



# **COMPONENT MAINTENANCE MANUAL WITH ILLUSTRATED PARTS LIST**

## **OVERHEAD STOWAGE COMPARTMENT ASSEMBLY**

**PART NUMBER**  
**65C32944-100SP, -11SP, -12SP, -13SP, -14SP,  
-15SP, -16SP, -17SP, -18SP, -19SP, -1SP, -20SP,  
-21SP, -22SP, -23SP, -24SP, -25SP, -26SP, -27SP,**

**BOEING PROPRIETARY, CONFIDENTIAL, AND/OR TRADE SECRET**

Copyright © 1995 The Boeing Company  
Unpublished Work - All Rights Reserved

Boeing claims copyright in each page of this document only to the extent that the page contains copyrightable subject matter. Boeing also claims copyright in this document as a compilation and/or collective work.

This document includes proprietary information owned by The Boeing Company and/or one or more third parties. Treatment of the document and the information it contains is governed by contract with Boeing. For more information, contact The Boeing Company, P.O. Box 3707, Seattle, Washington 98124.

Boeing, the Boeing signature, the Boeing symbol, 707, 717, 727, 737, 747, 757, 767, 777, 787, Dreamliner, BBJ, DC-8, DC-9, DC-10, KC-10, KDC-10, MD-10, MD-11, MD-80, MD-88, MD-90, P-8A, Poseidon and the Boeing livery are all trademarks owned by The Boeing Company; and no trademark license is granted in connection with this document unless provided in writing by Boeing.

PUBLISHED BY BOEING COMMERCIAL AIRPLANES GROUP, SEATTLE, WASHINGTON, USA  
A DIVISION OF THE BOEING COMPANY  
PAGE DATE: Jul 01/2009

**25-28-49**

Page 1  
Jul 01/2009



## COMPONENT MAINTENANCE MANUAL

### PART NUMBER (Cont.)

65C32944-28SP, -29SP, -2SP, -30SP, -31SP, -33SP, -34SP, -35SP, -36SP, -37SP, -38SP, -39SP, -3SP, -41SP,  
-42SP, -43SP, -46SP, -47SP, -48SP, -49SP, -4SP, -50SP, -51SP, -52SP, -53SP, -54SP, -55SP, -5SP,  
-60SP, -61SP, -62SP, -63SP, -64SP, -69SP, -6SP, -70SP, -74SP, -79SP, -80SP, -81SP, -95SP, -96SP,  
-97SP, -98SP, -99SP

**25-28-49**



## COMPONENT MAINTENANCE MANUAL

Revision No. 9  
Jul 01/2009

To: All holders of OVERHEAD STOWAGE COMPARTMENT ASSEMBLY 25-28-49.

Attached is the current revision to this COMPONENT MAINTENANCE MANUAL

The COMPONENT MAINTENANCE MANUAL is furnished either as a printed manual, on microfilm, or digital products, or any combination of the three. This revision replaces all previous microfilm cartridges or digital products. All microfilm and digital products are reissued with all obsolete data deleted and all updated pages added.

For printed manuals, changes are indicated on the List of Effective Pages (LEP). The pages which are revised will be identified on the LEP by an R (Revised), A (Added), O (Overflow, i.e. changes to the document structure and/or page layout), or D (Deleted). Each page in the LEP is identified by Chapter-Section-Subject number, page number and page date.

Pages replaced or made obsolete by this revision should be removed and destroyed.

### ATTENTION

IF YOU RECEIVE PRINTED REVISIONS, PLEASE VERIFY THAT YOU HAVE RECEIVED AND FILED THE PREVIOUS REVISION. BOEING MUST BE NOTIFIED WITHIN 30 DAYS IF YOU HAVE NOT RECEIVED THE PREVIOUS REVISION. REQUESTS FOR REVISIONS OTHER THAN THE PREVIOUS REVISION WILL REQUIRE A COMPLETE MANUAL REPRINT SUBJECT TO REPRINT CHARGES SHOWN IN THE DATA AND SERVICES CATALOG.

# 25-28-49

TRANSMITTAL LETTER

Page 1

Jul 01/2009



## COMPONENT MAINTENANCE MANUAL

Location of Change

Description of Change

NO HIGHLIGHTS

**25-28-49**

HIGHLIGHTS

Page 1

Jul 01/2009



## COMPONENT MAINTENANCE MANUAL

Subject/Page	Date	Subject/Page	Date	Subject/Page	Date
TITLE PAGE		25-28-49 CLEANING (cont)		25-28-49 ILLUSTRATED PARTS LIST (cont)	
O 1	Jul 01/2009	402	BLANK	1008	Jul 01/2006
O 2	Jul 01/2009	25-28-49 CHECK		1009	Mar 01/2006
25-28-49 TRANSMITTAL LETTER		501	Mar 01/2006	1010	Mar 01/2006
O 1	Jul 01/2009	502	BLANK	1011	Mar 01/2006
2	BLANK	25-28-49 REPAIR - GENERAL		1012	Mar 01/2006
25-28-49 HIGHLIGHTS		601	Mar 01/2006	1013	Mar 01/2006
O 1	Jul 01/2009	602	Mar 01/2006	1014	Mar 01/2006
2	BLANK	25-28-49 REPAIR 1-1		1015	Mar 01/2006
25-28-49 EFFECTIVE PAGES		601	Mar 01/2006	1016	Mar 01/2006
1 thru 9	Jul 01/2009	602	Mar 01/2006	1017	Mar 01/2006
10	BLANK	25-28-49 REPAIR 2-1		1018	Mar 01/2006
25-28-49 CONTENTS		601	Mar 01/2006	1019	Mar 01/2006
1	Mar 01/2006	602	BLANK	1020	Mar 01/2006
2	BLANK	25-28-49 REPAIR 3-1		1021	Mar 01/2006
25-28-49 TR AND SB RECORD		601	Mar 01/2006	1022	Mar 01/2006
1	Mar 01/2006	602	BLANK	1023	Mar 01/2006
2	BLANK	25-28-49 REPAIR 4-1		1024	Mar 01/2006
25-28-49 REVISION RECORD		601	Mar 01/2006	1025	Mar 01/2006
1	Mar 01/2006	602	BLANK	1026	Mar 01/2006
2	Mar 01/2006	25-28-49 ASSEMBLY		1027	Mar 01/2006
25-28-49 RECORD OF TEMPORARY REVISIONS		701	Mar 01/2006	1028	Mar 01/2006
1	Mar 01/2006	702	Mar 01/2006	1029	Mar 01/2006
2	Mar 01/2006	703	Mar 01/2006	1030	Mar 01/2006
25-28-49 INTRODUCTION		704	Mar 01/2006	1031	Mar 01/2006
1	Mar 01/2009	25-28-49 FITS AND CLEARANCES		1032	Mar 01/2006
2	BLANK	801	Mar 01/2006	1033	Mar 01/2006
25-28-49 DESCRIPTION AND OPERATION		802	BLANK	1034	Mar 01/2006
1	Mar 01/2006	25-28-49 SPECIAL TOOLS, FIXTURES, AND EQUIPMENT		1035	Mar 01/2006
2	BLANK	901	Mar 01/2006	1036	Mar 01/2006
25-28-49 TESTING AND FAULT ISOLATION		902	BLANK	1037	Mar 01/2006
101	Mar 01/2006	25-28-49 ILLUSTRATED PARTS LIST		1038	Mar 01/2006
102	BLANK	1001	Nov 01/2008	1039	Mar 01/2006
25-28-49 DISASSEMBLY		1002	Jul 01/2006	1040	Mar 01/2006
301	Mar 01/2006	1003	Jul 01/2006	1041	Mar 01/2006
302	BLANK	1004	Nov 01/2006	1042	Mar 01/2006
25-28-49 CLEANING		1005	Jul 01/2006	1043	Mar 01/2006
401	Mar 01/2006	1006	Jul 01/2006	1044	Mar 01/2006
		1007	Jul 01/2006	1045	Mar 01/2006

A = Added, R = Revised, D = Deleted, O = Overflow

# 25-28-49

EFFECTIVE PAGES

Page 1

Jul 01/2009



## COMPONENT MAINTENANCE MANUAL

Subject/Page	Date	Subject/Page	Date	Subject/Page	Date
25-28-49 ILLUSTRATED PARTS LIST (cont)		25-28-49 ILLUSTRATED PARTS LIST (cont)		25-28-49 ILLUSTRATED PARTS LIST (cont)	
1046	Mar 01/2006	1084	Mar 01/2006	1098.24	Mar 01/2006
1047	Mar 01/2006	1085	Mar 01/2006	1098.25	Mar 01/2006
1048	Mar 01/2006	1086	Mar 01/2006	1098.26	Mar 01/2006
1049	Mar 01/2006	1087	Mar 01/2006	1098.27	Mar 01/2006
1050	Mar 01/2006	1088	Mar 01/2006	1098.28	Mar 01/2006
1051	Mar 01/2006	1089	Mar 01/2006	1098.29	Mar 01/2006
1052	Mar 01/2006	1090	Mar 01/2006	1098.30	Mar 01/2006
1053	Mar 01/2006	1091	Mar 01/2006	1098.31	Mar 01/2006
1054	Mar 01/2006	1092	Mar 01/2006	1098.32	Mar 01/2006
1055	Mar 01/2006	1093	Mar 01/2006	1098.33	Mar 01/2006
1056	Mar 01/2006	1094	Mar 01/2006	1098.34	Mar 01/2006
1057	Mar 01/2006	1095	Mar 01/2006	1098.35	Mar 01/2006
1058	Mar 01/2006	1096	Mar 01/2006	1098.36	Mar 01/2006
1059	Mar 01/2006	1097	Mar 01/2006	1098.37	Mar 01/2006
1060	Mar 01/2006	1098	Mar 01/2006	1098.38	Mar 01/2006
1061	Mar 01/2006	1098.1	Mar 01/2006	1098.39	Mar 01/2006
1062	Mar 01/2006	1098.2	Mar 01/2006	1098.40	Mar 01/2006
1063	Mar 01/2006	1098.3	Mar 01/2006	1098.41	Mar 01/2006
1064	Mar 01/2006	1098.4	Mar 01/2006	1098.42	Mar 01/2006
1065	Mar 01/2006	1098.5	Mar 01/2006	1098.43	Mar 01/2006
1066	Mar 01/2006	1098.6	Mar 01/2006	1098.44	Mar 01/2006
1067	Mar 01/2006	1098.7	Mar 01/2006	1098.45	Mar 01/2006
1068	Mar 01/2006	1098.8	Mar 01/2006	1098.46	Mar 01/2006
1069	Mar 01/2006	1098.9	Mar 01/2006	1098.47	Mar 01/2006
1070	Mar 01/2006	1098.10	Mar 01/2006	1098.48	Mar 01/2006
1071	Mar 01/2006	1098.11	Mar 01/2006	1098.49	Mar 01/2006
1072	Mar 01/2006	1098.12	Mar 01/2006	1098.50	Mar 01/2006
1073	Mar 01/2006	1098.13	Mar 01/2006	1098.51	Mar 01/2006
1074	Mar 01/2006	1098.14	Mar 01/2006	1098.52	Mar 01/2006
1075	Mar 01/2006	1098.15	Mar 01/2006	1098.53	Mar 01/2006
1076	Mar 01/2006	1098.16	Mar 01/2006	1098.54	Mar 01/2006
1077	Mar 01/2006	1098.17	Mar 01/2006	1098.55	Mar 01/2006
1078	Mar 01/2006	1098.18	Mar 01/2006	1098.56	Mar 01/2006
1079	Mar 01/2006	1098.19	Mar 01/2006	1098.57	Mar 01/2006
1080	Mar 01/2006	1098.20	Mar 01/2006	1098.58	Mar 01/2006
1081	Mar 01/2006	1098.21	Mar 01/2006	1098.59	Mar 01/2006
1082	Mar 01/2006	1098.22	Mar 01/2006	1098.60	Mar 01/2006
1083	Mar 01/2006	1098.23	Mar 01/2006	1098.61	Mar 01/2006

A = Added, R = Revised, D = Deleted, O = Overflow

# 25-28-49

EFFECTIVE PAGES

Page 2

Jul 01/2009



## COMPONENT MAINTENANCE MANUAL

Subject/Page	Date	Subject/Page	Date	Subject/Page	Date
25-28-49 ILLUSTRATED PARTS LIST (cont)		25-28-49 ILLUSTRATED PARTS LIST (cont)		25-28-49 ILLUSTRATED PARTS LIST (cont)	
1098.62	Mar 01/2006	1098.100	Mar 01/2006	1098.138	Mar 01/2006
1098.63	Mar 01/2006	1098.101	Mar 01/2006	1098.139	Mar 01/2006
1098.64	Mar 01/2006	1098.102	Mar 01/2006	1098.140	Mar 01/2006
1098.65	Mar 01/2006	1098.103	Mar 01/2006	1098.141	Mar 01/2006
1098.66	Mar 01/2006	1098.104	Mar 01/2006	1098.142	Mar 01/2006
1098.67	Mar 01/2006	1098.105	Mar 01/2006	1098.143	Mar 01/2006
1098.68	Mar 01/2006	1098.106	Mar 01/2006	1098.144	Mar 01/2006
1098.69	Mar 01/2006	1098.107	Mar 01/2006	1098.145	Mar 01/2006
1098.70	Mar 01/2006	1098.108	Mar 01/2006	1098.146	Mar 01/2006
1098.71	Mar 01/2006	1098.109	Mar 01/2006	1098.147	Mar 01/2006
1098.72	Mar 01/2006	1098.110	Mar 01/2006	1098.148	Mar 01/2006
1098.73	Mar 01/2006	1098.111	Mar 01/2006	1098.149	Mar 01/2006
1098.74	Mar 01/2006	1098.112	Mar 01/2006	1098.150	Mar 01/2006
1098.75	Mar 01/2006	1098.113	Mar 01/2006	1098.151	Mar 01/2006
1098.76	Mar 01/2006	1098.114	Mar 01/2006	1098.152	Mar 01/2006
1098.77	Mar 01/2006	1098.115	Mar 01/2006	1098.153	Mar 01/2006
1098.78	Mar 01/2006	1098.116	Mar 01/2006	1098.154	Mar 01/2006
1098.79	Mar 01/2006	1098.117	Mar 01/2006	1098.155	Mar 01/2006
1098.80	Mar 01/2006	1098.118	Mar 01/2006	1098.156	Mar 01/2006
1098.81	Mar 01/2006	1098.119	Mar 01/2006	1098.157	Mar 01/2006
1098.82	Mar 01/2006	1098.120	Mar 01/2006	1098.158	Mar 01/2006
1098.83	Mar 01/2006	1098.121	Mar 01/2006	1098.159	Mar 01/2006
1098.84	Mar 01/2006	1098.122	Mar 01/2006	1098.160	Mar 01/2006
1098.85	Mar 01/2006	1098.123	Mar 01/2006	1098.161	Mar 01/2006
1098.86	Mar 01/2006	1098.124	Mar 01/2006	1098.162	Mar 01/2006
1098.87	Mar 01/2006	1098.125	Mar 01/2006	1098.163	Mar 01/2006
1098.88	Mar 01/2006	1098.126	Mar 01/2006	1098.164	Mar 01/2006
1098.89	Mar 01/2006	1098.127	Mar 01/2006	1098.165	Mar 01/2006
1098.90	Mar 01/2006	1098.128	Mar 01/2006	1098.166	Mar 01/2006
1098.91	Mar 01/2006	1098.129	Mar 01/2006	1098.167	Mar 01/2006
1098.92	Mar 01/2006	1098.130	Mar 01/2006	1098.168	Mar 01/2006
1098.93	Mar 01/2006	1098.131	Mar 01/2006	1098.169	Mar 01/2006
1098.94	Mar 01/2006	1098.132	Mar 01/2006	1098.170	Mar 01/2006
1098.95	Mar 01/2006	1098.133	Mar 01/2006	1098.171	Mar 01/2006
1098.96	Mar 01/2006	1098.134	Mar 01/2006	1098.172	Mar 01/2006
1098.97	Mar 01/2006	1098.135	Mar 01/2006	1098.173	Mar 01/2006
1098.98	Mar 01/2006	1098.136	Mar 01/2006	1098.174	Mar 01/2006
1098.99	Mar 01/2006	1098.137	Mar 01/2006	1098.175	Mar 01/2006

A = Added, R = Revised, D = Deleted, O = Overflow

# 25-28-49

EFFECTIVE PAGES

Page 3

Jul 01/2009



## COMPONENT MAINTENANCE MANUAL

Subject/Page	Date	Subject/Page	Date	Subject/Page	Date
25-28-49 ILLUSTRATED PARTS LIST (cont)		25-28-49 ILLUSTRATED PARTS LIST (cont)		25-28-49 ILLUSTRATED PARTS LIST (cont)	
1098.176	Mar 01/2006	1098.214	Mar 01/2006	1098.252	Mar 01/2006
1098.177	Mar 01/2006	1098.215	Mar 01/2006	1098.253	Mar 01/2006
1098.178	Mar 01/2006	1098.216	Mar 01/2006	1098.254	Mar 01/2006
1098.179	Mar 01/2006	1098.217	Mar 01/2006	1098.255	Mar 01/2006
1098.180	Mar 01/2006	1098.218	Mar 01/2006	1098.256	Mar 01/2006
1098.181	Mar 01/2006	1098.219	Mar 01/2006	1098.257	Mar 01/2006
O 1098.182	Jul 01/2009	1098.220	Mar 01/2006	1098.258	Mar 01/2006
1098.183	Mar 01/2006	1098.221	Mar 01/2006	1098.259	Mar 01/2006
1098.184	Mar 01/2006	1098.222	Mar 01/2006	1098.260	Mar 01/2006
1098.185	Mar 01/2006	1098.223	Mar 01/2006	1098.261	Mar 01/2006
1098.186	Mar 01/2006	1098.224	Mar 01/2006	1098.262	Mar 01/2006
1098.187	Mar 01/2006	1098.225	Mar 01/2006	1098.263	Mar 01/2006
1098.188	Mar 01/2006	1098.226	Mar 01/2006	1098.264	Mar 01/2006
1098.189	Mar 01/2006	1098.227	Mar 01/2006	1098.265	Mar 01/2006
1098.190	Mar 01/2006	1098.228	Mar 01/2006	1098.266	Mar 01/2006
1098.191	Mar 01/2006	1098.229	Mar 01/2006	1098.267	Mar 01/2006
1098.192	Mar 01/2006	1098.230	Mar 01/2006	1098.268	Mar 01/2006
1098.193	Mar 01/2006	1098.231	Mar 01/2006	1098.269	Mar 01/2006
1098.194	Mar 01/2006	1098.232	Mar 01/2006	1098.270	Mar 01/2006
1098.195	Mar 01/2006	1098.233	Mar 01/2006	1098.271	Mar 01/2006
1098.196	Mar 01/2006	1098.234	Mar 01/2006	1098.272	Mar 01/2006
1098.197	Mar 01/2006	1098.235	Mar 01/2006	1098.273	Mar 01/2006
1098.198	Mar 01/2006	1098.236	Mar 01/2006	1098.274	Mar 01/2006
1098.199	Mar 01/2006	1098.237	Mar 01/2006	1098.275	Mar 01/2006
1098.200	Mar 01/2006	1098.238	Mar 01/2006	1098.276	Mar 01/2006
1098.201	Mar 01/2006	1098.239	Mar 01/2006	1098.277	Mar 01/2006
O 1098.202	Jul 01/2009	1098.240	Mar 01/2006	1098.278	Mar 01/2006
1098.203	Mar 01/2006	1098.241	Mar 01/2006	1098.279	Mar 01/2006
1098.204	Mar 01/2006	1098.242	Mar 01/2006	1098.280	Mar 01/2006
1098.205	Mar 01/2006	1098.243	Mar 01/2006	1098.281	Mar 01/2006
1098.206	Mar 01/2006	1098.244	Mar 01/2006	1098.282	Mar 01/2006
1098.207	Mar 01/2006	1098.245	Mar 01/2006	1098.283	Mar 01/2006
1098.208	Mar 01/2006	1098.246	Mar 01/2006	1098.284	Mar 01/2006
1098.209	Mar 01/2006	1098.247	Mar 01/2006	1098.285	Mar 01/2006
1098.210	Mar 01/2006	1098.248	Mar 01/2006	1098.286	Mar 01/2006
1098.211	Mar 01/2006	1098.249	Mar 01/2006	1098.287	Mar 01/2006
1098.212	Mar 01/2006	1098.250	Mar 01/2006	1098.288	Mar 01/2006
1098.213	Mar 01/2006	1098.251	Mar 01/2006	1098.289	Mar 01/2006

A = Added, R = Revised, D = Deleted, O = Overflow

# 25-28-49

EFFECTIVE PAGES

Page 4

Jul 01/2009





## COMPONENT MAINTENANCE MANUAL

Subject/Page	Date	Subject/Page	Date	Subject/Page	Date
25-28-49 ILLUSTRATED PARTS LIST (cont)		25-28-49 ILLUSTRATED PARTS LIST (cont)		25-28-49 ILLUSTRATED PARTS LIST (cont)	
1098.290	Mar 01/2006	1098.328	Mar 01/2006	1098.366	Mar 01/2006
1098.291	Mar 01/2006	1098.329	Mar 01/2006	1098.367	Mar 01/2006
1098.292	Mar 01/2006	1098.330	Mar 01/2006	1098.368	Mar 01/2006
1098.293	Mar 01/2006	1098.331	Mar 01/2006	1098.369	Mar 01/2006
1098.294	Mar 01/2006	1098.332	Mar 01/2006	1098.370	Mar 01/2006
1098.295	Mar 01/2006	1098.333	Mar 01/2006	1098.371	Mar 01/2006
1098.296	Mar 01/2006	1098.334	Mar 01/2006	1098.372	Mar 01/2006
1098.297	Mar 01/2006	1098.335	Mar 01/2006	1098.373	Mar 01/2006
1098.298	Mar 01/2006	1098.336	Mar 01/2006	1098.374	Mar 01/2006
1098.299	Mar 01/2006	1098.337	Mar 01/2006	1098.375	Mar 01/2006
1098.300	Mar 01/2006	1098.338	Mar 01/2006	1098.376	Mar 01/2006
1098.301	Mar 01/2006	1098.339	Mar 01/2006	1098.377	Mar 01/2006
1098.302	Mar 01/2006	1098.340	Mar 01/2006	1098.378	Mar 01/2006
1098.303	Mar 01/2006	1098.341	Mar 01/2006	1098.379	Mar 01/2006
1098.304	Mar 01/2006	1098.342	Mar 01/2006	1098.380	Mar 01/2006
1098.305	Mar 01/2006	1098.343	Mar 01/2006	1098.381	Mar 01/2006
1098.306	Mar 01/2006	1098.344	Mar 01/2006	1098.382	Mar 01/2006
1098.307	Mar 01/2006	1098.345	Mar 01/2006	1098.383	Mar 01/2006
1098.308	Mar 01/2006	1098.346	Mar 01/2006	1098.384	Mar 01/2006
1098.309	Mar 01/2006	1098.347	Mar 01/2006	1098.385	Mar 01/2006
1098.310	Mar 01/2006	1098.348	Mar 01/2006	1098.386	Mar 01/2006
1098.311	Mar 01/2006	1098.349	Mar 01/2006	1098.387	Mar 01/2006
1098.312	Mar 01/2006	1098.350	Mar 01/2006	1098.388	Mar 01/2006
1098.313	Mar 01/2006	1098.351	Mar 01/2006	1098.389	Mar 01/2006
1098.314	Mar 01/2006	1098.352	Mar 01/2006	1098.390	Mar 01/2006
1098.315	Mar 01/2006	1098.353	Mar 01/2006	1098.391	Mar 01/2006
1098.316	Mar 01/2006	1098.354	Mar 01/2006	1098.392	Mar 01/2006
1098.317	Mar 01/2006	1098.355	Mar 01/2006	1098.393	Mar 01/2006
O 1098.318	Jul 01/2009	1098.356	Mar 01/2006	1098.394	Mar 01/2006
1098.319	Mar 01/2006	1098.357	Mar 01/2006	1098.395	Mar 01/2006
1098.320	Mar 01/2006	1098.358	Mar 01/2006	1098.396	Mar 01/2006
1098.321	Mar 01/2006	1098.359	Mar 01/2006	1098.397	Mar 01/2006
1098.322	Mar 01/2006	1098.360	Mar 01/2006	1098.398	Mar 01/2006
1098.323	Mar 01/2006	1098.361	Mar 01/2006	1098.399	Mar 01/2006
1098.324	Mar 01/2006	1098.362	Mar 01/2006	1098.400	Mar 01/2006
1098.325	Mar 01/2006	1098.363	Mar 01/2006	1098.401	Mar 01/2006
1098.326	Mar 01/2006	1098.364	Mar 01/2006	1098.402	Mar 01/2006
1098.327	Mar 01/2006	1098.365	Mar 01/2006	1098.403	Mar 01/2006

A = Added, R = Revised, D = Deleted, O = Overflow

# 25-28-49

EFFECTIVE PAGES

Page 5

Jul 01/2009



## COMPONENT MAINTENANCE MANUAL

Subject/Page	Date	Subject/Page	Date	Subject/Page	Date
25-28-49 ILLUSTRATED PARTS LIST (cont)		25-28-49 ILLUSTRATED PARTS LIST (cont)		25-28-49 ILLUSTRATED PARTS LIST (cont)	
1098.404	Mar 01/2006	1098.442	Mar 01/2006	1098.480	Mar 01/2006
1098.405	Mar 01/2006	1098.443	Mar 01/2006	1098.481	Mar 01/2006
1098.406	Mar 01/2006	1098.444	Mar 01/2006	1098.482	Mar 01/2006
1098.407	Mar 01/2006	1098.445	Mar 01/2006	1098.483	Mar 01/2006
1098.408	Mar 01/2006	1098.446	Mar 01/2006	1098.484	Mar 01/2006
1098.409	Mar 01/2006	1098.447	Mar 01/2006	1098.485	Mar 01/2006
1098.410	Mar 01/2006	1098.448	Mar 01/2006	1098.486	Mar 01/2006
1098.411	Mar 01/2006	1098.449	Mar 01/2006	1098.487	Mar 01/2006
1098.412	Mar 01/2006	O 1098.450	Jul 01/2009	1098.488	Mar 01/2006
1098.413	Mar 01/2006	1098.451	Mar 01/2006	1098.489	Mar 01/2006
1098.414	Mar 01/2006	1098.452	Mar 01/2006	1098.490	Mar 01/2006
1098.415	Mar 01/2006	1098.453	Mar 01/2006	1098.491	Mar 01/2006
1098.416	Mar 01/2006	1098.454	Mar 01/2006	1098.492	Mar 01/2006
1098.417	Mar 01/2006	1098.455	Mar 01/2006	1098.493	Mar 01/2006
1098.418	Mar 01/2006	1098.456	Mar 01/2006	1098.494	Mar 01/2006
1098.419	Mar 01/2006	1098.457	Mar 01/2006	1098.495	Mar 01/2006
1098.420	Mar 01/2006	1098.458	Mar 01/2006	1098.496	Mar 01/2006
1098.421	Mar 01/2006	1098.459	Mar 01/2006	1098.497	Mar 01/2006
1098.422	Mar 01/2006	1098.460	Mar 01/2006	1098.498	Mar 01/2006
1098.423	Mar 01/2006	1098.461	Mar 01/2006	1098.499	Mar 01/2006
1098.424	Mar 01/2006	O 1098.462	Jul 01/2009	1098.500	Mar 01/2006
1098.425	Mar 01/2006	1098.463	Mar 01/2006	1098.501	Mar 01/2006
1098.426	Mar 01/2006	1098.464	Mar 01/2006	1098.502	Mar 01/2006
1098.427	Mar 01/2006	1098.465	Mar 01/2006	1098.503	Mar 01/2006
1098.428	Mar 01/2006	1098.466	Mar 01/2006	1098.504	Mar 01/2006
O 1098.429	Jul 01/2009	1098.467	Mar 01/2006	1098.505	Mar 01/2006
1098.430	Mar 01/2006	1098.468	Mar 01/2006	1098.506	Mar 01/2006
1098.431	Mar 01/2006	1098.469	Mar 01/2006	1098.507	Mar 01/2006
1098.432	Mar 01/2006	1098.470	Mar 01/2006	1098.508	Mar 01/2006
1098.433	Mar 01/2006	1098.471	Mar 01/2006	1098.509	Mar 01/2006
1098.434	Mar 01/2006	1098.472	Mar 01/2006	1098.510	Mar 01/2006
1098.435	Mar 01/2006	1098.473	Mar 01/2006	1098.511	Mar 01/2006
1098.436	Mar 01/2006	1098.474	Mar 01/2006	1098.512	Mar 01/2006
1098.437	Mar 01/2006	1098.475	Mar 01/2006	1098.513	Mar 01/2006
1098.438	Mar 01/2006	1098.476	Mar 01/2006	1098.514	Mar 01/2006
1098.439	Mar 01/2006	1098.477	Mar 01/2006	1098.515	Mar 01/2006
1098.440	Mar 01/2006	1098.478	Mar 01/2006	1098.516	Mar 01/2006
1098.441	Mar 01/2006	1098.479	Mar 01/2006	1098.517	Mar 01/2006

A = Added, R = Revised, D = Deleted, O = Overflow

# 25-28-49

EFFECTIVE PAGES

Page 6

Jul 01/2009



## COMPONENT MAINTENANCE MANUAL

Subject/Page	Date	Subject/Page	Date	Subject/Page	Date
25-28-49 ILLUSTRATED PARTS LIST (cont)		25-28-49 ILLUSTRATED PARTS LIST (cont)		25-28-49 ILLUSTRATED PARTS LIST (cont)	
1098.518	Mar 01/2006	1098.556	Mar 01/2006	1098.594	Mar 01/2006
1098.519	Mar 01/2006	1098.557	Mar 01/2006	1098.595	Mar 01/2006
1098.520	Mar 01/2006	1098.558	Mar 01/2006	1098.596	Mar 01/2006
1098.521	Mar 01/2006	1098.559	Mar 01/2006	1098.597	Mar 01/2006
1098.522	Mar 01/2006	1098.560	Mar 01/2006	1098.598	Mar 01/2006
1098.523	Mar 01/2006	1098.561	Mar 01/2006	1098.599	Mar 01/2006
1098.524	Mar 01/2006	1098.562	Mar 01/2006	1098.600	Mar 01/2006
1098.525	Mar 01/2006	1098.563	Mar 01/2006	1098.601	Mar 01/2006
1098.526	Mar 01/2006	1098.564	Mar 01/2006	1098.602	Mar 01/2006
1098.527	Mar 01/2006	1098.565	Mar 01/2006	1098.603	Mar 01/2006
1098.528	Mar 01/2006	1098.566	Mar 01/2006	1098.604	Mar 01/2006
1098.529	Mar 01/2006	1098.567	Mar 01/2006	1098.605	Mar 01/2006
1098.530	Mar 01/2006	1098.568	Mar 01/2006	1098.606	Mar 01/2006
1098.531	Mar 01/2006	1098.569	Mar 01/2006	1098.607	Mar 01/2006
1098.532	Mar 01/2006	1098.570	Mar 01/2006	1098.608	Mar 01/2006
1098.533	Mar 01/2006	1098.571	Mar 01/2006	1098.609	Mar 01/2006
1098.534	Mar 01/2006	1098.572	Mar 01/2006	1098.610	Mar 01/2006
1098.535	Mar 01/2006	1098.573	Mar 01/2006	1098.611	Mar 01/2006
1098.536	Mar 01/2006	1098.574	Mar 01/2006	1098.612	Mar 01/2006
O 1098.537	Jul 01/2009	1098.575	Mar 01/2006	1098.613	Mar 01/2006
1098.538	Mar 01/2006	1098.576	Mar 01/2006	1098.614	Mar 01/2006
1098.539	Mar 01/2006	1098.577	Mar 01/2006	1098.615	Mar 01/2006
1098.540	Mar 01/2006	1098.578	Mar 01/2006	1098.616	Mar 01/2006
1098.541	Mar 01/2006	1098.579	Mar 01/2006	1098.617	Mar 01/2006
1098.542	Mar 01/2006	1098.580	Mar 01/2006	1098.618	Mar 01/2006
1098.543	Mar 01/2006	1098.581	Mar 01/2006	1098.619	Mar 01/2006
1098.544	Mar 01/2006	O 1098.582	Jul 01/2009	1098.620	Mar 01/2006
1098.545	Mar 01/2006	1098.583	Mar 01/2006	1098.621	Mar 01/2006
1098.546	Mar 01/2006	1098.584	Mar 01/2006	1098.622	Mar 01/2006
1098.547	Mar 01/2006	1098.585	Mar 01/2006	1098.623	Mar 01/2006
1098.548	Mar 01/2006	1098.586	Mar 01/2006	1098.624	Mar 01/2006
1098.549	Mar 01/2006	1098.587	Mar 01/2006	1098.625	Mar 01/2006
1098.550	Mar 01/2006	1098.588	Mar 01/2006	1098.626	Mar 01/2006
1098.551	Mar 01/2006	1098.589	Mar 01/2006	1098.627	Mar 01/2006
1098.552	Mar 01/2006	1098.590	Mar 01/2006	1098.628	Mar 01/2006
1098.553	Mar 01/2006	1098.591	Mar 01/2006	1098.629	Mar 01/2006
1098.554	Mar 01/2006	1098.592	Mar 01/2006	1098.630	Mar 01/2006
1098.555	Mar 01/2006	1098.593	Mar 01/2006	1098.631	Mar 01/2006

A = Added, R = Revised, D = Deleted, O = Overflow

# 25-28-49

EFFECTIVE PAGES

Page 7

Jul 01/2009



## COMPONENT MAINTENANCE MANUAL

Subject/Page	Date	Subject/Page	Date	Subject/Page	Date
25-28-49 ILLUSTRATED PARTS LIST (cont)		25-28-49 ILLUSTRATED PARTS LIST (cont)		25-28-49 ILLUSTRATED PARTS LIST (cont)	
1098.632	Mar 01/2006	1098.670	Mar 01/2006	1098.708	Mar 01/2006
1098.633	Mar 01/2006	1098.671	Mar 01/2006	1098.709	Mar 01/2006
1098.634	Mar 01/2006	1098.672	Mar 01/2006	1098.710	Mar 01/2006
1098.635	Mar 01/2006	1098.673	Mar 01/2006	1098.711	Mar 01/2006
1098.636	Mar 01/2006	1098.674	Mar 01/2006	1098.712	Mar 01/2006
1098.637	Mar 01/2006	1098.675	Mar 01/2006	1098.713	Mar 01/2006
1098.638	Mar 01/2006	1098.676	Mar 01/2006	1098.714	Mar 01/2006
1098.639	Mar 01/2006	1098.677	Mar 01/2006	1098.715	Mar 01/2006
1098.640	Mar 01/2006	1098.678	Mar 01/2006	1098.716	Mar 01/2006
1098.641	Mar 01/2006	1098.679	Mar 01/2006	1098.717	Mar 01/2006
1098.642	Mar 01/2006	1098.680	Mar 01/2006	1098.718	Mar 01/2006
1098.643	Mar 01/2006	1098.681	Mar 01/2006	1098.719	Mar 01/2006
1098.644	Mar 01/2006	1098.682	Mar 01/2006	1098.720	Mar 01/2006
1098.645	Mar 01/2006	1098.683	Mar 01/2006	1098.721	Mar 01/2006
1098.646	Mar 01/2006	1098.684	Mar 01/2006	1098.722	Mar 01/2006
1098.647	Mar 01/2006	1098.685	Mar 01/2006	1098.723	Mar 01/2006
1098.648	Mar 01/2006	1098.686	Mar 01/2006	1098.724	Mar 01/2006
1098.649	Mar 01/2006	1098.687	Mar 01/2006	1098.725	Mar 01/2006
1098.650	Mar 01/2006	1098.688	Mar 01/2006	1098.726	Mar 01/2006
1098.651	Mar 01/2006	1098.689	Mar 01/2006	1098.727	Mar 01/2006
1098.652	Mar 01/2006	1098.690	Mar 01/2006	1098.728	Mar 01/2006
1098.653	Mar 01/2006	1098.691	Mar 01/2006	1098.729	Mar 01/2006
1098.654	Mar 01/2006	1098.692	Mar 01/2006	1098.730	Mar 01/2006
1098.655	Mar 01/2006	1098.693	Mar 01/2006	1098.731	Mar 01/2006
1098.656	Mar 01/2006	1098.694	Mar 01/2006	1098.732	Mar 01/2006
1098.657	Mar 01/2006	1098.695	Mar 01/2006	1098.733	Mar 01/2006
1098.658	Mar 01/2006	1098.696	Mar 01/2006	1098.734	Mar 01/2006
1098.659	Mar 01/2006	1098.697	Mar 01/2006	1098.735	Mar 01/2006
1098.660	Mar 01/2006	1098.698	Mar 01/2006	1098.736	Mar 01/2006
1098.661	Mar 01/2006	1098.699	Mar 01/2006	1098.737	Mar 01/2006
1098.662	Mar 01/2006	1098.700	Mar 01/2006	1098.738	Mar 01/2006
1098.663	Mar 01/2006	1098.701	Mar 01/2006	1098.739	Mar 01/2006
1098.664	Mar 01/2006	1098.702	Mar 01/2006	1098.740	Mar 01/2006
1098.665	Mar 01/2006	1098.703	Mar 01/2006	1098.741	Mar 01/2006
1098.666	Mar 01/2006	1098.704	Mar 01/2006	1098.742	Mar 01/2006
O 1098.667	Jul 01/2009	1098.705	Mar 01/2006	1098.743	Mar 01/2006
1098.668	Mar 01/2006	1098.706	Mar 01/2006	1098.744	Mar 01/2006
1098.669	Mar 01/2006	1098.707	Mar 01/2006	1098.745	Mar 01/2006

A = Added, R = Revised, D = Deleted, O = Overflow

# 25-28-49

EFFECTIVE PAGES

Page 8

Jul 01/2009



## COMPONENT MAINTENANCE MANUAL

Subject/Page	Date	Subject/Page	Date	Subject/Page	Date
25-28-49 ILLUSTRATED PARTS LIST (cont)		25-28-49 ILLUSTRATED PARTS LIST (cont)		25-28-49 ILLUSTRATED PARTS LIST (cont)	
1098.746	Mar 01/2006	1098.784	Mar 01/2006	1098.822	Mar 01/2006
1098.747	Mar 01/2006	1098.785	Mar 01/2006	1098.823	Mar 01/2006
1098.748	Mar 01/2006	1098.786	Mar 01/2006	1098.824	Mar 01/2006
1098.749	Mar 01/2006	1098.787	Mar 01/2006	1098.825	Mar 01/2006
1098.750	Mar 01/2006	1098.788	Mar 01/2006	1098.826	Mar 01/2006
1098.751	Mar 01/2006	1098.789	Mar 01/2006	1098.827	Mar 01/2006
1098.752	Mar 01/2006	1098.790	Mar 01/2006	1098.828	Mar 01/2006
1098.753	Mar 01/2006	1098.791	Mar 01/2006	1098.829	Mar 01/2006
1098.754	Mar 01/2006	1098.792	Mar 01/2006	1098.830	Mar 01/2006
1098.755	Mar 01/2006	1098.793	Mar 01/2006	1098.831	Mar 01/2006
1098.756	Mar 01/2006	1098.794	Mar 01/2006	1098.832	Mar 01/2006
1098.757	Mar 01/2006	1098.795	Mar 01/2006	1098.833	Mar 01/2006
1098.758	Mar 01/2006	1098.796	Mar 01/2006	1098.834	Mar 01/2006
1098.759	Mar 01/2006	1098.797	Mar 01/2006	1098.835	Mar 01/2006
1098.760	Mar 01/2006	1098.798	Mar 01/2006	1098.836	Mar 01/2006
1098.761	Mar 01/2006	1098.799	Mar 01/2006	1098.837	Mar 01/2006
1098.762	Mar 01/2006	1098.800	Mar 01/2006	1098.838	Mar 01/2006
1098.763	Mar 01/2006	1098.801	Mar 01/2006		
1098.764	Mar 01/2006	1098.802	Mar 01/2006		
1098.765	Mar 01/2006	1098.803	Mar 01/2006		
1098.766	Mar 01/2006	1098.804	Mar 01/2006		
1098.767	Mar 01/2006	1098.805	Mar 01/2006		
1098.768	Mar 01/2006	1098.806	Mar 01/2006		
1098.769	Mar 01/2006	1098.807	Mar 01/2006		
1098.770	Mar 01/2006	1098.808	Mar 01/2006		
1098.771	Mar 01/2006	1098.809	Mar 01/2006		
1098.772	Mar 01/2006	1098.810	Mar 01/2006		
1098.773	Mar 01/2006	1098.811	Mar 01/2006		
1098.774	Mar 01/2006	1098.812	Mar 01/2006		
1098.775	Mar 01/2006	1098.813	Mar 01/2006		
1098.776	Mar 01/2006	1098.814	Mar 01/2006		
1098.777	Mar 01/2006	1098.815	Mar 01/2006		
1098.778	Mar 01/2006	1098.816	Mar 01/2006		
1098.779	Mar 01/2006	1098.817	Mar 01/2006		
1098.780	Mar 01/2006	1098.818	Mar 01/2006		
1098.781	Mar 01/2006	1098.819	Mar 01/2006		
1098.782	Mar 01/2006	1098.820	Mar 01/2006		
1098.783	Mar 01/2006	1098.821	Mar 01/2006		

A = Added, R = Revised, D = Deleted, O = Overflow

# 25-28-49

EFFECTIVE PAGES

Page 9

Jul 01/2009

**COMPONENT MAINTENANCE MANUAL****TABLE OF CONTENTS**

<b><u>Paragraph Title</u></b>		<b><u>Page</u></b>
OVERHEAD STOWAGE COMPARTMENT ASSEMBLY - DESCRIPTION AND OPERATION		1
TESTING AND FAULT ISOLATION	(Not Applicable)	
DISASSEMBLY	(Not Applicable)	
CLEANING		401
CHECK	(Not Applicable)	
REPAIR		601
ASSEMBLY		701
FITS AND CLEARANCES	(Not Applicable)	
SPECIAL TOOLS, FIXTURES, AND EQUIPMENT	(Not Applicable)	
ILLUSTRATED PARTS LIST		1001

**25-28-49**

CONTENTS

Page 1

Mar 01/2006



**COMPONENT MAINTENANCE MANUAL**

**TEMPORARY REVISION AND SERVICE BULLETIN RECORD**

BOEING SERVICE BULLETIN	BOEING TEMPORARY REVISION	OTHER DIRECTIVE	DATE OF INCORPORATION INTO MANUAL
		PRR 34034-1	MAR 05/92
		PRR 34034-2	MAR 05/92
		PRR 34034-3	MAR 05/92
		PRR 34492	MAR 05/92
		PRR 34492-2	MAR 05/92
		PRR 34649	MAR 05/92
		PRR 37000-5	MAR 05/92
		MC 2560MP3043	MAR 05/92
25A1283		PRR 35041-2R	SEP 05/92
25-1294		PRR 35041-2R	SEP 05/92
		PRR 34492-3	SEP 05/92

**25-28-49**

TR AND SB RECORD

Page 1

Mar 01/2006



**COMPONENT MAINTENANCE MANUAL**

All revisions to this manual will be accompanied by transmittal sheet bearing the revision number. Enter the revision number in numerical order, together with the revision date, the date filed and the initials of the person filing.

Revision		Filed	
Number	Date	Date	Initials

Revision		Filed	
Number	Date	Date	Initials

**25-28-49**





COMPONENT MAINTENANCE MANUAL

Revision		Filed	
Number	Date	Date	Initials

Revision		Filed	
Number	Date	Date	Initials

**25-28-49**

REVISION RECORD

Page 2

Mar 01/2006



**COMPONENT MAINTENANCE MANUAL**

All temporary revisions to this manual will be accompanied by a cover sheet bearing the temporary revision number. Enter the temporary revision number in numerical order, together with the temporary revision date, the date the temporary revision is inserted and the initials of the person filing. When the temporary revision is incorporated or cancelled, and the pages are removed, enter the date the pages are removed and the initials of the person who removed the temporary revision.

Temporary Revision		Inserted		Removed		Temporary Revision		Inserted		Removed	
Number	Date	Date	Initials	Date	Initials	Date	Initials	Number	Date	Date	Initials



COMPONENT MAINTENANCE MANUAL

Temporary Revision		Inserted		Removed	
Number	Date	Date	Initials	Date	Initials

Temporary Revision		Inserted		Removed	
Date	Initials	Number	Date	Date	Initials

25-28-49

RECORD OF TEMPORARY REVISION

Page 2

Mar 01/2006



## COMPONENT MAINTENANCE MANUAL

### INTRODUCTION

#### 1. General

- A. The instructions in this manual supply the data necessary to do the maintenance functions together with the test, fault isolation, repair, and replacement of the defective parts.
- B. This manual is divided into different parts:
  - (1) Title Page
  - (2) Transmittal Letter
  - (3) Highlights
  - (4) List of Effective Pages
  - (5) Table of Contents
  - (6) Temporary Revision & Service Bulletin Record
  - (7) Record of Revisions
  - (8) Record of Temporary Revisions
  - (9) Introduction
  - (10) Procedures & IPL Sections
- C. Components that can be repaired have a different repair number for each specified repair. To find the repair number location of a component, look in the Repair-General procedure at the beginning of the REPAIR section. The Repair-General procedure also has an explanation of the True Position Dimension symbols used.
- D. All dimensions, measures, quantities and weights included are in English units. When metric equivalents are given they will be in the parentheses that follow the English units.
- E. The introduction to the Illustrated Parts List (IPL) shows how the IPL data is used.
- F. Design changes, optional parts, configuration differences and Service Bulletin modifications may cause different part numbers. These part numbers are identified in the IPL with an alphabetical letter which is added to the end of the basic item number. This new item number is referred to as an alpha-variant. Throughout the manual, IPL basic item number references also apply to alpha-variants unless shown differently.
- G. The tool reference numbers found in the individual procedures and in the Special Tools, Fixtures, and Equipment section are used to identify if a tool is a standard tool (STD-XXXX), a commercial tool (COM-XXXX), or a Special Tool (SPL-XXXX). This reference number is also used to distinguish between tools with similar names in the same procedure. These reference numbers are for use in the documentation only. They are not to be used for ordering tools.

# 25-28-49

INTRODUCTION

Page 1

Mar 01/2009



## COMPONENT MAINTENANCE MANUAL

### OVERHEAD STOWAGE COMPARTMENT ASSEMBLY - DESCRIPTION AND OPERATION

#### 1. Description

- A. The overhead stowage compartment has a nomex honeycomb core body which holds a light assembly, bullnose and PSU supports, fittings, and brackets, a latch which is mounted on the bullnose extrusion of the body, and a door which is connected to the body by two hinges with mechanical actuators.

#### 2. Operation

- A. When the pawls are engaged on the latch, with striker rollers on each end of the door, the door is held in the closed position. When force is applied to the latch handle, the pawls disengage from the striker roller. The mechanical actuators push the door up.

#### 3. Leading Particulars (approximate)

- A. Width – 30 inches
- B. Length – 60 inches
- C. Height – 14 inches
- D. Weight – 20-27 pounds

# 25-28-49

DESCRIPTION AND OPERATION

Page 1

Mar 01/2006



**COMPONENT MAINTENANCE MANUAL**

**TESTING AND FAULT ISOLATION**

**(NOT APPLICABLE)**

**25-28-49**

TESTING AND FAULT ISOLATION

Page 101

Mar 01/2006



COMPONENT MAINTENANCE MANUAL

DISASSEMBLY

**(NOT APPLICABLE)**

**25-28-49**

DISASSEMBLY

Page 301

Mar 01/2006



## COMPONENT MAINTENANCE MANUAL

### CLEANING

#### 1. General

- A. This procedure has the data necessary to clean the overhead stowage compartment assembly.
- B. Refer to the Standard Overhaul Practices Manual (SOPM) for the SOPM subjects identified in this procedure.

#### 2. Cleaning

##### A. References

Reference	Title
SOPM 20-30-03	GENERAL CLEANING PROCEDURES

##### B. Procedure

- (1) Clean all plastic parts (refer to Cleaning of Interior Painted and Plastic Parts in SOPM 20-30-03).
- (2) Use standard industry practices in SOPM 20-30-03 to clean aluminum parts of overhead compartment assembly.

# 25-28-49

CLEANING

Page 401

Mar 01/2006





COMPONENT MAINTENANCE MANUAL

CHECK

**(NOT APPLICABLE)**

**25-28-49**

CHECK  
Page 501  
Mar 01/2006



## COMPONENT MAINTENANCE MANUAL

### REPAIR

#### 1. General

A. Instructions for repair, refinish and replacement are divided into procedures as follows:

**Table 601:**

<b>P/N</b>	<b>NAME</b>	<b>REPAIR</b>
412N1119	FITTING ASSY	1-1
65C27017	BRACKET ASSY	2-1
—	INSERT REPLACEMENT	3-1
—	REFINISH OF OTHER PARTS	4-1

#### 2. Dimensioning Symbols

A. Standard True Position Dimensioning Symbols used in the applicable repair procedures are shown in REPAIR-GENERAL, Figure 601.

# 25-28-49

REPAIR - GENERAL

Page 601

Mar 01/2006



## COMPONENT MAINTENANCE MANUAL

—	STRAIGHTNESS	∅	DIAMETER
▭	FLATNESS	S ∅	SPHERICAL DIAMETER
⊥	PERPENDICULARITY (OR SQUARENESS)	R	RADIUS
//	PARALLELISM	SR	SPHERICAL RADIUS
○	ROUNDNESS	( )	REFERENCE
⊘	CYLINDRICITY	BASIC	A THEORETICALLY EXACT DIMENSION USED
⌒	PROFILE OF A LINE	(BSC)	TO DESCRIBE SIZE, SHAPE OR LOCATION OF
⌒	PROFILE OF A SURFACE	OR	A FEATURE. FROM THIS FEATURE PERMISSIBLE
◎	CONCENTRICITY	DIM	VARIATIONS ARE ESTABLISHED BY TOLERANCES ON OTHER DIMENSIONS OR
≡	SYMMETRY		NOTES.
∠	ANGULARITY	-A-	DATUM
↗	RUNOUT	Ⓜ	MAXIMUM MATERIAL CONDITION (MMC)
↗	TOTAL RUNOUT	Ⓛ	LEAST MATERIAL CONDITION (LMC)
⊔	COUNTERBORE OR SPOTFACE	Ⓢ	REGARDLESS OF FEATURE SIZE (RFS)
∇	COUNTERSINK	Ⓟ	PROJECTED TOLERANCE ZONE
⊕	THEORETICAL EXACT POSITION OF A FEATURE (TRUE POSITION)	FIM	FULL INDICATOR MOVEMENT

### EXAMPLES

$\boxed{\text{—}} \boxed{0.002}$	STRAIGHT WITHIN 0.002	$\boxed{\text{◎}} \boxed{\text{∅}} \boxed{0.0005} \boxed{C}$	CONCENTRIC TO DATUM C WITHIN 0.0005 DIAMETER
$\boxed{\text{⊥}} \boxed{0.002} \boxed{B}$	PERPENDICULAR TO DATUM B WITHIN 0.002	$\boxed{\text{≡}} \boxed{0.010} \boxed{A}$	SYMMETRICAL WITH DATUM A WITHIN 0.010
$\boxed{\text{//}} \boxed{0.002} \boxed{A}$	PARALLEL TO DATUM A WITHIN 0.002	$\boxed{\text{∠}} \boxed{0.005} \boxed{A}$	ANGULAR TOLERANCE 0.005 WITH DATUM A
$\boxed{\text{○}} \boxed{0.002}$	ROUND WITHIN 0.002	$\boxed{\text{⊕}} \boxed{\text{∅}} \boxed{0.002} \boxed{\text{Ⓢ}} \boxed{B}$	LOCATED AT TRUE POSITION WITHIN 0.002 DIA RELATIVE TO DATUM B, REGARDLESS OF FEATURE SIZE
$\boxed{\text{⊘}} \boxed{0.010}$	CYLINDRICAL SURFACE MUST LIE BETWEEN TWO CONCENTRIC CYLINDERS, ONE OF WHICH HAS A RADIUS 0.010 INCH GREATER THAN THE OTHER	$\boxed{\text{⊥}} \boxed{\text{∅}} \boxed{0.010} \boxed{\text{Ⓜ}} \boxed{A}$	AXIS IS TOTALLY WITHIN A CYLINDER OF 0.010 INCH DIAMETER, PERPENDICULAR TO DATUM A, AND EXTENDING 0.510 INCH ABOVE DATUM A, MAXIMUM MATERIAL CONDITION
$\boxed{\text{⌒}} \boxed{0.006} \boxed{A}$	EACH LINE ELEMENT OF THE SURFACE AT ANY CROSS SECTION MUST LIE BETWEEN TWO PROFILE BOUNDARIES 0.006 INCH APART RELATIVE TO DATUM A	$\boxed{0.510} \boxed{\text{Ⓟ}}$	
$\boxed{\text{⌒}} \boxed{0.020} \boxed{A}$	SURFACES MUST LIE WITHIN PARALLEL BOUNDARIES 0.020 INCH APART AND EQUALLY DISPOSED ABOUT TRUE PROFILE	$\boxed{2.000}$	THEORETICALLY EXACT DIMENSION IS 2.000
		OR	
		2.000	
		BSC	

True Position Dimensioning Symbols  
Figure 601

# 25-28-49

REPAIR - GENERAL

Page 602

Mar 01/2006



## COMPONENT MAINTENANCE MANUAL

### FITTING ASSEMBLY - REPAIR 1-1

412N1119-1, -37, -38

#### 1. General

- A. This procedure has the data to repair the fitting assembly in the overhead stowage compartment assembly.
- B. Refer to Standard Overhaul Practices Manual (SOPM) for the SOPM subjects identified in this procedure.
- C. Refer to REPAIR-GENERAL, Figure 601 for the standard true position dimensioning symbols shown in the repair.

#### 2. Bushing Replacement (REPAIR 1-1, Figure 601)

##### A. References

Reference	Title
SOPM 20-50-03	BEARING AND BUSHING REPLACEMENT

##### B. Procedure

- (1) Remove bushing.
- (2) Install new bushing (SOPM 20-50-03).
- (3) Machine 0.375-0.380 inch hole through bushing as shown in REPAIR 1-1, Figure 601.

#### 3. Refinish (REPAIR 1-1, Figure 601)

##### A. Consumable Materials

**NOTE:** Equivalent substitutes may be used.

Reference	Description	Specification
C00259	Primer - Chemical And Solvent Resistant Finish, Epoxy Resin	BMS10-11, Type I

##### B. References

Reference	Title
SOPM 20-30-02	STRIPPING OF PROTECTIVE FINISHES
SOPM 20-41-01	DECODING TABLE FOR BOEING FINISH CODES
SOPM 20-60-02	FINISHING MATERIALS

##### C. Procedure

**NOTE:** For stripping of protective finishes, refer to SOPM 20-30-02. For the decoding table for Boeing finish codes, refer to SOPM 20-41-01. For finishing materials, refer to SOPM 20-60-02.

- (1) Fitting - Chromic acid anodize and apply primer, C00259 (F-18.13). Material: AL alloy.

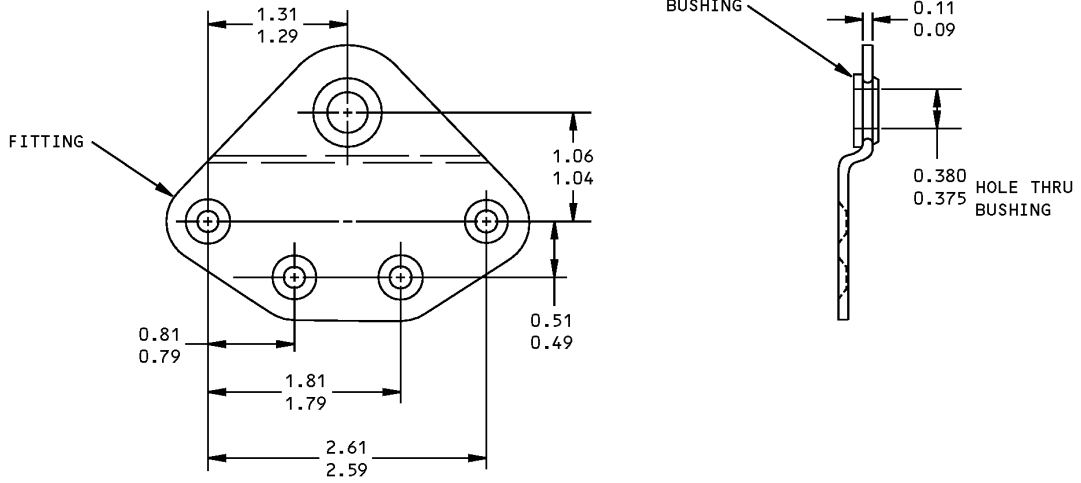
# 25-28-49

REPAIR 1-1

Page 601

Mar 01/2006

COMPONENT MAINTENANCE MANUAL



ALL DIMENSIONS ARE IN INCHES

412N1119-1 (SHOWN) Bushing Replacement  
Figure 601



## COMPONENT MAINTENANCE MANUAL

### BRACKET ASSEMBLY - REPAIR 2-1

65C27017-21, -22, -33, -44, -48

#### 1. General

- A. This procedure has the data to repair the bracket assembly in the overhead stowage compartment assembly.
- B. Refer to Standard Overhaul Practices Manual (SOPM) for the SOPM subjects identified in this procedure.
- C. Refer to REPAIR-GENERAL, Figure 601 for the standard true position dimensioning symbols shown in the repair.

#### 2. Bushing Replacement

- A. References

Reference	Title
SOPM 20-50-03	BEARING AND BUSHING REPLACEMENT

- B. Procedure

- (1) Remove bushing.
- (2) Install new bushing (refer to SOPM 20-50-03).
- (3) Machine 0.375-0.380 inch hole through bushing.

#### 3. Refinish

- A. Consumable Materials

**NOTE:** Equivalent substitutes may be used.

Reference	Description	Specification
C00259	Primer - Chemical And Solvent Resistant Finish, Epoxy Resin	BMS10-11, Type I

- B. References

Reference	Title
SOPM 20-30-02	STRIPPING OF PROTECTIVE FINISHES
SOPM 20-41-01	DECODING TABLE FOR BOEING FINISH CODES
SOPM 20-60-02	FINISHING MATERIALS

- C. Procedure

**NOTE:** For stripping of protective finishes, refer to SOPM 20-30-02. For the decoding table for Boeing finish codes, refer to SOPM 20-41-01. For finishing materials, refer to SOPM 20-60-02.

- (1) Bracket (610, 615, IPL Figure 11; 40, IPL Figure 18; 37, IPL Figure 19; 45, IPL Figure 21; 45, IPL Figure 22).
  - (a) Chemical treat and apply primer, C00259 (F-18.06). Material: Al alloy.

# 25-28-49

REPAIR 2-1

Page 601

Mar 01/2006



## COMPONENT MAINTENANCE MANUAL

### INSERT REPLACEMENT - REPAIR 3-1

#### 1. General

- A. This procedure has the data to replace the inserts in the overhead stowage compartment assembly.
- B. Refer to Standard Overhaul Practices Manual (SOPM) for the SOPM subjects identified in this procedure.
- C. Refer to REPAIR-GENERAL, Figure 601 for the standard true position dimensioning symbols shown in the repair.

#### 2. Insert Replacement

##### A. References

Reference	Title
25-00-66	REPAIR OF MISCELLANEOUS AIRPLANE-INTERIOR COMPONENTS

##### B. Procedure

- (1) Replace bad inserts by the procedure for potted inserts in 25-00-66.

# 25-28-49

REPAIR 3-1

Page 601

Mar 01/2006



## COMPONENT MAINTENANCE MANUAL

### REFINISH OF OTHER PARTS - REPAIR 4-1

#### 1. General

- A. This procedure has the data necessary to refinish the parts which are not given in the specified repairs.
- B. Refer to Standard Overhaul Practices Manual (SOPM) for the SOPM subjects identified in this procedure.
- C. Refer to the numerical index for the item numbers and IPL figures.

#### 2. Refinish details

##### A. Consumable Materials

**NOTE:** Equivalent substitutes may be used.

Reference	Description	Specification
C00259	Primer - Chemical And Solvent Resistant Finish, Epoxy Resin	BMS10-11, Type I

##### B. References

Reference	Title
SOPM 20-30-02	STRIPPING OF PROTECTIVE FINISHES
SOPM 20-41-01	DECODING TABLE FOR BOEING FINISH CODES
SOPM 20-60-02	FINISHING MATERIALS

##### C. Procedure

**NOTE:** For stripping of protective finishes, refer to SOPM 20-30-02. For the decoding table for Boeing finish codes, refer to SOPM 20-41-01. For finishing materials, refer to SOPM 20-60-02.

- (1) Instructions for the repair of the parts listed in REPAIR 4-1, Table 601 is for repair of the initial finish.

**Table 601:** Refinish Details

P/N	MATERIALS	FINISH
Fitting (P/N 412N1119-12, -26, -41, -55, -58, -59, -63)	Al alloy	Chromic acid anodize and apply primer, C00259 (F-18.13).
Bracket (P/N 65C27017-27, -28, -30, -42, -43)	Al alloy	Chromic acid anodize and apply primer, C00259 (F-18.03).

# 25-28-49

REPAIR 4-1

Page 601

Mar 01/2006





## COMPONENT MAINTENANCE MANUAL

### ASSEMBLY

#### 1. General

- A. This procedure has the data necessary to assemble the overhead stowage compartment assembly.
- B. Refer to the Standard Overhaul Practices Manual (SOPM) for the SOPM subjects identified in this procedure.

#### 2. Latch and Door Adjustments

##### A. References

Reference	Title
SOPM 20-50-01	BOLT AND NUT INSTALLATION

##### B. Procedure

**NOTE:** For bolt and nut installation, refer to SOPM 20-50-01.

- (1) Tighten bolt to 5-6 pound-inches on hinge assemblies. Make sure that chassis is not damaged.
- (2) Loosen slotted shank bolts to allow movement of hinge assemblies on stowage compartment.
- (3) Make sure that striker plates are located on door assembly to the dimension shown on ASSEMBLY, Figure 701.
- (4) Close door. Make sure the strikers are located in the center of latch cover. Adjust door on hinge quadrant, if necessary, to correctly align strikers.
- (5) Pull down on center of door. Make sure the strikers are located as far down and into the latch covers. Hold the door. Tighten slotted shank bolts which come out from side panels of compartment.
- (6) Tighten screws on striker plates.
- (7) Check that the latch is correctly adjusted by the following steps:
  - (a) Make sure the door latches with minimum force.
  - (b) Make sure the pawls engage with striker rollers on doors.
  - (c) Make sure the latch (PUSH) handle comes out from latch housing (ASSEMBLY, Figure 702). The door is not latched if reading is greater than the tolerance shown in ASSEMBLY, Figure 702. Repeat steps ASSEMBLY, Paragraph 2.B.(1) thru ASSEMBLY, Paragraph 2.B.(6).
  - (d) After the adjustment of latch, open the door and tighten slotted shank bolts on the inside of stowage compartments.

# 25-28-49

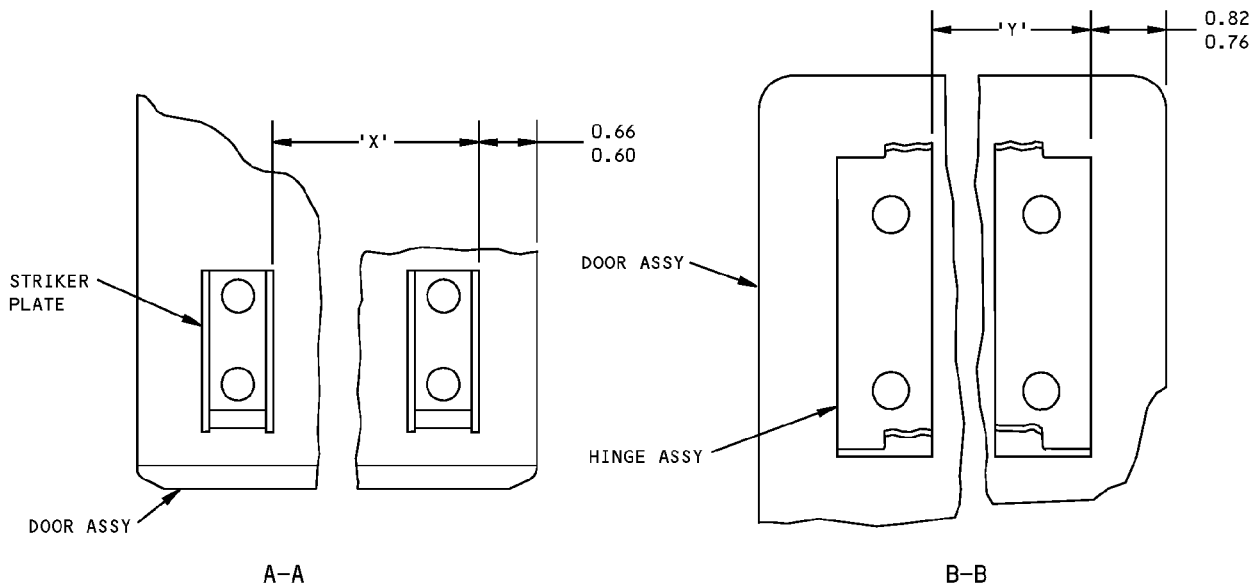
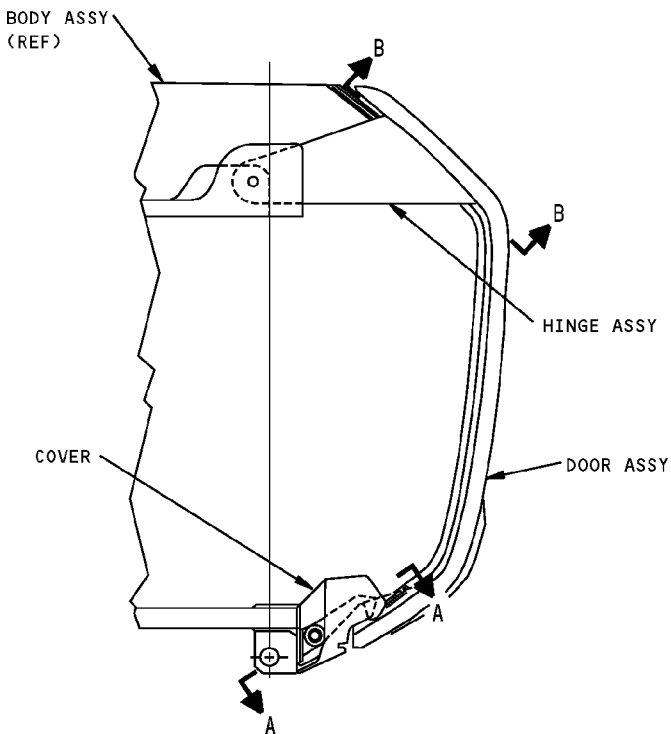
ASSEMBLY

Page 701

Mar 01/2006

COMPONENT MAINTENANCE MANUAL

DOOR ASSY	DIM 'X'	DIM 'Y'
412N1140-41	57.48	56.92
412N1140-42	47.48	46.92
412N1140-43	37.48	36.92
412N1140-44	27.48	26.92



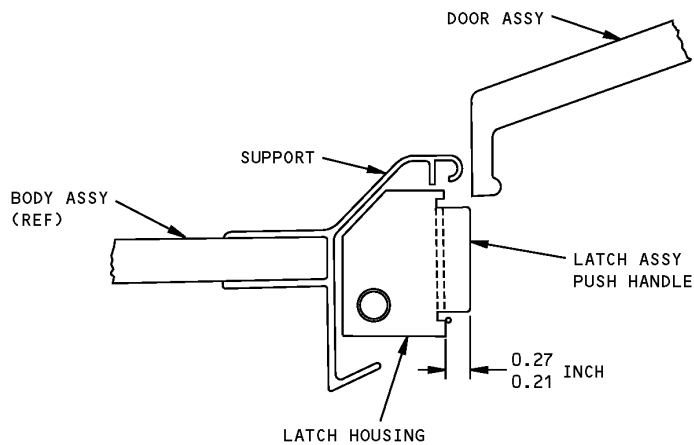
ALL DIMENSIONS ARE IN INCHES

Module Assembly  
Figure 701

**25-28-49**

ASSEMBLY  
Page 702  
Mar 01/2006

## COMPONENT MAINTENANCE MANUAL



Door and Latch Assembly Adjustment  
Figure 702

### 3. Do a latch and load test as follows:

#### A. Procedure

- (1) Close and latch the door. Use a fixture to put the bin at 60 degrees (ASSEMBLY, Figure 703).
- (2) Open the door for 1 inch and use a spacer block to keep the door open.
- (3) Apply a 7 pound load at position one (1), and pull the spacer out; the door must close and latch at both latched locations.
- (4) Repeat ASSEMBLY, Paragraph 3.A.(3) at position two (2) on door.
- (5) Repeat ASSEMBLY, Paragraph 3. if door does not correctly close and latch.

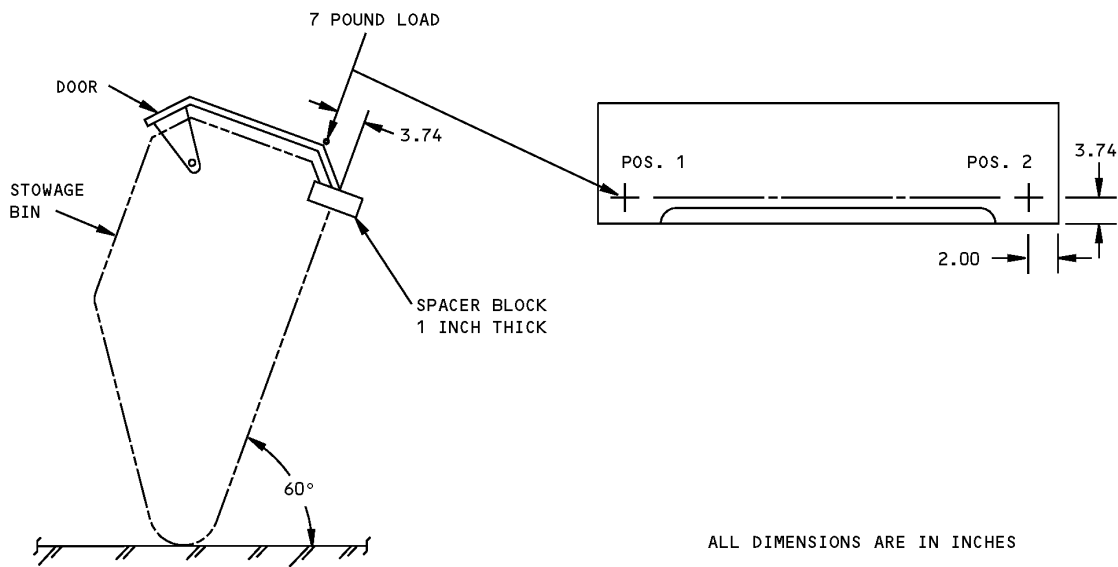
# 25-28-49

ASSEMBLY

Page 703

Mar 01/2006

# COMPONENT MAINTENANCE MANUAL



Door Latching and Loading Test  
Figure 703



**COMPONENT MAINTENANCE MANUAL**

**FITS AND CLEARANCES**

**(NOT APPLICABLE)**

**25-28-49**

FITS AND CLEARANCES

Page 801

Mar 01/2006



**COMPONENT MAINTENANCE MANUAL**

**SPECIAL TOOLS, FIXTURES, AND EQUIPMENT**

**(NOT APPLICABLE)**

**25-28-49**

SPECIAL TOOLS, FIXTURES, AND EQUIPMENT

Page 901

Mar 01/2006



## COMPONENT MAINTENANCE MANUAL

### ILLUSTRATED PARTS LIST

#### 1. Introduction

- A. The Illustrated Parts List (IPL) contains an illustration and a list of component parts you can repair or replace. The Illustrated Parts Catalog (IPC) shows how to use the Boeing part number system.
- B. This shows how parts are related: The relation of each item to its next higher assembly (NHA) is shown in the NOMENCLATURE column. Use the indenture system that follows:

1	2	3	4	5	6	7
.	Assembly					
.	Attaching parts for assembly					
.	.	Detail parts for assembly				
.	.	Subassembly				
.	.	Attaching parts for subassembly				
.	.	.	Detail parts for subassembly			
.	.	.	Sub-subassembly			
.	.	.	Attaching parts for subassembly			
.	.	.	.	Details parts for sub-subassembly		
						Detail Installation Parts (Included only if installation parts may be sent to the shop as part of assembly)

- C. Each top assembly is given one use code letter (A, B, C, etc.) in the USAGE CODE column. All subsequent component parts in the list can have one or more of the use code letters to show effectivity to top assemblies. A component part without a use code applies to all top assemblies.
- D. An alphabetical letter is added after the item number for optional parts, parts changed by a Service Bulletin, configuration differences (except left-handed and right-handed parts), last engineering releases, and parts added between item numbers in a sequence. The alphabetical letter will not be shown on the illustration for equivalent parts of the same part number.
- E. Color-coded parts are identified with a single digit alpha following the dash number or with "SP" suffix. If the "SP" suffix is used, it represents consolidation of all color codes applicable for a given usage which are not separately listed. Orders for color-coded parts should include the registry number of the airplane for which the parts are ordered.
- F. If a part number is 15 characters long but will not fit in the part number column, the part number will be displayed with a "~" at the end of the line and will be continued on the next line. The "~" denotes that the part number continues on the next line.
- G. Parts changed by a Service Bulletin are shown by PRE SB XXXX and POST SB XXXX added to the NOMENCLATURE column.
- (1) When a new top assembly is added by a Service Bulletin, PRE SB XXXX and POST SB XXXX will be added at the top assembly level only. The configuration differences at the detail part level are shown by use code letters.
- (2) When the top assembly part number is not changed by the Service Bulletin, PRE SB XXXX and POST SB XXXX will be added at the detail level.
- H. Interchangeable Parts

# 25-28-49

ILLUSTRATED PARTS LIST

Page 1001

Nov 01/2008



## COMPONENT MAINTENANCE MANUAL

Optional (OPT)	The part is optional to and interchangeable with other parts that have the same item number.
Replaces, Replaced by and not interchangeable with (REPLACES, REPLACED BY AND NOT INTCHG/W)	The part replaces and is not interchangeable with the initial part.
Replaces, Replaced by (REPLACES, REPLACED BY)	The part replaces and is interchangeable with, or is an alternative to, the initial part.

### VENDOR CODES

Code	Name
01556	EMHART FASTENING SYSTEMS GROUP HELI-COIL DIV SHELTER ROCK LANE DANBURY, CONNECTICUT 06810 FORMERLY HELI-COIL DIV OF BLACK AND DECKER
03494	GENERAL ELECTRIC CO LARGE MOTOR AND GENERATOR DEPT DEPT 1 RIVER ROAD SCHENECTADY, NEW YORK 12345
04169	WESTERN SKY INDUSTRIES A DIVISION OF ATLAS CORPORATION 1280 SAN LUIS OBISPO STREET HAYWARD, CALIFORNIA 94544-7916 FORMERLY WESTERN SKY IND VB0008
05617	IDD AEROSPACE CORP 18225 NORTHEAST 76TH STREET PO BOX 97056 REDMOND, WASHINGTON 98073-9756 FORMERLY FARWEST ELEC INC; FORMERY IN BELLEVUE, WA; FORMERLY BELL IND FARWEST MFG DIV; FORMERLY BELL IND ILLUMINATED DISPLAYS DIV
06034	NEWAGE INDUSTRIES INC. 2300 MARYLAND ROAD WILLOW GROVE, PENNSYLVANIA 19090-1709 FORMERLY IN JENKINTOWN, PENNSYLVANIA
06710	LAMSON AND SESSIONS CO THE VALLEY-TODECO 12975 BRADLEY AVENUE SYLMAR, CALIFORNIA 91342-3830 FORMERLY VALLEY BOLT CORP VB0097 IN NORTH HOLLYWOOD, CA

# 25-28-49

ILLUSTRATED PARTS LIST

Page 1002

Jul 01/2006





## COMPONENT MAINTENANCE MANUAL

Code	Name
06725	AIR INDUSTRIES CORPORATION 12570 KNOTT STREET GARDEN GROVE, CALIFORNIA 92641-3932 FORMERLY AIR INDUSTRIES OF CALIF IN GARDENA, CALIF.
06950	SCREWCORP VSI AEROSPACE PRODUCTS DIV FAIRCHILD IND DIV 13001 EAST TEMPLE AVENUE PO BOX 730 CITY OF INDUSTRY, CALIFORNIA 91746-1417 FORMERLY VB0096 AND VSI CORP SCREWCORP DIV FORMERLY IN CULVER CITY, CALIFORNIA SCREW CORP SEE V.S.I. CORP SCREWCORP DIVISION
08073	MAMCO MANUFACTURING CO INC 1411 NORTHWEST 50TH SEATTLE, WASHINGTON 98107-5123
08524	Replaced: [V08524] DEUTSCH FASTENER CORP SEE CODE V97928 Replaced: [V97928] SEE V17446 HUCK INTL by Code: Name and Address below 17446: HUCK INTL INC AEROSPACE FASTENER DIV 900 WATSON CENTER ROAD CARSON, CALIFORNIA 90745-4201 FORMERLY V32134 REXNORD INC; FORMERLY V97928 HUCK INTL Referenced in FORMERLY line below [17419] DEUTSCH COMPANY THE WELLS FARGO BANK BLDG 2444 WILSHIRE BLVD #600 SANTA MONICA, CALIFORNIA 90403 FORMERLY DEUTSCH FASTENER CORP V08524 FORMERLY IN LOS ANGELES
08805	GENERAL ELECTRIC 1975 NOBLE RD CLEVELAND, OHIO 44112-1719
08806	GENERAL ELECTRIC CO MINIATURE LAMP PRODUCTS DEPT NELA PARK CLEVELAND, OHIO 44112
10630	ANILLO INDUSTRIES, INCORPORATED 2090 NORTH GLASSELL ORANGE, CALIFORNIA 92667 FORMERLY WESTERN WASHER DIV OF SENG CO V87487

# 25-28-49

ILLUSTRATED PARTS LIST

Page 1003

Jul 01/2006



## COMPONENT MAINTENANCE MANUAL

Code	Name
11815	CHERRY AEROSPACE FASTENERS DIV OF TEXTRON 1224 EAST WARNER AVENUE PO BOX 2157 SANTA ANA, CALIFORNIA 92707-0157 FORMERLY IN LOS ANGELES, CALIF , FORMERLY CHERRY FASTENERS TOWNSEND DIV OF TEXTRON INC V71087
13545	GENERAL ELECTRIC CO AVIATION SERVICES SEATTLE OF AVIATION SEATTLE, WASHINGTON 98168-1978 OBSOLETE RECORD
15653	ALCOA GLOBAL FASTENERS INC DIV KAYNAR PRODUCTS 800 S STATE COLLEGE BLVD FULLERTON, CALIFORNIA 92831-3001 FORMERLY VK6405 MICRODOT AEROSP LTD; FORMERLY KAYNAR TECH FORMERLY FAIRCHILD FASTENERS KAYNAR DIV
17023	BRUCE INDUSTRIES, INCORPORATED 101 EVANS AVENUE PO BOX 1700 DAYTON, NEVADA 89403 FORMERLY IN GARDENA, CALIFORNIA
17943	FEDERAL MANUFACTURING CORPORATION 9825 DESOTO AVENUE CHATSWORTH, CALIFORNIA 91311 FORMERLY VB0098, FORMERLY IN NORTH HOLLYWOOD, CALIFORNIA
17948	GROLIER INC NEW YORK, NEW YORK 10022 UNKNOWN TO LOCAL POSTAL AUTHORITIES
24403	ENIDINE INCORPORATED 7 CENTER DRIVE ORCHARD PARK, NEW YORK 14127-2281 FORMERLY INTEGRATED DYNAMICS INCORPORATED FORMERLY IN BUFFALO, NEW YORK
24984	HYDRAFLOW 1881 W MALVERN FULLERTON, CALIFORNIA 92833-2403 FORMERLY IN CERRITOS, CA

# 25-28-49

ILLUSTRATED PARTS LIST

Page 1004

Nov 01/2006



## COMPONENT MAINTENANCE MANUAL

Code	Name
27045	SABRE INDUSTRIES INC GLENDALE, CALIFORNIA 91204-1814 FORMERLY ADAMS RITE SABRE
27405	Replaced: [V27405] APPLIED TECHNOLOGY A DIV OF ITEK CORP LINCOLN OPERATIONS by Code: Name and Address below 15280: NORTHROP GRUMMAN SYSTEMS CORPORATION DIV ES DEFENSIVE SYSTEMS DIVISION 5225 HELLYER AVENUE SUITE 100 SAN JOSE, CA 95138-1021 FORMERLY APPLIED TECHNOLOGY A DIV OF ITEK CORP LINCOLN OPERATIONS V27405
27624	PB FASTENERS DIV OF BRILES PAUL R 1700 WEST 132ND STREET GARDENA, CALIFORNIA 90249 FORMERLY PAUL R BRILES INC P.B. FASTENER DIV
29372	ALCOA GLOBAL FASTENERS INC DBA ALCOA FASTENERS SYSTEMS DIV 3000 WEST LOMITA BLVD TORRANCE CALIFORNIA 90505-5103 FORMERLY CALFAX INC V11907; NEWTON INSERT CO V98004;REXNORD INC SPECIALTY FASTERNER DIV AND DELRON CO V82831; REXNORD INC TRIDAIR IND; FORMERLY FAIRCHAIDL IND INC
30242	AVTECH CORPORATION 3400 WALLINGFORD AVENUE NORTH SEATTLE, WASHINGTON 98103-9041 FORMERLY UNDER V0314B
34252	GULF OIL CO USA DIV OF GULF OIL CORP PO BOX 1519 HOUSTON, TEXAS 77001
34941	HARPER ENGINEERING COMPANY 200 SOUTH TOBIN STREET RENTON, WASHINGTON 98055-1307

# 25-28-49

ILLUSTRATED PARTS LIST

Page 1005

Jul 01/2006



## COMPONENT MAINTENANCE MANUAL

Code	Name
45722	USM CORP PARKER-KALON FASTENER DIV CAMPBELLSVILLE, KENTUCKY 42718 FORMERLY PARKER-KALON DIV OF GEN AMERICAN TRANSPORTATION FORMERLY IN CLIFTON, NEW JERSEY
52828	REPUBLIC FASTENER MFG CORP 1300 RANCHO CONEJO BLVD NEWBURY PARK, CALIFORNIA 91320-1405 FORMERLY IN SYLMAR, CALIFORNIA
56878	SPS TECHNOLOGIES INC AEROSPACE AND INDUSTRIAL PRODUCTS DIV 301 HIGHLAND AVE JENKINTOWN, PENNSYLVANIA 19046 FORMERLY STANDARD PRESSED STEEL FORMERLY IN SALT LAKE, UTAH
60116	PSI WEST 255 SOUTH 7TH AVENUE CITY OF INDUSTRY, CALIFORNIA 91744-3079 FORMERLY V0812B
60119	MONADNOCK CO THE 18301 ARENTH AVENUE ROWLAND HEIGHTS, CALIFORNIA 91748-1288 FORMERLY UNITED CARR FASTENER CORP VB0051 VB0056 VB0076 FORMERLY TRW ELECTRONIC COMPONENTS CINCH-MONADNOCK DIV FORMERLY CINCH-MONADNOCK DIV OF TRW INC V76530 FORMERLY IN CITY OF INDUSTRY, CALIFORNIA
72962	HARVARD INDUSTRIES INC 3 WERNER WAY SUITE 210 LEBANON, NEW JERSEY 08833 FORMERLY ESNA V7A079 FORMERLY ELASTIC STOP NUT IN UNION, NJ
73197	HI-SHEAR TECHNOLOGY CORP 2600 SKYPARK DRIVE TORRANCE, CALIFORNIA 90509

# 25-28-49

ILLUSTRATED PARTS LIST

Page 1006

Jul 01/2006



## COMPONENT MAINTENANCE MANUAL

Code	Name
73439	AMSCO PRODUCTS CAMCAR DIV TEXTRON INC 345 EAST MARSHALL STREET WYTHEVILLE, VIRGINIA 24382-3917 FORMERLY AMERICAN SCREW CO IN WILLIMANTIC, CONNECTICUT FORMERLY TEXTRON INC CAMCAR DIV AMERICAN SCREW CO
76530	Replaced: [V76530] CINCH-MONADNOCK DIV TRW SEE TRW ELECTRONIC COMP MONADNOCK MILLS SEE CINCH-MONADNOCK DIV OF UNITED CARR TRW INC TRW ELECTRONIC COMPONENTS CINCH-MONADNOCK DIV SEE MONADNOCK CO THE V60119 by Code: Name and Address below 60119: MONADNOCK CO THE 18301 ARENTH AVENUE PO BOX 1222 CITY OF INDUSTRY, CALIFORNIA 91749 FORMERLY UNITED CARR FASTENER CORP VB0051 VB0056 VB0076 FORMERLY TRW ELECTRONIC COMPONENTS CINCH-MONADNOCK DIV FORMERLY CINCH-MONADNOCK DIV OF TRW INC V76530
80539	SPS TECHNOLOGIES INC DIV AERPSOACE - SANTA ANA 2701 SOUTH HARBOR BOULEVARD SANTA ANA, CALIFORNIA 92704-5803 FORMERLY NUTT-SHEL DIV OF SPC WESTERN CO V80539 AND STANDARD PRESSED STEEL WESTERN DIV V17279
83014	HARTWELL CORPORATION 900 SOUTH RICHFIELD ROAD PLACENTIA, CALIFORNIA 92670-6732 FORMERLY V0532B IN LOS ANGELES, CALIFORNIA
85495	Replaced: [V85495] BRILES MFG CO SEE V97928 OMARK INDUSTRIES OMARK INDUSTRIES SEE PRECISION FASTENING PRECISION FASTENING SUB OF OMARK IND INC SEE DEUTSCH FASTENER CORP V08524 Replaced: [V08524] DEUTSCH FASTENER CORP SEE CODE V97928 Replaced: [V97928] HUCK INTL SEE V17446 HUCK INTL by Code: Name and Address below 17446: HUCK INTL INC AEROSPACE FASTENER DIV 900 WATSON CENTER ROAD CARSON, CALIFORNIA 90745-4201 FORMERLY V32134 REXNORD INC; FORMERLY V97928 HUCK INTL

# 25-28-49

ILLUSTRATED PARTS LIST

Page 1007

Jul 01/2006



## COMPONENT MAINTENANCE MANUAL

Code	Name
85498	BRITELITE DISTRIBUTORS INC BROOKLYN, NEW YORK CANCELLED WITHOUT REPLACEMENT
87393	WALTER S CO INC BROOKLYN, NY 11200 CANCELLED WITHOUT REPLACEMENT RECORD
92215	FAIRCHILD IND INC FAIRCHILD AEROSPACE FASTENER DIV 3010 W LOMITA BLVD TORRANCE, CALIFORNIA 90505-5102 FORMERLY VOI-SHAN IN CULVER CITY, CALIF
93907	TEXTRON INC CAMCAR DIV 600 18TH AVENUE ROCKFORD, ILLINOIS 61101
97393	SHUR-LOK CORPORATION 2541 WHITE ROAD PO BOX 19584 IRVINE, CALIFORNIA 92623-9584 FORMERLY SHUR LOK CORP VB0060 FORMERLY IN SANTA ANA, CALIFORNIA 92714
97928	Replaced: [V97928] SEE V17446 HUCK INTL by Code: Name and Address below 17446: HUCK INTL INC AEROSPACE FASTENER DIV 900 WATSON CENTER ROAD CARSON, CALIFORNIA 90745-4201 FORMERLY V32134 REXNORD INC; FORMERLY V97928 HUCK INTL

# 25-28-49

ILLUSTRATED PARTS LIST

Page 1008

Jul 01/2006



## COMPONENT MAINTENANCE MANUAL

### NUMERICAL INDEX

PART NUMBER	AIRLINE PART NUMBER	FIGURE	ITEM	UNITS PER ASSEMBLY
05939-103		19	145B	1
		21	195B	1
05939-104		1	200A	1
		2	145	1
		13	120A	1
		15	120A	1
05939-105		5	155A	1
		7	150B	1
		9	135A	1
		17	155B	1
		24	170B	1
		25	110B	1
		26	135A	1
		26	135A	1
05939-107		11	220B	1
		14	150B	1
		16	120B	1
		18	195B	1
		20	80B	1
		21	265B	1
		22	200	1
		23	200	1
		23	200	1
		23	200	1
		23	200	1
05939-115		18	145B	1
05939-15		18	145	1
		18	145A	1
05939-3		19	145	1
		19	145A	1
		21	195	1
		21	195A	1
05939-4		1	200	1
		1	200B	1
		2	145A	1
		13	120	1
		15	120	1
05939-5		3	170	1

# 25-28-49

ILLUSTRATED PARTS LIST

Page 1009

Mar 01/2006



## COMPONENT MAINTENANCE MANUAL

PART NUMBER	AIRLINE PART NUMBER	FIGURE	ITEM	UNITS PER ASSEMBLY
05939-7		3	170A	1
		5	155	1
		7	150	1
		7	150A	1
		8	250	1
		9	135	1
		17	155	1
		17	155A	1
		24	170	1
		24	170A	1
		25	110	1
		25	110A	1
		26	135	1
		11	220	1
		11	220A	1
		14	150	1
		14	150A	1
		16	120	1
		16	120A	1
		18	195	1
		18	195A	1
		20	80	1
		20	80A	1
		21	265	1
		21	265A	1
		22	200A	1
	22	200B	1	
	23	200A	1	
	23	200B	1	
102F9207P82		28	545	2
		28	565	2
		28	585	2
		28	605	2
		28	625	2
		28	645	2

# 25-28-49

ILLUSTRATED PARTS LIST

Page 1010

Mar 01/2006





## COMPONENT MAINTENANCE MANUAL

PART NUMBER	AIRLINE PART NUMBER	FIGURE	ITEM	UNITS PER ASSEMBLY	
130120		28	665	2	
		28	690	2	
		28	715	2	
		28	735	2	
		28	755	2	
		28	775	2	
		29	415	2	
		30	350	2	
		3	210	2	
		3	210	2	
		8	305	1	
		8	305	1	
		11	20	1	
		11	20	1	
		12	205	1	
		12	205	1	
		17	210	1	
		17	210	1	
	1864		23	540	1
			23	540	1
		24	205	2	
		24	205	2	
		3	172	1	
		11	295	1	
1983-1		19	150	1	
		21	200	1	
		23	145	1	
		19	145	1	
1984-1		19	145A	1	
		21	195	1	
		21	195A	1	
1985-1		1	200	1	
		1	200B	1	
	15	120	1		
	3	170	1		

# 25-28-49

ILLUSTRATED PARTS LIST

Page 1011

Mar 01/2006



## COMPONENT MAINTENANCE MANUAL

PART NUMBER	AIRLINE PART NUMBER	FIGURE	ITEM	UNITS PER ASSEMBLY
		3	170A	1
		7	150	1
		7	150A	1
		8	250	1
		17	155	1
		17	155A	1
		24	170	1
		24	170A	1
		25	110	1
		25	110A	1
1987-1		11	220	1
		11	220A	1
		14	150	1
		14	150A	1
		16	120	1
		16	120A	1
		18	195	1
		18	195A	1
		20	80	1
		20	80A	1
		21	265	1
		21	265A	1
		22	200A	1
		22	200B	1
		23	200A	1
		23	200B	1
1995-1		18	145	1
		18	145A	1
2055132		11	235	2
		14	160	2
		16	130	2
		18	205	2
		20	90	2
		21	275	2
		22	215	2

# 25-28-49

ILLUSTRATED PARTS LIST

Page 1012

Mar 01/2006



## COMPONENT MAINTENANCE MANUAL

PART NUMBER	AIRLINE PART NUMBER	FIGURE	ITEM	UNITS PER ASSEMBLY
2055150		23	210	2
		1	220A	2
		2	160	2
		3	135	2
		4	120	2
		5	170	2
		6	120	2
		7	115	2
		8	215	2
		9	150	2
		10	120	2
		11	155	2
		11	305	2
		12	130	2
		13	130	2
		15	135	2
		17	115	2
		18	155	2
		19	157	2
		21	215	2
		22	150	2
		23	165	2
		23	245	2
		24	135	2
		25	125	2
		26	145	2
		27	130	2
22K1-02		1	195	3
		2	140	3
		3	165	3
		7	145	3
		8	245	3
		9	130	3
		10	145	3
		11	215	3

# 25-28-49

ILLUSTRATED PARTS LIST

Page 1013

Mar 01/2006



## COMPONENT MAINTENANCE MANUAL

PART NUMBER	AIRLINE PART NUMBER	FIGURE	ITEM	UNITS PER ASSEMBLY
26CL02		11	280	3
		13	115	3
		14	145	3
		16	115	3
		17	145	3
		18	140	3
		18	190	1
		19	140	3
		20	70	1
		21	185	3
		21	255	3
		22	195	3
		23	130	3
		23	195	3
		24	165	3
		25	105	3
		26	130	3
		1	195	3
		2	140	3
		3	165	3
		7	145	3
		8	245	3
		9	130	3
		10	145	3
		11	215	3
		11	280	3
		13	115	3
		14	145	3
		16	115	3
		17	145	3
	18	140	3	
	18	190	1	
	19	140	3	
	20	70	1	
	21	185	3	

# 25-28-49

ILLUSTRATED PARTS LIST

Page 1014

Mar 01/2006



## COMPONENT MAINTENANCE MANUAL

PART NUMBER	AIRLINE PART NUMBER	FIGURE	ITEM	UNITS PER ASSEMBLY
411N3134-1		21	255	3
		22	195	3
		23	130	3
		23	195	3
		24	165	3
		25	105	3
		26	130	3
		19	90	2
		21	110	2
		22	120	2
411N3142-28		1	165	1
		2	195	1
		3	120	1
		5	125	1
		7	175	1
		8	180	1
		9	90	1
		10	85	1
		11	180	2
		13	175	1
		14	80	1
		15	85	1
		16	155	1
		17	175	1
		18	230	2
		19	100	1
		20	125	1
		21	145	2
		22	250	1
		23	285	2
24	110	1		
25	145	1		
26	90	1		
412N1113-13		29	220A	1
		30	330A	1

# 25-28-49

ILLUSTRATED PARTS LIST

Page 1015

Mar 01/2006



## COMPONENT MAINTENANCE MANUAL

PART NUMBER	AIRLINE PART NUMBER	FIGURE	ITEM	UNITS PER ASSEMBLY
412N1113-14		29	215A	1
		30	325A	1
412N1113-7		28	335	2
		29	220	1
		30	330	1
412N1113-8		28	340	2
		29	215	1
		30	325	1
412N1116-100		33	545	1
412N1116-101		33	555B	1
412N1116-102		31	457	1
412N1116-103		31	478	1
412N1116-110		31	493B	1
412N1116-112		31	460	1
412N1116-159		33	560A	1
412N1116-165		33	545A	1
412N1116-167		33	555D	1
412N1116-17		31	472A	1
		31	682	1
		31	831A	1
		31	469A	1
412N1116-18		31	469A	1
		31	682A	1
		31	828A	1
		33	555C	1
412N1116-19		31	592A	1
412N1116-20		31	475	1
		31	589A	1
412N1116-22		31	481	1
		31	505	1
		31	595	1
		31	685	1
		31	759	1
		31	780	1
		31	834	1
		32	255	1

# 25-28-49

ILLUSTRATED PARTS LIST

Page 1016

Mar 01/2006



## COMPONENT MAINTENANCE MANUAL

PART NUMBER	AIRLINE PART NUMBER	FIGURE	ITEM	UNITS PER ASSEMBLY
		32	345	1
		33	255	1
		33	345	1
		33	560	1
		33	562	1
412N1116-30		31	502A	1
412N1116-42		31	777A	1
412N1116-47		31	670	1
412N1116-48		31	667	1
		31	819A	1
412N1116-49		31	673	1
		31	822A	1
412N1116-50		31	676	1
412N1116-54		31	586A	1
412N1116-55		31	580A	1
412N1116-602		31	777	1
412N1116-607		31	670A	1
412N1116-608		31	667A	1
		31	819	1
		33	325	1
412N1116-609		31	673A	1
		31	822	1
		33	330	1
412N1116-610		31	676A	1
412N1116-617		32	325	1
412N1116-620		32	330	1
412N1116-621		33	545G	1
412N1116-622		33	545D	1
412N1116-623		32	240	1
412N1116-625		31	454B	1
		31	472B	1
412N1116-626		31	451B	1
		33	240	1
412N1116-628		33	545F	1
412N1116-631		31	682B	1

# 25-28-49

ILLUSTRATED PARTS LIST

Page 1017

Mar 01/2006



## COMPONENT MAINTENANCE MANUAL

PART NUMBER	AIRLINE PART NUMBER	FIGURE	ITEM	UNITS PER ASSEMBLY
		31	831	1
		33	340A	1
		33	555H	1
412N1116-632		31	469B	1
		31	682C	1
		31	828	1
		33	250	1
		33	340	1
		33	555J	1
412N1116-643		32	250	1
		32	340	1
		33	555K	1
412N1116-644		32	340A	1
		33	555G	1
412N1116-653		32	240A	1
412N1116-654		32	250A	1
412N1116-655		33	537	1
412N1116-661		33	546	1
412N1116-663		33	545E	1
412N1116-67		31	586	1
412N1116-687		33	537A	1
412N1116-689		33	546A	1
412N1116-70		31	580	1
412N1116-71		33	545B	1
412N1116-719		33	545C	1
412N1116-720		33	540B	1
412N1116-725		33	555E	1
412N1116-726		33	555F	1
412N1116-73		31	454	1
412N1116-74		31	451	1
412N1116-75		31	454A	1
412N1116-76		31	451A	1
412N1116-77		31	493	1
412N1116-78		31	502	1
412N1116-79		33	540A	1

# 25-28-49

ILLUSTRATED PARTS LIST

Page 1018

Mar 01/2006





## COMPONENT MAINTENANCE MANUAL

PART NUMBER	AIRLINE PART NUMBER	FIGURE	ITEM	UNITS PER ASSEMBLY
412N1116-80		33	555A	1
412N1116-85		31	747	1
412N1116-86		31	747A	1
412N1116-87		31	750	1
412N1116-88		31	750A	1
412N1116-91		31	493A	1
412N1116-93		31	472	1
		31	589	1
		31	756	1
		33	555	1
412N1116-94		31	469	1
		31	592	1
		31	756A	1
412N1116-98		33	540	1
412N1117-1		28	425	1
		29	280	1
		30	240	1
412N1117-2		28	420	1
		29	285	1
		29	285A	1
		30	235	1
412N1117-5		28	420B	1
412N1117-6		28	425B	1
412N1117-7		28	420A	1
412N1117-8		28	425A	1
412N1118-1SP		29	570	2
		29	575A	1
412N1118-2SP		29	570A	2
		29	575	1
412N1118-3		31	499	1
412N1119-1		1	60	1
		2	30	1
		3	5	1
		7	5	1
		8	5	1

# 25-28-49

ILLUSTRATED PARTS LIST

Page 1019

Mar 01/2006



## COMPONENT MAINTENANCE MANUAL

PART NUMBER	AIRLINE PART NUMBER	FIGURE	ITEM	UNITS PER ASSEMBLY
		13	5	1
		15	45	1
		16	5	1
		17	5	1
		24	5	1
412N1119-108		11	470	1
		23	420	1
412N1119-109		11	550	1
		23	500	1
412N1119-12		1	55	2
		2	70	2
		3	35	2
		4	50	2
		5	65	2
		6	40	2
		7	35	2
		8	35	2
		9	40	2
		10	40	2
		11	565	2
		12	55	2
		13	85	2
		14	70	2
		15	75	2
		16	35	2
		17	35	2
		18	80	2
		19	205	2
		20	190	2
		21	135	2
		22	305	2
		23	410	2
		24	90	2
		25	35	2
		26	40	2

# 25-28-49

ILLUSTRATED PARTS LIST

Page 1020

Mar 01/2006



## COMPONENT MAINTENANCE MANUAL

PART NUMBER	AIRLINE PART NUMBER	FIGURE	ITEM	UNITS PER ASSEMBLY		
412N1119-120		27	55	2		
		28	105	2		
		30	150	2		
412N1119-121		28	100	2		
		30	140	2		
412N1119-122		28	135	1		
		30	180	1		
412N1119-123		29	110B	1		
412N1119-124		29	110C	1		
		30	55A	1		
412N1119-129		5	60A	1		
412N1119-2		1	75	1		
		2	40	1		
		3	20	1		
		7	20	1		
		8	20	1		
		13	20	1		
		15	60	1		
		16	20	1		
		17	20	1		
		24	20	1		
		412N1119-26		4	70	1
				5	60	1
				6	75	1
10	60			1		
19	75			1		
412N1119-37		4	5	1		
		5	30	1		
		9	5	1		
		10	5	1		
		12	10	1		
		14	40	1		
		25	5	1		
		26	5	1		
	27	10	1			

# 25-28-49

ILLUSTRATED PARTS LIST

Page 1021

Mar 01/2006



## COMPONENT MAINTENANCE MANUAL

PART NUMBER	AIRLINE PART NUMBER	FIGURE	ITEM	UNITS PER ASSEMBLY
412N1119-38		4	10	1
		6	5	1
		12	15	1
		20	160	1
		27	15	1
412N1119-39		4	25	1
		5	40	1
		9	20	1
		10	20	1
		12	30	1
		14	50	1
		25	20	1
		26	20	1
		27	30	1
412N1119-40		4	30	1
		6	20	1
		12	35	1
		20	170	1
		27	35	1
412N1119-41		18	50	1
		19	40	1
		21	50	1
		22	50	1
412N1119-47		11	440	2
		23	395	4
412N1119-49		11	535	1
		23	485	1
412N1119-50		11	540	1
		23	490	1
412N1119-51		11	525	1
		23	475	1
412N1119-52		11	530	1
		23	480	1
412N1119-54		11	460	1
		23	95	1

# 25-28-49

ILLUSTRATED PARTS LIST

Page 1022

Mar 01/2006



## COMPONENT MAINTENANCE MANUAL

PART NUMBER	AIRLINE PART NUMBER	FIGURE	ITEM	UNITS PER ASSEMBLY
412N1119-55		1	50	1
		2	65	1
		3	90	1
		7	90	1
		13	70	1
		15	35	1
		16	85	1
		17	90	1
		24	75	1
		412N1119-56		1
2	60			1
3	85			1
7	85			1
13	65			1
15	40			1
16	80			1
17	85			1
412N1119-58		9	80	1
		12	100	1
		14	25	1
		20	25	1
		25	75	1
		26	80	1
		27	100	1
		27	100	1
412N1119-59		21	105	1
		22	105	1
412N1119-60		21	100	1
		22	100	1
412N1119-63		20	40	1
412N1119-66		11	465	1
		23	415	1
412N1119-68		11	545	1
		23	495	1
412N1119-69		28	196	1

# 25-28-49

ILLUSTRATED PARTS LIST

Page 1023

Mar 01/2006



## COMPONENT MAINTENANCE MANUAL

PART NUMBER	AIRLINE PART NUMBER	FIGURE	ITEM	UNITS PER ASSEMBLY
		28	199	1
		29	110	1
412N1119-70		28	197	1
		28	198	1
		29	110A	1
		30	55	1
412N1119-71		28	195P	1
		29	85	1
412N1119-72		29	85A	1
		30	60	1
412N1119-76		14	30	1
412N1119-78		8	75	1
412N1119-86		18	105	1
412N1119-87		18	110	1
412N1119-91		28	530	1
		29	320	1
		30	265	1
412N1119-92		28	525	1
		29	325	1
		30	260	1
412N1119-93		29	360	1
		30	290	1
412N1119-94		30	285	1
412N1119-96		28	470	1
412N1130-5		5	220	1
412N1130-5SP		2	230	2
		3	255	1
		3	300	1
		4	370	1
		6	265	1
		7	295	2
		8	335	1
		9	255	1
		10	215	1
		12	335	1

# 25-28-49

ILLUSTRATED PARTS LIST

Page 1024

Mar 01/2006



## COMPONENT MAINTENANCE MANUAL

PART NUMBER	AIRLINE PART NUMBER	FIGURE	ITEM	UNITS PER ASSEMBLY
		13	240	1
		14	245	1
		15	210	2
		16	260	1
		17	265	1
		18	340	2
		19	230	1
		20	255	1
		21	360	1
		23	600	2
		24	265	1
		25	220	2
		26	260	1
		27	210	1
412N1140-103SP		28	835	1
412N1140-104SP		28	835A	1
412N1140-105SP		28	840B	1
412N1140-108SP		28	840	1
412N1140-111SP		28	840C	1
412N1140-112SP		28	840D	1
412N1140-120SP		28	840E	1
412N1140-128SP		28	840A	1
412N1140-243SP		29	505B	1
412N1140-244SP		29	505C	1
412N1140-41SP		28	800	1
412N1140-42SP		28	800A	1
412N1140-43SP		28	800B	1
		29	435	1
412N1140-44SP		28	800C	1
		29	435A	1
412N1140-48SP		28	785	1
		30	360	1
412N1140-58SP		28	805	1
412N1140-59SP		28	805A	1
412N1140-60SP		28	805B	1

# 25-28-49

ILLUSTRATED PARTS LIST

Page 1025

Mar 01/2006



## COMPONENT MAINTENANCE MANUAL

PART NUMBER	AIRLINE PART NUMBER	FIGURE	ITEM	UNITS PER ASSEMBLY
412N1140-61SP		29	475	1
		28	805C	1
		29	475A	1
412N1140-63SP		30	360A	1
412N1140-64SP		28	785A	1
412N1140-66SP		28	785C	1
412N1140-67SP		28	790C	1
412N1140-68SP		28	785E	1
412N1140-73SP		28	790D	1
412N1140-76SP		28	785B	1
412N1140-77SP		28	785D	1
412N1140-80SP		28	790	1
412N1140-81SP		28	790A	1
412N1140-82SP		28	790B	1
412N1140-96		28	806	2
		29	477	2
412N1140-97		28	806J	1
		29	478	1
412N1140-98		28	806T	1
		29	479	1
412N1141-10SP		28	808Y	1
		29	500A	1
412N1141-1SP		28	807	1
412N1141-2SP		28	807H	1
412N1141-3SP		28	807Q	1
		29	480	1
412N1141-4SP		28	807Y	1
		29	480A	1
412N1141-7SP		28	808	1
412N1141-8SP		28	808H	1
412N1141-9SP		28	808Q	1
		29	500	1
412N1142-11		29	490	1
412N1142-12		29	495	1
412N1142-15		28	809	1

# 25-28-49

ILLUSTRATED PARTS LIST

Page 1026

Mar 01/2006





## COMPONENT MAINTENANCE MANUAL

PART NUMBER	AIRLINE PART NUMBER	FIGURE	ITEM	UNITS PER ASSEMBLY
412N1142-16		28	809H	1
412N1142-17		28	809Q	1
412N1142-17SP		29	485A	1
412N1142-18		28	809Y	1
412N1142-18SP		29	485C	1
412N1142-31		28	809A	1
412N1142-32		28	809J	1
412N1142-33		28	809R	1
412N1142-33SP		29	485	1
412N1142-34		28	809Z	1
412N1142-34SP		29	485B	1
412N1142-37SP		29	550	1
412N1142-38SP		29	550A	1
412N1142-41		28	880	1
412N1142-42		28	880A	1
412N1142-48SP		29	555	1
412N1143-13SP		29	460	1
412N1143-14SP		29	465	1
412N1145-101		28	296	1
		29	300	1
		30	255	1
412N1145-102		28	293	1
		29	305	1
		29	305A	1
		30	250	1
412N1145-103		28	296A	1
412N1145-104		28	293A	1
412N1145-112		33	400A	5
412N1145-21		4	270	1
		6	150	1
		16	220	1
		19	197	1
412N1145-29		1	90	4
		2	110	4
		3	215	4

# 25-28-49

ILLUSTRATED PARTS LIST

Page 1027

Mar 01/2006



## COMPONENT MAINTENANCE MANUAL

PART NUMBER	AIRLINE PART NUMBER	FIGURE	ITEM	UNITS PER ASSEMBLY
		4	260	4
		4	265	3
		5	97	4
		6	160	1
		6	170	1
		6	180	2
		7	230	3
		7	235	1
		8	280	4
		9	215	4
		10	185	3
		11	65	4
		12	165	3
		12	170	1
		13	215	4
		14	220	4
		15	185	4
		16	215	3
		17	235	4
		18	315	4
		19	195	3
		20	230	4
		21	330	4
		22	290	4
		23	545	4
		24	210	4
		25	195	3
		26	220A	1
		26	225	3
		27	180	4
412N1145-30		1	115	1
		1	145	2
		2	100	1
		3	235	1
		4	245	2

# 25-28-49

ILLUSTRATED PARTS LIST

Page 1028

Mar 01/2006



## COMPONENT MAINTENANCE MANUAL

PART NUMBER	AIRLINE PART NUMBER	FIGURE	ITEM	UNITS PER ASSEMBLY
		4	250	1
		5	95	2
		6	245	2
		7	245	1
		8	290	1
		9	225	1
		10	180	3
		11	55	1
		12	270	1
		13	205	1
		14	210	1
		15	175	1
		16	200	2
		17	215	1
		18	305	1
		20	220	1
		21	320	1
		22	280	1
		23	565	1
		24	230	1
		25	185	2
		26	220	1
		26	235	1
		27	190	1
412N1145-33		31	490	5
		33	400	5
412N1145-69		29	315	1
412N1145-89		3	230	2
		4	285	1
		5	100	1
		6	210	1
		8	310	1
		11	25	1
		12	215	1
		17	225	1

# 25-28-49

ILLUSTRATED PARTS LIST

Page 1029

Mar 01/2006



## COMPONENT MAINTENANCE MANUAL

PART NUMBER	AIRLINE PART NUMBER	FIGURE	ITEM	UNITS PER ASSEMBLY
412N1145-92		23	560	1
		24	225	2
		3	220	2
		4	275	1
		5	105	1
		6	205	1
		8	320	1
		11	80	1
		12	180	1
		17	230	1
		23	550	1
		24	215	2
		412N1146-111		28
412N1146-112		28	535A	1
412N1146-115		28	550	1
412N1146-116		28	550A	1
412N1146-125		28	680	1
412N1146-126		29	405C	1
		28	695A	1
412N1146-127		29	420C	1
		28	575	1
412N1146-128		28	590	1
412N1146-131		28	595	1
412N1146-132		28	610	1
412N1146-14		28	615	1
412N1146-142		28	575A	1
412N1146-144		28	590A	1
412N1146-168		30	340A	1
412N1146-170		30	355A	1
412N1146-18		28	725	1
412N1146-23		28	695	1
		29	420	1
412N1146-24		28	720	1
		29	420A	1
412N1146-27		28	760	1

# 25-28-49

ILLUSTRATED PARTS LIST

Page 1030

Mar 01/2006



## COMPONENT MAINTENANCE MANUAL

PART NUMBER	AIRLINE PART NUMBER	FIGURE	ITEM	UNITS PER ASSEMBLY
412N1146-3		30	355	1
		28	675	1
		29	405	1
412N1146-34		28	630	1
412N1146-38		28	740	1
412N1146-39		28	555	1
412N1146-4		28	700	1
		29	405A	1
412N1146-40		28	635	1
412N1146-42		28	570	1
412N1146-43		28	650	1
412N1146-50		28	555A	1
412N1146-51		28	570A	1
412N1146-52		28	595A	1
412N1146-53		28	610A	1
412N1146-54		28	615A	1
412N1146-56		28	630A	1
412N1146-57		28	655	1
412N1146-58		28	655A	1
412N1146-59		28	670	1
412N1146-60		28	670A	1
412N1146-61		28	705A	1
		29	405B	1
412N1146-62		28	720A	1
		29	420B	1
412N1146-64		28	635A	1
412N1146-66		28	650A	1
412N1146-7		28	745	1
		30	340	1
412N1146-73		28	765	1
412N1146-74		28	780	1
412N1147-3		29	430M	1
412N1151-5SP		29	540	1
412N1151-7SP		29	540A	1
412N1151-9SP		29	545	1

# 25-28-49

ILLUSTRATED PARTS LIST

Page 1031

Mar 01/2006



## COMPONENT MAINTENANCE MANUAL

PART NUMBER	AIRLINE PART NUMBER	FIGURE	ITEM	UNITS PER ASSEMBLY
412N1153-101		28	305	1
412N1153-102		28	305A	1
412N1153-103		28	305B	1
		29	185C	1
412N1153-104		28	305C	1
		29	185D	1
412N1153-105		28	300H	1
412N1153-116		28	300J	1
412N1153-123		28	305D	1
		29	185E	1
412N1153-14		28	300B	1
412N1153-146		28	300K	1
412N1153-148		28	300L	1
412N1153-149		28	300M	1
412N1153-153		28	300N	1
		30	320	1
412N1153-24		28	300C	1
		29	185	1
412N1153-45		28	300D	1
412N1153-56		28	300E	1
412N1153-6		28	300	1
412N1153-83		28	300F	1
412N1153-84		28	300G	1
412N1153-87		29	185A	1
412N1153-88		29	185B	1
412N1153-89		30	320A	1
412N1153-9		28	300A	1
412N1153-90		30	320B	1
412N1154-1		29	560	1
412N1154-10		29	565B	1
412N1154-11		29	560B	1
412N1154-12		29	565C	1
412N1154-2		29	565	1
412N1154-3		29	560A	1
412N1154-4		29	565A	1

# 25-28-49

ILLUSTRATED PARTS LIST

Page 1032

Mar 01/2006



## COMPONENT MAINTENANCE MANUAL

PART NUMBER	AIRLINE PART NUMBER	FIGURE	ITEM	UNITS PER ASSEMBLY
412N1154-9		29	560C	1
412N1155-10		28	40	1
412N1155-11		28	167	1
		28	177	1
		29	5	1
412N1155-12		28	170	1
		28	175	1
		29	10	1
		30	40	1
412N1155-19		29	5C	1
412N1155-20		29	10C	1
412N1155-21		29	5B	1
412N1155-22		29	10B	1
		30	40A	1
412N1155-23		30	45A	1
412N1155-7		28	168	1
		28	177A	1
		29	5A	1
412N1155-8		28	173	1
		28	175A	1
		29	10A	1
412N1155-9		28	35	1
		30	45	1
412N1156-13		28	255	1
		28	260A	1
		29	155	1
412N1156-14		28	255A	1
		28	260	1
		29	155A	1
412N1156-15		28	270	1
		28	275A	1
		29	150	1
		29	165	1
412N1156-16		28	270A	1
		28	275	1

# 25-28-49

ILLUSTRATED PARTS LIST

Page 1033

Mar 01/2006



## COMPONENT MAINTENANCE MANUAL

PART NUMBER	AIRLINE PART NUMBER	FIGURE	ITEM	UNITS PER ASSEMBLY
		29	150A	1
		29	165A	1
		30	120B	1
412N1156-17		28	245	1
		28	250A	1
		29	140	1
412N1156-18		28	245A	1
		28	250	1
		29	140A	1
		30	110	1
412N1156-19		28	70	1
		30	112	1
412N1156-20		28	75	1
412N1156-25		28	78	1
		30	120	1
412N1156-26		28	79	1
412N1156-33		29	155B	1
412N1156-34		29	155C	1
412N1156-35		29	150B	1
		29	165B	1
412N1156-36		29	150C	1
		29	165C	1
		30	120C	1
412N1156-37		29	140B	1
412N1156-38		29	140C	1
		30	110B	1
412N1156-39		30	112A	1
412N1156-40		30	120A	1
412N1161-1		1	35	1
		3	50	1
		4	85	1
		5	25	1
		7	50	1
		8	60	1
		8	65	1

# 25-28-49

ILLUSTRATED PARTS LIST

Page 1034

Mar 01/2006





## COMPONENT MAINTENANCE MANUAL

PART NUMBER	AIRLINE PART NUMBER	FIGURE	ITEM	UNITS PER ASSEMBLY
		9	55	1
		10	75	1
		12	70	1
		17	50	1
		24	35	1
		25	50	1
		26	55	1
		27	70	1
412N1161-2		2	25	1
		3	55	1
		4	90	1
		6	55	1
		7	50A	1
		12	75	1
		13	35	1
		15	30	1
		16	50	1
		17	55	1
		18	65	1
		24	40	1
		27	75	1
412N1161-3		22	70	1
412N1161-4		19	55	1
		21	70	1
412N1162-1		28	865	2
		29	525	2
412N1216-45		31	610	1
		31	783A	1
412N1216-46		31	607	1
412N1216-49		31	517	1
412N1216-52		31	520	1
412N1216-54		33	405	1
412N1216-55		31	610A	1
412N1216-56		31	607A	1
412N1216-60		33	405A	1

# 25-28-49

ILLUSTRATED PARTS LIST

Page 1035

Mar 01/2006



## COMPONENT MAINTENANCE MANUAL

PART NUMBER	AIRLINE PART NUMBER	FIGURE	ITEM	UNITS PER ASSEMBLY
412N1216-601		31	610B	1
		31	783	1
		33	260	1
412N1216-602		31	607B	1
412N1216-603		33	405F	1
412N1216-611		32	261	1
412N1216-619		33	405E	1
412N1216-626		33	405G	1
412N1216-63		31	523	1
412N1216-634		33	405H	1
412N1216-639		33	405C	1
412N1216-640		33	405D	1
412N1216-643		32	261A	1
412N1216-67		31	696A	1
412N1216-68		31	696	1
412N1216-82		33	405B	1
412N1217-100		31	448	1
		32	195	1
412N1217-109		31	391	1
412N1217-111		31	400	1
412N1217-113		31	403	1
		33	205	1
412N1217-114		31	406	1
412N1217-115		31	415	1
		33	220	1
412N1217-116		31	415A	1
412N1217-117		31	418	1
412N1217-118		31	421	1
		32	220	1
412N1217-119		31	430	1
412N1217-120		31	430A	1
		32	235	1
412N1217-121		31	655	1
		33	305	1
		33	510	1

# 25-28-49

ILLUSTRATED PARTS LIST

Page 1036

Mar 01/2006



## COMPONENT MAINTENANCE MANUAL

PART NUMBER	AIRLINE PART NUMBER	FIGURE	ITEM	UNITS PER ASSEMBLY
412N1217-122		31	664	1
		33	320	1
		33	535	1
412N1217-123		31	568	1
		31	735	1
		31	810	1
		32	305	1
		33	510A	1
412N1217-124		31	577	1
		31	744	1
		32	320	1
		33	535A	1
412N1217-133		8	115	1
412N1217-134		8	145	1
412N1217-135		8	80	3
412N1217-136		8	110	1
412N1217-23		31	634	1
412N1217-24		31	652	1
412N1217-49		31	550	1
		31	711	1
		32	285	1
		33	455A	1
412N1217-5		31	439	1
		32	210	1
		33	235	1
412N1217-50		31	562	1
		31	720	1
		32	300	1
		33	485A	1
412N1217-51		33	490A	1
412N1217-52		33	505A	1
412N1217-57		31	346	1
		32	150	1
412N1217-58		31	343	1
412N1217-59		31	358	1

# 25-28-49

ILLUSTRATED PARTS LIST

Page 1037

Mar 01/2006



## COMPONENT MAINTENANCE MANUAL

PART NUMBER	AIRLINE PART NUMBER	FIGURE	ITEM	UNITS PER ASSEMBLY
		32	165	1
412N1217-60		31	355	1
412N1217-61		31	364	1
		33	185	1
412N1217-62		31	361	1
412N1217-63		31	376	1
		33	200	1
412N1217-64		31	373	1
412N1217-71		31	553	1
412N1217-72		31	565	1
412N1217-85		31	723	1
412N1217-86		31	732	1
412N1217-87		31	631	1
		31	798	1
		33	285	1
		33	450	1
412N1217-88		31	649	1
		31	807	1
		33	300	1
		33	480	1
412N1217-91		31	550A	1
		32	285A	1
		33	455	1
412N1217-92		31	562A	1
		32	300A	1
		33	485	1
412N1217-95		33	490	1
412N1217-96		33	505	1
412N1217-97		31	379	1
		32	170	1
412N1217-98		31	388	1
		32	185	1
412N1217-99		31	442	1
		32	215	1
412N1224-3		28	490	1

# 25-28-49

ILLUSTRATED PARTS LIST

Page 1038

Mar 01/2006



## COMPONENT MAINTENANCE MANUAL

PART NUMBER	AIRLINE PART NUMBER	FIGURE	ITEM	UNITS PER ASSEMBLY
		29	380	1
		29	385	1
412N1224-4		29	380A	1
		29	385A	1
412N1224-5		8	170	1
		29	385B	1
412N1224-6		29	380B	1
412N1224-7		29	380C	1
		29	385C	1
412N1233-106SP		2	111A	1
412N1233-107SP		2	113	1
412N1233-116SP		6	280	1
412N1233-117SP		3	275	1
412N1233-118SP		3	280	1
412N1233-119SP		4	345	1
412N1233-140SP		6	280A	1
412N1233-186SP		10	205B	1
412N1233-645SP		25	215	1
412N1245-1		28	130	1
		28	830	2
		28	875	2
		29	450	2
		29	530	2
		30	175	1
417N5120-10		1	215	1
		2	155	1
		10	115	1
		13	125	1
		15	130	1
		19	155	1
		21	210	1
		22	145	1
417N5120-11		3	130	1
		4	115	1
		5	165	1

# 25-28-49

ILLUSTRATED PARTS LIST

Page 1039

Mar 01/2006



## COMPONENT MAINTENANCE MANUAL

PART NUMBER	AIRLINE PART NUMBER	FIGURE	ITEM	UNITS PER ASSEMBLY
		6	115	1
		7	110	1
		8	210	1
		9	145	1
		11	150	1
		11	300	1
		12	125	1
		17	110	1
		18	150	1
		23	160	1
		23	240	1
		24	130	1
		25	120	1
		26	140	1
		27	125	1
417N5120-12		11	230	1
		14	155	1
		16	125	1
		18	200	1
		20	85	1
		21	270	1
		22	210	1
		23	205	1
417N5120-14SP		19	115	1
		21	160	1
417N5120-16		2	115	1
		13	100	1
417N5120-17		22	125	1
417N5120-19		7	105	1
		17	105	1
		24	125	1
417N5120-19SP		3	125	1
		8	195	1
417N5120-20		16	100	1
		21	230	1

# 25-28-49

ILLUSTRATED PARTS LIST

Page 1040

Mar 01/2006



## COMPONENT MAINTENANCE MANUAL

PART NUMBER	AIRLINE PART NUMBER	FIGURE	ITEM	UNITS PER ASSEMBLY
		22	170	1
417N5120-21		15	100	1
417N5120-22SP		1	170	1
417N5120-25SP		3	127	1
417N5120-26		18	125	1
417N5120-32		11	255	1
		23	115	1
417N5120-33SP		4	105	1
		11	120	1
		12	105	1
		23	230	1
		27	105	1
417N5120-34		11	250	1
		23	110	1
417N5120-47		23	180	1
417N5120-47SP		11	190	1
		14	130	1
		18	175	1
		20	55	1
417N5120-49SP		10	100	1
417N5120-51SP		5	130	1
		9	105	1
		25	90	1
		26	105	1
417N5120-53SP		4	110	1
		6	100	1
		11	125	1
		12	110	1
		23	235	1
		27	110	1
502060-1-1		28	350C	1
		28	350H	1
		29	225D	1
		29	225J	1
502060-1-3		28	350A	1

# 25-28-49

ILLUSTRATED PARTS LIST

Page 1041

Mar 01/2006



## COMPONENT MAINTENANCE MANUAL

PART NUMBER	AIRLINE PART NUMBER	FIGURE	ITEM	UNITS PER ASSEMBLY
		28	350G	1
502060-1-4		28	350	1
		28	350F	1
502060-2-1		28	345V	1
		28	345X	1
		29	225G	1
		29	225H	1
6041-3BRX225		28	77A	1
		28	265A	2
		29	145A	2
		29	160A	2
		30	115A	1
65C27012-1071		31	8	1
65C27012-1072		31	17	1
		32	5	1
65C27012-1073		33	11	1
65C27012-1074		33	12	1
65C27012-1076		31	32	1
65C27012-1077		31	17A	1
		32	5A	1
65C27012-1078		31	38	1
65C27012-1079		33	5	1
65C27012-1080		33	5A	1
65C27012-1081		31	47	1
65C27012-1084		31	20	1
65C27012-1086		33	15	1
65C27012-1087		31	50	1
65C27012-1088		31	41	1
65C27012-1089		31	59	1
65C27012-1090		31	56	1
65C27012-1093		31	26	1
65C27012-1094		31	20A	1
65C27012-1095		33	15B	1
65C27012-1096		31	11	1
		33	15A	1

# 25-28-49

ILLUSTRATED PARTS LIST

Page 1042

Mar 01/2006





## COMPONENT MAINTENANCE MANUAL

PART NUMBER	AIRLINE PART NUMBER	FIGURE	ITEM	UNITS PER ASSEMBLY
65C27012-1104		31	65A	1
		32	15	1
65C27012-1107		31	65G	1
65C27012-1109		31	65	1
65C27012-1110		31	65C	1
		33	25	1
65C27012-1111		31	65D	1
		33	25A	1
65C27012-1112		31	65H	1
65C27012-1113		33	25B	1
65C27012-1114		31	65B	1
		33	27	1
65C27012-1117		31	65J	1
65C27012-1131		33	25D	1
65C27012-1132		31	65E	1
65C27012-1133		33	25C	1
65C27012-1134		31	65F	1
65C27012-1203		33	40	1
65C27012-1204		31	74	1
		32	30	1
		33	40A	1
65C27012-1205		31	80A	1
65C27012-1207		31	74B	1
		33	40B	1
65C27012-1208		31	74A	1
		33	42	1
65C27012-1211		31	86	1
65C27012-1212		31	80B	1
65C27012-1213		31	80	1
65C27012-1226		31	86A	1
65C27012-1228		31	92	1
65C27012-1310		31	101	1
		33	75A	1
65C27012-1311		31	119	1
65C27012-1312		31	110	1

# 25-28-49

ILLUSTRATED PARTS LIST

Page 1043

Mar 01/2006



## COMPONENT MAINTENANCE MANUAL

PART NUMBER	AIRLINE PART NUMBER	FIGURE	ITEM	UNITS PER ASSEMBLY
		32	40	1
65C27012-1314		31	101A	1
		32	50	1
65C27012-1315		31	125	1
65C27012-1316		31	125A	1
65C27012-1317		31	119A	1
65C27012-1322		33	60	1
65C27012-1323		32	50A	1
65C27012-1333		31	101B	1
		33	60A	1
65C27012-1338		33	50	1
65C27012-1341		33	60B	1
65C27012-1351		33	75B	1
65C27012-1353		31	101C	1
65C27012-1358		31	110D	1
65C27012-1359		31	110A	1
65C27012-1361		31	143	1
65C27012-1363		31	110B	1
65C27012-1364		31	110C	1
		33	75	1
65C27012-1366		33	82	1
65C27012-1370		33	50A	1
65C27012-151		28	890	1
		31	5	RF
65C27012-152		28	890A	1
		31	5A	RF
65C27012-153		29	580	1
65C27012-154		29	580A	1
65C27012-156		28	885	1
		31	1	RF
65C27012-157		29	580B	1
65C27012-158		28	890B	1
		31	5C	RF
65C27012-159		28	890C	1
		31	5D	RF

# 25-28-49

ILLUSTRATED PARTS LIST

Page 1044

Mar 01/2006



## COMPONENT MAINTENANCE MANUAL

PART NUMBER	AIRLINE PART NUMBER	FIGURE	ITEM	UNITS PER ASSEMBLY
65C27012-160		28	885A	1
		31	1A	RF
65C27012-161		28	885B	1
		31	1B	RF
65C27012-162		30	370	1
		33	1A	RF
65C27012-163		29	580C	1
65C27012-164		29	580D	1
65C27012-165		29	580E	1
65C27012-166		30	370A	1
		33	1B	RF
65C27012-167		29	580F	1
65C27012-168		29	580G	1
65C27012-169		29	580H	1
65C27012-170		29	580J	1
65C27012-171		29	580K	1
65C27012-172		28	885C	1
		31	1C	RF
65C27012-173		29	580L	1
65C27012-174		29	580M	1
65C27012-175		29	580N	1
65C27012-176		29	580P	1
65C27012-177		28	890D	1
		31	5E	RF
65C27012-179		29	580Q	1
65C27012-180		28	890E	1
		31	5F	RF
65C27012-181		29	580R	1
65C27012-182		29	580S	1
65C27012-183		28	890F	1
		31	5G	RF
65C27012-184		28	885D	1
		31	1D	RF
65C27012-185		28	890G	1
		31	5H	RF

# 25-28-49

ILLUSTRATED PARTS LIST

Page 1045

Mar 01/2006



## COMPONENT MAINTENANCE MANUAL

PART NUMBER	AIRLINE PART NUMBER	FIGURE	ITEM	UNITS PER ASSEMBLY
65C27012-187		29	580T	1
65C27012-188		28	890H	1
		31	5J	RF
65C27012-189		28	885E	1
		31	1E	RF
65C27012-192		29	580U	1
65C27012-193		29	580V	1
65C27012-194		29	580W	1
		33	1	RF
65C27012-195		28	890J	1
		31	5K	RF
65C27012-196		28	890K	1
		31	5L	RF
65C27012-197		29	580X	1
65C27012-198		28	885F	1
		31	1F	RF
65C27012-199		28	890L	1
		31	5M	RF
65C27012-2004		31	149A	1
		32	60	1
65C27012-2007		31	149C	1
		32	60A	1
65C27012-2010		31	149	1
65C27012-2011		31	149E	1
65C27012-2015		31	149H	1
65C27012-2016		31	149J	1
65C27012-2018		31	149F	1
65C27012-2022		33	85	1
65C27012-2023		31	158A	1
65C27012-2027		31	149G	1
		33	85A	1
65C27012-2030		33	85B	1
65C27012-2036		33	85C	1
65C27012-204		28	890M	1
		31	5N	RF

# 25-28-49

ILLUSTRATED PARTS LIST

Page 1046

Mar 01/2006



## COMPONENT MAINTENANCE MANUAL

PART NUMBER	AIRLINE PART NUMBER	FIGURE	ITEM	UNITS PER ASSEMBLY
65C27012-2040		31	149D	1
65C27012-2042		33	95	1
65C27012-2045		33	95B	1
65C27012-205		29	580Y	1
65C27012-2052		33	92	1
65C27012-206		29	580Z	1
65C27012-2061		33	115C	1
65C27012-2062		31	158	1
65C27012-2064		31	149B	1
65C27012-2067		31	149K	1
65C27012-2068		31	158B	1
65C27012-207		29	585	1
65C27012-2073		33	95A	1
65C27012-208		29	585A	1
65C27012-209		29	585B	1
65C27012-210		28	890N	1
		31	5P	RF
65C27012-211		28	890P	1
		31	5Q	RF
65C27012-2110		31	164	1
65C27012-2111		31	176	1
		33	105	1
65C27012-2112		31	164A	1
		32	80	1
65C27012-2113		31	182A	1
65C27012-2114		31	188	1
65C27012-2116		31	170	1
		32	70	1
65C27012-212		29	585C	1
65C27012-2120		31	176A	1
65C27012-2123		31	164D	1
		33	115	1
65C27012-2127		33	122	1
65C27012-213		29	585D	1
65C27012-2136		31	164B	1

# 25-28-49

ILLUSTRATED PARTS LIST

Page 1047

Mar 01/2006



## COMPONENT MAINTENANCE MANUAL

PART NUMBER	AIRLINE PART NUMBER	FIGURE	ITEM	UNITS PER ASSEMBLY
65C27012-2139		33	115A	1
65C27012-2142		33	123A	1
65C27012-2148		33	115B	1
65C27012-216		29	585E	1
65C27012-2161		33	123	1
65C27012-2162		31	182	1
65C27012-2164		31	164C	1
65C27012-2165		33	105A	1
65C27012-2166		31	194A	1
65C27012-2167		31	194	1
65C27012-217		28	885G	1
		31	1G	RF
65C27012-218		29	585F	1
65C27012-219		30	370B	1
		33	1C	RF
65C27012-220		29	585G	1
65C27012-2201		31	176B	1
65C27012-221		29	585H	1
65C27012-222		29	585J	1
65C27012-223		29	585K	1
65C27012-224		29	585L	1
65C27012-227		29	585M	1
65C27012-228		29	585N	1
65C27012-229		28	885H	1
		31	1H	RF
65C27012-3201		33	125A	1
65C27012-3202		31	203	1
		33	125	1
65C27012-4023		31	242	1
65C27012-4026		31	224	1
65C27012-4033		31	236	1
65C27012-4034		31	236A	1
		33	142	1
65C27012-4035		31	206	1
		32	90	1

# 25-28-49

ILLUSTRATED PARTS LIST

Page 1048

Mar 01/2006



## COMPONENT MAINTENANCE MANUAL

PART NUMBER	AIRLINE PART NUMBER	FIGURE	ITEM	UNITS PER ASSEMBLY
65C27012-4036		31	206A	1
65C27012-4037		31	212	1
65C27012-4038		31	218	1
65C27012-4044		33	135	1
65C27012-4122		31	212A	1
65C27012-4125		31	212B	1
65C27012-5002		31	230	1
65C27012-605		29	585P	1
65C27012-608		28	895	1
		28	895C	1
		32	1	RF
65C27012-619		29	585Q	1
65C27012-620		28	900	1
		33	1D	RF
65C27012-621		29	585Z	1
		33	1H	RF
65C27012-622		29	585R	1
65C27012-625		28	890S	1
		31	5T	RF
65C27012-629		29	585S	1
65C27012-630		30	370D	1
		33	1F	RF
65C27012-631		30	370C	1
		33	1E	RF
65C27012-632		29	585T	1
65C27012-633		29	585U	1
65C27012-644		28	885L	1
		31	1M	RF
65C27012-645		28	895B	1
		32	1A	RF
65C27012-646		28	890R	1
		31	5S	RF
65C27012-647		28	885K	1
		31	1L	RF
65C27012-648		29	585V	1

# 25-28-49

ILLUSTRATED PARTS LIST

Page 1049

Mar 01/2006



## COMPONENT MAINTENANCE MANUAL

PART NUMBER	AIRLINE PART NUMBER	FIGURE	ITEM	UNITS PER ASSEMBLY
65C27012-649		29	585W	1
65C27012-659		28	895A	1
65C27012-660		29	585X	1
65C27012-661		28	885J	1
		31	1K	RF
65C27012-662		28	890Q	1
		31	5R	RF
65C27012-664		29	585Y	1
		33	1G	RF
65C27012-671		33	1J	RF
65C27012-672		33	1K	RF
65C27012-673		33	1L	RF
65C27012-674		33	1M	RF
65C27012-675		32	1B	RF
65C27013-1324		31	134	1
65C27013-1360		31	134A	1
65C27014-30		7	245A	1
65C27016-3		28	430	1
65C27016-6		28	435	1
65C27017-15		19	38	2
		21	55	2
		22	55	2
		23	70	1
65C27017-16		4	35	1
		5	43	1
		6	25	1
		9	25	1
		10	25	1
		12	40	1
		14	55	1
		20	175	1
		26	25	1
		27	40	1
65C27017-21		19	35	1
		21	35	1

# 25-28-49

ILLUSTRATED PARTS LIST

Page 1050

Mar 01/2006





## COMPONENT MAINTENANCE MANUAL

PART NUMBER	AIRLINE PART NUMBER	FIGURE	ITEM	UNITS PER ASSEMBLY
65C27017-22		22	35	1
65C27017-24		19	37	1
		21	45	1
		22	45	1
65C27017-27		11	635	1
		23	40	1
65C27017-28		11	435	2
		23	365	2
65C27017-29		23	75	1
65C27017-30		16	205	1
		19	185	1
65C27017-32		11	630	1
		23	35	1
65C27017-33		11	585	1
		23	45	1
65C27017-34		11	610	1
		23	60	1
65C27017-42		4	247	2
		4	280	3
		6	155	1
		6	185	2
		6	250	2
		7	225	3
		12	275	2
65C27017-43		1	85	4
		2	105	4
		3	225	4
		4	255	4
		5	93	4
		6	190	4
		7	240	4
		8	285	4
		9	220	4
		10	190	4
		11	70	4

# 25-28-49

ILLUSTRATED PARTS LIST

Page 1051

Mar 01/2006



## COMPONENT MAINTENANCE MANUAL

PART NUMBER	AIRLINE PART NUMBER	FIGURE	ITEM	UNITS PER ASSEMBLY
		12	190	4
		13	210	4
		14	215	4
		15	180	4
		16	210	4
		17	220	4
		18	310	4
		19	190	4
		20	225	4
		21	325	4
		22	285	4
		23	555	4
		24	220	4
		25	190	4
		26	230	4
		27	185	4
65C27017-44		18	35	1
65C27017-46		18	40	1
65C27017-48		11	590	1
		23	50	1
65C27017-50		11	615	1
		23	65	1
65C27023-11		28	485	1
65C27023-17		28	480A	1
		28	480E	1
65C27023-18		28	485A	1
65C27023-19		28	480H	1
65C27023-21		28	480D	1
		28	480G	1
65C27023-24		29	430	1
65C27023-26		29	430A	1
65C27023-29		29	430B	1
65C27023-31		28	480J	1
65C27023-32		28	485E	1
65C27023-34		28	485G	1

# 25-28-49

ILLUSTRATED PARTS LIST

Page 1052

Mar 01/2006



## COMPONENT MAINTENANCE MANUAL

PART NUMBER	AIRLINE PART NUMBER	FIGURE	ITEM	UNITS PER ASSEMBLY
65C27023-37		29	430C	1
65C27023-44		28	485F	1
65C27023-5		29	430D	1
65C27023-50		28	485C	1
65C27023-54		29	430E	1
65C27023-61		28	480C	1
65C27023-62		28	485B	1
65C27023-66		28	485D	1
65C27023-71		29	430F	1
65C27023-72		29	430G	1
65C27023-78		8	155	1
65C27023-79		28	480F	1
65C27023-82		29	430H	1
65C27023-84		28	480	1
65C27023-87		29	430J	1
65C27023-88		29	430K	1
65C27023-9		28	480B	1
65C27023-90		29	430L	1
65C27026-184SP		20	245	1
65C27026-185SP		14	235A	1
65C27026-186SP		25	212	1
65C27026-187SP		1	265A	1
65C27026-191SP		3	270C	1
65C27026-194SP		3	270D	1
65C27026-202SP		4	332	1
65C27026-218SP		4	327	1
65C27026-23SP		10	205	1
		25	210	1
		26	250	1
65C27026-31SP		1	255	1
65C27026-32SP		7	300A	1
65C27026-33SP		21	350	1
65C27026-36SP		7	300	1
		19	220	1
65C27026-40SP		7	305	1

# 25-28-49

ILLUSTRATED PARTS LIST

Page 1053

Mar 01/2006



## COMPONENT MAINTENANCE MANUAL

PART NUMBER	AIRLINE PART NUMBER	FIGURE	ITEM	UNITS PER ASSEMBLY
65C27026-41SP		12	315	1
65C27026-43SP		24	250	1
65C27026-44SP		24	255	1
65C27026-46SP		2	111	1
		13	230	1
65C27026-50SP		3	270	1
65C27026-51SP		3	273	1
65C27026-59SP		16	250	1
65C27026-60SP		9	240	1
		26	250A	1
65C27026-63SP		16	250A	1
65C27026-64SP		14	235	1
65C27026-65SP		3	265	1
65C27026-72SP		3	270A	1
65C27026-73SP		4	335A	1
		6	270	1
65C27026-74SP		4	325	1
		6	275A	1
65C27026-76SP		4	330	1
		6	275	1
65C27026-77SP		18	330	1
65C27026-79SP		4	335	1
		6	270A	1
		27	225	1
65C27026-80SP		5	110	1
65C27026-82SP		27	220	1
65C27026-84SP		22	320	1
65C27026-86SP		3	270B	1
65C27026-88SP		11	85	1
		23	585	1
65C27026-89SP		11	90	1
		23	590	1
65C27026-90SP		12	310	1
65C27026-93SP		12	320	1
65C27026-94SP		4	340	1

# 25-28-49

ILLUSTRATED PARTS LIST

Page 1054

Mar 01/2006



## COMPONENT MAINTENANCE MANUAL

PART NUMBER	AIRLINE PART NUMBER	FIGURE	ITEM	UNITS PER ASSEMBLY
65C27026-96SP		3	260	1
65C27026-97SP		17	255	1
65C27026-98SP		17	260	1
65C27327-102		31	761B	1
65C27327-112		33	565A	1
65C27327-117		31	761P	1
65C27327-138		31	761F	1
65C27327-141		31	248	1
65C27327-142		31	248A	1
65C27327-148		31	765	1
65C27327-150		31	837A	1
65C27327-161		31	248C	1
65C27327-162		31	248D	1
65C27327-163		31	248E	1
65C27327-164		33	355A	1
65C27327-167		31	761C	1
65C27327-179		33	360	1
65C27327-191		31	248F	1
65C27327-197		31	248G	1
65C27327-198		31	761E	1
65C27327-199		8	355	1
65C27327-202		31	248H	1
65C27327-205		31	248J	1
65C27327-207		31	248K	1
65C27327-208		31	761H	1
65C27327-21		31	761	1
65C27327-213		31	248M	1
65C27327-214		31	248L	1
65C27327-215		31	761J	1
65C27327-216		31	761K	1
65C27327-218		31	248B	1
65C27327-219		31	761L	1
65C27327-222		33	355	1
65C27327-223		31	248N	1
65C27327-225		31	248P	1

# 25-28-49

ILLUSTRATED PARTS LIST

Page 1055

Mar 01/2006



## COMPONENT MAINTENANCE MANUAL

PART NUMBER	AIRLINE PART NUMBER	FIGURE	ITEM	UNITS PER ASSEMBLY
65C27327-230		31	248Q	1
65C27327-251		33	360A	1
65C27327-252		33	565B	1
65C27327-255		31	248R	1
65C27327-256		31	761Q	1
65C27327-273		31	248S	1
65C27327-28		31	761G	1
65C27327-48		33	565	1
65C27327-52		31	761N	1
65C27327-55		31	761M	1
65C27327-56		31	761D	1
65C27327-618		33	360F	1
65C27327-620		32	100	1
65C27327-622		33	565K	1
65C27327-623		33	565J	1
65C27327-624		32	350	1
65C27327-643		33	360C	1
65C27327-644		33	565G	1
65C27327-647		33	145	1
65C27327-648		33	350	1
65C27327-649		33	355C	1
65C27327-650		33	565E	1
65C27327-651		33	355D	1
65C27327-652		33	565F	1
65C27327-657		31	248X	1
65C27327-659		33	565D	1
65C27327-660		31	248U	1
65C27327-667		33	355B	1
65C27327-668		33	360B	1
65C27327-670		33	565C	1
65C27327-674		31	248T	1
65C27327-675		31	761R	1
65C27327-686		31	761T	1
65C27327-687		31	248V	1
65C27327-688		31	248W	1

# 25-28-49

ILLUSTRATED PARTS LIST

Page 1056

Mar 01/2006



## COMPONENT MAINTENANCE MANUAL

PART NUMBER	AIRLINE PART NUMBER	FIGURE	ITEM	UNITS PER ASSEMBLY
65C27327-689		32	100A	1
65C27327-690		32	350A	1
65C27327-695		31	761U	1
65C27327-696		31	761S	1
65C27327-7		31	761A	1
65C27327-706		31	762	1
65C27327-707		31	837	1
65C27327-710		33	360D	1
65C27327-711		33	360E	1
65C27327-713		33	565H	1
65C27327-721		32	100B	1
65C27327-722		32	350B	1
65C27481-24		11	365	1
		23	295	1
65C27481-25		11	390	1
		23	320	1
65C27481-30		5	185	1
		9	165	1
		14	100	1
		20	130	1
		26	165	1
65C27481-31		5	205	1
		9	185	1
		14	115	1
		20	150	1
		26	185	1
65C27481-32		10	152	1
65C27481-33		10	153J	1
65C27481-34		11	335	1
		23	330	1
65C27481-35		11	355	1
		23	350	1
65C27481-36		18	245	1
65C27481-37		18	275	1
65C27481-38		18	270	1

# 25-28-49

ILLUSTRATED PARTS LIST

Page 1057

Mar 01/2006



## COMPONENT MAINTENANCE MANUAL

PART NUMBER	AIRLINE PART NUMBER	FIGURE	ITEM	UNITS PER ASSEMBLY
65C27481-71		11	330	1
		23	325	1
65C27481-72		11	360	1
		23	290	1
65C27481-74		11	385	1
		23	315	1
65C277026-83SP		8	340	1
65C28117-3		9	133	1
		14	147	1
		16	117	1
		17	150	1
		18	143	1
		18	217	1
		19	143	1
		20	75	1
		21	190	1
		21	260	1
		22	140	1
		22	205	1
		23	133	1
		23	197	1
		24	167	1
		25	107	1
		65C32943-24SP		29
65C32944-10		9	260	1
65C32944-100SP		1	3N	RF
		2	1	RF
65C32944-101SP		1	3P	RF
		3	1M	RF
65C32944-102SP		1	3Q	RF
		3	1N	RF
65C32944-103SP		1	3R	RF
		4	1G	RF
65C32944-104SP		1	3S	RF
		5	1A	RF

# 25-28-49

ILLUSTRATED PARTS LIST

Page 1058

Mar 01/2006





## COMPONENT MAINTENANCE MANUAL

PART NUMBER	AIRLINE PART NUMBER	FIGURE	ITEM	UNITS PER ASSEMBLY
65C32944-105SP		1	3T	RF
		6	1D	RF
65C32944-106SP		1	3U	RF
		7	1F	RF
65C32944-107SP		1	3V	RF
		8	1A	RF
65C32944-108SP		1	3W	RF
		6	1E	RF
65C32944-109SP		1	3X	RF
		9	1	RF
65C32944-110SP		1	3Y	RF
		3	1P	RF
65C32944-111SP		1	3Z	RF
		3	1Q	RF
65C32944-112SP		1	4	RF
		10	1F	RF
65C32944-114SP		1	4A	RF
		3	1R	RF
65C32944-115SP		1	4B	RF
		11	1	RF
65C32944-116SP		1	4C	RF
		11	5	RF
65C32944-119SP		1	4D	RF
		10	1G	RF
65C32944-11SP		1	1F	RF
		4	1A	RF
65C32944-120SP		1	4E	RF
		6	1F	RF
65C32944-121SP		1	4F	RF
		7	1G	RF
65C32944-122SP		1	4G	RF
		10	1H	RF
65C32944-123SP		1	4H	RF
		4	1H	RF
65C32944-124SP		1	4J	RF

# 25-28-49

ILLUSTRATED PARTS LIST

Page 1059

Mar 01/2006



## COMPONENT MAINTENANCE MANUAL

PART NUMBER	AIRLINE PART NUMBER	FIGURE	ITEM	UNITS PER ASSEMBLY
		7	1H	RF
65C32944-125SP		1	4K	RF
65C32944-127SP		1	4L	RF
		3	1S	RF
65C32944-128SP		1	4M	RF
		3	1T	RF
65C32944-129SP		1	4N	RF
		10	1J	RF
65C32944-12SP		1	1G	RF
		26	1	RF
65C32944-130SP		1	4P	RF
		6	1G	RF
65C32944-131SP		1	4Q	RF
		10	1K	RF
65C32944-132SP		1	4R	RF
65C32944-133SP		1	4S	RF
		12	1B	RF
65C32944-134SP		1	4T	RF
		16	1B	RF
65C32944-138SP		1	4U	RF
		10	1L	RF
65C32944-139SP		1	4V	RF
		6	1H	RF
65C32944-13SP		1	1H	RF
65C32944-140SP		1	4W	RF
		14	1B	RF
65C32944-141SP		1	4X	RF
		3	1V	RF
65C32944-142SP		1	4Y	RF
		3	1W	RF
65C32944-143SP		1	4Z	RF
		15	1A	RF
65C32944-144SP		1	5	RF
		16	1C	RF
65C32944-145SP		1	5A	RF

# 25-28-49

ILLUSTRATED PARTS LIST

Page 1060

Mar 01/2006



## COMPONENT MAINTENANCE MANUAL

PART NUMBER	AIRLINE PART NUMBER	FIGURE	ITEM	UNITS PER ASSEMBLY
		12	5A	RF
65C32944-146SP		1	5B	RF
		4	1J	RF
65C32944-149SP		1	5C	RF
		17	1	RF
65C32944-14SP		1	1J	RF
		13	1	RF
65C32944-150SP		1	5D	RF
		17	1A	RF
65C32944-151SP		1	5E	RF
		15	1B	RF
65C32944-152SP		1	5F	RF
		18	1A	RF
65C32944-153SP		1	5G	RF
		14	1C	RF
65C32944-154SP		1	5H	RF
		3	1X	RF
65C32944-155SP		1	5J	RF
		3	1Y	RF
65C32944-15SP		1	1K	RF
		18	1	RF
65C32944-163SP		1	5K	RF
		3	1Z	RF
65C32944-16SP		1	1L	RF
		14	1	RF
65C32944-17SP		1	1M	RF
		3	1	RF
65C32944-18SP		1	1N	RF
		3	1A	RF
65C32944-19SP		1	1P	RF
		4	1B	RF
65C32944-1SP		1	1	RF
65C32944-20SP		1	1Q	RF
		14	1A	RF
65C32944-21SP		1	1R	RF

# 25-28-49

ILLUSTRATED PARTS LIST

Page 1061

Mar 01/2006



## COMPONENT MAINTENANCE MANUAL

PART NUMBER	AIRLINE PART NUMBER	FIGURE	ITEM	UNITS PER ASSEMBLY
		3	1B	RF
65C32944-22SP		1	1S	RF
		3	1C	RF
65C32944-23SP		1	1T	RF
		6	1A	RF
65C32944-24SP		1	1U	RF
		5	1	RF
65C32944-25SP		1	1V	RF
		4	1C	RF
65C32944-26SP		1	1W	RF
		7	1B	RF
65C32944-27SP		1	1X	RF
		8	1	RF
65C32944-28SP		1	1Y	RF
		27	1	RF
65C32944-29SP		1	1Z	RF
		27	5	RF
65C32944-2SP		1	1A	RF
		10	1	RF
65C32944-301SP		1	5L	RF
		6	1J	RF
65C32944-304SP		1	5M	RF
		10	1M	RF
65C32944-30SP		1	2	RF
		3	1D	RF
65C32944-315SP		1	5N	RF
		3	2	RF
65C32944-316SP		1	5P	RF
		15	1C	RF
65C32944-318SP		1	5Q	RF
		3	2A	RF
65C32944-31SP		1	2A	RF
		19	1	RF
65C32944-323SP		1	5R	RF
		4	1K	RF

# 25-28-49

ILLUSTRATED PARTS LIST

Page 1062

Mar 01/2006



## COMPONENT MAINTENANCE MANUAL

PART NUMBER	AIRLINE PART NUMBER	FIGURE	ITEM	UNITS PER ASSEMBLY
65C32944-327SP		1	5S	RF
		6	1K	RF
65C32944-328SP		1	5T	RF
		14	1D	RF
65C32944-329SP		1	5U	RF
		20	1	RF
		20	265	1
65C32944-330SP		1	5V	RF
		3	2B	RF
65C32944-331SP		1	5W	RF
		3	2C	RF
65C32944-333SP		1	2B	RF
		4	1D	RF
65C32944-346SP		1	6M	RF
		7	1M	RF
65C32944-347SP		1	6N	RF
		7	1N	RF
65C32944-348SP		1	6P	RF
		10	1Q	RF
65C32944-34SP		1	2C	RF
		26	1A	RF
65C32944-35SP		1	2D	RF
		3	1E	RF
65C32944-360SP		1	5X	RF
		10	1N	RF
65C32944-361SP		1	5Y	RF
		6	1L	RF
65C32944-362SP		1	5Z	RF
		7	1J	RF
65C32944-363SP		1	6	RF
65C32944-366SP		1	6Q	RF
		6	1P	RF
65C32944-36SP		1	2E	RF
		3	1F	RF
65C32944-37SP		1	2F	RF

# 25-28-49

ILLUSTRATED PARTS LIST

Page 1063

Mar 01/2006



## COMPONENT MAINTENANCE MANUAL

PART NUMBER	AIRLINE PART NUMBER	FIGURE	ITEM	UNITS PER ASSEMBLY
		21	1	RF
65C32944-38SP		1	2G	RF
		22	1	RF
65C32944-39SP		1	2H	RF
		10	1A	RF
65C32944-3SP		1	1B	RF
		6	1	RF
65C32944-41SP		1	2J	RF
		3	1G	RF
65C32944-42SP		1	2K	RF
		23	1	RF
65C32944-43SP		1	2L	RF
		23	5	RF
65C32944-46SP		1	2M	RF
		10	1B	RF
65C32944-47SP		1	2N	RF
		4	1E	RF
65C32944-48SP		1	2P	RF
		12	1	RF
65C32944-49SP		1	2Q	RF
		24	1	RF
65C32944-4SP		1	1C	RF
		4	1	RF
65C32944-50SP		1	2R	RF
		24	1A	RF
65C32944-51SP		1	2S	RF
		7	1C	RF
65C32944-52SP		1	2T	RF
		10	1C	RF
65C32944-53SP		1	2U	RF
		6	1B	RF
65C32944-54SP		1	2V	RF
		7	1D	RF
65C32944-55SP		1	2W	RF
65C32944-5SP		1	1D	RF

# 25-28-49

ILLUSTRATED PARTS LIST

Page 1064

Mar 01/2006



## COMPONENT MAINTENANCE MANUAL

PART NUMBER	AIRLINE PART NUMBER	FIGURE	ITEM	UNITS PER ASSEMBLY
		7	1	RF
65C32944-601SP		1	6A	RF
		6	1M	RF
65C32944-604SP		1	6S	RF
		10	1R	RF
65C32944-60SP		1	2X	RF
		10	1D	RF
65C32944-617SP		1	6T	RF
		3	2F	RF
65C32944-618SP		1	6B	RF
		3	2D	RF
65C32944-61SP		1	2Y	RF
		3	1H	RF
65C32944-623SP		1	6C	RF
		4	1L	RF
65C32944-627SP		1	6D	RF
		6	1N	RF
65C32944-62SP		1	2Z	RF
		3	1J	RF
65C32944-63SP		1	3	RF
		3	1K	RF
65C32944-643SP		1	6E	RF
		25	1A	RF
65C32944-644SP		1	6F	RF
65C32944-645SP		1	6G	RF
		2	1A	RF
65C32944-649SP		1	6L	RF
		3	2E	RF
65C32944-64SP		1	3A	RF
		3	1L	RF
65C32944-674SP		1	6U	RF
		4	1M	RF
65C32944-675SP		1	6V	RF
		4	1N	RF
65C32944-676SP		1	6W	RF

# 25-28-49

ILLUSTRATED PARTS LIST

Page 1065

Mar 01/2006



## COMPONENT MAINTENANCE MANUAL

PART NUMBER	AIRLINE PART NUMBER	FIGURE	ITEM	UNITS PER ASSEMBLY
65C32944-677SP		3	2G	RF
		1	6X	RF
65C32944-678SP		3	2H	RF
		1	6Y	RF
65C32944-69SP		25	1B	RF
		1	3B	RF
65C32944-6SP		12	1A	RF
		1	1E	RF
65C32944-7		7	1A	RF
		2	225	1
65C32944-70SP		9	250	1
		1	3C	RF
65C32944-74SP		16	1	RF
		1	3D	RF
65C32944-79SP		10	1E	RF
		1	3E	RF
65C32944-8		15	1	RF
		4	373	1
65C32944-80SP		20	260	1
		1	3F	RF
65C32944-81SP		16	1A	RF
		1	3G	RF
65C32944-9		12	5	RF
		4	373A	1
		9	265	1
		12	337	1
		14	180	1
		23	605	1
65C32944-95SP		27	215	1
		1	3H	RF
65C32944-96SP		4	1F	RF
		1	3J	RF
65C32944-97SP		7	1E	RF
		1	3K	RF
		6	1C	RF

# 25-28-49

ILLUSTRATED PARTS LIST

Page 1066

Mar 01/2006





## COMPONENT MAINTENANCE MANUAL

PART NUMBER	AIRLINE PART NUMBER	FIGURE	ITEM	UNITS PER ASSEMBLY
65C32944-98SP		1	3L	RF
		25	1	RF
65C32944-99SP		1	3M	RF
65C32945-11SP		4	375A	1
		6	300C	1
		29	1B	RF
65C32945-12SP		25	230	1
		26	265	1
		28	1C	RF
65C32945-13SP		1	280A	1
		28	1D	RF
65C32945-14SP		2	235	1
		13	245	1
		28	5A	RF
65C32945-15SP		18	345	1
		28	5B	RF
65C32945-16SP		14	250	1
		30	1	RF
65C32945-17SP		3	305	1
		29	1C	RF
65C32945-18SP		3	305A	1
		29	1D	RF
65C32945-19SP		4	375B	1
		29	1E	RF
65C32945-1SP		1	280	1
		28	1	RF
65C32945-20SP		14	250A	1
		30	1A	RF
65C32945-21SP		3	305B	1
		29	1F	RF
65C32945-22SP		3	305C	1
		29	1G	RF
65C32945-23SP		4	375G	1
		6	300A	1
		29	1H	RF

# 25-28-49

ILLUSTRATED PARTS LIST

Page 1067

Mar 01/2006



## COMPONENT MAINTENANCE MANUAL

PART NUMBER	AIRLINE PART NUMBER	FIGURE	ITEM	UNITS PER ASSEMBLY
65C32945-24SP		5	225	1
		8	350	1
		29	1J	RF
65C32945-25SP		4	375C	1
		6	300D	1
		29	1K	RF
65C32945-26SP		7	330D	1
		28	5C	RF
65C32945-28SP		27	230	1
		29	1L	RF
65C32945-29SP		27	235	1
		29	1M	RF
65C32945-2SP		10	220	1
		28	1A	RF
65C32945-301SP		6	300J	1
		29	2P	RF
65C32945-304SP		10	220G	1
		28	1T	RF
65C32945-30SP		3	305D	1
		29	1N	RF
65C32945-315SP		3	305Q	1
		29	2Q	RF
65C32945-316SP		15	215B	1
		28	5J	RF
65C32945-318SP		3	305R	1
		29	2R	RF
65C32945-31SP		19	235	1
		28	1E	RF
65C32945-327SP		6	300K	1
		29	2T	RF
65C32945-328SP		14	250C	1
		30	1C	RF
65C32945-329SP		30	1D	RF
65C32945-330SP		3	305S	1
		29	2U	RF

# 25-28-49

ILLUSTRATED PARTS LIST

Page 1068

Mar 01/2006



## COMPONENT MAINTENANCE MANUAL

PART NUMBER	AIRLINE PART NUMBER	FIGURE	ITEM	UNITS PER ASSEMBLY
65C32945-331SP		3	305T	1
		29	2V	RF
65C32945-33SP		4	375D	1
		6	300E	1
		29	1P	RF
65C32945-343SP		4	375K	1
		29	2S	RF
65C32945-348SP		7	330H	1
		28	5N	RF
65C32945-349SP		7	330J	1
		28	5P	RF
65C32945-34SP		9	270	1
		26	265A	1
		28	1F	RF
65C32945-35SP		3	305E	1
		29	1Q	RF
65C32945-360SP		10	220H	1
		28	1U	RF
65C32945-361SP		6	300L	1
		29	2W	RF
65C32945-362SP		7	330F	1
		28	5K	RF
65C32945-363SP		1	280E	1
		28	1V	RF
65C32945-366SP		6	300P	1
		29	3C	RF
65C32945-36SP		3	305F	1
		29	1R	RF
65C32945-37SP		21	365	1
		28	1G	RF
65C32945-38SP		22	330	1
		28	5D	RF
65C32945-39SP		10	220A	1
		28	1H	RF
65C32945-3SP		4	375F	1

# 25-28-49

ILLUSTRATED PARTS LIST

Page 1069

Mar 01/2006



## COMPONENT MAINTENANCE MANUAL

PART NUMBER	AIRLINE PART NUMBER	FIGURE	ITEM	UNITS PER ASSEMBLY
		6	300	1
		29	1	RF
65C32945-41SP		3	305G	1
		29	1S	RF
65C32945-42SP		11	640	1
		23	610	1
		28	1J	RF
65C32945-43SP		11	645	1
		23	615	1
		28	5E	RF
65C32945-46SP		10	220B	1
		28	1K	RF
65C32945-47SP		4	375E	1
		6	300F	1
		29	1T	RF
65C32945-48SP		12	340	1
		29	1U	RF
65C32945-49SP		24	270	1
		29	1V	RF
65C32945-4SP		4	375	1
		29	1A	RF
65C32945-50SP		24	275	1
		29	1W	RF
65C32945-51SP		7	330A	1
		28	1L	RF
65C32945-52SP		10	220C	1
		28	1M	RF
65C32945-53SP		4	375H	1
		6	300B	1
		29	1X	RF
65C32945-54SP		7	330E	1
		28	5F	RF
65C32945-55SP		1	280C	1
		28	1N	RF
65C32945-5SP		7	330	1

# 25-28-49

ILLUSTRATED PARTS LIST

Page 1070

Mar 01/2006



## COMPONENT MAINTENANCE MANUAL

PART NUMBER	AIRLINE PART NUMBER	FIGURE	ITEM	UNITS PER ASSEMBLY
		28	1B	RF
65C32945-601SP		6	300M	1
		29	2X	RF
65C32945-604SP		10	225J	1
		28	1Z	RF
65C32945-60SP		10	220D	1
		28	1P	RF
65C32945-617SP		3	305W	1
		29	3D	RF
65C32945-618SP		3	305U	1
		29	2Y	RF
65C32945-61SP		3	305H	1
		29	1Y	RF
65C32945-627SP		6	300N	1
		29	3	RF
65C32945-62SP		3	305J	1
		29	1Z	RF
65C32945-63SP		3	305K	1
		29	2	RF
65C32945-643SP		4	375L	1
		29	2Z	RF
65C32945-644SP		3	305V	1
		29	3A	RF
65C32945-645SP		25	230A	1
		28	1W	RF
65C32945-646SP		1	280F	1
		28	1X	RF
65C32945-647SP		2	240	1
		28	5L	RF
65C32945-648SP		28	5M	RF
65C32945-649SP		28	1Y	RF
65C32945-64SP		3	305L	1
		29	2A	RF
65C32945-65SP		10	220E	1
		28	1Q	RF

# 25-28-49

ILLUSTRATED PARTS LIST

Page 1071

Mar 01/2006



## COMPONENT MAINTENANCE MANUAL

PART NUMBER	AIRLINE PART NUMBER	FIGURE	ITEM	UNITS PER ASSEMBLY
65C32945-66SP		6	300G	1
		29	2F	RF
65C32945-674SP		4	375M	1
65C32945-675SP		4	375N	1
65C32945-676SP		3	305X	1
65C32945-677SP		3	305Y	1
65C32945-678SP		25	230B	1
65C32945-67SP		10	220F	1
		28	1R	RF
65C32945-68SP		1	280D	1
		28	1S	RF
65C32945-69SP		12	345	1
		29	2B	RF
65C32945-6SP		7	330C	1
		28	5	RF
65C32945-70SP		16	265A	1
		29	2C	RF
65C32945-73SP		3	305P	1
		29	2N	RF
65C32945-75SP		6	300H	1
		29	2G	RF
65C32945-76SP		14	250B	1
		30	1B	RF
65C32945-77SP		3	305M	1
		29	2H	RF
65C32945-78SP		3	305N	1
		29	2J	RF
65C32945-79SP		15	215	1
		28	5G	RF
65C32945-80SP		16	265	1
		29	2D	RF
65C32945-81SP		12	350	1
		29	2E	RF
65C32945-82SP		4	375J	1
		29	2K	RF

# 25-28-49

ILLUSTRATED PARTS LIST

Page 1072

Mar 01/2006



## COMPONENT MAINTENANCE MANUAL

PART NUMBER	AIRLINE PART NUMBER	FIGURE	ITEM	UNITS PER ASSEMBLY
65C32945-86SP		17	275A	1
		29	2M	RF
65C32945-87SP		17	275	1
		29	2L	RF
65C32945-88SP		15	215A	1
		28	5H	RF
65C32946-107SP		1	235C	1
		3	240B	1
		4	310B	1
		25	200A	1
		3	240C	1
65C32946-108SP		3	240C	1
65C32946-109SP		10	195F	1
65C32946-129SP		4	310A	1
65C32946-12SP		2	220	1
65C32946-16		2	205	1
65C32946-1SP		6	255	1
65C32946-29SP		4	305A	1
65C32946-2SP		10	195	1
65C32946-3SP		1	235	1
		3	240A	1
		5	210	1
		7	260	1
		8	325	1
		12	280	1
		14	225	1
		19	210	1
		21	335	1
		23	570	1
		24	235	1
		26	240	1
		27	195	1
65C32946-45SP		6	255A	1
65C32946-46SP		4	305B	1
		10	195A	1
65C32946-4SP		3	245A	1

# 25-28-49

ILLUSTRATED PARTS LIST

Page 1073

Mar 01/2006



## COMPONENT MAINTENANCE MANUAL

PART NUMBER	AIRLINE PART NUMBER	FIGURE	ITEM	UNITS PER ASSEMBLY
		7	265	1
		13	220	1
		15	190	1
		16	225	1
		18	320	1
		22	310	1
		23	575	1
		24	240	1
		27	200	1
65C32946-50SP		10	195B	1
65C32946-51SP		12	295	1
65C32946-57SP		4	305C	1
65C32946-58SP		10	195E	1
65C32946-59		8	325A	1
65C32946-59SP		1	235A	1
		3	240	1
		5	210A	1
		7	270	1
		9	230	1
		11	105	1
		12	285	1
		14	225A	1
		17	240	1
		25	200	1
65C32946-5SP		7	250	1
65C32946-60SP		2	200	1
		3	245	1
		7	275	1
		11	110	1
		15	190A	1
		16	230	1
		17	245	1
		18	320A	1
		20	235	1
65C32946-61SP		7	280	1

# 25-28-49

ILLUSTRATED PARTS LIST

Page 1074

Mar 01/2006





## COMPONENT MAINTENANCE MANUAL

PART NUMBER	AIRLINE PART NUMBER	FIGURE	ITEM	UNITS PER ASSEMBLY
65C32946-63SP		6	255C	1
65C32946-65SP		6	255B	1
		10	195C	1
65C32946-6SP		7	255	1
65C32946-71SP		4	305D	1
65C32946-72SP		6	255D	1
65C32946-73SP		1	240	1
65C32946-74SP		10	195D	1
65C32946-75SP		12	290	1
65C32946-77SP		4	310	1
65C32946-7SP		4	305	1
65C32946-80		2	215	1
65C32946-90SP		15	200	1
800000255-11		19	153	1
		21	205	1
		80	1	RF
800000255-13		2	150	1
		13	145	1
		80	1A	RF
800000255-14		22	165	1
		80	1B	RF
800000255-16		3	150	1
		7	130	1
		8	230	1
		17	130	1
		24	150	1
		80	1C	RF
800000255-17		16	145	1
		21	290	1
		22	230	1
		80	1D	RF
800000255-18		15	125	1
		80	1E	RF
800000255-19		1	232	1
		80	1F	RF

# 25-28-49

ILLUSTRATED PARTS LIST

Page 1075

Mar 01/2006



## COMPONENT MAINTENANCE MANUAL

PART NUMBER	AIRLINE PART NUMBER	FIGURE	ITEM	UNITS PER ASSEMBLY		
800000255-21		18	170	1		
		80	1G	RF		
800000255-38SP		6	135	RF		
		80	1H	RF		
800000255-8		15	125A	1		
96-62		11	515	5		
		23	465	5		
		28	20A	2		
AIC1321-3-8		28	140A	2		
		28	147A	2		
		28	160A	1		
		29	25A	4		
		29	30A	4		
		29	35A	2		
		30	15A	2		
		30	20A	2		
		30	25A	2		
		AN960C416L		1	100	1
				1	125	2
				2	85	1
3	195			1		
4	215			2		
4	220			1		
5	80			2		
6	230			2		
7	210			1		
8	265			1		
9	200			1		
10	165			2		
11	40			1		
12	235			1		
12	255			2		
13	190	1				
14	195	1				
15	160	1				

# 25-28-49

ILLUSTRATED PARTS LIST

Page 1076

Mar 01/2006



## COMPONENT MAINTENANCE MANUAL

PART NUMBER	AIRLINE PART NUMBER	FIGURE	ITEM	UNITS PER ASSEMBLY
		16	185	1
		17	195	1
		18	290	1
		19	170	1
		20	205	1
		21	305	1
		22	265	1
		23	525	1
		24	190	1
		25	170	1
		26	205	1
		27	165	1
AN960D10		20	20	5
AN960DL10LL		19	125	3
AN960JD10		1	15	20
		2	15	20
		3	30	8
		3	45	8
		3	80	4
		4	45	8
		4	65	6
		4	80	8
		5	15	20
		6	35	8
		6	50	8
		6	70	6
		7	30	8
		7	45	8
		7	80	4
		8	30	8
		8	50	8
		8	55	8
		9	35	8
		9	50	8
		9	75	5

# 25-28-49

ILLUSTRATED PARTS LIST

Page 1077

Mar 01/2006



## COMPONENT MAINTENANCE MANUAL

PART NUMBER	AIRLINE PART NUMBER	FIGURE	ITEM	UNITS PER ASSEMBLY
		10	35	8
		10	55	6
		10	70	8
		11	405	4
		11	490	2
		11	560	8
		11	600	7
		12	50	8
		12	65	8
		12	95	5
		13	30	8
		13	60	4
		13	80	8
		14	20	10
		14	65	8
		15	20	12
		15	70	8
		16	30	8
		16	45	8
		16	75	4
		17	30	8
		17	45	8
		17	80	4
		18	20	8
		18	60	8
		18	75	8
		18	100	5
		19	25	8
		19	50	10
		19	70	6
		19	85	4
		19	203	8
		20	35	5
		20	185	8
		21	25	8

# 25-28-49

ILLUSTRATED PARTS LIST

Page 1078

Mar 01/2006



## COMPONENT MAINTENANCE MANUAL

PART NUMBER	AIRLINE PART NUMBER	FIGURE	ITEM	UNITS PER ASSEMBLY
		21	65	10
		21	95	6
		21	120	4
		21	130	8
		22	20	8
		22	65	10
		22	95	6
		22	115	4
		22	300	8
		23	25	7
		23	360	4
		23	405	8
		23	440	2
		24	30	8
		24	65	4
		24	85	8
		25	30	8
		25	45	8
		25	70	5
		26	35	8
		26	50	8
		26	75	5
		27	50	8
		27	65	8
		27	95	5
		28	164	1
		28	380	2
AN960JD10L		28	50	1
		28	215	1
		29	80	1
		29	95	1
		29	120	1
		30	75	1
		30	90	1
AN960JD10LL		1	30	2

# 25-28-49

ILLUSTRATED PARTS LIST

Page 1079

Mar 01/2006



## COMPONENT MAINTENANCE MANUAL

PART NUMBER	AIRLINE PART NUMBER	FIGURE	ITEM	UNITS PER ASSEMBLY
		1	180	3
		2	55	1
		2	125	3
		3	75	1
		3	100	2
		4	100	2
		5	55	1
		5	140	3
		6	110	2
		7	75	1
		7	100	2
		8	95	12
		8	130	4
		8	205	2
		9	115	2
		10	110	3
		11	135	2
		11	200	2
		11	265	2
		11	425	4
		11	455	6
		11	485	24
		11	575	4
		11	625	4
		12	120	2
		13	55	1
		13	95	3
		14	125	2
		15	25	1
		15	110	3
		16	70	1
		16	95	2
		17	75	1
		17	100	2
		18	25	6

# 25-28-49

ILLUSTRATED PARTS LIST

Page 1080

Mar 01/2006



## COMPONENT MAINTENANCE MANUAL

PART NUMBER	AIRLINE PART NUMBER	FIGURE	ITEM	UNITS PER ASSEMBLY
		18	120	4
		19	20	6
		20	50	2
		21	20	8
		21	90	2
		21	170	3
		21	240	2
		22	25	6
		22	90	2
		22	135	3
		22	180	2
		23	20	8
		23	90	6
		23	105	6
		23	385	4
		23	435	24
		24	60	1
		24	100	2
		25	85	2
		26	115	2
		27	120	2
		28	395	1
		28	397	1
		31	265	8
		31	266	1
		31	268	4
		31	271	5
		31	274	6
		31	277	7
		32	110	13
		33	155	16
AN960JD416L		11	415	4
		23	375	4
AN960JD4L		28	115	1
		30	160	1

# 25-28-49

ILLUSTRATED PARTS LIST

Page 1081

Mar 01/2006



## COMPONENT MAINTENANCE MANUAL

PART NUMBER	AIRLINE PART NUMBER	FIGURE	ITEM	UNITS PER ASSEMBLY	
AN960JD516L		31	538	13	
		31	541	1	
		31	625	16	
		31	705	19	
		31	792	16	
		32	275	13	
		33	275	16	
		33	430	18	
		33	435	3	
	AN960JD8		28	360	AR
		28	395A	1	
		28	410	1	
		28	445	4	
		28	515	2	
		29	260	2	
		29	265	2	
		29	350	2	
		29	395	AR	
		30	215	2	
		30	220	2	
		30	275	3	
AN960JD8L			28	825A	2
			29	445A	2
AN960KD10L		28	195J	1	
AN960PD10L		11	510	5	
		23	460	5	
		28	190A	1	
AN970-3		28	155	2	
		29	50	2	
B30MY6K2		28	375	2	
		28	460	6	
		28	495	2	
		29	230	2	
		29	235	2	
		29	330	2	

# 25-28-49

ILLUSTRATED PARTS LIST

Page 1082

Mar 01/2006





## COMPONENT MAINTENANCE MANUAL

PART NUMBER	AIRLINE PART NUMBER	FIGURE	ITEM	UNITS PER ASSEMBLY
BACB28B6-220P		1	70	1
		2	35	1
		3	15	1
		4	20	1
		5	35	1
		6	15	1
		7	15	1
		8	15	1
		9	15	1
		10	15	1
		12	25	1
		13	15	1
		14	45	1
		15	55	1
		16	15	1
		17	15	1
		20	165	1
		24	15	1
		25	15	1
		BACB28B6-235P		26
27	25			1
11	605			1
18	45			1
19	36			1
21	40			1
BACB30BF3-24		22	40	1
		23	55	1
BACB30LU3-14		11	495	5
		23	445	5
BACB30LU3-14		28	195A	1
		28	195A	1
		28	195A	1
		28	195A	1
		28	195A	1
		28	195A	1

# 25-28-49

ILLUSTRATED PARTS LIST

Page 1083

Mar 01/2006





COMPONENT MAINTENANCE MANUAL

PART NUMBER	AIRLINE PART NUMBER	FIGURE	ITEM	UNITS PER ASSEMBLY
		1	10	20
		1	10	20
		1	10	20
		1	10	20
		1	10	20
		1	10	20
		1	10	20
		1	10	20
		1	10	20
		1	10	20
		2	5	20
		2	5	20
		2	5	20
		2	5	20
		2	5	20
		2	5	20
		2	5	20
		2	5	20
		2	5	20
		2	5	20
		2	5	20
		2	5	20
		2	5	20
		2	5	20
		2	5	20
		3	25	8
		3	25	8
		3	25	8
		3	25	8
		3	25	8
		3	25	8
		3	25	8
		3	25	8
		3	25	8
		3	25	8
		3	25	8
		3	25	8
		3	25	8
		3	25	8
		3	40	8

**25-28-49**

ILLUSTRATED PARTS LIST

Page 1085

Mar 01/2006



COMPONENT MAINTENANCE MANUAL

PART NUMBER	AIRLINE PART NUMBER	FIGURE	ITEM	UNITS PER ASSEMBLY
		3	40	8
		3	40	8
		3	40	8
		3	40	8
		3	40	8
		3	40	8
		3	40	8
		3	40	8
		3	40	8
		3	40	8
		3	40	8
		3	40	8
		3	70	4
		3	70	4
		3	70	4
		3	70	4
		3	70	4
		3	70	4
		3	70	4
		3	70	4
		3	70	4
		3	70	4
		3	70	4
		3	70	4
		3	70	4
		4	40	8
		4	40	8
		4	40	8
		4	40	8
		4	40	8
		4	40	8
		4	40	8
		4	40	8
		4	40	8
		4	40	8
		4	40	8
		4	40	8
		4	40	8
		4	40	8
		4	40	8
		4	40	8
		4	40	8
		4	40	8
		4	40	8
		4	40	8

25-28-49

ILLUSTRATED PARTS LIST  
Page 1086  
Mar 01/2006



### COMPONENT MAINTENANCE MANUAL

PART NUMBER	AIRLINE PART NUMBER	FIGURE	ITEM	UNITS PER ASSEMBLY
		4	60	4
		4	60	4
		4	60	4
		4	60	4
		4	60	4
		4	60	4
		4	60	4
		4	60	4
		4	60	4
		4	60	4
		4	60	4
		4	60	4
		4	60	4
		4	60	4
		4	75	8
		4	75	8
		4	75	8
		4	75	8
		4	75	8
		4	75	8
		4	75	8
		4	75	8
		4	75	8
		4	75	8
		4	75	8
		4	75	8
		5	5	20
		5	5	20
		5	5	20
		5	5	20
		5	5	20
		5	5	20
		5	5	20
		5	5	20
		5	5	20
		5	5	20
		5	5	20
		5	5	20
		5	5	20
		5	5	20

**25-28-49**  
 ILLUSTRATED PARTS LIST  
 Page 1087  
 Mar 01/2006



COMPONENT MAINTENANCE MANUAL

PART NUMBER	AIRLINE PART NUMBER	FIGURE	ITEM	UNITS PER ASSEMBLY
		5	5	20
		6	30	8
		6	30	8
		6	30	8
		6	30	8
		6	30	8
		6	30	8
		6	30	8
		6	30	8
		6	30	8
		6	30	8
		6	30	8
		6	30	8
		6	30	8
		6	45	8
		6	45	8
		6	45	8
		6	45	8
		6	45	8
		6	45	8
		6	45	8
		6	45	8
		6	45	8
		6	45	8
		6	45	8
		6	45	8
		6	45	8
		6	45	8
		6	65	4
		6	65	4
		6	65	4
		6	65	4
		6	65	4
		6	65	4
		6	65	4
		6	65	4
		6	65	4
		6	65	4
		6	65	4
		6	65	4
		6	65	4

**25-28-49**

ILLUSTRATED PARTS LIST

Page 1088

Mar 01/2006



### COMPONENT MAINTENANCE MANUAL

PART NUMBER	AIRLINE PART NUMBER	FIGURE	ITEM	UNITS PER ASSEMBLY
		6	65	4
		6	65	4
		7	25	8
		7	25	8
		7	25	8
		7	25	8
		7	25	8
		7	25	8
		7	25	8
		7	25	8
		7	25	8
		7	25	8
		7	25	8
		7	25	8
		7	25	8
		7	25	8
		7	40	8
		7	40	8
		7	40	8
		7	40	8
		7	40	8
		7	40	8
		7	40	8
		7	40	8
		7	40	8
		7	40	8
		7	40	8
		7	40	8
		7	40	8
		7	40	8
		7	70	4
		7	70	4
		7	70	4
		7	70	4
		7	70	4
		7	70	4
		7	70	4
		7	70	4
		7	70	4
		7	70	4
		7	70	4
		7	70	4
		7	70	4







COMPONENT MAINTENANCE MANUAL

PART NUMBER	AIRLINE PART NUMBER	FIGURE	ITEM	UNITS PER ASSEMBLY
		8	45	8
		8	45	8
		8	45	8
		8	45	8
		9	30	8
		9	30	8
		9	30	8
		9	30	8
		9	30	8
		9	30	8
		9	30	8
		9	30	8
		9	30	8
		9	30	8
		9	30	8
		9	30	8
		9	30	8
		9	45	8
		9	45	8
		9	45	8
		9	45	8
		9	45	8
		9	45	8
		9	45	8
		9	45	8
		9	45	8
		9	45	8
		9	45	8
		9	45	8
		9	70	4
		9	70	4
		9	70	4
		9	70	4
		9	70	4
		9	70	4
		9	70	4

**25-28-49**

ILLUSTRATED PARTS LIST  
 Page 1091  
 Mar 01/2006



**COMPONENT MAINTENANCE MANUAL**

PART NUMBER	AIRLINE PART NUMBER	FIGURE	ITEM	UNITS PER ASSEMBLY
		9	70	4
		9	70	4
		9	70	4
		9	70	4
		9	70	4
		10	30	8
		10	30	8
		10	30	8
		10	30	8
		10	30	8
		10	30	8
		10	30	8
		10	30	8
		10	30	8
		10	30	8
		10	30	8
		10	30	8
		10	30	8
		10	30	8
		10	50	4
		10	50	4
		10	50	4
		10	50	4
		10	50	4
		10	50	4
		10	50	4
		10	50	4
		10	50	4
		10	50	4
		10	50	4
		10	50	4
		10	50	4
		10	50	4
		10	50	4
		10	50	4
		10	65	8
		10	65	8
		10	65	8
		10	65	8
		10	65	8
		10	65	8
		10	65	8
		10	65	8

**25-28-49**

ILLUSTRATED PARTS LIST

Page 1092

Mar 01/2006



COMPONENT MAINTENANCE MANUAL

PART NUMBER	AIRLINE PART NUMBER	FIGURE	ITEM	UNITS PER ASSEMBLY
		10	65	8
		10	65	8
		10	65	8
		10	65	8
		10	65	8
		10	65	8
		11	450	3
		11	450	3
		11	450	3
		11	450	3
		11	450	3
		11	450	3
		11	450	3
		11	450	3
		11	450	3
		11	450	3
		11	450	3
		11	450	3
		11	450	3
		11	450	3
		11	450	3
		11	555	8
		11	555	8
		11	555	8
		11	555	8
		11	555	8
		11	555	8
		11	555	8
		11	555	8
		11	555	8
		11	555	8
		11	555	8
		11	555	8
		11	555	8
		11	555	8
		11	555	8
		11	595	7
		11	595	7
		11	595	7
		11	595	7
		11	595	7

**25-28-49**

ILLUSTRATED PARTS LIST

Page 1093

Mar 01/2006



## COMPONENT MAINTENANCE MANUAL

PART NUMBER	AIRLINE PART NUMBER	FIGURE	ITEM	UNITS PER ASSEMBLY
		11	595	7
		11	595	7
		11	595	7
		11	595	7
		11	595	7
		11	595	7
		11	595	7
		11	620	4
		11	620	4
		11	620	4
		11	620	4
		11	620	4
		11	620	4
		11	620	4
		11	620	4
		11	620	4
		11	620	4
		11	620	4
		11	620	4
		11	620	4
		11	620	4
		12	45	8
		12	45	8
		12	45	8
		12	45	8
		12	45	8
		12	45	8
		12	45	8
		12	45	8
		12	45	8
		12	45	8
		12	45	8
		12	45	8
		12	45	8
		12	45	8
		12	45	8
		12	45	8
		12	60	8
		12	60	8
		12	60	8
		12	60	8

# 25-28-49

ILLUSTRATED PARTS LIST

Page 1094

Mar 01/2006



**COMPONENT MAINTENANCE MANUAL**

PART NUMBER	AIRLINE PART NUMBER	FIGURE	ITEM	UNITS PER ASSEMBLY
		12	60	8
		12	60	8
		12	60	8
		12	60	8
		12	60	8
		12	60	8
		12	60	8
		12	60	8
		12	60	8
		12	90	4
		12	90	4
		12	90	4
		12	90	4
		12	90	4
		12	90	4
		12	90	4
		12	90	4
		12	90	4
		12	90	4
		12	90	4
		12	90	4
		12	90	4
		12	90	4
		12	90	4
		12	90	4
		13	25	8
		13	25	8
		13	25	8
		13	25	8
		13	25	8
		13	25	8
		13	25	8
		13	25	8
		13	25	8
		13	25	8
		13	25	8
		13	25	8
		13	25	8
		13	25	8
		13	25	8
		13	25	8
		13	25	8
		13	25	8
		13	25	8
		13	50	4
		13	50	4
		13	50	4

**25-28-49**

ILLUSTRATED PARTS LIST

Page 1095

Mar 01/2006



COMPONENT MAINTENANCE MANUAL

PART NUMBER	AIRLINE PART NUMBER	FIGURE	ITEM	UNITS PER ASSEMBLY
		13	50	4
		13	50	4
		13	50	4
		13	50	4
		13	50	4
		13	50	4
		13	50	4
		13	50	4
		13	50	4
		13	75	8
		13	75	8
		13	75	8
		13	75	8
		13	75	8
		13	75	8
		13	75	8
		13	75	8
		13	75	8
		13	75	8
		13	75	8
		13	75	8
		13	75	8
		13	75	8
		14	5	9
		14	5	9
		14	5	9
		14	5	9
		14	5	9
		14	5	9
		14	5	9
		14	5	9
		14	5	9
		14	5	9
		14	5	9
		14	5	9
		14	5	9
		14	5	9
		14	5	9
		14	60	8
		14	60	8

**25-28-49**

ILLUSTRATED PARTS LIST

Page 1096

Mar 01/2006



# COMPONENT MAINTENANCE MANUAL

PART NUMBER	AIRLINE PART NUMBER	FIGURE	ITEM	UNITS PER ASSEMBLY
		14	60	8
		14	60	8
		14	60	8
		14	60	8
		14	60	8
		14	60	8
		14	60	8
		14	60	8
		14	60	8
		14	60	8
		14	60	8
		15	5	12
		15	5	12
		15	5	12
		15	5	12
		15	5	12
		15	5	12
		15	5	12
		15	5	12
		15	5	12
		15	5	12
		15	5	12
		15	5	12
		15	5	12
		15	5	12
		15	65	8
		15	65	8
		15	65	8
		15	65	8
		15	65	8
		15	65	8
		15	65	8
		15	65	8
		15	65	8
		15	65	8
		15	65	8
		15	65	8
		16	25	8



### COMPONENT MAINTENANCE MANUAL

PART NUMBER	AIRLINE PART NUMBER	FIGURE	ITEM	UNITS PER ASSEMBLY
		16	25	8
		16	25	8
		16	25	8
		16	25	8
		16	25	8
		16	25	8
		16	25	8
		16	25	8
		16	25	8
		16	25	8
		16	25	8
		16	40	8
		16	40	8
		16	40	8
		16	40	8
		16	40	8
		16	40	8
		16	40	8
		16	40	8
		16	40	8
		16	40	8
		16	40	8
		16	40	8
		16	40	8
		16	40	8
		16	40	8
		16	65	4
		16	65	4
		16	65	4
		16	65	4
		16	65	4
		16	65	4
		16	65	4
		16	65	4
		16	65	4
		16	65	4
		16	65	4
		16	65	4
		16	65	4
		16	65	4
		16	65	4
		16	65	4

**25-28-49**

ILLUSTRATED PARTS LIST

Page 1098

Mar 01/2006





**COMPONENT MAINTENANCE MANUAL**

<b>PART NUMBER</b>	<b>AIRLINE PART NUMBER</b>	<b>FIGURE</b>	<b>ITEM</b>	<b>UNITS PER ASSEMBLY</b>
		17	25	8
		17	25	8
		17	25	8
		17	25	8
		17	25	8
		17	25	8
		17	25	8
		17	25	8
		17	25	8
		17	25	8
		17	25	8
		17	25	8
		17	40	8
		17	40	8
		17	40	8
		17	40	8
		17	40	8
		17	40	8
		17	40	8
		17	40	8
		17	40	8
		17	40	8
		17	40	8
		17	40	8
		17	70	4
		17	70	4
		17	70	4
		17	70	4
		17	70	4
		17	70	4
		17	70	4
		17	70	4
		17	70	4
		17	70	4
		17	70	4
		17	70	4
		17	70	4

**25-28-49**  
ILLUSTRATED PARTS LIST  
Page 1098.1  
Mar 01/2006



## COMPONENT MAINTENANCE MANUAL

PART NUMBER	AIRLINE PART NUMBER	FIGURE	ITEM	UNITS PER ASSEMBLY
		17	70	4
		18	5	4
		18	5	4
		18	5	4
		18	5	4
		18	5	4
		18	5	4
		18	5	4
		18	5	4
		18	5	4
		18	5	4
		18	5	4
		18	5	4
		18	5	4
		18	5	4
		18	55	8
		18	55	8
		18	55	8
		18	55	8
		18	55	8
		18	55	8
		18	55	8
		18	55	8
		18	55	8
		18	55	8
		18	55	8
		18	55	8
		18	70	8
		18	70	8
		18	70	8
		18	70	8
		18	70	8
		18	70	8
		18	70	8
		18	70	8
		18	70	8
		18	70	8
		18	70	8

# 25-28-49

ILLUSTRATED PARTS LIST

Page 1098.2

Mar 01/2006



## COMPONENT MAINTENANCE MANUAL

PART NUMBER	AIRLINE PART NUMBER	FIGURE	ITEM	UNITS PER ASSEMBLY
		18	70	8
		18	70	8
		18	95	4
		18	95	4
		18	95	4
		18	95	4
		18	95	4
		18	95	4
		18	95	4
		18	95	4
		18	95	4
		18	95	4
		18	95	4
		18	95	4
		18	95	4
		19	5	4
		19	5	4
		19	5	4
		19	5	4
		19	5	4
		19	5	4
		19	5	4
		19	5	4
		19	5	4
		19	5	4
		19	5	4
		19	5	4
		19	5	4
		19	5	4
		19	45	10
		19	45	10
		19	45	10
		19	45	10
		19	45	10
		19	45	10
		19	45	10
		19	45	10
		19	45	10
		19	45	10
		19	45	10
		19	45	10
		19	45	10
		19	45	10

# 25-28-49

ILLUSTRATED PARTS LIST

Page 1098.3

Mar 01/2006



## COMPONENT MAINTENANCE MANUAL

PART NUMBER	AIRLINE PART NUMBER	FIGURE	ITEM	UNITS PER ASSEMBLY
		19	45	10
		19	45	10
		19	45	10
		19	65	4
		19	65	4
		19	65	4
		19	65	4
		19	65	4
		19	65	4
		19	65	4
		19	65	4
		19	65	4
		19	65	4
		19	65	4
		19	65	4
		19	80	4
		19	80	4
		19	80	4
		19	80	4
		19	80	4
		19	80	4
		19	80	4
		19	80	4
		19	80	4
		19	80	4
		19	80	4
		19	80	4
		19	80	4
		19	80	4
		19	80	4
		19	200	8
		19	200	8
		19	200	8
		19	200	8
		19	200	8
		19	200	8
		19	200	8
		19	200	8
		19	200	8

# 25-28-49

ILLUSTRATED PARTS LIST

Page 1098.4

Mar 01/2006



COMPONENT MAINTENANCE MANUAL

PART NUMBER	AIRLINE PART NUMBER	FIGURE	ITEM	UNITS PER ASSEMBLY
		19	200	8
		19	200	8
		19	200	8
		19	200	8
		20	5	4
		20	5	4
		20	5	4
		20	5	4
		20	5	4
		20	5	4
		20	5	4
		20	5	4
		20	5	4
		20	5	4
		20	5	4
		20	5	4
		20	5	4
		20	5	4
		20	5	4
		20	30	5
		20	30	5
		20	30	5
		20	30	5
		20	30	5
		20	30	5
		20	30	5
		20	30	5
		20	30	5
		20	30	5
		20	30	5
		20	30	5
		20	30	5
		20	30	5
		20	30	5
		20	30	5
		20	30	5
		20	30	5
		20	180	8
		20	180	8
		20	180	8
		20	180	8
		20	180	8
		20	180	8
		20	180	8
		20	180	8
		20	180	8



COMPONENT MAINTENANCE MANUAL

PART NUMBER	AIRLINE PART NUMBER	FIGURE	ITEM	UNITS PER ASSEMBLY
		20	180	8
		20	180	8
		20	180	8
		20	180	8
		20	180	8
		21	15	4
		21	15	4
		21	15	4
		21	15	4
		21	15	4
		21	15	4
		21	15	4
		21	15	4
		21	15	4
		21	15	4
		21	15	4
		21	60	10
		21	60	10
		21	60	10
		21	60	10
		21	60	10
		21	60	10
		21	60	10
		21	60	10
		21	60	10
		21	60	10
		21	60	10
		21	60	10
		21	85	6
		21	85	6
		21	85	6
		21	85	6
		21	85	6
		21	85	6

**25-28-49**

ILLUSTRATED PARTS LIST  
 Page 1098.6  
 Mar 01/2006



## COMPONENT MAINTENANCE MANUAL

PART NUMBER	AIRLINE PART NUMBER	FIGURE	ITEM	UNITS PER ASSEMBLY
		21	85	6
		21	85	6
		21	85	6
		21	85	6
		21	85	6
		21	85	6
		21	115	4
		21	115	4
		21	115	4
		21	115	4
		21	115	4
		21	115	4
		21	115	4
		21	115	4
		21	115	4
		21	115	4
		21	115	4
		21	115	4
		21	115	4
		21	115	4
		21	125	8
		21	125	8
		21	125	8
		21	125	8
		21	125	8
		21	125	8
		21	125	8
		21	125	8
		21	125	8
		21	125	8
		21	125	8
		21	125	8
		21	125	8
		21	125	8
		21	125	8
		22	15	4
		22	15	4
		22	15	4
		22	15	4
		22	15	4

**25-28-49**

ILLUSTRATED PARTS LIST

Page 1098.7

Mar 01/2006



**COMPONENT MAINTENANCE MANUAL**

PART NUMBER	AIRLINE PART NUMBER	FIGURE	ITEM	UNITS PER ASSEMBLY
		22	15	4
		22	15	4
		22	15	4
		22	15	4
		22	15	4
		22	15	4
		22	15	4
		22	60	10
		22	60	10
		22	60	10
		22	60	10
		22	60	10
		22	60	10
		22	60	10
		22	60	10
		22	60	10
		22	60	10
		22	60	10
		22	60	10
		22	60	10
		22	60	10
		22	85	6
		22	85	6
		22	85	6
		22	85	6
		22	85	6
		22	85	6
		22	85	6
		22	85	6
		22	85	6
		22	85	6
		22	85	6
		22	85	6
		22	85	6
		22	85	6
		22	110	4
		22	110	4
		22	110	4
		22	110	4

**25-28-49**

ILLUSTRATED PARTS LIST  
 Page 1098.8  
 Mar 01/2006





COMPONENT MAINTENANCE MANUAL

PART NUMBER	AIRLINE PART NUMBER	FIGURE	ITEM	UNITS PER ASSEMBLY
		22	110	4
		22	110	4
		22	110	4
		22	110	4
		22	110	4
		22	110	4
		22	110	4
		22	110	4
		22	295	8
		22	295	8
		22	295	8
		22	295	8
		22	295	8
		22	295	8
		22	295	8
		22	295	8
		22	295	8
		22	295	8
		22	295	8
		22	295	8
		22	295	8
		23	10	11
		23	10	11
		23	10	11
		23	10	11
		23	10	11
		23	10	11
		23	10	11
		23	10	11
		23	10	11
		23	10	11
		23	10	11
		23	10	11
		23	10	11
		23	85	3
		23	85	3
		23	85	3

**25-28-49**

ILLUSTRATED PARTS LIST  
 Page 1098.9  
 Mar 01/2006



**COMPONENT MAINTENANCE MANUAL**

PART NUMBER	AIRLINE PART NUMBER	FIGURE	ITEM	UNITS PER ASSEMBLY
		23	85	3
		23	85	3
		23	85	3
		23	85	3
		23	85	3
		23	85	3
		23	85	3
		23	85	3
		23	85	3
		23	85	3
		23	400	8
		23	400	8
		23	400	8
		23	400	8
		23	400	8
		23	400	8
		23	400	8
		23	400	8
		23	400	8
		23	400	8
		23	400	8
		23	400	8
		23	400	8
		23	400	8
		23	400	8
		23	400	8
		23	400	8
		23	400	8
		23	400	8
		24	25	8
		24	25	8
		24	25	8
		24	25	8
		24	25	8
		24	25	8
		24	25	8
		24	25	8
		24	25	8
		24	25	8
		24	25	8
		24	25	8
		24	25	8
		24	25	8
		24	25	8
		24	25	8
		24	25	8
		24	25	8
		24	25	8
		24	25	8
		24	55	4
		24	55	4

**25-28-49**

ILLUSTRATED PARTS LIST

Page 1098.10

Mar 01/2006



COMPONENT MAINTENANCE MANUAL

PART NUMBER	AIRLINE PART NUMBER	FIGURE	ITEM	UNITS PER ASSEMBLY
		24	55	4
		24	55	4
		24	55	4
		24	55	4
		24	55	4
		24	55	4
		24	55	4
		24	55	4
		24	55	4
		24	55	4
		24	80	8
		24	80	8
		24	80	8
		24	80	8
		24	80	8
		24	80	8
		24	80	8
		24	80	8
		24	80	8
		24	80	8
		24	80	8
		24	80	8
		24	80	8
		24	80	8
		25	25	8
		25	25	8
		25	25	8
		25	25	8
		25	25	8
		25	25	8
		25	25	8
		25	25	8
		25	25	8
		25	25	8
		25	25	8
		25	25	8
		25	25	8
		25	25	8
		25	25	8
		25	40	8

**25-28-49**

ILLUSTRATED PARTS LIST

Page 1098.11

Mar 01/2006



### COMPONENT MAINTENANCE MANUAL

PART NUMBER	AIRLINE PART NUMBER	FIGURE	ITEM	UNITS PER ASSEMBLY
		25	40	8
		25	40	8
		25	40	8
		25	40	8
		25	40	8
		25	40	8
		25	40	8
		25	40	8
		25	40	8
		25	40	8
		25	40	8
		25	65	4
		25	65	4
		25	65	4
		25	65	4
		25	65	4
		25	65	4
		25	65	4
		25	65	4
		25	65	4
		25	65	4
		25	65	4
		25	65	4
		25	65	4
		26	30	8
		26	30	8
		26	30	8
		26	30	8
		26	30	8
		26	30	8
		26	30	8
		26	30	8
		26	30	8
		26	30	8
		26	30	8
		26	30	8
		26	30	8
		26	30	8

# 25-28-49

ILLUSTRATED PARTS LIST

Page 1098.12

Mar 01/2006



COMPONENT MAINTENANCE MANUAL

PART NUMBER	AIRLINE PART NUMBER	FIGURE	ITEM	UNITS PER ASSEMBLY
		26	45	8
		26	45	8
		26	45	8
		26	45	8
		26	45	8
		26	45	8
		26	45	8
		26	45	8
		26	45	8
		26	45	8
		26	45	8
		26	45	8
		26	45	8
		26	45	8
		26	45	8
		26	70	4
		26	70	4
		26	70	4
		26	70	4
		26	70	4
		26	70	4
		26	70	4
		26	70	4
		26	70	4
		26	70	4
		26	70	4
		26	70	4
		26	70	4
		26	70	4
		26	70	4
		26	70	4
		26	70	4
		26	70	4
		27	45	8
		27	45	8
		27	45	8
		27	45	8
		27	45	8
		27	45	8
		27	45	8
		27	45	8
		27	45	8
		27	45	8
		27	45	8
		27	45	8
		27	45	8
		27	45	8
		27	45	8
		27	45	8

**25-28-49**

ILLUSTRATED PARTS LIST

Page 1098.13

Mar 01/2006



### COMPONENT MAINTENANCE MANUAL

PART NUMBER	AIRLINE PART NUMBER	FIGURE	ITEM	UNITS PER ASSEMBLY
		27	45	8
		27	60	8
		27	60	8
		27	60	8
		27	60	8
		27	60	8
		27	60	8
		27	60	8
		27	60	8
		27	60	8
		27	60	8
		27	60	8
		27	60	8
		27	60	8
		27	90	4
		27	90	4
		27	90	4
		27	90	4
		27	90	4
		27	90	4
		27	90	4
		27	90	4
		27	90	4
		27	90	4
		27	90	4
		27	90	4
		27	90	4
		27	90	4
		27	90	4
		27	90	4
		28	390	1
		28	390	1
		28	390	1
		28	390	1
		28	390	1
		28	390	1
		28	390	1
		28	390	1
		28	390	1
		28	390	1
		28	390	1
		28	390	1
		28	390	1



COMPONENT MAINTENANCE MANUAL

PART NUMBER	AIRLINE PART NUMBER	FIGURE	ITEM	UNITS PER ASSEMBLY
BACB30NM3K10		28	390	1
		28	390	1
		1	20	1
		1	20	1
		1	20	1
		1	20	1
		1	20	1
		1	20	1
		1	20	1
		1	20	1
		1	20	1
		1	20	1
		1	20	1
		1	20	1
		1	20	1
		2	45	1
		2	45	1
		2	45	1
		2	45	1
		2	45	1
		2	45	1
		2	45	1
		2	45	1
		2	45	1
		2	45	1
		2	45	1
		3	65	1
		3	65	1
		3	65	1
		3	65	1
	3	65	1	
	3	65	1	
	3	65	1	
	3	65	1	

**25-28-49**

ILLUSTRATED PARTS LIST

Page 1098.15

Mar 01/2006



### COMPONENT MAINTENANCE MANUAL

PART NUMBER	AIRLINE PART NUMBER	FIGURE	ITEM	UNITS PER ASSEMBLY
		3	65	1
		3	65	1
		3	65	1
		7	65	1
		7	65	1
		7	65	1
		7	65	1
		7	65	1
		7	65	1
		7	65	1
		7	65	1
		7	65	1
		7	65	1
		7	65	1
		7	65	1
		7	65	1
		11	400	4
		11	400	4
		11	400	4
		11	400	4
		11	400	4
		11	400	4
		11	400	4
		11	400	4
		11	400	4
		11	400	4
		11	400	4
		11	400	4
		11	400	4
		11	480	2
		11	480	2
		11	480	2
		11	480	2
		11	480	2
		11	480	2
		11	480	2
		11	480	2
		11	480	2
		11	480	2

# 25-28-49

ILLUSTRATED PARTS LIST  
Page 1098.16  
Mar 01/2006





COMPONENT MAINTENANCE MANUAL

PART NUMBER	AIRLINE PART NUMBER	FIGURE	ITEM	UNITS PER ASSEMBLY
		11	480	2
		11	480	2
		11	480	2
		11	480	2
		13	45	1
		13	45	1
		13	45	1
		13	45	1
		13	45	1
		13	45	1
		13	45	1
		13	45	1
		13	45	1
		13	45	1
		13	45	1
		13	45	1
		15	10	1
		15	10	1
		15	10	1
		15	10	1
		15	10	1
		15	10	1
		15	10	1
		15	10	1
		15	10	1
		15	10	1
		15	10	1
		15	10	1
		15	10	1
		15	10	1
		16	60	1
		16	60	1
		16	60	1
		16	60	1
		16	60	1
		16	60	1
		16	60	1
		16	60	1
		16	60	1

**25-28-49**

ILLUSTRATED PARTS LIST

Page 1098.17

Mar 01/2006



**COMPONENT MAINTENANCE MANUAL**

PART NUMBER	AIRLINE PART NUMBER	FIGURE	ITEM	UNITS PER ASSEMBLY
		16	60	1
		16	60	1
		16	60	1
		16	60	1
		16	60	1
		17	60	1
		17	60	1
		17	60	1
		17	60	1
		17	60	1
		17	60	1
		17	60	1
		17	60	1
		17	60	1
		17	60	1
		17	60	1
		17	60	1
		17	60	1
		17	60	1
		18	85	1
		18	85	1
		18	85	1
		18	85	1
		18	85	1
		18	85	1
		18	85	1
		18	85	1
		18	85	1
		18	85	1
		18	85	1
		18	85	1
		18	85	1
		18	85	1
		18	85	1
		18	85	1
		18	85	1
		21	80	2
		21	80	2
		21	80	2
		21	80	2
		21	80	2
		21	80	2
		21	80	2

**25-28-49**

ILLUSTRATED PARTS LIST

Page 1098.18

Mar 01/2006



# COMPONENT MAINTENANCE MANUAL

PART NUMBER	AIRLINE PART NUMBER	FIGURE	ITEM	UNITS PER ASSEMBLY
		21	80	2
		21	80	2
		21	80	2
		21	80	2
		21	80	2
		21	80	2
		22	80	2
		22	80	2
		22	80	2
		22	80	2
		22	80	2
		22	80	2
		22	80	2
		22	80	2
		22	80	2
		22	80	2
		22	80	2
		22	80	2
		22	80	2
		22	80	2
		23	430	2
		23	430	2
		23	430	2
		23	430	2
		23	430	2
		23	430	2
		23	430	2
		23	430	2
		23	430	2
		23	430	2
		23	430	2
		23	430	2
		23	430	2
		23	430	2
		24	50	1
		24	50	1
		24	50	1
		24	50	1
		24	50	1

## 25-28-49

ILLUSTRATED PARTS LIST

Page 1098.19

Mar 01/2006



**COMPONENT MAINTENANCE MANUAL**

PART NUMBER	AIRLINE PART NUMBER	FIGURE	ITEM	UNITS PER ASSEMBLY
BACB30NM3K12		24	50	1
		24	50	1
		24	50	1
		24	50	1
		24	50	1
		24	50	1
		24	50	1
		28	195	1
		28	195	1
		28	195	1
		28	195	1
		28	195	1
		28	195	1
		28	195	1
		28	195	1
		28	195	1
		28	195	1
		28	195	1
		28	195	1
		28	195	1
		29	75A	1
		29	75A	1
		29	75A	1
		29	75A	1
		29	75A	1
		29	75A	1
29	75A	1		
29	75A	1		
29	75A	1		
29	75A	1		
29	75A	1		
29	75A	1		
BACB30NM3K2		11	475	24
		11	475	24
		11	475	24
		11	475	24

**25-28-49**



COMPONENT MAINTENANCE MANUAL

PART NUMBER	AIRLINE PART NUMBER	FIGURE	ITEM	UNITS PER ASSEMBLY
		11	475	24
		11	475	24
		11	475	24
		11	475	24
		11	475	24
		11	475	24
		11	475	24
		11	475	24
		18	10	8
		18	10	8
		18	10	8
		18	10	8
		18	10	8
		18	10	8
		18	10	8
		18	10	8
		18	10	8
		18	10	8
		18	10	8
		18	10	8
		18	10	8
		19	10	8
		19	10	8
		19	10	8
		19	10	8
		19	10	8
		19	10	8
		19	10	8
		19	10	8
		19	10	8
		19	10	8
		19	10	8
		19	10	8
		21	10	8
		21	10	8
		21	10	8

**25-28-49**

ILLUSTRATED PARTS LIST

Page 1098.21

Mar 01/2006



### COMPONENT MAINTENANCE MANUAL

PART NUMBER	AIRLINE PART NUMBER	FIGURE	ITEM	UNITS PER ASSEMBLY
BACB30NM3K3		21	10	8
		21	10	8
		21	10	8
		21	10	8
		21	10	8
		21	10	8
		21	10	8
		21	10	8
		21	10	8
		22	10	8
		22	10	8
		22	10	8
		22	10	8
		22	10	8
		22	10	8
		22	10	8
		22	10	8
		22	10	8
		22	10	8
		22	10	8
		22	10	8
		22	10	8
		22	10	8
		22	10	8
		22	10	8
		22	10	8
		23	425	24
		23	425	24
		23	425	24
		23	425	24
		23	425	24
	23	425	24	
	23	425	24	
	23	425	24	
	23	425	24	
	23	425	24	
	23	425	24	
	23	425	24	
	23	425	24	
	23	425	24	
	11	445	3	
	11	445	3	

# 25-28-49

ILLUSTRATED PARTS LIST

Page 1098.22

Mar 01/2006



COMPONENT MAINTENANCE MANUAL

PART NUMBER	AIRLINE PART NUMBER	FIGURE	ITEM	UNITS PER ASSEMBLY
		11	445	3
		11	445	3
		11	445	3
		11	445	3
		11	445	3
		11	445	3
		11	445	3
		11	445	3
		11	445	3
		11	445	3
		11	570	2
		11	570	2
		11	570	2
		11	570	2
		11	570	2
		11	570	2
		11	570	2
		11	570	2
		11	570	2
		11	570	2
		11	570	2
		11	570	2
		11	570	2
		18	15	2
		18	15	2
		18	15	2
		18	15	2
		18	15	2
		18	15	2
		18	15	2
		18	15	2
		18	15	2
		18	15	2
		18	15	2
		18	15	2
		18	15	2
		18	15	2
		19	15	2

**25-28-49**

ILLUSTRATED PARTS LIST

Page 1098.23

Mar 01/2006



COMPONENT MAINTENANCE MANUAL

PART NUMBER	AIRLINE PART NUMBER	FIGURE	ITEM	UNITS PER ASSEMBLY
		19	15	2
		19	15	2
		19	15	2
		19	15	2
		19	15	2
		19	15	2
		19	15	2
		19	15	2
		19	15	2
		19	15	2
		19	15	2
		21	5	2
		21	5	2
		21	5	2
		21	5	2
		21	5	2
		21	5	2
		21	5	2
		21	5	2
		21	5	2
		21	5	2
		21	5	2
		21	5	2
		21	5	2
		21	5	2
		21	5	2
		21	5	2
		21	5	2
		22	5	2
		22	5	2
		22	5	2
		22	5	2
		22	5	2
		22	5	2
		22	5	2
		22	5	2
		22	5	2
		22	5	2
		22	5	2
		22	5	2
		22	5	2
		22	5	2
		22	5	2

25-28-49

ILLUSTRATED PARTS LIST  
Page 1098.24  
Mar 01/2006





COMPONENT MAINTENANCE MANUAL

PART NUMBER	AIRLINE PART NUMBER	FIGURE	ITEM	UNITS PER ASSEMBLY
BACB30NM3K8		23	15	2
		23	15	2
		23	15	2
		23	15	2
		23	15	2
		23	15	2
		23	15	2
		23	15	2
		23	15	2
		23	15	2
		23	15	2
		23	15	2
		23	80	3
		23	80	3
		23	80	3
		23	80	3
		23	80	3
		23	80	3
		23	80	3
		23	80	3
		23	80	3
		23	80	3
		23	80	3
		23	80	3
		23	80	3
		23	80	3
		23	80	3
		23	80	3
		23	80	3
		28	45	1
		28	45	1
		28	45	1
		28	45	1
28	45	1		
28	45	1		
28	45	1		
28	45	1		
28	45	1		
28	45	1		
28	45	1		
28	45	1		

**25-28-49**

ILLUSTRATED PARTS LIST

Page 1098.25

Mar 01/2006



### COMPONENT MAINTENANCE MANUAL

PART NUMBER	AIRLINE PART NUMBER	FIGURE	ITEM	UNITS PER ASSEMBLY
		28	45	1
		28	210	1
		28	210	1
		28	210	1
		28	210	1
		28	210	1
		28	210	1
		28	210	1
		28	210	1
		28	210	1
		28	210	1
		28	210	1
		28	210	1
		28	210	1
		29	115	1
		29	115	1
		29	115	1
		29	115	1
		29	115	1
		29	115	1
		29	115	1
		29	115	1
		29	115	1
		29	115	1
		29	115	1
		29	115	1
		29	115	1
		29	115	1
		30	85	1
		30	85	1
		30	85	1
		30	85	1
		30	85	1
		30	85	1
		30	85	1
		30	85	1
		30	85	1
		30	85	1
		30	85	1

**25-28-49**  
 ILLUSTRATED PARTS LIST  
 Page 1098.26  
 Mar 01/2006



COMPONENT MAINTENANCE MANUAL

PART NUMBER	AIRLINE PART NUMBER	FIGURE	ITEM	UNITS PER ASSEMBLY
BACB30NM3K9		30	85	1
		30	85	1
		4	55	2
		4	55	2
		4	55	2
		4	55	2
		4	55	2
		4	55	2
		4	55	2
		4	55	2
		4	55	2
		4	55	2
		4	55	2
		4	55	2
		4	55	2
		5	45	2
		5	45	2
		5	45	2
		5	45	2
		5	45	2
		5	45	2
		5	45	2
		5	45	2
		5	45	2
		5	45	2
		5	45	2
		6	60	2
		6	60	2
		6	60	2
		6	60	2
	6	60	2	
	6	60	2	
	6	60	2	
	6	60	2	
	6	60	2	
	6	60	2	
	9	65	1	
	9	65	1	
	9	65	1	

**25-28-49**

ILLUSTRATED PARTS LIST

Page 1098.27

Mar 01/2006



COMPONENT MAINTENANCE MANUAL

PART NUMBER	AIRLINE PART NUMBER	FIGURE	ITEM	UNITS PER ASSEMBLY
		9	65	1
		9	65	1
		9	65	1
		9	65	1
		9	65	1
		9	65	1
		9	65	1
		10	45	2
		10	45	2
		10	45	2
		10	45	2
		10	45	2
		10	45	2
		10	45	2
		10	45	2
		10	45	2
		10	45	2
		10	45	2
		10	45	2
		10	45	2
		11	395	4
		11	395	4
		11	395	4
		11	395	4
		11	395	4
		11	395	4
		11	395	4
		11	395	4
		11	395	4
		11	395	4
		11	395	4
		11	395	4
		12	85	1
		12	85	1
		12	85	1
		12	85	1
		12	85	1
		12	85	1
		12	85	1
		12	85	1
		12	85	1
		12	85	1

**25-28-49**

ILLUSTRATED PARTS LIST

Page 1098.28

Mar 01/2006



## COMPONENT MAINTENANCE MANUAL

PART NUMBER	AIRLINE PART NUMBER	FIGURE	ITEM	UNITS PER ASSEMBLY
		12	85	1
		12	85	1
		14	10	1
		14	10	1
		14	10	1
		14	10	1
		14	10	1
		14	10	1
		14	10	1
		14	10	1
		14	10	1
		14	10	1
		14	10	1
		14	10	1
		19	60	2
		19	60	2
		19	60	2
		19	60	2
		19	60	2
		19	60	2
		19	60	2
		19	60	2
		19	60	2
		19	60	2
		19	60	2
		19	60	2
		19	60	2
		19	60	2
		20	10	2
		20	10	2
		20	10	2
		20	10	2
		20	10	2
		20	10	2
		20	10	2
		20	10	2
		20	10	2
		20	10	2
		20	10	2
		20	10	2
		23	355	4
		23	355	4
		23	355	4

# 25-28-49

ILLUSTRATED PARTS LIST

Page 1098.29

Mar 01/2006



## COMPONENT MAINTENANCE MANUAL

PART NUMBER	AIRLINE PART NUMBER	FIGURE	ITEM	UNITS PER ASSEMBLY
		23	355	4
		23	355	4
		23	355	4
		23	355	4
		23	355	4
		23	355	4
		23	355	4
		23	355	4
		25	60	1
		25	60	1
		25	60	1
		25	60	1
		25	60	1
		25	60	1
		25	60	1
		25	60	1
		25	60	1
		25	60	1
		25	60	1
		25	60	1
		25	60	1
		26	65	1
		26	65	1
		26	65	1
		26	65	1
		26	65	1
		26	65	1
		26	65	1
		26	65	1
		26	65	1
		26	65	1
		26	65	1
		26	65	1
		26	65	1
		26	65	1
		26	65	1
		27	85	1
		27	85	1
		27	85	1
		27	85	1
		27	85	1
		27	85	1
		27	85	1
		27	85	1
		27	85	1
		27	85	1

**25-28-49**

ILLUSTRATED PARTS LIST

Page 1098.30

Mar 01/2006



## COMPONENT MAINTENANCE MANUAL

PART NUMBER	AIRLINE PART NUMBER	FIGURE	ITEM	UNITS PER ASSEMBLY
		27	85	1
		27	85	1
BACB30NM6K2		30	185	2
		30	190	2
BACB30NMY6K3		28	370	2
BACB30NN3K1		31	526	13
		31	526	13
		31	526	13
		31	526	13
		31	526	13
		31	526	13
		31	526	13
		31	526	13
		31	526	13
		31	526	13
		31	526	13
		31	529	1
		31	529	1
		31	529	1
		31	529	1
		31	529	1
		31	529	1
		31	529	1
		31	529	1
		31	529	1
		31	529	1
		31	529	1
		31	529	1
		31	619	16
		31	619	16
		31	619	16
		31	619	16
		31	619	16
		31	619	16
		31	619	16

# 25-28-49

ILLUSTRATED PARTS LIST

Page 1098.31

Mar 01/2006



**COMPONENT MAINTENANCE MANUAL**

<b>PART NUMBER</b>	<b>AIRLINE PART NUMBER</b>	<b>FIGURE</b>	<b>ITEM</b>	<b>UNITS PER ASSEMBLY</b>
		31	619	16
		31	619	16
		31	619	16
		31	619	16
		31	619	16
		31	619	16
		31	699	19
		31	699	19
		31	699	19
		31	699	19
		31	699	19
		31	699	19
		31	699	19
		31	699	19
		31	699	19
		31	699	19
		31	699	19
		31	699	19
		31	699	19
		31	786	16
		31	786	16
		31	786	16
		31	786	16
		31	786	16
		31	786	16
		31	786	16
		31	786	16
		31	786	16
		31	786	16
		31	786	16
		31	786	16
		31	786	16
		31	786	16
		32	265	13
		32	265	13
		32	265	13
		32	265	13
		32	265	13

# 25-28-49

ILLUSTRATED PARTS LIST

Page 1098.32

Mar 01/2006





## COMPONENT MAINTENANCE MANUAL

PART NUMBER	AIRLINE PART NUMBER	FIGURE	ITEM	UNITS PER ASSEMBLY
		32	265	13
		32	265	13
		32	265	13
		32	265	13
		32	265	13
		32	265	13
		32	265	13
		33	265	16
		33	265	16
		33	265	16
		33	265	16
		33	265	16
		33	265	16
		33	265	16
		33	265	16
		33	265	16
		33	265	16
		33	265	16
		33	265	16
		33	265	16
		33	265	16
		33	410	18
		33	410	18
		33	410	18
		33	410	18
		33	410	18
		33	410	18
		33	410	18
		33	410	18
		33	410	18
		33	410	18
		33	410	18
		33	410	18
		33	410	18
		33	410	18
		33	415	3
		33	415	3
		33	415	3
		33	415	3

# 25-28-49

ILLUSTRATED PARTS LIST

Page 1098.33

Mar 01/2006



COMPONENT MAINTENANCE MANUAL

PART NUMBER	AIRLINE PART NUMBER	FIGURE	ITEM	UNITS PER ASSEMBLY
BACB30NN3K10		33	415	3
		33	415	3
		33	415	3
		33	415	3
		33	415	3
		33	415	3
		33	415	3
		33	415	3
		33	415	3
		1	25	1
		1	25	1
		1	25	1
		1	25	1
		1	25	1
		1	25	1
		1	25	1
		1	25	1
		1	25	1
		1	25	1
		1	25	1
		1	25	1
		1	25	1
		1	25	1
		2	50	1
		2	50	1
		2	50	1
		2	50	1
		2	50	1
		2	50	1
		2	50	1
		2	50	1
		2	50	1
		2	50	1
	2	50	1	
	3	60	1	
	3	60	1	
	3	60	1	

**25-28-49**

ILLUSTRATED PARTS LIST

Page 1098.34

Mar 01/2006



COMPONENT MAINTENANCE MANUAL

PART NUMBER	AIRLINE PART NUMBER	FIGURE	ITEM	UNITS PER ASSEMBLY
		3	60	1
		3	60	1
		3	60	1
		3	60	1
		3	60	1
		3	60	1
		3	60	1
		3	60	1
		3	60	1
		7	60	1
		7	60	1
		7	60	1
		7	60	1
		7	60	1
		7	60	1
		7	60	1
		7	60	1
		7	60	1
		7	60	1
		7	60	1
		7	60	1
		7	60	1
		7	60	1
		7	60	1
		13	40	1
		13	40	1
		13	40	1
		13	40	1
		13	40	1
		13	40	1
		13	40	1
		13	40	1
		13	40	1
		13	40	1
		13	40	1
		13	40	1
		15	15	1
		15	15	1

**25-28-49**

ILLUSTRATED PARTS LIST

Page 1098.35

Mar 01/2006





## COMPONENT MAINTENANCE MANUAL

PART NUMBER	AIRLINE PART NUMBER	FIGURE	ITEM	UNITS PER ASSEMBLY
		18	90	1
		18	90	1
		18	90	1
		18	90	1
		18	90	1
		18	90	1
		18	90	1
		18	90	1
		18	90	1
		18	90	1
		18	90	1
		21	75	1
		21	75	1
		21	75	1
		21	75	1
		21	75	1
		21	75	1
		21	75	1
		21	75	1
		21	75	1
		21	75	1
		21	75	1
		21	75	1
		21	75	1
		21	75	1
		21	75	1
		21	75	1
		22	75	1
		22	75	1
		22	75	1
		22	75	1
		22	75	1
		22	75	1
		22	75	1
		22	75	1
		22	75	1
		22	75	1
		22	75	1
		22	75	1
		22	75	1
		22	75	1

**25-28-49**

ILLUSTRATED PARTS LIST

Page 1098.37

Mar 01/2006



COMPONENT MAINTENANCE MANUAL

PART NUMBER	AIRLINE PART NUMBER	FIGURE	ITEM	UNITS PER ASSEMBLY
BACB30NN3K14		24	45	1
		24	45	1
		24	45	1
		24	45	1
		24	45	1
		24	45	1
		24	45	1
		24	45	1
		24	45	1
		24	45	1
		24	45	1
		24	45	1
		24	45	1
		7	205	2
		7	205	2
		7	205	2
		7	205	2
		7	205	2
		7	205	2
		7	205	2
7	205	2		
7	205	2		
BACB30NN3K6		31	251	8
		31	251	8
		31	251	8
		31	251	8
		31	251	8
		31	251	8
		31	251	8
		31	251	8
		31	251	8
		31	251	8
		31	251	8
		31	251	8
		31	251	8

**25-28-49**

ILLUSTRATED PARTS LIST

Page 1098.38

Mar 01/2006



**COMPONENT MAINTENANCE MANUAL**

PART NUMBER	AIRLINE PART NUMBER	FIGURE	ITEM	UNITS PER ASSEMBLY
		31	251	8
		31	252	1
		31	252	1
		31	252	1
		31	252	1
		31	252	1
		31	252	1
		31	252	1
		31	252	1
		31	252	1
		31	252	1
		31	252	1
		31	252	1
		31	252	1
		31	252	1
		31	252	1
		31	252	1
		31	252	1
		31	252	1
		31	252	1
		31	253	4
		31	253	4
		31	253	4
		31	253	4
		31	253	4
		31	253	4
		31	253	4
		31	253	4
		31	253	4
		31	253	4
		31	253	4
		31	253	4
		31	253	4
		31	253	4
		31	253	4
		31	253	4
		31	253	4
		31	253	4
		31	253	4
		31	253	4
		31	256	5
		31	256	5
		31	256	5
		31	256	5
		31	256	5
		31	256	5
		31	256	5
		31	256	5
		31	256	5
		31	256	5
		31	256	5
		31	256	5
		31	256	5
		31	256	5



**COMPONENT MAINTENANCE MANUAL**

PART NUMBER	AIRLINE PART NUMBER	FIGURE	ITEM	UNITS PER ASSEMBLY
		31	256	5
		31	256	5
		31	259	6
		31	259	6
		31	259	6
		31	259	6
		31	259	6
		31	259	6
		31	259	6
		31	259	6
		31	259	6
		31	259	6
		31	259	6
		31	259	6
		31	259	6
		31	259	6
		31	259	6
		31	262	7
		31	262	7
		31	262	7
		31	262	7
		31	262	7
		31	262	7
		31	262	7
		31	262	7
		31	262	7
		31	262	7
		31	262	7
		31	262	7
		31	262	7
		32	105	13
		32	105	13
		32	105	13
		32	105	13
		32	105	13
		32	105	13
		32	105	13
		32	105	13
		32	105	13
		32	105	13
		32	105	13

**25-28-49**

ILLUSTRATED PARTS LIST

Page 1098.40

Mar 01/2006





### COMPONENT MAINTENANCE MANUAL

PART NUMBER	AIRLINE PART NUMBER	FIGURE	ITEM	UNITS PER ASSEMBLY
BACB30NN3K9		32	105	13
		32	105	13
		32	105	13
		32	105A	12
		32	105A	12
		32	105A	12
		32	105A	12
		32	105A	12
		32	105A	12
		32	105A	12
		32	105A	12
		32	105A	12
		32	105A	12
		32	105A	12
		32	105A	12
		32	105A	12
		32	105A	12
		33	150	16
		33	150	16
		33	150	16
		33	150	16
		33	150	16
		33	150	16
		33	150	16
		33	150	16
		33	150	16
		33	150	16
		33	150	16
		33	150	16
		33	150	16
		33	150	16
		9	60	1
	9	60	1	
	9	60	1	
	9	60	1	
	9	60	1	
	9	60	1	
	9	60	1	
	9	60	1	

# 25-28-49

ILLUSTRATED PARTS LIST  
Page 1098.41  
Mar 01/2006



**COMPONENT MAINTENANCE MANUAL**

PART NUMBER	AIRLINE PART NUMBER	FIGURE	ITEM	UNITS PER ASSEMBLY
		9	60	1
		9	60	1
		9	60	1
		9	60	1
		12	80	1
		12	80	1
		12	80	1
		12	80	1
		12	80	1
		12	80	1
		12	80	1
		12	80	1
		12	80	1
		12	80	1
		12	80	1
		12	80	1
		12	80	1
		12	80	1
		14	15	1
		14	15	1
		14	15	1
		14	15	1
		14	15	1
		14	15	1
		14	15	1
		14	15	1
		14	15	1
		14	15	1
		14	15	1
		14	15	1
		14	15	1
		14	15	1
		14	15	1
		14	15	1
		14	15	1
		20	15	2
		20	15	2
		20	15	2
		20	15	2
		20	15	2
		20	15	2
		20	15	2
		20	15	2
		20	15	2
		20	15	2
		20	15	2

**25-28-49**

ILLUSTRATED PARTS LIST  
 Page 1098.42  
 Mar 01/2006



## COMPONENT MAINTENANCE MANUAL

PART NUMBER	AIRLINE PART NUMBER	FIGURE	ITEM	UNITS PER ASSEMBLY
		20	15	2
		20	15	2
		20	15	2
		20	15	2
		20	15	2
		25	55	1
		25	55	1
		25	55	1
		25	55	1
		25	55	1
		25	55	1
		25	55	1
		25	55	1
		25	55	1
		25	55	1
		25	55	1
		25	55	1
		25	55	1
		25	55	1
		26	60	1
		26	60	1
		26	60	1
		26	60	1
		26	60	1
		26	60	1
		26	60	1
		26	60	1
		26	60	1
		26	60	1
		26	60	1
		26	60	1
		26	60	1
		26	60	1
		26	60	1
		26	60	1
		26	60	1
		26	60	1
		26	60	1
		27	80	1
		27	80	1
		27	80	1
		27	80	1
		27	80	1
		27	80	1
		27	80	1
		27	80	1
		27	80	1

# 25-28-49

ILLUSTRATED PARTS LIST

Page 1098.43

Mar 01/2006



COMPONENT MAINTENANCE MANUAL

PART NUMBER	AIRLINE PART NUMBER	FIGURE	ITEM	UNITS PER ASSEMBLY	
BACB30PF4-16		27	80	1	
		27	80	1	
		27	80	1	
		27	80	1	
		27	80	1	
		27	80	1	
		11	410	4	
		11	410	4	
		11	410	4	
		11	410	4	
		11	410	4	
		11	410	4	
		11	410	4	
		11	410	4	
		11	410	4	
		11	410	4	
		11	410	4	
		11	410	4	
		11	410	4	
		11	410	4	
	BACB30PF4-3		23	370	4
			23	370	4
		23	370	4	
		23	370	4	
		23	370	4	
		23	370	4	
		23	370	4	
		23	370	4	
		23	370	4	
		23	370	4	
		23	370	4	
		23	370	4	
		1	95	1	
		1	120	2	
	2	80	1		
	3	190	1		
	4	205	2		
	4	210	1		
	5	75	1		
	6	225	2		
	7	200	1		

**25-28-49**

ILLUSTRATED PARTS LIST

Page 1098.44

Mar 01/2006



## COMPONENT MAINTENANCE MANUAL

PART NUMBER	AIRLINE PART NUMBER	FIGURE	ITEM	UNITS PER ASSEMBLY
		8	260	1
		9	195	1
		10	160	2
		11	35	1
		12	230	1
		12	250	2
		13	185	1
		14	185	1
		15	150	1
		16	180	1
		17	180	1
		18	285	1
		19	163	1
		20	200	1
		21	300	1
		22	260	1
		23	510	17
		24	185	1
		25	165	1
		26	200	1
		27	160	1
BACN10JC06		11	515	5
		23	465	5
BACN10JP3A		8	105	2
		8	140	2
		31	352	4
		31	370	5
		31	385	3
		31	397	5
		31	412	7
		31	427	6
		31	559	5
		31	574	6
		31	640	5
		31	643	1

# 25-28-49

ILLUSTRATED PARTS LIST

Page 1098.45

Mar 01/2006



## COMPONENT MAINTENANCE MANUAL

PART NUMBER	AIRLINE PART NUMBER	FIGURE	ITEM	UNITS PER ASSEMBLY
		31	646	1
		31	661	7
		31	717	5
		31	729	6
		31	741	6
		31	804	6
		31	816	6
		32	160	4
		32	180	3
		32	230	6
		32	295	5
		32	315	6
		33	195	5
		33	215	7
		33	295	6
		33	315	7
		33	470	5
		33	475	1
		33	500	3
		33	525	6
		33	530	7
BACN10JR3F		5	200	1
		9	180	1
		14	110	1
		20	145	1
		26	180	1
BACN10JR3FR		11	350	1
		11	380	1
		18	265	1
		23	310	1
		23	345	1
BACN10KB08CFD		28	545	2
		28	565	2
		28	585	2
		28	605	2

# 25-28-49

ILLUSTRATED PARTS LIST

Page 1098.46

Mar 01/2006



## COMPONENT MAINTENANCE MANUAL

PART NUMBER	AIRLINE PART NUMBER	FIGURE	ITEM	UNITS PER ASSEMBLY
BACN10KB3FR BACN10R10L		28	625	2
		28	645	2
		28	665	2
		28	690	2
		28	715	2
		28	735	2
		28	755	2
		28	775	2
		29	415	2
		30	350	2
		10	153	1
		1	195	3
		2	140	3
		3	165	3
		7	145	3
		8	245	3
		9	130	3
		10	145	3
		11	215	3
		11	280	3
		13	115	3
		14	145	3
		16	115	3
		17	145	3
		18	140	3
	18	190	1	
	19	140	3	
	20	70	1	
	21	185	3	
	21	255	3	
	22	195	3	
	23	130	3	
	23	195	3	
	24	165	3	
	25	105	3	

# 25-28-49

ILLUSTRATED PARTS LIST

Page 1098.47

Mar 01/2006



## COMPONENT MAINTENANCE MANUAL

PART NUMBER	AIRLINE PART NUMBER	FIGURE	ITEM	UNITS PER ASSEMBLY	
BACN10YD1		26	130	3	
		3	210	2	
		8	305	1	
		11	20	1	
		12	205	1	
		17	210	1	
		23	540	1	
		24	205	2	
	BACR15BA3A		5	195	2
			9	175	2
		10	152J	2	
		14	105	2	
		18	260	2	
		20	140	2	
		26	175	2	
BACR15BA3AD			11	345	2
		11	375	2	
		23	305	2	
		23	340	2	
BACR15BA3D		8	100	4	
		8	135	4	
		31	349	8	
		31	367	10	
		31	382	6	
		31	394	10	
		31	409	14	
		31	424	12	
		31	556	10	
		31	571	12	
		31	637	12	
		31	658	14	
		31	714	10	
		31	726	12	
		31	738	12	
	31	801	12		

# 25-28-49

ILLUSTRATED PARTS LIST

Page 1098.48

Mar 01/2006





## COMPONENT MAINTENANCE MANUAL

PART NUMBER	AIRLINE PART NUMBER	FIGURE	ITEM	UNITS PER ASSEMBLY
		31	813	12
		32	155	8
		32	175	6
		32	225	12
		32	290	10
		32	310	12
		33	190	10
		33	210	14
		33	290	12
		33	310	14
		33	460	10
		33	465	2
		33	495	6
		33	515	12
		33	520	2
BACR15BB4D		18	255A	2
BACR15DR3		28	540	4
		28	560	4
		28	580	4
		28	600	4
		28	620	4
		28	640	4
		28	660	4
		28	685	4
		28	710	4
		28	730	4
		28	750	4
		28	770	4
		29	410	4
		30	345	4
BACS12ER06K8		28	315	8
		28	315	8
		28	315	8
		28	315	8
		28	315	8

# 25-28-49

ILLUSTRATED PARTS LIST

Page 1098.49

Mar 01/2006



**COMPONENT MAINTENANCE MANUAL**

PART NUMBER	AIRLINE PART NUMBER	FIGURE	ITEM	UNITS PER ASSEMBLY
BACS12ER08K12		28	315	8
		28	315	8
		28	315	8
		28	315	8
		28	315	8
		28	315	8
		28	315	8
		28	315	8
		29	195	4
		29	195	4
		29	195	4
		29	195	4
		29	195	4
		29	195	4
		29	195	4
		29	195	4
		29	195	4
		29	195	4
		29	195	4
		29	195	4
		29	195	4
		29	195	4
		29	195	4
		30	300	4
		30	300	4
		30	300	4
		30	300	4
		30	300	4
		30	300	4
		30	300	4
		30	300	4
		30	300	4
		30	300	4
		30	300	4
		30	300	4
30	300	4		
28	355	AR		
28	355	AR		
28	355	AR		
28	355	AR		

**25-28-49**  
 ILLUSTRATED PARTS LIST  
 Page 1098.50  
 Mar 01/2006



## COMPONENT MAINTENANCE MANUAL

PART NUMBER	AIRLINE PART NUMBER	FIGURE	ITEM	UNITS PER ASSEMBLY
		28	355	AR
		28	355	AR
		28	355	AR
		28	355	AR
		28	355	AR
		28	355	AR
		28	355	AR
		28	355	AR
		29	390	AR
		29	390	AR
		29	390	AR
		29	390	AR
		29	390	AR
		29	390	AR
		29	390	AR
		29	390	AR
		29	390	AR
		29	390	AR
		29	390	AR
		29	390	AR
		29	390	AR
BACS12ER08K14		28	290	2
		28	390A	1
		28	405	1
		28	440	4
		28	510	2
		29	250	2
		29	255	2
		29	345	2
		30	205	2
		30	210	2
		30	270	3
BACS12ER08K6		28	310	4
		28	310	4
		28	310	4
		28	310	4

25-28-49

ILLUSTRATED PARTS LIST

Page 1098.51

Mar 01/2006



COMPONENT MAINTENANCE MANUAL

PART NUMBER	AIRLINE PART NUMBER	FIGURE	ITEM	UNITS PER ASSEMBLY
BACS12ER3K6		28	310	4
		28	310	4
		28	310	4
		28	310	4
		28	310	4
		28	310	4
		28	310	4
		28	310	4
		29	190	4
		29	190	4
		29	190	4
		29	190	4
		29	190	4
		29	190	4
		29	190	4
		29	190	4
		29	190	4
		29	190	4
		29	190	4
		29	190	4
		29	190	4
		29	190	4
		29	190	4
		29	190	4
		29	190	4
		30	295	2
		30	295	2
		30	295	2
		30	295	2
		30	295	2
		30	295	2
		30	295	2
		30	295	2
		30	295	2
		30	295	2
		30	295	2
30	295	2		
30	295	2		
30	295	2		
30	295	2		
1	65	4		
1	65	4		
1	65	4		



COMPONENT MAINTENANCE MANUAL

PART NUMBER	AIRLINE PART NUMBER	FIGURE	ITEM	UNITS PER ASSEMBLY
		1	65	4
		1	65	4
		1	65	4
		1	65	4
		1	65	4
		1	65	4
		1	65	4
		1	65	4
		1	65	4
		1	65	4
		1	185	3
		1	185	3
		1	185	3
		1	185	3
		1	185	3
		1	185	3
		1	185	3
		1	185	3
		1	185	3
		1	185	3
		1	185	3
		1	185	3
		2	10	4
		2	10	4
		2	10	4
		2	10	4
		2	10	4
		2	10	4
		2	10	4
		2	10	4
		2	10	4
		2	10	4
		2	10	4
		2	10	4
		2	10	4
		2	10	4
		2	10	4
		2	130	3
		2	130	3

**25-28-49**

ILLUSTRATED PARTS LIST

Page 1098.53

Mar 01/2006



COMPONENT MAINTENANCE MANUAL

PART NUMBER	AIRLINE PART NUMBER	FIGURE	ITEM	UNITS PER ASSEMBLY
		2	130	3
		2	130	3
		2	130	3
		2	130	3
		2	130	3
		2	130	3
		2	130	3
		2	130	3
		2	130	3
		2	130	3
		2	130	3
		3	10	4
		3	10	4
		3	10	4
		3	10	4
		3	10	4
		3	10	4
		3	10	4
		3	10	4
		3	10	4
		3	10	4
		3	10	4
		3	10	4
		3	10	4
		3	10	4
		3	10	4
		3	10	4
		3	155	3
		3	155	3
		3	155	3
		3	155	3
		3	155	3
		3	155	3
		3	155	3
		3	155	3
		3	155	3
		3	155	3
		3	155	3
		3	155	3
		3	155	3
		4	15	4

**25-28-49**

ILLUSTRATED PARTS LIST

Page 1098.54

Mar 01/2006



COMPONENT MAINTENANCE MANUAL

PART NUMBER	AIRLINE PART NUMBER	FIGURE	ITEM	UNITS PER ASSEMBLY
		4	15	4
		4	15	4
		4	15	4
		4	15	4
		4	15	4
		4	15	4
		4	15	4
		4	15	4
		4	15	4
		4	15	4
		4	15	4
		5	32	4
		5	32	4
		5	32	4
		5	32	4
		5	32	4
		5	32	4
		5	32	4
		5	32	4
		5	32	4
		5	32	4
		5	32	4
		5	32	4
		5	32	4
		5	32	4
		5	32	4
		5	32	4
		5	145	3
		5	145	3
		5	145	3
		5	145	3
		5	145	3
		5	145	3
		5	145	3
		5	145	3
		5	145	3
		5	145	3
		5	145	3
		5	145	3
		5	145	3
		5	145	3
		5	145	3

**25-28-49**  
 ILLUSTRATED PARTS LIST  
 Page 1098.55  
 Mar 01/2006







COMPONENT MAINTENANCE MANUAL

PART NUMBER	AIRLINE PART NUMBER	FIGURE	ITEM	UNITS PER ASSEMBLY
		7	135	3
		8	10	4
		8	10	4
		8	10	4
		8	10	4
		8	10	4
		8	10	4
		8	10	4
		8	10	4
		8	10	4
		8	10	4
		8	10	4
		8	10	4
		8	10	4
		8	70	4
		8	70	4
		8	70	4
		8	70	4
		8	70	4
		8	70	4
		8	70	4
		8	70	4
		8	70	4
		8	70	4
		8	70	4
		8	70	4
		8	70	4
		8	70	4
		8	235	3
		8	235	3
		8	235	3
		8	235	3
		8	235	3
		8	235	3
		8	235	3
		8	235	3
		8	235	3
		8	235	3
		8	235	3
		8	235	3
		8	235	3
		8	235	3
		8	235	3
		8	235	3

**25-28-49**

ILLUSTRATED PARTS LIST

Page 1098.57

Mar 01/2006



COMPONENT MAINTENANCE MANUAL

PART NUMBER	AIRLINE PART NUMBER	FIGURE	ITEM	UNITS PER ASSEMBLY
		8	235	3
		8	235	3
		9	10	4
		9	10	4
		9	10	4
		9	10	4
		9	10	4
		9	10	4
		9	10	4
		9	10	4
		9	10	4
		9	10	4
		9	10	4
		9	10	4
		9	10	4
		9	10	4
		9	120	3
		9	120	3
		9	120	3
		9	120	3
		9	120	3
		9	120	3
		9	120	3
		9	120	3
		9	120	3
		9	120	3
		9	120	3
		9	120	3
		9	120	3
		9	120	3
		10	10	4
		10	10	4
		10	10	4
		10	10	4
		10	10	4
		10	10	4
		10	10	4
		10	10	4
		10	10	4

**25-28-49**

ILLUSTRATED PARTS LIST

Page 1098.58

Mar 01/2006



**COMPONENT MAINTENANCE MANUAL**

PART NUMBER	AIRLINE PART NUMBER	FIGURE	ITEM	UNITS PER ASSEMBLY
		10	10	4
		10	10	4
		10	10	4
		10	135	3
		10	135	3
		10	135	3
		10	135	3
		10	135	3
		10	135	3
		10	135	3
		10	135	3
		10	135	3
		10	135	3
		10	135	3
		10	135	3
		11	205	3
		11	205	3
		11	205	3
		11	205	3
		11	205	3
		11	205	3
		11	205	3
		11	205	3
		11	205	3
		11	205	3
		11	205	3
		11	205	3
		11	270	3
		11	270	3
		11	270	3
		11	270	3
		11	270	3
		11	270	3
		11	270	3
		11	270	3
		11	270	3

**25-28-49**

ILLUSTRATED PARTS LIST

Page 1098.59

Mar 01/2006



### COMPONENT MAINTENANCE MANUAL

PART NUMBER	AIRLINE PART NUMBER	FIGURE	ITEM	UNITS PER ASSEMBLY
		11	270	3
		11	270	3
		11	270	3
		11	270	3
		12	20	4
		12	20	4
		12	20	4
		12	20	4
		12	20	4
		12	20	4
		12	20	4
		12	20	4
		12	20	4
		12	20	4
		12	20	4
		12	20	4
		12	20	4
		12	20	4
		12	20	4
		12	20	4
		12	20	4
		12	20	4
		12	20	4
		12	20	4
		13	10	4
		13	10	4
		13	10	4
		13	10	4
		13	10	4
		13	10	4
		13	10	4
		13	10	4
		13	10	4
		13	10	4
		13	10	4
		13	10	4
		13	10	4
		13	10	4
		13	10	4
		13	10	4
		13	10	4
		13	105	3
		13	105	3
		13	105	3
		13	105	3
		13	105	3
		13	105	3
		13	105	3
		13	105	3
		13	105	3

## 25-28-49

ILLUSTRATED PARTS LIST

Page 1098.60

Mar 01/2006



COMPONENT MAINTENANCE MANUAL

PART NUMBER	AIRLINE PART NUMBER	FIGURE	ITEM	UNITS PER ASSEMBLY
		13	105	3
		13	105	3
		13	105	3
		13	105	3
		13	105	3
		14	35	4
		14	35	4
		14	35	4
		14	35	4
		14	35	4
		14	35	4
		14	35	4
		14	35	4
		14	35	4
		14	35	4
		14	35	4
		14	35	4
		14	35	4
		14	135	3
		14	135	3
		14	135	3
		14	135	3
		14	135	3
		14	135	3
		14	135	3
		14	135	3
		14	135	3
		14	135	3
		14	135	3
		14	135	3
		14	135	3
		15	50	4
		15	50	4
		15	50	4
		15	50	4
		15	50	4
		15	50	4

**25-28-49**



COMPONENT MAINTENANCE MANUAL

PART NUMBER	AIRLINE PART NUMBER	FIGURE	ITEM	UNITS PER ASSEMBLY
		15	50	4
		15	50	4
		15	50	4
		15	50	4
		15	50	4
		15	50	4
		15	115	3
		15	115	3
		15	115	3
		15	115	3
		15	115	3
		15	115	3
		15	115	3
		15	115	3
		15	115	3
		15	115	3
		15	115	3
		15	115	3
		16	10	4
		16	10	4
		16	10	4
		16	10	4
		16	10	4
		16	10	4
		16	10	4
		16	10	4
		16	10	4
		16	10	4
		16	10	4
		16	10	4
		16	10	4
		16	10	4
		16	10	4
		16	105	3
		16	105	3
		16	105	3
		16	105	3
		16	105	3

**25-28-49**

ILLUSTRATED PARTS LIST

Page 1098.62

Mar 01/2006



COMPONENT MAINTENANCE MANUAL

PART NUMBER	AIRLINE PART NUMBER	FIGURE	ITEM	UNITS PER ASSEMBLY
		16	105	3
		16	105	3
		16	105	3
		16	105	3
		16	105	3
		16	105	3
		16	105	3
		17	10	4
		17	10	4
		17	10	4
		17	10	4
		17	10	4
		17	10	4
		17	10	4
		17	10	4
		17	10	4
		17	10	4
		17	10	4
		17	10	4
		17	10	4
		17	10	4
		17	10	4
		17	135	3
		17	135	3
		17	135	3
		17	135	3
		17	135	3
		17	135	3
		17	135	3
		17	135	3
		17	135	3
		17	135	3
		17	135	3
		17	135	3
		17	135	3
		17	135	3
		18	130	3
		18	130	3
		18	130	3
		18	130	3

**25-28-49**

ILLUSTRATED PARTS LIST

Page 1098.63

Mar 01/2006



COMPONENT MAINTENANCE MANUAL

PART NUMBER	AIRLINE PART NUMBER	FIGURE	ITEM	UNITS PER ASSEMBLY
		18	130	3
		18	130	3
		18	130	3
		18	130	3
		18	130	3
		18	130	3
		18	130	3
		18	130	3
		18	180	3
		18	180	3
		18	180	3
		18	180	3
		18	180	3
		18	180	3
		18	180	3
		18	180	3
		18	180	3
		18	180	3
		18	180	3
		19	130	3
		19	130	3
		19	130	3
		19	130	3
		19	130	3
		19	130	3
		19	130	3
		19	130	3
		19	130	3
		19	130	3
		19	130	3
		20	60	3
		20	60	3
		20	60	3

**25-28-49**





### COMPONENT MAINTENANCE MANUAL

PART NUMBER	AIRLINE PART NUMBER	FIGURE	ITEM	UNITS PER ASSEMBLY
		20	60	3
		20	60	3
		20	60	3
		20	60	3
		20	60	3
		20	60	3
		20	60	3
		20	60	3
		20	60	3
		20	155	4
		20	155	4
		20	155	4
		20	155	4
		20	155	4
		20	155	4
		20	155	4
		20	155	4
		20	155	4
		20	155	4
		20	155	4
		20	155	4
		20	155	4
		20	155	4
		21	175	3
		21	175	3
		21	175	3
		21	175	3
		21	175	3
		21	175	3
		21	175	3
		21	175	3
		21	175	3
		21	175	3
		21	175	3
		21	175	3
		21	175	3
		21	245	3
		21	245	3

# 25-28-49

ILLUSTRATED PARTS LIST

Page 1098.65

Mar 01/2006



COMPONENT MAINTENANCE MANUAL

PART NUMBER	AIRLINE PART NUMBER	FIGURE	ITEM	UNITS PER ASSEMBLY
		21	245	3
		21	245	3
		21	245	3
		21	245	3
		21	245	3
		21	245	3
		21	245	3
		21	245	3
		21	245	3
		21	245	3
		22	185	3
		22	185	3
		22	185	3
		22	185	3
		22	185	3
		22	185	3
		22	185	3
		22	185	3
		22	185	3
		22	185	3
		22	185	3
		22	185	3
		22	185	3
		22	185	3
		22	185	3
		22	185	3
		22	185	3
		22	185	3
		22	185	3
		22	185	3
		23	120	3
		23	120	3
		23	120	3
		23	120	3
		23	120	3
		23	120	3
		23	120	3
		23	120	3
		23	120	3
		23	120	3
		23	120	3
		23	120	3
		23	120	3
		23	120	3
		23	120	3
		23	120	3
		23	185	3

25-28-49

ILLUSTRATED PARTS LIST  
Page 1098.66  
Mar 01/2006



**COMPONENT MAINTENANCE MANUAL**

PART NUMBER	AIRLINE PART NUMBER	FIGURE	ITEM	UNITS PER ASSEMBLY
		23	185	3
		23	185	3
		23	185	3
		23	185	3
		23	185	3
		23	185	3
		23	185	3
		23	185	3
		23	185	3
		23	185	3
		23	185	3
		23	185	3
		24	10	4
		24	10	4
		24	10	4
		24	10	4
		24	10	4
		24	10	4
		24	10	4
		24	10	4
		24	10	4
		24	10	4
		24	10	4
		24	10	4
		24	10	4
		24	10	4
		24	10	4
		24	10	4
		24	10	4
		24	10	4
		24	10	4
		24	10	4
		24	10	4
		24	10	4
		24	155	3
		24	155	3
		24	155	3
		24	155	3
		24	155	3
		24	155	3
		24	155	3
		24	155	3
		24	155	3
		24	155	3
		24	155	3
		24	155	3
		24	155	3
		24	155	3
		24	155	3
		24	155	3
		24	155	3

**25-28-49**  
 ILLUSTRATED PARTS LIST  
 Page 1098.67  
 Mar 01/2006



COMPONENT MAINTENANCE MANUAL

PART NUMBER	AIRLINE PART NUMBER	FIGURE	ITEM	UNITS PER ASSEMBLY
		25	10	4
		25	10	4
		25	10	4
		25	10	4
		25	10	4
		25	10	4
		25	10	4
		25	10	4
		25	10	4
		25	10	4
		25	10	4
		25	10	4
		25	10	4
		25	95	3
		25	95	3
		25	95	3
		25	95	3
		25	95	3
		25	95	3
		25	95	3
		25	95	3
		25	95	3
		25	95	3
		25	95	3
		25	95	3
		25	95	3
		25	95	3
		25	95	3
		26	10	4
		26	10	4
		26	10	4
		26	10	4
		26	10	4
		26	10	4
		26	10	4
		26	10	4
		26	10	4
		26	10	4
		26	10	4
		26	10	4
		26	10	4

**25-28-49**  
 ILLUSTRATED PARTS LIST  
 Page 1098.68  
 Mar 01/2006



COMPONENT MAINTENANCE MANUAL

PART NUMBER	AIRLINE PART NUMBER	FIGURE	ITEM	UNITS PER ASSEMBLY
		26	10	4
		26	120	3
		26	120	3
		26	120	3
		26	120	3
		26	120	3
		26	120	3
		26	120	3
		26	120	3
		26	120	3
		26	120	3
		26	120	3
		26	120	3
		26	120	3
		27	20	4
		27	20	4
		27	20	4
		27	20	4
		27	20	4
		27	20	4
		27	20	4
		27	20	4
		27	20	4
		27	20	4
		27	20	4
		27	20	4
		27	20	4
		27	20	4
		27	20	4
BACS12FA08K12		8	160	2
		29	370	2
BACS12FA3K12		3	185	2
		3	185	2
		3	185	2
		3	185	2
		3	185	2
		3	185	2
		3	185	2
		3	185	2

**25-28-49**

ILLUSTRATED PARTS LIST  
Page 1098.69  
Mar 01/2006



COMPONENT MAINTENANCE MANUAL

PART NUMBER	AIRLINE PART NUMBER	FIGURE	ITEM	UNITS PER ASSEMBLY
		3	185	2
		3	185	2
		3	185	2
		3	185	2
		8	300	1
		8	300	1
		8	300	1
		8	300	1
		8	300	1
		8	300	1
		8	300	1
		8	300	1
		8	300	1
		8	300	1
		8	300	1
		8	300	1
		8	300	1
		8	300	1
		11	15	1
		11	15	1
		11	15	1
		11	15	1
		11	15	1
		11	15	1
		11	15	1
		11	15	1
		11	15	1
		11	15	1
		11	15	1
		11	15	1
		11	15	1
		11	15	1
		12	195	1
		12	195	1
		12	195	1
		12	195	1
		12	195	1
		12	195	1
		12	195	1
		12	195	1

**25-28-49**

ILLUSTRATED PARTS LIST

Page 1098.70

Mar 01/2006



COMPONENT MAINTENANCE MANUAL

PART NUMBER	AIRLINE PART NUMBER	FIGURE	ITEM	UNITS PER ASSEMBLY
		12	195	1
		12	195	1
		12	195	1
		12	195	1
		12	195	1
		17	190	1
		17	190	1
		17	190	1
		17	190	1
		17	190	1
		17	190	1
		17	190	1
		17	190	1
		17	190	1
		17	190	1
		17	190	1
		17	190	1
		17	190	1
		23	520	1
		23	520	1
		23	520	1
		23	520	1
		23	520	1
		23	520	1
		23	520	1
		23	520	1
		23	520	1
		23	520	1
		23	520	1
		23	520	1
		23	520	1
		24	180	2
		24	180	2
		24	180	2
		24	180	2
		24	180	2
		24	180	2

**25-28-49**

ILLUSTRATED PARTS LIST

Page 1098.71

Mar 01/2006



COMPONENT MAINTENANCE MANUAL

PART NUMBER	AIRLINE PART NUMBER	FIGURE	ITEM	UNITS PER ASSEMBLY
		24	180	2
		24	180	2
		24	180	2
		24	180	2
		24	180	2
		24	180	2
		31	310	11
		31	310	11
		31	310	11
		31	310	11
		31	310	11
		31	310	11
		31	310	11
		31	310	11
		31	310	11
		31	310	11
		31	310	11
		31	310	11
		31	310	11
		31	310	11
		31	310	11
		31	310	11
		31	313	6
		31	313	6
		31	313	6
		31	313	6
		31	313	6
		31	313	6
		31	313	6
		31	313	6
		31	313	6
		31	313	6
		31	313	6
		31	313	6
		31	313	6
		31	313	6
		31	313	6
		31	313	6
		31	316	3
		31	316	3
		31	316	3
		31	316	3
		31	316	3

**25-28-49**

ILLUSTRATED PARTS LIST

Page 1098.72

Mar 01/2006





**COMPONENT MAINTENANCE MANUAL**

PART NUMBER	AIRLINE PART NUMBER	FIGURE	ITEM	UNITS PER ASSEMBLY
		31	316	3
		31	316	3
		31	316	3
		31	316	3
		31	316	3
		31	316	3
		31	316	3
		31	316	3
		31	319	4
		31	319	4
		31	319	4
		31	319	4
		31	319	4
		31	319	4
		31	319	4
		31	319	4
		31	319	4
		31	319	4
		31	319	4
		31	319	4
		31	319	4
		31	319	4
		31	319	4
		31	319	4
		31	319	4
		31	322	5
		31	322	5
		31	322	5
		31	322	5
		31	322	5
		31	322	5
		31	322	5
		31	322	5
		31	322	5
		31	322	5
		31	322	5
		31	322	5
		31	322	5
		31	322	5
		31	508	11
		31	508	11
		31	508	11
		31	508	11

**25-28-49**

ILLUSTRATED PARTS LIST  
 Page 1098.73  
 Mar 01/2006



COMPONENT MAINTENANCE MANUAL

PART NUMBER	AIRLINE PART NUMBER	FIGURE	ITEM	UNITS PER ASSEMBLY
		31	508	11
		31	508	11
		31	508	11
		31	508	11
		31	508	11
		31	508	11
		31	508	11
		31	508	11
		31	598	13
		31	598	13
		31	598	13
		31	598	13
		31	598	13
		31	598	13
		31	598	13
		31	598	13
		31	598	13
		31	598	13
		31	598	13
		31	598	13
		31	598	13
		31	598	13
		31	688	17
		31	688	17
		31	688	17
		31	688	17
		31	688	17
		31	688	17
		31	688	17
		31	688	17
		31	688	17
		31	688	17
		31	688	17
		31	688	17
		31	688	17
		31	688	17
		31	688	17
		31	768	13
		31	768	13
		31	768	13

**25-28-49**

ILLUSTRATED PARTS LIST

Page 1098.74

Mar 01/2006


**COMPONENT MAINTENANCE MANUAL**

PART NUMBER	AIRLINE PART NUMBER	FIGURE	ITEM	UNITS PER ASSEMBLY
		31	768	13
		31	768	13
		31	768	13
		31	768	13
		31	768	13
		31	768	13
		31	768	13
		31	768	13
		31	768	13
		31	768	13
		32	125	19
		32	125	19
		32	125	19
		32	125	19
		32	125	19
		32	125	19
		32	125	19
		32	125	19
		32	125	19
		32	125	19
		32	125	19
		32	125	19
		32	125	19
		32	125	19
		32	125	19
		32	125	19
		32	125	19
		32	125A	20
		32	125A	20
		32	125A	20
		32	125A	20
		32	125A	20
		32	125A	20
		32	125A	20
		32	125A	20
		32	125A	20
		32	125A	20
		32	125A	20
		32	125A	20
		32	125A	20
		32	125A	20
		32	125A	20
		32	125A	20
		32	125A	20
		32	130	2
		32	130	2

# 25-28-49

**ILLUSTRATED PARTS LIST**

Page 1098.75

Mar 01/2006



COMPONENT MAINTENANCE MANUAL

PART NUMBER	AIRLINE PART NUMBER	FIGURE	ITEM	UNITS PER ASSEMBLY
		32	130	2
		32	130	2
		32	130	2
		32	130	2
		32	130	2
		32	130	2
		32	130	2
		32	130	2
		32	130	2
		32	130	2
		33	170	12
		33	170	12
		33	170	12
		33	170	12
		33	170	12
		33	170	12
		33	170	12
		33	170	12
		33	170	12
		33	170	12
		33	170	12
		33	170	12
		33	170	12
		33	170	12
		33	170	12
		33	170	12
		33	170	12
		33	365	14
		33	365	14
		33	365	14
		33	365	14
		33	365	14
		33	365	14
		33	365	14
		33	365	14
		33	365	14
		33	365	14
		33	365	14
		33	365	14
		33	365	14
		33	365	14
		33	365	14
		33	365	14
		33	365	14
		33	365	14
		33	365	14
		33	370	2



COMPONENT MAINTENANCE MANUAL

PART NUMBER	AIRLINE PART NUMBER	FIGURE	ITEM	UNITS PER ASSEMBLY
BACS12FA3K14		33	370	2
		33	370	2
		33	370	2
		33	370	2
		33	370	2
		33	370	2
		33	370	2
		33	370	2
		33	370	2
		33	370	2
		33	370	2
		7	195	2
		28	455	1
		28	475	4
28	505	1		
BACS12FA3K4		29	340	1
		29	425	AR
		5	190	1
		9	170	2
		11	340	2
		11	370	5
		14	95	2
		18	250	2
		20	135	2
		23	300	5
		23	335	2
		26	170	2
		28	80	6
		28	855	2
29	175	4		
BACS12FA3K5		29	515	2
		30	125	2
		1	80	16
		1	80	16
		1	80	16
		1	80	16

**25-28-49**

ILLUSTRATED PARTS LIST

Page 1098.77

Mar 01/2006



COMPONENT MAINTENANCE MANUAL

PART NUMBER	AIRLINE PART NUMBER	FIGURE	ITEM	UNITS PER ASSEMBLY
		1	80	16
		1	80	16
		1	80	16
		1	80	16
		1	80	16
		1	80	16
		1	80	16
		1	80	16
		1	80	16
		1	92	1
		1	92	1
		1	92	1
		1	92	1
		1	92	1
		1	92	1
		1	92	1
		1	92	1
		1	92	1
		1	92	1
		1	92	1
		1	92	1
		1	92	1
		1	92	1
		1	92	1
		2	75	17
		2	75	17
		2	75	17
		2	75	17
		2	75	17
		2	75	17
		2	75	17
		2	75	17
		2	75	17
		2	75	17
		2	75	17
		2	75	17
		2	75	17
		2	75	17
		2	75	17
		2	75	17
		3	175	17
		3	175	17

**25-28-49**

ILLUSTRATED PARTS LIST

Page 1098.78

Mar 01/2006



COMPONENT MAINTENANCE MANUAL

PART NUMBER	AIRLINE PART NUMBER	FIGURE	ITEM	UNITS PER ASSEMBLY
		3	175	17
		3	175	17
		3	175	17
		3	175	17
		3	175	17
		3	175	17
		3	175	17
		3	175	17
		3	175	17
		3	175	17
		3	180	8
		3	180	8
		3	180	8
		3	180	8
		3	180	8
		3	180	8
		3	180	8
		3	180	8
		3	180	8
		3	180	8
		3	180	8
		3	180	8
		4	165	2
		4	165	2
		4	165	2
		4	165	2
		4	165	2
		4	165	2
		4	165	2
		4	165	2
		4	165	2
		4	165	2
		4	165	2
		4	165	2
		4	170	1

**25-28-49**

ILLUSTRATED PARTS LIST  
Page 1098.79  
Mar 01/2006



COMPONENT MAINTENANCE MANUAL

PART NUMBER	AIRLINE PART NUMBER	FIGURE	ITEM	UNITS PER ASSEMBLY
		4	170	1
		4	170	1
		4	170	1
		4	170	1
		4	170	1
		4	170	1
		4	170	1
		4	170	1
		4	170	1
		4	170	1
		4	170	1
		4	170	1
		4	175	12
		4	175	12
		4	175	12
		4	175	12
		4	175	12
		4	175	12
		4	175	12
		4	175	12
		4	175	12
		4	175	12
		4	175	12
		4	175	12
		4	180	16
		4	180	16
		4	180	16
		4	180	16
		4	180	16
		4	180	16
		4	180	16
		4	180	16
		4	180	16
		4	180	16
		4	180	16
		4	180	16
		4	180	16
		4	180	16

**25-28-49**

BOEING PROPRIETARY - Copyright © Unpublished Work - See title page for details





**COMPONENT MAINTENANCE MANUAL**

PART NUMBER	AIRLINE PART NUMBER	FIGURE	ITEM	UNITS PER ASSEMBLY
		4	185	2
		4	185	2
		4	185	2
		4	185	2
		4	185	2
		4	185	2
		4	185	2
		4	185	2
		4	185	2
		4	185	2
		4	185	2
		4	185	2
		4	185	2
		4	190	1
		4	190	1
		4	190	1
		4	190	1
		4	190	1
		4	190	1
		4	190	1
		4	190	1
		4	190	1
		4	190	1
		4	190	1
		4	190	1
		4	190	1
		4	190	1
		4	190	1
		4	190	1
		4	192	1
		4	192	1
		4	192	1
		4	192	1
		4	192	1
		4	192	1
		4	192	1
		4	192	1
		4	192	1
		4	192	1
		4	192	1
		4	192	1
		4	192	1
		4	192	1
		4	192	1

**25-28-49**

ILLUSTRATED PARTS LIST  
 Page 1098.81  
 Mar 01/2006



COMPONENT MAINTENANCE MANUAL

PART NUMBER	AIRLINE PART NUMBER	FIGURE	ITEM	UNITS PER ASSEMBLY
		4	192	1
		4	195	4
		4	195	4
		4	195	4
		4	195	4
		4	195	4
		4	195	4
		4	195	4
		4	195	4
		4	195	4
		4	195	4
		4	195	4
		4	195	4
		4	195	4
		5	70	21
		5	70	21
		5	70	21
		5	70	21
		5	70	21
		5	70	21
		5	70	21
		5	70	21
		5	70	21
		5	70	21
		5	70	21
		5	70	21
		5	70	21
		5	70	21
		6	140	1
		6	140	1
		6	140	1
		6	140	1
		6	140	1
		6	140	1
		6	140	1
		6	140	1
		6	140	1
		6	140	1
		6	140	1
		6	140	1

**25-28-49**

ILLUSTRATED PARTS LIST  
 Page 1098.82  
 Mar 01/2006



**COMPONENT MAINTENANCE MANUAL**

<b>PART NUMBER</b>	<b>AIRLINE PART NUMBER</b>	<b>FIGURE</b>	<b>ITEM</b>	<b>UNITS PER ASSEMBLY</b>
		6	140	1
		6	140	1
		6	145	1
		6	145	1
		6	145	1
		6	145	1
		6	145	1
		6	145	1
		6	145	1
		6	145	1
		6	145	1
		6	145	1
		6	145	1
		6	145	1
		6	145	1
		6	145	1
		6	145	1
		6	145	1
		6	145	1
		6	145	1
		6	145	1
		6	165	2
		6	165	2
		6	165	2
		6	165	2
		6	165	2
		6	165	2
		6	165	2
		6	165	2
		6	165	2
		6	165	2
		6	165	2
		6	165	2
		6	165	2
		6	165	2
		6	175	12
		6	175	12
		6	175	12
		6	175	12
		6	175	12
		6	175	12
		6	175	12
		6	175	12
		6	175	12
		6	175	12
		6	175	12
		6	175	12

# 25-28-49

ILLUSTRATED PARTS LIST

Page 1098.83

Mar 01/2006



### COMPONENT MAINTENANCE MANUAL

PART NUMBER	AIRLINE PART NUMBER	FIGURE	ITEM	UNITS PER ASSEMBLY
		6	175	12
		6	175	12
		6	175	12
		6	195	4
		6	195	4
		6	195	4
		6	195	4
		6	195	4
		6	195	4
		6	195	4
		6	195	4
		6	195	4
		6	195	4
		6	195	4
		6	195	4
		6	195	4
		6	195	4
		6	195	4
		6	195	4
		6	195	4
		6	195	4
		6	195	4
		6	195	4
		6	195	4
		6	213	4
		6	213	4
		6	213	4
		6	213	4
		6	213	4
		6	213	4
		6	213	4
		6	213	4
		6	213	4
		6	213	4
		6	213	4
		6	213	4
		6	213	4
		6	215	2
		6	215	2
		6	215	2
		6	215	2
		6	215	2
		6	215	2
		6	215	2
		6	215	2
		6	215	2
		6	215	2
		6	215	2
		6	215	2
		6	215	2
		6	215	2
		6	215	2
		6	215	2
		6	215	2
		6	215	2
		6	215	2

# 25-28-49



**COMPONENT MAINTENANCE MANUAL**

PART NUMBER	AIRLINE PART NUMBER	FIGURE	ITEM	UNITS PER ASSEMBLY
		6	215	2
		6	215	2
		6	215	2
		6	215	2
		7	180	2
		7	180	2
		7	180	2
		7	180	2
		7	180	2
		7	180	2
		7	180	2
		7	180	2
		7	180	2
		7	180	2
		7	180	2
		7	180	2
		7	180	2
		7	180	2
		7	180	2
		7	185	2
		7	185	2
		7	185	2
		7	185	2
		7	185	2
		7	185	2
		7	185	2
		7	185	2
		7	185	2
		7	185	2
		7	185	2
		7	185	2
		7	185	2
		7	185	2
		7	185	2
		7	185	2
		7	185	2
		7	185	2
		7	190	10
		7	190	10
		7	190	10
		7	190	10
		7	190	10
		7	190	10
		7	190	10
		7	190	10
		7	190	10
		7	190	10
		7	190	10

**25-28-49**

ILLUSTRATED PARTS LIST

Page 1098.85

Mar 01/2006



### COMPONENT MAINTENANCE MANUAL

PART NUMBER	AIRLINE PART NUMBER	FIGURE	ITEM	UNITS PER ASSEMBLY
		7	190	10
		7	190	10
		7	190	10
		7	190	10
		7	190	10
		7	193	2
		7	193	2
		7	193	2
		7	193	2
		7	193	2
		7	193	2
		7	193	2
		7	193	2
		7	193	2
		7	193	2
		7	193	2
		7	193	2
		7	193	2
		8	150	4
		8	150	4
		8	150	4
		8	150	4
		8	150	4
		8	150	4
		8	150	4
		8	150	4
		8	150	4
		8	150	4
		8	150	4
		8	150	4
		8	150	4
		8	150	4
		8	150	4
		8	255	17
		8	255	17
		8	255	17
		8	255	17
		8	255	17
		8	255	17
		8	255	17

**25-28-49**

ILLUSTRATED PARTS LIST

Page 1098.86

Mar 01/2006



COMPONENT MAINTENANCE MANUAL

PART NUMBER	AIRLINE PART NUMBER	FIGURE	ITEM	UNITS PER ASSEMBLY
		8	255	17
		8	255	17
		8	255	17
		8	255	17
		8	255	17
		8	255	17
		8	295	2
		8	295	2
		8	295	2
		8	295	2
		8	295	2
		8	295	2
		8	295	2
		8	295	2
		8	295	2
		8	295	2
		8	295	2
		8	295	2
		8	295	2
		8	315	2
		8	315	2
		8	315	2
		8	315	2
		8	315	2
		8	315	2
		8	315	2
		8	315	2
		8	315	2
		8	315	2
		8	315	2
		8	315	2
		8	315	2
		9	190	17
		9	190	17
		9	190	17
		9	190	17
		9	190	17

25-28-49

ILLUSTRATED PARTS LIST

Page 1098.87

Mar 01/2006



**COMPONENT MAINTENANCE MANUAL**

PART NUMBER	AIRLINE PART NUMBER	FIGURE	ITEM	UNITS PER ASSEMBLY
		9	190	17
		9	190	17
		9	190	17
		9	190	17
		9	190	17
		9	190	17
		9	190	17
		9	190	17
		10	155	17
		10	155	17
		10	155	17
		10	155	17
		10	155	17
		10	155	17
		10	155	17
		10	155	17
		10	155	17
		10	155	17
		10	155	17
		10	155	17
		10	155	17
		11	10	2
		11	10	2
		11	10	2
		11	10	2
		11	10	2
		11	10	2
		11	10	2
		11	10	2
		11	10	2
		11	10	2
		11	10	2
		11	10	2
		11	10	2
		11	10	2
		11	30	1
		11	30	1
		11	30	1
		11	30	1

**25-28-49**

ILLUSTRATED PARTS LIST

Page 1098.88

Mar 01/2006





COMPONENT MAINTENANCE MANUAL

PART NUMBER	AIRLINE PART NUMBER	FIGURE	ITEM	UNITS PER ASSEMBLY
		11	30	1
		11	30	1
		11	30	1
		11	30	1
		11	30	1
		11	30	1
		11	30	1
		11	30	1
		11	60	16
		11	60	16
		11	60	16
		11	60	16
		11	60	16
		11	60	16
		11	60	16
		11	60	16
		11	60	16
		11	60	16
		11	60	16
		11	60	16
		11	60	16
		11	75	2
		11	75	2
		11	75	2
		11	75	2
		11	75	2
		11	75	2
		11	75	2
		11	75	2
		11	75	2
		11	75	2
		11	75	2
		11	75	2
		11	75	2
		11	75	2
		12	155	6
		12	155	6
		12	155	6

**25-28-49**

ILLUSTRATED PARTS LIST

Page 1098.89

Mar 01/2006



COMPONENT MAINTENANCE MANUAL

PART NUMBER	AIRLINE PART NUMBER	FIGURE	ITEM	UNITS PER ASSEMBLY
		12	155	6
		12	155	6
		12	155	6
		12	155	6
		12	155	6
		12	155	6
		12	155	6
		12	155	6
		12	155	6
		12	160	2
		12	160	2
		12	160	2
		12	160	2
		12	160	2
		12	160	2
		12	160	2
		12	160	2
		12	160	2
		12	160	2
		12	160	2
		12	160	2
		12	160	2
		12	160	2
		12	160	2
		12	175	2
		12	175	2
		12	175	2
		12	175	2
		12	175	2
		12	175	2
		12	175	2
		12	175	2
		12	175	2
		12	175	2
		12	175	2
		12	175	2
		12	175	2
		12	185	8
		12	185	8

**25-28-49**

ILLUSTRATED PARTS LIST

Page 1098.90

Mar 01/2006



COMPONENT MAINTENANCE MANUAL

PART NUMBER	AIRLINE PART NUMBER	FIGURE	ITEM	UNITS PER ASSEMBLY
		12	185	8
		12	185	8
		12	185	8
		12	185	8
		12	185	8
		12	185	8
		12	185	8
		12	185	8
		12	185	8
		12	185	8
		12	185	8
		12	210	2
		12	210	2
		12	210	2
		12	210	2
		12	210	2
		12	210	2
		12	210	2
		12	210	2
		12	210	2
		12	210	2
		12	210	2
		12	210	2
		12	210	2
		12	220	1
		12	220	1
		12	220	1
		12	220	1
		12	220	1
		12	220	1
		12	220	1
		12	220	1
		12	220	1
		12	220	1
		12	220	1
		12	220	1
		12	220	1
		12	220	1
		12	220	1
		12	220	1
		13	180	17

**25-28-49**

ILLUSTRATED PARTS LIST  
 Page 1098.91  
 Mar 01/2006



COMPONENT MAINTENANCE MANUAL

PART NUMBER	AIRLINE PART NUMBER	FIGURE	ITEM	UNITS PER ASSEMBLY
		13	180	17
		13	180	17
		13	180	17
		13	180	17
		13	180	17
		13	180	17
		13	180	17
		13	180	17
		13	180	17
		13	180	17
		13	180	17
		13	180	17
		14	190	17
		14	190	17
		14	190	17
		14	190	17
		14	190	17
		14	190	17
		14	190	17
		14	190	17
		14	190	17
		14	190	17
		14	190	17
		14	190	17
		14	190	17
		14	190	17
		14	190	17
		14	190	17
		14	190	17
		15	155	17
		15	155	17
		15	155	17
		15	155	17
		15	155	17
		15	155	17
		15	155	17
		15	155	17
		15	155	17
		15	155	17
		15	155	17
		15	155	17
		15	155	17
		15	155	17

**25-28-49**

ILLUSTRATED PARTS LIST  
Page 1098.92  
Mar 01/2006



### COMPONENT MAINTENANCE MANUAL

PART NUMBER	AIRLINE PART NUMBER	FIGURE	ITEM	UNITS PER ASSEMBLY
		16	170	15
		16	170	15
		16	170	15
		16	170	15
		16	170	15
		16	170	15
		16	170	15
		16	170	15
		16	170	15
		16	170	15
		16	170	15
		16	170	15
		16	170	15
		16	170	15
		16	175	1
		16	175	1
		16	175	1
		16	175	1
		16	175	1
		16	175	1
		16	175	1
		16	175	1
		16	175	1
		16	175	1
		16	175	1
		16	175	1
		16	175	1
		16	175	1
		16	175	1
		16	175	1
		17	185	21
		17	185	21
		17	185	21
		17	185	21
		17	185	21
		17	185	21
		17	185	21
		17	185	21
		17	185	21
		17	185	21
		17	185	21
		17	185	21
		17	185	21
		17	185	21
		17	185	21
		17	185	21

## 25-28-49

ILLUSTRATED PARTS LIST

Page 1098.93

Mar 01/2006



COMPONENT MAINTENANCE MANUAL

PART NUMBER	AIRLINE PART NUMBER	FIGURE	ITEM	UNITS PER ASSEMBLY
		17	185	21
		18	280	16
		18	280	16
		18	280	16
		18	280	16
		18	280	16
		18	280	16
		18	280	16
		18	280	16
		18	280	16
		18	280	16
		18	280	16
		18	280	16
		18	280	16
		18	280	16
		19	165	15
		19	165	15
		19	165	15
		19	165	15
		19	165	15
		19	165	15
		19	165	15
		19	165	15
		19	165	15
		19	165	15
		19	165	15
		19	165	15
		19	165	15
		19	165	15
		20	195	17
		20	195	17
		20	195	17
		20	195	17
		20	195	17
		20	195	17
		20	195	17
		20	195	17
		20	195	17
		20	195	17
		20	195	17
		20	195	17
		20	195	17
		20	195	17
		20	195	17

**25-28-49**



### COMPONENT MAINTENANCE MANUAL

PART NUMBER	AIRLINE PART NUMBER	FIGURE	ITEM	UNITS PER ASSEMBLY
		20	195	17
		20	195	17
		21	295	17
		21	295	17
		21	295	17
		21	295	17
		21	295	17
		21	295	17
		21	295	17
		21	295	17
		21	295	17
		21	295	17
		21	295	17
		21	295	17
		21	295	17
		22	255	17
		22	255	17
		22	255	17
		22	255	17
		22	255	17
		22	255	17
		22	255	17
		22	255	17
		22	255	17
		22	255	17
		22	255	17
		22	255	17
		22	255	17
		22	255	17
		23	505	17
		23	505	17
		23	505	17
		23	505	17
		23	505	17
		23	505	17
		23	505	17
		23	505	17
		23	505	17
		23	505	17
		23	505	17

## 25-28-49

ILLUSTRATED PARTS LIST

Page 1098.95

Mar 01/2006



**COMPONENT MAINTENANCE MANUAL**

PART NUMBER	AIRLINE PART NUMBER	FIGURE	ITEM	UNITS PER ASSEMBLY
		23	505	17
		23	505	17
		23	505	17
		23	515	4
		23	515	4
		23	515	4
		23	515	4
		23	515	4
		23	515	4
		23	515	4
		23	515	4
		23	515	4
		23	515	4
		23	515	4
		23	515	4
		23	515	4
		23	515	4
		24	175	25
		24	175	25
		24	175	25
		24	175	25
		24	175	25
		24	175	25
		24	175	25
		24	175	25
		24	175	25
		24	175	25
		24	175	25
		24	175	25
		24	175	25
		24	175	25
		24	175	25
		24	175	25
		24	175	25
		25	160	16
		25	160	16
		25	160	16
		25	160	16
		25	160	16
		25	160	16
		25	160	16
		25	160	16
		25	160	16
		25	160	16
		25	160	16

**25-28-49**

ILLUSTRATED PARTS LIST

Page 1098.96

Mar 01/2006





COMPONENT MAINTENANCE MANUAL

PART NUMBER	AIRLINE PART NUMBER	FIGURE	ITEM	UNITS PER ASSEMBLY
		25	160	16
		25	160	16
		25	160	16
		25	160	16
		26	190	16
		26	190	16
		26	190	16
		26	190	16
		26	190	16
		26	190	16
		26	190	16
		26	190	16
		26	190	16
		26	190	16
		26	190	16
		26	195	1
		26	195	1
		26	195	1
		26	195	1
		26	195	1
		26	195	1
		26	195	1
		26	195	1
		26	195	1
		26	195	1
		26	195	1
		26	195	1
		26	195	1
		26	195	1
		26	195	1
		26	195	1
		27	155	17
		27	155	17
		27	155	17
		27	155	17
		27	155	17
		27	155	17
		27	155	17

**25-28-49**

ILLUSTRATED PARTS LIST

Page 1098.97

Mar 01/2006



COMPONENT MAINTENANCE MANUAL

PART NUMBER	AIRLINE PART NUMBER	FIGURE	ITEM	UNITS PER ASSEMBLY
		27	155	17
		27	155	17
		27	155	17
		27	155	17
		27	155	17
		28	280	4
		28	280	4
		28	280	4
		28	280	4
		28	280	4
		28	280	4
		28	280	4
		28	280	4
		28	280	4
		28	280	4
		28	280	4
		28	280	4
		28	280	4
		28	280	4
		28	283	2
		28	283	2
		28	283	2
		28	283	2
		28	283	2
		28	283	2
		28	283	2
		28	283	2
		28	283	2
		28	283	2
		28	283	2
		28	283	2
		28	283	2
		28	283	2
		28	283	2
		28	283	2
		28	283	2
		28	283	2
		28	290A	2
		28	290A	2
		28	290A	2
		28	290A	2
		28	290A	2
		28	290A	2
		28	290A	2
		28	290A	2

**25-28-49**

ILLUSTRATED PARTS LIST  
Page 1098.98  
Mar 01/2006



**COMPONENT MAINTENANCE MANUAL**

PART NUMBER	AIRLINE PART NUMBER	FIGURE	ITEM	UNITS PER ASSEMBLY
		28	290A	2
		28	290A	2
		28	290A	2
		28	290A	2
		28	290A	2
		28	290A	2
		29	290	4
		29	290	4
		29	290	4
		29	290	4
		29	290	4
		29	290	4
		29	290	4
		29	290	4
		29	290	4
		29	290	4
		29	290	4
		29	290	4
		29	290	4
		29	290	4
		29	290	4
		29	295	2
		29	295	2
		29	295	2
		29	295	2
		29	295	2
		29	295	2
		29	295	2
		29	295	2
		29	295	2
		29	295	2
		29	295	2
		29	295	2
		29	295	2
		29	295	2
		29	310	2
		29	310	2
		29	310	2
		29	310	2
		29	310	2

**25-28-49**

ILLUSTRATED PARTS LIST

Page 1098.99

Mar 01/2006



# COMPONENT MAINTENANCE MANUAL

PART NUMBER	AIRLINE PART NUMBER	FIGURE	ITEM	UNITS PER ASSEMBLY
		29	310	2
		29	310	2
		29	310	2
		29	310	2
		29	310	2
		29	310	2
		29	310	2
		30	245	6
		30	245	6
		30	245	6
		30	245	6
		30	245	6
		30	245	6
		30	245	6
		30	245	6
		30	245	6
		30	245	6
		30	245	6
		30	245	6
		30	245	6
		30	245	6
		30	245	6
		30	245	6
		31	433	6
		31	433	6
		31	433	6
		31	433	6
		31	433	6
		31	433	6
		31	433	6
		31	433	6
		31	433	6
		31	433	6
		31	433	6
		31	433	6
		31	433	6
		31	433	6
		31	433	6
		31	433	6
		31	445	2
		31	445	2
		31	445	2
		31	445	2

## 25-28-49

ILLUSTRATED PARTS LIST

Page 1098.100

Mar 01/2006



**COMPONENT MAINTENANCE MANUAL**

<b>PART NUMBER</b>	<b>AIRLINE PART NUMBER</b>	<b>FIGURE</b>	<b>ITEM</b>	<b>UNITS PER ASSEMBLY</b>
		31	445	2
		31	445	2
		31	445	2
		31	445	2
		31	445	2
		31	445	2
		31	445	2
		31	445	2
		31	445	2
		31	445	2
		31	445	2
		32	190	2
		32	190	2
		32	190	2
		32	190	2
		32	190	2
		32	190	2
		32	190	2
		32	190	2
		32	190	2
		32	190	2
		32	190	2
		32	190	2
		32	190	2
		32	190	2
		32	190	2
		32	190	2
		32	190	2
		32	190	2
		32	190	2
		32	200	6
		32	200	6
		32	200	6
		32	200	6
		32	200	6
		32	200	6
		32	200	6
		32	200	6
		32	200	6
		32	200	6
		32	200	6
		32	200	6
		32	200	6
		32	200	6
		32	200	6
		32	200	6
		32	200	6
		32	200	6
		33	225	6
		33	225	6
		33	225	6

**25-28-49**

ILLUSTRATED PARTS LIST

Page 1098.101

Mar 01/2006



## COMPONENT MAINTENANCE MANUAL

PART NUMBER	AIRLINE PART NUMBER	FIGURE	ITEM	UNITS PER ASSEMBLY
BACS12FA3K6		33	225	6
		33	225	6
		33	225	6
		33	225	6
		33	225	6
		33	225	6
		33	225	6
		33	225	6
		33	225	6
		33	225	6
		29	295A	2
		29	295A	2
		29	295A	2
		29	295A	2
		29	295A	2
		29	295A	2
		29	295A	2
		29	295A	2
		29	295A	2
		29	295A	2
		29	295A	2
		29	295A	2
		29	295A	2
		29	295A	2
		31	484	10
		31	484	10
		31	484	10
		31	484	10
		31	484	10
		31	484	10
		31	484	10
		31	484	10
		31	484	10
	31	484	10	
	33	390	10	
	33	390	10	

# 25-28-49

ILLUSTRATED PARTS LIST

Page 1098.102

Mar 01/2006



COMPONENT MAINTENANCE MANUAL

PART NUMBER	AIRLINE PART NUMBER	FIGURE	ITEM	UNITS PER ASSEMBLY
BACS12FA3K7		33	390	10
		33	390	10
		33	390	10
		33	390	10
		33	390	10
		33	390	10
		33	390	10
		33	390	10
		33	390	10
		33	390	10
		33	390	10
		4	167	2
		4	167	2
		4	167	2
		4	167	2
		4	167	2
		4	167	2
		4	167	2
		4	167	2
		4	167	2
		4	167	2
		4	167	2
		4	167	2
		4	167	2
		4	197	1
		4	197	1
		4	197	1
		4	197	1
		4	197	1
		4	197	1
		4	197	1
		4	197	1
	4	197	1	
	4	197	1	
	4	197	1	
	4	197	1	

**25-28-49**

ILLUSTRATED PARTS LIST

Page 1098.103

Mar 01/2006







COMPONENT MAINTENANCE MANUAL

PART NUMBER	AIRLINE PART NUMBER	FIGURE	ITEM	UNITS PER ASSEMBLY
		12	200	1
		12	200	1
		12	200	1
		12	200	1
		12	200	1
		12	225	2
		12	225	2
		12	225	2
		12	225	2
		12	225	2
		12	225	2
		12	225	2
		12	225	2
		12	225	2
		12	225	2
		12	225	2
		12	225	2
		12	225	2
		12	225	2
		12	225	2
		28	85	2
		28	85	2
		28	85	2
		28	85	2
		28	85	2
		28	85	2
		28	85	2
		28	85	2
		28	85	2
		28	85	2
		28	85	2
		28	85	2
		28	85	2
		28	85	2
		28	85	2
		28	85	2
		28	85	2
		28	85	2
		28	85	2
		28	85	2
		28	850	2
		28	850	2
		28	850	2
		28	850	2

**25-28-49**

ILLUSTRATED PARTS LIST

Page 1098.105

Mar 01/2006

**COMPONENT MAINTENANCE MANUAL**

<b>PART NUMBER</b>	<b>AIRLINE PART NUMBER</b>	<b>FIGURE</b>	<b>ITEM</b>	<b>UNITS PER ASSEMBLY</b>
		28	850	2
		28	850	2
		28	850	2
		28	850	2
		28	850	2
		28	850	2
		28	850	2
		28	850	2
		28	850	2
		29	510	2
		29	510	2
		29	510	2
		29	510	2
		29	510	2
		29	510	2
		29	510	2
		29	510	2
		29	510	2
		29	510	2
		29	510	2
		29	510	2
		29	510	2
		29	510	2
		29	510	2
		30	130	2
		30	130	2
		30	130	2
		30	130	2
		30	130	2
		30	130	2
		30	130	2
		30	130	2
		30	130	2
		30	130	2
		30	130	2
		30	130	2
		30	130	2
		30	130	2
		30	130	2
		30	130	2
		30	130	2

**25-28-49**

ILLUSTRATED PARTS LIST

Page 1098.106

Mar 01/2006



## COMPONENT MAINTENANCE MANUAL

PART NUMBER	AIRLINE PART NUMBER	FIGURE	ITEM	UNITS PER ASSEMBLY
BACS12H4-8		28	820	2
		29	440	2
		29	455	2
BACS18C8-6		1	155	1
		2	185	1
		3	110	1
		5	115	1
		7	165	1
		8	185	1
		9	95	1
		10	90	1
		11	175	2
		13	165	1
		14	85	1
		15	95	1
		16	160	1
		17	165	1
		18	235	2
		19	105	1
		20	115	1
		21	150	2
		22	240	1
		23	275	2
24	115	1		
25	150	1		
26	95	1		
BACS18K10-20W		23	450	3
		23	450	3
BACS18K10-38W		11	505	2
		23	455	2
BACS18K10-20W		11	500	3
BACW10CT10		7	207	2
		7	207	2
		31	532	13
		31	532	13

# 25-28-49

ILLUSTRATED PARTS LIST

Page 1098.107

Mar 01/2006



## COMPONENT MAINTENANCE MANUAL

PART NUMBER	AIRLINE PART NUMBER	FIGURE	ITEM	UNITS PER ASSEMBLY		
BACW10P136AL		31	535	1		
		31	535	1		
		31	622	16		
		31	622	16		
		31	702	19		
		31	702	19		
		31	789	16		
		31	789	16		
		32	270	13		
		32	270	13		
		33	270	16		
		33	270	16		
		33	420	18		
		33	420	18		
		33	425	3		
		33	425	3		
		28	25	2		
		28	25	2		
		28	142	2		
		28	142	2		
		28	150	2		
		28	150	2		
		28	162	1		
		28	162	1		
		29	40	4		
		29	40	4		
		29	45	4		
		29	45	4		
		29	55	2		
		29	55	2		
		BACW10UD10		30	30	6
				30	30	6
				1	190	3
2	135			3		
3	160			3		

# 25-28-49

ILLUSTRATED PARTS LIST

Page 1098.108

Mar 01/2006



## COMPONENT MAINTENANCE MANUAL

PART NUMBER	AIRLINE PART NUMBER	FIGURE	ITEM	UNITS PER ASSEMBLY
		5	150	3
		7	140	3
		8	240	3
		9	125	3
		10	140	3
		11	210	3
		11	275	3
		13	110	3
		14	140	3
		16	110	3
		17	140	3
		18	135	3
		18	185	3
		19	135	3
		20	65	3
		21	180	3
		21	250	3
		22	190	3
		23	125	3
		23	190	3
		24	160	3
		25	100	3
		26	125	3
BRC600-8-3		3	210	2
		8	305	1
		11	20	1
		12	205	1
		17	210	1
		23	540	1
		24	205	2
BRF100A3K		10	153	1
BRF100C08D		28	545	2
		28	565	2
		28	585	2
		28	605	2

# 25-28-49

ILLUSTRATED PARTS LIST

Page 1098.109

Mar 01/2006



## COMPONENT MAINTENANCE MANUAL

PART NUMBER	AIRLINE PART NUMBER	FIGURE	ITEM	UNITS PER ASSEMBLY
		28	625	2
		28	645	2
		28	665	2
		28	690	2
		28	715	2
		28	735	2
		28	755	2
		28	775	2
		29	415	2
		30	350	2
BRF200A3		5	200	1
		9	180	1
		14	110	1
		20	145	1
		26	180	1
BRF200A3K		11	350	1
		11	380	1
		18	265	1
		23	310	1
		23	345	1
BRH10A06		11	515	5
		23	465	5
BRH10A62		11	515	5
		23	465	5
BRM200A3		8	105	2
		8	140	2
		31	352	4
		31	370	5
		31	385	3
		31	397	5
		31	412	7
		31	427	6
		31	559	5
		31	574	6
		31	640	5

# 25-28-49

ILLUSTRATED PARTS LIST

Page 1098.110

Mar 01/2006



## COMPONENT MAINTENANCE MANUAL

PART NUMBER	AIRLINE PART NUMBER	FIGURE	ITEM	UNITS PER ASSEMBLY
		31	643	1
		31	646	1
		31	661	7
		31	717	5
		31	729	6
		31	741	6
		31	804	6
		31	816	6
		32	160	4
		32	180	3
		32	230	6
		32	295	5
		32	315	6
		33	195	5
		33	215	7
		33	295	6
		33	315	7
		33	470	5
		33	475	1
		33	500	3
		33	525	6
		33	530	7
BV03112-03-33		80	5	2
F15T8WW		11	240	1
		14	170	1
		16	135	1
		18	210	1
		20	95	1
		21	280	1
		22	220	1
		23	220	1
F2000-3BC		10	153	1
F20T12WW		3	140	1
		4	125	1
		5	175	1

# 25-28-49

ILLUSTRATED PARTS LIST

Page 1098.111

Mar 01/2006



## COMPONENT MAINTENANCE MANUAL

PART NUMBER	AIRLINE PART NUMBER	FIGURE	ITEM	UNITS PER ASSEMBLY
F22K1-02		6	125	1
		7	120	1
		8	220	1
		9	160	1
		11	160	1
		11	310	1
		12	135	1
		17	120	1
		18	160	1
		23	170	1
		23	250	1
		24	140	1
		25	130	1
		26	150	1
		27	135	1
		1	195	3
		2	140	3
		3	165	3
		7	145	3
		8	245	3
		9	130	3
		10	145	3
		11	215	3
		11	280	3
		13	115	3
		14	145	3
		16	115	3
		17	145	3
		18	140	3
		18	190	1
		19	140	3
		20	70	1
	21	185	3	
	21	255	3	
	22	195	3	

# 25-28-49

ILLUSTRATED PARTS LIST

Page 1098.112

Mar 01/2006





## COMPONENT MAINTENANCE MANUAL

PART NUMBER	AIRLINE PART NUMBER	FIGURE	ITEM	UNITS PER ASSEMBLY
		23	130	3
		23	195	3
		24	165	3
		25	105	3
		26	130	3
F40T12WW		1	225	1
F40WW		2	165	1
		10	125	1
		13	135	1
		15	145	1
		19	159	1
		21	220	1
		22	155	1
F5000-3BAC		5	200	1
		9	180	1
		14	110	1
		20	145	1
		26	180	1
F5000-3BCBAC		11	350	1
		11	380	1
		18	265	1
		23	310	1
		23	345	1
F51604-08		28	545	2
		28	545	2
		28	565	2
		28	565	2
		28	585	2
		28	585	2
		28	605	2
		28	605	2
		28	625	2
		28	625	2
		28	645	2
		28	645	2

# 25-28-49

ILLUSTRATED PARTS LIST

Page 1098.113

Mar 01/2006



## COMPONENT MAINTENANCE MANUAL

PART NUMBER	AIRLINE PART NUMBER	FIGURE	ITEM	UNITS PER ASSEMBLY
		28	665	2
		28	665	2
		28	690	2
		28	690	2
		28	715	2
		28	715	2
		28	735	2
		28	735	2
		28	755	2
		28	755	2
		28	775	2
		28	775	2
		29	415	2
		29	415	2
		30	350	2
		30	350	2
H10-06BAC		11	515	5
		23	465	5
H2948-1		28	67	1
		28	67A	1
		28	230	1
		28	230B	1
		28	235A	1
		28	235C	1
		29	135	1
		30	105	1
		30	105D	1
H2948-2		28	65	1
		28	65A	1
		28	230A	1
		28	230C	1
		28	235	1
		28	235B	1
		29	135A	1
		30	107	1

# 25-28-49

ILLUSTRATED PARTS LIST

Page 1098.114

Mar 01/2006



## COMPONENT MAINTENANCE MANUAL

PART NUMBER	AIRLINE PART NUMBER	FIGURE	ITEM	UNITS PER ASSEMBLY
H3-1145-1-2760		30	107B	1
		28	350C	1
		28	350H	1
		29	225D	1
H3-1145-1-3760		28	350B	1
		29	225E	1
H3-1145-1-4760		28	350A	1
		28	350G	1
H3-1145-1-5760		28	350	1
		28	350F	1
H3-1145-1L2760		28	345V	1
		28	345X	1
		29	225G	1
		29	225H	1
H3-1145-1L3760		28	350E	1
		29	225F	1
H3-1145-2-1160		28	345T	1
H3-1145-2-1260		28	345U	1
H3-1145-2-1360		28	345Q	1
H3-1145-2-1660		28	345W	1
H3-1145-2-2060		30	335A	1
H3-1145-2-2160		28	345R	1
H3-1145-2-2360		28	345J	1
H3-1145-2760		29	225J	1
H3-1145-3-1160		28	345S	1
H3-1145-3-1260		28	345P	1
H3-1145-3-1360		28	345K	1
H3-1145-3-1560		28	345L	1
H3-1145-3-1660		28	345M	1
H3-1145-3-2060		28	345N	1
		30	335	1
H3-1145-3-2360		28	345E	1
H3-1152-1		28	95	4
		28	870	2
		29	170	2

# 25-28-49

ILLUSTRATED PARTS LIST

Page 1098.115

Mar 01/2006



## COMPONENT MAINTENANCE MANUAL

PART NUMBER	AIRLINE PART NUMBER	FIGURE	ITEM	UNITS PER ASSEMBLY
H3-1155-1		29	535	2
		30	145	2
		28	67	1
		28	67A	1
		28	230	1
		28	230B	1
		28	235A	1
		28	235C	1
		29	135	1
		30	105	1
H3-1155-2		30	105D	1
		28	65	1
		28	65A	1
		28	230A	1
		28	230C	1
		28	235	1
		28	235B	1
		29	135A	1
		30	107	1
		30	107B	1
H3-1155-31		28	67	1
		28	67A	1
		28	230	1
		28	230B	1
		28	235A	1
		28	235C	1
		29	135	1
		30	105	1
		30	105D	1
		29	135D	1
H3-1155-31B		30	105E	1
H3-1155-32		28	65	1
		28	65A	1
		28	230A	1
		28	230C	1

# 25-28-49

ILLUSTRATED PARTS LIST

Page 1098.116

Mar 01/2006



## COMPONENT MAINTENANCE MANUAL

PART NUMBER	AIRLINE PART NUMBER	FIGURE	ITEM	UNITS PER ASSEMBLY
		28	235	1
		28	235B	1
		29	135A	1
		30	107	1
		30	107B	1
H3-1155-32B		29	135E	1
		30	107C	1
HL10VAZ6-2		28	375	2
		28	375	2
		28	375	2
		28	375	2
		28	375	2
		28	375	2
		28	460	6
		28	460	6
		28	460	6
		28	460	6
		28	460	6
		28	460	6
		28	495	2
		28	495	2
		28	495	2
		28	495	2
		28	495	2
		29	230	2
		29	230	2
		29	230	2
		29	230	2
		29	230	2
		29	235	2
		29	235	2
		29	235	2
		29	235	2
		29	235	2
		29	330	2
		29	330	2
		29	330	2

# 25-28-49

ILLUSTRATED PARTS LIST

Page 1098.117

Mar 01/2006



## COMPONENT MAINTENANCE MANUAL

PART NUMBER	AIRLINE PART NUMBER	FIGURE	ITEM	UNITS PER ASSEMBLY
K121D395-145		29	330	2
		29	330	2
		31	544A	13
		31	547A	1
		31	628A	16
		31	708A	19
		31	795A	16
		32	280A	13
		33	280A	16
		33	440A	18
		33	445A	3
L8006K2		28	375	2
		28	460	6
		28	495	2
		29	230	2
		29	235	2
		29	330	2
LP1610-18		11	245A	1
		14	165	1
		16	140	1
		18	215	1
		20	100	1
		21	285	1
		22	225	1
		23	215	1
LP1625-24		3	145	1
		4	130	1
		5	180	1
		6	130	1
		7	125	1
		8	225	1
		9	155A	1
		11	165A	1
		11	315A	1
		12	140	1

# 25-28-49

ILLUSTRATED PARTS LIST

Page 1098.118

Mar 01/2006



## COMPONENT MAINTENANCE MANUAL

PART NUMBER	AIRLINE PART NUMBER	FIGURE	ITEM	UNITS PER ASSEMBLY
LP1625-48		17	125	1
		18	165	1
		23	175A	1
		23	255	1
		24	145	1
		25	135	1
		26	155	1
		27	140	1
		1	230	1
		2	170	1
		10	130A	1
		13	140A	1
		15	140A	1
		19	161	1
		21	225	1
		22	160A	1
	MK1000-3BAC		8	105
		8	140	2
		31	352	4
		31	370	5
		31	385	3
		31	397	5
		31	412	7
		31	427	6
		31	559	5
		31	574	6
		31	640	5
		31	643	1
		31	646	1
		31	661	7
		31	717	5
		31	729	6
		31	741	6
	31	804	6	
	31	816	6	

# 25-28-49

ILLUSTRATED PARTS LIST

Page 1098.119

Mar 01/2006



## COMPONENT MAINTENANCE MANUAL

PART NUMBER	AIRLINE PART NUMBER	FIGURE	ITEM	UNITS PER ASSEMBLY
		32	160	4
		32	180	3
		32	230	6
		32	295	5
		32	315	6
		33	195	5
		33	215	7
		33	295	6
		33	315	7
		33	470	5
		33	475	1
		33	500	3
		33	525	6
		33	530	7
MS20392-2C13		28	185	1
		29	100	1
		30	70	1
MS21042L04		28	125	1
		30	170	1
MS21042L08		8	165	2
		28	365	AR
		28	400A	1
		28	415	1
		28	520	2
		29	270	2
		29	275	2
		29	355	2
		29	375	2
		30	225	2
		30	230	2
		30	280	3
MS21042L3		11	430	4
		11	580	2
		18	30	2
		19	30	2

# 25-28-49

ILLUSTRATED PARTS LIST

Page 1098.120

Mar 01/2006





## COMPONENT MAINTENANCE MANUAL

PART NUMBER	AIRLINE PART NUMBER	FIGURE	ITEM	UNITS PER ASSEMBLY
MS24585-1230		21	30	2
		22	30	2
		23	30	2
		23	390	4
		28	385	2
		28	387	2
		28	400	1
		28	450	4
		28	465	6
		28	500	2
		29	240	2
		29	245	2
		29	335	2
		30	195	2
		30	200	2
		31	280	8
		31	281	1
		31	283	4
		31	286	5
		31	289	6
		31	292	7
		32	115	13
		33	160	16
		1	160	1
		2	190	1
		3	115	1
		5	120	1
		7	170	1
		8	190	1
		9	100	1
		10	95	1
		11	185	2
		13	170	1
	14	90	1	
	15	90	1	

# 25-28-49

ILLUSTRATED PARTS LIST

Page 1098.121

Mar 01/2006



## COMPONENT MAINTENANCE MANUAL

PART NUMBER	AIRLINE PART NUMBER	FIGURE	ITEM	UNITS PER ASSEMBLY
		16	165	1
		17	170	1
		18	240	2
		19	110	1
		20	120	1
		21	155	2
		22	245	1
		23	280	2
		24	120	1
		25	155	1
		26	100	1
MS24665-132		29	90	1
		30	65	1
MS26465-132		28	180	1
MS35206-323		80	10	4
MS35333-39		28	15	4
		28	90	8
		28	860	4
		29	20	4
		29	180	4
		29	520	4
		30	10	4
		30	135	4
MS51861-15		28	820A	2
		29	440A	2
MS51862-4		28	815	2
NAS1398D4		18	255	2
NAS1515F4H		1	105	1
		1	130	2
		2	90	1
		3	200	1
		4	225	2
		4	230	1
		5	85	2
		6	235	2

# 25-28-49

ILLUSTRATED PARTS LIST

Page 1098.122

Mar 01/2006



## COMPONENT MAINTENANCE MANUAL

PART NUMBER	AIRLINE PART NUMBER	FIGURE	ITEM	UNITS PER ASSEMBLY
NAS1515M4L		7	215	1
		8	270	1
		9	205	1
		10	170	2
		11	45	1
		12	240	1
		12	260	2
		13	195	1
		14	200	1
		15	165	1
		16	190	1
		17	200	1
		18	295	1
		19	175	1
		20	210	1
		21	310	1
		22	270	1
		23	530	1
		24	195	1
		25	175	1
		26	210	1
		27	170	1
		1	110	1
		1	140	2
		2	95	1
		3	205	1
		4	235	2
		4	240	1
		5	90	2
		6	240	2
		7	220	1
		8	275	1
		9	210	1
		10	175	2
	11	50	1	

# 25-28-49

ILLUSTRATED PARTS LIST

Page 1098.123

Mar 01/2006



## COMPONENT MAINTENANCE MANUAL

PART NUMBER	AIRLINE PART NUMBER	FIGURE	ITEM	UNITS PER ASSEMBLY
NAS1801-3-10		12	245	1
		12	265	2
		13	200	1
		14	205	1
		15	170	1
		16	195	1
		17	205	1
		18	300	1
		19	180	1
		20	215	1
		21	315	1
		22	275	1
		23	535	1
		24	200	1
		25	180	1
		26	215	1
		27	175	1
		28	20	2
		28	140	2
		28	147	2
		28	160	1
		29	25	4
		29	30	4
		29	35	2
		30	15	2
		30	20	2
		30	25	2
NAS1801-3-11		1	150	1
		2	180	1
		3	105	1
		5	113	1
		7	160	1
		8	175	1
		9	85	1
		10	80	1

# 25-28-49

ILLUSTRATED PARTS LIST

Page 1098.124

Mar 01/2006



## COMPONENT MAINTENANCE MANUAL

PART NUMBER	AIRLINE PART NUMBER	FIGURE	ITEM	UNITS PER ASSEMBLY
		11	170	2
		13	160	1
		14	75	1
		15	80	1
		16	150	1
		17	160	1
		18	225	2
		19	95	1
		20	110	1
		21	140	2
		22	235	1
		23	270	2
		24	105	1
		25	140	1
		26	85	1
NAS1801-3-12		8	90	6
		8	125	2
NAS1801-3-4		28	10	4
		29	15	4
		30	5	4
NAS1801-3-5		1	175	3
		2	120	3
		3	95	2
		4	95	2
		5	135	3
		6	105	2
		7	95	2
		8	85	6
		8	120	2
		8	200	2
		9	110	2
		10	105	3
		11	130	2
		11	195	2
		11	260	2

# 25-28-49

ILLUSTRATED PARTS LIST

Page 1098.125

Mar 01/2006



## COMPONENT MAINTENANCE MANUAL

PART NUMBER	AIRLINE PART NUMBER	FIGURE	ITEM	UNITS PER ASSEMBLY
NAS1833-3-400		12	115	2
		13	90	3
		14	120	2
		15	105	3
		16	90	2
		17	95	2
		18	115	4
		19	120	3
		20	45	2
		21	165	3
		21	235	2
		22	130	3
		22	175	2
		23	100	6
		24	95	2
		25	80	2
		26	110	2
		27	115	2
		28	30	2
		28	145	2
		28	157	2
		28	165	1
		29	60	4
		29	65	4
		29	70	2
		30	35	6
		31	204	2
		31	209	8
		31	215	4
		31	221	6
		31	227	5
		31	239	10
	31	245	3	
	31	487	5	
	32	95	8	

# 25-28-49

ILLUSTRATED PARTS LIST

Page 1098.126

Mar 01/2006



## COMPONENT MAINTENANCE MANUAL

PART NUMBER	AIRLINE PART NUMBER	FIGURE	ITEM	UNITS PER ASSEMBLY
		33	82P	3
		33	130	2
		33	140	6
		33	142J	10
		33	395	5
NAS1834-3-375		31	325	1
		32	135	1
		33	180	1
NAS1834-3-400		31	328	11
		31	331	5
		31	334	3
		31	337	4
		31	340	5
		32	140	19
		32	140A	10
		33	175	11
NAS1834-4-380		31	514	1
		31	604	1
		31	693	1
		31	771	1
		32	146	1
		33	375	1
NAS1834-4-400		8	365	8
		31	95	2
		31	511	10
		31	601	12
		31	691	16
		31	774	12
		33	380	13
		33	385	2
NAS1834-5-400		8	370	1
		31	146	1
		33	70	2
		33	72	1
NAS1836-3-11		1	275	4

# 25-28-49

ILLUSTRATED PARTS LIST

Page 1098.127

Mar 01/2006



## COMPONENT MAINTENANCE MANUAL

PART NUMBER	AIRLINE PART NUMBER	FIGURE	ITEM	UNITS PER ASSEMBLY
		2	112	4
		3	285A	4
		3	290A	4
		3	295	4
		4	350	8
		4	355	8
		4	360	4
		4	365	4
		5	112	8
		6	285	4
		6	290	8
		6	295A	8
		7	320A	4
		8	345	8
		8	360	11
		9	245	4
		10	210A	4
		11	95	8
		11	100	4
		12	325	4
		12	330	4
		13	235	4
		14	240	4
		16	255	4
		17	270	4
		18	335	4
		19	225	4
		20	250	4
		21	355	4
		22	325	4
		23	595	8
		24	260	12
		25	225	4
		25	227	4
		26	255	4

# 25-28-49

ILLUSTRATED PARTS LIST

Page 1098.128

Mar 01/2006





## COMPONENT MAINTENANCE MANUAL

PART NUMBER	AIRLINE PART NUMBER	FIGURE	ITEM	UNITS PER ASSEMBLY
		31	14	12
		31	23	9
		31	29	9
		31	35	13
		31	44	10
		31	53	14
		31	62	17
		31	68	8
		31	104	13
		31	113	14
		31	122	12
		31	128	17
		31	137	1
		31	152	4
		31	161	8
		31	167	4
		31	173	5
		31	179	3
		31	185	7
		31	191	6
		31	197	6
		31	233	3
		31	436	3
		31	463	5
		31	466	7
		31	496	7
		31	583	2
		31	679	2
		31	753	2
		31	825	2
		32	10	9
		32	20	8
		32	45	14
		32	55	13
		32	65	4

# 25-28-49

ILLUSTRATED PARTS LIST

Page 1098.129

Mar 01/2006



## COMPONENT MAINTENANCE MANUAL

PART NUMBER	AIRLINE PART NUMBER	FIGURE	ITEM	UNITS PER ASSEMBLY
		32	75	5
		32	85	4
		32	205	3
		32	245	5
		32	335	2
		33	10	10
		33	11J	9
		33	12J	13
		33	20	12
		33	30	8
		33	55	10
		33	65	13
		33	80	13
		33	80J	1
		33	82J	12
		33	90	4
		33	92J	4
		33	100	2
		33	110	3
		33	120	4
		33	122J	3
		33	123J	2
		33	230	3
		33	245	5
		33	335	2
		33	547	7
		33	550	2
NAS1836-3-9		1	275A	4
		2	112A	4
		3	285B	4
		3	290B	4
		3	295A	4
		4	350A	8
		4	355A	8
		4	360A	4

# 25-28-49

ILLUSTRATED PARTS LIST

Page 1098.130

Mar 01/2006



## COMPONENT MAINTENANCE MANUAL

PART NUMBER	AIRLINE PART NUMBER	FIGURE	ITEM	UNITS PER ASSEMBLY
		4	365A	4
		5	112A	8
		6	285A	4
		6	290A	8
		6	295B	8
		7	320B	4
		8	345A	8
		9	245A	4
		10	210B	4
		12	325A	4
		12	330A	4
		13	235A	4
		14	240A	4
		16	255A	4
		17	270A	4
		18	335A	4
		19	225A	4
		20	250A	4
		21	355A	4
		22	325A	4
		23	595A	8
		24	260A	12
		25	225A	4
		25	227A	4
		26	225A	4
NAS1836-4-11		31	71	2
		32	25	2
		33	35	2
NAS43DD3-3		28	60	1
		28	225	1
		29	125	1
		30	95	1
NAS43DD3-8		28	55	1
		28	220	1
		29	130	1

# 25-28-49

ILLUSTRATED PARTS LIST

Page 1098.131

Mar 01/2006



## COMPONENT MAINTENANCE MANUAL

PART NUMBER	AIRLINE PART NUMBER	FIGURE	ITEM	UNITS PER ASSEMBLY
NAS43DD4-36		30	100	1
		11	420	4
		23	380	4
NAS514P440-6		28	110	1
		30	155	1
		28	325	8
NAS514P832-5		29	200	4
		30	310	4
		11	520	2
NAS538B4P014		23	470	2
		28	120	1
NAS620A8L		28	825	2
		29	445	2
		30	165	1
		11	245	1
NI060LGWUV1000		14	165A	1
		16	140A	1
		18	215A	1
		20	100A	1
		21	285A	1
		22	225A	1
		23	215A	1
		3	145A	1
		4	130A	1
5	180A	1		
NI152LGWUV1000		6	130A	1
		7	125A	1
		8	225A	1
		9	155	1
		11	165	1
		11	315	1
		12	140A	1
		17	125A	1
		18	165A	1
		23	175	1

# 25-28-49

ILLUSTRATED PARTS LIST

Page 1098.132

Mar 01/2006



## COMPONENT MAINTENANCE MANUAL

PART NUMBER	AIRLINE PART NUMBER	FIGURE	ITEM	UNITS PER ASSEMBLY
NI312LGWUV1000		23	255A	1
		24	145A	1
		25	135A	1
		26	155A	1
		27	140A	1
		1	230B	1
		2	170A	1
		10	130	1
		13	140	1
		15	140	1
		19	161A	1
		21	225A	1
		22	160	1
NS103185-02BC		10	153	1
NS103197-02		8	105	2
		8	140	2
		31	352	4
		31	370	5
		31	385	3
		31	397	5
		31	412	7
		31	427	6
		31	559	5
		31	574	6
		31	640	5
		31	643	1
		31	646	1
		31	661	7
		31	717	5
		31	729	6
		31	741	6
		31	804	6
		31	816	6
		32	160	4
	32	180	3	

# 25-28-49

ILLUSTRATED PARTS LIST

Page 1098.133

Mar 01/2006



## COMPONENT MAINTENANCE MANUAL

PART NUMBER	AIRLINE PART NUMBER	FIGURE	ITEM	UNITS PER ASSEMBLY
		32	230	6
		32	295	5
		32	315	6
		33	195	5
		33	215	7
		33	295	6
		33	315	7
		33	470	5
		33	475	1
		33	500	3
		33	525	6
		33	530	7
NS103203-02		5	200	1
		9	180	1
		14	110	1
		20	145	1
		26	180	1
NS103203-02BC		11	350	1
		11	380	1
		18	265	1
		23	310	1
		23	345	1
NS202101-62		11	515	5
		23	465	5
PK87XA4-8		28	820	2
		29	440	2
		29	455	2
RMA9201M3		8	105	2
		8	140	2
		31	352	4
		31	370	5
		31	385	3
		31	397	5
		31	412	7
		31	427	6

# 25-28-49

ILLUSTRATED PARTS LIST

Page 1098.134

Mar 01/2006



## COMPONENT MAINTENANCE MANUAL

PART NUMBER	AIRLINE PART NUMBER	FIGURE	ITEM	UNITS PER ASSEMBLY
		31	559	5
		31	574	6
		31	640	5
		31	643	1
		31	646	1
		31	661	7
		31	717	5
		31	729	6
		31	741	6
		31	804	6
		31	816	6
		32	160	4
		32	180	3
		32	230	6
		32	295	5
		32	315	6
		33	195	5
		33	215	7
		33	295	6
		33	315	7
		33	470	5
		33	475	1
		33	500	3
		33	525	6
		33	530	7
RMF9201-3		5	200	1
		9	180	1
		14	110	1
		20	145	1
		26	180	1
RMF9201-3BC		11	350	1
		11	380	1
		18	265	1
		23	310	1
		23	345	1

# 25-28-49

ILLUSTRATED PARTS LIST

Page 1098.135

Mar 01/2006



## COMPONENT MAINTENANCE MANUAL

PART NUMBER	AIRLINE PART NUMBER	FIGURE	ITEM	UNITS PER ASSEMBLY
RMF9207-3BC		10	153	1
RMLH9075-62W		11	515	5
		23	465	5
S283N702-103		19	145B	1
		21	195B	1
S283N702-104		1	200A	1
		2	145	1
		13	120A	1
		15	120A	1
S283N702-105		5	155A	1
		7	150B	1
		9	135A	1
		17	155B	1
		24	170B	1
		25	110B	1
		26	135A	1
S283N702-107		11	220B	1
		14	150B	1
		16	120B	1
		18	195B	1
		20	80B	1
		21	265B	1
		22	200	1
		23	200	1
S283N702-113		11	285A	1
		23	135A	1
S283N702-114		10	150C	1
S283N702-115		18	145B	1
S283N702-116		11	290A	1
		23	140A	1
S283N702-13		11	285	1
		23	135	1
S283N702-14		10	150B	1
S283N702-15		18	145	1
		18	145A	1

# 25-28-49

ILLUSTRATED PARTS LIST

Page 1098.136

Mar 01/2006





## COMPONENT MAINTENANCE MANUAL

PART NUMBER	AIRLINE PART NUMBER	FIGURE	ITEM	UNITS PER ASSEMBLY
S283N702-16		11	290	1
		23	140	1
S283N702-3		19	145	1
		19	145A	1
		21	195	1
		21	195A	1
S283N702-4		1	200	1
		1	200B	1
		2	145A	1
		13	120	1
		15	120	1
S283N702-5		3	170	1
		3	170A	1
		5	155	1
		7	150	1
		7	150A	1
		8	250	1
		9	135	1
		17	155	1
		17	155A	1
		24	170	1
		24	170A	1
		25	110	1
		25	110A	1
		26	135	1
S283N702-7		11	220	1
		11	220A	1
		14	150	1
		14	150A	1
		16	120	1
		16	120A	1
		18	195	1
		18	195A	1
		20	80	1
		20	80A	1

# 25-28-49

ILLUSTRATED PARTS LIST

Page 1098.137

Mar 01/2006



## COMPONENT MAINTENANCE MANUAL

PART NUMBER	AIRLINE PART NUMBER	FIGURE	ITEM	UNITS PER ASSEMBLY
		21	265	1
		21	265A	1
		22	200A	1
		22	200B	1
		23	200A	1
		23	200B	1
S412N101		28	350E	1
S412N101-1		28	95	4
		28	870	2
		29	170	2
		29	535	2
		30	145	2
S412N101-1030		28	350C	1
		28	350H	1
		29	225D	1
		29	225J	1
S412N101-1040		28	350B	1
		29	225E	1
S412N101-1050		28	350A	1
		28	350G	1
S412N101-1060		28	350	1
		28	350F	1
S412N101-1130		28	345V	1
		28	345X	1
		29	225G	1
		29	225H	1
S412N101-1140		29	225F	1
S412N101-2014		28	345T	1
S412N101-2015		28	345U	1
S412N101-2016		28	345Q	1
S412N101-2019		28	345W	1
S412N101-2023		30	335A	1
S412N101-2024		28	345R	1
S412N101-2026		28	345J	1
S412N101-3014		28	345S	1

# 25-28-49

ILLUSTRATED PARTS LIST

Page 1098.138

Mar 01/2006



## COMPONENT MAINTENANCE MANUAL

PART NUMBER	AIRLINE PART NUMBER	FIGURE	ITEM	UNITS PER ASSEMBLY
S412N101-3015		28	345P	1
S412N101-3016		28	345K	1
S412N101-3018		28	345L	1
S412N101-3019		28	345M	1
S412N101-3023		28	345N	1
		30	335	1
S412N101-3026		28	345E	1
S412N102-1		28	67	1
		28	67A	1
		28	230	1
		28	230B	1
		28	235A	1
		28	235C	1
		29	135	1
		30	105	1
		30	105D	1
S412N102-17		29	135D	1
S412N102-18		29	135E	1
S412N102-2		28	65	1
		28	65A	1
		28	230A	1
		28	230C	1
		28	235	1
		28	235B	1
		29	135A	1
		30	107	1
		30	107B	1
S412N104-1		28	205	1
		28	205B	1
		29	105	1
		29	105D	1
		30	80	1
S412N104-4		28	205C	1
		29	105E	1
		29	105F	1

# 25-28-49

ILLUSTRATED PARTS LIST

Page 1098.139

Mar 01/2006



## COMPONENT MAINTENANCE MANUAL

PART NUMBER	AIRLINE PART NUMBER	FIGURE	ITEM	UNITS PER ASSEMBLY
S417N102-17		30	105E	1
S417N102-18		30	107C	1
S417N507-11		19	153	1
		21	205	1
		80	1	RF
S417N507-13		2	150	1
		13	145	1
		80	1A	RF
S417N507-14		22	165	1
		80	1B	RF
S417N507-16		3	150	1
		7	130	1
		8	230	1
		17	130	1
		24	150	1
		80	1C	RF
		16	145	1
S417N507-17		21	290	1
		22	230	1
		80	1D	RF
S417N507-18		15	125	1
		15	125A	1
		80	1E	RF
S417N507-19		1	232	1
		80	1F	RF
S417N507-21		18	170	1
		80	1G	RF
S417N507-22		3	152	1
S417N507-28		11	325	1
		23	155	1
S417N507-29A		4	135C	RF
		11	140C	RF
		12	145C	RF
S417N507-29C		4	135	RF
		11	140	RF

# 25-28-49

ILLUSTRATED PARTS LIST

Page 1098.140

Mar 01/2006



## COMPONENT MAINTENANCE MANUAL

PART NUMBER	AIRLINE PART NUMBER	FIGURE	ITEM	UNITS PER ASSEMBLY
		12	145	RF
		23	260	1
		27	145	1
S417N507-29E		4	135D	RF
		11	140D	RF
		12	145D	RF
S417N507-29L		4	135A	RF
		11	140A	RF
		12	145A	RF
		23	260A	1
		27	145A	1
S417N507-29Y		4	135B	RF
		11	140B	RF
		12	145B	RF
		23	260B	1
		27	145B	1
S417N507-30		11	320	1
		23	150	1
S417N507-36A		5	160A	RF
S417N507-36C		5	160B	RF
		25	115	1
		26	160	1
S417N507-36L		5	160	RF
		25	115A	1
		26	160A	1
S417N507-36SP		9	140	1
S417N507-37		11	225	1
S417N507-37SP		14	175	1
		23	225	1
S417N507-37W		18	220	1
		20	105	1
S417N507-38		6	135	RF
		80	1H	RF
S417N507-38A		4	140C	RF
		11	145C	RF

# 25-28-49

ILLUSTRATED PARTS LIST

Page 1098.141

Mar 01/2006



## COMPONENT MAINTENANCE MANUAL

PART NUMBER	AIRLINE PART NUMBER	FIGURE	ITEM	UNITS PER ASSEMBLY
S417N507-38C		12	150C	RF
		4	140	RF
		11	145	RF
		12	150	RF
		23	265	1
		27	150	1
S417N507-38E		4	140D	RF
		11	145D	RF
		12	150D	RF
S417N507-38L		4	140A	RF
		11	145A	RF
		12	150A	RF
		23	265A	1
		27	150A	1
		S417N507-38W		4
11	145E			RF
12	150E			RF
S417N507-38Y		4	140B	RF
		11	145B	RF
		12	150B	RF
		23	265B	1
		27	150B	1
		SB113		28
28	205B			1
29	105			1
29	105D			1
30	80			1
SK145A4-8				28
		29	440	2
		29	455	2
SL210-06-2		28	320	8
		29	205	4
		30	305	4
SL210-08-1		28	330	8
		29	210	4

# 25-28-49

ILLUSTRATED PARTS LIST

Page 1098.142

Mar 01/2006



## COMPONENT MAINTENANCE MANUAL

PART NUMBER	AIRLINE PART NUMBER	FIGURE	ITEM	UNITS PER ASSEMBLY
SL2334-3A2		30	315	4
		1	245	9
		1	250	1
		2	210	9
		3	250	9
		4	315	9
		4	320	10
		5	215	9
		6	260	10
		7	285	6
		7	290	3
		8	330	9
		9	235	9
		10	200	10
		11	115	9
		12	300	9
		12	305	1
		13	225	9
		14	230	9
		15	195	9
		15	205	10
		16	245	9
		17	250	9
		18	325	10
		19	215	9
		21	340	9
		23	580	9
		24	245	9
		25	205	9
		26	245	9
		27	205	9
	31	77	8	
	31	83	12	
	31	89	14	
	31	98	6	

# 25-28-49

ILLUSTRATED PARTS LIST

Page 1098.143

Mar 01/2006



## COMPONENT MAINTENANCE MANUAL

PART NUMBER	AIRLINE PART NUMBER	FIGURE	ITEM	UNITS PER ASSEMBLY
		31	107	4
		31	131	4
		31	140	31
		31	155	4
		31	200	7
		32	35	8
		33	45	8
SL2334-3A4		20	240	9
		22	315	8
SL3378-3-380		31	295	8
		31	296	1
		31	298	4
		31	301	5
		31	304	6
		31	307	7
		32	120	13
		33	165	16
SL5-3-145		33	445	3
SL5-3-145S		31	544	13
		31	547	1
		31	628	16
		31	708	19
		31	795	16
		32	280	13
		33	280	16
		33	440	18
SL618-3A		28	795	8
		28	810	8
		28	845	8
		29	470	8
		30	365	8
SP5604		28	205	1
		28	205B	1
		29	105	1
		29	105D	1

# 25-28-49

ILLUSTRATED PARTS LIST

Page 1098.144

Mar 01/2006





## COMPONENT MAINTENANCE MANUAL

PART NUMBER	AIRLINE PART NUMBER	FIGURE	ITEM	UNITS PER ASSEMBLY
SP5604-4		30	80	1
		28	205C	1
		29	105E	1
		29	105F	1
T6S632J		11	515	5
		23	465	5
T8076S1032		8	105	2
		8	140	2
		31	352	4
		31	370	5
		31	385	3
		31	397	5
		31	412	7
		31	427	6
		31	559	5
		31	574	6
		31	640	5
		31	643	1
		31	646	1
		31	661	7
		31	717	5
		31	729	6
		31	741	6
		31	804	6
		31	816	6
		32	160	4
		32	180	3
		32	230	6
		32	295	5
32	315	6		
33	195	5		
33	215	7		
33	295	6		
33	315	7		
33	470	5		

# 25-28-49

ILLUSTRATED PARTS LIST

Page 1098.145

Mar 01/2006



## COMPONENT MAINTENANCE MANUAL

PART NUMBER	AIRLINE PART NUMBER	FIGURE	ITEM	UNITS PER ASSEMBLY
		33	475	1
		33	500	3
		33	525	6
		33	530	7
T8091S1032		5	200	1
		9	180	1
		14	110	1
		20	145	1
		26	180	1
T8091S1032BC		11	350	1
		11	380	1
		18	265	1
		23	310	1
		23	345	1
T8114S1032SBC		10	153	1
VN151A2-02		10	153	1
VN152A1-02		5	200	1
		9	180	1
		14	110	1
		20	145	1
		26	180	1
VN15A2-02		11	350	1
		11	380	1
		18	265	1
		23	310	1
		23	345	1
VN202A1-02		8	105	2
		8	140	2
		31	352	4
		31	370	5
		31	385	3
		31	397	5
		31	412	7
		31	427	6
		31	559	5

# 25-28-49

ILLUSTRATED PARTS LIST

Page 1098.146

Mar 01/2006



## COMPONENT MAINTENANCE MANUAL

PART NUMBER	AIRLINE PART NUMBER	FIGURE	ITEM	UNITS PER ASSEMBLY
VN303A62		31	574	6
		31	640	5
		31	643	1
		31	646	1
		31	661	7
		31	717	5
		31	729	6
		31	741	6
		31	804	6
		31	816	6
		32	160	4
		32	180	3
		32	230	6
		32	295	5
		32	315	6
		33	195	5
		33	215	7
		33	295	6
		33	315	7
		33	470	5
		33	475	1
		33	500	3
		33	525	6
		33	530	7
		11	515	5
		23	465	5

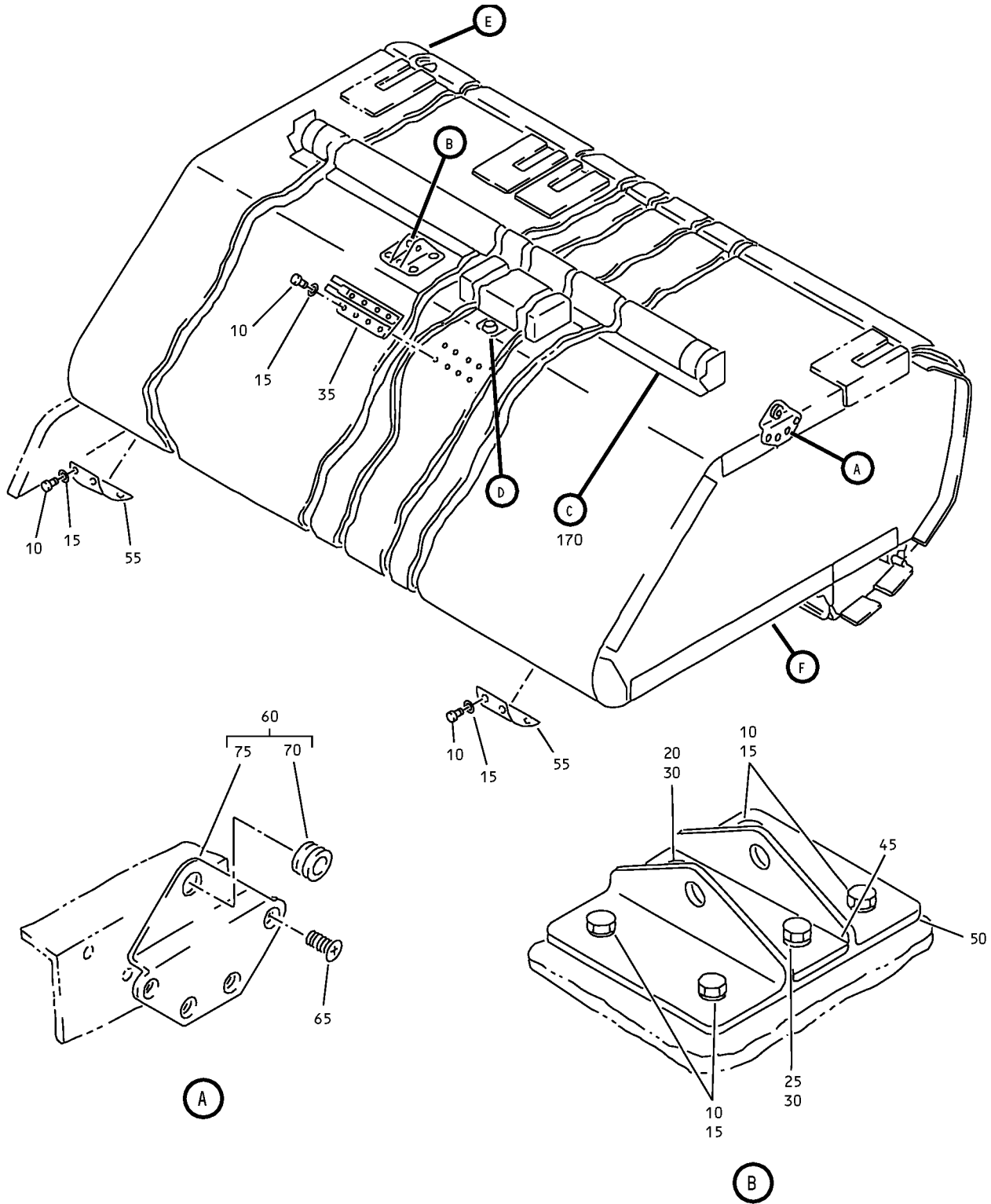
# 25-28-49

ILLUSTRATED PARTS LIST

Page 1098.147

Mar 01/2006

COMPONENT MAINTENANCE MANUAL



Overhead Storage Compartment Assembly  
IPL Figure 1 (Sheet 1 of 3)

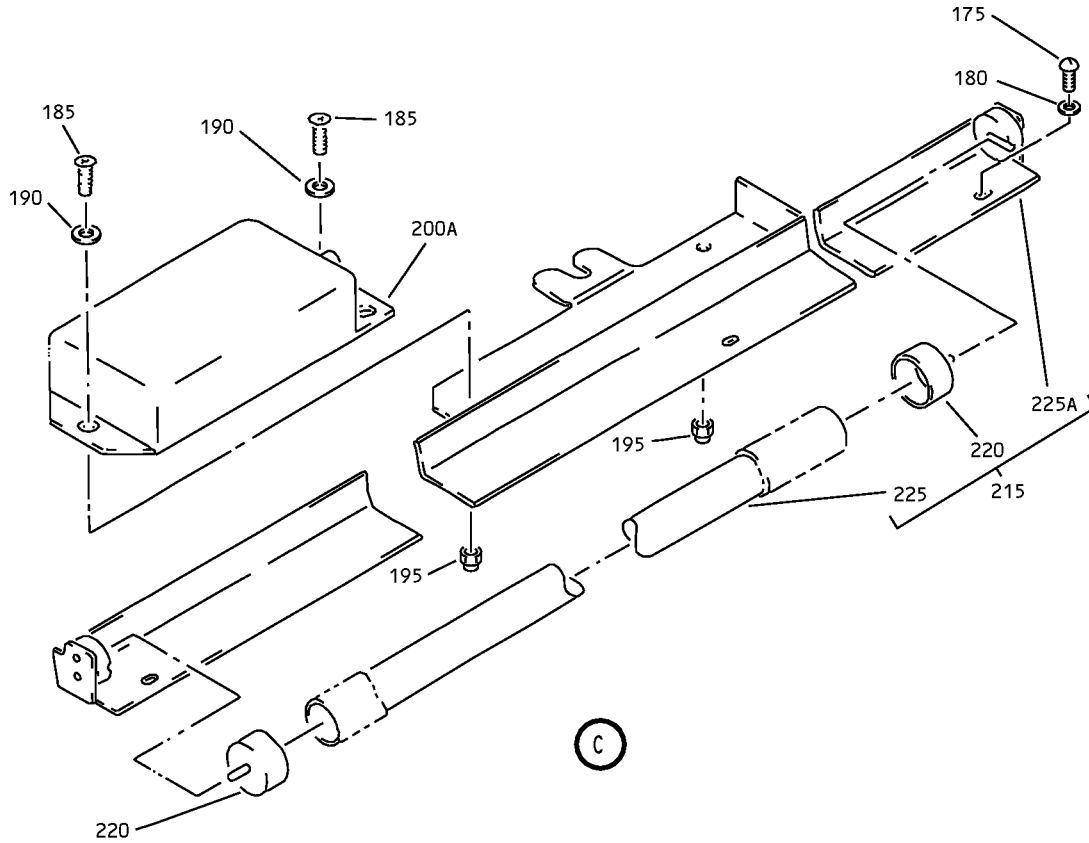
**25-28-49**

ILLUSTRATED PARTS LIST

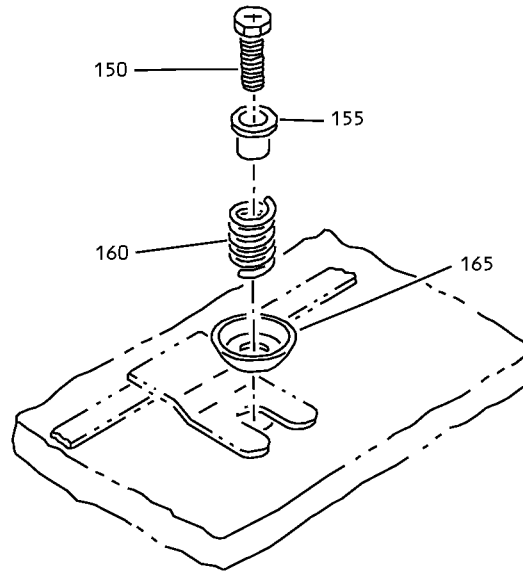
Page 1098.148

Mar 01/2006

COMPONENT MAINTENANCE MANUAL



C



D

Overhead Storage Compartment Assembly  
IPL Figure 1 (Sheet 2 of 3)

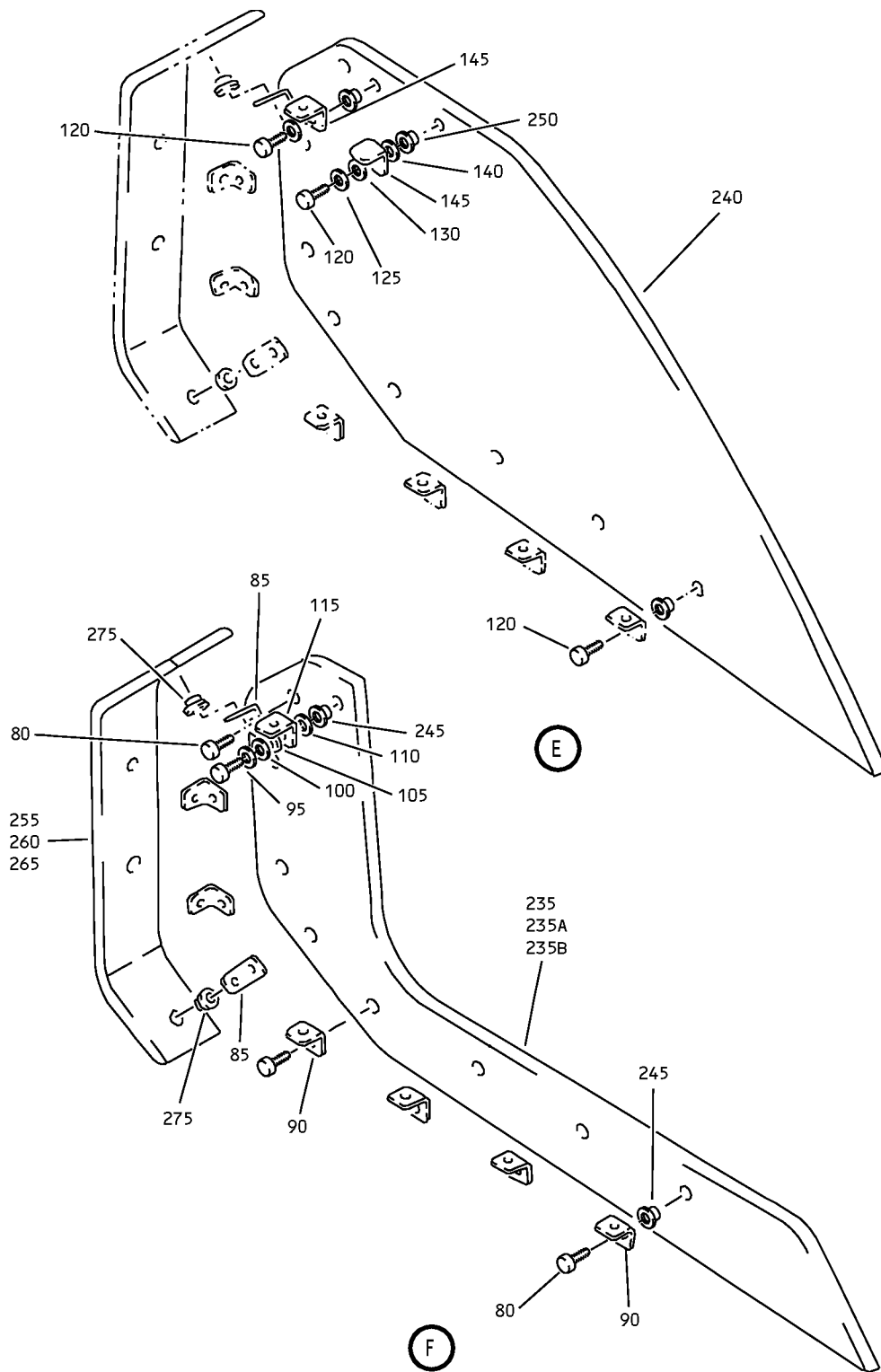
**25-28-49**

ILLUSTRATED PARTS LIST

Page 1098.149

Mar 01/2006

### COMPONENT MAINTENANCE MANUAL



Overhead Storage Compartment Assembly  
IPL Figure 1 (Sheet 3 of 3)

# 25-28-49

ILLUSTRATED PARTS LIST

Page 1098.150

Mar 01/2006



## COMPONENT MAINTENANCE MANUAL

FIG/ ITEM	PART NUMBER	AIRLINE PART NUMBER	NOMENCLATURE							USAGE CODE	UNITS PER ASSY
			1	2	3	4	5	6	7		
1-											
-1	65C32944-1SP		COMPARTMENT ASSY-OVERHEAD STOWAGE (REWORKED BY ALERT SB 737- 25A1283) (REWORKED BY SB 737-25-1294) (NO EQUIVALENT BOEING REPLACEMENT PART NUMBER)							A	RF
-1A	65C32944-2SP		COMPARTMENT ASSY-OVERHEAD STOWAGE (FOR DETAILS SEE FIG. 10) (REWORKED BY ALERT SB 737- 25A1283) (REWORKED BY SB 737-25-1294) (NO EQUIVALENT BOEING REPLACEMENT PART NUMBER)							B	RF
-1B	65C32944-3SP		COMPARTMENT ASSY-OVERHEAD STOWAGE (FOR DETAILS SEE FIG. 6) (REWORKED BY ALERT SB 737- 25A1283) (REWORKED BY SB 737-25-1294) (NO EQUIVALENT BOEING REPLACEMENT PART NUMBER)							C	RF
-1C	65C32944-4SP		COMPARTMENT ASSY-OVERHEAD STOWAGE (FOR DETAILS SEE FIG. 4) (REWORKED BY ALERT SB 737- 25A1283) (REWORKED BY SB 737-25-1294) (NO EQUIVALENT BOEING REPLACEMENT PART NUMBER)							D	RF
-1D	65C32944-5SP		COMPARTMENT ASSY-OVERHEAD STOWAGE (FOR DETAILS SEE FIG. 7) (REWORKED BY ALERT SB 737- 25A1283) (REWORKED BY SB 737-25-1294) (NO EQUIVALENT BOEING REPLACEMENT PART NUMBER)							E	RF

-Item not Illustrated

# 25-28-49

ILLUSTRATED PARTS LIST

Page 1098.151

Mar 01/2006



## COMPONENT MAINTENANCE MANUAL

FIG/ ITEM	PART NUMBER	AIRLINE PART NUMBER	NOMENCLATURE							USAGE CODE	UNITS PER ASSY
			1	2	3	4	5	6	7		
1- -1E	65C32944-6SP		COMPARTMENT ASSY-OVERHEAD STOWAGE (FOR DETAILS SEE FIG. 7) (REWORKED BY ALERT SB 737- 25A1283) (REWORKED BY SB 737-25-1294) (NO EQUIVALENT BOEING REPLACEMENT PART NUMBER)							F	RF
-1F	65C32944-11SP		COMPARTMENT ASSY-OVERHEAD STOWAGE (FOR DETAILS SEE FIG. 4) (REWORKED BY ALERT SB 737- 25A1283) (REWORKED BY SB 737-25-1294) (NO EQUIVALENT BOEING REPLACEMENT PART NUMBER)							G	RF
-1G	65C32944-12SP		COMPARTMENT ASSY-OVERHEAD STOWAGE (FOR DETAILS SEE FIG. 26) (REWORKED BY ALERT SB 737- 25A1283) (REWORKED BY SB 737-25-1294) (NO EQUIVALENT BOEING REPLACEMENT PART NUMBER)							H	RF
-1H	65C32944-13SP		COMPARTMENT ASSY-OVERHEAD STOWAGE (REWORKED BY ALERT SB 737- 25A1283) (REWORKED BY SB 737-25-1294) (NO EQUIVALENT BOEING REPLACEMENT PART NUMBER)							J	RF
-1J	65C32944-14SP		COMPARTMENT ASSY-OVERHEAD STOWAGE (FOR DETAILS SEE FIG. 13) (REWORKED BY ALERT SB 737- 25A1283) (REWORKED BY SB 737-25-1294) (NO EQUIVALENT BOEING REPLACEMENT PART NUMBER)							K	RF

-Item not Illustrated

# 25-28-49

ILLUSTRATED PARTS LIST

Page 1098.152

Mar 01/2006





## COMPONENT MAINTENANCE MANUAL

FIG/ ITEM	PART NUMBER	AIRLINE PART NUMBER	NOMENCLATURE							USAGE CODE	UNITS PER ASSY
			1	2	3	4	5	6	7		
1- -1K	65C32944-15SP		COMPARTMENT ASSY-OVERHEAD STOWAGE (FOR DETAILS SEE FIG. 18) (REWORKED BY ALERT SB 737- 25A1283) (REWORKED BY SB 737-25-1294) (NO EQUIVALENT BOEING REPLACEMENT PART NUMBER)							L	RF
-1L	65C32944-16SP		COMPARTMENT ASSY-OVERHEAD STOWAGE (FOR DETAILS SEE FIG. 14) (REWORKED BY ALERT SB 737- 25A1283) (REWORKED BY SB 737-25-1294) (NO EQUIVALENT BOEING REPLACEMENT PART NUMBER)							M	RF
-1M	65C32944-17SP		COMPARTMENT ASSY-OVERHEAD STOWAGE (FOR DETAILS SEE FIG. 3) (REWORKED BY ALERT SB 737- 25A1283) (REWORKED BY SB 737-25-1294) (NO EQUIVALENT BOEING REPLACEMENT PART NUMBER)							N	RF
-1N	65C32944-18SP		COMPARTMENT ASSY-OVERHEAD STOWAGE (FOR DETAILS SEE FIG. 3) (REWORKED BY ALERT SB 737- 25A1283) (REWORKED BY SB 737-25-1294) (NO EQUIVALENT BOEING REPLACEMENT PART NUMBER)							P	RF
-1P	65C32944-19SP		COMPARTMENT ASSY-OVERHEAD STOWAGE (FOR DETAILS SEE FIG. 4) (REWORKED BY ALERT SB 737- 25A1283) (REWORKED BY SB 737-25-1294) (NO EQUIVALENT BOEING REPLACEMENT PART NUMBER)							Q	RF

-Item not Illustrated

# 25-28-49

ILLUSTRATED PARTS LIST

Page 1098.153

Mar 01/2006



## COMPONENT MAINTENANCE MANUAL

FIG/ ITEM	PART NUMBER	AIRLINE PART NUMBER	NOMENCLATURE							USAGE CODE	UNITS PER ASSY
			1	2	3	4	5	6	7		
1- -1Q	65C32944-20SP		COMPARTMENT ASSY-OVERHEAD STOWAGE (FOR DETAILS SEE FIG. 4) (REWORKED BY ALERT SB 737- 25A1283) (REWORKED BY SB 737-25-1294) (NO EQUIVALENT BOEING REPLACEMENT PART NUMBER)							R	RF
-1R	65C32944-21SP		COMPARTMENT ASSY-OVERHEAD STOWAGE (FOR DETAILS SEE FIG. 3) (REWORKED BY ALERT SB 737- 25A1283) (REWORKED BY SB 737-25-1294) (NO EQUIVALENT BOEING REPLACEMENT PART NUMBER)							S	RF
-1S	65C32944-22SP		COMPARTMENT ASSY-OVERHEAD STOWAGE (FOR DETAILS SEE FIG. 3) (REWORKED BY ALERT SB 737- 25A1283) (REWORKED BY SB 737-25-1294) (NO EQUIVALENT BOEING REPLACEMENT PART NUMBER)							T	RF
-1T	65C32944-23SP		COMPARTMENT ASSY-OVERHEAD STOWAGE (FOR DETAILS SEE FIG. 6) (REWORKED BY ALERT SB 737- 25A1283) (REWORKED BY SB 737-25-1294) (NO EQUIVALENT BOEING REPLACEMENT PART NUMBER)							U	RF
-1U	65C32944-24SP		COMPARTMENT ASSY-OVERHEAD STOWAGE (FOR DETAILS SEE FIG. 5) (REWORKED BY ALERT SB 737- 25A1283) (REWORKED BY SB 737-25-1294) (NO EQUIVALENT BOEING REPLACEMENT PART NUMBER)							V	RF

-Item not Illustrated

# 25-28-49

ILLUSTRATED PARTS LIST

Page 1098.154

Mar 01/2006



## COMPONENT MAINTENANCE MANUAL

FIG/ ITEM	PART NUMBER	AIRLINE PART NUMBER	NOMENCLATURE							USAGE CODE	UNITS PER ASSY
			1	2	3	4	5	6	7		
1- -1V	65C32944-25SP		COMPARTMENT ASSY-OVERHEAD STOWAGE (FOR DETAILS SEE FIG. 4) (REWORKED BY ALERT SB 737- 25A1283) (REWORKED BY SB 737-25-1294) (NO EQUIVALENT BOEING REPLACEMENT PART NUMBER)							W	RF
-1W	65C32944-26SP		COMPARTMENT ASSY-OVERHEAD STOWAGE (FOR DETAILS SEE FIG. 7) (REWORKED BY ALERT SB 737- 25A1283) (REWORKED BY SB 737-25-1294) (NO EQUIVALENT BOEING REPLACEMENT PART NUMBER)							X	RF
-1X	65C32944-27SP		COMPARTMENT ASSY-OVERHEAD STOWAGE (FOR DETAILS SEE FIG. 8) (REWORKED BY ALERT SB 737- 25A1283) (REWORKED BY SB 737-25-1294) (NO EQUIVALENT BOEING REPLACEMENT PART NUMBER)							Y	RF
-1Y	65C32944-28SP		COMPARTMENT ASSY-OVERHEAD STOWAGE (FOR DETAILS SEE FIG. 27) (REWORKED BY ALERT SB 737- 25A1283) (REWORKED BY SB 737-25-1294) (NO EQUIVALENT BOEING REPLACEMENT PART NUMBER)							Z	RF
-1Z	65C32944-29SP		COMPARTMENT ASSY-OVERHEAD STOWAGE (FOR DETAILS SEE FIG. 27) (REWORKED BY ALERT SB 737- 25A1283) (REWORKED BY SB 737-25-1294) (NO EQUIVALENT BOEING REPLACEMENT PART NUMBER)							AA	RF

-Item not Illustrated

# 25-28-49

ILLUSTRATED PARTS LIST

Page 1098.155

Mar 01/2006



## COMPONENT MAINTENANCE MANUAL

FIG/ ITEM	PART NUMBER	AIRLINE PART NUMBER	NOMENCLATURE							USAGE CODE	UNITS PER ASSY
			1	2	3	4	5	6	7		
1- -2	65C32944-30SP		COMPARTMENT ASSY-OVERHEAD STOWAGE (FOR DETAILS SEE FIG. 3) (REWORKED BY ALERT SB 737- 25A1283) (REWORKED BY SB 737-25-1294) (NO EQUIVALENT BOEING REPLACEMENT PART NUMBER)							AB	RF
-2A	65C32944-31SP		COMPARTMENT ASSY-OVERHEAD STOWAGE (FOR DETAILS SEE FIG. 19) (REWORKED BY ALERT SB 737- 25A1283) (REWORKED BY SB 737-25-1294) (NO EQUIVALENT BOEING REPLACEMENT PART NUMBER)							AC	RF
-2B	65C32944-33SP		COMPARTMENT ASSY-OVERHEAD STOWAGE (FOR DETAILS SEE FIG. 4) (REWORKED BY ALERT SB 737- 25A1283) (REWORKED BY SB 737-25-1294) (NO EQUIVALENT BOEING REPLACEMENT PART NUMBER)							AD	RF
-2C	65C32944-34SP		COMPARTMENT ASSY-OVERHEAD STOWAGE (FOR DETAILS SEE FIG. 26) (REWORKED BY ALERT SB 737- 25A1283) (REWORKED BY SB 737-25-1294) (NO EQUIVALENT BOEING REPLACEMENT PART NUMBER)							AE	RF
-2D	65C32944-35SP		COMPARTMENT ASSY-OVERHEAD STOWAGE (FOR DETAILS SEE FIG. 3) (REWORKED BY ALERT SB 737- 25A1283) (REWORKED BY SB 737-25-1294) (NO EQUIVALENT BOEING REPLACEMENT PART NUMBER)							AF	RF

-Item not Illustrated

# 25-28-49

ILLUSTRATED PARTS LIST

Page 1098.156

Mar 01/2006



## COMPONENT MAINTENANCE MANUAL

FIG/ ITEM	PART NUMBER	AIRLINE PART NUMBER	NOMENCLATURE							USAGE CODE	UNITS PER ASSY
			1	2	3	4	5	6	7		
1- -2E	65C32944-36SP		COMPARTMENT ASSY-OVERHEAD STOWAGE (FOR DETAILS SEE FIG. 3) (REWORKED BY ALERT SB 737- 25A1283) (REWORKED BY SB 737-25-1294) (NO EQUIVALENT BOEING REPLACEMENT PART NUMBER)							AG	RF
-2F	65C32944-37SP		COMPARTMENT ASSY-OVERHEAD STOWAGE (FOR DETAILS SEE FIG. 21) (REWORKED BY ALERT SB 737- 25A1283) (REWORKED BY SB 737-25-1294) (NO EQUIVALENT BOEING REPLACEMENT PART NUMBER)							AH	RF
-2G	65C32944-38SP		COMPARTMENT ASSY-OVERHEAD STOWAGE (FOR DETAILS SEE FIG. 22) (REWORKED BY ALERT SB 737- 25A1283) (REWORKED BY SB 737-25-1294) (NO EQUIVALENT BOEING REPLACEMENT PART NUMBER)							AJ	RF
-2H	65C32944-39SP		COMPARTMENT ASSY-OVERHEAD STOWAGE (FOR DETAILS SEE FIG. 10) (REWORKED BY ALERT SB 737- 25A1283) (REWORKED BY SB 737-25-1294) (NO EQUIVALENT BOEING REPLACEMENT PART NUMBER)							AK	RF
-2J	65C32944-41SP		COMPARTMENT ASSY-OVERHEAD STOWAGE (FOR DETAILS SEE FIG. 3) (REWORKED BY ALERT SB 737- 25A1283) (REWORKED BY SB 737-25-1294) (NO EQUIVALENT BOEING REPLACEMENT PART NUMBER)							AL	RF

-Item not Illustrated

# 25-28-49

ILLUSTRATED PARTS LIST

Page 1098.157

Mar 01/2006



## COMPONENT MAINTENANCE MANUAL

FIG/ ITEM	PART NUMBER	AIRLINE PART NUMBER	NOMENCLATURE							USAGE CODE	UNITS PER ASSY
			1	2	3	4	5	6	7		
1- -2K	65C32944-42SP		COMPARTMENT ASSY-OVERHEAD STOWAGE (FOR DETAILS SEE FIG. 23) (REWORKED BY ALERT SB 737- 25A1283) (REWORKED BY SB 737-25-1294) (NO EQUIVALENT BOEING REPLACEMENT PART NUMBER)							AM	RF
-2L	65C32944-43SP		COMPARTMENT ASSY-OVERHEAD STOWAGE (FOR DETAILS SEE FIG. 23) (REWORKED BY ALERT SB 737- 25A1283) (REWORKED BY SB 737-25-1294) (NO EQUIVALENT BOEING REPLACEMENT PART NUMBER)							AN	RF
-2M	65C32944-46SP		COMPARTMENT ASSY-OVERHEAD STOWAGE (FOR DETAILS SEE FIG. 10) (REWORKED BY ALERT SB 737- 25A1283) (REWORKED BY SB 737-25-1294) (NO EQUIVALENT BOEING REPLACEMENT PART NUMBER)							AP	RF
-2N	65C32944-47SP		COMPARTMENT ASSY-OVERHEAD STOWAGE (FOR DETAILS SEE FIG. 4) (REWORKED BY ALERT SB 737- 25A1283) (REWORKED BY SB 737-25-1294) (NO EQUIVALENT BOEING REPLACEMENT PART NUMBER)							AQ	RF
-2P	65C32944-48SP		COMPARTMENT ASSY-OVERHEAD STOWAGE (FOR DETAILS SEE FIG. 12) (REWORKED BY ALERT SB 737- 25A1283) (REWORKED BY SB 737-25-1294) (NO EQUIVALENT BOEING REPLACEMENT PART NUMBER)							AR	RF

-Item not Illustrated

# 25-28-49

ILLUSTRATED PARTS LIST

Page 1098.158

Mar 01/2006



## COMPONENT MAINTENANCE MANUAL

FIG/ ITEM	PART NUMBER	AIRLINE PART NUMBER	NOMENCLATURE							USAGE CODE	UNITS PER ASSY
			1	2	3	4	5	6	7		
1- -2Q	65C32944-49SP		COMPARTMENT ASSY-OVERHEAD STOWAGE (FOR DETAILS SEE FIG. 24) (REWORKED BY ALERT SB 737- 25A1283) (REWORKED BY SB 737-25-1294) (NO EQUIVALENT BOEING REPLACEMENT PART NUMBER)							AS	RF
-2R	65C32944-50SP		COMPARTMENT ASSY-OVERHEAD STOWAGE (FOR DETAILS SEE FIG. 24) (REWORKED BY ALERT SB 737- 25A1283) (REWORKED BY SB 737-25-1294) (NO EQUIVALENT BOEING REPLACEMENT PART NUMBER)							AT	RF
-2S	65C32944-51SP		COMPARTMENT ASSY-OVERHEAD STOWAGE (FOR DETAILS SEE FIG. 7) (REWORKED BY ALERT SB 737- 25A1283) (REWORKED BY SB 737-25-1294) (NO EQUIVALENT BOEING REPLACEMENT PART NUMBER)							AU	RF
-2T	65C32944-52SP		COMPARTMENT ASSY-OVERHEAD STOWAGE (FOR DETAILS SEE FIG. 10) (REWORKED BY ALERT SB 737- 25A1283) (REWORKED BY SB 737-25-1294) (NO EQUIVALENT BOEING REPLACEMENT PART NUMBER)							AV	RF
-2U	65C32944-53SP		COMPARTMENT ASSY-OVERHEAD STOWAGE (FOR DETAILS SEE FIG. 6) (REWORKED BY ALERT SB 737- 25A1283) (REWORKED BY SB 737-25-1294) (NO EQUIVALENT BOEING REPLACEMENT PART NUMBER)							AW	RF

-Item not Illustrated

# 25-28-49

ILLUSTRATED PARTS LIST

Page 1098.159

Mar 01/2006



## COMPONENT MAINTENANCE MANUAL

FIG/ ITEM	PART NUMBER	AIRLINE PART NUMBER	NOMENCLATURE							USAGE CODE	UNITS PER ASSY
			1	2	3	4	5	6	7		
1- -2V	65C32944-54SP		COMPARTMENT ASSY-OVERHEAD STOWAGE (FOR DETAILS SEE FIG. 7) (REWORKED BY ALERT SB 737- 25A1283) (REWORKED BY SB 737-25-1294) (NO EQUIVALENT BOEING REPLACEMENT PART NUMBER)							AX	RF
-2W	65C32944-55SP		COMPARTMENT ASSY-OVERHEAD STOWAGE (REWORKED BY ALERT SB 737- 25A1283) (REWORKED BY SB 737-25-1294) (NO EQUIVALENT BOEING REPLACEMENT PART NUMBER)							AY	RF
-2X	65C32944-60SP		COMPARTMENT ASSY-OVERHEAD STOWAGE (FOR DETAILS SEE FIG. 10) (REWORKED BY ALERT SB 737- 25A1283) (REWORKED BY SB 737-25-1294) (NO EQUIVALENT BOEING REPLACEMENT PART NUMBER)							AZ	RF
-2Y	65C32944-61SP		COMPARTMENT ASSY-OVERHEAD STOWAGE (FOR DETAILS SEE FIG. 3) (REWORKED BY ALERT SB 737- 25A1283) (REWORKED BY SB 737-25-1294) (NO EQUIVALENT BOEING REPLACEMENT PART NUMBER)							BA	RF
-2Z	65C32944-62SP		COMPARTMENT ASSY-OVERHEAD STOWAGE (FOR DETAILS SEE FIG. 3) (REWORKED BY ALERT SB 737- 25A1283) (REWORKED BY SB 737-25-1294) (NO EQUIVALENT BOEING REPLACEMENT PART NUMBER)							BB	RF

-Item not Illustrated

# 25-28-49

ILLUSTRATED PARTS LIST

Page 1098.160

Mar 01/2006





## COMPONENT MAINTENANCE MANUAL

FIG/ ITEM	PART NUMBER	AIRLINE PART NUMBER	NOMENCLATURE							USAGE CODE	UNITS PER ASSY
			1	2	3	4	5	6	7		
1- -3	65C32944-63SP		COMPARTMENT ASSY-OVERHEAD STOWAGE (FOR DETAILS SEE FIG. 3) (REWORKED BY ALERT SB 737- 25A1283) (REWORKED BY SB 737-25-1294) (NO EQUIVALENT BOEING REPLACEMENT PART NUMBER)							BC	RF
-3A	65C32944-64SP		COMPARTMENT ASSY-OVERHEAD STOWAGE (FOR DETAILS SEE FIG. 3) (REWORKED BY ALERT SB 737- 25A1283) (REWORKED BY SB 737-25-1294) (NO EQUIVALENT BOEING REPLACEMENT PART NUMBER)							BD	RF
-3B	65C32944-69SP		COMPARTMENT ASSY-OVERHEAD STOWAGE (FOR DETAILS SEE FIG. 12) (REWORKED BY ALERT SB 737- 25A1283) (REWORKED BY SB 737-25-1294) (NO EQUIVALENT BOEING REPLACEMENT PART NUMBER)							BE	RF
-3C	65C32944-70SP		COMPARTMENT ASSY-OVERHEAD STOWAGE *[2] (FOR DETAILS SEE FIG. 16) (REWORKED BY ALERT SB 737- 25A1283) (REWORKED BY SB 737-25-1294) (NO EQUIVALENT BOEING REPLACEMENT PART NUMBER)							BF	RF
-3D	65C32944-74SP		COMPARTMENT ASSY-OVERHEAD STOWAGE (FOR DETAILS SEE FIG. 10) (REWORKED BY ALERT SB 737- 25A1283) (REWORKED BY SB 737-25-1294) (NO EQUIVALENT BOEING REPLACEMENT PART NUMBER)							BG	RF

-Item not Illustrated

# 25-28-49

ILLUSTRATED PARTS LIST

Page 1098.161

Mar 01/2006



## COMPONENT MAINTENANCE MANUAL

FIG/ ITEM	PART NUMBER	AIRLINE PART NUMBER	NOMENCLATURE							USAGE CODE	UNITS PER ASSY
			1	2	3	4	5	6	7		
1- -3E	65C32944-79SP		COMPARTMENT ASSY-OVERHEAD STOWAGE (FOR DETAILS SEE FIG. 15) (REWORKED BY ALERT SB 737- 25A1283) (REWORKED BY SB 737-25-1294) (NO EQUIVALENT BOEING REPLACEMENT PART NUMBER)							BH	RF
-3F	65C32944-80SP		COMPARTMENT ASSY-OVERHEAD STOWAGE (FOR DETAILS SEE FIG. 16) (REWORKED BY ALERT SB 737- 25A1283) (REWORKED BY SB 737-25-1294) (NO EQUIVALENT BOEING REPLACEMENT PART NUMBER)							BJ	RF
-3G	65C32944-81SP		COMPARTMENT ASSY-OVERHEAD STOWAGE (FOR DETAILS SEE FIG. 12) (REWORKED BY ALERT SB 737- 25A1283) (REWORKED BY SB 737-25-1294) (NO EQUIVALENT BOEING REPLACEMENT PART NUMBER)							BK	RF
-3H	65C32944-95SP		COMPARTMENT ASSY-OVERHEAD STOWAGE (FOR DETAILS SEE FIG. 4) (REWORKED BY ALERT SB 737- 25A1283) (REWORKED BY SB 737-25-1294) (NO EQUIVALENT BOEING REPLACEMENT PART NUMBER)							BL	RF
-3J	65C32944-96SP		COMPARTMENT ASSY-OVERHEAD STOWAGE (FOR DETAILS SEE FIG. 7) (REWORKED BY ALERT SB 737- 25A1283) (REWORKED BY SB 737-25-1294) (NO EQUIVALENT BOEING REPLACEMENT PART NUMBER)							BM	RF

-Item not Illustrated

# 25-28-49

ILLUSTRATED PARTS LIST

Page 1098.162

Mar 01/2006



## COMPONENT MAINTENANCE MANUAL

FIG/ ITEM	PART NUMBER	AIRLINE PART NUMBER	NOMENCLATURE							USAGE CODE	UNITS PER ASSY
			1	2	3	4	5	6	7		
1- -3K	65C32944-97SP		COMPARTMENT ASSY-OVERHEAD STOWAGE (FOR DETAILS SEE FIG. 6) (REWORKED BY ALERT SB 737- 25A1283) (REWORKED BY SB 737-25-1294) (NO EQUIVALENT BOEING REPLACEMENT PART NUMBER)							BN	RF
-3L	65C32944-98SP		COMPARTMENT ASSY-OVERHEAD STOWAGE (FOR DETAILS SEE FIG. 25) (REWORKED BY ALERT SB 737- 25A1283) (REWORKED BY SB 737-25-1294) (NO EQUIVALENT BOEING REPLACEMENT PART NUMBER)							BP	RF
-3M	65C32944-99SP		COMPARTMENT ASSY-OVERHEAD STOWAGE (REWORKED BY ALERT SB 737- 25A1283) (REWORKED BY SB 737-25-1294) (NO EQUIVALENT BOEING REPLACEMENT PART NUMBER)							BQ	RF
-3N	65C32944-100SP		COMPARTMENT ASSY-OVERHEAD STOWAGE (FOR DETAILS SEE FIG. 2) (REWORKED BY ALERT SB 737- 25A1283) (REWORKED BY SB 737-25-1294) (NO EQUIVALENT BOEING REPLACEMENT PART NUMBER)							BR	RF
-3P	65C32944-101SP		COMPARTMENT ASSY-OVERHEAD STOWAGE (FOR DETAILS SEE FIG. 3) (REWORKED BY ALERT SB 737- 25A1283) (REWORKED BY SB 737-25-1294) (NO EQUIVALENT BOEING REPLACEMENT PART NUMBER)							BS	RF

-Item not Illustrated

# 25-28-49

ILLUSTRATED PARTS LIST

Page 1098.163

Mar 01/2006



## COMPONENT MAINTENANCE MANUAL

FIG/ ITEM	PART NUMBER	AIRLINE PART NUMBER	NOMENCLATURE							USAGE CODE	UNITS PER ASSY
			1	2	3	4	5	6	7		
1- -3Q	65C32944-102SP		COMPARTMENT ASSY-OVERHEAD STOWAGE (FOR DETAILS SEE FIG. 3) (REWORKED BY ALERT SB 737- 25A1283) (REWORKED BY SB 737-25-1294) (NO EQUIVALENT BOEING REPLACEMENT PART NUMBER)							BT	RF
-3R	65C32944-103SP		COMPARTMENT ASSY-OVERHEAD STOWAGE (FOR DETAILS SEE FIG. 4) (REWORKED BY ALERT SB 737- 25A1283) (REWORKED BY SB 737-25-1294) (NO EQUIVALENT BOEING REPLACEMENT PART NUMBER)							BU	RF
-3S	65C32944-104SP		COMPARTMENT ASSY-OVERHEAD STOWAGE (FOR DETAILS SEE FIG. 5) (REWORKED BY ALERT SB 737- 25A1283) (REWORKED BY SB 737-25-1294) (NO EQUIVALENT BOEING REPLACEMENT PART NUMBER)							BV	RF
-3T	65C32944-105SP		COMPARTMENT ASSY-OVERHEAD STOWAGE (FOR DETAILS SEE FIG. 6) (REWORKED BY ALERT SB 737- 25A1283) (REWORKED BY SB 737-25-1294) (NO EQUIVALENT BOEING REPLACEMENT PART NUMBER)							BW	RF
-3U	65C32944-106SP		COMPARTMENT ASSY-OVERHEAD STOWAGE (FOR DETAILS SEE FIG. 7) (REWORKED BY ALERT SB 737- 25A1283) (REWORKED BY SB 737-25-1294) (NO EQUIVALENT BOEING REPLACEMENT PART NUMBER)							BX	RF

-Item not Illustrated

# 25-28-49

ILLUSTRATED PARTS LIST

Page 1098.164

Mar 01/2006



## COMPONENT MAINTENANCE MANUAL

FIG/ ITEM	PART NUMBER	AIRLINE PART NUMBER	NOMENCLATURE							USAGE CODE	UNITS PER ASSY
			1	2	3	4	5	6	7		
1- -3V	65C32944-107SP		COMPARTMENT ASSY-OVERHEAD STOWAGE (FOR DETAILS SEE FIG. 8) (REWORKED BY ALERT SB 737- 25A1283) (REWORKED BY SB 737-25-1294) (NO EQUIVALENT BOEING REPLACEMENT PART NUMBER)							BY	RF
-3W	65C32944-108SP		COMPARTMENT ASSY-OVERHEAD STOWAGE (FOR DETAILS SEE FIG. 6) (REWORKED BY ALERT SB 737- 25A1283) (REWORKED BY SB 737-25-1294) (NO EQUIVALENT BOEING REPLACEMENT PART NUMBER)							BZ	RF
-3X	65C32944-109SP		COMPARTMENT ASSY-OVERHEAD STOWAGE (FOR DETAILS SEE FIG. 9) (REWORKED BY ALERT SB 737- 25A1283) (REWORKED BY SB 737-25-1294) (NO EQUIVALENT BOEING REPLACEMENT PART NUMBER)							CA	RF
-3Y	65C32944-110SP		COMPARTMENT ASSY-OVERHEAD STOWAGE (FOR DETAILS SEE FIG. 3) (REWORKED BY ALERT SB 737- 25A1283) (REWORKED BY SB 737-25-1294) (NO EQUIVALENT BOEING REPLACEMENT PART NUMBER)							CB	RF
-3Z	65C32944-111SP		COMPARTMENT ASSY-OVERHEAD STOWAGE (FOR DETAILS SEE FIG. 3) (REWORKED BY ALERT SB 737- 25A1283) (REWORKED BY SB 737-25-1294) (NO EQUIVALENT BOEING REPLACEMENT PART NUMBER)							CC	RF

-Item not Illustrated

# 25-28-49

ILLUSTRATED PARTS LIST

Page 1098.165

Mar 01/2006



## COMPONENT MAINTENANCE MANUAL

FIG/ ITEM	PART NUMBER	AIRLINE PART NUMBER	NOMENCLATURE							USAGE CODE	UNITS PER ASSY
			1	2	3	4	5	6	7		
1- -4	65C32944-112SP		COMPARTMENT ASSY-OVERHEAD STOWAGE (FOR DETAILS SEE FIG. 10) (REWORKED BY ALERT SB 737- 25A1283) (REWORKED BY SB 737-25-1294) (NO EQUIVALENT BOEING REPLACEMENT PART NUMBER)							CD	RF
-4A	65C32944-114SP		COMPARTMENT ASSY-OVERHEAD STOWAGE (FOR DETAILS SEE FIG. 3) (REWORKED BY ALERT SB 737- 25A1283) (REWORKED BY SB 737-25-1294) (NO EQUIVALENT BOEING REPLACEMENT PART NUMBER)							CE	RF
-4B	65C32944-115SP		COMPARTMENT ASSY-OVERHEAD STOWAGE (FOR DETAILS SEE FIG. 11) (REWORKED BY ALERT SB 737- 25A1283) (REWORKED BY SB 737-25-1294) (NO EQUIVALENT BOEING REPLACEMENT PART NUMBER)							CF	RF
-4C	65C32944-116SP		COMPARTMENT ASSY-OVERHEAD STOWAGE (FOR DETAILS SEE FIG. 11) (REWORKED BY ALERT SB 737- 25A1283) (REWORKED BY SB 737-25-1294) (NO EQUIVALENT BOEING REPLACEMENT PART NUMBER)							CG	RF
-4D	65C32944-119SP		COMPARTMENT ASSY-OVERHEAD STOWAGE (FOR DETAILS SEE FIG. 10) (REWORKED BY ALERT SB 737- 25A1283) (REWORKED BY SB 737-25-1294) (NO EQUIVALENT BOEING REPLACEMENT PART NUMBER)							CH	RF

-Item not Illustrated

# 25-28-49

ILLUSTRATED PARTS LIST

Page 1098.166

Mar 01/2006



## COMPONENT MAINTENANCE MANUAL

FIG/ ITEM	PART NUMBER	AIRLINE PART NUMBER	NOMENCLATURE							USAGE CODE	UNITS PER ASSY
			1	2	3	4	5	6	7		
1- -4E	65C32944-120SP		COMPARTMENT ASSY-OVERHEAD STOWAGE (FOR DETAILS SEE FIG. 8) (REWORKED BY ALERT SB 737- 25A1283) (REWORKED BY SB 737-25-1294) (NO EQUIVALENT BOEING REPLACEMENT PART NUMBER)							CJ	RF
-4F	65C32944-121SP		COMPARTMENT ASSY-OVERHEAD STOWAGE (FOR DETAILS SEE FIG. 7) (REWORKED BY ALERT SB 737- 25A1283) (REWORKED BY SB 737-25-1294) (NO EQUIVALENT BOEING REPLACEMENT PART NUMBER)							CK	RF
-4G	65C32944-122SP		COMPARTMENT ASSY-OVERHEAD STOWAGE (FOR DETAILS SEE FIG. 10) (REWORKED BY ALERT SB 737- 25A1283) (REWORKED BY SB 737-25-1294) (NO EQUIVALENT BOEING REPLACEMENT PART NUMBER)							CL	RF
-4H	65C32944-123SP		COMPARTMENT ASSY-OVERHEAD STOWAGE (FOR DETAILS SEE FIG. 4) (REWORKED BY ALERT SB 737- 25A1283) (REWORKED BY SB 737-25-1294) (NO EQUIVALENT BOEING REPLACEMENT PART NUMBER)							CM	RF
-4J	65C32944-124SP		COMPARTMENT ASSY-OVERHEAD STOWAGE (FOR DETAILS SEE FIG. 7) (REWORKED BY ALERT SB 737- 25A1283) (REWORKED BY SB 737-25-1294) (NO EQUIVALENT BOEING REPLACEMENT PART NUMBER)							CN	RF

-Item not Illustrated

# 25-28-49

ILLUSTRATED PARTS LIST

Page 1098.167

Mar 01/2006



## COMPONENT MAINTENANCE MANUAL

FIG/ ITEM	PART NUMBER	AIRLINE PART NUMBER	NOMENCLATURE							USAGE CODE	UNITS PER ASSY
			1	2	3	4	5	6	7		
1- -4K	65C32944-125SP		COMPARTMENT ASSY-OVERHEAD STOWAGE (REWORKED BY ALERT SB 737- 25A1283) (REWORKED BY SB 737-25-1294) (NO EQUIVALENT BOEING REPLACEMENT PART NUMBER)							CP	RF
-4L	65C32944-127SP		COMPARTMENT ASSY-OVERHEAD STOWAGE (FOR DETAILS SEE FIG. 7) (REWORKED BY ALERT SB 737- 25A1283) (REWORKED BY SB 737-25-1294) (NO EQUIVALENT BOEING REPLACEMENT PART NUMBER)							CQ	RF
-4M	65C32944-128SP		COMPARTMENT ASSY-OVERHEAD STOWAGE (FOR DETAILS SEE FIG. 3) (REWORKED BY ALERT SB 737- 25A1283) (REWORKED BY SB 737-25-1294) (NO EQUIVALENT BOEING REPLACEMENT PART NUMBER)							CR	RF
-4N	65C32944-129SP		COMPARTMENT ASSY-OVERHEAD STOWAGE (FOR DETAILS SEE FIG. 10) (REWORKED BY ALERT SB 737- 25A1283) (REWORKED BY SB 737-25-1294) (NO EQUIVALENT BOEING REPLACEMENT PART NUMBER)							CS	RF
-4P	65C32944-130SP		COMPARTMENT ASSY-OVERHEAD STOWAGE (FOR DETAILS SEE FIG. 6) (REWORKED BY ALERT SB 737- 25A1283) (REWORKED BY SB 737-25-1294) (NO EQUIVALENT BOEING REPLACEMENT PART NUMBER)							CT	RF

-Item not Illustrated

# 25-28-49

ILLUSTRATED PARTS LIST

Page 1098.168

Mar 01/2006





## COMPONENT MAINTENANCE MANUAL

FIG/ ITEM	PART NUMBER	AIRLINE PART NUMBER	NOMENCLATURE							USAGE CODE	UNITS PER ASSY
			1	2	3	4	5	6	7		
1- -4Q	65C32944-131SP		COMPARTMENT ASSY-OVERHEAD STOWAGE (FOR DETAILS SEE FIG. 10) (REWORKED BY ALERT SB 737- 25A1283) (REWORKED BY SB 737-25-1294) (NO EQUIVALENT BOEING REPLACEMENT PART NUMBER)							CU	RF
-4R	65C32944-132SP		COMPARTMENT ASSY-OVERHEAD STOWAGE (REWORKED BY ALERT SB 737- 25A1283) (REWORKED BY SB 737-25-1294) (NO EQUIVALENT BOEING REPLACEMENT PART NUMBER)							CV	RF
-4S	65C32944-133SP		COMPARTMENT ASSY-OVERHEAD STOWAGE (FOR DETAILS SEE FIG. 12) (REWORKED BY ALERT SB 737- 25A1283) (REWORKED BY SB 737-25-1294) (NO EQUIVALENT BOEING REPLACEMENT PART NUMBER)							CW	RF
-4T	65C32944-134SP		COMPARTMENT ASSY-OVERHEAD STOWAGE (FOR DETAILS SEE FIG. 16) (REWORKED BY ALERT SB 737- 25A1283) (REWORKED BY SB 737-25-1294) (NO EQUIVALENT BOEING REPLACEMENT PART NUMBER)							CX	RF
-4U	65C32944-138SP		COMPARTMENT ASSY-OVERHEAD STOWAGE (FOR DETAILS SEE FIG. 10) (REWORKED BY ALERT SB 737- 25A1283) (REWORKED BY SB 737-25-1294) (NO EQUIVALENT BOEING REPLACEMENT PART NUMBER)							CY	RF

-Item not Illustrated

# 25-28-49

ILLUSTRATED PARTS LIST

Page 1098.169

Mar 01/2006



## COMPONENT MAINTENANCE MANUAL

FIG/ ITEM	PART NUMBER	AIRLINE PART NUMBER	NOMENCLATURE							USAGE CODE	UNITS PER ASSY
			1	2	3	4	5	6	7		
1- -4V	65C32944-139SP		COMPARTMENT ASSY-OVERHEAD STOWAGE (FOR DETAILS SEE FIG. 6) (REWORKED BY ALERT SB 737- 25A1283) (REWORKED BY SB 737-25-1294) (NO EQUIVALENT BOEING REPLACEMENT PART NUMBER)							CZ	RF
-4W	65C32944-140SP		COMPARTMENT ASSY-OVERHEAD STOWAGE (FOR DETAILS SEE FIG. 14) (REWORKED BY ALERT SB 737- 25A1283) (REWORKED BY SB 737-25-1294) (NO EQUIVALENT BOEING REPLACEMENT PART NUMBER)							DA	RF
-4X	65C32944-141SP		COMPARTMENT ASSY-OVERHEAD STOWAGE (FOR DETAILS SEE FIG. 3) (REWORKED BY ALERT SB 737- 25A1283) (REWORKED BY SB 737-25-1294) (NO EQUIVALENT BOEING REPLACEMENT PART NUMBER)							DB	RF
-4Y	65C32944-142SP		COMPARTMENT ASSY-OVERHEAD STOWAGE (FOR DETAILS SEE FIG. 3) (REWORKED BY ALERT SB 737- 25A1283) (REWORKED BY SB 737-25-1294) (NO EQUIVALENT BOEING REPLACEMENT PART NUMBER)							DC	RF
-4Z	65C32944-143SP		COMPARTMENT ASSY-OVERHEAD STOWAGE (FOR DETAILS SEE FIG. 15) (REWORKED BY ALERT SB 737- 25A1283) (REWORKED BY SB 737-25-1294) (NO EQUIVALENT BOEING REPLACEMENT PART NUMBER)							DD	RF

-Item not Illustrated

# 25-28-49

ILLUSTRATED PARTS LIST

Page 1098.170

Mar 01/2006



## COMPONENT MAINTENANCE MANUAL

FIG/ ITEM	PART NUMBER	AIRLINE PART NUMBER	NOMENCLATURE							USAGE CODE	UNITS PER ASSY
			1	2	3	4	5	6	7		
1- -5	65C32944-144SP		COMPARTMENT ASSY-OVERHEAD STOWAGE (FOR DETAILS SEE FIG. 16) (REWORKED BY ALERT SB 737- 25A1283) (REWORKED BY SB 737-25-1294) (NO EQUIVALENT BOEING REPLACEMENT PART NUMBER)							DE	RF
-5A	65C32944-145SP		COMPARTMENT ASSY-OVERHEAD STOWAGE (FOR DETAILS SEE FIG. 12) (REWORKED BY ALERT SB 737- 25A1283) (REWORKED BY SB 737-25-1294) (NO EQUIVALENT BOEING REPLACEMENT PART NUMBER)							DF	RF
-5B	65C32944-146SP		COMPARTMENT ASSY-OVERHEAD STOWAGE (FOR DETAILS SEE FIG. 4) (REWORKED BY ALERT SB 737- 25A1283) (REWORKED BY SB 737-25-1294) (NO EQUIVALENT BOEING REPLACEMENT PART NUMBER)							DG	RF
-5C	65C32944-149SP		COMPARTMENT ASSY-OVERHEAD STOWAGE (FOR DETAILS SEE FIG. 17) (REWORKED BY ALERT SB 737- 25A1283) (REWORKED BY SB 737-25-1294) (NO EQUIVALENT BOEING REPLACEMENT PART NUMBER)							DH	RF
-5D	65C32944-150SP		COMPARTMENT ASSY-OVERHEAD STOWAGE (FOR DETAILS SEE FIG. 17) (REWORKED BY ALERT SB 737- 25A1283) (REWORKED BY SB 737-25-1294) (NO EQUIVALENT BOEING REPLACEMENT PART NUMBER)							DJ	RF

-Item not Illustrated

# 25-28-49

ILLUSTRATED PARTS LIST

Page 1098.171

Mar 01/2006



## COMPONENT MAINTENANCE MANUAL

FIG/ ITEM	PART NUMBER	AIRLINE PART NUMBER	NOMENCLATURE							USAGE CODE	UNITS PER ASSY
			1	2	3	4	5	6	7		
1- -5E	65C32944-151SP		COMPARTMENT ASSY-OVERHEAD STOWAGE (FOR DETAILS SEE FIG. 15) (REWORKED BY ALERT SB 737- 25A1283) (REWORKED BY SB 737-25-1294) (NO EQUIVALENT BOEING REPLACEMENT PART NUMBER)							DK	RF
-5F	65C32944-152SP		COMPARTMENT ASSY-OVERHEAD STOWAGE (FOR DETAILS SEE FIG. 18) (REWORKED BY ALERT SB 737- 25A1283) (REWORKED BY SB 737-25-1294) (NO EQUIVALENT BOEING REPLACEMENT PART NUMBER)							DL	RF
-5G	65C32944-153SP		COMPARTMENT ASSY-OVERHEAD STOWAGE (FOR DETAILS SEE FIG. 14) (REWORKED BY ALERT SB 737- 25A1283) (REWORKED BY SB 737-25-1294) (NO EQUIVALENT BOEING REPLACEMENT PART NUMBER)							DM	RF
-5H	65C32944-154SP		COMPARTMENT ASSY-OVERHEAD STOWAGE (FOR DETAILS SEE FIG. 3) (REWORKED BY ALERT SB 737- 25A1283) (REWORKED BY SB 737-25-1294) (NO EQUIVALENT BOEING REPLACEMENT PART NUMBER)							DN	RF
-5J	65C32944-155SP		COMPARTMENT ASSY-OVERHEAD STOWAGE (FOR DETAILS SEE FIG. 3) (REWORKED BY ALERT SB 737- 25A1283) (REWORKED BY SB 737-25-1294) (NO EQUIVALENT BOEING REPLACEMENT PART NUMBER)							DP	RF

-Item not Illustrated

# 25-28-49

ILLUSTRATED PARTS LIST

Page 1098.172

Mar 01/2006



## COMPONENT MAINTENANCE MANUAL

FIG/ ITEM	PART NUMBER	AIRLINE PART NUMBER	NOMENCLATURE							USAGE CODE	UNITS PER ASSY
			1	2	3	4	5	6	7		
1- -5K	65C32944-163SP		COMPARTMENT ASSY-OVERHEAD STOWAGE (FOR DETAILS SEE FIG. 3) (REWORKED BY ALERT SB 737- 25A1283) (REWORKED BY SB 737-25-1294) (NO EQUIVALENT BOEING REPLACEMENT PART NUMBER)							DQ	RF
-5L	65C32944-301SP		COMPARTMENT ASSY-OVERHEAD STOWAGE (FOR DETAILS SEE FIG. 6) (REWORKED BY ALERT SB 737- 25A1283) (REWORKED BY SB 737-25-1294) (NO EQUIVALENT BOEING REPLACEMENT PART NUMBER)							DR	RF
-5M	65C32944-304SP		COMPARTMENT ASSY-OVERHEAD STOWAGE (FOR DETAILS SEE FIG. 10) (REWORKED BY ALERT SB 737- 25A1283) (REWORKED BY SB 737-25-1294) (NO EQUIVALENT BOEING REPLACEMENT PART NUMBER)							DS	RF
-5N	65C32944-315SP		COMPARTMENT ASSY-OVERHEAD STOWAGE (FOR DETAILS SEE FIG. 3) (REWORKED BY ALERT SB 737- 25A1283) (REWORKED BY SB 737-25-1294) (NO EQUIVALENT BOEING REPLACEMENT PART NUMBER)							DT	RF
-5P	65C32944-316SP		COMPARTMENT ASSY-OVERHEAD STOWAGE (FOR DETAILS SEE FIG. 15) (REWORKED BY ALERT SB 737- 25A1283) (REWORKED BY SB 737-25-1294) (NO EQUIVALENT BOEING REPLACEMENT PART NUMBER)							DU	RF

-Item not Illustrated

# 25-28-49

ILLUSTRATED PARTS LIST

Page 1098.173

Mar 01/2006



## COMPONENT MAINTENANCE MANUAL

FIG/ ITEM	PART NUMBER	AIRLINE PART NUMBER	NOMENCLATURE							USAGE CODE	UNITS PER ASSY
			1	2	3	4	5	6	7		
1- -5Q	65C32944-318SP		COMPARTMENT ASSY-OVERHEAD STOWAGE (FOR DETAILS SEE FIG. 3) (REWORKED BY ALERT SB 737- 25A1283) (REWORKED BY SB 737-25-1294) (NO EQUIVALENT BOEING REPLACEMENT PART NUMBER)							DV	RF
-5R	65C32944-323SP		COMPARTMENT ASSY-OVERHEAD STOWAGE (FOR DETAILS SEE FIG. 4) (REWORKED BY ALERT SB 737- 25A1283) (REWORKED BY SB 737-25-1294) (NO EQUIVALENT BOEING REPLACEMENT PART NUMBER)							DW	RF
-5S	65C32944-327SP		COMPARTMENT ASSY-OVERHEAD STOWAGE (FOR DETAILS SEE FIG. 6) (REWORKED BY ALERT SB 737- 25A1283) (REWORKED BY SB 737-25-1294) (NO EQUIVALENT BOEING REPLACEMENT PART NUMBER)							DX	RF
-5T	65C32944-328SP		COMPARTMENT ASSY-OVERHEAD STOWAGE (FOR DETAILS SEE FIG. 14) (REWORKED BY ALERT SB 737- 25A1283) (REWORKED BY SB 737-25-1294) (NO EQUIVALENT BOEING REPLACEMENT PART NUMBER)							DY	RF
-5U	65C32944-329SP		COMPARTMENT ASSY-OVERHEAD STOWAGE (FOR DETAILS SEE FIG. 20) (REWORKED BY ALERT SB 737- 25A1283) (REWORKED BY SB 737-25-1294) (NO EQUIVALENT BOEING REPLACEMENT PART NUMBER)							DZ	RF

-Item not Illustrated

# 25-28-49

ILLUSTRATED PARTS LIST

Page 1098.174

Mar 01/2006



## COMPONENT MAINTENANCE MANUAL

FIG/ ITEM	PART NUMBER	AIRLINE PART NUMBER	NOMENCLATURE							USAGE CODE	UNITS PER ASSY
			1	2	3	4	5	6	7		
1- -5V	65C32944-330SP		COMPARTMENT ASSY-OVERHEAD STOWAGE (FOR DETAILS SEE FIG. 3) (REWORKED BY ALERT SB 737- 25A1283) (REWORKED BY SB 737-25-1294) (NO EQUIVALENT BOEING REPLACEMENT PART NUMBER)							EA	RF
-5W	65C32944-331SP		COMPARTMENT ASSY-OVERHEAD STOWAGE (FOR DETAILS SEE FIG. 3) (REWORKED BY ALERT SB 737- 25A1283) (REWORKED BY SB 737-25-1294) (NO EQUIVALENT BOEING REPLACEMENT PART NUMBER)							EB	RF
-5X	65C32944-360SP		COMPARTMENT ASSY-OVERHEAD STOWAGE (FOR DETAILS SEE FIG. 10) (REWORKED BY ALERT SB 737- 25A1283) (REWORKED BY SB 737-25-1294) (NO EQUIVALENT BOEING REPLACEMENT PART NUMBER)							EC	RF
-5Y	65C32944-361SP		COMPARTMENT ASSY-OVERHEAD STOWAGE (FOR DETAILS SEE FIG. 6) (REWORKED BY ALERT SB 737- 25A1283) (REWORKED BY SB 737-25-1294) (NO EQUIVALENT BOEING REPLACEMENT PART NUMBER)							ED	RF
-5Z	65C32944-362SP		COMPARTMENT ASSY-OVERHEAD STOWAGE (FOR DETAILS SEE FIG. 7) (REWORKED BY ALERT SB 737- 25A1283) (REWORKED BY SB 737-25-1294) (NO EQUIVALENT BOEING REPLACEMENT PART NUMBER)							EE	RF

-Item not Illustrated

# 25-28-49

ILLUSTRATED PARTS LIST

Page 1098.175

Mar 01/2006



## COMPONENT MAINTENANCE MANUAL

FIG/ ITEM	PART NUMBER	AIRLINE PART NUMBER	NOMENCLATURE							USAGE CODE	UNITS PER ASSY
			1	2	3	4	5	6	7		
1- -6	65C32944-363SP		COMPARTMENT ASSY-OVERHEAD STOWAGE (REWORKED BY ALERT SB 737- 25A1283) (REWORKED BY SB 737-25-1294) (NO EQUIVALENT BOEING REPLACEMENT PART NUMBER)							EF	RF
-6A	65C32944-601SP		COMPARTMENT ASSY-OVERHEAD STOWAGE (FOR DETAILS SEE FIG. 6) (REWORKED BY ALERT SB 737- 25A1283) (REWORKED BY SB 737-25-1294) (NO EQUIVALENT BOEING REPLACEMENT PART NUMBER)							EG	RF
-6B	65C32944-618SP		COMPARTMENT ASSY-OVERHEAD STOWAGE (FOR DETAILS SEE FIG. 3) (REWORKED BY ALERT SB 737- 25A1283) (REWORKED BY SB 737-25-1294) (NO EQUIVALENT BOEING REPLACEMENT PART NUMBER)							EH	RF
-6C	65C32944-623SP		COMPARTMENT ASSY-OVERHEAD STOWAGE (FOR DETAILS SEE FIG. 4) (REWORKED BY ALERT SB 737- 25A1283) (REWORKED BY SB 737-25-1294) (NO EQUIVALENT BOEING REPLACEMENT PART NUMBER)							EJ	RF
-6D	65C32944-627SP		COMPARTMENT ASSY-OVERHEAD STOWAGE (FOR DETAILS SEE FIG. 6) (REWORKED BY ALERT SB 737- 25A1283) (REWORKED BY SB 737-25-1294) (NO EQUIVALENT BOEING REPLACEMENT PART NUMBER)							EK	RF

-Item not Illustrated

# 25-28-49

ILLUSTRATED PARTS LIST

Page 1098.176

Mar 01/2006





## COMPONENT MAINTENANCE MANUAL

FIG/ ITEM	PART NUMBER	AIRLINE PART NUMBER	NOMENCLATURE							USAGE CODE	UNITS PER ASSY
			1	2	3	4	5	6	7		
1- -6E	65C32944-643SP		COMPARTMENT ASSY-OVERHEAD STOWAGE (FOR DETAILS SEE FIG. 25) (REWORKED BY ALERT SB 737- 25A1283) (REWORKED BY SB 737-25-1294) (NO EQUIVALENT BOEING REPLACEMENT PART NUMBER)							EL	RF
-6F	65C32944-644SP		COMPARTMENT ASSY-OVERHEAD STOWAGE (REWORKED BY ALERT SB 737- 25A1283) (REWORKED BY SB 737-25-1294) (NO EQUIVALENT BOEING REPLACEMENT PART NUMBER)							EM	RF
-6G	65C32944-645SP		COMPARTMENT ASSY-OVERHEAD STOWAGE (FOR DETAILS SEE FIG. 2) (REWORKED BY ALERT SB 737- 25A1283) (REWORKED BY SB 737-25-1294) (NO EQUIVALENT BOEING REPLACEMENT PART NUMBER)							EN	RF
-6H	65C32944-646SP		DELETED								
-6J	65C32944-647SP		DELETED								
-6K	65C32944-648SP		DELETED								
-6L	65C32944-649SP		COMPARTMENT ASSY-OVERHEAD STOWAGE (FOR DETAILS SEE FIG. 3) (REWORKED BY ALERT SB 737- 25A1283) (REWORKED BY SB 737-25-1294) (NO EQUIVALENT BOEING REPLACEMENT PART NUMBER)							ES	RF
-6M	65C32944-346SP		COMPARTMENT ASSY-OVERHEAD STOWAGE (FOR DETAILS SEE FIG. 7) (REWORKED BY ALERT SB 737- 25A1283) (REWORKED BY SB 737-25-1294) (NO EQUIVALENT BOEING REPLACEMENT PART NUMBER)							ET	RF

-Item not Illustrated

# 25-28-49

ILLUSTRATED PARTS LIST

Page 1098.177

Mar 01/2006



## COMPONENT MAINTENANCE MANUAL

FIG/ ITEM	PART NUMBER	AIRLINE PART NUMBER	NOMENCLATURE							USAGE CODE	UNITS PER ASSY
			1	2	3	4	5	6	7		
1- -6N	65C32944-347SP		COMPARTMENT ASSY-OVERHEAD STOWAGE (FOR DETAILS SEE FIG. 7) (REWORKED BY ALERT SB 737- 25A1283) (REWORKED BY SB 737-25-1294) (NO EQUIVALENT BOEING REPLACEMENT PART NUMBER)							EU	RF
-6P	65C32944-348SP		COMPARTMENT ASSY-OVERHEAD STOWAGE (FOR DETAILS SEE FIG. 10) (REWORKED BY ALERT SB 737- 25A1283) (REWORKED BY SB 737-25-1294) (NO EQUIVALENT BOEING REPLACEMENT PART NUMBER)							EV	RF
-6Q	65C32944-366SP		COMPARTMENT ASSY-OVERHEAD STOWAGE (FOR DETAILS SEE FIG. 6) (REWORKED BY ALERT SB 737- 25A1283) (REWORKED BY SB 737-25-1294) (NO EQUIVALENT BOEING REPLACEMENT PART NUMBER)							EW	RF
-6S	65C32944-604SP		COMPARTMENT ASSY-OVERHEAD STOWAGE (FOR DETAILS SEE FIG. 10) (REWORKED BY ALERT SB 737- 25A1283) (REWORKED BY SB 737-25-1294) (NO EQUIVALENT BOEING REPLACEMENT PART NUMBER)							EY	RF
-6T	65C32944-617SP		COMPARTMENT ASSY-OVERHEAD STOWAGE (FOR DETAILS SEE FIG. 3) (REWORKED BY ALERT SB 737- 25A1283) (REWORKED BY SB 737-25-1294) (NO EQUIVALENT BOEING REPLACEMENT PART NUMBER)							EZ	RF

-Item not Illustrated

# 25-28-49

ILLUSTRATED PARTS LIST

Page 1098.178

Mar 01/2006



## COMPONENT MAINTENANCE MANUAL

FIG/ ITEM	PART NUMBER	AIRLINE PART NUMBER	NOMENCLATURE							USAGE CODE	UNITS PER ASSY
			1	2	3	4	5	6	7		
1- -6U	65C32944-674SP		COMPARTMENT ASSY-OVERHEAD STOWAGE (FOR DETAILS SEE FIG. 6) (REWORKED BY ALERT SB 737- 25A1283) (REWORKED BY SB 737-25-1294) (NO EQUIVALENT BOEING REPLACEMENT PART NUMBER)							FA	RF
-6V	65C32944-675SP		COMPARTMENT ASSY-OVERHEAD STOWAGE (FOR DETAILS SEE FIG. 12) (REWORKED BY ALERT SB 737- 25A1283) (REWORKED BY SB 737-25-1294) (NO EQUIVALENT BOEING REPLACEMENT PART NUMBER)							FB	RF
-6W	65C32944-676SP		COMPARTMENT ASSY-OVERHEAD STOWAGE (FOR DETAILS SEE FIG. 3) (REWORKED BY ALERT SB 737- 25A1283) (REWORKED BY SB 737-25-1294) (NO EQUIVALENT BOEING REPLACEMENT PART NUMBER)							FC	RF
-6X	65C32944-677SP		COMPARTMENT ASSY-OVERHEAD STOWAGE (FOR DETAILS SEE FIG. 3) (REWORKED BY ALERT SB 737- 25A1283) (REWORKED BY SB 737-25-1294) (NO EQUIVALENT BOEING REPLACEMENT PART NUMBER)							FD	RF
-6Y	65C32944-678SP		COMPARTMENT ASSY-OVERHEAD STOWAGE (FOR DETAILS SEE FIG. 25) (REWORKED BY ALERT SB 737- 25A1283) (REWORKED BY SB 737-25-1294) (NO EQUIVALENT BOEING REPLACEMENT PART NUMBER)							FE	RF

-Item not Illustrated

# 25-28-49

ILLUSTRATED PARTS LIST

Page 1098.179

Mar 01/2006



## COMPONENT MAINTENANCE MANUAL

FIG/ ITEM	PART NUMBER	AIRLINE PART NUMBER	NOMENCLATURE							USAGE CODE	UNITS PER ASSY	
			1	2	3	4	5	6	7			
1- 10	BACB30NM3K1		.	B	O	L	T				A, J, AY, BQ, CP, CV, EF, EM	20
								(V06710)				
								(SPEC BACB30NM3K1)				
								(OPT BACB30NM3K1 (V06725))				
								(OPT BACB30NM3K1 (V06950))				
								(OPT BACB30NM3K1 (V08524))				
								(OPT BACB30NM3K1 (V27624))				
								(OPT BACB30NM3K1 (V56878))				
								(OPT BACB30NM3K1 (V73197))				
								(OPT BACB30NM3K1 (V80539))				
								(OPT BACB30NM3K1 (V92215))				
								(OPT BACB30NM3K1 (V93907))				
								(OPT BACB30NM3K1 (V97928))				
15	AN960JD10		.	W	A	S	H	E	R		A, J, AY, BQ, CP, CV, EF, EM	20
20	BACB30NM3K10		.	B	O	L	T				A, J, AY, BQ, CP, CV, EF, EM	1
								(V06710)				
								(SPEC BACB30NM3K10)				
								(OPT BACB30NM3K10 (V06725))				
								(OPT BACB30NM3K10 (V06950))				
								(OPT BACB30NM3K10 (V08524))				
								(OPT BACB30NM3K10 (V27624))				
								(OPT BACB30NM3K10 (V56878))				
								(OPT BACB30NM3K10 (V73197))				
								(OPT BACB30NM3K10 (V80539))				
								(OPT BACB30NM3K10 (V92215))				
								(OPT BACB30NM3K10 (V93907))				
								(OPT BACB30NM3K10 (V97928))				
25	BACB30NN3K10		.	B	O	L	T				A, J, AY, BQ, CP, CV, EF, EM	1
								(V06710)				
								(SPEC BACB30NN3K10)				
								(OPT BACB30NN3K10 (V06725))				
								(OPT BACB30NN3K10 (V06950))				
								(OPT BACB30NN3K10 (V08524))				
								(OPT BACB30NN3K10 (V27624))				
								(OPT BACB30NN3K10 (V56878))				
								(OPT BACB30NN3K10 (V73197))				
								(OPT BACB30NN3K10 (V80539))				
								(OPT BACB30NN3K10 (V92215))				
								(OPT BACB30NN3K10 (V93907))				
								(OPT BACB30NN3K10 (V97928))				

-Item not Illustrated

# 25-28-49

ILLUSTRATED PARTS LIST

Page 1098.180

Mar 01/2006



COMPONENT MAINTENANCE MANUAL

FIG/ ITEM	PART NUMBER	AIRLINE PART NUMBER	NOMENCLATURE							USAGE CODE	UNITS PER ASSY
			1	2	3	4	5	6	7		
1- 30	AN960JD10LL		.	W	A	S	H	E	R	A, J, AY, BQ, CP, CV, EF, EM	2
35	412N1161-1		.	F	I	T	T	I	N	A, J, AY, BQ, CP, CV, EF, EM	1
-40	412N1161-2										
45	412N1119-56		.	F	I	L	L	E	R	A, J, AY, BQ, CP, CV, EF, EM	1
50	412N1119-55		.	F	I	T	T	I	N	A, J, AY, BQ, CP, CV, EF, EM	1
55	412N1119-12		.	F	I	T	T	I	N	A, J, AY, BQ, CP, CV, EF, EM	2
60	412N1119-1		.	F	I	T	T	I	N	A, J, AY, BQ, CP, CV, EF, EM	1
65	BACS12ER3K6		ATTACHING PARTS								
			.	S	C	R	E	W		A, J, AY, BQ, CP, CV, EF, EM	4
				(V06710)							
				(SPEC BACS12ER3K6)							
				(OPT BACS12ER3K6 (V06725))							
				(OPT BACS12ER3K6 (V06950))							
				(OPT BACS12ER3K6 (V27624))							
				(OPT BACS12ER3K6 (V34252))							
				(OPT BACS12ER3K6 (V56878))							
				(OPT BACS12ER3K6 (V73197))							
				(OPT BACS12ER3K6 (V80539))							
				(OPT BACS12ER3K6 (V92215))							
				(OPT BACS12ER3K6 (V93907))							
				(OPT BACS12ER3K6 (V97928))							
			-----*								

-Item not Illustrated

**25-28-49**

ILLUSTRATED PARTS LIST

Page 1098.181

Mar 01/2006



## COMPONENT MAINTENANCE MANUAL

FIG/ ITEM	PART NUMBER	AIRLINE PART NUMBER	NOMENCLATURE							USAGE CODE	UNITS PER ASSY	
			1	2	3	4	5	6	7			
1- -70	BACB28B6-220P		.	.							A, J, AY, BQ, CP, CV, EF, EM	1
75	412N1119-2		.	.							A, J, AY, BQ, CP, CV, EF, EM	1
80	BACS12FA3K5		.								A, J, AY, BQ, CP, CV, EF, EM	16
85	65C27017-43		.								A, J, AY, BQ, CP, CV, EF, EM	4
90	412N1145-29		.								A, J, AY, BQ, CP, CV, EF, EM	4
92	BACS12FA3K5		.								A, J, AY, BQ, CP, CV, EF, EM	1

-Item not Illustrated

# 25-28-49

ILLUSTRATED PARTS LIST

Page 1098.182

Jul 01/2009



## COMPONENT MAINTENANCE MANUAL

FIG/ ITEM	PART NUMBER	AIRLINE PART NUMBER	NOMENCLATURE							USAGE CODE	UNITS PER ASSY		
			1	2	3	4	5	6	7				
1- 95	BACB30PF4-3		.	B	O	L	T				A, J, AY, BQ, CP, EM	1	
100	AN960C416L		.	W	A	S	H	E	R		A, J, AY, BQ, CP, EM	1	
105	NAS1515F4H		.	W	A	S	H	E	R		A, J, AY, BQ, CP, EM	1	
110	NAS1515M4L		.	W	A	S	H	E	R		A, J, AY, BQ, CP, EM	1	
115	412N1145-30		.	B	R	A	C	K	E	T	A, J, AY, BQ, CP, EM	1	
120	BACB30PF4-3		.	B	O	L	T				CV, EF	2	
125	AN960C416L		.	W	A	S	H	E	R		CV, EF	2	
130	NAS1515F4H		.	W	A	S	H	E	R		CV, EF	2	
140	NAS1515M4L		.	W	A	S	H	E	R		CV, EF	2	
145	412N1145-30		.	B	R	A	C	K	E	T	CV, EF	2	
150	NAS1801-3-11		.	S	C	R	E	W			A, J, AY, BQ, CP, CV, EF, EM	1	
155	BACS18C8-6		.	S	P	A	C	E	R		A, J, AY, BQ, CP, CV, EF, EM	1	
160	MS24585-1230		.	S	P	R	I	N	G		A, J, AY, BQ, CP, CV, EF, EM	1	
165	411N3142-28		.	W	A	S	H	E	R	-C	A	A, J, AY, BQ, CP, CV, EF, EM	1
170	417N5120-22SP		.	L	I	G	H	T	A	S	A	A, J, AY, BQ, CP, CV, EF, EM	1

-Item not Illustrated

# 25-28-49

ILLUSTRATED PARTS LIST

Page 1098.183

Mar 01/2006



## COMPONENT MAINTENANCE MANUAL

FIG/ ITEM	PART NUMBER	AIRLINE PART NUMBER	NOMENCLATURE							USAGE CODE	UNITS PER ASSY	
			1	2	3	4	5	6	7			
1-			ATTACHING PARTS									
175	NAS1801-3-5		.								A, J, AY, BQ, CP, CV, EF, EM	3
180	AN960JD10LL		.								A, J, AY, BQ, CP, CV, EF, EM	3
			-----*									
185	BACS12ER3K6		.	.							A, J, AY, BQ, CP, CV, EF, EM	3
190	BACW10UD10		.	.							A, J, AY, BQ, CP, CV, EF, EM	3
195	F22K1-02		.	.							A, J, AY, BQ, CP, CV, EF, EM	3
-200	05939-4		.	.							A, J, AY, BQ, CP, CV, EF, EM	1
200A	05939-104		.	.							A, J, AY, BQ, CP, CV, EF, EM	1

-Item not Illustrated

# 25-28-49

ILLUSTRATED PARTS LIST

Page 1098.184

Mar 01/2006





## COMPONENT MAINTENANCE MANUAL

FIG/ ITEM	PART NUMBER	AIRLINE PART NUMBER	NOMENCLATURE							USAGE CODE	UNITS PER ASSY
			1	2	3	4	5	6	7		
1-											
-200B	1984-1		. .	BALLAST						A, J, AY, BQ, CP, CV, EF, EM	1
				(V30242)							
				(SPEC S283N702-4)							
				(OPT ITEM 200A)							
				(OPT 05939-4 (V17023))							
-205	800000255-19			DELETED							
-210	800000255-13			DELETED							
215	417N5120-10		. .	LAMP ASSY						A, J, AY, BQ, CP, CV, EF, EM	1
220	2055150SP			DELETED							
220A	2055150		. . .	CAP-END						A, J, AY, BQ, CP, CV, EF, EM	2
				(V04169)							
225	F40T12WW		. . .	LAMP-FLUOR						A, J, AY, BQ, CP, CV, EF, EM	1
				(V08805)							
225A	800000255-11			DELETED							
-230	LP1625-48		. . .	TUBE-COVER PROTECTIVE						A, J, AY, BQ, CP, CV, EF, EM	1
				(V60116)							
				(OPT ITEM 230B)							
-230A	LP1625-48			DELETED							
-230B	NI312LGWUV1000		. . .	TUBE-COVER						A, J, AY, BW, CP, CV, EF, EM	1
				(V06034)							
				(OPT ITEM 230)							
232	800000255-19		. .	LIGHT ASSY-CLG						A, J, AY, BQ, CP, CV, EF, EM	1
				(V05617)							
				(SPEC S417N507-19)							
				(FOR DETAILS SEE FIG. 80)							
235	65C32946-3SP		. CAP	ASSY						A, J, AY	1
-235A	65C32946-59SP		. CAP	ASSY						BQ, CP	1
235B	65C32946-4SP			DELETED							
-235C	65C32946-107SP		. CAP	ASSY						EM	1
240	65C32946-73SP		. CAP	ASSY						CV, EF	1

-Item not Illustrated

**25-28-49**

ILLUSTRATED PARTS LIST

Page 1098.185

Mar 01/2006



## COMPONENT MAINTENANCE MANUAL

FIG/ ITEM	PART NUMBER	AIRLINE PART NUMBER	NOMENCLATURE							USAGE CODE	UNITS PER ASSY
			1	2	3	4	5	6	7		
1-											
245	SL2334-3A2		. .	INSERT						A, J, AY, BQ, CP, CV, EF, EM	9
				(V97393)							
250	SL2334-3A2		. .	INSERT						CV, EF	1
				(V97393)							
255	65C27026-31SP		. .	PANEL ASSY-FILLER						A, J, AY, BQ, CP, CV, EF	1
260	65C27026-46SP			DELETED							
265	412N1233-139SP			DELETED							
265A	65C27026-187SP		. .	PANEL ASSY-FILLER						EM	1
275	NAS1836-3-11		. .	INSERT						A, J, AY, BQ, CP, CV, EF, EM	4
				(OPT ITEM 275A)							
-275A	NAS1836-3-9		. .	INSERT						A, J, AY, BQ, CP, CV, EF, EM	4
				(OPT ITEM 275)							
-280	65C32945-1SP		. .	MODULE ASSY						A	1
				(FOR DETAILS SEE FIG. 28)							
-280A	65C32945-13SP		. .	MODULE ASSY						J, BQ	1
				(FOR DETAILS SEE FIG. 28)							
-280B	65C32945-14SP			DELETED							
-280C	65C32945-55SP		. .	MODULE ASSY						AY, CP	1
				(FOR DETAILS SEE FIG. 28)							
-280D	65C32945-68SP		. .	MODULE ASSY						CV	1
				(FOR DETAILS SEE FIG. 28)							
-280E	65C32945-363SP		. .	MODULE ASSY						EF	1
				(FOR DETAILS SEE FIG. 28)							
-280F	65C32945-646SP		. .	MODULE ASSY						EM	1
				(FOR DETAILS SEE FIG. 28)							

-Item not Illustrated

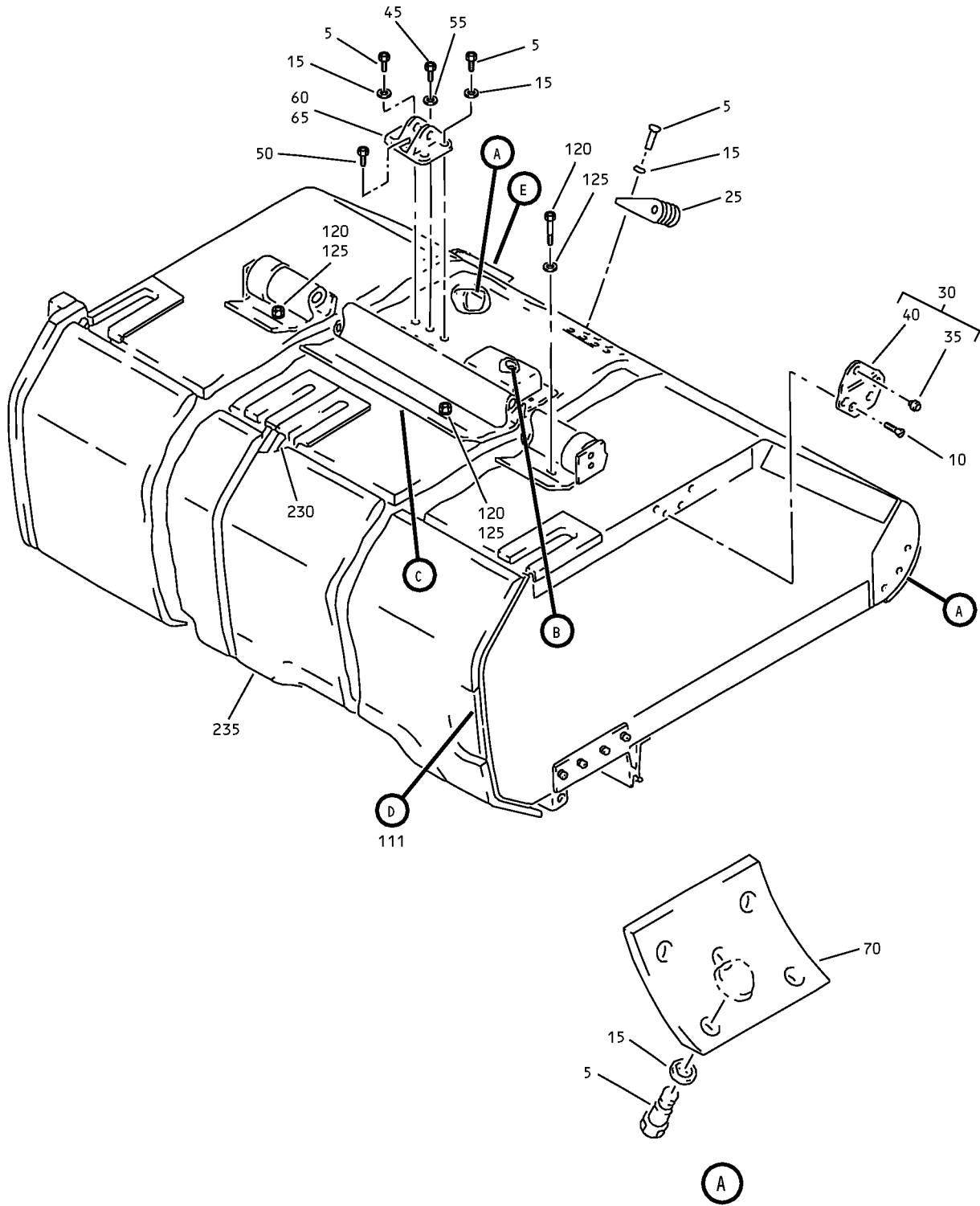
# 25-28-49

ILLUSTRATED PARTS LIST

Page 1098.186

Mar 01/2006

COMPONENT MAINTENANCE MANUAL



Overhead Stowage Compartment Assembly  
IPL Figure 2 (Sheet 1 of 4)

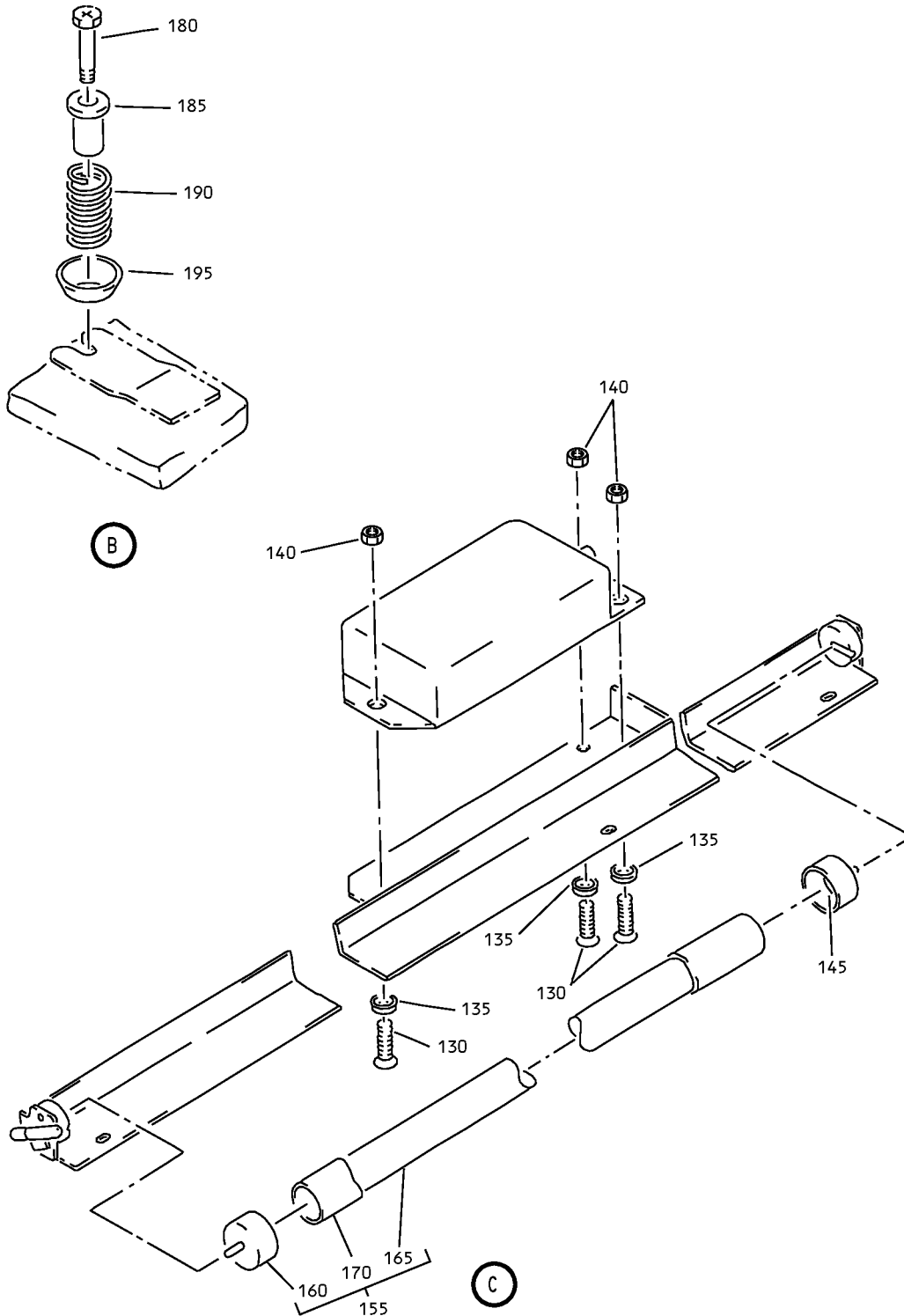
**25-28-49**

ILLUSTRATED PARTS LIST

Page 1098.187

Mar 01/2006

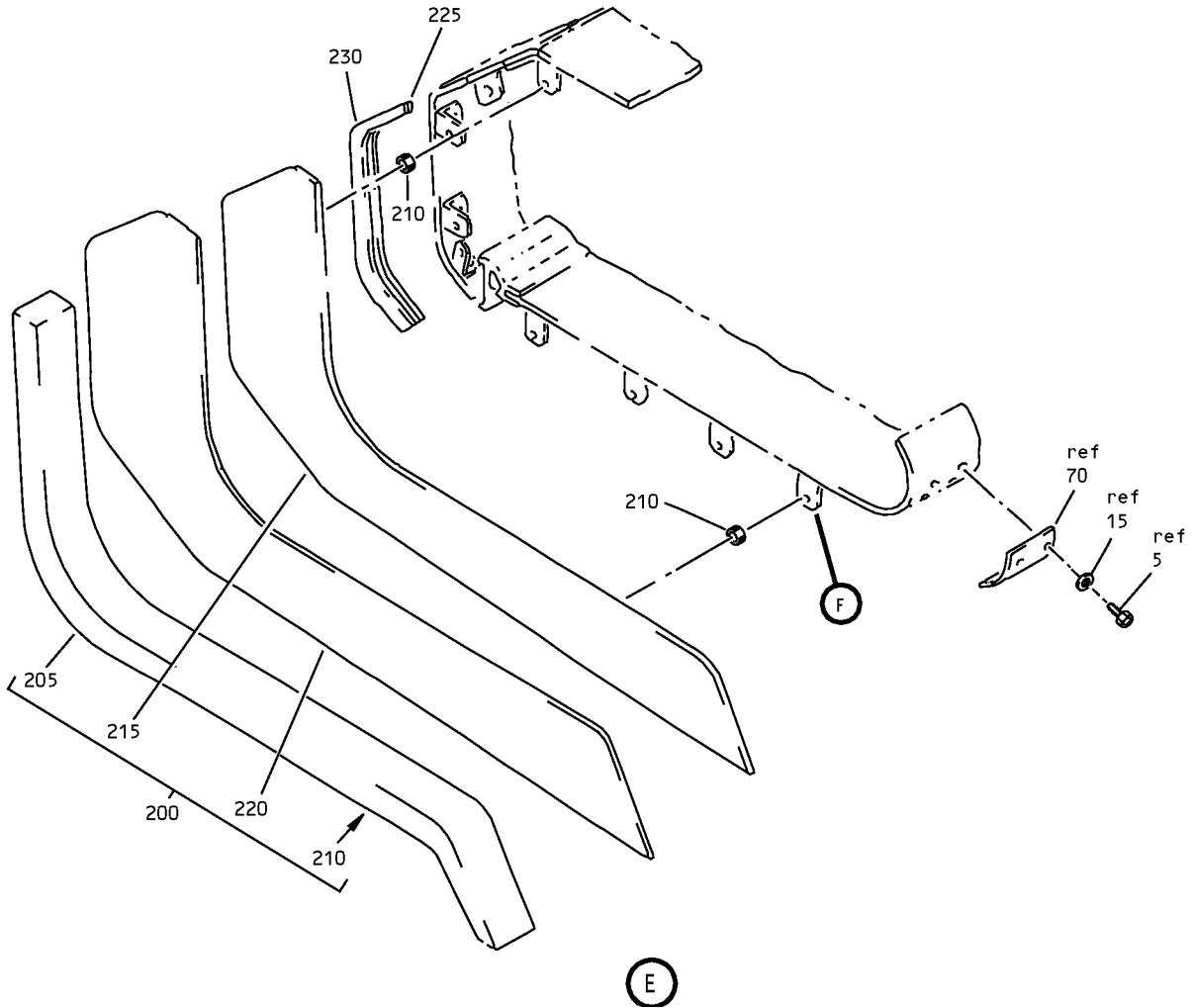
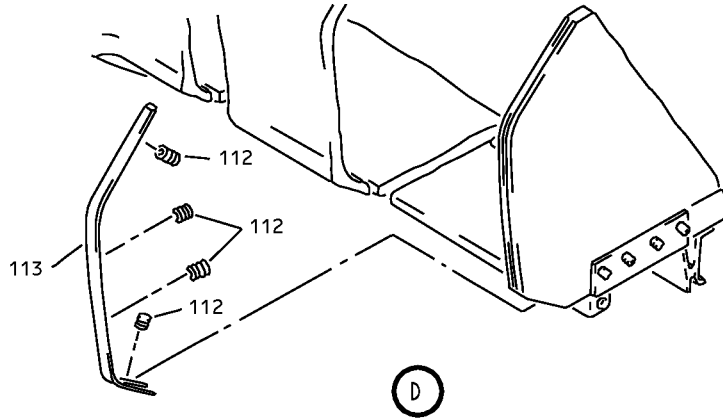
COMPONENT MAINTENANCE MANUAL



Overhead Storage Compartment Assembly  
IPL Figure 2 (Sheet 2 of 4)

**25-28-49**  
ILLUSTRATED PARTS LIST  
Page 1098.188  
Mar 01/2006

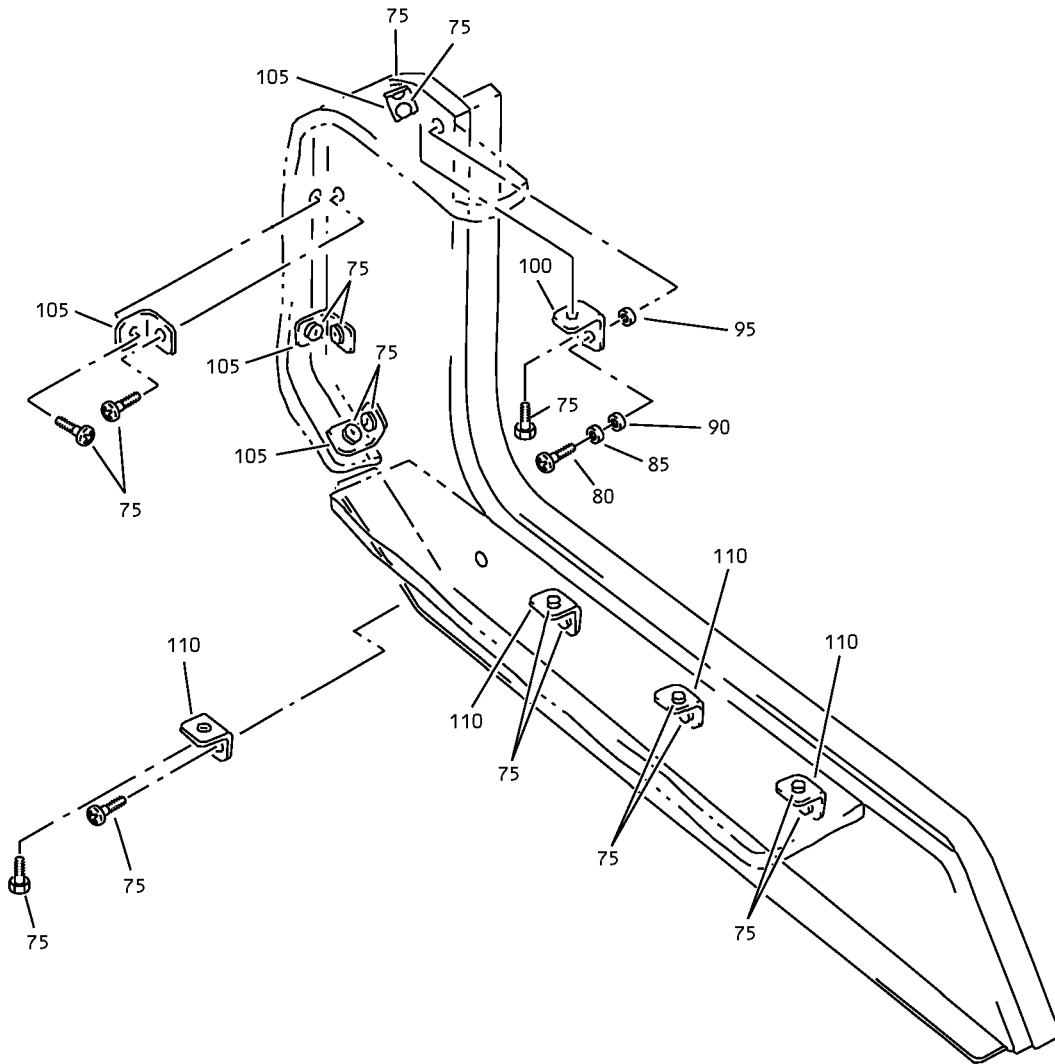
COMPONENT MAINTENANCE MANUAL



Overhead Stowage Compartment Assembly  
IPL Figure 2 (Sheet 3 of 4)

**25-28-49**  
ILLUSTRATED PARTS LIST  
Page 1098.189  
Mar 01/2006

COMPONENT MAINTENANCE MANUAL



F

Overhead Stowage Compartment Assembly  
IPL Figure 2 (Sheet 4 of 4)

**25-28-49**

ILLUSTRATED PARTS LIST

Page 1098.190

Mar 01/2006



## COMPONENT MAINTENANCE MANUAL

FIG/ ITEM	PART NUMBER	AIRLINE PART NUMBER	NOMENCLATURE							USAGE CODE	UNITS PER ASSY
			1	2	3	4	5	6	7		
2-											
-1	65C32944-100SP									BR	RF
-1A	65C32944-645SP									EN	RF
5	BACB30NM3K1									BR, EN	20
10	BACS12ER3K6									BR, EN	4
15	AN960JD10									BR, EN	20
25	412N1161-2									BR, EN	1
30	412N1119-1									BR, EN	1
35	BACB28B6-220P									BR, EN	1
40	412N1119-2									BR, EN	1

-Item not Illustrated

# 25-28-49

ILLUSTRATED PARTS LIST

Page 1098.191

Mar 01/2006



COMPONENT MAINTENANCE MANUAL

FIG/ ITEM	PART NUMBER	AIRLINE PART NUMBER	NOMENCLATURE							USAGE CODE	UNITS PER ASSY	
			1	2	3	4	5	6	7			
2- 45	BACB30NM3K10		.	B	O	L	T				BR, EN	1
				(V06710)	(SPEC BACB30NM3K10)	(OPT BACB30NM3K10 (V06725))	(OPT BACB30NM3K10 (V06950))	(OPT BACB30NM3K10 (V08524))	(OPT BACB30NM3K10 (V27624))	(OPT BACB30NM3K10 (V56878))		
				(OPT BACB30NM3K10 (V73197))	(OPT BACB30NM3K10 (V80539))	(OPT BACB30NM3K10 (V92215))	(OPT BACB30NM3K10 (V93907))	(OPT BACB30NM3K10 (V97928))				
50	BACB30NN3K10		.	B	O	L	T				BR, EN	1
				(V06710)	(SPEC BACB30NN3K10)	(OPT BACB30NN3K10 (V06725))	(OPT BACB30NN3K10 (V06950))	(OPT BACB30NN3K10 (V08524))	(OPT BACB30NN3K10 (V27624))	(OPT BACB30NN3K10 (V56878))		
				(OPT BACB30NN3K10 (V73197))	(OPT BACB30NN3K10 (V80539))	(OPT BACB30NN3K10 (V92215))	(OPT BACB30NN3K10 (V93907))	(OPT BACB30NN3K10 (V97928))				
55	AN960JD10LL		.	W	A	S	H	E	R		BR, EN	1
60	412N1119-56		.	F	I	L	L	E	R		BR, EN	1
65	412N1119-55		.	F	I	T	T	I	N	G	BR, EN	1
70	412N1119-12		.	F	I	T	T	I	N	G	BR, EN	2
75	BACS12FA3K5		.	S	C	R	E	W			BR, EN	17
				(V06710)	(SPEC BACS12FA3K5)	(OPT BACS12FA3K5 (V06725))	(OPT BACS12FA3K5 (V06950))	(OPT BACS12FA3K5 (V27624))	(OPT BACS12FA3K5 (V34252))	(OPT BACS12FA3K5 (V56878))		
				(OPT BACS12FA3K5 (V73197))	(OPT BACS12FA3K5 (V80539))	(OPT BACS12FA3K5 (V92215))	(OPT BACS12FA3K5 (V93907))	(OPT BACS12FA3K5 (V97928))				
80	BACB30PF4-3		.	B	O	L	T				BR, EN	1

-Item not Illustrated

**25-28-49**

ILLUSTRATED PARTS LIST  
Page 1098.192  
Mar 01/2006





## COMPONENT MAINTENANCE MANUAL

FIG/ ITEM	PART NUMBER	AIRLINE PART NUMBER	NOMENCLATURE							USAGE CODE	UNITS PER ASSY																																																																																																																																																																																																																													
			1	2	3	4	5	6	7																																																																																																																																																																																																																															
2-																																																																																																																																																																																																																																								
85	AN960C416L		.	W	A	S	H	E	R	BR, EN	1																																																																																																																																																																																																																													
90	NAS1515F4H		.	W	A	S	H	E	R	BR, EN	1																																																																																																																																																																																																																													
95	NAS1515M4L		.	W	A	S	H	E	R	BR, EN	1																																																																																																																																																																																																																													
100	412N1145-30		.	B	R	A	C	K	E	BR, EN	1																																																																																																																																																																																																																													
105	65C27017-43		.	B	R	A	C	K	E	BR, EN	4																																																																																																																																																																																																																													
110	412N1145-29		.	B	R	A	C	K	E	BR, EN	4																																																																																																																																																																																																																													
111	65C27026-46SP		.	P	A	N	E	L	A	S	S	Y-F	I	L	L	BR	1																																																																																																																																																																																																																							
-111A	412N1233-106SP		.	P	A	N	E	L	A	S	S	Y-F	I	L	L	EN	1																																																																																																																																																																																																																							
112	NAS1836-3-11		.	.	I	N	S	E	R	(O	P	T	I	T	E	M	1	1	2	A	BR, EN	4																																																																																																																																																																																																																		
-112A	NAS1836-3-9		.	.	I	N	S	E	R	(O	P	T	I	T	E	M	1	1	2	BR, EN	4																																																																																																																																																																																																																			
113	412N1233-107SP		.	.	C	O	V	E	R	-D	E	C	O	R	A	T	I	V	E	EN	1																																																																																																																																																																																																																			
115	417N5120-16		.	L	I	G	H	A	S	S	Y	BR, EN	1																																																																																																																																																																																																																											
			ATTACHING PARTS																																																																																																																																																																																																																																					
120	NAS1801-3-5		.	S	C	R	E	W	BR, EN	3																																																																																																																																																																																																																														
125	AN960JD10LL		.	W	A	S	H	E	R	BR, EN	3																																																																																																																																																																																																																													
			----- * -----																																																																																																																																																																																																																																					
130	BACS12ER3K6		.	.	S	C	R	E	W	(V	0	6	7	1	0)	(S	P	E	C	B	A	C	S	1	2	E	R	3	K	6)	(O	P	T	B	A	C	S	1	2	E	R	3	K	6	(V	0	6	7	2	5))	(O	P	T	B	A	C	S	1	2	E	R	3	K	6	(V	0	6	9	5	0))	(O	P	T	B	A	C	S	1	2	E	R	3	K	6	(V	2	7	6	2	4))	(O	P	T	B	A	C	S	1	2	E	R	3	K	6	(V	3	4	2	5	2))	(O	P	T	B	A	C	S	1	2	E	R	3	K	6	(V	5	6	8	7	8))	(O	P	T	B	A	C	S	1	2	E	R	3	K	6	(V	7	3	1	9	7))	(O	P	T	B	A	C	S	1	2	E	R	3	K	6	(V	8	0	5	3	9))	(O	P	T	B	A	C	S	1	2	E	R	3	K	6	(V	9	2	2	1	5))	(O	P	T	B	A	C	S	1	2	E	R	3	K	6	(V	9	3	9	0	7))	(O	P	T	B	A	C	S	1	2	E	R	3	K	6	(V	9	7	9	2	8))	BR, EN	3
135	BACW10UD10		.	.	W	A	S	H	E	R	BR, EN	3																																																																																																																																																																																																																												
140	F22K1-02		.	.	N	U	T	(V	7	2	9	6	2)	(S	P	E	C	B	A	C	N	1	0	R	1	0	L)	(O	P	T	2	2	K	1	-	0	2	(V	7	2	9	6	2))	(O	P	T	2	6	C	L	0	2	(V	8	0	5	3	9))	BR, EN	3																																																																																																																																																																												

-Item not Illustrated

# 25-28-49

ILLUSTRATED PARTS LIST

Page 1098.193

Mar 01/2006



### COMPONENT MAINTENANCE MANUAL

FIG/ ITEM	PART NUMBER	AIRLINE PART NUMBER	NOMENCLATURE							USAGE CODE	UNITS PER ASSY
			1	2	3	4	5	6	7		
2-											
145	05939-104			.	.	BALLAST (V17023) (SPEC S283N702-104) (OPT ITEM 145A)				BR, EN	1
-145A	05939-4			.	.	BALLAST (V17023) (SPEC S283N702-4) (OPT ITEM 145)				BR, EN	1
-150	800000255-13			.	.	LIGHT ASSY-CLG (V05617) (SPEC S417N507-13) (FOR DETAILS SEE FIG. 80)				BR, EN	1
155	417N5120-10			.	.	LAMP ASSY				BR, EN	1
160	2055150			.	.	CAP-END (V04169)				BR, EN	2
165	F40WW			.	.	LAMP-FLUOR (V08805)				BR, EN	1
170	LP1625-48			.	.	TUBE-COVER (V60116) (OPT ITEM 170A)				BR, EN	1
-170A	NI312LGVUV1000			.	.	TUBE-COVER (V06034) (OPT ITEM 170)				BR, EN	1
180	NAS1801-3-11			.	.	SCREW				BR, EN	1
185	BACS18C8-6			.	.	SPACER				BR, EN	1
190	MS24585-1230			.	.	SPRING				BR, EN	1
195	411N3142-28			.	.	WASHER-CUPPED				BR, EN	1
200	65C32946-60SP			.	.	CAP ASSY-END				BR, EN	1
205	65C32946-16			.	.	SEAL				BR, EN	1
210	SL2334-3A2			.	.	INSERT (V97393)				BR, EN	9
215	65C32946-80			.	.	PANEL ASSY				BR, EN	1
220	65C32946-12SP			.	.	CAP END				BR, EN	1
225	65C32944-7			.	.	SEAL				BR, EN	1
230	412N1130-5SP			.	.	TRIM				BR, EN	2
235	65C32945-14SP			.	.	MODULE ASSY (FOR DETAILS SEE FIG. 28)				BR	1

-Item not Illustrated

# 25-28-49

ILLUSTRATED PARTS LIST

Page 1098.194

Mar 01/2006



## COMPONENT MAINTENANCE MANUAL

FIG/ ITEM	PART NUMBER	AIRLINE PART NUMBER	NOMENCLATURE							USAGE CODE	UNITS PER ASSY	
			1	2	3	4	5	6	7			
2- 235A -240	65C32945-647SP 65C32945-647SP										EN	1

-Item not Illustrated

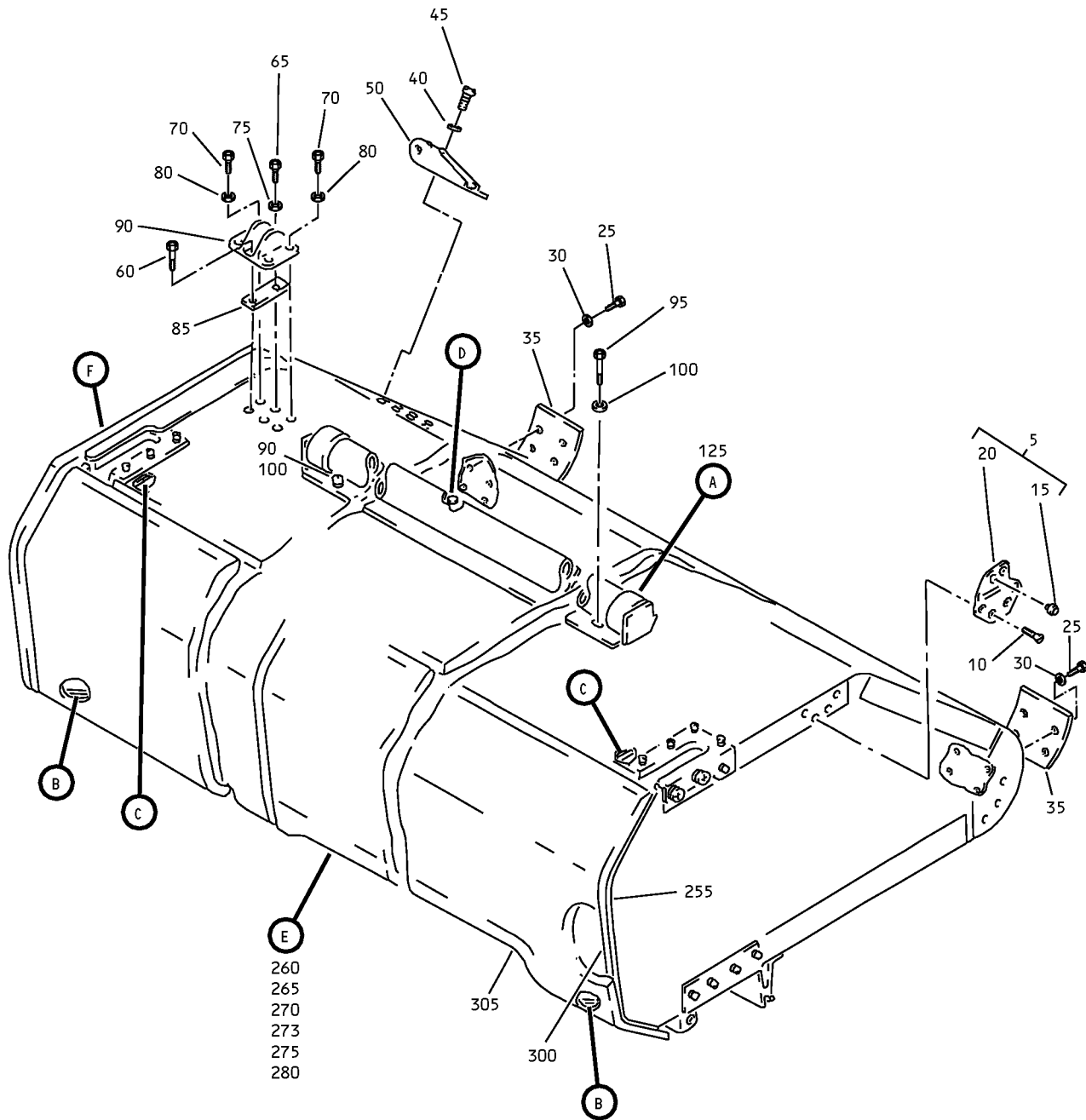
# 25-28-49

ILLUSTRATED PARTS LIST

Page 1098.195

Mar 01/2006

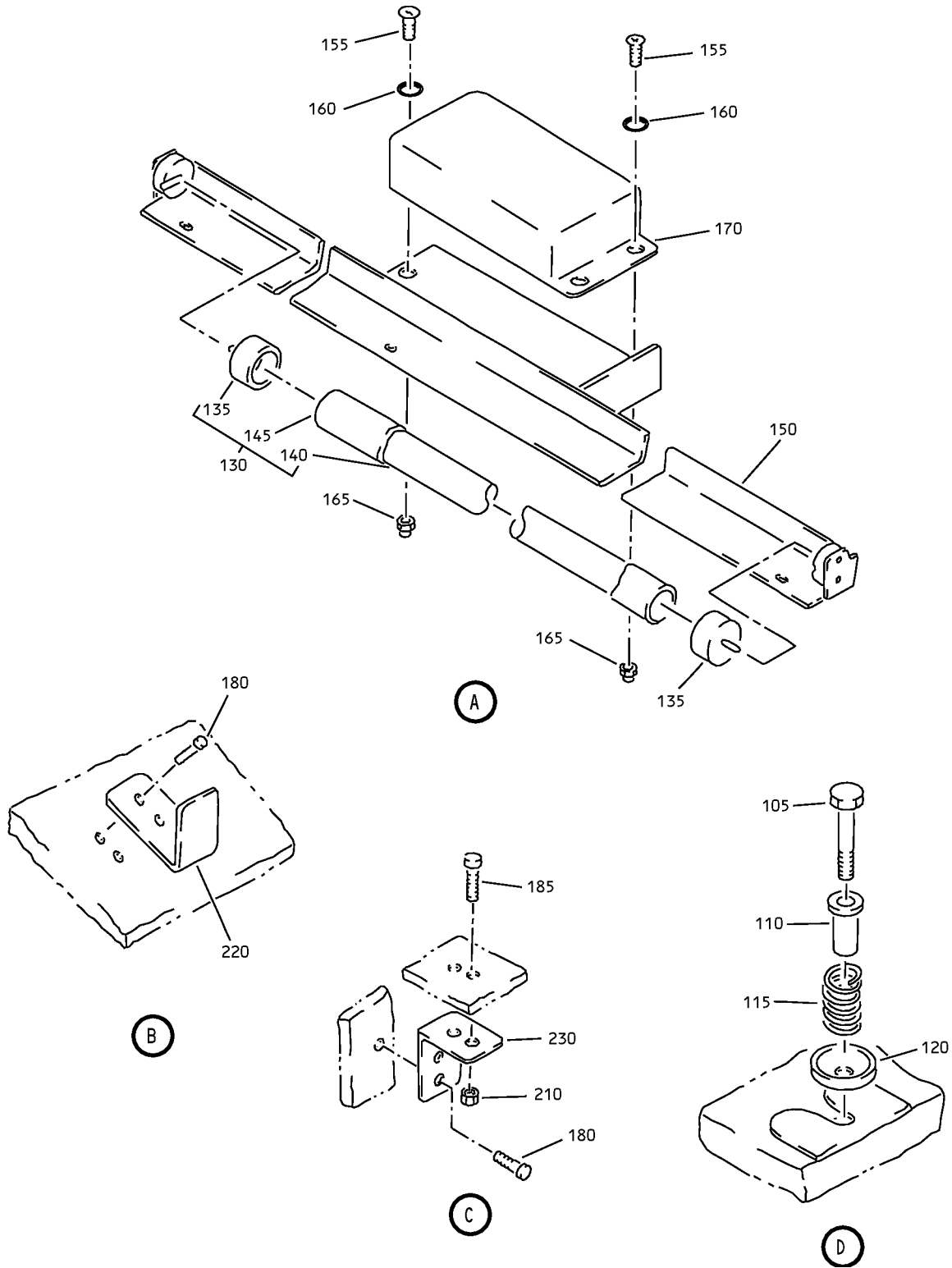
COMPONENT MAINTENANCE MANUAL



Overhead Stowage Compartment Assembly  
IPL Figure 3 (Sheet 1 of 3)

**25-28-49**  
ILLUSTRATED PARTS LIST  
Page 1098.196  
Mar 01/2006

COMPONENT MAINTENANCE MANUAL



Overhead Storage Compartment Assembly  
IPL Figure 3 (Sheet 2 of 3)

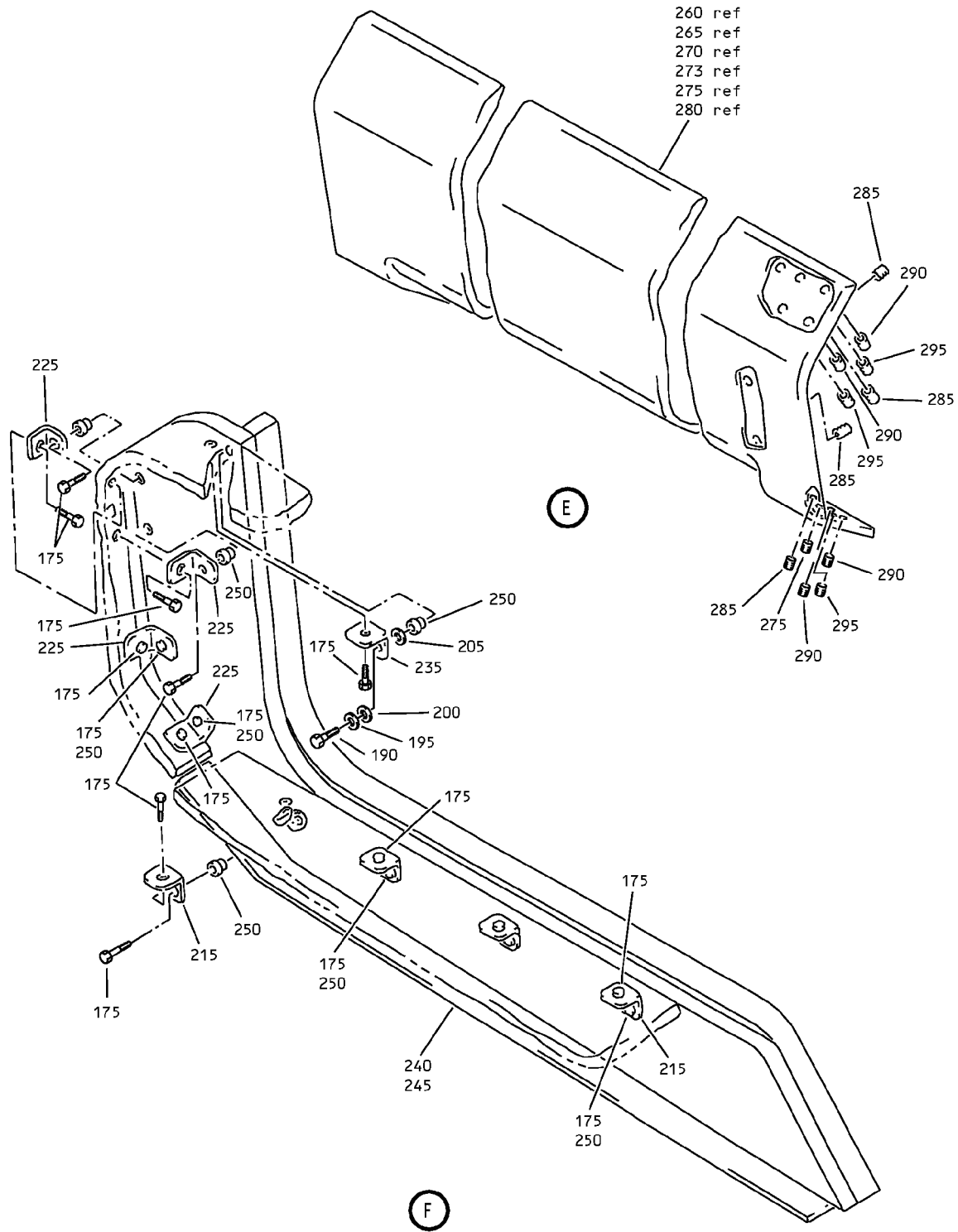
**25-28-49**

ILLUSTRATED PARTS LIST

Page 1098.197

Mar 01/2006

**COMPONENT MAINTENANCE MANUAL**



Overhead Storage Compartment Assembly  
IPL Figure 3 (Sheet 3 of 3)

**25-28-49**

ILLUSTRATED PARTS LIST

Page 1098.198

Mar 01/2006



## COMPONENT MAINTENANCE MANUAL

FIG/ ITEM	PART NUMBER	AIRLINE PART NUMBER	NOMENCLATURE							USAGE CODE	UNITS PER ASSY
			1	2	3	4	5	6	7		
3-											
-1	65C32944-17SP									N	RF
-1A	65C32944-18SP									P	RF
-1B	65C32944-21SP									S	RF
-1C	65C32944-22SP									T	RF
-1D	65C32944-30SP									AB	RF
-1E	65C32944-35SP									AF	RF
-1F	65C32944-36SP									AG	RF
-1G	65C32944-41SP									AL	RF
-1H	65C32944-61SP									BA	RF
-1J	65C32944-62SP									BB	RF
-1K	65C32944-63SP									BC	RF
-1L	65C32944-64SP									BD	RF
-1M	65C32944-101SP									BS	RF
-1N	65C32944-102SP									BT	RF
-1P	65C32944-110SP									CB	RF
-1Q	65C32944-111SP									CC	RF
-1R	65C32944-114SP									CE	RF
-1S	65C32944-127SP									CQ	RF

-Item not Illustrated

# 25-28-49

ILLUSTRATED PARTS LIST

Page 1098.199

Mar 01/2006



## COMPONENT MAINTENANCE MANUAL

FIG/ ITEM	PART NUMBER	AIRLINE PART NUMBER	NOMENCLATURE							USAGE CODE	UNITS PER ASSY
			1	2	3	4	5	6	7		
3-											
-1T	65C32944-128SP									CR	RF
-1V	65C32944-141SP									DB	RF
-1W	65C32944-142SP									DC	RF
-1X	65C32944-154SP									DN	RF
-1Y	65C32944-155SP									DP	RF
-1Z	65C32944-163SP									DQ	RF
-2	65C32944-315SP									DT	RF
-2A	65C32944-318SP									DV	RF
-2B	65C32944-330SP									EA	RF
-2C	65C32944-331SP									EB	RF
-2D	65C32944-618SP									EH	RF
-2E	65C32944-649SP									ES	RF
-2F	65C32944-617SP									EZ	RF
-2G	65C32944-676SP									FC	RF
-2H	65C32944-677SP									FD	RF

-Item not Illustrated

# 25-28-49

ILLUSTRATED PARTS LIST

Page 1098.200

Mar 01/2006





## COMPONENT MAINTENANCE MANUAL

FIG/ ITEM	PART NUMBER	AIRLINE PART NUMBER	NOMENCLATURE							USAGE CODE	UNITS PER ASSY		
			1	2	3	4	5	6	7				
3- 5	412N1119-1		.								N, P, S, T, AB, AF, AG, AL, BA- BD, BS, BT, CB, CC, CE, CN, CQ, CR, DB, DC, DN, DP, DQ, DT, DV, EA, EB, EH, ES, EZ, FC, FD	1	
10	BACS12ER3K6												
			ATTACHING PARTS										
			. SCREW (V06710) (SPEC BACS12ER3K6) (OPT BACS12ER3K6 (V06725)) (OPT BACS12ER3K6 (V06950)) (OPT BACS12ER3K6 (V27624)) (OPT BACS12ER3K6 (V34252)) (OPT BACS12ER3K6 (V56878)) (OPT BACS12ER3K6 (V73197)) (OPT BACS12ER3K6 (V80539)) (OPT BACS12ER3K6 (V92215)) (OPT BACS12ER3K6 (V93907)) (OPT BACS12ER3K6 (V97928))								N, P, S, T, AB, AF, AG, AL, BA- BD, BS, BT, CB, CC, CE, CN, CQ, CR, DB, DC, DN, DP, DQ, DT, DV, EA, EB, EH, ES, EZ, FC, FD	4	
			-----*										

-Item not Illustrated

# 25-28-49

ILLUSTRATED PARTS LIST

Page 1098.201

Mar 01/2006



COMPONENT MAINTENANCE MANUAL

FIG/ ITEM	PART NUMBER	AIRLINE PART NUMBER	NOMENCLATURE							USAGE CODE	UNITS PER ASSY
			1	2	3	4	5	6	7		
3- -15	BACB28B6-220P		.	.							1
										N, P, S, T, AB, AF, AG, AL, BA- BD, BS, BT, CB, CC, CE, CN, CQ, CR, DB, DC, DN, DP, DQ, DT, DV, EA, EB, EH, ES, EZ, FC, FD	
20	412N1119-2		.	.							1
										N, P, S, T, AB, AF, AG, AL, BA- BD, BS, BT, CB, CC, CE, CN, CQ, CR, DB, DC, DN, DP, DQ, DT, DV, EA, EB, EH, ES, EZ, FC, FD	

-Item not Illustrated

**25-28-49**

ILLUSTRATED PARTS LIST

Page 1098.202

Jul 01/2009



## COMPONENT MAINTENANCE MANUAL

FIG/ ITEM	PART NUMBER	AIRLINE PART NUMBER	NOMENCLATURE							USAGE CODE	UNITS PER ASSY	
			1	2	3	4	5	6	7			
3- 25	BACB30NM3K1		.	B	O	L	T				N, P, S, T, AB, AF, AG, AL, BA- BD, BS, BT, CB, CC, CE, CN, CQ, CR, DB, DC, DN, DP, DQ, DT, DV, EA, EB, EH, ES, EZ, FC, FD	8
30	AN960JD10		.	W	A	S	H	E	R		N, P, S, T, AB, AF, AG, AL, BA- BD, BS, BT, CB, CC, CE, CN, CQ, CR, DB, DC, DN, DP, DQ, DT, DV, EA, EB, EH, ES, EZ, FC, FD	8

-Item not Illustrated

# 25-28-49

ILLUSTRATED PARTS LIST

Page 1098.203

Mar 01/2006



## COMPONENT MAINTENANCE MANUAL

FIG/ ITEM	PART NUMBER	AIRLINE PART NUMBER	NOMENCLATURE							USAGE CODE	UNITS PER ASSY	
			1	2	3	4	5	6	7			
3- 35	412N1119-12		.								N, P, S, T, AB, AF, AG, AL, BA- BD, BS, BT, CB, CC, CE, CN, CQ, CR, DB, DC, DN, DP, DQ, DT, DV, EA, EB, EH, ES, EZ, FC, FD	2
40	BACB30NM3K1		.								N, P, S, T, AB, AF, AG, AL, BA- BD, BS, BT, CB, CC, CE, CN, CQ, CR, DB, DC, DN, DP, DQ, DT, DV, EA, EB, ES, EZ, FC, FD	8

-Item not Illustrated

# 25-28-49

ILLUSTRATED PARTS LIST

Page 1098.204

Mar 01/2006



## COMPONENT MAINTENANCE MANUAL

FIG/ ITEM	PART NUMBER	AIRLINE PART NUMBER	NOMENCLATURE							USAGE CODE	UNITS PER ASSY
			1	2	3	4	5	6	7		
3- 45	AN960JD10		.	W	A	S	H	E	R	N, P, S, T, AB, AF, AG, AL, BA- BD, BS, BT, CB, CC, CE, CN, CQ, CR, DB, DC, DN, DP, DQ, DT, DV, EA, EB, EH, ES, EZ, FC, FD	8
50	412N1161-1		.	F	I	T	T	I	N	N, S, AF, AL, BA, BC, BS, CB, CE, CQ, DB, DN, DT, EB, ES, EZ, FC	1
-55	412N1161-2		.	F	I	T	T	I	N	P, T, AB, AG, BB, BD, BT, CC, CR, DC, DP, DQ, DV, EA, EH, FD	1

-Item not Illustrated

# 25-28-49

ILLUSTRATED PARTS LIST

Page 1098.205

Mar 01/2006



## COMPONENT MAINTENANCE MANUAL

FIG/ ITEM	PART NUMBER	AIRLINE PART NUMBER	NOMENCLATURE							USAGE CODE	UNITS PER ASSY	
			1	2	3	4	5	6	7			
3- 60	BACB30NN3K10		.	B	O	L	T				N, P, S, T, AB, AF, AG, AL, BA- BD, BS, BT, CB, CC, CE, CN, CQ, CR, DB, DC, DN, DP, DQ, DT, DV, EA, EB, EH, ES, EZ, FC, FD	1
65	BACB30NM3K10		.	B	O	L	T				N, P, S, T, AB, AF, AG, AL, BA- BD, BS, BT, CB, CC, CE, CN, CQ, CR, DB, DC, DN, DP, DQ, DT, DV, EA, EB, EH, ES, EZ, FC, FD	1

-Item not Illustrated

# 25-28-49

ILLUSTRATED PARTS LIST

Page 1098.206

Mar 01/2006



## COMPONENT MAINTENANCE MANUAL

FIG/ ITEM	PART NUMBER	AIRLINE PART NUMBER	NOMENCLATURE							USAGE CODE	UNITS PER ASSY	
			1	2	3	4	5	6	7			
3- 70	BACB30NM3K1		.	BOLT							N, P, S, T, AB, AF, AG, AL, BA- BD, BS, BT, CB, CC, CE, CN, CQ, CR, DB, DC, DN, DP, DQ, DT, DV, EA, EB, EH, ES, EZ, FC, FD	4
75	AN960JD10LL		.	WASHER							N, P, S, T, AB, AF, AG, AL, BA- BD, BS, BT, CB, CC, CE, CN, CQ, CR, DB, DC, DN, DP, DQ, DT, DV, EA, EB, EH, ES, EZ, FC, FD	1

-Item not Illustrated

# 25-28-49

ILLUSTRATED PARTS LIST

Page 1098.207

Mar 01/2006



## COMPONENT MAINTENANCE MANUAL

FIG/ ITEM	PART NUMBER	AIRLINE PART NUMBER	NOMENCLATURE							USAGE CODE	UNITS PER ASSY
			1	2	3	4	5	6	7		
3- 80	AN960JD10		.	W	A	S	H	E	R	N, P, S, T, AB, AF, AG, AL, BA- BD, BS, BT, CB, CC, CE, CN, CQ, CR, DB, DC, DN, DP, DQ, DT, DV, EA, EA, EH, ES, EZ, FC, FD	4
85	412N1119-56		.	F	I	L	L	E	R	N, P, S, T, AB, AF, AG, AL, BA- BD, BS, BT, CB, CC, CE, CN, CQ, CR, DB, DC, DN, DP, DQ, DT, DV, EA, EB, EH, ES, EZ, FC, FD	1

-Item not Illustrated

# 25-28-49

ILLUSTRATED PARTS LIST

Page 1098.208

Mar 01/2006





## COMPONENT MAINTENANCE MANUAL

FIG/ ITEM	PART NUMBER	AIRLINE PART NUMBER	NOMENCLATURE							USAGE CODE	UNITS PER ASSY
			1	2	3	4	5	6	7		
3- 90	412N1119-55		.								1
										N, P, S, T, AB, AF, AG, AL, BA- BD, BS, BT, CB, CC, CE, CN, CQ, CR, DB, DC, DN, DP, DQ, DT, DV, EA, EB, EH, ES, EZ, FC, FD	
95	NAS1801-3-5		.								2
										N, P, S, T, AB, AF, AG, AL, BA- BD, BS, BT, CB, CC, CE, CN, CQ, CR, DB, DC, DN, DP, DQ, DT, DV, EA, EA, EH, ES, EZ, FC, FD	

-Item not Illustrated

# 25-28-49

ILLUSTRATED PARTS LIST

Page 1098.209

Mar 01/2006



## COMPONENT MAINTENANCE MANUAL

FIG/ ITEM	PART NUMBER	AIRLINE PART NUMBER	NOMENCLATURE							USAGE CODE	UNITS PER ASSY
			1	2	3	4	5	6	7		
3- 100	AN960JD10LL		.	W	A	S	H	E	R	N, P, S, T, AB, AF, AG, AL, BA- BD, BS, BT, CB, CC, CE, CN, CQ, CR, DB, DC, DN, DP, DQ, DT, DV, EA, EB, EH, ES, EZ, FC, FD	2
105	NAS1801-3-11		.	S	C	R	E	W		N, P, S, T, AB, AF, AG, AL, BA- BD, BS, BT, CB, CC, CE, CN, CQ, CR, DB, DC, DN, DP, DQ, DT, DV, EA, EB, EH, ES, EZ, FC, FD	1

-Item not Illustrated

# 25-28-49

ILLUSTRATED PARTS LIST

Page 1098.210

Mar 01/2006



## COMPONENT MAINTENANCE MANUAL

FIG/ ITEM	PART NUMBER	AIRLINE PART NUMBER	NOMENCLATURE							USAGE CODE	UNITS PER ASSY	
			1	2	3	4	5	6	7			
3- 110	BACS18C8-6		.								N, P, S, T, AB, AF, AG, AL, BA- BD, BS, BT, CB, CC, CE, CN, CQ, CR, DB, DC, DN, DP, DQ, DT, DV, EA, EB, EH, ES, EZ, FC, FD	1
115	MS24585-1230		.								N, P, S, T, AB, AF, AG, AL, BA- BD, BS, BT, CB, CC, CE, CN, CQ, CR, DB, DC, DN, DP, DQ, DT, DV, EA, EB, EH, ES, EZ, FD	1

-Item not Illustrated

# 25-28-49

ILLUSTRATED PARTS LIST

Page 1098.211

Mar 01/2006



## COMPONENT MAINTENANCE MANUAL

FIG/ ITEM	PART NUMBER	AIRLINE PART NUMBER	NOMENCLATURE							USAGE CODE	UNITS PER ASSY		
			1	2	3	4	5	6	7				
3- 120	411N3142-28		.								WASHER-CUPPED	N, P, S, T, AB, AF, AG, AL, BA- BD, BS, BT, CB, CC, CE, CN, CQ, CR, DB, DC, DN, DP, DQ, DT, DV, EA, EB, EH, ES, EZ, FC, FD	1
125	417N5120-19SP		.								LIGHT ASSY	N, P, S, T, AB, AF, AG, AL, BA- BD, BS, BT, CB, CC, CE, CN, CQ, CR, DB, DC, DN, DP, DQ, DT, DV, EA, EB, EH, ES, EZ, FC	1
127	417N5120-25SP		.								LIGHT ASSY	FD	1

-Item not Illustrated

# 25-28-49

ILLUSTRATED PARTS LIST

Page 1098.212

Mar 01/2006



## COMPONENT MAINTENANCE MANUAL

FIG/ ITEM	PART NUMBER	AIRLINE PART NUMBER	NOMENCLATURE							USAGE CODE	UNITS PER ASSY	
			1	2	3	4	5	6	7			
3- 130	417N5120-11		.	.	LAMP ASSY						N, P, S, T, AB, AF, AG, AL, BA- BD, BS, BT, CB, CC, CE, CN, CQ, CR, DB, DC, DN, DP, DQ, DT, DV, EA, EB, EH, ES, EZ, FC, FD	1
135	2055150		.	.	. CAP-END (V04169)						N, P, S, T, AB, AF, AG, AL, BA- BD, BS, BT, CB, CC, CE, CN, CQ, CR, DB, DC, DN, DP, DQ, DT, DV, EA, EB, EH, ES, EZ, FC, FD	2

-Item not Illustrated

# 25-28-49

ILLUSTRATED PARTS LIST

Page 1098.213

Mar 01/2006



## COMPONENT MAINTENANCE MANUAL

FIG/ ITEM	PART NUMBER	AIRLINE PART NUMBER	NOMENCLATURE							USAGE CODE	UNITS PER ASSY	
			1	2	3	4	5	6	7			
3- 140	F20T12WW		.	.	.	LAMP-FLUOR. (V08805)					N, P, S, T, AB, AF, AG, AL, BA- BD, BS, BT, CB, CC, CE, CN, CQ, CR, DB, DC, DN, DP, DQ, DT, DV, EA, EB, EH, ES, EZ, FC, FD	1
145	LP1625-24		.	.	.	TUBE-COVER (V60116) (OPT ITEM 145A)					N, P, S, T, AB, AF, AG, AL, BA- BD, BS, BT, CB, CC, CE, CN, CQ, CR, DB, DC, DN, DP, DQ, DT, DV, EA, EB, EH, ES, EZ, FC, FD	1

-Item not Illustrated

# 25-28-49

ILLUSTRATED PARTS LIST

Page 1098.214

Mar 01/2006



## COMPONENT MAINTENANCE MANUAL

FIG/ ITEM	PART NUMBER	AIRLINE PART NUMBER	NOMENCLATURE							USAGE CODE	UNITS PER ASSY	
			1	2	3	4	5	6	7			
3- -145A	NI152LGWUV1000		.	.	.	TUBE-COVER (V06034) (OPT ITEM 145)					N, P, S, T, AB, AF, AG, AL, BA- BD, BS, BT, CB, CC, CE, CN, CQ, CR, DB, DC, DN, DP, DQ, DT, DV, EA, EB, EH, ES, EZ, FC, FD	1
150	800000255-16		.	.	LIGHT ASSY-CLG (V05617) (SPEC S417N507-16) (FOR DETAILS SEE FIG. 80)						N, P, S, T, AB, AF, AG, AL, BA- BD, BS, BT, CB, CC, CE, CN, CQ, CR, DB, DC, DN, DP, DQ, DT, DV, EA, EB, EH, ES, EZ, FC	1
152	S417N507-22		.	.	HOUSING						FD	1

-Item not Illustrated

# 25-28-49

ILLUSTRATED PARTS LIST

Page 1098.215

Mar 01/2006



## COMPONENT MAINTENANCE MANUAL

FIG/ ITEM	PART NUMBER	AIRLINE PART NUMBER	NOMENCLATURE							USAGE CODE	UNITS PER ASSY	
			1	2	3	4	5	6	7			
3- 155	BACS12ER3K6		.	.	SCREW (V06710) (SPEC BACS12ER3K6) (OPT BACS12ER3K6 (V06725)) (OPT BACS12ER3K6 (V06950)) (OPT BACS12ER3K6 (V27624)) (OPT BACS12ER3K6 (V34252)) (OPT BACS12ER3K6 (V56878)) (OPT BACS12ER3K6 (V73197)) (OPT BACS12ER3K6 (V80539)) (OPT BACS12ER3K6 (V92215)) (OPT BACS12ER3K6 (V93907)) (OPT BACS12ER3K6 (V97928))						N, P, S, T, AB, AF, AG, AL, BA- BD, BS, BT, CB, CC, CE, CN, CQ, CR, DB, DC, DN, DP, DQ, DT, DV, EA, EB, EH, ES, EZ, FC, FD	3
160	BACW10UD10		.	.	WASHER						N, P, S, T, AB, AF, AG, AL, BA- BD, BS, BT, CB, CC, CE, CN, CQ, CR, DB, DC, DN, DP, DQ, DT, DV, EA, EB, EH, ES, EZ, FC, FD	3

-Item not Illustrated

# 25-28-49

ILLUSTRATED PARTS LIST

Page 1098.216

Mar 01/2006





## COMPONENT MAINTENANCE MANUAL

FIG/ ITEM	PART NUMBER	AIRLINE PART NUMBER	NOMENCLATURE							USAGE CODE	UNITS PER ASSY	
			1	2	3	4	5	6	7			
3- 165	F22K1-02		.	.	NUT (V72962) (SPEC BACN10R10L) (OPT 22K1-02 (V72962)) (OPT 26CL02 (V80539))						N, P, S, T, AB, AF, AG, AL, BA- BD, BS, BT, CB, CC, CE, CN, CQ, CR, DB, DC, DN, DP, DQ, DT, DV, EA, EB, EH, ES, EZ, FC, FD	3
170	05939-5		.	.	BALLAST (V17023) (SPEC S283N702-5) (OPT 1985-1 (V30242))						N, P, S, T, AB, AF, AG, AL, BA- BD, BS, BT, CB, CC, CE, CN, CQ, CR, DB, DC, DN, DP, DQ, DT, DV, EA, EB, EH, ES, EZ, FC, FD	1

-Item not Illustrated

# 25-28-49

ILLUSTRATED PARTS LIST

Page 1098.217

Mar 01/2006



## COMPONENT MAINTENANCE MANUAL

FIG/ ITEM	PART NUMBER	AIRLINE PART NUMBER	NOMENCLATURE							USAGE CODE	UNITS PER ASSY	
			1	2	3	4	5	6	7			
3- -170A	1985-1		.	.	BALLAST (V30242) (SPEC S283N702-5) (OPT 05939-5 (V17023))						N, P, S, T, AB, AF, AG, AL, BA- BD, BS, BT, CB, CC, CE, CN, CQ, CR, DB, DC, DN, DP, DQ, DT, DV, EA, EB, EH, ES, EZ, FC, FD	1
172	1864		.	.	BULB (V08805)						FD	1
175	BACS12FA3K5		.	.	SCREW (V06710) (SPEC BACS12FA3K5) (OPT BACS12FA3K5 (V06725)) (OPT BACS12FA3K5 (V06950)) (OPT BACS12FA3K5 (V27624)) (OPT BACS12FA3K5 (V34252)) (OPT BACS12FA3K5 (V56878)) (OPT BACS12FA3K5 (V73197)) (OPT BACS12FA3K5 (V80539)) (OPT BACS12FA3K5 (V92215)) (OPT BACS12FA3K5 (V93907)) (OPT BACS12FA3K5 (V97928))						N, P, S, T, AB, AF, AG, AL, BA- BD, BS, BT, CB, CC, CE, CN, CQ, CR, DB, DC, DN, DP, DQ, DT, DV, EA, EB, EH, ES, EZ, FC, FD	17

-Item not Illustrated

# 25-28-49

ILLUSTRATED PARTS LIST

Page 1098.218

Mar 01/2006



## COMPONENT MAINTENANCE MANUAL

FIG/ ITEM	PART NUMBER	AIRLINE PART NUMBER	NOMENCLATURE							USAGE CODE	UNITS PER ASSY				
			1	2	3	4	5	6	7						
3- 180	BACS12FA3K5		.	S	C	R	E	W		AB	8				
				(V06710)	(SPEC BACS12FA3K5)	(OPT BACS12FA3K5 (V06725))	(OPT BACS12FA3K5 (V06950))	(OPT BACS12FA3K5 (V27624))	(OPT BACS12FA3K5 (V34252))	(OPT BACS12FA3K5 (V56878))	(OPT BACS12FA3K5 (V73197))	(OPT BACS12FA3K5 (V80539))	(OPT BACS12FA3K5 (V92215))	(OPT BACS12FA3K5 (V93907))	(OPT BACS12FA3K5 (V97928))
185	BACS12FA3K12		.	S	C	R	E	W		AB	2				
				(V06710)	(SPEC BACS12FA3K12)	(OPT BACS12FA3K12 (V06725))	(OPT BACS12FA3K12 (V06950))	(OPT BACS12FA3K12 (V27624))	(OPT BACS12FA3K12 (V34252))	(OPT BACS12FA3K12 (V56878))	(OPT BACS12FA3K12 (V73197))	(OPT BACS12FA3K12 (V80539))	(OPT BACS12FA3K12 (V92215))	(OPT BACS12FA3K12 (V93907))	(OPT BACS12FA3K12 (V97928))
190	BACB30PF4-3		.	B	O	L	T			N, P, S, T, AB, AF, AG, AL, BA- BD, BS, BT, CB, CC, CE, CN, CQ, CR, DB, DC, DN, DP, DQ, DT, DV, EA, EH, ES, EZ, FC, FD	1				

-Item not Illustrated

# 25-28-49

ILLUSTRATED PARTS LIST

Page 1098.219

Mar 01/2006



## COMPONENT MAINTENANCE MANUAL

FIG/ ITEM	PART NUMBER	AIRLINE PART NUMBER	NOMENCLATURE							USAGE CODE	UNITS PER ASSY
			1	2	3	4	5	6	7		
3- 195	AN960C416L		.								1
										N, P, S, T, AB, AF, AG, AL, BA- BD, BS, BT, CB, CC, CE, CN, CQ, CR, DB, DC, DN, DP, DQ, DT, DV, EA, EB, EH, ES, EZ, FC, FD	
200	NAS1515F4H		.								1
										N, P, S, T, AB, AF, AG, AL, BA- BD, BS, BT, CB, CC, CE, CN, CQ, CR, DB, DC, DN, DP, DQ, DT, DV, EA, EB, EH, ES, EZ, FC, FD	

-Item not Illustrated

# 25-28-49

ILLUSTRATED PARTS LIST

Page 1098.220

Mar 01/2006



## COMPONENT MAINTENANCE MANUAL

FIG/ ITEM	PART NUMBER	AIRLINE PART NUMBER	NOMENCLATURE							USAGE CODE	UNITS PER ASSY
			1	2	3	4	5	6	7		
3- 205	NAS1515M4L		.	W	A	S	H	E	R	N, P, S, T, AB, AF, AG, AL, BA- BD, BS, BT, CB, CC, CE, CN, CQ, CR, DB, DC, DN, DP, DQ, DT, DV, EA, EB, EH, ES, EZ, FC, FD	1
210	130120		.	N						AB	2
215	412N1145-29		.	B	R	A	C	K	E	N, P, S, T, AB, AF, AG, AL, BA- BD, BS, BT, CB, CC, CE, CN, CQ, CR, DB, DC, DN, DP, DQ, DT, DV, EA, EB, EH, ES, EZ, FC, FD	4
220	412N1145-92		.	B	R	A	C	K	E	AB	2

-Item not Illustrated

# 25-28-49

ILLUSTRATED PARTS LIST

Page 1098.221

Mar 01/2006



## COMPONENT MAINTENANCE MANUAL

FIG/ ITEM	PART NUMBER	AIRLINE PART NUMBER	NOMENCLATURE							USAGE CODE	UNITS PER ASSY	
			1	2	3	4	5	6	7			
3- 225	65C27017-43		.	BRACKET							N, P, S, T, AB, AF, AG, AL, BA- BD, BS, BT, CB, CC, CE, CN, CQ, CR, DB, DC, DN, DP, DQ, DT, DV, EA, EB, EH, ES, EZ, FC, FD	4
230	412N1145-89		.	BRACKET							AB	2
235	412N1145-30		.	BRACKET							N, P, S, T, AB, AF, AG, AL, BA- BD, BS, BT, CB, CC, CE, CN, CQ, CR, DB, DC, DN, DP, DQ, DT, DV, EA, EB, EH, ES, EZ, FC, FD	1
240	65C32946-59SP		.	CAP ASSY-END							N, BS, CB, CQ, DB, DN, DT, EB, ES	1
-240A	65C32946-3SP		.	CAP ASSY-END							S, AF, AL, BA, BC	1
-240B	65C32946-107SP		.	CAP ASSY-END							EZ, FC	1
-240C	65C32946-108SP		.	CAP ASSY-END							FD	1

-Item not Illustrated

**25-28-49**

ILLUSTRATED PARTS LIST

Page 1098.222

Mar 01/2006



## COMPONENT MAINTENANCE MANUAL

FIG/ ITEM	PART NUMBER	AIRLINE PART NUMBER	NOMENCLATURE							USAGE CODE	UNITS PER ASSY	
			1	2	3	4	5	6	7			
3- 245	65C32946-60SP		.								BT, CC, CR, DC, DP, DQ, DV, EA, EHEA	1
-245A	65C32946-4SP		.								P, T, AB, AG, BB, BD	1
250	SL2334-3A2		.	.							N, P, S, T, AB, AF, AG, AL, BA- BD, BS, BT, CB, CC, CE, CN, CQ, CR, DB, DC, DN, DP, DQ, DT, DV, EA, EH, ES, EZ, FC, FD	9
255	412N1130-5SP		.								N, P, S, T, AB, AF, AG, AL, BA- BD, BS, BT, CB, CC, CE, CN, CQ, CR, DB, DC, DP, DQ, DT, DV, EA, EB, EH, ES, EZ, FC, FD	1
260	65C27026-96SP		.								N	1
265	65C27026-65SP		.								P, T, BT, DC, DP, EA	1

-Item not Illustrated

**25-28-49**

ILLUSTRATED PARTS LIST

Page 1098.223

Mar 01/2006



## COMPONENT MAINTENANCE MANUAL

FIG/ ITEM	PART NUMBER	AIRLINE PART NUMBER	NOMENCLATURE							USAGE CODE	UNITS PER ASSY
			1	2	3	4	5	6	7		
3-											
270	65C27026-50SP		.							S, BS, DB, DN, DT, EB	1
-270A	65C27026-72SP		.							AF, AL, BA, BC, CB, CE, CQ	1
-270B	65C27026-86SP		.							AG, BB, BD, CC, CR, DQ, DV	1
-270C	65C27026-191SP		.							BZ, FC	1
-270D	65C27026-194SP		.							FD	1
273	65C27026-51SP		.							AB, AL, CN, DB	1
275	412N1233-117SP		.							ES	1
280	412N1233-118SP		.							EH	1
285	NAS1836-3-11									DELETED	
285A	NAS1836-3-11		.	.						N, P, S, T, AB, AF, AG, AL, BA- BD, BS, BT, CB, CC, CE, CN, CQ, CR, DB, DC, DN, DP, DQ, DT, DV, EA, EB, EH, ES, EZ, FC, FD	4
										(OPT ITEM 285B)	

-Item not Illustrated

**25-28-49**

ILLUSTRATED PARTS LIST

Page 1098.224

Mar 01/2006





## COMPONENT MAINTENANCE MANUAL

FIG/ ITEM	PART NUMBER	AIRLINE PART NUMBER	NOMENCLATURE							USAGE CODE	UNITS PER ASSY		
			1	2	3	4	5	6	7				
3- -285B	NAS1836-3-9		.	.	INSERT (OPT ITEM 285)						N, P, S, T, AB, AF, AG, AL, BA- BD, BS, BT, CB, CC, CE, CN, CQ, CR, DB, DC, DP, DQ, DT, DV, EA, EB, EH, ES, EZ, FC, FD	4	
290	NAS1836-3-11		DELETED										
290A	NAS1836-3-11		.	.	INSERT (OPT ITEM 290B)						N, AB, EH, ES	4	
-290B	NAS1836-3-9		.	.	INSERT (OPT ITEM 290)						N, AB, EH, ES	4	
295	NAS1836-3-11		.	.	INSERT (OPT ITEM 295A)						AB	4	
-295A	NAS1836-3-9		.	.	INSERT (OPT ITEM 295)						AB	4	
300	412N1130-5SP		.	TRIM-VERTICAL								N, P, S, T, AB, AF, AG, AL, BA- BD, BS, BT, CB, CC, CE, CN, CQ, CR, DB, DC, DN, DP, DQ, DT, DV, EA, EB, EH, ES, EZ, FC, FD	1
305	65C32945-17SP		.	MODULE ASSY (FOR DETAILS SEE FIG. 29)								N, DN	1

-Item not Illustrated

# 25-28-49

ILLUSTRATED PARTS LIST

Page 1098.225

Mar 01/2006



## COMPONENT MAINTENANCE MANUAL

FIG/ ITEM	PART NUMBER	AIRLINE PART NUMBER	NOMENCLATURE							USAGE CODE	UNITS PER ASSY
			1	2	3	4	5	6	7		
3-											
-305A	65C32945-18SP		.							P, DP	1
										(FOR DETAILS SEE FIG. 29)	
-305B	65C32945-21SP		.							S, BS	1
										(FOR DETAILS SEE FIG. 29)	
-305C	65C32945-22SP		.							T, BT	1
										(FOR DETAILS SEE FIG. 29)	
-305D	65C32945-30SP		.							AB	1
										(FOR DETAILS SEE FIG. 29)	
-305E	65C32945-35SP		.							AF, CB	1
										(FOR DETAILS SEE FIG. 29)	
-305F	65C32945-36SP		.							AG, CC	1
										(FOR DETAILS SEE FIG. 29)	
-305G	65C32945-41SP		.							AL, CE	1
										(FOR DETAILS SEE FIG. 29)	
-305H	65C32945-61SP		.							BA	1
										(FOR DETAILS SEE FIG. 29)	
-305J	65C32945-62SP		.							BB	1
										(FOR DETAILS SEE FIG. 29)	
-305K	65C32945-63SP		.							BC, BQ	1
										(FOR DETAILS SEE FIG. 29)	
-305L	65C32945-64SP		.							BD, CR	1
										(FOR DETAILS SEE FIG. 29)	
-305M	65C32945-77SP		.							DB	1
										(FOR DETAILS SEE FIG. 29)	
-305N	65C32945-78SP		.							DC	1
										(FOR DETAILS SEE FIG. 29)	
-305P	65C32945-73SP		.							DQ	1
										(FOR DETAILS SEE FIG. 29)	
-305Q	65C32945-315SP		.							DT	1
										(FOR DETAILS SEE FIG. 29)	
-305R	65C32945-318SP		.							DV	1
										(FOR DETAILS SEE FIG. 29)	
-305S	65C32945-330SP		.							EA	1
										(FOR DETAILS SEE FIG. 29)	
-305T	65C32945-331SP		.							EB	1
										(FOR DETAILS SEE FIG. 29)	
-305U	65C32945-618SP		.							EH	1
										(FOR DETAILS SEE FIG. 29)	

-Item not Illustrated

# 25-28-49

ILLUSTRATED PARTS LIST

Page 1098.226

Mar 01/2006



## COMPONENT MAINTENANCE MANUAL

FIG/ ITEM	PART NUMBER	AIRLINE PART NUMBER	NOMENCLATURE							USAGE CODE	UNITS PER ASSY
			1	2	3	4	5	6	7		
3- -305V	65C32945-644SP		.							ES	1
-305W	65C32945-617SP		.							EZ	1
-305X	65C32945-676SP		.							FC	1
-305Y	65C32945-677SP		.							FD	1

-Item not Illustrated

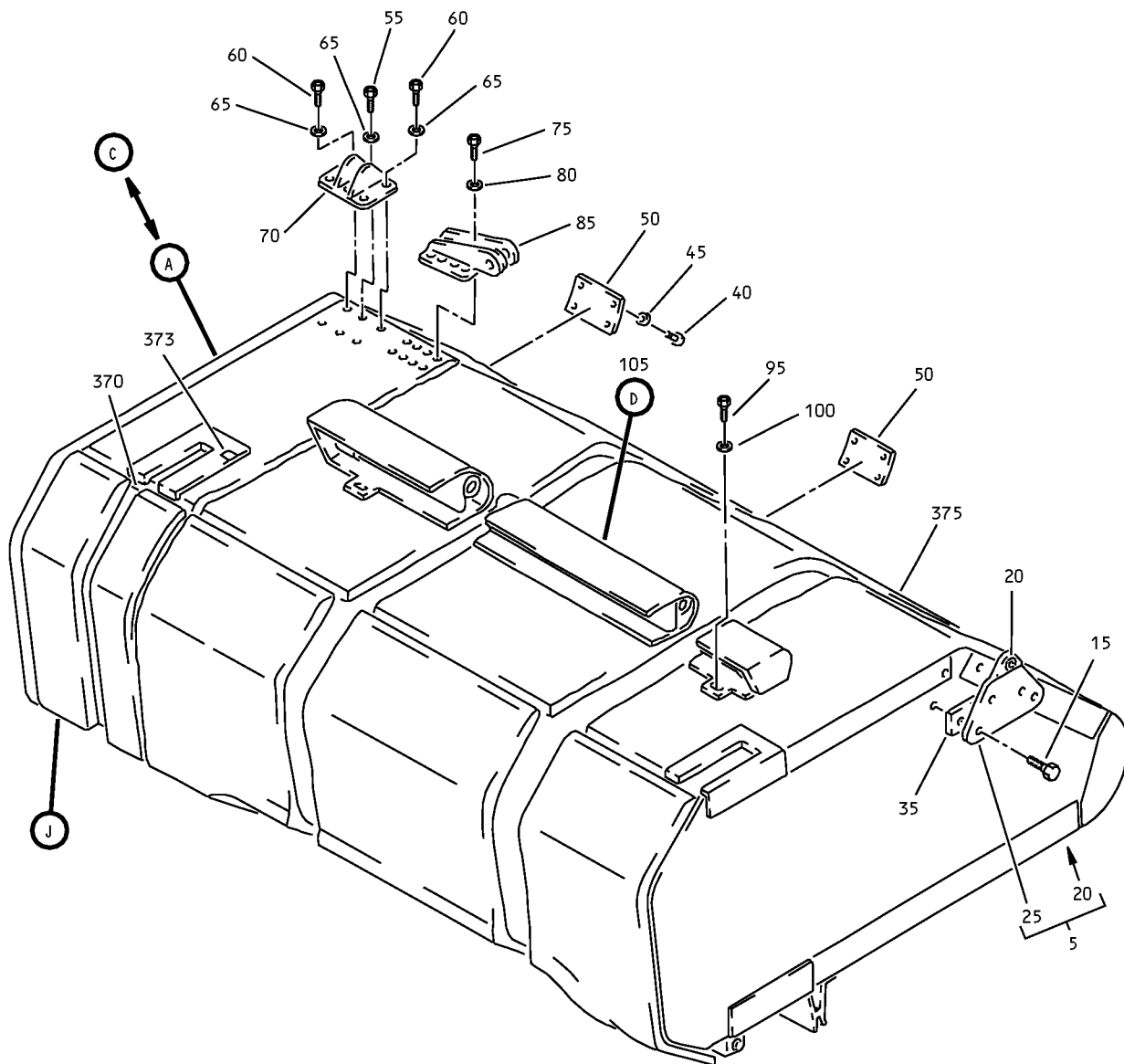
# 25-28-49

ILLUSTRATED PARTS LIST

Page 1098.227

Mar 01/2006

# COMPONENT MAINTENANCE MANUAL



Overhead Stowage Compartment Assembly  
IPL Figure 4 (Sheet 1 of 6)

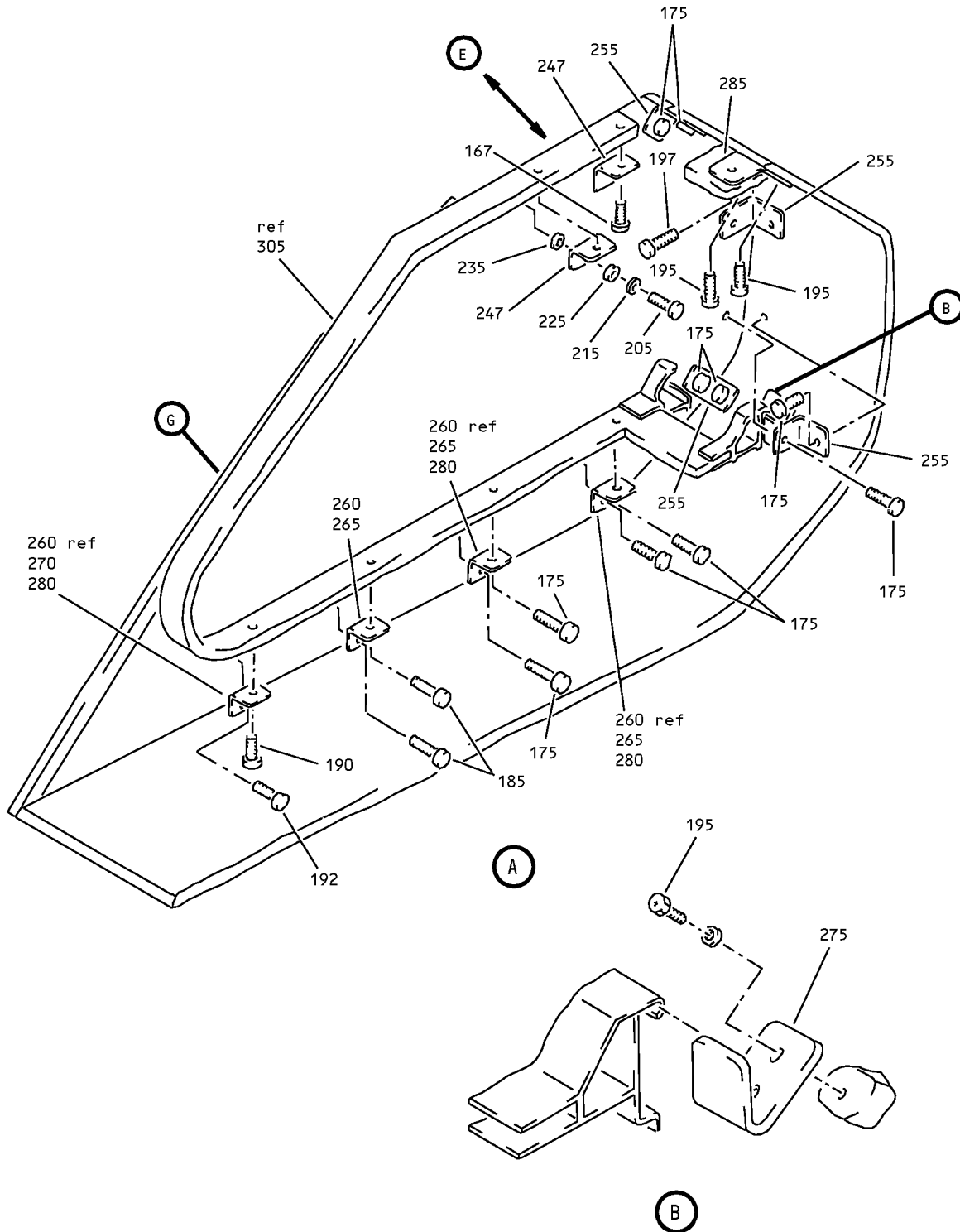
## 25-28-49

ILLUSTRATED PARTS LIST

Page 1098.228

Mar 01/2006

COMPONENT MAINTENANCE MANUAL



Overhead Stowage Compartment Assembly  
IPL Figure 4 (Sheet 2 of 6)

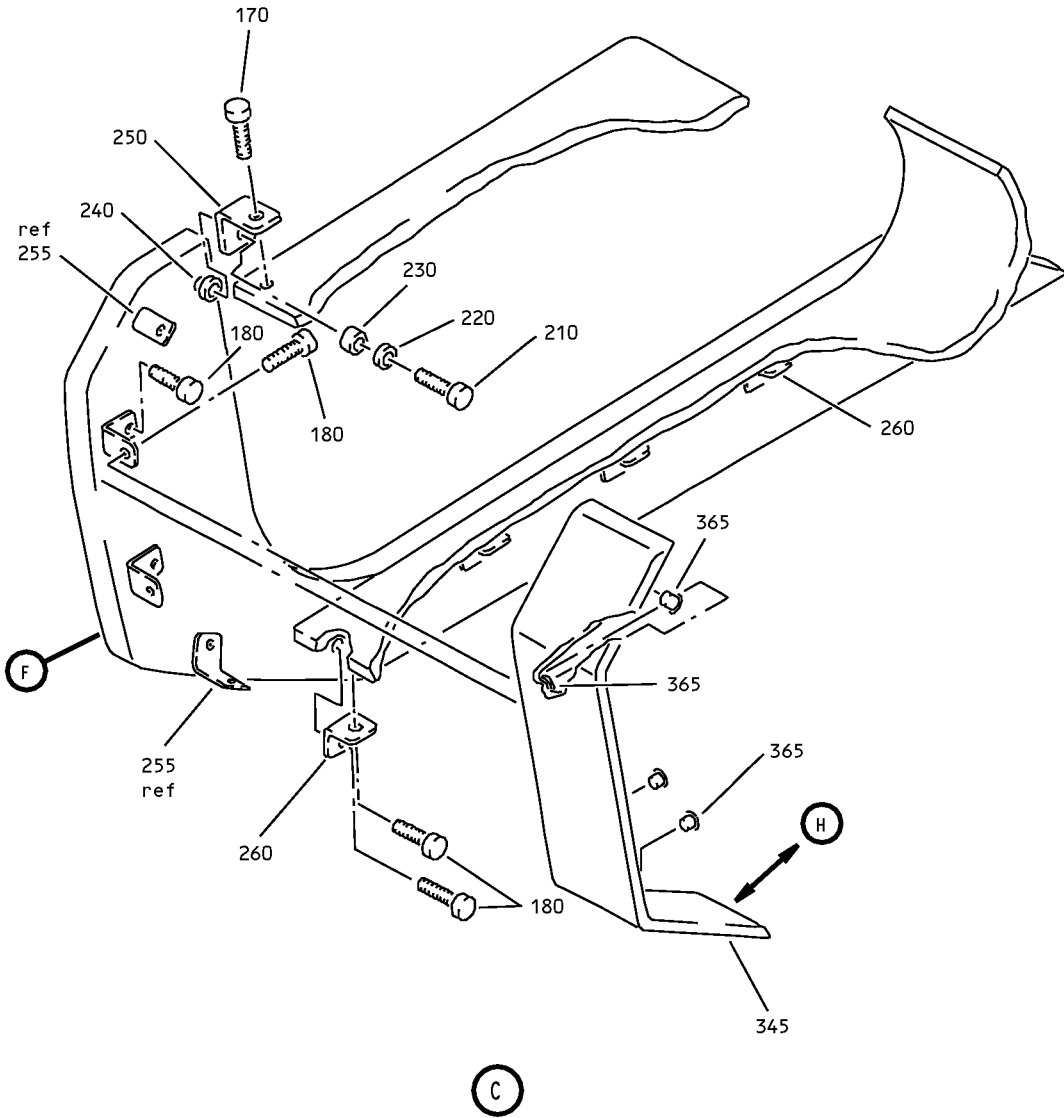
**25-28-49**

ILLUSTRATED PARTS LIST

Page 1098.229

Mar 01/2006

COMPONENT MAINTENANCE MANUAL



Overhead Storage Compartment Assembly  
IPL Figure 4 (Sheet 3 of 6)

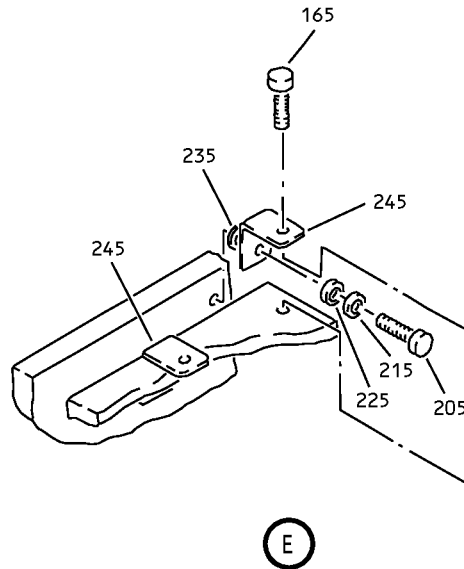
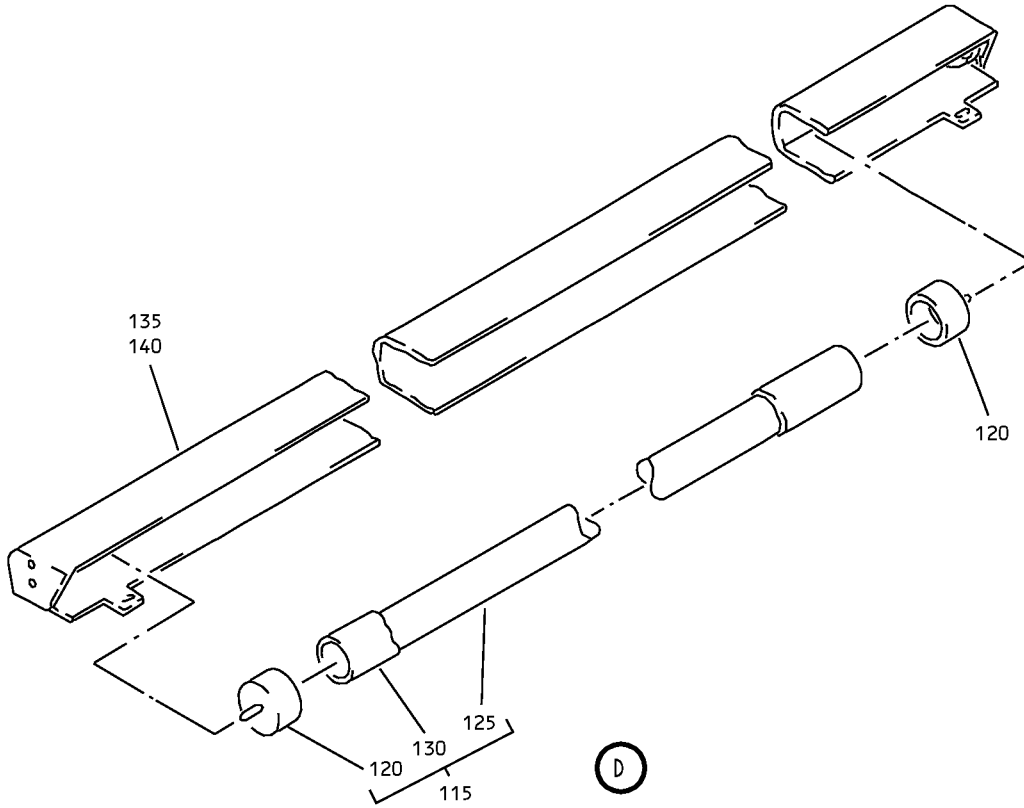
**25-28-49**

ILLUSTRATED PARTS LIST

Page 1098.230

Mar 01/2006

COMPONENT MAINTENANCE MANUAL



Overhead Stowage Compartment Assembly  
IPL Figure 4 (Sheet 4 of 6)

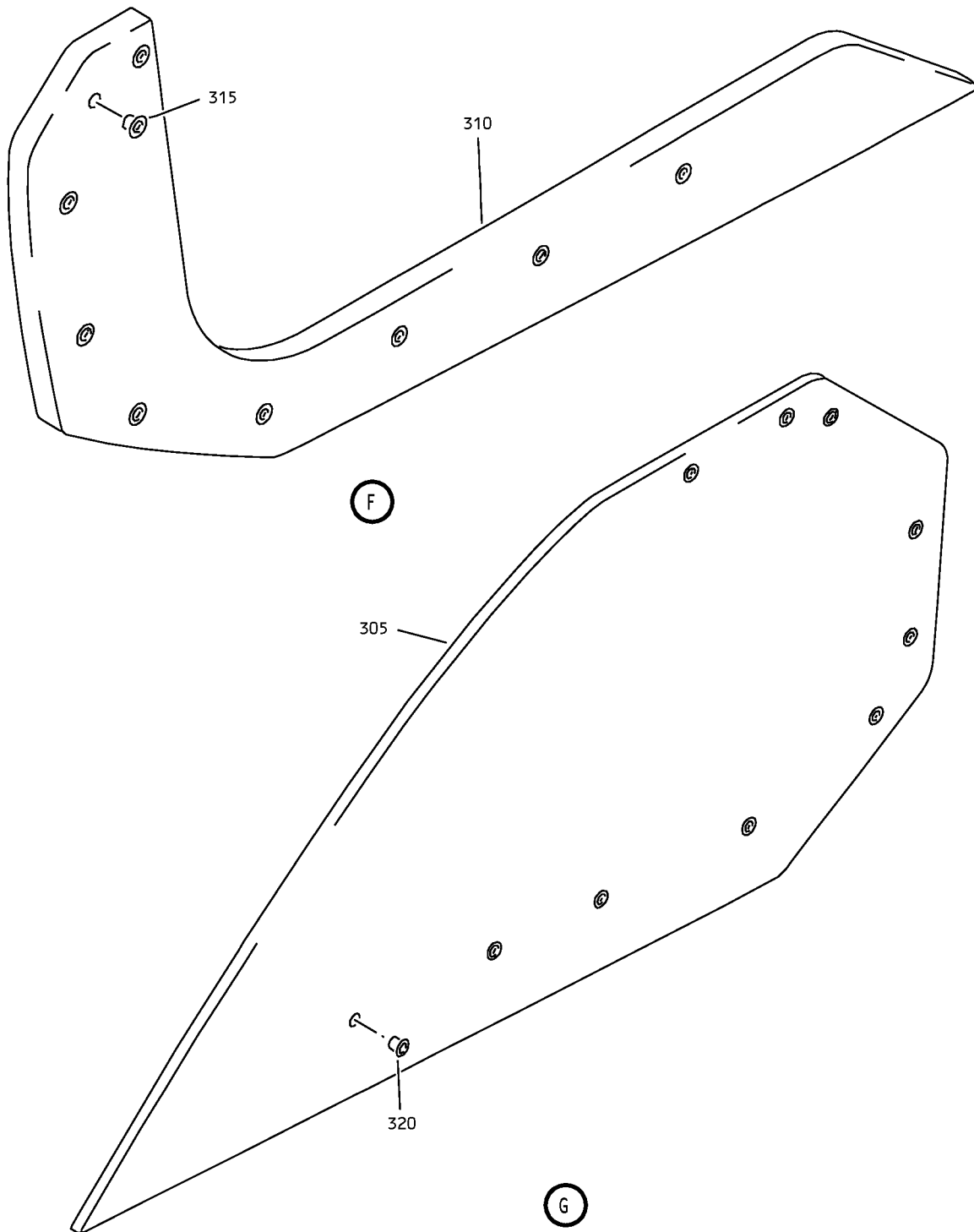
**25-28-49**

ILLUSTRATED PARTS LIST

Page 1098.231

Mar 01/2006

COMPONENT MAINTENANCE MANUAL



Overhead Stowage Compartment Assembly  
IPL Figure 4 (Sheet 5 of 6)

**25-28-49**

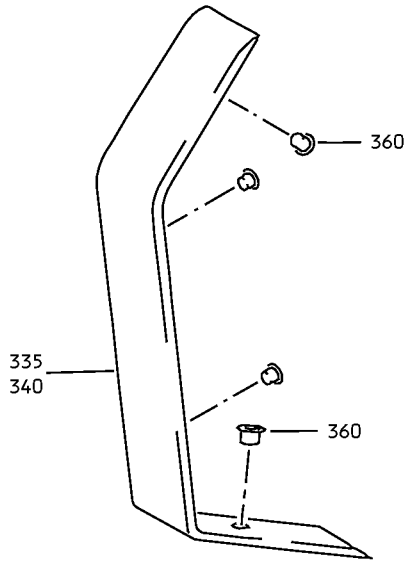
ILLUSTRATED PARTS LIST

Page 1098.232

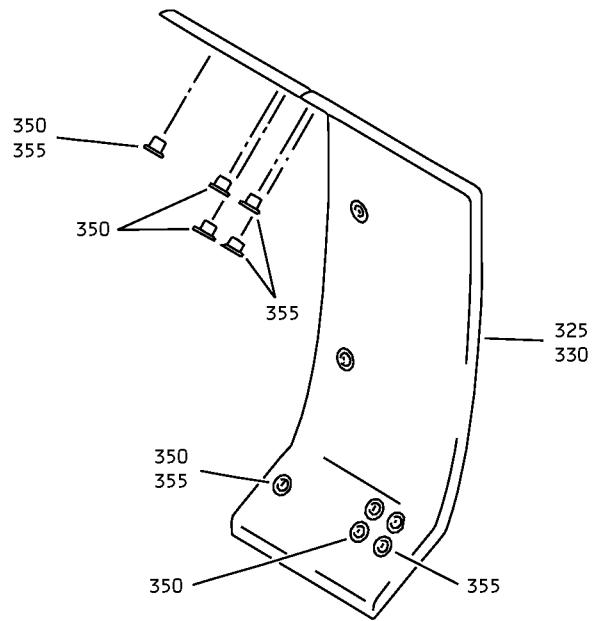
Mar 01/2006



COMPONENT MAINTENANCE MANUAL



H



J

Overhead Stowage Compartment Assembly  
IPL Figure 4 (Sheet 6 of 6)

**25-28-49**

ILLUSTRATED PARTS LIST

Page 1098.233

Mar 01/2006



## COMPONENT MAINTENANCE MANUAL

FIG/ ITEM	PART NUMBER	AIRLINE PART NUMBER	NOMENCLATURE							USAGE CODE	UNITS PER ASSY	
			1	2	3	4	5	6	7			
4-												
-1	65C32944-4SP										D	RF
-1A	65C32944-11SP										G	RF
-1B	65C32944-19SP										Q	RF
-1C	65C32944-25SP										W	RF
-1D	65C32944-33SP										AD	RF
-1E	65C32944-47SP										AQ	RF
-1F	65C32944-95SP										BL	RF
-1G	65C32944-103SP										BU	RF
-1H	65C32944-123SP										CM	RF
-1J	65C32944-146SP										DG	RF
-1K	65C32944-323SP										DW	RF
-1L	65C32944-623SP										EJ	RF
-1M	65C32944-674SP										FA	RF
-1N	65C32944-675SP										FB	RF
5	412N1119-37										DG, DW, EJ, FB	1
-10	412N1119-38										D, G, Q, W, AD, AQ, BL, BU, CM, FA	1

-Item not Illustrated

# 25-28-49

ILLUSTRATED PARTS LIST

Page 1098.234

Mar 01/2006



## COMPONENT MAINTENANCE MANUAL

FIG/ ITEM	PART NUMBER	AIRLINE PART NUMBER	NOMENCLATURE							USAGE CODE	UNITS PER ASSY	
			1	2	3	4	5	6	7			
4-			ATTACHING PARTS									
15	BACS12ER3K6		.								D, G, Q, W, AD, AQ, BL, BU, CM, DG, DW, EJ, FA, FB	4
20	BACB28B6-220P		.	.							D, G, Q, W, AD, AQ, BL, BU, CM, DG, DW, EJ, FA, FB	1
25	412N1119-39		.	.							DG, DW, EJ, FB	1
-30	412N1119-40		.	.							D, G, Q, W, AD, AQ, BL, BU, CM, FA	1
35	65C27017-16		.								D, G, Q, W, AD, AQ, BL, BU, CM, DG, DW, EJ, FA, FB	1

-Item not Illustrated

# 25-28-49

ILLUSTRATED PARTS LIST

Page 1098.235

Mar 01/2006



## COMPONENT MAINTENANCE MANUAL

FIG/ ITEM	PART NUMBER	AIRLINE PART NUMBER	NOMENCLATURE							USAGE CODE	UNITS PER ASSY	
			1	2	3	4	5	6	7			
4- 40	BACB30NM3K1		.	B	O	L	T				D, G, Q, W, AD, AQ, BL, BU, CM, DG, DW, EJ, FA, FB	8
				(V06710)	(SPEC BACB30NM3K1)	(OPT BACB30NM3K1 (V06725))	(OPT BACB30NM3K1 (V06950))	(OPT BACB30NM3K1 (V08524))	(OPT BACB30NM3K1 (V27624))	(OPT BACB30NM3K1 (V56878))		
				(OPT BACB30NM3K1 (V73197))	(OPT BACB30NM3K1 (V80539))	(OPT BACB30NM3K1 (V92215))	(OPT BACB30NM3K1 (V93907))	(OPT BACB30NM3K1 (V97928))				
45	AN960JD10		.	W	A	S	H	E	R		D, G, Q, W, AD, AQ, BL, BU, CM, DG, DW, EJ, FA, FB	8
50	412N1119-12		.	F	I	T	T	I	N	G	D, G, Q, W, AD, AQ, BL, BU, CM, DG, DW, EJ, FA, FB	2
55	BACB30NM3K9		.	B	O	L	T				D, G, Q, W, AD, AQ, BL, BU, CM, DG, DW, EJ, FA, FB	2
				(V06710)	(SPEC BACB30NM3K9)	(OPT BACB30NM3K9 (V06725))	(OPT BACB30NM3K9 (V06950))	(OPT BACB30NM3K9 (V08524))	(OPT BACB30NM3K9 (V27624))	(OPT BACB30NM3K9 (V80539))		
				(OPT BACB30NM3K9 (V92215))	(OPT BACB30NM3K9 (V93907))	(OPT BACB30NM3K9 (V97928))						

-Item not Illustrated

# 25-28-49

ILLUSTRATED PARTS LIST

Page 1098.236

Mar 01/2006



## COMPONENT MAINTENANCE MANUAL

FIG/ ITEM	PART NUMBER	AIRLINE PART NUMBER	NOMENCLATURE							USAGE CODE	UNITS PER ASSY						
			1	2	3	4	5	6	7								
4- 60	BACB30NM3K1		.	B	O	L	T					D, G, Q, W, AD, AQ, BL, BU, CM, DG, DW, EJ, FA, FB	4				
				(V06710)	(SPEC BACB30NM3K1)	(OPT BACB30NM3K1 (V06725))	(OPT BACB30NM3K1 (V06950))	(OPT BACB30NM3K1 (V08524))	(OPT BACB30NM3K1 (V27624))	(OPT BACB30NM3K1 (V56878))	(OPT BACB30NM3K1 (V73197))	(OPT BACB30NM3K1 (V80539))	(OPT BACB30NM3K1 (V92215))	(OPT BACB30NM3K1 (V93907))	(OPT BACB30NM3K1 (V97928))		
65	AN960JD10		.	W	A	S	H	E	R				D, G, Q, W, AD, AQ, BL, BU, CM, DG, DW, EJ, FA, FB	6			
70	412N1119-26		.	F	I	T	T	I	N	G			D, G, Q, W, AD, AQ, BL, BU, CM, DG, DW, EJ, FA	1			
75	BACB30NM3K1		.	B	O	L	T						D, G, Q, W, AD, AQ, BL, BU, CM, DG, DW, EJ, FA, FB	8			
				(V06710)	(SPEC BACB30NM3K1)	(OPT BACB30NM3K1 (V06725))	(OPT BACB30NM3K1 (V06950))	(OPT BACB30NM3K1 (V08524))	(OPT BACB30NM3K1 (V27624))	(OPT BACB30NM3K1 (V56878))	(OPT BACB30NM3K1 (V73197))	(OPT BACB30NM3K1 (V80539))	(OPT BACB30NM3K1 (V92215))	(OPT BACB30NM3K1 (V93907))	(OPT BACB30NM3K1 (V97928))		

-Item not Illustrated

# 25-28-49

ILLUSTRATED PARTS LIST

Page 1098.237

Mar 01/2006



## COMPONENT MAINTENANCE MANUAL

FIG/ ITEM	PART NUMBER	AIRLINE PART NUMBER	NOMENCLATURE							USAGE CODE	UNITS PER ASSY	
			1	2	3	4	5	6	7			
4- 80	AN960JD10		.	W	A	S	H	E	R	D, G, Q, W, AD, AQ, BL, BU, CM, DG, DW, EJ, FA, FB	8	
85	412N1161-1		.	F	I	T	T	I	N	DG, DW, EJ, FB	1	
-90	412N1161-2		.	F	I	T	T	I	N	D, G, Q, W, AD, AQ, BL, BU, CM, FA	1	
95	NAS1801-3-5		.	S	C	R	E	W		D, G, Q, W, AD, AQ, BL, BU, CM, DG, DW, EJ, FA, FB	2	
100	AN960JD10LL		.	W	A	S	H	E	R	D, G, Q, W, AD, AQ, BL, BU, CM, DG, DW, EJ, FA, FB	2	
105	417N5120-33SP		.	L	I	G	H	T	A	D	DG, DW, EJ, FB	1
-110	417N5120-53SP		.	L	I	G	H	T	A	D	D, G, Q, W, AD, AQ, BL, BU, CM, FA	1
115	417N5120-11		.	L	A	M	P	A	S	S	D, G, Q, W, AD, AQ, BL, BU, CM, DG, DW, EJ, FA, FB	1

-Item not Illustrated

# 25-28-49

ILLUSTRATED PARTS LIST

Page 1098.238

Mar 01/2006



## COMPONENT MAINTENANCE MANUAL

FIG/ ITEM	PART NUMBER	AIRLINE PART NUMBER	NOMENCLATURE							USAGE CODE	UNITS PER ASSY	
			1	2	3	4	5	6	7			
4- 120	2055150		.	.	.	CAP-END (V04169)					D, G, Q, W, AD, AQ, BL, BU, CM, DG, DW, EJ, FA, FB	2
125	F20T12WW		.	.	.	LAMP-FLUOR. (V08805)					D, G, Q, W, AD, AQ, BL, BU, CM, DG, DW, EJ, FA, FB	1
130	LP1625-24		.	.	.	TUBE-COVER (V60116) (OPT ITEM 130A)					D, G, Q, W, AD, AQ, BL, BU, CM, DG, DW, EJ, FA, FB	1
-130A	NI152LGWUV1000		.	.	.	TUBE-COVER (V06034) (OPT ITEM 130)					D, G, Q, W, AD, AQ, BL, BU, CM, DG, DW, EJ, FA, FB	1
135	S417N507-29C		.	.		HOUSING-CLG (COVER OPT-CUST PREFERENCE, WHITE- COVERT GRAY TRIM)					DG, DW, EJ, FB	RF
-135A	S417N507-29L		.	.		HOUSING-CLG (COLOR OPT-CUST PREFERENCE, WHITE- BLUE VELVET TRIM)					DG, DW, EJ, FB	RF
-135B	S417N507-29Y		.	.		HOUSING-CLG (COLOR OPT-CUST PREFERENCE, BEIGE- COVERT GRAY TRIM)					DG, DW, EJ, FB	RF
-135C	S417N507-29A		.	.		HOUSING-CLG (COLOR OPT-CUST PREFERENCE, BEIGE- ROSEWOOD TRIM)					DG, DW, EJ, FB	RF
-135D	S417N507-29E		.	.		HOUSING-CLG (COLOR OPT-CUST PREFERENCE, IVORY- ROSEWOOD TRIM)					DG, DW, EJ, FB	RF

-Item not Illustrated

# 25-28-49

ILLUSTRATED PARTS LIST

Page 1098.239

Mar 01/2006



## COMPONENT MAINTENANCE MANUAL

FIG/ ITEM	PART NUMBER	AIRLINE PART NUMBER	NOMENCLATURE							USAGE CODE	UNITS PER ASSY	
			1	2	3	4	5	6	7			
4- 140	S417N507-38C		.	.							D, G, Q, W, AD, AQ, BL, BU, CM, FA	RF
-140A	S417N507-38L		.	.							D, G, Q, W, AD, AQ, BL, BU, CM, FA	RF
-140B	S417N507-38Y		.	.							D, G, Q, W, AD, AQ, BL, BU, CM, FA	RF
-140C	S417N507-38A		.	.							D, G, Q, W, AD, AQ, BL, BU, CM, FA	RF
-140D	S417N507-38E		.	.							D, G, Q, W, AD, AQ, BL, BU, CM, FA	RF
-140E	S417N507-38W		.	.							D, G, Q, W, AD, AQ, BL, BU, CM, FA	RF
145	NAS1801-3-11											DELETED
150	BACS18C8-6											DELETED
155	MS24585-1230											DELETED
160	411N3142-28											DELETED

-Item not Illustrated

# 25-28-49

ILLUSTRATED PARTS LIST

Page 1098.240

Mar 01/2006





## COMPONENT MAINTENANCE MANUAL

FIG/ ITEM	PART NUMBER	AIRLINE PART NUMBER	NOMENCLATURE							USAGE CODE	UNITS PER ASSY	
			1	2	3	4	5	6	7			
4- 165	BACS12FA3K5		.	S	C	R	E	W			BL, BU, CM	2
-165A	BACS12FA3K7		D	E	L	E	T	E	D			
-167	BACS12FA3K7		.	S	C	R	E	W			D, G, Q, W, AD, AQ	2
170	BACS12FA3K5		.	S	C	R	E	W			DG, DW, EJ	1

-Item not Illustrated

# 25-28-49

ILLUSTRATED PARTS LIST

Page 1098.241

Mar 01/2006



## COMPONENT MAINTENANCE MANUAL

FIG/ ITEM	PART NUMBER	AIRLINE PART NUMBER	NOMENCLATURE							USAGE CODE	UNITS PER ASSY	
			1	2	3	4	5	6	7			
4- 175	BACS12FA3K5		.	S	C	R	E	W			D, G, Q, W, AD, AQ, BL, BU, CM	12
180	BACS12FA3K5		.	S	C	R	E	W			DG, DW, EJ	16
185	BACS12FA3K5		.	S	C	R	E	W			BL, BU, CM	2

-Item not Illustrated

# 25-28-49

ILLUSTRATED PARTS LIST

Page 1098.242

Mar 01/2006



## COMPONENT MAINTENANCE MANUAL

FIG/ ITEM	PART NUMBER	AIRLINE PART NUMBER	NOMENCLATURE	USAGE CODE	UNITS PER ASSY
4- 190	BACS12FA3K5		. SCREW (V06710) (SPEC BACS12FA3K5) (OPT BACS12FA3K5 (V06725)) (OPT BACS12FA3K5 (V06950)) (OPT BACS12FA3K5 (V27624)) (OPT BACS12FA3K5 (V34252)) (OPT BACS12FA3K5 (V56878)) (OPT BACS12FA3K5 (V73197)) (OPT BACS12FA3K5 (V80539)) (OPT BACS12FA3K5 (V92215)) (OPT BACS12FA3K5 (V93907)) (OPT BACS12FA3K5 (V97928))	BU	1
192	BACS12FA3K5		. SCREW (V06710) (SPEC BACS12FA3K5) (OPT BACS12FA3K5 (V06725)) (OPT BACS12FA3K5 (V06950)) (OPT BACS12FA3K5 (V27624)) (OPT BACS12FA3K5 (V34252)) (OPT BACS12FA3K5 (V56878)) (OPT BACS12FA3K5 (V73197)) (OPT BACS12FA3K5 (V80539)) (OPT BACS12FA3K5 (V92215)) (OPT BACS12FA3K5 (V93907)) (OPT BACS12FA3K5 (V97928))	D, G, Q, W, AD, AQ, BL, BU, CM	1
195	BACS12FA3K5		. SCREW (V06710) (SPEC BACS12FA3K5) (OPT BACS12FA3K5 (V06725)) (OPT BACS12FA3K5 (V06950)) (OPT BACS12FA3K5 (V27624)) (OPT BACS12FA3K5 (V34252)) (OPT BACS12FA3K5 (V56878)) (OPT BACS12FA3K5 (V73197)) (OPT BACS12FA3K5 (V80539)) (OPT BACS12FA3K5 (V92215)) (OPT BACS12FA3K5 (V93907)) (OPT BACS12FA3K5 (V97928))	D, G, Q, W, AD, AQ	4

-Item not Illustrated

# 25-28-49

ILLUSTRATED PARTS LIST

Page 1098.243

Mar 01/2006



## COMPONENT MAINTENANCE MANUAL

FIG/ ITEM	PART NUMBER	AIRLINE PART NUMBER	NOMENCLATURE	USAGE CODE	UNITS PER ASSY
4- 197	BACS12FA3K7		. SCREW (V06710) (SPEC BACS12FA3K7) (OPT BACS12FA3K7 (V06725)) (OPT BACS12FA3K7 (V06950)) (OPT BACS12FA3K7 (V27624)) (OPT BACS12FA3K7 (V34252)) (OPT BACS12FA3K7 (V56878)) (OPT BACS12FA3K7 (V73197)) (OPT BACS12FA3K7 (V80539)) (OPT BACS12FA3K7 (V85498)) (OPT BACS12FA3K7 (V92215)) (OPT BACS12FA3K7 (V93907)) (OPT BACS12FA3K7 (V97928))	D, G, Q, W, AD, AQ	1
205	BACB30PF4-3		. BOLT	D, G, Q, W, AD, AQ, BL, BU, CM, FA	2
210	BACB30PF4-3		. BOLT	DG, DW, EJ, FB	1
215	AN960C416L		. WASHER	D, G, Q, W, AD, AQ, BL, BU, CM, FA	2
220	AN960C416L		. WASHER	DG, DW, EJ, FB	1
225	NAS1515F4H		. WASHER	D, G, Q, W, AD, AQ, BL, BU, CM, FA	2
230	NAS1515F4H		. WASHER	DG, DW, EJ, FB	1
235	NAS1515M4L		. WASHER	D, G, Q, W, AD, AQ, BL, BU, CM, FA	2
240	NAS1515M4L		. WASHER	DG, DW, EJ, FB	1

-Item not Illustrated

# 25-28-49

ILLUSTRATED PARTS LIST

Page 1098.244

Mar 01/2006



## COMPONENT MAINTENANCE MANUAL

FIG/ ITEM	PART NUMBER	AIRLINE PART NUMBER	NOMENCLATURE							USAGE CODE	UNITS PER ASSY
			1	2	3	4	5	6	7		
4-											
245	412N1145-30		.	BRACKET						BL, BU, CM, FA	2
-245A	65C27017-42			DELETED							
-247	65C27017-42		.	BRACKET						D, G, Q, W, AD, AQ	2
250	412N1145-30		.	BRACKET						DG, DW, EJ, FB	1
255	65C27017-43		.	BRACKET						D, G, Q, W, AD, AQ, BL, BU, CM, DG, DW, EJ, FA, FB	4
260	412N1145-29		.	BRACKET						BU, DG, DW, EJ, FB	4
265	412N1145-29		.	BRACKET						BL, CM, FA	3
270	412N1145-21		.	BRACKET						BL, CM, FA	1
275	412N1145-92		.	BRACKET						D, G, Q, W, AD, AQ, FB	1
280	65C27017-42		.	BRACKET						D, G, Q, W, AD, AQ	3
285	412N1145-89		.	BRACKET						D, G, Q, W, AD, AQ, FB	1
305	65C32946-7SP		.	CAP ASSY-END						D, W	1
-305A	65C32946-29SP		.	CAP ASSY-END						G, AD, AQ	1
-305B	65C32946-46SP		.	CAP ASSY-END						Q	1
-305C	65C32946-57SP		.	CAP ASSY-END						BL, CM	1
-305D	65C32946-71SP		.	CAP ASSY-END						AD, BU	1
310	65C32946-77SP		.	CAP ASSY-END						DG, DW, EJ	1

-Item not Illustrated

**25-28-49**

ILLUSTRATED PARTS LIST

Page 1098.245

Mar 01/2006



## COMPONENT MAINTENANCE MANUAL

FIG/ ITEM	PART NUMBER	AIRLINE PART NUMBER	NOMENCLATURE							USAGE CODE	UNITS PER ASSY
			1	2	3	4	5	6	7		
4-											
-310A	65C32946-129SP		.							FA	1
-310B	65C32946-107SP		.							FB	1
315	SL2334-3A2		.	.						D, G, Q, W, AD, AQ, BL, BU, CM, DG, DW, EJ, FA, FB	9
320	SL2334-3A2		.	.						D, G, Q, W, AD, AQ, BL, BU, CM, FA	10
325	65C27026-74SP		.							D, Q, W	1
327	65C27026-218SP		.							FA	1
330	65C27026-76SP		.							G, AD, AQ	1
332	65C27026-202SP		.							FB	1
335	65C27026-79SP		.							BU	1
-335A	65C27026-73SP		.							CM	1
340	65C27026-94SP		.							DG, DW	1
345	412N1233-119SP		.							EJ	1
350	NAS1836-3-11		.	.						D, Q, W, FB	8
-350A	NAS1836-3-9		.	.						D, Q, W, FB	8
355	NAS1836-3-11		.	.						G, AD, AQ	8
-355A	NAS1836-3-9		.	.						G, AD, AQ	8
360	NAS1836-3-11		.	.						BU, CM, DG, DW, FA	4
-360A	NAS1836-3-9		.	.						BU, CM, DG, DW, FA	4

-Item not Illustrated

**25-28-49**

ILLUSTRATED PARTS LIST

Page 1098.246

Mar 01/2006



## COMPONENT MAINTENANCE MANUAL

FIG/ ITEM	PART NUMBER	AIRLINE PART NUMBER	NOMENCLATURE							USAGE CODE	UNITS PER ASSY
			1	2	3	4	5	6	7		
4-											
365	NAS1836-3-11		.	.	INSERT (OPT ITEM 365A)					EJ	4
-365A	NAS1836-3-9		.	.	INSERT (OPT ITEM 365)					EJ	4
370	412N1130-5SP		.		TRIM-VERTICAL					D, G, Q, W, AD, AQ, BL, BU, CM, DG, DW, EJ, FA, FB	1
373	65C32944-8		.		STOPPER					D, G, Q, W, AD, AQ, BL, BU, CM, FA	1
-373A	65C32944-9		.		STOPPER					DG, DW, EJ, FB	1
375	65C32945-4SP		.		MODULE ASSY (FOR DETAILS SEE FIG. 29)					D	1
-375A	65C32945-11SP		.		MODULE ASSY (FOR DETAILS SEE FIG. 29)					G	1
-375B	65C32945-19SP		.		MODULE ASSY (FOR DETAILS SEE FIG. 29)					Q	1
-375C	65C32945-25SP		.		MODULE ASSY (FOR DETAILS SEE FIG. 29)					W	1
-375D	65C32945-33SP		.		MODULE ASSY (FOR DETAILS SEE FIG. 29)					AD	1
-375E	65C32945-47SP		.		MODULE ASSY (FOR DETAILS SEE FIG. 29)					AQ	1
-375F	65C32945-3SP		.		MODULE ASSY (FOR DETAILS SEE FIG. 29)					BL	1
-375G	65C32945-23SP		.		MODULE ASSY (FOR DETAILS SEE FIG. 29)					BU	1
-375H	65C32945-53SP		.		MODULE ASSY (FOR DETAILS SEE FIG. 29)					CM	1
-375J	65C32945-82SP		.		MODULE ASSY (FOR DETAILS SEE IPL Figure 29)					DG	1
-375K	65C32945-343SP		.		MODULE ASSY (FOR DETAILS SEE FIG. 29)					DW	1

-Item not Illustrated

**25-28-49**

ILLUSTRATED PARTS LIST

Page 1098.247

Mar 01/2006



## COMPONENT MAINTENANCE MANUAL

FIG/ ITEM	PART NUMBER	AIRLINE PART NUMBER	NOMENCLATURE							USAGE CODE	UNITS PER ASSY
			1	2	3	4	5	6	7		
4- -375L	65C32945-643SP		.							EJ	1
-375M	65C32945-674SP		.							FA	1
-375N	65C32945-675SP		.							FB	1

-Item not Illustrated

# 25-28-49

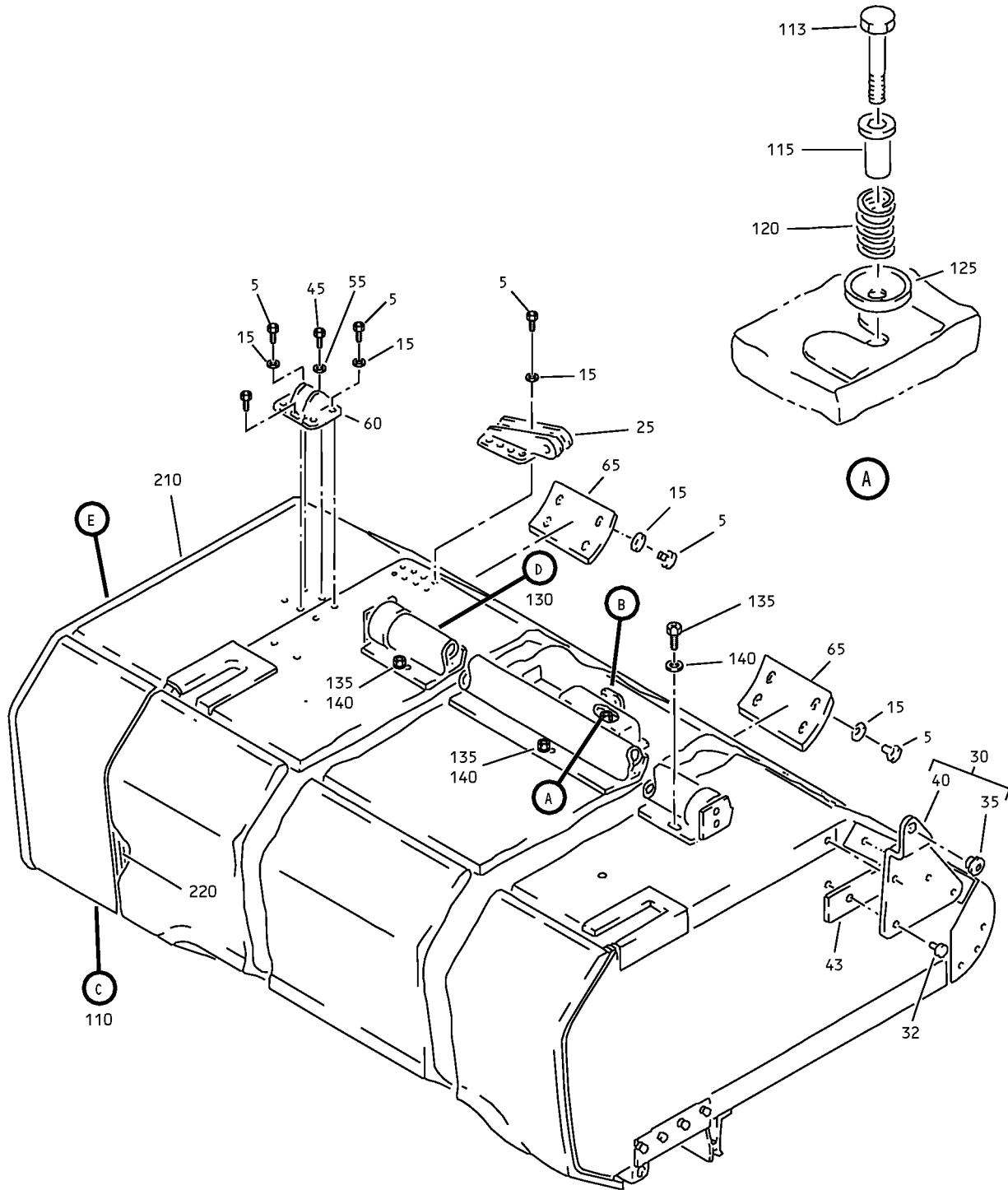
ILLUSTRATED PARTS LIST

Page 1098.248

Mar 01/2006



COMPONENT MAINTENANCE MANUAL



Overhead Stowage Compartment Assembly  
IPL Figure 5 (Sheet 1 of 3)

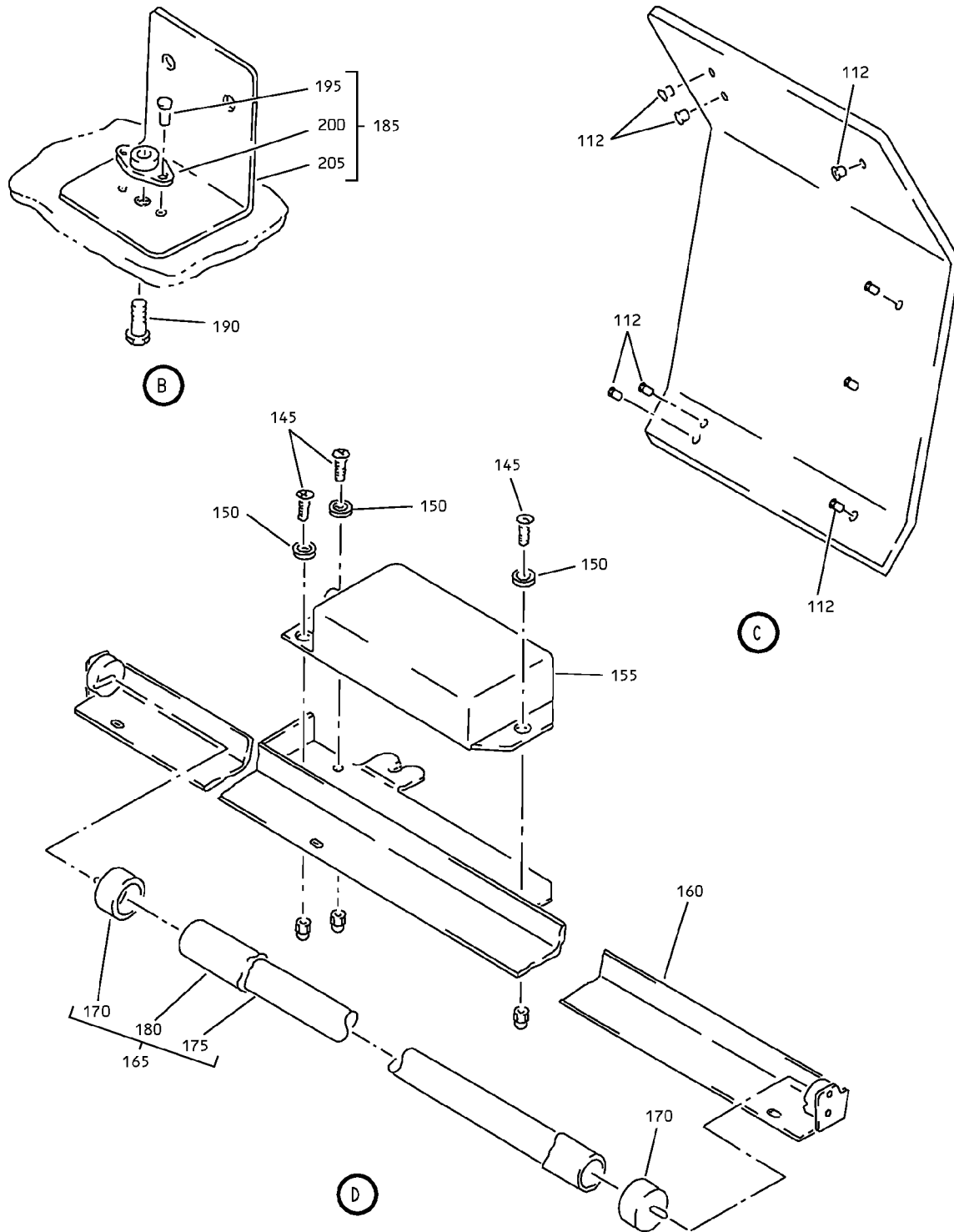
**25-28-49**

ILLUSTRATED PARTS LIST

Page 1098.249

Mar 01/2006

COMPONENT MAINTENANCE MANUAL



Overhead Storage Compartment Assembly  
IPL Figure 5 (Sheet 2 of 3)

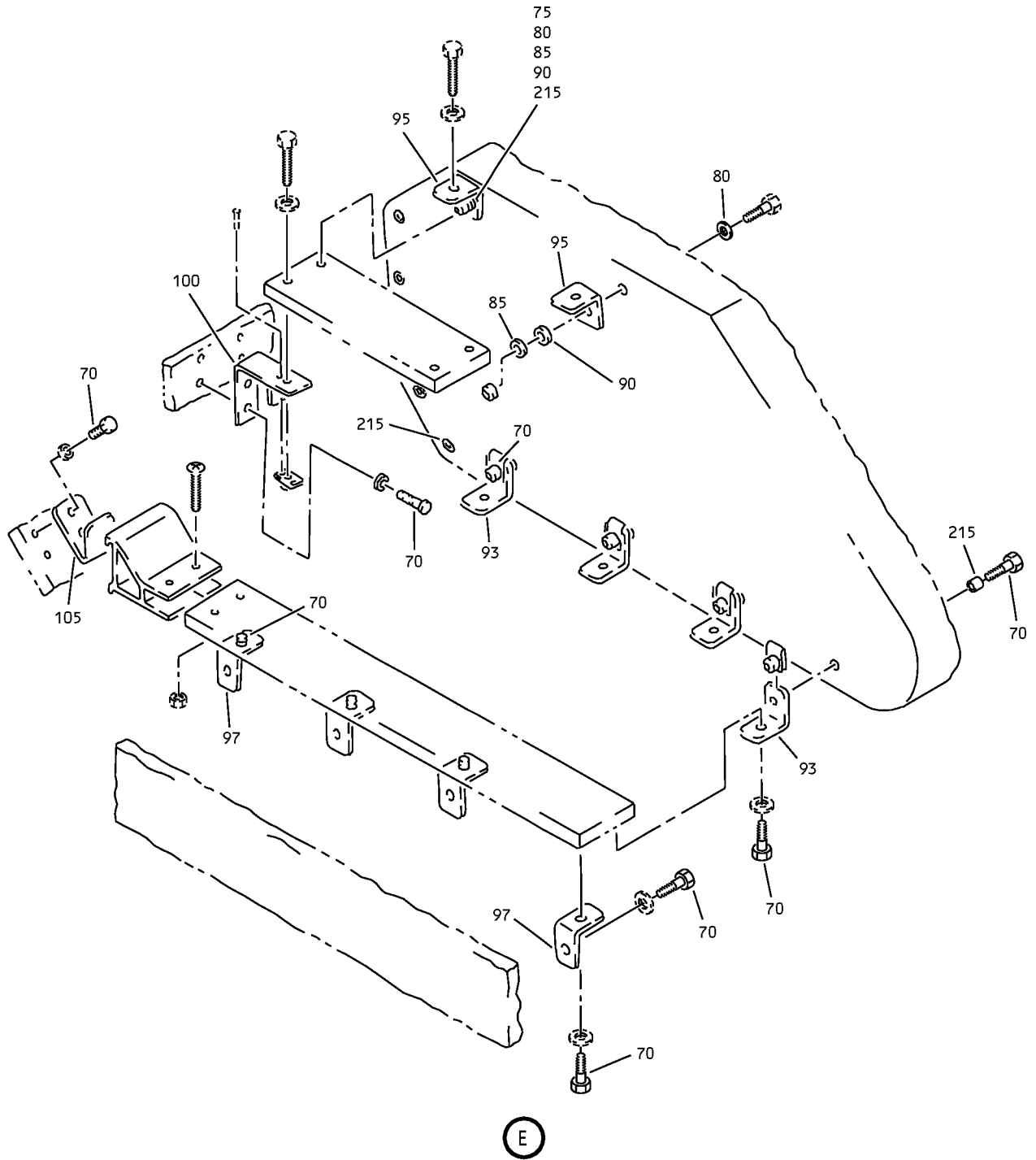
**25-28-49**

ILLUSTRATED PARTS LIST

Page 1098.250

Mar 01/2006

COMPONENT MAINTENANCE MANUAL



Overhead Storage Compartment Assembly  
IPL Figure 5 (Sheet 3 of 3)

**25-28-49**

ILLUSTRATED PARTS LIST

Page 1098.251

Mar 01/2006



## COMPONENT MAINTENANCE MANUAL

FIG/ ITEM	PART NUMBER	AIRLINE PART NUMBER	NOMENCLATURE							USAGE CODE	UNITS PER ASSY
			1	2	3	4	5	6	7		
5-											
-1	65C32944-24SP		COMPARTMENT ASSY-OVERHEAD STOWAGE							V	RF
-1A	65C32944-104SP		COMPARTMENT ASSY-OVERHEAD STOWAGE							BV	RF
5	BACB30NM3K1		. BOLT (V06710) (SPEC BACB30NM3K1) (OPT BACB30NM3K1 (V06725)) (OPT BACB30NM3K1 (V06950)) (OPT BACB30NM3K1 (V08524)) (OPT BACB30NM3K1 (V27624)) (OPT BACB30NM3K1 (V56878)) (OPT BACB30NM3K1 (V73197)) (OPT BACB30NM3K1 (V80539)) (OPT BACB30NM3K1 (V92215)) (OPT BACB30NM3K1 (V93907)) (OPT BACB30NM3K1 (V97928))							V, BV	20
15	AN960JD10		. WASHER							V, BV	20
25	412N1161-1		. FITTING							V, BV	1
30	412N1119-37		. FITTING ASSY							V, BV	1
			ATTACHING PARTS								
32	BACS12ER3K6		. SCREW (V06710) (SPEC BACS12ER3K6) (OPT BACS12ER3K6 (V06725)) (OPT BACS12ER3K6 (V06950)) (OPT BACS12ER3K6 (V27624)) (OPT BACS12ER3K6 (V34252)) (OPT BACS12ER3K6 (V56878)) (OPT BACS12ER3K6 (V73197)) (OPT BACS12ER3K6 (V80539)) (OPT BACS12ER3K6 (V92215)) (OPT BACS12ER3K6 (V93907)) (OPT BACS12ER3K6 (V97928))							V, BV	4
			----- * -----								
35	BACB28B6-220P		. . BUSHING							V, BV	1
40	412N1119-39		. . FITTING							V, BV	1
43	65C27017-16		. SHIM							V, BV	1

-Item not Illustrated

# 25-28-49

ILLUSTRATED PARTS LIST

Page 1098.252

Mar 01/2006



## COMPONENT MAINTENANCE MANUAL

FIG/ ITEM	PART NUMBER	AIRLINE PART NUMBER	NOMENCLATURE							USAGE CODE	UNITS PER ASSY					
			1	2	3	4	5	6	7							
5- 45	BACB30NM3K9		.	B	O	L	T				V, BV	2				
					(V06710)	(SPEC BACB30NM3K9)	(OPT BACB30NM3K9 (V06725))	(OPT BACB30NM3K9 (V06950))	(OPT BACB30NM3K9 (V08524))	(OPT BACB30NM3K9 (V27624))	(OPT BACB30NM3K9 (V80539))	(OPT BACB30NM3K9 (V92215))	(OPT BACB30NM3K9 (V93907))	(OPT BACB30NM3K9 (V97928))		
55	AN960JD10LL		.	W	A	S	H	E	R		V, BV	1				
60	412N1119-26		.	F	I	T	T	I	N	G	V	1				
-60A	412N1119-129		.	F	I	T	T	I	N	G	BV	1				
65	412N1119-12		.	F	I	T	T	I	N	G	V, BV	2				
70	BACS12FA3K5		.	S	C	R	E	W			V, BV	21				
					(V06710)	(SPEC BACS12FA3K5)	(OPT BACS12FA3K5 (V06725))	(OPT BACS12FA3K5 (V06950))	(OPT BACS12FA3K5 (V27624))	(OPT BACS12FA3K5 (V34252))	(OPT BACS12FA3K5 (V56878))	(OPT BACS12FA3K5 (V73197))	(OPT BACS12FA3K5 (V80539))	(OPT BACS12FA3K5 (V92215))	(OPT BACS12FA3K5 (V93907))	(OPT BACS12FA3K5 (V97928))
75	BACB30PF4-3		.	B	O	L	T				V, BV	1				
80	AN960C416L		.	W	A	S	H	E	R		V, BV	2				
85	NAS1515F4H		.	W	A	S	H	E	R		V, BV	2				
90	NAS1515M4L		.	W	A	S	H	E	R		V, BV	2				
93	65C27017-43		.	B	R	A	C	K	E	T	V, BV	4				
95	412N1145-30		.	B	R	A	C	K	E	T	V, BV	2				
97	412N1145-29		.	B	R	A	C	K	E	T	V, BV	4				
100	412N1145-89		.	B	R	A	C	K	E	T	V, BV	1				
105	412N1145-92		.	B	R	A	C	K	E	T	V, BV	1				
110	65C27026-80SP		.	P	A	N	E	L	A	S	S	V, BV	1			

-Item not Illustrated

**25-28-49**

ILLUSTRATED PARTS LIST

Page 1098.253

Mar 01/2006



## COMPONENT MAINTENANCE MANUAL

FIG/ ITEM	PART NUMBER	AIRLINE PART NUMBER	NOMENCLATURE							USAGE CODE	UNITS PER ASSY
			1	2	3	4	5	6	7		
5-											
112	NAS1836-3-11		.	.	INSERT (OPT ITEM 112A)					V, BV	8
-112A	NAS1836-3-9		.	.	INSERT (OPT ITEM 112)					V, BV	8
113	NAS1801-3-11		.		SCREW					V, BV	1
115	BACS18C8-6		.		SPACER					V, BV	1
120	MS24585-1230		.		SPRING					V, BV	1
125	411N3142-28		.		WASHER-CUPPED					V, BV	1
130	417N5120-51SP		.		LIGHT ASSY					V, BV	1
					ATTACHING PARTS						
135	NAS1801-3-5		.		SCREW					V, BV	3
140	AN960JD10LL		.		WASHER					V, BV	3
					-----*						
145	BACS12ER3K6		.	.	SCREW (V06710) (SPEC BACS12ER3K6) (OPT BACS12ER3K6 (V06725)) (OPT BACS12ER3K6 (V06950)) (OPT BACS12ER3K6 (V27624)) (OPT BACS12ER3K6 (V34252)) (OPT BACS12ER3K6 (V56878)) (OPT BACS12ER3K6 (V73197)) (OPT BACS12ER3K6 (V80539)) (OPT BACS12ER3K6 (V92215)) (OPT BACS12ER3K6 (V93907)) (OPT BACS12ER3K6 (V97928))					V, BV	3
150	BACW10UD10		.	.	WASHER					V, BV	3
155	05939-5		.	.	BALLAST (V17023) (SPEC S283N702-5) (OPT ITEM 155A)					V, BV	1
-155A	05939-105		.	.	BALLAST (V17023) (SPEC S283N702-105) (OPT ITEM 155)					V, BV	1
160	S417N507-36L		.	.	HOUSING-CLG (COLOR OPT-CUST PREFERENCE, WHITE- BLUE VELVET TRIM)					V, BV	RF

-Item not Illustrated

# 25-28-49

ILLUSTRATED PARTS LIST

Page 1098.254

Mar 01/2006



## COMPONENT MAINTENANCE MANUAL

FIG/ ITEM	PART NUMBER	AIRLINE PART NUMBER	NOMENCLATURE							USAGE CODE	UNITS PER ASSY	
			1	2	3	4	5	6	7			
5-												
-160A	S417N507-36A		. .	HOUSING-CLG						V, BV	RF	
				(COLOR OPT-CUST PREFERENCE, BEIGE- ROSEWOOD TRIM)								
-160B	S417N507-36C		. .	HOUSING-CLG						V, BV	RF	
				(COLOR OPT-CUST PREFERENCE, OFF WHITE- COVERT GRAY TRIM)								
165	417N5120-11		. .	LAMP ASSY						V, BV	1	
170	2055150		. . .	CAP-END						V, BV	2	
				(V04169)								
175	F20T12WW		. . .	LAMP-FLUOR.						V, BV	1	
				(V13545)								
180	LP1625-24		. . .	TUBE-COVER						V, BV	1	
				(V60116)								
				(OPT ITEM 180A)								
-180A	NI152LGWUV1000		. . .	TUBE-COVER						V, BV	1	
				(V06034)								
				(OPT ITEM 180)								
185	65C27481-30		. BRACKET ASSY							V, BV	1	
			ATTACHING PARTS									
190	BACS12FA3K4		. SCREW							V, BV	1	
			----- * -----									
195	BACR15BA3A		. . RIVET							V, BV	2	
				(SIZE DETERMINED ON INST)								
200	F5000-3BAC		. . NUTPLATE							V, BV	1	
				(V15653)								
				(SPEC BACN10JR3F)								
				(OPT NS103203-02 (V80539))								
				(OPT RMF9201-3 (V72962))								
				(OPT T8091S1032 (V11815))								
				(OPT VN152A1-02 (V92215))								
				(OPT BRF200A3 (V52828))								
205	65C27481-31		. . BRACKET							V, BV	1	
210	65C32946-3SP		. CAP ASSY-END							V	1	
-210A	65C32946-59SP		. CAP ASSY-END							BV	1	
215	SL2334-3A2		. . INSERT							V, BV	9	
220	412N1130-5		. TRIM-VERTICAL							V, BV	1	
-225	65C32945-24SP		. MODULE ASSY							V, BV	1	
				(FOR DETAILS SEE FIG. 29)								

-Item not Illustrated

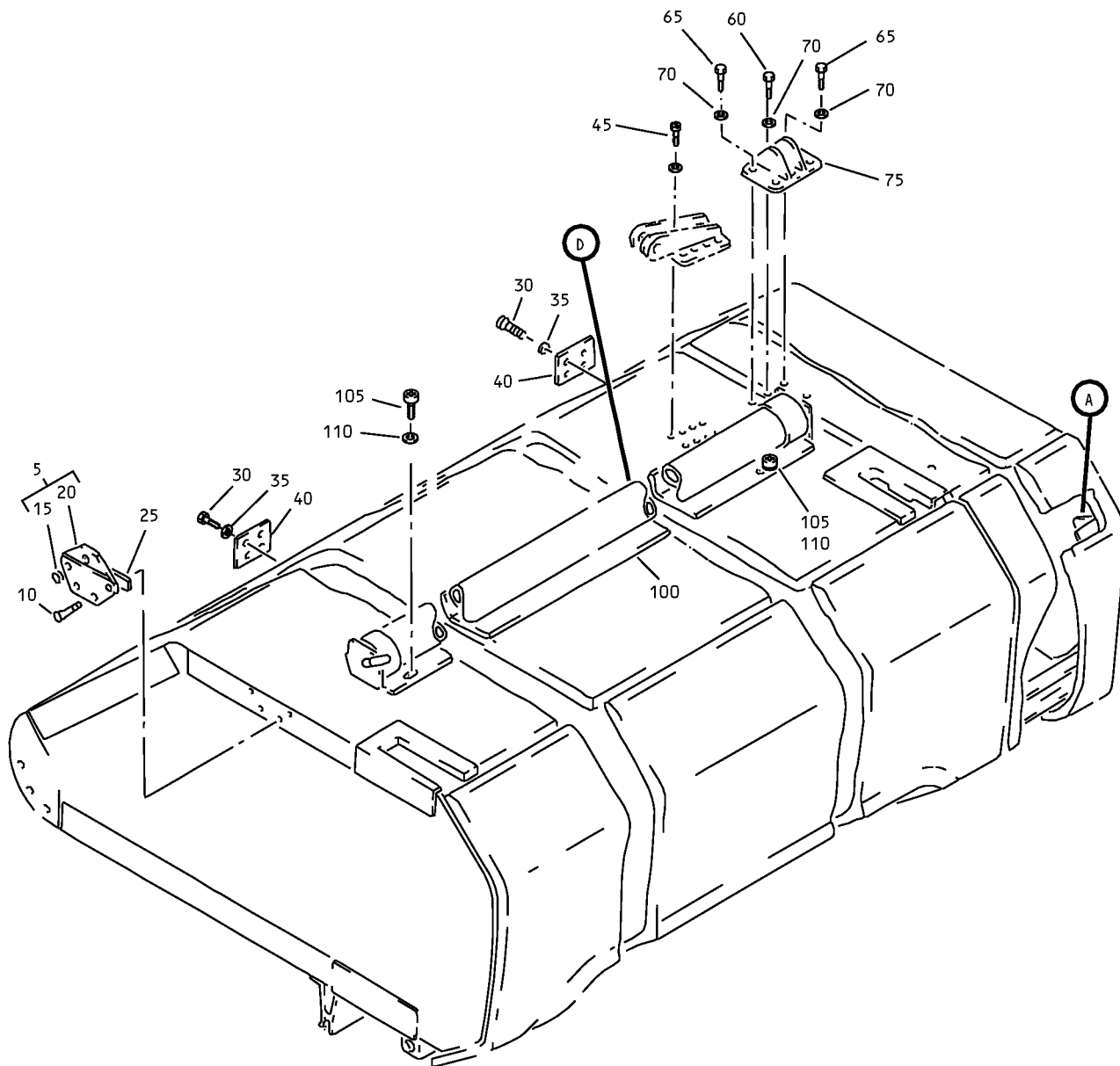
# 25-28-49

ILLUSTRATED PARTS LIST

Page 1098.255

Mar 01/2006

# COMPONENT MAINTENANCE MANUAL



Overhead Stowage Compartment Assembly  
IPL Figure 6 (Sheet 1 of 3)

## 25-28-49

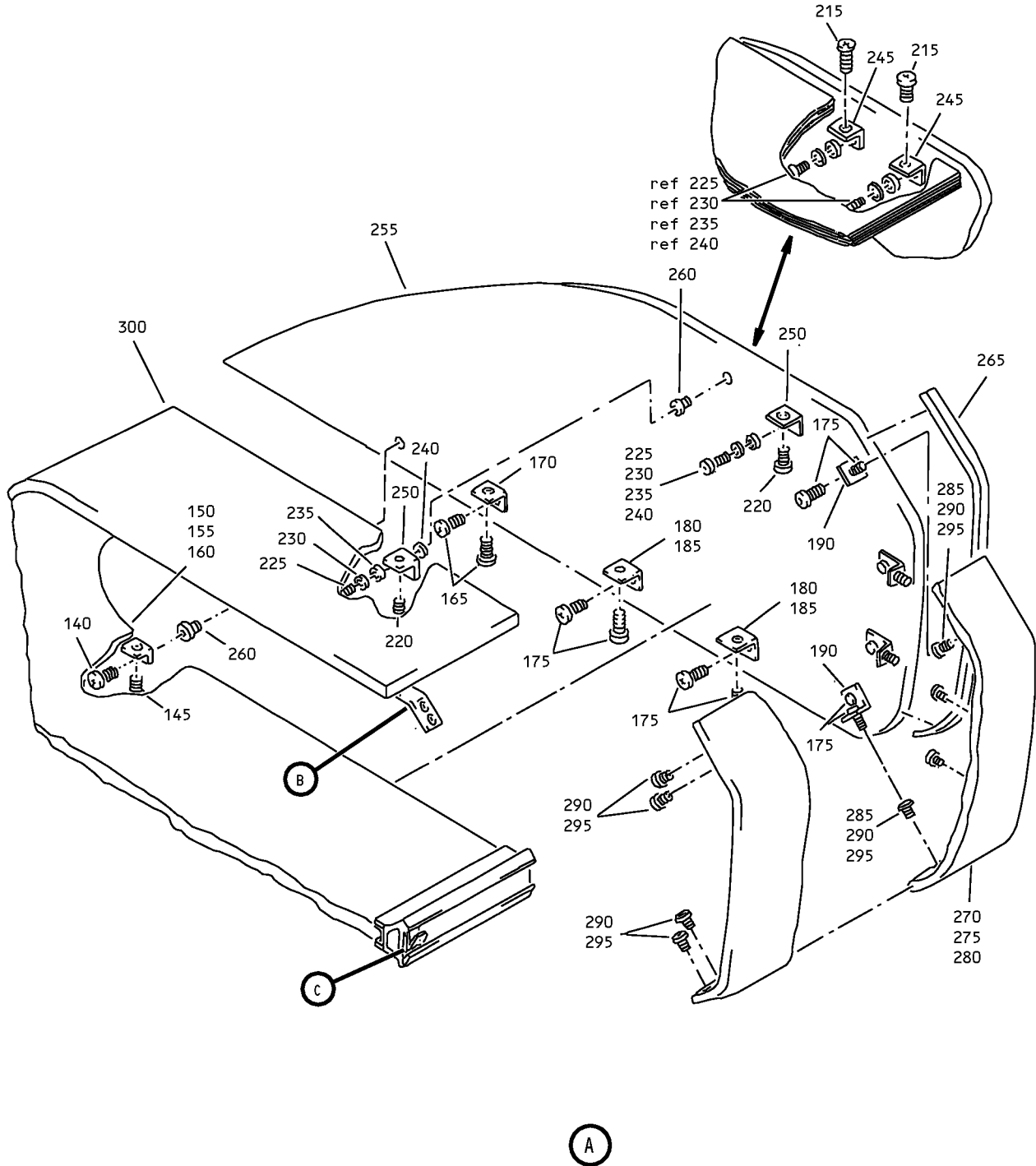
ILLUSTRATED PARTS LIST

Page 1098.256

Mar 01/2006



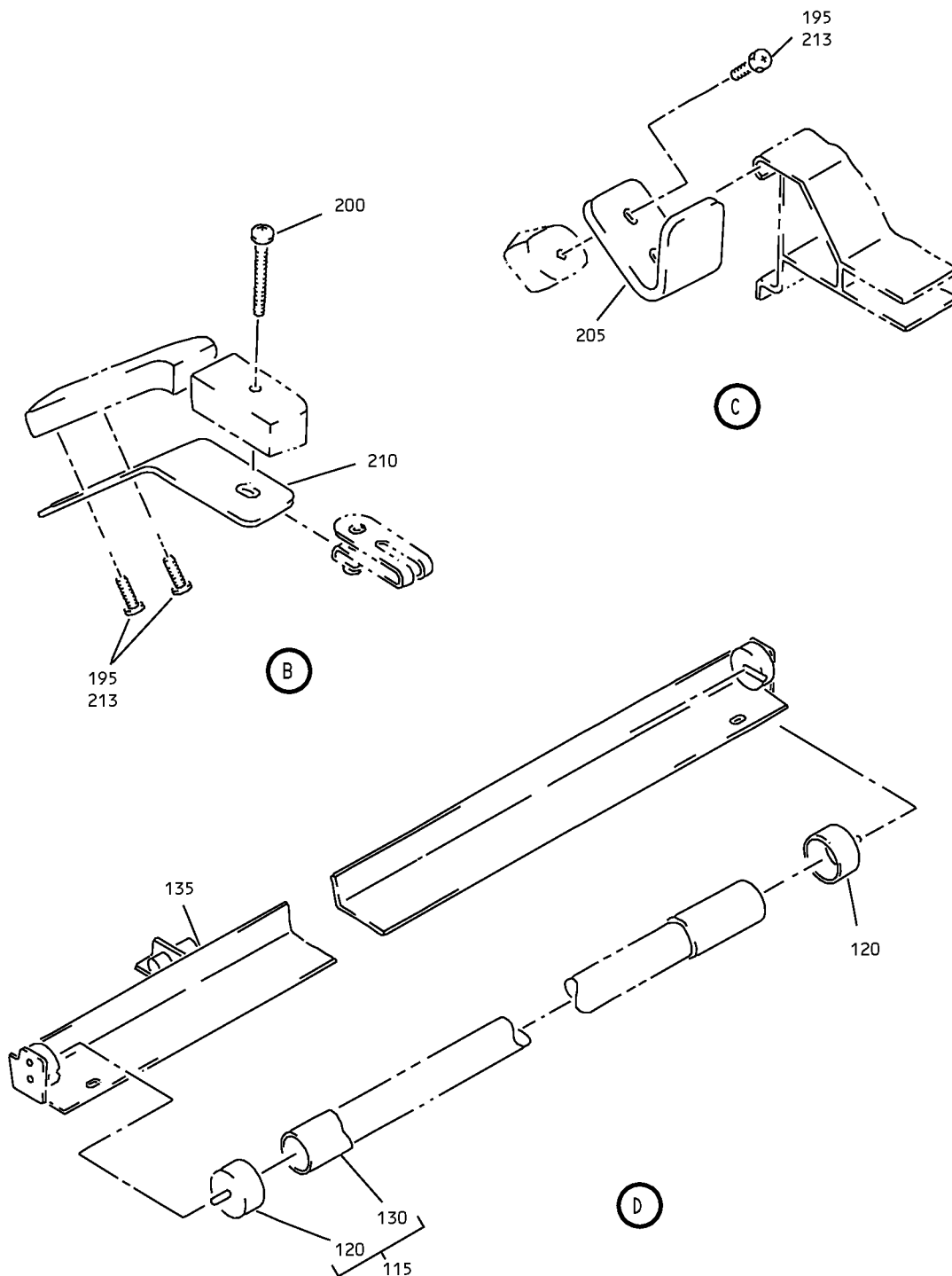
COMPONENT MAINTENANCE MANUAL



Overhead Storage Compartment Assembly  
IPL Figure 6 (Sheet 2 of 3)

**25-28-49**  
ILLUSTRATED PARTS LIST  
Page 1098.257  
Mar 01/2006

# COMPONENT MAINTENANCE MANUAL



Overhead Storage Compartment Assembly  
IPL Figure 6 (Sheet 3 of 3)

**25-28-49**  
ILLUSTRATED PARTS LIST  
Page 1098.258  
Mar 01/2006



## COMPONENT MAINTENANCE MANUAL

FIG/ ITEM	PART NUMBER	AIRLINE PART NUMBER	NOMENCLATURE							USAGE CODE	UNITS PER ASSY		
			1	2	3	4	5	6	7				
6-													
-1	65C32944-3SP										COMPARTMENT ASSY-OVERHEAD STOWAGE	C	RF
-1A	65C32944-23SP										COMPARTMENT ASSY-OVERHEAD STOWAGE	U	RF
-1B	65C32944-53SP										COMPARTMENT ASSY-OVERHEAD STOWAGE	AW	RF
-1C	65C32944-97SP										COMPARTMENT ASSY-OVERHEAD STOWAGE	BN	RF
-1D	65C32944-105SP										COMPARTMENT ASSY-OVERHEAD STOWAGE	BW	RF
-1E	65C32944-108SP										COMPARTMENT ASSY-OVERHEAD STOWAGE	BZ	RF
-1F	65C32944-120SP										COMPARTMENT ASSY-OVERHEAD STOWAGE	CJ	RF
-1G	65C32944-130SP										COMPARTMENT ASSY-OVERHEAD STOWAGE	CT	RF
-1H	65C32944-139SP										COMPARTMENT ASSY-OVERHEAD STOWAGE	CZ	RF
-1J	65C32944-301SP										COMPARTMENT ASSY-OVERHEAD STOWAGE	DR	RF
-1K	65C32944-327SP										COMPARTMENT ASSY-OVERHEAD STOWAGE	DX	RF
-1L	65C32944-361SP										COMPARTMENT ASSY-OVERHEAD STOWAGE	ED	RF
-1M	65C32944-601SP										COMPARTMENT ASSY-OVERHEAD STOWAGE	EG	RF
-1N	65C32944-627SP										COMPARTMENT ASSY-OVERHEAD STOWAGE	EK	RF
-1P	65C32944-366SP										COMPARTMENT ASSY-OVERHEAD STOWAGE	EW	RF
5	412N1119-38										. FITTING ASSY	C, U, AW, BN, BW, BZ, CJ, CT, CZ, DR, DX, ED, EG, EK, EW	1

-Item not Illustrated

# 25-28-49

ILLUSTRATED PARTS LIST

Page 1098.259

Mar 01/2006



## COMPONENT MAINTENANCE MANUAL

FIG/ ITEM	PART NUMBER	AIRLINE PART NUMBER	NOMENCLATURE 1 2 3 4 5 6 7	USAGE CODE	UNITS PER ASSY
6-			ATTACHING PARTS		
10	BACS12ER3K6		. SCREW (V06710) (SPEC BACS12ER3K6) (OPT BACS12ER3K6 (V06725)) (OPT BACS12ER3K6 (V06950)) (OPT BACS12ER3K6 (V27624)) (OPT BACS12ER3K6 (V34252)) (OPT BACS12ER3K6 (V56878)) (OPT BACS12ER3K6 (V73197)) (OPT BACS12ER3K6 (V80539)) (OPT BACS12ER3K6 (V92215)) (OPT BACS12ER3K6 (V93907)) (OPT BACS12ER3K6 (V97928))	C, U, AW, BN, BW, BZ, CJ, CT, CZ, DR, DX, ED, EG, EK, EW	4
15	BACB28B6-220P		-----*----- . . BUSHING	C, U, AW, BN, BW, BZ, CJ, CT, CZ, DR, DX, ED, EG, EK, EW	1
20	412N1119-40		. . FITTING	C, U, AW, BN, BW, BZ, CJ, CT, CZ, DR, DX, ED, EG, EK, EW	1
25	65C27017-16		. SHIM	C, U, AW, BN, BW, BZ, CJ, CT, CZ, DR, DX, ED, EG, EK, EW	1

-Item not Illustrated

**25-28-49**

ILLUSTRATED PARTS LIST

Page 1098.260

Mar 01/2006



## COMPONENT MAINTENANCE MANUAL

FIG/ ITEM	PART NUMBER	AIRLINE PART NUMBER	NOMENCLATURE							USAGE CODE	UNITS PER ASSY				
			1	2	3	4	5	6	7						
6- 30	BACB30NM3K1		.	B	O	L	T					C, U, AW, BN, BW, BZ, CJ, CT, CZ, DR, DX, ED, EG, EK, EW	8		
				(V06710)	(SPEC BACB30NM3K1)	(OPT BACB30NM3K1 (V06725))	(OPT BACB30NM3K1 (V06950))	(OPT BACB30NM3K1 (V08524))	(OPT BACB30NM3K1 (V27624))	(OPT BACB30NM3K1 (V56878))	(OPT BACB30NM3K1 (V73197))	(OPT BACB30NM3K1 (V80539))	(OPT BACB30NM3K1 (V92215))	(OPT BACB30NM3K1 (V93907))	(OPT BACB30NM3K1 (V97928))
35	AN960JD10		.	W	A	S	H	E	R			C, U, AW, BN, BW, BZ, CJ, CT, CZ, DR, DX, ED, EG, EK, EW	8		
40	412N1119-12		.	F	I	T	T	I	N	G		C, U, AW, BN, BW, BZ, CJ, CT, CZ, DR, DX, ED, EG, EK, EW	2		
45	BACB30NM3K1		.	B	O	L	T					C, U, AW, BN, BW, BZ, CJ, CT, CZ, DR, DX, ED, EG, EK, EW	8		
				(V06710)	(SPEC BACB30NM3K1)	(OPT BACB30NM3K1 (V06725))	(OPT BACB30NM3K1 (V06950))	(OPT BACB30NM3K1 (V08524))	(OPT BACB30NM3K1 (V27624))	(OPT BACB30NM3K1 (V56878))	(OPT BACB30NM3K1 (V73197))	(OPT BACB30NM3K1 (V80539))	(OPT BACB30NM3K1 (V92215))	(OPT BACB30NM3K1 (V93907))	(OPT BACB30NM3K1 (V97928))

-Item not Illustrated

# 25-28-49

ILLUSTRATED PARTS LIST

Page 1098.261

Mar 01/2006



## COMPONENT MAINTENANCE MANUAL

FIG/ ITEM	PART NUMBER	AIRLINE PART NUMBER	NOMENCLATURE							USAGE CODE	UNITS PER ASSY	
			1	2	3	4	5	6	7			
6- 50	AN960JD10		.	W	A	S	H	E	R		C, U, AW, BN, BW, BZ, CJ, CT, CZ, DR, DX, ED, EG, EK, EW	8
55	412N1161-2		.	F	I	T	T	I	N	G	C, U, AW, BN, BW, BZ, CJ, CT, CZ, DR, DX, ED, EG, EK, EW	1
60	BACB30NM3K9		.	B	O	L	T				C, U, AW, BN, BW, BZ, CJ, CT, CZ, DR, DX, ED, EG, EK, EW	2
65	BACB30NM3K1		.	B	O	L	T				C, U, AW, BN, BW, BZ, CJ, CT, CZ, DR, DX, ED, EG, EK, EW	4

-Item not Illustrated

# 25-28-49

ILLUSTRATED PARTS LIST

Page 1098.262

Mar 01/2006



## COMPONENT MAINTENANCE MANUAL

FIG/ ITEM	PART NUMBER	AIRLINE PART NUMBER	NOMENCLATURE							USAGE CODE	UNITS PER ASSY
			1	2	3	4	5	6	7		
6- 70	AN960JD10		.	W	A	S	H	E	R	C, U, AW, BN, BW, BZ, CJ, CT, CZ, DR, DX, ED, EG, EK, EW	6
75	412N1119-26		.	F	I	T	T	I	N	C, U, AW, BN, BW, BZ, CJ, CT, CZ, DR, DX, ED, EG, EK, EW	1
80	NAS1801-3-11		DELETED								
85	411N3142-28		DELETED								
90	BACS18C8-6		DELETED								
95	MS24585-1230		DELETED								
100	417N5120-53SP		.	L	I	G	H	T	A	C	1
			ATTACHING PARTS								
105	NAS1801-3-5		.	S	C	R	E	W		C, U, AW, BN, BW, BZ, CJ, CT, CZ, DR, DX, ED, EG, EK, EW	2

-Item not Illustrated

# 25-28-49

ILLUSTRATED PARTS LIST

Page 1098.263

Mar 01/2006



## COMPONENT MAINTENANCE MANUAL

FIG/ ITEM	PART NUMBER	AIRLINE PART NUMBER	NOMENCLATURE							USAGE CODE	UNITS PER ASSY			
			1	2	3	4	5	6	7					
6- 110	AN960JD10LL		.	W	A	S	H	E	R		C, U, AW, BN, BW, BZ, CJ, CT, CZ, DR, DX, ED, EG, EK, EW	2		
115	417N5120-11		.	.	*	.	.	.	.	.	C, U, AW, BN, BW, BZ, CJ, CT, CZ, DR, DX, ED, EG, EK, EW	1		
120	2055150		.	.	.	C	A	P	-	E	C	U, AW, BN, BW, BZ, CJ, CT, CZ, DR, DX, ED, EG, EK, EW	2	
-125	F20T12WW		.	.	.	L	A	M	P	-	F	U	C, U, AW, BN, BW, BZ, CJ, CT, CZ, DR, DX, ED, EG, EK, EW	1
130	LP1625-24		.	.	.	T	U	B	E	-	C	U, AW, BN, BW, BZ, CJ, CT, CZ, DR, DX, ED, EG, EK, EW	1	

-Item not Illustrated

**25-28-49**

ILLUSTRATED PARTS LIST

Page 1098.264

Mar 01/2006





## COMPONENT MAINTENANCE MANUAL

FIG/ ITEM	PART NUMBER	AIRLINE PART NUMBER	NOMENCLATURE							USAGE CODE	UNITS PER ASSY	
			1	2	3	4	5	6	7			
6- -130A	NI152LGWUV1000		.	.	.	TUBE-COVER (V06034) (OPT ITEM 130)					C, U, AW, BN, BW, BZ, CJ, CT, CZ, DR, DX, ED, EG, EK, EW	1
135	800000255-38SP		.	.	LIGHT ASSY-CLG (V05617) (SPEC S417N507-38) (FOR DETAILS SEE FIG. 80)						C, U, AW, BN, BW, BZ, CJ, CT, CZ, DR, DX, ED, EG, EK, EW	RF
140	BACS12FA3K5		.	SCREW (V06710) (SPEC BACS12FA3K5) (OPT BACS12FA3K5 (V06725)) (OPT BACS12FA3K5 (V06950)) (OPT BACS12FA3K5 (V27624)) (OPT BACS12FA3K5 (V34252)) (OPT BACS12FA3K5 (V56878)) (OPT BACS12FA3K5 (V73197)) (OPT BACS12FA3K5 (V80539)) (OPT BACS12FA3K5 (V92215)) (OPT BACS12FA3K5 (V93907)) (OPT BACS12FA3K5 (V97928))							U, BN, BW, BZ, CJ, CT, CZ, DR, DX, ED, EG, EK, EW	1
145	BACS12FA3K5		.	SCREW (V06710) (SPEC BACS12FA3K5) (OPT BACS12FA3K5 (V06725)) (OPT BACS12FA3K5 (V06950)) (OPT BACS12FA3K5 (V27624)) (OPT BACS12FA3K5 (V34252)) (OPT BACS12FA3K5 (V56878)) (OPT BACS12FA3K5 (V73197)) (OPT BACS12FA3K5 (V80539)) (OPT BACS12FA3K5 (V92215)) (OPT BACS12FA3K5 (V93907)) (OPT BACS12FA3K5 (V97928))							C, U, AW, BN, BW, BZ, CJ, CT, CZ, DR, DX, ED, EG, EK, EW	1
150	412N1145-21		.	BRACKET							C, AW	1

-Item not Illustrated

# 25-28-49

ILLUSTRATED PARTS LIST

Page 1098.265

Mar 01/2006



### COMPONENT MAINTENANCE MANUAL

FIG/ ITEM	PART NUMBER	AIRLINE PART NUMBER	NOMENCLATURE							USAGE CODE	UNITS PER ASSY	
			1	2	3	4	5	6	7			
6- 155	65C27017-42		.	BRACKET							BN, BW, BZ, CJ, CT, CZ, DR, DX, ED, EG, EK, EW	1
160	412N1145-29		.	BRACKET							U	1
165	BACS12FA3K5		.	SCREW (V06710) (SPEC BACS12FA3K5) (OPT BACS12FA3K5 (V06725)) (OPT BACS12FA3K5 (V06950)) (OPT BACS12FA3K5 (V27624)) (OPT BACS12FA3K5 (V34252)) (OPT BACS12FA3K5 (V56878)) (OPT BACS12FA3K5 (V73197)) (OPT BACS12FA3K5 (V80539)) (OPT BACS12FA3K5 (V92215)) (OPT BACS12FA3K5 (V93907)) (OPT BACS12FA3K5 (V97928))							C, U, AW	2
170	412N1145-29		.	BRACKET							C, U, AW	1
175	BACS12FA3K5		.	SCREW (V06710) (SPEC BACS12FA3K5) (OPT BACS12FA3K5 (V06725)) (OPT BACS12FA3K5 (V06950)) (OPT BACS12FA3K5 (V27624)) (OPT BACS12FA3K5 (V34252)) (OPT BACS12FA3K5 (V56878)) (OPT BACS12FA3K5 (V73197)) (OPT BACS12FA3K5 (V80539)) (OPT BACS12FA3K5 (V92215)) (OPT BACS12FA3K5 (V93907)) (OPT BACS12FA3K5 (V97928))							C, U, AW, BN, BW, BZ, CJ, CT, CZ, DR, DX, ED, EG, EK, EW	12
180	412N1145-29		.	BRACKET							C, U, AW	2
185	65C27017-42		.	BRACKET							BN, BW, BZ, CJ, CT, CZ, DR, DX, ED, EG, EK, EW	2

-Item not Illustrated

## 25-28-49

ILLUSTRATED PARTS LIST

Page 1098.266

Mar 01/2006



## COMPONENT MAINTENANCE MANUAL

FIG/ ITEM	PART NUMBER	AIRLINE PART NUMBER	NOMENCLATURE							USAGE CODE	UNITS PER ASSY	
			1	2	3	4	5	6	7			
6- 190	65C27017-43		.	BRACKET							C, U, AW, BN, BW, BZ, CJ, CT, CZ, DR, DX, ED, EG, EK, EW	4
195	BACS12FA3K5		.	SCREW (V06710) (SPEC BACS12FA3K5) (OPT BACS12FA3K5 (V06725)) (OPT BACS12FA3K5 (V06950)) (OPT BACS12FA3K5 (V27624)) (OPT BACS12FA3K5 (V34252)) (OPT BACS12FA3K5 (V56878)) (OPT BACS12FA3K5 (V73197)) (OPT BACS12FA3K5 (V80539)) (OPT BACS12FA3K5 (V92215)) (OPT BACS12FA3K5 (V93907)) (OPT BACS12FA3K5 (V97928))							BN, BW, BZ, CJ, CT, CZ, DR, DX, ED, EG, EK, EW	4
200	BACS12FA3K7		.	SCREW (V06710) (SPEC BACS12FA3K7) (OPT BACS12FA3K7 (V06725)) (OPT BACS12FA3K7 (V06950)) (OPT BACS12FA3K7 (V27624)) (OPT BACS12FA3K7 (V34252)) (OPT BACS12FA3K7 (V56878)) (OPT BACS12FA3K7 (V73197)) (OPT BACS12FA3K7 (V80539)) (OPT BACS12FA3K7 (V85498)) (OPT BACS12FA3K7 (V92215)) (OPT BACS12FA3K7 (V93907)) (OPT BACS12FA3K7 (V97928))							BN, BW, BZ, CJ, CT, CZ, DR, DX, ED, EG, EK, EW	1
205	412N1145-92		.	BRACKET							BN, BW, BZ, CJ, CT, CZ, DR, DX, DR, DX, ED, EG, EK, EW	1

-Item not Illustrated

# 25-28-49

ILLUSTRATED PARTS LIST

Page 1098.267

Mar 01/2006



## COMPONENT MAINTENANCE MANUAL

FIG/ ITEM	PART NUMBER	AIRLINE PART NUMBER	NOMENCLATURE							USAGE CODE	UNITS PER ASSY	
			1	2	3	4	5	6	7			
6- 210	412N1145-89		.								BN, BW, BZ, CJ, CT, CZ, DR, DX, ED, EG, EK, EW	1
213	BACS12FA3K5		.								BN, BW, BZ, CJ, CT, CZ, DR, DX, ED, EG, EK, EW	4
215	BACS12FA3K5		.								C, U, AW	2
220	BACS12FA3K7		.								BN, BW, BZ, CJ, CT, CZ, DR, DX, ED, EG, EK, EW	2

-Item not Illustrated

# 25-28-49

ILLUSTRATED PARTS LIST

Page 1098.268

Mar 01/2006



## COMPONENT MAINTENANCE MANUAL

FIG/ ITEM	PART NUMBER	AIRLINE PART NUMBER	NOMENCLATURE							USAGE CODE	UNITS PER ASSY		
			1	2	3	4	5	6	7				
6- 225	BACB30PF4-3		.	B	O	L	T				C, U, AW, BN, BW, BZ, CJ, CT, CZ, DR, DX, ED, EG, EK, EW	2	
230	AN960C416L		.	W	A	S	H	E	R		C, U, AW, BN, BW, BZ, CJ, CT, CZ, DR, DX, ED, EG, EK, EW	2	
235	NAS1515F4H		.	W	A	S	H	E	R		C, U, AW, BN, BW, BZ, CJ, CT, CZ, DR, DX, ED, EG, EK, EW	2	
240	NAS1515M4L		.	W	A	S	H	E	R		C, U, AW, BN, BW, BZ, CJ, CT, CZ, DR, DX, ED, EG, EK, EW	2	
245	412N1145-30		.	B	R	A	C	K	E	T	C, U, AW	2	
250	65C27017-42		.	B	R	A	C	K	E	T	BN, BW, BZ, CJ, CT, CZ, DR, DX, ED, EG, EK, EW	2	
255	65C32946-1SP		.	C	A	P	A	S	S	E	C	AW	1
-255A	65C32946-45SP		.	C	A	P	A	S	S	E	U		1

-Item not Illustrated

# 25-28-49

ILLUSTRATED PARTS LIST

Page 1098.269

Mar 01/2006



## COMPONENT MAINTENANCE MANUAL

FIG/ ITEM	PART NUMBER	AIRLINE PART NUMBER	NOMENCLATURE							USAGE CODE	UNITS PER ASSY
			1	2	3	4	5	6	7		
6-											
-255B	65C32946-65SP		.							BN, BZ, CJ, DX, EK, EW	1
-255C	65C32946-63SP		.							BW, CT, DR, ED, EG	1
-255D	65C32946-72SP		.							CZ	1
260	SL2334-3A2		.	.						C, U, AW, BN, BW, BZ, CJ, CT, CZ, DR, DX, ED, EG, EK, EW, FA	10
265	412N1130-5SP		.							C, U, AW, BN, BW, BZ, CJ, CT, CZ, DR, DX, ED, EG, EK, EW	1
270	65C27026-73SP		.							C, AW	1
-270A	65C27026-79SP		.							U	1
275	65C27026-76SP		.							BN, BZ, CJ, DX, EW	1
-275A	65C27026-74SP		.							BW, CT, CZ, DR, ED	1
280	412N1233-116SP		.							EG	1
-280A	412N1233-140SP		.							EK	1
285	NAS1836-3-11		.	.						C, U, AW	4
-285A	NAS1836-3-9		.	.						C, U, AW	4

-Item not Illustrated

**25-28-49**

ILLUSTRATED PARTS LIST

Page 1098.270

Mar 01/2006



## COMPONENT MAINTENANCE MANUAL

FIG/ ITEM	PART NUMBER	AIRLINE PART NUMBER	NOMENCLATURE							USAGE CODE	UNITS PER ASSY	
			1	2	3	4	5	6	7			
6- 290	NAS1836-3-11		.	.	INSERT (OPT ITEM 290A)						BN, BW, BZ, CJ, CT, CZ, DR, DX, ED, EW	8
-290A	NAS1836-3-9		.	.	INSERT (OPT ITEM 290)						BN, BW, BZ, CJ, CT, CZ, DR, DX, ED, EW	8
295	NAS1836-3-11		DELETED									
295A	NAS1836-3-11		.	.	INSERT (OPT ITEM 295B)						ED, EG, EK	8
-295B	NAS1836-3-9		.	.	INSERT (OPT ITEM 295A)						ED, EG, EK	8
300	65C32945-3SP		.		MODULE ASSY (FOR DETAILS SEE FIG. 29)						C	1
-300A	65C32945-23SP		.		MODULE ASSY (FOR DETAILS SEE FIG. 29)						U	1
-300B	65C32945-53SP		.		MODULE ASSY (FOR DETAILS SEE FIG. 29)						AW	1
-300C	65C32945-11SP		.		MODULE ASSY (FOR DETAILS SEE FIG. 29)						BN	1
-300D	65C32945-25SP		.		MODULE ASSY (FOR DETAILS SEE FIG. 29)						BW	1
-300E	65C32945-33SP		.		MODULE ASSY (FOR DETAILS SEE FIG. 29)						BZ	1
-300F	65C32945-47SP		.		MODULE ASSY (FOR DETAILS SEE FIG. 29)						CJ	1
-300G	65C32945-66SP		.		MODULE ASSY (FOR DETAILS SEE FIG. 29)						CT	1
-300H	65C32945-75SP		.		MODULE ASSY (FOR DETAILS SEE FIG. 29)						CZ	1
-300J	65C32945-301SP		.		MODULE ASSY (FOR DETAILS SEE FIG. 29)						DR	1
-300K	65C32945-327SP		.		MODULE ASSY (FOR DETAILS SEE FIG. 29)						DX	1
-300L	65C32945-361SP		.		MODULE ASSY (FOR DETAILS SEE FIG. 29)						ED	1

-Item not Illustrated

# 25-28-49

ILLUSTRATED PARTS LIST

Page 1098.271

Mar 01/2006



## COMPONENT MAINTENANCE MANUAL

FIG/ ITEM	PART NUMBER	AIRLINE PART NUMBER	NOMENCLATURE							USAGE CODE	UNITS PER ASSY
			1	2	3	4	5	6	7		
6- -300M	65C32945-601SP		.							EG	1
-300N	65C32945-627SP		.							EK	1
-300P	65C32945-366SP		.							EW	1

-Item not Illustrated

# 25-28-49

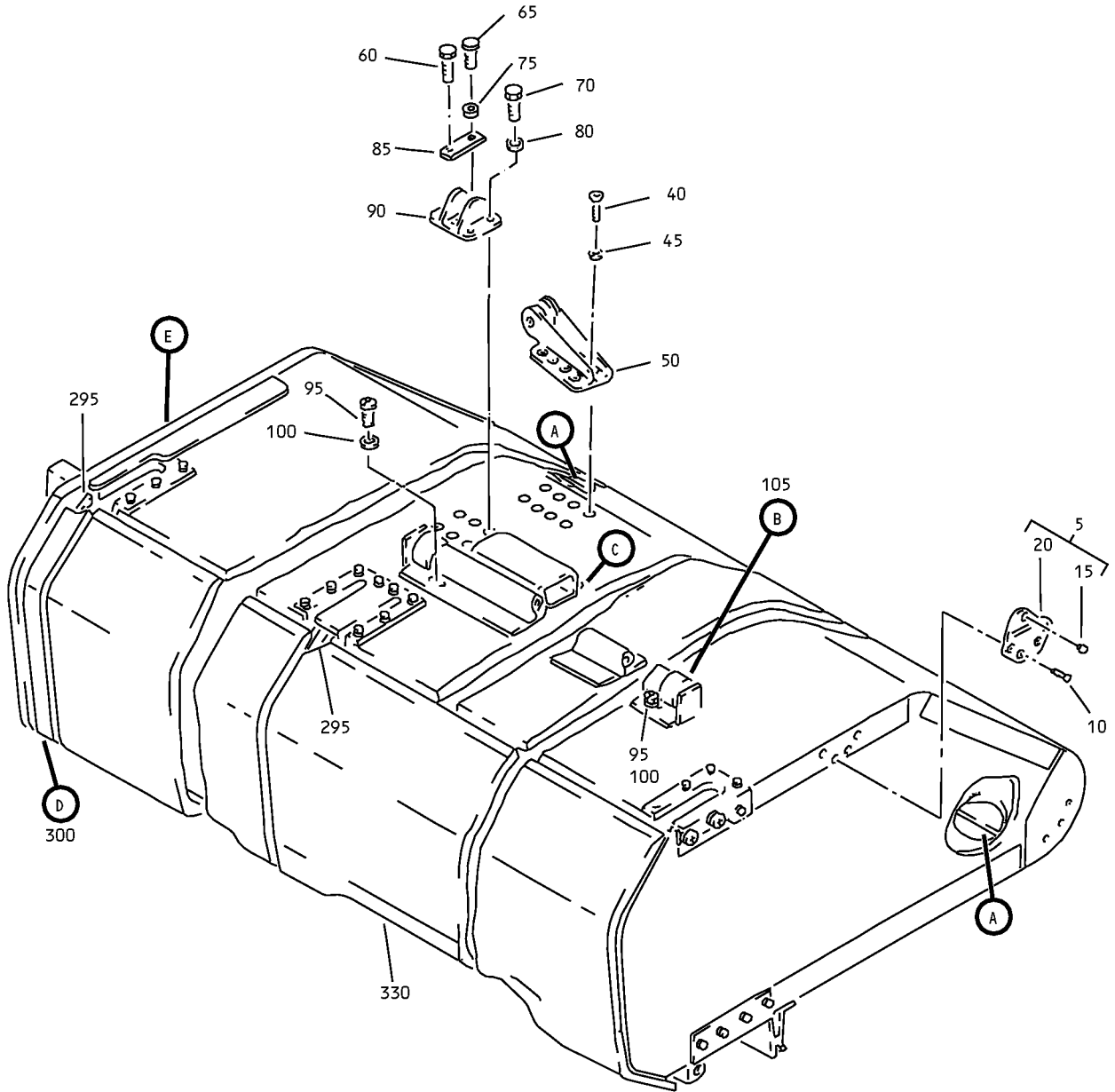
ILLUSTRATED PARTS LIST

Page 1098.272

Mar 01/2006



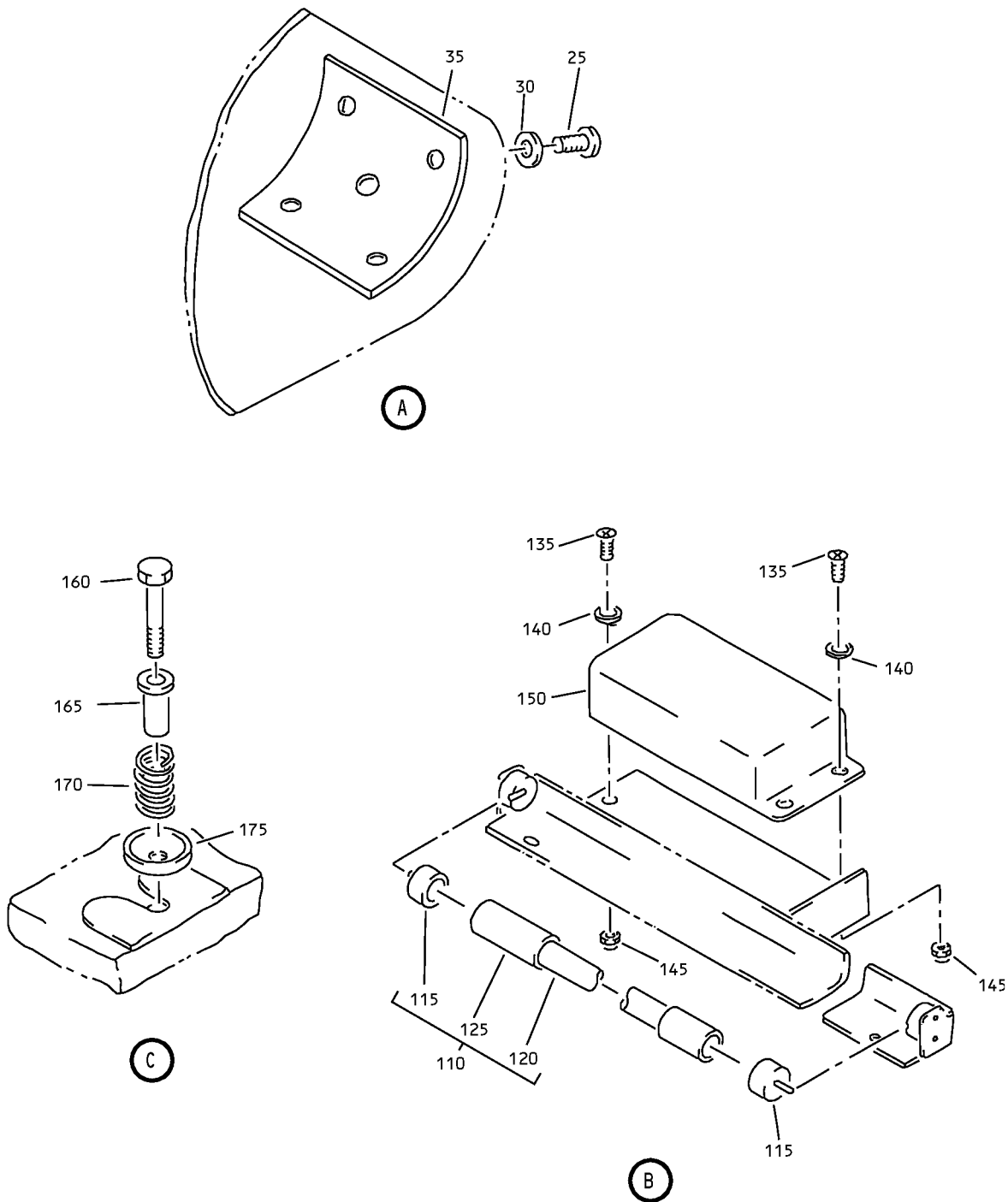
COMPONENT MAINTENANCE MANUAL



Overhead Stowage Compartment Assembly  
IPL Figure 7 (Sheet 1 of 3)

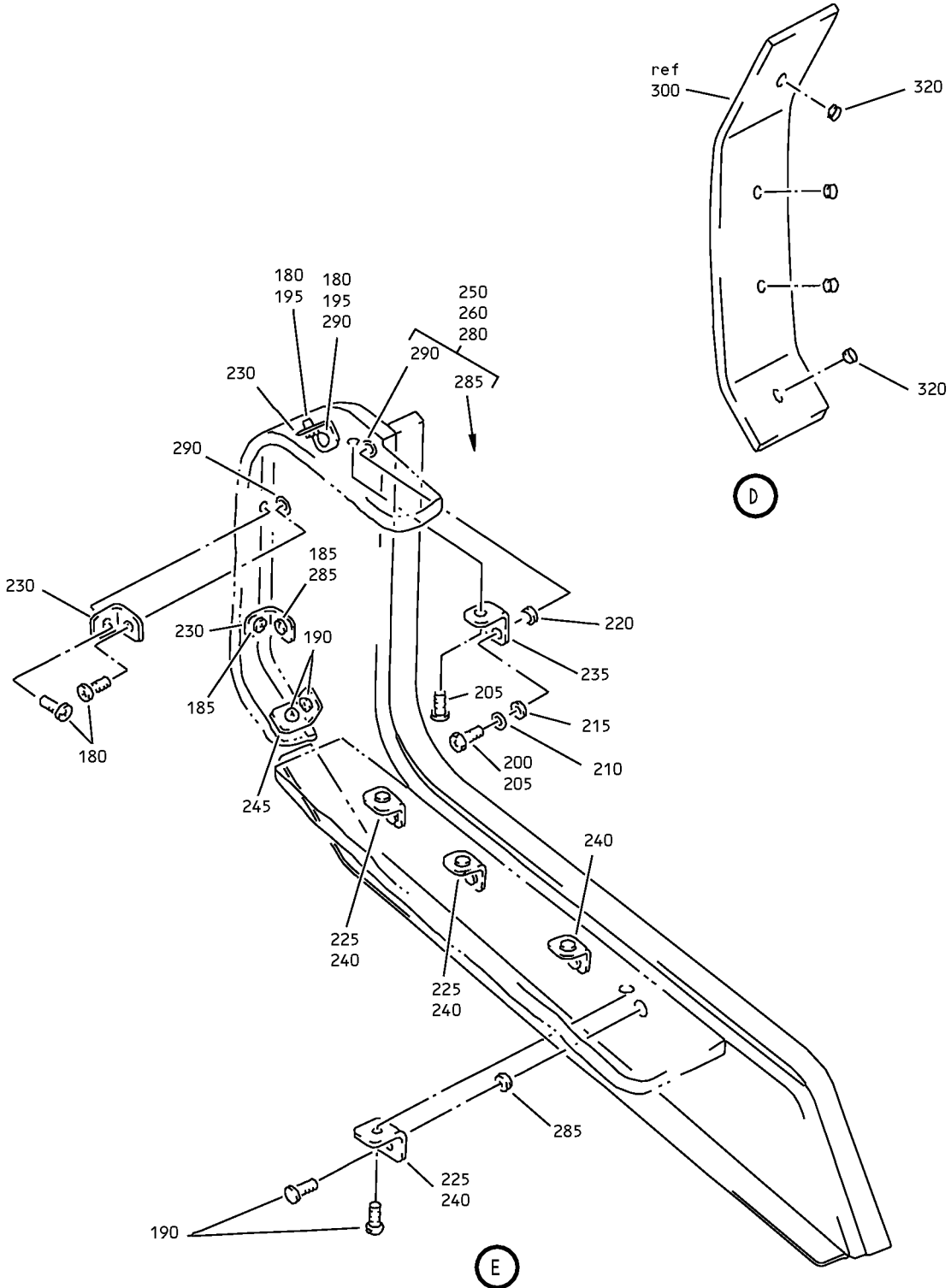
**25-28-49**  
ILLUSTRATED PARTS LIST  
Page 1098.273  
Mar 01/2006

COMPONENT MAINTENANCE MANUAL



Overhead Stowage Compartment Assembly  
IPL Figure 7 (Sheet 2 of 3)

COMPONENT MAINTENANCE MANUAL



Overhead Stowage Compartment Assembly  
IPL Figure 7 (Sheet 3 of 3)

**25-28-49**

ILLUSTRATED PARTS LIST

Page 1098.275

Mar 01/2006



## COMPONENT MAINTENANCE MANUAL

FIG/ ITEM	PART NUMBER	AIRLINE PART NUMBER	NOMENCLATURE							USAGE CODE	UNITS PER ASSY
			1	2	3	4	5	6	7		
7-											
-1	65C32944-5SP									E	RF
-1A	65C32944-6SP									F	RF
-1B	65C32944-26SP									X	RF
-1C	65C32944-51SP									AU	RF
-1D	65C32944-54SP									AX	RF
-1E	65C32944-96SP									BM	RF
-1F	65C32944-106SP									BX	RF
-1G	65C32944-121SP									CK	RF
-1H	65C32944-124SP									CN	RF
-1J	65C32944-362SP									EE	RF
-1K	65C32944-646SP										
-1L	65C32944-647SP										
-1M	65C32944-346SP									ET	RF
-1N	65C32944-347SP									EU	RF
5	412N1119-1									. E, F, X, AU, AX, BM, BX, CK, CN, EE, ET, EU	1

-Item not Illustrated

# 25-28-49

ILLUSTRATED PARTS LIST

Page 1098.276

Mar 01/2006



## COMPONENT MAINTENANCE MANUAL

FIG/ ITEM	PART NUMBER	AIRLINE PART NUMBER	NOMENCLATURE							USAGE CODE	UNITS PER ASSY	
			1	2	3	4	5	6	7			
7-			ATTACHING PARTS									
10	BACS12ER3K6		.								E, F, X, AU, AX, BM, BX, CK, CN, EE, ET, EU	4
15	BACB28B6-220P		.	.							E, F, X, AU, AX, BM, BX, CK, CN, EE, ET, EU	1
20	412N1119-2		.	.							E, F, X, AU, AX, BM, BX, CK, CN, EE, ET, EU	1
25	BACB30NM3K1		.								E, F, X, AU, AX, BM, BX, CK, CN, EE, ET, EU	8

-Item not Illustrated

# 25-28-49

ILLUSTRATED PARTS LIST

Page 1098.277

Mar 01/2006



## COMPONENT MAINTENANCE MANUAL

FIG/ ITEM	PART NUMBER	AIRLINE PART NUMBER	NOMENCLATURE							USAGE CODE	UNITS PER ASSY
			1	2	3	4	5	6	7		
7- 30	AN960JD10		.	W	A	S	H	E	R	E, F, X, AU, AX, BM, BX, CK, CN, EE, ET, EU	8
35	412N1119-12		.	F	I	T	T	I	N	E, F, X, AU, AX, BM, BX, CK, CN, EE, ET, EU	2
40	BACB30NM3K1		.	B	O	L	T	(V06710) (SPEC BACB30NM3K1) (OPT BACB30NM3K1 (V06725)) (OPT BACB30NM3K1 (V06950)) (OPT BACB30NM3K1 (V08524)) (OPT BACB30NM3K1 (V27624)) (OPT BACB30NM3K1 (V56878)) (OPT BACB30NM3K1 (V73197)) (OPT BACB30NM3K1 (V80539)) (OPT BACB30NM3K1 (V92215)) (OPT BACB30NM3K1 (V93907)) (OPT BACB30NM3K1 (V97928))	E, F, X, AU, AX, BM, BX, CK, CN, EE, ET, EU	8	
45	AN960JD10		.	W	A	S	H	E	R	E, F, X, AU, AX, BM, BX, CK, CN, EE, ET, EU	8
50	412N1161-1		.	F	I	T	T	I	N	E, AU, CK, EU	1
-50A	412N1161-2		.	F	I	T	T	I	N	F, X, AX, BM, BX, CN, EE, ET	1

-Item not Illustrated

# 25-28-49

ILLUSTRATED PARTS LIST

Page 1098.278

Mar 01/2006



## COMPONENT MAINTENANCE MANUAL

FIG/ ITEM	PART NUMBER	AIRLINE PART NUMBER	NOMENCLATURE							USAGE CODE	UNITS PER ASSY	
			1	2	3	4	5	6	7			
7- 60	BACB30NN3K10		.	B	O	L	T				E, F, X, AU, AX, BM, BX, CK, CN, EE, ET, EU	1
65	BACB30NM3K10		.	B	O	L	T				E, F, X, AU, AX, BM, BX, CK, CN, EE, ET, EU	1
70	BACB30NM3K1		.	B	O	L	T				E, F, X, AU, AX, BM, BX, CK, CN, EE, ET, EU	4
75	AN960JD10LL		.	W	A	S	H	E	R		E, F, X, AU, AX, BM, BX, CK, CN, EE, ET, EU	1

-Item not Illustrated

# 25-28-49

ILLUSTRATED PARTS LIST

Page 1098.279

Mar 01/2006



## COMPONENT MAINTENANCE MANUAL

FIG/ ITEM	PART NUMBER	AIRLINE PART NUMBER	NOMENCLATURE							USAGE CODE	UNITS PER ASSY	
			1	2	3	4	5	6	7			
7- 80	AN960JD10		.	W	A	S	H	E	R	E, F, X, AU, AX, BM, BX, CK, CN, EE, ET, EU	4	
85	412N1119-56		.	F	I	L	L	E	R	E, F, X, AU, AX, BM, BX, CK, CN, EE, ET, EU	1	
90	412N1119-55		.	F	I	T	T	I	N	E, F, X, AU, AX, BM, BX, CK, CN, EE, ET, EU	1	
95	NAS1801-3-5		.	S	C	R	E	W		E, F, X, AU, AX, BM, BX, CK, CN, EE, ET, EU	2	
100	AN960JD10LL		.	W	A	S	H	E	R	E, F, X, AU, AX, BM, BX, CK, CN, EE, ET, EU	2	
105	417N5120-19		.	L	I	G	H	T	A	S	E, F, X, AU, AX, BM, BX, CK, CN, EE, ET, EU	1
110	417N5120-11		.	L	A	M	P	A	S	E, F, X, AU, AX, BM, BX, CK, CN, EE, ET, EU	1	

-Item not Illustrated

# 25-28-49

ILLUSTRATED PARTS LIST

Page 1098.280

Mar 01/2006





## COMPONENT MAINTENANCE MANUAL

FIG/ ITEM	PART NUMBER	AIRLINE PART NUMBER	NOMENCLATURE							USAGE CODE	UNITS PER ASSY	
			1	2	3	4	5	6	7			
7- 115	2055150		. . .	CAP-END							E, F, X, AU, AX, BM, BX, CK, CN, EE, ET, EU	2
120	F20T12WW		. . .	LAMP-FLUOR.							E, F, X, AU, AX, BM, BX, CK, CN, EE, ET, EU	1
125	LP1625-24		. . .	TUBE-COVER							E, F, X, AU, AX, BM, BX, CK, CN, EE, ET, EU	1
-125A	NI152LGWUV1000		. . .	TUBE-COVER							E, F, X, AU, AX, BM, BX, CK, CN, EE, ET, EU	1
-130	80000255-16		. .	LIGHT ASSY-CLG							E, F, X, AU, AX, BM, BX, CK, CN, EE, ET, EU	1
135	BACS12ER3K6		. .	SCREW							E, F, X, AU, AX, BM, BX, CK, CN, EE, ET, EU	3

-Item not Illustrated

# 25-28-49

ILLUSTRATED PARTS LIST

Page 1098.281

Mar 01/2006



## COMPONENT MAINTENANCE MANUAL

FIG/ ITEM	PART NUMBER	AIRLINE PART NUMBER	NOMENCLATURE							USAGE CODE	UNITS PER ASSY	
			1	2	3	4	5	6	7			
7- 140	BACW10UD10		.	.	W	A	S	H	E	R	E, F, X, AU, AX, BM, BX, CK, CN, EE, ET, EU	3
145	F22K1-02		.	.	N						E, F, X, AU, AX, BM, BX, CK, CN, EE, ET, EU	3
150	05939-5		.	.	B	A	L	L	A	S	E, F, X, AU, AX, BM, BX, CK, CN, EE, ET, EU	1
-150A	1985-1		.	.	B	A	L	L	A	S	E, F, X, AU, AX, BM, BX, CK, CN, EE, ET, EU	1
-150B	05939-105		.	.	B	A	L	L	A	S	E, F, X, AU, AX, BM, BX, CK, CN, EE, ET, EU	1
160	NAS1801-3-11		.	S	C	R	E	W			E, F, X, AU, AX, BM, BX, CK, CN, EE, ET, EU	1
165	BACS18C8-6		.	S	P	A	C	E	R		E, F, X, AU, AX, BM, BX, CK, CN, EE, ET, EU	1

-Item not Illustrated

# 25-28-49

ILLUSTRATED PARTS LIST

Page 1098.282

Mar 01/2006



## COMPONENT MAINTENANCE MANUAL

FIG/ ITEM	PART NUMBER	AIRLINE PART NUMBER	NOMENCLATURE							USAGE CODE	UNITS PER ASSY	
			1	2	3	4	5	6	7			
7- 170	MS24585-1230		.								E, F, X, AU, AX, BM, BX, CK, CN, EE, ET, EU	1
175	411N3142-28		.								E, F, X, AU, AX, BM, BX, CK, CN, EE, ET, EU	1
180	BACS12FA3K5		.								E, F, X, AU, BM, BX, CK, EE, ET, EU	2
185	BACS12FA3K5		.								E, F, X, AU, AX, BM, BX, CK, EE, ET, EU	2

-Item not Illustrated

# 25-28-49

ILLUSTRATED PARTS LIST

Page 1098.283

Mar 01/2006



## COMPONENT MAINTENANCE MANUAL

FIG/ ITEM	PART NUMBER	AIRLINE PART NUMBER	NOMENCLATURE							USAGE CODE	UNITS PER ASSY
			1	2	3	4	5	6	7		
7- 190	BACS12FA3K5		.	S	C	R	E	W		X, AU, AX, BX, CK, CN, ET, EU	10
193	BACS12FA3K5		.	S	C	R	E	W		X, AU, AX, BX, CK, CN, ET, EU	2
195	BACS12FA3K14		.	S	C	R	E	W		E, F, BM, EE	2
200	BACB30PF4-3		.	B	O	L	T			X, AU, AX, BX, CK, CN, ET, EU	1
205	BACB30NN3K14		.	B	O	L	T			E, F, BM, EE	2

-Item not Illustrated

# 25-28-49

ILLUSTRATED PARTS LIST

Page 1098.284

Mar 01/2006



## COMPONENT MAINTENANCE MANUAL

FIG/ ITEM	PART NUMBER	AIRLINE PART NUMBER	NOMENCLATURE	USAGE CODE	UNITS PER ASSY
7-					
207	BACW10CT10		. WASHER (V10630) (SPEC BACW10CT10)	E, F, BM, EE	2
210	AN960C416L		. WASHER	X, AU, AX, BX, CK, CN, ET, EU, ET	1
215	NAS1515F4H		. WASHER	X, AU, AX, BX, CK, CN, ET, EU	1
220	NAS1515M4L		. WASHER	X, AU, AX, BX, CK, CN, ET, EU	1
225	65C27017-42		. BRACKET	E, F, BM, EE	3
230	412N1145-29		. BRACKET	X, AU, AX, BX, CK, CN, ET, EU,	3
235	412N1145-29		. BRACKET	X, AU, BX, CX, ET, EU	1
240	65C27017-43		. BRACKET	X, AU, AX, BX, CK, CN, ET, EU	4
245	412N1145-30		. BRACKET	AX, CN	1
-245A	65C27014-30		. BRACKET	X, AU, BX, CK, ET, EU	1
250	65C32946-5SP		. CAP ASSY-END	F	1
-255	65C32946-6SP		. CAP ASSY-END	E	1
260	65C32946-3SP		. CAP ASSY-END	AU	1
-265	65C32946-4SP		. CAP ASSY-END	X, AX	1
-270	65C32946-59SP		. CAP ASSY-END	CK, EU	1
-275	65C32946-60SP		. CAP ASSY-END	BX, CN, ET	1

-Item not Illustrated

# 25-28-49

ILLUSTRATED PARTS LIST

Page 1098.285

Mar 01/2006



## COMPONENT MAINTENANCE MANUAL

FIG/ ITEM	PART NUMBER	AIRLINE PART NUMBER	NOMENCLATURE							USAGE CODE	UNITS PER ASSY
			1	2	3	4	5	6	7		
7-											
280	65C32946-61SP		.							BM, EE	1
285	SL2334-3A2		.	.						E, F, X, AU, AX, BM, BX, CK, CN, EE, ET, EU	6
290	SL2334-3A2		.	.						X, AU, AX, BX, CK, CN, ET, EU	3
295	412N1130-5SP		.							E, F, X, AU, AX, BM, BX, CK, CN, EE, ET, EU	2
300	65C27026-36SP		.							AU, CK, EU	1
-300A	65C27026-32SP		.							X, BX, ET	1
-305	65C27026-40SP		.							AX, CN	1
-310	412N1233-105SP										
-315	412N1233-104SP										
320	NAS1836-3-11										
320A	NAS1836-3-11		.	.						X, AU, AX, BX, CK, CN, ET, EU	4
-320B	NAS1836-3-9		.	.						X, AU, AX, BX, CK, CN, ET, EU	4
330	65C32945-5SP		.							E	1
-330A	65C32945-51SP		.							AU, CK	1
-330B	65C32945-649SP										
-330C	65C32945-6SP		.							F, BM	1

-Item not Illustrated

# 25-28-49

ILLUSTRATED PARTS LIST

Page 1098.286

Mar 01/2006



## COMPONENT MAINTENANCE MANUAL

FIG/ ITEM	PART NUMBER	AIRLINE PART NUMBER	NOMENCLATURE							USAGE CODE	UNITS PER ASSY	
			1	2	3	4	5	6	7			
7- -330D	65C32945-26SP		.								X, BX	1
-330E	65C32945-54SP		.								AX, CN	1
-330F	65C32945-362SP		.								EE	1
-330G	65C32945-648SP											
-330H	65C32945-348SP		.								ET	1
-330J	65C32945-349SP		.								EU	1

-Item not Illustrated

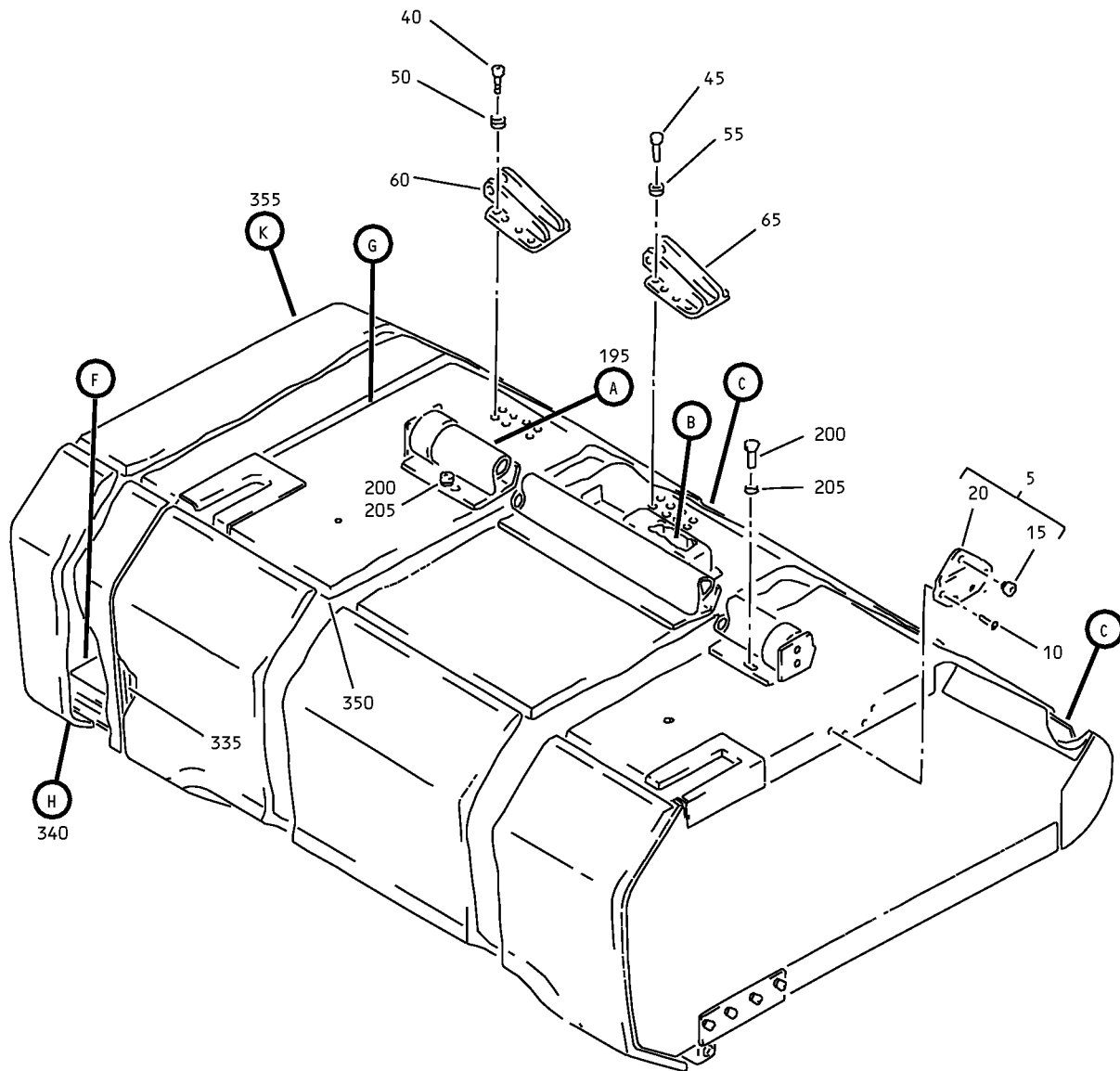
# 25-28-49

ILLUSTRATED PARTS LIST

Page 1098.287

Mar 01/2006

# COMPONENT MAINTENANCE MANUAL



Overhead Stowage Compartment Assembly  
IPL Figure 8 (Sheet 1 of 5)

## 25-28-49

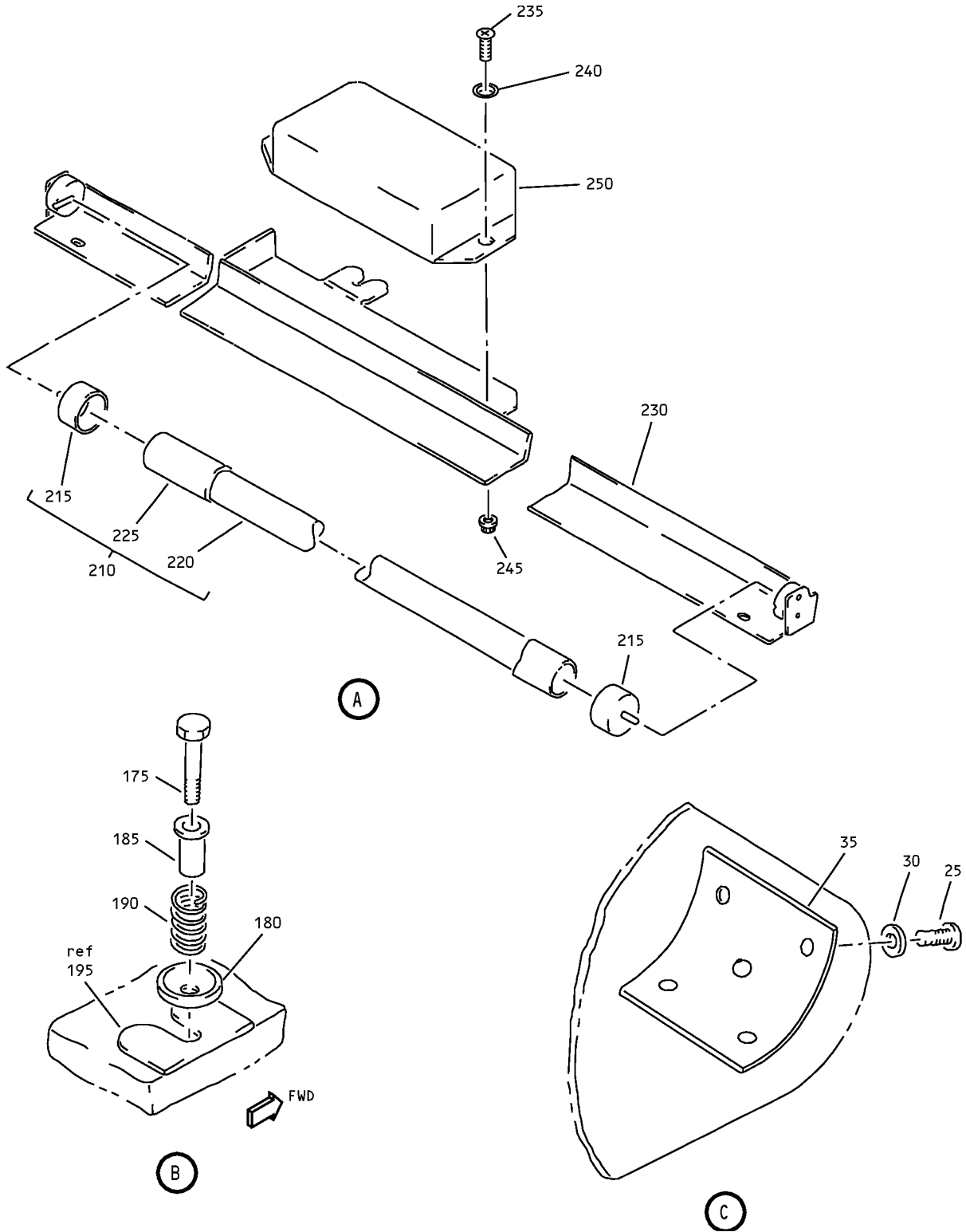
ILLUSTRATED PARTS LIST

Page 1098.288

Mar 01/2006



COMPONENT MAINTENANCE MANUAL



Overhead Storage Compartment Assembly  
IPL Figure 8 (Sheet 2 of 5)

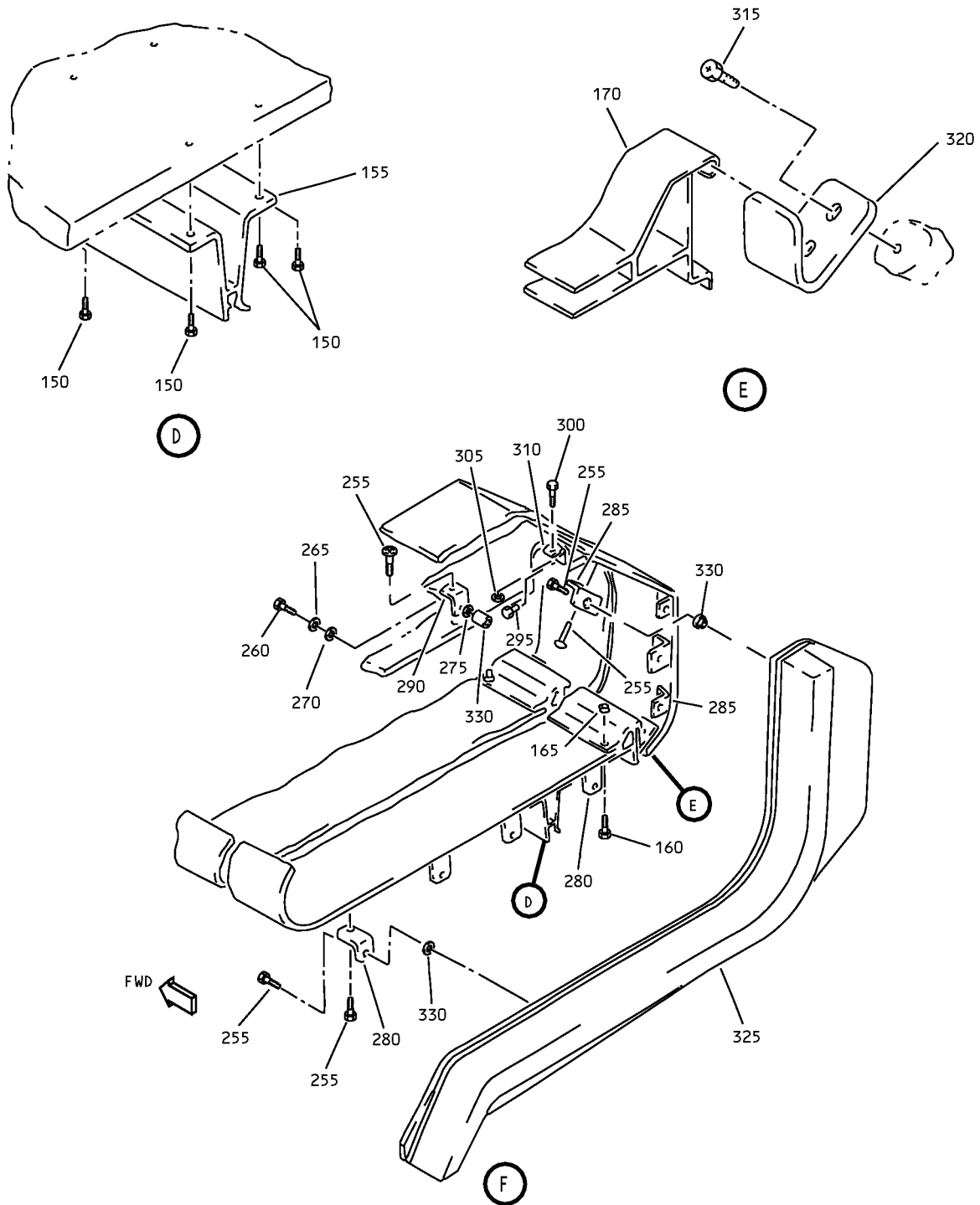
**25-28-49**

ILLUSTRATED PARTS LIST

Page 1098.289

Mar 01/2006

COMPONENT MAINTENANCE MANUAL



Overhead Storage Compartment Assembly  
IPL Figure 8 (Sheet 3 of 5)

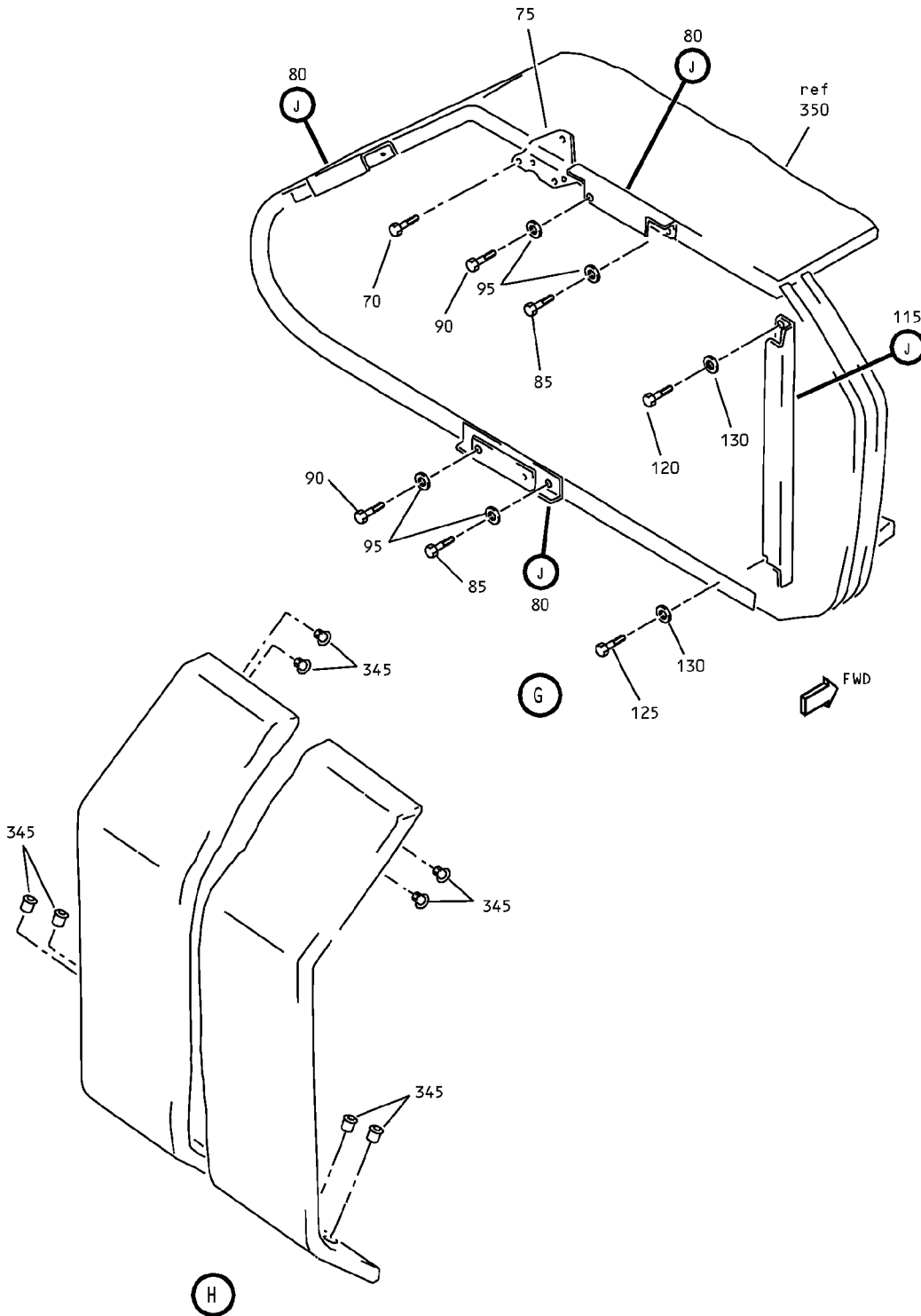
**25-28-49**

ILLUSTRATED PARTS LIST

Page 1098.290

Mar 01/2006

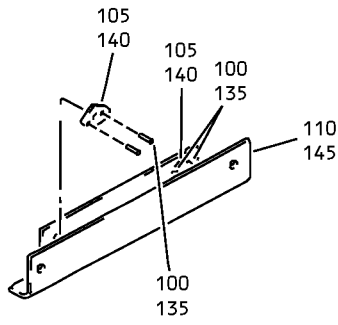
COMPONENT MAINTENANCE MANUAL



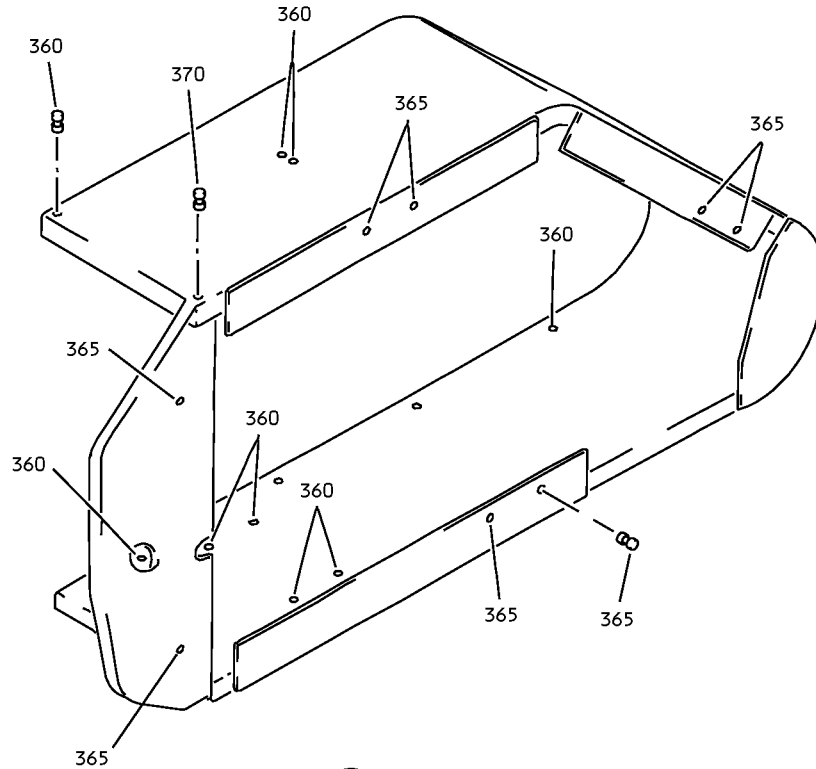
Overhead Storage Compartment Assembly  
IPL Figure 8 (Sheet 4 of 5)

**25-28-49**  
ILLUSTRATED PARTS LIST  
Page 1098.291  
Mar 01/2006

COMPONENT MAINTENANCE MANUAL



J



K

Overhead Storage Compartment Assembly  
IPL Figure 8 (Sheet 5 of 5)

**25-28-49**

ILLUSTRATED PARTS LIST

Page 1098.292

Mar 01/2006



## COMPONENT MAINTENANCE MANUAL

FIG/ ITEM	PART NUMBER	AIRLINE PART NUMBER	NOMENCLATURE							USAGE CODE	UNITS PER ASSY	
			1	2	3	4	5	6	7			
8-												
-1	65C32944-27SP									COMPARTMENT ASSY-OVERHEAD STOWAGE	Y	RF
-1A	65C32944-107SP									COMPARTMENT ASSY-OVERHEAD STOWAGE	BY	RF
5	412N1119-1									. FITTING ASSY	Y, BY	1
										ATTACHING PARTS		
10	BACS12ER3K6									. SCREW (V06710) (SPEC BACS12ER3K6) (OPT BACS12ER3K6 (V06725)) (OPT BACS12ER3K6 (V06950)) (OPT BACS12ER3K6 (V27624)) (OPT BACS12ER3K6 (V34252)) (OPT BACS12ER3K6 (V56878)) (OPT BACS12ER3K6 (V73197)) (OPT BACS12ER3K6 (V80539)) (OPT BACS12ER3K6 (V92215)) (OPT BACS12ER3K6 (V93907)) (OPT BACS12ER3K6 (V97928))	Y, BY	4
										-----*		
15	BACB28B6-220P									. . BUSHING	Y, BY	1
20	412N1119-2									. . FITTING	Y, BY	1
25	BACB30NM3K1									. BOLT (V06710) (SPEC BACB30NM3K1) (OPT BACB30NM3K1 (V06725)) (OPT BACB30NM3K1 (V06950)) (OPT BACB30NM3K1 (V08524)) (OPT BACB30NM3K1 (V27624)) (OPT BACB30NM3K1 (V56878)) (OPT BACB30NM3K1 (V73197)) (OPT BACB30NM3K1 (V80539)) (OPT BACB30NM3K1 (V92215)) (OPT BACB30NM3K1 (V93907)) (OPT BACB30NM3K1 (V97928))	Y, BY	8
30	AN960JD10									. WASHER	Y, BY	8
35	412N1119-12									. FITTING	Y, BY	2

-Item not Illustrated

# 25-28-49

ILLUSTRATED PARTS LIST

Page 1098.293

Mar 01/2006



## COMPONENT MAINTENANCE MANUAL

FIG/ ITEM	PART NUMBER	AIRLINE PART NUMBER	NOMENCLATURE	USAGE CODE	UNITS PER ASSY
8- 40	BACB30NM3K1		. BOLT (V06710) (SPEC BACB30NM3K1) (OPT BACB30NM3K1 (V06725)) (OPT BACB30NM3K1 (V06950)) (OPT BACB30NM3K1 (V08524)) (OPT BACB30NM3K1 (V27624)) (OPT BACB30NM3K1 (V56878)) (OPT BACB30NM3K1 (V73197)) (OPT BACB30NM3K1 (V80539)) (OPT BACB30NM3K1 (V92215)) (OPT BACB30NM3K1 (V93907)) (OPT BACB30NM3K1 (V97928))	BY	8
45	BACB30NM3K1		. BOLT (V06710) (SPEC BACB30NM3K1) (OPT BACB30NM3K1 (V06725)) (OPT BACB30NM3K1 (V06950)) (OPT BACB30NM3K1 (V08524)) (OPT BACB30NM3K1 (V27624)) (OPT BACB30NM3K1 (V56878)) (OPT BACB30NM3K1 (V73197)) (OPT BACB30NM3K1 (V80539)) (OPT BACB30NM3K1 (V92215)) (OPT BACB30NM3K1 (V93907)) (OPT BACB30NM3K1 (V97928))	Y	8
50	AN960JD10		. WASHER	BY	8
55	AN960JD10		. WASHER	Y	8
60	412N1161-1		. FITTING	BY	1
65	412N1161-1		. FITTING	Y	1
70	BACS12ER3K6		. SCREW (V06710) (SPEC BACS12ER3K6) (OPT BACS12ER3K6 (V06725)) (OPT BACS12ER3K6 (V06950)) (OPT BACS12ER3K6 (V27624)) (OPT BACS12ER3K6 (V34252)) (OPT BACS12ER3K6 (V56878)) (OPT BACS12ER3K6 (V73197)) (OPT BACS12ER3K6 (V80539)) (OPT BACS12ER3K6 (V92215)) (OPT BACS12ER3K6 (V93907)) (OPT BACS12ER3K6 (V97928))	Y, BY	4
75	412N1119-78		. FITTING	Y, BY	1

-Item not Illustrated

# 25-28-49

ILLUSTRATED PARTS LIST

Page 1098.294

Mar 01/2006



## COMPONENT MAINTENANCE MANUAL

FIG/ ITEM	PART NUMBER	AIRLINE PART NUMBER	NOMENCLATURE							USAGE CODE	UNITS PER ASSY
			1	2	3	4	5	6	7		
8-											
80	412N1217-135		.							Y, BY	3
85	NAS1801-3-5		.							Y, BY	6
90	NAS1801-3-12		.							Y, BY	6
95	AN960JD10LL		.							Y, BY	12
100	BACR15BA3D		.	.						Y, BY	4
105	BRM200A3		.	.						Y, BY	2
110	412N1217-136		.	.						Y, BY	1
115	412N1217-133		.							Y, BY	1
120	NAS1801-3-5		.							Y, BY	2
125	NAS1801-3-12		.							Y, BY	2
130	AN960JD10LL		.							Y, BY	4
135	BACR15BA3D		.	.						Y, BY	4
140	BRM200A3		.	.						Y, BY	2
145	412N1217-134		.	.						Y, BY	1

-Item not Illustrated

# 25-28-49

ILLUSTRATED PARTS LIST

Page 1098.295

Mar 01/2006



## COMPONENT MAINTENANCE MANUAL

FIG/ ITEM	PART NUMBER	AIRLINE PART NUMBER	NOMENCLATURE	USAGE CODE	UNITS PER ASSY
8-					
150	BACS12FA3K5		. SCREW (V06710) (SPEC BACS12FA3K5) (OPT BACS12FA3K5 (V06725)) (OPT BACS12FA3K5 (V06950)) (OPT BACS12FA3K5 (V27624)) (OPT BACS12FA3K5 (V34252)) (OPT BACS12FA3K5 (V56878)) (OPT BACS12FA3K5 (V73197)) (OPT BACS12FA3K5 (V80539)) (OPT BACS12FA3K5 (V92215)) (OPT BACS12FA3K5 (V93907)) (OPT BACS12FA3K5 (V97928))	Y, BY	4
155	65C27023-78		. PSU SUPPORT	Y, BY	1
160	BACS12FA08K12		. SCREW	Y, BY	2
165	MS21042L08		. NUT	Y, BY	2
170	412N1224-5		. SUPPORT-BULLNOSE	Y, BY	1
175	NAS1801-3-11		. SCREW	Y, BY	1
180	411N3142-28		. WASHER-CUPPED	Y, BY	1
185	BACS18C8-6		. SPACER	Y, BY	1
190	MS24585-1230		. SPRING	Y, BY	1
195	417N5120-19SP		. LIGHT ASSY	Y, BY	1
			ATTACHING PARTS		
200	NAS1801-3-5		. SCREW	Y, BY	2
205	AN960JD10LL		. WASHER	Y, BY	2
			-----*-----		
210	417N5120-11		. . LAMP ASSY	Y, BY	1
215	2055150		. . . CAP-END (V04169)	Y, BY	2
220	F20T12WW		. . . LAMP-FLOUR. (V13545)	Y, BY	1
225	LP1625-24		. . . TUBE-COVER (V60116) (OPT ITEM 225A)	Y, BY	1
-225A	NI152LGWUV1000		. . . TUBE-COVER (V06034) (OPT ITEM 225)	Y, BY	1

-Item not Illustrated

# 25-28-49

ILLUSTRATED PARTS LIST

Page 1098.296

Mar 01/2006





## COMPONENT MAINTENANCE MANUAL

FIG/ ITEM	PART NUMBER	AIRLINE PART NUMBER	NOMENCLATURE							USAGE CODE	UNITS PER ASSY
			1	2	3	4	5	6	7		
8-											
230	800000255-16		.	.	LIGHT ASSY-CLG (V05617) (SPEC S417N507-16) (FOR DETAILS SEE FIG. 80)					Y, BY	1
235	BACS12ER3K6		.	.	SCREW (V06710) (SPEC BACS12ER3K6) (OPT BACS12ER3K6 (V06725)) (OPT BACS12ER3K6 (V06950)) (OPT BACS12ER3K6 (V27624)) (OPT BACS12ER3K6 (V34252)) (OPT BACS12ER3K6 (V56878)) (OPT BACS12ER3K6 (V73197)) (OPT BACS12ER3K6 (V80539)) (OPT BACS12ER3K6 (V92215)) (OPT BACS12ER3K6 (V93907)) (OPT BACS12ER3K6 (V97928))					Y, BY	3
240	BACW10UD10		.	.	WASHER					Y, BY	3
245	F22K1-02		.	.	NUT (V72962) (SPEC BACN10R10L) (OPT 22K1-02 (V72962)) (OPT 26CL02 (V80539))					Y, BY	3
250	05939-5		.	.	BALLAST (V17023) (SPEC S283N702-5) (OPT 1985-1 (V30242))					Y, BY	1
255	BACS12FA3K5		.	.	SCREW (V06710) (SPEC BACS12FA3K5) (OPT BACS12FA3K5 (V06725)) (OPT BACS12FA3K5 (V06950)) (OPT BACS12FA3K5 (V27624)) (OPT BACS12FA3K5 (V34252)) (OPT BACS12FA3K5 (V56878)) (OPT BACS12FA3K5 (V73197)) (OPT BACS12FA3K5 (V80539)) (OPT BACS12FA3K5 (V92215)) (OPT BACS12FA3K5 (V93907)) (OPT BACS12FA3K5 (V97928))				Y, BY	17	
260	BACB30PF4-3		.	.	BOLT					Y, BY	1
265	AN960C416L		.	.	WASHER					Y, BY	1
270	NAS1515F4H		.	.	WASHER					Y, BY	1

-Item not Illustrated

# 25-28-49

ILLUSTRATED PARTS LIST

Page 1098.297

Mar 01/2006



## COMPONENT MAINTENANCE MANUAL

FIG/ ITEM	PART NUMBER	AIRLINE PART NUMBER	NOMENCLATURE							USAGE CODE	UNITS PER ASSY
			1	2	3	4	5	6	7		
8-											
275	NAS1515M4L		.	W	A	S	H	E	R	Y, BY	1
280	412N1145-29		.	B	R	A	C	K	E	Y, BY	4
285	65C27017-43		.	B	R	A	C	K	E	Y, BY	4
290	412N1145-30		.	B	R	A	C	K	E	Y, BY	1
295	BACS12FA3K5		.	S	C	R	E	W		Y, BY	2
				(V06710)							
				(SPEC BACS12FA3K5)							
				(OPT BACS12FA3K5 (V06725))							
				(OPT BACS12FA3K5 (V06950))							
				(OPT BACS12FA3K5 (V27624))							
				(OPT BACS12FA3K5 (V34252))							
				(OPT BACS12FA3K5 (V56878))							
				(OPT BACS12FA3K5 (V73197))							
				(OPT BACS12FA3K5 (V80539))							
				(OPT BACS12FA3K5 (V92215))							
				(OPT BACS12FA3K5 (V93907))							
				(OPT BACS12FA3K5 (V97928))							
300	BACS12FA3K12		.	S	C	R	E	W		Y, BY	1
				(V06710)							
				(SPEC BACS12FA3K12)							
				(OPT BACS12FA3K12 (V06725))							
				(OPT BACS12FA3K12 (V06950))							
				(OPT BACS12FA3K12 (V27624))							
				(OPT BACS12FA3K12 (V34252))							
				(OPT BACS12FA3K12 (V56878))							
				(OPT BACS12FA3K12 (V73197))							
				(OPT BACS12FA3K12 (V80539))							
				(OPT BACS12FA3K12 (V92215))							
				(OPT BACS12FA3K12 (V93907))							
				(OPT BACS12FA3K12 (V97928))							
305	130120		.	N	U	T				Y, BY	1
				(V76530)							
				(SPEC BACN10YD1)							
				(OPT BRC600-8-3 (V52828))							
				(OPT 130120 (V60119))							
310	412N1145-89		.	B	R	A	C	K	E	Y, BY	1

-Item not Illustrated

# 25-28-49

ILLUSTRATED PARTS LIST

Page 1098.298

Mar 01/2006



## COMPONENT MAINTENANCE MANUAL

FIG/ ITEM	PART NUMBER	AIRLINE PART NUMBER	NOMENCLATURE	USAGE CODE	UNITS PER ASSY
8- 315	BACS12FA3K5		. SCREW (V06710) (SPEC BACS12FA3K5) (OPT BACS12FA3K5 (V06725)) (OPT BACS12FA3K5 (V06950)) (OPT BACS12FA3K5 (V27624)) (OPT BACS12FA3K5 (V34252)) (OPT BACS12FA3K5 (V56878)) (OPT BACS12FA3K5 (V73197)) (OPT BACS12FA3K5 (V80539)) (OPT BACS12FA3K5 (V92215)) (OPT BACS12FA3K5 (V93907)) (OPT BACS12FA3K5 (V97928))	Y, BY	2
320	412N1145-92		. BRACKET	Y, BY	1
325	65C32946-3SP		. CAP ASSY-END	Y	1
-325A	65C32946-59		. CAP ASSY-END	BY	1
330	SL2334-3A2		. . INSERT (V97393)	Y, BY	9
335	412N1130-5SP		. TRIM-VERTICAL	Y, BY	1
340	65C277026-83SP		. PANEL ASSY-FILLER	Y, BY	1
345	NAS1836-3-11		. . INSERT (OPT ITEM 345A)	Y, BY	8
-345A	NAS1836-3-9		. . INSERT (OPT ITEM 345)	Y, BY	8
350	65C32945-24SP		. MODULE ASSY (FOR DETAILS SEE FIG. 29)	Y, BY	1
355	65C27327-199		. BODY ASSY	Y, BY	1
360	NAS1836-3-11		. . INSERT	Y, BY	11
365	NAS1834-4-400		. . INSERT	Y, BY	8
370	NAS1834-5-400		. . INSERT	Y, BY	1

-Item not Illustrated

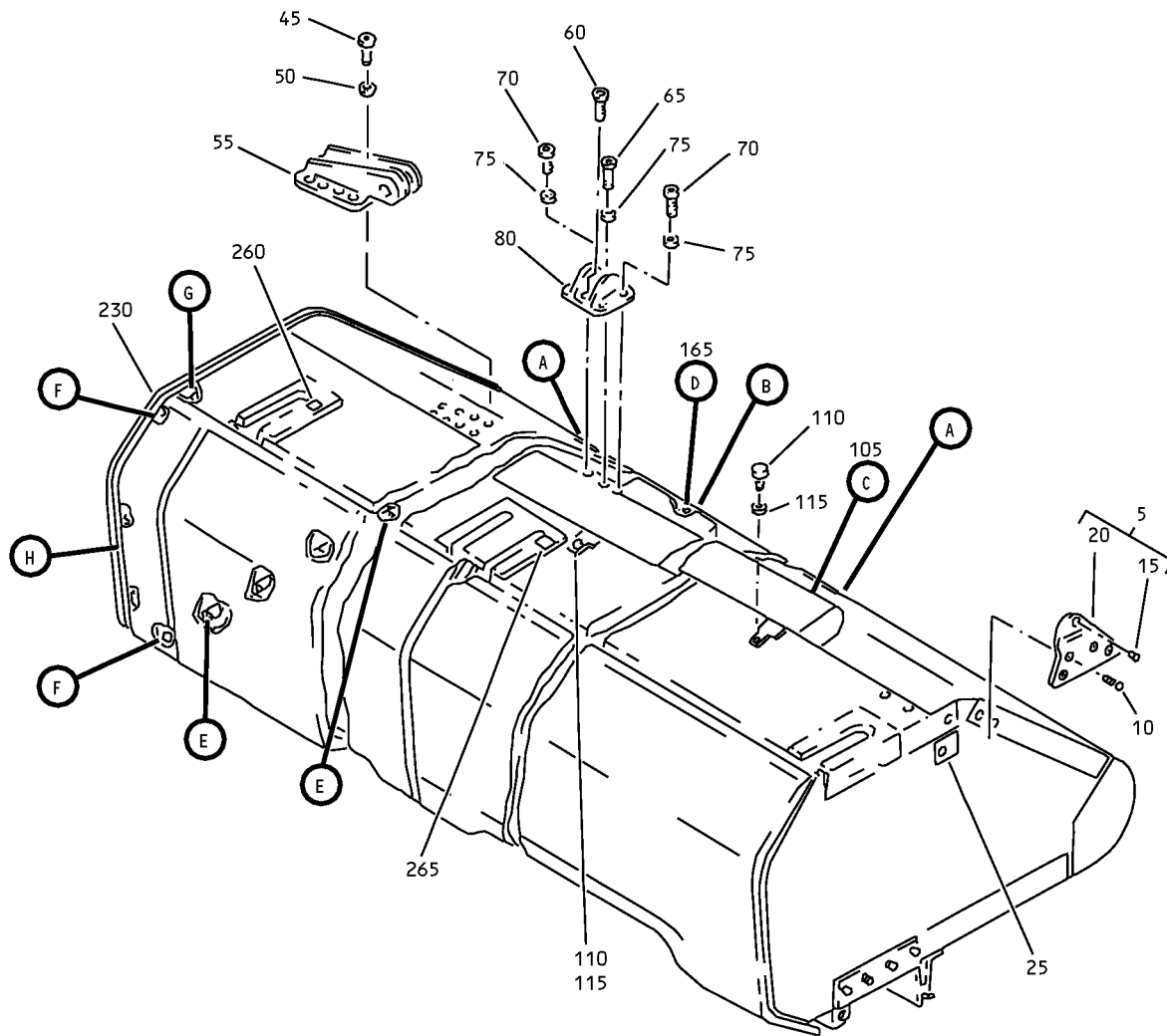
# 25-28-49

ILLUSTRATED PARTS LIST

Page 1098.299

Mar 01/2006

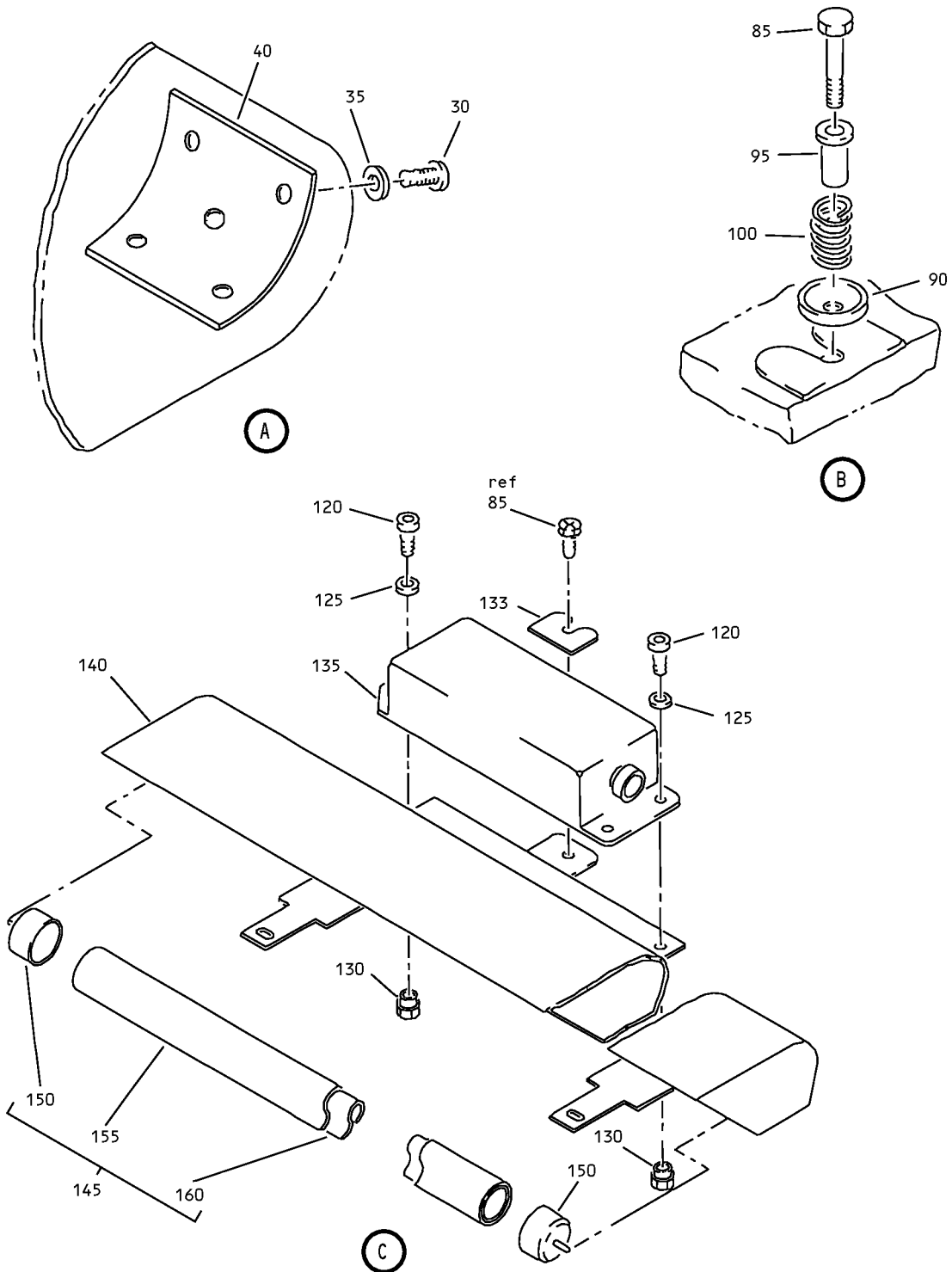
# COMPONENT MAINTENANCE MANUAL



Overhead Stowage Compartment Assembly  
IPL Figure 9 (Sheet 1 of 4)

**25-28-49**  
ILLUSTRATED PARTS LIST  
Page 1098.300  
Mar 01/2006

COMPONENT MAINTENANCE MANUAL



Overhead Stowage Compartment Assembly  
IPL Figure 9 (Sheet 2 of 4)

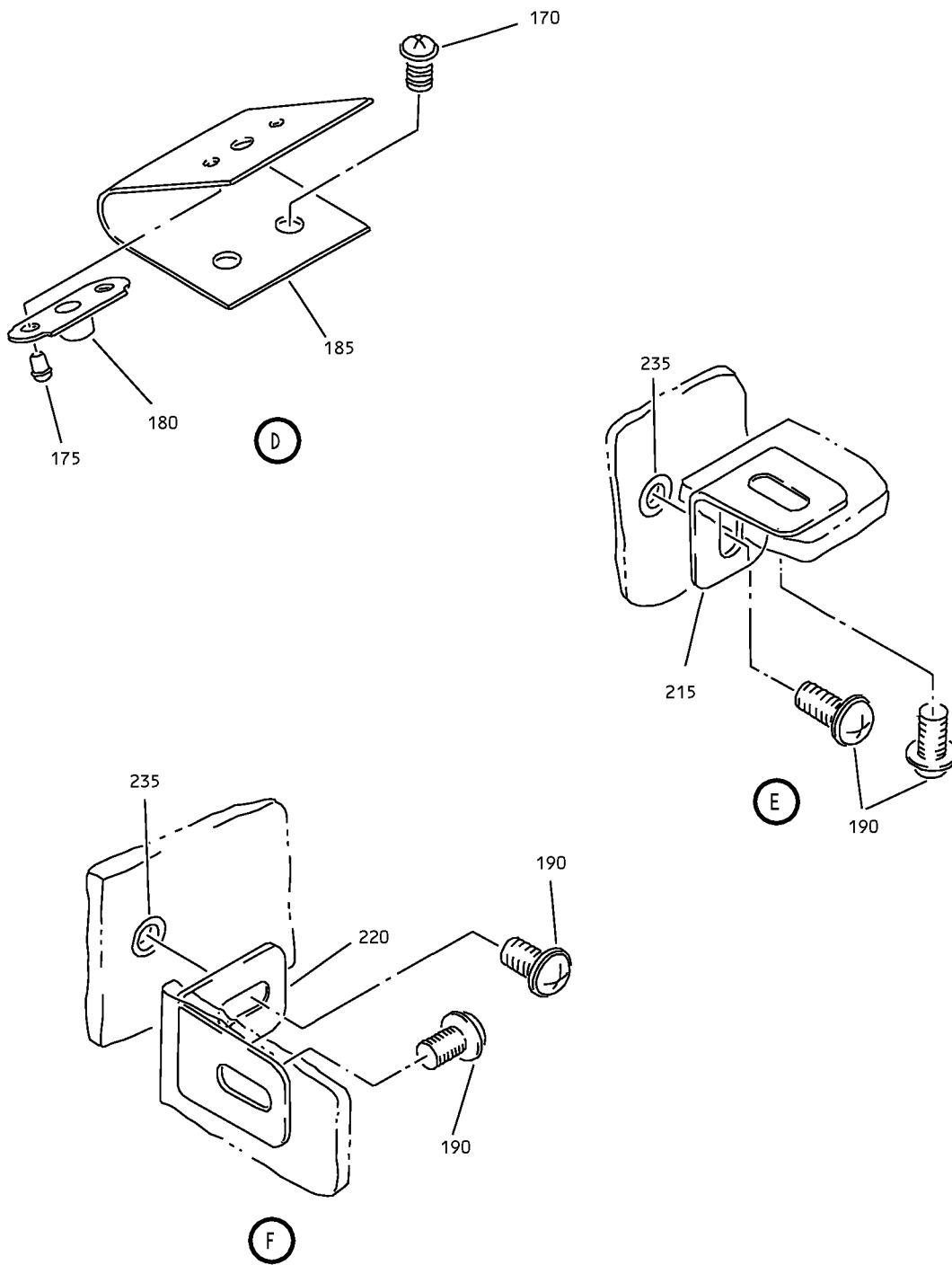
**25-28-49**

ILLUSTRATED PARTS LIST

Page 1098.301

Mar 01/2006

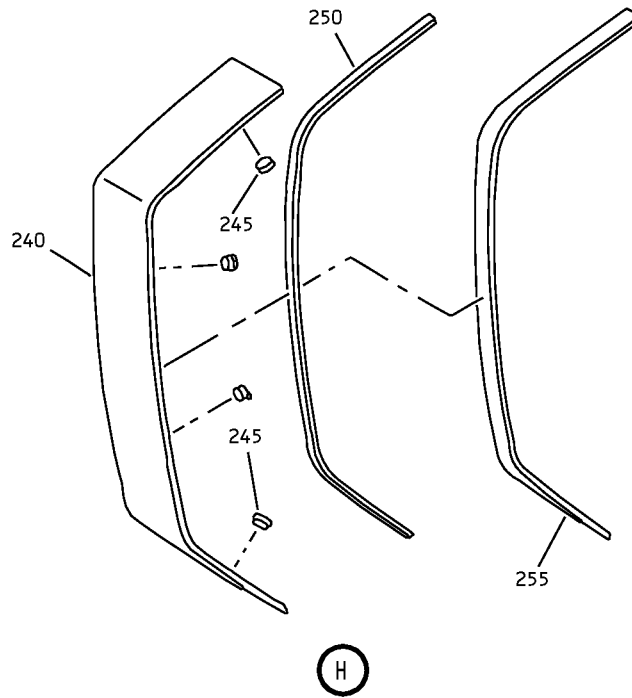
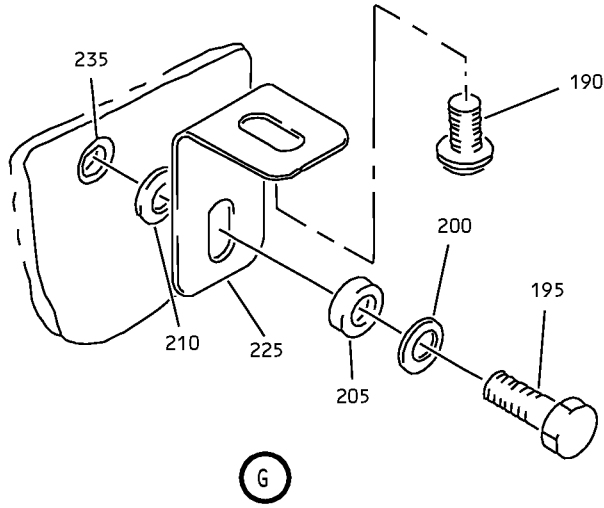
COMPONENT MAINTENANCE MANUAL



Overhead Storage Compartment Assembly  
IPL Figure 9 (Sheet 3 of 4)

**25-28-49**  
ILLUSTRATED PARTS LIST  
Page 1098.302  
Mar 01/2006

COMPONENT MAINTENANCE MANUAL



Overhead Stowage Compartment Assembly  
IPL Figure 9 (Sheet 4 of 4)

**25-28-49**  
ILLUSTRATED PARTS LIST  
Page 1098.303  
Mar 01/2006







**COMPONENT MAINTENANCE MANUAL**

FIG/ ITEM	PART NUMBER	AIRLINE PART NUMBER	NOMENCLATURE							USAGE CODE	UNITS PER ASSY				
			1	2	3	4	5	6	7						
9- 45	BACB30NM3K1		.	B	O	L	T				CA	8			
				(V06710)	(SPEC BACB30NM3K1)	(OPT BACB30NM3K1 (V06725))	(OPT BACB30NM3K1 (V06950))	(OPT BACB30NM3K1 (V08524))	(OPT BACB30NM3K1 (V27624))	(OPT BACB30NM3K1 (V56878))	(OPT BACB30NM3K1 (V73197))	(OPT BACB30NM3K1 (V80539))	(OPT BACB30NM3K1 (V92215))	(OPT BACB30NM3K1 (V93907))	(OPT BACB30NM3K1 (V97928))
50	AN960JD10		.	W	A	S	H	E	R		CA	8			
55	412N1161-1		.	F	I	T	T	I	N	G	CA	1			
60	BACB30NN3K9		.	B	O	L	T				CA	1			
				(V06710)	(SPEC BACB30NN3K9)	(OPT BACB30NN3K9 (V06725))	(OPT BACB30NN3K9 (V06950))	(OPT BACB30NN3K9 (V08524))	(OPT BACB30NN3K9 (V27624))	(OPT BACB30NN3K9 (V56878))	(OPT BACB30NN3K9 (V73197))	(OPT BACB30NN3K9 (V80539))	(OPT BACB30NN3K9 (V92215))	(OPT BACB30NN3K9 (V93907))	(OPT BACB30NN3K9 (V97928))
65	BACB30NM3K9		.	B	O	L	T				CA	1			
				(V06710)	(SPEC BACB30NM3K9)	(OPT BACB30NM3K9 (V06725))	(OPT BACB30NM3K9 (V06950))	(OPT BACB30NM3K9 (V08524))	(OPT BACB30NM3K9 (V27624))	(OPT BACB30NM3K9 (V80539))	(OPT BACB30NM3K9 (V92215))	(OPT BACB30NM3K9 (V93907))	(OPT BACB30NM3K9 (V97928))		

-Item not Illustrated

# 25-28-49

ILLUSTRATED PARTS LIST

Page 1098.305

Mar 01/2006



## COMPONENT MAINTENANCE MANUAL

FIG/ ITEM	PART NUMBER	AIRLINE PART NUMBER	NOMENCLATURE							USAGE CODE	UNITS PER ASSY
			1	2	3	4	5	6	7		
9-											
70	BACB30NM3K1		.	BOLT						CA	4
				(V06710)							
				(SPEC BACB30NM3K1)							
				(OPT BACB30NM3K1 (V06725))							
				(OPT BACB30NM3K1 (V06950))							
				(OPT BACB30NM3K1 (V08524))							
				(OPT BACB30NM3K1 (V27624))							
				(OPT BACB30NM3K1 (V56878))							
				(OPT BACB30NM3K1 (V73197))							
				(OPT BACB30NM3K1 (V80539))							
				(OPT BACB30NM3K1 (V92215))							
				(OPT BACB30NM3K1 (V93907))							
				(OPT BACB30NM3K1 (V97928))							
75	AN960JD10		.	WASHER						CA	5
80	412N1119-58		.	FITTING						CA	1
85	NAS1801-3-11		.	SCREW						CA	1
90	411N3142-28		.	WASHER-CUPPED						CA	1
95	BACS18C8-6		.	SPACER						CA	1
100	MS24585-1230		.	SPRING						CA	1
105	417N5120-51SP		.	LIGHT ASSY						CA	1
				ATTACHING PARTS							
110	NAS1801-3-5		.	SCREW						CA	2
115	AN960JD10LL		.	WASHER						CA	2
				-----*							
120	BACS12ER3K6		.	SCREW						CA	3
				(V06710)							
				(SPEC BACS12ER3K6)							
				(OPT BACS12ER3K6 (V06725))							
				(OPT BACS12ER3K6 (V06950))							
				(OPT BACS12ER3K6 (V27624))							
				(OPT BACS12ER3K6 (V34252))							
				(OPT BACS12ER3K6 (V56878))							
				(OPT BACS12ER3K6 (V73197))							
				(OPT BACS12ER3K6 (V80539))							
				(OPT BACS12ER3K6 (V92215))							
				(OPT BACS12ER3K6 (V93907))							
				(OPT BACS12ER3K6 (V97928))							
125	BACW10UD10		.	WASHER						CA	3

-Item not Illustrated

# 25-28-49

ILLUSTRATED PARTS LIST

Page 1098.306

Mar 01/2006



## COMPONENT MAINTENANCE MANUAL

FIG/ ITEM	PART NUMBER	AIRLINE PART NUMBER	NOMENCLATURE							USAGE CODE	UNITS PER ASSY
			1	2	3	4	5	6	7		
9-											
130	F22K1-02		. .	NUT						CA	3
				(V72962)							
				(SPEC BACN10R10L)							
				(OPT 22K1-02 (V72962))							
				(OPT 26CL02 (V80539))							
133	65C28117-3		. .	PAD						CA	1
135	05939-5		. .	BALLAST						CA	1
				(V17023)							
				(SPEC S283N702-5)							
				(OPT ITEM 135A)							
-135A	05939-105		. .	BALLAST						CA	1
				(V17023)							
				(SPEC S283N702-105)							
				(OPT ITEM 135)							
140	S417N507-36SP		. .	HOUSING						CA	1
145	417N5120-11		. .	LAMP ASSY						CA	1
150	2055150		. . .	CAP						CA	2
				(V04169)							
155	NI152LGWUV1000		. . .	TUBE-COVER PROTECTIVE						CA	1
				(V06034)							
				(OPT ITEM 155A)							
-155A	LP1625-24		. . .	TUBE-COVER PROTECTIVE						CA	1
				(V60116)							
				(OPT ITEM 155)							
160	F20T12WW		. . .	LAMP-FLUOR						CA	1
				(V08805)							
165	65C27481-30		. .	BRACKET ASSY						CA	1
				ATTACHING PARTS							
170	BACS12FA3K4		. .	SCREW						CA	2
				----- * -----							
175	BACR15BA3A		. .	RIVET						CA	2
				(SIZE DETERMINED ON INST)							
180	F5000-3BAC		. .	NUTPLATE						CA	1
				(V15653)							
				(SPEC BACN10JR3F)							
				(OPT NS103203-02 (V80539))							
				(OPT RMF9201-3 (V72962))							
				(OPT T8091S1032 (V11815))							
				(OPT VN152A1-02 (V92215))							
				(OPT BRF200A3 (V52828))							

-Item not Illustrated

# 25-28-49

ILLUSTRATED PARTS LIST

Page 1098.307

Mar 01/2006



## COMPONENT MAINTENANCE MANUAL

FIG/ ITEM	PART NUMBER	AIRLINE PART NUMBER	NOMENCLATURE							USAGE CODE	UNITS PER ASSY
			1	2	3	4	5	6	7		
9-											
185	65C27481-31			.	.	BRACKET				CA	1
190	BACS12FA3K5			.	.	SCREW (V06710) (SPEC BACS12FA3K5) (OPT BACS12FA3K5 (V06725)) (OPT BACS12FA3K5 (V06950)) (OPT BACS12FA3K5 (V27624)) (OPT BACS12FA3K5 (V34252)) (OPT BACS12FA3K5 (V56878)) (OPT BACS12FA3K5 (V73197)) (OPT BACS12FA3K5 (V80539)) (OPT BACS12FA3K5 (V92215)) (OPT BACS12FA3K5 (V93907)) (OPT BACS12FA3K5 (V97928))				CA	17
195	BACB30PF4-3			.	.	BOLT				CA	1
200	AN960C416L			.	.	WASHER				CA	1
205	NAS1515F4H			.	.	WASHER				CA	1
210	NAS1515M4L			.	.	WASHER				CA	1
215	412N1145-29			.	.	BRACKET				CA	4
220	65C27017-43			.	.	BRACKET				CA	4
225	412N1145-30			.	.	BRACKET				CA	1
230	65C32946-59SP			.	.	CAP ASSY-END				CA	1
235	SL2334-3A2			.	.	INSERT (V97393)				CA	9
240	65C27026-60SP			.	.	PANEL ASSY-FILLER				CA	1
245	NAS1836-3-11			.	.	INSERT (OPT ITEM 245A)				CA	4
-245A	NAS1836-3-9			.	.	INSERT (OPT ITEM 245)				CA	4
250	65C32944-7			.	.	SEAL				CA	1
255	412N1130-5SP			.	.	TRIM-VERTICAL				CA	1
260	65C32944-10			.	.	STOPPER				CA	1
265	65C32944-9			.	.	STOPPER				CA	1
-270	65C32945-34SP			.	.	MODULE ASSY (FOR DETAILS SEE FIG. 28)				CA	1

-Item not Illustrated

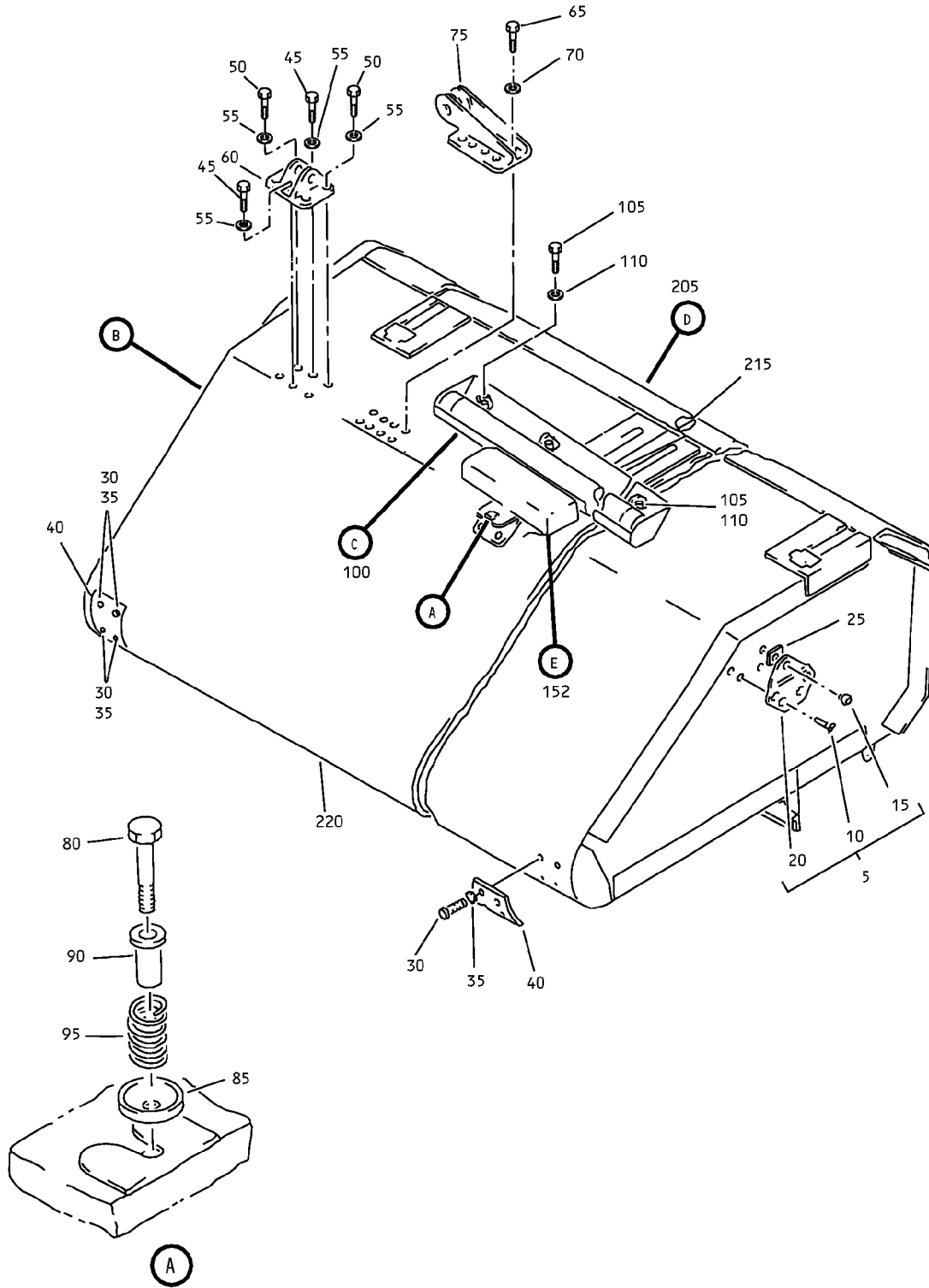
# 25-28-49

ILLUSTRATED PARTS LIST

Page 1098.308

Mar 01/2006

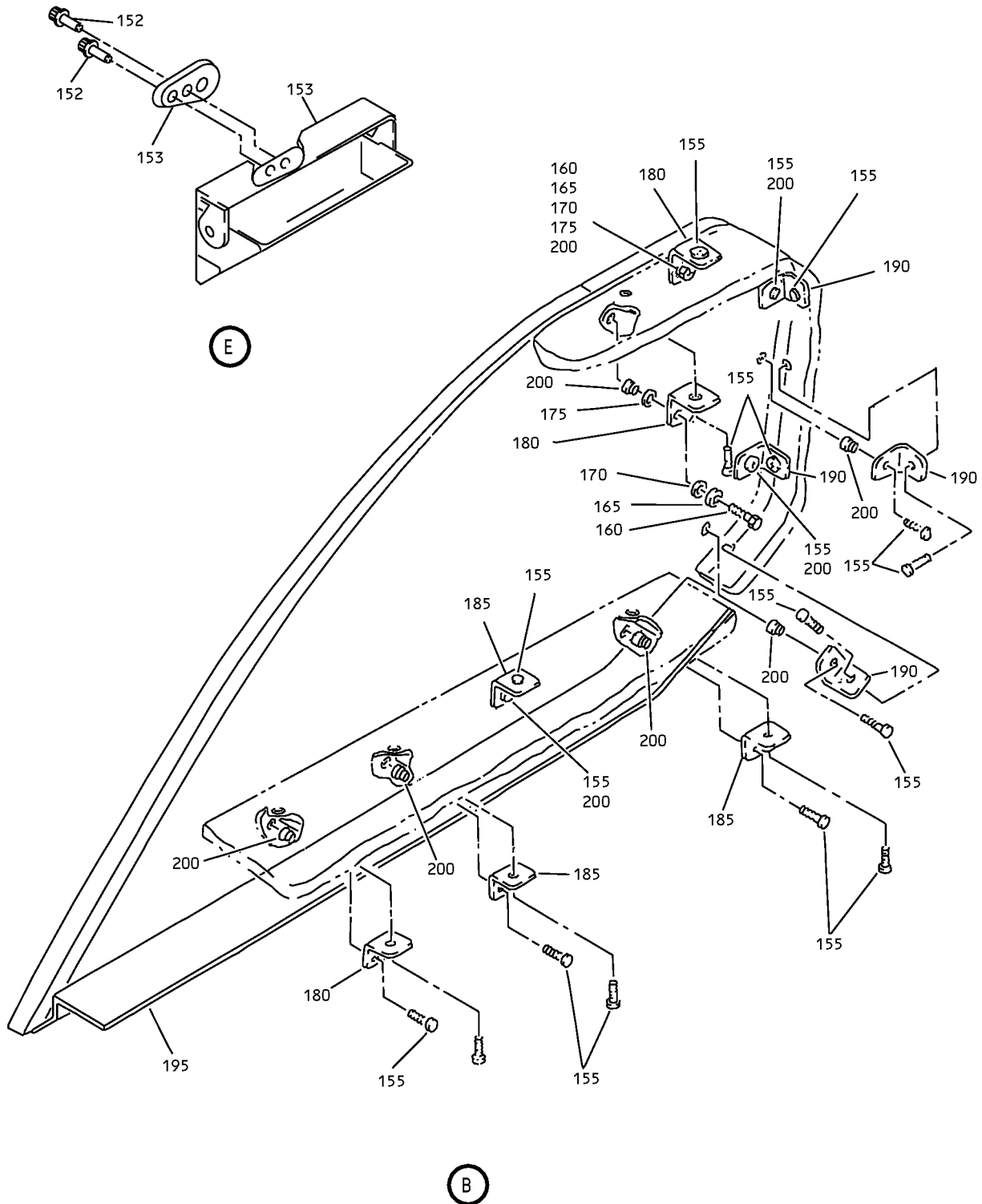
COMPONENT MAINTENANCE MANUAL



Overhead Stowage Compartment Assembly  
IPL Figure 10 (Sheet 1 of 3)

**25-28-49**  
ILLUSTRATED PARTS LIST  
Page 1098.309  
Mar 01/2006

COMPONENT MAINTENANCE MANUAL



Overhead Storage Compartment Assembly  
IPL Figure 10 (Sheet 2 of 3)

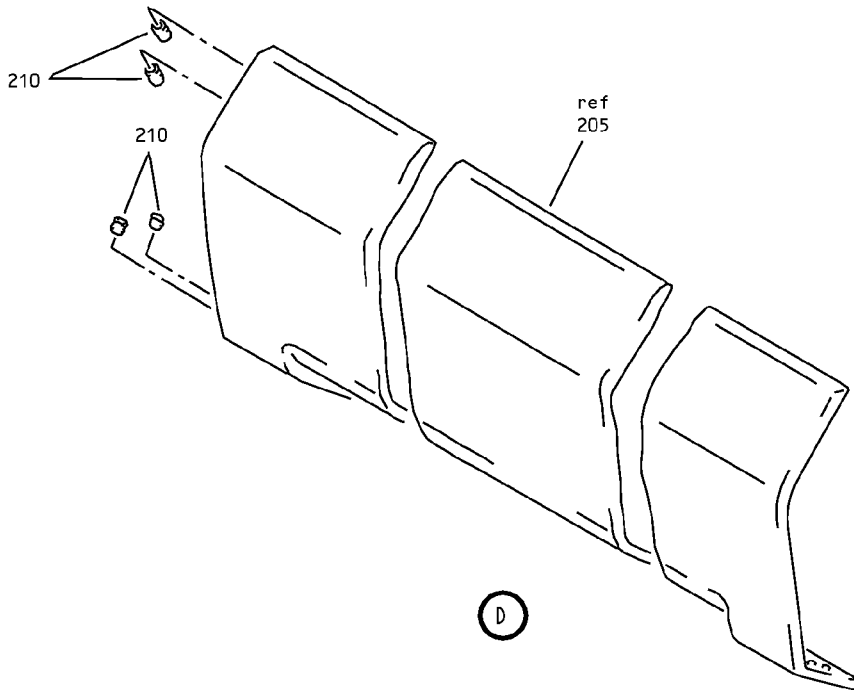
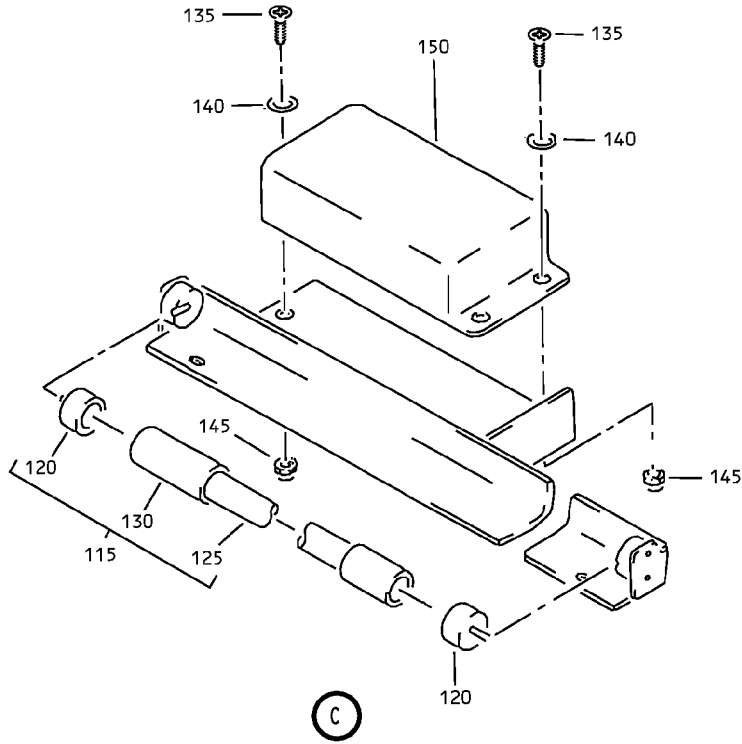
**25-28-49**

ILLUSTRATED PARTS LIST

Page 1098.310

Mar 01/2006

### COMPONENT MAINTENANCE MANUAL



Overhead Storage Compartment Assembly  
IPL Figure 10 (Sheet 3 of 3)



## COMPONENT MAINTENANCE MANUAL

FIG/ ITEM	PART NUMBER	AIRLINE PART NUMBER	NOMENCLATURE							USAGE CODE	UNITS PER ASSY
			1	2	3	4	5	6	7		
10-											
-1	65C32944-2SP									B	RF
-1A	65C32944-39SP									AK	RF
-1B	65C32944-46SP									AP	RF
-1C	65C32944-52SP									AV	RF
-1D	65C32944-60SP									AZ	RF
-1E	65C32944-74SP									BG	RF
-1F	65C32944-112SP									CD	RF
-1G	65C32944-119SP									CH	RF
-1H	65C32944-122SP									CL	RF
-1J	65C32944-129SP									CS	RF
-1K	65C32944-131SP									CU	RF
-1L	65C32944-138SP									CY	RF
-1M	65C32944-304SP									DS	RF
-1N	65C32944-360SP									EC	RF
-1P	65C32944-648SP									DELETED	
-1Q	65C32944-348SP									EV	RF
-1R	65C32944-604SP									EY	RF

-Item not Illustrated

# 25-28-49

ILLUSTRATED PARTS LIST

Page 1098.312

Mar 01/2006





## COMPONENT MAINTENANCE MANUAL

FIG/ ITEM	PART NUMBER	AIRLINE PART NUMBER	NOMENCLATURE							USAGE CODE	UNITS PER ASSY	
			1	2	3	4	5	6	7			
10- 5	412N1119-37		.								B, AK, AP, AV, AZ, BG, CD, CH, CL, CS, CU, CY, DS, EC, EV, EY	1
10	BACS12ER3K6		.								B, AK, AP, AV, AZ, BG, CD, CH, CL, CS, CU, CY, DS, EC, EV, EY	4
			ATTACHING PARTS									
			.									
			.									
			----- * -----									
15	BACB28B6-220P		.	.							B, AK, AP, AV, AZ, BG, CD, CH, CL, CS, CU, CY, DS, EC, EV, EY	1
20	412N1119-39		.	.							B, AK, AP, AV, AZ, BG, CD, CH, CL, CS, CU, CY, DS, EC, EV, EY	1

-Item not Illustrated

# 25-28-49

ILLUSTRATED PARTS LIST

Page 1098.313

Mar 01/2006



## COMPONENT MAINTENANCE MANUAL

FIG/ ITEM	PART NUMBER	AIRLINE PART NUMBER	NOMENCLATURE							USAGE CODE	UNITS PER ASSY	
			1	2	3	4	5	6	7			
10- 25	65C27017-16		.								B, AK, AP, AV, AZ, BG, CD, CH, CL, CS, CU, CY, DS, EC, EV, EY	1
30	BACB30NM3K1		.								B, AK, AP, AV, AZ, BG, CD, CH, CL, CS, CU, CY, DS, EC, EV, EY	8
35	AN960JD10		.								B, AK, AP, AV, AZ, BG, CD, CH, CL, CS, CU, CY, DS, EC, EV, EY	8
40	412N1119-12		.								B, AK, AP, AV, AZ, BG, CD, CH, CL, CS, CU, CY, DS, EC, EV, EY	2

-Item not Illustrated

# 25-28-49

ILLUSTRATED PARTS LIST

Page 1098.314

Mar 01/2006



## COMPONENT MAINTENANCE MANUAL

FIG/ ITEM	PART NUMBER	AIRLINE PART NUMBER	NOMENCLATURE							USAGE CODE	UNITS PER ASSY	
			1	2	3	4	5	6	7			
10- 45	BACB30NM3K9		.	BOLT							B, AK, AP, AV, AZ, BG, CD, CH, CL, CS, CU, CY, DS, EC, EV, EY	2
				(V06710)								
				(SPEC BACB30NM3K9)								
				(OPT BACB30NM3K9 (V06725))								
				(OPT BACB30NM3K9 (V06950))								
				(OPT BACB30NM3K9 (V08524))								
				(OPT BACB30NM3K9 (V27624))								
				(OPT BACB30NM3K9 (V80539))								
				(OPT BACB30NM3K9 (V92215))								
				(OPT BACB30NM3K9 (V93907))								
				(OPT BACB30NM3K9 (V97928))								
50	BACB30NM3K1		.	BOLT							B, AK, AP, AW, AZ, BG, CD, CH, CL, CS, CU, CY, DS, EC, EV, EY	4
				(V06710)								
				(SPEC BACB30NM3K1)								
				(OPT BACB30NM3K1 (V06725))								
				(OPT BACB30NM3K1 (V06950))								
				(OPT BACB30NM3K1 (V08524))								
				(OPT BACB30NM3K1 (V27624))								
				(OPT BACB30NM3K1 (V56878))								
				(OPT BACB30NM3K1 (V73197))								
				(OPT BACB30NM3K1 (V80539))								
				(OPT BACB30NM3K1 (V92215))								
				(OPT BACB30NM3K1 (V93907))								
				(OPT BACB30NM3K1 (V97928))								
55	AN960JD10		.	WASHER							B, AK, AP, AV, AZ, BG, CD, CH, CL, CS, CU, CY, DS, EC, EV, EY	6
60	412N1119-26		.	FITTING							B, AK, AP, AV, AZ, BG, CD, CH, CL, CS, CU, CY, DS, EC, EV, EY	1

-Item not Illustrated

# 25-28-49

ILLUSTRATED PARTS LIST

Page 1098.315

Mar 01/2006



## COMPONENT MAINTENANCE MANUAL

FIG/ ITEM	PART NUMBER	AIRLINE PART NUMBER	NOMENCLATURE							USAGE CODE	UNITS PER ASSY			
			1	2	3	4	5	6	7					
10- 65	BACB30NM3K1		.	B	O	L	T				B, AK, AP, AV, AZ, BG, CD, CH, CL, CS, CU, CY, DS, EC, EV, EY	8		
				(V06710)										
				(SPEC BACB30NM3K1)										
				(OPT BACB30NM3K1 (V06725))										
				(OPT BACB30NM3K1 (V06950))										
				(OPT BACB30NM3K1 (V08524))										
				(OPT BACB30NM3K1 (V27624))										
				(OPT BACB30NM3K1 (V56878))										
				(OPT BACB30NM3K1 (V73197))										
				(OPT BACB30NM3K1 (V80539))										
				(OPT BACB30NM3K1 (V92215))										
				(OPT BACB30NM3K1 (V93907))										
				(OPT BACB30NM3K1 (V97928))										
70	AN960JD10		.	W	A	S	H	E	R		B, AK, AP, AV, AZ, BG, CD, CH, CL, CS, CU, CY, DS, EC, EV, EY	8		
75	412N1161-1		.	F	I	T	T	I	N	G	B, AK, AP, AV, AZ, BG, CD, CH, CL, CS, CU, CY, DS, EC, EV, EY	1		
80	NAS1801-3-11		.	S	C	R	E	W			B, AK, AP, AV, AZ, BG, CD, CH, CL, CS, CU, CY, DS, EC, EV, EY	1		
85	411N3142-28		.	W	A	S	H	E	R	-	C	B	B, AK, AP, AV, AZ, BG, CD, CH, CL, CS, CU, CY, DS, EC, EV, EY	1

-Item not Illustrated

# 25-28-49

ILLUSTRATED PARTS LIST

Page 1098.316

Mar 01/2006



## COMPONENT MAINTENANCE MANUAL

FIG/ ITEM	PART NUMBER	AIRLINE PART NUMBER	NOMENCLATURE							USAGE CODE	UNITS PER ASSY
			1	2	3	4	5	6	7		
10- 90	BACS18C8-6		.	SPACER						B, AK, AP, AV, AZ, BG, CD, CH, CL, CS, CU, CY, DS, EC, EV, EY	1
95	MS24585-1230		.	SPRING						B, AK, AP, AV, AZ, BG, CD, CH, CL, CS, CU, CY, DS, EC, EV, EY	1
100	417N5120-49SP		.	LIGHT ASSY						B, AK, AP, AV, AZ, BG, CD, CH, CL, CS, CU, CY, DS, EC, EV, EY	1
105	NAS1801-3-5			ATTACHING PARTS							
			.	SCREW						B, AK, AP, AV, AZ, BG, CD, CH, CL, CS, CU, CY, DS, EC, EV, EY	3
110	AN960JD10LL		.	WASHER						B, AK, AP, AV, AZ, BG, CD, CH, CL, CS, CU, CY, DS, EC, EV, EY	3
			-----*								

-Item not Illustrated

# 25-28-49

ILLUSTRATED PARTS LIST

Page 1098.317

Mar 01/2006



## COMPONENT MAINTENANCE MANUAL

FIG/ ITEM	PART NUMBER	AIRLINE PART NUMBER	NOMENCLATURE							USAGE CODE	UNITS PER ASSY	
			1	2	3	4	5	6	7			
10- -115	417N5120-10		.	.							B, AK, AP, AV, AZ, BG, CD, CH, CL, CS, CU, CY, DS, EC, EV, EY	1
120	2055150		.	.	.						B, AK, AP, AV, AZ, BG, CD, CH, CL, CS, CU, CY, DS, EC, EV, EY	2
125	F40WW		.	.	.						B, AK, AP, AV, AZ, BG, CD, CH, CL, CS, CU, CY, DS, EC, EV, EY	1
130	NI312LGWUV1000		.	.	.						B, AK, AP, AV, AZ, BG, CD, CH, CL, CS, CU, CY, DS, EC, EV, EY	1
-130A	LP1625-48		.	.	.						B, AK, AP, AV, AZ, BG, CD, CH, CL, CS, CU, CY, DS, EC, EV, EY	1

-Item not Illustrated

# 25-28-49

ILLUSTRATED PARTS LIST

Page 1098.318

Jul 01/2009



## COMPONENT MAINTENANCE MANUAL

FIG/ ITEM	PART NUMBER	AIRLINE PART NUMBER	NOMENCLATURE							USAGE CODE	UNITS PER ASSY
			1	2	3	4	5	6	7		
10- 135	BACS12ER3K6		. . SCREW (V06710) (SPEC BACS12ER3K6) (OPT BACS12ER3K6 (V06725)) (OPT BACS12ER3K6 (V06950)) (OPT BACS12ER3K6 (V27624)) (OPT BACS12ER3K6 (V34252)) (OPT BACS12ER3K6 (V56878)) (OPT BACS12ER3K6 (V73197)) (OPT BACS12ER3K6 (V80539)) (OPT BACS12ER3K6 (V92215)) (OPT BACS12ER3K6 (V93907)) (OPT BACS12ER3K6 (V97928))							B, AK, AP, AV, AZ, BG, CD, CH, CL, CS, CU, CY, DS, EC, EV, EY	3
140	BACW10UD10		. . WASHER							B, AK, AP, AV, AZ, BG, CD, CH, CL, CS, CU, CY, DS, EC, EV, EY	3
145	F22K1-02		. . NUT (V72962) (SPEC BACN10R10L) (OPT 22K1-02 (V72962)) (OPT 26CL02 (V80539))							B, AK, AP, AV, AZ, BG, CD, CH, CL, CS, CU, CY, DS, EC, EV, EY	3
150	05939-14		DELETED								
-150A	05939-114		DELETED								
150B	S283N702-14		. . BALLAST (OPT ITEM 150C)							B, AK, AP, AV, AZ, BG, CD, CH, CL, CS, CU, CY, DS, EC, EV, EY	1

-Item not Illustrated

# 25-28-49

ILLUSTRATED PARTS LIST

Page 1098.319

Mar 01/2006



## COMPONENT MAINTENANCE MANUAL

FIG/ ITEM	PART NUMBER	AIRLINE PART NUMBER	NOMENCLATURE							USAGE CODE	UNITS PER ASSY	
			1	2	3	4	5	6	7			
10- -150C	S283N702-114		.	.							B, AK, AP, AV, AZ, BG, CD, CH, CL, CS, CU, CY, DS, EC, ER, EY	1
152	65C27481-32		.								B, AK, AP, AV, AZ, BG, CD, CH, CL, CS, CU, CY, DS, EC, EV, EY	1
152J	BACR15BA3A		.	.							B, AK, AP, AV, AZ, BG, CD, CH, CL, CS, CU, CY, DS, EC, EV, EY	2
153	BRF100A3K		.	.							B, AK, AP, AV, AZ, BG, CD, CH, CL, CS, CU, CY, DS, EC, EV, EY	1
153J	65C27481-33		.	.							B, AK, AP, AV, AZ, BG, CD, CH, CL, CS, CU, CY, DS, EC, EV, EY	1

-Item not Illustrated

# 25-28-49

ILLUSTRATED PARTS LIST

Page 1098.320

Mar 01/2006





## COMPONENT MAINTENANCE MANUAL

FIG/ ITEM	PART NUMBER	AIRLINE PART NUMBER	NOMENCLATURE							USAGE CODE	UNITS PER ASSY	
			1	2	3	4	5	6	7			
10- 155	BACS12FA3K5		.	S	C	R	E	W			B, AK, AP, AV, AZ, BG, CD, CH, CL, CS, CU, CY, DS, EC, EV, EY	17
160	BACB30PF4-3		.	B	O	L	T				B, AK, AP, AV, AZ, BG, CD, CH, CL, CS, CU, CY, DS, EC, EV, EY	2
165	AN960C416L		.	W	A	S	H	E	R		B, AK, AP, AV, AZ, BG, CD, CH, CL, CS, CU, CY, DS, EC, EV, EY	2
170	NAS1515F4H		.	W	A	S	H	E	R		B, AK, AP, AV, AZ, BG, CD, CH, CL, CS, CU, CY, DS, EC, EV, EY	2
175	NAS1515M4L		.	W	A	S	H	E	R		B, AK, AP, AV, AZ, BG, CD, CH, CL, CS, CU, CY, DS, EC, EV, EY	2

-Item not Illustrated

# 25-28-49

ILLUSTRATED PARTS LIST

Page 1098.321

Mar 01/2006



## COMPONENT MAINTENANCE MANUAL

FIG/ ITEM	PART NUMBER	AIRLINE PART NUMBER	NOMENCLATURE							USAGE CODE	UNITS PER ASSY	
			1	2	3	4	5	6	7			
10- 180	412N1145-30		.								B, AK, AP, AV, AZ, BG, CD, CH, CL, CS, CU, CY, DS, EC, EV, EY	3
185	412N1145-29		.								B, AK, AP, AV, AZ, BG, CD, CH, CL, CS, CU, CY, DS, EC, EV, EY	3
190	65C27017-43		.								B, AK, AP, AV, AZ, BG, CD, CH, CL, CS, CU, CY, DS, EC, EV, EY	4
195	65C32946-2SP		.								B, AK, AV, AZ	1
-195A	65C32946-46SP		.								AP	1
-195B	65C32946-50SP		.								BG	1
-195C	65C32946-65SP		.								CS	1
-195D	65C32946-74SP		.								CY, EV	1
-195E	65C32946-58SP		.								CD, CH, CL, CU, DS, EC	1
-195F	65C32946-109SP		.								EY	1
200	SL2334-3A2		.	.							B, AK, AP, AV, AZ, BG, CD, CH, CL, CS, CU, CY, DS, EC, EV, EY	10
											(V97393)	

-Item not Illustrated

**25-28-49**

ILLUSTRATED PARTS LIST

Page 1098.322

Mar 01/2006



## COMPONENT MAINTENANCE MANUAL

FIG/ ITEM	PART NUMBER	AIRLINE PART NUMBER	NOMENCLATURE							USAGE CODE	UNITS PER ASSY	
			1	2	3	4	5	6	7			
10- 205	65C27026-23SP		.								B, AK, AP, AV, AZ, BG, CD, CH, CL, CS, CU, CY, DS, EC, EV	1
-205A	412N1233-137SP											
-205B	412N1233-186SP		.								EY	1
210	NAS1836-3-11											
-210A	NAS1836-3-11		.	.							B, AK, AP, AV, AZ, BG, CD, CH, CL, CS, CU, CY, DS, EC, EV, EY	4
-210B	NAS1836-3-9		.	.							B, AK, AP, AV, AZ, BG, CD, CH, CL, CS, CU, CY, DS, EC, EV, EY	4
215	412N1130-5SP		.								B, AK, AP, AV, AZ, BG, CD, CH, CL, CS, CU, CY, DS, EC, ER, EV, EY	1
220	65C32945-2SP		.								B	1
-220A	65C32945-39SP		.								AK, CD	1
-220B	65C32945-46SP		.								AP, BG, CH, CY	1

-Item not Illustrated

# 25-28-49

ILLUSTRATED PARTS LIST

Page 1098.323

Mar 01/2006



## COMPONENT MAINTENANCE MANUAL

FIG/ ITEM	PART NUMBER	AIRLINE PART NUMBER	NOMENCLATURE							USAGE CODE	UNITS PER ASSY
			1	2	3	4	5	6	7		
10- -220C	65C32945-52SP		.							AV, CL	1
-220D	65C32945-60SP		.							AZ	1
-220E	65C32945-65SP		.							CS	1
-220F	65C32945-67SP		.							CU	1
-220G	65C32945-304SP		.							DS, EV	1
-220H	65C32945-360SP		.							EC	1
-225J	65C32945-604SP		.							EY	1

-Item not Illustrated

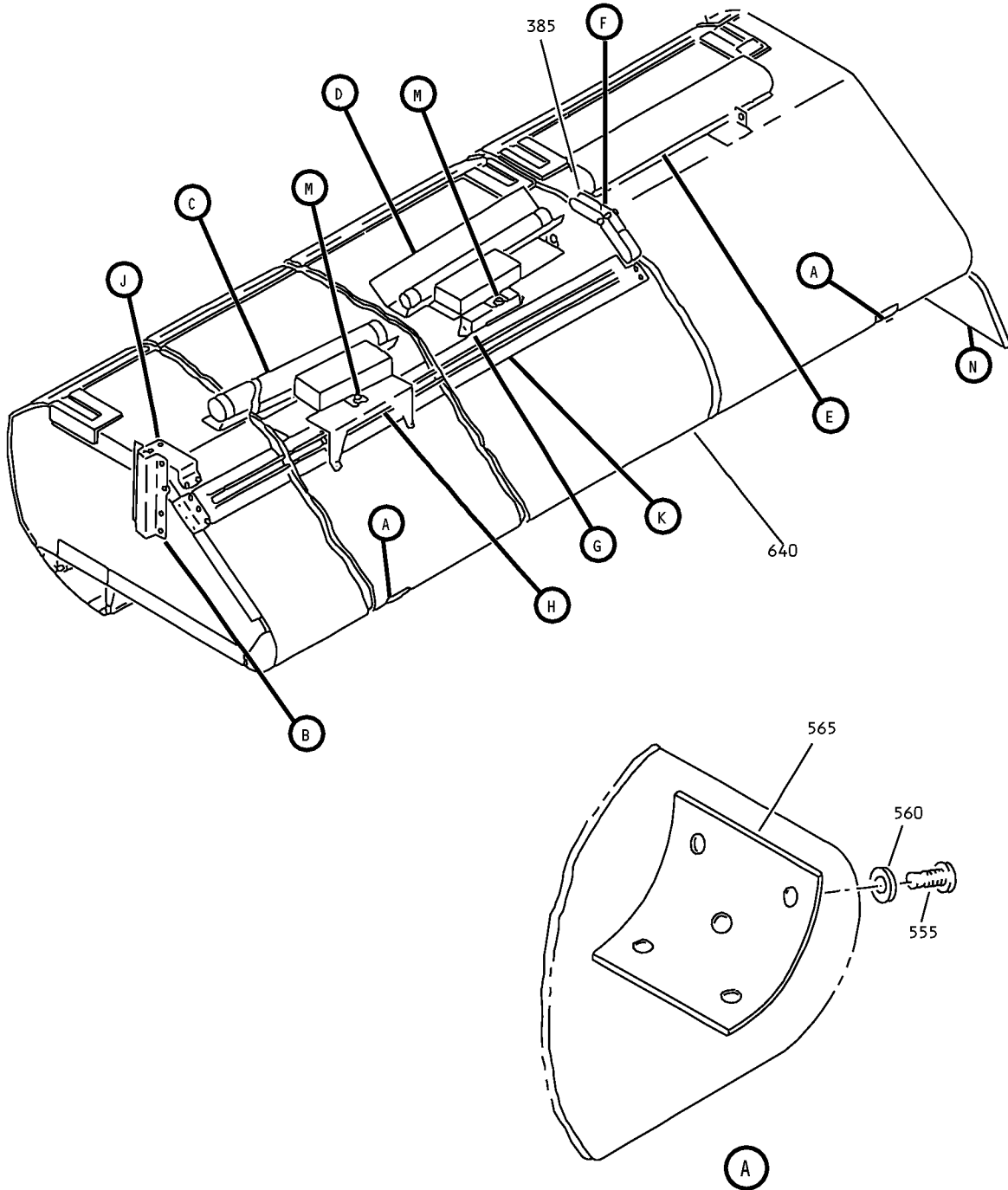
# 25-28-49

ILLUSTRATED PARTS LIST

Page 1098.324

Mar 01/2006

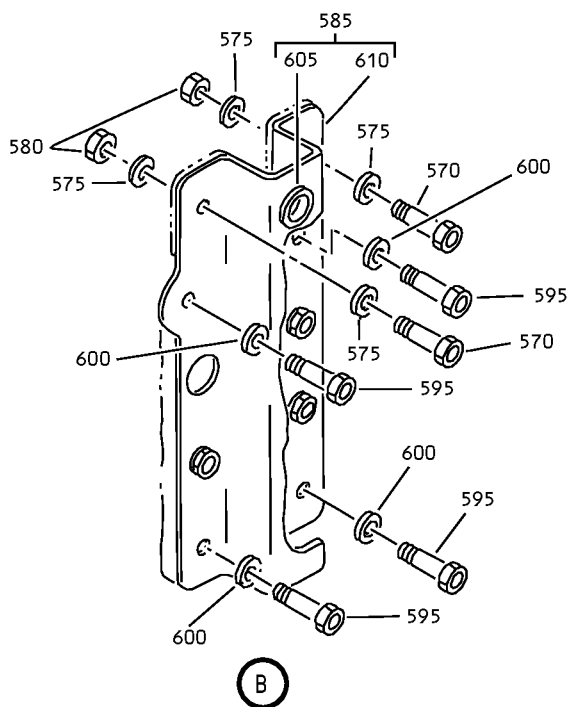
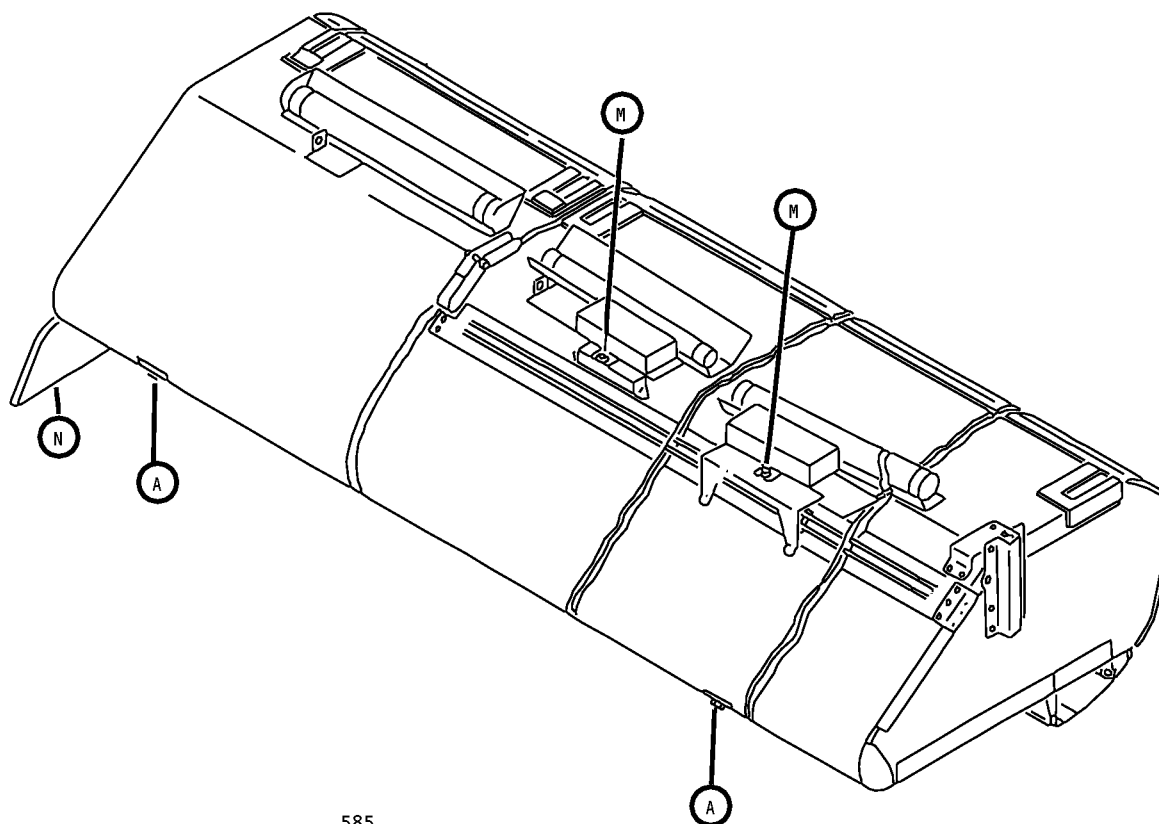
COMPONENT MAINTENANCE MANUAL



Overhead Storage Compartment Assembly  
IPL Figure 11 (Sheet 1 of 7)

**25-28-49**  
ILLUSTRATED PARTS LIST  
Page 1098.325  
Mar 01/2006

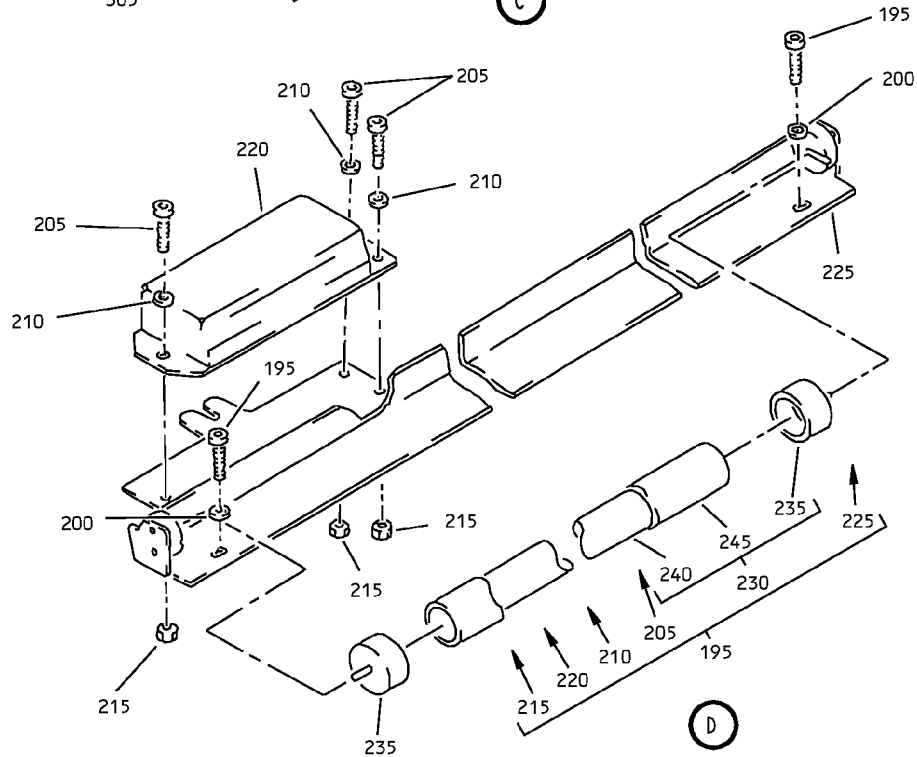
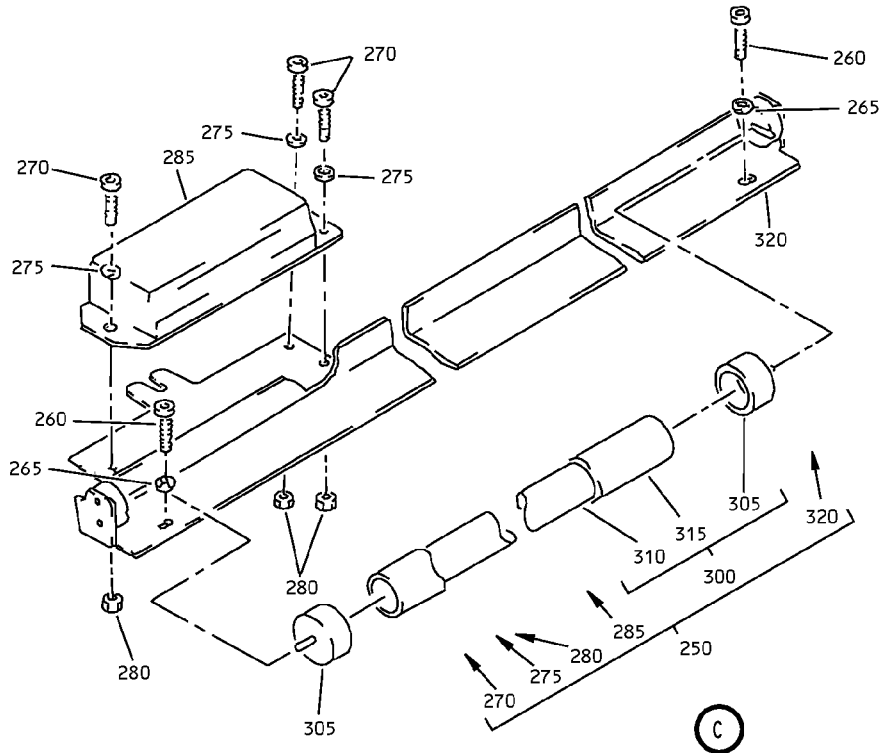
# COMPONENT MAINTENANCE MANUAL



Overhead Stowage Compartment Assembly  
IPL Figure 11 (Sheet 2 of 7)

**25-28-49**  
ILLUSTRATED PARTS LIST  
Page 1098.326  
Mar 01/2006

COMPONENT MAINTENANCE MANUAL



Overhead Storage Compartment Assembly  
IPL Figure 11 (Sheet 3 of 7)

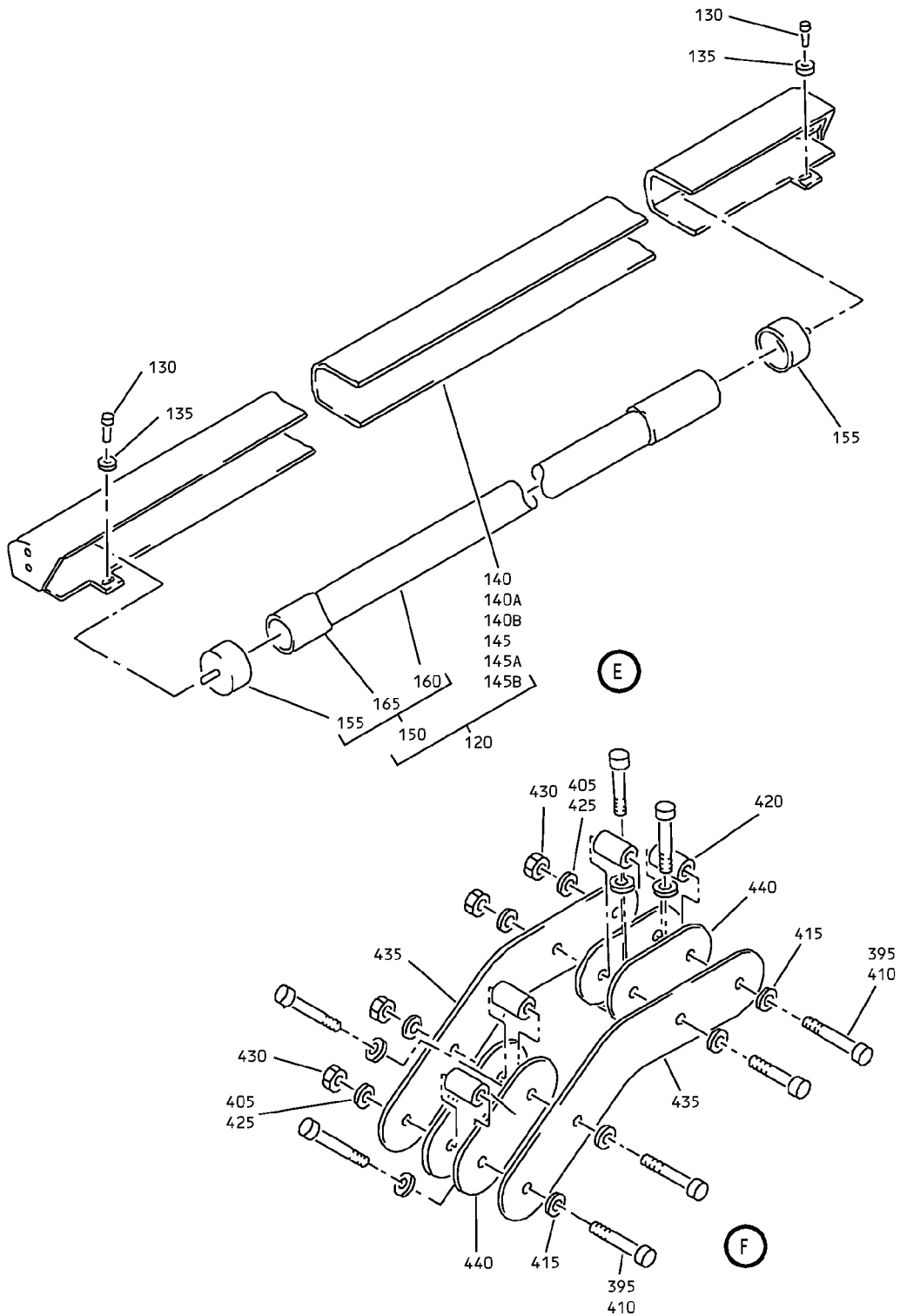
**25-28-49**

ILLUSTRATED PARTS LIST

Page 1098.327

Mar 01/2006

COMPONENT MAINTENANCE MANUAL



Overhead Storage Compartment Assembly  
IPL Figure 11 (Sheet 4 of 7)

**25-28-49**

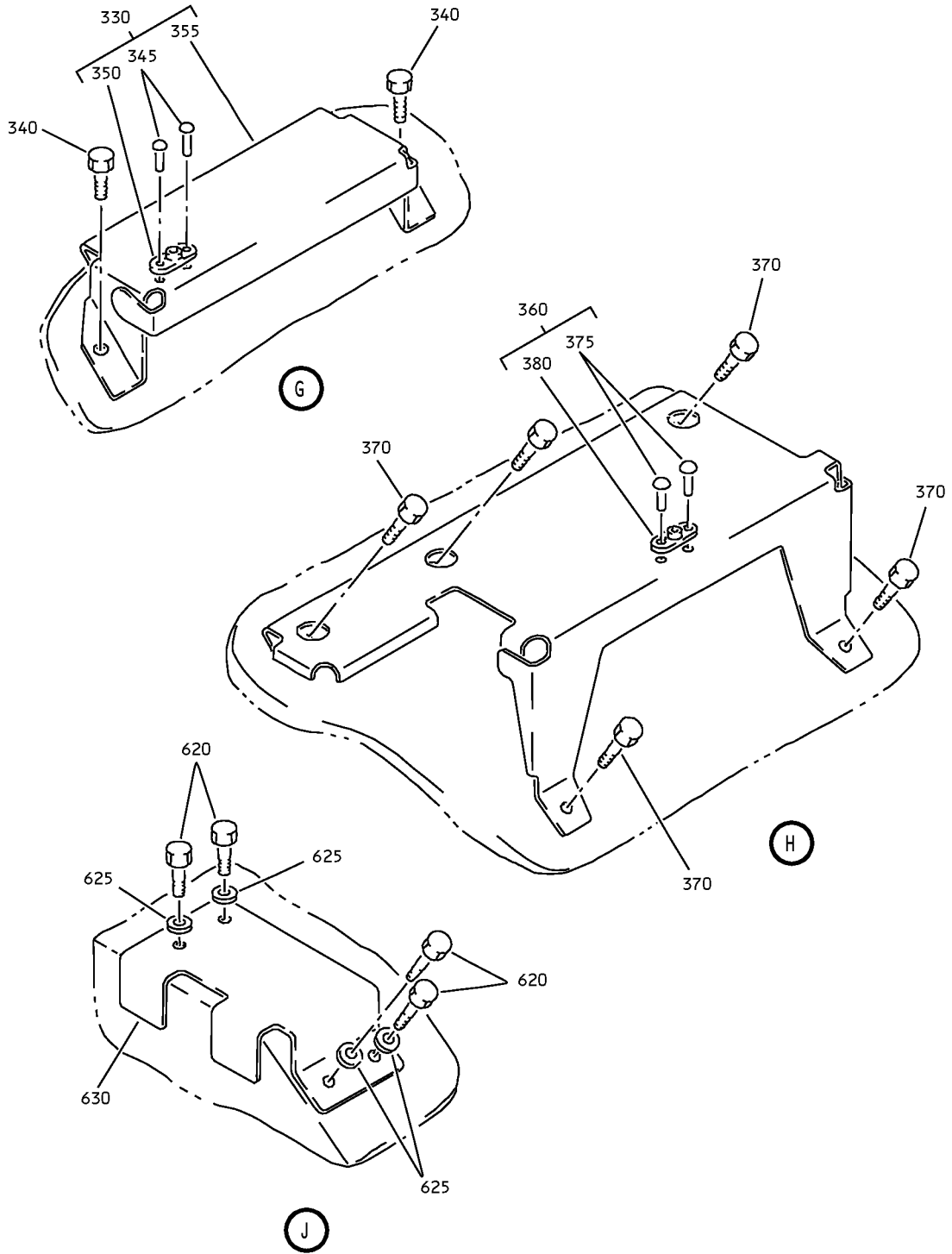
ILLUSTRATED PARTS LIST

Page 1098.328

Mar 01/2006



COMPONENT MAINTENANCE MANUAL



Overhead Storage Compartment Assembly  
IPL Figure 11 (Sheet 5 of 7)

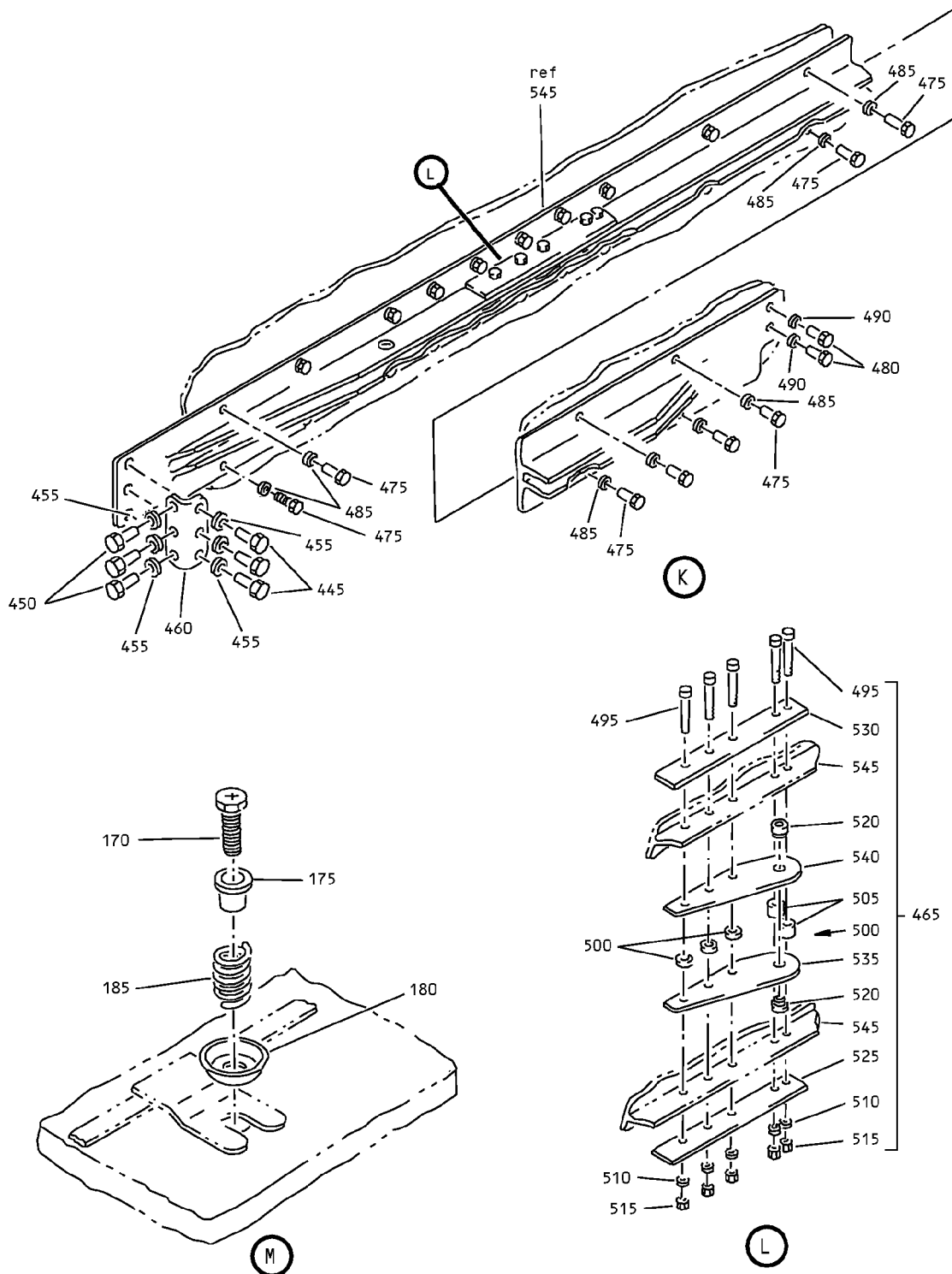
**25-28-49**

ILLUSTRATED PARTS LIST

Page 1098.329

Mar 01/2006

COMPONENT MAINTENANCE MANUAL



Overhead Storage Compartment Assembly  
IPL Figure 11 (Sheet 6 of 7)

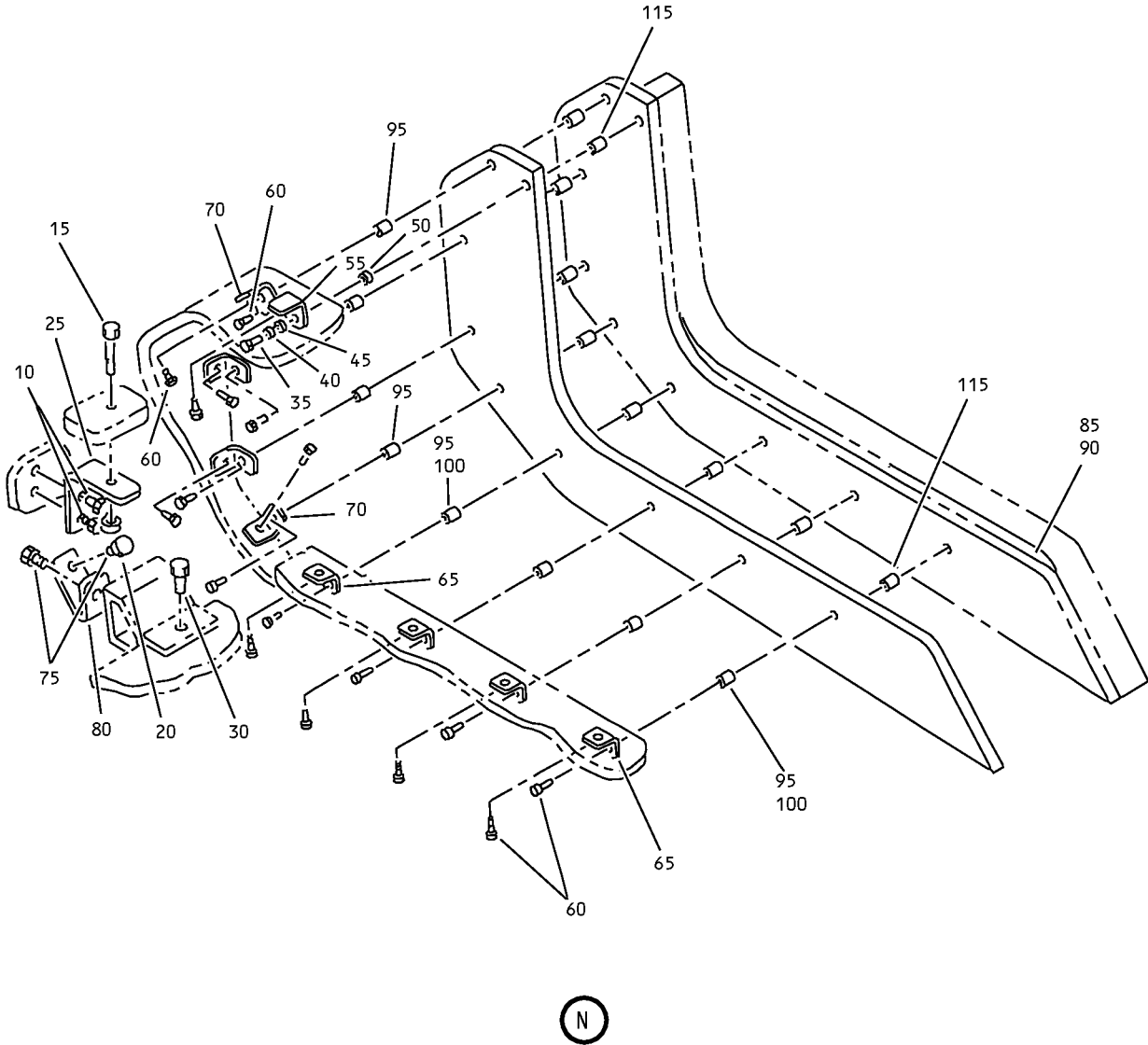
**25-28-49**

ILLUSTRATED PARTS LIST

Page 1098.330

Mar 01/2006

COMPONENT MAINTENANCE MANUAL



Overhead Stowage Compartment Assembly  
IPL Figure 11 (Sheet 7 of 7)

**25-28-49**

ILLUSTRATED PARTS LIST

Page 1098.331

Mar 01/2006



## COMPONENT MAINTENANCE MANUAL

FIG/ ITEM	PART NUMBER	AIRLINE PART NUMBER	NOMENCLATURE							USAGE CODE	UNITS PER ASSY
			1	2	3	4	5	6	7		
11-											
-1	65C32944-115SP									CF	RF
-5	65C32944-116SP									CG	RF
10	BACS12FA3K5									CF	2
15	BACS12FA3K12									CF	1
20	130120									CF	1
25	412N1145-89									CF	1

-Item not Illustrated

# 25-28-49

ILLUSTRATED PARTS LIST

Page 1098.332

Mar 01/2006



## COMPONENT MAINTENANCE MANUAL

FIG/ ITEM	PART NUMBER	AIRLINE PART NUMBER	NOMENCLATURE							USAGE CODE	UNITS PER ASSY				
			1	2	3	4	5	6	7						
11- 30	BACS12FA3K5		.	S	C	R	W				CF, CG	1			
				(V06710)	(SPEC BACS12FA3K5)	(OPT BACS12FA3K5 (V06725))	(OPT BACS12FA3K5 (V06950))	(OPT BACS12FA3K5 (V27624))	(OPT BACS12FA3K5 (V34252))	(OPT BACS12FA3K5 (V56878))	(OPT BACS12FA3K5 (V73197))	(OPT BACS12FA3K5 (V80539))	(OPT BACS12FA3K5 (V92215))	(OPT BACS12FA3K5 (V93907))	(OPT BACS12FA3K5 (V97928))
35	BACB30PF4-3		.	B	O	L	T				CF, CG	1			
40	AN960C416L		.	W	A	S	H	E	R		CF, CG	1			
45	NAS1515F4H		.	W	A	S	H	E	R		CF, CG	1			
50	NAS1515M4L		.	W	A	S	H	E	R		CF, CG	1			
55	412N1145-30		.	B	R	A	C	K	E	T	CF, CG	1			
60	BACS12FA3K5		.	S	C	R	W				CF, CG	16			
				(V06710)	(SPEC BACS12FA3K5)	(OPT BACS12FA3K5 (V06725))	(OPT BACS12FA3K5 (V06950))	(OPT BACS12FA3K5 (V27624))	(OPT BACS12FA3K5 (V34252))	(OPT BACS12FA3K5 (V56878))	(OPT BACS12FA3K5 (V73197))	(OPT BACS12FA3K5 (V80539))	(OPT BACS12FA3K5 (V92215))	(OPT BACS12FA3K5 (V93907))	(OPT BACS12FA3K5 (V97928))
65	412N1145-29		.	B	R	A	C	K	E	T	CF, CG	4			
70	65C27017-43		.	B	R	A	C	K	E	T	CF, CG	4			

-Item not Illustrated

# 25-28-49

ILLUSTRATED PARTS LIST

Page 1098.333

Mar 01/2006



## COMPONENT MAINTENANCE MANUAL

FIG/ ITEM	PART NUMBER	AIRLINE PART NUMBER	NOMENCLATURE							USAGE CODE	UNITS PER ASSY				
			1	2	3	4	5	6	7						
11- 75	BACS12FA3K5		.	S	C	R	E	W		CF	2				
				(V06710)	(SPEC BACS12FA3K5)	(OPT BACS12FA3K5 (V06725))	(OPT BACS12FA3K5 (V06950))	(OPT BACS12FA3K5 (V27624))	(OPT BACS12FA3K5 (V34252))	(OPT BACS12FA3K5 (V56878))	(OPT BACS12FA3K5 (V73197))	(OPT BACS12FA3K5 (V80539))	(OPT BACS12FA3K5 (V92215))	(OPT BACS12FA3K5 (V93907))	(OPT BACS12FA3K5 (V97928))
80	412N1145-92		.	B	R	A	C	K	E	CF	1				
85	65C27026-88SP		.	P	A	N	E	L	A	CF	1				
90	65C27026-89SP		.	P	A	N	E	L	A	CG	1				
95	NAS1836-3-11		.	.	I	N	S	E	R	CF	8				
100	NAS1836-3-11		.	.	I	N	S	E	R	CG	4				
-105	65C32946-59SP		.	C	A	P	A	S	S	CF	1				
-110	65C32946-60SP		.	C	A	P	A	S	S	CG	1				
115	SL2334-3A2		.	.	I	N	S	E	R	CF, CG	9				
				(V97393)											
120	417N5120-33SP		.	L	I	G	H	T	A	CF	1				
-125	417N5120-53SP		.	L	I	G	H	T	A	CG	1				
				ATTACHING PARTS											
130	NAS1801-3-5		.	S	C	R	E	W		CF, CG	2				
135	AN960JD10LL		.	W	A	S	H	E	R	CF, CG	2				
				----- * -----											
140	S417N507-29C		.	.	H	O	U	S	I	CF	RF				
				(WHITE/COVERT GRAY TRIM)											
140A	S417N507-29L		.	.	H	O	U	S	I	CF	RF				
				(WHITE/BLUE VELVET TRIM)											
140B	S417N507-29Y		.	.	H	O	U	S	I	CF	RF				
				(COLOR OPT-CUST PREFERENCE, BEIGE- COVERT GRAY TRIM)											
140C	S417N507-29A		.	.	H	O	U	S	I	CF	RF				
				(COLOR OPT-CUST PREFERENCE, BEIGE- ROSEWOOD TRIM)											

-Item not Illustrated

# 25-28-49

ILLUSTRATED PARTS LIST

Page 1098.334

Mar 01/2006



## COMPONENT MAINTENANCE MANUAL

FIG/ ITEM	PART NUMBER	AIRLINE PART NUMBER	NOMENCLATURE							USAGE CODE	UNITS PER ASSY	
			1	2	3	4	5	6	7			
11- 140D	S417N507-29E		. .							HOUSING-CLG (COLOR OPT-CUST PREFERENCE, IVORY- ROSEWOOD TRIM)	CF	RF
145	S417N507-38C		. .							HOUSING-CLG (WHITE/COVERT GRAY TRIM)	CG	RF
145A	S417N507-38L		. .							HOUSING-CLG (WHITE/BLUE VELVET TRIM)	CG	RF
145B	S417N507-38Y		. .							HOUSING-CLG (BEIGE/COVERT GRAY TRIM)	CG	RF
145C	S417N507-38A		. .							HOUSING-CLG (COLOR OPT-CUST PREFERENCE, BEIGE- ROSEWOOD TRIM)	CG	RF
145D	S417N507-38E		. .							HOUSING-CLG (COLOR OPT-CUST PREFERENCE, IVORY- ROSEWOOD TRIM)	CG	RF
145E	S417N507-38W		. .							HOUSING-CLG (COLOR OPT-CUST PREFERENCE, PEPPER DUST DARK GRAY TRIM)	CG	RF
150	417N5120-11		. .							LAMP ASSY	CF, CG	1
155	2055150		. . .							CAP-END (V04169)	CF, CG	2
160	F20T12WW		. . .							LAMP-FLUOR (V08805)	CF, CG	1
165	NI152LGWUV1000		. . .							TUBE-COVER (V06034) (OPT ITEM 165A)	CF, CG	1
-165A	LP1625-24		. . .							TUBE-COVER (V60116) (OPT ITEM 165)	CF, CG	1
170	NAS1801-3-11		. .							SCREW	CF, CG	2
175	BACS18C8-6		. .							SPACER	CF, CG	2
180	411N3142-28		. .							WASHER-CUPPED	CF, CG	2
185	MS24585-1230		. .							SPRING	CF, CG	2
190	417N5120-47SP		. .							LIGHT ASSY	CF, CG	1
										ATTACHING PARTS		
195	NAS1801-3-5		. .							SCREW	CF, CG	2

-Item not Illustrated

# 25-28-49

ILLUSTRATED PARTS LIST

Page 1098.335

Mar 01/2006



## COMPONENT MAINTENANCE MANUAL

FIG/ ITEM	PART NUMBER	AIRLINE PART NUMBER	NOMENCLATURE							USAGE CODE	UNITS PER ASSY					
			1	2	3	4	5	6	7							
11- 200	AN960JD10LL		.	W	A	S	H	E	R		CF, CG	2				
			-----*-----													
205	BACS12ER3K6		.	.	S	C	R	E	W		CF, CG	3				
					(V06710)	(SPEC BACS12ER3K6)	(OPT BACS12ER3K6 (V06725))	(OPT BACS12ER3K6 (V06950))	(OPT BACS12ER3K6 (V27624))	(OPT BACS12ER3K6 (V34252))	(OPT BACS12ER3K6 (V56878))	(OPT BACS12ER3K6 (V73197))	(OPT BACS12ER3K6 (V80539))	(OPT BACS12ER3K6 (V92215))	(OPT BACS12ER3K6 (V93907))	(OPT BACS12ER3K6 (V97928))
210	BACW10UD10		.	.	W	A	S	H	E	R	CF, CG	3				
215	F22K1-02		.	.	N	U	T				CF, CG	3				
					(V72962)	(SPEC BACN10R10L)	(OPT 22K1-02 (V72962))	(OPT 26CL02 (V80539))								
220	05939-7		.	.	B	A	L	L	A	S	CF, CG	1				
					(V17023)	(SPEC S283N702-7)	(OPT 1987-1 (V30242))	(OPT ITEM 220B)								
-220A	1987-1		.	.	B	A	L	L	A	S	CF, CG	1				
					(V30242)	(SPEC S283N702-7)	(OPT 05939-7 (V17023))	(OPT ITEM 220B)								
-220B	05939-107		.	.	B	A	L	L	A	S	CF, CG	1				
					(V17023)	(SPEC S283N702-107)	(OPT ITEM 220, 220A)									
225	S417N507-37		.	.	H	O	U	S	I	N	CF, CG	1				
230	417N5120-12		.	.	L	A	M	P	A	S	CF, CG	1				
235	2055132		.	.	.	C	A	P	-	E	CF, CG	2				
					(V04169)											
240	F15T8WW		.	.	.	L	A	M	-	F	CF, CG	1				
					(V08805)											

-Item not Illustrated

# 25-28-49

ILLUSTRATED PARTS LIST

Page 1098.336

Mar 01/2006





## COMPONENT MAINTENANCE MANUAL

FIG/ ITEM	PART NUMBER	AIRLINE PART NUMBER	NOMENCLATURE							USAGE CODE	UNITS PER ASSY	
			1	2	3	4	5	6	7			
11- 245	NI060LGWUV1000		. . .	TUBE-COVER							CF, CG	1
				(V06034)								
				(OPT ITEM 245A)								
-245A	LP1610-18		. . .	TUBE-COVER							CF, CG	1
				(V60116)								
				(OPT ITEM 245)								
250	417N5120-34		.	LIGHT ASSY							CF	1
-255	417N5120-32		.	LIGHT ASSY							CG	1
				ATTACHING PARTS								
260	NAS1801-3-5		.	SCREW							CF, CG	2
265	AN960JD10LL		.	WASHER							CF, CG	2
				-----*								
270	BACS12ER3K6		. .	SCREW							CF, CG	3
				(V06710)								
				(SPEC BACS12ER3K6)								
				(OPT BACS12ER3K6 (V06725))								
				(OPT BACS12ER3K6 (V06950))								
				(OPT BACS12ER3K6 (V27624))								
				(OPT BACS12ER3K6 (V34252))								
				(OPT BACS12ER3K6 (V56878))								
				(OPT BACS12ER3K6 (V73197))								
				(OPT BACS12ER3K6 (V80539))								
				(OPT BACS12ER3K6 (V92215))								
				(OPT BACS12ER3K6 (V93907))								
				(OPT BACS12ER3K6 (V97928))								
275	BACW10UD10		. .	WASHER							CF, CG	3
280	F22K1-02		. .	NUT							CF, CG	3
				(V72962)								
				(SPEC BACN10R10L)								
				(OPT 22K1-02 (V72962))								
				(OPT 26CL02 (V80539))								
285	S283N702-13		. .	BALLAST							CF	1
				(OPT ITEM 285A)								
-285A	S283N702-113		. .	BALLAST							CF	1
				(OPT ITEM 285)								
-290	S283N702-16		. .	BALLAST							CG	1
				(OPT ITEM 290A)								
-290A	S283N702-116		. .	BALLAST							CG	1
				(OPT ITEM 290)								

-Item not Illustrated

# 25-28-49

ILLUSTRATED PARTS LIST

Page 1098.337

Mar 01/2006



## COMPONENT MAINTENANCE MANUAL

FIG/ ITEM	PART NUMBER	AIRLINE PART NUMBER	NOMENCLATURE							USAGE CODE	UNITS PER ASSY	
			1	2	3	4	5	6	7			
11- -295	1864		.	.	BULB-NIGHT LT (V08805)						CF	1
300	417N5120-11		.	.	LAMP ASSY						CF, CG	1
305	2055150		.	.	CAP-END (V04169)						CF, CG	2
310	F20T12WW		.	.	LAMP-FLUOR (V08805)						CF, CG	1
315	NI152LGWUV1000		.	.	TUBE-COVER (V06034) (OPT ITEM 315A)						CF, CG	1
-315A	LP1625-24		.	.	TUBE-COVER (V60116) (OPT ITEM 315)						CF, CG	1
320	S417N507-30		.	.	HOUSING						CF	1
-325	S417N507-28		.	.	HOUSING						CG	1
330	65C27481-71		.		BRACKET ASSY						CF	1
-335	65C27481-34		.		BRACKET ASSY						CG	1
340	BACS12FA3K4		.		SCREW						CF, CG	2
345	BACR15BA3AD		.	.	RIVET (SIZE DETERMINED ON INST)						CF, CG	2
350	BRF200A3K		.	.	NUTPLATE (V52828) (SPEC BACN10JR3FR) (OPT F5000-3BCBAC (V15653)) (OPT NS103203-02BC (V80539)) (OPT RMF9201-3BC (V72962)) (OPT T8091S1032BC (V11815)) (OPT VN15A2-02 (V92215))						CF, CG	1
355	65C27481-35		.	.	BRACKET						CF, CG	1
360	65C27481-72		.		BRACKET ASSY						CF	1
-365	65C27481-24		.		BRACKET ASSY						CG	1
370	BACS12FA3K4		.		SCREW						CF, CG	5
375	BACR15BA3AD		.	.	RIVET (SIZE DETERMINED ON INST)						CF, CG	2

-Item not Illustrated

# 25-28-49

ILLUSTRATED PARTS LIST

Page 1098.338

Mar 01/2006



## COMPONENT MAINTENANCE MANUAL

FIG/ ITEM	PART NUMBER	AIRLINE PART NUMBER	NOMENCLATURE							USAGE CODE	UNITS PER ASSY	
			1	2	3	4	5	6	7			
11- 380	BRF200A3K		.	.	NUTPLATE (V52828) (SPEC BACN10JR3FR) (OPT F5000-3BCBAC (V15653)) (OPT NS103203-02BC (V80539)) (OPT RMF9201-3BC (V72962)) (OPT T8091S1032BC (V11815)) (OPT VN15A2-02 (V92215))						CF, CG	1
385	65C27481-74		.		BRACKET						CF	1
-390	65C27481-25		.		BRACKET						CG	1
395	BACB30NM3K9		.		BOLT (V06710) (SPEC BACB30NM3K9) (OPT BACB30NM3K9 (V06725)) (OPT BACB30NM3K9 (V06950)) (OPT BACB30NM3K9 (V08524)) (OPT BACB30NM3K9 (V27624)) (OPT BACB30NM3K9 (V80539)) (OPT BACB30NM3K9 (V92215)) (OPT BACB30NM3K9 (V93907)) (OPT BACB30NM3K9 (V97928))					CF	4	
-400	BACB30NM3K10		.		BOLT (V06710) (SPEC BACB30NM3K10) (OPT BACB30NM3K10 (V06725)) (OPT BACB30NM3K10 (V06950)) (OPT BACB30NM3K10 (V08524)) (OPT BACB30NM3K10 (V27624)) (OPT BACB30NM3K10 (V56878)) (OPT BACB30NM3K10 (V73197)) (OPT BACB30NM3K10 (V80539)) (OPT BACB30NM3K10 (V92215)) (OPT BACB30NM3K10 (V93907)) (OPT BACB30NM3K10 (V97928))					CG	4	
405	AN960JD10		.		WASHER						CF, CG	4

-Item not Illustrated

# 25-28-49

ILLUSTRATED PARTS LIST

Page 1098.339

Mar 01/2006



COMPONENT MAINTENANCE MANUAL

FIG/ ITEM	PART NUMBER	AIRLINE PART NUMBER	NOMENCLATURE							USAGE CODE	UNITS PER ASSY	
			1	2	3	4	5	6	7			
11- 410	BACB30PF4-16		.	B	O	L	T				CF, CG	4
								(V06710)				
								(SPEC BACB30PF4-16)				
								(OPT BACB30PF4-16 (V06725))				
								(OPT BACB30PF4-16 (V06950))				
								(OPT BACB30PF4-16 (V08524))				
								(OPT BACB30PF4-16 (V17948))				
								(OPT BACB30PF4-16 (V27624))				
								(OPT BACB30PF4-16 (V80539))				
								(OPT BACB30PF4-16 (V92215))				
								(OPT BACB30PF4-16 (V97928))				
415	AN960JD416L		.	W	A	S	H	E	R		CF, CG	4
420	NAS43DD4-36		.	S	P	A	C	E	R		CF, CG	4
425	AN960JD10LL		.	W	A	S	H	E	R		CF, CG	4
430	MS21042L3		.	N	U	T					CF, CG	4
435	65C27017-28		.	B	R	A	C	K	E	T	CF, CG	2
440	412N1119-47		.	F	I	T	T	I	N	G	CF, CG	2
445	BACB30NM3K3		.	B	O	L	T				CF, CG	3
								(V06710)				
								(SPEC BACB30NM3K3)				
								(OPT BACB30NM3K3 (V06725))				
								(OPT BACB30NM3K3 (V06950))				
								(OPT BACB30NM3K3 (V08524))				
								(OPT BACB30NM3K3 (V27624))				
								(OPT BACB30NM3K3 (V56878))				
								(OPT BACB30NM3K3 (V73197))				
								(OPT BACB30NM3K3 (V80539))				
								(OPT BACB30NM3K3 (V92215))				
								(OPT BACB30NM3K3 (V93907))				
								(OPT BACB30NM3K3 (V97928))				
450	BACB30NM3K1		.	B	O	L	T				CF, CG	3
								(V06710)				
								(SPEC BACB30NM3K1)				
								(OPT BACB30NM3K1 (V06725))				
								(OPT BACB30NM3K1 (V06950))				
								(OPT BACB30NM3K1 (V08524))				
								(OPT BACB30NM3K1 (V27624))				
								(OPT BACB30NM3K1 (V56878))				
								(OPT BACB30NM3K1 (V73197))				
								(OPT BACB30NM3K1 (V80539))				
								(OPT BACB30NM3K1 (V92215))				
								(OPT BACB30NM3K1 (V93907))				
								(OPT BACB30NM3K1 (V97928))				

-Item not Illustrated

**25-28-49**

ILLUSTRATED PARTS LIST

Page 1098.340

Mar 01/2006



## COMPONENT MAINTENANCE MANUAL

FIG/ ITEM	PART NUMBER	AIRLINE PART NUMBER	NOMENCLATURE							USAGE CODE	UNITS PER ASSY
			1	2	3	4	5	6	7		
11-											
455	AN960JD10LL		.	W	A	S	H	E	R	CF, CG	6
460	412N1119-54		.	B	R	A	C	K	E	CF, CG	1
465	412N1119-66		.	F	I	T	T	I	N	CF	1
-470	412N1119-108		.	F	I	T	T	I	N	CG	1
			ATTACHING PARTS								
475	BACB30NM3K2		.	B	O	L	T			CF, CG	24
				(V06710)							
				(SPEC BACB30NM3K2)							
				(OPT BACB30NM3K2 (V06725))							
				(OPT BACB30NM3K2 (V06950))							
				(OPT BACB30NM3K2 (V08524))							
				(OPT BACB30NM3K2 (V27624))							
				(OPT BACB30NM3K2 (V56878))							
				(OPT BACB30NM3K2 (V73197))							
				(OPT BACB30NM3K2 (V80539))							
				(OPT BACB30NM3K2 (V92215))							
				(OPT BACB30NM3K2 (V93907))							
				(OPT BACB30NM3K2 (V97928))							
480	BACB30NM3K10		.	B	O	L	T			CF, CG	2
				(V06710)							
				(SPEC BACB30NM3K10)							
				(OPT BACB30NM3K10 (V06725))							
				(OPT BACB30NM3K10 (V06950))							
				(OPT BACB30NM3K10 (V08524))							
				(OPT BACB30NM3K10 (V27624))							
				(OPT BACB30NM3K10 (V56878))							
				(OPT BACB30NM3K10 (V73197))							
				(OPT BACB30NM3K10 (V80539))							
				(OPT BACB30NM3K10 (V92215))							
				(OPT BACB30NM3K10 (V93907))							
				(OPT BACB30NM3K10 (V97928))							
485	AN960JD10LL		.	W	A	S	H	E	R	CF, CG	24
490	AN960JD10		.	W	A	S	H	E	R	CF, CG	2
			-----*								
495	BACB30BF3-24		.	.	B	O	L	T		CF, CG	5
500	BACS18KI0-20W		.	.	S	P	A	C	E	CF, CG	3
505	BACS18K10-38W		.	.	S	P	A	C	E	CF, CG	2
510	AN960PD10L		.	.	W	A	S	H	E	CF, CG	5

-Item not Illustrated

# 25-28-49

ILLUSTRATED PARTS LIST

Page 1098.341

Mar 01/2006



## COMPONENT MAINTENANCE MANUAL

FIG/ ITEM	PART NUMBER	AIRLINE PART NUMBER	NOMENCLATURE							USAGE CODE	UNITS PER ASSY	
			1	2	3	4	5	6	7			
11- 515	H10-06BAC		.	.	NUT (V15653) (SPEC BACN10JC06) (OPT RMLH9075-62W (V72962)) (OPT T6S632J (V11815)) (OPT VN303A62 (V92215)) (OPT 96-62 (V80539)) (OPT BRH10A06 (V52828)) (OPT BRH10A62 (V52828)) (OPT NS202101-62 (V80539))						CF, CG	5
520	NAS538B4P014		.	.	BUSHING						CF, CG	2
525	412N1119-51		.	.	PLATE-DIAG SPRT						CF, CG	1
530	412N1119-52		.	.	PLATE-DIAG SPRT						CF, CG	1
535	412N1119-49		.	.	PLATE-DIAG SPRT						CF, CG	1
540	412N1119-50		.	.	PLATE-DIAG SPRT						CF, CG	1
545	412N1119-68		.	.	FITTING						CF	1
-550	412N1119-109		.	.	FITTING						CG	1
555	BACB30NM3K1		.	.	BOLT (V06710) (SPEC BACB30NM3K1) (OPT BACB30NM3K1 (V06725)) (OPT BACB30NM3K1 (V06950)) (OPT BACB30NM3K1 (V08524)) (OPT BACB30NM3K1 (V27624)) (OPT BACB30NM3K1 (V56878)) (OPT BACB30NM3K1 (V73197)) (OPT BACB30NM3K1 (V80539)) (OPT BACB30NM3K1 (V92215)) (OPT BACB30NM3K1 (V93907)) (OPT BACB30NM3K1 (V97928))						CF, CG	8
560	AN960JD10		.	.	WASHER						CF, CG	8
565	412N1119-12		.	.	FITTING						CF, CG	2

-Item not Illustrated

# 25-28-49

ILLUSTRATED PARTS LIST

Page 1098.342

Mar 01/2006



### COMPONENT MAINTENANCE MANUAL

FIG/ ITEM	PART NUMBER	AIRLINE PART NUMBER	NOMENCLATURE							USAGE CODE	UNITS PER ASSY	
			1	2	3	4	5	6	7			
11- 570	BACB30NM3K3		.	B	O	L	T				CF, CG	2
575	AN960JD10LL		.	W	A	S	H	E	R		CF, CG	4
580	MS21042L3		.	N	U	T					CF, CG	2
585	65C27017-33		.	B	R	A	C	K	E	T	CF	1
-590	65C27017-48		.	B	R	A	C	K	E	T	CG	1
595	BACB30NM3K1		.	B	O	L	T				CF, CG	7
600	AN960JD10		.	W	A	S	H	E	R		CF, CG	7
605	BACB28B6-235P		. .	B	U	S	H	I	N	G	CF, CG	1
610	65C27017-34		. .	B	R	A	C	K	E	T	CF	1
-615	65C27017-50		. .	B	R	A	C	K	E	T	CG	1

-Item not Illustrated

# 25-28-49

ILLUSTRATED PARTS LIST

Page 1098.343

Mar 01/2006



## COMPONENT MAINTENANCE MANUAL

FIG/ ITEM	PART NUMBER	AIRLINE PART NUMBER	NOMENCLATURE							USAGE CODE	UNITS PER ASSY	
			1	2	3	4	5	6	7			
11- 620	BACB30NM3K1		.	B	O	L	T				CF, CG	4
625	AN960JD10LL		.	W	A	S	H	E	R		CF, CG	4
630	65C27017-32		.	B	R	A	C	K	E	T	CF	1
-635	65C27017-27		.	B	R	A	C	K	E	T	CG	1
640	65C32945-42SP		.	M	O	D	U	L	E	A	CF	1
-645	65C32945-43SP		.	M	O	D	U	L	E	A	CG	1

-Item not Illustrated

# 25-28-49

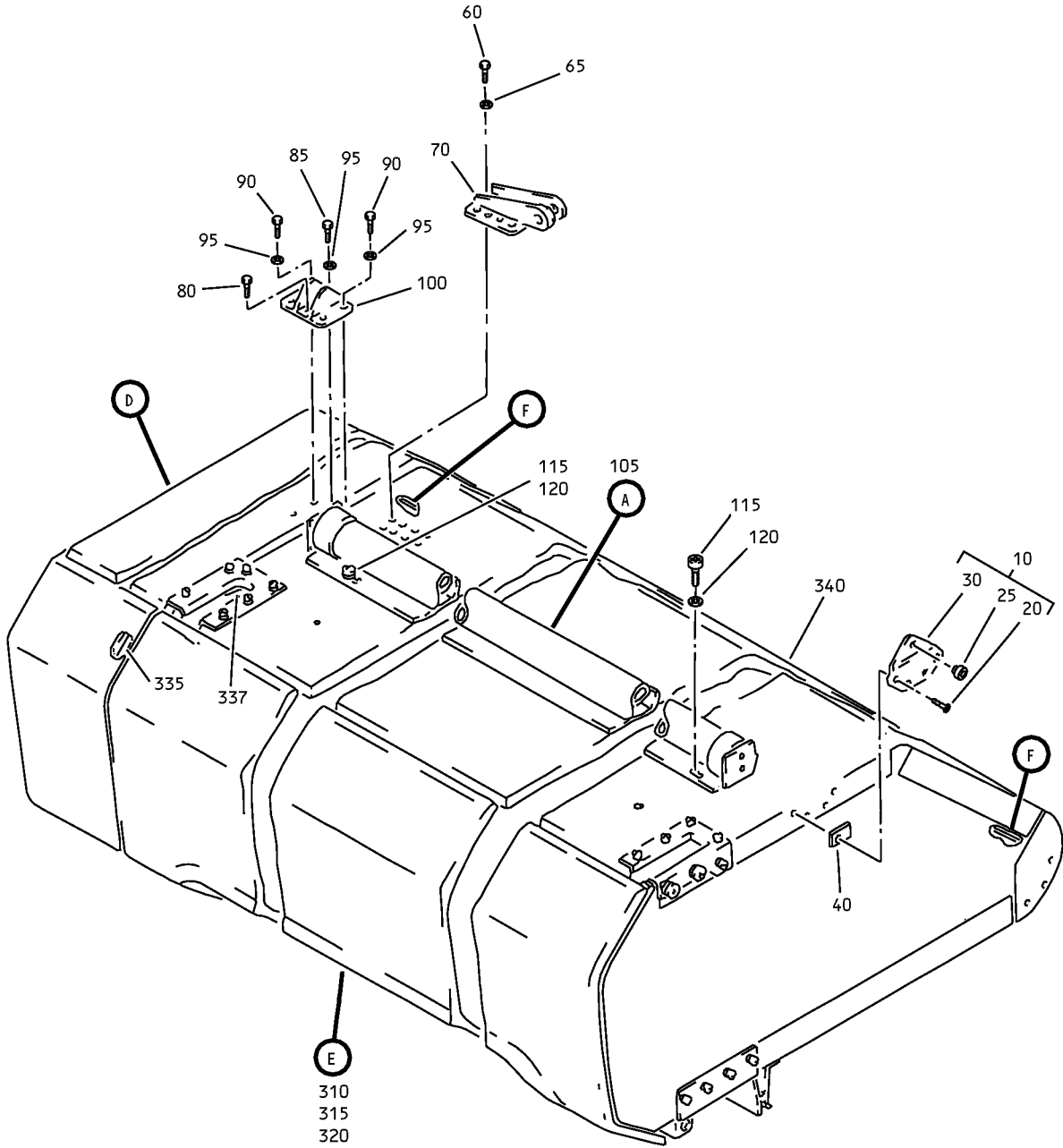
ILLUSTRATED PARTS LIST

Page 1098.344

Mar 01/2006



COMPONENT MAINTENANCE MANUAL



Overhead Storage Compartment Assembly  
IPL Figure 12 (Sheet 1 of 4)

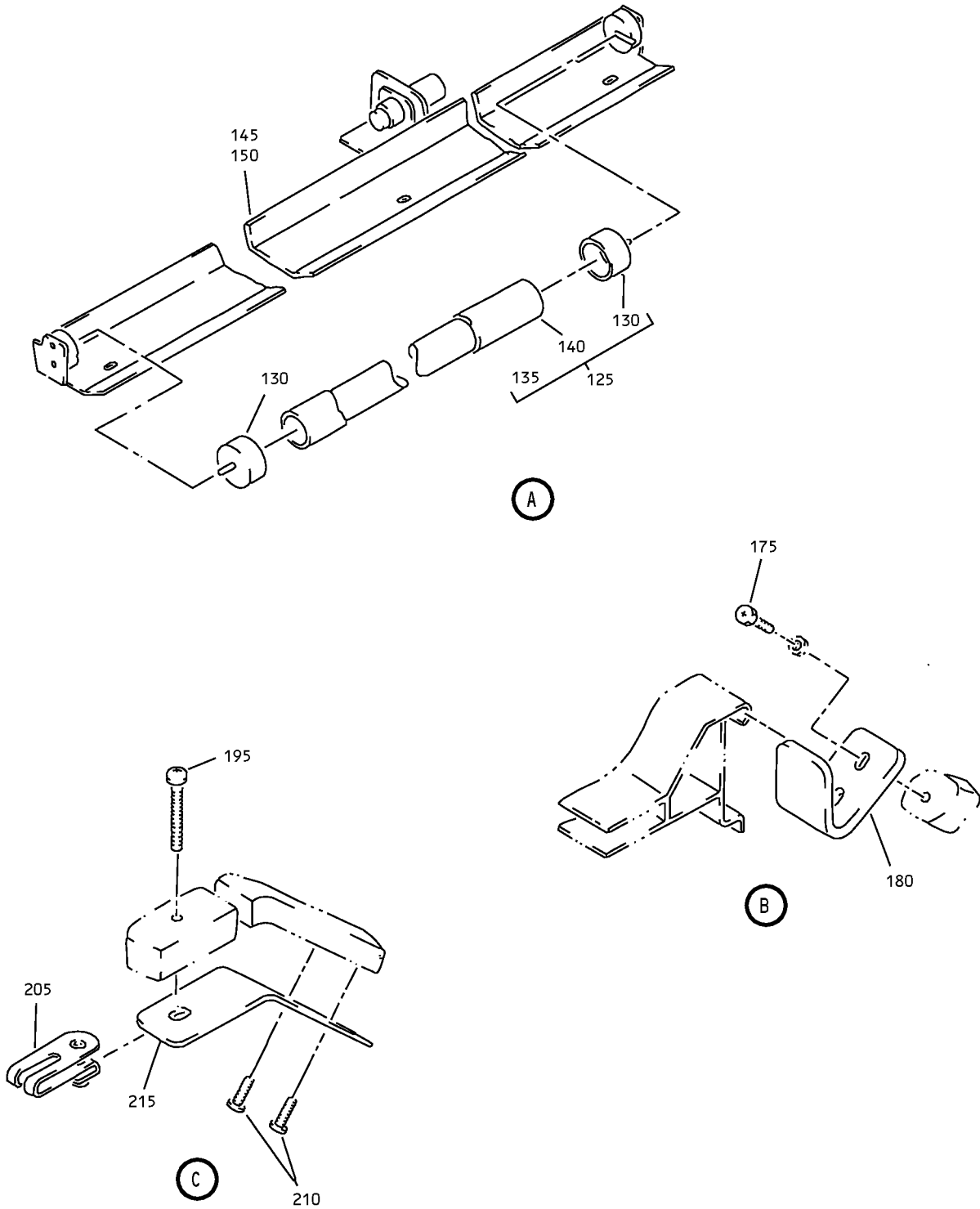
**25-28-49**

ILLUSTRATED PARTS LIST

Page 1098.345

Mar 01/2006

COMPONENT MAINTENANCE MANUAL



Overhead Stowage Compartment Assembly  
IPL Figure 12 (Sheet 2 of 4)

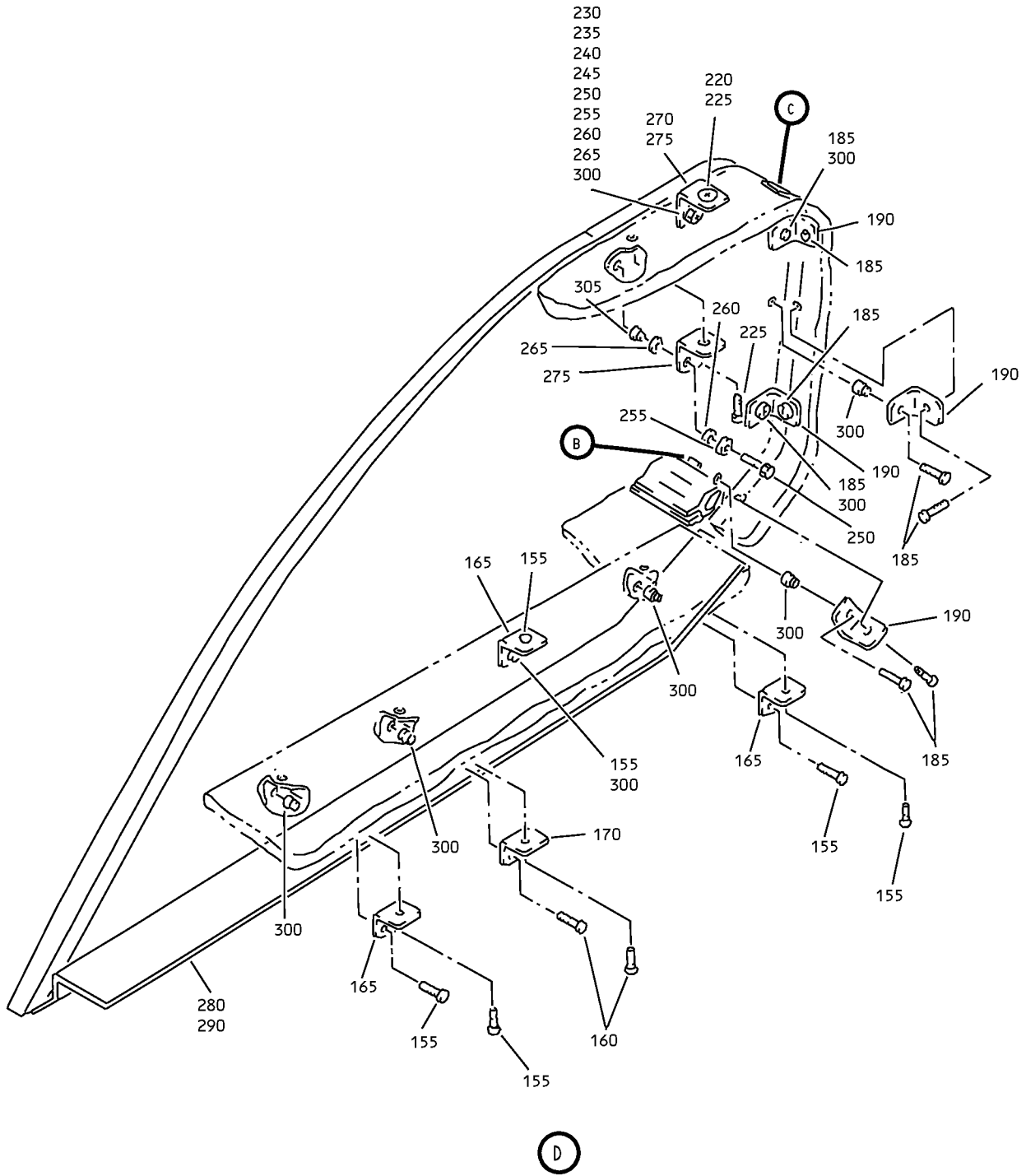
**25-28-49**

ILLUSTRATED PARTS LIST

Page 1098.346

Mar 01/2006

COMPONENT MAINTENANCE MANUAL



Overhead Storage Compartment Assembly  
IPL Figure 12 (Sheet 3 of 4)

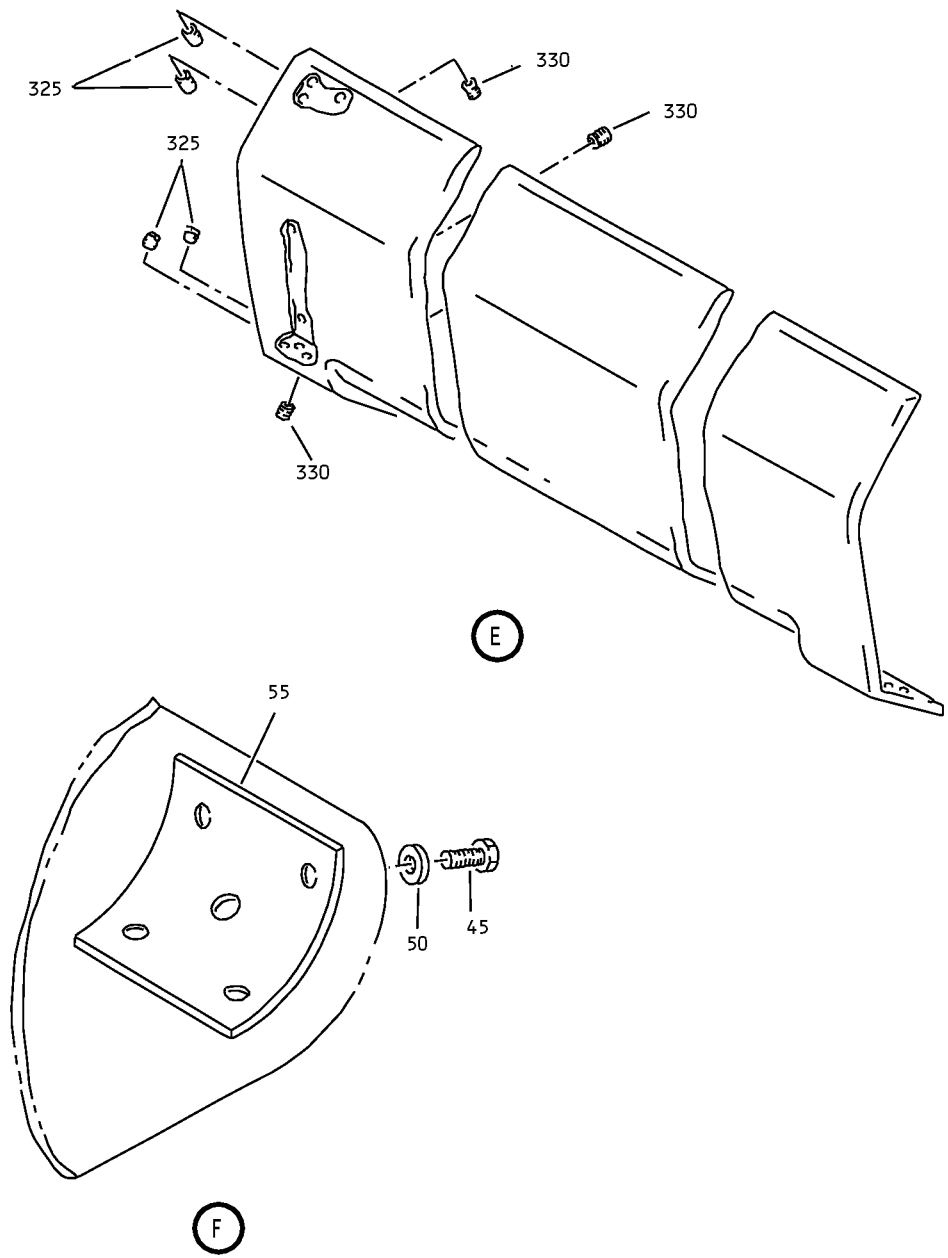
**25-28-49**

ILLUSTRATED PARTS LIST

Page 1098.347

Mar 01/2006

COMPONENT MAINTENANCE MANUAL



Overhead Stowage Compartment Assembly  
IPL Figure 12 (Sheet 4 of 4)



COMPONENT MAINTENANCE MANUAL

FIG/ ITEM	PART NUMBER	AIRLINE PART NUMBER	NOMENCLATURE							USAGE CODE	UNITS PER ASSY
			1	2	3	4	5	6	7		
12-											
-1	65C32944-48SP									AR	RF
-1A	65C32944-69SP									BE	RF
-1B	65C32944-133SP									CW	RF
-5	65C32944-81SP									BK	RF
-5A	65C32944-145SP									DF	RF
10	412N1119-37									AR, BE, CW	1
-15	412N1119-38									BK, DF	1
											ATTACHING PARTS
20	BACS12ER3K6									AR, BE, BK, CW, DF	4
											. SCREW (V06710) (SPEC BACS12ER3K6) (OPT BACS12ER3K6 (V06725)) (OPT BACS12ER3K6 (V06950)) (OPT BACS12ER3K6 (V27624)) (OPT BACS12ER3K6 (V34252)) (OPT BACS12ER3K6 (V56878)) (OPT BACS12ER3K6 (V73197)) (OPT BACS12ER3K6 (V80539)) (OPT BACS12ER3K6 (V92215)) (OPT BACS12ER3K6 (V93907)) (OPT BACS12ER3K6 (V97928))
											-----*
25	BACB28B6-220P									AR, BE, BK, CW, DF	1
30	412N1119-39									AR, BE, CW	1
-35	412N1119-40									BK, DF	1
40	65C27017-16									AR, BE, BK, CW, DF	1

-Item not Illustrated

**25-28-49**

ILLUSTRATED PARTS LIST  
Page 1098.349  
Mar 01/2006



## COMPONENT MAINTENANCE MANUAL

FIG/ ITEM	PART NUMBER	AIRLINE PART NUMBER	NOMENCLATURE							USAGE CODE	UNITS PER ASSY	
			1	2	3	4	5	6	7			
12- 45	BACB30NM3K1		.	B	O	L	T				AR, BE, BK, CW, DF	8
50	AN960JD10		.	W	A	S	H	E	R		AR, BE, BK, CW, DF	8
55	412N1119-12		.	F	I	T	T	I	N	G	AR, BE, BK, CW, DF	2
60	BACB30NM3K1		.	B	O	L	T				AR, BE, BK, CW, DF	8
65	AN960JD10		.	W	A	S	H	E	R		AR, BE, BK, CW, DF	8
70	412N1161-1		.	F	I	T	T	I	N	G	AR, BE, CW	1
-75	412N1161-2		.	F	I	T	T	I	N	G	BK, DF	1

-Item not Illustrated

# 25-28-49

ILLUSTRATED PARTS LIST

Page 1098.350

Mar 01/2006



## COMPONENT MAINTENANCE MANUAL

FIG/ ITEM	PART NUMBER	AIRLINE PART NUMBER	NOMENCLATURE							USAGE CODE	UNITS PER ASSY	
			1	2	3	4	5	6	7			
12- 80	BACB30NN3K9		.	B	O	L	T				AR, BE, BK, CW, DF	1
85	BACB30NM3K9		.	B	O	L	T				AR, BE, BK, CW, DF	1
90	BACB30NM3K1		.	B	O	L	T				AR, BE, BK, CW, DF	4
95	AN960JD10		.	W	A	S	H	E	R		AR, BE, BK, CW, DF	5
100	412N1119-58		.	F	I	T	T	I	N	G	AR, BE, BK, CW, DF	1
105	417N5120-33SP		.	L	I	G	H	T	A	S	AR, BE, CW	1

-Item not Illustrated

# 25-28-49

ILLUSTRATED PARTS LIST

Page 1098.351

Mar 01/2006



## COMPONENT MAINTENANCE MANUAL

FIG/ ITEM	PART NUMBER	AIRLINE PART NUMBER	NOMENCLATURE							USAGE CODE	UNITS PER ASSY		
			1	2	3	4	5	6	7				
12- -110	417N5120-53SP		.	L	I	G	H	T	A	S	S	BK, DF	1
				A	T	T	A	C	H	I	N		
115	NAS1801-3-5		.	S	C	R	E	W				AR, BE, BK, CW, DF	2
120	AN960JD10LL		.	W	A	S	H	E	R			AR, BE, BK, CW, DF	2
				-	-	-	-	-	-	-			
125	417N5120-11		.	.	L	A	M	P	A	S	S	AR, BE, BK, CW, DF	1
130	2055150		.	.	.	C	A	P	-	E	N	AR, BE, BK, CW, DF	2
						(	V	0	4	1	6		
135	F20T12WW		.	.	.	L	A	M	P	-	F	AR, BE, BK, CW, DF	1
						(	V	0	8	8	0		
140	LP1625-24		.	.	.	T	U	B	E	-	C	AR, BE, BK, CW, DF	1
						(	V	6	0	1	1		
						(	O	P	T	I	T		
-140A	NI152LGWUV1000		.	.	.	T	U	B	E	-	C	AR, BE, BK, CW, DF	1
						(	V	0	6	0	3		
						(	O	P	T	I	T		
145	S417N507-29C		.	.	H	O	U	S	I	N	G	AR, BE, CW	RF
						(	C	O	L	O	R		
						(	C	O	L	O	R		
-145A	S417N507-29L		.	.	H	O	U	S	I	N	G	AR, BE, CW	RF
						(	C	O	L	O	R		
						(	C	O	L	O	R		
-145B	S417N507-29Y		.	.	H	O	U	S	I	N	G	AR, BE, CW	RF
						(	C	O	L	O	R		
						(	C	O	L	O	R		
-145C	S417N507-29A		.	.	H	O	U	S	I	N	G	AR, BE, CW	RF
						(	C	O	L	O	R		
						(	C	O	L	O	R		
-145D	S417N507-29E		.	.	H	O	U	S	I	N	G	AR, BE, CW	RF
						(	C	O	L	O	R		
						(	C	O	L	O	R		

-Item not Illustrated

# 25-28-49

ILLUSTRATED PARTS LIST

Page 1098.352

Mar 01/2006





## COMPONENT MAINTENANCE MANUAL

FIG/ ITEM	PART NUMBER	AIRLINE PART NUMBER	NOMENCLATURE							USAGE CODE	UNITS PER ASSY	
			1	2	3	4	5	6	7			
12- 150	S417N507-38C		. .								BK, DF	RF
-150A	S417N507-38L		. .								BK, DF	RF
-150B	S417N507-38Y		. .								BK, DF	RF
-150C	S417N507-38A		. .								BK, DF	RF
-150D	S417N507-38E		. .								BK, DF	RF
-150E	S417N507-38W		. .								BK, DF	RF
155	BACS12FA3K5		. .								AR, BE, BK, CW, DF	6
160	BACS12FA3K5		. .								AR, BE, CW	2

-Item not Illustrated

# 25-28-49

ILLUSTRATED PARTS LIST

Page 1098.353

Mar 01/2006



## COMPONENT MAINTENANCE MANUAL

FIG/ ITEM	PART NUMBER	AIRLINE PART NUMBER	NOMENCLATURE							USAGE CODE	UNITS PER ASSY	
			1	2	3	4	5	6	7			
12- 165	412N1145-29		.								AR, BE, BK, CW, DF	3
170	412N1145-29		.								AR, BE, CW	1
175	BACS12FA3K5		.								AR, BE, BK, CW, DF	2
180	412N1145-92		.								AR, BE, BK, CW, DF	1
185	BACS12FA3K5		.								AR, BE, BK, CW, DF	8
190	65C27017-43		.								AR, BE, BK, CW, DF	4

-Item not Illustrated

# 25-28-49

ILLUSTRATED PARTS LIST

Page 1098.354

Mar 01/2006



## COMPONENT MAINTENANCE MANUAL

FIG/ ITEM	PART NUMBER	AIRLINE PART NUMBER	NOMENCLATURE							USAGE CODE	UNITS PER ASSY	
			1	2	3	4	5	6	7			
12- 195	BACS12FA3K12		.								AR, BE, CW	1
200	BACS12FA3K7		.								BK, DF	1
205	130120		.								AR, BE, CW	1
210	BACS12FA3K5		.								AR, BE, BK, CW, DF	2

-Item not Illustrated

# 25-28-49

ILLUSTRATED PARTS LIST

Page 1098.355

Mar 01/2006



## COMPONENT MAINTENANCE MANUAL

FIG/ ITEM	PART NUMBER	AIRLINE PART NUMBER	NOMENCLATURE							USAGE CODE	UNITS PER ASSY	
			1	2	3	4	5	6	7			
12- 215	412N1145-89		.								AR, BE, BK, CW, DF	1
220	BACS12FA3K5		.								AR, BE, CW	1
225	BACS12FA3K7		.								BK, DF	2
230	BACB30PF4-3		.								AR, BE, BK, CW, DF	1
235	AN960C416L		.								AR, BE, BK, CW, DF	1
240	NAS1515F4H		.								AR, BE, BK, CW, DF	1
245	NAS1515M4L		.								AR, BE, BK, CW, DF	1
250	BACB30PF4-3		.								BK, DF	2

-Item not Illustrated

# 25-28-49

ILLUSTRATED PARTS LIST

Page 1098.356

Mar 01/2006





## COMPONENT MAINTENANCE MANUAL

FIG/ ITEM	PART NUMBER	AIRLINE PART NUMBER	NOMENCLATURE							USAGE CODE	UNITS PER ASSY	
			1	2	3	4	5	6	7			
12- -345	65C32945-69SP									. MODULE ASSY (FOR DETAILS SEE FIG. 29)	BE, BK	1
-350	65C32945-81SP									. MODULE ASSY (FOR DETAILS SEE FIG. 29)	CW, DF	1

-Item not Illustrated

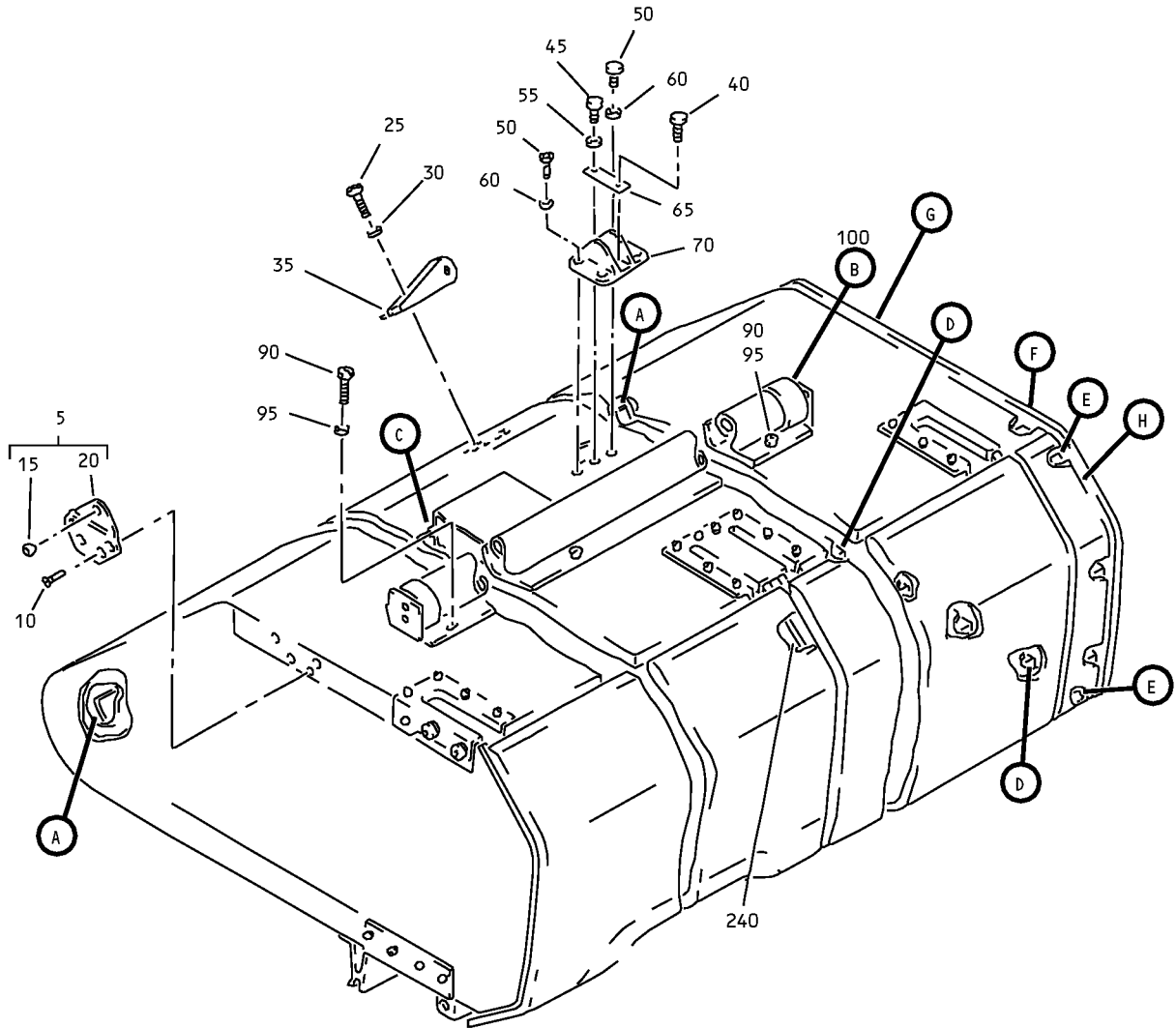
# 25-28-49

ILLUSTRATED PARTS LIST

Page 1098.358

Mar 01/2006

COMPONENT MAINTENANCE MANUAL



Overhead Stowage Compartment Assembly  
IPL Figure 13 (Sheet 1 of 4)

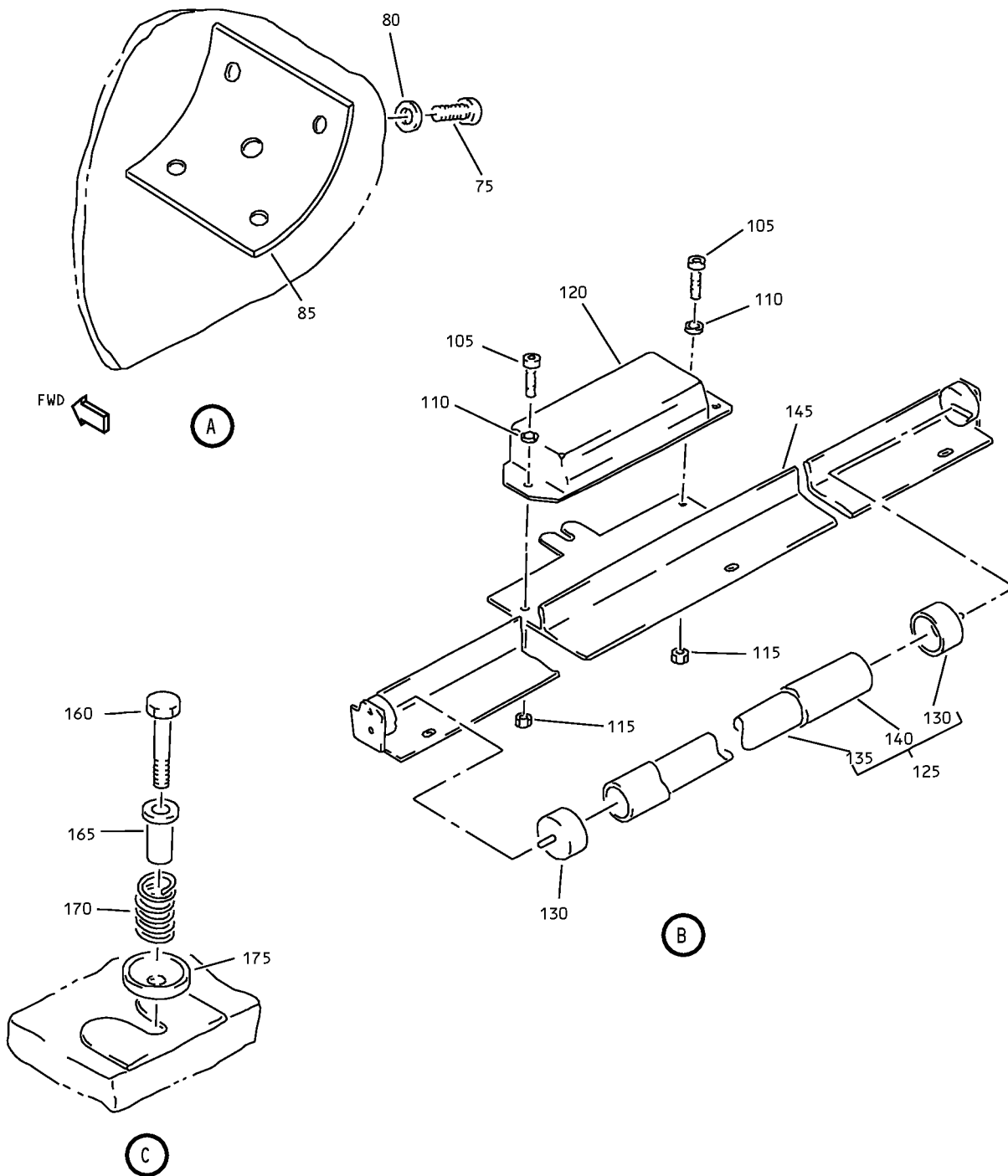
**25-28-49**

ILLUSTRATED PARTS LIST

Page 1098.359

Mar 01/2006

# COMPONENT MAINTENANCE MANUAL

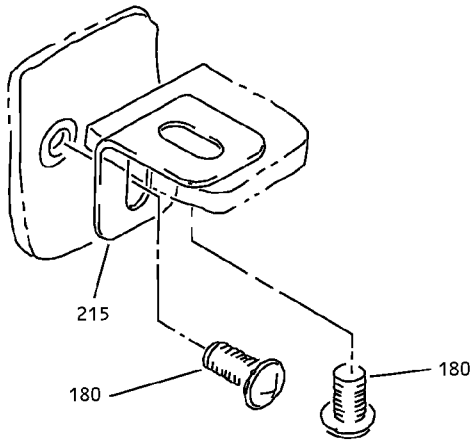


Overhead Storage Compartment Assembly  
IPL Figure 13 (Sheet 2 of 4)

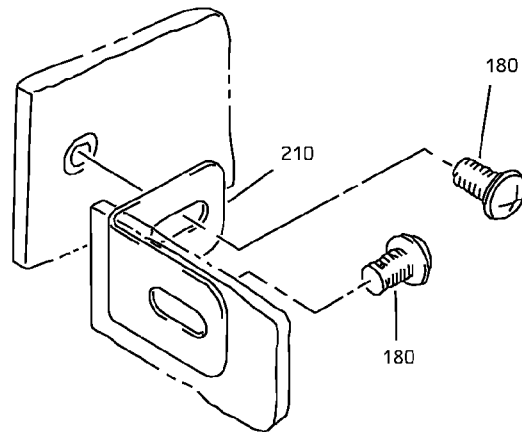
**25-28-49**  
ILLUSTRATED PARTS LIST  
Page 1098.360  
Mar 01/2006



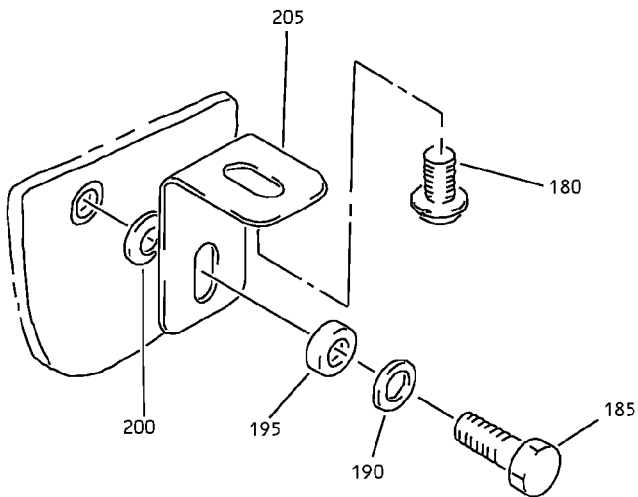
COMPONENT MAINTENANCE MANUAL



D



E



F

Overhead Stowage Compartment Assembly  
IPL Figure 13 (Sheet 3 of 4)

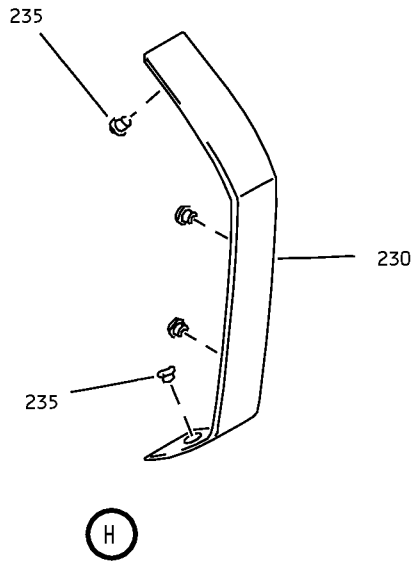
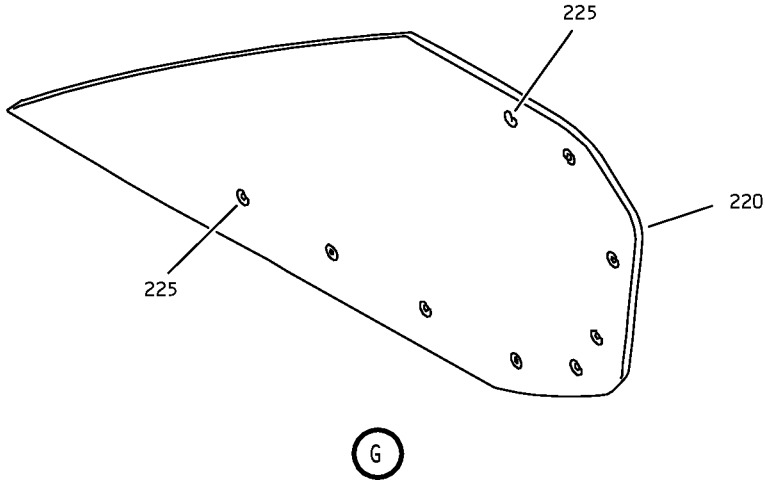
**25-28-49**

ILLUSTRATED PARTS LIST

Page 1098.361

Mar 01/2006

COMPONENT MAINTENANCE MANUAL



Overhead Stowage Compartment Assembly  
IPL Figure 13 (Sheet 4 of 4)



## COMPONENT MAINTENANCE MANUAL

FIG/ ITEM	PART NUMBER	AIRLINE PART NUMBER	NOMENCLATURE							USAGE CODE	UNITS PER ASSY
			1	2	3	4	5	6	7		
13-											
-1	65C32944-14SP									K	RF
5	412N1119-1									K	1
10	BACS12ER3K6									K	4
15	BACB28B6-220P									K	1
20	412N1119-2									K	1
25	BACB30NM3K1									K	8
30	AN960JD10									K	8
35	412N1161-2									K	1

-Item not Illustrated

# 25-28-49

ILLUSTRATED PARTS LIST

Page 1098.363

Mar 01/2006



## COMPONENT MAINTENANCE MANUAL

FIG/ ITEM	PART NUMBER	AIRLINE PART NUMBER	NOMENCLATURE							USAGE CODE	UNITS PER ASSY				
			1	2	3	4	5	6	7						
13- 40	BACB30NN3K10		.	B	O	L	T				K	1			
				(V06710)	(SPEC BACB30NN3K10)	(OPT BACB30NN3K10 (V06725))	(OPT BACB30NN3K10 (V06950))	(OPT BACB30NN3K10 (V08524))	(OPT BACB30NN3K10 (V27624))	(OPT BACB30NN3K10 (V56878))	(OPT BACB30NN3K10 (V73197))	(OPT BACB30NN3K10 (V80539))	(OPT BACB30NN3K10 (V92215))	(OPT BACB30NN3K10 (V93907))	(OPT BACB30NN3K10 (V97928))
45	BACB30NM3K10		.	B	O	L	T				K	1			
				(V06710)	(SPEC BACB30NM3K10)	(OPT BACB30NM3K10 (V06725))	(OPT BACB30NM3K10 (V06950))	(OPT BACB30NM3K10 (V08524))	(OPT BACB30NM3K10 (V27624))	(OPT BACB30NM3K10 (V56878))	(OPT BACB30NM3K10 (V73197))	(OPT BACB30NM3K10 (V80539))	(OPT BACB30NM3K10 (V92215))	(OPT BACB30NM3K10 (V93907))	(OPT BACB30NM3K10 (V97928))
50	BACB30NM3K1		.	B	O	L	T				K	4			
				(V06710)	(SPEC BACB30NM3K1)	(OPT BACB30NM3K1 (V06725))	(OPT BACB30NM3K1 (V06950))	(OPT BACB30NM3K1 (V08524))	(OPT BACB30NM3K1 (V27624))	(OPT BACB30NM3K1 (V56878))	(OPT BACB30NM3K1 (V73197))	(OPT BACB30NM3K1 (V80539))	(OPT BACB30NM3K1 (V92215))	(OPT BACB30NM3K1 (V93907))	(OPT BACB30NM3K1 (V97928))
55	AN960JD10LL		.	W	A	S	H	E	R		K	1			
60	AN960JD10		.	W	A	S	H	E	R		K	4			
65	412N1119-56		.	F	I	L	L	E	R		K	1			
70	412N1119-55		.	F	I	T	T	I	N	G	K	1			

-Item not Illustrated

# 25-28-49

ILLUSTRATED PARTS LIST

Page 1098.364

Mar 01/2006



### COMPONENT MAINTENANCE MANUAL

FIG/ ITEM	PART NUMBER	AIRLINE PART NUMBER	NOMENCLATURE							USAGE CODE	UNITS PER ASSY		
			1	2	3	4	5	6	7				
13- 75	BACB30NM3K1		.	B	O	L	T				K	8	
					(V06710)								
					(SPEC BACB30NM3K1)								
					(OPT BACB30NM3K1 (V06725))								
					(OPT BACB30NM3K1 (V06950))								
					(OPT BACB30NM3K1 (V08524))								
					(OPT BACB30NM3K1 (V27624))								
					(OPT BACB30NM3K1 (V56878))								
					(OPT BACB30NM3K1 (V73197))								
					(OPT BACB30NM3K1 (V80539))								
					(OPT BACB30NM3K1 (V92215))								
					(OPT BACB30NM3K1 (V93907))								
					(OPT BACB30NM3K1 (V97928))								
80	AN960JD10		.	W	A	S	H	E	R		K	8	
85	412N1119-12		.	F	I	T	T	I	N	G	K	2	
90	NAS1801-3-5		.	S	C	R	E	W			K	3	
95	AN960JD10LL		.	W	A	S	H	E	R		K	3	
100	417N5120-16		.	L	I	G	H	T	A	S	S	K	1
105	BACS12ER3K6		..	S	C	R	E	W			K	3	
					(V06710)								
					(SPEC BACS12ER3K6)								
					(OPT BACS12ER3K6 (V06725))								
					(OPT BACS12ER3K6 (V06950))								
					(OPT BACS12ER3K6 (V27624))								
					(OPT BACS12ER3K6 (V34252))								
					(OPT BACS12ER3K6 (V56878))								
					(OPT BACS12ER3K6 (V73197))								
					(OPT BACS12ER3K6 (V80539))								
					(OPT BACS12ER3K6 (V92215))								
					(OPT BACS12ER3K6 (V93907))								
					(OPT BACS12ER3K6 (V97928))								
110	BACW10UD10		..	W	A	S	H	E	R		K	3	
115	F22K1-02		..	N	U	T					K	3	
					(V72962)								
					(SPEC BACN10R10L)								
					(OPT 22K1-02 (V72962))								
					(OPT 26CL02 (V80539))								
120	05939-4		..	B	A	L	L	A	S	T	K	1	
					(V17023)								
					(SPEC S283N702-4)								
					(OPT ITEM 120A)								

-Item not Illustrated

# 25-28-49

ILLUSTRATED PARTS LIST

Page 1098.365

Mar 01/2006



## COMPONENT MAINTENANCE MANUAL

FIG/ ITEM	PART NUMBER	AIRLINE PART NUMBER	NOMENCLATURE							USAGE CODE	UNITS PER ASSY	
			1	2	3	4	5	6	7			
13- -120A	05939-104		.	.	BALLAST (V17023) (SPEC S283N702-104) (OPT ITEM 120)						K	1
125	417N5120-10		.	.	LAMP ASSY						K	1
130	2055150		.	.	CAP (V04169)						K	2
135	F40WW		.	.	LAMP-FLUOR. (V08805)						K	1
140	NI312LGWUV1000		.	.	TUBE-COVER (V06034) (OPT ITEM 140A)						K	1
-140A	LP1625-48		.	.	TUBE-COVER (V60116) (OPT ITEM 140)						K	1
145	800000255-13		.	.	LIGHT ASSY-CLG (V05617) (SPEC S417N507-13) (FOR DETAILS SEE FIG. 80)						K	1
160	NAS1801-3-11		.		SCREW						K	1
165	BACS18C8-6		.		SPACER						K	1
170	MS24585-1230		.		SPRING						K	1
175	411N3142-28		.		WASHER-CUPPED						K	1
180	BACS12FA3K5		.		SCREW (V06710) (SPEC BACS12FA3K5) (OPT BACS12FA3K5 (V06725)) (OPT BACS12FA3K5 (V06950)) (OPT BACS12FA3K5 (V27624)) (OPT BACS12FA3K5 (V34252)) (OPT BACS12FA3K5 (V56878)) (OPT BACS12FA3K5 (V73197)) (OPT BACS12FA3K5 (V80539)) (OPT BACS12FA3K5 (V92215)) (OPT BACS12FA3K5 (V93907)) (OPT BACS12FA3K5 (V97928))						K	17
185	BACB30PF4-3		.		BOLT						K	1
190	AN960C416L		.		WASHER						K	1
195	NAS1515F4H		.		WASHER						K	1
200	NAS1515M4L		.		WASHER						K	1

-Item not Illustrated

# 25-28-49

ILLUSTRATED PARTS LIST

Page 1098.366

Mar 01/2006



## COMPONENT MAINTENANCE MANUAL

FIG/ ITEM	PART NUMBER	AIRLINE PART NUMBER	NOMENCLATURE							USAGE CODE	UNITS PER ASSY
			1	2	3	4	5	6	7		
13-											
205	412N1145-30		.							K	1
210	65C27017-43		.							K	4
215	412N1145-29		.							K	4
220	65C32946-4SP		.							K	1
225	SL2334-3A2		.	.						K	9
230	65C27026-46SP		.							K	1
235	NAS1836-3-11		.	.						K	4
-235A	NAS1836-3-9		.	.						K	4
240	412N1130-5SP		.							K	1
-245	65C32945-14SP		.							K	1

-Item not Illustrated

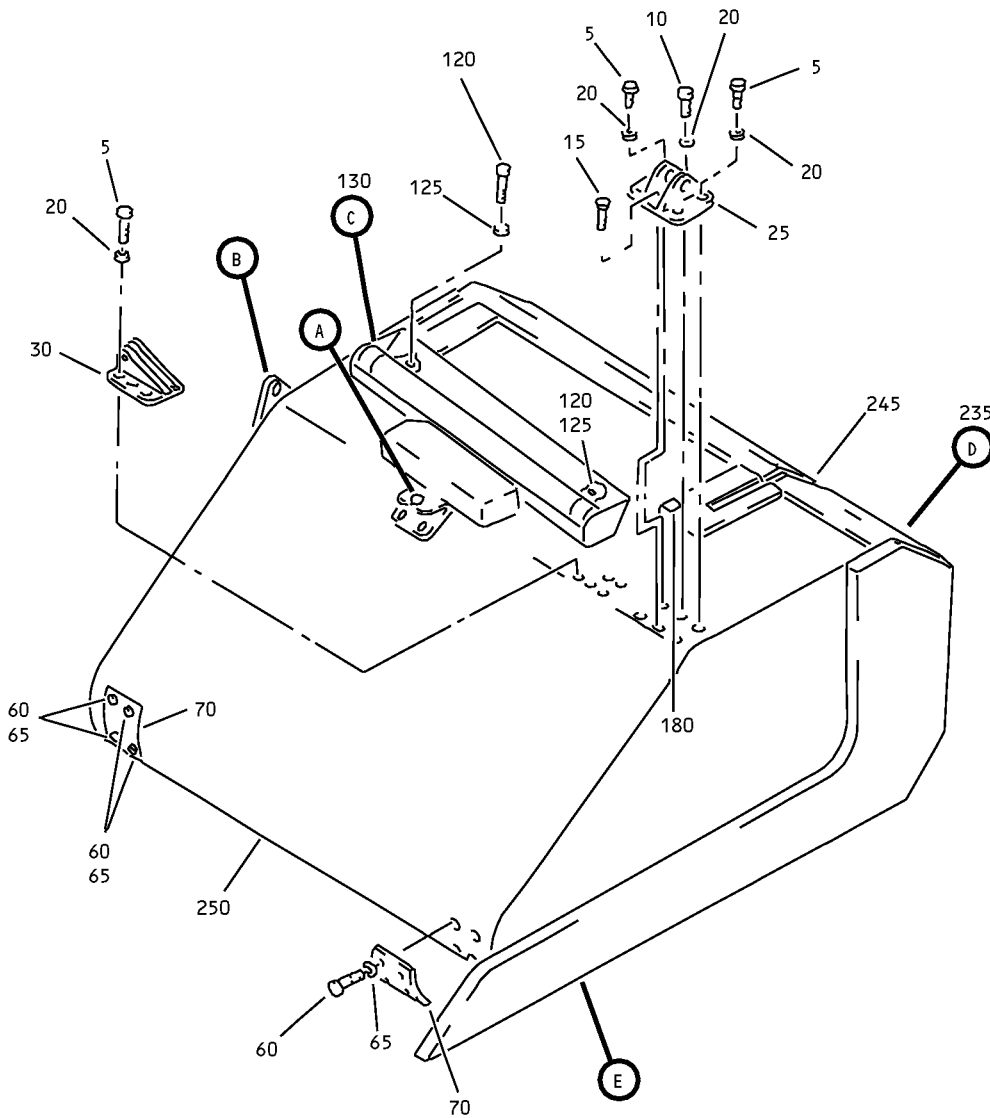
# 25-28-49

ILLUSTRATED PARTS LIST

Page 1098.367

Mar 01/2006

# COMPONENT MAINTENANCE MANUAL

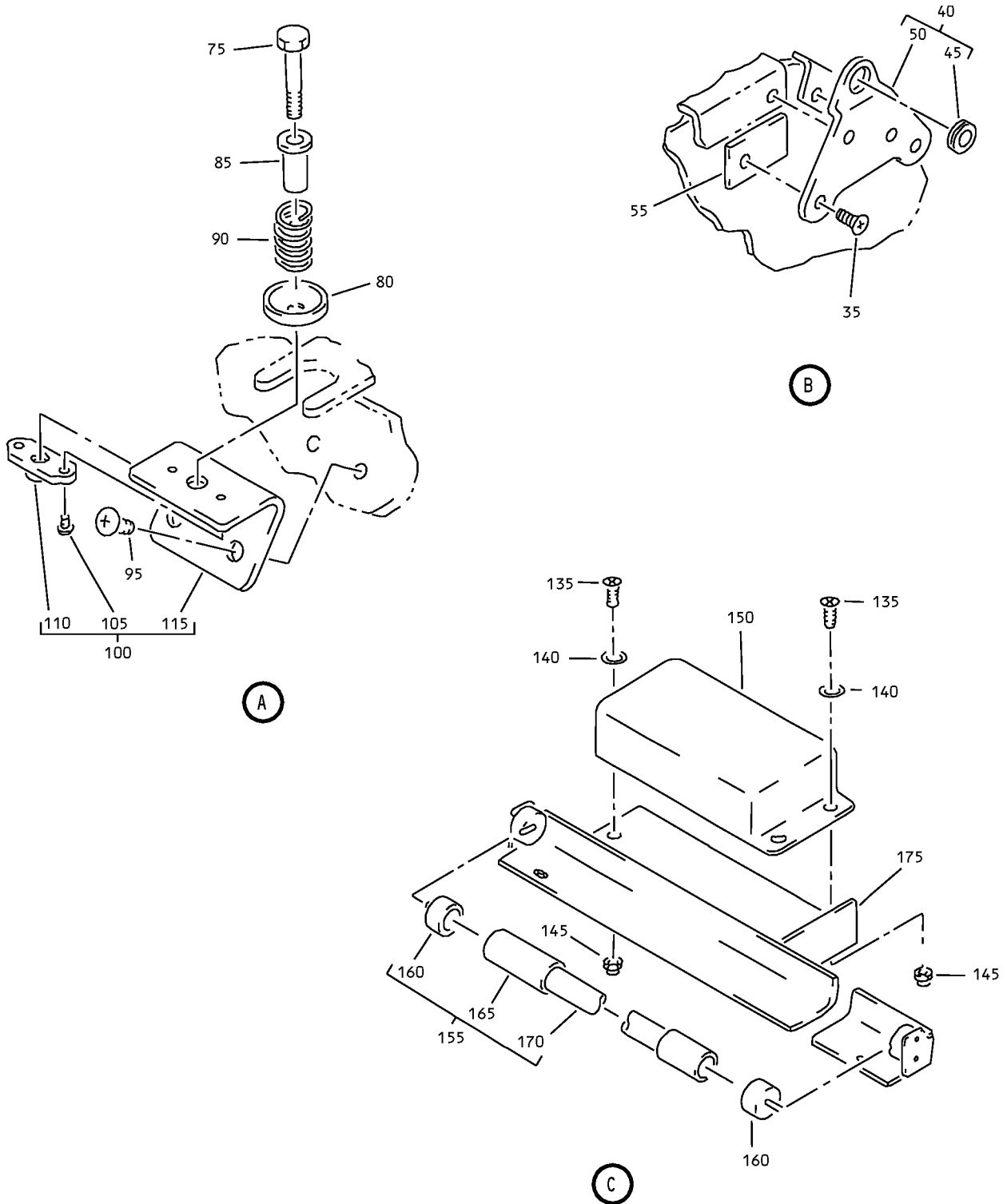


Overhead Stowage Compartment Assembly  
IPL Figure 14 (Sheet 1 of 3)

**25-28-49**  
ILLUSTRATED PARTS LIST  
Page 1098.368  
Mar 01/2006



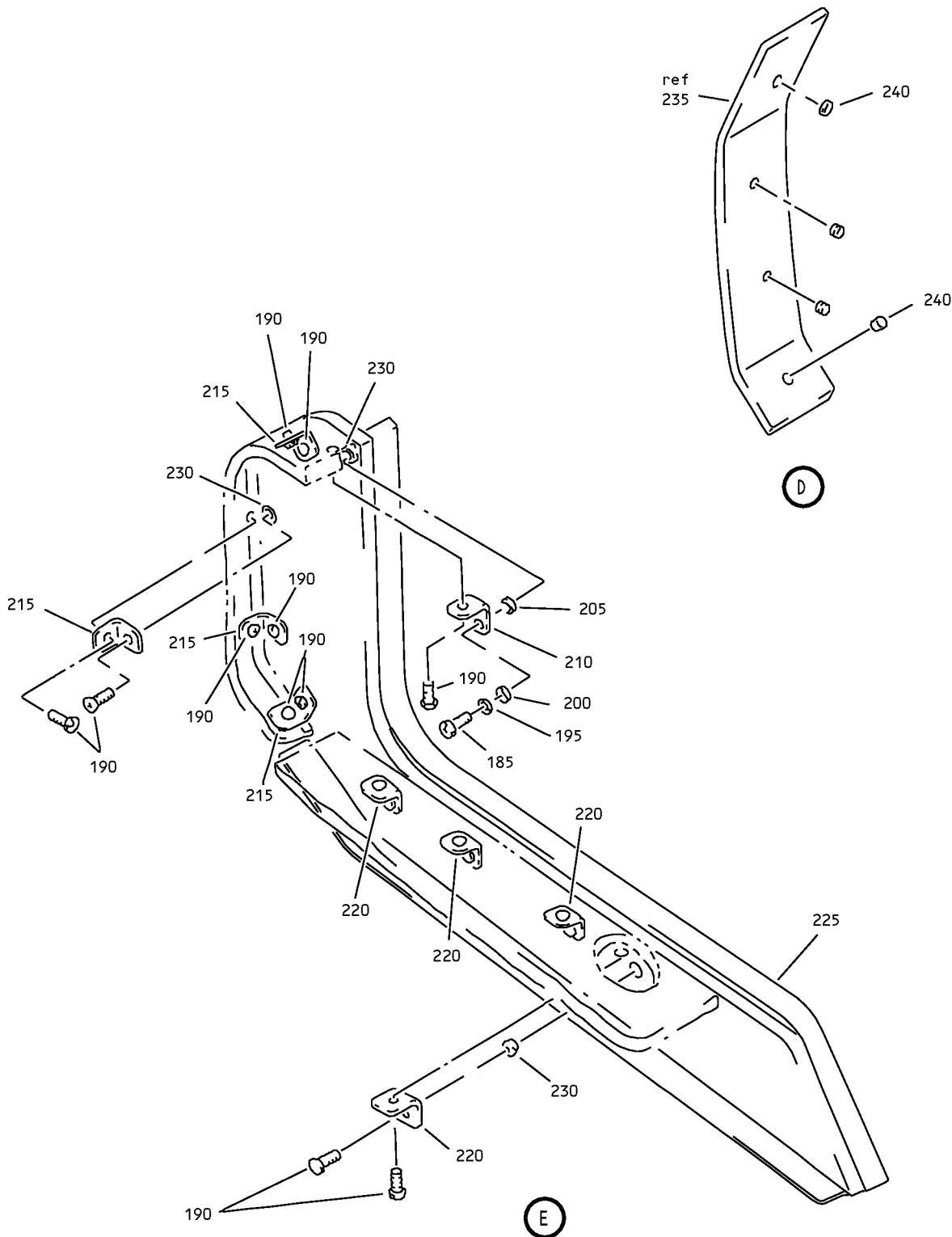
COMPONENT MAINTENANCE MANUAL



Overhead Stowage Compartment Assembly  
IPL Figure 14 (Sheet 2 of 3)

**25-28-49**  
ILLUSTRATED PARTS LIST  
Page 1098.369  
Mar 01/2006

# COMPONENT MAINTENANCE MANUAL



Overhead Storage Compartment Assembly  
IPL Figure 14 (Sheet 3 of 3)

## 25-28-49

ILLUSTRATED PARTS LIST

Page 1098.370

Mar 01/2006



## COMPONENT MAINTENANCE MANUAL

FIG/ ITEM	PART NUMBER	AIRLINE PART NUMBER	NOMENCLATURE							USAGE CODE	UNITS PER ASSY	
			1	2	3	4	5	6	7			
14-												
-1	65C32944-16SP										M	RF
-1A	65C32944-20SP										R	RF
-1B	65C32944-140SP										DA	RF
-1C	65C32944-153SP										DM	RF
-1D	65C32944-328SP										DY	RF
5	BACB30NM3K1										M, R, DA, DM, DY	9
10	BACB30NM3K9										M, R, DA, DM, DY	1

-Item not Illustrated

# 25-28-49

ILLUSTRATED PARTS LIST

Page 1098.371

Mar 01/2006



## COMPONENT MAINTENANCE MANUAL

FIG/ ITEM	PART NUMBER	AIRLINE PART NUMBER	NOMENCLATURE							USAGE CODE	UNITS PER ASSY
			1	2	3	4	5	6	7		
14-											
15	BACB30NN3K9		.	BOLT						M, R, DA, DM, DY	1
				(V06710)							
				(SPEC BACB30NN3K9)							
				(OPT BACB30NN3K9 (V06725))							
				(OPT BACB30NN3K9 (V06950))							
				(OPT BACB30NN3K9 (V08524))							
				(OPT BACB30NN3K9 (V27624))							
				(OPT BACB30NN3K9 (V56878))							
				(OPT BACB30NN3K9 (V73197))							
				(OPT BACB30NN3K9 (V80539))							
				(OPT BACB30NN3K9 (V92215))							
				(OPT BACB30NN3K9 (V93907))							
				(OPT BACB30NN3K9 (V97928))							
20	AN960JD10		.	WASHER						M, R, DA, DM, DY	10
25	412N1119-58		.	FITTING						M, R, DA, DM, DY	1
30	412N1119-76		.	FITTING						M, R, DA, DM, DY	1
35	BACS12ER3K6		.	SCREW						M, R, DA, DM, DY	4
				(V06710)							
				(SPEC BACS12ER3K6)							
				(OPT BACS12ER3K6 (V06725))							
				(OPT BACS12ER3K6 (V06950))							
				(OPT BACS12ER3K6 (V27624))							
				(OPT BACS12ER3K6 (V34252))							
				(OPT BACS12ER3K6 (V56878))							
				(OPT BACS12ER3K6 (V73197))							
				(OPT BACS12ER3K6 (V80539))							
				(OPT BACS12ER3K6 (V92215))							
				(OPT BACS12ER3K6 (V93907))							
				(OPT BACS12ER3K6 (V97928))							
40	412N1119-37		.	FITTING ASSY						M, R, DA, DM, DY	1
45	BACB28B6-220P		.	BUSHING						M, R, DA, DM, DY	1
50	412N1119-39		.	FITTING						M, R, DA, DM, DY	1

-Item not Illustrated

# 25-28-49

ILLUSTRATED PARTS LIST

Page 1098.372

Mar 01/2006



## COMPONENT MAINTENANCE MANUAL

FIG/ ITEM	PART NUMBER	AIRLINE PART NUMBER	NOMENCLATURE							USAGE CODE	UNITS PER ASSY
			1	2	3	4	5	6	7		
14-											
55	65C27017-16		.	SHIM						M, R, DA, DM, DY	1
60	BACB30NM3K1		.	BOLT (V06710) (SPEC BACB30NM3K1) (OPT BACB30NM3K1 (V06725)) (OPT BACB30NM3K1 (V06950)) (OPT BACB30NM3K1 (V08524)) (OPT BACB30NM3K1 (V27624)) (OPT BACB30NM3K1 (V56878)) (OPT BACB30NM3K1 (V73197)) (OPT BACB30NM3K1 (V80539)) (OPT BACB30NM3K1 (V92215)) (OPT BACB30NM3K1 (V93907)) (OPT BACB30NM3K1 (V97928))						M, R, DA, DM, DY	8
65	AN960JD10		.	WASHER						M, R, DA, DM, DY	8
70	412N1119-12		.	FITTING						M, R, DA, DM, DY	2
75	NAS1801-3-11		.	SCREW						M, R, DA, DM, DY	1
80	411N3142-28		.	WASHER						M, R, DA, DM, DY	1
85	BACS18C8-6		.	SPACER						M, R, DA, DM, DY	1
90	MS24585-1230		.	SPRING						M, R, DA, DM, DY	1
95	BACS12FA3K4		.	SCREW						M, R, DA, DM, DY	2
100	65C27481-30		.	BRACKET ASSY						M, R, DA, DM, DY	1

-Item not Illustrated

# 25-28-49

ILLUSTRATED PARTS LIST

Page 1098.373

Mar 01/2006



## COMPONENT MAINTENANCE MANUAL

FIG/ ITEM	PART NUMBER	AIRLINE PART NUMBER	NOMENCLATURE							USAGE CODE	UNITS PER ASSY	
			1	2	3	4	5	6	7			
14- 105	BACR15BA3A		.	.	RIVET (SIZE DETERMINED ON INST)						M, R, DA, DM, DY	2
110	F5000-3BAC		.	.	NUTPLATE (V15653) (SPEC BACN10JR3F) (OPT NS103203-02 (V80539)) (OPT RMF9201-3 (V72962)) (OPT T8091S1032 (V11815)) (OPT VN152A1-02 (V92215)) (OPT BRF200A3 (V52828))						M, R, DA, DM, DY	1
115	65C27481-31		.	.	BRACKET						M, R, DA, DM, DY	1
120	NAS1801-3-5		.		SCREW						M, R, DA, DM, DY	2
125	AN960JD10LL		.		WASHER						M, R, DA, DM, DY	2
130	417N5120-47SP		.		LIGHT ASSY						M, R, DA, DM, DY	1
135	BACS12ER3K6		.	.	SCREW (V06710) (SPEC BACS12ER3K6) (OPT BACS12ER3K6 (V06725)) (OPT BACS12ER3K6 (V06950)) (OPT BACS12ER3K6 (V27624)) (OPT BACS12ER3K6 (V34252)) (OPT BACS12ER3K6 (V56878)) (OPT BACS12ER3K6 (V73197)) (OPT BACS12ER3K6 (V80539)) (OPT BACS12ER3K6 (V92215)) (OPT BACS12ER3K6 (V93907)) (OPT BACS12ER3K6 (V97928))						M, R, DA, DM, DY	3
140	BACW10UD10		.	.	WASHER						M, R, DA, DM, DY	3

-Item not Illustrated

# 25-28-49

ILLUSTRATED PARTS LIST

Page 1098.374

Mar 01/2006



## COMPONENT MAINTENANCE MANUAL

FIG/ ITEM	PART NUMBER	AIRLINE PART NUMBER	NOMENCLATURE							USAGE CODE	UNITS PER ASSY
			1	2	3	4	5	6	7		
14-											
145	F22K1-02		. .	NUT						M, R, DA, DM, DY	3
				(V72962)							
				(SPEC BACN10R10L)							
				(OPT 22K1-02 (V72962))							
				(OPT 26CL02 (V80539))							
147	65C28117-3		. .	PAD						M, R, DA, DM, DY	1
150	05939-7		. .	BALLAST						M, R, DA, DM, DY	1
				(V17023)							
				(SPEC S283N702-7)							
				(OPT 1987-1 (V30242))							
				(OPT ITEM 150B)							
-150A	1987-1		. .	BALLAST						M, R, DA, DM, DY	1
				(V30242)							
				(SPEC S283N702-7)							
				(OPT 05939-7 (V17023))							
				(OPT ITEM 150B)							
-150B	05939-107		. .	BALLAST						M, R, DA, DM, DY	1
				(V17023)							
				(SPEC S283N702-107)							
				(OPT ITEM 150, 150A)							
155	417N5120-12		. .	LAMP ASSY						M, R, DA, DM, DY	1
160	2055132		. . .	CAP						M, R, DA, DM, DY	2
				(V04169)							
165	LP1610-18		. . .	TUBE-COVER						M, R, DA, DM, DY	1
				(V60116)							
				(OPT ITEM 165A)							
-165A	NI060LGWUV1000		. . .	TUBE-COVER						M, R, DA, DM, DY	1
				(V06034)							
				(OPT ITEM 165)							
170	F15T8WW		. . .	LAMP-FLUOR.						M, R, DA, DM, DY	1
				(V08805)							
175	S417N507-37SP		. .	HOUSING						M, R, DA, DM, DY	1

-Item not Illustrated

# 25-28-49

ILLUSTRATED PARTS LIST

Page 1098.375

Mar 01/2006



## COMPONENT MAINTENANCE MANUAL

FIG/ ITEM	PART NUMBER	AIRLINE PART NUMBER	NOMENCLATURE							USAGE CODE	UNITS PER ASSY	
			1	2	3	4	5	6	7			
14- 180	65C32944-9		.								M, R, DA, DM, DY	1
185	BACB30PF4-3		.								M, R, DA, DM, DY	1
190	BACS12FA3K5		.								M, R, DA, DM, DY	17
195	AN960C416L		.								M, R, DA, DM, DY	1
200	NAS1515F4H		.								M, R, DA, DM, DY	1
205	NAS1515M4L		.								M, R, DA, DM, DY	1
210	412N1145-30		.								M, R, DA, DM, DY	1
215	65C27017-43		.								M, R, DA, DM, DY	4
220	412N1145-29		.								M, R, DA, DM, DY	4
225	65C32946-3SP		.								M, R	1
-225A	65C32946-59SP		.								DA, DM, DY	1

-Item not Illustrated

# 25-28-49

ILLUSTRATED PARTS LIST

Page 1098.376

Mar 01/2006





## COMPONENT MAINTENANCE MANUAL

FIG/ ITEM	PART NUMBER	AIRLINE PART NUMBER	NOMENCLATURE							USAGE CODE	UNITS PER ASSY	
			1	2	3	4	5	6	7			
14- 230	SL2334-3A2		.	.	INSERT (V97393)						M, R, DA, DM, DY	9
235	65C27026-64SP		.		PANEL ASSY						M, R, DA, DM	1
-235A	65C27026-185SP		.		PANEL ASSY						DY	1
240	NAS1836-3-11		.	.	INSERT (OPT ITEM 240A)						M, R, DA, DM, DY	4
-240A	NAS1836-3-9		.	.	INSERT (OPT ITEM 240)						M, R, DA, DM, DY	4
245	412N1130-5SP		.		TRIM						M, R, DA, DM, DY	1
250	65C32945-16SP		.		MODULE ASSY (FOR DETAILS SEE FIG. 30)						M, DM	1
-250A	65C32945-20SP		.		MODULE ASSY (FOR DETAILS SEE FIG. 30)						R	1
-250B	65C32945-76SP		.		MODULE ASSY (FOR DETAILS SEE FIG. 30)						DA	1
-250C	65C32945-328SP		.		MODULE ASSY (FOR DETAILS SEE FIG. 30)						DY	1

-Item not Illustrated

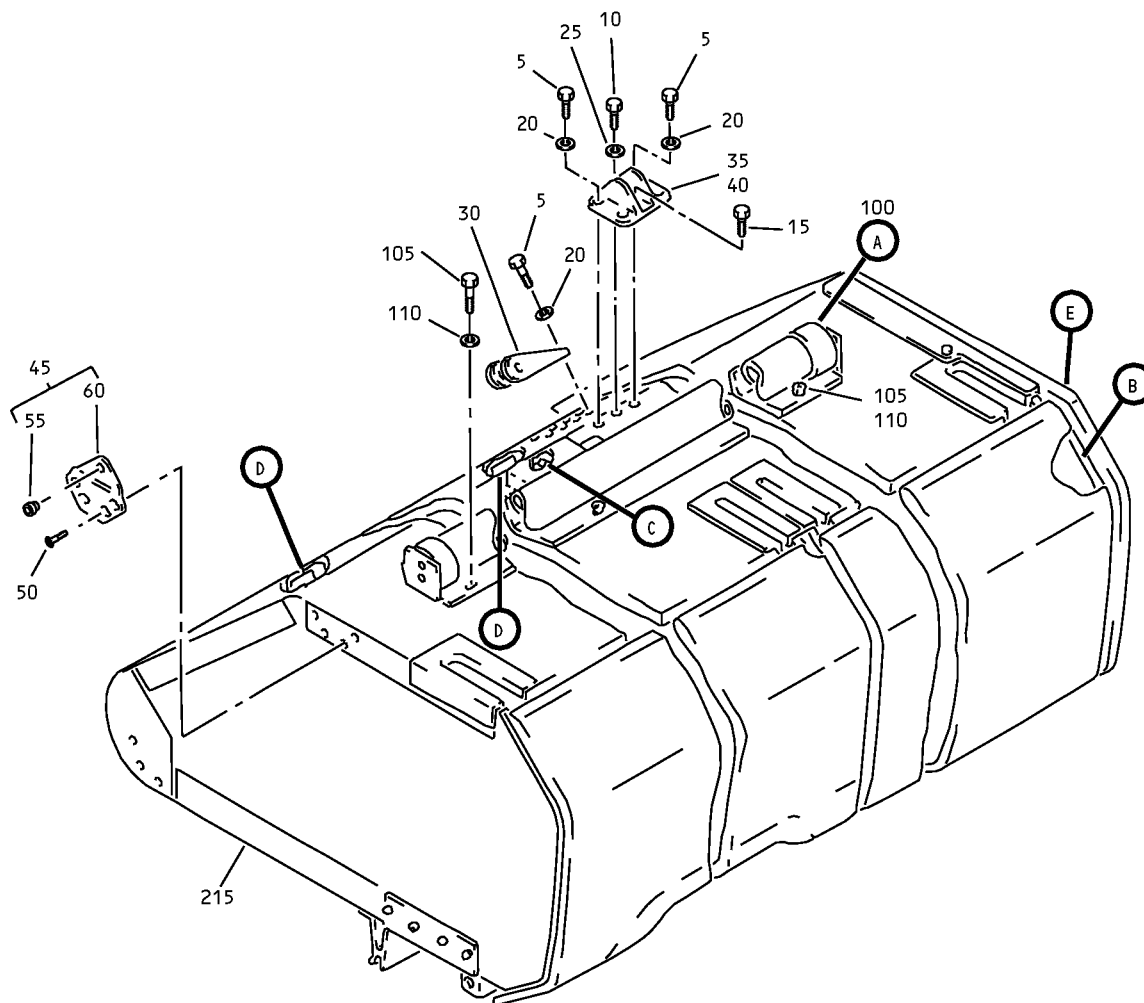
# 25-28-49

ILLUSTRATED PARTS LIST

Page 1098.377

Mar 01/2006

COMPONENT MAINTENANCE MANUAL



Overhead Stowage Compartment Assembly  
IPL Figure 15 (Sheet 1 of 3)

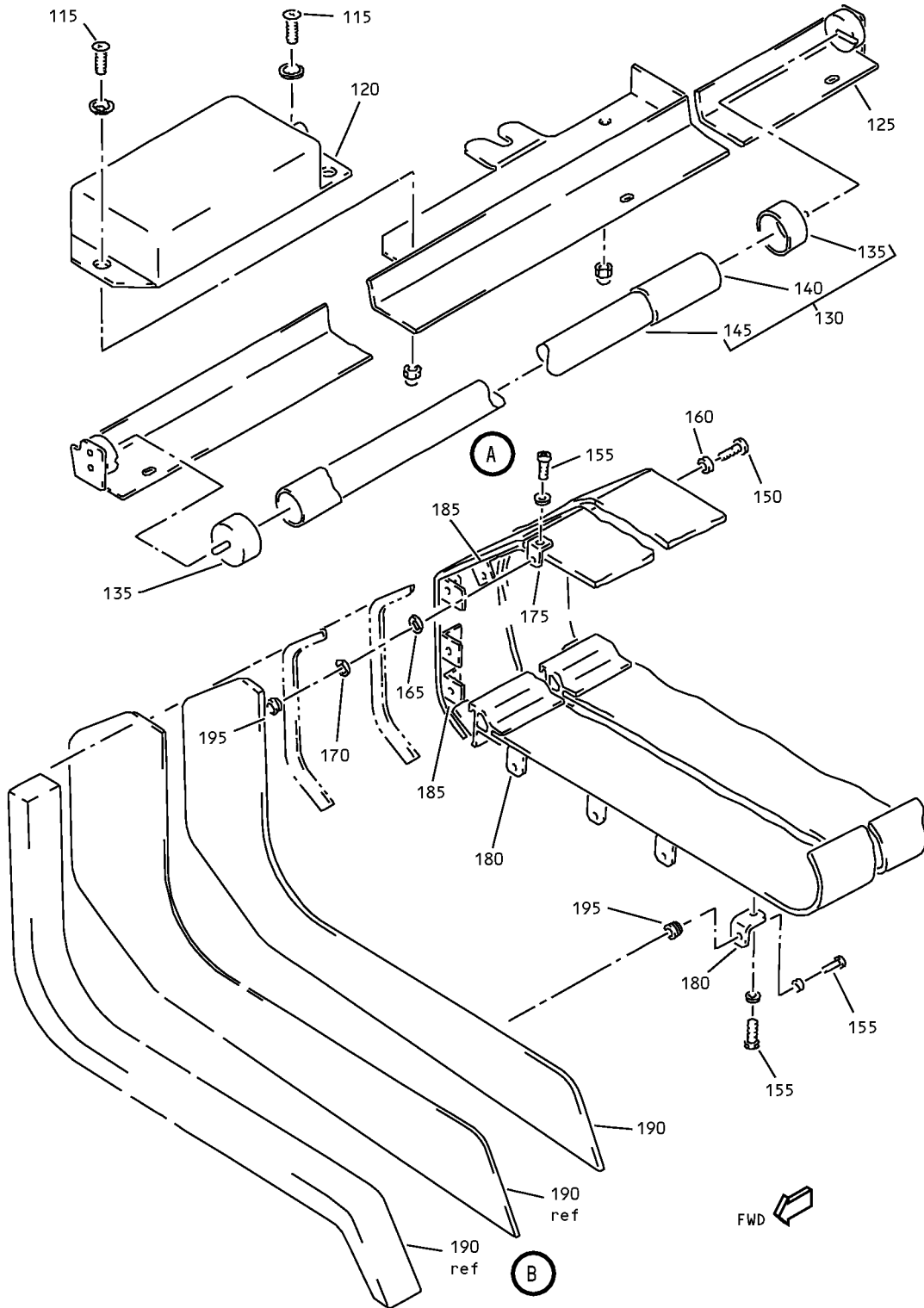
**25-28-49**

ILLUSTRATED PARTS LIST

Page 1098.378

Mar 01/2006

COMPONENT MAINTENANCE MANUAL



Overhead Storage Compartment Assembly  
IPL Figure 15 (Sheet 2 of 3)

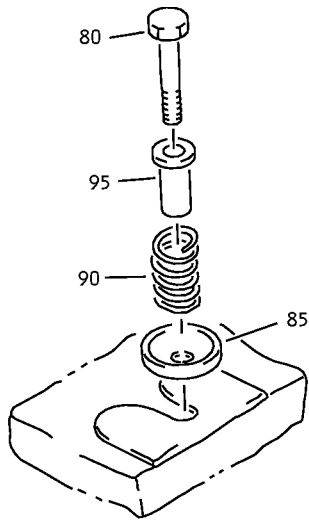
**25-28-49**

ILLUSTRATED PARTS LIST

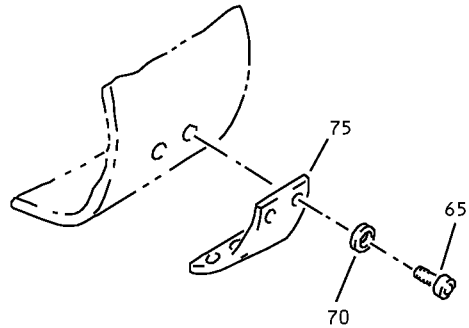
Page 1098.379

Mar 01/2006

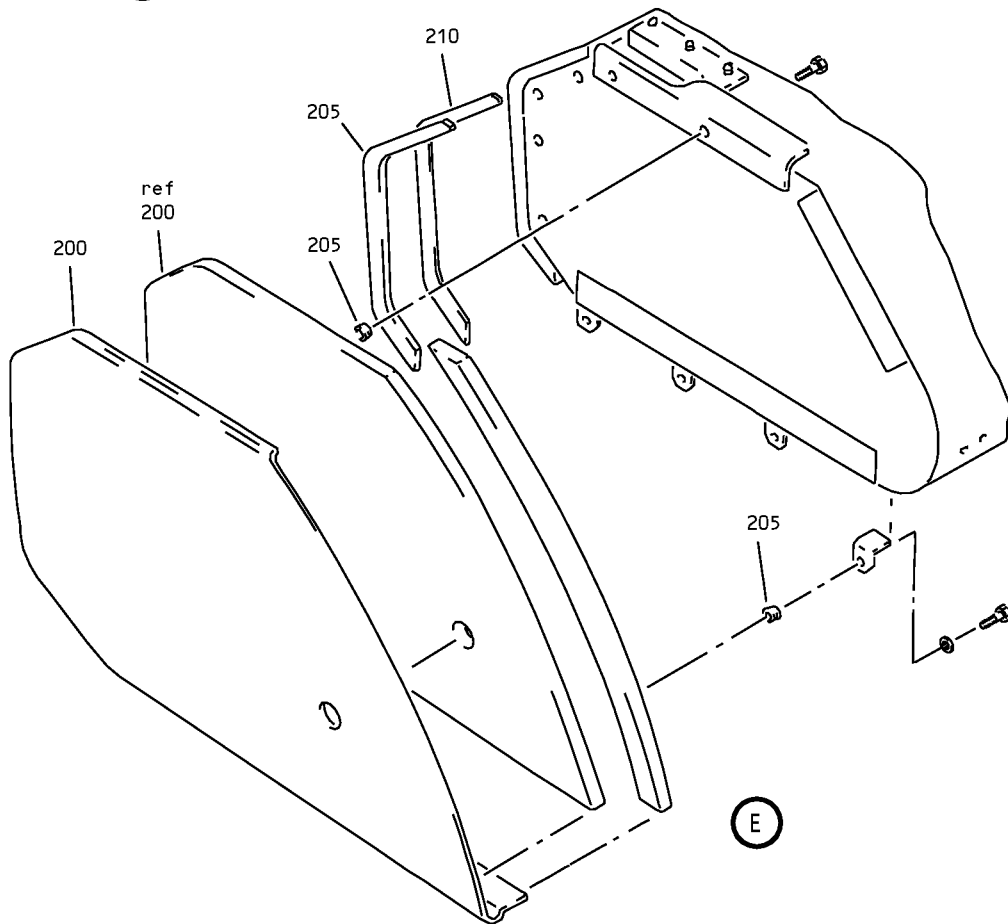
COMPONENT MAINTENANCE MANUAL



C



D



E

Overhead Storage Compartment Assembly  
IPL Figure 15 (Sheet 3 of 3)

**25-28-49**

ILLUSTRATED PARTS LIST

Page 1098.380

Mar 01/2006



## COMPONENT MAINTENANCE MANUAL

FIG/ ITEM	PART NUMBER	AIRLINE PART NUMBER	NOMENCLATURE							USAGE CODE	UNITS PER ASSY	
			1	2	3	4	5	6	7			
15-												
-1	65C32944-79SP										BH	RF
-1A	65C32944-143SP										DD	RF
-1B	65C32944-151SP										DK	RF
-1C	65C32944-316SP										DU	RF
5	BACB30NM3K1										BH, DD, DK, DU	12
10	BACB30NM3K10										BH, DD, DK, DU	1

-Item not Illustrated

# 25-28-49

ILLUSTRATED PARTS LIST

Page 1098.381

Mar 01/2006





COMPONENT MAINTENANCE MANUAL

FIG/ ITEM	PART NUMBER	AIRLINE PART NUMBER	NOMENCLATURE							USAGE CODE	UNITS PER ASSY
			1	2	3	4	5	6	7		
15-											
60	412N1119-2		.	.	FITTING					BH, DD, DK, DU	1
65	BACB30NM3K1		.		BOLT					BH, DD, DK, DU	8
					(V06710)						
					(SPEC BACB30NM3K1)						
					(OPT BACB30NM3K1 (V06725))						
					(OPT BACB30NM3K1 (V06950))						
					(OPT BACB30NM3K1 (V08524))						
					(OPT BACB30NM3K1 (V27624))						
					(OPT BACB30NM3K1 (V56878))						
					(OPT BACB30NM3K1 (V73197))						
					(OPT BACB30NM3K1 (V80539))						
					(OPT BACB30NM3K1 (V92215))						
					(OPT BACB30NM3K1 (V93907))						
					(OPT BACB30NM3K1 (V97928))						
70	AN960JD10		.		WASHER					BH, DD, DK, DU	8
75	412N1119-12		.		FITTING					BH, DD, DK, DU	2
80	NAS1801-3-11		.		SCREW					BH, DD, DK, DU	1
85	411N3142-28		.		WASHER					BH, DD, DK, DU	1
90	MS24585-1230		.		SPRING					BH, DD, DK, DU	1
95	BACS18C8-6		.		SPACER					BH, DD, DK, DU	1
100	417N5120-21		.		LIGHT ASSY					BH, DD, DK, DU	1
					ATTACHING PARTS						
105	NAS1801-3-5		.		SCREW					BH, DD, DK, DU	3
					-----*						
110	AN960JD10LL		.		WASHER					BH, DD, DK, DU	3

-Item not Illustrated

**25-28-49**

ILLUSTRATED PARTS LIST

Page 1098.383

Mar 01/2006



## COMPONENT MAINTENANCE MANUAL

FIG/ ITEM	PART NUMBER	AIRLINE PART NUMBER	NOMENCLATURE							USAGE CODE	UNITS PER ASSY		
			1	2	3	4	5	6	7				
15- 115	BACS12ER3K6		.	.	SCREW (V06710) (SPEC BACS12ER3K6) (OPT BACS12ER3K6 (V06725)) (OPT BACS12ER3K6 (V06950)) (OPT BACS12ER3K6 (V27624)) (OPT BACS12ER3K6 (V34252)) (OPT BACS12ER3K6 (V56878)) (OPT BACS12ER3K6 (V73197)) (OPT BACS12ER3K6 (V80539)) (OPT BACS12ER3K6 (V92215)) (OPT BACS12ER3K6 (V93907)) (OPT BACS12ER3K6 (V97928))							BH, DD, DK, DU	3
120	05939-4		.	.	BALLAST (V17023) (SPEC S283N702-4) (OPT 1984-1 (V30242)) (OPT ITEM 120A)							BH, DD, DK, DU	1
-120A	05939-104		.	.	BALLAST (V17023) (SPEC S283N702-104) (OPT ITEM 120)							BH, DD, DK, DU	1
125	800000255-18		.	.	LIGHT ASSY (V05617) (SPEC S417N507-18) (FOR DETAILS SEE FIG. 80)							BH, DD, DK, DU	1
-125A	800000255-8		.	.	LIGHT ASSY (V05617) (SPEC S417N507-18)							BH, DD, DK, DU	1
130	417N5120-10		.	.	LAMP ASSY							BH, DD, DK, DU	1
135	2055150		.	.	CAP (V04169)							BH, DD, DK, DU	2
140	NI312LGWUV1000		.	.	TUBE-COVER (V06034) (OPT ITEM 140A)							BH, DD, DK, DU	1
-140A	LP1625-48		.	.	TUBE-COVER (V60116) (OPT ITEM 140)							BH, DD, DK, DU	1
145	F40WW		.	.	LAMP (V08805)							BH, DD, DK, DU	1

-Item not Illustrated

# 25-28-49

ILLUSTRATED PARTS LIST

Page 1098.384

Mar 01/2006





## COMPONENT MAINTENANCE MANUAL

FIG/ ITEM	PART NUMBER	AIRLINE PART NUMBER	NOMENCLATURE							USAGE CODE	UNITS PER ASSY	
			1	2	3	4	5	6	7			
15-												
150	BACB30PF4-3		.	B	O	L	T				BH, DD, DK, DU	1
155	BACS12FA3K5		.	S	C	R	E	W			BH, DD, DK, DU	17
								(V06710)				
								(SPEC BACS12FA3K5)				
								(OPT BACS12FA3K5 (V06725))				
								(OPT BACS12FA3K5 (V06950))				
								(OPT BACS12FA3K5 (V27624))				
								(OPT BACS12FA3K5 (V34252))				
								(OPT BACS12FA3K5 (V56878))				
								(OPT BACS12FA3K5 (V73197))				
								(OPT BACS12FA3K5 (V80539))				
								(OPT BACS12FA3K5 (V92215))				
								(OPT BACS12FA3K5 (V93907))				
								(OPT BACS12FA3K5 (V97928))				
160	AN960C416L		.	W	A	S	H	E	R		BH, DD, DK, DU	1
165	NAS1515F4H		.	W	A	S	H	E	R		BH, DD, DK, DU	1
170	NAS1515M4L		.	W	A	S	H	E	R		BH, DD, DK, DU	1
175	412N1145-30		.	B	R	A	C	K	E	T	BH, DD, DK, DU	1
180	65C27017-43		.	B	R	A	C	K	E	T	BH, DD, DK, DU	4
185	412N1145-29		.	B	R	A	C	K	E	T	BH, DD, DK, DU	4
190	65C32946-4SP		.	C	A	P	A	S	S		BH	1
-190A	65C32946-60SP		.	C	A	P	A	S	S		DD, DK	1
195	SL2334-3A2		.	I	N	S	E	R	T		BH, DD, DK	9
								(V97393)				
200	65C32946-90SP		.	E	N	D	C	A	P	A	DU	1
205	SL2334-3A2		.	I	N	S	E	R	T		DU	10
								(V87393)				
210	412N1130-5SP		.	T	R	I	M	-	V	E	BH, DD, DK, DU	2
215	65C32945-79SP		.	M	O	D	U	L	E	A	BH, DD	1
								(FOR DETAILS SEE FIG. 28)				
-215A	65C32945-88SP		.	M	O	D	U	L	E	A	DK	1
								(FOR DETAILS SEE FIG. 28)				

-Item not Illustrated

# 25-28-49

ILLUSTRATED PARTS LIST

Page 1098.385

Mar 01/2006



## COMPONENT MAINTENANCE MANUAL

FIG/ ITEM	PART NUMBER	AIRLINE PART NUMBER	NOMENCLATURE							USAGE CODE	UNITS PER ASSY
			1	2	3	4	5	6	7		
15- -215B	65C32945-316SP									DU	1

-Item not Illustrated

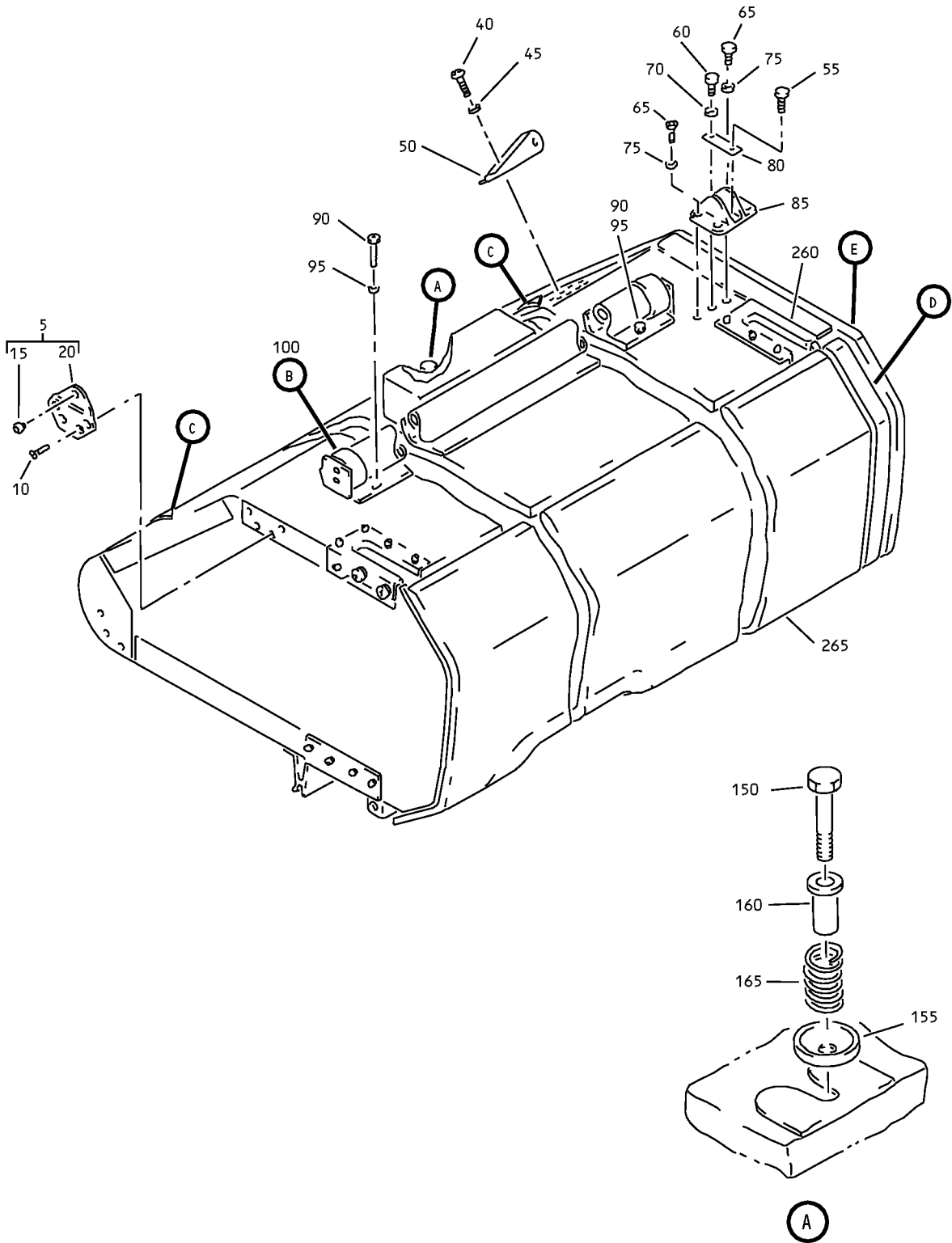
# 25-28-49

ILLUSTRATED PARTS LIST

Page 1098.386

Mar 01/2006

COMPONENT MAINTENANCE MANUAL



Overhead Storage Compartment Assembly  
IPL Figure 16 (Sheet 1 of 3)

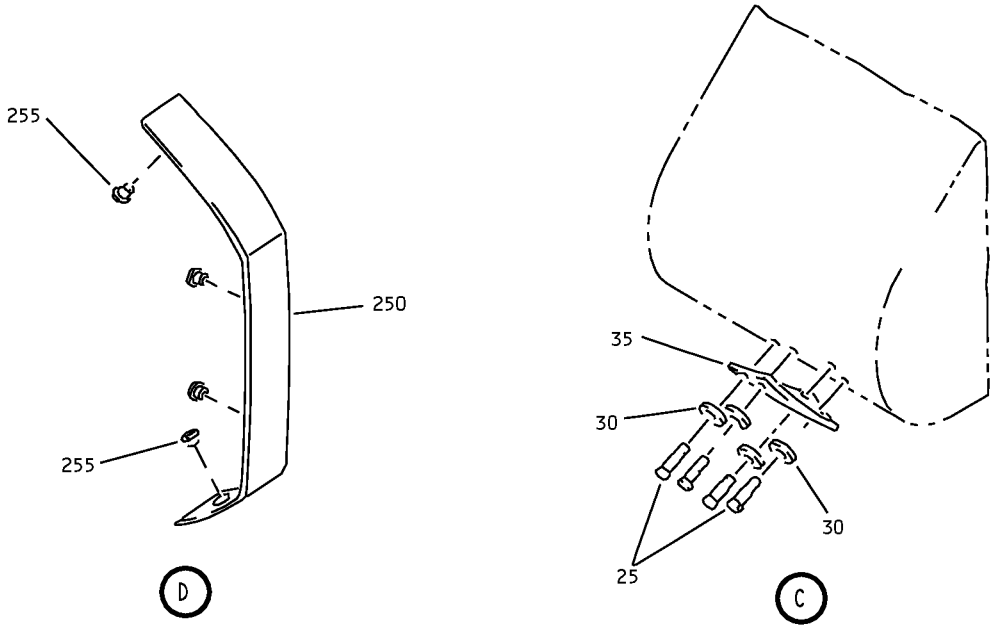
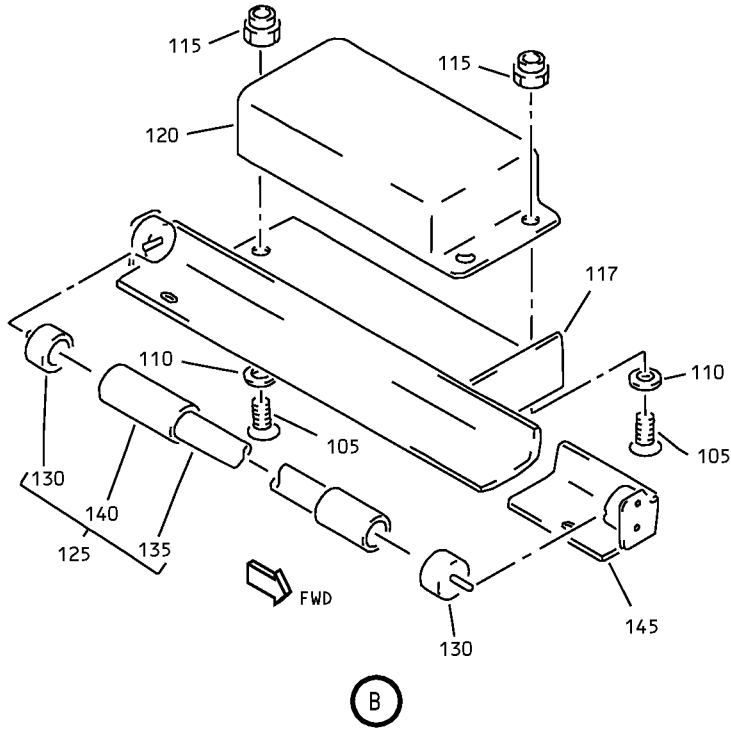
**25-28-49**

ILLUSTRATED PARTS LIST

Page 1098.387

Mar 01/2006

COMPONENT MAINTENANCE MANUAL



Overhead Stowage Compartment Assembly  
IPL Figure 16 (Sheet 2 of 3)

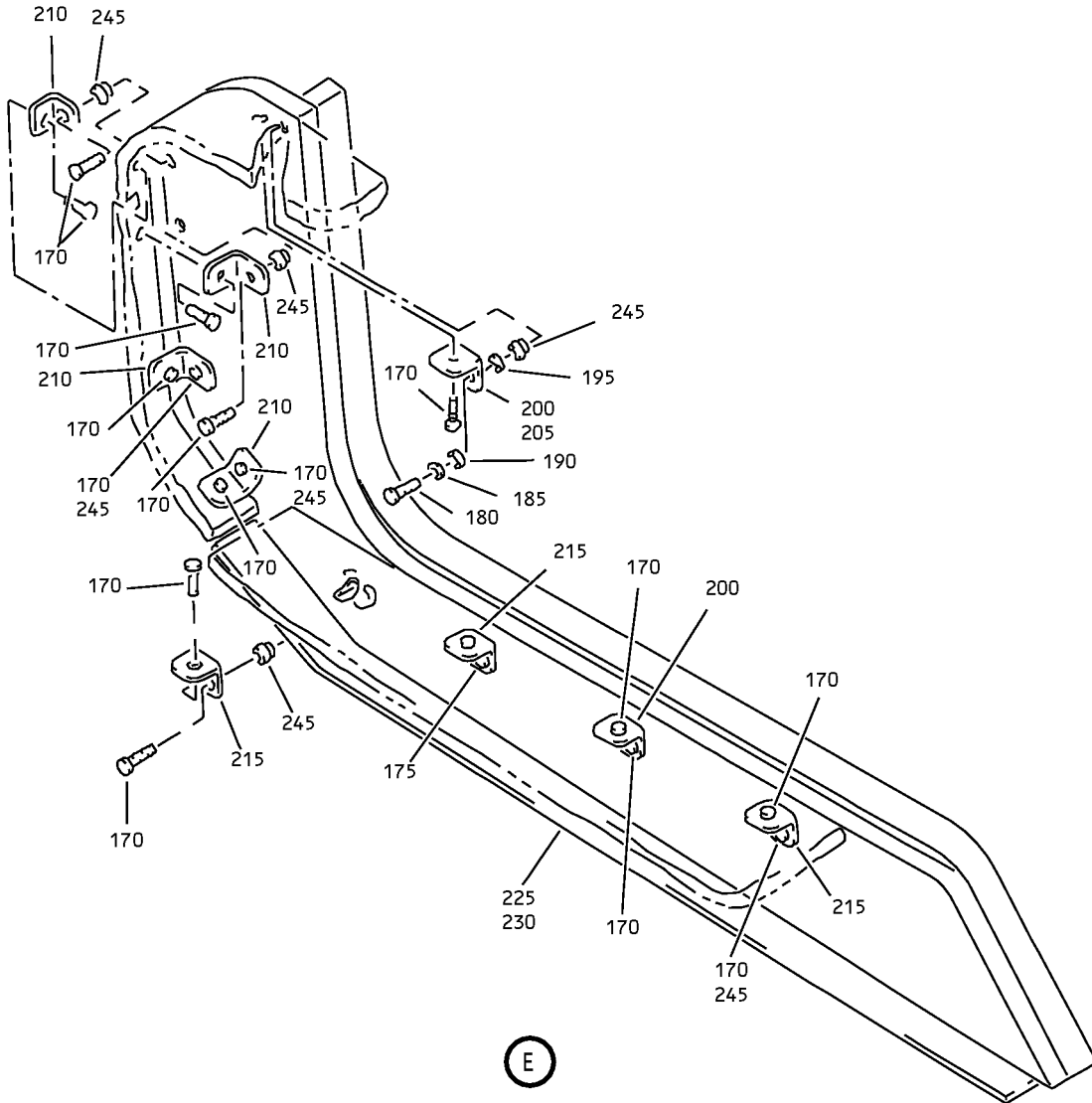
**25-28-49**

ILLUSTRATED PARTS LIST

Page 1098.388

Mar 01/2006

COMPONENT MAINTENANCE MANUAL



Overhead Stowage Compartment Assembly  
IPL Figure 16 (Sheet 3 of 3)

**25-28-49**

ILLUSTRATED PARTS LIST

Page 1098.389

Mar 01/2006



## COMPONENT MAINTENANCE MANUAL

FIG/ ITEM	PART NUMBER	AIRLINE PART NUMBER	NOMENCLATURE							USAGE CODE	UNITS PER ASSY	
			1	2	3	4	5	6	7			
16-												
-1	65C32944-70SP									COMPARTMENT ASSY-OVERHEAD STOWAGE	BF	RF
-1A	65C32944-80SP									COMPARTMENT ASSY-OVERHEAD STOWAGE	BJ	RF
-1B	65C32944-134SP									COMPARTMENT ASSY-OVERHEAD STOWAGE	CX	RF
-1C	65C32944-144SP									COMPARTMENT ASSY-OVERHEAD STOWAGE	DE	RF
5	412N1119-1									. FITTING ASSY	BF, BJ, CX, DE	1
										ATTACHING PARTS		
10	BACS12ER3K6									. SCREW (V06710) (SPEC BACS12ER3K6) (OPT BACS12ER3K6 (V06725)) (OPT BACS12ER3K6 (V06950)) (OPT BACS12ER3K6 (V27624)) (OPT BACS12ER3K6 (V34252)) (OPT BACS12ER3K6 (V56878)) (OPT BACS12ER3K6 (V73197)) (OPT BACS12ER3K6 (V80539)) (OPT BACS12ER3K6 (V92215)) (OPT BACS12ER3K6 (V93907)) (OPT BACS12ER3K6 (V97928))	BF, BJ, CX, DE	4
										----- * -----		
15	BACB28B6-220P									. . BUSHING	BF, BJ, CX, DE	1
20	412N1119-2									. . FITTING	BF, BJ, CX, DE	1

-Item not Illustrated

**25-28-49**

ILLUSTRATED PARTS LIST

Page 1098.390

Mar 01/2006



## COMPONENT MAINTENANCE MANUAL

FIG/ ITEM	PART NUMBER	AIRLINE PART NUMBER	NOMENCLATURE							USAGE CODE	UNITS PER ASSY		
			1	2	3	4	5	6	7				
16- 25	BACB30NM3K1		.	B	O	L	T					BF, BJ, CX, DE	8
								(V06710)					
								(SPEC BACB30NM3K1)					
								(OPT BACB30NM3K1 (V06725))					
								(OPT BACB30NM3K1 (V06950))					
								(OPT BACB30NM3K1 (V08524))					
								(OPT BACB30NM3K1 (V27624))					
								(OPT BACB30NM3K1 (V56878))					
								(OPT BACB30NM3K1 (V73197))					
								(OPT BACB30NM3K1 (V80539))					
								(OPT BACB30NM3K1 (V92215))					
								(OPT BACB30NM3K1 (V93907))					
								(OPT BACB30NM3K1 (V97928))					
30	AN960JD10		.	W	A	S	H	E	R			BF, BJ, CX, DE	8
35	412N1119-12		.	F	I	T	T	I	N	G		BF, BJ, CX, DE	2
40	BACB30NM3K1		.	B	O	L	T					BF, BJ, CX, DE	8
								(V06710)					
								(SPEC BACB30NM3K1)					
								(OPT BACB30NM3K1 (V06725))					
								(OPT BACB30NM3K1 (V06950))					
								(OPT BACB30NM3K1 (V08524))					
								(OPT BACB30NM3K1 (V27624))					
								(OPT BACB30NM3K1 (V56878))					
								(OPT BACB30NM3K1 (V73197))					
								(OPT BACB30NM3K1 (V80539))					
								(OPT BACB30NM3K1 (V92215))					
								(OPT BACB30NM3K1 (V93907))					
								(OPT BACB30NM3K1 (V97928))					
45	AN960JD10		.	W	A	S	H	E	R			BF, BJ, CX, DE	8
50	412N1161-2		.	F	I	T	T	I	N	G		BF, BJ, CX, DE	1

-Item not Illustrated

# 25-28-49

ILLUSTRATED PARTS LIST

Page 1098.391

Mar 01/2006



## COMPONENT MAINTENANCE MANUAL

FIG/ ITEM	PART NUMBER	AIRLINE PART NUMBER	NOMENCLATURE							USAGE CODE	UNITS PER ASSY	
			1	2	3	4	5	6	7			
16- 55	BACB30NN3K10		.	B	O	L	T				BF, BJ, CX, DE	1
60	BACB30NM3K10		.	B	O	L	T				BF, BJ, CX, DE	1
65	BACB30NM3K1		.	B	O	L	T				BF, BJ, CX, DE	4
70	AN960JD10LL		.	W	A	S	H	E	R		BF, BJ, CX, DE	1
75	AN960JD10		.	W	A	S	H	E	R		BF, BJ, CX, DE	4
80	412N1119-56		.	F	I	L	L	E	R		BF, BJ, CX, DE	1

-Item not Illustrated

# 25-28-49

ILLUSTRATED PARTS LIST

Page 1098.392

Mar 01/2006





## COMPONENT MAINTENANCE MANUAL

FIG/ ITEM	PART NUMBER	AIRLINE PART NUMBER	NOMENCLATURE							USAGE CODE	UNITS PER ASSY
			1	2	3	4	5	6	7		
16-											
85	412N1119-55		.	FITTING						BF, BJ, CX, DE	1
90	NAS1801-3-5		.	SCREW						BF, BJ, CX, DE	2
95	AN960JD10LL		.	WASHER						BF, BJ, CX, DE	2
100	417N5120-20		.	LIGHT ASSY						BF, BJ, CX, DE	1
105	BACS12ER3K6		. .	SCREW (V06710) (SPEC BACS12ER3K6) (OPT BACS12ER3K6 (V06725)) (OPT BACS12ER3K6 (V06950)) (OPT BACS12ER3K6 (V27624)) (OPT BACS12ER3K6 (V34252)) (OPT BACS12ER3K6 (V56878)) (OPT BACS12ER3K6 (V73197)) (OPT BACS12ER3K6 (V80539)) (OPT BACS12ER3K6 (V92215)) (OPT BACS12ER3K6 (V93907)) (OPT BACS12ER3K6 (V97928))						BF, BJ, CX, DE	3
110	BACW10UD10		. .	WASHER						BF, BJ, CX, DE	3
115	F22K1-02		. .	NUT (V72962) (SPEC BACN10R10L) (OPT 22K1-02 (V72962)) (OPT 26CL02 (V80539))						BF, BJ, CX, DE	3
117	65C28117-3		. .	PAD						BF, BJ, CX, DE	1
120	05939-7		. .	BALLAST (V17023) (SPEC S283N702-7) (OPT 1987-1 (V30242)) (OPT ITEM 120B)						BF, BJ, CX, DE	1
-120A	1987-1		. .	BALLAST (V30242) (SPEC S283N702-7) (OPT 05939-7 (V17023)) (OPT ITEM 120B)						BF, BJ, CX, DE	1

-Item not Illustrated

# 25-28-49

ILLUSTRATED PARTS LIST

Page 1098.393

Mar 01/2006



## COMPONENT MAINTENANCE MANUAL

FIG/ ITEM	PART NUMBER	AIRLINE PART NUMBER	NOMENCLATURE							USAGE CODE	UNITS PER ASSY	
			1	2	3	4	5	6	7			
16- -120B	05939-107		.	.	BALLAST (V17023) (SPEC S283N702-107) (OPT ITEM 120, 120A)						BF, BJ, CX, DE	1
125	417N5120-12		.	.	LAMP ASSY						BF, BJ, CX, DE	1
130	2055132		.	.	CAP-END (V04169)						BF, BJ, CX, DE	2
135	F15T8WW		.	.	LAMP-FLUOR. (V08805)						BF, BJ, CX, DE	1
140	LP1610-18		.	.	TUBE-COVER (V60116) (OPT ITEM 140A)						BF, BJ, CX, DE	1
-140A	NI060LGWUV1000		.	.	TUBE-COVER (V06034) (OPT ITEM 140)						BF, BJ, CX, DE	1
145	800000255-17		.	.	LIGHT ASSY-CLG (V05617) (SPEC S417N507-17) (FOR DETAILS SEE FIG. 80)						BF, BJ, CX, DE	1
150	NAS1801-3-11		.		SCREW						BF, BJ, CX, DE	1
155	411N3142-28		.		WASHER-CUPPED						BF, BJ, CX, DE	1
160	BACS18C8-6		.		SPACER						BF, BJ, CX, DE	1
165	MS24585-1230		.		SPRING						BF, BJ, CX, DE	1
170	BACS12FA3K5		.		SCREW (V06710) (SPEC BACS12FA3K5) (OPT BACS12FA3K5 (V06725)) (OPT BACS12FA3K5 (V06950)) (OPT BACS12FA3K5 (V27624)) (OPT BACS12FA3K5 (V34252)) (OPT BACS12FA3K5 (V56878)) (OPT BACS12FA3K5 (V73197)) (OPT BACS12FA3K5 (V80539)) (OPT BACS12FA3K5 (V92215)) (OPT BACS12FA3K5 (V93907)) (OPT BACS12FA3K5 (V97928))						BF, BJ, CX, DE	15

-Item not Illustrated

# 25-28-49

ILLUSTRATED PARTS LIST

Page 1098.394

Mar 01/2006



## COMPONENT MAINTENANCE MANUAL

FIG/ ITEM	PART NUMBER	AIRLINE PART NUMBER	NOMENCLATURE							USAGE CODE	UNITS PER ASSY				
			1	2	3	4	5	6	7						
16- 175	BACS12FA3K5		.	S	C	R	E	W			BF, CX	1			
				(V06710)	(SPEC BACS12FA3K5)	(OPT BACS12FA3K5 (V06725))	(OPT BACS12FA3K5 (V06950))	(OPT BACS12FA3K5 (V27624))	(OPT BACS12FA3K5 (V34252))	(OPT BACS12FA3K5 (V56878))	(OPT BACS12FA3K5 (V73197))	(OPT BACS12FA3K5 (V80539))	(OPT BACS12FA3K5 (V92215))	(OPT BACS12FA3K5 (V93907))	(OPT BACS12FA3K5 (V97928))
180	BACB30PF4-3		.	B	O	L	T				BF, BJ, CX, DE	1			
185	AN960C416L		.	W	A	S	H	E	R		BF, BJ, CX, DE	1			
190	NAS1515F4H		.	W	A	S	H	E	R		BF, BJ, CX, DE	1			
195	NAS1515M4L		.	W	A	S	H	E	R		BF, BJ, CX, DE	1			
200	412N1145-30		.	B	R	A	C	K	E	T	BF, CX	2			
205	65C27017-30		.	B	R	A	C	K	E	T	BJ, DE	1			
210	65C27017-43		.	B	R	A	C	K	E	T	BF, CX	4			
215	412N1145-29		.	B	R	A	C	K	E	T	BF, BJ, CX, DE	3			
220	412N1145-21		.	B	R	A	C	K	E	T	BJ, DE	1			
225	65C32946-4SP		.	C	A	P	A	S	S	Y	BF, BJ	1			
230	65C32946-60SP		.	C	A	P	A	S	S	Y	CX, DE	1			
245	SL2334-3A2		. .	I	N	S	E	R	T		BF, BJ, CX, DE	9			
				(V97393)											
250	65C27026-59SP		.	P	A	N	E	L	A	S	BF, CX	1			
-250A	65C27026-63SP		.	P	A	N	E	L	A	S	BJ, DE	1			
255	NAS1836-3-11		. .	I	N	S	E	R	T		BF, BJ, CX, DE	4			
				(OPT ITEM 255A)											
-255A	NAS1836-3-9		. .	I	N	S	E	R	T		BF, BJ, CX, DE	4			
				(OPT ITEM 255)											
260	412N1130-5SP		.	T	R	I	M	-	V	E	BF, BJ, CX, DE	1			
				R	I	M	-	V	E	R					

-Item not Illustrated

**25-28-49**

ILLUSTRATED PARTS LIST

Page 1098.395

Mar 01/2006



## COMPONENT MAINTENANCE MANUAL

FIG/ ITEM	PART NUMBER	AIRLINE PART NUMBER	NOMENCLATURE							USAGE CODE	UNITS PER ASSY	
			1	2	3	4	5	6	7			
16- 265	65C32945-80SP									. MODULE ASSY (FOR DETAILS SEE FIG. 29)	BJ, DE	1
-265A	65C32945-70SP									. MODULE ASSY (FOR DETAILS SEE FIG. 29)	BF, CX	1

-Item not Illustrated

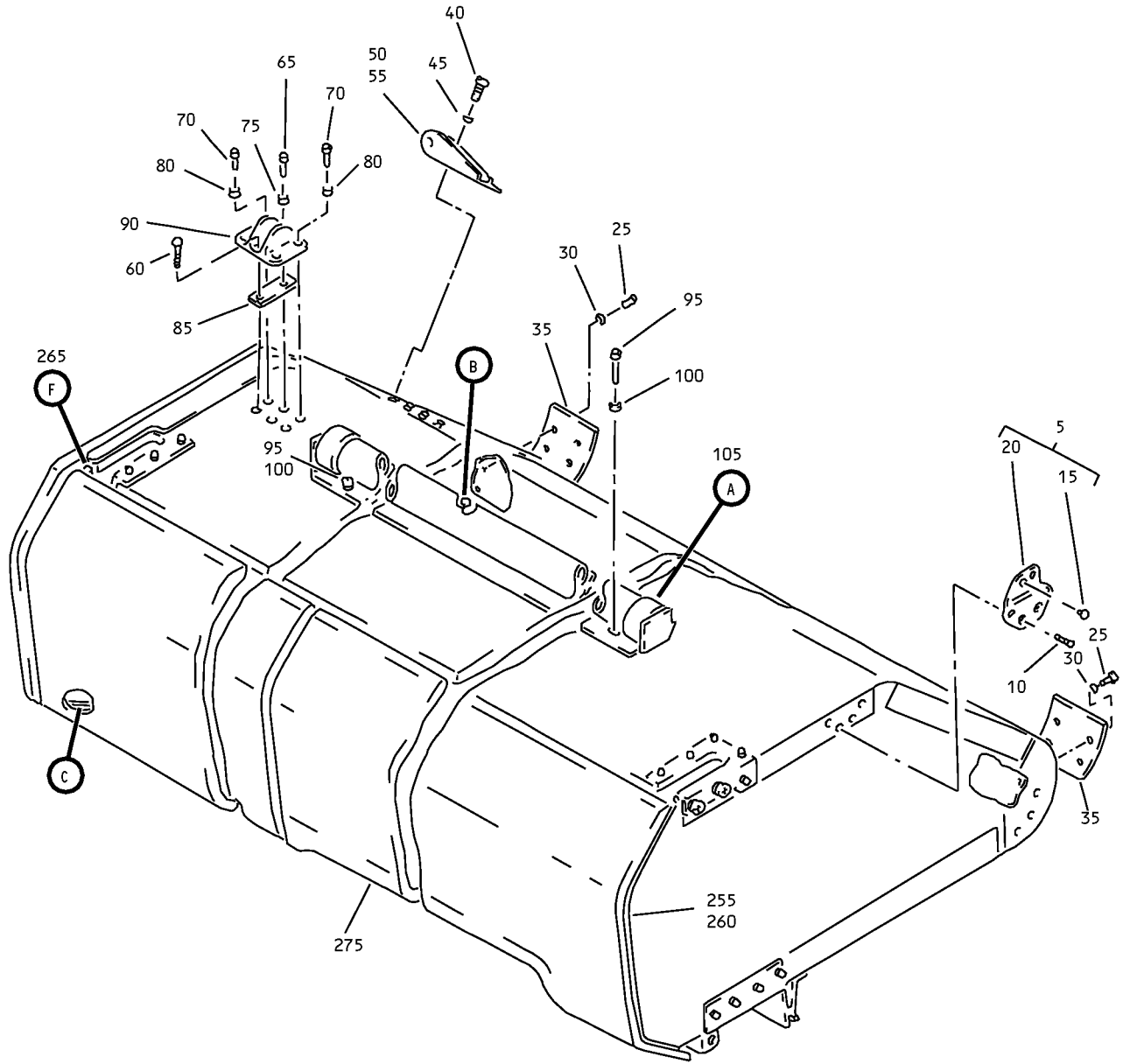
# 25-28-49

ILLUSTRATED PARTS LIST

Page 1098.396

Mar 01/2006

COMPONENT MAINTENANCE MANUAL



Overhead Stowage Compartment Assembly  
IPL Figure 17 (Sheet 1 of 4)

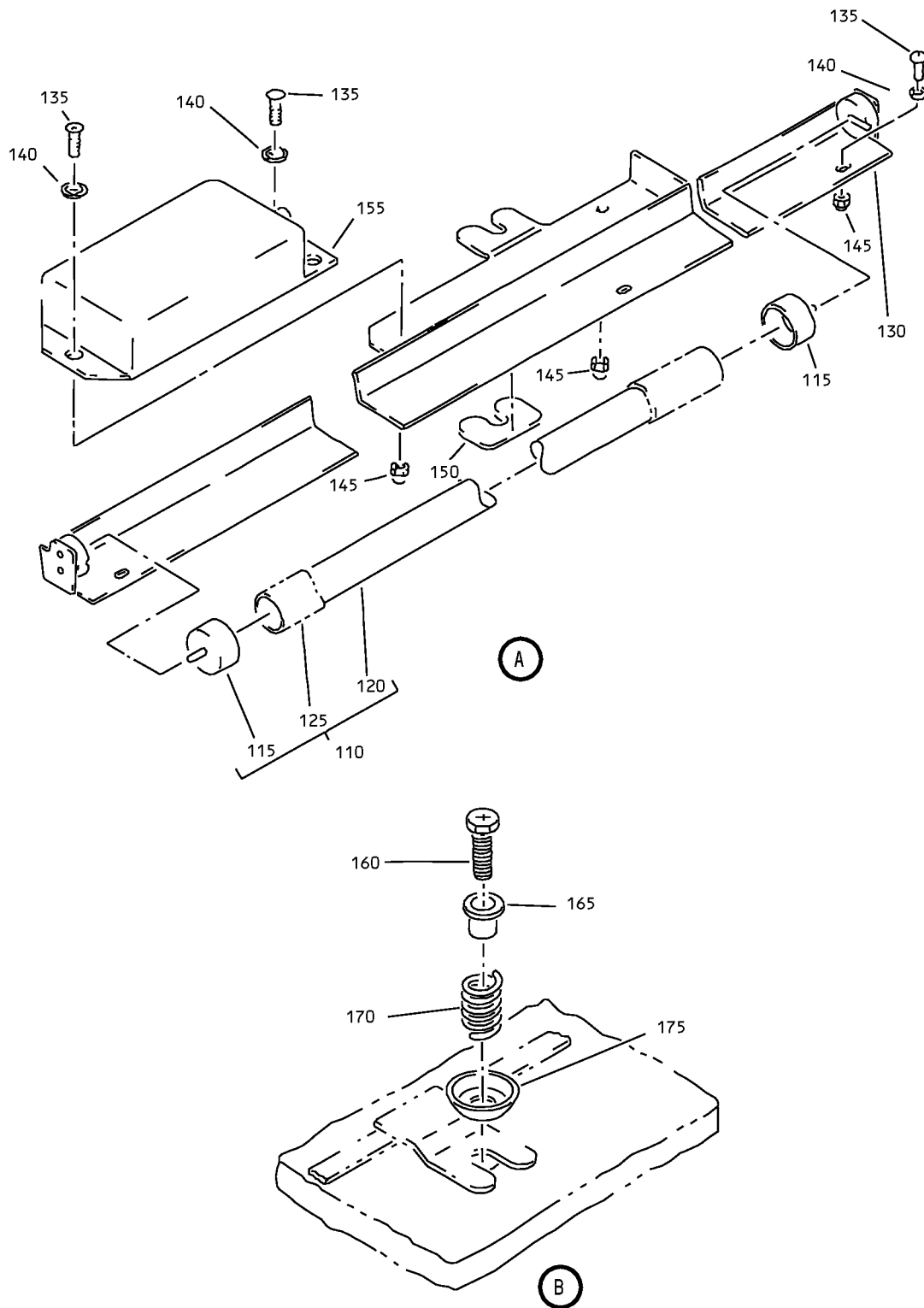
**25-28-49**

ILLUSTRATED PARTS LIST

Page 1098.397

Mar 01/2006

COMPONENT MAINTENANCE MANUAL



Overhead Stowage Compartment Assembly  
IPL Figure 17 (Sheet 2 of 4)

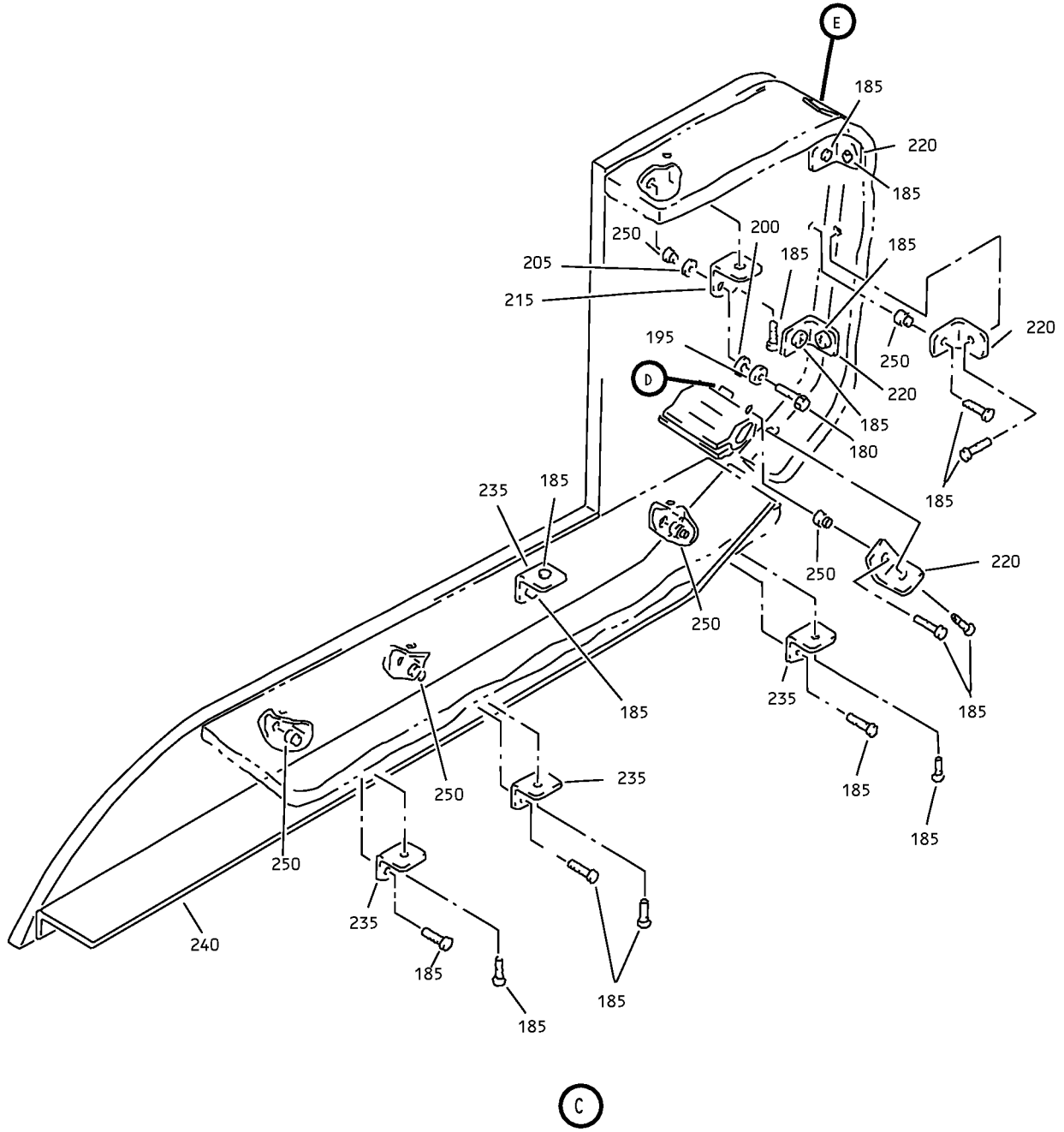
**25-28-49**

ILLUSTRATED PARTS LIST

Page 1098.398

Mar 01/2006

COMPONENT MAINTENANCE MANUAL



Overhead Storage Compartment Assembly  
IPL Figure 17 (Sheet 3 of 4)

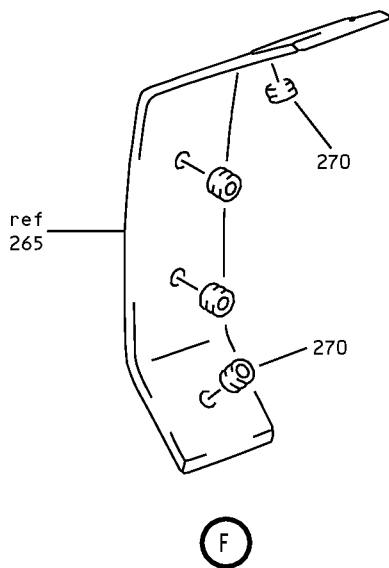
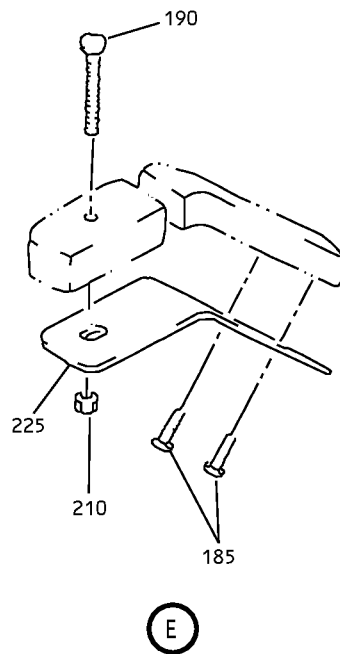
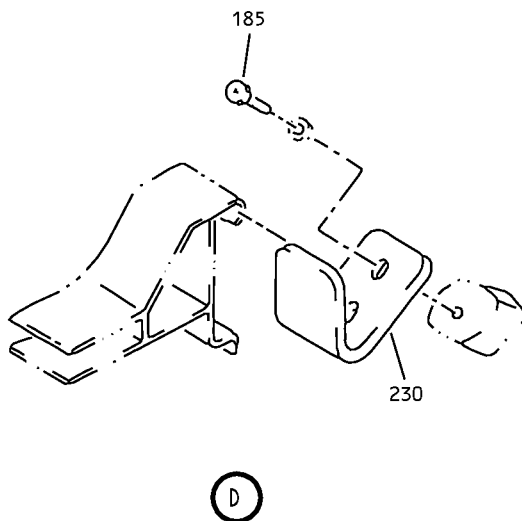
**25-28-49**

ILLUSTRATED PARTS LIST

Page 1098.399

Mar 01/2006

### COMPONENT MAINTENANCE MANUAL



Overhead Stowage Compartment Assembly  
IPL Figure 17 (Sheet 4 of 4)

**25-28-49**  
ILLUSTRATED PARTS LIST  
Page 1098.400  
Mar 01/2006





## COMPONENT MAINTENANCE MANUAL

FIG/ ITEM	PART NUMBER	AIRLINE PART NUMBER	NOMENCLATURE							USAGE CODE	UNITS PER ASSY
			1	2	3	4	5	6	7		
17-											
-1	65C32944-149SP									DH	RF
-1A	65C32944-150SP									DJ	RF
5	412N1119-1									DH, DJ	1
10	BACS12ER3K6									DH, DJ	4
15	BACB28B6-220P									DH, DJ	1
20	412N1119-2									DH, DJ	1
25	BACB30NM3K1									DH, DJ	8
30	AN960JD10									DH, DJ	8
35	412N1119-12									DH, DJ	2

-Item not Illustrated

# 25-28-49

ILLUSTRATED PARTS LIST

Page 1098.401

Mar 01/2006



**COMPONENT MAINTENANCE MANUAL**

FIG/ ITEM	PART NUMBER	AIRLINE PART NUMBER	NOMENCLATURE							USAGE CODE	UNITS PER ASSY	
			1	2	3	4	5	6	7			
17- 40	BACB30NM3K1		.	B	O	L	T				DH, DJ	8
						(V06710)						
						(SPEC BACB30NM3K1)						
						(OPT BACB30NM3K1 (V06725))						
						(OPT BACB30NM3K1 (V06950))						
						(OPT BACB30NM3K1 (V08524))						
						(OPT BACB30NM3K1 (V27624))						
						(OPT BACB30NM3K1 (V56878))						
						(OPT BACB30NM3K1 (V73197))						
						(OPT BACB30NM3K1 (V80539))						
						(OPT BACB30NM3K1 (V92215))						
						(OPT BACB30NM3K1 (V93907))						
						(OPT BACB30NM3K1 (V97928))						
45	AN960JD10		.	W	A	S	H	E	R		DH, DJ	8
50	412N1161-1		.	F	I	T	T	I	N	G	DH	1
55	412N1161-2		.	F	I	T	T	I	N	G	DJ	1
60	BACB30NM3K10		.	B	O	L	T				DH, DJ	1
						(V06710)						
						(SPEC BACB30NM3K10)						
						(OPT BACB30NM3K10 (V06725))						
						(OPT BACB30NM3K10 (V06950))						
						(OPT BACB30NM3K10 (V08524))						
						(OPT BACB30NM3K10 (V27624))						
						(OPT BACB30NM3K10 (V56878))						
						(OPT BACB30NM3K10 (V73197))						
						(OPT BACB30NM3K10 (V80539))						
						(OPT BACB30NM3K10 (V92215))						
						(OPT BACB30NM3K10 (V93907))						
						(OPT BACB30NM3K10 (V97928))						
65	BACB30NN3K10		.	B	O	L	T				DH, DJ	1
						(V06710)						
						(SPEC BACB30NN3K10)						
						(OPT BACB30NN3K10 (V06725))						
						(OPT BACB30NN3K10 (V06950))						
						(OPT BACB30NN3K10 (V08524))						
						(OPT BACB30NN3K10 (V27624))						
						(OPT BACB30NN3K10 (V56878))						
						(OPT BACB30NN3K10 (V73197))						
						(OPT BACB30NN3K10 (V80539))						
						(OPT BACB30NN3K10 (V92215))						
						(OPT BACB30NN3K10 (V93907))						
						(OPT BACB30NN3K10 (V97928))						

-Item not Illustrated

# 25-28-49

ILLUSTRATED PARTS LIST

Page 1098.402

Mar 01/2006



## COMPONENT MAINTENANCE MANUAL

FIG/ ITEM	PART NUMBER	AIRLINE PART NUMBER	NOMENCLATURE	USAGE CODE	UNITS PER ASSY
17- 70	BACB30NM3K1		. BOLT (V06710) (SPEC BACB30NM3K1) (OPT BACB30NM3K1 (V06725)) (OPT BACB30NM3K1 (V06950)) (OPT BACB30NM3K1 (V08524)) (OPT BACB30NM3K1 (V27624)) (OPT BACB30NM3K1 (V56878)) (OPT BACB30NM3K1 (V73197)) (OPT BACB30NM3K1 (V80539)) (OPT BACB30NM3K1 (V92215)) (OPT BACB30NM3K1 (V93907)) (OPT BACB30NM3K1 (V97928))	DH, DJ	4
75	AN960JD10LL		. WASHER	DH, DJ	1
80	AN960JD10		. WASHER	DH, DJ	4
85	412N1119-56		. FILLER	DH, DJ	1
90	412N1119-55		. FITTING	DH, DJ	1
			ATTACHING PARTS		
95	NAS1801-3-5		. SCREW ----- * -----	DH, DJ	2
100	AN960JD10LL		. WASHER	DH, DJ	2
105	417N5120-19		. LIGHT ASSY	DH, DJ	1
110	417N5120-11		. . LAMP ASSY	DH, DJ	1
115	2055150		. . . CAP-END (V04169)	DH, DJ	2
120	F20T12WW		. . . LAMP-FLUOR. (V08805)	DH, DJ	1
125	LP1625-24		. . . TUBE-COVER (V60116) (OPT ITEM 125A)	DH, DJ	1
-125A	NI152LGWUV1000		. . . TUBE-COVER (V06034) (OPT ITEM 125)	DH, DJ	1
130	800000255-16		. . LIGHT ASSY-CLG (V05617) (SPEC S417N507-16) (FOR DETAILS SEE FIG. 80)	DH, DJ	1

-Item not Illustrated

# 25-28-49

ILLUSTRATED PARTS LIST  
Page 1098.403  
Mar 01/2006



## COMPONENT MAINTENANCE MANUAL

FIG/ ITEM	PART NUMBER	AIRLINE PART NUMBER	NOMENCLATURE							USAGE CODE	UNITS PER ASSY		
			1	2	3	4	5	6	7				
17- 135	BACS12ER3K6		. .								SCREW (V06710) (SPEC BACS12ER3K6) (OPT BACS12ER3K6 (V06725)) (OPT BACS12ER3K6 (V06950)) (OPT BACS12ER3K6 (V27624)) (OPT BACS12ER3K6 (V34252)) (OPT BACS12ER3K6 (V56878)) (OPT BACS12ER3K6 (V73197)) (OPT BACS12ER3K6 (V80539)) (OPT BACS12ER3K6 (V92215)) (OPT BACS12ER3K6 (V93907)) (OPT BACS12ER3K6 (V97928))	DH, DJ	3
140	BACW10UD10		. .								WASHER	DH, DJ	3
145	F22K1-02		. .								NUT (V72962) (SPEC BACN10R10L) (OPT 22K1-02 (V72962)) (OPT 26CL02 (V80539))	DH, DJ	3
150	65C28117-3		. .								PAD	DH, DJ	1
155	05939-5		. .								BALLAST (V17023) (SPEC S283N702-5) (OPT 1985-1 (V30242)) (OPT ITEM 155B)	DH, DJ	1
-155A	1985-1		. .								BALLAST (V30242) (SPEC S283N702-5) (OPT 05939-5 (V17023)) (OPT ITEM 155B)	DH, DJ	1
-155B	05939-105		. .								BALLAST (V17023) (SPEC S283N702-105) (OPT ITEM 155, 155A)	DH, DJ	1
160	NAS1801-3-11		.								SCREW	DH, DJ	1
165	BACS18C8-6		.								SPACER	DH, DJ	1
170	MS24585-1230		.								SPRING	DH, DJ	1
175	411N3142-28		.								WASHER-CUPPED	DH, DJ	1
180	BACB30PF4-3		.								BOLT	DH, DJ	1

-Item not Illustrated

# 25-28-49

ILLUSTRATED PARTS LIST

Page 1098.404

Mar 01/2006



## COMPONENT MAINTENANCE MANUAL

FIG/ ITEM	PART NUMBER	AIRLINE PART NUMBER	NOMENCLATURE							USAGE CODE	UNITS PER ASSY	
			1	2	3	4	5	6	7			
17- 185	BACS12FA3K5		.								DH, DJ	21
190	BACS12FA3K12		.								DH, DJ	1
195	AN960C416L		.								DH, DJ	1
200	NAS1515F4H		.								DH, DJ	1
205	NAS1515M4L		.								DH, DJ	1
210	130120		.								DH, DJ	1
215	412N1145-30		.								DH, DJ	1
220	65C27017-43		.								DH, DJ	4
225	412N1145-89		.								DH, DJ	1
230	412N1145-92		.								DH, DJ	1
235	412N1145-29		.								DH, DJ	4
240	65C32946-59SP		.								DH	1
-245	65C32946-60SP		.								DJ	1

-Item not Illustrated

# 25-28-49

ILLUSTRATED PARTS LIST

Page 1098.405

Mar 01/2006



## COMPONENT MAINTENANCE MANUAL

FIG/ ITEM	PART NUMBER	AIRLINE PART NUMBER	NOMENCLATURE							USAGE CODE	UNITS PER ASSY	
			1	2	3	4	5	6	7			
17- 250	SL2334-3A2		.	.	INSERT (V97393)						DH, DJ	9
255	65C27026-97SP		.		PANEL ASSY-FILLER						DH	1
260	65C27026-98SP		.		PANEL ASSY-FILLER						DJ	1
265	412N1130-5SP		.		TRIM-VERTICAL						DH, DJ	1
270	NAS1836-3-11		.	.	INSERT (OPT ITEM 270A)						DH, DJ	4
-270A	NAS1836-3-9		.	.	INSERT (OPT ITEM 270)						DH, DJ	4
275	65C32945-87SP		.		MODULE ASSY (FOR DETAILS SEE FIG. 29)						DH	1
-275A	65C32945-86SP		.		MODULE ASSY (FOR DETAILS SEE FIG. 29)						DJ	1

-Item not Illustrated

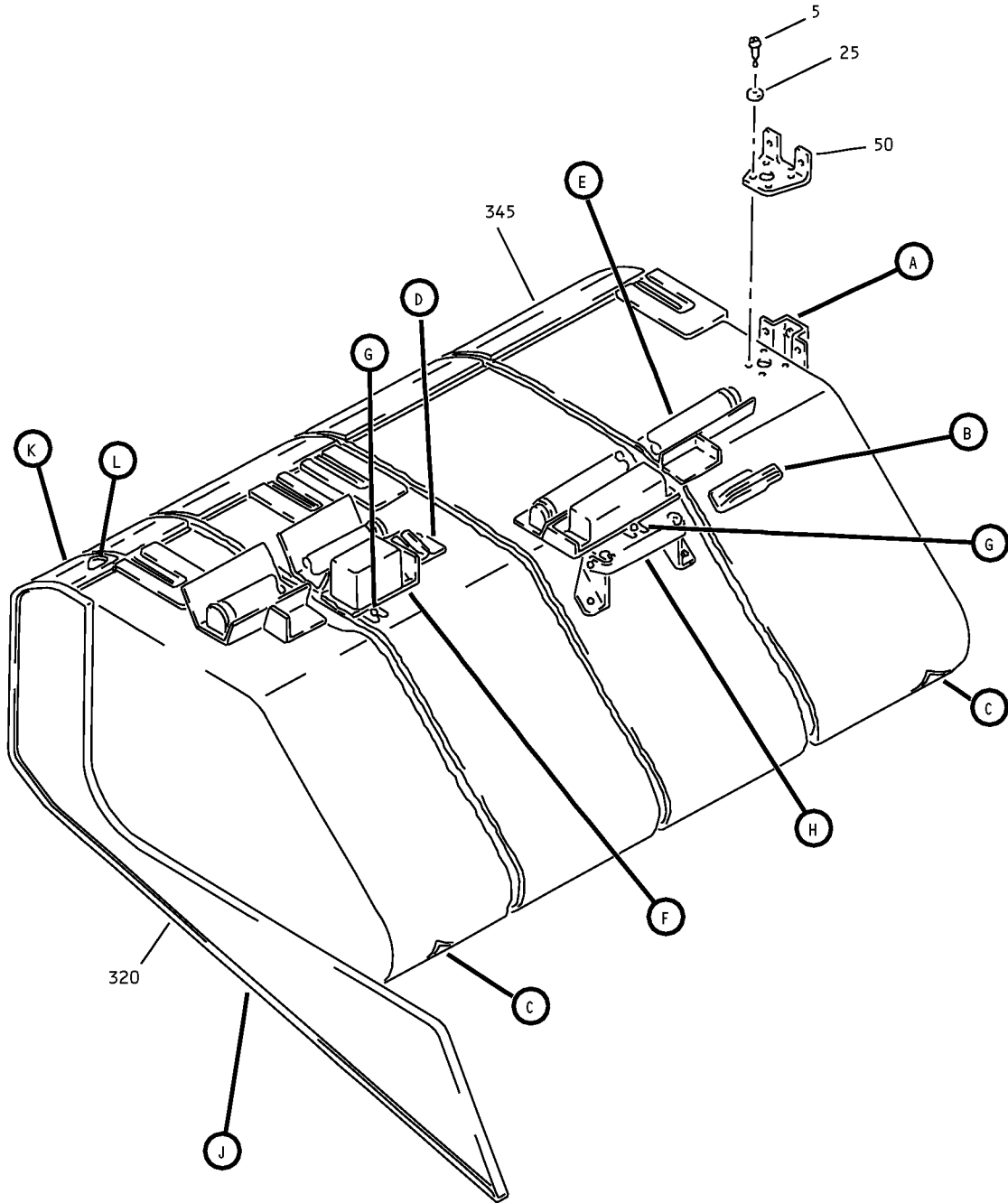
# 25-28-49

ILLUSTRATED PARTS LIST

Page 1098.406

Mar 01/2006

COMPONENT MAINTENANCE MANUAL



Overhead Stowage Compartment Assembly  
IPL Figure 18 (Sheet 1 of 8)

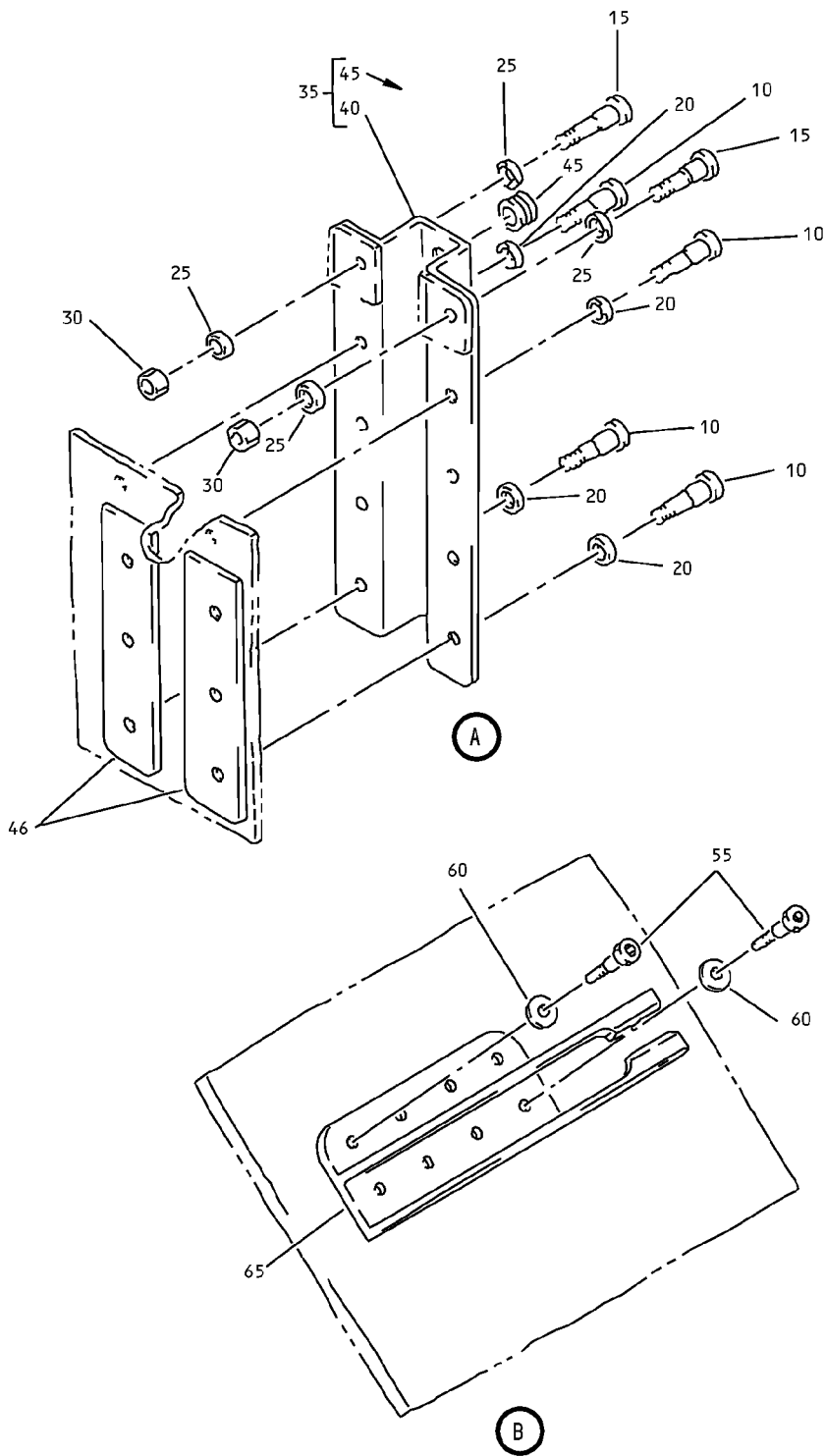
**25-28-49**

ILLUSTRATED PARTS LIST

Page 1098.407

Mar 01/2006

# COMPONENT MAINTENANCE MANUAL



Overhead Storage Compartment Assembly  
IPL Figure 18 (Sheet 2 of 8)

## 25-28-49

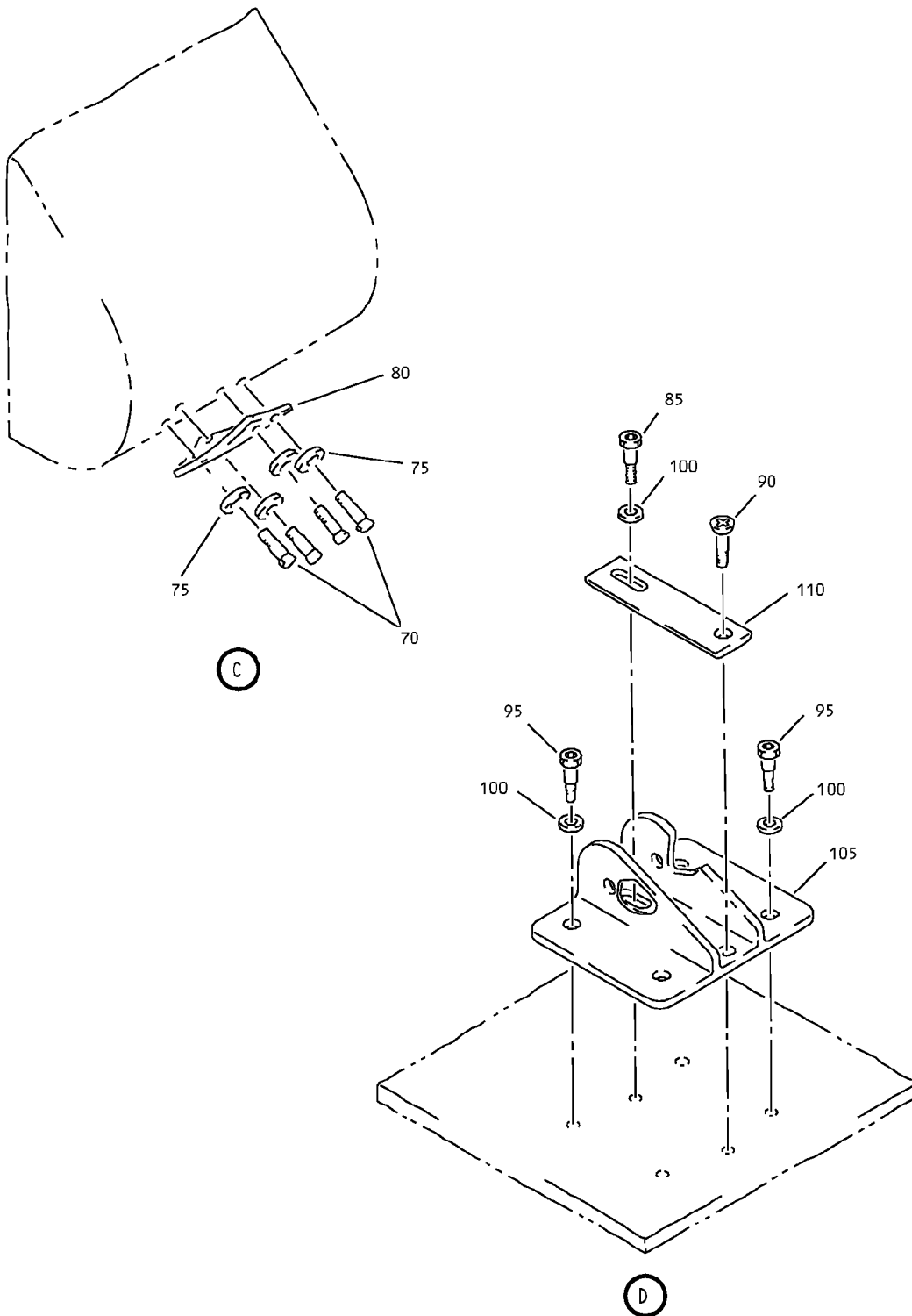
ILLUSTRATED PARTS LIST

Page 1098.408

Mar 01/2006



COMPONENT MAINTENANCE MANUAL



Overhead Storage Compartment Assembly  
IPL Figure 18 (Sheet 3 of 8)

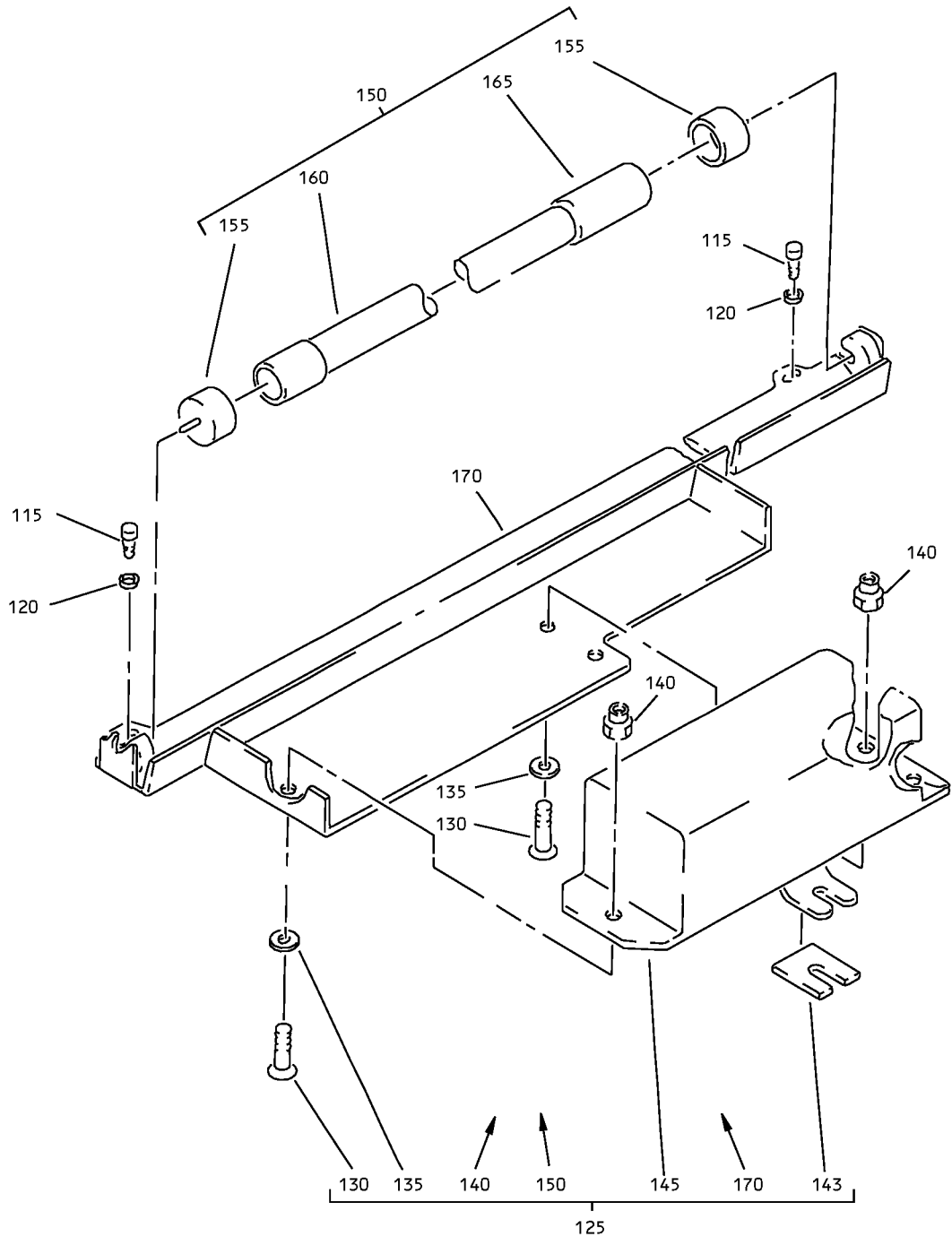
**25-28-49**

ILLUSTRATED PARTS LIST

Page 1098.409

Mar 01/2006

COMPONENT MAINTENANCE MANUAL



(E)

Overhead Storage Compartment Assembly  
IPL Figure 18 (Sheet 4 of 8)

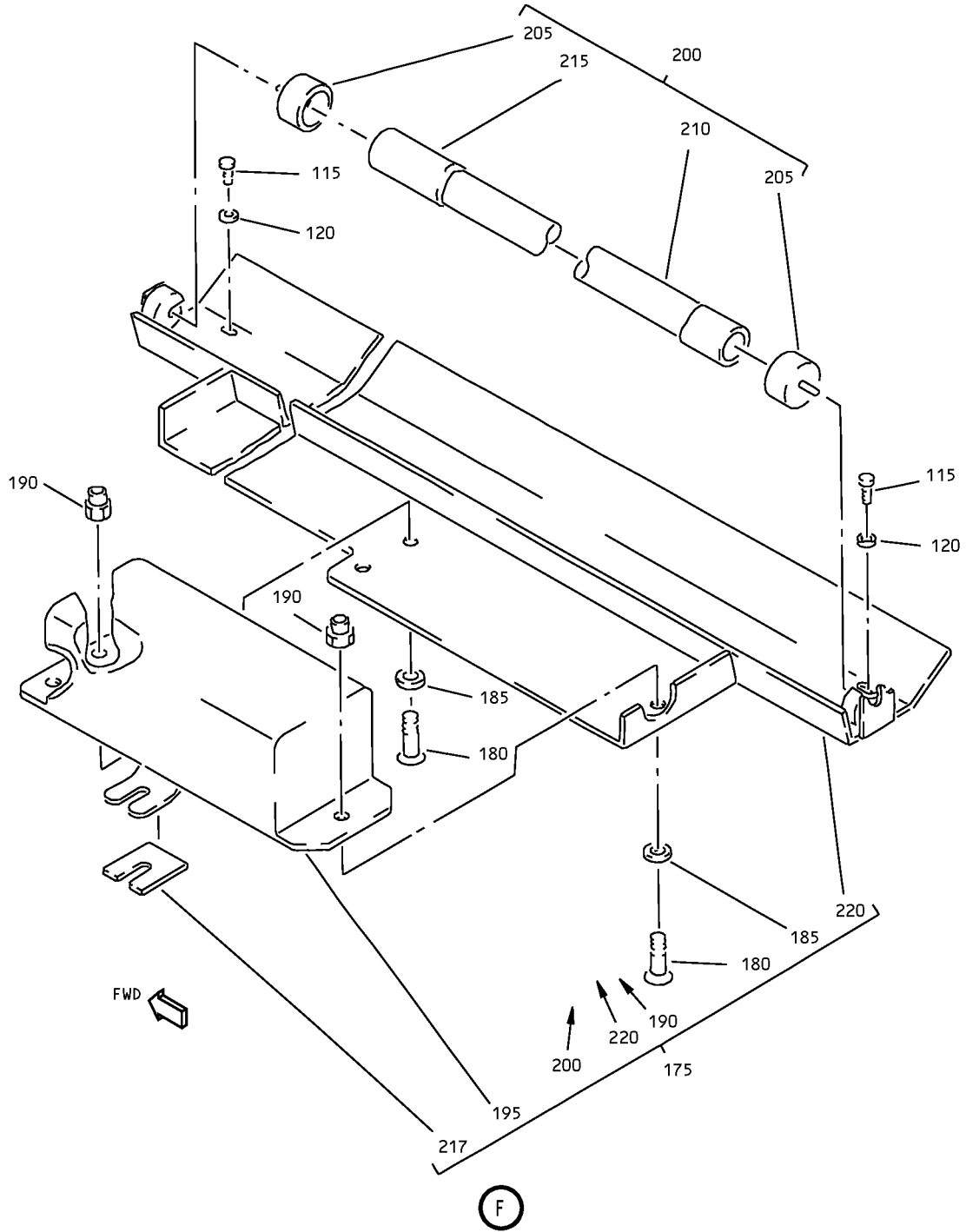
**25-28-49**

ILLUSTRATED PARTS LIST

Page 1098.410

Mar 01/2006

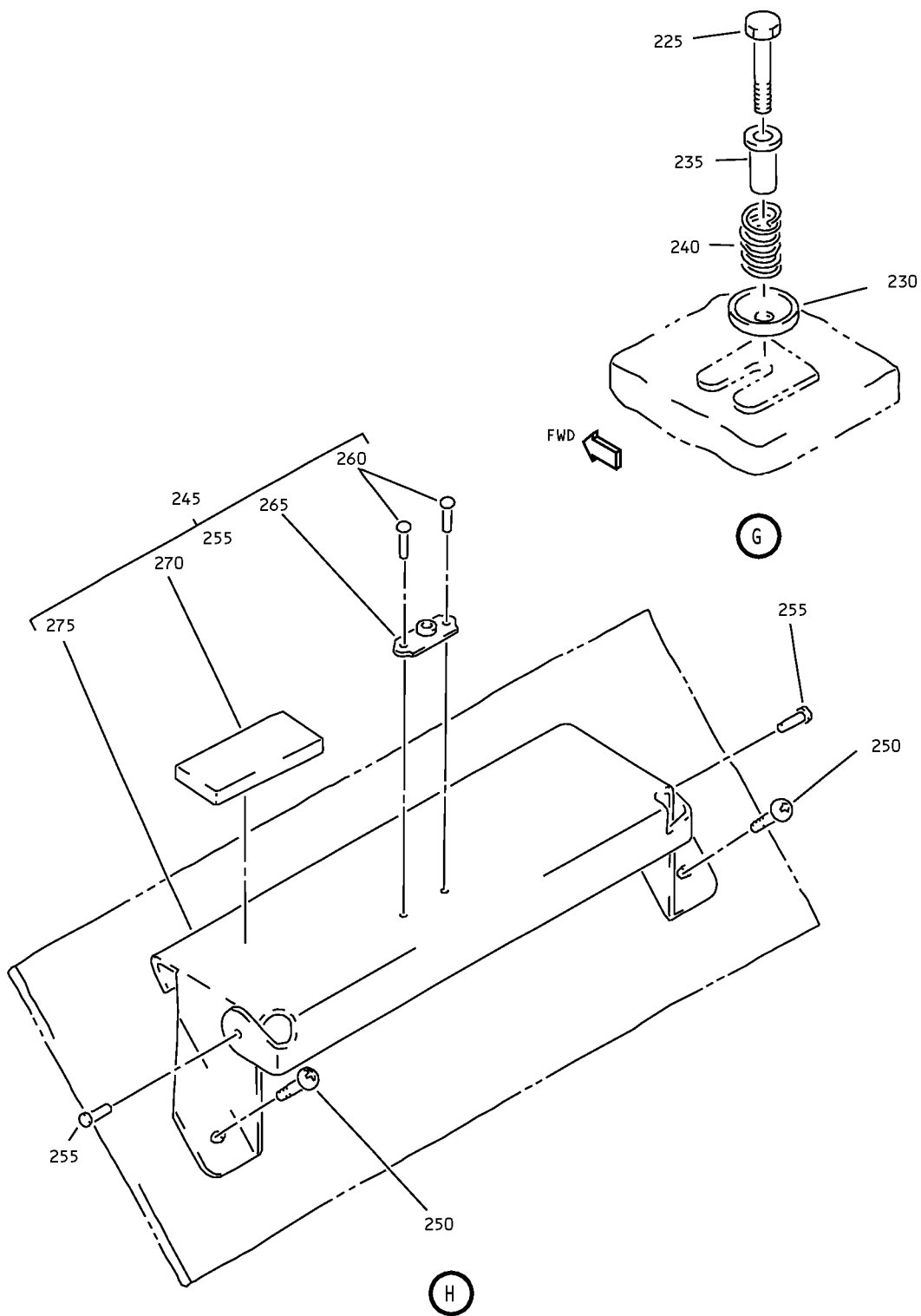
COMPONENT MAINTENANCE MANUAL



Overhead Stowage Compartment Assembly  
IPL Figure 18 (Sheet 5 of 8)

**25-28-49**  
ILLUSTRATED PARTS LIST  
Page 1098.411  
Mar 01/2006

COMPONENT MAINTENANCE MANUAL



Overhead Storage Compartment Assembly  
IPL Figure 18 (Sheet 6 of 8)

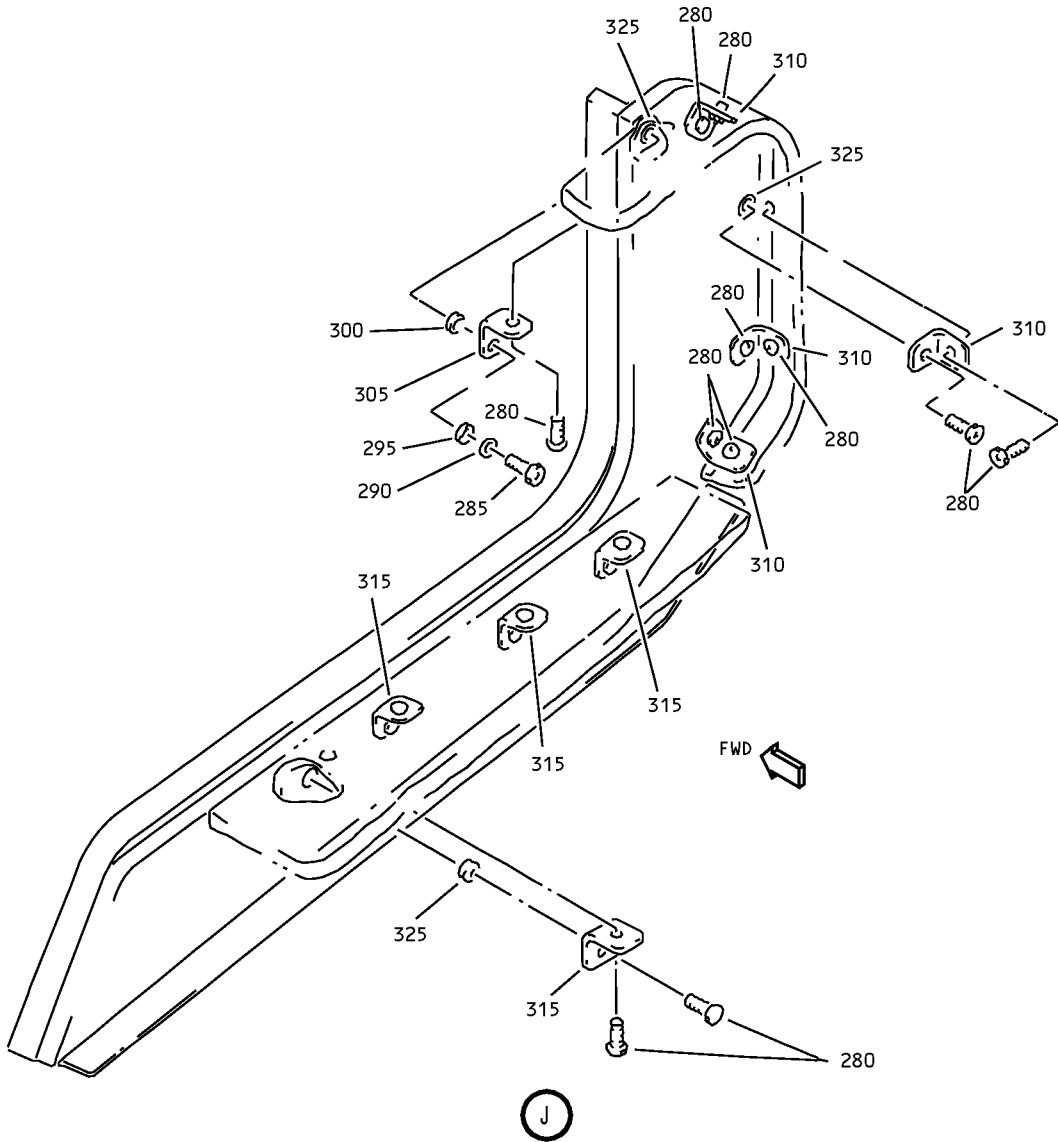
**25-28-49**

ILLUSTRATED PARTS LIST

Page 1098.412

Mar 01/2006

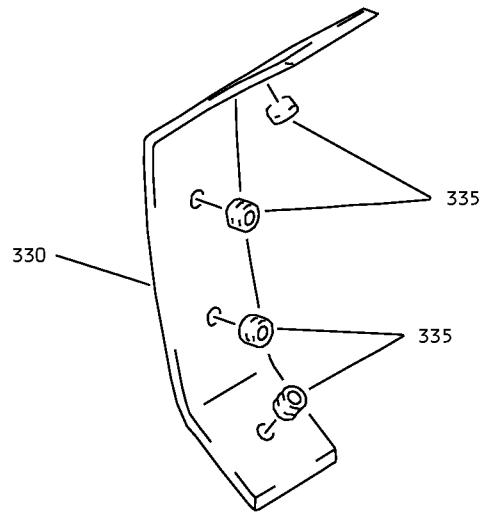
COMPONENT MAINTENANCE MANUAL



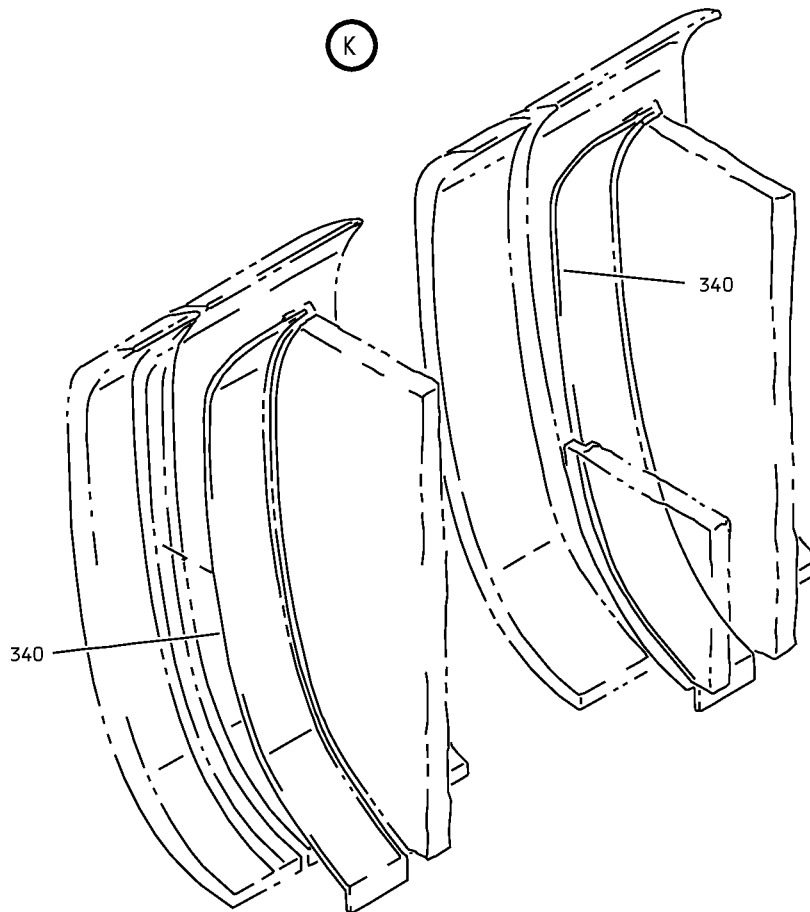
Overhead Stowage Compartment Assembly  
IPL Figure 18 (Sheet 7 of 8)

**25-28-49**  
ILLUSTRATED PARTS LIST  
Page 1098.413  
Mar 01/2006

COMPONENT MAINTENANCE MANUAL



(K)



(L)

Overhead Storage Compartment Assembly  
IPL Figure 18 (Sheet 8 of 8)

**25-28-49**

ILLUSTRATED PARTS LIST

Page 1098.414

Mar 01/2006



## COMPONENT MAINTENANCE MANUAL

FIG/ ITEM	PART NUMBER	AIRLINE PART NUMBER	NOMENCLATURE							USAGE CODE	UNITS PER ASSY
			1	2	3	4	5	6	7		
18-											
-1	65C32944-15SP									L	RF
-1A	65C32944-152SP									DL	RF
5	BACB30NM3K1									L, DL	4
10	BACB30NM3K2									L, DL	8
15	BACB30NM3K3									L, DL	2
20	AN960JD10									L, DL	8

-Item not Illustrated

# 25-28-49

ILLUSTRATED PARTS LIST

Page 1098.415

Mar 01/2006



## COMPONENT MAINTENANCE MANUAL

FIG/ ITEM	PART NUMBER	AIRLINE PART NUMBER	NOMENCLATURE							USAGE CODE	UNITS PER ASSY
			1	2	3	4	5	6	7		
18-											
25	AN960JD10LL		.	W	A	S	H	E	R	L, DL	6
30	MS21042L3		.	N	U	T				L, DL	2
35	65C27017-44		.	B	R	A	C	K	E	L, DL	1
40	65C27017-46		.	.	B	R	A	C	K	L, DL	1
45	BACB28B6-235P		.	.	B	U	S	H	I	L, DL	1
50	412N1119-41		.	F	I	T	T	I	N	L, DL	1
55	BACB30NM3K1		.	B	O	L	T			L, DL	8
				(V06710)							
				(SPEC BACB30NM3K1)							
				(OPT BACB30NM3K1 (V06725))							
				(OPT BACB30NM3K1 (V06950))							
				(OPT BACB30NM3K1 (V08524))							
				(OPT BACB30NM3K1 (V27624))							
				(OPT BACB30NM3K1 (V56878))							
				(OPT BACB30NM3K1 (V73197))							
				(OPT BACB30NM3K1 (V80539))							
				(OPT BACB30NM3K1 (V92215))							
				(OPT BACB30NM3K1 (V93907))							
				(OPT BACB30NM3K1 (V97928))							
60	AN960JD10		.	W	A	S	H	E	R	L, DL	8
65	412N1161-2		.	F	I	T	T	I	N	L, DL	1
70	BACB30NM3K1		.	B	O	L	T			L, DL	8
				(V06710)							
				(SPEC BACB30NM3K1)							
				(OPT BACB30NM3K1 (V06725))							
				(OPT BACB30NM3K1 (V06950))							
				(OPT BACB30NM3K1 (V08524))							
				(OPT BACB30NM3K1 (V27624))							
				(OPT BACB30NM3K1 (V56878))							
				(OPT BACB30NM3K1 (V73197))							
				(OPT BACB30NM3K1 (V80539))							
				(OPT BACB30NM3K1 (V92215))							
				(OPT BACB30NM3K1 (V93907))							
				(OPT BACB30NM3K1 (V97928))							
75	AN960JD10		.	W	A	S	H	E	R	L, DL	8
80	412N1119-12		.	F	I	T	T	I	N	L, DL	2

-Item not Illustrated

# 25-28-49

ILLUSTRATED PARTS LIST

Page 1098.416

Mar 01/2006





**COMPONENT MAINTENANCE MANUAL**

FIG/ ITEM	PART NUMBER	AIRLINE PART NUMBER	NOMENCLATURE							USAGE CODE	UNITS PER ASSY	
			1	2	3	4	5	6	7			
18- 85	BACB30NM3K10		.	B	O	L	T				L, DL	1
								(V06710)				
								(SPEC BACB30NM3K10)				
								(OPT BACB30NM3K10 (V06725))				
								(OPT BACB30NM3K10 (V06950))				
								(OPT BACB30NM3K10 (V08524))				
								(OPT BACB30NM3K10 (V27624))				
								(OPT BACB30NM3K10 (V56878))				
								(OPT BACB30NM3K10 (V73197))				
								(OPT BACB30NM3K10 (V80539))				
								(OPT BACB30NM3K10 (V92215))				
								(OPT BACB30NM3K10 (V93907))				
								(OPT BACB30NM3K10 (V97928))				
90	BACB30NN3K10		.	B	O	L	T				L, DL	1
								(V06710)				
								(SPEC BACB30NN3K10)				
								(OPT BACB30NN3K10 (V06725))				
								(OPT BACB30NN3K10 (V06950))				
								(OPT BACB30NN3K10 (V08524))				
								(OPT BACB30NN3K10 (V27624))				
								(OPT BACB30NN3K10 (V56878))				
								(OPT BACB30NN3K10 (V73197))				
								(OPT BACB30NN3K10 (V80539))				
								(OPT BACB30NN3K10 (V92215))				
								(OPT BACB30NN3K10 (V93907))				
								(OPT BACB30NN3K10 (V97928))				
95	BACB30NM3K1		.	B	O	L	T				L, DL	4
								(V06710)				
								(SPEC BACB30NM3K1)				
								(OPT BACB30NM3K1 (V06725))				
								(OPT BACB30NM3K1 (V06950))				
								(OPT BACB30NM3K1 (V08524))				
								(OPT BACB30NM3K1 (V27624))				
								(OPT BACB30NM3K1 (V56878))				
								(OPT BACB30NM3K1 (V73197))				
								(OPT BACB30NM3K1 (V80539))				
								(OPT BACB30NM3K1 (V92215))				
								(OPT BACB30NM3K1 (V93907))				
								(OPT BACB30NM3K1 (V97928))				
100	AN960JD10		.	W	A	S	H	E	R		L, DL	5
105	412N1119-86		.	F	I	T	T	I	N	G	L, DL	1
110	412N1119-87		.	F	I	L	L	E	R		L, DL	1
115	NAS1801-3-5		.	S	C	R	E	W			L, DL	4
120	AN960JD10LL		.	W	A	S	H	E	R		L, DL	4

-Item not Illustrated

**25-28-49**

ILLUSTRATED PARTS LIST

Page 1098.417

Mar 01/2006



**COMPONENT MAINTENANCE MANUAL**

FIG/ ITEM	PART NUMBER	AIRLINE PART NUMBER	NOMENCLATURE							USAGE CODE	UNITS PER ASSY
			1	2	3	4	5	6	7		
18-											
125	417N5120-26		.	.						L, DL	1
130	BACS12ER3K6		.	.	.					L, DL	3
						(V06710)					
						(SPEC BACS12ER3K6)					
						(OPT BACS12ER3K6 (V06725))					
						(OPT BACS12ER3K6 (V06950))					
						(OPT BACS12ER3K6 (V27624))					
						(OPT BACS12ER3K6 (V34252))					
						(OPT BACS12ER3K6 (V56878))					
						(OPT BACS12ER3K6 (V73197))					
						(OPT BACS12ER3K6 (V80539))					
						(OPT BACS12ER3K6 (V92215))					
						(OPT BACS12ER3K6 (V93907))					
						(OPT BACS12ER3K6 (V97928))					
135	BACW10UD10		.	.						L, DL	3
140	F22K1-02		.	.	.					L, DL	3
						(V72962)					
						(SPEC BACN10R10L)					
						(OPT 22K1-02 (V72962))					
						(OPT 26CL02 (V80539))					
143	65C28117-3		.	.						L, DL	1
145	05939-15		.	.	.					L, DL	1
						(V17023)					
						(SPEC S283N702-15)					
						(OPT 1995-1 (V30242))					
						(OPT ITEM 145B)					
-145A	1995-1		.	.	.					L, DL	1
						(V30242)					
						(SPEC S283N702-15)					
						(OPT 05939-15 (V17023))					
						(OPT ITEM 145B)					
-145B	05939-115		.	.	.					L, DL	1
						(V17023)					
						(SPEC S283N702-115)					
						(OPT ITEM 145, 145A)					
150	417N5120-11		.	.						L, DL	1
155	2055150		.	.	.					L, DL	2
						(V04169)					
160	F20T12WW		.	.	.					L, DL	1
						(V08805)					

-Item not illustrated



## COMPONENT MAINTENANCE MANUAL

FIG/ ITEM	PART NUMBER	AIRLINE PART NUMBER	NOMENCLATURE							USAGE CODE	UNITS PER ASSY	
			1	2	3	4	5	6	7			
18- 165	LP1625-24		. . .	TUBE-COVER							L, DL	1
				(V60116)								
				(OPT ITEM 165A)								
-165A	NI152LGWUV1000		. . .	TUBE-COVER							L, DL	1
				(V06034)								
				(OPT ITEM 165)								
170	800000255-21		. .	LIGHT ASSY							L, DL	1
				(V05617)								
				(SPEC S417N507-21)								
				(FOR DETAILS SEE FIG. 80)								
175	417N5120-47SP		.	LIGHT ASSY							L, DL	1
180	BACS12ER3K6		. .	SCREW							L, DL	3
				(V06710)								
				(SPEC BACS12ER3K6)								
				(OPT BACS12ER3K6 (V06725))								
				(OPT BACS12ER3K6 (V06950))								
				(OPT BACS12ER3K6 (V27624))								
				(OPT BACS12ER3K6 (V34252))								
				(OPT BACS12ER3K6 (V56878))								
				(OPT BACS12ER3K6 (V73197))								
				(OPT BACS12ER3K6 (V80539))								
				(OPT BACS12ER3K6 (V92215))								
				(OPT BACS12ER3K6 (V93907))								
				(OPT BACS12ER3K6 (V97928))								
185	BACW10UD10		. .	WASHER							L, DL	3
190	F22K1-02		. .	NUT							L, DL	1
				(V72962)								
				(SPEC BACN10R10L)								
				(OPT 22K1-02 (V72962))								
				(OPT 26CL02 (V80539))								
195	05939-7		. .	BALLAST							L, DL	1
				(V17023)								
				(SPEC S283N702-7)								
				(OPT 1987-1 (V30242))								
				(OPT ITEM 195B)								
-195A	1987-1		. .	BALLAST							L, DL	1
				(V30242)								
				(SPEC S283N702-7)								
				(OPT 05939-7 (V17023))								
				(OPT ITEM 195B)								

-Item not illustrated

# 25-28-49

ILLUSTRATED PARTS LIST

Page 1098.419

Mar 01/2006



## COMPONENT MAINTENANCE MANUAL

FIG/ ITEM	PART NUMBER	AIRLINE PART NUMBER	NOMENCLATURE							USAGE CODE	UNITS PER ASSY	
			1	2	3	4	5	6	7			
18- -195B	05939-107		. .								L, DL	1
200	417N5120-12		. .								L, DL	1
205	2055132		. . .								L, DL	2
210	F15T8WW		. . .								L, DL	1
215	LP1610-18		. . .								L, DL	1
-215A	NI060LGWUV1000		. . .								L, DL	1
217	65C28117-3		. .								L, DL	1
220	S417N507-37W		. .								L, DL	1
225	NAS1801-3-11		. .								L, DL	2
230	411N3142-28		. .								L, DL	2
235	BACS18C8-6		. .								L, DL	2
240	MS24585-1230		. .								L, DL	2
245	65C27481-36		. .								L, DL	1
250	BACS12FA3K4		. .								L, DL	2
255	NAS1398D4		. .								L, DL	2
-255A	BACR15BB4D		. .								L, DL	2
260	BACR15BA3A		. .								L, DL	2

-Item not Illustrated

# 25-28-49

ILLUSTRATED PARTS LIST

Page 1098.420

Mar 01/2006



## COMPONENT MAINTENANCE MANUAL

FIG/ ITEM	PART NUMBER	AIRLINE PART NUMBER	NOMENCLATURE	USAGE CODE	UNITS PER ASSY
18- 265	BRF200A3K		. . NUTPLATE (V52828) (SPEC BACN10JR3FR) (OPT F5000-3BCBAC (V15653)) (OPT NS103203-02BC (V80539)) (OPT RMF9201-3BC (V72962)) (OPT T8091S1032BC (V11815)) (OPT VN15A2-02 (V92215))	L, DL	1
270	65C27481-38		. . BLOCK-RUBBER	L, DL	1
275	65C27481-37		. . BRACKET	L, DL	1
280	BACS12FA3K5		. SCREW (V06710) (SPEC BACS12FA3K5) (OPT BACS12FA3K5 (V06725)) (OPT BACS12FA3K5 (V06950)) (OPT BACS12FA3K5 (V27624)) (OPT BACS12FA3K5 (V34252)) (OPT BACS12FA3K5 (V56878)) (OPT BACS12FA3K5 (V73197)) (OPT BACS12FA3K5 (V80539)) (OPT BACS12FA3K5 (V92215)) (OPT BACS12FA3K5 (V93907)) (OPT BACS12FA3K5 (V97928))	L, DL	16
285	BACB30PF4-3		. BOLT	L, DL	1
290	AN960C416L		. WASHER	L, DL	1
295	NAS1515F4H		. WASHER	L, DL	1
300	NAS1515M4L		. WASHER	L, DL	1
305	412N1145-30		. BRACKET	L, DL	1
310	65C27017-43		. BRACKET	L, DL	4
315	412N1145-29		. BRACKET	L, DL	4
320	65C32946-4SP		. CAP ASSY-END	L	1
-320A	65C32946-60SP		. CAP ASSY-END	DL	1
325	SL2334-3A2		. . INSERT (V97393)	L, DL	10
330	65C27026-77SP		. PANEL ASSY-FILLER	L, DL	1
335	NAS1836-3-11		. . INSERT (OPT ITEM 335A)	L, DL	4
-335A	NAS1836-3-9		. . INSERT (OPT ITEM 335)	L, DL	4

-Item not Illustrated

# 25-28-49

ILLUSTRATED PARTS LIST

Page 1098.421

Mar 01/2006



## COMPONENT MAINTENANCE MANUAL

FIG/ ITEM	PART NUMBER	AIRLINE PART NUMBER	NOMENCLATURE							USAGE CODE	UNITS PER ASSY
			1	2	3	4	5	6	7		
18-											
340	412N1130-5SP									L, DL	2
345	65C32945-15SP									L, DL	1

-Item not Illustrated

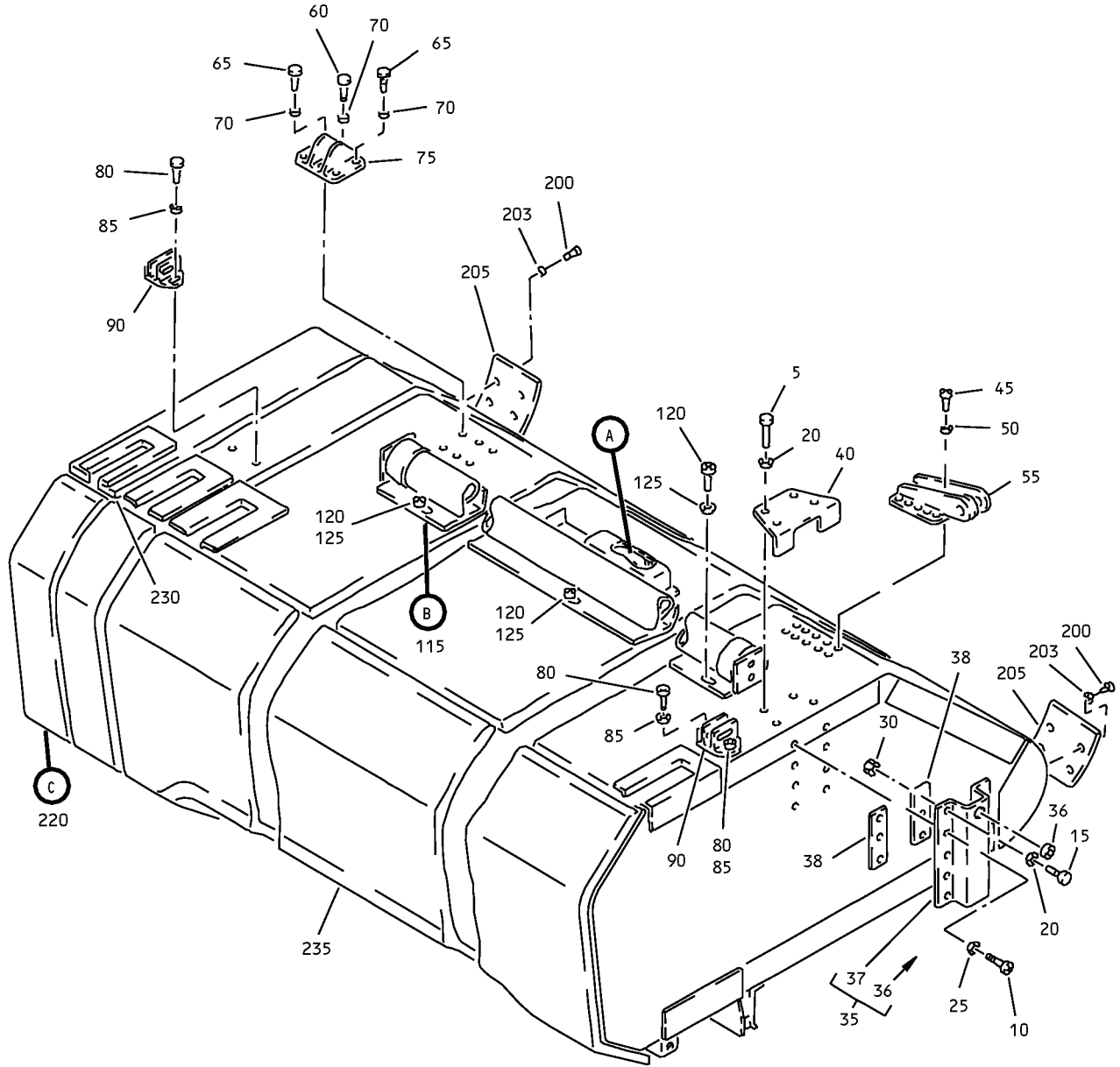
# 25-28-49

ILLUSTRATED PARTS LIST

Page 1098.422

Mar 01/2006

COMPONENT MAINTENANCE MANUAL



Overhead Stowage Compartment Assembly  
IPL Figure 19 (Sheet 1 of 3)

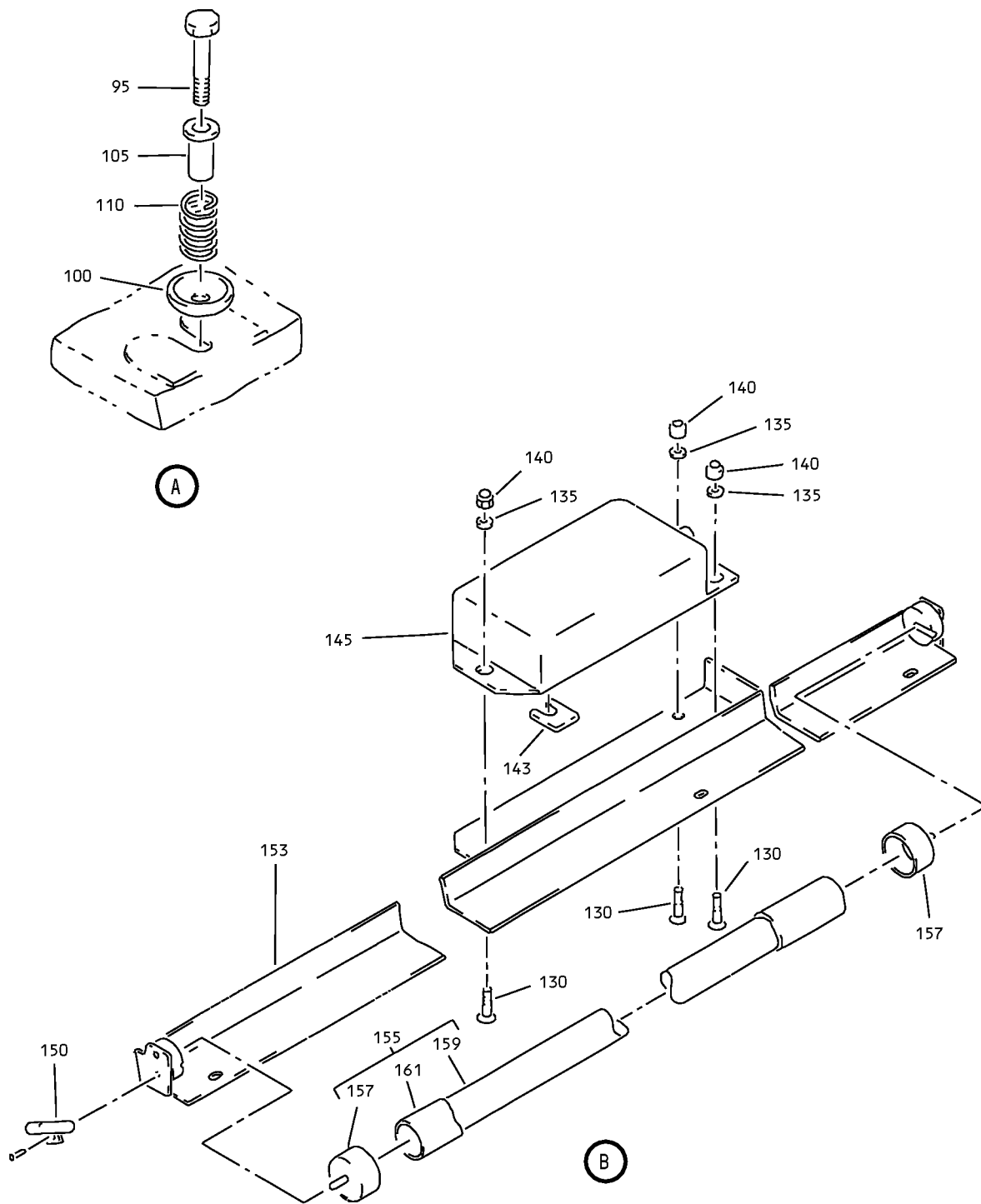
**25-28-49**

ILLUSTRATED PARTS LIST

Page 1098.423

Mar 01/2006

# COMPONENT MAINTENANCE MANUAL

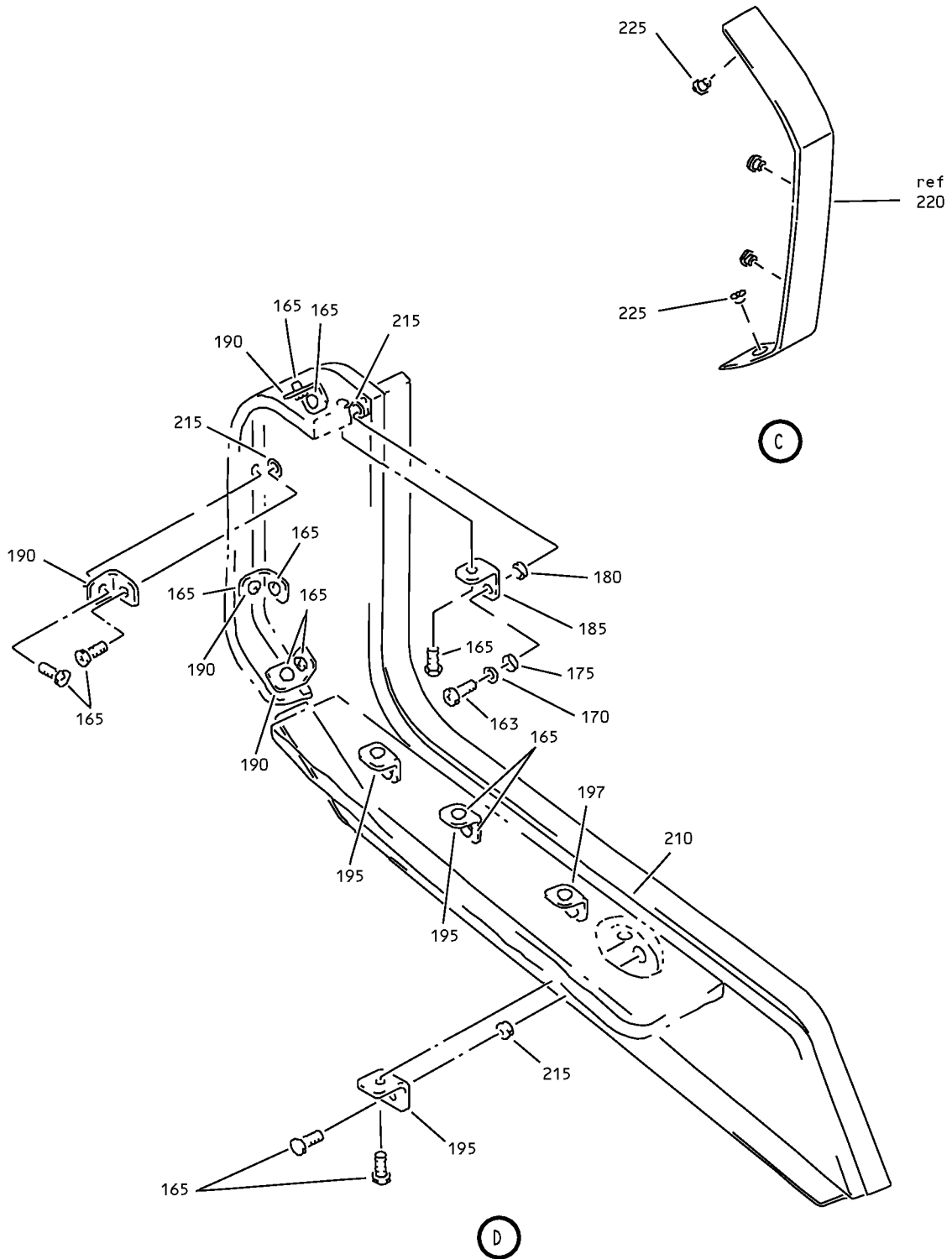


Overhead Storage Compartment Assembly  
IPL Figure 19 (Sheet 2 of 3)

**25-28-49**  
ILLUSTRATED PARTS LIST  
Page 1098.424  
Mar 01/2006



COMPONENT MAINTENANCE MANUAL



Overhead Storage Compartment Assembly  
IPL Figure 19 (Sheet 3 of 3)

**25-28-49**

ILLUSTRATED PARTS LIST

Page 1098.425

Mar 01/2006



## COMPONENT MAINTENANCE MANUAL

FIG/ ITEM	PART NUMBER	AIRLINE PART NUMBER	NOMENCLATURE							USAGE CODE	UNITS PER ASSY
			1	2	3	4	5	6	7		
19-											
-1	65C32944-31SP									AC	RF
5	BACB30NM3K1									AC	4
10	BACB30NM3K2									AC	8
15	BACB30NM3K3									AC	2
20	AN960JD10LL									AC	6
25	AN960JD10									AC	8

-Item not Illustrated

# 25-28-49

ILLUSTRATED PARTS LIST

Page 1098.426

Mar 01/2006



## COMPONENT MAINTENANCE MANUAL

FIG/ ITEM	PART NUMBER	AIRLINE PART NUMBER	NOMENCLATURE							USAGE CODE	UNITS PER ASSY
			1	2	3	4	5	6	7		
19-											
30	MS21042L3		.	NUT						AC	2
35	65C27017-21		.	BRACKET ASSY						AC	1
36	BACB28B6-235P		..	BUSHING						AC	1
37	65C27017-24		..	BRACKET						AC	1
38	65C27017-15		.	SHIM						AC	2
40	412N1119-41		.	FITTING						AC	1
45	BACB30NM3K1		.	BOLT						AC	10
				(V06710)							
				(SPEC BACB30NM3K1)							
				(OPT BACB30NM3K1 (V06725))							
				(OPT BACB30NM3K1 (V06950))							
				(OPT BACB30NM3K1 (V08524))							
				(OPT BACB30NM3K1 (V27624))							
				(OPT BACB30NM3K1 (V56878))							
				(OPT BACB30NM3K1 (V73197))							
				(OPT BACB30NM3K1 (V80539))							
				(OPT BACB30NM3K1 (V92215))							
				(OPT BACB30NM3K1 (V93907))							
				(OPT BACB30NM3K1 (V97928))							
50	AN960JD10		.	WASHER						AC	10
55	412N1161-4		.	FITTING						AC	1
60	BACB30NM3K9		.	BOLT						AC	2
				(V06710)							
				(SPEC BACB30NM3K9)							
				(OPT BACB30NM3K9 (V06725))							
				(OPT BACB30NM3K9 (V06950))							
				(OPT BACB30NM3K9 (V08524))							
				(OPT BACB30NM3K9 (V27624))							
				(OPT BACB30NM3K9 (V80539))							
				(OPT BACB30NM3K9 (V92215))							
				(OPT BACB30NM3K9 (V93907))							
				(OPT BACB30NM3K9 (V97928))							

-Item not Illustrated

# 25-28-49

ILLUSTRATED PARTS LIST

Page 1098.427

Mar 01/2006



## COMPONENT MAINTENANCE MANUAL

FIG/ ITEM	PART NUMBER	AIRLINE PART NUMBER	NOMENCLATURE							USAGE CODE	UNITS PER ASSY
			1	2	3	4	5	6	7		
19- 65	BACB30NM3K1		.	BOLT						AC	4
				(V06710)							
				(SPEC BACB30NM3K1)							
				(OPT BACB30NM3K1 (V06725))							
				(OPT BACB30NM3K1 (V06950))							
				(OPT BACB30NM3K1 (V08524))							
				(OPT BACB30NM3K1 (V27624))							
				(OPT BACB30NM3K1 (V56878))							
				(OPT BACB30NM3K1 (V73197))							
				(OPT BACB30NM3K1 (V80539))							
				(OPT BACB30NM3K1 (V92215))							
				(OPT BACB30NM3K1 (V93907))							
				(OPT BACB30NM3K1 (V97928))							
70	AN960JD10		.	WASHER						AC	6
75	412N1119-26		.	FITTING						AC	1
80	BACB30NM3K1		.	BOLT						AC	4
				(V06710)							
				(SPEC BACB30NM3K1)							
				(OPT BACB30NM3K1 (V06725))							
				(OPT BACB30NM3K1 (V06950))							
				(OPT BACB30NM3K1 (V08524))							
				(OPT BACB30NM3K1 (V27624))							
				(OPT BACB30NM3K1 (V56878))							
				(OPT BACB30NM3K1 (V73197))							
				(OPT BACB30NM3K1 (V80539))							
				(OPT BACB30NM3K1 (V92215))							
				(OPT BACB30NM3K1 (V93907))							
				(OPT BACB30NM3K1 (V97928))							
85	AN960JD10		.	WASHER						AC	4
90	411N3134-1		.	BRACKET ASSY-SLIDE						AC	2
95	NAS1801-3-11		.	SCREW						AC	1
100	411N3142-28		.	WASHER-CUPPED						AC	1
105	BACS18C8-6		.	SPACER						AC	1
110	MS24585-1230		.	SPRING						AC	1
115	417N5120-14SP		.	LIGHT ASSY						AC	1
				ATTACHING PARTS							
120	NAS1801-3-5		.	SCREW						AC	3
125	AN960DL10LL		.	WASHER						AC	3
				----- * -----							

-Item not Illustrated

# 25-28-49

ILLUSTRATED PARTS LIST

Page 1098.428

Mar 01/2006



## COMPONENT MAINTENANCE MANUAL

FIG/ ITEM	PART NUMBER	AIRLINE PART NUMBER	NOMENCLATURE							USAGE CODE	UNITS PER ASSY
			1	2	3	4	5	6	7		
19- -130	BACS12ER3K6		. .	SCREW						AC	3
				(V06710)							
				(SPEC BACS12ER3K6)							
				(OPT BACS12ER3K6 (V06725))							
				(OPT BACS12ER3K6 (V06950))							
				(OPT BACS12ER3K6 (V27624))							
				(OPT BACS12ER3K6 (V34252))							
				(OPT BACS12ER3K6 (V56878))							
				(OPT BACS12ER3K6 (V73197))							
				(OPT BACS12ER3K6 (V80539))							
				(OPT BACS12ER3K6 (V92215))							
				(OPT BACS12ER3K6 (V93907))							
				(OPT BACS12ER3K6 (V97928))							
135	BACW10UD10		. .	WASHER						AC	3
140	F22K1-02		. .	NUT						AC	3
				(V72962)							
				(SPEC BACN10R10L)							
				(OPT 22K1-02 (V72962))							
				(OPT 26CL02 (V80539))							
143	65C28117-3		. .	PAD						AC	1
145	05939-3		. .	BALLAST						AC	1
				(V17023)							
				(SPEC S283N702-3)							
				(OPT 1983-1 (V30242))							
				(OPT ITEM 145B)							
-145A	1983-1		. .	BALLAST						AC	1
				(V30242)							
				(SPEC S283N702-3)							
				(OPT 05939-3 (V17023))							
				(OPT ITEM 145B)							
-145B	05939-103		. .	BALLAST						AC	1
				(V17023)							
				(SPEC S283N702-103)							
				(OPT ITEM 145, 145A)							
150	1864		. .	BULB						AC	1
				(V03494)							
153	800000255-11		. .	LIGHT ASSY						AC	1
				(V05617)							
				(SPEC S417N507-11)							
				(FOR DETAILS SEE FIG. 80)							
155	417N5120-10		. .	LAMP ASSY						AC	1

-Item not illustrated

# 25-28-49

ILLUSTRATED PARTS LIST

Page 1098.429

Jul 01/2009



## COMPONENT MAINTENANCE MANUAL

FIG/ ITEM	PART NUMBER	AIRLINE PART NUMBER	NOMENCLATURE							USAGE CODE	UNITS PER ASSY
			1	2	3	4	5	6	7		
19-											
157	2055150		. . .	CAP-END						AC	2
				(V04169)							
159	F40WW		. . .	LAMP-FLUOR						AC	1
				(V08805)							
161	LP1625-48		. . .	TUBE-COVER						AC	1
				(V60116)							
				(OPT ITEM 161A)							
-161A	NI312LGWUV1000		. . .	TUBE-COVER						AC	1
				(V06034)							
				(OPT ITEM 161)							
163	BACB30PF4-3		.	BOLT						AC	1
165	BACS12FA3K5		.	SCREW						AC	15
				(V06710)							
				(SPEC BACS12FA3K5)							
				(OPT BACS12FA3K5 (V06725))							
				(OPT BACS12FA3K5 (V06950))							
				(OPT BACS12FA3K5 (V27624))							
				(OPT BACS12FA3K5 (V34252))							
				(OPT BACS12FA3K5 (V56878))							
				(OPT BACS12FA3K5 (V73197))							
				(OPT BACS12FA3K5 (V80539))							
				(OPT BACS12FA3K5 (V92215))							
				(OPT BACS12FA3K5 (V93907))							
				(OPT BACS12FA3K5 (V97928))							
170	AN960C416L		.	WASHER						AC	1
175	NAS1515F4H		.	WASHER						AC	1
180	NAS1515M4L		.	WASHER						AC	1
185	65C27017-30		.	BRACKET						AC	1
190	65C27017-43		.	BRACKET						AC	4
195	412N1145-29		.	BRACKET						AC	3
197	412N1145-21		.	BRACKET						AC	1

-Item not Illustrated

# 25-28-49

ILLUSTRATED PARTS LIST

Page 1098.430

Mar 01/2006



## COMPONENT MAINTENANCE MANUAL

FIG/ ITEM	PART NUMBER	AIRLINE PART NUMBER	NOMENCLATURE							USAGE CODE	UNITS PER ASSY	
			1	2	3	4	5	6	7			
19- 200	BACB30NM3K1		.	B	O	L	T				AC	8
								(V06710)				
								(SPEC BACB30NM3K1)				
								(OPT BACB30NM3K1 (V06725))				
								(OPT BACB30NM3K1 (V06950))				
								(OPT BACB30NM3K1 (V08524))				
								(OPT BACB30NM3K1 (V27624))				
								(OPT BACB30NM3K1 (V56878))				
								(OPT BACB30NM3K1 (V73197))				
								(OPT BACB30NM3K1 (V80539))				
								(OPT BACB30NM3K1 (V92215))				
								(OPT BACB30NM3K1 (V93907))				
								(OPT BACB30NM3K1 (V97928))				
203	AN960JD10		.	W	A	S	H	E	R		AC	8
205	412N1119-12		.	F	I	T	T	I	N	G	AC	2
210	65C32946-3SP		.	C	A	P	A	S	S	Y	AC	1
215	SL2334-3A2		.	.	I	N	S	E	R	T	AC	9
								(V97393)				
220	65C27026-36SP		.	P	A	N	E	L	A	S	AC	1
225	NAS1836-3-11		.	.	I	N	S	E	R	T	AC	4
								(OPT ITEM 225A)				
-225A	NAS1836-3-9		.	.	I	N	S	E	R	T	AC	4
								(OPT ITEM 225)				
230	412N1130-5SP		.	T	R	I	M				AC	1
235	65C32945-31SP		.	M	O	D	U	L	E	A	AC	1
								(FOR DETAILS SEE FIG. 28)				

-Item not Illustrated

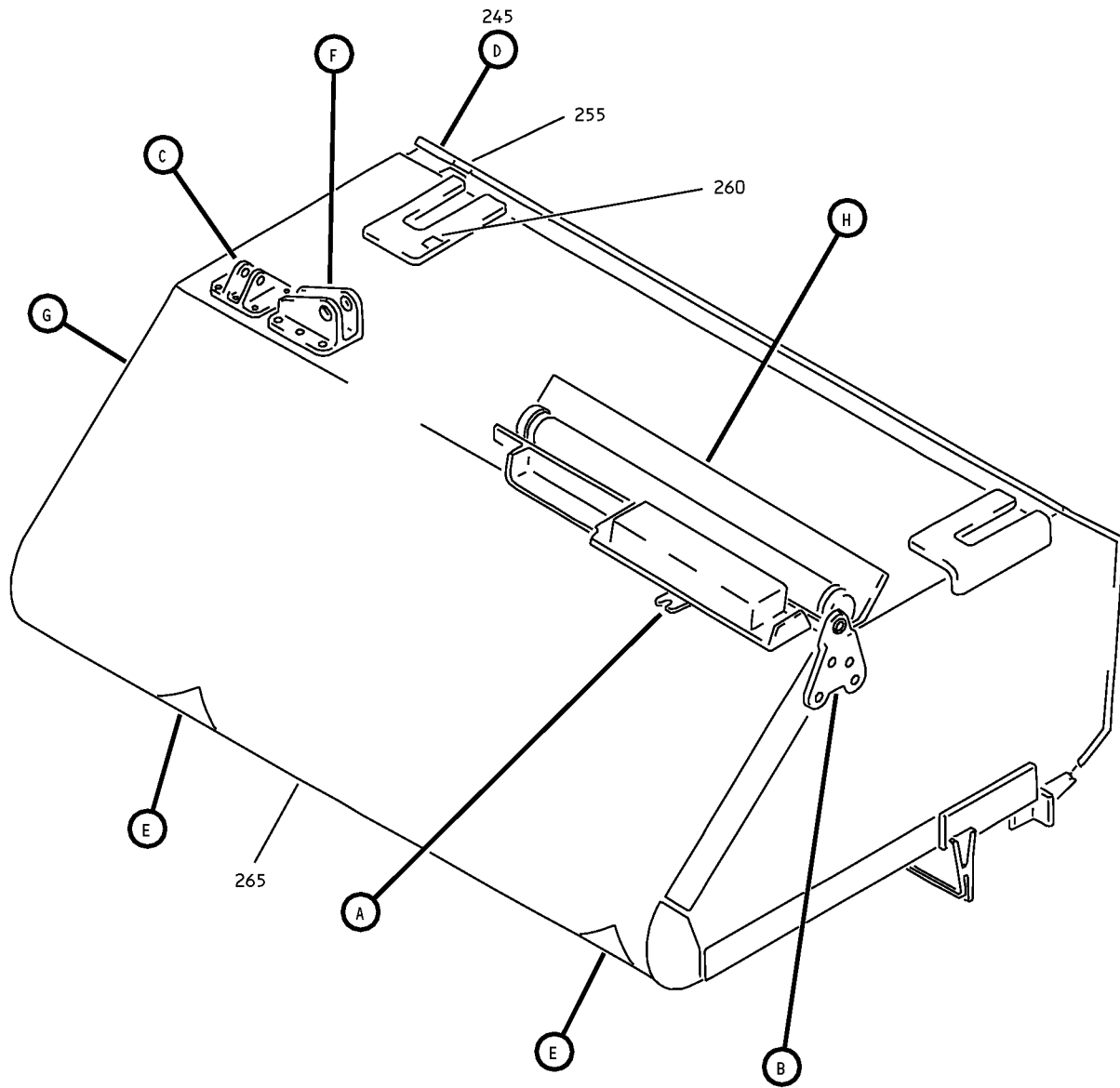
# 25-28-49

ILLUSTRATED PARTS LIST

Page 1098.431

Mar 01/2006

COMPONENT MAINTENANCE MANUAL



Overhead Stowage Compartment Assembly  
IPL Figure 20 (Sheet 1 of 5)

**25-28-49**

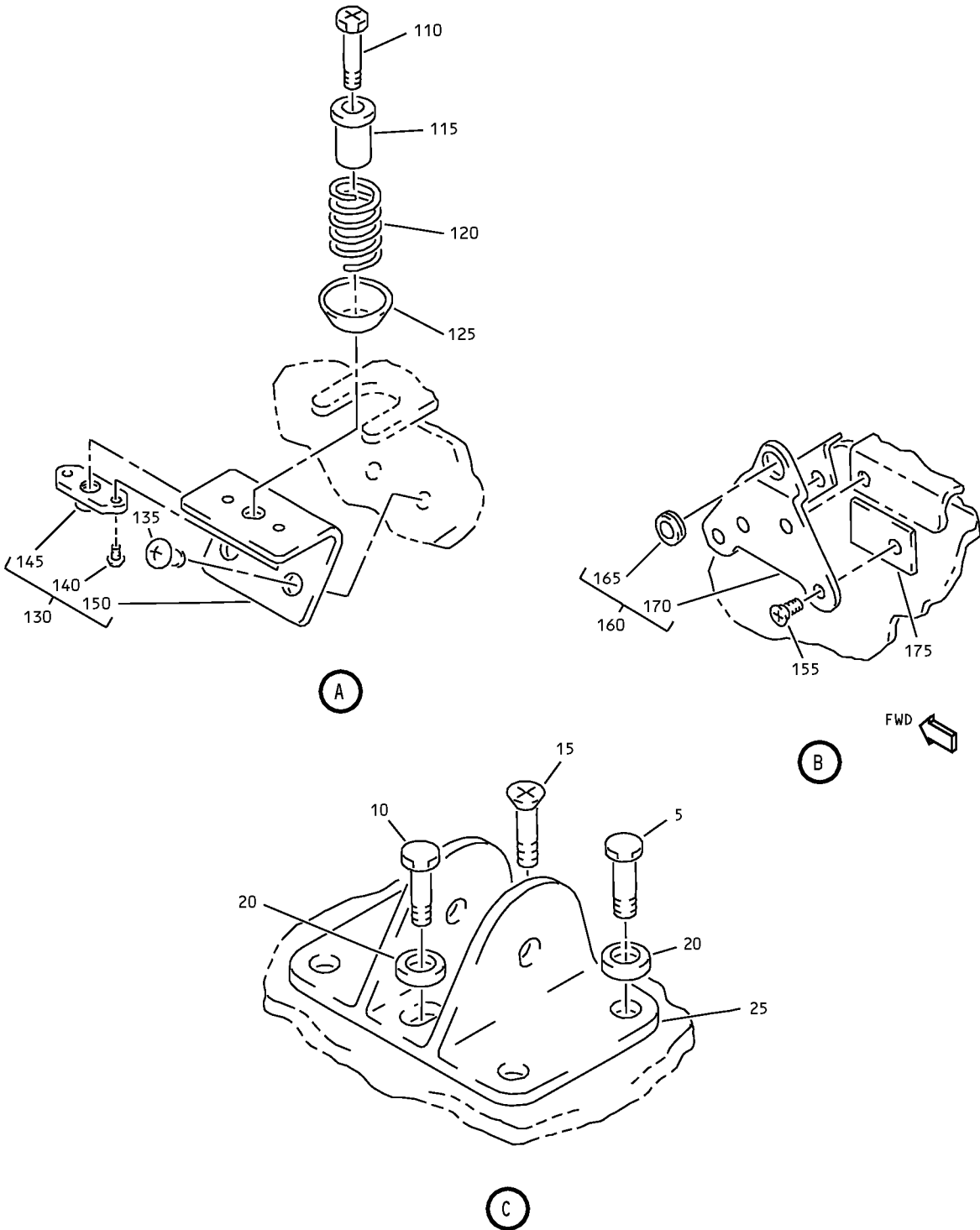
ILLUSTRATED PARTS LIST

Page 1098.432

Mar 01/2006

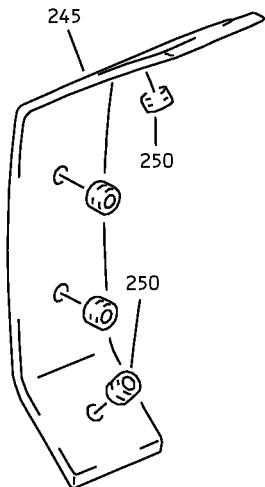


COMPONENT MAINTENANCE MANUAL

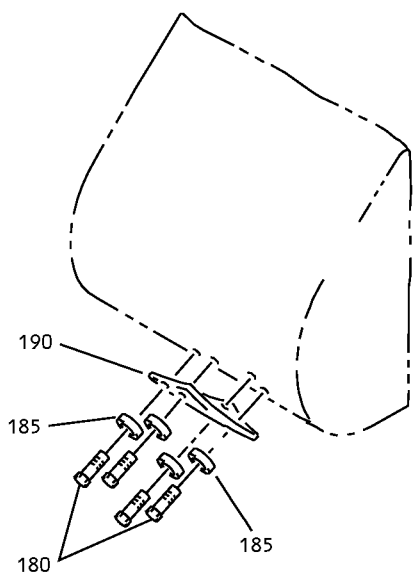


Overhead Storage Compartment Assembly  
IPL Figure 20 (Sheet 2 of 5)

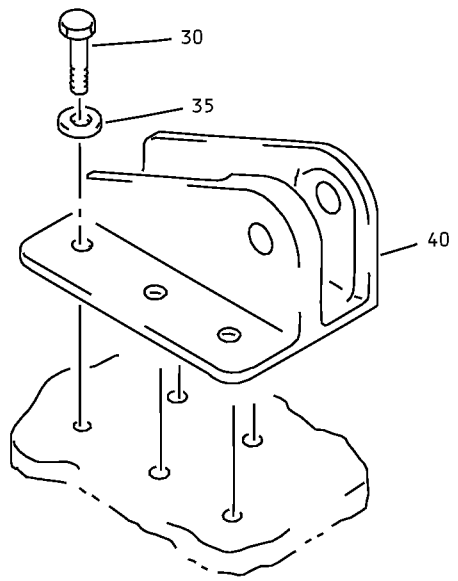
COMPONENT MAINTENANCE MANUAL



D



E



F

Overhead Stowage Compartment Assembly  
IPL Figure 20 (Sheet 3 of 5)

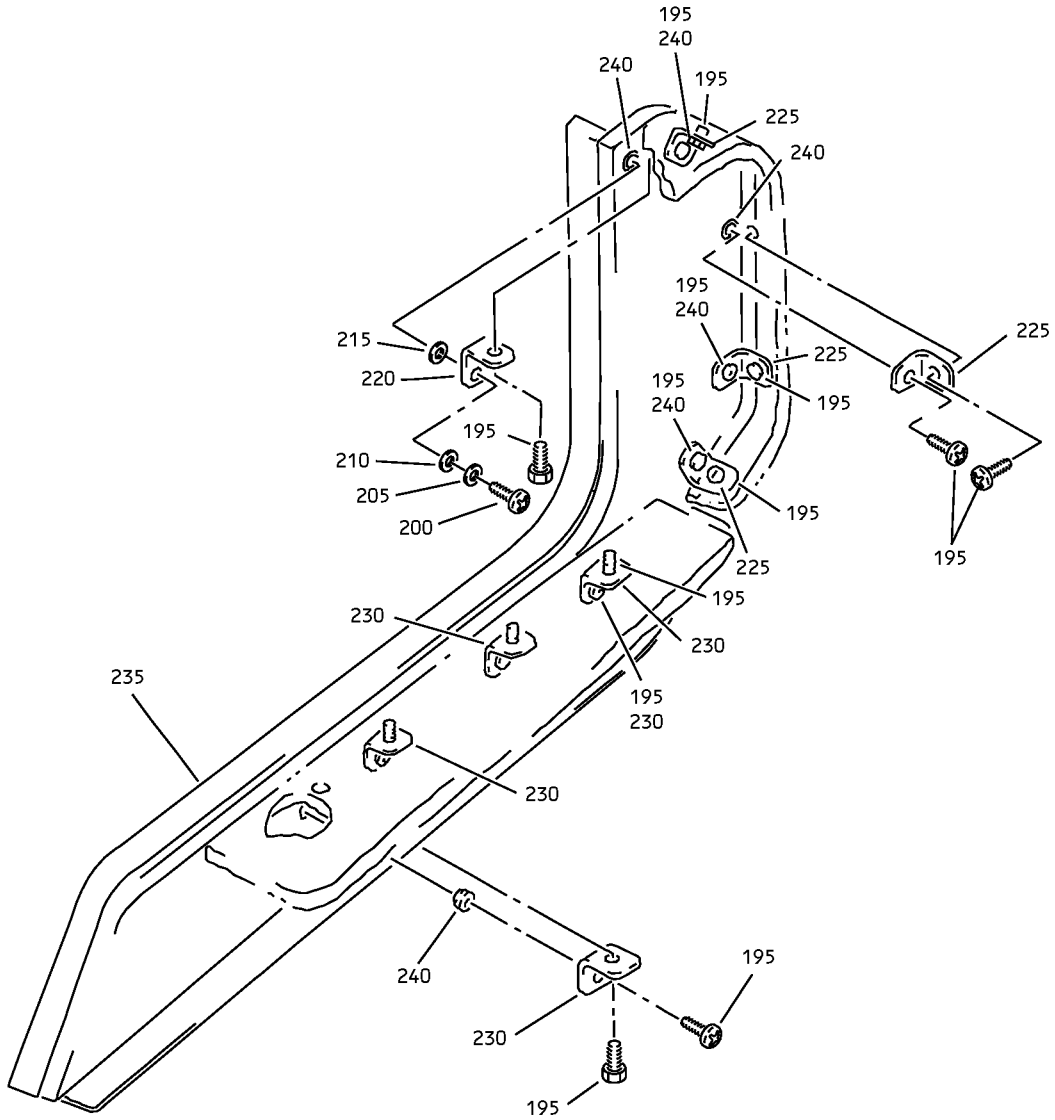
**25-28-49**

ILLUSTRATED PARTS LIST

Page 1098.434

Mar 01/2006

COMPONENT MAINTENANCE MANUAL



G

Overhead Storage Compartment Assembly  
IPL Figure 20 (Sheet 4 of 5)

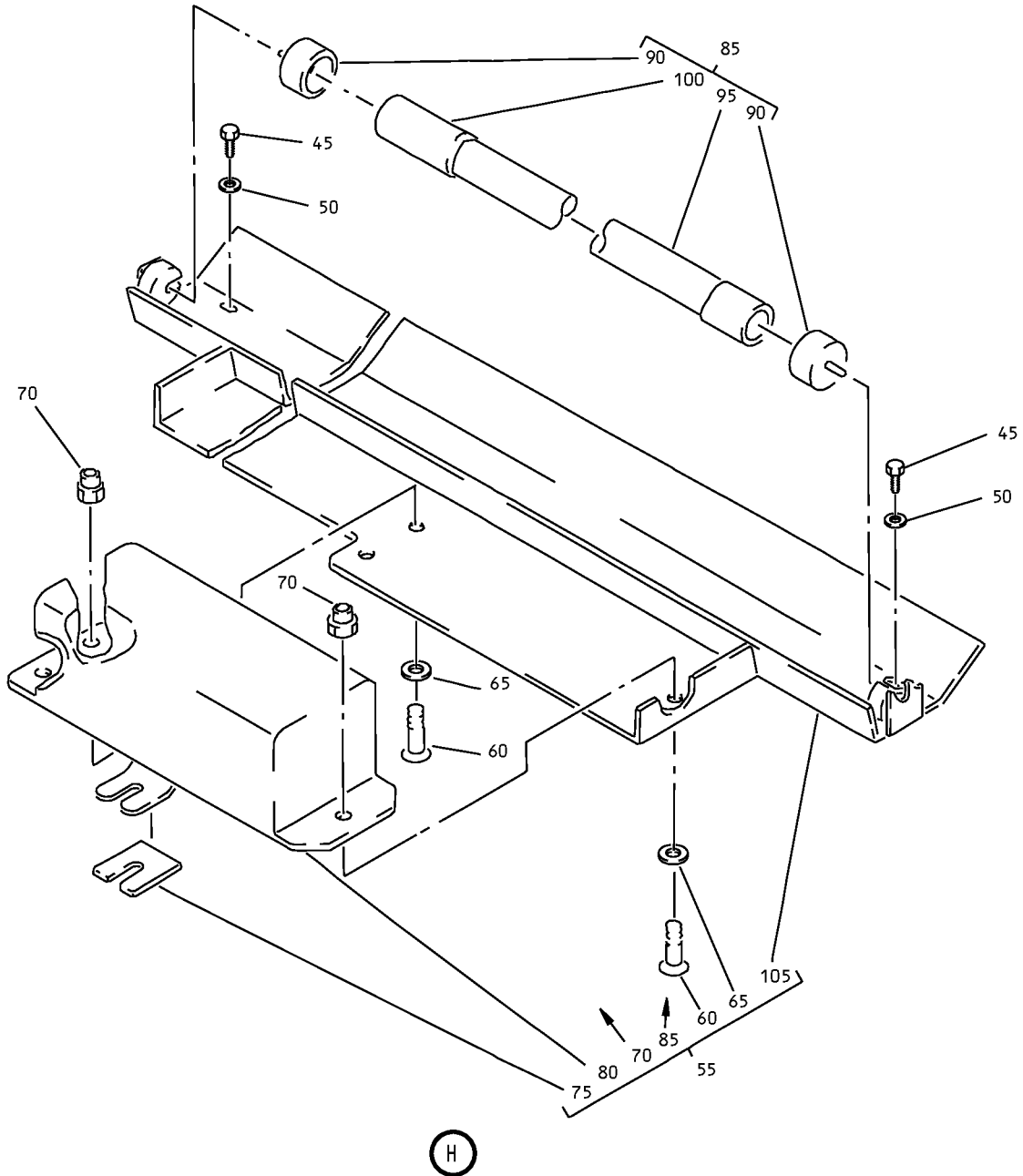
**25-28-49**

ILLUSTRATED PARTS LIST

Page 1098.435

Mar 01/2006

COMPONENT MAINTENANCE MANUAL



Overhead Storage Compartment Assembly  
IPL Figure 20 (Sheet 5 of 5)

**25-28-49**

ILLUSTRATED PARTS LIST

Page 1098.436

Mar 01/2006



## COMPONENT MAINTENANCE MANUAL

FIG/ ITEM	PART NUMBER	AIRLINE PART NUMBER	NOMENCLATURE							USAGE CODE	UNITS PER ASSY
			1	2	3	4	5	6	7		
20-											
-1	65C32944-329SP									DZ	RF
5	BACB30NM3K1									DZ	4
10	BACB30NM3K9									DZ	2
15	BACB30NN3K9									DZ	2
20	AN960D10									DZ	5
25	412N1119-58									DZ	1

-Item not Illustrated

# 25-28-49

ILLUSTRATED PARTS LIST

Page 1098.437

Mar 01/2006



## COMPONENT MAINTENANCE MANUAL

FIG/ ITEM	PART NUMBER	AIRLINE PART NUMBER	NOMENCLATURE							USAGE CODE	UNITS PER ASSY
			1	2	3	4	5	6	7		
20-											
30	BACB30NM3K1		.	BOLT						DZ	5
				(V06710)							
				(SPEC BACB30NM3K1)							
				(OPT BACB30NM3K1 (V06725))							
				(OPT BACB30NM3K1 (V06950))							
				(OPT BACB30NM3K1 (V08524))							
				(OPT BACB30NM3K1 (V27624))							
				(OPT BACB30NM3K1 (V56878))							
				(OPT BACB30NM3K1 (V73197))							
				(OPT BACB30NM3K1 (V80539))							
				(OPT BACB30NM3K1 (V92215))							
				(OPT BACB30NM3K1 (V93907))							
				(OPT BACB30NM3K1 (V97928))							
35	AN960JD10		.	WASHER						DZ	5
40	412N1119-63		.	FITTING						DZ	1
45	NAS1801-3-5		.	SCREW						DZ	2
50	AN960JD10LL		.	WASHER						DZ	2
55	417N5120-47SP		.	LIGHT ASSY						DZ	1
60	BACS12ER3K6		..	SCREW						DZ	3
				(V06710)							
				(SPEC BACS12ER3K6)							
				(OPT BACS12ER3K6 (V06725))							
				(OPT BACS12ER3K6 (V06950))							
				(OPT BACS12ER3K6 (V27624))							
				(OPT BACS12ER3K6 (V34252))							
				(OPT BACS12ER3K6 (V56878))							
				(OPT BACS12ER3K6 (V73197))							
				(OPT BACS12ER3K6 (V80539))							
				(OPT BACS12ER3K6 (V92215))							
				(OPT BACS12ER3K6 (V93907))							
				(OPT BACS12ER3K6 (V97928))							
65	BACW10UD10		..	WASHER						DZ	3
70	F22K1-02		..	NUT						DZ	1
				(V72962)							
				(SPEC BACN10R10L)							
				(OPT 22K1-02 (V72962))							
				(OPT 26CL02 (V80539))							
75	65C28117-3		..	PAD						DZ	1

-Item not Illustrated

# 25-28-49

ILLUSTRATED PARTS LIST

Page 1098.438

Mar 01/2006



## COMPONENT MAINTENANCE MANUAL

FIG/ ITEM	PART NUMBER	AIRLINE PART NUMBER	NOMENCLATURE							USAGE CODE	UNITS PER ASSY	
			1	2	3	4	5	6	7			
20- 80	05939-7		. .							BALLAST (V17023) (SPEC S283N702-7) (OPT 1987-1 (V30242)) (OPT ITEM 80B)	DZ	1
-80A	1987-1		. .							BALLAST (V30242) (SPEC S283N702-7) (OPT 05939-7 (V17023)) (OPT ITEM 80B)	DZ	1
-80B	05939-107		. .							BALLAST (V17023) (SPEC S283N702-107) (OPT ITEM 80, 80A)	DZ	1
85	417N5120-12		. .							LAMP ASSY	DZ	1
90	2055132		. . .							CAP-END (V04169)	DZ	2
95	F15T8WW		. . .							LAMP-FLUOR. (V08805)	DZ	1
100	LP1610-18		. . .							TUBE-COVER (V60116) (OPT ITEM 100A)	DZ	1
-100A	NI060LGWUV1000		. . .							TUBE-COVER (V06034) (OPT ITEM 100)	DZ	1
105	S417N507-37W		. .							HOUSING-CLG (PEPPERDUST/DARK GRAY TRIM)	DZ	1
110	NAS1801-3-11		. .							SCREW	DZ	1
115	BACS18C8-6		. .							SPACER	DZ	1
120	MS24585-1230		. .							SPRING	DZ	1
125	411N3142-28		. .							WASHER-CUPPED	DZ	1
130	65C27481-30		. .							BRACKET ASSY	DZ	1
135	BACS12FA3K4		. .							SCREW	DZ	2
140	BACR15BA3A		. .							RIVET (SIZE DETERMINED ON INST)	DZ	2

-Item not Illustrated

**25-28-49**

ILLUSTRATED PARTS LIST

Page 1098.439

Mar 01/2006



## COMPONENT MAINTENANCE MANUAL

FIG/ ITEM	PART NUMBER	AIRLINE PART NUMBER	NOMENCLATURE							USAGE CODE	UNITS PER ASSY	
			1	2	3	4	5	6	7			
20- 145	F5000-3BAC		.	.	NUTPLATE (V15653) (SPEC BACN10JR3F) (OPT NS103203-02 (V80539)) (OPT RMF9201-3 (V72962)) (OPT T8091S1032 (V11815)) (OPT VN152A1-02 (V92215)) (OPT BRF200A3 (V52828))						DZ	1
150	65C27481-31		.	.	BRACKET						DZ	1
155	BACS12ER3K6		.	.	SCREW (V06710) (SPEC BACS12ER3K6) (OPT BACS12ER3K6 (V06725)) (OPT BACS12ER3K6 (V06950)) (OPT BACS12ER3K6 (V27624)) (OPT BACS12ER3K6 (V34252)) (OPT BACS12ER3K6 (V56878)) (OPT BACS12ER3K6 (V73197)) (OPT BACS12ER3K6 (V80539)) (OPT BACS12ER3K6 (V92215)) (OPT BACS12ER3K6 (V93907)) (OPT BACS12ER3K6 (V97928))						DZ	4
160	412N1119-38		.	.	FITTING ASSY						DZ	1
165	BACB28B6-220P		.	.	BUSHING						DZ	1
170	412N1119-40		.	.	FITTING						DZ	1
175	65C27017-16		.	.	SHIM						DZ	1
180	BACB30NM3K1		.	.	BOLT (V06710) (SPEC BACB30NM3K1) (OPT BACB30NM3K1 (V06725)) (OPT BACB30NM3K1 (V06950)) (OPT BACB30NM3K1 (V08524)) (OPT BACB30NM3K1 (V27624)) (OPT BACB30NM3K1 (V56878)) (OPT BACB30NM3K1 (V73197)) (OPT BACB30NM3K1 (V80539)) (OPT BACB30NM3K1 (V92215)) (OPT BACB30NM3K1 (V93907)) (OPT BACB30NM3K1 (V97928))					DZ	8	
185	AN960JD10		.	.	WASHER						DZ	8
190	412N1119-12		.	.	FITTING						DZ	2

-Item not Illustrated

# 25-28-49

ILLUSTRATED PARTS LIST

Page 1098.440

Mar 01/2006





## COMPONENT MAINTENANCE MANUAL

FIG/ ITEM	PART NUMBER	AIRLINE PART NUMBER	NOMENCLATURE							USAGE CODE	UNITS PER ASSY				
			1	2	3	4	5	6	7						
20- 195	BACS12FA3K5		.	S	C	R	E	W		DZ	17				
				(V06710)	(SPEC BACS12FA3K5)	(OPT BACS12FA3K5 (V06725))	(OPT BACS12FA3K5 (V06950))	(OPT BACS12FA3K5 (V27624))	(OPT BACS12FA3K5 (V34252))	(OPT BACS12FA3K5 (V56878))	(OPT BACS12FA3K5 (V73197))	(OPT BACS12FA3K5 (V80539))	(OPT BACS12FA3K5 (V92215))	(OPT BACS12FA3K5 (V93907))	(OPT BACS12FA3K5 (V97928))
200	BACB30PF4-3		.	B	O	L	T			DZ	1				
205	AN960C416L		.	W	A	S	H	E	R	DZ	1				
210	NAS1515F4H		.	W	A	S	H	E	R	DZ	1				
215	NAS1515M4L		.	W	A	S	H	E	R	DZ	1				
220	412N1145-30		.	B	R	A	C	K	E	DZ	1				
225	65C27017-43		.	B	R	A	C	K	E	DZ	4				
230	412N1145-29		.	B	R	A	C	K	E	DZ	4				
235	65C32946-60SP		.	C	A	P	A	S	S	DZ	1				
240	SL2334-3A4		.	.	I	N	S	E	R	DZ	9				
				(V97393)											
245	65C27026-184SP		.	P	A	N	E	L	A	DZ	1				
250	NAS1836-3-11		.	.	I	N	S	E	R	DZ	4				
				(OPT ITEM 250A)											
-250A	NAS1836-3-9		.	.	I	N	S	E	R	DZ	4				
				(OPT ITEM 250)											
255	412N1130-5SP		.	T	R	I	M	-	V	DZ	1				
260	65C32944-8		.	S	T	O	P	P	E	DZ	1				
265	65C32944-329SP		.	C	O	M	P	A	R	DZ	1				
				(FOR DETAILS SEE FIG. 30)											

-Item not Illustrated

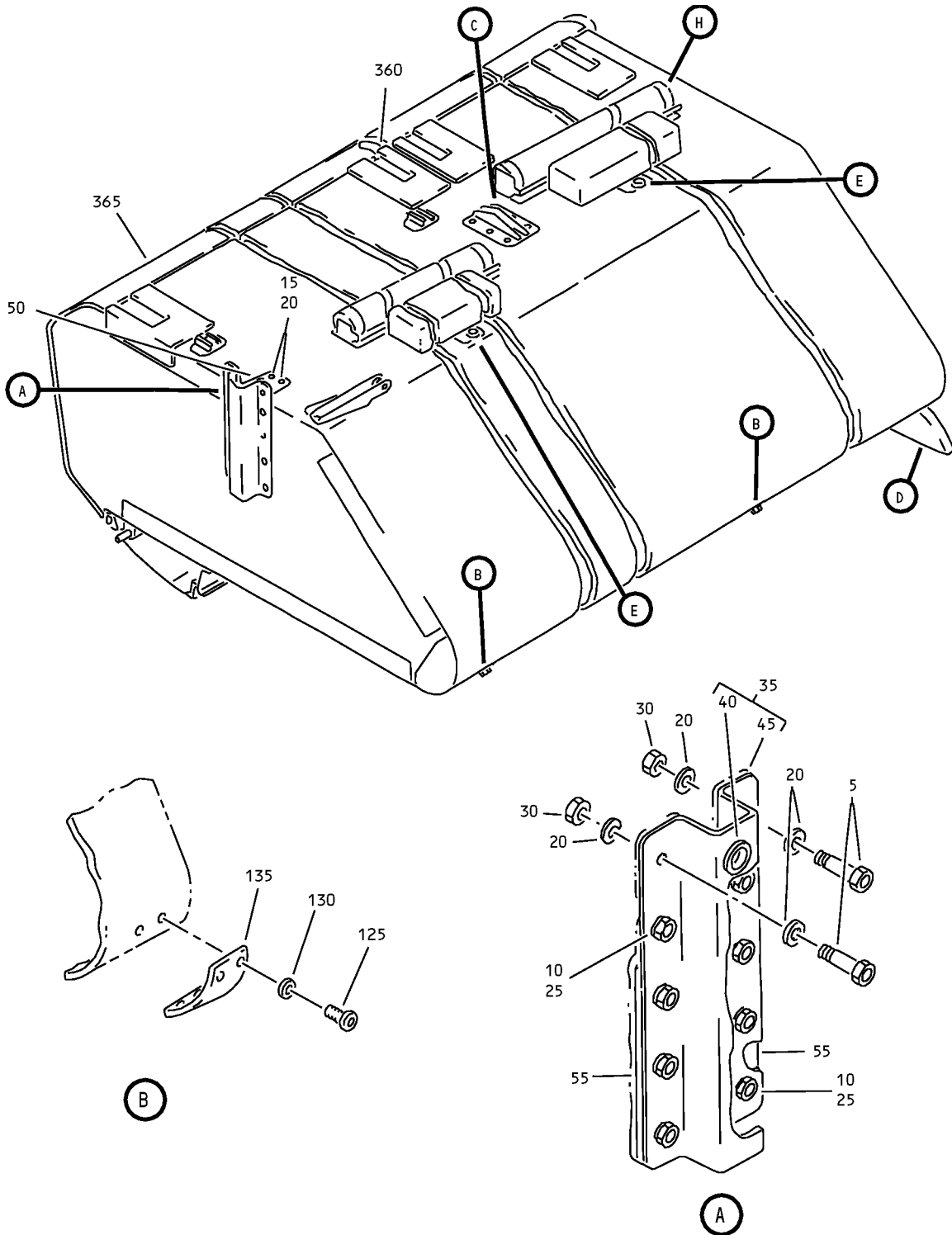
# 25-28-49

ILLUSTRATED PARTS LIST

Page 1098.441

Mar 01/2006

COMPONENT MAINTENANCE MANUAL



Overhead Stowage Compartment Assembly  
IPL Figure 21 (Sheet 1 of 4)

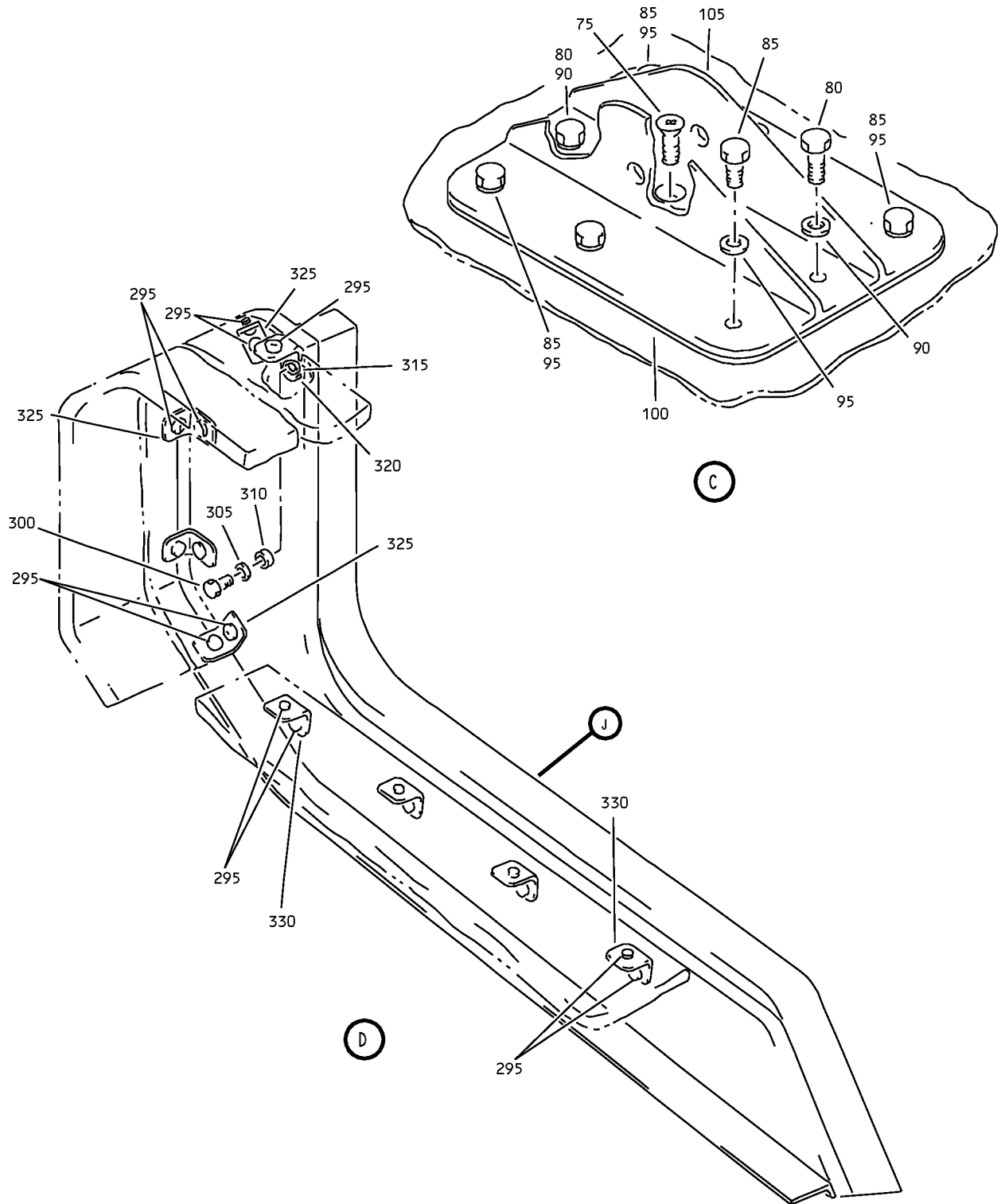
**25-28-49**

ILLUSTRATED PARTS LIST

Page 1098.442

Mar 01/2006

# COMPONENT MAINTENANCE MANUAL



Overhead Storage Compartment Assembly  
IPL Figure 21 (Sheet 2 of 4)

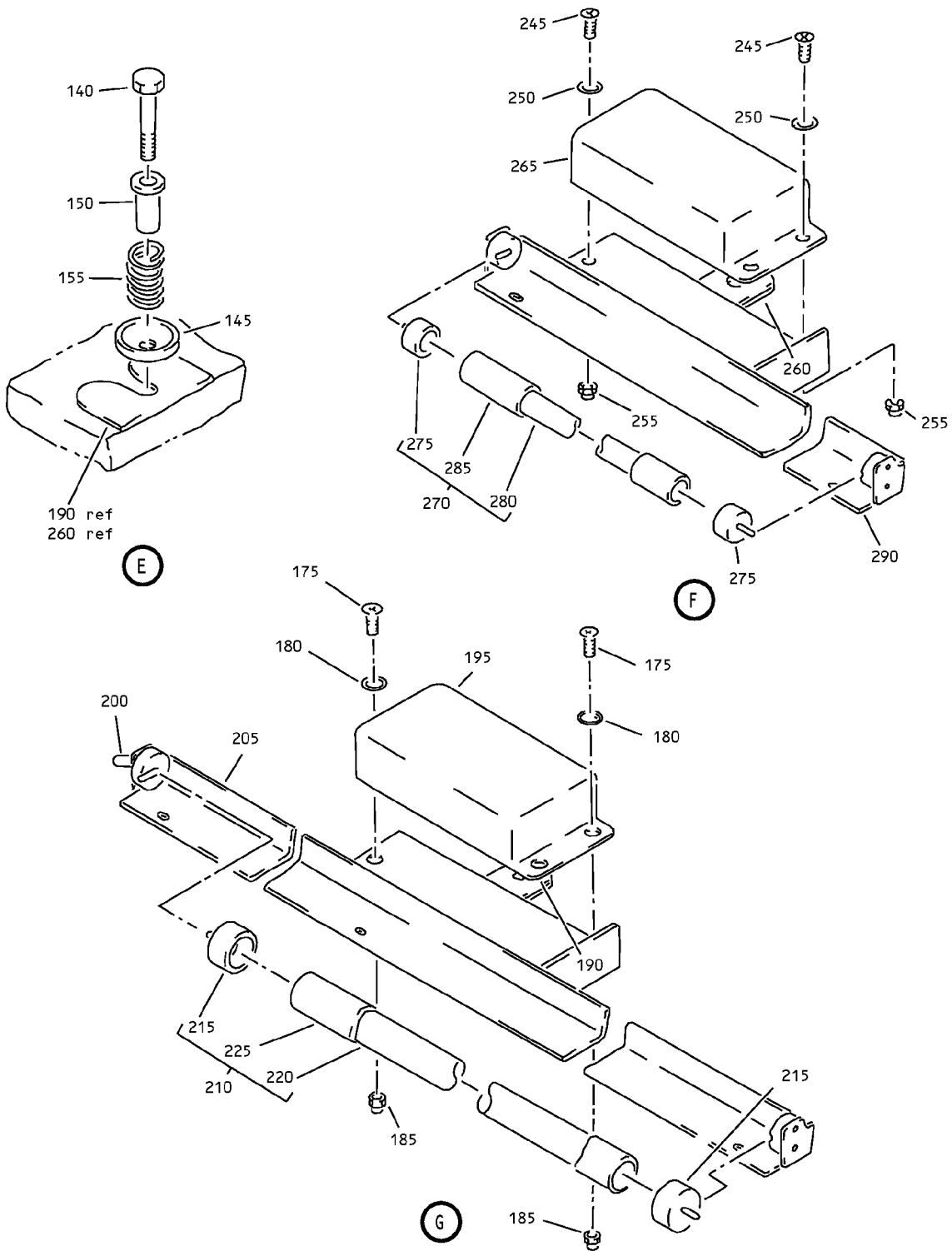
## 25-28-49

ILLUSTRATED PARTS LIST

Page 1098.443

Mar 01/2006

COMPONENT MAINTENANCE MANUAL



Overhead Storage Compartment Assembly  
IPL Figure 21 (Sheet 3 of 4)

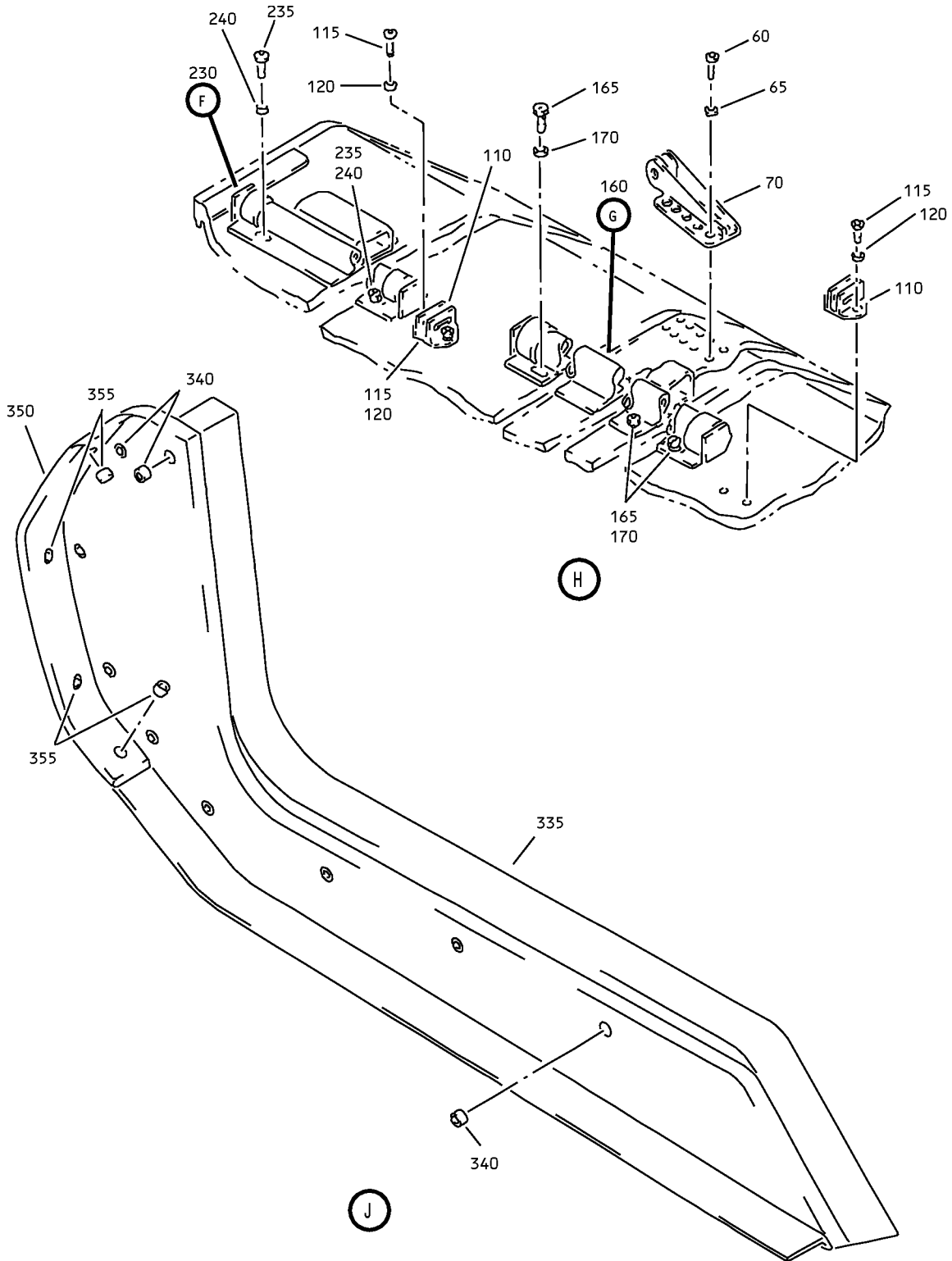
**25-28-49**

ILLUSTRATED PARTS LIST

Page 1098.444

Mar 01/2006

COMPONENT MAINTENANCE MANUAL



Overhead Storage Compartment Assembly  
IPL Figure 21 (Sheet 4 of 4)

**25-28-49**

ILLUSTRATED PARTS LIST

Page 1098.445

Mar 01/2006



## COMPONENT MAINTENANCE MANUAL

FIG/ ITEM	PART NUMBER	AIRLINE PART NUMBER	NOMENCLATURE							USAGE CODE	UNITS PER ASSY	
			1	2	3	4	5	6	7			
21-												
-1	65C32944-37SP									COMPARTMENT ASSY-OVERHEAD STOWAGE	AH	RF
5	BACB30NM3K3									. BOLT (V06710) (SPEC BACB30NM3K3) (OPT BACB30NM3K3 (V06725)) (OPT BACB30NM3K3 (V06950)) (OPT BACB30NM3K3 (V08524)) (OPT BACB30NM3K3 (V27624)) (OPT BACB30NM3K3 (V56878)) (OPT BACB30NM3K3 (V73197)) (OPT BACB30NM3K3 (V80539)) (OPT BACB30NM3K3 (V92215)) (OPT BACB30NM3K3 (V93907)) (OPT BACB30NM3K3 (V97928))	AH	2
10	BACB30NM3K2									. BOLT (V06710) (SPEC BACB30NM3K2) (OPT BACB30NM3K2 (V06725)) (OPT BACB30NM3K2 (V06950)) (OPT BACB30NM3K2 (V08524)) (OPT BACB30NM3K2 (V27624)) (OPT BACB30NM3K2 (V56878)) (OPT BACB30NM3K2 (V73197)) (OPT BACB30NM3K2 (V80539)) (OPT BACB30NM3K2 (V92215)) (OPT BACB30NM3K2 (V93907)) (OPT BACB30NM3K2 (V97928))	AH	8
15	BACB30NM3K1									. BOLT (V06710) (SPEC BACB30NM3K1) (OPT BACB30NM3K1 (V06725)) (OPT BACB30NM3K1 (V06950)) (OPT BACB30NM3K1 (V08524)) (OPT BACB30NM3K1 (V27624)) (OPT BACB30NM3K1 (V56878)) (OPT BACB30NM3K1 (V73197)) (OPT BACB30NM3K1 (V80539)) (OPT BACB30NM3K1 (V92215)) (OPT BACB30NM3K1 (V93907)) (OPT BACB30NM3K1 (V97928))	AH	4
20	AN960JD10LL									. WASHER	AH	8
25	AN960JD10									. WASHER	AH	8

-Item not Illustrated

# 25-28-49

ILLUSTRATED PARTS LIST

Page 1098.446

Mar 01/2006



## COMPONENT MAINTENANCE MANUAL

FIG/ ITEM	PART NUMBER	AIRLINE PART NUMBER	NOMENCLATURE							USAGE CODE	UNITS PER ASSY
			1	2	3	4	5	6	7		
21-											
30	MS21042L3		.	NUT						AH	2
35	65C27017-21		.	BRACKET ASSY						AH	1
40	BACB28B6-235P		.	BUSHING						AH	1
45	65C27017-24		.	BRACKET						AH	1
50	412N1119-41		.	FITTING						AH	1
55	65C27017-15		.	SHIM						AH	2
60	BACB30NM3K1		.	BOLT						AH	10
				(V06710)							
				(SPEC BACB30NM3K1)							
				(OPT BACB30NM3K1 (V06725))							
				(OPT BACB30NM3K1 (V06950))							
				(OPT BACB30NM3K1 (V08524))							
				(OPT BACB30NM3K1 (V27624))							
				(OPT BACB30NM3K1 (V56878))							
				(OPT BACB30NM3K1 (V73197))							
				(OPT BACB30NM3K1 (V80539))							
				(OPT BACB30NM3K1 (V92215))							
				(OPT BACB30NM3K1 (V93907))							
				(OPT BACB30NM3K1 (V97928))							
65	AN960JD10		.	WASHER						AH	10
70	412N1161-4		.	FITTING						AH	1
75	BACB30NN3K10		.	BOLT						AH	1
				(V06710)							
				(SPEC BACB30NN3K10)							
				(OPT BACB30NN3K10 (V06725))							
				(OPT BACB30NN3K10 (V06950))							
				(OPT BACB30NN3K10 (V08524))							
				(OPT BACB30NN3K10 (V27624))							
				(OPT BACB30NN3K10 (V56878))							
				(OPT BACB30NN3K10 (V73197))							
				(OPT BACB30NN3K10 (V80539))							
				(OPT BACB30NN3K10 (V92215))							
				(OPT BACB30NN3K10 (V93907))							
				(OPT BACB30NN3K10 (V97928))							

-Item not Illustrated

# 25-28-49

ILLUSTRATED PARTS LIST

Page 1098.447

Mar 01/2006



## COMPONENT MAINTENANCE MANUAL

FIG/ ITEM	PART NUMBER	AIRLINE PART NUMBER	NOMENCLATURE							USAGE CODE	UNITS PER ASSY												
			1	2	3	4	5	6	7														
21- 80	BACB30NM3K10		.	B	O	L	T				AH	2											
				(V06710)	(SPEC BACB30NM3K10)	(OPT BACB30NM3K10 (V06725))	(OPT BACB30NM3K10 (V06950))	(OPT BACB30NM3K10 (V08524))	(OPT BACB30NM3K10 (V27624))	(OPT BACB30NM3K10 (V56878))													
				(OPT BACB30NM3K10 (V73197))	(OPT BACB30NM3K10 (V80539))	(OPT BACB30NM3K10 (V92215))	(OPT BACB30NM3K10 (V93907))	(OPT BACB30NM3K10 (V97928))															
85	BACB30NM3K1		.	B	O	L	T				AH	6											
				(V06710)	(SPEC BACB30NM3K1)	(OPT BACB30NM3K1 (V06725))	(OPT BACB30NM3K1 (V06950))	(OPT BACB30NM3K1 (V08524))	(OPT BACB30NM3K1 (V27624))	(OPT BACB30NM3K1 (V56878))													
				(OPT BACB30NM3K1 (V73197))	(OPT BACB30NM3K1 (V80539))	(OPT BACB30NM3K1 (V92215))	(OPT BACB30NM3K1 (V93907))	(OPT BACB30NM3K1 (V97928))															
90	AN960JD10LL		.	W	A	S	H	E	R		AH	2											
95	AN960JD10		.	W	A	S	H	E	R		AH	6											
100	412N1119-60		.	F	I	L	L	E	R		AH	1											
105	412N1119-59		.	F	I	T	T	I	N	G	AH	1											
110	411N3134-1		.	B	R	A	C	K	E	T	A	S	S	Y	-	S	L	I	D	E		AH	2

-Item not Illustrated

# 25-28-49

ILLUSTRATED PARTS LIST

Page 1098.448

Mar 01/2006





COMPONENT MAINTENANCE MANUAL

FIG/ ITEM	PART NUMBER	AIRLINE PART NUMBER	NOMENCLATURE							USAGE CODE	UNITS PER ASSY
			1	2	3	4	5	6	7		
21-			ATTACHING PARTS								
115	BACB30NM3K1		. BOLT (V06710) (SPEC BACB30NM3K1) (OPT BACB30NM3K1 (V06725)) (OPT BACB30NM3K1 (V06950)) (OPT BACB30NM3K1 (V08524)) (OPT BACB30NM3K1 (V27624)) (OPT BACB30NM3K1 (V56878)) (OPT BACB30NM3K1 (V73197)) (OPT BACB30NM3K1 (V80539)) (OPT BACB30NM3K1 (V92215)) (OPT BACB30NM3K1 (V93907)) (OPT BACB30NM3K1 (V97928))							AH	4
120	AN960JD10		. WASHER							AH	4
125	BACB30NM3K1		. BOLT (V06710) (SPEC BACB30NM3K1) (OPT BACB30NM3K1 (V06725)) (OPT BACB30NM3K1 (V06950)) (OPT BACB30NM3K1 (V08524)) (OPT BACB30NM3K1 (V27624)) (OPT BACB30NM3K1 (V56878)) (OPT BACB30NM3K1 (V73197)) (OPT BACB30NM3K1 (V80539)) (OPT BACB30NM3K1 (V92215)) (OPT BACB30NM3K1 (V93907)) (OPT BACB30NM3K1 (V97928))							AH	8
130	AN960JD10		. WASHER							AH	8
135	412N1119-12		. FITTING							AH	2
140	NAS1801-3-11		. SCREW							AH	2
145	411N3142-28		. WASHER-CUPPED							AH	2
150	BACS18C8-6		. SPACER							AH	2
155	MS24585-1230		. SPRING							AH	2
160	417N5120-14SP		. LIGHT ASSY							AH	1
			ATTACHING PARTS								
165	NAS1801-3-5		. SCREW							AH	3
170	AN960JD10LL		. WASHER							AH	3
			-----*								

-Item not Illustrated

**25-28-49**

ILLUSTRATED PARTS LIST

Page 1098.449

Mar 01/2006



## COMPONENT MAINTENANCE MANUAL

FIG/ ITEM	PART NUMBER	AIRLINE PART NUMBER	NOMENCLATURE							USAGE CODE	UNITS PER ASSY
			1	2	3	4	5	6	7		
21- -175	BACS12ER3K6		. .	SCREW						AH	3
				(V06710)							
				(SPEC BACS12ER3K6)							
				(OPT BACS12ER3K6 (V06725))							
				(OPT BACS12ER3K6 (V06950))							
				(OPT BACS12ER3K6 (V27624))							
				(OPT BACS12ER3K6 (V34252))							
				(OPT BACS12ER3K6 (V56878))							
				(OPT BACS12ER3K6 (V73197))							
				(OPT BACS12ER3K6 (V80539))							
				(OPT BACS12ER3K6 (V92215))							
				(OPT BACS12ER3K6 (V93907))							
				(OPT BACS12ER3K6 (V97928))							
180	BACW10UD10		. .	WASHER						AH	3
185	F22K1-02		. .	NUT						AH	3
				(V72962)							
				(SPEC BACN10R10L)							
				(OPT 22K1-02 (V72962))							
				(OPT 26CL02 (V80539))							
190	65C28117-3		. .	PAD						AH	1
195	05939-3		. .	BALLAST						AH	1
				(V17023)							
				(SPEC S283N702-3)							
				(OPT 1983-1 (V30242))							
				(OPT ITEM 195B)							
-195A	1983-1		. .	BALLAST						AH	1
				(V30242)							
				(SPEC S283N702-3)							
				(OPT 05939-3 (V17023))							
				(OPT ITEM 195B)							
-195B	05939-103		. .	BALLAST						AH	1
				(V17023)							
				(SPEC S283N702-103)							
				(OPT ITEM 195, 195A)							
200	1864		. .	BULB						AH	1
				(V03494)							
205	800000255-11		. .	LIGHT ASSY						AH	1
				(V05617)							
				(SPEC S417N507-11)							
				(FOR DETAILS SEE FIG. 80)							
210	417N5120-10		. .	LAMP ASSY						AH	1

-Item not Illustrated

# 25-28-49

ILLUSTRATED PARTS LIST

Page 1098.450

Jul 01/2009



## COMPONENT MAINTENANCE MANUAL

FIG/ ITEM	PART NUMBER	AIRLINE PART NUMBER	NOMENCLATURE							USAGE CODE	UNITS PER ASSY
			1	2	3	4	5	6	7		
21-											
215	2055150		. . .	CAP-END						AH	2
				(V04169)							
220	F40WW		. . .	LAMP-FLUOR						AH	1
				(V08805)							
225	LP1625-48		. . .	TUBE-COVER						AH	1
				(V60116)							
				(OPT ITEM 225A)							
-225A	NI312LGWUV1000		. . .	TUBE-COVER						AH	1
				(V06034)							
				(OPT ITEM 225)							
230	417N5120-20		. LIGHT ASSY							AH	1
			ATTACHING PARTS								
235	NAS1801-3-5		. SCREW							AH	2
240	AN960JD10LL		. WASHER							AH	2
			-----*								
245	BACS12ER3K6		. . SCREW							AH	3
				(V06710)							
				(SPEC BACS12ER3K6)							
				(OPT BACS12ER3K6 (V06725))							
				(OPT BACS12ER3K6 (V06950))							
				(OPT BACS12ER3K6 (V27624))							
				(OPT BACS12ER3K6 (V34252))							
				(OPT BACS12ER3K6 (V56878))							
				(OPT BACS12ER3K6 (V73197))							
				(OPT BACS12ER3K6 (V80539))							
				(OPT BACS12ER3K6 (V92215))							
				(OPT BACS12ER3K6 (V93907))							
				(OPT BACS12ER3K6 (V97928))							
250	BACW10UD10		. . WASHER							AH	3
255	F22K1-02		. . NUT							AH	3
				(V72962)							
				(SPEC BACN10R10L)							
				(OPT 22K1-02 (V72962))							
				(OPT 26CL02 (V80539))							
260	65C28117-3		. . PAD							AH	1
265	05939-7		. . BALLAST							AH	1
				(V17023)							
				(SPEC S283N702-7)							
				(OPT 1987-1 (V30242))							
				(OPT ITEM 265B)							

-Item not Illustrated

# 25-28-49

ILLUSTRATED PARTS LIST

Page 1098.451

Mar 01/2006



## COMPONENT MAINTENANCE MANUAL

FIG/ ITEM	PART NUMBER	AIRLINE PART NUMBER	NOMENCLATURE	USAGE CODE	UNITS PER ASSY
21- -265A	1987-1		. . BALLAST (V30242) (SPEC S283N702-7) (OPT 05939-7 (V17023)) (OPT ITEM 265B)	AH	1
-265B	05939-107		. . BALLAST (V17023) (SPEC S283N702-107) (OPT ITEM 265, 265A)	AH	1
270	417N5120-12		. . LAMP ASSY	AH	1
275	2055132		. . . CAP-END (V04169)	AH	2
280	F15T8WW		. . . LAMP-FLUOR. (V08805)	AH	1
285	LP1610-18		. . . TUBE-COVER (V60116) (OPT ITEM 285A)	AH	1
-285A	NI060LGWUV1000		. . . TUBE-COVER (V06034) (OPT ITEM 285)	AH	1
290	800000255-17		. . LIGHT ASSY-CLG (V05617) (SPEC S417N507-17) (FOR DETAILS SEE FIG. 80)	AH	1
295	BACS12FA3K5		. SCREW (V06710) (SPEC BACS12FA3K5) (OPT BACS12FA3K5 (V06725)) (OPT BACS12FA3K5 (V06950)) (OPT BACS12FA3K5 (V27624)) (OPT BACS12FA3K5 (V34252)) (OPT BACS12FA3K5 (V56878)) (OPT BACS12FA3K5 (V73197)) (OPT BACS12FA3K5 (V80539)) (OPT BACS12FA3K5 (V92215)) (OPT BACS12FA3K5 (V93907)) (OPT BACS12FA3K5 (V97928))	AH	17
300	BACB30PF4-3		. BOLT	AH	1
305	AN960C416L		. WASHER	AH	1
310	NAS1515F4H		. WASHER	AH	1
315	NAS1515M4L		. WASHER	AH	1

-Item not Illustrated

# 25-28-49

ILLUSTRATED PARTS LIST

Page 1098.452

Mar 01/2006



## COMPONENT MAINTENANCE MANUAL

FIG/ ITEM	PART NUMBER	AIRLINE PART NUMBER	NOMENCLATURE							USAGE CODE	UNITS PER ASSY	
			1	2	3	4	5	6	7			
21-												
320	412N1145-30		.							BRACKET	AH	1
325	65C27017-43		.							BRACKET	AH	4
330	412N1145-29		.							BRACKET	AH	4
335	65C32946-3SP		.							CAP ASSY-END	AH	1
340	SL2334-3A2		.	.						INSERT (V97393)	AH	9
345	SL2334-3A2									DELETED		
350	65C27026-33SP		.							PANEL ASSY-FILLER	AH	1
355	NAS1836-3-11		.	.						INSERT (OPT ITEM 355A)	AH	4
-355A	NAS1836-3-9		.	.						INSERT (OPT ITEM 355)	AH	4
360	412N1130-5SP		.							TRIM-VERTICAL	AH	1
365	65C32945-37SP		.							MODULE ASSY (FOR DETAILS SEE FIG. 28)	AH	1

-Item not Illustrated

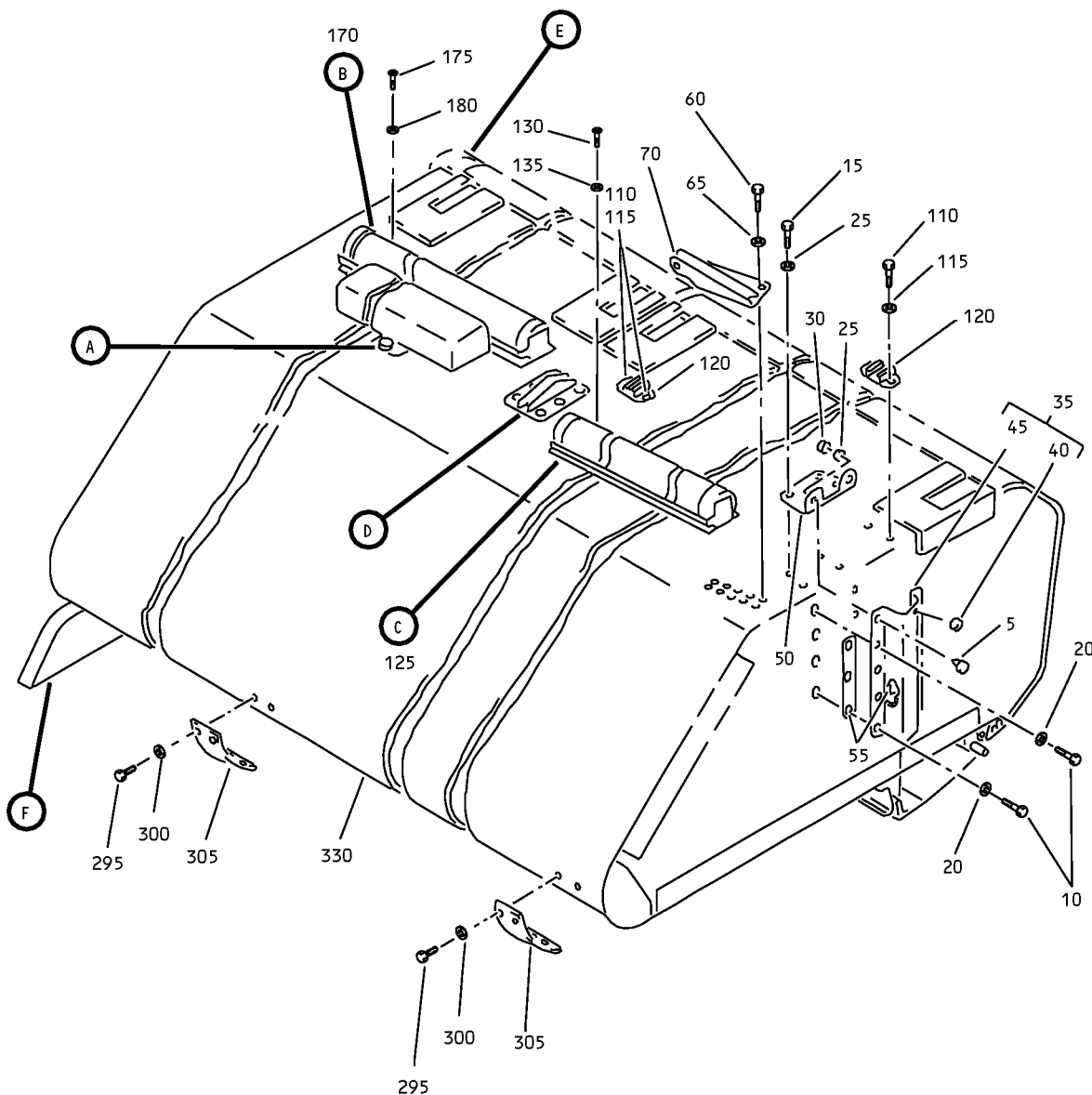
# 25-28-49

ILLUSTRATED PARTS LIST

Page 1098.453

Mar 01/2006

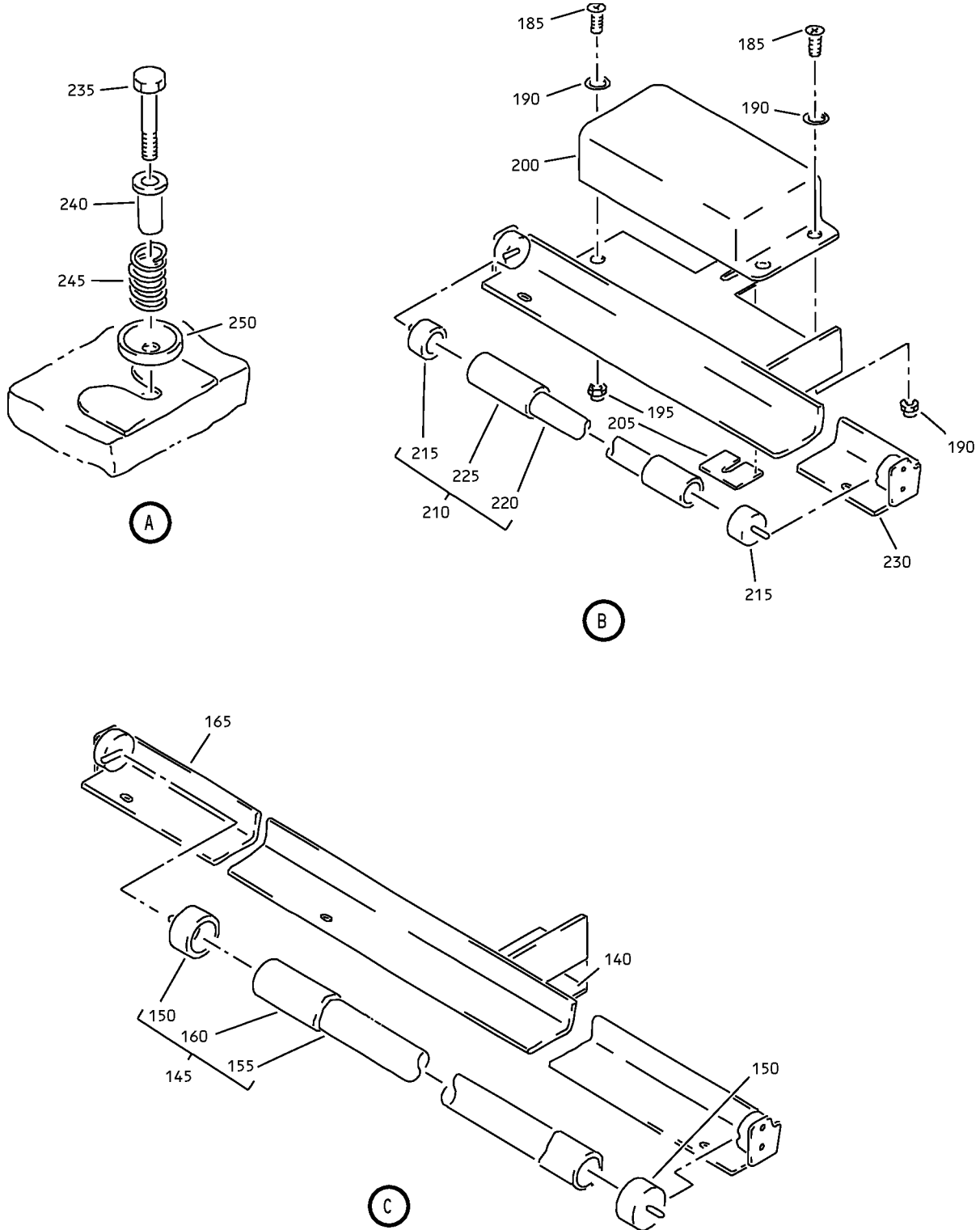
# COMPONENT MAINTENANCE MANUAL



Overhead Stowage Compartment Assembly  
IPL Figure 22 (Sheet 1 of 4)

**25-28-49**  
ILLUSTRATED PARTS LIST  
Page 1098.454  
Mar 01/2006

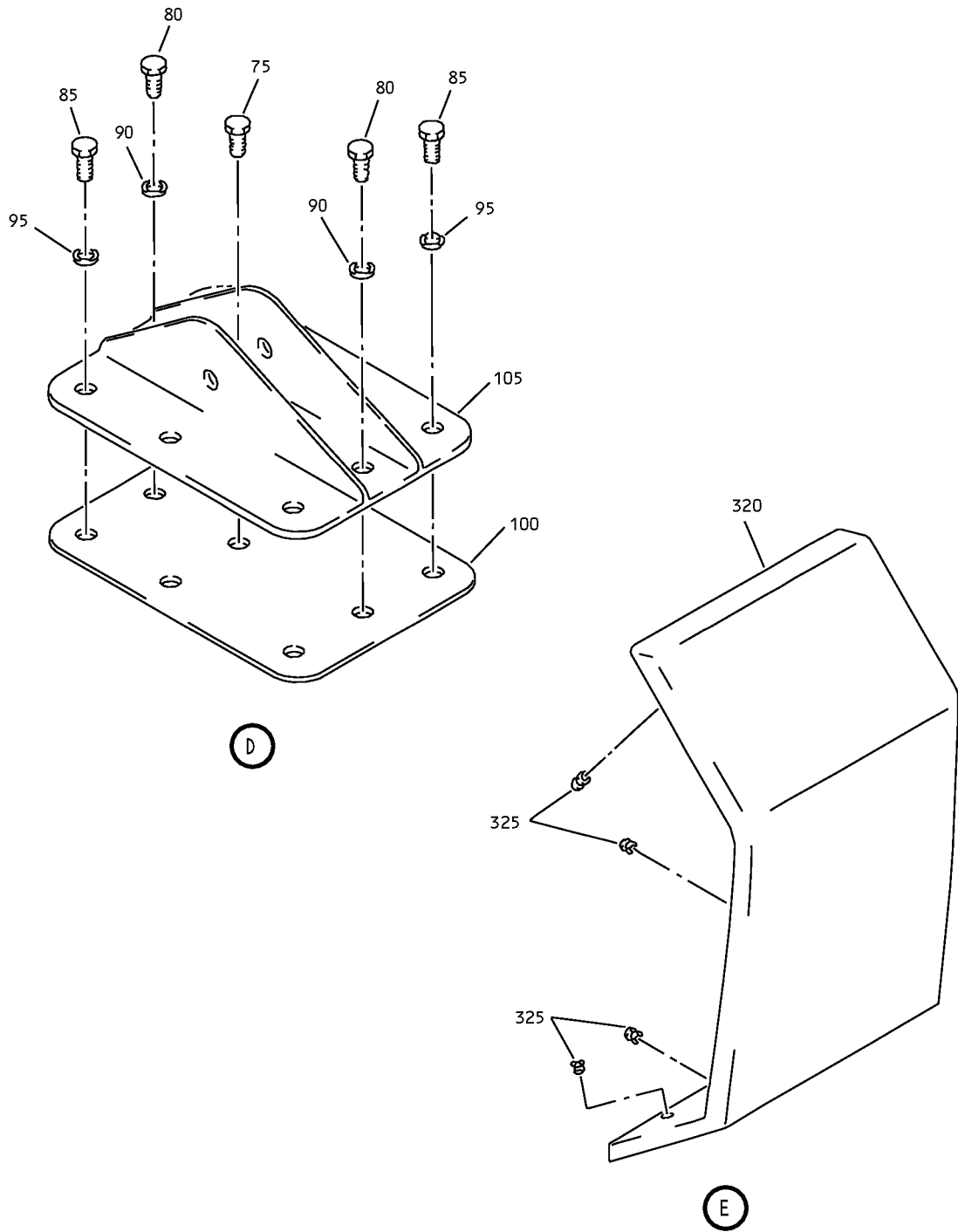
COMPONENT MAINTENANCE MANUAL



Overhead Storage Compartment Assembly  
 IPL Figure 22 (Sheet 2 of 4)

**25-28-49**  
 ILLUSTRATED PARTS LIST  
 Page 1098.455  
 Mar 01/2006

COMPONENT MAINTENANCE MANUAL

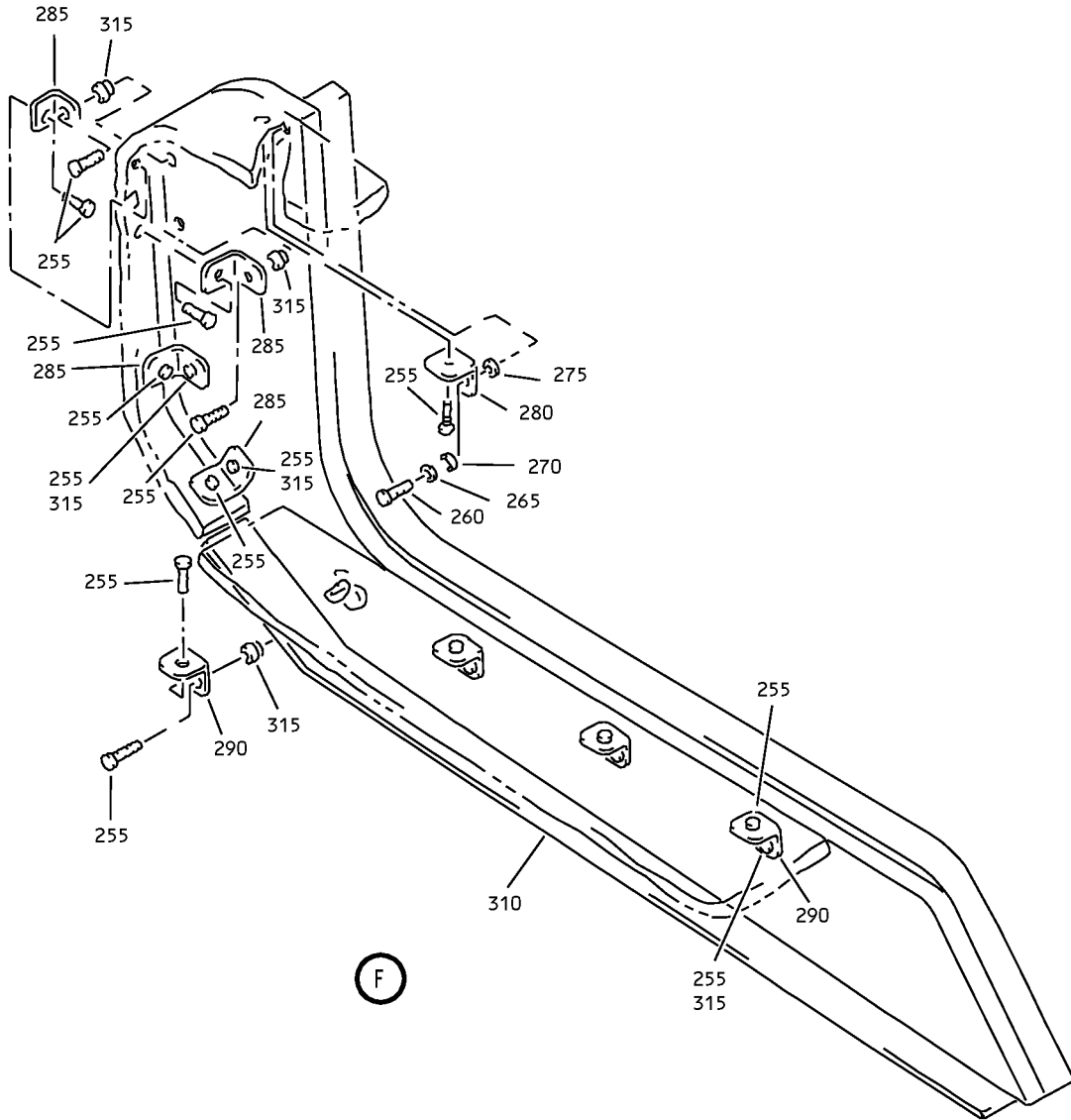


Overhead Storage Compartment Assembly  
IPL Figure 22 (Sheet 3 of 4)

**25-28-49**  
ILLUSTRATED PARTS LIST  
Page 1098.456  
Mar 01/2006



COMPONENT MAINTENANCE MANUAL



Overhead Stowage Compartment Assembly  
IPL Figure 22 (Sheet 4 of 4)

**25-28-49**

ILLUSTRATED PARTS LIST

Page 1098.457

Mar 01/2006



## COMPONENT MAINTENANCE MANUAL

FIG/ ITEM	PART NUMBER	AIRLINE PART NUMBER	NOMENCLATURE							USAGE CODE	UNITS PER ASSY
			1	2	3	4	5	6	7		
22-											
-1	65C32944-38SP									AJ	RF
5	BACB30NM3K3									AJ	2
10	BACB30NM3K2									AJ	8
15	BACB30NM3K1									AJ	4
20	AN960JD10									AJ	8
25	AN960JD10LL									AJ	6

-Item not Illustrated

# 25-28-49

ILLUSTRATED PARTS LIST

Page 1098.458

Mar 01/2006



## COMPONENT MAINTENANCE MANUAL

FIG/ ITEM	PART NUMBER	AIRLINE PART NUMBER	NOMENCLATURE							USAGE CODE	UNITS PER ASSY
			1	2	3	4	5	6	7		
22-											
30	MS21042L3		.	NUT						AJ	2
35	65C27017-22		.	BRACKET ASSY						AJ	1
40	BACB28B6-235P		.	. BUSHING						AJ	1
45	65C27017-24		.	. BRACKET						AJ	1
50	412N1119-41		.	FITTING						AJ	1
55	65C27017-15		.	SHIM						AJ	2
60	BACB30NM3K1		.	BOLT						AJ	10
				(V06710)							
				(SPEC BACB30NM3K1)							
				(OPT BACB30NM3K1 (V06725))							
				(OPT BACB30NM3K1 (V06950))							
				(OPT BACB30NM3K1 (V08524))							
				(OPT BACB30NM3K1 (V27624))							
				(OPT BACB30NM3K1 (V56878))							
				(OPT BACB30NM3K1 (V73197))							
				(OPT BACB30NM3K1 (V80539))							
				(OPT BACB30NM3K1 (V92215))							
				(OPT BACB30NM3K1 (V93907))							
				(OPT BACB30NM3K1 (V97928))							
65	AN960JD10		.	WASHER						AJ	10
70	412N1161-3		.	FITTING						AJ	1
75	BACB30NN3K10		.	BOLT						AJ	1
				(V06710)							
				(SPEC BACB30NN3K10)							
				(OPT BACB30NN3K10 (V06725))							
				(OPT BACB30NN3K10 (V06950))							
				(OPT BACB30NN3K10 (V08524))							
				(OPT BACB30NN3K10 (V27624))							
				(OPT BACB30NN3K10 (V56878))							
				(OPT BACB30NN3K10 (V73197))							
				(OPT BACB30NN3K10 (V80539))							
				(OPT BACB30NN3K10 (V92215))							
				(OPT BACB30NN3K10 (V93907))							
				(OPT BACB30NN3K10 (V97928))							

-Item not Illustrated

# 25-28-49

ILLUSTRATED PARTS LIST

Page 1098.459

Mar 01/2006



## COMPONENT MAINTENANCE MANUAL

FIG/ ITEM	PART NUMBER	AIRLINE PART NUMBER	NOMENCLATURE							USAGE CODE	UNITS PER ASSY	
			1	2	3	4	5	6	7			
22- 80	BACB30NM3K10		.	BOLT (V06710) (SPEC BACB30NM3K10) (OPT BACB30NM3K10 (V06725)) (OPT BACB30NM3K10 (V06950)) (OPT BACB30NM3K10 (V08524)) (OPT BACB30NM3K10 (V27624)) (OPT BACB30NM3K10 (V56878)) (OPT BACB30NM3K10 (V73197)) (OPT BACB30NM3K10 (V80539)) (OPT BACB30NM3K10 (V92215)) (OPT BACB30NM3K10 (V93907)) (OPT BACB30NM3K10 (V97928))							AJ	2
85	BACB30NM3K1		.	BOLT (V06710) (SPEC BACB30NM3K1) (OPT BACB30NM3K1 (V06725)) (OPT BACB30NM3K1 (V06950)) (OPT BACB30NM3K1 (V08524)) (OPT BACB30NM3K1 (V27624)) (OPT BACB30NM3K1 (V56878)) (OPT BACB30NM3K1 (V73197)) (OPT BACB30NM3K1 (V80539)) (OPT BACB30NM3K1 (V92215)) (OPT BACB30NM3K1 (V93907)) (OPT BACB30NM3K1 (V97928))							AJ	6
90	AN960JD10LL		.	WASHER							AJ	2
95	AN960JD10		.	WASHER							AJ	6
100	412N1119-60		.	FILLER							AJ	1
105	412N1119-59		.	FITTING							AJ	1
110	BACB30NM3K1		.	BOLT (V06710) (SPEC BACB30NM3K1) (OPT BACB30NM3K1 (V06725)) (OPT BACB30NM3K1 (V06950)) (OPT BACB30NM3K1 (V08524)) (OPT BACB30NM3K1 (V27624)) (OPT BACB30NM3K1 (V56878)) (OPT BACB30NM3K1 (V73197)) (OPT BACB30NM3K1 (V80539)) (OPT BACB30NM3K1 (V92215)) (OPT BACB30NM3K1 (V93907)) (OPT BACB30NM3K1 (V97928))							AJ	4
115	AN960JD10		.	WASHER							AJ	4

-Item not Illustrated

**25-28-49**

ILLUSTRATED PARTS LIST

Page 1098.460

Mar 01/2006



## COMPONENT MAINTENANCE MANUAL

FIG/ ITEM	PART NUMBER	AIRLINE PART NUMBER	NOMENCLATURE							USAGE CODE	UNITS PER ASSY
			1	2	3	4	5	6	7		
22-											
120	411N3134-1								. BRACKET ASSY-SLIDE	AJ	2
125	417N5120-17								. LIGHT ASSY	AJ	1
									ATTACHING PARTS		
130	NAS1801-3-5								. SCREW	AJ	3
135	AN960JD10LL								. WASHER	AJ	3
									-----*		
140	65C28117-3								. . PAD	AJ	1
145	417N5120-10								. . LAMP ASSY	AJ	1
150	2055150								. . . CAP-END (V04169)	AJ	2
155	F40WW								. . . LAMP-FLUOR (V08805)	AJ	1
160	NI312LGWUV1000								. . . TUBE-COVER (V06034) (OPT ITEM 160A)	AJ	1
-160A	LP1625-48								. . . TUBE-COVER (V60116) (OPT ITEM 160)	AJ	1
165	800000255-14								. . LIGHT ASSY-CLG (V05617) (SPEC S417N507-14) (FOR DETAILS SEE FIG. 80)	AJ	1
170	417N5120-20								. LIGHT ASSY	AJ	1
									ATTACHING PARTS		
175	NAS1801-3-5								. SCREW	AJ	2
180	AN960JD10LL								. WASHER	AJ	2
									-----*		

-Item not Illustrated

# 25-28-49

ILLUSTRATED PARTS LIST

Page 1098.461

Mar 01/2006



## COMPONENT MAINTENANCE MANUAL

FIG/ ITEM	PART NUMBER	AIRLINE PART NUMBER	NOMENCLATURE							USAGE CODE	UNITS PER ASSY
			1	2	3	4	5	6	7		
22- -185	BACS12ER3K6		. .	SCREW						AJ	3
				(V06710)							
				(SPEC BACS12ER3K6)							
				(OPT BACS12ER3K6 (V06725))							
				(OPT BACS12ER3K6 (V06950))							
				(OPT BACS12ER3K6 (V27624))							
				(OPT BACS12ER3K6 (V34252))							
				(OPT BACS12ER3K6 (V56878))							
				(OPT BACS12ER3K6 (V73197))							
				(OPT BACS12ER3K6 (V80539))							
				(OPT BACS12ER3K6 (V92215))							
				(OPT BACS12ER3K6 (V93907))							
				(OPT BACS12ER3K6 (V97928))							
190	BACW10UD10		. .	WASHER						AJ	3
195	F22K1-02		. .	NUT						AJ	3
				(V72962)							
				(SPEC BACN10R10L)							
				(OPT 22K1-02 (V72962))							
				(OPT 26CL02 (V80539))							
200	05939-107		. .	BALLAST						AJ	1
				(V17023)							
				(SPEC S283N702-107)							
				(OPT ITEM 200A, 200B)							
-200A	1987-1		. .	BALLAST						AJ	1
				(V30242)							
				(SPEC S283N702-7)							
				(OPT 05939-7 (V17023))							
				(OPT ITEM 200)							
-200B	05939-7		. .	BALLAST						AJ	1
				(V17023)							
				(SPEC S283N702-7)							
				(OPT 1987-1 (V30242))							
				(OPT ITEM 200)							
205	65C28117-3		. .	PAD						AJ	1
210	417N5120-12		. .	LAMP ASSY						AJ	1
215	2055132		. . .	CAP-END						AJ	2
				(V04169)							
220	F15T8WW		. . .	LAMP-FLUOR.						AJ	1
				(V08805)							
225	LP1610-18		. . .	TUBE-COVER						AJ	1
				(V60116)							
				(OPT ITEM 225A)							

-Item not Illustrated

# 25-28-49

ILLUSTRATED PARTS LIST

Page 1098.462

Jul 01/2009



## COMPONENT MAINTENANCE MANUAL

FIG/ ITEM	PART NUMBER	AIRLINE PART NUMBER	NOMENCLATURE							USAGE CODE	UNITS PER ASSY	
			1	2	3	4	5	6	7			
22- -225A	NI060LGWUV1000		.	.	.	TUBE-COVER (V06034) (OPT ITEM 225)					AJ	1
230	800000255-17		.	.	LIGHT ASSY-CLG (V05617) (SPEC S417N507-17) (FOR DETAILS SEE FIG. 80)						AJ	1
235	NAS1801-3-11		.	SCREW							AJ	1
240	BACS18C8-6		.	SPACER							AJ	1
245	MS24585-1230		.	SPRING							AJ	1
250	411N3142-28		.	WASHER-CUPPED							AJ	1
255	BACS12FA3K5		.	SCREW (V06710) (SPEC BACS12FA3K5) (OPT BACS12FA3K5 (V06725)) (OPT BACS12FA3K5 (V06950)) (OPT BACS12FA3K5 (V27624)) (OPT BACS12FA3K5 (V34252)) (OPT BACS12FA3K5 (V56878)) (OPT BACS12FA3K5 (V73197)) (OPT BACS12FA3K5 (V80539)) (OPT BACS12FA3K5 (V92215)) (OPT BACS12FA3K5 (V93907)) (OPT BACS12FA3K5 (V97928))							AJ	17
260	BACB30PF4-3		.	BOLT							AJ	1
265	AN960C416L		.	WASHER							AJ	1
270	NAS1515F4H		.	WASHER							AJ	1
275	NAS1515M4L		.	WASHER							AJ	1
280	412N1145-30		.	BRACKET							AJ	1
285	65C27017-43		.	BRACKET							AJ	4
290	412N1145-29		.	BRACKET							AJ	4

-Item not Illustrated

# 25-28-49

ILLUSTRATED PARTS LIST

Page 1098.463

Mar 01/2006



## COMPONENT MAINTENANCE MANUAL

FIG/ ITEM	PART NUMBER	AIRLINE PART NUMBER	NOMENCLATURE							USAGE CODE	UNITS PER ASSY	
			1	2	3	4	5	6	7			
22- 295	BACB30NM3K1		.	B	O	L	T				AJ	8
				(V06710)	(SPEC BACB30NM3K1)	(OPT BACB30NM3K1 (V06725))	(OPT BACB30NM3K1 (V06950))	(OPT BACB30NM3K1 (V08524))	(OPT BACB30NM3K1 (V27624))	(OPT BACB30NM3K1 (V56878))		
				(OPT BACB30NM3K1 (V73197))	(OPT BACB30NM3K1 (V80539))	(OPT BACB30NM3K1 (V92215))	(OPT BACB30NM3K1 (V93907))	(OPT BACB30NM3K1 (V97928))				
300	AN960JD10		.	W	A	S	H	E	R		AJ	8
305	412N1119-12		.	F	I	T	T	I	N	G	AJ	2
310	65C32946-4SP		.	C	A	P	A	S	S	Y	AJ	1
315	SL2334-3A4		.	.	I	N	S	E	R	T	AJ	8
				(V97393)								
320	65C27026-84SP		.	P	A	N	E	L	A	S	AJ	1
325	NAS1836-3-11		.	.	I	N	S	E	R	T	AJ	4
				(OPT ITEM 325A)								
-325A	NAS1836-3-9		.	.	I	N	S	E	R	T	AJ	4
				(OPT ITEM 325)								
330	65C32945-38SP		.	M	O	D	U	L	E	A	AJ	1
				(FOR DETAILS SEE FIG. 28)								

-Item not Illustrated

# 25-28-49

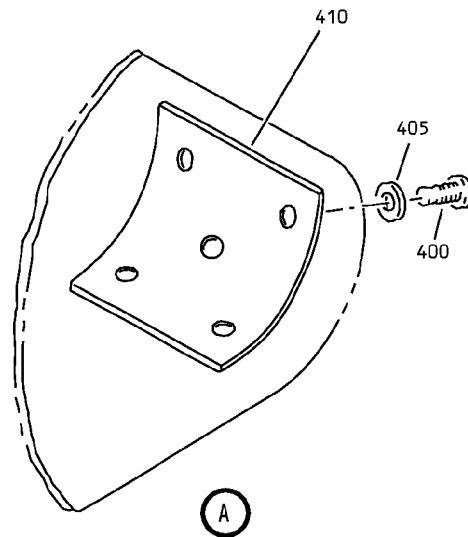
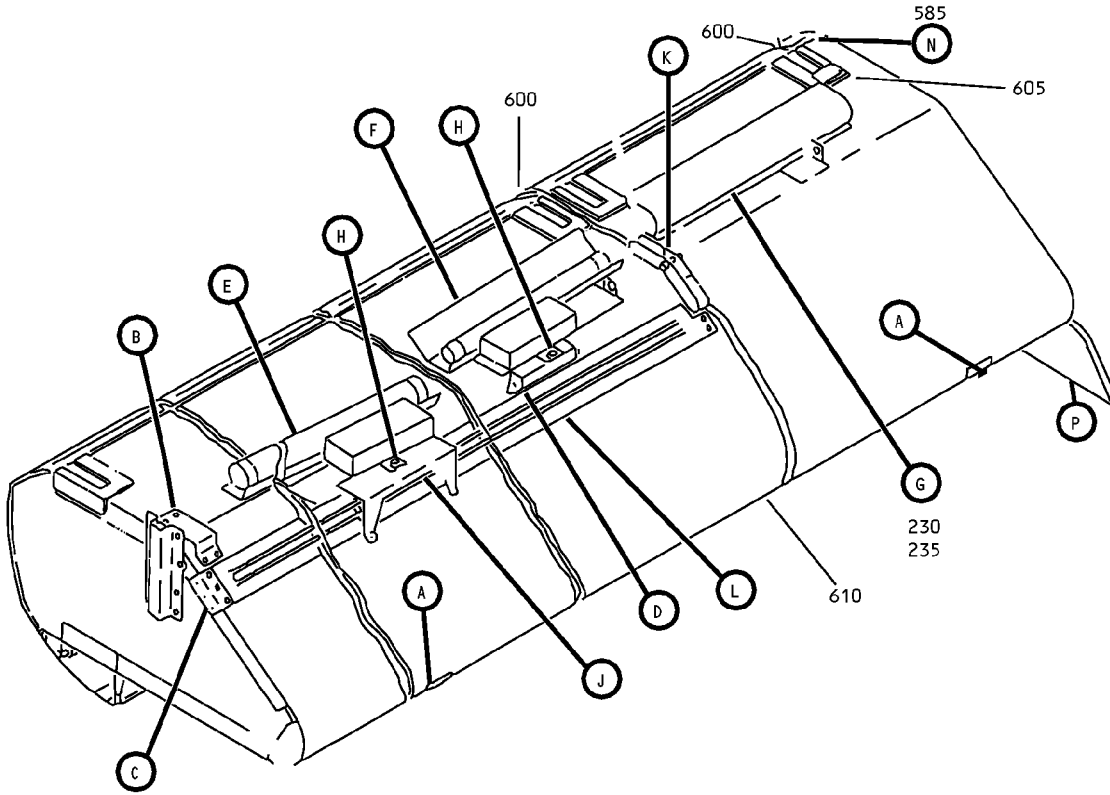
ILLUSTRATED PARTS LIST

Page 1098.464

Mar 01/2006



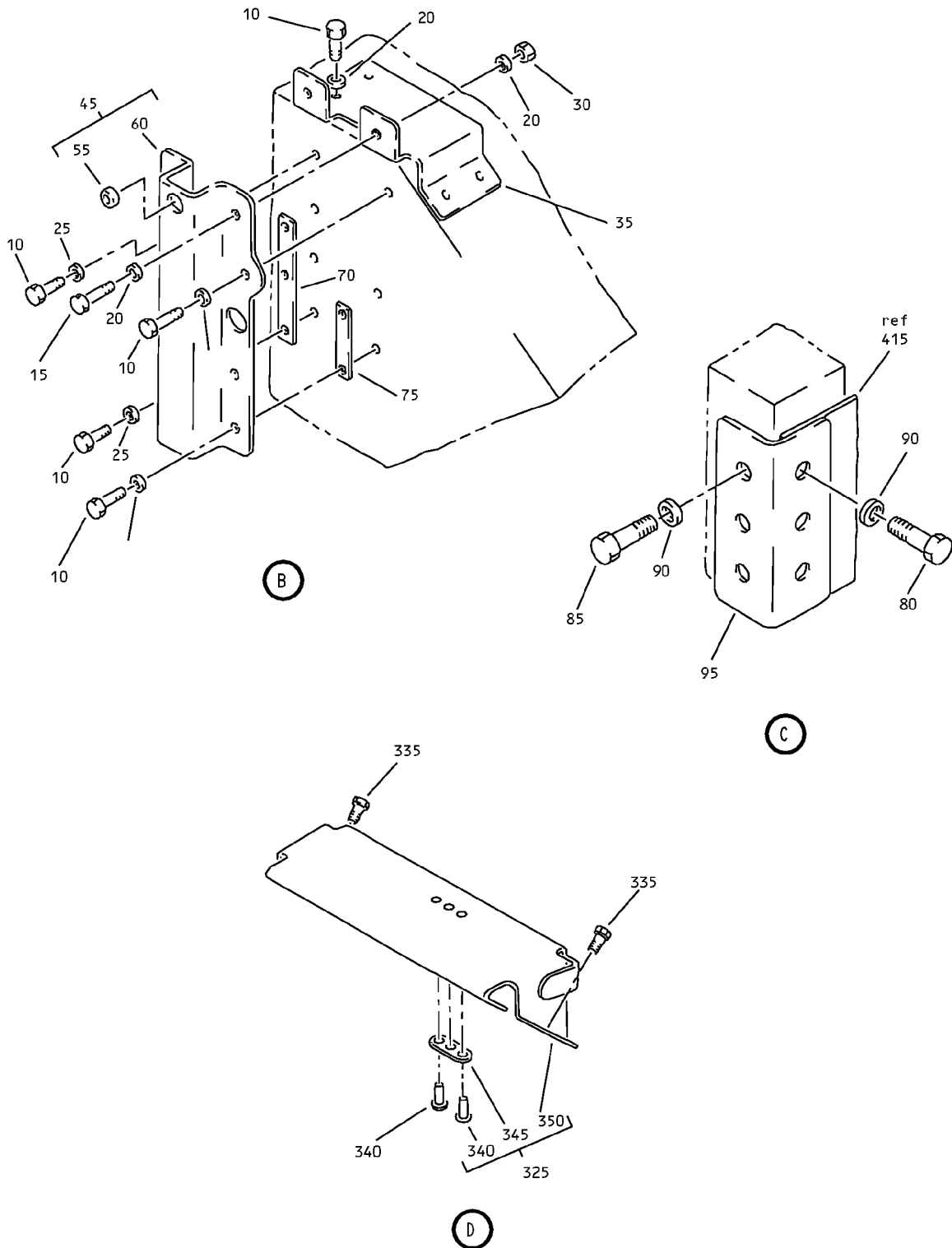
COMPONENT MAINTENANCE MANUAL



Overhead Stowage Compartment Assembly  
IPL Figure 23 (Sheet 1 of 8)

**25-28-49**  
ILLUSTRATED PARTS LIST  
Page 1098.465  
Mar 01/2006

COMPONENT MAINTENANCE MANUAL



Overhead Storage Compartment Assembly  
IPL Figure 23 (Sheet 2 of 8)

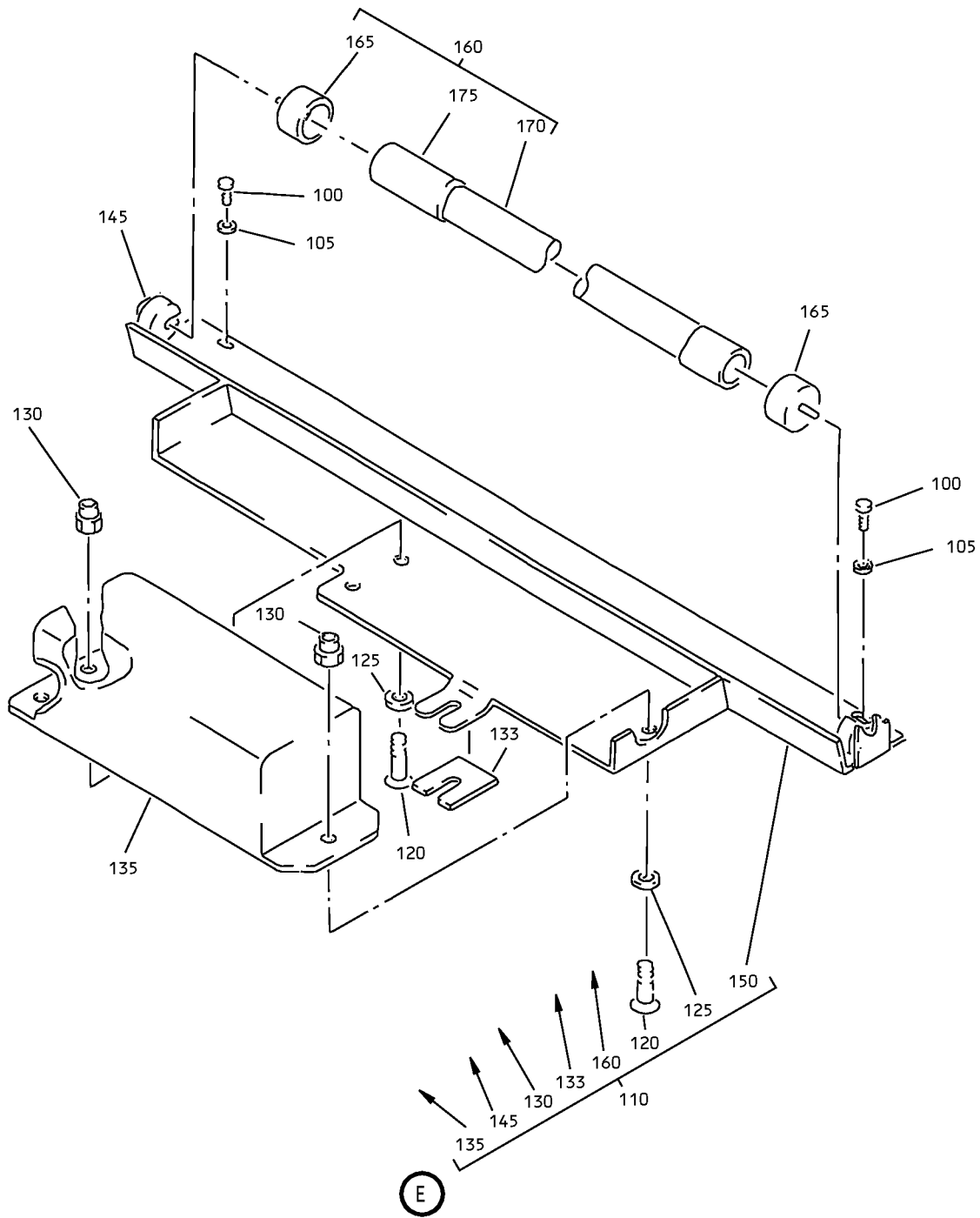
**25-28-49**

ILLUSTRATED PARTS LIST

Page 1098.466

Mar 01/2006

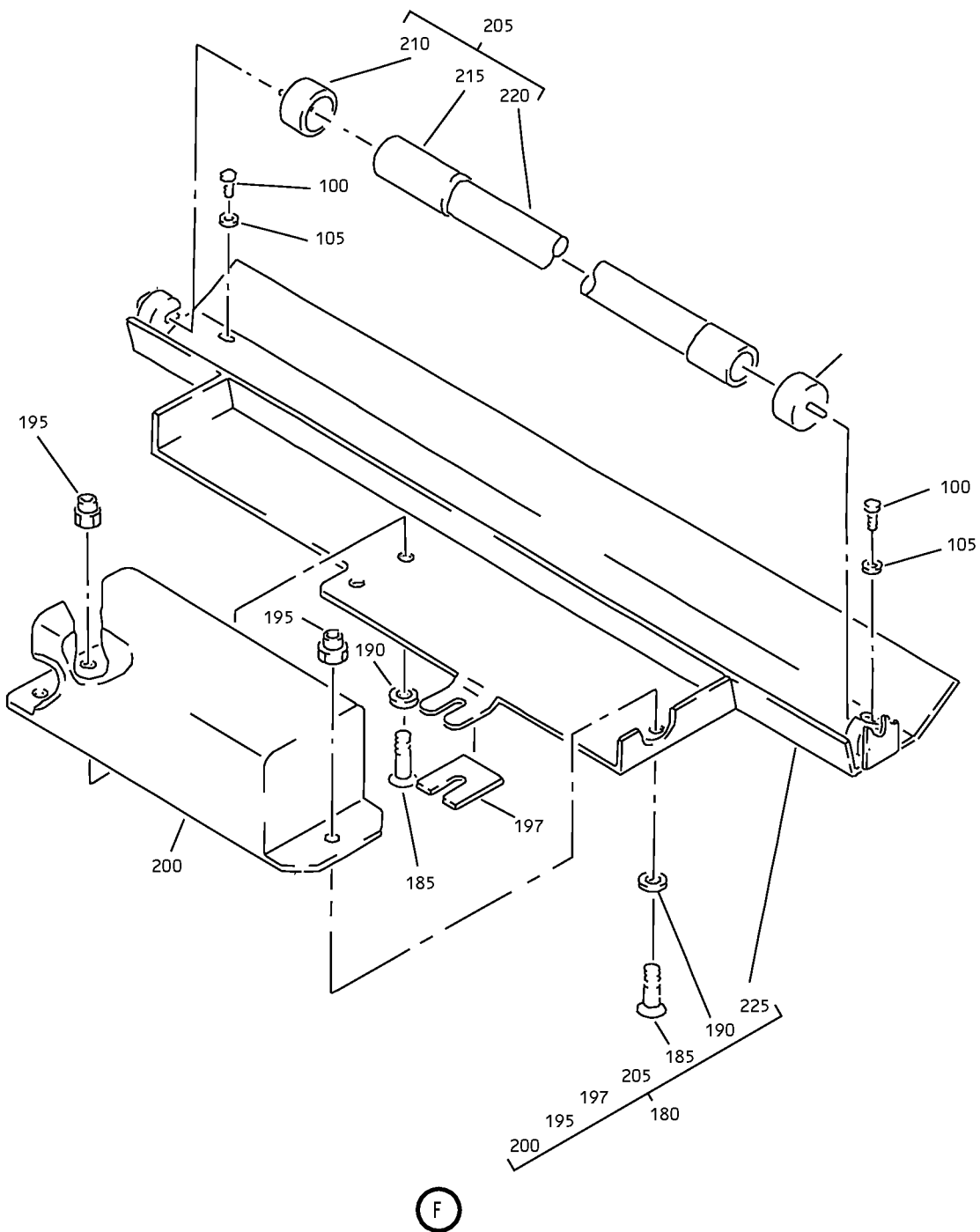
COMPONENT MAINTENANCE MANUAL



Overhead Stowage Compartment Assembly  
IPL Figure 23 (Sheet 3 of 8)

**25-28-49**  
ILLUSTRATED PARTS LIST  
Page 1098.467  
Mar 01/2006

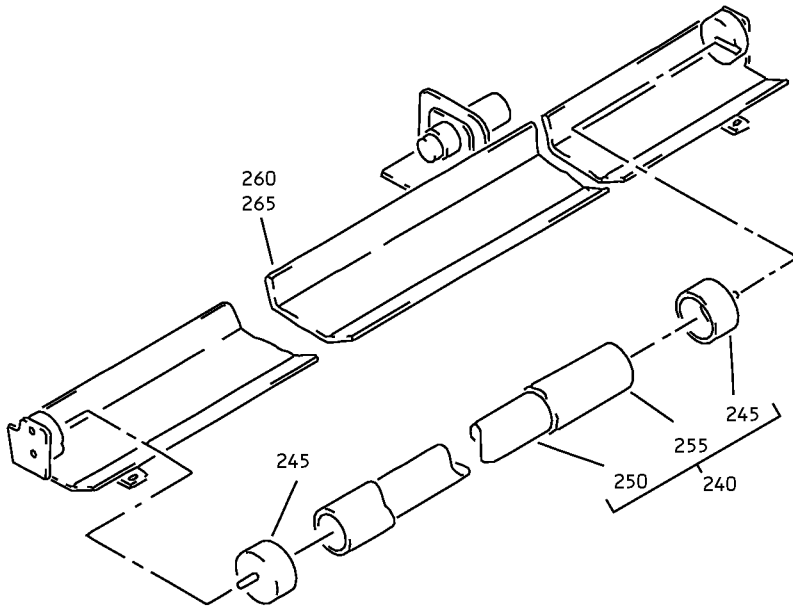
COMPONENT MAINTENANCE MANUAL



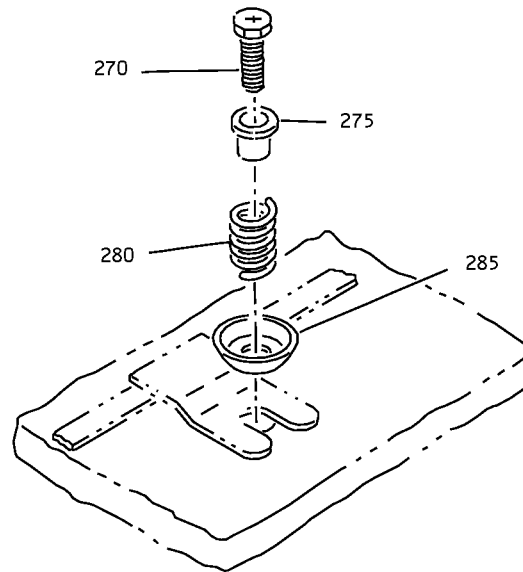
Overhead Storage Compartment Assembly  
IPL Figure 23 (Sheet 4 of 8)

**25-28-49**  
ILLUSTRATED PARTS LIST  
Page 1098.468  
Mar 01/2006

COMPONENT MAINTENANCE MANUAL



G



H

Overhead Stowage Compartment Assembly  
IPL Figure 23 (Sheet 5 of 8)

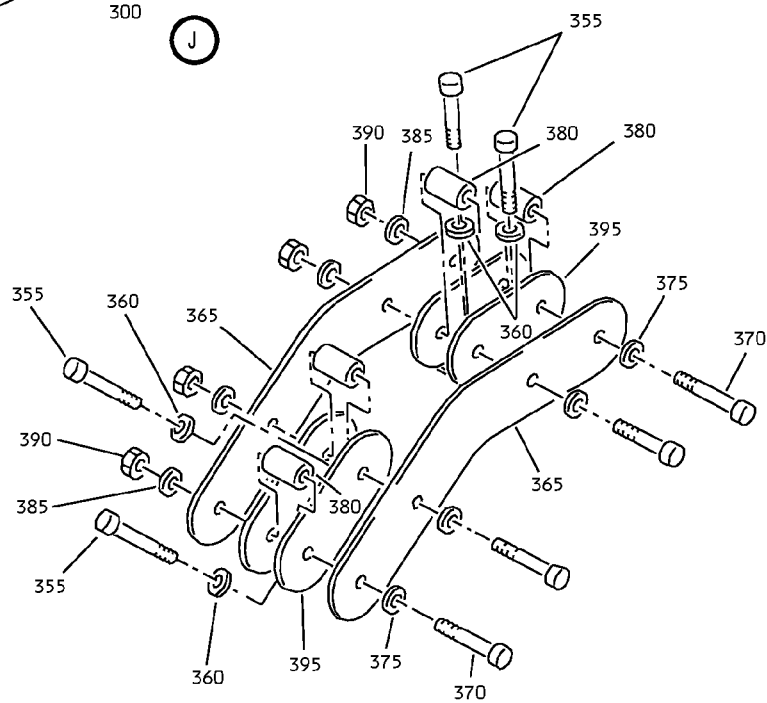
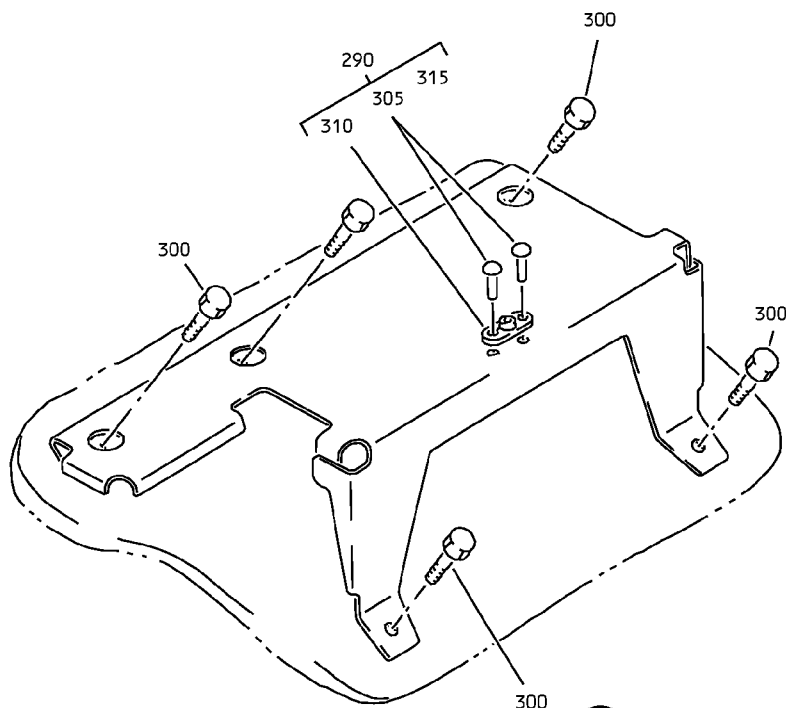
**25-28-49**

ILLUSTRATED PARTS LIST

Page 1098.469

Mar 01/2006

# COMPONENT MAINTENANCE MANUAL



Overhead Storage Compartment Assembly  
IPL Figure 23 (Sheet 6 of 8)

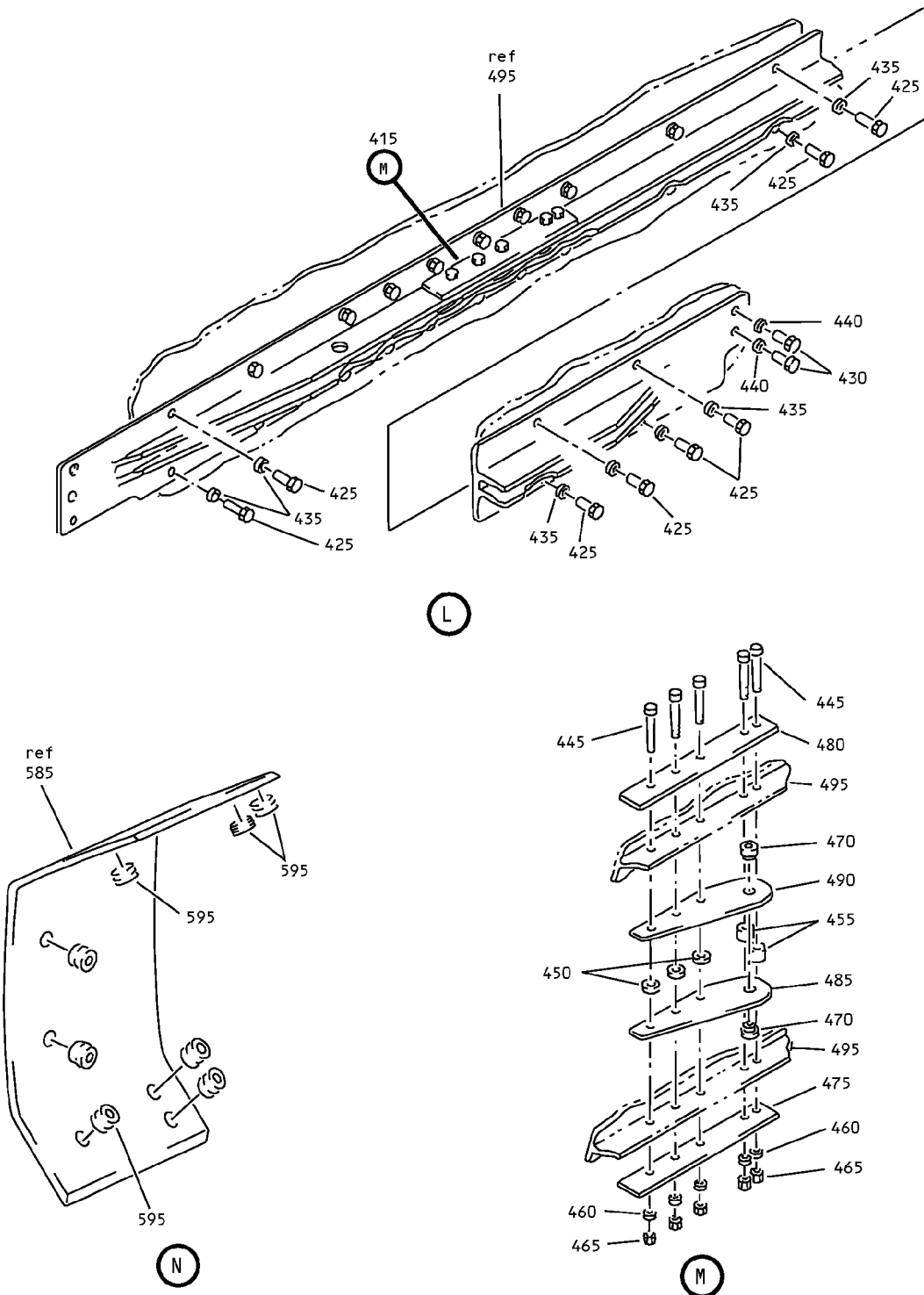
## 25-28-49

ILLUSTRATED PARTS LIST

Page 1098.470

Mar 01/2006

# COMPONENT MAINTENANCE MANUAL



Overhead Storage Compartment Assembly  
IPL Figure 23 (Sheet 7 of 8)

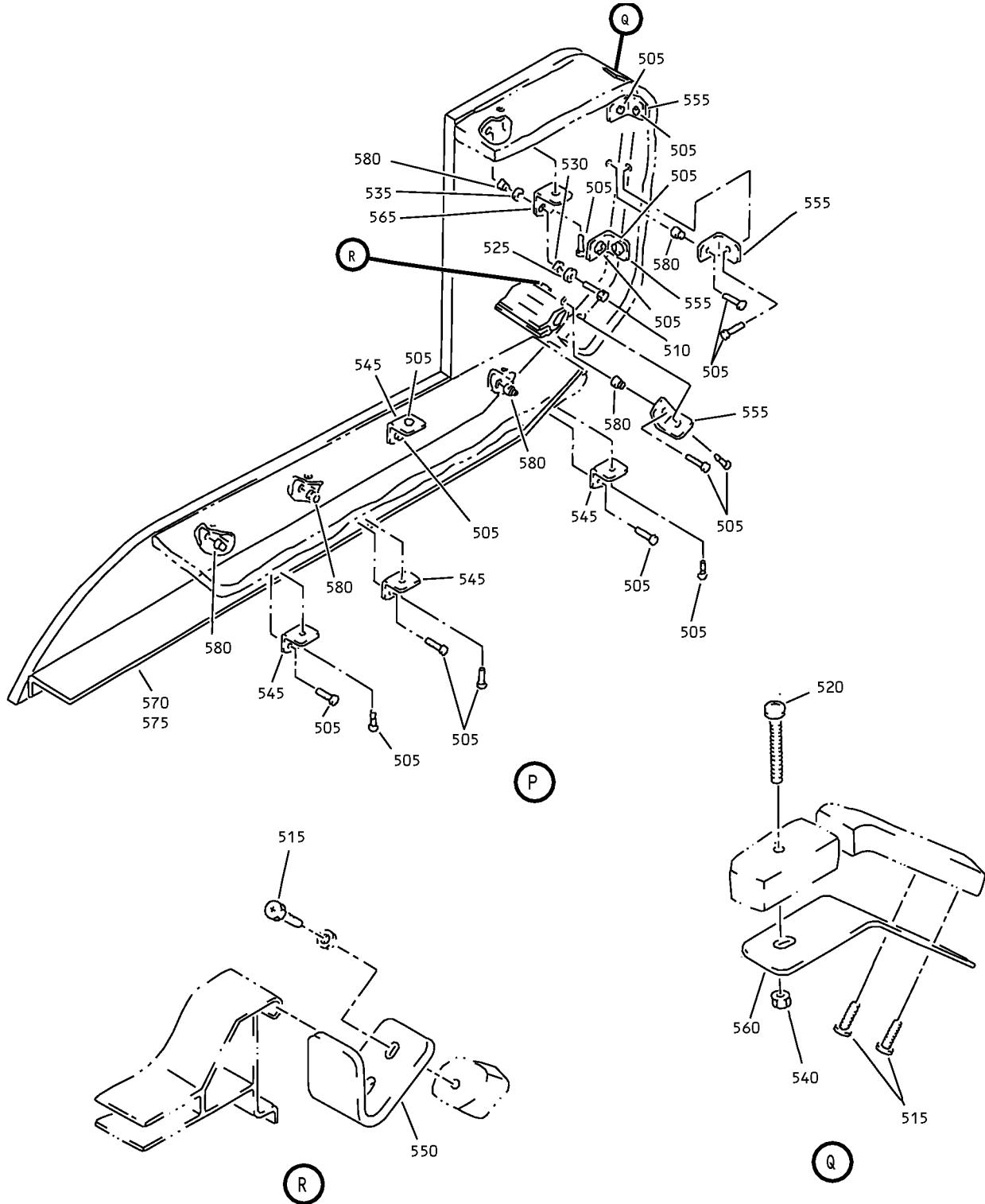
## 25-28-49

ILLUSTRATED PARTS LIST

Page 1098.471

Mar 01/2006

# COMPONENT MAINTENANCE MANUAL



Overhead Storage Compartment Assembly  
IPL Figure 23 (Sheet 8 of 8)

## 25-28-49

ILLUSTRATED PARTS LIST

Page 1098.472

Mar 01/2006





## COMPONENT MAINTENANCE MANUAL

FIG/ ITEM	PART NUMBER	AIRLINE PART NUMBER	NOMENCLATURE							USAGE CODE	UNITS PER ASSY
			1	2	3	4	5	6	7		
23-											
-1	65C32944-42SP									AM	RF
-5	65C32944-43SP									AN	RF
10	BACB30NM3K1									AM, AN	11
15	BACB30NM3K3									AM, AN	2
20	AN960JD10LL									AM, AN	8
25	AN960JD10									AM, AN	7
30	MS21042L3									AM, AN	2
35	65C27017-32									AM	1
-40	65C27017-27									AN	1
45	65C27017-33									AM	1
-50	65C27017-48									AN	1
55	BACB28B6-235P									AM, AN	1
60	65C27017-34									AM	1

-Item not Illustrated

# 25-28-49

ILLUSTRATED PARTS LIST

Page 1098.473

Mar 01/2006



## COMPONENT MAINTENANCE MANUAL

FIG/ ITEM	PART NUMBER	AIRLINE PART NUMBER	NOMENCLATURE							USAGE CODE	UNITS PER ASSY
			1	2	3	4	5	6	7		
23-											
-65	65C27017-50		.	.	BRACKET					AN	1
70	65C27017-15		.		SHIM					AM, AN	1
75	65C27017-29		.		SHIM					AM, AN	1
80	BACB30NM3K3		.		BOLT					AM, AN	3
					(V06710)						
					(SPEC BACB30NM3K3)						
					(OPT BACB30NM3K3 (V06725))						
					(OPT BACB30NM3K3 (V06950))						
					(OPT BACB30NM3K3 (V08524))						
					(OPT BACB30NM3K3 (V27624))						
					(OPT BACB30NM3K3 (V56878))						
					(OPT BACB30NM3K3 (V73197))						
					(OPT BACB30NM3K3 (V80539))						
					(OPT BACB30NM3K3 (V92215))						
					(OPT BACB30NM3K3 (V93907))						
					(OPT BACB30NM3K3 (V97928))						
85	BACB30NM3K1		.		BOLT					AM, AN	3
					(V06710)						
					(SPEC BACB30NM3K1)						
					(OPT BACB30NM3K1 (V06725))						
					(OPT BACB30NM3K1 (V06950))						
					(OPT BACB30NM3K1 (V08524))						
					(OPT BACB30NM3K1 (V27624))						
					(OPT BACB30NM3K1 (V56878))						
					(OPT BACB30NM3K1 (V73197))						
					(OPT BACB30NM3K1 (V80539))						
					(OPT BACB30NM3K1 (V92215))						
					(OPT BACB30NM3K1 (V93907))						
					(OPT BACB30NM3K1 (V97928))						
90	AN960JD10LL		.		WASHER					AM, AN	6
95	412N1119-54		.		BRACKET					AM, AN	1
100	NAS1801-3-5		.		SCREW					AM, AN	6
105	AN960JD10LL		.		WASHER					AM, AN	6
110	417N5120-34		.		LIGHT ASSY					AM	1
-115	417N5120-32		.		LIGHT ASSY					AN	1

-Item not Illustrated

# 25-28-49

ILLUSTRATED PARTS LIST

Page 1098.474

Mar 01/2006



## COMPONENT MAINTENANCE MANUAL

FIG/ ITEM	PART NUMBER	AIRLINE PART NUMBER	NOMENCLATURE							USAGE CODE	UNITS PER ASSY
			1	2	3	4	5	6	7		
23- 120	BACS12ER3K6		. .	SCREW						AM, AN	3
				(V06710)							
				(SPEC BACS12ER3K6)							
				(OPT BACS12ER3K6 (V06725))							
				(OPT BACS12ER3K6 (V06950))							
				(OPT BACS12ER3K6 (V27624))							
				(OPT BACS12ER3K6 (V34252))							
				(OPT BACS12ER3K6 (V56878))							
				(OPT BACS12ER3K6 (V73197))							
				(OPT BACS12ER3K6 (V80539))							
				(OPT BACS12ER3K6 (V92215))							
				(OPT BACS12ER3K6 (V93907))							
				(OPT BACS12ER3K6 (V97928))							
125	BACW10UD10		. .	WASHER						AM, AN	3
130	F22K1-02		. .	NUT						AM, AN	3
				(V72962)							
				(SPEC BACN10R10L)							
				(OPT 22K1-02 (V72962))							
				(OPT 26CL02 (V80539))							
133	65C28117-3		. .	PAD						AM, AN	1
135	S283N702-13		. .	BALLAST						AM	1
				(OPT ITEM 135A)							
-135A	S283N702-113		. .	BALLAST						AM	1
				(OPT ITEM 135)							
-140	S283N702-16		. .	BALLAST						AN	1
				(OPT ITEM 140A)							
-140A	S283N702-116		. .	BALLAST						AN	1
				(OPT ITEM 140)							
145	1864		. .	BULB-NIGHT LT						AM	1
				(V08806)							
150	S417N507-30		. .	HOUSING						AM	1
-155	S417N507-28		. .	HOUSING						AN	1
160	417N5120-11		. .	LAMP ASSY						AM, AN	1
165	2055150		. . .	CAP-END						AM, AN	2
				(V04169)							
170	F20T12WW		. . .	LAMP-FLUOR						AM, AN	1
				(V08805)							
175	NI152LGWUV1000		. . .	TUBE-COVER						AM, AN	1
				(V06034)							
				(OPT ITEM 175A)							

-Item not illustrated

# 25-28-49

ILLUSTRATED PARTS LIST

Page 1098.475

Mar 01/2006



## COMPONENT MAINTENANCE MANUAL

FIG/ ITEM	PART NUMBER	AIRLINE PART NUMBER	NOMENCLATURE							USAGE CODE	UNITS PER ASSY	
			1	2	3	4	5	6	7			
23- -175A	LP1625-24		. . .	TUBE-COVER							AM, AN	1
				(V60116)								
				(OPT ITEM 175)								
180	417N5120-47		. .	LIGHT ASSY							AM, AN	1
185	BACS12ER3K6		. .	SCREW							AM, AN	3
				(V06710)								
				(SPEC BACS12ER3K6)								
				(OPT BACS12ER3K6 (V06725))								
				(OPT BACS12ER3K6 (V06950))								
				(OPT BACS12ER3K6 (V27624))								
				(OPT BACS12ER3K6 (V34252))								
				(OPT BACS12ER3K6 (V56878))								
				(OPT BACS12ER3K6 (V73197))								
				(OPT BACS12ER3K6 (V80539))								
				(OPT BACS12ER3K6 (V92215))								
				(OPT BACS12ER3K6 (V93907))								
				(OPT BACS12ER3K6 (V97928))								
190	BACW10UD10		. .	WASHER							AM, AN	3
195	F22K1-02		. .	NUT							AM, AN	3
				(V72962)								
				(SPEC BACN10R10L)								
				(OPT 22K1-02 (V72962))								
				(OPT 26CL02 (V80539))								
197	65C28117-3		. .	PAD							AM, AN	1
200	05939-107		. .	BALLAST							AM, AN	1
				(V17023)								
				(SPEC S283N702-107)								
				(OPT ITEM 200A, 200B)								
-200A	05939-7		. .	BALLAST							AM, AN	1
				(V17023)								
				(SPEC S283N702-7)								
				(OPT 1987-1 (V30242))								
				(OPT ITEM 200)								
-200B	1987-1		. .	BALLAST							AM, AN	1
				(V30242)								
				(SPEC S283N702-7)								
				(OPT 05939-7 (V17023))								
				(OPT ITEM 200)								
205	417N5120-12		. .	LAMP ASSY							AM, AN	1
210	2055132		. . .	CAP							AM, AN	2
				(V04169)								

-Item not Illustrated

# 25-28-49

ILLUSTRATED PARTS LIST

Page 1098.476

Mar 01/2006



## COMPONENT MAINTENANCE MANUAL

FIG/ ITEM	PART NUMBER	AIRLINE PART NUMBER	NOMENCLATURE							USAGE CODE	UNITS PER ASSY
			1	2	3	4	5	6	7		
23-											
215	LP1610-18		. . .	TUBE-COVER						AM, AN	1
				(V60116)							
				(OPT ITEM 215A)							
-215A	NI060LGWUV1000		. . .	TUBE-COVER						AM, AN	1
				(V06034)							
				(OPT ITEM 215)							
220	F15T8WW		. . .	LAMP-FLUOR.						AM, AN	1
				(V08805)							
225	S417N507-37SP		. .	HOUSING						AM, AN	1
230	417N5120-33SP		.	LIGHT ASSY						AM	1
235	417N5120-53SP		.	LIGHT ASSY						AN	1
240	417N5120-11		. .	LAMP ASSY						AM, AN	1
245	2055150		. . .	CAP-END						AM, AN	2
				(V04169)							
250	F20T12WW		. . .	LAMP-FLUOR.						AM, AN	1
				(V08805)							
255	LP1625-24		. . .	TUBE-COVER						AM, AN	1
				(V60116)							
				(OPT ITEM 255A)							
-255A	NI152LGWUV1000		. . .	TUBE-COVER						AM, AN	1
				(V06034)							
				(OPT ITEM 255)							
260	S417N507-29C		. .	HOUSING						AM	1
				(OFF WHITE/COVERT GRAY TRIM)							
-260A	S417N507-29L		. .	HOUSING						AM	1
				(WHITE/BLUE VELVET TRIM)							
-260B	S417N507-29Y		. .	HOUSING						AM	1
				(BEIGE/COVERT GRAY TRIM)							
265	S417N507-38C		. .	HOUSING						AN	1
				(OFF WHITE/COVERT GRAY TRIM)							
-265A	S417N507-38L		. .	HOUSING						AN	1
				(WHITE/BLUE VELVET TRIM)							
-265B	S417N507-38Y		. .	HOUSING						AN	1
				(BEIGE/COVERT GRAY TRIM)							
270	NAS1801-3-11		.	SCREW						AM, AN	2
275	BACS18C8-6		.	SPACER						AM, AN	2
280	MS24585-1230		.	SPRING						AM, AN	2

-Item not illustrated

# 25-28-49

ILLUSTRATED PARTS LIST

Page 1098.477

Mar 01/2006



## COMPONENT MAINTENANCE MANUAL

FIG/ ITEM	PART NUMBER	AIRLINE PART NUMBER	NOMENCLATURE							USAGE CODE	UNITS PER ASSY					
			1	2	3	4	5	6	7							
23-																
285	411N3142-28		.	W	A	S	H	E	R	-	C	U	P	P	AM, AN	2
290	65C27481-72		.	B	R	A	C	K	A	S	S				AM	1
-295	65C27481-24		.	B	R	A	C	K	A	S	S				AN	1
			ATTACHING PARTS													
300	BACS12FA3K4		.	S	C	R	E	W							AM, AN	5
			-----*-----													
305	BACR15BA3AD		..	R	I	V	E	T							AM, AN	2
				(SIZE DETERMINED ON INST)												
310	BRF200A3K		..	N	U	T	P	L	A	T	E				AM, AN	1
				(V52828)												
				(SPEC BACN10JR3FR)												
				(OPT F5000-3BCBAC (V15653))												
				(OPT NS103203-02BC (V80539))												
				(OPT RMF9201-3BC (V72962))												
				(OPT T8091S1032BC (V11815))												
				(OPT VN15A2-02 (V92215))												
315	65C27481-74		..	B	R	A	C	K	E	T					AM	1
-320	65C27481-25		..	B	R	A	C	K	E	T					AN	1
325	65C27481-71		.	B	R	A	C	K	A	S	S				AM	1
-330	65C27481-34		.	B	R	A	C	K	A	S	S				AN	1
			ATTACHING PARTS													
335	BACS12FA3K4		.	S	C	R	E	W							AM, AN	2
			-----*-----													
340	BACR15BA3AD		..	R	I	V	E	T							AM, AN	2
				(SIZE DETERMINED ON INST)												
345	BRF200A3K		..	N	U	T	P	L	A	T	E				AM, AN	1
				(V52828)												
				(SPEC BACN10JR3FR)												
				(OPT F5000-3BCBAC (V15653))												
				(OPT NS103203-02BC (V80539))												
				(OPT RMF9201-3BC (V72962))												
				(OPT T8091S1032BC (V11815))												
				(OPT VN15A2-02 (V92215))												
350	65C27481-35		..	B	R	A	C	K	E	T					AM, AN	1

-Item not Illustrated

# 25-28-49

ILLUSTRATED PARTS LIST

Page 1098.478

Mar 01/2006



## COMPONENT MAINTENANCE MANUAL

FIG/ ITEM	PART NUMBER	AIRLINE PART NUMBER	NOMENCLATURE							USAGE CODE	UNITS PER ASSY
			1	2	3	4	5	6	7		
23-											
355	BACB30NM3K9		.	BOLT						AM, AN	4
				(V06710)							
				(SPEC BACB30NM3K9)							
				(OPT BACB30NM3K9 (V06725))							
				(OPT BACB30NM3K9 (V06950))							
				(OPT BACB30NM3K9 (V08524))							
				(OPT BACB30NM3K9 (V27624))							
				(OPT BACB30NM3K9 (V80539))							
				(OPT BACB30NM3K9 (V92215))							
				(OPT BACB30NM3K9 (V93907))							
				(OPT BACB30NM3K9 (V97928))							
360	AN960JD10		.	WASHER						AM, AN	4
365	65C27017-28		.	BRACKET						AM, AN	2
370	BACB30PF4-16		.	BOLT						AM, AN	4
				(V06710)							
				(SPEC BACB30PF4-16)							
				(OPT BACB30PF4-16 (V06725))							
				(OPT BACB30PF4-16 (V06950))							
				(OPT BACB30PF4-16 (V08524))							
				(OPT BACB30PF4-16 (V17948))							
				(OPT BACB30PF4-16 (V27624))							
				(OPT BACB30PF4-16 (V80539))							
				(OPT BACB30PF4-16 (V92215))							
				(OPT BACB30PF4-16 (V97928))							
375	AN960JD416L		.	WASHER						AM, AN	4
380	NAS43DD4-36		.	SPACER						AM, AN	4
385	AN960JD10LL		.	WASHER						AM, AN	4
390	MS21042L3		.	NUT						AM, AN	4
395	412N1119-47		.	FITTING						AM, AN	4
400	BACB30NM3K1		.	BOLT						AM, AN	8
				(V06710)							
				(SPEC BACB30NM3K1)							
				(OPT BACB30NM3K1 (V06725))							
				(OPT BACB30NM3K1 (V06950))							
				(OPT BACB30NM3K1 (V08524))							
				(OPT BACB30NM3K1 (V27624))							
				(OPT BACB30NM3K1 (V56878))							
				(OPT BACB30NM3K1 (V73197))							
				(OPT BACB30NM3K1 (V80539))							
				(OPT BACB30NM3K1 (V92215))							
				(OPT BACB30NM3K1 (V93907))							
				(OPT BACB30NM3K1 (V97928))							

-Item not Illustrated

# 25-28-49

ILLUSTRATED PARTS LIST

Page 1098.479

Mar 01/2006



## COMPONENT MAINTENANCE MANUAL

FIG/ ITEM	PART NUMBER	AIRLINE PART NUMBER	NOMENCLATURE							USAGE CODE	UNITS PER ASSY
			1	2	3	4	5	6	7		
23-											
405	AN960JD10								. WASHER	AM, AN	8
410	412N1119-12								. FITTING	AM, AN	2
415	412N1119-66								. FITTING ASSY	AM	1
-420	412N1119-108								. FITTING ASSY	AN	1
									ATTACHING PARTS		
425	BACB30NM3K2								. BOLT (V06710) (SPEC BACB30NM3K2) (OPT BACB30NM3K2 (V06725)) (OPT BACB30NM3K2 (V06950)) (OPT BACB30NM3K2 (V08524)) (OPT BACB30NM3K2 (V27624)) (OPT BACB30NM3K2 (V56878)) (OPT BACB30NM3K2 (V73197)) (OPT BACB30NM3K2 (V80539)) (OPT BACB30NM3K2 (V92215)) (OPT BACB30NM3K2 (V93907)) (OPT BACB30NM3K2 (V97928))	AM, AN	24
430	BACB30NM3K10								. BOLT (V06710) (SPEC BACB30NM3K10) (OPT BACB30NM3K10 (V06725)) (OPT BACB30NM3K10 (V06950)) (OPT BACB30NM3K10 (V08524)) (OPT BACB30NM3K10 (V27624)) (OPT BACB30NM3K10 (V56878)) (OPT BACB30NM3K10 (V73197)) (OPT BACB30NM3K10 (V80539)) (OPT BACB30NM3K10 (V92215)) (OPT BACB30NM3K10 (V93907)) (OPT BACB30NM3K10 (V97928))	AM, AN	2
435	AN960JD10LL								. WASHER	AM, AN	24
440	AN960JD10								. WASHER	AM, AN	2
									-----*		
445	BACB30BF3-24								. . BOLT	AM, AN	5
450	BACS18K10-20W								. . SPACER (V08073) (SPEC BACS18K10-20W)	AM, AN	3
455	BACS18K10-38W								. . SPACER	AM, AN	2
460	AN960PD10L								. . WASHER	AM, AN	5

-Item not Illustrated

# 25-28-49

ILLUSTRATED PARTS LIST

Page 1098.480

Mar 01/2006





## COMPONENT MAINTENANCE MANUAL

FIG/ ITEM	PART NUMBER	AIRLINE PART NUMBER	NOMENCLATURE							USAGE CODE	UNITS PER ASSY	
			1	2	3	4	5	6	7			
23- 465	H10-06BAC		.	.	NUT (V15653) (SPEC BACN10JC06) (OPT RMLH9075-62W (V72962)) (OPT T6S632J (V11815)) (OPT VN303A62 (V92215)) (OPT 96-62 (V80539)) (OPT BRH10A06 (V52828)) (OPT BRH10A62 (V52828)) (OPT NS202101-62 (V80539))						AM, AN	5
470	NAS538B4P014		.	.	BUSHING						AM, AN	2
475	412N1119-51		.	.	PLATE-DIAG SPRT						AM, AN	1
480	412N1119-52		.	.	PLATE-DIAG SPRT						AM, AN	1
485	412N1119-49		.	.	PLATE-DIAG SPRT						AM, AN	1
490	412N1119-50		.	.	PLATE-DIAG SPRT						AM, AN	1
495	412N1119-68		.	.	FITTING						AM	1
-500	412N1119-109		.	.	FITTING						AN	1
505	BACS12FA3K5		.	.	SCREW (V06710) (SPEC BACS12FA3K5) (OPT BACS12FA3K5 (V06725)) (OPT BACS12FA3K5 (V06950)) (OPT BACS12FA3K5 (V27624)) (OPT BACS12FA3K5 (V34252)) (OPT BACS12FA3K5 (V56878)) (OPT BACS12FA3K5 (V73197)) (OPT BACS12FA3K5 (V80539)) (OPT BACS12FA3K5 (V92215)) (OPT BACS12FA3K5 (V93907)) (OPT BACS12FA3K5 (V97928))					AM, AN	17	
510	BACB30PF4-3		.	.	BOLT						AM, AN	17

-Item not Illustrated

# 25-28-49

ILLUSTRATED PARTS LIST

Page 1098.481

Mar 01/2006



## COMPONENT MAINTENANCE MANUAL

FIG/ ITEM	PART NUMBER	AIRLINE PART NUMBER	NOMENCLATURE	USAGE CODE	UNITS PER ASSY
23- 515	BACS12FA3K5		. SCREW (V06710) (SPEC BACS12FA3K5) (OPT BACS12FA3K5 (V06725)) (OPT BACS12FA3K5 (V06950)) (OPT BACS12FA3K5 (V27624)) (OPT BACS12FA3K5 (V34252)) (OPT BACS12FA3K5 (V56878)) (OPT BACS12FA3K5 (V73197)) (OPT BACS12FA3K5 (V80539)) (OPT BACS12FA3K5 (V92215)) (OPT BACS12FA3K5 (V93907)) (OPT BACS12FA3K5 (V97928))	AM	4
520	BACS12FA3K12		. SCREW (V06710) (SPEC BACS12FA3K12) (OPT BACS12FA3K12 (V06725)) (OPT BACS12FA3K12 (V06950)) (OPT BACS12FA3K12 (V27624)) (OPT BACS12FA3K12 (V34252)) (OPT BACS12FA3K12 (V56878)) (OPT BACS12FA3K12 (V73197)) (OPT BACS12FA3K12 (V80539)) (OPT BACS12FA3K12 (V92215)) (OPT BACS12FA3K12 (V93907)) (OPT BACS12FA3K12 (V97928))	AM	1
525	AN960C416L		. WASHER	AM, AN	1
530	NAS1515F4H		. WASHER	AM, AN	1
535	NAS1515M4L		. WASHER	AM, AN	1
540	130120		. NUT (V76530) (SPEC BACN10YD1) (OPT BRC600-8-3 (V52828)) (OPT 130120 (V60119))	AM	1
545	412N1145-29		. BRACKET	AM, AN	4
550	412N1145-92		. BRACKET	AM	1
555	65C27017-43		. BRACKET	AM, AN	4
560	412N1145-89		. BRACKET	AM	1
565	412N1145-30		. BRACKET	AM, AN	1
570	65C32946-3SP		. CAP ASSY-END	AM	1
-575	65C32946-4SP		. CAP ASSY-END	AN	1

-Item not Illustrated

**25-28-49**

ILLUSTRATED PARTS LIST

Page 1098.482

Mar 01/2006



## COMPONENT MAINTENANCE MANUAL

FIG/ ITEM	PART NUMBER	AIRLINE PART NUMBER	NOMENCLATURE							USAGE CODE	UNITS PER ASSY	
			1	2	3	4	5	6	7			
23- 580	SL2334-3A2		.	.	INSERT (V97393)						AM, AN	9
585	65C27026-88SP		.		PANEL ASSY-FILLER						AM	1
-590	65C27026-89SP		.		PANEL ASSY-FILLER						AN	1
595	NAS1836-3-11		.	.	INSERT (OPT ITEM 595A)						AM, AN	8
-595A	NAS1836-3-9		.	.	INSERT (OPT ITEM 595)						AM, AN	8
600	412N1130-5SP		.		TRIM-VERTICAL						AM, AN	2
605	65C32944-9		.		STOPPER						AM, AN	1
610	65C32945-42SP		.		MODULE ASSY (FOR DETAILS SEE FIG. 28)						AM	1
-615	65C32945-43SP		.		MODULE ASSY (FOR DETAILS SEE FIG. 28)						AN	1

-Item not Illustrated

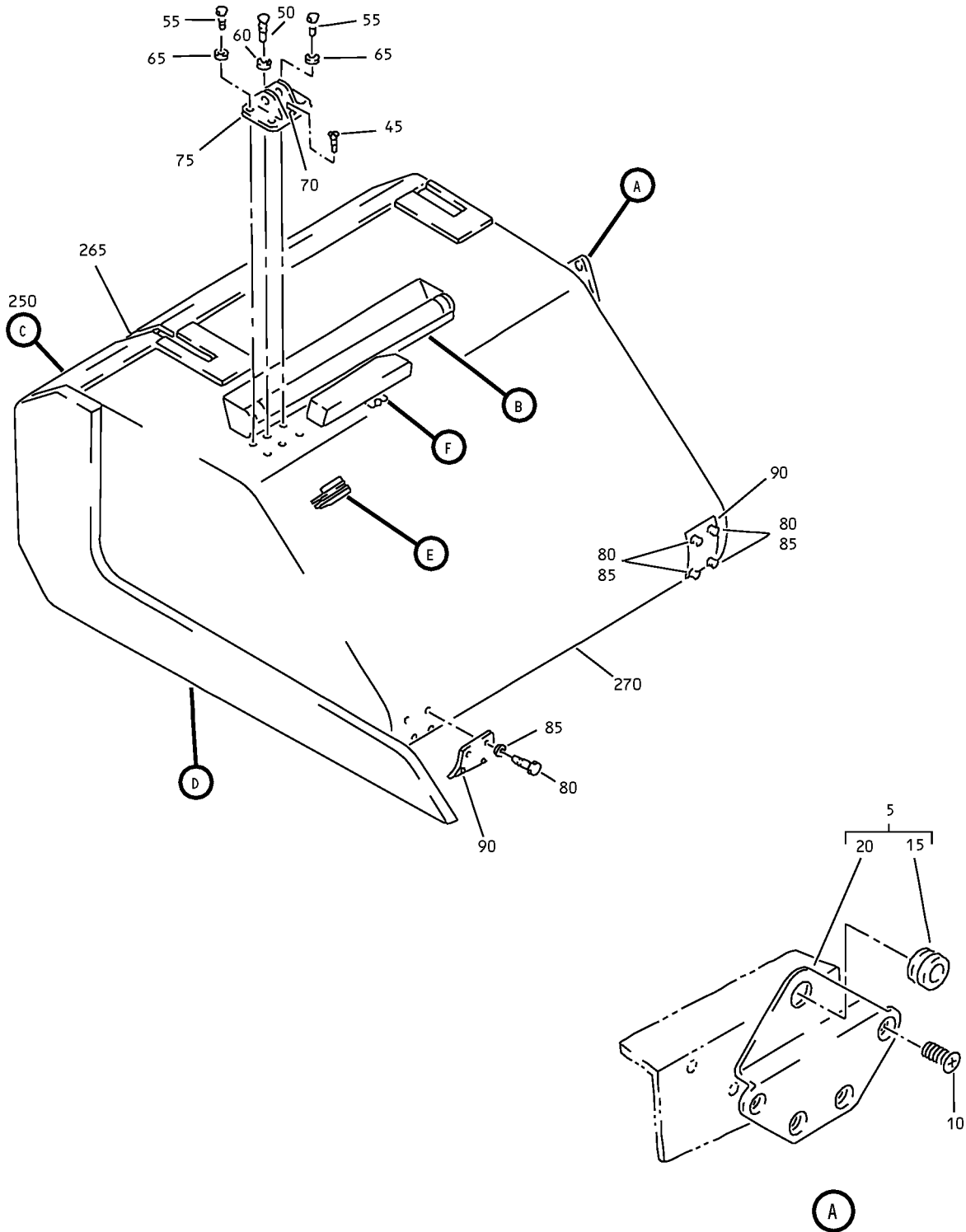
# 25-28-49

ILLUSTRATED PARTS LIST

Page 1098.483

Mar 01/2006

COMPONENT MAINTENANCE MANUAL



Overhead Storage Compartment Assembly  
IPL Figure 24 (Sheet 1 of 4)

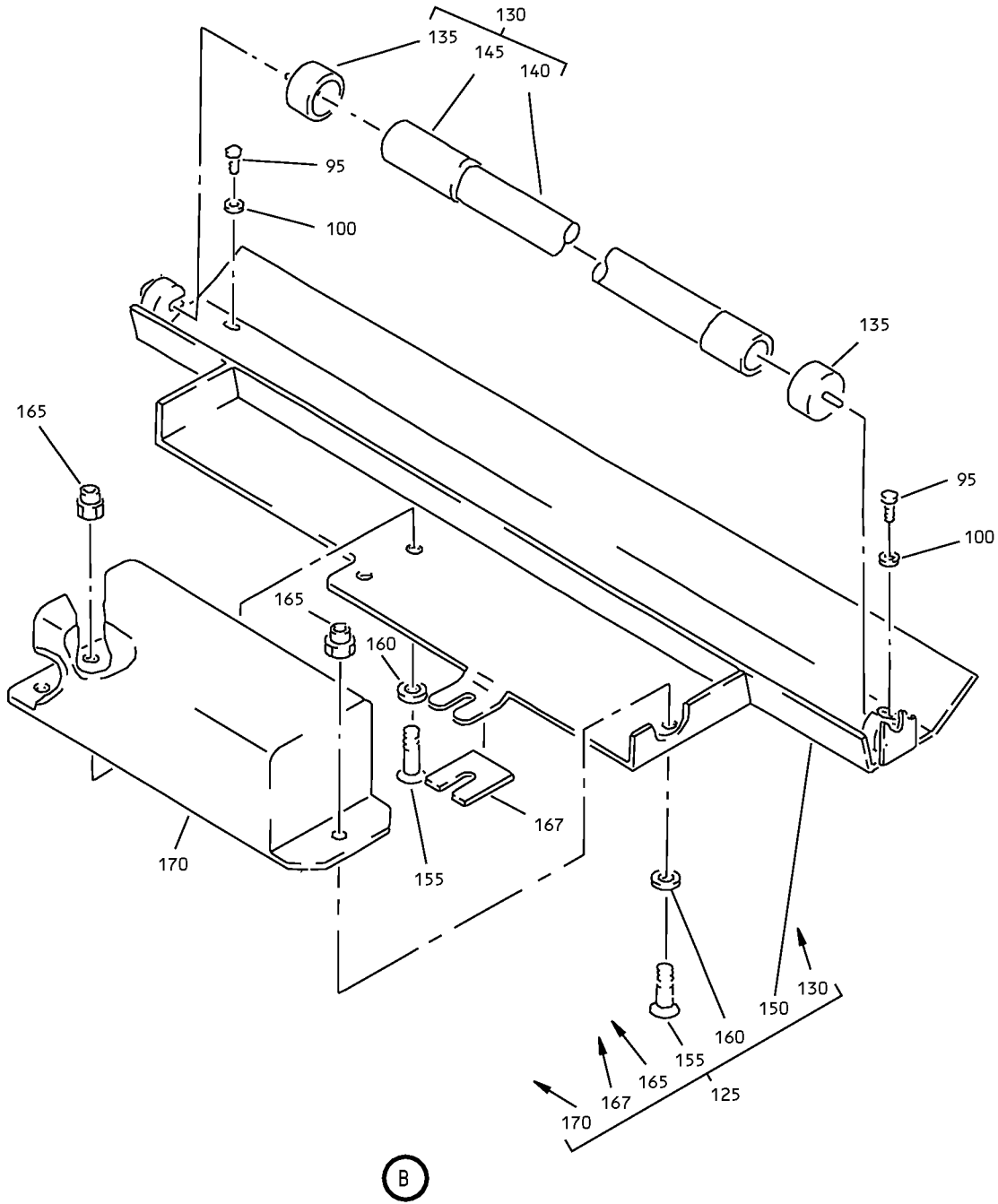
**25-28-49**

ILLUSTRATED PARTS LIST

Page 1098.484

Mar 01/2006

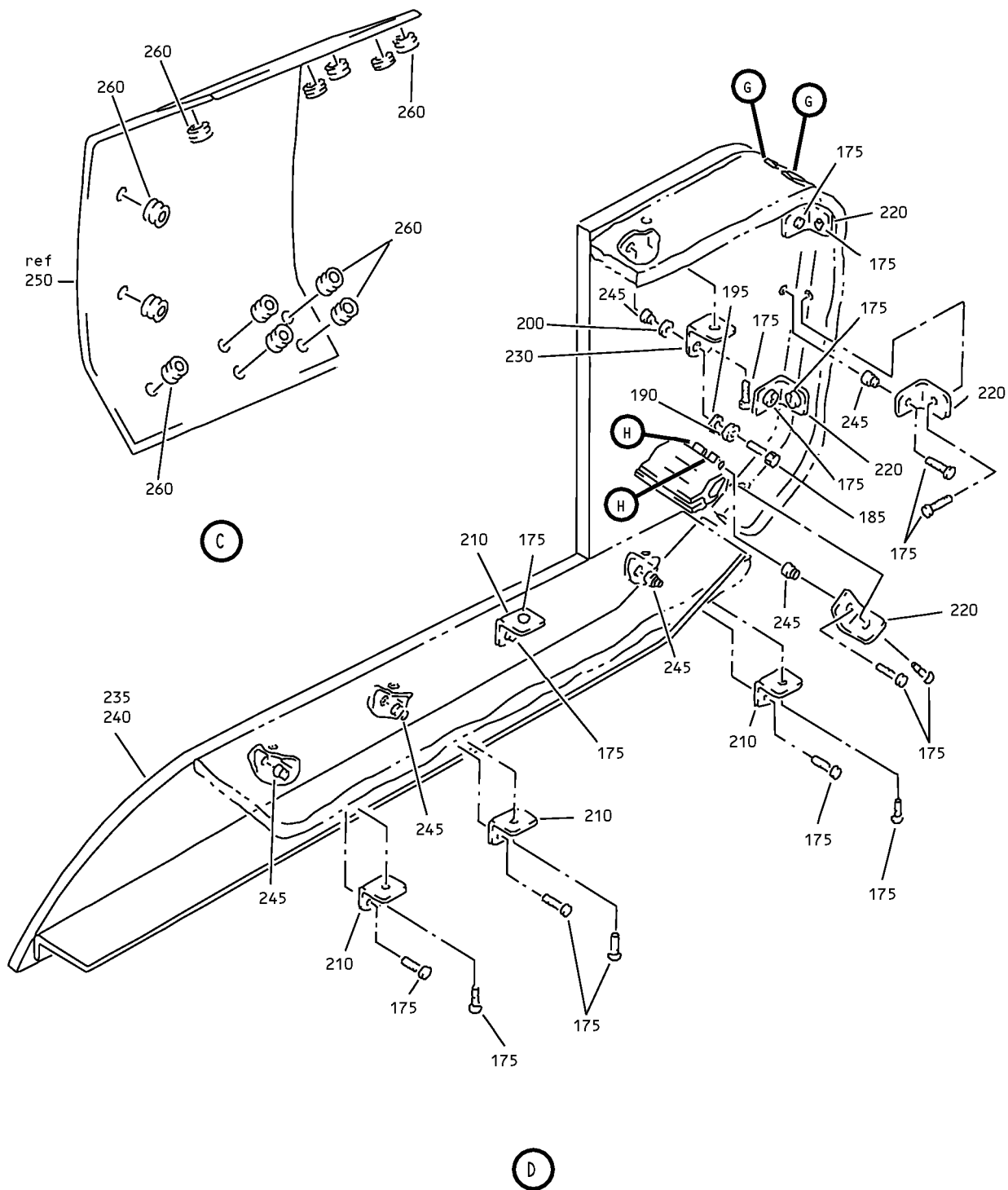
COMPONENT MAINTENANCE MANUAL



Overhead Stowage Compartment Assembly  
IPL Figure 24 (Sheet 2 of 4)

**25-28-49**  
ILLUSTRATED PARTS LIST  
Page 1098.485  
Mar 01/2006

### COMPONENT MAINTENANCE MANUAL



Overhead Stowage Compartment Assembly  
IPL Figure 24 (Sheet 3 of 4)

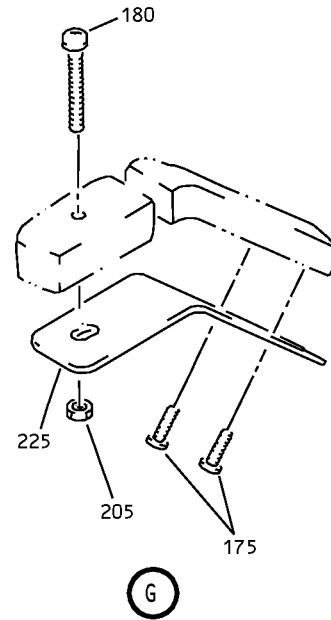
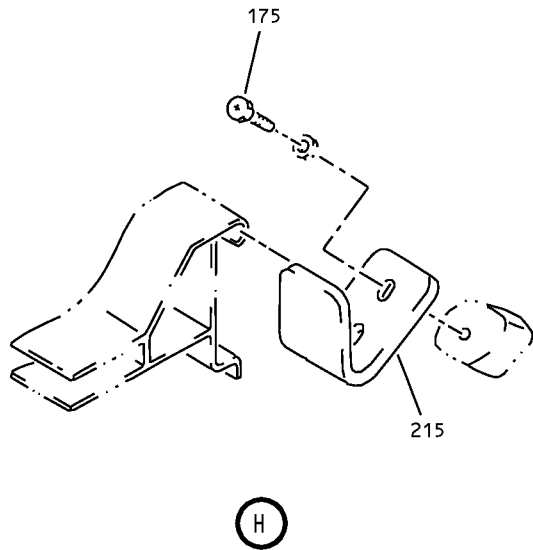
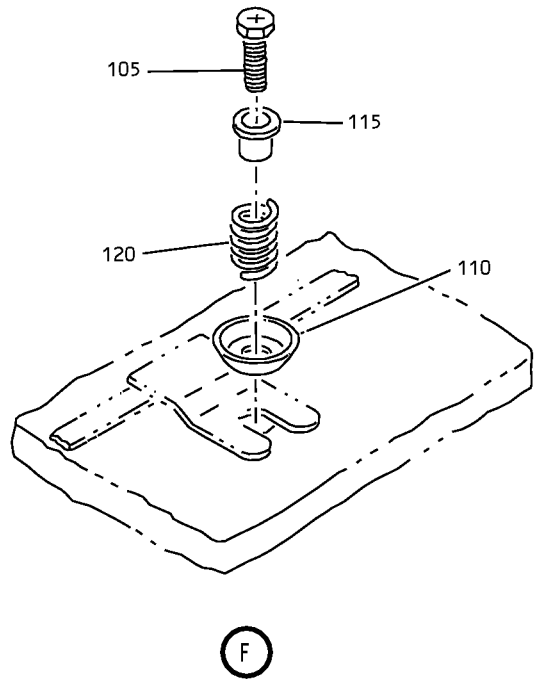
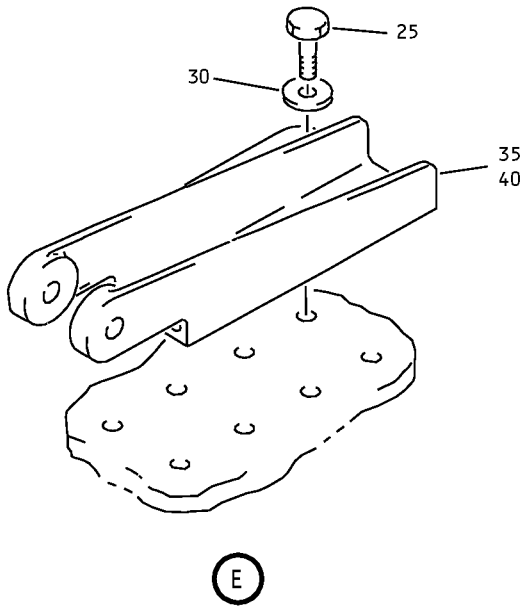
# 25-28-49

ILLUSTRATED PARTS LIST

Page 1098.486

Mar 01/2006

COMPONENT MAINTENANCE MANUAL



Overhead Storage Compartment Assembly  
IPL Figure 24 (Sheet 4 of 4)

**25-28-49**  
ILLUSTRATED PARTS LIST  
Page 1098.487  
Mar 01/2006



## COMPONENT MAINTENANCE MANUAL

FIG/ ITEM	PART NUMBER	AIRLINE PART NUMBER	NOMENCLATURE							USAGE CODE	UNITS PER ASSY
			1	2	3	4	5	6	7		
24-											
-1	65C32944-49SP		COMPARTMENT ASSY-OVERHEAD STOWAGE							AS	RF
-1A	65C32944-50SP		COMPARTMENT ASSY-OVERHEAD STOWAGE							AT	RF
5	412N1119-1		. FITTING ASSY ATTACHING PARTS							AS, AT	1
10	BACS12ER3K6		. SCREW (V06710) (SPEC BACS12ER3K6) (OPT BACS12ER3K6 (V06725)) (OPT BACS12ER3K6 (V06950)) (OPT BACS12ER3K6 (V27624)) (OPT BACS12ER3K6 (V34252)) (OPT BACS12ER3K6 (V56878)) (OPT BACS12ER3K6 (V73197)) (OPT BACS12ER3K6 (V80539)) (OPT BACS12ER3K6 (V92215)) (OPT BACS12ER3K6 (V93907)) (OPT BACS12ER3K6 (V97928))							AS, AT	4
			-----*								
15	BACB28B6-220P		. . BUSHING							AS, AT	1
20	412N1119-2		. . FITTING							AS, AT	1
25	BACB30NM3K1		. BOLT (V06710) (SPEC BACB30NM3K1) (OPT BACB30NM3K1 (V06725)) (OPT BACB30NM3K1 (V06950)) (OPT BACB30NM3K1 (V08524)) (OPT BACB30NM3K1 (V27624)) (OPT BACB30NM3K1 (V56878)) (OPT BACB30NM3K1 (V73197)) (OPT BACB30NM3K1 (V80539)) (OPT BACB30NM3K1 (V92215)) (OPT BACB30NM3K1 (V93907)) (OPT BACB30NM3K1 (V97928))							AS, AT	8
30	AN960JD10		. WASHER							AS, AT	8
35	412N1161-1		. FITTING							AS	1
40	412N1161-2		. FITTING							AT	1

-Item not Illustrated

# 25-28-49

ILLUSTRATED PARTS LIST

Page 1098.488

Mar 01/2006





## COMPONENT MAINTENANCE MANUAL

FIG/ ITEM	PART NUMBER	AIRLINE PART NUMBER	NOMENCLATURE							USAGE CODE	UNITS PER ASSY				
			1	2	3	4	5	6	7						
24- 45	BACB30NN3K10		.	B	O	L	T				AS, AT	1			
				(V06710)	(SPEC BACB30NN3K10)	(OPT BACB30NN3K10 (V06725))	(OPT BACB30NN3K10 (V06950))	(OPT BACB30NN3K10 (V08524))	(OPT BACB30NN3K10 (V27624))	(OPT BACB30NN3K10 (V56878))	(OPT BACB30NN3K10 (V73197))	(OPT BACB30NN3K10 (V80539))	(OPT BACB30NN3K10 (V92215))	(OPT BACB30NN3K10 (V93907))	(OPT BACB30NN3K10 (V97928))
50	BACB30NM3K10		.	B	O	L	T				AS, AT	1			
				(V06710)	(SPEC BACB30NM3K10)	(OPT BACB30NM3K10 (V06725))	(OPT BACB30NM3K10 (V06950))	(OPT BACB30NM3K10 (V08524))	(OPT BACB30NM3K10 (V27624))	(OPT BACB30NM3K10 (V56878))	(OPT BACB30NM3K10 (V73197))	(OPT BACB30NM3K10 (V80539))	(OPT BACB30NM3K10 (V92215))	(OPT BACB30NM3K10 (V93907))	(OPT BACB30NM3K10 (V97928))
55	BACB30NM3K1		.	B	O	L	T				AS, AT	4			
				(V06710)	(SPEC BACB30NM3K1)	(OPT BACB30NM3K1 (V06725))	(OPT BACB30NM3K1 (V06950))	(OPT BACB30NM3K1 (V08524))	(OPT BACB30NM3K1 (V27624))	(OPT BACB30NM3K1 (V56878))	(OPT BACB30NM3K1 (V73197))	(OPT BACB30NM3K1 (V80539))	(OPT BACB30NM3K1 (V92215))	(OPT BACB30NM3K1 (V93907))	(OPT BACB30NM3K1 (V97928))
60	AN960JD10LL		.	W	A	S	H	E	R		AS, AT	1			
65	AN960JD10		.	W	A	S	H	E	R		AS, AT	4			
70	412N1119-56		.	F	I	L	L	E	R		AS, AT	1			
75	412N1119-55		.	F	I	T	T	I	N	G	AS, AT	1			

-Item not Illustrated

# 25-28-49

ILLUSTRATED PARTS LIST

Page 1098.489

Mar 01/2006



## COMPONENT MAINTENANCE MANUAL

FIG/ ITEM	PART NUMBER	AIRLINE PART NUMBER	NOMENCLATURE							USAGE CODE	UNITS PER ASSY
			1	2	3	4	5	6	7		
24-											
80	BACB30NM3K1		.	BOLT						AS, AT	8
				(V06710)							
				(SPEC BACB30NM3K1)							
				(OPT BACB30NM3K1 (V06725))							
				(OPT BACB30NM3K1 (V06950))							
				(OPT BACB30NM3K1 (V08524))							
				(OPT BACB30NM3K1 (V27624))							
				(OPT BACB30NM3K1 (V56878))							
				(OPT BACB30NM3K1 (V73197))							
				(OPT BACB30NM3K1 (V80539))							
				(OPT BACB30NM3K1 (V92215))							
				(OPT BACB30NM3K1 (V93907))							
				(OPT BACB30NM3K1 (V97928))							
85	AN960JD10		.	WASHER						AS, AT	8
90	412N1119-12		.	FITTING						AS, AT	2
95	NAS1801-3-5		.	SCREW						AS, AT	2
100	AN960JD10LL		.	WASHER						AS, AT	2
105	NAS1801-3-11		.	SCREW						AS, AT	1
110	411N3142-28		.	WASHER-CUPPED						AS, AT	1
115	BACS18C8-6		.	SPACER						AS, AT	1
120	MS24585-1230		.	SPRING						AS, AT	1
125	417N5120-19		.	LIGHT ASSY						AS, AT	1
130	417N5120-11		..	LAMP ASSY						AS, AT	1
135	2055150		...	CAP-END						AS, AT	2
				(V04169)							
140	F20T12WW		...	LAMP-FLUOR.						AS, AT	1
				(V08805)							
145	LP1625-24		...	TUBE-COVER						AS, AT	1
				(V60116)							
				(OPT ITEM 145A)							
-145A	NI152LGWUV1000		...	TUBE-COVER						AS, AT	1
				(V06034)							
				(OPT ITEM 145)							
150	800000255-16		..	LIGHT ASSY-CLG						AS, AT	1
				(V05617)							
				(SPEC S417N507-16)							
				(FOR DETAILS SEE FIG. 80)							

-Item not Illustrated

# 25-28-49

ILLUSTRATED PARTS LIST

Page 1098.490

Mar 01/2006



## COMPONENT MAINTENANCE MANUAL

FIG/ ITEM	PART NUMBER	AIRLINE PART NUMBER	NOMENCLATURE							USAGE CODE	UNITS PER ASSY	
			1	2	3	4	5	6	7			
24- 155	BACS12ER3K6		. .	SCREW							AS, AT	3
				(V06710)								
				(SPEC BACS12ER3K6)								
				(OPT BACS12ER3K6 (V06725))								
				(OPT BACS12ER3K6 (V06950))								
				(OPT BACS12ER3K6 (V27624))								
				(OPT BACS12ER3K6 (V34252))								
				(OPT BACS12ER3K6 (V56878))								
				(OPT BACS12ER3K6 (V73197))								
				(OPT BACS12ER3K6 (V80539))								
				(OPT BACS12ER3K6 (V92215))								
				(OPT BACS12ER3K6 (V93907))								
				(OPT BACS12ER3K6 (V97928))								
160	BACW10UD10		. .	WASHER							AS, AT	3
165	F22K1-02		. .	NUT							AS, AT	3
				(V72962)								
				(SPEC BACN10R10L)								
				(OPT 22K1-02 (V72962))								
				(OPT 26CL02 (V80539))								
167	65C28117-3		. .	PAD							AS, AT	1
170	05939-5		. .	BALLAST							AS, AT	1
				(V17023)								
				(SPEC S283N702-5)								
				(OPT 1985-1 (V30242))								
				(OPT ITEM 170B)								
-170A	1985-1		. .	BALLAST							AS, AT	1
				(V30242)								
				(SPEC S283N702-5)								
				(OPT 05939-5 (V17023))								
				(OPT ITEM 170B)								
-170B	05939-105		. .	BALLAST							AS, AT	1
				(V17023)								
				(SPEC S283N702-105)								
				(OPT ITEM 170, 170A)								

-Item not Illustrated

# 25-28-49

ILLUSTRATED PARTS LIST

Page 1098.491

Mar 01/2006



### COMPONENT MAINTENANCE MANUAL

FIG/ ITEM	PART NUMBER	AIRLINE PART NUMBER	NOMENCLATURE	USAGE CODE	UNITS PER ASSY
24-					
175	BACS12FA3K5		. SCREW (V06710) (SPEC BACS12FA3K5) (OPT BACS12FA3K5 (V06725)) (OPT BACS12FA3K5 (V06950)) (OPT BACS12FA3K5 (V27624)) (OPT BACS12FA3K5 (V34252)) (OPT BACS12FA3K5 (V56878)) (OPT BACS12FA3K5 (V73197)) (OPT BACS12FA3K5 (V80539)) (OPT BACS12FA3K5 (V92215)) (OPT BACS12FA3K5 (V93907)) (OPT BACS12FA3K5 (V97928))	AS, AT	25
180	BACS12FA3K12		. SCREW (V06710) (SPEC BACS12FA3K12) (OPT BACS12FA3K12 (V06725)) (OPT BACS12FA3K12 (V06950)) (OPT BACS12FA3K12 (V27624)) (OPT BACS12FA3K12 (V34252)) (OPT BACS12FA3K12 (V56878)) (OPT BACS12FA3K12 (V73197)) (OPT BACS12FA3K12 (V80539)) (OPT BACS12FA3K12 (V92215)) (OPT BACS12FA3K12 (V93907)) (OPT BACS12FA3K12 (V97928))	AS, AT	2
185	BACB30PF4-3		. BOLT	AS, AT	1
190	AN960C416L		. WASHER	AS, AT	1
195	NAS1515F4H		. WASHER	AS, AT	1
200	NAS1515M4L		. WASHER	AS, AT	1
205	130120		. NUT (V76530) (SPEC BACN10YD1) (OPT BRC600-8-3 (V52828)) (OPT 130120 (V60119))	AS, AT	2
210	412N1145-29		. BRACKET	AS, AT	4
215	412N1145-92		. BRACKET	AS, AT	2
220	65C27017-43		. BRACKET	AS, AT	4
225	412N1145-89		. BRACKET	AS, AT	2
230	412N1145-30		. BRACKET	AS, AT	1
235	65C32946-3SP		. CAP ASSY-END	AS	1

-Item not Illustrated

## 25-28-49

ILLUSTRATED PARTS LIST

Page 1098.492

Mar 01/2006



## COMPONENT MAINTENANCE MANUAL

FIG/ ITEM	PART NUMBER	AIRLINE PART NUMBER	NOMENCLATURE							USAGE CODE	UNITS PER ASSY
			1	2	3	4	5	6	7		
24-											
240	65C32946-4SP		.							AT	1
245	SL2334-3A2		.	.						AS, AT	9
											(V97393)
250	65C27026-43SP		.							AS	1
-255	65C27026-44SP		.							AT	1
260	NAS1836-3-11		.	.						AS, AT	12
											(OPT ITEM 260A)
-260A	NAS1836-3-9		.	.						AS, AT	12
											(OPT ITEM 260)
265	412N1130-5SP		.							AS, AT	1
270	65C32945-49SP		.							AS	1
											(FOR DETAILS SEE FIG. 29)
-275	65C32945-50SP		.							AT	1
											(FOR DETAILS SEE FIG. 29)

-Item not Illustrated

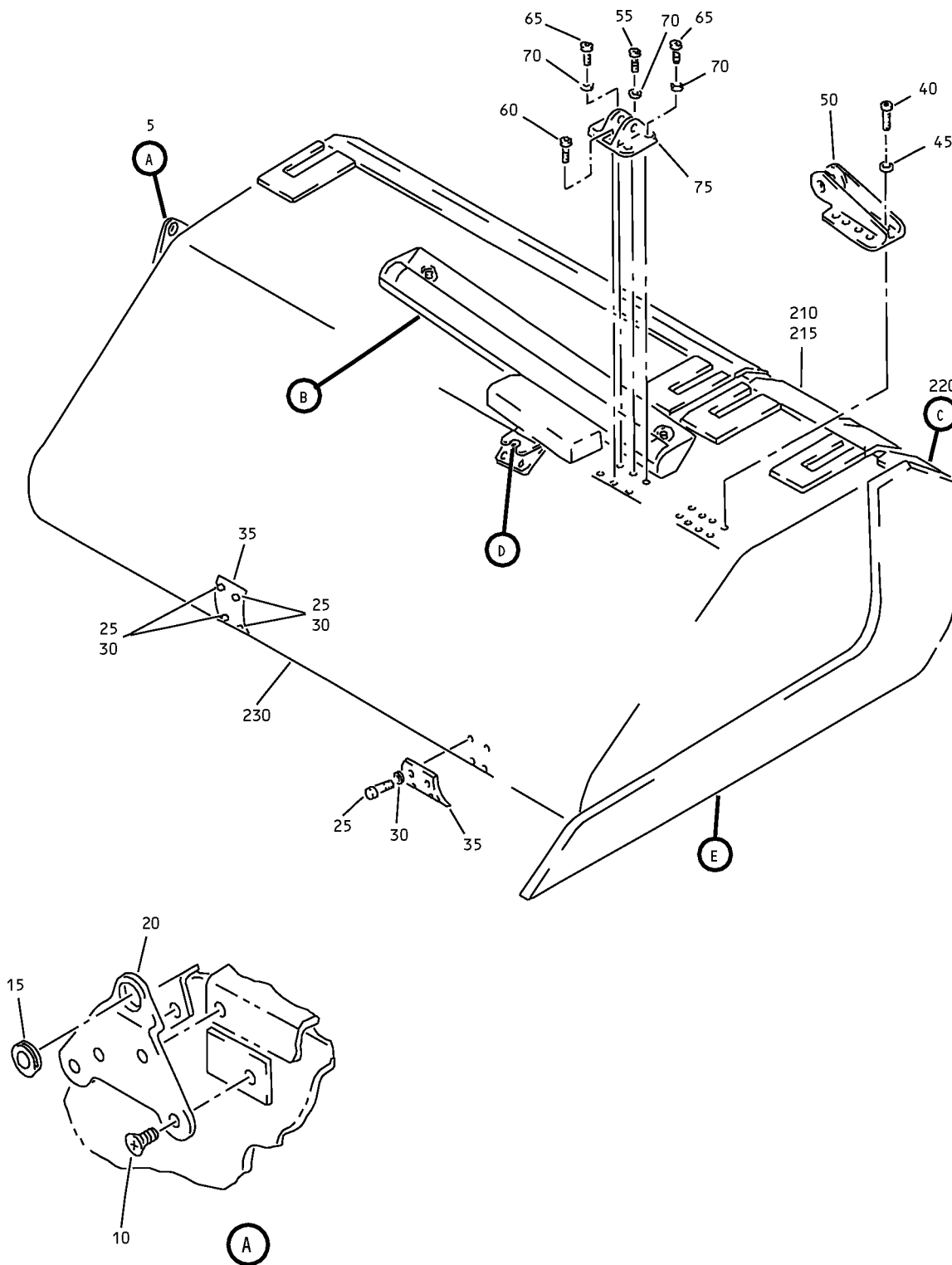
# 25-28-49

ILLUSTRATED PARTS LIST

Page 1098.493

Mar 01/2006

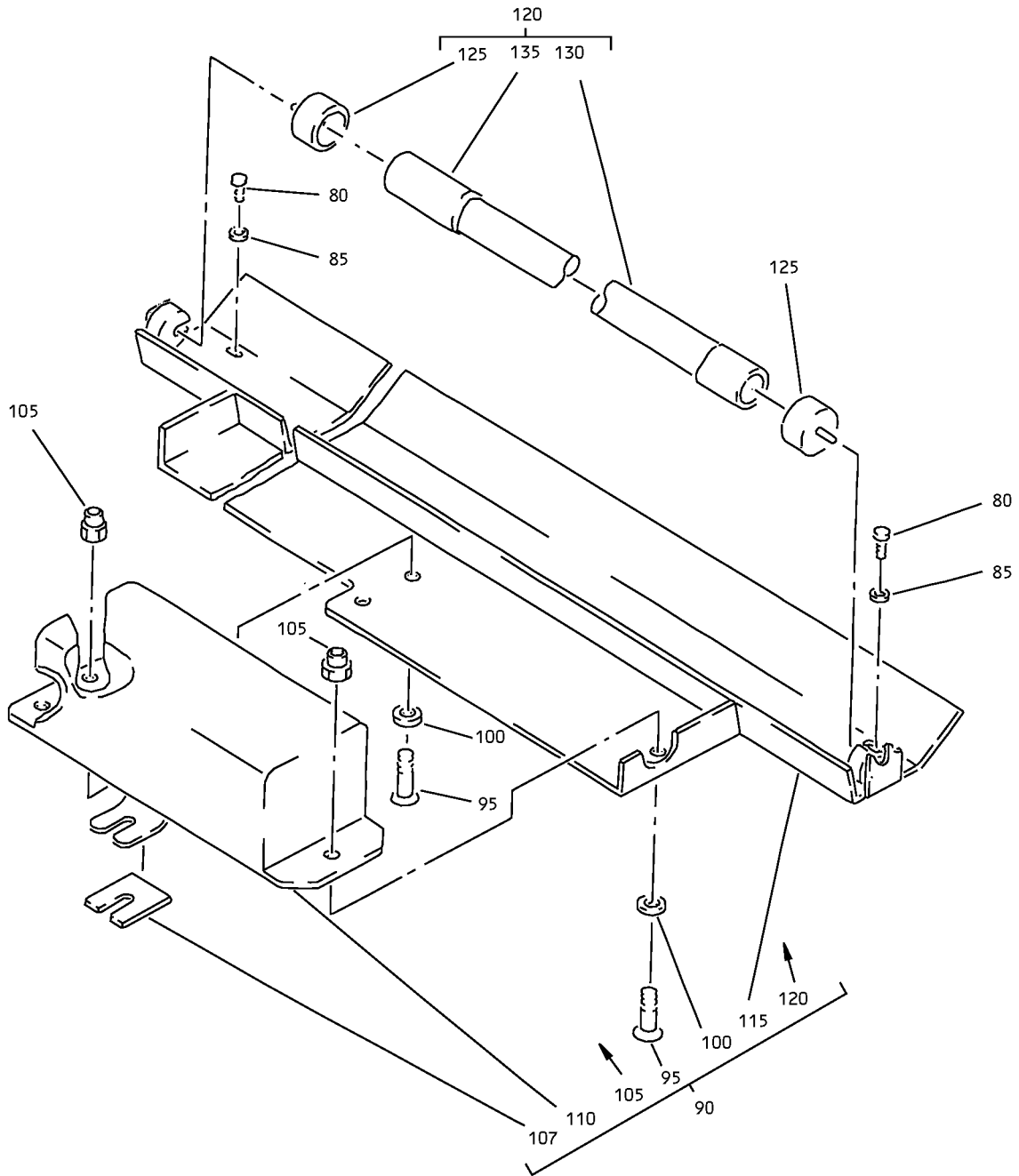
# COMPONENT MAINTENANCE MANUAL



Overhead Stowage Compartment Assembly  
IPL Figure 25 (Sheet 1 of 3)

**25-28-49**  
ILLUSTRATED PARTS LIST  
Page 1098.494  
Mar 01/2006

COMPONENT MAINTENANCE MANUAL



(B)

Overhead Storage Compartment Assembly  
IPL Figure 25 (Sheet 2 of 3)

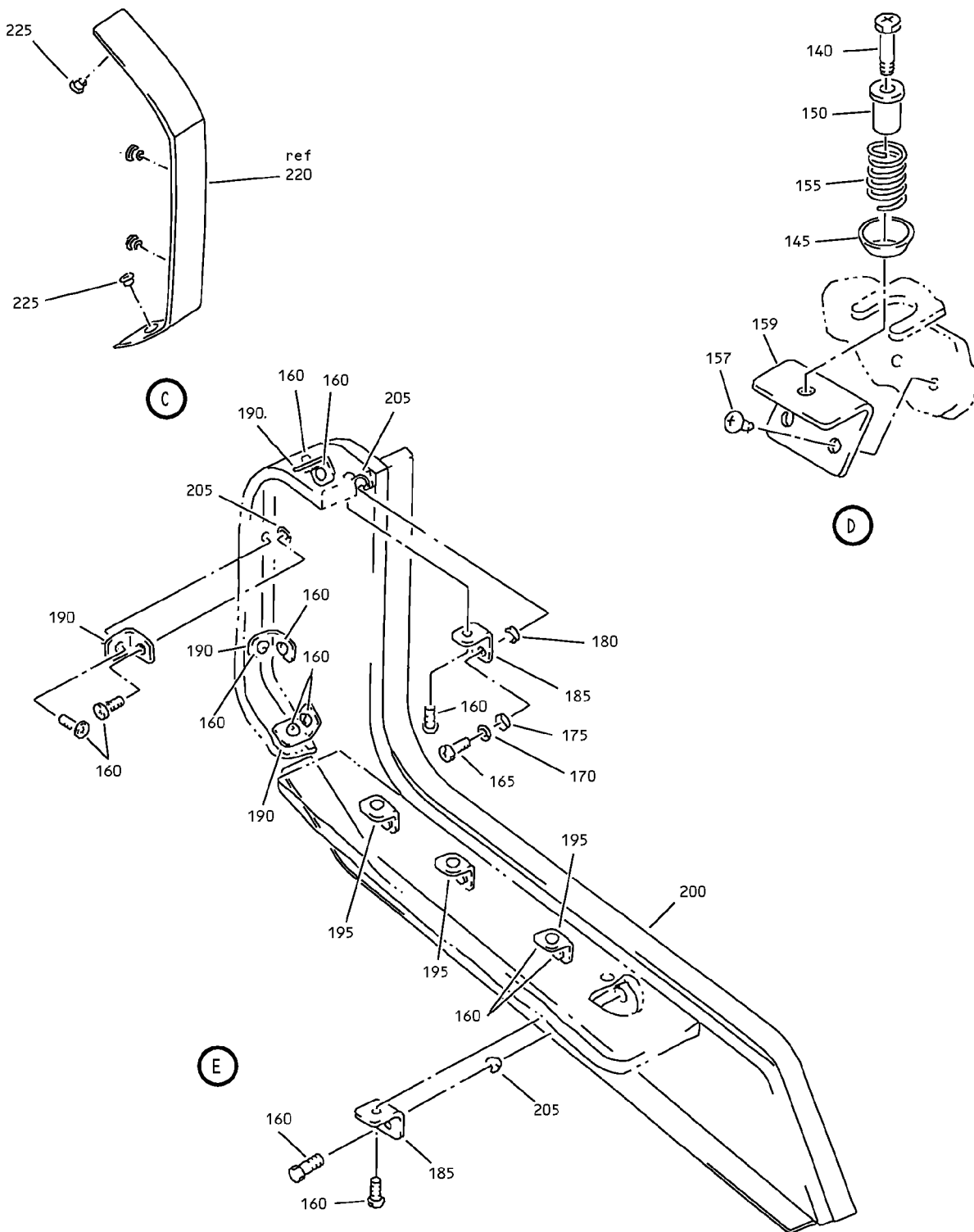
**25-28-49**

ILLUSTRATED PARTS LIST

Page 1098.495

Mar 01/2006

# COMPONENT MAINTENANCE MANUAL



Overhead Storage Compartment Assembly  
IPL Figure 25 (Sheet 3 of 3)

## 25-28-49

ILLUSTRATED PARTS LIST

Page 1098.496

Mar 01/2006





### COMPONENT MAINTENANCE MANUAL

FIG/ ITEM	PART NUMBER	AIRLINE PART NUMBER	NOMENCLATURE							USAGE CODE	UNITS PER ASSY			
			1	2	3	4	5	6	7					
25-														
-1	65C32944-98SP											COMPARTMENT ASSY-OVERHEAD STOWAGE	BP	RF
-1A	65C32944-643SP											COMPARTMENT ASSY-OVERHEAD STOWAGE	EL	RF
-1B	65C32944-678SP											COMPARTMENT ASSY-OVERHEAD STOWAGE	FE	RF
5	412N1119-37											. FITTING ASSY	BP, EL, FE	1
												ATTACHING PARTS		
10	BACS12ER3K6											. SCREW (V06710) (SPEC BACS12ER3K6) (OPT BACS12ER3K6 (V06725)) (OPT BACS12ER3K6 (V06950)) (OPT BACS12ER3K6 (V27624)) (OPT BACS12ER3K6 (V34252)) (OPT BACS12ER3K6 (V56878)) (OPT BACS12ER3K6 (V73197)) (OPT BACS12ER3K6 (V80539)) (OPT BACS12ER3K6 (V92215)) (OPT BACS12ER3K6 (V93907)) (OPT BACS12ER3K6 (V97928))	BP, EL, FE	4
												----- *		
15	BACB28B6-220P											. . BUSHING	BP, EL, FE	1
20	412N1119-39											. . FITTING	BP, EL, FE	1
25	BACB30NM3K1											. BOLT (V06710) (SPEC BACB30NM3K1) (OPT BACB30NM3K1 (V06725)) (OPT BACB30NM3K1 (V06950)) (OPT BACB30NM3K1 (V08524)) (OPT BACB30NM3K1 (V27624)) (OPT BACB30NM3K1 (V56878)) (OPT BACB30NM3K1 (V73197)) (OPT BACB30NM3K1 (V80539)) (OPT BACB30NM3K1 (V92215)) (OPT BACB30NM3K1 (V93907)) (OPT BACB30NM3K1 (V97928))	BP, EL, FE	8

-Item not Illustrated

# 25-28-49

ILLUSTRATED PARTS LIST

Page 1098.497

Mar 01/2006



## COMPONENT MAINTENANCE MANUAL

FIG/ ITEM	PART NUMBER	AIRLINE PART NUMBER	NOMENCLATURE							USAGE CODE	UNITS PER ASSY
			1	2	3	4	5	6	7		
25-											
30	AN960JD10		.	W	A	S	H	E	R	BP, EL, FE	8
35	412N1119-12		.	F	I	T	T	I	N	BP, EL, FE	2
40	BACB30NM3K1		.	B	O	L	T	(V06710) (SPEC BACB30NM3K1) (OPT BACB30NM3K1 (V06725)) (OPT BACB30NM3K1 (V06950)) (OPT BACB30NM3K1 (V08524)) (OPT BACB30NM3K1 (V27624)) (OPT BACB30NM3K1 (V56878)) (OPT BACB30NM3K1 (V73197)) (OPT BACB30NM3K1 (V80539)) (OPT BACB30NM3K1 (V92215)) (OPT BACB30NM3K1 (V93907)) (OPT BACB30NM3K1 (V97928))	BP, EL, FE	8	
45	AN960JD10		.	W	A	S	H	E	R	BP, EL, FE	8
50	412N1161-1		.	F	I	T	T	I	N	BP, EL, FE	1
55	BACB30NN3K9		.	B	O	L	T	(V06710) (SPEC BACB30NN3K9) (OPT BACB30NN3K9 (V06725)) (OPT BACB30NN3K9 (V06950)) (OPT BACB30NN3K9 (V08524)) (OPT BACB30NN3K9 (V27624)) (OPT BACB30NN3K9 (V56878)) (OPT BACB30NN3K9 (V73197)) (OPT BACB30NN3K9 (V80539)) (OPT BACB30NN3K9 (V92215)) (OPT BACB30NN3K9 (V93907)) (OPT BACB30NN3K9 (V97928))	BP, EL, FE	1	

-Item not Illustrated

# 25-28-49

ILLUSTRATED PARTS LIST

Page 1098.498

Mar 01/2006



## COMPONENT MAINTENANCE MANUAL

FIG/ ITEM	PART NUMBER	AIRLINE PART NUMBER	NOMENCLATURE	USAGE CODE	UNITS PER ASSY
25- 60	BACB30NM3K9		. BOLT (V06710) (SPEC BACB30NM3K9) (OPT BACB30NM3K9 (V06725)) (OPT BACB30NM3K9 (V06950)) (OPT BACB30NM3K9 (V08524)) (OPT BACB30NM3K9 (V27624)) (OPT BACB30NM3K9 (V80539)) (OPT BACB30NM3K9 (V92215)) (OPT BACB30NM3K9 (V93907)) (OPT BACB30NM3K9 (V97928))	BP, EL, FE	1
65	BACB30NM3K1		. BOLT (V06710) (SPEC BACB30NM3K1) (OPT BACB30NM3K1 (V06725)) (OPT BACB30NM3K1 (V06950)) (OPT BACB30NM3K1 (V08524)) (OPT BACB30NM3K1 (V27624)) (OPT BACB30NM3K1 (V56878)) (OPT BACB30NM3K1 (V73197)) (OPT BACB30NM3K1 (V80539)) (OPT BACB30NM3K1 (V92215)) (OPT BACB30NM3K1 (V93907)) (OPT BACB30NM3K1 (V97928))	BP, EL, FE	4
70	AN960JD10		. WASHER	BP, EL, FE	5
75	412N1119-58		. FITTING	BP, EL, FE	1
80	NAS1801-3-5		. SCREW	BP, EL, FE	2
85	AN960JD10LL		. WASHER	BP, EL, FE	2
-90	417N5120-51SP		. LIGHT ASSY	BP, EL, FE	1

-Item not Illustrated

# 25-28-49

ILLUSTRATED PARTS LIST

Page 1098.499

Mar 01/2006



## COMPONENT MAINTENANCE MANUAL

FIG/ ITEM	PART NUMBER	AIRLINE PART NUMBER	NOMENCLATURE							USAGE CODE	UNITS PER ASSY	
			1	2	3	4	5	6	7			
25- 95	BACS12ER3K6		. .	SCREW (V06710) (SPEC BACS12ER3K6) (OPT BACS12ER3K6 (V06725)) (OPT BACS12ER3K6 (V06950)) (OPT BACS12ER3K6 (V27624)) (OPT BACS12ER3K6 (V34252)) (OPT BACS12ER3K6 (V56878)) (OPT BACS12ER3K6 (V73197)) (OPT BACS12ER3K6 (V80539)) (OPT BACS12ER3K6 (V92215)) (OPT BACS12ER3K6 (V93907)) (OPT BACS12ER3K6 (V97928))							BP, EL, FE	3
100	BACW10UD10		. .	WASHER							BP, EL, FE	3
105	F22K1-02		. .	NUT (V72962) (SPEC BACN10R10L) (OPT 22K1-02 (V72962)) (OPT 26CL02 (V80539))							BP, EL, FE	3
107	65C28117-3		. .	PAD							BP, EL, FE	1
110	05939-5		. .	BALLAST (V17023) (SPEC S283N702-5) (OPT 1985-1 (V30242)) (OPT ITEM 110B)							BP, EL, FE	1
-110A	1985-1		. .	BALLAST (V30242) (SPEC S283N702-5) (OPT 05939-5 (V17023)) (OPT ITEM 110B)							BP, EL, FE	1
-110B	05939-105		. .	BALLAST (V17023) (SPEC S283N702-105) (OPT ITEM 110, 110A)							BP, EL, FE	1
115	S417N507-36C		. .	HOUSING (OFF WHITE/COVERT GRAY TRIM)							BP, EL, FE	1
-115A	S417N507-36L		. .	HOUSING (WHITE/BLUE VELVET TRIM)							BP, EL, FE	1
120	417N5120-11		. .	LAMP ASSY							BP, EL, FE	1

-Item not Illustrated

# 25-28-49

ILLUSTRATED PARTS LIST

Page 1098.500

Mar 01/2006



## COMPONENT MAINTENANCE MANUAL

FIG/ ITEM	PART NUMBER	AIRLINE PART NUMBER	NOMENCLATURE							USAGE CODE	UNITS PER ASSY
			1	2	3	4	5	6	7		
25-											
125	2055150		. . .	CAP-END						BP, EL, FE	2
				(V04169)							
130	F20T12WW		. . .	LAMP-FLUOR.						BP, EL, FE	1
				(V08805)							
135	LP1625-24		. . .	TUBE-COVER						BP, EL, FE	1
				(V60116)							
				(OPT ITEM 135A)							
-135A	NI152LGWUV1000		. . .	TUBE-COVER						BP, EL, FE	1
				(V06034)							
				(OPT ITEM 135)							
140	NAS1801-3-11		.	SCREW						BP, EL, FE	1
145	411N3142-28		.	WASHER-CUPPED						BP, EL, FE	1
150	BACS18C8-6		.	SPACER						BP, EL, FE	1
155	MS24585-1230		.	SPRING						BP, EL, FE	1
160	BACS12FA3K5		.	SCREW						BP, EL, FE	16
				(V06710)							
				(SPEC BACS12FA3K5)							
				(OPT BACS12FA3K5 (V06725))							
				(OPT BACS12FA3K5 (V06950))							
				(OPT BACS12FA3K5 (V27624))							
				(OPT BACS12FA3K5 (V34252))							
				(OPT BACS12FA3K5 (V56878))							
				(OPT BACS12FA3K5 (V73197))							
				(OPT BACS12FA3K5 (V80539))							
				(OPT BACS12FA3K5 (V92215))							
				(OPT BACS12FA3K5 (V93907))							
				(OPT BACS12FA3K5 (V97928))							
165	BACB30PF4-3		.	BOLT						BP, EL, FE	1
170	AN960C416L		.	WASHER						BP, EL, FE	1
175	NAS1515F4H		.	WASHER						BP, EL, FE	1
180	NAS1515M4L		.	WASHER						BP, EL, FE	1
185	412N1145-30		.	BRACKET						BP, EL, FE	2

-Item not Illustrated

# 25-28-49

ILLUSTRATED PARTS LIST

Page 1098.501

Mar 01/2006



## COMPONENT MAINTENANCE MANUAL

FIG/ ITEM	PART NUMBER	AIRLINE PART NUMBER	NOMENCLATURE							USAGE CODE	UNITS PER ASSY
			1	2	3	4	5	6	7		
25-											
190	65C27017-43		.							BP, EL, FE	4
195	412N1145-29		.							BP, EL, FE	3
200	65C32946-59SP		.							BP, EL	1
-200A	65C32946-107SP		.							FE	1
205	SL2334-3A2		.	.						BP, EL, FE	9
210	65C27026-23SP		.							BP	1
212	65C27026-186SP		.							FE	1
215	412N1233-645SP		.							EL	1
220	412N1130-5SP		.							BP, EL, FE	2
225	NAS1836-3-11		.	.						BP, EL	4
-225A	NAS1836-3-9		.	.						BP, EL	4
227	NAS1836-3-11		.	.						FE	4
-227A	NAS1836-3-9		.	.						FE	4
230	65C32945-12SP		.							BP	1
-230A	65C32945-645SP		.							EL	1
-230B	65C32945-678SP		.							FE	1

-Item not Illustrated

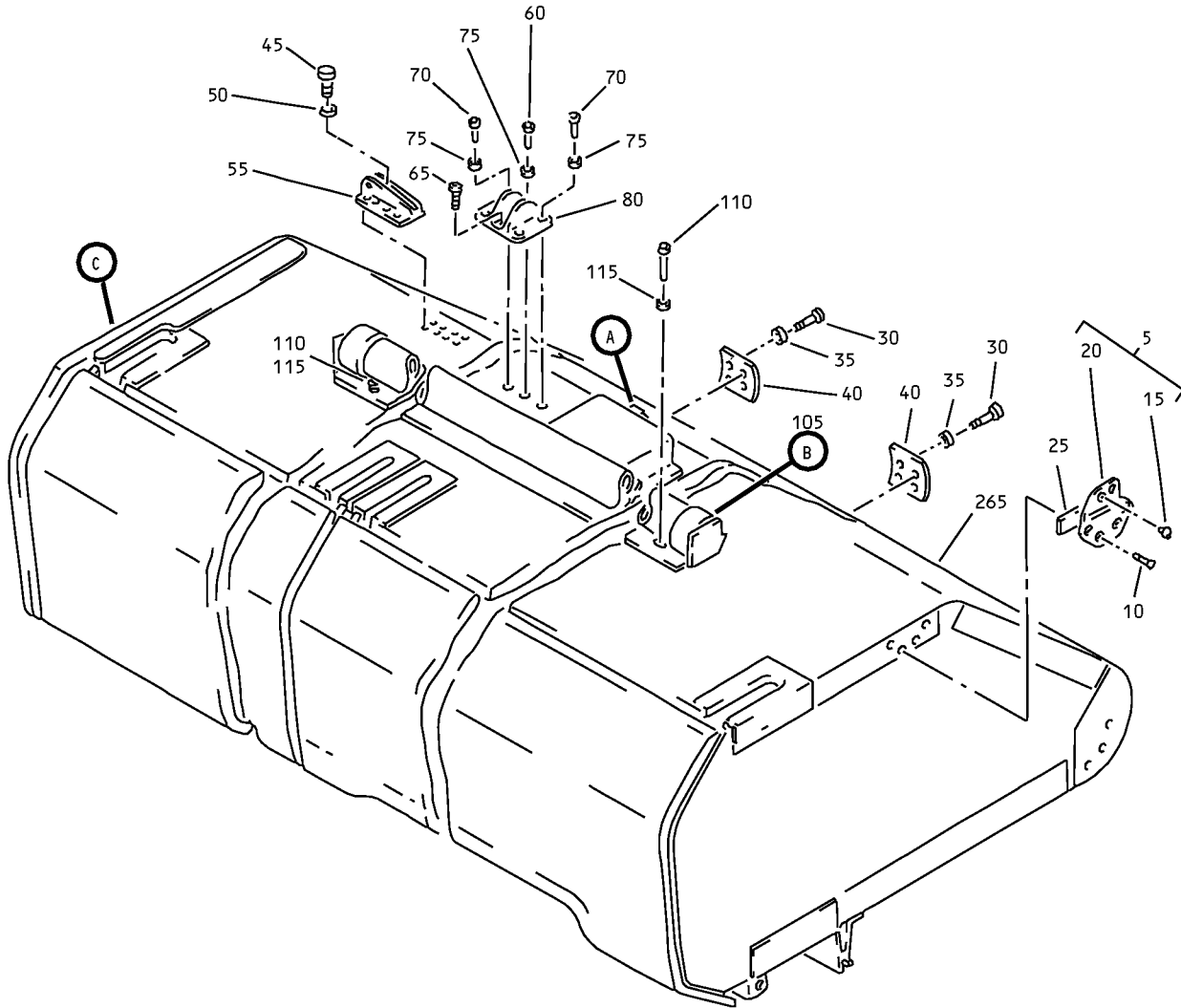
**25-28-49**

ILLUSTRATED PARTS LIST

Page 1098.502

Mar 01/2006

COMPONENT MAINTENANCE MANUAL



Overhead Stowage Compartment Assembly  
IPL Figure 26 (Sheet 1 of 3)

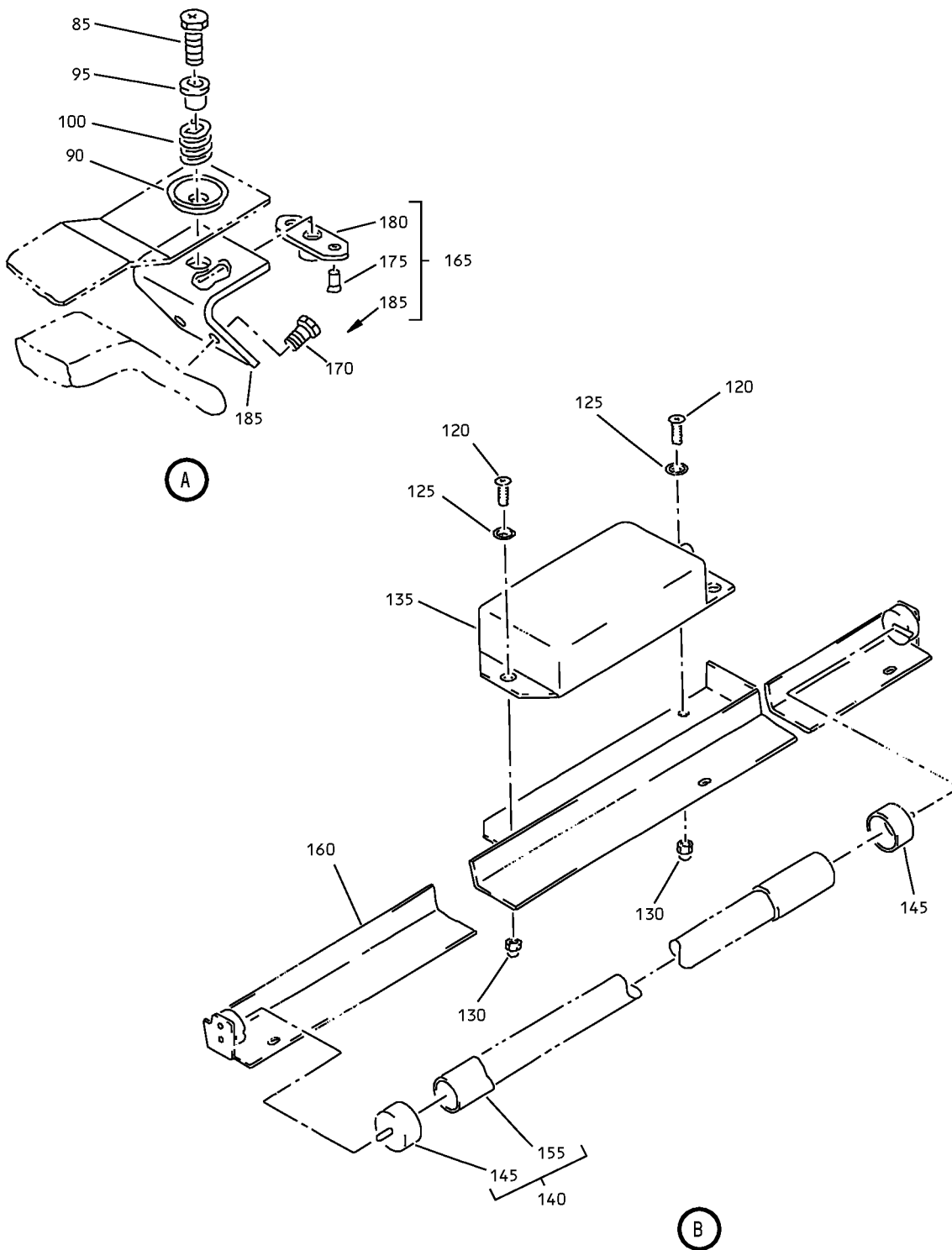
**25-28-49**

ILLUSTRATED PARTS LIST

Page 1098.503

Mar 01/2006

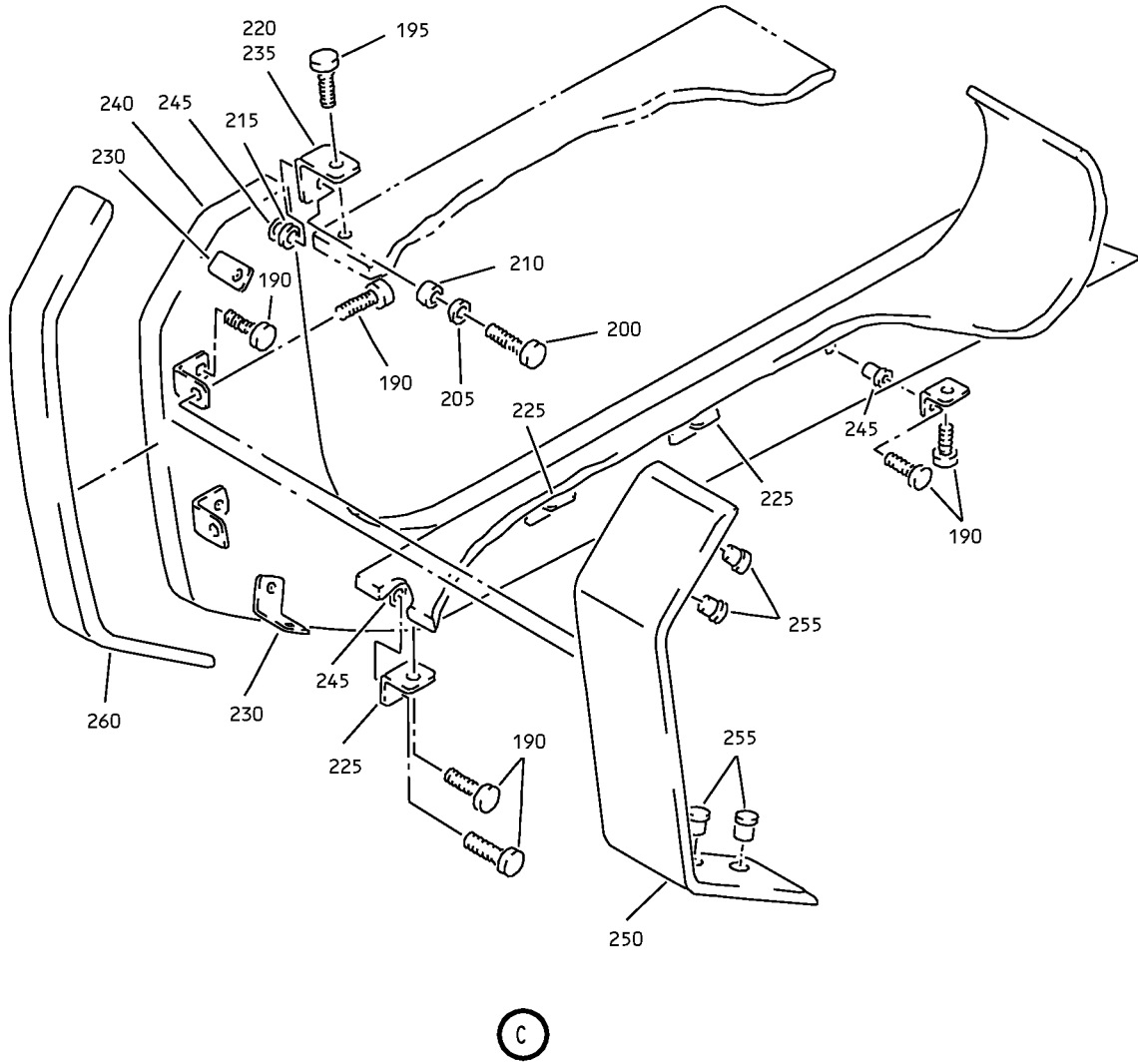
### COMPONENT MAINTENANCE MANUAL



Overhead Stowage Compartment Assembly  
IPL Figure 26 (Sheet 2 of 3)



COMPONENT MAINTENANCE MANUAL



Overhead Storage Compartment Assembly  
IPL Figure 26 (Sheet 3 of 3)

**25-28-49**  
ILLUSTRATED PARTS LIST  
Page 1098.505  
Mar 01/2006



## COMPONENT MAINTENANCE MANUAL

FIG/ ITEM	PART NUMBER	AIRLINE PART NUMBER	NOMENCLATURE							USAGE CODE	UNITS PER ASSY
			1	2	3	4	5	6	7		
26-											
-1	65C32944-12SP									H	RF
-1A	65C32944-34SP									AE	RF
5	412N1119-37									H, AE	1
10	BACS12ER3K6									H, AE	4
15	BACB28B6-220P									H, AE	1
20	412N1119-39									H, AE	1
25	65C27017-16									H, AE	1
30	BACB30NM3K1									H, AE	8
35	AN960JD10									H, AE	8
40	412N1119-12									H, AE	2

-Item not Illustrated

**25-28-49**

ILLUSTRATED PARTS LIST

Page 1098.506

Mar 01/2006



## COMPONENT MAINTENANCE MANUAL

FIG/ ITEM	PART NUMBER	AIRLINE PART NUMBER	NOMENCLATURE	USAGE CODE	UNITS PER ASSY
26- 45	BACB30NM3K1		. BOLT (V06710) (SPEC BACB30NM3K1) (OPT BACB30NM3K1 (V06725)) (OPT BACB30NM3K1 (V06950)) (OPT BACB30NM3K1 (V08524)) (OPT BACB30NM3K1 (V27624)) (OPT BACB30NM3K1 (V56878)) (OPT BACB30NM3K1 (V73197)) (OPT BACB30NM3K1 (V80539)) (OPT BACB30NM3K1 (V92215)) (OPT BACB30NM3K1 (V93907)) (OPT BACB30NM3K1 (V97928))	H, AE	8
50	AN960JD10		. WASHER	H, AE	8
55	412N1161-1		. FITTING	H, AE	1
60	BACB30NN3K9		. BOLT (V06710) (SPEC BACB30NN3K9) (OPT BACB30NN3K9 (V06725)) (OPT BACB30NN3K9 (V06950)) (OPT BACB30NN3K9 (V08524)) (OPT BACB30NN3K9 (V27624)) (OPT BACB30NN3K9 (V56878)) (OPT BACB30NN3K9 (V73197)) (OPT BACB30NN3K9 (V80539)) (OPT BACB30NN3K9 (V92215)) (OPT BACB30NN3K9 (V93907)) (OPT BACB30NN3K9 (V97928))	H, AE	1
65	BACB30NM3K9		. BOLT (V06710) (SPEC BACB30NM3K9) (OPT BACB30NM3K9 (V06725)) (OPT BACB30NM3K9 (V06950)) (OPT BACB30NM3K9 (V08524)) (OPT BACB30NM3K9 (V27624)) (OPT BACB30NM3K9 (V80539)) (OPT BACB30NM3K9 (V92215)) (OPT BACB30NM3K9 (V93907)) (OPT BACB30NM3K9 (V97928))	H, AE	1

-Item not Illustrated

# 25-28-49

ILLUSTRATED PARTS LIST

Page 1098.507

Mar 01/2006



## COMPONENT MAINTENANCE MANUAL

FIG/ ITEM	PART NUMBER	AIRLINE PART NUMBER	NOMENCLATURE							USAGE CODE	UNITS PER ASSY
			1	2	3	4	5	6	7		
26-											
70	BACB30NM3K1		.	BOLT						H, AE	4
				(V06710)							
				(SPEC BACB30NM3K1)							
				(OPT BACB30NM3K1 (V06725))							
				(OPT BACB30NM3K1 (V06950))							
				(OPT BACB30NM3K1 (V08524))							
				(OPT BACB30NM3K1 (V27624))							
				(OPT BACB30NM3K1 (V56878))							
				(OPT BACB30NM3K1 (V73197))							
				(OPT BACB30NM3K1 (V80539))							
				(OPT BACB30NM3K1 (V92215))							
				(OPT BACB30NM3K1 (V93907))							
				(OPT BACB30NM3K1 (V97928))							
75	AN960JD10		.	WASHER						H, AE	5
80	412N1119-58		.	FITTING						H, AE	1
85	NAS1801-3-11		.	SCREW						H, AE	1
90	411N3142-28		.	WASHER-CUPPED						H, AE	1
95	BACS18C8-6		.	SPACER						H, AE	1
100	MS24585-1230		.	SPRING						H, AE	1
105	417N5120-51SP		.	LIGHT ASSY						H, AE	1
				ATTACHING PARTS							
110	NAS1801-3-5		.	SCREW						H, AE	2
115	AN960JD10LL		.	WASHER						H, AE	2
				-----*							
120	BACS12ER3K6		..	SCREW						H, AE	3
				(V06710)							
				(SPEC BACS12ER3K6)							
				(OPT BACS12ER3K6 (V06725))							
				(OPT BACS12ER3K6 (V06950))							
				(OPT BACS12ER3K6 (V27624))							
				(OPT BACS12ER3K6 (V34252))							
				(OPT BACS12ER3K6 (V56878))							
				(OPT BACS12ER3K6 (V73197))							
				(OPT BACS12ER3K6 (V80539))							
				(OPT BACS12ER3K6 (V92215))							
				(OPT BACS12ER3K6 (V93907))							
				(OPT BACS12ER3K6 (V97928))							
125	BACW10UD10		..	WASHER						H, AE	3

-Item not Illustrated

# 25-28-49

ILLUSTRATED PARTS LIST

Page 1098.508

Mar 01/2006



## COMPONENT MAINTENANCE MANUAL

FIG/ ITEM	PART NUMBER	AIRLINE PART NUMBER	NOMENCLATURE							USAGE CODE	UNITS PER ASSY	
			1	2	3	4	5	6	7			
26- 130	F22K1-02		.	.	NUT (V72962) (SPEC BACN10R10L) (OPT 22K1-02 (V72962)) (OPT 26CL02 (V80539))						H, AE	3
135	05939-5		.	.	BALLAST (V17023) (SPEC S283N702-5) (OPT ITEM 135A)						H, AE	1
-135A	05939-105		.	.	BALLAST (V17023) (SPEC S283N702-105) (OPT ITEM 135)						H, AE	1
140	417N5120-11		.	.	LAMP ASSY						H, AE	1
145	2055150		.	.	CAP-END (V04169)						H, AE	2
-150	F20T12WW		.	.	LAMP-FLUOR. (V08805)						H, AE	1
155	LP1625-24		.	.	TUBE-COVER (V60116) (OPT ITEM 155A)						H, AE	1
-155A	NI152LGWUV1000		.	.	TUBE-COVER (V06034) (OPT ITEM 155)						H, AE	1
160	S417N507-36C		.	.	HOUSING (OFF WHITE/COVERT GRAY TRIM)						H, AE	1
-160A	S417N507-36L		.	.	HOUSING (WHITE/BLUE VELVET TRIM)						H, AE	1
165	65C27481-30		.	.	BRACKET ASSY						H, AE	1
					ATTACHING PARTS							
170	BACS12FA3K4		.	.	SCREW						H, AE	2
					----- * -----							
175	BACR15BA3A		.	.	RIVET (SIZE DETERMINED ON INST)						H, AE	2

-Item not Illustrated

# 25-28-49

ILLUSTRATED PARTS LIST

Page 1098.509

Mar 01/2006



## COMPONENT MAINTENANCE MANUAL

FIG/ ITEM	PART NUMBER	AIRLINE PART NUMBER	NOMENCLATURE							USAGE CODE	UNITS PER ASSY	
			1	2	3	4	5	6	7			
26– 180	F5000-3BAC		.	.							H, AE	1
185	65C27481-31		.	.							H, AE	1
190	BACS12FA3K5		.								H, AE	16
195	BACS12FA3K5		.								AE	1
200	BACB30PF4-3		.								H, AE	1
205	AN960C416L		.								H, AE	1
210	NAS1515F4H		.								H, AE	1
215	NAS1515M4L		.								H, AE	1
220	412N1145-30		.								H	1
–220A	412N1145-29		.								AE	1
225	412N1145-29		.								H, AE	3

–Item not Illustrated

# 25-28-49

ILLUSTRATED PARTS LIST

Page 1098.510

Mar 01/2006



## COMPONENT MAINTENANCE MANUAL

FIG/ ITEM	PART NUMBER	AIRLINE PART NUMBER	NOMENCLATURE							USAGE CODE	UNITS PER ASSY
			1	2	3	4	5	6	7		
26-											
-225A	NAS1836-3-9		.	.	INSERT (OPT ITEM 255)					H, AE	4
230	65C27017-43		.		BRACKET					H, AE	4
235	412N1145-30		.		BRACKET					H, AE	1
240	65C32946-3SP		.		CAP ASSY-END					H, AE	1
245	SL2334-3A2		.	.	INSERT (V97393)					H, AE	9
250	65C27026-23SP		.		PANEL ASSY-FILLER					H	1
-250A	65C27026-60SP		.		PANEL ASSY-FILLER					AE	1
255	NAS1836-3-11		.	.	INSERT (OPT ITEM 255A)					H, AE	4
260	412N1130-5SP		.		TRIM-VERTICAL					H, AE	1
265	65C32945-12SP		.		MODULE ASSY (FOR DETAILS SEE FIG. 28)					H	1
-265A	65C32945-34SP		.		MODULE ASSY (FOR DETAILS SEE FIG. 28)					AE	1

-Item not Illustrated

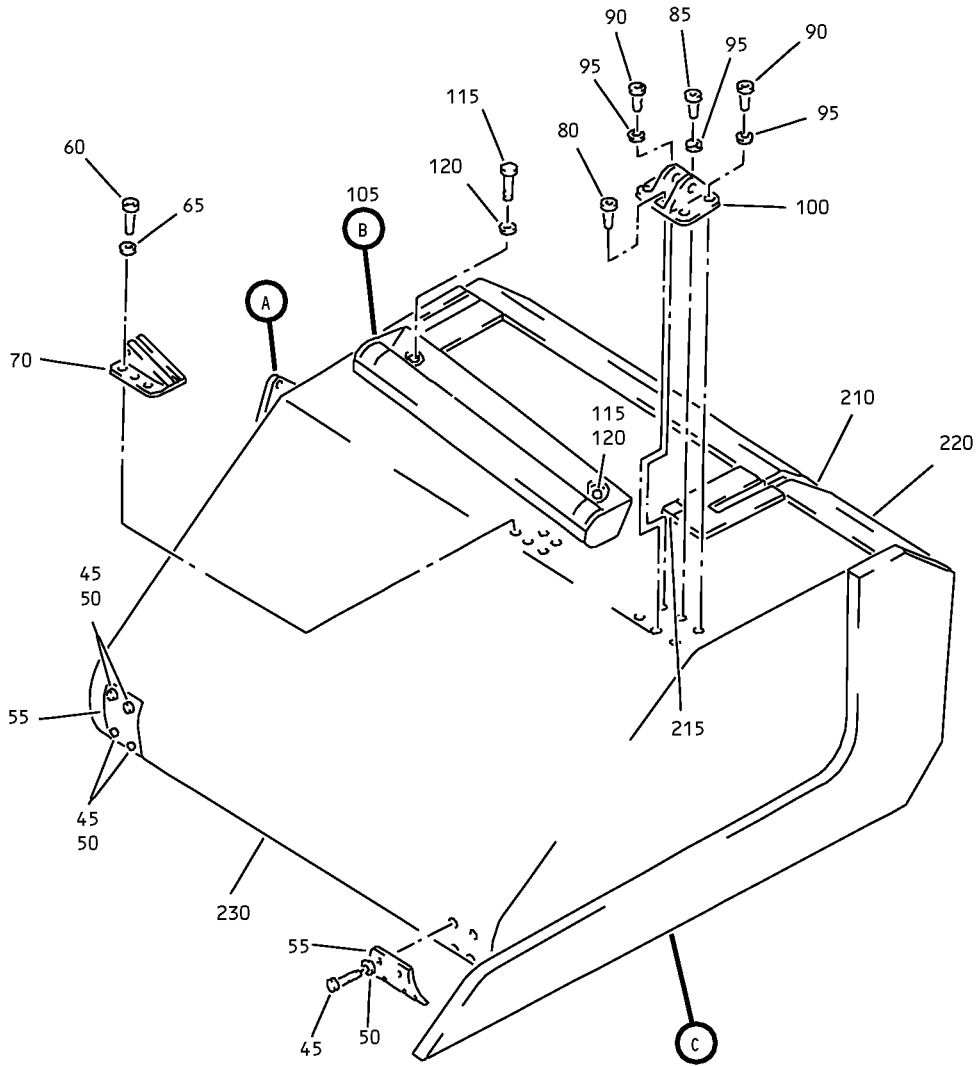
# 25-28-49

ILLUSTRATED PARTS LIST

Page 1098.511

Mar 01/2006

COMPONENT MAINTENANCE MANUAL



Overhead Stowage Compartment Assembly  
IPL Figure 27 (Sheet 1 of 3)

**25-28-49**

ILLUSTRATED PARTS LIST

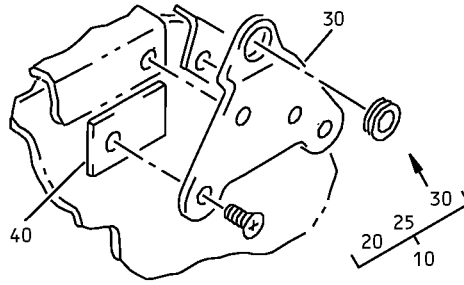
Page 1098.512

Mar 01/2006

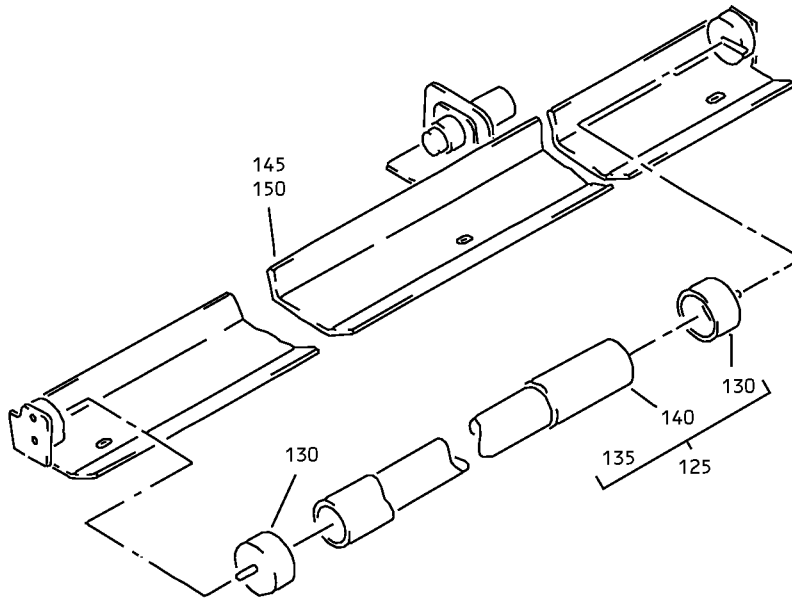




COMPONENT MAINTENANCE MANUAL



A



B

Overhead Stowage Compartment Assembly  
IPL Figure 27 (Sheet 2 of 3)

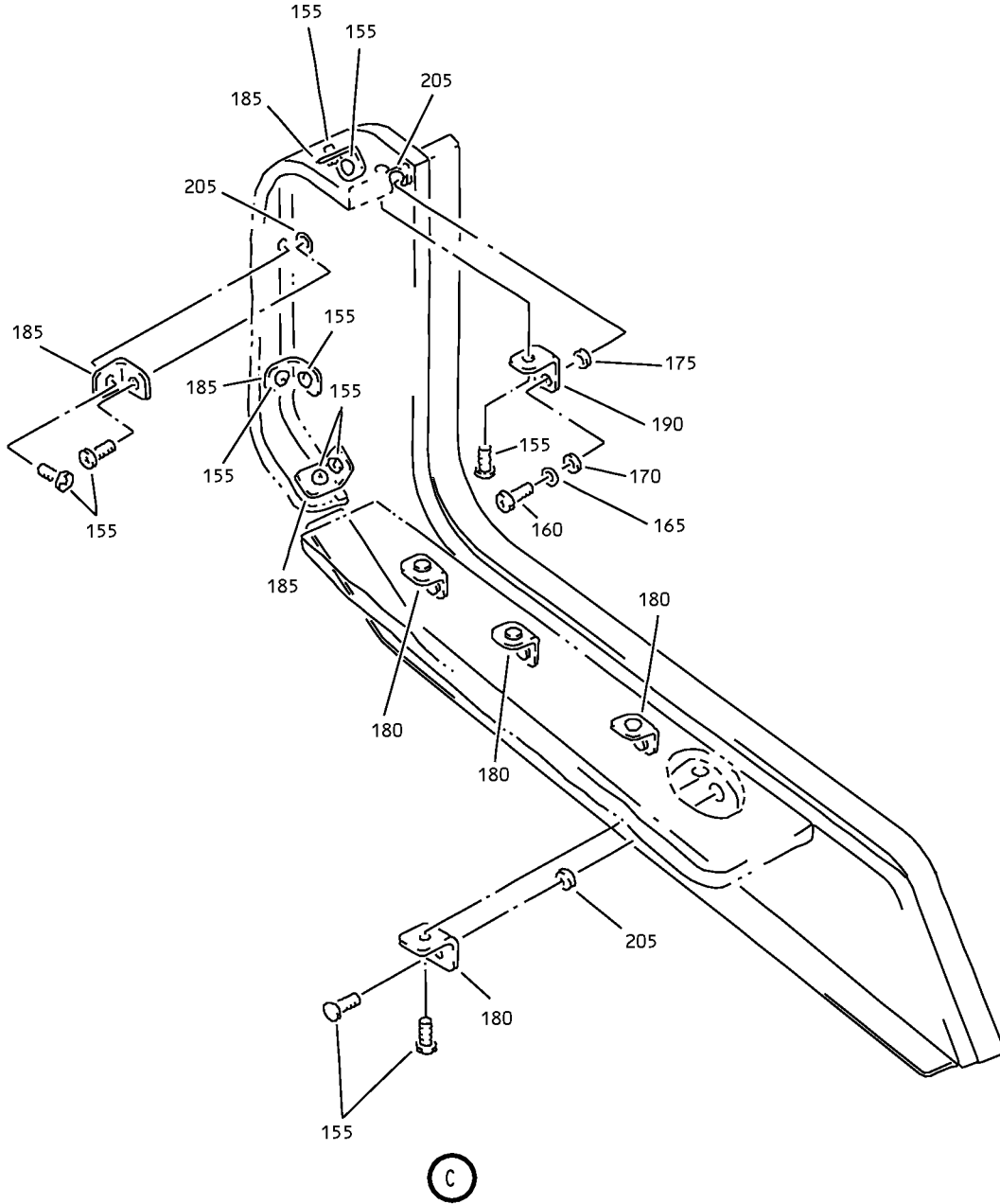
**25-28-49**

ILLUSTRATED PARTS LIST

Page 1098.513

Mar 01/2006

COMPONENT MAINTENANCE MANUAL



Overhead Storage Compartment Assembly  
IPL Figure 27 (Sheet 3 of 3)

**25-28-49**

ILLUSTRATED PARTS LIST

Page 1098.514

Mar 01/2006



COMPONENT MAINTENANCE MANUAL

FIG/ ITEM	PART NUMBER	AIRLINE PART NUMBER	NOMENCLATURE							USAGE CODE	UNITS PER ASSY
			1	2	3	4	5	6	7		
27-											
-1	65C32944-28SP									Z	RF
-5	65C32944-29SP									AA	RF
10	412N1119-37									Z	1
-15	412N1119-38									AA	1
20	BACS12ER3K6									Z, AA	4
25	BACB28B6-220P									Z, AA	1
30	412N1119-39									Z	1
-35	412N1119-40									AA	1
40	65C27017-16									Z, AA	1
45	BACB30NM3K1									Z, AA	8
50	AN960JD10									Z, AA	8

-Item not Illustrated

**25-28-49**

ILLUSTRATED PARTS LIST  
Page 1098.515  
Mar 01/2006



### COMPONENT MAINTENANCE MANUAL

FIG/ ITEM	PART NUMBER	AIRLINE PART NUMBER	NOMENCLATURE							USAGE CODE	UNITS PER ASSY
			1	2	3	4	5	6	7		
27-											
55	412N1119-12		.	F	I	T	T	I	N	Z, AA	2
60	BACB30NM3K1		.	B	O	L	T			Z, AA	8
				(V06710)							
				(SPEC BACB30NM3K1)							
				(OPT BACB30NM3K1 (V06725))							
				(OPT BACB30NM3K1 (V06950))							
				(OPT BACB30NM3K1 (V08524))							
				(OPT BACB30NM3K1 (V27624))							
				(OPT BACB30NM3K1 (V56878))							
				(OPT BACB30NM3K1 (V73197))							
				(OPT BACB30NM3K1 (V80539))							
				(OPT BACB30NM3K1 (V92215))							
				(OPT BACB30NM3K1 (V93907))							
				(OPT BACB30NM3K1 (V97928))							
65	AN960JD10		.	W	A	S	H	E	R	Z, AA	8
70	412N1161-1		.	F	I	T	T	I	N	Z	1
-75	412N1161-2		.	F	I	T	T	I	N	AA	1
80	BACB30NN3K9		.	B	O	L	T			Z, AA	1
				(V06710)							
				(SPEC BACB30NN3K9)							
				(OPT BACB30NN3K9 (V06725))							
				(OPT BACB30NN3K9 (V06950))							
				(OPT BACB30NN3K9 (V08524))							
				(OPT BACB30NN3K9 (V27624))							
				(OPT BACB30NN3K9 (V56878))							
				(OPT BACB30NN3K9 (V73197))							
				(OPT BACB30NN3K9 (V80539))							
				(OPT BACB30NN3K9 (V92215))							
				(OPT BACB30NN3K9 (V93907))							
				(OPT BACB30NN3K9 (V97928))							
85	BACB30NM3K9		.	B	O	L	T			Z, AA	1
				(V06710)							
				(SPEC BACB30NM3K9)							
				(OPT BACB30NM3K9 (V06725))							
				(OPT BACB30NM3K9 (V06950))							
				(OPT BACB30NM3K9 (V08524))							
				(OPT BACB30NM3K9 (V27624))							
				(OPT BACB30NM3K9 (V80539))							
				(OPT BACB30NM3K9 (V92215))							
				(OPT BACB30NM3K9 (V93907))							
				(OPT BACB30NM3K9 (V97928))							

-Item not Illustrated

# 25-28-49

ILLUSTRATED PARTS LIST

Page 1098.516

Mar 01/2006



## COMPONENT MAINTENANCE MANUAL

FIG/ ITEM	PART NUMBER	AIRLINE PART NUMBER	NOMENCLATURE							USAGE CODE	UNITS PER ASSY
			1	2	3	4	5	6	7		
27- 90	BACB30NM3K1		.	BOLT						Z, AA	4
				(V06710)							
				(SPEC BACB30NM3K1)							
				(OPT BACB30NM3K1 (V06725))							
				(OPT BACB30NM3K1 (V06950))							
				(OPT BACB30NM3K1 (V08524))							
				(OPT BACB30NM3K1 (V27624))							
				(OPT BACB30NM3K1 (V56878))							
				(OPT BACB30NM3K1 (V73197))							
				(OPT BACB30NM3K1 (V80539))							
				(OPT BACB30NM3K1 (V92215))							
				(OPT BACB30NM3K1 (V93907))							
				(OPT BACB30NM3K1 (V97928))							
95	AN960JD10		.	WASHER						Z, AA	5
100	412N1119-58		.	FITTING						Z, AA	1
105	417N5120-33SP		.	LIGHT ASSY						Z	1
-110	417N5120-53SP		.	LIGHT ASSY						AA	1
				ATTACHING PARTS							
115	NAS1801-3-5		.	SCREW						Z, AA	2
120	AN960JD10LL		.	WASHER						Z, AA	2
				----- * -----							
125	417N5120-11		..	LAMP ASSY						Z, AA	1
130	2055150		...	CAP-END						Z, AA	2
				(V04169)							
135	F20T12WW		...	LAMP-FLUOR.						Z, AA	1
				(V08805)							
140	LP1625-24		...	TUBE-COVER						Z, AA	1
				(V60116)							
				(OPT ITEM 140A)							
-140A	NI152LGWUV1000		...	TUBE-COVER						Z, AA	1
				(V06034)							
				(OPT ITEM 140)							
145	S417N507-29C		..	HOUSING						Z	1
				(OFF WHITE/COVERT GRAY TRIM)							
-145A	S417N507-29L		..	HOUSING						Z	1
				(WHITE/BLUE VELVET TRIM)							
-145B	S417N507-29Y		..	HOUSING						Z	1
				(BEIGE/COVERT GRAY TRIM)							

-Item not Illustrated

# 25-28-49

ILLUSTRATED PARTS LIST

Page 1098.517

Mar 01/2006



## COMPONENT MAINTENANCE MANUAL

FIG/ ITEM	PART NUMBER	AIRLINE PART NUMBER	NOMENCLATURE							USAGE CODE	UNITS PER ASSY
			1	2	3	4	5	6	7		
27-											
150	S417N507-38C		.	.						AA	1
-150A	S417N507-38L		.	.						AA	1
-150B	S417N507-38Y		.	.						AA	1
155	BACS12FA3K5		.							Z, AA	17
160	BACB30PF4-3		.							Z, AA	1
165	AN960C416L		.							Z, AA	1
170	NAS1515F4H		.							Z, AA	1
175	NAS1515M4L		.							Z, AA	1
180	412N1145-29		.							Z, AA	4
185	65C27017-43		.							Z, AA	4
190	412N1145-30		.							Z, AA	1
-195	65C32946-3SP		.							Z	1
-200	65C32946-4SP		.							AA	1
205	SL2334-3A2		.	.						Z, AA	9
210	412N1130-5SP		.							Z, AA	1
215	65C32944-9		.							Z, AA	1
220	65C27026-82SP		.							Z	1
-225	65C27026-79SP		.							AA	1
230	65C32945-28SP		.							Z	1
-235	65C32945-29SP		.							AA	1

-Item not Illustrated

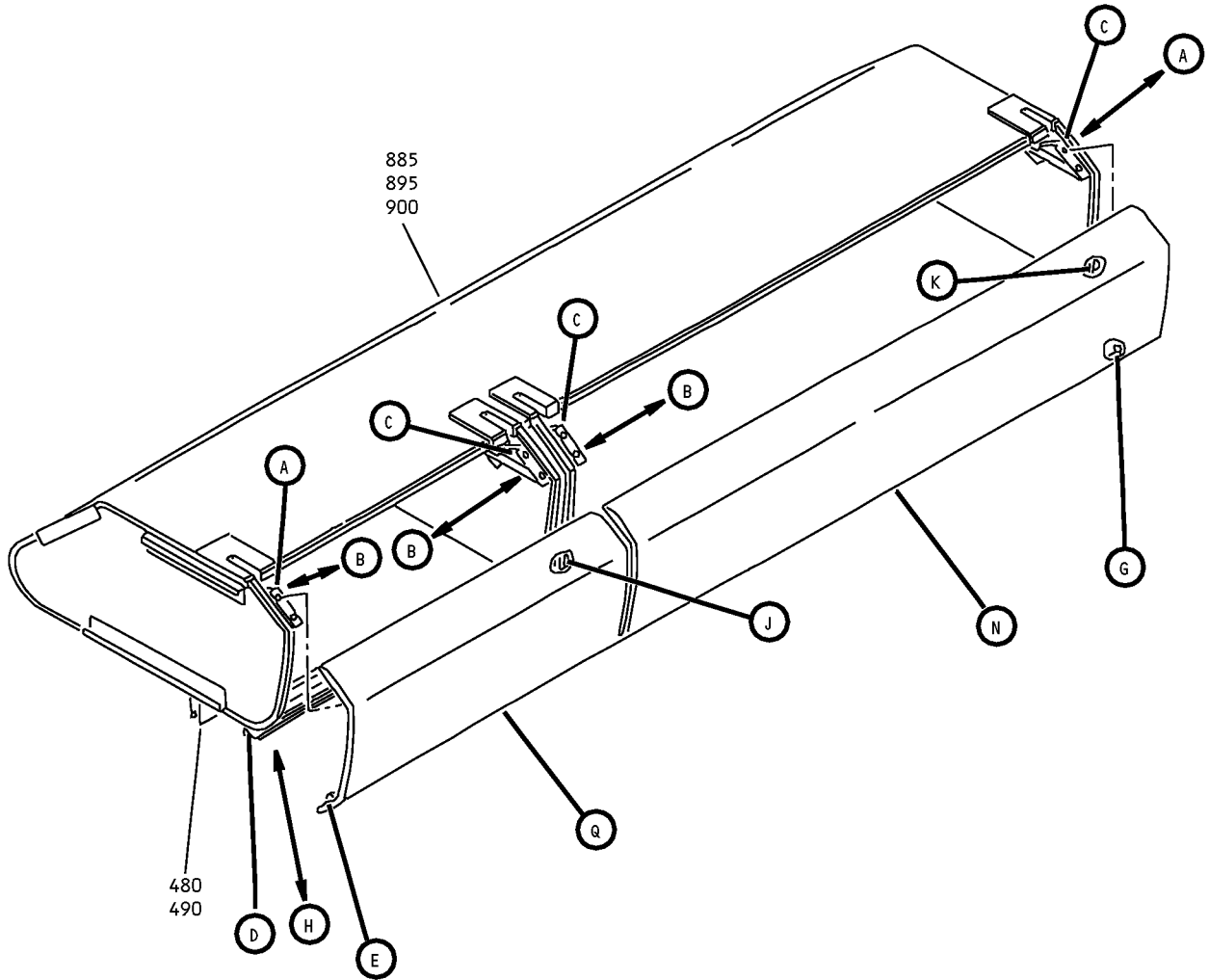
# 25-28-49

ILLUSTRATED PARTS LIST

Page 1098.518

Mar 01/2006

COMPONENT MAINTENANCE MANUAL



Overhead Stowage Compartment Assembly  
IPL Figure 28 (Sheet 1 of 14)

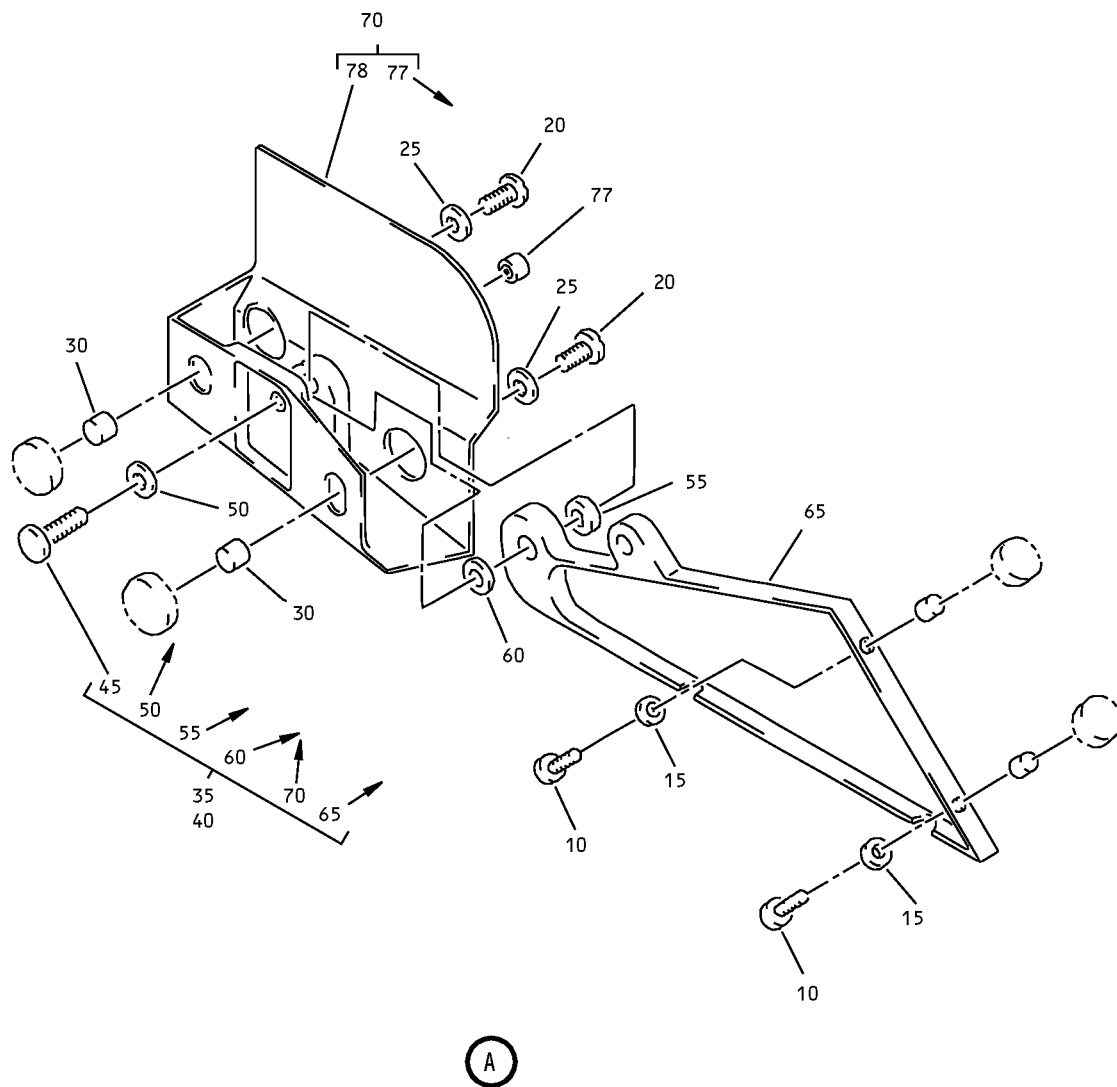
**25-28-49**

ILLUSTRATED PARTS LIST

Page 1098.519

Mar 01/2006

COMPONENT MAINTENANCE MANUAL

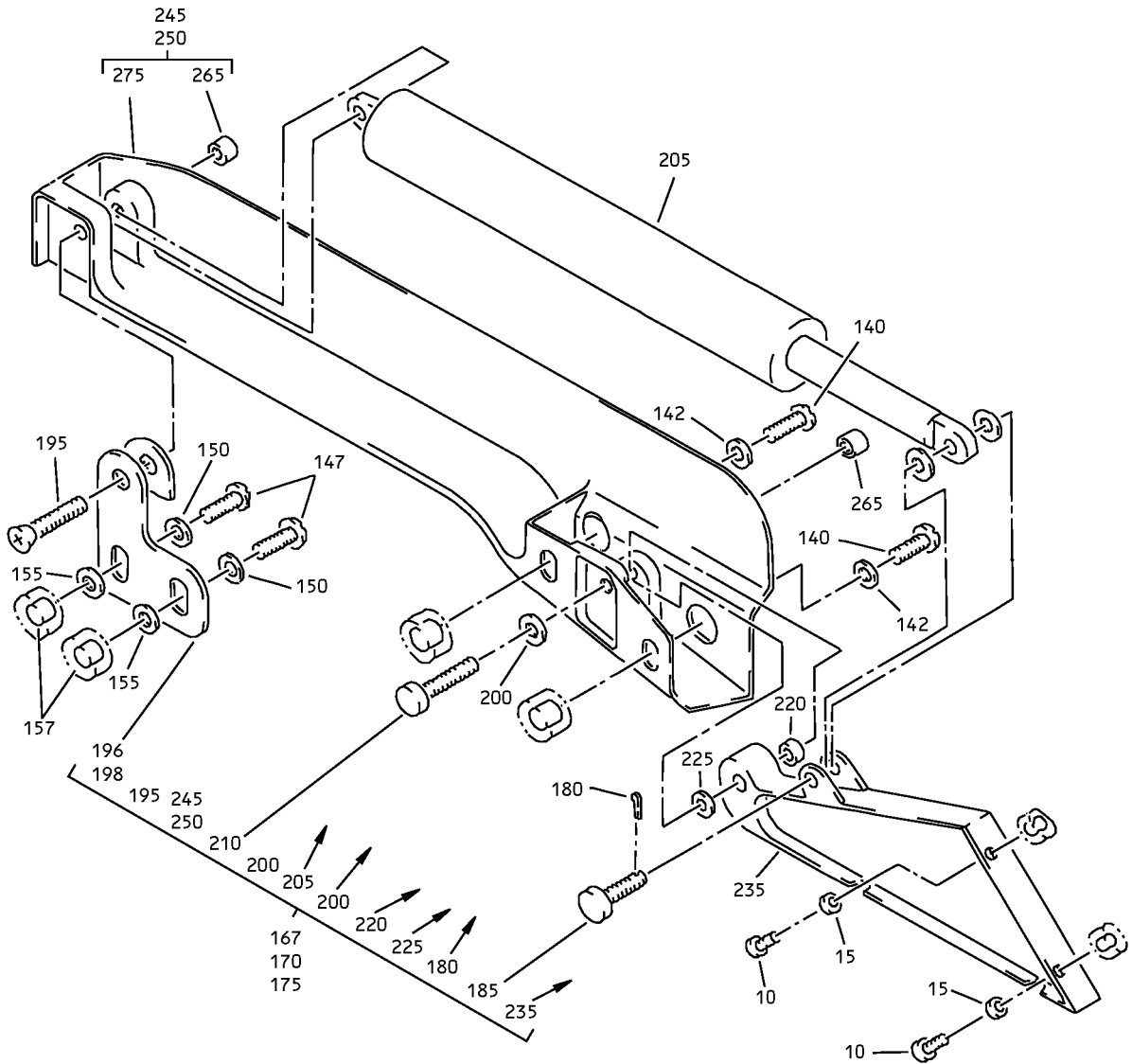


Overhead Stowage Compartment Assembly  
IPL Figure 28 (Sheet 2 of 14)

**25-28-49**  
ILLUSTRATED PARTS LIST  
Page 1098.520  
Mar 01/2006



COMPONENT MAINTENANCE MANUAL



(B)

Overhead Storage Compartment Assembly  
IPL Figure 28 (Sheet 3 of 14)

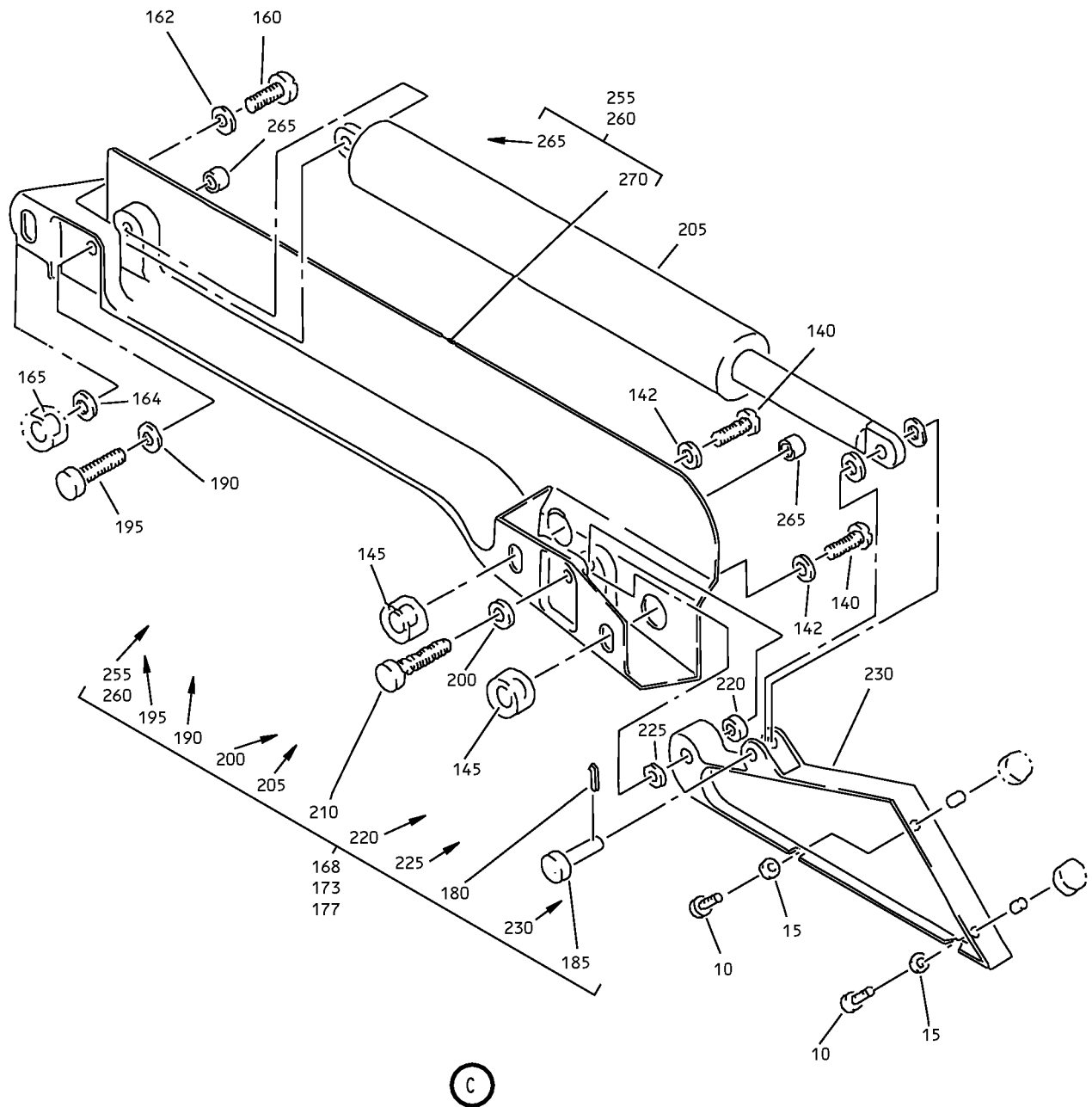
**25-28-49**

ILLUSTRATED PARTS LIST

Page 1098.521

Mar 01/2006

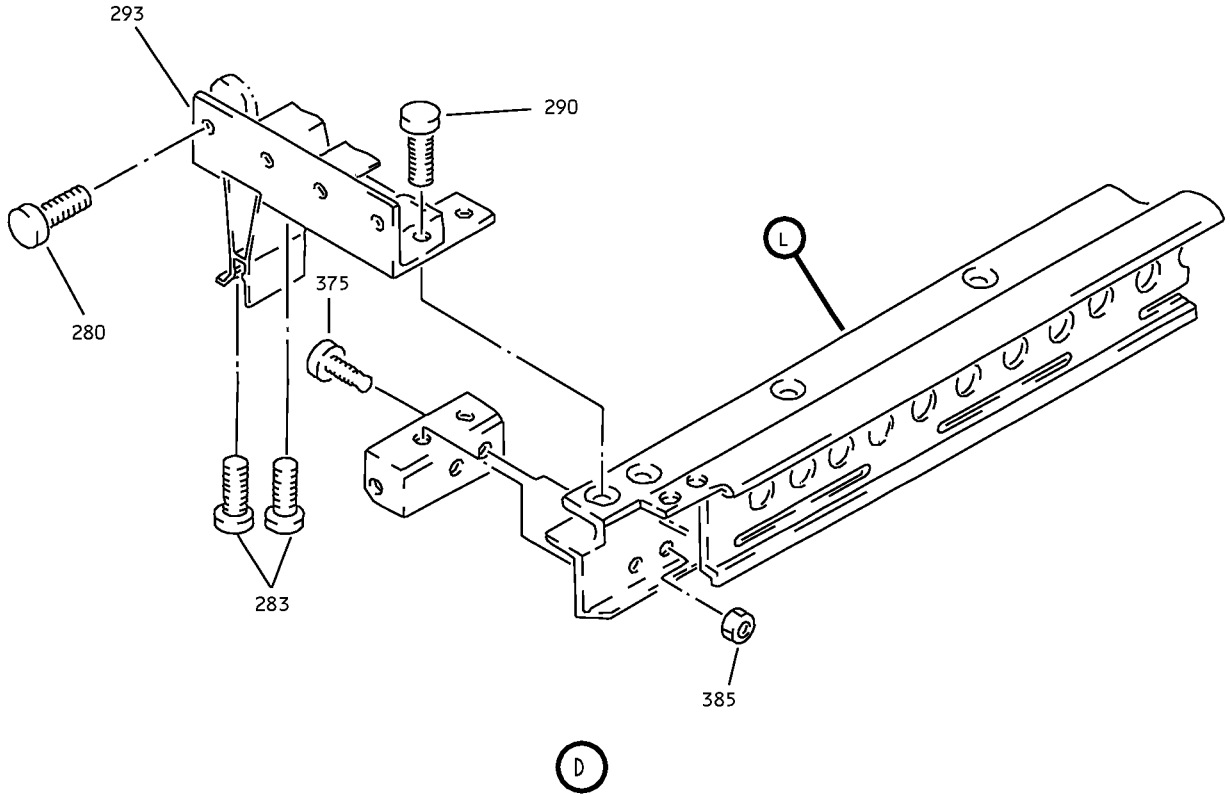
# COMPONENT MAINTENANCE MANUAL



Overhead Storage Compartment Assembly  
IPL Figure 28 (Sheet 4 of 14)

**25-28-49**  
ILLUSTRATED PARTS LIST  
Page 1098.522  
Mar 01/2006

COMPONENT MAINTENANCE MANUAL



Overhead Stowage Compartment Assembly  
IPL Figure 28 (Sheet 5 of 14)

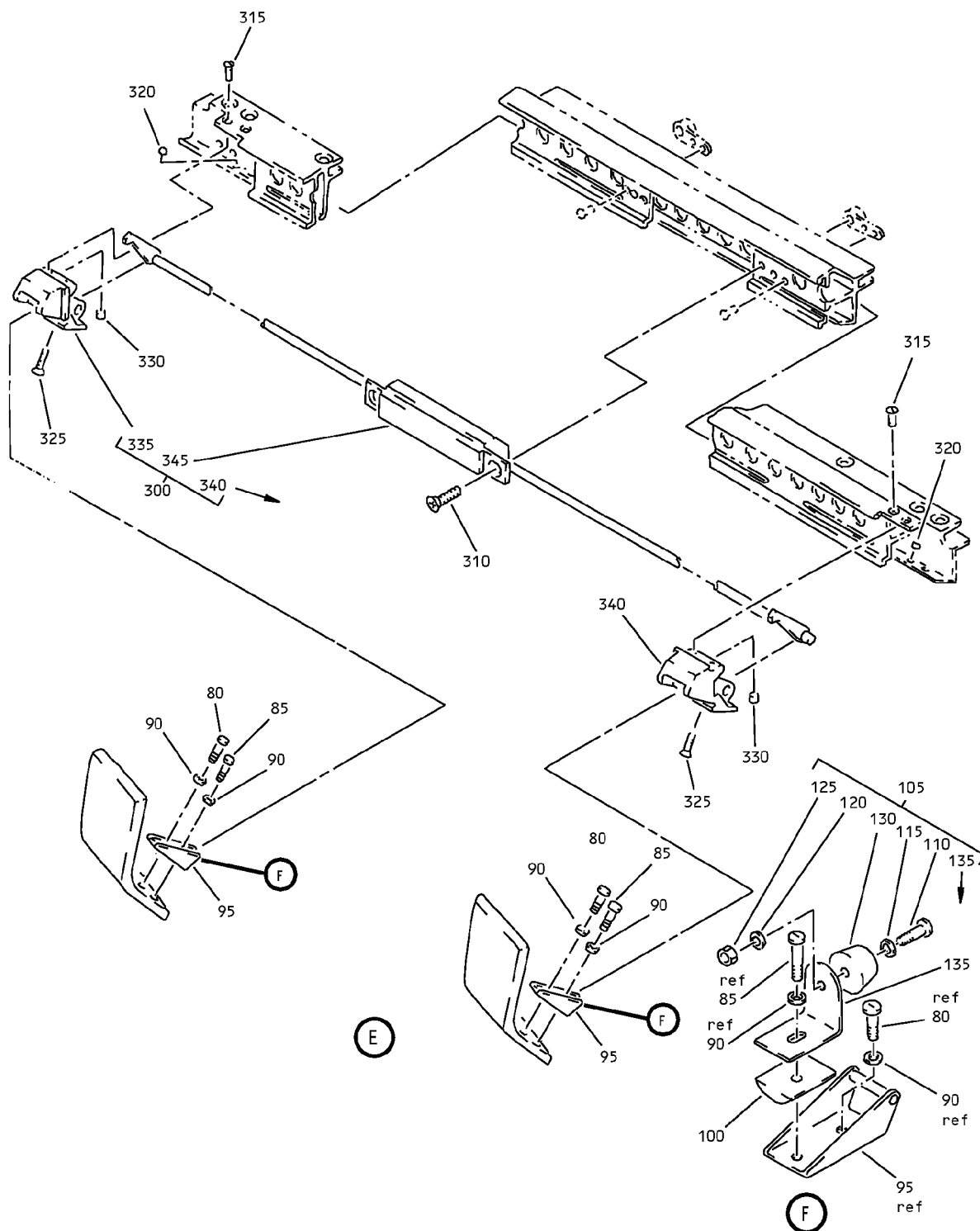
**25-28-49**

ILLUSTRATED PARTS LIST

Page 1098.523

Mar 01/2006

# COMPONENT MAINTENANCE MANUAL



Overhead Storage Compartment Assembly  
IPL Figure 28 (Sheet 6 of 14)

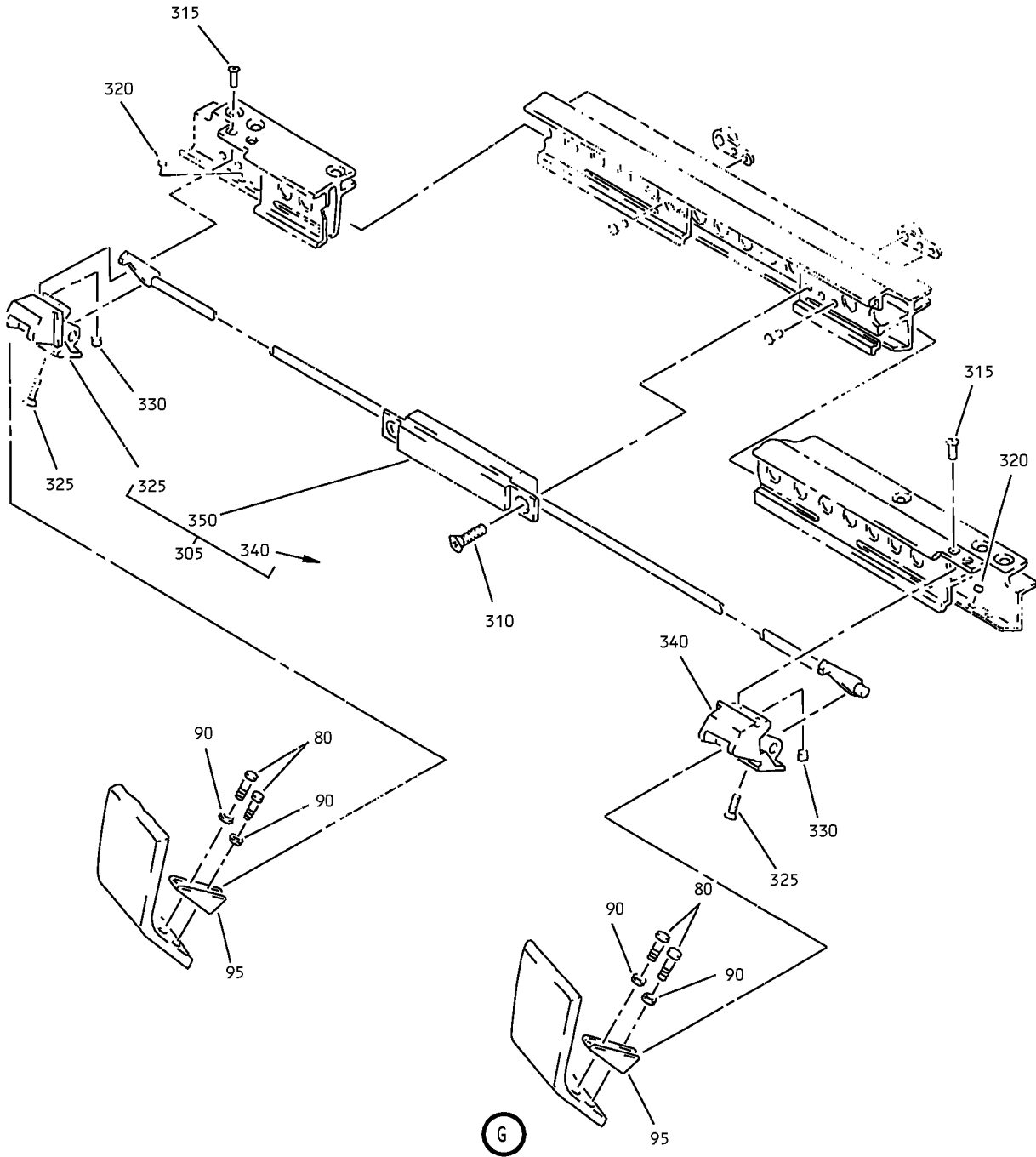
## 25-28-49

ILLUSTRATED PARTS LIST

Page 1098.524

Mar 01/2006

COMPONENT MAINTENANCE MANUAL



Overhead Storage Compartment Assembly  
IPL Figure 28 (Sheet 7 of 14)

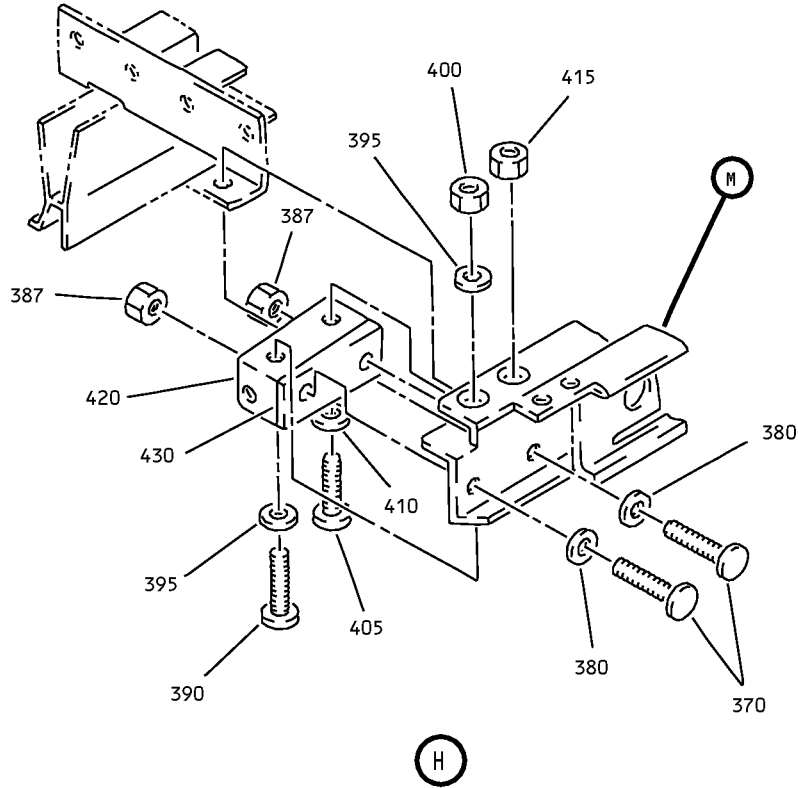
**25-28-49**

ILLUSTRATED PARTS LIST

Page 1098.525

Mar 01/2006

COMPONENT MAINTENANCE MANUAL



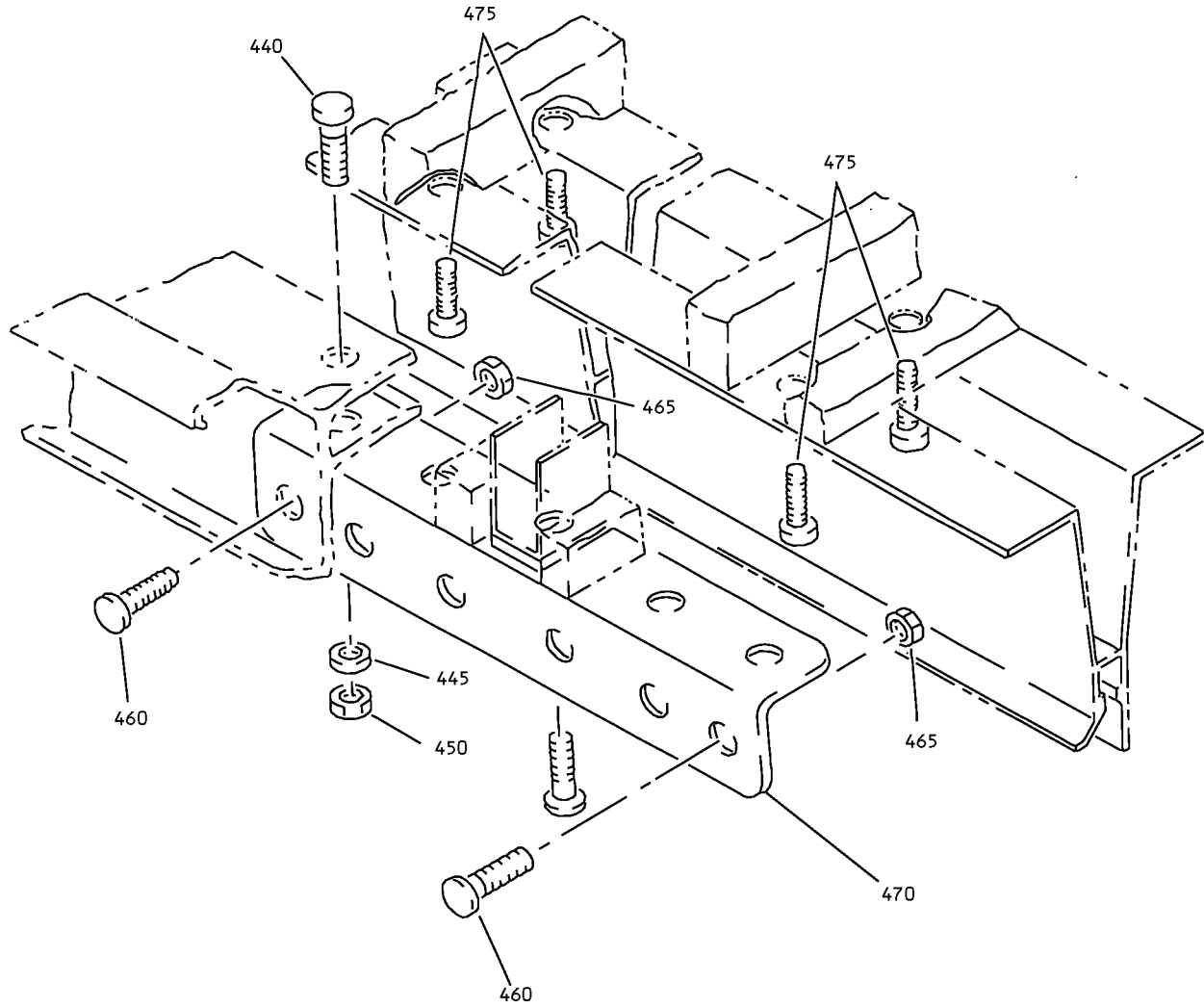
Overhead Stowage Compartment Assembly  
IPL Figure 28 (Sheet 8 of 14)

**25-28-49**

ILLUSTRATED PARTS LIST

Page 1098.526

Mar 01/2006

**COMPONENT MAINTENANCE MANUAL**


J

Overhead Stowage Compartment Assembly  
IPL Figure 28 (Sheet 9 of 14)

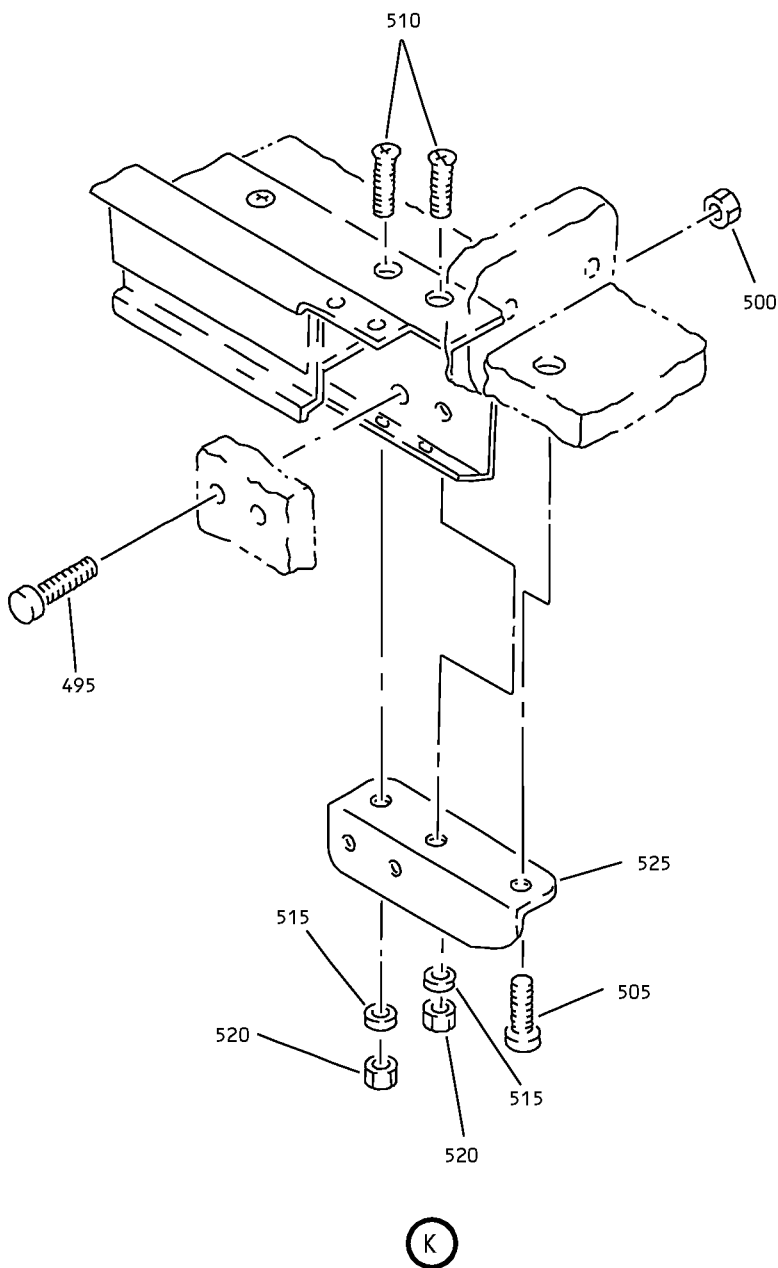
# 25-28-49

ILLUSTRATED PARTS LIST

Page 1098.527

Mar 01/2006

COMPONENT MAINTENANCE MANUAL



Overhead Stowage Compartment Assembly  
IPL Figure 28 (Sheet 10 of 14)

**25-28-49**

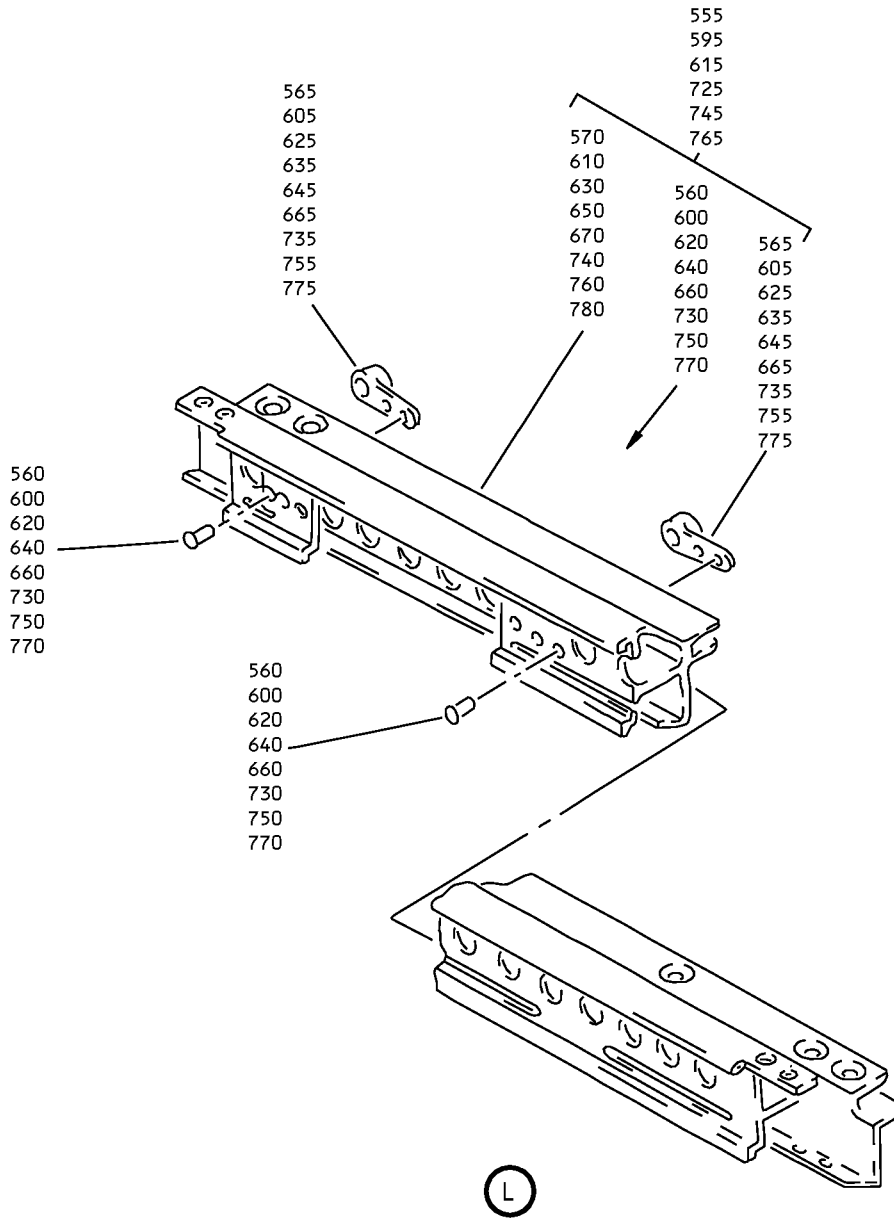
ILLUSTRATED PARTS LIST

Page 1098.528

Mar 01/2006

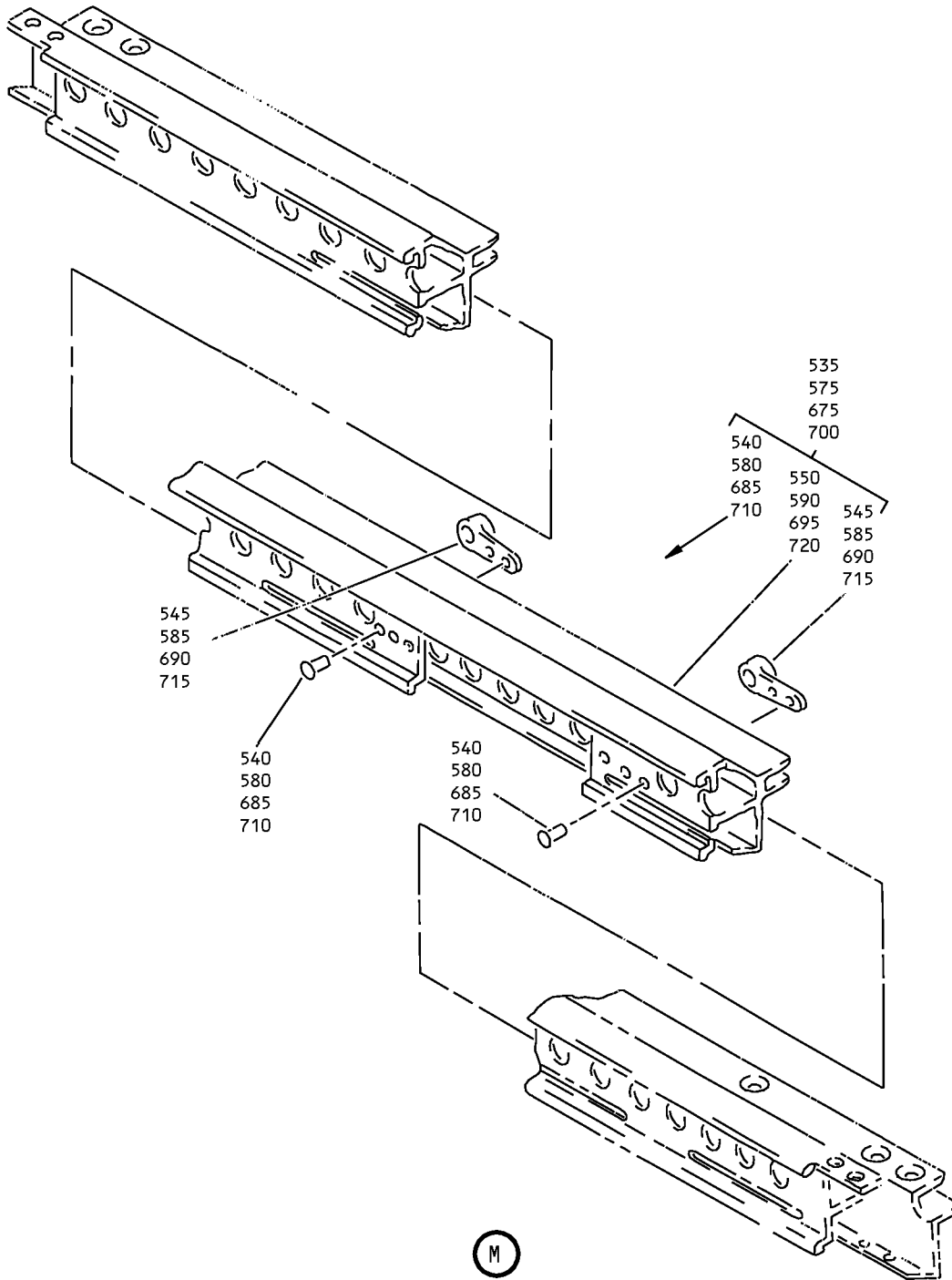


COMPONENT MAINTENANCE MANUAL



Overhead Stowage Compartment Assembly  
IPL Figure 28 (Sheet 11 of 14)

COMPONENT MAINTENANCE MANUAL



Overhead Storage Compartment Assembly  
IPL Figure 28 (Sheet 12 of 14)

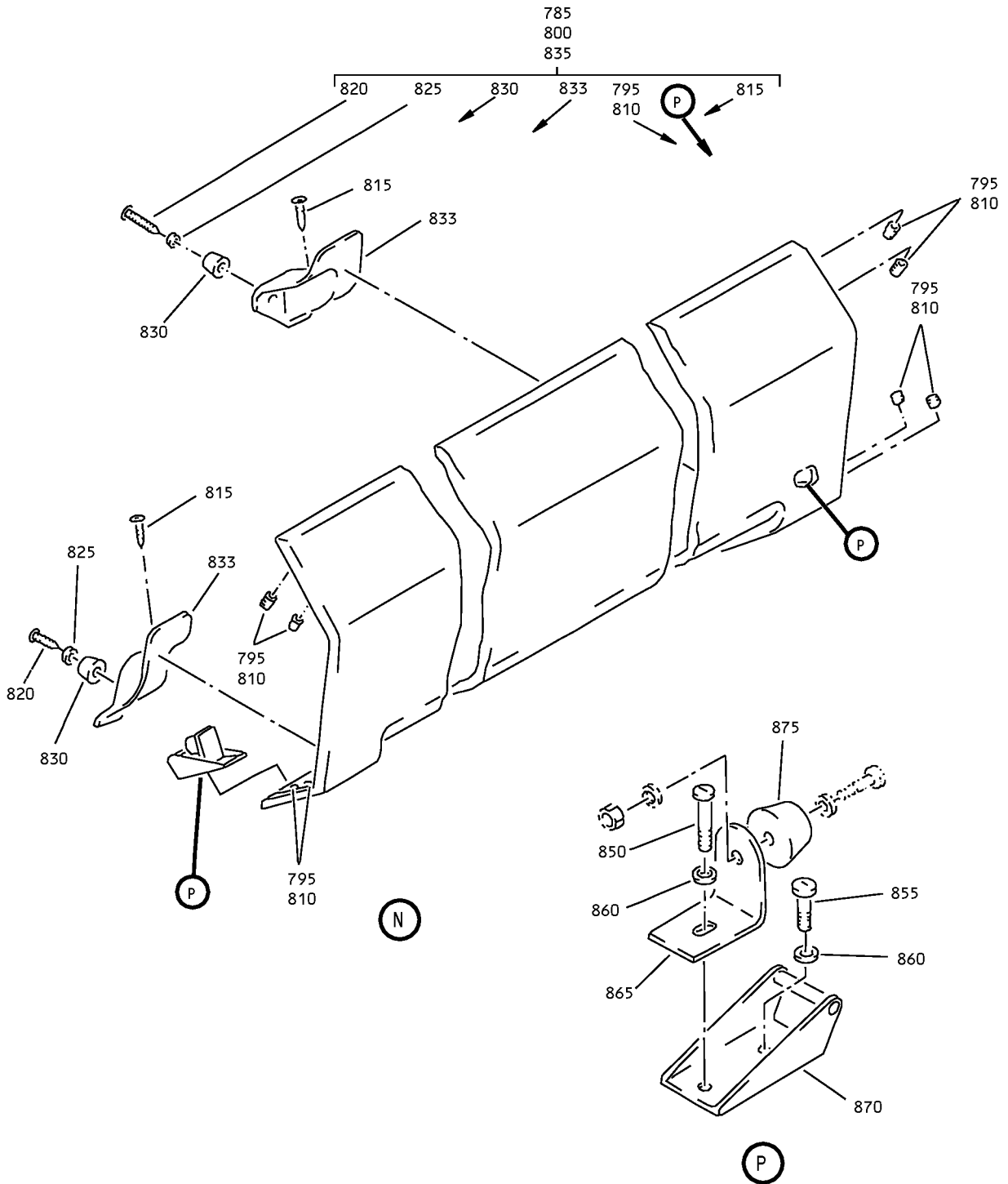
**25-28-49**

ILLUSTRATED PARTS LIST

Page 1098.530

Mar 01/2006

COMPONENT MAINTENANCE MANUAL



Overhead Storage Compartment Assembly  
IPL Figure 28 (Sheet 13 of 14)

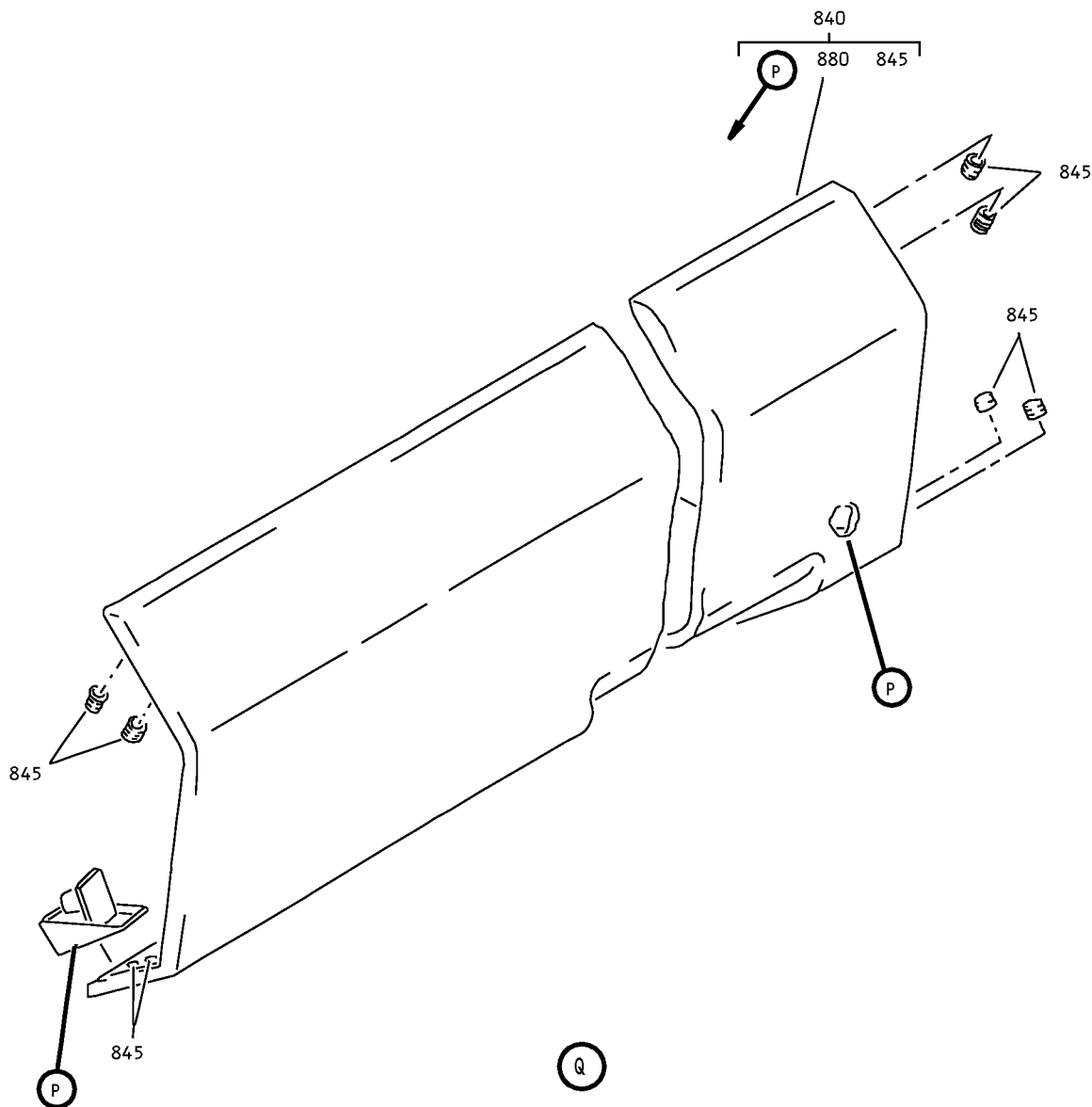
**25-28-49**

ILLUSTRATED PARTS LIST

Page 1098.531

Mar 01/2006

# COMPONENT MAINTENANCE MANUAL



Overhead Stowage Compartment Assembly  
IPL Figure 28 (Sheet 14 of 14)

**25-28-49**  
ILLUSTRATED PARTS LIST  
Page 1098.532  
Mar 01/2006



## COMPONENT MAINTENANCE MANUAL

FIG/ ITEM	PART NUMBER	AIRLINE PART NUMBER	NOMENCLATURE							USAGE CODE	UNITS PER ASSY
			1	2	3	4	5	6	7		
28-											
-1	65C32945-1SP									A	RF
-1A	65C32945-2SP									B	RF
-1B	65C32945-5SP									E	RF
-1C	65C32945-12SP									H, BP	RF
-1D	65C32945-13SP									J, BQ	RF
-1E	65C32945-31SP									AC	RF
-1F	65C32945-34SP									AE, CA	RF
-1G	65C32945-37SP									AH	RF
-1H	65C32945-39SP									AK, CD	RF
-1J	65C32945-42SP									AM, CF	RF
-1K	65C32945-46SP									AP, BG, CH, CY	RF
-1L	65C32945-51SP									AU, CK	RF
-1M	65C32945-52SP									AV, CL	RF
-1N	65C32945-55SP									AY, CP	RF
-1P	65C32945-60SP									AZ	RF
-1Q	65C32945-65SP									CS	RF
-1R	65C32945-67SP									CU	RF
-1S	65C32945-68SP									CV	RF

-Item not Illustrated

# 25-28-49

ILLUSTRATED PARTS LIST

Page 1098.533

Mar 01/2006



## COMPONENT MAINTENANCE MANUAL

FIG/ ITEM	PART NUMBER	AIRLINE PART NUMBER	NOMENCLATURE							USAGE CODE	UNITS PER ASSY
			1	2	3	4	5	6	7		
28-											
-1T	65C32945-304SP									DS, EV	RF
-1U	65C32945-360SP									EC	RF
-1V	65C32945-363SP									EF	RF
-1W	65C32945-645SP									EL	RF
-1X	65C32945-646SP									EM	RF
-1Y	65C32945-649SP									EQ	RF
-1Z	65C32945-604SP									ER, EY	RF
-5	65C32945-6SP									F, BM	RF
-5A	65C32945-14SP									K, BR	RF
-5B	65C32945-15SP									L, DL	RF
-5C	65C32945-26SP									X, BX	RF
-5D	65C32945-38SP									AJ	RF
-5E	65C32945-43SP									AN, CG	RF
-5F	65C32945-54SP									AX, CN	RF
-5G	65C32945-79SP									BH	RF
-5H	65C32945-88SP									DK	RF
-5J	65C32945-316SP									DU	RF
-5K	65C32945-362SP									EE	RF
-5L	65C32945-647SP									EN	RF

-Item not Illustrated

# 25-28-49

ILLUSTRATED PARTS LIST

Page 1098.534

Mar 01/2006



## COMPONENT MAINTENANCE MANUAL

FIG/ ITEM	PART NUMBER	AIRLINE PART NUMBER	NOMENCLATURE							USAGE CODE	UNITS PER ASSY
			1	2	3	4	5	6	7		
28-											
-5M	65C32945-648SP									EP	RF
-5N	65C32945-348SP									ET	RF
-5P	65C32945-349SP									EU	RF
10	NAS1801-3-4									A, B, E, F, H-L, X, AC, AE, AH-AK, AM-AP, AU, AV, AX-AZ, BG, BH, BM, BH, P-BR, BX, CA, CD, CF- CH, CK, CL, CN, CP, CS, CU, CV, CY, DK, DL, DS, DU, EC, EE, EF, EL-ER, ET-EV, EY	4

-Item not Illustrated

# 25-28-49

ILLUSTRATED PARTS LIST

Page 1098.535

Mar 01/2006



COMPONENT MAINTENANCE MANUAL

FIG/ ITEM	PART NUMBER	AIRLINE PART NUMBER	NOMENCLATURE							USAGE CODE	UNITS PER ASSY
			1	2	3	4	5	6	7		
28-											
15	MS35333-39										
			ATTACHING PARTS								
			. WASHER							A, B, E, F, H-L, X, AC, AE, AH-AK, AM-AP, AU, AV, AX-AZ, BG, BH, BM, BH, P-BR, BX, CA, CD, CF- CH, CK, CL, CN, CP, CS, CU, CV, CY, DK, DL, DS, DU, EC, EE, EF, EL-ER, ET-EV, EY	4
			-----*								

-Item not Illustrated

**25-28-49**

ILLUSTRATED PARTS LIST

Page 1098.536

Mar 01/2006





## COMPONENT MAINTENANCE MANUAL

FIG/ ITEM	PART NUMBER	AIRLINE PART NUMBER	NOMENCLATURE							USAGE CODE	UNITS PER ASSY	
			1	2	3	4	5	6	7			
28- -20	NAS1801-3-10									. SCREW (OPT ITEM 20A)	A, B, E, F, H-L, X, AC, AE, AH-AK, AM-AP, AU, AV, AX-AZ, BG, BH, BM, BH, P-BR, BX, CA, CD, CF- CH, CK, CL, CN, CP, CS, CU, CV, CY, DK, DL, DS, DU, EC, EE, EF, EL-ER, ET-EV, EY	2
-20A	AIC1321-3-8									. BOLT (V06725) (OPT ITEM 20)	A, B, E, F, H-L, X, AC, AE, AH-AK, AM-AP, AU, AV, AX-AZ, BG, BH, BM, BH, P-BR, BX, CA, CD, CF- CH, CK, CL, CN, CP, CS, CU, CV, CY, DK, DL, DS, DU, EC, EE, EF, EL-ER, ET-EV, EY	2

-Item not Illustrated

# 25-28-49

ILLUSTRATED PARTS LIST

Page 1098.537

Jul 01/2009



## COMPONENT MAINTENANCE MANUAL

FIG/ ITEM	PART NUMBER	AIRLINE PART NUMBER	NOMENCLATURE							USAGE CODE	UNITS PER ASSY	
			1	2	3	4	5	6	7			
28- 25	BACW10P136AL									. WASHER (V10630) (SPEC BACW10P136AL)	A, B, E, F, H-L, X, AC, AE, AH-AK, AM-AP, AU, AV, AX-AZ, BG, BH, BM, BH, P-BR, BX, CA, CD, CF- CH, CK, CL, CN, CP, CS, CU, CV, CY, DK, DL, DS, DU, EC, EE, EF, EL-ER, ET-EV, EY	2
30	NAS1833-3-400									. INSERT	A, B, E, F, H-L, X, AC, AE, AH-AK, AM-AP, AU, AV, AX-AZ, BG, BH, BM, BH, P-BR, BX, CA, CD, CF- CH, CK, CL, CN, CP, CS, CU, CV, CY, DK, DL, DS, DU, EC, EE, EF, EL-ER, ET-EV, EY	2

-Item not Illustrated

# 25-28-49

ILLUSTRATED PARTS LIST

Page 1098.538

Mar 01/2006



## COMPONENT MAINTENANCE MANUAL

FIG/ ITEM	PART NUMBER	AIRLINE PART NUMBER	NOMENCLATURE							USAGE CODE	UNITS PER ASSY	
			1	2	3	4	5	6	7			
28- 35	412N1155-9		.								A, B, E, H, J, AC, AE, AH, AK, AM, AP, AU, AV, AY, AZ, BG, BP, BQ, CA, CD, CF, CH, CK, CL, CP, CS, CU, CV, CY, DS, EC, EF, EL, EM, EQ, ER, EU, EV, EY	1
40	412N1155-10		.								F, K, L, X, AJ, AN, AX, BH, BM, BR, BX, CG, CN, DK, DL, DU, EE, EN, EP, ET	1

-Item not Illustrated

# 25-28-49

ILLUSTRATED PARTS LIST

Page 1098.539

Mar 01/2006



## COMPONENT MAINTENANCE MANUAL

FIG/ ITEM	PART NUMBER	AIRLINE PART NUMBER	NOMENCLATURE							USAGE CODE	UNITS PER ASSY	
			1	2	3	4	5	6	7			
28- 45	BACB30NM3K8		.	.	BOLT (V06710) (SPEC BACB30NM3K8) (OPT BACB30NM3K8 (V06725)) (OPT BACB30NM3K8 (V06950)) (OPT BACB30NM3K8 (V08524)) (OPT BACB30NM3K8 (V27624)) (OPT BACB30NM3K8 (V56878)) (OPT BACB30NM3K8 (V73197)) (OPT BACB30NM3K8 (V80539)) (OPT BACB30NM3K8 (V92215)) (OPT BACB30NM3K8 (V93907)) (OPT BACB30NM3K8 (V97928))						A, B, E, F, H-L, X, AC, AE, AH-AK, AM-AP, AU, AV, AX-AZ, BG, BH, BM, BH, P-BR, BX, CA, CD, CF- CH, CK, CL, CN, CP, CS, CU, CV, CY, DK, DL, DS, DU, EC, EE, EF, EL-ER, ET-EV, EY	1
50	AN960JD10L		.	.	WASHER						A, B, E, F, H-L, X, AC, AE, AH-AK, AM-AP, AU, AV, AX-AZ, BG, BH, BM, BH, P-BR, BX, CA, CD, CF- CH, CK, CL, CN, CP, CS, CU, CV, CY, DK, DL, DS, DU, EC, EE, EF, EL-ER, ET-EV, EY	1

-Item not Illustrated

# 25-28-49

ILLUSTRATED PARTS LIST

Page 1098.540

Mar 01/2006



## COMPONENT MAINTENANCE MANUAL

FIG/ ITEM	PART NUMBER	AIRLINE PART NUMBER	NOMENCLATURE							USAGE CODE	UNITS PER ASSY	
			1	2	3	4	5	6	7			
28- 55	NAS43DD3-8		.	.	SPACER						A, B, E, F, H-L, X, AC, AE, AH-AK, AM-AP, AU, AV, AX-AZ, BG, BH, BM, BH, P-BR, BX, CA, CD, CF- CH, CK, CL, CN, CP, CS, CU, CV, CY, DK, DL, DS, DU, EC, EE, EF, EL-ER, ET-EV, EY	1
60	NAS43DD3-3		.	.	SPACER						A, B, E, F, H-L, X, AC, AE, AH-AK, AM-AP, AU, AV, AX-AZ, BG, BH, BM, BH, P-BR, BX, CA, CD, CF- CH, CK, CL, CN, CP, CS, CU, CV, CY, DK, DL, DS, DU, EC, EE, EF, EL-ER, ET-EV, EY	1

-Item not Illustrated

# 25-28-49

ILLUSTRATED PARTS LIST

Page 1098.541

Mar 01/2006



## COMPONENT MAINTENANCE MANUAL

FIG/ ITEM	PART NUMBER	AIRLINE PART NUMBER	NOMENCLATURE							USAGE CODE	UNITS PER ASSY	
			1	2	3	4	5	6	7			
28- 65	H2948-2		.	.							A, B, E, H, J, AC, AE, AH, AK, AM, AP, AU, AV, AY, AZ, BG, BP, BQ, CA, CD, CF, CH, CK, CL, CP, CS, CU, CV, CY, DS, EC, EF, EL, EM, EQ, ER, EU, EV, EY	1
-65A	H3-1155-32		.	.							A, B, E, H, J, AC, AE, AH, AK, AM, AP, AU, AV, AY, AZ, BG, BP, BQ, CA, CD, CF, CH, CK, CL, CP, CS, CU, CV, CY, DS, EC, EF, EL, EM, EQ, ER, EU, EV, EY	1

-Item not Illustrated

# 25-28-49

ILLUSTRATED PARTS LIST

Page 1098.542

Mar 01/2006



## COMPONENT MAINTENANCE MANUAL

FIG/ ITEM	PART NUMBER	AIRLINE PART NUMBER	NOMENCLATURE							USAGE CODE	UNITS PER ASSY	
			1	2	3	4	5	6	7			
28- 67	H2948-1		.	.	HINGE (V83014) (SPEC S412N102-1) (OPT H3-1155-1 (V34941)) (OPT H3-1155-31 (V34941))						F, K, L, X, AJ, AN, AX, BH, BM, BR, BX, CG, CN, DK, DL, DU, EE, EN, EP, ET	1
-67A	H3-1155-31		.	.	HINGE (V34941) (SPEC S412N102-1) (OPT H3-1155-1 (V34941)) (OPT H2948-1 (V83014))						F, K, L, X, AJ, AN, AX, BH, BM, BR, BX, CG, CN, DK, DL, DU, EE, EN, EP, ET	1
70	412N1156-19		.	.	CHASSIS ASSY						A, B, E, H, J, AC, AE, AH, AK, AM, AP, AU, AV, AY, AZ, BG, BP, BQ, CA, CD, CF, CH, CK, CL, CP, CS, CU, CV, CY, DS, EC, EF, EL, EM, EQ, ER, EU, EV, EY	1

-Item not Illustrated

# 25-28-49

ILLUSTRATED PARTS LIST

Page 1098.543

Mar 01/2006



## COMPONENT MAINTENANCE MANUAL

FIG/ ITEM	PART NUMBER	AIRLINE PART NUMBER	NOMENCLATURE							USAGE CODE	UNITS PER ASSY	
			1	2	3	4	5	6	7			
28- -75	412N1156-20		.	.							F, K, L, X, AJ, AN, AX, BH, BM, BR, BX, CG, CN, DK, DL, DU, EE, EN, EP, ET	1
77	6041-3BR225										DELETED	
77A	6041-3BRX225		.	.	.						A, B, E, F, H-L, X, AC, AE, AH-AK, AM-AP, AU, AV, AX-AZ, BG, BH, BM, BH, P-BR, BX, CA, CD, CF- CH, CK, CL, CN, CP, CS, CU, CV, CY, DK, DL, DS, DU, EC, EE, EF, EL-ER, ET-EV, EY	1

-Item not Illustrated

# 25-28-49

ILLUSTRATED PARTS LIST

Page 1098.544

Mar 01/2006





## COMPONENT MAINTENANCE MANUAL

FIG/ ITEM	PART NUMBER	AIRLINE PART NUMBER	NOMENCLATURE							USAGE CODE	UNITS PER ASSY	
			1	2	3	4	5	6	7			
28- 78	412N1156-25		.	.	.	CHASSIS					A, B, E, H, J, AC, AE, AH, AK, AM, AP, AU, AV, AY, AZ, BG, BP, BQ, CA, CD, CF, CH, CK, CL, CP, CS, CU, CV, CY, DS, EC, EF, EL, EM, EQ, ER, EU, EV, EY	1
-79	412N1156-26		.	.	.	CHASSIS					F, K, L, X, AJ, AN, AX, BH, BM, BR, BX, CG, CN, DK, DL, DU, EE, EN, EP, ET	1

-Item not Illustrated

# 25-28-49

ILLUSTRATED PARTS LIST

Page 1098.545

Mar 01/2006



## COMPONENT MAINTENANCE MANUAL

FIG/ ITEM	PART NUMBER	AIRLINE PART NUMBER	NOMENCLATURE							USAGE CODE	UNITS PER ASSY	
			1	2	3	4	5	6	7			
28- 80	BACS12FA3K4		.								A, B, E, F, H-L, X, AC, AE, AH-AK, AM-AP, AU, AV, AX-AZ, BG, BH, BM, BH, P-BR, BX, CA, CD, CF- CH, CK, CL, CN, CP, CS, CU, CV, CY, DK, DL, DS, DU, EC, EE, EF, EL-ER, ET-EV, EY	6
85	BACS12FA3K7		.								A, B, E, F, H-L, X, AC, AE, AH-AK, AM-AP, AU, AV, AX-AZ, BG, BH, BM, BH, P-BR, BX, CA, CD, CF- CH, CK, CL, CN, CP, CS, CU, CV, CY, DK, DL, DS, DU, EC, EE, EF, EL-ER, ET-EV, EY	2

-Item not Illustrated

**25-28-49**

ILLUSTRATED PARTS LIST

Page 1098.546

Mar 01/2006



## COMPONENT MAINTENANCE MANUAL

FIG/ ITEM	PART NUMBER	AIRLINE PART NUMBER	NOMENCLATURE							USAGE CODE	UNITS PER ASSY
			1	2	3	4	5	6	7		
28- 90	MS35333-39		.	WASHER						A, B, E, F, H-L, X, AC, AE, AH-AK, AM-AP, AU, AV, AX-AZ, BG, BH, BM, BH, P-BR, BX, CA, CD, CF- CH, CK, CL, CN, CP, CS, CU, CV, CY, DK, DL, DS, DU, EC, EE, EF, EL-ER, ET-EV, EY	8
95	H3-1152-1		.	PLATE ASSY-STRIKER (V34941) (SPEC S412N101-1)						A, B, E, F, H-L, X, AC, AE, AH-AK, AM-AP, AU, AV, AX-AZ, BG, BH, BM, BH, P-BR, BX, CA, CD, CF- CH, CK, CL, CN, CP, CS, CU, CV, CY, DK, DL, DS, DU, EC, EE, EF, EL-ER, ET-EV, EY	4

-Item not Illustrated

**25-28-49**

ILLUSTRATED PARTS LIST

Page 1098.547

Mar 01/2006



## COMPONENT MAINTENANCE MANUAL

FIG/ ITEM	PART NUMBER	AIRLINE PART NUMBER	NOMENCLATURE							USAGE CODE	UNITS PER ASSY
			1	2	3	4	5	6	7		
28- 100	412N1119-121		.	SPACER						A, B, E, F, H-L, X, AC, AE, AH-AK, AM-AP, AU, AV, AX-AZ, BG, BH, BM, BH, P-BR, BX, CA, CD, CF- CH, CK, CL, CN, CP, CS, CU, CV, CY, DK, DL, DS, DU, EC, EE, EF, EL-ER, ET-EV, EY	2
105	412N1119-120		.	BUMPER ASSY						A, B, E, F, H-L, X, AC, AE, AH-AK, AM-AP, AU, AV, AX-AZ, BG, BH, BM, BH, P-BR, BX, CA, CD, CF- CH, CK, CL, CN, CP, CS, CU, CV, CY, DK, DL, DS, DU, EC, EE, EF, EL-ER, ET-EV, EY	2

-Item not Illustrated

# 25-28-49

ILLUSTRATED PARTS LIST

Page 1098.548

Mar 01/2006



## COMPONENT MAINTENANCE MANUAL

FIG/ ITEM	PART NUMBER	AIRLINE PART NUMBER	NOMENCLATURE							USAGE CODE	UNITS PER ASSY	
			1	2	3	4	5	6	7			
28- 110	NAS514P440-6		.	.	SCREW						A, B, E, F, H-L, X, AC, AE, AH-AK, AM-AP, AU, AV, AX-AZ, BG, BH, BM, BH, P-BR, BX, CA, CD, CF- CH, CK, CL, CN, CP, CS, CU, CV, CY, DK, DL, DS, DU, EC, EE, EF, EL-ER, ET-EV, EY	1
115	AN960JD4L		.	.	WASHER						A, B, E, F, H-L, X, AC, AE, AH-AK, AM-AP, AU, AV, AX-AZ, BG, BH, BM, BH, P-BR, BX, CA, CD, CF- CH, CK, CL, CN, CP, CS, CU, CV, CY, DK, DL, DS, DU, EC, EE, EF, EL-ER, ET-EV, EY	1

-Item not Illustrated

**25-28-49**

ILLUSTRATED PARTS LIST

Page 1098.549

Mar 01/2006



## COMPONENT MAINTENANCE MANUAL

FIG/ ITEM	PART NUMBER	AIRLINE PART NUMBER	NOMENCLATURE							USAGE CODE	UNITS PER ASSY		
			1	2	3	4	5	6	7				
28- 120	NAS620A8L		.	.							WASHER	A, B, E, F, H-L, X, AC, AE, AH-AK, AM-AP, AU, AV, AX-AZ, BG, BH, BM, BH, P-BR, BX, CA, CD, CF- CH, CK, CL, CN, CP, CS, CU, CV, CY, DK, DL, DS, DU, EC, EE, EF, EL-ER, ET-EV, EY	1
125	MS21042L04		.	.							NUT	A, B, E, F, H-L, X, AC, AE, AH-AK, AM-AP, AU, AV, AX-AZ, BG, BH, BM, BH, P-BR, BX, CA, CD, CF- CH, CK, CL, CN, CP, CS, CU, CV, CY, DK, DL, DS, DU, EC, EE, EF, EL-ER, ET-EV, EY	1

-Item not Illustrated

**25-28-49**

ILLUSTRATED PARTS LIST

Page 1098.550

Mar 01/2006



## COMPONENT MAINTENANCE MANUAL

FIG/ ITEM	PART NUMBER	AIRLINE PART NUMBER	NOMENCLATURE							USAGE CODE	UNITS PER ASSY		
			1	2	3	4	5	6	7				
28- 130	412N1245-1		.	.							BUMPER	A, B, E, F, H-L, X, AC, AE, AH-AK, AM-AP, AU, AV, AX-AZ, BG, BH, BM, BH, P-BR, BX, CA, CD, CF- CH, CK, CL, CN, CP, CS, CU, CV, CY, DK, DL, DS, DU, EC, EE, EF, EL-ER, ET-EV, EY	1
135	412N1119-122		.	.							ANGLE	A, B, E, F, H-L, X, AC, AE, AH-AK, AM-AP, AU, AV, AX-AZ, BG, BH, BM, BH, P-BR, BX, CA, CD, CF- CH, CK, CL, CN, CP, CS, CU, CV, CY, DK, DL, DS, DU, EC, EE, EF, EL-ER, ET-EV, EY	1

-Item not Illustrated

**25-28-49**

ILLUSTRATED PARTS LIST

Page 1098.551

Mar 01/2006



## COMPONENT MAINTENANCE MANUAL

FIG/ ITEM	PART NUMBER	AIRLINE PART NUMBER	NOMENCLATURE							USAGE CODE	UNITS PER ASSY	
			1	2	3	4	5	6	7			
28- 140	NAS1801-3-10									. SCREW (OPT ITEM 140A)	A, B, E, F, H-L, X, AC, AE, AH-AK, AM-AP, AU, AV, AX-AZ, BG, BH, BM, BH, P-BR, BX, CA, CD, CF- CH, CK, CL, CN, CP, CS, CU, CV, CY, DK, DL, DS, DU, EC, EE, EF, EL-ER, ET-EV, EY	2
-140A	AIC1321-3-8									. BOLT (V06725) (OPT ITEM 140)	A, B, E, F, H-L, X, AC, AE, AH-AK, AM-AP, AU, AV, AX-AZ, BG, BH, BM, BH, P-BR, BX, CA, CD, CF- CH, CK, CL, CN, CP, CS, CU, CV, CY, DK, DL, DS, DU, EC, EE, EF, EL-ER, ET-EV, EY	2

-Item not Illustrated

# 25-28-49

ILLUSTRATED PARTS LIST

Page 1098.552

Mar 01/2006





## COMPONENT MAINTENANCE MANUAL

FIG/ ITEM	PART NUMBER	AIRLINE PART NUMBER	NOMENCLATURE							USAGE CODE	UNITS PER ASSY	
			1	2	3	4	5	6	7			
28- 142	BACW10P136AL									. WASHER (V10630) (SPEC BACW10P136AL)	A, B, E, F, H-L, X, AC, AE, AH-AK, AM-AP, AU, AV, AX-AZ, BG, BH, BM, BH, P-BR, BX, CA, CD, CF- CH, CK, CL, CN, CP, CS, CU, CV, CY, DK, DL, DS, DU, EC, EE, EF, EL-ER, ET-EV, EY	2
145	NAS1833-3-400									. INSERT	A, B, E, F, H-L, X, AC, AE, AH-AK, AM-AP, AU, AV, AX-AZ, BG, BH, BM, BH, P-BR, BX, CA, CD, CF- CH, CK, CL, CN, CP, CS, CU, CV, CY, DK, DL, DS, DU, EC, EE, EF, EL-ER, ET-EV, EY	2

-Item not Illustrated

# 25-28-49

ILLUSTRATED PARTS LIST

Page 1098.553

Mar 01/2006



## COMPONENT MAINTENANCE MANUAL

FIG/ ITEM	PART NUMBER	AIRLINE PART NUMBER	NOMENCLATURE							USAGE CODE	UNITS PER ASSY	
			1	2	3	4	5	6	7			
28- 147	NAS1801-3-10		.	S	C	R	W				B, H, AE, AK, AM- AP, AV, AZ, BG, BP, CA, CD, CF- CH, CL, CS, CU, CY, DS, EC, EL, ER, EV, EY	2
-147A	AIC1321-3-8		.	B	O	L	T				B, H, AE, AK, AM- AP, AV, AZ, BG, BP, CA, CD, CF- CH, CL, CS, CU, CY, DS, EC, EL, ER, EV, EY	2
150	BACW10P136AL		.	W	A	S	H	E	R		B, H, AE, AK, AM- AP, AV, AZ, BG, BP, CA, CD, CF- CH, CL, CS, CU, CY, DS, EC, EL, ER, EV, EY	2

-Item not Illustrated

# 25-28-49

ILLUSTRATED PARTS LIST

Page 1098.554

Mar 01/2006



## COMPONENT MAINTENANCE MANUAL

FIG/ ITEM	PART NUMBER	AIRLINE PART NUMBER	NOMENCLATURE							USAGE CODE	UNITS PER ASSY
			1	2	3	4	5	6	7		
28- 155	AN970-3		.	W	A	S	H	E	R	B, H, AE, AK, AM- AP, AV, AZ, BG, BP, CA, CD, CF- CH, CL, CS, CU, CY, DS, EC, EL, ER, EV, EY	2
157	NAS1833-3-400		.	I	N	S	E	R	T	B, H, AE, AK, AM- AP, AV, AZ, BG, BP, CA, CD, CF- CH, CL, CS, CU, CY, DS, EC, EL, ER, EV, EY	2
160	NAS1801-3-10		.	S	C	R	E	W		A, E, F, J-L, X, AC, AH, AJ, AU, AX, AY, BH, BM, BQ, BR, BX, CK, CN, CP, CV, DK, DL, DU, EE, EF, EM-EQ, ET, EU	1

-Item not Illustrated

**25-28-49**

ILLUSTRATED PARTS LIST

Page 1098.555

Mar 01/2006



## COMPONENT MAINTENANCE MANUAL

FIG/ ITEM	PART NUMBER	AIRLINE PART NUMBER	NOMENCLATURE							USAGE CODE	UNITS PER ASSY
			1	2	3	4	5	6	7		
28- -160A	AIC1321-3-8		.	BOLT (V06725) (OPT ITEM 160)						A, E, F, J-L, X, AC, AH, AJ, AU, AX, AY, BH, BM, BQ, BR, BX, CK, CN, CP, CV, DK, DL, DU, EE, EF, EM-EQ, ET, EU	1
162	BACW10P136AL		.	WASHER (V10630) (SPEC BACW10P136AL)						A, E, F, J-L, X, AC, AH, AJ, AU, AX, AY, BH, BM, BQ, BR, BX, CK, CN, CP, CV, DK, DL, DU, EE, EF, EM-EQ, ET, EU	1
164	AN960JD10		.	WASHER						A, E, F, J-L, X, AC, AH, AJ, AU, AX, AY, BH, BM, BQ, BR, BX, CK, CN, CP, CV, DK, DL, DU, EE, EF, EM-EQ, ET, EU	1

-Item not Illustrated

# 25-28-49

ILLUSTRATED PARTS LIST

Page 1098.556

Mar 01/2006



## COMPONENT MAINTENANCE MANUAL

FIG/ ITEM	PART NUMBER	AIRLINE PART NUMBER	NOMENCLATURE							USAGE CODE	UNITS PER ASSY	
			1	2	3	4	5	6	7			
28- 165	NAS1833-3-400		.								A, E, F, J-L, X, AC, AH, AJ, AU, AX, AY, BH, BM, BQ, BR, BX, CK, CN, CP, CV, DK, DL, DU, EE, EF, EM-EQ, ET, EU	1
167	412N1155-11		.								B, H, AE, AK, AM- AP, AV, AZ, BG, BP, CA, CD, CF, CG, CH, CL, CS, CU, CY, DS, EC, EL, ER, EV, EY	1
-167A	412N1155-7											
168	412N1155-7		.								A, E, F, J-L, X, AC, AH, AJ, AU, AX, AY, BH, BM, BQ, BR, BX, CK, CN, CP, CV, DK, DL, DU, EE, EF, EM-EQ, ET, EU	1

-Item not Illustrated

**25-28-49**

ILLUSTRATED PARTS LIST

Page 1098.557

Mar 01/2006



## COMPONENT MAINTENANCE MANUAL

FIG/ ITEM	PART NUMBER	AIRLINE PART NUMBER	NOMENCLATURE							USAGE CODE	UNITS PER ASSY	
			1	2	3	4	5	6	7			
28- 170	412N1155-12		.								B, H, AE, AK, AM- AP, AV, AZ, BG, BP, CA, CD, CF- CH, CL, CS, CU, CY, DS, EC, EL, ER, EV, EY	1
-170A	412N1155-8											
173	412N1155-8		.								A, E, F, J-L, X, AC, AH, AJ, AU, AX, AY, BH, BM, BQ, BR, BX, CK, CN, CP, CV, DK, DL, DU, EE, EF, EM-EQ, ET, EU	1
175	412N1155-12		.								B, H, AE, AK, AM, AP, AV, AZ, BG, BP, CA, CD, CF, CH, CL, CS, CU, CY, DS, EC, EL, ER, EV, EY	1

-Item not Illustrated

**25-28-49**

ILLUSTRATED PARTS LIST

Page 1098.558

Mar 01/2006



## COMPONENT MAINTENANCE MANUAL

FIG/ ITEM	PART NUMBER	AIRLINE PART NUMBER	NOMENCLATURE							USAGE CODE	UNITS PER ASSY	
			1	2	3	4	5	6	7			
28- -175A	412N1155-8		.								A, E, J, AC, AH, AU, AY, BQ, CK, CP, CV, EF, EM, EQ, EU	1
177	412N1155-11		.								AN, CG	1
-177A	412N1155-7		.								F, K, L, X, AJ, AX, BH, BM, BR, BX, CN, DK, DL, DU, EE, EN, EP, ET	1
180	MS26465-132		.	.							A, B, E, F, H-L, X, AC, AE, AH-AK, AM-AP, AU, AV, AX-AZ, BG, BH, BM, BH, P-BR, BX, CA, CD, CF- CH, CK, CL, CN, CP, CS, CU, CV, CY, DK, DL, DS, DU, EC, EE, EF, EL-ER, ET-EV, EY	1

-Item not Illustrated

# 25-28-49

ILLUSTRATED PARTS LIST

Page 1098.559

Mar 01/2006



COMPONENT MAINTENANCE MANUAL

FIG/ ITEM	PART NUMBER	AIRLINE PART NUMBER	NOMENCLATURE							USAGE CODE	UNITS PER ASSY
			1	2	3	4	5	6	7		
28- 185	MS20392-2C13		.	.	PIN					A, B, E, F, H-L, X, AC, AE, AH-AK, AM-AP, AU, AV, AX-AZ, BG, BH, BM, BH, P-BR, BX, CA, CD, CF- CH, CK, CL, CN, CP, CS, CU, CV, CY, CK, DL, DS, DU, EC, EE, EF, EL-ER, ET-EV, EY	1
190	AN960JD10L		DELETED								

-Item not Illustrated

**25-28-49**

ILLUSTRATED PARTS LIST

Page 1098.560

Mar 01/2006





## COMPONENT MAINTENANCE MANUAL

FIG/ ITEM	PART NUMBER	AIRLINE PART NUMBER	NOMENCLATURE							USAGE CODE	UNITS PER ASSY
			1	2	3	4	5	6	7		
28- 190A	AN960PD10L		.	.	W	A	S	H	E	A, B, E, F, H-L, X, AC, AE, AH-AK, AM-AP, AU, AV, AX-AZ, BG, BH, BM, BH, P-BR, BX, CA, CD, CF- CH, CK, CL, CN, CP, CS, CU, CV, CY, DK, DL, DS, DU, EC, EE, EF, EL-ER, ET-EV, EY	1
195	BACB30NM3K12		.	.	B	O	L	T		A, E, F, J-L, X, AC, AH, AJ, AU, AX, AY, BH, BM, BQ, BR, BX, CK, CN, CP, CV, DK, DL, DU, EE, EF, EM-EQ, ET, EU	1

-Item not Illustrated

# 25-28-49

ILLUSTRATED PARTS LIST

Page 1098.561

Mar 01/2006



## COMPONENT MAINTENANCE MANUAL

FIG/ ITEM	PART NUMBER	AIRLINE PART NUMBER	NOMENCLATURE							USAGE CODE	UNITS PER ASSY	
			1	2	3	4	5	6	7			
28- 195A	BACB30LU3-14		.	.	SCREW (V06710) (SPEC BACB30LU3-14) (OPT BACB30LU3-14 (V06725)) (OPT BACB30LU3-14 (V06950)) (OPT BACB30LU3-14 (V17943)) (OPT BACB30LU3-14 (V27624)) (OPT BACB30LU3-14 (V56878)) (OPT BACB30LU3-14 (V80539)) (OPT BACB30LU3-14 (V85495)) (OPT BACB30LU3-14 (V92215)) (OPT BACB30LU3-14 (V97928))						B, H, AE, AK, AM- AP, AV, AZ, BG, BP, CA, CD, CF- CH, CL, CS, CU, CY, DS, EC, EL, ER, EV, EY	1
195J	AN960KD10L		.	.	WASHER					A, E, F, J-L, X, AC, AH, AJ, AU, AX, AY, BH, BM, BQ, BR, BX, CK, CN, CP, CV, DK, DL, DU, EE, EF, EM-EQ, ET, EU	1	
195P	412N1119-71		.	.	FILLER					B, H, AE, AK, AM- AP, AV, AZ, BG, BP, CA, CD, CF- CH, CL, CS, CU, CY, DS, EC, EL, ER, EV, EY	1	

-Item not Illustrated

# 25-28-49

ILLUSTRATED PARTS LIST

Page 1098.562

Mar 01/2006



## COMPONENT MAINTENANCE MANUAL

FIG/ ITEM	PART NUMBER	AIRLINE PART NUMBER	NOMENCLATURE							USAGE CODE	UNITS PER ASSY	
			1	2	3	4	5	6	7			
28- 196	412N1119-69		.	.							B, H, AE, AK, AM- AP, AV, AZ, BG, BP, CA, CD, CF- CH, CL, CS, CU, CY, DS, EC, EL, ER, EV, EY	1
-197	412N1119-70		.	.							B, H, AE, AK, AM- AP, AV, AZ, BG, BP, CA, CD, CF- CH, CL, CS, CU, CY, DS, EC, EL, ER, EV, EY	1
198	412N1119-70		.	.							B, H, AE, AK, AM, AP, AV, AZ, BG, BP, CA, CD, CF, CH, CL, CS, CU, CY, DS, EC, EL, ER, EV, EY	1
-199	412N1119-69		.	.							AN, CG	1
200	AN960JD10L										DELETED	

-Item not Illustrated

# 25-28-49

ILLUSTRATED PARTS LIST

Page 1098.563

Mar 01/2006



## COMPONENT MAINTENANCE MANUAL

FIG/ ITEM	PART NUMBER	AIRLINE PART NUMBER	NOMENCLATURE							USAGE CODE	UNITS PER ASSY	
			1	2	3	4	5	6	7			
28- 205	SP5604		.	.	ACTUATOR (V24403) (SPEC S412N104-1) (OPT SB113 (V24984))						B, H, AE, AK, AM- AP, AV, BG, BP, CA, CD, CF-CH, CL, CS, CU, CY, DS, EC, EL, ER, EV, EY	1
-205A	S412N104-4				DELETED							
-205B	SP5604		.	.	ACTUATOR (V24403) (SPEC S412N104-1) (OPT SB113 (V24984)) (OPT ITEM 205C)						A, E, F, J-L, X, AC, AH, AJ, AU, AX, AY, BH, BM, BQ, BR, BX, CK, CN, CP, CV, DK, DL, DU, EF, EM- EQ, ET, EU	1
-205C	SP5604-4		.	.	ACTUATOR (V24403) (SPEC S412N104-4) (OPT ITEM 205B)						A, E, F, J-L, X, AC, AH, AJ, AU, AX, AY, BH, BM, BQ, BR, BX, CK, CN, CP, CV, DK, DL, DU, EF, EM- EQ, ET, EU	1

-Item not Illustrated

# 25-28-49

ILLUSTRATED PARTS LIST

Page 1098.564

Mar 01/2006



## COMPONENT MAINTENANCE MANUAL

FIG/ ITEM	PART NUMBER	AIRLINE PART NUMBER	NOMENCLATURE							USAGE CODE	UNITS PER ASSY	
			1	2	3	4	5	6	7			
28- 210	BACB30NM3K8		.	.	BOLT (V06710) (SPEC BACB30NM3K8) (OPT BACB30NM3K8 (V06725)) (OPT BACB30NM3K8 (V06950)) (OPT BACB30NM3K8 (V08524)) (OPT BACB30NM3K8 (V27624)) (OPT BACB30NM3K8 (V56878)) (OPT BACB30NM3K8 (V73197)) (OPT BACB30NM3K8 (V80539)) (OPT BACB30NM3K8 (V92215)) (OPT BACB30NM3K8 (V93907)) (OPT BACB30NM3K8 (V97928))						A, B, E, F, H-L, X, AC, AE, AH-AK, AM-AP, AU, AV, AX-AZ, BG, BH, BM, BH, P-BR, BX, CA, CD, CF- CH, CK, CL, CN, CP, CS, CU, CV, CY, DK, DL, DS, DU, EC, EE, EF, EL-ER, ET-EV, EY	1
215	AN960JD10L		.	.	WASHER						A, B, E, F, H-L, X, AC, AE, AH-AK, AM-AP, AU, AV, AX-AZ, BG, BH, BM, BH, P-BR, BX, CA, CD, CF- CH, CK, CL, CN, CP, CS, CU, CV, CY, DK, DL, DS, DU, EC, EE, EF, EL-ER, ET-EV, EY	1

-Item not Illustrated

# 25-28-49

ILLUSTRATED PARTS LIST

Page 1098.565

Mar 01/2006



## COMPONENT MAINTENANCE MANUAL

FIG/ ITEM	PART NUMBER	AIRLINE PART NUMBER	NOMENCLATURE							USAGE CODE	UNITS PER ASSY		
			1	2	3	4	5	6	7				
28- 220	NAS43DD3-8		.	.							SPACER	A, B, E, F, H-L, X, AC, AE, AH-AK, AM-AP, AU, AV, AX-AZ, BG, BH, BM, BH, P-BR, BX, CA, CD, CF- CH, CK, CL, CN, CP, CS, CU, CV, CY, DK, DL, DS, DU, EC, EE, EF, EL-ER, ET-EV, EY	1
225	NAS43DD3-3		.	.							SPACER	A, B, E, F, H-L, X, AC, AE, AH-AK, AM-AP, AU, AV, AX-AZ, BG, BH, BM, BH, P-BR, BX, CA, CD, CF- CH, CK, CL, CN, CP, CS, CU, CV, CY, DK, DL, DS, DU, EC, EE, EF, EL-ER, ET-EV, EY	1

-Item not Illustrated

# 25-28-49

ILLUSTRATED PARTS LIST

Page 1098.566

Mar 01/2006



COMPONENT MAINTENANCE MANUAL

FIG/ ITEM	PART NUMBER	AIRLINE PART NUMBER	NOMENCLATURE							USAGE CODE	UNITS PER ASSY	
			1	2	3	4	5	6	7			
28- 230	H2948-1		.	.							A, B, E, H, J-L, X, AC, AE, AH-AK, AM-AP, AU, AV, AX-AZ, BG, BH, BM, BH, P-BR, BX, CA, CD, CF- CH, CK, CL, CN, CP, CS, CU, CV, CY, DK, DL, DS, DU, EC, EE, EF, EL-ER, ET-EV, EY	1
-230A	H2948-2		.	.							A, B, E, F, J-L, X, AC, AE, AH-AK, AM-AP, AU, AV, AX-AZ, BG, BH, BM, BH, P-BR, BX, CA, CD, CF- CH, CK, CL, CN, CP, CS, CU, CV, CY, DK, DL, DS, DU, EC, EE, EF, EL-ER, ET-EV, EY	1

-Item not Illustrated

**25-28-49**

ILLUSTRATED PARTS LIST

Page 1098.567

Mar 01/2006



## COMPONENT MAINTENANCE MANUAL

FIG/ ITEM	PART NUMBER	AIRLINE PART NUMBER	NOMENCLATURE							USAGE CODE	UNITS PER ASSY	
			1	2	3	4	5	6	7			
28- -230B	H3-1155-31		.	.							A, B, E, H, J-L, X, AC, AE, AH-AK, AM-AP, AU, AV, AX-AZ, BG, BH, BM, BH, P-BR, BX, CA, CD, CF- CH, CK, CL, CN, CP, CS, CU, CV, CY, DK, DL, DS, DU, EC, EE, EF, EL-ER, ET-EV, EY	1
-230C	H3-1155-32		.	.							A, B, E, F, J-L, X, AC, AE, AH-AK, AM-AP, AU, AV, AX-AZ, BG, BH, BM, BH, P-BR, BX, CA, CD, CF- CH, CK, CL, CN, CP, CS, CU, CV, CY, DK, DL, DS, DU, EC, EE, EF, EL-ER, ET-EV, EY	1

-Item not Illustrated

# 25-28-49

ILLUSTRATED PARTS LIST

Page 1098.568

Mar 01/2006





## COMPONENT MAINTENANCE MANUAL

FIG/ ITEM	PART NUMBER	AIRLINE PART NUMBER	NOMENCLATURE							USAGE CODE	UNITS PER ASSY
			1	2	3	4	5	6	7		
28- 235	H2948-2		.	.	.	.	.	.	.	F, K, L, X, AJ, AN, AX, BH, BM, BR, BX, CG, CN, DK, DL, DU, EE, EN, EP, ET	1
-235A	H2948-1		.	.	.	.	.	.	.	A, B, E, H, J, AC, AE, AH, AK, AM, AP, AU, AV, AY, AZ, BG, BP, BQ, CA, CD, CF, CH, CK, CL, CP, CS, CU, CV, CY, DS, EC, EF, EL, EM, EQ, ER, EU, EV, EY	1
-235B	H3-1155-32		.	.	.	.	.	.	.	F, K, L, X, AJ, AN, AX, BH, BM, BR, BX, CG, CN, DK, DL, DU, EE, EN, EP, ET	1

-Item not Illustrated

# 25-28-49

ILLUSTRATED PARTS LIST

Page 1098.569

Mar 01/2006



## COMPONENT MAINTENANCE MANUAL

FIG/ ITEM	PART NUMBER	AIRLINE PART NUMBER	NOMENCLATURE							USAGE CODE	UNITS PER ASSY	
			1	2	3	4	5	6	7			
28- -235C	H3-1155-31		.	.							A, B, E, H, J, AC, AE, AH, AK, AM, AP, AU, AV, AY, AZ, BG, BP, BQ, CA, CD, CF, CH, CK, CL, CP, CS, CU, CV, CY, DS, EC, EF, EL, EM, EQ, ER, EU, EV, EY	1
245	412N1156-17		.	.							B, H, AE, AK, AM, AP, AV, AZ, BG, BP, CA, CD, CF, CH, CL, CS, CU, CY, DS, EC, EL, ER, EV, EY	1
-245A	412N1156-18		.	.							AN, CG	1
250	412N1156-18		.	.							B, H, AE, AK, AM- AP, AV, AZ, BG, BP, CA, CD, CF- CH, CL, CS, CU, CY, DS, EC, EL, ER, EV, EY	1

-Item not Illustrated

# 25-28-49

ILLUSTRATED PARTS LIST

Page 1098.570

Mar 01/2006



## COMPONENT MAINTENANCE MANUAL

FIG/ ITEM	PART NUMBER	AIRLINE PART NUMBER	NOMENCLATURE							USAGE CODE	UNITS PER ASSY	
			1	2	3	4	5	6	7			
28- -250A	412N1156-17		.	.	CHASSIS ASSY (USED ON ITEMS 167,177)						AN, CG	1
255	412N1156-13		.	.	CHASSIS ASSY (USED ON ITEM 168)						A, E, J, AC, AH, AU, AY, BQ, CK, CP, CV, EF, EM, EQ, EU	1
-255A	412N1156-14		.	.	CHASSIS ASSY (USED ON ITEM 173)						F, K, L, X, AJ, AX, BH, BM, BR, BX, CN, DK, DL, DU, EE, EN, EP, ET	1
260	412N1156-14		.	.	CHASSIS ASSY (USED ON ITEMS 173 AND 175A)						A, E, J, AC, AH, AU, AY, BQ, CK, CP, CV, EF, EM, EQ, EU	1
-260A	412N1156-13		.	.	CHASSIS ASSY (USED ON ITEMS 168 AND 177A)						F, K, L, X, AJ, AX, BH, BM, BR, BX, CN, DK, DL, DU, EE, EN, EP, ET	1
265	6041-3BR225		DELETED									

-Item not Illustrated

# 25-28-49

ILLUSTRATED PARTS LIST

Page 1098.571

Mar 01/2006



## COMPONENT MAINTENANCE MANUAL

FIG/ ITEM	PART NUMBER	AIRLINE PART NUMBER	NOMENCLATURE							USAGE CODE	UNITS PER ASSY	
			1	2	3	4	5	6	7			
28- 265A	6041-3BRX225		.	.	.	INSERT-DODGE (V01556)					A, E, F, J-L, X, AC, AH, AJ, AU, AX, AY, BH, BM, BQ, BR, BX, CK, CN, CP, CV, DK, DL, DU, EE, EF, EM-EQ, ET, EU	2
270	412N1156-15		.	.	.	CHASSIS (USED ON ITEM 255)					A, E, J, AC, AH, AU, AY, BQ, CK, CP, CV, EF, EM, EQ, EU	1
-270A	412N1156-16		.	.	.	CHASSIS (USED ON ITEM 255A)					F, K, L, X, AJ, AX, BH, BM, BR, BX, CN, DK, DL, DU, EE, EN, EP, ET	1
275	412N1156-16		.	.	.	CHASSIS (USED ON ITEM 260)					A, E, J, AC, AH, AU, AY, BQ, CK, CP, CV, EF, EM, EQ, EU	1

-Item not Illustrated

# 25-28-49

ILLUSTRATED PARTS LIST

Page 1098.572

Mar 01/2006



## COMPONENT MAINTENANCE MANUAL

FIG/ ITEM	PART NUMBER	AIRLINE PART NUMBER	NOMENCLATURE							USAGE CODE	UNITS PER ASSY	
			1	2	3	4	5	6	7			
28- -275A	412N1156-15		.	.	.	CHASSIS (USED ON ITEM 260A)					F, K, L, X, AJ, AX, BH, BM, BR, BX, CN, DK, DL, DU, EE, EN, EP, ET	1
280	BACS12FA3K5		.	SCREW (V06710) (SPEC BACS12FA3K5) (OPT BACS12FA3K5 (V06725)) (OPT BACS12FA3K5 (V06950)) (OPT BACS12FA3K5 (V27624)) (OPT BACS12FA3K5 (V34252)) (OPT BACS12FA3K5 (V56878)) (OPT BACS12FA3K5 (V73197)) (OPT BACS12FA3K5 (V80539)) (OPT BACS12FA3K5 (V92215)) (OPT BACS12FA3K5 (V93907)) (OPT BACS12FA3K5 (V97928))							A, B, E, F, H-L, X, AC, AE, AH-AK, AM-AP, AU, AV, AX-AZ, BG, BH, BM, BH, P-BR, BX, CA, CD, CF- CH, CK, CL, CN, CP, CS, CU, CV, CY, DK, DL, DS, DU, EC, EE, EF, EL-ER, ET-EV, EY	4

-Item not Illustrated

# 25-28-49

ILLUSTRATED PARTS LIST

Page 1098.573

Mar 01/2006



## COMPONENT MAINTENANCE MANUAL

FIG/ ITEM	PART NUMBER	AIRLINE PART NUMBER	NOMENCLATURE							USAGE CODE	UNITS PER ASSY	
			1	2	3	4	5	6	7			
28- 283	BACS12FA3K5		.	SCREW (V06710) (SPEC BACS12FA3K5) (OPT BACS12FA3K5 (V06725)) (OPT BACS12FA3K5 (V06950)) (OPT BACS12FA3K5 (V27624)) (OPT BACS12FA3K5 (V34252)) (OPT BACS12FA3K5 (V56878)) (OPT BACS12FA3K5 (V73197)) (OPT BACS12FA3K5 (V80539)) (OPT BACS12FA3K5 (V92215)) (OPT BACS12FA3K5 (V93907)) (OPT BACS12FA3K5 (V97928))							A, B, F, H-L, X, AC, AE, AH-AK, AM-AP, AU, AV, AX-AZ, BG, BH, BM, BH, P-BR, BX, CA, CD, CF- CH, CK, CL, CN, CP, CS, CU, CV, CY, DK, DL, DS, DU, EC, EE, EF, EL-ER, ET-EV, EY	2
286	BACS12FA3K6			DELETED								

-Item not Illustrated

# 25-28-49

ILLUSTRATED PARTS LIST

Page 1098.574

Mar 01/2006



## COMPONENT MAINTENANCE MANUAL

FIG/ ITEM	PART NUMBER	AIRLINE PART NUMBER	NOMENCLATURE							USAGE CODE	UNITS PER ASSY
			1	2	3	4	5	6	7		
28- 290	BACS12ER08K14		.	SCREW						A, B, F, H-L, X, AC, AE, AH-AK, AM-AP, AU, AV, AX-AZ, BG, BH, BM, BH, P-BR, BX, CA, CD, CF- CH, CK, CL, CN, CP, CS, CU, CV, CY, DK, DL, DS, DU, EC, EE, EF, EL-ER, ET-EV, EY	2
-290A	BACS12FA3K5		.	SCREW (V06710) (SPEC BACS12FA3K5) (OPT BACS12FA3K5 (V06725)) (OPT BACS12FA3K5 (V06950)) (OPT BACS12FA3K5 (V27624)) (OPT BACS12FA3K5 (V34252)) (OPT BACS12FA3K5 (V56878)) (OPT BACS12FA3K5 (V73197)) (OPT BACS12FA3K5 (V80539)) (OPT BACS12FA3K5 (V92215)) (OPT BACS12FA3K5 (V93907)) (OPT BACS12FA3K5 (V97928))						E	2

-Item not Illustrated

# 25-28-49

ILLUSTRATED PARTS LIST

Page 1098.575

Mar 01/2006



## COMPONENT MAINTENANCE MANUAL

FIG/ ITEM	PART NUMBER	AIRLINE PART NUMBER	NOMENCLATURE							USAGE CODE	UNITS PER ASSY	
			1	2	3	4	5	6	7			
28- 293	412N1145-102		.	BRACKET							A, B, E, F, H, J, AE, AK, AP, AU, AV, AY, AZ, BG, BM, BQ, CA, CD, CH, CK, CL, CP, CS, CU, CV, CY, DS, EC, EE, EF, EL, EM, EQ, ER, EU, EV, EY	1
-293A	412N1145-104		.	BRACKET							AC, AH, AM, CF	1
-296	412N1145-101		.	BRACKET							E, F, K, X, AX, BH, BM, BR, BX, CN, DK, DU, EE, EN, EP, ET	1
-296A	412N1145-103		.	BRACKET							L, AJ, AN, CG, DL	1
300	412N1153-6		.	LATCH ASSY							X, BX, EP, ET	1
-300A	412N1153-9		.	LATCH ASSY							L, DL	1
-300B	412N1153-14		.	LATCH ASSY							BH, DK, DU	1
-300C	412N1153-24		.	LATCH ASSY							F, BM, EE	1
-300D	412N1153-45		.	LATCH ASSY							H, AE, BP, CA, EL	1
-300E	412N1153-56		.	LATCH ASSY							AH, AM, CF	1

-Item not Illustrated

# 25-28-49

ILLUSTRATED PARTS LIST

Page 1098.576

Mar 01/2006





## COMPONENT MAINTENANCE MANUAL

FIG/ ITEM	PART NUMBER	AIRLINE PART NUMBER	NOMENCLATURE							USAGE CODE	UNITS PER ASSY		
			1	2	3	4	5	6	7				
28-													
-300F	412N1153-83		.	L	A	T	C	H	A	S	S	E	1
-300G	412N1153-84		.	L	A	T	C	H	A	S	S	F, K, BM, BR, EE, EN	1
-300H	412N1153-105		.	L	A	T	C	H	A	S	S	AX, CN	1
-300J	412N1153-116		.	L	A	T	C	H	A	S	S	AJ, AN, CG	1
-300K	412N1153-146		.	L	A	T	C	H	A	S	S	AU, CK, EQ, EU	1
-300L	412N1153-148		.	L	A	T	C	H	A	S	S	AC	1
-300M	412N1153-149		.	L	A	T	C	H	A	S	S	B, AK, AP, AV, AZ, BG, CD, CH, CL, CS, CU, CY, DS, EC, ER, EV, EY	1
-300N	412N1153-153		.	L	A	T	C	H	A	S	S	A, J, AY, BQ, CP, CU, EF, EM	1
305	412N1153-101		.	L	A	T	C	H	A	S	S	AH, AJ, AM, AN, CF, CG	1
-305A	412N1153-102		.	L	A	T	C	H	A	S	S	L, AC, DL	1
-305B	412N1153-103		.	L	A	T	C	H	A	S	S	A, B, AK, AP, AU, AY, AZ, BG, BH, CD, CH, CL, CP, CU, CV, CY, DK, DS, DU, EC, EF, ER, EV, EY	1

-Item not Illustrated

# 25-28-49

ILLUSTRATED PARTS LIST

Page 1098.577

Mar 01/2006



**COMPONENT MAINTENANCE MANUAL**

FIG/ ITEM	PART NUMBER	AIRLINE PART NUMBER	NOMENCLATURE							USAGE CODE	UNITS PER ASSY																																																																																																																		
			1	2	3	4	5	6	7																																																																																																																				
28- -305C	412N1153-104		.	L	A	T	C	H	A	S	S	E	F	H	X	A	E	A	X	B	M	B	P	B	X	C	A	C	N	E	E	E	L	E	P	E	Q	E	T	E	U		1																																																																																		
-305D	412N1153-123		.	L	A	T	C	H	A	S	S	E	J	K	B	Q	B	R	C	S	E	M	E	N																			1																																																																																		
310	BACS12ER08K6		.	A	T	T	A	C	H	I	N	G	P	A	R	T	S	.	S	C	R	E	W	(V06710)	(SPEC BACS12ER08K6)	(OPT BACS12ER08K6 (V06725))	(OPT BACS12ER08K6 (V06950))	(OPT BACS12ER08K6 (V27624))	(OPT BACS12ER08K6 (V34252))	(OPT BACS12ER08K6 (V56878))	(OPT BACS12ER08K6 (V73197))	(OPT BACS12ER08K6 (V80539))	(OPT BACS12ER08K6 (V92215))	(OPT BACS12ER08K6 (V93907))	(OPT BACS12ER08K6 (V97928))	A	B	E	F	H	L	X	A	C	A	E	A	H	A	K	A	M	A	P	A	U	A	V	A	X	A	Z	B	G	B	H	B	M	B	H	P	B	R	B	X	C	A	C	D	C	F	C	H	C	K	C	L	C	N	C	P	C	S	C	U	C	V	C	Y	D	K	D	L	D	S	D	U	E	C	E	E	E	F	E	L	E	R	E	T	E	V	E	Y		4

-Item not Illustrated

# 25-28-49

ILLUSTRATED PARTS LIST

Page 1098.578

Mar 01/2006



## COMPONENT MAINTENANCE MANUAL

FIG/ ITEM	PART NUMBER	AIRLINE PART NUMBER	NOMENCLATURE							USAGE CODE	UNITS PER ASSY
			1	2	3	4	5	6	7		
28- 315	BACS12ER06K8		. SCREW (V06710) (SPEC BACS12ER06K8) (OPT BACS12ER06K8 (V06725)) (OPT BACS12ER06K8 (V06950)) (OPT BACS12ER06K8 (V27624)) (OPT BACS12ER06K8 (V34252)) (OPT BACS12ER06K8 (V56878)) (OPT BACS12ER06K8 (V73197)) (OPT BACS12ER06K8 (V80539)) (OPT BACS12ER06K8 (V92215)) (OPT BACS12ER06K8 (V93907)) (OPT BACS12ER06K8 (V97928))							A, B, E, F, H-L, X, AC, AE, AH-AK, AM-AP, AU, AV, AX-AZ, BG, BH, BM, BH, P-BR, BX, CA, CD, CF- CH, CK, CL, CN, CP, CS, CU, CV, CY, DK, DL, DS, DU, EC, EE, EF, EL-ER, ET-EV, EY	8
320	SL210-06-2		. INSERT (V97393)							A, B, E, F, H-L, X, AC, AE, AH-AK, AM-AP, AU, AV, AX-AZ, BG, BH, BM, BH, P-BR, BX, CA, CD, CF- CH, CK, CL, CN, CP, CS, CU, CV, CY, DK, DL, DS, DU, EC, EE, EF, EL-ER, ET-EV, EY	8

-Item not Illustrated

# 25-28-49

ILLUSTRATED PARTS LIST

Page 1098.579

Mar 01/2006



## COMPONENT MAINTENANCE MANUAL

FIG/ ITEM	PART NUMBER	AIRLINE PART NUMBER	NOMENCLATURE							USAGE CODE	UNITS PER ASSY	
			1	2	3	4	5	6	7			
28- 325	NAS514P832-5									. SCREW	A, B, E, F, H-L, X, AC, AE, AH-AK, AM-AP, AU, AV, AX-AZ, BG, BH, BM, BH, P-BR, BX, CA, CD, CF- CH, CK, CL, CN, CP, CS, CU, CV, CY, DK, DL, DS, DU, EC, EE, EF, EL-ER, ET-EV, EY	8

-Item not Illustrated

# 25-28-49

ILLUSTRATED PARTS LIST

Page 1098.580

Mar 01/2006



COMPONENT MAINTENANCE MANUAL

FIG/ ITEM	PART NUMBER	AIRLINE PART NUMBER	NOMENCLATURE							USAGE CODE	UNITS PER ASSY
			1	2	3	4	5	6	7		
28- 330	SL210-08-1										8
			. INSERT (V97393)							A, B, E, F, H-L, X, AC, AE, AH-AK, AM-AP, AU, AV, AX-AZ, BG, BH, BM, BH, P-BR, BX, CA, CD, CF- CH, CK, CL, CN, CP, CS, CU, CV, CY, DK, DL, DS, DU, EC, EE, EF, EL-ER, ET-EV, EY	
			-----*								

-Item not Illustrated

**25-28-49**

ILLUSTRATED PARTS LIST

Page 1098.581

Mar 01/2006



## COMPONENT MAINTENANCE MANUAL

FIG/ ITEM	PART NUMBER	AIRLINE PART NUMBER	NOMENCLATURE							USAGE CODE	UNITS PER ASSY		
			1	2	3	4	5	6	7				
28- -335	412N1113-7		.	.							COVER	A, B, E, F, H-L, X, AC, AE, AH-AK, AM-AP, AU, AV, AX-AZ, BG, BH, BM, BH, P-BR, BX, CA, CD, CF- CH, CK, CL, CN, CP, CS, CU, CV, CY, DK, DL, DS, DU, EC, EE, EF, EL-ER, ET-EV, EY	2
340	412N1113-8		.	.							COVER	A, B, E, F, H-L, X, AC, AE, AH-AK, AM-AP, AU, AV, AX-AZ, BG, BH, BM, BH, P-BR, BX, CA, CD, CF- CH, CK, CL, CN, CP, CS, CU, CV, CY, DK, DL, DS, DU, EC, EE, EF, EL-ER, ET-EV, EY	2

-Item not Illustrated

# 25-28-49

ILLUSTRATED PARTS LIST

Page 1098.582

Jul 01/2009



## COMPONENT MAINTENANCE MANUAL

FIG/ ITEM	PART NUMBER	AIRLINE PART NUMBER	NOMENCLATURE							USAGE CODE	UNITS PER ASSY
			1	2	3	4	5	6	7		
28-											
345	S412N101-2016										
345A	S412N101-2019										
-345B	S412N101-2024										
-345C	S412N101-1130										
-345D	S412N101-3015										
345E	H3-1145-3-2360								. . LATCH ASSY (V34941) (SPEC S412N101-3026) (USED ON ITEM 300E)	AH, AM, CF	1
-345F	S412N101-3014								DELETED		
-345G	S412N101-2014								DELETED		
-345H	S412N101-2015								DELETED		
-345J	H3-1145-2-2360								. . LATCH ASSY (V34941) (SPEC S412N101-2026) (USED ON ITEM 300J)	AJ, AN, CG	1
-345K	H3-1145-3-1360								. . LATCH ASSY (V34941) (SPEC S412N101-3016) (USED ON ITEM 300K)	AU, CK, EQ, EU	1
-345L	H3-1145-3-1560								. . LATCH ASSY (V34941) (SPEC S412N101-3018) (USED ON ITEM 300L)	AC	1
-345M	H3-1145-3-1660								. . LATCH ASSY (V34941) (SPEC S412N101-3019) (USED ON ITEM 300M)	B, AK, AP, AV, AZ, BG, CD, CH, CL, CS, CU, CY, DS, EC, ER, EV, EY	1
-345N	H3-1145-3-2060								. . LATCH ASSY (V34941) (SPEC S412N101-3023) (USED ON ITEM 300N)	A, J, AY, BQ, CP, CU, EF, EM	1

-Item not Illustrated

# 25-28-49

ILLUSTRATED PARTS LIST

Page 1098.583

Mar 01/2006



## COMPONENT MAINTENANCE MANUAL

FIG/ ITEM	PART NUMBER	AIRLINE PART NUMBER	NOMENCLATURE							USAGE CODE	UNITS PER ASSY	
			1	2	3	4	5	6	7			
28- -345P	H3-1145-3-1260		.	.	LATCH ASSY (V34941) (SPEC S412N101-3015) (USED ON ITEM 300D)						H, AE, BP, CA, EL	1
-345Q	H3-1145-2-1360		.	.	LATCH ASSY (V34941) (SPEC S412N101-2016) (USED ON ITEM 300)						X, BX, EP, ET	1
-345R	H3-1145-2-2160		.	.	LATCH ASSY (V34941) (SPEC S412N101-2024) (USED ON ITEM 300B)						BH, DK, DU	1
-345S	H3-1145-3-1160		.	.	LATCH ASSY (V34941) (SPEC S412N101-3014) (USED ON ITEM 300F)						E	1
-345T	H3-1145-2-1160		.	.	LATCH ASSY (V34941) (SPEC S412N101-2014) (USED ON ITEM 300G)						F, K, BM, BR, EE, EN	1
-345U	H3-1145-2-1260		.	.	LATCH ASSY (V34941) (SPEC S412N101-2015) (USED ON ITEM 300H)						AX, CN	1
-345V	H3-1145-1L2760		.	.	LATCH ASSY (V34941) (SPEC S412N101-1130) (OPT 502060-2-1 (V27045)) (USED ON ITEM 300C)						F, BM, EE	1
-345W	H3-1145-2-1660		.	.	LATCH ASSY (V34941) (SPEC S412N101-2019) (USED ON ITEM 300A)						L, DL	1
-345X	502060-2-1		.	.	LATCH ASSY (V27405) (SPEC S412N101-1130) (OPT H3-1145-1L2760 (V34941)) (USED ON ITEM 300C)						F, BM, EE	1
350	H3-1145-1-5760		.	.	LATCH ASSY (V34941) (SPEC S412N101-1060) (OPT 502060-1-4 (V27045)) (USED ON ITEM 305)						AH, AJ, AM, AN, CF, CG	1

-Item not Illustrated

# 25-28-49

ILLUSTRATED PARTS LIST

Page 1098.584

Mar 01/2006





## COMPONENT MAINTENANCE MANUAL

FIG/ ITEM	PART NUMBER	AIRLINE PART NUMBER	NOMENCLATURE							USAGE CODE	UNITS PER ASSY		
			1	2	3	4	5	6	7				
28- -350A	H3-1145-1-4760		.	.	LATCH ASSY (V34941) (SPEC S412N101-1050) (OPT 502060-1-3 (V27045)) (USED ON ITEM 305A)						L, AC, DL	1	
-350B	H3-1145-1-3760		.	.	LATCH ASSY (V34941) (SPEC S412N101-1040) (USED ON ITEM 305B)						A, B, AK, AP, AU, AY, AZ, BG, BH, CD, CH, CL, CP, CU, CV, CY, DK, DS, DU, EC, EF, ER, EV, EY	1	
-350C	H3-1145-1-2760		.	.	LATCH ASSY (V34941) (SPEC S412N101-1030) (OPT 502060-1-1 (V27045)) (USED ON ITEM 305C)						E, F, H, X, AE, AX, BM, BP, BX, CA, CN, EE, EL, EP, EQ, ET, EU	1	
-350D	S412N101-1140		DELETED										
-350E	H3-1145-1L3760		.	.	LATCH ASSY (V34941) (SPEC S412N101) (USED ON ITEM 305D)						J, K, BQ, BR, CS, EM, EN	1	
-350F	502060-1-4		.	.	LATCH ASSY (V27045) (SPEC S412N101-1060) (OPT H3-1145-1-5760 (V34941)) (USED ON ITEM 305)						AH, AJ, AM, AN, CF, CG	1	
-350G	502060-1-3		.	.	LATCH ASSY (V27045) (SPEC S412N101-1050) (OPT H3-1145-1-4760 (V34941)) (USED ON ITEM 305A)						L, AC, DL	1	

-Item not Illustrated

# 25-28-49

ILLUSTRATED PARTS LIST

Page 1098.585

Mar 01/2006



## COMPONENT MAINTENANCE MANUAL

FIG/ ITEM	PART NUMBER	AIRLINE PART NUMBER	NOMENCLATURE							USAGE CODE	UNITS PER ASSY	
			1	2	3	4	5	6	7			
28- -350H	502060-1-1		.	.	LATCH ASSY (V27045) (SPEC S412N101-1030) (OPT H3-1145-1-2760 (V34941)) (USED ON ITEM 305C)						E, F, H, X, AE, AX, BM, BP, BX, CA, CN, EE, EL, EP, EQ, ET, EU	1
-355	BACS12ER08K12		.		SCREW (V06710) (SPEC BACS12ER08K12) (OPT BACS12ER08K12 (V06725)) (OPT BACS12ER08K12 (V06950)) (OPT BACS12ER08K12 (V27624)) (OPT BACS12ER08K12 (V34252)) (OPT BACS12ER08K12 (V56878)) (OPT BACS12ER08K12 (V73197)) (OPT BACS12ER08K12 (V80539)) (OPT BACS12ER08K12 (V92215)) (OPT BACS12ER08K12 (V93907)) (OPT BACS12ER08K12 (V97928))						A, B, E, F, H-L, X, AC, AE, AH-AK, AM-AP, AU, AV, AX-AZ, BG, BH, BM, BH, P-BR, BX, CA, CD, CF- CH, CK, CL, CN, CP, CS, CU, CV, CY, DK, DL, DS, DU, EC, EE, EF, EL-ER, ET-EV, EY	AR

-Item not Illustrated

# 25-28-49

ILLUSTRATED PARTS LIST

Page 1098.586

Mar 01/2006



## COMPONENT MAINTENANCE MANUAL

FIG/ ITEM	PART NUMBER	AIRLINE PART NUMBER	NOMENCLATURE							USAGE CODE	UNITS PER ASSY	
			1	2	3	4	5	6	7			
28- -360	AN960JD8									. WASHER	A, B, E, F, H-L, X, AC, AE, AH-AK, AM-AP, AU, AV, AX-AZ, BG, BH, BM, BH, P-BR, BX, CA, CD, CF- CH, CK, CL, CN, CP, CS, CU, CV, CY, DK, DL, DS, DU, EC, EE, EF, EL-ER, ET-EV, EY	AR
-365	MS21042L08									. NUT	A, B, E, F, H-L, X, AC, AE, AH-AK, AM-AP, AU, AV, AX-AZ, BG, BH, BM, BH, P-BR, BX, CA, CD, CF- CH, CK, CL, CN, CP, CS, CU, CV, CY, DK, DL, DS, DU, EC, EE, EF, EL-ER, ET-EV, EY	AR

-Item not Illustrated

**25-28-49**

ILLUSTRATED PARTS LIST

Page 1098.587

Mar 01/2006



## COMPONENT MAINTENANCE MANUAL

FIG/ ITEM	PART NUMBER	AIRLINE PART NUMBER	NOMENCLATURE							USAGE CODE	UNITS PER ASSY	
			1	2	3	4	5	6	7			
28- 370	BACB30NMY6K3		.	B	O	L	T				L, AC, AH, AJ, AM, AN, CF, CG, DL	2
375	HL10VAZ6-2		.	B	O	L	T	(V56878) (SPEC BACB30MY6K2) (OPT B30MY6K2 (V97928)) (OPT HL10VAZ6-2 (V73197)) (OPT HL10VAZ6-2 (V92215)) (OPT HL10VAZ6-2 (V97928)) (OPT L8006K2 (V06725)) (OPT HL10VAZ6-2 (V08524))			A, B, E, F, H-K, X, AE, AK, AP, AV, AX-AZ, BG, BH, BM, BP- BR, BX, CA, CD, CH, CL, CN, CP, CS, CU, CV, CY, DK, DS, DU, EC, EE, EF, EL-ER, ET-EV, EY	2
380	AN960JD10		.	W	A	S	H	E	R		L, AC, AH, AJ, AM, AN, CF, CG, DL	2

-Item not Illustrated

# 25-28-49

ILLUSTRATED PARTS LIST

Page 1098.588

Mar 01/2006



## COMPONENT MAINTENANCE MANUAL

FIG/ ITEM	PART NUMBER	AIRLINE PART NUMBER	NOMENCLATURE							USAGE CODE	UNITS PER ASSY
			1	2	3	4	5	6	7		
28- 385	MS21042L3		.	NUT						A, B, E, F, H-L, X, AC, AE, AH-AK, AM-AP, AU, AV, AX-AZ, BG, BH, BM, BH, P-BR, BX, CA, CD, CF- CH, CK, CL, CP, CS, CU, CV, CY, DK, DL, DS, DU, EC, EE, EF, EL- ER, ET- EV, EY	2
387	MS21042L3		.	NUT						L, AC, AH, AJ, AM, AN, CF, CG, DL	2
390	BACB30NM3K1		.	BOLT (V06710) (SPEC BACB30NM3K1) (OPT BACB30NM3K1 (V06725)) (OPT BACB30NM3K1 (V06950)) (OPT BACB30NM3K1 (V08524)) (OPT BACB30NM3K1 (V27624)) (OPT BACB30NM3K1 (V56878)) (OPT BACB30NM3K1 (V73197)) (OPT BACB30NM3K1 (V80539)) (OPT BACB30NM3K1 (V92215)) (OPT BACB30NM3K1 (V93907)) (OPT BACB30NM3K1 (V97928))						L, AC, AH, AJ, AM, AN, CF, CG, DL	1

-Item not Illustrated

**25-28-49**

ILLUSTRATED PARTS LIST

Page 1098.589

Mar 01/2006



## COMPONENT MAINTENANCE MANUAL

FIG/ ITEM	PART NUMBER	AIRLINE PART NUMBER	NOMENCLATURE							USAGE CODE	UNITS PER ASSY
			1	2	3	4	5	6	7		
28- -390A	BACS12ER08K14		.								1
										A, B, E, F, H-K, X, AE, AK, AP, AV, AX-AZ, BG, BH, BM, BP- BR, BX, CA, CD, CH, CK, CL, CN, CP, CS, CU, CV, CY, DK, DS, DU, EC, EE, EF, EL- ER, ET- EV, EY	
395	AN960JD10LL		.								1
										L, AC, AH, AJ, AM, AN, CF, CG, DL	

-Item not Illustrated

# 25-28-49

ILLUSTRATED PARTS LIST

Page 1098.590

Mar 01/2006



## COMPONENT MAINTENANCE MANUAL

FIG/ ITEM	PART NUMBER	AIRLINE PART NUMBER	NOMENCLATURE							USAGE CODE	UNITS PER ASSY
			1	2	3	4	5	6	7		
28- -395A	AN960JD8		.	W	A	S	H	E	R	A, B, E, F, H-L, X, AC, AE, AH-AK, AM-AP, AU, AV, AX-AZ, BG, BH, BM, BH, P-BR, BX, CA, CD, CF- CH, CK, CL, CN, CP, CS, CU, CV, CY, DK, DL, DS, DU, EC, EE, EF, EL-ER, ET-EV, EY	1
397	AN960JD10LL		.	W	A	S	H	E	R	L, AC, AH, AJ, AM, AN, CF, CG, DL	1
400	MS21042L3		.	N	U	T				L, AC, AH, AJ, AM, AN, CF, CG, DL	1

-Item not Illustrated

**25-28-49**

ILLUSTRATED PARTS LIST

Page 1098.591

Mar 01/2006



## COMPONENT MAINTENANCE MANUAL

FIG/ ITEM	PART NUMBER	AIRLINE PART NUMBER	NOMENCLATURE							USAGE CODE	UNITS PER ASSY
			1	2	3	4	5	6	7		
28- -400A	MS21042L08		.	NUT						A, B, E, F, H-L, X, AC, AE, AH-AK, AM-AP, AU, AV, AX-AZ, BG, BH, BM, BH, P-BR, BX, CA, CD, CF- CH, CK, CL, CN, CP, CS, CU, CV, CY, DK, DL, DS, DU, EC, EE, EF, EL-ER, ET-EV, EY	1
405	BACS12ER08K14		.	SCREW						A, B, E, F, H-L, X, AC, AE, AH-AK, AM-AP, AU, AV, AX-AZ, BG, BH, BM, BH, P-BR, BX, CA, CD, CF- CH, CK, CL, CN, CP, CS, CU, CV, CY, DK, DL, DS, DU, EC, EE, EF, EL-ER, ET-EV, EY	1

-Item not Illustrated

# 25-28-49

ILLUSTRATED PARTS LIST

Page 1098.592

Mar 01/2006





## COMPONENT MAINTENANCE MANUAL

FIG/ ITEM	PART NUMBER	AIRLINE PART NUMBER	NOMENCLATURE							USAGE CODE	UNITS PER ASSY
			1	2	3	4	5	6	7		
28- 410	AN960JD8		.	W	A	S	H	E			1
415	MS21042L08		.	N	U	T					1

-Item not Illustrated

**25-28-49**

ILLUSTRATED PARTS LIST

Page 1098.593

Mar 01/2006



## COMPONENT MAINTENANCE MANUAL

FIG/ ITEM	PART NUMBER	AIRLINE PART NUMBER	NOMENCLATURE							USAGE CODE	UNITS PER ASSY	
			1	2	3	4	5	6	7			
28- 420	412N1117-2		.								A, B, E, H, J, AE, AK, AP, AV, AX, AY, AZ, BG, BP, BQ, CA, CD, CH, CL, CN, CP, CS, CU, CV, CY, DS, EC, EF, EL, EM, EQ, ER, EU, EV, EYV	1
-420A	412N1117-7		.								AM, CF	1
-420B	412N1117-5		.								AC, AH	1
-425	412N1117-1		.								F, K, X, AX, BH, BM, BR, BX, DK, DU, EE, EN, EP, ET	1
-425A	412N1117-8		.								L, AN, CG, DL	1
-425B	412N1117-6		.								AJ	1
430	65C27016-3		.								L, AM, AN, CF, CG, DL	1
-435	65C27016-6		.								AC, AH, AJ	1

-Item not Illustrated

# 25-28-49

ILLUSTRATED PARTS LIST

Page 1098.594

Mar 01/2006



## COMPONENT MAINTENANCE MANUAL

FIG/ ITEM	PART NUMBER	AIRLINE PART NUMBER	NOMENCLATURE							USAGE CODE	UNITS PER ASSY
			1	2	3	4	5	6	7		
28- 440	BACS12ER08K14		.								4
										X, AC, AE, AH- AK, AM- AP, AU, AV, AX- AZ, BG, BH, BX, CA, CD, CF, CG, CH, CK, CL, CN, CP, CS, CU, CV, CY, DK, DS, DU, EC, EE, EF, EL- ER, ET- EV, EY	
445	AN960JD8		.								4
										X, AC, AE, AH- AK, AM- AP, AU, AV, AX- AZ, BG, BH, BX, CA, CD, CF, CG, CH, CK, CL, CN, CP, CS, CU, CV, CY, DK, DS, DU, EC, EE, EF, EL- ER, ET- EV, EY	

-Item not Illustrated

**25-28-49**

ILLUSTRATED PARTS LIST

Page 1098.595

Mar 01/2006



## COMPONENT MAINTENANCE MANUAL

FIG/ ITEM	PART NUMBER	AIRLINE PART NUMBER	NOMENCLATURE							USAGE CODE	UNITS PER ASSY
			1	2	3	4	5	6	7		
28- 450	MS21042L3		.	NUT						X, AC, AE, AH- AK, AM- AP, AU, AV, AX- AZ, BG, BH, BX, CA, CD, CF, CG, CH, CK, CL, CN, CP, CS, CU, CV, CY, DK, DS, DU, EC, EE, EF, EL- ER, ET- EV, EY	4
455	BACS12FA3K14		.	SCREW						X, AC, AE, AH- AK, AM- AP, AU, AV, AX- AZ, BG, BH, BX, CA, CD, CF, CG, CH, CK, CL, CN, CP, CS, CU, CV, CY, DK, DS, DU, EC, EE, EF, EL- ER, ET- EV, EY	1

-Item not Illustrated

**25-28-49**

ILLUSTRATED PARTS LIST

Page 1098.596

Mar 01/2006



## COMPONENT MAINTENANCE MANUAL

FIG/ ITEM	PART NUMBER	AIRLINE PART NUMBER	NOMENCLATURE							USAGE CODE	UNITS PER ASSY	
			1	2	3	4	5	6	7			
28- 460	HL10VAZ6-2		.	BOLT (V56878) (SPEC BACB30MY6K2) (OPT B30MY6K2 (V97928)) (OPT HL10VAZ6-2 (V73197)) (OPT HL10VAZ6-2 (V92215)) (OPT HL10VAZ6-2 (V97928)) (OPT L8006K2 (V06725)) (OPT HL10VAZ6-2 (V08524))							X, AC, AE, AH- AK, AM- AP, AU, AV, AX- AZ, BG, BH, BX, CA, CD, CF, CG, CH, CK, CL, CN, CP, CS, CU, CV, CY, DK, DS, DU, EC, EE, EF, EL- ER, ET- EV, EY	6
465	MS21042L3		.	NUT							X, AC, AE, AH- AK, AM- AP, AU, AV, AX- AZ, BG, BH, BX, CA, CD, CF, CG, CH, CK, CL, CN, CP, CS, CU, CV, CY, DK, DS, DU, EC, EE, EF, EL- ER, ET- EV, EY	6

-Item not Illustrated

**25-28-49**

ILLUSTRATED PARTS LIST

Page 1098.597

Mar 01/2006



## COMPONENT MAINTENANCE MANUAL

FIG/ ITEM	PART NUMBER	AIRLINE PART NUMBER	NOMENCLATURE							USAGE CODE	UNITS PER ASSY	
			1	2	3	4	5	6	7			
28- 470	412N1119-96		.								X, AC, AE, AH- AK, AM- AP, AU, AV, AX- AZ, BG, BH, BX, CA, CD, CF, CG, CH, CK, CL, CN, CP, CS, CU, CV, CY, DK, DS, DU, EC, EE, EF, EL- ER, ET- EV, EY	1
475	BACS12FA3K14		.								A, B, E, F, H-L, X, AC, AE, AH-AK, AM-AP, AU, AV, AY, AZ, BG, BH, BM, BP- BR, BX, CA, CD, CF, CG, CL, CN, CP, CS, CU, CV, CY, DK, DL, DS, DU, EC, EE, EF, EL-ER, ET-EV, EY	4
480	65C27023-84		.								AM, CF	1
-480A	65C27023-17		.								A	1

-Item not Illustrated

**25-28-49**

ILLUSTRATED PARTS LIST

Page 1098.598

Mar 01/2006



## COMPONENT MAINTENANCE MANUAL

FIG/ ITEM	PART NUMBER	AIRLINE PART NUMBER	NOMENCLATURE							USAGE CODE	UNITS PER ASSY	
			1	2	3	4	5	6	7			
28- -480B	65C27023-9		.	SUPPORT-PSU							B, AK, AP, AV, AZ, BG, CD, CH, CL, CS, CU, CY, DS, EC, ER, EV, EY	1
-480C	65C27023-61		.	SUPPORT-PSU							E	1
-480D	65C27023-21		.	SUPPORT-PSU							H, BP, EL	1
-480E	65C27023-17		.	SUPPORT-PSU							J, AY, BQ, CP, CV, EF, EM	1
-480F	65C27023-79		.	SUPPORT-PSU							AC	1
-480G	65C27023-21		.	SUPPORT-PSU							AE, CA	1
-480H	65C27023-19		.	SUPPORT-PSU							AH	1
-480J	65C27023-31		.	SUPPORT-PSU							AU, CK, EQ, EU	1
-485	65C27023-11		.	SUPPORT-PSU							AN, CG	1
-485A	65C27023-18		.	SUPPORT-PSU							AX, CN	1
-485B	65C27023-62		.	SUPPORT-PSU							F, BM, EE	1
-485C	65C27023-50		.	SUPPORT-PSU							K, BR, EN	1
-485D	65C27023-66		.	SUPPORT-PSU							L, DL	1
-485E	65C27023-32		.	SUPPORT-PSU							X, BX, EP, ET	1
-485F	65C27023-44		.	SUPPORT-PSU							AJ	1
-485G	65C27023-34		.	SUPPORT-PSU							BH, DK, DU	1
490	412N1224-3		.	SUPPORT							AM, CF	1

-Item not Illustrated

# 25-28-49

ILLUSTRATED PARTS LIST

Page 1098.599

Mar 01/2006



## COMPONENT MAINTENANCE MANUAL

FIG/ ITEM	PART NUMBER	AIRLINE PART NUMBER	NOMENCLATURE							USAGE CODE	UNITS PER ASSY	
			1	2	3	4	5	6	7			
28- 495	HL10VAZ6-2		.	BOLT (V56878) (SPEC BACB30MY6K2) (OPT B30MY6K2 (V97928)) (OPT HL10VAZ6-2 (V73197)) (OPT HL10VAZ6-2 (V92215)) (OPT HL10VAZ6-2 (V97928)) (OPT L8006K2 (V06725)) (OPT HL10VAZ6-2 (V08524))							X, AC, AE, AH- AK, AM- AP, AU, AV, AX- AZ, BG, BH, BX, CA, CD, CF-CH, CK, CL, CP, CS, CU, CV, CY, DK, DS, DU, EC, EF, EP-ER, ET-EV, EY	2
500	MS21042L3		.	NUT							X, AC, AE, AH- AK, AM- AP, AU, AV, AX- AZ, BG, BH, BX, CA, CD, CF-CH, CK, CL, CP, CS, CU, CV, CY, DK, DS, DU, EC, EF, EP-ER, ET-EV, EY	2

-Item not Illustrated

# 25-28-49

ILLUSTRATED PARTS LIST

Page 1098.600

Mar 01/2006





## COMPONENT MAINTENANCE MANUAL

FIG/ ITEM	PART NUMBER	AIRLINE PART NUMBER	NOMENCLATURE							USAGE CODE	UNITS PER ASSY
			1	2	3	4	5	6	7		
28- 505	BACS12FA3K14		.								1
510	BACS12ER08K14		.								2

-Item not Illustrated

# 25-28-49

ILLUSTRATED PARTS LIST

Page 1098.601

Mar 01/2006



## COMPONENT MAINTENANCE MANUAL

FIG/ ITEM	PART NUMBER	AIRLINE PART NUMBER	NOMENCLATURE							USAGE CODE	UNITS PER ASSY
			1	2	3	4	5	6	7		
28- 515	AN960JD8		.	W	A	S	H	E	R	X, AC, AE, AH- AK, AM- AP, AU, AV, AX- AZ, BG, BH, BX, CA, CD, CF-CH, CK, CL, CP, CS, CU, CV, CY, DK, DS, DU, EC, EF, EP-ER, ET-EV, EY	2
520	MS21042L08		.	N	U	T				X, AC, AE, AH- AK, AM- AP, AU, AV, AX- AZ, BG, BH, BX, CA, CD, CF-CH, CK, CL, CP, CS, CU, CV, CY, DK, DS, DU, EC, EF, EP-ER, ET-EV, EY	2

-Item not Illustrated

# 25-28-49

ILLUSTRATED PARTS LIST

Page 1098.602

Mar 01/2006



## COMPONENT MAINTENANCE MANUAL

FIG/ ITEM	PART NUMBER	AIRLINE PART NUMBER	NOMENCLATURE							USAGE CODE	UNITS PER ASSY	
			1	2	3	4	5	6	7			
28- 525	412N1119-92		.								AC, AE, AH, AK, AM, AP, AU, AV, AY, AZ, BG, CA, CD, CF, CH, CK, CL, CP, CS, CU, CV, CY, DS, EC, EF, EQ, ER, EU, EV	1
-530	412N1119-91		.								X, AJ, AN, AX, BH, BX, CG, DK, DU, EN, EP, ET, EY	1
535	412N1146-111		.								AH, AM, CF	1
-535A	412N1146-112		.								AJ, AN, CG	1
540	BACR15DR3		.	.							AH, AJ, AM, AN, CF, CG	4
545	BRF100C08D		.	.							AH, AJ, AM, AN, CF, CG	2
550	412N1146-115		.	.							AH, AM, CF	1
-550A	412N1146-116		.	.							AJ, AN, CG	1
555	412N1146-39		.								AH, AM, CF	1
-555A	412N1146-50		.								AJ, AN, CG	1

-Item not Illustrated

# 25-28-49

ILLUSTRATED PARTS LIST

Page 1098.603

Mar 01/2006



## COMPONENT MAINTENANCE MANUAL

FIG/ ITEM	PART NUMBER	AIRLINE PART NUMBER	NOMENCLATURE							USAGE CODE	UNITS PER ASSY
			1	2	3	4	5	6	7		
28-											
560	BACR15DR3		. .	RIVET						AH, AJ, AM, AN, CF, CG	4
				(SIZE DETERMINED ON INST)							
565	BRF100C08D		. .	NUTPLATE						AH, AJ, AM, AN, CF, CG	2
				(V52828)							
				(SPEC BACN10KB08CFD)							
				(OPT F51604-08 (V15653))							
				(OPT 102F9207P82 (V72962))							
				(OPT F51604-08 (V15653))							
570	412N1146-42		. .	SUPPORT						AJ, AN, CG	1
-570A	412N1146-51		. .	SUPPORT						AH, AM, CF	1
575	412N1146-127		. .	SUPPORT ASSY-BULLNOSE						AC	1
-575A	412N1146-142		. .	SUPPORT ASSY-BULLNOSE						L, DL	1
580	BACR15DR3		. .	RIVET						L, AC, DL	4
				(SIZE DETERMINED ON INST)							
585	BRF100C08D		. .	NUTPLATE						L, AC, DL	2
				(V52828)							
				(SPEC BACN10KB08CFD)							
				(OPT F51604-08 (V15653))							
				(OPT 102F9207P82 (V72962))							
				(OPT F51604-08 (V15653))							
590	412N1146-128		. .	SUPPORT						AC	1
-590A	412N1146-144		. .	SUPPORT						L, DL	1
595	412N1146-131		. .	SUPPORT ASSY-BULLNOSE						AX, CN	1
-595A	412N1146-52		. .	SUPPORT ASSY-BULLNOSE						H, AE, BP, CA, EL	1
600	BACR15DR3		. .	RIVET						H, AE, AX, BP, CA, CN, EL	4
				(SIZE DETERMINED ON INST)							
605	BRF100C08D		. .	NUTPLATE						H, AE, AX, BP, CA, CN, EL	2
				(V52828)							
				(SPEC BACN10KB08CFD)							
				(OPT F51604-08 (V15653))							
				(OPT 102F9207P82 (V72962))							
				(OPT F51604-08 (V15653))							
610	412N1146-132		. .	SUPPORT						AX, CN	1

-Item not Illustrated

**25-28-49**

ILLUSTRATED PARTS LIST

Page 1098.604

Mar 01/2006



## COMPONENT MAINTENANCE MANUAL

FIG/ ITEM	PART NUMBER	AIRLINE PART NUMBER	NOMENCLATURE							USAGE CODE	UNITS PER ASSY	
			1	2	3	4	5	6	7			
28- -610A	412N1146-53		.	.	SUPPORT						H, AE, BP, CA, EL	1
615	412N1146-14		.	SUPPORT ASSY-BULLNOSE							B, AK, AP, AV, AZ, BG, CD, CH, CL, CS, CU, CY, DS, EC, ER, EV, EY	1
-615A	412N1146-54		.	SUPPORT ASSY-BULLNOSE							L, DL	1
620	BACR15DR3		.	RIVET (SIZE DETERMINED ON INST)							B, L, AK, AP, AV, AZ, BG, CD, CH, CL, CS, CU, CY, DL, DS, EC, ER, EV, EY	4
625	BRF100C08D		.	NUTPLATE (V52828) (SPEC BACN10KB08CFD) (OPT F51604-08 (V15653)) (OPT 102F9207P82 (V72962)) (OPT F51604-08 (V15653))							B, L, AK, AP, AV, AZ, BG, CD, CH, CL, CS, CU, CY, DL, DS, EC, ER, EV, EY	2
630	412N1146-34		.	SUPPORT							B, AK, AP, AV, AZ, BG, CD, CH, CL, CS, CU, CY, DS, EC, ER, EV, EY	1
-630A	412N1146-56		.	SUPPORT							L, DL	1
635	412N1146-40		.	SUPPORT ASSY-BULLNOSE							AU, CK, EQ, EU	1

-Item not Illustrated

# 25-28-49

ILLUSTRATED PARTS LIST

Page 1098.605

Mar 01/2006



## COMPONENT MAINTENANCE MANUAL

FIG/ ITEM	PART NUMBER	AIRLINE PART NUMBER	NOMENCLATURE							USAGE CODE	UNITS PER ASSY		
			1	2	3	4	5	6	7				
28-													
-635A	412N1146-64		.								SUPPORT ASSY-BULLNOSE	X, BX, EP, ET	1
640	BACR15DR3		.	.							RIVET (SIZE DETERMINED ON INST)	X, AU, BX, CK, EP, EQ, ET, EU	4
645	BRF100C08D		.	.							NUTPLATE (V52828) (SPEC BACN10KB08CFD) (OPT F51604-08 (V15653)) (OPT 102F9207P82 (V72962)) (OPT F51604-08 (V15653))	X, AU, BX, CK, EP, EQ, ET, EU	2
650	412N1146-43		.	.							SUPPORT	AU, CK, EQ, EU	1
-650A	412N1146-66		.	.							SUPPORT	X, BX, EP, ET	1
655	412N1146-57		.								SUPPORT ASSY-BULLNOSE	E	1
-655A	412N1146-58		.								SUPPORT ASSY-BULLNOSE	F, K, BM, BR, EE, EN	1
660	BACR15DR3		.	.							RIVET (SIZE DETERMINED ON INST)	E, F, K, BM, BR, EE, EN	4
665	BRF100C08D		.	.							NUTPLATE (V52828) (SPEC BACN10KB08CFD) (OPT F51604-08 (V15653)) (OPT 102F9207P82 (V72962)) (OPT F51604-08 (V15653))	E, F, K, BM, BR, EE, EN	2
670	412N1146-59		.	.							SUPPORT	E	1
-670A	412N1146-60		.	.							SUPPORT	F, K, BM, BR, EE, EN	1

-Item not Illustrated

# 25-28-49

ILLUSTRATED PARTS LIST

Page 1098.606

Mar 01/2006



## COMPONENT MAINTENANCE MANUAL

FIG/ ITEM	PART NUMBER	AIRLINE PART NUMBER	NOMENCLATURE							USAGE CODE	UNITS PER ASSY	
			1	2	3	4	5	6	7			
28- 675	412N1146-3		.								A, B, AK, AP, AV, AY, AZ, BG, BH, CD, CH, CL, CP, CU, CV, CY, DK, DS, DU, EC, EF, ER, EV, EY	1
-680	412N1146-125		.								J, K, BQ, BR, CS, EM, EN	1
685	BACR15DR3		..								RIVET (SIZE DETERMINED ON INST)	4
690	BRF100C08D		..								NUTPLATE (V52828) (SPEC BACN10KB08CFD) (OPT F51604-08 (V15653)) (OPT 102F9207P82 (V72962)) (OPT F51604-08 (V15653))	2

-Item not Illustrated

**25-28-49**

ILLUSTRATED PARTS LIST

Page 1098.607

Mar 01/2006



## COMPONENT MAINTENANCE MANUAL

FIG/ ITEM	PART NUMBER	AIRLINE PART NUMBER	NOMENCLATURE							USAGE CODE	UNITS PER ASSY	
			1	2	3	4	5	6	7			
28- 695	412N1146-23		.	.	SUPPORT						A, B, AK, AP, AV, AY, AZ, BG, BH, CD, CH, CL, CP, CU, CV, CY, DK, DS, DU, EC, EF, ER, EV, EY	1
-695A	412N1146-126		.	.	SUPPORT						J, K, BQ, BR, CS, EM, EN	1
700	412N1146-4		.	SUPPORT ASSY-BULLNOSE							E, H, X, AE, AU, AX, BP, BX, CA, CK, CN, EL, EP, EQ, ET, EU	1
-705A	412N1146-61		.	SUPPORT ASSY-BULLNOSE							F, BM, EE	1
710	BACR15DR3		.	.	RIVET (SIZE DETERMINED ON INST)						E, F, H, X, AE, AU, AX, BM, BP, BX, CA, CK, CN, EE, EL, EP, EQ, ET, EUT	4
715	BRF100C08D		.	.	NUTPLATE (V52828) (SPEC BACN10KB08CFD) (OPT F51604-08 (V15653)) (OPT 102F9207P82 (V72962)) (OPT F51604-08 (V15653))						E, F, H, X, AE, AU, AX, BM, BP, BX, CA, CK, CN, EE, EL, EP, EQ, ET, EUT	2

-Item not Illustrated

# 25-28-49

ILLUSTRATED PARTS LIST

Page 1098.608

Mar 01/2006





## COMPONENT MAINTENANCE MANUAL

FIG/ ITEM	PART NUMBER	AIRLINE PART NUMBER	NOMENCLATURE							USAGE CODE	UNITS PER ASSY	
			1	2	3	4	5	6	7			
28- 720	412N1146-24		.	.	SUPPORT						E, H, X, AE, AU, AX, BP, BX, CA, CK, CN, EL, EP, EQ, ET, EY	1
-720A	412N1146-62		.	.	SUPPORT						F, BM, EE	1
725	412N1146-18		.	SUPPORT ASSY-BULLNOSE							AC	1
730	BACR15DR3		.	.	RIVET (SIZE DETERMINED ON INST)						AC	4
735	BRF100C08D		.	.	NUTPLATE (V52828) (SPEC BACN10KB08CFD) (OPT F51604-08 (V15653)) (OPT 102F9207P82 (V72962)) (OPT F51604-08 (V15653))						AC	2
740	412N1146-38		.	.	SUPPORT						AC	1
745	412N1146-7		.	SUPPORT ASSY-BULLNOSE							A, J, AY, BQ, CP, CV, EM	1
750	BACR15DR3		.	.	RIVET (SIZE DETERMINED ON INST)						A, J, AY, BQ, CP, CV, EM	4
755	BRF100C08D		.	.	NUTPLATE (V52828) (SPEC BACN10KB08CFD) (OPT F51604-08 (V15653)) (OPT 102F9207P82 (V72962)) (OPT F51604-08 (V15653))						A, J, AY, BQ, CP, CV, EM	2
760	412N1146-27		.	.	SUPPORT						A, J, AY, BQ, CP, CV, EM	1
765	412N1146-73		.	SUPPORT ASSY-BULLNOSE							BH, DK, DU	1
770	BACR15DR3		.	.	RIVET (SIZE DETERMINED ON INST)						BH, DK, DU	4

-Item not Illustrated

# 25-28-49

ILLUSTRATED PARTS LIST

Page 1098.609

Mar 01/2006



## COMPONENT MAINTENANCE MANUAL

FIG/ ITEM	PART NUMBER	AIRLINE PART NUMBER	NOMENCLATURE							USAGE CODE	UNITS PER ASSY	
			1	2	3	4	5	6	7			
28- 775	BRF100C08D		.	.	NUTPLATE (V52828) (SPEC BACN10KB08CFD) (OPT F51604-08 (V15653)) (OPT 102F9207P82 (V72962)) (OPT F51604-08 (V15653))						BH, DK, DU	2
780	412N1146-74		.	.	SUPPORT						BH, DK, DU	1
785	412N1140-48SP		.		DOOR ASSY						A, J, AY, BQ, CP, CV, EF	1
-785A	412N1140-64SP		.		DOOR ASSY						B, AK, AP, AV, AZ, BG, CD, CH, CL, CS, CU, CY, DS, EC, EV	1
-785B	412N1140-76SP		.		DOOR ASSY						H, AE, BP, CA	1
-785C	412N1140-66SP		.		DOOR ASSY						AC	1
-785D	412N1140-77SP		.		DOOR ASSY						AH, AM, CF	1
-785E	412N1140-68SP		.		DOOR ASSY						AU, CK, EU	1
-790	412N1140-80SP		.		DOOR ASSY						F, K, BM, BR, EE	1
-790A	412N1140-81SP		.		DOOR ASSY						X, BX, ET	1
-790B	412N1140-82SP		.		DOOR ASSY						BH, DK, DU	1
-790C	412N1140-67SP		.		DOOR ASSY						AJ, AN, CG	1
-790D	412N1140-73SP		.		DOOR ASSY						AX, CN	1

-Item not Illustrated

# 25-28-49

ILLUSTRATED PARTS LIST

Page 1098.610

Mar 01/2006



## COMPONENT MAINTENANCE MANUAL

FIG/ ITEM	PART NUMBER	AIRLINE PART NUMBER	NOMENCLATURE							USAGE CODE	UNITS PER ASSY	
			1	2	3	4	5	6	7			
28- 795	SL618-3A		.	.	INSERT (V97393)						A, B, F, H-K, X, AC, AE, AH-AK, AM-AP, AV, AX- AZ, BG, BH, BM, BP-BR, BX, CA, CD, CF, CG, CH, CK, CL, CN, CP, CS, CU, CV, CY, DK, DS, DU, EC, EE, EF, ET-EV	8
800	412N1140-41SP		.		DOOR ASSY						AH, AJ, AM, AN, CF, CG	1
-800A	412N1140-42SP		.		DOOR ASSY						AC	1
-800B	412N1140-43SP		.		DOOR ASSY						A, B, J, K, AK, AP, AV, AY, AZ, BG, BH, BQ, BR, CD, CH, CL, CP, CS, CU, CV, CY, DK, DS, DU, EC, EF, EVF	1
-800C	412N1140-44SP		.		DOOR ASSY						E, F, H, X, AE, AU, AX, BM, BP, BX, CA, CK, CN, EE, ET, EU	1

-Item not Illustrated

**25-28-49**

ILLUSTRATED PARTS LIST

Page 1098.611

Mar 01/2006



## COMPONENT MAINTENANCE MANUAL

FIG/ ITEM	PART NUMBER	AIRLINE PART NUMBER	NOMENCLATURE							USAGE CODE	UNITS PER ASSY	
			1	2	3	4	5	6	7			
28- 805	412N1140-58SP		.	.							AH, AJ, AM, AN, CF, CG	1
-805A	412N1140-59SP		.	.							AC	1
-805B	412N1140-60SP		.	.							A, B, J, K, AK, AP, AV, AY, AZ, BG, BH, BQ, BR, CD, CH, CL, CP, CS, CU, CV, CY, DK, DS, DU, EC, EF, ET- EV	1
-805C	412N1140-61SP		.	.							E, F, H, X, AE, AU, AX, BM, BP, BX, CA, CK, CN, EE	1
806	412N1140-96		.	.	.						A, B, E, F, H-K, X, AC, AE, AH-AK, AM-AP, AV, AX- AZ, BG, BH, BM, BP-BR, BX, CA, CD, CF- CH, CK, CL, CN, CP, CS, CU, CV, CY, DK, DS, DU, EC, EE, EF, ET- EV	2

-Item not Illustrated

# 25-28-49

ILLUSTRATED PARTS LIST

Page 1098.612

Mar 01/2006



## COMPONENT MAINTENANCE MANUAL

FIG/ ITEM	PART NUMBER	AIRLINE PART NUMBER	NOMENCLATURE							USAGE CODE	UNITS PER ASSY
			1	2	3	4	5	6	7		
28- -806J	412N1140-97		. . . FILLER (ITEM 806J AND ITEM 806T TOGETHER OPT TO ITEM 806 (QTY 2))							A, B, E, F, H-K, X, AC, AE, AH-AK, AM-AP, AV, AX- AZ, BG, BH, BM, BP-BR, BX, CA, CD, CF- CH, CK, CL, CN, CP, CS, CU, CV, CY, DK, DS, DU, EC, EE, EF, ET- EV	1
-806T	412N1140-98		. . . FILLER (ITEM 806J AND ITEM 806T TOGETHER OPT TO ITEM 806 (QTY 2))							A, B, E, F, H-K, X, AC, AE, AH- AK,AM- AP, AV, AX-AZ, BG, BH, BM, BP- BR, BX, CA, CD, CF-CH, CK, CL, CN, CP, CS, CU, CV, CY, DK, DS, DU, EC, EE, EF, ET-EV	1
807	412N1141-1SP		. . . FACEPLATE							AH, AJ, AM, AN, CF, CG	1
-807H	412N1141-2SP		. . . FACEPLATE							AC	1

-Item not Illustrated

# 25-28-49

ILLUSTRATED PARTS LIST

Page 1098.613

Mar 01/2006



## COMPONENT MAINTENANCE MANUAL

FIG/ ITEM	PART NUMBER	AIRLINE PART NUMBER	NOMENCLATURE							USAGE CODE	UNITS PER ASSY	
			1	2	3	4	5	6	7			
28- -807Q	412N1141-3SP		.	.	.						A, B, J, K, AK, AP, AV, AY, AZ, BG, BH, BQ, BR, CD, CH, CP, CS, CU, CV, CY, DK, DS, DU, EC, EF, ET-EV	1
-807Y	412N1141-4SP		.	.	.						E, F, H, X, AE, AU, AX, BM, BP, BX, CA, CK, CN, EE	1
808	412N1141-7SP		.	.	.						AH, AJ, AM, AN, CF, CG	1
-808H	412N1141-8SP		.	.	.						AC	1
-808Q	412N1141-9SP		.	.	.						A, B, J, K, AK, AP, AV, AY, AZ, BG, BH, BQ, BR, CD, CH, CP, CS, CU, CV, CY, DK, DS, DU, EC, EF, ET-EV	1
-808Y	412N1141-10SP		.	.	.						E, F, H, X, AE, AU, AX, BM, BP, BX, CA, CK, CN, EE	1

-Item not Illustrated

# 25-28-49

ILLUSTRATED PARTS LIST

Page 1098.614

Mar 01/2006



## COMPONENT MAINTENANCE MANUAL

FIG/ ITEM	PART NUMBER	AIRLINE PART NUMBER	NOMENCLATURE							USAGE CODE	UNITS PER ASSY	
			1	2	3	4	5	6	7			
28- 809	412N1142-15		. . .	PANEL	ASSY						AH, AJ, AM, AN, CF, CG	1
-809A	412N1142-31		. . .	PANEL	ASSY						AH, AJ, AM, AN, CF, CG	1
809H	412N1142-16		. . .	PANEL	ASSY						AC	1
-809J	412N1142-32		. . .	PANEL	ASSY						AC	1
809Q	412N1142-17		. . .	PANEL	ASSY						A, B, J, K, AK, AP, AV, AY, AZ, BG, BH, BQ, BR, CD, CH, CP, CS, CU, CV, CY, DK, DS, DU, EC, EF, ET-EV	1
-809R	412N1142-33		. . .	PANEL	ASSY						A, B, J, K, AK, AP, AV, AY, AZ, BG, BH, BQ, BR, CD, CH, CP, CS, CU, CV, CY, DK, DS, DU, EC, EF, ET-EV	1
809Y	412N1142-18		. . .	PANEL	ASSY						E, F, H, X, AE, AU, AX, BM, BP, BX, CA, CK, CN, EE	1

-Item not Illustrated

# 25-28-49

ILLUSTRATED PARTS LIST

Page 1098.615

Mar 01/2006



## COMPONENT MAINTENANCE MANUAL

FIG/ ITEM	PART NUMBER	AIRLINE PART NUMBER	NOMENCLATURE							USAGE CODE	UNITS PER ASSY	
			1	2	3	4	5	6	7			
28- -809Z	412N1142-34		.	.	.	PANEL ASSY (OPT ITEM 809Y)					E, F, H, X, AE, AU, AX, BM, BP, BX, CA, CK, CN, EE	1
810	SL618-3A		.	.	INSERT (V97393)						A, B, E, F, H-K, X, AC, AE, AH-AK, AM-AP, AV, AX- AZ, BG, BH, BM, BP-BR, BX, CA, CF-CH, CK, CL, CN, CP, CS, CU, CV, CY, DK, DS, DU, EC, EE, EF, ET-EV	8
815	MS51862-4		.	.	SCREW						A, B, E, F, H-K, X, AC, AE, AH-AK, AM-AP, AV, AX- AZ, BG, BH, BM, BP-BR, BX, CA, CF-CH, CK, CL, CN, CP, CS, CU, CV, CY, DK, DS, DU, EC, EE, EF, ET-EV	2

-Item not Illustrated

# 25-28-49

ILLUSTRATED PARTS LIST

Page 1098.616

Mar 01/2006





## COMPONENT MAINTENANCE MANUAL

FIG/ ITEM	PART NUMBER	AIRLINE PART NUMBER	NOMENCLATURE							USAGE CODE	UNITS PER ASSY	
			1	2	3	4	5	6	7			
28- 820	PK87XA4-8		.	.	SCREW (V45722) (SPEC BACS12H4-8) (OPT SK145A4-8 (V73439)) (OPT ITEM 820A)						A, B, E, F, H-K, X, AC, AE, AH-AK, AM-AP, AV, AX- AZ, BG, BH, BM, BP-BR, BX, CA, CF-CH, CK, CL, CN, CP, CS, CU, CV, CY, DK, DS, DU, EC, EE, EF, ET-EV	2
-820A	MS51861-15		.	.	SCREW (OPT ITEM 820)						A, B, E, F, H-K, X, AC, AE, AH-AK, AM-AP, AV, AX- AZ, BG, BH, BM, BP-BR, BX, CA, CF-CH, CK, CL, CN, CP, CS, CU, CV, CY, DK, DS, DU, EC, EE, EF, ET-EV	2

-Item not Illustrated

# 25-28-49

ILLUSTRATED PARTS LIST

Page 1098.617

Mar 01/2006



## COMPONENT MAINTENANCE MANUAL

FIG/ ITEM	PART NUMBER	AIRLINE PART NUMBER	NOMENCLATURE							USAGE CODE	UNITS PER ASSY	
			1	2	3	4	5	6	7			
28- 825	NAS620A8L		.	.	WASHER (OPT ITEM 825A)						A, B, E, F, H-K, X, AC, AE, AH-AK, AM-AP, AV, AX- AZ, BG, BH, BM, BP-BR, BX, CA, CF-CH, CK, CL, CN, CP, CS, CU, CV, CY, DK, DS, DU, EC, EE, EF, ET-EV	2
-825A	AN960JD8L		.	.	WASHER (OPT ITEM 825)						A, B, E, F, H-K, X, AC, AE, AH-AK, AM-AP, AV, AX- AZ, BG, BH, BM, BP-BR, BX, CA, CF-CH, CK, CL, CN, CP, CS, CU, CV, CY, DK, DS, DU, EC, EE, EF, ET-EV	2

-Item not Illustrated

# 25-28-49

ILLUSTRATED PARTS LIST

Page 1098.618

Mar 01/2006



## COMPONENT MAINTENANCE MANUAL

FIG/ ITEM	PART NUMBER	AIRLINE PART NUMBER	NOMENCLATURE							USAGE CODE	UNITS PER ASSY	
			1	2	3	4	5	6	7			
28- 830	412N1245-1		.	.							A, B, E, F, H-K, X, AC, AE, AH-AK, AM-AP, AV, AX- AZ, BG, BH, BM, BP-BR, BX, CA, CF-CH, CK, CL, CN, CP, CS, CU, CV, CY, DK, DS, DU, EC, EE, EF, ET-EV	2
835	412N1140-103SP		.								EM, EN, ER, EY	1
-835A	412N1140-104SP		.								EL, EP, EQ	1
840	412N1140-108SP		.								EL	1
-840A	412N1140-128SP		.								EM	1
-840B	412N1140-105SP		.								EN	1
-840C	412N1140-111SP		.								EP	1
-840D	412N1140-112SP		.								EQ	1
-840E	412N1140-120SP		.								ER, EY	1
845	SL618-3A		.	.							EL-ER, EY	8
											(V97393) (USED ON ITEMS 840,840A,840B,840C,840D,840E)	

-Item not Illustrated

# 25-28-49

ILLUSTRATED PARTS LIST

Page 1098.619

Mar 01/2006



## COMPONENT MAINTENANCE MANUAL

FIG/ ITEM	PART NUMBER	AIRLINE PART NUMBER	NOMENCLATURE							USAGE CODE	UNITS PER ASSY	
			1	2	3	4	5	6	7			
28- 850	BACS12FA3K7		.	.							EL-ER, EY	2
855	BACS12FA3K4		.	.							EL-ER, EY	2
860	MS35333-39		.	.							EL-ER, EY	4
865	412N1162-1		.	.							EL-ER, EY	2
870	H3-1152-1		.	.							EL-ER, EY	2
875	412N1245-1		.	.							EL-ER, EY	2
880	412N1142-41		.	.							EN, EP	1
-880A	412N1142-42		.	.							EL, EM, EQ, ER, EY	1
885	65C27012-156		.								F, BM	1
-885A	65C27012-160		.								K, BR	1
-885B	65C27012-161		.								L, DL	1
-885C	65C27012-172		.								X, BX	1
-885D	65C27012-184		.								AJ	1

-Item not Illustrated

# 25-28-49

ILLUSTRATED PARTS LIST

Page 1098.620

Mar 01/2006



## COMPONENT MAINTENANCE MANUAL

FIG/ ITEM	PART NUMBER	AIRLINE PART NUMBER	NOMENCLATURE							USAGE CODE	UNITS PER ASSY
			1	2	3	4	5	6	7		
28-											
-885E	65C27012-189		.	BODY ASSY (FOR DETAILS SEE FIG. 31)						AN, CG	1
-885F	65C27012-198		.	BODY ASSY (FOR DETAILS SEE FIG. 31)						AX, CN	1
-885G	65C27012-217		.	BODY ASSY (FOR DETAILS SEE FIG. 31)						BH	1
-885H	65C27012-229		.	BODY ASSY (FOR DETAILS SEE FIG. 31)						DK	1
-885J	65C27012-661		.	BODY ASSY (FOR DETAILS SEE FIG. 31)						EE	1
-885K	65C27012-647		.	BODY ASSY (FOR DETAILS SEE FIG. 31)						EN	1
-885L	65C27012-644		.	BODY ASSY (FOR DETAILS SEE FIG. 31)						EP, ET	1
-890	65C27012-151		.	BODY ASSY (FOR DETAILS SEE FIG. 31)						A	1
-890A	65C27012-152		.	BODY ASSY (FOR DETAILS SEE FIG. 31)						B, AP, BG, CH, CS, CY	1
-890B	65C27012-158		.	BODY ASSY (FOR DETAILS SEE FIG. 31)						H, BP	1
-890C	65C27012-159		.	BODY ASSY (FOR DETAILS SEE FIG. 31)						J, BQ	1
-890D	65C27012-177		.	BODY ASSY (FOR DETAILS SEE FIG. 31)						AC	1
-890E	65C27012-180		.	BODY ASSY (FOR DETAILS SEE FIG. 31)						AE, CA	1
-890F	65C27012-183		.	BODY ASSY (FOR DETAILS SEE FIG. 31)						AH	1
-890G	65C27012-185		.	BODY ASSY (FOR DETAILS SEE FIG. 31)						AK, CD	1
-890H	65C27012-188		.	BODY ASSY (FOR DETAILS SEE FIG. 31)						AM, CF	1
-890J	65C27012-195		.	BODY ASSY (FOR DETAILS SEE FIG. 31)						AU, CK	1
-890K	65C27012-196		.	BODY ASSY (FOR DETAILS SEE FIG. 31)						AV, CL	1

-Item not Illustrated

# 25-28-49

ILLUSTRATED PARTS LIST

Page 1098.621

Mar 01/2006



## COMPONENT MAINTENANCE MANUAL

FIG/ ITEM	PART NUMBER	AIRLINE PART NUMBER	NOMENCLATURE							USAGE CODE	UNITS PER ASSY
			1	2	3	4	5	6	7		
28-											
-890L	65C27012-199		.	BODY ASSY (FOR DETAILS SEE FIG. 31)						AY, CP	1
-890M	65C27012-204		.	BODY ASSY (FOR DETAILS SEE FIG. 31)						AZ	1
-890N	65C27012-210		.	BODY ASSY (FOR DETAILS SEE FIG. 31)						CU	1
-890P	65C27012-211		.	BODY ASSY (FOR DETAILS SEE FIG. 31)						CV	1
-890Q	65C27012-662		.	BODY ASSY (FOR DETAILS SEE FIG. 31)						EF	1
-890R	65C27012-646		.	BODY ASSY (FOR DETAILS SEE FIG. 31)						EM	1
-890S	65C27012-625		.	BODY ASSY (FOR DETAILS SEE FIG. 31)						EQ, EU	1
895	65C27012-608		.	BODY ASSY (FOR DETAILS SEE FIG. 32)						DS, EV	1
-895A	65C27012-659		.	BODY ASSY (FOR DETAILS SEE FIG. 32)						EC	1
-895B	65C27012-645		.	BODY ASSY (FOR DETAILS SEE FIG. 32)						EL	1
-895C	65C27012-608		.	BODY ASSY (FOR DETAILS SEE FIG. 32)						ER, EY	1
900	65C27012-620		.	BODY ASSY (FOR DETAILS SEE FIG. 33)						DU	1

-Item not Illustrated

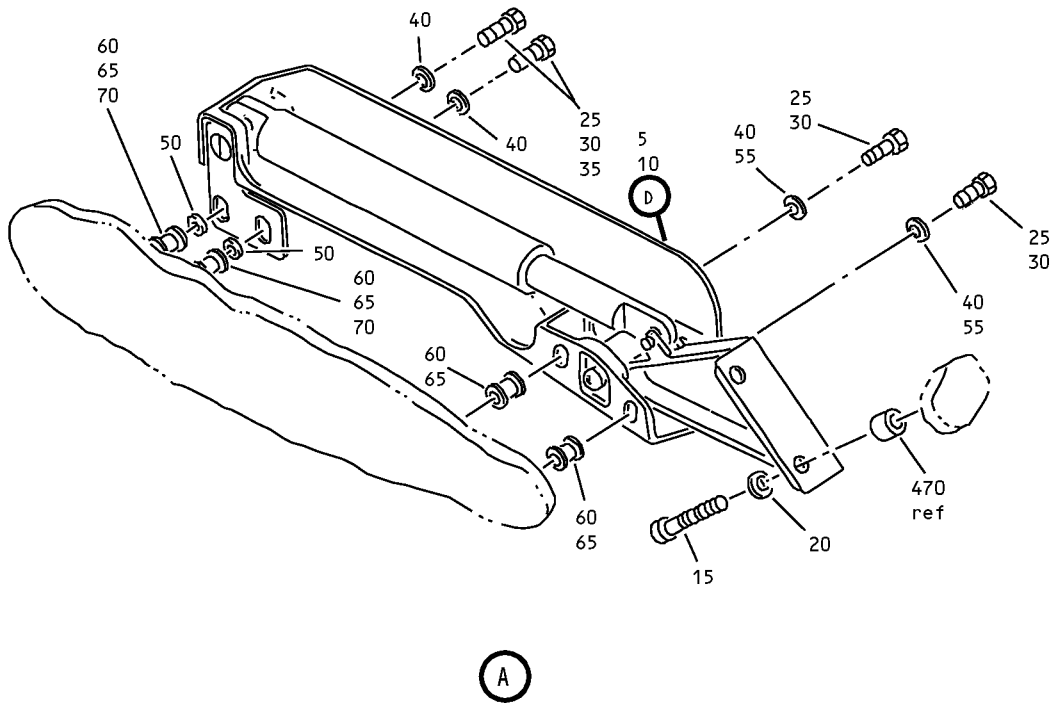
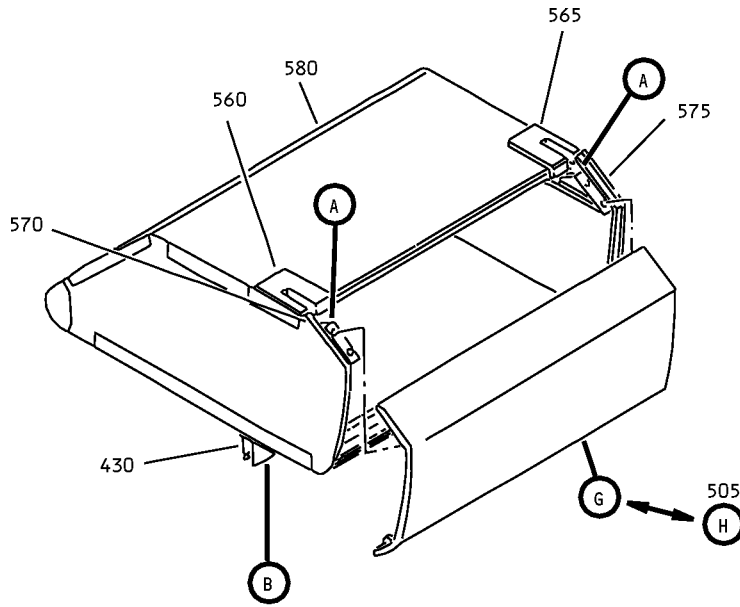
# 25-28-49

ILLUSTRATED PARTS LIST

Page 1098.622

Mar 01/2006

COMPONENT MAINTENANCE MANUAL



Overhead Stowage Compartment Assembly  
IPL Figure 29 (Sheet 1 of 5)

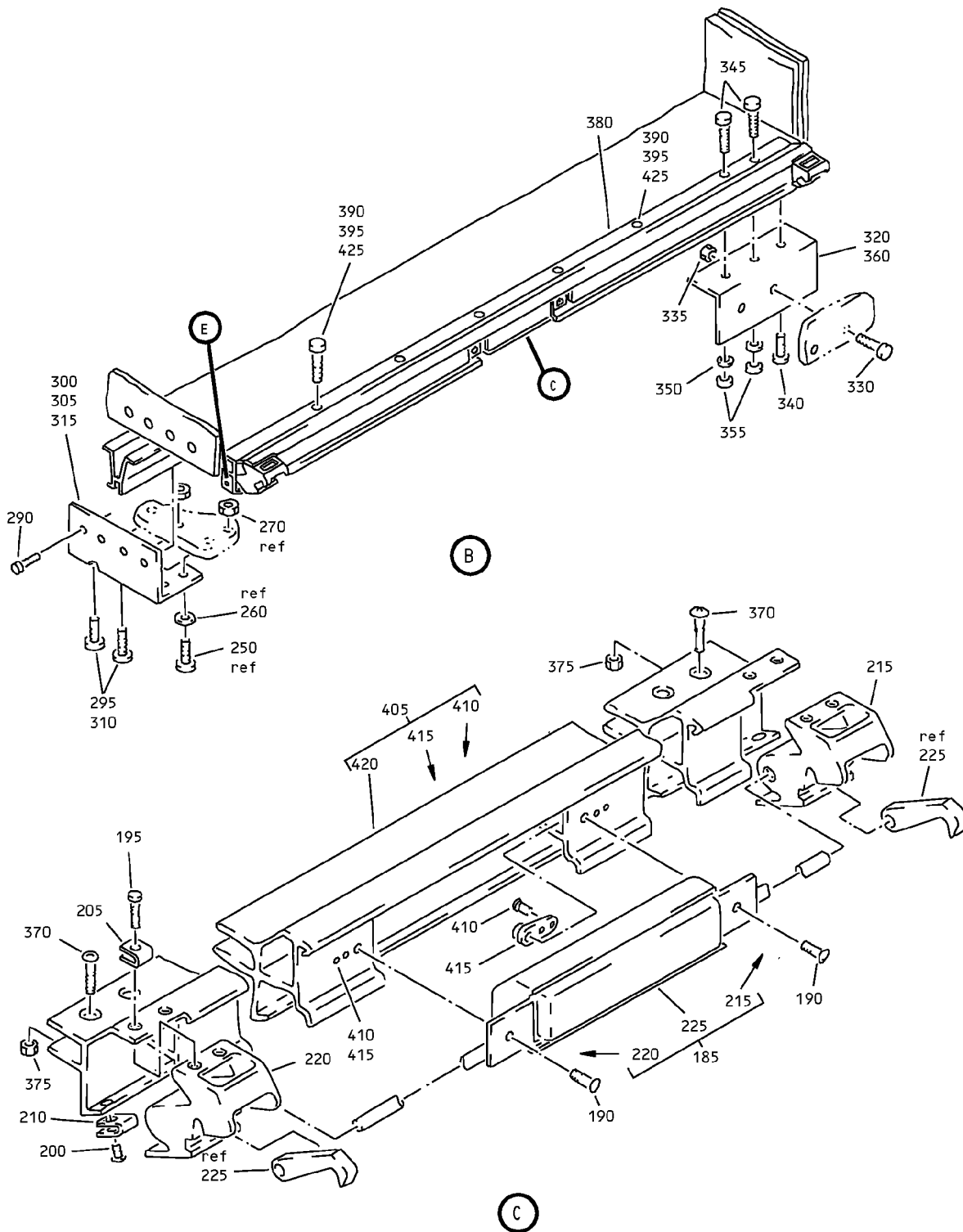
**25-28-49**

ILLUSTRATED PARTS LIST

Page 1098.623

Mar 01/2006

# COMPONENT MAINTENANCE MANUAL



Overhead Storage Compartment Assembly  
IPL Figure 29 (Sheet 2 of 5)

## 25-28-49

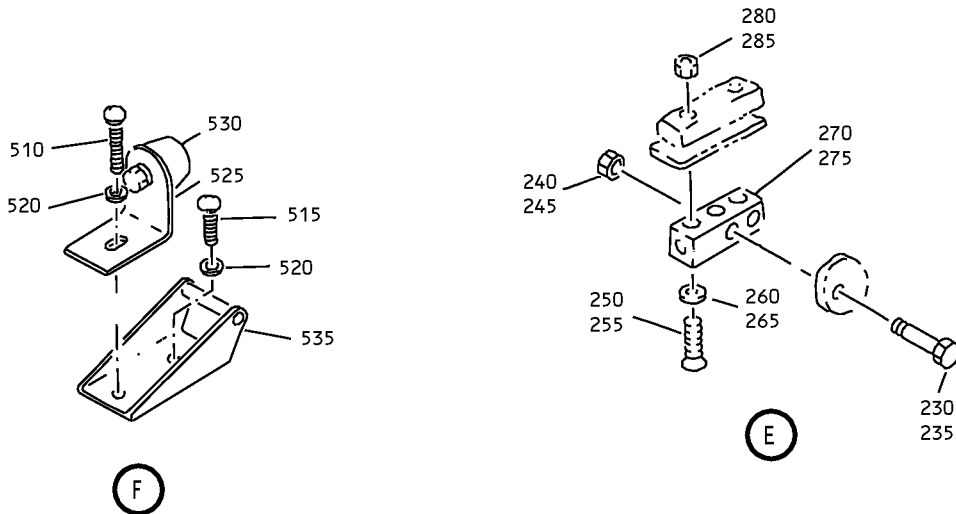
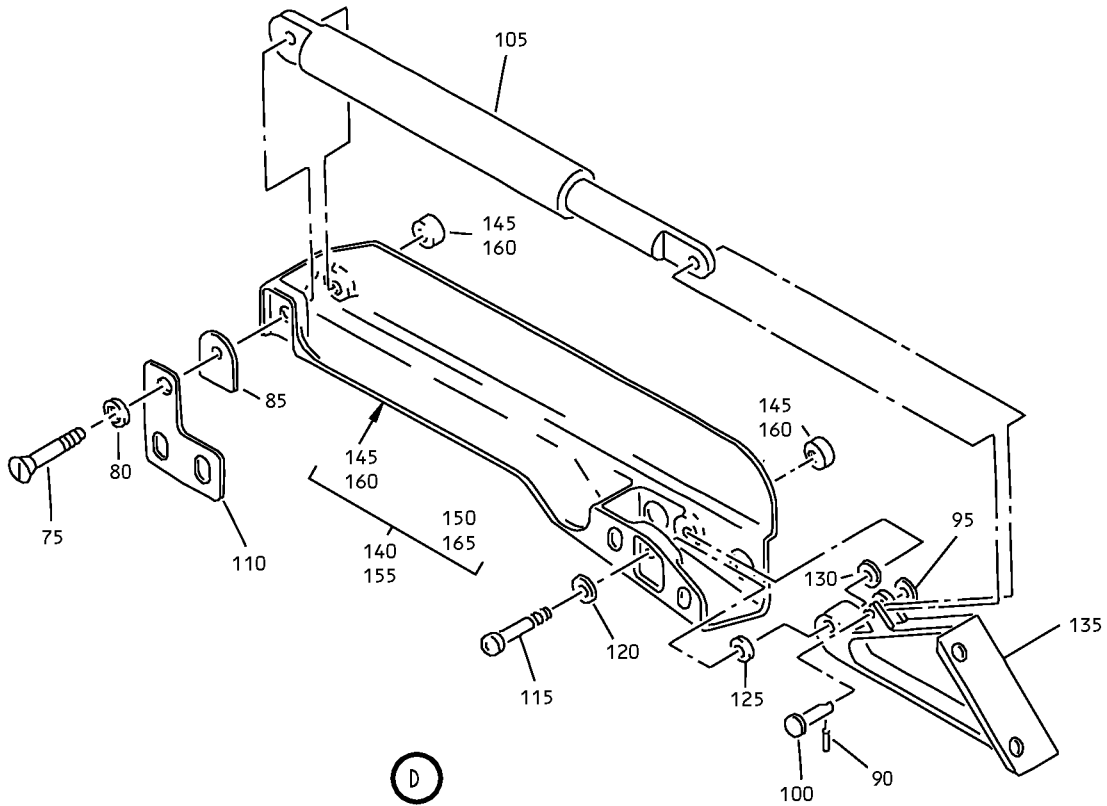
ILLUSTRATED PARTS LIST

Page 1098.624

Mar 01/2006



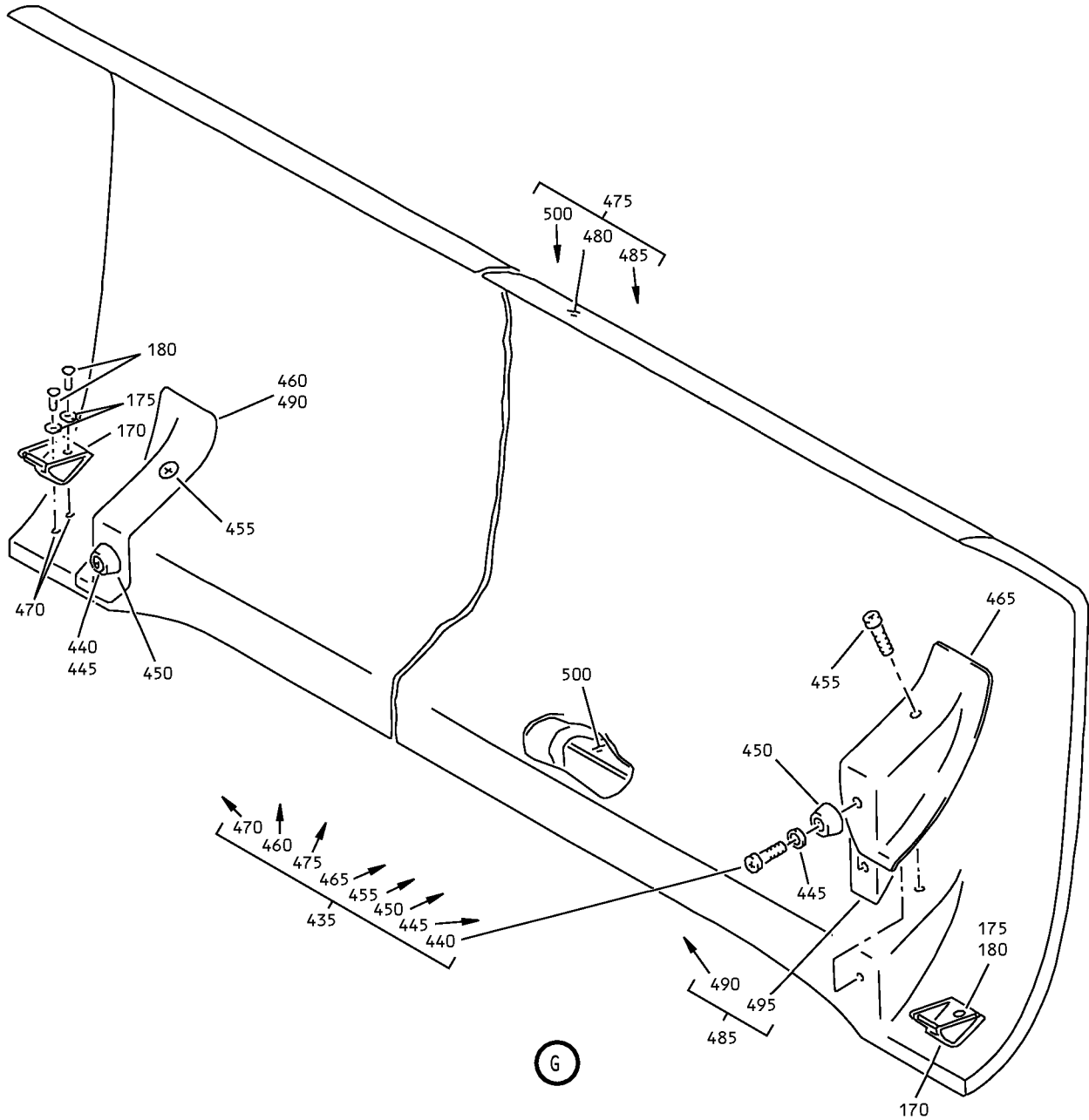
COMPONENT MAINTENANCE MANUAL



Overhead Stowage Compartment Assembly  
IPL Figure 29 (Sheet 3 of 5)

**25-28-49**  
ILLUSTRATED PARTS LIST  
Page 1098.625  
Mar 01/2006

COMPONENT MAINTENANCE MANUAL



Overhead Storage Compartment Assembly  
IPL Figure 29 (Sheet 4 of 5)

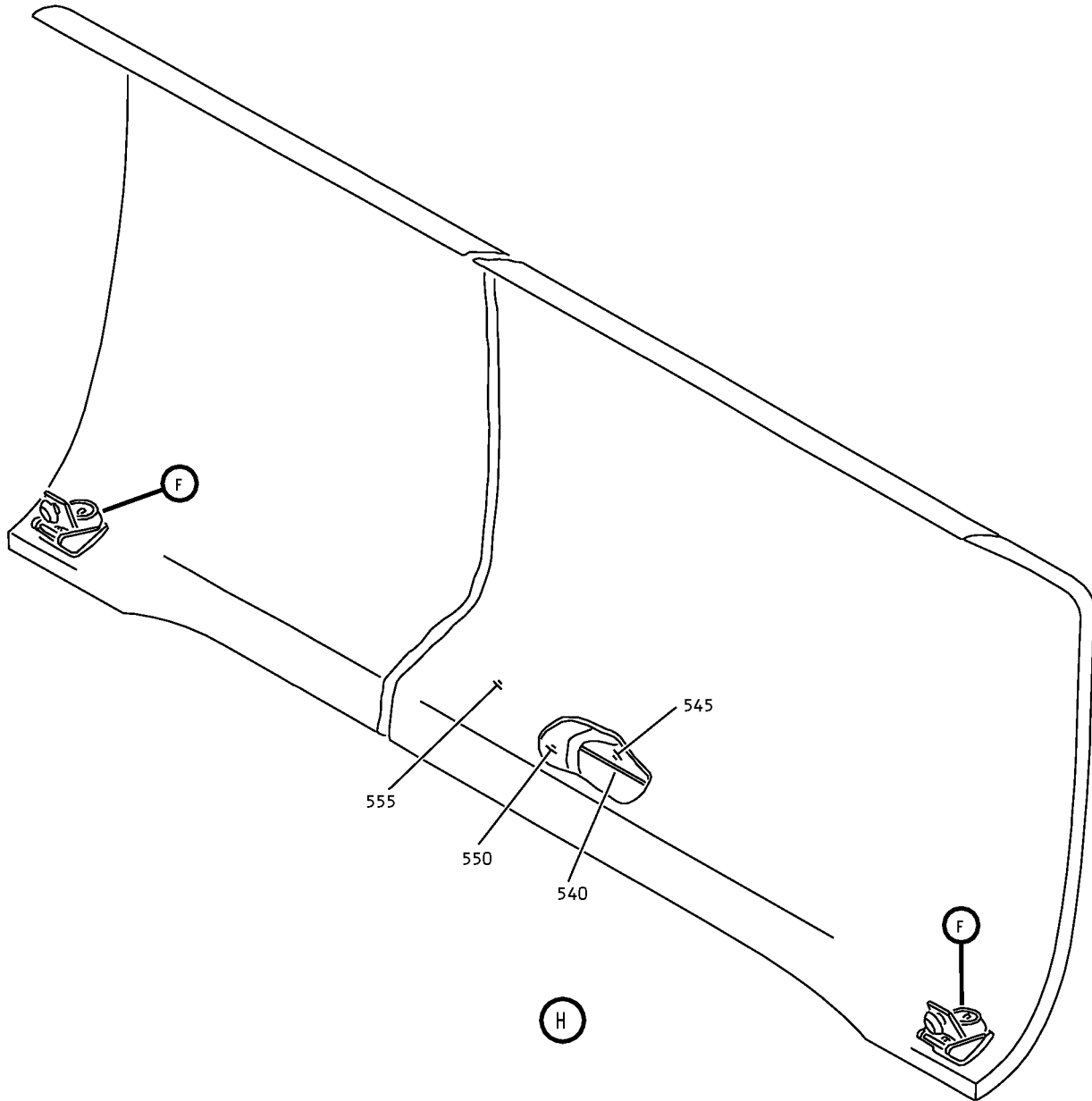
**25-28-49**

ILLUSTRATED PARTS LIST

Page 1098.626

Mar 01/2006

COMPONENT MAINTENANCE MANUAL



Overhead Stowage Compartment Assembly  
IPL Figure 29 (Sheet 5 of 5)

**25-28-49**

ILLUSTRATED PARTS LIST

Page 1098.627

Mar 01/2006



## COMPONENT MAINTENANCE MANUAL

FIG/ ITEM	PART NUMBER	AIRLINE PART NUMBER	NOMENCLATURE							USAGE CODE	UNITS PER ASSY
			1	2	3	4	5	6	7		
29-											
-1	65C32945-3SP									C, BL	RF
-1A	65C32945-4SP									D	RF
-1B	65C32945-11SP									G, BN	RF
-1C	65C32945-17SP									N, DN	RF
-1D	65C32945-18SP									P, DP	RF
-1E	65C32945-19SP									Q	RF
-1F	65C32945-21SP									S, BS	RF
-1G	65C32945-22SP									T, BT	RF
-1H	65C32945-23SP									U, BU	RF
-1J	65C32945-24SP									V, BV	RF
-1K	65C32945-25SP									W, BW	RF
-1L	65C32945-28SP									Z	RF
-1M	65C32945-29SP									AA	RF
-1N	65C32945-30SP									AB	RF
-1P	65C32945-33SP									AD, BZ	RF
-1Q	65C32945-35SP									AF, CB	RF
-1R	65C32945-36SP									AG, CC	RF
-1S	65C32945-41SP									AL, CE	RF

-Item not Illustrated

# 25-28-49

ILLUSTRATED PARTS LIST

Page 1098.628

Mar 01/2006



## COMPONENT MAINTENANCE MANUAL

FIG/ ITEM	PART NUMBER	AIRLINE PART NUMBER	NOMENCLATURE							USAGE CODE	UNITS PER ASSY
			1	2	3	4	5	6	7		
29-											
-1T	65C32945-47SP									AQ, CJ	RF
-1U	65C32945-48SP									AR	RF
-1V	65C32945-49SP									AS	RF
-1W	65C32945-50SP									AT	RF
-1X	65C32945-53SP									AW, CM	RF
-1Y	65C32945-61SP									BA	RF
-1Z	65C32945-62SP									BB	RF
-2	65C32945-63SP									BC, CQ	RF
-2A	65C32945-64SP									BD, CR	RF
-2B	65C32945-69SP									BE, CW	RF
-2C	65C32945-70SP									BF, CX	RF
-2D	65C32945-80SP									BJ	RF
-2E	65C32945-81SP									BK	RF
-2F	65C32945-66SP									CT	RF
-2G	65C32945-75SP									CZ	RF
-2H	65C32945-77SP									DB	RF
-2J	65C32945-78SP									DC	RF
-2K	65C32945-82SP									DG	RF
-2L	65C32945-87SP									DH	RF

-Item not Illustrated

# 25-28-49

ILLUSTRATED PARTS LIST

Page 1098.629

Mar 01/2006



## COMPONENT MAINTENANCE MANUAL

FIG/ ITEM	PART NUMBER	AIRLINE PART NUMBER	NOMENCLATURE							USAGE CODE	UNITS PER ASSY	
			1	2	3	4	5	6	7			
29-												
-2M	65C32945-86SP											
-2N	65C32945-73SP											
-2P	65C32945-301SP											
-2Q	65C32945-315SP											
-2R	65C32945-318SP											
-2S	65C32945-343SP											
-2T	65C32945-327SP											
-2U	65C32945-330SP											
-2V	65C32945-331SP											
-2W	65C32945-361SP											
-2X	65C32945-601SP											
-2Y	65C32945-618SP											
-2Z	65C32945-643SP											
-3	65C32945-627SP											
-3A	65C32945-644SP											
-3B	65C32943-24SP									Y, BY		
-3C	65C32945-366SP											
-3D	65C32945-617SP											

-Item not Illustrated

# 25-28-49

ILLUSTRATED PARTS LIST

Page 1098.630

Mar 01/2006



## COMPONENT MAINTENANCE MANUAL

FIG/ ITEM	PART NUMBER	AIRLINE PART NUMBER	NOMENCLATURE							USAGE CODE	UNITS PER ASSY	
			1	2	3	4	5	6	7			
29- 5	412N1155-11		.								C, D, G, Q, U-W, Z, AA, AD, AQ, AR, AW, BE, BK, BL, BN, BU-BW, BZ, CJ, CM, CT, CW, DG, DR, DW, DX, ED, EG, EJ, EK, EW	1
-5A	412N1155-7		.								N, P, S, T, Y, AB, AF, AG, AL, AS, AT, BA- BD, BF, BJ, BS, BT, BY, CB, CC, CE, CQ, CR, CX, DH, DJ, DN, DP, DQ, DT, DV, EH, ES, EZ	1
-5B	412N1155-21		.								CZ	1
-5C	412N1155-19		.								DB, DC, EA, EB	1

-Item not Illustrated

**25-28-49**

ILLUSTRATED PARTS LIST

Page 1098.631

Mar 01/2006



## COMPONENT MAINTENANCE MANUAL

FIG/ ITEM	PART NUMBER	AIRLINE PART NUMBER	NOMENCLATURE							USAGE CODE	UNITS PER ASSY	
			1	2	3	4	5	6	7			
29- 10	412N1155-12		.								C, D, G, Q, U-W, Z, AA, AD, AQ, AR, AW, BE, BK, BL, BN, BU-BW, BZ, CJ, CM, CT, CW, DG, DR, DW, DX, ED, EG, EJ, EK, EW	1
-10A	412N1155-8		.								N, P, S, T, Y, AB, AF, AG, AL, AS, AT, BA- BD, BF, BJ, BS, BT, BY, CB, CC, CE, CQ, CR, CX, DH, DJ, DN, DP, DQ, DT, DV, EH, ES, EZ	1
-10B	412N1155-22		.								CZ	1
-10C	412N1155-20		.								DB, DC, EA, EB	1

-Item not Illustrated

**25-28-49**

ILLUSTRATED PARTS LIST

Page 1098.632

Mar 01/2006







## COMPONENT MAINTENANCE MANUAL

FIG/ ITEM	PART NUMBER	AIRLINE PART NUMBER	NOMENCLATURE							USAGE CODE	UNITS PER ASSY	
			1	2	3	4	5	6	7			
29- 20	MS35333-39									. WASHER	C, D, G, N-Q, S- W, Y-AB, AD, AF, AG, AL, AQ-AT, AW, BA- BF, BJ- BL, BN, BS-BW, BY, BZ, CB, CC, CE, CJ, CM, CQ, CR, CT, CW, CX, CZ, DB, DC, DG- DJ, DN, DQ, DR, DT, DV- DX, EA, EB, ED, EG-EK, ES, EW, EZ	4

-Item not Illustrated

# 25-28-49

ILLUSTRATED PARTS LIST

Page 1098.634

Mar 01/2006



## COMPONENT MAINTENANCE MANUAL

FIG/ ITEM	PART NUMBER	AIRLINE PART NUMBER	NOMENCLATURE							USAGE CODE	UNITS PER ASSY
			1	2	3	4	5	6	7		
29- 25	NAS1801-3-10										4
			. SCREW (OPT ITEM 25A)							C, D, G, N-Q, S- W, Y-AB, AD, AF, AG, AL, AQ-AT, AW, BA- BF, BJ- BL, BN, BS-BW, BY, BZ, CB, CC, CE, CJ, CM, CQ, CR, CT, CW, CX, CZ, DB, DC, DG- DJ, DN, DQ, DR, DT, DV- DX, EA, EB, ED, EG-EK, ES, EW, EZ	

-Item not Illustrated

# 25-28-49

ILLUSTRATED PARTS LIST

Page 1098.635

Mar 01/2006



## COMPONENT MAINTENANCE MANUAL

FIG/ ITEM	PART NUMBER	AIRLINE PART NUMBER	NOMENCLATURE							USAGE CODE	UNITS PER ASSY	
			1	2	3	4	5	6	7			
29- -25A	AIC1321-3-8									. BOLT (V06725) (OPT ITEM 25)	C, D, G, N-Q, S- W, Y-AB, AD, AF, AG, AL, AQ-AT, AW, BA- BF, BJ- BL, BN, BS-BW, BY, BZ, CB, CC, CE, CJ, CM, CQ, CR, CT, CW, CX, CZ, DB, DC, DG- DJ, DN, DQ, DR, DT, DV- DX, EA, EB, ED, EG-EK, ES, EW, EZ	4
30	NAS1801-3-10									. SCREW (OPT ITEM 30A)	C, D, G, Q, U-W, Z, AD, AQ, AR, AW, BE, BL, BN, BU-BW, BZ, CJ, CM, CT, CW, CZ, DG, DR, DW, DX, ED, EG, EJ, EK, EW	4

-Item not Illustrated

# 25-28-49

ILLUSTRATED PARTS LIST

Page 1098.636

Mar 01/2006



## COMPONENT MAINTENANCE MANUAL

FIG/ ITEM	PART NUMBER	AIRLINE PART NUMBER	NOMENCLATURE							USAGE CODE	UNITS PER ASSY
			1	2	3	4	5	6	7		
29- -30A	AIC1321-3-8										4
			. BOLT (V06725) (OPT ITEM 30)							C, D, G, Q, U-W, Z, AD, AQ, AR, AW, BE, BL, BN, BU-BW, BZ, CJ, CM, CT, CW, CZ, DG, DR, DW, DX, ED, EG, EJ, EK, EW	
35	NAS1801-3-10										2
			. SCREW (OPT ITEM 35A)							N, P, S, Y, AF, AL, AS, AT, BA, BC, BD, BF, BJ, BS, BY, CB, CE, CQ, CR, CX, DB, DC, DH, DJ, DN, DP, DQ, DT, DV, EA, EB, EH, ES, EZ	

-Item not Illustrated

# 25-28-49

ILLUSTRATED PARTS LIST

Page 1098.637

Mar 01/2006



## COMPONENT MAINTENANCE MANUAL

FIG/ ITEM	PART NUMBER	AIRLINE PART NUMBER	NOMENCLATURE							USAGE CODE	UNITS PER ASSY	
			1	2	3	4	5	6	7			
29- -35A	AIC1321-3-8										N, P, S, Y, AF, AL, AS, AT, BA, BC, BD, BF, BJ, BS, BY, CB, CE, CQ, CR, CX, DB, DC, DH, DJ, DN, DQ, DT, DV, EA, EB, EH, ES, EZ	2
40	BACW10P136AL										C, D, G, N-Q, S- W, Y-AB, AD, AF, AG, AL, AQ-AT, AW, BA- BF, BJ- BL, BN, BS-BW, BY, BZ, CB, CC, CE, CJ, CM, CQ, CR, CT, CW, CX, CZ, DB, DC, DG- DJ, DN, DQ, DR, DT, DV- DX, EA, EB, ED, EG-EK, ES, EW, EZ	4

-Item not Illustrated

# 25-28-49

ILLUSTRATED PARTS LIST

Page 1098.638

Mar 01/2006



## COMPONENT MAINTENANCE MANUAL

FIG/ ITEM	PART NUMBER	AIRLINE PART NUMBER	NOMENCLATURE							USAGE CODE	UNITS PER ASSY
			1	2	3	4	5	6	7		
29- 45	BACW10P136AL		.	WASHER (V10630) (SPEC BACW10P136AL)						C, D, G, Q, U-W, Z, AD, AQ, AR, AW, BE, BL, BN, BU-BW, BZ, CJ, CM, CT, CW, CZ, DG, DR, DW, DX, ED, EG, EJ, EK, EW	4
50	AN970-3		.	WASHER						C, D, G, Q, U-W, Z, AD, AQ, AR, AW, BE, BL, BN, BU-BW, BZ, CJ, CM, CT, CW, CZ, DG, DR, DW, DX, ED, EG, EJ, EK, EW	2
55	BACW10P136AL		.	WASHER (V10630) (SPEC BACW10P136AL)						N, P, S, Y, AF, AL, AS, BA, BC, BD, BF, BJ, BS, BY, CB, CE, CQ, CR, CX, DB, DC, DH, DJ, DN-DQ, DT, DV, EA, EB, EH, ES, EZ	2

-Item not Illustrated

# 25-28-49

ILLUSTRATED PARTS LIST

Page 1098.639

Mar 01/2006



## COMPONENT MAINTENANCE MANUAL

FIG/ ITEM	PART NUMBER	AIRLINE PART NUMBER	NOMENCLATURE							USAGE CODE	UNITS PER ASSY
			1	2	3	4	5	6	7		
29- 60	NAS1833-3-400		.	INSERT						C, D, G, N-Q, S- W, Y-AB, AD, AF, AG, AL, AQ-AT, AW, BA- BF, BJ- BL, BN, BS-BW, BY, BZ, CB, CC, CE, CJ, CM, CQ, CR, CT, CW, CX, CZ, DB, DC, DG- DJ, DN, DQ, DR, DT, DV- DX, EA, EB, ED, EG-EK, ES, EW, EZ	4
65	NAS1833-3-400		.	INSERT						C, D, G, Q, U-W, Z, AD, AQ, AR, AW, BE, BL, BN, BU-BW, BZ, CJ, CM, CT, CW, CZ, DG, DR, DW, DX, ED, EG, EJ, EK, EW	4

-Item not Illustrated

# 25-28-49

ILLUSTRATED PARTS LIST

Page 1098.640

Mar 01/2006





## COMPONENT MAINTENANCE MANUAL

FIG/ ITEM	PART NUMBER	AIRLINE PART NUMBER	NOMENCLATURE							USAGE CODE	UNITS PER ASSY	
			1	2	3	4	5	6	7			
29- 70	NAS1833-3-400		.	INSERT							N, P, S, Y, AF, AL, AS, BA, BC, BD, BF, BJ, BS, BY, CB, CE, CQ, CR, CX, DB, DC, DH, DJ, DN-DQ, DT, DV, EA, EB, EH, ES, EZ	2
75	BACB30LU3-14		.	SCREW (V06710) (SPEC BACB30LU3-14) (OPT BACB30LU3-14 (V06725)) (OPT BACB30LU3-14 (V06950)) (OPT BACB30LU3-14 (V17943)) (OPT BACB30LU3-14 (V27624)) (OPT BACB30LU3-14 (V56878)) (OPT BACB30LU3-14 (V80539)) (OPT BACB30LU3-14 (V85495)) (OPT BACB30LU3-14 (V92215)) (OPT BACB30LU3-14 (V97928))							C, D, G, Q, U-W, Z, AA, AD, AQ, AR, AW, BE, BK, BL, BN, BU-BW, BZ, CJ, CM, CT, CW, CZ, DG, DR, DW, DX, ED, EG, EJ, EK, EW	1

-Item not Illustrated

# 25-28-49

ILLUSTRATED PARTS LIST

Page 1098.641

Mar 01/2006



COMPONENT MAINTENANCE MANUAL

FIG/ ITEM	PART NUMBER	AIRLINE PART NUMBER	NOMENCLATURE							USAGE CODE	UNITS PER ASSY	
			1	2	3	4	5	6	7			
29- -75A	BACB30NM3K12		.	.	B	O	L	T			N, P, S, T, Y, AB, AF, AG, AL, AS, AT, BA- BD, BF, BJ, BS, BT, BY, CB, CC, CE, CQ, CR, CX, DB, DC, DH, DJ, DQ, DT, DV, EA, EB, EH, ES, EZ	1
80	AN960JD10L		.	.	W	A	S	H	E	R	N, P, S, T, Y, AB, AF, AG, AL, AS, AT, BA- BD, BF, BJ, BS, BT, BY, CB, CC, CE, CQ, CR, CX, DB, DC, DH, DJ, DQ, DT, DV, EA, EB, EH, ES, EZ	1

-Item not Illustrated

**25-28-49**

ILLUSTRATED PARTS LIST

Page 1098.642

Mar 01/2006



## COMPONENT MAINTENANCE MANUAL

FIG/ ITEM	PART NUMBER	AIRLINE PART NUMBER	NOMENCLATURE							USAGE CODE	UNITS PER ASSY	
			1	2	3	4	5	6	7			
29- 85	412N1119-71		.	.	FILLER (USED ON ITEMS 5 AND 5B)						C, D, G, Q, U-W, Z, AA, AD, AQ, AR, AW, BE, BK, BL, BN, BU-BW, BZ, CC, CJ, CM, CT, CW, CZ, DG, DR, DW, DX, ED, EG, EJ, EK, EW	1
-85A	412N1119-72		.	.	FILLER (USED ON ITEMS 10 AND 10B)						C, D, G, Q, U-W, Z, AA, AD, AQ, AR, AW, BE, BK, BL, BN, BU-BW, BZ, CC, CJ, CM, CT, CW, CZ, DG, DR, DW, DX, ED, EG, EJ, EK, EW	1

-Item not Illustrated

# 25-28-49

ILLUSTRATED PARTS LIST

Page 1098.643

Mar 01/2006



COMPONENT MAINTENANCE MANUAL

FIG/ ITEM	PART NUMBER	AIRLINE PART NUMBER	NOMENCLATURE							USAGE CODE	UNITS PER ASSY
			1	2	3	4	5	6	7		
29- 90	MS24665-132		.	.	PIN-COTTER						1

-Item not Illustrated

**25-28-49**

ILLUSTRATED PARTS LIST

Page 1098.644

Mar 01/2006



COMPONENT MAINTENANCE MANUAL

FIG/ ITEM	PART NUMBER	AIRLINE PART NUMBER	NOMENCLATURE							USAGE CODE	UNITS PER ASSY	
			1	2	3	4	5	6	7			
29- 95	AN960JD10L		.	.	W	A	S	H	E	R	C, D, G, N-Q, S- W, Y-AB, AD, AF, AG, AL, AQ-AT, AW, BA- BF, BJ- BL, BN, BS-BW, BY, BZ, CB, CC, CE, CJ, CM, CQ, CR, CT, CW, CX, CZ, DB, DC, DG- DJ, DN, DQ, DR, DT, DV- DX, EA, EB, ED, EG-EK, ES, EW, EZ	1

-Item not Illustrated

**25-28-49**

ILLUSTRATED PARTS LIST

Page 1098.645

Mar 01/2006



## COMPONENT MAINTENANCE MANUAL

FIG/ ITEM	PART NUMBER	AIRLINE PART NUMBER	NOMENCLATURE							USAGE CODE	UNITS PER ASSY	
			1	2	3	4	5	6	7			
29- 100	MS20392-2C13		.	.	PIN						C, D, G, N-Q, S- W, Y-AB, AD, AF, AG, AL, AQ-AT, AW, BA- BF, BJ- BL, BN, BS-BW, BY, BZ, CB, CC, CE, CJ, CM, CQ, CR, CT, CW, CX, CZ, DB, DC, DG- DJ, DN, DQ, DR, DT, DV- DX, EA, EB, ED, EG-EK, ES, EW, EZ	1
105	SP5604		.	.	ACTUATOR (V24403) (SPEC S412N104-1) (OPT SB113 (V24984))						C, D, G, Q, U-W, Z,AA, AD, AQ, AR, AW, BE, BK, BL, BN, BU-BW, BZ, CJ, CM, CT, CW, CZ, DB, DC, DG, DR, DW, DX, EA, EB, ED, EG, EJ, EK, EW	1
-105A	SB113				DELETED							
-105B	S412N104-4				DELETED							

-Item not Illustrated

**25-28-49**

ILLUSTRATED PARTS LIST

Page 1098.646

Mar 01/2006



## COMPONENT MAINTENANCE MANUAL

FIG/ ITEM	PART NUMBER	AIRLINE PART NUMBER	NOMENCLATURE							USAGE CODE	UNITS PER ASSY
			1	2	3	4	5	6	7		
29-											
-105C	S412N104-4										
-105D	SP5604										1
-105E	SP5604-4										1
-105F	SP5604-4										1

-Item not Illustrated

# 25-28-49

ILLUSTRATED PARTS LIST

Page 1098.647

Mar 01/2006



## COMPONENT MAINTENANCE MANUAL

FIG/ ITEM	PART NUMBER	AIRLINE PART NUMBER	NOMENCLATURE							USAGE CODE	UNITS PER ASSY	
			1	2	3	4	5	6	7			
29- 110	412N1119-69		.	.							C, D, G, Q, U-W, Z, AA, AD, AQ, AR, AW, BE, BK, BL, BN, BU-BW, BZ, CJ, CM, CT, CW, DG, DR, DW, DX, ED, EG, EJ, EK, EW	1
-110A	412N1119-70		.	.							C, D, G, Q, U-W, Z, AA, AD, AQ, AR, AW, BE, BK, BL, BN, BU-BW, BZ, CJ, CM, CT, CW, DG, DR, DW, DX, ED, EG, EJ, EK, EW	1
-110B	412N1119-123		.	.							CZ	1
-110C	412N1119-124		.	.							CZ	1

-Item not Illustrated

# 25-28-49

ILLUSTRATED PARTS LIST

Page 1098.648

Mar 01/2006





**COMPONENT MAINTENANCE MANUAL**

FIG/ ITEM	PART NUMBER	AIRLINE PART NUMBER	NOMENCLATURE							USAGE CODE	UNITS PER ASSY	
			1	2	3	4	5	6	7			
29- 115	BACB30NM3K8		.	.	BOLT							1
					(V06710)						C, D, G, N-Q, S- W, Y-AB,	
					(SPEC BACB30NM3K8)						AD, AF,	
					(OPT BACB30NM3K8 (V06725))						AG, AL,	
					(OPT BACB30NM3K8 (V06950))						AQ-AT,	
					(OPT BACB30NM3K8 (V08524))						AW, BA-	
					(OPT BACB30NM3K8 (V27624))						BF, BJ-	
					(OPT BACB30NM3K8 (V56878))						BL, BN,	
					(OPT BACB30NM3K8 (V73197))						BS-BW,	
					(OPT BACB30NM3K8 (V80539))						BY, BZ,	
					(OPT BACB30NM3K8 (V92215))						CB, CC,	
					(OPT BACB30NM3K8 (V93907))						CE, CJ,	
					(OPT BACB30NM3K8 (V97928))						CM, CQ,	
											CR, CT,	
											CW, CX,	
											CZ, DB,	
											DC, DG-	
											DJ, DN,	
											DQ, DR,	
											DT, DV-	
											DX, EA,	
											EB, ED,	
											EG-EK,	
											ES, EW,	
											EZ	

-Item not Illustrated

## 25-28-49

ILLUSTRATED PARTS LIST

Page 1098.649

Mar 01/2006



## COMPONENT MAINTENANCE MANUAL

FIG/ ITEM	PART NUMBER	AIRLINE PART NUMBER	NOMENCLATURE							USAGE CODE	UNITS PER ASSY	
			1	2	3	4	5	6	7			
29- 120	AN960JD10L		.	.	W	A	S	H	E	R	C, D, G, N-Q, S- W, Y-AB, AD, AF, AG, AL, AQ-AT, AW, BA- BF, BJ- BL, BN, BS-BW, BY, BZ, CB, CC, CE, CJ, CM, CQ, CR, CT, CW, CX, CZ, DB, DC, DG- DJ, DN, DQ, DR, DT, DV- DX, EA, EB, ED, EG-EK, ES, EW, EZ	1

-Item not Illustrated

# 25-28-49

ILLUSTRATED PARTS LIST

Page 1098.650

Mar 01/2006



## COMPONENT MAINTENANCE MANUAL

FIG/ ITEM	PART NUMBER	AIRLINE PART NUMBER	NOMENCLATURE							USAGE CODE	UNITS PER ASSY
			1	2	3	4	5	6	7		
29- 125	NAS43DD3-3		.	.	SPACER						1
										C, D, G, N-Q, S- W, Y-AB, AD, AF, AG, AL, AQ-AT, AW, BA- BF, BJ- BL, BN, BS-BW, BY, BZ, CB, CC, CE, CJ, CM, CQ, CR, CT, CW, CX, CZ, DB, DC, DG- DJ, DN, DQ, DR, DT, DV- DX, EA, EB, ED, EG-EK, ES, EW, EZ	

-Item not Illustrated

# 25-28-49

ILLUSTRATED PARTS LIST

Page 1098.651

Mar 01/2006



COMPONENT MAINTENANCE MANUAL

FIG/ ITEM	PART NUMBER	AIRLINE PART NUMBER	NOMENCLATURE							USAGE CODE	UNITS PER ASSY
			1	2	3	4	5	6	7		
29- 130	NAS43DD3-8		.	.	SPACER						1

-Item not Illustrated

**25-28-49**

ILLUSTRATED PARTS LIST

Page 1098.652

Mar 01/2006



## COMPONENT MAINTENANCE MANUAL

FIG/ ITEM	PART NUMBER	AIRLINE PART NUMBER	NOMENCLATURE							USAGE CODE	UNITS PER ASSY	
			1	2	3	4	5	6	7			
29- 135	H2948-1		.	.	HINGE (V83014) (SPEC S412N102-1) (OPT H3-1155-1 (V34941)) (OPT H3-1155-31 (V34941)) (USED ON ITEMS 10 AND 10A)						C, D, G, N-Q, S- W, Y-AB, AD, AF, AG, AL, AQ-AT, AW, BA- BF, BJ- BL, BN, BS-BW, BY, BZ, CB, CC, CE, CJ, CM, CQ, CR, CT, CW, CX, DG-DJ, DN, DQ, DR, DT, DV-DX, ED, EG- EK, ES, EW, EZ	1
-135A	H2948-2		.	.	HINGE (V83014) (SPEC S412N102-2) (OPT H3-1155-2 (V34941)) (OPT H3-1155-32 (V34941)) (USED ON ITEMS 5 AND 5A)						C, D, G, N-Q, S- W, Y-AB, AD, AF, AG, AL, AQ-AT, AW, BA- BF, BJ- BL, BN, BS-BW, BY, BZ, CB, CC, CE, CJ, CM, CQ, CR, CT, CW, CX, DG-DJ, DN, DQ, DR, DT, DV-DX, ED, EG- EK, ES, EW, EZ	1

-Item not Illustrated

# 25-28-49

ILLUSTRATED PARTS LIST

Page 1098.653

Mar 01/2006



## COMPONENT MAINTENANCE MANUAL

FIG/ ITEM	PART NUMBER	AIRLINE PART NUMBER	NOMENCLATURE							USAGE CODE	UNITS PER ASSY
			1	2	3	4	5	6	7		
29-											
-135B	S412N102-17										
-135C	S412N102-18										
-135D	H3-1155-31B									CZ, DB, DC, EA, EB	1
-135E	H3-1155-32B									CZ, DB, DC, EA, EB	1
140	412N1156-17									C, D, G, Q, U-W, Z, AA, AD, AQ, AR, AW, BE, BK, BL, BN, BU-BW, BZ, CJ, CM, CT, CW, DG, DR, DW, DX, ED, EG, EJ, EK, EW	1
-140A	412N1156-18									C, D, G, Q, U-W, Z, AA, AD, AQ, AR, AW, BE, BK, BL, BN, BU-BW, BZ, CJ, CM, CT, CW, DG, DR, DW, DX, ED, EG, EJ, EK, EW	1
-140B	412N1156-37									CZ	1
-140C	412N1156-38									CZ	1

-Item not Illustrated

# 25-28-49

ILLUSTRATED PARTS LIST

Page 1098.654

Mar 01/2006



## COMPONENT MAINTENANCE MANUAL

FIG/ ITEM	PART NUMBER	AIRLINE PART NUMBER	NOMENCLATURE							USAGE CODE	UNITS PER ASSY
			1	2	3	4	5	6	7		
29-											
145	6041-3BR225										
145A	6041-3BRX225									C, D, G, Q, U-W, Z, AA, AD, AQ, AR, AW, BE, BK, BL, BN, BU-BW, BZ, CJ, CM, CT, CW, CZ, DG, DR, DW, DX, ED, EG, EJ, EK, EW	2
150	412N1156-15									C, D, G, Q, U-W, Z, AA, AD, AQ, AR, AW, BE, BK, BL, BN, BU-BW, BZ, CJ, CM, CT, CW, DG, DR, DW, DX, ED, EG, EJ, EK, EW	1

-Item not Illustrated

# 25-28-49

ILLUSTRATED PARTS LIST

Page 1098.655

Mar 01/2006



## COMPONENT MAINTENANCE MANUAL

FIG/ ITEM	PART NUMBER	AIRLINE PART NUMBER	NOMENCLATURE							USAGE CODE	UNITS PER ASSY	
			1	2	3	4	5	6	7			
29- -150A	412N1156-16		.	.	.	CHASSIS (USED ON ITEM 140A)					C, D, G, Q, U-W, Z, AA, AD, AQ, AR, AW, BE, BK, BL, BN, BU-BW, BZ, CJ, CM, CT, CW, DG, DR, DW, DX, ED, EG, EJ, EK, EW	1
-150B	412N1156-35		.	.	.	CHASSIS (USED ON ITEM 140B)					CZ	1
-150C	412N1156-36		.	.	.	CHASSIS (USED ON ITEM 140C)					CZ	1
155	412N1156-13		.	.	CHASSIS ASSY (USED ON ITEM 5A)						N, P, S, T, Y, AB, AF, AG, AL, AS, AT, BA- BD, BF, BJ, BS, BT, BY, CB, CC, CE, CQ, CR, CX, DH, DJ, DN, DP, DQ, DT, DV, EH, ES, EZ	1

-Item not Illustrated

# 25-28-49

ILLUSTRATED PARTS LIST

Page 1098.656

Mar 01/2006





## COMPONENT MAINTENANCE MANUAL

FIG/ ITEM	PART NUMBER	AIRLINE PART NUMBER	NOMENCLATURE							USAGE CODE	UNITS PER ASSY	
			1	2	3	4	5	6	7			
29- -155A	412N1156-14		.	.							N, P, S, T, Y, AB, AF, AG, AL, AS, AT, BA- BD, BF, BJ, BS, BT, BY, CB, CC, CE, CQ, CR, CX, DH, DJ, DN, DP, DQ, DT, DV, EH, ES, EZ	1
-155B	412N1156-33		.	.							DB, DC, EA, EB	1
-155C	412N1156-34		.	.							DB, DC, EA, EB	1
160	6041-3BR225										DELETED	
160A	6041-3BRX225		.	.	.						N, P, S, T, Y, AB, AF, AG, AL, AS, AT, BA- BD, BF, BJ, BS, BT, CB, CC, CE, CQ, CR, CX, DB, DC, DH, DJ, DN, DP, DQ, DT, DV, EA, EB, EH, ES, EZ	2

-Item not Illustrated

**25-28-49**

ILLUSTRATED PARTS LIST

Page 1098.657

Mar 01/2006



## COMPONENT MAINTENANCE MANUAL

FIG/ ITEM	PART NUMBER	AIRLINE PART NUMBER	NOMENCLATURE							USAGE CODE	UNITS PER ASSY	
			1	2	3	4	5	6	7			
29- 165	412N1156-15		.	.	.	CHASSIS (USED ON ITEM 155)					N, P, S, T, Y, AB, AF, AG, AL, AS, AT, BA- BD, BF, BJ, BS, BT, CB, CC, CE, CQ, CR, CX, DH, DJ, DN, DP, DQ, DT, DV, EH, ES, EZ	1
-165A	412N1156-16		.	.	.	CHASSIS (USED ON ITEM 155A)					N, P, S, T, Y, AB, AF, AG, AL, AS, AT, BA- BD, BF, BJ, BS, BT, CB, CC, CE, CQ, CR, CX, DH, DJ, DN, DP, DQ, DT, DV, EH, ES, EZ	1
-165B	412N1156-35		.	.	.	CHASSIS (USED ON ITEM 155B)					DB, DC, EA, EB	1
-165C	412N1156-36		.	.	.	CHASSIS (USED ON ITEM 155C)					DB, DC, EA, EB	1

-Item not Illustrated

# 25-28-49

ILLUSTRATED PARTS LIST

Page 1098.658

Mar 01/2006



## COMPONENT MAINTENANCE MANUAL

FIG/ ITEM	PART NUMBER	AIRLINE PART NUMBER	NOMENCLATURE							USAGE CODE	UNITS PER ASSY
			1	2	3	4	5	6	7		
29- 170	H3-1152-1										2
			. PLATE ASSY-STRIKER (V34941) (SPEC S412N101-1)							C, D, G, N-Q, S- W, Y-AB, AD, AF, AG, AL, AQ-AT, AW, BA- BF, BJ- BL, BN, BS-BW, BY, BZ, CB, CC, CE, CJ, CM, CQ, CR, CT, CW, CX, CZ, DB, DC, DG- DJ, DN, DQ, DR, DT, DV- DX, EA, EB, ED, EG-EK, ES, EW	

-Item not Illustrated

# 25-28-49

ILLUSTRATED PARTS LIST

Page 1098.659

Mar 01/2006



COMPONENT MAINTENANCE MANUAL

FIG/ ITEM	PART NUMBER	AIRLINE PART NUMBER	NOMENCLATURE							USAGE CODE	UNITS PER ASSY
			1	2	3	4	5	6	7		
29-											
175	BACS12FA3K4										
			ATTACHING PARTS								
			. SCREW							C, D, G, N-Q, S- W, Y-AB, AD, AF, AG, AL, AQ-AT, AW, BA- BF, BJ- BL, BN, BS-BW, BY, BZ, CB, CC, CE, CJ, CM, CQ, CR, CT, CW, CX, CZ, DB, DC, DG- DJ, DN, DQ, DR, DT, DV- DX, EA, EB, ED, EG-EK, ES, EW	4

-Item not Illustrated

**25-28-49**

ILLUSTRATED PARTS LIST

Page 1098.660

Mar 01/2006



## COMPONENT MAINTENANCE MANUAL

FIG/ ITEM	PART NUMBER	AIRLINE PART NUMBER	NOMENCLATURE							USAGE CODE	UNITS PER ASSY
			1	2	3	4	5	6	7		
29- 180	MS35333-39		.	W	A	S	H	E	R	C, D, G, N-Q, S- W, Y-AB, AD, AF, AG, AL, AQ-AT, AW, BA- BF, BJ- BL, BN, BS-BW, BY, BZ, CB, CC, CE, CJ, CM, CQ, CR, CT, CW, CX, CZ, DB, DC, DG- DJ, DN, DQ, DR, DT, DV- DX, EA, EB, ED, EG-EK, ES, EW	4
185	412N1153-24		.	L	A	T	C	H	A	BE, CW	1
-185A	412N1153-87		.	L	A	T	C	H	A	CZ	1
-185B	412N1153-88		.	L	A	T	C	H	A	DB	1
-185C	412N1153-103		.	L	A	T	C	H	A	C, D, G, Q, U-W, Y, AD, AQ, AW, BL, BN, BU-BW, BY, BZ, CJ, CM, CT, DG, DH, DR, DW, DX, ED, EG, EJ, EWJ	1

-Item not Illustrated

# 25-28-49

ILLUSTRATED PARTS LIST

Page 1098.661

Mar 01/2006



## COMPONENT MAINTENANCE MANUAL

FIG/ ITEM	PART NUMBER	AIRLINE PART NUMBER	NOMENCLATURE							USAGE CODE	UNITS PER ASSY		
			1	2	3	4	5	6	7				
29- -185D	412N1153-104		.	L	A	T	C	H	A	S	S	N, S, T, Z-AB, AF, AG, AL, AR- AT, BA, BB, BF, BJ, BK, BS, BT, CB, CC, CE, CX, DN, DT, DV, EH, ES, EZS	1
-185E	412N1153-123		.	L	A	T	C	H	A	S	S	DJ	1
190	BACS12ER08K6		.	S	C	R	E	W				C, D, G, N-Q, S- W, Y-AB, AD, AF, AG, AL, AQ-AT, AW, BA- BF, BJ- BL, BN, BS-BW, BY, BZ, CB, CE, CJ, CM, CQ, CR, CT, CW, CX, CZ, DB, DC, DG-DJ, DN, DQ, DR, DT, DV-DX, EA, EB, ED, EG- EK, ES, EW, EZ	4

-Item not Illustrated

# 25-28-49

ILLUSTRATED PARTS LIST

Page 1098.662

Mar 01/2006



## COMPONENT MAINTENANCE MANUAL

FIG/ ITEM	PART NUMBER	AIRLINE PART NUMBER	NOMENCLATURE							USAGE CODE	UNITS PER ASSY	
			1	2	3	4	5	6	7			
29- 195	BACS12ER06K8		.	SCREW (V06710) (SPEC BACS12ER06K8) (OPT BACS12ER06K8 (V06725)) (OPT BACS12ER06K8 (V06950)) (OPT BACS12ER06K8 (V27624)) (OPT BACS12ER06K8 (V34252)) (OPT BACS12ER06K8 (V56878)) (OPT BACS12ER06K8 (V73197)) (OPT BACS12ER06K8 (V80539)) (OPT BACS12ER06K8 (V92215)) (OPT BACS12ER06K8 (V93907)) (OPT BACS12ER06K8 (V97928))							C, D, G, N-Q, S- W, Y-AB, AD, AF, AG, AL, AQ-AT, AW, BA- BF, BJ- BL, BN, BS-BW, BY, BZ, CB, CC, CE, CJ, CM, CQ, CR, CT, CW, CX, CZ, DB, DC, DG- DJ, DN, DQ, DR, DT, DV- DX, EA, EB, ED, EG-EK, ES, EW, EZ	4

-Item not Illustrated

# 25-28-49

ILLUSTRATED PARTS LIST

Page 1098.663

Mar 01/2006



## COMPONENT MAINTENANCE MANUAL

FIG/ ITEM	PART NUMBER	AIRLINE PART NUMBER	NOMENCLATURE							USAGE CODE	UNITS PER ASSY
			1	2	3	4	5	6	7		
29- 200	NAS514P832-5		.	S	C	R	E	W			4

C, D, G,  
N-Q, S-  
W, Y-AB,  
AD, AF,  
AG, AL,  
AQ-AT,  
AW, BA-  
BF, BJ-  
BL, BN,  
BS-BW,  
BY, BZ,  
CB, CC,  
CE, CJ,  
CM, CQ,  
CR, CT,  
CW, CX,  
CZ, DB,  
DC, DG-  
DJ, DN,  
DQ, DR,  
DT, DV-  
DX, EA,  
EB, ED,  
EG-EK,  
ES, EW,  
EZ

-Item not Illustrated

# 25-28-49

ILLUSTRATED PARTS LIST

Page 1098.664

Mar 01/2006





## COMPONENT MAINTENANCE MANUAL

FIG/ ITEM	PART NUMBER	AIRLINE PART NUMBER	NOMENCLATURE							USAGE CODE	UNITS PER ASSY	
			1	2	3	4	5	6	7			
29- 205	SL210-06-2									. INSERT-CLIP (V97393)	C, D, G, N-Q, S- W, Y-AB, AD, AF, AG, AL, AQ-AT, AW, BA- BF, BJ- BL, BN, BS-BW, BY, BZ, CB, CC, CE, CJ, CM, CQ, CR, CT, CW, CX, CZ, DB, DC, DG- DJ, DN, DQ, DR, DT, DV- DX, EA, EB, ED, EG-EK, ES, EW, EZ	4

-Item not Illustrated

# 25-28-49

ILLUSTRATED PARTS LIST

Page 1098.665

Mar 01/2006



COMPONENT MAINTENANCE MANUAL

FIG/ ITEM	PART NUMBER	AIRLINE PART NUMBER	NOMENCLATURE							USAGE CODE	UNITS PER ASSY
			1	2	3	4	5	6	7		
29- 210	SL210-08-1										4
			. INSERT-CLIP (V97393)							C, D, G, N-Q, S- W, Y-AB, AD, AF, AG, AL, AQ-AT, AW, BA- BF, BJ- BL, BN, BS-BW, BY, BZ, CB, CC, CE, CJ, CM, CQ, CR, CT, CW, CX, CZ, DB, DC, DG- DJ, DN, DQ, DR, DT, DV- DX, EA, EB, ED, EG-EK, ES, EW, EZ	
			-----*								

-Item not Illustrated

**25-28-49**

ILLUSTRATED PARTS LIST

Page 1098.666

Mar 01/2006



## COMPONENT MAINTENANCE MANUAL

FIG/ ITEM	PART NUMBER	AIRLINE PART NUMBER	NOMENCLATURE							USAGE CODE	UNITS PER ASSY
			1	2	3	4	5	6	7		
29- -215	412N1113-8		.	.	COVER						1
-215A	412N1113-14		.	.	COVER						1

-Item not Illustrated

# 25-28-49

ILLUSTRATED PARTS LIST

Page 1098.667

Jul 01/2009



## COMPONENT MAINTENANCE MANUAL

FIG/ ITEM	PART NUMBER	AIRLINE PART NUMBER	NOMENCLATURE							USAGE CODE	UNITS PER ASSY	
			1	2	3	4	5	6	7			
29- 220	412N1113-7		.	.	COVER						C, D, G, N-Q, S- W, Y-AB, AD, AF, AG, AL, AQ-AT, AW, BA- BF, BJ- BL, BN, BS-BW, BY, BZ, CB, CC, CE, CJ, CM, CQ, CR, CT, CW, CX, DC, DG- DJ, DN, DQ, DR, DT, DV- DX, EA, EB, ED, EG-EK, ES, EW, EZ	1
-220A	412N1113-13		.	.	COVER						CZ, DB	1
225	S412N101-1130				DELETED							
-225A	S412N101-1040				DELETED							
-225B	S412N101-1030				DELETED							
-225C	S412N101-1140				DELETED							
-225D	H3-1145-1-2760		.	.	LATCH ASSY (V34941) (SPEC S412N101-1030) (OPT 502060-1-1 (V27045))						N, S, T, Z-AB, AF, AG, AL, AR- AT, BA, BB, BF, BJ, BK, BS, BT, CB, CC, CE, CX, DB, DN, DT, DV, EH	1

-Item not Illustrated

# 25-28-49

ILLUSTRATED PARTS LIST

Page 1098.668

Mar 01/2006



## COMPONENT MAINTENANCE MANUAL

FIG/ ITEM	PART NUMBER	AIRLINE PART NUMBER	NOMENCLATURE							USAGE CODE	UNITS PER ASSY	
			1	2	3	4	5	6	7			
29- -225E	H3-1145-1-3760		.	.	.	LATCH ASSY (V34941) (SPEC S412N101-1040)					C, D, G, Q, U-W, Y, AD, AQ, AW, BL, BN, BU-BW, BY, BZ, CJ, CM, CT, CZ, DG, DH, DR, DW, DX, ED, EG, EJ, EW	1
-225F	H3-1145-1L3760		.	.	.	LATCH ASSY (V34941) (SPEC S412N101-1140)					DJ	1
225G	H3-1145-1L2760		.	.	.	LATCH ASSY (V34941) (SPEC S412N101-1130) (OPT 502060-2-1 (V27045))					BE, CW	1
-225H	502060-2-1		.	.	.	LATCH ASSY (V27045) (SPEC S412N101-1130) (OPT H3-1145-1L2760 (V34941))					BE, CW	1
-225J	502060-1-1		.	.	.	LATCH ASSY (V27045) (SPEC S412N101-1030) (OPT H3-1145-2760 (V34941))					N, S, T, Z-AB, AF, AG, AL, AR- AT, BA, BB, BF, BJ, BK, BS, BT, CB, CC, CE, CX, DB, DN, DT, DV, EH	1

-Item not Illustrated

# 25-28-49

ILLUSTRATED PARTS LIST

Page 1098.669

Mar 01/2006



## COMPONENT MAINTENANCE MANUAL

FIG/ ITEM	PART NUMBER	AIRLINE PART NUMBER	NOMENCLATURE							USAGE CODE	UNITS PER ASSY	
			1	2	3	4	5	6	7			
29- 230	HL10VAZ6-2		.	BOLT (V56878) (SPEC BACB30MY6K2) (OPT B30MY6K2 (V97928)) (OPT HL10VAZ6-2 (V73197)) (OPT HL10VAZ6-2 (V92215)) (OPT HL10VAZ6-2 (V97928)) (OPT L8006K2 (V06725)) (OPT HL10VAZ6-2 (V08524))							C, D, G, N-Q, S- W, Y-AB, AD, AF, AG, AL, AQ-AT, AW, BA- BF, BJ- BL, BN, BS-BW, BY, BZ, CB, CC, CE, CJ, CM, CQ, CR, CT, CW, CX, CZ, DB, DC, DG- DJ, DN, DQ, DR, DT, DV- DX, EA, EB, ED, EG-EK, ES, EW, EZ	2
235	HL10VAZ6-2		.	BOLT (V56878) (SPEC BACB30MY6K2) (OPT B30MY6K2 (V97928)) (OPT HL10VAZ6-2 (V73197)) (OPT HL10VAZ6-2 (V92215)) (OPT HL10VAZ6-2 (V97928)) (OPT L8006K2 (V06725)) (OPT HL10VAZ6-2 (V08524))							Y, BY	2

-Item not Illustrated

# 25-28-49

ILLUSTRATED PARTS LIST

Page 1098.670

Mar 01/2006



## COMPONENT MAINTENANCE MANUAL

FIG/ ITEM	PART NUMBER	AIRLINE PART NUMBER	NOMENCLATURE							USAGE CODE	UNITS PER ASSY
			1	2	3	4	5	6	7		
29- 240	MS21042L3		.	NUT						C, D, G, N-Q, S- W, Y-AB, AD, AF, AG, AL, AQ-AT, AW, BA- BF, BJ- BL, BN, BS-BW, BY, BZ, CB, CC, CE, CJ, CM, CQ, CR, CT, CW, CX, CZ, DB, DC, DG- DJ, DN, DQ, DR, DT, DV- DX, EA, EB, ED, EG-EK, ES, EW, EZ	2
245	MS21042L3		.	NUT						Y, BY	2

-Item not Illustrated

# 25-28-49

ILLUSTRATED PARTS LIST

Page 1098.671

Mar 01/2006



## COMPONENT MAINTENANCE MANUAL

FIG/ ITEM	PART NUMBER	AIRLINE PART NUMBER	NOMENCLATURE							USAGE CODE	UNITS PER ASSY	
			1	2	3	4	5	6	7			
29- 250	BACS12ER08K14		.	S	C	R	E	W			C, D, G, N-Q, S- W, Y-AB, AD, AF, AG, AL, AQ-AT, AW, BA- BF, BJ- BL, BN, BS-BW, BY, BZ, CB, CC, CE, CJ, CM, CQ, CR, CT, CW, CX, CZ, DB, DC, DG- DJ, DN, DQ, DR, DT, DV- DX, EA, EB, ED, EG-EK, ES, EW, EZ	2
255	BACS12ER08K14		.	S	C	R	E	W			Y, BY	2

-Item not Illustrated

# 25-28-49

ILLUSTRATED PARTS LIST

Page 1098.672

Mar 01/2006





## COMPONENT MAINTENANCE MANUAL

FIG/ ITEM	PART NUMBER	AIRLINE PART NUMBER	NOMENCLATURE							USAGE CODE	UNITS PER ASSY
			1	2	3	4	5	6	7		
29- 260	AN960JD8		.	W	A	S	H	E	R	C, D, G, N-Q, S- W, Y-AB, AD, AF, AG, AL, AQ-AT, AW, BA- BF, BJ- BL, BN, BS-BW, BY, BZ, CB, CC, CE, CJ, CM, CQ, CR, CT, CW, CX, CZ, DB, DC, DG- DJ, DN, DQ, DR, DT, DV- DX, EA, EB, ED, EG-EK, ES, EW, EZ	2
265	AN960JD8		.	W	A	S	H	E	R	Y, BY	2

-Item not Illustrated

# 25-28-49

ILLUSTRATED PARTS LIST

Page 1098.673

Mar 01/2006



## COMPONENT MAINTENANCE MANUAL

FIG/ ITEM	PART NUMBER	AIRLINE PART NUMBER	NOMENCLATURE							USAGE CODE	UNITS PER ASSY
			1	2	3	4	5	6	7		
29- 270	MS21042L08		.	NUT						C, D, G, N-Q, S- W, Y-AB, AD, AF, AG, AL, AQ-AT, AW, BA- BF, BJ- BL, BN, BS-BW, BY, BZ, CB, CC, CE, CJ, CM, CQ, CR, CT, CW, CX, CZ, DB, DC, DG- DJ, DN, DQ, DR, DT, DV- DX, EA, EB, ED, EG-EK, ES, EW, EZ	2
275	MS21042L08		.	NUT						Y, BY	2

-Item not Illustrated

# 25-28-49

ILLUSTRATED PARTS LIST

Page 1098.674

Mar 01/2006



## COMPONENT MAINTENANCE MANUAL

FIG/ ITEM	PART NUMBER	AIRLINE PART NUMBER	NOMENCLATURE							USAGE CODE	UNITS PER ASSY	
			1	2	3	4	5	6	7			
29- 280	412N1117-1		.								C, D, G, P, Q, T, U, W, Y, AA, AB, AD, AG, AQ, AT, AW, BB, BF, BJ- BL, BN, BT, BU, BW, BY, BZ, CC, CJ, CM, CT, CX, CZ, DC, DJ, DP, DR, DV, DX, EA, ED, EG, EH, EK, EW	1
285	412N1117-2		.								Y, BY	1
-285A	412N1117-2		.								N, S, V, Z, AF, AL, AR, AS, BA, BC, BE, BS, BV, CB, CE, CQ, CW, DB, DG, DH, DN, DT, DW, EB, EJ, ES, EZ	1

-Item not Illustrated

**25-28-49**

ILLUSTRATED PARTS LIST

Page 1098.675

Mar 01/2006



## COMPONENT MAINTENANCE MANUAL

FIG/ ITEM	PART NUMBER	AIRLINE PART NUMBER	NOMENCLATURE							USAGE CODE	UNITS PER ASSY	
			1	2	3	4	5	6	7			
29- 290	BACS12FA3K5		.	SCREW (V06710) (SPEC BACS12FA3K5) (OPT BACS12FA3K5 (V06725)) (OPT BACS12FA3K5 (V06950)) (OPT BACS12FA3K5 (V27624)) (OPT BACS12FA3K5 (V34252)) (OPT BACS12FA3K5 (V56878)) (OPT BACS12FA3K5 (V73197)) (OPT BACS12FA3K5 (V80539)) (OPT BACS12FA3K5 (V92215)) (OPT BACS12FA3K5 (V93907)) (OPT BACS12FA3K5 (V97928))							C, D, G, N-Q, S- W, Z-AB, AD, AF, AG, AL, AQ-AT, AW, BA- BF, BJ- BL, BN, BS-BW, BZ, CB, CC, CE, CJ, CM, CQ, CR, CT, CW, CX, CZ, DB, DC, DG-DJ, DN, DQ, DR, DT, DV-DX, EA, EB, ED, EG- EK, ES, EW, EZ	4

-Item not Illustrated

# 25-28-49

ILLUSTRATED PARTS LIST

Page 1098.676

Mar 01/2006



## COMPONENT MAINTENANCE MANUAL

FIG/ ITEM	PART NUMBER	AIRLINE PART NUMBER	NOMENCLATURE							USAGE CODE	UNITS PER ASSY	
			1	2	3	4	5	6	7			
29- 295	BACS12FA3K5		.	SCREW (V06710) (SPEC BACS12FA3K5) (OPT BACS12FA3K5 (V06725)) (OPT BACS12FA3K5 (V06950)) (OPT BACS12FA3K5 (V27624)) (OPT BACS12FA3K5 (V34252)) (OPT BACS12FA3K5 (V56878)) (OPT BACS12FA3K5 (V73197)) (OPT BACS12FA3K5 (V80539)) (OPT BACS12FA3K5 (V92215)) (OPT BACS12FA3K5 (V93907)) (OPT BACS12FA3K5 (V97928))							C, D, G, N-Q, S- W, Z-AB, AD, AF, AG, AL, AQ-AT, AW, BA- BF, BJ- BL, BN, BS-BW, BZ, CB, CC, CE, CJ, CM, CQ, CR, CT, CW, CX, CZ, DB, DC, DG-DJ, DN, DQ, DR, DT, DV-DX, EA, EB, ED, EG- EK, ES, EW, EZ	2
-295A	BACS12FA3K6		.	SCREW (V06710) (SPEC BACS12FA3K6) (OPT BACS12FA3K6 (V06725)) (OPT BACS12FA3K6 (V06950)) (OPT BACS12FA3K6 (V27624)) (OPT BACS12FA3K6 (V34252)) (OPT BACS12FA3K6 (V56878)) (OPT BACS12FA3K6 (V73197)) (OPT BACS12FA3K6 (V80539)) (OPT BACS12FA3K6 (V92215)) (OPT BACS12FA3K6 (V93907)) (OPT BACS12FA3K6 (V97928))							Y, BY	2

-Item not Illustrated

# 25-28-49

ILLUSTRATED PARTS LIST

Page 1098.677

Mar 01/2006



## COMPONENT MAINTENANCE MANUAL

FIG/ ITEM	PART NUMBER	AIRLINE PART NUMBER	NOMENCLATURE							USAGE CODE	UNITS PER ASSY	
			1	2	3	4	5	6	7			
29- 300	412N1145-101		.	BRACKET							C, D, G, P, Q, T, U, W, Y, AA, AB, AD, AG, AQ, AT, AW, BB, BF, BJ- BL, BN, BT, BU, BW, BZ, CC, CJ, CM, CT, CX, CZ, DC, DJ, DP, DR, DV, DX, EA, ED, EG, EH, EK, EWEK	1
305	412N1145-102		.	BRACKET							Y, BY	1
-305A	412N1145-102		.	BRACKET							N, S, V, Z, AF, AL, AR, AS, BA, BC, BE, BS, BV, CB, CE, CQ, CW, DB, DG, DH, DN, DT, DW, EB, EJ, ES, EZ	1

-Item not Illustrated

# 25-28-49

ILLUSTRATED PARTS LIST

Page 1098.678

Mar 01/2006



## COMPONENT MAINTENANCE MANUAL

FIG/ ITEM	PART NUMBER	AIRLINE PART NUMBER	NOMENCLATURE							USAGE CODE	UNITS PER ASSY				
			1	2	3	4	5	6	7						
29- 310	BACS12FA3K5		.	S	C	R	E	W		Y, BY	2				
				(V06710)	(SPEC BACS12FA3K5)	(OPT BACS12FA3K5 (V06725))	(OPT BACS12FA3K5 (V06950))	(OPT BACS12FA3K5 (V27624))	(OPT BACS12FA3K5 (V34252))	(OPT BACS12FA3K5 (V56878))	(OPT BACS12FA3K5 (V73197))	(OPT BACS12FA3K5 (V80539))	(OPT BACS12FA3K5 (V92215))	(OPT BACS12FA3K5 (V93907))	(OPT BACS12FA3K5 (V97928))
315	412N1145-69		.	S	T	R	A	P		Y, BY	1				
320	412N1119-91		.	B	R	A	C	K	E	T	ASSY	1			
				C, P, Q, T, U, W, AA, AB, AD, AG, AQ, AT, AW, BB, BF, BJ- BL, BT, BU, BW, BZ, CC, CJ, CM, CT, CX, CZ, DC, DJ, DP, DR, DV, DX, EA, ED, EG, EH, EK, EW											
-325	412N1119-92		.	B	R	A	C	K	E	T	ASSY	1			
				S, V, Z, AF, AL, AR, AS, BA, BC, BE, BS, BV, CB, CE, CQ, CW, DB, DG, DH, DT, DW, EB, EJ, ES, EZ											

-Item not Illustrated

# 25-28-49

ILLUSTRATED PARTS LIST

Page 1098.679

Mar 01/2006



## COMPONENT MAINTENANCE MANUAL

FIG/ ITEM	PART NUMBER	AIRLINE PART NUMBER	NOMENCLATURE							USAGE CODE	UNITS PER ASSY
			1	2	3	4	5	6	7		
29-											
330	HL10VAZ6-2										
			ATTACHING PARTS								
			. BOLT								
			(V56878)								
			(SPEC BACB30MY6K2)								
			(OPT B30MY6K2 (V97928))								
			(OPT HL10VAZ6-2 (V73197))								
			(OPT HL10VAZ6-2 (V92215))								
			(OPT HL10VAZ6-2 (V97928))								
			(OPT L8006K2 (V06725))								
			(OPT HL10VAZ6-2 (V08524))								
										C, P, Q, S-W, Z- AB, AD, AF, AG, AL, AQ- AT, AW, BA-BF, BJ-BL, BS-BW, BZ, CB, CC, CE, CJ, CM, CQ, CR, CT, CW, CX, CZ, DB, DC, DG-DJ, DQ, DR, DT, DR, V-DX, EA, EB, ED, EG- EK, ES, EW, EZ	2

-Item not Illustrated

# 25-28-49

ILLUSTRATED PARTS LIST

Page 1098.680

Mar 01/2006





COMPONENT MAINTENANCE MANUAL

FIG/ ITEM	PART NUMBER	AIRLINE PART NUMBER	NOMENCLATURE							USAGE CODE	UNITS PER ASSY
			1	2	3	4	5	6	7		
29- 335	MS21042L3		.	NUT						C, P, Q, S-W, Z- AB, AD, AF, AG, AL, AQ- AT, AW, BA-BF, BJ-BL, BS-BW, BZ, CB, CC, CE, CJ, CM, CQ, CR, CT, CW, CX, CZ, DB, DC, DG-DJ, DQ, DR, DT, DR, V-DX, EA, EB, ED, EG- EK, ES, EW, EZ	2

-Item not Illustrated

**25-28-49**

ILLUSTRATED PARTS LIST

Page 1098.681

Mar 01/2006



COMPONENT MAINTENANCE MANUAL

FIG/ ITEM	PART NUMBER	AIRLINE PART NUMBER	NOMENCLATURE							USAGE CODE	UNITS PER ASSY
			1	2	3	4	5	6	7		
29- 340	BACS12FA3K14		.	S	C	R	E	W			1

-Item not Illustrated

**25-28-49**

ILLUSTRATED PARTS LIST

Page 1098.682

Mar 01/2006



## COMPONENT MAINTENANCE MANUAL

FIG/ ITEM	PART NUMBER	AIRLINE PART NUMBER	NOMENCLATURE							USAGE CODE	UNITS PER ASSY
			1	2	3	4	5	6	7		
29- 345	BACS12ER08K14		.	S	C	R	E	W			2

-Item not Illustrated

# 25-28-49

ILLUSTRATED PARTS LIST

Page 1098.683

Mar 01/2006



## COMPONENT MAINTENANCE MANUAL

FIG/ ITEM	PART NUMBER	AIRLINE PART NUMBER	NOMENCLATURE							USAGE CODE	UNITS PER ASSY	
			1	2	3	4	5	6	7			
29- 350	AN960JD8									. WASHER	C, P, Q, S-W, Z- AB, AD, AF, AG, AL, AQ- AT, AW, BA-BF, BJ-BL, BS-BW, BZ, CB, CC, CE, CJ, CM, CQ, CR, CT, CW, CX, CZ, DB, DC, DG-DJ, DQ, DR, DT, DR, V-DX, EA, EB, ED, EG- EK, ES, EW, EZ	2

-Item not Illustrated

# 25-28-49

ILLUSTRATED PARTS LIST

Page 1098.684

Mar 01/2006



COMPONENT MAINTENANCE MANUAL

FIG/ ITEM	PART NUMBER	AIRLINE PART NUMBER	NOMENCLATURE							USAGE CODE	UNITS PER ASSY
			1	2	3	4	5	6	7		
29- 355	MS21042L08		.	NUT						C, P, Q, S-W, Z- AB, AD, AF, AG, AL, AQ- AT, AW, BA-BF, BJ-BL, BS-BW, BZ, CB, CC, CE, CJ, CM, CQ, CR, CT, CW, CX, CZ, DB, DC, DG-DJ, DQ, DR, DT, DR, V-DX, EA, EB, ED, EG- EK, ES, EW, EZ	2
360	412N1119-93		-----*	. . BRACKET						C, P, Q, T, U, W, AA, AB, AD, AG, AQ, AT, AW, BB, BF, BJ- BL, BT, BU, BW, BZ, CC, CJ, CM, CT, CX, CZ, DC, DJ, DP, DR, DV, DX, EA, ED, EG, EH, EK, EW	1

-Item not Illustrated

**25-28-49**

ILLUSTRATED PARTS LIST

Page 1098.685

Mar 01/2006



## COMPONENT MAINTENANCE MANUAL

FIG/ ITEM	PART NUMBER	AIRLINE PART NUMBER	NOMENCLATURE							USAGE CODE	UNITS PER ASSY	
			1	2	3	4	5	6	7			
29- 370	BACS12FA08K12		.	S	C	R	E	W			D, G, Q, V, W, AB, AD, AQ- AT, BE, BK, BN, BV, BW, BZ, CJ, CT, CW, CZ, DH, DJ, DR, DX, ED, EG, EK, EWK	2
375	MS21042L08		.	N	U	T					D, G, Q, V, W, AB, AD, AQ- AT, BE, BK, BN, BV, BW, BZ, CJ, CT, CW, CZ, DH, DJ, DR, DX, ED, EG, EK, EWK	2
380	412N1224-3		.	S	U	P	P	O	R	T	DJ	1
-380A	412N1224-4		.	S	U	P	P	O	R	T	BK	1
-380B	412N1224-6		.	S	U	P	P	O	R	T	AB	1
-380C	412N1224-7		.	S	U	P	P	O	R	T	D, G, Q, W, AD, AQ, AR, BN, BW, CJ, CT, CZ, DR, DX, ED, EG, EK, EWK	1
-385	412N1224-3		.	S	U	P	P	O	R	T	BE, CW, DH	1
-385A	412N1224-4		.	S	U	P	P	O	R	T	V, BV	1
-385B	412N1224-5		.	S	U	P	P	O	R	T	AS, AT	1
-385C	412N1224-7		.	S	U	P	P	O	R	T	AR	1

-Item not Illustrated

**25-28-49**

ILLUSTRATED PARTS LIST

Page 1098.686

Mar 01/2006



## COMPONENT MAINTENANCE MANUAL

FIG/ ITEM	PART NUMBER	AIRLINE PART NUMBER	NOMENCLATURE							USAGE CODE	UNITS PER ASSY	
			1	2	3	4	5	6	7			
29- 390	BACS12ER08K12		.	SCREW (V06710) (SPEC BACS12ER08K12) (OPT BACS12ER08K12 (V06725)) (OPT BACS12ER08K12 (V06950)) (OPT BACS12ER08K12 (V27624)) (OPT BACS12ER08K12 (V34252)) (OPT BACS12ER08K12 (V56878)) (OPT BACS12ER08K12 (V73197)) (OPT BACS12ER08K12 (V80539)) (OPT BACS12ER08K12 (V92215)) (OPT BACS12ER08K12 (V93907)) (OPT BACS12ER08K12 (V97928))							C, D, G, N-Q, S- W, Y-AB, AD, AF, AG, AL, AQ-AT, AW, BA- BF, BJ- BL, BN, BS-BW, BY, BZ, CB, CC, CE, CJ, CM, CQ, CR, CT, CW, CX, CZ, DB, DC, DG- DJ, DN, DQ, DR, DT, DV- DX, EA, EB, ED, EG-EK, ES, EW, EZ	AR

-Item not Illustrated

# 25-28-49

ILLUSTRATED PARTS LIST

Page 1098.687

Mar 01/2006



## COMPONENT MAINTENANCE MANUAL

FIG/ ITEM	PART NUMBER	AIRLINE PART NUMBER	NOMENCLATURE							USAGE CODE	UNITS PER ASSY
			1	2	3	4	5	6	7		
29- 395	AN960JD8		.	W	A	S	H	E	R	C, D, G, N-Q, S- W, Y-AB, AD, AF, AG, AL, AQ-AT, AW, BA- BF, BJ- BL, BN, BS-BW, BY, BZ, CB, CC, CE, CJ, CM, CQ, CR, CT, CW, CX, CZ, DB, DC, DG- DJ, DN, DQ, DR, DT, DV- DX, EA, EB, ED, EG-EK, ES, EW, EZ	AR
405	412N1146-3		.	S	U	P	P	O	R	C, D, G, Q, U-W, Y, AD, AQ, AW, BL, BN, BU-BW, BY, BZ, CJ, CM, CT, CZ, DG, DH, DR, DW, DX, ED, EG, EJ, EK, EW	1

-Item not Illustrated

# 25-28-49

ILLUSTRATED PARTS LIST

Page 1098.688

Mar 01/2006





## COMPONENT MAINTENANCE MANUAL

FIG/ ITEM	PART NUMBER	AIRLINE PART NUMBER	NOMENCLATURE 1 2 3 4 5 6 7	USAGE CODE	UNITS PER ASSY
29- -405A	412N1146-4		. SUPPORT ASSY-BULLNOSE	N, S, T, Z-AB, AF, AG, AL, AR- AT, BA- BD, BF, BJ, BK, BS, BT, CB, CC, CE, CQ, CR, CX, DB, DC, DN, DQ, DT, DV, EA, EB, EH, ES, EZ	1
-405B	412N1146-61		. SUPPORT ASSY-BULLNOSE	P, BE, CW, DP	1
-405C	412N1146-125		. SUPPORT ASSY-BULLNOSE	DJ	1
410	BACR15DR3		. . RIVET (SIZE DETERMINED ON INST)	C, D, G, N-Q, S- W, Y-AB, AD, AF, AG, AL, AQ-AT, AW, BA- BF, BJ- BL, BN, BS-BW, BY, BZ, CB, CC, CE, CJ, CM, CQ, CR, CT, CW, CX, CZ, DB, DC, DG- DJ, DN, DQ, DR, DT, DV- DX, EA, EB, ED, EG-EK, ES, EW, EZ	4

-Item not Illustrated

**25-28-49**

ILLUSTRATED PARTS LIST

Page 1098.689

Mar 01/2006



## COMPONENT MAINTENANCE MANUAL

FIG/ ITEM	PART NUMBER	AIRLINE PART NUMBER	NOMENCLATURE							USAGE CODE	UNITS PER ASSY	
			1	2	3	4	5	6	7			
29- 415	BRF100C08D		.	.	NUTPLATE (V52828) (SPEC BACN10KB08CFD) (OPT F51604-08 (V15653)) (OPT 102F9207P82 (V72962)) (OPT F51604-08 (V15653))						C, D, G, N-Q, S- W, Y-AB, AD, AF, AG, AL, AQ-AT, AW, BA- BF, BJ- BL, BN, BS-BW, BY, BZ, CB, CC, CE, CJ, CM, CQ, CR, CT, CW, CX, CZ, DB, DC, DG- DJ, DN, DQ, DR, DT, DV- DX, EA, EB, ED, EG-EK, ES, EW, EZ	2
420	412N1146-23		.	.	SUPPORT						C, D, G, Q, U-W, Y, AD, AQ, AW, BL, BN, BU-BW, BY, BZ, CJ, CM, CT, CZ, DG, DH, DR, DW, DX, ED, EG, EJ, EK, EW	1

-Item not Illustrated

# 25-28-49

ILLUSTRATED PARTS LIST

Page 1098.690

Mar 01/2006



## COMPONENT MAINTENANCE MANUAL

FIG/ ITEM	PART NUMBER	AIRLINE PART NUMBER	NOMENCLATURE							USAGE CODE	UNITS PER ASSY	
			1	2	3	4	5	6	7			
29- -420A	412N1146-24		.	.	S						N, S, T, Z-AB, AF, AG, AL, AR- AT, BA- BD, BF, BJ, BK, BS, BT, CB, CC, CE, CQ, CR, CX, DB, DC, DN, DQ, DT, DV, EA, EB, EH, ES, EZ	1
-420B	412N1146-62		.	.	S						P, BE, CW, DP	1
-420C	412N1146-126		.	.	S						DJ	1
425	BACS12FA3K14		.		S						C, D, G, N-Q, S- W, Z-AB, AD, AF, AG, AL, AQ-AT, AW, BA- BF, BJ- BL, BN, BS-BW, BZ, CB, CC, CE, CJ, CM, CQ, CR, CT, CW, CX, CZ, DB, DC, DG-DJ, DN, DQ, DR, DT, DV-DX, EA, EB, ED, EG- EK, ES, EW, EZ	AR

-Item not Illustrated

# 25-28-49

ILLUSTRATED PARTS LIST

Page 1098.691

Mar 01/2006



## COMPONENT MAINTENANCE MANUAL

FIG/ ITEM	PART NUMBER	AIRLINE PART NUMBER	NOMENCLATURE							USAGE CODE	UNITS PER ASSY	
			1	2	3	4	5	6	7			
29- 430	65C27023-24		.	SUPPORT-PSU							D, G, Q, W, AD, AQ, BN, BW, BZ, CJ, CT, DR, DX, ED, EG, EK, EW	1
-430A	65C27023-26		.	SUPPORT-PSU							AS, BE, CW	1
-430B	65C27023-29		.	SUPPORT-PSU							AB, AT	1
-430C	65C27023-37		.	SUPPORT-PSU							N, S, Z, AF, AL, BA, BC, BN, BS, CB, CE, CQ, DB, DT, EB, ES, EZ	1
-430D	65C27023-5		.	SUPPORT-PSU							C, AW, BL, CM	1
-430E	65C27023-54		.	SUPPORT-PSU							P, T, AA, AG, BB, BD, BT, CC, CR, DC, DP, DV, EA, EH	1
-430F	65C27023-71		.	SUPPORT-PSU							U, BU	1
-430G	65C27023-72		.	SUPPORT-PSU							V, BV, DH	1
-430H	65C27023-82		.	SUPPORT-PSU							AR	1
-430J	65C27023-87		.	SUPPORT-PSU							BK	1
-430K	65C27023-88		.	SUPPORT-PSU							DG, DW, EJ	1
-430L	65C27023-90		.	SUPPORT-PSU							DJ	1
-430M	412N1147-3		.	SUPPORT-PSU							Y, BY	1

-Item not Illustrated

# 25-28-49

ILLUSTRATED PARTS LIST

Page 1098.692

Mar 01/2006



## COMPONENT MAINTENANCE MANUAL

FIG/ ITEM	PART NUMBER	AIRLINE PART NUMBER	NOMENCLATURE							USAGE CODE	UNITS PER ASSY	
			1	2	3	4	5	6	7			
29- 435	412N1140-43SP		.								C, D, G, Q, U-W, Y, AD, AQ, AW, BL, BN, BU-BW, BY, BZ, CJ, CM, CT, CZ, DG, DH, EW	1
-435A	412N1140-44SP		.								N, P, S, Z, AA, AB, AF, AG, AL, AR, AS, AT, BA- BF, BJ, BK, BS, CB, CC, CE, CQ, CR, CW, CX, DB, DC, DN, DP, DT, DV, EA, EB	1

-Item not Illustrated

# 25-28-49

ILLUSTRATED PARTS LIST

Page 1098.693

Mar 01/2006



## COMPONENT MAINTENANCE MANUAL

FIG/ ITEM	PART NUMBER	AIRLINE PART NUMBER	NOMENCLATURE							USAGE CODE	UNITS PER ASSY	
			1	2	3	4	5	6	7			
29- 440	PK87XA4-8		.	.	SCREW (V45722) (SPEC BACS12H4-8) (OPT SK145A4-8 (V73439)) (OPT ITEM 440A)						C, D, G, N-Q, S- W, Y-AB, AD, AF, AG, AL, AQ-AT, AW, BA- BF, BJ- BL, BN, BS-BW, BY, BZ, CB, CC, CE, CJ, CM, CQ, CR, CT, CW, CX, CZ, DB, DC, DG- DJ, DN, DQ, DR, DT, DV- DX, EA, EB, ED, EW	2

-Item not Illustrated

# 25-28-49

ILLUSTRATED PARTS LIST

Page 1098.694

Mar 01/2006



## COMPONENT MAINTENANCE MANUAL

FIG/ ITEM	PART NUMBER	AIRLINE PART NUMBER	NOMENCLATURE							USAGE CODE	UNITS PER ASSY	
			1	2	3	4	5	6	7			
29- -440A	MS51861-15		.	.	SCREW (OPT ITEM 440)						C, D, G, N-Q, S- W, Y-AB, AD, AF, AG, AL, AQ-AT, AW, BA- BF, BJ- BL, BN, BS-BW, BY, BZ, CB, CC, CE, CJ, CM, CQ, CR, CT, CW, CX, CZ, DB, DC, DG- DJ, DN, DQ, DR, DT, DV- DX, EA, EB, ED, EW	2

-Item not Illustrated

# 25-28-49

ILLUSTRATED PARTS LIST

Page 1098.695

Mar 01/2006



COMPONENT MAINTENANCE MANUAL

FIG/ ITEM	PART NUMBER	AIRLINE PART NUMBER	NOMENCLATURE							USAGE CODE	UNITS PER ASSY	
			1	2	3	4	5	6	7			
29- 445	NAS620A8L									. . WASHER (OPT ITEM 445A)	C, D, G, N-Q, S- W, Y-AB, AD, AF, AG, AL, AQ-AT, AW, BA- BF, BJ- BL, BN, BS-BW, BY, BZ, CB, CC, CE, CJ, CM, CQ, CR, CT, CW, CX, CZ, DB, DC, DG- DJ, DN, DQ, DR, DT, DV- DX, EA, EB, ED, EW	2

-Item not Illustrated

**25-28-49**

ILLUSTRATED PARTS LIST

Page 1098.696

Mar 01/2006





COMPONENT MAINTENANCE MANUAL

FIG/ ITEM	PART NUMBER	AIRLINE PART NUMBER	NOMENCLATURE							USAGE CODE	UNITS PER ASSY	
			1	2	3	4	5	6	7			
29- -445A	AN960JD8L		.	.	WASHER						C, D, G, N-Q, S- W, Y-AB, AD, AF, AG, AL, AQ-AT, AW, BA- BF, BJ- BL, BN, BS-BW, BY, BZ, CB, CC, CE, CJ, CM, CQ, CR, CT, CW, CX, CZ, DB, DC, DG- DJ, DN, DQ, DR, DT, DV- DX, EA, EB, ED, EW	2

-Item not Illustrated

**25-28-49**

ILLUSTRATED PARTS LIST

Page 1098.697

Mar 01/2006



## COMPONENT MAINTENANCE MANUAL

FIG/ ITEM	PART NUMBER	AIRLINE PART NUMBER	NOMENCLATURE							USAGE CODE	UNITS PER ASSY
			1	2	3	4	5	6	7		
29- 450	412N1245-1		.	.	BUMPER						2
										C, D, G, N-Q, S- W, Y-AB, AD, AF, AG, AL, AQ-AT, AW, BA- BF, BJ- BL, BN, BS-BW, BY, BZ, CB, CC, CE, CJ, CM, CQ, CR, CT, CW, CX, CZ, DB, DC, DG- DJ, DN, DQ, DR, DT, DV- DX, EA, EB, ED, EW	

-Item not Illustrated

# 25-28-49

ILLUSTRATED PARTS LIST

Page 1098.698

Mar 01/2006



## COMPONENT MAINTENANCE MANUAL

FIG/ ITEM	PART NUMBER	AIRLINE PART NUMBER	NOMENCLATURE							USAGE CODE	UNITS PER ASSY	
			1	2	3	4	5	6	7			
29- 455	PK87XA4-8		.	.	SCREW (V45722) (SPEC BACS12H4-8) (OPT SK145A4-8 (V73439))						C, D, G, N-Q, S- W, Y-AB, AD, AF, AG, AL, AQ-AT, AW, BA- BF, BJ- BL, BN, BS-BW, BY, BZ, CB, CC, CE, CJ, CM, CQ, CR, CT, CW, CX, CZ, DB, DC, DG- DJ, DN, DQ, DR, DT, DV- DX, EA, EB, ED, EW	2

-Item not Illustrated

# 25-28-49

ILLUSTRATED PARTS LIST

Page 1098.699

Mar 01/2006



COMPONENT MAINTENANCE MANUAL

FIG/ ITEM	PART NUMBER	AIRLINE PART NUMBER	NOMENCLATURE							USAGE CODE	UNITS PER ASSY
			1	2	3	4	5	6	7		
29- 460	412N1143-13SP		.	.	COVER						1
										C, D, G, N-Q, S- W, Y-AB, AD, AF, AG, AL, AQ-AT, AW, BA- BF, BJ- BL, BN, BS-BW, BY, BZ, CB, CC, CE, CJ, CM, CQ, CR, CT, CW, CX, CZ, DB, DC, DG- DJ, DN, DQ, DR, DT, DV- DX, EA, EB, ED, EW	

-Item not Illustrated

**25-28-49**

ILLUSTRATED PARTS LIST  
Page 1098.700  
Mar 01/2006



COMPONENT MAINTENANCE MANUAL

FIG/ ITEM	PART NUMBER	AIRLINE PART NUMBER	NOMENCLATURE							USAGE CODE	UNITS PER ASSY
			1	2	3	4	5	6	7		
29- 465	412N1143-14SP		.	.	COVER						1
										C, D, G, N-Q, S- W, Y-AB, AD, AF, AG, AL, AQ-AT, AW, BA- BF, BJ- BL, BN, BS-BW, BY, BZ, CB, CC, CE, CJ, CM, CQ, CR, CT, CW, CX, CZ, DB, DC, DG- DJ, DN, DQ, DR, DT, DV- DX, EA, EB, ED, EW	

-Item not Illustrated

**25-28-49**

ILLUSTRATED PARTS LIST

Page 1098.701

Mar 01/2006



## COMPONENT MAINTENANCE MANUAL

FIG/ ITEM	PART NUMBER	AIRLINE PART NUMBER	NOMENCLATURE							USAGE CODE	UNITS PER ASSY	
			1	2	3	4	5	6	7			
29- 470	SL618-3A		.	.	INSERT (V97393)						C, D, G, N-Q, S- W, Y-AB, AD, AF, AG, AL, AQ-AT, AW, BA- BF, BJ- BL, BN, BS-BW, BY, BZ, CB, CC, CE, CJ, CM, CQ, CR, CT, CW, CX, CZ, DB, DC, DG- DJ, DN, DQ, DR, DT, DV- DX, EA, EB, ED, EW	8
475	412N1140-60SP		.	.	PANEL ASSY						C, D, G, Q, U-W, Y, AD, AQ, AW, BL, BN, BU-BW, BY, BZ, CJ, CM, CT, CZ, DG, DH, EW	1

-Item not Illustrated

# 25-28-49

ILLUSTRATED PARTS LIST

Page 1098.702

Mar 01/2006



## COMPONENT MAINTENANCE MANUAL

FIG/ ITEM	PART NUMBER	AIRLINE PART NUMBER	NOMENCLATURE							USAGE CODE	UNITS PER ASSY		
			1	2	3	4	5	6	7				
29- -475A	412N1140-61SP		.	.	PANEL	ASSY					N, P, S, Z, AA, AB, AF, AG, AL, AR, AS, AT, BA- BF, BJ, BK, BS, CB, CC, CE, CQ, CR, CW, CX, DB, DC, DN, DP, DT, DV, EA, EB	1	
477	412N1140-96		.	.	.	FILLER	(ITEM 478 AND ITEM 479 TOGETHER OPT TO ITEM 477 (QTY 2))					N, P, S, Z, AA, AB, AF, AG, AL, AR, AS, AT, BA- BF, BJ, BK, BS, CB, CC, CE, CQ, CR, CW, CX, DB, DC, DN, DP, DT, DV, EA, EB	2

-Item not Illustrated

**25-28-49**

ILLUSTRATED PARTS LIST

Page 1098.703

Mar 01/2006



## COMPONENT MAINTENANCE MANUAL

FIG/ ITEM	PART NUMBER	AIRLINE PART NUMBER	NOMENCLATURE							USAGE CODE	UNITS PER ASSY
			1	2	3	4	5	6	7		
29- -478	412N1140-97		. . . FILLER (ITEM 478 AND ITEM 479 TOGETHER OPT TO ITEM 477 (QTY 2))							N, P, S, Z,AA, AB, AF, AG, AL, AR, AS, AT, BA- BF, BJ, BK, BS, CB, CC, CE, CQ, CR, CW, CX, DB, DC, DN, DP, DT, DV, EA, EB	1
-479	412N1140-98		. . . FILLER (ITEM 478 AND ITEM 479 TOGETHER OPT TO ITEM 477 (QTY 2))							N, P, S, Z,AA, AB, AF, AG, AL, AR, AS, AT, BA- BF, BJ, BK, BS, CB, CC, CE, CQ, CR, CW, CX, DB, DC, DN, DP, DT, DV, EA, EB	1
480	412N1141-3SP		. . . FACEPLATE							C, D, G, Q, U-W, Y, AD, AQ, AW, BL, BN, BU-BW, BY, BZ, CJ, CM, CT, CZ, DG, DH, EW	1

-Item not Illustrated

# 25-28-49

ILLUSTRATED PARTS LIST

Page 1098.704

Mar 01/2006





## COMPONENT MAINTENANCE MANUAL

FIG/ ITEM	PART NUMBER	AIRLINE PART NUMBER	NOMENCLATURE							USAGE CODE	UNITS PER ASSY	
			1	2	3	4	5	6	7			
29- -480A	412N1141-4SP		.	.	.	FACEPLATE					N, P, S, Z, AA, AB, AF, AG, AL, AR, AS, AT, BA- BF, BJ, BK, BS, CB, CC, CE, CQ, CR, CW, CX, DB, DC, DN, DP, DT, DV, EA, EB	1
485	412N1142-33SP		.	.	.	PANEL ASSY (OPT ITEM 485A)					C, D, G, Q, U-W, Y, AD, AQ, AW, BL, BN, BU-BW, BY, BZ, CJ, CM, CT, CZ, DG, DH, EW	1
-485A	412N1142-17SP		.	.	.	PANEL ASSY (OPT ITEM 485)					C, D, G, Q, U-W, Y, AD, AQ, AW, BL, BN, BU-BW, BY, BZ, CJ, CM, CT, CZ, DG, DH, EW	1

-Item not Illustrated

**25-28-49**

ILLUSTRATED PARTS LIST

Page 1098.705

Mar 01/2006



## COMPONENT MAINTENANCE MANUAL

FIG/ ITEM	PART NUMBER	AIRLINE PART NUMBER	NOMENCLATURE							USAGE CODE	UNITS PER ASSY	
			1	2	3	4	5	6	7			
29- -485B	412N1142-34SP		.	.	.	PANEL ASSY (OPT ITEM 485C)					N, P, S, Z, AA, AB, AF, AG, AL, AR, AS, AT, BA- BF, BJ, BK, BS, CB, CC, CE, CQ, CR, CW, CX, DB, DC, DN, DP, DT, DV, EA, EB	1
-485C	412N1142-18SP		.	.	.	PANEL ASSY (OPT ITEM 485B)					N, P, S, Z, AA, AB, AF, AG, AL, AR, AS, AT, BA- BF, BJ, BK, BS, CB, CC, CE, CQ, CR, CW, CX, DB, DC, DN, DP, DT, DV, EA, EB	1

-Item not Illustrated

# 25-28-49

ILLUSTRATED PARTS LIST

Page 1098.706

Mar 01/2006



COMPONENT MAINTENANCE MANUAL

FIG/ ITEM	PART NUMBER	AIRLINE PART NUMBER	NOMENCLATURE							USAGE CODE	UNITS PER ASSY
			1	2	3	4	5	6	7		
29- 490	412N1142-11		.	.	.	.	.	.	GUSSET	C, D, G, N-Q, S- W, Y-AB, AD, AF, AG, AL, AQ-AT, AW, BA- BF, BJ- BL, BN, BS-BW, BY, BZ, CB, CC, CE, CJ, CM, CQ, CR, CT, CW, CX, CZ, DB, DC, DG- DJ, DN, DQ, DR, DT, DV- DX, EA, EB, ED, EW	1

-Item not Illustrated

**25-28-49**

ILLUSTRATED PARTS LIST

Page 1098.707

Mar 01/2006



## COMPONENT MAINTENANCE MANUAL

FIG/ ITEM	PART NUMBER	AIRLINE PART NUMBER	NOMENCLATURE							USAGE CODE	UNITS PER ASSY
			1	2	3	4	5	6	7		
29- 495	412N1142-12		.	.	.	.	.	.	GUSSET	C, D, G, N-Q, S- W, Y-AB, AD, AF, AG, AL, AQ-AT, AW, BA- BF, BJ- BL, BN, BS-BW, BY, BZ, CB, CC, CE, CJ, CM, CQ, CR, CT, CW, CX, CZ, DB, DC, DG- DJ, DN, DQ, DR, DT, DV- DX, EA, EB, ED, EW	1

-Item not Illustrated

# 25-28-49

ILLUSTRATED PARTS LIST

Page 1098.708

Mar 01/2006



COMPONENT MAINTENANCE MANUAL

FIG/ ITEM	PART NUMBER	AIRLINE PART NUMBER	NOMENCLATURE							USAGE CODE	UNITS PER ASSY
			1	2	3	4	5	6	7		
29- 500	412N1141-9SP		.	.	.	APPLIQUE					1
										C, D, G, N-Q, S- W, Y-AB, AD, AF, AG, AL, AQ-AT, AW, BA- BF, BJ- BL, BN, BS-BW, BY, BZ, CB, CC, CE, CJ, CM, CQ, CR, CT, CW, CX, CZ, DB, DC, DG- DJ, DN, DQ, DR, DT, DV- DX, EA, EB, ED, EW	

-Item not Illustrated

**25-28-49**

ILLUSTRATED PARTS LIST

Page 1098.709

Mar 01/2006



## COMPONENT MAINTENANCE MANUAL

FIG/ ITEM	PART NUMBER	AIRLINE PART NUMBER	NOMENCLATURE							USAGE CODE	UNITS PER ASSY	
			1	2	3	4	5	6	7			
29- -500A	412N1141-10SP		.	.	.	APPLIQUE					C, D, G, N-Q, S- W, Y-AB, AD, AF, AG, AL, AQ-AT, AW, BA- BF, BJ- BL, BN, BS-BW, BY, BZ, CB, CC, CE, CJ, CM, CQ, CR, CT, CW, CX, CZ, DB, DC, DG- DJ, DN, DQ, DR, DT, DV- DX, EA, EB, ED, EW	1
505	412N1140-103SP		DELETED									
-505A	412N1140-104SP		DELETED									
505B	412N1140-243SP		.	DOOR ASSY						EG, EJ, EK	1	
-505C	412N1140-244SP		.	DOOR ASSY						EH, ES, EZ	1	
510	BACS12FA3K7		.	SCREW (V06710) (SPEC BACS12FA3K7) (OPT BACS12FA3K7 (V06725)) (OPT BACS12FA3K7 (V06950)) (OPT BACS12FA3K7 (V27624)) (OPT BACS12FA3K7 (V34252)) (OPT BACS12FA3K7 (V56878)) (OPT BACS12FA3K7 (V73197)) (OPT BACS12FA3K7 (V80539)) (OPT BACS12FA3K7 (V85498)) (OPT BACS12FA3K7 (V92215)) (OPT BACS12FA3K7 (V93907)) (OPT BACS12FA3K7 (V97928))					EG-EK, ES, EZ	2		

-Item not Illustrated

# 25-28-49

ILLUSTRATED PARTS LIST

Page 1098.710

Mar 01/2006



## COMPONENT MAINTENANCE MANUAL

FIG/ ITEM	PART NUMBER	AIRLINE PART NUMBER	NOMENCLATURE							USAGE CODE	UNITS PER ASSY
			1	2	3	4	5	6	7		
29-											
515	BACS12FA3K4		.	.	SCREW					EG-EK, ES, EZ	2
520	MS35333-39		.	.	WASHER					EG-EK, ES, EZ	4
525	412N1162-1		.	.	BRACKET					EG-EK, ES, EZ	2
530	412N1245-1		.	.	BUMPER					EG-EK, ES, EZ	2
535	H3-1152-1		.	.	PLATE ASSY-STRIKER (V34941) (SPEC S412N101-1)					EG-EK, ES, EZ	2
540	412N1151-5SP		.	.	APPLIQUE ASSY					EG, EJ, EK	1
-540A	412N1151-7SP		.	.	APPLIQUE ASSY					EH, ES, EZ	1
545	412N1151-9SP		.	.	COVER-DECORATIVE					EG-EK, ES, EZ	1
550	412N1142-37SP		.	.	PANEL ASSY					EG, EJ, EK	1
-550A	412N1142-38SP		.	.	PANEL ASSY					EH, ES, EZ	1
555	412N1142-48SP		.	.	COVER-DECORATIVE					EG-EK, ES, EZ	1
560	412N1154-1		.	.	REINFORCEMENT-CORNER					N, S, V, Y, Z, AF, AL, AR, AS, BA, BC, BE, BS, BV, BY, CB, CE, CQ, CW, DG, DH, DN, DT, DW, ES, EZ	1

-Item not Illustrated

# 25-28-49

ILLUSTRATED PARTS LIST

Page 1098.711

Mar 01/2006



## COMPONENT MAINTENANCE MANUAL

FIG/ ITEM	PART NUMBER	AIRLINE PART NUMBER	NOMENCLATURE							USAGE CODE	UNITS PER ASSY	
			1	2	3	4	5	6	7			
29- -560A	412N1154-3		.								C, D, G, P, Q, T, U, W, AA, AB, AG, AQ, AT, AW, BB, BF, BJ-BL, BN, BT, BU, BW, CC, CJ, CM, CT, CX, DJ, DP, DR, DV, DX, ED, EG, EH, EK, EW	1
-560B	412N1154-11		.								CZ, DC, EA	1
-560C	412N1154-9		.								DB, EB	1
565	412N1154-2		.								C, D, G, P, Q, T, U, W, Y, AA, AB, AG, AQ, AT, AW, BB, BF, BJ-BL, BN, BT, BU, BW, BY, CC, CJ, CM, CT, CX, DJ, DP, DR, DV, DX, ED, EG, EH, EK, EW	1

-Item not Illustrated

# 25-28-49

ILLUSTRATED PARTS LIST

Page 1098.712

Mar 01/2006





## COMPONENT MAINTENANCE MANUAL

FIG/ ITEM	PART NUMBER	AIRLINE PART NUMBER	NOMENCLATURE							USAGE CODE	UNITS PER ASSY	
			1	2	3	4	5	6	7			
29- -565A	412N1154-4		.								N, S, V, Z, AF, AL, AR, AS, BA, BC, BE, BS, BV, CB, CE, CQ, CW, DG, DH, DN, DT, DW, ES, EZ	1
-565B	412N1154-10		.								CZ, DC, EA	1
-565C	412N1154-12		.								DB, EB	1
570	412N1118-1SP		.								C, D, G, N-Q, S- W, Y-AB, AD, AF, AG, AL, AQ-AT, AW, BA- BF, BJ- BL, BN, BS-BW, BY, BZ, CB, CC, CE, CJ, CM, CQ, CR, CT, CW, CX, CZ, DB, DC, DG- DJ, DN, DQ, DR, DT, DV- DX, EA, EB, ED, EG-EK, ES, EW	2
-570A	412N1118-2SP		.								EZ	2

-Item not Illustrated

**25-28-49**

ILLUSTRATED PARTS LIST

Page 1098.713

Mar 01/2006



## COMPONENT MAINTENANCE MANUAL

FIG/ ITEM	PART NUMBER	AIRLINE PART NUMBER	NOMENCLATURE							USAGE CODE	UNITS PER ASSY	
			1	2	3	4	5	6	7			
29- 575	412N1118-2SP		.								C, D, G, N-Q, S- W, Y-AB, AD, AF, AG, AL, AQ-AT, AW, BA- BF, BJ- BL, BN, BS-BW, BY, BZ, CB, CC, CE, CJ, CM, CQ, CR, CT, CW, CX, CZ, DB, DC, DG- DJ, DN, DQ, DR, DT, DV- DX, EA, EB, ED, EG-EK, ES, EW	1
-575A	412N1118-1SP		.								EZ	1
580	65C27012-153		.								C, BL	1
-580A	65C27012-154		.								D	1
-580B	65C27012-157		.								G, AQ, BN, CJ	1
-580C	65C27012-163		.								N, DN	1
-580D	65C27012-164		.								P, DP	1
-580E	65C27012-165		.								Q	1
-580F	65C27012-167		.								S, BS	1
-580G	65C27012-168		.								T, BT	1

-Item not Illustrated

# 25-28-49

ILLUSTRATED PARTS LIST

Page 1098.714

Mar 01/2006



## COMPONENT MAINTENANCE MANUAL

FIG/ ITEM	PART NUMBER	AIRLINE PART NUMBER	NOMENCLATURE							USAGE CODE	UNITS PER ASSY	
			1	2	3	4	5	6	7			
29-												
-580H	65C27012-169		.	B	O	D	Y	A	S	S	U, BU	1
-580J	65C27012-170		.	B	O	D	Y	A	S	S	V, BV	1
-580K	65C27012-171		.	B	O	D	Y	A	S	S	W, BW	1
-580L	65C27012-173		.	B	O	D	Y	A	S	S	Y, BY	1
-580M	65C27012-174		.	B	O	D	Y	A	S	S	Z	1
-580N	65C27012-175		.	B	O	D	Y	A	S	S	AA	1
-580P	65C27012-176		.	B	O	D	Y	A	S	S	AB	1
-580Q	65C27012-179		.	B	O	D	Y	A	S	S	AD, BZ	1
-580R	65C27012-181		.	B	O	D	Y	A	S	S	AF, CB	1
-580S	65C27012-182		.	B	O	D	Y	A	S	S	AG, CC	1
-580T	65C27012-187		.	B	O	D	Y	A	S	S	AL, CE	1
-580U	65C27012-192		.	B	O	D	Y	A	S	S	AR	1
-580V	65C27012-193		.	B	O	D	Y	A	S	S	AS	1
-580W	65C27012-194		.	B	O	D	Y	A	S	S	AT	1
-580X	65C27012-197		.	B	O	D	Y	A	S	S	AW, CM	1
-580Y	65C27012-205		.	B	O	D	Y	A	S	S	BA	1
-580Z	65C27012-206		.	B	O	D	Y	A	S	S	BB	1
-585	65C27012-207		.	B	O	D	Y	A	S	S	BC, CQ	1
-585A	65C27012-208		.	B	O	D	Y	A	S	S	BD, CR	1

-Item not Illustrated

# 25-28-49

ILLUSTRATED PARTS LIST

Page 1098.715

Mar 01/2006



## COMPONENT MAINTENANCE MANUAL

FIG/ ITEM	PART NUMBER	AIRLINE PART NUMBER	NOMENCLATURE							USAGE CODE	UNITS PER ASSY
			1	2	3	4	5	6	7		
29-											
-585B	65C27012-209		.	BODY ASSY (FOR DETAILS SEE FIG. 33)						CT	1
-585C	65C27012-212		.	BODY ASSY (FOR DETAILS SEE FIG. 33)						BE, CW	1
-585D	65C27012-213		.	BODY ASSY (FOR DETAILS SEE FIG. 33)						BF, CX	1
-585E	65C27012-216		.	BODY ASSY (FOR DETAILS SEE FIG. 33)						DQ	1
-585F	65C27012-218		.	BODY ASSY (FOR DETAILS SEE FIG. 33)						CZ	1
-585G	65C27012-220		.	BODY ASSY (FOR DETAILS SEE FIG. 33)						DB	1
-585H	65C27012-221		.	BODY ASSY (FOR DETAILS SEE FIG. 33)						DC	1
-585J	65C27012-222		.	BODY ASSY (FOR DETAILS SEE FIG. 33)						BJ	1
-585K	65C27012-223		.	BODY ASSY (FOR DETAILS SEE FIG. 33)						BK	1
-585L	65C27012-224		.	BODY ASSY (FOR DETAILS SEE FIG. 33)						DG	1
-585M	65C27012-227		.	BODY ASSY (FOR DETAILS SEE FIG. 33)						DH	1
-585N	65C27012-228		.	BODY ASSY (FOR DETAILS SEE FIG. 33)						DJ	1
-585P	65C27012-605		.	BODY ASSY (FOR DETAILS SEE FIG. 33)						DR, EG	1
-585Q	65C27012-619		.	BODY ASSY (FOR DETAILS SEE FIG. 33)						DT	1
-585R	65C27012-622		.	BODY ASSY (FOR DETAILS SEE FIG. 33)						DV	1
-585S	65C27012-629		.	BODY ASSY (FOR DETAILS SEE FIG. 33)						DX, EK	1
-585T	65C27012-632		.	BODY ASSY (FOR DETAILS SEE FIG. 33)						EB	1
-585U	65C27012-633		.	BODY ASSY (FOR DETAILS SEE FIG. 33)						EA	1
-585V	65C27012-648		.	BODY ASSY (FOR DETAILS SEE FIG. 33)						ES	1

-Item not Illustrated

# 25-28-49

ILLUSTRATED PARTS LIST  
Page 1098.716  
Mar 01/2006



## COMPONENT MAINTENANCE MANUAL

FIG/ ITEM	PART NUMBER	AIRLINE PART NUMBER	NOMENCLATURE							USAGE CODE	UNITS PER ASSY	
			1	2	3	4	5	6	7			
29- -585W	65C27012-649		.								DW, EJ	1
-585X	65C27012-660		.								ED	1
-585Y	65C27012-664		.								EW	1
-585Z	65C27012-621		.								EZ	1

-Item not Illustrated

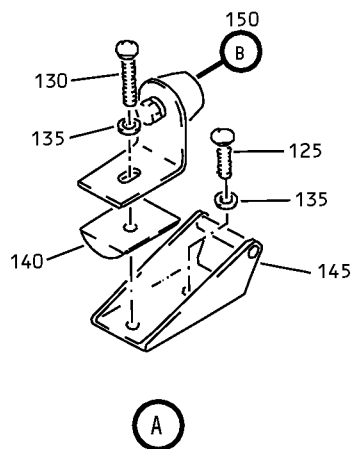
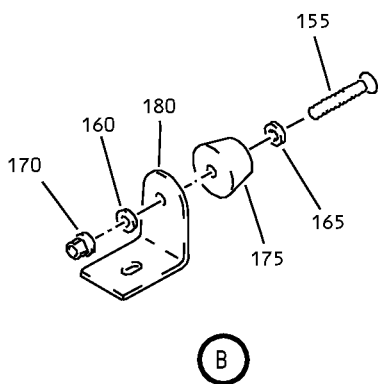
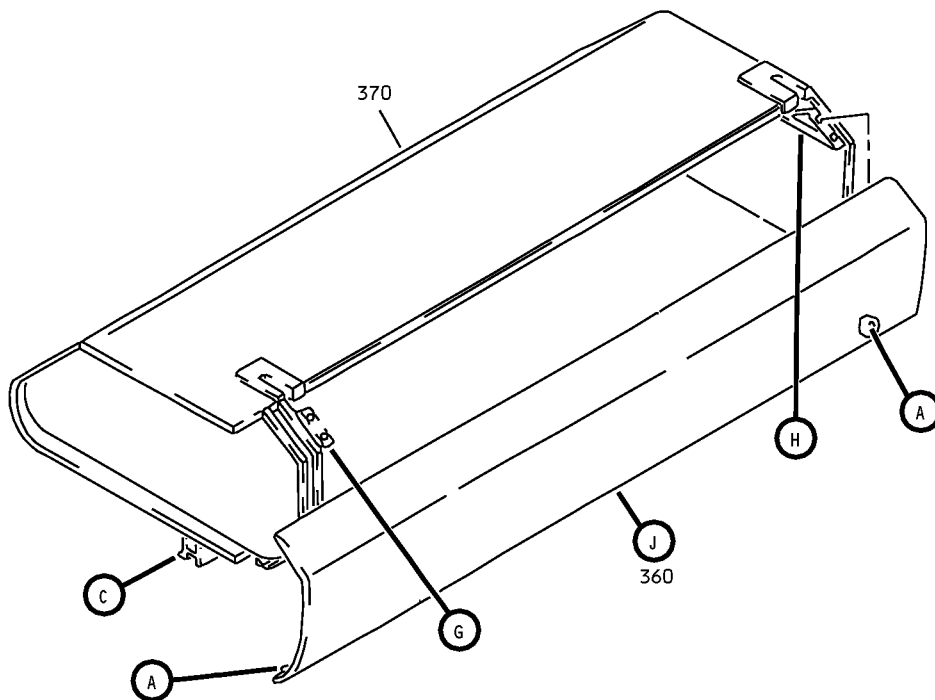
# 25-28-49

ILLUSTRATED PARTS LIST

Page 1098.717

Mar 01/2006

# COMPONENT MAINTENANCE MANUAL

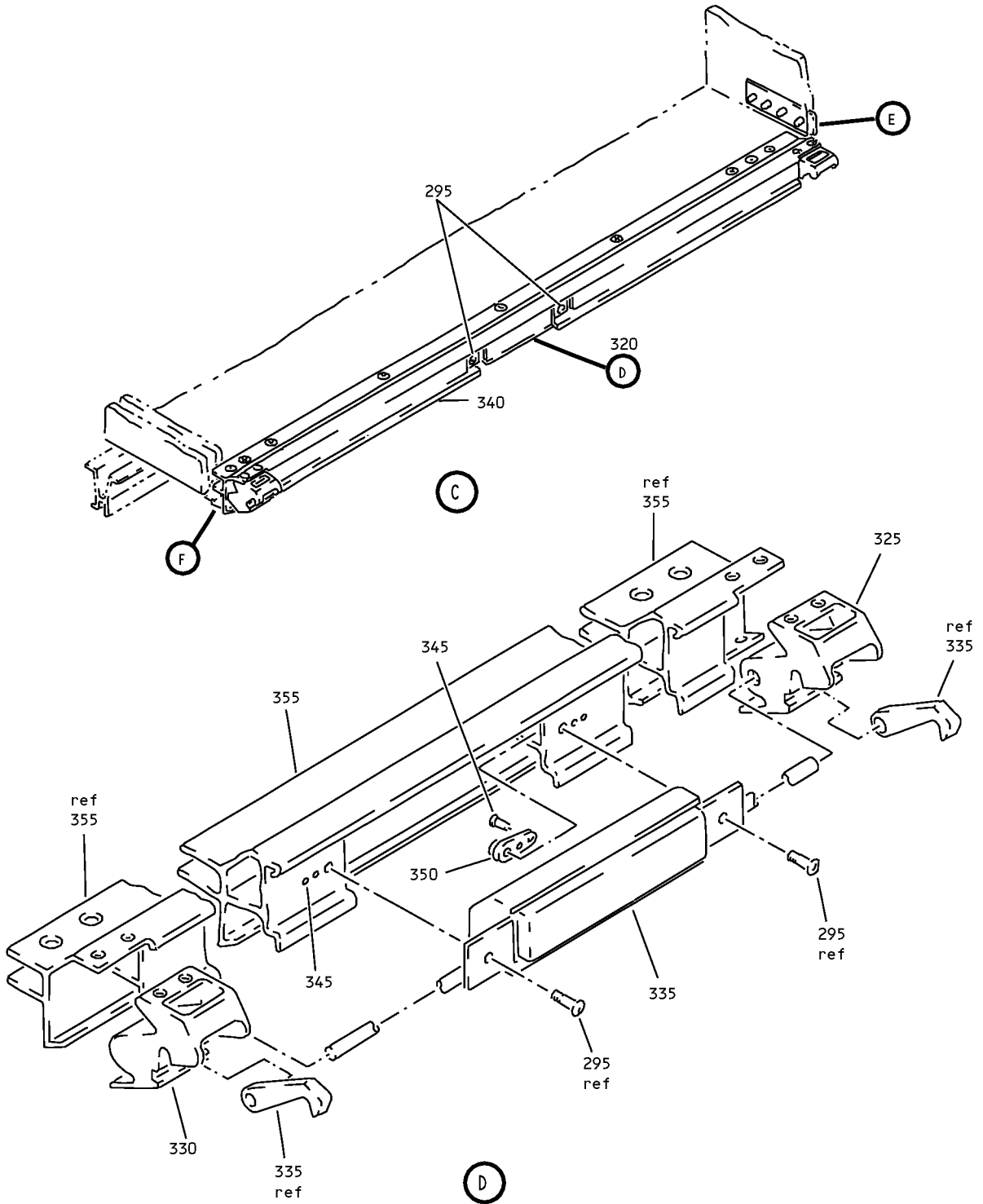


Overhead Stowage Compartment Assembly  
IPL Figure 30 (Sheet 1 of 5)

## 25-28-49

ILLUSTRATED PARTS LIST  
Page 1098.718  
Mar 01/2006

COMPONENT MAINTENANCE MANUAL



Overhead Stowage Compartment Assembly  
IPL Figure 30 (Sheet 2 of 5)

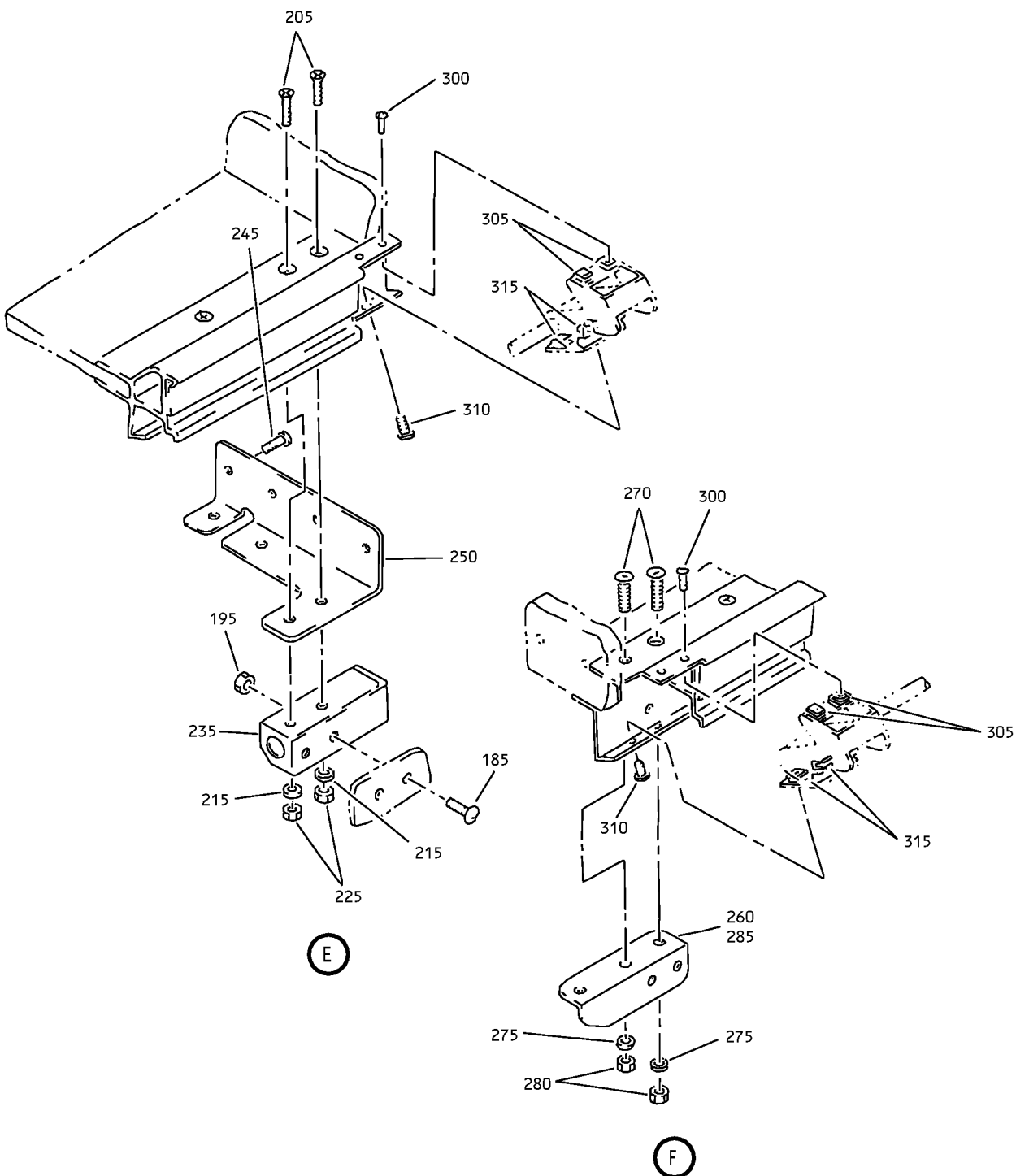
**25-28-49**

ILLUSTRATED PARTS LIST

Page 1098.719

Mar 01/2006

COMPONENT MAINTENANCE MANUAL

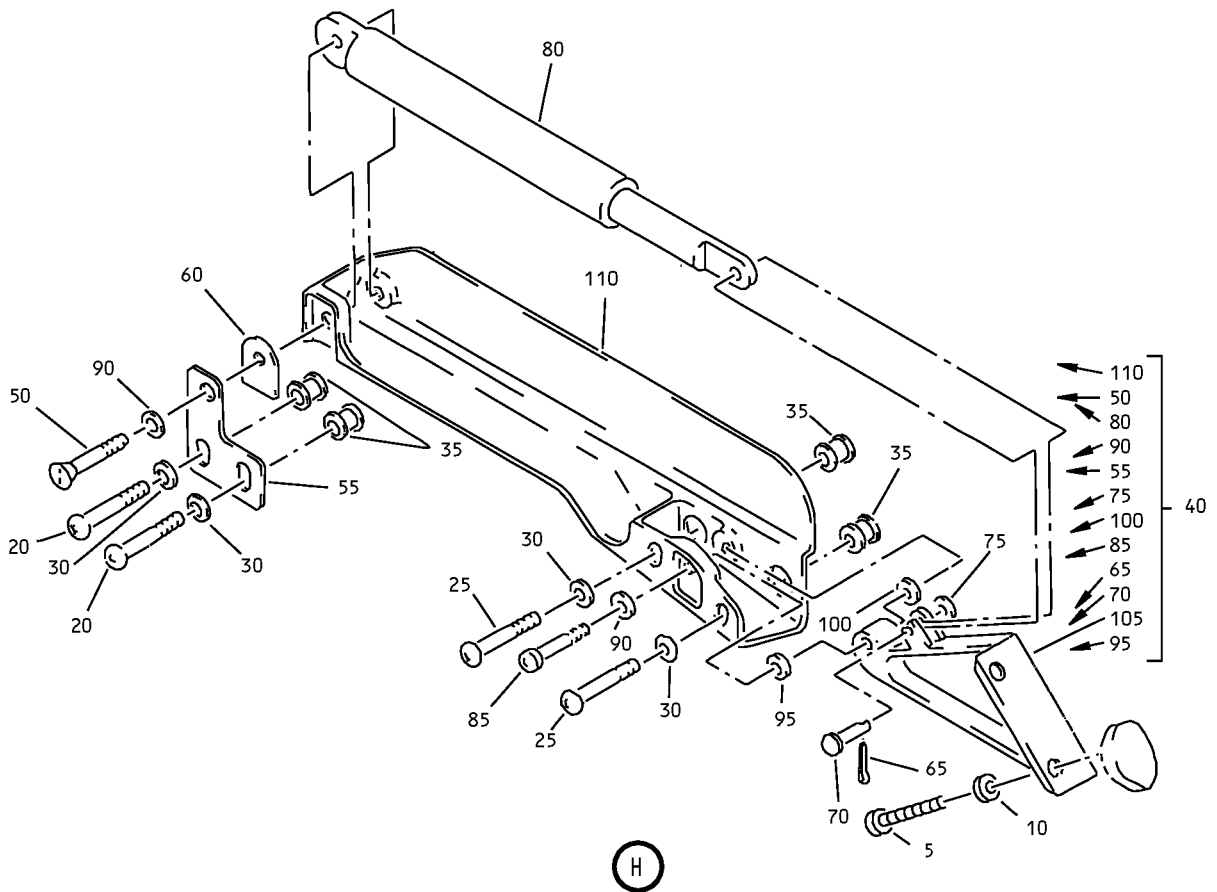
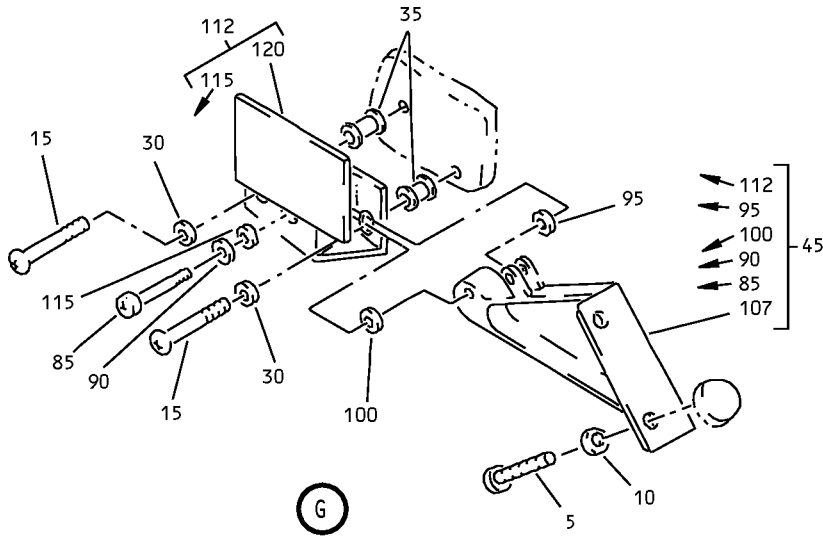


Overhead Stowage Compartment Assembly  
IPL Figure 30 (Sheet 3 of 5)

**25-28-49**  
ILLUSTRATED PARTS LIST  
Page 1098.720  
Mar 01/2006



COMPONENT MAINTENANCE MANUAL



Overhead Storage Compartment Assembly  
IPL Figure 30 (Sheet 4 of 5)

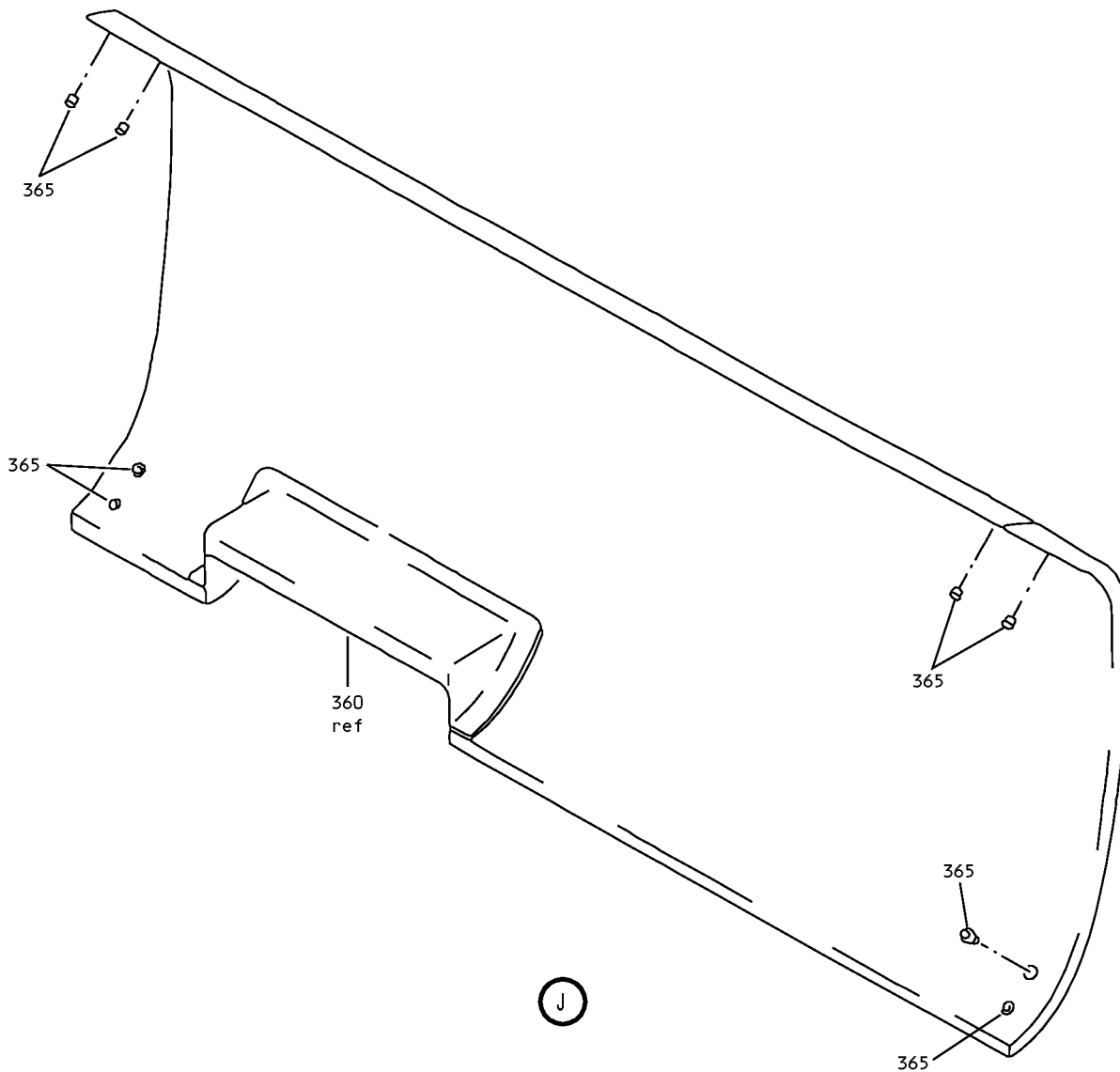
**25-28-49**

ILLUSTRATED PARTS LIST

Page 1098.721

Mar 01/2006

COMPONENT MAINTENANCE MANUAL



Overhead Stowage Compartment Assembly  
IPL Figure 30 (Sheet 5 of 5)

**25-28-49**

ILLUSTRATED PARTS LIST

Page 1098.722

Mar 01/2006



## COMPONENT MAINTENANCE MANUAL

FIG/ ITEM	PART NUMBER	AIRLINE PART NUMBER	NOMENCLATURE							USAGE CODE	UNITS PER ASSY
			1	2	3	4	5	6	7		
30-											
-1	65C32945-16SP									M, DM	RF
-1A	65C32945-20SP									R	RF
-1B	65C32945-76SP									DA	RF
-1C	65C32945-328SP									DY	RF
-1D	65C32945-329SP									DZ	RF
5	NAS1801-3-4									M, R, DA, DM, DY, DZ	4
10	MS35333-39									M, R, DA, DM, DY, DZ	4
15	NAS1801-3-10									M, R, DA, DM, DY, DZ	2
-15A	AIC1321-3-8									M, R, DA, DM, DY, DZ	2
20	NAS1801-3-10									M, R, DA, DM, DY, DZ	2
-20A	AIC1321-3-8									M, R, DA, DM, DY, DZ	2
25	NAS1801-3-10									M, R, DA, DM, DY, DZ	2
-25A	AIC1321-3-8									M, R, DA, DM, DY, DZ	2
30	BACW10P136AL									M, R, DA, DM, DY, DZ	6

-Item not Illustrated

# 25-28-49

ILLUSTRATED PARTS LIST

Page 1098.723

Mar 01/2006



## COMPONENT MAINTENANCE MANUAL

FIG/ ITEM	PART NUMBER	AIRLINE PART NUMBER	NOMENCLATURE							USAGE CODE	UNITS PER ASSY
			1	2	3	4	5	6	7		
30-											
35	NAS1833-3-400		.	INSERT						M, R, DA, DM, DY, DZ	6
40	412N1155-12		.	HINGE ASSY						M, R, D,M	1
-40A	412N1155-22		.	HINGE ASSY						DA, DY, DZ	1
45	412N1155-9		.	HINGE ASSY						M, R, D,M	1
-45A	412N1155-23		.	HINGE ASSY						DA, DY, DZ	1
50	BACB30LU3-14		.	SCREW (V06710) (SPEC BACB30LU3-14) (OPT BACB30LU3-14 (V06725)) (OPT BACB30LU3-14 (V06950)) (OPT BACB30LU3-14 (V17943)) (OPT BACB30LU3-14 (V27624)) (OPT BACB30LU3-14 (V56878)) (OPT BACB30LU3-14 (V80539)) (OPT BACB30LU3-14 (V85495)) (OPT BACB30LU3-14 (V92215)) (OPT BACB30LU3-14 (V97928)) (USED ON ITEMS 40,40A)						M, R, DA, DM, DY, DZ	1
55	412N1119-70		.	BRACKET (USED ON ITEM 40)						M, R, D,M	1
-55A	412N1119-124		.	BRACKET (USED ON ITEM 40A)						DA, DY, DZ	1
60	412N1119-72		.	FILLER (USED ON ITEMS 40,40A)						M, R, DA, DM, DY, DZ	1
65	MS24665-132		.	PIN-COTTER (USED ON ITEMS 40,40A)						M, R, DA, DM, DY, DZ	1
70	MS20392-2C13		.	PIN (USED ON ITEMS 40,40A)						M, R, DA, DM, DY, DZ	1
75	AN960JD10L		.	WASHER (USED ON ITEMS 40,40A)						M, R, DA, DM, DY, DZ	1

-Item not Illustrated

# 25-28-49

ILLUSTRATED PARTS LIST

Page 1098.724

Mar 01/2006



## COMPONENT MAINTENANCE MANUAL

FIG/ ITEM	PART NUMBER	AIRLINE PART NUMBER	NOMENCLATURE	USAGE CODE	UNITS PER ASSY
30- 80	SP5604		. . ACTUATOR (V24403) (SPEC S412N104-1) (OPT SB113 (V24984)) (USED ON ITEMS 40,40A)	M, R, DA, DM, DY, DZ	1
85	BACB30NM3K8		. . BOLT (V06710) (SPEC BACB30NM3K8) (OPT BACB30NM3K8 (V06725)) (OPT BACB30NM3K8 (V06950)) (OPT BACB30NM3K8 (V08524)) (OPT BACB30NM3K8 (V27624)) (OPT BACB30NM3K8 (V56878)) (OPT BACB30NM3K8 (V73197)) (OPT BACB30NM3K8 (V80539)) (OPT BACB30NM3K8 (V92215)) (OPT BACB30NM3K8 (V93907)) (OPT BACB30NM3K8 (V97928))	M, R, DA, DM, DY, DZ	1
90	AN960JD10L		. . WASHER	M, R, DA, DM, DY, DZ	1
95	NAS43DD3-3		. . SPACER	M, R, DA, DM, DY, DZ	1
100	NAS43DD3-8		. . SPACER	M, R, DA, DM, DY, DZ	1
105	H2948-1		. . HINGE (V83014) (SPEC S412N102-1) (OPT H3-1155-1 (V34941)) (OPT H3-1155-31 (V34941)) (USED ON ITEM 40)	M, R, D,M	1
-105A	H2948-2		DELETED		
-105B	S417N102-17		DELETED		
-105C	S417N102-18		DELETED		
-105D	H3-1155-31		. . HINGE (V34941) (SPEC S412N102-1) (OPT H3-1155-1 (V34941)) (OPT H2948-1 (V83014)) (USED ON ITEM 40)	M, R, D,M	1

-Item not Illustrated

# 25-28-49

ILLUSTRATED PARTS LIST

Page 1098.725

Mar 01/2006



## COMPONENT MAINTENANCE MANUAL

FIG/ ITEM	PART NUMBER	AIRLINE PART NUMBER	NOMENCLATURE							USAGE CODE	UNITS PER ASSY	
			1	2	3	4	5	6	7			
30- -105E	H3-1155-31B		.	.							DA, DY, DZ	1
107	H2948-2		.	.							M, R, D,M	1
-107A	S417N102-18		DELETED									
-107B	H3-1155-32		.	.							M, R, D,M	1
-107C	H3-1155-32B		.	.							DA, DY, DZ	1
110	412N1156-18		.	.							M, R, D,M	1
-110A	412N1156-19		DELETED									
-110B	412N1156-38		.	.							DA, DY, DZ	1
-110C	412N1156-39		DELETED									
112	412N1156-19		.	.							M, R, D,M	1
-112A	412N1156-39		.	.							DA, DY, DZ	1
115	6041-3BR225		DELETED									
115A	6041-3BRX225		.	.	.						M, R, DA, DM, DY, DZ	1
120	412N1156-25		.	.	.						M, R, D,M	1
-120A	412N1156-40		.	.	.						DA, DY, DZ	1

-Item not Illustrated

# 25-28-49

ILLUSTRATED PARTS LIST

Page 1098.726

Mar 01/2006



## COMPONENT MAINTENANCE MANUAL

FIG/ ITEM	PART NUMBER	AIRLINE PART NUMBER	NOMENCLATURE							USAGE CODE	UNITS PER ASSY
			1	2	3	4	5	6	7		
30-											
-120B	412N1156-16		. . .	CHASSIS						M, R, D,M	1
				(USED ON ITEM 110)							
-120C	412N1156-36		. . .	CHASSIS						DA, DY, DZ	1
				(USED ON ITEM 110B)							
125	BACS12FA3K4		.	SCREW						M, R, DA, DM, DY, DZ	2
130	BACS12FA3K7		.	SCREW						M, R, DA, DM, DY, DZ	2
				(V06710)							
				(SPEC BACS12FA3K7)							
				(OPT BACS12FA3K7 (V06725))							
				(OPT BACS12FA3K7 (V06950))							
				(OPT BACS12FA3K7 (V27624))							
				(OPT BACS12FA3K7 (V34252))							
				(OPT BACS12FA3K7 (V56878))							
				(OPT BACS12FA3K7 (V73197))							
				(OPT BACS12FA3K7 (V80539))							
				(OPT BACS12FA3K7 (V85498))							
				(OPT BACS12FA3K7 (V92215))							
				(OPT BACS12FA3K7 (V93907))							
				(OPT BACS12FA3K7 (V97928))							
135	MS35333-39		.	WASHER						M, R, DA, DM, DY, DZ	4
140	412N1119-121		.	SPACER						M, R, DA, DM, DY, DZ	2
145	H3-1152-1		.	PLATE ASSY-STRIKER						M, R, DA, DM, DY, DZ	2
				(V34941)							
				(SPEC S412N101-1)							
150	412N1119-120		.	BUMPER ASSY						M, R, DA, DM, DY, DZ	2
155	NAS514P440-6		. .	SCREW						M, R, DA, DM, DY, DZ	1
160	AN960JD4L		. .	WASHER						M, R, DA, DM, DY, DZ	1
165	NAS620A8L		. .	WASHER						M, R, DA, DM, DY, DZ	1

-Item not Illustrated

# 25-28-49

ILLUSTRATED PARTS LIST

Page 1098.727

Mar 01/2006



## COMPONENT MAINTENANCE MANUAL

FIG/ ITEM	PART NUMBER	AIRLINE PART NUMBER	NOMENCLATURE							USAGE CODE	UNITS PER ASSY	
			1	2	3	4	5	6	7			
30- 170	MS21042L04		.	.							M, R, DA, DM, DY, DZ	1
175	412N1245-1		.	.							M, R, DA, DM, DY, DZ	1
180	412N1119-122		.	.							M, R, DA, DM, DY, DZ	1
185	BACB30NM6K2		.								M, R, DA, DM, DY	2
-190	BACB30NM6K2		.								DZ	2
195	MS21042L3		.								M, R, DA, DM, DY	2
-200	MS21042L3		.								DZ	2
205	BACS12ER08K14		.								M, R, DA, DM, DY	2
-210	BACS12ER08K14		.								DZ	2
215	AN960JD8		.								M, R, DA, DM, DY	2
-220	AN960JD8		.								DZ	2
225	MS21042L08		.								M, R, DA, DM, DY	2
-230	MS21042L08		.								DZ	2
235	412N1117-2		.								M, R, DA, DM, DY	1
-240	412N1117-1		.								DZ	1

-Item not Illustrated

# 25-28-49

ILLUSTRATED PARTS LIST

Page 1098.728

Mar 01/2006





## COMPONENT MAINTENANCE MANUAL

FIG/ ITEM	PART NUMBER	AIRLINE PART NUMBER	NOMENCLATURE							USAGE CODE	UNITS PER ASSY		
			1	2	3	4	5	6	7				
30- 245	BACS12FA3K5		.	S	C	R	W				M, R, DA, DM, DY, DZ	6	
250	412N1145-102		.	B	R	A	C	K	E	T	M, R, DA, DM, DY	1	
-255	412N1145-101		.	B	R	A	C	K	E	T	DZ	1	
260	412N1119-92		.	B	R	A	C	K	E	T	R, DA, DY	1	
-265	412N1119-91		.	B	R	A	C	K	E	T	DZ	1	
270	BACS12ER08K14		.	S	C	R	W				R, DA, DY, DZ	3	
275	AN960JD8		.	W	A	S	H	E	R		R, DA, DY, DZ	3	
280	MS21042L08		.	N	U	T					R, DA, DY, DZ	3	
285	412N1119-94		.	.	B	R	A	C	K	E	R	R, DA, DY	1
-290	412N1119-93		.	.	B	R	A	C	K	E	R	DZ	1

-Item not Illustrated

# 25-28-49

ILLUSTRATED PARTS LIST

Page 1098.729

Mar 01/2006



## COMPONENT MAINTENANCE MANUAL

FIG/ ITEM	PART NUMBER	AIRLINE PART NUMBER	NOMENCLATURE							USAGE CODE	UNITS PER ASSY	
			1	2	3	4	5	6	7			
30- 295	BACS12ER08K6		.	S	C	R	W				M, R, DA, DM, DY, DZ	2
				(V06710)	(SPEC BACS12ER08K6)	(OPT BACS12ER08K6 (V06725))	(OPT BACS12ER08K6 (V06950))	(OPT BACS12ER08K6 (V27624))	(OPT BACS12ER08K6 (V34252))	(OPT BACS12ER08K6 (V56878))		
				(OPT BACS12ER08K6 (V73197))	(OPT BACS12ER08K6 (V80539))	(OPT BACS12ER08K6 (V92215))	(OPT BACS12ER08K6 (V93907))	(OPT BACS12ER08K6 (V97928))				
300	BACS12ER06K8		.	S	C	R	W				M, R, DA, DM, DY, DZ	4
				(V06710)	(SPEC BACS12ER06K8)	(OPT BACS12ER06K8 (V06725))	(OPT BACS12ER06K8 (V06950))	(OPT BACS12ER06K8 (V27624))	(OPT BACS12ER06K8 (V34252))	(OPT BACS12ER06K8 (V56878))		
				(OPT BACS12ER06K8 (V73197))	(OPT BACS12ER06K8 (V80539))	(OPT BACS12ER06K8 (V92215))	(OPT BACS12ER06K8 (V93907))	(OPT BACS12ER06K8 (V97928))				
305	SL210-06-2		.	I	N	S	E	R	T		M, R, DA, DM, DY, DZ	4
				(V97393)								
310	NAS514P832-5		.	S	C	R	W				M, R, DA, DM, DY, DZ	4
315	SL210-08-1		.	I	N	S	E	R	T		M, R, DA, DM, DY, DZ	4
				(V97393)								
320	412N1153-153		.	L	A	T	C	H	A	S	M, R, D,M	1
-320A	412N1153-89		.	L	A	T	C	H	A	S	DA, DY	1
-320B	412N1153-90		.	L	A	T	C	H	A	S	DZ	1
325	412N1113-8		.	.	C	O	V	E	R		M, R, D,M	1
-325A	412N1113-14		.	.	C	O	V	E	R		DA, DY, DZ	1

-Item not Illustrated

# 25-28-49

ILLUSTRATED PARTS LIST

Page 1098.730

Mar 01/2006



## COMPONENT MAINTENANCE MANUAL

FIG/ ITEM	PART NUMBER	AIRLINE PART NUMBER	NOMENCLATURE							USAGE CODE	UNITS PER ASSY	
			1	2	3	4	5	6	7			
30-												
330	412N1113-7		. .							COVER	M, R, D,M	1
-330A	412N1113-13		. .							COVER	DA, DY, DZ	1
335	H3-1145-3-2060		. .							LATCH ASSY (V34941) (SPEC S412N101-3023)	M, R, DA, DM, DY	1
335A	H3-1145-2-2060		. .							LATCH ASSY (V34941) (SPEC S412N101-2023)	DZ	1
340	412N1146-7		. .							SUPPORT ASSY-BULLNOSE	M, R, DA, DM, DY	1
-340A	412N1146-168		. .							SUPPORT ASSY-BULLNOSE	DZ	1
345	BACR15DR3		. .							RIVET (SIZE DETERMINED ON INST)	M, R, DA, DM, DY, DZ	4
350	BRF100C08D		. .							NUTPLATE (V52828) (SPEC BACN10KB08CFD) (OPT F51604-08 (V15653)) (OPT 102F9207P82 (V72962)) (OPT F51604-08 (V15653))	M, R, DA, DM, DY, DZ	2
355	412N1146-27		. .							SUPPORT	M, R, DA, DM, DY	1
-355A	412N1146-170		. .							SUPPORT	DZ	1
360	412N1140-48SP		. .							DOOR ASSY	M, R, DA, DM, DY	1
-360A	412N1140-63SP		. .							DOOR ASSY	DZ	1
365	SL618-3A		. .							INSERT (V97393)	M, R, DA, DM, DY, DZ	8
370	65C27012-162		. .							BODY ASSY (FOR DETAILS SEE FIG. 33)	M, DM	1
-370A	65C27012-166		. .							BODY ASSY (FOR DETAILS SEE FIG. 33)	R	1
-370B	65C27012-219		. .							BODY ASSY (FOR DETAILS SEE FIG. 33)	DA	1

-Item not Illustrated

# 25-28-49

ILLUSTRATED PARTS LIST

Page 1098.731

Mar 01/2006



## COMPONENT MAINTENANCE MANUAL

FIG/ ITEM	PART NUMBER	AIRLINE PART NUMBER	NOMENCLATURE							USAGE CODE	UNITS PER ASSY
			1	2	3	4	5	6	7		
30- -370C	65C27012-631		. BODY ASSY (FOR DETAILS SEE FIG. 33)							DY	1
-370D	65C27012-630		. BODY ASSY (FOR DETAILS SEE FIG. 33)							DZ	1

-Item not Illustrated

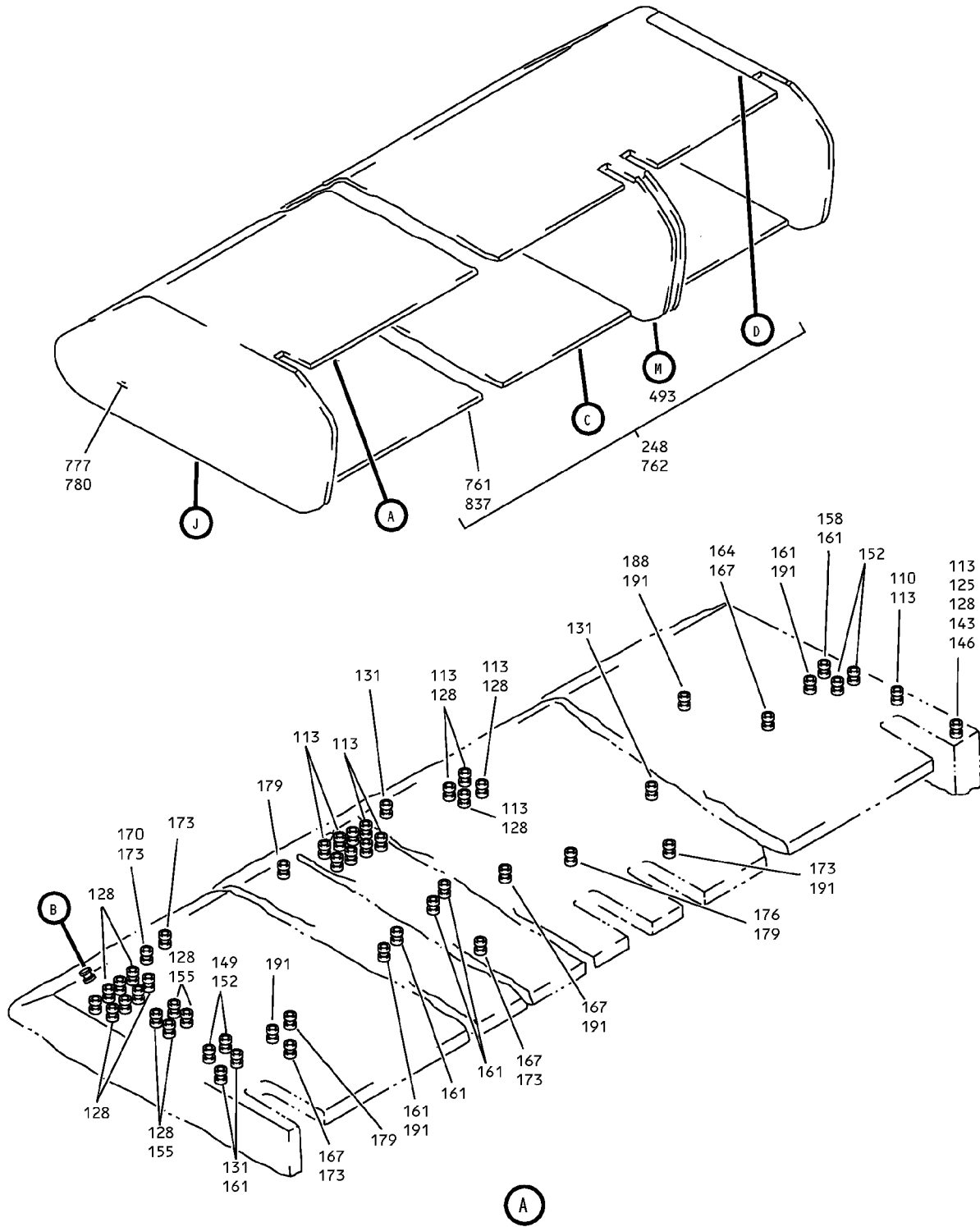
# 25-28-49

ILLUSTRATED PARTS LIST

Page 1098.732

Mar 01/2006

# COMPONENT MAINTENANCE MANUAL



Overhead Stowage Compartment Assembly  
IPL Figure 31 (Sheet 1 of 9)

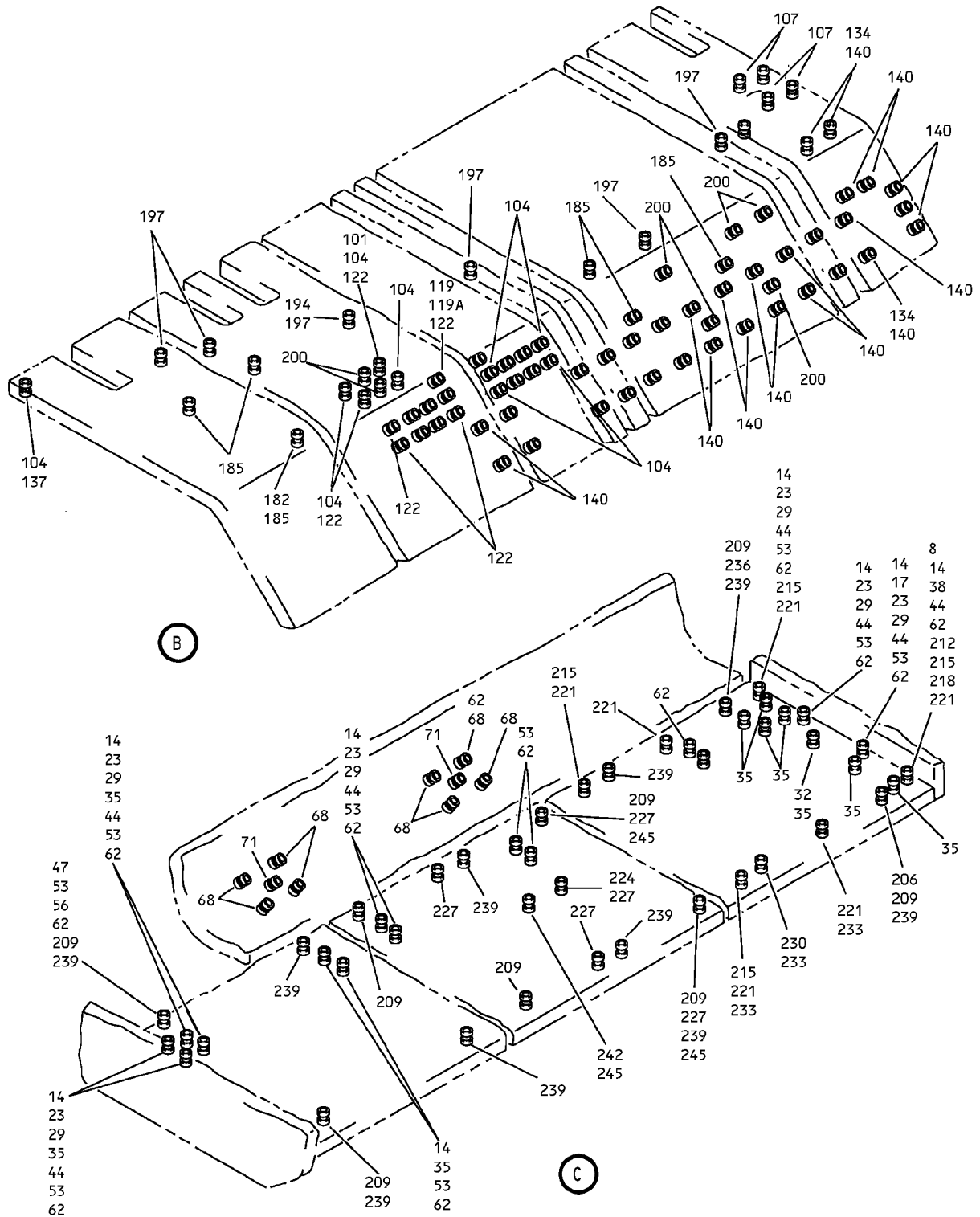
## 25-28-49

ILLUSTRATED PARTS LIST

Page 1098.733

Mar 01/2006

### COMPONENT MAINTENANCE MANUAL



Overhead Storage Compartment Assembly  
IPL Figure 31 (Sheet 2 of 9)

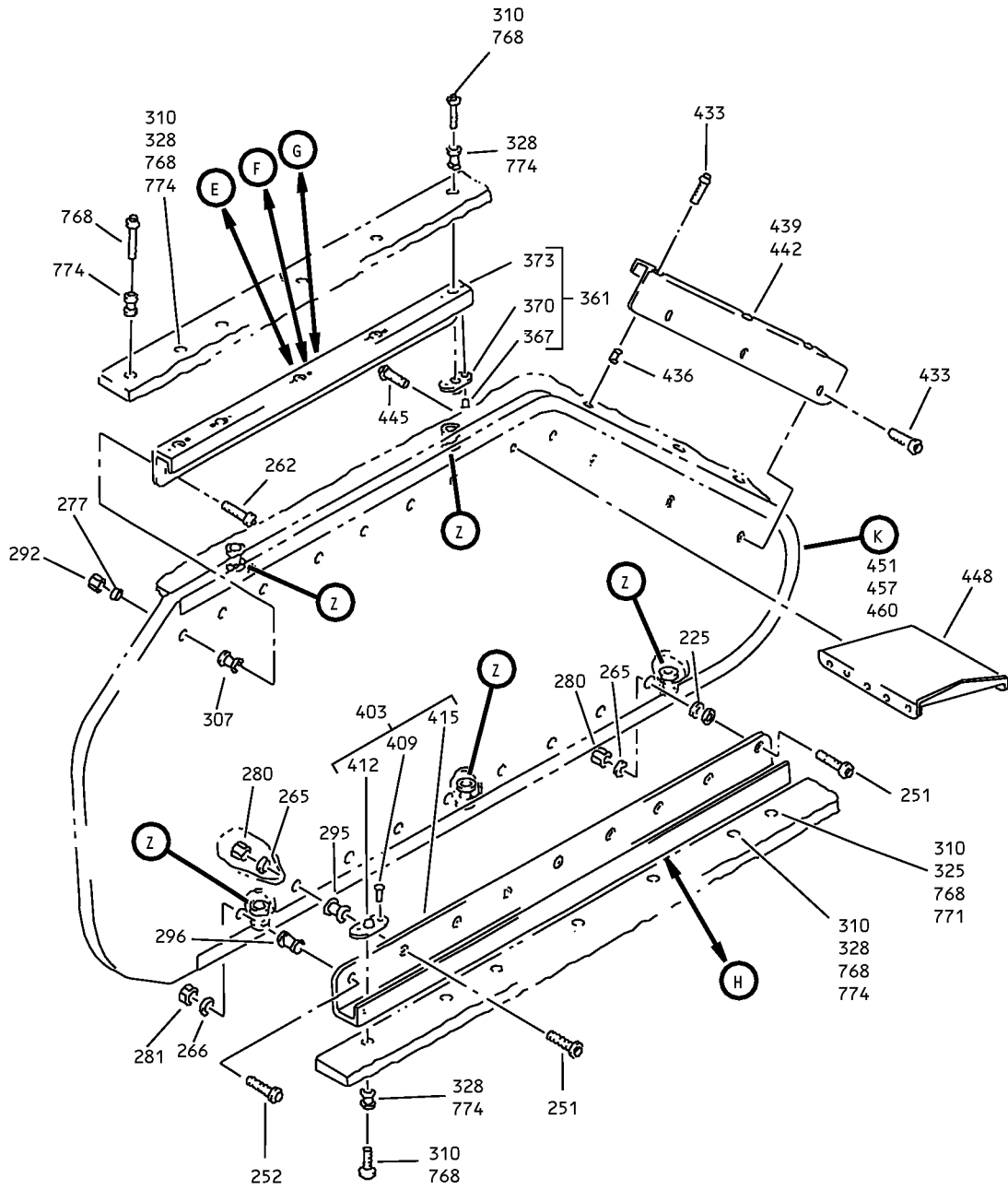
# 25-28-49

ILLUSTRATED PARTS LIST

Page 1098.734

Mar 01/2006

COMPONENT MAINTENANCE MANUAL



D

Overhead Storage Compartment Assembly  
IPL Figure 31 (Sheet 3 of 9)

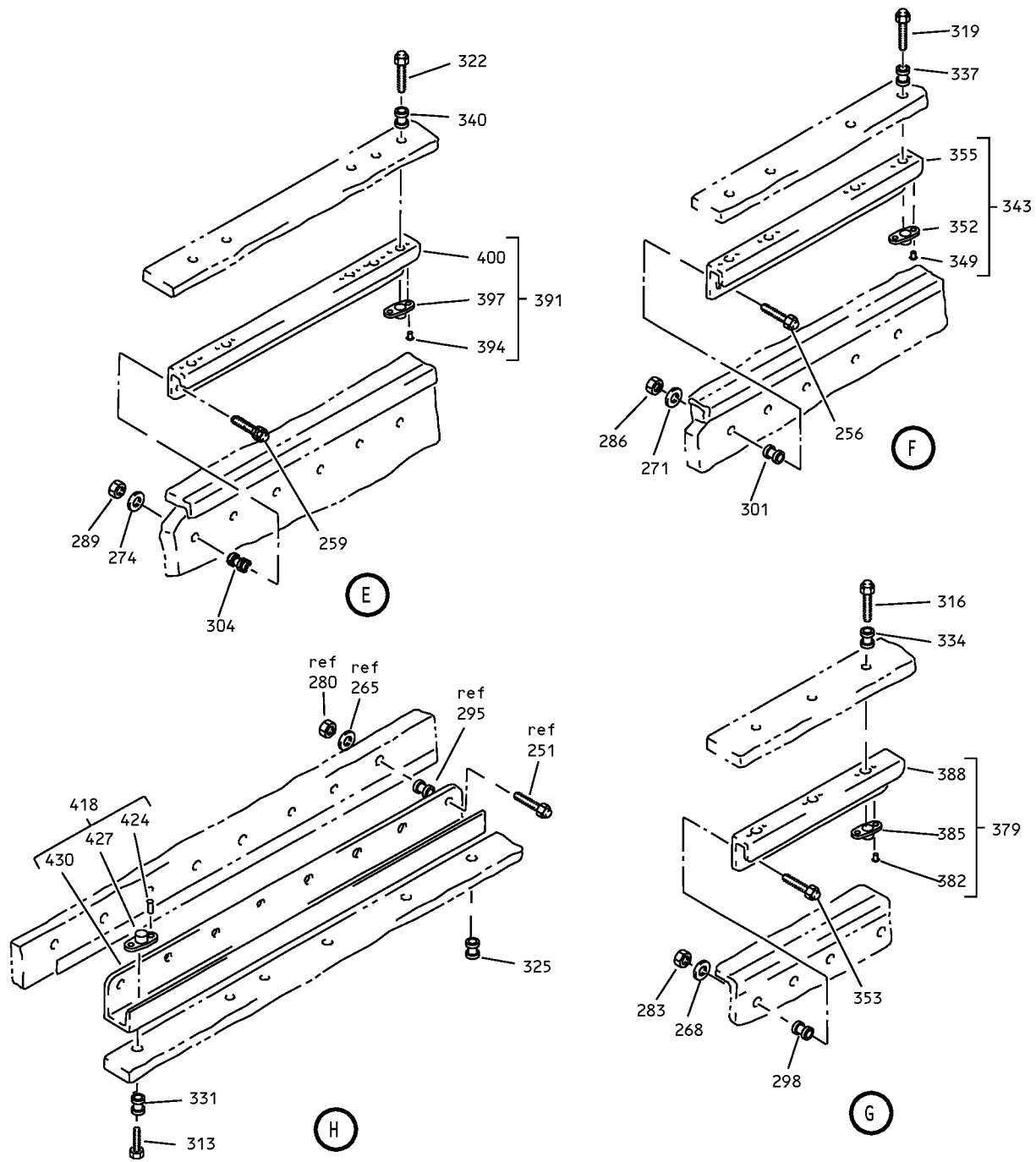
**25-28-49**

ILLUSTRATED PARTS LIST

Page 1098.735

Mar 01/2006

COMPONENT MAINTENANCE MANUAL



Overhead Storage Compartment Assembly  
IPL Figure 31 (Sheet 4 of 9)

**25-28-49**

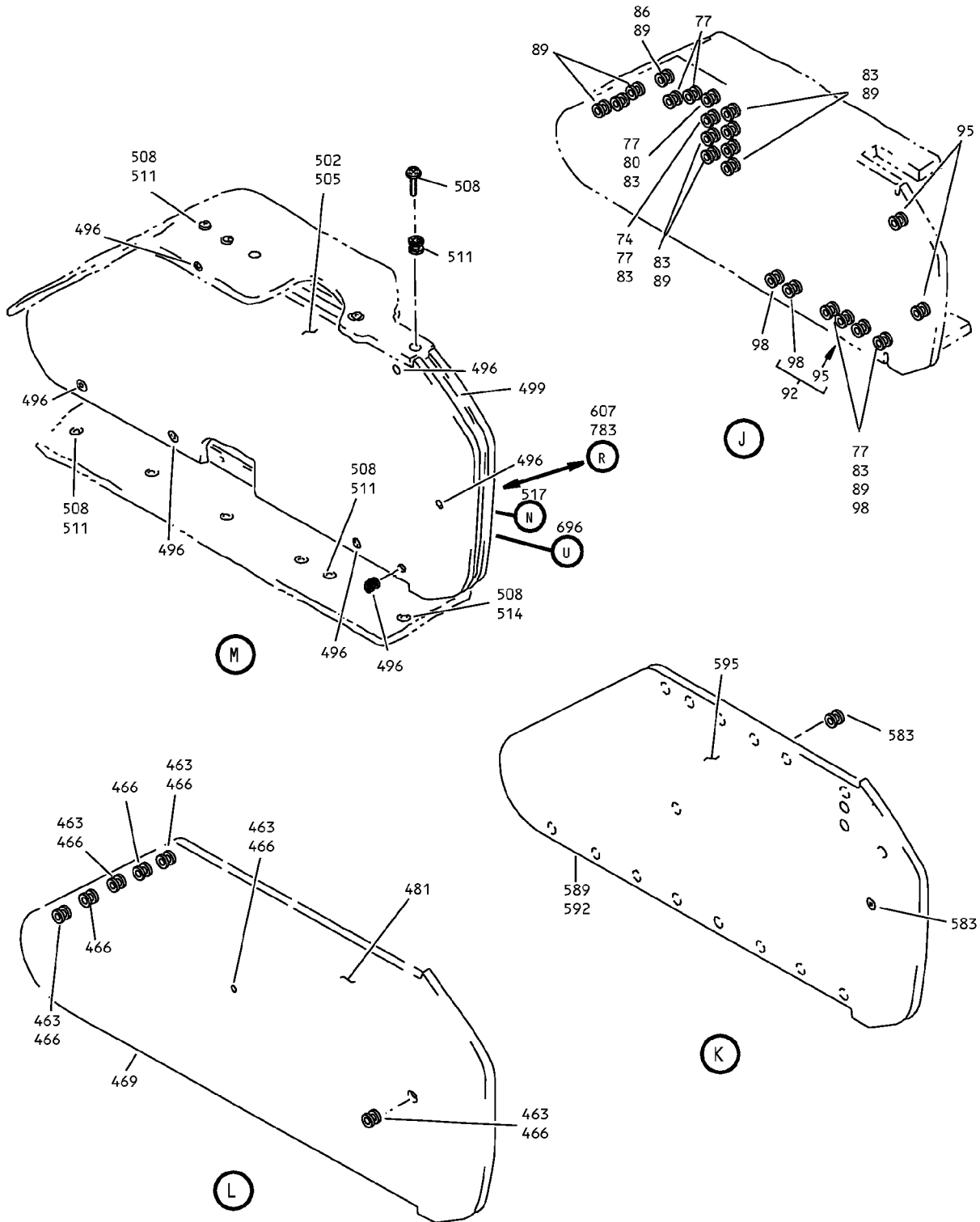
ILLUSTRATED PARTS LIST

Page 1098.736

Mar 01/2006



COMPONENT MAINTENANCE MANUAL



Overhead Stowage Compartment Assembly  
IPL Figure 31 (Sheet 5 of 9)

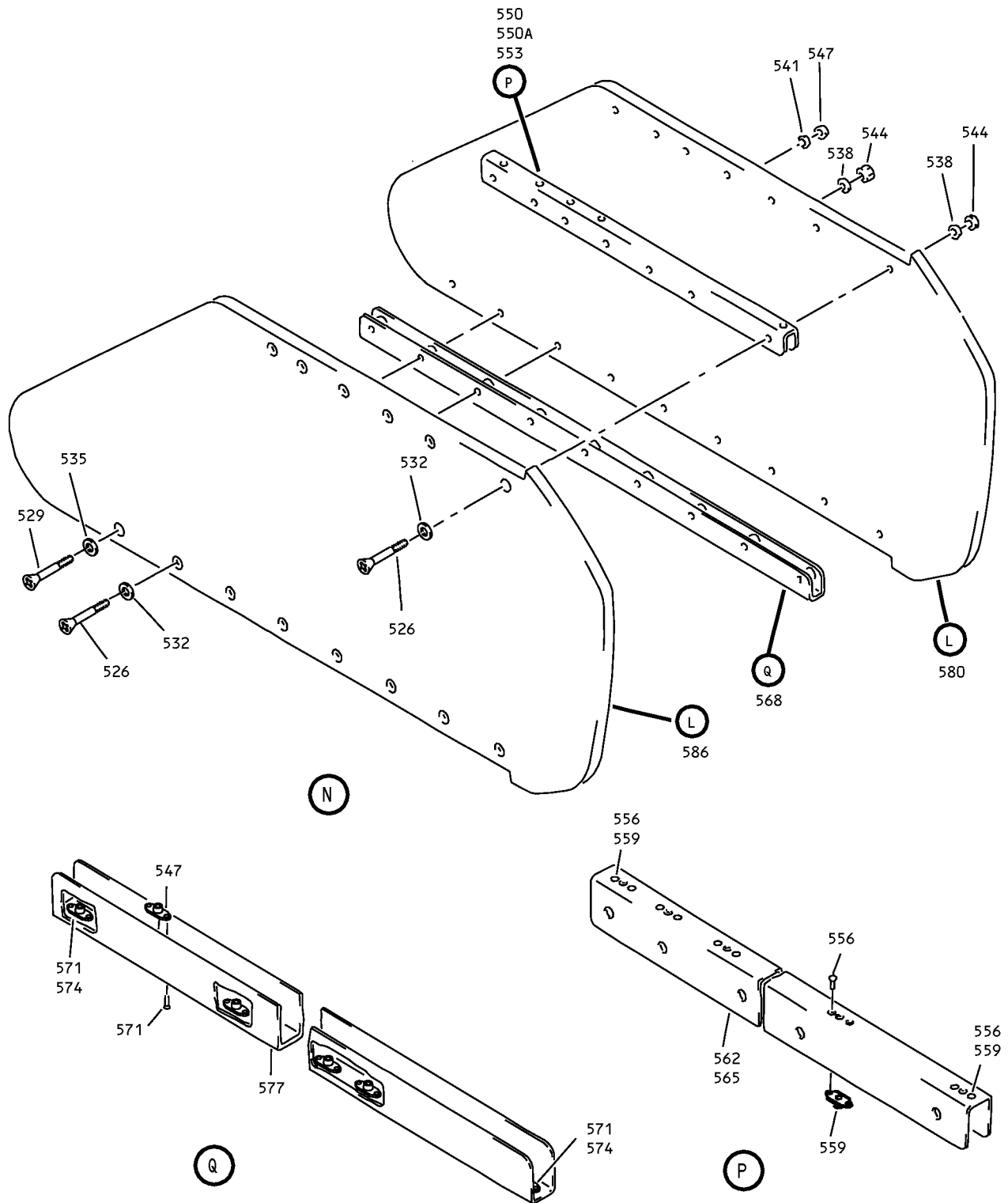
**25-28-49**

ILLUSTRATED PARTS LIST

Page 1098.737

Mar 01/2006

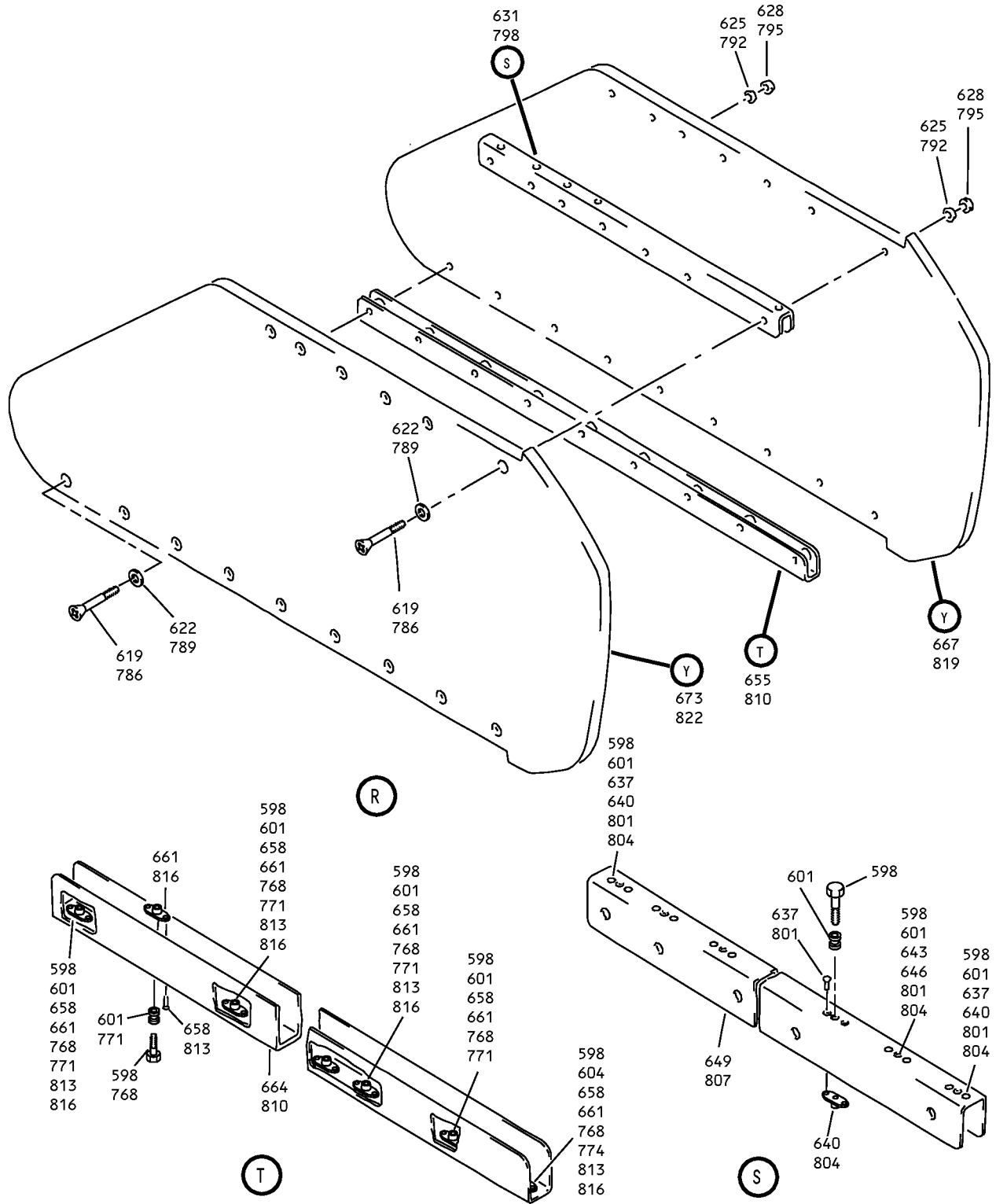
# COMPONENT MAINTENANCE MANUAL



Overhead Storage Compartment Assembly  
IPL Figure 31 (Sheet 6 of 9)

**25-28-49**  
ILLUSTRATED PARTS LIST  
Page 1098.738  
Mar 01/2006

# COMPONENT MAINTENANCE MANUAL



Overhead Storage Compartment Assembly  
IPL Figure 31 (Sheet 7 of 9)

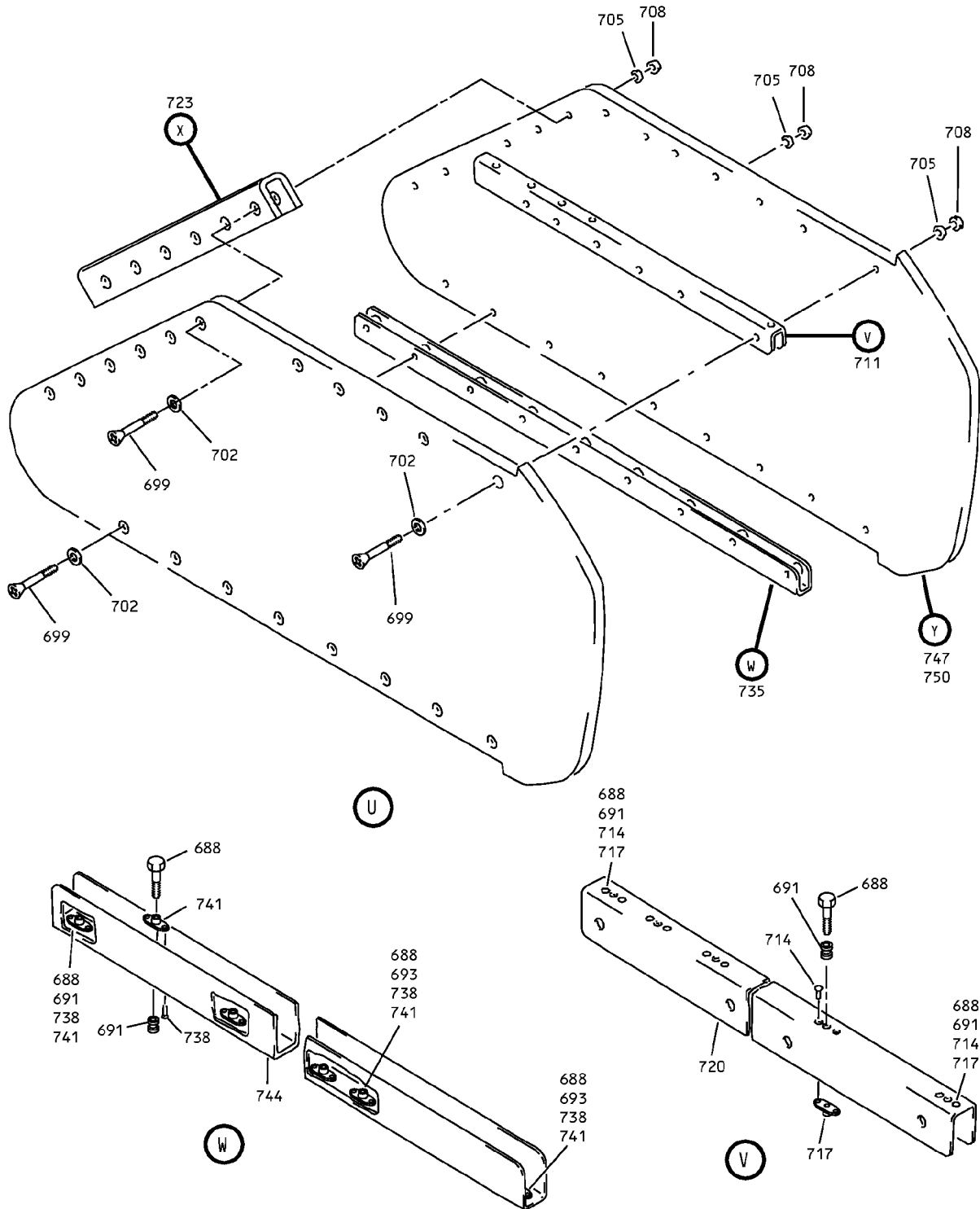
## 25-28-49

ILLUSTRATED PARTS LIST

Page 1098.739

Mar 01/2006

COMPONENT MAINTENANCE MANUAL



Overhead Stowage Compartment Assembly  
IPL Figure 31 (Sheet 8 of 9)

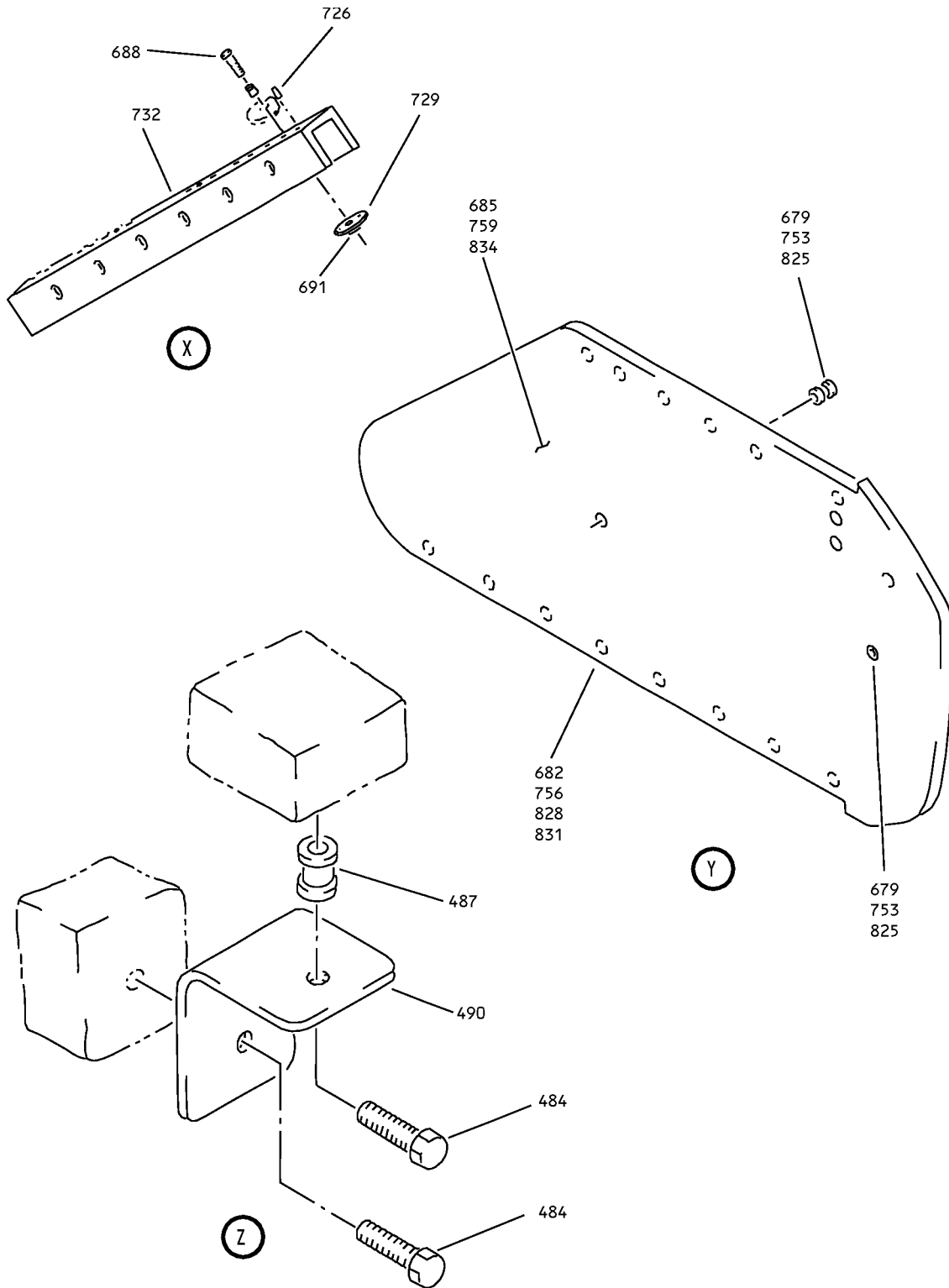
**25-28-49**

ILLUSTRATED PARTS LIST

Page 1098.740

Mar 01/2006

COMPONENT MAINTENANCE MANUAL



Overhead Stowage Compartment Assembly  
IPL Figure 31 (Sheet 9 of 9)

**25-28-49**

ILLUSTRATED PARTS LIST

Page 1098.741

Mar 01/2006



## COMPONENT MAINTENANCE MANUAL

FIG/ ITEM	PART NUMBER	AIRLINE PART NUMBER	NOMENCLATURE							USAGE CODE	UNITS PER ASSY
			1	2	3	4	5	6	7		
31-											
-1	65C27012-156									F, BM	RF
-1A	65C27012-160									K, BR	RF
-1B	65C27012-161									L, DL	RF
-1C	65C27012-172									X, BX	RF
-1D	65C27012-184									AJ	RF
-1E	65C27012-189									AN, CG	RF
-1F	65C27012-198									AX, CN	RF
-1G	65C27012-217									BH	RF
-1H	65C27012-229									DK	RF
-1J	65C27012-229									DELETED	
-1K	65C27012-661									EE	RF
-1L	65C27012-647									EN	RF
-1M	65C27012-644									EP, ET	RF
-5	65C27012-151									A	RF
-5A	65C27012-152									B, AP, BG, CH, CS, CY	RF
-5B	65C27012-152									DELETED	
-5C	65C27012-158									H, BP	RF
-5D	65C27012-159									J, BQ	RF
-5E	65C27012-177									AC	RF
-5F	65C27012-180									AE, CA	RF
-5G	65C27012-183									AH	RF
-5H	65C27012-185									AK, CD	RF
-5J	65C27012-188									AM, CF	RF
-5K	65C27012-195									AU, CK	RF
-5L	65C27012-196									AV, CL	RF
-5M	65C27012-199									AY, CP	RF
-5N	65C27012-204									AZ	RF
-5P	65C27012-210									CU	RF
-5Q	65C27012-211									CV	RF

-Item not Illustrated

# 25-28-49

ILLUSTRATED PARTS LIST

Page 1098.742

Mar 01/2006



## COMPONENT MAINTENANCE MANUAL

FIG/ ITEM	PART NUMBER	AIRLINE PART NUMBER	NOMENCLATURE							USAGE CODE	UNITS PER ASSY
			1	2	3	4	5	6	7		
31-											
-5R	65C27012-662									EF	RF
-5S	65C27012-646									EM	RF
-5T	65C27012-625									EQ, EU	RF
8	65C27012-1071									A, J, AY, BQ, CP, CV, EF, EM	1
-11	65C27012-1096									BH, DK	1
14	NAS1836-3-11									A, J, AY, BH, BQ, CP, CV, DK, EF, EM	12
17	65C27012-1072									B, AK, AP, AV, AZ, BG, CD, CH, CL, CS, CU, CY	1
-17A	65C27012-1077									H, BP	1
-20	65C27012-1084									X, BX, EP, ET	1
-20A	65C27012-1094									AU, CK, EQ, EU	1
23	NAS1836-3-11									B, X, AK, AP, AU, AV, AZ, BG, BX, CD, CH, CK, CL, CS, CU, CY, EP, EQ, ET, EU	9
-26	65C27012-1093									AX, CN	1
29	NAS1836-3-11									AX, CN	9
32	65C27012-1076									F, BM, EE	1
35	NAS1836-3-11									F, BM, EE	13

-Item not Illustrated

# 25-28-49

ILLUSTRATED PARTS LIST

Page 1098.743

Mar 01/2006



## COMPONENT MAINTENANCE MANUAL

FIG/ ITEM	PART NUMBER	AIRLINE PART NUMBER	NOMENCLATURE							USAGE CODE	UNITS PER ASSY		
			1	2	3	4	5	6	7				
31-													
38	65C27012-1078		.								PATTERN ASSY-INSERT	K, BR, EN	1
-41	65C27012-1088		.								PATTERN ASSY-INSERT	AE, CA	1
44	NAS1836-3-11		.	.							INSERT	K, AE, BR, CA, EN	10
47	65C27012-1081		.								PATTERN ASSY-INSERT	L, DL	1
-50	65C27012-1087		.								PATTERN ASSY-INSERT	AC	1
53	NAS1836-3-11		.	.							INSERT	L, AC, DL	14
56	65C27012-1090		.								PATTERN ASSY-INSERT	AH, AM, CF	1
-59	65C27012-1089		.								PATTERN ASSY-INSERT	AJ, AN, CG	1
62	NAS1836-3-11		.	.							INSERT	AH, AJ, AM, AN, CF, CG	17
65	65C27012-1109		.								PATTERN ASSY-INSERT	A, J, AY, BQ, CP, CV, EF, EM	1
-65A	65C27012-1104		.								PATTERN ASSY-INSERT	B, H, AK, AP, AV, AZ, BG, BP, CA, CD, CH, CL, CS, CU, CY	1
-65B	65C27012-1114		.								PATTERN ASSY-INSERT	AU, CK, EQ, EU	1
-65C	65C27012-1110		.								PATTERN ASSY-INSERT	F, X, AX, BM, BX, CN, EE, EP, ET	1
-65D	65C27012-1111		.								PATTERN ASSY-INSERT	K, BH, BR, DK, EN	1
-65E	65C27012-1132		.								PATTERN ASSY-INSERT	L, DL	1
-65F	65C27012-1134		.								PATTERN ASSY-INSERT	AN, CG	1

-Item not Illustrated

# 25-28-49

ILLUSTRATED PARTS LIST

Page 1098.744

Mar 01/2006





## COMPONENT MAINTENANCE MANUAL

FIG/ ITEM	PART NUMBER	AIRLINE PART NUMBER	NOMENCLATURE							USAGE CODE	UNITS PER ASSY
			1	2	3	4	5	6	7		
31-											
-65G	65C27012-1107		.							AC, AH	1
-65H	65C27012-1112		.							AJ	1
-65J	65C27012-1117		.							AM, CF	1
68	NAS1836-3-11		.	.						A, B, F, H-L, X, AC, AH- AK, AM- AP, AU, AV, AX- AZ, BG, BH, BM, BP, BQ, BR, BX, CA, CD, CF-CL, CN, CP, CS, DK, DL, EE, EF, EM- EQ, ET, EU	8
71	NAS1836-4-11		.	.						A, B, F, H-L, X, AC, AH- AK, AM- AP, AU, AV, AX- AZ, BG, BH, BM, BP, BQ, BR, BX, CA, CD, CF-CL, CN, CP, CS, DK, DL, EE, EF, EM- EQ, ET, EU	2

-Item not Illustrated

**25-28-49**

ILLUSTRATED PARTS LIST

Page 1098.745

Mar 01/2006



## COMPONENT MAINTENANCE MANUAL

FIG/ ITEM	PART NUMBER	AIRLINE PART NUMBER	NOMENCLATURE							USAGE CODE	UNITS PER ASSY	
			1	2	3	4	5	6	7			
31- 74	65C27012-1204		.								B, H, AE, AK, AP, AV, AZ, BG, BP, CA, CD, CH, CL, CS, CU, CY	1
-74A	65C27012-1208		.								A, J, AU, AY, BQ, CK, CP, CV, EF, EM, EQ, EU	1
-74B	65C27012-1207		.								F, K, X, AX, BH, BM, BR, BX, CN, DK, EE, EN, EP, ET	1
77	SL2334-3A2		.	.							A, B, F, H-K, X, AE, AK, AP, AU, AV, AX- AZ, BG, BH, BM, BP, BQ, BR, BX, CA, CD, CH-CK, CN, CP, CS, CU, CV, CY, DK, EE, EF, EM- EQ, ET, EU	8
80	65C27012-1213		.								L, DL	1
-80A	65C27012-1205		.								AC, AH	1
-80B	65C27012-1212		.								AJ	1

-Item not Illustrated

**25-28-49**

ILLUSTRATED PARTS LIST

Page 1098.746

Mar 01/2006



## COMPONENT MAINTENANCE MANUAL

FIG/ ITEM	PART NUMBER	AIRLINE PART NUMBER	NOMENCLATURE							USAGE CODE	UNITS PER ASSY	
			1	2	3	4	5	6	7			
31- 83	SL2334-3A2		.	.	INSERT (V97393)						L, AC, AH, AJ, DL	12
86	65C27012-1211		.		PATTERN ASSY-INSERT						AM, CF	1
-86A	65C27012-1226		.		PATTERN ASSY-INSERT						AN, CG	1
89	SL2334-3A2		.	.	INSERT (V97393)						AM, AN, CF, CG	14
92	65C27012-1228		.		PATTERN ASSY-INSERT						F, BM, EE	1
95	NAS1834-4-400		.	.	INSERT						F, BM, EE	2
98	SL2334-3A2		.	.	INSERT (V97393)						F, BM, EE	6
101	65C27012-1310		.		PATTERN ASSY-INSERT						A, J, AY, BQ, CP, EM	1
-101A	65C27012-1314		.		PATTERN ASSY-INSERT						H, AE, BP, CA	1
-101B	65C27012-1333		.		PATTERN ASSY-INSERT						K, BR, EN	1
-101C	65C27012-1353		.		PATTERN ASSY-INSERT						L, DL	1
104	NAS1836-3-11		.	.	INSERT						A, H-L, AE, AY, BP-BR, CA, CP, DL, EM, EN	13
107	SL2334-3A2		.	.	INSERT (V97393)						L, DL	4
110	65C27012-1312		.		PATTERN ASSY-INSERT						B, AP, AV, AZ, BG, CH, CL, CS, CU, CY, CU	1
-110A	65C27012-1359		.		PATTERN ASSY-INSERT						AK, CD	1
-110B	65C27012-1363		.		PATTERN ASSY-INSERT						CV, EF	1
-110C	65C27012-1364		.		PATTERN ASSY-INSERT						BH, DK	1
-110D	65C27012-1358		.		PATTERN ASSY-INSERT						AC	1

-Item not Illustrated

**25-28-49**

ILLUSTRATED PARTS LIST

Page 1098.747

Mar 01/2006



## COMPONENT MAINTENANCE MANUAL

FIG/ ITEM	PART NUMBER	AIRLINE PART NUMBER	NOMENCLATURE							USAGE CODE	UNITS PER ASSY	
			1	2	3	4	5	6	7			
31- 113	NAS1836-3-11		.	.	INSERT						B, AC, AK, AP, AV, AZ, BG, BH, CD, CH, CL, CS, CU, CV, CY, DK, EF	14
119	65C27012-1311		.		PATTERN ASSY-INSERT						F, X, AX, BM, BX, CN, EE, EP, ET	1
119A	65C27012-1317		.		PATTERN ASSY-INSERT						AU, CK, EQ, EU	1
122	NAS1836-3-11		.	.	INSERT						F, X, AU, AX, BM, BX, CK, CN, EE, EP, EQ	12
125	65C27012-1315		.		PATTERN ASSY-INSERT						AH	1
-125A	65C27012-1316		.		PATTERN ASSY-INSERT						AJ	1
128	NAS1836-3-11		.	.	INSERT						AH, AJ	17
131	SL2334-3A2		.	.	INSERT (V97393)						AH, AJ	4
134	65C27013-1324		.		PATTERN ASSY-INSERT						AM, CF	1
-134A	65C27013-1360		.		PATTERN ASSY-INSERT						AN, CG	1
137	NAS1836-3-11		.	.	INSERT						AM, AN, CF, CG	1
140	SL2334-3A2		.	.	INSERT (V97393)						AM, AN, CF, CG	31
143	65C27012-1361		.		PATTERN ASSY-INSERT						AM, CF	1
146	NAS1834-5-400		.	.	INSERT						AM, CF	1
149	65C27012-2010		.		PATTERN ASSY-INSERT						A, J, AY, BQ, CP, CV, EF, EM	1

-Item not Illustrated

**25-28-49**

ILLUSTRATED PARTS LIST

Page 1098.748

Mar 01/2006



## COMPONENT MAINTENANCE MANUAL

FIG/ ITEM	PART NUMBER	AIRLINE PART NUMBER	NOMENCLATURE							USAGE CODE	UNITS PER ASSY	
			1	2	3	4	5	6	7			
31- -149A	65C27012-2004		.								B, AK, AP, AV, AZ, CD, CH, CL, CS, CU, CY	1
-149B	65C27012-2064		.								F, BM, EE	1
-149C	65C27012-2007		.								H, AE, BP, CA	1
-149D	65C27012-2040		.								K, BR, EN	1
-149E	65C27012-2011		.								X, AX, BX, CN, EP, ET	1
-149F	65C27012-2018		.								AU, CK, EQ, EU	1
-149G	65C27012-2027		.								BH, DK	1
-149H	65C27012-2015		.								AH	1
-149J	65C27012-2016		.								AJ	1
-149K	65C27012-2067		.								AC	1
152	NAS1836-3-11		.	.							A, B, F, H-K, X, AC, AE, AH-AK, AP, AU, AV, AX- AZ, BH, BM-BQ, BR, BX, CA, CD, CH, CK, CL, CN, CP, CS, CU, CV, CY, DK, EE, EF, EM-EQ, ET, EU	4
155	SL2334-3A2		.	.							AC, AH, AJ	4

-Item not Illustrated

# 25-28-49

ILLUSTRATED PARTS LIST

Page 1098.749

Mar 01/2006



## COMPONENT MAINTENANCE MANUAL

FIG/ ITEM	PART NUMBER	AIRLINE PART NUMBER	NOMENCLATURE							USAGE CODE	UNITS PER ASSY
			1	2	3	4	5	6	7		
31-											
158	65C27012-2062		.							L, DL	1
-158A	65C27012-2023		.							AM, CF	1
-158B	65C27012-2068		.							AN, CG	1
161	NAS1836-3-11		.	.						L, AM, AN, CF, CG, DL	8
164	65C27012-2110		.							A, J, AY, BQ, CP, CV, EF, EM	1
-164A	65C27012-2112		.							H, AE, BP, CA	1
-164B	65C27012-2136		.							K, BR, EN	1
-164C	65C27012-2164		.							AC	1
-164D	65C27012-2123		.							BH, DK	1
167	NAS1836-3-11		.	.						A, H-K, AC, AE, AY, BH, BP-BR, CA, CP, CV, DK, EF, EM, EN	4
170	65C27012-2116		.							B, AK, AP, AV, AZ, CD, CH, CL, CS, CU, CY	1
173	NAS1836-3-11		.	.						B, AK, AP, AV, AZ, CD, CH, CL, CS, CU, CY	5
176	65C27012-2111		.							F, X, AX, BM, BX, CN, EE, EP, ET	1

-Item not Illustrated

# 25-28-49

ILLUSTRATED PARTS LIST

Page 1098.750

Mar 01/2006



## COMPONENT MAINTENANCE MANUAL

FIG/ ITEM	PART NUMBER	AIRLINE PART NUMBER	NOMENCLATURE	USAGE CODE	UNITS PER ASSY
31-					
-176A	65C27012-2120		. PATTERN ASSY-INSERT	AU, CK, EQ, EU	1
-176B	65C27012-2201		. PATTERN ASSY-INSERT	AC	1
179	NAS1836-3-11		. . INSERT	F, X, AC, AU, AX, BM, BX, CK, CN, EE, EP, EQ, ET, EU	3
182	65C27012-2162		. PATTERN ASSY-INSERT	L, DL	1
-182A	65C27012-2113		. PATTERN ASSY-INSERT	AH	1
185	NAS1836-3-11		. . INSERT	L, AH, DL	7
188	65C27012-2114		. PATTERN ASSY-INSERT	AJ	1
191	NAS1836-3-11		. . INSERT	AJ	6
194	65C27012-2167		. PATTERN ASSY-INSERT	AM, CF	1
-194A	65C27012-2166		. PATTERN ASSY-INSERT	AN, CG	1
197	NAS1836-3-11		. . INSERT	AM, AN, CF, CG	6
200	SL2334-3A2		. . INSERT (V97393)	AM, AN, CF, CG	7
-203	65C27012-3202		. PATTERN ASSY-INSERT	F, BM, EE	1
-204	NAS1833-3-400		. . INSERT	F, BM, EE	2
206	65C27012-4035		. PATTERN ASSY-INSERT	H, BP	1
-206A	65C27012-4036		. PATTERN ASSY-INSERT	AX, CN	1
209	NAS1833-3-400		. . INSERT	H, AX, BP, CN	8
212	65C27012-4037		. PATTERN ASSY-INSERT	AC	1
-212A	65C27012-4122		. PATTERN ASSY-INSERT	AH	1
-212B	65C27012-4125		. PATTERN ASSY-INSERT	CU	1
215	NAS1833-3-400		. . INSERT	AC, AH, CU	4
218	65C27012-4038		. PATTERN ASSY-INSERT	AH	1

-Item not Illustrated

# 25-28-49

ILLUSTRATED PARTS LIST

Page 1098.751

Mar 01/2006



## COMPONENT MAINTENANCE MANUAL

FIG/ ITEM	PART NUMBER	AIRLINE PART NUMBER	NOMENCLATURE							USAGE CODE	UNITS PER ASSY
			1	2	3	4	5	6	7		
31-											
221	NAS1833-3-400		.	.	INSERT					AH	6
224	65C27012-4026		.		PATTERN ASSY-INSERT					AJ	1
227	NAS1833-3-400		.	.	INSERT					AJ	5
230	65C27012-5002		.		PATTERN ASSY-INSERT					AM, CF	1
233	NAS1836-3-11		.	.	INSERT					AM, CF	3
236	65C27012-4033		.		PATTERN ASSY-INSERT					AV, AY, CL, CP, CU	1
-236A	65C27012-4034		.		PATTERN ASSY-INSERT					DK	1
239	NAS1833-3-400		.	.	INSERT					AV, AY, CL, CP, CU, DK	10
242	65C27012-4023		.		PATTERN ASSY-INSERT					AZ	1
245	NAS1833-3-400		.	.	INSERT					AZ	3
248	65C27327-141		.		BODY ASSY					A, AY, CP, CV	1
-248A	65C27327-142		.		BODY ASSY					B, AK, AP, AV, BG, CD, CH, CL, CS, CU, CY	1
-248B	65C27327-218		.		BODY ASSY					H, BP	1
-248C	65C27327-161		.		BODY ASSY					J, BQ	1
-248D	65C27327-162		.		BODY ASSY					K, BR	1
-248E	65C27327-163		.		BODY ASSY					L, DL	1
-248F	65C27327-191		.		BODY ASSY					X, BX	1
-248G	65C27327-197		.		BODY ASSY					AC	1
-248H	65C27327-202		.		BODY ASSY					AE, CA	1
-248J	65C27327-205		.		BODY ASSY					AH	1
-248K	65C27327-207		.		BODY ASSY					AJ	1
-248L	65C27327-214		.		BODY ASSY					AM, CF	1
-248M	65C27327-213		.		BODY ASSY					AN, CG	1
-248N	65C27327-223		.		BODY ASSY					AU, CK	1
-248P	65C27327-225		.		BODY ASSY					AX, CN	1

-Item not Illustrated

**25-28-49**

ILLUSTRATED PARTS LIST

Page 1098.752

Mar 01/2006





## COMPONENT MAINTENANCE MANUAL

FIG/ ITEM	PART NUMBER	AIRLINE PART NUMBER	NOMENCLATURE							USAGE CODE	UNITS PER ASSY
			1	2	3	4	5	6	7		
31-											
-248Q	65C27327-230		.	BODY	ASSY					AZ	1
-248R	65C27327-255		.	BODY	ASSY					BH	1
-248S	65C27327-273		.	BODY	ASSY					DK	1
-248T	65C27327-674		.	BODY	ASSY					EF	1
-248U	65C27327-660		.	BODY	ASSY					EP, ET	1
-248V	65C27327-687		.	BODY	ASSY					EM	1
-248W	65C27327-688		.	BODY	ASSY					EN	1
-248X	65C27327-657		.	BODY	ASSY					EQ, EU	1
251	BACB30NN3K6		.	BOLT						A, B, H- L, X, AC, AE, AH- AK, AM- AP, AU, AV, AX- AZ, BG, BH, BP- BR, BX, CA, CD, CF-CH, CK, CL, CN, CP, CS, CU, CV, CY, DK, DL, EF, EM- EQ, ET, EU	8
252	BACB30NN3K6		.	BOLT						A, J, K, X, AC, AH, AJ, AU, AX, AY, BH, BQ, BR, BX, CK, CN, CP, CV, DK, EF, EM- EQ, ET, EU	1

-Item not Illustrated

# 25-28-49

ILLUSTRATED PARTS LIST

Page 1098.753

Mar 01/2006



**COMPONENT MAINTENANCE MANUAL**

FIG/ ITEM	PART NUMBER	AIRLINE PART NUMBER	NOMENCLATURE							USAGE CODE	UNITS PER ASSY	
			1	2	3	4	5	6	7			
31- 253	BACB30NN3K6		.	.	B	O	L	T			H, AZ, BP	4
256	BACB30NN3K6		.	.	B	O	L	T			B, AE, AK, AM- AP, AV, CA, CD, CF-CH, CL, CS, CU, CY	5
259	BACB30NN3K6		.	.	B	O	L	T			L, DL	6

-Item not Illustrated

**25-28-49**

ILLUSTRATED PARTS LIST

Page 1098.754

Mar 01/2006



## COMPONENT MAINTENANCE MANUAL

FIG/ ITEM	PART NUMBER	AIRLINE PART NUMBER	NOMENCLATURE							USAGE CODE	UNITS PER ASSY	
			1	2	3	4	5	6	7			
31- 262	BACB30NN3K6		.	.	BOLT (V06710) (SPEC BACB30NN3K6) (OPT BACB30NN3K6 (V06725)) (OPT BACB30NN3K6 (V06950)) (OPT BACB30NN3K6 (V08524)) (OPT BACB30NN3K6 (V27624)) (OPT BACB30NN3K6 (V56878)) (OPT BACB30NN3K6 (V73197)) (OPT BACB30NN3K6 (V80539)) (OPT BACB30NN3K6 (V92215)) (OPT BACB30NN3K6 (V93907)) (OPT BACB30NN3K6 (V97928))						A, J, K, X, AC, AH, AJ, AU, AX, AY, BH, BQ, BR, BX, CK, CN, CP, CV, DK, EF, EM- EQ, ET, EU	7
265	AN960JD10LL		.	.	WASHER						A, B, H- L, X, AC, AE, AH- AK, AM- AP, AU, AV, AX- AZ, BG, BH, BP- BR, BX, CA, CD, CF-CH, CK, CL, CN, CP, CS, CU, CV, CY, DK, DL, EF, EM- EQ, ET, EU	8
266	AN960JD10LL		.	.	WASHER						A, J, K, X, AC, AH, AJ, AU, AX, AY, BH, BQ, BR, BX, CK, CN, CP, CV, DK, EF, EM- EQ, ET, EU	1
268	AN960JD10LL		.	.	WASHER						H, AZ, BP	4

-Item not Illustrated

# 25-28-49

ILLUSTRATED PARTS LIST

Page 1098.755

Mar 01/2006



## COMPONENT MAINTENANCE MANUAL

FIG/ ITEM	PART NUMBER	AIRLINE PART NUMBER	NOMENCLATURE							USAGE CODE	UNITS PER ASSY	
			1	2	3	4	5	6	7			
31- 271	AN960JD10LL		.	.							B, AE, AK, AM- AP, AV, CA, CD, CF-CH, CL, CS, CU, CY	5
274	AN960JD10LL		.	.							L, DL	6
277	AN960JD10LL		.	.							A, J, K, X, AC, AH, AJ, AU, AX, AY, BH, BQ, BR, BX, CK, CN, CP, CV, DK, EF, EM- EQ, ET, EU	7
280	MS21042L3		.	.							A, B, H- L, X, AC, AE, AH- AK, AM- AP, AU, AV, AX- AZ, BG, BH, BP- BR, BX, CA, CD, CF-CH, CK, CL, CN, CP, CS, CU, CV, CY, DK, DL, EF, EM- EQ, ET, EU	8

-Item not Illustrated

# 25-28-49

ILLUSTRATED PARTS LIST

Page 1098.756

Mar 01/2006



## COMPONENT MAINTENANCE MANUAL

FIG/ ITEM	PART NUMBER	AIRLINE PART NUMBER	NOMENCLATURE							USAGE CODE	UNITS PER ASSY	
			1	2	3	4	5	6	7			
31- 281	MS21042L3		.	.	NUT						A, J, K, X, AC, AH, AJ, AU, AX, AY, BH, BQ, BR, BX, CK, CN, CP, CV, DK, EF, EM- EQ, ET, EU	1
283	MS21042L3		.	.	NUT						H, AZ, BP	4
286	MS21042L3		.	.	NUT						B, AE, AK, AM- AP, AV, CA, CD, CF-CH, CL, CS, CU, CY	5
289	MS21042L3		.	.	NUT						L, DL	6
292	MS21042L3		.	.	NUT						A, J, K, X, AC, AH, AJ, AU, AX, AY, BH, BQ, BR, BX, CK, CN, CP, CV, DK, EF, EM- EQ, ET, EU	7

-Item not Illustrated

**25-28-49**

ILLUSTRATED PARTS LIST

Page 1098.757

Mar 01/2006



## COMPONENT MAINTENANCE MANUAL

FIG/ ITEM	PART NUMBER	AIRLINE PART NUMBER	NOMENCLATURE							USAGE CODE	UNITS PER ASSY	
			1	2	3	4	5	6	7			
31- 295	SL3378-3-380		.	.							A, B, H- L, X, AC, AE, AH- AK, AM- AP, AU, AV, AX- AZ, BG, BH, BP- BR, BX, CA, CD, CF-CH, CK, CL, CN, CP, CS, CU, CV, CY, DK, DL, EF, EM- EQ, ET, EU	8
296	SL3378-3-380		.	.							A, J, K, X, AC, AH, AJ, AU, AX, AY, BH, BQ, BR, BX, CK, CN, CP, CV, DK, EF, EM- EQ, ET, EU	1
298	SL3378-3-380		.	.							H, AZ, BP	4
301	SL3378-3-380		.	.							B, AE, AK, AM- AP, AV, CA, CD, CF-CH, CL, CS, CU, CY	5
304	SL3378-3-380		.	.							L, DL	6

-Item not Illustrated

# 25-28-49

ILLUSTRATED PARTS LIST

Page 1098.758

Mar 01/2006



## COMPONENT MAINTENANCE MANUAL

FIG/ ITEM	PART NUMBER	AIRLINE PART NUMBER	NOMENCLATURE							USAGE CODE	UNITS PER ASSY	
			1	2	3	4	5	6	7			
31- 307	SL3378-3-380		.	.	SLEEVE						A, J, K, X, AC, AH, AJ, AU, AX, AY, BH, BQ, BR, BX, CK, CN, CP, CV, DK, EF, EM- EQ, ET, EU	7
310	BACS12FA3K12		.	.	SCREW (V06710) (SPEC BACS12FA3K12) (OPT BACS12FA3K12 (V06725)) (OPT BACS12FA3K12 (V06950)) (OPT BACS12FA3K12 (V27624)) (OPT BACS12FA3K12 (V34252)) (OPT BACS12FA3K12 (V56878)) (OPT BACS12FA3K12 (V73197)) (OPT BACS12FA3K12 (V80539)) (OPT BACS12FA3K12 (V92215)) (OPT BACS12FA3K12 (V93907)) (OPT BACS12FA3K12 (V97928))						A, J, K, X, AC, AH, AJ, AU, AX, AY, BH, BQ, BR, BX, CK, CN, CP, CV, DK, EF, EM- EQ, ET, EU	11
313	BACS12FA3K12		.	.	SCREW (V06710) (SPEC BACS12FA3K12) (OPT BACS12FA3K12 (V06725)) (OPT BACS12FA3K12 (V06950)) (OPT BACS12FA3K12 (V27624)) (OPT BACS12FA3K12 (V34252)) (OPT BACS12FA3K12 (V56878)) (OPT BACS12FA3K12 (V73197)) (OPT BACS12FA3K12 (V80539)) (OPT BACS12FA3K12 (V92215)) (OPT BACS12FA3K12 (V93907)) (OPT BACS12FA3K12 (V97928))						B, H, L, AE, AK, AM-AP, AV, AZ, BG, BP, CA, CD, CF-CH, CS, CU, CY, DL	6

-Item not Illustrated

# 25-28-49

ILLUSTRATED PARTS LIST

Page 1098.759

Mar 01/2006



## COMPONENT MAINTENANCE MANUAL

FIG/ ITEM	PART NUMBER	AIRLINE PART NUMBER	NOMENCLATURE							USAGE CODE	UNITS PER ASSY	
			1	2	3	4	5	6	7			
31- 316	BACS12FA3K12		. .	SCREW							H, AZ, BP	3
				(V06710)								
				(SPEC BACS12FA3K12)								
				(OPT BACS12FA3K12 (V06725))								
				(OPT BACS12FA3K12 (V06950))								
				(OPT BACS12FA3K12 (V27624))								
				(OPT BACS12FA3K12 (V34252))								
				(OPT BACS12FA3K12 (V56878))								
				(OPT BACS12FA3K12 (V73197))								
				(OPT BACS12FA3K12 (V80539))								
				(OPT BACS12FA3K12 (V92215))								
				(OPT BACS12FA3K12 (V93907))								
				(OPT BACS12FA3K12 (V97928))								
319	BACS12FA3K12		. .	SCREW							B, AE, AK, AM- AP, AV, BG, CA, CD, CF- CH, CL, CS, CU, CY	4
				(V06710)								
				(SPEC BACS12FA3K12)								
				(OPT BACS12FA3K12 (V06725))								
				(OPT BACS12FA3K12 (V06950))								
				(OPT BACS12FA3K12 (V27624))								
				(OPT BACS12FA3K12 (V34252))								
				(OPT BACS12FA3K12 (V56878))								
				(OPT BACS12FA3K12 (V73197))								
				(OPT BACS12FA3K12 (V80539))								
				(OPT BACS12FA3K12 (V92215))								
				(OPT BACS12FA3K12 (V93907))								
				(OPT BACS12FA3K12 (V97928))								
322	BACS12FA3K12		. .	SCREW							L, DL	5
				(V06710)								
				(SPEC BACS12FA3K12)								
				(OPT BACS12FA3K12 (V06725))								
				(OPT BACS12FA3K12 (V06950))								
				(OPT BACS12FA3K12 (V27624))								
				(OPT BACS12FA3K12 (V34252))								
				(OPT BACS12FA3K12 (V56878))								
				(OPT BACS12FA3K12 (V73197))								
				(OPT BACS12FA3K12 (V80539))								
				(OPT BACS12FA3K12 (V92215))								
				(OPT BACS12FA3K12 (V93907))								
				(OPT BACS12FA3K12 (V97928))								

-Item not Illustrated

# 25-28-49

ILLUSTRATED PARTS LIST

Page 1098.760

Mar 01/2006





## COMPONENT MAINTENANCE MANUAL

FIG/ ITEM	PART NUMBER	AIRLINE PART NUMBER	NOMENCLATURE							USAGE CODE	UNITS PER ASSY	
			1	2	3	4	5	6	7			
31- 325	NAS1834-3-375		.	.	INSERT						A, B, H- L, X, AC, AE, AH- AK, AM- AP, AU, AV, AX- AZ, BG, BH, BP- BR, BX, CA, CD, CF-CH, CK, CL, CN, CP, CS, CU, CV, CY, DK, DL, EF, EM- EQ, ET, EU	1
328	NAS1834-3-400		.	.	INSERT						A, J, K, X, AC, AH, AJ, AU, AX, AY, BH, BQ, BR, BX, CK, CN, CP, CV, DK, EF, EM- EQ, ET, EU	11
331	NAS1834-3-400		.	.	INSERT						B, H, L, AE, AK, AM-AP, AV, AZ, BG, BP, CA, CD, CF-CH, CS, CU, CY, DL	5
334	NAS1834-3-400		.	.	INSERT						H, AZ, BP	3

-Item not Illustrated

# 25-28-49

ILLUSTRATED PARTS LIST

Page 1098.761

Mar 01/2006



## COMPONENT MAINTENANCE MANUAL

FIG/ ITEM	PART NUMBER	AIRLINE PART NUMBER	NOMENCLATURE							USAGE CODE	UNITS PER ASSY	
			1	2	3	4	5	6	7			
31- 337	NAS1834-3-400		.	.	INSERT						B, AE, AK, AM- AP, AV, BG, CA, CD, CF- CH, CL, CS, CU, CY	4
340	NAS1834-3-400		.	.	INSERT						L, DL	5
343	412N1217-58		.	.	BRACKET ASSY						AN, CG	1
-346	412N1217-57		.	.	BRACKET ASSY						B, AE, AK, AM, AP, AV, BG, CA, CD, CF, CH, CL, CS, CU, CY	1
349	BACR15BA3D		.	.	RIVET (SIZE DETERMINED ON INST)						B, AE, AK, AM- AP, AV, BG, CA, CD, CF, CG, CH, CL, CS, CU, CY	8
352	BRM200A3		.	.	NUTPLATE (V52828) (SPEC BACN10JP3A) (OPT MK1000-3BAC (V15653)) (OPT NS103197-02 (V80539)) (OPT RMA9201M3 (V72962)) (OPT T8076S1032 (V11815)) (OPT VN202A1-02 (V92215))						B, AE, AK, AM- AP, AV, BG, CA, CD, CF, CG, CH, CL, CS, CU, CY	4
355	412N1217-60		.	.	BRACKET						AN, CG	1
-358	412N1217-59		.	.	BRACKET						B, AE, AK, AM, AP, AV, BG, CA, CD, CF, CH, CL, CS, CU, CY	1

-Item not Illustrated

# 25-28-49

ILLUSTRATED PARTS LIST

Page 1098.762

Mar 01/2006



## COMPONENT MAINTENANCE MANUAL

FIG/ ITEM	PART NUMBER	AIRLINE PART NUMBER	NOMENCLATURE							USAGE CODE	UNITS PER ASSY	
			1	2	3	4	5	6	7			
31- 361	412N1217-62		.	.							A, J, K, X, AC, AE, AH, AJ, AU, AX, AY, BH, BQ, BR, BX, CK, CN, CP, CU, DK, EF, EM-EQ, ET, EU	1
-364	412N1217-61		.	.							A, J, K, X, AC, AE, AH, AJ, AU, AX, AY, BH, BQ, BR, BX, CK, CN, CP, CU, DK, EF, EM-EQ, ET, EU	1
367	BACR15BA3D		.	.	.						A, J, K, X, AC, AE, AH, AJ, AU, AX, AY, BH, BQ, BR, BX, CK, CN, CP, CU, DK, EF, EM-EQ, ET, EU	10

-Item not Illustrated

**25-28-49**

ILLUSTRATED PARTS LIST

Page 1098.763

Mar 01/2006



## COMPONENT MAINTENANCE MANUAL

FIG/ ITEM	PART NUMBER	AIRLINE PART NUMBER	NOMENCLATURE							USAGE CODE	UNITS PER ASSY	
			1	2	3	4	5	6	7			
31- 370	BRM200A3		. . .	NUTPLATE							A, J, K, X, AC, AE, AH, AJ, AU, AX, AY, BH, BQ, BR, BX, CK, CN, CP, CU, DK, EF, EM-EQ, ET, EU	5
				(V52828)								
				(SPEC BACN10JP3A)								
				(OPT MK1000-3BAC (V15653))								
				(OPT NS103197-02 (V80539))								
				(OPT RMA9201M3 (V72962))								
				(OPT T8076S1032 (V11815))								
				(OPT VN202A1-02 (V92215))								
373	412N1217-64		. . .	BRACKET							A, J, AC, AE, AH, AU, AY, BQ, CK, CP, CU, EF, EM, EQ, EU	1
-376	412N1217-63		. . .	BRACKET							K, X, AJ, AX, BH, BR, BX, CN, DK, EN, EP, ET	1
379	412N1217-97		. .	BRACKET ASSY							H, AZ, BP	1
382	BACR15BA3D		. . .	RIVET							H, AZ, BP	6
				(SIZE DETERMINED ON INST)								
385	BRM200A3		. . .	NUTPLATE							H, AZ, BP	3
				(V52828)								
				(SPEC BACN10JP3A)								
				(OPT MK1000-3BAC (V15653))								
				(OPT NS103197-02 (V80539))								
				(OPT RMA9201M3 (V72962))								
				(OPT T8076S1032 (V11815))								
				(OPT VN202A1-02 (V92215))								
388	412N1217-98		. . .	BRACKET							H, AZ, BP	1
391	412N1217-109		. .	BRACKET ASSY							L, DL	1
394	BACR15BA3D		. . .	RIVET							L, DL	10
				(SIZE DETERMINED ON INST)								

-Item not Illustrated

# 25-28-49

ILLUSTRATED PARTS LIST

Page 1098.764

Mar 01/2006



## COMPONENT MAINTENANCE MANUAL

FIG/ ITEM	PART NUMBER	AIRLINE PART NUMBER	NOMENCLATURE							USAGE CODE	UNITS PER ASSY
			1	2	3	4	5	6	7		
31- 397	BRM200A3		.	.	.	NUTPLATE (V52828) (SPEC BACN10JP3A) (OPT MK1000-3BAC (V15653)) (OPT NS103197-02 (V80539)) (OPT RMA9201M3 (V72962)) (OPT T8076S1032 (V11815)) (OPT VN202A1-02 (V92215))				L, DL	5
400	412N1217-111		.	.	.	BRACKET				L, DL	1
403	412N1217-113		.	.	BRACKET ASSY				K, X, AJ, AX, BH, BR, BX, CN, DK, EN, EP, ET	1	
-406	412N1217-114		.	.	BRACKET ASSY				A, J, AC, AE, AH, AU, AY, BQ, CK, CP, CU, EF, EM, EQ, EU	1	
409	BACR15BA3D		.	.	.	RIVET (SIZE DETERMINED ON INST)				A, J, K, X, AC, AE, AH, AJ, AU, AX, AY, BH, BQ, BR, BX, CK, CN, CP, CU, DK, EF, EM-EQ, ET, EU	14

-Item not Illustrated

# 25-28-49

ILLUSTRATED PARTS LIST

Page 1098.765

Mar 01/2006



## COMPONENT MAINTENANCE MANUAL

FIG/ ITEM	PART NUMBER	AIRLINE PART NUMBER	NOMENCLATURE							USAGE CODE	UNITS PER ASSY
			1	2	3	4	5	6	7		
31- 412	BRM200A3		.	.	.	NUTPLATE (V52828) (SPEC BACN10JP3A) (OPT MK1000-3BAC (V15653)) (OPT NS103197-02 (V80539)) (OPT RMA9201M3 (V72962)) (OPT T8076S1032 (V11815)) (OPT VN202A1-02 (V92215))				A, J, K, X, AC, AE, AH, AJ, AU, AX, AY, BH, BQ, BR, BX, CK, CN, CP, CU, DK, EF, EM-EQ, ET, EU	7
415	412N1217-115		.	.	.	BRACKET				K, X, AJ, AX, BH, BR, BX, CN, DK, EN, EP, ET	1
-415A	412N1217-116		.	.	.	BRACKET				A, J, AC, AE, AH, AU, AY, BQ, CK, CP, CU, EF, EM, EQ, EU	1
418	412N1217-117		.	.		BRACKET ASSY				L, AN, CG, DL	1
-421	412N1217-118		.	.		BRACKET ASSY				B, AE, AK, AM, AP, AV, AZ, BG, CA, CD, CF, CH, CL, CS, CU, CY	1
424	BACR15BA3D		.	.	.	RIVET (SIZE DETERMINED ON INST)				B, L, AE, AK, AM- AP, AV, AZ, BG, CA, CD, CF-CH, CL, CS, CU, CY, DLY	12

-Item not Illustrated

# 25-28-49

ILLUSTRATED PARTS LIST

Page 1098.766

Mar 01/2006



## COMPONENT MAINTENANCE MANUAL

FIG/ ITEM	PART NUMBER	AIRLINE PART NUMBER	NOMENCLATURE							USAGE CODE	UNITS PER ASSY	
			1	2	3	4	5	6	7			
31- 427	BRM200A3		.	.	.	NUTPLATE (V52828) (SPEC BACN10JP3A) (OPT MK1000-3BAC (V15653)) (OPT NS103197-02 (V80539)) (OPT RMA9201M3 (V72962)) (OPT T8076S1032 (V11815)) (OPT VN202A1-02 (V92215))					B, L, AE, AK, AM- AP, AV, AZ, BG, CA, CD, CF-CH, CL, CS, CU, CY, DLY	6
430	412N1217-119		.	.	.	BRACKET					L, AN, CG, DL	1
-430A	412N1217-120		.	.	.	BRACKET					B, L, AE, AK, AM, AP, AV, AZ, BG, CA, CD, CF, CH, CL, CS, CU, CY	1
433	BACS12FA3K5		.	.	SCREW (V06710) (SPEC BACS12FA3K5) (OPT BACS12FA3K5 (V06725)) (OPT BACS12FA3K5 (V06950)) (OPT BACS12FA3K5 (V27624)) (OPT BACS12FA3K5 (V34252)) (OPT BACS12FA3K5 (V56878)) (OPT BACS12FA3K5 (V73197)) (OPT BACS12FA3K5 (V80539)) (OPT BACS12FA3K5 (V92215)) (OPT BACS12FA3K5 (V93907)) (OPT BACS12FA3K5 (V97928))					A, B, J-L, X, AC, AE, AH- AK, AM- AP, AU, AV, AX, AY, BG, BQ, BR, BX, CA, CD, CF- CH, CK, CL, CN, CP, CS, CU, CV, CY, DK, DL, EF, EM-EQ, ET, EU	6	

-Item not Illustrated

# 25-28-49

ILLUSTRATED PARTS LIST

Page 1098.767

Mar 01/2006



## COMPONENT MAINTENANCE MANUAL

FIG/ ITEM	PART NUMBER	AIRLINE PART NUMBER	NOMENCLATURE							USAGE CODE	UNITS PER ASSY	
			1	2	3	4	5	6	7			
31- 436	NAS1836-3-11		.	.	INSERT						A, B, J-L, X, AC, AE, AH- AK, AM- AP, AU, AV, AX, AY, BG, BQ, BR, BX, CA, CD, CF- CH, CK, CL, CN, CP, CS, CU, CV, CY, DK, DL, EF, EM-EQ, ET, EU	3
439	412N1217-5		.	.	BRACKET						A, B, J-L, X, AC, AE, AH- AK, AM- AP, AU, AV, AX, AY, BG, BQ, BR, BX, CA, CD, CF- CH, CK, CL, CN, CP, CS, CU, CV, CY, DK, DL, EF, EM-EQ, ET, EU	1
442	412N1217-99		.	.	BRACKET						H, AZ, BP	1

-Item not Illustrated

# 25-28-49

ILLUSTRATED PARTS LIST

Page 1098.768

Mar 01/2006





## COMPONENT MAINTENANCE MANUAL

FIG/ ITEM	PART NUMBER	AIRLINE PART NUMBER	NOMENCLATURE							USAGE CODE	UNITS PER ASSY	
			1	2	3	4	5	6	7			
31- 445	BACS12FA3K5		. .	SCREW							H, BP	2
				(V06710)								
				(SPEC BACS12FA3K5)								
				(OPT BACS12FA3K5 (V06725))								
				(OPT BACS12FA3K5 (V06950))								
				(OPT BACS12FA3K5 (V27624))								
				(OPT BACS12FA3K5 (V34252))								
				(OPT BACS12FA3K5 (V56878))								
				(OPT BACS12FA3K5 (V73197))								
				(OPT BACS12FA3K5 (V80539))								
				(OPT BACS12FA3K5 (V92215))								
				(OPT BACS12FA3K5 (V93907))								
				(OPT BACS12FA3K5 (V97928))								
448	412N1217-100		. .	BRACKET							H, BP	1
451	412N1116-74		. .	PANEL ASSY-END							AN, CG	1
-451A	412N1116-76		. .	PANEL ASSY-END							K, X, AJ, AX, BH, BR, BX, CN, DK, EN, EP, ET	1
-451B	412N1116-626		. .	PANEL ASSY-END							EN, EP, ET	1
-454	412N1116-73		. .	PANEL ASSY-END							B, AE, AK, AM, AP, AV, BG, CA, CD, CF, CH, CL, CS, CU, CY	1
-454A	412N1116-75		. .	PANEL ASSY-END							A, J, AC, AE, AH, AU, AY, BQ, CK, CP, CU	1
-454B	412N1116-625		. .	PANEL ASSY-END							EF, EM, EQ, EU	1
457	412N1116-102		. .	PANEL ASSY-END							H, AZ, BP	1
460	412N1116-112		. .	PANEL ASSY-END							L, DL	1

-Item not Illustrated

# 25-28-49

ILLUSTRATED PARTS LIST

Page 1098.769

Mar 01/2006



## COMPONENT MAINTENANCE MANUAL

FIG/ ITEM	PART NUMBER	AIRLINE PART NUMBER	NOMENCLATURE							USAGE CODE	UNITS PER ASSY	
			1	2	3	4	5	6	7			
31- 463	NAS1836-3-11		.	.	.	INSERT					A, B, J-L, X, AC, AE, AH- AK, AM- AP, AU, AV, AX, AY, BG, BH, BQ, BR, BX, CA, CD, CF-CH, CK, CL, CN, CP, CS, CU, CV, CY, DK, DL, EF, EM- EQ, ET, EU	5
466	NAS1836-3-11		.	.	.	INSERT					H, AZ, BP	7
469	412N1116-94		.	.	.	PANEL ASSY					AN, CG	1
-469A	412N1116-18		.	.	.	PANEL ASSY					K, X, AJ, AX, BH, BR, BX, CN, DK	1
-469B	412N1116-632		.	.	.	PANEL ASSY					EN, EP, ET	1
-472	412N1116-93		.	.	.	PANEL ASSY					B, AE, AK, AM, AP, AV, BG, CA, CD, CF, CH, CL, CS, CU, CY	1
-472A	412N1116-17		.	.	.	PANEL ASSY					A, J, AC, AE, AH, AU, AY, BQ, CK, CP, CV	1
-472B	412N1116-625		.	.	.	PANEL ASSY					EF, EM, EQ, EU	1

-Item not Illustrated

**25-28-49**

ILLUSTRATED PARTS LIST

Page 1098.770

Mar 01/2006



## COMPONENT MAINTENANCE MANUAL

FIG/ ITEM	PART NUMBER	AIRLINE PART NUMBER	NOMENCLATURE							USAGE CODE	UNITS PER ASSY
			1	2	3	4	5	6	7		
31-											
-475	412N1116-20									L, DL	1
-478	412N1116-103									H, AZ, BP	1
481	412N1116-22									A, B, H- L, X, AC, AE, AH- AK, AM- AP, AU, AV, AX, AY, BG, BH, BP- BR, BX, CA, CD, CF-CH, CK, CL, CN, CP, CS, CU, CV, CY, DK, DL, EF, EM- EQ, ET, EU	1
484	BACS12FA3K6									J, AJ, AM, BQ, CF, DK, EM	10
487	NAS1833-3-400									J, AJ, AM, BQ, CF, DK, EM	5
490	412N1145-33									J, AJ, AM, BQ, CF, DK, EM	5
493	412N1116-77									AM, CF	1

-Item not Illustrated

# 25-28-49

ILLUSTRATED PARTS LIST

Page 1098.771

Mar 01/2006



## COMPONENT MAINTENANCE MANUAL

FIG/ ITEM	PART NUMBER	AIRLINE PART NUMBER	NOMENCLATURE							USAGE CODE	UNITS PER ASSY
			1	2	3	4	5	6	7		
31-											
-493A	412N1116-91		.	.	PANEL ASSY-DIVIDER					J, BQ, EM	1
-493B	412N1116-110		.	.	PANEL ASSY-DIVIDER					DK	1
496	NAS1836-3-11		.	.	INSERT					J, AM, BQ, CF, DK, EM	7
499	412N1118-3		.	.	TRIM					J, AM, BQ, CF, DK, EM	1
502	412N1116-78		.	.	PANEL ASSY					AM, CF	1
-502A	412N1116-30		.	.	PANEL ASSY					J, BQ, DK, EM	1
505	412N1116-22		.	.	COVER-DECORATIVE					J, AM, BQ, CF, DK, EM	1
508	BACS12FA3K12		.	.	SCREW (V06710) (SPEC BACS12FA3K12) (OPT BACS12FA3K12 (V06725)) (OPT BACS12FA3K12 (V06950)) (OPT BACS12FA3K12 (V27624)) (OPT BACS12FA3K12 (V34252)) (OPT BACS12FA3K12 (V56878)) (OPT BACS12FA3K12 (V73197)) (OPT BACS12FA3K12 (V80539)) (OPT BACS12FA3K12 (V92215)) (OPT BACS12FA3K12 (V93907)) (OPT BACS12FA3K12 (V97928))					B, H, L, AE, AK, AP, AV, AZ, BG, BP, CA, CD, CH, CL, CS, CU, CY, DLY	11
511	NAS1834-4-400		.	.	INSERT					B, H, L, AE, AK, AP, AV, AZ, BG, BP, CA, CD, CH, CL, CS, CU, CY, DLY	10

-Item not Illustrated

**25-28-49**

ILLUSTRATED PARTS LIST

Page 1098.772

Mar 01/2006



## COMPONENT MAINTENANCE MANUAL

FIG/ ITEM	PART NUMBER	AIRLINE PART NUMBER	NOMENCLATURE							USAGE CODE	UNITS PER ASSY	
			1	2	3	4	5	6	7			
31- 514	NAS1834-4-380		.	.	INSERT						B, H, L, AE, AK, AP, AV, AZ, BG, BP, CA, CD, CH, CL, CS, CU, CY, DLY	1
517	412N1216-49		.	.	PANEL ASSY-DIVIDER						B, AK, AP, AV, AZ, BG, CD, CH, CL, CS, CU, CY	1
-520	412N1216-52		.	.	PANEL ASSY-DIVIDER						L, DL	1
-523	412N1216-63		.	.	PANEL ASSY-DIVIDER						H, AE, BP, CA	1
526	BACB30NN3K1		.	.	. BOLT (V06710) (SPEC BACB30NN3K1) (OPT BACB30NN3K1 (V06725)) (OPT BACB30NN3K1 (V06950)) (OPT BACB30NN3K1 (V08524)) (OPT BACB30NN3K1 (V27624)) (OPT BACB30NN3K1 (V56878)) (OPT BACB30NN3K1 (V73197)) (OPT BACB30NN3K1 (V80539)) (OPT BACB30NN3K1 (V92215)) (OPT BACB30NN3K1 (V93907)) (OPT BACB30NN3K1 (V97928))						B, H, L, AE, AK, AP, AV, AZ, BG, BP, CA, CD, CH, CL, CS, CU, CY, DLY	13
529	BACB30NN3K1		.	.	. BOLT (V06710) (SPEC BACB30NN3K1) (OPT BACB30NN3K1 (V06725)) (OPT BACB30NN3K1 (V06950)) (OPT BACB30NN3K1 (V08524)) (OPT BACB30NN3K1 (V27624)) (OPT BACB30NN3K1 (V56878)) (OPT BACB30NN3K1 (V73197)) (OPT BACB30NN3K1 (V80539)) (OPT BACB30NN3K1 (V92215)) (OPT BACB30NN3K1 (V93907)) (OPT BACB30NN3K1 (V97928))						L, DL	1

-Item not Illustrated

# 25-28-49

ILLUSTRATED PARTS LIST

Page 1098.773

Mar 01/2006



## COMPONENT MAINTENANCE MANUAL

FIG/ ITEM	PART NUMBER	AIRLINE PART NUMBER	NOMENCLATURE							USAGE CODE	UNITS PER ASSY	
			1	2	3	4	5	6	7			
31- 532	BACW10CT10		.	.	.	WASHER (V10630) (SPEC BACW10CT10)					B, H, L, AE, AK, AP, AV, AZ, BG, BP, CA, CD, CH, CL, CS, CU, CY, DLY	13
535	BACW10CT10		.	.	.	WASHER (V10630) (SPEC BACW10CT10)					L, DL	1
538	AN960JD516L		.	.	.	WASHER					B, H, L, AE, AK, AP, AV, AZ, BG, BP, CA, CD, CH, CL, CS, CU, CY, DLY	13
541	AN960JD516L		.	.	.	WASHER					L, DL	1
544	SL5-3-145S		.	.	.	NUT (V97393) (OPT ITEM 544A)					B, H, L, AE, AK, AP, AV, AZ, BG, BP, CA, CD, CH, CL, CS, CU, CY, DLY	13
-544A	K121D395-145		.	.	.	NUT (V29372) (OPT ITEM 544)					B, H, L, AE, AK, AP, AV, AZ, BG, BP, CA, CD, CH, CL, CS, CU, CY, DLY	13
547	SL5-3-145S		.	.	.	NUT (V97393) (OPT ITEM 547A)					L, DL	1

-Item not Illustrated

# 25-28-49

ILLUSTRATED PARTS LIST

Page 1098.774

Mar 01/2006



## COMPONENT MAINTENANCE MANUAL

FIG/ ITEM	PART NUMBER	AIRLINE PART NUMBER	NOMENCLATURE							USAGE CODE	UNITS PER ASSY	
			1	2	3	4	5	6	7			
31- -547A	K121D395-145		.	.	.	NUT (V29372) (OPT ITEM 547)					L, DL	1
550	412N1217-49		.	.	.	BRACKET ASSY					B, AK, AP, AV, AZ, BG, CD, CH, CL, CS, CU, CY	1
550A	412N1217-91		.	.	.	BRACKET ASSY					H, AE, BP, CA	1
553	412N1217-71		.	.	.	BRACKET ASSY					L, DL	1
556	BACR15BA3D		.	.	.	.	RIVET (SIZE DETERMINED ON INST)				B, H, L, AE, AK, AP, AV, AZ, BG, BP, CA, CD, CH, CL, CS, CU, CY, DLY	10
559	BRM200A3		.	.	.	.	NUTPLATE (V52828) (SPEC BACN10JP3A) (OPT MK1000-3BAC (V15653)) (OPT NS103197-02 (V80539)) (OPT RMA9201M3 (V72962)) (OPT T8076S1032 (V11815)) (OPT VN202A1-02 (V92215))				B, H, L, AE, AK, AP, AV, AZ, BG, BP, CA, CD, CH, CL, CS, CU, CY, DLY	5
562	412N1217-50		.	.	.	.	BRACKET				B, AK, AP, AV, AZ, BG, CD, CH, CL, CS, CU, CY	1
-562A	412N1217-92		.	.	.	.	BRACKET				H, AE, BP, CA	1
565	412N1217-72		.	.	.	.	BRACKET				L, DL	1

-Item not Illustrated

**25-28-49**

ILLUSTRATED PARTS LIST

Page 1098.775

Mar 01/2006



## COMPONENT MAINTENANCE MANUAL

FIG/ ITEM	PART NUMBER	AIRLINE PART NUMBER	NOMENCLATURE							USAGE CODE	UNITS PER ASSY	
			1	2	3	4	5	6	7			
31- 568	412N1217-123		.	.	.						B, H, L, AE, AK, AP, AV, AZ, BG, BP, CA, CD, CH, CL, CS, CU, CY, DLY	1
571	BACR15BA3D		.	.	.	.					B, H, L, AE, AK, AP, AV, AZ, BG, BP, CA, CD, CH, CL, CS, CU, CY, DLY	12
574	BRM200A3		.	.	.	.					B, H, L, AE, AK, AP, AV, AZ, BG, BP, CA, CD, CH, CL, CS, CU, CY, DLY	6
577	412N1217-124		.	.	.	.					B, H, L, AE, AK, AP, AV, AZ, BG, BP, CA, CD, CH, CL, CS, CU, CY, DLY	1
580	412N1116-70		.	.	.						B, H, AE, AK, AP, AV, AZ, BG, BP, CA, CD, CH, CL, CS, CU, CY	1
-580A	412N1116-55		.	.	.						L, DL	1

-Item not Illustrated

# 25-28-49

ILLUSTRATED PARTS LIST

Page 1098.776

Mar 01/2006





## COMPONENT MAINTENANCE MANUAL

FIG/ ITEM	PART NUMBER	AIRLINE PART NUMBER	NOMENCLATURE							USAGE CODE	UNITS PER ASSY
			1	2	3	4	5	6	7		
31- 583	NAS1836-3-11		.	.	.	.	INSERT			B, H, L, AE, AK, AP, AV, AZ, BG, BP, CA, CD, CH, CL, CS, CU, CY, DLY	2
586	412N1116-67		.	.	.	PANEL ASSY-DIVIDER				B, H, AE, AK, AP, AV, AZ, BG, BP, CA, CD, CH, CL, CS, CU, CY	1
-586A	412N1116-54		.	.	.	PANEL ASSY-DIVIDER				L, DL	1
589	412N1116-93		.	.	.	PANEL ASSY				B, H, AE, AK, AP, AV, AZ, BG, BP, CA, CD, CH, CL, CS, CU, CY	1
-589A	412N1116-20		.	.	.	PANEL ASSY				L, DL	1
592	412N1116-94		.	.	.	PANEL ASSY				B, H, AE, AK, AP, AV, AZ, BG, BP, CA, CD, CH, CL, CS, CU, CY	1
-592A	412N1116-19		.	.	.	PANEL ASSY				L, DL	1

-Item not Illustrated

**25-28-49**

ILLUSTRATED PARTS LIST

Page 1098.777

Mar 01/2006



## COMPONENT MAINTENANCE MANUAL

FIG/ ITEM	PART NUMBER	AIRLINE PART NUMBER	NOMENCLATURE							USAGE CODE	UNITS PER ASSY
			1	2	3	4	5	6	7		
31- 595	412N1116-22		.	.	.	.	.	.	COVER-DECORATIVE	B, H, L, AE, AK, AP, AV, AZ, BG, BP, CA, CD, CH, CL, CS, CU, CY, DLY	1
598	BACS12FA3K12		.	.					SCREW (V06710) (SPEC BACS12FA3K12) (OPT BACS12FA3K12 (V06725)) (OPT BACS12FA3K12 (V06950)) (OPT BACS12FA3K12 (V27624)) (OPT BACS12FA3K12 (V34252)) (OPT BACS12FA3K12 (V56878)) (OPT BACS12FA3K12 (V73197)) (OPT BACS12FA3K12 (V80539)) (OPT BACS12FA3K12 (V92215)) (OPT BACS12FA3K12 (V93907)) (OPT BACS12FA3K12 (V97928))	A, J, K, X, AC, AE, AH, AJ, AU, AX, AY, BH, BQ, BR, BX, CK, CN, CP, CV, DK, EF, EM-EQ, ET, EU	13
601	NAS1834-4-400		.	.					INSERT	A, J, K, X, AC, AE, AH, AJ, AU, AX, AY, BH, BQ, BR, BX, CK, CN, CP, CV, DK, EF, EM-EQ, ET, EU	12
604	NAS1834-4-380		.	.					INSERT	A, J, K, X, AC, AE, AH, AJ, AU, AX, AY, BH, BQ, BR, BX, CK, CN, CP, CV, DK, EF, EM-EQ, ET, EU	1

-Item not Illustrated

**25-28-49**

ILLUSTRATED PARTS LIST

Page 1098.778

Mar 01/2006



## COMPONENT MAINTENANCE MANUAL

FIG/ ITEM	PART NUMBER	AIRLINE PART NUMBER	NOMENCLATURE							USAGE CODE	UNITS PER ASSY	
			1	2	3	4	5	6	7			
31- 607	412N1216-46		.	.							A, J, AC, AU, AY, BQ, CK, CP, CV	1
-607A	412N1216-56		.	.							AH	1
-607B	412N1216-602		.	.							EF, EM, EQ	1
-610	412N1216-45		.	.							K, X, AX, BH, BR, BX, CN, DK	1
-610A	412N1216-55		.	.							AJ	1
-610B	412N1216-601		.	.							EN, EP	1
619	BACB30NN3K1		.	.	.						A, J, K, X, AC, AE, AH, AJ, AU, AX, AY, BH, BQ, BR, BX, CK, CN, CP, CV, DK	16
622	BACW10CT10		.	.	.						A, J, K, X, AC, AE, AH, AJ, AU, AX, AY, BH, BQ, BR, BX, CK, CN, CP, CV, DK	16

-Item not Illustrated

# 25-28-49

ILLUSTRATED PARTS LIST

Page 1098.779

Mar 01/2006



## COMPONENT MAINTENANCE MANUAL

FIG/ ITEM	PART NUMBER	AIRLINE PART NUMBER	NOMENCLATURE							USAGE CODE	UNITS PER ASSY					
			1	2	3	4	5	6	7							
31- 625	AN960JD516L		.	.	.	W	A	S	H		A, J, K, X, AC, AE, AH, AJ, AU, AX, AY, BH, BQ, BR, BX, CK, CN, CP, CV, DK	16				
628	SL5-3-145S		.	.	.	N					A, J, K, X, AC, AE, AH, AJ, AU, AX, AY, BH, BQ, BR, BX, CK, CN, CP, CV, DK	16				
-628A	K121D395-145		.	.	.	N					(V97393) (OPT ITEM 628A)					
			.	.	.	N					(V29372) (OPT ITEM 628)					
631	412N1217-87		.	.	.	B	R	A	C	K	A	S	S		A, J, K, X, AC, AE, AU, AX, AY, BH, BQ, BR, BX, CK, CN, CP, CV, DK, EF, EM-EQ, ET, EU	1
-634	412N1217-23		.	.	.	B	R	A	C	K	A	S	S		AH, AJ	1

-Item not Illustrated

**25-28-49**

ILLUSTRATED PARTS LIST

Page 1098.780

Mar 01/2006



## COMPONENT MAINTENANCE MANUAL

FIG/ ITEM	PART NUMBER	AIRLINE PART NUMBER	NOMENCLATURE							USAGE CODE	UNITS PER ASSY	
			1	2	3	4	5	6	7			
31- 637	BACR15BA3D		. . . .	RIVET							A, J, K, X, AC, AE, AH, AJ, AU, AX, AY, BH, BQ, BR, BX, CK, CN, CP, CV, DK, EF, EM-EQ, ET, EU	12
640	BRM200A3		. . . .	NUTPLATE							A, J, K, X, AC, AE, AH, AJ, AU, AX, AY, BH, BQ, BR, BX, CK, CN, CP, CV, DK, EF, EM-EQ, ET, EU	5
643	BRM200A3		. . . .	NUTPLATE							A, J, K, X, AC, AE, AU, AX, AY, BH, BQ, BR, BX, CK, CN, CP, CV, DK, EF, EM-EQ, ET, EU	1
646	BRM200A3		. . . .	NUTPLATE							AH, AJ	1

-Item not Illustrated

# 25-28-49

ILLUSTRATED PARTS LIST

Page 1098.781

Mar 01/2006



## COMPONENT MAINTENANCE MANUAL

FIG/ ITEM	PART NUMBER	AIRLINE PART NUMBER	NOMENCLATURE							USAGE CODE	UNITS PER ASSY			
			1	2	3	4	5	6	7					
31- 649	412N1217-88		.	.	.	.						BRACKET	A, J, K, X, AC, AE, AU, AX, AY, BH, BQ, BR, BX, CK, CN, CP, CV, DK, EF, EM-EQ, ET, EU	1
-652	412N1217-24		.	.	.	.						BRACKET	AH, AJ	1
655	412N1217-121		.	.	.	.						BRACKET ASSY	A, J, K, X, AC, AE, AH, AJ, AU, AX, AY, BH, BQ, BR, BX, CK, CN, CP, CV, DK, EF, EM-EQ, ET, EU	1
658	BACR15BA3D		.	.	.	.						RIVET (SIZE DETERMINED ON INST)	A, J, K, X, AC, AE, AH, AJ, AU, AX, AY, BH, BQ, BR, BX, CK, CN, CP, CV, DK, EF, EM-EQ, ET, EU	14

-Item not Illustrated

# 25-28-49

ILLUSTRATED PARTS LIST

Page 1098.782

Mar 01/2006



## COMPONENT MAINTENANCE MANUAL

FIG/ ITEM	PART NUMBER	AIRLINE PART NUMBER	NOMENCLATURE							USAGE CODE	UNITS PER ASSY
			1	2	3	4	5	6	7		
31- 661	BRM200A3		. . . .	NUTPLATE (V52828) (SPEC BACN10JP3A) (OPT MK1000-3BAC (V15653)) (OPT NS103197-02 (V80539)) (OPT RMA9201M3 (V72962)) (OPT T8076S1032 (V11815)) (OPT VN202A1-02 (V92215))						A, J, K, X, AC, AE, AH, AJ, AU, AX, AY, BH, BQ, BR, BX, CK, CN, CP, CV, DK, EF, EM-EQ, ET, EU	7
664	412N1217-122		. . . .	BRACKET						A, J, K, X, AC, AE, AH, AJ, AU, AX, AY, BH, BQ, BR, BX, CK, CN, CP, CV, DK, EF, EM-EQ, ET, EU	1
667	412N1116-48		. . .	PANEL ASSY-DIVIDER						K, X, AJ, AX, BH, BR, BX, CN, DK	1
-667A	412N1116-608		. . .	PANEL ASSY-DIVIDER						EN, EP, ET	1
-670	412N1116-47		. . .	PANEL ASSY-DIVIDER						A, J, AC, AH, AU, AY, BQ, CK, CP, CVCP	1
-670A	412N1116-607		. . .	PANEL ASSY-DIVIDER						EF, EM, EQ, EU	1
673	412N1116-49		. . .	PANEL ASSY-DIVIDER						K, X, AJ, AX, BH, BR, BX, CN, DK	1
-673A	412N1116-609		. . .	PANEL ASSY-DIVIDER						EN, EP, ET	1

-Item not Illustrated

# 25-28-49

ILLUSTRATED PARTS LIST

Page 1098.783

Mar 01/2006



## COMPONENT MAINTENANCE MANUAL

FIG/ ITEM	PART NUMBER	AIRLINE PART NUMBER	NOMENCLATURE							USAGE CODE	UNITS PER ASSY	
			1	2	3	4	5	6	7			
31- -676	412N1116-50		.	.	.						A, J, AC, AH, AU, AY, BQ, CK, CP, CVCP	1
-676A	412N1116-610		.	.	.						EF, EM, EQ, EU	1
679	NAS1836-3-11		.	.	.	.					A, J, K, X, AC, AE, AH, AJ, AU, AX, AY, BH, BQ, BR, BX, CK, CN, CP, CV, DK, EF, EM-EQ, ET, EU	2
682	412N1116-17		.	.	.	.					A, J, K, X, AC, AE, AH, AJ, AU, AX, AY, BH, BQ, BR, BX, CK, CN, CP, CV, DK	1
-682A	412N1116-18		.	.	.	.					A, J, K, X, AC, AE, AH, AJ, AU, AX, AY, BH, BQ, BR, BX, CK, CN, CP, CV, DK	1
-682B	412N1116-631		.	.	.	.					EF, EM- EQ, ET, EU	1

-Item not Illustrated

# 25-28-49

ILLUSTRATED PARTS LIST

Page 1098.784

Mar 01/2006





## COMPONENT MAINTENANCE MANUAL

FIG/ ITEM	PART NUMBER	AIRLINE PART NUMBER	NOMENCLATURE							USAGE CODE	UNITS PER ASSY
			1	2	3	4	5	6	7		
31- -682C	412N1116-632		.	.	.	.	PANEL ASSY			EF, EM- EQ, ET, EU	1
685	412N1116-22		.	.	.	.	COVER-DECORATIVE			A, J, K, X, AC, AE, AH, AJ, AU, AX, AY, BH, BQ, BR, BX, CK, CN, CP, CV, DK, EF, EM-EQ, ET, EU	1
688	BACS12FA3K12		.	.	SCREW (V06710) (SPEC BACS12FA3K12) (OPT BACS12FA3K12 (V06725)) (OPT BACS12FA3K12 (V06950)) (OPT BACS12FA3K12 (V27624)) (OPT BACS12FA3K12 (V34252)) (OPT BACS12FA3K12 (V56878)) (OPT BACS12FA3K12 (V73197)) (OPT BACS12FA3K12 (V80539)) (OPT BACS12FA3K12 (V92215)) (OPT BACS12FA3K12 (V93907)) (OPT BACS12FA3K12 (V97928))			AM, AN, CF, CG	17		
691	NAS1834-4-400		.	.	INSERT					AM, AN, CF, CG	16
693	NAS1834-4-380		.	.	INSERT					AM, AN, CF, CG	1
696	412N1216-68		.	.	PANEL ASSY-DIVIDER					AN, CG	1
-696A	412N1216-67		.	.	PANEL ASSY-DIVIDER					AM, CF	1

-Item not Illustrated

# 25-28-49

ILLUSTRATED PARTS LIST

Page 1098.785

Mar 01/2006



## COMPONENT MAINTENANCE MANUAL

FIG/ ITEM	PART NUMBER	AIRLINE PART NUMBER	NOMENCLATURE							USAGE CODE	UNITS PER ASSY	
			1	2	3	4	5	6	7			
31- 699	BACB30NN3K1		. . .	BOLT							AM, AN, CF, CG	19
				(V06710)								
				(SPEC BACB30NN3K1)								
				(OPT BACB30NN3K1 (V06725))								
				(OPT BACB30NN3K1 (V06950))								
				(OPT BACB30NN3K1 (V08524))								
				(OPT BACB30NN3K1 (V27624))								
				(OPT BACB30NN3K1 (V56878))								
				(OPT BACB30NN3K1 (V73197))								
				(OPT BACB30NN3K1 (V80539))								
				(OPT BACB30NN3K1 (V92215))								
				(OPT BACB30NN3K1 (V93907))								
				(OPT BACB30NN3K1 (V97928))								
702	BACW10CT10		. . .	WASHER							AM, AN, CF, CG	19
				(V10630)								
				(SPEC BACW10CT10)								
705	AN960JD516L		. . .	WASHER							AM, AN, CF, CG	19
708	SL5-3-145S		. . .	NUT							AM, AN, CF, CG	19
				(V97393)								
				(OPT ITEM 708A)								
-708A	K121D395-145		. . .	NUT							AM, AN, CF, CG	19
				(V29372)								
				(OPT ITEM 708)								
711	412N1217-49		. . .	BRACKET ASSY							AM, AN, CF, CG	1
714	BACR15BA3D		. . . .	RIVET							AM, AN, CF, CG	10
				(SIZE DETERMINED ON INST)								
717	BRM200A3		. . . .	NUTPLATE							AM, AN, CF, CG	5
				(V52828)								
				(SPEC BACN10JP3A)								
				(OPT MK1000-3BAC (V15653))								
				(OPT NS103197-02 (V80539))								
				(OPT RMA9201M3 (V72962))								
				(OPT T8076S1032 (V11815))								
				(OPT VN202A1-02 (V92215))								
720	412N1217-50		. . . .	BRACKET							AM, AN, CF, CG	1
723	412N1217-85		. . .	BRACKET ASSY							AM, AN, CF, CG	1
726	BACR15BA3D		. . . .	RIVET							AM, AN, CF, CG	12
				(SIZE DETERMINED ON INST)								

-Item not Illustrated

# 25-28-49

ILLUSTRATED PARTS LIST

Page 1098.786

Mar 01/2006



## COMPONENT MAINTENANCE MANUAL

FIG/ ITEM	PART NUMBER	AIRLINE PART NUMBER	NOMENCLATURE							USAGE CODE	UNITS PER ASSY	
			1	2	3	4	5	6	7			
31- 729	BRM200A3		. . . .							NUTPLATE (V52828) (SPEC BACN10JP3A) (OPT MK1000-3BAC (V15653)) (OPT NS103197-02 (V80539)) (OPT RMA9201M3 (V72962)) (OPT T8076S1032 (V11815)) (OPT VN202A1-02 (V92215))	AM, AN, CF, CG	6
732	412N1217-86		. . . .							BRACKET	AM, AN, CF, CG	1
735	412N1217-123		. . .							BRACKET ASSY	AM, AN, CF, CG	1
738	BACR15BA3D		. . . .							RIVET (SIZE DETERMINED ON INST)	AM, AN, CF, CG	12
741	BRM200A3		. . . .							NUTPLATE (V52828) (SPEC BACN10JP3A) (OPT MK1000-3BAC (V15653)) (OPT NS103197-02 (V80539)) (OPT RMA9201M3 (V72962)) (OPT T8076S1032 (V11815)) (OPT VN202A1-02 (V92215))	AM, AN, CF, CG	6
744	412N1217-124		. . . .							BRACKET	AM, AN, CF, CG	1
747	412N1116-85		. . .							BRACKET-DIVIDER	AM, CF	1
-747A	412N1116-86		. . .							PANEL ASSY-DIVIDER	AN, CG	1
750	412N1116-87		. . .							PANEL ASSY-DIVIDER	AN, CG	1
-750A	412N1116-88		. . .							PANEL ASSY-DIVIDER	AM, CF	1
753	NAS1836-3-11		. . . .							INSERT	AM, AN, CF, CG	2
756	412N1116-93		. . . .							PANEL ASSY	AM, AN, CF, CG	1
-756A	412N1116-94		. . . .							PANEL ASSY	AM, AN, CF, CG	1
759	412N1116-22		. . . . .							COVER-DECORATIVE	AM, AN, CF, CG	1
761	65C27327-21		. .							BODY	A, J, AY, BQ, CP, CV	1

-Item not Illustrated

# 25-28-49

ILLUSTRATED PARTS LIST

Page 1098.787

Mar 01/2006



## COMPONENT MAINTENANCE MANUAL

FIG/ ITEM	PART NUMBER	AIRLINE PART NUMBER	NOMENCLATURE							USAGE CODE	UNITS PER ASSY
			1	2	3	4	5	6	7		
31-											
-761A	65C27327-7		.	.	BODY					B, AK, AP, AV, BG, CD, CH, CL, CS, CU, CY	1
-761B	65C27327-102		.	.	BODY					K, BR	1
-761C	65C27327-167		.	.	BODY					L, DL	1
-761D	65C27327-56		.	.	BODY					X, BX	1
-761E	65C27327-198		.	.	BODY					AC	1
-761F	65C27327-138		.	.	BODY					AE, CA	1
-761G	65C27327-28		.	.	BODY					AH	1
-761H	65C27327-208		.	.	BODY					AJ	1
-761J	65C27327-215		.	.	BODY					AN, CG	1
-761K	65C27327-216		.	.	BODY					AM, CF	1
-761L	65C27327-219		.	.	BODY					H, BP	1
-761M	65C27327-55		.	.	BODY					AU, CK	1
-761N	65C27327-52		.	.	BODY					AX, CN	1
-761P	65C27327-117		.	.	BODY					AZ	1
-761Q	65C27327-256		.	.	BODY					BH, DK	1
-761R	65C27327-675		.	.	BODY					EF, EM	1
-761S	65C27327-696		.	.	BODY					EP, ET	1
-761T	65C27327-686		.	.	BODY					EN	1
-761U	65C27327-695		.	.	BODY					EQ, EU	1
762	65C27327-706		.		BODY ASSY					EE	1
-765	65C27327-148		.		BODY ASSY					F, BM	1

-Item not Illustrated

# 25-28-49

ILLUSTRATED PARTS LIST

Page 1098.788

Mar 01/2006



## COMPONENT MAINTENANCE MANUAL

FIG/ ITEM	PART NUMBER	AIRLINE PART NUMBER	NOMENCLATURE							USAGE CODE	UNITS PER ASSY
			1	2	3	4	5	6	7		
31- 768	BACS12FA3K12		. .	SCREW (V06710) (SPEC BACS12FA3K12) (OPT BACS12FA3K12 (V06725)) (OPT BACS12FA3K12 (V06950)) (OPT BACS12FA3K12 (V27624)) (OPT BACS12FA3K12 (V34252)) (OPT BACS12FA3K12 (V56878)) (OPT BACS12FA3K12 (V73197)) (OPT BACS12FA3K12 (V80539)) (OPT BACS12FA3K12 (V92215)) (OPT BACS12FA3K12 (V93907)) (OPT BACS12FA3K12 (V97928))						F, BM, EE	13
771	NAS1834-4-380		. .	INSERT						F, BM, EE	1
774	NAS1834-4-400		. .	INSERT						F, BM, EE	12
777	412N1116-602		. .	PANEL ASSY-END						EE	1
-777A	412N1116-42		. .	PANEL ASSY-END						F, BM	1
780	412N1116-22		. . .	COVER-DECORATIVE						F, BM, EE	1
783	412N1216-601		. .	PANEL ASSY-DIVIDER						EE	1
-783A	412N1216-45		. .	PANEL ASSY-DIVIDER						F, BM	1
786	BACB30NN3K1		. . .	BOLT (V06710) (SPEC BACB30NN3K1) (OPT BACB30NN3K1 (V06725)) (OPT BACB30NN3K1 (V06950)) (OPT BACB30NN3K1 (V08524)) (OPT BACB30NN3K1 (V27624)) (OPT BACB30NN3K1 (V56878)) (OPT BACB30NN3K1 (V73197)) (OPT BACB30NN3K1 (V80539)) (OPT BACB30NN3K1 (V92215)) (OPT BACB30NN3K1 (V93907)) (OPT BACB30NN3K1 (V97928))						F, BM, EE	16
789	BACW10CT10		. . .	WASHER (V10630) (SPEC BACW10CT10)						F, BM, EE	16
792	AN960JD516L		. . .	WASHER						F, BM, EE	16

-Item not Illustrated

# 25-28-49

ILLUSTRATED PARTS LIST

Page 1098.789

Mar 01/2006



## COMPONENT MAINTENANCE MANUAL

FIG/ ITEM	PART NUMBER	AIRLINE PART NUMBER	NOMENCLATURE							USAGE CODE	UNITS PER ASSY	
			1	2	3	4	5	6	7			
31- 795	SL5-3-145S		. . .	NUT							F, BM, EE	16
				(V97393)								
				(OPT ITEM 795A)								
-795A	K121D395-145		. . .	NUT							F, BM, EE	16
				(V29372)								
				(OPT ITEM 795)								
798	412N1217-87		. . .	BRACKET ASSY							F, BM, EE	1
801	BACR15BA3D		. . . .	RIVET							F, BM, EE	12
				(SIZE DETERMINED ON INST)								
804	BRM200A3		. . . .	NUTPLATE							F, BM, EE	6
				(V52828)								
				(SPEC BACN10JP3A)								
				(OPT MK1000-3BAC (V15653))								
				(OPT NS103197-02 (V80539))								
				(OPT RMA9201M3 (V72962))								
				(OPT T8076S1032 (V11815))								
				(OPT VN202A1-02 (V92215))								
807	412N1217-88		. . . .	BRACKET							F, BM, EE	1
810	412N1217-123		. . .	BRACKET ASSY							F, BM, EE	1
813	BACR15BA3D		. . . .	RIVET							F, BM, EE	12
				(SIZE DETERMINED ON INST)								
816	BRM200A3		. . . .	NUTPLATE							F, BM, EE	6
				(V52828)								
				(SPEC BACN10JP3A)								
				(OPT MK1000-3BAC (V15653))								
				(OPT NS103197-02 (V80539))								
				(OPT RMA9201M3 (V72962))								
				(OPT T8076S1032 (V11815))								
				(OPT VN202A1-02 (V92215))								
819	412N1116-608		. . .	PANEL ASSY-DIVIDER							EE	1
-819A	412N1116-48		. . .	PANEL ASSY-DIVIDER							F, BM	1
822	412N1116-609		. . .	PANEL ASSY-DIVIDER							EE	1
-822A	412N1116-49		. . .	PANEL ASSY-DIVIDER							F, BM	1
825	NAS1836-3-11		. . . .	INSERT							F, BM, EE	2
828	412N1116-632		. . . .	PANEL ASSY							EE	1
-828A	412N1116-18		. . . .	PANEL ASSY							F, BM	1

-Item not Illustrated

# 25-28-49

ILLUSTRATED PARTS LIST

Page 1098.790

Mar 01/2006



## COMPONENT MAINTENANCE MANUAL

FIG/ ITEM	PART NUMBER	AIRLINE PART NUMBER	NOMENCLATURE							USAGE CODE	UNITS PER ASSY
			1	2	3	4	5	6	7		
31-											
831	412N1116-631									EE	1
-831A	412N1116-17									F, BM	1
834	412N1116-22									F, BM, EE	1
837	65C27327-707									EE	1
-837A	65C27327-150									F, BM	1

-Item not Illustrated

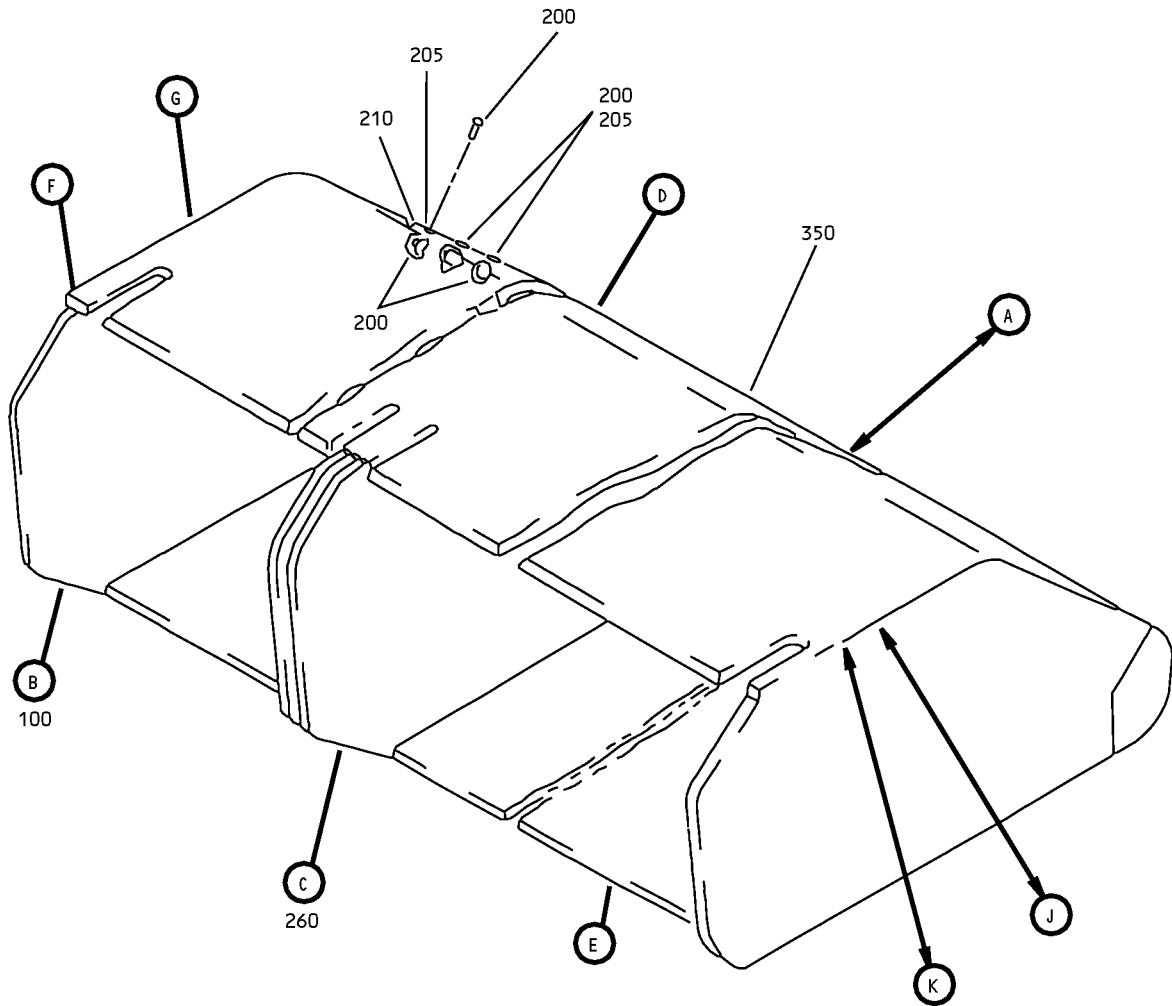
# 25-28-49

ILLUSTRATED PARTS LIST

Page 1098.791

Mar 01/2006

COMPONENT MAINTENANCE MANUAL



Overhead Stowage Compartment Assembly  
IPL Figure 32 (Sheet 1 of 9)

**25-28-49**

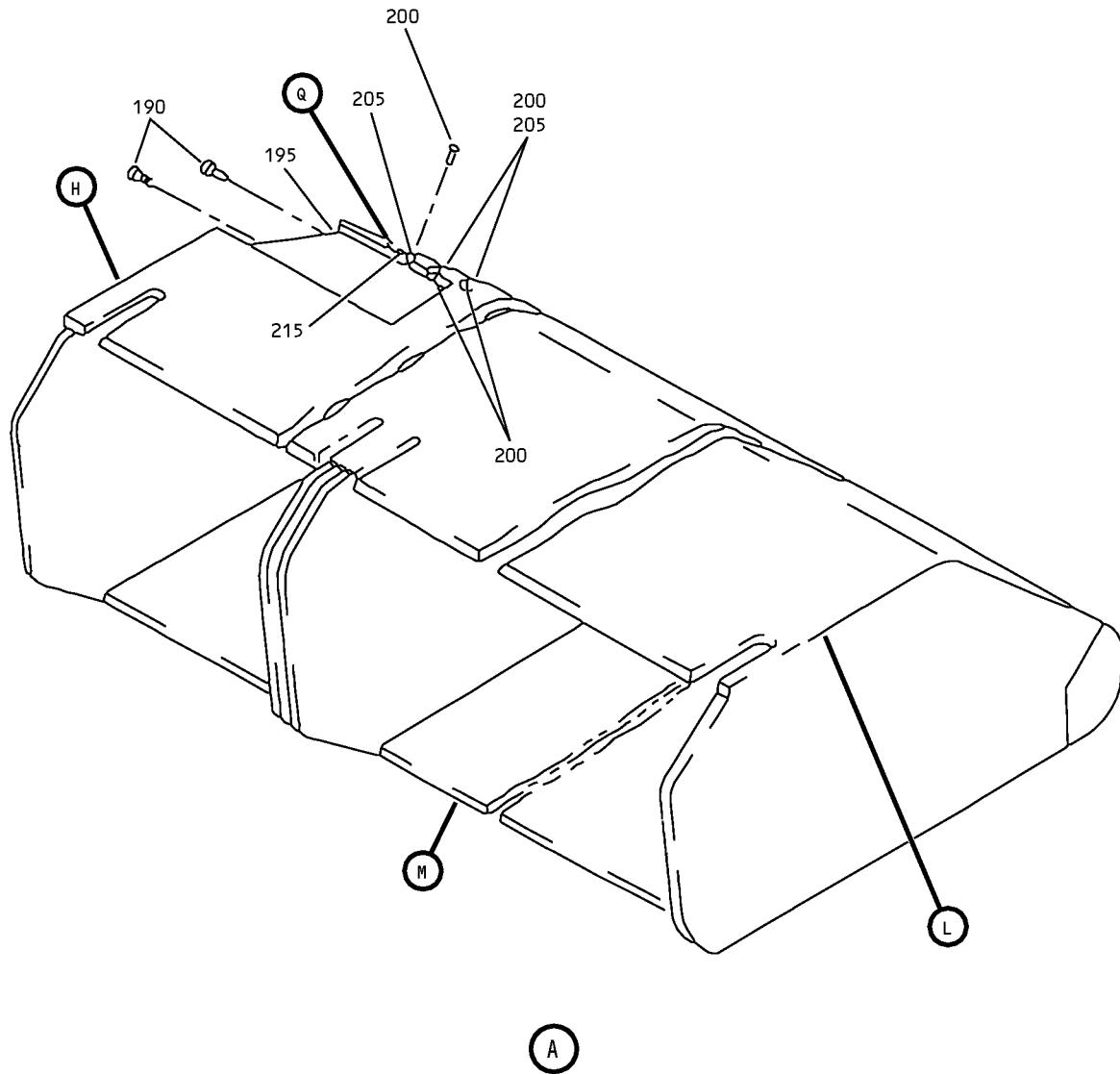
ILLUSTRATED PARTS LIST

Page 1098.792

Mar 01/2006



COMPONENT MAINTENANCE MANUAL



Overhead Stowage Compartment Assembly  
IPL Figure 32 (Sheet 2 of 9)

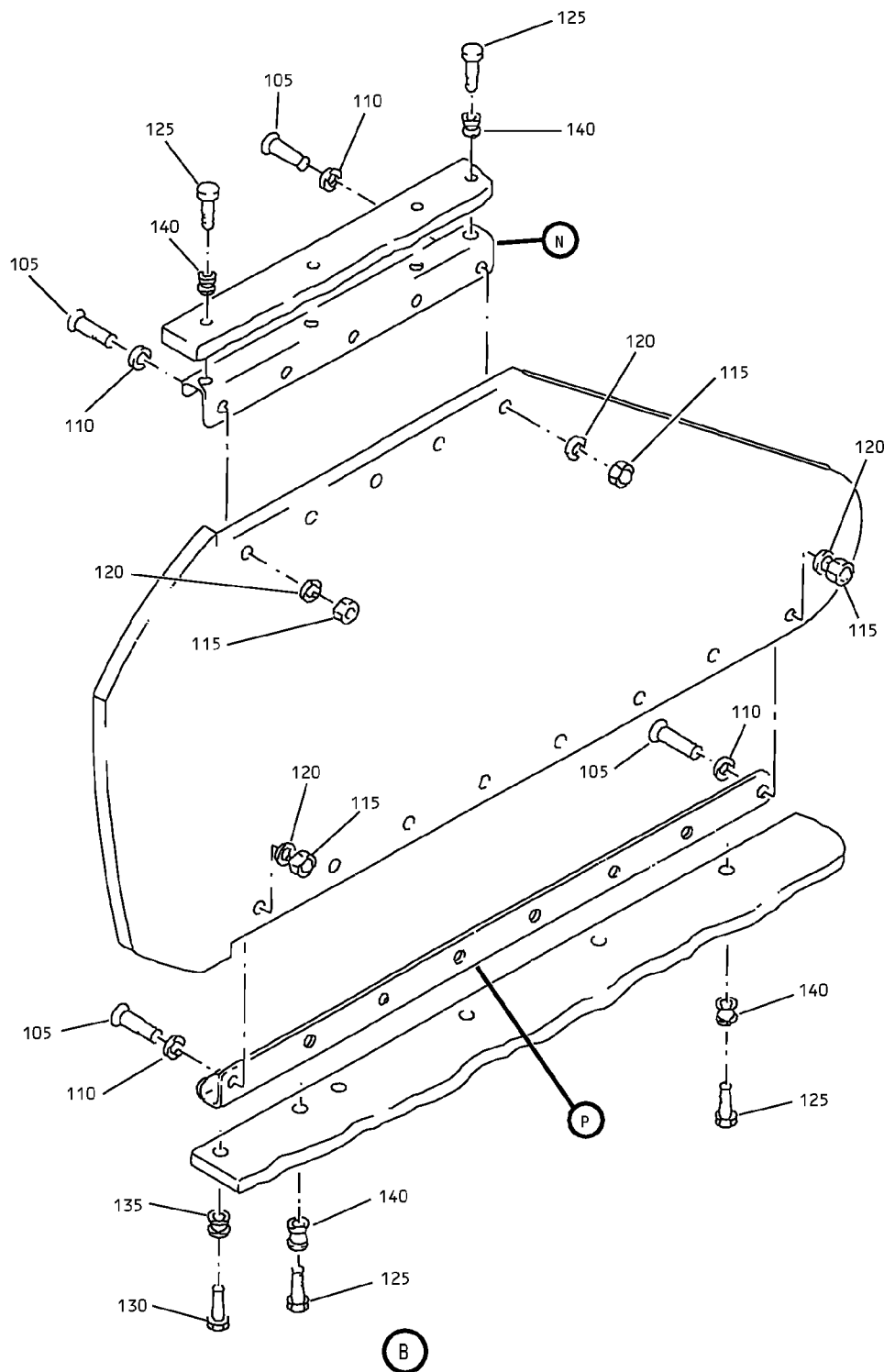
**25-28-49**

ILLUSTRATED PARTS LIST

Page 1098.793

Mar 01/2006

# COMPONENT MAINTENANCE MANUAL



Overhead Stowage Compartment Assembly  
IPL Figure 32 (Sheet 3 of 9)

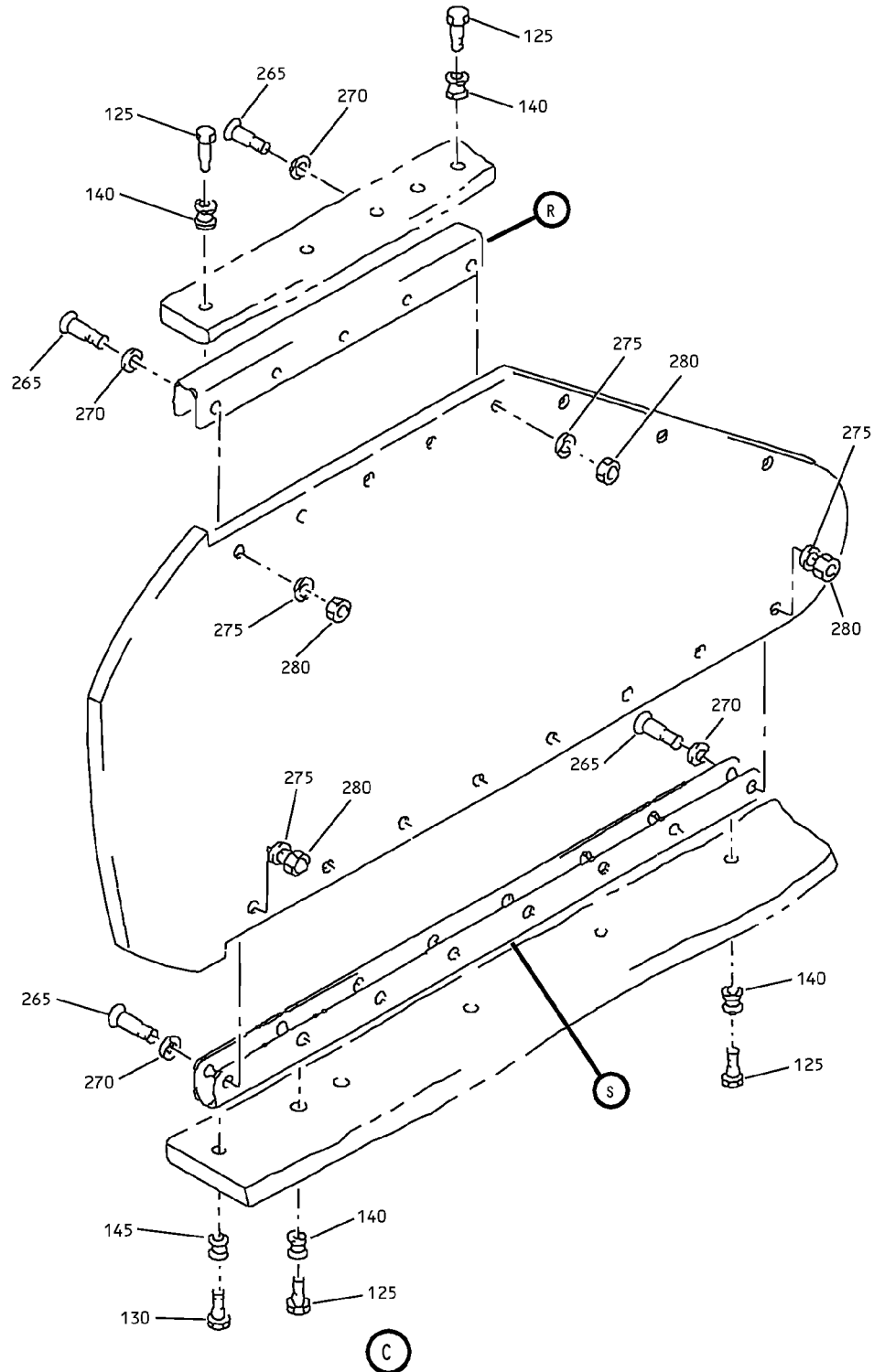
## 25-28-49

ILLUSTRATED PARTS LIST

Page 1098.794

Mar 01/2006

COMPONENT MAINTENANCE MANUAL



Overhead Storage Compartment Assembly  
IPL Figure 32 (Sheet 4 of 9)

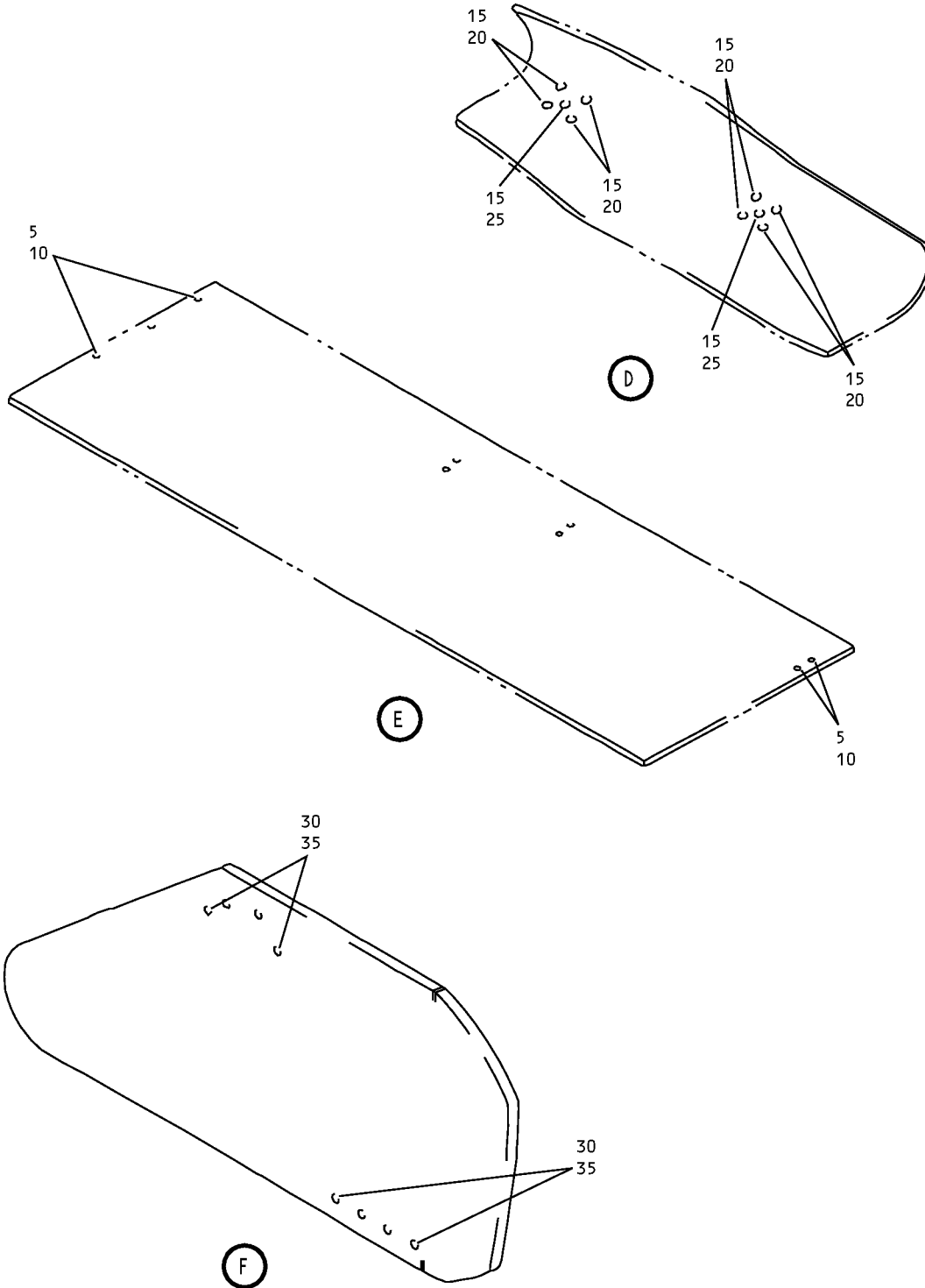
**25-28-49**

ILLUSTRATED PARTS LIST

Page 1098.795

Mar 01/2006

COMPONENT MAINTENANCE MANUAL



Overhead Storage Compartment Assembly  
IPL Figure 32 (Sheet 5 of 9)

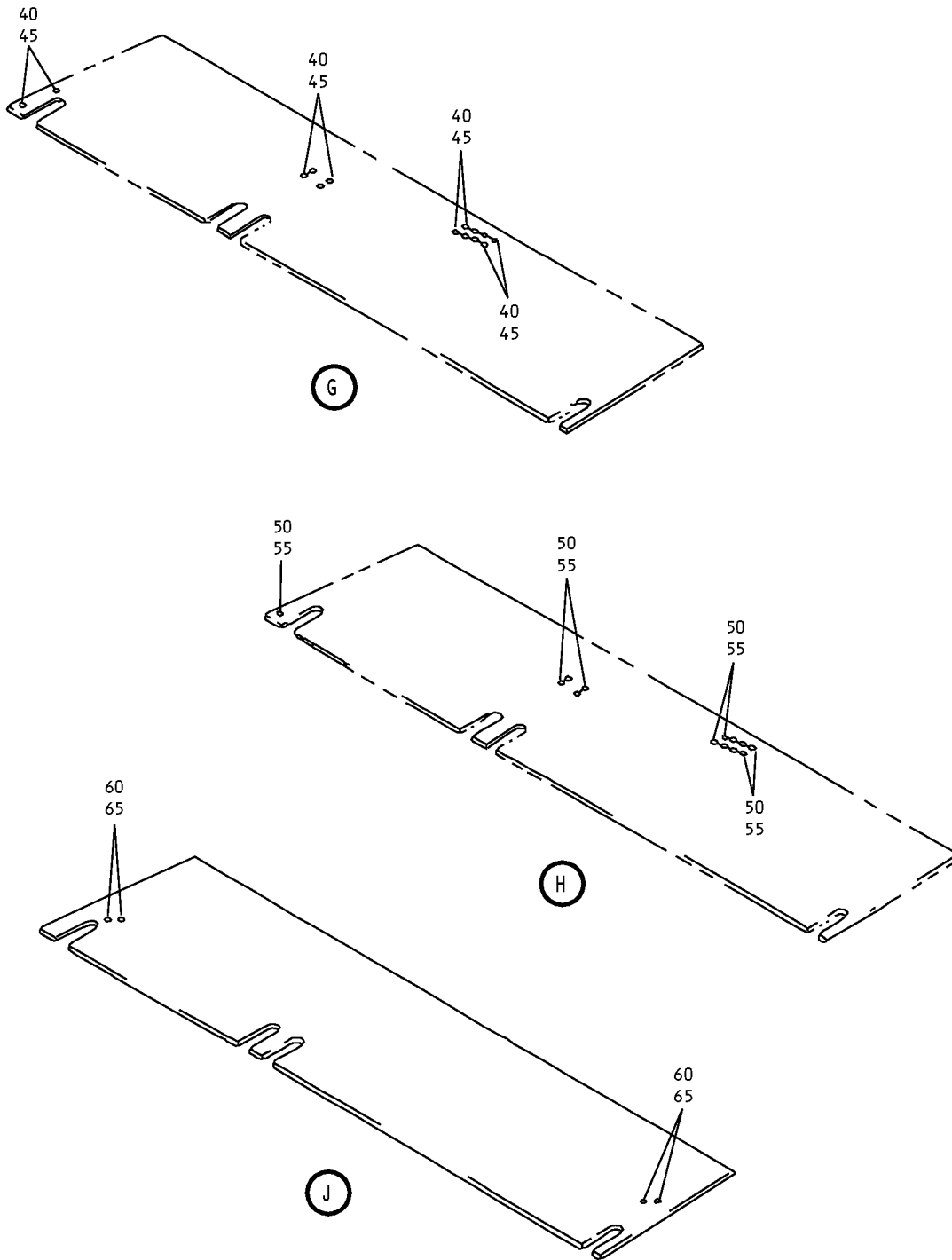
**25-28-49**

ILLUSTRATED PARTS LIST

Page 1098.796

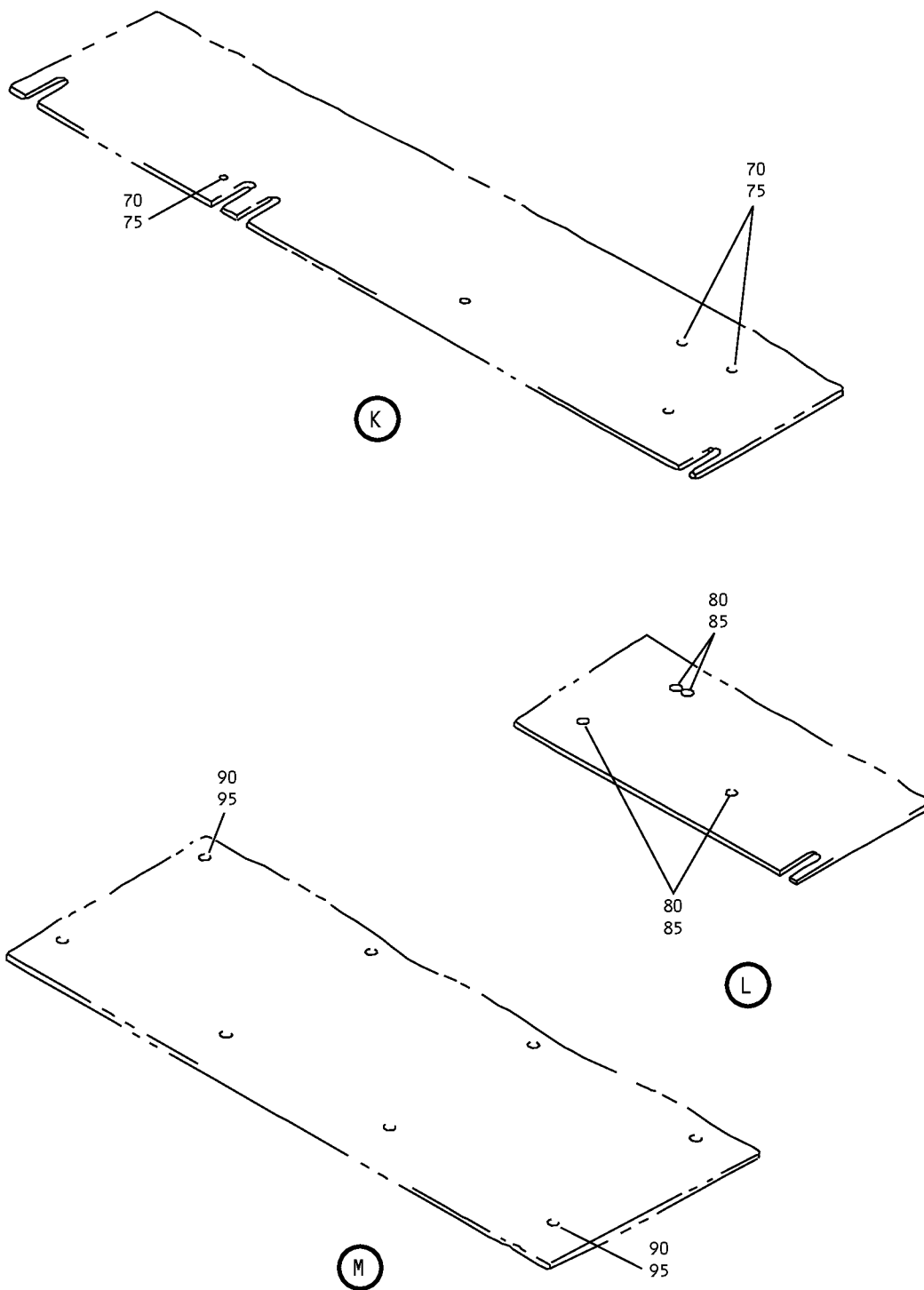
Mar 01/2006

COMPONENT MAINTENANCE MANUAL



Overhead Stowage Compartment Assembly  
IPL Figure 32 (Sheet 6 of 9)

COMPONENT MAINTENANCE MANUAL



Overhead Stowage Compartment Assembly  
IPL Figure 32 (Sheet 7 of 9)

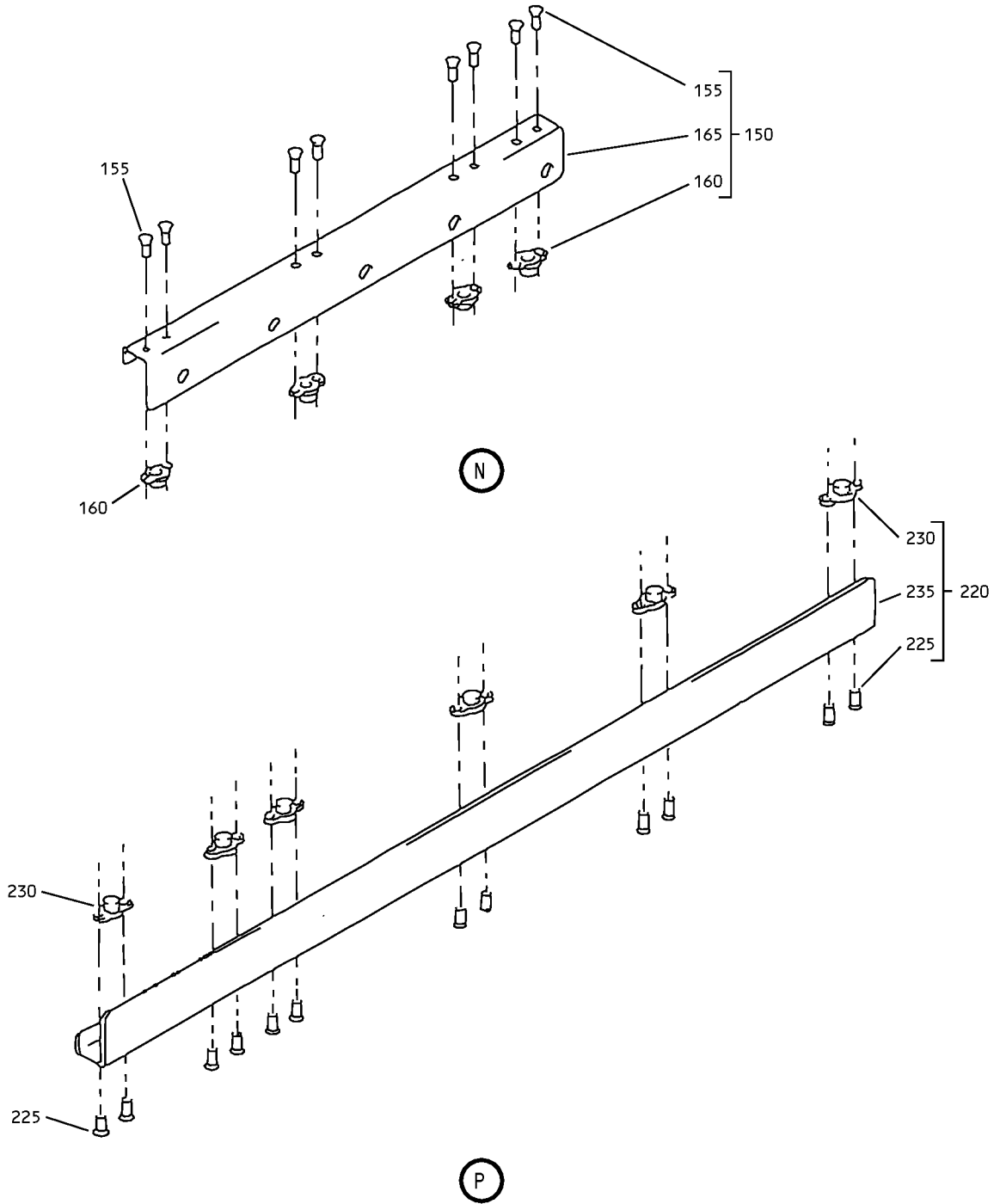
**25-28-49**

ILLUSTRATED PARTS LIST

Page 1098.798

Mar 01/2006

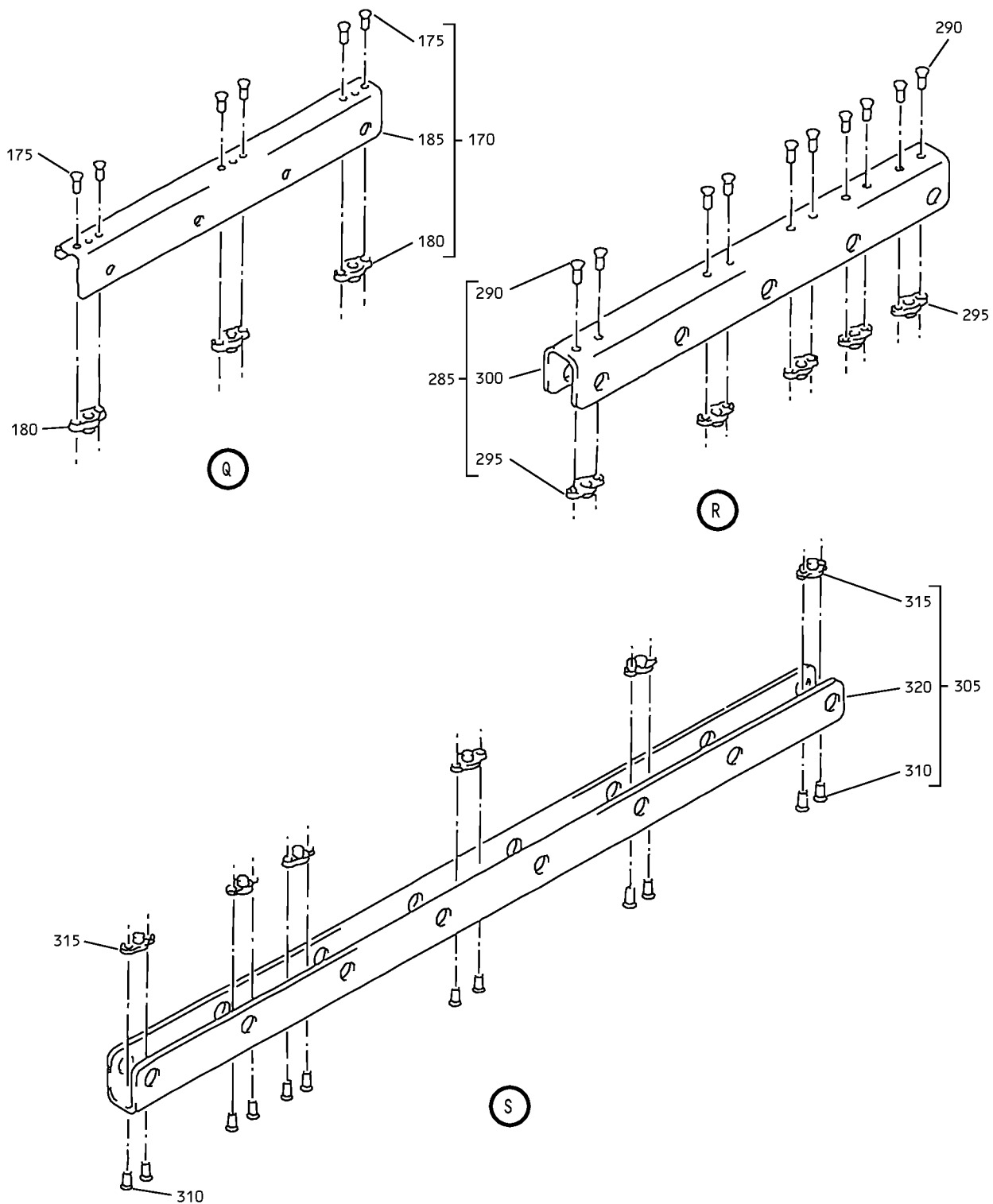
COMPONENT MAINTENANCE MANUAL



Overhead Stowage Compartment Assembly  
IPL Figure 32 (Sheet 8 of 9)

**25-28-49**  
ILLUSTRATED PARTS LIST  
Page 1098.799  
Mar 01/2006

COMPONENT MAINTENANCE MANUAL



Overhead Storage Compartment Assembly  
IPL Figure 32 (Sheet 9 of 9)

**25-28-49**

ILLUSTRATED PARTS LIST

Page 1098.800

Mar 01/2006





## COMPONENT MAINTENANCE MANUAL

FIG/ ITEM	PART NUMBER	AIRLINE PART NUMBER	NOMENCLATURE							USAGE CODE	UNITS PER ASSY
			1	2	3	4	5	6	7		
32-											
-1	65C27012-608									DS, EV, EY	RF
-1A	65C27012-645									EL	RF
-1B	65C27012-675									FE	RF
5	65C27012-1072									DS, EV, EY	1
-5A	65C27012-1077									EL, FE	1
10	NAS1836-3-11									DS, EL, EV, EY, FE	9
15	65C27012-1104									DS, EL, EV, EY, FE	1
20	NAS1836-3-11									DS, EL, EV, EY, FE	8
25	NAS1836-4-11									DS, EL, EV, EY, FE	2
30	65C27012-1204									DS, EL, EV, EY, FE	1
35	SL2334-3A2									DS, EL, EV, EY, FE	8
40	65C27012-1312									DS, EV, EY	1
45	NAS1836-3-11									DS, EV, EY	14
50	65C27012-1314									EL	1
-50A	65C27012-1323									FE	1
55	NAS1836-3-11									EL, FE	13
60	65C27012-2004									DS, EV, EY	1
-60A	65C27012-2007									EL, FE	1

-Item not Illustrated

# 25-28-49

ILLUSTRATED PARTS LIST

Page 1098.801

Mar 01/2006



## COMPONENT MAINTENANCE MANUAL

FIG/ ITEM	PART NUMBER	AIRLINE PART NUMBER	NOMENCLATURE							USAGE CODE	UNITS PER ASSY
			1	2	3	4	5	6	7		
32-											
65	NAS1836-3-11		.	.	INSERT					DS, EL, EV, EY, FE	4
70	65C27012-2116		.		PATTERN ASSY-INSERT					DS, EV, EY	1
75	NAS1836-3-11		.	.	INSERT					DS, EV, EY	5
80	65C27012-2112		.		PATTERN ASSY-INSERT					EL, FE	1
85	NAS1836-3-11		.	.	INSERT					EL, FE	4
90	65C27012-4035		.		PATTERN ASSY-INSERT					EL, FE	1
95	NAS1833-3-400		.	.	INSERT					EL, FE	8
100	65C27327-620		.		BODY ASSY					DS, EV, EY	1
-100A	65C27327-689		.		BODY ASSY					EL	1
-100B	65C27327-721		.		BODY ASSY					FE	1
105	BACB30NN3K6		.	.	BOLT					DS, EL, EV, EY	13
					(V06710)						
					(SPEC BACB30NN3K6)						
					(OPT BACB30NN3K6 (V06725))						
					(OPT BACB30NN3K6 (V06950))						
					(OPT BACB30NN3K6 (V08524))						
					(OPT BACB30NN3K6 (V27624))						
					(OPT BACB30NN3K6 (V56878))						
					(OPT BACB30NN3K6 (V73197))						
					(OPT BACB30NN3K6 (V80539))						
					(OPT BACB30NN3K6 (V92215))						
					(OPT BACB30NN3K6 (V93907))						
					(OPT BACB30NN3K6 (V97928))						
105A	BACB30NN3K6		.	.	BOLT					FE	12
					(V06710)						
					(SPEC BACB30NN3K6)						
					(OPT BACB30NN3K6 (V06725))						
					(OPT BACB30NN3K6 (V06950))						
					(OPT BACB30NN3K6 (V08524))						
					(OPT BACB30NN3K6 (V27624))						
					(OPT BACB30NN3K6 (V56878))						
					(OPT BACB30NN3K6 (V73197))						
					(OPT BACB30NN3K6 (V80539))						
					(OPT BACB30NN3K6 (V92215))						
					(OPT BACB30NN3K6 (V93907))						
					(OPT BACB30NN3K6 (V97928))						

-Item not Illustrated

# 25-28-49

ILLUSTRATED PARTS LIST

Page 1098.802

Mar 01/2006



## COMPONENT MAINTENANCE MANUAL

FIG/ ITEM	PART NUMBER	AIRLINE PART NUMBER	NOMENCLATURE							USAGE CODE	UNITS PER ASSY	
			1	2	3	4	5	6	7			
32- 110	AN960JD10LL		.	.	W	A	S	H	E	R	DS, EL, EV, EY	13
115	MS21042L3		.	.	N						DS, EL, EV, EY	13
120	SL3378-3-380		.	.	S	L	E	E	V	E	DS, EL, EV, EY, FE	13
125	BACS12FA3K12		.	.	S	C	R	E	W		DS, EL, EV, EY	19
					(V06710)	(SPEC BACS12FA3K12)	(OPT BACS12FA3K12 (V06725))	(OPT BACS12FA3K12 (V06950))	(OPT BACS12FA3K12 (V27624))	(OPT BACS12FA3K12 (V34252))		
					(OPT BACS12FA3K12 (V56878))	(OPT BACS12FA3K12 (V73197))	(OPT BACS12FA3K12 (V80539))	(OPT BACS12FA3K12 (V92215))	(OPT BACS12FA3K12 (V93907))	(OPT BACS12FA3K12 (V97928))		
125A	BACS12FA3K12		.	.	S	C	R	E	W		FE	20
					(V06710)	(SPEC BACS12FA3K12)	(OPT BACS12FA3K12 (V06725))	(OPT BACS12FA3K12 (V06950))	(OPT BACS12FA3K12 (V27624))	(OPT BACS12FA3K12 (V34252))		
					(OPT BACS12FA3K12 (V56878))	(OPT BACS12FA3K12 (V73197))	(OPT BACS12FA3K12 (V80539))	(OPT BACS12FA3K12 (V92215))	(OPT BACS12FA3K12 (V93907))	(OPT BACS12FA3K12 (V97928))		

-Item not Illustrated

# 25-28-49

ILLUSTRATED PARTS LIST

Page 1098.803

Mar 01/2006



## COMPONENT MAINTENANCE MANUAL

FIG/ ITEM	PART NUMBER	AIRLINE PART NUMBER	NOMENCLATURE							USAGE CODE	UNITS PER ASSY
			1	2	3	4	5	6	7		
32- 130	BACS12FA3K12		. .	SCREW (V06710) (SPEC BACS12FA3K12) (OPT BACS12FA3K12 (V06725)) (OPT BACS12FA3K12 (V06950)) (OPT BACS12FA3K12 (V27624)) (OPT BACS12FA3K12 (V34252)) (OPT BACS12FA3K12 (V56878)) (OPT BACS12FA3K12 (V73197)) (OPT BACS12FA3K12 (V80539)) (OPT BACS12FA3K12 (V92215)) (OPT BACS12FA3K12 (V93907)) (OPT BACS12FA3K12 (V97928))						DS, EV, EY	2
135	NAS1834-3-375		. .	INSERT					DS, EL, EV, EY, FE	1	
140	NAS1834-3-400		. .	INSERT					DS, EL, EV, EY	19	
140A	NAS1834-3-400		. .	INSERT					FE	10	
145	NAS1834-3-400			DELETED							
146	NAS1834-4-380		. .	INSERT					DS, EV, EY, FE	1	
150	412N1217-57		. .	BRACKET ASSY					DS, EV, EY, FE	1	
155	BACR15BA3D		. . .	RIVET (SIZE DETERMINED ON INST)					DS, EV, EY	8	
160	BRM200A3		. . .	NUTPLATE (V52828) (SPEC BACN10JP3A) (OPT MK1000-3BAC (V15653)) (OPT NS103197-02 (V80539)) (OPT RMA9201M3 (V72962)) (OPT T8076S1032 (V11815)) (OPT VN202A1-02 (V92215))					DS, EV, EY	4	
165	412N1217-59		. . .	BRACKET					DS, EV, EY	1	
170	412N1217-97		. .	BRACKET ASSY					EL, FE	1	
175	BACR15BA3D		. . .	RIVET (SIZE DETERMINED ON INST)					EL	6	

-Item not Illustrated

# 25-28-49

ILLUSTRATED PARTS LIST

Page 1098.804

Mar 01/2006



## COMPONENT MAINTENANCE MANUAL

FIG/ ITEM	PART NUMBER	AIRLINE PART NUMBER	NOMENCLATURE							USAGE CODE	UNITS PER ASSY
			1	2	3	4	5	6	7		
32- 180	BRM200A3		. . .	NUTPLATE						EL	3
				(V52828)							
				(SPEC BACN10JP3A)							
				(OPT MK1000-3BAC (V15653))							
				(OPT NS103197-02 (V80539))							
				(OPT RMA9201M3 (V72962))							
				(OPT T8076S1032 (V11815))							
				(OPT VN202A1-02 (V92215))							
185	412N1217-98		. . .	BRACKET						EL	1
190	BACS12FA3K5		. .	SCREW						EL, FE	2
				(V06710)							
				(SPEC BACS12FA3K5)							
				(OPT BACS12FA3K5 (V06725))							
				(OPT BACS12FA3K5 (V06950))							
				(OPT BACS12FA3K5 (V27624))							
				(OPT BACS12FA3K5 (V34252))							
				(OPT BACS12FA3K5 (V56878))							
				(OPT BACS12FA3K5 (V73197))							
				(OPT BACS12FA3K5 (V80539))							
				(OPT BACS12FA3K5 (V92215))							
				(OPT BACS12FA3K5 (V93907))							
				(OPT BACS12FA3K5 (V97928))							
195	412N1217-100		. .	BRACKET						EL, FE	1
200	BACS12FA3K5		. .	SCREW						DS, EL, EV, EY	6
				(V06710)							
				(SPEC BACS12FA3K5)							
				(OPT BACS12FA3K5 (V06725))							
				(OPT BACS12FA3K5 (V06950))							
				(OPT BACS12FA3K5 (V27624))							
				(OPT BACS12FA3K5 (V34252))							
				(OPT BACS12FA3K5 (V56878))							
				(OPT BACS12FA3K5 (V73197))							
				(OPT BACS12FA3K5 (V80539))							
				(OPT BACS12FA3K5 (V92215))							
				(OPT BACS12FA3K5 (V93907))							
				(OPT BACS12FA3K5 (V97928))							
205	NAS1836-3-11		. .	INSERT						DS, EL, EV, EY	3
210	412N1217-5		. .	BRACKET						DS, EV, EY	1
215	412N1217-99		. .	BRACKET						EL, FE	1

-Item not Illustrated

# 25-28-49

ILLUSTRATED PARTS LIST

Page 1098.805

Mar 01/2006



## COMPONENT MAINTENANCE MANUAL

FIG/ ITEM	PART NUMBER	AIRLINE PART NUMBER	NOMENCLATURE							USAGE CODE	UNITS PER ASSY	
			1	2	3	4	5	6	7			
32- 220	412N1217-118		.	.							DS, EL, EV, EY, FE	1
225	BACR15BA3D		.	.	.						DS, EL, EV, EY, FE	12
230	BRM200A3		.	.	.						DS, EL, EV, EY, FE	6
235	412N1217-120		.	.	.						DS, EL, EV, EY, FE	1
240	412N1116-623		.	.							DS, EV, EY	1
-240A	412N1116-653		.	.							EL, FE	1
245	NAS1836-3-11		.	.	.						DS, EV, EY	5
250	412N1116-643		.	.	.						DS, EV, EY	1
-250A	412N1116-654		.	.	.						EL, FE	1
255	412N1116-22		.	.	.	.					DS, EL, EV, EY, FE	1
260	412N1116-611										DELETED	
-260A	412N1116-643										DELETED	
261	412N1216-611		.	.							DS, EV, EY	1
-261A	412N1216-643		.	.							EL, FE	1

-Item not Illustrated

# 25-28-49

ILLUSTRATED PARTS LIST

Page 1098.806

Mar 01/2006



## COMPONENT MAINTENANCE MANUAL

FIG/ ITEM	PART NUMBER	AIRLINE PART NUMBER	NOMENCLATURE							USAGE CODE	UNITS PER ASSY	
			1	2	3	4	5	6	7			
32- 265	BACB30NN3K1		. . .	BOLT							DS, EL, EV, EY, FE	13
				(V06710)								
				(SPEC BACB30NN3K1)								
				(OPT BACB30NN3K1 (V06725))								
				(OPT BACB30NN3K1 (V06950))								
				(OPT BACB30NN3K1 (V08524))								
				(OPT BACB30NN3K1 (V27624))								
				(OPT BACB30NN3K1 (V56878))								
				(OPT BACB30NN3K1 (V73197))								
				(OPT BACB30NN3K1 (V80539))								
				(OPT BACB30NN3K1 (V92215))								
				(OPT BACB30NN3K1 (V93907))								
				(OPT BACB30NN3K1 (V97928))								
270	BACW10CT10		. . .	WASHER							DS, EL, EV, EY, FE	13
				(V10630)								
				(SPEC BACW10CT10)								
275	AN960JD516L		. . .	WASHER							DS, EL, EV, EY, FE	13
280	SL5-3-145S		. . .	NUT							DS, EL, EV, EY, FE	13
				(V97393)								
				(OPT ITEM 280A)								
-280A	K121D395-145		. . .	NUT							DS, EL, EV, EY, FE	13
				(V29372)								
				(OPT ITEM 280)								
285	412N1217-49		. . .	BRACKET ASSY							DS, EV, EY	1
-285A	412N1217-91		. . .	BRACKET ASSY							EL, FE	1
290	BACR15BA3D		. . . .	RIVET							DS, EL, EV, EY, FE	10
				(SIZE DETERMINED ON INST)								
295	BRM200A3		. . . .	NUTPLATE							DS, EL, EV, EY, FE	5
				(V52828)								
				(SPEC BACN10JP3A)								
				(OPT MK1000-3BAC (V15653))								
				(OPT NS103197-02 (V80539))								
				(OPT RMA9201M3 (V72962))								
				(OPT T8076S1032 (V11815))								
				(OPT VN202A1-02 (V92215))								
300	412N1217-50		. . . .	BRACKET							DS, EV, EY, FE	1
-300A	412N1217-92		. . . .	BRACKET							EL, FE	1

-Item not Illustrated

# 25-28-49

ILLUSTRATED PARTS LIST

Page 1098.807

Mar 01/2006



## COMPONENT MAINTENANCE MANUAL

FIG/ ITEM	PART NUMBER	AIRLINE PART NUMBER	NOMENCLATURE							USAGE CODE	UNITS PER ASSY	
			1	2	3	4	5	6	7			
32- 305	412N1217-123		.	.	.						DS, EL, EV, EY	1
310	BACR15BA3D		.	.	.	.					DS, EL, EV, EY	12
315	BRM200A3		.	.	.	.					DS, EL, EV, EY	6
320	412N1217-124		.	.	.	.					DS, EL, EV, EY	1
325	412N1116-617		.	.	.						DS, EL, EV, EY	1
330	412N1116-620		.	.	.						DS, EL, EV, EY	1
335	NAS1836-3-11		.	.	.	.					DS, EL, EV, EY	2
340	412N1116-643		.	.	.	.					DS, EL, EV, EY	1
-340A	412N1116-644		.	.	.	.					DS, EL, EV, EY	1
345	412N1116-22		.	.	.	.	.	.			DS, EL, EV, EY	1
350	65C27327-624		.	.							DS, EV, EY	1
-350A	65C27327-690		.	.							EL	1
-350B	65C27327-722		.	.							FE	1

-Item not Illustrated

# 25-28-49

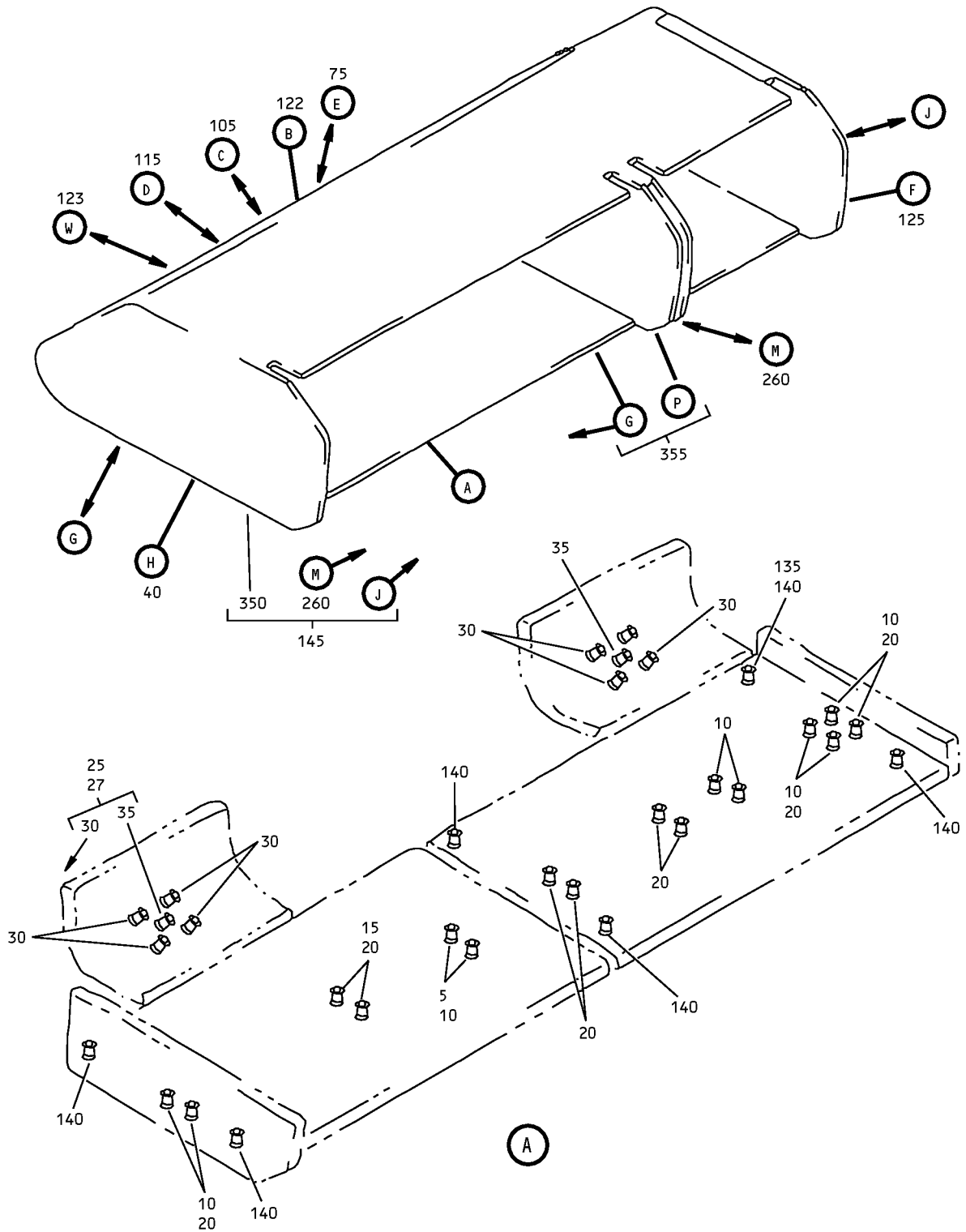
ILLUSTRATED PARTS LIST

Page 1098.808

Mar 01/2006



COMPONENT MAINTENANCE MANUAL



Overhead Stowage Compartment Assembly  
IPL Figure 33 (Sheet 1 of 9)

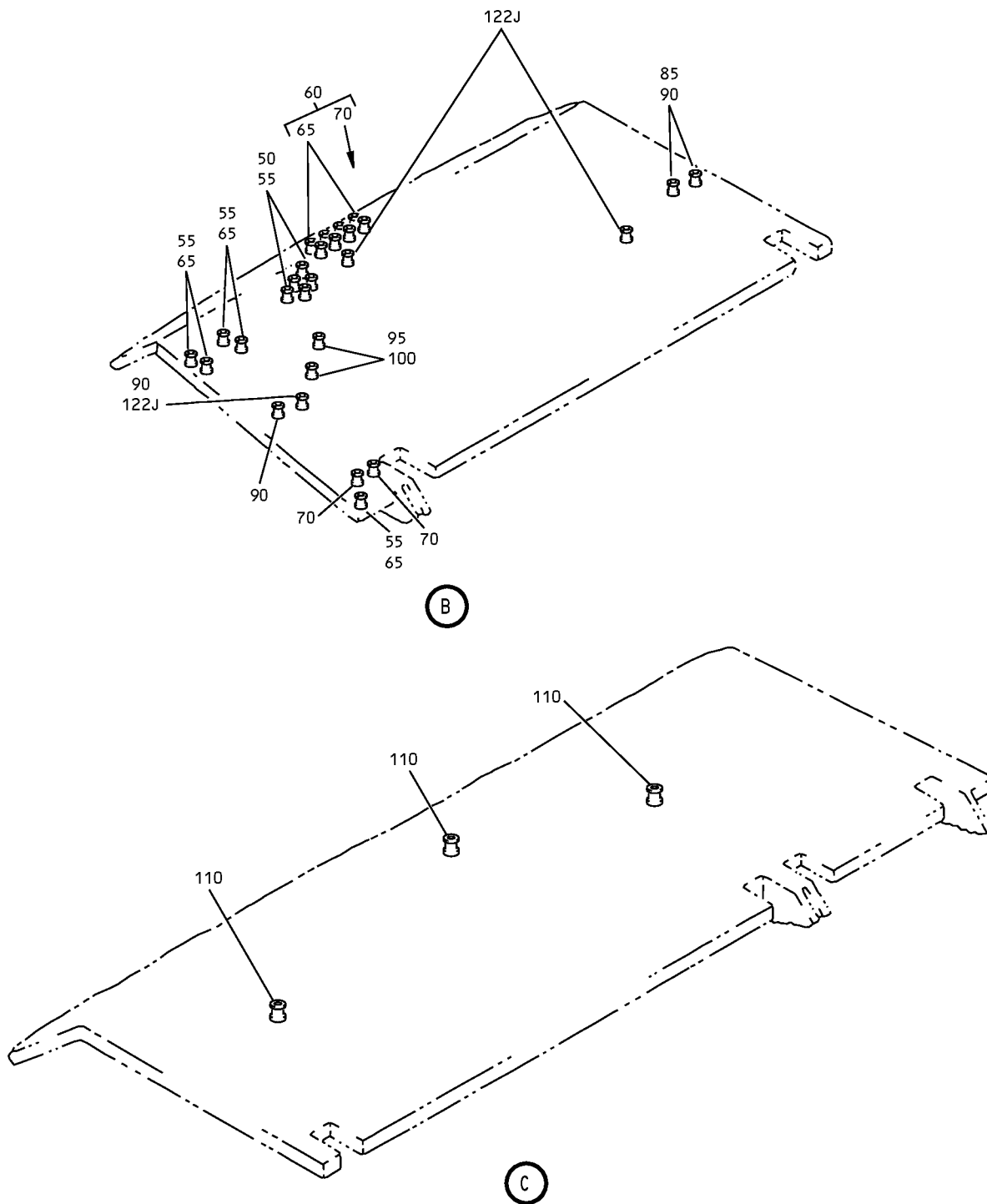
**25-28-49**

ILLUSTRATED PARTS LIST

Page 1098.809

Mar 01/2006

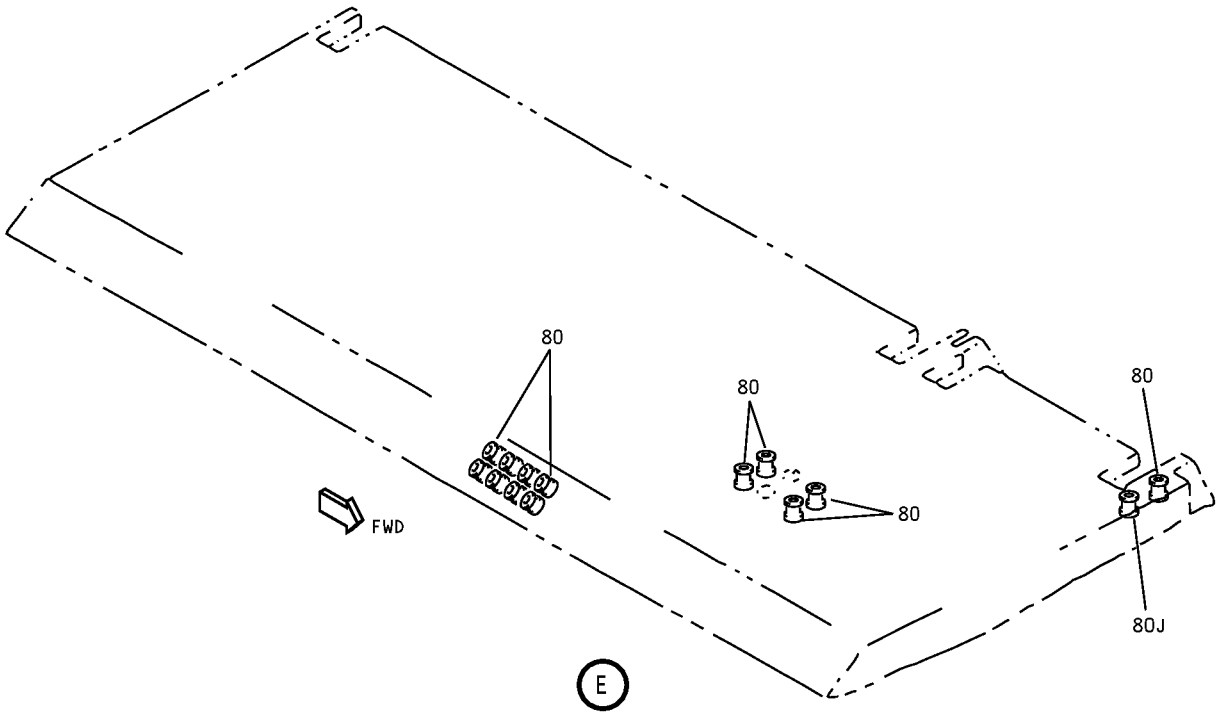
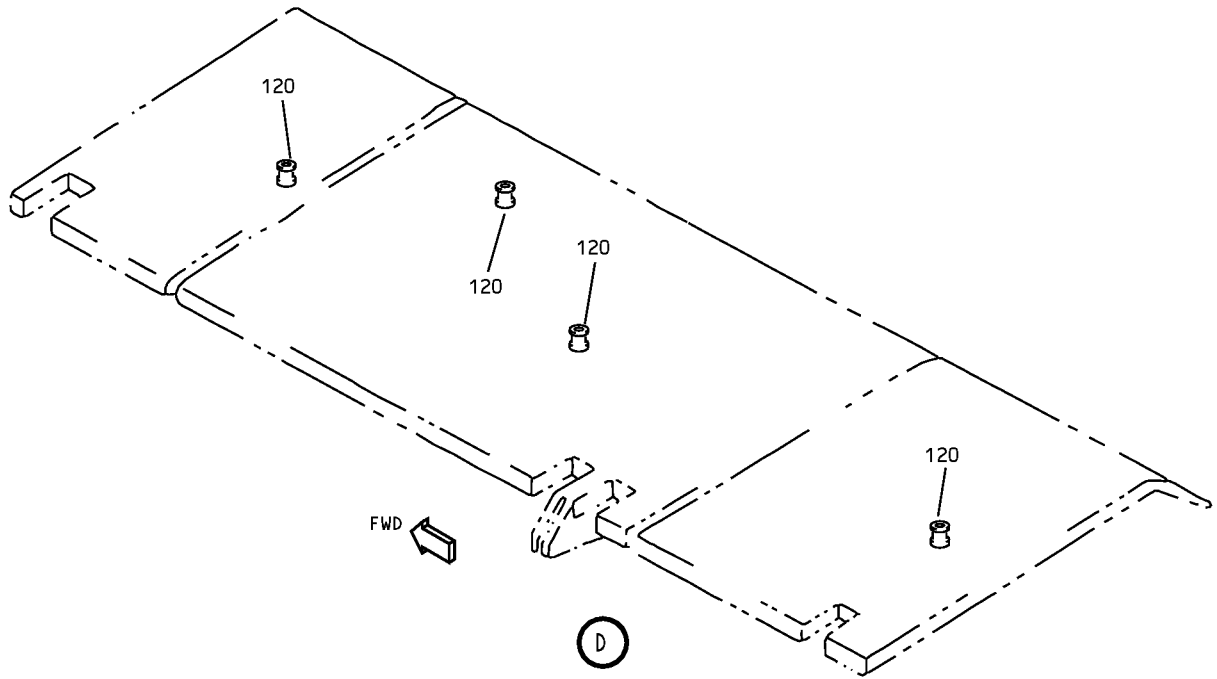
# COMPONENT MAINTENANCE MANUAL



Overhead Stowage Compartment Assembly  
IPL Figure 33 (Sheet 2 of 9)

**25-28-49**  
ILLUSTRATED PARTS LIST  
Page 1098.810  
Mar 01/2006

COMPONENT MAINTENANCE MANUAL



Overhead Storage Compartment Assembly  
IPL Figure 33 (Sheet 3 of 9)

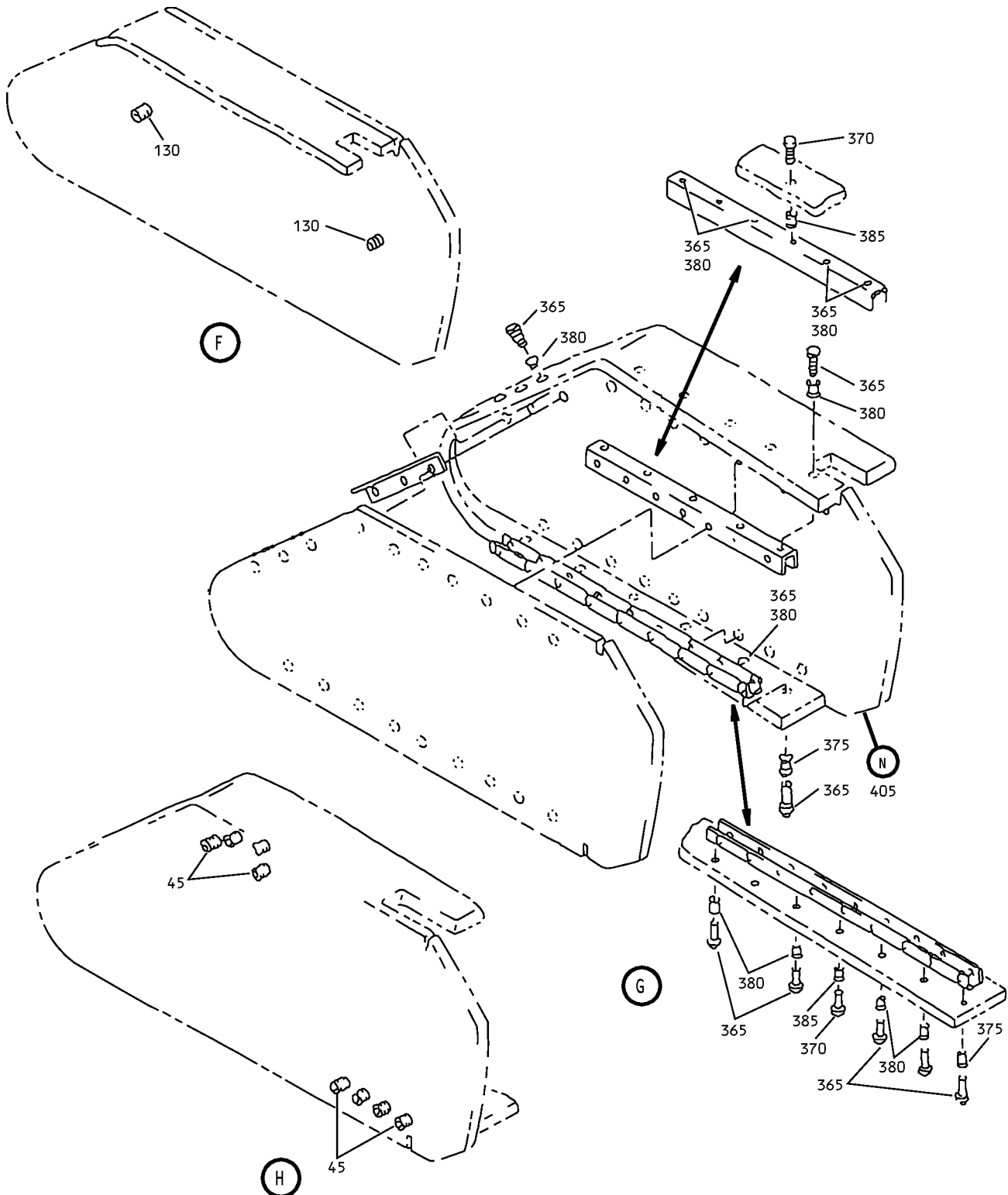
**25-28-49**

ILLUSTRATED PARTS LIST

Page 1098.811

Mar 01/2006

COMPONENT MAINTENANCE MANUAL



Overhead Storage Compartment Assembly  
IPL Figure 33 (Sheet 4 of 9)

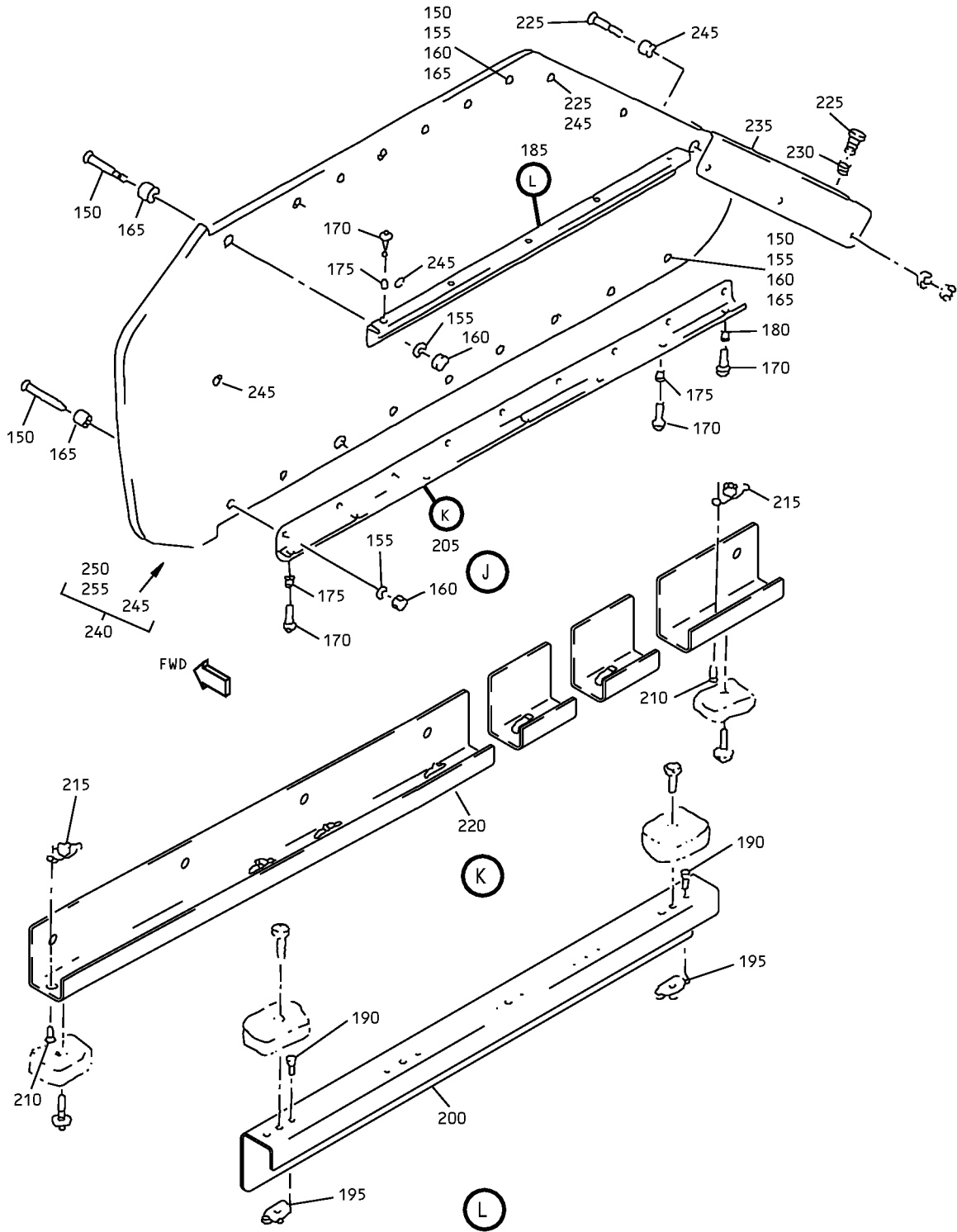
**25-28-49**

ILLUSTRATED PARTS LIST

Page 1098.812

Mar 01/2006

COMPONENT MAINTENANCE MANUAL



Overhead Storage Compartment Assembly  
IPL Figure 33 (Sheet 5 of 9)

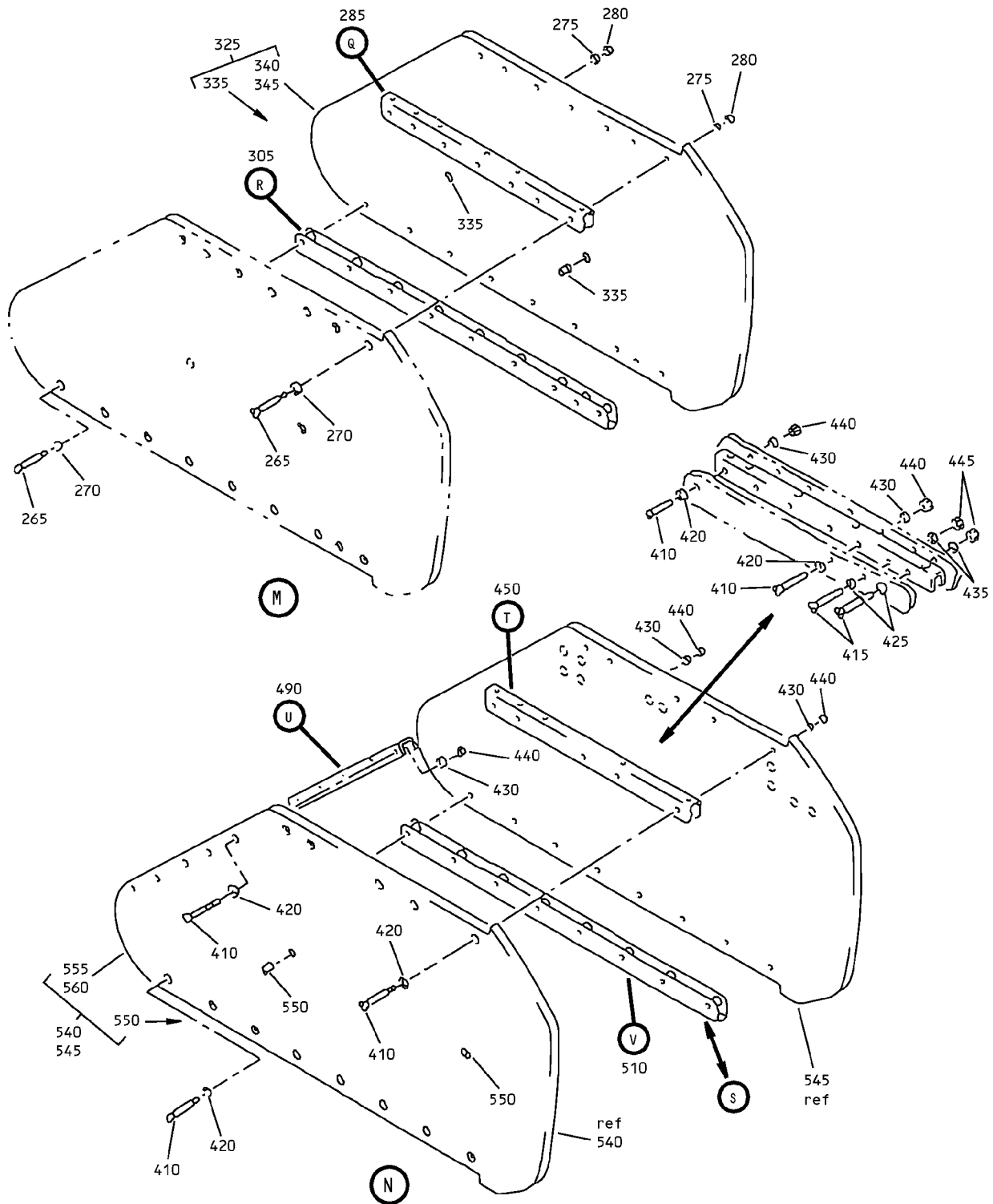
**25-28-49**

ILLUSTRATED PARTS LIST

Page 1098.813

Mar 01/2006

# COMPONENT MAINTENANCE MANUAL



Overhead Storage Compartment Assembly  
IPL Figure 33 (Sheet 6 of 9)

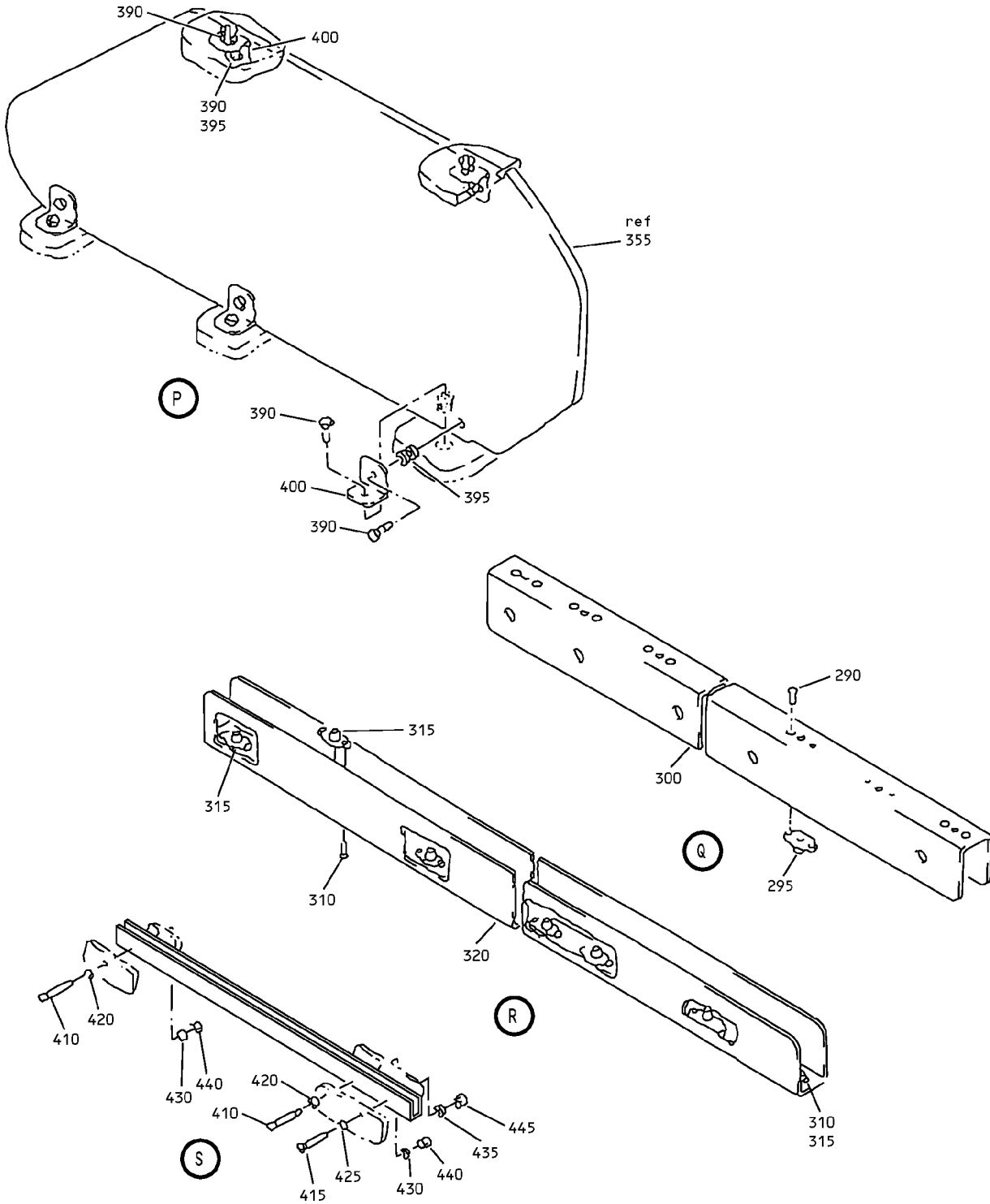
## 25-28-49

ILLUSTRATED PARTS LIST

Page 1098.814

Mar 01/2006

COMPONENT MAINTENANCE MANUAL



Overhead Storage Compartment Assembly  
IPL Figure 33 (Sheet 7 of 9)

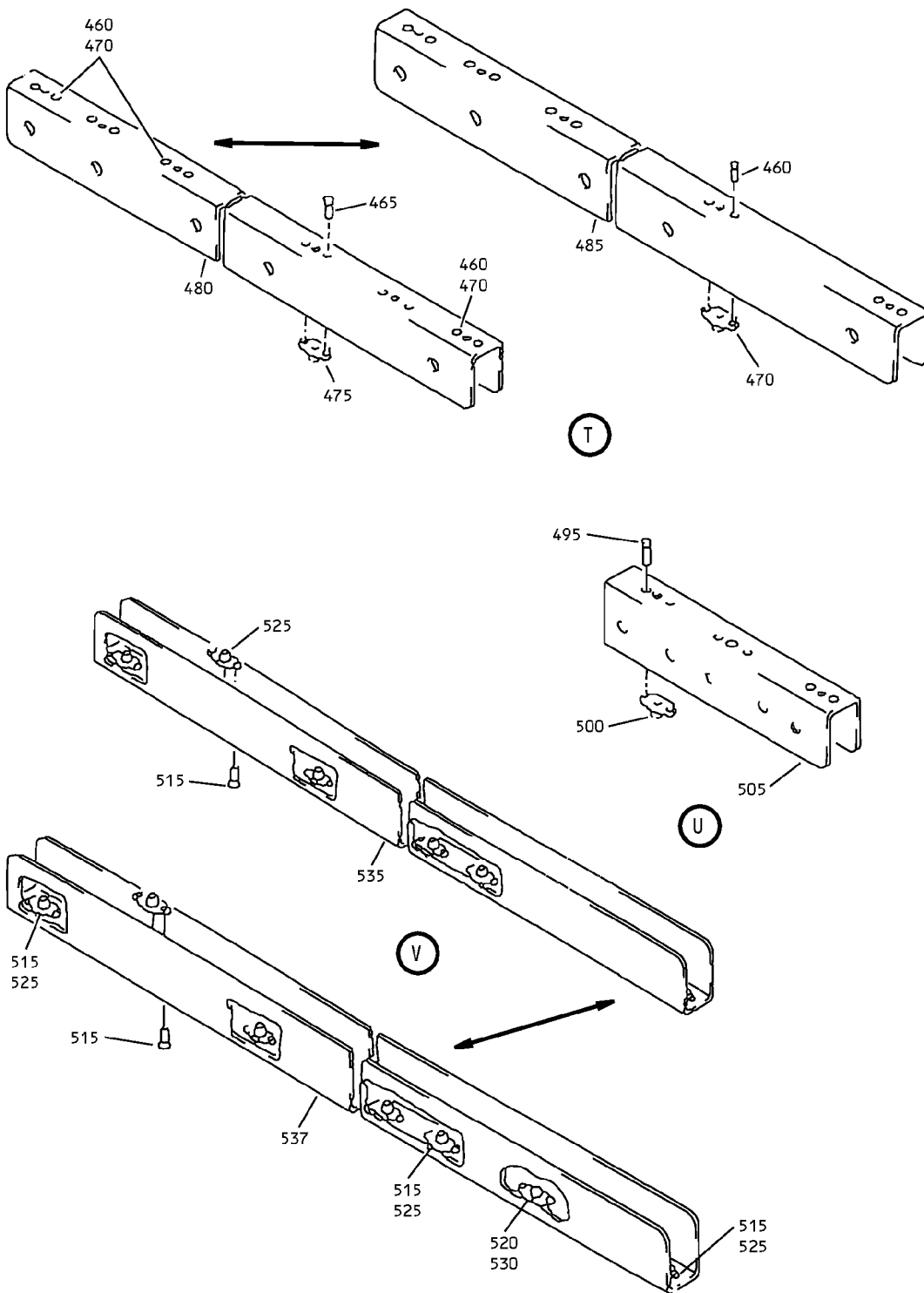
**25-28-49**

ILLUSTRATED PARTS LIST

Page 1098.815

Mar 01/2006

# COMPONENT MAINTENANCE MANUAL



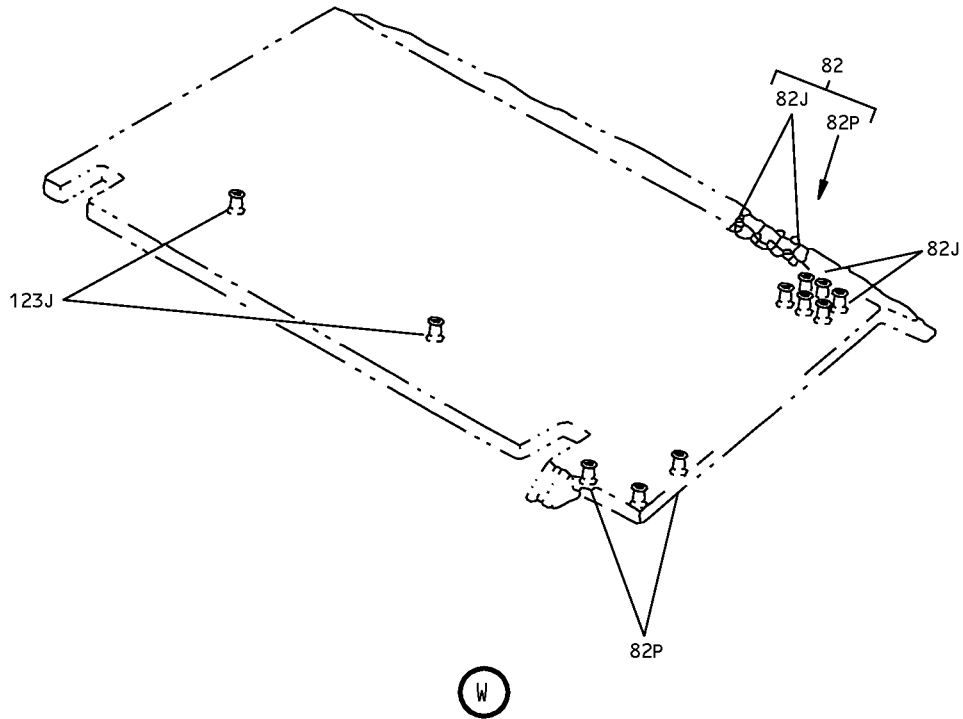
Overhead Storage Compartment Assembly  
IPL Figure 33 (Sheet 8 of 9)

**25-28-49**  
ILLUSTRATED PARTS LIST  
Page 1098.816  
Mar 01/2006





COMPONENT MAINTENANCE MANUAL



Overhead Stowage Compartment Assembly  
IPL Figure 33 (Sheet 9 of 9)

**25-28-49**

ILLUSTRATED PARTS LIST

Page 1098.817

Mar 01/2006



## COMPONENT MAINTENANCE MANUAL

FIG/ ITEM	PART NUMBER	AIRLINE PART NUMBER	NOMENCLATURE							USAGE CODE	UNITS PER ASSY
			1	2	3	4	5	6	7		
33-											
-1	65C27012-194									E	RF
-1A	65C27012-162									M, DM	RF
-1B	65C27012-166									R	RF
-1C	65C27012-219									DA	RF
-1D	65C27012-620									DU	RF
-1E	65C27012-631									DY	RF
-1F	65C27012-630									DZ	RF
-1G	65C27012-664									EW	RF
-1H	65C27012-621									EZ	RF
-1J	65C27012-671									FA	RF
-1K	65C27012-672									FB	RF
-1L	65C27012-673									FC	RF
-1M	65C27012-674									FD	RF
5	65C27012-1079									M, R, DA, DM, DY, EZ, FC	1
-5A	65C27012-1080									DZ, FD	1
10	NAS1836-3-11									M, R, DA, DM, DY, DZ, EZ, FC, FD	10
11	65C27012-1073									FA	1
11J	NAS1836-3-11									FA	9
12	65C27012-1074									EW	1
12J	NAS1836-3-11									EW	13
15	65C27012-1086									E	1
-15A	65C27012-1096									DU	1
15B	65C27012-1095									FB	1
20	NAS1836-3-11									E, DU, FB	12
25	65C27012-1110									E, FD	1

-Item not Illustrated

# 25-28-49

ILLUSTRATED PARTS LIST

Page 1098.818

Mar 01/2006



## COMPONENT MAINTENANCE MANUAL

FIG/ ITEM	PART NUMBER	AIRLINE PART NUMBER	NOMENCLATURE							USAGE CODE	UNITS PER ASSY
			1	2	3	4	5	6	7		
33-											
-25A	65C27012-1111		.							DU, FD	1
-25B	65C27012-1113		.							M, R, DA, DM, DY, FB	1
-25C	65C27012-1133		.							DZ	1
-25D	65C27012-1131		.							EW, FA	1
27	65C27012-1114		.							EZ, FC	1
30	NAS1836-3-11		.	.						E, M, R, DA, DM, DU, DY, DZ, EW, EZ, FA- FC	8
35	NAS1836-4-11		.	.						E, M, R, DA, DM, DU, DY, DZ, EW, EZ, FA- FC	2
40	65C27012-1203		.							DZ, EW, FA	1
-40A	65C27012-1204		.							M, R, DA, DM, DY, FB	1
-40B	65C27012-1207		.							E, DU, FD	1
-42	65C27012-1208		.							EZ, FC	1
45	SL2334-3A2		.	.						E, M, R, DA, DM, DU, DY, DZ, EW, EZ, FA- FD	8
										(V97393)	
50	65C27012-1338		.							M, R, DA, DM, DY	1
-50A	65C27012-1370		.							DZ	1
55	NAS1836-3-11		.	.						M, R, DA, DM, DY, DZ	10

-Item not Illustrated

# 25-28-49

ILLUSTRATED PARTS LIST

Page 1098.819

Mar 01/2006



## COMPONENT MAINTENANCE MANUAL

FIG/ ITEM	PART NUMBER	AIRLINE PART NUMBER	NOMENCLATURE	USAGE CODE	UNITS PER ASSY
33-					
60	65C27012-1322		. PATTERN ASSY-INSERT	E	1
-60A	65C27012-1333		. PATTERN ASSY-INSERT	FD	1
60B	65C27012-1341		. PATTERN ASSY-INSERT	FB	1
65	NAS1836-3-11		. . INSERT	E, FB, FD	13
70	NAS1834-5-400		. . INSERT	E	2
72	NAS1834-5-400		. . INSERT	FB	1
75	65C27012-1364		. PATTERN ASSY-INSERT	DU	1
-75A	65C27012-1310		. PATTERN ASSY-INSERT	EZ, FC	1
-75B	65C27012-1351		PATTERN ASSY-INSERT	FA	1
80	NAS1836-3-11		. . INSERT	DU, EZ, FA, FC	13
80J	NAS1836-3-11		. . INSERT	DU, FA, FC	1
82	65C27012-1366		. PATTERN ASSY-INSERT	EW	1
82J	NAS1836-3-11		. . INSERT	EW	12
82P	NAS1833-3-400		. . INSERT	EW	3
85	65C27012-2022		. PATTERN ASSY-INSERT	E	1
-85A	65C27012-2027		. PATTERN ASSY-INSERT	DU	1
-85B	65C27012-2030		. PATTERN ASSY-INSERT	EZ, FC	1
-85C	65C27012-2036		. PATTERN ASSY-INSERT	FD	1
90	NAS1836-3-11		. . INSERT	E, DU, EZ, FC, FD	4
92	65C27012-2052		. PATTERN ASSY-INSERT	EW	1
92J	NAS1836-3-11		. . INSERT	EW	4
95	65C27012-2042		. PATTERN ASSY-INSERT	M, R, DA, DM, DY	1
-95A	65C27012-2073		. PATTERN ASSY-INSERT	DZ	1
-95B	65C27012-2045		. PATTERN ASSY-INSERT	FB	1
100	NAS1836-3-11		. . INSERT	M, R, DA, DM, DY, DZ, FB	2

-Item not Illustrated

# 25-28-49

ILLUSTRATED PARTS LIST

Page 1098.820

Mar 01/2006



## COMPONENT MAINTENANCE MANUAL

FIG/ ITEM	PART NUMBER	AIRLINE PART NUMBER	NOMENCLATURE							USAGE CODE	UNITS PER ASSY
			1	2	3	4	5	6	7		
33-											
105	65C27012-2111		.							E	1
-105A	65C27012-2165		.							FD	1
110	NAS1836-3-11		.	.						E, FD	3
115	65C27012-2123		.							DU	1
-115A	65C27012-2139		.							M, R, DA, DM, DY	1
-115B	65C27012-2148		.							DZ	1
-115C	65C27012-2061		.							FC	1
120	NAS1836-3-11		.	.						M, R, DA, DM, DU, DY, DZ, FA	4
122	65C27012-2127		.							EZ, FC	1
122J	NAS1836-3-11		.	.						EZ, FC	3
123	65C27012-2161		.							EW, FA	1
-123A	65C27012-2142		.							FB	1
123J	NAS1836-3-11		.	.						EW, FA, FB	2
125	65C27012-3202		.							R, DA, DY	1
-125A	65C27012-3201		.							FA	1
130	NAS1833-3-400		.	.						R, DA, DY, FA	2
135	65C27012-4044		.							DZ	1
140	NAS1833-3-400		.	.						DZ	6
142	65C27012-4034		.							FA	1
142J	NAS1833-3-400		.	.						FA	10
145	65C27327-647		.							DU	1

-Item not Illustrated

# 25-28-49

ILLUSTRATED PARTS LIST

Page 1098.821

Mar 01/2006



## COMPONENT MAINTENANCE MANUAL

FIG/ ITEM	PART NUMBER	AIRLINE PART NUMBER	NOMENCLATURE							USAGE CODE	UNITS PER ASSY
			1	2	3	4	5	6	7		
33- 150	BACB30NN3K6		. .	BOLT						DU	16
				(V06710)							
				(SPEC BACB30NN3K6)							
				(OPT BACB30NN3K6 (V06725))							
				(OPT BACB30NN3K6 (V06950))							
				(OPT BACB30NN3K6 (V08524))							
				(OPT BACB30NN3K6 (V27624))							
				(OPT BACB30NN3K6 (V56878))							
				(OPT BACB30NN3K6 (V73197))							
				(OPT BACB30NN3K6 (V80539))							
				(OPT BACB30NN3K6 (V92215))							
				(OPT BACB30NN3K6 (V93907))							
				(OPT BACB30NN3K6 (V97928))							
155	AN960JD10LL		. .	WASHER						DU	16
160	MS21042L3		. .	NUT						DU	16
165	SL3378-3-380		. .	SLEEVE						DU	16
				(V97393)							
170	BACS12FA3K12		. .	SCREW						DU	12
				(V06710)							
				(SPEC BACS12FA3K12)							
				(OPT BACS12FA3K12 (V06725))							
				(OPT BACS12FA3K12 (V06950))							
				(OPT BACS12FA3K12 (V27624))							
				(OPT BACS12FA3K12 (V34252))							
				(OPT BACS12FA3K12 (V56878))							
				(OPT BACS12FA3K12 (V73197))							
				(OPT BACS12FA3K12 (V80539))							
				(OPT BACS12FA3K12 (V92215))							
				(OPT BACS12FA3K12 (V93907))							
				(OPT BACS12FA3K12 (V97928))							
175	NAS1834-3-400		. .	INSERT						DU	11
180	NAS1834-3-375		. .	INSERT						DU	1
185	412N1217-61		. .	BRACKET ASSY						DU	1
190	BACR15BA3D		. . .	RIVET						DU	10
				(SIZE DETERMINED ON INST)							
195	BRM200A3		. . .	NUTPLATE						DU	5
				(V52828)							
				(SPEC BACN10JP3A)							
				(OPT MK1000-3BAC (V15653))							
				(OPT NS103197-02 (V80539))							
				(OPT RMA9201M3 (V72962))							
				(OPT T8076S1032 (V11815))							
				(OPT VN202A1-02 (V92215))							

-Item not Illustrated

# 25-28-49

ILLUSTRATED PARTS LIST

Page 1098.822

Mar 01/2006



## COMPONENT MAINTENANCE MANUAL

FIG/ ITEM	PART NUMBER	AIRLINE PART NUMBER	NOMENCLATURE							USAGE CODE	UNITS PER ASSY
			1	2	3	4	5	6	7		
33-											
200	412N1217-63								. . . BRACKET	DU	1
205	412N1217-113								. . BRACKET ASSY	DU	1
210	BACR15BA3D								. . . RIVET (SIZE DETERMINED ON INST)	DU	14
215	BRM200A3								. . . NUTPLATE (V52828) (SPEC BACN10JP3A) (OPT MK1000-3BAC (V15653)) (OPT NS103197-02 (V80539)) (OPT RMA9201M3 (V72962)) (OPT T8076S1032 (V11815)) (OPT VN202A1-02 (V92215))	DU	7
220	412N1217-115								. . . BRACKET	DU	1
225	BACS12FA3K5								. . SCREW (V06710) (SPEC BACS12FA3K5) (OPT BACS12FA3K5 (V06725)) (OPT BACS12FA3K5 (V06950)) (OPT BACS12FA3K5 (V27624)) (OPT BACS12FA3K5 (V34252)) (OPT BACS12FA3K5 (V56878)) (OPT BACS12FA3K5 (V73197)) (OPT BACS12FA3K5 (V80539)) (OPT BACS12FA3K5 (V92215)) (OPT BACS12FA3K5 (V93907)) (OPT BACS12FA3K5 (V97928))	DU	6
230	NAS1836-3-11								. . INSERT	DU	3
235	412N1217-5								. . BRACKET	DU	1
240	412N1116-626								. . PANEL ASSY	DU	1
245	NAS1836-3-11								. . . INSERT	DU	5
250	412N1116-632								. . . PANEL ASSY	DU	1
255	412N1116-22								. . . . COVER-DECORATIVE	DU	1
260	412N1216-601								. . PANEL ASSY-DIVIDER	DU	1

-Item not Illustrated

# 25-28-49

ILLUSTRATED PARTS LIST

Page 1098.823

Mar 01/2006



## COMPONENT MAINTENANCE MANUAL

FIG/ ITEM	PART NUMBER	AIRLINE PART NUMBER	NOMENCLATURE							USAGE CODE	UNITS PER ASSY
			1	2	3	4	5	6	7		
33- 265	BACB30NN3K1		. . .	BOLT						DU	16
				(V06710)							
				(SPEC BACB30NN3K1)							
				(OPT BACB30NN3K1 (V06725))							
				(OPT BACB30NN3K1 (V06950))							
				(OPT BACB30NN3K1 (V08524))							
				(OPT BACB30NN3K1 (V27624))							
				(OPT BACB30NN3K1 (V56878))							
				(OPT BACB30NN3K1 (V73197))							
				(OPT BACB30NN3K1 (V80539))							
				(OPT BACB30NN3K1 (V92215))							
				(OPT BACB30NN3K1 (V93907))							
				(OPT BACB30NN3K1 (V97928))							
270	BACW10CT10		. . .	WASHER						DU	16
				(V10630)							
				(SPEC BACW10CT10)							
275	AN960JD516L		. . .	WASHER						DU	16
280	SL5-3-145S		. . .	NUT						DU	16
				(V97393)							
				(OPT ITEM 280A)							
-280A	K121D395-145		. . .	NUT						DU	16
				(V29372)							
				(OPT ITEM 280)							
285	412N1217-87		. . .	BRACKET ASSY						DU	1
290	BACR15BA3D		. . . .	RIVET						DU	12
				(SIZE DETERMINED ON INST)							
295	BRM200A3		. . . .	NUTPLATE						DU	6
				(V52828)							
				(SPEC BACN10JP3A)							
				(OPT MK1000-3BAC (V15653))							
				(OPT NS103197-02 (V80539))							
				(OPT RMA9201M3 (V72962))							
				(OPT T8076S1032 (V11815))							
				(OPT VN202A1-02 (V92215))							
300	412N1217-88		. . . .	BRACKET						DU	1
305	412N1217-121		. . .	BRACKET ASSY						DU	1
310	BACR15BA3D		. . . .	RIVET						DU	14
				(SIZE DETERMINED ON INST)							

-Item not Illustrated

# 25-28-49

ILLUSTRATED PARTS LIST

Page 1098.824

Mar 01/2006





## COMPONENT MAINTENANCE MANUAL

FIG/ ITEM	PART NUMBER	AIRLINE PART NUMBER	NOMENCLATURE							USAGE CODE	UNITS PER ASSY
			1	2	3	4	5	6	7		
33-											
315	BRM200A3		.	.	.	.	NUTPLATE			DU	7
							(V52828)				
							(SPEC BACN10JP3A)				
							(OPT MK1000-3BAC (V15653))				
							(OPT NS103197-02 (V80539))				
							(OPT RMA9201M3 (V72962))				
							(OPT T8076S1032 (V11815))				
							(OPT VN202A1-02 (V92215))				
320	412N1217-122		.	.	.	.	BRACKET			DU	1
325	412N1116-608		.	.	.	.	PANEL ASSY-DIVIDER			DU	1
-330	412N1116-609		.	.	.	.	PANEL ASSY-DIVIDER			DU	1
335	NAS1836-3-11		.	.	.	.	INSERT			DU	2
340	412N1116-632		.	.	.	.	PANEL ASSY			DU	1
-340A	412N1116-631		.	.	.	.	PANEL ASSY			DU	1
345	412N1116-22		.	.	.	.	COVER-DECORATIVE			DU	1
350	65C27327-648		.	.			BODY			DU	1
355	65C27327-222		.				BODY ASSY			E	1
-355A	65C27327-164		.				BODY ASSY			M, DM	1
-355B	65C27327-667		.				BODY ASSY			DZ	1
-355C	65C27327-649		.				BODY ASSY			EZ	1
-355D	65C27327-651		.				BODY ASSY			EW	1
-360	65C27327-179		.				BODY ASSY			R	1
-360A	65C27327-251		.				BODY ASSY			DA	1
-360B	65C27327-668		.				BODY ASSY			DY	1
-360C	65C27327-643		.				BODY ASSY			FA	1
-360D	65C27327-710		.				BODY ASSY			FB	1
-360E	65C27327-711		.				BODY ASSY			FC	1
-360F	65C27327-618		.				BODY ASSY			FD	1

-Item not Illustrated

# 25-28-49

ILLUSTRATED PARTS LIST

Page 1098.825

Mar 01/2006



## COMPONENT MAINTENANCE MANUAL

FIG/ ITEM	PART NUMBER	AIRLINE PART NUMBER	NOMENCLATURE							USAGE CODE	UNITS PER ASSY	
			1	2	3	4	5	6	7			
33- 365	BACS12FA3K12		. .	SCREW (V06710) (SPEC BACS12FA3K12) (OPT BACS12FA3K12 (V06725)) (OPT BACS12FA3K12 (V06950)) (OPT BACS12FA3K12 (V27624)) (OPT BACS12FA3K12 (V34252)) (OPT BACS12FA3K12 (V56878)) (OPT BACS12FA3K12 (V73197)) (OPT BACS12FA3K12 (V80539)) (OPT BACS12FA3K12 (V92215)) (OPT BACS12FA3K12 (V93907)) (OPT BACS12FA3K12 (V97928))							E, M, R, DA, DM, DY, DZ, EW, EZ, FA-FD	14
370	BACS12FA3K12		. .	SCREW (V06710) (SPEC BACS12FA3K12) (OPT BACS12FA3K12 (V06725)) (OPT BACS12FA3K12 (V06950)) (OPT BACS12FA3K12 (V27624)) (OPT BACS12FA3K12 (V34252)) (OPT BACS12FA3K12 (V56878)) (OPT BACS12FA3K12 (V73197)) (OPT BACS12FA3K12 (V80539)) (OPT BACS12FA3K12 (V92215)) (OPT BACS12FA3K12 (V93907)) (OPT BACS12FA3K12 (V97928))							E, EZ, FC, FD	2
375	NAS1834-4-380		. .	INSERT							E, M, R, DA, DY, DZ, EW, EZ, FA- FD	1
380	NAS1834-4-400		. .	INSERT							E, M, R, DA, DY, DZ, EW, EZ, FA- FD	13
385	NAS1834-4-400		. .	INSERT							E, EZ, FC, FD	2

-Item not Illustrated

# 25-28-49

ILLUSTRATED PARTS LIST

Page 1098.826

Mar 01/2006



## COMPONENT MAINTENANCE MANUAL

FIG/ ITEM	PART NUMBER	AIRLINE PART NUMBER	NOMENCLATURE							USAGE CODE	UNITS PER ASSY	
			1	2	3	4	5	6	7			
33- 390	BACS12FA3K6		.	.	SCREW (V06710) (SPEC BACS12FA3K6) (OPT BACS12FA3K6 (V06725)) (OPT BACS12FA3K6 (V06950)) (OPT BACS12FA3K6 (V27624)) (OPT BACS12FA3K6 (V34252)) (OPT BACS12FA3K6 (V56878)) (OPT BACS12FA3K6 (V73197)) (OPT BACS12FA3K6 (V80539)) (OPT BACS12FA3K6 (V92215)) (OPT BACS12FA3K6 (V93907)) (OPT BACS12FA3K6 (V97928))						R, DA, DY, DZ	10
395	NAS1833-3-400		.	.	INSERT					R, DA, DY, DZ, FB, FC	5	
400	412N1145-33		.	.	BRACKET					R, FB, FC	5	
-400A	412N1145-112		.	.	BRACKET					DA, DY, DZ	5	
405	412N1216-54		.	.	PANEL ASSY-DIVIDER					E	1	
-405A	412N1216-60		.	.	PANEL ASSY-DIVIDER					M, R, DM	1	
-405B	412N1216-82		.	.	PANEL ASSY-DIVIDER					DA	1	
-405C	412N1216-639		.	.	PANEL ASSY-DIVIDER					DZ	1	
-405D	412N1216-640		.	.	PANEL ASSY-DIVIDER					DY	1	
-405E	412N1216-619		.	.	PANEL ASSY-DIVIDER					EZ, FC	1	
-405F	412N1216-603		.	.	PANEL ASSY-DIVIDER					EW, FA	1	
-405G	412N1216-626		.	.	PANEL ASSY-DIVIDER					FB	1	
-405H	412N1216-634		.	.	PANEL ASSY-DIVIDER					FD	1	

-Item not Illustrated

# 25-28-49

ILLUSTRATED PARTS LIST

Page 1098.827

Mar 01/2006



## COMPONENT MAINTENANCE MANUAL

FIG/ ITEM	PART NUMBER	AIRLINE PART NUMBER	NOMENCLATURE							USAGE CODE	UNITS PER ASSY	
			1	2	3	4	5	6	7			
33- 410	BACB30NN3K1		. . .	BOLT							E, M, R, DA, DY, DZ, EW, EZ, FA- FD	18
				(V06710)								
				(SPEC BACB30NN3K1)								
				(OPT BACB30NN3K1 (V06725))								
				(OPT BACB30NN3K1 (V06950))								
				(OPT BACB30NN3K1 (V08524))								
				(OPT BACB30NN3K1 (V27624))								
				(OPT BACB30NN3K1 (V56878))								
				(OPT BACB30NN3K1 (V73197))								
				(OPT BACB30NN3K1 (V80539))								
				(OPT BACB30NN3K1 (V92215))								
				(OPT BACB30NN3K1 (V93907))								
				(OPT BACB30NN3K1 (V97928))								
415	BACB30NN3K1		. . .	BOLT							E, EZ, FC, FD	3
				(V06710)								
				(SPEC BACB30NN3K1)								
				(OPT BACB30NN3K1 (V06725))								
				(OPT BACB30NN3K1 (V06950))								
				(OPT BACB30NN3K1 (V08524))								
				(OPT BACB30NN3K1 (V27624))								
				(OPT BACB30NN3K1 (V56878))								
				(OPT BACB30NN3K1 (V73197))								
				(OPT BACB30NN3K1 (V80539))								
				(OPT BACB30NN3K1 (V92215))								
				(OPT BACB30NN3K1 (V93907))								
				(OPT BACB30NN3K1 (V97928))								
420	BACW10CT10		. . .	WASHER							E, M, R, DA, DY, DZ, EW, EZ, FA- FD	18
				(V10630)								
				(SPEC BACW10CT10)								
425	BACW10CT10		. . .	WASHER							E, EZ, FC, FD	3
				(V10630)								
				(SPEC BACW10CT10)								
430	AN960JD516L		. . .	WASHER							E, M, R, DA, DY, DZ, EW, EZ, FA- FD	18
435	AN960JD516L		. . .	WASHER							E, EZ, FC, FD	3

-Item not Illustrated

# 25-28-49

ILLUSTRATED PARTS LIST

Page 1098.828

Mar 01/2006



## COMPONENT MAINTENANCE MANUAL

FIG/ ITEM	PART NUMBER	AIRLINE PART NUMBER	NOMENCLATURE							USAGE CODE	UNITS PER ASSY	
			1	2	3	4	5	6	7			
33- 440	SL5-3-145S		. . .							NUT (V97393) (OPT ITEM 440A)	E, M, R, DA, DY, DZ, EW, EZ, FA- FD	18
-440A	K121D395-145		. . .							NUT (V29372) (OPT ITEM 440)	E, M, R, DA, DY, DZ, EW, EZ, FA- FD	18
445	SL5-3-145		. . .							NUT (V97393) (OPT ITEM 445A)	E, EZ, FC, FD	3
-445A	K121D395-145		. . .							NUT (V29372) (OPT ITEM 445)	E, EZ, FC, FD	3
450	412N1217-87		. . .							BRACKET ASSY	E, EZ, FC, FD	1
-455	412N1217-91		. . .							BRACKET ASSY	M, R, DA, DY, DZ, FB	1
-455A	412N1217-49		. . .							BRACKET ASSY	EW, FA	1
460	BACR15BA3D		. . . .							RIVET (SIZE DETERMINED ON INST)	E, M, R, DA, DY, DZ, EW, EZ, FA- FD	10
465	BACR15BA3D		. . . .							RIVET (SIZE DETERMINED ON INST)	E, EZ, FC, FD	2
470	BRM200A3		. . . .							NUTPLATE (V52828) (SPEC BACN10JP3A) (OPT MK1000-3BAC (V15653)) (OPT NS103197-02 (V80539)) (OPT RMA9201M3 (V72962)) (OPT T8076S1032 (V11815)) (OPT VN202A1-02 (V92215))	E, M, R, DA, DY, DZ, EW, EZ, FA- FD	5

-Item not Illustrated

# 25-28-49

ILLUSTRATED PARTS LIST

Page 1098.829

Mar 01/2006



## COMPONENT MAINTENANCE MANUAL

FIG/ ITEM	PART NUMBER	AIRLINE PART NUMBER	NOMENCLATURE							USAGE CODE	UNITS PER ASSY	
			1	2	3	4	5	6	7			
33- 475	BRM200A3		. . . .							NUTPLATE (V52828) (SPEC BACN10JP3A) (OPT MK1000-3BAC (V15653)) (OPT NS103197-02 (V80539)) (OPT RMA9201M3 (V72962)) (OPT T8076S1032 (V11815)) (OPT VN202A1-02 (V92215))	E, EZ, FC, FD	1
480	412N1217-88		. . . .							BRACKET	E, EZ, FC, FD	1
485	412N1217-92		. . . .							BRACKET	M, R, DA, DY, DZ, FB	1
-485A	412N1217-50		. . . .							BRACKET	EW, FA	1
490	412N1217-95		. . .							BRACKET ASSY	E, EZ, FC, FD	1
-490A	412N1217-51		. . .							BRACKET ASSY	M, R, DA, DY, DZ, EW, FA, FB	1
495	BACR15BA3D		. . . .							RIVET (SIZE DETERMINED ON INST)	E, M, R, DA, DY, DZ, EW, EZ, FA- FD	6
500	BRM200A3		. . . .							NUTPLATE (V52828) (SPEC BACN10JP3A) (OPT MK1000-3BAC (V15653)) (OPT NS103197-02 (V80539)) (OPT RMA9201M3 (V72962)) (OPT T8076S1032 (V11815)) (OPT VN202A1-02 (V92215))	E, M, R, DA, DY, DZ, EW, EZ, FA- FD	3
505	412N1217-96		. . . .							BRACKET	E, EZ, FC, FD	1
-505A	412N1217-52		. . . .							BRACKET	M, R, DA, DY, DZ, EW, FA, FB	1
510	412N1217-121		. . .							BRACKET ASSY	E, EZ, FC, FD	1

-Item not Illustrated

# 25-28-49

ILLUSTRATED PARTS LIST

Page 1098.830

Mar 01/2006



## COMPONENT MAINTENANCE MANUAL

FIG/ ITEM	PART NUMBER	AIRLINE PART NUMBER	NOMENCLATURE							USAGE CODE	UNITS PER ASSY	
			1	2	3	4	5	6	7			
33- -510A	412N1217-123		. . .								M, R, DA, DY, DZ, EW, FA, FB	1
515	BACR15BA3D		. . . .								E, M, R, DA, DY, DZ, EW, EZ, FA- FD	12
520	BACR15BA3D		. . . .								E, EZ, FC, FD	2
525	BRM200A3		. . . .								E, M, R, DA, DY, DZ, EW, EZ, FA- FD	6
530	BRM200A3		. . . .								E, EZ, FC, FD	7
535	412N1217-122		. . . .								E, EZ, FC, FD	1
-535A	412N1217-124		. . . .								M, R, DA, DY, DZ, EW, FA, FB	1
537	412N1116-655		. .								FB	1
537A	412N1116-687		. .								FC	1
540	412N1116-98		. . .								E, EZ, FC, FD	1
-540A	412N1116-79		. . .								M, R, DA, DY, DZ, EW, FA, FB	1
-540B	412N1116-720		. . .								DZ	1

-Item not Illustrated

# 25-28-49

ILLUSTRATED PARTS LIST

Page 1098.831

Mar 01/2006



## COMPONENT MAINTENANCE MANUAL

FIG/ ITEM	PART NUMBER	AIRLINE PART NUMBER	NOMENCLATURE							USAGE CODE	UNITS PER ASSY
			1	2	3	4	5	6	7		
33-											
545	412N1116-100									E	1
-545A	412N1116-165									DA	1
-545B	412N1116-71									M, R, DM	1
-545C	412N1116-719									DY	1
-545D	412N1116-622									EW, FA	1
-545E	412N1116-663									EZ, FC	1
-545F	412N1116-628									FD	1
-545G	412N1116-621									FB	1
546	412N1116-661									FB	1
-546A	412N1116-689									FC	1
547	NAS1836-3-11									FB, FC	7
550	NAS1836-3-11									M, R, DM, DY, DZ, EW, EZ, FA- FC	2
555	412N1116-93									M, DM	1
-555A	412N1116-80									M, R, DM, DY, DZ, FA, FB	1
-555B	412N1116-101									E, FC, FD	1
-555C	412N1116-18									E	1
-555D	412N1116-167									R	1
-555E	412N1116-725									DY	1
-555F	412N1116-726									DZ	1
-555G	412N1116-644									EW, FA	1

-Item not Illustrated

# 25-28-49

ILLUSTRATED PARTS LIST

Page 1098.832

Mar 01/2006





## COMPONENT MAINTENANCE MANUAL

FIG/ ITEM	PART NUMBER	AIRLINE PART NUMBER	NOMENCLATURE							USAGE CODE	UNITS PER ASSY
			1	2	3	4	5	6	7		
33-											
-555H	412N1116-631		. . . .	PANEL ASSY (USED ON ITEM 545E)						EZ, FC	1
-555J	412N1116-632		. . . .	PANEL ASSY (USED ON ITEM 545F)						FD	1
-555K	412N1116-643		. . . .	PANEL ASSY (USED ON ITEM 545G)						FB	1
560	412N1116-22		. . . . .	COVER-DECORATIVE						E, M, R, DM, EW, EZ, FA- FD	1
-560A	412N1116-159		. . . . .	COVER-DECORATIVE						DA, DY, DZ	1
562	412N1116-22		. . . .	COVER-DECORATIVE (USED ON ITEM 546,546A)						FB, FC	1
565	65C27327-48		. .	BODY						E	1
-565A	65C27327-112		. .	BODY						M, R, DM	1
-565B	65C27327-252		. .	BODY						DA	1
-565C	65C27327-670		. .	BODY						DY	1
-565D	65C27327-659		. .	BODY						DZ	1
-565E	65C27327-650		. .	BODY						EZ	1
-565F	65C27327-652		. .	BODY						EW	1
-565G	65C27327-644		. .	BODY						FA	1
-565H	65C27327-713		. .	BODY						FB	1
-565J	65C27327-623		. .	BODY						FC	1
-565K	65C27327-622		. .	BODY						FD	1

-Item not Illustrated

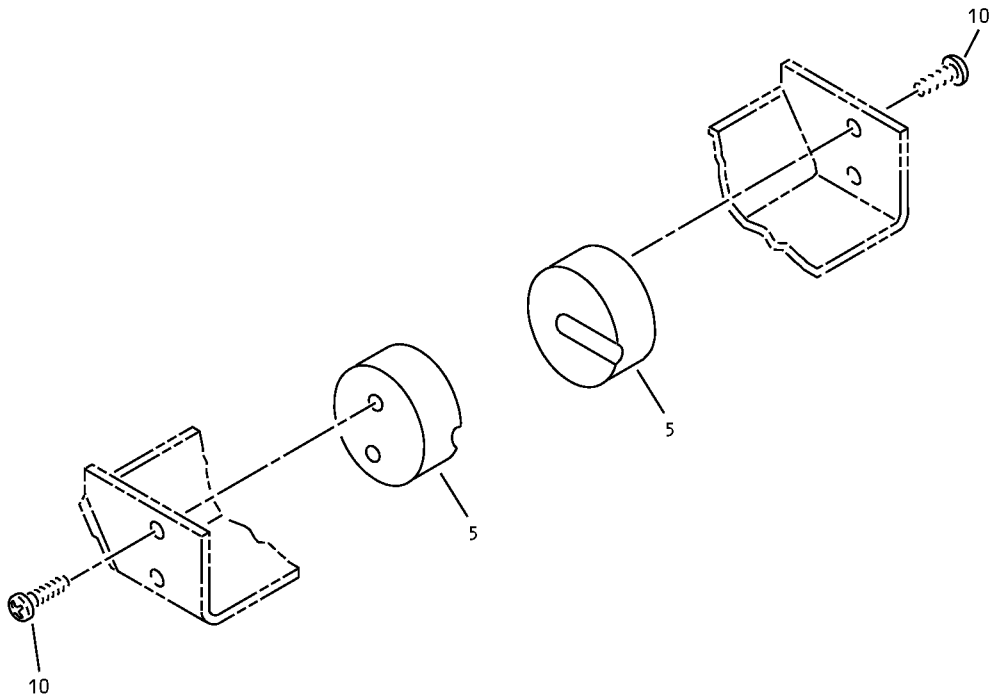
# 25-28-49

ILLUSTRATED PARTS LIST

Page 1098.833

Mar 01/2006

COMPONENT MAINTENANCE MANUAL



Overhead Stowage Compartment Light Assembly  
IPL Figure 80

**25-28-49**

ILLUSTRATED PARTS LIST

Page 1098.834

Mar 01/2006



## COMPONENT MAINTENANCE MANUAL

FIG/ ITEM	PART NUMBER	AIRLINE PART NUMBER	NOMENCLATURE							USAGE CODE	UNITS PER ASSY
			1	2	3	4	5	6	7		
80- -1	800000255-11		LIGHT ASSY-CLG (V05617) (SPEC S417N507-11) (FOR NHA SEE FIGS. 19,21)							AC, AH	RF
-1A	800000255-13		LIGHT ASSY-CLG (V05617) (SPEC S417N507-13) (FOR NHA SEE FIGS. 1,2,13)							A, J, K, AY, BQ, BR, CP, CV, EF, EM, EN	RF
-1B	800000255-14		LIGHT ASSY-CLG (V05617) (SPEC S417N507-14) (FOR NHA SEE FIGS. 22)							AJ	RF
-1C	800000255-16		LIGHT ASSY-CLG (V05617) (SPEC S417N507-16) (FOR NHA SEE FIGS. 3,7,8,17,24)							E, F, N, P, S, T, X, Y, AB, AF, AG, AL, AS, AT, AU, AX, BA, BB, BC, BD, BM, BS, BT, BX, BY, CB, CC, CE, CJ, CK, CN, CQ, CR, CX, DB, DC, DH, DN, DP, DQ, DT, DV, EA, EB, EE, EH, ES- EU, EZ, FC	RF
-1D	800000255-17		LIGHT ASSY-CLG (V05617) (SPEC S417N507-17) (FOR NHA SEE FIGS. 16,21,22)							AH, AJ, BF, BJ, DE, EJ	RF

-Item not Illustrated

# 25-28-49

ILLUSTRATED PARTS LIST

Page 1098.835

Mar 01/2006



## COMPONENT MAINTENANCE MANUAL

FIG/ ITEM	PART NUMBER	AIRLINE PART NUMBER	NOMENCLATURE							USAGE CODE	UNITS PER ASSY
			1	2	3	4	5	6	7		
80- -1E	800000255-18									L, BH, DD, DK, DU	RF
-1F	800000255-19									A, J, K, AY, BQ, CP, CV, EF, EM	RF
-1G	800000255-21									L, DL	RF
-1H	800000255-38SP									C, U, AW, BN, BW, BZ, CJ, CT, CZ, DR, DX, ED, EG, EK, EW, FA	RF

-Item not Illustrated

# 25-28-49

ILLUSTRATED PARTS LIST

Page 1098.836

Mar 01/2006



## COMPONENT MAINTENANCE MANUAL

FIG/ ITEM	PART NUMBER	AIRLINE PART NUMBER	NOMENCLATURE							USAGE CODE	UNITS PER ASSY	
			1	2	3	4	5	6	7			
80- 5	BV03112-03-33									. HOLDER-BRUCE LAMP (V17023)	A, C, E, F, J-L, N, P, S, T, U, X, YAB, AC, AF-AJ, AL, AS- AU, AW, AX, AY, BA-BD, BF, BH, BJ, BM, BN, BQ- BT, BW- BZ, CB, CC, CJ, CK, CN- CR, CT, CV, CZ, DB-DE, DH, DK, DL, DN- DR, DT- DV, DX, EA, EB, ED-EK, EM, ES, EW, FA, FC	2

-Item not Illustrated

# 25-28-49

ILLUSTRATED PARTS LIST

Page 1098.837

Mar 01/2006



## COMPONENT MAINTENANCE MANUAL

FIG/ ITEM	PART NUMBER	AIRLINE PART NUMBER	NOMENCLATURE							USAGE CODE	UNITS PER ASSY	
			1	2	3	4	5	6	7			
80- 10	MS35206-323									. SCREW	A, C, E, F, J-L, N, P, S, T, X, YAB, AC, AF- AJ, AL, AS-AU, AW, AX, AY, BA- BD, BF, BH, BJ, BM, BN, BQ-BT, BW-BZ, CB, CC, CJ, CK, CN-CR, CT, CV, CZ, DB- DE, DH, DK, DL, DN-DR, DT-DV, DX, EA, EB, ED- EK, EM, ES, EW, FA, FC	4

-Item not Illustrated

# 25-28-49

ILLUSTRATED PARTS LIST

Page 1098.838

Mar 01/2006