



# **COMPONENT MAINTENANCE MANUAL WITH ILLUSTRATED PARTS LIST**

## **CARGO NET/STANCHION ASSEMBLY**

### **PART NUMBER**

**453A1810-1, -10, -11, -12, -13, -14, -15, -2, -3, -32,  
-33, -34, -4, -5, -6, -7, -8, -9, 65-19328-22, -25, -26,  
-27, 65-19329-43, -44, -46, -47, 65-25756-22, -25, -26,  
-28, 65-25757-1, 65-45953-1, 65-49625-1, -501, -54,**

**BOEING PROPRIETARY, CONFIDENTIAL, AND/OR TRADE SECRET**

Copyright © 1995 The Boeing Company  
Unpublished Work - All Rights Reserved

Boeing claims copyright in each page of this document only to the extent that the page contains copyrightable subject matter. Boeing also claims copyright in this document as a compilation and/or collective work.

This document includes proprietary information owned by The Boeing Company and/or one or more third parties. Treatment of the document and the information it contains is governed by contract with Boeing. For more information, contact The Boeing Company, P.O. Box 3707, Seattle, Washington 98124.

Boeing, the Boeing signature, the Boeing symbol, 707, 717, 727, 737, 747, 757, 767, 777, 787, Dreamliner, BBJ, DC-8, DC-9, DC-10, KC-10, KDC-10, MD-10, MD-11, MD-80, MD-88, MD-90, P-8A, Poseidon and the Boeing livery are all trademarks owned by The Boeing Company; and no trademark license is granted in connection with this document unless provided in writing by Boeing.

PUBLISHED BY BOEING COMMERCIAL AIRPLANES GROUP, SEATTLE, WASHINGTON, USA  
A DIVISION OF THE BOEING COMPANY  
PAGE DATE: Jul 01/2009

**25-50-01**

Page 1  
Jul 01/2009



## COMPONENT MAINTENANCE MANUAL

### PART NUMBER (Cont.)

65-49625-73,  
65-49626-1, -41, -49, -501,  
65-49627-1, -501, -56, -82,  
65-49628-1, -40, -49, -501,  
65-49629-1, -13, -501,  
65-52956-1, -19,  
65-52970-15, -16, -17, -18, -26, -6,  
65-53882-1, -2, -21, -22, -23, -24, -25, -26, -3, -33, -34, -39, -4, -40, -5, -501, -502, -503, -504, -505, -506, -6,  
65-54404-1,  
65-78966-1, -2, -29, -3, -30, -31, -34, -35, -36, -37, -38, -39, -4, -40, -41, -42, -43, -44, -45, -46, -47, -48, -49, -5,  
-50, -51, -52, -53, -54, -55, -56, -57, -58, -59, -6, -60, -61, -66, -67, -7, -8

**25-50-01**

SEE TITLE PAGE FOR  
LIST OF PART NUMBERS



## COMPONENT MAINTENANCE MANUAL

Revision No. 22  
Jul 01/2009

To: All holders of CARGO NET/STANCHION ASSEMBLY 25-50-01.

Attached is the current revision to this COMPONENT MAINTENANCE MANUAL

The COMPONENT MAINTENANCE MANUAL is furnished either as a printed manual, on microfilm, or digital products, or any combination of the three. This revision replaces all previous microfilm cartridges or digital products. All microfilm and digital products are reissued with all obsolete data deleted and all updated pages added.

For printed manuals, changes are indicated on the List of Effective Pages (LEP). The pages which are revised will be identified on the LEP by an R (Revised), A (Added), O (Overflow, i.e. changes to the document structure and/or page layout), or D (Deleted). Each page in the LEP is identified by Chapter-Section-Subject number, page number and page date.

Pages replaced or made obsolete by this revision should be removed and destroyed.

### ATTENTION

IF YOU RECEIVE PRINTED REVISIONS, PLEASE VERIFY THAT YOU HAVE RECEIVED AND FILED THE PREVIOUS REVISION. BOEING MUST BE NOTIFIED WITHIN 30 DAYS IF YOU HAVE NOT RECEIVED THE PREVIOUS REVISION. REQUESTS FOR REVISIONS OTHER THAN THE PREVIOUS REVISION WILL REQUIRE A COMPLETE MANUAL REPRINT SUBJECT TO REPRINT CHARGES SHOWN IN THE DATA AND SERVICES CATALOG.

**25-50-01**  
TRANSMITTAL LETTER  
Page 1  
Jul 01/2009

SEE TITLE PAGE FOR  
LIST OF PART NUMBERS



## COMPONENT MAINTENANCE MANUAL

Location of Change

Description of Change

NO HIGHLIGHTS

**25-50-01**

HIGHLIGHTS

Page 1

Jul 01/2009



COMPONENT MAINTENANCE MANUAL

Subject/Page	Date	Subject/Page	Date	Subject/Page	Date
TITLE PAGE		25-50-01 CLEANING (cont)		25-50-01 ILLUSTRATED PARTS LIST (cont)	
O 1	Jul 01/2009	402	BLANK	1018	Mar 01/2007
O 2	Jul 01/2009	25-50-01 CHECK		1019	Mar 01/2007
25-50-01 TRANSMITTAL LETTER		501	Mar 01/2007	1020	Mar 01/2007
O 1	Jul 01/2009	502	BLANK	1021	Mar 01/2007
2	BLANK	25-50-01 REPAIR - GENERAL		1022	Mar 01/2007
25-50-01 HIGHLIGHTS		601	Mar 01/2008	1023	Mar 01/2007
O 1	Jul 01/2009	602	Mar 01/2008	1024	Mar 01/2007
2	BLANK	603	Mar 01/2007	1025	Mar 01/2007
25-50-01 EFFECTIVE PAGES		604	Mar 01/2007	1026	Mar 01/2007
1 thru 3	Jul 01/2009	605	Mar 01/2007	1027	Mar 01/2007
4	BLANK	606	BLANK	1028	Mar 01/2007
25-50-01 CONTENTS		25-50-01 ASSEMBLY		1029	Mar 01/2007
1	Mar 01/2007	701	Mar 01/2007	1030	Mar 01/2007
2	BLANK	702	BLANK	1031	Mar 01/2007
25-50-01 TR AND SB RECORD		25-50-01 FITS AND CLEARANCES		1032	Mar 01/2007
1	Mar 01/2007	801	Mar 01/2007	1033	Mar 01/2007
2	BLANK	802	BLANK	1034	Mar 01/2007
25-50-01 REVISION RECORD		25-50-01 SPECIAL TOOLS, FIXTURES, AND EQUIPMENT		1035	Mar 01/2007
1	Mar 01/2007	901	Mar 01/2007	1036	Mar 01/2007
2	Mar 01/2007	902	BLANK	1037	Mar 01/2007
25-50-01 RECORD OF TEMPORARY REVISIONS		25-50-01 ILLUSTRATED PARTS LIST		1038	Mar 01/2007
1	Mar 01/2007	1001	Nov 01/2008	1039	Mar 01/2007
2	Mar 01/2007	1002	Mar 01/2007	1040	Mar 01/2007
25-50-01 INTRODUCTION		1003	Mar 01/2007	1041	Mar 01/2007
1	Mar 01/2009	1004	Mar 01/2007	1042	Mar 01/2007
2	BLANK	1005	Mar 01/2007	1043	Mar 01/2007
25-50-01 DESCRIPTION AND OPERATION		1006	Mar 01/2007	1044	Mar 01/2007
1	Mar 01/2007	1007	Mar 01/2007	1045	Mar 01/2007
2	BLANK	1008	Mar 01/2007	1046	Mar 01/2007
25-50-01 TESTING AND FAULT ISOLATION		1009	Mar 01/2007	1047	Mar 01/2007
101	Mar 01/2007	1010	Mar 01/2007	1048	Mar 01/2007
102	BLANK	1011	Mar 01/2007	1049	Mar 01/2007
25-50-01 DISASSEMBLY		1012	Mar 01/2007	1050	Mar 01/2007
301	Mar 01/2007	1013	Mar 01/2007	1051	Mar 01/2007
302	BLANK	1014	Mar 01/2007	1052	Mar 01/2007
25-50-01 CLEANING		1015	Mar 01/2007	1053	Mar 01/2007
401	Mar 01/2007	1016	Mar 01/2007	1054	Mar 01/2007
		1017	Mar 01/2007	1055	Mar 01/2007

A = Added, R = Revised, D = Deleted, O = Overflow

**25-50-01**

EFFECTIVE PAGES

Page 1

Jul 01/2009



**COMPONENT MAINTENANCE MANUAL**

Subject/Page	Date	Subject/Page	Date	Subject/Page	Date
25-50-01 ILLUSTRATED PARTS LIST (cont)		25-50-01 ILLUSTRATED PARTS LIST (cont)		25-50-01 ILLUSTRATED PARTS LIST (cont)	
1056	Mar 01/2007	1094	Mar 01/2007	1098.34	Mar 01/2007
1057	Mar 01/2007	1095	Mar 01/2007	1098.35	Mar 01/2007
1058	Mar 01/2007	1096	Mar 01/2007	1098.36	Mar 01/2007
1059	Mar 01/2007	1097	Mar 01/2007	1098.37	Mar 01/2007
1060	Mar 01/2007	1098	Mar 01/2007	1098.38	Mar 01/2007
1061	Mar 01/2007	1098.1	Mar 01/2007	1098.39	Mar 01/2007
1062	Mar 01/2007	1098.2	Mar 01/2007	1098.40	Mar 01/2007
1063	Mar 01/2007	1098.3	Mar 01/2007	1098.41	Mar 01/2007
1064	Mar 01/2007	1098.4	Mar 01/2007	1098.42	Mar 01/2007
1065	Mar 01/2007	1098.5	Mar 01/2007	1098.43	Mar 01/2007
1066	Mar 01/2007	1098.6	Mar 01/2007	1098.44	Mar 01/2007
1067	Mar 01/2007	1098.7	Mar 01/2007	1098.45	Mar 01/2007
1068	Mar 01/2007	1098.8	Mar 01/2007	1098.46	Mar 01/2007
1069	Mar 01/2007	1098.9	Mar 01/2007	1098.47	Mar 01/2007
1070	Mar 01/2007	1098.10	Mar 01/2007	1098.48	Mar 01/2007
1071	Mar 01/2007	1098.11	Mar 01/2007	1098.49	Mar 01/2007
1072	Mar 01/2007	1098.12	Mar 01/2007	1098.50	Mar 01/2007
1073	Mar 01/2007	1098.13	Mar 01/2007	1098.51	Mar 01/2007
1074	Mar 01/2007	1098.14	Mar 01/2007	1098.52	Mar 01/2007
1075	Mar 01/2007	1098.15	Mar 01/2007	1098.53	Mar 01/2007
1076	Mar 01/2007	1098.16	Mar 01/2007	1098.54	Mar 01/2007
1077	Mar 01/2007	1098.17	Mar 01/2007	1098.55	Mar 01/2007
1078	Mar 01/2007	1098.18	Mar 01/2007	1098.56	Mar 01/2007
1079	Mar 01/2007	1098.19	Mar 01/2007	1098.57	Mar 01/2007
1080	Mar 01/2007	1098.20	Mar 01/2007	1098.58	Mar 01/2007
1081	Mar 01/2007	1098.21	Mar 01/2007	1098.59	Mar 01/2007
1082	Mar 01/2007	1098.22	Mar 01/2007	1098.60	Mar 01/2007
1083	Mar 01/2007	1098.23	Mar 01/2007	1098.61	Mar 01/2007
1084	Mar 01/2007	1098.24	Mar 01/2007	1098.62	Mar 01/2007
1085	Mar 01/2007	1098.25	Mar 01/2007	1098.63	Mar 01/2007
1086	Mar 01/2007	1098.26	Mar 01/2007	1098.64	Mar 01/2007
1087	Mar 01/2007	1098.27	Mar 01/2007	1098.65	Mar 01/2007
1088	Mar 01/2007	1098.28	Mar 01/2007	1098.66	Mar 01/2007
1089	Mar 01/2007	1098.29	Mar 01/2007	1098.67	Mar 01/2007
1090	Mar 01/2007	1098.30	Mar 01/2007	1098.68	Mar 01/2007
1091	Mar 01/2007	1098.31	Mar 01/2007	1098.69	Mar 01/2007
1092	Mar 01/2007	1098.32	Mar 01/2007	1098.70	Mar 01/2007
1093	Mar 01/2007	1098.33	Mar 01/2007	1098.71	Mar 01/2007

A = Added, R = Revised, D = Deleted, O = Overflow

**25-50-01**

EFFECTIVE PAGES

Page 2

Jul 01/2009



COMPONENT MAINTENANCE MANUAL

Subject/Page	Date	Subject/Page	Date	Subject/Page	Date
25-50-01 ILLUSTRATED PARTS LIST (cont)					
1098.72	Mar 01/2007				
1098.73	Mar 01/2007				
1098.74	Mar 01/2007				
1098.75	Mar 01/2007				
1098.76	Mar 01/2007				
1098.77	Mar 01/2007				
1098.78	Mar 01/2007				
1098.79	Mar 01/2007				
1098.80	Mar 01/2007				
1098.81	Mar 01/2007				
1098.82	Mar 01/2007				
1098.83	Mar 01/2007				
1098.84	Mar 01/2007				
1098.85	Mar 01/2007				
1098.86	Mar 01/2007				
1098.87	Mar 01/2007				
1098.88	Mar 01/2007				
1098.89	Mar 01/2007				
1098.90	Mar 01/2007				
1098.91	Mar 01/2007				
1098.92	Mar 01/2007				
1098.93	Mar 01/2007				
1098.94	Mar 01/2007				
1098.95	Mar 01/2007				
1098.96	Mar 01/2007				
1098.97	Mar 01/2007				
1098.98	BLANK				

A = Added, R = Revised, D = Deleted, O = Overflow

**25-50-01**

EFFECTIVE PAGES

Page 3

Jul 01/2009



## COMPONENT MAINTENANCE MANUAL

### TABLE OF CONTENTS

<u>Paragraph Title</u>		<u>Page</u>
CARGO NET AND STANCHION ASSEMBLIES - DESCRIPTION AND OPERATION		1
TESTING AND FAULT ISOLATION	(Not Applicable)	
DISASSEMBLY	(Not Applicable)	
CLEANING	(Not Applicable)	
CHECK	(Not Applicable)	
REPAIR		601
ASSEMBLY	(Not Applicable)	
FITS AND CLEARANCES	(Not Applicable)	
SPECIAL TOOLS, FIXTURES, AND EQUIPMENT	(Not Applicable)	
ILLUSTRATED PARTS LIST		1001

# 25-50-01

CONTENTS

Page 1

Mar 01/2007





**COMPONENT MAINTENANCE MANUAL**

**TEMPORARY REVISION AND SERVICE BULLETIN RECORD**

BOEING SERVICE BULLETIN	BOEING TEMPORARY REVISION	OTHER DIRECTIVE	DATE OF INCORPORATION INTO MANUAL
		PRR 33254	DEC 5/85
		PRR 33401	SEP 5/86
25-1168R1			MAR 5/92
		MC3920MP3045	SEP 1/95



SEE TITLE PAGE FOR  
LIST OF PART NUMBERS



COMPONENT MAINTENANCE MANUAL

Revision		Filed		Revision		Filed	
Number	Date	Date	Initials	Number	Date	Date	Initials

SEE TITLE PAGE FOR LIST OF PART NUMBERS



## COMPONENT MAINTENANCE MANUAL

All temporary revisions to this manual will be accompanied by a cover sheet bearing the temporary revision number. Enter the temporary revision number in numerical order, together with the temporary revision date, the date the temporary revision is inserted and the initials of the person filing.

When the temporary revision is incorporated or cancelled, and the pages are removed, enter the date the pages are removed and the initials of the person who removed the temporary revision.

Temporary Revision		Inserted		Removed		Temporary Revision		Inserted		Removed	
Number	Date	Date	Initials	Date	Initials	Date	Initials	Number	Date	Date	Initials

**25-50-01**

RECORD OF TEMPORARY REVISION

Page 1

Mar 01/2007

SEE TITLE PAGE FOR  
LIST OF PART NUMBERS



### COMPONENT MAINTENANCE MANUAL

Temporary Revision		Inserted		Removed		Temporary Revision		Inserted		Removed	
Number	Date	Date	Initials	Date	Initials	Date	Initials	Number	Date	Date	Initials

BOEING PROPRIETARY - Copyright © Unpublished Work - See title page for details



## COMPONENT MAINTENANCE MANUAL

### INTRODUCTION

#### 1. General

- A. The instructions in this manual supply the data necessary to do the maintenance functions together with the test, fault isolation, repair, and replacement of the defective parts.
- B. This manual is divided into different parts:
  - (1) Title Page
  - (2) Transmittal Letter
  - (3) Highlights
  - (4) List of Effective Pages
  - (5) Table of Contents
  - (6) Temporary Revision & Service Bulletin Record
  - (7) Record of Revisions
  - (8) Record of Temporary Revisions
  - (9) Introduction
  - (10) Procedures & IPL Sections
- C. Components that can be repaired have a different repair number for each specified repair. To find the repair number location of a component, look in the Repair-General procedure at the beginning of the REPAIR section. The Repair-General procedure also has an explanation of the True Position Dimension symbols used.
- D. All dimensions, measures, quantities and weights included are in English units. When metric equivalents are given they will be in the parentheses that follow the English units.
- E. The introduction to the Illustrated Parts List (IPL) shows how the IPL data is used.
- F. Design changes, optional parts, configuration differences and Service Bulletin modifications may cause different part numbers. These part numbers are identified in the IPL with an alphabetical letter which is added to the end of the basic item number. This new item number is referred to as an alpha-variant. Throughout the manual, IPL basic item number references also apply to alpha-variants unless shown differently.
- G. The tool reference numbers found in the individual procedures and in the Special Tools, Fixtures, and Equipment section are used to identify if a tool is a standard tool (STD-XXXX), a commercial tool (COM-XXXX), or a Special Tool (SPL-XXXX). This reference number is also used to distinguish between tools with similar names in the same procedure. These reference numbers are for use in the documentation only. They are not to be used for ordering tools.

**25-50-01**

INTRODUCTION

Page 1

Mar 01/2009



## COMPONENT MAINTENANCE MANUAL

### CARGO NET AND STANCHION ASSEMBLIES - DESCRIPTION AND OPERATION

#### 1. Description and Operation

- A. The cargo net assemblies include webbing, fabric, and fittings and are used to hold bulk cargo in position.
- B. The stanchion assemblies are upright, spring-loaded beams that hold up the net assemblies. The spring-loaded detent goes into an upper mounting hole and the beam is moved into position until the indexing pin goes into the lower mounting hole. The cargo net is then attached by tiedown straps.

**25-50-01**

DESCRIPTION AND OPERATION

Page 1

Mar 01/2007

SEE TITLE PAGE FOR  
LIST OF PART NUMBERS



## COMPONENT MAINTENANCE MANUAL

### TESTING AND FAULT ISOLATION

**(NOT APPLICABLE)**

**25-50-01**

TESTING AND FAULT ISOLATION

Page 101

Mar 01/2007



SEE TITLE PAGE FOR  
LIST OF PART NUMBERS



## COMPONENT MAINTENANCE MANUAL

### DISASSEMBLY

**(NOT APPLICABLE)**

**25-50-01**

DISASSEMBLY

Page 301

Mar 01/2007

SEE TITLE PAGE FOR  
LIST OF PART NUMBERS



**COMPONENT MAINTENANCE MANUAL**

**CLEANING**

**(NOT APPLICABLE)**

**25-50-01**

CLEANING

Page 401

Mar 01/2007

SEE TITLE PAGE FOR  
LIST OF PART NUMBERS



**COMPONENT MAINTENANCE MANUAL**

**CHECK**

**(NOT APPLICABLE)**

**25-50-01**

CHECK

Page 501

Mar 01/2007



## COMPONENT MAINTENANCE MANUAL

### REPAIR

#### 1. Content

- A. These repair procedures are for fabric tears, web breaks, and fitting replacement. Specific part numbers are not used because these procedures apply to all assemblies.
- B. Before you disassemble webbing, we recommend you make notes and illustrations of details to help during assembly.

#### 2. Net Assembly Repair (REPAIR-GENERAL, Figure 601)

##### A. Consumable Materials

**NOTE:** Equivalent substitutes may be used.

Reference	Description	Specification
G50386	Thread - Nylon, Color Flat Gray per TT-L-20A	V-T-295, Type II, Class A, Size F, Z Twist
G50387	Thread - Nylon, Color Flat Gray per TT-L-20A	V-T-295, Type II, Class A, Size FF, Z Twist
G50388	Fabric - Sail Cloth, Nylon Coated (Shelter Lite No. 2118 or 3024 gray, Seaman Corp., V34918)	
G50389	Webbing - Textile, Woven Nylon, 1 Inch (25.4 mm) Width, Type XVII, Color Flat Gray Per TT-L-20A	MIL-W-4088, Type XVII
G50390	Webbing - Textile, Woven Nylon, 1 Inch (25.4 mm) Width, Type XVIII, Untreated	MIL-W-4088, Type XVIII
G50391	Webbing - Textile, Woven Nylon, Impregnated	MIL-W-27265, class R, Z twist, color flat gray per TT-L-20A

##### B. Fabric Repair

- (1) Find the three or four webbing strips around the torn or worn fabric.
- (2) Follow the contour of the webbing strips around the tear and mark a line 1.00 inch in from the inner edge of the webbing.
- (3) Cut on the marked line and remove the torn fabric.
- (4) Cut a new section of nylon coated sail cloth, G50388 fabric 1.00 inch wider than the outer contour of the webbing strips. The new piece of fabric will be larger than the torn piece by 2.00 inches on all sides.
- (5) Fold and interlock the new fabric with the remaining fabric as shown in REPAIR-GENERAL, Figure 601.
- (6) Sew along the web belts with 8 stitches per inch with the pattern shown in REPAIR-GENERAL, Figure 602.

**NOTE:** Seams are permitted only along web belts.

# 25-50-01

REPAIR - GENERAL

Page 601

Mar 01/2008



## COMPONENT MAINTENANCE MANUAL

### C. Webbing Repair (REPAIR-GENERAL, Figure 603)

- (1) Cut two strips of new nylon webbing, G50389 or nylon webbing, G50390 or webbing, G50391 not less than 8 inches long.
- (2) Melt the ends of the strips to prevent unraveling.
- (3) Melt the ends of the torn webbing to prevent unraveling.
- (4) Lay new strips along the torn webbing and center them over the tear.
- (5) Fold each strip end under at least 1.5 inches as shown in REPAIR-GENERAL, Figure 603.
- (6) Sew the new webbing to the remaining webbing with nylon thread, G50386 or nylon thread, G50387 as shown in REPAIR-GENERAL, Figure 602.

### D. Fitting Replacement (REPAIR-GENERAL, Figure 603)

**CAUTION:** TIEDOWN FITTINGS ARE SELECTED TO HOLD MAXIMUM PERMITTED LOADS. STRONGER TIEDOWN FITTINGS COULD RESULT IN DAMAGE TO AIRPLANE STRUCTURE. REFER TO THE FITTING MANUFACTURER FOR REPLACEMENT OF THE SHEAR PIN IN THE FITTING.

- (1) Cut a strip of new nylon webbing, G50389 or nylon webbing, G50390 or webbing, G50391 and melt the ends to prevent unraveling.
- (2) Put the web strip through the fitting, fold the ends under, and sew this web strip to existing webbing with nylon thread, G50386 or nylon thread, G50387 as shown in REPAIR-GENERAL, Figure 602.

### 3. Stanchion Parts Refinish (IPL Figure 2, IPL Figure 30, IPL Figure 31)

**NOTE:** For the decoding table for Boeing finish codes, refer to SOPM 20-41-01.

#### A. Stanchion tubes

- (1) 65-45953-series – Anodize (F-2.70). Material: Al alloy.
- (2) 65-49628-series – Anodize (F-2.70). Material: Al alloy.
- (3) 65-52970-3, -4, -9, -13, -19, -20, -21 – Anodize (F-2.70). Material: Al alloy.
- (4) 65-52970-25, -27, -29, -30 – Chromic acid anodize (F-17.04). Material: Al alloy.

#### B. Collar 65-52970-5 – Anodize (F-2.70). Material: Al alloy.

#### C. Collar tubes 69-40753-series – Anodize (F-2.70). Material: Al alloy.

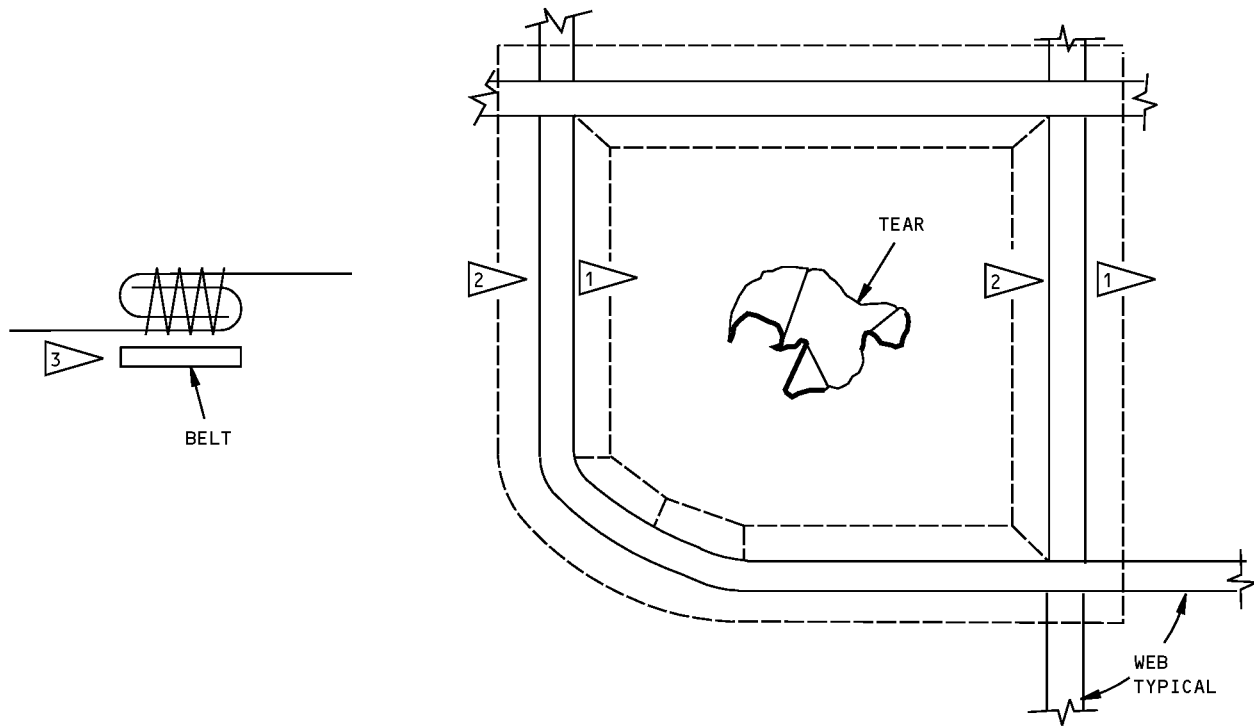
**25-50-01**

REPAIR - GENERAL

Page 602

Mar 01/2008

# COMPONENT MAINTENANCE MANUAL



- 1 CUT FABRIC ALONG DOTTED LINE, WHICH IS MARKED 1.00 INCH FROM INNER EDGE OF WEB SQUARE.
- 2 ALL REPAIRS CUT NEW PIECE OF FABRIC ONE WEB WIDTH WIDER THAN SQUARE AS SHOWN.
- 3 FOLD AND SEW PER FIG. 602 ALONG BELT ONLY.

Fabric Repair  
Figure 601

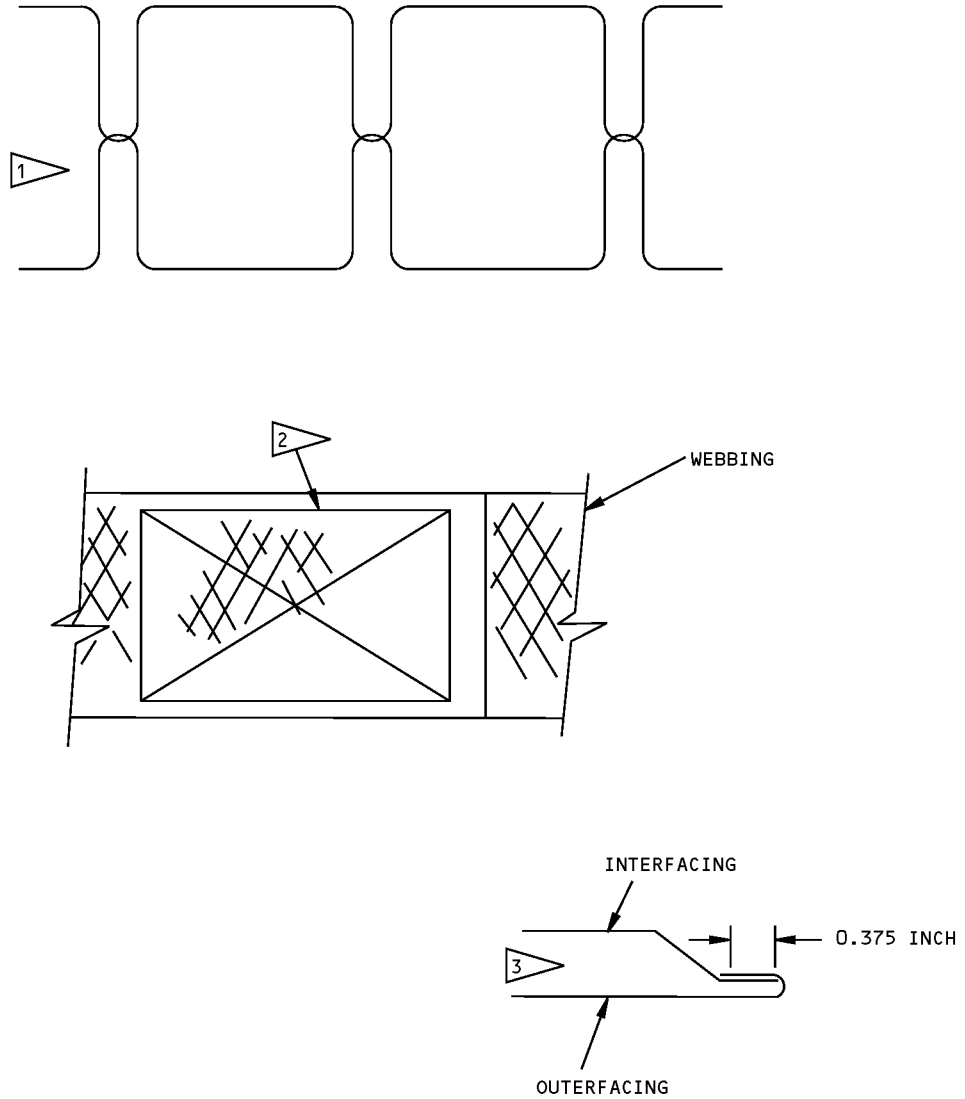
## 25-50-01

REPAIR - GENERAL

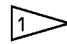

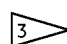
Page 603

Mar 01/2007

### COMPONENT MAINTENANCE MANUAL



CAUTION: DO NOT SEW FABRIC TO FABRIC

-  STITCH PATTERN FOR ATTACHING FABRIC TO WEBBING WITH 8 STITCHES PER INCH ALLOWABLE.
-  STITCH PATTERN FOR SEWING WEBBING TO WEBBING WITH 8 STITCHES PER INCH ALLOWABLE.
-  FABRIC SEAM AS INDICATED

Stitch and Seam Patterns  
Figure 602

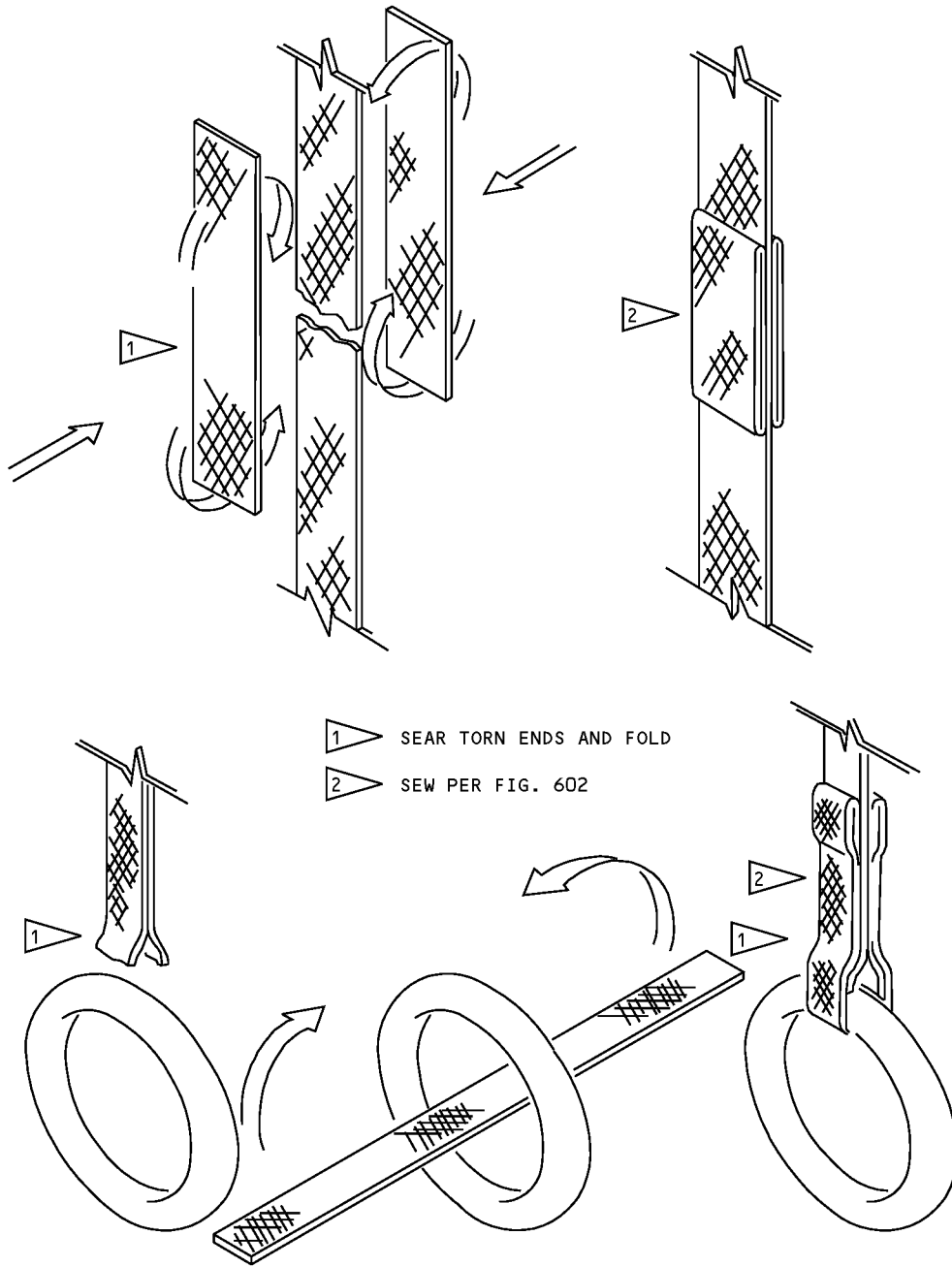
# 25-50-01

REPAIR - GENERAL

Page 604

Mar 01/2007

COMPONENT MAINTENANCE MANUAL



Web Belt Repair  
Figure 603

**25-50-01**

REPAIR - GENERAL  
Page 605

Mar 01/2007



SEE TITLE PAGE FOR  
LIST OF PART NUMBERS



**COMPONENT MAINTENANCE MANUAL**

**ASSEMBLY**

**(NOT APPLICABLE)**

**25-50-01**

ASSEMBLY

Page 701

Mar 01/2007

SEE TITLE PAGE FOR  
LIST OF PART NUMBERS



## COMPONENT MAINTENANCE MANUAL

### FITS AND CLEARANCES

**(NOT APPLICABLE)**

**25-50-01**

FITS AND CLEARANCES

Page 801

Mar 01/2007

SEE TITLE PAGE FOR  
LIST OF PART NUMBERS



**COMPONENT MAINTENANCE MANUAL**

**SPECIAL TOOLS, FIXTURES, AND EQUIPMENT**

**(NOT APPLICABLE)**

**25-50-01**

SPECIAL TOOLS, FIXTURES, AND EQUIPMENT

Page 901

Mar 01/2007



## COMPONENT MAINTENANCE MANUAL

### ILLUSTRATED PARTS LIST

#### 1. Introduction

- A. The Illustrated Parts List (IPL) contains an illustration and a list of component parts you can repair or replace. The Illustrated Parts Catalog (IPC) shows how to use the Boeing part number system.
- B. This shows how parts are related: The relation of each item to its next higher assembly (NHA) is shown in the NOMENCLATURE column. Use the indenture system that follows:

1	2	3	4	5	6	7
.	Assembly					
.	Attaching parts for assembly					
.	.	Detail parts for assembly				
.	.	Subassembly				
.	.	Attaching parts for subassembly				
.	.	.	Detail parts for subassembly			
.	.	.	Sub-subassembly			
.	.	.	Attaching parts for subassembly			
.	.	.	.	Details parts for sub-subassembly		

Detail Installation Parts (Included only if installation parts may be sent to the shop as part of assembly)

- C. Each top assembly is given one use code letter (A, B, C, etc.) in the USAGE CODE column. All subsequent component parts in the list can have one or more of the use code letters to show effectivity to top assemblies. A component part without a use code applies to all top assemblies.
- D. An alphabetical letter is added after the item number for optional parts, parts changed by a Service Bulletin, configuration differences (except left-handed and right-handed parts), last engineering releases, and parts added between item numbers in a sequence. The alphabetical letter will not be shown on the illustration for equivalent parts of the same part number.
- E. Color-coded parts are identified with a single digit alpha following the dash number or with "SP" suffix. If the "SP" suffix is used, it represents consolidation of all color codes applicable for a given usage which are not separately listed. Orders for color-coded parts should include the registry number of the airplane for which the parts are ordered.
- F. If a part number is 15 characters long but will not fit in the part number column, the part number will be displayed with a "~" at the end of the line and will be continued on the next line. The "~" denotes that the part number continues on the next line.
- G. Parts changed by a Service Bulletin are shown by PRE SB XXXX and POST SB XXXX added to the NOMENCLATURE column.
  - (1) When a new top assembly is added by a Service Bulletin, PRE SB XXXX and POST SB XXXX will be added at the top assembly level only. The configuration differences at the detail part level are shown by use code letters.
  - (2) When the top assembly part number is not changed by the Service Bulletin, PRE SB XXXX and POST SB XXXX will be added at the detail level.
- H. Interchangeable Parts

# 25-50-01

ILLUSTRATED PARTS LIST

Page 1001

Nov 01/2008



## COMPONENT MAINTENANCE MANUAL

Optional (OPT)	The part is optional to and interchangeable with other parts that have the same item number.
Replaces, Replaced by and not interchangeable with (REPLACES, REPLACED BY AND NOT INTCHG/W)	The part replaces and is not interchangeable with the initial part.
Replaces, Replaced by (REPLACES, REPLACED BY)	The part replaces and is interchangeable with, or is an alternative to, the initial part.

### VENDOR CODES

<b>Code</b>	<b>Name</b>
00624	EATON AEROQUIP INC ENGINEERED SYSTEMS DIV 300 S EAST AVE JACKSON, MICHIGAN 49203-1972 FORMERLY AEROQUIP ELBEE PLANT V99879 OR WESTERN PLANT V70128; FORMERLY AEROQUIP AEROSP DIV JACKSON PLANT; FORMERLY V11328 AEROQUIP LINAIR DIV; LAWRENCE PLANT V26622
01276	AEROQUIP CORP INDUSTRIAL CONNECTORS DIV 1225 W MAIN ST VAN WERT, OHIO 45891-0389
15814	DANIELS, C R, INCORPORATED 3451 ELLICOTT CENTER DRIVE ELLICOTT CITY, MARYLAND 21043-4112 FORMERLY IN COLUMBIA, MARYLAND
16880	BRIDPORT-AIR CARRIER INC 22645 76TH AVE S KENT, WASHINGTON 98032-1992 FORMERLY AIR-CARRIER INTERIORS
30655	Replaced: [V30655] SEE V72962 by Code: Name and Address below 72962: HARVARD INDUSTRIES INC 3 WERNER WAY SUITE 210 LEBANON, NEW JERSEY 08833 FORMERLY ESNA V7A079 FORMERLY ELASTIC STOP NUT IN UNION, NJ

# 25-50-01

ILLUSTRATED PARTS LIST

Page 1002

Mar 01/2007



## COMPONENT MAINTENANCE MANUAL

Code	Name
31272	ANCRA CORPORATION 4880 ROSECRANS AVENUE HAWTHORNE, CALIFORNIA 90250 FORMERLY IN EL SEGUNDO, CALIFORNIA
32707	AIR CARGO EQUIPMENT CORPORATION 2930 EAST MARIA STREET EAST RANCHO DOMINGUEZ, CALIFORNIA 90220 FORMERLY IN TULSA, OKLAHOMA FORMERLY V95957 AAR BROOKS & PERKINS
95951	
95957	Replaced: [V95957] AAR BROOKS & PERKINS SEE V32707 AIR CARGO EQUIPMENT CORP AND PERKINS BROOKS AND PERKINS INC BROWNLIN DIV SEE AAR BROOKS BROWNLIN DIV BROOKS AND PERKINS SEE BROOKS AND PERKINS INC BROWNLIN DIV by Code: Name and Address below 32707: AIR CARGO EQUIPMENT CORPORATION 2930 EAST MARIA STREET EAST RANCHO DOMINGUEZ, CALIFORNIA 90220 FORMERLY IN TULSA, OKLAHOMA FORMERLY V95957 AAR BROOKS & PERKINS
98313	DAVIS AIRCRAFT PRODUCTS CO INC 1150 WALNUT AVENUE PO BOX 525 BOHEMIA, NEW YORK 11716-2105 FORMERLY IN NORTHPORT, NEW YORK

**25-50-01**

ILLUSTRATED PARTS LIST

Page 1003

Mar 01/2007



COMPONENT MAINTENANCE MANUAL

NUMERICAL INDEX

PART NUMBER	AIRLINE PART NUMBER	FIGURE	ITEM	UNITS PER ASSEMBLY
10027		12	120	6
		12	120A	4
		14	120	6
		14	120A	4
10027-5		16	80	2
		4	60	2
10027-51		16	90	2
10730		2	275	5
		5	40	7
		6	45	7
		7	100	6
		11	120	4
		11	120A	6
		12	125	6
		12	125A	5
		13	155	5
		13	155A	3
		13	155B	6
		14	125	5
		17	40	5
		18	40	6
		19	75	7
		20	45	6
		21	45	7
		22	40	6
		23	50	7
		24	40	7
25	45	5		
26	35	7		
27	45	6		
28	30	6		
29	35	6		
32	10	7		
33	10	5		

**25-50-01**

ILLUSTRATED PARTS LIST

Page 1004

Mar 01/2007



COMPONENT MAINTENANCE MANUAL

PART NUMBER	AIRLINE PART NUMBER	FIGURE	ITEM	UNITS PER ASSEMBLY
		34	10	5
		35	10	5
		36	10	4
		37	10	6
		38	10	6
		39	10	7
		40	10	7
		41	20	1
		42	20	1
		48	20	1
1208		1	95	6
		3	90	6
		4	65	2
		16	85	2
1986		2	270	5
		2	270A	4
		11	125	5
		11	130	4
		11	130A	6
		13	160	4
		13	160A	5
2014		11	135	1
		13	165	1
2150-51		1	100	2
21510-51		8	30	3
		11	140	3
		11	145	3
		15	80	3
		15	80A	6
		28	35	4
		41	30A	4
		42	30A	4
		43	10A	6
		44	5A	8
		45	5A	8

**25-50-01**

ILLUSTRATED PARTS LIST

Page 1005

Mar 01/2007





COMPONENT MAINTENANCE MANUAL

PART NUMBER	AIRLINE PART NUMBER	FIGURE	ITEM	UNITS PER ASSEMBLY
21510-52		48	30A	4
		2	285	3
		7	120	3
		7	125	1
		12	130	3
		13	170	3
		13	175	3
		14	130	3
		32	42	4
		36	30	4
21520-51		15	85	3
		37	25	3
		38	25	3
		39	25	3
		40	25	3
21520-52		2	290	3
22142W18-6		37	20B	3
		38	20B	3
		39	20B	3
		40	20B	3
22340-51W6		37	15A	3
		38	15A	3
		39	15A	3
		40	15A	3
24089-51		20	50	1
		21	50	1
		22	45	1
		23	55	1
		24	45	1
		25	50	2
		26	40	1
		27	50	2
		28	40	2
		29	40	2
31210		11	130D	5

**25-50-01**

ILLUSTRATED PARTS LIST

Page 1006

Mar 01/2007



COMPONENT MAINTENANCE MANUAL

PART NUMBER	AIRLINE PART NUMBER	FIGURE	ITEM	UNITS PER ASSEMBLY	
34038-3		11	130E	6	
		11	130F	4	
		11	135A	1	
		40014-14	32	5A	1
			33	5A	1
			34	5A	1
40041-11		35	5A	1	
		36	5A	2	
		20	55	1	
		21	55	1	
		22	50	1	
		23	60	1	
		24	50	1	
		25	55	2	
		26	45	1	
		27	55	2	
40041-14		28	45	2	
		29	45	2	
		5	45	1	
		6	50	1	
		17	45	2	
		18	45	2	
		20	60A	1	
		22	50A	1	
		24	50A	1	
		26	45A	1	
40041-15		41	5A	1	
		48	5A	1	
		7	105	1	
		19	80	1	
		21	55A	1	
		23	60A	1	
		25	55A	2	
		27	55A	2	
	37	5A	1		

**25-50-01**

ILLUSTRATED PARTS LIST

Page 1007

Mar 01/2007



COMPONENT MAINTENANCE MANUAL

PART NUMBER	AIRLINE PART NUMBER	FIGURE	ITEM	UNITS PER ASSEMBLY
		38	5A	1
		39	5D	1
		40	5A	1
		41	5D	1
		42	10A	1
40041-16		39	5A	1
40041-18		41	10A	1
		41	15A	5
		42	15A	5
		46	5A	2
		48	10A	4
40053-11		37	15B	3
		38	15B	3
		39	15B	3
		40	15B	3
40172W18-6		36	15	1
		37	20A	3
		38	20A	3
		39	20A	3
		40	20A	3
40340-10		7	110	6
		17	50	5
		18	50	6
		19	85	7
		20	60	6
		22	55	6
		25	60	5
		27	60	6
		33	10B	5
		34	10B	5
		35	10B	5
		36	10B	4
		37	10B	6
		38	10B	6
		39	10B	7

**25-50-01**

ILLUSTRATED PARTS LIST

Page 1008

Mar 01/2007



**COMPONENT MAINTENANCE MANUAL**

PART NUMBER	AIRLINE PART NUMBER	FIGURE	ITEM	UNITS PER ASSEMBLY
		40	10B	7
		41	20B	1
		42	20B	1
		48	20B	1
40340-20		2	295	5
41030-10		2	300	5
		2	300A	4
42302-101		5	50	1
		6	55	1
		17	55	2
		18	55	2
		20	50A	1
		22	45A	1
		24	45A	1
		26	40A	1
		28	40A	2
		29	40A	2
		32	5	1
		33	5	1
		34	5	1
		35	5	1
		36	5	2
		41	5	1
		42	5	1
		48	5	1
42302-102		7	115	1
		19	90	1
		21	50A	1
		23	55A	1
		25	50A	2
		27	50A	2
		37	5	1
		38	5	1
		39	5C	1
		40	5	1

**25-50-01**

ILLUSTRATED PARTS LIST

Page 1009

Mar 01/2007



COMPONENT MAINTENANCE MANUAL

PART NUMBER	AIRLINE PART NUMBER	FIGURE	ITEM	UNITS PER ASSEMBLY
		41	5C	1
		42	10	1
42302-103		39	5	1
42302-201		41	10	1
		41	15	5
		42	15	5
		46	5	2
		48	10	4
42302-203		41	10B	1
43655-10		41	30B	4
		42	30B	4
		43	10B	6
		44	5B	8
		45	5B	8
		48	30B	4
45387-10		32	40A	4
453A1810-1		37	1	RF
453A1810-10		38	1A	RF
453A1810-11		39	1A	RF
453A1810-12		40	1A	RF
453A1810-13		44	1	RF
453A1810-14		45	1	RF
453A1810-15		46	1	RF
453A1810-2		38	1	RF
453A1810-20		37	30	AR
		38	30	AR
		39	30	AR
		40	30	AR
		41	35	AR
		42	35	AR
		43	15	AR
		44	10	AR
		45	10	AR
		46	15	AR
		48	35	AR

**25-50-01**

ILLUSTRATED PARTS LIST

Page 1010

Mar 01/2007



COMPONENT MAINTENANCE MANUAL

PART NUMBER	AIRLINE PART NUMBER	FIGURE	ITEM	UNITS PER ASSEMBLY
453A1810-21		41	40	AR
		42	40	AR
		43	20	AR
		44	15	AR
		45	15	AR
		46	20	AR
		48	40	AR
		453A1810-22		37
41	45			AR
48	45			AR
453A1810-23		38	35	AR
		41	45A	AR
453A1810-24		40	35	AR
		43	25	AR
453A1810-25		37	40	AR
		38	40	AR
		39	40	AR
		40	40	AR
		40	40	AR
453A1810-26		37	45	AR
		38	45	AR
		39	45	AR
		40	45	AR
453A1810-3		39	1	RF
453A1810-30		37	50	AR
		38	50	AR
		39	50	AR
		40	50	AR
		41	50	AR
		42	45	AR
		43	30	AR
		44	20	AR
		45	20	AR
		46	25	AR
		48	50	AR
453A1810-31		37	55	AR

**25-50-01**

ILLUSTRATED PARTS LIST

Page 1011

Mar 01/2007



COMPONENT MAINTENANCE MANUAL

PART NUMBER	AIRLINE PART NUMBER	FIGURE	ITEM	UNITS PER ASSEMBLY
		38	55	AR
		39	55	AR
		40	55	AR
		41	55	AR
		42	50	AR
		43	35	AR
		44	25	AR
		45	25	AR
		46	30	AR
		48	55	AR
453A1810-32		40	1B	RF
453A1810-33		39	1B	RF
453A1810-34		48	1	RF
453A1810-35		48	60	AR
453A1810-4		40	1	RF
453A1810-5		41	1	RF
453A1810-6		41	1A	RF
453A1810-7		42	1	RF
453A1810-8		43	1	RF
453A1810-9		37	1A	RF
59-0332-156-		30	85	1
65-19328-10		1	15	1
65-19328-11		1	20	1
65-19328-12		1	25	1
65-19328-13		1	30	1
65-19328-14		1	35	1
65-19328-15		1	40	1
65-19328-16		1	45	1
65-19328-17		1	50	1
65-19328-18		1	55	1
65-19328-19		1	60	1
65-19328-2		1	10	1
65-19328-20		1	65	1
		1	65A	2
65-19328-22		1	1A	RF

**25-50-01**

ILLUSTRATED PARTS LIST

Page 1012

Mar 01/2007



COMPONENT MAINTENANCE MANUAL

PART NUMBER	AIRLINE PART NUMBER	FIGURE	ITEM	UNITS PER ASSEMBLY
65-19328-25		1	1B	RF
65-19328-26		1	1	RF
65-19328-27		1	1C	RF
65-19328-3		1	12	1
65-19328-4		1	70	1
65-19328-5		1	71	4
65-19328-6		1	72	2
65-19328-7		1	73	3
65-19328-8		1	74	2
65-19328-9		1	75	1
65-19329-11		2	65	1
65-19329-12		2	70	1
65-19329-14		2	75	1
65-19329-15		2	80	1
65-19329-16		2	85	1
65-19329-17		2	90	1
65-19329-18		2	95	2
65-19329-19		2	100	2
		2	100A	4
		2	100B	3
65-19329-20		2	105	1
65-19329-21		2	110	3
		2	110A	5
65-19329-22		2	115	1
65-19329-24		2	45	1
65-19329-3		2	5	1
65-19329-34		2	120	1
65-19329-35		2	15	1
65-19329-36		2	20	1
65-19329-37		2	125	1
65-19329-39		2	130	1
65-19329-4		2	10	1
65-19329-40		2	135	1
65-19329-43		2	1	RF
65-19329-44		2	1A	RF

**25-50-01**

ILLUSTRATED PARTS LIST

Page 1013

Mar 01/2007





COMPONENT MAINTENANCE MANUAL

PART NUMBER	AIRLINE PART NUMBER	FIGURE	ITEM	UNITS PER ASSEMBLY
65-19329-46		2	1B	RF
65-19329-47		2	1C	RF
65-19329-48		2	140	1
65-19329-49		2	25	1
65-19329-50		2	30	1
65-19329-51		2	35	1
65-19329-52		2	40	1
65-19329-53		2	145	1
65-19329-54		2	150	1
65-19329-55		2	155	1
65-19329-56		2	160	3
65-19329-57		2	165	1
65-19329-58		2	170	1
65-19329-59		2	175	1
65-19329-60		2	180	1
65-19329-61		2	185	1
65-19329-62		2	190	1
65-19329-63		2	195	1
65-19329-64		2	200	1
65-19329-65		2	205	1
65-19329-66		2	210	1
65-19329-67		2	215	1
65-19329-68		2	220	1
65-19329-69		2	225	1
65-19329-7		2	50	1
65-19329-70		2	230	1
65-19329-71		2	235	1
65-19329-72		2	240	1
65-19329-73		2	245	2
65-19329-74		2	250	3
65-19329-75		2	255	6
65-19329-76		2	260	2
65-19329-77		2	265	1
65-19329-8		2	55	1
65-19329-9		2	60	1

**25-50-01**

ILLUSTRATED PARTS LIST

Page 1014

Mar 01/2007



COMPONENT MAINTENANCE MANUAL

PART NUMBER	AIRLINE PART NUMBER	FIGURE	ITEM	UNITS PER ASSEMBLY
65-25756-10		3	15	1
65-25756-11		3	20	1
65-25756-12		3	25	1
65-25756-13		3	30	1
65-25756-14		3	35	1
65-25756-15		3	37	1
65-25756-2		3	10	1
65-25756-22		3	1B	RF
65-25756-25		3	1C	RF
65-25756-26		3	1	RF
65-25756-28		3	1A	RF
65-25756-3		3	40	1
65-25756-4		3	45	1
65-25756-5		3	50	1
65-25756-6		3	55	1
65-25756-7		3	60	1
65-25756-8		3	65	1
65-25756-9		3	70	1
65-25757-1		3	100	1
		8	1	RF
65-25757-2		8	5	3
65-25757-3		8	10	3
65-25757-4		8	15	6
65-25757-5		8	20	1
65-25757-6		8	25	3
65-40753-10		31	34J	1
65-40753-9		31	34	1
65-45953-1		1	9	1
		47	1	RF
65-45953-2		3	5A	1
		47	1A	RF
65-45953-3		2	305	1
65-45953-6		47	85	1
65-45953-7		2	325	1
65-45953-9		47	85A	1

**25-50-01**

ILLUSTRATED PARTS LIST

Page 1015

Mar 01/2007



**COMPONENT MAINTENANCE MANUAL**

<b>PART NUMBER</b>	<b>AIRLINE PART NUMBER</b>	<b>FIGURE</b>	<b>ITEM</b>	<b>UNITS PER ASSEMBLY</b>
65-49625-1		11	1A	RF
65-49625-10		11	12F	1
65-49625-11		11	12G	1
65-49625-12		11	12H	1
65-49625-13		11	12J	1
65-49625-14		11	12K	1
65-49625-15		11	12L	1
65-49625-16		11	15	5
		11	15A	6
		11	15B	4
65-49625-17		11	20	4
		11	20A	6
65-49625-18		11	25	AR
65-49625-19		11	26	1
65-49625-2		11	10A	1
65-49625-20		11	26A	4
65-49625-21		11	26B	1
65-49625-22		11	26C	1
65-49625-23		11	26D	1
65-49625-24		11	26E	1
65-49625-25		11	26F	1
65-49625-27		11	10C	1
65-49625-28		11	10D	1
65-49625-29		11	26G	1
65-49625-3		11	10B	1
65-49625-30		11	26H	1
65-49625-31		11	26J	1
65-49625-32		11	26K	1
65-49625-33		11	26L	1
65-49625-34		11	26M	1
65-49625-35		11	26N	1
65-49625-36		11	26P	1
65-49625-37		11	26Q	1
65-49625-38		11	26R	1
65-49625-39		11	26S	1

**25-50-01**

ILLUSTRATED PARTS LIST

Page 1016

Mar 01/2007



COMPONENT MAINTENANCE MANUAL

PART NUMBER	AIRLINE PART NUMBER	FIGURE	ITEM	UNITS PER ASSEMBLY
65-49625-4		11	12	1
65-49625-40		11	27	1
65-49625-41		11	27A	1
65-49625-42		11	27B	1
65-49625-43		11	27C	1
65-49625-44		11	27D	1
65-49625-45		11	27E	1
65-49625-46		11	27F	1
65-49625-47		11	27G	1
65-49625-48		11	27H	1
65-49625-49		11	27J	1
65-49625-5		11	12A	1
65-49625-50		11	27K	1
65-49625-501		11	1C	RF
65-49625-502		11	10E	1
65-49625-503		11	10F	1
65-49625-504		11	118	1
65-49625-505		11	118A	1
65-49625-506		11	118B	1
65-49625-507		11	118C	1
65-49625-508		11	118D	1
65-49625-509		11	118E	1
65-49625-51		11	27L	1
65-49625-510		11	118F	1
65-49625-511		11	118G	1
65-49625-512		11	118H	1
65-49625-52		11	27M	1
65-49625-53		11	27N	1
65-49625-54		11	1	RF
65-49625-55		11	5	1
65-49625-56		11	10	1
65-49625-57		11	30	1
65-49625-58		11	35	1
65-49625-59		11	40	2
65-49625-6		11	12B	1

**25-50-01**

ILLUSTRATED PARTS LIST

Page 1017

Mar 01/2007



**COMPONENT MAINTENANCE MANUAL**

<b>PART NUMBER</b>	<b>AIRLINE PART NUMBER</b>	<b>FIGURE</b>	<b>ITEM</b>	<b>UNITS PER ASSEMBLY</b>
65-49625-60		11	45	1
65-49625-61		11	50	1
65-49625-62		11	55	1
65-49625-63		11	60	1
65-49625-64		11	65	1
65-49625-65		11	70	1
65-49625-66		11	75	1
65-49625-67		11	80	1
65-49625-68		11	85	1
65-49625-69		11	90	1
65-49625-7		11	12C	1
65-49625-70		11	95	1
65-49625-71		11	100	1
65-49625-72		11	105	2
65-49625-73		11	1B	RF
65-49625-74		11	110	1
65-49625-75		11	115	1
65-49625-8		11	12D	1
65-49625-9		11	12E	1
65-49626-1		12	1A	RF
65-49626-10		12	115C	1
65-49626-11		12	115D	1
65-49626-12		12	115E	1
65-49626-13		12	115F	1
65-49626-14		12	115G	1
65-49626-15		12	115H	1
65-49626-16		12	115J	1
65-49626-17		12	115K	1
65-49626-18		12	115L	1
65-49626-19		12	115M	1
65-49626-2		12	10A	1
65-49626-20		12	115N	1
65-49626-21		12	115P	1
65-49626-22		12	115Q	1
65-49626-23		12	20	1

**25-50-01**

ILLUSTRATED PARTS LIST

Page 1018

Mar 01/2007



COMPONENT MAINTENANCE MANUAL

PART NUMBER	AIRLINE PART NUMBER	FIGURE	ITEM	UNITS PER ASSEMBLY
65-49626-27		12	10	1
65-49626-28		12	25	1
65-49626-29		12	30	1
65-49626-3		12	10B	1
65-49626-30		12	35	1
65-49626-31		12	40	1
65-49626-32		12	45	1
65-49626-33		12	50	1
65-49626-34		12	55	1
65-49626-35		12	60	1
65-49626-36		12	65	1
		12	65A	1
65-49626-37		12	70	1
65-49626-38		12	75	1
65-49626-39		12	80	1
65-49626-4		12	110V	2
65-49626-40		12	85	1
65-49626-41		12	1	RF
65-49626-42		12	15	1
65-49626-43		12	90	1
65-49626-44		12	95	3
65-49626-45		12	100	2
65-49626-46		12	105	2
65-49626-47		12	110	4
65-49626-49		12	1B	RF
65-49626-5		12	110W	1
65-49626-501		12	1C	RF
65-49626-502		12	10L	1
65-49626-503		12	10M	1
65-49626-504		12	116	4
65-49626-505		12	116A	2
65-49626-506		12	116B	1
65-49626-507		12	116C	1
65-49626-508		12	116D	1
65-49626-509		12	116E	1

**25-50-01**

ILLUSTRATED PARTS LIST

Page 1019

Mar 01/2007



COMPONENT MAINTENANCE MANUAL

PART NUMBER	AIRLINE PART NUMBER	FIGURE	ITEM	UNITS PER ASSEMBLY
65-49626-510		12	116F	1
65-49626-511		12	116G	1
65-49626-6		12	110X	3
65-49626-7		12	110Y	2
65-49626-8		12	110Z	4
65-49626-9		12	115	4
		12	115A	3
		12	115B	6
65-49627-1		13	1A	RF
65-49627-10		13	39K	1
65-49627-11		13	39L	1
65-49627-12		13	39M	1
65-49627-13		13	39N	1
65-49627-14		13	39P	1
65-49627-15		13	39Q	1
65-49627-16		13	25	1
65-49627-17		13	30	5
		13	30A	3
65-49627-18		13	35	5
		13	35A	4
65-49627-19		13	35B	1
65-49627-2		13	20A	1
65-49627-20		13	35C	1
65-49627-21		13	35D	1
65-49627-22		13	35E	1
65-49627-23		13	35F	3
65-49627-24		13	35G	1
65-49627-25		13	35H	1
65-49627-27		13	20G	1
65-49627-28		13	20H	1
65-49627-29		13	35N	5
65-49627-3		13	20B	1
65-49627-30		13	35P	2
65-49627-31		13	35Q	2
65-49627-32		13	35R	1

**25-50-01**

ILLUSTRATED PARTS LIST

Page 1020

Mar 01/2007



COMPONENT MAINTENANCE MANUAL

PART NUMBER	AIRLINE PART NUMBER	FIGURE	ITEM	UNITS PER ASSEMBLY
65-49627-33		13	35S	2
65-49627-34		13	35T	1
65-49627-35		13	35U	1
65-49627-36		13	35V	1
65-49627-37		13	35W	1
65-49627-38		13	35X	1
65-49627-39		13	35Y	1
65-49627-4		13	39D	1
65-49627-40		13	35Z	1
65-49627-41		13	36	1
65-49627-42		13	36A	1
65-49627-43		13	36B	1
65-49627-44		13	36C	1
65-49627-45		13	36D	1
65-49627-46		13	36E	1
65-49627-47		13	36F	1
65-49627-48		13	36G	1
65-49627-49		13	36H	1
65-49627-5		13	39E	1
65-49627-50		13	36J	1
65-49627-501		13	1C	RF
65-49627-502		13	20L	1
65-49627-503		13	20M	1
65-49627-504		13	38	1
65-49627-505		13	38A	1
65-49627-506		13	38B	1
65-49627-507		13	38C	1
65-49627-508		13	38D	1
65-49627-509		13	38E	1
65-49627-51		13	36K	1
65-49627-510		13	38F	1
65-49627-511		13	38G	1
65-49627-512		13	38H	1
65-49627-513		13	38J	1
65-49627-52		13	36L	1

**25-50-01**

ILLUSTRATED PARTS LIST

Page 1021

Mar 01/2007





COMPONENT MAINTENANCE MANUAL

PART NUMBER	AIRLINE PART NUMBER	FIGURE	ITEM	UNITS PER ASSEMBLY
65-49627-53		13	36M	1
65-49627-54		13	36N	1
65-49627-55		13	36P	1
65-49627-56		13	1	RF
65-49627-57		13	15	1
65-49627-58		13	20	1
65-49627-59		13	40	1
65-49627-6		13	39F	1
65-49627-60		13	45	1
65-49627-61		13	50	1
65-49627-62		13	55	1
65-49627-63		13	60	1
65-49627-64		13	65	1
65-49627-65		13	70	1
65-49627-66		13	75	1
65-49627-67		13	80	1
65-49627-68		13	85	1
65-49627-69		13	90	1
65-49627-7		13	39G	1
65-49627-70		13	95	1
65-49627-71		13	100	1
65-49627-72		13	105	1
65-49627-73		13	110	3
65-49627-74		13	115	1
65-49627-75		13	120	1
65-49627-76		13	125	1
65-49627-77		13	130	1
65-49627-78		13	135	1
65-49627-79		13	140	1
65-49627-8		13	39H	1
65-49627-80		13	145	1
65-49627-81		13	150	3
65-49627-82		13	1B	RF
65-49627-9		13	39J	1
65-49628-1		14	1	RF

**25-50-01**

ILLUSTRATED PARTS LIST

Page 1022

Mar 01/2007



**COMPONENT MAINTENANCE MANUAL**

<b>PART NUMBER</b>	<b>AIRLINE PART NUMBER</b>	<b>FIGURE</b>	<b>ITEM</b>	<b>UNITS PER ASSEMBLY</b>
65-49628-10		14	55	1
65-49628-11		14	90	1
65-49628-12		14	50	1
65-49628-13		14	45	1
65-49628-14		14	40	1
65-49628-15		14	35	1
65-49628-16		14	30	1
65-49628-17		14	20	6
		14	20A	4
		14	20B	3
65-49628-18		14	117	1
65-49628-19		14	95	3
65-49628-2		14	15	1
65-49628-20		14	110	2
65-49628-21		14	105	1
65-49628-22		14	25	AR
65-49628-23		14	115	1
65-49628-24		14	100	1
65-49628-26		14	10A	1
65-49628-27		14	30A	1
65-49628-28		14	35A	1
65-49628-29		14	40A	1
65-49628-3		14	10	1
65-49628-30		14	45A	1
65-49628-31		14	50A	1
65-49628-32		14	55A	1
65-49628-33		14	60A	1
65-49628-34		14	65A	1
65-49628-35		14	70A	1
65-49628-36		14	75A	1
65-49628-37		14	80A	1
65-49628-38		14	85	1
65-49628-39		14	90A	1
65-49628-4		14	60	1
65-49628-40		14	1A	RF

**25-50-01**

ILLUSTRATED PARTS LIST

Page 1023

Mar 01/2007



**COMPONENT MAINTENANCE MANUAL**

<b>PART NUMBER</b>	<b>AIRLINE PART NUMBER</b>	<b>FIGURE</b>	<b>ITEM</b>	<b>UNITS PER ASSEMBLY</b>
65-49628-41		14	15A	1
65-49628-42		14	95A	3
65-49628-43		14	100A	1
65-49628-44		14	105A	4
65-49628-45		14	110A	2
65-49628-46		14	115A	1
65-49628-47		14	117A	1
65-49628-49		14	1B	RF
65-49628-5		14	62	1
65-49628-501		14	1C	RF
65-49628-502		14	10B	1
65-49628-503		14	15B	1
65-49628-504		14	60B	1
65-49628-505		14	35B	1
65-49628-509		14	105B	1
65-49628-510		14	110B	2
65-49628-6		14	65	1
65-49628-7		14	70	1
65-49628-8		14	75	1
65-49628-9		14	80	1
65-49629-1		15	1A	RF
65-49629-10		15	65A	1
65-49629-11		15	5	3
		15	5A	6
65-49629-12		15	10	1
65-49629-13		15	1	RF
65-49629-14		15	15	1
65-49629-15		15	20	1
65-49629-16		15	25	1
65-49629-17		15	30	1
65-49629-18		15	35	1
65-49629-19		15	40	1
65-49629-2		15	35A	1
65-49629-20		15	45	1
65-49629-21		15	50	1

**25-50-01**

ILLUSTRATED PARTS LIST

Page 1024

Mar 01/2007



COMPONENT MAINTENANCE MANUAL

PART NUMBER	AIRLINE PART NUMBER	FIGURE	ITEM	UNITS PER ASSEMBLY
65-49629-22		15	55	1
65-49629-23		15	60	1
65-49629-24		15	65	1
65-49629-25		15	70	1
65-49629-26		15	75	1
65-49629-3		15	20A	1
		15	25A	1
		15	30A	1
65-49629-4		15	15A	2
65-49629-501		15	1B	RF
65-49629-502		15	40B	1
		15	45B	1
65-49629-504		15	50B	1
65-49629-505		15	55B	1
65-49629-506		15	60B	1
65-49629-507		15	65B	1
65-49629-508		15	70A	1
		15	75A	1
65-49629-6		15	40A	1
		15	45A	1
65-49629-7		15	50A	1
65-49629-8		15	55A	1
65-49629-9		15	60A	1
65-52956-1		16	1A	RF
65-52956-10		16	5	1
65-52956-13		16	10	2
65-52956-14		16	15	4
65-52956-15		16	20	2
65-52956-16		16	95	2
65-52956-17		16	100	3
65-52956-18		16	105	2
65-52956-19		16	1	RF
65-52956-2		16	30A	1
65-52956-20		16	25	1
65-52956-21		16	30	1

**25-50-01**

ILLUSTRATED PARTS LIST

Page 1025

Mar 01/2007



COMPONENT MAINTENANCE MANUAL

PART NUMBER	AIRLINE PART NUMBER	FIGURE	ITEM	UNITS PER ASSEMBLY
65-52956-22		16	35	1
65-52956-23		16	40	1
65-52956-24		16	45	1
65-52956-25		16	25A	1
65-52956-26		16	50	1
65-52956-27		16	55	1
65-52956-4		16	40A	1
65-52956-5		16	60	2
65-52956-6		16	65	4
65-52956-7		16	35A	1
65-52956-8		16	45A	1
65-52956-9		16	70	2
65-52970-1		2	310	1
65-52970-13		30	5C	1
65-52970-15		3	5	1
		30	2	RF
65-52970-16		1	5	1
		30	3	RF
65-52970-17		3	5B	1
		30	3A	RF
65-52970-18		1	6	1
		30	3B	RF
65-52970-19		30	5A	1
65-52970-2		2	315	1
65-52970-20		30	5D	1
65-52970-21		30	5B	1
65-52970-26		1	7	1
		30	3C	RF
65-52970-27		30	5E	1
65-52970-3		2	330	1
65-52970-4		2	335	1
65-52970-5		2	375	1
65-52970-6		2	320	1
		30	1	RF
65-52970-9		2	340	1

**25-50-01**

ILLUSTRATED PARTS LIST

Page 1026

Mar 01/2007



COMPONENT MAINTENANCE MANUAL

PART NUMBER	AIRLINE PART NUMBER	FIGURE	ITEM	UNITS PER ASSEMBLY
65-53882-1		30	5	1
		14	5	1
65-53882-10		31	1	RF
		31	10C	1
65-53882-11		31	10D	1
65-53882-12		31	10E	1
65-53882-18		31	10M	1
65-53882-2		13	10A	1
		31	1A	RF
65-53882-20		31	10N	1
65-53882-21		13	5	1
		31	1F	RF
65-53882-22		11	2	1
		31	1G	RF
65-53882-23		13	10	1
		31	1H	RF
65-53882-24		11	3	1
		31	1J	RF
65-53882-25		14	5A	1
		31	1K	RF
65-53882-26		12	5	1
		31	1L	RF
65-53882-27		31	10F	1
65-53882-28		31	10G	1
65-53882-29		31	10H	1
65-53882-3		13	10B	1
		31	1B	RF
65-53882-30		31	10J	1
65-53882-31		31	10K	1
65-53882-32		31	10L	1
65-53882-33		11	3C	1
		31	1M	RF
65-53882-34		13	10G	1
		31	1N	RF
65-53882-37		31	10P	1

**25-50-01**

ILLUSTRATED PARTS LIST

Page 1027

Mar 01/2007



COMPONENT MAINTENANCE MANUAL

PART NUMBER	AIRLINE PART NUMBER	FIGURE	ITEM	UNITS PER ASSEMBLY
65-53882-38		31	10Q	1
65-53882-39		12	5B	1
		31	1P	RF
65-53882-4		12	5A	1
		31	1C	RF
65-53882-40		14	5B	1
		31	1Q	RF
65-53882-5		11	3A	1
		31	1D	RF
65-53882-501		13	10P	1
		31	1R	RF
65-53882-502		11	3D	1
		31	1S	RF
65-53882-503		13	10R	1
		31	1T	RF
65-53882-504		11	3E	1
		31	1U	RF
65-53882-505		14	5C	1
		31	1V	RF
65-53882-506		12	5C	1
		31	1W	RF
65-53882-507		31	10R	1
65-53882-508		31	10S	1
65-53882-509		31	10T	1
65-53882-510		31	10U	1
65-53882-511		31	10V	1
65-53882-512		31	10W	1
65-53882-6		11	3B	1
		31	1E	RF
65-53882-7		31	10	1
65-53882-8		31	10A	1
65-53882-9		31	10B	1
65-54404-1		4	1	RF
65-54404-10		4	5	2
65-54404-11		4	10	1

**25-50-01**

ILLUSTRATED PARTS LIST

Page 1028

Mar 01/2007



COMPONENT MAINTENANCE MANUAL

PART NUMBER	AIRLINE PART NUMBER	FIGURE	ITEM	UNITS PER ASSEMBLY
65-54404-12		4	15	1
65-54404-3		4	20	1
65-54404-4		4	25	1
65-54404-5		4	30	1
65-54404-6		4	35	4
65-54404-7		4	40	2
65-54404-8		4	45	1
65-54404-9		4	50	1
65-78966-1		20	1	RF
65-78966-12		5	5	1
		6	5	1
		7	5	1
		17	5	1
		18	5	1
		19	5	1
		20	10	1
		21	5	1
		22	5	1
		23	5	1
		24	5	1
		25	5	1
		26	5	1
		27	5	1
		28	5	1
		29	5	1
		32	35	1
		33	25	1
		34	25	1
		35	25	1
		36	25	1
65-78966-13		5	10	1
		7	10	1
		20	15	1
		21	10	1
		32	30	1

**25-50-01**

ILLUSTRATED PARTS LIST

Page 1029

Mar 01/2007





COMPONENT MAINTENANCE MANUAL

PART NUMBER	AIRLINE PART NUMBER	FIGURE	ITEM	UNITS PER ASSEMBLY
65-78966-14		6	10	1
		7	15	1
		22	10	1
		23	10	1
65-78966-15		17	10	1
		19	10	1
		24	10	1
		25	10	1
65-78966-2		21	1	RF
65-78966-20		5	15	1
		6	15	1
		7	20	1
		17	15	1
		18	10	1
		19	15	1
		20	20	1
		21	15	1
		22	15	1
		23	15	1
		24	15	1
		25	15	1
		26	10	1
		27	10	1
		28	10	1
65-78966-21		20	25	1
		22	20	1
65-78966-22		5	20	1
		6	20	1
		21	20	1
		23	20	1
		32	15	1
65-78966-23		6	25	1
		23	25	1
		32	20	1

**25-50-01**

ILLUSTRATED PARTS LIST

Page 1030

Mar 01/2007



COMPONENT MAINTENANCE MANUAL

PART NUMBER	AIRLINE PART NUMBER	FIGURE	ITEM	UNITS PER ASSEMBLY
65-78966-24		24	20	1
65-78966-25		17	20	1
		25	20	1
65-78966-26		26	15	1
65-78966-27		18	15	1
		27	15	1
65-78966-28		18	20	1
		27	20	1
65-78966-29		20	5	RF
65-78966-3		22	1	RF
65-78966-30		28	1	RF
65-78966-31		29	1	RF
65-78966-32		28	15	1
65-78966-33		29	15	1
65-78966-34		20	5A	RF
65-78966-35		5	1	RF
65-78966-36		22	1A	RF
65-78966-37		6	1	RF
65-78966-38		24	1A	RF
65-78966-39		17	1	RF
65-78966-4		23	1	RF
65-78966-40		26	1A	RF
65-78966-41		18	1	RF
65-78966-42		28	1A	RF
65-78966-43		29	1A	RF
65-78966-44		7	1	RF
65-78966-45		7	1A	RF
65-78966-46		19	1	RF
65-78966-47		19	1A	RF
65-78966-48		21	1A	RF
65-78966-49		23	1A	RF
65-78966-5		24	1	RF
65-78966-50		25	1A	RF
65-78966-51		27	1A	RF
65-78966-52		7	1B	RF

**25-50-01**

ILLUSTRATED PARTS LIST

Page 1031

Mar 01/2007



COMPONENT MAINTENANCE MANUAL

PART NUMBER	AIRLINE PART NUMBER	FIGURE	ITEM	UNITS PER ASSEMBLY
65-78966-53		7	1C	RF
65-78966-54		19	1B	RF
65-78966-55		19	1C	RF
65-78966-56		32	1	RF
65-78966-57		7	1D	RF
65-78966-58		33	1	RF
65-78966-59		34	1	RF
65-78966-6		25	1	RF
65-78966-60		35	1	RF
65-78966-61		36	1	RF
65-78966-62		33	15	1
65-78966-64		34	15	1
		35	15	1
65-78966-65		36	20	1
65-78966-66		7	1E	RF
65-78966-67		32	1A	RF
65-78966-68		32	20A	1
65-78966-7		26	1	RF
65-78966-8		27	1	RF
65C29287-1		7	25	1
65C29287-10		7	40	1
65C29287-11		19	20	1
65C29287-12		19	25	1
65C29287-15		19	20A	1
65C29287-16		19	25A	1
65C29287-17		7	45	1
65C29287-18		7	50	1
65C29287-2		7	30	1
65C29287-21		7	55	1
65C29287-22		7	60	1
65C29287-23		7	65	1
65C29287-24		7	70	1
65C29287-27		19	30	1
65C29287-29		19	35	1
65C29287-31		19	40	1

**25-50-01**

ILLUSTRATED PARTS LIST

Page 1032

Mar 01/2007



COMPONENT MAINTENANCE MANUAL

PART NUMBER	AIRLINE PART NUMBER	FIGURE	ITEM	UNITS PER ASSEMBLY
65C29287-33		19	30A	1
65C29287-35		19	35A	1
65C29287-37		19	40A	1
65C29287-39		7	130	1
65C29287-41		7	135	1
65C29287-5		19	45	1
65C29287-7		19	45A	1
65C29287-9		7	35	1
66-12804-1		2	345	1
		30	10	1
		31	15	1
		47	10	1
66-12811-1		30	42	1
		31	50	1
		47	75	1
		47	75A	2
66-29099		2	350	1
		31	20	1
66-29099-1		2	355	1
		30	15	1
		47	20	1
66-44309-1		2	360	1
69-29099-1		31	20A	1
69-35452-3		30	25	1
		31	26	1
		47	35	1
69-35453-1		47	40	1
69-35453-3		30	30	1
		31	27	1
69-35453-4		30	30A	1
		31	27A	1
69-35453-5		30	30B	1
69-35454-1		2	365	1
		47	30	1
69-35454-2		2	370	1

**25-50-01**

ILLUSTRATED PARTS LIST

Page 1033

Mar 01/2007



COMPONENT MAINTENANCE MANUAL

PART NUMBER	AIRLINE PART NUMBER	FIGURE	ITEM	UNITS PER ASSEMBLY
		30	20A	1
		31	25	1
69-35454-3		30	20B	1
		31	25A	1
69-35454-4		30	20C	1
69-40294-2		30	35	1
		31	28	1
		47	45	1
69-40751-1		2	385	1
		30	43	2
		31	40	2
		31	41	4
69-40753-1		31	30	1
69-40753-11		2	380	1
		30	40	1
69-40753-2		31	31	1
69-40753-3		31	32	1
69-40753-4		31	33	1
69-40753-5		31	35	1
69-40753-6		31	36	1
69-40753-7		30	41	1
		31	37	1
69-40753-8		31	38	1
69-44309-1		30	15A	1
		31	20B	1
69-50953-1		30	100	1
69-50954-3		30	70	1
69-50954-4		30	75	1
69-50955-1		30	90	1
69-50955-2		30	105	1
69-74557-1		7	75	1
69-74557-2		7	80	1
69-74557-3		7	85	1
69-74557-4		19	50A	1
69-74557-5		19	55A	1

**25-50-01**

ILLUSTRATED PARTS LIST

Page 1034

Mar 01/2007



COMPONENT MAINTENANCE MANUAL

PART NUMBER	AIRLINE PART NUMBER	FIGURE	ITEM	UNITS PER ASSEMBLY
69-74557-6		19	60A	1
69-74557-7		19	50	1
69-74557-8		19	55	1
69-74557-9		19	60	1
A5771		14	120	6
		14	120A	4
A6908		5	25	7
		6	30	7
		7	90	6
		11	120D	5
		14	125	5
		17	25	5
		18	25	6
		19	65	7
		20	30	6
		21	25	7
		22	25	6
		23	30	7
		24	25	7
		25	25	5
		26	20	7
		27	25	6
		28	20	6
		29	20	6
		32	10A	7
		33	10A	5
		34	10A	5
		35	10A	5
		36	10A	4
		37	10A	6
		38	10A	6
		39	10A	7
		40	10A	7
		41	20A	1
		42	20A	1

**25-50-01**

ILLUSTRATED PARTS LIST

Page 1035

Mar 01/2007



COMPONENT MAINTENANCE MANUAL

PART NUMBER	AIRLINE PART NUMBER	FIGURE	ITEM	UNITS PER ASSEMBLY		
A8509-20		48	20A	1		
		20	35	1		
		21	30	1		
		22	30	1		
		23	35	1		
		24	30	1		
		25	30	2		
		26	25	1		
		27	30	2		
		28	25	2		
		29	25	2		
		A8509-40		41	5B	1
				48	5B	1
A8509-60		37	5B	1		
		38	5B	1		
		39	5E	1		
		40	5B	1		
		41	5E	1		
		42	10B	1		
A8509-80		39	5B	1		
A8513-10		37	15C	3		
		38	15C	3		
		39	15C	3		
		40	15C	3		
BAC27DCA30		30	80	1		
BACB30FN6-11		31	65	1		
BACB30FQ6-5		2	395	1		
BACB30LU3-8		30	57	8		
BACC30M6		30	44A	2		
		31	60	1		
BACL20AB		2	390	4		
		30	44	1		
		30	45	7		
		30	45A	4		
		31	45	1		

**25-50-01**

ILLUSTRATED PARTS LIST

Page 1036

Mar 01/2007



COMPONENT MAINTENANCE MANUAL

PART NUMBER	AIRLINE PART NUMBER	FIGURE	ITEM	UNITS PER ASSEMBLY	
BACR16A10K75		31	46	2	
		31	70	2	
		31	71	1	
		31	72	3	
		47	80	5	
		2	410	5	
		47	15	1	
		47	70	10	
BACS38K113		16	10A	2	
CCI1000-1A		37	10C	6	
		38	10C	6	
		39	10C	7	
		40	10C	7	
		41	20C	1	
		42	20C	1	
		48	20C	1	
		37	20	3	
CCI10004		38	20	3	
		39	20	3	
		40	20	3	
		48	5C	1	
CCI1005-1A		41	30	4	
CCI5000-1		42	30	4	
		43	10	6	
		44	5	8	
		45	5	8	
		46	10	4	
		48	30	4	
	DBS1011W06ST		37	15	3
			38	15	3
		39	15	3	
		40	15	3	
FD2876-1		1	80	6	
		3	75	6	
		4	55	2	

**25-50-01**

ILLUSTRATED PARTS LIST

Page 1037

Mar 01/2007





COMPONENT MAINTENANCE MANUAL

PART NUMBER	AIRLINE PART NUMBER	FIGURE	ITEM	UNITS PER ASSEMBLY
FDC1575B0		16	75	2
		5	30	4
		6	35	8
		17	30	4
		18	30	8
		21	35	4
		23	40	4
		25	35	4
		27	35	8
		FDC1575BO		32
MS16562-2		30	95	1
MS16562-39		2	400	1
		47	25	1
MS16562-52		2	405	1
		30	50	1
		31	75	1
MS25082-12		2	420	1
		30	55	1
		47	5	1
MS25082-3		31	80	1
NAS1211A10		5	35	4
		6	40	4
		7	95	3
		17	35	4
		18	35	4
		19	70	3
		20	40	3
		21	40	4
		22	35	3
		23	45	4
		24	35	3
		25	40	4
		26	30	3
27	40	4		
29	30	3		

**25-50-01**

ILLUSTRATED PARTS LIST

Page 1038

Mar 01/2007



COMPONENT MAINTENANCE MANUAL

PART NUMBER	AIRLINE PART NUMBER	FIGURE	ITEM	UNITS PER ASSEMBLY
NAS1329A3K80		32	25	4
		33	20	3
		34	20	3
		35	20	3
		41	25	4
		42	25	4
		43	5	4
		48	25	4
		2	415	9
		30	60	15
		30	60A	9
		31	85	5
		31	86	2
		31	87	7
		NAS43DD3-16		47
NAS43DD3-17		31	55	1
NAS43DD3-18		2	430	4
		31	90	4
NAS43DD3-20		47	60	5
NAS43DD3-5		2	425	1
NAS4DD3-18		30	65	10
		30	65A	4
NAS517-3-3		47	55	4
NAS517-3-7		47	50	6
WB10027		1	85	6
		3	80	6
WB10730		1	90	6
		2	280	4
		3	85	6

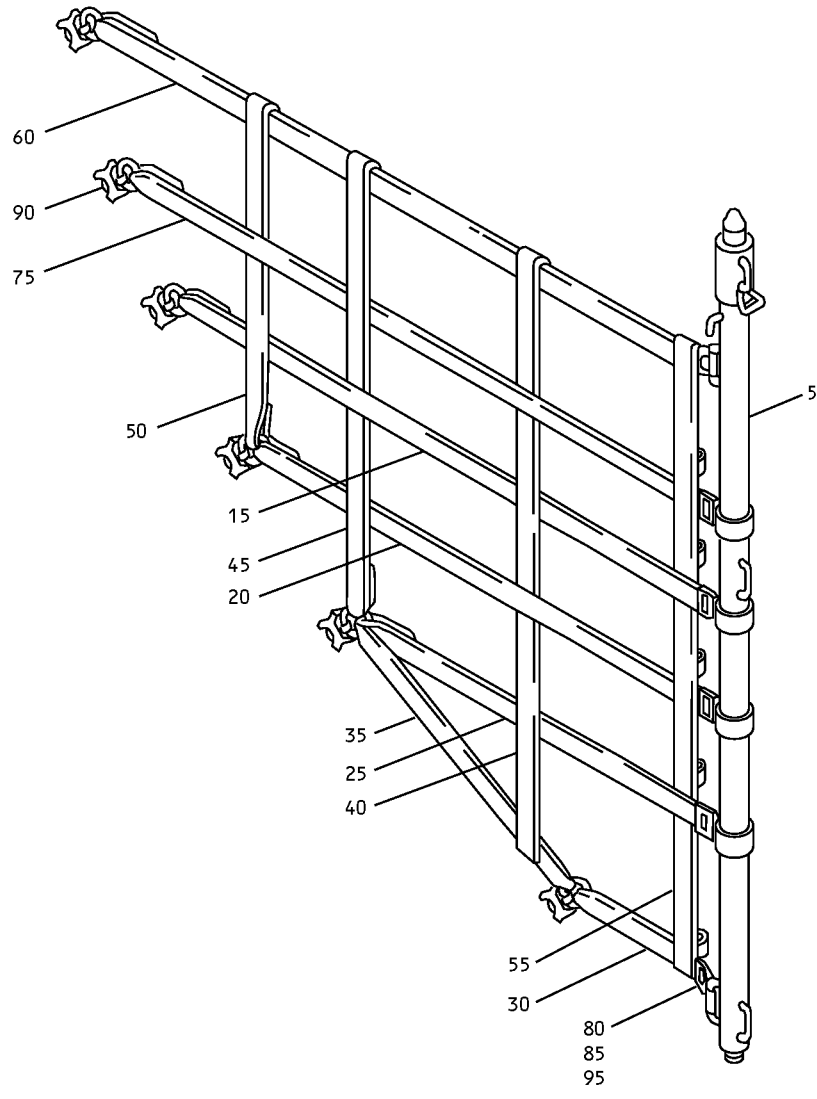
**25-50-01**

ILLUSTRATED PARTS LIST

Page 1039

Mar 01/2007

COMPONENT MAINTENANCE MANUAL

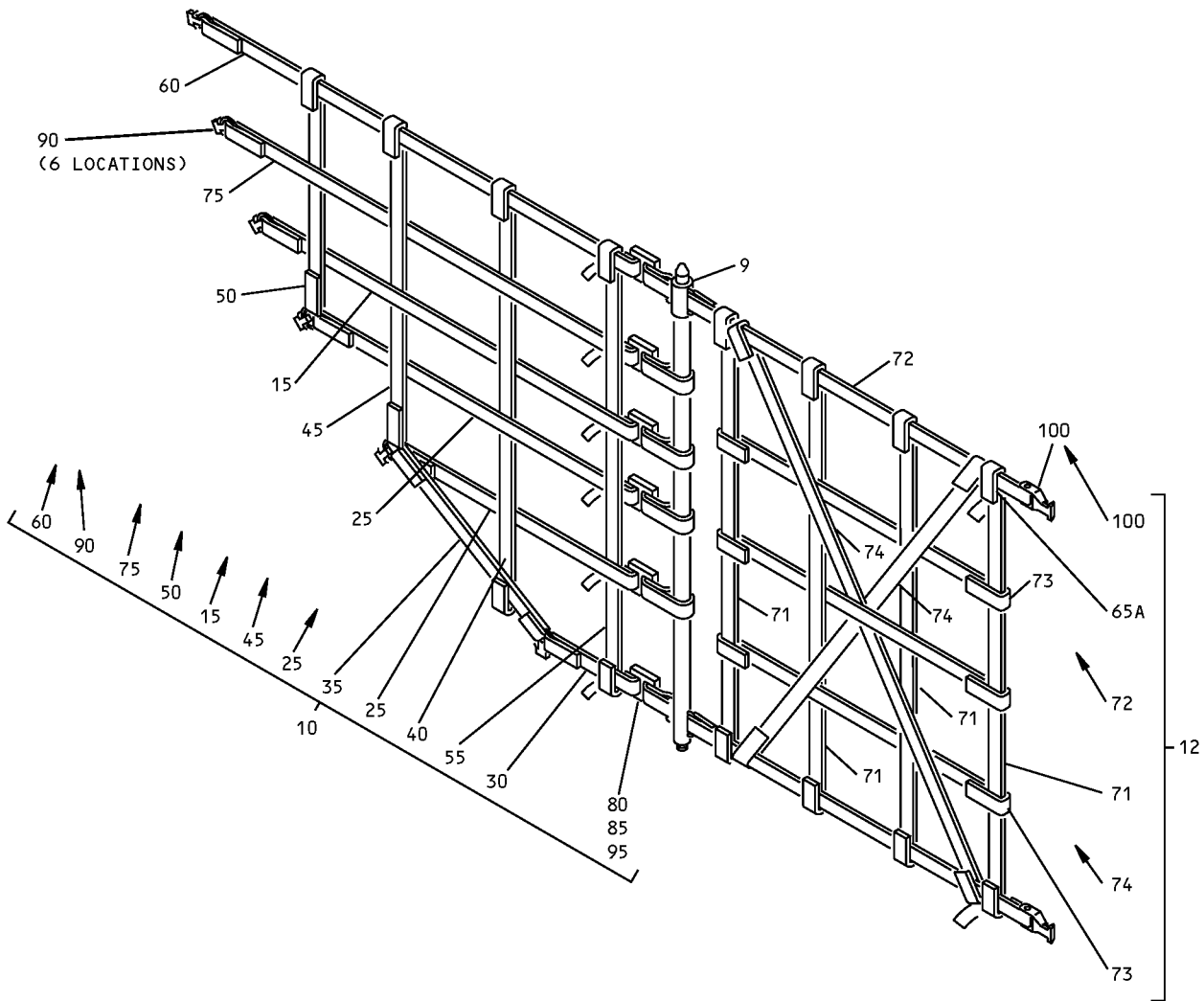


65-19328-26 (SHOWN)  
65-19328-25,-27

Forward Cargo Compartment Net Assembly  
IPL Figure 1 (Sheet 1 of 2)

**25-50-01**  
ILLUSTRATED PARTS LIST  
Page 1040  
Mar 01/2007

COMPONENT MAINTENANCE MANUAL



65-19328-22

Forward Cargo Compartment Net Assembly  
IPL Figure 1 (Sheet 2 of 2)

**25-50-01**

ILLUSTRATED PARTS LIST

Page 1041

Mar 01/2007



COMPONENT MAINTENANCE MANUAL

FIG/ ITEM	PART NUMBER	AIRLINE PART NUMBER	NOMENCLATURE							USAGE CODE	UNITS PER ASSY
			1	2	3	4	5	6	7		
1-											
-1	65-19328-26									A	RF
-1A	65-19328-22									B	RF
-1B	65-19328-25									C	RF
-1C	65-19328-27									D	RF
5	65-52970-16									A	1
-6	65-52970-18									C	1
-7	65-52970-26									D	1
9	65-45953-1									B	1
10	65-19328-2									A, C, D	1
12	65-19328-3									B	1
15	65-19328-10										1
20	65-19328-11										1
25	65-19328-12										1
30	65-19328-13										1
35	65-19328-14										1
40	65-19328-15										1
45	65-19328-16										1
50	65-19328-17										1
55	65-19328-18										1
60	65-19328-19										1
-65	65-19328-20										1

-Item not Illustrated

**25-50-01**

ILLUSTRATED PARTS LIST  
Page 1042  
Mar 01/2007

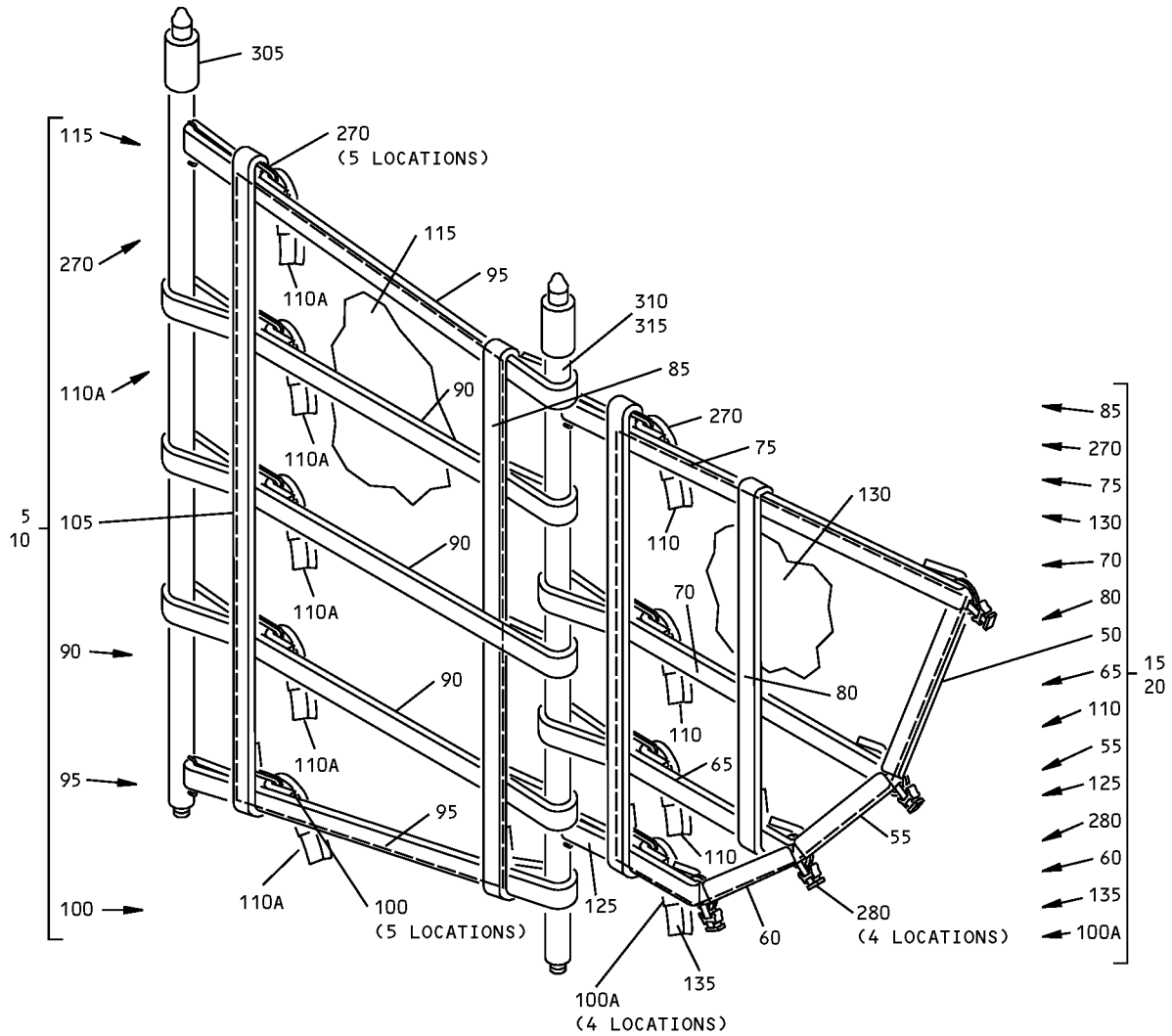


COMPONENT MAINTENANCE MANUAL

FIG/ ITEM	PART NUMBER	AIRLINE PART NUMBER	NOMENCLATURE							USAGE CODE	UNITS PER ASSY
			1	2	3	4	5	6	7		
1-											
65A	65-19328-20								. . WEBBING (USED ON ITEM 12)		2
-70	65-19328-4								. . THREAD-NYLON		1
71	65-19328-5								. . WEBBING (USED ON ITEM 12)		4
72	65-19328-6								. . WEBBING (USED ON ITEM 12)		2
73	65-19328-7								. . WEBBING (USED ON ITEM 12)		3
74	65-19328-8								. . WEBBING (USED ON ITEM 12)		2
75	65-19328-9								. . WEBBING (USED ON ITEM 10)		1
80	FD2876-1								. . SLIDE (V15814) (USED ON ITEM 10) (OPT ITEM 85, 95)		6
85	WB10027								. . SLIDE (V95951) (USED ON ITEM 10) (OPT ITEM 80, 95)		6
90	WB10730								. . RING ASSY (V95957) (USED ON ITEM 10)		6
95	1208								. . SLIDE (V01276) (USED ON ITEM 10)		6
100	2150-51								. . SNAP LATCH (USED ON ITEM 12)		2

-Item not Illustrated

COMPONENT MAINTENANCE MANUAL

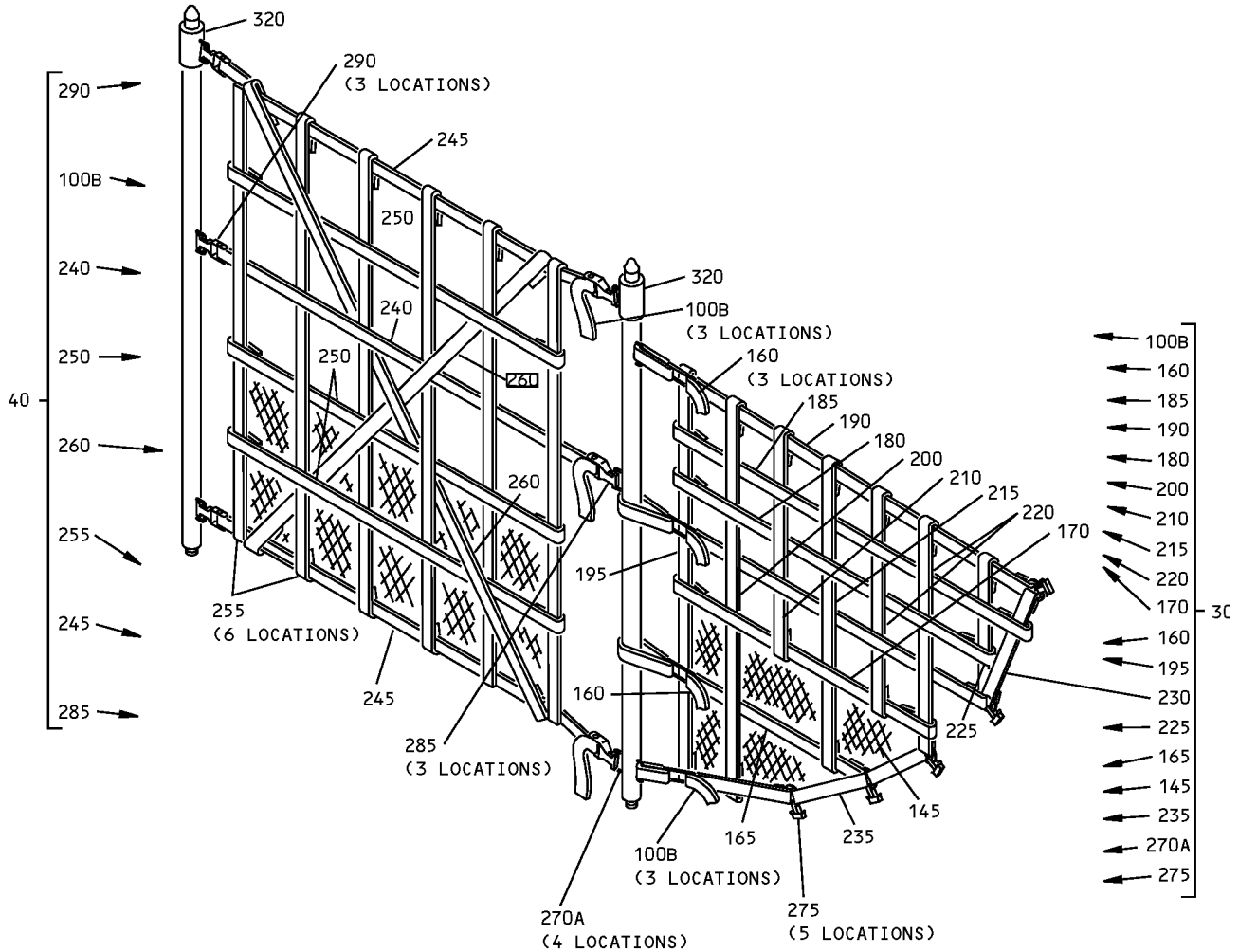


65-19329-43 (SHOWN)  
65-19329-44 (OPPOSITE)

Forward Cargo Compartment Net Assembly  
IPL Figure 2 (Sheet 1 of 2)

**25-50-01**  
ILLUSTRATED PARTS LIST  
Page 1044  
Mar 01/2007

COMPONENT MAINTENANCE MANUAL



65-19329-47 (SHOWN)  
65-19329-46 (OPPOSITE)

Forward Cargo Compartment Net Assembly  
IPL Figure 2 (Sheet 2 of 2)





COMPONENT MAINTENANCE MANUAL

FIG/ ITEM	PART NUMBER	AIRLINE PART NUMBER	NOMENCLATURE							USAGE CODE	UNITS PER ASSY
			1	2	3	4	5	6	7		
2-											
-1	65-19329-43									A	RF
-1A	65-19329-44									B	RF
-1B	65-19329-46									C	RF
-1C	65-19329-47									D	RF
5	65-19329-3									B	1
10	65-19329-4									A	1
15	65-19329-35									B	1
20	65-19329-36									A	1
-25	65-19329-49									C	1
30	65-19329-50									D	1
-35	65-19329-51									C	1
40	65-19329-52									D	1
-45	65-19329-24										1
											(USED ON ITEMS 25, 30, 35, 40)
50	65-19329-7										1
											(USED ON ITEMS 15, 20)
55	65-19329-8										1
											(USED ON ITEMS 15, 20)
60	65-19329-9										1
											(USED ON ITEMS 15, 20)
65	65-19329-11										1
											(USED ON ITEMS 15, 20)
70	65-19329-12										1
											(USED ON ITEMS 15, 20)
75	65-19329-14										1
											(USED ON ITEMS 15, 20)
80	65-19329-15										1
											(USED ON ITEMS 15, 20)
85	65-19329-16										1
											(USED ON ITEMS 5, 10)
90	65-19329-17										1
											(USED ON ITEMS 5, 10)
95	65-19329-18										2
											(USED ON ITEMS 5, 10)

-Item not Illustrated

**25-50-01**

ILLUSTRATED PARTS LIST

Page 1046

Mar 01/2007



COMPONENT MAINTENANCE MANUAL

FIG/ ITEM	PART NUMBER	AIRLINE PART NUMBER	NOMENCLATURE							USAGE CODE	UNITS PER ASSY
			1	2	3	4	5	6	7		
2-											
100	65-19329-19							. . WEBBING (USED ON ITEMS 5, 10)			2
100A	65-19329-19							. . WEBBING (USED ON ITEMS 15, 20)			4
100B	65-19329-19							. . WEBBING (USED ON ITEMS 35, 40)			3
105	65-19329-20							. . WEBBING (USED ON ITEMS 5, 10)			1
110	65-19329-21							. . WEBBING (USED ON ITEMS 15, 20)			3
110A	65-19329-21							. . WEBBING (USED ON ITEMS 5, 10)			5
115	65-19329-22							. . WEB (USED ON ITEMS 5, 10)			1
-120	65-19329-34							. . WEBBING (USED ON ITEMS 15, 20)			1
125	65-19329-37							. . WEBBING (USED ON ITEMS 15, 20)			1
130	65-19329-39							. . WEB (USED ON ITEMS 15, 20)			1
135	65-19329-40							. . WEBBING (USED ON ITEMS 15, 20)			1
-140	65-19329-48							. . WEBBING (USED ON ITEMS 25, 30)			1
145	65-19329-53							. . WEB (USED ON ITEMS 25, 30)			1
-150	65-19329-54							. . WEBBING (USED ON ITEMS 25, 30)			1
-155	65-19329-55							. . WEBBING (USED ON ITEMS 25, 30)			1
160	65-19329-56							. . WEBBING (USED ON ITEMS 25, 30)			3
165	65-19329-57							. . WEBBING (USED ON ITEMS 25, 30)			1
170	65-19329-58							. . WEBBING (USED ON ITEMS 25, 30)			1
-175	65-19329-59							. . WEBBING (USED ON ITEMS 25, 30)			1

-Item not Illustrated

**25-50-01**



COMPONENT MAINTENANCE MANUAL

FIG/ ITEM	PART NUMBER	AIRLINE PART NUMBER	NOMENCLATURE							USAGE CODE	UNITS PER ASSY
			1	2	3	4	5	6	7		
2-											
180	65-19329-60		.	.	WEBBING (USED ON ITEMS 25, 30)						1
185	65-19329-61		.	.	WEBBING (USED ON ITEMS 25, 30)						1
-190	65-19329-62		.	.	WEBBING (USED ON ITEMS 25, 30)						1
-195	65-19329-63		.	.	WEBBING (USED ON ITEMS 25, 30)						1
200	65-19329-64		.	.	WEBBING (USED ON ITEMS 25, 30)						1
-205	65-19329-65		.	.	WEBBING (USED ON ITEMS 25, 30)						1
210	65-19329-66		.	.	WEBBING (USED ON ITEMS 25, 30)						1
-215	65-19329-67		.	.	WEBBING (USED ON ITEMS 25, 30)						1
220	65-19329-68		.	.	WEBBING (USED ON ITEMS 25, 30)						1
225	65-19329-69		.	.	WEBBING (USED ON ITEMS 25, 30)						1
230	65-19329-70		.	.	WEBBING (USED ON ITEMS 25, 30)						1
235	65-19329-71		.	.	WEBBING (USED ON ITEMS 25, 30)						1
240	65-19329-72		.	.	WEBBING (USED ON ITEMS 35, 40)						1
-245	65-19329-73		.	.	WEBBING (USED ON ITEMS 35, 40)						2
250	65-19329-74		.	.	WEBBING (USED ON ITEMS 35, 40)						3
255	65-19329-75		.	.	WEBBING (USED ON ITEMS 35, 40)						6
260	65-19329-76		.	.	WEBBING (USED ON ITEMS 35, 40)						2
-265	65-19329-77		.	.	WEBBING (USED ON ITEMS 35, 40)						1
270	1986		.	.	BUCKLE (USED ON ITEMS 5, 10)						5

-Item not Illustrated

**25-50-01**

ILLUSTRATED PARTS LIST

Page 1048

Mar 01/2007



COMPONENT MAINTENANCE MANUAL

FIG/ ITEM	PART NUMBER	AIRLINE PART NUMBER	NOMENCLATURE							USAGE CODE	UNITS PER ASSY
			1	2	3	4	5	6	7		
2-											
270A	1986		. .								4
275	10730		. .								5
280	WB10730		. .								4
285	21510-52		. .								3
290	21520-52		. .								3
-295	40340-20		. .								5
-300	41030-10		. .								5
-300A	41030-10		. .								4
305	65-45953-3		. .						A, B		1
310	65-52970-1		. .						B		1
315	65-52970-2		. .						A		1
320	65-52970-6		. .						C, D		1
325	65-45953-7		. .								1
-330	65-52970-3		. .								1
-335	65-52970-4		. .								1
-340	65-52970-9		. .								1
-345	66-12804-1		. .								1
-350	66-29099		. .								1
-355	66-29099-1		. .								1
-360	66-44309-1		. .								1

-Item not Illustrated

**25-50-01**

ILLUSTRATED PARTS LIST

Page 1049

Mar 01/2007

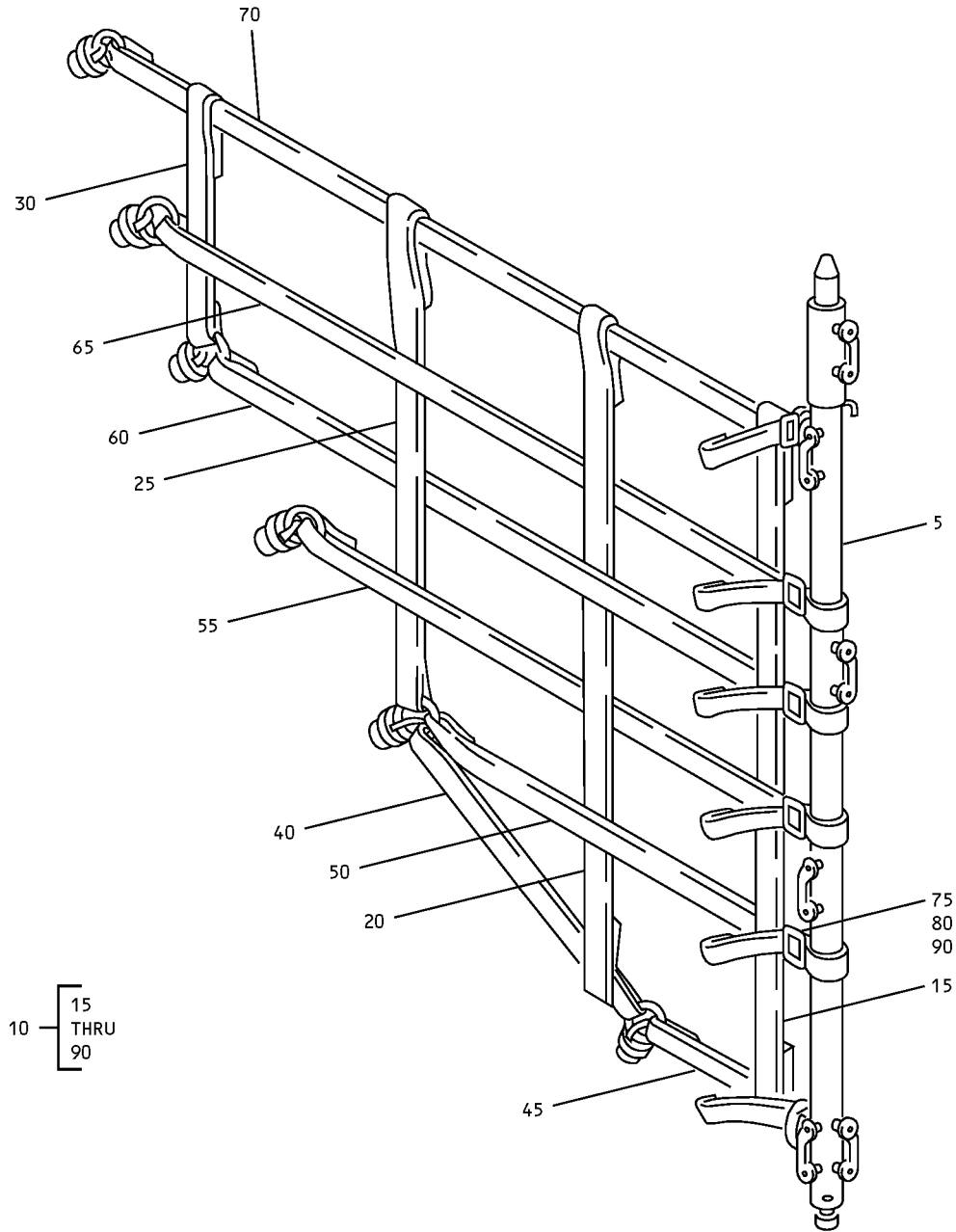


COMPONENT MAINTENANCE MANUAL

FIG/ ITEM	PART NUMBER	AIRLINE PART NUMBER	NOMENCLATURE							USAGE CODE	UNITS PER ASSY
			1	2	3	4	5	6	7		
2-											
-365	69-35454-1		. .								1
-370	69-35454-2		. .								1
-375	65-52970-5		. .								1
-380	69-40753-11		. .								1
-385	69-40751-1		. .								1
-390	BACL20AB		. .								4
-395	BACB30FQ6-5		. .								1
-400	MS16562-39		. .								1
-405	MS16562-52		. .								1
-410	BACR16A10K75		. .								5
-415	NAS1329A3K80		. .								9
-420	MS25082-12		. .								1
-425	NAS43DD3-5		. .								1
-430	NAS43DD3-18		. .								4

-Item not Illustrated

COMPONENT MAINTENANCE MANUAL



65-25756-25,-26

Forward Cargo Compartment Net Assembly  
IPL Figure 3 (Sheet 1 of 2)

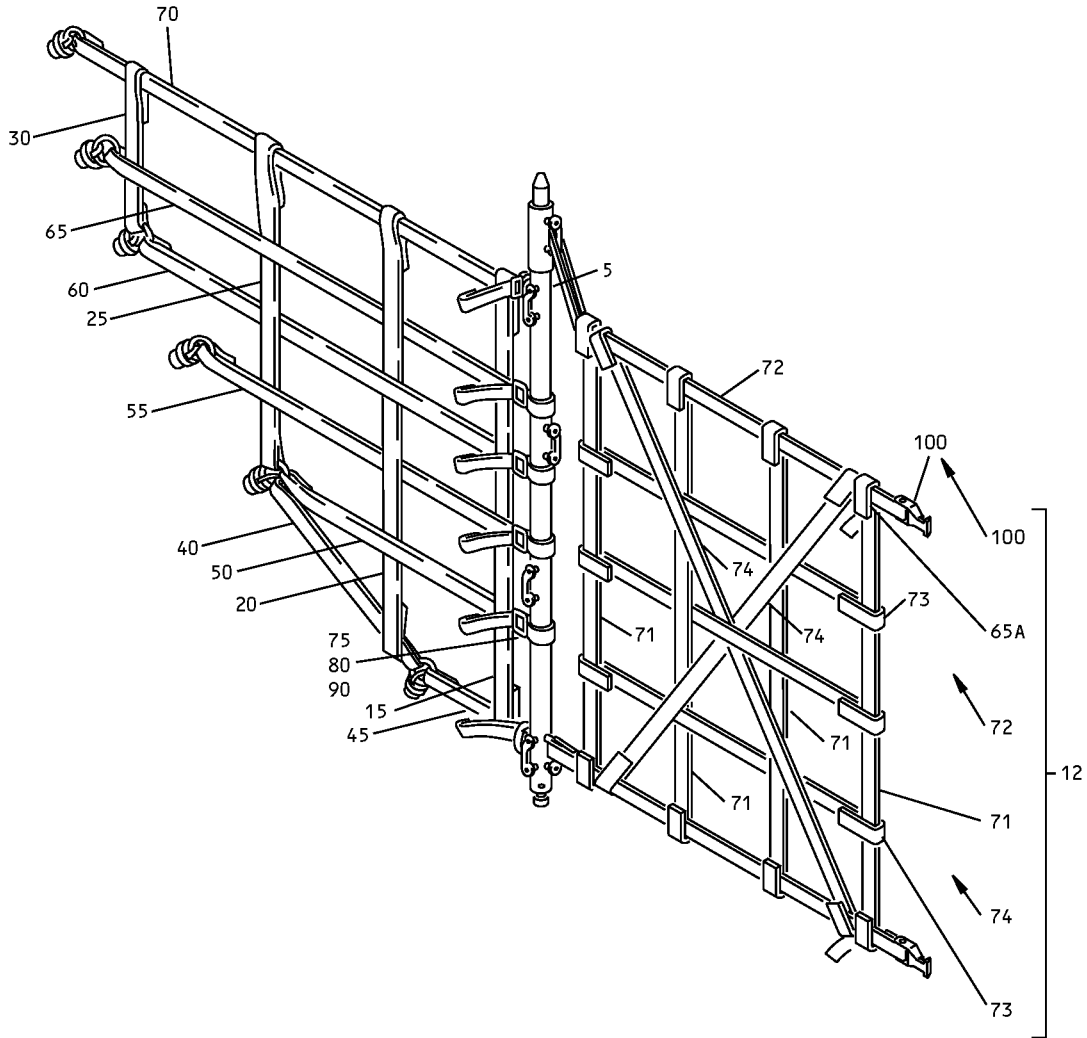
**25-50-01**

ILLUSTRATED PARTS LIST

Page 1051

Mar 01/2007

COMPONENT MAINTENANCE MANUAL



65-25756-22

Forward Cargo Compartment Net Assembly  
IPL Figure 3 (Sheet 2 of 2)

**25-50-01**

ILLUSTRATED PARTS LIST

Page 1052

Mar 01/2007



COMPONENT MAINTENANCE MANUAL

FIG/ ITEM	PART NUMBER	AIRLINE PART NUMBER	NOMENCLATURE							USAGE CODE	UNITS PER ASSY
			1	2	3	4	5	6	7		
3-											
-1	65-25756-26									A	RF
-1A	65-25756-28									B	RF
-1B	65-25756-22									C	RF
-1C	65-25756-25									D	RF
5	65-52970-15										1
-5A	65-45953-2									C	1
-5B	65-52970-17									D	1
-10	65-25756-2										1
15	65-25756-10										1
20	65-25756-11										1
25	65-25756-12										1
30	65-25756-13										1
-35	65-25756-14										1
-37	65-25756-15										1
40	65-25756-3										1
45	65-25756-4										1
50	65-25756-5										1
55	65-25756-6										1
60	65-25756-7										1
65	65-25756-8										1
70	65-25756-9										1
75	FD2876-1										6
80	WB10027										6
85	WB10730										6

-Item not Illustrated

**25-50-01**

ILLUSTRATED PARTS LIST  
Page 1053  
Mar 01/2007



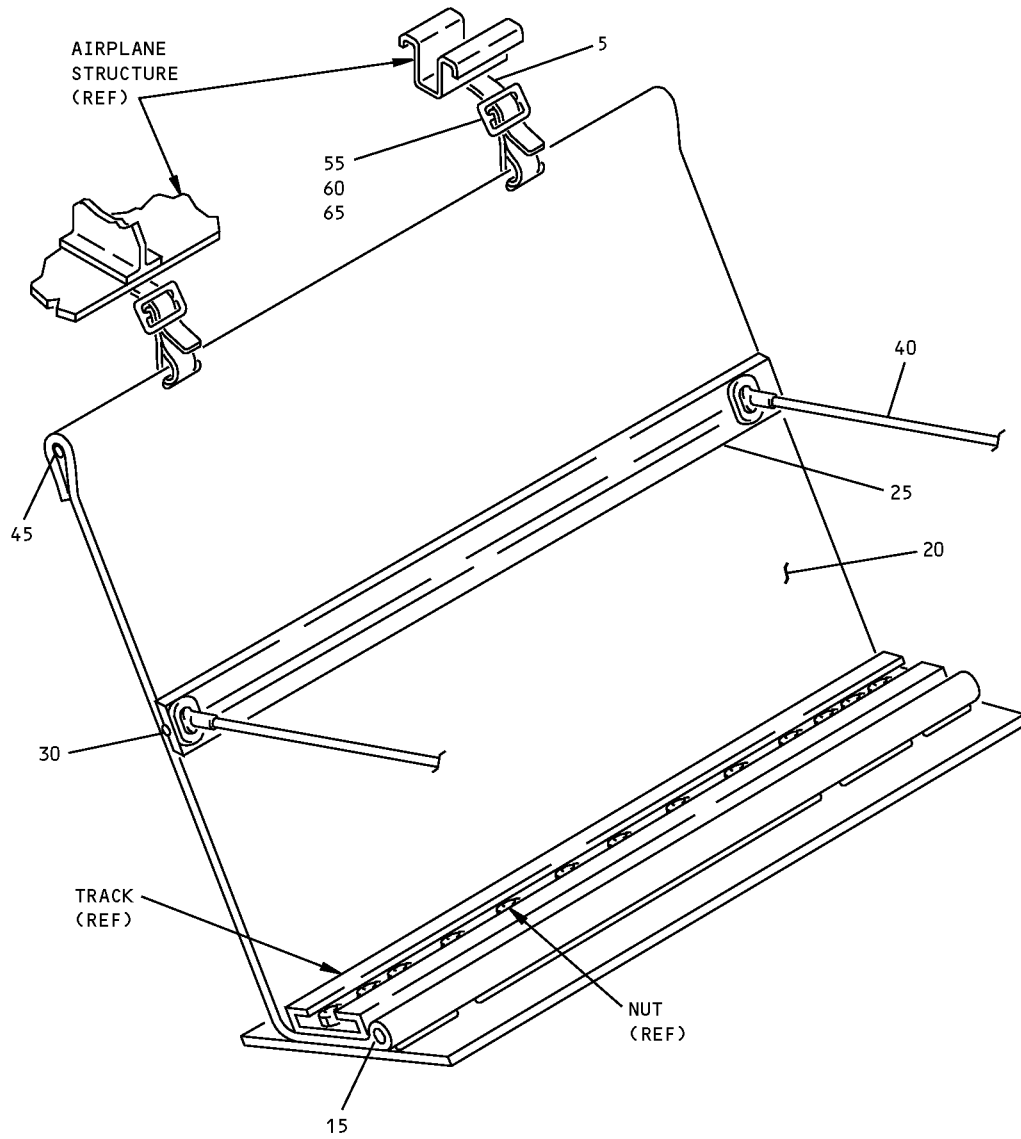


COMPONENT MAINTENANCE MANUAL

FIG/ ITEM	PART NUMBER	AIRLINE PART NUMBER	NOMENCLATURE							USAGE CODE	UNITS PER ASSY
			1	2	3	4	5	6	7		
3- 90	1208		.	.	SLIDE (V98313) (OPT ITEM 75, 80)						6
-100	65-25757-1		.		NET ASSY (FOR DETAILS SEE FIG. 8)					B	1

-Item not Illustrated

COMPONENT MAINTENANCE MANUAL



65-54404-1

Forward Cargo Compartment Net Assembly  
IPL Figure 4

**25-50-01**

ILLUSTRATED PARTS LIST

Page 1055

Mar 01/2007



COMPONENT MAINTENANCE MANUAL

FIG/ ITEM	PART NUMBER	AIRLINE PART NUMBER	NOMENCLATURE							USAGE CODE	UNITS PER ASSY
			1	2	3	4	5	6	7		
4-											
-1	65-54404-1										RF
5	65-54404-10										2
-10	65-54404-11										1
15	65-54404-12										1
20	65-54404-3										1
25	65-54404-4										1
30	65-54404-5										1
-35	65-54404-6										4
40	65-54404-7										2
45	65-54404-8										1
-50	65-54404-9										1
55	FD2876-1										2
60	10027-5										2
65	1208										2

-Item not Illustrated

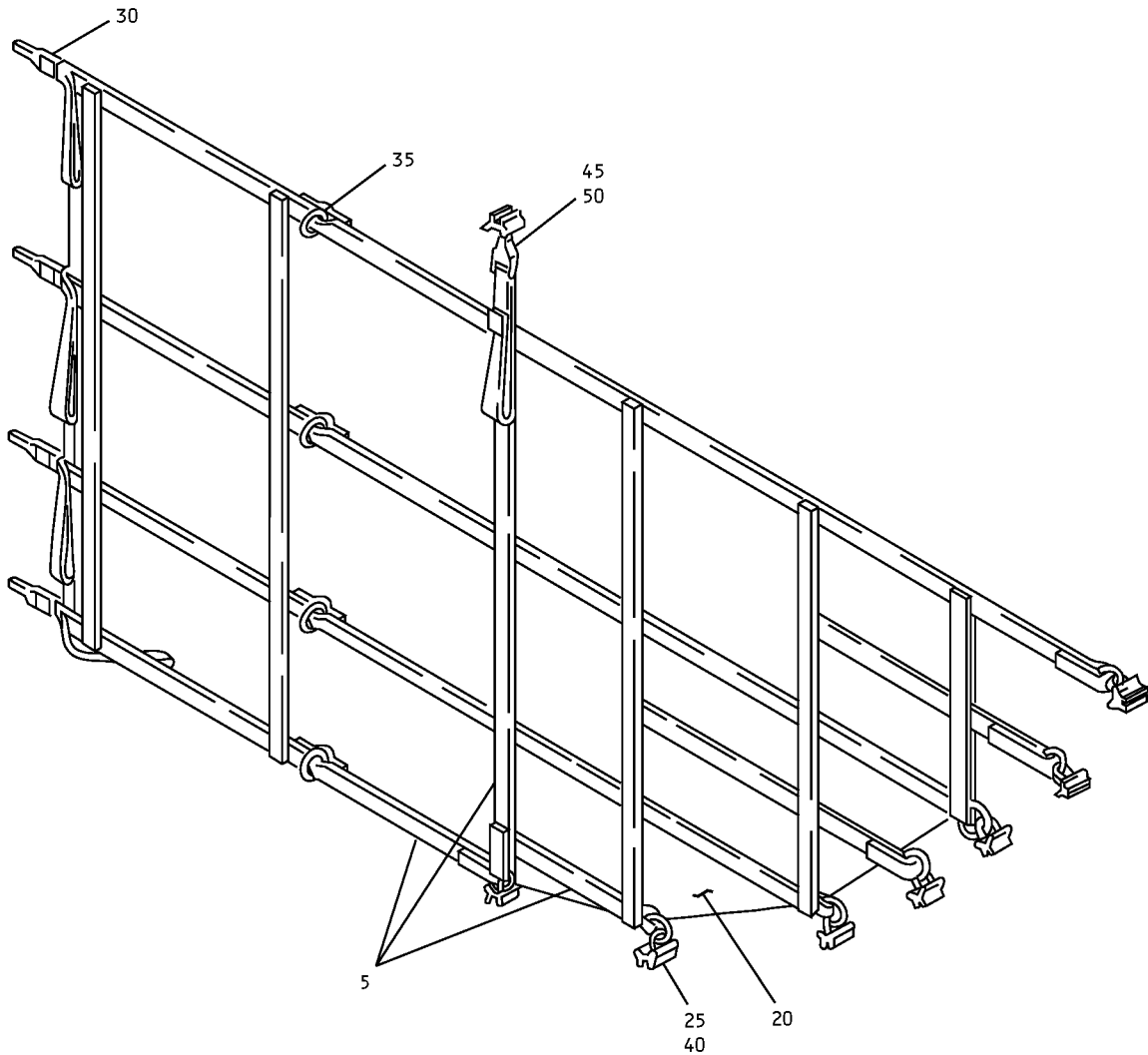
**25-50-01**

ILLUSTRATED PARTS LIST

Page 1056

Mar 01/2007

COMPONENT MAINTENANCE MANUAL



65-78966-35

Forward Cargo Compartment Net Assembly  
IPL Figure 5

**25-50-01**

ILLUSTRATED PARTS LIST

Page 1057

Mar 01/2007



COMPONENT MAINTENANCE MANUAL

FIG/ ITEM	PART NUMBER	AIRLINE PART NUMBER	NOMENCLATURE							USAGE CODE	UNITS PER ASSY
			1	2	3	4	5	6	7		
5-											
-1	65-78966-35										RF
5	65-78966-12										1
-10	65-78966-13										1
-15	65-78966-20										1
20	65-78966-22										1
25	A6908										7
30	FDC1575B0										4
35	NAS1211A10										4
40	10730										7
45	40041-14										1
50	42302-101										1

-Item not Illustrated

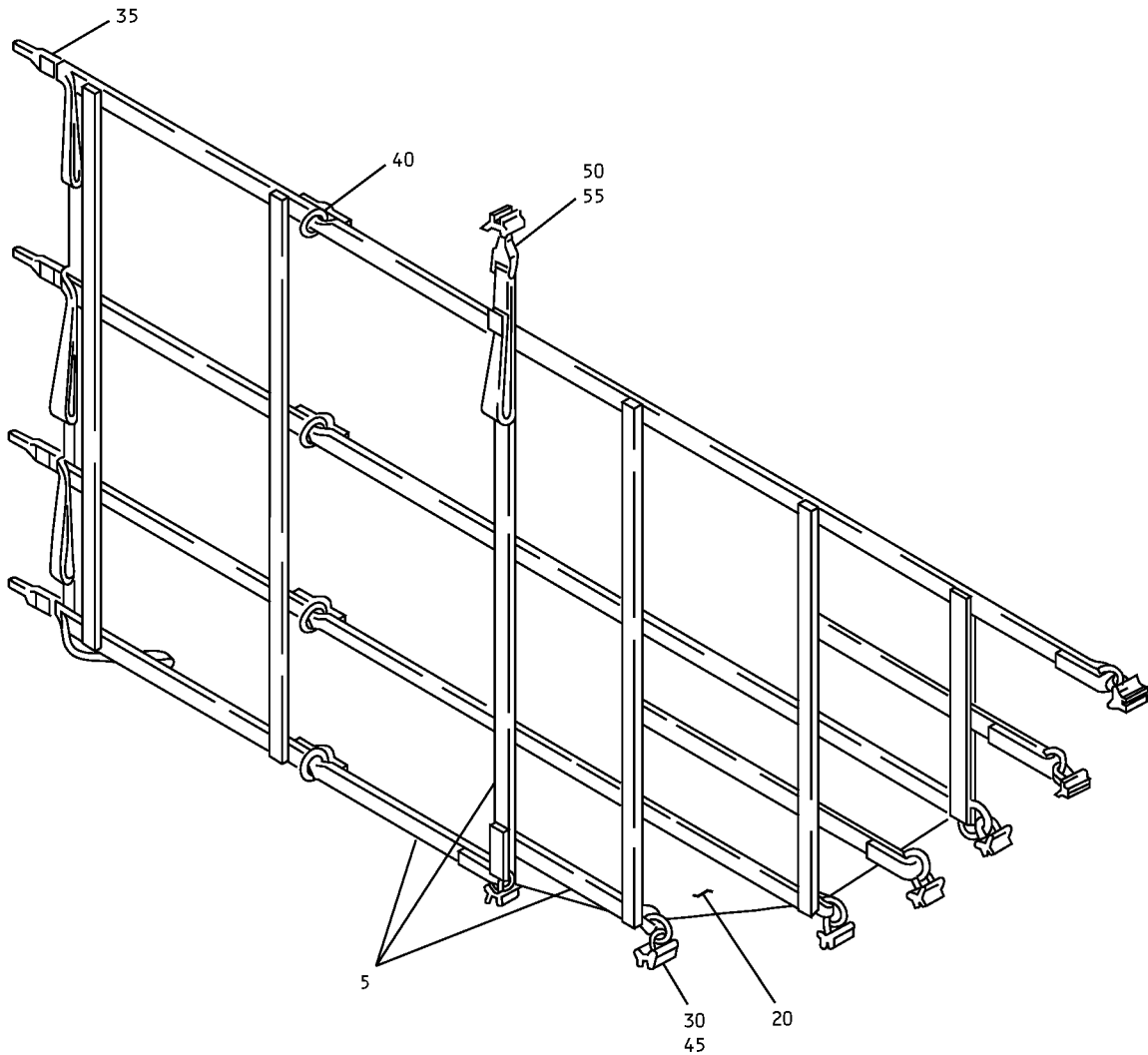
**25-50-01**

ILLUSTRATED PARTS LIST

Page 1058

Mar 01/2007

COMPONENT MAINTENANCE MANUAL



65-78966-37

Forward Cargo Compartment Net Assembly  
IPL Figure 6

**25-50-01**

ILLUSTRATED PARTS LIST

Page 1059

Mar 01/2007



COMPONENT MAINTENANCE MANUAL

FIG/ ITEM	PART NUMBER	AIRLINE PART NUMBER	NOMENCLATURE							USAGE CODE	UNITS PER ASSY
			1	2	3	4	5	6	7		
6-											
-1	65-78966-37										RF
5	65-78966-12										1
-10	65-78966-14										1
-15	65-78966-20										1
20	65-78966-22										1
-25	65-78966-23										1
30	A6908										7
35	FDC1575B0										8
40	NAS1211A10										4
45	10730										7
50	40041-14										1
55	42302-101										1

-Item not Illustrated

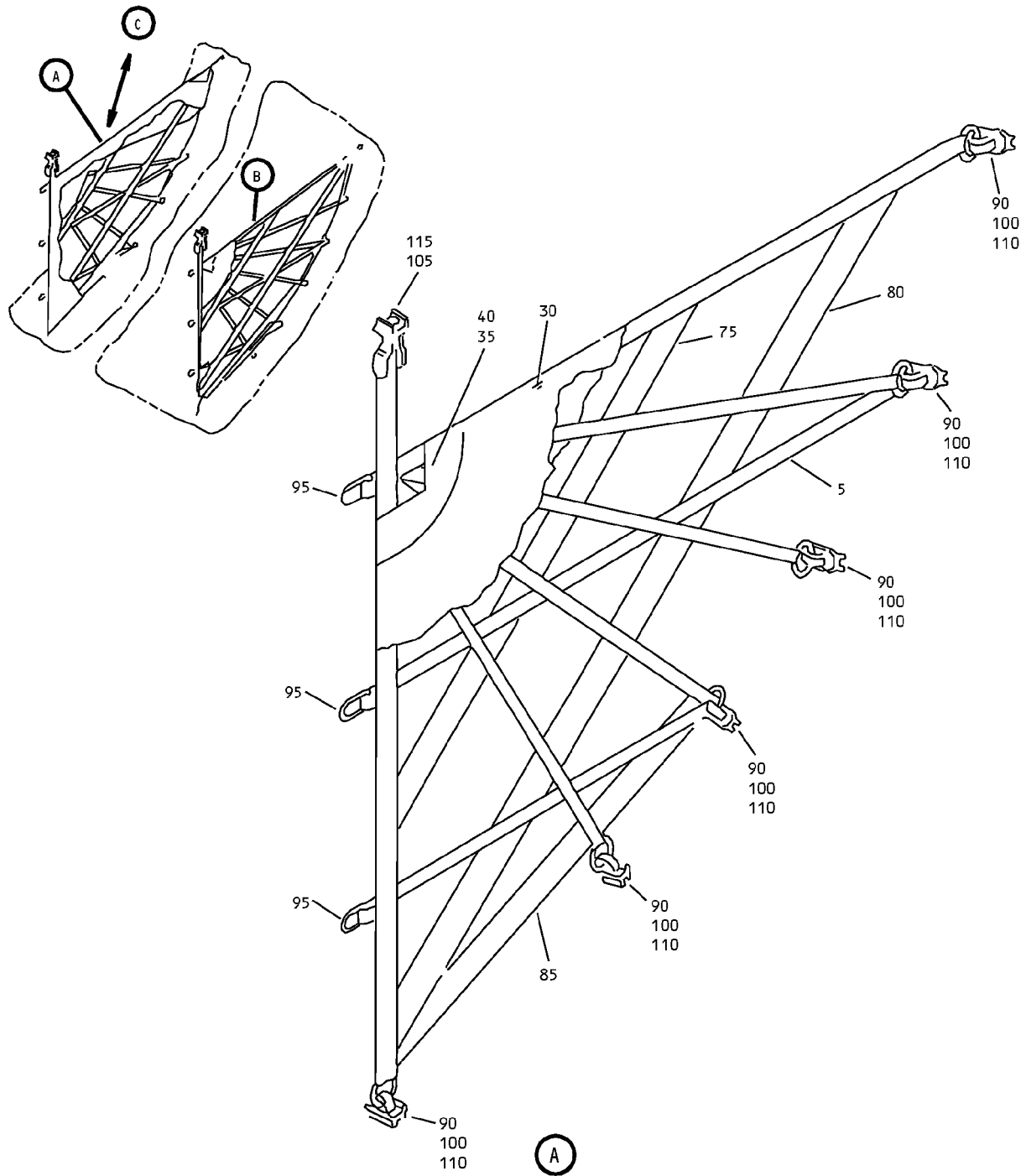
**25-50-01**

ILLUSTRATED PARTS LIST

Page 1060

Mar 01/2007

COMPONENT MAINTENANCE MANUAL



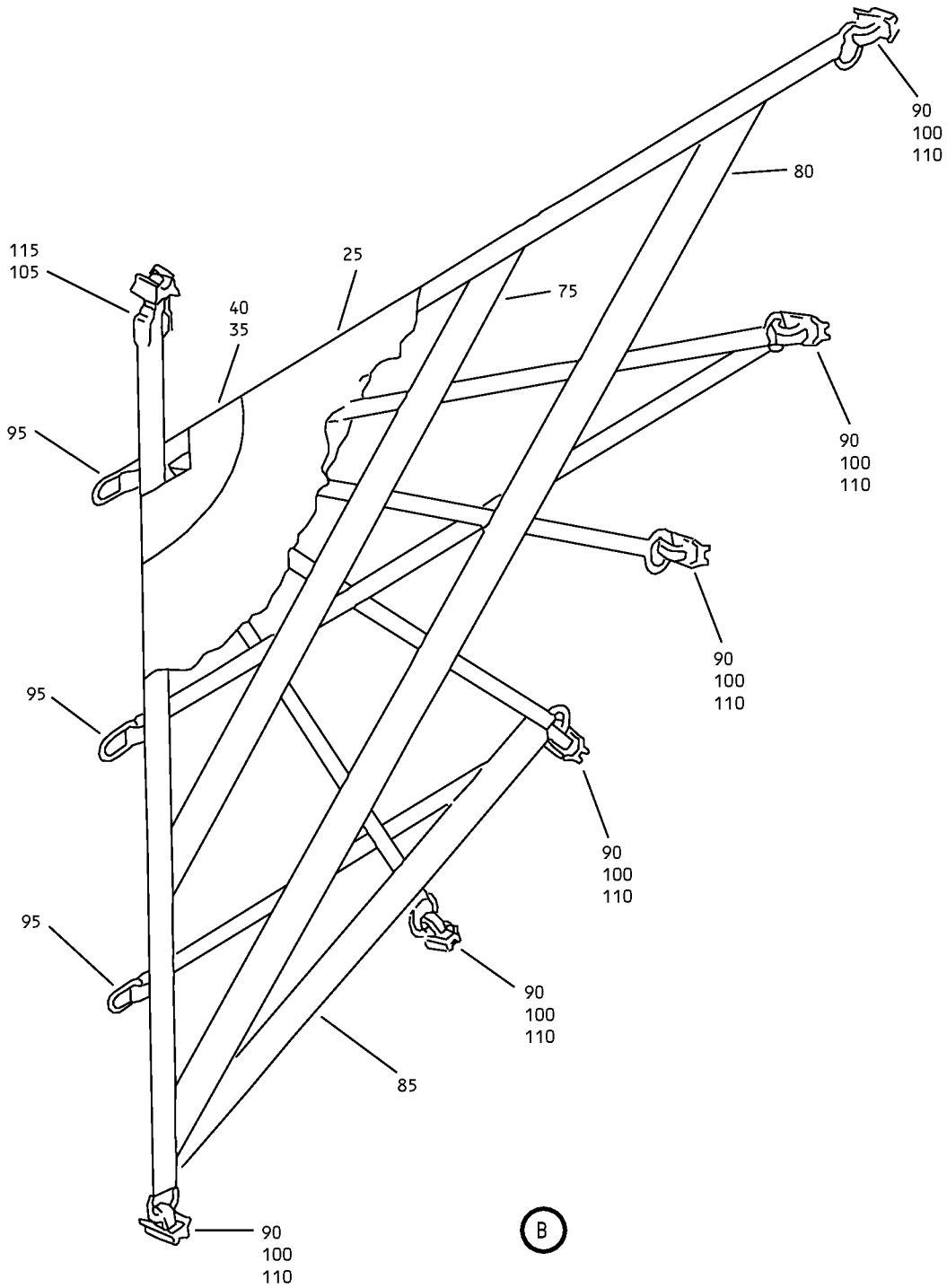
65-78966-44,-52

Forward Cargo Compartment Aft Net Assembly  
IPL Figure 7 (Sheet 1 of 3)

**25-50-01**  
ILLUSTRATED PARTS LIST  
Page 1061  
Mar 01/2007



COMPONENT MAINTENANCE MANUAL



65-78966-45,-53

Forward Cargo Compartment Aft Net Assembly  
IPL Figure 7 (Sheet 2 of 3)

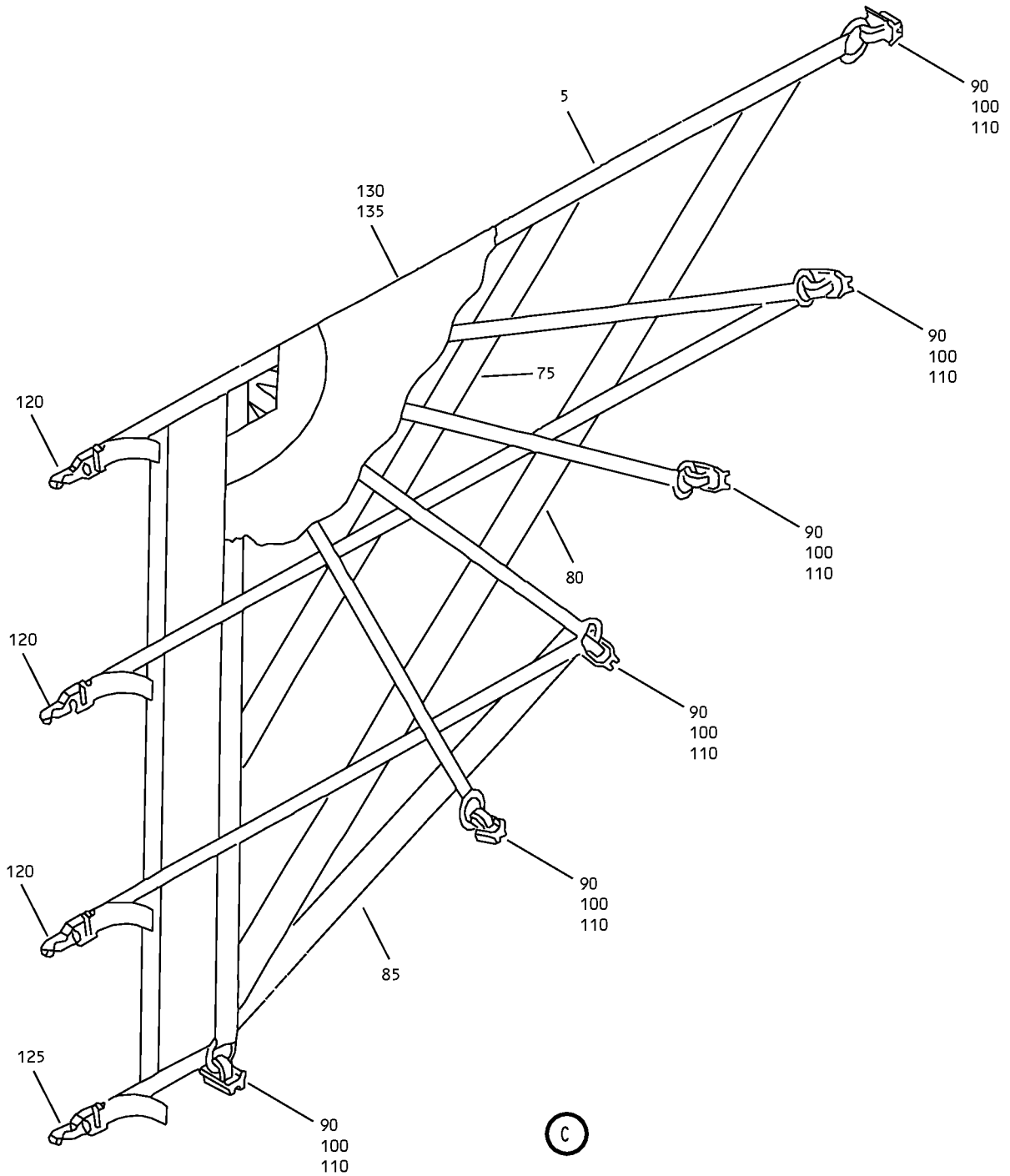
**25-50-01**

ILLUSTRATED PARTS LIST

Page 1062

Mar 01/2007

COMPONENT MAINTENANCE MANUAL



65-78966-57,-66

Forward Cargo Compartment Aft Net Assembly  
IPL Figure 7 (Sheet 3 of 3)

**25-50-01**

ILLUSTRATED PARTS LIST

Page 1063

Mar 01/2007



COMPONENT MAINTENANCE MANUAL

FIG/ ITEM	PART NUMBER	AIRLINE PART NUMBER	NOMENCLATURE							USAGE CODE	UNITS PER ASSY
			1	2	3	4	5	6	7		
7-											
-1	65-78966-44									A	RF
-1A	65-78966-45									B	RF
-1B	65-78966-52									C	RF
-1C	65-78966-53									D	RF
-1D	65-78966-57									E	RF
-1E	65-78966-66									F	RF
5	65-78966-12										1
-10	65-78966-13									A, C	1
-15	65-78966-14									B, D-F	1
-20	65-78966-20										1
25	65C29287-1									A, C	1
30	65C29287-2									B, D	1
35	65C29287-9										1
40	65C29287-10										1
-45	65C29287-17									A, C	1
-50	65C29287-18									B, D-F	1
-55	65C29287-21									A, C	1
-60	65C29287-22									B, D-F	1
-65	65C29287-23									A, C	1
-70	65C29287-24									B, D-F	1
75	69-74557-1										1
80	69-74557-2										1
-85	69-74557-3										1
90	A6908										6
95	NAS1211A10									A-D	3
100	10730										6

-Item not Illustrated

**25-50-01**

ILLUSTRATED PARTS LIST

Page 1064

Mar 01/2007



COMPONENT MAINTENANCE MANUAL

FIG/ ITEM	PART NUMBER	AIRLINE PART NUMBER	NOMENCLATURE							USAGE CODE	UNITS PER ASSY
			1	2	3	4	5	6	7		
7-											
105	40041-15		.	TIEDOWN,ADJUSTABLE						A-D	1
				(V31272)							
				(OPT ITEM 115)							
110	40340-10		.	TIEDOWN FITTING							6
				(V31272)							
				(OPT ITEM 90, 100)							
115	42302-102		.	TIEDOWN,ADJUSTABLE						A-D	1
				(V95957)							
				(OPT ITEM 105)							
120	21510-52		.	LATCH-SNAP						E, F	3
125	21510-52		.	LATCH-SNAP						E	1
130	65C29287-39		.	WEB ASSEMBLY						E	1
135	65C29287-41		.	WEB ASSEMBLY						F	1

-Item not Illustrated

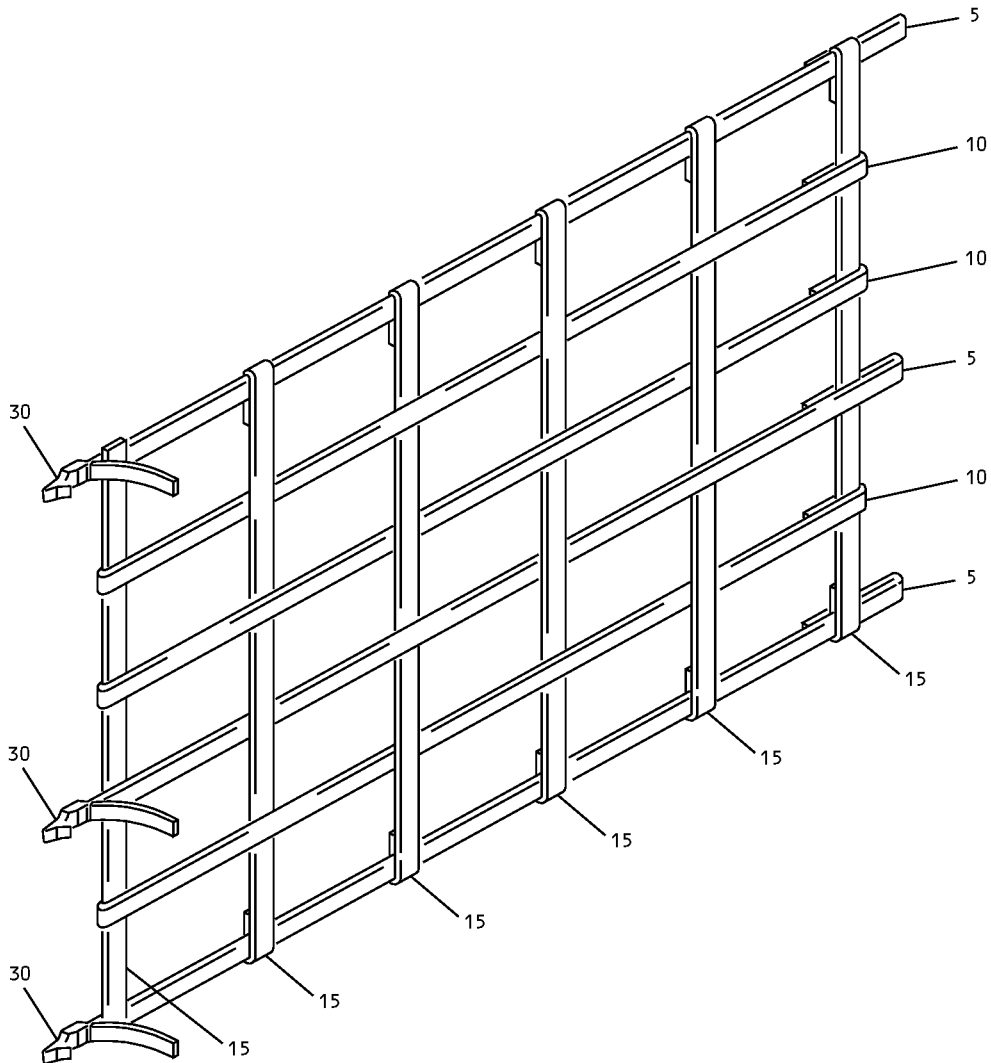
**25-50-01**

ILLUSTRATED PARTS LIST

Page 1065

Mar 01/2007

COMPONENT MAINTENANCE MANUAL



65-25757-1

Forward Cargo Compartment Net Assembly  
IPL Figure 8

**25-50-01**

ILLUSTRATED PARTS LIST

Page 1066

Mar 01/2007



COMPONENT MAINTENANCE MANUAL

FIG/ ITEM	PART NUMBER	AIRLINE PART NUMBER	NOMENCLATURE							USAGE CODE	UNITS PER ASSY
			1	2	3	4	5	6	7		
8-											
-1	65-25757-1										RF
5	65-25757-2										3
10	65-25757-3										3
15	65-25757-4										6
-20	65-25757-5										1
-25	65-25757-6										3
30	21510-51										3

-Item not Illustrated

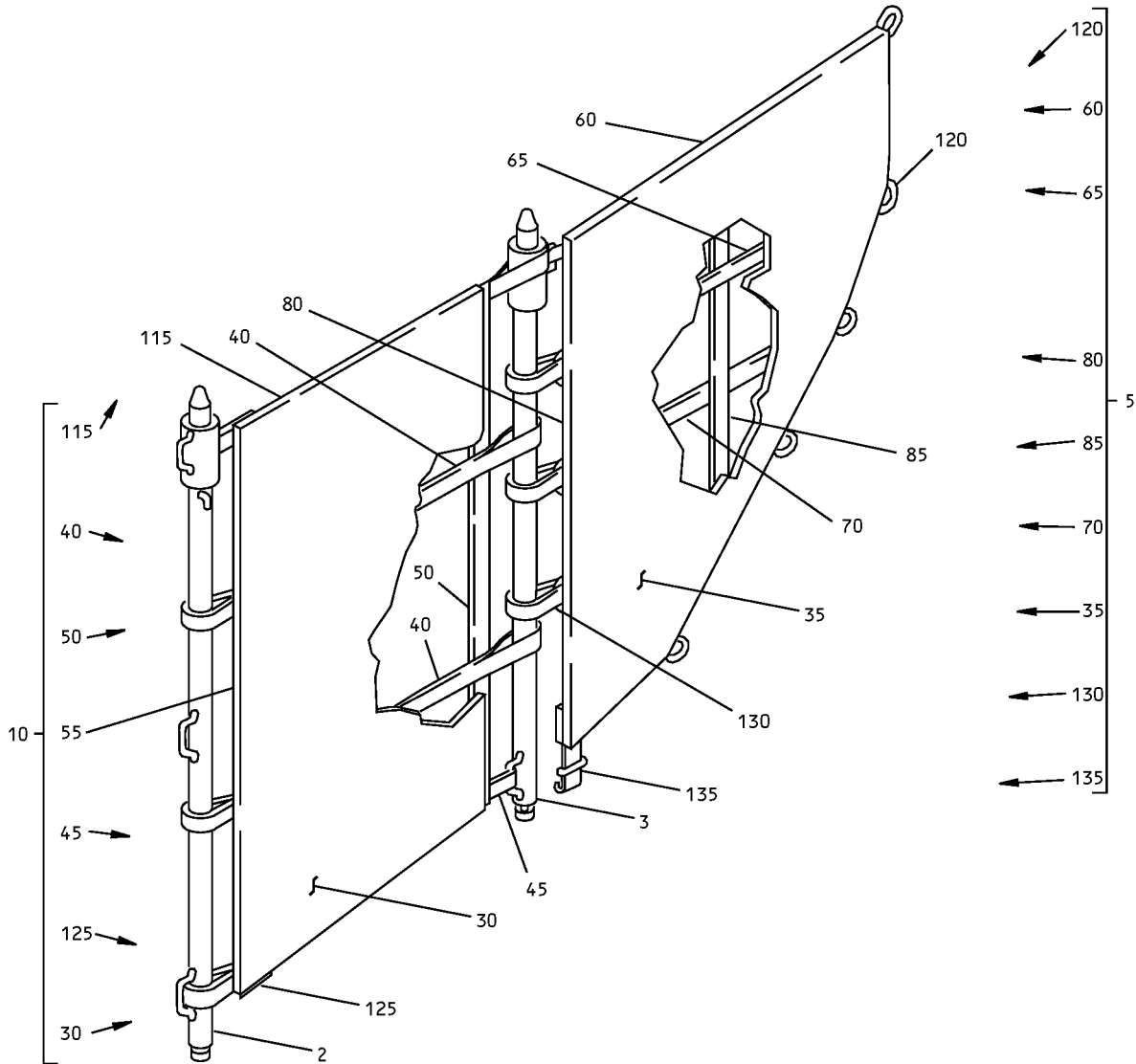
**25-50-01**

ILLUSTRATED PARTS LIST

Page 1067

Mar 01/2007

COMPONENT MAINTENANCE MANUAL



65-49625-54

Aft Cargo Compartment Right Side Forward Net Assembly  
IPL Figure 11 (Sheet 1 of 4)

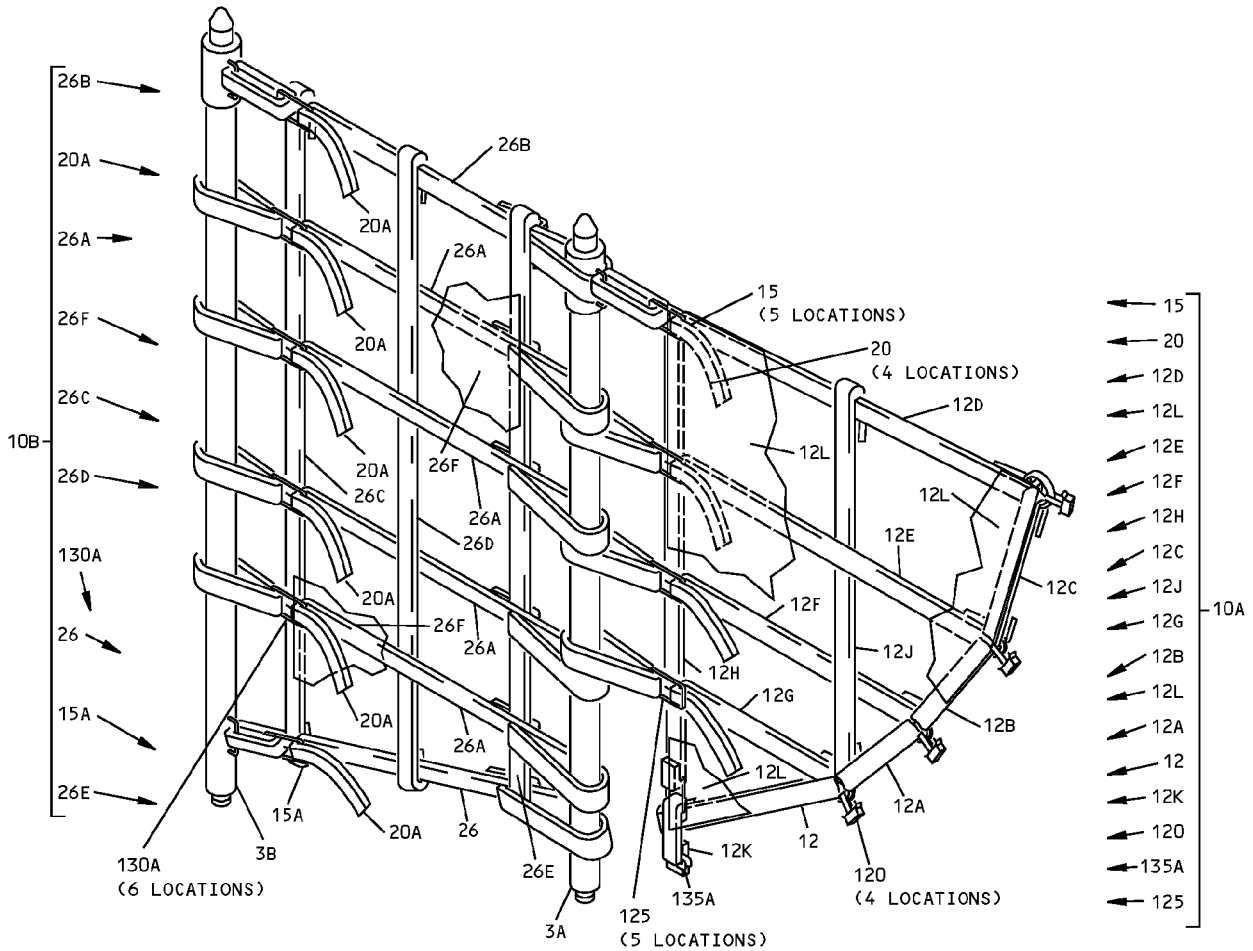
**25-50-01**

ILLUSTRATED PARTS LIST

Page 1068

Mar 01/2007

COMPONENT MAINTENANCE MANUAL

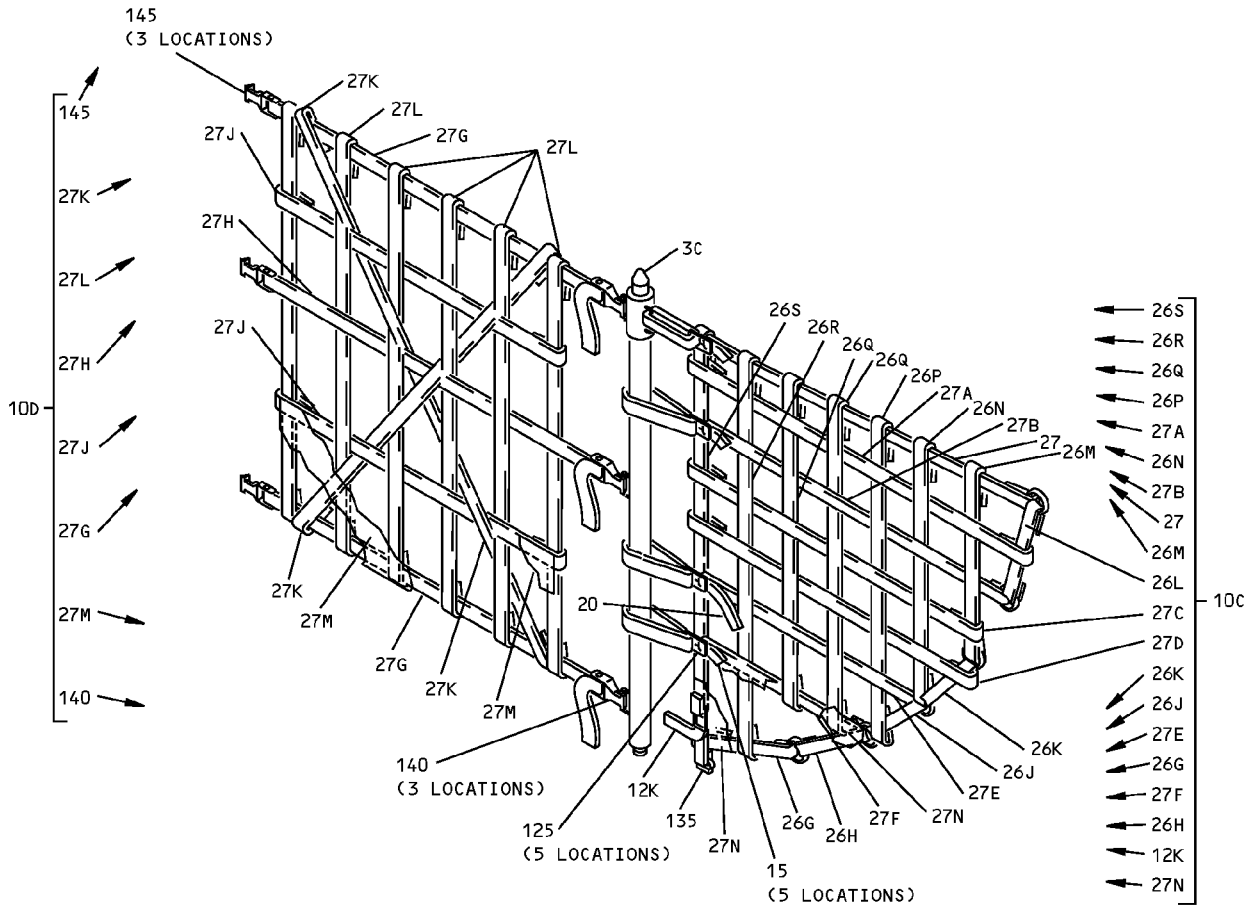


65-49625-1

Aft Cargo Compartment Right Side Forward Net Assembly  
IPL Figure 11 (Sheet 2 of 4)



COMPONENT MAINTENANCE MANUAL



65-49625-73

Aft Cargo Compartment Right Side Forward Net Assembly  
IPL Figure 11 (Sheet 3 of 4)

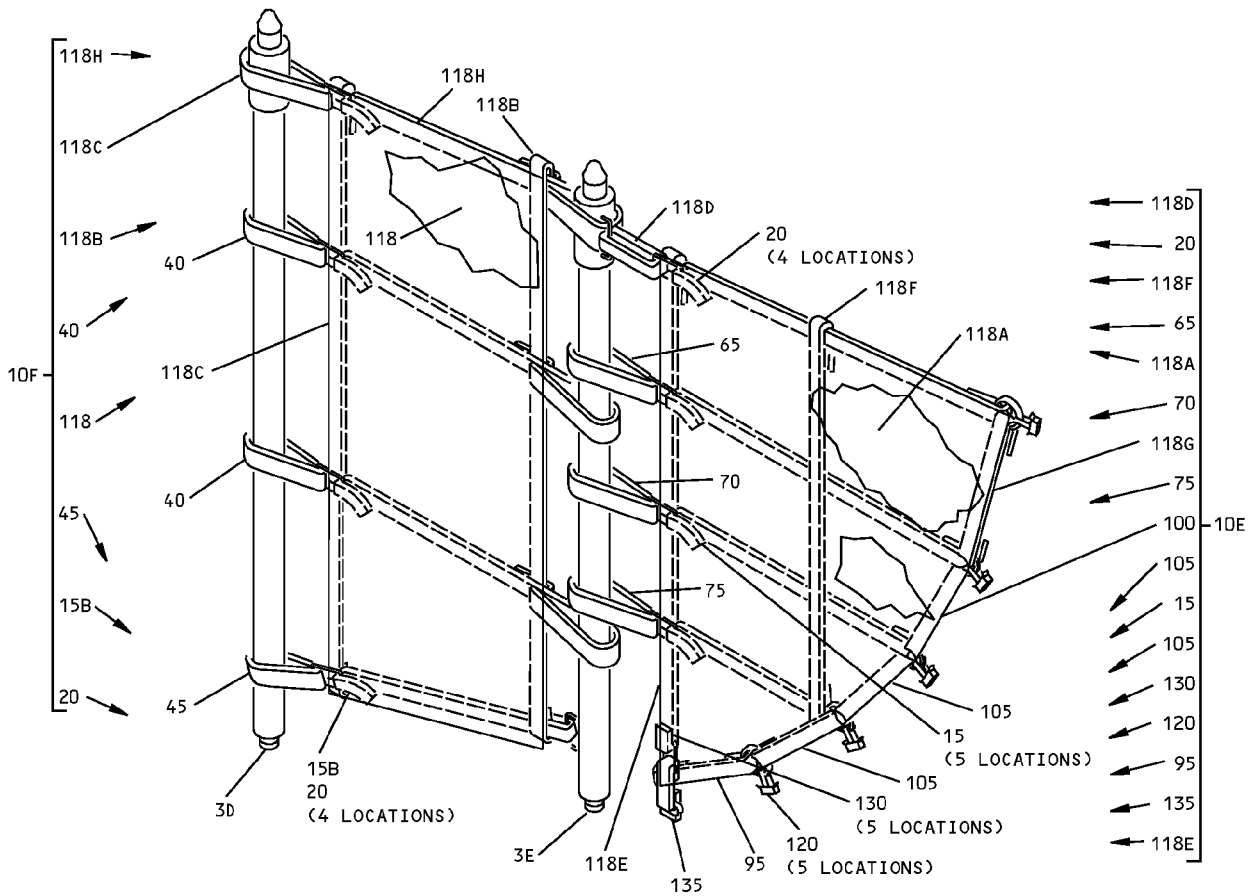
**25-50-01**

ILLUSTRATED PARTS LIST

Page 1070

Mar 01/2007

COMPONENT MAINTENANCE MANUAL



65-49625-501

Aft Cargo Compartment Right Side Forward Net Assembly  
IPL Figure 11 (Sheet 4 of 4)

**25-50-01**  
ILLUSTRATED PARTS LIST  
Page 1071  
Mar 01/2007



COMPONENT MAINTENANCE MANUAL

FIG/ ITEM	PART NUMBER	AIRLINE PART NUMBER	NOMENCLATURE							USAGE CODE	UNITS PER ASSY
			1	2	3	4	5	6	7		
11-											
-1	65-49625-54									A	RF
1A	65-49625-1									B	RF
1B	65-49625-73									C	RF
1C	65-49625-501									D	RF
2	65-53882-22									A	1
3	65-53882-24									A	1
3A	65-53882-5									B	1
3B	65-53882-6									B	1
3C	65-53882-33									C	1
3D	65-53882-502									D	1
3E	65-53882-504									D	1
5	65-49625-55									A	1
10	65-49625-56									A	1
10A	65-49625-2									B	1
10B	65-49625-3									B	1
10C	65-49625-27									C	1
10D	65-49625-28									C	1
10E	65-49625-502									D	1
10F	65-49625-503									D	1
12	65-49625-4										1
12A	65-49625-5										1

-Item not Illustrated

**25-50-01**

ILLUSTRATED PARTS LIST

Page 1072

Mar 01/2007



COMPONENT MAINTENANCE MANUAL

FIG/ ITEM	PART NUMBER	AIRLINE PART NUMBER	NOMENCLATURE							USAGE CODE	UNITS PER ASSY
			1	2	3	4	5	6	7		
11-											
12B	65-49625-6		.	.	WEBBING (USED ON ITEM 10A)						1
12C	65-49625-7		.	.	WEBBING (USED ON ITEM 10A)						1
12D	65-49625-8		.	.	WEBBING (USED ON ITEM 10A)						1
12E	65-49625-9		.	.	WEBBING (USED ON ITEM 10A)						1
12F	65-49625-10		.	.	WEBBING (USED ON ITEM 10A)						1
12G	65-49625-11		.	.	WEBBING (USED ON ITEM 10A)						1
12H	65-49625-12		.	.	WEBBING (USED ON ITEM 10A)						1
12J	65-49625-13		.	.	WEBBING (USED ON ITEM 10A)						1
12K	65-49625-14		.	.	WEBBING (USED ON ITEM 10A)						1
12L	65-49625-15		.	.	WEBBING (USED ON ITEM 10A)						1
15	65-49625-16		.	.	WEBBING (USED ON ITEMS 10, 10A, 10C, 10E)						5
15A	65-49625-16		.	.	WEBBING (USED ON ITEMS 10B)						6
15B	65-49625-16		.	.	WEBBING (USED ON ITEMS 10F)						4
20	65-49625-17		.	.	WEBBING (USED ON ITEMS 10, 10A, 10C, 10E, 10F)						4
20A	65-49625-17		.	.	WEBBING (USED ON ITEMS 10B)						6
-25	65-49625-18		.	.	THREAD,NYLON (USED ON ITEMS 10, 10A, 10B, 10C, 10E, 10F)						AR
26	65-49625-19		.	.	WEBBING (USED ON ITEM 10B)						1
26A	65-49625-20		.	.	WEBBING (USED ON ITEM 10B)						4

-Item not Illustrated

**25-50-01**

ILLUSTRATED PARTS LIST  
Page 1073  
Mar 01/2007



COMPONENT MAINTENANCE MANUAL

FIG/ ITEM	PART NUMBER	AIRLINE PART NUMBER	NOMENCLATURE							USAGE CODE	UNITS PER ASSY
			1	2	3	4	5	6	7		
11-											
26B	65-49625-21		.	.	WEBBING (USED ON ITEM 10B)						1
26C	65-49625-22		.	.	WEBBING (USED ON ITEM 10B)						1
26D	65-49625-23		.	.	WEBBING (USED ON ITEM 10B)						1
26E	65-49625-24		.	.	WEBBING (USED ON ITEM 10B)						1
26F	65-49625-25		.	.	WEBBING (USED ON ITEM 10B)						1
26G	65-49625-29		.	.	WEBBING (USED ON ITEM 10C)						1
26H	65-49625-30		.	.	WEBBING (USED ON ITEM 10C)						1
26J	65-49625-31		.	.	WEBBING (USED ON ITEM 10C)						1
26K	65-49625-32		.	.	WEBBING (USED ON ITEM 10C)						1
26L	65-49625-33		.	.	WEBBING (USED ON ITEM 10C)						1
26M	65-49625-34		.	.	WEBBING (USED ON ITEM 10C)						1
26N	65-49625-35		.	.	WEBBING (USED ON ITEM 10C)						1
26P	65-49625-36		.	.	WEBBING (USED ON ITEM 10C)						1
26Q	65-49625-37		.	.	WEBBING (USED ON ITEM 10C)						1
26R	65-49625-38		.	.	WEBBING (USED ON ITEM 10C)						1
26S	65-49625-39		.	.	WEBBING (USED ON ITEM 10C)						1
27	65-49625-40		.	.	WEBBING (USED ON ITEM 10C)						1
27A	65-49625-41		.	.	WEBBING (USED ON ITEM 10C)						1
27B	65-49625-42		.	.	WEBBING (USED ON ITEM 10C)						1

-Item not Illustrated

**25-50-01**



COMPONENT MAINTENANCE MANUAL

FIG/ ITEM	PART NUMBER	AIRLINE PART NUMBER	NOMENCLATURE							USAGE CODE	UNITS PER ASSY
			1	2	3	4	5	6	7		
11-											
27C	65-49625-43								. . WEBBING (USED ON ITEM 10C)		1
27D	65-49625-44								. . WEBBING (USED ON ITEM 10C)		1
27E	65-49625-45								. . WEBBING (USED ON ITEM 10C)		1
27F	65-49625-46								. . WEBBING (USED ON ITEM 10C)		1
27G	65-49625-47								. . WEBBING (USED ON ITEM 10D)		1
27H	65-49625-48								. . WEBBING (USED ON ITEM 10D)		1
27J	65-49625-49								. . WEBBING (USED ON ITEM 10D)		1
27K	65-49625-50								. . WEBBING (USED ON ITEM 10D)		1
27L	65-49625-51								. . WEBBING (USED ON ITEM 10D)		1
27M	65-49625-52								. . WEB-NYLON (USED ON ITEM 10D)		1
27N	65-49625-53								. . WEB-NYLON (USED ON ITEM 10C)		1
30	65-49625-57								. . WEB-NYLON (USED ON ITEM 10)		1
35	65-49625-58								. . WEB-NYLON (USED ON ITEM 5)		1
40	65-49625-59								. . WEBBING (USED ON ITEMS 10, 10F)		2
45	65-49625-60								. . WEBBING (USED ON ITEMS 10, 10F)		1
50	65-49625-61								. . WEBBING (USED ON ITEM 10)		1
55	65-49625-62								. . WEBBING (USED ON ITEM 10)		1
60	65-49625-63								. . WEBBING (USED ON ITEM 5)		1
65	65-49625-64								. . WEBBING (USED ON ITEMS 5, 10E)		1

-Item not Illustrated

**25-50-01**



COMPONENT MAINTENANCE MANUAL

FIG/ ITEM	PART NUMBER	AIRLINE PART NUMBER	NOMENCLATURE							USAGE CODE	UNITS PER ASSY
			1	2	3	4	5	6	7		
11-											
70	65-49625-65		.	.	WEBBING (USED ON ITEMS 5, 10E)						1
75	65-49625-66		.	.	WEBBING (USED ON ITEMS 5, 10E)						1
80	65-49625-67		.	.	WEBBING (USED ON ITEM 5)						1
85	65-49625-68		.	.	WEBBING (USED ON ITEM 5)						1
-90	65-49625-69		.	.	WEBBING (USED ON ITEM 5)						1
95	65-49625-70		.	.	WEBBING (USED ON ITEMS 5, 10E)						1
100	65-49625-71		.	.	WEBBING (USED ON ITEMS 5, 10E)						1
105	65-49625-72		.	.	WEBBING (USED ON ITEMS 5, 10E)						2
110	65-49625-74		.	.	WEBBING (USED ON ITEMS 5, 10E)						1
115	65-49625-75		.	.	WEBBING (USED ON ITEM 10)						1
118	65-49625-504		.	.	WEB-NYLON (USED ON ITEM 10F)						1
118A	65-49625-505		.	.	WEB-NYLON (USED ON ITEM 10E)						1
118B	65-49625-506		.	.	WEBBING (USED ON ITEM 10F)						1
118C	65-49625-507		.	.	WEBBING (USED ON ITEM 10F)						1
118D	65-49625-508		.	.	WEBBING (USED ON ITEM 10E)						1
118E	65-49625-509		.	.	WEBBING (USED ON ITEM 10E)						1
118F	65-49625-510		.	.	WEBBING (USED ON ITEM 10E)						1
118G	65-49625-511		.	.	WEBBING (USED ON ITEM 10E)						1
118H	65-49625-512		.	.	WEBBING (USED ON ITEM 10F)						1

-Item not Illustrated

**25-50-01**

ILLUSTRATED PARTS LIST  
Page 1076  
Mar 01/2007



COMPONENT MAINTENANCE MANUAL

FIG/ ITEM	PART NUMBER	AIRLINE PART NUMBER	NOMENCLATURE							USAGE CODE	UNITS PER ASSY		
			1	2	3	4	5	6	7				
11- 120	10730		.	.								4	
120A	10730		.	.								6	
-120D	A6908		.	.								5	
125	1986		.	.								5	
130	1986		.	.								4	
130A	1986		.	.								6	
-130D	31210		.	.								5	
-130E	31210		.	.								6	
-130F	31210		.	.								4	
135	2014		.	.								1	

-Item not Illustrated

**25-50-01**

ILLUSTRATED PARTS LIST

Page 1077

Mar 01/2007



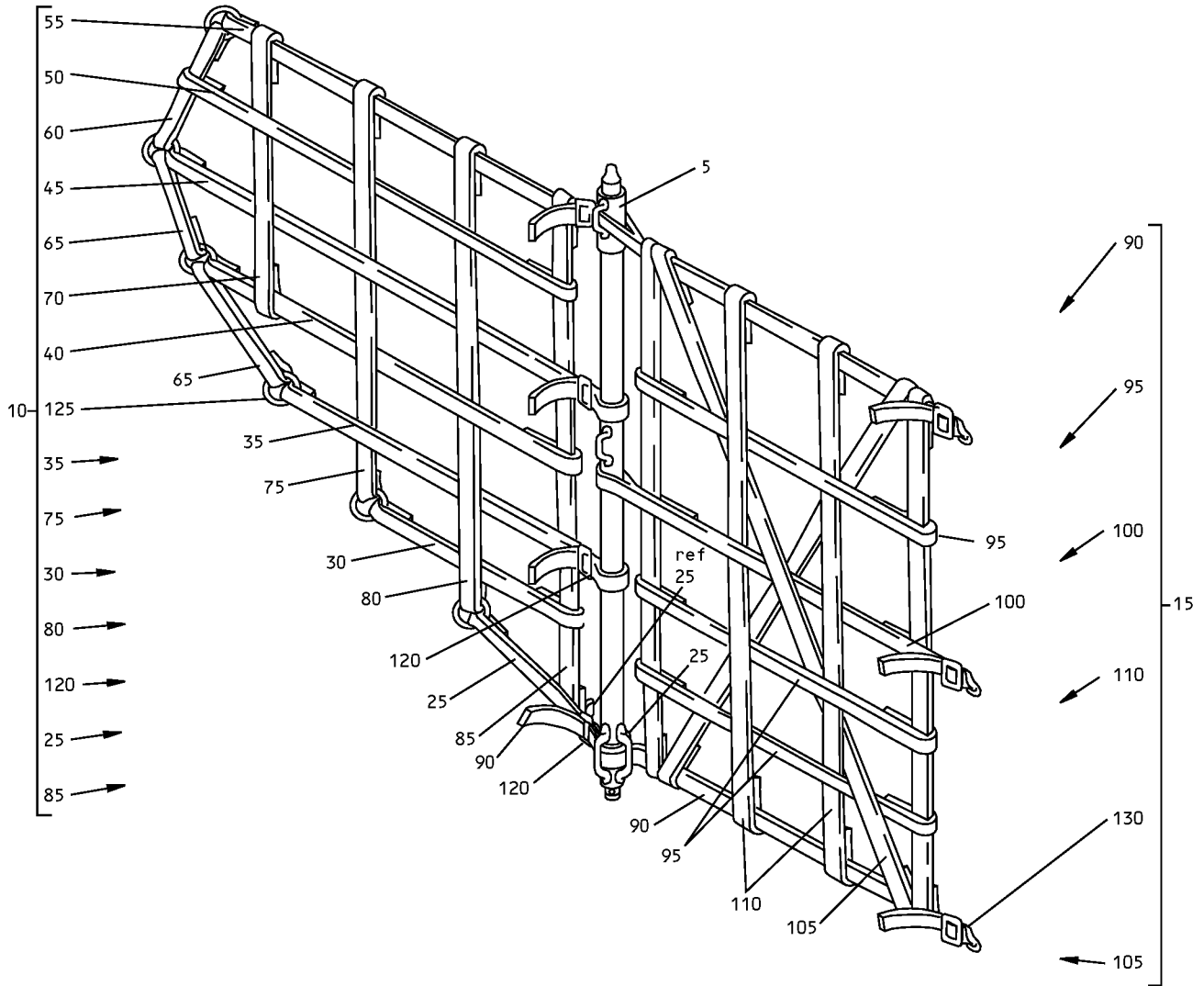


**COMPONENT MAINTENANCE MANUAL**

FIG/ ITEM	PART NUMBER	AIRLINE PART NUMBER	NOMENCLATURE							USAGE CODE	UNITS PER ASSY
			1	2	3	4	5	6	7		
11- 135A	34038-3		.	.	HOOK-FLAT (USED ON ITEMS 10A, 10C, 10E) (OPT ITEM 135) (V00624)						1
140	21510-51		.	.	SNAP LATCH (USED ON ITEM 10D) (V95957)						3
145	21510-51		.	.	SNAP LATCH (USED ON ITEM 10D) (V95957)						3

-Item not Illustrated

COMPONENT MAINTENANCE MANUAL



65-49626-41

Aft Cargo Compartment Left Side Forward Net Assembly  
IPL Figure 12 (Sheet 1 of 4)

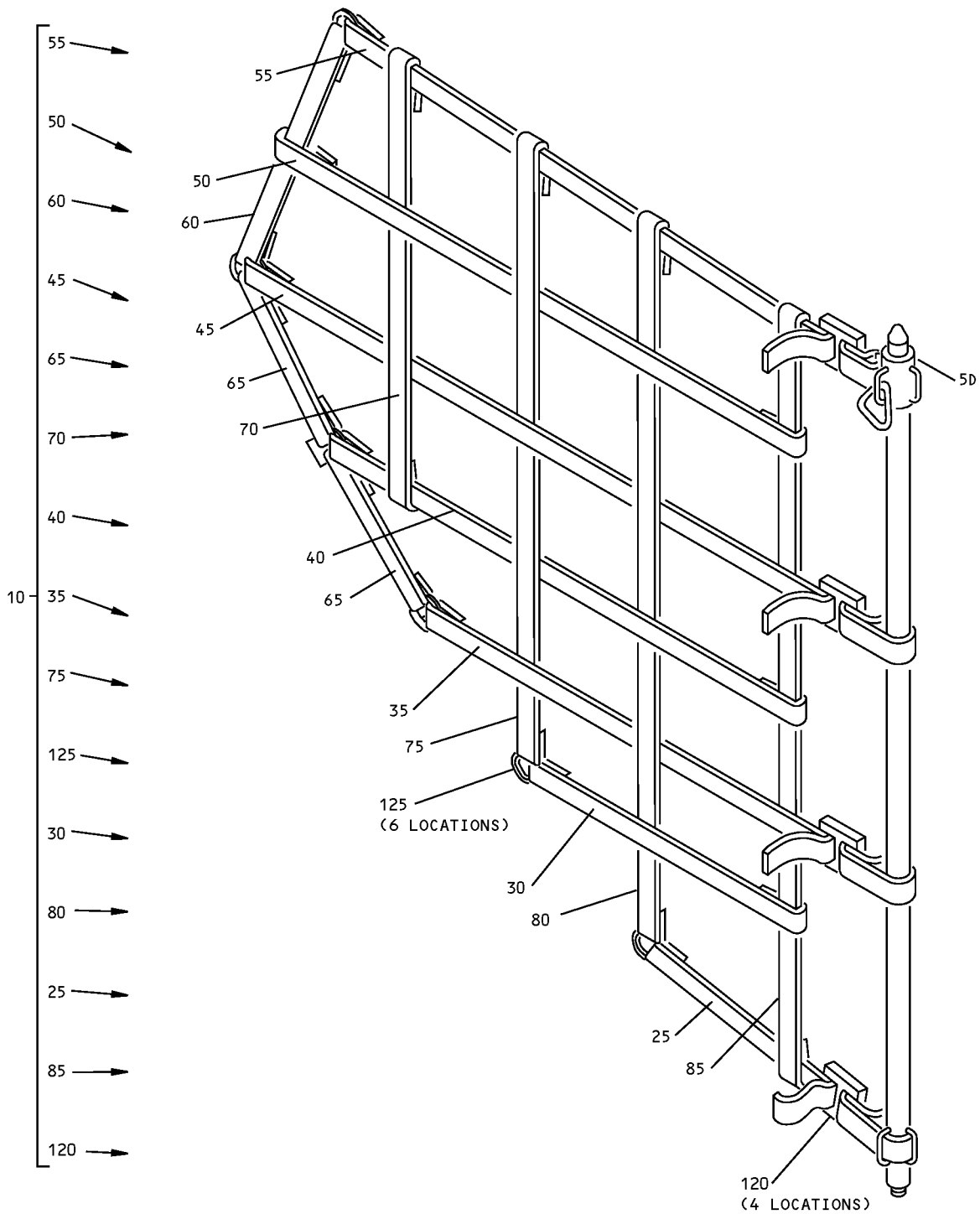
**25-50-01**

ILLUSTRATED PARTS LIST

Page 1079

Mar 01/2007

COMPONENT MAINTENANCE MANUAL



65-49626-49

Aft Cargo Compartment Left Side Forward Net Assembly  
IPL Figure 12 (Sheet 2 of 4)

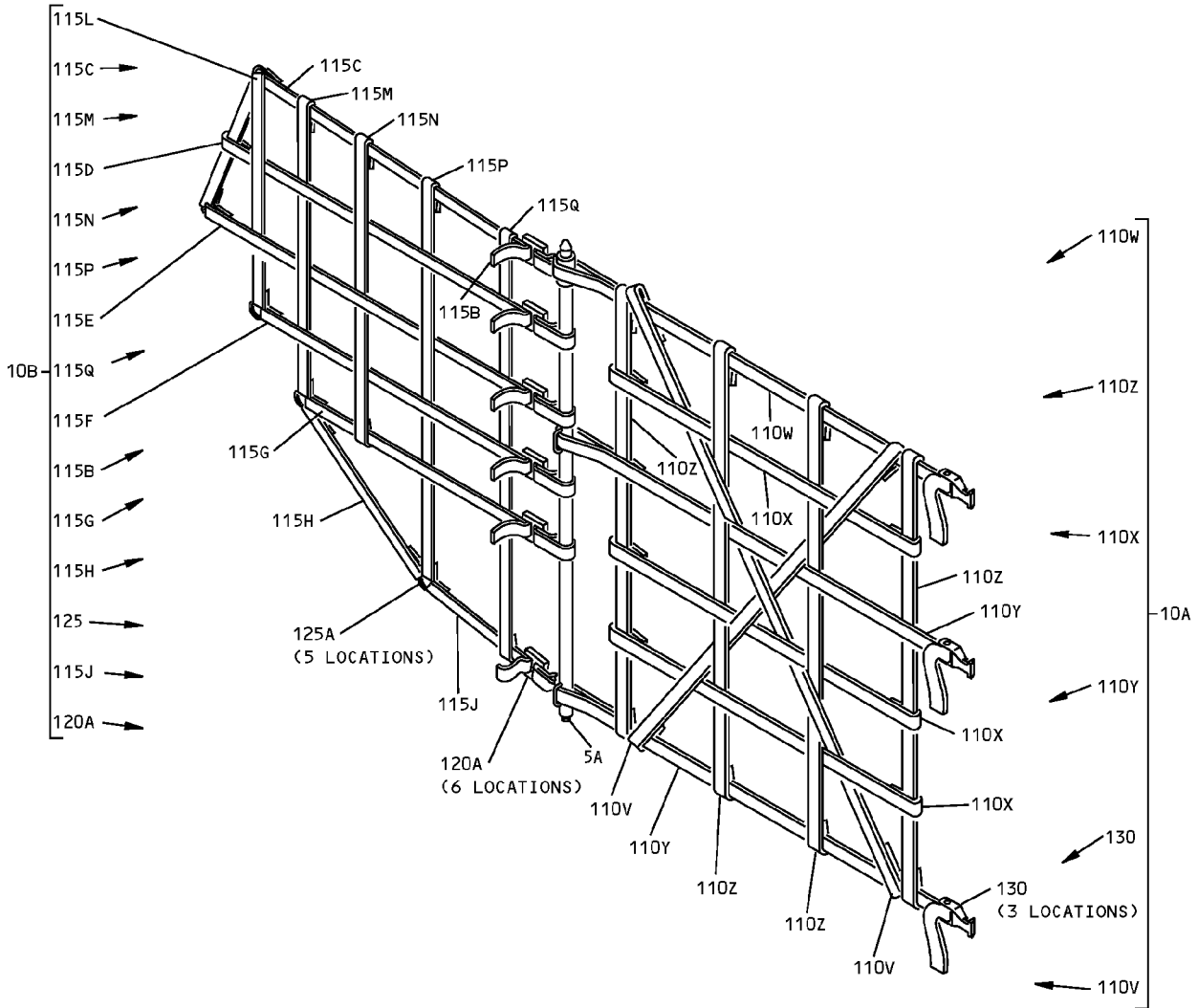
**25-50-01**

ILLUSTRATED PARTS LIST

Page 1080

Mar 01/2007

COMPONENT MAINTENANCE MANUAL



65-49626-1

Aft Cargo Compartment Left Side Forward Net Assembly  
IPL Figure 12 (Sheet 3 of 4)

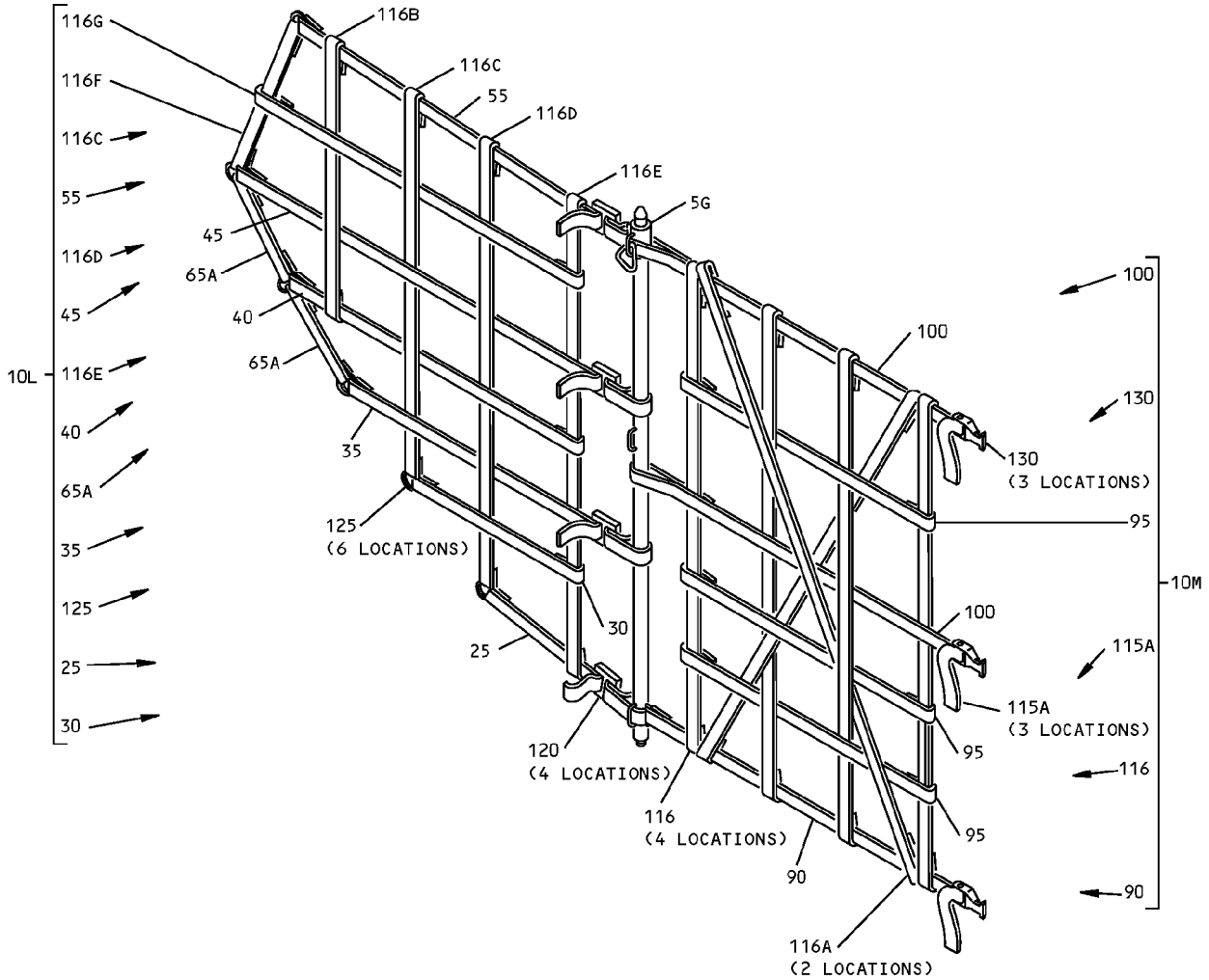
**25-50-01**

ILLUSTRATED PARTS LIST

Page 1081

Mar 01/2007

COMPONENT MAINTENANCE MANUAL



65-49626-501

Aft Cargo Compartment Left Side Forward Net Assembly  
IPL Figure 12 (Sheet 4 of 4)

**25-50-01**

ILLUSTRATED PARTS LIST

Page 1082

Mar 01/2007



COMPONENT MAINTENANCE MANUAL

FIG/ ITEM	PART NUMBER	AIRLINE PART NUMBER	NOMENCLATURE							USAGE CODE	UNITS PER ASSY
			1	2	3	4	5	6	7		
12-											
-1	65-49626-41									A	RF
-1A	65-49626-1									B	RF
-1B	65-49626-49									C	RF
-1C	65-49626-501									D	RF
5	65-53882-26									A	1
5A	65-53882-4									B	1
5B	65-53882-39									C	1
5C	65-53882-506									D	1
10	65-49626-27									A, C	1
10A	65-49626-2									B	1
10B	65-49626-3									B	1
10L	65-49626-502									B	1
10M	65-49626-503									B	1
15	65-49626-42									A	1
-20	65-49626-23										1
25	65-49626-28										1
30	65-49626-29										1
35	65-49626-30										1
40	65-49626-31										1
45	65-49626-32										1
50	65-49626-33										1

-Item not Illustrated

**25-50-01**

ILLUSTRATED PARTS LIST  
Page 1083  
Mar 01/2007



COMPONENT MAINTENANCE MANUAL

FIG/ ITEM	PART NUMBER	AIRLINE PART NUMBER	NOMENCLATURE							USAGE CODE	UNITS PER ASSY
			1	2	3	4	5	6	7		
12-											
55	65-49626-34		.	.	WEBBING (USED ON ITEM 10, 10L)						1
60	65-49626-35		.	.	WEBBING (USED ON ITEM 10)						1
65	65-49626-36		.	.	WEBBING (USED ON ITEM 10)						1
65A	65-49626-36		.	.	WEBBING (USED ON ITEM 10L)						1
70	65-49626-37		.	.	WEBBING (USED ON ITEM 10)						1
75	65-49626-38		.	.	WEBBING (USED ON ITEM 10)						1
80	65-49626-39		.	.	WEBBING (USED ON ITEM 10)						1
85	65-49626-40		.	.	WEBBING (USED ON ITEM 10)						1
90	65-49626-43		.	.	WEBBING (USED ON ITEMS 10M, 15)						1
95	65-49626-44		.	.	WEBBING (USED ON ITEMS 10M, 15)						3
100	65-49626-45		.	.	WEBBING (USED ON ITEMS 10M, 15)						2
105	65-49626-46		.	.	WEBBING (USED ON ITEM 15)						2
110	65-49626-47		.	.	WEBBING (USED ON ITEM 15)						4
110V	65-49626-4		.	.	WEBBING (USED ON ITEM 10A)						2
110W	65-49626-5		.	.	WEBBING (USED ON ITEM 10A)						1
110X	65-49626-6		.	.	WEBBING (USED ON ITEM 10A)						3
110Y	65-49626-7		.	.	WEBBING (USED ON ITEM 10A)						2
-110Z	65-49626-8		.	.	WEBBING (USED ON ITEM 10A)						4
-115	65-49626-9		.	.	WEBBING (USED ON ITEMS 10, 15, 10L)						4

-Item not Illustrated

**25-50-01**

ILLUSTRATED PARTS LIST  
Page 1084  
Mar 01/2007



COMPONENT MAINTENANCE MANUAL

FIG/ ITEM	PART NUMBER	AIRLINE PART NUMBER	NOMENCLATURE							USAGE CODE	UNITS PER ASSY
			1	2	3	4	5	6	7		
12-											
-115A	65-49626-9		. .	WEBBING							3
				(USED ON ITEMS 10A, 10M)							
-115B	65-49626-9		. .	WEBBING							6
				(USED ON ITEM 10B)							
-115C	65-49626-10		. .	WEBBING							1
				(USED ON ITEM 10B)							
-115D	65-49626-11		. .	WEBBING							1
				(USED ON ITEM 10B)							
-115E	65-49626-12		. .	WEBBING							1
				(USED ON ITEM 10B)							
-115F	65-49626-13		. .	WEBBING							1
				(USED ON ITEM 10B)							
-115G	65-49626-14		. .	WEBBING							1
				(USED ON ITEM 10B)							
-115H	65-49626-15		. .	WEBBING							1
				(USED ON ITEM 10B)							
-115J	65-49626-16		. .	WEBBING							1
				(USED ON ITEM 10B)							
-115K	65-49626-17		. .	WEBBING							1
				(USED ON ITEM ITEM 10B)							
-115L	65-49626-18		. .	WEBBING							1
				(USED ON ITEM 10B)							
-115M	65-49626-19		. .	WEBBING							1
				(USED ON ITEM 10B)							
-115N	65-49626-20		. .	WEBBING							1
				(USED ON ITEM 10B)							
-115P	65-49626-21		. .	WEBBING							1
				(USED ON ITEM 10B)							
-115Q	65-49626-22		. .	WEBBING							1
				(USED ON ITEM 10B)							
-116	65-49626-504		. .	WEBBING							4
				(USED ON ITEM 10M)							
-116A	65-49626-505		. .	WEBBING							2
				(USED ON ITEM 10M)							
-116B	65-49626-506		. .	WEBBING							1
				(USED ON ITEM 10L)							
-116C	65-49626-507		. .	WEBBING							1
				(USED ON ITEM 10L)							

-Item not Illustrated

**25-50-01**



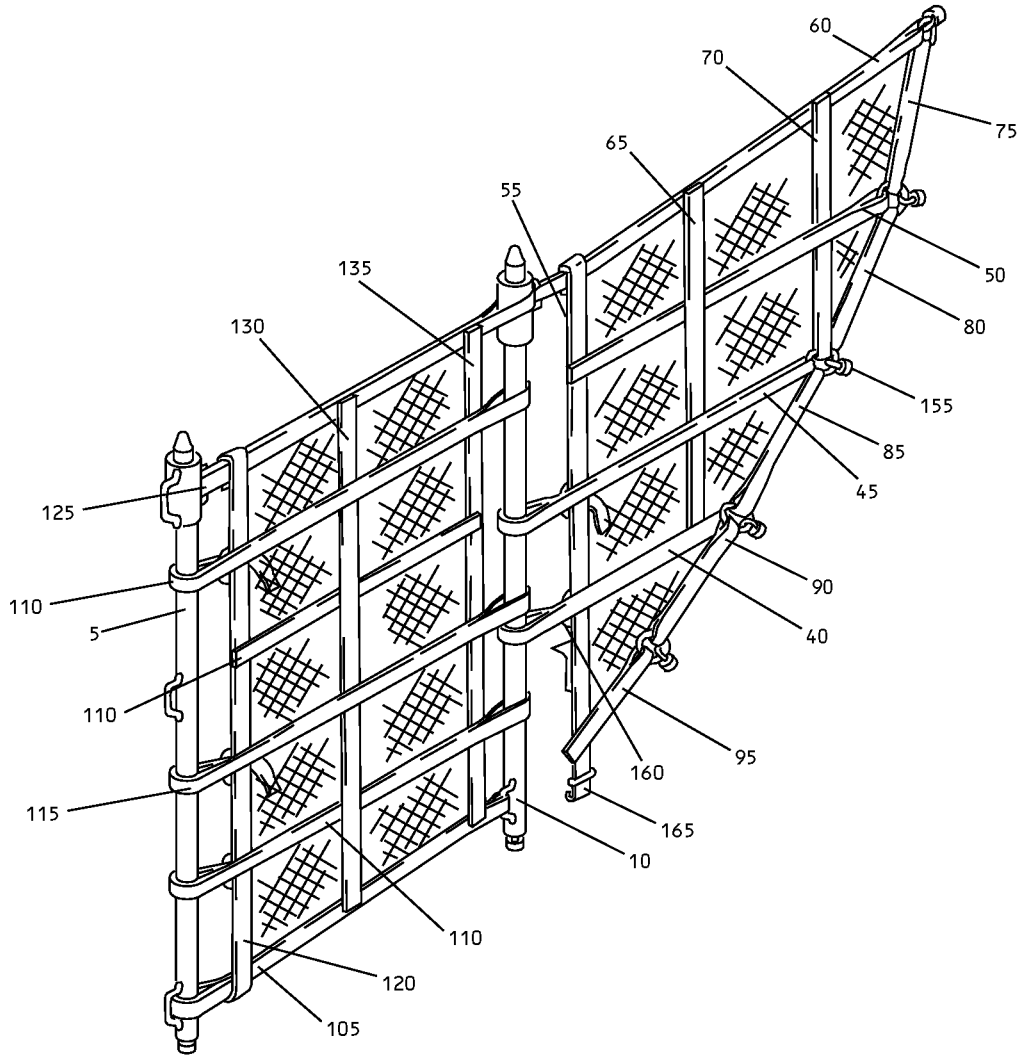


COMPONENT MAINTENANCE MANUAL

FIG/ ITEM	PART NUMBER	AIRLINE PART NUMBER	NOMENCLATURE							USAGE CODE	UNITS PER ASSY
			1	2	3	4	5	6	7		
12- -116D	65-49626-508		.	.	WEBBING (USED ON ITEM 10L)						1
-116E	65-49626-509		.	.	WEBBING (USED ON ITEM 10L)						1
-116F	65-49626-510		.	.	WEBBING (USED ON ITEM 10L)						1
-116G	65-49626-511		.	.	WEBBING (USED ON ITEM 10L)						1
120	10027		.	.	SLIDE-3 BAR (V95957) (USED ON ITEMS 10, 10L)						6
120A	10027		.	.	SLIDE-3 BAR (USED ON ITEM 10B)						4
125	10730		.	.	TIEDOWN-TRACK (V95957) (USED ON ITEMS 10, 10L)						6
125A	10730		.	.	FITTING-TRACK TIEDOWN (USED ON ITEM 10B)						5
130	21510-52		.	.	LATCH-SNAP (V95957) (USED ON ITEMS ITEMS 10A, 10M, 15)						3

-Item not Illustrated

COMPONENT MAINTENANCE MANUAL



65-49627-56

Aft Cargo Compartment Right Side Forward Net Assembly  
IPL Figure 13 (Sheet 1 of 3)

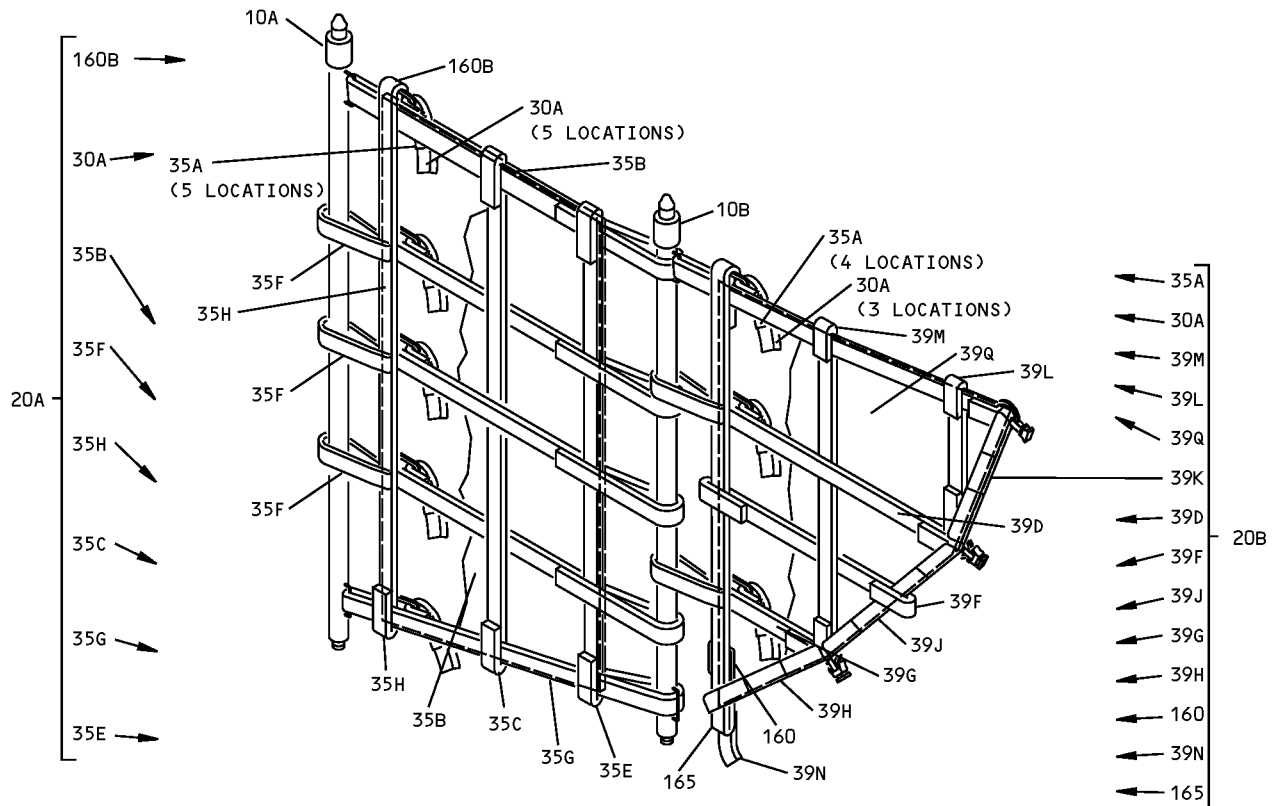
**25-50-01**

ILLUSTRATED PARTS LIST

Page 1087

Mar 01/2007

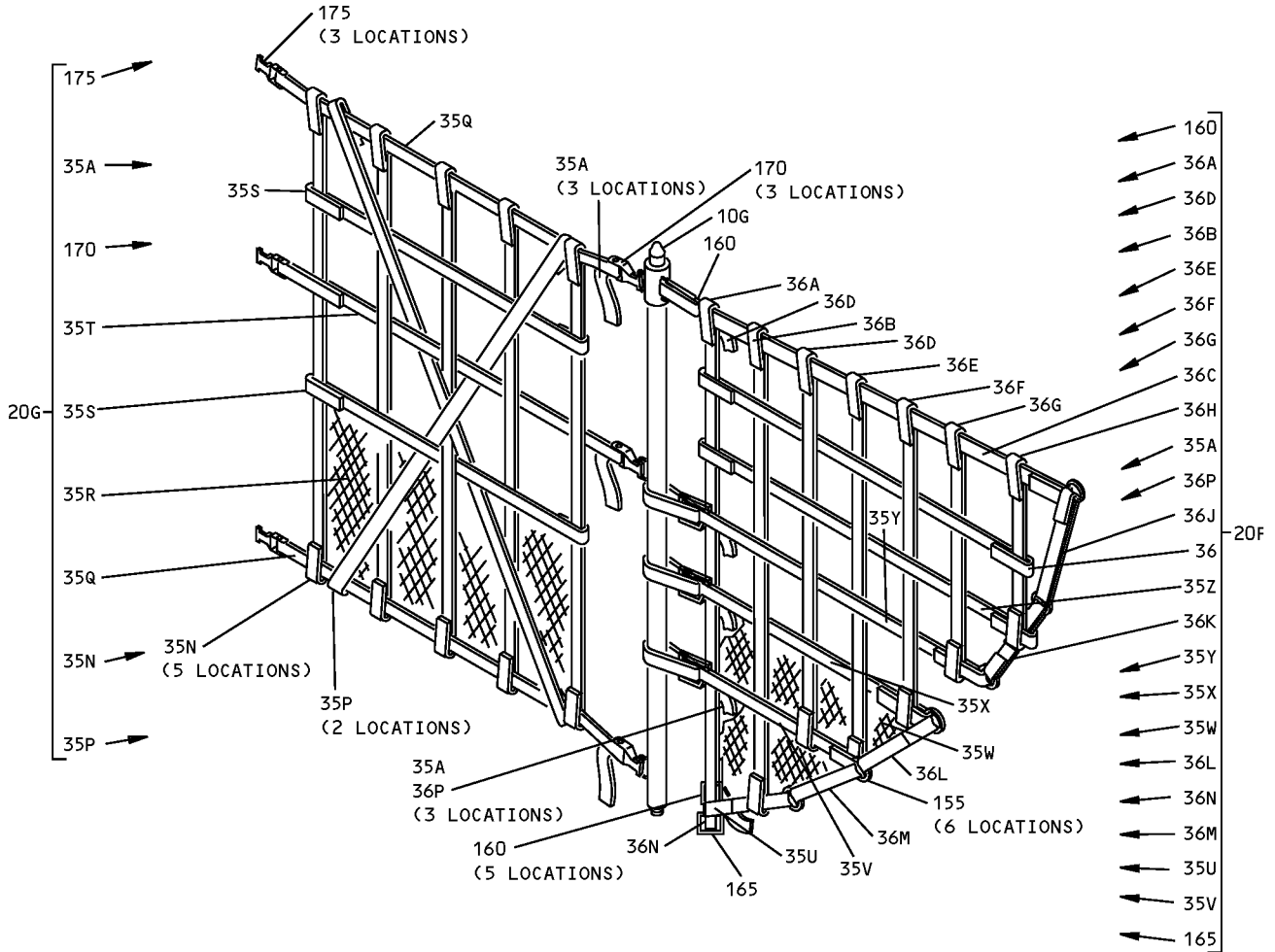
COMPONENT MAINTENANCE MANUAL



65-49627-1

Aft Cargo Compartment Right Side Forward Net Assembly  
IPL Figure 13 (Sheet 2 of 3)

COMPONENT MAINTENANCE MANUAL



65-49627-82

Aft Cargo Compartment Right Side Forward Net Assembly  
IPL Figure 13 (Sheet 3 of 3)

**25-50-01**

ILLUSTRATED PARTS LIST

Page 1089

Mar 01/2007



COMPONENT MAINTENANCE MANUAL

FIG/ ITEM	PART NUMBER	AIRLINE PART NUMBER	NOMENCLATURE							USAGE CODE	UNITS PER ASSY
			1	2	3	4	5	6	7		
13-											
-1	65-49627-56									A	RF
-1A	65-49627-1									B	RF
-1B	65-49627-82									C	RF
-1C	65-49627-501									D	RF
5	65-53882-21									A	1
10	65-53882-23									A	1
10A	65-53882-2									B	1
10B	65-53882-3									B	1
10G	65-53882-34									C	1
-10P	65-53882-501									D	1
-10R	65-53882-503									D	1
15	65-49627-57									A	1
20	65-49627-58									A	1
20A	65-49627-2									B	1
20B	65-49627-3									B	1
20G	65-49627-27									C	1
20H	65-49627-28									C	1
-20L	65-49627-502									D	1
-20M	65-49627-503									D	1
-25	65-49627-16										1
-30	65-49627-17										5

-Item not Illustrated

**25-50-01**

ILLUSTRATED PARTS LIST  
Page 1090  
Mar 01/2007



COMPONENT MAINTENANCE MANUAL

FIG/ ITEM	PART NUMBER	AIRLINE PART NUMBER	NOMENCLATURE							USAGE CODE	UNITS PER ASSY
			1	2	3	4	5	6	7		
13-											
30A	65-49627-17										3
-35	65-49627-18										5
35A	65-49627-18										4
35B	65-49627-19										1
35C	65-49627-20										1
35D	65-49627-21										1
35E	65-49627-22										1
35F	65-49627-23										3
35G	65-49627-24										1
35H	65-49627-25										1
35N	65-49627-29										5
35P	65-49627-30										2
35Q	65-49627-31										2
35R	65-49627-32										1
35S	65-49627-33										2
35T	65-49627-34										1
35U	65-49627-35										1
35V	65-49627-36										1

-Item not Illustrated

**25-50-01**

ILLUSTRATED PARTS LIST

Page 1091

Mar 01/2007



COMPONENT MAINTENANCE MANUAL

FIG/ ITEM	PART NUMBER	AIRLINE PART NUMBER	NOMENCLATURE							USAGE CODE	UNITS PER ASSY
			1	2	3	4	5	6	7		
13-											
35W	65-49627-37		.	.	WEBBING (USED ON ITEM 20F)						1
35X	65-49627-38		.	.	WEBBING (USED ON ITEM 20F)						1
35Y	65-49627-39		.	.	WEBBING (USED ON ITEM 20F)						1
35Z	65-49627-40		.	.	WEBBING (USED ON ITEM 20F)						1
36	65-49627-41		.	.	WEBBING (USED ON ITEM 20F)						1
36A	65-49627-42		.	.	WEBBING (USED ON ITEM 20F)						1
36B	65-49627-43		.	.	WEBBING (USED ON ITEM 20F)						1
36C	65-49627-44		.	.	WEBBING (USED ON ITEM 20F)						1
36D	65-49627-45		.	.	WEBBING (USED ON ITEM 20F)						1
36E	65-49627-46		.	.	WEBBING (USED ON ITEM 20F)						1
36F	65-49627-47		.	.	WEBBING (USED ON ITEM 20F)						1
36G	65-49627-48		.	.	WEBBING (USED ON ITEM 20F)						1
36H	65-49627-49		.	.	WEBBING (USED ON ITEM 20F)						1
36J	65-49627-50		.	.	WEBBING (USED ON ITEM 20F)						1
36K	65-49627-51		.	.	WEBBING (USED ON ITEM 20F)						1
36L	65-49627-52		.	.	WEBBING (USED ON ITEM 20F)						1
36M	65-49627-53		.	.	WEBBING (USED ON ITEM 20F)						1
36N	65-49627-54		.	.	WEBBING (USED ON ITEM 20F)						1
36P	65-49627-55		.	.	WEBBING (USED ON ITEM 20F)						1

-Item not Illustrated

**25-50-01**

ILLUSTRATED PARTS LIST

Page 1092

Mar 01/2007



COMPONENT MAINTENANCE MANUAL

FIG/ ITEM	PART NUMBER	AIRLINE PART NUMBER	NOMENCLATURE							USAGE CODE	UNITS PER ASSY
			1	2	3	4	5	6	7		
13-											
-38	65-49627-504		.	.	WEBBING (USED ON ITEM 20L)						1
-38A	65-49627-505		.	.	WEBBING (USED ON ITEM 20L)						1
-38B	65-49627-506		.	.	WEBBING (USED ON ITEM 20L)						1
-38C	65-49627-507		.	.	WEBBING (USED ON ITEM 20L)						1
-38D	65-49627-508		.	.	WEBBING (USED ON ITEM 20L)						1
-38E	65-49627-509		.	.	WEBBING (USED ON ITEM 20L)						1
-38F	65-49627-510		.	.	WEBBING (USED ON ITEM 20M)						1
-38G	65-49627-511		.	.	WEBBING (USED ON ITEM 20M)						1
-38H	65-49627-512		.	.	WEBBING (USED ON ITEM 20M)						1
-38J	65-49627-513		.	.	WEBBING (USED ON ITEM 20M)						1
39D	65-49627-4		.	.	WEBBING (USED ON ITEM 20B)						1
39E	65-49627-5		.	.	WEBBING (USED ON ITEM 20B)						1
39F	65-49627-6		.	.	WEBBING (USED ON ITEM 20B)						1
39G	65-49627-7		.	.	WEBBING (USED ON ITEM 20B)						1
39H	65-49627-8		.	.	WEBBING (USED ON ITEM 20B)						1
39J	65-49627-9		.	.	WEBBING (USED ON ITEM 20B)						1
39K	65-49627-10		.	.	WEBBING (USED ON ITEM 20B)						1
39L	65-49627-11		.	.	WEBBING (USED ON ITEM 20B)						1
39M	65-49627-12		.	.	WEBBING (USED ON ITEM 20B)						1

-Item not Illustrated

**25-50-01**





COMPONENT MAINTENANCE MANUAL

FIG/ ITEM	PART NUMBER	AIRLINE PART NUMBER	NOMENCLATURE							USAGE CODE	UNITS PER ASSY
			1	2	3	4	5	6	7		
13-											
39N	65-49627-13		.	.	WEBBING (USED ON ITEM 20B)						1
39P	65-49627-14		.	.	WEBBING (USED ON ITEM 20B)						1
39Q	65-49627-15		.	.	WEBBING (USED ON ITEM 20B)						1
40	65-49627-59		.	.	WEBBING (USED ON ITEMS 15, 20L)						1
45	65-49627-60		.	.	WEBBING (USED ON ITEMS 15, 20L)						1
50	65-49627-61		.	.	WEBBING (USED ON ITEMS 15, 20L)						1
55	65-49627-62		.	.	WEBBING (USED ON ITEM 15)						1
60	65-49627-63		.	.	WEBBING (USED ON ITEM 15)						1
65	65-49627-64		.	.	WEBBING (USED ON ITEM 15)						1
70	65-49627-65		.	.	WEBBING (USED ON ITEM 15)						1
75	65-49627-66		.	.	WEBBING (USED ON ITEM 15)						1
80	65-49627-67		.	.	WEBBING (USED ON ITEMS 15, 20L)						1
85	65-49627-68		.	.	WEBBING (USED ON ITEMS 15, 20L)						1
90	65-49627-69		.	.	WEBBING (USED ON ITEMS 15, 20L)						1
95	65-49627-70		.	.	WEBBING (USED ON ITEMS 15, 20L)						1
-100	65-49627-71		.	.	WEBBING (USED ON ITEM 15)						1
105	65-49627-72		.	.	WEBBING (USED ON ITEMS 20, 20M)						1
110	65-49627-73		.	.	WEBBING (USED ON ITEMS 20, 20M)						3
115	65-49627-74		.	.	WEBBING (USED ON ITEMS 20, 20M)						1

-Item not Illustrated

**25-50-01**



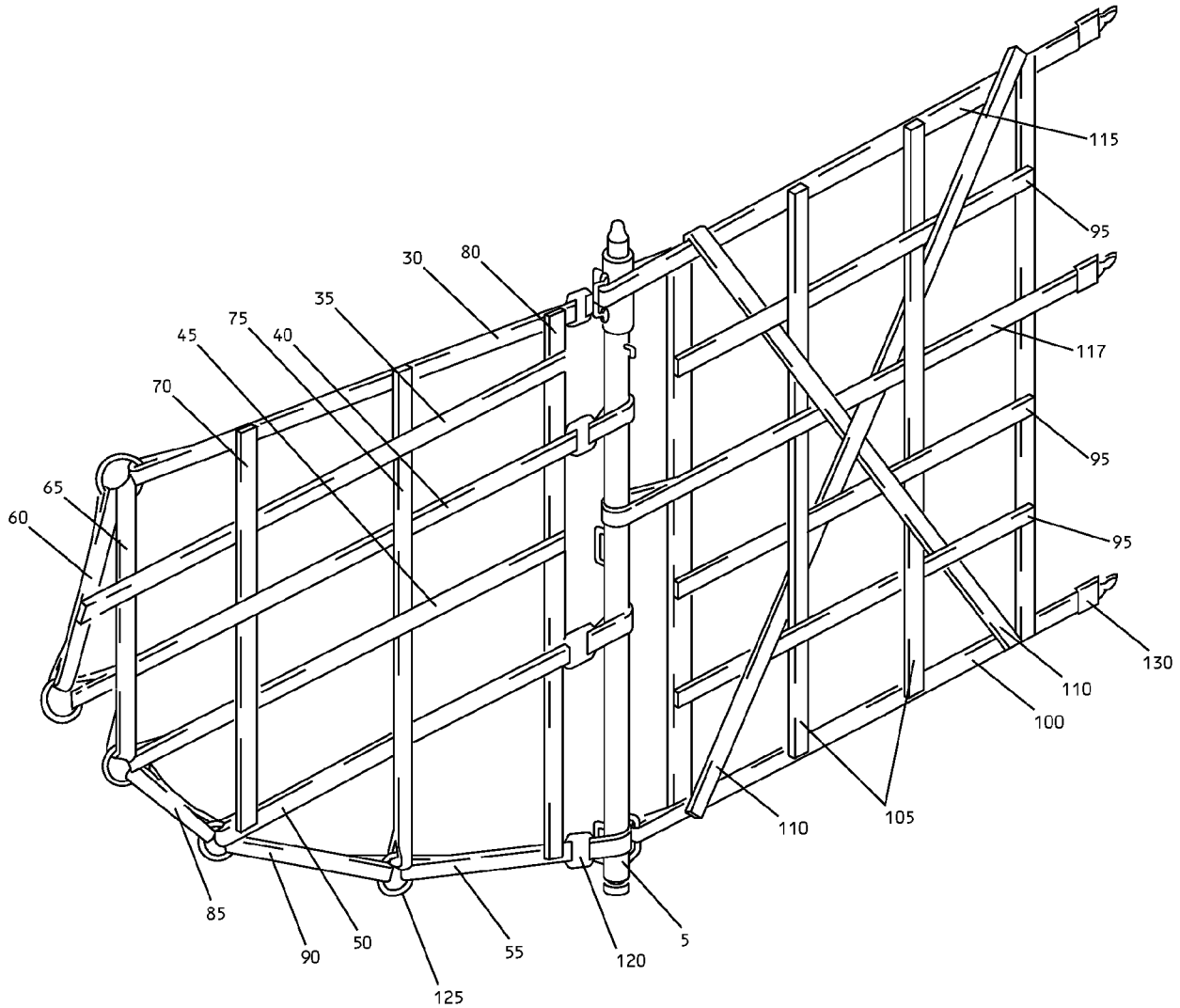
COMPONENT MAINTENANCE MANUAL

FIG/ ITEM	PART NUMBER	AIRLINE PART NUMBER	NOMENCLATURE							USAGE CODE	UNITS PER ASSY
			1	2	3	4	5	6	7		
13-											
120	65-49627-75		.	.	WEBBING (USED ON ITEM 20)						1
125	65-49627-76		.	.	WEBBING (USED ON ITEMS 20, 20M)						1
130	65-49627-77		.	.	WEBBING (USED ON ITEM 20)						1
135	65-49627-78		.	.	WEBBING (USED ON ITEM 20)						1
-140	65-49627-79		.	.	WEBBING (USED ON ITEM 20)						1
-145	65-49627-80		.	.	WEBBING (USED ON ITEM 15)						1
-150	65-49627-81		.	.	WEBBING (USED ON ITEM 15)						3
155	10730		.	.	TIEDOWN,TRACK (V95957) (USED ON ITEMS 15, 20L)						5
155A	10730		.	.	TIEDOWN,TRACK (V95957) (USED ON ITEM 20B)						3
155B	10730		.	.	TIEDOWN,TRACK (V95957) (USED ON ITEM 20F)						6
160	1986		.	.	BUCKLE (V01276) (USED ON ITEMS 15, 20B, 20F, 20L)						4
160A	1986		.	.	BUCKLE (V01276) (USED ON ITEMS 20, 20A, 20F, 20M)						5
165	2014		.	.	HOOK,FLAT (V01276) (USED ON ITEMS 15, 20B, 20L)						1
170	21510-52		.		LATCH (V32707) (USED ON ITEM 20G)						3
175	21510-52		.		LATCH (V32707) (USED ON ITEM 20G)						3

-Item not Illustrated

**25-50-01**

COMPONENT MAINTENANCE MANUAL



65-49628-40,-49,-501 SHOWN

Aft Cargo Compartment Left Side Aft Net Assembly  
IPL Figure 14

**25-50-01**

ILLUSTRATED PARTS LIST

Page 1096

Mar 01/2007



COMPONENT MAINTENANCE MANUAL

FIG/ ITEM	PART NUMBER	AIRLINE PART NUMBER	NOMENCLATURE							USAGE CODE	UNITS PER ASSY
			1	2	3	4	5	6	7		
14-											
-1	65-49628-1									A	RF
-1A	65-49628-40									B	RF
-1B	65-49628-49									C	RF
-1C	65-49628-501									D	RF
-5	65-53882-1									A	1
5A	65-53882-25									B	1
5B	65-53882-40									C	1
5C	65-53882-505									D	1
10	65-49628-3									A	1
10A	65-49628-26									B, C	1
10B	65-49628-502									D	1
15	65-49628-2									A	1
15A	65-49628-41									B	1
15B	65-49628-503									D	1
20	65-49628-17										6
-20A	65-49628-17										4
20B	65-49628-17										3
-25	65-49628-22										AR
30	65-49628-16										1
30A	65-49628-27										1
35	65-49628-15										1

-Item not Illustrated

**25-50-01**



COMPONENT MAINTENANCE MANUAL

FIG/ ITEM	PART NUMBER	AIRLINE PART NUMBER	NOMENCLATURE							USAGE CODE	UNITS PER ASSY
			1	2	3	4	5	6	7		
14-											
35A	65-49628-28		.	.	WEBBING (USED ON ITEM 10A)						1
-35B	65-49628-505		.	.	WEBBING (USED ON ITEM 10B)						1
40	65-49628-14		.	.	WEBBING (USED ON ITEM 10)						1
40A	65-49628-29		.	.	WEBBING (USED ON ITEM 10A, 10B)						1
45	65-49628-13		.	.	WEBBING (USED ON ITEM 10)						1
45A	65-49628-30		.	.	WEBBING (USED ON ITEM 10A, 10B)						1
50	65-49628-12		.	.	WEBBING (USED ON ITEM 10)						1
50A	65-49628-31		.	.	WEBBING (USED ON ITEM 10A, 10B)						1
55	65-49628-10		.	.	WEBBING (USED ON ITEM 10)						1
55A	65-49628-32		.	.	WEBBING (USED ON ITEM 10A, 10B)						1
60	65-49628-4		.	.	WEBBING (USED ON ITEM 10)						1
60A	65-49628-33		.	.	WEBBING (USED ON ITEM 10A, 10B)						1
60B	65-49628-504		.	.	WEBBING (USED ON ITEM 10B)						1
-62	65-49628-5		.	.	WEBBING (USED ON ITEM 10)						1
65	65-49628-6		.	.	WEBBING (USED ON ITEM 10)						1
65A	65-49628-34		.	.	WEBBING (USED ON ITEM 10A, 10B)						1
70	65-49628-7		.	.	WEBBING (USED ON ITEM 10)						1
70A	65-49628-35		.	.	WEBBING (USED ON ITEM 10A, 10B)						1
75	65-49628-8		.	.	WEBBING (USED ON ITEM 10)						1

-Item not Illustrated

**25-50-01**



COMPONENT MAINTENANCE MANUAL

FIG/ ITEM	PART NUMBER	AIRLINE PART NUMBER	NOMENCLATURE							USAGE CODE	UNITS PER ASSY
			1	2	3	4	5	6	7		
14-											
75A	65-49628-36		.	.	WEBBING (USED ON ITEM 10A, 10B)						1
80	65-49628-9		.	.	WEBBING (USED ON ITEM 10)						1
80A	65-49628-37		.	.	WEBBING (USED ON ITEM 10A, 10B)						1
85	65-49628-38		.	.	WEBBING (USED ON ITEM 10)						1
90	65-49628-11		.	.	WEBBING (USED ON ITEM 10)						1
90A	65-49628-39		.	.	WEBBING (USED ON ITEM 10A, 10B)						1
95	65-49628-19		.	.	WEBBING (USED ON ITEM 15)						3
95A	65-49628-42		.	.	WEBBING (USED ON ITEM 15A, 15B)						3
100	65-49628-24		.	.	WEBBING (USED ON ITEM 15)						1
100A	65-49628-43		.	.	WEBBING (USED ON ITEM 15A, 15B)						1
105	65-49628-21		.	.	WEBBING (USED ON ITEM 15)						1
105A	65-49628-44		.	.	WEBBING (USED ON ITEM 15)						4
105B	65-49628-509		.	.	WEBBING (USED ON ITEM 15B)						1
110	65-49628-20		.	.	WEBBING (USED ON ITEM 15)						2
110A	65-49628-45		.	.	WEBBING (USED ON ITEM 15)						2
110B	65-49628-510		.	.	WEBBING (USED ON ITEM 15B)						2
115	65-49628-23		.	.	WEBBING (USED ON ITEM 15)						1
115A	65-49628-46		.	.	WEBBING (USED ON ITEMS 15A, 15B)						1
117	65-49628-18		.	.	WEBBING (USED ON ITEM 15)						1

-Item not Illustrated

**25-50-01**

ILLUSTRATED PARTS LIST  
Page 1098.1  
Mar 01/2007

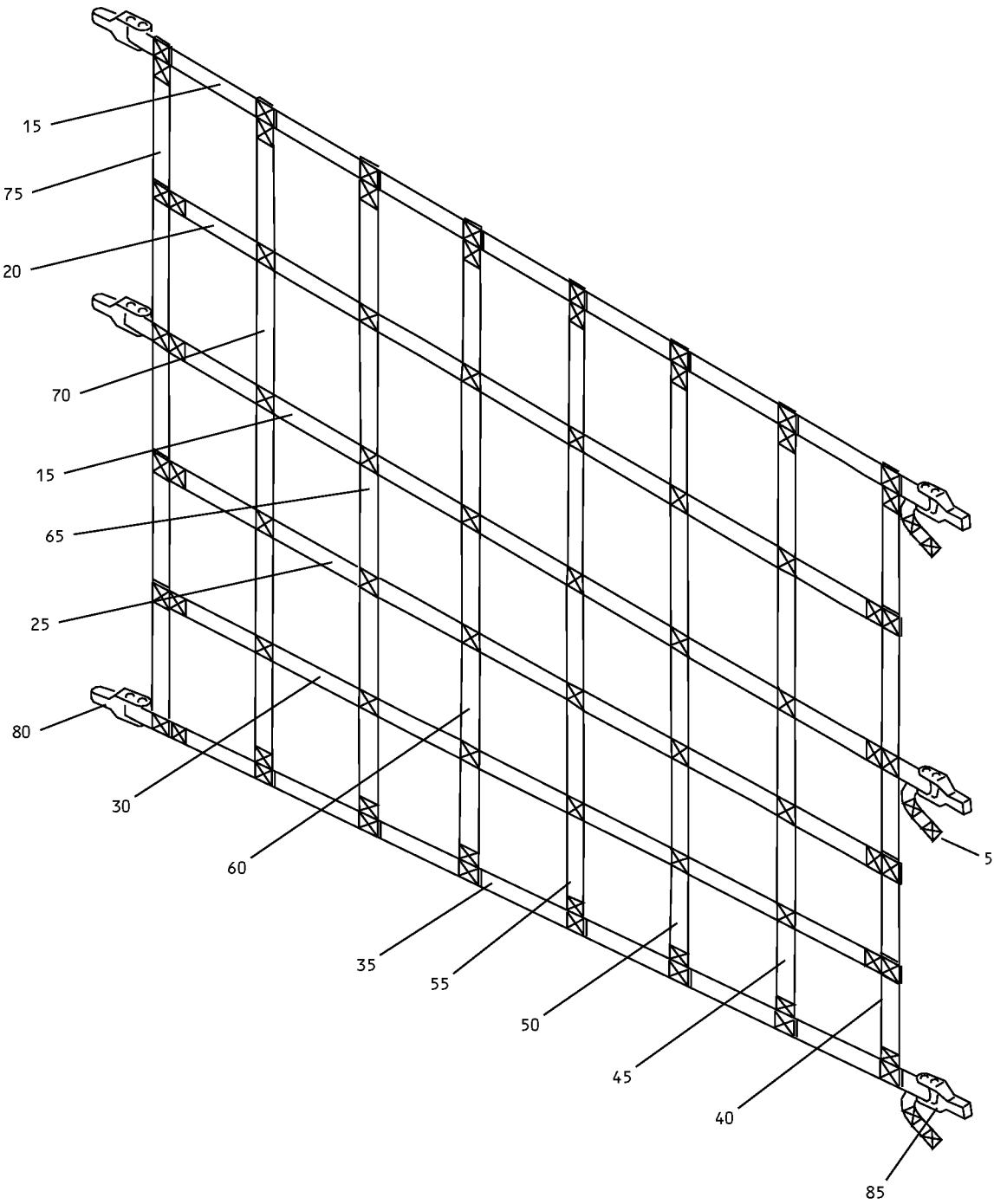


COMPONENT MAINTENANCE MANUAL

FIG/ ITEM	PART NUMBER	AIRLINE PART NUMBER	NOMENCLATURE							USAGE CODE	UNITS PER ASSY
			1	2	3	4	5	6	7		
14- 117A	65-49628-47		.	.	WEBBING (USED ON ITEMS 15A, 15B)						1
120	10027		.	.	SLIDE (V15814) (USED ON ITEM 10) (OPT A5771 (V15814))						6
120A	10027		.	.	SLIDE (V32707) (USED ON ITEMS 10A, 10B) (OPT A5771 (V15814))						4
125	10730		.	.	TIEDOWN,TRACK (V15814) (USED ON ITEMS 10, 10A, 10B) (OPT A6908 (V15814))						5
130	21510-52		.	.	LATCH,SNAP (V32707) (USED ON ITEMS 15, 15A, 15B)						3

-Item not Illustrated

COMPONENT MAINTENANCE MANUAL



65-49629-13,-501

Aft Cargo Compartment Net Assembly, LBL 17.20  
IPL Figure 15 (Sheet 1 of 2)

**25-50-01**

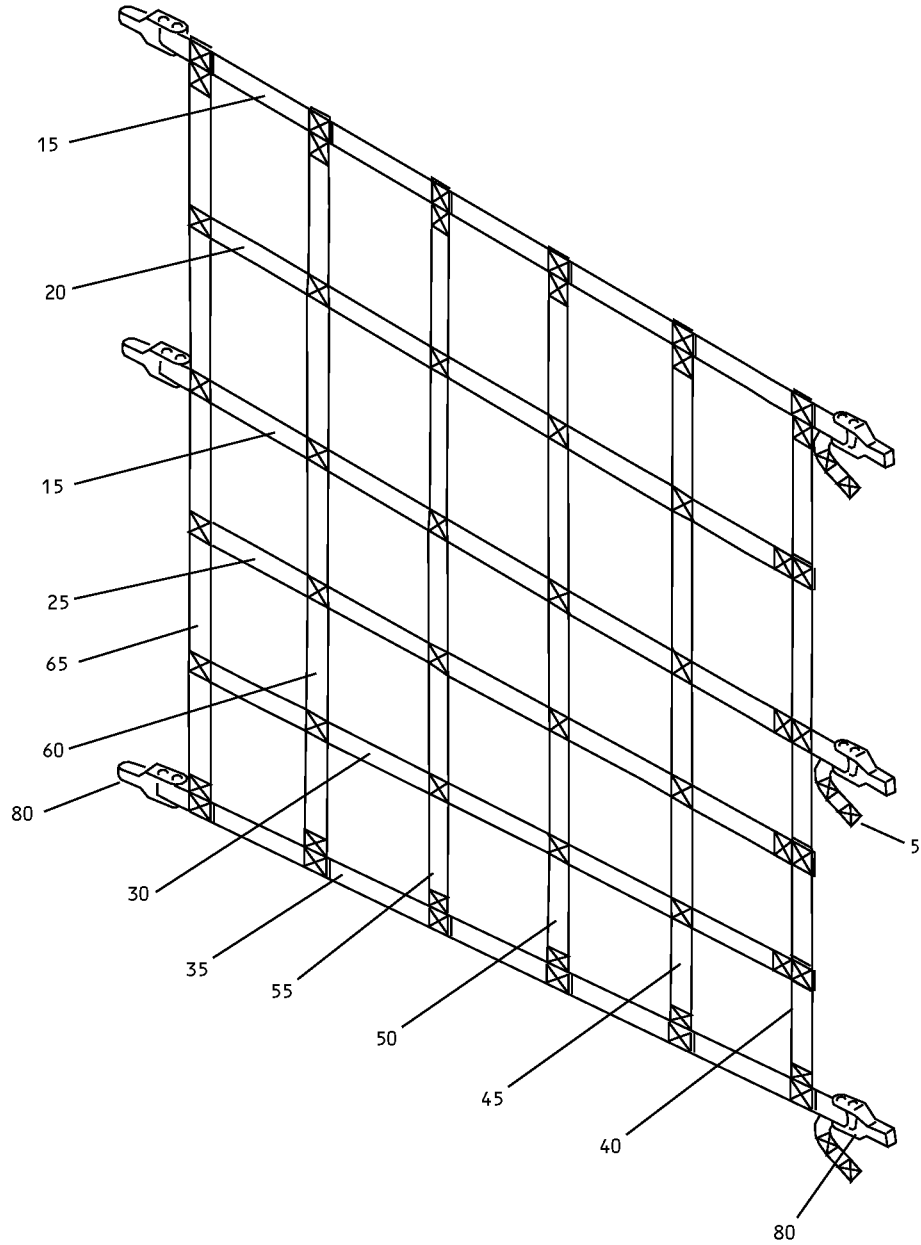
ILLUSTRATED PARTS LIST

Page 1098.3

Mar 01/2007



COMPONENT MAINTENANCE MANUAL



65-49629-1

Aft Cargo Compartment Net Assembly, LBL 17.20  
IPL Figure 15 (Sheet 2 of 2)

**25-50-01**

ILLUSTRATED PARTS LIST

Page 1098.4

Mar 01/2007



COMPONENT MAINTENANCE MANUAL

FIG/ ITEM	PART NUMBER	AIRLINE PART NUMBER	NOMENCLATURE							USAGE CODE	UNITS PER ASSY
			1	2	3	4	5	6	7		
15-											
-1	65-49629-13									A	RF
-1A	65-49629-1									B	RF
-1B	65-49629-501									C	RF
-5	65-49629-11									A, C	3
-5A	65-49629-11									B	6
-10	65-49629-12										1
15	65-49629-14										1
-15A	65-49629-4									B	2
20	65-49629-15									A, C	1
-20A	65-49629-3									B	1
25	65-49629-16									A, C	1
-25A	65-49629-3									B	1
30	65-49629-17									A, C	1
-30A	65-49629-3									B	1
35	65-49629-18									A, C	1
-35A	65-49629-2									B	1
40	65-49629-19									A	1
-40A	65-49629-6									B	1
-40B	65-49629-502									C	1
45	65-49629-20									A	1
-45A	65-49629-6									B	1
-45B	65-49629-502									C	1
50	65-49629-21									A	1
-50A	65-49629-7									B	1
-50B	65-49629-504									C	1
55	65-49629-22									A	1
-55A	65-49629-8									B	1
-55B	65-49629-505									C	1
60	65-49629-23									A	1

-Item not Illustrated

**25-50-01**

ILLUSTRATED PARTS LIST  
Page 1098.5  
Mar 01/2007



COMPONENT MAINTENANCE MANUAL

FIG/ ITEM	PART NUMBER	AIRLINE PART NUMBER	NOMENCLATURE							USAGE CODE	UNITS PER ASSY		
			1	2	3	4	5	6	7				
15-													
-60A	65-49629-9		.	W	E	B	B	I	N	G	B	1	
-60B	65-49629-506		.	W	E	B	B	I	N	G	C	1	
65	65-49629-24		.	W	E	B	B	I	N	G	A	1	
-65A	65-49629-10		.	W	E	B	B	I	N	G	B	1	
-65B	65-49629-507		.	W	E	B	B	I	N	G	C	1	
70	65-49629-25		.	W	E	B	B	I	N	G	A	1	
70A	65-49629-508		.	W	E	B	B	I	N	G	C	1	
75	65-49629-26		.	W	E	B	B	I	N	G	A	1	
-75A	65-49629-508		.	W	E	B	B	I	N	G	C	1	
80	21510-51		.	L	A	T	C	H	-	S	N	A	3
-80A	21510-51		.	L	A	T	C	H	-	S	N	A	6
85	21520-51		.	L	A	T	C	H	-	S	N	A	3

-Item not Illustrated

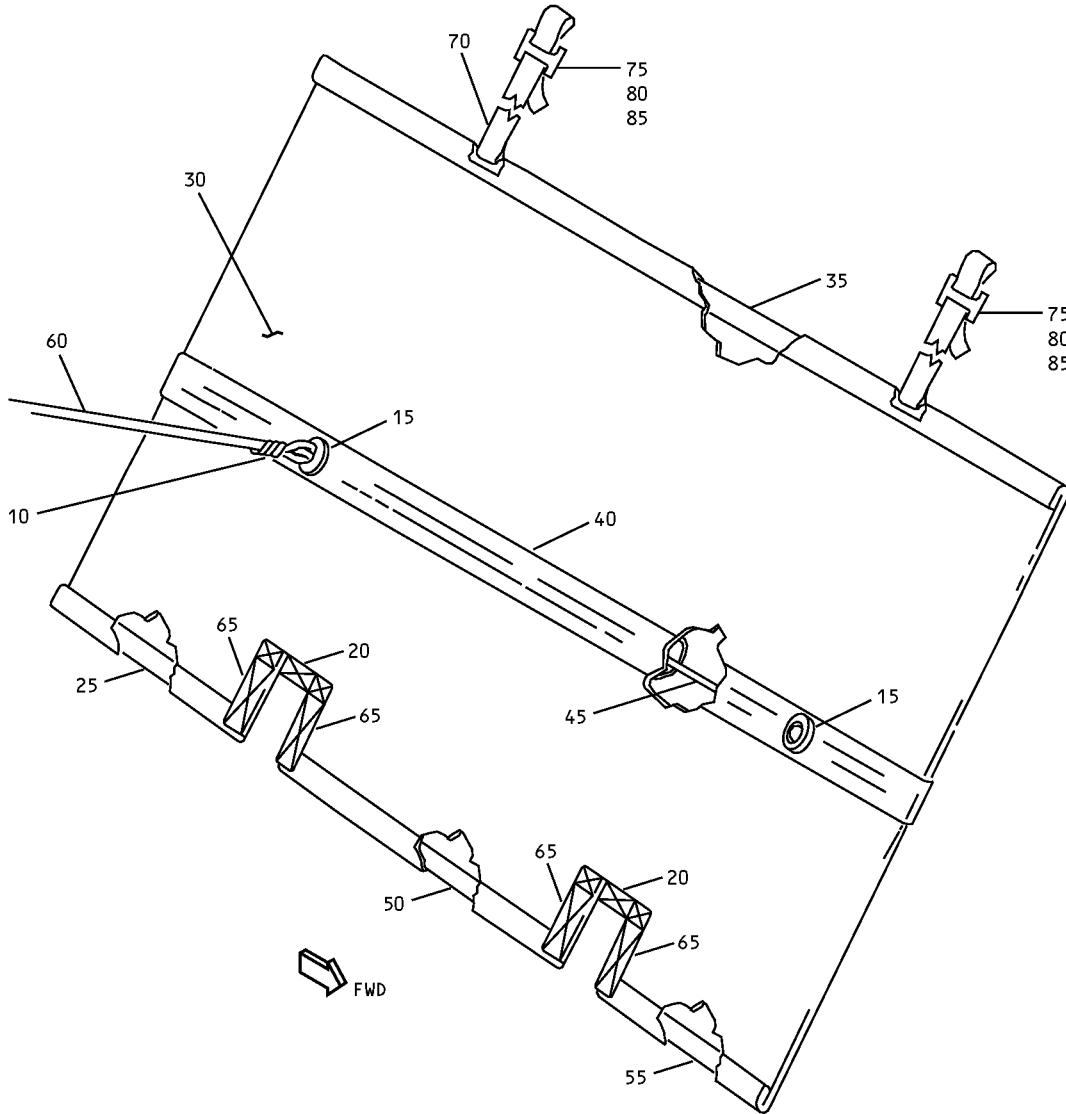
**25-50-01**

ILLUSTRATED PARTS LIST

Page 1098.6

Mar 01/2007

COMPONENT MAINTENANCE MANUAL



65-52956-19

Aft Cargo Compartment Net Assembly  
IPL Figure 16 (Sheet 1 of 2)

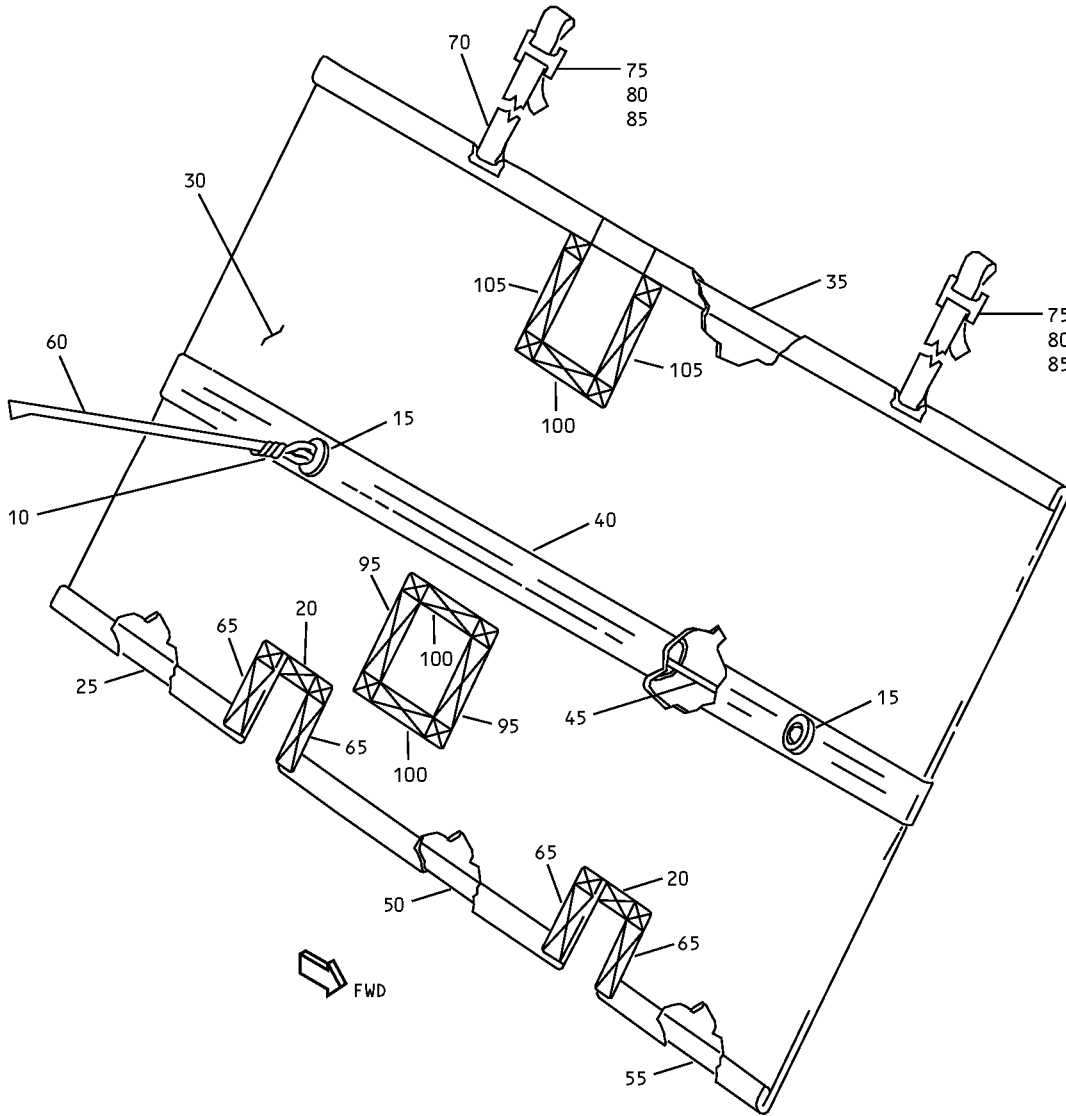
**25-50-01**

ILLUSTRATED PARTS LIST

Page 1098.7

Mar 01/2007

COMPONENT MAINTENANCE MANUAL



65-52956-1

Aft Cargo Compartment Net Assembly  
IPL Figure 16 (Sheet 2 of 2)

**25-50-01**

ILLUSTRATED PARTS LIST

Page 1098.8

Mar 01/2007



COMPONENT MAINTENANCE MANUAL

FIG/ ITEM	PART NUMBER	AIRLINE PART NUMBER	NOMENCLATURE							USAGE CODE	UNITS PER ASSY
			1	2	3	4	5	6	7		
16-											
-1	65-52956-19									A	RF
-1A	65-52956-1									B	RF
-5	65-52956-10										1
10	65-52956-13										2
-10A	BACS38K113										2
15	65-52956-14										4
20	65-52956-15										2
25	65-52956-20									A	1
-25A	65-52956-25									B	1
30	65-52956-21									A	1
-30A	65-52956-2									B	1
35	65-52956-22									A	1
-35A	65-52956-7									B	1
40	65-52956-23									A	1
-40A	65-52956-4									B	1
45	65-52956-24									A	1
-45A	65-52956-8									B	1
50	65-52956-26										1
55	65-52956-27										1
60	65-52956-5										2
65	65-52956-6										4
70	65-52956-9										2
75	FD2876-1										2
80	10027										2

-Item not Illustrated

**25-50-01**

ILLUSTRATED PARTS LIST  
Page 1098.9  
Mar 01/2007

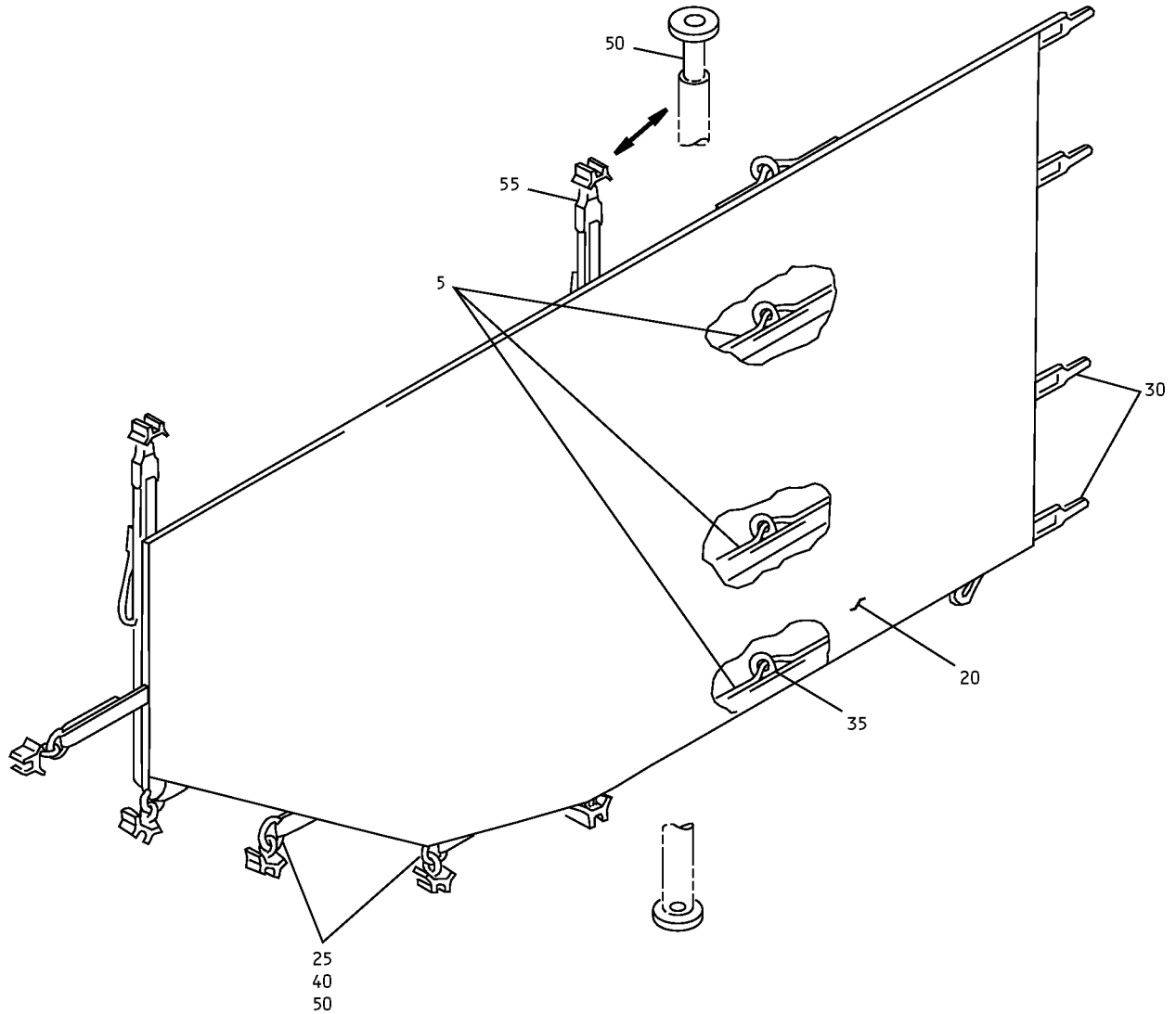


COMPONENT MAINTENANCE MANUAL

FIG/ ITEM	PART NUMBER	AIRLINE PART NUMBER	NOMENCLATURE							USAGE CODE	UNITS PER ASSY
			1	2	3	4	5	6	7		
16- 85	1208		.	SLIDE (V01276) (OPT ITEM 75, 80)							2
90	10027-51		.	SLIDE (V15814) (OPT ITEM 80)							2
95	65-52956-16		.	STRAP REINFORCING					A		2
100	65-52956-17		.	STRAP REINFORCING					A		3
105	65-52956-18		.	STRAP REINFORCING					A		2

-Item not Illustrated

COMPONENT MAINTENANCE MANUAL



65-78966-39

Aft Cargo Compartment Net Assembly  
IPL Figure 17

**25-50-01**

ILLUSTRATED PARTS LIST

Page 1098.11

Mar 01/2007





COMPONENT MAINTENANCE MANUAL

FIG/ ITEM	PART NUMBER	AIRLINE PART NUMBER	NOMENCLATURE							USAGE CODE	UNITS PER ASSY
			1	2	3	4	5	6	7		
17-											
-1	65-78966-39										RF
5	65-78966-12										1
-10	65-78966-15										1
-15	65-78966-20										1
20	65-78966-25										1
25	A6908										5
30	FDC1575B0										4
35	NAS1211A10										4
40	10730										5
45	40041-14										2
50	40340-10										5
55	42302-101										2

-Item not Illustrated

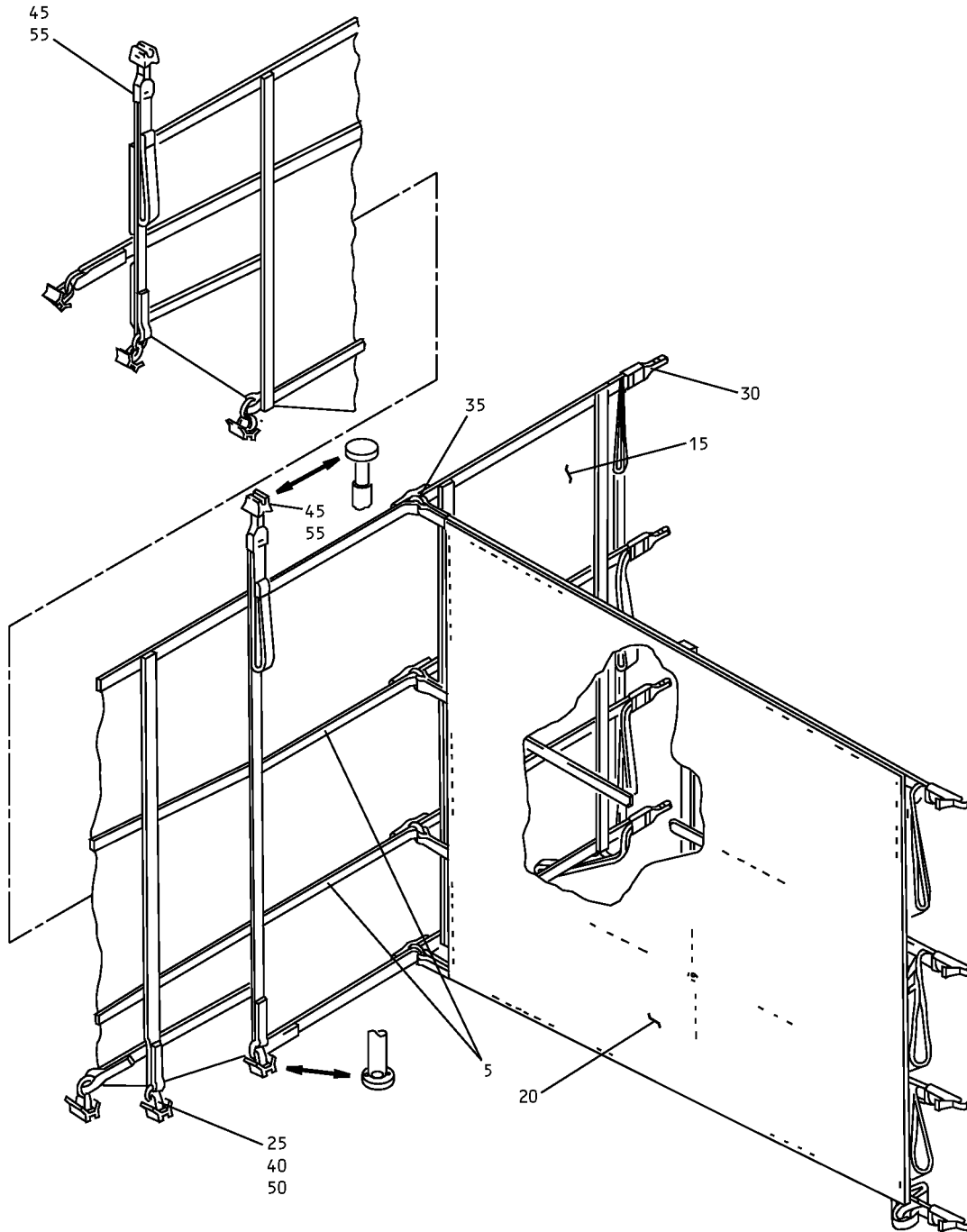
**25-50-01**

ILLUSTRATED PARTS LIST

Page 1098.12

Mar 01/2007

COMPONENT MAINTENANCE MANUAL



65-78966-41

Aft Cargo Compartment Net Assembly  
IPL Figure 18

**25-50-01**

ILLUSTRATED PARTS LIST

Page 1098.13

Mar 01/2007



COMPONENT MAINTENANCE MANUAL

FIG/ ITEM	PART NUMBER	AIRLINE PART NUMBER	NOMENCLATURE							USAGE CODE	UNITS PER ASSY
			1	2	3	4	5	6	7		
18-											
-1	65-78966-41										RF
5	65-78966-12										1
-10	65-78966-20										1
15	65-78966-27										1
20	65-78966-28										1
25	A6908										6
30	FDC1575B0										8
35	NAS1211A10										4
40	10730										6
45	40041-14										2
50	40340-10										6
55	42302-101										2

-Item not Illustrated

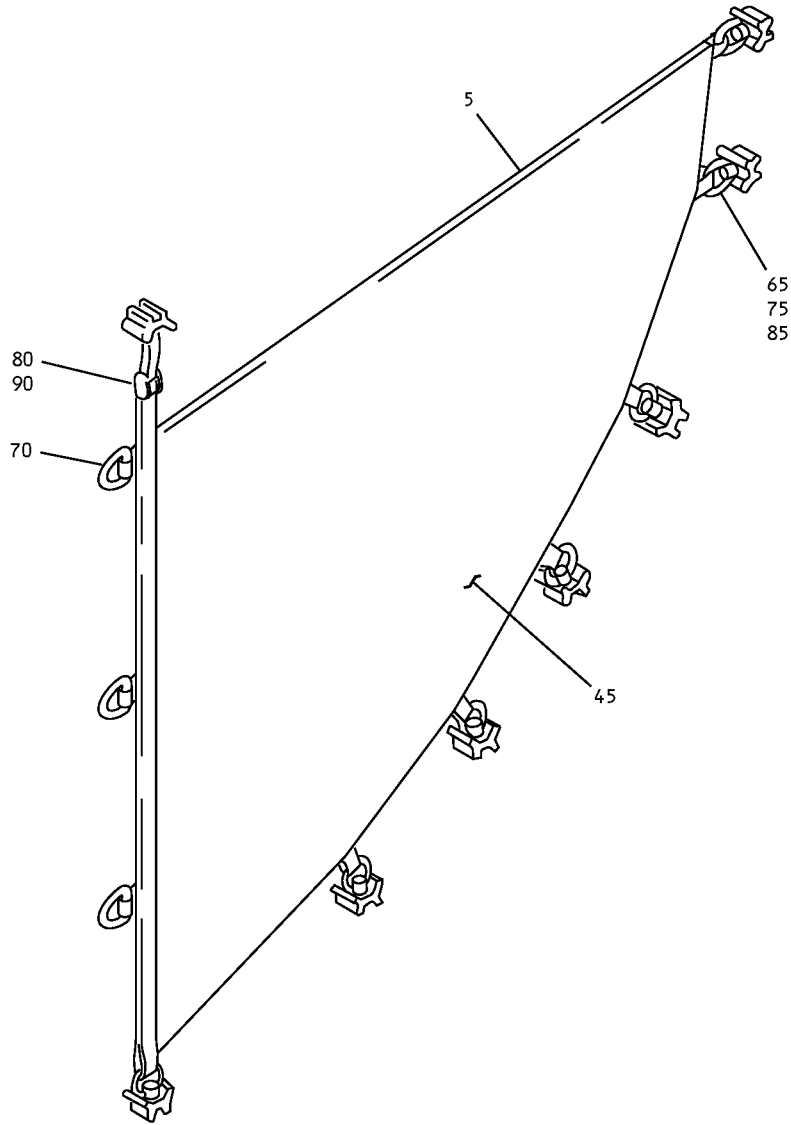
**25-50-01**

ILLUSTRATED PARTS LIST

Page 1098.14

Mar 01/2007

COMPONENT MAINTENANCE MANUAL



65-78966-46,-47,-54,-55

Aft Cargo Compartment Net Assembly  
IPL Figure 19

**25-50-01**

ILLUSTRATED PARTS LIST

Page 1098.15

Mar 01/2007



COMPONENT MAINTENANCE MANUAL

FIG/ ITEM	PART NUMBER	AIRLINE PART NUMBER	NOMENCLATURE							USAGE CODE	UNITS PER ASSY
			1	2	3	4	5	6	7		
19-											
-1	65-78966-46									A	RF
-1A	65-78966-47									B	RF
-1B	65-78966-54									C	RF
-1C	65-78966-55									D	RF
5	65-78966-12										1
-10	65-78966-15									A, C	1
-15	65-78966-20										1
-20	65C29287-11									A, C	1
-20A	65C29287-15									B, D	1
-25	65C29287-12									A, C	1
-25A	65C29287-16									B, D	1
-30	65C29287-27									A, C	1
-30A	65C29287-33									B, D	1
-35	65C29287-29									A, C	1
-35A	65C29287-35									B, D	1
-40	65C29287-31									A, C	1
-40A	65C29287-37									B, D	1
-45	65C29287-5									A, C	1
-45A	65C29287-7									B, D	1
-50	69-74557-7									A, C	1
-50A	69-74557-4									B, D	1
-55	69-74557-8									A, C	1
-55A	69-74557-5									B, D	1
-60	69-74557-9									A, C	1
-60A	69-74557-6									B, D	1
65	A6908										7
70	NAS1211A10										3

-Item not Illustrated

**25-50-01**

ILLUSTRATED PARTS LIST

Page 1098.16

Mar 01/2007

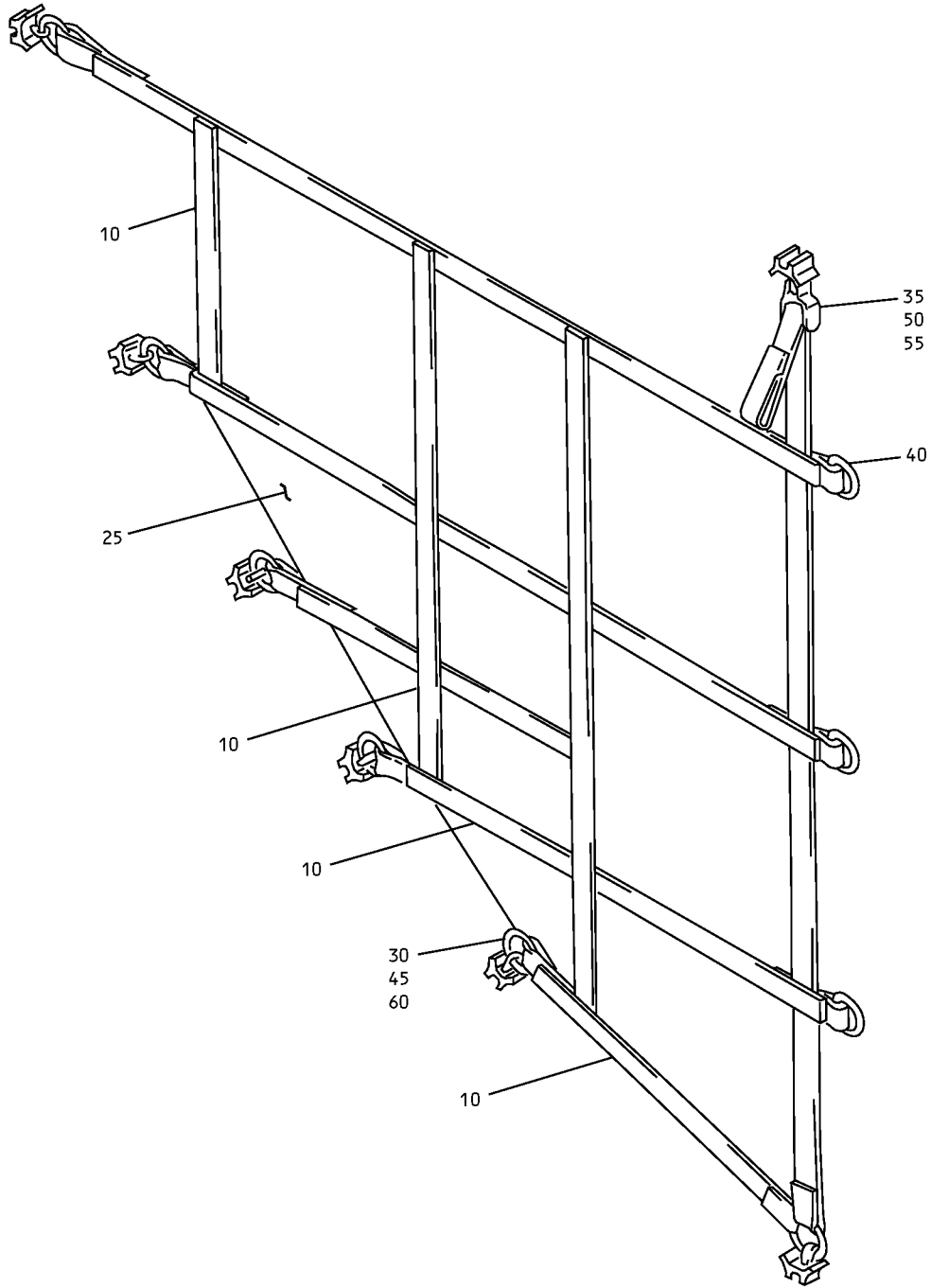


COMPONENT MAINTENANCE MANUAL

FIG/ ITEM	PART NUMBER	AIRLINE PART NUMBER	NOMENCLATURE							USAGE CODE	UNITS PER ASSY
			1	2	3	4	5	6	7		
19- 75	10730		.	TIEDOWN,TRACK							7
				(V95957)							
				(OPT ITEM 65, 85)							
80	40041-15		.	TIEDOWN,ADJUSTABLE							1
				(V31272)							
				(OPT ITEM 90)							
85	40340-10		.	FITTING,TIEDOWN							7
				(V31272)							
				(OPT ITEM 65, 75)							
90	42302-102		.	TIEDOWN,ADJUSTABLE							1
				(V95957)							
				(OPT ITEM 80)							

-Item not Illustrated

COMPONENT MAINTENANCE MANUAL



65-78966-1,-29,-34

Forward and Aft Cargo Compartment Net Assembly  
IPL Figure 20

**25-50-01**

ILLUSTRATED PARTS LIST

Page 1098.18

Mar 01/2007



COMPONENT MAINTENANCE MANUAL

FIG/ ITEM	PART NUMBER	AIRLINE PART NUMBER	NOMENCLATURE							USAGE CODE	UNITS PER ASSY
			1	2	3	4	5	6	7		
20-											
-1	65-78966-1									A	RF
-5	65-78966-29									B	RF
-5A	65-78966-34									C	RF
10	65-78966-12										1
-15	65-78966-13										1
-20	65-78966-20										1
25	65-78966-21									A	1
30	A6908										6
35	A8509-20									A, B	1
40	NAS1211A10										3
45	10730										6
50	24089-51									A, B	1
-50A	42302-101									C	1
55	40041-11									A, B	1
60	40340-10										6
-60A	40041-14									C	1

-Item not Illustrated

**25-50-01**

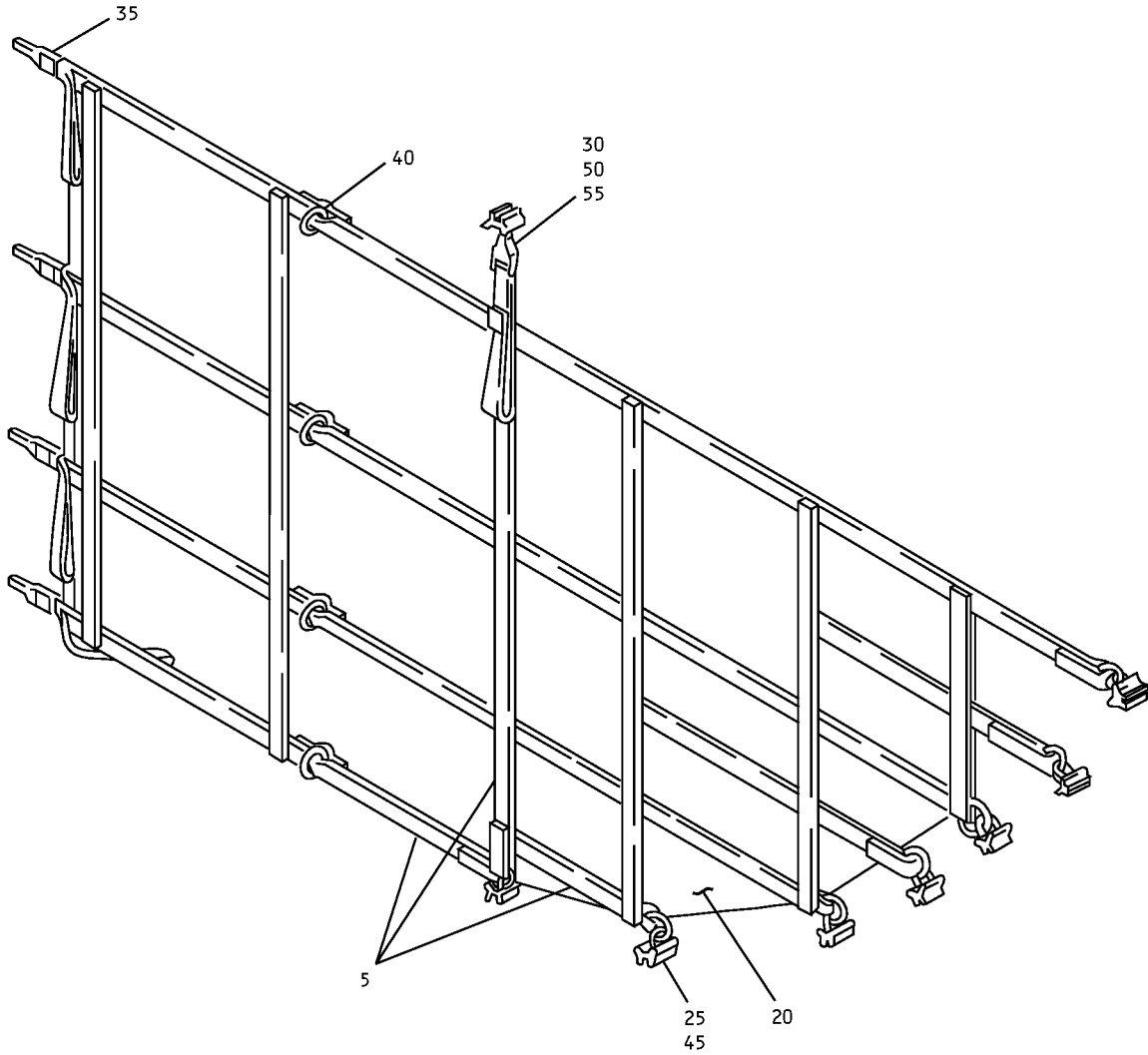
ILLUSTRATED PARTS LIST

Page 1098.19

Mar 01/2007



COMPONENT MAINTENANCE MANUAL



65-78966-2,-48

Forward and Aft Cargo Compartment Net Assembly  
IPL Figure 21

**25-50-01**

ILLUSTRATED PARTS LIST

Page 1098.20

Mar 01/2007



COMPONENT MAINTENANCE MANUAL

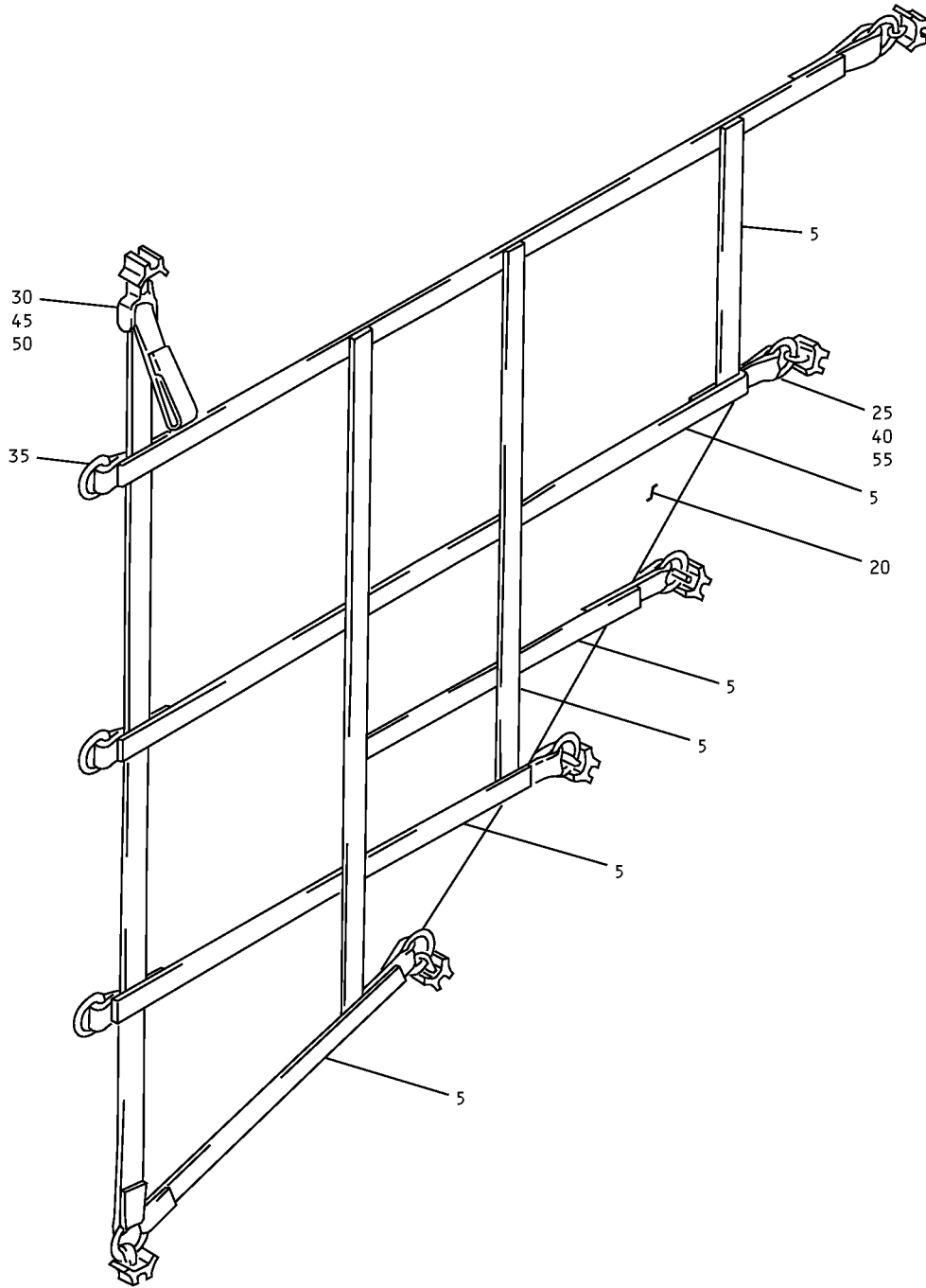
FIG/ ITEM	PART NUMBER	AIRLINE PART NUMBER	NOMENCLATURE							USAGE CODE	UNITS PER ASSY
			1	2	3	4	5	6	7		
21-											
-1	65-78966-2									A	RF
-1A	65-78966-48									B	RF
5	65-78966-12										1
-10	65-78966-13										1
-15	65-78966-20										1
20	65-78966-22										1
25	A6908										7
30	A8509-20										1
35	FDC1575B0										4
40	NAS1211A10										4
45	10730										7
50	24089-51										1
-50A	42302-102									B	1
55	40041-11										1
-55A	40041-15									B	1

-Item not Illustrated

**25-50-01**

ILLUSTRATED PARTS LIST  
Page 1098.21  
Mar 01/2007

COMPONENT MAINTENANCE MANUAL



65-78966-3,-36

Forward and Aft Cargo Compartment Net Assembly  
IPL Figure 22

**25-50-01**

ILLUSTRATED PARTS LIST

Page 1098.22

Mar 01/2007



COMPONENT MAINTENANCE MANUAL

FIG/ ITEM	PART NUMBER	AIRLINE PART NUMBER	NOMENCLATURE							USAGE CODE	UNITS PER ASSY
			1	2	3	4	5	6	7		
22-											
-1	65-78966-3									A	RF
-1A	65-78966-36									B	RF
5	65-78966-12										1
-10	65-78966-14										1
-15	65-78966-20										1
20	65-78966-21										1
25	A6908										6
30	A8509-20									A	1
35	NAS1211A10										3
40	10730										6
45	24089-51									A	1
-45A	42302-101									B	1
50	40041-11									A	1
-50A	40041-14									B	1
55	40340-10										6

-Item not Illustrated

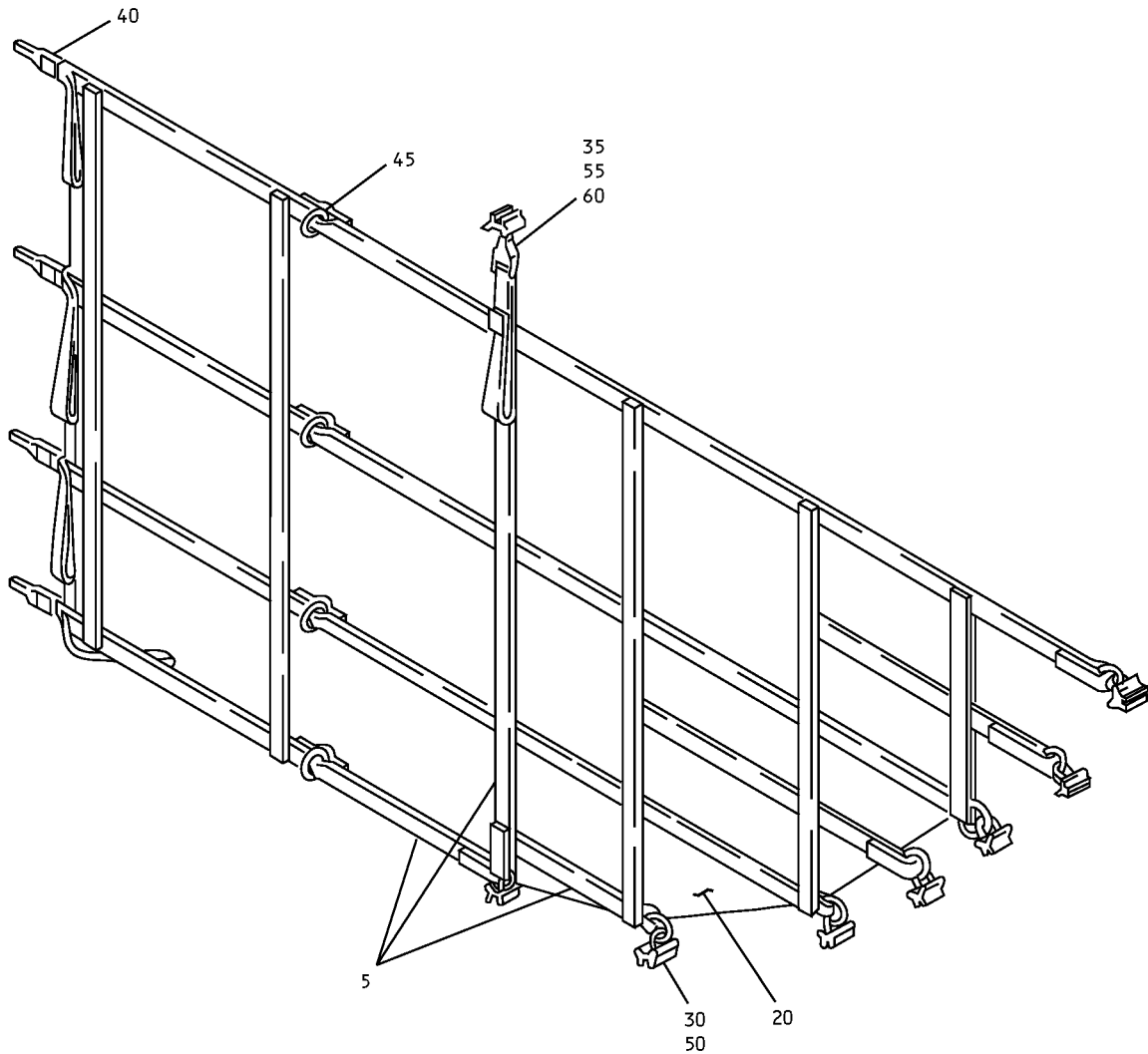
**25-50-01**

ILLUSTRATED PARTS LIST

Page 1098.23

Mar 01/2007

COMPONENT MAINTENANCE MANUAL



65-78966-4,-49

Forward and Aft Cargo Compartment Net Assembly  
IPL Figure 23

**25-50-01**

ILLUSTRATED PARTS LIST

Page 1098.24

Mar 01/2007



COMPONENT MAINTENANCE MANUAL

FIG/ ITEM	PART NUMBER	AIRLINE PART NUMBER	NOMENCLATURE							USAGE CODE	UNITS PER ASSY
			1	2	3	4	5	6	7		
23-											
-1	65-78966-4									A	RF
-1A	65-78966-49									B	RF
5	65-78966-12										1
-10	65-78966-14										1
-15	65-78966-20										1
20	65-78966-22										1
-25	65-78966-23										1
30	A6908										7
35	A8509-20									A	1
40	FDC1575B0										4
45	NAS1211A10										4
50	10730										7
55	24089-51									A	1
-55A	42302-102									B	1
60	40041-11									A	1
-60A	40041-15									B	1

-Item not Illustrated

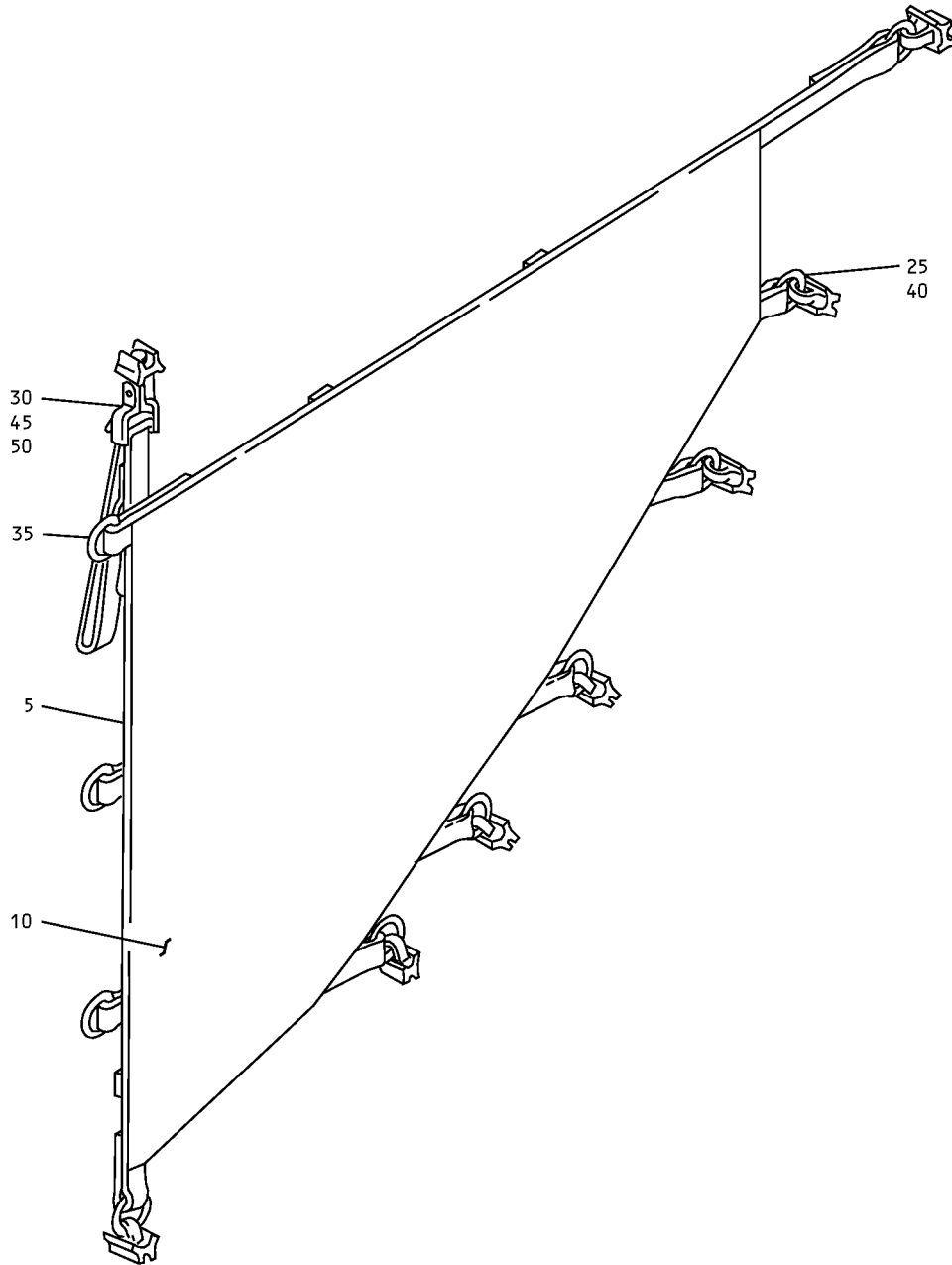
**25-50-01**

ILLUSTRATED PARTS LIST

Page 1098.25

Mar 01/2007

COMPONENT MAINTENANCE MANUAL



65-78966-5,-38

Forward and Aft Cargo Compartment Net Assembly  
IPL Figure 24

**25-50-01**

ILLUSTRATED PARTS LIST

Page 1098.26

Mar 01/2007



COMPONENT MAINTENANCE MANUAL

FIG/ ITEM	PART NUMBER	AIRLINE PART NUMBER	NOMENCLATURE							USAGE CODE	UNITS PER ASSY
			1	2	3	4	5	6	7		
24-											
-1	65-78966-5									A	RF
-1A	65-78966-38									B	RF
5	65-78966-12										1
10	65-78966-15										1
-15	65-78966-20										1
-20	65-78966-24										1
25	A6908										7
30	A8509-20										1
35	NAS1211A10										3
40	10730										7
45	24089-51									A	1
-45A	42302-101									B	1
50	40041-11									A	1
-50A	40041-14									B	1

-Item not Illustrated

**25-50-01**

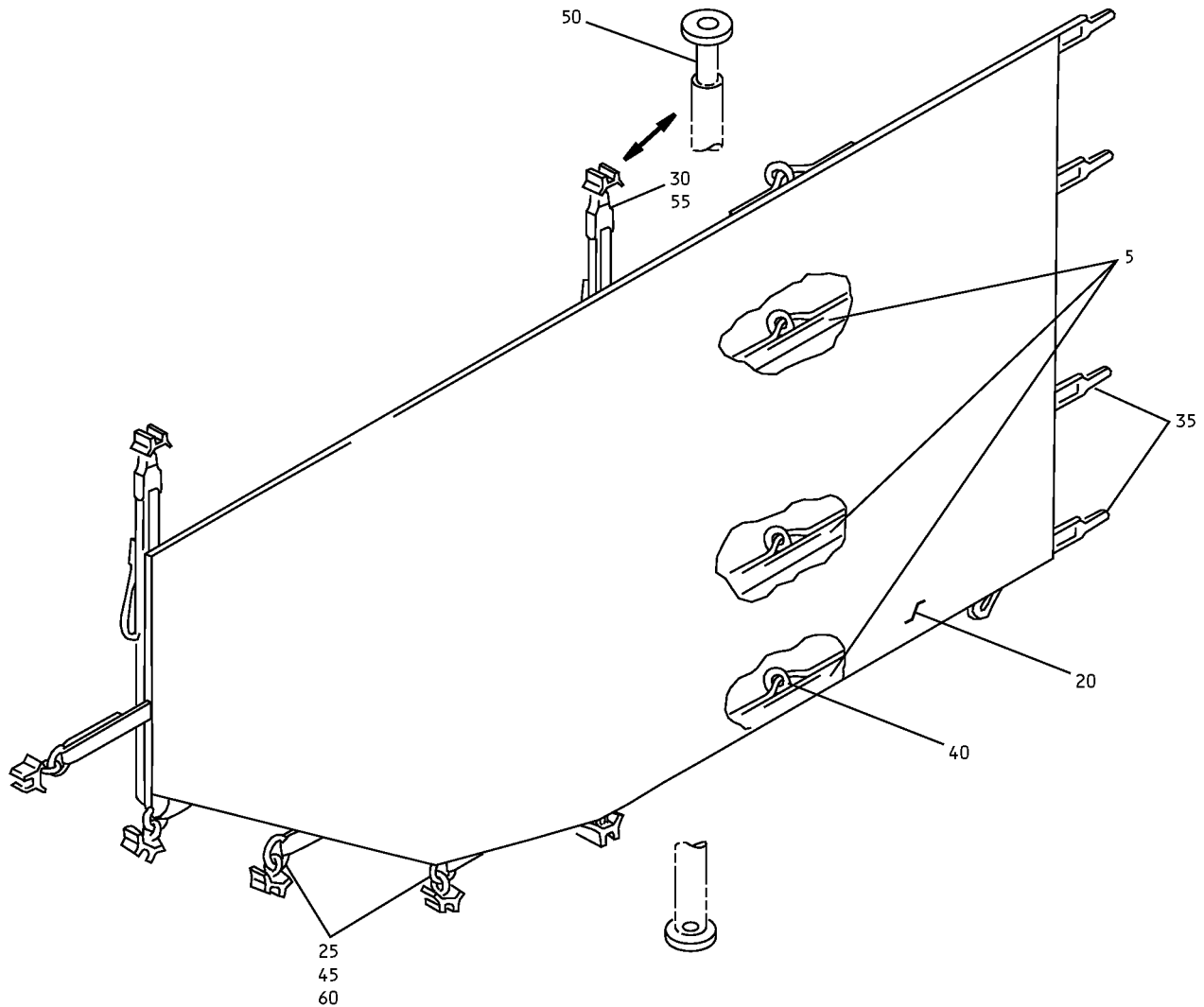
ILLUSTRATED PARTS LIST

Page 1098.27

Mar 01/2007



COMPONENT MAINTENANCE MANUAL



65-78966-6,-50

Forward and Aft Cargo Compartment Net Assembly  
IPL Figure 25

**25-50-01**

ILLUSTRATED PARTS LIST

Page 1098.28

Mar 01/2007



COMPONENT MAINTENANCE MANUAL

FIG/ ITEM	PART NUMBER	AIRLINE PART NUMBER	NOMENCLATURE							USAGE CODE	UNITS PER ASSY
			1	2	3	4	5	6	7		
25-											
-1	65-78966-6									A	RF
-1A	65-78966-50									B	RF
5	65-78966-12										1
-10	65-78966-15										1
-15	65-78966-20										1
20	65-78966-25										1
25	A6908										5
30	A8509-20										2
35	FDC1575B0										4
40	NAS1211A10										4
45	10730										5
50	24089-51									A	2
-50A	42302-102									B	2
55	40041-11									A	2
-55A	40041-15									B	2
60	40340-10										5

-Item not Illustrated

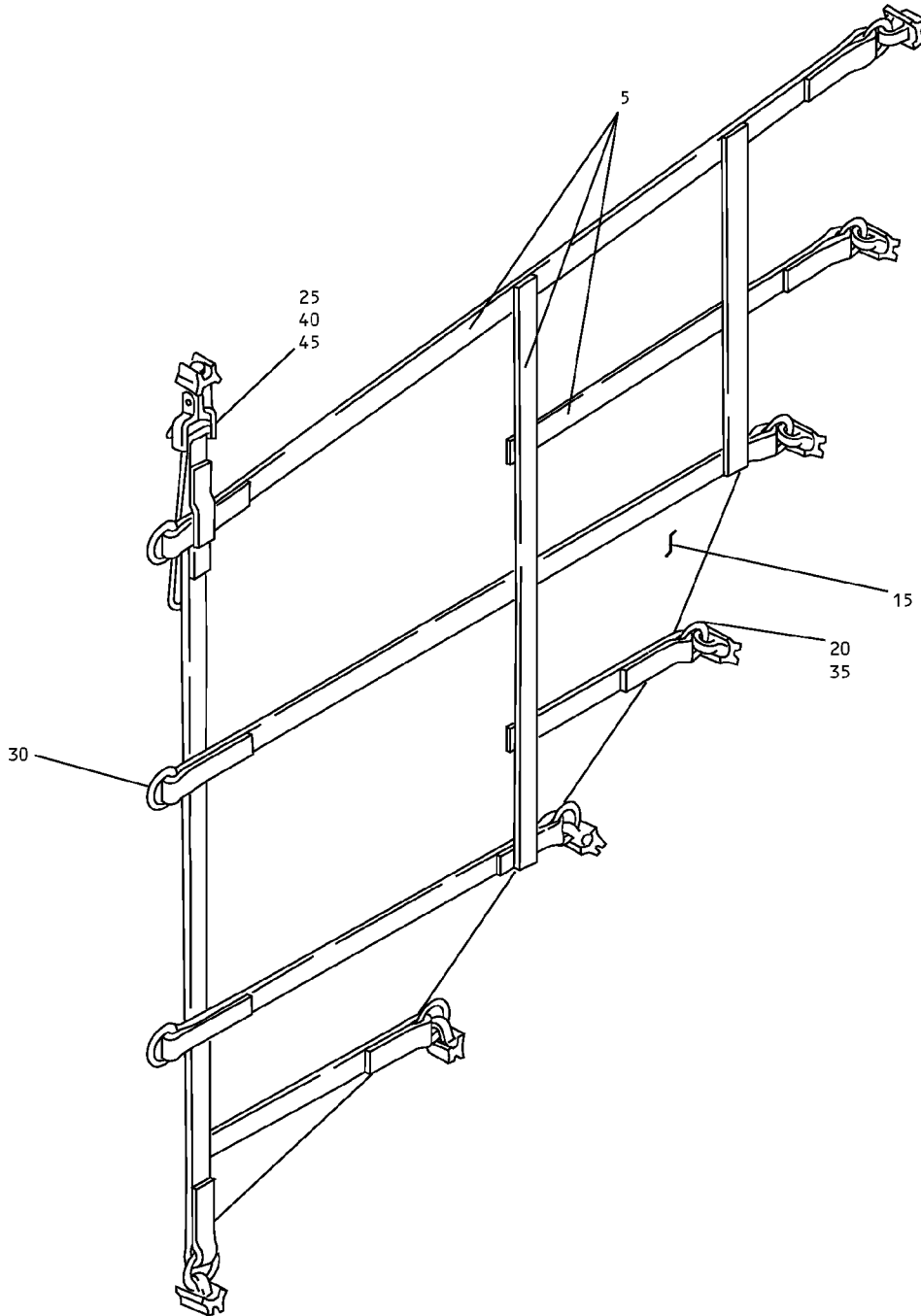
**25-50-01**

ILLUSTRATED PARTS LIST

Page 1098.29

Mar 01/2007

COMPONENT MAINTENANCE MANUAL



65-78966-7,-40

Forward and Aft Cargo Compartment Net Assembly  
IPL Figure 26

**25-50-01**

ILLUSTRATED PARTS LIST

Page 1098.30

Mar 01/2007



COMPONENT MAINTENANCE MANUAL

FIG/ ITEM	PART NUMBER	AIRLINE PART NUMBER	NOMENCLATURE							USAGE CODE	UNITS PER ASSY
			1	2	3	4	5	6	7		
26-											
-1	65-78966-7									A	RF
-1A	65-78966-40									B	RF
5	65-78966-12										1
-10	65-78966-20										1
15	65-78966-26										1
20	A6908										7
25	A8509-20									A	1
30	NAS1211A10										3
35	10730										7
40	24089-51									A	1
-40A	42302-101									B	1
45	40041-11									A	1
-45A	40041-14									B	1

-Item not Illustrated

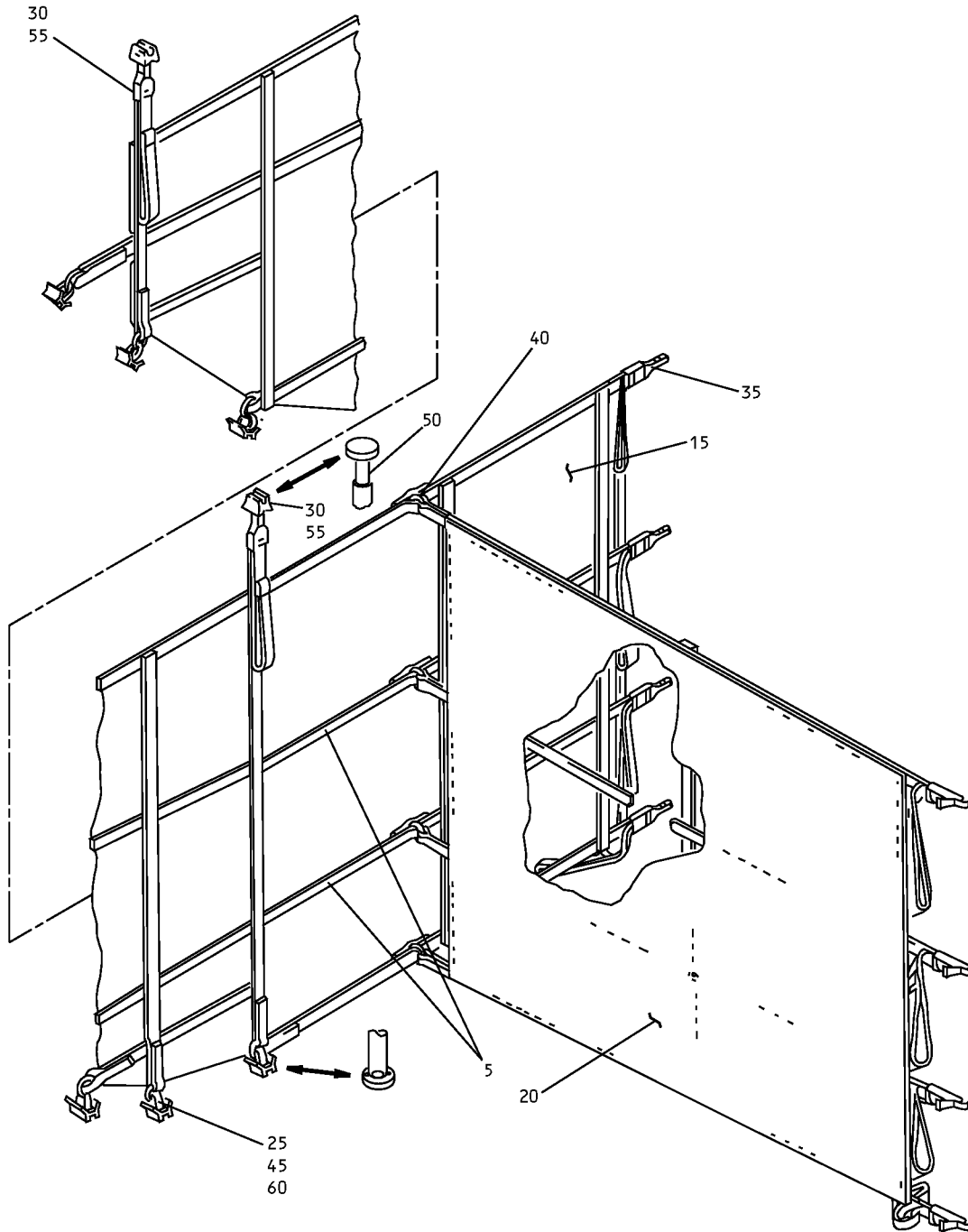
**25-50-01**

ILLUSTRATED PARTS LIST

Page 1098.31

Mar 01/2007

COMPONENT MAINTENANCE MANUAL



65-78966-8,-51

Forward and Aft Cargo Compartment Net Assembly  
IPL Figure 27

**25-50-01**

ILLUSTRATED PARTS LIST

Page 1098.32

Mar 01/2007



COMPONENT MAINTENANCE MANUAL

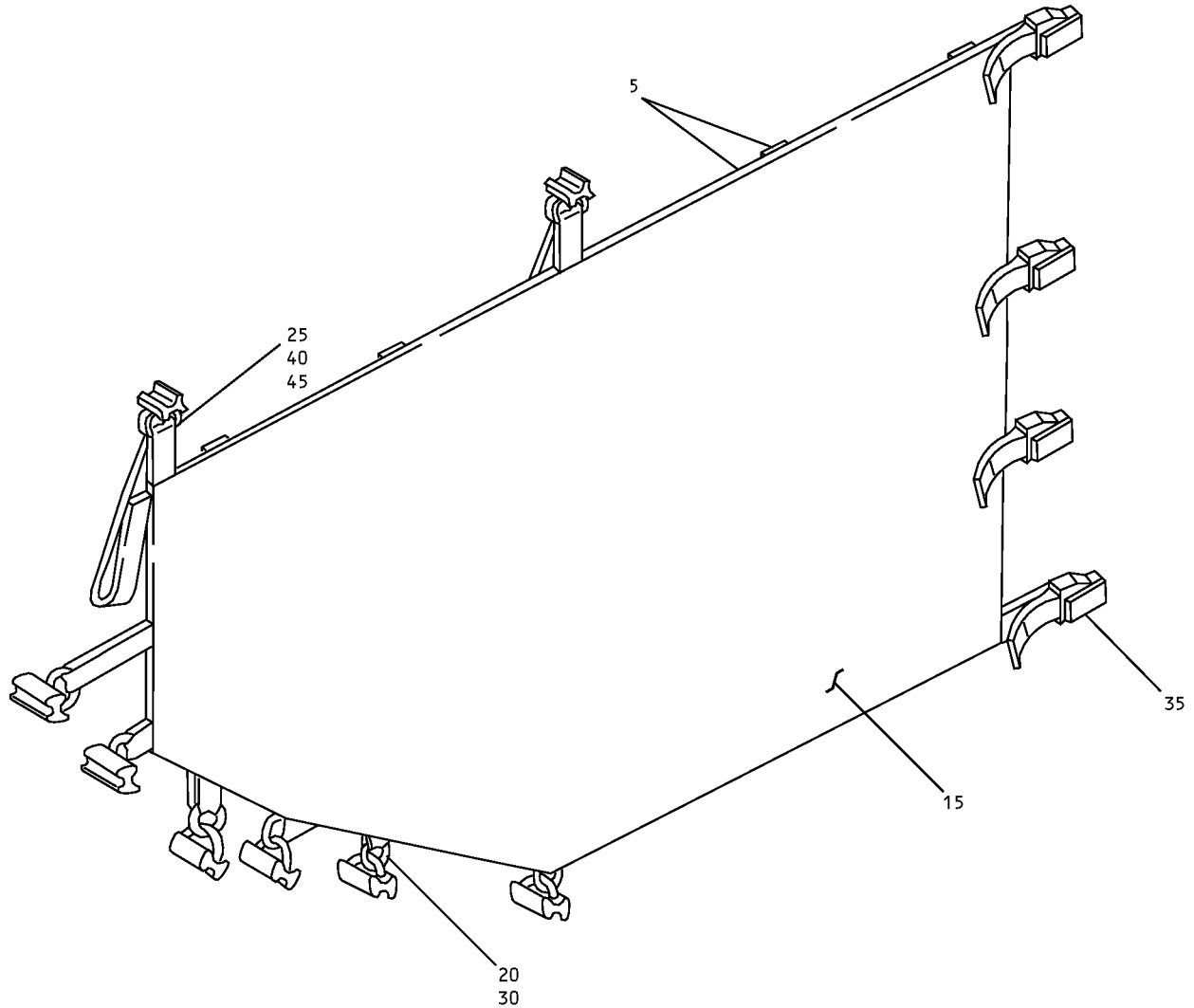
FIG/ ITEM	PART NUMBER	AIRLINE PART NUMBER	NOMENCLATURE							USAGE CODE	UNITS PER ASSY
			1	2	3	4	5	6	7		
27-											
-1	65-78966-8									A	RF
-1A	65-78966-51									B	RF
5	65-78966-12										1
-10	65-78966-20										1
15	65-78966-27										1
20	65-78966-28										1
25	A6908										6
30	A8509-20										2
35	FDC1575B0										8
40	NAS1211A10										4
45	10730										6
50	24089-51									A	2
-50A	42302-102									B	2
55	40041-11									A	2
-55A	40041-15									B	2
60	40340-10										6

-Item not Illustrated

**25-50-01**

ILLUSTRATED PARTS LIST  
Page 1098.33  
Mar 01/2007

COMPONENT MAINTENANCE MANUAL



65-78966-30,-42

Forward and Aft Cargo Compartment Net Assembly  
IPL Figure 28

**25-50-01**

ILLUSTRATED PARTS LIST

Page 1098.34

Mar 01/2007



COMPONENT MAINTENANCE MANUAL

FIG/ ITEM	PART NUMBER	AIRLINE PART NUMBER	NOMENCLATURE							USAGE CODE	UNITS PER ASSY
			1	2	3	4	5	6	7		
28-											
-1	65-78966-30									A	RF
-1A	65-78966-42									B	RF
5	65-78966-12										1
-10	65-78966-20										1
15	65-78966-32										1
20	A6908										6
25	A8509-20										2
30	10730										6
35	21510-51										4
40	24089-51									A	2
-40A	42302-101									B	2
45	40041-11										2

-Item not Illustrated

**25-50-01**

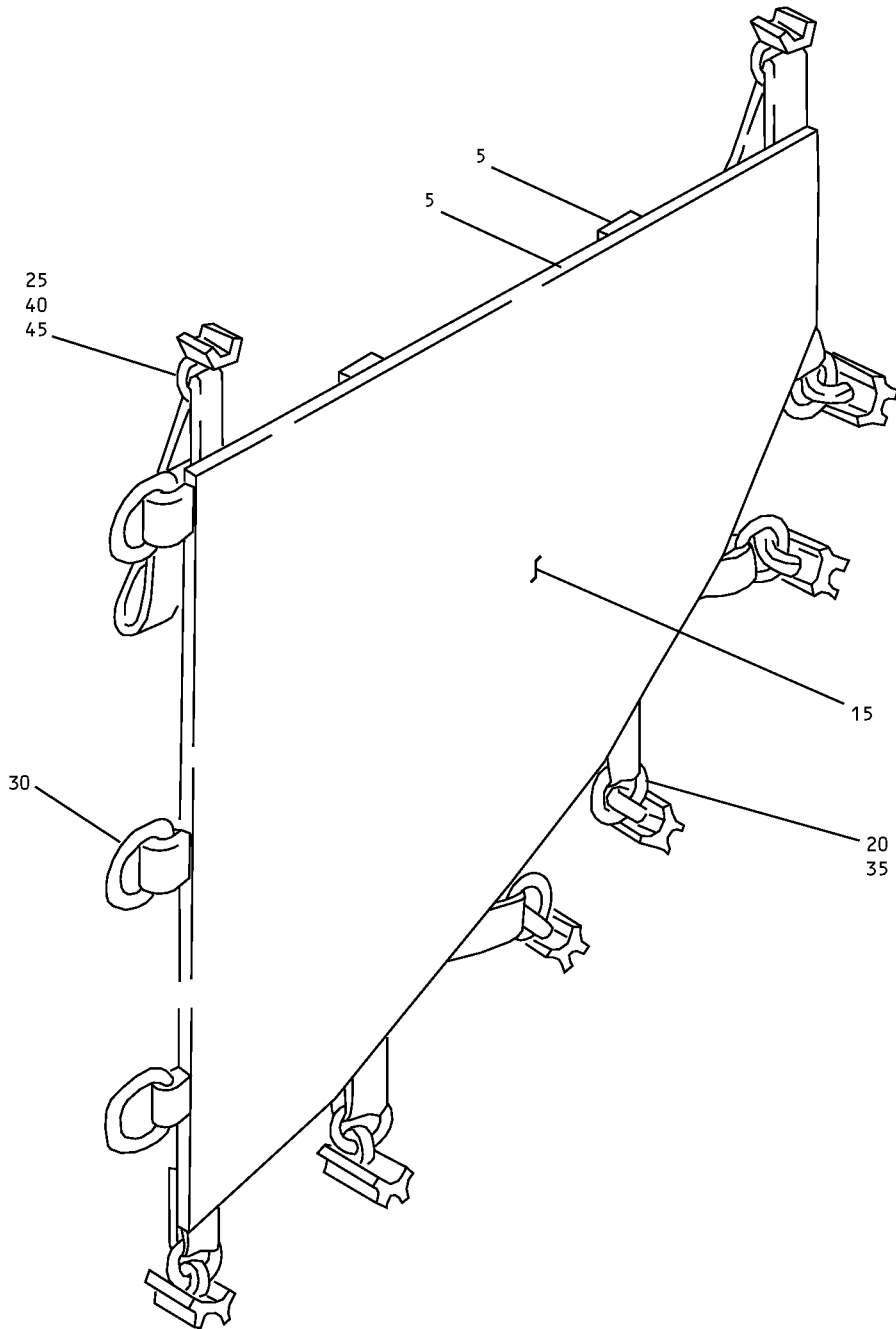
ILLUSTRATED PARTS LIST

Page 1098.35

Mar 01/2007



COMPONENT MAINTENANCE MANUAL



65-78966-31,-43

Forward and Aft Cargo Compartment Net Assembly  
IPL Figure 29

**25-50-01**

ILLUSTRATED PARTS LIST

Page 1098.36

Mar 01/2007

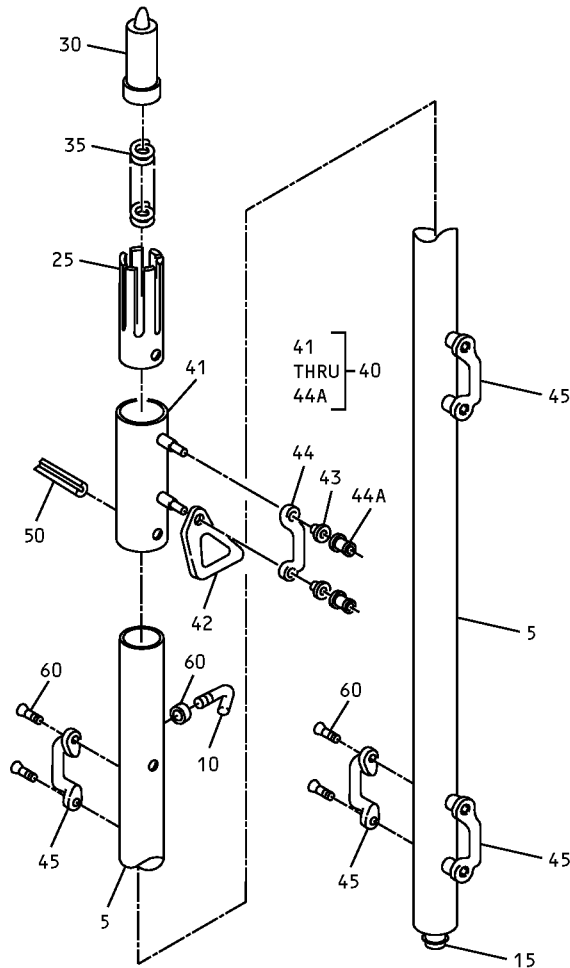


COMPONENT MAINTENANCE MANUAL

FIG/ ITEM	PART NUMBER	AIRLINE PART NUMBER	NOMENCLATURE							USAGE CODE	UNITS PER ASSY
			1	2	3	4	5	6	7		
29-											
-1	65-78966-31									A	RF
-1A	65-78966-43									B	RF
5	65-78966-12										1
-10	65-78966-20										1
15	65-78966-33										1
20	A6908										6
25	A8509-20										2
30	NAS1211A10										3
35	10730										6
40	24089-51										2
-40A	42302-101									B	2
45	40041-11										2

-Item not Illustrated

COMPONENT MAINTENANCE MANUAL



65-52970-6

Forward Cargo Compartment Cargo Net Stanchion Assembly  
IPL Figure 30 (Sheet 1 of 5)

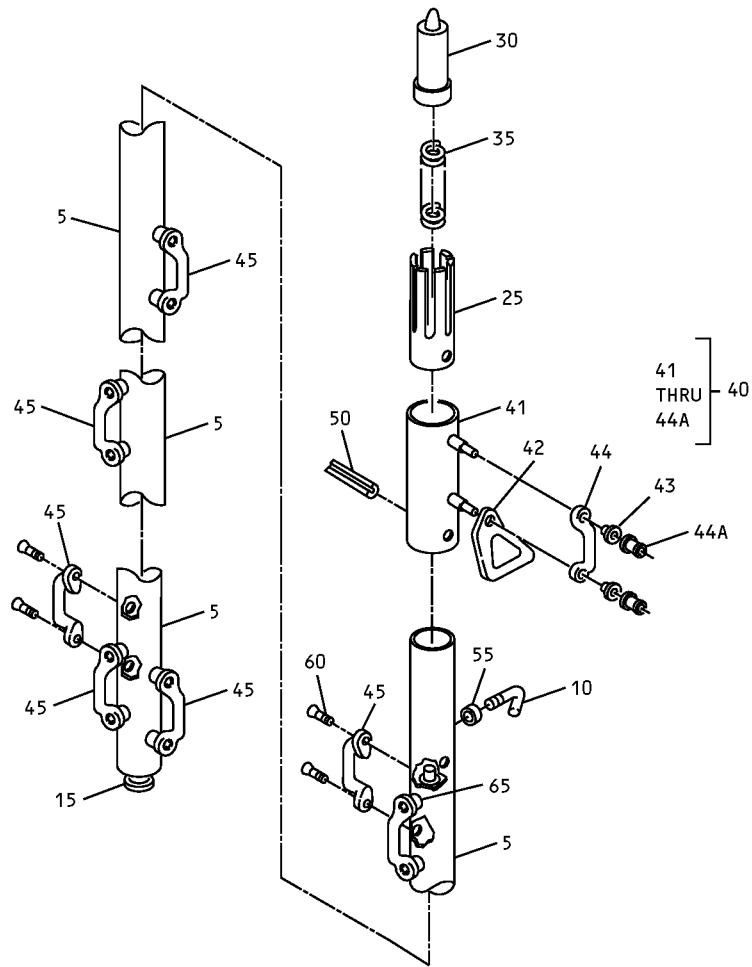
**25-50-01**

ILLUSTRATED PARTS LIST

Page 1098.38

Mar 01/2007

COMPONENT MAINTENANCE MANUAL



65-52970-15

Forward Cargo Compartment Cargo Net Stanchion Assembly  
IPL Figure 30 (Sheet 2 of 5)

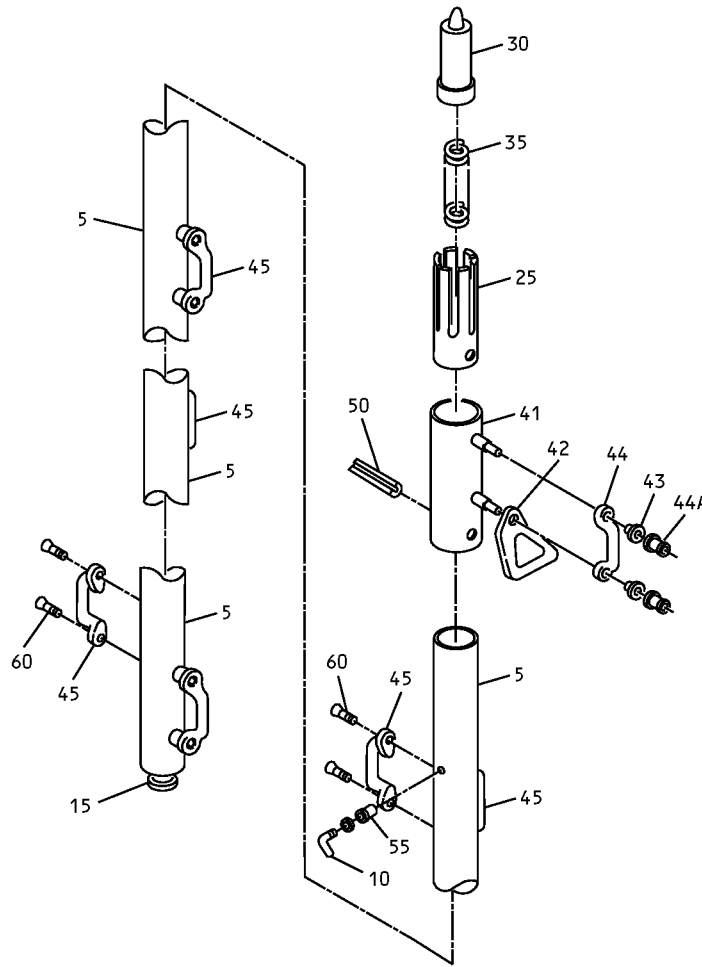
**25-50-01**

ILLUSTRATED PARTS LIST

Page 1098.39

Mar 01/2007

COMPONENT MAINTENANCE MANUAL



65-52970-16

Forward Cargo Compartment Cargo Net Stanchion Assembly  
IPL Figure 30 (Sheet 3 of 5)

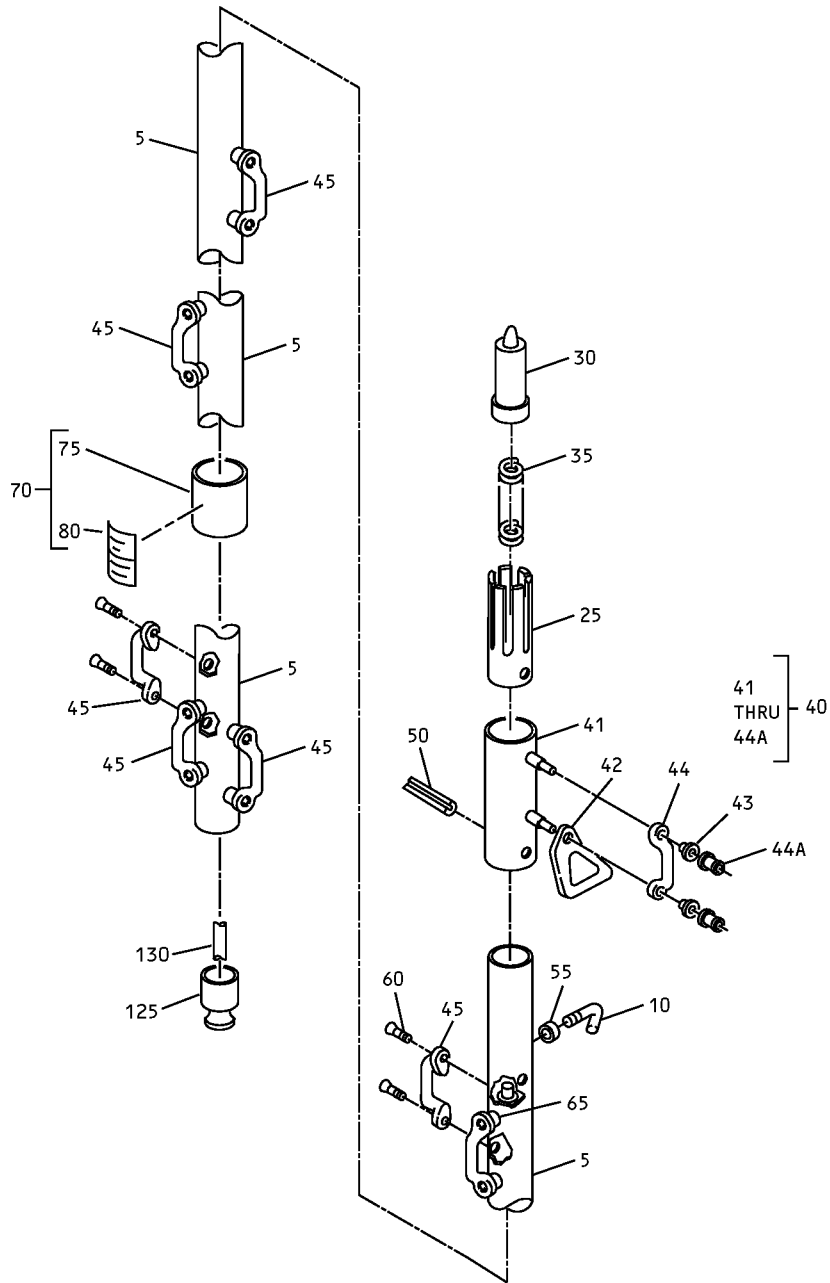
**25-50-01**

ILLUSTRATED PARTS LIST

Page 1098.40

Mar 01/2007

COMPONENT MAINTENANCE MANUAL



65-52970-17 SHOWN  
65-52970-18 OPPOSITE

Forward Cargo Compartment Cargo Net Stanchion Assembly  
IPL Figure 30 (Sheet 4 of 5)

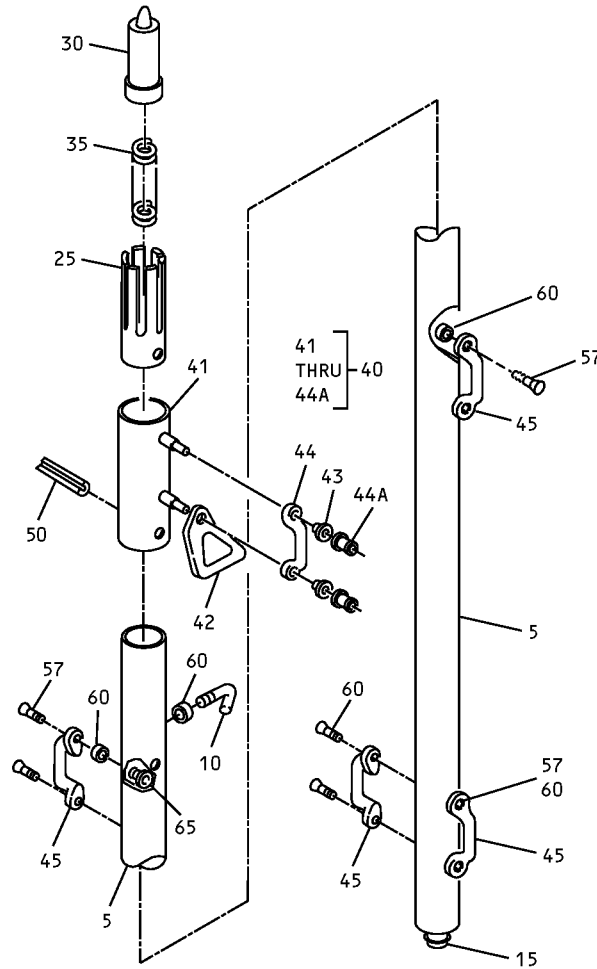
**25-50-01**

ILLUSTRATED PARTS LIST

Page 1098.41

Mar 01/2007

COMPONENT MAINTENANCE MANUAL



65-52970-26

Forward Cargo Compartment Cargo Net Stanchion Assembly  
IPL Figure 30 (Sheet 5 of 5)

**25-50-01**

ILLUSTRATED PARTS LIST

Page 1098.42

Mar 01/2007



COMPONENT MAINTENANCE MANUAL

FIG/ ITEM	PART NUMBER	AIRLINE PART NUMBER	NOMENCLATURE							USAGE CODE	UNITS PER ASSY
			1	2	3	4	5	6	7		
30-											
-1	65-52970-6									A	RF
-2	65-52970-15									B	RF
-3	65-52970-16									C	RF
-3A	65-52970-17									D	RF
-3B	65-52970-18									E	RF
-3C	65-52970-26									F	RF
5	65-52970-9									A	1
5A	65-52970-19									B	1
5B	65-52970-21									C	1
5C	65-52970-13									D	1
5D	65-52970-20									E	1
5E	65-52970-27									F	1
10	66-12804-1										1
15	66-29099-1									B, C, F	1
-15A	69-44309-1									A	1
20	66-35454-2										1
20A	69-35454-2									A-C	1
20B	69-35454-3									D, E	1
20C	69-35454-4									F	1
25	69-35452-3										1
30	69-35453-3									A-C	1
30A	69-35453-4									D, E	1
30B	69-35453-5									F	1
35	69-40294-2										1
40	69-40753-11										1
41	69-40753-7										1
42	66-12811-1										1

-Item not Illustrated

**25-50-01**

ILLUSTRATED PARTS LIST  
Page 1098.43  
Mar 01/2007





COMPONENT MAINTENANCE MANUAL

FIG/ ITEM	PART NUMBER	AIRLINE PART NUMBER	NOMENCLATURE							USAGE CODE	UNITS PER ASSY
			1	2	3	4	5	6	7		
30-											
43	69-40751-1		.	.	WASHER						2
44	BACL20AB		.	.	LOOP-FOOTMAN						1
-44A	BACC30M6		.	.	COLLAR						2
45	BACL20AB		.		LOOP-FOOTMAN				B-E		7
45A	BACL20AB		.		LOOP-FOOTMAN				F		4
50	MS16562-52		.		PIN						1
55	MS25082-12		.		NUT						1
57	BACB30LU3-8		.		BOLT				F		8
60	NAS1329A3K80		.		RIV-NUT				B-D		15
60A	NAS1329A3K80		.		RIV-NUT				A, F		9
65	NAS4DD3-18		.		RIV-NUT				B-D		10
65A	NAS4DD3-18		.		RIV-NUT				A, F		4
70	69-50954-3		.		SLEEVE ASSY				D, E		1
75	69-50954-4		.	.	SLEEVE						1
80	BAC27DCA30		.	.	METAL-CAL						1
85	59-0332-156-		.		PIN-ROLL (V30655)				D, E		1
90	69-50955-1		.		LOCK ASSY				D, E		1
95	MS16562-2		.	.	PIN				D, E		1
100	69-50953-1		.	.	FOOT				D, E		1
105	69-50955-2		.	.	WASHER				D, E		1

-Item not Illustrated

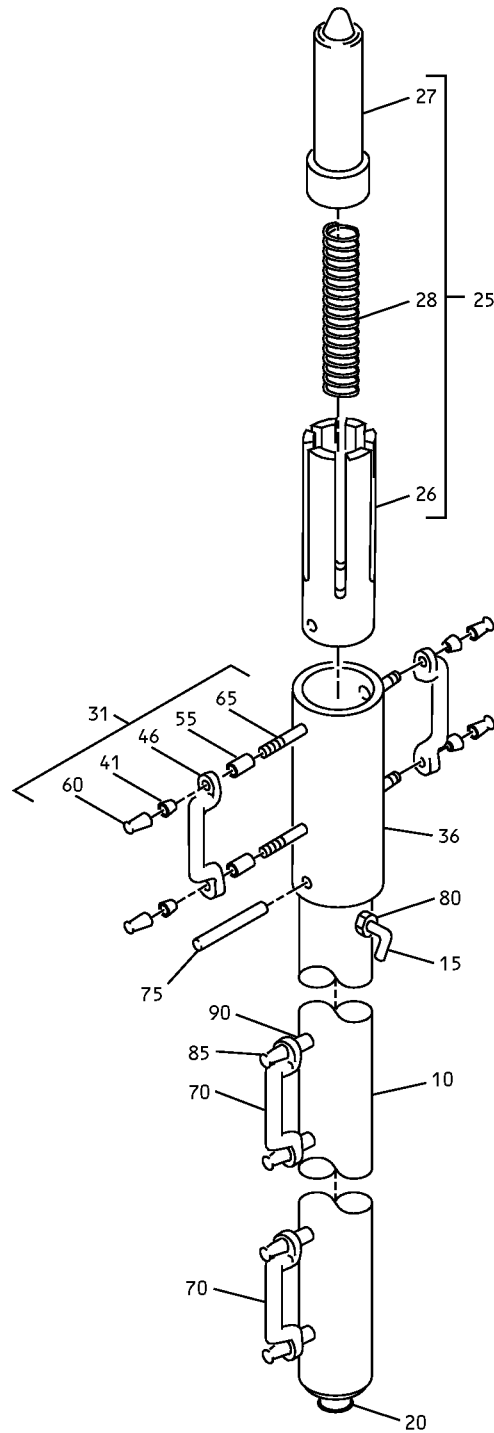
**25-50-01**

ILLUSTRATED PARTS LIST

Page 1098.44

Mar 01/2007

COMPONENT MAINTENANCE MANUAL



65-53882-2,-6,-21,-22,-33,-34,-501,-502

Aft Cargo Compartment Cargo Net Stanchion Assembly  
IPL Figure 31 (Sheet 1 of 4)

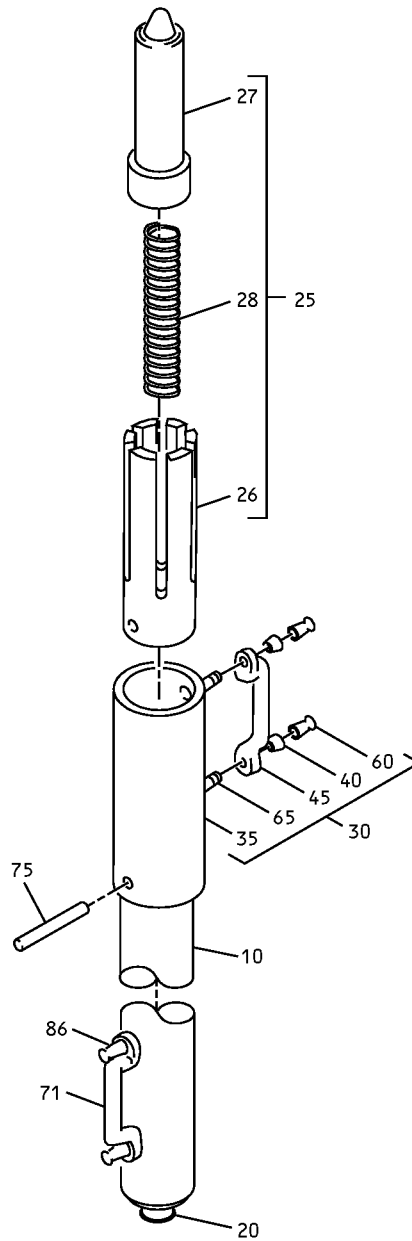
**25-50-01**

ILLUSTRATED PARTS LIST

Page 1098.45

Mar 01/2007

COMPONENT MAINTENANCE MANUAL



65-53882-3,-5,-23,-24,-503,-504

Aft Cargo Compartment Cargo Net Stanchion Assembly  
IPL Figure 31 (Sheet 2 of 4)

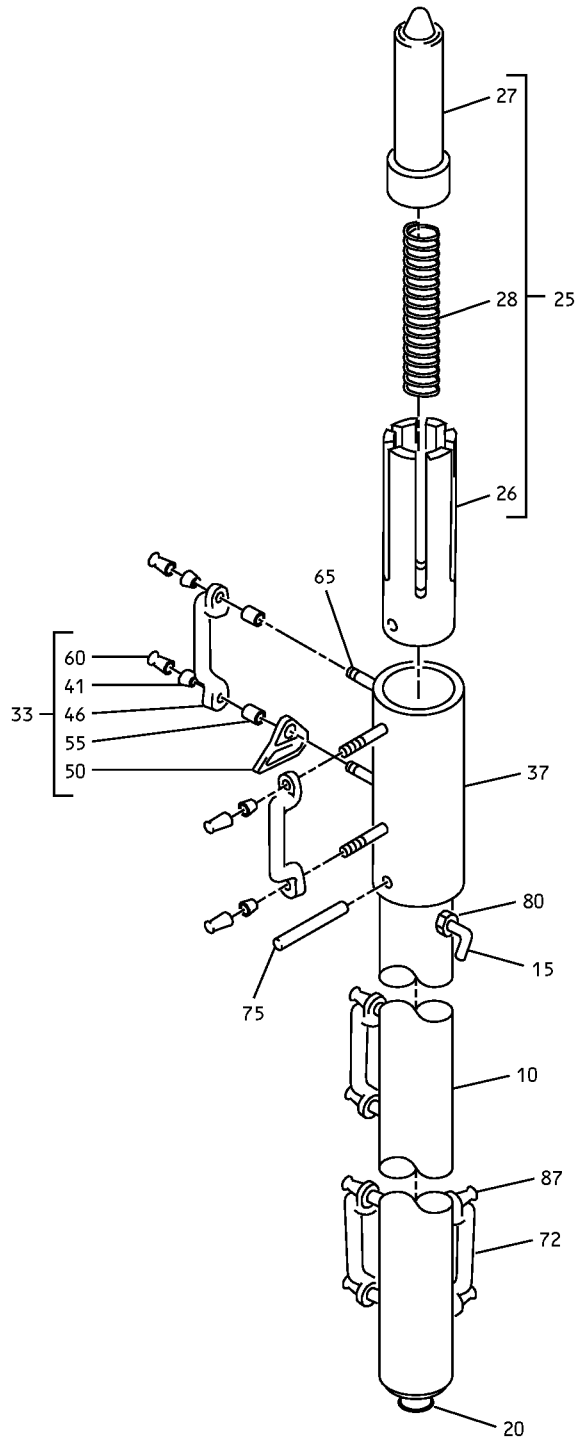
**25-50-01**

ILLUSTRATED PARTS LIST

Page 1098.46

Mar 01/2007

COMPONENT MAINTENANCE MANUAL



65-53882-1,-25,-505

Aft Cargo Compartment Cargo Net Stanchion Assembly  
IPL Figure 31 (Sheet 3 of 4)

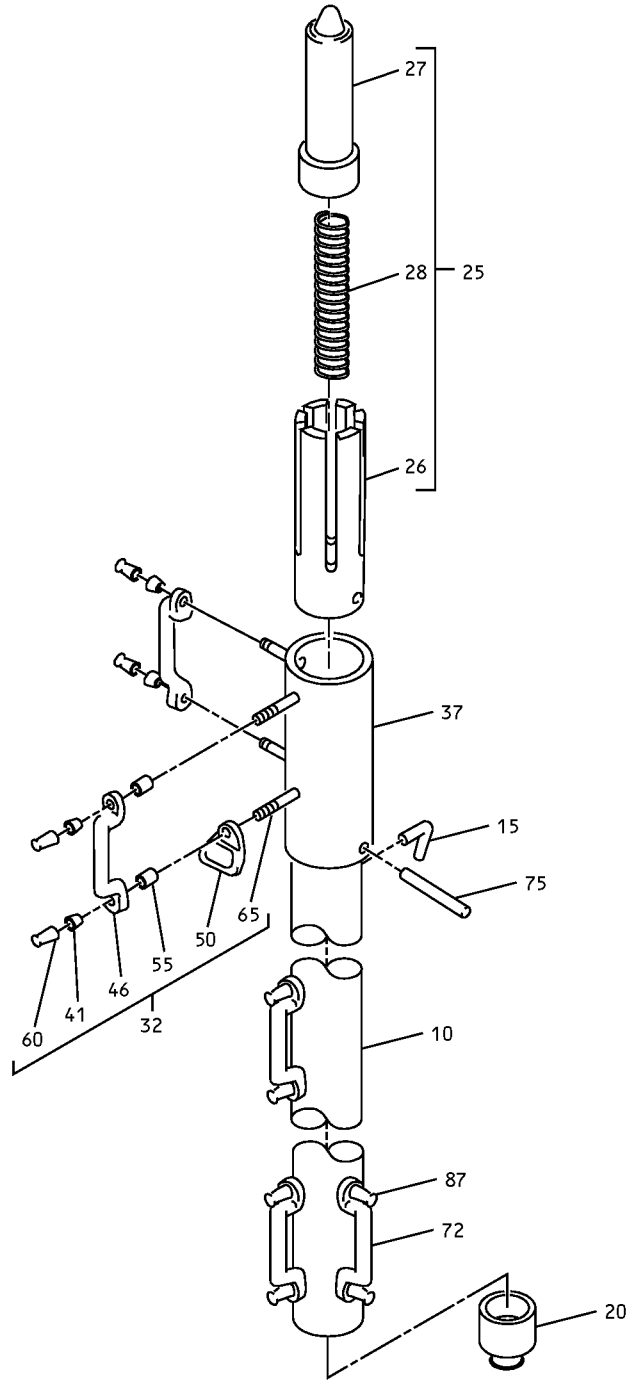
**25-50-01**

ILLUSTRATED PARTS LIST

Page 1098.47

Mar 01/2007

COMPONENT MAINTENANCE MANUAL



65-53882-4,-26,-506

Aft Cargo Compartment Cargo Net Stanchion Assembly  
IPL Figure 31 (Sheet 4 of 4)

**25-50-01**

ILLUSTRATED PARTS LIST

Page 1098.48

Mar 01/2007



COMPONENT MAINTENANCE MANUAL

FIG/ ITEM	PART NUMBER	AIRLINE PART NUMBER	NOMENCLATURE							USAGE CODE	UNITS PER ASSY
			1	2	3	4	5	6	7		
31-											
-1	65-53882-1									A	RF
-1A	65-53882-2									B	RF
-1B	65-53882-3									C	RF
-1C	65-53882-4									D	RF
-1D	65-53882-5									E	RF
-1E	65-53882-6									F	RF
-1F	65-53882-21									G	RF
1G	65-53882-22									H	RF
1H	65-53882-23									I	RF
1J	65-53882-24									J	RF
1K	65-53882-25									K	RF
1L	65-53882-26									L	RF
-1M	65-53882-33									M	RF
-1N	65-53882-34									N	RF
-1P	65-53882-39									O	RF
-1Q	65-53882-40									P	RF
-1R	65-53882-501									Q	RF
-1S	65-53882-502									R	RF

-Item not Illustrated

**25-50-01**

ILLUSTRATED PARTS LIST

Page 1098.49

Mar 01/2007



COMPONENT MAINTENANCE MANUAL

FIG/ ITEM	PART NUMBER	AIRLINE PART NUMBER	NOMENCLATURE							USAGE CODE	UNITS PER ASSY
			1	2	3	4	5	6	7		
31-											
-1T	65-53882-503									S	RF
-1U	65-53882-504									T	RF
-1V	65-53882-505									U	RF
-1W	65-53882-506									V	RF
10	65-53882-7									A	1
-10A	65-53882-8									B	1
-10B	65-53882-9									C	1
-10C	65-53882-10									D	1
-10D	65-53882-11									E	1
-10E	65-53882-12									F	1
10F	65-53882-27									G	1
10G	65-53882-28									H	1
10H	65-53882-29									I	1
10J	65-53882-30									J	1
10K	65-53882-31									K	1
10L	65-53882-32									L	1
10M	65-53882-18									M	1
10N	65-53882-20									N	1
10P	65-53882-37									O	1
10Q	65-53882-38									P	1
10R	65-53882-507									Q	1
10S	65-53882-508									R	1
10T	65-53882-509									S	1
10U	65-53882-510									T	1
10V	65-53882-511									U	1
10W	65-53882-512									V	1
15	66-12804-1									A, B, D, F, G, H, K-N, R, S, U, V	1

-Item not Illustrated

**25-50-01**

ILLUSTRATED PARTS LIST  
Page 1098.50  
Mar 01/2007



COMPONENT MAINTENANCE MANUAL

FIG/ ITEM	PART NUMBER	AIRLINE PART NUMBER	NOMENCLATURE							USAGE CODE	UNITS PER ASSY	
			1	2	3	4	5	6	7			
31-												
20	66-29099		.							PIN-INDEXING	C, E, I, J, S, T	1
20A	69-29099-1		.							PIN-INDEXING	A, B, D, F, G, H, K, L, Q, R, U, V	1
-20B	69-44309-1		.							PIN-INDEXING	M, N	1
25	69-35454-2		.							MECH ASSY-SPRING	A-N, Q-V	1
-25A	69-35454-3		.							MECH ASSY-SPRING	O, P	1
26	69-35452-3		.	.						RECEIVER		1
27	69-35453-3		.	.						PISTON (USED ON ITEM 25)		1
-27A	69-35453-4		.	.						PISTON (USED ON ITEM 25A)		1
28	69-40294-2		.	.						SPRING-COMPRESSION		1
30	69-40753-1		.							COLLAR ASSY	C, E, I, J, S, T	1
31	69-40753-2		.							COLLAR ASSY	B, F, G, H, M, N, Q, R	1
32	69-40753-3		.							COLLAR ASSY	D, L, V	1
-33	69-40753-4		.							COLLAR ASSY	A, K, U	1
-34	65-40753-9		.							COLLAR ASSY	O	1
-34J	65-40753-10		.							COLLAR ASSY	P	1
35	69-40753-5		.	.						TUBE (USED ON ITEM 30)		1
36	69-40753-6		.	.						TUBE (USED ON ITEM 31)		1
37	69-40753-7		.	.						TUBE (USED ON ITEM 32)		1
38	69-40753-8		.	.						TUBE (USED ON ITEMS 34, 34J)		1
40	69-40751-1		.	.						WASHER (USED ON ITEMS 30, 34, 34J)		2
41	69-40751-1		.	.						WASHER (USED ON ITEMS 31, 32)		4

-Item not Illustrated

**25-50-01**

ILLUSTRATED PARTS LIST  
Page 1098.51  
Mar 01/2007





COMPONENT MAINTENANCE MANUAL

FIG/ ITEM	PART NUMBER	AIRLINE PART NUMBER	NOMENCLATURE							USAGE CODE	UNITS PER ASSY
			1	2	3	4	5	6	7		
31- 45	BACL20AB		.	.	LOOP-FOOTMAN- (USED ON ITEMS 30, 34, 34J)						1
46	BACL20AB		.	.	LOOP-FOOTMAN- (USED ON ITEMS 31, 32)						2
50	66-12811-1		.	.	CLIP (USED ON ITEMS 32, 33, 34, 34J)						1
55	NAS43DD3-17		.	.	SPACER (USED ON ITEMS 32, 33, 34, 34J)						1
60	BACC30M6		.	.	COLLAR						1
65	BACB30FN6-11		.	.	BOLT						1
70	BACL20AB		.		LOOP-FOOTMAN				G, H, Q, R		2
71	BACL20AB		.		LOOP-FOOTMAN				C, E, I, J, M, N, S, T		1
72	BACL20AB		.		LOOP-FOOTMAN				A, B, D, F, K, L, U, V		3
75	MS16562-52		.		PIN						1
80	MS25082-3		.		NUT				A, B, D, F, G, H, K-N, Q, R, U, V		1
85	NAS1329A3K80		.		NUT,BLIND RIVET				G, H, Q, R		5
86	NAS1329A3K80		.		NUT,BLIND RIVET				C, E, I, J, M, N, S, T		2
87	NAS1329A3K80		.		NUT,BLIND RIVET				A, B, D, F, K, L, U, V		7
90	NAS43DD3-18		.		SPACER				A, B, D, F, G, H, K-N, Q, R, U, V		4

-Item not Illustrated

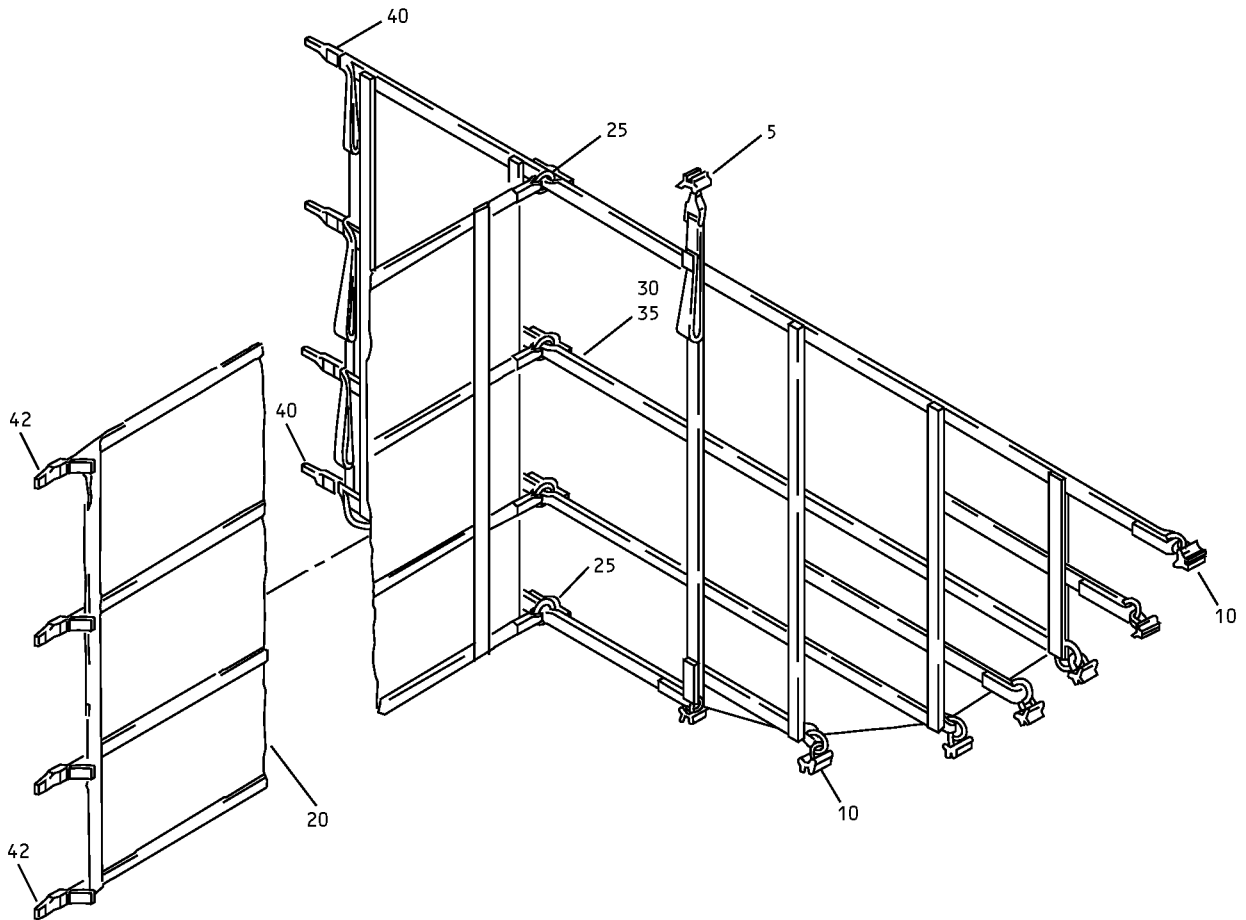
**25-50-01**

ILLUSTRATED PARTS LIST

Page 1098.52

Mar 01/2007

COMPONENT MAINTENANCE MANUAL



65-78966-56,-67

Forward Cargo Compartment Net Assembly  
IPL Figure 32

**25-50-01**

ILLUSTRATED PARTS LIST

Page 1098.53

Mar 01/2007



COMPONENT MAINTENANCE MANUAL

FIG/ ITEM	PART NUMBER	AIRLINE PART NUMBER	NOMENCLATURE							USAGE CODE	UNITS PER ASSY
			1	2	3	4	5	6	7		
32-											
-1	65-78966-56									A	RF
-1A	65-78966-67									B	RF
5	42302-101										1
-5A	40014-14										1
10	10730										7
-10A	A6908										7
15	65-78966-22										1
20	65-78966-23									A	1
-20A	65-78966-68									B	1
25	NAS1211A10										4
30	65-78966-13										1
35	65-78966-12										1
40	FDC1575BO										4
-40A	45387-10										4
42	21510-52										4

-Item not Illustrated

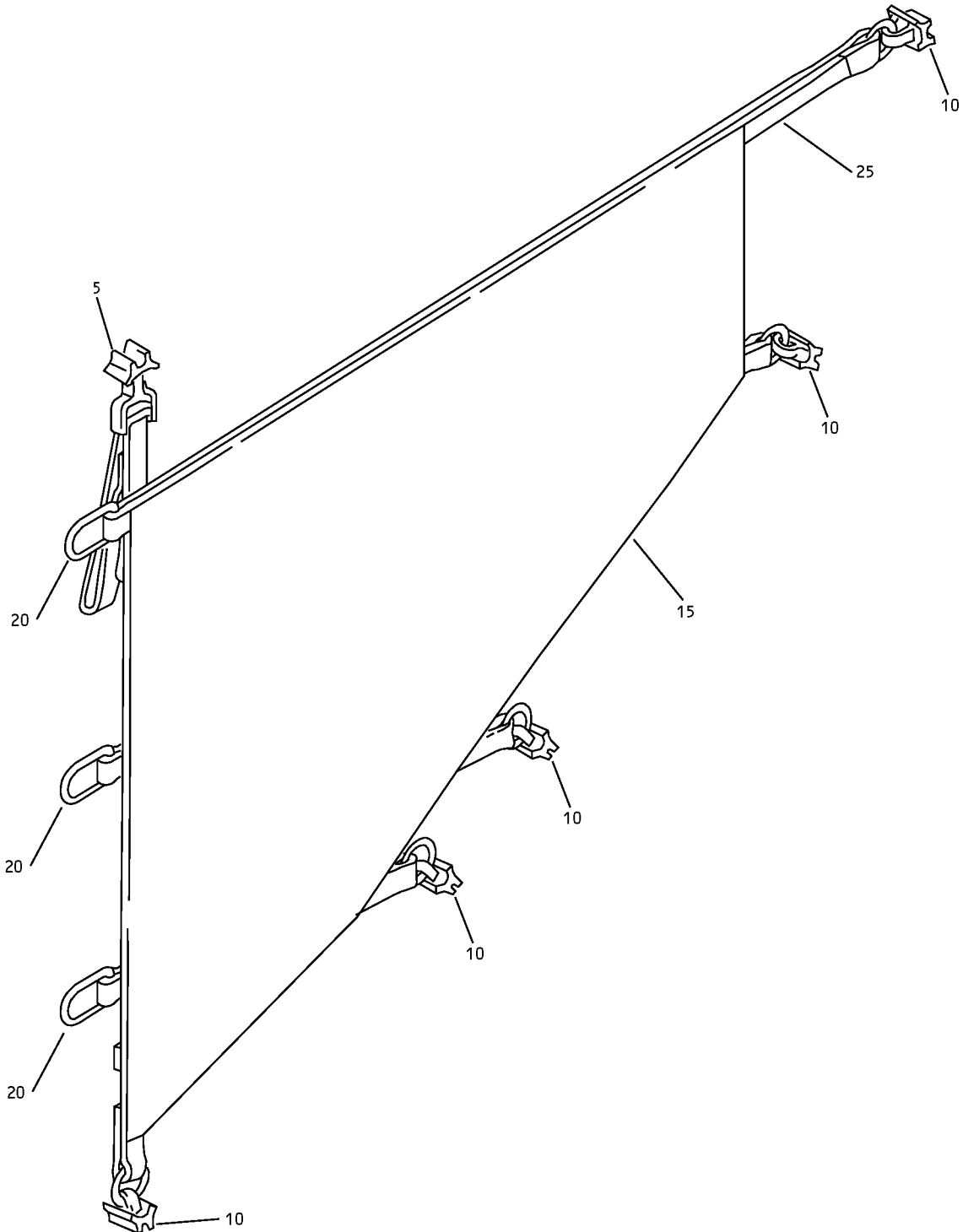
**25-50-01**

ILLUSTRATED PARTS LIST

Page 1098.54

Mar 01/2007

COMPONENT MAINTENANCE MANUAL



65-78966-58

Forward Cargo Compartment Net Assembly  
IPL Figure 33

**25-50-01**

ILLUSTRATED PARTS LIST

Page 1098.55

Mar 01/2007

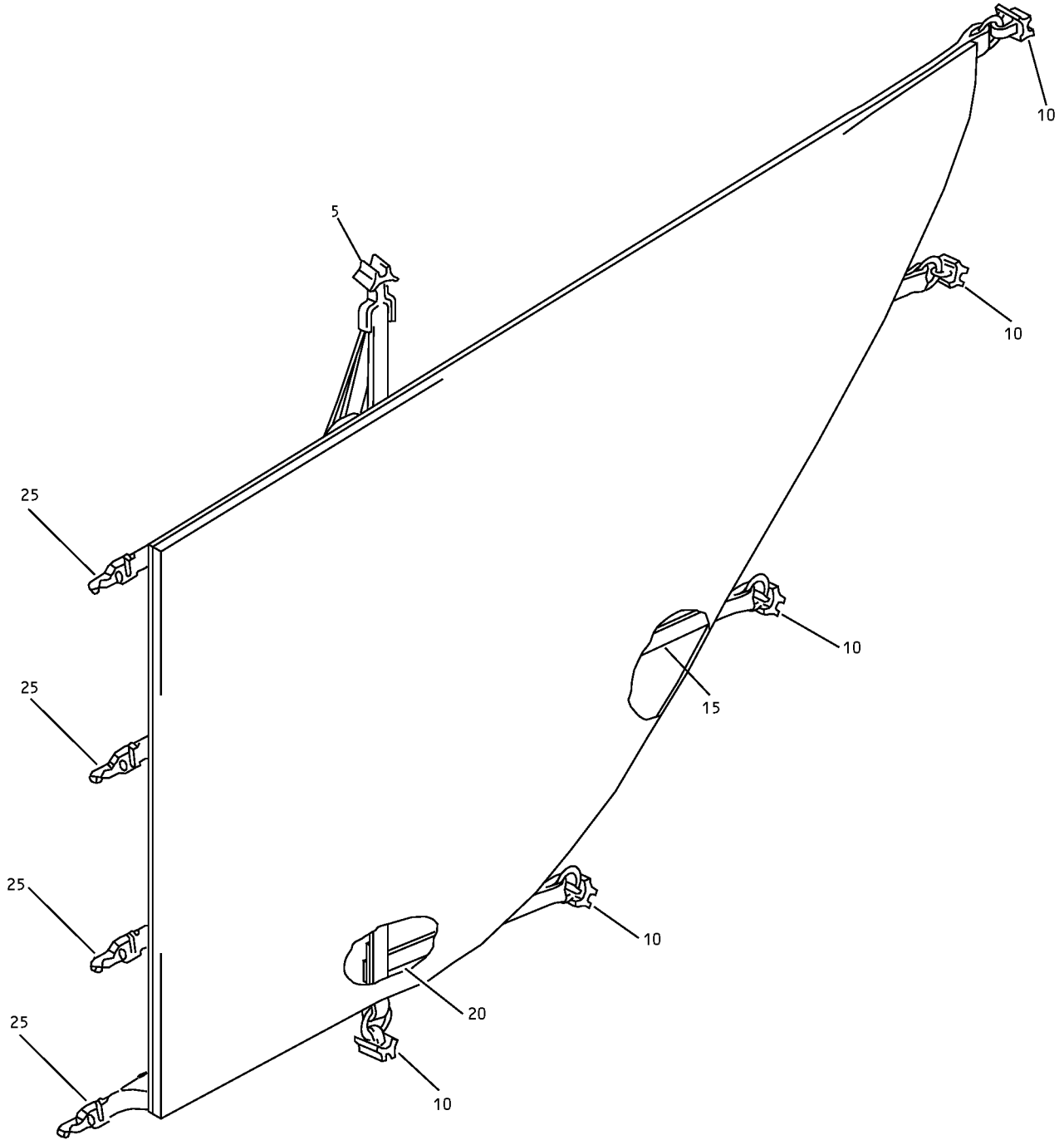


COMPONENT MAINTENANCE MANUAL

FIG/ ITEM	PART NUMBER	AIRLINE PART NUMBER	NOMENCLATURE							USAGE CODE	UNITS PER ASSY
			1	2	3	4	5	6	7		
33-											
1	65-78966-58										RF
5	42302-101										1
-5A	40014-14										1
10	10730										5
-10A	A6908										5
-10B	40340-10										5
15	65-78966-62										1
20	NAS1211A10										3
25	65-78966-12										1

-Item not Illustrated

COMPONENT MAINTENANCE MANUAL



65-78966-59

Forward Cargo Compartment Net Assembly  
IPL Figure 34

**25-50-01**

ILLUSTRATED PARTS LIST

Page 1098.57

Mar 01/2007



COMPONENT MAINTENANCE MANUAL

FIG/ ITEM	PART NUMBER	AIRLINE PART NUMBER	NOMENCLATURE							USAGE CODE	UNITS PER ASSY
			1	2	3	4	5	6	7		
34-											
1	65-78966-59										RF
5	42302-101										1
-5A	40014-14										1
10	10730										5
-10A	A6908										5
-10B	40340-10										5
15	65-78966-64										1
20	NAS1211A10										3
25	65-78966-12										1

-Item not Illustrated

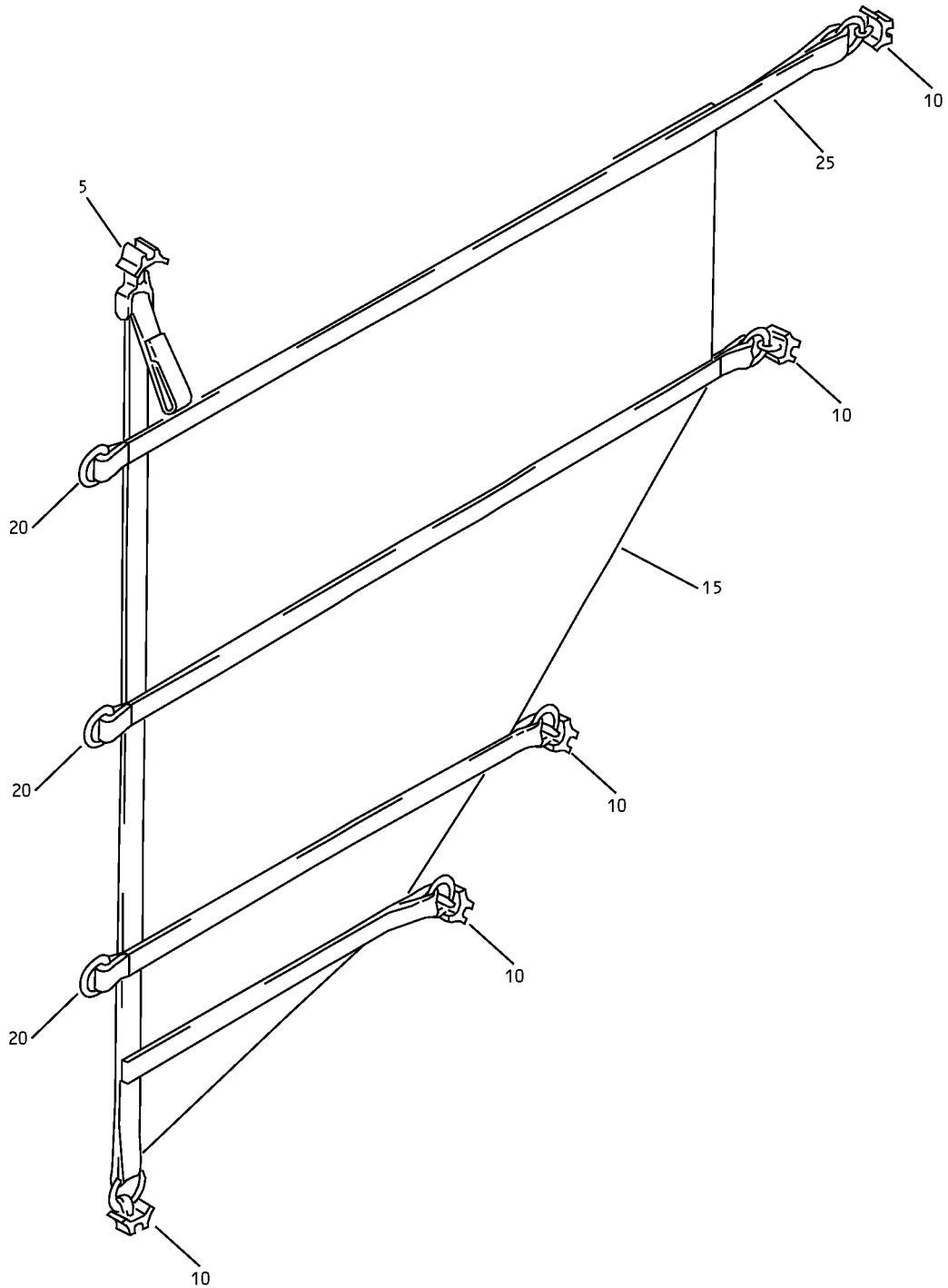
**25-50-01**

ILLUSTRATED PARTS LIST

Page 1098.58

Mar 01/2007

COMPONENT MAINTENANCE MANUAL



65-78966-60

Aft Cargo Compartment Net Assembly  
IPL Figure 35

**25-50-01**

ILLUSTRATED PARTS LIST

Page 1098.59

Mar 01/2007





COMPONENT MAINTENANCE MANUAL

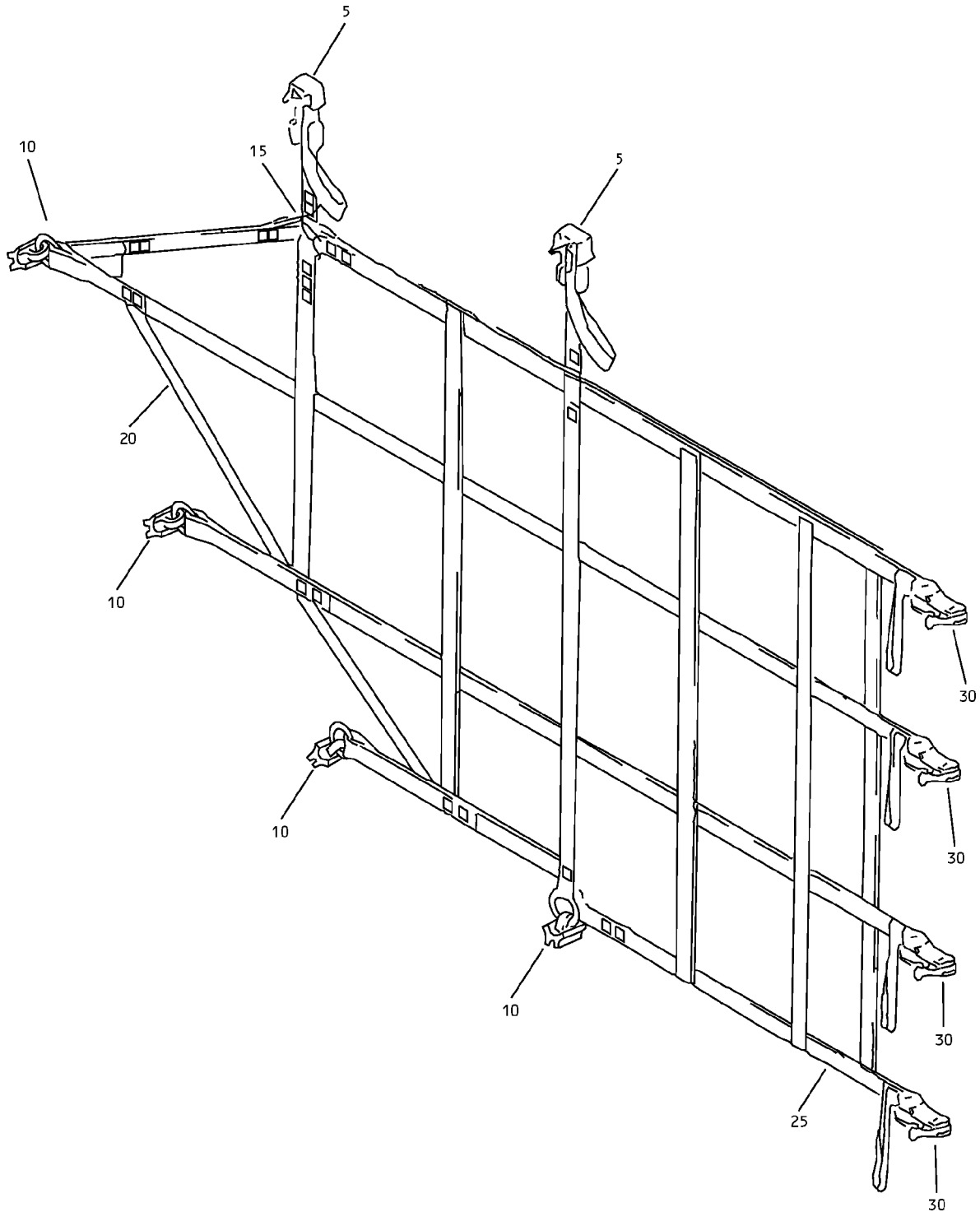
FIG/ ITEM	PART NUMBER	AIRLINE PART NUMBER	NOMENCLATURE							USAGE CODE	UNITS PER ASSY
			1	2	3	4	5	6	7		
35-											
1	65-78966-60										RF
5	42302-101										1
-5A	40014-14										1
10	10730										5
-10A	A6908										5
-10B	40340-10										5
15	65-78966-64										1
20	NAS1211A10										3
25	65-78966-12										1

-Item not Illustrated

**25-50-01**

ILLUSTRATED PARTS LIST  
Page 1098.60  
Mar 01/2007

COMPONENT MAINTENANCE MANUAL



65-78966-61

Aft Cargo Compartment Net Assembly  
IPL Figure 36

**25-50-01**

ILLUSTRATED PARTS LIST

Page 1098.61

Mar 01/2007



COMPONENT MAINTENANCE MANUAL

FIG/ ITEM	PART NUMBER	AIRLINE PART NUMBER	NOMENCLATURE							USAGE CODE	UNITS PER ASSY
			1	2	3	4	5	6	7		
36-											
1	65-78966-61										RF
5	42302-101										2
-5A	40014-14										2
10	10730										4
-10A	A6908										4
-10B	40340-10										4
15	40172W18-6										1
20	65-78966-65										1
25	65-78966-12										1
30	21510-52										4

-Item not Illustrated

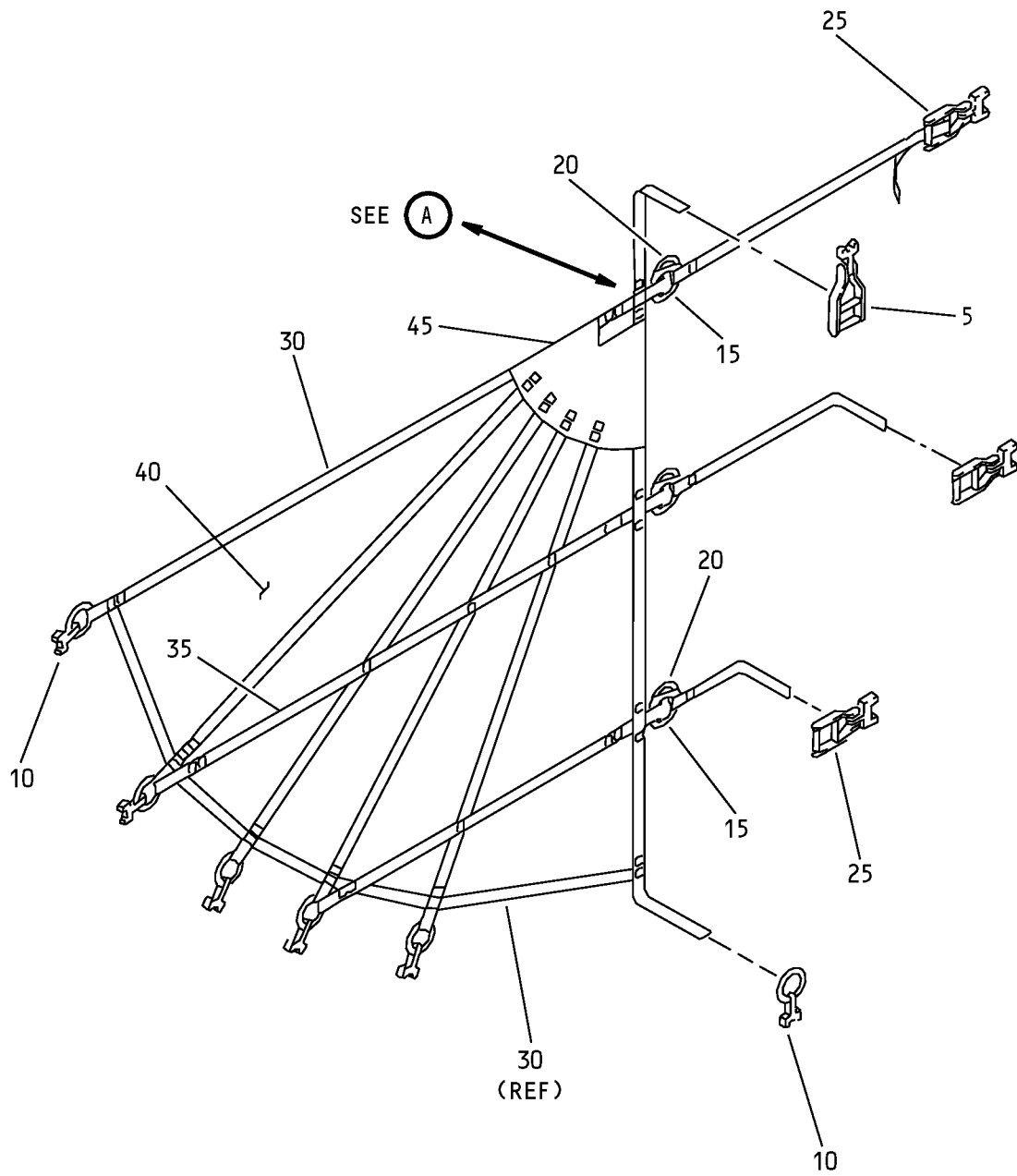
**25-50-01**

ILLUSTRATED PARTS LIST

Page 1098.62

Mar 01/2007

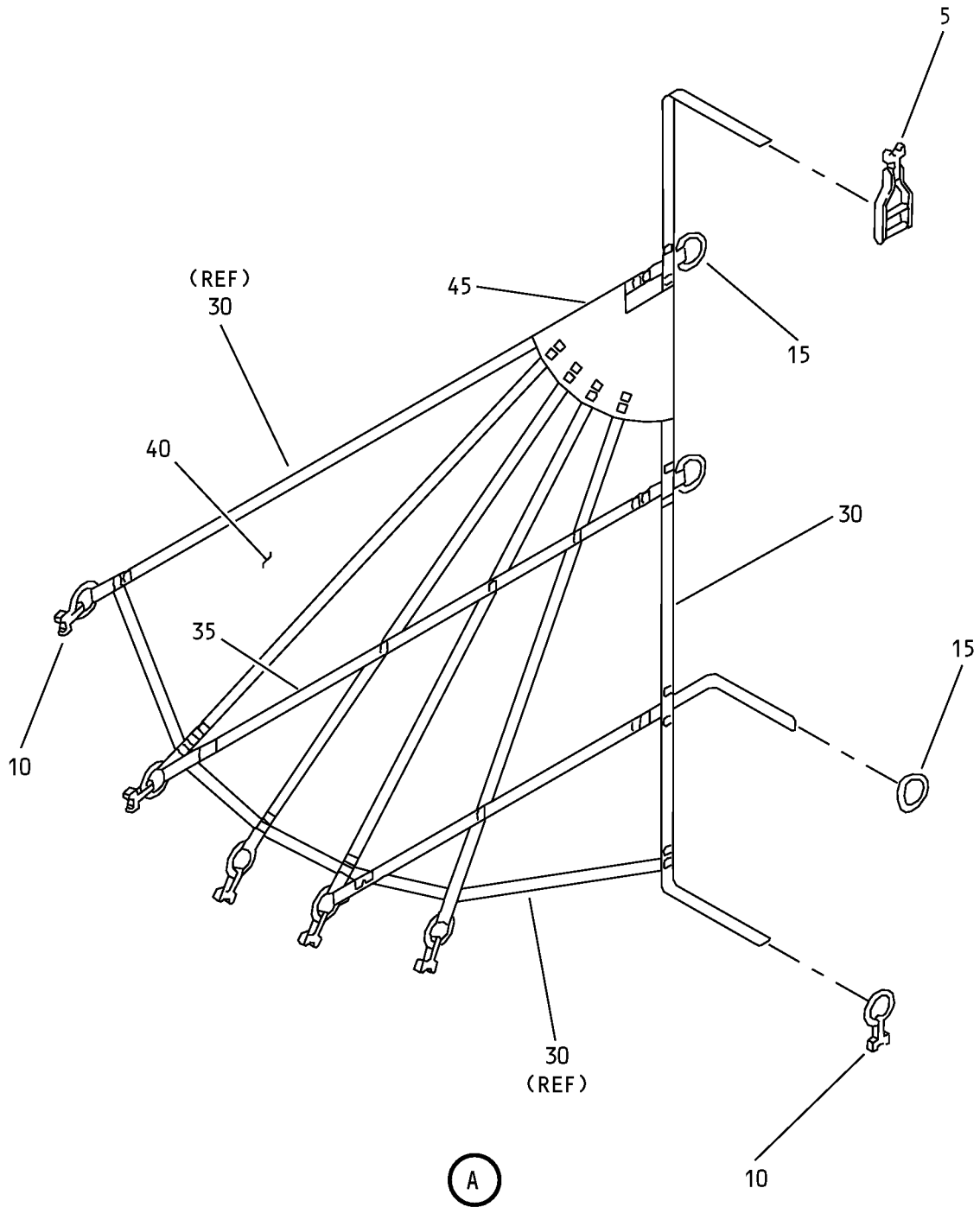
COMPONENT MAINTENANCE MANUAL



Forward Cargo Compartment Forward Net Assembly  
IPL Figure 37 (Sheet 1 of 2)

**25-50-01**  
ILLUSTRATED PARTS LIST  
Page 1098.63  
Mar 01/2007

COMPONENT MAINTENANCE MANUAL



Forward Cargo Compartment Forward Net Assembly  
IPL Figure 37 (Sheet 2 of 2)

**25-50-01**  
ILLUSTRATED PARTS LIST  
Page 1098.64  
Mar 01/2007



COMPONENT MAINTENANCE MANUAL

FIG/ ITEM	PART NUMBER	AIRLINE PART NUMBER	NOMENCLATURE							USAGE CODE	UNITS PER ASSY
			1	2	3	4	5	6	7		
37-											
1	453A1810-1									A	RF
-1A	453A1810-9									B	RF
5	42302-102										1
-5A	40041-15										1
-5B	A8509-60										1
10	10730										6
-10A	A6908										6
-10B	40340-10										6
-10C	CC11000-1A										6
15	DBS1011W06ST										3
-15A	22340-51W6										3
-15B	40053-11										3
-15C	A8513-10										3

-Item not Illustrated

**25-50-01**

ILLUSTRATED PARTS LIST  
Page 1098.65  
Mar 01/2007

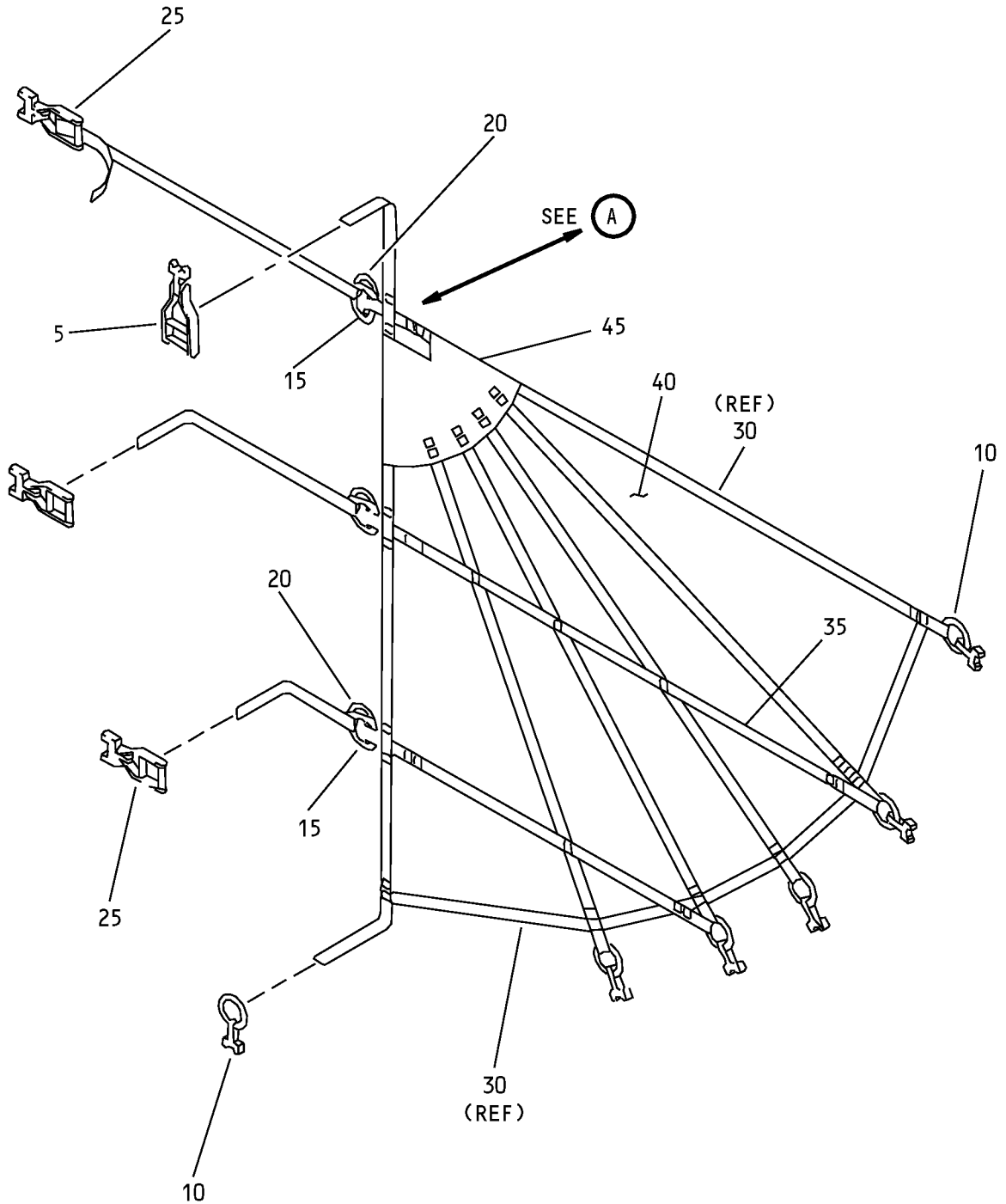


COMPONENT MAINTENANCE MANUAL

FIG/ ITEM	PART NUMBER	AIRLINE PART NUMBER	NOMENCLATURE							USAGE CODE	UNITS PER ASSY		
			1	2	3	4	5	6	7				
37- 20	CC110004		.	R	I	N	G				A	3	
-20A	40172W18-6		.	R	I	N	G				A	3	
-20B	22142W18-6		.	R	I	N	G				A	3	
25	21520-51		.	L	A	T	C	H	-	S	N	A	3
30	453A1810-20		.	W	E	B	B	I	N	G		AR	
35	453A1810-22		.	W	E	B	B	I	N	G	-	Y	AR
40	453A1810-25		.	F	A	B	R	I	C	-	N	Y	AR
45	453A1810-26		.	F	A	B	R	I	C	-	N	Y	AR
-50	453A1810-30		.	T	H	R	E	A	D			AR	
-55	453A1810-31		.	T	H	R	E	A	D			AR	

-Item not Illustrated

COMPONENT MAINTENANCE MANUAL

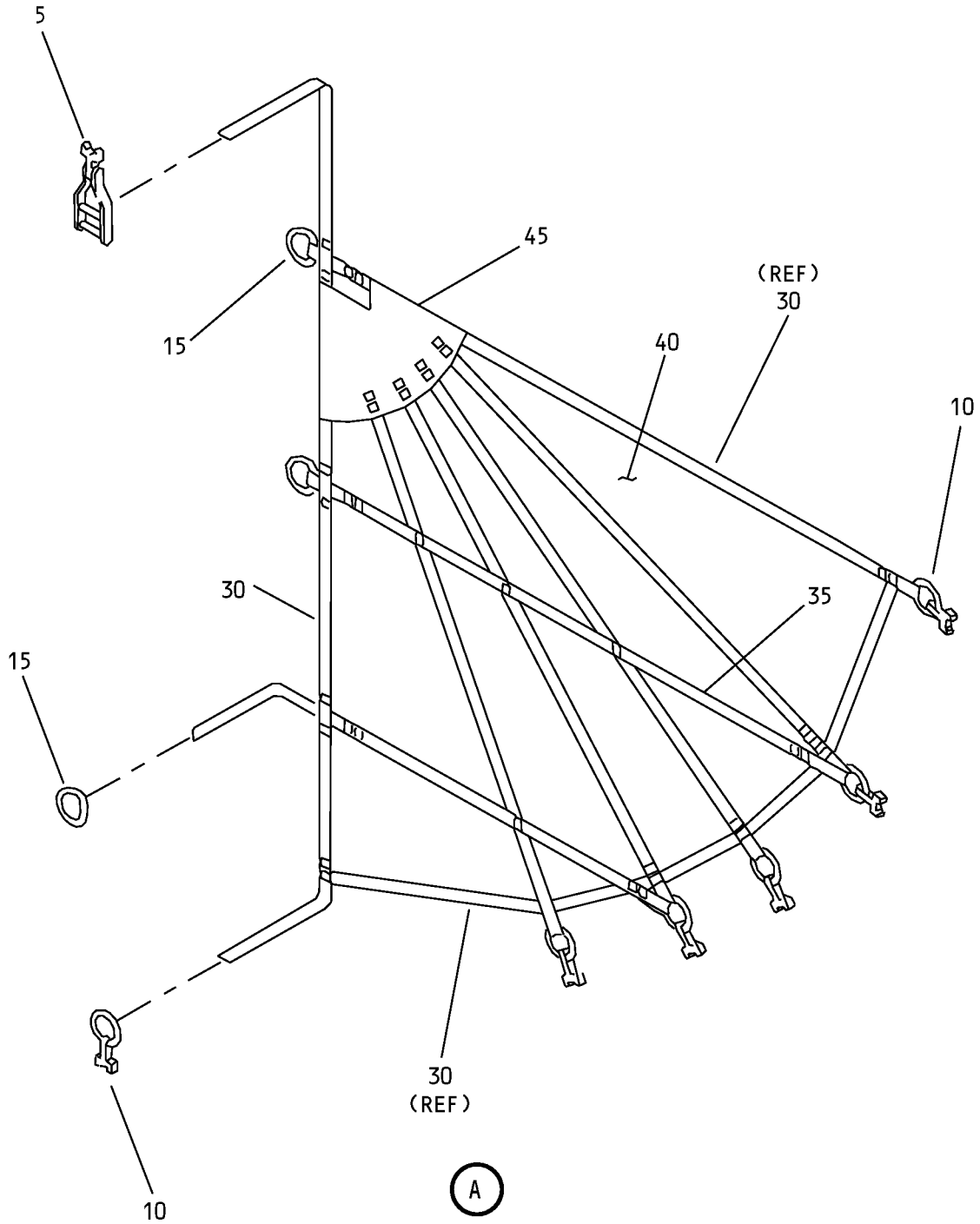


Forward Cargo Compartment Aft Net Assembly  
IPL Figure 38 (Sheet 1 of 2)

**25-50-01**  
ILLUSTRATED PARTS LIST  
Page 1098.67  
Mar 01/2007



COMPONENT MAINTENANCE MANUAL



Forward Cargo Compartment Aft Net Assembly  
IPL Figure 38 (Sheet 2 of 2)

**25-50-01**  
ILLUSTRATED PARTS LIST  
Page 1098.68  
Mar 01/2007



COMPONENT MAINTENANCE MANUAL

FIG/ ITEM	PART NUMBER	AIRLINE PART NUMBER	NOMENCLATURE							USAGE CODE	UNITS PER ASSY
			1	2	3	4	5	6	7		
38-											
-1	453A1810-2									A	RF
-1A	453A1810-10									B	RF
5	42302-102										1
-5A	40041-15										1
-5B	A8509-60										1
10	10730										6
-10A	A6908										6
-10B	40340-10										6
-10C	CC11000-1A										6
15	DBS1011W06ST										3
-15A	22340-51W6										3
-15B	40053-11										3
-15C	A8513-10										3

-Item not Illustrated

**25-50-01**

ILLUSTRATED PARTS LIST  
Page 1098.69  
Mar 01/2007



COMPONENT MAINTENANCE MANUAL

FIG/ ITEM	PART NUMBER	AIRLINE PART NUMBER	NOMENCLATURE							USAGE CODE	UNITS PER ASSY		
			1	2	3	4	5	6	7				
38- 20	CC110004		.	R	I	N	G				A	3	
-20A	40172W18-6		.	R	I	N	G				A	3	
-20B	22142W18-6		.	R	I	N	G				A	3	
25	21520-51		.	L	A	T	C	H	-	S	N	A	3
30	453A1810-20		.	W	E	B	B	I	N	G		AR	
35	453A1810-23		.	W	E	B	B	I	N	G	-	B	AR
40	453A1810-25		.	F	A	B	R	I	C	-	N	Y	AR
45	453A1810-26		.	F	A	B	R	I	C	-	N	Y	AR
-50	453A1810-30		.	T	H	R	E	A	D			AR	
-55	453A1810-31		.	T	H	R	E	A	D			AR	

-Item not Illustrated

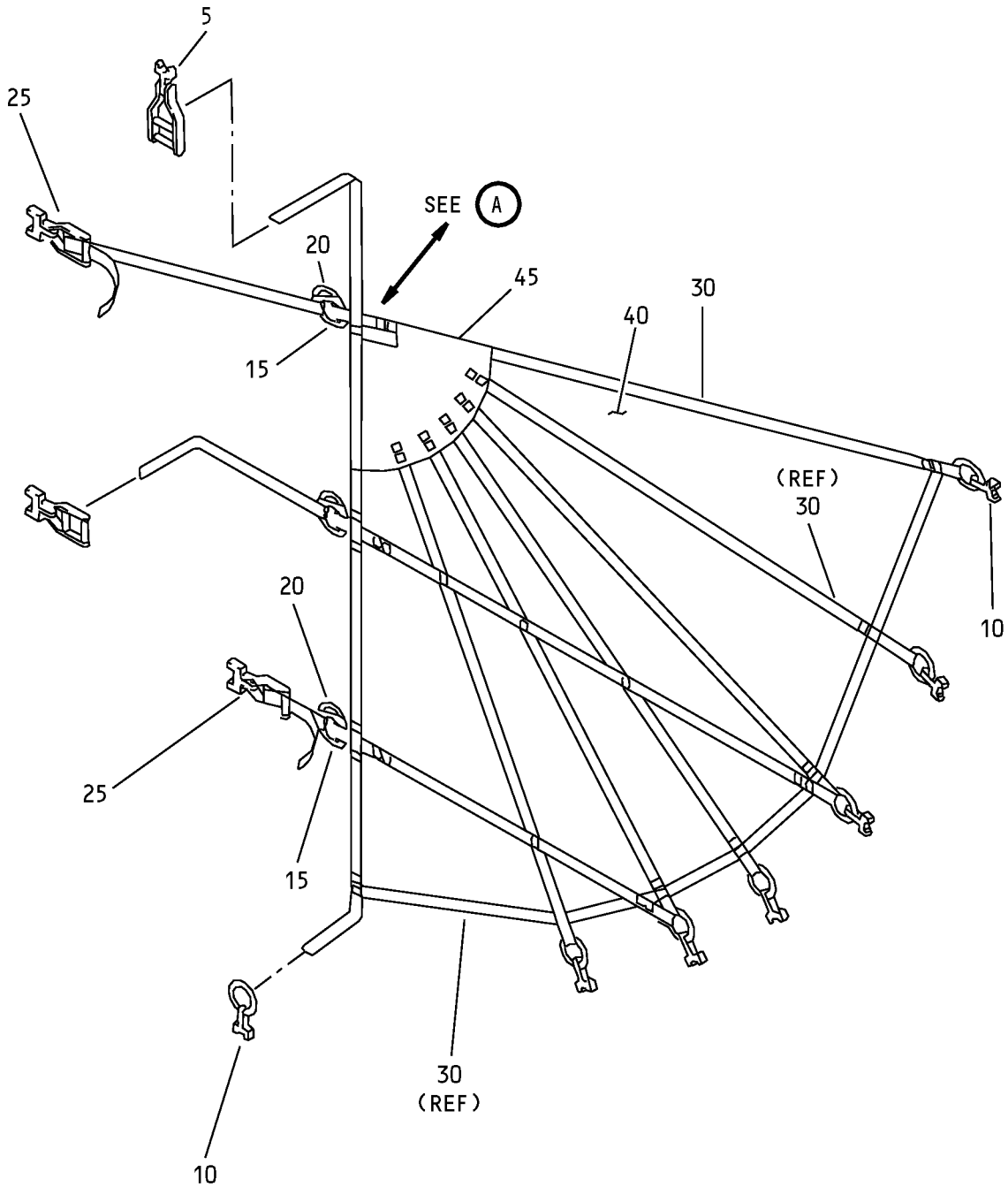
**25-50-01**

ILLUSTRATED PARTS LIST

Page 1098.70

Mar 01/2007

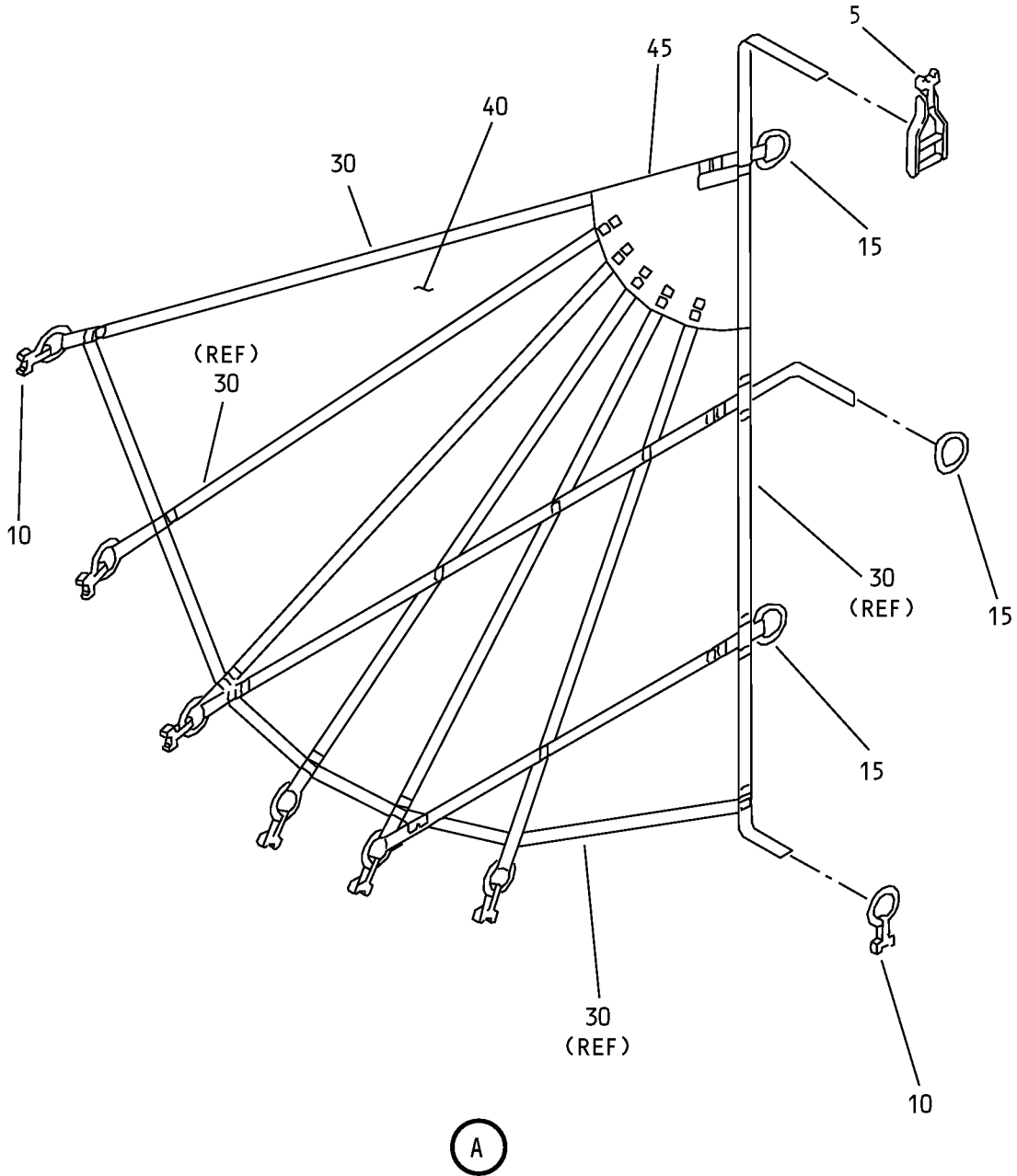
COMPONENT MAINTENANCE MANUAL



Aft Cargo Compartment Forward Net Assembly  
IPL Figure 39 (Sheet 1 of 2)

**25-50-01**  
ILLUSTRATED PARTS LIST  
Page 1098.71  
Mar 01/2007

COMPONENT MAINTENANCE MANUAL



Aft Cargo Compartment Forward Net Assembly  
IPL Figure 39 (Sheet 2 of 2)

**25-50-01**  
ILLUSTRATED PARTS LIST  
Page 1098.72  
Mar 01/2007



COMPONENT MAINTENANCE MANUAL

FIG/ ITEM	PART NUMBER	AIRLINE PART NUMBER	NOMENCLATURE							USAGE CODE	UNITS PER ASSY
			1	2	3	4	5	6	7		
39-											
1	453A1810-3									A	RF
-1A	453A1810-11									B	RF
-1B	453A1810-33									C	RF
5	42302-103									A, B	1
-5A	40041-16										1
-5B	A8509-80										1
-5C	42302-102									C	1
-5D	40041-15										1
-5E	A8509-60										1
10	10730										7
-10A	A6908										7
-10B	40340-10										7
-10C	CC11000-1A										7
15	DBS1011W06ST										3

-Item not Illustrated

**25-50-01**

ILLUSTRATED PARTS LIST  
Page 1098.73  
Mar 01/2007

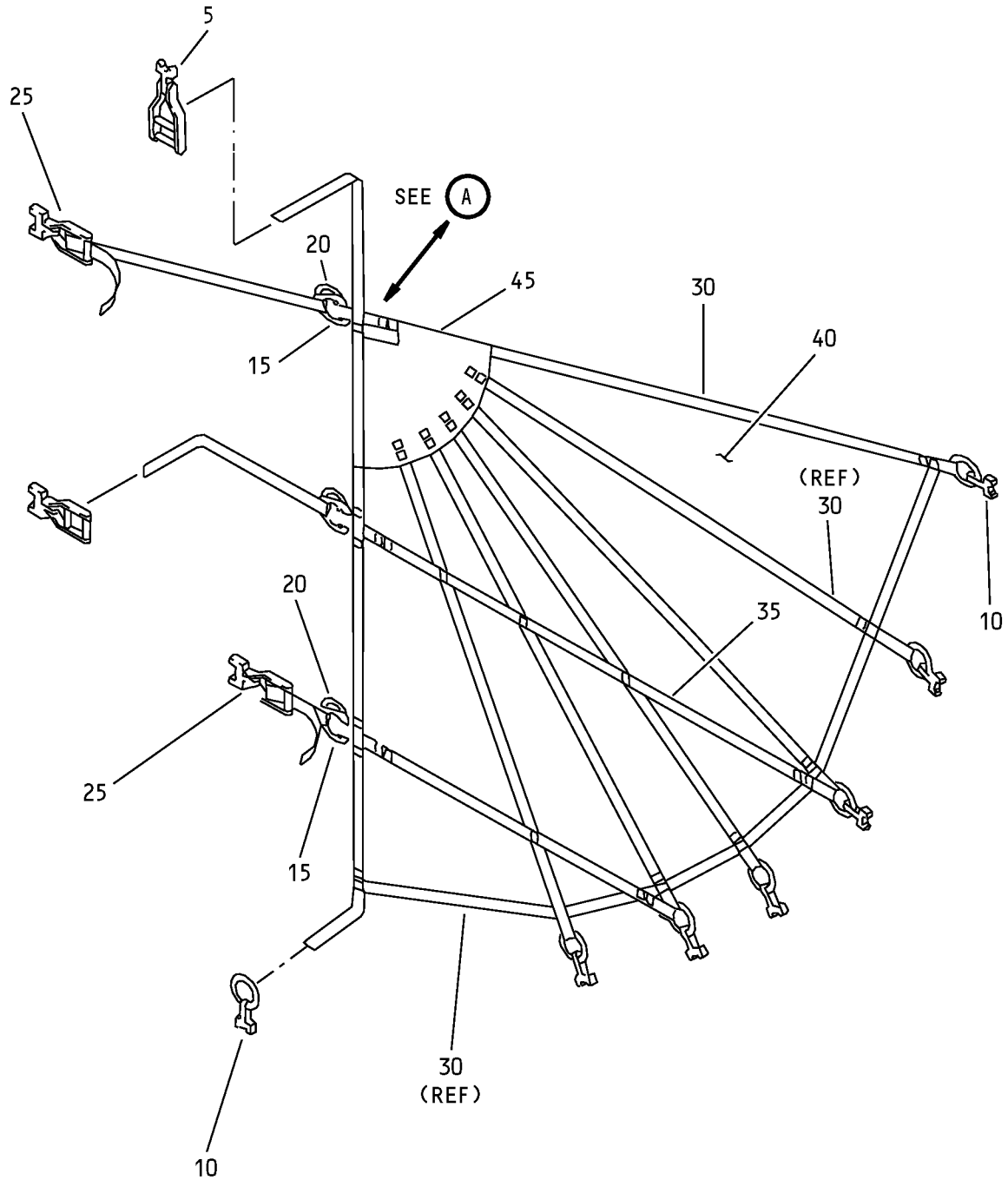


COMPONENT MAINTENANCE MANUAL

FIG/ ITEM	PART NUMBER	AIRLINE PART NUMBER	NOMENCLATURE							USAGE CODE	UNITS PER ASSY		
			1	2	3	4	5	6	7				
39- -15A	22340-51W6		.	R	I	N	G	-	D			3	
									(V32707)				
									(OPT ITEM 15, 15B, 15C)				
-15B	40053-11		.	R	I	N	G	-	D			3	
									(V31272)				
									(OPT ITEM 15, 15A, 15C)				
-15C	A8513-10		.	R	I	N	G	-	D			3	
									(V15814)				
									(OPT ITEM 15, 15A, 15B)				
20	CCI10004		.	R	I	N	G			A		3	
									(V16880)				
									(OPT ITEM 20A, 20B)				
-20A	40172W18-6		.	R	I	N	G			A		3	
									(V31272)				
									(OPT ITEM 20, 20B)				
-20B	22142W18-6		.	R	I	N	G			A		3	
									(V32707)				
									(OPT ITEM 20, 20A)				
25	21520-51		.	L	A	T	C	-	S	N	A	3	
									(V32707)				
30	453A1810-20		.	W	E	B	B	I	N	G		AR	
40	453A1810-25		.	F	A	B	R	I	C	-	N	Y	AR
45	453A1810-26		.	F	A	B	R	I	C	-	N	Y	AR
-50	453A1810-30		.	T	H	R	E	A	D			AR	
-55	453A1810-31		.	T	H	R	E	A	D			AR	

-Item not Illustrated

COMPONENT MAINTENANCE MANUAL

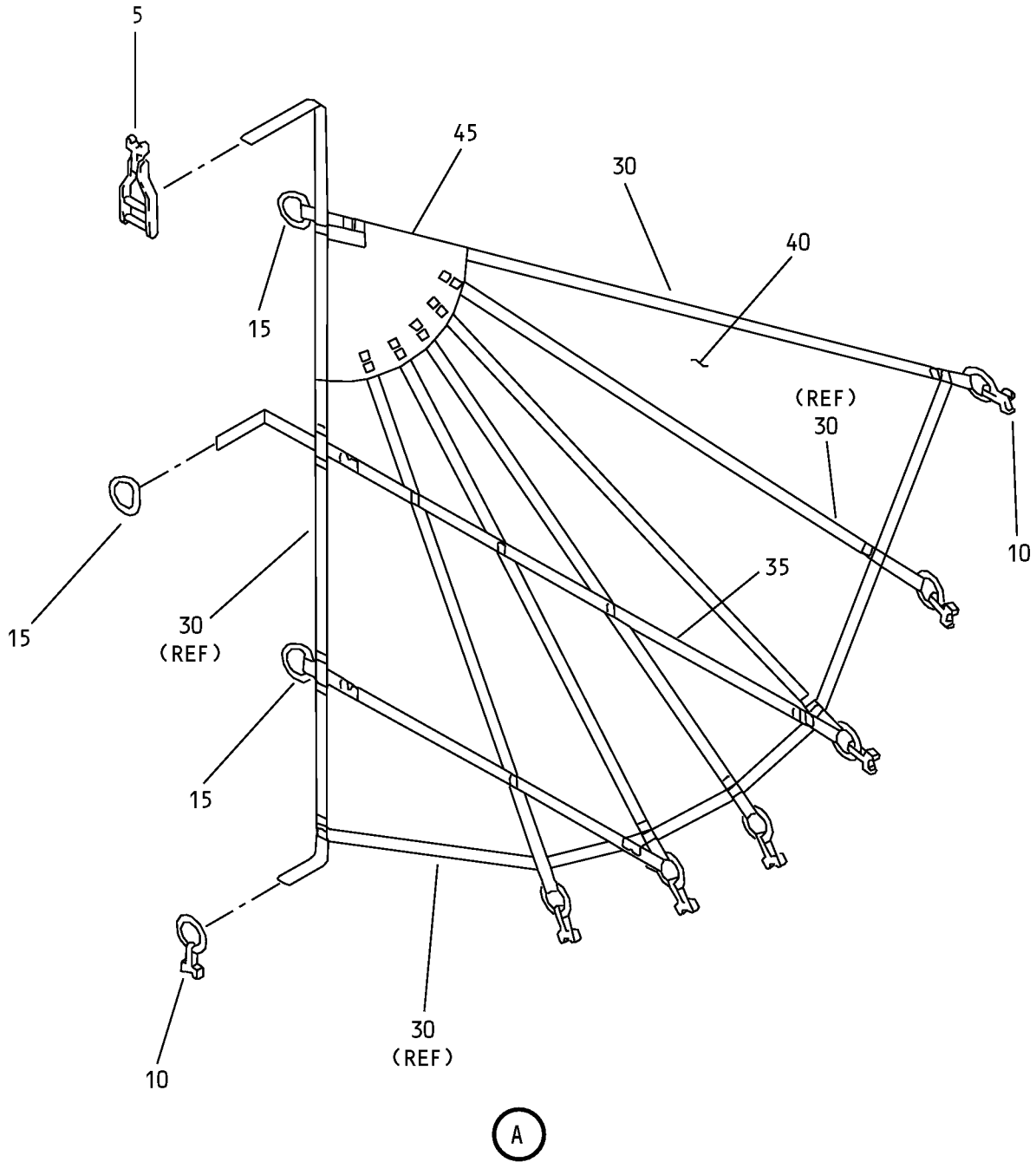


Aft Cargo Compartment Aft Net Assembly  
IPL Figure 40 (Sheet 1 of 2)

**25-50-01**  
ILLUSTRATED PARTS LIST  
Page 1098.75  
Mar 01/2007



COMPONENT MAINTENANCE MANUAL



Aft Cargo Compartment Aft Net Assembly  
IPL Figure 40 (Sheet 2 of 2)

**25-50-01**

ILLUSTRATED PARTS LIST

Page 1098.76

Mar 01/2007



COMPONENT MAINTENANCE MANUAL

FIG/ ITEM	PART NUMBER	AIRLINE PART NUMBER	NOMENCLATURE							USAGE CODE	UNITS PER ASSY
			1	2	3	4	5	6	7		
40-											
1	453A1810-4									A	RF
-1A	453A1810-12									B	RF
-1B	453A1810-32									C	RF
5	42302-102										1
-5A	40041-15										1
-5B	A8509-60										1
10	10730										7
-10A	A6908										7
-10B	40340-10										7
-10C	CCI1000-1A										7
15	DBS1011W06ST										3
-15A	22340-51W6										3
-15B	40053-11										3
-15C	A8513-10										3

-Item not Illustrated

**25-50-01**

ILLUSTRATED PARTS LIST  
Page 1098.77  
Mar 01/2007

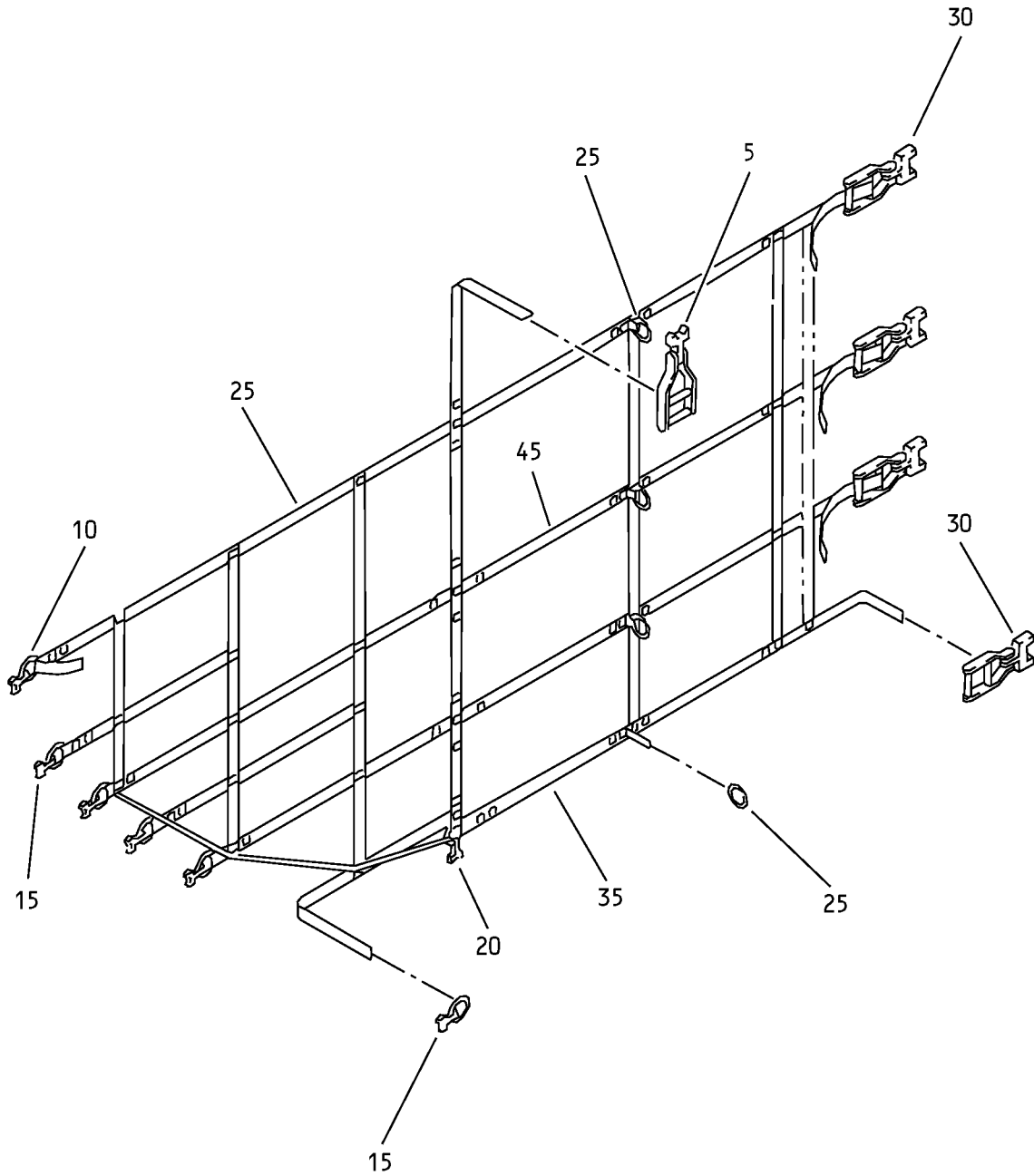


COMPONENT MAINTENANCE MANUAL

FIG/ ITEM	PART NUMBER	AIRLINE PART NUMBER	NOMENCLATURE							USAGE CODE	UNITS PER ASSY		
			1	2	3	4	5	6	7				
40- 20	CCI10004		.	R	I	N	G				A	3	
-20A	40172W18-6		.	R	I	N	G				A	3	
-20B	22142W18-6		.	R	I	N	G				A	3	
25	21520-51		.	L	A	T	C	H	-	S	N	A	3
30	453A1810-20		.	W	E	B	B	I	N	G		AR	
35	453A1810-24		.	W	E	B	B	I	N	G	-	AR	
40	453A1810-25		.	F	A	B	R	I	C	-	N	Y	AR
45	453A1810-26		.	F	A	B	R	I	C	-	N	Y	AR
-50	453A1810-30		.	T	H	R	E	A	D			AR	
-55	453A1810-31		.	T	H	R	E	A	D			AR	

-Item not Illustrated

COMPONENT MAINTENANCE MANUAL



Forward Cargo Compartment Forward Net Assembly  
IPL Figure 41

**25-50-01**

ILLUSTRATED PARTS LIST

Page 1098.79

Mar 01/2007



COMPONENT MAINTENANCE MANUAL

FIG/ ITEM	PART NUMBER	AIRLINE PART NUMBER	NOMENCLATURE							USAGE CODE	UNITS PER ASSY
			1	2	3	4	5	6	7		
41-											
1	453A1810-5									A	RF
-1A	453A1810-6									B	RF
5	42302-101									A	1
-5A	40041-14									A	1
-5B	A8509-40									A	1
-5C	42302-102									B	1
-5D	40041-15									B	1
-5E	A8509-60									B	1
10	42302-201									A	1
-10A	40041-18									A	1
-10B	42302-203									B	1
15	42302-201										5
-15A	40041-18										5
20	10730										1

-Item not Illustrated

**25-50-01**

ILLUSTRATED PARTS LIST  
Page 1098.80  
Mar 01/2007



COMPONENT MAINTENANCE MANUAL

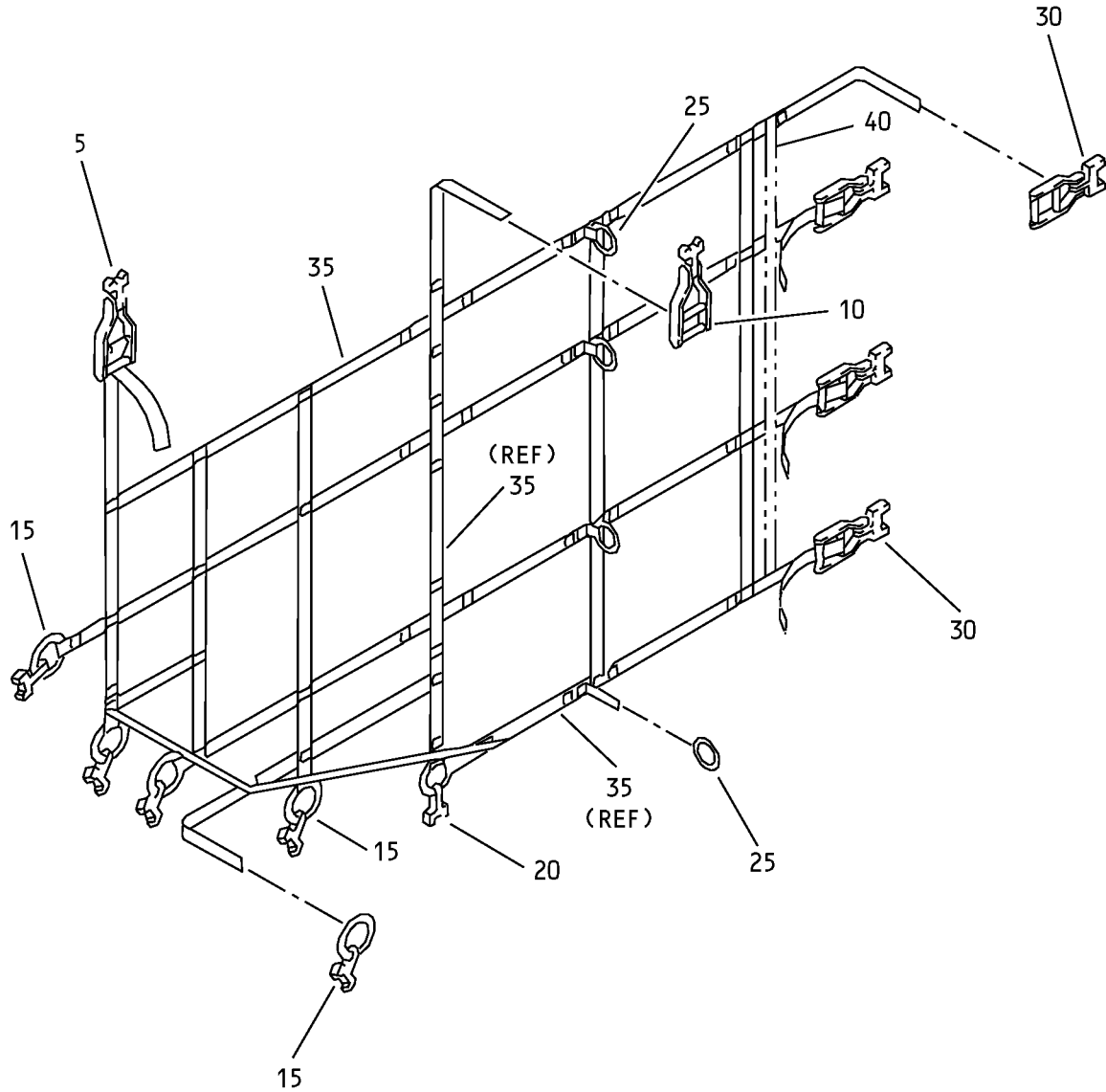
FIG/ ITEM	PART NUMBER	AIRLINE PART NUMBER	NOMENCLATURE							USAGE CODE	UNITS PER ASSY													
			1	2	3	4	5	6	7															
41- -20A	A6908		.	R	I	N	G	A	S	S	-	B	R	A	W	1								
			.	(	V	1	5	8	1	4	)													
			.	(	O	P	T	I	T	E	M	2	0	,	2	0	B	,	2	0	C	)		
-20B	40340-10		.	F	I	T	T	I	N	G	-	B	R	E	A	K	A	W	A	Y	1			
			.	(	V	3	1	2	7	2	)													
			.	(	O	P	T	I	T	E	M	2	0	,	2	0	A	,	2	0	C	)		
-20C	CCI1000-1A		.	F	I	T	T	I	N	G	-	B	R	E	A	K	A	W	A	Y	1			
			.	(	V	1	6	8	8	0	)													
			.	(	O	P	T	I	T	E	M	2	0	,	2	0	A	,	2	0	B	)		
25	NAS1211A10		.	F	I	T	T	I	N	G												4		
30	CCI5000-1		.	L	A	T	C	H	-	S	N	A	P									4		
			.	(	V	1	6	8	8	0	)													
			.	(	O	P	T	I	T	E	M	3	0	A	,	3	0	B	)					
-30A	21510-51		.	L	A	T	C	H	-	S	N	A	P									4		
			.	(	V	3	2	7	0	7	)													
			.	(	O	P	T	I	T	E	M	3	0	,	3	0	B	)						
-30B	43655-10		.	L	A	T	C	H	-	S	N	A	P									4		
			.	(	V	3	1	2	7	2	)													
			.	(	O	P	T	I	T	E	M	3	0	,	3	0	A	)						
35	453A1810-20		.	W	E	B	B	I	N	G												AR		
40	453A1810-21		.	F	A	B	R	I	C	-	N	Y	L	O	N							AR		
45	453A1810-22		.	W	E	B	B	I	N	G	-	Y	E	L	L	O				A		AR		
45A	453A1810-23		.	W	E	B	B	I	N	G	-	B	L	U	E				B		AR			
-50	453A1810-30		.	T	H	R	E	A	D												AR			
-55	453A1810-31		.	T	H	R	E	A	D												AR			

-Item not Illustrated

**25-50-01**

ILLUSTRATED PARTS LIST  
Page 1098.81  
Mar 01/2007

COMPONENT MAINTENANCE MANUAL



Aft Cargo Compartment Forward Net Assembly  
IPL Figure 42

**25-50-01**  
ILLUSTRATED PARTS LIST  
Page 1098.82  
Mar 01/2007



COMPONENT MAINTENANCE MANUAL

FIG/ ITEM	PART NUMBER	AIRLINE PART NUMBER	NOMENCLATURE							USAGE CODE	UNITS PER ASSY
			1	2	3	4	5	6	7		
42-											
-1	453A1810-7									A	RF
5	42302-101										1
10	42302-102										1
-10A	40041-15										1
-10B	A8509-60										1
15	42302-201										5
-15A	40041-18										5
20	10730										1
-20A	A6908										1
-20B	40340-10										1
-20C	CCI1000-1A										1
25	NAS1211A10										4
30	CCI5000-1										4
-30A	21510-51										4

-Item not Illustrated

**25-50-01**

ILLUSTRATED PARTS LIST

Page 1098.83

Mar 01/2007



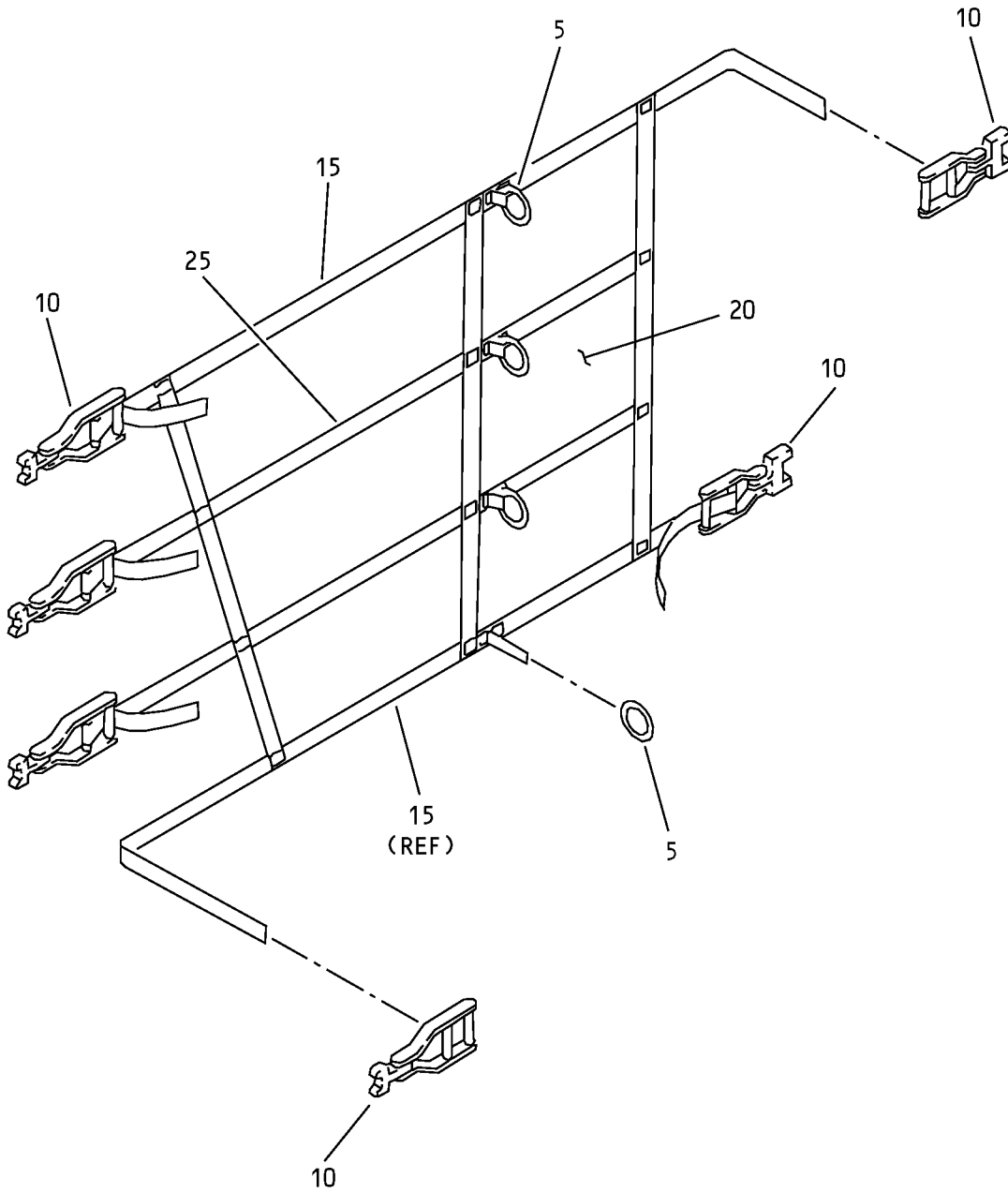


COMPONENT MAINTENANCE MANUAL

FIG/ ITEM	PART NUMBER	AIRLINE PART NUMBER	NOMENCLATURE							USAGE CODE	UNITS PER ASSY
			1	2	3	4	5	6	7		
42- -30B	43655-10										4
35	453A1810-20										AR
40	453A1810-21										AR
-45	453A1810-30										AR
-50	453A1810-31										AR

-Item not Illustrated

COMPONENT MAINTENANCE MANUAL



Aft Cargo Compartment Aft Net Assembly  
IPL Figure 43

**25-50-01**  
ILLUSTRATED PARTS LIST  
Page 1098.85  
Mar 01/2007



COMPONENT MAINTENANCE MANUAL

FIG/ ITEM	PART NUMBER	AIRLINE PART NUMBER	NOMENCLATURE							USAGE CODE	UNITS PER ASSY
			1	2	3	4	5	6	7		
43-											
-1	453A1810-8										RF
5	NAS1211A10										4
10	CCI5000-1										6
-10A	21510-51										6
-10B	43655-10										6
15	453A1810-20										AR
20	453A1810-21										AR
25	453A1810-24										AR
-30	453A1810-30										AR
-35	453A1810-31										AR

-Item not Illustrated

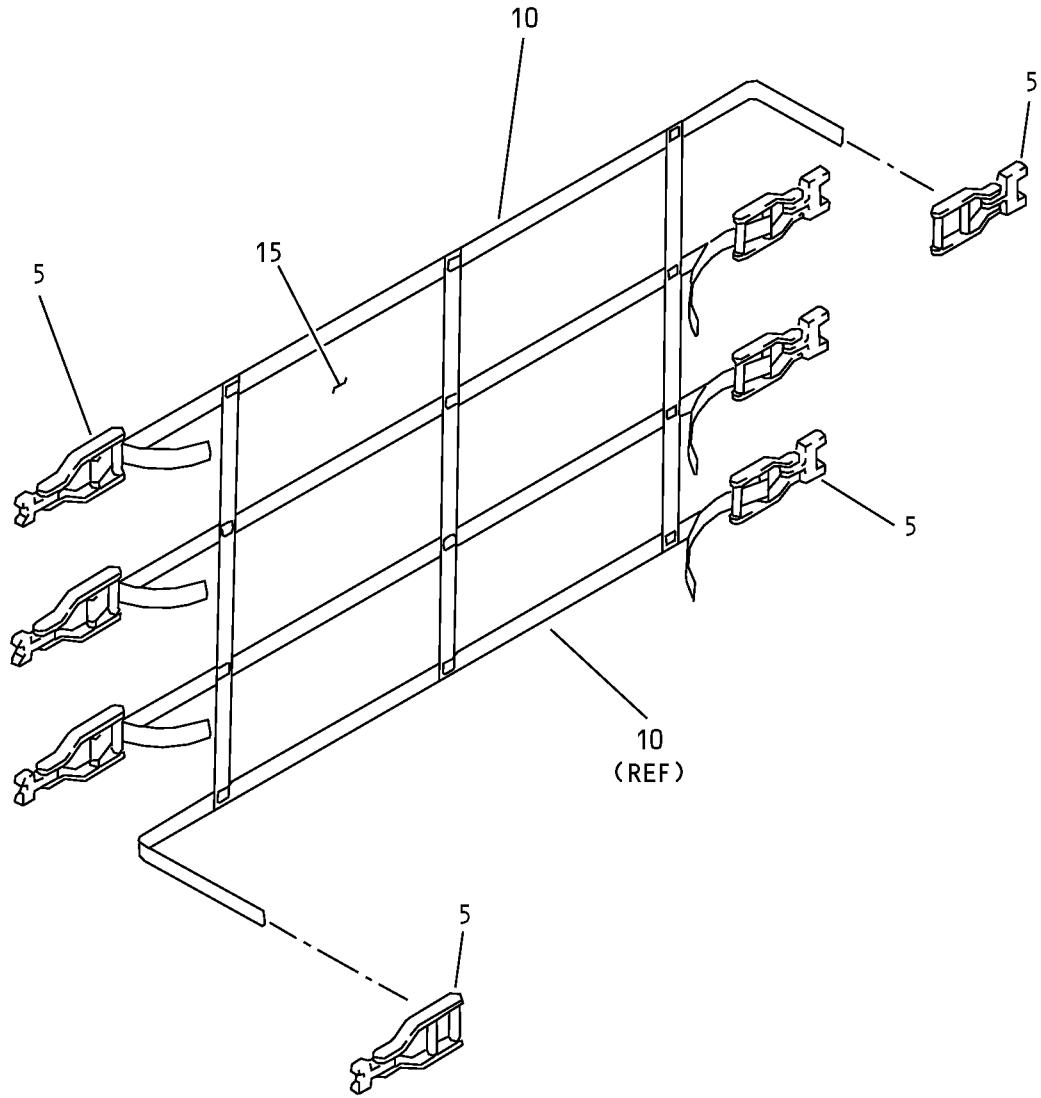
**25-50-01**

ILLUSTRATED PARTS LIST

Page 1098.86

Mar 01/2007

COMPONENT MAINTENANCE MANUAL



Forward Cargo Compartment Forward Center Net Assembly  
IPL Figure 44

**25-50-01**

ILLUSTRATED PARTS LIST

Page 1098.87

Mar 01/2007



COMPONENT MAINTENANCE MANUAL

FIG/ ITEM	PART NUMBER	AIRLINE PART NUMBER	NOMENCLATURE							USAGE CODE	UNITS PER ASSY
			1	2	3	4	5	6	7		
44- -1	453A1810-13		FWD CENTER NET ASSY-FWD CARGO COMPARTMENT								RF
5	CCI5000-1		. LATCH-SNAP (V16880) (OPT ITEM 5A, 5B)								8
-5A	21510-51		. LATCH-SNAP (V32707) (OPT ITEM 5, 5B)								8
-5B	43655-10		. LATCH-SNAP (V31272) (OPT ITEM 5, 5A)								8
10	453A1810-20		. WEBBING								AR
15	453A1810-21		. FABRIC-NYLON								AR
-20	453A1810-30		. THREAD								AR
-25	453A1810-31		. THREAD								AR

-Item not Illustrated

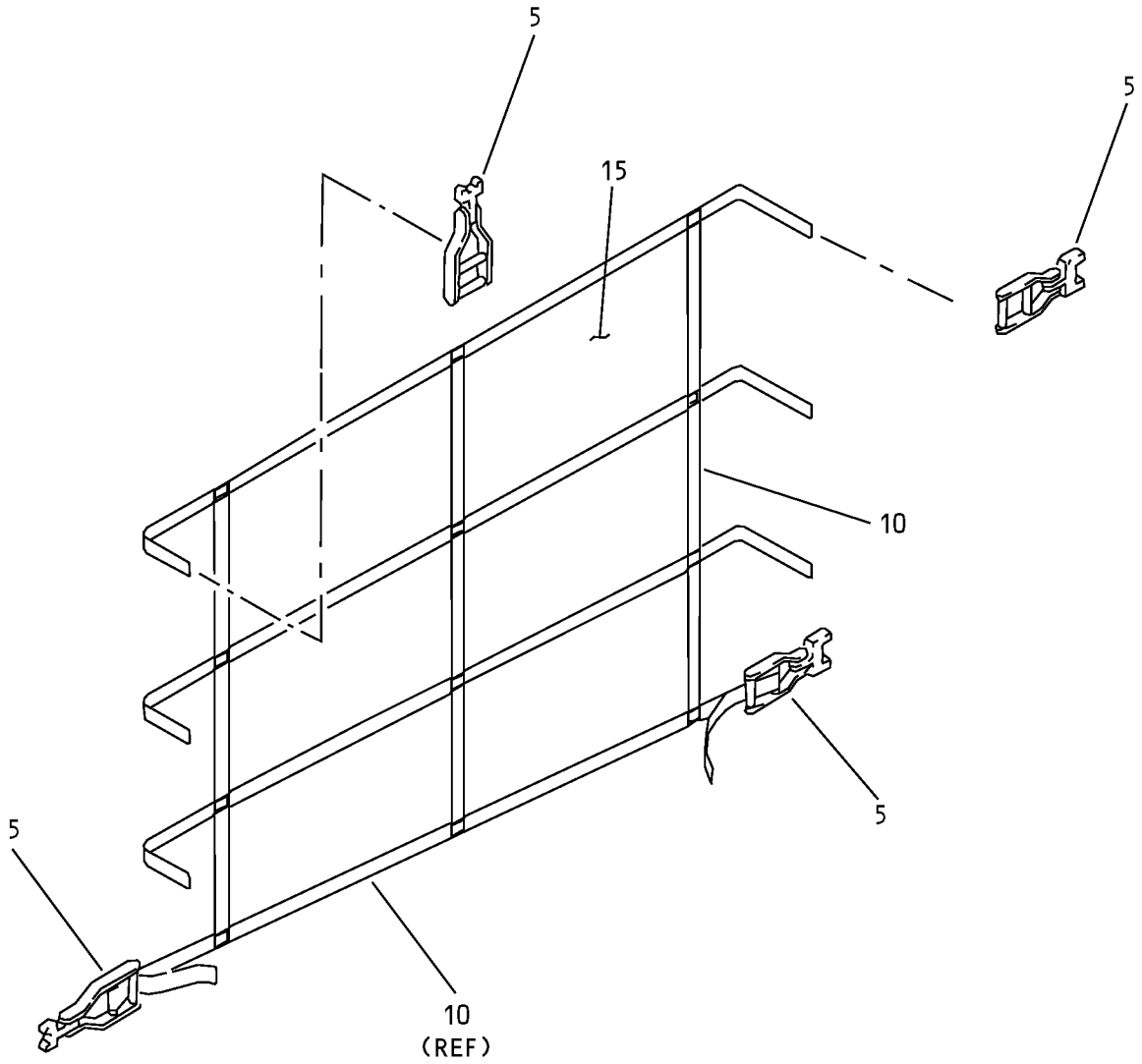
**25-50-01**

ILLUSTRATED PARTS LIST

Page 1098.88

Mar 01/2007

COMPONENT MAINTENANCE MANUAL



Aft Cargo Compartment Aft Center Net Assembly  
IPL Figure 45

**25-50-01**  
ILLUSTRATED PARTS LIST  
Page 1098.89  
Mar 01/2007



COMPONENT MAINTENANCE MANUAL

FIG/ ITEM	PART NUMBER	AIRLINE PART NUMBER	NOMENCLATURE							USAGE CODE	UNITS PER ASSY
			1	2	3	4	5	6	7		
45- -1	453A1810-14		AFT CENTER NET ASSY-AFT CARGO COMPARTMENT								RF
5	CCI5000-1		. LATCH-SNAP (V16880) (OPT ITEM 5A, 5B)								8
-5A	21510-51		. LATCH-SNAP (V32707) (OPT ITEM 5, 5B)								8
-5B	43655-10		. LATCH-SNAP (V31272) (OPT ITEM 5, 5A)								8
10	453A1810-20		. WEBBING								AR
15	453A1810-21		. FABRIC-NYLON								AR
-20	453A1810-30		. THREAD								AR
-25	453A1810-31		. THREAD								AR

-Item not Illustrated

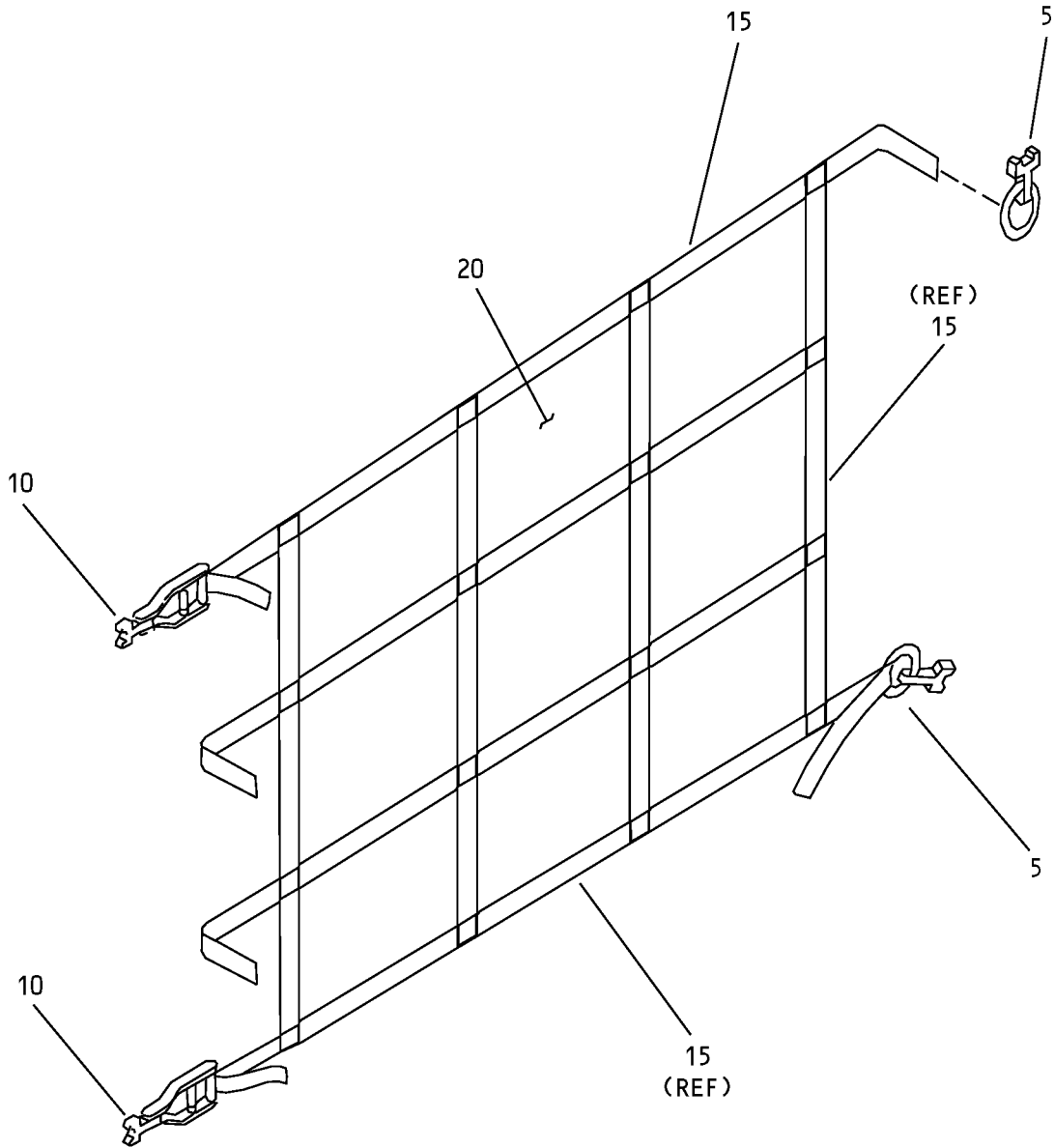
**25-50-01**

ILLUSTRATED PARTS LIST

Page 1098.90

Mar 01/2007

COMPONENT MAINTENANCE MANUAL



Aft Cargo Compartment Forward Net Assembly  
IPL Figure 46

**25-50-01**  
ILLUSTRATED PARTS LIST  
Page 1098.91  
Mar 01/2007





COMPONENT MAINTENANCE MANUAL

FIG/ ITEM	PART NUMBER	AIRLINE PART NUMBER	NOMENCLATURE							USAGE CODE	UNITS PER ASSY
			1	2	3	4	5	6	7		
46- -1	453A1810-15		FWD NET ASSY-AFT CARGO COMPARTMENT								RF
5	42302-201		. FITTING-BREAKAWAY (V32707) (OPT ITEM 5A)								2
-5A	40041-18		. FITTING BREAKAWAY (V31272) (OPT ITEM 5)								2
10	CCI5000-1		. LATCH-SNAP (V16880)								4
15	453A1810-20		. WEBBING								AR
20	453A1810-21		. FABRIC-NYLON								AR
-25	453A1810-30		. THREAD								AR
-30	453A1810-31		. THREAD								AR

-Item not Illustrated

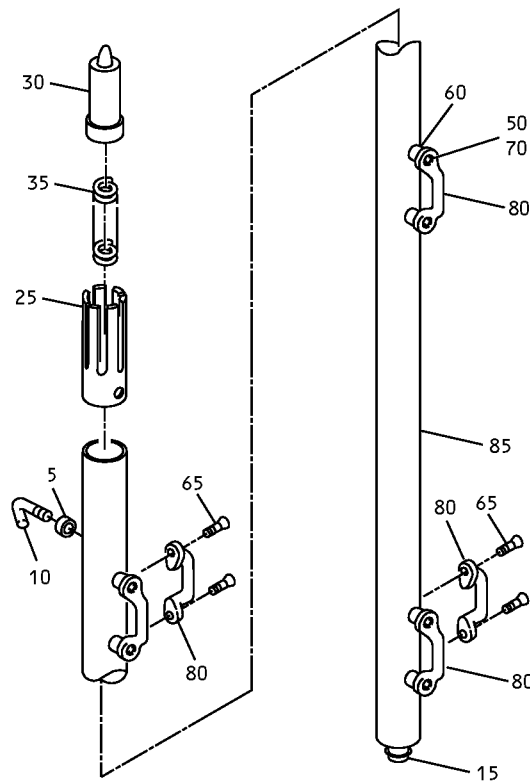
**25-50-01**

ILLUSTRATED PARTS LIST

Page 1098.92

Mar 01/2007

COMPONENT MAINTENANCE MANUAL



65-45953-1

65-45953-1 Forward Cargo Compartment Cargo Net Stanchion Assembly  
IPL Figure 47

**25-50-01**

ILLUSTRATED PARTS LIST

Page 1098.93

Mar 01/2007



COMPONENT MAINTENANCE MANUAL

FIG/ ITEM	PART NUMBER	AIRLINE PART NUMBER	NOMENCLATURE							USAGE CODE	UNITS PER ASSY
			1	2	3	4	5	6	7		
47-											
-1	65-45953-1									A	RF
-1A	65-45953-2									B	RF
5	MS25082-12										1
10	66-12804-1										1
15	BACR16A10K75										1
20	66-29099-1										1
25	MS16562-39										1
30	69-35454-1										1
35	69-35452-3										1
40	69-35453-1										1
45	69-40294-2										1
50	NAS517-3-7										6
55	NAS517-3-3										4
60	NAS43DD3-20										5
65	NAS43DD3-16										1
70	BACR16A10K75										10
75	66-12811-1									A	1
-75A	66-12811-1									B	2
80	BACL20AB										5
85	65-45953-6									A	1
-85A	65-45953-9									B	1

-Item not Illustrated

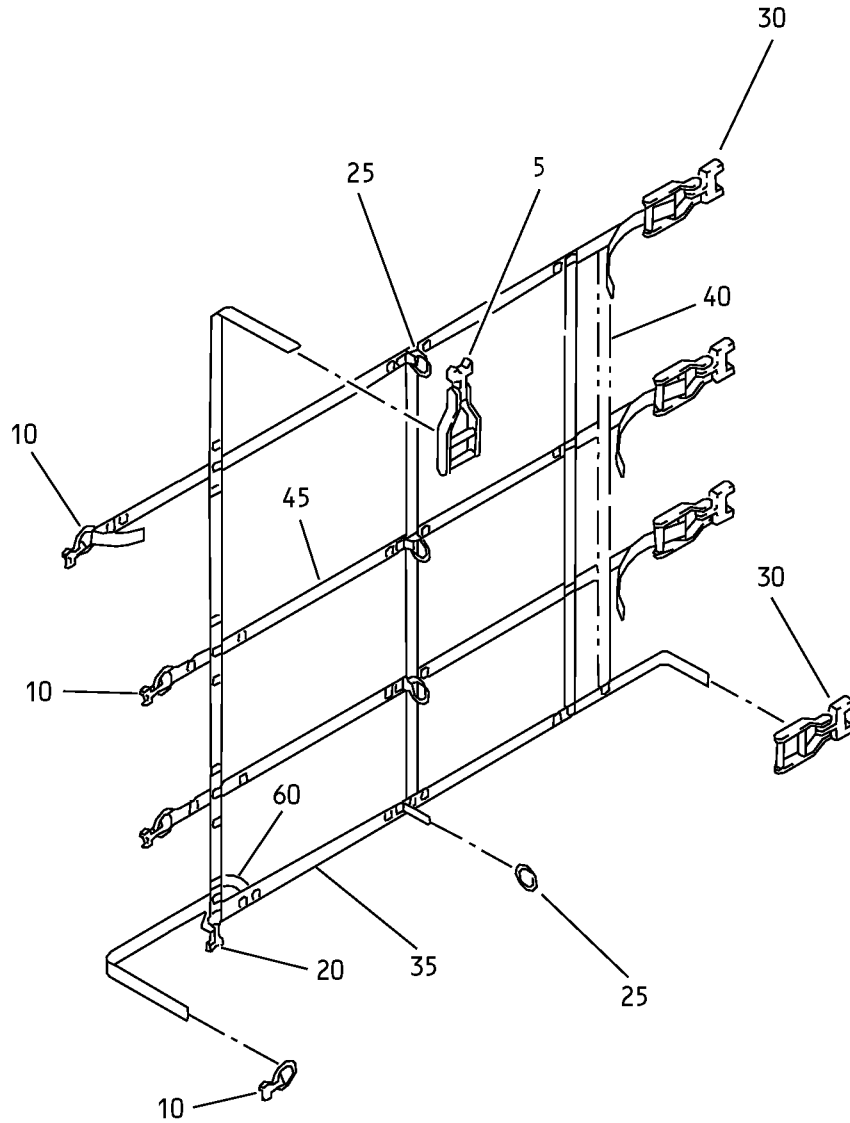
**25-50-01**

ILLUSTRATED PARTS LIST

Page 1098.94

Mar 01/2007

COMPONENT MAINTENANCE MANUAL



Forward and Aft Cargo Compartment Net Assembly  
IPL Figure 48

**25-50-01**

ILLUSTRATED PARTS LIST

Page 1098.95

Mar 01/2007



COMPONENT MAINTENANCE MANUAL

FIG/ ITEM	PART NUMBER	AIRLINE PART NUMBER	NOMENCLATURE							USAGE CODE	UNITS PER ASSY
			1	2	3	4	5	6	7		
48-											
1	453A1810-34										RF
5	42302-101										1
-5A	40041-14										1
-5B	A8509-40										1
-5C	CC11005-1A										1
10	42302-201										4
-10A	40041-18										4
20	10730										1
-20A	A6908										1
-20B	40340-10										1
-20C	CC11000-1A										1
25	NAS1211A10										4
30	CC15000-1										4
-30A	21510-51										4

-Item not Illustrated

**25-50-01**

ILLUSTRATED PARTS LIST  
Page 1098.96  
Mar 01/2007



COMPONENT MAINTENANCE MANUAL

FIG/ ITEM	PART NUMBER	AIRLINE PART NUMBER	NOMENCLATURE							USAGE CODE	UNITS PER ASSY				
			1	2	3	4	5	6	7						
48- -30B	43655-10		.	L	A	T	C	H	-	S	N	A	P		4
35	453A1810-20		.	W	E	B	B	I	N	G					AR
40	453A1810-21		.	F	A	B	R	I	C	-	N	Y	L	O	AR
45	453A1810-22		.	W	E	B	B	I	N	G	-	Y	E	L	AR
-50	453A1810-30		.	T	H	R	E	A	D						AR
-55	453A1810-31		.	T	H	R	E	A	D						AR
-60	453A1810-35		.	F	A	B	R	I	C	-	N	Y	L	O	AR

-Item not Illustrated