

CHAPTER

56

WINDOWS



757
ILLUSTRATED TOOL AND EQUIPMENT MANUAL

CHAPTER 56
WINDOWS

Subject/Page	Date	Subject/Page	Date	Subject/Page	Date
EFFECTIVE PAGES					
1	Sep 20/2008				
2	BLANK				
56-CONTENTS					
1	Sep 20/2006				
2	BLANK				
56-00-01					
1	Sep 20/2006				
2	Sep 20/2006				
56-10-01					
1	Sep 20/2006				
2	BLANK				
56-10-02					
1	Sep 20/2006				
2	BLANK				

A = Added, R = Revised, O = Overflow, D = Deleted

56-EFFECTIVE PAGES



757
ILLUSTRATED TOOL AND EQUIPMENT MANUAL

TABLE OF CONTENTS

<u>Subject</u>	<u>Title</u>	<u>Part No.</u>
56-	WINDOWS	
56-00-01	SLING SET - NUMBER 1 AND 3 CABIN WINDOW	A56001-15

56-CONTENTS



757

ILLUSTRATED TOOL AND EQUIPMENT MANUAL

PART NUMBER: A56001-15

NAME: SLING SET - NUMBER 1 AND 3 CABIN WINDOW

AIRPLANE MAINTENANCE: YES

COMPONENT MAINTENANCE: NO

USAGE & DESCRIPTION: The A56001-15 sling set is used on all 757 airplanes. A56001 is used for cockpit windows numbers 1 and 3 removal and installation. Refer to AMM 56-11-01 and AMM 56-11-10 for complete usage instructions. A56001-15 consists of:

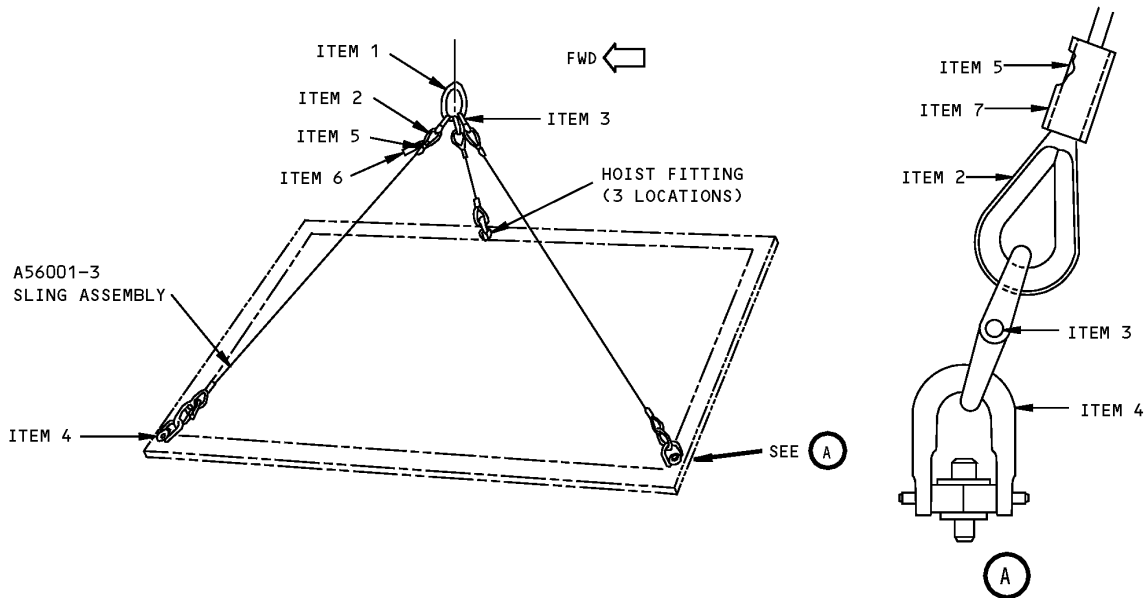
A56001-15		
QUANTITY	NOMENCLATURE	PART NUMBER
1	NUMBER 1 WINDOW SLING ASSEMBLY	A56001-2
1	NUMBER 3 WINDOW SLING ASSEMBLY	A56001-3
1	STORAGE BOX	

WEIGHT: 32 lbs (15 kg)

DIMENSIONS: 8 x 10 x 24 inches (203 x 254 x 610 mm)

NOTE: A56001-15 supersedes A56001-1.

757
ILLUSTRATED TOOL AND EQUIPMENT MANUAL



Number 1 And 3 Cabin Window Sling Set
Figure 1

REPAIRABLE/REPLACEABLE PARTS			
ITEM NO.	PART NO.	NOMENCLATURE	VENDOR CODE
1	G-341-5/8	WELDLESS SLING LINK	V75535
2	G-414-1/4	THIMBLE	V75535
3	A337-3/8, A337-1/4	CONNECTING LINK	V75535
4	ADB23052	SAFETY HOIST RING	V02064
5	28-10-F6	SLEEVE	V76691
6	F70308-15	PROOF LOAD TAG	
7	F70308-16	CABLE IDENTIFICATION TAG	



757

ILLUSTRATED TOOL AND EQUIPMENT MANUAL

PART NUMBER: B56001-74 WAS DELETED



757

ILLUSTRATED TOOL AND EQUIPMENT MANUAL

PART NUMBER: 20HME65B07650 WAS DELETED