

757-204/236
ILLUSTRATED PARTS CATALOGUE
CHAPTER 21 – AIR CONDITIONING

THOMSONFLY CUSTOMISATIONS

757-204/236

PUBLICATION REVISION
ILLUSTRATED PARTS CATALOGUE

CHAPTER 21 – AIR CONDITIONING

EFFECTIVE PAGES

| CH-SECT-UNIT-FIG | PAGE NO. | DATE | CH-SECT-UNIT-FIG | PAGE NO. | DATE |
|------------------|----------|--------|------------------|----------|------|
| * 21 CONTENTS | 1 | JUN 09 | | | |
| * 21-24-02-10D | 0 | JUN 09 | | | |
| * 21-24-02-10D | 1 | JUN 09 | | | |
| 21-26-09-05 | 0A | DEC 03 | | | |
| 21-26-09-05 | 0E | DEC 03 | | | |
| 21-26-09-05 | 8 | DEC 03 | | | |
| 21-26-09-09 | 0A | DEC 03 | | | |
| 21-26-09-09 | 0H | DEC 03 | | | |
| 21-26-09-09 | 9 | DEC 03 | | | |
| 21-26-09-22 | 0 | DEC 03 | | | |
| 21-26-09-22 | 0K | DEC 03 | | | |
| 21-26-09-22 | 10 | DEC 03 | | | |
| 21-26-09-41 | 0 | DEC 03 | | | |
| 21-26-09-41 | 0L | DEC 03 | | | |
| 21-26-09-41 | 7 | DEC 03 | | | |
| 21-26-09-42 | 0 | DEC 03 | | | |
| 21-26-09-42 | 0L | DEC 03 | | | |
| 21-26-09-42 | 9 | DEC 03 | | | |
| 21-44-05-01 | 0 | DEC 03 | | | |
| 21-44-05-01 | 1 | DEC 03 | | | |

* INDICATES PAGES CHANGED OR ADDED BY THE CURRENT REVISION

757-204/236

PUBLICATION REVISION
ILLUSTRATED PARTS CATALOGUE

CHAPTER 21 – AIR CONDITIONING

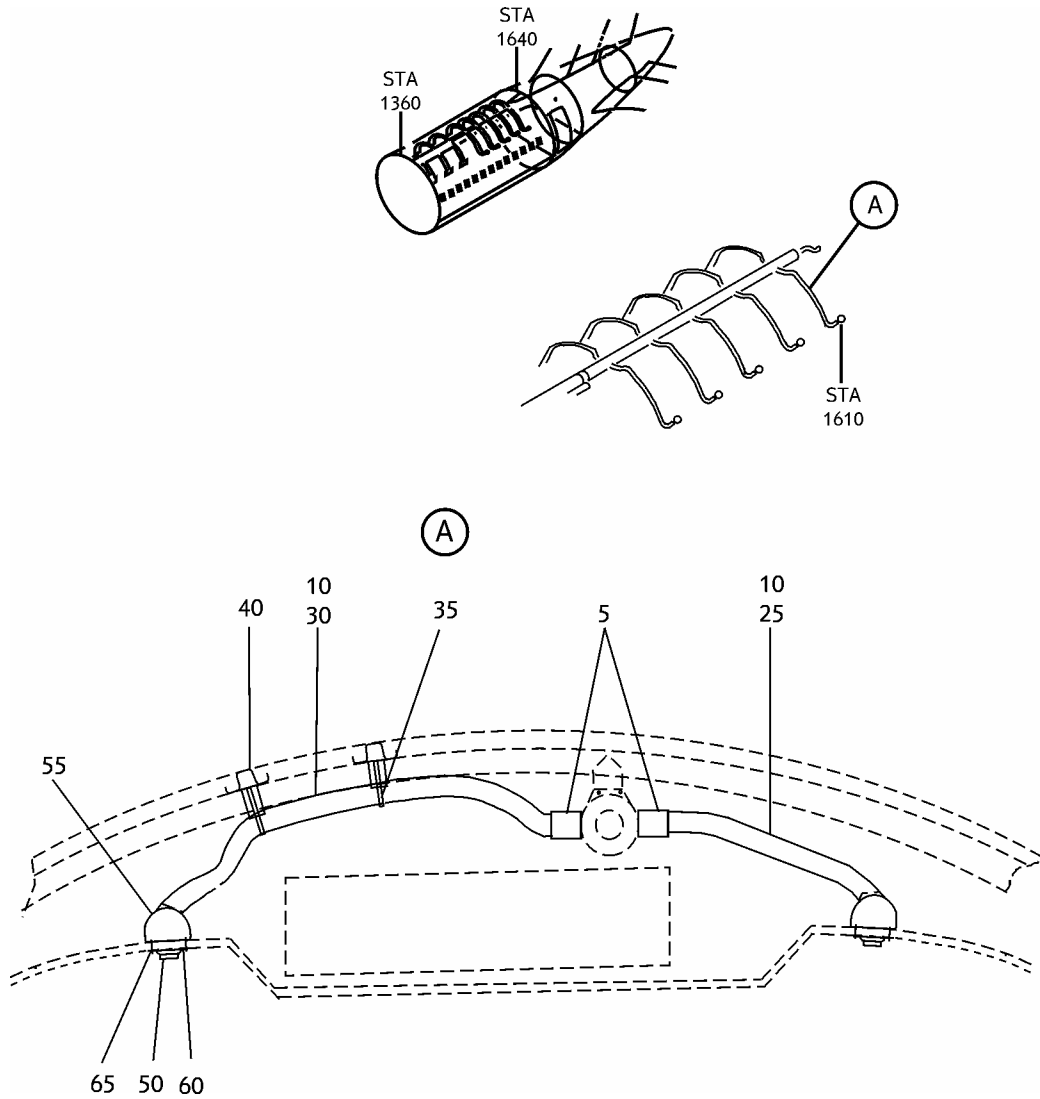
TABLE OF CONTENTS

| <u>SUBJECT</u> | <u>CHAPTER SECTION UNIT</u> | <u>FIGURE</u> |
|---|-------------------------------------|---------------|
| GASPER AIR DISTRIBUTION | 21-24-00 | |
| A HOSE INSTL – GASPER (REAR CABIN) | 21-24-02 | 10D |
| VENTILATION SYSTEM | 21-26-00 | |
| DUCT INSTL – SECT. 46 LAV/GALLEY VENT SYS | 21-26-09 | 5 |
| DUCT INSTL – SECT. 46 LAV/GALLEY VENT SYS | 21-26-09 | 9 |
| DUCT INSTL – SECT. 46 LAV/GALLEY VENT SYS | 21-26-09 | 22 |
| DUCT INSTL – SECT. 46 LAV/GALLEY VENT SYS | 21-26-09 | 41 |
| DUCT INSTL – SECT. 46 LAV/GALLEY VENT SYS | 21-26-09 | 42 |
| AFT AND BULK CARGO COMPARTMENT HEATING SYSTEM | 21-44-00 | |
| EQUIPMENT INSTL-STA 1200 CARGO HEATING SYS | 21-44-05 | 1 |

757-204/236

PUBLICATION REVISION

ILLUSTRATED PARTS CATALOGUE



HOSE INSTL – GASPER (REAR CABIN)
FIGURE 10D

21-24-02-10D

757-204/236

PUBLICATION REVISION

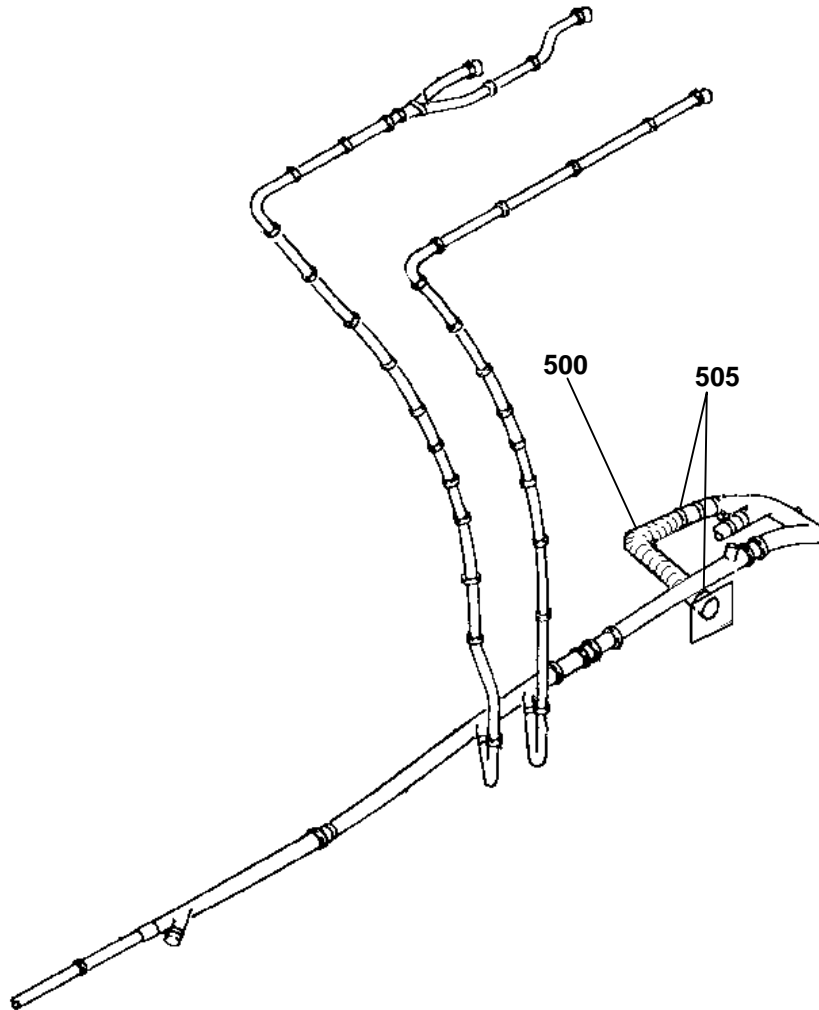
ILLUSTRATED PARTS CATALOGUE

| FIG. ITEM | PART NUMBER | DESCRIPTION | EFFECT FROM -TO | UNITS PER ASSY |
|-----------|-----------------|----------------------------------|-------------------|----------------|
| 10D | | HOSE INSTL – GASPER (REAR CABIN) | 002-102, 904, 905 | RF |
| | | <u>MOD/757/1142 ISSUE 1</u> | | |
| 5 | 69-61888-4 | . SPUD ASSEMBLY | 002-010 | 10 |
| 5 | 21T3488-129 | . SPUD ASSEMBLY | 011-102, 904, 905 | 10 |
| 10 | AS1591-04-0300A | . FLEXIBLE HOSE | 002-010 | 10 |
| 25 | AS1591-04-0240A | . FLEXIBLE HOSE | 011-102, 904, 905 | 5 |
| 30 | AS1591-04-0400A | . FLEXIBLE HOSE | 011-102, 904, 905 | 5 |
| 35 | BACS38K2 | . STRAP | 002-102, 904, 905 | 20 |
| 40 | 214N5054-1 | . SUPPORT ASSY | 002-010 | 5 |
| 40 | 214N5054-1 | . SUPPORT ASSY | 011-102, 904, 905 | 10 |
| -45 | BAC38K2 | . STRAP | 002-010 | 5 |
| -45 | BAC38K2 | . STRAP | 011-102, 904, 905 | 10 |
| 50 | S214W001-3A | . GASPER VALVE (V1292-2) | 002-102, 904, 905 | 10 |
| 55 | 214U2130-1 | . MANIFOLD ASSY | 002-102, 904, 905 | 10 |
| 60 | 214U2431-2 | . GASKET | 002-102, 904, 905 | 20 |
| 65 | BACB30LU3-13 | . BOLT | 002-102, 904, 905 | 40 |
| -70 | EC2216 | . ADHESIVE | 002-102, 904, 905 | AR |

* Not Illustrated

757-204/236

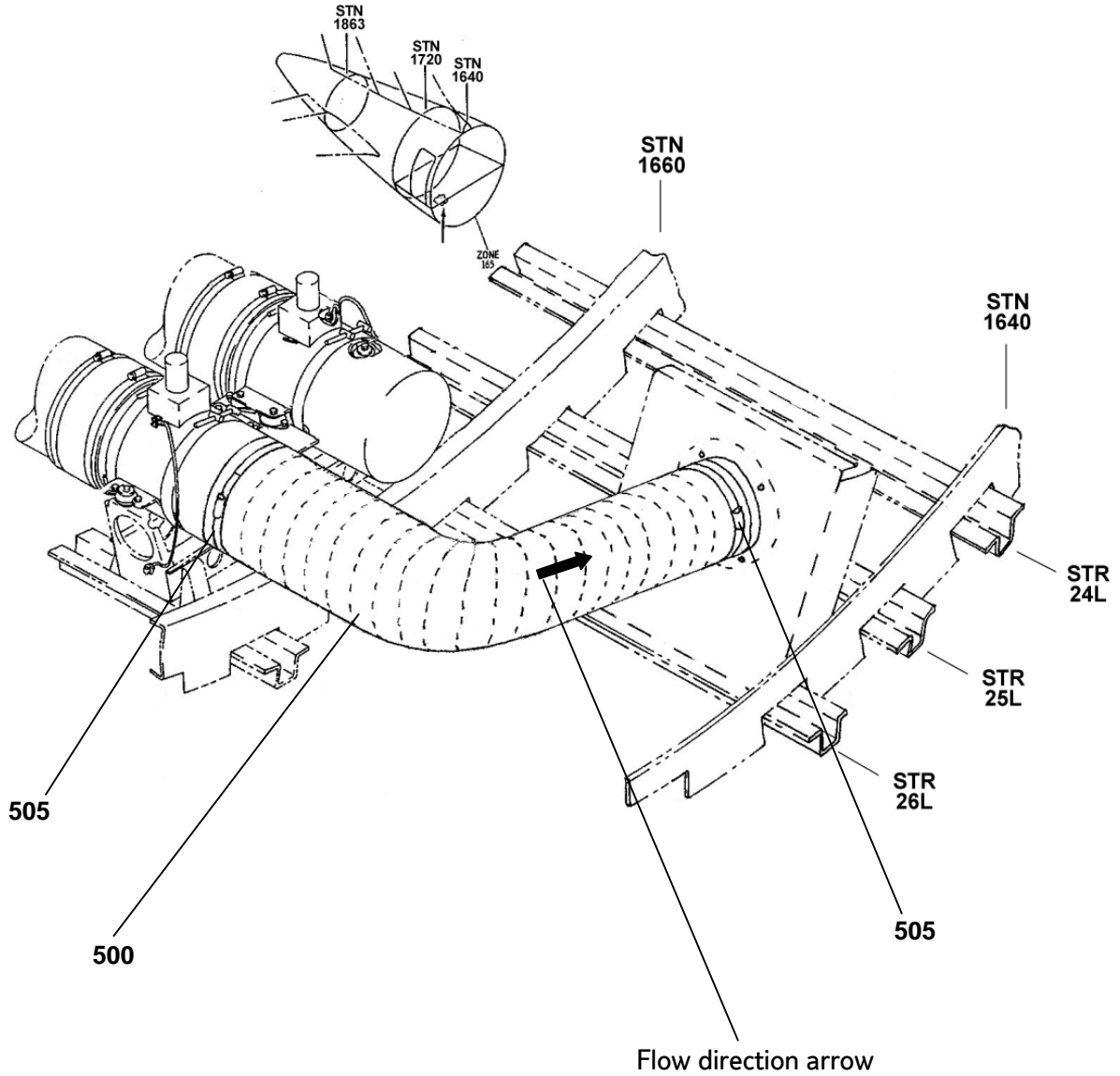
PUBLICATION REVISION
ILLUSTRATED PARTS CATALOGUE



DUCT INSTL – SECT. 46 (LAV/GALLEY VENT SYS)
FIGURE 5 (SHEET 2)

757-204/236

PUBLICATION REVISION
ILLUSTRATED PARTS CATALOGUE



DUCT INSTL – SECT. 46 (LAV/GALLEY VENT SYS)
FIGURE 5 (SHEET 6)

21-26-09-05

757-204/236

PUBLICATION REVISION
ILLUSTRATED PARTS CATALOGUE

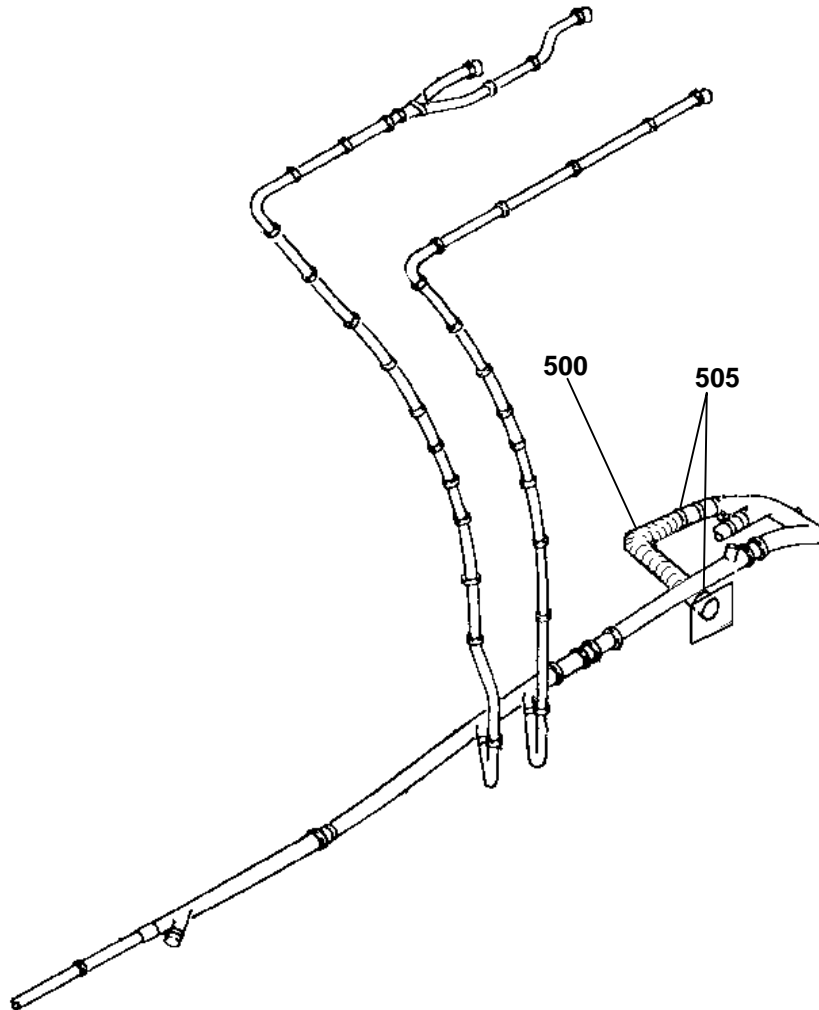
| FIG. | ITEM | PART NUMBER | DESCRIPTION | EFFECT FROM -TO | UNITS PER ASSY |
|------|------|----------------|---|-----------------|----------------|
| 5 | | | DUCT INSTL – SECT. 46 LAV/GALLEY VENT SYS <u>TEO/757/1281 ISSUE: 1</u> | | RF |
| 5 | | 757-1411 | INSTALLATION OF LAV/GALLEY VENT DUCT | 002, 003 | RF |
| 5 | 500 | BWT10-3440360A | . FLEXIBLE DUCT TUBING (5.5" DIA DUCT) ATTACHING PARTS | | 1 |
| | 505 | NAS1922-0575-1 | .. DUCT CLAMP * * * | | 2 |

* Not Illustrated

21-26-09-05

757-204/236

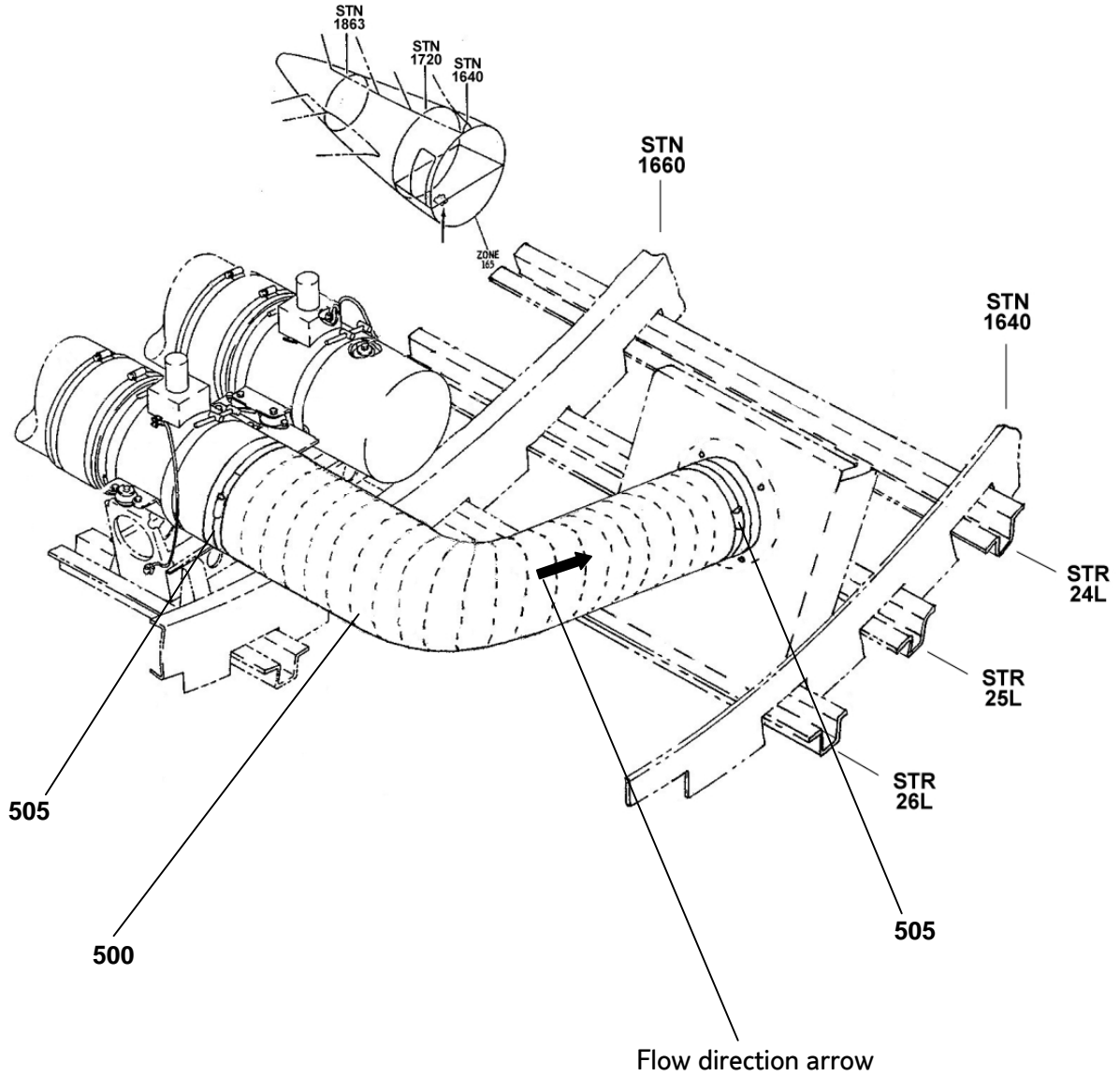
PUBLICATION REVISION
ILLUSTRATED PARTS CATALOGUE



DUCT INSTL – SECT. 46 (LAV/GALLEY VENT SYS)
FIGURE 9 (SHEET 2)

757-204/236

PUBLICATION REVISION
ILLUSTRATED PARTS CATALOGUE



DUCT INSTL – SECT. 46 (LAV/GALLEY VENT SYS)
FIGURE 9 (SHEET 9)

21-26-09-09



757-204/236

PUBLICATION REVISION
ILLUSTRATED PARTS CATALOGUE

| FIG. | ITEM | PART NUMBER | DESCRIPTION | EFFECT FROM -TO | UNITS PER ASSY |
|------|------|----------------|---|-----------------|----------------|
| 9 | | | DUCT INSTL – SECT. 46 LAV/GALLEY VENT SYS <u>TEO/757/1281 ISSUE: 1</u> | | RF |
| 9 | | 757-1411 | INSTALLATION OF LAV/GALLEY VENT DUCT | 904, 905 | RF |
| 9 | 500 | BWT10-3440360A | . FLEXIBLE DUCT TUBING (5.5" DIA DUCT) ATTACHING PARTS | | 1 |
| | 505 | NAS1922-0575-1 | .. DUCT CLAMP * * * | | 2 |

* Not Illustrated

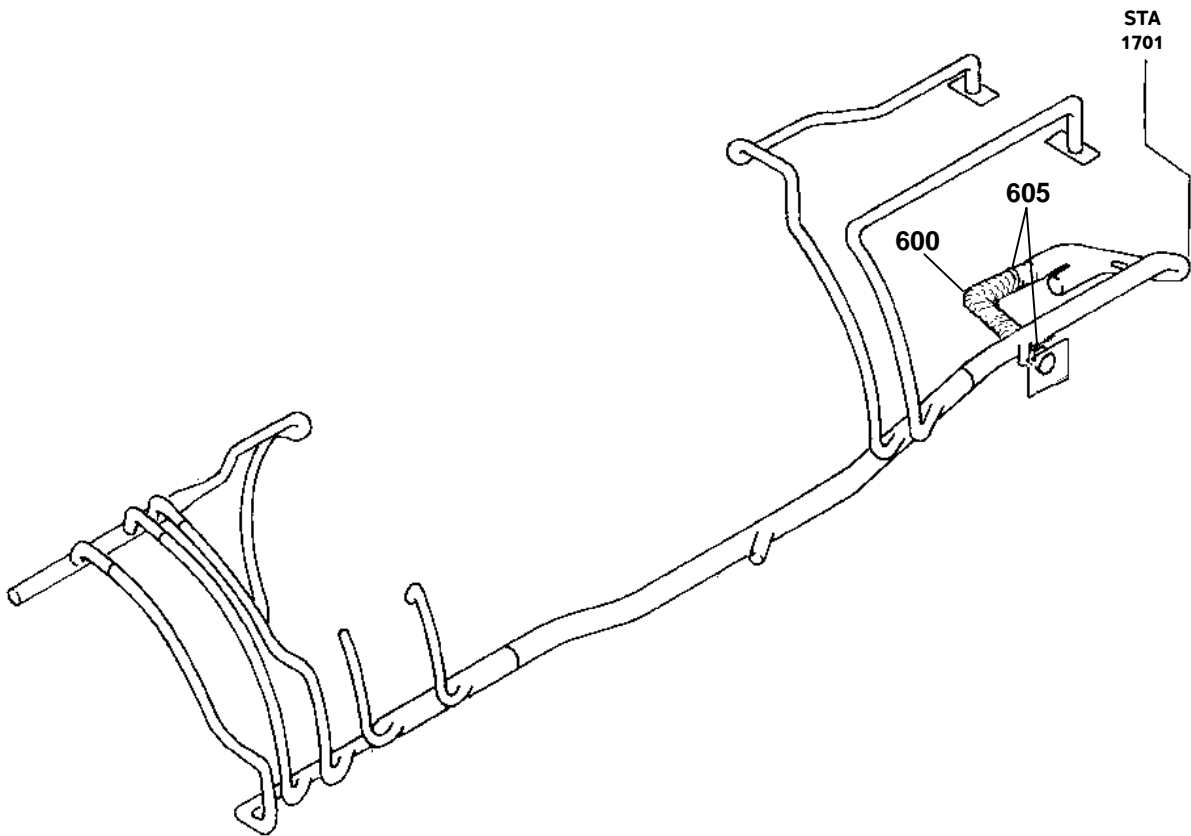
21-26-09-09

REV. NO: 35
DATE: DEC 03

21-26-09
FIG. 09
PAGE 9

757-204/236

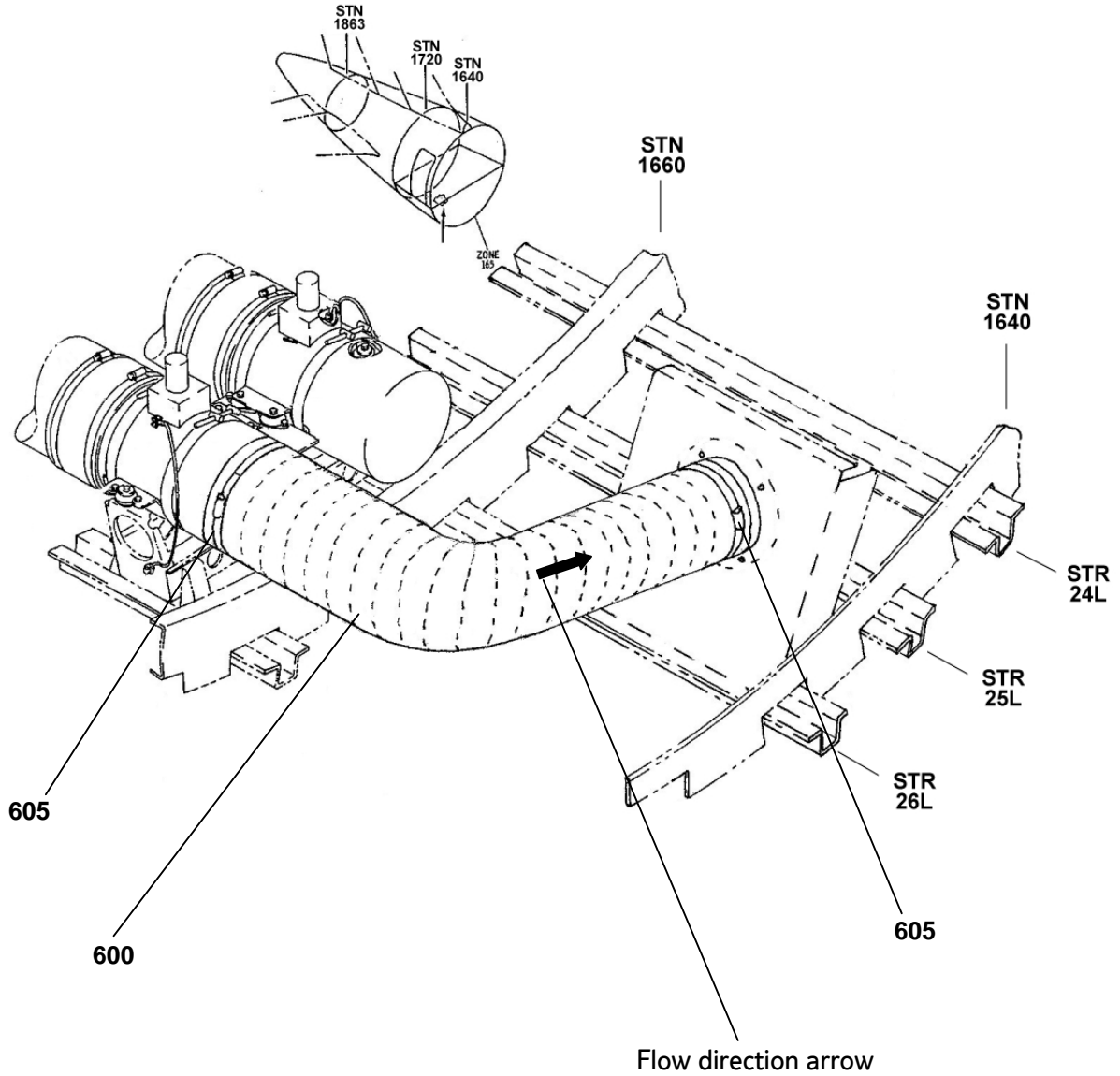
PUBLICATION REVISION
ILLUSTRATED PARTS CATALOGUE



DUCT INSTL – SECT. 46 (LAV/GALLEY VENT SYS)
FIGURE 22 (SHEET 1)

757-204/236

PUBLICATION REVISION
ILLUSTRATED PARTS CATALOGUE



DUCT INSTL – SECT. 46 (LAV/GALLEY VENT SYS)
FIGURE 22 (SHEET 12)

21-26-09-22

757-204/236

PUBLICATION REVISION
ILLUSTRATED PARTS CATALOGUE

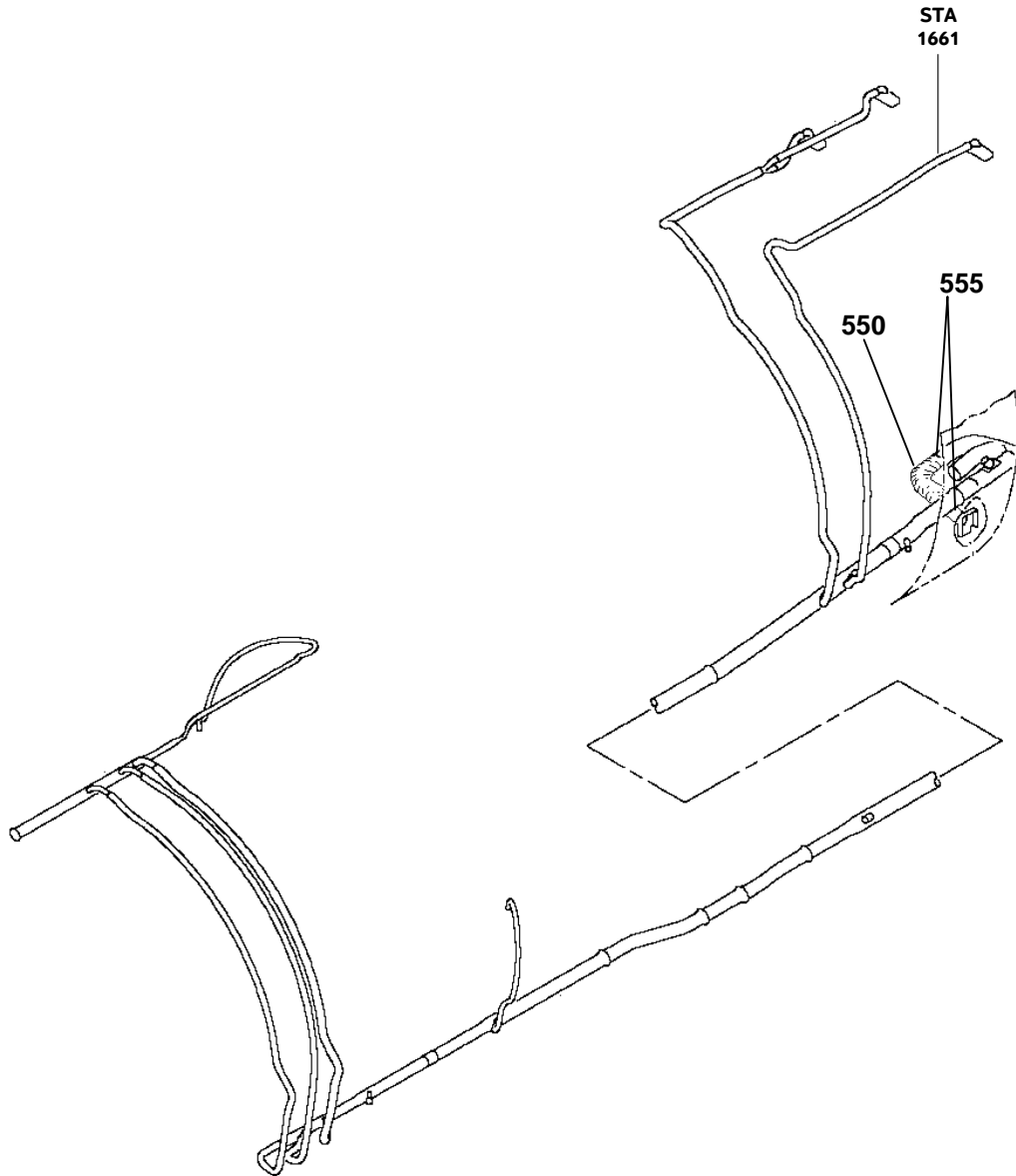
| FIG. | ITEM | PART NUMBER | DESCRIPTION | EFFECT FROM -TO | UNITS PER ASSY |
|------|------|----------------|---|-----------------|----------------|
| 22 | | | DUCT INSTL – SECT. 46 LAV/GALLEY VENT SYS <u>TEO/757/1281 ISSUE: 1</u> | | RF |
| 22 | | 757-1411 | INSTALLATION OF LAV/GALLEY VENT DUCT | 004, 099 | RF |
| 22 | 600 | BWT10-3440360A | . FLEXIBLE DUCT TUBING (5.5" DIA DUCT) ATTACHING PARTS | | 1 |
| | 605 | NAS1922-0575-1 | .. DUCT CLAMP * * * | | 2 |

* Not Illustrated

21-26-09-22

757-204/236

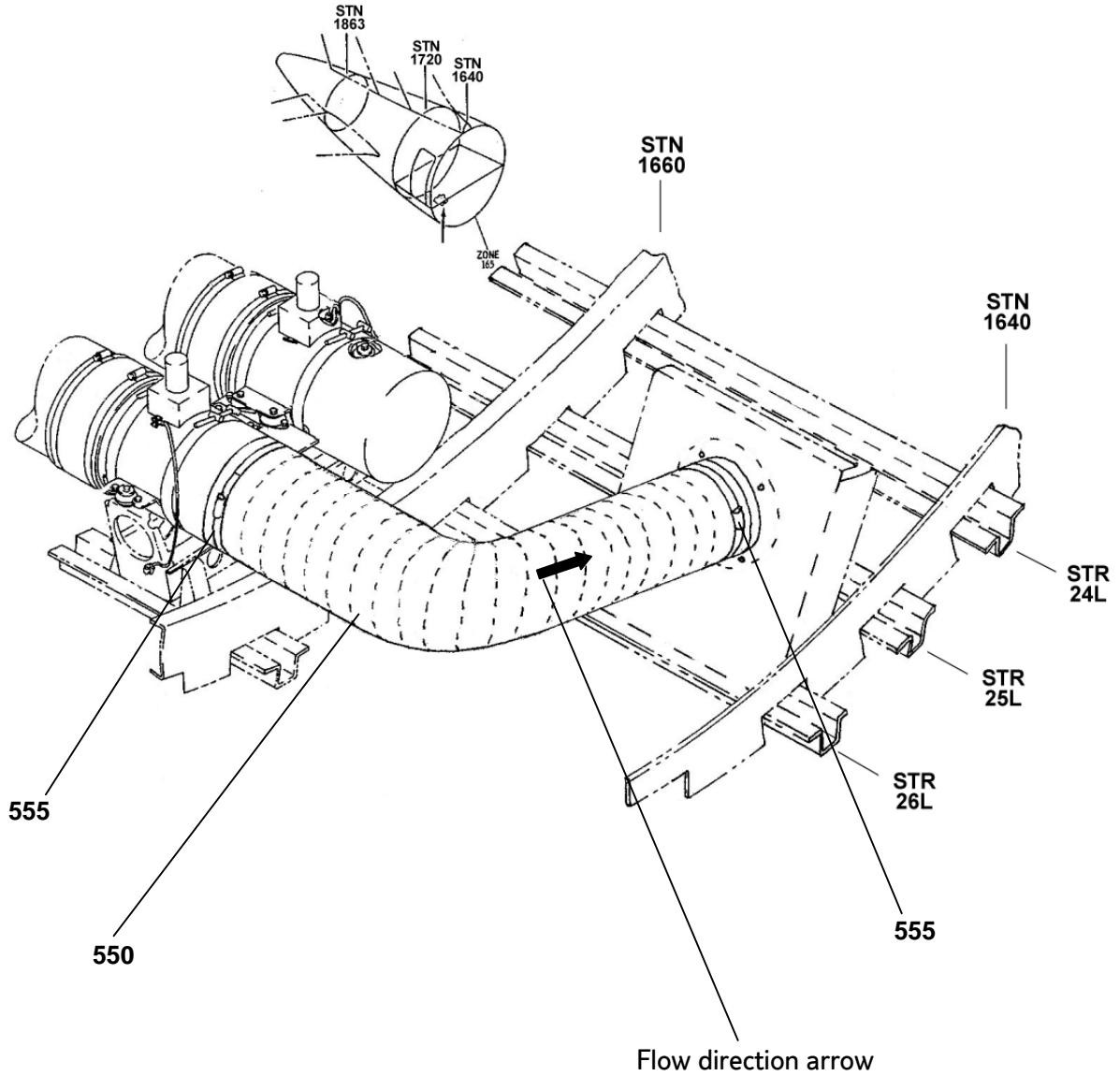
PUBLICATION REVISION
ILLUSTRATED PARTS CATALOGUE



DUCT INSTL – SECT. 46 (LAV/GALLEY VENT SYS)
FIGURE 41 (SHEET 1)

757-204/236

PUBLICATION REVISION
ILLUSTRATED PARTS CATALOGUE



DUCT INSTL – SECT. 46 (LAV/GALLEY VENT SYS)
FIGURE 41 (SHEET 13)

21-26-09-41

757-204/236

PUBLICATION REVISION
ILLUSTRATED PARTS CATALOGUE

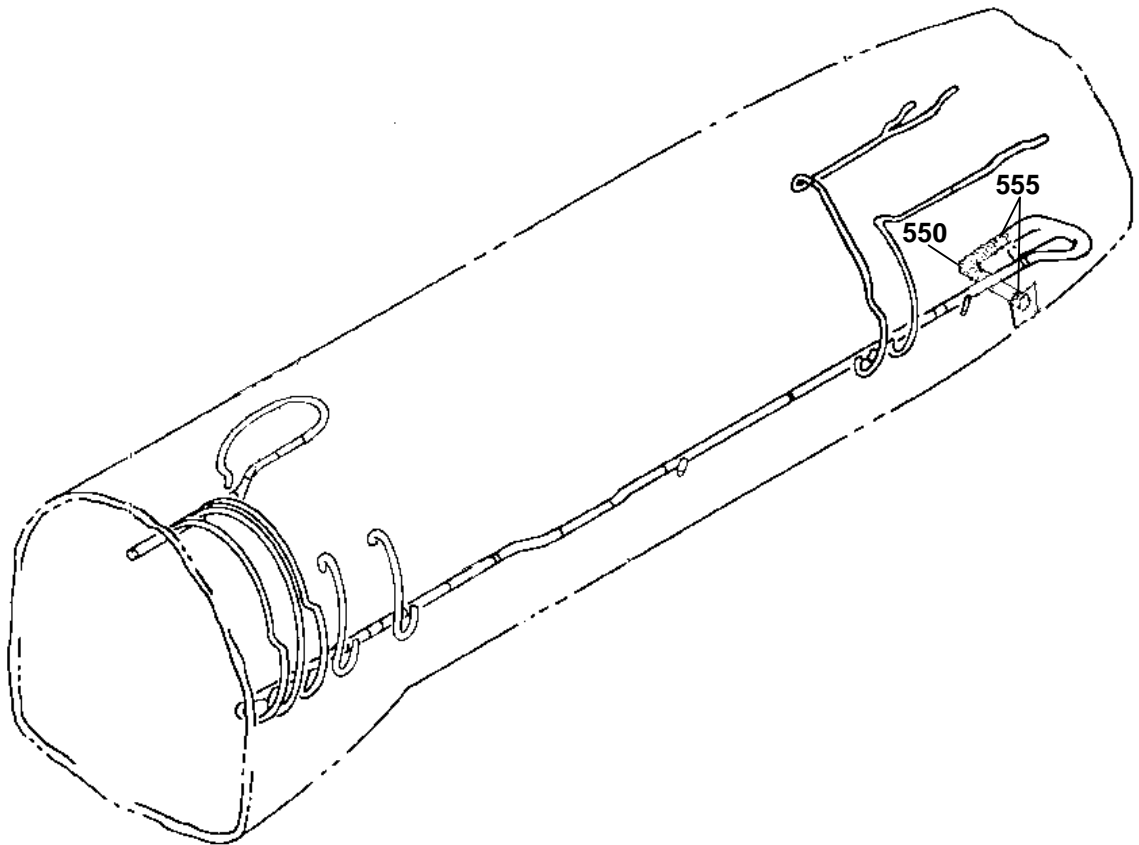
| FIG. | ITEM | PART NUMBER | DESCRIPTION | EFFECT FROM -TO | UNITS PER ASSY |
|------|------|----------------|---|-----------------|----------------|
| 41 | | | DUCT INSTL – SECT. 46 LAV/GALLEY VENT SYS <u>TEO/757/1281 ISSUE: 1</u> | | RF |
| 41 | | 757-1411 | INSTALLATION OF LAV/GALLEY VENT DUCT | 101, 102 | RF |
| 41 | 550 | BWT10-3440360A | . FLEXIBLE DUCT TUBING (5.5" DIA DUCT) ATTACHING PARTS | | 1 |
| | 555 | NAS1922-0575-1 | .. DUCT CLAMP * * * | | 2 |

* Not Illustrated

21-26-09-41

757-204/236

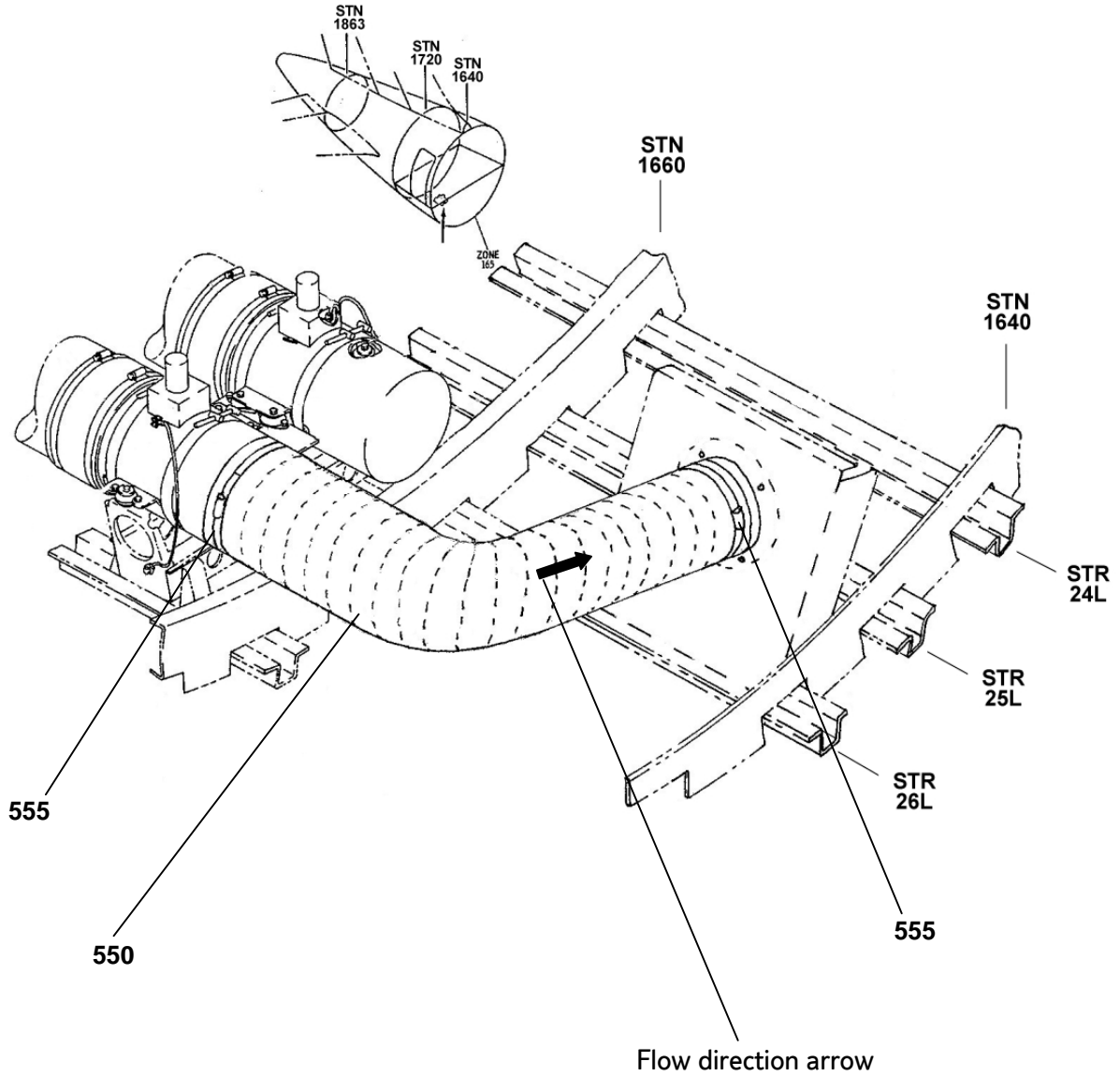
PUBLICATION REVISION
ILLUSTRATED PARTS CATALOGUE



DUCT INSTL – SECT. 46 (LAV/GALLEY VENT SYS)
FIGURE 42 (SHEET 1)

757-204/236

PUBLICATION REVISION
ILLUSTRATED PARTS CATALOGUE



DUCT INSTL – SECT. 46 (LAV/GALLEY VENT SYS)
FIGURE 42 (SHEET 13)

21-26-09-42

757-204/236

PUBLICATION REVISION
ILLUSTRATED PARTS CATALOGUE

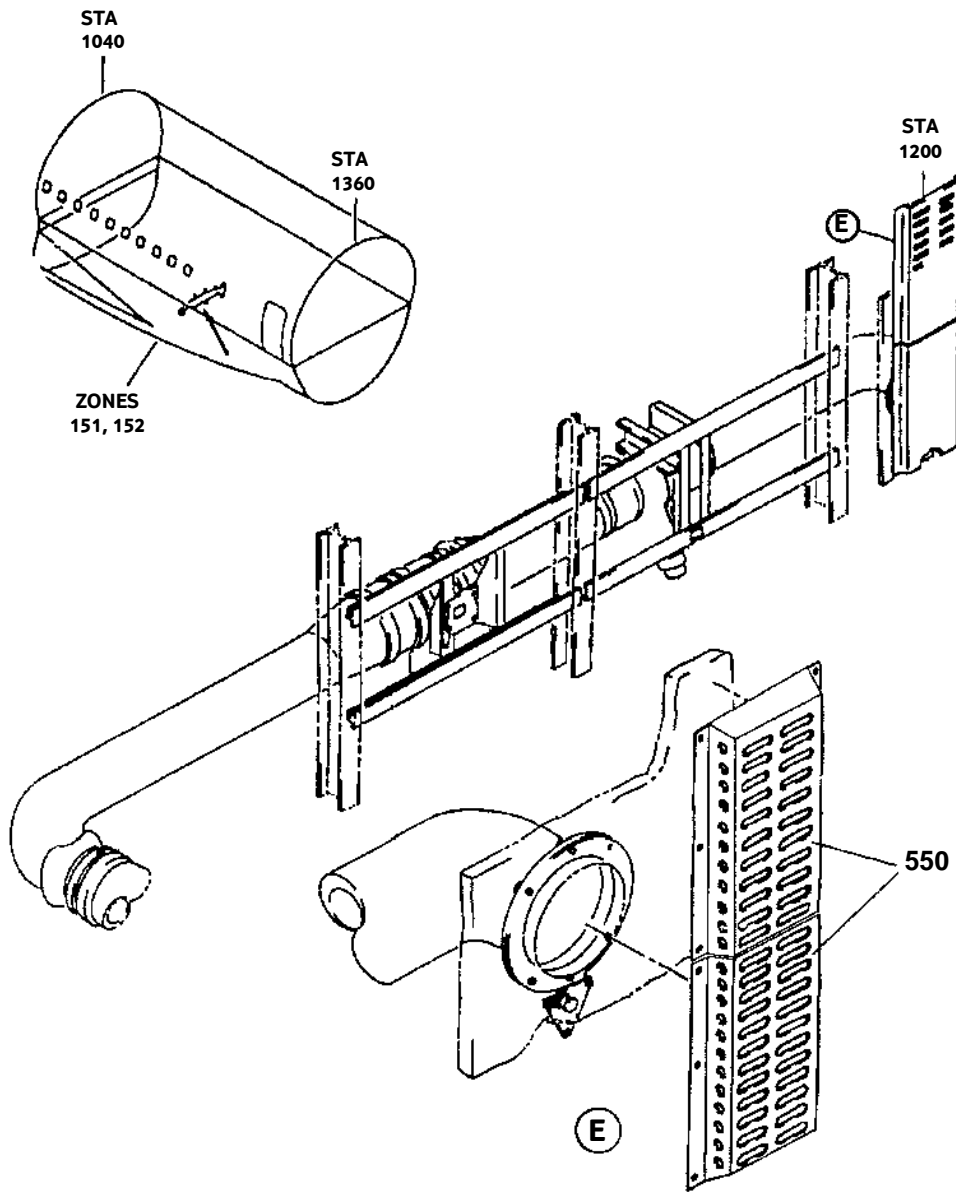
| FIG. | ITEM | PART NUMBER | DESCRIPTION | EFFECT FROM -TO | UNITS PER ASSY |
|------|------|----------------|---|-----------------|----------------|
| 42 | | | DUCT INSTL – SECT. 46 LAV/GALLEY VENT SYS <u>TEO/757/1281 ISSUE: 1</u> | | RF |
| 42 | | 757-1411 | INSTALLATION OF LAV/GALLEY VENT DUCT | 101, 102 | RF |
| 42 | 550 | BWT10-3440360A | . FLEXIBLE DUCT TUBING (5.5" DIA DUCT) ATTACHING PARTS | | 1 |
| | 555 | NAS1922-0575-1 | .. DUCT CLAMP * * * | | 2 |

* Not Illustrated

21-26-09-42

757-204/236

PUBLICATION REVISION
ILLUSTRATED PARTS CATALOGUE



EQUIPMENT INSTL – STA 1200 CARGO HEATING SYS
FIGURE 1 (SHEET 1)

757-204/236

PUBLICATION REVISION
ILLUSTRATED PARTS CATALOGUE

| FIG. | ITEM | PART NUMBER | DESCRIPTION | EFFECT FROM -TO | UNITS PER ASSY |
|------|------|--------------|---|-----------------------|----------------|
| 01 | | | EQUIPMENT INSTL – STA 1200 CARGO HEATING SYS <u>MOD/757/1084 ISSUE: 1A</u> | | RF |
| 01 | | 757-1116 | CARGO BAY VENT GRILLE ASSY | 002, 004, 006, 899 | RF |
| | 167 | 215N3026-5 | . SCREEN (RPL BY 757-1116-000) | | 2 |
| | 550 | 757-1116-000 | . VENT GRILLE (RPLS 215N3026-5) | | 2 |

* Not Illustrated

21-44-05-01

757 Illustrated Parts Catalog (D6-49286-ATZ)
 First Choice Airways Customisations Index
 Chapter 21

| - | - | NB322 | NT404 | NT406 | NA443 | NT245 | NT246 | NJ001 | NJ002 | NJ003 | NJ004 | NT405 | NT407 | NB506 | NB507 | NA346 | NB329 | NA352 |
|-----------------|---|--------|--------|--------|--------|--------|--------|--------|--------|--------|--------|--------|--------|--------|--------|--------|--------|--------|
| Mod no. | Title | G-CPEP | G-CPEU | G-CPEV | G-OOOC | G-OOBA | G-OOBB | G-OOBC | G-OOBD | G-OOBE | G-OOBF | G-OOBG | G-OOBH | G-OOBI | G-OOBJ | G-OOBK | G-OOOX | G-OOOZ |
| 21-74-00 | Zonal Dryer Installation | - | - | - | - | - | ✓ | - | - | - | - | - | - | - | - | - | - | - |
| EO757-21-014 | Introduction of a "One Piece HEPA" Recirculation system filters | ✓ | ✓ | ✓ | ✓ | ✓ | ✓ | ✓ | ✓ | ✓ | ✓ | ✓ | ✓ | ✓ | ✓ | ✓ | ✓ | ✓ |
| MON-757-21-2934 | Install Saint-Gobain Foam Overhead Distribution | ✓ | - | - | ✓ | - | - | - | - | - | - | - | - | ✓ | ✓ | ✓ | ✓ | ✓ |
| AES-757-278 | Installation of Chiller Unit | - | - | - | - | - | - | - | - | - | - | - | - | ✓ | ✓ | - | - | - |
| MCP-757-1281 | Installation of Galley/Lav Vent Duct | ✓ | - | - | ✓ | ✓ | ✓ | - | - | - | - | ✓ | ✓ | ✓ | ✓ | ✓ | ✓ | ✓ |
| MCP-757-1281-1 | Installation of Galley/Lav Vent Duct | ✓ | - | - | ✓ | ✓ | ✓ | - | - | - | - | ✓ | ✓ | ✓ | ✓ | ✓ | ✓ | ✓ |

BOEING 757

Parts Catalog (Maintenance)

CHAPTER 21 - AIR CONDITIONING

FIRST CHOICE AIRWAYS CUSTOMISATIONS NT246

Zonal Drying System
P/N B757-00-2

Illustrated Parts Catalogue
Boeing 757-200
Air 2000

List of Effective Pages

| | |
|-------------------------------|------------------|
| Title | T 1 |
| List of Effective Pages | LEP 1 |
| Record of Revisions | RR 1 |
| Record of Temporary Revisions | RT 1 |
| Letter of Transmittal | LT 1 |
| Service Bulletin List | SB 1 |
| Table of Contents | TC 1 |
| Introduction | INTRO 1 |
| Numerical Index | Numeric Page 1-3 |
| Illustrated Parts List | Page 10-160 |

Effectivity
B757-200
Serial no. 32447

Issue I
October 23/02

21-74-00
LEP 1

Record of Revisions

| Revision No. | Issue Date | Date Inserted | By | Details Affected |
|--------------|------------|---------------|----|------------------|
| | | | | |
| | | | | |
| | | | | |
| | | | | |
| | | | | |
| | | | | |
| | | | | |
| | | | | |
| | | | | |
| | | | | |
| | | | | |
| | | | | |
| | | | | |
| | | | | |
| | | | | |
| | | | | |
| | | | | |
| | | | | |
| | | | | |
| | | | | |
| | | | | |
| | | | | |
| | | | | |
| | | | | |
| | | | | |
| | | | | |
| | | | | |
| | | | | |
| | | | | |
| | | | | |

Effectivity
 B757-200
 Serial no. 32447

Issue I
 October 23/02

21-74-00
 RR 1



Record of Temporary Revisions

| Temporary Rev.No. | Page Number | Issue Date | By | Date Removed | By |
|-------------------|-------------|------------|----|--------------|----|
| | | | | | |
| | | | | | |
| | | | | | |
| | | | | | |
| | | | | | |
| | | | | | |
| | | | | | |
| | | | | | |
| | | | | | |
| | | | | | |
| | | | | | |
| | | | | | |
| | | | | | |
| | | | | | |
| | | | | | |
| | | | | | |
| | | | | | |
| | | | | | |
| | | | | | |
| | | | | | |
| | | | | | |
| | | | | | |
| | | | | | |
| | | | | | |
| | | | | | |
| | | | | | |

| |
|--|
| <p>Effectivity B757-200 Serial no. 32447</p> |
|--|

Issue I
October 23/02

21-74-00
RT 1

Letter of Transmittal

For:
Zonal Drying System
Part No. B757-00-2
Revision No.

Issued _____ by:
CTT Systems AB
P.O Box 1042
SE - 611 29 Nyköping
Sweden

| Action | Reason |
|--------|--------|
| | |

Signed: _____
Date: _____

Joint Aviation Authorities Approval
LFV-S-21G04 Certificate

| | |
|-------------|------------------|
| Effectivity | B757-200 |
| | Serial no. 32447 |

Issue I
October 23/02

21-74-00
LT 1



Service Bulletin List

| Service Bulletin No. | Incorporated in Manual Rev & Date | Model No. | Aircraft Model No. | Description |
|----------------------|-----------------------------------|-----------|--------------------|-------------|
| | | | | |
| | | | | |
| | | | | |
| | | | | |
| | | | | |
| | | | | |
| | | | | |
| | | | | |
| | | | | |
| | | | | |
| | | | | |
| | | | | |
| | | | | |
| | | | | |
| | | | | |
| | | | | |
| | | | | |
| | | | | |
| | | | | |
| | | | | |
| | | | | |

Effectivity
B757-200
Serial no. 32447

Issue I
October 23/02

21-74-00
SB 1



Table of Contents

| | | |
|-----|-----------------------------------|----------------|
| 1 | Introduction | INTRO 1 |
| 1.1 | Purpose | Intro 1 |
| 1.2 | How to Use This Catalogue | Intro 1 |
| 1.3 | Effectivity | Intro 1 |
| 2 | Numerical Parts List Index | Numeric Page 1 |
| 3 | The B757-00-2 Zonal Drying System | Page 10 |

Effectivity
B757-200
Serial no. 32447

Issue I
October 23/02

21-74-00
TC 1

1 Introduction

1.1 Purpose

This catalogue lists and describes all the procurable assemblies and parts for the zonal drying system B757-00-2. It is not to be taken as the authority for the procedure assembly or disassembly but is intended only for use in requisitioning, storing, issuing and identifying parts and illustrating disassembly relationship.

1.2 How to Use This Catalogue

- To find a part number if the part number and its location is known; Locate part in the applicable illustration. Note its item part number. The part number can be found in the detailed parts list following the item number in the Fig item column.
- To determine the location of a part if the part number is known; Locate the part number in the numerical index or the detailed parts list. The figure number of the illustration and the item number calling out the part are listed along side the part number.

1.3 Effectivity

| Aircraft Model/Type | Registration No. | Serial No. |
|---------------------|------------------|------------|
| Boeing B757-200 | G-OOBB | 32447 |

1.4 Manufacturer's Code

A CTT part number is equivalent with the CTT drawing number, except for the preceding letter combination the drawings are marked with.

| | |
|-------------|------------------|
| Effectivity | B757-200 |
| | Serial no. 32447 |

Issue I
October 23/02

21-74-00
INTRO 1

2 Numerical Parts List Index

| Part Number | Airline Stock No. | CH - FIG - TABLE - ITEM | TTL Req. |
|-------------|-------------------|--------------------------|----------|
| 2000-005 | | 21-74-00 - 3B - 1 - 60 | 1 |
| | | 21-74-00 - 5D - 3 - 220 | RF |
| 4222-002 | | 21-74-00 - 5D - 3 - 230 | 1 |
| 4257-000 | | 21-74-00 - 8G - 6 - 530 | 2 |
| 4273-000 | | 21-74-00 - 6E - 4 - 350 | 1 |
| 4358-023 | | 21-74-00 - 4C - 2 - 210 | 1 |
| 4420-000 | | 21-74-00 - 8G - 6 - 580 | 6 |
| 4430-000 | | 21-74-00 - 3B - 1 - 70 | 1 |
| | | 21-74-00 - 6E - 4 - 330 | RF |
| 4440-000 | | 21-74-00 - 6E - 4 - 340 | 1 |
| 4444-000 | | 21-74-00 - 8G - 6 - 460 | 2 |
| 4509-000 | | 21-74-00 - 7F - 5 - 420 | 14 |
| 4521-000 | | 21-74-00 - 5D - 3 - 270 | 1 |
| 4564-002 | | 21-74-00 - 5D - 3 - 290 | 2 |
| 4564-003 | | 21-74-00 - 5D - 3 - 300 | 2 |
| 4759-001 | | 21-74-00 - 11K - 9 - 750 | 1 |
| 4776-001 | | 21-74-00 - 313 - 1 - 50 | 3 |
| 4781-000 | | 21-74-00 - 8G - 6 - 510 | 1 |
| 4783-000 | | 21-74-00 - 8G - 6 - 630 | 18 |
| 4783-002 | | 21-74-00 - 9H - 7 - 680 | 2 |
| 4871-001 | | 21-74-00 - 9H - 7 - 670 | 1 |
| 4902-000 | | 21-74-00 - 5D - 3 - 280 | 1 |
| 4941-000 | | 21-74-00 - 8G - 6 - 600 | 8 |
| 11030-001 | | 21-74-00 - 3B - 1 - 50 | 1 |
| | | 21-74-00 - 4C - 2 - 80 | RF |
| 11035-000 | | 21-74-00 - 7F - 5 - 440 | 2 |
| 11040-000 | | 21-74-00 - 4C - 2 - 170 | 1 |
| 11123-000 | | 21-74-00 - 11K - 9 - 720 | 1 |

Effectivity

B757-200
Serial no. 32447Issue I
October 23/0221-74-00
Numeric Page 1



| Part Number | Airline Stock No. | CH - FIG - TABLE - ITEM | TTL Req. |
|-----------------|-------------------|----------------------------|----------|
| 11125-000 | | 21-74-00 - 10J - 8 - 690 | 1 |
| 11128-000 | | 21-74-00 - 10J - 8 - 710 | 1 |
| 11144-000 | | 21-74-00 - 5D - 3 - 250 | 1 |
| AN3-6A | | 21-74-00 - 4C - 2 - 140 | AR |
| AN3-7A | | 21-74-00 - 4C - 2 - 200 | AR |
| AN960-10 | | 21-74-00 - 4C - 2 - 150 | AR |
| AN960-10L | | 21-74-00 - 313 - 1 - 70--- | AR |
| | | 21-74-00 - 4C - 2 - 130 | AR |
| | | 21-74-00 - 5D - 3 - 310 | AR |
| | | 21-74-00 - 11K - 9 - 760 | AR |
| AWE8892-501 | | 21-74-00 - 7F - 5 - 430 | 14 |
| | | 21-74-00 - 8G - 6 - 590 | 6 |
| BACS12FA3K-10 | | 21-74-00 - 10J - 8 - 700 | AR |
| BWT10-1200130A | | 21-74-00 - 9H - 7 - 640 | 1 |
| BWT11-11601905A | | 21-74-00 - 7F - 5 - 390 | 2 |
| BWT11-11602405E | | 21-74-00 - 7F - 5 - 380 | 2 |
| BWT11-12400630A | | 21-74-00 - 7F - 5 - 410 | 1 |
| BWT20540-1 | | 21-74-00 - 8G - 6 - 490 | 10 |
| BWT20540-3 | | 21-74-00 - 8G - 6 - 540 | 1 |
| BWT20540-5 | | 21-74-00 - 8G - 6 - 550 | 3 |
| BWT20541-1 | | 21-74-00 - 8G - 6 - 480 | 2 |
| BWT21566-1 | | 21-74-00 - 8G - 6 - 500 | 3 |
| BWT21566-3 | | 21-74-00 - 8G - 6 - 560 | 1 |
| BWT21566-5 | | 21-74-00 - 8G - 6 - 570 | 1 |
| BWT20620-1 | | 21-74-00 - 9H - 7 - 660 | 1 |
| BWT7450-16-16 | | 21-74-00 - 7F - 5 - 360 | RF |
| | | 21-74-00 - 8G - 6 - 520 | 2 |
| BWT7451-24-16 | | 21-74-00 - 7F - 5 - 400 | 1 |
| HL18PB5-3 | | 21-74-00 - 4C - 2 - 190 | AR |
| | | 21-74-00 - 8G - 6 - 610 | AR |

Effectivity

B757-200
Serial no. 32447Issue I
October 23/02**21-74-00**
Numeric Page 2

| Part Number | Airline Stock No. | CH - FIG - TABLE - ITEM | TTL Req. |
|--------------|-------------------|--------------------------|----------|
| | | 21-74-00 - 11K - 9 - 730 | AR |
| HL70-5 | | 21-74-00 - 4C - 2 - 180 | AR |
| HL70-5 | | 21-74-00 - 8G - 6 - 620 | AR |
| | | 21-74-00 - 11K - 9 - 740 | AR |
| MS20470AD3-4 | | 21-74-00 - 7F - 5 - 450 | AR |
| MS20470AD5-6 | | 21-74-00 - 4C - 2 - 110 | AR |
| MS20470AD6-5 | | 21-74-00 - 4C - 2 - 90 | AR |
| MS20470AD6-6 | | 21-74-00 - 4C - 2 - 100 | AR |
| MS21042-3 | | 21-74-00 - 5D - 3 - 320 | AR |
| NAS1801-3-8 | | 21-74-00 - 4C - 2 - 120 | AR |
| NAS1801-3-8 | | 21-74-00 - 11K - 9 - 770 | AR |
| NAS1801-3-12 | | 21-74-00 - 5D - 3 - 260 | AR |
| NAS1801-3-15 | | 21-74-00 - 3B - 1 - 100 | AR |
| | | 21-74-00 - 4C - 2 - 120 | AR |
| NAS1801-3-19 | | 21-74-00 - 4C - 2 - 160 | AR |
| PLT4S-C | | 21-74-00 - 5D - 3 - 240 | AR |
| | | 21-74-00 - 7F - 5 - 370 | AR |
| | | 21-74-00 - 8G - 6 - 470 | AR |
| | | 21-74-00 - 9H - 7 - 650 | AR |

Effectivity

B757-200
Serial no. 32447Issue I
October 23/02**21-74-00**
Numeric Page 3

3 The B757-00-2 Zonal Drying System

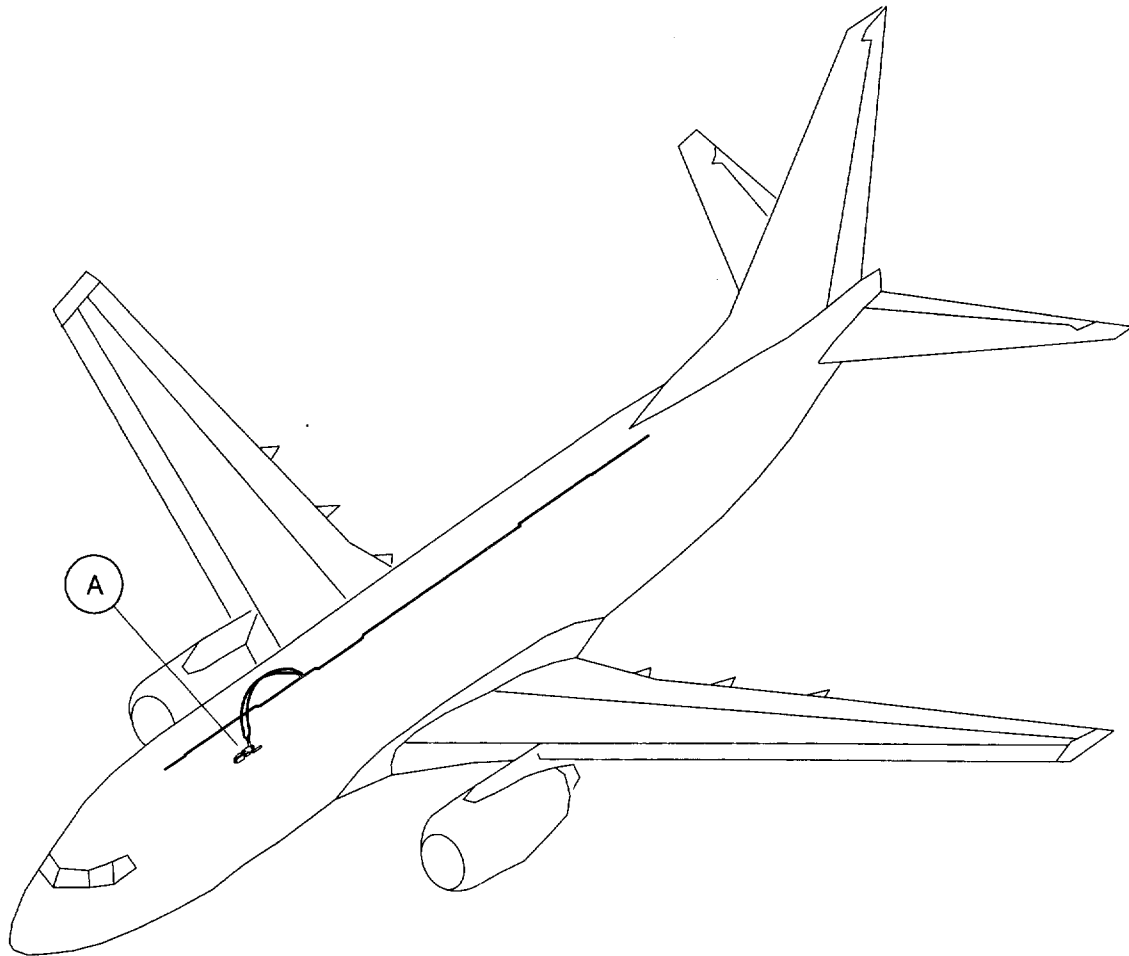


Figure 1 The Zonal Drying System B757-00-2

| | |
|-------------|------------------|
| Effectivity | B757-200 |
| | Serial no. 32447 |

Issue I
October 23/02

21-74-00
Page 10

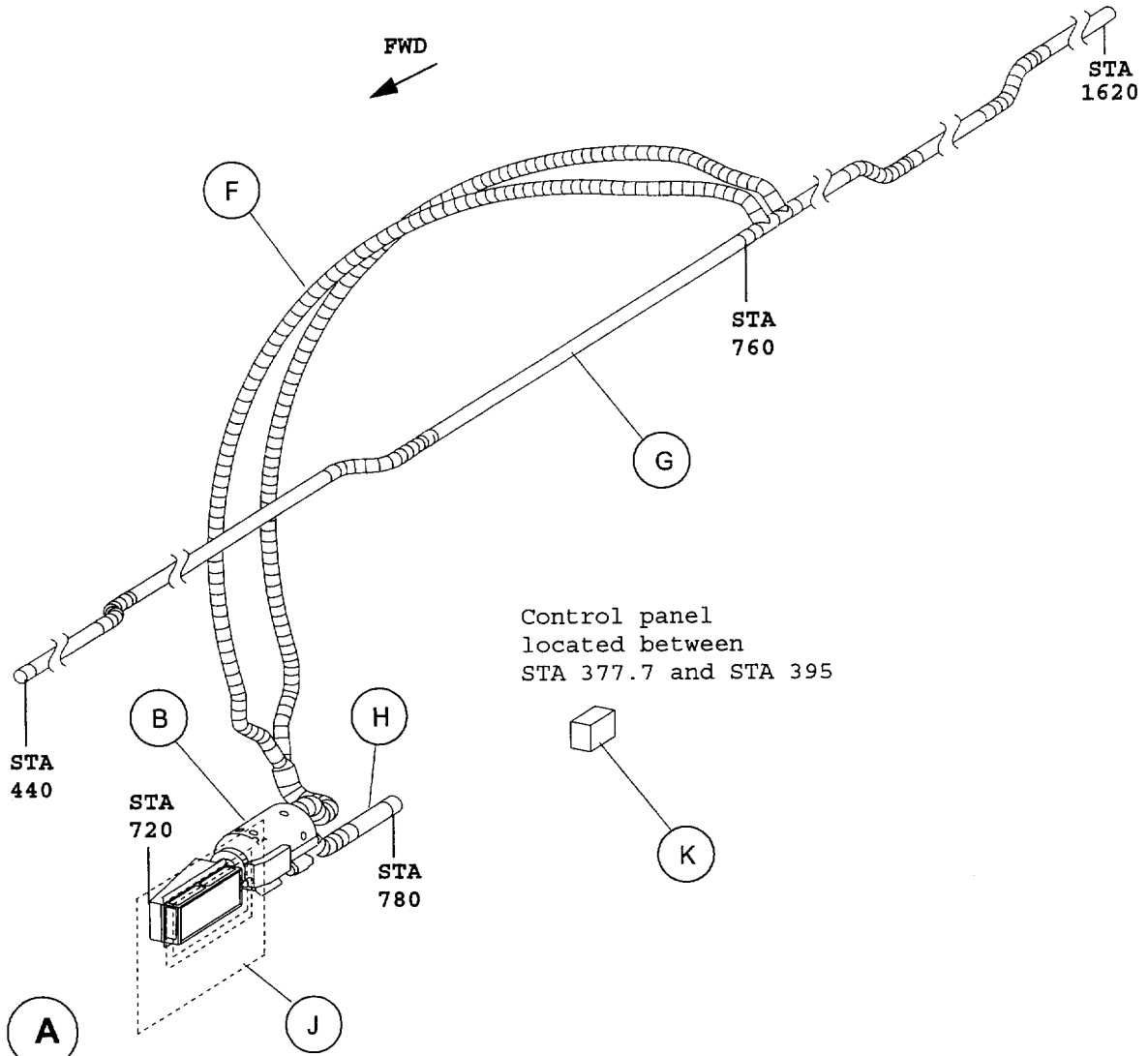


Figure 2

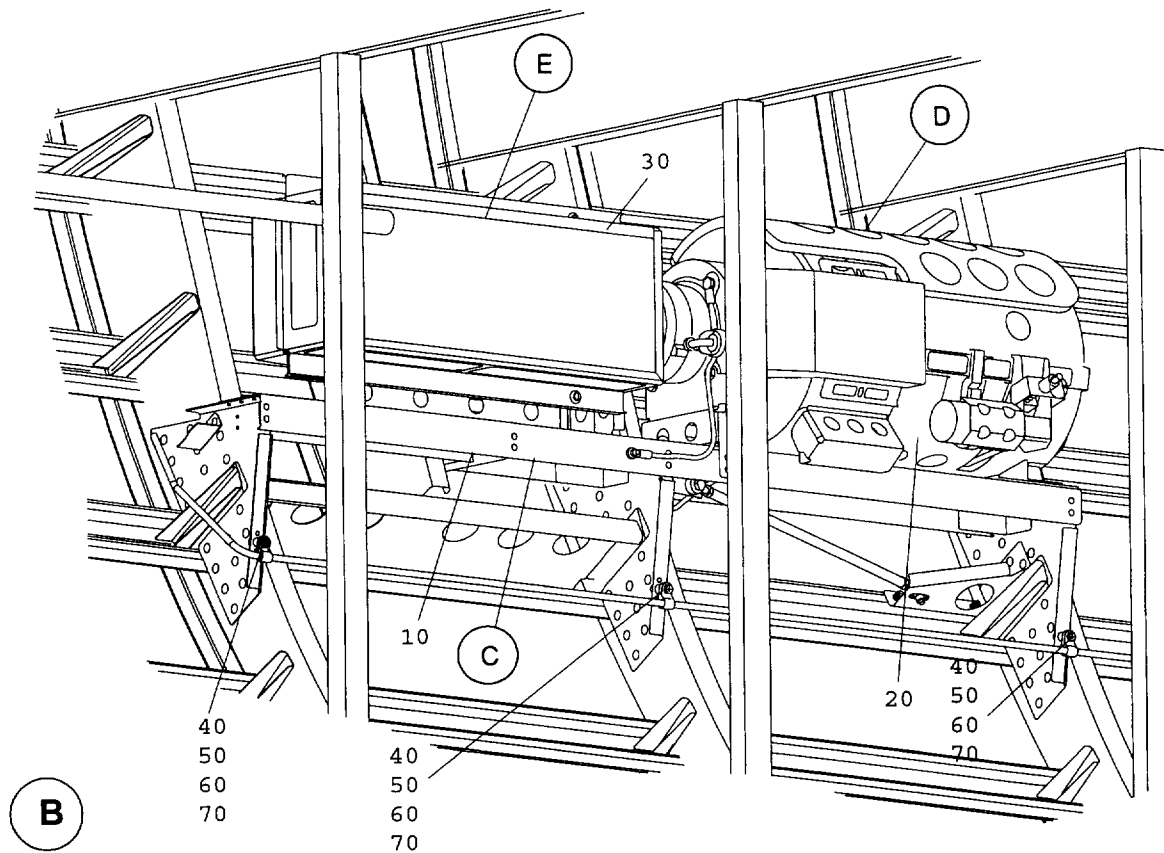


Figure 3

| Item | Part No. | Airline Stock No. | Nomenclature | Units/Assy |
|------|--------------|-------------------|---------------------------|------------|
| 10 | 11030-001 | | .Beam Assy Complete | 1 |
| 20 | 2000-005 | | .Dryer Assy | 1 |
| 30 | 4430-000 | | .Filter Box Compl. Assy | 1 |
| 40 | Existing | | .Clamp Attaching parts | 3 |
| 50 | 4776-001 | | ..Spacer | 1 |
| 60 | NAS1801-3-15 | | ..Bolt | 1 |
| 70 | AN960-10L | | ..Washer | 1 |

Effectivity
B757-200
Serial no. 32447

Issue I
October 23/02

21-74-00
Page 30

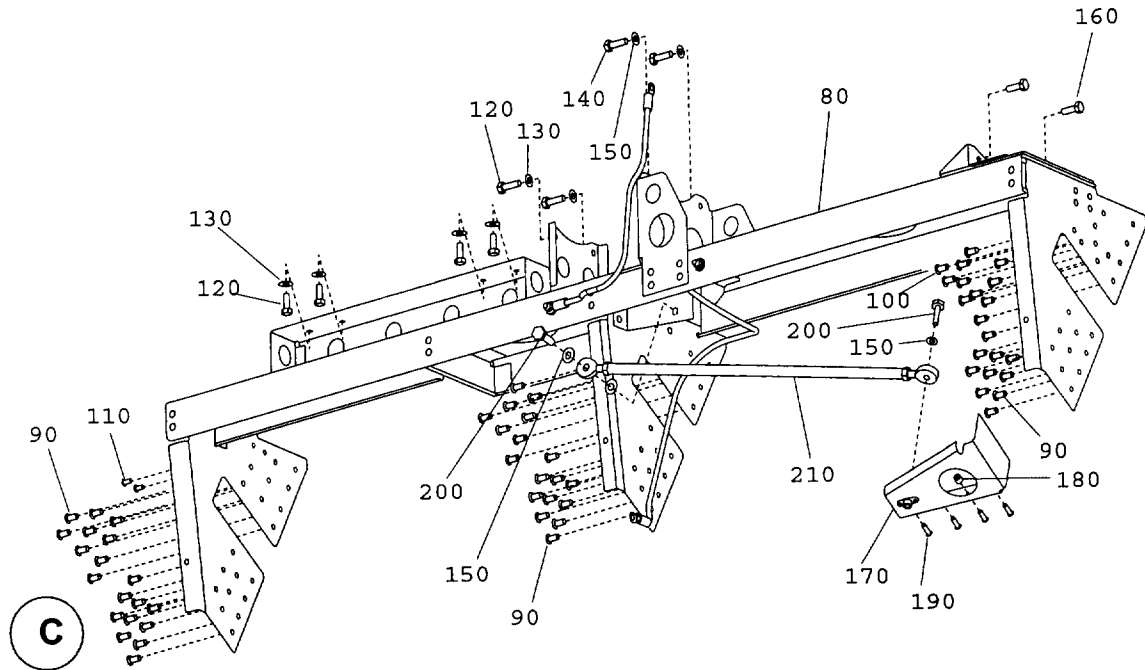


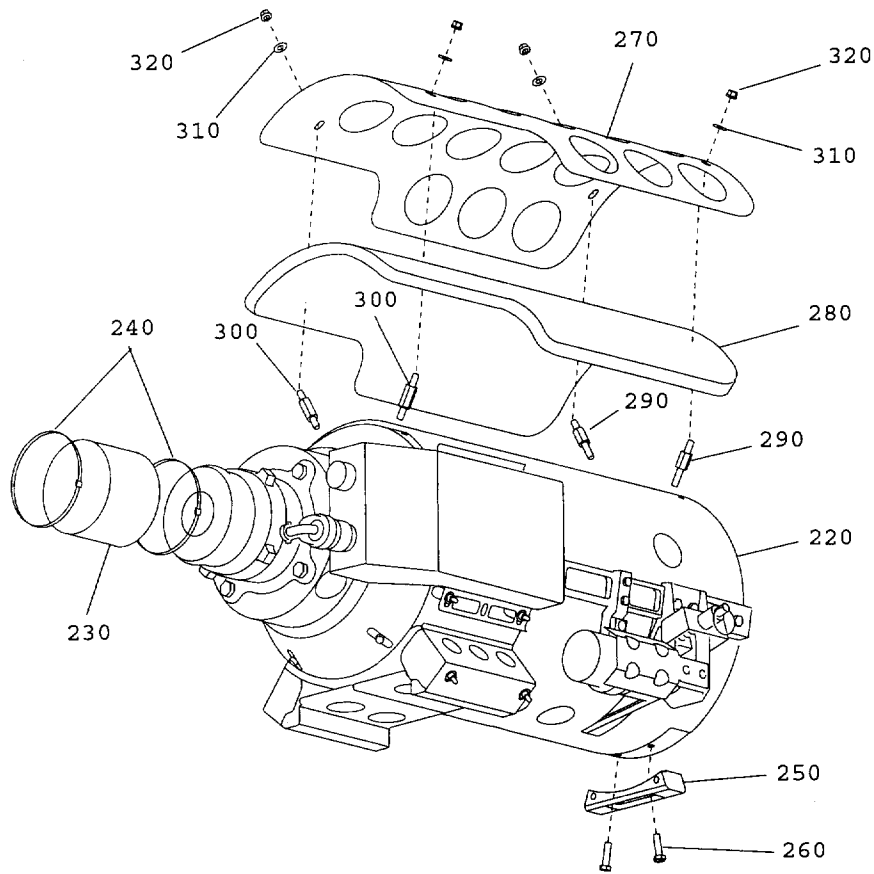
Figure 4

| Item | Part Number | Airline Stock No. | Nomenclature | Units/Assy |
|------|--------------|-------------------|---------------------|------------|
| 80 | 11030-001 | | .Beam Assy Complete | RF |
| | | | Attaching parts: | |
| 90 | MS20470AD6-5 | | ..Rivet | 53 |
| 100 | MS20470AD6-6 | | ..Rivet | 5 |
| 110 | MS20470AD5-6 | | ..Rivet | 2 |
| 120 | NAS1801-3-8 | | ..Bolt | 6 |
| 130 | AN960-10L | | ..Washer | 6 |
| 140 | AN3-6A | | ..Bolt | 2 |
| 150 | AN960-10 | | ..Washer | 3 |
| 160 | NAS1801-3-19 | | ..Bolt | 2 |
| 170 | 11040-000 | | ..X-bracket Assy | 1 |
| | | | Attaching parts: | |
| 180 | HL70-5 | | ...HI-LOK Collar | 4 |
| 190 | HL18PB5-3 | | ...HI-LOK | 4 |
| 200 | AN3-7A | | ...Bolt | 1 |
| 150 | AN960-10 | | ...Washer | 2 |
| 210 | 4358-023 | | ..Rod Assy | 1 |
| | | | Attaching parts: | |
| 200 | AN3-7A | | ...Bolt | 2 |
| 150 | AN960-10 | | ...Washer | 3 |

Effectivity
B757-200
Serial no. 32447

Issue I
October 23/02

21-74-00
Page 40



D

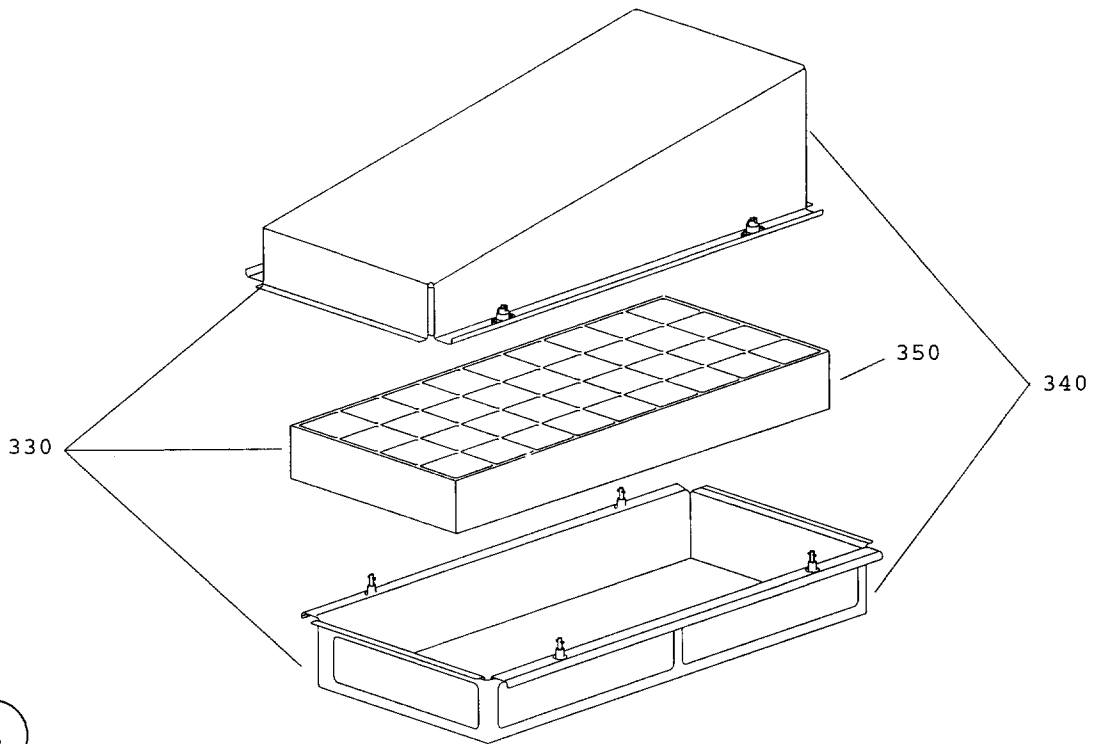
Figure 5

| Item | Part No. | Airline Stock No. | Nomenclature | Units/Assy |
|------|--------------|-------------------|---------------------------------------|------------|
| 220 | 2000-005 | | .Zonal Dryer assy | RF |
| 230 | 4222-002 | | Attaching parts: ..Sleeve Assy Ø3" | 1 |
| 240 | PLT4S-C | | ..Tye Wrap | 2 |
| 250 | 11144-000 | | ..Bracket Assy | 1 |
| 260 | NAS1801-3-12 | | Attaching parts: ..Bolt | 2 |
| 270 | 4521-000 | | ..Heat Shield | 1 |
| 280 | 4902-000 | | Attaching parts: ..Insulation | 1 |
| 290 | 4564-002 | | ..Distance | 2 |
| 300 | 4564-003 | | ..Distance | 2 |
| 310 | AN960-10L | | ..Washer | 4 |
| 320 | MS21042-3 | | ..Nut | 4 |

Effectivity
B757-200
Serial no. 32447

Issue I
October 23/02

21-74-00
Page 50



E

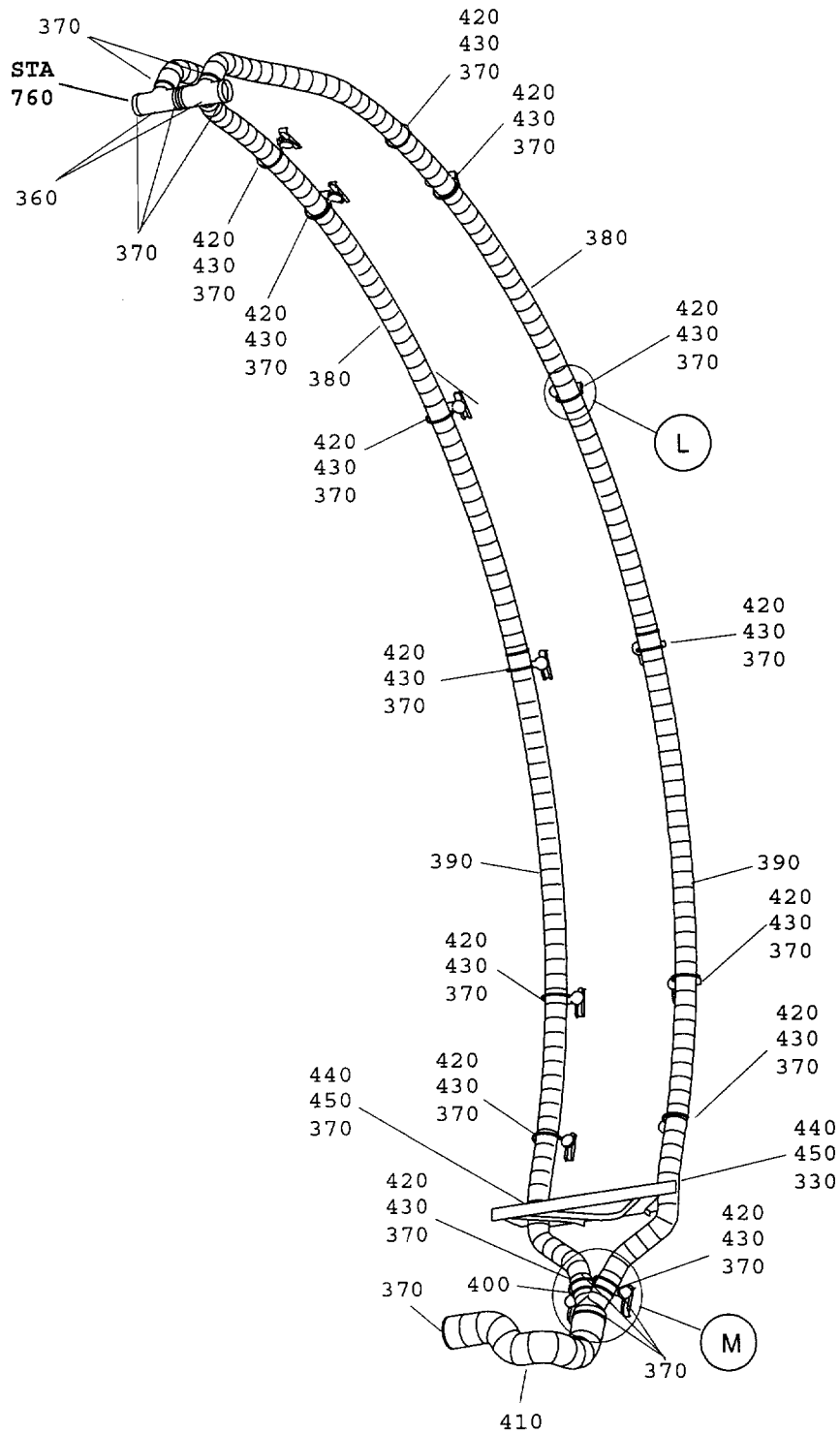
Figure 6

| Item | Part No. | Airline Stock No. | Nomenclature | Units/Assy |
|------|----------|-------------------|-----------------------------|------------|
| 330 | 4430-000 | | .Filter Box Compl. Assy | RF |
| 340 | 4440-000 | | ..Filter Box Frame Complete | 1 |
| 350 | 4273-000 | | ..Filter Assy | 1 |

Effectivity
B757-200
Serial no. 32447

Issue I
October 23/02

21-74-00
Page 60



F

Figure 7

| | |
|-------------|------------------|
| Effectivity | B757-200 |
| | Serial no. 32447 |

| Item | Part No. | Airline Stock No. | Nomenclature | Units/Assy |
|------|-----------------|-------------------|--------------------------------|------------|
| 360 | BWT7450-16-16 | | .T-connector 3x2" | RF (2) |
| 370 | PLT4S-C | | Attaching parts: ..Tye wrap | 1 |
| 380 | BWT11-11602405E | | Flexible Duct Ø2" | 2 |
| 370 | PLT4S-C | | Attaching parts: ..Tye Wrap | 1 |
| 390 | BWT11-11601905A | | .Flexible Duct Ø2" | 2 |
| 370 | PLT4S-C | | Attaching parts: ..Tye Wrap | 1 |
| 400 | BWT7451-24-16 | | .Y-connector Ø3"/2xØ2" | 1 |
| 370 | PLT4S-C | | Attaching parts: ..Tye Wrap | 1 |
| 410 | BWT11-12400630A | | .Flexible Duct Ø3" | 1 |
| 370 | PLT4S-C | | Attaching parts: ..Tye Wrap | 1 |
| 420 | 4509-000 | | .Ducting Attachment Ø2.5" | 14 |
| 430 | AWE8892-501 | | Attaching parts: ..Grommet | 1 |
| 370 | PLT4S-C | | ..Tye Wrap | 1 |
| 440 | 11035-000 | | .Bracket Assy | 2 |
| 450 | MS20470AD3-4 | | Attaching parts: ..Rivet | 2 |
| 370 | PLT4S-C | | ..Tye Wrap | 1 |

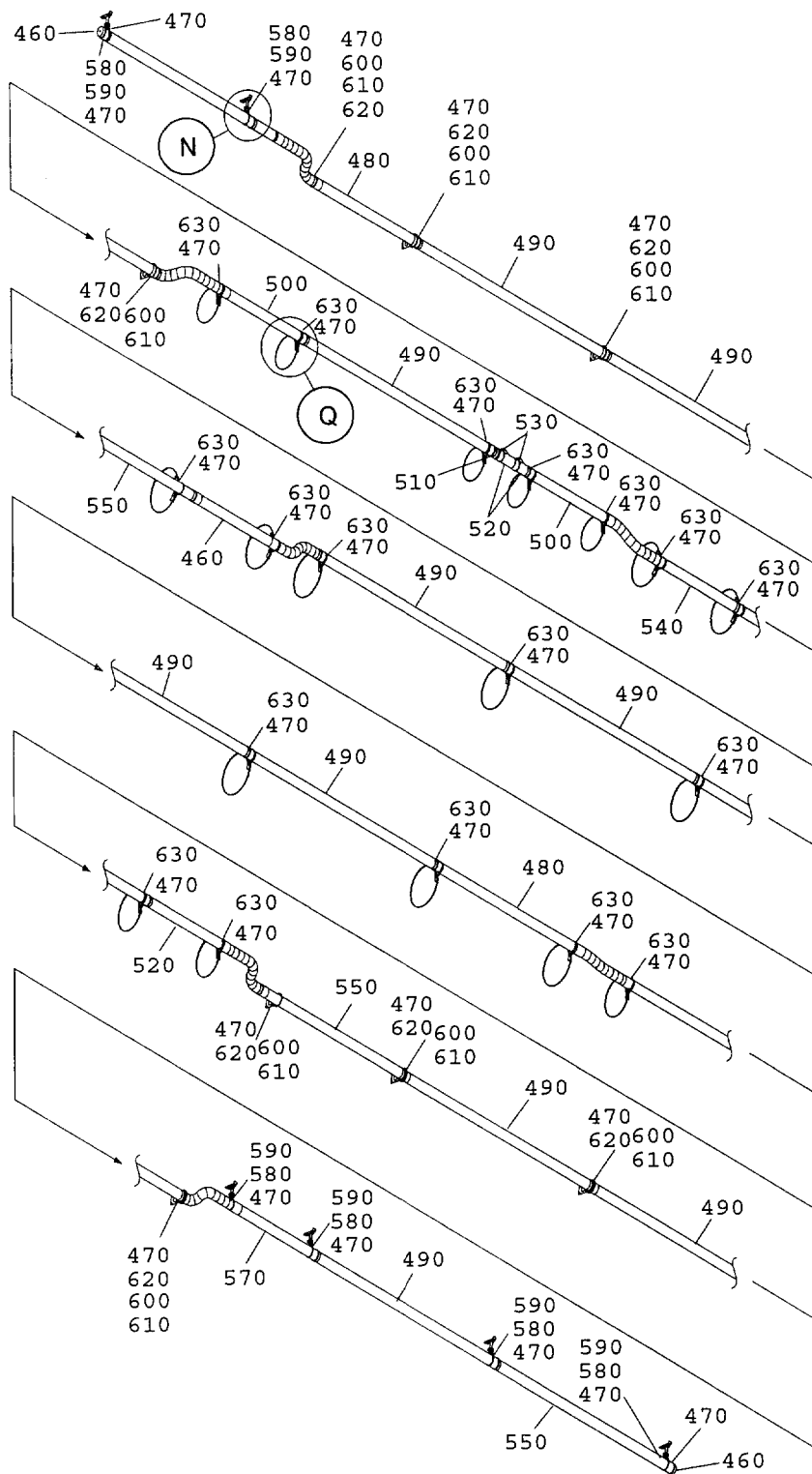


Figure 8

| | |
|-------------|------------------|
| Effectivity | B757-200 |
| | Serial no. 32447 |

| Item | Part No. | Airline Stock No. | Nomenclature | Units/Assy |
|------|---------------|-------------------|---------------------------------------|------------|
| 460 | 4444-000 | | .Beaded Hub Ø2" | 2 |
| 470 | PLT4S-C | | Attaching parts: ..Tye Wrap | 1 |
| 480 | BWT20541-1 | | .R/F/R Piccolo Duct Ø2" | 2 |
| 470 | PLT4S-C | | Attaching parts: ..Tye Wrap | 1 |
| 490 | BWT20540-1 | | .Rigid Piccolo Duct Ø2" | 10 |
| 470 | PLT4S-C | | Attaching parts: ..Tye Wrap | 1 |
| 500 | BWT21566-1 | | .R/F Piccolo Duct Ø2" | 3 |
| 470 | PLT4S-C | | Attaching parts: ..Tye Wrap | 1 |
| 510 | 4781-000 | | .Restrictor 2" Assy | 1 |
| 470 | PLT4S-C | | Attaching parts: ..Tye Wrap | 1 |
| 520 | BWT7450-16-16 | | .T-connector 3x2" | 2 |
| 530 | 4257-000 | | Attaching parts: ..Sleeve Assy Ø2" | 1 |
| 470 | PLT4S-C | | ..Tye Wrap | 2 |
| 540 | BWT20540-3 | | .Rigid Piccolo Duct Ø2" | 1 |
| 470 | PLT4S-C | | Attaching parts: ..Tye Wrap | 1 |
| 550 | BWT20540-5 | | .Rigid Piccolo Duct Ø2" | 3 |
| 470 | PLT4S-C | | Attaching parts: ..Tye Wrap | 1 |
| 560 | BWT21566-3 | | .R/F Piccolo Duct Ø2" | 1 |
| 470 | PLT4S-C | | Attaching parts: ..Tye Wrap | 1 |
| 570 | BWT21566-5 | | .R/F Piccolo Duct Ø2" | 1 |
| 470 | PLT4S-C | | Attaching parts: ..Tye Wrap | 1 |
| 580 | 4420-000 | | .Ducting Attachment Ø2" | 6 |
| 590 | AWE8892-501 | | Attaching parts: ..Grommet | 1 |
| 470 | PLT4S-C | | ..Tye Wrap | 1 |

Effectivity

B757-200
Serial no. 32447Issue I
October 23/0221-74-00
Page 100

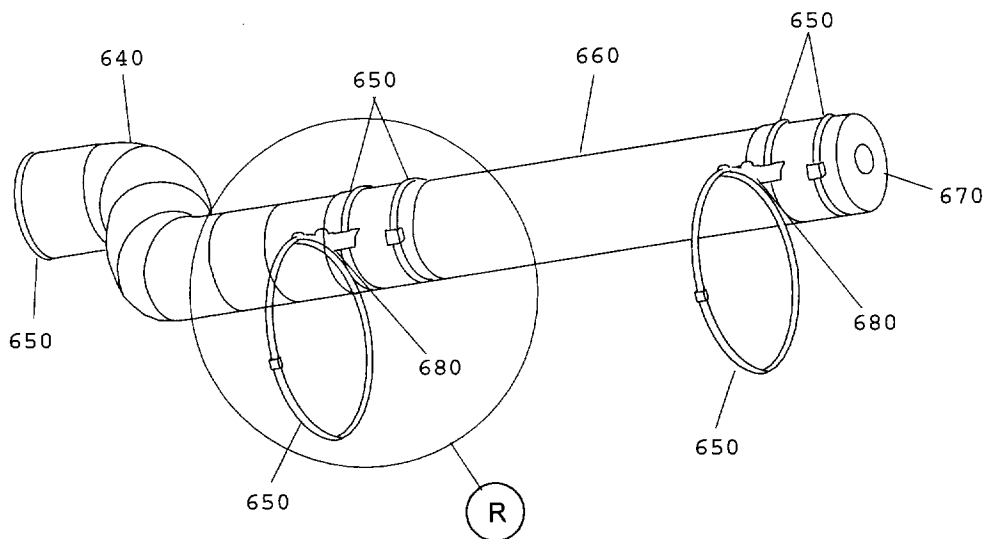


| Item | Part No. | Airline Stock No. | Nomenclature | Units/Assy |
|------|-----------|-------------------|--------------------------|------------|
| 600 | 4941-000 | | .Bracket Assy Ø2.5" | 8 |
| | | | Attaching parts: | |
| 610 | HL18PB5-3 | | ..HI-LOK | 2 |
| 620 | HL70-5 | | ..HI-LOK Collar | 2 |
| 470 | PLT4S-C | | ..Tye Wrap | 1 |
| 630 | 4783-000 | | .Ducting Support 2" Assy | 18 |
| | | | Attaching parts: | |
| 470 | PLT4S-C | | ..Tye Wrap | 2 |

Effectivity
B757-200
Serial no. 32447

Issue I
October 23/02

21-74-00
Page 110



H

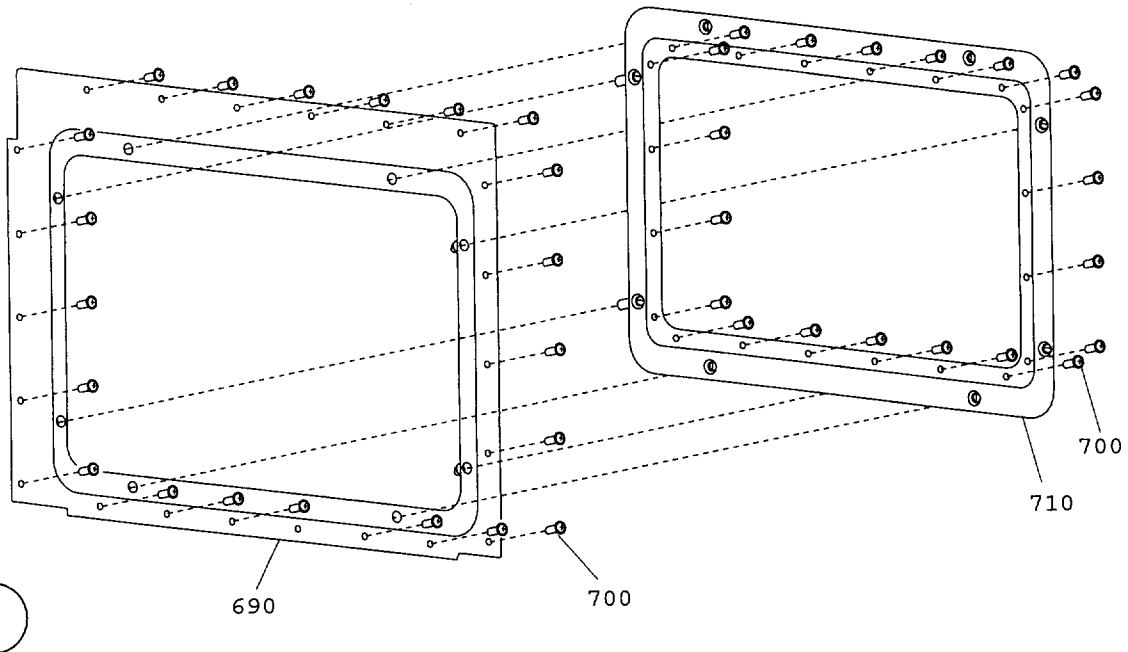
Figure 9

| Item | Part No. | Airline Stock No. | Nomenclature | Units/Assy |
|------|----------------|-------------------|---------------------------------|------------|
| 640 | BWT10-1200130A | | .Flexible Duct Ø2.5" | 1 |
| 650 | PLT4S-C | | Attaching parts: ..Tyre Wrap | 2 |
| 660 | BWT20620-1 | | .Rigid Duct Ø2.5" | 1 |
| 650 | PLT4S-C | | Attaching parts: ..Tyre Wrap | 1 |
| 670 | 4871-001 | | .Beaded Hub 2 1/2" | 1 |
| 650 | PLT4S-C | | Attaching parts: ..Tyre Wrap | 1 |
| 680 | 4783-002 | | .Ducting Support 2" Assy | 2 |
| 650 | PLT4S-C | | Attaching Parts: ..Tyre Wrap | 2 |

Effectivity
B757-200
Serial no. 32447

Issue I
October 23/02

21-74-00
Page 120



J

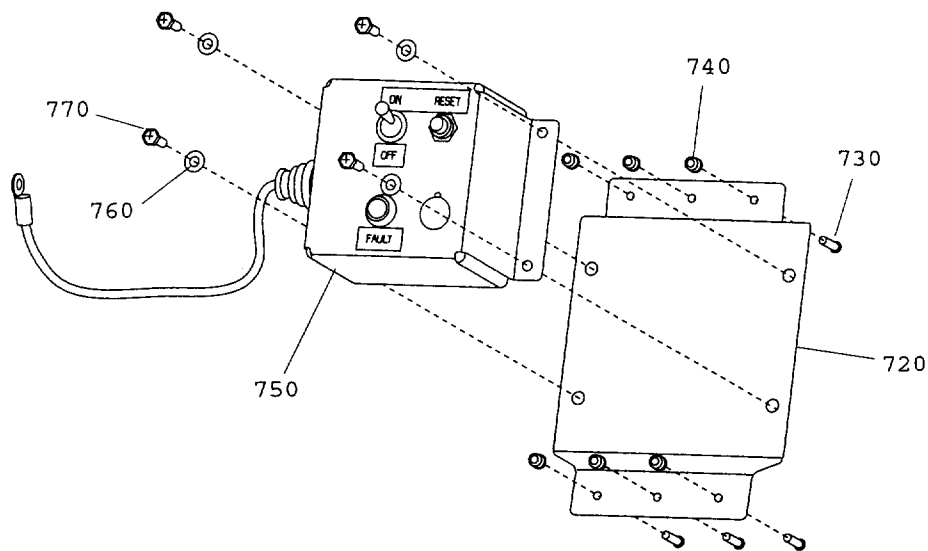
Figure 10

| Item | Part No. | Airline Stock No. | Nomenclature | Units/Assy |
|------|---------------|-------------------|-----------------------------|------------|
| 690 | 11125-000 | | .Service Lid Support Assy | 1 |
| 700 | BACS12FA3K-10 | | Attaching parts: ..Screw | 22 |
| 710 | 11128-000 | | .Service Lid Frame Assy | 1 |
| 700 | BACS12FA3K-10 | | Attaching parts: ..Screw | 20 |

| | |
|-------------|------------------|
| Effectivity | B757-200 |
| | Serial no. 32447 |

Issue I
October 23/02

21-74-00
Page 130



(K)

Figure 11

| Item | Part No. | Airline Stock No. | Nomenclature | Units/Assy |
|------|-------------|-------------------|------------------------------|------------|
| 720 | 11123-000 | | .Ctrl Panel Bracket Assy | 1 |
| 730 | HL18PB5-3 | | Attaching parts: ..HI-LOK | 6 |
| 740 | HL70-5 | | ..Hi LOK Collar | 6 |
| 750 | 4759-001 | | .Control Panel Assy | 1 |
| 760 | AN960-10L | | Attaching parts: ..Washer | 4 |
| 770 | NAS1801-3-8 | | ..Bolt | 4 |

Effectivity
B757-200
Serial no. 32447

Issue I
October 23/02

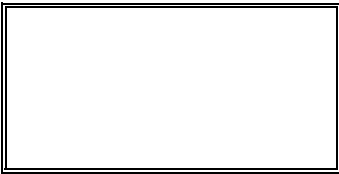
21-74-00
Page 140

BOEING 757

Parts Catalog (Maintenance)

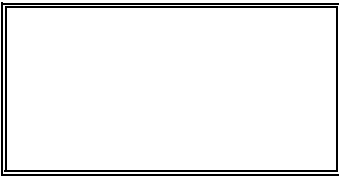
CHAPTER 21 - AIR CONDITIONING

FIRST CHOICE AIRWAYS CUSTOMISATIONS NT405 & NT407



**ENGINEERING DEPARTMENT
ENGINEERING ORDER**

| | |
|---|--|
| Number: EO757-21-014 | Date: 10/05/01 |
| Title: B757 - Introduction of "One Piece HEPA" Recirculation System Filters | |
| Paragraphs: 1. Classification 2. Authorization 3. Originator 4. Description 5. Reason for Revision 6. Effectivity 7. Timescale 8. Manuals/Docs/AFM 9. Wt & Bal 10. Manhour Estimate | |
| 1. | Recommended |
| 2. | Boeing Telex: ATZ-MAN-01-00185H |
| 3. | MJB |
| 4. | Introduction of "One Piece HEPA" Recirculation System Filters on the Boeing 757 Fleet |
| 5. | Initial Release |
| 6. | All B757 Aircraft |
| 7. | Next hangar "2A" |
| 8. | IPC |
| 9. | Nil |
| 10. | 6 Manhours (Note: This replaces MPD tasks, 75-21-25-02-4A, 75-21-25-02-4B, 75-212502-ATT-002 75-212502-ATT-003) |

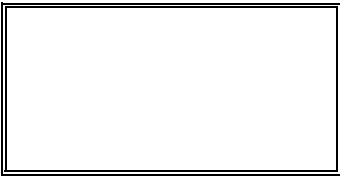


ENGINEERING DEPARTMENT ENGINEERING ORDER WORK SHEET

Number: E0757-21-014

Date: 10/05/01

| Item | Description | Mech | Insp |
|------|---|------|------|
| 1. | <p style="text-align: center;">Introduction</p> <p>This task contains instructions to remove both the pre filters and High efficiency filters from the LH and RH Recirculation Air system and Install a new one piece HEPA filter in each system. Installation of a decal on the housing cover to identify that a “one piece” HEPA Filter has been installed. Also a Notice to Engineers is required to confirm that this task has been completed.</p> | | |
| 2. | <p style="text-align: center;">LH Recirculation Air System Filter Replacement.</p> <p>Gain access to the LH Recirculation filter housing IAW AMM 21-25-02. Task 21-25-02-004-082, paragraph 2A through 2F</p> | | |
| 3. | <p>Remove and discard both the Pre-filter and High Efficiency Filter.</p> | | |
| 4. | <p>Install the “One Piece” HEPA Filter Part Number: P196555. (S210N701-46).</p> | | |
| 5. | <p>Install decal Part Number: A2000-633 to the front cover of the LH Recirculation Filter Housing. IAW AMM 20-10-12, Page Block 401.</p> | | |
| 6. | <p>Reinstall the cover on the LH filter housing.</p> | | |

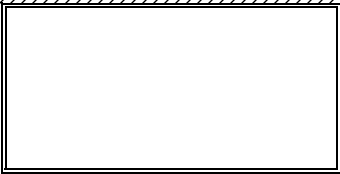


**ENGINEERING DEPARTMENT
ENGINEERING ORDER WORK SHEET**

Number: EO757-21-014

Date: 10/05/01

| Item | Description | Mech | Insp |
|------|---|------|------|
| 7. | <p align="center">RH Recirculation Air System Filter Replacement.</p> <p>Gain access to the RH Recirculation filter housing IAW AMM 25-21-02. Task 21-25-02-004-082. Paragraph 2A through 2F.</p> | | |
| 8. | Remove and discard both the Pre-filter and High Efficiency Filter. | | |
| 9. | Install "One Piece" HEPA Filter Part Number: P196555. (S210N701-46). | | |
| 10. | Reinstall cover on the RH filter housing. | | |
| 11. | Install decal Part number A2000-633 to the front cover of the LH Recirculation Filter Housing. IAW AMM 20-10-12, Page Block 401. | | |
| 12. | Put the Airplane Back into its Usual Condition, IAW 25-21-02. Task 21-25-02-404-101, Paragraph 3F. | | |
| 13. | <p>Raise a Notice to Engineers and Crew stating the following:</p> <p>"A one piece HEPA recirculation system filter has been installed on both the LH & RH Systems of this aircraft".</p> | | |
| 14. | <p>Certificate of Release to Service in respect of EO757-21-014: Certifies that the work specified except as otherwise specified was carried out in accordance with JAR-145 and in respect to that work the aircraft/aircraft component is considered ready for release to service.</p> <p>SIGN: _____ AUTH: _____</p> <p>NAME: _____ DATE: _____</p> | | |



ENGINEERING DEPARTMENT ENGINEERING ORDER QUERY FORM

Number: EO757-21-014

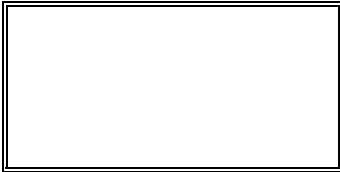
Date: 10/05/01

Use this form to highlight any queries or comments you have about this engineering order. If your query is urgent, then please bring the completed form to the attention of the Air 2000 Liaison Engineer.

| | |
|---------------------------|-------------|
| Aircraft Registration: | Date: |
| Your Name: | Position: |
| Maintenance Organisation: | Location: |
| Telephone Number: | Fax Number: |
| Comments | |

For Air 2000 Use Only

| |
|-----------------|
| Originator: MJB |
| Action: |



ENGINEERING DEPARTMENT MATERIALS & TOOLING REQUIREMENT

Number: EO757-21-014

Date: 10/05/01

| Task Kit No: EO757-21-014-1 | | A/C: | | Due Date: |
|----------------------------------|--------------------------------|------------------|--------------|--|
| Part Number | Description | Qty Per Aircraft | Batch Number | Comments |
| P196555 (S210N701-46) | One piece Recirculation Filter | 02 | | Monarch Supplied Filters. (Part of check preload) |
| A2000-633 | Decal | 02 | | Aerographix Supply |
| | | | | |
| | | | | |
| | | | | |
| | | | | |
| | | | | |
| | | | | |
| | | | | |
| | | | | |
| | | | | |

Goods Complete:.....(Date) Location:..... Signed:.....(Stores)



Monarch Aircraft Engineering Ltd

Luton Airport, Luton, Beds. LU2 9LX

2

PUBLICATION REVISION - SHEET

| | |
|---|--|
| AIRCRAFT TYPE & SERIES <u>BOEING 757-236</u> | OPERATOR(S) <u>FIRST CHOICE AIRWAYS</u> |
| REVISION No. <u>FCA/757/236/IPC/1</u> | DATE <u>05.07.04</u> |
| MANUAL DESCRIPTION <u>IPC</u> | MODIFICATION No. <u>MON/757/21/2934</u> |
| MODIFICATION TITLE <u>INSTALLATION OF SAINT-GOBAIN FOAM OVERHEAD DISTRIBUTION</u> | |
| COMPILED <u>DNB</u> | EFFECTIVITY <u>G-OOOK (25054) G-OOOZ (25593)</u> |
| CHECKED <u>P.A. Gasky</u> | A.T.A. CHAPTER <u>21-23-01-03</u> |
| APPROVED <u>[Signature]</u> | C.A.A. APPROVAL No. <u>DAI/8021/68</u> |
| THIS REVISION COMPLIES WITH B.C.A.R. SECTION A CHAPTER A6-2, AND RELEVANT J.A.R. REQUIREMENTS | |

INCORPORATE THE FOLLOWING NEW AND REVISED PAGES:

CHAPTER
SECTION

SUBJECT - FIGURE

PAGE

DATE

ACTION/LOCATION

21-CONTENTS

MON 3

05.07.04

INSERT THIS NEW 21-CONTENTS PAGE MON 3 WHERE APPROPRIATE.

21-23-01-03

MON 0-1
MON 0-3
MON 0-3
MON 1
MON 2

05.07.04

INSERT THESE NEW 21-23-01-03 PAGES MON 0-1 Thru TO MON 0-3 AND MON 1 Thru MON 2 WHERE APPROPRIATE.

MAEL TRANSMITTAL PAGE 1 of 1

RETAIN THIS TRANSMITTAL SHEET AT FRONT OF RELATED MANUAL. RECORD DETAILS ON RECORD OF REVISION SHEET. CHECK THAT ALL PREVIOUS REVISIONS HAVE BEEN INCORPORATED IN RELATED MANUAL. IF NOT, PLEASE CONTACT THE TECHNICAL AUTHOR, DESIGN AND PROJECTS DEPT, MONARCH AIRCRAFT ENGINEERING, LUTON AIRPORT ENGLAND.

Monarch BOEING 757

FIRST CHOICE 757-236

PARTS CATALOGUE

CHAPTER 21 –AIR CONDITIONING

TABLE OF CONTENTS

| <u>SUBJECT</u> | CHAPTER SECTION <u>SUBJECT</u> | <u>FIG</u> | <u>PAGE</u> | <u>DATE</u> |
|--|--------------------------------------|------------|---|-------------|
| DUCT INSTL- OVERHEAD AIR DISTRIBUTION SYSTEM | 21-23-01-03 | 01 | MON 0-1 MON 0-2 MON 0-3 MON 1 MON 2 | 08.07.04 |

EFFECTIVITY

G-000K (MSN 25054) G-000Z (MSN 25593)

Modification MON/757/21/2934

21-CONTENTS

PAGE MON 3

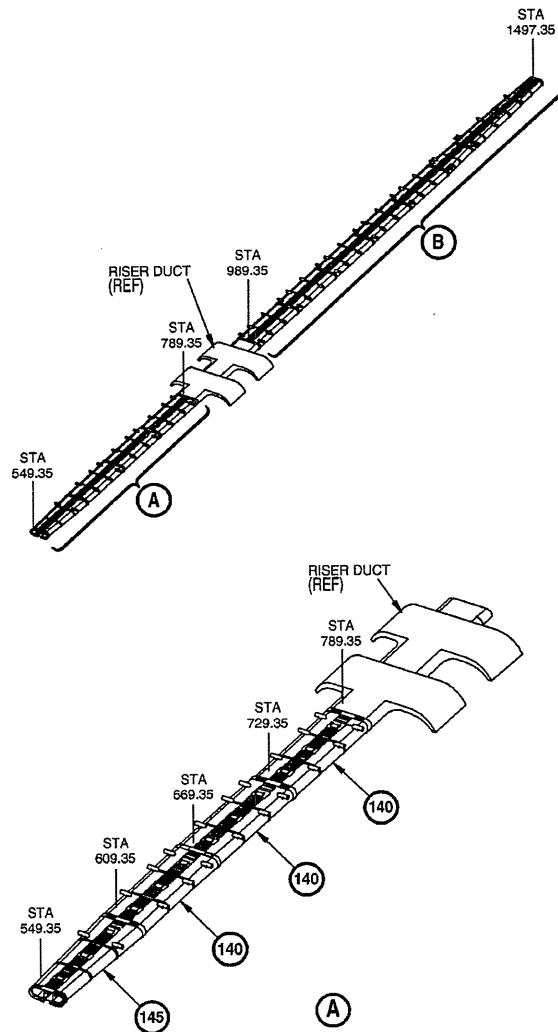
08.04.04

Monarch BOEING 757

FIRST CHOICE 757-236

PARTS CATALOGUE

CHAPTER 21 –AIR CONDITIONING



SAINT-GOBAIN FOAM OVERHEAD DISTRIBUTION DUCT
FIGURE 1
(PAGE 1 OF 3)

EFFECTIVITY

G-OOOK (MSN 25054) G-OOOZ (MSN 25593)

Modification MON/757/21/2934

21-23-01-03

Fig 1

Page MON 0-1

08.07.04

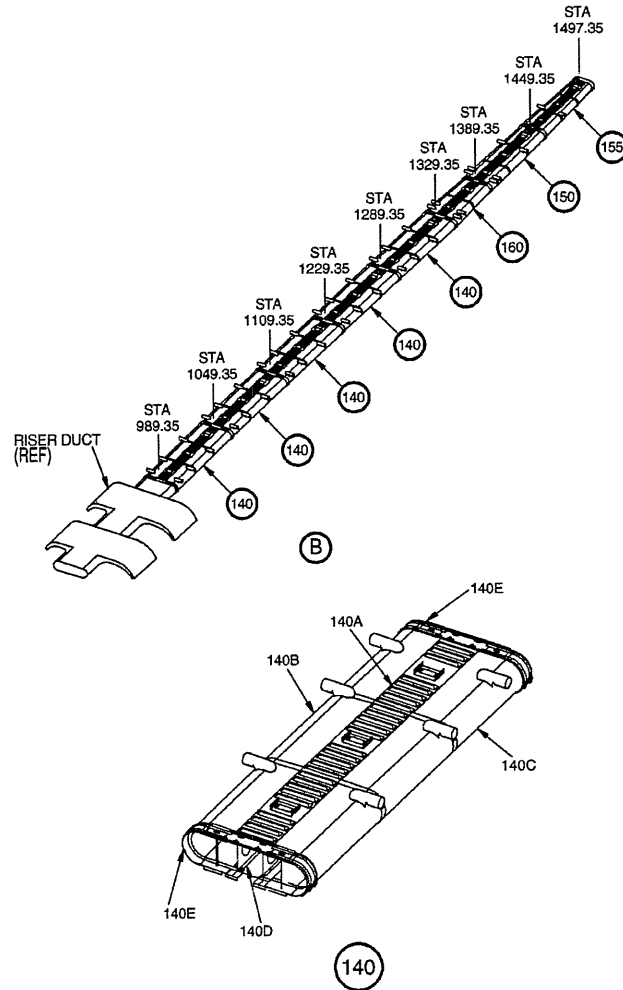
D & P form No 502 issue 1

Monarch BOEING 757

FIRST CHOICE 757-236

PARTS CATALOGUE

CHAPTER 21 -AIR CONDITIONING



SAINT-GOBAIN FOAM OVERHEAD DISTRIBUTION DUCT
FIGURE 1
(PAGE 2 OF 3)

EFFECTIVITY
G-000K (MSN 25054) G-000Z (MSN 25593)

Modification MON/757/21/2934

21-23-01-03

Fig 1
Page MON 0-2
08.07.04

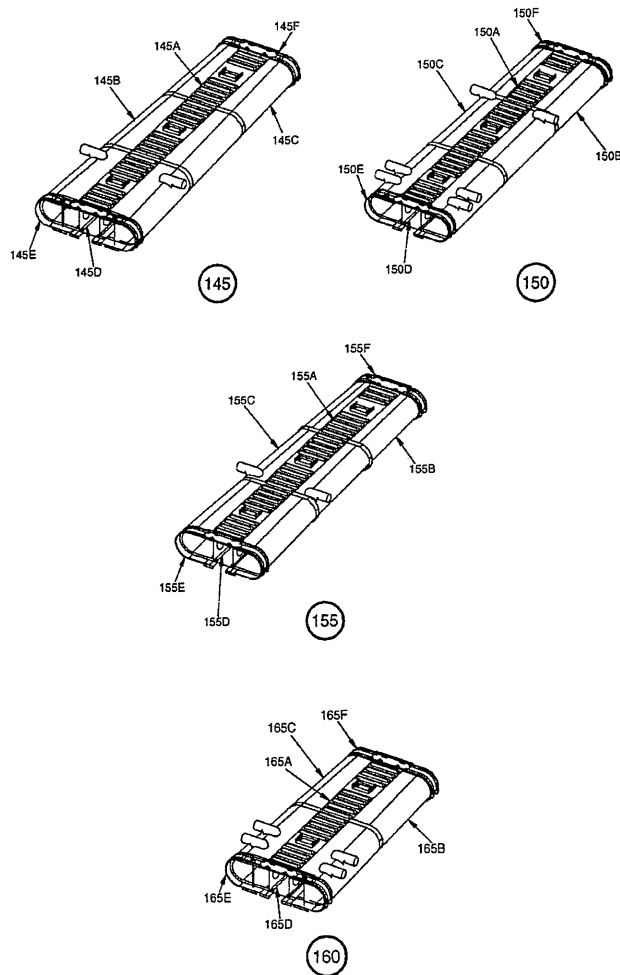
D & P form No 502 issue 1

Monarch BOEING 757

FIRST CHOICE 757-236

PARTS CATALOGUE

CHAPTER 21 –AIR CONDITIONING



SAINT-GOBAIN FOAM OVERHEAD DISTRIBUTION DUCT
FIGURE 1
(PAGE 3 OF 3)

EFFECTIVITY

G-000K (MSN 25054) G-000Z (MSN 25593)

Modification MON/757/21/2934

21-23-01-03

Fig 1

Page MON 0-3

08.07.04

D & P form No 502 issue 1

Monarch BOEING 757

FIRST CHOICE 757-236

PARTS CATALOGUE

CHAPTER 21 –AIR CONDITIONING

| FIG. | ITEM | PART NUMBER | DESCRIPTION | EFFECT FROM TO | QTY PER AIRCRAFT |
|------|------|--------------|-------------------------------------|------------------|------------------|
| 1 | 140 | SGDDK-2109-1 | .DUCT ASSY REPLACES 214N2109-CCC | 115115 121121 | 1 |
| | 140A | SGDDK-2110-1 | ..BOX BEAM ASSY- | | 1 |
| | 140B | SGDDK-2116-1 | ..DUCT HALF ASSY, LH- | | 1 |
| | 140C | SGDDK-2116-2 | ..DUCT HALF ASSY, RH- | | 1 |
| | 140D | SGDDK-2118-1 | ..NUTCLIP STRIP- | | 2 |
| | 140E | SGDDK-2122-1 | ..END SEAL ASSY- | | 2 |
| | 145 | SGDDK-2109-2 | .DUCT ASSY REPLACES 214N2109-DDD | | 1 |
| | 145A | SGDDK-2110-5 | ..BOX BEAM ASSY- | | 1 |
| | 145B | SGDDK-2116-3 | ..DUCT HALF ASSY, LH- | | 1 |
| | 145C | SGDDK-2116-4 | ..DUCT HALF ASSY, RH- | | 1 |
| | 145D | SGDDK-2118-1 | ..NUTCLIP STRIP- | | 2 |
| | 145E | SGDDK-2122-1 | ..END SEAL ASSY- | | 1 |
| | 145F | SGDDK-2122-3 | ..END SEAL ASSY- | | 1 |
| | 150 | SGDDK-2109-3 | .DUCT ASSY REPLACES 214N2109-EEE | | 1 |
| | 150A | SGDDK-2110-1 | ..BOX BEAM ASSY- | | 1 |
| | 150B | SGDDK-2116-7 | ..DUCT HALF ASSY, LH- | | 1 |
| | 150C | SGDDK-2116-8 | ..DUCT HALF ASSY, RH- | | 1 |
| | 150D | SGDDK-2118-1 | ..NUTCLIP STRIP- | | 2 |
| | 150E | SGDDK-2122-2 | ..END SEAL ASSY- | | 1 |
| | 150F | SGDDK-2122-4 | ..END SEAL ASSY- | | 1 |

- ITEMS NOT ILLUSTRATED

EFFECTIVITY

G-OOOK (MSN 25054) G-OOOZ (MSN 25593)

Modification MON/757/21/2934

21-23-01-03

Fig 1

Page MON 1

08.07.04

D & P form No.503 issue 1

Monarch BOEING 757

FIRST CHOICE 757-236

PARTS CATALOGUE

CHAPTER 21 –AIR CONDITIONING

| FIG. | ITEM | PART NUMBER | DESCRIPTION | EFFECT FROM TO | QTY PER AIRCRAFT |
|------|------|---------------|-------------------------------------|------------------|------------------|
| 1 | 155 | SGDDK-2109-4 | .DUCT ASSY REPLACES 214N2109-FFF | 115115 121121 | 1 |
| | 155A | SGDDK-2110-1 | ..BOX BEAM ASSY- | | 1 |
| | 155B | SGDDK-2116-9 | ..DUCT HALF ASSY, LH- | | 1 |
| | 155C | SGDDK-2116-10 | ..DUCT HALF ASSY, RH- | | 1 |
| | 155D | SGDDK-2118-1 | ..NUTCLIP STRIP- | | 2 |
| | 155E | SGDDK-2122-4 | ..END SEAL ASSY- | | 1 |
| | 155F | SGDDK-2122-5 | ..END SEAL ASSY- | | 1 |
| | 160 | SGDDK-2109-5 | .DUCT ASSY REPLACES 214N2109-GGG | | 1 |
| | 160A | SGDDK-2110-2 | ..BOX BEAM ASSY- | | 1 |
| | 160B | SGDDK-2116-5 | ..DUCT HALF ASSY, LH- | | 1 |
| | 160C | SGDDK-2116-6 | ..DUCT HALF ASSY, RH- | | 1 |
| | 160D | SGDDK-2118-2 | ..NUTCLIP STRIP- | | 2 |
| | 160E | SGDDK-2122-1 | ..END SEAL ASSY- | | 1 |
| | 160F | SGDDK-2122-2 | ..END SEAL ASSY- | | 1 |

- ITEMS NOT ILLUSTRATED

EFFECTIVITY

G-OOOK (MSN 25054) G-OOOZ (MSN 25593)

Modification MON/757/21/2934

21-23-01-03

Fig 1

Page MON 2

08.07.04

D & P form No.503 issue 1



Monarch Aircraft Engineering Ltd

Luton Airport, Luton, Beds. LU2 9LX

2

PUBLICATION REVISION - SHEET

| | |
|---|---|
| AIRCRAFT TYPE & SERIES <u>BOEING 757-23A</u> | OPERATOR(S) <u>FIRST CHOICE AIRWAYS</u> |
| REVISION No. <u>FCA/757/23A/IPC/1</u> | DATE <u>05.07.04</u> |
| MANUAL DESCRIPTION <u>IPC</u> | MODIFICATION No. <u>MON/757/21/2934</u> |
| MODIFICATION TITLE <u>INSTALLATION OF SAINT-GOBAIN FOAM OVERHEAD DISTRIBUTION</u> | |
| COMPILED <u>AS</u> | EFFECTIVITY <u>G-OOOG (MSN 24292)</u> |
| CHECKED <u>P. Gault</u> | A.T.A. CHAPTER <u>21-23-01-03</u> |
| APPROVED <u>[Signature]</u> | C.A.A. APPROVAL No. <u>DAI/8021/68</u> |
| THIS REVISION COMPLIES WITH B.C.A.R. SECTION A CHAPTER A6-2, AND RELEVANT J.A.R. REQUIREMENTS | |

INCORPORATE THE FOLLOWING NEW AND REVISED PAGES:

CHAPTER
SECTION

| <u>SUBJECT - FIGURE</u> | <u>PAGE</u> | <u>DATE</u> | <u>ACTION/LOCATION</u> |
|-------------------------|---|-------------|--|
| 21-CONTENTS | MON 3 | 05.07.04 | INSERT THIS NEW 21-CONTENTS PAGE MON 3 WHERE APPROPRIATE. |
| 21-23-01-03 | MON 0-1 MON 0-3 MON 0-3 MON 1 MON 2 | 05.07.04 | INSERT THESE NEW 21-23-01-03 PAGES MON 0-1 Thru TO MON 0-3 AND MON 1 Thru MON 2 WHERE APPROPRIATE. |

MAEL TRANSMITTAL PAGE 1 of 1

RETAIN THIS TRANSMITTAL SHEET AT FRONT OF RELATED MANUAL. RECORD DETAILS ON RECORD OF REVISION SHEET. CHECK THAT ALL PREVIOUS REVISIONS HAVE BEEN INCORPORATED IN RELATED MANUAL. IF NOT, PLEASE CONTACT THE TECHNICAL AUTHOR, DESIGN AND PROJECTS DEPT, MONARCH AIRCRAFT ENGINEERING, LUTON AIRPORT ENGLAND.

Monarch BOEING 757

FIRST CHOICE 757-23A

PARTS CATALOGUE

CHAPTER 21 – AIR CONDITIONING

TABLE OF CONTENTS

| <u>SUBJECT</u> | CHAPTER SECTION <u>SUBJECT</u> | <u>FIG</u> | <u>PAGE</u> | <u>DATE</u> |
|--|--------------------------------------|------------|---|-------------|
| DUCT INSTL- OVERHEAD AIR DISTRIBUTION SYSTEM | 21-23-01-03 | 01 | MON 0-1 MON 0-2 MON 0-3 MON 1 MON 2 | 08.07.04 |

EFFECTIVITY
G-OOOG (MSN 24292)

Modification MON/757/21/2934

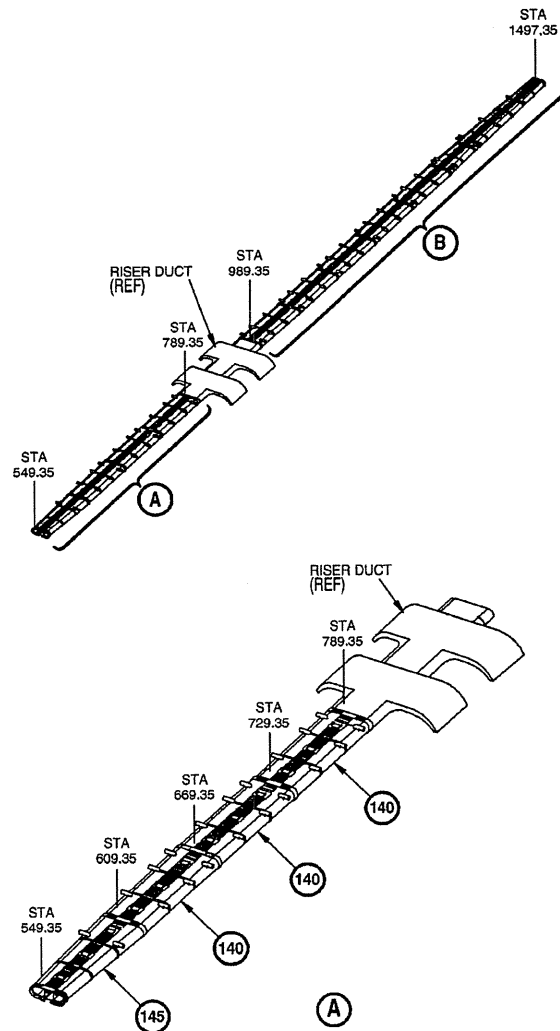
21-CONTENTS
PAGE MON 3
08.07.04

Monarch BOEING 757

FIRST CHOICE 757-23A

PARTS CATALOGUE

CHAPTER 21 – AIR CONDITIONING



SAINT-GOBAIN FOAM OVERHEAD DISTRIBUTION DUCT
FIGURE 1
(PAGE 1 OF 3)

EFFECTIVITY
G-OOOG (MSN 24292)

Modification MON/757/21/2934

21-23-01-03

Fig 1
Page MON 0-1
08.07.04

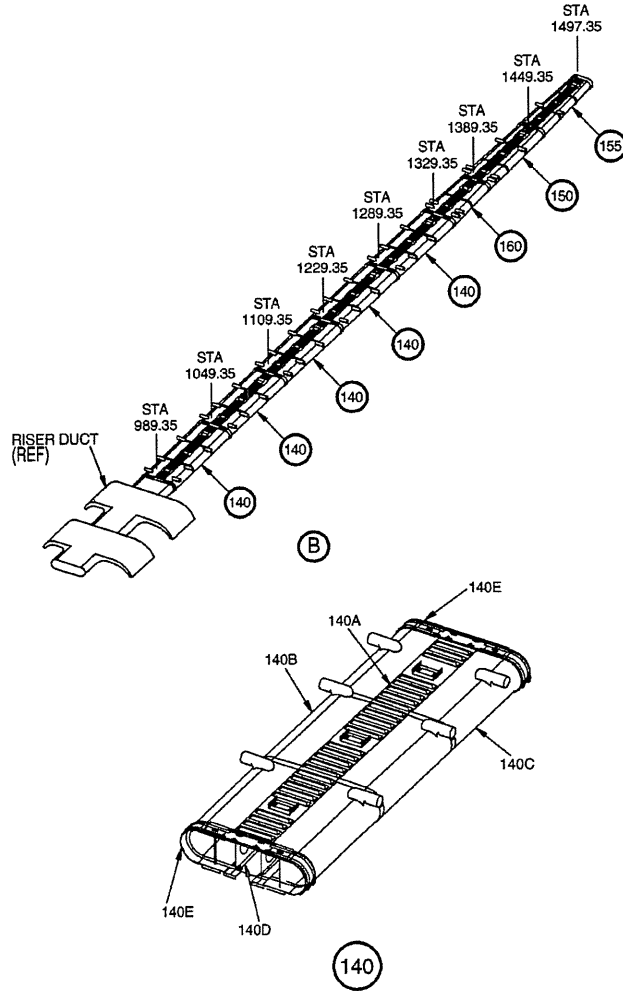
D & P form No 502 issue I

Monarch BOEING 757

FIRST CHOICE 757-23A

PARTS CATALOGUE

CHAPTER 21 – AIR CONDITIONING



SAINT-GOBAIN FOAM OVERHEAD DISTRIBUTION DUCT
FIGURE 1
(PAGE 2 OF 3)

| | |
|--------------------|-----------------|
| EFFECTIVITY | |
| G-OOOG (MSN 24292) | |
| Modification | MON/757/21/2934 |

21-23-01-03

Fig 1

Page MON 0-2

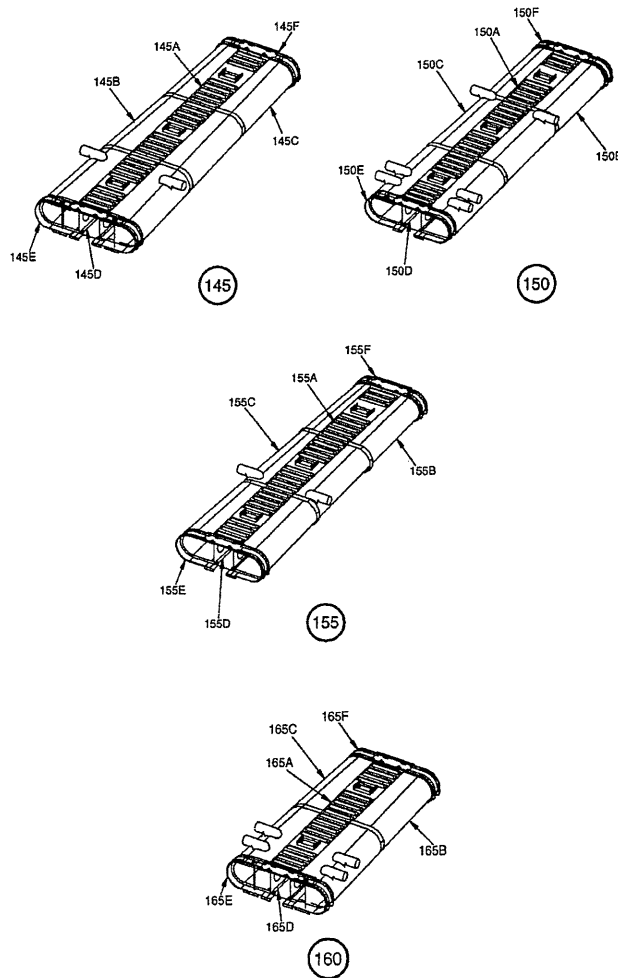
08.07.04

Monarch BOEING 757

FIRST CHOICE 757-23A

PARTS CATALOGUE

CHAPTER 21 – AIR CONDITIONING



SAINT-GOBAIN FOAM OVERHEAD DISTRIBUTION DUCT
FIGURE 1
(PAGE 3 OF 3)

EFFECTIVITY
G-000G (MSN 24292)

Modification MON/757/21/2934

21-23-01-03

Fig 1
Page MON 0-3
08.07.04

D & P form No 502 issue I

Monarch BOEING 757

FIRST CHOICE 757-23A

PARTS CATALOGUE

CHAPTER 21 – AIR CONDITIONING

| FIG. | ITEM | PART NUMBER | DESCRIPTION | EFFECT FROM TO | QTY PER AIRCRAFT |
|------|------|--------------|-------------------------------------|----------------|------------------|
| 1 | 140 | SGDDK-2109-1 | .DUCT ASSY REPLACES 214N2109-CCC | 004004 | 1 |
| | 140A | SGDDK-2110-1 | ..BOX BEAM ASSY- | | 1 |
| | 140B | SGDDK-2116-1 | ..DUCT HALF ASSY, LH- | | 1 |
| | 140C | SGDDK-2116-2 | ..DUCT HALF ASSY, RH- | | 1 |
| | 140D | SGDDK-2118-1 | ..NUTCLIP STRIP- | | 2 |
| | 140E | SGDDK-2122-1 | ..END SEAL ASSY- | | 2 |
| | 145 | SGDDK-2109-2 | .DUCT ASSY REPLACES 214N2109-DDD | | 1 |
| | 145A | SGDDK-2110-5 | ..BOX BEAM ASSY- | | 1 |
| | 145B | SGDDK-2116-3 | ..DUCT HALF ASSY, LH- | | 1 |
| | 145C | SGDDK-2116-4 | ..DUCT HALF ASSY, RH- | | 1 |
| | 145D | SGDDK-2118-1 | ..NUTCLIP STRIP- | | 2 |
| | 145E | SGDDK-2122-1 | ..END SEAL ASSY- | | 1 |
| | 145F | SGDDK-2122-3 | ..END SEAL ASSY- | | 1 |
| | 150 | SGDDK-2109-3 | .DUCT ASSY REPLACES 214N2109-EEE | | 1 |
| | 150A | SGDDK-2110-1 | ..BOX BEAM ASSY- | | 1 |
| | 150B | SGDDK-2116-7 | ..DUCT HALF ASSY, LH- | | 1 |
| | 150C | SGDDK-2116-8 | ..DUCT HALF ASSY, RH- | | 1 |
| | 150D | SGDDK-2118-1 | ..NUTCLIP STRIP- | | 2 |
| | 150E | SGDDK-2122-2 | ..END SEAL ASSY- | | 1 |
| | 150F | SGDDK-2122-4 | ..END SEAL ASSY- | | 1 |

EFFECTIVITY

G-000G (MSN 24292)

Modification MON/757/21/2934

21-23-01-03

Fig 1

MON 1

08.07.04

D & P form No 503 issue 1

Monarch BOEING 757

FIRST CHOICE 757-23A

PARTS CATALOGUE

CHAPTER 21 – AIR CONDITIONING

| FIG. | ITEM | PART NUMBER | DESCRIPTION | EFFECT FROM TO | QTY PER AIRCRAFT |
|------|------|---------------|-------------------------------------|----------------|------------------|
| 1 | 155 | SGDDK-2109-4 | .DUCT ASSY REPLACES 214N2109-FFF | 004004 | 1 |
| | 155A | SGDDK-2110-1 | ..BOX BEAM ASSY- | | 1 |
| | 155B | SGDDK-2116-9 | ..DUCT HALF ASSY, LH- | | 1 |
| | 155C | SGDDK-2116-10 | ..DUCT HALF ASSY, RH- | | 1 |
| | 155D | SGDDK-2118-1 | ..NUTCLIP STRIP- | | 2 |
| | 155E | SGDDK-2122-4 | ..END SEAL ASSY- | | 1 |
| | 155F | SGDDK-2122-5 | ..END SEAL ASSY- | | 1 |
| | 160 | SGDDK-2109-5 | .DUCT ASSY REPLACES 214N2109-GGG | | 1 |
| | 160A | SGDDK-2110-2 | ..BOX BEAM ASSY- | | 1 |
| | 160B | SGDDK-2116-5 | ..DUCT HALF ASSY, LH- | | 1 |
| | 160C | SGDDK-2116-6 | ..DUCT HALF ASSY, RH- | | 1 |
| | 160D | SGDDK-2118-2 | ..NUTCLIP STRIP- | | 2 |
| | 160E | SGDDK-2122-1 | ..END SEAL ASSY- | | 1 |
| | 160F | SGDDK-2122-2 | ..END SEAL ASSY- | | 1 |

EFFECTIVITY

G-OOOG (MSN 24292)

Modification MON/757/21/2934

21-23-01-03

Fig 1

MON 2

08.07.04

D & P form No 503 issue 1



Monarch Aircraft Engineering Ltd

Luton Airport, Luton, Beds. LU2 9LX

2

PUBLICATION REVISION - SHEET

| | |
|---|--|
| AIRCRAFT TYPE & SERIES <u>BOEING 757-28A</u> | OPERATOR(S) <u>FIRST CHOICE AIRWAYS</u> |
| REVISION No. <u>FCA/757/28A/IPC/1</u> | DATE <u>05.07.04</u> |
| MANUAL DESCRIPTION <u>IPC</u> | MODIFICATION No. <u>MON/757/21/2934</u> |
| MODIFICATION TITLE <u>INSTALLATION OF SAINT-GOBAIN FOAM OVERHEAD DISTRIBUTION</u> | |
| COMPILED <u>DNB</u> | EFFECTIVITY <u>G-OOOB (23822) G-OOOC (24017)</u> |
| CHECKED <u>P. Godfrey</u> | A.T.A. CHAPTER <u>21-23-01-03</u> |
| APPROVED <u>[Signature]</u> | C.A.A. APPROVAL No. <u>DAI/8021/68</u> |
| THIS REVISION COMPLIES WITH B.C.A.R. SECTION A CHAPTER A6-2, AND RELEVANT J.A.R. REQUIREMENTS | |

INCORPORATE THE FOLLOWING NEW AND REVISED PAGES:

CHAPTER
SECTION

SUBJECT - FIGURE

PAGE

DATE

ACTION/LOCATION

21-CONTENTS

MON 3

05.07.04

INSERT THIS NEW 21-CONTENTS PAGE MON 3 WHERE APPROPRIATE.

21-23-01-03

MON 0-1
MON 0-3
MON 0-3
MON 1
MON 2

05.07.04

INSERT THESE NEW 21-23-01-03 PAGES MON 0-1 Thru TO MON 0-3 AND MON 1 Thru MON 2 WHERE APPROPRIATE.

MAEL TRANSMITTAL PAGE 1 of 1

RETAIN THIS TRANSMITTAL SHEET AT FRONT OF RELATED MANUAL. RECORD DETAILS ON RECORD OF REVISION SHEET. CHECK THAT ALL PREVIOUS REVISIONS HAVE BEEN INCORPORATED IN RELATED MANUAL. IF NOT, PLEASE CONTACT THE TECHNICAL AUTHOR, DESIGN AND PROJECTS DEPT, MONARCH AIRCRAFT ENGINEERING, LUTON AIRPORT ENGLAND.

Monarch BOEING 757

FIRST CHOICE 757-28A

PARTS CATALOGUE

CHAPTER 21 – AIR CONDITIONING

TABLE OF CONTENTS

| <u>SUBJECT</u> | CHAPTER SECTION <u>SUBJECT</u> | <u>FIG</u> | <u>PAGE</u> | <u>DATE</u> |
|--|--------------------------------------|------------|---|-------------|
| DUCT INSTL- OVERHEAD AIR DISTRIBUTION SYSTEM | 21-23-01-03 | 01 | MON 0-1 MON 0-2 MON 0-3 MON 1 MON 2 | 08.07.04 |

EFFECTIVITY

G-OOOB (MSN 23822) G-OOOC (MSN 24017)

Modification MON/757/21/2934

21-CONTENTS

PAGE MON 3

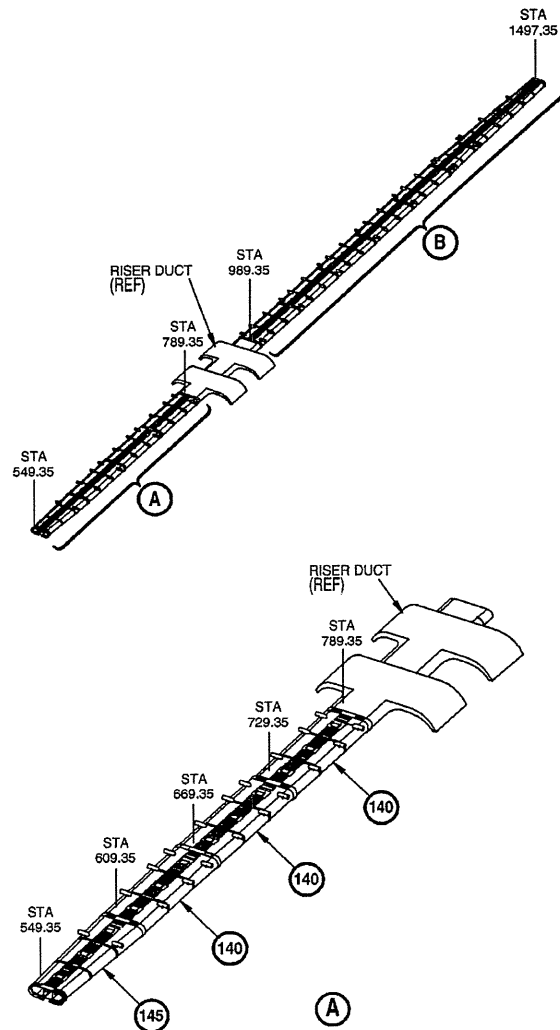
08.07.04

Monarch BOEING 757

FIRST CHOICE 757-28A

PARTS CATALOGUE

CHAPTER 21 – AIR CONDITIONING



SAINT-GOBAIN FOAM OVERHEAD DISTRIBUTION DUCT
FIGURE 1
(PAGE 1 OF 3)

EFFECTIVITY
G-OO0B (MSN 23822) G-OO0C (MSN 24017)

Modification MON/757/21/2934

21-23-01-03

Fig 1

Page MON 0-1

08.07.04

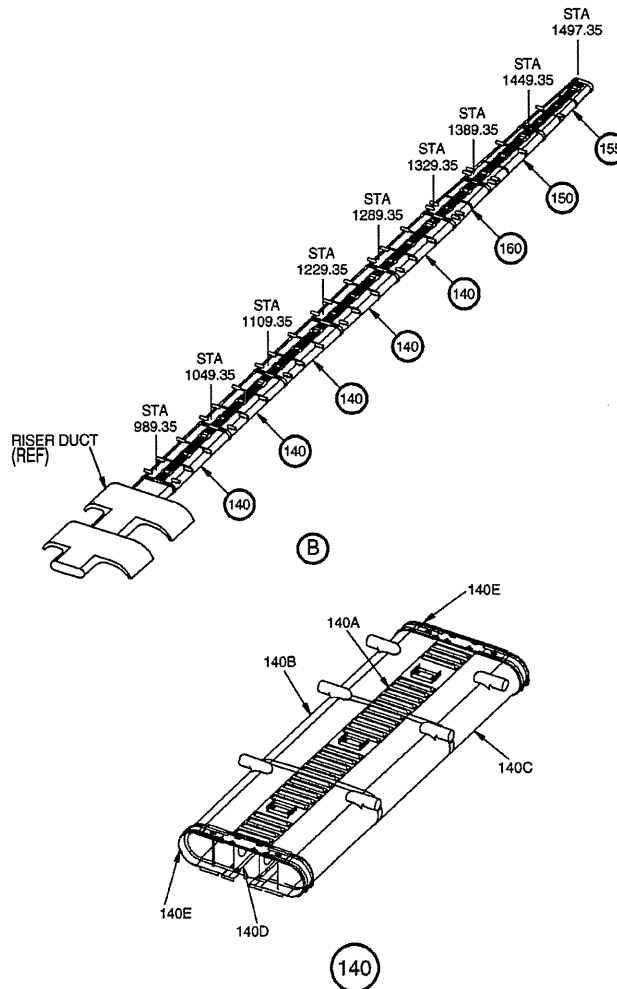
D & P form No 502 issue 1

Monarch BOEING 757

FIRST CHOICE 757-28A

PARTS CATALOGUE

CHAPTER 21 – AIR CONDITIONING



SAINT-GOBAIN FOAM OVERHEAD DISTRIBUTION DUCT
FIGURE 1
(PAGE 2 OF 3)

| | |
|---------------------------------------|-----------------|
| EFFECTIVITY | |
| G-OOOB (MSN 23822) G-OOOC (MSN 24017) | |
| Modification | MON/757/21/2934 |

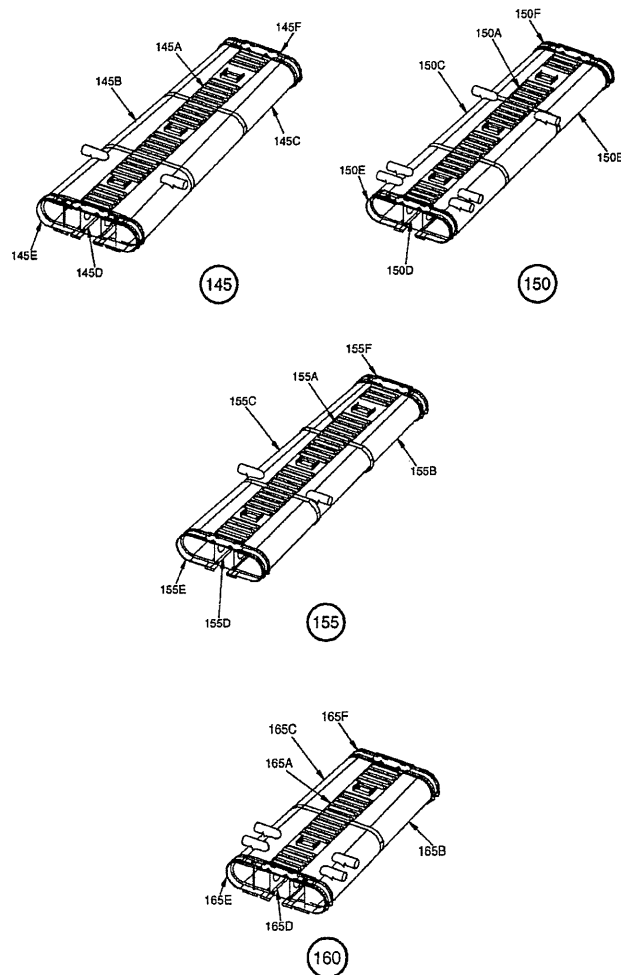
21-23-01-03
Fig 1
Page MON 0-2
08.07.04

Monarch BOEING 757

FIRST CHOICE 757-28A

PARTS CATALOGUE

CHAPTER 21 – AIR CONDITIONING



SAINT-GOBAIN FOAM OVERHEAD DISTRIBUTION DUCT
FIGURE 1
(PAGE 3 OF 3)

EFFECTIVITY

G-000B (MSN 23822) G-000C (MSN 24017)

Modification MON/757/21/2934

21-23-01-03

Fig 1

Page MON 0-3
08.07.04

D & P form No 502 issue 1

Monarch BOEING 757

FIRST CHOICE 757-28A

PARTS CATALOGUE

CHAPTER 21 – AIR CONDITIONING

| FIG. | ITEM | PART NUMBER | DESCRIPTION | EFFECT FROM TO | QTY PER AIRCRAFT |
|------|------|--------------|-------------------------------------|----------------|------------------|
| 1 | 140 | SGDDK-2109-1 | .DUCT ASSY REPLACES 214N2109-CCC | 002003 | 1 |
| | 140A | SGDDK-2110-1 | ..BOX BEAM ASSY- | | 1 |
| | 140B | SGDDK-2116-1 | ..DUCT HALF ASSY, LH- | | 1 |
| | 140C | SGDDK-2116-2 | ..DUCT HALF ASSY, RH- | | 1 |
| | 140D | SGDDK-2118-1 | ..NUTCLIP STRIP- | | 2 |
| | 140E | SGDDK-2122-1 | ..END SEAL ASSY- | | 2 |
| | 145 | SGDDK-2109-2 | .DUCT ASSY REPLACES 214N2109-DDD | | 1 |
| | 145A | SGDDK-2110-5 | ..BOX BEAM ASSY- | | 1 |
| | 145B | SGDDK-2116-3 | ..DUCT HALF ASSY, LH- | | 1 |
| | 145C | SGDDK-2116-4 | ..DUCT HALF ASSY, RH- | | 1 |
| | 145D | SGDDK-2118-1 | ..NUTCLIP STRIP- | | 2 |
| | 145E | SGDDK-2122-1 | ..END SEAL ASSY- | | 1 |
| | 145F | SGDDK-2122-3 | ..END SEAL ASSY- | | 1 |
| | 150 | SGDDK-2109-3 | .DUCT ASSY REPLACES 214N2109-EEE | | 1 |
| | 150A | SGDDK-2110-1 | ..BOX BEAM ASSY- | | 1 |
| | 150B | SGDDK-2116-7 | ..DUCT HALF ASSY, LH- | | 1 |
| | 150C | SGDDK-2116-8 | ..DUCT HALF ASSY, RH- | | 1 |
| | 150D | SGDDK-2118-1 | ..NUTCLIP STRIP- | | 2 |
| | 150E | SGDDK-2122-2 | ..END SEAL ASSY- | | 1 |
| | 150F | SGDDK-2122-4 | ..END SEAL ASSY- | | 1 |

EFFECTIVITY

G-OOOB (MSN 23822) G-OOOC (MSN 24017)

Modification MON/757/21/2934

21-23-01-03

Fig 1

MON 1

08.07.04

Monarch BOEING 757

FIRST CHOICE 757-28A

PARTS CATALOGUE

CHAPTER 21 – AIR CONDITIONING

| FIG. | ITEM | PART NUMBER | DESCRIPTION | EFFECT FROM TO | QTY PER AIRCRAFT |
|------|------|---------------|-------------------------------------|----------------|------------------|
| 1 | 155 | SGDDK-2109-4 | .DUCT ASSY REPLACES 214N2109-FFF | 002003 | 1 |
| | 155A | SGDDK-2110-1 | ..BOX BEAM ASSY- | | 1 |
| | 155B | SGDDK-2116-9 | ..DUCT HALF ASSY, LH- | | 1 |
| | 155C | SGDDK-2116-10 | ..DUCT HALF ASSY, RH- | | 1 |
| | 155D | SGDDK-2118-1 | ..NUTCLIP STRIP- | | 2 |
| | 155E | SGDDK-2122-4 | ..END SEAL ASSY- | | 1 |
| | 155F | SGDDK-2122-5 | ..END SEAL ASSY- | | 1 |
| | 160 | SGDDK-2109-5 | .DUCT ASSY REPLACES 214N2109-GGG | | 1 |
| | 160A | SGDDK-2110-2 | ..BOX BEAM ASSY- | | 1 |
| | 160B | SGDDK-2116-5 | ..DUCT HALF ASSY, LH- | | 1 |
| | 160C | SGDDK-2116-6 | ..DUCT HALF ASSY, RH- | | 1 |
| | 160D | SGDDK-2118-2 | ..NUTCLIP STRIP- | | 2 |
| | 160E | SGDDK-2122-1 | ..END SEAL ASSY- | | 1 |
| | 160F | SGDDK-2122-2 | ..END SEAL ASSY- | | 1 |

EFFECTIVITY

G-OOOB (MSN 23822) G-OOOC (MSN 24017)

Modification MON/757/21/2934

21-23-01-03

Fig 1

MON 2

08.07.04

D & P form No 503 issue 1



Monarch Aircraft Engineering Ltd

Luton Airport, Luton, Beds. LU2 9LX

2

PUBLICATION REVISION - SHEET

| | |
|---|---|
| AIRCRAFT TYPE & SERIES <u>BOEING 757-2B7</u> | OPERATOR(S) <u>FIRST CHOICE AIRWAYS</u> |
| REVISION No. <u>FCA/757/2B7/IPC/1</u> | DATE <u>05.07.04</u> |
| MANUAL DESCRIPTION <u>IPC</u> | MODIFICATION No. <u>MON/757/21/2934</u> |
| MODIFICATION TITLE <u>INSTALLATION OF SAINT-GOBAIN FOAM OVERHEAD DISTRIBUTION</u> | |
| COMPILED <u>DNB</u> | EFFECTIVITY <u>G-OOBI 27146) G-OOBJ (27147)</u> |
| CHECKED <u>P. Coakley</u> | A.T.A. CHAPTER <u>21-23-01-03</u> |
| APPROVED <u>[Signature]</u> | C.A.A. APPROVAL No. <u>DAI/8021/68</u> |
| THIS REVISION COMPLIES WITH B.C.A.R. SECTION A CHAPTER A6-2, AND RELEVANT J.A.R. REQUIREMENTS | |

INCORPORATE THE FOLLOWING NEW AND REVISED PAGES:

CHAPTER
SECTION

| <u>SUBJECT - FIGURE</u> | <u>PAGE</u> | <u>DATE</u> | <u>ACTION/LOCATION</u> |
|-------------------------|---|-------------|--|
| 21-CONTENTS | MON 3 | 05.07.04 | INSERT THIS NEW 21-CONTENTS PAGE MON 3 WHERE APPROPRIATE. |
| 21-23-01-03 | MON 0-1 MON 0-3 MON 0-3 MON 1 MON 2 | 05.07.04 | INSERT THESE NEW 21-23-01-03 PAGES MON 0-1 Thru TO MON 0-3 AND MON 1 Thru MON 2 WHERE APPROPRIATE. |

MAEL TRANSMITTAL PAGE 1 of 1

RETAIN THIS TRANSMITTAL SHEET AT FRONT OF RELATED MANUAL. RECORD DETAILS ON RECORD OF REVISION SHEET. CHECK THAT ALL PREVIOUS REVISIONS HAVE BEEN INCORPORATED IN RELATED MANUAL. IF NOT, PLEASE CONTACT THE TECHNICAL AUTHOR, DESIGN AND PROJECTS DEPT, MONARCH AIRCRAFT ENGINEERING, LUTON AIRPORT ENGLAND.

Monarch BOEING 757

FIRST CHOICE 757-2B7

PARTS CATALOGUE

CHAPTER 21 –AIR CONDITIONING

TABLE OF CONTENTS

| <u>SUBJECT</u> | CHAPTER SECTION <u>SUBJECT</u> | <u>FIG</u> | <u>PAGE</u> | <u>DATE</u> |
|--|--------------------------------------|------------|---|-------------|
| DUCT INSTL- OVERHEAD AIR DISTRIBUTION SYSTEM | 21-23-01-03 | 01 | MON 0-1 MON 0-2 MON 0-3 MON 1 MON 2 | 08.07.04 |

EFFECTIVITY

G-OOBI (MSN 27146) G-OOBJ (MSN 27147)

Modification MON/757/21/2934

21-CONTENTS

PAGE MON 3

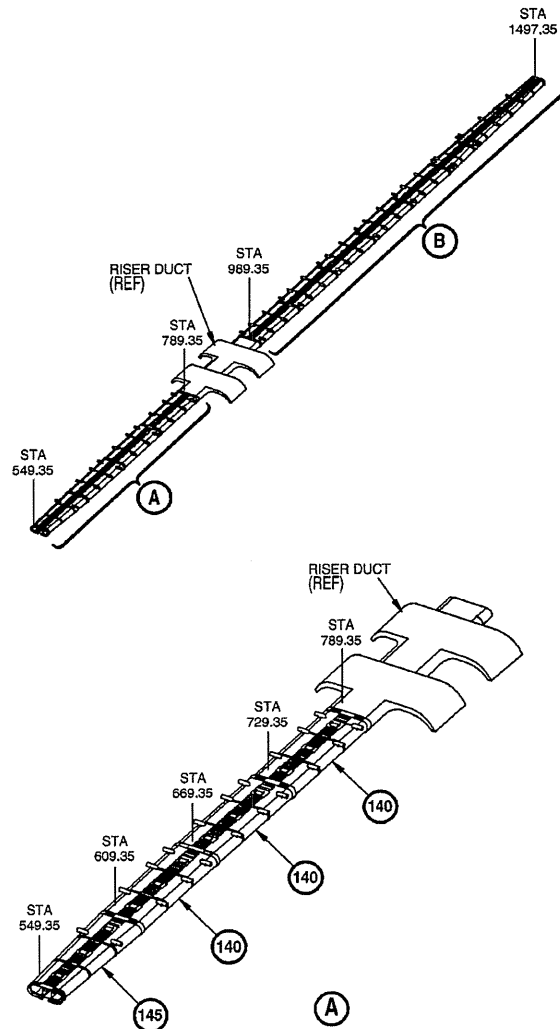
08.07.04

Monarch BOEING 757

FIRST CHOICE 757-2B7

PARTS CATALOGUE

CHAPTER 21 – AIR CONDITIONING



SAINT-GOBAIN FOAM OVERHEAD DISTRIBUTION DUCT
FIGURE 1
(PAGE 1 OF 3)

EFFECTIVITY

G-OOBI (MSN 27146) G-OOBJ (MSN 27147)

Modification MON/757/21/2934

21-23-01-03

Fig 1

Page MON 0-1

08.07.04

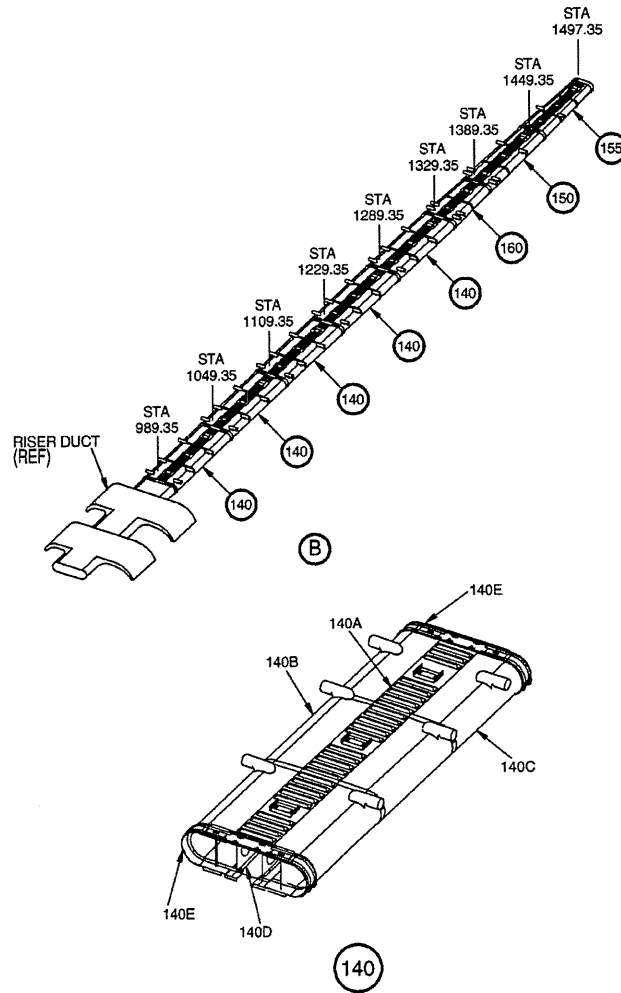
D & P form No 502 issue 1

Monarch BOEING 757

FIRST CHOICE 757-2B7

PARTS CATALOGUE

CHAPTER 21 – AIR CONDITIONING



SAINT-GOBAIN FOAM OVERHEAD DISTRIBUTION DUCT
FIGURE 1
(PAGE 2 OF 3)

| | |
|---------------------------------------|-----------------|
| EFFECTIVITY | |
| G-OOBI (MSN 27146) G-OOBJ (MSN 27147) | |
| Modification | MON/757/21/2934 |

21-23-01-03

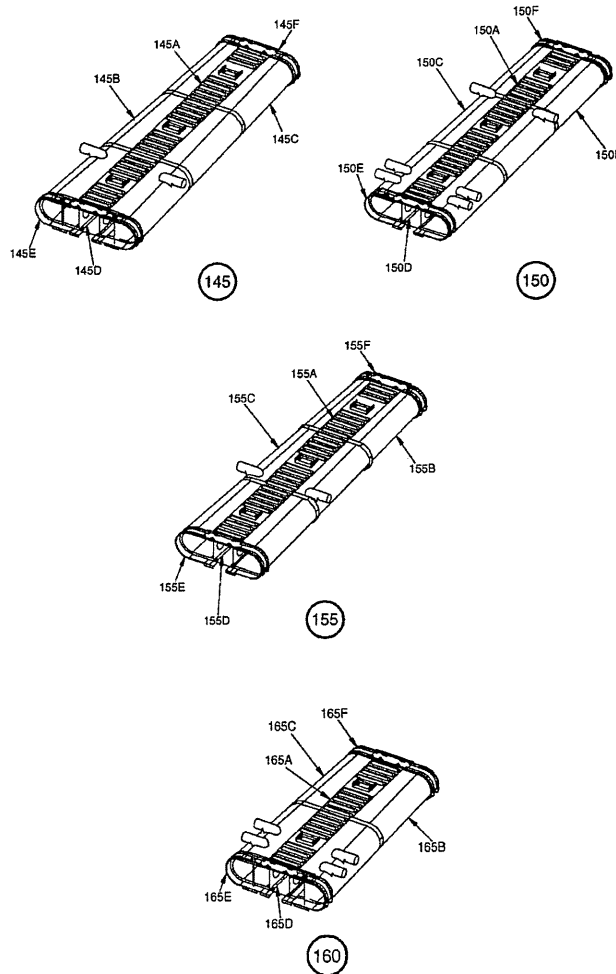
Fig 1
Page MON 0-2
08.07.04

Monarch BOEING 757

FIRST CHOICE 757-2B7

PARTS CATALOGUE

CHAPTER 21 – AIR CONDITIONING



SAINT-GOBAIN FOAM OVERHEAD DISTRIBUTION DUCT
FIGURE 1
(PAGE 3 OF 3)

EFFECTIVITY

G-OOBI (MSN 27146) G-OOBJ (MSN 27147)

Modification MON/757/21/2934

21-23-01-03

Fig 1

Page MON 0-3

08.07.04

D & P form No 502 issue I

Monarch BOEING 757

FIRST CHOICE 757-2B7

PARTS CATALOGUE

CHAPTER 21 – AIR CONDITIONING

| FIG. | ITEM | PART NUMBER | DESCRIPTION | EFFECT FROM TO | QTY PER AIRCRAFT |
|------|------|--------------|-------------------------------------|----------------|------------------|
| 1 | 140 | SGDDK-2109-1 | .DUCT ASSY REPLACES 214N2109-CCC | 006007 | 1 |
| | 140A | SGDDK-2110-1 | ..BOX BEAM ASSY- | | 1 |
| | 140B | SGDDK-2116-1 | ..DUCT HALF ASSY, LH- | | 1 |
| | 140C | SGDDK-2116-2 | ..DUCT HALF ASSY, RH- | | 1 |
| | 140D | SGDDK-2118-1 | ..NUTCLIP STRIP- | | 2 |
| | 140E | SGDDK-2122-1 | ..END SEAL ASSY- | | 2 |
| | 145 | SGDDK-2109-2 | .DUCT ASSY REPLACES 214N2109-DDD | | 1 |
| | 145A | SGDDK-2110-5 | ..BOX BEAM ASSY- | | 1 |
| | 145B | SGDDK-2116-3 | ..DUCT HALF ASSY, LH- | | 1 |
| | 145C | SGDDK-2116-4 | ..DUCT HALF ASSY, RH- | | 1 |
| | 145D | SGDDK-2118-1 | ..NUTCLIP STRIP- | | 2 |
| | 145E | SGDDK-2122-1 | ..END SEAL ASSY- | | 1 |
| | 145F | SGDDK-2122-3 | ..END SEAL ASSY- | | 1 |
| | 150 | SGDDK-2109-3 | .DUCT ASSY REPLACES 214N2109-EEE | | 1 |
| | 150A | SGDDK-2110-1 | ..BOX BEAM ASSY- | | 1 |
| | 150B | SGDDK-2116-7 | ..DUCT HALF ASSY, LH- | | 1 |
| | 150C | SGDDK-2116-8 | ..DUCT HALF ASSY, RH- | | 1 |
| | 150D | SGDDK-2118-1 | ..NUTCLIP STRIP- | | 2 |
| | 150E | SGDDK-2122-2 | ..END SEAL ASSY- | | 1 |
| | 150F | SGDDK-2122-4 | ..END SEAL ASSY- | | 1 |

EFFECTIVITY

G-OOBI (MSN 27146) G-OOBJ (MSN 27147)

Modification MON/757/21/2934

21-23-01-03

Fig 1

MON 1

08.07.04

Monarch BOEING 757

FIRST CHOICE 757-2B7

PARTS CATALOGUE

CHAPTER 21 – AIR CONDITIONING

| FIG. | ITEM | PART NUMBER | DESCRIPTION | EFFECT FROM TO | QTY PER AIRCRAFT |
|------|------|---------------|-------------------------------------|----------------|------------------|
| 1 | 155 | SGDDK-2109-4 | .DUCT ASSY REPLACES 214N2109-FFF | 006007 | 1 |
| | 155A | SGDDK-2110-1 | ..BOX BEAM ASSY- | | 1 |
| | 155B | SGDDK-2116-9 | ..DUCT HALF ASSY, LH- | | 1 |
| | 155C | SGDDK-2116-10 | ..DUCT HALF ASSY, RH- | | 1 |
| | 155D | SGDDK-2118-1 | ..NUTCLIP STRIP- | | 2 |
| | 155E | SGDDK-2122-4 | ..END SEAL ASSY- | | 1 |
| | 155F | SGDDK-2122-5 | ..END SEAL ASSY- | | 1 |
| | 160 | SGDDK-2109-5 | .DUCT ASSY REPLACES 214N2109-GGG | | 1 |
| | 160A | SGDDK-2110-2 | ..BOX BEAM ASSY- | | 1 |
| | 160B | SGDDK-2116-5 | ..DUCT HALF ASSY, LH- | | 1 |
| | 160C | SGDDK-2116-6 | ..DUCT HALF ASSY, RH- | | 1 |
| | 160D | SGDDK-2118-2 | ..NUTCLIP STRIP- | | 2 |
| | 160E | SGDDK-2122-1 | ..END SEAL ASSY- | | 1 |
| | 160F | SGDDK-2122-2 | ..END SEAL ASSY- | | 1 |

EFFECTIVITY

G-OOBI (MSN 27146) G-OOBJ (MSN 27147)

Modification MON/757/21/2934

21-23-01-03

Fig 1

MON 2

08.07.04



Monarch Aircraft Engineering Ltd

Luton Airport, Luton, Beds. LU2 9LX

2

PUBLICATION REVISION - SHEET

| | |
|---|--|
| AIRCRAFT TYPE & SERIES <u>BOEING 757-2YO</u> | OPERATOR(S) <u>FIRST CHOICE AIRWAYS</u> |
| REVISION No. <u>FCA/757/2YO/IPC/1</u> | DATE <u>05.07.04</u> |
| MANUAL DESCRIPTION <u>IPC</u> | MODIFICATION No. <u>MON/757/21/2934</u> |
| MODIFICATION TITLE <u>INSTALLATION OF SAINT-GOBAIN FOAM OVERHEAD DISTRIBUTION</u> | |
| COMPILED <u>DNR</u> | EFFECTIVITY <u>G-OOOX (21658) G-CPEP (25268)</u> |
| CHECKED <u></u> | A.T.A. CHAPTER <u>21-23-01-03</u> |
| APPROVED <u></u> | C.A.A. APPROVAL No. <u>DAI/8021/68</u> |
| THIS REVISION COMPLIES WITH B.C.A.R. SECTION A CHAPTER A6-2, AND RELEVANT J.A.R. REQUIREMENTS | |

INCORPORATE THE FOLLOWING NEW AND REVISED PAGES:

| CHAPTER SECTION SUBJECT - FIGURE | PAGE | DATE | ACTION/LOCATION |
|--|---|----------|--|
| 21-CONTENTS | MON 3 | 05.07.04 | INSERT THIS NEW 21-CONTENTS PAGE MON 3 WHERE APPROPRIATE. |
| 21-23-01-03 | MON 0-1 MON 0-3 MON 0-3 MON 1 MON 2 | 05.07.04 | INSERT THESE NEW 21-23-01-03 PAGES MON 0-1 Thru TO MON 0-3 AND MON 1 Thru MON 2 WHERE APPROPRIATE. |

MAEL TRANSMITTAL PAGE 1 of 1

RETAIN THIS TRANSMITTAL SHEET AT FRONT OF RELATED MANUAL. RECORD DETAILS ON RECORD OF REVISION SHEET. CHECK THAT ALL PREVIOUS REVISIONS HAVE BEEN INCORPORATED IN RELATED MANUAL. IF NOT, PLEASE CONTACT THE TECHNICAL AUTHOR, DESIGN AND PROJECTS DEPT. MONARCH AIRCRAFT ENGINEERING, LUTON AIRPORT ENGLAND.

Monarch BOEING 757

FIRST CHOICE 757-2YO

PARTS CATALOGUE

CHAPTER 21 – AIR CONDITIONING

TABLE OF CONTENTS

| <u>SUBJECT</u> | CHAPTER SECTION <u>SUBJECT</u> | <u>FIG</u> | <u>PAGE</u> | <u>DATE</u> |
|--|--------------------------------------|------------|---|-------------|
| DUCT INSTL- OVERHEAD AIR DISTRIBUTION SYSTEM | 21-23-01-03 | 01 | MON 0-1 MON 0-2 MON 0-3 MON 1 MON 2 | 08.07.04 |

EFFECTIVITY

G-OOOX (MSN 21658) G-CPEP (MSN 25268)

Modification MON/757/21/2934

21-CONTENTS

PAGE MON 3

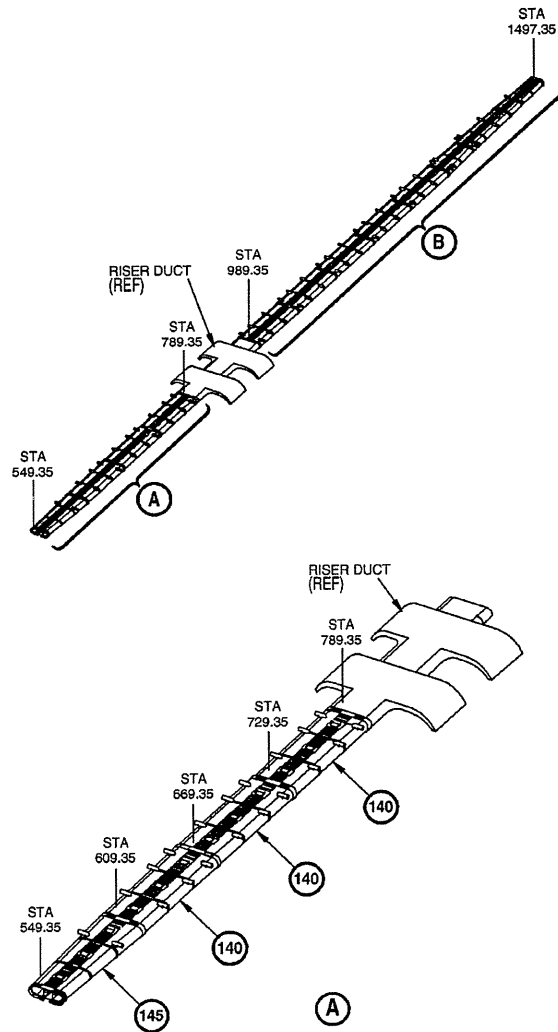
08.07.04

Monarch BOEING 757

FIRST CHOICE 757-2YO

PARTS CATALOGUE

CHAPTER 21 –AIR CONDITIONING



SAINT-GOBAIN FOAM OVERHEAD DISTRIBUTION DUCT
FIGURE 1
(PAGE 1 OF 3)

EFFECTIVITY

G-OOOX (MSN 21658) G-CPEP (MSN 25268)

Modification MON/757/21/2934

21-23-01-03

Fig 1

Page MON 0-1

08.07.04

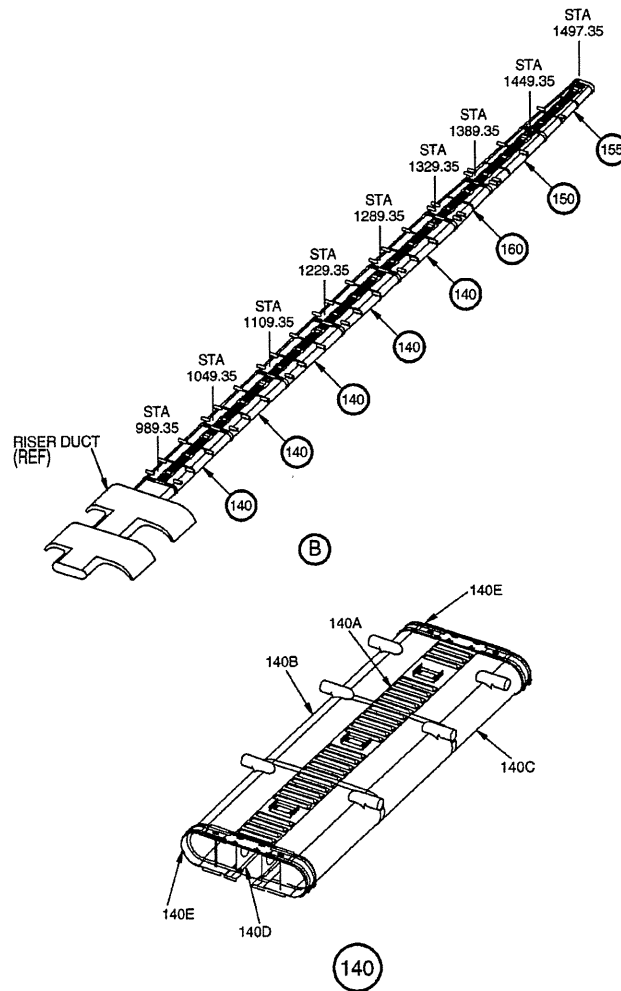
D & P form No 502 issue 1

Monarch BOEING 757

FIRST CHOICE 757-2YO

PARTS CATALOGUE

CHAPTER 21 –AIR CONDITIONING



SAINT-GOBAIN FOAM OVERHEAD DISTRIBUTION DUCT
FIGURE 1
(PAGE 2 OF 3)

EFFECTIVITY

G-O00X (MSN 21658) G-CPEP (MSN 25268)

Modification MON/757/21/2934

21-23-01-03

Fig 1

Page MON 0-2

08.07.04

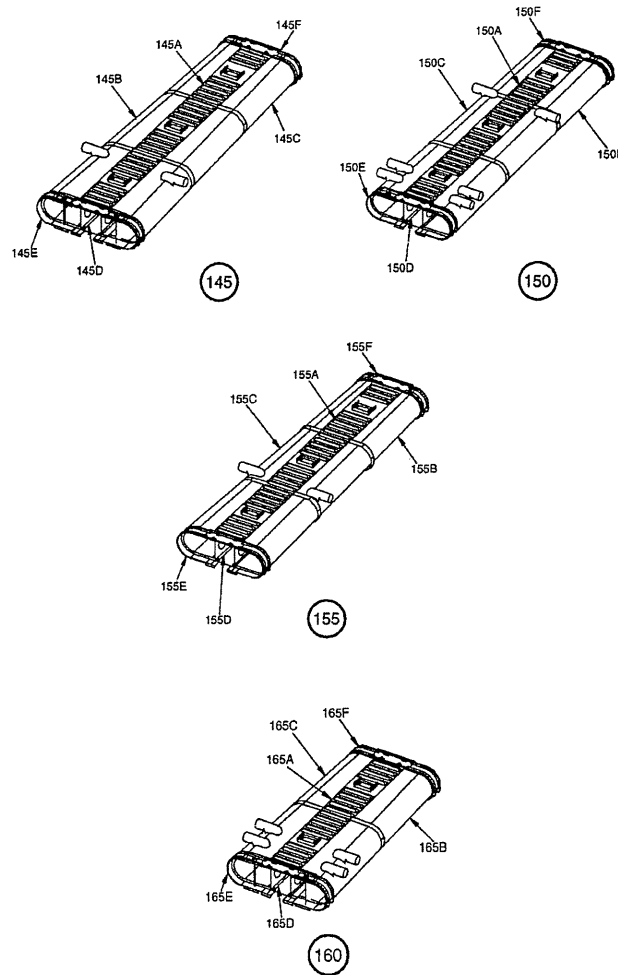
D & P form No 502 issue I

Monarch BOEING 757

FIRST CHOICE 757-2YO

PARTS CATALOGUE

CHAPTER 21 –AIR CONDITIONING



SAINT-GOBAIN FOAM OVERHEAD DISTRIBUTION DUCT
FIGURE 1
(PAGE 3 OF 3)

EFFECTIVITY

G-000X (MSN 21658) G-CPEP (MSN 25268)

Modification MON/757/21/2934

21-23-01-03

Fig 1

Page MON 0-3

08.07.04

D & P form No 502 issue I

Monarch BOEING 757

FIRST CHOICE 757-2YO

PARTS CATALOGUE

CHAPTER 21 –AIR CONDITIONING

| FIG. | ITEM | PART NUMBER | DESCRIPTION | EFFECT FROM TO | QTY PER AIRCRAFT |
|------|------|--------------|-------------------------------------|------------------|------------------|
| 1 | 140 | SGDDK-2109-1 | .DUCT ASSY REPLACES 214N2109-CCC | 002002 009009 | 1 |
| | 140A | SGDDK-2110-1 | ..BOX BEAM ASSY- | | 1 |
| | 140B | SGDDK-2116-1 | ..DUCT HALF ASSY, LH- | | 1 |
| | 140C | SGDDK-2116-2 | ..DUCT HALF ASSY, RH- | | 1 |
| | 140D | SGDDK-2118-1 | ..NUTCLIP STRIP- | | 2 |
| | 140E | SGDDK-2122-1 | ..END SEAL ASSY- | | 2 |
| | 145 | SGDDK-2109-2 | .DUCT ASSY REPLACES 214N2109-DDD | | 1 |
| | 145A | SGDDK-2110-5 | ..BOX BEAM ASSY- | | 1 |
| | 145B | SGDDK-2116-3 | ..DUCT HALF ASSY, LH- | | 1 |
| | 145C | SGDDK-2116-4 | ..DUCT HALF ASSY, RH- | | 1 |
| | 145D | SGDDK-2118-1 | ..NUTCLIP STRIP- | | 2 |
| | 145E | SGDDK-2122-1 | ..END SEAL ASSY- | | 1 |
| | 145F | SGDDK-2122-3 | ..END SEAL ASSY- | | 1 |
| | 150 | SGDDK-2109-3 | .DUCT ASSY REPLACES 214N2109-EEE | | 1 |
| | 150A | SGDDK-2110-1 | ..BOX BEAM ASSY- | | 1 |
| | 150B | SGDDK-2116-7 | ..DUCT HALF ASSY, LH- | | 1 |
| | 150C | SGDDK-2116-8 | ..DUCT HALF ASSY, RH- | | 1 |
| | 150D | SGDDK-2118-1 | ..NUTCLIP STRIP- | | 2 |
| | 150E | SGDDK-2122-2 | ..END SEAL ASSY- | | 1 |
| | 150F | SGDDK-2122-4 | ..END SEAL ASSY- | | 1 |

- ITEMS NOT ILLUSTRATED

EFFECTIVITY
G-O00X (MSN 21658) G-CPEP (MSN 25268)

Modification MON/757/21/2934

21-23-01-03

Fig 1
Page MON 1
08.07.04

D & P form No.503 issue 1

Monarch BOEING 757

FIRST CHOICE 757-2YO

PARTS CATALOGUE

CHAPTER 21 –AIR CONDITIONING

| FIG. | ITEM | PART NUMBER | DESCRIPTION | EFFECT FROM TO | QTY PER AIRCRAFT |
|------|------|---------------|-------------------------------------|------------------|------------------|
| 1 | 155 | SGDDK-2109-4 | .DUCT ASSY REPLACES 214N2109-FFF | 002002 009009 | 1 |
| | 155A | SGDDK-2110-1 | ..BOX BEAM ASSY- | | 1 |
| | 155B | SGDDK-2116-9 | ..DUCT HALF ASSY, LH- | | 1 |
| | 155C | SGDDK-2116-10 | ..DUCT HALF ASSY, RH- | | 1 |
| | 155D | SGDDK-2118-1 | ..NUTCLIP STRIP- | | 2 |
| | 155E | SGDDK-2122-4 | ..END SEAL ASSY- | | 1 |
| | 155F | SGDDK-2122-5 | ..END SEAL ASSY- | | 1 |
| | 160 | SGDDK-2109-5 | .DUCT ASSY REPLACES 214N2109-GGG | | 1 |
| | 160A | SGDDK-2110-2 | ..BOX BEAM ASSY- | | 1 |
| | 160B | SGDDK-2116-5 | ..DUCT HALF ASSY, LH- | | 1 |
| | 160C | SGDDK-2116-6 | ..DUCT HALF ASSY, RH- | | 1 |
| | 160D | SGDDK-2118-2 | ..NUTCLIP STRIP- | | 2 |
| | 160E | SGDDK-2122-1 | ..END SEAL ASSY- | | 1 |
| | 160F | SGDDK-2122-2 | ..END SEAL ASSY- | | 1 |

- ITEMS NOT ILLUSTRATED

EFFECTIVITY

G-O00X (MSN 21658) G-CPEP (MSN 25268)

Modification MON/757/21/2934

21-23-01-03

Fig 1

Page MON 2

08.07.04

D & P form No.503 issue 1



ENGINEERING DEPARTMENT MATERIALS & TOOLING REQUIREMENT

| Task Kit No: MCP-757-1281-2 | | A/C: BI, BJ, EP, OC, OK, OX and OZ | | Due Date: |
|-----------------------------|---------------------|------------------------------------|--------------|---|
| Part Number | Description | Qty Per Aircraft | Batch Number | Comments |
| BWT10-3440480A | LONG DUCTS | 1 | | ONLY REQUIRED FOR OC, OK, OZ, OX, BI, BJ AND PEP. |
| NAS1922-0575-1 | DUCT CLAMP | 2 | | |
| 757-1410-000 | BRACKET ASSY | 1 | | |
| 757-1410-004 | FWD SUPPORT BRACKET | 1 | | |
| 757-1410-006 | AFT SUPPORT BRACKET | 1 | | |
| 757-1410-008 | PACKER | 1 | | |
| | | | | |
| | | | | |
| | | | | |
| | | | | |

Goods Complete:.....(Date)

Location:.....

Signed:.....(Stores)



ENGINEERING DEPARTMENT MATERIALS & TOOLING REQUIREMENT

| Task Kit No: MCP-757-1281-1 | | A/C: BA, BB, BG, AND BH. | | Due Date: |
|-----------------------------|---------------------|--------------------------|--------------|---------------------------------------|
| Part Number | Description | Qty Per Aircraft | Batch Number | Comments |
| BWT10-3440360A | SHORT DUCTS | 1 | | ONLY REQUIRED FOR BA, BB, BG, AND BH. |
| NAS1922-0575-1 | DUCT CLAMP | 2 | | |
| 757-1410-000 | BRACKET ASSY | 1 | | |
| 757-1410-004 | FWD SUPPORT BRACKET | 1 | | |
| 757-1410-006 | AFT SUPPORT BRACKET | 1 | | |
| 757-1410-008 | PACKER | 1 | | |
| | | | | |
| | | | | |
| | | | | |
| | | | | |

Goods Complete:.....(Date)

Location:.....

Signed:.....(Stores)



**ENGINEERING DEPARTMENT
MATERIALS DISPOSITION LIST**

| Disposition List: -1 | | A/C: | | Due Date: | |
|----------------------|-------------|------------------|---------------|-------------|---------------|
| Part Number | Description | Qty Per Aircraft | Serial Number | Disposition | Materials Ref |
| | | | | | |
| | | | | | |
| | | | | | |
| | | | | | |
| | | | | | |
| | | | | | |
| | | | | | |
| | | | | | |
| | | | | | |
| | | | | | |
| | | | | | |
| | | | | | |
| | | | | | |
| | | | | | |
| | | | | | |
| | | | | | |
| | | | | | |
| | | | | | |

Goods Complete:.....(Date)

Location:.....

Signed:.....(Stores)

Modification Certification

Plan:

MCP/757/1281 Issue 4

Title : Installation of Galley/Lav vent duct

Scope:

This modification will be raised to install an extension to the existing Galley/Lav vent duct to the Britannia Airways B757-204/236 fleet to prevent unpleasant smells entering the passenger cabin.

A new duct and support is added to redirect the existing Galley/Lav vent through 90 degrees and disperse the unpleasant smells towards an external vent.

Subsequent to the initial issue Monarch airlines, Thomas Cook airlines and First Choice airlines have been added to the effectivity of the modification.

CERTIFICATION PLAN No. : MCP757/1281 ISSUE : 4
PART 21 APPROVAL No. EASA.21J.049

1. Contents

| | | |
|-----|---|----|
| 1. | Contents | 2 |
| 2. | Revision History | 4 |
| 3. | Aircraft Effectivities | 5 |
| 4. | Documents required for continued airworthiness..... | 9 |
| 5. | Privileges..... | 11 |
| 6. | Certification Basis..... | 11 |
| 7. | Applicable Requirements | 11 |
| 8. | Compliance Plan | 12 |
| 9. | Co-ordination Memorandum..... | 13 |
| 10. | Office of Airworthiness Approval | 13 |



Britannia Airways Ltd.
London Luton Airport
Bedfordshire
LU2 9ND
England

CERTIFICATION PLAN No. : MCP757/1281 ISSUE : 4
PART 21 APPROVAL No. **EASA.21J.049**

2. Revision History

| Issue | Date | Raised Issue Details | Sheets Affected |
|-------|----------|---|--------------------|
| 1 | 16/10/03 | Initial Issue | All |
| 2 | 30/06/04 | Including JMC / Thomas Cook aircraft to effectivity of mod | 5 |
| 3 | 15/10/04 | Including Monarch aircraft to the effectivity of mod. Transferred to new PART 21 Approval Format. | All |
| 4 | 17/01/05 | Including First Choice aircraft to effectivity of MOD. | 1, 7, 8, 9, 10, 11 |
| | | | |
| | | | |
| | | | |
| | | | |
| | | | |
| | | | |
| | | | |
| | | | |
| | | | |
| | | | |
| | | | |
| | | | |
| | | | |
| | | | |
| | | | |
| | | | |
| | | | |

CERTIFICATION PLAN No. : MCP757/1281 ISSUE : 4
PART 21 APPROVAL No. **EASA.21J.049**

| | | | |
|--|--|--|--|
| | | | |
| | | | |

3. Aircraft Effectivities

| <u>Aircraft Type</u> | <u>Aircraft Variable No.</u> | <u>Aircraft Serial No.</u> | <u>Aircraft Registration (Ref only)</u> |
|----------------------|------------------------------|----------------------------|---|
| B757-204 | NB422 | 26963 | G-BYAD |
| B757-204 | NB423 | 26964 | G-BYAE |
| B757-204 | NB424 | 26266 | G-BYAF |
| B757-204 | NB426 | 26966 | G-BYAH |
| B757-204 | NB427 | 26967 | G-BYAI |
| B757-204 | NB428 | 25623 | G-BYAJ |
| B757-204 | NB429 | 26267 | G-BYAK |
| B757-204 | NB430 | 25626 | G-BYAL |
| B757-204 | NB431 | 27219 | G-BYAN |
| B757-204 | NB432 | 27235 | G-BYAO |
| B757-204 | NB433 | 27236 | G-BYAP |
| B757-204 | NB434 | 27237 | G-BYAR |
| B757-204 | NB435 | 27238 | G-BYAS |
| B757-204 | NB436 | 27208 | G-BYAT |
| B757-204 | NB437 | 27220 | G-BYAU |
| B757-204 | NB438 | 27234 | G-BYAW |
| B757-204 | NT431 | 28834 | G-BYAX |
| B757-204 | NT432 | 28836 | G-BYAY |
| B757-236 | NA343 | 24792 | G-CDUO |
| B757-236 | NA344 | 24793 | G-CDUP |

CERTIFICATION PLAN No. : MCP757/1281 ISSUE : 4
 PART 21 APPROVAL No. EASA.21J.049

| <u>Aircraft Type</u> | <u>Aircraft Variable No.</u> | <u>Aircraft Serial No.</u> | <u>Aircraft Registration (Ref only)</u> |
|----------------------|------------------------------|----------------------------|---|
| B757-28A | NB226 | 27621 | G-FCLA |
| B757-28A | NB227 | 28164 | G-FCLB |
| B757-28A | NB228 | 28166 | G-FCLC |
| B757-25F | NB230 | 28718 | G-FCLD |
| B757-28A | NT233 | 28171 | G-FCLE |
| B757-28A | NT234 | 28835 | G-FCLF |
| B757-28A | NA445 | 24367 | G-FCLG |
| B757-28A | NB223 | 26274 | G-FCLH |
| B757-28A | NB222 | 26275 | G-FCLI |
| B757-2YO | NB330 | 26160 | G-FCLJ |
| B757-2YO | NB331 | 26161 | G-FCLK |
| B757-25F | NT237 | 30757 | G-JMCD |
| B757-25F | NT238 | 30758 | G-JMCE |
| B757-28A | NB201 | 24369 | G-JMCF |
| B757-2G5 | NB446 | 26278 | G-JMCG |

CERTIFICATION PLAN No. : MCP757/1281 ISSUE : 4
 PART 21 APPROVAL No. EASA.21J.049

| <u>Aircraft Type</u> | <u>Aircraft Variable No.</u> | <u>Aircraft Serial No.</u> | <u>Aircraft Registration</u> <u>(Ref only)</u> |
|----------------------|------------------------------|----------------------------|---|
| B757-2T7 | NA401 | 22780 | G-MONB |
| B757-2T7 | NA402 | 22781 | G-MONC |
| B757-2T7 | NA403 | 22960 | G-MOND |
| B757-2T7 | NA404 | 23293 | G-MONE |
| B757-2T7 | NA405 | 23770 | G-DAJB |
| B757-2T7 | NA407 | 24104 | G-MONJ |
| B757-2T7 | NA408 | 24105 | G-MONK |

| <u>Aircraft Type</u> | <u>Aircraft Variable No.</u> | <u>Aircraft Serial No.</u> | <u>Aircraft Registration (Ref only)</u> |
|----------------------|------------------------------|----------------------------|---|
| B757-28A | NA442 | 23822 | G-OOOB |
| B757-2B7 | NB507 | 27147 | G-OOBJ |
| B757-28A | NA443 | 24017 | C-FTDV |
| B757-23A | NB134 | 24292 | C-GOOG |
| B757-2B7 | NB506 | 27146 | G-OOBI |
| B757-28A | NA447 | 24235 | C-GBOD |
| B757-2YO | NB329 | 26158 | G-OOOX |
| B757-28A | NT232 | 28203 | G-OOOY |
| B757-28A | NJ001 | 33098 | G-OOBC |
| B757-28A | NJ002 | 33099 | G-OOBD |
| B757-28A | NJ003 | 33100 | G-OOBE |
| B757-28A | NJ004 | 33101 | G-OOBF |
| B757-236 | NA346 | 25054 | G-OOOK |
| B757-236 | NA352 | 25593 | G-OOOZ |
| B757-236 | NT404 | 29941 | G-CPEU |
| B757-236 | NT405 | 29942 | G-OOBG |
| B757-236 | NT406 | 29943 | G-CPEV |
| B757-236 | NT407 | 29944 | G-OOBH |
| B757-28A | NT245 | 32446 | C-GUBA |
| B757-28A | NT246 | 32447 | C-GTBB |

CERTIFICATION PLAN No. : MCP757/1281 ISSUE : 4
 PART 21 APPROVAL No. EASA.21J.049

B757-2YO

NB322

25268

G-CPEP

4. Documents required for continued airworthiness

The owner of the manuals stated below must be contacted and informed of the proposed modification change. It is the responsibility of the manual owner to reflect any change raised by the introduction of this modification. A copy of the response will be filed in the project folder.

| | |
|------------------------------|---------|
| Aircraft Maintenance Manual | Yes/No* |
| Aircraft Modification Record | Yes/No* |
| Wiring Diagram Manual | Yes/No* |
| Illustrated Parts Catalogue | Yes/No* |
| Line E.T.O.P.S. Manual | Yes/No* |
| MEL | Yes/No* |
| Weight Schedule | Yes/No* |
| Maintenance Schedule | Yes/No* |
| Configuration Manual | Yes/No* |
| Operation Manual | Yes/No* |
| Flight Manual | Yes/No* |
| Cabin/Emergency Manual | Yes/No* |
| Simulator | Yes/No* |
| Capability List | Yes/No* |
| Advisory Bulletin | Yes/No* |
| Other (Please Specify Below) | Yes/No* |

 CERTIFICATION PLAN No. : MCP757/1281 ISSUE : 4
 PART 21 APPROVAL No. EASA.21J.049



Britannia Airways Ltd.
London Luton Airport
Bedfordshire
LU2 9ND
England

It is the responsibility of Thomas Cook, Monarch and First Choice to amend any manuals affected by this modification.

*Strike through as required

CERTIFICATION PLAN No. : MCP757/1281 ISSUE : 4
PART 21 APPROVAL No. **EASA.21J.049**

5. Privileges

| | | |
|------------------------------|---|--------------|
| Airframe Engineer | : | Ben Hyde |
| Avionics Engineer | : | Anton Hessig |
| Stress Engineer | : | Mark Evans |
| Airworthiness Engineer (Ops) | : | TBD |
| Verification Engineer | : | Dean Jackson |

6. Certification Basis

| | | |
|----------|---|---|
| UK TCDS | : | FA 28 Issue 5. Compliance will be demonstrated against amendment 16 |
| JAR25 | : | |
| FAA TCDS | : | A2NM |
| Other | : | None |

7. Applicable Requirements

| | | |
|------------|---|-------|
| ANO | : | None |
| BCAR | : | None |
| FAR | : | FAR25 |
| JAR | : | JAR25 |
| JAR OPS | : | None |
| CAA ARI'S | : | None |
| CAA AWN'S | : | None |
| CAA SPEC'S | : | None |
| CAA LTO'S | : | None |
| CAA AD'S | : | None |
| FAA AD'S | : | None |
| FAA AC'S | : | None |
| JAA TGL'S | : | None |
| OTHER | : | None |

| | | | | |
|------------------------|--------------|-------------|---------|---|
| CERTIFICATION PLAN No. | : | MCP757/1281 | ISSUE : | 4 |
| PART 21 APPROVAL No. | EASA.21J.049 | | | |

8. Compliance Plan

| Requirements | Means of Compliance (MC – CODES) | | | | | | | | | | | Remarks |
|-------------------|----------------------------------|---|---|---|---|---|---|---|---|---|---|---------|
| | 0 | 1 | 2 | 3 | 4 | 5 | 6 | 7 | 8 | 9 | | |
| JAR 25 | | | | | | | | | | | | |
| 25.301 | X | | | | | | | | | | Statement to be made | |
| 25.303 | X | | | | | | | | | | Statement to be made | |
| 25.305 | X | | | | | | | | | | Statement to be made | |
| 25.307 | X | | | | | | | | | | Statement to be made | |
| 25.321 | X | | | | | | | | | | Statement to be made | |
| 25.331 | X | | | | | | | | | | Statement to be made | |
| 25.333 | X | | | | | | | | | | Statement to be made | |
| 25.337 | X | | | | | | | | | | Statement to be made | |
| 25.341 | X | | | | | | | | | | Statement to be made | |
| 25.571 | X | | | | | | | | | | Statement to be made | |
| 25.601 | X | | | | | | | | | | Statement to be made | |
| 25.603 (a)(b)(c) | X | X | | | | | | | | | Statement to be made/Drawing definition | |
| 25.605 (a)(b) | X | X | | | | | | | | | Statement to be made/Drawing definition | |
| 25.607 | X | | | | | | | | | | Statement to be made | |
| 25.609(a) | X | X | | | | | | | | | Statement to be made/Drawing definition | |
| 25.613 | X | X | | | | | | | | | Statement to be made/Drawing definition | |
| 25.625 (a)(1)(2)(| X | | | | | | | | | | Statement to be made | |
| 25.899 (a)(b) | X | | | | | | | | | | Statement to be made | |
| 25.1301 (a)(c) | | X | | | | | | | | | Drawing definition | |
| 25.1309 | X | X | | | | | | | | | Statement to be made/Drawing definition | |
| 25.1519 | | | X | | | | | | | | Statement to be made | |
| 25.1529 | X | | | | | | | | | | Statement to be made | |
| 25.1541 | X | | | | | | | | | | Statement to be made | |

Means of Compliance Codes (MoC)

0 = General Definitions, Statement etc
 1 = Drawings, Descriptions
 2 = Calculations
 3 = Safety Analysis/Failure Analysis
 4 = Test Data
 5 = Ground Test on Aircraft
 6 = Flight Test
 7 = Inspections, Visual Examinations
 8 = Simulator Test
 9 = Component Data Sheet

CERTIFICATION PLAN No. : MCP757/1281 ISSUE : 4
 PART 21 APPROVAL No. EASA.21J.049

9. Co-ordination Memorandum

Verify that rules pertinent to the plan checklist are complete and add any relevant notes.

STRUCTURE/STRESS (complete/incomplete)*: MOC Signed:
 Date:

INTERIOR (complete/incomplete)*: MOC Signed:
 Date:

AVIONICS/ELECTRICAL (complete/incomplete)*: MOC Signed:
 Date:

10. Office of Airworthiness Approval

CLASSIFICATION HAS BEEN DETERMINED AND AGREED WITH THE CAA
 Yes/No*

MODIFICATION: MINOR/MAJOR* STC: N/A

THE CERTIFICATION PLAN IDENTIFIES THE RELEVANT RULES.

Print:

Signed:

Date:

CERTIFICATION PLAN No. : MCP757/1281 ISSUE : 4
 PART 21 APPROVAL No. EASA.21J.049



Britannia Airways Ltd.
London Luton Airport
Bedfordshire
LU2 9ND
England

*Strike through as required

CERTIFICATION PLAN No. : MCP757/1281 ISSUE : 4
PART 21 APPROVAL No. **EASA.21J.049**

Modification Summary:

MOD/757/1281 Issue 4

Title : Installation of Galley/Lav vent duct

Reason for Modification : **This Modification has been is raised to install the Galley/Lav vent duct to the Britannia Airways B757-204/236 fleet to prevent unpleasant smells within the passenger cabin.**

CAA Mod Classification : **MINOR/MAJOR***

E.T.O.P.S. Affected : **Yes/No***

Flight Test Required : **Yes/No***

Interchangeability Affected : **Yes/No***

ATA Chapter(s) : **21, 25 & 38**

Weight Change : **Weight Increase/Decrease of (see page 8) kg**

Moment Change : **Moment Increase/Decrease of (see page 8) kg**

Electrical Load Change : **None.**

*** Strike through as required**

Certificate of Design

I hereby certify that this modification defines all the changes associated with this certificate
 The technical information contained within or associated with this document has been approved under
 the authority of PART 21 Design Organisation Approval No. **EASA.21J.049.**
 I further certify that, including the exceptions listed below, the design of this modification complies with
 the requirements specified by the agency as the certification basis for this type of aircraft and with any
 additional requirements notified by the agency in respect of this particular modification.

Exceptions

Office of Airworthiness
 Approved:.....

MODIFICATION NUMBER: MS/757/1281 ISSUE : 4

PART 21 APPROVAL No: **EASA.21J.049**

Date:.....

1. Contents

1. Contents 2

2. Documents Affected..... 3

3. Revision History 4

4. Aircraft Effectivities 5

5. Modification Details 9

5.1 Description 9

5.2 Parts Required Per Aircraft..... 9

5.3 Parts Removed Per Aircraft 10

5.4 Documents & Drawings Required 10

6. Basis of Approval..... 10

6.1 CAA Approval Basis for the Modification 10

6.2 Design Requirements for Certificate of Airworthiness 10

6.3 Design Requirements Associated with Operational Approvals 10

6.4 Environmental Requirements 10

7. Compliance with Requirements 11

7.1 Compliance with the Certification Basis for the Modification 11

7.2 Compliance with Requirements for Certificate of Airworthiness..... 11

7.3 Design Requirements Associated with Operational Approvals 11

7.4 Environmental Requirements 12

8. Flight Test..... 12

9. Weight & Balance..... 12

10. Electrical Load Analysis 13

11. Reports 13

12. Limitations & Concessions 13

13. Modification Verification 13

MODIFICATION NUMBER: MS/757/1281 ISSUE : 4

PART 21 APPROVAL No: EASA.21J.049

Attachments
A
2. Documents Affected

| | |
|------------------------------|---------|
| Aircraft Maintenance Manual | Yes/No* |
| Aircraft Modification Record | Yes/No* |
| Wiring Diagram Manual | Yes/No* |
| Illustrated Parts Catalogue | Yes/No* |
| Line E.T.O.P.S. Manual | Yes/No* |
| MEL | Yes/No* |
| Weight Schedule | Yes/No* |
| Maintenance Schedule | Yes/No* |
| Configuration Manual | Yes/No* |
| Operation Manual | Yes/No* |
| Flight Manual | Yes/No* |
| Cabin/Emergency Manual | Yes/No* |
| Simulator | Yes/No* |
| Capability List | Yes/No* |
| Advisory Bulletin | Yes/No* |
| Other (Please Specify) | Yes/No* |

It is the responsibility of Thomas Cook, Monarch and First Choice to amend any manuals affected by this modification.

 MODIFICATION NUMBER: MS/757/1281 ISSUE : 4

PART 21 APPROVAL No: EASA.21J.049

* Strike through as required

3. Revision History

| Issue | Date | Raised Issue Details | Sheets Affected |
|-------|----------|--|-----------------|
| 1 | 16/10/03 | Initial Issue | All |
| 2 | 30/06/04 | JMC / Thomas Cook added to effectivity of modification DOI 1321 & 1305 embodied | 3, 6, 8 |
| 3 | 15/10/04 | Monarch added to effectivity of modification. Transferred to new PART 21 Approval Format | All |
| 4 | 17/01/05 | First Choice aircraft added to effectivity of MOD. | 8, 9, 10 |
| | | | |
| | | | |
| | | | |
| | | | |
| | | | |
| | | | |
| | | | |
| | | | |
| | | | |
| | | | |
| | | | |
| | | | |
| | | | |
| | | | |
| | | | |
| | | | |
| | | | |

| | | | |
|--|--|--|--|
| | | | |
| | | | |
| | | | |
| | | | |

4. Aircraft Effectivities

| <u>Aircraft Type</u> | <u>Aircraft Variable No.</u> | <u>Aircraft Serial No.</u> | <u>Aircraft Registration (Ref only)</u> |
|----------------------|------------------------------|----------------------------|---|
| Boeing 757-204 | NB422 | 26963 | G-BYAD |
| Boeing 757-204 | NB423 | 26964 | G-BYAE |
| Boeing 757-204 | NB424 | 26266 | G-BYAF |
| Boeing 757-204 | NB426 | 26966 | G-BYAH |
| Boeing 757-204 | NB427 | 26967 | G-BYAI |
| Boeing 757-204 | NB428 | 25623 | G-BYAJ |
| Boeing 757-204 | NB429 | 26267 | G-BYAK |
| Boeing 757-204 | NB430 | 25626 | G-BYAL |
| Boeing 757-204 | NB431 | 27219 | G-BYAN |
| Boeing 757-204 | NB432 | 27235 | G-BYAO |
| Boeing 757-204 | NB433 | 27236 | G-BYAP |
| Boeing 757-204 | NB434 | 27237 | G-BYAR |
| Boeing 757-204 | NB435 | 27238 | G-BYAS |
| Boeing 757-204 | NB436 | 27208 | G-BYAT |
| Boeing 757-204 | NB437 | 27220 | G-BYAU |
| Boeing 757-204 | NB438 | 27234 | G-BYAW |
| Boeing 757-204 | NT431 | 28834 | G-BYAX |
| Boeing 757-204 | NT432 | 28836 | G-BYAY |
| Boeing 757-236 | NA343 | 24792 | G-CDUO |
| Boeing 757-236 | NA344 | 24793 | G-CDUP |

MODIFICATION NUMBER: MS/757/1281 ISSUE : 4

PART 21 APPROVAL No: EASA.21J.049

| <u>Aircraft Type</u> | <u>Aircraft Variable No.</u> | <u>Aircraft Serial No.</u> | <u>Aircraft Registration (Ref only)</u> |
|----------------------|------------------------------|----------------------------|---|
| Boeing 757-28A | NB226 | 27621 | G-FCLA |
| Boeing 757-28A | NB227 | 28164 | G-FCLB |
| Boeing 757-28A | NB228 | 28166 | G-FCLC |
| Boeing 757-25F | NB230 | 28718 | G-FCLD |
| Boeing 757-28A | NT233 | 28171 | G-FCLE |
| Boeing 757-28A | NT234 | 28835 | G-FCLF |
| Boeing 757-28A | NA445 | 24367 | G-FCLG |
| Boeing 757-28A | NB223 | 26274 | G-FCLH |
| Boeing 757-28A | NB222 | 26275 | G-FCLI |
| Boeing 757-2YO | NB330 | 26160 | G-FCLJ |
| Boeing 757-2YO | NB331 | 26161 | G-FCLK |
| Boeing 757-25F | NT237 | 30757 | G-JMCD |
| Boeing 757-25F | NT238 | 30758 | G-JMCE |
| Boeing 757-28A | NB201 | 24369 | G-JMCF |
| Boeing 757-2G5 | NB446 | 26278 | G-JMCG |

MODIFICATION NUMBER: MS/757/1281 ISSUE : 4

PART 21 APPROVAL No: EASA.21J.049

| <u>Aircraft Type</u> | <u>Aircraft Variable No.</u> | <u>Aircraft Serial No.</u> | <u>Aircraft Registration</u> <u>(Ref only)</u> |
|----------------------|------------------------------|----------------------------|---|
| Boeing 757-2T7 | NA401 | 22780 | G-MONB |
| Boeing 757-2T7 | NA402 | 22781 | G-MONC |
| Boeing 757-2T7 | NA403 | 22960 | G-MOND |
| Boeing 757-2T7 | NA404 | 23293 | G-MONE |
| Boeing 757-2T7 | NA405 | 23770 | G-DAJB |
| Boeing 757-2T7 | NA407 | 24104 | G-MONJ |
| Boeing 757-2T7 | NA408 | 24105 | G-MONK |

MODIFICATION NUMBER: MS/757/1281 ISSUE : 4

PART 21 APPROVAL No: EASA.21J.049

| <u>Aircraft Type</u> | <u>Aircraft Variable No.</u> | <u>Aircraft Serial No.</u> | <u>Aircraft Registration (Ref only)</u> |
|----------------------|------------------------------|----------------------------|---|
| B757-2B7 | NB507 | 27147 | G-OOBJ |
| B757-28A | NA443 | 24017 | C-FTDV |
| B757-23A | NB134 | 24292 | C-GOOG |
| B757-2B7 | NB506 | 27146 | G-OOBI |
| B757-2YO | NB329 | 26158 | G-OOOX |
| B757-28A | NT232 | 28203 | G-OOOY |
| B757-28A | NJ001 | 33098 | G-OOBC |
| B757-28A | NJ002 | 33099 | G-OOBD |
| B757-28A | NJ003 | 33100 | G-OOBE |
| B757-28A | NJ004 | 33101 | G-OOBF |
| B757-236 | NA346 | 25054 | G-OOOK |
| B757-236 | NA352 | 25593 | G-OOOZ |
| B757-236 | NT404 | 29941 | G-CPEU |
| B757-236 | NT405 | 29942 | G-OOBG |
| B757-236 | NT406 | 29943 | G-CPEV |
| B757-236 | NT407 | 29944 | G-OOBH |
| B757-28A | NT245 | 32446 | C-GUBA |
| B757-28A | NT246 | 32447 | C-GTBB |
| B757-2YO | NB322 | 25268 | G-CPEP |

MODIFICATION NUMBER: MS/757/1281 ISSUE : 4

PART 21 APPROVAL No: EASA.21J.049

Modification Details

4.1 Description

This Modification has been raised to install a Galley/Lav vent duct to the Britannia Airways B757-204/236 fleet, the JMC / Thomas Cook B757-28A/25F/2YO/2G5 fleet, the Monarch B757-2T7 fleet and the First Choice B757-28A/2B7/23A/2YO/236 fleet to prevent unpleasant smells entering the passenger cabin.

The additional support is added to redirect the existing Galley/Lav vent through 90 degrees and points the unpleasant smells towards an external vent.

For later production aircraft, the support is mounted on an existing frame and stringer at STN.1640, STR.26L using Rivets. A longer duct (P/N BWT10-3440480A) needs to be installed to early production aircraft (Britannia G-BYAD, G-BYAE, G-CDUO, G-CDUP, JMC / Thomas Cook G-FCLG, G-JMCF, all Monarch aircraft and First Choice C-FTDV, C-GOOG, G-CPEP, G-OOBI, G-OOBJ, G-OOOK, G-OOOX, G-OOOZ) as the Galley/Lav Vent duct fan is at STN.1680.

4.2 Parts Required Per Aircraft

| <u>PART NO.</u> | <u>DESCRIPTION</u> | <u>QTY</u> |
|------------------|---------------------|------------|
| Mod757-1281-000 | Mod Kit (IES only) | 1 |
| BWT10-3440360A * | Duct Tubing | 1 |
| NAS1922-0575-1 | Duct Clamp | 2 |
| 757-1410-000 | Bracket assembly | 1 |
| 757-1410-004 | Fwd Support Bracket | 1 |
| 757-1410-006 | Aft Support Bracket | 1 |
| 757-1410-008 | Packer | A/R |

MODIFICATION NUMBER: MS/757/1281 ISSUE : 4

PART 21 APPROVAL No: EASA.21J.049

* Alternative part number BWT10-3440480A for aircraft G-BYAD, G-BYAE, G-CDUO, G-CDUP, G-FCLG, G-JMCF, C-FTDV, G-OOG, G-CPEP, G-OOBI, G-OOBJ, G-OOOK, G-OOOX, G-OOOZ and all Monarch aircraft only.

4.3 Parts Removed Per Aircraft

| <u>PART NO.</u> | <u>DESCRIPTION</u> | <u>QTY</u> |
|-----------------|--------------------|------------|
| NONE | | |

4.4 Documents & Drawings Required

| <u>DOCUMENT/DRAWING No.</u> | <u>TITLE</u> | <u>ISSUE</u> |
|-----------------------------|-----------------------------------|--------------|
| 757-1410 | Bracket -- Lav/Galley vent duct | latest |
| 757-1411 | Installation Lav/Galley vent duct | latest |

5. Basis of Approval

5.1 CAA Approval Basis for the Modification

The Type Certification Basis for the B757 is described in the UK Type Certificate Data Sheet number FA28 Issue 5. The relevant requirements within this basis are applicable to this modification. However Britannia Airways elected to comply with JAR 25 at change 15.

5.2 Design Requirements for Certificate of Airworthiness

A review of JAR 25 has identified that JAR 25.301 thru 25.333, 25.337, 25.341, 25.571 and 25.601 thru 609, 25.613, and 25.625, 25.899 (a)(b), 25.1301 (a)(c), 25.1309, 25.1519, 25.1529, 25.1541 are the only parts of JAR 25 that are needed for the certificate of airworthiness.

5.3 Design Requirements Associated with Operational Approvals

None

5.4 Environmental Requirements

None

MODIFICATION NUMBER: MS/757/1281 ISSUE : 4

PART 21 APPROVAL No: EASA.21J.049

6. Compliance with Requirements

6.1 Compliance with the Certification Basis for the Modification

The certification basis as defined in section 6.1 of this document is unaffected by the introduction of this modification.

6.2 Compliance with Requirements for Certificate of Airworthiness

Compliance is established with JAR 25 Subpart C (Structure) and Subpart D (Design and Construction), specifically:

JAR 25.301 thru 25.333, 25.337, 25.341, 25.571 and 25.601 thru 609, 25.613, and 25.625. -

The installed weight of the vent duct support is small (1.5lb approx), resulting in negligible loads attributed to flight inertia, maneuver and ground load cases. A light weight flexible hose is attached to the vent duct bracket which has a negligible affect on the attachment loads.

[Reference D6-55441, the flight load cases are 1.5g Fwd/aft, 3.5g up, 6.5g down, 2.0g side. Note, emergency landing conditions are not applicable since the installation is outside the passenger compartment].

The vent duct support utilizes approved aerospace materials and fabrication techniques. Airframe attachments and protective treatments conform to the requirements of the airplane SRM and do not affect the integrity of the structure.

JAR 25.899

The extension to the Galley/Lav vent duct does not form part of any primary or secondary bonding path. No bonding is considered necessary for additional ducting introduced by this modification.

JAR 25. 1301, 25.1309

The installation of the Galley/Lav vent duct is illustrated on BAL Dwg; 757-1411 issue 2 and installation notes there on. Installation of the duct is covered in TEO/7571281 accomplishment instruction & is illustrated. This is an extension to the original Galley/Lav vent system that was installed during the aircraft build by Boeing.

25.1519

See Section 9, page 9

25.1529

MODIFICATION NUMBER: MS/757/1281 ISSUE : 4

PART 21 APPROVAL No: EASA.21J.049

The support and ducting is to be visually inspected every 4C for support and ducting integrity.

25.1541

The duct is indicated, with a directional arrow, on the outside of the duct and is clearly visible.

The flexible ducting introduced by this modification is manufactured by SENIOR Aerospace. Drawing BWT10 (see appendix A) shows that the duct is manufactured from 'SPS' with bonded cuffs. All materials introduced have been thoroughly tested to reflect installation requirements, a copy of the test report is included in appendix A. Although the duct is not installed within the crew or passenger compartment it has been tested to and meets the requirements of JAR25.853 – see appendix A.

6.3 Design Requirements Associated with Operational Approvals

None

6.4 Environmental Requirements

None

7. Flight Test

Not Required

8. Weight & Balance

There is a slight increase of 0.7kgs in the overall weight of the bracket and duct assembly, which is less than 50kgs.

Britannia's policy is to only issue a weighing statement if there is an increase/decrease greater than 50kgs. Any minor increase/decrease will be included in the basic weight when the aircraft is weighed on its 4 yearly weighing programme.

The Design Engineer (Weight & Performance) will record any minor weight changes and if a cumulative weight increase/decrease exceeds 50kgs then a weighing statement will be issued.

The weight and balance manual does not need to be amended to reflect the installation of the bracket and duct assembly as this is deemed structure and is part of the Basic weight of the aircraft

MODIFICATION NUMBER: MS/757/1281 ISSUE : 4

PART 21 APPROVAL No: **EASA.21J.049**

9. Electrical Load Analysis

Not Applicable

10. Reports

None

11. Limitations & Concessions

None

12. Modification Verification

| | | | | |
|-------------------------|---|--------------|----------------|--------------|
| Compiled by: | : | Ben Hyde | Signed: | Date: |
| Verification (Avionic) | : | Anton Hessig | Signed: | Date: |
| Verification (Airframe) | : | Dean Jackson | Signed: | Date: |
| Verification (Stress) | : | Mark Evans | Signed: | Date: |

MODIFICATION NUMBER: MS/757/1281 ISSUE : 4

PART 21 APPROVAL No: EASA.21J.049

APPENDIX A

Senior Aerospace Qualification Test Report, Report No.BWT148 Dated 6th January 2003

(48 Pages)

Senior Aerospace Material Data Sheet MDS No. 6065 Issue 4 Dated 26th May 2000

(2 Pages)

Senior Aerospace Material Data Sheet MDS No. 6010 Issue 5 Dated 4th May 1999

(1 Page)

Senior Aerospace Material Data Sheet MDS No. 6046 Issue 4 Dated 6th June 2001

(1 Page)

Senior Aerospace Material Data Sheet MDS No. 6005 Issue 8 Dated 25th July 2002

(2 Pages)

Senior Aerospace Material Data Sheet MDS No. 6066 Issue 3 Dated 26th May 2000

(2 Pages)

Senior Aerospace Material Data Sheet MDS No. 6140 Issue 3 Dated 7th June 2001

(2 Pages)

Senior Aerospace Material Drawing BWT10 Revision C Dated 11th November 1999

(3 Sheets)

MODIFICATION NUMBER: MS/757/1281 ISSUE : 4

PART 21 APPROVAL No: EASA.21J.049

Technical Engineering Order: TEO/757/1281 Issue 5

Title : Installation of Galley/Lav vent duct

Modification Classification : **Minor/Major**

ATA Chapter(s) : 21, 25, 38

| Aircraft Effectivities : | Type | Variable No. | Serial No. |
|--------------------------|----------|--|--|
| 28166 | B757-204 | NB422 to NB438 | 26963, 26964, 26266 26966, 26967, 25623 26267, 25626, 27219 27235, 27236, 27237 27238, 27208, 27220 27234 |
| | B757-204 | NT431 to NT432 | 28834, 28836 |
| | B757-236 | NA343 to NA344 | 24792, 24793 |
| | B757-28A | NB226 to NB228 | 27621, 28164, |
| | B757-25F | NB230 | 28718 |
| | B757-28A | NT233 to NT234 | 28171, 28835 |
| | B757-28A | NA445 | 24367 |
| | B757-28A | NB222 to NB223 | 26275, 26274 |
| | B757-2YO | NB330 to NB331 | 26160, 26161 |
| | B757-25F | NT237 to NT238 | 30757, 30758 |
| 22960, 23293, | B757-28A | NB201 | 24369 |
| | B757-2G5 | NB446 | 26278 |
| | B757-2T7 | NA401 to NA405 | 22780, 22781, 23770 |
| | B757-2T7 | NA407 to NA408 | 24104, 24105 |
| | B757-28A | NA443, NT232, NJ001 – NJ004, NT245 – NT246 | 24017, 28203 33098 - 33101 32446, 32447 |
| | B757-2B7 | NB507, NB506 | 27147, 27146 |
| | B757-23A | NB134 | 24292 |
| | B757-2YO | NB329, NB322 | 26158, 25268 |
| | B757-236 | NA346, NA352, NT404 – NT407 | 25054, 25593 29941 - 29944 |

Certificate of Design

I hereby certify that this Technical Engineering Order defines the changes associated with the relevant Modification Summary.

MODIFICATION NUMBER: TEO/757/1281 ISSUE 5
 PART 21 APPROVAL REF: EASA.21J.049 :

CONFIDENTIAL
 Page 1 of 12



The technical information contained within or associated with this document has been approved under the authority of the EASA Approval No. EASA.21J.049

Office of Airworthiness (or Nominee) Approved:

Date:

Record Drawing Office Instructions (DOI) Numbers raised as a result of this modification

| <u>DOI No.</u> | <u>Details</u> |
|----------------|----------------|
| | |
| | |
| | |
| | |
| | |
| | |
| | |
| | |
| | |
| | |

Compiled : Ben Hyde **Signed:** **Date:**
 Avionics Checked : Anton Hessig **Signed:** **Date:**
 Airframe Checked : Dean Jackson **Signed:** **Date:**
 Stress Checked : Mark Evans **Signed:** **Date:**

MODIFICATION NUMBER: TEO/757/1281 ISSUE 5
 PART 21 APPROVAL REF: EASA.21J.049 :

CONFIDENTIAL
Page 2 of 12

1. Contents

| | | |
|-----|--|----------|
| 1. | Contents | 3 |
| 2. | Revision History | 4 |
| 3. | Document required for Continued airworthiness | 5 |
| 4. | Modification Details | 6 |
| 4.1 | Description | 6 |
| 4.2 | Parts Required Per Aircraft..... | 6 |
| 4.2 | Parts Required Per Aircraft (cont) | 7 |
| 4.3 | Parts Removed Per Aircraft..... | 8 |
| 4.4 | Documents & Drawings Required | 9 |
| 5 | Accomplishment Instructions | 9 |

2. Revision History

| Issue | Date | Raised Issue Details | Sheets Affected |
|-------|----------|--|----------------------|
| 1 | 16/10/03 | Initial Issue | All |
| 2 | 30/06/04 | JMC / Thomas Cook added to effectivity DOI 1305 & 1321 embodied A.T. | 1, 6, 7 |
| 3 | 21/09/04 | Aft Support Bracket Altered for G-JMCF only DOI 1347 embodied B.H. | 1, 7, 8 |
| 4 | 15/10/04 | Monarch aircraft added to effectivity of MOD. Transferred to new part 21 Approval format. B.H. | All |
| 5 | 17/01/05 | First Choice aircraft added to effectivity of MOD | 5, 6, 7, 8, 9, 10 |
| | | | |
| | | | |
| | | | |
| | | | |
| | | | |
| | | | |
| | | | |
| | | | |
| | | | |
| | | | |
| | | | |
| | | | |
| | | | |
| | | | |

MODIFICATION NUMBER: TEO/757/1281 ISSUE 5
 PART 21 APPROVAL REF: EASA.21J.049 :

CONFIDENTIAL
 Page 4 of 12

| | | | |
|--|--|--|--|
| | | | |
| | | | |
| | | | |
| | | | |
| | | | |
| | | | |
| | | | |
| | | | |
| | | | |
| | | | |

3. Document required or Continued airworthiness

| | | | |
|--------------------|---|------------------------------|--------|
| Documents Affected | : | Aircraft Maintenance Manual | Yes/No |
| | | Aircraft Modification Record | Yes/No |
| | | Wiring Diagram Manual | Yes/No |
| | | Illustrated Parts Catalogue | Yes/No |
| | | Line E.T.O.P.S. Manual | Yes/No |
| | | MEL | Yes/No |
| | | Weight Schedule | Yes/No |
| | | Maintenance Schedule | Yes/No |
| | | Configuration Manual | Yes/No |
| | | Operation Manual | Yes/No |
| | | Flight Manual | Yes/No |
| | | Cabin/Emergency Manual | Yes/No |
| | | Simulator | Yes/No |
| | | Capability List | Yes/No |
| | | Advisory Bulletin | Yes/No |

MODIFICATION NUMBER: TEO/757/1281 ISSUE 5
 PART 21 APPROVAL REF: EASA.21J.049 :

CONFIDENTIAL
 Page 5 of 12

Other (Please Specify)

Yes/No

It is the responsibility of Thomas Cook, Monarch and First Choice to amend any manuals affected by this modification.

4. Modification Details

4.1 Description

This Technical Engineering Order has been raised to install a Galley/Lav vent duct to the Britannia Airways B757-204/236 fleet, the JMC / Thomas Cook B757-28A/25F/2YO/2G5 fleet, the Monarch 2T7 fleet and the First Choice B757-28A/2B7/23A/2YO/236 fleet to prevent unpleasant smells entering the passenger cabin.

This additional support is added to redirect the Galley/Lav vent through 90 degrees and disperses the unpleasant smell towards an external vent.

For later production aircraft, the support is mounted on an existing frame and stringer at STN.1640, STR.26L using Rivets. A longer duct (P/N BWT10-3440480A) needs to be installed to early production aircraft (Britannia G-BYAD, G-BYAE, G-CDUO, G-CDUP, JMC / Thomas Cook G-FCLG, G-JMCF, First Choice C-FTDV, C-GOOG, G-CPEP, G-OOBI, G-OOBJ, G-OOOK, G-OOOX, G-OOOZ and all Monarch aircraft) as the Galley/Lav Vent duct fan is at STN.1680.

4.2 Parts Required Per Aircraft

| <u>PART NO.</u> | <u>DESCRIPTION</u> | <u>QTY</u> |
|------------------------|--|------------|
| <u>Mod757-1281-000</u> | Mod Kit (IES only). All Aircraft except G-JMCF | 1 |

MODIFICATION NUMBER: TEO/757/1281 ISSUE 5

PART 21 APPROVAL REF: EASA.21J.049

CONFIDENTIAL

Page 6 of 12

| | | |
|-------------------------------|---|-------------|
| . BWT10-3440360A | Duct Tubing (all a/c except as shown below) | 1 |
| . BWT10-3440480A | Duct Tubing (NB422, NB423, NA343, NA344, NA445, NB201, NA401, NA402, NA403, NA404, NA405, NA407, NA408, NA443, NB134, NB322, NB506, NB507, NA346, NB329, NA352) | 1 |
| . NAS1922-0575-1 | Duct Clamp | 2 |
| . 757-1410-000 | Bracket assembly | 1 |
| .. 757-1410-201 | Duct bracket | 1 |
| ... 2024-T3X0.063 QQ-A-250/4 | Aluminium Alloy | 18"x 15" |
| .. 757-1410-002 | Duct flange assembly | 1 |
| .. 757-1410-202 | Duct flange | 1 |
| ... 6061-T6X0.063 QQ-A-250/11 | Aluminium Alloy (Clad) | 18"x 3" |
| .. 757-1410-203 | Flange attachment | 1 |
| ... 6061-T6X0.063 QQ-A-250/11 | Aluminium Alloy (Clad) | 9"x 9" |
| . BACR15BB5AD6C | Rivet | 4 |

4.2 Parts Required Per Aircraft (cont)

| <u>PART NO.</u> | <u>DESCRIPTION</u> | <u>QTY</u> |
|------------------------------|------------------------|------------|
| . PR1422A1 | Sealant | A/R |
| . 757-1410-004 | Fwd Support bracket | 1 |
| ... 2024-T3X0.063 QQ-A-250/5 | Aluminium Alloy (Clad) | 8"x 4" |
| . 757-1410-006 | Aft Support bracket | 1 |
| ... 2024-T3X0.063 QQ-A-250/5 | Aluminium Alloy (Clad) | 10"x 3.1" |
| . 757-1410-008 | Packer | 1 |

MODIFICATION NUMBER: TEO/757/1281 ISSUE 5

PART 21 APPROVAL REF: EASA.21J.049

 CONFIDENTIAL
 Page 7 of 12

| | | |
|-------------------------------|--|----------|
| ... 2024-T3X0.090 QQ-A-250/5 | Aluminium Alloy (Clad) | 3.1"x 1" |
| . BACR15BB4AD5C | Rivet | 3 |
| . BACR15BA5AD[*] | Rivet | 2 |
| . BACR15FT6D[*] | Rivet | 4 |
| . Mod757-1281-002 | Mod Kit (IES only). Aircraft G-JMCF only | 1 |
| . BWT10-3440480A | Duct Tubing | 1 |
| . NAS1922-0575-1 | Duct Clamp | 2 |
| . 757-1410-000 | Bracket assembly | 1 |
| .. 757-1410-201 | Duct bracket | 1 |
| ... 2024-T3X0.063 QQ-A-250/4 | Aluminium Alloy | 18"x 15" |
| .. 757-1410-002 | Duct flange assembly | 1 |
| .. 757-1410-202 | Duct flange | 1 |
| ... 6061-T6X0.063 QQ-A-250/11 | Aluminium Alloy (Clad) | 18"x 3" |
| .. 757-1410-203 | Flange attachment | 1 |

4.2 Parts Required Per Aircraft (cont)

| | | |
|-------------------------------|------------------------|--------|
| ... 6061-T6X0.063 QQ-A-250/11 | Aluminium Alloy (Clad) | 9"x 9" |
| . BACR15BB5AD6C | Rivet | 4 |
| . PR1422A1 | Sealant | A/R |
| . 757-1410-004 | Fwd Support bracket | 1 |
| ... 2024-T3X0.063 QQ-A-250/5 | Aluminium Alloy (Clad) | 8"x 4" |

MODIFICATION NUMBER: TEO/757/1281 ISSUE 5
 PART 21 APPROVAL REF: EASA.21J.049 :

CONFIDENTIAL
 Page 8 of 12

| | | |
|------------------------------|------------------------|----------|
| . 757-1410-008 | Packer | 1 |
| ... 2024-T3X0.090 QQ-A-250/5 | Aluminium Alloy (Clad) | 3.1"x 1" |
| . 757-1410-010 | Aft Support bracket | 1 |
| ... 2024-T3X0.063 QQ-A-250/5 | Aluminium Alloy (Clad) | 10"x 4" |
| . BACR15BB4AD5C | Rivet | 3 |
| . BACR15BA5AD[*] | Rivet | 2 |
| . BACR15FT6D[*] | Rivet | 4 |

4.3 Parts Removed Per Aircraft

| <u>PART NO.</u> | <u>DESCRIPTION</u> | <u>QTY</u> |
|-----------------|--------------------|------------|
| None | | |

4.4 Documents & Drawings Required

| <u>DOCUMENT/DRAWING No.</u> | <u>TITLE</u> | <u>ISSUE</u> |
|-----------------------------|-----------------------------------|--------------|
| 757-1410 | Bracket – Lav/Galley vent duct | 2 |
| 757-1411 | Installation Lav/Galley vent duct | 3 |

5 Accomplishment Instructions

Note: It is not necessary to shut down the exhaust fan during installation. If shutdown is desired, open appropriate circuit breakers as per MM21-26-01 page 401 "Aft equipment Ventilation Fan – removal and Installation".

MODIFICATION NUMBER: TEO/757/1281 ISSUE 5
 PART 21 APPROVAL REF: EASA.21J.049 :

CONFIDENTIAL
 Page 9 of 12

Note 2: During embodiment of this modification onto aircraft G-BYAS it was noted that bracket P/N 757-1410-006 had been manufactured incorrectly. However it was deemed acceptable for aircraft installation – see figure 2.

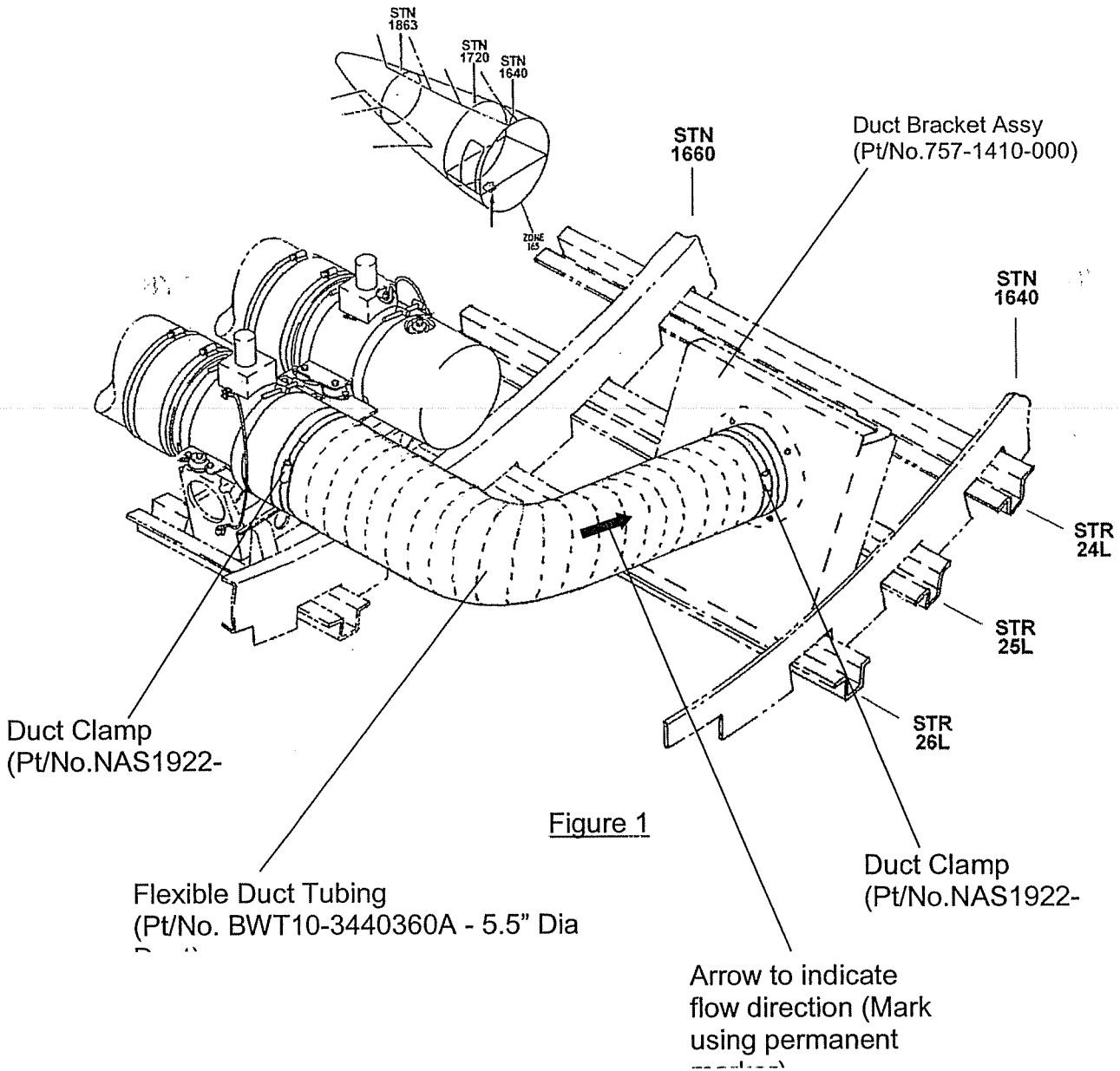


Figure 1

1. Gain access to the Lav/Galley vent fan and outflow valve area by removing the aft bulkhead lining in the bulk cargo compartment (MM25-50-03 page 401).
 2. Gain access to the frame at STN.1640, STR.26L by removing the cargo wall panel 161DW at STN.1640 per MM25-50-04 page 401.
 3.
 - a) For all aircraft apart from G-JMCF. (-000 installation) install bracket assembly 757-1410-000, support brackets 757-1410-004 & 757-1410-006 and packer(s) 757-1410-008 as per BAL installation drawing 757-1411.
 - b) For aircraft G-JMCF. (-002 installation) install bracket assembly 757-1410-000, support brackets 757-1410-004 & 757-1410-010 and packer(s) 757-1410-008 as per BAL installation drawing 757-1411.
 4. Install duct tubing BWT10-3440360A. For Britannia aircraft G-BYAD (NB422), G-BYAE (NB423), G-CDUO (NA343), G-CDUP (NA344), JMC / Thomas Cook aircraft G-FCLG (NA445), G-JMCF (NB201), First Choice aircraft C-FTDV (NA443), C-GOOG (NB134), G-CPEP (NB322), G-OOBI (NB506), G-OOBJ (NB507), G-OOOK (NA346), G-OOOX (NB329), G-OOOZ (NA352) and all Monarch aircraft only, install duct tubing BWT10-3440480A. Pull one end of the tubing over the exit nozzle Fan No.1 (Boeing 757 IPC, chapter 21-26-01-04, Item 60). Pull the other end of the of the duct tubing over the duct flange on the newly installed bracket. Secure each end with clamps (Pt/No.NAS1922-0575-1). (See figure 1)
- Note:** If exhaust fan was shut down, restart it now by closing appropriate circuit breakers as per MM 21-26-01 page 405, step F. Check installation for proper operation.
5. Check operation of fan and verify duct is venting air through the outflow valve. Also verify that a clearance of at least 2 inches exists between the aft fully open outflow door and the New Bracket Assembly.
 6. Reinstall cargo floor panel 161DW per MM25-50-04 page 401.
 7. Reinstall the aft bulkhead lining in the bulk cargo compartment (MM 25-50-03 page 401).
 8. Indicate the outside of the ducting with an arrow pointing in the direction of the air flow. Indication to be marked using a black permanent marker, clear and legible.

Note 1: Integrity visual inspections to be carried out every 4C.

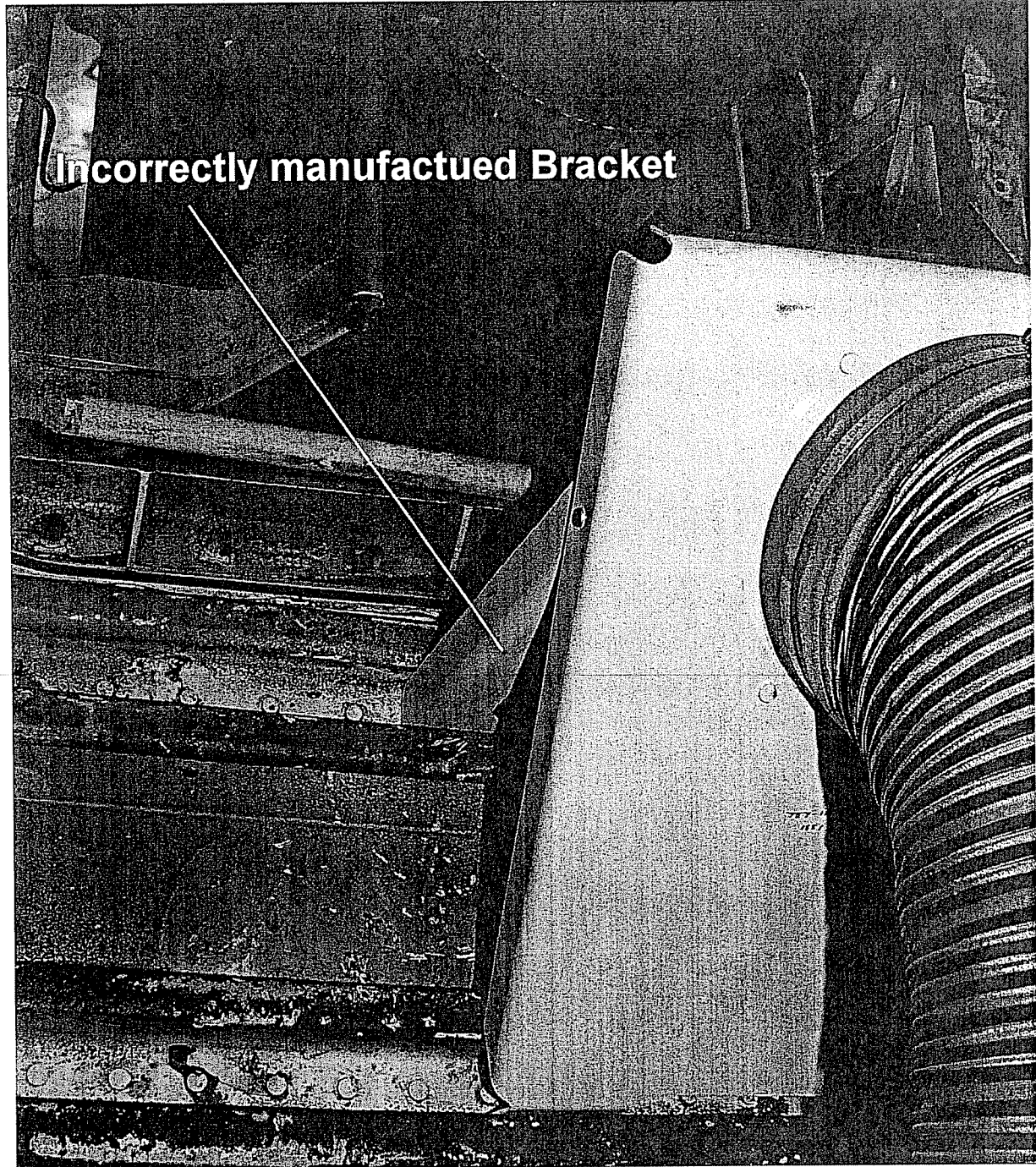


Figure 2

MODIFICATION NUMBER: TEO/757/1281 ISSUE 5
PART 21 APPROVAL REF: EASA.21J.049 :

CONFIDENTIAL
Page 12 of 12

9. Co-ordination Memorandum

Verify that rules pertinent to the plan checklist are complete and add any relevant notes.

| | | | |
|---|-----|------------------|--------------|
| STRUCTURE/STRESS (complete/incomplete)*: | MOC | Signed: | Date: |
| INTERIOR (complete/incomplete)*: | MOC | <i>D. Jacker</i> | 27/1/05 |
| AVIONICS/ELECTRICAL (complete/incomplete)*: | MOC | Signed: | Date: |

10. Office of Airworthiness Approval

CLASSIFICATION HAS BEEN DETERMINED AND AGREED WITH THE CAA Yes/No*

MODIFICATION: MINOR/MAJOR* STC: N/A

THE CERTIFICATION PLAN IDENTIFIES THE RELEVANT RULES.

Print:
Signed:
Date:
***Strike through as required**

 CERTIFICATION PLAN No. : MCP757/1281
 PART 21 APPROVAL No. **EASA.21J.049**

ISSUE : 4

7. Flight Test

Not Required

8. Weight & Balance

There is a slight increase of 0.7kgs in the overall weight of the bracket and duct assembly, which is less than 50kgs.

Britannia's policy is to only issue a weighing statement if there is an increase/decrease greater than 50kgs. Any minor increase/decrease will be included in the basic weight when the aircraft is weighed on its 4 yearly weighing programme.

The Design Engineer (Weight & Performance) will record any minor weight changes and if a cumulative weight increase/decrease exceeds 50kgs then a weighing statement will be issued.

The weight and balance manual does not need to be amended to reflect the installation of the bracket and duct assembly as this is deemed structure and is part of the Basic weight of the aircraft

9. Electrical Load Analysis

Not Applicable


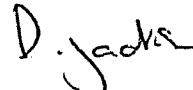
10. Reports

None

11. Limitations & Concessions

None

12. Modification Verification

| | | | | | | |
|-------------------------|---|--------------|---------|--|-------|----------|
| Compiled by: | : | Ben Hyde | Signed: |  | Date: | 27/01/05 |
| Verification (Avionic) | : | Anton Hessig | Signed: | | Date: | |
| Verification (Airframe) | : | Dean Jackson | Signed: |  | Date: | 27/1/05 |
| Verification (Stress) | : | Mark Evans | Signed: | | Date: | |

MODIFICATION NUMBER : MS/757/1281 ISSUE : 4

PART 21 APPROVAL No: EASA.21J.049



Britannia Airways Ltd.
 London Luton Airport
 Bedfordshire
 LU2 9ND
 England

9. Electrical Load Analysis

Not Applicable



10. Reports

None

11. Limitations & Concessions

None

12. Modification Verification

| | | | | | |
|-------------------------|---|--------------|---------|--|---------------|
| Compiled by: | : | Ben Hyde | Signed: | | Date: |
| Verification (Avionic) | : | Anton Hessig | Signed: |  | Date: 27-1-05 |
| Verification (Airframe) | : | Dean Jackson | Signed: | | Date: |
| Verification (Stress) | : | Mark Evans | Signed: |  | Date: 27-1-05 |

MODIFICATION NUMBER: MS/757/1281 ISSUE : 4

PART 21 APPROVAL No: EASA.21J.049

Record Drawing Office Instructions (DOI) Numbers raised as a result of this modification

| <u>DOI No.</u> | <u>Details</u> |
|----------------|----------------|
| | |
| | |
| | |
| | |
| | |
| | |
| | |
| | |
| | |
| | |

| | | | |
|------------------|----------------|---------------------------|----------------|
| Compiled | : Ben Hyde | Signed: <i>Ben Hyde</i> | Date: 27/01/05 |
| Avionics Checked | : Anton Hessig | Signed: | Date: |
| Airframe Checked | : Dean Jackson | Signed: <i>D. Jackson</i> | Date: 27/1/05 |
| Stress Checked | : Mark Evans | Signed: | Date: |

 MODIFICATION NUMBER : TEO/757/1281 ISSUE 5
 PART 21 APPROVAL REF: EASA.21J.049 :

 CONFIDENTIAL
 Page 2 of 11



Britannia Airways Ltd.
 London Luton Airport
 Bedfordshire
 LU2 9ND
 England

The technical information contained within or associated with this document has been approved under the authority of the EASA Approval No. EASA.21J.049

Office of Airworthiness (or Nominee) Approved:

Date:

Record Drawing Office Instructions (DOI) Numbers raised as a result of this modification

| DOI No. | Details |
|---------|---------|
| | |
| | |
| | |
| | |
| | |
| | |
| | |
| | |
| | |
| | |

Compiled : Ben Hyde

Signed:

Date:

Avionics Checked : Anton Hessig

Signed:

Date: 27-1-05

Airframe Checked : Dean Jackson

Signed:

Date:

Stress Checked : Mark Evans

Signed:

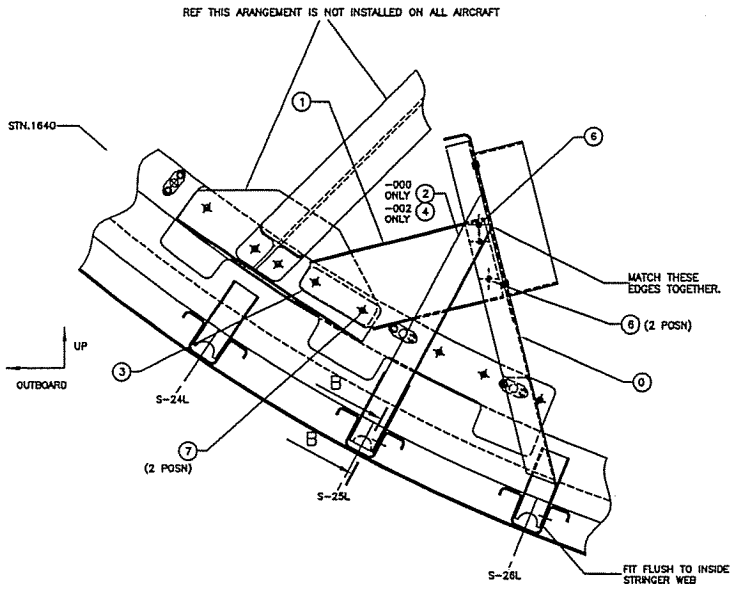
Date: 27-1-05

MODIFICATION NUMBER: TEO/757/1281
 PART 21 APPROVAL REF: EASA.21J.049

ISSUE 5

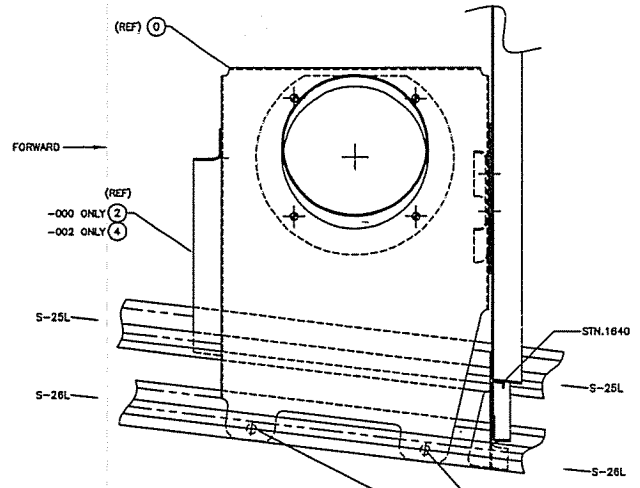
CONFIDENTIAL
 Page 2 of 12

DO NOT SCALE DRAWINGS - IF IN DOUBT ASK - REPORT ALL ERRORS TO DRAWING OFFICE



-000 INSTALLATION
(VIEW LOOKING FORWARD STN.1640)

-002 INSTALLATION
(AS -000 EXCEPT AS NOTED
THOMAS COOK G-JMCF ONLY)



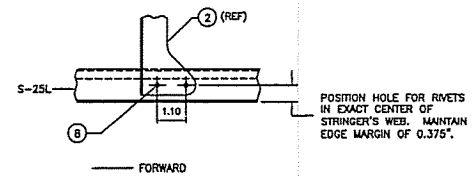
VIEW LOOKING OUTBOARD

#3/16 NOM. REF SRM51-40-05 THE ACTUAL SIZE IS TOLERANCED, HOLES THROUGH ITEM 0 (757-1410-000) BRACKET ASSY AND STRINGER WEB S-26L (2 PLCS), MAINTAIN 2D EDGE MARGIN PER STANDARD PRACTICE.

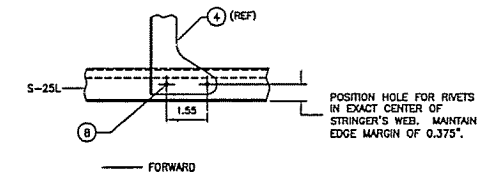
INSTALLATION NOTES

- DRILL OUT 2 EXISTING RIVETS AS INDICATED ABOVE
- POSITION ITEMS 0, 1, 2 & 3 ONTO FRAME AT STN.1640, STRINGER S-25L & S-26L AS PER DRAWING, CLAMPING TOGETHER TO ENSURING A 2D EDGE MARGIN.
- TRANSFER EXISTING FASTENERS HOLES THROUGH ITEM 1 (FWD SUPPORT BRACKET) AND ITEM 3 (PACKER)
- DRILL NO.41 PILOT HOLES THROUGH BRACKET ASSEMBLY AND STRINGERS S-25L & S-26L, ENSURING 2D IN ALL POSITIONS
- OPEN UP ALL HOLE TO THERE CORRECT DIAMETERS
- DISMANTLE STRUCTURE AND DEBURR ALL HOLES
- ASSEMBLE ITEM 0 AND 1 USING RIVETS ITEM 6 WET USING ITEM 5 (PR1422)
- INSTALL BRACKET ASSEMBLY TO AIRCRAFT STRUCTURE WET USING ITEM 5 (PR1422)
- INSTALL RIVETS ITEM 6 INTO THE EXISTING FASTENER POSITIONS ON FRAME AT STN.1640
- INSTALL RIVETS ITEM 8 INTO STRINGER S-26L
- POSITION ITEM 2 (AFT SUPPORT BRACKET) AND INSTALL RIVETS ITEM 7 INTO STRINGER S-25L
- INSTALL FINAL RIVET ITEM 5 THROUGH ITEM 0 BRACKET ASSEMBLY AND ITEM 2 (AFT SUPPORT BRACKET).

NOTE: PACKER ITEM 3, A MAXIMUM OF TWO PACKERS CAN BE FITTED TO ENSURE THAT THERE IS A CLEARANCE WITH ANY EXISTING STRUCTURE.



SECTION B-B
ALL AIRCRAFT EXCEPT G-JMCF
SEE B1-B1 FOR G-JMCF



SECTION B1-B1
G-JMCF ONLY

GENERAL NOTES:

- INSTALL ALL FASTENERS WET WITH PR1422 (ITEM 5) OR EQUIVALENT.
- INSTALL ALL FASTENERS PER STANDARD 757 SRM CHAP 51 PRACTICES.
- BREAK SHARP EDGES.
- 03 RMS SURFACE TYPICAL.
- SHM AS REQ'D TO RELIEVE PRELOAD.
- PROTECT AGAINST DISSIMILAR METAL PER SRM CHAP 51.
- HOLE STANDARDS, FASTENER INSTALLATION, MANUFACTURING PROCESSES, PROTECTIVE TREATMENT AND INTERFAY TO CONFORM WITH THE REQUIREMENTS OF THE SRM.

757-1410-008 IS TO BE USED FOR ALL AIRCRAFT EXCEPT G-JMCF
757-1410-010 IS TO BE USED ONLY FOR G-JMCF

| QTY | REF | ITEM | PART NUMBER | DESCRIPTION | MATL. | SPECK. | PLA. DIM. | PROFIT. CODE |
|---|-----|------|-------------------------------|---------------------|-------|--|-----------|--------------|
| 4 | 4 | 8 | BACR15F16[*] | RIVET | | | | |
| 2 | 2 | 7 | BACR15BAG[*] | RIVET | | | | |
| 3 | 3 | 6 | BACR15B4AD5C | RIVET | | | | |
| A/R | A/R | 5 | PR1422A1 | SEALANT | | | | |
| 1 | 1 | 4 | 757-1410-010 | AFT SUPPORT BRACKET | | | | |
| A/R | A/R | 3 | 757-1410-008 | PACKER | | | | |
| 1 | 1 | 2 | 757-1410-008 | AFT SUPPORT BRACKET | | | | |
| 1 | 1 | 1 | 757-1410-004 | FWD SUPPORT BRACKET | | | | |
| 1 | 1 | 0 | 757-1410-000 | BRACKET ASSEMBLY | | | | |
| INSTALLATION | | | | | | | | |
| INSTALLATION | | | | | | | | |
| PART NUMBER | | | | | | | | |
| DESCRIPTION | | | | | | | | |
| MATERIAL | | | | | | | | |
| SPECIFICATION | | | | | | | | |
| PLATE DIMENSIONS | | | | | | | | |
| PROFIT CODE | | | | | | | | |
| © BRITANNIA AIRWAYS LTD. THIS DESIGN IS COPYRIGHT AND IS NOT TO BE REPRODUCED, USED FOR MANUFACTURE OR OTHERWISE WITHOUT THE EXPRESS PERMISSION OF BRITANNIA AIRWAYS LTD. | | | | | | | | |
| DESIGNER: P.G.NOEL | | | APP. BY: D. JACKSON | | | DATE: 01-08-03 | | |
| DATE: 01-08-03 | | | BY: M.A.EVANS | | | DATE: 09-10-03 | | |
| PART NUMBER: 757-1411-000 | | | MODIFICATION NUMBER: 09-10-03 | | | PART MARK TO BE SHOWN THIS UNLESS OTHERWISE STATED | | |
| THIRD ANGLE PROJECTION | | | SCALE: N.T.S. | | | MOD/757/1281 | | |
| TITLE: INSTALLATION LAV/GALLEY VENT DUCT | | | SHEET: 09 | | | SHEETS: 14 | | |

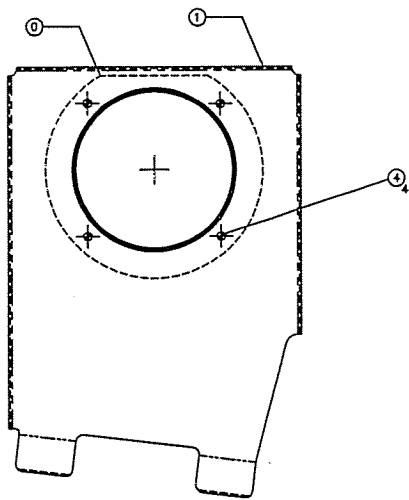
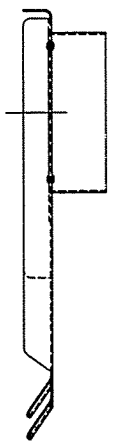
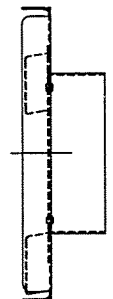
| PART NO. | USED ON |
|----------|---------|
| | |
| | |
| | |

757-1410

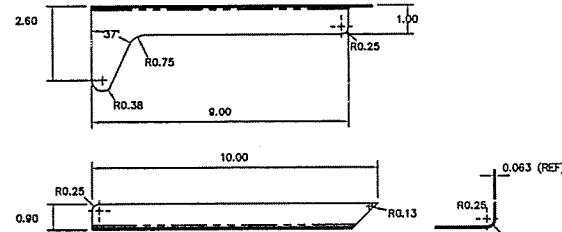
Britannia Airways Ltd
LUTON AIRPORT
BEDFORDSHIRE

| | | |
|---|------------|----------------|
| 2 | 1 | DATE/ISSUE |
| 27-09-04 | 09-10-03 | ISSUE DATE |
| D. JACKSON | G. JACKSON | APPROVAL |
| DRAWABLE AREA ADDED TO PART -201 (SEE SHEET 23. AFT SUPPORT BRACKET FOR 8-1007 PL. 8) | | NEW DRAWING |
| | | DRAWING CHANGE |

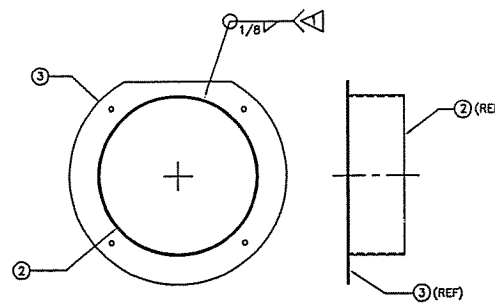
DO NOT SCALE DRAWINGS - IF IN DOUBT ASK - REPORT ALL ERRORS TO DRAWING OFFICE



-000 BRACKET FRAME ASSEMBLY



-010 AFT SUPPORT BRACKET



-002 FLANGE ASSEMBLY

NOTES:

- 1. ASSEMBLE -002 FLANGE ASSY BY WELDING -203 FLANGE ATTACHMENT TO -202 DUCT FLANGE USING A 1/8" ALL AROUND FILLET WELD ON ARROW SIDE ONLY.
- 2. SMOOTH AND DEBURR ALL SHARP EDGES AS NEEDED.
- 3. WELD PER BOEING PROCESS SPECIFICATION BAC 5975.
- 4. ALL METAL PARTS TO BE FINISHED WITH ONE COAT OF BMS10-11 TYPE 1 PRIMER & ONE COAT OF BMS10-11 TYPE 2 GLOSS WHITE PAINT (ALTERNATIVELY POLYURETHANE C21100 TOP COAT GLOSS WHITE)
- 5. ALL BEND RADII TO BE R0.25, UNLESS OTHERWISE STATED.
- 6. ALL CORNER RADII TO BE R0.25, UNLESS OTHERWISE STATED.
- 7. LABEL WITH WATERPROOF MARKER OR EQUIVALENT PER BAL STANDARD PRACTICES.
- 8. INSTALL ALL FASTENERS PER STANDARD 757 SRM CHAP 51 PRACTICES.
- 9. PROTECT AGAINST DISSIMILAR METALS PER SRM CHAP 51.

| QTY | REF | QTY | REF | QTY | REF | QTY | REF | QTY | REF | MAP REF. | ITEM No. | PART NUMBER | DESCRIPTION | MATL. | SPECIAL | REL. DIM. | PROT. IN CODE |
|-----|-----|-----|-----|-----|-----|-----|-----|-----|-----|----------|----------|---------------|---------------------|------------------|---------------|-----------|---------------|
| | | | | | | | | | | | 4 | BACR15BBSA06C | RIVET | | | | |
| | | | | | | | | | | | 3 | -203 | FLANGE ATTACHMENT | AL.AL | 6081-T8x0.063 | 9"x 9" | QQ-A-250/11 |
| | | | | | | | | | | | 2 | -202 | DUCT FLANGE | AL.AL | 6081-T8x0.063 | 18"x 3" | QQ-A-250/11 |
| | | | | | | | | | | | 1 | -201 | DUCT BRACKET | AL.AL | 2024-T3x0.063 | 18"x 15" | QQ-A-250/5 |
| | | | | | | | | | | | 1 | 0 | -002 | DUCT FLANGE ASSY | | | |
| | | | | | | | | | | | | | AFT SUPPORT BRACKET | AL.AL | 2024-T3x0.063 | 10"x4.0" | QQ-A-250/5 |
| | | | | | | | | | | | | | PACKER | AL.AL | 2024-T3x0.090 | 3.1"x 1" | QQ-A-250/5 |
| | | | | | | | | | | | | | AFT SUPPORT BRACKET | AL.AL | 2024-T3x0.063 | 10"x3.1" | QQ-A-250/5 |
| | | | | | | | | | | | | | FWD SUPPORT BRACKET | AL.AL | 2024-T3x0.063 | 6"x 4" | QQ-A-250/5 |
| | | | | | | | | | | | | | DUCT FLANGE ASSY | | | | |
| | | | | | | | | | | | | | BRACKET FRAME ASSY | | | | |

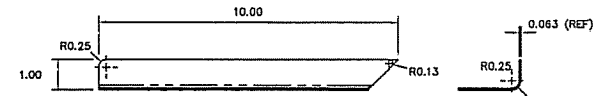
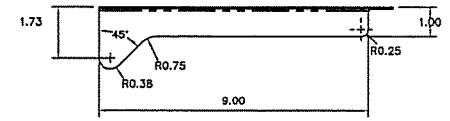
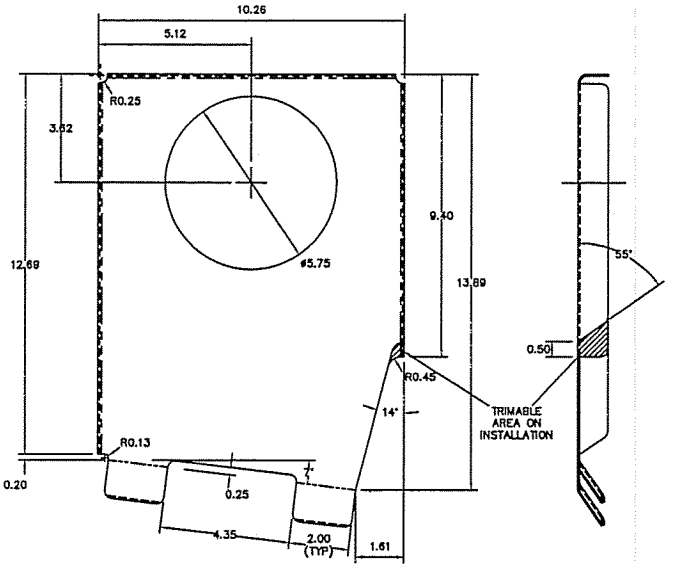
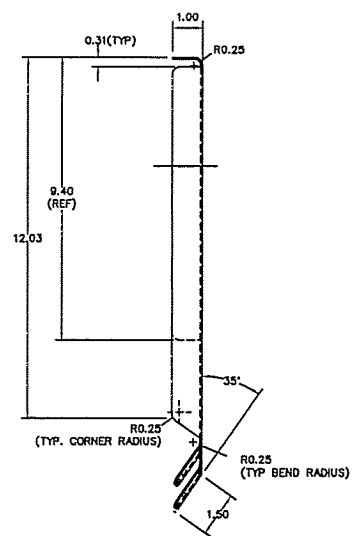
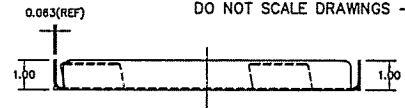
| PART NO. | USED ON |
|----------|---------|
| | |
| | |
| | |

757-1410

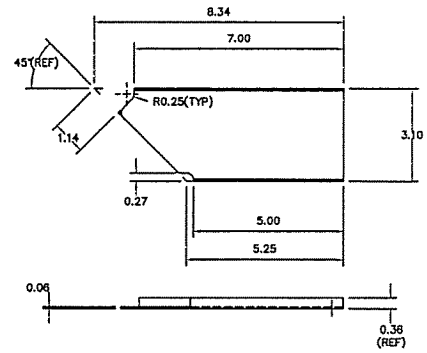
Britannia Airways Ltd
LUTON AIRPORT
BEDFORDSHIRE

| | | |
|---|-------------|----------------|
| 2 | 1 | DRYING DATE |
| 27-08-04 | 09-10-03 | CHECK DATE |
| D. JACKSON | D. JACKSON | APPROVAL |
| TRIMMABLE AREA ADDED TO PART -201 AFT SUPPORT ALLOWED FOR 0-ACF (SEE SHEET 1) | NEW DRAWING | DRAWING CHANGE |

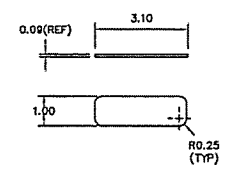
DO NOT SCALE DRAWINGS - IF IN DOUBT ASK - REPORT ALL ERRORS TO DRAWING OFFICE



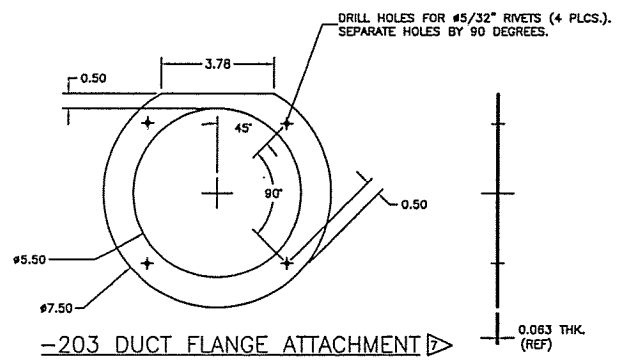
-006 AFT SUPPORT BRACKET (A)



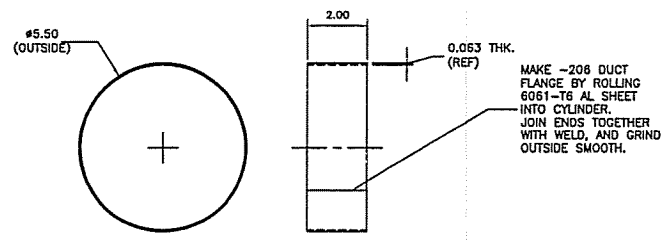
-004 FWD SUPPORT BRACKET



-008 PACKER




-203 DUCT FLANGE ATTACHMENT



-202 DUCT FLANGE

| | |
|--------------------------------|------|
| SEE SHEET 1 | |
| No. OF | REV. |
| 1 | 1 |
| 2 | 2 |
| PART NUMBER | |
| DESCRIPTION | |
| MATERIAL | |
| SPECIFICATION | |
| REV. DATE | |
| BY | |
| DATE | |
| CHECKED BY | |
| DATE | |
| DRAWN BY | |
| DATE | |
| PART MARK TO BE SHOWN THIS | |
| UNLESS OTHERWISE STATED | |
| ALL DIMENSIONS IN INCHES | |
| THIRD ANGLE PROJECTION | |
| SCALE | |
| N.T.S. | |
| MODIFICATION NUMBER | |
| MOD/757/1281 | |
| SHEET 2 OF 2 SHEETS | |
| TITLE | |
| BRACKET - LAV/GALLEY VENT DUCT | |
| 757-1410 | |

| PART NO. | USED ON |
|----------|---------|
| | |
| | |

| | | |
|--|---|--|
|  Senior Aerospace BWT, Adlington Industrial Estate, Macclesfield, Cheshire, UK, SK10 4NL Tel: +44 (0)1625 870700 Fax: +44 (0)1625 879472 | DOCUMENT TITLE QUALIFICATION TEST REPORT | Date: 6 th January 2003 Issue: 7 Report No: BWT148 Page: 1 of 48 |
|--|---|--|

QUALIFICATION TEST REPORT

BWT148

Low Pressure Flexible, Semi-Rigid and Rigid Ducting

Summary: This report details the procedures and results of a number of airworthiness and environmental tests carried out on products manufactured by Senior Aerospace BWT. Testing was carried out on representative items manufactured by BWT. All testing was carried out by approved test houses.

UNCONTROLLED COPY
THIS DOCUMENT WILL
NOT BE UPDATED
DESTROY AFTER USE

| ORIGINATED BY | REVIEWED BY | APPROVED BY |
|---|--|---|
| <p style="text-align: center;">R.C.Ayerst</p> <p style="text-align: center;">Materials Dev Engineer</p> | <p style="text-align: center;">T.S.Wright</p> <p style="text-align: center;">Technical Manager</p> | <p style="text-align: center;">D.Dollan</p> <p style="text-align: center;">Engineering Director</p> |
| <p>Date: 6th January 2003</p> | <p>Date: 10th January 2002</p> | <p>Date: 13th January 2003</p> |

This report is private and confidential. It is supplied on the express condition that it is not to be used for any purpose other than for information, and neither copied nor communicated to any other person without the express permission of Senior Aerospace BWT.

QSD188A

RECORD OF CHANGES

| Issue | Date | Pages Affected | Details of Change |
|-------|----------|----------------|--|
| 1 | April 94 | All | New Document |
| 2 | July 94 | All | Document released |
| 3 | 04/01/95 | Various | PDS, PDP, PDF semi-rigid now reads rigid. Section 148.3.15 & 4.15 corrosion testing added. F6069 Fibredux 917 added as appendix B. DTD585 removed from pages 17-26 and MIL-L-23699 & MIL-H5606 added to tables on same pages. Section 148.4.7, 4.8 & 4.9 further detailed data added to tables. |
| 4 | 12/07/95 | Various | Information on F6071 Fibrelam LS incorporated as appendix C. |
| 5 | 18/08/00 | All | Document rewritten into new format, all tests and data reviewed |
| 6 | 14/11/00 | All | Product descriptions of all ducting types & data on S4B, SPSB, PDA, PDC & PDCh added. Order of results presentation standardised. Appendix A eliminated as replaced by new data in 148.4.13. Product data in Appendices B & C eliminated as available in MDS form. F6069 environmental data in Appendix B retained but renamed Appendix A. |
| 7 | 06/01/03 | All | All data on product types UVU, SVS, SIS & PDCh removed. FST results updated, order of toxicity & smoke reversed, and PDB, PDFB & PDPB added. |
| | | | |
| | | | |
| | | | |
| | | | |
| | | | |
| | | | |
| | | | |
| | | | |

UNCONTROLLED COPY
THIS DOCUMENT WILL
NOT BE UPDATED
DESTROY AFTER USE

CONTENTS

| | Page |
|--|------|
| 148.1. SUMMARY OF TEST RESULTS BY DUCT TYPE | 4 |
| 148.1.1. FLEXIBLE DUCTS | 4 |
| 148.1.2. SEMI-RIGID DUCTS | 5 |
| 148.1.3. RIGID DUCTS | 6 |
| 148.2. INTRODUCTION | 7 |
| 148.2.1. PRODUCT DESCRIPTIONS | 7 |
| 148.3. TEST PROCEDURES | 9 |
| 148.3.1. LEAK RATES | 9 |
| 148.3.2. SALT WATER IMMERSION | 9 |
| 148.3.3. WATER IMMERSION | 9 |
| 148.3.4. AVIATION FLUIDS CONTAMINATION | 9 |
| 148.3.5. SOLVENT CONTAMINATION | 10 |
| 148.3.6. PLEXIGLAS CRAZING | 10 |
| 148.3.7. FLAMMABILITY | 11 |
| 148.3.8. SMOKE EMISSION | 11 |
| 148.3.9. TOXIC GAS EMISSION | 11 |
| 148.3.10. ODOUR TESTING | 11 |
| 148.3.11. PRESSURE TEST AT LOW TEMPERATURE | 12 |
| 148.3.12. PRESSURE TEST AT HIGH TEMPERATURE | 12 |
| 148.3.13. FUNGAL TESTING | 12 |
| 148.3.14. DAMAGE TESTING | 13 |
| 148.3.15. CORROSION TESTING | 14 |
| 148.4. TEST RESULTS | 15 |
| 148.4.1. LEAK RATE | 15 |
| 148.4.2. SALT WATER IMMERSION | 16 |
| 148.4.3. WATER IMMERSION | 17 |
| 148.4.4. AVIATION FLUIDS CONTAMINATION | 18 |
| 148.4.5. SOLVENT CONTAMINATION | 33 |
| 148.4.6. PLEXIGLAS CRAZING | 36 |
| 148.4.7. FLAMMABILITY | 37 |
| 148.4.8. SMOKE EMISSION | 38 |
| 148.4.9. TOXIC GAS EMISSION | 39 |
| 148.4.10. ODOUR TEST | 40 |
| 148.4.11. PRESSURE TEST AT LOW TEMPERATURE | 41 |
| 148.4.12. PRESSURE TEST AT HIGH TEMPERATURE | 42 |
| 148.4.13. FUNGAL TESTING | 43 |
| 148.4.14. DAMAGE TEST | 45 |
| 148.4.15. CORROSION TESTING | 46 |
| APPENDIX A : F6069 RIGID DUCT - ENVIRONMENTAL REPORT | 47 |

UNCONTROLLED COPY
THIS DOCUMENT WILL
NOT BE UPDATED
DESTROY AFTER USE

148.1. SUMMARY OF TEST RESULTS BY DUCT TYPE

The following tables show the conclusions of the tests that were carried out on the various types of Senior Aerospace BWT low pressure air conditioning ducting.

148.1.1. FLEXIBLE DUCTS

| 148.3 TEST | U62 | S4 | SPS |
|---------------------------|---------------|------------------------------------|-------------------|
| 1 Leak Rate | PASS | PASS | PASS |
| 2 Salt Water | PASS TO A | PASS TO A | PASS TO A |
| 3 Water Immersion | PASS | PASS | PASS |
| 4 Fluid Contamination | PASS TO A & B | PASS TO A (& ALSO B BY SIMILARITY) | PASS TO A & B |
| 5 Solvents | PASS | PASS | PASS |
| 6 Plexiglas | PASS | PASS | PASS |
| 7 Flammability | PASS | PASS ¹ | PASS ¹ |
| 8 Smoke Emission | PASS | PASS ² | PASS ¹ |
| 9 Toxic Gas Emission | PASS | PASS ² | PASS ¹ |
| 10 Odour | PASS | PASS | PASS |
| 11 Pressure at Low Temp. | PASS | PASS | PASS |
| 12 Pressure at High Temp. | PASS | PASS | PASS |
| 13 Fungal Growth | PASS TO A | PASS TO A BY SIMILARITY | PASS TO A |
| 14 Damage | PASS | PASS | PASS |
| 15 Corrosion | PASS | PASS | PASS |

NOTES

- 1 Also qualified in black versions S4B and SPSB
- 2 Also qualified in black version S4B by similarity

UNCONTROLLED COPY
THIS DOCUMENT WILL
NOT BE UPDATED
DESTROY AFTER USE

148.1 SUMMARY OF TEST RESULTS BY DUCT TYPE (Cont.)

148.1.2. SEMI-RIGID DUCTS

| 148.3 TEST | PD | PDA | PDC | PDS |
|---------------------------|-------------------|---------------------------|---------------------------|------------------------------------|
| 1 Leak Rate | PASS | PASS | PASS | PASS |
| 2 Salt Water | PASS TO A | PASS TO B | PASS TO B | PASS TO A |
| 3 Water Immersion | PASS | TO BE TESTED | TO BE TESTED | PASS |
| 4 Fluid Contamination | PASS TO A & B | PASS TO B | PASS TO B | PASS TO A (& ALSO B BY SIMILARITY) |
| 5 Solvents | PASS 6 OF 7 | PASS 6 OF 7 BY SIMILARITY | PASS 6 OF 7 BY SIMILARITY | PASS 6 OF 7 |
| 6 Plexiglas | PASS | PASS BY SIMILARITY | PASS BY SIMILARITY | PASS |
| 7 Flammability | PASS ¹ | PASS | PASS | PASS |
| 8 Smoke Emission | PASS ¹ | PASS | PASS | PASS BY SIMILARITY |
| 9 Toxic Gas Emission | PASS ¹ | PASS | PASS | PASS BY SIMILARITY |
| 10 Odour | PASS | TO BE TESTED | TO BE TESTED | PASS |
| 11 Pressure at Low Temp. | NOT TESTED | NOT TESTED | NOT TESTED | NOT TESTED |
| 12 Pressure at High Temp. | NOT TESTED | NOT TESTED | NOT TESTED | NOT TESTED |
| Fungal Growth | PASS TO A | PASS TO B | PASS TO B | PASS TO A BY SIMILARITY |
| 14 Damage | PASS 2 OF 3 | NOT TESTED | NOT TESTED | NOT TESTED |
| 15 Corrosion | PASS | TO BE TESTED | NOT REQUIRED BY DESIGN | PASS |

NOTE

1 Also qualified in black version PDB

UNCONTROLLED COPY
THIS DOCUMENT WILL
NOT BE UPDATED
DESTROY AFTER USE

148.1 SUMMARY OF TEST RESULTS BY DUCT TYPE (Cont.)**148.1.3. RIGID DUCTS**

| 148.3 TEST | PDF | PDP |
|---------------------------|-------------------|-------------------|
| 1 Leak Rate | NOT TESTED | NOT TESTED |
| 2 Salt Water | PASS TO A | PASS TO A |
| 3 Water Immersion | PASS | PASS |
| 4 Fluid Contamination | PASS TO A & B | PASS TO A & B |
| 5 Solvents | PASS 6 OF 7 | PASS 5 OF 7 |
| 6 Plexiglas | PASS | PASS |
| 7 Flammability | PASS ¹ | PASS ² |
| 8 Smoke Emission | PASS ¹ | PASS ² |
| 9 Toxic Gas Emission | PASS ¹ | PASS ² |
| 10 Odour | PASS | PASS |
| 11 Pressure at Low Temp. | NOT TESTED | NOT TESTED |
| 12 Pressure at High Temp. | NOT TESTED | NOT TESTED |
| 13 Fungal Growth | PASS TO A | PASS TO A |
| 14 Damage | NOT TESTED | NOT TESTED |
| 15 Corrosion | PASS | PASS |

NOTES

- 1 Also qualified in black version PDFB
- 2 Also qualified in black version PDPB

UNCONTROLLED COPY
THIS DOCUMENT WILL
NOT BE UPDATED
DESTROY AFTER USE

| | | |
|---|--|--|
| <p>senior Aerospace</p> <p>BWT, Adlington Industrial Estate, Macclesfield, Cheshire, UK, SK10 4NL Tel: +44 (0)1625 870700 Fax: +44 (0)1625 879472</p> | <p>DOCUMENT TITLE</p> <p>QUALIFICATION TEST REPORT</p> | <p>UNCONTROLLED COPY THIS DOCUMENT WILL NOT BE RE-ENTERED DESTROY AFTER USE</p> |
|---|--|--|

148.2. INTRODUCTION

This qualification test report is designed to illustrate the performance of Senior Aerospace - BWT flexible, rigid and semi-rigid lightweight air conditioning ducts, when subjected to specific environmental conditions.

Senior Aerospace BWT is approved to design, manufacture and test these under the following certification:

CAA Approval Certificate AD/1820/00

CAA JAR 21 sub part G Approval Certificate CAA.G02116

BSI ISO 9001 : 1994 Approval Certificate FM33092

Most of the tests have been carried out under conditions considered to be more extreme than those under which these ducts would normally be operating. It can therefore be deduced that, if the flexible, rigid and semi-rigid ducts survive the testing conditions without any delamination, deformation or permanent damage, they shall be suitable to operate at the conditions that they may encounter on an aircraft during service.

However it is recognised that in order to fully characterise ducting certain mechanical testing is necessary, e.g. endurance (pressure cycling), vibration and/or operational shocks. Given that mechanical testing is mass, size, shape, attachment design and operation condition (pressure) dependent, existing BWT data is not included in this general report.

148.2.1. PRODUCT DESCRIPTIONS

This report outlines the procedures of the tests that have been carried out, the results and conclusions drawn, and in some cases the suitability of ducting to operate under similar conditions for the following BWT product types:

U62 FLEXIBLE

An F6011 polyurethane coated nylon cloth membrane reinforced by an F6142 polyamide helix applied with F6077 polyurethane adhesive.

S4 FLEXIBLE

An F6010 red silicone coated glasscloth membrane reinforced by an F6141 metallic helix applied with F6046 silicone adhesive.

S4B FLEXIBLE

An F6083 black silicone coated glasscloth membrane reinforced by an F6141 metallic helix applied with F6046 silicone adhesive.

SPS FLEXIBLE

An F6010 red silicone coated glasscloth membrane reinforced by an F6140 non-metallic helix applied with F6046 silicone adhesive.

148.2.1 PRODUCT DESCRIPTIONS (Cont.)**SPSB FLEXIBLE**

An F6083 black silicone coated glasscloth membrane reinforced by an F6140 non-metallic helix applied with F6046 silicone adhesive.

PD SEMI-RIGID

A glass reinforced plastic (GRP) laminate consisting of F6033 glasscloth with F6074 PAS adhesive (F6143 matrix deposit). May also include layer(s) of F6034 fine glasscloth and/or F6205 leno glasscloth.

PDA SEMI-RIGID

A fibre reinforced plastic (FRP) laminate consisting of F6033 glasscloth and F6227 aramid cloth with F6074 PAS adhesive (F6143 matrix deposit). May also include layer(s) of F6034 fine glasscloth and/or F6205 leno glasscloth.

PDC SEMI-RIGID

An FRP laminate consisting of F6033 glasscloth reinforced with laminations of F6226 carbon cloth with F6074 PAS adhesive (F6143 matrix deposit). May also include layer(s) of F6034 fine glasscloth and/or F6205 leno glasscloth and/or F6227 aramid cloth.

PDS SEMI-RIGID

A GRP laminate consisting of F6034 and F6033 glasscloth with F6074 PAS adhesive (F6143 matrix deposit) reinforced by an F6141 metallic helix.

PDF RIGID

A GRP laminate consisting of F6034 and F6033 glasscloth with F6074 adhesive (F6143 matrix deposit) and an F6037 rigid white foam core.

PDP RIGID

A GRP laminate consisting of F6033 glasscloth with F6074 adhesive (F6143 matrix deposit) and an F6159 dual wall polycarbonate sheet core.

BLACK SEMI-RIGID AND RIGIDS

Black versions **PDB**, **PDFB** & **PDPB** of **PD**, **PDF** & **PDP** respectively can be produced by incorporating F6162 black metallic oxide dye into the F6074 for the outer layers with no effect on performance. However these still have a shiny finish and where a matte finish is required F6231 matte black epoxy paint is then applied and cured on the completed duct. As this epoxy would directionally have a detrimental effect on FST, these properties have been evaluated to demonstrate qualification for each duct type.

F6069 RIGID

A GRP laminate cured from a 7781 glasscloth containing 46% high performance modified phenolic pre-impregnated resin matrix.

| | | |
|--|---|---|
| senior Aerospace BWT, Adlington Industrial Estate, Macclesfield, Cheshire, UK, SK10 4NL Tel: +44 (0)1625 870700 Fax: +44 (0)1625 879472 | DOCUMENT TITLE UNCONTROLLED COPY THIS DOCUMENT WILL NOT BE UPDATED DESTROY AFTER USE | Date:- 6 th January 2003 Issue: 7 Report No: BWT148 Page: 9 of 48 |
| | QUALIFICATION TEST REPORT | |

148.3. TEST PROCEDURES

This section of the report illustrates the procedures that are used to attain the results summarised in section 148.1. Testing was carried out at BWT except where another organisation is indicated in a particular procedure.

148.3.1. LEAK RATES

Flexible, semi-rigid and rigid ducts are tested for their leak flow rates. This involved pressurising an enclosed length of ducting and recording the rate at which air leaks through the wall of the duct. The readings are taken when the air pressure inside the duct reaches 1 psig. Ducts are deemed to have failed the test if they exceed the maximum allowable leak flow rate defined as 0.03 ft³/min/inch diameter/ft length, which is equivalent to 3.245 lpm/ft² of surface or 34.93 lpm/m². (1 scfm = 28.32 lpm)

148.3.2. SALT WATER IMMERSION

Foot lengths of flexible, semi-rigid and rigid ducts are tested for their resistance to attack by salt water by one of the following two procedures.

- A. This test involved checking the ducts for leak rate before and after being immersed in a 3.5% weight by volume salt solution at room temperature (RT), for a period of 7 days. This particular percentage volume of salt is used as it is a similar level to that found in seawater. A duct is considered to have failed if any delamination occurs or the leak flow rate increases above the maximum allowed.
- B. Immersion to DEF STAN 07 – 55 (Part 2) Section 4/1 – D5 Severity A, where the samples are submerged to a depth of not less than 0.15m (5.9in) for 2 hours in salt water (5 parts NaCl in 95 parts demineralized water by weight). A duct is considered to have failed if any delamination, crack or structural failure occurs. Tested by GKN Westland Aerospace Ltd., Isle of Wight.

148.3.3. WATER IMMERSION

This test is the same as 148.3.2 procedure A but with ordinary tap water replacing the 3.5% salt solution as the contaminating medium. Again a duct is considered to have failed if any delamination occurs or the leak flow rate increases above the maximum allowed.

148.3.4. AVIATION FLUIDS CONTAMINATION

Determination of whether the materials used in the duct construction can withstand the deleterious effects of fluid contaminants according to two procedures as follows:

- A Small plaques of each type of duct, 2in x 4in, are used for each of the contaminants to be tested. The contaminants are brush applied at ambient (RT) to each test plaque and left for 24 hours before the next application of contaminant.

148.3.4 AVIATION FLUIDS CONTAMINATION (Cont.)

This is repeated for a total of 10 applications. Samples are checked for any signs of delamination or reinforcement and base cloth deterioration, 24 hours and 72 hours after the final application of contaminants. Any cross contamination would also be classed as a sample failure.

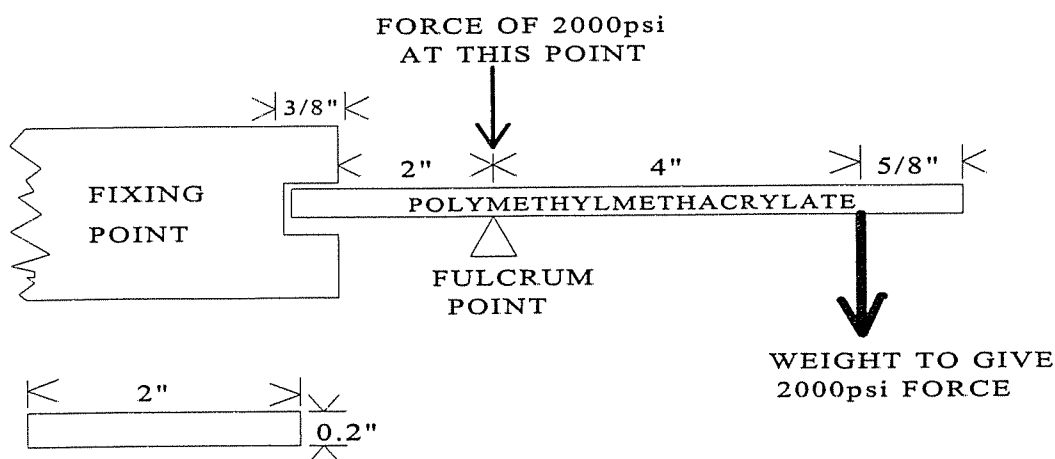
- B Fluids Susceptibility according to RTCA/DO – 160D Section 11. Initial tests at the temperatures specified and indicated in the results tables were carried out to the immersion test (11.4.2), but this is considered to be vastly more severe than any condition likely to be encountered in service. Hence any sample that failed on immersion was retested using the spray method (11.4.1), which was specified for all subsequent tests. RAPRA Technology Ltd., Shawbury, carried out this testing.

148.3.5. SOLVENT CONTAMINATION

This test is similar to that described in section 148.3.4 procedure A in that 2in x 4in sample plaques of individual ducts were required for each of the solvents used. The solvents were then applied at ambient (RT) to the plaques at 8 hourly intervals for a total of 10 applications. Inspection of the samples for signs of reinforcement and base cloth deterioration or total delamination was carried out 48 hours after the final application of solvents. Any cross contamination would also be classed as a sample failure.


148.3.6. PLEXIGLAS CRAZING

A test (similar to that defined in AS1501) that determines whether any of the flexible, semi-rigid or rigid ducts will have an effect on acrylics.



End view of PMMA bar.

DIAGRAM 1

| | | |
|---|--|---|
|  <p>Senior Aerospace</p> <p>BWT, Adlington Industrial Estate, Macclesfield, Cheshire, UK, SK10 4NL Tel: +44 (0)1625 870700 Fax: +44 (0)1625 879472</p> | <p>DOCUMENT TITLE</p> <p>QUALIFICATION TEST REPORT</p> | <p>Date: 6th January 2003</p> <p>Issue: 7</p> <p>Report No: BWT148</p> <p>Page: 11 of 48</p> |
|---|--|---|

148.3.6 PLEXIGLAS CRAZING (Cont.)

The acrylic used is PMMA (polymethylmethacrylate), also known as Plexiglas. (Plexiglas is a tradename of Rohm and Haas). The test requires that 40g of ½in square pieces of ducts are dissolved in 50ml of toluene over a period of 72 hours. 30ml of the resultant solution is collected and the toluene allowed to evaporate off. The final residue is placed over the fulcrum point of a stressed 7in x 2in x 0.2in thick bar of PMMA with a weight, exerting 2000 psi, centrally located 5/8in from the free end, as shown in Diagram 1.

After 48 hours the stressed bars of PMMA were examined for any signs of cracking, crazing or any other form of degradation, which will result in sample failure.

148.3.7. FLAMMABILITY

Flexible, semi-rigid and rigid ducts are tested to determine their self-extinguishing properties. The 12-second vertical procedure used is in accordance with CAA specification 8 part 2.2, equivalent to FAR 25.853, JAR 25.853 and also ABD0031 (AITM2.0002). The tests were carried out at BWT and are reported separately in detail in BWT/TR748.

148.3.8. SMOKE EMISSION

This test is a determination of the density of smoke that is emitted from flexible, semi-rigid and rigid ducts when heated and burned, illustrating whether they would have serious effects on life in the event of an aircraft fire. The tests are carried out in conjunction with 148.3.9 in accordance with the requirements of ABD0031. The tests were carried out following procedure AITM2.0007 at BAE Systems, Woodford and reported separately in detail in BWT/TR748.

148.3.9. TOXIC GAS EMISSION

Ducts are tested to determine the levels of toxic gases that are emitted from the ducts in both flaming and non-flaming conditions, illustrating whether they would have serious effects to life in the event of an aircraft fire. The tests were carried out following procedure AITM3.0005 in conjunction with the 148.3.8 smoke emission tests at BAE Systems, Woodford and also reported separately in detail in BWT/TR748.

148.3.10. ODOUR TESTING

Flexible, semi-rigid and rigid ducts are heated for long periods to determine whether they would emit noxious odours or fumes when operating under normal operating conditions. Samples of ducts are heated for 3 hours at 150°C (302°F), although U62 was heated for 3 hours at 120°C (248°F) due to the nature of its construction. The ducts are then allowed to cool and checked for any signs of odour by passing air at 30°C (86°F) through the ducts at 7 litres per minute (lpm). Failure occurs if any unpleasant or noxious odour is apparent.

This report is private and confidential. It is supplied on the express condition that it is not to be used for any purpose other than for information, and neither copied nor communicated to any other person without the express permission of Senior Aerospace BWT.

UNCONTROLLED COPY
 THIS DOCUMENT WILL
 NOT BE UPDATED
 DESTROY AFTER USE

| | | |
|---|--|--|
| <p>senior Aerospace</p> <p>BWT, Adlington Industrial Estate, Macclesfield, Cheshire, UK, SK10 4NL Tel: +44 (0)1625 870700 Fax: +44 (0)1625 879472</p> | <p>DOCUMENT TITLE</p> <p>QUALIFICATION TEST REPORT</p> | <p>Date: 6th January 2003 Issue: 7 Report No: BWT148 Page: 12 of 48</p> |
|---|--|--|

148.3.11. PRESSURE TEST AT LOW TEMPERATURE

As this test involves pressure cycling and product manipulation, it can only be carried out on flexible ducts. The test illustrates how flexible ducts are effected by severe conditioning. Each duct is allowed to stabilise at 5 psi for 3 hours. The temperature of the ducts is reduced to -48°C (-55°F) for 1½ hours. Immediately after this cooling period the pressure inside the ducts is varied from 0 psi to 5 psi for 40 cycles whilst flexing the ducts through angles of 45°. After recovering to ambient conditions the duct temperatures are reduced to -72°C (-98°F) and held for a period of 1½ hours. Again, immediately after this cooling period the pressure inside the ducts is varied from 0 psi to 5 psi for 60 cycles whilst the ducts are flexed through angles of 45°. Finally, after recovering to ambient conditions the pressure inside the ducts is varied from 0 psi to 5 psi for a total of 200 cycles again whilst flexing the ducts through angles of 45°. If any signs of cracking, delamination or deterioration occurred the ducts will have failed the test. Leak rates indicate if deterioration occurred, with a higher than maximum allowed leak rate resulting in failure.

148.3.12. PRESSURE TEST AT HIGH TEMPERATURE

This is a similar test to that described in 148.3.11, but carried out at elevated temperatures. Again, it is not possible to carry out this test on semi-rigid or rigid ducts. Leak rates of the ducts are checked before and after testing. The temperature of the ducts is raised to 100°C (212°F) and held for 24 hours. During this time period the ducts are flexed through angles of 45° and the pressure inside varied from 0 psi to 1 psi for 28,800 cycles. The ducts are checked for any signs of delamination and deterioration. If any occurs and the leak rates are found to exceed the maximum allowed, the ducts are deemed to have failed.

148.3.13. FUNGAL TESTING

Flexible, semi-rigid and rigid ducts are tested to demonstrate that the materials from which they are constructed are non-nutrients to mould growth. Catomance Technologies Ltd, Welwyn Garden City, carried out testing in accordance with one of the following procedures:

- A MIL-STD-810D method 508.3, using cultures of *Aspergillus niger*, *Aspergillus flavus*, *Aspergillus versicolor*, *Penicillium funiculosum* and *Chaetomium globosum*. This is also the basic procedure followed by RTCA/DO - 160D Section 13.
- B BS2011 : Part 2.1 J : 28 days : Variant One, using cultures of *Aspergillus niger*, *Aspergillus terreus*, *Aureobasidium pullulans*, *Paecilomyces variotii*, *Penicillium funiculosum*, *Penicillium ochro-chloron*, *Scopulariopsis brevicaulis* and *Trichoderma viride*.

UNCONTROLLED COPY
THIS DOCUMENT WILL NOT BE UPDATED DESTROY AFTER USE
OSP1880

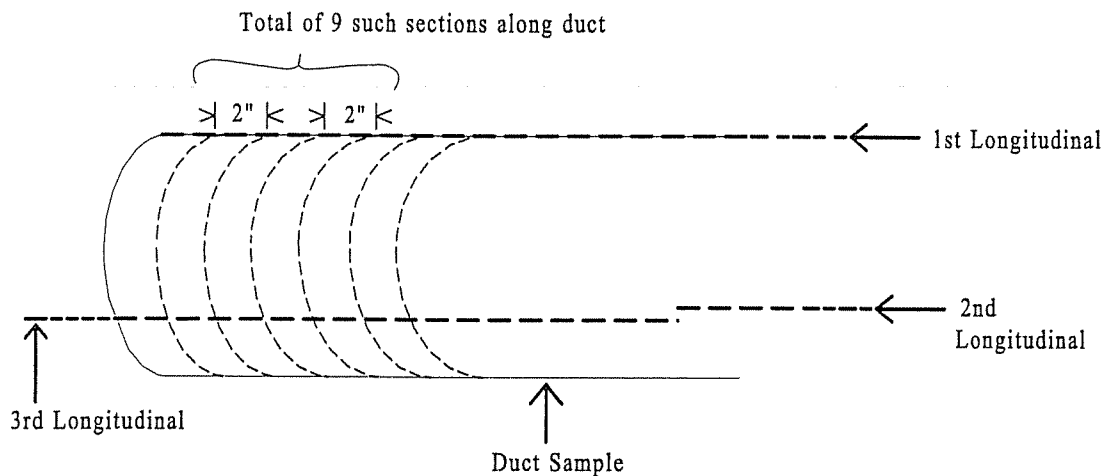
148.3.14. DAMAGE TESTING

Flexible and semi-rigid ducts are tested to destruction. Each duct was divided into 2in sections and marked longitudinally every 120° around the ducting circumference i.e. thus splitting the duct into 3 equal sections (see Diagram 2 on next page).

The ducts are 'crushed' a total of 9 times, prior to rechecking the leak rates, at equidistant intervals around the circumference as follows:

At the first 2in wide section the duct is simultaneously pressed flat and bent double at one of the longitudinal marks as illustrated:

DIAGRAM 2



It is then turned to the second longitudinal mark simultaneously pressed flat and bent double. Finally, it is turned to the third longitudinal mark simultaneously pressed flat and bent double. This is repeated at the fourth 2in section, after exposing the duct to its maximum operating temperature for 2 hours and at the seventh 2in section after exposing the duct to its minimum operating temperature for 2 hours. The leak rate for the duct is rechecked and if it exceeds the maximum allowed the duct is deemed to have failed.


The whole procedure is repeated for the second, fifth and eighth 2in sections and finally for the third, sixth and ninth 2in sections.

148.3.15. CORROSION TESTING

Flexible, semi-rigid and rigid ducts are tested to determine if any of the materials have a corrosive effect on metallic materials. This test involved two aluminium tubes, one 1¹/₂in outside diameter by 4in in length and the other 1³/₈in outside diameter by 4in in length. The inner surface of the 1¹/₂in tube and outer surface of 1³/₈in tube were cleaned free from surface pitting and contamination.

Each material tested was cut into a suitable size to fit tightly between the 1¹/₂in and 1³/₈in tubes, in some cases this required cutting the ducting material into strips. At the same time a control sample was prepared using filter paper in place of the ducting material. All of the samples are then conditioned for 72 hours at 80°C (176°F). The duct was deemed to have failed if there is evidence of corrosion or contamination on the tube surfaces that were in contact with the ducting material.

UNCONTROLLED COPY
THIS DOCUMENT WILL
NOT BE UPDATED
DESTROY AFTER USE

| | | |
|--|--|--|
|  <p>Senior Aerospace BWT, Adlington Industrial Estate, Macclesfield, Cheshire, UK, SK10 4NL Tel: +44 (0)1625 870700 Fax: +44 (0)1625 879472</p> | <p>DOCUMENT TITLE</p> <p>QUALIFICATION TEST REPORT</p> | <p>Date: 6th January 2003 Issue: 7 Report No: BWT148 Page: 15 of 48</p> |
|--|--|--|

148.4. TEST RESULTS

To aid information retrieval results corresponding to each test procedure are always listed in the same product order commencing with flexibles, followed by semi-rigids, and finally rigids. This gives the order by BWT product type wherever tested as:

U62, S4, S4B, SPS, SPSB (flexibles)
PD, PDA, PDC, PDS (semi-rigids)
PDF, PDFB, PDP & PDPB (rigids)

148.4.1. LEAK RATE

MATERIALS TESTED: FLEXIBLES, SEMI-RIGIDS AND RIGIDS LISTED

| TYPE | DUCT | SIZE, in | LEAK RATE, lpm | |
|------------|------|-------------|----------------|-------------|
| | | | ACTUAL | MAX ALLOWED |
| FLEXIBLE | U62 | 2.25 ID | 1.3 | 1.9 |
| | S4 | 2.5 ID | 0.00 | 2.1 |
| | SPS | 2.0 ID | 0.6 | 1.7 |
| SEMI-RIGID | PD | 2.0 ID | 0.0 | 1.7 |
| | PDA | 3.0 ID | 0.6 | 2.5 |
| | PDC | 4.0 ID | 0.7 | 3.4 |
| | PDS | 2.0 ID | 1.1 | 1.7 |
| RIGID | PDF | 2.25 square | 2.2 | 2.4 |
| | PDP | 2.25 square | 1.8 | 2.4 |

NOTES


- 1 In all cases lpm refers to litres per minute.
- 2 28.32 lpm = 1 scfm

CONCLUSION

All the ducting tested satisfactorily and did not exceed the maximum allowed leak rate. (Note : All ducting is quality control tested to specified leak rate requirements as part of the acceptance test procedure.)

UNCONTROLLED COPY
THIS DOCUMENT WILL
NOT BE UPDATED
DESTROY AFTER USE

This report is private and confidential. It is supplied on the express condition that it is not to be used for any purpose other than for information, and neither copied nor communicated to any other person without the express permission of Senior Aerospace BWT.

| | | |
|--|---------------------------|------------------------------------|
|  Senior Aerospace BWT, Adlington Industrial Estate, Macclesfield, Cheshire, UK, SK10 4NL Tel: +44 (0)1625 870700 Fax: +44 (0)1625 879472 | DOCUMENT TITLE | Date: 6 th January 2003 |
| | QUALIFICATION TEST REPORT | Issue: 7 |
| | | Report No: BWT148 |
| | | Page: 16 of 48 |

148.4.2. SALT WATER IMMERSION

MATERIALS TESTED: FLEXIBLES, SEMI-RIGIDS & RIGIDS LISTED

| TYPE | DUCT | SIZE, in | LEAK RATE, lpm | | | | OBSERVATIONS |
|------------------------------|------|-------------|--|---------------|-------|-------------|-----------------|
| | | | INITIAL | INTER-MEDIATE | FINAL | MAX ALLOWED | |
| TESTED TO PROCEDURE A | | | | | | | |
| FLEXIBLE | U62 | 2.0 ID | 1.0 | 0.6 | 1.1 | 1.7 | No delamination |
| | S4 | 2.0 ID | 1.4 | 0.8 | 0.9 | 1.7 | No failure |
| | SPS | 2.0 ID | 0.8 | 0.8 | 0.8 | 1.7 | No effect. |
| SEMI-RIGID | PD | 2.0 ID | 0.4 | 0.8 | 0.8 | 1.7 | No delamination |
| | PDS | 4.0 ID | 0.7 | 0.7 | 0.9 | 3.4 | No failure |
| RIGID | PDF | 2.25 square | 2.2 | 0.7 | 1.7 | 2.4 | No effect |
| | PDP | 2.25 square | 1.8 | 0.8 | 0.8 | 2.4 | No failure |
| TESTED TO PROCEDURE B | | | | | | | |
| SEMI-RIGID | PDA | 4.0 ID | No delamination or structural failure. | | | | |
| | PDC | 4.0 ID | No delamination or structural failure. | | | | |

NOTE Wherever used lpm refers to litres per minute.

CONCLUSION

All the ducts were found to have satisfactorily passed the requirements of the test. Neither the leak rates were found to have exceeded the maximum allowable, nor were any signs of delamination or deterioration found. If any of the ducts are contaminated with salt water the functionality and structure of the parts will not be affected in any way.

UNCONTROLLED COPY
 THIS DOCUMENT WILL
 NOT BE UPDATED
 DESTROY AFTER USE

This report is private and confidential. It is supplied on the express condition that it is not to be used for any purpose other than for information, and neither copied nor communicated to any other person without the express permission of Senior Aerospace BWT.

148.4.3. WATER IMMERSION

MATERIALS TESTED: FLEXIBLES, SEMI-RIGIDS AND RIGIDS LISTED

| TYPE | DUCT | OBSERVATIONS |
|------------|------|--|
| FLEXIBLE | U62 | No detrimental effect was evident. |
| | S4 | No detrimental effect was evident. |
| | SPS | No detrimental effect was evident. |
| SEMI-RIGID | PD | Duct not affected by water immersion. |
| | PDA | Duct not affected by water immersion. |
| | PDC | Duct not affected by water immersion. |
| | PDS | Duct not affected by water immersion. |
| RIGID | PDF | No delamination or structural failure. |
| | PDP | No delamination or structural failure. |

CONCLUSION

All ducts tested passed the requirements of this test with no evidence of delamination or deterioration. If any of the ducts are contaminated with water the functionality and structure of the parts will not be affected in any way.

UNCONTROLLED COPY
THIS DOCUMENT WILL
NOT BE UPDATED
DESTROY AFTER USE

148.4.4. AVIATION FLUIDS CONTAMINATION

PROCEDURE: A (at room temperature)

MATERIAL TESTED: **U62 FLEXIBLE**

| STANDARD | TYPE | CONTAMINANT | OBSERVATIONS |
|------------------------|---------------------------------------|------------------------------|--------------|
| DERD 2494 | FUEL | AVTUR / JET A1 | UNAFFECTED |
| MIL-T-5624, DERD 2454 | FUEL | JP4 | UNAFFECTED |
| MIL-T-5624, DERD 2452 | FUEL | JP5 | UNAFFECTED |
| MIL-T-83133, DERD 2453 | FUEL | JP8 | UNAFFECTED |
| MIL-L-7808J, 0148 | LUBRICATING OIL | AEROSHELL TURBINE OIL 308 | UNAFFECTED |
| AS1241 HIGH DENSITY | HYDRAULIC OIL (PHOSPHATE ESTER) | MONSANTO SKYDROL 500B4 | UNAFFECTED |
| MIL-H-83282C, DTD 585 | HYDRAULIC OIL (SYNTHETIC) | AEROSHELL FLUID 31 | UNAFFECTED |
| AS1241 LOW DENSITY | HYDRAULIC OIL (PHOSPHATE ESTER) | CHEVRON HYJET IV | UNAFFECTED |
| | HYDRAULIC FLUID (SILICATE ESTER) | CHEVRON ORONITE M2V | UNAFFECTED |
| MIL-F-5566, TT-I-735B | ANTI-ICING | AEROSHELL COMPOUND 06A | UNAFFECTED |
| OX7 | LUBRICATING OIL | AEROSHELL TURBINE OIL 390 | UNAFFECTED |
| AS1241 LOW DENSITY | HYDRAULIC OIL (PHOSPHATE ESTER) | MONSANTO SKYDROL LD4 | UNAFFECTED |
| | LUBRICATING OIL (TURBINE) | ESSO 274 | UNAFFECTED |
| DERD 2487, OX38 | LUBRICATING OIL (TURBINE) | AEROSHELL 750 | UNAFFECTED |
| MIL-L-23699 | LUBRICATING OIL | AEROSHELL TURBINE OIL 500 | UNAFFECTED |
| MIL-H-5606 | HYDRAULIC OIL | AEROSHELL FLUID 41 | UNAFFECTED |

UNCONTROLLED COPY
THIS DOCUMENT WILL
NOT BE UPDATED
DESTROY AFTER USE

This report is private and confidential. It is supplied on the express condition that it is not to be used for any purpose other than for information, and neither copied nor communicated to any other person without the express permission of Senior Aerospace BWT.

148.4.4 AVIATION FLUIDS CONTAMINATION (Cont.)

PROCEDURE: A (at room temperature)

MATERIAL TESTED: **S4 FLEXIBLE**

| STANDARD | TYPE | CONTAMINANT | OBSERVATIONS |
|------------------------|---------------------------------------|------------------------------|--------------|
| DERD 2494 | FUEL | AVTUR / JET A1 | UNAFFECTED |
| MIL-T-5624, DERD2454 | FUEL | JP4 | UNAFFECTED |
| MIL-T-5624, DERD2452 | FUEL | JP5 | UNAFFECTED |
| MIL-T-83133, DERD 2453 | FUEL | JP8 | UNAFFECTED |
| MIL-L-7808J, 0148 | LUBRICATING OIL | AEROSHELL TURBINE OIL 308 | UNAFFECTED |
| AS1241 HIGH DENSITY | HYDRAULIC OIL (PHOSPHATE ESTER) | MONSANTO SKYDROL 500B4 | UNAFFECTED |
| MIL-H-83282C, DTD 585 | HYDRAULIC OIL (SYNTHETIC) | AEROSHELL FLUID 31 | UNAFFECTED |
| AS1241 LOW DENSITY | HYDRAULIC OIL (PHOSPHATE ESTER) | CHEVRON HYJET IV | UNAFFECTED |
| | HYDRAULIC FLUID (SILICATE ESTER) | CHEVRON ORONITE M2V | UNAFFECTED |
| MIL-F-5566, TT-I-735B | ANTI-ICING | AEROSHELL COMPOUND 06A | UNAFFECTED |
| OX7 | LUBRICATING OIL | AEROSHELL TURBINE OIL 390 | UNAFFECTED |
| AS1241 LOW DENSITY | HYDRAULIC OIL (PHOSPHATE ESTER) | MONSANTO SKYDROL LD4 | UNAFFECTED |
| | LUBRICATING OIL (TURBINE) | ESSO 274 | UNAFFECTED |
| DERD 2487, OX38 | LUBRICATING OIL (TURBINE) | AEROSHELL 750 | UNAFFECTED |
| MIL-L-23699 | LUBRICATING OIL | AEROSHELL URBINE OIL 500 | UNAFFECTED |
| MIL-H-5606 | HYDRAULIC OIL | AEROSHELL FLUID 41 | UNAFFECTED |

UNCONTROLLED COPY
THIS DOCUMENT WILL
NOT BE UPDATED
DESTROY AFTER USE

This report is private and confidential. It is supplied on the express condition that it is not to be used for any purpose other than for information, and neither copied nor communicated to any other person without the express permission of Senior Aerospace BWT.

148.4.4 AVIATION FLUIDS CONTAMINATION (Cont.)

PROCEDURE: A (at room temperature)

MATERIAL TESTED: **SPS FLEXIBLE**

| STANDARD | TYPE | CONTAMINANT | OBSERVATIONS |
|------------------------|---------------------------------------|------------------------------|--------------|
| DERD 2494 | FUEL | AVTUR / JET A1 | UNAFFECTED |
| MIL-T-5624, DERD 2454 | FUEL | JP4 | UNAFFECTED |
| MIL-T-5624, DERD 2452 | FUEL | JP5 | UNAFFECTED |
| MIL-T-83133, DERD 2453 | FUEL | JP8 | UNAFFECTED |
| MIL-L-7808J, 0148 | LUBRICATING OIL | AEROSHELL TURBINE OIL 308 | UNAFFECTED |
| AS1241 HIGH DENSITY | HYDRAULIC OIL (PHOSPHATE ESTER) | MONSANTO SKYDROL 500B4 | UNAFFECTED |
| MIL-H-83282C, DTD 585 | HYDRAULIC OIL (SYNTHETIC) | AEROSHELL FLUID 31 | UNAFFECTED |
| AS1241 LOW DENSITY | HYDRAULIC OIL (PHOSPHATE ESTER) | CHEVRON HYJET IV | UNAFFECTED |
| | HYDRAULIC FLUID (SILICATE ESTER) | CHEVRON ORONITE M2V | UNAFFECTED |
| MIL-F-5566, TT-I-735B | ANTI-ICING | AEROSHELL COMPOUND 06A | UNAFFECTED |
| OX7 | LUBRICATING OIL | AEROSHELL TURBINE OIL 390 | UNAFFECTED |
| AS1241 LOW DENSITY | HYDRAULIC OIL (PHOSPHATE ESTER) | MONSANTO SKYDROL LD4 | UNAFFECTED |
| | LUBRICATING OIL (TURBINE) | ESSO 274 | UNAFFECTED |
| DERD 2487, OX38 | LUBRICATING OIL (TURBINE) | AEROSHELL 750 | UNAFFECTED |
| MIL-L-23699 | LUBRICATING OIL | AEROSHELL TURBINE OIL 500 | UNAFFECTED |
| MIL-H-5606 | HYDRAULIC OIL | AEROSHELL FLUID 41 | UNAFFECTED |

UNCONTROLLED COPY
THIS DOCUMENT WILL
NOT BE UPDATED
DESTROY AFTER USE

148.4.4 AVIATION FLUIDS CONTAMINATION (Cont.)

PROCEDURE: A (at room temperature)

MATERIAL TESTED: PD SEMI-RIGID

| STANDARD | TYPE | CONTAMINANT | OBSERVATIONS |
|------------------------|---------------------------------------|------------------------------|--------------|
| DERD 2494 | FUEL | AVTUR / JET A1 | UNAFFECTED |
| MIL-T-5624, DERD 2454 | FUEL | JP4 | UNAFFECTED |
| MIL-T-5624, DERD 2452 | FUEL | JP5 | UNAFFECTED |
| MIL-T-83133, DERD 2453 | FUEL | JP8 | UNAFFECTED |
| MIL-L-7808J, 0148 | LUBRICATING OIL | AEROSHELL TURBINE OIL 308 | UNAFFECTED |
| AS1241 HIGH DENSITY | HYDRAULIC OIL (PHOSPHATE ESTER) | MONSANTO SKYDROL 500B4 | UNAFFECTED |
| MIL-H-83282C, DTD 585 | HYDRAULIC OIL (SYNTHETIC) | AEROSHELL FLUID 31 | UNAFFECTED |
| AS1241 LOW DENSITY | HYDRAULIC OIL (PHOSPHATE ESTER) | CHEVRON HYJET IV | UNAFFECTED |
| | HYDRAULIC FLUID (SILICATE ESTER) | CHEVRON ORONITE M2V | UNAFFECTED |
| MIL-F-5566, TT-I-735B | ANTI-ICING | AEROSHELL COMPOUND 06A | UNAFFECTED |
| OX7 | LUBRICATING OIL | AEROSHELL TURBINE OIL 390 | UNAFFECTED |
| AS1241 LOW DENSITY | HYDRAULIC OIL (PHOSPHATE ESTER) | MONSANTO SKYDROL LD4 | UNAFFECTED |
| | LUBRICATING OIL (TURBINE) | ESSO 274 | UNAFFECTED |
| DERD 2487, OX38 | LUBRICATING OIL (TURBINE) | AEROSHELL 750 | UNAFFECTED |
| MIL-L-23699 | LUBRICATING OIL | AEROSHELL TURBINE OIL 500 | UNAFFECTED |
| MIL-H-5606 | HYDRAULIC OIL | AEROSHELL FLUID 41 | UNAFFECTED |

UNCONTROLLED COPY

**THIS DOCUMENT WILL
NOT BE UPDATED**

DESTROY AFTER USE

This report is private and confidential. It is supplied on the express condition that it is not to be used for any purpose other than for information, and neither copied nor communicated to any other person without the express permission of Senior Aerospace BWT.

148.4.4 AVIATION FLUIDS CONTAMINATION (Cont.)

PROCEDURE: A (at room temperature)

MATERIAL TESTED: **PDS SEMI-RIGID**

| STANDARD | TYPE | CONTAMINANT | OBSERVATIONS |
|------------------------|---------------------------------------|------------------------------|--------------|
| DERD 2494 | FUEL | AVTUR / JET A1 | UNAFFECTED |
| MIL-T-5624, DERD 2454 | FUEL | JP4 | UNAFFECTED |
| MIL-T-5624, DERD 2452 | FUEL | JP5 | UNAFFECTED |
| MIL-T-83133, DERD 2453 | FUEL | JP8 | UNAFFECTED |
| MIL-L-7808J, 0148 | LUBRICATING OIL | AEROSHELL TURBINE OIL 308 | UNAFFECTED |
| AS1241 HIGH DENSITY | HYDRAULIC OIL (PHOSPHATE ESTER) | MONSANTO SKYDROL 500B4 | UNAFFECTED |
| MIL-H-83282C, DTD 585 | HYDRAULIC OIL (SYNTHETIC) | AEROSHELL FLUID 31 | UNAFFECTED |
| AS1241 LOW DENSITY | HYDRAULIC OIL (PHOSPHATE ESTER) | CHEVRON HYJET IV | UNAFFECTED |
| | HYDRAULIC FLUID (SILICATE ESTER) | CHEVRON ORONITE M2V | UNAFFECTED |
| MIL-F-5566, TT-I-735B | ANTI-ICING | AEROSHELL COMPOUND 06A | UNAFFECTED |
| OX7 | LUBRICATING OIL | AEROSHELL TURBINE OIL 390 | UNAFFECTED |
| AS1241 LOW DENSITY | HYDRAULIC OIL (PHOSPHATE ESTER) | MONSANTO SKYDROL LD4 | UNAFFECTED |
| | LUBRICATING OIL (TURBINE) | ESSO 274 | UNAFFECTED |
| DERD 2487, OX38 | LUBRICATING OIL (TURBINE) | AEROSHELL 750 | UNAFFECTED |
| MIL-L-23699 | LUBRICATING OIL | AEROSHELL TURBINE OIL 500 | UNAFFECTED |
| MIL-H-5606 | HYDRAULIC OIL | AEROSHELL FLUID 41 | UNAFFECTED |

UNCONTROLLED COPY
THIS DOCUMENT WILL
NOT BE UPDATED
DESTROY AFTER USE


148.4.4 AVIATION FLUIDS CONTAMINATION (Cont.)

PROCEDURE: A (at room temperature)

MATERIAL TESTED: **PDF RIGID**

| STANDARD | TYPE | CONTAMINANT | OBSERVATIONS |
|------------------------|-------------------------------------|------------------------------|--------------|
| DERD 2494 | FUEL | AVTUR / JET A1 | UNAFFECTED |
| MIL-T-5624, DERD 2454 | FUEL | JP4 | UNAFFECTED |
| MIL-T-5624, DERD 2452 | FUEL | JP5 | UNAFFECTED |
| MIL-T-83133, DERD 2453 | FUEL | JP8 | UNAFFECTED |
| MIL-L-7808J, 0148 | LUBRICATING OIL | AEROSHELL TURBINE OIL 308 | UNAFFECTED |
| AS1241 HIGH DENSITY | HYDRAULIC OIL (PHOSPHATE ESTER) | MONSANTO SKYDROL 500B4 | UNAFFECTED |
| MIL-H-83282C, DTD 585 | HYDRAULIC OIL (SYNTHETIC) | AEROSHELL FLUID 31 | UNAFFECTED |
| AS1241 LOW DENSITY | HYDRAULIC OIL (PHOSPHATE ESTER) | CHEVRON HYJET IV | UNAFFECTED |
| | HYDRAULIC FLUID (SILICATE ESTER) | CHEVRON ORONITE M2V | UNAFFECTED |
| MIL-F-5566, TT-I-735B | ANTI-ICING | AEROSHELL COMPOUND 06A | UNAFFECTED |
| OX7 | LUBRICATING OIL | AEROSHELL TURBINE OIL 390 | UNAFFECTED |
| AS1241 LOW DENSITY | HYDRAULIC OIL (PHOSPHATE ESTER) | MONSANTO SKYDROL LD4 | UNAFFECTED |
| | LUBRICATING OIL (TURBINE) | ESSO 274 | UNAFFECTED |
| DERD 2487, OX38 | LUBRICATING OIL (TURBINE) | AEROSHELL 750 | UNAFFECTED |
| MIL-L-23699 | LUBRICATING OIL | AEROSHELL TURBINE OIL 500 | UNAFFECTED |
| MIL-H-5606 | HYDRAULIC OIL | AEROSHELL FLUID 41 | UNAFFECTED |

UNCONTROLLED COPY
THIS DOCUMENT WILL
NOT BE UPDATED
DESTROY AFTER USE

| | | |
|--|--|---|
|  <p>Senior Aerospace BWT, Adlington Industrial Estate, Macclesfield, Cheshire, UK, SK10 4NL Tel: +44 (0)1625 870700 Fax: +44 (0)1625 879472</p> | <p align="center">DOCUMENT TITLE</p> <p align="center">QUALIFICATION TEST REPORT</p> | <p>Date: 6th January 2003 Issue: 7 Report No: BWT148 Page: 24 of 48</p> |
|--|--|---|

148.4.4 AVIATION FLUIDS CONTAMINATION (Cont.)

PROCEDURE: A (at room temperature)

MATERIAL TESTED: **PDP RIGID**

| STANDARD | TYPE | CONTAMINANT | OBSERVATIONS |
|------------------------|---------------------------------------|------------------------------|--------------|
| DERD 2494 | FUEL | AVTUR / JET A1 | UNAFFECTED |
| MIL-T-5624, DERD 2454 | FUEL | JP4 | UNAFFECTED |
| MIL-T-5624, DERD 2452 | FUEL | JP5 | UNAFFECTED |
| MIL-T-83133, DERD 2453 | FUEL | JP8 | UNAFFECTED |
| MIL-L-7808J, 0148 | LUBRICATING OIL | AEROSHELL TURBINE OIL 308 | UNAFFECTED |
| AS1241 HIGH DENSITY | HYDRAULIC OIL (PHOSPHATE ESTER) | MONSANTO SKYDROL 500B4 | UNAFFECTED |
| MIL-H-83282C, DTD 585 | HYDRAULIC OIL (SYNTHETIC) | AEROSHELL FLUID 31 | UNAFFECTED |
| AS1241 LOW DENSITY | HYDRAULIC OIL (PHOSPHATE ESTER) | CHEVRON HYJET IV | UNAFFECTED |
| | HYDRAULIC FLUID (SILICATE ESTER) | CHEVRON ORONITE M2V | UNAFFECTED |
| MIL-F-5566, TT-I-735B | ANTI-ICING | AEROSHELL COMPOUND 06A | UNAFFECTED |
| OX7 | LUBRICATING OIL | AEROSHELL TURBINE OIL 390 | UNAFFECTED |
| AS1241 LOW DENSITY | HYDRAULIC OIL (PHOSPHATE ESTER) | MONSANTO SKYDROL LD4 | UNAFFECTED |
| | LUBRICATING OIL (TURBINE) | ESSO 274 | UNAFFECTED |
| DERD 2487, OX38 | LUBRICATING OIL (TURBINE) | AEROSHELL 750 | UNAFFECTED |
| MIL-L-23699 | LUBRICATING OIL | AEROSHELL TURBINE OIL 500 | UNAFFECTED |
| MIL-H-5606 | HYDRAULIC OIL | AEROSHELL FLUID 41 | UNAFFECTED |

UNCONTROLLED COPY
THIS DOCUMENT WILL
NOT BE UPDATED
DESTROY AFTER USE

This report is private and confidential. It is supplied on the express condition that it is not to be used for any purpose other than for information, and neither copied nor communicated to any other person without the express written consent of BWT.

148.4.4 AVIATION FLUIDS CONTAMINATION (Cont.)

PROCEDURE: B (Test types – I for Immersion, S for Spray)

MATERIAL TESTED: **U62 FLEXIBLE**

| FLUID CLASS | TEST FLUID | TEST TYPE | TEMP. °C | OBSERVATIONS |
|----------------------------|---|-----------|----------|---|
| AVIATION FUELS | Turbine, Jet A-1 | S | 23 ± 2 | No obvious damage |
| | Piston Engine, Avgas 100LL | I | 40 ± 1 | No obvious damage |
| HYDRAULIC FLUIDS | Mineral Based, OM-65 | S | 80 ± 1 | No obvious damage |
| | Non-mineral Based, OX-40 | I | 50 ± 1 | No obvious damage |
| | Phosphate Ester-Based (Synthetic), Skydrol 500B4 | I | 70 ± 1 | No obvious damage |
| | Silicate Ester-Based (Synthetic), Chevron M2V | I | 80 ± 1 | No obvious damage |
| | Silicone Based (Synthetic), Dow Corning 200/200Cs | I | 80 ± 1 | No obvious damage |
| | Synthetic Hydrocarbon Based, Brayco Micronic 882 | I | 70 ± 1 | No detrimental damage Stained pink |
| LUBRICATING OILS | Mineral Based, Aeroshell 100 | I | 70 ± 1 | No detrimental damage Stained yellow |
| | Ester Based, Anderol 774 | S | 150 ± 1 | No detrimental damage Stained brownish |
| SOLVENTS & CLEANING FLUIDS | Isopropyl Alcohol | I | 50 ± 1 | No obvious damage |
| | Denatured Alcohol | I | 50 ± 1 | No obvious damage |
| | 1,1,1-Trichloroethane | S | 50 ± 1 | No obvious damage |
| | Detergent TS 10281, Aviawash 2000 | I | 23 ± 2 | No obvious damage |
| DE-ICING FLUIDS | Ethylene Glycol | I | 50 ± 1 | No obvious damage |
| | Propylene Glycol | I | 50 ± 1 | No detrimental damage Discoloured |
| | AEA Type 1, Kilfrost DF | I | 50 ± 1 | No obvious damage |
| | AEA Type 2, Kilfrost ABC-3 | I | 50 ± 1 | No obvious damage |
| | Runway, 25% Urea and 25% Ethylene Glycol in Water | I | 23 ± 2 | No obvious damage |
| | Runway, 50% Potassium Acetate in Water | I | 23 ± 2 | No obvious damage |
| INSECTICIDES | Dichlorvos-Based | S | 23 ± 2 | No detrimental damage Slightly discoloured |
| | Pyrethrum-Based | I | 23 ± 2 | No obvious damage |
| SULLAGE | Killgerm Chemical Closet Fluid | I | 23 ± 2 | No detrimental damage Stained blue |

UNCONTROLLED COPY

THIS DOCUMENT WILL

NOT BE UPDATED,

DESTROY AFTER USE

This report is private and confidential. It is supplied on the express condition that it is not to be used for any purpose other than for information, and neither copied nor communicated to any other person without the express permission of Senior Aerospace BWT.

148.4.4 AVIATION FLUIDS CONTAMINATION (Cont.)

PROCEDURE: B (Test types – I for Immersion, S for Spray)

MATERIAL TESTED: **SPS FLEXIBLE**

| FLUID CLASS | TEST FLUID | TEST TYPE | TEMP. °C | OBSERVATIONS |
|----------------------------|---|-----------|----------|---------------------------------------|
| AVIATION FUELS | Turbine, Jet A-1 | S | 23 ± 2 | No obvious damage |
| | Piston Engine, Avgas 100LL | S | 23 ± 2 | No obvious damage |
| HYDRAULIC FLUIDS | Mineral Based, OM-65 | I | 80 ± 1 | No obvious damage |
| | Non-mineral Based, OX-40 | I | 50 ± 1 | No obvious damage |
| | Phosphate Ester-Based (Synthetic), Skydrol 500B4 | I | 70 ± 1 | No obvious damage |
| | Silicate Ester-Based (Synthetic), Chevron M2V | I | 80 ± 1 | No obvious damage |
| | Silicone Based (Synthetic), Dow Corning 200/200Cs | I | 80 ± 1 | No obvious damage |
| | Synthetic Hydrocarbon Based, Brayco Micronic 882 | I | 70 ± 1 | No obvious damage |
| LUBRICATING OILS | Mineral Based, Aeroshell 100 | I | 70 ± 1 | No obvious damage |
| | Ester Based, Anderol 774 | I | 150 ± 1 | No obvious damage |
| SOLVENTS & CLEANING FLUIDS | Isopropyl Alcohol | I | 50 ± 1 | No obvious damage |
| | Denatured Alcohol | I | 50 ± 1 | No obvious damage |
| | 1,1,1-Trichloroethane | S | 50 ± 1 | No obvious damage |
| | Detergent TS 10281, Aviawash 2000 | I | 23 ± 2 | No obvious damage |
| DE-ICING FLUIDS | Ethylene Glycol | I | 50 ± 1 | No obvious damage |
| | Propylene Glycol | I | 50 ± 1 | No obvious damage |
| | AEA Type 1, Kilfrost DF | I | 50 ± 1 | No obvious damage |
| | AEA Type 2, Kilfrost ABC-3 | I | 50 ± 1 | No obvious damage |
| | Runway, 25% Urea and 25% Ethylene Glycol in Water | I | 23 ± 2 | No obvious damage |
| | Runway, 50% Potassium Acetate in Water | I | 23 ± 2 | No obvious damage |
| INSECTICIDES | Dichlorvos-Based | I | 23 ± 2 | No obvious damage |
| | Pyrethrum-Based | I | 23 ± 2 | No obvious damage |
| SULLAGE | Killgerm Chemical Closet Fluid | I | 23 ± 2 | No detrimental damage Stained blue |

NOTE The above results also qualify S4 by similarity as the thermoplastic helix in SPS is replaced by a stainless steel helix.

UNCONTROLLED COPY
THIS DOCUMENT WILL
NOT BE UPDATED
DESTROY AFTER USE

This report is private and confidential. It is supplied on the express condition that it is not to be used for any purpose other than for information, and neither copied nor communicated to any other person without the express permission of Senior Aerospace BWT.

148.4.4 AVIATION FLUIDS CONTAMINATION (Cont.)

PROCEDURE: B (Test types – I for Immersion, S for Spray)

MATERIAL TESTED: **PD SEMI-RIGID**

| FLUID CLASS | TEST FLUID | TEST TYPE | TEMP. °C | OBSERVATIONS |
|----------------------------|---|------------------------------|----------|--|
| AVIATION FUELS | Turbine, Jet A-1 | I | 40 ± 1 | No obvious damage |
| | Piston Engine, Avgas 100LL | I | 40 ± 1 | No obvious damage |
| HYDRAULIC FLUIDS | Mineral Based, OM-65 | I | 80 ± 1 | No obvious damage |
| | Non-mineral Based, OX-40 | I | 50 ± 1 | No obvious damage |
| | Phosphate Ester-Based (Synthetic), Skydrol 500B4 | I | 70 ± 1 | No obvious damage |
| | Silicate Ester-Based (Synthetic), Chevron M2V | I | 80 ± 1 | No obvious damage |
| | Silicone Based (Synthetic), Dow Corning 200/200Cs | I | 80 ± 1 | No obvious damage |
| | Synthetic Hydrocarbon Based, Brayco Micronic 882 | I | 70 ± 1 | No detrimental damage Stained pink |
| | LUBRICATING OILS | Mineral Based, Aeroshell 100 | I | 70 ± 1 |
| | Ester Based, Anderol 774 | I | 150 ± 1 | No detrimental damage Some discolouration |
| SOLVENTS & CLEANING FLUIDS | Isopropyl Alcohol | I | 50 ± 1 | No obvious damage |
| | Denatured Alcohol | I | 50 ± 1 | No obvious damage |
| | 1,1,1-Trichloroethane | S | 50 ± 1 | No obvious damage |
| | Detergent TS 10281, Aviawash 2000 | I | 23 ± 2 | No obvious damage |
| DE-ICING FLUIDS | Ethylene Glycol | I | 50 ± 1 | No obvious damage |
| | Propylene Glycol | I | 50 ± 1 | No obvious damage |
| | AEA Type 1, Kilfrost DF | I | 50 ± 1 | No obvious damage |
| | AEA Type 2, Kilfrost ABC-3 | I | 50 ± 1 | No obvious damage |
| | Runway, 25% Urea and 25% Ethylene Glycol in Water | I | 23 ± 2 | No obvious damage |
| | Runway, 50% Potassium Acetate in Water | I | 23 ± 2 | No obvious damage |
| INSECTICIDES | Dichlorvos-Based | I | 23 ± 2 | No obvious damage |
| | Pyrethrum-Based | I | 23 ± 2 | No obvious damage |
| SULLAGE | Killgerm Chemical Closet Fluid | I | 23 ± 2 | No detrimental damage Stained blue |

UNCONTROLLED COPY

This report is private and confidential. It is supplied on the express condition that it is not to be used for any purpose other than for information, and neither copied nor communicated to any other person without the express permission of Senior Aerospace BWT.

**THIS DOCUMENT WILL
NOT BE UPDATED
DESTROY AFTER USE**

QSD188D

senior**Aerospace**

BWT, Adlington Industrial Estate,
Macclesfield, Cheshire, UK, SK10 4NL
Tel: +44 (0)1625 870700
Fax: +44 (0)1625 879472

DOCUMENT TITLE

QUALIFICATION
TEST REPORT

Date: 6th January 2003

Issue: 7

Report No: BWT148

Page: 28 of 48

148.4.4 AVIATION FLUIDS CONTAMINATION (Cont.)

PROCEDURE: B (Test types – I for Immersion, S for Spray)

MATERIAL TESTED: **PDA SEMI-RIGID**

| FLUID CLASS | TEST FLUID | TEST TYPE | TEMP. °C | OBSERVATIONS |
|----------------------------|---|-----------|----------|---|
| AVIATION FUELS | Turbine, Jet A-1 | S | 23 ± 2 | No detrimental damage Surface dulled |
| | Piston Engine, Avgas 100LL | S | 23 ± 2 | No detrimental damage Surface blotchy / dulled |
| HYDRAULIC FLUIDS | Mineral Based, OM-65 | S | 80 ± 1 | No detrimental damage Surface yellower / transparent |
| | Non-mineral Based, OX-40 | S | 50 ± 1 | No detrimental damage More yellow / transparent |
| | Phosphate Ester-Based (Synthetic), Skydrol 500B4 | S | 70 ± 1 | No detrimental damage Dulled, more transparent / flexible |
| | Silicate Ester-Based (Synthetic), Chevron M2V | S | 80 ± 1 | No detrimental damage Dulled, more transparent / flexible |
| | Silicone Based (Synthetic), Dow Corning 200/200Cs | S | 80 ± 1 | No detrimental damage More yellow / transparent |
| | Synthetic Hydrocarbon Based, Brayco Micronic 882 | S | 70 ± 1 | No detrimental damage Slightly darker / transparent / flexible |
| LUBRICATING OILS | Mineral Based, Aeroshell 100 | S | 70 ± 1 | No detrimental damage More yellow / transparent |
| | Ester Based, Anderol 774 | S | 150 ± 1 | No detrimental damage Darker, more transparent / flexible |
| SOLVENTS & CLEANING FLUIDS | Isopropyl Alcohol | S | 50 ± 1 | No detrimental damage Surface dulled |
| | Denatured Alcohol | S | 50 ± 1 | No detrimental damage Surface dulled |
| | Detergent Def-Stan 79-17, Ardox 6092 | S | 23 ± 2 | No detrimental damage Surface dulled |
| DE-ICING FLUIDS | Ethylene Glycol | S | 50 ± 1 | No detrimental damage Darker, more transparent |
| | Propylene Glycol | S | 50 ± 1 | No detrimental damage Slightly darker, more transparent |
| | AEA Type 1, Kilfrost DF | S | 50 ± 1 | No detrimental damage Slightly darker / transparent / flexible |
| | AEA Type 2, Kilfrost ABC-3 | S | 50 ± 1 | No detrimental damage Slightly darker / transparent / flexible |
| | Runway, 25% Urea and 25% Ethylene Glycol in Water | S | 23 ± 2 | No detrimental damage Slightly darker / transparent |
| | Runway, 50% Potassium Acetate in Water | S | 23 ± 2 | No detrimental damage Slightly darker / transparent |
| INSECTICIDES | Dichlorvos-Based | S | 23 ± 2 | No detrimental damage Surface very slightly dulled |
| | Pyrethrum-Based | S | 23 ± 2 | No detrimental damage Surface very slightly dulled |
| SULLAGE | Killgerm Chemical Closet Fluid | S | 23 ± 2 | No detrimental damage Stained blue |

NOTE The above results relate only to the aramid layer, external surface as the opposite 'internal' surface is always glass reinforced and its performance will be as given for PDA.

THIS DOCUMENT WILL**NOT BE UPDATED****DESTROY AFTER USE**

This report is private and confidential. It is supplied on the express condition that it is not to be used for any purpose other than for information, and neither copied nor communicated to any other person without the express permission of Senior Aerospace BWT.

QSD188D

148.4.4 AVIATION FLUIDS CONTAMINATION (Cont.)

PROCEDURE: B (Test types – I for Immersion, S for Spray)

MATERIAL TESTED: **PDC SEMI-RIGID**

| FLUID CLASS | TEST FLUID | TEST TYPE | TEMP. °C | OBSERVATIONS |
|----------------------------|---|-----------|----------|--|
| AVIATION FUELS | Turbine, Jet A-1 | S | 23 ± 2 | No obvious damage |
| | Piston Engine, Avgas 100LL | S | 23 ± 2 | No obvious damage |
| HYDRAULIC FLUIDS | Mineral Based, OM-65 | S | 80 ± 1 | No obvious damage |
| | Non-mineral Based, OX-40 | S | 50 ± 1 | No obvious damage |
| | Phosphate Ester-Based (Synthetic), Skydrol 500B4 | S | 70 ± 1 | No detrimental damage Dulled, more flexible |
| | Silicate Ester-Based (Synthetic), Chevron M2V | S | 80 ± 1 | No obvious damage |
| | Silicone Based (Synthetic), Dow Corning 200/200Cs | S | 80 ± 1 | No obvious damage |
| | Synthetic Hydrocarbon Based, Brayco Micronic 882 | S | 70 ± 1 | No obvious damage |
| LUBRICATING OILS | Mineral Based, Aeroshell 100 | S | 70 ± 1 | No obvious damage |
| | Ester Based, Anderol 774 | S | 150 ± 1 | No obvious damage |
| SOLVENTS & CLEANING FLUIDS | Isopropyl Alcohol | S | 50 ± 1 | No change |
| | Denatured Alcohol | S | 50 ± 1 | No change |
| | Detergent Def-Stan 79-17, Ardox 6092 | S | 23 ± 2 | No change |
| DE-ICING FLUIDS | Ethylene Glycol | S | 50 ± 1 | No obvious damage |
| | Propylene Glycol | S | 50 ± 1 | No obvious damage |
| | AEA Type 1, Kilfrost DF | S | 50 ± 1 | No obvious damage |
| | AEA Type 2, Kilfrost ABC-3 | S | 50 ± 1 | No obvious damage |
| | Runway, 25% Urea and 25% Ethylene Glycol in Water | S | 23 ± 2 | No obvious damage |
| | Runway, 50% Potassium Acetate in Water | S | 23 ± 2 | No obvious damage |
| INSECTICIDES | Dichlorvos-Based | S | 23 ± 2 | No change |
| | Pyrethrum-Based | S | 23 ± 2 | No change |
| SULLAGE | Killgerm Chemical Closet Fluid | S | 23 ± 2 | No obvious damage |

NOTE The above results relate only to the carbon layer 'external' surface as the opposite 'internal' surface is always glass reinforced and its performance will be as given for PD.

UNCONTROLLED COPY

**THIS DOCUMENT WILL
NOT BE UPDATED**

DESTROY AFTER USE

This report is private and confidential. It is supplied on the express condition that it is not to be used for any purpose other than for information, and neither copied nor communicated to any other person without the express permission of Senior Aerospace BWT.

148.4.4 AVIATION FLUIDS CONTAMINATION (Cont.)

PROCEDURE: B (Test types -- I for Immersion, S for Spray)

MATERIAL TESTED: **PDF RIGID**

| FLUID CLASS | TEST FLUID | TEST TYPE | TEMP. °C | OBSERVATIONS |
|----------------------------|---|-----------|----------|--|
| AVIATION FUELS | Turbine, Jet A-1 | I | 40 ± 1 | No obvious damage Slightly discoloured |
| | Piston Engine, Avgas 100LL | I | 40 ± 1 | No obvious damage Slightly discoloured |
| HYDRAULIC FLUIDS | Mineral Based, OM-65 | I | 80 ± 1 | No obvious damage Turned yellow |
| | Non-mineral Based, OX-40 | I | 50 ± 1 | No obvious damage |
| | Phosphate Ester-Based (Synthetic), Skydrol 500B4 | I | 70 ± 1 | No obvious damage |
| | Silicate Ester-Based (Synthetic), Chevron M2V | I | 80 ± 1 | No obvious damage Slight yellowing |
| | Silicone Based (Synthetic), Dow Corning 200/200Cs | I | 80 ± 1 | No obvious damage |
| | Synthetic Hydrocarbon Based, Brayco Micronic 882 | I | 70 ± 1 | No detrimental damage Stained pink |
| LUBRICATING OILS | Mineral Based, Aeroshell 100 | I | 70 ± 1 | No detrimental damage Stained yellow |
| | Ester Based, Anderol 774 | I | 150 ± 1 | No detrimental damage Some discolouration |
| SOLVENTS & CLEANING FLUIDS | Isopropyl Alcohol | I | 50 ± 1 | No obvious damage |
| | Denatured Alcohol | S | 50 ± 1 | Some inward shrinking of the walls could reduce strength |
| | 1,1,1-Trichloroethane | I | 50 ± 1 | No obvious damage |
| | Detergent TS 10281, Aviawash 2000 | I | 23 ± 2 | No obvious damage |
| DE-ICING FLUIDS | Ethylene Glycol | I | 50 ± 1 | Slight shrinkage / distortion |
| | Propylene Glycol | I | 50 ± 1 | No obvious damage |
| | AEA Type 1, Kilfrost DF | I | 50 ± 1 | No obvious damage |
| | AEA Type 2, Kilfrost ABC-3 | I | 50 ± 1 | No obvious damage |
| | Runway, 25% Urea and 25% Ethylene Glycol in Water | S | 23 ± 2 | No obvious damage Very slightly discoloured |
| | Runway, 50% Potassium Acetate in Water | I | 23 ± 2 | No obvious damage |
| INSECTICIDES | Dichlorvos-Based | I | 23 ± 2 | No obvious damage |
| | Pyrethrum-Based | I | 23 ± 2 | No obvious damage |
| SULLAGE | Killgerm Chemical Closet Fluid | I | 23 ± 2 | No detrimental damage Stained blue |

This report is private and confidential. It is supplied on the express condition that it is not to be used for any purpose other than for information, and neither copied nor communicated to any other person without the express permission of Senior Aerospace BWT.

UNCONTROLLED COPY
THIS DOCUMENT WILL NOT BE UPDATED
DESTROY AFTER USE QSP188D

148.4.4 AVIATION FLUIDS CONTAMINATION (Cont.)

PROCEDURE: B (Test types – I for Immersion, S for Spray)

MATERIAL TESTED: **PDP RIGID**

| FLUID CLASS | TEST FLUID | TEST TYPE | TEMP. °C | OBSERVATIONS |
|----------------------------|---|-----------|----------|--|
| AVIATION FUELS | Turbine, Jet A-1 | I | 40 ± 1 | No obvious damage Slightly discoloured |
| | Piston Engine, Avgas 100LL | I | 40 ± 1 | No obvious damage Slightly discoloured |
| HYDRAULIC FLUIDS | Mineral Based, OM-65 | I | 80 ± 1 | No obvious damage Turned yellow |
| | Non-mineral Based, OX-40 | I | 50 ± 1 | No obvious damage |
| | Phosphate Ester-Based (Synthetic), Skydrol 500B4 | I | 70 ± 1 | No obvious damage |
| | Silicate Ester-Based (Synthetic), Chevron M2V | I | 80 ± 1 | No obvious damage Slight yellowing |
| | Silicone Based (Synthetic), Dow Corning 200/200Cs | I | 80 ± 1 | No obvious damage |
| | Synthetic Hydrocarbon Based, Brayco Micronic 882 | I | 70 ± 1 | No detrimental damage Stained pink |
| LUBRICATING OILS | Mineral Based, Aeroshell 100 | I | 70 ± 1 | No detrimental damage Stained yellow |
| | Ester Based, Anderol 774 | I | 150 ± 1 | No detrimental damage Some discolouration |
| SOLVENTS & CLEANING FLUIDS | Isopropyl Alcohol | I | 50 ± 1 | No obvious damage |
| | Denatured Alcohol | I | 50 ± 1 | No obvious damage |
| | 1,1,1-Trichloroethane | I | 50 ± 1 | No obvious damage |
| | Detergent TS 10281, Aviawash 2000 | I | 23 ± 2 | No obvious damage |
| DE-ICING FLUIDS | Ethylene Glycol | I | 50 ± 1 | No obvious damage |
| | Propylene Glycol | I | 50 ± 1 | No obvious damage |
| | AEA Type 1, Kilfrost DF | I | 50 ± 1 | No obvious damage |
| | AEA Type 2, Kilfrost ABC-3 | I | 50 ± 1 | No obvious damage |
| | Runway, 25% Urea and 25% Ethylene Glycol in Water | S | 23 ± 2 | No obvious damage Slightly discoloured |
| | Runway, 50% Potassium Acetate in Water | I | 23 ± 2 | No obvious damage |
| INSECTICIDES | Dichlorvos-Based | I | 23 ± 2 | No obvious damage |
| | Pyrethrum-Based | I | 23 ± 2 | No obvious damage |
| SULLAGE | Killgerm Chemical Closet Fluid | I | 23 ± 2 | No detrimental damage Stained blue |

| | | |
|---|--|--|
| <p>senior Aerospace</p> <p>BWT, Adlington Industrial Estate, Macclesfield, Cheshire, UK, SK10 4NL Tel: +44 (0)1625 870700 Fax: +44 (0)1625 879472</p> | <p>DOCUMENT TITLE</p> <p>QUALIFICATION TEST REPORT</p> | <p>Date: 6th January 2003 Issue: 7 Report No: BWT148 Page: 32 of 48</p> |
|---|--|--|

148.4.4 AVIATION FLUIDS CONTAMINATION (Cont.)

CONCLUSION

All of the ducts were found to be unaffected in any way when they were coated with the contaminants listed in procedure A. The far greater range of fluids tested to the much greater severity procedure B only produced minor effects that were insufficient to render the ducts unfit for purpose. Therefore these ducts are suitable for use on all types of aircraft, where they may come into accidental and/or incidental contact with any of the contaminants that have been listed.

Although included in some of the above results tables, Trichloroethane is no longer being used for testing because it is a banned substance. Consequently contact with duct surfaces should be avoided in all circumstances.

UNCONTROLLED COPY
THIS DOCUMENT WILL
NOT BE UPDATED
DESTROY AFTER USE

senior**Aerospace**

BWT, Adlington Industrial Estate,
 Macclesfield, Cheshire, UK, SK10 4NL
 Tel: +44 (0)1625 870700
 Fax: +44 (0)1625 879472

DOCUMENT TITLE

QUALIFICATION
 TEST REPORT

Date: 6th January 2003

Issue: 7

Report No: BWT148

Page: 33 of 48

148.4.5. SOLVENT CONTAMINATIONMATERIALS TESTED: **U62, S4 AND SPS FLEXIBLES** (at room temperature)

| DUCT TESTED | SOLVENT | OBSERVATIONS | RESULTS |
|-------------|-------------------|-------------------------------------|---------|
| U62 | TOLUENE | There was no deterioration. | PASS |
| | XYLENE | No delamination occurred. | PASS |
| | BENZENE | The duct was unaffected. | PASS |
| | ACETONE | No deterioration was apparent. | PASS |
| | CYCLOHEXANE | The duct was not affected. | PASS |
| | ISOPROPYL ALCOHOL | No evidence of delamination. | PASS |
| | WHITE SPIRIT | No signs of deterioration apparent. | PASS |
| S4 | TOLUENE | No affect occurred to the duct. | PASS |
| | XYLENE | No delamination was found on duct. | PASS |
| | BENZENE | No deterioration of the duct. | PASS |
| | ACETONE | The duct was unaffected. | PASS |
| | CYCLOHEXANE | No apparent deterioration. | PASS |
| | ISOPROPYL ALCOHOL | No delamination occurred. | PASS |
| | WHITE SPIRIT | There was no delamination. | PASS |
| SPS | TOLUENE | No deterioration was apparent. | PASS |
| | XYLENE | No delamination occurred. | PASS |
| | BENZENE | The duct was unaffected. | PASS |
| | ACETONE | No evidence of deterioration. | PASS |
| | CYCLOHEXANE | No delamination occurred. | PASS |
| | ISOPROPYL ALCOHOL | No evidence of deterioration. | PASS |
| | WHITE SPIRIT | The duct was unaffected. | PASS |

UNCONTROLLED COPY
 THIS DOCUMENT WILL
 NOT BE UPDATED
 DESTROY AFTER USE

This report is private and confidential. It is supplied on the express condition that it is not to be used for any purpose other than for information, and neither copied nor communicated to any other person without the express permission of Senior Aerospace BWT.

QSD188D

148.4.5 SOLVENT CONTAMINATION (Cont.)

MATERIALS TESTED: PD, PDS SEMI-RIGIDS AND PDF RIGID (at room temperature)

| DUCT TESTED | SOLVENT | OBSERVATIONS | RESULTS |
|-------------|-------------------|--|---------|
| PD | TOLUENE | Glaze on the PD was dulled. | PASS |
| | XYLENE | Glaze on the material dulled. | PASS |
| | BENZENE | The glaze on the material dulled. | PASS |
| | ACETONE | The material had totally delaminated. | FAIL |
| | CYCLOHEXANE | Slight glaze loss on the PD. | PASS |
| | ISOPROPYL ALCOHOL | Very slight glaze loss on PD. | PASS |
| | WHITE SPIRIT | The material was unaffected. | PASS |
| PDS | TOLUENE | Glaze on the PD had dulled. | PASS |
| | XYLENE | The glaze on the material had dulled. | PASS |
| | BENZENE | Glaze had dulled and blisters formed. | PASS |
| | ACETONE | The material had totally delaminated. | FAIL |
| | CYCLOHEXANE | There was slight loss of glaze on PD. | PASS |
| | ISOPROPYL ALCOHOL | Very slight loss of glaze on PD. | PASS |
| | WHITE SPIRIT | The material was not affected. | PASS |
| PDF | TOLUENE | The glaze on the PD had dulled. | PASS |
| | XYLENE | The glaze on the material had dulled. | PASS |
| | BENZENE | The glaze on the material had dulled. | PASS |
| | ACETONE | All the PD plastic had dissolved out. | FAIL |
| | CYCLOHEXANE | There was slight loss of PD glaze. | PASS |
| | ISOPROPYL ALCOHOL | Very slight loss of glaze on PD outer. | PASS |
| | WHITE SPIRIT | The material was unaffected. | PASS |


UNCONTROLLED COPY

THIS DOCUMENT WILL

NOT BE UPDATED

DESTROY AFTER USE

This report is private and confidential. It is supplied on the express condition that it is not to be used for any purpose other than for information, and neither copied nor communicated to any other person without the express permission of Senior Aerospace BWT.

| | | |
|--|--|---|
|  <p>Senior Aerospace BWT, Adlington Industrial Estate, Macclesfield, Cheshire, UK, SK10 4NL Tel: +44 (0)1625 870700 Fax: +44 (0)1625 879472</p> | <p>DOCUMENT TITLE</p> <p>QUALIFICATION TEST REPORT</p> | <p>Date: 6th January 2003 Issue: 7 Report No: BWT148 Page: 35 of 48</p> |
|--|--|---|

148.4.5 SOLVENT CONTAMINATION (Cont.)

MATERIALS TESTED: **PDP RIGID** (at room temperature)

| DUCT TESTED | SOLVENT | OBSERVATIONS | RESULTS |
|-------------|-------------------|--------------------------------------|---------|
| PDP | TOLUENE | No glaze left, flutes had collapsed. | FAIL |
| | XYLENE | The material glaze had dulled. | PASS |
| | BENZENE | Glaze on the material had dulled. | PASS |
| | ACETONE | The duct had completely collapsed. | FAIL |
| | CYCLOHEXANE | Slight glaze loss on the PD outer. | PASS |
| | ISOPROPYL ALCOHOL | Very slight glaze loss on PD outer. | PASS |
| | WHITE SPIRIT | The material was unaffected. | PASS |

CONCLUSIONS

From the results obtained none of the semi-rigid or rigid ducts tested can be used in areas where they come into contact with ketones such as acetone without possible structural collapse. This is due to matrix breakdown of the **PD** material (on **PDP** and **PDF** this is the outer surface material). Although the results illustrate surface glaze loss occurring to **PD** material with all other solvents, there is no evidence that this caused serious affect to the ducting materials. These conclusions can be extended to **PDA** and **PDC** semi-rigid ducts by similarity, the matrix material of each being identical to that of **PD**. Therefore all semi-rigid and rigid types of BWT ducting can safely be used in areas where they may come into accidental and/or incidental contact with the remaining solvents without the functionality and structure of the parts being affected in any way. The only possible exception is excessive exposure of **PDP** to toluene where any damage leading to ingress into the core could cause collapse as found for the sample tested with exposed cross-sectional edges.

All of the flexible ducts were found to be unaffected by any of the solvents that were used for testing. Hence all the BWT flexible ducts can be used in areas where they are likely to come into accidental and/or incidental contact with any of the solvents that have been used without the functionality and structure of the parts being affected in any way.

UNCONTROLLED COPY
THIS DOCUMENT WILL
NOT BE UPDATED
DESTROY AFTER USE

This report is private and confidential. It is supplied on the express condition that it is not to be used for any purpose other than for information, and neither copied nor communicated to any other person without the express permission of Senior Aerospace BWT.

| | | |
|---|--|--|
| <p>senior Aerospace</p> <p>BWT, Adlington Industrial Estate, Macclesfield, Cheshire, UK, SK10 4NL Tel: +44 (0)1625 870700 Fax: +44 (0)1625 879472</p> | <p>DOCUMENT TITLE</p> <p>QUALIFICATION TEST REPORT</p> | <p>Date: 6th January 2003 Issue: 7 Report No: BWT148 Page: 36 of 48</p> |
|---|--|--|

148.4.6. PLEXIGLAS CRAZING

MATERIALS TESTED: FLEXIBLES, SEMI-RIGIDS AND RIGIDS LISTED

| TYPE | DUCT | OBSERVATIONS |
|------------|------|--|
| FLEXIBLE | U62 | Produced a minute amount of amber liquid. |
| | S4 | Slight amount of amber oil was produced. |
| | SPS | A small amount of residue was produced. |
| SEMI-RIGID | PD | A small amount of a dry grey residue was produced. |
| | PDS | Very small amount of a dry grey residue was produced. |
| RIGID | PDF | Gave almost no residue, although what was produced was dry and grey. |
| | PDP | Produced a reasonable amount of a white dry residue. |

CONCLUSION

None of the ducts tested caused cracking, crazing or degradation of the polymethylmethacrylate whilst it was stressed. Therefore these ducts can be considered to be non-reactive if they come into contact with any type of acrylics, i.e. the acrylics will be unaffected.

This conclusion can also be extended by similarity to PDA and PDC that both have the same matrix as PD but additional reinforcement layers (aramid cloth, and/or carbon fibre cloth respectively versus only glasscloth). Neither of these reinforcements are soluble in toluene, and therefore could not influence Plexiglas crazing in this test.

UNCONTROLLED COPY
THIS DOCUMENT WILL
NOT BE UPDATED
DESTROY AFTER USE

148.4.7. FLAMMABILITY

MATERIALS TESTED: FLEXIBLES, SEMI-RIGIDS AND RIGIDS LISTED

| TYPE | DUCT | Flame Time & Afterglow Av, seconds | Flame Time of Droppings Av, seconds | Burn Length inches |
|------------|------|---------------------------------------|--|-----------------------|
| | | (15 Max) | (5 Max) | (8 Max) |
| FLEXIBLE | U62 | 0 | 0 | 2.95 |
| | S4 | 1 | 0 | 1.20 |
| | S4B | 2 | 0 | 0.60 |
| | SPS | 3 | 0 | 1.85 |
| | SPSB | 3 | 0 | 2.20 |
| SEMI-RIGID | PD | 1.5 | 0 | 2.53 |
| | PDB | 1.0 | 0 | 2.90 |
| | PDA | 0 | 0 | 1.45 |
| | PDC | 0 | 0 | 1.20 |
| RIGID | PDF | 2.3 | 0 | 2.55 |
| | PDFB | 4.0 | 0 | 3.20 |
| | PDP | 1 | 0 | 1.65 |
| | PDPB | 1.5 | 0 | 1.40 |

CONCLUSION

All of the ducts tested were found to pass the requirements of the 12-second vertical burn standards listed in 148.3.7. Therefore these ducts can be classed as being self-extinguishing and will not sustain a flame.

UNCONTROLLED COPY
THIS DOCUMENT WILL
NOT BE UPDATED
DESTROY AFTER USE

148.4.8. SMOKE EMISSION

MATERIALS TESTED: FLEXIBLES, SEMI-RIGIDS AND RIGIDS LISTED

| TYPE | DUCT | CONDITION | AVERAGE D_m | |
|------------|------|-------------|---------------|----------|
| | | | at 1.5 min | at 4 min |
| FLEXIBLE | U62 | Flaming | 9 | 27 |
| | | Non-Flaming | 4 | 23 |
| | S4 | Flaming | 4 | 9 |
| | | Non-Flaming | 3 | 8 |
| | SPS | Flaming | 25 | 60 |
| | | Non-Flaming | 4 | 19 |
| | SPSB | Flaming | 5 | 16 |
| | | Non-Flaming | 1 | 4 |
| SEMI-RIGID | PD | Flaming | 0 | 1 |
| | | Non-Flaming | 0 | 1 |
| | PDB | Flaming | 4 | 8 |
| | | Non-Flaming | 2 | 6 |
| | PDA | Flaming | 0 | 1 |
| | | Non-Flaming | 0 | 0 |
| | PDC | Flaming | 0 | 1 |
| | | Non-Flaming | 0 | 0 |
| RIGID | PDF | Flaming | 8 | 28 |
| | | Non-Flaming | 1 | 8 |
| | PDFB | Flaming | 9 | 25 |
| | | Non-Flaming | 9 | 11 |
| | PDP | Flaming | 0 | 18 |
| | | Non-Flaming | 0 | 0 |
| | PDPB | Flaming | 5 | 16 |
| | | Non-Flaming | 4 | 5 |

NOTES

- 1 D_m = maximum specific optical density (Limit 100 maximum).
- 2 PDS is qualified by similarity to PD, the only difference between the two being that the PDS incorporates a non-flammable metallic helix.
- 3 S4B is qualified by similarity to SPSB, the only difference between the two being that the S4B incorporates a non-flammable metallic reinforcement in place of the non-metallic helix of SPSB.
- 4 When ABD0031 replaced ATS1000.001, smoke measurements for both flaming and non-flaming conditions were reduced from checks at 1.5 and 4 minutes to a single check of maximum specific optical density (average), D_m , at 4 minutes under flaming and non-flaming conditions requiring a value <100 for ventilation ducting. Any material meeting ABD0031 is considered qualified to ATS1000.001.

CONCLUSIONS

All of the flexible, semi-rigid and rigid ducts passed the requirements of ABD0031 issue C for smoke emission. None are expected to cause any problems with regards to the density of the smoke that is emitted when the ducts are exposed to decomposition temperatures and in the event of any fire.

148.4.9. TOXIC GAS EMISSION

MATERIALS TESTED: FLEXIBLES, SEMI-RIGIDS AND RIGIDS LISTED

All toxicity average levels are reported in parts per million, where HCN stands for Hydrogen Cyanide, CO for Carbon Monoxide, NO_x for Nitrous gasses, SO₂ for Sulphur Dioxide, H₂S for Hydrogen Sulphide, HCl for Hydrogen Chloride, HF for Hydrogen Fluoride, and HBr for Hydrogen Bromide.

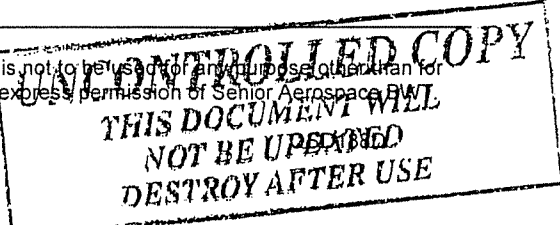
| TYPE | DUCT | CONDITION | HCN | CO | NO _x | SO ₂ /H ₂ S | HCl | HF | HBr |
|------------|-------------|-------------|-----|------|-----------------|-----------------------------------|-----|-----|----------|
| | | Limit | 150 | 1000 | 100 | 100 | 150 | 150 | No limit |
| FLEXIBLE | U62 | Flaming | 5 | 10 | 2 | 0 | 10 | 3 | 0 |
| | | Non-Flaming | 2 | <10 | 3 | 0 | 8 | 0 | 0 |
| | S4 | Flaming | <2 | 25 | 0 | 0 | 7 | <1 | 0 |
| | | Non-Flaming | <2 | <10 | 0 | 0 | 9 | 0 | 0 |
| | SPS | Flaming | 2 | 50 | 0 | 5 | 8 | 8 | 0 |
| | | Non-Flaming | 2 | 10 | 0 | 1 | 13 | 4 | 0 |
| SPSB | Flaming | <2 | 50 | 0 | 1 | 9 | 1 | <1 | |
| | Non-Flaming | <2 | <10 | 0 | 1 | 7 | 1 | 0 | |
| SEMI-RIGID | PD | Flaming | <2 | 10 | 0 | 10 | 13 | 2 | 0 |
| | | Non-Flaming | <2 | <10 | 0 | <1 | 13 | 4 | 0 |
| | PDB | Flaming | 2 | 100 | 0 | 4 | 12 | 2 | 0 |
| | | Non-Flaming | 2 | 50 | 0 | 0 | 8 | <1 | 0 |
| | PDA | Flaming | 2 | 50 | 0 | 3 | 8 | 1 | 0 |
| | | Non-Flaming | <2 | 10 | 0 | 0 | 7 | <1 | 0 |
| PDC | Flaming | <2 | 10 | 0 | 4 | 5 | 1 | 0 | |
| | Non-Flaming | <2 | <10 | 0 | 0 | 4 | 0 | 0 | |
| RIGID | PDF | Flaming | 5 | 100 | 0 | 15 | 8 | 4 | 0 |
| | | Non-Flaming | 2 | 25 | 0 | 0 | 10 | 3 | 0 |
| | PDFB | Flaming | 10 | 100 | 0 | 12 | 10 | 5 | 0 |
| | | Non-Flaming | 2 | 50 | 0 | 1 | 13 | 3 | 0 |
| | PDP | Flaming | 2 | 100 | 0 | 8 | 21 | 2 | 0 |
| | | Non-Flaming | 2 | 10 | 0 | 0 | 9 | 1 | 0 |
| PDPB | Flaming | 2 | 300 | 0 | 1 | 17 | 7 | 1 | |
| | Non-Flaming | 2 | 25 | 0 | 1 | 18 | 2 | 0 | |

NOTES

- 1 PDS is qualified by similarity to PD, the only difference between the two being that the PDS incorporates a non-flammable metallic helix.
- 2 S4B is qualified by similarity to SPSB, the only difference between the two being that the S4B incorporates a non-flammable metallic reinforcement in place of the non-metallic helix of SPSB.
- 3 When ABD0031 replaced ATS1000.001, toxicity measurements for both flaming and non-flaming conditions were reduced from checks at 1.5 and 4 minutes to a single check at 4 minutes but with some reduced gas limits. Any material required to meet ATS1000.001 is considered qualified if shown to meet the requirements of ABD0031.

CONCLUSION

All of the flexible, semi-rigid and rigid ducts passed the ABD0031 requirements of the toxicity test. None are expected to cause any problems with regards to toxic fumes when the ducts are exposed to decomposition temperatures and in the event of a fire.



148.4.10. ODOUR TEST


MATERIALS TESTED: FLEXIBLES, SEMI-RIGIDS AND RIGIDS LISTED

| TYPE | DUCT | CONDITIONING | OBSERVATIONS |
|------------|------|-------------------|-----------------------|
| FLEXIBLE | U62 | 120°C for 3 hours | No odour apparent. |
| | S4 | 150°C for 3 hours | No odour was present. |
| | SPS | 150°C for 3 hours | No odour was evident. |
| SEMI-RIGID | PD | 150°C for 3 hours | No odour was present. |
| | PDA | 150°C for 3 hours | No odour was evident. |
| | PDC | 150°C for 3 hours | No odour was present. |
| | PDS | 150°C for 3 hours | No odour was found. |
| RIGID | PDF | 150°C for 3 hours | No odour was present. |
| | PDP | 150°C for 3 hours | No odour apparent. |

CONCLUSION

The flexible, semi-rigid and rigid ducts tested passed the requirements of this test. Therefore, under normal operating conditions, if the ducts are exposed to elevated temperatures, none of them are expected to emit any form of noxious or unpleasant odour.

UNCONTROLLED COPY
THIS DOCUMENT WILL
NOT BE UPDATED
DESTROY AFTER USE

| | | |
|--|---|---|
|  Senior Aerospace BWT, Adlington Industrial Estate, Macclesfield, Cheshire, UK, SK10 4NL Tel: +44 (0)1625 870700 Fax: +44 (0)1625 879472 | DOCUMENT TITLE QUALIFICATION TEST REPORT | Date: 6 th January 2003 Issue: 7 Report No: BWT148 Page: 41 of 48 |
|--|---|---|

148.4.11. PRESSURE TEST AT LOW TEMPERATURE

MATERIALS TESTED: ALL FLEXIBLES

| DUCT | DIAMETER, in | LEAK RATE, lpm | | OBSERVATIONS |
|------|-----------------|----------------|-------|---------------------------------|
| | | Before | After | |
| U62 | 2.0 | 0.57 | 0.57 | No detrimental effect found. |
| S4 | 2.0 | 0.43 | 0.57 | No apparent detrimental effect. |
| SPS | 2.0 | 0.67 | 0.81 | No detrimental effect occurred. |

NOTES:

- 1 Sample length 12in
- 2 MAXIMUM LEAK RATE ALLOWED: 1.7 lpm.
- 3 lpm refers to litres per minute.

CONCLUSION

All the flexible ducts tested passed the test and illustrate that if they are harshly treated at low temperatures they will not be severely affected. The only observed changes were slight increases in leak flow rates that still do not approach, and certainly do not exceed, the maximum allowable.

S4B and **SPSB** are qualified by similarity to **S4** and **SPS** as the only difference is in the colour of the silicone coating of the membrane cloth achieved by the use of black rather than red iron oxide.

UNCONTROLLED COPY
 THIS DOCUMENT WILL
 NOT BE UPDATED
 DESTROY AFTER USE

148.4.12. PRESSURE TEST AT HIGH TEMPERATURE

MATERIALS TESTED: ALL FLEXIBLES

| DUCT | DIAMETER in | LEAK RATE, lpm | | OBSERVATIONS |
|------------|----------------|----------------|-------|---------------------------------|
| | | Before | After | |
| U62 | 2.0 | 1.20 | 1.00 | No detrimental effect occurred. |
| S4 | 2.0 | 1.50 | 1.75 | No detrimental effect found. |
| SPS | 2.0 | 1.35 | 1.70 | No detrimental effect occurred. |

NOTES

- 1 Sample length 18in
- 2 MAXIMUM LEAK RATE ALLOWED: 2.55 lpm.
- 3 lpm refers to litres per minute.

CONCLUSION

All the flexible ducts passed, illustrating that when harshly treated at high temperatures they will not be severely affected. The only effects observed in some cases were slight changes in leak flow rate that still do not approach the maximum allowed.

S4B and **SPSB** are qualified by similarity to **S4** and **SPS** as the only difference is in the colour of the silicone coating of the membrane cloth achieved by the use of black rather than red iron oxide.

In addition, pressure cycle testing has been carried out on individual semi-rigid and rigid parts as well as flexibles. They have successfully completed up to 150,000 cycles at temperatures up to 74°C (165°F) with no indication of ply separation, delamination, fibre damage, material degradation or permanent distortion, and the cycled ducts still met burst pressure requirements of up to 10psig.

UNCONTROLLED COPY
THIS DOCUMENT WILL
NOT BE UPDATED
DESTROY AFTER USE

148.4.13. FUNGAL TESTING

148.4.13.1. PROCEDURE A

MATERIALS TESTED: **U62 FLEXIBLE WITH A NEOPRENE (CR) CUFF, SPS FLEXIBLE WITH A SILICONE (Si) CUFF, PD SEMI-RIGID, PDF AND PDP RIGIDS.**

| DUCT | TYPE | OBSERVATIONS |
|----------------------|------------|--|
| U62 + CR CUFF | FLEXIBLE | No visible mould growth |
| SPS + Si CUFF | FLEXIBLE | No visible mould growth |
| PD | SEMI-RIGID | No visible mould growth |
| PDF | RIGID | Rating 1 - Trace of mould growth on the external surface |
| PDP | RIGID | Rating 1 - Trace of mould growth on the external surface |


NOTES

- 1 Rating 1 is applied to sparse growth covering 1 to 10% of the surface with no damage to the substrate after 28 days.
- 2 Control specimens gave profuse growth after only 7 days demonstrating the conditions within the test chamber are suitable for mould growth.

DISCUSSION

S4 is the same material construction as **SPS** but with an F6141 metallic reinforcement containing no fungal nutrients replacing the F6140 non-metallic reinforcement. Therefore the **SPS** qualification will also cover **S4** by similarity.

PD could be used to represent directly **PDS**, and the rigids **PDF** and **PDP** through similarity. **PDS** is the same material construction as the **PD** but with the inclusion of an F6141 metallic reinforcement, which is fully encapsulated and can be ignored as a fungal nutrient. **PDF** is the same material construction as the **PD** but with the inclusion of a F6037 rigid foam core, which is fully encapsulated and thus can be ignored as a potential fungal nutrient. In the same way the **PDP** fully encapsulated core of F6159 twin walled polycarbonate sheet can be ignored. The actual finding of a trace of mould growth on the external surfaces of both **PDF** and **PDP** sample box ducts is explained by the significant handling of these surfaces during sample manufacture leaving contamination that was not subsequently cleaned off. All these ducts are non-nutrient to the spores used.

| | | |
|--|--|---|
|  <p>BWT, Adlington Industrial Estate, Macclesfield, Cheshire, UK, SK10 4NL Tel: +44 (0)1625 870700 Fax: +44 (0)1625 879472</p> | <p>DOCUMENT TITLE</p> <p>QUALIFICATION TEST REPORT</p> | <p>Date: 6th January 2003</p> <p>Issue: 7</p> <p>Report No: BWT148</p> <p>Page: 44 of 48</p> |
|--|--|---|

148.4.13.2. PROCEDURE B

MATERIALS TESTED: **PDA AND PDC SEMI-RIGIDS**

| DUCT | TYPE | OBSERVATIONS |
|------|------------|--|
| PDA | SEMI-RIGID | No visible mould growth on either glass or aramid reinforced sides |
| PDC | SEMI-RIGID | No visible mould growth on either glass or carbon reinforced sides |

NOTE: Control specimens gave profuse growth after only 7 days demonstrating the conditions within the test chamber are suitable for mould growth.

DISCUSSION

Both **PDA** and **PDC** samples were surfaced on one side by glass laminations that are the same reinforced matrix as used in **PD**. As no fungal growth occurred on these surfaces **PD** semi-rigid is also qualified to this procedure. **PDS**, **PDF** and **PDP** would also be qualified by similarity to **PD** by the same arguments used above for procedure A.

CONCLUSION ON FUNGAL GROWTH

Flexibles, semi-rigid and rigid ducts and the cuffs used to attach them are not expected to be a cause for concern with regards to forms of fungal attack as the materials utilised in their construction have been demonstrated to be non-nutrients.

UNCONTROLLED COPY
THIS DOCUMENT WILL
NOT BE UPDATED
DESTROY AFTER USE

148.4.14. DAMAGE TEST

MATERIALS TESTED: FLEXIBLES LISTED AND PD SEMI-RIGID

| DUCT | LEAK RATE, lpm | | | | | OBSERVATIONS |
|-------------|----------------|--------|--------|--------|-------------|--|
| | Initial | Rate 1 | Rate 2 | Rate 3 | Max Allowed | |
| U62 | 0 | 0.35 | 0.35 | 0.9 | 4.20 | No sign of delamination. |
| S4 | 0 | 0.3 | 0.31 | 0.31 | 4.20 | No sign of delamination. |
| SPS | 0 | 0.4 | 0.4 | 0.45 | 4.20 | No sign of delamination. |
| PD 3 LAYER | 1.0 | 1.5 | 2.7 | 4.2 | 4.15 | Creases increasingly evident. |
| PD 5 LAYER | 0.9 | 1.2 | 1.7 | > 5.0 | 2.81 | Creases evident finally resulting in small splits. |
| PD 10 LAYER | 0.8 | 1.1 | 1.75 | > 5.0 | 4.59 | Creases evident finally resulting in small splits. |

NOTES

- 1 lpm refers to leak rate in litres per minute measured at 1psi.
- 2 None of the ducts tested burst when they were exposed to a pressure of 5psi after continual crushing.

CONCLUSIONS

All flexibles satisfactorily pass the requirements of this test. Although it would not be recommended that they be used after being crushed a number of times, the flexibles will still retain their low leak flow rates.

The PD ducts at 3, 5 and 10 layer did pass this test after two 'crushes'. After 3 'crushes' the ducts were found to have sustained minor damage resulting in the maximum allowable leak rates being exceeded. Both the 5 and 10 layer PD ducts were also found to contain small longitudinal splits. Consequently it is not recommended that PD ducts be used after any number of crushes even though they may appear to have survived from their relatively low leak rate values. The thicker that the PD duct is, then the more likely it is to sustain irreversible damage in the form of longitudinal splits illustrated by the increased leak rate.

For this reason other semi-rigids such as PDA, PDC and PDS, and rigids such as PDF and PDP have not been tested. It is recommended that all these duct types are not used after being fully crushed, even if they may appear to have survived according to their relatively low leak rate values. Their mechanical strength will definitely be impaired and may further drop on being stressed and/or vibrated, leading to subsequent leaking or failure.

148.4.15. CORROSION TESTING

MATERIALS TESTED: FLEXIBLES, SEMI-RIGIDS AND RIGIDS LISTED

| TYPE | DUCT | OBSERVATIONS |
|------------|------|---|
| FLEXIBLE | U62 | No evidence of corrosion or contamination was found on the aluminium. |
| | S4 | There was no evidence of corrosion or contamination on the aluminium. |
| | SPS | The aluminium surfaces were found to be unaffected by the duct. |
| SEMI-RIGID | PD | The surfaces of aluminium in contact with the material were unaffected. |
| RIGID | PDS | No evidence of corrosion or contamination was found on the aluminium. |
| | PDF | There was no contamination or corrosion in evidence on the aluminium. |
| | PDP | The surfaces of aluminium in contact with the duct were unaffected. |

CONCLUSION

These flexible, semi-rigid and rigid ducts all passed the requirements of this test. Therefore if the ducts are in contact with any metals under normal operating conditions, no corrosion, contamination or detrimental effect is expected to occur.

Neither PDA nor PDC have been tested, and are claimed to meet requirements by similarity to PD as only the thermoplastic matrix is in contact with the aluminium surface. The electrochemical behaviour of graphite that could lead to problems when CFRPs containing F6226 carbon fibre cloth come into contact with metal alloys is well known. Carbon is cathodic to most metal alloys and this can lead to corrosion unless adequate precautions are taken. All ducts containing carbon fabric reinforcement are specifically designed and constructed so that the carbon cannot come into contact with metal inserts or brackets.

UNCONTROLLED COPY
THIS DOCUMENT WILL
NOT BE UPDATED
DESTROY AFTER USE

| | | |
|---|--|--|
| <p>senior Aerospace</p> <p>BWT, Adlington Industrial Estate, Macclesfield, Cheshire, UK, SK10 4NL Tel: +44 (0)1625 870700 Fax: +44 (0)1625 879472</p> | <p>DOCUMENT TITLE</p> <p>QUALIFICATION TEST REPORT</p> | <p>Date: 6th January 2003 Issue: 7 Report No: BWT148 Page: 47 of 48</p> |
|---|--|--|

APPENDIX A : F6069 RIGID DUCT - ENVIRONMENTAL REPORT

Test results for **F6069 RIGID DUCTING** cured from
Fibredux 917 Prepreg
are presented in the Table on the next page.

UNCONTROLLED COPY
THIS DOCUMENT WILL
NOT BE UPDATED
DESTROY AFTER USE

TEST RESULTS SUMMARY FOR F6069 RIGID DUCTING

| 148.3 TEST | RESULTS & OBSERVATIONS | CONCLUSION |
|-------------------------------------|--|------------|
| 1 Leak Rate | NOT TESTED – Individual ducts are tested before release and meet requirements. | — |
| 2 Salt Water (Procedure A) | There was no sign of delamination or deterioration after removal from test solution. | PASS |
| 3 Water Immersion | No detrimental effect was evident to material on removal from test solution. | PASS |
| 4 Fluid Contamination (Procedure A) | The material was unaffected when contaminated with: DERD 2494 (JET A1) MIL-T-5624 / DERD 2454 (JP4) MIL-T-5624 / DERD 2452 (JP5) MIL-T-83133 / DERD 2453 (JP8) MIL-L-7808J / 0148 (AEROSHELL 308) AS1241 HD (SKYDROL 500B4) MIL-H-83282C / DTD585 (AEROSHELL 31) AS1241 LD (HYJET IV & SYDROL LD4) ORONITE M2V MIL-F-5566 / TT-I-735B (AEROSHELL 06A) OX7 (AEROSHELL 390) ESSO 274 DERD 2487 / OX38 (AEROSHELL 750) MIL-H-5606 (AEROSHELL 41) MIL-L-23699 (AEROSHELL 500). | PASS |
| 5 Solvent Contamination | The material was found to be unaffected when contaminated with; TOLUENE, XYLENE, BENZENE, ACETONE, CYCLOHEXANE, ISOPROPYL ALCOHOL, and WHITE SPIRIT. | PASS |
| 6 Plexiglas Crazing | A minute amount of residue was produced which did not affect the stressed acrylic in anyway. | PASS |
| 7 Flammability | Available supplier's data qualifies. | PASS |
| 8 Toxic Gas Emission | Available supplier's data qualifies. | PASS |
| 9 Smoke Emission | Available supplier's data qualifies. | PASS |
| 10 Odour | Tested at 120 °C (248°F) for 3 hours. No odour was evident. | PASS |
| 11 Pressure at Low Temp. | NOT TESTED | — |
| 12 Pressure at High Temp. | NOT TESTED | — |
| 13 Fungal Growth | BWT do not expect the material to support fungal attack. | — |
| 14 Damage | NOT TESTED | — |
| 15 Corrosion | Tested at 80 °C (176°F) for 72 hours. The surfaces of the metal in contact with the material were unaffected. | PASS |

This report is private and confidential. It is supplied on the express condition that it is not to be used for any purpose other than for information, and neither copied nor communicated to any other person without the express permission of Senior Aerospace BWT.

UNCONTROLLED COPY
THIS DOCUMENT WILL
NOT BE UPDATED QSD188D
DESTROY AFTER USE

MATERIAL DATA SHEET

| | | |
|---|--------------|---------------|
| MDS No: 6065 | MDS Issue: 4 | Sheet: 1 of 2 |
| BWT Material Reference: F6065 | | |
| Description: SILICONE PRESSURE SENSITIVE ADHESIVE. A low viscosity, pressure sensitive adhesive, which is translucent and light straw in colour. | | |

| ISSUE | DESCRIPTION | ORIGINATOR | CHECKED | APPROVED | DATE |
|-------|--------------------------|--------------|------------|------------|----------|
| 3 | New Format | L.McGuinness | R.C.Ayerst | T.S.Wright | 06/05/98 |
| 4 | Minimum Temp added in 4. | R.C.Ayerst | R.C.Ayerst | T.S.Wright | 26/05/00 |
| | | | | | |
| | | | | | |

This data sheet has been compiled by Senior Aerospace BWT, Adlington Industrial Estate, Adlington, Macclesfield, Cheshire, England, SK10 4NL. Tel: +44 (0) 1625 870700 Fax: +44 (0) 1625 879472. E-mail: technical@bwt.co.uk Website: www.senior-bwt.com
The information contained within this data sheet is representative of materials purchased from sources listed in our internal approved supplier document BWT/M151. It is private, confidential and supplied on the express condition that it is not to be used for any purpose, nor copied or communicated to any other person, without the permission of Senior Aerospace BWT.

1. INTRODUCTION

Silicone pressure sensitive adhesives are comprised of two major components, a flexible elastic silicone gum and a crystalline hard siloxane resin. The properties of this type of adhesive will vary with the ratio of gum to resin. If the percentage of gum is high then the adhesive will be sticky, but if the percentage of resin is high then the adhesive will have good peel and shear strength. By combining the basic silicone with a phenyl functional group, gums can be produced which have higher temperature performance, better electrical properties and more aggressive tactile adhesive response. To fully achieve any of these properties, it is essential the solvents are removed from the adhesive film and that it is properly cured using an appropriate accelerator. For room temperature cure F6065 is premixed with F6154.

2. PROPERTIES

- 2.1 F6065 will exhibit good adhesion to the most difficult to bond substrates, including dissimilar materials.
- 2.2 When cured F6065 will exhibit good peel strength, typically 2.7 kg/25 mm (6 lb/in). It also has excellent creep resistance.
- 2.3 Unlike some of the adhesives that are available, F6065 will retain many of its elastomeric properties when cured.

3. CHEMICAL RESISTANCE

This material offers good resistance to most organic and inorganic chemicals. In particular it shows a good resistance to solvents.

**UNCONTROLLED COPY
THIS DOCUMENT WILL
NOT BE UPDATED
DESTROY AFTER USE**

MATERIAL DATA SHEET

Senior
Aerospace

| | | |
|--|--------------|---------------|
| MDS No: 6065 | MDS Issue: 4 | Sheet: 2 of 2 |
| BWT Material Reference: F6065 | | |
| Description: SILICONE PRESSURE SENSITIVE ADHESIVE. A low viscosity, pressure sensitive adhesive, which is translucent and light straw in colour. | | |

4. TEMPERATURE LIMITATIONS

F6065 can operate at temperatures up to 149°C (300°F) without losing any significant strength in its adhesion properties, and has a maximum overrun temperature of 260°C (500°F). It will remain flexible down to -60°C (-76°F), but if cooled below this will regain its flexibility on rewarming.

5. SPECIFICATIONS

F6065 will meet the requirements of the following:

CAA specifications no 8, issue 2

FAR 25.853(a) amendment 25-83, Appendix F Part 1, section a.1.ii

UNCONTROLLED COPY
THIS DOCUMENT WILL
NOT BE UPDATED
DESTROY AFTER USE

QSD187B

MATERIAL DATA SHEET

| | | |
|---|--------------|---------------|
| MDS No: 6010 | MDS Issue: 5 | Sheet: 1 of 1 |
| BWT Material Reference: F6010 | | |
| Description: RED SILICONE COATED GLASS CLOTH. A flexible glass fabric coated on one side only with red silicone rubber. | | |

| ISSUE | DESCRIPTION | ORIGINATOR | CHECKED | APPROVED | DATE |
|-------|--|---------------|------------|------------|----------|
| 4 | New Format | L. McGuinness | R.C.Ayerst | T.S.Wright | 23/03/98 |
| 5 | Weight as typical / Tensile & ABD 0031 added | R.C.Ayerst | R.C.Ayerst | T.S.Wright | 04/05/99 |
| | | | | | |

This data sheet has been compiled by Senior Aerospace BWT, Adlington Industrial Estate, Adlington, Macclesfield, Cheshire, England, SK10 4NL. Tel: +44 (0) 1625 870700 Fax: +44 (0) 1625 879472. E-mail: technical@bwt.co.uk Website: www.senior-bwt.com
The information contained within this data sheet is representative of materials purchased from sources listed in our internal approved supplier document BWT/M151. It is private, confidential and supplied on the express condition that it is not to be used for any purpose, nor copied or communicated to any other person, without the permission of Senior Aerospace BWT.

1. INTRODUCTION

Silicone rubbers are based on linear polymers and have a high molecular weight with a backbone construction of silicon-oxygen linkages. As with other elastomers of this nature, it is necessary to cross-link or heat cure the gum material into its pre-formed shape, in this case spread onto one side of rolls of glass fabric, to produce the properties typical of elastomers. The physical and chemical properties of silicone rubbers can be modified by the incorporation of appropriate fillers and additives.

2. PROPERTIES

- 2.1 Silicone rubber coated fabrics are found to be excellent electrical insulators. Resistance to ultra-violet light and ozone attack are also very good.
- 2.2 Oxidation, that can quickly destroy organic elastomers, is virtually non-existent with silicone rubber.
- 2.3 Silicones are noted for their "non stick" properties and water resistance. Their mechanical properties show little change after long periods of immersion.
- 2.4 The tensile strength of F6010 is >250 N/cm (>143 lbf/in) for both warp & weft.
- 2.5 Typical coated fabric weight is 200 g/m² (5.9 oz/yd²).

3. CHEMICAL RESISTANCE

F6010 is resistant to moderate or oxidising chemicals, and aviation fluids and fuels.

4. TEMPERATURE LIMITATIONS

This fabric will operate continuously from -65 to 200°C (-85 to 392°F) and has a maximum overrun operating temperature of 260°C (500°F). Exposure to higher temperatures may have a limiting effect on the life of the material.

5. SPECIFICATIONS

F6010 will meet the requirements of the following:

| | | |
|---------------------------------|--------------|----------|
| CAA Specification no 8, issue 2 | ATS 1000.001 | ABD 0031 |
| FAR 25.853 | BS476 part 7 | |

**UNCONTROLLED COPY
THIS DOCUMENT WILL
NOT BE UPDATED
DESTROY AFTER USE**

MATERIAL DATA SHEET

| | | |
|---|---------------------|----------------------|
| MDS No: 6046 | MDS Issue: 4 | Sheet: 1 of 1 |
| BWT Material Reference: F6046 | | |
| Description: FR RTV SILICONE SEALANT. A one component, ready to use, room temperature curable, silicone sealant paste, which contains a non-halogen flame retardant. | | |

| ISSUE | DESCRIPTION | ORIGINATOR | CHECKED | APPROVED | DATE |
|-------|-----------------------|---------------|------------|------------|----------|
| 3 | New Format | L. McGuinness | R.C.Ayerst | T.S.Wright | 26/03/98 |
| 4 | Min. temp. elaborated | R.C.Ayerst | R.C.Ayerst | T.S.Wright | 06/06/01 |
| | | | | | |
| | | | | | |

This data sheet has been compiled by Senior Aerospace BWT, Adlington Industrial Estate, Adlington, Macclesfield, Cheshire, England, SK10 4NL. Tel: +44 (0) 1625 870700 Fax: +44 (0) 1625 879472. E-mail: technical@bwt.co.uk Website: www.senior-bwt.com
The information contained within this data sheet is representative of materials purchased from sources listed in our internal approved supplier document BWT/M151. It is private, confidential and supplied on the express condition that it is not to be used for any purpose, nor copied or communicated to any other person, without the permission of Senior Aerospace BWT.

1. INTRODUCTION

Silicones are based on polymers that are comprised of a backbone of silicon-oxygen-silicon atoms linked together. It is the silicon-oxygen linkages that account for the properties of silicones. Therefore they are different from other organic materials which are based on backbones of carbon-carbon atoms linked together. The silicone bond linkage is similar to those bond linkages found in other high temperature resistant materials such as quartz, sand and glass. The chemical structure of the sealant also accounts for its general inertness towards many deteriorating influences such as ozone, chemicals, weathering and radiation.

2. PROPERTIES

- 2.1 F6046 has low flammability properties that have been enhanced with the addition of a flame retardant.
- 2.2 It is resistant to high temperatures and shows low temperature flexibility, being able to retain its elastomeric properties.
- 2.3 It exhibits excellent weatherability and ozone resistance, providing a long service life and reliability in harsh conditions.
- 2.4 It has excellent electrical insulation properties.

3. CHEMICAL RESISTANCE

F6046 offers very good resistance to most organic chemicals and inorganic chemicals, solvents and oils, but it may swell or degrade on prolonged contact with gas or fuel.

4. TEMPERATURE LIMITATIONS

This material maintains full flexibility for continuous use from -60 to 204°C (-76 to 400°F), with a maximum overrun temperature of 250°C (482°F). At even lower temperatures flexibility may be reduced, but will be regained on rewarming.

5. SPECIFICATIONS

F6046 will meet the requirements of the following:

CAA Specification no 8, issue 2

UL 94 V-0

**UNCONTROLLED COPY
THIS DOCUMENT WILL
NOT BE UPDATED
DESTROY AFTER USE**

MATERIAL DATA SHEET

| | | |
|--|---------------------|----------------------|
| MDS No: 6005 | MDS Issue: 8 | Sheet: 1 of 2 |
| BWT Material Reference: F6005 | | |
| Description: SILICONE SHEETING. A flexible silicone rubber sheeting material, red in colour and used at a thickness of 0.8 mm (¹ / ₃₂ in). | | |

| ISSUE | DESCRIPTION | ORIGINATOR | CHECKED | APPROVED | DATE |
|-------|------------------------------|--------------|------------|------------|----------|
| 6 | New format | L.McGuinness | R.C.Ayerst | T.S.Wright | 23/03/98 |
| 7 | Add item 2.5 & ABD0031 | R.C.Ayerst | R.C.Ayerst | T.S.Wright | 21/01/00 |
| 8 | Clarify low temperature in 4 | R.C.Ayerst | R.C.Ayerst | T.S.Wright | 25/07/02 |
| | | | | | |

This data sheet has been compiled by Senior Aerospace BWT, Adlington Industrial Estate, Adlington, Macclesfield, Cheshire, England, SK10 4NL. Tel: +44 (0) 1625 870700 Fax: +44 (0) 1625 879472. E-mail: technical@bwt.co.uk Website: www.senior-bwt.com
The information contained within this data sheet is representative of materials purchased from sources listed in our internal approved supplier document BWT/M151. It is private, confidential and supplied on the express condition that it is not to be used for any purpose, nor copied or communicated to any other person, without the permission of Senior Aerospace BWT.

1. INTRODUCTION

Silicone rubbers are based on linear polymers and have a high molecular weight. As with other rubbers, it is necessary to cross-link or cure these linear polymers in order to obtain the characteristic elastic properties of elastomers. General purpose silicones are based on polydimethylsiloxanes. Physical and chemical properties of these materials can be varied by the addition of an appropriate filler.

2. PROPERTIES

- 2.1 In cured form, silicone rubbers are resistant to oxidative degradation.
- 2.2 Weathering and ozone resistances of silicones are found to be very good.
- 2.3 The oil resistant properties of silicones are far superior to natural, butyl and SBR rubbers.
- 2.4 Silicone rubbers in general have very good water resistance, but may break down if immersed in superheated water or steam above 0.35 MPa (50 psi).
- 2.5 Typical physical properties are as follows:
 - Hardness: 60 Shore A
 - Specific Gravity: 1.55
 - Minimum Tensile Strength: 4.0 MPa (480 psi)
 - Elongation: 125% minimum
 - Minimum Tear Strength: 9.0 kN/m (51 lbf/in)

3. CHEMICAL RESISTANCE

F6005 will offer very good resistance to most organic chemicals and inorganic chemicals. It will also offer good resistance to solvents and oils.

**UNCONTROLLED COPY
THIS DOCUMENT WILL
NOT BE UPDATED
DESTROY AFTER USE**

MATERIAL DATA SHEET

| | | |
|--|--------------|---------------|
| MDS No: 6005 | MDS Issue: 8 | Sheet: 2 of 2 |
| BWT Material Reference: F6005 | | |
| Description: SILICONE SHEETING. A flexible silicone rubber sheeting material, red in colour and used at a thickness of 0.8 mm ($\frac{1}{32}$ in). | | |

4. TEMPERATURE LIMITATIONS

Silicone rubber will easily retain its properties down to temperatures of at least -60°C (-75°F) and up to 200°C (392°F). At lower temperatures it will gradually lose its flexibility but this will be regained on rewarming. It has a maximum overrun temperature of 250°C (482°F). Exposure to higher temperatures may have a limiting effect on the life of the rubber, but it will recover from any hardening experienced at even lower temperatures on warming.

5. SPECIFICATIONS

F6005 silicone sheeting will meet the requirements of the following:

CAA Specification no 8, issue 2

FAR 25.853(a) amendment 25-83, Appendix F Part 1, section a.1.ii

ABD0031

UNCONTROLLED COPY
THIS DOCUMENT WILL
NOT BE UPDATED
DESTROY AFTER USE

MATERIAL DATA SHEET

| | | |
|---|---------------------|----------------------|
| MDS No: 6066 | MDS Issue: 3 | Sheet: 1 of 2 |
| BWT Material Reference: F6066 | | |
| Description: ROOM TEMPERATURE CURE SILICONE SEALANT. A one part, transparent, moisture activated, room temperature curing, silicone rubber sealant that is relatively soft when cured. | | |

| ISSUE | DESCRIPTION | ORIGINATOR | CHECKED | APPROVED | DATE |
|-------|---------------------|--------------|------------|------------|----------|
| 2 | New Format | L.McGuinness | R.C.Ayerst | T.S.Wright | 30/03/98 |
| 3 | Revised paragraph 4 | R.C.Ayerst | R.C.Ayerst | T.S.Wright | 26/05/00 |
| | | | | | |
| | | | | | |

This data sheet has been compiled by Senior Aerospace BWT, Adlington Industrial Estate, Adlington, Macclesfield, Cheshire, England, SK10 4NL. Tel: +44 (0) 1625 870700 Fax: +44 (0) 1625 879472. E-mail: technical@bwt.co.uk Website: www.senior-bwt.com
The information contained within this data sheet is representative of materials purchased from sources listed in our internal approved supplier document BWT/M151. It is private, confidential and supplied on the express condition that it is not to be used for any purpose, nor copied or communicated to any other person, without the permission of Senior Aerospace BWT.

1. INTRODUCTION

One part room temperature curing silicones consist of polydimethylsiloxanes, cross-linking agents and in most cases fillers. Occasionally these materials may also include solvents and additives. Actual curing of the material will occur on exposure to moisture contained in the air that liberates the hydrolysis products. A skin forms at the surface of the rubber, which gradually move inwards as cure progresses. F6066 will adhere well to many substrates. The quality of the bond depends upon the nature of the substrate. Adhesion may be enhanced by preparing the surfaces beforehand with a suitable primer.

2. PROPERTIES

- 2.1 This material has good thermal resistance properties and retains flexibility at upper and lower limit temperatures.
- 2.2 F6066 has a good resistance to weathering and ageing with many of its physical properties remaining unchanged after years of outdoor exposure.
- 2.3 This silicone-based material has better gas permeability properties than natural rubber, particularly at room temperature.
- 2.4 F6066 has a water vapour permeability of around 20 g/m²/d (0.6 oz/yd²) tested by DIN 53122 (climatic conditions D) at a thickness of 2 mm (0.079 in).
- 2.5 Electrical properties of this material, particularly at room temperature, are comparable to those of other insulating materials. Temperature is found to have very little effect on volume resistivity, dielectric constant and dissipation factor.
- 2.6 Cured F6066 has a maximum 4% shrinkage when tested by DIN 52451.

**UNCONTROLLED COPY
THIS DOCUMENT WILL
NOT BE UPDATED
DESTROY AFTER USE**

MATERIAL DATA SHEET

senior
Aerospace

| | | |
|---|--------------|---------------|
| MDS No: 6066 | MDS Issue: 3 | Sheet: 2 of 2 |
| BWT Material Reference: F6066 | | |
| Description: ROOM TEMPERATURE CURE SILICONE SEALANT. A one part, transparent, moisture activated, room temperature curing, silicone rubber sealant that is relatively soft when cured. | | |

2. PROPERTIES (Cont.):

2.7 Typical Electrical Properties are as follows:

| | |
|----------------------------------|------------------------------|
| Volume Resistivity (DIN 53482): | |
| at 23°C (73°F) dry | 8x10 ¹⁴ Ω .cm |
| at 60°C (140°F) wet | 5x10 ¹³ Ω .cm |
| Dielectric Strength (DIN 53482): | 21 kV/mm |
| Tracking Resistance (DIN 53480): | KA3c |
| Dielectric Constant (DIN 53483): | |
| at RT, 50 Hz to 5 MHz | 3.1 – 2.8 |
| Dissipation factor tan δ: | |
| at RT, 50 Hz to 5 MHz | (28 – 10) x 10 ⁻⁴ |

2.8 Typical Mechanical Properties are as follows:

| | | |
|---------------------------------------|---------|-------------|
| Shore A Hardness (DIN 53505): | 30° | |
| Tensile Strength (DIN 5304, S3A): | 4.5 MPa | (650 psi) |
| Elongation at Break (DIN 53504, S3A): | 500 % | |
| Tear Strength (ASTM D624 form B): | 13 N/mm | (74 lb/in) |

3. CHEMICAL RESISTANCE

This material shows good resistance to weak acids and alkalis, polar solvents and salt solutions. Some hydrocarbons and chlorinated hydrocarbons will cause a reversible swelling to varying degrees.

4. TEMPERATURE LIMITATIONS

F6066 has good retention of properties from -50°C (-58°F) up to 250°C (482°F). It will stiffen at lower temperatures and lose its flexibility below -60°C (-76°F), but this will be regained on rewarming.

5. SPECIFICATIONS

This material will meet the requirements of the following:

- CAA specification no 8, issue 2
- FAR 25.853(a) amendment 25-83, Appendix F Part 1, section a.1.ii
- ATS 1000.001

**UNCONTROLLED COPY
THIS DOCUMENT WILL
NOT BE UPDATED
DESTROY AFTER USE**

QSD187B

MATERIAL DATA SHEET

| | | |
|--|---------------------|----------------------|
| MDS No: 6140 | MDS Issue: 3 | Sheet: 1 of 2 |
| BWT Material Reference: F6140 | | |
| Description: HIGH TEMPERATURE THERMOPLASTIC REINFORCEMENT. A black extruded filament of high temperature thermoplastic. | | |

| ISSUE | DESCRIPTION | ORIGINATOR | CHECKED | APPROVED | DATE |
|-------|--------------------------|--------------|------------|------------|----------|
| 2 | New format | L.McGuinness | R.C.Ayerst | T.S.Wright | 16/04/98 |
| 3 | Temp limitations revised | R.C.Ayerst | R.C.Ayerst | T.S.Wright | 07/06/01 |
| | | | | | |
| | | | | | |

This data sheet has been compiled by Senior Aerospace BWT, Adlington Industrial Estate, Adlington, Macclesfield, Cheshire, England, SK10 4NL. Tel: +44 (0) 1625 870700 Fax: +44 (0) 1625 879472. E-mail: technical@bwt.co.uk Website: www.senior-bwt.com
The information contained within this data sheet is representative of materials purchased from sources listed in our internal approved supplier document BWT/M151. It is private, confidential and supplied on the express condition that it is not to be used for any purpose, nor copied or communicated to any other person, without the permission of Senior Aerospace BWT.

1. INTRODUCTION

Polyarylsulphones are polymers that contain recurring sulphone groups in the main chain. The sulphone group is highly polar, and those polymers that contain sulphone, ether and phenyl groups are expected to have high temperature softening points. Additions of these groups into the structure of the material will contribute to interchain flexibility of the polymer. This is manifested as high toughness, elongation and ductility, as well as ease of melt fabrication.

2. PROPERTIES

2.1 F6140 has outstanding thermal properties and thermal stability over extended periods of use.

2.2 It has excellent toughness properties and creep resistance.

2.3 F6140 has excellent resistance to boiling water and steam.

2.4 It exhibits good electrical properties.

2.5 Typical Specific Properties are as follows:

2.5.1 Thermal Properties:

Heat Deflection Temperature: 207°C (405°F)
[By ASTM D648 - 0.125 in bar at 1.82 MPa (264 psi) annealed 1h at 200°C (392°F)]

2.5.2 Mechanical Properties: Tested by ASTM

| | | | |
|--------------------|-------|-----------|--------------|
| Tensile Strength: | D-638 | 69.6 MPa | (10100 psi) |
| Tensile Modulus: | D-638 | 2,340 MPa | (340000 psi) |
| Flexural Strength: | D-790 | 91 MPa | (13200 psi) |
| Flexural Modulus: | D-790 | 2,410 MPa | (350000 psi) |

**UNCONTROLLED COPY
THIS DOCUMENT WILL
NOT BE UPDATED
DESTROY AFTER USE**

MATERIAL DATA SHEET

Senior
Aerospace

| | | |
|---|--------------|---------------|
| MDS No: 6140 | MDS Issue: 3 | Sheet: 2 of 2 |
| BWT Material Reference: F6140 | | |
| Description: HIGH TEMPERATURE THERMOPLASTIC REINFORCEMENT. A black extruded filament of high temperature thermoplastic. | | |

3. CHEMICAL RESISTANCE

F6140 is only soluble in a limited number of organic solvents including methylene chloride. It exhibits excellent hydrolytic stability and resistance to mineral acids, alkalis and salt solutions even under stressed conditions at elevated temperatures. However this material may be stress crazed by the most aggressive solvents such as ketones, esters and aromatic hydrocarbons, which should be avoided.

4. TEMPERATURE LIMITATIONS

F6140 exhibits outstanding thermal resistance which will allow long term exposure to elevated temperatures, being resistant to continuous use at 200°C (392°F), short term exposure at 210°C (410°F) and intermittent at 240°C (464°F). However as it has a glass transition temperature of 220°C (428°F) it will lose its rigidity above that temperature. Below this glass transition temperature F6140 will be a rigid material that will withstand very low temperatures with no loss in performance.

5. SPECIFICATIONS

F6140 will meet the requirements of the following:

- CAA Specification 8, issue 2.
- FAR 25.853
- ATS1000.001
- ABD0031
- UL 94V-0

UNCONTROLLED COPY
THIS DOCUMENT WILL
NOT BE UPDATED
DESTROY AFTER USE

QSD187B

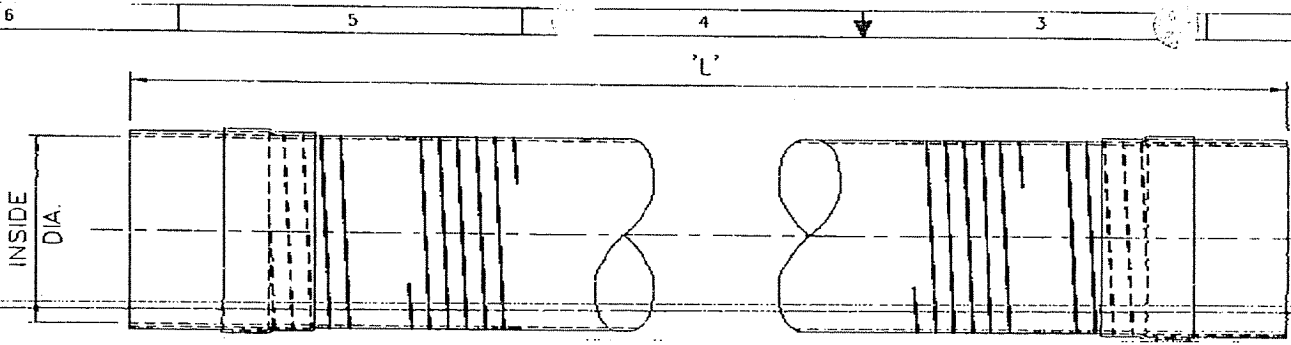


FIG.1-DUCT WITH STANDARD CUFF ENDS

| REVISIONS | | | |
|-----------|---|----------|-----------|
| REV | DESCRIPTION | DATE | APPROVED |
| HC | NEW DRAWING | 16/3/94 | M.D.S. |
| A | NOTE b) x. ADDED LOC. SHT. 3 NOTE d) iii WAS "FOR BLADED INSERT TOLERANCES SEE BWT7500" LOC. SHT. 3 AL. INSERT REF. DWG. WAS BWT7500 LOC. SHT. 1 ZONE B6 | 26/7/96 | M.D.S. |
| B | CODE 4 & 5 ADDED TO SHT.2. LOC. A5 & C6. NOTE b w). ADDED AND NOTE d iv) MODIFIED SHEET 3 LOC.B6 AND C6. | 10/2/98 | I.PARROTT |
| C | CODE X. ADDED TO CAL. UP. NO. LOC. B5. SHT. 2 NOTE x ADDED TO NOTE BLOCK LOC. A5 SHT.3 REF. WDN D1489 | 11.11.99 | J.P. |

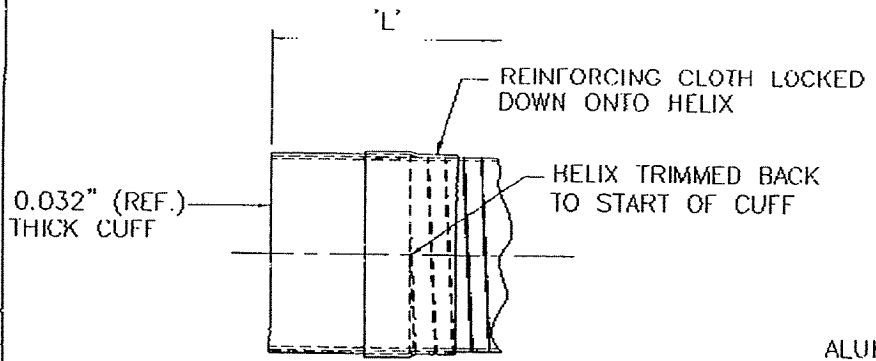


FIG.2-STANDARD CUFF END
SEE NOTE d).iv.

ALUMINIUM INSERT,
REF. DWG. BWT22
BEADED AS PER
MS33660, TYPE 'A'

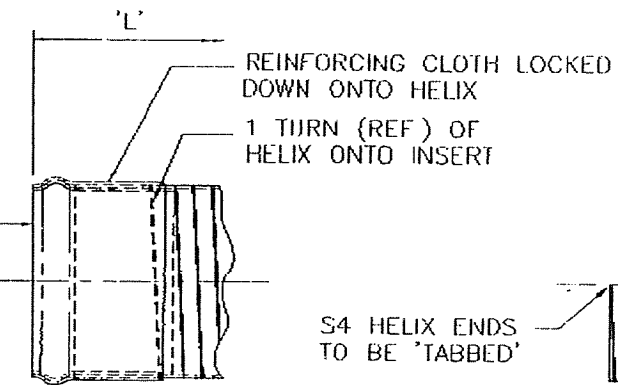


FIG.3-BEADED INSERT END

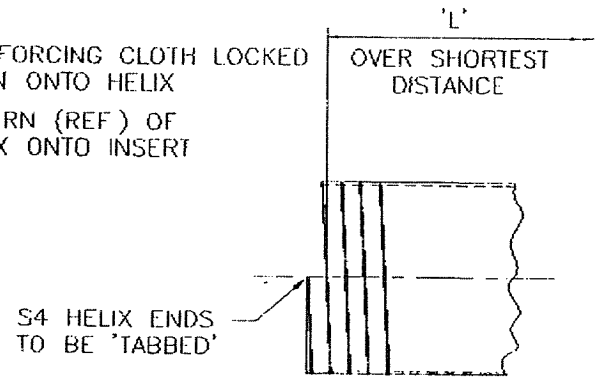


FIG.4-FREE END

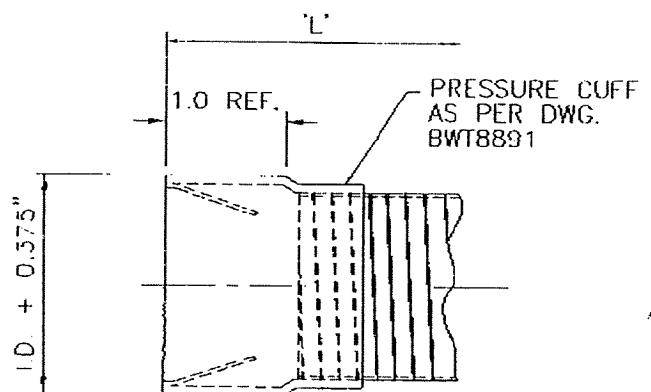


FIG.5-PRESSURE CUFF END
SEE NOTE b).vi.

UNCONTROLLED COPY
THIS DOCUMENT WILL
NOT BE UPDATED
DESTROY AFTER USE

THIS DRAWING IS PRIVATE & CONFIDENTIAL & IS SUPPLIED ON THE EXPRESS CONDITION THAT IT IS NOT TO BE USED FOR ANY PURPOSE OR EITHER OR COMMUNICATED TO ANY OTHER PERSON WITHOUT THE PERMISSION OF B.W.T. LTD.

| | | | |
|--|--------------------|---|---------------|
| UNLESS OTHERWISE STATED DIMENSIONS ARE IN INCHES | DEFN. G.E.O. | BAXTER WOODHOUSE & TAYLOR LTD. AIR INGTON, MACCLESFIELD, CHESHIRE, SK10 4LL, ENGLAND | |
| UNLESS OTHERWISE STATED TOLERANCES ARE AS FOLLOWS | CKD. M.D.SHORTMAN | TITLE STANDARD LIGHTWEIGHT LOW PRESSURE IMPERIAL FLEXIBLE DUCTING | |
| LENGTHS ±0.125 | APPD. M.D.SHORTMAN | PROJECTION | DRG.No. BWT10 |
| DIAMETERS ±0.030 | | SCALE N.T.S. | REV C |
| ANGLES N/A | | | SHEET 1 OF 3 |

TABLE 1-OPERATING TEMPERATURES & APPROX. WEIGHTS

| DUCT TYPE | MINIMUM TEMP. | | NORMAL OPERATING TEMP. | | SHORT TERM OPERATING TEMP. | | OVER RUN MAXIMUM TEMP. | | APPROX. WEIGHT/FOOT (2.0" DIA.) | MATERIAL |
|-----------|---------------|-----|------------------------|-----|----------------------------|-----|------------------------|-----|---------------------------------|--|
| | C | F | C | F | C | F | C | F | | |
| S4 | -65 | -85 | 200 | 392 | 225 | 437 | 250 | 482 | 34 grammes | RED SILICONE COATED GLASSCLOTH MEMBRANE WITH STAINLESS STEEL HELIX |
| U62 | -65 | -85 | 200 | 392 | 210 | 410 | 240 | 464 | 28 grammes | POLYURETHANE COATED NYLON MEMBRANE WITH NYLON HELIX |
| SPS | -65 | -85 | 200 | 392 | 210 | 410 | 240 | 464 | 28 grammes | RED SILICONE COATED GLASSCLOTH MEMBRANE WITH NON-METALLIC HELIX |
| S4B | -65 | -85 | 200 | 392 | 225 | 437 | 250 | 482 | 34 grammes | BLACK SILICONE COATED GLASSCLOTH MEMBRANE WITH STAINLESS STEEL HELIX |
| SPSB | -65 | -85 | 200 | 392 | 210 | 410 | 240 | 464 | 28 grammes | BLACK SILICONE COATED GLASSCLOTH MEMBRANE WITH NON METALLIC HELIX |

| REVISIONS | | | |
|-----------|--|----------|-----------|
| REV | DESCRIPTION | DATE | APPROVED |
| NC | NEW DRAWING | 16/3/94 | M.D.S. |
| A | NOTE b) v. ADDED LOC. SHT. 3 NOTE d) iii. WAS FOR BEADED INSERT TOLERANCES SEE BWT7500 LOC. SHT. 3 AL. INSERT REF. DWG. WAS BWT7500 LOC. SHT. 1 ZONE B6 | 26/7/96 | M.D.S. |
| B | CODE 4 & 5 ADDED TO SHT.2. LOC A5 & C6. NOTE b) vi). ADDED AND NOTE d) iv) MODIFIED SHEET 3 LOC.B6 AND C6 | 10/2/98 | I.PARROTT |
| C | CODE X ADDED TO CALL UP NO. LOC. B5 SHT. 2 NOTE X ADDED TO NOTEBOOK LOC. A5 SHT.3 REF. WON D1489 | 11.11.99 | I.P. |

EXAMPLE OF PART NUMBER CALL UP

BWT10-10B0452A (i.e. S4 DUCT, 1.0" DIA. x 45.5" LONG, FITTED WITH 2 STANDARD CUFFS)

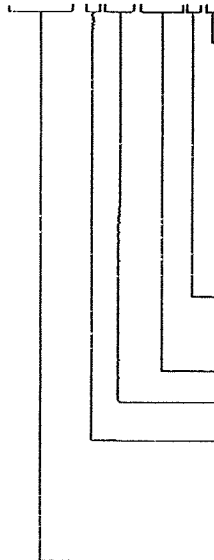


TABLE 2-LENGTHS, INCREMENTS & TOLERANCES

| 'L' HOSE LENGTH | AVAILABLE LENGTH INCREMENT | 'L' LENGTH TOLERANCE |
|------------------|----------------------------|----------------------|
| 4.00 TO 12.00 | 0.25 | +0.25/- .00 |
| 12.50 TO 24.00 | 0.50 | +0.50/- .00 |
| 24.50 TO 60.00 | 0.50 | +0.75/- .00 |
| 60.50 TO 96.00 | 0.50 | +1.00/- .00 |
| 97.00 TO 144.00 | 1.00 | +1.50/- .00 |
| 145.00 TO 999.00 | 1.00 | +2.00/- .00 |

UNCONTROLLED COPY
THIS DOCUMENT WILL NOT BE UPDATED
DESTROY AFTER USE

THIS DRAWING IS PRIVATE & CONFIDENTIAL & IS SUPPLIED ON THE EXPRESS CONDITION THAT IT IS NOT TO BE USED FOR ANY PURPOSE OR COPIED OR COMMUNICATED TO ANY OTHER PERSON WITHOUT THE PERMISSION OF B.W.T. LTD.

| | | | |
|---|--------------------|---|---------------|
| UNLESS OTHERWISE STATED DIMENSIONS ARE IN INCHES | URN. G.E.D. | BAXTER WOODHOUSE & TAYLOR LTD. AXLINGTON, WACCLESFIELD, CHESHIRE, SK10 4NU, ENGLAND. | |
| UNLESS OTHERWISE STATED TOLERANCES ARE AS FOLLOWS | CRD. M.D.SHORTMAN | TITLE STANDARD LIGHTWEIGHT LOW | |
| LENGTHS ±0.125 | APPD. M.D.SHORTMAN | PRESSURE IMPERIAL FLEXIBLE DUCTING | |
| DIAMETERS ±0.030 | PROJECTION | B | DWG.No. BWT10 |
| ANGLES N/A | | SCALE N.T.S. | REV C |
| | | | SHEET 2 OF 3 |

NOTES

- a). OTHER FLEXIBLE STANDARD DRAWINGS IN THE B.W.T RANGE INCLUDE -
 - i. BWT11/16 : FLEX. DUCTING : METRIC & PURE METRIC* RESPECTIVELY
 - ii. BWT12/13/17 : INSULATED FLEX. DUCTING : IMPERIAL, METRIC & PURE METRIC* RESPECTIVELY
 - iii. BWT14/15/18 : FLEX. SILENCER : IMPERIAL, METRIC & PURE METRIC* RESPECTIVELY
 - * : METRIC & PURE METRIC IS WITH RESPECT TO DIAMETERS ONLY
e.g. METRIC = 50.8mm(2.0"), PURE METRIC - 50mm
- b). PRESSURE CUFFS (REF. FIG. 5 & 6)
 - i. MAX. DIAMETER AVAILABLE 2.50"
 - ii. LIMITING PRESSURE 2.5 P.S.I. BURST
 - iii. FOR DIMENSIONAL DETAIL AND MODE OF OPERATION SEE DRAWING BWT8891.
 - iv. ~~DEPENDING ON QUANTITY AND DIAMETER TOOLING CHARGES MAY APPLY THIS~~
 - v. ~~WILL BE ADVISED AT TIME OF ENQUIRY.~~
 - vi. ~~INTERNATIONAL PATENT APPLICATION W095/24580~~
 - vii). PRESSURE CUFF COATED WITH BLACK SILICONE RUBBER COMPOUND FOR ALL FLEXIBLES CODED 4 & 5.
- c). DIAMETERS
 - i. MINIMUM DIAMETER 0.75" - S4, SPS, S4B & SPSB 0.375" - U62. MAXIMUM DIAMETER 6.0" - S4, SPS, S4B, SPSB & U62.
 - ii. 0.375" DIAMETER TO 3.0" DIAMETERS ARE AVAILABLE IN INCRMENTS OF 0.125". ABOVE 3.0" DIAMETER, INCREMENTS ARE IN 0.25" STEPS.
- d). STANDARD CUFFS AND BEADED INSERTS (REFER FIGS. 2, 3 & 7).
 - i. MINIMUM DIAMETER AVAILABLE = 0.50"
 - ii. LENGTHS OF CUFFS AND INSERTS ARE AS FOLLOWS:-
UP TO AND INCLUDING 1.575" DIAMETER = 1.25" LONG
1.50" DIAMETER AND ABOVE = 1.50" LONG.
 - iii. FOR BEADED INSERT TOLERANCES SEE DRAWING BWT22
 - iv. CUFF MATERIAL - SILICONE RUBBER FOR S4 & SPS, NEOPRENE RUBBER FOR U62.
- SILICONE RUBBER COATED WITH BLACK SILICONE RUBBER COMPOUND FOR ALL FLEXIBLES CODED 4 & 5.
- e). IDENTIFICATION
 - EACH DUCT SHALL BE LEGIBLY MARKED WITH THE FOLLOWING:-
 - i. PART NUMBER
 - ii. BATCH NUMBER
 - iii. DATE OF MANUFACTURE EXPRESSED IN TERMS OF MONTH AND YEAR e.g. JAN 94
 - iv. BWT NAME AND TRADEMARK
- f). DUCT CUFF ENDS SHALL BE SUITABLE FOR INSTALLATION OVER A RIGID TUBE END WITH MS33660, TYPE 'A' BEADS OR SIMILAR.
- g). NO JOINTS ALLOWED CLOSER THAN 6.0" TO THE END OF DUCT, OTHERWISE AS REQUIRED. JOINTS ACHIEVED BY SCREWING ONE END INSIDE ANOTHER FOR A MINIMUM OF TWO TURNS AND ADHESIVE BONDING MATING SURFACES. THERE SHALL BE NO MEASURABLE PRESSURE DROP AS A RESULT OF SUCH JOINT OR JOINTS.
- h). ANY NEGATIVE PRESSURE REQUIREMENTS MUST BE DISCUSSED WITH BAXTER, WOODHOUSE & TAYLOR, REF. BWT TEST REPORT 175: NEGATIVE PRESSURE CAPABILITIES OF FLEXIBLE DUCTING.
- i). NON-CIRCULAR DUCTING, TAPERS, SEMI-RIGID CONNECTORS AND COMPLETE AIR DISTRIBUTION SYSTEMS AVAILABLE TO CUSTOMER'S OWN REQUIREMENTS ON REQUEST.
- j). SPECIAL CUFFS, FLANGES AND DUCT TERMINATIONS AVAILABLE TO CUSTOMERS OWN REQUIREMENTS ON REQUEST.
- x) CODE X IS FOR STOCK LENGTHS OF FLEXIBLE DUCTING ONLY
 - i. NOTES b), d), e) AND f) DO NOT APPLY
 - ii. 'L' LENGTH TOLERANCE TO BE ±6.00
 - iii. LEAK CHECK TO BE CARRIED OUT ON ONE REPRESENTATIVE SAMPLE LENGTH FROM EACH BATCH
 - iv. EACH BATCH TO BE LEGIBLY MARKED WITH PART NUMBER, BATCH NUMBER, DATE OF MANUFACTURE, BWT NAME AND TRADEMARK

UNCONTROLLED COPY
THIS DOCUMENT WILL
NOT BE UPDATED
DESTROY AFTER USE

REVISIONS

| REV | DESCRIPTION | DATE | APPROVED |
|-----|---|----------|-----------|
| MC | NEW DRAWING | 15/3/94 | M.D.S. |
| A | NOTE b) v. ADDED LOC. SHT. 3 NOTE d) vi. WAS "FOR BEADED INSERT TOLERANCES SEE BWT7500" LOC. SHT. 3 AL. INSERT REF. DNG. WAS BWT7500 LOC. SHT. 1 ZONE BB | 25/7/96 | M.D.S. |
| B | CODE 4 & 5 ADDED TO SHT.2. LOC A5 & C6. NOTE b vi). ADDED AND NOTE d vi) MODIFIED SHEET 3 LOC.B6 AND C6. | 10/2/98 | I.PARROTT |
| C | CODE X ADDED TO CALL UP NO. LOC. B5 SHT. 2 NOTE x ADDED TO NOTEBLOCK LOC. A5 SHT.3 REF. WQN 01489 | 11.11.99 | IP |

GENERAL DATA

1. OPERATING PRESSURE TO BE AGREED WITH PURCHASER.
2. ALL FLEXIBLE DUCTS MEET FLAMMABILITY REQUIREMENTS OF CAA 8.2 & FAR 25.853(b).
3. ALL FLEXIBLE DUCTS MEET AIRBUS SPEC. AT51000.001 ISS.5 (FLAMMABILITY, SMOKE & TOXICITY).
4. ALL FLEXIBLE DUCTS RESIST ACCIDENTAL EXPOSURE TO THE FOLLOWING:

| | |
|----------------------------|-----------|
| AEROSHIELD 500 MIL-I-23699 | LUBRICANT |
| EXON TURBO OIL 2380 | LUBRICANT |
| MOBIL JET II | LUBRICANT |
| SKYDROL 500B4 | LUBRICANT |
| CHEVRON HYJET 4 | LUBRICANT |
| ORONITE 112V | LUBRICANT |
| DTD 585/MIL-H-5606 | LUBRICANT |
| MIL-H-83282 | LUBRICANT |
| JET A1 | FUEL |
| JET B | FUEL |
| JP 4 | FUEL |
| JP 5 | FUEL |
| JP 8 | FUEL |
5. LEAK RATE SHALL NOT EXCEED 0.03 CFM/INCH DIA./FOOT LENGTH AT 1 P.S.I.
6. MINIMUM BEND RADIUS EQUIVALENT TO ONE DIAMETER.

| | | | |
|---|---------------------|--|--------------|
| UNLESS OTHERWISE STATED DIMENSIONS ARE IN INCHES | DRN. G.F.D. | BAXTER WOODHOUSE & TAYLOR LTD. AULINGTON, MACCLESFIELD, CHESHIRE, SK10 4NL, ENGLAND | |
| UNLESS OTHERWISE STATED TOLERANCES ARE AS FOLLOWS | CKD. N.D. SHORTMAN | TITLE STANDARD LIGHTWEIGHT LOW | |
| LENGTHS ±0.125 | APPR. M.D. SHORTMAN | PRESSURE IMPERIAL FLEXIBLE DUCTING | |
| DIAMETERS ±0.030 | PROJECTION | DRG.No. BWT10 | REV C |
| ANGLES N/A | | SCALE N.T.S. | SHEET 3 OF 3 |

THIS DRAWING IS PRIVATE & CONFIDENTIAL & IS SUPPLIED ON THE EXPRESS CONDITION THAT IT IS NOT TO BE USED FOR ANY PURPOSE OF REPROD OR COMMUNICATED TO ANY OTHER PERSON WITHOUT THE PERMISSION OF B.W.T. LTD.



www.aesglobal.com

JAA APPR.: CAA.JA.02304
PART21 APPR: EASA.21J.036

MODIFICATION TITLE:
INTRODUCTION OF GALLEY 4B

MODIFICATION No.
AES-757-278
PARTS A-F: ISSUE 2
Page 1 of 8

| | | | |
|----------------|-------------------|-----------------|------------------------------|
| A/C TYPE: B757 | A/C VARIANT: -2B7 | A/C REG: G-OOBI | A/C SERIAL No: 27146 (NB506) |
| B757 | -2B7 | G-OOBJ | 27147 (NB507) |

| | | |
|--|---|--|
| Retro. Action: SEE SHT. YES/NO | Certificate of Airworthiness Category: PUBLIC TRANSPORT - PASSENGER | CAA / JAA Class: MAJOR/MINOR |
| Project No.: 0271 | Performance Group: TURBINE JET | ATA: 25, 53 |

| | |
|--|---|
| Reason for Modification: TO SUIT THE OPERATOR'S REQUIREMENTS. | Reports: AES-SR-0019 AES-TR-0066 AES-TR-0067 |
|--|---|

| | | | |
|---|---|---------------------------------|--------------------------------------|
| WEIGHT CHANGE SEE SECTION 5.5.1 | ELECTRICAL LOAD SEE SECTION 5.5.3 | NOISE SEE SECTION 5.3 | DOCUMENTS SEE SECTION 11.0 |
|---|---|---------------------------------|--------------------------------------|

CERTIFICATE OF DESIGN

I hereby certify that this modification defines all the changes associated with this certificate.

The technical information contained in this document has been approved under the authority of JAA Design Approval No CAA.JA.02304 [Issue 1] / EASA Design Organisation Approval No. EASA.21J.036 [Issue 2] I further certify that, with the exceptions listed below, the design of this modification complies with the requirements specified by the Agency as the certification basis for this type of aircraft and with any additional requirements notified by the Agency in respect of the particular modification.

EXCEPTIONS

NONE

| | | | | | | | |
|---|--|-----------------|----------------------|-------------------------------------|-------------------|------------------------------------|---------|
| APPROVAL STATUS | | | | CAA AAN No.: NOT APPLICABLE | | | |
| COMPLETE/INCOMPLETE (see section 10) | | | | CAA STC No.: NONE APPLICABLE | | | |
| ISSUE | 1 | 2 | | | | | |
| DRN No. | 0874 | 1023 | | | | | |
| APPROVAL DATE | MAE 27.09.04 | MAE 23.12.04 | | | | | |
| ISSUE | RAISE ISSUE DETAIL | | | | | SHEETS AFFECTED | |
| 2 | MODIFICATION REVIEWED AND APPROVED PER EASA PART 21. PARA 1.7, 3.2 & 10.2 (QN-AES-757-278-16) ADDED FOR RECORD PURPOSES. ALL CHANGES INDICATED BY VERTICAL MARGINAL LINES DOCUMENTARY CHANGE ONLY. A/C BUILD NOT AFFECTED. | | | | | ALL 2, 3 & 6 7 | |
| ISSUE | DATE | COMPILED | CVE / APP STRUCTURES | CVE / APP DESIGN | CVE / APP SYSTEMS | DOCUMENTS AFFECTED | SEE SHT |
| 1 | 27.09.04 | S SHAW | M EVANS | A DOLBY | A HEISSIG | MMEL MAINT MANUAL | 5 |
| 2 | 06.12.04 | S SHAW | M EVANS | A DOLBY | A HEISSIG | WDM REPAIR MANUAL | 5 |
| | | | | | | FLIGHT MANUAL CREW MANUAL | 5 |
| | | | | | | MAINT. SCHEDULE PART CATALOGUE* | 5 |
| | | | | | | * OPERATORS RESPONSIBILITY | |

DETAILS OF MODIFICATION

1.0 Introduction

- 1.1 This modification introduces an approved AIM Aviation Galley 4B unit to the subject aircraft.
- 1.2 The aircraft is currently fitted with a SELL Galley 4B P/No. 1002E21A00000 installed and built by the aircraft constructor. This unit is removed. Structural provision is introduced to facilitate installation of the replacement galley unit.
- 1.3 This modification is complimentary to AES-757-276 'Introduction of 233Y PAX Cabin Interior & Customisations' and is embodied concurrently.
- 1.4 This modification is similar to existing modification AES-757-107 with respect to Galley 4B installation. [Modification AES-757-107 was previously embodied on B757 S/N 29941 and 29943 concurrently with modification AES-757-104 / CAA AAN 28752]
- 1.5 This modification is raised in parts to facilitate progressive embodiment and is embodied by the operator's maintenance organisation.
- 1.6 Modification AES-757-195 "introduction to improved galley sealing" is embodied concurrently
- 1.7 This modification is validated against EASA Part 21 at issue 2, and introduces an additional query note raised during embodiment.

2.0 Modification Definition

- 2.1 AES-757-278 Part A – Introduction of Galley 4B Structure provision
 - 2.1.1 The aircraft constructor has identified the relevant structural provision drawings required for the subject galleys and has supplied the parts required to carry out the structural provision installation.
 - 2.1.2 The existing Galley 4B electrical interface is retained as existing and is compatible with the replacement galley unit. No additional wiring is introduced.
- 2.2 AES-757-278 Part B – Introduction of chiller electrical provision.
 - 2.2.1 New wiring is introduced between the G4B power disconnect and the chiller unit.
 - 2.2.2 The chiller unit and electrical installation is similar to the operator's new build aircraft at delivery.

2.2.3 The Galley 4B ELCU pin strapping is reconfigured to take account of the increased electrical loading.

2.3 AES-757-278 Part C – Installation of Chiller Unit.

2.3.1 A B/E Aerospace Chiller unit P/N 267-100 is installed beneath the galley 4B in structural provision identified by the constructor.

2.4 AES-757-278 Part D – Installation of Galley 4B Waste Drainage.

2.4.1 The aircraft is configured with waste drainage for the galley unit. No additional drainage is introduced. Redundant galley drain lines are removed.

2.5 AES-757-278 Part E – Floor Panel Installation

2.5.1 Replacement floor panels are introduced to the aft vestibule and galley 4B area to accommodate the replacement galley and support structure.

2.6 AES-757-278 Part F – Installation of Galley 4B

2.6.1 AIM Aviation (Henshall's) Galley 4B P/N 7573AZ4BGA00 is introduced to the subject aircraft.

3.0 **Approval Procedures**

3.1 This modification certification/approval/validation has been carried out in accordance with JAR 21 [Issue 1].

3.2 This modification certification/approval/validation has been carried out in accordance with EASA Part 21 [Issue2].

4.0 **Basis of Certification/Validation/Approval**

4.1 **CAA Certification/Validation/Approval Basis For The Aircraft/Modification**

FOR –2B7 A/C: Reference is made to JAR25 ch. 16 which meets or exceeds the type certificate basis, i.e. FAR25 Amendment 25-1 thru' 25-41 and elected later Amendments per UK TCDS FA28 issue 5.

The following design requirements are addressed within this modification.

| | |
|-------------------|--|
| FAR 25.561 * | Emergency Landing Conditions - General (Structure) |
| JAR 25.331-25.351 | Flight Conditions |
| JAR 25.601 | Design & Construction (General) |
| JAR 25.603 | Materials |

| | |
|-------------|--|
| JAR 25.605 | Fabrication Methods |
| JAR 25.607 | Fasteners |
| JAR 25.613 | Material Strength Properties & Design Values |
| JAR 25.625 | Fitting Factors |
| JAR 25.789 | Retention of Items of Mass in Crew and Passenger Compartments. & galley compartment |
| JAR 25.791 | Passenger information Signs & Placards |
| JAR 25.809 | Emergency Exit Arrangement |
| JAR 25.810 | Emergency Egress Assist Means and Escape Routes |
| JAR 25.812 | Emergency Lighting |
| JAR 25.813 | Emergency Exit Access |
| JAR 25.851 | Fire Extinguishers |
| JAR 25.853 | Compartment Interiors |
| JAR 25.1301 | Equipment (Function and Installation) |
| JAR 25.1309 | Equipment, Systems and Installations |
| JAR 25.1351 | Electrical Systems and Equipment (General) |
| JAR 25.1353 | Electrical Equipment and Installations |
| JAR 25.1357 | Circuit Protective Devices |
| JAR 25.1541 | Marking and placards (General) |
| JAR 25.1561 | Safety Equipment |

* - FAR 25.561, pre amendment 25-64, per D6 55441 in respect of inertial load factors.

4.2 Design Requirements For Certificate Of Airworthiness

Not Applicable

4.3 Environmental Requirements

The aircraft noise requirements are detailed in CAA Noise Certificate No. 58 & 77, UK TCDS FA28 refers. Environmental requirements per chapter 1 of Annex 16, Volume 1, Part II to the Chicago Convention.

4.4 Design Requirements Associated With operational Approvals

The following CAA Airworthiness Notices have been addressed within this modification:

| | |
|------------|---|
| CAA AWN 58 | Flame resistant Furnishing Materials. |
| CAA AWN 60 | Cabin and Toilet Fire Protection |
| CAA AWN 61 | Improved Flammability Test Standards for Cabin Interior Materials |
| CAA AWN 99 | Galley Equipment |

The following JAR OPS-1 requirements have been addressed within this modification:

| | |
|---------------|--|
| JAR OPS 1.315 | Assisting Means for emergency evacuation |
| JAR OPS 1.731 | Fasten Seat Belt and No Smoking Signs |
| JAR OPS 1.790 | Hand Fire Extinguishers |
| JAR OPS 1.815 | Emergency Lighting |

5.0 Compliance with the Basis of Certification/Validation/Approval

5.1 Compliance with the Certification/Validation/Approval Basis for the Aircraft/Modification.

- 5.1.1. The AIM Aviation Galley Unit P/No 7573AZ4BGA00 is a CAA Approved accessory. CAA AAN 28581 refers.
- 5.1.2. For compliance pertinent to provisions/installation, refer to AES-TR-0066 / 0067 and Strength Report AES-SR-0019.

5.2 Compliance With Design Requirements For Certificate Of Airworthiness

- 5.2.1 Not applicable.

5.3 Compliance with Environmental Requirements

- 5.3.1 Embodiment of this modification does not affect the existing noise certificate.

5.4 Compliance with Design Requirements Associated with Operational Approvals

- 5.4.1 For Compliance with the referenced requirements contained in paragraph 4.4 refer to AES-TR-0066.

5.5 Required (Amendments to) Manuals and other Documents Including Mandatory Placards.

5.5.1 The following significant weight changes are attributable to this modification:

| Description | P/N | Action | Weight (Lbs) | | Station (in) |
|-------------|---------------|--------|--------------|-------|--------------|
| | | | Empty | Gross | |
| GALLEY 4B | 1002E21A00000 | DEL | TBA | TBA | TBA |
| GALLEY 4B | 7573AZ4BGA00 | ADD | 582 | 3300 | 1697.78 |

The aircraft shall be reweighed on completion to include this and complimentary changes. It is the responsibility of the operator to amend the weight and balance manual.

- 5.5.2 The Aircraft Flight Manual is not affected by this modification.
- 5.5.3 Changes to the ELA are defined in document reference AES-TR-0067.
- 5.5.4 A supplement to the Wiring Diagram Manual (WDM), Illustrated Parts Catalogue (IPC) and the Aircraft Maintenance Manual (AMM) maybe produced at the operator’s discretion or this data appended to the existing manuals.
- 5.5.5 Preparation of crew procedures relating to the operation of the replacement galley units is the responsibility of the operator.

6.0 Conditions Affecting This Approval

- 6.1 The compatibility of this modification with other previously approved modifications installed on the particular aircraft, must be verified by the installer. Where the potential for interactions between modifications exists, the advice of the Design Organisation/CAA shall be sought.

7.0 **Continued Airworthiness**

- 7.1 The influence of the modification on Airworthiness Directive, Service Bulletin eligibility and other data must be considered and the publications monitored accordingly. The maintenance schedule for the aircraft should include reference to this material additional to the original design. Co-ordination is the responsibility of the operator.

8.0 **Survey**

- 8.1 Post modification completion the aircraft shall be surveyed by a representative from the CAA for compliance with cabin airworthiness.

9.0 **Authorisation of Release to Service**

- 9.1 In addition to the actions required by the procedures for release to service following maintenance or modification, the following actions must be completed prior to signing the Certificate of Release to Service:
- a) All actions and ground test procedures specified by the modification instructions must be completed satisfactorily.
 - b) It must be verified that the documents or amendments to documents, above are as specified, including any changes specified under Section 8 above.

10.0 **Approval**

- 10.1 This Minor modification AES-757-278 (MCA-AES-757-278) and related instructions has been approved under the authority of JAA Design Organisation Approval no. CAA.JA.02304. [Issue 1 of this modification].
- 10.2 This minor modification AES-757-278 (MCA-AES-757-278) and related instructions has been approved under the authority of EASA Design Organisation Approval No. EASA.21J.036 [Issue 2 of this modification].

11.0 **Documents Required**

11.1 New Drawings / Re-issued DRGS and associated QN'S, MEI's and DOI's Introduced Applicable to AES-757-278 PT A

| Drawing Number | Issue | Title | Effectivity | |
|---------------------|-------|--|-------------|--------|
| | | | G-OOBI | G-OOBJ |
| 0331-538-757 * | 3 | PRESSURE RESIST BEAM REWORK (SEC 46) | YES | YES |
| • QN-AES-757-278-01 | 1 | DRAWING CLARIFIATION | YES | YES |
| • QN-AES-757-278-02 | 2 | A/C JACKING | YES | YES |
| • QN-AES-757-278-03 | 1 | PLUGGED HOLES AT STA 1681 & 1701 | YES | NO |
| • QN-AES-757-278-04 | 1 | DOI-0060 (HOLE MISALIGNMENT QUERY) | YES | YES |
| • QN-AES-757-278-05 | 1 | MEI-360 CLARIFICATION | YES | YES |
| • QN-AES-757-278-06 | 1 | INCREASE LENGTH OF DOI-0060-011 | YES | YES |
| • QN-AES-757-278-07 | 1 | SHEAR WEB INSTL'N LBL26.7, STA 1681 – 1701 | YES | YES |
| • QN-AES-757-278-09 | 1 | ADDITIONAL EMBODIMENT INSTRUCTIONS REQUESTED | YES | YES |
| • QN-AES-757-278-10 | 1 | PLUGGED HOLES AT STA 1681 & 1701 | NO | YES |
| • QN-AES-757-278-12 | 1 | HYDRAULIC PIPES` | YES | YES |
| • QN-AES-757-278-13 | 1 | PROTECTIVE TREATMENT FOR SHEAR DECK | YES | YES |
| • QN-AES-757-278-14 | 1 | DECK PLATE INSTALLATION | YES | YES |
| • QN-AES-757-278-15 | 1 | DELETION OF GALLEY DRAINS | YES | YES |
| DOI-0060* | 1 | HOLE MISALIGNMENT (BL 51.5 L&R) (REFERENCE ONLY) | YES | YES |
| DOI-0062* | 1 | BLO REWORK (REFERENCE ONLY) | YES | YES |
| MEI-360 | 1 | INSTL'N OF GALLEY G4B STRUCTURAL PROVISION | YES | YES |

*DRGS originally issued under cover of Mod. AES-757-107.

- Query Note / DOI raised against the above Drawing / MEI

11.2 New Drawings / Re-issued DRGS and associated QN'S, MEI's and DOI's Introduced Applicable to AES-757-278 PT B

| Drawing Number | Issue | Title | Effectivity | |
|---------------------|-------|---|-------------|--------|
| | | | G-OOBI | G-OOBJ |
| 0367-253-757 * | 3 | MODIFIED G4B DISCONNECT PANEL INSTL'N | YES | YES |
| 0369-253-757 * | 3 | CABLE LOOM – G4B DISCONNECT TO CHILLER UNIT | YES | YES |
| 0877-253-757 | 1 | W/D CHILLER INSTALLATION | YES | YES |
| MEI-361 | 1 | INTRODUCTION OF CHILLER UNIT ELECTRICAL PROVISION | YES | YES |
| • QN-AES-757-278-11 | 1 | WIRING AT D2352 ELCU | YES | YES |
| • QN-AES-757-278-16 | 1 | GALLEY OVERHEAD MAIN LIGHT WIRING | YES | YES |

*DRGS originally issued under cover of Mod. AES-757-107.

- Query Note / DOI raised against the above Drawing / MEI

11.3 New Drawings / Re-issued DRGS and associated QN'S, MEI's and DOI's Introduced Applicable to AES-757-278 PT C

| Drawing Number | Issue | Title | Effectivity | |
|----------------|-------|---|-------------|--------|
| | | | G-OOBI | G-OOBJ |
| 0336-215-757* | 3 | G4B CHILLER INSTALLATION | YES | YES |
| • DOI-0212 | 1 | CANCELLATION OFF ALL DOCUMENTS ASSOCIATED WITH AES-757-278 PT.D | YES | YES |
| MEI-362 | 1 | INSTALLATION OF CHILLER UNIT | YES | YES |

*DRGS originally issued under cover of Mod. AES-757-107.

11.4 New Drawings / Re-issued DRGS and associated QN'S, MEI's and DOI's Introduced Applicable to AES-757-278 PT D

| Drawing Number | Issue | Title | Effectivity | |
|----------------|-------|---|-------------|--------|
| | | | G-OOBI | G-OOBJ |
| 0414-383-757 * | 3 | G4B DRAINAGE REWORK | YES | YES |
| • DOI-0212 | 1 | CANCELLATION OFF ALL DOCUMENTS ASSOCIATED WITH AES-757-278 PT.D | YES | YES |
| MEI-363 | 1 | SECTION 46 DRAINAGE REWORK | YES | YES |

*DRGS originally issued under cover of Mod. AES-757-107.

11.5 New Drawings / Re-issued DRGS and associated QN'S, MEI's and DOI's Introduced Applicable to AES-757-278 PT E

| Drawing Number | Issue | Title | Effectivity | |
|----------------|-------|--------------------------------------|-------------|--------|
| | | | G-OOBI | G-OOBJ |
| 0873-534-757 | 1 | FLOOR PANEL INSTALLATION DOOR 4 AREA | YES | YES |
| MEI-364 | 1 | INSTALLATION OF FLOOR PANELS | YES | YES |

11.6 New Drawings / Re-issued DRGS and associated QN'S, MEI's and DOI's Introduced Applicable to AES-757-278 PT F

| Drawing Number | Issue | Title | Query Note | Effectivity | |
|----------------|-------|------------------------------------|------------|-------------|--------|
| | | | | G-OOBI | G-OOBJ |
| 0334-253-757 * | 4 | G4B INSTALLATION B757-200 AIR 2000 | | YES | YES |
| MEI-365 | 1 | INSTALLATION OF G4B | | YES | YES |

*DRGS originally issued under cover of Mod. AES-757-107.

11.7 Reports/Documents

11.2.1 Strength / Technical reports.

| <u>Document Number</u> | <u>Issue</u> | <u>Title</u> | <u>AES-757-278 Part ()</u> |
|------------------------|--------------|---|-----------------------------|
| AES-SR-0019 | 1 | INTERIOR CUSTOMISATION FCA 757-2B7 (G-OOBI/BJ) | All |
| AES-TR-0066 | 1 | COMPLIANCE WITH CABIN AIRWORTHINESS REQUIREMENTS G-OOBI, G-OOBJ | All |
| AES-TR-0067 | 1 | ELECTRICAL LOAD ANALYSIS (G-OOBI/BJ) | All |

MODIFICATION EMBODIMENT INSTRUCTIONS

A. TITLE PAGE

TITLE: INSTALLATION OF CHILLER UNIT

DATE COMPILED: APR 2004

MODIFICATION NO.: AES-757-278 PT C

PROJECT NO.: 0271

| EFFECTIVITY: | A/C TYPE | REGISTRATION | SERIAL NO. |
|--------------|----------|--------------|---------------|
| | B757-200 | G-OOBI | 27146 (NB506) |
| | B757-200 | G-OOBJ | 27147 (NB507) |

This document is issued for production engineering purposes.

The definitive design requirements are shown in mod AES-757-278 PT C, the contents of which override information contained in this MEI.

Differences resulting from existing repairs, variation in build standard or corrosion to be reported to AES Ltd Design Department.

Manufacturing processes and inspection and installation procedures are the responsibility of FIRST CHOICE AIRWAYS LTD.

| ISSUE | 1 | 2 | 3 | 4 | 5 | 6 |
|--------------|---------|---|---|---|---|---|
| DRN: | 0702 | | | | | |
| DATE | 14-6-04 | | | | | |
| COMPILED BY: | S SHAW | | | | | |
| CHECKED BY: | A DOLBY | | | | | |
| DESIGN APP: | M EVANS | | | | | |

MODIFICATION EMBODIMENT INSTRUCTIONS

B. REVISION DETAILS:

WRITE BELOW A BRIEF SUMMARY OF THE CHANGES WHICH HAVE BEEN INTRODUCED AT THE STATED REVISION:

| ISSUE | DESCRIPTION |
|-------|-------------|
| 1 | NEW ISSUE |

MODIFICATION EMBODIMENT INSTRUCTIONS

C. CONTENTS:

| SEC. | DESCRIPTION | PAGE No |
|------|---|---------|
| A. | TITLE PAGE | 1 |
| B. | REVISION STATUS | 2 |
| C. | CONTENTS | 3 |
| D1. | ACCOMPLISHMENT INSTRUCTIONS – CHILLER MECHANICAL INSTALLATION | 4 |
| E. | DRAWINGS & DOCUMENTS REQUIRED | 5 |
| F. | SPECIAL TOOLS REQUIRED | 6 |
| G. | ESTIMATED TIME REQUIRED | 6 |
| H1. | PARTS REQUIRED | 7 |
| H2. | PARTS REMOVED | 11 |
| K. | REPORT SHEET | 12 |
| | APPENDIX A – FCA RE-CERTIFICATION CONTROL SHEET | 13 |
| | APPENDIX B – ADDITIONAL WORK CARD INDEX SHEET | 14 |
| | QUERY NOTE BLANK | 15 |

MODIFICATION EMBODIMENT INSTRUCTIONS

| D1 ACCOMPLISHMENT INSTRUCTIONS – CHILLER MECHANICAL INSTALLATION | | | MECH SIG. | INSP STAMP |
|---|--|--|-----------|------------|
| D1.0 | Remove aircraft electrical power IAW AMM 24-22-00 p.block 201. | | | |
| D1.1 | Ensure the floor structure and stabilisation has been installed per reference drawing and MEI-360 (AES-757-278 PT A) | | | |
| D1.2 | Ref DRG 0336-215-757 To facilitate the installation of the galley support structure, install the chiller ducting in accordance with Boeing installation 214N6004-6, picture sheet 5 except as shown on reference drawing. | | | |
| D1.3 | Ref DRG 0336-215-757 The following parts are to be installed IAW Boeing installation 146N5145-4003, picture sheet 6 146N5532-1 1 OFF CHANNEL 146N5532-5 1 OFF CHANNEL 146N5534-1 1 OFF CHILLER SUPPORT ASSY BACF3009K032NG 1 OFF FILLER BACF3H10NT028BN 1 OFF FILLER BACS40R010B182F 1 OFF SHIM | | | |
| D1.4 | Ref DRG 0336-215-757 Install the Chiller unit in accordance with Boeing installation 415N1003-101, picture sheet 8. | | | |
| D1.5 | Ref DRG 0336-215-757 Install the following parts between the chiller and drain bladder. BACC10JB014B022 1 OFF CLAMP BACC10JB022C030 1 OFF CLAMP BOE2013-0633 1 OFF HOSE | | | |
| END | | | | |

MODIFICATION EMBODIMENT INSTRUCTIONS

E. DOCUMENTS REQUIRED:

THE FOLLOWING DOCUMENTS ARE REQUIRED FOR EMBODIMENT OF MODIFICATION AES-757-278 PT C. **NOTE: REFER TO MODIFICATION SHEET FOR LATEST DRAWING ISSUE.**

The following existing drawings/documents are required for Section D1:

| <u>Drawing No</u> | <u>Title</u> | <u>SOURCE</u> |
|-------------------|---|---------------|
| 0336-215-757 | G4B CHILLER INSTALLATION B757-200 | AES |
| 214N6004-6 | DUCT INSTL – G4A & G4B CHILLER (PICTURE SHEET 5) | Boeing * |
| 146N5145-4003 | CHILLER SUPPORT INSTALLATION (PICTURE SHEET 6) | Boeing * |
| 415N1003-101 | CHILLER AND DUCT INSTALLATION (PICTURE SHEET 8) | Boeing * |

* SUPPLIED BY OPERATOR WITH KIT OF PARTS PURCHASED FROM OEM

MODIFICATION EMBODIMENT INSTRUCTIONS

F. SPECIAL TOOLS REQUIRED:

| <u>PART NUMBER</u> | <u>DESCRIPTION</u> | <u>VENDOR</u> | <u>COMMENTS</u> |
|--------------------|--------------------|---------------|-----------------|
| | | NONE | |

G. ESTIMATED TIME REQUIRED:

The G4B chiller unit shall be installed in conjunction with a scheduled maintenance input at a FIRST CHOICE AIRWAYS LIMITED approved maintenance organisation.



www.aesglobal.com

TEL: 44 (0)1279 818010

FAX: 44 (0)1279 647683

AES Limited
Unit 28, Golds Nursery
Business Park
Elsenham
Essex

MEI-362

ISSUE 1, 14-6-04

Page 7 of 16

MODIFICATION EMBODIMENT INSTRUCTIONS

H1. PARTS ADDED LIST (MOD. NUMBER: AES-757-278 PT C)

| ITEM NO | PART NUMBER | QTY RQD | DESCRIPTION | USED ON | ADD/ REMOVE/ REWORK | REMARKS / VENDOR | ALT PART NUMBER | OWNER | REVISION |
|---------|----------------|---------|----------------------|------------|---------------------------|---------------------|---------------------|-------|----------|
| 1 | 415N1005-31 | 1 | DUCT ASSY | 214N6004-6 | ADD | | | | 1 |
| 2 | 415N1005-32 | 1 | DUCT ASSY | 214N6004-6 | ADD | | | | 1 |
| 3 | 415N1005-33 | 1 | DUCT ASSY | 214N6004-6 | ADD | | | | 1 |
| 4 | 415N1005-38 | 1 | DUCT ASSY | 214N6004-6 | ADD | | 415N1005-35 | | 1 |
| 5 | 415N1005-41 | 1 | DUCT ASSY | 214N6004-6 | ADD | | 415N1005-34 | | 1 |
| 6 | 415N1006-23 | 1 | SEAL ASSY | 214N6004-6 | ADD | | | | 1 |
| 7 | 415N1006-24 | 1 | SEAL | 214N6004-6 | ADD | | | | 1 |
| 8 | 415N1006-25 | 2 | SEAL | 214N6004-6 | ADD | | | | 1 |
| 9 | BACC10HX700 | 3 | COUPLING | 214N6004-6 | ADD | | | | 1 |
| 10 | BACG20ZA002500 | 1 | GROMMET, CATERPILLAR | 214N6004-6 | ADD | | BACG20Z- A002500 | | 1 |
| 11 | BACN10YD1 | 8 | NUT CLIP | 214N6004-6 | ADD | | | | 1 |
| 12 | NAS1149FN616P | 25 | WASHER, FLAT | 214N6004-6 | ADD | | | | 1 |
| 13 | NAS1149F0332P | 8 | WASHER, FLAT | 214N6004-6 | ADD | | | | 1 |
| 14 | NAS43DD3-10FC | 4 | SPACER | 214N6004-6 | ADD | | | | 1 |

MODIFICATION EMBODIMENT INSTRUCTIONS

H1. PARTS ADDED LIST (MOD. NUMBER: AES-757-278 PT C)

| ITEM NO | PART NUMBER | QTY RQD | DESCRIPTION | USED ON | ADD/ REMOVE/ REWORK | REMARKS / VENDOR | ALT PART NUMBER | OWNER | REVISION |
|---------|----------------|---------|----------------|--------------|---------------------------|---------------------|--------------------|-------|----------|
| 15 | NAS43DD3-22FC | 4 | SPACER | 214N6004-6 | ADD | | | | 1 |
| 16 | 214N6101-7 | 1 | DUCT ASSY | 214N6004-6 | ADD | | | | 1 |
| 17 | 214T3424-21 | 1 | DUCT SUPPORT | 214N6004-6 | ADD | | | | 1 |
| 18 | 214T3424-7 | 1 | DUCT SUPPORT | 214N6004-6 | ADD | | | | 1 |
| 19 | BACS12CK06-10 | 25 | PAN HD SCREW | 214N6004-6 | ADD | | | | 1 |
| 20 | BACS12CK3-10 | 4 | PAN HD SCREW | 214N6004-6 | ADD | | | | 1 |
| 21 | BACS12CK3-13 | 4 | PAN HD SCREW | 214N6004-6 | ADD | | | | 1 |
| 22 | BACS12GU3K7 | 1 | SCREW, CAP | 214N6004-6 | ADD | | | | 1 |
| 23 | NAS1149D0316J | 1 | WASHER | 214N6004-6 | ADD | | | | 1 |
| 24 | BACN10YR3CD | 1 | NUT | 214N6004-6 | ADD | | | | 1 |
| 25 | NAS1922-0575-3 | 1 | CLAMP, HOSE | 214N6004-6 | ADD | | | | 1 |
| 26 | NAS43DD3-16FC | 1 | SPACER | 214N6004-6 | ADD | | | | 1 |
| 27 | SLT10LH-C6 | 2 | STRAP | 214N6004-6 | ADD | | | | 1 |
| 28 | STBP19M12 | 1 | MOUNTING PLATE | 214N6004-6 | ADD | | | | 1 |
| 29 | 267-100 | 1 | AIR CHILLER | 415N1003-101 | ADD | | | | 1 |



www.aesglobal.com

TEL: 44 (0)1279 818010

FAX: 44 (0)1279 647683

AES Limited
 Unit 28, Golds Nursery
 Business Park
 Elsenham
 Essex

MEI-362

ISSUE 1, 14-6-04

Page 9 of 16

MODIFICATION EMBODIMENT INSTRUCTIONS

H1. PARTS ADDED LIST (MOD. NUMBER: AES-757-278 PT C)

| ITEM NO | PART NUMBER | QTY RQD | DESCRIPTION | USED ON | ADD/ REMOVE/ REWORK | REMARKS / VENDOR | ALT PART NUMBER | OWNER | REVISION |
|---------|------------------|---------|----------------------|---------------|---------------------|---|--------------------------|-------|----------|
| 30 | BACB30WY3L | 4 | BOLT | 415N1003-101 | ADD | | | | 1 |
| 31 | NAS1149F0463P | 4 | WASHER, FLAT | 415N1003-101 | ADD | | | | 1 |
| 32 | 146N5532-1 | 1 | CHANNEL | 146N5145-4003 | ADD | | | | 1 |
| 33 | 146N5532-5 | 1 | CHANNEL | 146N5145-4003 | ADD | | | | 1 |
| 34 | 146N5534-1 | 1 | CHILLER SUPPORT ASSY | 146N5145-4003 | ADD | | | | 1 |
| 35 | BACF3F009K032NG | 1 | FILLER | 146N5145-4003 | ADD | | | | 1 |
| 36 | BACF3H10NT028BN | 1 | FILLER | 146N5145-4003 | ADD | | | | 1 |
| 37 | BACS40R010B182F | 1 | SHIM | 146N5145-4003 | ADD | | | | 1 |
| 38 | BACC10JB022C030 | 1 | CLAMP | 0336-215-757 | ADD | | | | 1 |
| 39 | BACC10JB014B022 | 1 | CLAMP | 0336-215-757 | ADD | | | | 1 |
| 41 | BOE2013-0633 | 1 | HOSE | 0336-215-757 | ADD | | IT4355-633 713488-633 | | 1 |
| 42 | 0336-215-757-017 | 1 | ADAPTER, BRACKET | 0336-215-757 | ADD | LOCALLY MANUFACTURE 2024-T3, 0.050 THK | | | 1 |
| 43 | NAS1922-0575-3 | 1 | CLAMP | 0336-215-757 | ADD | | | | 1 |

MODIFICATION EMBODIMENT INSTRUCTIONS

H1. PARTS ADDED LIST (MOD. NUMBER: AES-757-278 PT C)

| ITEM NO | PART NUMBER | QTY RQD | DESCRIPTION | USED ON | ADD/ REMOVE/ REWORK | REMARKS / VENDOR | ALT PART NUMBER | OWNER | REVISION |
|---------|---------------|---------|-----------------------------------|--------------|---------------------------|------------------------------|--------------------|-------|----------|
| 44 | 214T3424-21 | 1 | SADDLE | 0336-215-757 | ADD | | | | 1 |
| 45 | BACC10DK16 | 1 | CLAMP | 0336-215-757 | ADD | | | | 1 |
| 46 | BACC10GE4 | 2 | CLAMP | 0336-215-757 | ADD | | | | 1 |
| 47 | NAS1149D0316J | 2 | WASHER | 0336-215-757 | ADD | | | | 1 |
| 48 | NAS1801-3-4 | 2 | SCREW | 0336-215-757 | ADD | | | | 1 |
| 49 | BACN10TL3A10 | 2 | STANDOFF | 0336-215-757 | ADD | | | | 1 |
| 50 | BACR15BB3DD() | 4 | RIVET | 0336-215-757 | ADD | | | | 1 |
| 51 | 214N6004-6 | REF | DUCT INSTL – G4A & G4B CHILLER | 0336-215-757 | ADD | INSTALLATION DRAWING ONLY | | | 1 |
| 52 | 415N1003-101 | REF | CHILLER & DUCT INSTLN | 0336-215-757 | ADD | INSTALLATION DRAWING ONLY | | | 1 |
| 53 | 146N5145-4003 | REF | CHILLER SUPPORT INSTLN | 0336-215-757 | ADD | INSTALLATION DRAWING ONLY | | | 1 |
| 54 | END | | | | | | | | |



www.aesglobal.com

TEL: 44 (0)1279 818010

FAX: 44 (0)1279 647683

AES Limited
Unit 28, Golds Nursery
Business Park
Elsenham
Essex

MEI-362

ISSUE 1, 14-6-04

Page 11 of 16

MODIFICATION EMBODIMENT INSTRUCTIONS

H2. PARTS REMOVED LIST (MOD. NUMBER: AES-757-278 PT D)

| ITEM NO | PART NUMBER | QTY RQD | DESCRIPTION | USED ON | ADD/ REMOVE/ REWORK | REMARKS / VENDOR | ALT PART NUMBER | OWNER | REVISION |
|---------|-------------|---------|-------------|---------|---------------------------|---------------------|--------------------|-------|----------|
| 1 | | | | | REMOVE | | | | |
| 2 | | | | | REMOVE | | | | |
| 3 | | | | | REMOVE | | | | |

MODIFICATION EMBODIMENT INSTRUCTIONS

K. MEI - REPORT SHEET.

THE MEI REPORT SHEET IS PROVIDED FOR THE PURPOSE OF COMMUNICATING TO AES DESIGN OFFICE ANY IMPROVEMENTS / SUGGESTIONS ARISING FROM THE EMBODIMENT OF THE MODIFICATION.

| | |
|---------------------------------|--|
| REPORT SHEET | MEI No: MEI-363 MOD No: AES-757-278 |
| AIRCRAFT TYPE: | |
| REGISTRATION AND SERIAL NUMBER: | |
| LOCATION: | |
| COMMENTS: | |
| PREPARED BY / DATE: _____ | |

MODIFICATION EMBODIMENT INSTRUCTIONS

APPENDIX A:- FIRST CHOICE AIRWAYS LTD AIRLINES RE-CERTIFICATION CONTROL SHEET
(This sheet must be faxed on completion to FCA Projects dept Fax No 0161 489 0238)

| PART NUMBER | DESCRIPTION | SERIAL NO. | WORK CARD REF | QTY. | COMMENTS I.E. SERVICEABLE / UNSERVICEABLE | DATE / INSPECTION STAMP |
|-------------|-------------|------------|---------------|------|---|----------------------------|
| | | | | | | |
| | | | | | | |
| | | | | | | |
| | | | | | | |
| | | | | | | |
| | | | | | | |
| | | | | | | |
| | | | | | | |
| | | | | | | |
| | | | | | | |

MODIFICATION EMBODIMENT INSTRUCTIONS

APPENDIX B:- **ADDITIONAL WORK CARD INDEX SHEET**
(Photocopy additional sheets as required)

| Item | Work card REF | Description | MECH SIG. | INSP STAMP |
|-------------|----------------------|--------------------|------------------|-------------------|
| | | | | |
| | | | | |
| | | | | |
| | | | | |
| | | | | |
| | | | | |
| | | | | |
| | | | | |
| | | | | |
| | | | | |
| | | | | |
| | | | | |
| | | | | |
| | | | | |
| | | | | |
| | | | | |
| | | | | |
| | | | | |
| | | | | |
| | | | | |
| | | | | |
| | | | | |



www.aesglobal.com
TEL: 44 (0)1279 818010
FAX: 44 (0)1279 647683

AES Limited
28 Golds Nurseries Business Park
Elsenham
Essex
CM22 6JX

| | | |
|--|-------------------------|--|
| QUERY NOTE | | AES REF No.: QN-AES-.....-.....-..... <small>(COMPLETED BY AES STAFF ONLY)</small> |
| AIRCRAFT TYPE:..... | APPLICANTS NAME:..... | |
| REGISTRATION:..... | DATE:..... | |
| LOCATION:..... | APPLICANTS FAX No:..... | |
| DRAWING (S) / P/N AFFECTED: | APPLICANTS TEL No:..... | |
| GIVE FULL DETAILS, INCLUDE OR ATTACH RELEVANT SKETCHES | | |

| | |
|--|---------------|
| DESIGN RESPONSE TO QUERY NOTE | |
| DRAWING (S) TO BE AMENDED YES / NO | DATE AMENDED: |
| (AEROSPACE ENGINEERING SOLUTIONS LIMITED DESIGN OFFICE USE ONLY) | |
| COMPILED BY: | APPROVED BY: |

0336-215-757

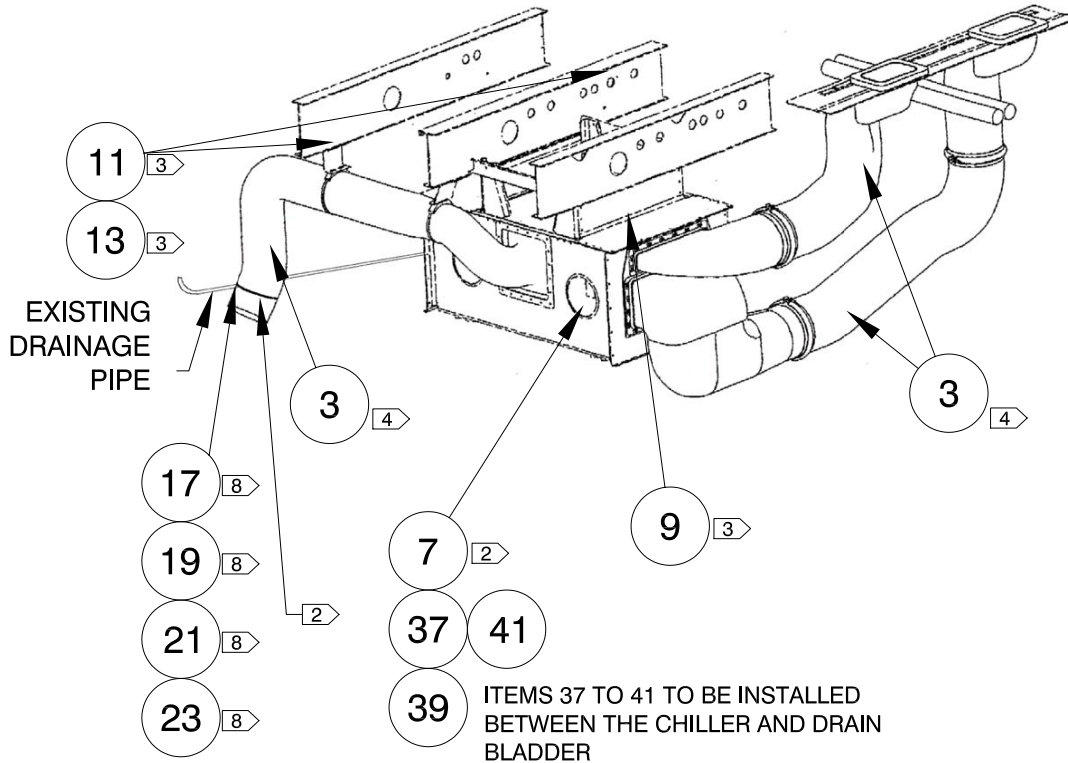
SHEET 1 OF 2 SHEETS
DRAWING SIMILAR TO
N/A

| REVISIONS | | | | |
|-------------|--------------|-------------|------------|---------|
| DRG ISS No. | RELEASE DOC. | ISSUE DATE: | DRG CHANGE | APP BY: |
| 1 | 0299 | MARCH, 03 | NEW | M A E |
| 2 | 0329 | MARCH, 03 | DCN 0103 | M A E |
| 3 | 0702 | 14-6-04 | DCN 0244 | M A E |

NOTES:

- 1 THIS DRAWING INSTALLS A GALLEY G4B CHILLER UNIT BELOW FLOOR LEVER AT APPROX STA1690 AND IS TO BE READ IN CONJUNCTION WITH MEI- (),SEE TABLE 1.
- 2 IN ORDER TO FACILITATE INSTALLATION OF THE CHILLER SUPPORT ASSY, FIRST INSTALL THE CHILLER DUCTING PER BOEING DRAWING 214N6004-6, PICTURE SHEET 5 , PLUS DRG 415N1003-101 PICTURE SHEET 8 EXCEPT WHERE INDICATED.
- 3 INSTALL THE CHILLER SUPPORT STRUCTURE TO THE CHANNEL INSTALLED PER DRAWING 0331-538-757 ON THE UNDERSIDE OF THE FLOORBEAM FLANGES AT BODY STATION 1681.8 & 1701.0 IN ACCORDANCE WITH BOEING DRAWING 146N5145-4003, PICTURE SHEET 6.
- 4 INSTALL THE CHILLER DRAINAGE IAW MEI INSTRUCTIONS.
- 5 ALL MANUFACTURING PROCESSES INCLUDING HOLE STANDARDS, FASTENER INSTALLATION AND PROTECTIVE TREATMENTS TO CONFORM WITH THE REQUIREMENTS CONTAINED WITHIN THE AIRCRAFT SRM/AMM/WDM.
- 6 NEW HOLES FOR PARTS INTRODUCED TO MAINTAIN 4D MINIMUM SPACING FROM ANY EXISTING HOLE CENTRE AND 2D EDGE MARGINS.
- 7 DEVIATIONS FROM THE CONSTRUCTOR'S APPROVED INSTALLATIONS TO BE REVIEWED BY DESIGN AND SUPPLEMENTAL INSTRUCTIONS ISSUED.
- 8 INSTALL ITEM 19, AROUND THE CHILLER DUCT (LOC'N AS SHOW) AND ATTACH ITEM 17 & 21. JOIN THIS ASSEMBLY TO THE ADJACENT DRAINAGE PIPE INDICATED USING A CLAMP (ITEM 23).
- 9 INTENTIONALLY LEFT BLANK

NOTES CONTINUED ON NEXT SHEET



CHILLER & CHILLER DUCT G4B

SCALE: N.T.S

- 1 2 4 5 6 7

ITEMS 37 TO 41 TO BE INSTALLED BETWEEN THE CHILLER AND DRAIN BLADDER

TABLE 1

| ASSEMBLY | MOD. No. | MEI. No. | REG. | SER. No. |
|----------|-------------------|----------|--------|----------|
| -001 | AES-757-107 Pt. D | MEI-132 | G-CPEU | 29941 |
| -001 | AES-757-107 Pt. D | MEI-132 | G-CPEV | 29943 |
| -001 | AES-757-218 Pt. D | MEI-248 | G-OOBG | 29942 |
| -001 | AES-757-218 Pt. D | MEI-248 | G-OOBH | 29944 |
| -001 | AES-757-278 Pt. C | MEI-362 | G-OOBI | 27146 |
| -001 | AES-757-278 Pt. C | MEI-362 | G-OOBJ | 27147 |

| | | | | | | | | | | | |
|------------------|-------------|------------------|----------------------------------|-----------------------|--------------------------|-------------------|---------------|-------|-------------|---------|--|
| 1 | 41 | BOE2013-0633 | HOSE | | | | | | | | |
| 1 | 39 | BACC10JB022C030 | CLAMP | | | | | | | | |
| 1 | 37 | BACC10JB0148022 | CLAMP | | | | | | | | |
| 4 | 35 | BACR15B33DC1 | 3/32 RIVET | | | | | | | | |
| 2 | 33 | BACN10NTL3A10 | STANDOFF | | | | | | | | |
| 2 | 31 | NAS1901-3-4 | SCREW | | | | | | | | |
| 2 | 29 | NAS1149D0316 | WASHER | | | | | | | | |
| 2 | 27 | BACC10GE4 | CLAMP | | | | | | | | |
| 1 | 25 | | | | | | | | | | |
| 1 | 23 | BACC10DK16 | CLAMP | | | | | | FN 8 | | |
| 1 | 21 | 214T3424-21 | SADDLE | | | | | | FN 8 | | |
| 1 | 19 | NAS1922-05757-3 | CLAMP | | | | | | FN 8 | | |
| 1 | 17 | 0336-215-757-017 | ADAPTER, BRACKET | | | 2024T3 x .009 THK | | | FN 8 | | |
| 1 | 15 | | | | | | | | | | |
| REF | 13 | 146N5180-305 | REF FLOORBEAM STAB. INSTL SEC 46 | | | | | | FN 3 | | |
| REF | 11 | 0331-538-757 | REF PRESSURE RESIST BEAM REWORK | | | | | | FN 3 | | |
| 1 | 9 | 146N5145-4003 | CHILLER SUPPORT INSTALLATION | | | | | | FN 3 | | |
| 1 | 7 | 415N1003-101 | CHILLER AND DUCT INSTALLATION | | | | | | FN 2 | | |
| 1 | 3 | 214N6004-6 | DUCT INSTL- G4A & G4B CHILLER | | | | | | FN 2 | | |
| 1 | 2 | -001 | G4B CHILLER INSTALLATION | | | | | | ALL | | |
| No. OFF | MAP | REF | PART NUMBER | ITEM ISS | KEYWORD / DESCRIPTION | MATERIAL | SPECIFICATION | WIDTH | EST WT (KG) | REMARKS | |
| A/D | HAND | DRAWN BY: | DATE: | MODIFICATION No: | | | | | | | |
| 1 | ISS | L. DONALD | FEB, 2003 | SEE TABLE 1 | | | | | | | |
| 0336-215-757-001 | PART NUMBER | CHECKED BY: | SCALE: | CAA/JAA/02304 | | | | | | | |
| | | A M D | 1:20 AT A3 | BCAR APP.: AD/1833/01 | | | | | | | |
| | | M A E | U.O.S. | | | | | | | | |
| | | LIMITS: | ±.05 | | | | | | | | |
| STRESS: | | | | | | | | | | | |
| APPROVED: | | | | | | | | | | | |
| A M D | | | | | | | | | | | |
| TITLE: | | | | | | | | | | | |
| | | | | | G4B CHILLER INSTALLATION | | | | | | |
| | | | | | B757-200 | | | | | | |

AES LTD
OFFICIAL ISSUE
DATE: 16-6-04
COPY

0336-215-757

SHEET 1 OF 2 SHEETS

0336-215-757

SHEET 2 OF 2 SHEETS
DRAWING SIMILAR TO
N/A

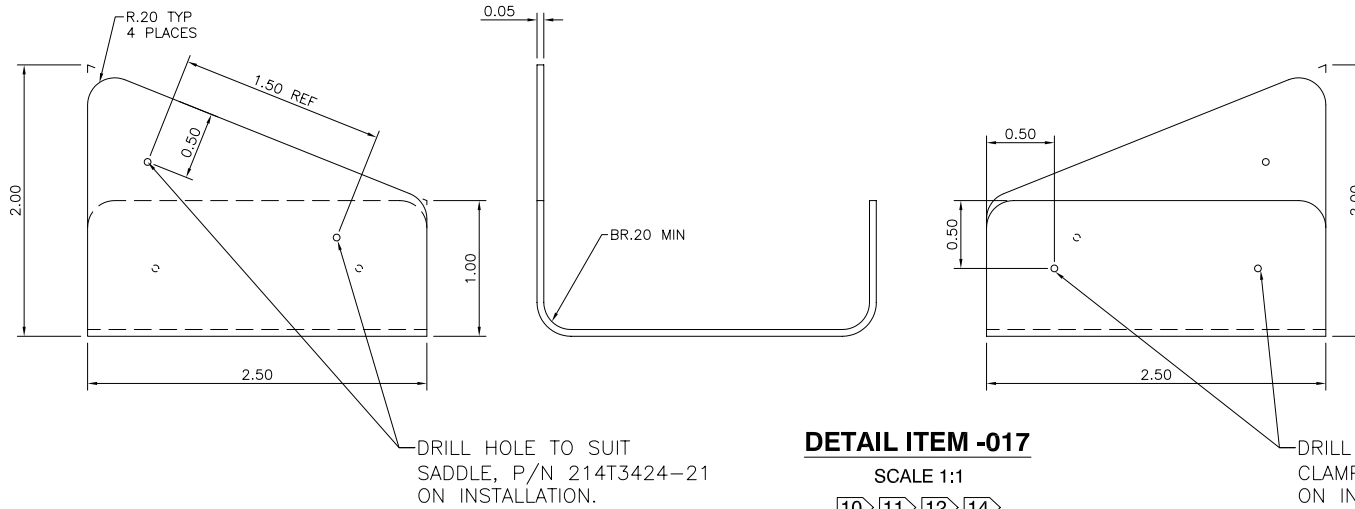
REVISIONS

| DRG ISS No. | RELEASE DOC. | ISSUE DATE: | DRG CHANGE | APP BY: |
|-------------|--------------|-------------|------------|---------|
| 1 | 0299 | MARCH, 03 | NEW | M A E |
| 2 | 0329 | MARCH, 03 | DCN 0103 | M A E |
| 3 | 0702 | 14-6-04 | DCN 0244 | M A E |

QUERY NOTE QN-AES-757-107-04 INCORPORATED

MANUFACTURING NOTES:

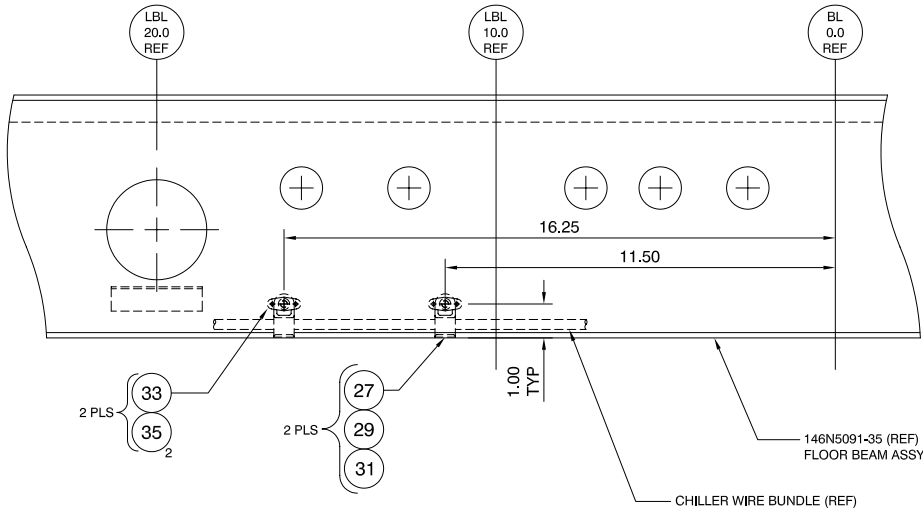
- 10 ITEM 17 IS TO BE FABRICATED FROM ALLUMINUM ALLY 2024-T3 QQ-A-250/5 .05" THK.
- 11 PENETRANT FLAW DETECT
- 12 FINISH: ETCH PRIME AND TOPCOAT PER BMS10-11 TYPE II ENAMAL (COLOUR WHITE).
- 13 PART MARK IN BLACK USING INDELIBLE INK WHERE SHOWN. SHOW MANUFACTURER, DATE, PART NUMBER AND THE LETTERS EPA.
- 14 REMOVE ALL BURRS AND SHARP EDGES.



DETAIL ITEM -017

SCALE 1:1

- 10 11 12 14

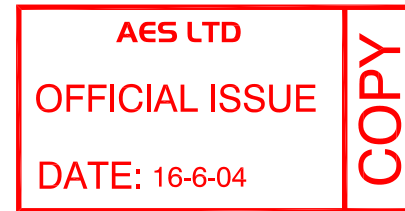


VIEW LOOKING FWD ON FLOOR BEAM AT STA 1681.8
ADDITION OF 2 STAND-OFFS

SCALE 1:4

INSTALL 2 CLAMPS ON FWD FACE OF FLOOR BEAM WEB. PRODUCE NEW HOLES, INSTALL NEW FASTENERS AND FINISH PER SRM CHAPTER 51-00-00. ENSURE MINIMUM 1.0" EDGE DISTANCE BETWEEN ANY EXISTING FASTENERS AND NEW HOLES DRILLED FOR STANDOFF.

ATTACH CHILLER HARNESS USING ITEMS 27, 29 & 31 AT THE TWO NEW STANDOFF LOCATIONS



| No. OFF | MAP REF | ITEM No. | PART NUMBER | ITEM ISS | KEYWORD / DESCRIPTION | MATERIAL | SPECIFICATION | WIDTH | EST WT (KG) | ALL |
|--|---------|----------|-------------|----------|-----------------------|--------------------------|---------------|-------------------------------------|-------------|-------------|
| 1 | ISS | | | | SEE SHEET 1 | | | | | |
| DRAWN BY: L. DONALD | | | | | | DATE: FEB, 2003 | | MODIFICATION No: SEE TABLE 1 | | |
| CHECKED BY: A M D | | | | | | SCALE: 1:20 AT A3 U.O.S. | | CAA/JAA.02304 BCAR APP.: AD/1833/01 | | |
| STRESS: M A E | | | | | | LIMITS: ±.05 U.O.S. | | THIRD ANGLE PROJECTION: | | |
| APPROVED: A M D | | | | | | SURFACE FINISH: | | DIMENSIONS IN: INCHES | | |
| TITLE: G4B CHILLER INSTALLATION B757-200 | | | | | | | | | | |
| 0336-215-757-001 PART NUMBER | | | | | | AES | | | | |
| | | | | | | PT No | | NHA | | No. OFF |
| | | | | | | SEE TABLE 1 | | | | EFFECTIVITY |
| | | | | | | 0336-215-757 | | | | |
| | | | | | | SHEET 2 OF 2 SHEETS | | | | |


BOEING
 757
PARTS CATALOG (MAINTENANCE)

| CH-SECT-UNIT-FIG | PAGE NO. | DATE | CH-SECT-UNIT-FIG | PAGE NO. | DATE |
|------------------|----------|-----------|------------------|----------|-----------|
| *21 | 1 | MAY 20/09 | 21-00-00- 1 | 19 | JAN 20/09 |
| *21 | 2 | MAY 20/09 | 21-00-00- 1 | 20 | JAN 20/09 |
| *21 | 3 | MAY 20/09 | 21-00-00- 3 | 0 | JAN 20/08 |
| *21 | 4 | MAY 20/09 | 21-00-00- 3 | 1 | JAN 20/09 |
| *21 | 5 | MAY 20/09 | 21-00-00- 4 | 0 | MAY 28/07 |
| *21 | 6 | MAY 20/09 | 21-00-00- 4 | 1 | JAN 20/09 |
| *21 | 7 | MAY 20/09 | 21-00-00- 4 | 2 | JAN 20/09 |
| *21 | 8 | MAY 20/09 | 21-00-00- 4 | 3 | JAN 20/09 |
| *21 | 9 | MAY 20/09 | 21-00-00- 4 | 4 | JAN 20/09 |
| *21 | 10 | MAY 20/09 | 21-00-00- 4 | 5 | JAN 20/09 |
| *21 | 11 | MAY 20/09 | 21-00-00- 4 | 6 | JAN 20/09 |
| *21 | 12 | MAY 20/09 | 21-00-00- 4 | 7 | JAN 20/09 |
| *21 | 13 | MAY 20/09 | 21-00-00- 4 | 8 | JAN 20/09 |
| *21 | 14 | MAY 20/09 | 21-00-00- 4 | 9 | JAN 20/09 |
| *21 | 15 | MAY 20/09 | 21-00-00- 4 | 10 | JAN 20/09 |
| *21 | 16 | MAY 20/09 | 21-00-00- 4 | 11 | JAN 20/09 |
| *21 | 17 | MAY 20/09 | 21-00-00- 4 | 12 | JAN 20/09 |
| *21 | 18 | MAY 20/09 | 21-00-00- 4 | 13 | JAN 20/09 |
| *21 | 19 | MAY 20/09 | 21-00-00- 4 | 14 | JAN 20/09 |
| *21 | 20 | MAY 20/09 | 21-00-00- 4 | 15 | JAN 20/09 |
| *21 | 21 | MAY 20/09 | 21-00-00-12 | 0 | MAY 28/07 |
| *21 | 22 | MAY 20/09 | 21-00-00-12 | 1 | JAN 20/09 |
| *21 | 23 | MAY 20/09 | 21-00-00-12 | 2 | JAN 20/09 |
| *21 | 24 | MAY 20/09 | 21-00-00-12 | 3 | JAN 20/09 |
| *21 | 25 | MAY 20/09 | 21-00-00-12 | 4 | JAN 20/09 |
| *21 | 26 | MAY 20/09 | 21-00-00-12 | 5 | JAN 20/09 |
| *21 | 27 | MAY 20/09 | 21-00-00-12 | 6 | JAN 20/09 |
| *21 | 28 | MAY 20/09 | 21-00-00-12 | 7 | JAN 20/09 |
| *21 | 29 | MAY 20/09 | 21-00-00-12 | 8 | JAN 20/09 |
| *21 | 30 | MAY 20/09 | 21-00-00-12 | 9 | JAN 20/09 |
| *21 | 31 | MAY 20/09 | 21-00-00-12 | 10 | JAN 20/09 |
| 21-00-00 | 1 | MAY 28/07 | 21-00-00-14 | 0 | MAY 28/07 |
| 21-00-00- 1 | 0 | MAY 28/07 | 21-00-00-14 | 1 | JAN 20/09 |
| 21-00-00- 1 | 1 | JAN 20/09 | 21-00-00-14 | 2 | JAN 20/09 |
| 21-00-00- 1 | 2 | JAN 20/09 | 21-00-00-14 | 3 | JAN 20/09 |
| 21-00-00- 1 | 3 | JAN 20/09 | 21-00-00-14 | 4 | JAN 20/09 |
| 21-00-00- 1 | 4 | JAN 20/09 | 21-00-00-14 | 5 | JAN 20/09 |
| 21-00-00- 1 | 5 | JAN 20/09 | 21-00-00-14 | 6 | JAN 20/09 |
| 21-00-00- 1 | 6 | JAN 20/09 | 21-00-00-14 | 7 | JAN 20/09 |
| 21-00-00- 1 | 7 | JAN 20/09 | 21-00-00-15 | 0 | MAY 28/07 |
| 21-00-00- 1 | 8 | JAN 20/09 | 21-00-00-15 | 1 | JAN 20/09 |
| 21-00-00- 1 | 9 | JAN 20/09 | 21-00-00-15 | 2 | JAN 20/09 |
| 21-00-00- 1 | 10 | JAN 20/09 | 21-00-00-15 | 3 | JAN 20/09 |
| 21-00-00- 1 | 11 | JAN 20/09 | 21-00-00-15 | 4 | JAN 20/09 |
| 21-00-00- 1 | 12 | JAN 20/09 | 21-00-00-15 | 5 | JAN 20/09 |
| 21-00-00- 1 | 13 | JAN 20/09 | 21-00-00-15 | 6 | JAN 20/09 |
| 21-00-00- 1 | 14 | JAN 20/09 | 21-00-00-15 | 7 | JAN 20/09 |
| 21-00-00- 1 | 15 | JAN 20/09 | 21-00-00-15 | 8 | JAN 20/09 |
| 21-00-00- 1 | 16 | JAN 20/09 | 21-00-00-15 | 9 | JAN 20/09 |
| 21-00-00- 1 | 17 | JAN 20/09 | 21-00-00-15 | 10 | JAN 20/09 |
| 21-00-00- 1 | 18 | JAN 20/09 | 21-00-00-15 | 11 | JAN 20/09 |

* THE ASTERISK INDICATES PAGES CHANGED OR ADDED BY THE CURRENT REVISION



757
PARTS CATALOG (MAINTENANCE)

| CH-SECT-UNIT-FIG | PAGE NO. | DATE | CH-SECT-UNIT-FIG | PAGE NO. | DATE |
|------------------|----------|-----------|------------------|----------|-----------|
| 21-00-00-15 | 12 | JAN 20/09 | 21-21-51- 2A | 11 | JAN 20/09 |
| 21-00-00-15 | 13 | JAN 20/09 | 21-21-51- 2A | 12 | JAN 20/09 |
| 21-00-00-15 | 14 | JAN 20/09 | 21-21-51- 2A | 13 | JAN 20/09 |
| 21-00-00-15 | 15 | JAN 20/09 | 21-21-51- 2A | 14 | JAN 20/09 |
| 21-00-00-15 | 16 | JAN 20/09 | 21-21-51- 2A | 15 | JAN 20/09 |
| 21-21-00 | 1 | MAY 28/07 | 21-21-51- 3 | 0 | JAN 20/09 |
| 21-21-51- 2 | 0 | MAY 28/07 | 21-21-51- 3 | 0A | JAN 20/09 |
| 21-21-51- 2 | 0A | MAY 28/07 | 21-21-51- 3 | 0B | JAN 20/09 |
| 21-21-51- 2 | 0B | MAY 28/07 | 21-21-51- 3 | 0C | JAN 20/09 |
| 21-21-51- 2 | 0C | SEP 20/08 | 21-21-51- 3 | 0D | JAN 20/09 |
| 21-21-51- 2 | 0D | MAY 28/07 | 21-21-51- 3 | 0E | JAN 20/09 |
| 21-21-51- 2 | 0E | MAY 28/07 | 21-21-51- 3 | 0F | JAN 20/09 |
| 21-21-51- 2 | 1 | JAN 20/09 | 21-21-51- 3 | 0G | JAN 20/09 |
| 21-21-51- 2 | 2 | JAN 20/09 | 21-21-51- 3 | 0H | JAN 20/09 |
| 21-21-51- 2 | 3 | JAN 20/09 | 21-21-51- 3 | 0I | JAN 20/09 |
| 21-21-51- 2 | 4 | JAN 20/09 | 21-21-51- 3 | 1 | JAN 20/09 |
| *21-21-51- 2 | 5 | MAY 20/09 | *21-21-51- 3 | 2 | MAY 20/09 |
| *21-21-51- 2 | 6 | MAY 20/09 | *21-21-51- 3 | 3 | MAY 20/09 |
| *21-21-51- 2 | 7 | MAY 20/09 | *21-21-51- 3 | 4 | MAY 20/09 |
| *21-21-51- 2 | 8 | MAY 20/09 | *21-21-51- 3 | 5 | MAY 20/09 |
| *21-21-51- 2 | 9 | MAY 20/09 | *21-21-51- 3 | 6 | MAY 20/09 |
| *21-21-51- 2 | 10 | MAY 20/09 | *21-21-51- 3 | 7 | MAY 20/09 |
| *21-21-51- 2 | 11 | MAY 20/09 | *21-21-51- 3 | 8 | MAY 20/09 |
| *21-21-51- 2 | 12 | MAY 20/09 | *21-21-51- 3 | 9 | MAY 20/09 |
| *21-21-51- 2 | 13 | MAY 20/09 | 21-21-51- 3 | 10 | JAN 20/09 |
| 21-21-51- 2 | 14 | JAN 20/09 | 21-21-51- 3 | 11 | JAN 20/09 |
| 21-21-51- 2 | 15 | JAN 20/09 | 21-21-51- 3 | 12 | JAN 20/09 |
| 21-21-51- 2 | 16 | JAN 20/09 | 21-21-51- 3 | 13 | JAN 20/09 |
| 21-21-51- 2 | 17 | JAN 20/09 | 21-21-51- 3 | 14 | JAN 20/09 |
| 21-21-51- 2 | 18 | JAN 20/09 | 21-22-00 | 1 | MAY 28/07 |
| 21-21-51- 2 | 19 | JAN 20/09 | 21-22-01- 1 | 0 | MAY 28/07 |
| 21-21-51- 2 | 20 | JAN 20/09 | 21-22-01- 1 | 1 | JAN 20/09 |
| 21-21-51- 2 | 21 | JAN 20/09 | 21-22-01- 1 | 2 | JAN 20/09 |
| 21-21-51- 2 | 22 | JAN 20/09 | 21-22-03- 1 | 0 | MAY 28/07 |
| 21-21-51- 2A | 0 | MAY 28/07 | 21-22-03- 1 | 0A | MAY 28/07 |
| 21-21-51- 2A | 0A | MAY 28/07 | 21-22-03- 1 | 0B | MAY 28/07 |
| 21-21-51- 2A | 0B | MAY 28/07 | 21-22-03- 1 | 0C | MAY 28/07 |
| 21-21-51- 2A | 0C | MAY 28/07 | 21-22-03- 1 | 0D | MAY 28/07 |
| 21-21-51- 2A | 0D | MAY 28/07 | 21-22-03- 1 | 1 | JAN 20/09 |
| 21-21-51- 2A | 0E | MAY 28/07 | 21-22-03- 1 | 2 | JAN 20/09 |
| 21-21-51- 2A | 0F | SEP 20/08 | 21-22-03- 1 | 3 | JAN 20/09 |
| *21-21-51- 2A | 1 | MAY 20/09 | 21-22-03- 1 | 4 | JAN 20/09 |
| 21-21-51- 2A | 2 | JAN 20/09 | 21-22-03- 2 | 0 | JAN 20/09 |
| 21-21-51- 2A | 3 | JAN 20/09 | 21-22-03- 2 | 0A | JAN 20/09 |
| *21-21-51- 2A | 4 | MAY 20/09 | 21-22-03- 2 | 0B | JAN 20/09 |
| *21-21-51- 2A | 5 | MAY 20/09 | 21-22-03- 2 | 0C | JAN 20/09 |
| *21-21-51- 2A | 6 | MAY 20/09 | 21-22-03- 2 | 0D | JAN 20/09 |
| *21-21-51- 2A | 7 | MAY 20/09 | 21-22-03- 2 | 0E | JAN 20/09 |
| 21-21-51- 2A | 8 | JAN 20/09 | 21-22-03- 2 | 0F | JAN 20/09 |
| 21-21-51- 2A | 9 | JAN 20/09 | 21-22-03- 2 | 1 | JAN 20/09 |
| 21-21-51- 2A | 10 | JAN 20/09 | 21-22-03- 2 | 2 | JAN 20/09 |

* THE ASTERISK INDICATES PAGES CHANGED OR ADDED BY THE CURRENT REVISION



757

PARTS CATALOG (MAINTENANCE)

| CH-SECT-UNIT-FIG | PAGE NO. | DATE | CH-SECT-UNIT-FIG | PAGE NO. | DATE |
|------------------|----------|-----------|------------------|----------|-----------|
| 21-22-03- 2 | 3 | JAN 20/09 | 21-22-03-26 | 0H | JAN 20/09 |
| 21-22-03- 3 | 0 | MAY 28/07 | 21-22-03-26 | 1 | JAN 20/09 |
| 21-22-03- 3 | 1 | JAN 20/09 | 21-22-03-26 | 2 | JAN 20/09 |
| 21-22-03- 5 | 0 | MAY 28/07 | 21-22-03-26 | 3 | JAN 20/09 |
| 21-22-03- 5 | 0A | MAY 28/07 | 21-22-03-26 | 4 | JAN 20/09 |
| 21-22-03- 5 | 0B | MAY 28/07 | 21-22-03-27 | 0 | MAY 28/07 |
| 21-22-03- 5 | 0C | MAY 28/07 | 21-22-03-27 | 0A | MAY 28/07 |
| 21-22-03- 5 | 0D | MAY 28/07 | 21-22-03-27 | 0B | MAY 28/07 |
| 21-22-03- 5 | 1 | JAN 20/09 | 21-22-03-27 | 0C | MAY 28/07 |
| 21-22-03- 5 | 2 | JAN 20/09 | 21-22-03-27 | 0D | MAY 28/07 |
| 21-22-03- 5 | 3 | JAN 20/09 | 21-22-03-27 | 0E | MAY 28/07 |
| 21-22-03- 5 | 4 | JAN 20/09 | 21-22-03-27 | 0F | MAY 28/07 |
| 21-22-03- 5 | 5 | JAN 20/09 | 21-22-03-27 | 0G | MAY 28/07 |
| 21-22-03- 6 | 0 | MAY 28/07 | 21-22-03-27 | 0H | MAY 28/07 |
| 21-22-03- 6 | 0A | MAY 28/07 | 21-22-03-27 | 1 | JAN 20/09 |
| 21-22-03- 6 | 0B | MAY 28/07 | 21-22-03-27 | 2 | JAN 20/09 |
| 21-22-03- 6 | 0C | MAY 28/07 | 21-22-03-27 | 3 | JAN 20/09 |
| 21-22-03- 6 | 0D | MAY 28/07 | 21-22-03-27 | 4 | JAN 20/09 |
| 21-22-03- 6 | 1 | JAN 20/09 | 21-22-03-27 | 5 | JAN 20/09 |
| 21-22-03- 6 | 2 | JAN 20/09 | 21-22-03-29 | 0 | JAN 20/09 |
| 21-22-03- 6 | 3 | JAN 20/09 | 21-22-03-29 | 0A | JAN 20/09 |
| 21-22-03- 6 | 4 | JAN 20/09 | 21-22-03-29 | 0B | JAN 20/09 |
| 21-22-03- 6 | 5 | JAN 20/09 | 21-22-03-29 | 1 | JAN 20/09 |
| 21-22-03-24 | 0 | MAY 28/07 | 21-22-03-29 | 2 | JAN 20/09 |
| 21-22-03-24 | 0A | MAY 28/07 | 21-22-03-29 | 3 | JAN 20/09 |
| 21-22-03-24 | 0B | MAY 28/07 | 21-22-05- 1 | 0 | MAY 28/07 |
| 21-22-03-24 | 0C | MAY 28/07 | 21-22-05- 1 | 1 | JAN 20/09 |
| 21-22-03-24 | 0D | MAY 28/07 | 21-22-05- 1 | 2 | JAN 20/09 |
| 21-22-03-24 | 0E | MAY 28/07 | 21-22-05- 1 | 3 | JAN 20/09 |
| 21-22-03-24 | 1 | JAN 20/09 | 21-22-05- 1 | 4 | JAN 20/09 |
| 21-22-03-24 | 2 | JAN 20/09 | 21-22-05- 1 | 5 | JAN 20/09 |
| 21-22-03-24 | 3 | JAN 20/09 | 21-22-05- 2 | 0 | MAY 28/07 |
| 21-22-03-24 | 4 | JAN 20/09 | 21-22-05- 2 | 0A | MAY 28/07 |
| 21-22-03-24 | 5 | JAN 20/09 | 21-22-05- 2 | 0B | MAY 28/07 |
| 21-22-03-25 | 0 | JAN 20/09 | 21-22-05- 2 | 0C | MAY 28/07 |
| 21-22-03-25 | 0A | JAN 20/09 | 21-22-05- 2 | 1 | JAN 20/09 |
| 21-22-03-25 | 0B | JAN 20/09 | 21-22-05- 2 | 2 | JAN 20/09 |
| 21-22-03-25 | 0C | JAN 20/09 | 21-22-05- 2 | 3 | JAN 20/09 |
| 21-22-03-25 | 0D | JAN 20/09 | 21-22-05- 2 | 4 | JAN 20/09 |
| 21-22-03-25 | 0E | JAN 20/09 | 21-22-05- 2 | 5 | JAN 20/09 |
| 21-22-03-25 | 0F | JAN 20/09 | 21-22-05- 3 | 0 | MAY 28/07 |
| 21-22-03-25 | 1 | JAN 20/09 | 21-22-05- 3 | 0A | MAY 28/07 |
| 21-22-03-25 | 2 | JAN 20/09 | 21-22-05- 3 | 1 | JAN 20/09 |
| 21-22-03-26 | 0 | JAN 20/09 | 21-22-05- 3 | 2 | JAN 20/09 |
| 21-22-03-26 | 0A | JAN 20/09 | 21-22-05- 3 | 3 | JAN 20/09 |
| 21-22-03-26 | 0B | JAN 20/09 | 21-22-05- 3 | 4 | JAN 20/09 |
| 21-22-03-26 | 0C | JAN 20/09 | 21-22-05- 3 | 5 | JAN 20/09 |
| 21-22-03-26 | 0D | JAN 20/09 | 21-22-05- 3A | 0 | MAY 28/07 |
| 21-22-03-26 | 0E | JAN 20/09 | 21-22-05- 3A | 0A | MAY 28/07 |
| 21-22-03-26 | 0F | JAN 20/09 | 21-22-05- 3A | 0B | MAY 28/07 |
| 21-22-03-26 | 0G | JAN 20/09 | 21-22-05- 3A | 0C | MAY 28/07 |

* THE ASTERISK INDICATES PAGES CHANGED OR ADDED BY THE CURRENT REVISION



757
PARTS CATALOG (MAINTENANCE)

| CH-SECT-UNIT-FIG | PAGE NO. | DATE | CH-SECT-UNIT-FIG | PAGE NO. | DATE |
|------------------|----------|-----------|------------------|----------|-----------|
| 21-22-05- 3A | 1 | JAN 20/09 | 21-22-05-18 | 1 | JAN 20/09 |
| 21-22-05- 3A | 2 | JAN 20/09 | 21-22-05-18 | 2 | JAN 20/09 |
| 21-22-05- 3A | 3 | JAN 20/09 | 21-22-05-18 | 3 | JAN 20/09 |
| 21-22-05- 4 | 0 | MAY 28/07 | 21-23-00 | 1 | MAY 28/07 |
| 21-22-05- 4 | 1 | JAN 20/09 | 21-23-01- 1 | 0 | MAY 28/07 |
| 21-22-05- 4 | 2 | JAN 20/09 | 21-23-01- 1 | 0A | MAY 28/07 |
| 21-22-05- 4 | 3 | JAN 20/09 | 21-23-01- 1 | 0B | MAY 28/07 |
| 21-22-05- 5 | 0 | MAY 28/07 | 21-23-01- 1 | 1 | JAN 20/09 |
| 21-22-05- 5 | 1 | JAN 20/09 | 21-23-01- 1 | 2 | JAN 20/09 |
| 21-22-05- 5 | 2 | JAN 20/09 | 21-23-01- 1 | 3 | JAN 20/09 |
| 21-22-05- 5 | 3 | JAN 20/09 | 21-23-01- 1 | 4 | JAN 20/09 |
| 21-22-05- 5 | 4 | JAN 20/09 | 21-23-01- 1A | 0 | JAN 20/09 |
| 21-22-05- 5 | 5 | JAN 20/09 | 21-23-01- 1A | 0A | JAN 20/09 |
| 21-22-05- 5 | 6 | JAN 20/09 | 21-23-01- 1A | 0B | JAN 20/09 |
| 21-22-05- 5 | 7 | JAN 20/09 | 21-23-01- 1A | 0C | JAN 20/09 |
| 21-22-05- 6 | 0 | MAY 28/07 | 21-23-01- 1A | 0D | JAN 20/09 |
| 21-22-05- 6 | 1 | JAN 20/09 | 21-23-01- 1A | 0E | JAN 20/09 |
| 21-22-05- 6 | 2 | JAN 20/09 | 21-23-01- 1A | 0F | JAN 20/09 |
| 21-22-05- 6 | 3 | JAN 20/09 | 21-23-01- 1A | 0G | JAN 20/09 |
| 21-22-05- 6 | 4 | JAN 20/09 | 21-23-01- 1A | 0H | JAN 20/09 |
| 21-22-05- 6 | 5 | JAN 20/09 | 21-23-01- 1A | 0I | JAN 20/09 |
| 21-22-05- 6 | 6 | JAN 20/09 | 21-23-01- 1A | 0J | JAN 20/09 |
| 21-22-05- 7 | 0 | MAY 28/07 | 21-23-01- 1A | 0K | JAN 20/09 |
| 21-22-05- 7 | 1 | JAN 20/09 | 21-23-01- 1A | 0L | JAN 20/09 |
| 21-22-05- 7 | 2 | JAN 20/09 | 21-23-01- 1A | 0M | JAN 20/09 |
| 21-22-05- 7 | 3 | JAN 20/09 | 21-23-01- 1A | 0N | JAN 20/09 |
| 21-22-05- 7 | 4 | JAN 20/09 | 21-23-01- 1A | 0O | JAN 20/09 |
| 21-22-05- 7 | 5 | JAN 20/09 | 21-23-01- 1A | 0P | JAN 20/09 |
| 21-22-05- 8 | 0 | MAY 28/07 | 21-23-01- 1A | 0Q | JAN 20/09 |
| 21-22-05- 8 | 1 | JAN 20/09 | 21-23-01- 1A | 0R | JAN 20/09 |
| 21-22-05- 8 | 2 | JAN 20/09 | 21-23-01- 1A | 0S | JAN 20/09 |
| 21-22-05- 8 | 3 | JAN 20/09 | 21-23-01- 1A | 1 | JAN 20/09 |
| 21-22-05- 8 | 4 | JAN 20/09 | 21-23-01- 1A | 2 | JAN 20/09 |
| 21-22-05- 8 | 5 | JAN 20/09 | 21-23-01- 1A | 3 | JAN 20/09 |
| 21-22-05- 8 | 6 | JAN 20/09 | 21-23-01- 1A | 4 | JAN 20/09 |
| 21-22-05- 8 | 7 | JAN 20/09 | 21-23-01- 1A | 5 | JAN 20/09 |
| 21-22-05- 9 | 0 | MAY 28/07 | 21-23-01- 1A | 6 | JAN 20/09 |
| *21-22-05- 9 | 1 | MAY 20/09 | 21-23-01- 1A | 7 | JAN 20/09 |
| *21-22-05- 9 | 2 | MAY 20/09 | 21-23-01- 1A | 8 | JAN 20/09 |
| 21-22-05- 9 | 3 | JAN 20/09 | *21-23-01- 1A | 9 | MAY 20/09 |
| *21-22-05- 9 | 4 | MAY 20/09 | *21-23-01- 1A | 10 | MAY 20/09 |
| *21-22-05- 9 | 5 | MAY 20/09 | *21-23-01- 1A | 11 | MAY 20/09 |
| 21-22-05-10 | 0 | MAY 28/07 | *21-23-01- 1A | 12 | MAY 20/09 |
| 21-22-05-10 | 1 | JAN 20/09 | *21-23-01- 1A | 13 | MAY 20/09 |
| 21-22-05-10 | 2 | JAN 20/09 | *21-23-01- 1A | 14 | MAY 20/09 |
| 21-22-05-15 | 0 | JAN 20/09 | *21-23-01- 1A | 15 | MAY 20/09 |
| 21-22-05-15 | 0A | JAN 20/09 | *21-23-01- 1A | 16 | MAY 20/09 |
| 21-22-05-15 | 0B | JAN 20/09 | *21-23-01- 1A | 17 | MAY 20/09 |
| 21-22-05-15 | 1 | JAN 20/09 | *21-23-01- 1A | 18 | MAY 20/09 |
| 21-22-05-18 | 0 | JAN 20/09 | *21-23-01- 1A | 19 | MAY 20/09 |
| 21-22-05-18 | 0A | JAN 20/09 | *21-23-01- 1A | 20 | MAY 20/09 |

* THE ASTERISK INDICATES PAGES CHANGED OR ADDED BY THE CURRENT REVISION



757

PARTS CATALOG (MAINTENANCE)

| CH-SECT-UNIT-FIG | PAGE NO. | DATE |
|------------------|----------|-----------|
| 21-23-01- 2 | 0 | MAY 28/07 |
| 21-23-01- 2 | 0A | MAY 28/07 |
| 21-23-01- 2 | 0B | MAY 28/07 |
| 21-23-01- 2 | 0C | MAY 28/07 |
| 21-23-01- 2 | 0D | MAY 28/07 |
| 21-23-01- 2 | 0E | MAY 28/07 |
| 21-23-01- 2 | 0F | MAY 28/07 |
| 21-23-01- 2 | 0G | MAY 28/07 |
| 21-23-01- 2 | 0H | MAY 28/07 |
| 21-23-01- 2 | 0I | MAY 28/07 |
| 21-23-01- 2 | 0J | MAY 28/07 |
| 21-23-01- 2 | 1 | JAN 20/09 |
| 21-23-01- 2 | 2 | JAN 20/09 |
| 21-23-01- 2 | 3 | JAN 20/09 |
| 21-23-01- 2 | 4 | JAN 20/09 |
| 21-23-01- 2A | 0 | JAN 20/09 |
| 21-23-01- 2A | 0A | JAN 20/09 |
| 21-23-01- 2A | 0B | JAN 20/09 |
| 21-23-01- 2A | 0C | JAN 20/09 |
| 21-23-01- 2A | 0D | JAN 20/09 |
| 21-23-01- 2A | 0E | JAN 20/09 |
| 21-23-01- 2A | 0F | JAN 20/09 |
| 21-23-01- 2A | 0G | JAN 20/09 |
| 21-23-01- 2A | 0H | JAN 20/09 |
| 21-23-01- 2A | 1 | JAN 20/09 |
| 21-23-01- 2A | 2 | JAN 20/09 |
| 21-23-01- 3 | 0 | MAY 28/07 |
| 21-23-01- 3 | 0A | MAY 28/07 |
| 21-23-01- 3 | 0B | MAY 28/07 |
| 21-23-01- 3 | 0C | MAY 28/07 |
| 21-23-01- 3 | 0D | MAY 28/07 |
| 21-23-01- 3 | 0E | MAY 28/07 |
| 21-23-01- 3 | 0F | MAY 28/07 |
| 21-23-01- 3 | 0G | MAY 28/07 |
| 21-23-01- 3 | 0H | MAY 28/07 |
| 21-23-01- 3 | 0I | MAY 28/07 |
| 21-23-01- 3 | 0J | MAY 28/07 |
| 21-23-01- 3 | 0K | MAY 28/07 |
| 21-23-01- 3 | 0L | MAY 28/07 |
| 21-23-01- 3 | 0M | MAY 28/07 |
| 21-23-01- 3 | 1 | JAN 20/09 |
| 21-23-01- 3 | 2 | JAN 20/09 |
| 21-23-01- 3 | 3 | JAN 20/09 |
| 21-23-01- 3 | 4 | JAN 20/09 |
| 21-23-01- 3 | 5 | JAN 20/09 |
| 21-23-01- 3 | 6 | JAN 20/09 |
| 21-23-01- 3 | 7 | JAN 20/09 |
| 21-23-01- 3 | 8 | JAN 20/09 |
| 21-23-01- 3 | 9 | JAN 20/09 |
| 21-23-01- 3 | 10 | JAN 20/09 |
| 21-23-01- 3 | 11 | JAN 20/09 |

| CH-SECT-UNIT-FIG | PAGE NO. | DATE |
|------------------|----------|-----------|
| 21-23-01- 3 | 12 | JAN 20/09 |
| 21-23-01- 3 | 13 | JAN 20/09 |
| 21-23-01- 3 | 14 | JAN 20/09 |
| 21-23-01- 3 | 15 | JAN 20/09 |
| 21-23-01- 3 | 16 | JAN 20/09 |
| 21-23-01- 3 | 17 | JAN 20/09 |
| 21-23-01- 3 | 18 | JAN 20/09 |
| 21-23-01- 3 | 19 | JAN 20/09 |
| 21-23-01- 3 | 20 | JAN 20/09 |
| 21-23-01- 3 | 21 | JAN 20/09 |
| 21-23-01- 3 | 22 | JAN 20/09 |
| 21-23-01- 3 | 23 | JAN 20/09 |
| 21-23-01- 3 | 24 | JAN 20/09 |
| 21-23-01- 3 | 25 | JAN 20/09 |
| 21-23-01- 3 | 26 | JAN 20/09 |
| 21-23-01- 6 | 0 | MAY 28/07 |
| 21-23-01- 6 | 0A | MAY 28/07 |
| 21-23-01- 6 | 0B | MAY 28/07 |
| 21-23-01- 6 | 0C | MAY 28/07 |
| 21-23-01- 6 | 0D | MAY 28/07 |
| 21-23-01- 6 | 0E | MAY 28/07 |
| 21-23-01- 6 | 0F | MAY 28/07 |
| 21-23-01- 6 | 0G | MAY 28/07 |
| 21-23-01- 6 | 0H | MAY 28/07 |
| 21-23-01- 6 | 0I | MAY 28/07 |
| 21-23-01- 6 | 0J | MAY 28/07 |
| 21-23-01- 6 | 0K | MAY 28/07 |
| 21-23-01- 6 | 0L | MAY 28/07 |
| 21-23-01- 6 | 0M | MAY 28/07 |
| 21-23-01- 6 | 0N | MAY 28/07 |
| 21-23-01- 6 | 0O | MAY 28/07 |
| 21-23-01- 6 | 1 | JAN 20/09 |
| 21-23-01- 6 | 2 | JAN 20/09 |
| 21-23-01- 6 | 3 | JAN 20/09 |
| 21-23-01- 6 | 4 | JAN 20/09 |
| 21-23-01- 6 | 5 | JAN 20/09 |
| 21-23-01- 6 | 6 | JAN 20/09 |
| 21-23-01- 6 | 7 | JAN 20/09 |
| 21-23-01- 6 | 8 | JAN 20/09 |
| 21-23-01- 6 | 9 | JAN 20/09 |
| 21-23-01- 6 | 10 | JAN 20/09 |
| 21-23-01- 6 | 11 | JAN 20/09 |
| 21-23-01- 6 | 12 | JAN 20/09 |
| 21-23-01- 6 | 13 | JAN 20/09 |
| 21-23-01- 6 | 14 | JAN 20/09 |
| 21-23-01- 6 | 15 | JAN 20/09 |
| 21-23-01- 6 | 16 | JAN 20/09 |
| 21-23-01- 6 | 17 | JAN 20/09 |
| 21-23-01-11A | 0 | MAY 28/07 |
| 21-23-01-11A | 0A | MAY 28/07 |
| 21-23-01-11A | 0B | MAY 28/07 |

* THE ASTERISK INDICATES PAGES CHANGED OR ADDED BY THE CURRENT REVISION



757

PARTS CATALOG (MAINTENANCE)

| CH-SECT-UNIT-FIG | PAGE NO. | DATE |
|------------------|----------|-----------|
| 21-23-01-11A | 0C | MAY 28/07 |
| 21-23-01-11A | 0D | MAY 28/07 |
| 21-23-01-11A | 0E | MAY 28/07 |
| 21-23-01-11A | 0F | MAY 28/07 |
| 21-23-01-11A | 1 | JAN 20/09 |
| 21-23-01-11A | 2 | JAN 20/09 |
| 21-23-01-12 | 0 | JAN 20/09 |
| 21-23-01-12 | 0A | JAN 20/09 |
| 21-23-01-12 | 0B | JAN 20/09 |
| 21-23-01-12 | 0C | JAN 20/09 |
| 21-23-01-12 | 0D | JAN 20/09 |
| 21-23-01-12 | 0E | JAN 20/09 |
| 21-23-01-12 | 0F | JAN 20/09 |
| 21-23-01-12 | 1 | JAN 20/09 |
| 21-23-01-12 | 2 | JAN 20/09 |
| 21-23-01-12 | 3 | JAN 20/09 |
| 21-23-01-12 | 4 | JAN 20/09 |
| 21-23-01-13A | 0 | MAY 28/07 |
| 21-23-01-13A | 0A | MAY 28/07 |
| 21-23-01-13A | 0B | MAY 28/07 |
| 21-23-01-13A | 0C | MAY 28/07 |
| 21-23-01-13A | 0D | MAY 28/07 |
| 21-23-01-13A | 0E | MAY 28/07 |
| 21-23-01-13A | 0F | MAY 28/07 |
| 21-23-01-13A | 0G | MAY 28/07 |
| 21-23-01-13A | 0H | MAY 28/07 |
| 21-23-01-13A | 0I | MAY 28/07 |
| 21-23-01-13A | 0J | MAY 28/07 |
| 21-23-01-13A | 0K | MAY 28/07 |
| 21-23-01-13A | 0L | MAY 28/07 |
| 21-23-01-13A | 0M | MAY 28/07 |
| 21-23-01-13A | 0N | MAY 28/07 |
| 21-23-01-13A | 0O | MAY 28/07 |
| 21-23-01-13A | 0P | MAY 28/07 |
| 21-23-01-13A | 0Q | MAY 28/07 |
| 21-23-01-13A | 0R | MAY 28/07 |
| 21-23-01-13A | 1 | JAN 20/09 |
| 21-23-01-13A | 2 | JAN 20/09 |
| 21-23-01-13A | 3 | JAN 20/09 |
| 21-23-01-13A | 4 | JAN 20/09 |
| 21-23-01-13A | 5 | JAN 20/09 |
| 21-23-01-13A | 6 | JAN 20/09 |
| 21-23-01-13A | 7 | JAN 20/09 |
| 21-23-01-13A | 8 | JAN 20/09 |
| 21-23-01-13A | 9 | JAN 20/09 |
| 21-23-01-13A | 10 | JAN 20/09 |
| 21-23-01-13A | 11 | JAN 20/09 |
| 21-23-01-13A | 12 | JAN 20/09 |
| 21-23-01-13A | 13 | JAN 20/09 |
| 21-23-01-13A | 14 | JAN 20/09 |
| 21-23-01-13A | 15 | JAN 20/09 |

| CH-SECT-UNIT-FIG | PAGE NO. | DATE |
|------------------|----------|-----------|
| 21-23-01-13A | 16 | JAN 20/09 |
| 21-23-01-13A | 17 | JAN 20/09 |
| 21-23-01-13A | 18 | JAN 20/09 |
| 21-23-01-13A | 19 | JAN 20/09 |
| 21-23-01-13A | 20 | JAN 20/09 |
| 21-23-01-18A | 0 | MAY 28/07 |
| 21-23-01-18A | 0A | MAY 28/07 |
| 21-23-01-18A | 0B | MAY 28/07 |
| 21-23-01-18A | 0C | MAY 28/07 |
| 21-23-01-18A | 0D | MAY 28/07 |
| 21-23-01-18A | 0E | MAY 28/07 |
| 21-23-01-18A | 0F | MAY 28/07 |
| 21-23-01-18A | 0G | MAY 28/07 |
| 21-23-01-18A | 0H | MAY 28/07 |
| 21-23-01-18A | 0I | MAY 28/07 |
| 21-23-01-18A | 0J | MAY 28/07 |
| 21-23-01-18A | 0K | MAY 28/07 |
| 21-23-01-18A | 0L | MAY 28/07 |
| 21-23-01-18A | 0M | MAY 28/07 |
| 21-23-01-18A | 0N | MAY 28/07 |
| 21-23-01-18A | 0O | MAY 28/07 |
| 21-23-01-18A | 0P | MAY 28/07 |
| 21-23-01-18A | 1 | JAN 20/09 |
| 21-23-01-18A | 2 | JAN 20/09 |
| 21-23-01-18A | 3 | JAN 20/09 |
| 21-23-01-18A | 4 | JAN 20/09 |
| 21-23-01-18A | 5 | JAN 20/09 |
| 21-23-01-18A | 6 | JAN 20/09 |
| 21-23-01-18A | 7 | JAN 20/09 |
| 21-23-01-18A | 8 | JAN 20/09 |
| 21-23-01-18A | 9 | JAN 20/09 |
| 21-23-01-18A | 10 | JAN 20/09 |
| *21-23-01-18A | 11 | MAY 20/09 |
| *21-23-01-18A | 12 | MAY 20/09 |
| *21-23-01-18A | 13 | MAY 20/09 |
| *21-23-01-18A | 14 | MAY 20/09 |
| 21-23-01-18A | 15 | JAN 20/09 |
| 21-23-01-18A | 16 | JAN 20/09 |
| 21-23-01-18A | 17 | JAN 20/09 |
| 21-23-01-18A | 18 | JAN 20/09 |
| 21-23-01-18A | 19 | JAN 20/09 |
| 21-23-01-18A | 20 | JAN 20/09 |
| 21-23-01-18A | 21 | JAN 20/09 |
| 21-23-01-18A | 22 | JAN 20/09 |
| 21-23-01-18A | 23 | JAN 20/09 |
| 21-23-01-18A | 24 | JAN 20/09 |
| 21-23-01-21 | 0 | MAY 28/07 |
| 21-23-01-21 | 0A | MAY 28/07 |
| 21-23-01-21 | 0B | MAY 28/07 |
| 21-23-01-21 | 0C | MAY 28/07 |
| 21-23-01-21 | 0D | MAY 28/07 |

* THE ASTERISK INDICATES PAGES CHANGED OR ADDED BY THE CURRENT REVISION


BOEING
 757
PARTS CATALOG (MAINTENANCE)

| CH-SECT-UNIT-FIG | PAGE NO. | DATE |
|------------------|----------|-----------|
| 21-23-01-21 | 0E | MAY 28/07 |
| 21-23-01-21 | 0F | MAY 28/07 |
| 21-23-01-21 | 0G | MAY 28/07 |
| 21-23-01-21 | 1 | JAN 20/09 |
| 21-23-01-21 | 2 | JAN 20/09 |
| 21-23-01-21 | 3 | JAN 20/09 |
| *21-23-01-21 | 4 | MAY 20/09 |
| *21-23-01-21 | 5 | MAY 20/09 |
| 21-23-01-31 | 0 | JAN 20/09 |
| 21-23-01-31 | 0A | JAN 20/09 |
| 21-23-01-31 | 0B | JAN 20/09 |
| 21-23-01-31 | 0C | JAN 20/09 |
| 21-23-01-31 | 0D | JAN 20/09 |
| 21-23-01-31 | 1 | JAN 20/09 |
| 21-23-01-31 | 2 | JAN 20/09 |
| 21-23-01-31 | 3 | JAN 20/09 |
| 21-23-01-33 | 0 | MAY 28/07 |
| 21-23-01-33 | 0A | MAY 28/07 |
| 21-23-01-33 | 0B | MAY 28/07 |
| 21-23-01-33 | 0C | MAY 28/07 |
| 21-23-01-33 | 0D | MAY 28/07 |
| 21-23-01-33 | 1 | JAN 20/09 |
| 21-23-01-33 | 2 | JAN 20/09 |
| *21-23-01-33 | 3 | MAY 20/09 |
| *21-23-01-33 | 4 | MAY 20/09 |
| 21-23-01-54B | 0 | MAY 28/07 |
| 21-23-01-54B | 0A | MAY 28/07 |
| 21-23-01-54B | 0B | MAY 28/07 |
| 21-23-01-54B | 0C | MAY 28/07 |
| 21-23-01-54B | 0D | MAY 28/07 |
| 21-23-01-54B | 0E | MAY 28/07 |
| 21-23-01-54B | 0F | MAY 28/07 |
| 21-23-01-54B | 0G | MAY 28/07 |
| 21-23-01-54B | 1 | JAN 20/09 |
| 21-23-01-54B | 2 | JAN 20/09 |
| 21-23-01-54B | 3 | JAN 20/09 |
| 21-23-01-54B | 4 | JAN 20/09 |
| 21-23-01-54B | 5 | JAN 20/09 |
| 21-23-01-54B | 6 | JAN 20/09 |
| 21-23-01-54B | 7 | JAN 20/09 |
| 21-23-01-57 | 0 | JAN 20/09 |
| 21-23-01-57 | 0A | JAN 20/09 |
| 21-23-01-57 | 0B | JAN 20/09 |
| 21-23-01-57 | 0C | JAN 20/09 |
| 21-23-01-57 | 0D | JAN 20/09 |
| 21-23-01-57 | 0E | JAN 20/09 |
| 21-23-01-57 | 0F | JAN 20/09 |
| 21-23-01-57 | 1 | JAN 20/09 |
| 21-23-01-57 | 2 | JAN 20/09 |
| 21-23-01-57 | 3 | JAN 20/09 |
| 21-23-01-60 | 0 | JAN 20/09 |

| CH-SECT-UNIT-FIG | PAGE NO. | DATE |
|------------------|----------|-----------|
| 21-23-01-60 | 1 | JAN 20/09 |
| 21-23-01-60G | 0 | JAN 20/09 |
| 21-23-01-60G | 0A | JAN 20/09 |
| 21-23-01-60G | 1 | JAN 20/09 |
| 21-23-01-60G | 2 | JAN 20/09 |
| 21-23-01-60H | 0 | JAN 20/09 |
| 21-23-01-60H | 0A | JAN 20/09 |
| 21-23-01-60H | 0B | JAN 20/09 |
| 21-23-01-60H | 0C | JAN 20/09 |
| 21-23-01-60H | 0D | JAN 20/09 |
| 21-23-01-60H | 1 | JAN 20/09 |
| 21-23-01-60H | 2 | JAN 20/09 |
| 21-23-01-60L | 0 | JAN 20/09 |
| 21-23-01-60L | 0A | JAN 20/09 |
| 21-23-01-60L | 0B | JAN 20/09 |
| 21-23-01-60L | 0C | JAN 20/09 |
| 21-23-01-60L | 1 | JAN 20/09 |
| 21-23-01-60L | 2 | JAN 20/09 |
| 21-23-01-60L | 3 | JAN 20/09 |
| 21-23-01-60L | 4 | JAN 20/09 |
| 21-23-01-60M | 0 | JAN 20/09 |
| 21-23-01-60M | 0A | JAN 20/09 |
| 21-23-01-60M | 0B | JAN 20/09 |
| 21-23-01-60M | 0C | JAN 20/09 |
| 21-23-01-60M | 1 | JAN 20/09 |
| 21-23-01-60M | 2 | JAN 20/09 |
| 21-23-01-60M | 3 | JAN 20/09 |
| 21-23-01-60M | 4 | JAN 20/09 |
| 21-23-01-61L | 0 | JAN 20/09 |
| 21-23-01-61L | 0A | JAN 20/09 |
| 21-23-01-61L | 0B | JAN 20/09 |
| 21-23-01-61L | 0C | JAN 20/09 |
| 21-23-01-61L | 1 | JAN 20/09 |
| *21-23-01-61L | 2 | MAY 20/09 |
| *21-23-01-61L | 3 | MAY 20/09 |
| 21-23-01-61N | 0 | JAN 20/09 |
| 21-23-01-61N | 0A | JAN 20/09 |
| 21-23-01-61N | 0B | JAN 20/09 |
| 21-23-01-61N | 0C | JAN 20/09 |
| 21-23-01-61N | 1 | JAN 20/09 |
| 21-23-01-61N | 2 | JAN 20/09 |
| 21-23-01-61N | 3 | JAN 20/09 |
| 21-23-01-61P | 0 | JAN 20/09 |
| 21-23-01-61P | 0A | JAN 20/09 |
| 21-23-01-61P | 0B | JAN 20/09 |
| 21-23-01-61P | 0C | JAN 20/09 |
| 21-23-01-61P | 0D | JAN 20/09 |
| 21-23-01-61P | 1 | JAN 20/09 |
| *21-23-01-61P | 2 | MAY 20/09 |
| *21-23-01-61P | 3 | MAY 20/09 |
| *21-23-01-61P | 4 | MAY 20/09 |

* THE ASTERISK INDICATES PAGES CHANGED OR ADDED BY THE CURRENT REVISION



757
PARTS CATALOG (MAINTENANCE)

| CH-SECT-UNIT-FIG | PAGE NO. | DATE | CH-SECT-UNIT-FIG | PAGE NO. | DATE |
|------------------|----------|-----------|------------------|----------|-----------|
| *21-23-01-61P | 5 | MAY 20/09 | 21-23-01-64A | 4 | JAN 20/09 |
| 21-23-01-61Q | 0 | JAN 20/09 | 21-23-01-64A | 5 | JAN 20/09 |
| 21-23-01-61Q | 0A | JAN 20/09 | 21-23-01-64A | 6 | JAN 20/09 |
| 21-23-01-61Q | 0B | JAN 20/09 | 21-23-01-64A | 7 | JAN 20/09 |
| 21-23-01-61Q | 0C | JAN 20/09 | 21-23-01-64A | 8 | JAN 20/09 |
| 21-23-01-61Q | 1 | JAN 20/09 | 21-23-01-64A | 9 | JAN 20/09 |
| *21-23-01-61Q | 2 | MAY 20/09 | 21-23-01-64B | 0 | JAN 20/09 |
| 21-23-01-61Q | 3 | JAN 20/09 | 21-23-01-64B | 0A | JAN 20/09 |
| 21-23-01-61Q | 4 | JAN 20/09 | 21-23-01-64B | 0B | JAN 20/09 |
| 21-23-01-61W | 0 | JAN 20/09 | *21-23-01-64B | 1 | MAY 20/09 |
| 21-23-01-61W | 1 | JAN 20/09 | 21-23-01-64B | 2 | JAN 20/09 |
| 21-23-01-61X | 0 | JAN 20/09 | 21-23-01-64J | 0 | JAN 20/09 |
| 21-23-01-61X | 1 | JAN 20/09 | 21-23-01-64J | 0A | JAN 20/09 |
| 21-23-01-61X | 2 | JAN 20/09 | 21-23-01-64J | 1 | JAN 20/09 |
| 21-23-01-62E | 0 | JAN 20/09 | 21-23-01-64J | 2 | JAN 20/09 |
| 21-23-01-62E | 0A | JAN 20/09 | 21-23-01-64K | 0 | JAN 20/09 |
| 21-23-01-62E | 0B | JAN 20/09 | 21-23-01-64K | 0A | JAN 20/09 |
| 21-23-01-62E | 1 | JAN 20/09 | 21-23-01-64K | 1 | JAN 20/09 |
| 21-23-01-62E | 2 | JAN 20/09 | 21-23-01-64K | 2 | JAN 20/09 |
| 21-23-01-62F | 0 | JAN 20/09 | 21-23-01-64K | 3 | JAN 20/09 |
| 21-23-01-62F | 0A | JAN 20/09 | 21-23-01-64L | 0 | JAN 20/09 |
| 21-23-01-62F | 1 | JAN 20/09 | 21-23-01-64L | 1 | JAN 20/09 |
| 21-23-01-62F | 2 | JAN 20/09 | 21-23-01-64L | 2 | JAN 20/09 |
| 21-23-01-63E | 0 | JAN 20/09 | 21-23-01-64M | 0 | JAN 20/09 |
| 21-23-01-63E | 0A | JAN 20/09 | 21-23-01-64M | 0A | JAN 20/09 |
| 21-23-01-63E | 0B | JAN 20/09 | 21-23-01-64M | 1 | JAN 20/09 |
| 21-23-01-63E | 0C | JAN 20/09 | 21-23-01-64M | 2 | JAN 20/09 |
| 21-23-01-63E | 1 | JAN 20/09 | 21-23-01-64N | 0 | JAN 20/09 |
| *21-23-01-63E | 2 | MAY 20/09 | 21-23-01-64N | 0A | JAN 20/09 |
| *21-23-01-63E | 3 | MAY 20/09 | *21-23-01-64N | 1 | MAY 20/09 |
| 21-23-01-63J | 0 | JAN 20/09 | 21-23-01-64P | 0 | JAN 20/09 |
| 21-23-01-63J | 0A | JAN 20/09 | 21-23-01-64P | 1 | JAN 20/09 |
| 21-23-01-63J | 0B | JAN 20/09 | 21-23-01-64P | 2 | JAN 20/09 |
| 21-23-01-63J | 0C | JAN 20/09 | 21-23-01-66F | 0 | JAN 20/09 |
| 21-23-01-63J | 0D | JAN 20/09 | 21-23-01-66F | 1 | JAN 20/09 |
| 21-23-01-63J | 1 | JAN 20/09 | 21-23-01-66F | 2 | JAN 20/09 |
| *21-23-01-63J | 2 | MAY 20/09 | 21-23-01-66G | 0 | JAN 20/09 |
| *21-23-01-63J | 3 | MAY 20/09 | 21-23-01-66G | 0A | JAN 20/09 |
| 21-23-01-63K | 0 | JAN 20/09 | 21-23-01-66G | 0B | JAN 20/09 |
| 21-23-01-63K | 0A | JAN 20/09 | 21-23-01-66G | 0C | JAN 20/09 |
| 21-23-01-63K | 0B | JAN 20/09 | 21-23-01-66G | 0D | JAN 20/09 |
| 21-23-01-63K | 1 | JAN 20/09 | 21-23-01-66G | 1 | JAN 20/09 |
| *21-23-01-63K | 2 | MAY 20/09 | 21-23-01-66G | 2 | JAN 20/09 |
| 21-23-01-64A | 0 | JAN 20/09 | 21-23-01-66G | 3 | JAN 20/09 |
| 21-23-01-64A | 0A | JAN 20/09 | 21-23-01-66G | 4 | JAN 20/09 |
| 21-23-01-64A | 0B | JAN 20/09 | 21-23-01-66H | 0 | JAN 20/09 |
| 21-23-01-64A | 0C | JAN 20/09 | 21-23-01-66H | 0A | JAN 20/09 |
| 21-23-01-64A | 0D | JAN 20/09 | 21-23-01-66H | 0B | JAN 20/09 |
| 21-23-01-64A | 1 | JAN 20/09 | 21-23-01-66H | 0C | JAN 20/09 |
| 21-23-01-64A | 2 | JAN 20/09 | 21-23-01-66H | 1 | JAN 20/09 |
| 21-23-01-64A | 3 | JAN 20/09 | 21-23-01-66H | 2 | JAN 20/09 |

* THE ASTERISK INDICATES PAGES CHANGED OR ADDED BY THE CURRENT REVISION



757

PARTS CATALOG (MAINTENANCE)

| CH-SECT-UNIT-FIG | PAGE NO. | DATE | CH-SECT-UNIT-FIG | PAGE NO. | DATE |
|------------------|----------|-----------|------------------|----------|-----------|
| 21-23-01-66H | 3 | JAN 20/09 | 21-23-02- 1 | 0G | JAN 20/09 |
| 21-23-01-66R | 0 | JAN 20/09 | 21-23-02- 1 | 0H | JAN 20/09 |
| 21-23-01-66R | 0A | JAN 20/09 | 21-23-02- 1 | 0I | JAN 20/09 |
| 21-23-01-66R | 1 | JAN 20/09 | 21-23-02- 1 | 0J | JAN 20/09 |
| *21-23-01-66R | 2 | MAY 20/09 | 21-23-02- 1 | 0K | JAN 20/09 |
| 21-23-01-66S | 0 | JAN 20/09 | 21-23-02- 1 | 1 | JAN 20/09 |
| 21-23-01-66S | 0A | JAN 20/09 | 21-23-02- 1 | 2 | JAN 20/09 |
| 21-23-01-66S | 1 | JAN 20/09 | 21-23-02- 1 | 3 | JAN 20/09 |
| 21-23-01-66S | 2 | JAN 20/09 | 21-23-02-20 | 0 | JAN 20/09 |
| 21-23-01-66T | 0 | JAN 20/09 | 21-23-02-20 | 1 | JAN 20/09 |
| 21-23-01-66T | 0A | JAN 20/09 | 21-23-02-21 | 0 | JAN 20/09 |
| 21-23-01-66T | 1 | JAN 20/09 | 21-23-02-21 | 0A | JAN 20/09 |
| 21-23-01-66T | 2 | JAN 20/09 | 21-23-02-21 | 0B | JAN 20/09 |
| 21-23-01-76 | 0 | MAY 28/07 | 21-23-02-21 | 0C | JAN 20/09 |
| 21-23-01-76 | 0A | MAY 28/07 | 21-23-02-21 | 0D | JAN 20/09 |
| 21-23-01-76 | 0B | MAY 28/07 | 21-23-02-21 | 0E | JAN 20/09 |
| 21-23-01-76 | 0C | MAY 28/07 | 21-23-02-21 | 0F | JAN 20/09 |
| 21-23-01-76 | 0D | MAY 28/07 | 21-23-02-21 | 1 | JAN 20/09 |
| 21-23-01-76 | 0E | MAY 28/07 | 21-23-02-21 | 2 | JAN 20/09 |
| 21-23-01-76 | 0F | MAY 28/07 | 21-23-02-21 | 3 | JAN 20/09 |
| 21-23-01-76 | 0G | MAY 28/07 | 21-23-02-21 | 4 | JAN 20/09 |
| 21-23-01-76 | 0H | MAY 28/07 | 21-23-02-21 | 5 | JAN 20/09 |
| 21-23-01-76 | 0I | MAY 28/07 | 21-23-02-21 | 6 | JAN 20/09 |
| 21-23-01-76 | 0J | MAY 28/07 | 21-23-02-22 | 0 | JAN 20/09 |
| 21-23-01-76 | 0K | MAY 28/07 | 21-23-02-22 | 0A | JAN 20/09 |
| 21-23-01-76 | 0L | MAY 28/07 | 21-23-02-22 | 0B | JAN 20/09 |
| 21-23-01-76 | 0M | MAY 28/07 | 21-23-02-22 | 0C | JAN 20/09 |
| 21-23-01-76 | 0N | MAY 28/07 | 21-23-02-22 | 0D | JAN 20/09 |
| 21-23-01-76 | 1 | JAN 20/09 | 21-23-02-22 | 1 | JAN 20/09 |
| 21-23-01-76 | 2 | JAN 20/09 | 21-23-02-22 | 2 | JAN 20/09 |
| 21-23-01-76 | 3 | JAN 20/09 | 21-23-02-22 | 3 | JAN 20/09 |
| 21-23-01-76 | 4 | JAN 20/09 | 21-23-02-22 | 4 | JAN 20/09 |
| 21-23-01-76 | 5 | JAN 20/09 | 21-23-02-22 | 5 | JAN 20/09 |
| 21-23-01-76 | 6 | JAN 20/09 | 21-23-02-23 | 0 | JAN 20/09 |
| 21-23-01-76 | 7 | JAN 20/09 | 21-23-02-23 | 0A | JAN 20/09 |
| 21-23-01-96 | 0 | MAY 28/07 | 21-23-02-23 | 0B | JAN 20/09 |
| 21-23-01-96 | 0A | MAY 28/07 | 21-23-02-23 | 1 | JAN 20/09 |
| 21-23-01-96 | 1 | JAN 20/09 | 21-23-02-23 | 2 | JAN 20/09 |
| 21-23-01-96 | 2 | JAN 20/09 | 21-23-02-23 | 3 | JAN 20/09 |
| 21-23-01-96A | 0 | MAY 28/07 | 21-23-02-23 | 4 | JAN 20/09 |
| 21-23-01-96A | 0A | MAY 28/07 | 21-23-02-26 | 0 | MAY 28/07 |
| 21-23-01-96A | 1 | JAN 20/09 | 21-23-02-26 | 0A | MAY 28/07 |
| 21-23-01-96A | 2 | JAN 20/09 | 21-23-02-26 | 0B | MAY 28/07 |
| 21-23-01-96A | 3 | JAN 20/09 | 21-23-02-26 | 0C | MAY 28/07 |
| 21-23-02- 1 | 0 | JAN 20/09 | 21-23-02-26 | 1 | JAN 20/09 |
| 21-23-02- 1 | 0A | JAN 20/09 | 21-23-02-26 | 2 | JAN 20/09 |
| 21-23-02- 1 | 0B | JAN 20/09 | 21-23-02-27 | 0 | MAY 28/07 |
| 21-23-02- 1 | 0C | JAN 20/09 | 21-23-02-27 | 0A | MAY 28/07 |
| 21-23-02- 1 | 0D | JAN 20/09 | 21-23-02-27 | 0B | MAY 28/07 |
| 21-23-02- 1 | 0E | JAN 20/09 | 21-23-02-27 | 0C | MAY 28/07 |
| 21-23-02- 1 | 0F | JAN 20/09 | 21-23-02-27 | 1 | JAN 20/09 |

* THE ASTERISK INDICATES PAGES CHANGED OR ADDED BY THE CURRENT REVISION



757

PARTS CATALOG (MAINTENANCE)

| CH-SECT-UNIT-FIG | PAGE NO. | DATE | CH-SECT-UNIT-FIG | PAGE NO. | DATE |
|------------------|----------|-----------|------------------|----------|-----------|
| 21-23-02-27 | 2 | JAN 20/09 | 21-23-02-32 | 3 | JAN 20/09 |
| 21-23-02-27 | 3 | JAN 20/09 | 21-23-02-32 | 4 | JAN 20/09 |
| 21-23-02-27 | 4 | JAN 20/09 | 21-23-02-32 | 5 | JAN 20/09 |
| 21-23-02-27 | 5 | JAN 20/09 | 21-23-02-32 | 6 | JAN 20/09 |
| 21-23-02-27A | 0 | MAY 28/07 | 21-23-02-32 | 7 | JAN 20/09 |
| 21-23-02-27A | 0A | MAY 28/07 | 21-23-02-32 | 8 | JAN 20/09 |
| 21-23-02-27A | 0B | MAY 28/07 | 21-23-02-32 | 9 | JAN 20/09 |
| 21-23-02-27A | 0C | MAY 28/07 | 21-23-02-32 | 10 | JAN 20/09 |
| 21-23-02-27A | 1 | JAN 20/09 | 21-23-02-32 | 11 | JAN 20/09 |
| 21-23-02-27A | 2 | JAN 20/09 | 21-23-02-32 | 12 | JAN 20/09 |
| 21-23-02-27A | 3 | JAN 20/09 | 21-23-02-32 | 13 | JAN 20/09 |
| 21-23-02-27A | 4 | JAN 20/09 | 21-23-02-33 | 0 | MAY 28/07 |
| 21-23-02-27A | 5 | JAN 20/09 | 21-23-02-33 | 0A | MAY 28/07 |
| 21-23-02-28 | 0 | MAY 28/07 | 21-23-02-33 | 0B | MAY 28/07 |
| 21-23-02-28 | 0A | MAY 28/07 | 21-23-02-33 | 0C | MAY 28/07 |
| 21-23-02-28 | 0B | MAY 28/07 | 21-23-02-33 | 0D | MAY 28/07 |
| 21-23-02-28 | 0C | MAY 28/07 | 21-23-02-33 | 0E | MAY 28/07 |
| 21-23-02-28 | 0D | MAY 28/07 | 21-23-02-33 | 1 | JAN 20/09 |
| 21-23-02-28 | 0E | MAY 28/07 | 21-23-02-33 | 2 | JAN 20/09 |
| 21-23-02-28 | 0F | MAY 28/07 | 21-23-02-33 | 3 | JAN 20/09 |
| 21-23-02-28 | 0G | MAY 28/07 | 21-23-02-33 | 4 | JAN 20/09 |
| 21-23-02-28 | 0H | MAY 28/07 | 21-23-02-33 | 5 | JAN 20/09 |
| 21-23-02-28 | 0I | MAY 28/07 | 21-23-02-33 | 6 | JAN 20/09 |
| 21-23-02-28 | 0J | MAY 28/07 | 21-23-02-33 | 7 | JAN 20/09 |
| 21-23-02-28 | 1 | JAN 20/09 | 21-23-02-33 | 8 | JAN 20/09 |
| 21-23-02-28 | 2 | JAN 20/09 | 21-23-02-33 | 9 | JAN 20/09 |
| 21-23-02-28 | 3 | JAN 20/09 | 21-23-02-33 | 10 | JAN 20/09 |
| 21-23-02-28 | 4 | JAN 20/09 | 21-23-02-33 | 11 | JAN 20/09 |
| 21-23-02-29 | 0 | MAY 28/07 | 21-23-02-34 | 0 | MAY 28/07 |
| 21-23-02-29 | 0A | MAY 28/07 | 21-23-02-34 | 0A | MAY 28/07 |
| 21-23-02-29 | 0B | MAY 28/07 | 21-23-02-34 | 0B | MAY 28/07 |
| 21-23-02-29 | 0C | MAY 28/07 | 21-23-02-34 | 0C | MAY 28/07 |
| 21-23-02-29 | 0D | MAY 28/07 | 21-23-02-34 | 0D | MAY 28/07 |
| 21-23-02-29 | 0E | MAY 28/07 | 21-23-02-34 | 0E | MAY 28/07 |
| 21-23-02-29 | 1 | JAN 20/09 | 21-23-02-34 | 0F | MAY 28/07 |
| 21-23-02-29 | 2 | JAN 20/09 | 21-23-02-34 | 0G | MAY 28/07 |
| 21-23-02-29 | 3 | JAN 20/09 | 21-23-02-34 | 1 | JAN 20/09 |
| 21-23-02-29 | 4 | JAN 20/09 | 21-23-02-34 | 2 | JAN 20/09 |
| 21-23-02-29 | 5 | JAN 20/09 | 21-23-02-34 | 3 | JAN 20/09 |
| 21-23-02-32 | 0 | MAY 28/07 | 21-23-02-34 | 4 | JAN 20/09 |
| 21-23-02-32 | 0A | MAY 28/07 | 21-23-02-34 | 5 | JAN 20/09 |
| 21-23-02-32 | 0B | MAY 28/07 | 21-23-02-34 | 6 | JAN 20/09 |
| 21-23-02-32 | 0C | MAY 28/07 | 21-23-02-34 | 7 | JAN 20/09 |
| 21-23-02-32 | 0D | MAY 28/07 | 21-23-02-34 | 8 | JAN 20/09 |
| 21-23-02-32 | 0E | MAY 28/07 | 21-23-02-34 | 9 | JAN 20/09 |
| 21-23-02-32 | 0F | MAY 28/07 | 21-23-02-34 | 10 | JAN 20/09 |
| 21-23-02-32 | 0G | MAY 28/07 | 21-23-02-34 | 11 | JAN 20/09 |
| 21-23-02-32 | 0H | MAY 28/07 | 21-23-02-34 | 12 | JAN 20/09 |
| 21-23-02-32 | 0I | MAY 28/07 | 21-23-02-34 | 13 | JAN 20/09 |
| 21-23-02-32 | 1 | JAN 20/09 | 21-23-02-34 | 14 | JAN 20/09 |
| 21-23-02-32 | 2 | JAN 20/09 | 21-23-02-34 | 15 | JAN 20/09 |

* THE ASTERISK INDICATES PAGES CHANGED OR ADDED BY THE CURRENT REVISION



757

PARTS CATALOG (MAINTENANCE)

| CH-SECT-UNIT-FIG | PAGE NO. | DATE | CH-SECT-UNIT-FIG | PAGE NO. | DATE |
|------------------|----------|-----------|------------------|----------|-----------|
| 21-23-02-34 | 16 | JAN 20/09 | 21-23-02-35A | 2 | JAN 20/09 |
| 21-23-02-34A | 0 | MAY 28/07 | 21-23-02-35A | 3 | JAN 20/09 |
| 21-23-02-34A | 0A | MAY 28/07 | 21-23-02-35A | 4 | JAN 20/09 |
| 21-23-02-34A | 0B | MAY 28/07 | 21-23-02-35A | 5 | JAN 20/09 |
| 21-23-02-34A | 0C | MAY 28/07 | 21-23-02-35A | 6 | JAN 20/09 |
| 21-23-02-34A | 0D | MAY 28/07 | 21-23-02-35A | 7 | JAN 20/09 |
| 21-23-02-34A | 0E | MAY 28/07 | 21-23-02-35A | 8 | JAN 20/09 |
| 21-23-02-34A | 0F | MAY 28/07 | 21-23-02-38 | 0 | MAY 28/07 |
| 21-23-02-34A | 1 | JAN 20/09 | 21-23-02-38 | 0A | MAY 28/07 |
| 21-23-02-34A | 2 | JAN 20/09 | 21-23-02-38 | 0B | MAY 28/07 |
| 21-23-02-34A | 3 | JAN 20/09 | 21-23-02-38 | 0C | MAY 28/07 |
| 21-23-02-34A | 4 | JAN 20/09 | 21-23-02-38 | 0D | MAY 28/07 |
| 21-23-02-34A | 5 | JAN 20/09 | 21-23-02-38 | 0E | MAY 28/07 |
| 21-23-02-34A | 6 | JAN 20/09 | 21-23-02-38 | 0F | MAY 28/07 |
| 21-23-02-34A | 7 | JAN 20/09 | 21-23-02-38 | 1 | JAN 20/09 |
| 21-23-02-34A | 8 | JAN 20/09 | 21-23-02-38 | 2 | JAN 20/09 |
| 21-23-02-34A | 9 | JAN 20/09 | 21-23-02-38 | 3 | JAN 20/09 |
| 21-23-02-35 | 0 | MAY 28/07 | 21-23-02-38 | 4 | JAN 20/09 |
| 21-23-02-35 | 0A | MAY 28/07 | 21-23-02-38 | 5 | JAN 20/09 |
| 21-23-02-35 | 0B | MAY 28/07 | 21-23-02-38 | 6 | JAN 20/09 |
| 21-23-02-35 | 0C | MAY 28/07 | 21-23-02-38 | 7 | JAN 20/09 |
| 21-23-02-35 | 0D | MAY 28/07 | 21-23-02-38 | 8 | JAN 20/09 |
| 21-23-02-35 | 0E | MAY 28/07 | 21-23-02-38 | 9 | JAN 20/09 |
| 21-23-02-35 | 0F | MAY 28/07 | 21-23-02-38 | 10 | JAN 20/09 |
| 21-23-02-35 | 0G | MAY 28/07 | 21-23-02-38 | 11 | JAN 20/09 |
| 21-23-02-35 | 0H | MAY 28/07 | 21-23-02-38 | 12 | JAN 20/09 |
| 21-23-02-35 | 0I | MAY 28/07 | 21-23-02-38A | 0 | MAY 28/07 |
| 21-23-02-35 | 1 | JAN 20/09 | 21-23-02-38A | 0A | MAY 28/07 |
| 21-23-02-35 | 2 | JAN 20/09 | 21-23-02-38A | 0B | MAY 28/07 |
| 21-23-02-35 | 3 | JAN 20/09 | 21-23-02-38A | 0C | MAY 28/07 |
| 21-23-02-35 | 4 | JAN 20/09 | 21-23-02-38A | 0D | MAY 28/07 |
| 21-23-02-35 | 5 | JAN 20/09 | 21-23-02-38A | 0E | MAY 28/07 |
| 21-23-02-35 | 6 | JAN 20/09 | 21-23-02-38A | 0F | MAY 28/07 |
| 21-23-02-35 | 7 | JAN 20/09 | 21-23-02-38A | 0G | MAY 28/07 |
| 21-23-02-35 | 8 | JAN 20/09 | 21-23-02-38A | 1 | JAN 20/09 |
| 21-23-02-35 | 9 | JAN 20/09 | 21-23-02-38A | 2 | JAN 20/09 |
| 21-23-02-35 | 10 | JAN 20/09 | 21-23-02-38A | 3 | JAN 20/09 |
| 21-23-02-35 | 11 | JAN 20/09 | 21-23-02-38A | 4 | JAN 20/09 |
| 21-23-02-35 | 12 | JAN 20/09 | 21-23-02-38A | 5 | JAN 20/09 |
| 21-23-02-35 | 13 | JAN 20/09 | 21-23-02-38A | 6 | JAN 20/09 |
| 21-23-02-35 | 14 | JAN 20/09 | 21-23-02-38A | 7 | JAN 20/09 |
| 21-23-02-35 | 15 | JAN 20/09 | 21-23-02-38A | 8 | JAN 20/09 |
| 21-23-02-35A | 0 | MAY 28/07 | 21-23-02-38A | 9 | JAN 20/09 |
| 21-23-02-35A | 0A | MAY 28/07 | 21-23-02-38A | 10 | JAN 20/09 |
| 21-23-02-35A | 0B | MAY 28/07 | 21-23-02-38A | 11 | JAN 20/09 |
| 21-23-02-35A | 0C | MAY 28/07 | 21-23-02-38A | 12 | JAN 20/09 |
| 21-23-02-35A | 0D | MAY 28/07 | 21-23-02-39 | 0 | MAY 28/07 |
| 21-23-02-35A | 0E | MAY 28/07 | 21-23-02-39 | 0A | MAY 28/07 |
| 21-23-02-35A | 0F | MAY 28/07 | 21-23-02-39 | 0B | MAY 28/07 |
| 21-23-02-35A | 0G | MAY 28/07 | 21-23-02-39 | 0C | MAY 28/07 |
| 21-23-02-35A | 1 | JAN 20/09 | 21-23-02-39 | 1 | JAN 20/09 |

* THE ASTERISK INDICATES PAGES CHANGED OR ADDED BY THE CURRENT REVISION



757

PARTS CATALOG (MAINTENANCE)

| CH-SECT-UNIT-FIG | PAGE NO. | DATE | CH-SECT-UNIT-FIG | PAGE NO. | DATE |
|------------------|----------|-----------|------------------|----------|-----------|
| 21-23-02-39 | 2 | JAN 20/09 | 21-23-02-43G | 0 | JAN 20/09 |
| 21-23-02-39 | 3 | JAN 20/09 | 21-23-02-43G | 0A | JAN 20/09 |
| 21-23-02-39 | 4 | JAN 20/09 | 21-23-02-43G | 0B | JAN 20/09 |
| 21-23-02-42 | 0 | JAN 20/09 | 21-23-02-43G | 1 | JAN 20/09 |
| 21-23-02-42 | 0A | JAN 20/09 | 21-23-02-43H | 0 | JAN 20/09 |
| 21-23-02-42 | 1 | JAN 20/09 | 21-23-02-43H | 0A | JAN 20/09 |
| 21-23-02-43 | 0 | MAY 28/07 | 21-23-02-43H | 1 | JAN 20/09 |
| 21-23-02-43 | 0A | MAY 28/07 | 21-23-02-43J | 0 | JAN 20/09 |
| 21-23-02-43 | 0B | MAY 28/07 | 21-23-02-43J | 0A | JAN 20/09 |
| 21-23-02-43 | 1 | JAN 20/09 | 21-23-02-43J | 0B | JAN 20/09 |
| 21-23-02-43 | 2 | JAN 20/09 | 21-23-02-43J | 0C | JAN 20/09 |
| 21-23-02-43 | 3 | JAN 20/09 | 21-23-02-43J | 0D | JAN 20/09 |
| 21-23-02-43A | 0 | JAN 20/09 | 21-23-02-43J | 0E | JAN 20/09 |
| 21-23-02-43A | 0A | JAN 20/09 | 21-23-02-43J | 0F | JAN 20/09 |
| 21-23-02-43A | 0B | JAN 20/09 | 21-23-02-43J | 0G | JAN 20/09 |
| 21-23-02-43A | 0C | JAN 20/09 | 21-23-02-43J | 0H | JAN 20/09 |
| 21-23-02-43A | 0D | JAN 20/09 | 21-23-02-43J | 0I | JAN 20/09 |
| 21-23-02-43A | 0E | JAN 20/09 | 21-23-02-43J | 0J | JAN 20/09 |
| 21-23-02-43A | 0F | JAN 20/09 | 21-23-02-43J | 0K | JAN 20/09 |
| 21-23-02-43A | 0G | JAN 20/09 | 21-23-02-43J | 1 | JAN 20/09 |
| 21-23-02-43A | 0H | JAN 20/09 | 21-23-02-43J | 2 | JAN 20/09 |
| 21-23-02-43A | 0I | JAN 20/09 | 21-23-02-44 | 0 | JAN 20/08 |
| 21-23-02-43A | 0J | JAN 20/09 | 21-23-02-44 | 0A | JAN 20/08 |
| 21-23-02-43A | 0K | JAN 20/09 | 21-23-02-44 | 0B | JAN 20/08 |
| 21-23-02-43A | 1 | JAN 20/09 | 21-23-02-44 | 0C | SEP 20/08 |
| 21-23-02-43A | 2 | JAN 20/09 | 21-23-02-44 | 0D | SEP 20/08 |
| 21-23-02-43C | 0 | MAY 28/07 | 21-23-02-44 | 0E | SEP 20/08 |
| 21-23-02-43C | 0A | MAY 28/07 | 21-23-02-44 | 1 | JAN 20/09 |
| 21-23-02-43C | 0B | MAY 28/07 | 21-23-02-44 | 2 | JAN 20/09 |
| 21-23-02-43C | 0C | MAY 28/07 | 21-23-02-44 | 3 | JAN 20/09 |
| 21-23-02-43C | 0D | MAY 28/07 | 21-23-02-44 | 4 | JAN 20/09 |
| 21-23-02-43C | 0E | MAY 28/07 | 21-23-02-44 | 5 | JAN 20/09 |
| 21-23-02-43C | 0F | MAY 28/07 | 21-23-02-44A | 0 | MAY 28/07 |
| 21-23-02-43C | 1 | JAN 20/09 | 21-23-02-44A | 0A | MAY 28/07 |
| 21-23-02-43C | 2 | JAN 20/09 | 21-23-02-44A | 0B | MAY 28/07 |
| 21-23-02-43C | 3 | JAN 20/09 | 21-23-02-44A | 0C | MAY 28/07 |
| 21-23-02-43C | 4 | JAN 20/09 | 21-23-02-44A | 0D | MAY 28/07 |
| 21-23-02-43C | 5 | JAN 20/09 | 21-23-02-44A | 0E | MAY 28/07 |
| 21-23-02-43C | 6 | JAN 20/09 | 21-23-02-44A | 0F | MAY 28/07 |
| 21-23-02-43F | 0 | JAN 20/09 | 21-23-02-44A | 0G | MAY 28/07 |
| 21-23-02-43F | 0A | JAN 20/09 | 21-23-02-44A | 1 | JAN 20/09 |
| 21-23-02-43F | 0B | JAN 20/09 | 21-23-02-44A | 2 | JAN 20/09 |
| 21-23-02-43F | 0C | JAN 20/09 | 21-23-02-44A | 3 | JAN 20/09 |
| 21-23-02-43F | 0D | JAN 20/09 | 21-23-02-44A | 4 | JAN 20/09 |
| 21-23-02-43F | 0E | JAN 20/09 | 21-23-02-44A | 5 | JAN 20/09 |
| 21-23-02-43F | 0F | JAN 20/09 | 21-23-02-44B | 0 | MAY 28/07 |
| 21-23-02-43F | 0G | JAN 20/09 | 21-23-02-44B | 0A | MAY 28/07 |
| 21-23-02-43F | 1 | JAN 20/09 | 21-23-02-44B | 0B | MAY 28/07 |
| 21-23-02-43F | 2 | JAN 20/09 | 21-23-02-44B | 0C | MAY 28/07 |
| 21-23-02-43F | 3 | JAN 20/09 | 21-23-02-44B | 1 | JAN 20/09 |
| 21-23-02-43F | 4 | JAN 20/09 | 21-23-02-44B | 2 | JAN 20/09 |

* THE ASTERISK INDICATES PAGES CHANGED OR ADDED BY THE CURRENT REVISION



757

PARTS CATALOG (MAINTENANCE)

| CH-SECT-UNIT-FIG | PAGE NO. | DATE | CH-SECT-UNIT-FIG | PAGE NO. | DATE |
|------------------|----------|-----------|------------------|----------|-----------|
| 21-23-02-44B | 3 | JAN 20/09 | 21-23-02-45B | 0D | MAY 28/07 |
| 21-23-02-44B | 4 | JAN 20/09 | 21-23-02-45B | 0E | MAY 28/07 |
| 21-23-02-44B | 5 | JAN 20/09 | 21-23-02-45B | 0F | MAY 28/07 |
| 21-23-02-44B | 6 | JAN 20/09 | 21-23-02-45B | 0G | MAY 28/07 |
| 21-23-02-44C | 0 | MAY 28/07 | 21-23-02-45B | 0H | MAY 28/07 |
| 21-23-02-44C | 0A | MAY 28/07 | 21-23-02-45B | 0I | MAY 28/07 |
| 21-23-02-44C | 0B | MAY 28/07 | 21-23-02-45B | 0J | MAY 28/07 |
| 21-23-02-44C | 0C | MAY 28/07 | 21-23-02-45B | 1 | JAN 20/09 |
| 21-23-02-44C | 0D | MAY 28/07 | 21-23-02-45B | 2 | JAN 20/09 |
| 21-23-02-44C | 0E | MAY 28/07 | 21-23-02-45B | 3 | JAN 20/09 |
| 21-23-02-44C | 0F | MAY 28/07 | 21-23-02-45B | 4 | JAN 20/09 |
| 21-23-02-44C | 0G | MAY 28/07 | 21-23-02-45B | 5 | JAN 20/09 |
| 21-23-02-44C | 1 | JAN 20/09 | 21-23-02-45B | 6 | JAN 20/09 |
| 21-23-02-44C | 2 | JAN 20/09 | 21-23-02-45B | 7 | JAN 20/09 |
| 21-23-02-44C | 3 | JAN 20/09 | 21-23-02-45E | 0 | JAN 20/09 |
| 21-23-02-44C | 4 | JAN 20/09 | 21-23-02-45E | 0A | JAN 20/09 |
| 21-23-02-44C | 5 | JAN 20/09 | 21-23-02-45E | 0B | JAN 20/09 |
| 21-23-02-44D | 0 | MAY 28/07 | 21-23-02-45E | 0C | JAN 20/09 |
| 21-23-02-44D | 0A | MAY 28/07 | 21-23-02-45E | 0D | JAN 20/09 |
| 21-23-02-44D | 0B | MAY 28/07 | 21-23-02-45E | 0E | JAN 20/09 |
| 21-23-02-44D | 0C | MAY 28/07 | 21-23-02-45E | 1 | JAN 20/09 |
| 21-23-02-44D | 0D | MAY 28/07 | 21-23-02-45E | 2 | JAN 20/09 |
| 21-23-02-44D | 0E | MAY 28/07 | 21-23-02-45E | 3 | JAN 20/09 |
| 21-23-02-44D | 0F | MAY 28/07 | 21-23-02-45E | 4 | JAN 20/09 |
| 21-23-02-44D | 0G | MAY 28/07 | 21-23-02-45E | 5 | JAN 20/09 |
| 21-23-02-44D | 0H | MAY 28/07 | 21-23-02-45E | 6 | JAN 20/09 |
| 21-23-02-44D | 1 | JAN 20/09 | 21-23-02-45F | 0 | JAN 20/09 |
| 21-23-02-44D | 2 | JAN 20/09 | 21-23-02-45F | 0A | JAN 20/09 |
| 21-23-02-44D | 3 | JAN 20/09 | 21-23-02-45F | 0B | JAN 20/09 |
| 21-23-02-44D | 4 | JAN 20/09 | 21-23-02-45F | 0C | JAN 20/09 |
| 21-23-02-44D | 5 | JAN 20/09 | 21-23-02-45F | 0D | JAN 20/09 |
| 21-23-02-45 | 0 | MAY 28/07 | 21-23-02-45F | 0E | JAN 20/09 |
| 21-23-02-45 | 0A | MAY 28/07 | 21-23-02-45F | 1 | JAN 20/09 |
| 21-23-02-45 | 0B | MAY 28/07 | 21-23-02-45F | 2 | JAN 20/09 |
| 21-23-02-45 | 0C | MAY 28/07 | 21-23-02-45H | 0 | JAN 20/09 |
| 21-23-02-45 | 0D | MAY 28/07 | 21-23-02-45H | 0A | JAN 20/09 |
| 21-23-02-45 | 0E | MAY 28/07 | 21-23-02-45H | 0B | JAN 20/09 |
| 21-23-02-45 | 0F | MAY 28/07 | 21-23-02-45H | 0C | JAN 20/09 |
| 21-23-02-45 | 1 | JAN 20/09 | 21-23-02-45H | 0D | JAN 20/09 |
| 21-23-02-45 | 2 | JAN 20/09 | 21-23-02-45H | 0E | JAN 20/09 |
| 21-23-02-45 | 3 | JAN 20/09 | 21-23-02-45H | 0F | JAN 20/09 |
| 21-23-02-45 | 4 | JAN 20/09 | 21-23-02-45H | 1 | JAN 20/09 |
| 21-23-02-45 | 5 | JAN 20/09 | 21-23-02-45H | 2 | JAN 20/09 |
| 21-23-02-45 | 6 | JAN 20/09 | 21-23-02-45H | 3 | JAN 20/09 |
| 21-23-02-45 | 7 | JAN 20/09 | 21-23-02-45H | 4 | JAN 20/09 |
| 21-23-02-45 | 8 | JAN 20/09 | 21-23-02-45H | 5 | JAN 20/09 |
| 21-23-02-45 | 9 | JAN 20/09 | 21-23-02-45H | 6 | JAN 20/09 |
| 21-23-02-45B | 0 | MAY 28/07 | 21-23-02-45H | 7 | JAN 20/09 |
| 21-23-02-45B | 0A | MAY 28/07 | 21-23-02-45H | 8 | JAN 20/09 |
| 21-23-02-45B | 0B | MAY 28/07 | 21-23-02-45J | 0 | MAY 28/07 |
| 21-23-02-45B | 0C | MAY 28/07 | 21-23-02-45J | 0A | MAY 28/07 |

* THE ASTERISK INDICATES PAGES CHANGED OR ADDED BY THE CURRENT REVISION



757

PARTS CATALOG (MAINTENANCE)

| CH-SECT-UNIT-FIG | PAGE NO. | DATE | CH-SECT-UNIT-FIG | PAGE NO. | DATE |
|------------------|----------|-----------|------------------|----------|-----------|
| 21-23-02-45J | 0B | MAY 28/07 | 21-23-02-45N | 0 | JAN 20/09 |
| 21-23-02-45J | 0C | MAY 28/07 | 21-23-02-45N | 0A | JAN 20/09 |
| 21-23-02-45J | 0D | MAY 28/07 | 21-23-02-45N | 0B | JAN 20/09 |
| 21-23-02-45J | 0E | MAY 28/07 | 21-23-02-45N | 0C | JAN 20/09 |
| 21-23-02-45J | 0F | MAY 28/07 | 21-23-02-45N | 0D | JAN 20/09 |
| 21-23-02-45J | 0G | MAY 28/07 | 21-23-02-45N | 0E | JAN 20/09 |
| 21-23-02-45J | 0H | MAY 28/07 | 21-23-02-45N | 1 | JAN 20/09 |
| 21-23-02-45J | 1 | JAN 20/09 | 21-23-02-45N | 2 | JAN 20/09 |
| 21-23-02-45J | 2 | JAN 20/09 | 21-23-02-45N | 3 | JAN 20/09 |
| 21-23-02-45J | 3 | JAN 20/09 | 21-23-02-45P | 0 | JAN 20/09 |
| 21-23-02-45J | 4 | JAN 20/09 | 21-23-02-45P | 0A | JAN 20/09 |
| 21-23-02-45J | 5 | JAN 20/09 | 21-23-02-45P | 0B | JAN 20/09 |
| 21-23-02-45J | 6 | JAN 20/09 | 21-23-02-45P | 0C | JAN 20/09 |
| 21-23-02-45J | 7 | JAN 20/09 | 21-23-02-45P | 0D | JAN 20/09 |
| 21-23-02-45J | 8 | JAN 20/09 | 21-23-02-45P | 1 | JAN 20/09 |
| 21-23-02-45J | 9 | JAN 20/09 | 21-23-02-45P | 2 | JAN 20/09 |
| 21-23-02-45J | 10 | JAN 20/09 | 21-23-02-45R | 0 | JAN 20/09 |
| 21-23-02-45J | 11 | JAN 20/09 | 21-23-02-45R | 0A | JAN 20/09 |
| 21-23-02-45J | 12 | JAN 20/09 | 21-23-02-45R | 0B | JAN 20/09 |
| 21-23-02-45J | 13 | JAN 20/09 | 21-23-02-45R | 0C | JAN 20/09 |
| 21-23-02-45J | 14 | JAN 20/09 | 21-23-02-45R | 1 | JAN 20/09 |
| 21-23-02-45J | 15 | JAN 20/09 | 21-23-02-45R | 2 | JAN 20/09 |
| 21-23-02-45J | 16 | JAN 20/09 | 21-23-02-45R | 3 | JAN 20/09 |
| 21-23-02-45J | 17 | JAN 20/09 | 21-23-02-45R | 4 | JAN 20/09 |
| 21-23-02-45J | 18 | JAN 20/09 | 21-23-02-45S | 0 | JAN 20/09 |
| 21-23-02-45J | 19 | JAN 20/09 | 21-23-02-45S | 0A | JAN 20/09 |
| 21-23-02-45J | 20 | JAN 20/09 | 21-23-02-45S | 0B | JAN 20/09 |
| 21-23-02-45K | 0 | MAY 28/07 | 21-23-02-45S | 1 | JAN 20/09 |
| 21-23-02-45K | 0A | MAY 28/07 | 21-23-02-45S | 2 | JAN 20/09 |
| 21-23-02-45K | 0B | MAY 28/07 | 21-23-02-47 | 0 | MAY 28/07 |
| 21-23-02-45K | 0C | MAY 28/07 | 21-23-02-47 | 0A | MAY 28/07 |
| 21-23-02-45K | 0D | MAY 28/07 | 21-23-02-47 | 0B | MAY 28/07 |
| 21-23-02-45K | 0E | MAY 28/07 | 21-23-02-47 | 0C | MAY 28/07 |
| 21-23-02-45K | 0F | MAY 28/07 | 21-23-02-47 | 0D | MAY 28/07 |
| 21-23-02-45K | 0G | MAY 28/07 | 21-23-02-47 | 0E | MAY 28/07 |
| 21-23-02-45K | 0H | MAY 28/07 | 21-23-02-47 | 0F | MAY 28/07 |
| 21-23-02-45K | 0I | MAY 28/07 | 21-23-02-47 | 0G | MAY 28/07 |
| 21-23-02-45K | 0J | MAY 28/07 | 21-23-02-47 | 0H | MAY 28/07 |
| 21-23-02-45K | 1 | JAN 20/09 | 21-23-02-47 | 1 | JAN 20/09 |
| 21-23-02-45K | 2 | JAN 20/09 | 21-23-02-47 | 2 | JAN 20/09 |
| 21-23-02-45K | 3 | JAN 20/09 | 21-23-02-47 | 3 | JAN 20/09 |
| 21-23-02-45K | 4 | JAN 20/09 | 21-23-02-47 | 4 | JAN 20/09 |
| 21-23-02-45K | 5 | JAN 20/09 | 21-23-02-47 | 5 | JAN 20/09 |
| 21-23-02-45K | 6 | JAN 20/09 | 21-23-02-47 | 6 | JAN 20/09 |
| 21-23-02-45K | 7 | JAN 20/09 | 21-23-02-47 | 7 | JAN 20/09 |
| 21-23-02-45K | 8 | JAN 20/09 | 21-23-02-47 | 8 | JAN 20/09 |
| 21-23-02-45K | 9 | JAN 20/09 | 21-23-02-47 | 9 | JAN 20/09 |
| 21-23-02-45K | 10 | JAN 20/09 | 21-23-02-47 | 10 | JAN 20/09 |
| 21-23-02-45K | 11 | JAN 20/09 | 21-23-02-47A | 0 | MAY 28/07 |
| 21-23-02-45K | 12 | JAN 20/09 | 21-23-02-47A | 0A | MAY 28/07 |
| 21-23-02-45K | 13 | JAN 20/09 | 21-23-02-47A | 0B | MAY 28/07 |

* THE ASTERISK INDICATES PAGES CHANGED OR ADDED BY THE CURRENT REVISION



757

PARTS CATALOG (MAINTENANCE)

| CH-SECT-UNIT-FIG | PAGE NO. | DATE | CH-SECT-UNIT-FIG | PAGE NO. | DATE |
|------------------|----------|-----------|------------------|----------|-----------|
| 21-23-02-47A | 0C | MAY 28/07 | 21-23-05- 1C | 0C | MAY 28/07 |
| 21-23-02-47A | 0D | MAY 28/07 | 21-23-05- 1C | 0D | MAY 28/07 |
| 21-23-02-47A | 0E | MAY 28/07 | 21-23-05- 1C | 1 | JAN 20/09 |
| 21-23-02-47A | 1 | JAN 20/09 | 21-23-05- 1C | 2 | JAN 20/09 |
| 21-23-02-47A | 2 | JAN 20/09 | 21-23-05- 1C | 3 | JAN 20/09 |
| 21-23-02-49 | 0 | MAY 28/07 | 21-23-05- 5 | 0 | JAN 20/09 |
| 21-23-02-49 | 0A | MAY 28/07 | 21-23-05- 5 | 0A | JAN 20/09 |
| 21-23-02-49 | 0B | MAY 28/07 | 21-23-05- 5 | 0B | JAN 20/09 |
| 21-23-02-49 | 0C | MAY 28/07 | 21-23-05- 5 | 0C | JAN 20/09 |
| 21-23-02-49 | 0D | MAY 28/07 | 21-23-05- 5 | 0D | JAN 20/09 |
| 21-23-02-49 | 0E | MAY 28/07 | 21-23-05- 5 | 0E | JAN 20/09 |
| 21-23-02-49 | 0F | MAY 28/07 | 21-23-05- 5 | 0F | JAN 20/09 |
| 21-23-02-49 | 1 | JAN 20/09 | 21-23-05- 5 | 0G | JAN 20/09 |
| 21-23-02-49 | 2 | JAN 20/09 | 21-23-05- 5 | 0H | JAN 20/09 |
| 21-23-02-49 | 3 | JAN 20/09 | 21-23-05- 5 | 1 | JAN 20/09 |
| 21-23-02-49 | 4 | JAN 20/09 | 21-23-05- 5 | 2 | JAN 20/09 |
| 21-23-02-50 | 0 | MAY 28/07 | 21-23-05- 5 | 3 | JAN 20/09 |
| 21-23-02-50 | 0A | MAY 28/07 | 21-23-05- 5 | 4 | JAN 20/09 |
| 21-23-02-50 | 0B | MAY 28/07 | 21-23-05- 5 | 5 | JAN 20/09 |
| 21-23-02-50 | 0C | MAY 28/07 | 21-23-05- 5 | 6 | JAN 20/09 |
| 21-23-02-50 | 0D | MAY 28/07 | 21-23-05- 5 | 7 | JAN 20/09 |
| 21-23-02-50 | 0E | MAY 28/07 | 21-23-05- 5 | 8 | JAN 20/09 |
| 21-23-02-50 | 1 | JAN 20/09 | 21-23-05- 5 | 9 | JAN 20/09 |
| 21-23-02-50 | 2 | JAN 20/09 | 21-23-05- 5A | 0 | JAN 20/09 |
| 21-23-03- 1 | 0 | MAY 28/07 | 21-23-05- 5A | 0A | JAN 20/09 |
| 21-23-03- 1 | 1 | JAN 20/09 | 21-23-05- 5A | 0B | JAN 20/09 |
| 21-23-03- 1 | 2 | JAN 20/09 | 21-23-05- 5A | 0C | JAN 20/09 |
| 21-23-05- 1 | 0 | MAY 28/07 | 21-23-05- 5A | 0D | JAN 20/09 |
| 21-23-05- 1 | 0A | MAY 28/07 | 21-23-05- 5A | 0E | JAN 20/09 |
| 21-23-05- 1 | 0B | MAY 28/07 | 21-23-05- 5A | 1 | JAN 20/09 |
| 21-23-05- 1 | 0C | MAY 28/07 | 21-23-05- 5A | 2 | JAN 20/09 |
| 21-23-05- 1 | 0D | MAY 28/07 | 21-23-05- 5A | 3 | JAN 20/09 |
| 21-23-05- 1 | 0E | MAY 28/07 | 21-23-05- 5A | 4 | JAN 20/09 |
| 21-23-05- 1 | 1 | JAN 20/09 | 21-23-05- 5A | 5 | JAN 20/09 |
| 21-23-05- 1 | 2 | JAN 20/09 | 21-23-05- 5A | 6 | JAN 20/09 |
| 21-23-05- 1 | 3 | JAN 20/09 | 21-23-05- 5A | 7 | JAN 20/09 |
| 21-23-05- 1 | 4 | JAN 20/09 | 21-23-05- 5A | 8 | JAN 20/09 |
| 21-23-05- 1A | 0 | MAY 28/07 | 21-23-05- 5A | 9 | JAN 20/09 |
| 21-23-05- 1A | 0A | MAY 28/07 | 21-23-05- 5A | 10 | JAN 20/09 |
| 21-23-05- 1A | 0B | MAY 28/07 | 21-23-05- 5B | 0 | JAN 20/09 |
| 21-23-05- 1A | 0C | MAY 28/07 | 21-23-05- 5B | 0A | JAN 20/09 |
| 21-23-05- 1A | 0D | MAY 28/07 | 21-23-05- 5B | 0B | JAN 20/09 |
| 21-23-05- 1A | 0E | MAY 28/07 | 21-23-05- 5B | 0C | JAN 20/09 |
| 21-23-05- 1A | 1 | JAN 20/09 | 21-23-05- 5B | 0D | JAN 20/09 |
| 21-23-05- 1A | 2 | JAN 20/09 | 21-23-05- 5B | 0E | JAN 20/09 |
| 21-23-05- 1A | 3 | JAN 20/09 | 21-23-05- 5B | 1 | JAN 20/09 |
| 21-23-05- 1A | 4 | JAN 20/09 | 21-23-05- 5B | 2 | JAN 20/09 |
| 21-23-05- 1A | 5 | JAN 20/09 | 21-23-05- 5B | 3 | JAN 20/09 |
| 21-23-05- 1C | 0 | MAY 28/07 | 21-23-05- 5B | 4 | JAN 20/09 |
| 21-23-05- 1C | 0A | MAY 28/07 | 21-23-05-18C | 0 | JAN 20/09 |
| 21-23-05- 1C | 0B | MAY 28/07 | 21-23-05-18C | 0A | JAN 20/09 |

* THE ASTERISK INDICATES PAGES CHANGED OR ADDED BY THE CURRENT REVISION


BOEING
 757
PARTS CATALOG (MAINTENANCE)

| CH-SECT-UNIT-FIG | PAGE NO. | DATE | CH-SECT-UNIT-FIG | PAGE NO. | DATE |
|------------------|----------|-----------|------------------|----------|-----------|
| 21-23-05-18C | 0B | JAN 20/09 | 21-23-05-25A | 5 | JAN 20/09 |
| 21-23-05-18C | 0C | JAN 20/09 | 21-23-05-25A | 6 | JAN 20/09 |
| 21-23-05-18C | 0D | JAN 20/09 | 21-23-05-25A | 7 | JAN 20/09 |
| 21-23-05-18C | 0E | JAN 20/09 | 21-23-05-25A | 8 | JAN 20/09 |
| 21-23-05-18C | 0F | JAN 20/09 | 21-23-05-25A | 9 | JAN 20/09 |
| 21-23-05-18C | 0G | JAN 20/09 | 21-23-05-25A | 10 | JAN 20/09 |
| 21-23-05-18C | 0H | JAN 20/09 | 21-23-51- 1B | 0 | JAN 20/09 |
| 21-23-05-18C | 1 | JAN 20/09 | 21-23-51- 1B | 1 | JAN 20/09 |
| 21-23-05-18C | 2 | JAN 20/09 | 21-23-51- 1B | 2 | JAN 20/09 |
| 21-23-05-18C | 3 | JAN 20/09 | 21-23-51- 2 | 0 | JAN 20/09 |
| 21-23-05-18C | 4 | JAN 20/09 | 21-23-51- 2 | 1 | JAN 20/09 |
| 21-23-05-18C | 5 | JAN 20/09 | 21-23-51- 4 | 0 | JAN 20/09 |
| 21-23-05-18C | 6 | JAN 20/09 | 21-23-51- 4 | 0A | JAN 20/09 |
| 21-23-05-18C | 7 | JAN 20/09 | 21-23-51- 4 | 1 | JAN 20/09 |
| 21-23-05-18C | 8 | JAN 20/09 | 21-23-51- 5 | 0 | JAN 20/09 |
| 21-23-05-18C | 9 | JAN 20/09 | 21-23-51- 5 | 0A | JAN 20/09 |
| 21-23-05-18C | 10 | JAN 20/09 | 21-23-51- 5 | 0B | JAN 20/09 |
| 21-23-05-18D | 0 | JAN 20/09 | 21-23-51- 5 | 0C | JAN 20/09 |
| 21-23-05-18D | 0A | JAN 20/09 | 21-23-51- 5 | 0D | JAN 20/09 |
| 21-23-05-18D | 0B | JAN 20/09 | 21-23-51- 5 | 0E | JAN 20/09 |
| 21-23-05-18D | 0C | JAN 20/09 | 21-23-51- 5 | 0F | JAN 20/09 |
| 21-23-05-18D | 0D | JAN 20/09 | 21-23-51- 5 | 0G | JAN 20/09 |
| 21-23-05-18D | 0E | JAN 20/09 | 21-23-51- 5 | 0H | JAN 20/09 |
| 21-23-05-18D | 1 | JAN 20/09 | 21-23-51- 5 | 0I | JAN 20/09 |
| 21-23-05-18D | 2 | JAN 20/09 | 21-23-51- 5 | 0J | JAN 20/09 |
| 21-23-05-18D | 3 | JAN 20/09 | 21-23-51- 5 | 0K | JAN 20/09 |
| 21-23-05-18D | 4 | JAN 20/09 | 21-23-51- 5 | 0L | JAN 20/09 |
| 21-23-05-18D | 5 | JAN 20/09 | 21-23-51- 5 | 0M | JAN 20/09 |
| 21-23-05-18D | 6 | JAN 20/09 | 21-23-51- 5 | 0N | JAN 20/09 |
| 21-23-05-18D | 7 | JAN 20/09 | 21-23-51- 5 | 1 | JAN 20/09 |
| 21-23-05-18D | 8 | JAN 20/09 | 21-23-51- 5 | 2 | JAN 20/09 |
| 21-23-05-18E | 0 | JAN 20/09 | 21-23-51- 7 | 0 | MAY 28/07 |
| 21-23-05-18E | 0A | JAN 20/09 | 21-23-51- 7 | 0A | MAY 28/07 |
| 21-23-05-18E | 0B | JAN 20/09 | 21-23-51- 7 | 0B | MAY 28/07 |
| 21-23-05-18E | 0C | JAN 20/09 | 21-23-51- 7 | 1 | JAN 20/09 |
| 21-23-05-18E | 1 | JAN 20/09 | 21-23-51- 7 | 2 | JAN 20/09 |
| 21-23-05-18E | 2 | JAN 20/09 | 21-23-51- 7 | 3 | JAN 20/09 |
| 21-23-05-18E | 3 | JAN 20/09 | 21-23-51-10 | 0 | MAY 28/07 |
| 21-23-05-25A | 0 | JAN 20/09 | 21-23-51-10 | 1 | JAN 20/09 |
| 21-23-05-25A | 0A | JAN 20/09 | 21-23-51-10 | 2 | JAN 20/09 |
| 21-23-05-25A | 0B | JAN 20/09 | 21-23-51-13 | 0 | MAY 28/07 |
| 21-23-05-25A | 0C | JAN 20/09 | 21-23-51-13 | 0A | MAY 28/07 |
| 21-23-05-25A | 0D | JAN 20/09 | 21-23-51-13 | 0B | MAY 28/07 |
| 21-23-05-25A | 0E | JAN 20/09 | 21-23-51-13 | 1 | JAN 20/09 |
| 21-23-05-25A | 0F | JAN 20/09 | 21-23-51-13 | 2 | JAN 20/09 |
| 21-23-05-25A | 0G | JAN 20/09 | 21-23-51-13 | 3 | JAN 20/09 |
| 21-23-05-25A | 0H | JAN 20/09 | 21-23-51-25 | 0 | JAN 20/08 |
| 21-23-05-25A | 1 | JAN 20/09 | 21-23-51-25 | 0A | JAN 20/08 |
| 21-23-05-25A | 2 | JAN 20/09 | 21-23-51-25 | 0B | JAN 20/08 |
| 21-23-05-25A | 3 | JAN 20/09 | 21-23-51-25 | 0C | JAN 20/08 |
| 21-23-05-25A | 4 | JAN 20/09 | 21-23-51-25 | 1 | JAN 20/09 |

* THE ASTERISK INDICATES PAGES CHANGED OR ADDED BY THE CURRENT REVISION



757
PARTS CATALOG (MAINTENANCE)

| CH-SECT-UNIT-FIG | PAGE NO. | DATE |
|------------------|----------|-----------|
| 21-23-51-25 | 2 | JAN 20/09 |
| 21-23-51-25 | 3 | JAN 20/09 |
| 21-23-51-33 | 0 | MAY 28/07 |
| 21-23-51-33 | 0A | MAY 28/07 |
| 21-23-51-33 | 0B | MAY 28/07 |
| 21-23-51-33 | 0C | MAY 28/07 |
| 21-23-51-33 | 1 | JAN 20/09 |
| 21-23-51-33 | 2 | JAN 20/09 |
| 21-23-51-33 | 3 | JAN 20/09 |
| 21-23-51-33 | 4 | JAN 20/09 |
| 21-23-51-35 | 0 | JAN 20/09 |
| 21-23-51-35 | 0A | JAN 20/09 |
| 21-23-51-35 | 0B | JAN 20/09 |
| 21-23-51-35 | 0C | JAN 20/09 |
| 21-23-51-35 | 0D | JAN 20/09 |
| 21-23-51-35 | 0E | JAN 20/09 |
| 21-23-51-35 | 0F | JAN 20/09 |
| 21-23-51-35 | 0G | JAN 20/09 |
| 21-23-51-35 | 0H | JAN 20/09 |
| 21-23-51-35 | 1 | JAN 20/09 |
| 21-23-51-35 | 2 | JAN 20/09 |
| 21-23-51-35A | 0 | JAN 20/09 |
| 21-23-51-35A | 0A | JAN 20/09 |
| 21-23-51-35A | 0B | JAN 20/09 |
| 21-23-51-35A | 0C | JAN 20/09 |
| 21-23-51-35A | 0D | JAN 20/09 |
| 21-23-51-35A | 0E | JAN 20/09 |
| 21-23-51-35A | 0F | JAN 20/09 |
| 21-23-51-35A | 1 | JAN 20/09 |
| 21-24-00 | 1 | MAY 28/07 |
| 21-24-00- 5 | 0 | JAN 20/09 |
| 21-24-00- 5 | 0A | JAN 20/09 |
| 21-24-00- 5 | 0B | JAN 20/09 |
| 21-24-00- 5 | 0C | JAN 20/09 |
| 21-24-00- 5 | 0D | JAN 20/09 |
| 21-24-00- 5 | 0E | JAN 20/09 |
| 21-24-00- 5 | 0F | JAN 20/09 |
| 21-24-00- 5 | 0G | JAN 20/09 |
| 21-24-00- 5 | 0H | JAN 20/09 |
| 21-24-00- 5 | 0I | JAN 20/09 |
| 21-24-00- 5 | 0J | JAN 20/09 |
| 21-24-00- 5 | 0K | JAN 20/09 |
| 21-24-00- 5 | 0L | JAN 20/09 |
| 21-24-00- 5 | 0M | JAN 20/09 |
| 21-24-00- 5 | 0N | JAN 20/09 |
| 21-24-00- 5 | 0O | JAN 20/09 |
| 21-24-00- 5 | 1 | JAN 20/09 |
| 21-24-00- 6 | 0 | JAN 20/09 |
| 21-24-00- 6 | 0A | JAN 20/09 |
| 21-24-00- 6 | 0B | JAN 20/09 |
| 21-24-00- 6 | 0C | JAN 20/09 |

| CH-SECT-UNIT-FIG | PAGE NO. | DATE |
|------------------|----------|-----------|
| 21-24-00- 6 | 0D | JAN 20/09 |
| 21-24-00- 6 | 0E | JAN 20/09 |
| 21-24-00- 6 | 1 | JAN 20/09 |
| 21-24-02- 1 | 0 | JAN 20/09 |
| 21-24-02- 1 | 0A | JAN 20/09 |
| 21-24-02- 1 | 0B | JAN 20/09 |
| 21-24-02- 1 | 0C | JAN 20/09 |
| *21-24-02- 1 | 1 | MAY 20/09 |
| *21-24-02- 1 | 2 | MAY 20/09 |
| *21-24-02- 1 | 3 | MAY 20/09 |
| *21-24-02- 1 | 4 | MAY 20/09 |
| *21-24-02- 1 | 5 | MAY 20/09 |
| *21-24-02- 1 | 6 | MAY 20/09 |
| 21-24-02-10 | 0 | JAN 20/09 |
| 21-24-02-10 | 0A | JAN 20/09 |
| 21-24-02-10 | 1 | JAN 20/09 |
| 21-24-02-10C | 0 | MAY 28/07 |
| 21-24-02-10C | 1 | JAN 20/09 |
| 21-24-02-10U | 0 | JAN 20/09 |
| 21-24-02-10U | 0A | JAN 20/09 |
| 21-24-02-10U | 0B | JAN 20/09 |
| 21-24-02-10U | 0C | JAN 20/09 |
| 21-24-02-10U | 0D | JAN 20/09 |
| 21-24-02-10U | 0E | JAN 20/09 |
| 21-24-02-10U | 1 | JAN 20/09 |
| 21-24-02-11L | 0 | JAN 20/09 |
| 21-24-02-11L | 0A | JAN 20/09 |
| 21-24-02-11L | 0B | JAN 20/09 |
| 21-24-02-11L | 0C | JAN 20/09 |
| 21-24-02-11L | 1 | JAN 20/09 |
| 21-24-02-11Y | 0 | JAN 20/09 |
| 21-24-02-11Y | 0A | JAN 20/09 |
| 21-24-02-11Y | 0B | JAN 20/09 |
| 21-24-02-11Y | 1 | JAN 20/09 |
| 21-24-03- 1A | 0 | JAN 20/09 |
| 21-24-03- 1A | 1 | JAN 20/09 |
| 21-24-51-15 | 0 | JAN 20/09 |
| 21-24-51-15 | 0A | JAN 20/09 |
| 21-24-51-15 | 1 | JAN 20/09 |
| 21-24-51-15 | 2 | JAN 20/09 |
| 21-24-51-15 | 3 | JAN 20/09 |
| 21-24-51-19 | 0 | JAN 20/09 |
| 21-24-51-19 | 0A | JAN 20/09 |
| 21-24-51-19 | 0B | JAN 20/09 |
| 21-24-51-19 | 0C | JAN 20/09 |
| 21-24-51-19 | 1 | JAN 20/09 |
| 21-24-51-19 | 2 | JAN 20/09 |
| 21-24-51-31B | 0 | JAN 20/09 |
| 21-24-51-31B | 1 | JAN 20/09 |
| 21-24-51-31B | 2 | JAN 20/09 |
| 21-24-51-31B | 3 | JAN 20/09 |

* THE ASTERISK INDICATES PAGES CHANGED OR ADDED BY THE CURRENT REVISION



757
PARTS CATALOG (MAINTENANCE)

| CH-SECT-UNIT-FIG | PAGE NO. | DATE |
|------------------|----------|-----------|
| 21-24-51-31B | 4 | JAN 20/09 |
| 21-24-51-31C | 0 | JAN 20/09 |
| 21-24-51-31C | 1 | JAN 20/09 |
| 21-24-51-34A | 0 | JAN 20/09 |
| 21-24-51-34A | 1 | JAN 20/09 |
| 21-24-51-34A | 2 | JAN 20/09 |
| 21-24-51-51 | 0 | JAN 20/09 |
| 21-24-51-51 | 1 | JAN 20/09 |
| 21-24-51-51 | 2 | JAN 20/09 |
| 21-24-51-51 | 3 | JAN 20/09 |
| 21-24-51-51 | 4 | JAN 20/09 |
| 21-24-51-51 | 5 | JAN 20/09 |
| 21-24-51-64D | 0 | JAN 20/09 |
| 21-24-51-64D | 1 | JAN 20/09 |
| 21-24-51-64D | 2 | JAN 20/09 |
| 21-24-52- 2 | 0 | MAY 28/07 |
| 21-24-52- 2 | 1 | JAN 20/09 |
| 21-24-52- 2 | 2 | JAN 20/09 |
| 21-24-52- 2 | 3 | JAN 20/09 |
| 21-24-52- 2A | 0 | MAY 28/07 |
| 21-24-52- 2A | 1 | JAN 20/09 |
| 21-24-52- 2A | 2 | JAN 20/09 |
| 21-24-52- 2C | 0 | JAN 20/09 |
| 21-24-52- 2C | 1 | JAN 20/09 |
| 21-24-52- 3 | 0 | JAN 20/09 |
| 21-24-52- 3 | 1 | JAN 20/09 |
| 21-24-52- 3 | 2 | JAN 20/09 |
| 21-24-52- 5B | 0 | JAN 20/09 |
| 21-24-52- 5B | 1 | JAN 20/09 |
| 21-24-52- 5B | 2 | JAN 20/09 |
| 21-25-00 | 1 | MAY 28/07 |
| 21-25-01-10 | 0 | MAY 28/07 |
| 21-25-01-10 | 0A | MAY 20/08 |
| 21-25-01-10 | 0B | MAY 28/07 |
| 21-25-01-10 | 0C | MAY 28/07 |
| 21-25-01-10 | 1 | JAN 20/09 |
| *21-25-01-10 | 2 | MAY 20/09 |
| *21-25-01-10 | 3 | MAY 20/09 |
| 21-25-01-10 | 4 | JAN 20/09 |
| 21-25-01-10 | 5 | JAN 20/09 |
| 21-25-01-10 | 6 | JAN 20/09 |
| *21-25-01-10 | 7 | MAY 20/09 |
| *21-25-01-10 | 8 | MAY 20/09 |
| 21-25-01-10 | 9 | JAN 20/09 |
| *21-25-01-10 | 10 | MAY 20/09 |
| *21-25-01-10 | 11 | MAY 20/09 |
| *21-25-01-10 | 12 | MAY 20/09 |
| *21-25-01-10 | 13 | MAY 20/09 |
| *21-25-01-10 | 14 | MAY 20/09 |
| 21-25-01-10A | 0 | MAY 28/07 |
| 21-25-01-10A | 0A | MAY 20/08 |

| CH-SECT-UNIT-FIG | PAGE NO. | DATE |
|------------------|----------|-----------|
| 21-25-01-10A | 0B | MAY 28/07 |
| 21-25-01-10A | 0C | MAY 28/07 |
| 21-25-01-10A | 1 | JAN 20/09 |
| 21-25-01-10A | 2 | JAN 20/09 |
| *21-25-01-10A | 3 | MAY 20/09 |
| *21-25-01-10A | 4 | MAY 20/09 |
| 21-25-01-10A | 5 | JAN 20/09 |
| *21-25-01-10A | 6 | MAY 20/09 |
| *21-25-01-10A | 7 | MAY 20/09 |
| 21-25-01-10A | 8 | JAN 20/09 |
| 21-25-01-10A | 9 | JAN 20/09 |
| *21-25-01-10A | 10 | MAY 20/09 |
| 21-25-01-10A | 11 | JAN 20/09 |
| 21-25-01-10A | 12 | JAN 20/09 |
| *21-25-01-10A | 13 | MAY 20/09 |
| 21-25-01-50 | 0 | MAY 28/07 |
| 21-25-01-50 | 1 | JAN 20/09 |
| 21-25-01-50 | 2 | JAN 20/09 |
| 21-25-01-50 | 3 | JAN 20/09 |
| 21-25-01-50 | 4 | JAN 20/09 |
| 21-25-01-50 | 5 | JAN 20/09 |
| 21-25-01-50 | 6 | JAN 20/09 |
| 21-25-01-50 | 7 | JAN 20/09 |
| 21-25-01-50 | 8 | JAN 20/09 |
| 21-25-05- 1 | 0 | MAY 28/07 |
| 21-25-05- 1 | 0A | MAY 28/07 |
| 21-25-05- 1 | 0B | MAY 28/07 |
| 21-25-05- 1 | 0C | MAY 28/07 |
| 21-25-05- 1 | 0D | MAY 28/07 |
| 21-25-05- 1 | 1 | JAN 20/09 |
| *21-25-05- 1 | 2 | MAY 20/09 |
| 21-25-05- 1 | 3 | JAN 20/09 |
| 21-25-05- 1 | 4 | JAN 20/09 |
| *21-25-05- 1 | 5 | MAY 20/09 |
| 21-25-05- 1 | 6 | JAN 20/09 |
| 21-25-05- 1 | 7 | JAN 20/09 |
| *21-25-05- 1 | 8 | MAY 20/09 |
| 21-25-05- 1 | 9 | JAN 20/09 |
| 21-25-51- 1 | 0 | MAY 28/07 |
| 21-25-51- 1 | 1 | JAN 20/09 |
| 21-25-51- 1 | 2 | JAN 20/09 |
| 21-25-51- 2 | 0 | MAY 28/07 |
| 21-25-51- 2 | 1 | JAN 20/09 |
| 21-25-51- 2 | 2 | JAN 20/09 |
| 21-25-51- 3 | 0 | MAY 28/07 |
| 21-25-51- 3 | 0A | MAY 28/07 |
| 21-25-51- 3 | 1 | JAN 20/09 |
| 21-25-51- 3 | 2 | JAN 20/09 |
| 21-25-51- 3 | 3 | JAN 20/09 |
| 21-25-55- 1 | 0 | MAY 28/07 |
| 21-25-55- 1 | 1 | JAN 20/09 |

* THE ASTERISK INDICATES PAGES CHANGED OR ADDED BY THE CURRENT REVISION



757
PARTS CATALOG (MAINTENANCE)

| CH-SECT-UNIT-FIG | PAGE NO. | DATE |
|------------------|----------|-----------|
| 21-25-55- 1 | 2 | JAN 20/09 |
| 21-25-55- 1 | 3 | JAN 20/09 |
| 21-25-55- 1 | 4 | JAN 20/09 |
| 21-25-55- 1 | 5 | JAN 20/09 |
| 21-25-55- 2 | 0 | MAY 28/07 |
| 21-25-55- 2 | 1 | JAN 20/09 |
| 21-25-55- 2 | 2 | JAN 20/09 |
| 21-25-55- 2 | 3 | JAN 20/09 |
| 21-25-55- 3 | 0 | MAY 28/07 |
| 21-25-55- 3 | 1 | JAN 20/09 |
| 21-25-55- 3 | 2 | JAN 20/09 |
| 21-25-55- 3 | 3 | JAN 20/09 |
| 21-25-55- 3 | 4 | JAN 20/09 |
| 21-25-55- 3 | 5 | JAN 20/09 |
| 21-25-55- 3 | 6 | JAN 20/09 |
| 21-25-55- 3 | 7 | JAN 20/09 |
| 21-25-55- 3 | 8 | JAN 20/09 |
| 21-25-71- 2 | 0 | MAY 28/07 |
| 21-25-71- 2 | 0A | MAY 28/07 |
| 21-25-71- 2 | 1 | JAN 20/09 |
| 21-25-71- 2 | 2 | JAN 20/09 |
| 21-25-71- 2 | 3 | JAN 20/09 |
| 21-25-71- 2A | 0 | MAY 28/07 |
| 21-25-71- 2A | 0A | MAY 28/07 |
| 21-25-71- 2A | 1 | JAN 20/09 |
| 21-25-71- 2A | 2 | JAN 20/09 |
| 21-25-71- 2B | 0 | MAY 28/07 |
| 21-25-71- 2B | 0A | MAY 28/07 |
| 21-25-71- 2B | 0B | MAY 28/07 |
| 21-25-71- 2B | 1 | JAN 20/09 |
| 21-25-71- 2B | 2 | JAN 20/09 |
| 21-25-71- 2C | 0 | JAN 20/09 |
| 21-25-71- 2C | 1 | JAN 20/09 |
| 21-25-71- 2C | 2 | JAN 20/09 |
| 21-25-71- 2C | 3 | JAN 20/09 |
| 21-25-71- 2C | 4 | JAN 20/09 |
| 21-25-71- 2D | 0 | JAN 20/09 |
| 21-25-71- 2D | 1 | JAN 20/09 |
| 21-25-71- 2D | 2 | JAN 20/09 |
| 21-25-71- 2D | 3 | JAN 20/09 |
| 21-25-71- 2D | 4 | JAN 20/09 |
| 21-25-71- 2D | 5 | JAN 20/09 |
| 21-25-71- 2D | 6 | JAN 20/09 |
| 21-25-71- 3 | 0 | MAY 28/07 |
| 21-25-71- 3 | 0A | MAY 28/07 |
| 21-25-71- 3 | 1 | JAN 20/09 |
| 21-25-71- 3 | 2 | JAN 20/09 |
| 21-25-71- 3A | 0 | MAY 28/07 |
| 21-25-71- 3A | 1 | JAN 20/09 |
| 21-25-71- 3C | 0 | JAN 20/09 |
| 21-25-71- 3C | 1 | JAN 20/09 |

| CH-SECT-UNIT-FIG | PAGE NO. | DATE |
|------------------|----------|-----------|
| 21-25-71- 3C | 2 | JAN 20/09 |
| 21-26-00 | 1 | MAY 28/07 |
| 21-26-01- 1 | 0 | MAY 28/07 |
| 21-26-01- 1 | 1 | JAN 20/09 |
| *21-26-01- 1 | 2 | MAY 20/09 |
| *21-26-01- 1 | 3 | MAY 20/09 |
| *21-26-01- 1 | 4 | MAY 20/09 |
| *21-26-01- 1 | 5 | MAY 20/09 |
| *21-26-01- 1 | 6 | MAY 20/09 |
| *21-26-01- 1 | 7 | MAY 20/09 |
| 21-26-01- 4 | 0 | MAY 28/07 |
| 21-26-01- 4 | 0A | MAY 28/07 |
| 21-26-01- 4 | 0B | MAY 28/07 |
| 21-26-01- 4 | 0C | MAY 28/07 |
| 21-26-01- 4 | 0D | MAY 28/07 |
| 21-26-01- 4 | 1 | JAN 20/09 |
| *21-26-01- 4 | 2 | MAY 20/09 |
| *21-26-01- 4 | 3 | MAY 20/09 |
| *21-26-01- 4 | 4 | MAY 20/09 |
| 21-26-03- 1 | 0 | MAY 28/07 |
| 21-26-03- 1 | 0A | MAY 28/07 |
| 21-26-03- 1 | 0B | MAY 28/07 |
| 21-26-03- 1 | 1 | JAN 20/09 |
| 21-26-03- 1 | 2 | JAN 20/09 |
| 21-26-03- 1 | 3 | JAN 20/09 |
| 21-26-03- 1 | 4 | JAN 20/09 |
| 21-26-03- 1 | 5 | JAN 20/09 |
| 21-26-03- 3 | 0 | MAY 28/07 |
| 21-26-03- 3 | 0A | MAY 28/07 |
| 21-26-03- 3 | 0B | MAY 28/07 |
| 21-26-03- 3 | 0C | MAY 28/07 |
| 21-26-03- 3 | 1 | JAN 20/09 |
| 21-26-03- 3 | 2 | JAN 20/09 |
| 21-26-03- 3 | 3 | JAN 20/09 |
| 21-26-03- 5 | 0 | MAY 28/07 |
| 21-26-03- 5 | 0A | MAY 28/07 |
| 21-26-03- 5 | 1 | JAN 20/09 |
| 21-26-03- 5 | 2 | JAN 20/09 |
| 21-26-03- 7 | 0 | JAN 20/09 |
| 21-26-03- 7 | 0A | JAN 20/09 |
| 21-26-03- 7 | 1 | JAN 20/09 |
| 21-26-03- 7 | 2 | JAN 20/09 |
| 21-26-03- 7 | 3 | JAN 20/09 |
| 21-26-03-10 | 0 | JAN 20/09 |
| 21-26-03-10 | 0A | JAN 20/09 |
| 21-26-03-10 | 1 | JAN 20/09 |
| 21-26-03-20 | 0 | JAN 20/09 |
| 21-26-03-20 | 1 | JAN 20/09 |
| 21-26-09- 1 | 0 | MAY 28/07 |
| 21-26-09- 1 | 0A | MAY 28/07 |
| 21-26-09- 1 | 0B | MAY 28/07 |

* THE ASTERISK INDICATES PAGES CHANGED OR ADDED BY THE CURRENT REVISION


BOEING
 757
PARTS CATALOG (MAINTENANCE)

| CH-SECT-UNIT-FIG | PAGE NO. | DATE | CH-SECT-UNIT-FIG | PAGE NO. | DATE |
|------------------|----------|-----------|------------------|----------|-----------|
| 21-26-09- 1 | 0C | MAY 28/07 | 21-26-09- 8A | 2 | JAN 20/09 |
| 21-26-09- 1 | 0D | MAY 28/07 | 21-26-09- 9 | 0 | MAY 28/07 |
| 21-26-09- 1 | 1 | JAN 20/09 | 21-26-09- 9 | 0A | MAY 28/07 |
| 21-26-09- 1 | 2 | JAN 20/09 | 21-26-09- 9 | 0B | MAY 28/07 |
| 21-26-09- 1 | 3 | JAN 20/09 | 21-26-09- 9 | 0C | MAY 28/07 |
| 21-26-09- 1 | 4 | JAN 20/09 | 21-26-09- 9 | 0D | MAY 28/07 |
| 21-26-09- 1 | 5 | JAN 20/09 | 21-26-09- 9 | 0E | MAY 28/07 |
| 21-26-09- 1 | 6 | JAN 20/09 | 21-26-09- 9 | 0F | MAY 28/07 |
| 21-26-09- 1 | 7 | JAN 20/09 | 21-26-09- 9 | 0G | MAY 28/07 |
| 21-26-09- 1 | 8 | JAN 20/09 | 21-26-09- 9 | 1 | JAN 20/09 |
| 21-26-09- 2 | 0 | MAY 28/07 | 21-26-09- 9 | 2 | JAN 20/09 |
| *21-26-09- 2 | 1 | MAY 20/09 | *21-26-09- 9 | 3 | MAY 20/09 |
| *21-26-09- 2 | 2 | MAY 20/09 | 21-26-09- 9 | 4 | JAN 20/09 |
| 21-26-09- 2 | 3 | JAN 20/09 | *21-26-09- 9 | 5 | MAY 20/09 |
| 21-26-09- 3 | 0 | MAY 28/07 | 21-26-09- 9 | 6 | JAN 20/09 |
| 21-26-09- 3 | 0A | MAY 28/07 | 21-26-09- 9 | 7 | JAN 20/09 |
| 21-26-09- 3 | 0B | MAY 28/07 | 21-26-09- 9 | 8 | JAN 20/09 |
| 21-26-09- 3 | 0C | MAY 28/07 | 21-26-09- 9 | 9 | JAN 20/09 |
| 21-26-09- 3 | 0D | MAY 28/07 | 21-26-09- 9 | 10 | JAN 20/09 |
| 21-26-09- 3 | 0E | MAY 28/07 | 21-26-09- 9 | 11 | JAN 20/09 |
| 21-26-09- 3 | 1 | JAN 20/09 | 21-26-09- 9 | 12 | JAN 20/09 |
| 21-26-09- 3 | 2 | JAN 20/09 | 21-26-09- 9 | 13 | JAN 20/09 |
| 21-26-09- 3 | 3 | JAN 20/09 | 21-26-09- 9 | 14 | JAN 20/09 |
| 21-26-09- 3 | 4 | JAN 20/09 | 21-26-09- 9 | 15 | JAN 20/09 |
| 21-26-09- 3 | 5 | JAN 20/09 | 21-26-09-13 | 0 | JAN 20/09 |
| 21-26-09- 3 | 6 | JAN 20/09 | 21-26-09-13 | 0A | JAN 20/09 |
| 21-26-09- 3 | 7 | JAN 20/09 | 21-26-09-13 | 0B | JAN 20/09 |
| 21-26-09- 3 | 8 | JAN 20/09 | 21-26-09-13 | 0C | JAN 20/09 |
| 21-26-09- 3 | 9 | JAN 20/09 | 21-26-09-13 | 0D | JAN 20/09 |
| 21-26-09- 5 | 0 | MAY 28/07 | 21-26-09-13 | 0E | JAN 20/09 |
| 21-26-09- 5 | 0A | MAY 28/07 | 21-26-09-13 | 1 | JAN 20/09 |
| 21-26-09- 5 | 0B | MAY 28/07 | 21-26-09-13 | 2 | JAN 20/09 |
| 21-26-09- 5 | 0C | MAY 28/07 | 21-26-09-13 | 3 | JAN 20/09 |
| 21-26-09- 5 | 0D | MAY 28/07 | 21-26-09-13 | 4 | JAN 20/09 |
| 21-26-09- 5 | 1 | JAN 20/09 | 21-26-09-14 | 0 | MAY 28/07 |
| 21-26-09- 5 | 2 | JAN 20/09 | 21-26-09-14 | 0A | MAY 28/07 |
| 21-26-09- 5 | 3 | JAN 20/09 | 21-26-09-14 | 0B | MAY 28/07 |
| 21-26-09- 5 | 4 | JAN 20/09 | 21-26-09-14 | 0C | MAY 28/07 |
| 21-26-09- 5 | 5 | JAN 20/09 | 21-26-09-14 | 1 | JAN 20/09 |
| 21-26-09- 5 | 6 | JAN 20/09 | 21-26-09-14 | 2 | JAN 20/09 |
| 21-26-09- 5 | 7 | JAN 20/09 | 21-26-09-14 | 3 | JAN 20/09 |
| 21-26-09- 5 | 8 | JAN 20/09 | 21-26-09-14 | 4 | JAN 20/09 |
| 21-26-09- 5 | 9 | JAN 20/09 | *21-26-09-14 | 5 | MAY 20/09 |
| 21-26-09- 5 | 10 | JAN 20/09 | 21-26-09-15 | 0 | JAN 20/09 |
| 21-26-09- 5 | 11 | JAN 20/09 | 21-26-09-15 | 1 | JAN 20/09 |
| 21-26-09- 6 | 0 | MAY 28/07 | 21-26-09-16 | 0 | JAN 20/09 |
| 21-26-09- 6 | 1 | JAN 20/09 | 21-26-09-16 | 1 | JAN 20/09 |
| 21-26-09- 8A | 0 | JAN 20/09 | 21-26-09-16 | 2 | JAN 20/09 |
| 21-26-09- 8A | 0A | JAN 20/09 | 21-26-09-16C | 0 | JAN 20/09 |
| 21-26-09- 8A | 0B | JAN 20/09 | 21-26-09-16C | 1 | JAN 20/09 |
| 21-26-09- 8A | 1 | JAN 20/09 | 21-26-09-16C | 2 | JAN 20/09 |

* THE ASTERISK INDICATES PAGES CHANGED OR ADDED BY THE CURRENT REVISION


BOEING
 757
PARTS CATALOG (MAINTENANCE)

| CH-SECT-UNIT-FIG | PAGE NO. | DATE | CH-SECT-UNIT-FIG | PAGE NO. | DATE |
|------------------|----------|-----------|------------------|----------|-----------|
| 21-26-09-22 | 0 | MAY 28/07 | *21-26-09-25 | 12 | MAY 20/09 |
| 21-26-09-22 | 0A | MAY 28/07 | 21-26-09-26 | 0 | JAN 20/09 |
| 21-26-09-22 | 0B | MAY 28/07 | 21-26-09-26 | 0A | JAN 20/09 |
| 21-26-09-22 | 0C | MAY 28/07 | 21-26-09-26 | 0B | JAN 20/09 |
| 21-26-09-22 | 0D | MAY 28/07 | 21-26-09-26 | 0C | JAN 20/09 |
| 21-26-09-22 | 0E | MAY 28/07 | 21-26-09-26 | 0D | JAN 20/09 |
| 21-26-09-22 | 0F | MAY 28/07 | 21-26-09-26 | 0E | JAN 20/09 |
| 21-26-09-22 | 0G | MAY 28/07 | 21-26-09-26 | 1 | JAN 20/09 |
| 21-26-09-22 | 0H | MAY 28/07 | 21-26-09-26 | 2 | JAN 20/09 |
| 21-26-09-22 | 0I | MAY 28/07 | 21-26-09-26 | 3 | JAN 20/09 |
| 21-26-09-22 | 0J | MAY 28/07 | 21-26-09-26 | 4 | JAN 20/09 |
| 21-26-09-22 | 0K | MAY 28/07 | 21-26-09-26 | 5 | JAN 20/09 |
| 21-26-09-22 | 1 | JAN 20/09 | 21-26-09-26 | 6 | JAN 20/09 |
| 21-26-09-22 | 2 | JAN 20/09 | 21-26-09-29 | 0 | MAY 28/07 |
| 21-26-09-22 | 3 | JAN 20/09 | 21-26-09-29 | 0A | MAY 28/07 |
| *21-26-09-22 | 4 | MAY 20/09 | 21-26-09-29 | 0B | MAY 28/07 |
| 21-26-09-22 | 5 | JAN 20/09 | 21-26-09-29 | 0C | MAY 28/07 |
| 21-26-09-22 | 6 | JAN 20/09 | 21-26-09-29 | 0D | MAY 28/07 |
| 21-26-09-22 | 7 | JAN 20/09 | 21-26-09-29 | 0E | MAY 28/07 |
| *21-26-09-22 | 8 | MAY 20/09 | 21-26-09-29 | 1 | JAN 20/09 |
| *21-26-09-22 | 9 | MAY 20/09 | 21-26-09-29 | 2 | JAN 20/09 |
| *21-26-09-22 | 10 | MAY 20/09 | 21-26-09-29 | 3 | JAN 20/09 |
| *21-26-09-22 | 11 | MAY 20/09 | 21-26-09-29 | 4 | JAN 20/09 |
| *21-26-09-22 | 12 | MAY 20/09 | 21-26-09-32 | 0 | JAN 20/09 |
| *21-26-09-22 | 13 | MAY 20/09 | 21-26-09-32 | 0A | JAN 20/09 |
| *21-26-09-22 | 14 | MAY 20/09 | 21-26-09-32 | 0B | JAN 20/09 |
| *21-26-09-22 | 15 | MAY 20/09 | 21-26-09-32 | 1 | JAN 20/09 |
| *21-26-09-22 | 16 | MAY 20/09 | 21-26-09-32 | 2 | JAN 20/09 |
| *21-26-09-22 | 17 | MAY 20/09 | 21-26-09-32 | 3 | JAN 20/09 |
| *21-26-09-22 | 18 | MAY 20/09 | 21-26-09-39 | 0 | MAY 28/07 |
| 21-26-09-25 | 0 | JAN 20/09 | 21-26-09-39 | 1 | JAN 20/09 |
| 21-26-09-25 | 0A | JAN 20/09 | 21-26-09-41 | 0 | MAY 28/07 |
| 21-26-09-25 | 0B | JAN 20/09 | 21-26-09-41 | 0A | MAY 28/07 |
| 21-26-09-25 | 0C | JAN 20/09 | 21-26-09-41 | 0B | MAY 28/07 |
| 21-26-09-25 | 0D | JAN 20/09 | 21-26-09-41 | 0C | MAY 28/07 |
| 21-26-09-25 | 0E | JAN 20/09 | 21-26-09-41 | 0D | MAY 28/07 |
| 21-26-09-25 | 0F | JAN 20/09 | 21-26-09-41 | 0E | MAY 28/07 |
| 21-26-09-25 | 0G | JAN 20/09 | 21-26-09-41 | 0F | MAY 28/07 |
| 21-26-09-25 | 0H | JAN 20/09 | 21-26-09-41 | 0G | MAY 28/07 |
| 21-26-09-25 | 0I | JAN 20/09 | 21-26-09-41 | 0H | MAY 28/07 |
| 21-26-09-25 | 1 | JAN 20/09 | 21-26-09-41 | 0I | MAY 28/07 |
| *21-26-09-25 | 2 | MAY 20/09 | 21-26-09-41 | 0J | MAY 28/07 |
| 21-26-09-25 | 3 | JAN 20/09 | 21-26-09-41 | 0K | MAY 28/07 |
| 21-26-09-25 | 4 | JAN 20/09 | 21-26-09-41 | 1 | JAN 20/09 |
| *21-26-09-25 | 5 | MAY 20/09 | 21-26-09-41 | 2 | JAN 20/09 |
| *21-26-09-25 | 6 | MAY 20/09 | 21-26-09-41 | 3 | JAN 20/09 |
| *21-26-09-25 | 7 | MAY 20/09 | 21-26-09-41 | 4 | JAN 20/09 |
| *21-26-09-25 | 8 | MAY 20/09 | 21-26-09-41 | 5 | JAN 20/09 |
| *21-26-09-25 | 9 | MAY 20/09 | 21-26-09-41 | 6 | JAN 20/09 |
| *21-26-09-25 | 10 | MAY 20/09 | 21-26-09-41 | 7 | JAN 20/09 |
| *21-26-09-25 | 11 | MAY 20/09 | 21-26-09-41 | 8 | JAN 20/09 |

* THE ASTERISK INDICATES PAGES CHANGED OR ADDED BY THE CURRENT REVISION


BOEING
 757
PARTS CATALOG (MAINTENANCE)

| CH-SECT-UNIT-FIG | PAGE NO. | DATE |
|------------------|----------|-----------|
| 21-26-09-41 | 9 | JAN 20/09 |
| 21-26-09-42 | 0 | JAN 20/08 |
| 21-26-09-42 | 0A | JAN 20/09 |
| 21-26-09-42 | 0B | JAN 20/08 |
| 21-26-09-42 | 0C | JAN 20/09 |
| 21-26-09-42 | 0D | JAN 20/08 |
| 21-26-09-42 | 0E | JAN 20/08 |
| 21-26-09-42 | 0F | JAN 20/09 |
| 21-26-09-42 | 0G | JAN 20/08 |
| 21-26-09-42 | 0H | JAN 20/09 |
| 21-26-09-42 | 0I | JAN 20/09 |
| 21-26-09-42 | 0J | JAN 20/08 |
| 21-26-09-42 | 0K | JAN 20/08 |
| 21-26-09-42 | 1 | JAN 20/09 |
| 21-26-09-42 | 2 | JAN 20/09 |
| 21-26-09-42 | 3 | JAN 20/09 |
| 21-26-09-42 | 4 | JAN 20/09 |
| 21-26-09-42 | 5 | JAN 20/09 |
| 21-26-09-42 | 6 | JAN 20/09 |
| 21-26-09-42 | 7 | JAN 20/09 |
| 21-26-09-42 | 8 | JAN 20/09 |
| 21-26-09-42 | 9 | JAN 20/09 |
| 21-26-09-42 | 10 | JAN 20/09 |
| 21-26-09-44A | 0 | JAN 20/09 |
| 21-26-09-44A | 0A | JAN 20/09 |
| 21-26-09-44A | 0B | JAN 20/09 |
| 21-26-09-44A | 0C | JAN 20/09 |
| 21-26-09-44A | 0D | JAN 20/09 |
| 21-26-09-44A | 0E | JAN 20/09 |
| 21-26-09-44A | 0F | JAN 20/09 |
| 21-26-09-44A | 0G | JAN 20/09 |
| 21-26-09-44A | 1 | JAN 20/09 |
| 21-26-09-44A | 2 | JAN 20/09 |
| 21-26-09-44A | 3 | JAN 20/09 |
| 21-26-09-44A | 4 | JAN 20/09 |
| 21-26-09-44A | 5 | JAN 20/09 |
| 21-26-09-44A | 6 | JAN 20/09 |
| 21-26-09-44A | 7 | JAN 20/09 |
| 21-26-09-44A | 8 | JAN 20/09 |
| 21-26-09-44A | 9 | JAN 20/09 |
| 21-26-09-44E | 0 | JAN 20/09 |
| 21-26-09-44E | 0A | JAN 20/09 |
| 21-26-09-44E | 0B | JAN 20/09 |
| 21-26-09-44E | 0C | JAN 20/09 |
| 21-26-09-44E | 0D | JAN 20/09 |
| 21-26-09-44E | 0E | JAN 20/09 |
| 21-26-09-44E | 0F | JAN 20/09 |
| 21-26-09-44E | 1 | JAN 20/09 |
| 21-26-09-44E | 2 | JAN 20/09 |
| 21-26-09-44E | 3 | JAN 20/09 |
| 21-26-09-44F | 0 | JAN 20/09 |

| CH-SECT-UNIT-FIG | PAGE NO. | DATE |
|------------------|----------|-----------|
| 21-26-09-44F | 0A | JAN 20/09 |
| 21-26-09-44F | 0B | JAN 20/09 |
| 21-26-09-44F | 0C | JAN 20/09 |
| 21-26-09-44F | 0D | JAN 20/09 |
| 21-26-09-44F | 0E | JAN 20/09 |
| 21-26-09-44F | 0F | JAN 20/09 |
| 21-26-09-44F | 1 | JAN 20/09 |
| 21-26-09-44F | 2 | JAN 20/09 |
| 21-26-09-44F | 3 | JAN 20/09 |
| 21-26-09-44F | 4 | JAN 20/09 |
| 21-26-09-45 | 0 | JAN 20/09 |
| 21-26-09-45 | 0A | JAN 20/09 |
| 21-26-09-45 | 0B | JAN 20/09 |
| 21-26-09-45 | 0C | JAN 20/09 |
| 21-26-09-45 | 1 | JAN 20/09 |
| 21-26-09-45 | 2 | JAN 20/09 |
| 21-26-09-45 | 3 | JAN 20/09 |
| 21-26-09-45 | 4 | JAN 20/09 |
| 21-26-09-47 | 0 | JAN 20/09 |
| 21-26-09-47 | 1 | JAN 20/09 |
| 21-26-09-48 | 0 | MAY 28/07 |
| 21-26-09-48 | 0A | MAY 28/07 |
| 21-26-09-48 | 1 | JAN 20/09 |
| 21-26-09-48 | 2 | JAN 20/09 |
| 21-26-09-48 | 3 | JAN 20/09 |
| 21-26-09-61 | 0 | MAY 28/07 |
| 21-26-09-61 | 1 | JAN 20/09 |
| 21-26-09-61 | 2 | JAN 20/09 |
| 21-26-09-61A | 0 | MAY 28/07 |
| 21-26-09-61A | 0A | MAY 28/07 |
| 21-26-09-61A | 0B | MAY 28/07 |
| 21-26-09-61A | 1 | JAN 20/09 |
| 21-26-09-61A | 2 | JAN 20/09 |
| 21-26-09-61A | 3 | JAN 20/09 |
| 21-26-09-61B | 0 | MAY 28/07 |
| 21-26-09-61B | 0A | MAY 28/07 |
| 21-26-09-61B | 1 | JAN 20/09 |
| 21-26-09-61B | 2 | JAN 20/09 |
| 21-26-09-61C | 0 | JAN 20/09 |
| 21-26-09-61C | 1 | JAN 20/09 |
| 21-26-09-61G | 0 | JAN 20/09 |
| 21-26-09-61G | 0A | JAN 20/09 |
| 21-26-09-61G | 0B | JAN 20/09 |
| 21-26-09-61G | 0C | JAN 20/09 |
| 21-26-09-61G | 0D | JAN 20/09 |
| 21-26-09-61G | 1 | JAN 20/09 |
| 21-26-09-61G | 2 | JAN 20/09 |
| 21-26-09-80A | 0 | JAN 20/09 |
| 21-26-09-80A | 1 | JAN 20/09 |
| 21-26-09-81A | 0 | JAN 20/09 |
| 21-26-09-81A | 1 | JAN 20/09 |

* THE ASTERISK INDICATES PAGES CHANGED OR ADDED BY THE CURRENT REVISION


BOEING
 757
PARTS CATALOG (MAINTENANCE)

| CH-SECT-UNIT-FIG | PAGE NO. | DATE | CH-SECT-UNIT-FIG | PAGE NO. | DATE |
|------------------|----------|-----------|------------------|----------|-----------|
| 21-26-51- 2 | 0 | MAY 28/07 | 21-31-02- 1 | 3 | JAN 20/09 |
| 21-26-51- 2 | 0A | MAY 28/07 | 21-31-02- 1 | 4 | JAN 20/09 |
| 21-26-51- 2 | 0B | MAY 28/07 | 21-31-02- 1 | 5 | JAN 20/09 |
| 21-26-51- 2 | 0C | MAY 28/07 | 21-31-02- 1 | 6 | JAN 20/09 |
| 21-26-51- 2 | 0D | MAY 28/07 | 21-31-02- 1 | 7 | JAN 20/09 |
| 21-26-51- 2 | 0E | MAY 28/07 | 21-31-02- 1 | 8 | JAN 20/09 |
| 21-26-51- 2 | 0F | MAY 28/07 | 21-31-02- 1 | 9 | JAN 20/09 |
| *21-26-51- 2 | 1 | MAY 20/09 | 21-31-02- 1 | 10 | JAN 20/09 |
| *21-26-51- 2 | 2 | MAY 20/09 | 21-31-02- 1 | 11 | JAN 20/09 |
| *21-26-51- 2 | 3 | MAY 20/09 | 21-31-02- 1 | 12 | JAN 20/09 |
| 21-26-51-10 | 0 | JAN 20/09 | 21-31-02- 1 | 13 | JAN 20/09 |
| 21-26-51-10 | 1 | JAN 20/09 | 21-31-02- 1 | 14 | JAN 20/09 |
| 21-26-51-11 | 0 | JAN 20/09 | 21-31-02- 1 | 15 | JAN 20/09 |
| 21-26-51-11 | 1 | JAN 20/09 | 21-31-02- 1 | 16 | JAN 20/09 |
| 21-31-00 | 1 | MAY 28/07 | 21-31-02- 1 | 17 | JAN 20/09 |
| 21-31-01- 1 | 0 | MAY 28/07 | 21-31-02- 1 | 18 | JAN 20/09 |
| 21-31-01- 1 | 1 | JAN 20/09 | 21-31-02- 1 | 19 | JAN 20/09 |
| 21-31-01- 1 | 2 | JAN 20/09 | 21-31-02- 1 | 20 | JAN 20/09 |
| 21-31-01- 1 | 3 | JAN 20/09 | 21-31-02- 1 | 21 | JAN 20/09 |
| 21-31-01- 1 | 4 | JAN 20/09 | 21-31-02- 1B | 0 | MAY 28/07 |
| 21-31-01- 1 | 5 | JAN 20/09 | 21-31-02- 1B | 1 | JAN 20/09 |
| 21-31-01- 1 | 6 | JAN 20/09 | 21-31-02- 1B | 2 | JAN 20/09 |
| 21-31-01- 1 | 7 | JAN 20/09 | 21-31-02- 1B | 3 | JAN 20/09 |
| 21-31-01- 1 | 8 | JAN 20/09 | 21-31-02- 1B | 4 | JAN 20/09 |
| 21-31-01- 1 | 9 | JAN 20/09 | 21-31-02- 1B | 5 | JAN 20/09 |
| 21-31-01- 1 | 10 | JAN 20/09 | 21-31-02- 1B | 6 | JAN 20/09 |
| 21-31-01- 1 | 11 | JAN 20/09 | 21-31-02- 8 | 0 | JAN 20/09 |
| 21-31-01- 1 | 12 | JAN 20/09 | 21-31-02- 8 | 1 | JAN 20/09 |
| 21-31-01- 1 | 13 | JAN 20/09 | 21-31-02- 8 | 2 | JAN 20/09 |
| 21-31-01- 2 | 0 | MAY 28/07 | 21-31-02- 8 | 3 | JAN 20/09 |
| 21-31-01- 2 | 1 | JAN 20/09 | 21-31-02- 8 | 4 | JAN 20/09 |
| 21-31-01- 2 | 2 | JAN 20/09 | 21-31-02- 8 | 5 | JAN 20/09 |
| 21-31-01- 2 | 3 | JAN 20/09 | 21-31-02- 8 | 6 | JAN 20/09 |
| 21-31-01- 2 | 4 | JAN 20/09 | 21-31-02- 8 | 7 | JAN 20/09 |
| 21-31-01- 2 | 5 | JAN 20/09 | 21-31-03- 1 | 0 | MAY 28/07 |
| 21-31-01- 2 | 6 | JAN 20/09 | 21-31-03- 1 | 0A | MAY 28/07 |
| 21-31-01- 2 | 7 | JAN 20/09 | 21-31-03- 1 | 1 | JAN 20/09 |
| 21-31-01- 2 | 8 | JAN 20/09 | 21-31-03- 1 | 2 | JAN 20/09 |
| 21-31-01- 2 | 9 | JAN 20/09 | 21-31-03- 1 | 3 | JAN 20/09 |
| 21-31-01- 2 | 10 | JAN 20/09 | 21-31-03- 1 | 4 | JAN 20/09 |
| 21-31-01- 2 | 11 | JAN 20/09 | 21-31-03- 1 | 5 | JAN 20/09 |
| 21-31-01- 2 | 12 | JAN 20/09 | 21-31-03- 1 | 6 | JAN 20/09 |
| 21-31-01- 2 | 13 | JAN 20/09 | 21-31-03- 1 | 7 | JAN 20/09 |
| 21-31-01- 2 | 14 | JAN 20/09 | 21-31-03- 1 | 8 | JAN 20/09 |
| 21-31-01- 2 | 15 | JAN 20/09 | 21-31-03- 1 | 9 | JAN 20/09 |
| 21-31-01- 2 | 16 | JAN 20/09 | 21-31-03- 1 | 10 | JAN 20/09 |
| 21-31-01- 2 | 17 | JAN 20/09 | 21-31-03- 1 | 11 | JAN 20/09 |
| 21-31-02- 1 | 0 | MAY 28/07 | 21-31-03- 1 | 12 | JAN 20/09 |
| 21-31-02- 1 | 0A | MAY 28/07 | 21-31-03- 1 | 13 | SEP 20/08 |
| 21-31-02- 1 | 1 | JAN 20/09 | 21-31-03- 1 | 14 | SEP 20/08 |
| 21-31-02- 1 | 2 | JAN 20/09 | 21-31-03- 1 | 15 | SEP 20/08 |

* THE ASTERISK INDICATES PAGES CHANGED OR ADDED BY THE CURRENT REVISION

BRI
MAY 20/09

21 - LIST OF EFFECTIVE PAGES
PAGE 23



757

PARTS CATALOG (MAINTENANCE)

| CH-SECT-UNIT-FIG | PAGE NO. | DATE | CH-SECT-UNIT-FIG | PAGE NO. | DATE |
|------------------|----------|-----------|------------------|----------|-----------|
| 21-31-03- 1 | 16 | SEP 20/08 | 21-33-51- 3 | 2 | JAN 20/09 |
| 21-31-03- 1 | 17 | JAN 20/09 | 21-33-51- 3 | 3 | JAN 20/09 |
| 21-31-03- 1 | 18 | JAN 20/09 | 21-33-51- 3 | 4 | JAN 20/09 |
| 21-31-03- 1 | 19 | JAN 20/09 | 21-33-51- 3 | 5 | JAN 20/09 |
| 21-31-04- 1 | 0 | MAY 28/07 | 21-33-51- 3 | 6 | JAN 20/09 |
| 21-31-04- 1 | 0A | MAY 28/07 | 21-33-51- 3 | 7 | JAN 20/09 |
| *21-31-04- 1 | 1 | MAY 20/09 | 21-33-51- 3 | 8 | JAN 20/09 |
| 21-31-04- 1 | 2 | JAN 20/09 | 21-33-51- 3 | 9 | JAN 20/09 |
| 21-31-04- 1 | 3 | JAN 20/09 | 21-33-51- 3 | 10 | JAN 20/09 |
| 21-31-04- 1 | 4 | JAN 20/09 | 21-33-51- 3 | 11 | JAN 20/09 |
| 21-31-04- 1 | 5 | JAN 20/09 | 21-33-71- 2 | 0 | SEP 20/08 |
| 21-31-04- 1 | 6 | JAN 20/09 | 21-33-71- 2 | 0A | JAN 20/09 |
| 21-31-04- 1 | 7 | JAN 20/09 | 21-33-71- 2 | 1 | JAN 20/09 |
| 21-31-04- 1 | 8 | JAN 20/09 | 21-33-71- 2 | 2 | JAN 20/09 |
| 21-31-04- 1 | 9 | JAN 20/09 | 21-33-71- 2 | 3 | JAN 20/09 |
| 21-31-04- 1 | 10 | JAN 20/09 | 21-33-71- 2A | 0 | MAY 28/07 |
| 21-31-04- 1 | 11 | JAN 20/09 | 21-33-71- 2A | 0A | MAY 28/07 |
| 21-31-04- 1 | 12 | JAN 20/09 | 21-33-71- 2A | 0B | MAY 28/07 |
| 21-31-04- 1 | 13 | JAN 20/09 | 21-33-71- 2A | 1 | JAN 20/09 |
| 21-31-51- 1 | 0 | MAY 28/07 | 21-33-71- 2C | 0 | JAN 20/09 |
| 21-31-51- 1 | 1 | JAN 20/09 | 21-33-71- 2C | 0A | JAN 20/09 |
| 21-32-00 | 1 | MAY 28/07 | 21-33-71- 2C | 1 | JAN 20/09 |
| 21-32-01- 1 | 0 | MAY 28/07 | 21-33-71- 2C | 2 | JAN 20/09 |
| 21-32-01- 1 | 0A | MAY 28/07 | 21-33-71- 2C | 3 | JAN 20/09 |
| 21-32-01- 1 | 1 | JAN 20/09 | 21-40-00 | 1 | JAN 20/09 |
| 21-32-01- 1 | 2 | JAN 20/09 | 21-40-51- 1 | 0 | JAN 20/09 |
| 21-32-01- 1 | 3 | JAN 20/09 | 21-40-51- 1 | 1 | JAN 20/09 |
| 21-32-01- 1 | 4 | JAN 20/09 | 21-40-51- 1 | 2 | JAN 20/09 |
| 21-32-02- 1 | 0 | MAY 28/07 | 21-40-51- 1 | 3 | JAN 20/09 |
| 21-32-02- 1 | 1 | JAN 20/09 | 21-43-00 | 1 | MAY 28/07 |
| 21-32-02- 1 | 2 | JAN 20/09 | 21-43-03- 2 | 0 | MAY 28/07 |
| 21-32-02- 1 | 3 | JAN 20/09 | 21-43-03- 2 | 0A | MAY 28/07 |
| 21-33-00 | 1 | MAY 28/07 | 21-43-03- 2 | 0B | MAY 28/07 |
| 21-33-51- 1 | 0 | MAY 28/07 | 21-43-03- 2 | 0C | MAY 28/07 |
| 21-33-51- 1 | 0A | MAY 28/07 | 21-43-03- 2 | 0D | MAY 28/07 |
| 21-33-51- 1 | 1 | JAN 20/09 | 21-43-03- 2 | 0E | MAY 28/07 |
| 21-33-51- 1 | 2 | JAN 20/09 | 21-43-03- 2 | 1 | JAN 20/09 |
| 21-33-51- 1 | 3 | JAN 20/09 | *21-43-03- 2 | 2 | MAY 20/09 |
| 21-33-51- 1 | 4 | JAN 20/09 | *21-43-03- 2 | 3 | MAY 20/09 |
| 21-33-51- 1 | 5 | JAN 20/09 | *21-43-03- 2 | 4 | MAY 20/09 |
| 21-33-51- 1 | 6 | JAN 20/09 | *21-43-03- 2 | 5 | MAY 20/09 |
| 21-33-51- 2 | 0 | MAY 28/07 | *21-43-03- 2 | 6 | MAY 20/09 |
| 21-33-51- 2 | 0A | MAY 28/07 | *21-43-03- 2 | 7 | MAY 20/09 |
| 21-33-51- 2 | 1 | JAN 20/09 | *21-43-03- 2 | 8 | MAY 20/09 |
| 21-33-51- 2 | 2 | JAN 20/09 | 21-43-03- 2 | 9 | JAN 20/09 |
| 21-33-51- 2 | 3 | JAN 20/09 | 21-43-03- 2 | 10 | JAN 20/09 |
| 21-33-51- 2 | 4 | JAN 20/09 | 21-43-03- 2 | 11 | JAN 20/09 |
| 21-33-51- 2 | 5 | JAN 20/09 | 21-43-03- 2 | 12 | JAN 20/09 |
| 21-33-51- 3 | 0 | MAY 28/07 | 21-43-71- 2 | 0 | MAY 28/07 |
| 21-33-51- 3 | 0A | MAY 28/07 | 21-43-71- 2 | 0A | MAY 28/07 |
| 21-33-51- 3 | 1 | JAN 20/09 | 21-43-71- 2 | 1 | JAN 20/09 |

* THE ASTERISK INDICATES PAGES CHANGED OR ADDED BY THE CURRENT REVISION

BRI
MAY 20/09

21 - LIST OF EFFECTIVE PAGES
PAGE 24


BOEING
 757
PARTS CATALOG (MAINTENANCE)

| CH-SECT-UNIT-FIG | PAGE NO. | DATE | CH-SECT-UNIT-FIG | PAGE NO. | DATE |
|------------------|----------|-----------|------------------|----------|-----------|
| 21-43-71- 2 | 2 | JAN 20/09 | 21-44-05- 4 | 5 | JAN 20/09 |
| 21-43-71- 2 | 3 | JAN 20/09 | 21-44-05- 4 | 6 | JAN 20/09 |
| 21-43-71- 2A | 0 | MAY 28/07 | 21-44-08- 1 | 0 | MAY 28/07 |
| 21-43-71- 2A | 1 | JAN 20/09 | 21-44-08- 1 | 0A | MAY 28/07 |
| 21-43-71- 2B | 0 | JAN 20/09 | 21-44-08- 1 | 0B | MAY 28/07 |
| 21-43-71- 2B | 1 | JAN 20/09 | 21-44-08- 1 | 0C | MAY 28/07 |
| 21-43-71- 2B | 2 | JAN 20/09 | 21-44-08- 1 | 1 | JAN 20/09 |
| 21-43-71- 2B | 3 | JAN 20/09 | 21-44-08- 1 | 2 | JAN 20/09 |
| 21-44-00 | 1 | MAY 28/07 | 21-44-08- 1 | 3 | JAN 20/09 |
| 21-44-05- 1 | 0 | MAY 28/07 | 21-44-08- 1 | 4 | JAN 20/09 |
| 21-44-05- 1 | 0A | MAY 28/07 | 21-44-08- 1 | 5 | JAN 20/09 |
| 21-44-05- 1 | 0B | MAY 28/07 | 21-44-08- 1 | 6 | JAN 20/09 |
| 21-44-05- 1 | 0C | MAY 28/07 | 21-44-08- 1 | 7 | JAN 20/09 |
| 21-44-05- 1 | 0D | MAY 28/07 | 21-44-08- 1 | 8 | JAN 20/09 |
| *21-44-05- 1 | 1 | MAY 20/09 | 21-44-08- 1 | 9 | JAN 20/09 |
| 21-44-05- 1 | 2 | JAN 20/09 | 21-44-08- 1 | 10 | JAN 20/09 |
| *21-44-05- 1 | 3 | MAY 20/09 | 21-44-08- 3 | 0 | MAY 28/07 |
| *21-44-05- 1 | 4 | MAY 20/09 | 21-44-08- 3 | 0A | MAY 28/07 |
| 21-44-05- 1 | 5 | JAN 20/09 | 21-44-08- 3 | 0B | MAY 28/07 |
| 21-44-05- 1 | 6 | JAN 20/09 | 21-44-08- 3 | 1 | JAN 20/09 |
| *21-44-05- 1 | 7 | MAY 20/09 | 21-44-08- 3 | 2 | JAN 20/09 |
| 21-44-05- 1 | 8 | JAN 20/09 | 21-44-08- 3 | 3 | JAN 20/09 |
| *21-44-05- 1 | 9 | MAY 20/09 | *21-44-08- 3 | 4 | MAY 20/09 |
| 21-44-05- 1 | 10 | JAN 20/09 | 21-44-08- 3 | 5 | JAN 20/09 |
| 21-44-05- 1 | 11 | JAN 20/09 | 21-44-71- 2 | 0 | MAY 28/07 |
| *21-44-05- 1 | 12 | MAY 20/09 | 21-44-71- 2 | 0A | MAY 28/07 |
| *21-44-05- 1 | 13 | MAY 20/09 | 21-44-71- 2 | 1 | JAN 20/09 |
| *21-44-05- 1 | 14 | MAY 20/09 | 21-44-71- 2 | 2 | JAN 20/09 |
| 21-44-05- 1A | 0 | MAY 28/07 | 21-44-71- 2 | 3 | JAN 20/09 |
| 21-44-05- 1A | 1 | JAN 20/09 | 21-44-71- 2 | 4 | JAN 20/09 |
| 21-44-05- 1A | 2 | JAN 20/09 | 21-44-71- 2B | 0 | MAY 28/07 |
| 21-44-05- 1A | 3 | JAN 20/09 | 21-44-71- 2B | 1 | JAN 20/09 |
| 21-44-05- 1A | 4 | JAN 20/09 | 21-44-71- 2B | 2 | JAN 20/09 |
| 21-44-05- 1A | 5 | JAN 20/09 | 21-44-71- 2D | 0 | JAN 20/09 |
| 21-44-05- 1A | 6 | JAN 20/09 | 21-44-71- 2D | 1 | JAN 20/09 |
| 21-44-05- 1A | 7 | JAN 20/09 | 21-44-71- 2D | 2 | JAN 20/09 |
| 21-44-05- 1B | 0 | JAN 20/09 | 21-44-71- 2D | 3 | JAN 20/09 |
| 21-44-05- 1B | 0A | JAN 20/09 | 21-44-71- 2D | 4 | JAN 20/09 |
| 21-44-05- 1B | 0B | JAN 20/09 | 21-44-71- 2D | 5 | JAN 20/09 |
| 21-44-05- 1B | 0C | JAN 20/09 | 21-44-71- 2D | 6 | JAN 20/09 |
| 21-44-05- 1B | 1 | JAN 20/09 | 21-44-71- 2D | 7 | JAN 20/09 |
| 21-44-05- 1B | 2 | JAN 20/09 | 21-44-71- 3 | 0 | MAY 28/07 |
| 21-44-05- 1B | 3 | JAN 20/09 | *21-44-71- 3 | 1 | MAY 20/09 |
| 21-44-05- 1B | 4 | JAN 20/09 | *21-44-71- 3 | 2 | MAY 20/09 |
| 21-44-05- 4 | 0 | JAN 20/09 | *21-44-71- 3 | 3 | MAY 20/09 |
| 21-44-05- 4 | 0A | JAN 20/09 | 21-44-71- 3A | 0 | MAY 28/07 |
| 21-44-05- 4 | 0B | JAN 20/09 | *21-44-71- 3A | 1 | MAY 20/09 |
| 21-44-05- 4 | 1 | JAN 20/09 | *21-44-71- 3A | 2 | MAY 20/09 |
| 21-44-05- 4 | 2 | JAN 20/09 | 21-44-71- 3B | 0 | JAN 20/09 |
| *21-44-05- 4 | 3 | MAY 20/09 | 21-44-71- 3B | 1 | JAN 20/09 |
| 21-44-05- 4 | 4 | JAN 20/09 | *21-44-71- 3B | 2 | MAY 20/09 |

* THE ASTERISK INDICATES PAGES CHANGED OR ADDED BY THE CURRENT REVISION



757

PARTS CATALOG (MAINTENANCE)

| CH-SECT-UNIT-FIG | PAGE NO. | DATE | CH-SECT-UNIT-FIG | PAGE NO. | DATE |
|------------------|----------|-----------|------------------|----------|-----------|
| *21-44-71- 3B | 3 | MAY 20/09 | 21-45-52- 1A | 2 | JAN 20/09 |
| 21-45-00 | 1 | MAY 28/07 | 21-45-52- 1A | 3 | JAN 20/09 |
| 21-45-01- 1 | 0 | MAY 28/07 | 21-45-52- 1A | 4 | JAN 20/09 |
| 21-45-01- 1 | 1 | JAN 20/09 | 21-45-52- 1A | 5 | JAN 20/09 |
| 21-45-01- 1 | 2 | JAN 20/09 | 21-45-52- 1A | 6 | JAN 20/09 |
| 21-45-01- 1 | 3 | JAN 20/09 | 21-45-52- 1A | 7 | JAN 20/09 |
| 21-45-01- 1 | 4 | JAN 20/09 | 21-45-52- 1D | 0 | JAN 20/09 |
| 21-45-01- 1A | 0 | MAY 28/07 | 21-45-52- 1D | 0A | JAN 20/09 |
| 21-45-01- 1A | 1 | JAN 20/09 | 21-45-52- 1D | 1 | JAN 20/09 |
| 21-45-01- 1A | 2 | JAN 20/09 | 21-45-52- 1D | 2 | JAN 20/09 |
| 21-45-01- 1A | 3 | JAN 20/09 | 21-45-52- 1D | 3 | JAN 20/09 |
| 21-45-01- 2 | 0 | MAY 28/07 | 21-45-52- 1D | 4 | JAN 20/09 |
| 21-45-01- 2 | 1 | JAN 20/09 | 21-45-52- 2 | 0 | MAY 28/07 |
| 21-45-01- 2 | 2 | JAN 20/09 | 21-45-52- 2 | 0A | MAY 28/07 |
| 21-45-01- 3 | 0 | SEP 28/07 | 21-45-52- 2 | 0B | MAY 28/07 |
| 21-45-01- 3 | 1 | JAN 20/09 | 21-45-52- 2 | 0C | MAY 28/07 |
| 21-45-01- 3 | 2 | JAN 20/09 | 21-45-52- 2 | 0D | MAY 28/07 |
| 21-45-02- 1 | 0 | MAY 28/07 | 21-45-52- 2 | 0E | MAY 28/07 |
| 21-45-02- 1 | 1 | JAN 20/09 | 21-45-52- 2 | 0F | MAY 28/07 |
| *21-45-02- 1 | 2 | MAY 20/09 | 21-45-52- 2 | 0G | MAY 28/07 |
| 21-45-02- 2 | 0 | MAY 28/07 | 21-45-52- 2 | 0H | MAY 28/07 |
| *21-45-02- 2 | 1 | MAY 20/09 | 21-45-52- 2 | 1 | MAY 28/07 |
| *21-45-02- 2 | 2 | MAY 20/09 | 21-45-52- 2 | 2 | MAY 28/07 |
| 21-45-02- 3 | 0 | MAY 28/07 | 21-45-52- 2A | 0 | MAY 28/07 |
| 21-45-02- 3 | 1 | JAN 20/09 | 21-45-52- 2A | 0A | MAY 28/07 |
| 21-45-02- 4 | 0 | SEP 28/07 | 21-45-52- 2A | 0B | MAY 28/07 |
| 21-45-02- 4 | 1 | JAN 20/09 | 21-45-52- 2A | 1 | JAN 20/09 |
| 21-45-31- 1 | 0 | MAY 28/07 | 21-45-52- 2A | 2 | JAN 20/09 |
| 21-45-31- 1 | 1 | MAY 28/07 | 21-45-52- 2A | 3 | JAN 20/09 |
| 21-45-31- 1 | 2 | MAY 28/07 | 21-45-52- 2A | 4 | JAN 20/09 |
| 21-45-31- 1B | 0 | MAY 28/07 | 21-45-52- 2C | 0 | JAN 20/09 |
| 21-45-31- 1B | 1 | JAN 20/09 | 21-45-52- 2C | 0A | JAN 20/09 |
| 21-45-31- 1B | 2 | JAN 20/09 | 21-45-52- 2C | 0B | JAN 20/09 |
| 21-45-31- 1D | 0 | JAN 20/09 | 21-45-52- 2C | 0C | JAN 20/09 |
| 21-45-31- 1D | 1 | JAN 20/09 | 21-45-52- 2C | 0D | JAN 20/09 |
| 21-45-31- 1D | 2 | JAN 20/09 | 21-45-52- 2C | 1 | JAN 20/09 |
| 21-45-31- 1D | 3 | JAN 20/09 | 21-45-52- 2C | 2 | JAN 20/09 |
| 21-45-31- 1D | 4 | JAN 20/09 | 21-45-52- 2C | 3 | JAN 20/09 |
| 21-45-31- 1D | 5 | JAN 20/09 | 21-45-52- 2C | 4 | JAN 20/09 |
| 21-45-52- 1 | 0 | MAY 28/07 | 21-45-52- 2C | 5 | JAN 20/09 |
| 21-45-52- 1 | 0A | MAY 28/07 | 21-45-52- 2C | 6 | JAN 20/09 |
| 21-45-52- 1 | 0B | MAY 28/07 | 21-45-52- 3 | 0 | MAY 28/07 |
| 21-45-52- 1 | 0C | MAY 28/07 | 21-45-52- 3 | 0A | MAY 28/07 |
| 21-45-52- 1 | 0D | MAY 28/07 | 21-45-52- 3 | 0B | MAY 28/07 |
| 21-45-52- 1 | 0E | MAY 28/07 | 21-45-52- 3 | 0C | MAY 28/07 |
| 21-45-52- 1 | 0F | MAY 28/07 | 21-45-52- 3 | 1 | JAN 20/09 |
| 21-45-52- 1 | 1 | MAY 28/07 | 21-45-52- 3 | 2 | JAN 20/09 |
| 21-45-52- 1A | 0 | MAY 28/07 | 21-45-52- 3 | 3 | JAN 20/09 |
| 21-45-52- 1A | 0A | MAY 28/07 | 21-45-52- 3 | 4 | JAN 20/09 |
| 21-45-52- 1A | 0B | MAY 28/07 | 21-45-52- 3 | 5 | JAN 20/09 |
| 21-45-52- 1A | 1 | JAN 20/09 | 21-45-52- 3 | 6 | JAN 20/09 |

* THE ASTERISK INDICATES PAGES CHANGED OR ADDED BY THE CURRENT REVISION



757

PARTS CATALOG (MAINTENANCE)

| CH-SECT-UNIT-FIG | PAGE NO. | DATE | CH-SECT-UNIT-FIG | PAGE NO. | DATE |
|------------------|----------|-----------|------------------|----------|-----------|
| 21-45-52- 4 | 0 | MAY 28/07 | 21-51-00 | 1 | MAY 28/07 |
| 21-45-52- 4 | 0A | MAY 28/07 | 21-51-01- 1 | 0 | MAY 28/07 |
| 21-45-52- 4 | 0B | MAY 28/07 | 21-51-01- 1 | 0A | MAY 28/07 |
| 21-45-52- 4 | 0C | MAY 28/07 | 21-51-01- 1 | 0B | MAY 28/07 |
| 21-45-52- 4 | 0D | MAY 28/07 | 21-51-01- 1 | 0C | MAY 28/07 |
| 21-45-52- 4 | 0E | MAY 28/07 | 21-51-01- 1 | 1 | JAN 20/09 |
| 21-45-52- 4 | 0F | MAY 28/07 | 21-51-01- 1 | 2 | JAN 20/09 |
| 21-45-52- 4 | 0G | MAY 28/07 | 21-51-01- 1 | 3 | JAN 20/09 |
| 21-45-52- 4 | 0H | MAY 28/07 | 21-51-01- 1 | 4 | JAN 20/09 |
| 21-45-52- 4 | 0I | MAY 28/07 | 21-51-01- 1 | 5 | JAN 20/09 |
| 21-45-52- 4 | 1 | MAY 28/07 | 21-51-01- 1 | 6 | JAN 20/09 |
| 21-45-52- 4 | 2 | MAY 28/07 | 21-51-01- 1 | 7 | JAN 20/09 |
| 21-45-52- 4A | 0 | MAY 28/07 | 21-51-01- 1 | 8 | JAN 20/09 |
| 21-45-52- 4A | 0A | MAY 28/07 | 21-51-01- 1 | 9 | JAN 20/09 |
| 21-45-52- 4A | 0B | SEP 28/07 | 21-51-01- 1 | 10 | JAN 20/09 |
| 21-45-52- 4A | 0C | MAY 28/07 | 21-51-01- 1 | 11 | JAN 20/09 |
| 21-45-52- 4A | 0D | MAY 28/07 | 21-51-01- 1 | 12 | JAN 20/09 |
| 21-45-52- 4A | 1 | JAN 20/09 | 21-51-01- 1 | 13 | JAN 20/09 |
| 21-45-52- 4A | 2 | JAN 20/09 | 21-51-01- 1 | 14 | JAN 20/09 |
| 21-45-52- 4A | 3 | JAN 20/09 | 21-51-01- 1 | 15 | JAN 20/09 |
| 21-45-52- 4A | 4 | JAN 20/09 | *21-51-01- 1 | 16 | MAY 20/09 |
| 21-45-52- 4A | 5 | JAN 20/09 | 21-51-01- 1 | 17 | JAN 20/09 |
| 21-45-52- 4A | 6 | JAN 20/09 | 21-51-01- 1 | 18 | JAN 20/09 |
| 21-45-52- 4A | 7 | JAN 20/09 | 21-51-01- 1 | 19 | JAN 20/09 |
| 21-45-52- 4A | 8 | JAN 20/09 | 21-51-01- 1 | 20 | JAN 20/09 |
| 21-45-52- 5 | 0 | MAY 28/07 | 21-51-01- 1 | 21 | JAN 20/09 |
| 21-45-52- 5 | 0A | MAY 28/07 | 21-51-01- 1 | 22 | JAN 20/09 |
| 21-45-52- 5 | 0B | MAY 28/07 | 21-51-01- 1 | 23 | JAN 20/09 |
| 21-45-52- 5 | 0C | MAY 28/07 | 21-51-01- 1 | 24 | JAN 20/09 |
| 21-45-52- 5 | 1 | JAN 20/09 | 21-51-01- 1 | 25 | JAN 20/09 |
| 21-45-52- 5 | 2 | JAN 20/09 | 21-51-01- 2 | 0 | MAY 28/07 |
| 21-45-52- 5 | 3 | JAN 20/09 | 21-51-01- 2 | 0A | MAY 28/07 |
| 21-45-52- 5 | 4 | JAN 20/09 | 21-51-01- 2 | 0B | MAY 28/07 |
| 21-45-52- 5 | 5 | JAN 20/09 | 21-51-01- 2 | 1 | JAN 20/09 |
| 21-45-52- 5 | 6 | JAN 20/09 | 21-51-01- 2 | 2 | JAN 20/09 |
| 21-45-52- 6 | 0 | JAN 20/09 | 21-51-01- 2 | 3 | JAN 20/09 |
| 21-45-52- 6 | 0A | JAN 20/09 | 21-51-01- 2 | 4 | JAN 20/09 |
| 21-45-52- 6 | 0B | JAN 20/09 | 21-51-01- 2 | 5 | JAN 20/09 |
| 21-45-52- 6 | 1 | JAN 20/09 | 21-51-01- 2 | 6 | JAN 20/09 |
| 21-45-52- 6 | 2 | JAN 20/09 | *21-51-01- 2 | 7 | MAY 20/09 |
| 21-45-52- 6 | 3 | JAN 20/09 | 21-51-01- 2 | 8 | JAN 20/09 |
| 21-45-52- 7 | 0 | JAN 20/09 | *21-51-01- 2 | 9 | MAY 20/09 |
| 21-45-52- 7 | 0A | JAN 20/09 | 21-51-01- 2 | 10 | JAN 20/09 |
| 21-45-52- 7 | 0B | JAN 20/09 | 21-51-01- 2 | 11 | JAN 20/09 |
| 21-45-52- 7 | 0C | JAN 20/09 | 21-51-01- 2 | 12 | JAN 20/09 |
| 21-45-52- 7 | 1 | JAN 20/09 | 21-51-01- 2 | 13 | JAN 20/09 |
| 21-45-52- 7 | 2 | JAN 20/09 | 21-51-01- 2 | 14 | JAN 20/09 |
| 21-45-52- 7 | 3 | JAN 20/09 | 21-51-01- 2 | 15 | JAN 20/09 |
| 21-45-61- 1 | 0 | JAN 20/09 | 21-51-01- 2 | 16 | JAN 20/09 |
| 21-45-61- 1 | 1 | JAN 20/09 | 21-51-01- 2 | 17 | JAN 20/09 |
| 21-45-61- 1 | 2 | JAN 20/09 | 21-51-01- 2A | 0 | MAY 28/07 |

* THE ASTERISK INDICATES PAGES CHANGED OR ADDED BY THE CURRENT REVISION



757
PARTS CATALOG (MAINTENANCE)

| CH-SECT-UNIT-FIG | PAGE NO. | DATE | CH-SECT-UNIT-FIG | PAGE NO. | DATE |
|------------------|----------|-----------|------------------|----------|-----------|
| 21-51-01- 2A | 0A | MAY 28/07 | 21-51-04- 1 | 2 | JAN 20/09 |
| 21-51-01- 2A | 0B | MAY 28/07 | 21-51-04- 1 | 3 | JAN 20/09 |
| 21-51-01- 2A | 0C | MAY 28/07 | 21-51-05- 1 | 0 | MAY 28/07 |
| 21-51-01- 2A | 0D | MAY 28/07 | 21-51-05- 1 | 1 | JAN 20/09 |
| 21-51-01- 2A | 1 | JAN 20/09 | 21-51-05- 1 | 2 | JAN 20/09 |
| 21-51-01- 2A | 2 | JAN 20/09 | 21-51-05- 1 | 3 | JAN 20/09 |
| 21-51-01- 2A | 3 | JAN 20/09 | 21-51-05- 1 | 4 | JAN 20/09 |
| 21-51-01- 2A | 4 | JAN 20/09 | 21-51-05- 1 | 5 | JAN 20/09 |
| 21-51-01- 2A | 5 | JAN 20/09 | 21-51-06- 1 | 0 | MAY 28/07 |
| 21-51-01- 2A | 6 | JAN 20/09 | 21-51-06- 1 | 1 | JAN 20/09 |
| 21-51-01- 2A | 7 | JAN 20/09 | 21-51-06- 1 | 2 | JAN 20/09 |
| *21-51-01- 2A | 8 | MAY 20/09 | 21-51-06- 1 | 3 | JAN 20/09 |
| *21-51-01- 2A | 9 | MAY 20/09 | 21-51-06- 1 | 4 | JAN 20/09 |
| *21-51-01- 2A | 10 | MAY 20/09 | 21-51-06- 1 | 5 | JAN 20/09 |
| *21-51-01- 2A | 11 | MAY 20/09 | 21-51-06- 1 | 6 | JAN 20/09 |
| 21-51-01- 2A | 12 | JAN 20/09 | 21-51-06- 1 | 7 | JAN 20/09 |
| 21-51-01- 2A | 13 | JAN 20/09 | 21-51-07- 1 | 0 | MAY 28/07 |
| 21-51-01- 2A | 14 | JAN 20/09 | 21-51-07- 1 | 1 | JAN 20/09 |
| 21-51-01- 2A | 15 | JAN 20/09 | 21-51-07- 1 | 2 | JAN 20/09 |
| 21-51-01- 2A | 16 | JAN 20/09 | 21-51-07- 1 | 3 | JAN 20/09 |
| 21-51-01-51 | 0 | MAY 28/07 | 21-51-07- 1 | 4 | JAN 20/09 |
| 21-51-01-51 | 0A | MAY 28/07 | 21-51-07- 1 | 5 | JAN 20/09 |
| 21-51-01-51 | 0B | MAY 28/07 | 21-51-07- 1 | 6 | JAN 20/09 |
| 21-51-01-51 | 0C | MAY 28/07 | 21-51-08- 1 | 0 | MAY 28/07 |
| 21-51-01-51 | 1 | JAN 20/09 | 21-51-08- 1 | 1 | JAN 20/09 |
| 21-51-01-51 | 2 | JAN 20/09 | 21-51-08- 1 | 2 | JAN 20/09 |
| 21-51-01-51 | 3 | SEP 20/08 | 21-51-08- 1 | 3 | JAN 20/09 |
| 21-51-01-51 | 4 | SEP 20/08 | 21-51-08- 1 | 4 | JAN 20/09 |
| 21-51-01-51 | 5 | SEP 20/08 | 21-51-08- 1 | 5 | JAN 20/09 |
| 21-51-02- 1 | 0 | MAY 28/07 | 21-51-08- 1 | 6 | JAN 20/09 |
| 21-51-02- 1 | 0A | MAY 28/07 | 21-51-09- 1 | 0 | MAY 28/07 |
| 21-51-02- 1 | 0B | MAY 28/07 | 21-51-09- 1 | 1 | JAN 20/09 |
| 21-51-02- 1 | 1 | JAN 20/09 | 21-51-09- 1 | 2 | JAN 20/09 |
| 21-51-02- 1 | 2 | JAN 20/09 | 21-51-09- 1 | 3 | JAN 20/09 |
| 21-51-02- 1 | 3 | JAN 20/09 | 21-51-09- 1B | 0 | MAY 28/07 |
| 21-51-02- 1 | 4 | JAN 20/09 | 21-51-09- 1B | 1 | JAN 20/09 |
| 21-51-02- 1 | 5 | JAN 20/09 | 21-51-09- 1B | 2 | JAN 20/09 |
| 21-51-02- 1 | 6 | JAN 20/09 | 21-51-09- 8 | 0 | JAN 20/09 |
| 21-51-02- 1 | 7 | JAN 20/09 | 21-51-09- 8 | 1 | JAN 20/09 |
| 21-51-02- 1 | 8 | JAN 20/09 | 21-51-09- 8 | 2 | JAN 20/09 |
| 21-51-02- 1 | 9 | JAN 20/09 | 21-51-10- 1 | 0 | MAY 28/07 |
| 21-51-03- 1 | 0 | MAY 28/07 | 21-51-10- 1 | 1 | JAN 20/09 |
| 21-51-03- 1 | 1 | JAN 20/09 | 21-51-10- 1 | 2 | JAN 20/09 |
| 21-51-03- 1 | 2 | JAN 20/09 | 21-51-10- 1 | 3 | SEP 20/08 |
| 21-51-03- 1 | 3 | JAN 20/09 | 21-51-10- 1 | 4 | SEP 20/08 |
| 21-51-03- 1 | 4 | JAN 20/09 | 21-51-10- 1 | 5 | SEP 20/08 |
| 21-51-03- 1 | 5 | JAN 20/09 | 21-51-11- 1 | 0 | MAY 28/07 |
| 21-51-03- 1 | 6 | JAN 20/09 | 21-51-11- 1 | 0A | MAY 28/07 |
| 21-51-04- 1 | 0 | MAY 28/07 | 21-51-11- 1 | 1 | JAN 20/09 |
| 21-51-04- 1 | 0A | MAY 28/07 | 21-51-11- 1 | 2 | JAN 20/09 |
| 21-51-04- 1 | 1 | JAN 20/09 | 21-51-11- 1 | 3 | JAN 20/09 |

* THE ASTERISK INDICATES PAGES CHANGED OR ADDED BY THE CURRENT REVISION



757

PARTS CATALOG (MAINTENANCE)

| CH-SECT-UNIT-FIG | PAGE NO. | DATE |
|------------------|----------|-----------|
| 21-51-11- 1 | 4 | JAN 20/09 |
| 21-51-11- 1 | 5 | JAN 20/09 |
| 21-51-11- 1 | 6 | JAN 20/09 |
| 21-51-12- 1 | 0 | MAY 28/07 |
| 21-51-12- 1 | 0A | MAY 28/07 |
| 21-51-12- 1 | 0B | MAY 28/07 |
| 21-51-12- 1 | 0C | MAY 28/07 |
| 21-51-12- 1 | 1 | JAN 20/09 |
| 21-51-12- 1 | 2 | JAN 20/09 |
| 21-51-12- 1 | 3 | JAN 20/09 |
| 21-51-12- 1 | 4 | JAN 20/09 |
| 21-51-12- 1 | 5 | JAN 20/09 |
| 21-51-12- 1 | 6 | JAN 20/09 |
| 21-51-12- 1 | 7 | JAN 20/09 |
| 21-51-12- 1 | 8 | SEP 20/08 |
| 21-51-12- 1 | 9 | SEP 20/08 |
| 21-51-12- 1 | 10 | SEP 20/08 |
| 21-51-12- 1 | 11 | SEP 20/08 |
| 21-51-12- 1 | 12 | SEP 20/08 |
| 21-51-12- 1 | 13 | SEP 20/08 |
| 21-51-12- 1 | 14 | JAN 20/09 |
| 21-51-12- 1 | 15 | JAN 20/09 |
| 21-51-12- 1 | 16 | JAN 20/09 |
| 21-51-12- 1 | 17 | JAN 20/09 |
| 21-51-14- 1 | 0 | MAY 28/07 |
| 21-51-14- 1 | 0A | MAY 28/07 |
| 21-51-14- 1 | 0B | MAY 28/07 |
| 21-51-14- 1 | 0C | MAY 28/07 |
| 21-51-14- 1 | 1 | JAN 20/09 |
| 21-51-14- 1 | 2 | JAN 20/09 |
| 21-51-14- 1 | 3 | JAN 20/09 |
| 21-51-14- 1 | 4 | JAN 20/09 |
| 21-51-14- 1 | 5 | JAN 20/09 |
| 21-51-14- 1 | 6 | JAN 20/09 |
| 21-51-14- 1 | 7 | JAN 20/09 |
| 21-51-14- 1 | 8 | JAN 20/09 |
| 21-51-14- 1 | 9 | JAN 20/09 |
| 21-51-14- 1 | 10 | JAN 20/09 |
| 21-51-14- 1 | 11 | JAN 20/09 |
| 21-51-14- 1B | 0 | MAY 28/07 |
| 21-51-14- 1B | 0A | MAY 28/07 |
| 21-51-14- 1B | 1 | JAN 20/09 |
| 21-51-14- 1B | 2 | JAN 20/09 |
| 21-51-14- 1B | 3 | MAY 20/08 |
| 21-51-14- 1B | 4 | MAY 20/08 |
| 21-51-14- 1B | 5 | JAN 20/09 |
| 21-51-14- 1B | 6 | JAN 20/09 |
| 21-51-14- 8 | 0 | JAN 20/09 |
| 21-51-14- 8 | 0A | JAN 20/09 |
| 21-51-14- 8 | 1 | JAN 20/09 |
| 21-51-14- 8 | 2 | JAN 20/09 |

| CH-SECT-UNIT-FIG | PAGE NO. | DATE |
|------------------|----------|-----------|
| 21-51-14- 8 | 3 | JAN 20/09 |
| 21-51-14- 8 | 4 | JAN 20/09 |
| 21-51-15- 1 | 0 | MAY 28/07 |
| 21-51-15- 1 | 0A | MAY 28/07 |
| 21-51-15- 1 | 1 | JAN 20/09 |
| 21-51-15- 1 | 2 | JAN 20/09 |
| 21-51-15- 1 | 3 | JAN 20/09 |
| 21-51-15- 1 | 4 | JAN 20/09 |
| 21-51-15- 1 | 5 | JAN 20/09 |
| 21-51-15- 1 | 6 | JAN 20/09 |
| 21-51-15- 1 | 7 | JAN 20/09 |
| 21-51-15- 1 | 8 | JAN 20/09 |
| 21-51-15- 1 | 9 | JAN 20/09 |
| 21-51-15- 1 | 10 | JAN 20/09 |
| 21-51-15- 1 | 11 | JAN 20/09 |
| 21-51-15- 1 | 12 | JAN 20/09 |
| 21-51-16- 1 | 0 | MAY 28/07 |
| 21-51-16- 1 | 0A | MAY 28/07 |
| 21-51-16- 1 | 1 | JAN 20/09 |
| 21-51-16- 1 | 2 | JAN 20/09 |
| 21-51-16- 1 | 3 | JAN 20/09 |
| 21-51-16- 1 | 4 | JAN 20/09 |
| 21-51-16- 1 | 5 | JAN 20/09 |
| 21-51-16- 1 | 6 | JAN 20/09 |
| 21-51-16- 1 | 7 | JAN 20/09 |
| 21-51-16- 1 | 8 | JAN 20/09 |
| 21-51-17- 1 | 0 | MAY 28/07 |
| 21-51-17- 1 | 1 | JAN 20/09 |
| 21-51-17- 1 | 2 | JAN 20/09 |
| 21-51-17- 1 | 3 | JAN 20/09 |
| 21-51-17- 1 | 4 | JAN 20/09 |
| 21-51-17- 1 | 5 | JAN 20/09 |
| 21-51-21- 1 | 0 | MAY 28/07 |
| 21-51-21- 1 | 0A | MAY 28/07 |
| 21-51-21- 1 | 1 | JAN 20/09 |
| 21-51-21- 1 | 2 | JAN 20/09 |
| 21-51-21- 1 | 3 | JAN 20/09 |
| 21-51-22- 2 | 0 | MAY 28/07 |
| 21-51-22- 2 | 0A | MAY 28/07 |
| 21-51-22- 2 | 0B | MAY 28/07 |
| *21-51-22- 2 | 1 | MAY 20/09 |
| 21-51-22- 2 | 2 | JAN 20/09 |
| *21-51-22- 2 | 3 | MAY 20/09 |
| *21-51-22- 2 | 4 | MAY 20/09 |
| 21-51-22- 2 | 5 | JAN 20/09 |
| 21-51-22- 2 | 6 | JAN 20/09 |
| *21-51-22- 2 | 7 | MAY 20/09 |
| *21-51-22- 2 | 8 | MAY 20/09 |
| 21-51-22- 2A | 0 | MAY 28/07 |
| 21-51-22- 2A | 0A | MAY 28/07 |
| 21-51-22- 2A | 0B | MAY 28/07 |

* THE ASTERISK INDICATES PAGES CHANGED OR ADDED BY THE CURRENT REVISION


BOEING
 757
PARTS CATALOG (MAINTENANCE)

| CH-SECT-UNIT-FIG | PAGE NO. | DATE | CH-SECT-UNIT-FIG | PAGE NO. | DATE |
|------------------|----------|-----------|------------------|----------|-----------|
| 21-51-22- 2A | 0C | MAY 28/07 | 21-51-54- 1 | 3 | JAN 20/09 |
| 21-51-22- 2A | 1 | JAN 20/09 | 21-51-54- 1 | 4 | JAN 20/09 |
| 21-51-22- 2A | 2 | JAN 20/09 | 21-51-54- 1 | 5 | JAN 20/09 |
| 21-51-22- 2A | 3 | JAN 20/09 | 21-51-54- 2 | 0 | MAY 28/07 |
| 21-51-22- 2A | 4 | JAN 20/09 | 21-51-54- 2 | 1 | JAN 20/09 |
| *21-51-22- 2A | 5 | MAY 20/09 | 21-51-54- 2 | 2 | JAN 20/09 |
| 21-51-22- 2A | 6 | JAN 20/09 | 21-51-54- 2 | 3 | JAN 20/09 |
| 21-51-22- 2A | 7 | JAN 20/09 | 21-51-54- 2 | 4 | JAN 20/09 |
| 21-51-51- 2 | 0 | MAY 28/07 | 21-51-54- 3 | 0 | MAY 28/07 |
| 21-51-51- 2 | 0A | MAY 28/07 | 21-51-54- 3 | 1 | JAN 20/09 |
| 21-51-51- 2 | 0B | MAY 28/07 | 21-51-54- 3 | 2 | JAN 20/09 |
| 21-51-51- 2 | 0C | MAY 28/07 | 21-51-54- 3 | 3 | JAN 20/09 |
| 21-51-51- 2 | 0D | MAY 28/07 | 21-51-54- 3 | 4 | JAN 20/09 |
| 21-51-51- 2 | 1 | JAN 20/09 | 21-51-54- 3 | 5 | JAN 20/09 |
| 21-51-51- 2 | 2 | JAN 20/09 | 21-51-54- 3 | 6 | JAN 20/09 |
| 21-51-51- 2 | 3 | JAN 20/09 | 21-51-54- 3 | 7 | JAN 20/09 |
| 21-51-51- 2 | 4 | JAN 20/09 | 21-51-54- 3 | 8 | JAN 20/09 |
| 21-51-51- 2 | 5 | JAN 20/09 | 21-51-54- 3 | 9 | JAN 20/09 |
| 21-51-51- 2 | 6 | JAN 20/09 | 21-51-55- 1 | 0 | JAN 20/09 |
| 21-51-51- 2 | 7 | JAN 20/09 | 21-51-55- 1 | 0A | MAY 28/07 |
| 21-51-51- 2 | 8 | JAN 20/09 | 21-51-55- 1 | 1 | JAN 20/09 |
| 21-51-51- 2 | 9 | JAN 20/09 | 21-51-55- 1 | 2 | JAN 20/09 |
| 21-51-51- 2 | 10 | JAN 20/09 | 21-51-55- 1 | 3 | JAN 20/09 |
| 21-51-51- 2 | 11 | JAN 20/09 | 21-51-55- 1 | 4 | JAN 20/09 |
| 21-51-51- 2 | 12 | JAN 20/09 | 21-51-55- 1 | 5 | JAN 20/09 |
| 21-51-51- 2 | 13 | JAN 20/09 | 21-51-55- 1B | 0 | MAY 28/07 |
| 21-51-51- 2 | 14 | JAN 20/09 | 21-51-55- 1B | 0A | MAY 28/07 |
| 21-51-51- 2 | 15 | JAN 20/09 | 21-51-55- 1B | 1 | JAN 20/09 |
| 21-51-51- 2 | 16 | JAN 20/09 | 21-51-55- 1B | 2 | JAN 20/09 |
| 21-51-51- 2 | 17 | JAN 20/09 | 21-51-55- 1B | 3 | JAN 20/09 |
| 21-51-51- 2 | 18 | JAN 20/09 | 21-51-55- 1B | 4 | JAN 20/09 |
| 21-51-51- 5 | 0 | MAY 28/07 | 21-51-55- 1D | 0 | JAN 20/09 |
| 21-51-51- 5 | 0A | MAY 28/07 | 21-51-55- 1D | 1 | JAN 20/09 |
| 21-51-51- 5 | 1 | JAN 20/09 | 21-51-55- 1D | 2 | JAN 20/09 |
| 21-51-52- 1 | 0 | MAY 28/07 | 21-51-55- 1D | 3 | JAN 20/09 |
| 21-51-52- 1 | 0A | MAY 28/07 | 21-51-55- 1D | 4 | JAN 20/09 |
| 21-51-52- 1 | 0B | MAY 28/07 | 21-51-55- 1D | 5 | JAN 20/09 |
| 21-51-52- 1 | 0C | MAY 28/07 | 21-51-55- 1D | 6 | JAN 20/09 |
| 21-51-52- 1 | 1 | JAN 20/09 | 21-51-55- 1D | 7 | JAN 20/09 |
| 21-51-52- 1 | 2 | JAN 20/09 | 21-51-55- 1D | 8 | JAN 20/09 |
| 21-51-52- 1 | 3 | JAN 20/09 | 21-51-56- 1 | 0 | MAY 28/07 |
| 21-51-52- 1 | 4 | SEP 20/08 | 21-51-56- 1 | 0A | MAY 28/07 |
| 21-51-52- 1 | 5 | SEP 20/08 | 21-51-56- 1 | 1 | JAN 20/09 |
| 21-51-52- 1 | 6 | SEP 20/08 | 21-51-56- 1 | 2 | JAN 20/09 |
| 21-51-52- 1 | 7 | SEP 20/08 | 21-51-56- 1 | 3 | JAN 20/09 |
| 21-51-52- 1 | 8 | SEP 20/08 | 21-51-56- 1A | 0 | MAY 28/07 |
| 21-51-52- 1 | 9 | SEP 20/08 | 21-51-56- 1A | 1 | JAN 20/09 |
| 21-51-52- 1 | 10 | SEP 20/08 | 21-51-56- 1A | 2 | JAN 20/09 |
| 21-51-54- 1 | 0 | MAY 28/07 | 21-51-56- 1A | 3 | JAN 20/09 |
| 21-51-54- 1 | 1 | JAN 20/09 | 21-51-56- 1A | 4 | JAN 20/09 |
| 21-51-54- 1 | 2 | JAN 20/09 | 21-51-56- 1C | 0 | JAN 20/09 |

* THE ASTERISK INDICATES PAGES CHANGED OR ADDED BY THE CURRENT REVISION


BOEING
 757
PARTS CATALOG (MAINTENANCE)

| CH-SECT-UNIT-FIG | PAGE NO. | DATE | CH-SECT-UNIT-FIG | PAGE NO. | DATE |
|------------------|----------|-----------|------------------|----------|-----------|
| 21-51-56- 1C | 0A | JAN 20/09 | 21-52-01- 1 | 30 | JAN 20/09 |
| 21-51-56- 1C | 1 | JAN 20/09 | 21-52-01- 1 | 31 | JAN 20/09 |
| 21-51-56- 1C | 2 | JAN 20/09 | 21-52-01- 1 | 32 | JAN 20/09 |
| 21-51-56- 1C | 3 | JAN 20/09 | 21-52-01- 1A | 0 | SEP 20/08 |
| 21-51-56- 1C | 4 | JAN 20/09 | 21-52-01- 1A | 0A | MAY 28/07 |
| 21-51-56- 1C | 5 | JAN 20/09 | 21-52-01- 1A | 0B | MAY 28/07 |
| 21-51-71- 2 | 0 | MAY 28/07 | 21-52-01- 1A | 0C | MAY 28/07 |
| 21-51-71- 2 | 1 | JAN 20/09 | 21-52-01- 1A | 0D | MAY 28/07 |
| 21-51-71- 2 | 2 | JAN 20/09 | 21-52-01- 1A | 0E | MAY 28/07 |
| 21-51-71- 2 | 3 | JAN 20/09 | 21-52-01- 1A | 1 | JAN 20/09 |
| 21-51-71- 2 | 4 | JAN 20/09 | 21-52-01- 1A | 2 | JAN 20/09 |
| 21-51-71- 2 | 5 | JAN 20/09 | 21-52-01- 1A | 3 | JAN 20/09 |
| 21-51-71- 2 | 6 | JAN 20/09 | 21-52-01- 1A | 4 | JAN 20/09 |
| 21-51-71- 2 | 7 | JAN 20/09 | 21-52-01- 1A | 5 | JAN 20/09 |
| 21-51-71- 3 | 0 | MAY 28/07 | 21-52-01- 1A | 6 | JAN 20/09 |
| 21-51-71- 3 | 1 | JAN 20/09 | 21-52-01- 1A | 7 | JAN 20/09 |
| 21-52-00 | 1 | MAY 28/07 | 21-52-01- 1A | 8 | JAN 20/09 |
| 21-52-01- 1 | 0 | MAY 28/07 | 21-52-01- 1A | 9 | JAN 20/09 |
| 21-52-01- 1 | 0A | MAY 28/07 | 21-52-01- 1A | 10 | JAN 20/09 |
| 21-52-01- 1 | 0B | MAY 28/07 | 21-52-01- 1A | 11 | JAN 20/09 |
| 21-52-01- 1 | 0C | MAY 28/07 | 21-52-01- 1A | 12 | JAN 20/09 |
| 21-52-01- 1 | 0D | MAY 28/07 | 21-52-01- 1A | 13 | JAN 20/09 |
| 21-52-01- 1 | 1 | JAN 20/09 | 21-52-01- 1A | 14 | JAN 20/09 |
| 21-52-01- 1 | 2 | JAN 20/09 | 21-52-01- 1A | 15 | JAN 20/09 |
| 21-52-01- 1 | 3 | JAN 20/09 | 21-52-01- 1A | 16 | JAN 20/09 |
| 21-52-01- 1 | 4 | JAN 20/09 | 21-52-01- 1A | 17 | JAN 20/09 |
| 21-52-01- 1 | 5 | JAN 20/09 | 21-52-01- 1A | 18 | JAN 20/09 |
| 21-52-01- 1 | 6 | JAN 20/09 | 21-52-01- 1A | 19 | JAN 20/09 |
| 21-52-01- 1 | 7 | JAN 20/09 | 21-52-01- 1A | 20 | JAN 20/09 |
| 21-52-01- 1 | 8 | JAN 20/09 | 21-52-01- 1A | 21 | JAN 20/09 |
| 21-52-01- 1 | 9 | JAN 20/09 | 21-52-01- 1A | 22 | JAN 20/09 |
| 21-52-01- 1 | 10 | JAN 20/09 | 21-52-01- 1A | 23 | JAN 20/09 |
| 21-52-01- 1 | 11 | JAN 20/09 | 21-52-01- 1A | 24 | JAN 20/09 |
| 21-52-01- 1 | 12 | JAN 20/09 | 21-52-01- 1A | 25 | JAN 20/09 |
| 21-52-01- 1 | 13 | JAN 20/09 | 21-52-01- 1A | 26 | JAN 20/09 |
| 21-52-01- 1 | 14 | JAN 20/09 | 21-52-01- 1A | 27 | JAN 20/09 |
| 21-52-01- 1 | 15 | JAN 20/09 | 21-52-01-10 | 0 | MAY 28/07 |
| 21-52-01- 1 | 16 | JAN 20/09 | 21-52-01-10 | 0A | MAY 28/07 |
| 21-52-01- 1 | 17 | JAN 20/09 | 21-52-01-10 | 1 | JAN 20/09 |
| 21-52-01- 1 | 18 | JAN 20/09 | 21-52-01-10 | 2 | JAN 20/09 |
| 21-52-01- 1 | 19 | JAN 20/09 | 21-52-01-10 | 3 | JAN 20/09 |
| *21-52-01- 1 | 20 | MAY 20/09 | 21-52-01-10 | 4 | JAN 20/09 |
| *21-52-01- 1 | 21 | MAY 20/09 | 21-52-01-10 | 5 | JAN 20/09 |
| *21-52-01- 1 | 22 | MAY 20/09 | 21-52-01-10 | 6 | JAN 20/09 |
| *21-52-01- 1 | 23 | MAY 20/09 | 21-52-01-10 | 7 | JAN 20/09 |
| *21-52-01- 1 | 24 | MAY 20/09 | 21-52-01-10 | 8 | JAN 20/09 |
| *21-52-01- 1 | 25 | MAY 20/09 | 21-52-01-10 | 9 | JAN 20/09 |
| *21-52-01- 1 | 26 | MAY 20/09 | 21-52-01-10 | 10 | JAN 20/09 |
| *21-52-01- 1 | 27 | MAY 20/09 | 21-52-01-10 | 11 | JAN 20/09 |
| *21-52-01- 1 | 28 | MAY 20/09 | 21-52-04- 1 | 0 | MAY 28/07 |
| *21-52-01- 1 | 29 | MAY 20/09 | 21-52-04- 1 | 0A | MAY 28/07 |

* THE ASTERISK INDICATES PAGES CHANGED OR ADDED BY THE CURRENT REVISION


BOEING
 757
PARTS CATALOG (MAINTENANCE)

| CH-SECT-UNIT-FIG | PAGE NO. | DATE | CH-SECT-UNIT-FIG | PAGE NO. | DATE |
|------------------|----------|-----------|------------------|----------|-----------|
| 21-52-04- 1 | 1 | JAN 20/09 | 21-53-01- 2A | 4 | JAN 20/09 |
| 21-52-04- 1 | 2 | JAN 20/09 | 21-53-02- 1A | 0 | JAN 20/09 |
| 21-52-04- 1 | 3 | JAN 20/09 | 21-53-02- 1A | 1 | JAN 20/09 |
| 21-53-00 | 1 | MAY 28/07 | 21-53-02- 2 | 0 | MAY 28/07 |
| 21-53-01- 1 | 0 | MAY 28/07 | 21-53-02- 2 | 0A | MAY 28/07 |
| 21-53-01- 1 | 0A | MAY 28/07 | 21-53-02- 2 | 0B | MAY 28/07 |
| 21-53-01- 1 | 1 | JAN 20/09 | 21-53-02- 2 | 0C | JAN 20/09 |
| 21-53-01- 1 | 2 | JAN 20/09 | 21-53-02- 2 | 0D | MAY 28/07 |
| 21-53-01- 1 | 3 | JAN 20/09 | 21-53-02- 2 | 1 | JAN 20/09 |
| 21-53-01- 1 | 4 | JAN 20/09 | 21-53-02- 2 | 2 | JAN 20/09 |
| 21-53-01- 1 | 5 | JAN 20/09 | 21-53-02- 2 | 3 | JAN 20/09 |
| *21-53-01- 1 | 6 | MAY 20/09 | 21-53-02- 2 | 4 | JAN 20/09 |
| 21-53-01- 1 | 7 | JAN 20/09 | 21-53-02- 2 | 5 | JAN 20/09 |
| 21-53-01- 1 | 8 | JAN 20/09 | 21-53-02- 2 | 6 | JAN 20/09 |
| 21-53-01- 1 | 9 | JAN 20/09 | 21-53-02- 2 | 7 | JAN 20/09 |
| *21-53-01- 1 | 10 | MAY 20/09 | 21-53-02- 2 | 8 | JAN 20/09 |
| *21-53-01- 1 | 11 | MAY 20/09 | 21-53-02- 2 | 9 | JAN 20/09 |
| *21-53-01- 1 | 12 | MAY 20/09 | 21-53-02- 2 | 10 | JAN 20/09 |
| 21-53-01- 1 | 13 | JAN 20/09 | 21-53-02- 2 | 11 | JAN 20/09 |
| 21-53-01- 1 | 14 | JAN 20/09 | 21-53-02- 2 | 12 | JAN 20/09 |
| 21-53-01- 1 | 15 | JAN 20/09 | 21-53-02- 2 | 13 | JAN 20/09 |
| 21-53-01- 1 | 16 | JAN 20/09 | 21-53-02- 2 | 14 | JAN 20/09 |
| 21-53-01- 1 | 17 | JAN 20/09 | 21-53-02- 2 | 15 | JAN 20/09 |
| 21-53-01- 1 | 18 | JAN 20/09 | 21-53-02- 2 | 16 | JAN 20/09 |
| 21-53-01- 1 | 19 | JAN 20/09 | 21-53-02- 2 | 17 | JAN 20/09 |
| 21-53-01- 1A | 0 | JAN 20/09 | 21-53-02- 5 | 0 | MAY 28/07 |
| 21-53-01- 1A | 0A | JAN 20/09 | 21-53-02- 5 | 1 | JAN 20/09 |
| 21-53-01- 1A | 0B | JAN 20/09 | 21-53-02- 5 | 2 | JAN 20/09 |
| 21-53-01- 1A | 0C | JAN 20/09 | 21-53-02- 5 | 3 | JAN 20/09 |
| 21-53-01- 1A | 1 | JAN 20/09 | 21-53-02- 5 | 4 | JAN 20/09 |
| 21-53-01- 1A | 2 | JAN 20/09 | 21-53-06- 1 | 0 | MAY 28/07 |
| 21-53-01- 1A | 3 | JAN 20/09 | 21-53-06- 1 | 1 | JAN 20/09 |
| 21-53-01- 1A | 4 | JAN 20/09 | 21-53-06- 1 | 2 | JAN 20/09 |
| 21-53-01- 1A | 5 | JAN 20/09 | 21-53-06- 1 | 3 | JAN 20/09 |
| 21-53-01- 1A | 6 | JAN 20/09 | 21-53-06- 1B | 0 | MAY 28/07 |
| 21-53-01- 1A | 7 | JAN 20/09 | 21-53-06- 1B | 1 | JAN 20/09 |
| 21-53-01- 1A | 8 | JAN 20/09 | 21-53-06- 1B | 2 | JAN 20/09 |
| 21-53-01- 2 | 0 | MAY 28/07 | 21-53-06- 8 | 0 | JAN 20/09 |
| 21-53-01- 2 | 0A | MAY 28/07 | 21-53-06- 8 | 1 | JAN 20/09 |
| 21-53-01- 2 | 1 | JAN 20/09 | 21-53-06- 8 | 2 | JAN 20/09 |
| 21-53-01- 2 | 2 | JAN 20/09 | 21-53-07- 1 | 0 | MAY 28/07 |
| 21-53-01- 2 | 3 | JAN 20/09 | 21-53-07- 1 | 0A | MAY 28/07 |
| 21-53-01- 2 | 4 | JAN 20/09 | 21-53-07- 1 | 0B | MAY 28/07 |
| 21-53-01- 2 | 5 | JAN 20/09 | 21-53-07- 1 | 1 | JAN 20/09 |
| 21-53-01- 2 | 6 | JAN 20/09 | 21-53-07- 1 | 2 | JAN 20/09 |
| 21-53-01- 2A | 0 | JAN 20/09 | 21-53-07- 1 | 3 | JAN 20/09 |
| 21-53-01- 2A | 0A | JAN 20/09 | 21-53-07- 1 | 4 | JAN 20/09 |
| 21-53-01- 2A | 0B | JAN 20/09 | 21-53-07- 1 | 5 | JAN 20/09 |
| 21-53-01- 2A | 1 | JAN 20/09 | 21-53-07- 1 | 6 | JAN 20/09 |
| 21-53-01- 2A | 2 | JAN 20/09 | 21-53-07- 1 | 7 | JAN 20/09 |
| 21-53-01- 2A | 3 | JAN 20/09 | 21-53-07- 1 | 8 | JAN 20/09 |

* THE ASTERISK INDICATES PAGES CHANGED OR ADDED BY THE CURRENT REVISION



757

PARTS CATALOG (MAINTENANCE)

| CH-SECT-UNIT-FIG | PAGE NO. | DATE | CH-SECT-UNIT-FIG | PAGE NO. | DATE |
|------------------|----------|-----------|------------------|----------|-----------|
| 21-53-07- 1 | 9 | JAN 20/09 | *21-58-02- 2 | 6 | MAY 20/09 |
| 21-53-07- 1 | 10 | JAN 20/09 | *21-58-02- 2 | 7 | MAY 20/09 |
| 21-53-07- 1 | 11 | JAN 20/09 | *21-58-02- 2 | 8 | MAY 20/09 |
| 21-53-07- 1 | 12 | JAN 20/09 | *21-58-02- 2 | 9 | MAY 20/09 |
| 21-53-07- 1A | 0 | JAN 20/09 | *21-58-02- 2 | 10 | MAY 20/09 |
| 21-53-07- 1A | 0A | JAN 20/09 | *21-58-02- 2 | 11 | MAY 20/09 |
| 21-53-07- 1A | 0B | JAN 20/09 | 21-58-02- 3 | 0 | MAY 28/07 |
| 21-53-07- 1A | 0C | JAN 20/09 | 21-58-02- 3 | 0A | MAY 28/07 |
| 21-53-07- 1A | 0D | JAN 20/09 | 21-58-02- 3 | 1 | JAN 20/09 |
| 21-53-07- 1A | 0E | JAN 20/09 | 21-58-02- 3 | 2 | JAN 20/09 |
| 21-53-07- 1A | 1 | JAN 20/09 | 21-58-02- 3 | 3 | JAN 20/09 |
| 21-53-07- 1A | 2 | JAN 20/09 | 21-58-02- 3 | 4 | JAN 20/09 |
| 21-53-07- 1A | 3 | JAN 20/09 | 21-58-02- 3 | 5 | JAN 20/09 |
| 21-53-07- 1A | 4 | JAN 20/09 | 21-58-02- 3 | 6 | JAN 20/09 |
| 21-53-07- 1A | 5 | JAN 20/09 | 21-58-06- 2 | 0 | MAY 28/07 |
| 21-53-07- 1A | 6 | JAN 20/09 | 21-58-06- 2 | 0A | MAY 28/07 |
| 21-53-07- 1A | 7 | JAN 20/09 | 21-58-06- 2 | 0B | MAY 28/07 |
| 21-53-07- 1A | 8 | JAN 20/09 | 21-58-06- 2 | 1 | JAN 20/09 |
| 21-53-51- 1 | 0 | MAY 28/07 | 21-58-06- 2 | 2 | JAN 20/09 |
| 21-53-51- 1 | 0A | MAY 28/07 | 21-58-06- 2 | 3 | JAN 20/09 |
| 21-53-51- 1 | 0B | MAY 28/07 | *21-58-06- 2 | 4 | MAY 20/09 |
| 21-53-51- 1 | 0C | MAY 28/07 | *21-58-06- 2 | 5 | MAY 20/09 |
| 21-53-51- 1 | 0D | MAY 28/07 | *21-58-06- 2 | 6 | MAY 20/09 |
| 21-53-51- 1 | 0E | MAY 28/07 | 21-58-06- 2 | 7 | JAN 20/09 |
| 21-53-51- 1 | 1 | JAN 20/09 | 21-58-06- 2 | 8 | JAN 20/09 |
| 21-53-51- 1 | 2 | JAN 20/09 | 21-58-06- 2 | 9 | JAN 20/09 |
| 21-53-51- 1 | 3 | JAN 20/09 | 21-58-06- 2A | 0 | MAY 28/07 |
| 21-53-51- 1 | 4 | JAN 20/09 | 21-58-06- 2A | 0A | MAY 28/07 |
| 21-53-51- 1 | 5 | JAN 20/09 | 21-58-06- 2A | 0B | MAY 28/07 |
| 21-53-51- 1 | 6 | JAN 20/09 | 21-58-06- 2A | 0C | MAY 28/07 |
| 21-53-51- 1 | 7 | JAN 20/09 | 21-58-06- 2A | 1 | JAN 20/09 |
| 21-53-51- 1 | 8 | JAN 20/09 | 21-58-06- 2A | 2 | JAN 20/09 |
| 21-53-51- 1 | 9 | JAN 20/09 | 21-58-06- 2A | 3 | JAN 20/09 |
| 21-53-51- 1 | 10 | JAN 20/09 | 21-58-06- 2A | 4 | JAN 20/09 |
| 21-53-51- 1 | 11 | JAN 20/09 | 21-58-06- 2A | 5 | JAN 20/09 |
| 21-53-51- 1 | 12 | JAN 20/09 | 21-58-06- 2A | 6 | JAN 20/09 |
| 21-53-51- 1 | 13 | JAN 20/09 | 21-58-06- 2A | 7 | JAN 20/09 |
| 21-53-51- 1 | 14 | JAN 20/09 | 21-58-06- 2A | 8 | JAN 20/09 |
| 21-53-51- 1 | 15 | JAN 20/09 | 21-58-06- 2A | 9 | JAN 20/09 |
| 21-53-51- 1 | 16 | JAN 20/09 | 21-58-06- 5 | 0 | MAY 28/07 |
| 21-53-51- 1 | 17 | JAN 20/09 | 21-58-06- 5 | 0A | MAY 28/07 |
| 21-53-51- 1 | 18 | JAN 20/09 | 21-58-06- 5 | 0B | MAY 28/07 |
| 21-53-51- 1 | 19 | JAN 20/09 | 21-58-06- 5 | 0C | MAY 28/07 |
| 21-53-51- 1 | 20 | JAN 20/09 | 21-58-06- 5 | 0D | MAY 28/07 |
| 21-58-00 | 1 | MAY 28/07 | *21-58-06- 5 | 1 | MAY 20/09 |
| 21-58-02- 2 | 0 | MAY 28/07 | *21-58-06- 5 | 2 | MAY 20/09 |
| 21-58-02- 2 | 1 | JAN 20/09 | *21-58-06- 5 | 3 | MAY 20/09 |
| *21-58-02- 2 | 2 | MAY 20/09 | *21-58-06- 5 | 4 | MAY 20/09 |
| *21-58-02- 2 | 3 | MAY 20/09 | 21-58-06- 5 | 5 | JAN 20/09 |
| *21-58-02- 2 | 4 | MAY 20/09 | 21-58-06- 5 | 6 | JAN 20/09 |
| *21-58-02- 2 | 5 | MAY 20/09 | 21-58-06- 5 | 7 | JAN 20/09 |

* THE ASTERISK INDICATES PAGES CHANGED OR ADDED BY THE CURRENT REVISION



757

PARTS CATALOG (MAINTENANCE)

| CH-SECT-UNIT-FIG | PAGE NO. | DATE | CH-SECT-UNIT-FIG | PAGE NO. | DATE |
|------------------|----------|-----------|------------------|----------|-----------|
| 21-58-06- 5 | 8 | JAN 20/09 | 21-58-08- 7 | 4 | JAN 20/09 |
| *21-58-06- 5 | 9 | MAY 20/09 | 21-58-08- 7 | 5 | JAN 20/09 |
| *21-58-06- 5 | 10 | MAY 20/09 | 21-58-08- 7 | 6 | JAN 20/09 |
| *21-58-06- 5 | 11 | MAY 20/09 | 21-58-08- 7 | 7 | JAN 20/09 |
| *21-58-06- 5 | 12 | MAY 20/09 | 21-58-08- 7 | 8 | JAN 20/09 |
| *21-58-06- 5 | 13 | MAY 20/09 | 21-58-08- 7 | 9 | JAN 20/09 |
| *21-58-06- 5 | 14 | MAY 20/09 | 21-58-08- 8 | 0 | MAY 28/07 |
| *21-58-06- 5 | 15 | MAY 20/09 | 21-58-08- 8 | 1 | JAN 20/09 |
| 21-58-06- 5 | 16 | JAN 20/09 | 21-58-08- 8 | 2 | JAN 20/09 |
| 21-58-06- 5 | 17 | JAN 20/09 | 21-58-08- 8 | 3 | JAN 20/09 |
| 21-58-06- 5 | 18 | JAN 20/09 | 21-58-08- 8 | 4 | JAN 20/09 |
| *21-58-06- 5 | 19 | MAY 20/09 | 21-58-08-10 | 0 | MAY 28/07 |
| *21-58-06- 5 | 20 | MAY 20/09 | 21-58-08-10 | 1 | JAN 20/09 |
| 21-58-06- 5 | 21 | JAN 20/09 | 21-58-08-10 | 2 | JAN 20/09 |
| 21-58-06- 5 | 22 | JAN 20/09 | 21-58-08-10 | 3 | JAN 20/09 |
| 21-58-06- 7 | 0 | JAN 20/09 | 21-58-08-13 | 0 | SEP 20/08 |
| 21-58-06- 7 | 0A | JAN 20/09 | 21-58-08-13 | 0A | SEP 20/08 |
| 21-58-06- 7 | 0B | JAN 20/09 | 21-58-08-13 | 0B | SEP 20/08 |
| 21-58-06- 7 | 0C | JAN 20/09 | 21-58-08-13 | 1 | JAN 20/09 |
| *21-58-06- 7 | 1 | MAY 20/09 | 21-58-08-13 | 2 | JAN 20/09 |
| *21-58-06- 7 | 2 | MAY 20/09 | 21-58-08-13 | 3 | JAN 20/09 |
| *21-58-06- 7 | 3 | MAY 20/09 | 21-58-08-13 | 4 | JAN 20/09 |
| *21-58-06- 7 | 4 | MAY 20/09 | 21-58-08-13 | 5 | JAN 20/09 |
| 21-58-06- 7 | 5 | JAN 20/09 | 21-58-08-13 | 6 | JAN 20/09 |
| 21-58-08- 2 | 0 | MAY 20/08 | 21-58-08-13 | 7 | JAN 20/09 |
| 21-58-08- 2 | 1 | JAN 20/09 | 21-58-08-13 | 8 | JAN 20/09 |
| 21-58-08- 2 | 2 | JAN 20/09 | 21-58-08-13 | 9 | JAN 20/09 |
| 21-58-08- 2 | 3 | JAN 20/09 | 21-58-08-13 | 10 | JAN 20/09 |
| *21-58-08- 2 | 4 | MAY 20/09 | 21-58-08-13 | 11 | JAN 20/09 |
| *21-58-08- 2 | 5 | MAY 20/09 | 21-58-08-13 | 12 | JAN 20/09 |
| *21-58-08- 2 | 6 | MAY 20/09 | 21-58-08-13 | 13 | JAN 20/09 |
| *21-58-08- 2 | 7 | MAY 20/09 | 21-58-08-13 | 14 | JAN 20/09 |
| *21-58-08- 2 | 8 | MAY 20/09 | 21-58-08-13 | 15 | JAN 20/09 |
| 21-58-08- 4 | 0 | MAY 28/07 | 21-58-08-13 | 16 | JAN 20/09 |
| 21-58-08- 4 | 1 | JAN 20/09 | 21-58-08-14 | 0 | MAY 28/07 |
| 21-58-08- 4 | 2 | JAN 20/09 | 21-58-08-14 | 1 | JAN 20/09 |
| 21-58-08- 4 | 3 | JAN 20/09 | 21-58-08-14 | 2 | JAN 20/09 |
| 21-58-08- 5 | 0 | MAY 28/07 | 21-58-08-15 | 0 | MAY 28/07 |
| 21-58-08- 5 | 1 | JAN 20/09 | 21-58-08-15 | 0A | MAY 28/07 |
| 21-58-08- 5 | 2 | JAN 20/09 | 21-58-08-15 | 1 | JAN 20/09 |
| 21-58-08- 5 | 3 | JAN 20/09 | 21-58-08-15 | 2 | JAN 20/09 |
| 21-58-08- 5 | 4 | JAN 20/09 | 21-58-08-15A | 0 | JAN 20/09 |
| 21-58-08- 6 | 0 | MAY 28/07 | 21-58-08-15A | 0A | JAN 20/09 |
| 21-58-08- 6 | 1 | JAN 20/09 | 21-58-08-15A | 0B | JAN 20/09 |
| 21-58-08- 6 | 2 | JAN 20/09 | 21-58-08-15A | 1 | JAN 20/09 |
| 21-58-08- 6 | 3 | JAN 20/09 | 21-58-08-15A | 2 | JAN 20/09 |
| 21-58-08- 7 | 0 | MAY 28/07 | 21-58-08-16 | 0 | MAY 28/07 |
| 21-58-08- 7 | 0A | MAY 28/07 | *21-58-08-16 | 1 | MAY 20/09 |
| 21-58-08- 7 | 1 | JAN 20/09 | *21-58-08-16 | 2 | MAY 20/09 |
| 21-58-08- 7 | 2 | JAN 20/09 | *21-58-08-16 | 3 | MAY 20/09 |
| 21-58-08- 7 | 3 | JAN 20/09 | 21-58-08-17 | 0 | MAY 28/07 |

* THE ASTERISK INDICATES PAGES CHANGED OR ADDED BY THE CURRENT REVISION



757
PARTS CATALOG (MAINTENANCE)

| CH-SECT-UNIT-FIG | PAGE NO. | DATE | CH-SECT-UNIT-FIG | PAGE NO. | DATE |
|------------------|----------|-----------|------------------|----------|-----------|
| *21-58-08-17 | 1 | MAY 20/09 | 21-58-08-25A | 1 | JAN 20/09 |
| *21-58-08-17 | 2 | MAY 20/09 | 21-58-08-25A | 2 | JAN 20/09 |
| *21-58-08-17 | 3 | MAY 20/09 | 21-58-08-25A | 3 | JAN 20/09 |
| 21-58-08-18 | 0 | MAY 28/07 | 21-58-08-25A | 4 | JAN 20/09 |
| 21-58-08-18 | 1 | JAN 20/09 | 21-58-08-25A | 5 | JAN 20/09 |
| 21-58-08-18 | 2 | JAN 20/09 | 21-58-08-25A | 6 | JAN 20/09 |
| 21-58-08-19 | 0 | MAY 28/07 | 21-58-08-60 | 0 | JAN 20/09 |
| 21-58-08-19 | 1 | JAN 20/09 | 21-58-08-60 | 0A | JAN 20/09 |
| 21-58-08-19 | 2 | JAN 20/09 | 21-58-08-60 | 1 | JAN 20/09 |
| 21-58-08-19 | 3 | JAN 20/09 | 21-58-08-60 | 2 | JAN 20/09 |
| 21-58-08-20 | 0 | MAY 28/07 | 21-58-19- 3 | 0 | MAY 28/07 |
| 21-58-08-20 | 1 | JAN 20/09 | 21-58-19- 3 | 0A | MAY 28/07 |
| 21-58-08-20 | 2 | JAN 20/09 | 21-58-19- 3 | 1 | JAN 20/09 |
| 21-58-08-20 | 3 | JAN 20/09 | 21-58-19- 3 | 2 | JAN 20/09 |
| 21-58-08-20 | 4 | JAN 20/09 | 21-58-19- 3 | 3 | JAN 20/09 |
| 21-58-08-20 | 5 | JAN 20/09 | 21-58-19-10 | 0 | MAY 28/07 |
| 21-58-08-20 | 6 | JAN 20/09 | 21-58-19-10 | 1 | JAN 20/09 |
| 21-58-08-21 | 0 | SEP 20/08 | 21-58-19-10 | 2 | JAN 20/09 |
| 21-58-08-21 | 0A | MAY 28/07 | 21-58-19-10 | 3 | JAN 20/09 |
| 21-58-08-21 | 0B | SEP 20/08 | 21-58-19-10 | 4 | JAN 20/09 |
| 21-58-08-21 | 0C | SEP 20/08 | 21-58-19-10 | 5 | JAN 20/09 |
| *21-58-08-21 | 1 | MAY 20/09 | 21-58-19-10 | 6 | JAN 20/09 |
| *21-58-08-21 | 2 | MAY 20/09 | 21-58-19-10 | 7 | JAN 20/09 |
| *21-58-08-21 | 3 | MAY 20/09 | 21-58-19-10 | 8 | JAN 20/09 |
| *21-58-08-21 | 4 | MAY 20/09 | 21-58-19-10 | 9 | JAN 20/09 |
| *21-58-08-21 | 5 | MAY 20/09 | 21-58-19-11 | 0 | MAY 28/07 |
| *21-58-08-21 | 6 | MAY 20/09 | 21-58-19-11 | 1 | JAN 20/09 |
| *21-58-08-21 | 7 | MAY 20/09 | 21-58-19-11 | 2 | JAN 20/09 |
| *21-58-08-21 | 8 | MAY 20/09 | 21-58-19-11 | 3 | JAN 20/09 |
| *21-58-08-21 | 9 | MAY 20/09 | 21-58-19-11 | 4 | JAN 20/09 |
| *21-58-08-21 | 10 | MAY 20/09 | 21-58-19-12 | 0 | MAY 28/07 |
| 21-58-08-21 | 11 | JAN 20/09 | 21-58-19-12 | 1 | JAN 20/09 |
| 21-58-08-21 | 12 | JAN 20/09 | 21-58-19-12 | 2 | JAN 20/09 |
| 21-58-08-22 | 0 | MAY 28/07 | 21-58-19-12 | 3 | JAN 20/09 |
| 21-58-08-22 | 1 | JAN 20/09 | 21-58-51- 1 | 0 | MAY 28/07 |
| 21-58-08-22 | 2 | JAN 20/09 | 21-58-51- 1 | 1 | JAN 20/09 |
| 21-58-08-22 | 3 | JAN 20/09 | 21-58-51- 1 | 2 | JAN 20/09 |
| 21-58-08-22 | 4 | JAN 20/09 | 21-58-51- 1 | 3 | JAN 20/09 |
| 21-58-08-25 | 0 | JAN 20/09 | 21-58-51- 1 | 4 | JAN 20/09 |
| 21-58-08-25 | 1 | JAN 20/09 | 21-58-51- 1 | 5 | JAN 20/09 |
| 21-58-08-25 | 2 | JAN 20/09 | 21-58-51- 1 | 6 | JAN 20/09 |
| *21-58-08-25 | 3 | MAY 20/09 | 21-58-51- 2 | 0 | MAY 28/07 |
| 21-58-08-25 | 4 | JAN 20/09 | 21-58-51- 2 | 1 | JAN 20/09 |
| *21-58-08-25 | 5 | MAY 20/09 | 21-58-51- 2 | 2 | JAN 20/09 |
| 21-58-08-25 | 6 | JAN 20/09 | 21-58-51- 2 | 3 | JAN 20/09 |
| 21-58-08-25 | 7 | JAN 20/09 | 21-58-51- 2 | 4 | JAN 20/09 |
| *21-58-08-25 | 8 | MAY 20/09 | 21-58-51- 3 | 0 | MAY 28/07 |
| *21-58-08-25 | 9 | MAY 20/09 | 21-58-51- 3 | 1 | JAN 20/09 |
| 21-58-08-25 | 10 | JAN 20/09 | 21-58-51- 3 | 2 | JAN 20/09 |
| 21-58-08-25A | 0 | MAY 28/07 | 21-58-51- 3 | 3 | JAN 20/09 |
| 21-58-08-25A | 0A | MAY 28/07 | 21-58-51- 3 | 4 | JAN 20/09 |

* THE ASTERISK INDICATES PAGES CHANGED OR ADDED BY THE CURRENT REVISION



757
PARTS CATALOG (MAINTENANCE)

| CH-SECT-UNIT-FIG | PAGE NO. | DATE | CH-SECT-UNIT-FIG | PAGE NO. | DATE |
|------------------|----------|-----------|------------------|----------|-----------|
| 21-58-51- 3 | 5 | JAN 20/09 | 21-58-58- 1 | 7 | JAN 20/09 |
| 21-58-51- 3 | 6 | JAN 20/09 | 21-58-58- 1 | 8 | JAN 20/09 |
| 21-58-51- 3 | 7 | JAN 20/09 | 21-58-58- 1 | 9 | JAN 20/09 |
| 21-58-51- 3 | 8 | JAN 20/09 | 21-58-58- 1 | 10 | JAN 20/09 |
| 21-58-51- 3 | 9 | JAN 20/09 | 21-58-58- 2 | 0 | MAY 28/07 |
| 21-58-51- 3 | 10 | JAN 20/09 | 21-58-58- 2 | 0A | MAY 28/07 |
| 21-58-51- 4 | 0 | MAY 28/07 | 21-58-58- 2 | 0B | MAY 28/07 |
| 21-58-51- 4 | 1 | JAN 20/09 | 21-58-58- 2 | 1 | JAN 20/09 |
| 21-58-51- 4 | 2 | JAN 20/09 | 21-58-58- 2 | 2 | JAN 20/09 |
| 21-58-51- 4 | 3 | JAN 20/09 | 21-58-58- 2 | 3 | JAN 20/09 |
| 21-58-52- 2 | 0 | MAY 28/07 | 21-58-59- 1 | 0 | MAY 28/07 |
| 21-58-52- 2 | 0A | MAY 28/07 | 21-58-59- 1 | 0A | MAY 28/07 |
| 21-58-52- 2 | 1 | JAN 20/09 | 21-58-59- 1 | 0B | MAY 28/07 |
| 21-58-52- 2 | 2 | JAN 20/09 | 21-58-59- 1 | 0C | MAY 28/07 |
| 21-58-52- 2 | 3 | JAN 20/09 | 21-58-59- 1 | 0D | MAY 28/07 |
| 21-58-52- 2 | 4 | JAN 20/09 | 21-58-59- 1 | 1 | JAN 20/09 |
| 21-58-52- 2 | 5 | JAN 20/09 | 21-58-59- 1 | 2 | JAN 20/09 |
| 21-58-52- 2 | 6 | JAN 20/09 | 21-58-59- 1 | 3 | JAN 20/09 |
| 21-58-53- 1 | 0 | MAY 28/07 | 21-58-59- 1 | 4 | JAN 20/09 |
| 21-58-53- 1 | 1 | JAN 20/09 | 21-58-60- 1 | 0 | MAY 28/07 |
| 21-58-54- 2 | 0 | MAY 28/07 | 21-58-60- 1 | 0A | MAY 28/07 |
| 21-58-54- 2 | 1 | JAN 20/09 | 21-58-60- 1 | 1 | JAN 20/09 |
| 21-58-55- 1 | 0 | SEP 28/07 | 21-58-60- 1 | 2 | JAN 20/09 |
| 21-58-55- 1 | 0A | SEP 28/07 | 21-58-60- 1 | 3 | JAN 20/09 |
| 21-58-55- 1 | 0B | SEP 28/07 | 21-58-71- 2 | 0 | MAY 28/07 |
| 21-58-55- 1 | 1 | JAN 20/09 | 21-58-71- 2 | 0A | JAN 20/09 |
| 21-58-55- 1 | 2 | JAN 20/09 | 21-58-71- 2 | 0B | MAY 28/07 |
| 21-58-55- 1 | 3 | JAN 20/09 | 21-58-71- 2 | 0C | MAY 28/07 |
| 21-58-55- 1 | 4 | JAN 20/09 | 21-58-71- 2 | 1 | JAN 20/09 |
| 21-58-58- 1 | 0 | MAY 28/07 | 21-58-71- 2 | 2 | JAN 20/09 |
| 21-58-58- 1 | 0A | MAY 28/07 | 21-58-71- 2 | 3 | JAN 20/09 |
| 21-58-58- 1 | 0B | MAY 28/07 | 21-58-71- 2 | 4 | JAN 20/09 |
| 21-58-58- 1 | 0C | MAY 28/07 | 21-58-71- 2 | 5 | JAN 20/09 |
| 21-58-58- 1 | 0D | MAY 28/07 | 21-58-71- 2 | 6 | JAN 20/09 |
| 21-58-58- 1 | 0E | MAY 28/07 | 21-58-71- 2 | 7 | JAN 20/09 |
| 21-58-58- 1 | 0F | MAY 28/07 | 21-58-71- 2 | 8 | JAN 20/09 |
| 21-58-58- 1 | 0G | SEP 20/08 | 21-58-71- 2 | 9 | JAN 20/09 |
| 21-58-58- 1 | 0H | SEP 20/08 | 21-58-71- 2 | 10 | JAN 20/09 |
| 21-58-58- 1 | 0I | MAY 28/07 | 21-58-71- 2 | 11 | JAN 20/09 |
| 21-58-58- 1 | 0J | SEP 20/08 | 21-58-71- 2 | 12 | JAN 20/09 |
| 21-58-58- 1 | 0K | SEP 20/08 | 21-58-71- 2 | 13 | JAN 20/09 |
| 21-58-58- 1 | 0L | SEP 20/08 | 21-58-71- 2 | 14 | JAN 20/09 |
| 21-58-58- 1 | 0M | MAY 28/07 | 21-58-71- 2 | 15 | JAN 20/09 |
| 21-58-58- 1 | 0N | SEP 20/08 | 21-58-71- 2 | 16 | JAN 20/09 |
| 21-58-58- 1 | 0O | MAY 28/07 | 21-58-71- 2 | 17 | JAN 20/09 |
| 21-58-58- 1 | 1 | JAN 20/09 | 21-58-71- 2A | 0 | SEP 20/08 |
| 21-58-58- 1 | 2 | JAN 20/09 | 21-58-71- 2A | 0A | MAY 28/07 |
| 21-58-58- 1 | 3 | JAN 20/09 | 21-58-71- 2A | 0B | SEP 20/08 |
| 21-58-58- 1 | 4 | JAN 20/09 | 21-58-71- 2A | 1 | JAN 20/09 |
| 21-58-58- 1 | 5 | JAN 20/09 | 21-58-71- 2A | 2 | JAN 20/09 |
| 21-58-58- 1 | 6 | JAN 20/09 | 21-58-71- 2A | 3 | JAN 20/09 |

* THE ASTERISK INDICATES PAGES CHANGED OR ADDED BY THE CURRENT REVISION



757
PARTS CATALOG (MAINTENANCE)

| CH-SECT-UNIT-FIG | PAGE NO. | DATE | CH-SECT-UNIT-FIG | PAGE NO. | DATE |
|------------------|----------|-----------|------------------|----------|-----------|
| 21-58-71- 2A | 4 | JAN 20/09 | 21-61-03- 1B | 0 | MAY 28/07 |
| 21-58-71- 2A | 5 | JAN 20/09 | 21-61-03- 1B | 0A | MAY 28/07 |
| 21-58-71- 2A | 6 | JAN 20/09 | 21-61-03- 1B | 1 | JAN 20/09 |
| 21-58-71- 2A | 7 | JAN 20/09 | 21-61-03- 1B | 2 | JAN 20/09 |
| 21-58-71- 2A | 8 | JAN 20/09 | 21-61-03- 1B | 3 | JAN 20/09 |
| 21-58-71- 2A | 9 | JAN 20/09 | 21-61-03- 1B | 4 | JAN 20/09 |
| 21-58-71- 2B | 0 | MAY 28/07 | 21-61-03- 1B | 5 | JAN 20/09 |
| 21-58-71- 2B | 0A | MAY 28/07 | 21-61-03- 8 | 0 | JAN 20/09 |
| 21-58-71- 2B | 1 | JAN 20/09 | 21-61-03- 8 | 0A | JAN 20/09 |
| 21-58-71- 2B | 2 | JAN 20/09 | 21-61-03- 8 | 1 | JAN 20/09 |
| 21-58-71- 2B | 3 | JAN 20/09 | 21-61-03- 8 | 2 | JAN 20/09 |
| 21-58-71- 2C | 0 | JAN 20/09 | 21-61-04- 1 | 0 | MAY 28/07 |
| 21-58-71- 2C | 0A | JAN 20/09 | 21-61-04- 1 | 1 | JAN 20/09 |
| 21-58-71- 2C | 0B | JAN 20/09 | 21-61-04- 1 | 2 | JAN 20/09 |
| 21-58-71- 2C | 1 | JAN 20/09 | 21-61-04- 1 | 3 | JAN 20/09 |
| 21-58-71- 2C | 2 | JAN 20/09 | 21-61-04- 1 | 4 | JAN 20/09 |
| 21-58-71- 2C | 3 | JAN 20/09 | 21-61-04- 1 | 5 | JAN 20/09 |
| 21-58-71- 2C | 4 | JAN 20/09 | 21-61-04- 2 | 0 | MAY 28/07 |
| 21-58-71- 2C | 5 | JAN 20/09 | 21-61-04- 2 | 1 | JAN 20/09 |
| 21-58-71- 2C | 6 | JAN 20/09 | 21-61-04- 2 | 2 | JAN 20/09 |
| 21-58-71- 2C | 7 | JAN 20/09 | 21-61-04- 2 | 3 | JAN 20/09 |
| 21-58-71- 2C | 8 | JAN 20/09 | 21-61-04- 2 | 4 | JAN 20/09 |
| 21-58-71- 2C | 9 | JAN 20/09 | 21-61-04- 3 | 0 | MAY 28/07 |
| 21-58-71- 2C | 10 | JAN 20/09 | 21-61-04- 3 | 1 | JAN 20/09 |
| 21-58-71- 2D | 0 | JAN 20/09 | 21-61-04- 3 | 2 | JAN 20/09 |
| 21-58-71- 2D | 1 | JAN 20/09 | 21-61-04- 3 | 3 | JAN 20/09 |
| 21-58-71- 2D | 2 | JAN 20/09 | 21-61-04- 3 | 4 | JAN 20/09 |
| 21-58-71- 2D | 3 | JAN 20/09 | 21-61-04- 3 | 5 | JAN 20/09 |
| 21-58-71- 2D | 4 | JAN 20/09 | 21-61-04- 3 | 6 | JAN 20/09 |
| 21-58-71- 2D | 5 | JAN 20/09 | 21-61-04- 3 | 7 | JAN 20/09 |
| 21-58-71- 2D | 6 | JAN 20/09 | 21-61-04- 3 | 8 | JAN 20/09 |
| 21-58-71- 2D | 7 | JAN 20/09 | 21-61-04- 3 | 9 | JAN 20/09 |
| 21-61-00 | 1 | MAY 28/07 | 21-61-05- 1 | 0 | MAY 28/07 |
| 21-61-01- 1 | 0 | MAY 28/07 | 21-61-05- 1 | 0A | MAY 28/07 |
| 21-61-01- 1 | 1 | JAN 20/09 | 21-61-05- 1 | 0B | MAY 28/07 |
| 21-61-01- 1 | 2 | JAN 20/09 | 21-61-05- 1 | 1 | JAN 20/09 |
| 21-61-01- 1 | 3 | JAN 20/09 | 21-61-05- 1 | 2 | JAN 20/09 |
| 21-61-01- 1 | 4 | JAN 20/09 | 21-61-05- 1 | 3 | JAN 20/09 |
| 21-61-01- 1 | 5 | JAN 20/09 | 21-61-05- 1 | 4 | JAN 20/09 |
| 21-61-03- 1 | 0 | MAY 28/07 | 21-61-05- 1 | 5 | JAN 20/09 |
| 21-61-03- 1 | 0A | MAY 28/07 | 21-61-05- 1 | 6 | JAN 20/09 |
| 21-61-03- 1 | 0B | MAY 28/07 | 21-61-05- 1 | 7 | JAN 20/09 |
| 21-61-03- 1 | 1 | JAN 20/09 | 21-61-05- 1 | 8 | JAN 20/09 |
| 21-61-03- 1 | 2 | JAN 20/09 | 21-61-05- 1 | 9 | JAN 20/09 |
| 21-61-03- 1 | 3 | JAN 20/09 | 21-61-05- 1 | 10 | JAN 20/09 |
| 21-61-03- 1 | 4 | JAN 20/09 | 21-61-05- 1 | 11 | JAN 20/09 |
| 21-61-03- 1 | 5 | JAN 20/09 | 21-61-05- 1 | 12 | JAN 20/09 |
| 21-61-03- 1 | 6 | JAN 20/09 | 21-61-05- 2 | 0 | MAY 28/07 |
| 21-61-03- 1 | 7 | JAN 20/09 | 21-61-05- 2 | 0A | MAY 28/07 |
| 21-61-03- 1 | 8 | JAN 20/09 | 21-61-05- 2 | 0B | MAY 28/07 |
| 21-61-03- 1 | 9 | JAN 20/09 | 21-61-05- 2 | 1 | JAN 20/09 |

* THE ASTERISK INDICATES PAGES CHANGED OR ADDED BY THE CURRENT REVISION



757

PARTS CATALOG (MAINTENANCE)

| CH-SECT-UNIT-FIG | PAGE NO. | DATE | CH-SECT-UNIT-FIG | PAGE NO. | DATE |
|------------------|----------|-----------|------------------|----------|-----------|
| 21-61-05- 2 | 2 | JAN 20/09 | 21-61-08- 1A | 7 | JAN 20/09 |
| 21-61-07- 5 | 0 | MAY 28/07 | 21-61-08- 1A | 8 | JAN 20/09 |
| 21-61-07- 5 | 0A | MAY 28/07 | 21-61-08- 1A | 9 | JAN 20/09 |
| 21-61-07- 5 | 0B | MAY 28/07 | 21-61-08- 1A | 10 | JAN 20/09 |
| 21-61-07- 5 | 0C | MAY 28/07 | 21-61-08- 1A | 11 | JAN 20/09 |
| 21-61-07- 5 | 1 | JAN 20/09 | 21-61-08- 1A | 12 | JAN 20/09 |
| 21-61-07- 5 | 2 | JAN 20/09 | 21-61-08-15 | 0 | JAN 20/09 |
| 21-61-07- 5 | 3 | JAN 20/09 | 21-61-08-15 | 0A | JAN 20/09 |
| 21-61-07- 5 | 4 | JAN 20/09 | 21-61-08-15 | 0B | JAN 20/09 |
| 21-61-07- 5 | 5 | JAN 20/09 | 21-61-08-15 | 1 | JAN 20/09 |
| 21-61-07- 5 | 6 | JAN 20/09 | 21-61-08-15 | 2 | JAN 20/09 |
| 21-61-07- 5 | 7 | JAN 20/09 | 21-61-08-15 | 3 | JAN 20/09 |
| 21-61-07- 5 | 8 | JAN 20/09 | 21-61-08-15 | 4 | JAN 20/09 |
| 21-61-07- 5 | 9 | JAN 20/09 | 21-61-08-15 | 5 | JAN 20/09 |
| 21-61-07- 5 | 10 | JAN 20/09 | 21-61-08-15 | 6 | JAN 20/09 |
| 21-61-07- 5 | 11 | JAN 20/09 | 21-61-08-16 | 0 | JAN 20/09 |
| 21-61-07- 5 | 12 | JAN 20/09 | 21-61-08-16 | 0A | JAN 20/09 |
| 21-61-07- 5 | 13 | JAN 20/09 | 21-61-08-16 | 0B | JAN 20/09 |
| 21-61-07- 5 | 14 | JAN 20/09 | 21-61-08-16 | 1 | JAN 20/09 |
| 21-61-08- 1 | 0 | MAY 28/07 | 21-61-08-16 | 2 | JAN 20/09 |
| 21-61-08- 1 | 0A | MAY 28/07 | 21-61-08-16 | 3 | JAN 20/09 |
| 21-61-08- 1 | 1 | JAN 20/09 | 21-61-08-16 | 4 | JAN 20/09 |
| 21-61-08- 1 | 2 | JAN 20/09 | 21-61-08-16 | 5 | JAN 20/09 |
| 21-61-08- 1 | 3 | JAN 20/09 | 21-61-08-16 | 6 | JAN 20/09 |
| 21-61-08- 1 | 4 | JAN 20/09 | 21-61-51- 1 | 0 | MAY 28/07 |
| 21-61-08- 1 | 5 | JAN 20/09 | 21-61-51- 1 | 1 | JAN 20/09 |
| 21-61-08- 1 | 6 | JAN 20/09 | 21-61-51- 1 | 2 | JAN 20/09 |
| 21-61-08- 1 | 7 | JAN 20/09 | 21-61-51- 2 | 0 | JAN 20/09 |
| 21-61-08- 1 | 8 | JAN 20/09 | 21-61-51- 2 | 1 | JAN 20/09 |
| 21-61-08- 1 | 9 | JAN 20/09 | 21-61-51- 4 | 0 | JAN 20/08 |
| 21-61-08- 1 | 10 | JAN 20/09 | *21-61-51- 4 | 1 | MAY 20/09 |
| 21-61-08- 1 | 11 | JAN 20/09 | 21-61-51- 5 | 0 | MAY 28/07 |
| 21-61-08- 1 | 12 | JAN 20/09 | *21-61-51- 5 | 1 | MAY 20/09 |
| 21-61-08- 1 | 13 | JAN 20/09 | 21-61-51- 7 | 0 | MAY 28/07 |
| 21-61-08- 1 | 14 | JAN 20/09 | 21-61-51- 7 | 1 | JAN 20/09 |
| 21-61-08- 1 | 15 | JAN 20/09 | 21-61-51- 8 | 0 | MAY 28/07 |
| 21-61-08- 1 | 16 | JAN 20/09 | 21-61-51- 8 | 0A | MAY 28/07 |
| 21-61-08- 1 | 17 | JAN 20/09 | 21-61-51- 8 | 1 | JAN 20/09 |
| 21-61-08- 1 | 18 | JAN 20/09 | 21-61-71- 2 | 0 | MAY 28/07 |
| 21-61-08- 1 | 19 | JAN 20/09 | 21-61-71- 2 | 0A | MAY 28/07 |
| 21-61-08- 1 | 20 | JAN 20/09 | 21-61-71- 2 | 1 | JAN 20/09 |
| 21-61-08- 1 | 21 | JAN 20/09 | 21-61-71- 2 | 2 | JAN 20/09 |
| 21-61-08- 1A | 0 | MAY 28/07 | 21-61-71- 2 | 3 | JAN 20/09 |
| 21-61-08- 1A | 0A | MAY 28/07 | 21-61-71- 2 | 4 | JAN 20/09 |
| 21-61-08- 1A | 0B | MAY 28/07 | 21-61-71- 2 | 0 | MAY 28/07 |
| 21-61-08- 1A | 1 | JAN 20/09 | 21-61-71- 2B | 0A | MAY 28/07 |
| 21-61-08- 1A | 2 | JAN 20/09 | 21-61-71- 2B | 1 | JAN 20/09 |
| 21-61-08- 1A | 3 | JAN 20/09 | 21-61-71- 2B | 2 | JAN 20/09 |
| 21-61-08- 1A | 4 | JAN 20/09 | 21-61-71- 2B | 3 | JAN 20/09 |
| 21-61-08- 1A | 5 | JAN 20/09 | 21-61-71- 2D | 0 | JAN 20/09 |
| 21-61-08- 1A | 6 | JAN 20/09 | 21-61-71- 2D | 1 | JAN 20/09 |

* THE ASTERISK INDICATES PAGES CHANGED OR ADDED BY THE CURRENT REVISION


BOEING
 757
PARTS CATALOG (MAINTENANCE)

| CH-SECT-UNIT-FIG | PAGE NO. | DATE |
|------------------|----------|-----------|
| 21-61-71- 2D | 2 | JAN 20/09 |
| 21-61-71- 2D | 3 | JAN 20/09 |
| 21-61-71- 2D | 4 | JAN 20/09 |
| 21-61-71- 2D | 5 | JAN 20/09 |
| 21-61-71- 2D | 6 | JAN 20/09 |
| 21-61-71- 2D | 7 | JAN 20/09 |
| 21-65-00 | 1 | MAY 28/07 |
| 21-65-51- 1 | 0 | MAY 28/07 |
| 21-65-51- 1 | 1 | JAN 20/09 |
| 21-65-51- 1 | 2 | JAN 20/09 |
| 21-65-51- 1 | 3 | JAN 20/09 |
| 21-65-51- 1 | 4 | JAN 20/09 |
| 21-65-51- 1 | 5 | JAN 20/09 |
| 21-65-51- 1 | 6 | JAN 20/09 |
| 21-65-51- 1 | 7 | JAN 20/09 |
| 21-65-51- 1 | 8 | JAN 20/09 |

| CH-SECT-UNIT-FIG | PAGE NO. | DATE |
|------------------|----------|------|
|------------------|----------|------|

* THE ASTERISK INDICATES PAGES CHANGED OR ADDED BY THE CURRENT REVISION


BOEING
 757
PARTS CATALOG (MAINTENANCE)

CHAPTER 21 — AIR CONDITIONING

TABLE OF CONTENTS

| SUBJECT | CC-SS-UU | FIGURE | EFFECT |
|--------------------------------------|----------|--------|--|
| AIR CONDITIONING | 21-00-00 | | |
| COLLECTOR-MANAGEMENT | 21-00-00 | 12 | 101102 108120 504903 |
| COLLECTOR-MANAGEMENT | 21-00-00 | 14 | 101102 108120 504903 |
| COLLECTOR-MANAGEMENT | 21-00-00 | 15 | 101102 108120 504903 |
| SYSTEMS INSTL-ENVIRONMENTAL CONTROLS | 21-00-00 | 01 | 002004 006100 107107 121503 904999 |
| SYSTEMS INSTL-ENVIRONMENTAL CONTROLS | 21-00-00 | 03 | 002004 006100 121503 950951 953999 |
| SYSTEMS INSTL-ENVIRONMENTAL CONTROLS | 21-00-00 | 04 | 002004 006100 107107 121503 904999 |

 *BOEING*
757
PARTS CATALOG (MAINTENANCE)

CHAPTER 21 — AIR CONDITIONING

TABLE OF CONTENTS

| SUBJECT | CC-SS-UU | FIGURE | EFFECT |
|--|----------|--------|--|
| MAIN DISTRIBUTION MANIFOLD | 21-21-00 | | |
| MANIFOLD INSTL-MIX BAY CONDITIONED AIR | 21-21-51 | 02 | 002004 006100 107107 121503 904999 |
| MANIFOLD INSTL-MIX BAY CONDITIONED AIR | 21-21-51 | 02A | 101102 108120 504903 |
| MANIFOLD INSTL-MIX BAY CONDITIONED AIR | 21-21-51 | 03 | 103106 |
| FLIGHT DECK CONDITIONED AIR DISTRIBUTION | 21-22-00 | | |
| ADAPTOR INSTL-OVERHEAD AIR DISTR SYS | 21-22-03 | 01 | 002004 006100 107107 950999 |
| ADAPTOR INSTL-OVERHEAD AIR DISTR SYS | 21-22-03 | 05 | 121503 904949 952952 |
| ADAPTOR INSTL-OVERHEAD AIR DISTR SYS | 21-22-03 | 24 | 002004 006010 952999 |
| ADAPTOR INSTL-OVERHEAD AIR DISTR SYS | 21-22-03 | 29 | 950951 |
| DUCT INSTL-FLIGHT DECK CONDITIONED AIR | 21-22-05 | 04 | 002004 006999 |
| DUCT INSTL-FLIGHT DECK CONDITIONED AIR | 21-22-05 | 15 | 103106 |
| DUCT INSTL-FLIGHT DECK CONDITIONED AIR | 21-22-05 | 03 | 002004 006100 107107 121503 904999 |
| DUCT INSTL-FLIGHT DECK CONDITIONED AIR | 21-22-05 | 03A | 101106 108120 504903 |
| DUCT INSTL-FLIGHT DECK CONDITIONED | 21-22-05 | 18 | 108120 |
| AIR, LH BELOW FLOOR, STA 585 TO STA 828 | | | 950999 |
| DUCT INSTL-RISER AND GLARESHIELD EXHAUST | 21-22-05 | 10 | 002004 006999 |
| DUCT INSTL-STA 234 TO 310 BELOW FLOOR | 21-22-05 | 06 | 002004 |
| LH SIDE (FLIGHT DECK CONDITIONED AIR) | | | 006999 |


BOEING
 757
PARTS CATALOG (MAINTENANCE)

CHAPTER 21 — AIR CONDITIONING

TABLE OF CONTENTS

| SUBJECT | CC-SS-UU | FIGURE | EFFECT |
|--|----------|--------|--|
| DUCT INSTL-STA 235 TO 305 FLIGHT DECK CONDITIONED AIR BELOW FLOOR RH SIDE | 21-22-05 | 07 | 002004 006999 |
| DUCT INSTL-STA 314.5 FLIGHT DECK CONDITIONED AIR BELOW FLOOR CROSSOVER | 21-22-05 | 08 | 002004 006999 |
| DUCT INSTL-STA 340 TO 430 FLIGHT DECK CONDITIONED AIR BELOW FLOOR LH SIDE | 21-22-05 | 09 | 002004 006999 |
| DUCT INSTL-STA 430 TO 585 FLIGHT DECK CONDITIONED AIR BELOW FLOOR (LH) | 21-22-05 | 01 | 002004 006999 |
| DUCT INSTL-STA 585 TO 828 CONDITIONED AIR BELOW FLOOR LH | 21-22-05 | 02 | 002004 006102 107107 121949 |
| EQUIPMENT INSTL-FLIGHT DECK CONDITIONED AIR OVERHEAD | 21-22-05 | 05 | 002004 006999 |
| MANIFOLD INSTL-FLIGHT DECK EXH AIR | 21-22-03 | 03 | 002004 006010 107107 121503 904999 |
| NOZZLE INSTL-OVERHEAD AIR DISTR SYS | 21-22-03 | 02 | 107107 |
| NOZZLE INSTL-OVERHEAD AIR DISTR SYS | 21-22-03 | 06 | 121503 904949 |
| NOZZLE INSTL-OVERHEAD AIR DISTR SYS | 21-22-03 | 25 | 950951 |
| NOZZLE INSTL-OVERHEAD AIR DISTR SYS | 21-22-03 | 26 | 952999 |
| NOZZLE INSTL-OVERHEAD AIR DISTR SYS | 21-22-03 | 27 | 002004 006100 |
| ORIFICE INSTL-FLIGHT DECK CONDITIONED AIR | 21-22-01 | 01 | 002004 006999 |
| PASSENGER CABIN CONDITIONED AIR DISTRIBUTION | 21-23-00 | | |
| DUCT INSTL-AIR DISTR SYS SECT. 44 | 21-23-01 | 63J | 103106 |
| DUCT INSTL-AIR DISTR SYS SECT. 44 | 21-23-01 | 63K | 103106 |
| DUCT INSTL-AIR DISTR SYS SIDEWALL RISER | 21-23-01 | 01 | 002004 006100 107107 121503 904999 |



BOEING
757
PARTS CATALOG (MAINTENANCE)

CHAPTER 21 — AIR CONDITIONING

TABLE OF CONTENTS

| SUBJECT | CC-SS-UU | FIGURE | EFFECT |
|---------------------------------------|----------|--------|--|
| DUCT INSTL-OVERDOOR GASPER | 21-23-01 | 02 | 002004 006100 108120 950999 |
| DUCT INSTL-OVERHEAD AIR DISTR SYS | 21-23-01 | 01A | 108120 |
| DUCT INSTL-OVERHEAD AIR DISTR SYS | 21-23-01 | 03 | 011100 107107 121503 904949 951951 |
| DUCT INSTL-OVERHEAD AIR DISTR SYS | 21-23-01 | 06 | 002004 006010 952999 |
| DUCT INSTL-OVERHEAD AIR DISTR SYS | 21-23-01 | 13A | 011100 |
| DUCT INSTL-OVERHEAD AIR DISTR SYS | 21-23-01 | 18A | 101102 504903 |
| DUCT INSTL-SECT 43 OVHD AIR DISTR | 21-23-01 | 62E | 103106 |
| DUCT INSTL-SECT 43 OVHD AIR DISTR | 21-23-01 | 62F | 103106 |
| DUCT INSTL-SECT 46 OVHD AIR DISTR SYS | 21-23-01 | 66R | 103106 |
| DUCT INSTL-SECT 46 OVHD AIR DISTR SYS | 21-23-01 | 66S | 103106 |
| DUCT INSTL-SECT 46 OVHD AIR DISTR SYS | 21-23-01 | 66T | 103106 |
| DUCT INSTL-SECTION 41 AIR DISTR SYS | 21-23-01 | 60 | 103106 |
| DUCT INSTL-SECTION 43 AIR DISTR SYS | 21-23-01 | 61L | 103106 |
| DUCT INSTL-SECTION 43 AIR DISTR SYS | 21-23-01 | 61N | 103106 |
| DUCT INSTL-SECTION 43 AIR DISTR SYS | 21-23-01 | 61P | 103106 |
| DUCT INSTL-SECTION 43 AIR DISTR SYS | 21-23-01 | 61Q | 103106 |
| DUCT INSTL-SECTION 44 AIR DISTR SYS | 21-23-01 | 63E | 103106 |
| DUCT INSTL-SECTION 46 AIR DISTR SYS | 21-23-01 | 66F | 103106 |
| DUCT INSTL-SECTION 46 AIR DISTR SYS | 21-23-01 | 66G | 103106 |
| DUCT INSTL-SECTION 46 AIR DISTR SYS | 21-23-01 | 66H | 103106 |
| DUCT INSTL-SIDEWALL AIR DISTR SYS | 21-23-01 | 12 | 107107 |
| DUCT INSTL-SIDEWALL AIR DISTR SYS | 21-23-01 | 21 | 121503 904949 |
| DUCT INSTL-SIDEWALL AIR DISTR SYS | 21-23-01 | 31 | 952999 |
| DUCT INSTL-SIDEWALL AIR DISTR SYS | 21-23-01 | 33 | 002004 006100 |
| DUCT INSTL-SIDEWALL AIR DISTR SYS | 21-23-01 | 54B | 101102 |
| DUCT INSTL-SIDEWALL AIR DISTR SYS | 21-23-01 | 57 | 950951 |
| DUCT INSTL-SIDEWALL AIR DISTR SYS | 21-23-01 | 60G | 103106 |
| DUCT INSTL-SIDEWALL AIR DISTR SYS | 21-23-01 | 60H | 103106 |



BOEING
757
PARTS CATALOG (MAINTENANCE)

CHAPTER 21 — AIR CONDITIONING

TABLE OF CONTENTS

| SUBJECT | CC-SS-UU | FIGURE | EFFECT |
|--|----------|--------|--|
| DUCT INSTL-SIDEWALL AIR DISTR SYS | 21-23-01 | 60L | 103106 |
| DUCT INSTL-SIDEWALL AIR DISTR SYS | 21-23-01 | 60M | 103106 |
| DUCT INSTL-SIDEWALL AIR DISTR SYS | 21-23-01 | 61W | 103106 |
| DUCT INSTL-SIDEWALL AIR DISTR SYS | 21-23-01 | 61X | 103106 |
| DUCT INSTL-SIDEWALL AIR DISTR SYS | 21-23-01 | 64J | 103106 |
| DUCT INSTL-SIDEWALL AIR DISTR SYS | 21-23-01 | 64L | 103106 |
| DUCT INSTL-SIDEWALL AIR DISTR SYS | 21-23-01 | 64M | 103106 |
| DUCT INSTL-SIDEWALL AIR DISTR SYS | 21-23-01 | 64N | 103106 |
| DUCT INSTL-SIDEWALL AIR DISTR SYS | 21-23-01 | 64P | 103106 |
| DUCT INSTL-SIDEWALL AIR DISTR SYS | 21-23-02 | 01 | 504903 |
| DUCT INSTL-SIDEWALL AIR DISTR SYS, CROWN VENT | 21-23-01 | 11A | 101102 |
| DUCT INSTL-SIDEWALL AIR DISTR SYS, ILF/NAB | 21-23-01 | 02A | 108120 |
| DUCT INSTL-SIDEWALL AIR DISTR SYSTEM | 21-23-01 | 64A | 103106 |
| DUCT INSTL-SIDEWALL AIR DISTR SYSTEM | 21-23-01 | 64B | 103106 |
| DUCT INSTL-SIDEWALL AIR DISTR SYSTEM | 21-23-01 | 64K | 103106 |
| DUCT INSTL-SIDEWALL AIR DISTR SYSTEM | 21-23-01 | 76 | 011100 504903 |
| DUCT INSTL-SIDEWALL RISER AIR DISTR SYS | 21-23-01 | 96 | 101106 108120 504903 |
| DUCT INSTL-SIDEWALL RISER AIR DISTR SYS | 21-23-01 | 96A | 101106 108120 504903 |
| EXTRUSION INSTL | 21-23-02 | 43A | 103106 |
| EXTRUSION INSTL | 21-23-02 | 43F | 103106 |
| EXTRUSION INSTL | 21-23-02 | 43J | 103106 |
| EXTRUSION INSTL | 21-23-02 | 44 | 006102 108120 504903 950951 953999 |
| EXTRUSION INSTL | 21-23-02 | 44A | 006102 108120 504903 950951 953999 |



BOEING
757
PARTS CATALOG (MAINTENANCE)

CHAPTER 21 — AIR CONDITIONING

TABLE OF CONTENTS

| SUBJECT | CC-SS-UU | FIGURE | EFFECT |
|--|----------|--------|--|
| EXTRUSION INSTL AC OUTLET (RH SIDE, FWD) | 21-23-02 | 27A | 002004 121503 904949 952952 |
| EXTRUSION INSTL OUTLET AFT | 21-23-02 | 23 | 107107 |
| EXTRUSION INSTL-AFT LH | 21-23-02 | 44C | 006102 108120 504903 950951 953999 |
| EXTRUSION INSTL-AFT R | 21-23-02 | 44D | 006102 108120 504903 950951 953999 |
| EXTRUSION INSTL-AIR CONDITIONING OUTLET SIDEWALL (NON VARIABLE) | 21-23-02 | 43C | 006102 108120 504903 950951 953999 |
| EXTRUSION INSTL-CTR L / R | 21-23-02 | 44B | 006102 108120 504903 950951 953999 |
| EXTRUSION INSTL-CTR LH | 21-23-02 | 43G | 103106 |
| EXTRUSION INSTL-FWD RH | 21-23-02 | 43H | 103106 |
| EXTRUSION INSTL-SIDEWALL AC OUTLET | 21-23-02 | 20 | 107107 |
| EXTRUSION INSTL-SIDEWALL AC OUTLET | 21-23-02 | 26 | 002004 121503 904949 952952 |
| EXTRUSION INSTL-SIDEWALL AC OUTLET | 21-23-02 | 42 | 952952 |
| EXTRUSION INSTL-SIDEWALL AC OUTLET | 21-23-02 | 43 | 006100 950951 953999 |
| EXTRUSION INSTL-SIDEWALL AC OUTLET (L AND R SIDE AFT) | 21-23-02 | 29 | 002004 121503 904949 952952 |



BOEING
757
PARTS CATALOG (MAINTENANCE)

CHAPTER 21 — AIR CONDITIONING

TABLE OF CONTENTS

| SUBJECT | CC-SS-UU | FIGURE | EFFECT |
|--|----------|--------|--|
| EXTRUSION INSTL-SIDEWALL AC OUTLET (LH SIDE FWD | 21-23-02 | 27 | 002004 121503 904949 952952 |
| EXTRUSION INSTL-SIDEWALL AC OUTLET CTR | 21-23-02 | 22 | 107107 |
| EXTRUSION INSTL-SIDEWALL AC OUTLET FWD | 21-23-02 | 21 | 107107 |
| EXTRUSION INSTL-SIDEWALL SC OUTLET (L AND R SIDE MID) | 21-23-02 | 28 | 002004 121503 904949 952952 |
| GRILLE INSTL-AIR RETURN PASS. CAB. (STA 1360.45 TO STA 1638.00) | 21-23-05 | 05B | 504903 |
| GRILLE INSTL-AIR RETURN PASS. CAB. (STA 377.70 TO STA 680.45) | 21-23-05 | 05 | 504903 |
| GRILLE INSTL-AIR RETURN PASS. CAB. (STA 389 TO STA 680.45) | 21-23-05 | 01 | 101102 |
| GRILLE INSTL-AIR RETURN PASS. CAB. (STA 766.00 TO STA 1279.60) | 21-23-05 | 05A | 504903 |
| GRILLE INSTL-AIR RETURN PASS. CAB. STA 1360.45 TO 1637.50 | 21-23-05 | 18E | 108120 |
| GRILLE INSTL-AIR RETURN PASS. CAB. STA 377.70 TO 680.45 | 21-23-05 | 18C | 108120 |
| GRILLE INSTL-AIR RETURN PASS. CAB. STA 737.95 TO 1279.60 | 21-23-05 | 18D | 108120 |
| GRILLE INSTL-AIR RETURN PASS. CAB.LINES *** (STA 1360.45 TO STA 1637.50) | 21-23-05 | 01C | 101102 |
| GRILLE INSTL-757-200 4 DOOR AIR RETURN PASS. CAB. | 21-23-05 | 25A | 103106 |
| GRILLE INTSL-AIR RETURN PASS. CAB. (STA 740.00 TO STA 1279.60) | 21-23-05 | 01A | 101102 |
| OUTLET ASSY | 21-23-02 | 45J | 006102 108120 504903 950951 953999 |



BOEING
757
PARTS CATALOG (MAINTENANCE)

CHAPTER 21 — AIR CONDITIONING

TABLE OF CONTENTS

| SUBJECT | CC-SS-UU | FIGURE | EFFECT |
|----------------------------|----------|--------|--|
| OUTLET ASSY | 21-23-02 | 45K | 006102 108120 504903 950951 953999 |
| OUTLET ASSY-L SIDE FWD | 21-23-02 | 32 | 002004 121503 904949 952952 |
| OUTLET ASSY-L SIDE MID | 21-23-02 | 34 | 002004 121503 904949 952952 |
| OUTLET ASSY-LEFT SIDE AFT | 21-23-02 | 38 | 002004 121503 904949 952952 |
| OUTLET ASSY-R SIDE FWD | 21-23-02 | 33 | 002004 121503 904949 952952 |
| OUTLET ASSY-R SIDE FWD | 21-23-02 | 39 | 002004 121503 904949 952952 |
| OUTLET ASSY-R SIDE MID | 21-23-02 | 35 | 002004 121503 904949 952952 |
| OUTLET ASSY-RIGHT SIDE AFT | 21-23-02 | 38A | 002004 121503 904949 952952 |
| OUTLET ASSY-SIDEWALL AC | 21-23-02 | 47 | 006102 108120 504903 950951 953999 |
| OUTLET ASSY-SIDEWALL AC | 21-23-02 | 50 | 011102 504903 |



BOEING
757
PARTS CATALOG (MAINTENANCE)

CHAPTER 21 — AIR CONDITIONING

TABLE OF CONTENTS

| SUBJECT | CC-SS-UU | FIGURE | EFFECT |
|--|----------|--------|--|
| OUTLET ASSY-SIDEWALL AC LEFT SIDE | 21-23-02 | 45 | 002004 006102 108120 504903 950999 |
| OUTLET ASSY-SIDEWALL AC RIGHT HAND | 21-23-02 | 45B | 006102 108120 504903 950999 |
| OUTLET ASSY-SIDEWALL AIR CONDITIONING | 21-23-02 | 34A | 006102 108120 504903 950951 953999 |
| OUTLET ASSY-SIDEWALL AIR CONDITIONING | 21-23-02 | 45E | 103106 |
| OUTLET ASSY-SIDEWALL AIR CONDITIONING | 21-23-02 | 45F | 103106 |
| OUTLET ASSY-SIDEWALL AIR CONDITIONING | 21-23-02 | 45H | 103106 |
| OUTLET ASSY-SIDEWALL AIR CONDITIONING | 21-23-02 | 45N | 103106 |
| OUTLET ASSY-SIDEWALL AIR CONDITIONING | 21-23-02 | 45P | 103106 |
| OUTLET ASSY-SIDEWALL AIR CONDITIONING | 21-23-02 | 45R | 103106 |
| OUTLET ASSY-SIDEWALL AIR CONDITIONING | 21-23-02 | 45S | 103106 |
| OUTLET ASSY-SIDEWALL AIR CONDITIONING | 21-23-02 | 49 | 006010 108120 950951 |
| OUTLET ASSY-SIDEWALL AIRCONDITIONING | 21-23-02 | 35A | 006102 108120 504903 950951 953999 |
| PROVISION INSTL-OVERHEAD AIR DISTR SYS | 21-23-51 | 01B | 103106 |
| PROVISIONS INSTL-AIR DISTR SYS OVERHEAD DUCT SPRT | 21-23-51 | 05 | 107107 950951 |
| PROVISIONS INSTL-AIR DISTR SYS OVERHEAD DUCT SPRT | 21-23-51 | 13 | 121503 904949 |
| PROVISIONS INSTL-AIR DISTR SYS OVERHEAD DUCT SPRT | 21-23-51 | 25 | 002004 952952 |
| PROVISIONS INSTL-AIR DISTR SYS OVERHEAD DUCT SPRT | 21-23-51 | 33 | 002004 006100 950999 |

 **BOEING**
757
PARTS CATALOG (MAINTENANCE)

CHAPTER 21 — AIR CONDITIONING

TABLE OF CONTENTS

| SUBJECT | CC-SS-UU | FIGURE | EFFECT |
|---|----------|--------|--------|
| PROVISIONS INSTL-AIR DISTR SYS | 21-23-51 | 10 | 002004 |
| SIDEWALL RISER SPRT | | | 006100 |
| | | | 107107 |
| | | | 121503 |
| | | | 904999 |
| PROVISIONS INSTL-AIR SUPPLY DUCT, WHEEL WELL | 21-23-03 | 01 | 002004 |
| | | | 006999 |
| PROVISIONS INSTL-OVERHEAD AIR DISTR SYS | 21-23-51 | 02 | 103106 |
| PROVISIONS INSTL-OVHD AIR DISTR SYS | 21-23-51 | 04 | 108120 |
| PROVISIONS INSTL-OVHD AIR DISTR SYS | 21-23-51 | 07 | 011102 |
| | | | 504903 |
| SHROUD INSTL-APU P/F | 21-23-51 | 35 | 103106 |
| | | | 108120 |
| SHROUD INSTL-APU P/F | 21-23-51 | 35A | 103105 |
| SUPPORT ASSY | 21-23-02 | 47A | 006102 |
| | | | 108120 |
| | | | 504903 |
| | | | 950951 |
| | | | 953999 |
| GASPER AIR DISTRIBUTION | 21-24-00 | | |
| CEILING ASSY (AIR CONDITIONING ONLY) | 21-24-52 | 02A | 002004 |
| | | | 006100 |
| | | | 107107 |
| | | | 950951 |
| CEILING ASSY-ENTRY DOOR 4 LOWERED (GASPER AIR OUTLET VALVE ONLY) | 21-24-03 | 01A | 103106 |
| CEILING ASSY-LAV (AIR CONDITIONING ONLY) | 21-24-52 | 02C | 952999 |
| CEILING ASSY-SEG 150 LAV (AIR CONDITIONING ONLY) | 21-24-52 | 02 | 101102 |
| | | | 504903 |
| CEILING ASSY-SEG 150 LAV (AIR CONDITIONING ONLY) | 21-24-52 | 03 | 108120 |
| CEILING ASSY-SEG 150 LAV (AIR CONDITIONING ONLY) | 21-24-52 | 05B | 103106 |
| DUCT INSTL-GASPER GALLEY AIR | 21-24-02 | 01 | 103106 |
| HOSE INSTL-GASPER | 21-24-00 | 05 | 952999 |
| HOSE INSTL-GASPER | 21-24-02 | 10 | 106106 |
| HOSE INSTL-GASPER | 21-24-02 | 10C | 101102 |
| HOSE INSTL-GASPER | 21-24-02 | 10U | 108120 |
| HOSE INSTL-GASPER | 21-24-02 | 11L | 504903 |
| HOSE INSTL-GASPER | 21-24-02 | 11Y | 103106 |



BOEING
757
PARTS CATALOG (MAINTENANCE)

CHAPTER 21 — AIR CONDITIONING

TABLE OF CONTENTS

| SUBJECT | CC-SS-UU | FIGURE | EFFECT |
|---|----------|--------|--|
| HOSE INSTL-GASPER STA 429 TO 1590 | 21-24-00 | 06 | 950951 |
| SERVICE UNIT ASSY-PASS. (AIR CONDITIONING ONLY) | 21-24-51 | 31B | 103106 108120 |
| SERVICE UNIT ASSY-PASS. (AIR CONDITIONING ONLY) | 21-24-51 | 51 | 103106 108120 |
| SERVICE UNIT ASSY-PASS. (INDIVIDUAL (GASPER) AIR DISTRIBUTION ONLY) | 21-24-51 | 64D | 504903 |
| SERVICE UNIT ASSY-PASS. (INDIVIDUAL GASPER AIR DISTRIBUTION ONLY) | 21-24-51 | 31C | 103106 |
| SERVICE UNIT ASSY-PASS. (INDIVIDUAL GASPER AIR DISTRIBUTION ONLY) | 21-24-51 | 34A | 103106 108120 |
| SERVICE UNIT ASSY-UNDERBIN AND OVERDOOR PASS. (AIR CONDITIONING ONLY) | 21-24-51 | 15 | 950951 |
| SERVICE UNIT INSTL-UNDERBIN AND OVERDOOR PASS. (AIR CONDITIONING ONLY) | 21-24-51 | 19 | 952952 |
| CABIN AIR RECIRCULATION SYSTEM | 21-25-00 | | |
| DUCT INSTL-CAB. AIR RECIRCULATION | 21-25-05 | 01 | 002004 006999 |
| EQUIPMENT INSTL-MIX BAY CAB. AIR RECIRCULATE | 21-25-01 | 10 | 002004 006100 107107 121503 904999 |
| EQUIPMENT INSTL-MIX BAY CAB. AIR RECIRCULATE | 21-25-01 | 10A | 101106 108120 504903 |
| FAN INSTL-CABIN AIR RECIRCULATION | 21-25-01 | 50 | 002004 006102 107999 |
| OPTION PACKAGE ASSY-P36 MISC RELAY LH (RECIRCULATION SYSTEM ONLY) | 21-25-71 | 02A | 101102 504903 |
| PACKAGE ASSY-OPTION P37 MISC RELAY (RECIRCULATION SYSTEM ONLY) | 21-25-71 | 02B | 101102 504903 |
| PACKAGE ASSY-OPTION P70 MISC RELAY (RECIRCULATION SYSTEM ONLY) | 21-25-71 | 03A | 101102 504903 |
| PANEL ASSY-P36 AND P37 MISC RELAY (RECIRCULATION SYSTEM ONLY) | 21-25-71 | 02 | 002004 006100 107107 121503 904999 |


BOEING
 757
PARTS CATALOG (MAINTENANCE)

CHAPTER 21 — AIR CONDITIONING

TABLE OF CONTENTS

| SUBJECT | CC-SS-UU | FIGURE | EFFECT |
|---|----------|--------|--|
| PANEL ASSY-P70 MISC RELAY (RECIRCULATION SYSTEM ONLY) | 21-25-71 | 03 | 002004 006100 107107 121503 904999 |
| PANEL INSTL-P36 L MISC RELAY (CABIN AIR RECIRCULATION SYSTEM ONLY) | 21-25-71 | 02C | 103106 108120 |
| PANEL INSTL-P37 R MISC RELAY (CABIN AIR RECIRCULATION SYSTEM ONLY) | 21-25-71 | 02D | 103106 108120 |
| PANEL INSTL-P5 OVHD (CABIN AIR RECIRCULATION SYSTEM ONLY) | 21-25-55 | 02 | 011100 |
| PANEL INSTL-P5 OVHD (CABIN AIR RECIRCULATION SYSTEM ONLY) | 21-25-55 | 03 | 101106 108120 504903 |
| PANEL INSTL-P5 OVHD (RECIRCULATION SYSTEM ONLY) | 21-25-55 | 01 | 002004 006010 107107 121503 904999 |
| PANEL INSTL-P70 MISC RELAY (CABIN AIR RECIRCULATION SYSTEM ONLY) | 21-25-71 | 03C | 103106 108120 |
| SKIN PANEL AND SUPPORT INSTL | 21-25-51 | 03 | 002004 006999 |
| SUPPORT INSTL-MIX BAY RECIRCULATE AIR RH FILTER | 21-25-51 | 01 | 002004 006100 107107 121503 904999 |
| SUPPORT INSTL-MIX BAY RECIRCULATE AIR RH FILTER | 21-25-51 | 02 | 101106 108120 504903 |
| VENTILATION SYSTEM | 21-26-00 | | |
| CEILING ASSY-DOOR 1 ENTRY (AIR CONDITIONING ONLY) | 21-26-03 | 20 | 103106 |
| CEILING ASSY-DOOR 2 ENTRY (AIR CONDITIONING ONLY) | 21-26-03 | 10 | 103106 |
| CEILING ASSY-ENTRY DOOR 4 LOWERED (AIR CONDITIONING ONLY) | 21-26-51 | 10 | 103106 |
| CEILING ASSY-ENTRY DOOR 4 LOWERED (VENTILATION ONLY) | 21-26-51 | 11 | 103106 |



BOEING
757
PARTS CATALOG (MAINTENANCE)

CHAPTER 21 — AIR CONDITIONING

TABLE OF CONTENTS

| SUBJECT | CC-SS-UU | FIGURE | EFFECT |
|---|----------|--------|--|
| DUCT INSTL- SECT.43 LAV/GALLEY VENT SYS | 21-26-09 | 08A | 103106 |
| DUCT INSTL-G4A AND G4B CHILLER COND EXH | 21-26-51 | 02 | 002004 006100 103106 |
| DUCT INSTL-LAV A SUPPLEMENTAL INDIVIDUAL AIR | 21-26-09 | 61 | 002004 006106 108903 950999 |
| DUCT INSTL-LAV B AND C SUPPLEMENTAL INDIVIDUAL AIR | 21-26-09 | 61A | 002004 006106 108903 950999 |
| DUCT INSTL-LAV D SUPPLEMENTAL INDIVIDUAL AIR | 21-26-09 | 61B | 002004 006106 108903 950999 |
| DUCT INSTL-LAV F SUPPLEMENTAL INDIVIDUAL AIR | 21-26-09 | 61C | 121903 |
| DUCT INSTL-LAV S SUPPLEMENTAL INDIVIDUAL AIR | 21-26-09 | 61G | 108120 950999 |
| DUCT INSTL-LAV/GALLEY VENT SYS | 21-26-09 | 14 | 002004 006102 108120 |
| DUCT INSTL-LAV/GALLEY VENT SYSTEM, SECT 41 | 21-26-09 | 45 | 103106 |
| DUCT INSTL-LAV/GALLEY VENT SYSTEM, SECT. 46 | 21-26-09 | 44E | 103106 |
| DUCT INSTL-LAV/GALLEY VENT SYSTEM, SECT. 46 | 21-26-09 | 44F | 103106 |
| DUCT INSTL-LAV/GALLEY VENT SYSTEM, SECTION 46 | 21-26-09 | 44A | 103106 |
| DUCT INSTL-SECT. 41 LAV/ GALLEY VENT SYS | 21-26-09 | 03 | 002004 006017 107107 121503 904999 |
| DUCT INSTL-SECT. 41 LAV/ GALLEY VENT SYS | 21-26-09 | 32 | 504903 |



BOEING
757
PARTS CATALOG (MAINTENANCE)

CHAPTER 21 — AIR CONDITIONING

TABLE OF CONTENTS

| SUBJECT | CC-SS-UU | FIGURE | EFFECT |
|--|----------|--------|--|
| DUCT INSTL-SECT. 43 LAV/GALLEY VENT SYSTEM | 21-26-09 | 01 | 002004 006100 107107 121503 904949 |
| DUCT INSTL-SECT. 43 LAV/GALLEY VENT SYSTEM | 21-26-09 | 13 | 950999 |
| DUCT INSTL-SECT. 43 LAV/GALLEY VENT SYSTEM | 21-26-09 | 26 | 108120 |
| DUCT INSTL-SECT. 43 LAV/GALLEY VENT SYSTEM | 21-26-09 | 29 | 011100 504903 |
| DUCT INSTL-SECT. 44 LAV/GALLEY VENT SYS | 21-26-09 | 02 | 002004 006102 107999 |
| DUCT INSTL-SECT. 46 LAV/ GALLEY VENT SYS | 21-26-09 | 05 | 002004 |
| DUCT INSTL-SECT. 46 LAV/ GALLEY VENT SYS | 21-26-09 | 09 | 107107 121503 904949 952999 |
| DUCT INSTL-SECT. 46 LAV/ GALLEY VENT SYS | 21-26-09 | 25 | 953999 |
| DUCT INSTL-SECT. 46 LAV/ GALLEY VENT SYS | 21-26-09 | 41 | 101102 108120 504903 |
| DUCT INSTL-SECT. 46 LAV/ GALLEY VENT SYS | 21-26-09 | 42 | 101102 |
| DUCT INSTL-SECT.46 LAV/ GALLEY VENT SYS | 21-26-09 | 22 | 006100 950951 |
| DUCT INSTL-SECTION 43 LAV/GALLEY VENT SYS | 21-26-09 | 48 | 101102 |
| DUCT INSTL-SECTION 44 LAV/GALLEY VENT SYS | 21-26-09 | 47 | 103106 |
| FAN INSTL- LAV/GALLEY VENT | 21-26-01 | 04 | 006106 108120 504903 950951 953999 |
| FAN INSTL-SECT. 46 VENT SYS | 21-26-01 | 01 | 002004 107107 121503 904949 952952 |



BOEING
757
PARTS CATALOG (MAINTENANCE)

CHAPTER 21 — AIR CONDITIONING

TABLE OF CONTENTS

| SUBJECT | CC-SS-UU | FIGURE | EFFECT |
|--|----------|--------|--------------------------------------|
| ORIFICE INSTL-LAV/GALLEY VENT SYS | 21-26-09 | 06 | 002004 107107 904949 952952 |
| ORIFICE INSTL-LAV/GALLEY VENT SYS | 21-26-09 | 15 | 121903 |
| ORIFICE INSTL-LAV/GALLEY VENT SYS | 21-26-09 | 16 | 006010 101102 108120 953999 |
| ORIFICE INSTL-LAV/GALLEY VENT SYS | 21-26-09 | 16C | 103106 |
| ORIFICE INSTL-LAV/GALLEY VENT SYS | 21-26-09 | 39 | 011102 950951 |
| PANEL AND CEILING ASSY-ACOUSTICAL, FLAT AND NON ACOUSTICAL (AIR CONDITIONING ONLY) | 21-26-03 | 01 | 002004 006102 107503 904999 |
| PANEL ASSY-AFT CLG (AIR CONDITIONING ONLY) | 21-26-03 | 05 | 101102 108999 |
| PANEL ASSY-DOOR NO. 2 FLAT (AIR CONDITIONING ONLY) (FLYAWAY) | 21-26-03 | 07 | 504504 506506 |
| PANEL ASSY-FLAT (AIR CONDITIONING ONLY) | 21-26-03 | 03 | 011102 108120 950999 |
| PANEL ASSY-LINING AND OUTBD LAV SEG 120, LAV (AIR CONDITIONING ONLY) | 21-26-09 | 81A | 103106 |
| PANEL ASSY-LINING AND OUTBD, SEG 120, LAV A, (AIR CONDITIONING ONLY) | 21-26-09 | 80A | 103106 |



BOEING
757
PARTS CATALOG (MAINTENANCE)

CHAPTER 21 — AIR CONDITIONING

TABLE OF CONTENTS

| SUBJECT | CC-SS-UU | FIGURE | EFFECT |
|--|----------------------|--------|--|
| CABIN PRESSURE CONTROL SYSTEM | 21-31-00 | | |
| ACTUATOR ASSY CABIN PRESSURE OUTFLOW VALVE | 21-31-04 | 01 | 002004 006999 |
| EQUIPMENT INSTL-MAIN ELECTRONICS EQPT CTR (PRESSURIZATION CONTROL SYSTEM ONLY) | 21-31-02 | 01 | 002004 006100 107107 121999 |
| EQUIPMENT INSTL-MAIN ELECTRONICS EQPT CTR (PRESSURIZATION CONTROL SYSTEM ONLY) | 21-31-02 | 01B | 101102 |
| EQUIPMENT INSTL-MAIN ELECTRONICS EQPT CTR CAB. PRESSURE CONT | 21-31-02 | 08 | 103106 108120 |
| PANEL INSTL-P5 OVHD (PRESSURIZATION CONTROL SYSTEM ONLY) | 21-31-01 | 01 | 002004 006100 107107 121503 904999 |
| PANEL INSTL-P5 OVHD (PRESSURIZATION CONTROL SYSTEM ONLY) | 21-31-01 | 02 | 101106 108120 504903 |
| SENSOR INSTL-CABIN ALTM | 21-31-51 | 01 | 002004 006999 |
| VALVE INSTL-CAB. AIR OUTFLOW | 21-31-03 | 01 | 002004 006999 |
| CABIN PRESSURE RELIEF VALVE AND TOOL INSTL | 21-32-00 21-32-02 | 01 | 002004 006105 107999 |
| VALVE INSTL-CAB. PRESSURE SAFETY RELIEF | 21-32-01 | 01 | 002004 006999 |
| PRESSURIZATION INDICATING AND WARNING OPTION PACKAGE ASSY-P36 MISC RELAY L (PRESSURIZATION INDICATING AND WARNING SYSTEM ONLY) | 21-33-00 21-33-71 | 02A | 101102 504903 |
| PANEL ASSY-P36 MISC RELAY L (PRESSURIZATION INDICATING AND WARNING SYSTEM ONLY) | 21-33-71 | 02 | 002004 006100 107107 121503 904999 |


BOEING
 757
PARTS CATALOG (MAINTENANCE)

CHAPTER 21 — AIR CONDITIONING

TABLE OF CONTENTS

| SUBJECT | CC-SS-UU | FIGURE | EFFECT |
|--|----------|--------|--|
| PANEL INSTL-P36 L MISC RELAY (PRESSURIZATION INDICATING AND WARNING SYSTEM ONLY) | 21-33-71 | 02C | 103106 108120 |
| PANEL INSTL-P5 OVHD (PRESSURIZATION INDICATING AND WARNING SYSTEM ONLY) | 21-33-51 | 01 | 002004 006010 107107 121503 904999 |
| PANEL INSTL-P5 OVHD (PRESSURIZATION INDICATING AND WARNING SYSTEM ONLY) | 21-33-51 | 02 | 011100 |
| PANEL INSTL-P5 OVHD (PRESSURIZATION INDICATING AND WARNING SYSTEM ONLY) | 21-33-51 | 03 | 101106 108120 504903 |


BOEING
 757
PARTS CATALOG (MAINTENANCE)

CHAPTER 21 — AIR CONDITIONING

TABLE OF CONTENTS

| SUBJECT | CC-SS-UU | FIGURE | EFFECT |
|---|----------|--------|--|
| HEATING | 21-40-00 | | |
| GRILLE INSTL-DOOR AREA AUX HEATING | 21-40-51 | 01 | 103106 108120 |
| FORWARD CARGO COMPARTMENT HEATING SYSTEM | 21-43-00 | | |
| DUCT INSTL-CARGO HEATING SYS MIX BAY | 21-43-03 | 02 | 002004 006999 |
| PACKAGE ASSY-OPTION P70 MISC RELAY (FORWARD CARGO COMPARTMENT HEATING SYSTEM ONLY) | 21-43-71 | 02A | 101102 504903 |
| PANEL ASSY- P70 MISC RELAY (FORWARD CARGO COMPARTMENT HEATING SYSTEM ONLY) | 21-43-71 | 02 | 002004 006100 107107 121503 904999 |
| PANEL INSTL-P70 MISC RELAY (FORWARD CARGO COMPARTMENT HEATING SYSTEM ONLY) | 21-43-71 | 02B | 103106 108120 |
| AFT AND BULK CARGO COMPARTMENT HEATING SYSTEM | 21-44-00 | | |
| DUCT INSTL-CARGO HEATING SYS L SIDE | 21-44-08 | 01 | 002004 006999 |
| DUCT INSTL-CARGO HEATING SYS R SIDE | 21-44-08 | 03 | 002004 006999 |
| EQUIPMENT INSTL- CARGO HEATING SYS | 21-44-05 | 04 | 103106 |
| EQUIPMENT INSTL-STA 1200 CARGO HEATING SYS | 21-44-05 | 01 | 002004 006102 107999 |
| PACKAGE ASSY-OPTION P37 MISC RELAY (AFT/BULK CARGO COMPARTMENT HEATING SYSTEM ONLY) | 21-44-71 | 02B | 101102 504903 |
| PACKAGE ASSY-OPTION P70 MISC RELAY (AFT BULK CARGO COMPARTMENT HEATING SYSTEM ONLY) | 21-44-71 | 03A | 101102 504903 |
| PANEL ASSY-P37 MISC RELAY R (AFT/BULK CARGO COMPARTMENT HEATING SYSTEM ONLY) | 21-44-71 | 02 | 002004 006100 107107 121503 904999 |


BOEING
 757
PARTS CATALOG (MAINTENANCE)

CHAPTER 21 — AIR CONDITIONING

TABLE OF CONTENTS

| SUBJECT | CC-SS-UU | FIGURE | EFFECT |
|--|----------|--------|--|
| PANEL ASSY-P70 MISC RELAY (AFT BULK CARGO COMPARTMENT HEATING SYSTEM ONLY) | 21-44-71 | 03 | 002004 006100 107107 121503 904999 |
| PANEL INSTL-P37 R MISC RELAY (AFT/BULK CARGO COMPARTMENT HEATING SYSTEM ONLY) | 21-44-71 | 02D | 103106 108120 |
| PANEL INSTL-P70 MISC RELAY (AFT BULK CARGO COMPARTMENT HEATING SYSTEM ONLY) | 21-44-71 | 03B | 103106 108120 |
| STRUCTURE INSTL-EQPT SPRT | 21-44-05 | 01A | 101106 108120 504903 |
| STRUCTURE INSTL-EQPT SPRT | 21-44-05 | 01B | 103106 |
| SUPPLEMENTAL HEATING SYSTEM | 21-45-00 | | |
| DUCT INSTL-FLIGHT DECK CONDITIONED AIR SIDEWALL (SUPPLEMENTAL HEATING SYSTEM ONLY) | 21-45-01 | 01 | 002004 006100 107107 121503 904999 |
| DUCT INSTL-FLIGHT DECK CONDITIONED AIR SIDEWALL (SUPPLEMENTAL HEATING SYSTEM ONLY) | 21-45-01 | 01A | 101106 108120 504903 |
| DUCT INSTL-STA 234 TO 310 FLIGHT DECK CONDITIONED AIR BELOW FLOOR LH | 21-45-02 | 01 | 002004 006999 |
| DUCT INSTL-STA 234 TO 310 FLIGHT DECK CONDITIONED AIR BELOW FLOOR RH SIDE | 21-45-02 | 02 | 002004 006999 |
| HEATER SYSTEM AND GRILLE INSTL-DOOR 1 AREA | 21-45-52 | 01A | 101106 108120 504903 |
| HEATER SYSTEM AND GRILLE INSTL-DOOR 2 AREA | 21-45-52 | 02A | 101102 504903 |
| HEATER SYSTEM AND GRILLE INSTL-DOOR 4 AREA (AUX HEATING ONLY) | 21-45-52 | 04A | 101106 108120 504903 |
| HEATER SYSTEM INSTL-DOOR 1 AREA (AIR CONDITIONING ONLY) | 21-45-52 | 01 | 009009 |
| HEATER SYSTEM INSTL-DOOR 2 AREA (AIR CONDITIONING ONLY) | 21-45-52 | 02 | 009009 |
| HEATER SYSTEM INSTL-DOOR 2 AREA (AUXILIARY HEATING ONLY) | 21-45-52 | 02C | 103106 |

 **BOEING**
757
PARTS CATALOG (MAINTENANCE)

CHAPTER 21 — AIR CONDITIONING

TABLE OF CONTENTS

| SUBJECT | CC-SS-UU | FIGURE | EFFECT |
|---|----------|--------|--|
| HEATER SYSTEM INSTL-DOOR 2 AREA, 2 325 WATT HEATERS | 21-45-52 | 07 | 108120 |
| HEATER SYSTEM INSTL-DOOR 3 AREA | 21-45-52 | 01D | 103106 |
| HEATER SYSTEM INSTL-DOOR 3 AREA | 21-45-52 | 03 | 009009 101102 504903 |
| HEATER SYSTEM INSTL-DOOR 3 AREA, 650W HEATER | 21-45-52 | 06 | 108120 |
| HEATER SYSTEM INSTL-DOOR 4 AREA (AIR CONDITIONING ONLY) | 21-45-52 | 04 | 009009 |
| PACKAGE ASSY-OPTION P37 MISC RELAY (SUPPLEMENTAL HEATING SYSTEM ONLY) | 21-45-31 | 01B | 101102 504903 |
| PANEL ASSY-P37 MISC RELAY R DOOR NO. 1 AND 3 HEATING SYSTEM ONLY | 21-45-31 | 01 | 009009 |
| PANEL INSTL-P13, P14 AND P17 AUX (FOOT ELECTRIC SURFACE HEATERS ONLY) | 21-45-01 | 03 | 002004 006010 107107 121503 904999 |
| PANEL INSTL-P13, P14 AND P17 AUX (SHOULDER AIR SUPPLY HEATER ONLY) | 21-45-02 | 04 | 002004 006010 107107 121503 904999 |
| PANEL INSTL-P13, P14, P17, AUX AND AUX HEATER CONT (FOOT ELECTRIC SURFACE HEATERS ONLY) | 21-45-01 | 02 | 011106 108120 504903 |
| PANEL INSTL-P13, P14, P17, AUX AND AUX HEATER CONT (SHOULDER AIR SUPPLY HEATER ONLY) | 21-45-02 | 03 | 011106 108120 504903 |
| PANEL INSTL-P37 R MISC RELAY (SUPPLEMENTAL HEATING SYSTEM ONLY) | 21-45-31 | 01D | 103106 108120 |
| PANEL INSTL-P70 MISC RELAY (SUPPLEMENTAL HEATING SYSTEM ONLY) | 21-45-61 | 01 | 103106 108120 |
| PROVISIONS INSTL-AUX HEATING SYS | 21-45-52 | 05 | 009009 101106 108120 504903 |



BOEING
757
PARTS CATALOG (MAINTENANCE)

CHAPTER 21 — AIR CONDITIONING

TABLE OF CONTENTS

| SUBJECT | CC-SS-UU | FIGURE | EFFECT |
|---|----------|--------|--|
| AIR COOLING PACK SYSTEM | 21-51-00 | | |
| CONVERTER AND DUCT INSTL-A/C PACK SUPPLY, OZONE | 21-51-22 | 02A | 101106 108120 504903 |
| DUCT AND CLAMP INSTL-AIR CONDITION PACK AIR SUPPLY | 21-51-01 | 01 | 002004 006100 107107 121503 904999 |
| DUCT AND CLAMP INSTL-AIR CONDITION PACK AIR SUPPLY | 21-51-01 | 02 | 002004 006100 107107 121503 904999 |
| DUCT AND CLAMP INSTL-AIR CONDITION PACK CONDITIONED AIR (AIR COOLING PACK SYSTEM ONLY) | 21-51-15 | 01 | 002004 006999 |
| DUCT AND INSTL-AIR CONDITION PACK AIR SUPPLY, PASSENGER STD EICAS,757-200 FCV AND 757-300 FCV | 21-51-01 | 02A | 101106 108120 504903 |
| DUCT INSTL- | 21-51-22 | 02 | 008106 108120 504903 950951 953999 |
| EQUIPMENT ASSY-AFT EQPT CTR E6 RELAY (AIR CONDITIONING ONLY) | 21-51-71 | 02 | 121503 904949 |
| EQUIPMENT ASSY-AFT EQPT CTR E6 RELAY (AIR CONDITIONING ONLY) | 21-51-71 | 03 | 002004 006100 107107 950999 |
| EQUIPMENT INSTL-MAIN ELECTRONICS AND E6 AFT EQPT CTR (AIR COOLING PACK SYSTEM ONLY) | 21-51-14 | 01 | 002004 006100 107107 121999 |
| EQUIPMENT INSTL-MAIN ELECTRONICS EQPT CTR (FLOW CONTROL CARD ASSEMBLY ONLY) | 21-51-09 | 01 | 002004 006100 107107 121999 |


BOEING
 757
PARTS CATALOG (MAINTENANCE)

CHAPTER 21 — AIR CONDITIONING

TABLE OF CONTENTS

| SUBJECT | CC-SS-UU | FIGURE | EFFECT |
|---|----------|--------|--|
| EQUIPMENT INSTL-MAIN ELECTRONICS EQPT CTR (FLOW CONTROL CARD ASSEMBLY ONLY) | 21-51-09 | 01B | 101102 |
| EQUIPMENT INSTL-MAIN ELECTRONICS EQPT CTR (PACK TEMPERATURE CONTROLLER ONLY) | 21-51-14 | 01B | 101102 |
| EQUIPMENT INSTL-MAIN ELECTRONICS EQPT CTR PACK FLOW CONT | 21-51-09 | 08 | 103106 108120 |
| EQUIPMENT INSTL-MAIN ELECTRONICS EQPT CTR PACK TEMP CONT | 21-51-14 | 08 | 103106 108120 |
| FILE ASSY-ELECTRICAL SYS P50 CARD (AIR CONDITIONING ONLY) | 21-51-51 | 02 | 002004 006101 107107 121503 904999 |
| OPTION PACKAGE ASSY-P36 MISC RELAY L (AIR COOLING PACK SYSTEM ONLY) | 21-51-56 | 01A | 101102 504903 |
| PACK ASSY-AIR CONDITIONING AND TEMP CONT SYS COOLING (AIR COOLING PACK SYSTEM ONLY) | 21-51-52 | 01 | 002004 006999 |
| PACK ASSY-AIR CONDITIONING AND TEMP CONT SYS COOLING (AIR CYCLE MACHINE (ACM) ONLY) | 21-51-03 | 01 | 002004 006999 |
| PACK ASSY-AIR CONDITIONING AND TEMP CONT SYS COOLING (COMPRESSER OUTLET OVERHEAT SWITCH ONLY) | 21-51-05 | 01 | 002004 006999 |
| PACK ASSY-AIR CONDITIONING AND TEMP CONT SYS COOLING (COMPRESSER OUTLET SENSOR ONLY) | 21-51-06 | 01 | 002004 006999 |
| PACK ASSY-AIR CONDITIONING AND TEMP CONT SYS COOLING (CONDENSER ONLY) | 21-51-10 | 01 | 002004 006999 |
| PACK ASSY-AIR CONDITIONING AND TEMP CONT SYS COOLING (FAN/AIR PLENUM/DIFFUSER ONLY) | 21-51-16 | 01 | 002004 006999 |
| PACK ASSY-AIR CONDITIONING AND TEMP CONT SYS COOLING (HEAT EXCHANGERS ONLY) | 21-51-02 | 01 | 002004 006999 |
| PACK ASSY-AIR CONDITIONING AND TEMP CONT SYS COOLING (PACK LOW LIMIT CONTROL VALVE ONLY) | 21-51-11 | 01 | 002004 006999 |
| PACK ASSY-AIR CONDITIONING AND TEMP CONT SYS COOLING (PACK REHEATER ONLY) | 21-51-07 | 01 | 002004 006999 |

 **BOEING**
757
PARTS CATALOG (MAINTENANCE)

CHAPTER 21 — AIR CONDITIONING

TABLE OF CONTENTS

| SUBJECT | CC-SS-UU | FIGURE | EFFECT |
|--|----------|--------|--|
| PACK ASSY-AIR CONDITIONING AND TEMP CONT SYS COOLING (PACK TEMPERATURE CONTROL VALVE ONLY) | 21-51-12 | 01 | 002004 006999 |
| PACK ASSY-AIR CONDITIONING AND TEMP CONT SYS COOLING (PACK TEMPERATURE SENSOR ONLY) | 21-51-08 | 01 | 002004 006999 |
| PACK ASSY-AIR CONDITIONING AND TEMP CONT SYS COOLING (SPLIT DUCT WATER SEPARATOR ONLY) | 21-51-21 | 01 | 002004 006999 |
| PACK ASSY-AIR CONDITIONING AND TEMP CONT SYS COOLING (WATER EXTRACTOR ONLY) | 21-51-04 | 01 | 002004 006999 |
| PACKAGE ASSY-OPTION P37 MISC RELAY (AIR COOLING PACK SYSTEM ONLY) | 21-51-55 | 01B | 101102 504903 |
| PANEL ASSY-P36 MISC RELAY L (AIR COOLING PACK SYSTEM ONLY) | 21-51-56 | 01 | 002004 006100 107107 950999 |
| PANEL ASSY-P37 MISC RELAY R (AIR COOLING PACK SYSTEM ONLY) | 21-51-55 | 01 | 002004 006100 107107 121503 904999 |
| PANEL INSTL-P36 L MISC RELAY (AIR COOLING PACK SYSTEM ONLY) | 21-51-56 | 01C | 103106 108120 |
| PANEL INSTL-P37 R MISC RELAY (AIR COOLING PACK SYSTEM ONLY) | 21-51-55 | 01D | 103106 108120 |
| PANEL INSTL-P5 OVHD (AIR COOLING PACK SYSTEM ONLY) | 21-51-54 | 03 | 101106 108120 504903 |
| PANEL INSTL-P5 OVHD (AIR CYCLE PACK SYSTEM ONLY) | 21-51-54 | 01 | 002004 006010 107107 121503 904999 |
| PANEL INSTL-P5 OVHD (AIR CYCLE PACK SYSTEM ONLY) | 21-51-54 | 02 | 011100 |
| PROVISIONAL INSTL | 21-51-51 | 05 | 101102 108120 504903 |

 **BOEING**
757
PARTS CATALOG (MAINTENANCE)

CHAPTER 21 — AIR CONDITIONING

TABLE OF CONTENTS

| SUBJECT | CC-SS-UU | FIGURE | EFFECT |
|--|----------|--------|--------|
| SWITCH INSTL-ALTITUDE PRESSURE | 21-51-17 | 01 | 002004 |
| TRANSDUCER (PACK ALTITUDE SWITCH ONLY) | | | 006999 |
| VALVE ASSY-FLOW CONT AND SHUTOFF | 21-51-01 | 51 | 002004 |
| | | | 006999 |
| COOLING PACK TEMPERATURE INDICATION | 21-52-00 | | |
| CLAMP INSTL-(WIRE COOLING PACK | 21-52-01 | 10 | 002004 |
| TEMPERATURE INDICATION ONLY) | | | 006100 |
| | | | 107107 |
| | | | 121503 |
| | | | 904999 |
| EQUIPMENT INSTL-MAIN ELECTRONICS EQPT | 21-52-04 | 01 | 002004 |
| CTR (COOLING PACK TEMPERATURE | | | 006100 |
| INDICATION ONLY) | | | 107107 |
| | | | 121503 |
| | | | 904999 |
| PACK INSTL-UNDER WING AIR CONDITIONING | 21-52-01 | 01 | 002004 |
| | | | 006100 |
| | | | 107107 |
| | | | 121503 |
| | | | 904999 |
| PACK, PLUG, SENSOR, AND MARKER | 21-52-01 | 01A | 101106 |
| INSTLS-UNDER WING AIR CONDITIONING | | | 108120 |
| | | | 504903 |
| RAM AIR SYSTEM | 21-53-00 | | |
| DOOR INSTL-RAM AIR TURBINE | 21-53-51 | 01 | 101106 |
| | | | 108120 |
| | | | 504903 |
| DUCT AND CLAMP INSTL-RAM AIR HEAT SINK | 21-53-07 | 01 | 002004 |
| | | | 006102 |
| | | | 107107 |
| | | | 121999 |
| DUCT INSTL-RAM AIR HEAT SINK | 21-53-07 | 01A | 103106 |
| | | | 108120 |
| EQPT INSTL-MAIN ELECTRONICS EQPT CTR | 21-53-06 | 01B | 101102 |
| (RAM AIR SYSTEM ONLY) | | | |
| EQUIPMENT INSTL-MAIN ELECTRONICS EQPT | 21-53-06 | 01 | 002004 |
| CTR (RAM AIR SYSTEM ONLY) | | | 006100 |
| | | | 107107 |
| | | | 121999 |


BOEING
 757
PARTS CATALOG (MAINTENANCE)

CHAPTER 21 — AIR CONDITIONING

TABLE OF CONTENTS

| SUBJECT | CC-SS-UU | FIGURE | EFFECT |
|---------------------------------------|----------|--------|--------|
| EQUIPMENT INSTL-MAIN ELECTRONICS EQPT | 21-53-06 | 08 | 103106 |
| CTR PACK BACKUP TEMP CONT | | | 108120 |
| INLET ASSY-AIR CONDITIONING RAM AIR L | 21-53-01 | 02 | 002004 |
| AND R | | | 006102 |
| | | | 107107 |
| | | | 121999 |
| INLET INSTL-AIR CONDITIONING RAM AIR | 21-53-01 | 02A | 103106 |
| | | | 108120 |
| INLET INSTL-RAM AIR HEAT SINK | 21-53-01 | 01 | 002004 |
| | | | 006102 |
| | | | 107107 |
| | | | 121999 |
| INLET INSTL-RAM AIR HEAT SINK | 21-53-01 | 01A | 103106 |
| | | | 108120 |
| OUTLET INSTL- WITHOUT EXIT MODULATION | 21-53-02 | 01A | 103106 |
| | | | 108120 |
| OUTLET INSTL-RAM AIR HEAT SINK | 21-53-02 | 02 | 002004 |
| | | | 006102 |
| | | | 107107 |
| | | | 121999 |
| PROVISIONS INSTL-RAM AIR HEAT SINK | 21-53-02 | 05 | 002004 |
| | | | 006102 |
| | | | 107107 |
| | | | 121999 |
| EQUIPMENT COOLING SYSTEM | 21-58-00 | | |
| COOLING INSTL-ELECTRICAL/ ELECTRONIC | 21-58-52 | 02 | 002004 |
| CENTERS (AIR CONDITIONING ONLY) | | | 006017 |
| | | | 107107 |
| | | | 121503 |
| | | | 904999 |
| DUCT INSTL STA 424.25 AIR EXH | 21-58-08 | 17 | 002004 |
| | | | 006999 |
| DUCT INSTL-AFT E/E COMPT AIR EXHAUST | 21-58-08 | 15A | 103106 |
| E6 RACK, PASS MINOR MODEL | | | |
| DUCT INSTL-AIR SUPPLY AND AIR EXH E5 | 21-58-08 | 22 | 002004 |
| RACK ELECTRICAL/ELECTRONICS COOLING | | | 006999 |
| DUCT INSTL-ELEC/ELECTRONICS COMPT AIR | 21-58-02 | 03 | 121503 |
| SUPPLY AFT | | | 904949 |
| DUCT INSTL-ELECTRICAL/ ELECTRONIC | 21-58-08 | 15 | 121503 |
| COMPT AIR EXH AFT | | | 904949 |


BOEING
 757
PARTS CATALOG (MAINTENANCE)

CHAPTER 21 — AIR CONDITIONING

TABLE OF CONTENTS

| SUBJECT | CC-SS-UU | FIGURE | EFFECT |
|---|----------|--------|--|
| DUCT INSTL-ELECTRICAL/ ELECTRONICS COOLING SYS AFT | 21-58-19 | 03 | 002004 006102 107120 504903 950999 |
| DUCT INSTL-E3-E4 RACKS AIR SUPPLY AND EXH | 21-58-08 | 16 | 002004 006999 |
| DUCT INSTL-FORWARD VIDEO CONTROL CENTER COOLING SYSTEM | 21-58-08 | 60 | 103106 |
| DUCT INSTL-INSTR AND FWD ELECTRONICS COOLING EXH | 21-58-08 | 21 | 002004 006999 |
| DUCT INSTL-INSTR COOLING EXH BELOW FLOOR LH SIDE | 21-58-08 | 05 | 002004 006999 |
| DUCT INSTL-INSTR COOLING EXH BELOW FLOOR RH SIDE | 21-58-08 | 04 | 002004 006999 |
| DUCT INSTL-INSTR COOLING SUPPLY MAIN PNL AND W/ NO EXTRA WEATHER RADAR IND IN CTR AISLE STAND | 21-58-08 | 07 | 002004 006999 |
| DUCT INSTL-INSTR COOLING SUPPLY PRESSURE BHD FWD | 21-58-08 | 14 | 002004 006999 |
| DUCT INSTL-LWR SECT. 41 INSTR COOLING EXH | 21-58-08 | 25 | 002004 006100 107107 121503 904999 |
| DUCT INSTL-LWR SECT. 41 INSTR COOLING EXH | 21-58-08 | 25A | 101106 108120 504903 |
| DUCT INSTL-OVERHEAD PANEL INSTRUMENT COOLING SUPPLY RISER | 21-58-08 | 06 | 002004 006999 |
| DUCT INSTL-PURGE AIR INERTIAL AIR CLEANER ELECTRICAL/ELECTRONIC COOLING AFT | 21-58-54 | 02 | 121503 904949 |
| DUCT INSTL-PURGE AIR SUPPLY ELECTRICAL/ ELECTRONIC COOLING SYSTEM FWD | 21-58-55 | 01 | 002004 006100 107107 121503 904999 |
| DUCT INSTL-SECT. 41 ELEC/ELECTRONICS COOLING AIR EXH FWD | 21-58-08 | 08 | 002004 006999 |


BOEING
 757
PARTS CATALOG (MAINTENANCE)

CHAPTER 21 — AIR CONDITIONING

TABLE OF CONTENTS

| SUBJECT | CC-SS-UU | FIGURE | EFFECT |
|--|----------|--------|--------|
| DUCT INSTL-SECT. 41 | 21-58-08 | 10 | 002004 |
| ELECTRICAL/ELECTRONIC COOLING AIR SUPPLY | | | 006999 |
| DUCT INSTL-SECT. 43 AIR SUPPLY LH | 21-58-02 | 02 | 002004 |
| | | | 006999 |
| DUCT INSTL-STA 202 TO 297 INSTR CLG | 21-58-08 | 13 | 002004 |
| SUPPLY LWR RH | | | 006999 |
| DUCT INSTL-STA 343.0 TO 445.0 | 21-58-08 | 20 | 002004 |
| ELECTRICAL/ ELECTRONICS COOLING AIR | | | 006999 |
| EXH RH SIDE | | | |
| DUCT INSTL-STA 431.5 E/E COOLING AIR | 21-58-08 | 02 | 002004 |
| SUPPLY | | | 006999 |
| FAN AND DUCT INSTL-AUX FWD E/E COOLING | 21-58-60 | 01 | 002004 |
| SYS, AUX COOLING FAN AND EXTENDED | | | 006503 |
| RANGE OPERATION | | | 904949 |
| | | | 952999 |
| HEAT SINK AND DETECTOR | 21-58-06 | 05 | 002004 |
| INSTL-ELECTRICAL/ ELECTRONIC COMPT AIR | | | 006999 |
| EXH (AIR CONDITIONING ONLY) | | | |
| HEAT SINK AND ELEMENT INSTL STA 520 TO | 21-58-06 | 02A | 101106 |
| 560 E/E COMPT AIR SUPPLY | | | 108120 |
| | | | 504903 |
| HEAT SINK INSTL-ELECTRICAL/ ELECTRONIC | 21-58-06 | 07 | 103106 |
| COMPT AIR EXH AND SMOKE (AIR | | | |
| CONDITIONING ONLY) | | | |
| HEAT SINK INSTL-STA 520 TO 560 | 21-58-06 | 02 | 002004 |
| ELECTRICAL/ ELECTRONICS COMPT AIR SUPPLY | | | 006100 |
| | | | 107107 |
| | | | 121503 |
| | | | 904999 |
| OPTION PACKAGE ASSY-P36 MISC RELAY L | 21-58-71 | 02A | 101102 |
| (EQUIPMENT COOLING SYSTEM ONLY) | | | 504903 |
| ORIFICE INSTL-BELOW FLOOR | 21-58-08 | 18 | 002004 |
| ELEC/ELECTRONICS COOLING | | | 006999 |
| ORIFICE INSTL-FLIGHT DECK INSTR COOLING | 21-58-08 | 19 | 002004 |
| | | | 006999 |
| PACKAGE ASSY-OPTION P37 MISC RELAY | 21-58-71 | 02B | 101102 |
| (EQUIPMENT COOLING SYSTEM ONLY) | | | 504903 |

 **BOEING**
757
PARTS CATALOG (MAINTENANCE)

CHAPTER 21 — AIR CONDITIONING

TABLE OF CONTENTS

| SUBJECT | CC-SS-UU | FIGURE | EFFECT |
|---|----------|--------|--|
| PANEL ASSY-P36 AND P37 MISC RELAY (EQUIPMENT COOLING SYSTEM ONLY) | 21-58-71 | 02 | 002004 006100 107107 121503 904999 |
| PANEL INSTL-P36 L MISC RELAY (EQUIPMENT COOLING SYSTEM ONLY) | 21-58-71 | 02C | 103106 108120 |
| PANEL INSTL-P37 R MISC RELAY (EQUIPMENT COOLING SYSTEM ONLY) | 21-58-71 | 02D | 103106 108120 |
| PANEL INSTL-P5 OVERHEAD (EQUIPMENT COOLING SMOKE DETECTOR ONLY) | 21-58-19 | 11 | 002004 006010 107107 121503 904999 |
| PANEL INSTL-P5 OVERHEAD (EQUIPMENT COOLING SMOKE DETECTOR ONLY) | 21-58-19 | 12 | 011100 |
| PANEL INSTL-P5 OVERHEAD (EQUIPMENT COOLING SYSTEM ONLY) | 21-58-51 | 01 | 002004 006010 107107 121503 904999 |
| PANEL INSTL-P5 OVERHEAD (EQUIPMENT COOLING SYSTEM ONLY) | 21-58-51 | 02 | 011100 |
| PANEL INSTL-P5 OVHD (EQUIPMENT COOLING SMOKE DETECTOR ONLY) | 21-58-19 | 10 | 101106 108120 504903 |
| PANEL INSTL-P5 OVHD (EQUIPMENT COOLING SYSTEM ONLY) | 21-58-51 | 03 | 101106 108120 504903 |
| PANEL INSTL-P61 R SIDEWALL (AIR CONDITIONING ONLY) | 21-58-51 | 04 | 002004 006999 |
| PROVISIONS | 21-58-53 | 01 | 121503 904949 |
| INSTL-ELECTRICAL/ELECTRONICS COMPT DUCT SPRT AFT | | | |
| SHELF INSTL-ELECTRONIC EQPT CTR ELECTRICAL/ELECTRONIC RACKS (AIR CONDITIONING ONLY) | 21-58-58 | 01 | 002004 006100 107107 121503 904999 |

 **BOEING**
757
PARTS CATALOG (MAINTENANCE)

CHAPTER 21 — AIR CONDITIONING

TABLE OF CONTENTS

| SUBJECT | CC-SS-UU | FIGURE | EFFECT |
|---|-----------------|---------------|----------------------------|
| SHELF INSTL-ELECTRONICS EQPT CTR RACKS (AIR CONDITIONING ONLY) | 21-58-58 | 02 | 101106 108120 504903 |
| SLIDER VALVE INSTL-EQUIPMENT RACKS | 21-58-59 | 01 | 101102 108120 504903 |



BOEING
757
PARTS CATALOG (MAINTENANCE)

CHAPTER 21 — AIR CONDITIONING

TABLE OF CONTENTS

| SUBJECT | CC-SS-UU | FIGURE | EFFECT |
|--|----------|--------|--|
| ZONE TEMPERATURE CONTROL SYSTEM | 21-61-00 | | |
| BIN ASSY-BIG 60 IN. (AIR CONDITIONING ONLY) | 21-61-08 | 16 | 103106 |
| BIN ASSY-BIG 80 IN. (AIR CONDITIONING ONLY) | 21-61-08 | 15 | 103106 |
| BULLNOSE ASSY-EMER EQPT (AIR CONDITIONING ONLY) | 21-61-51 | 02 | 107107 |
| BULLNOSE ASSY-EMER EQPT (AIR CONDITIONING ONLY) | 21-61-51 | 07 | 018102 108120 504903 |
| BULLNOSE ASSY-EMER EQPT (FWD AND MID SECT.) (AIR CONDITIONING ONLY) | 21-61-51 | 04 | 002004 006100 950999 |
| BULLNOSE ASSY-TEMP SENSOR PROVISION (AIR CONDITIONING ONLY) | 21-61-51 | 05 | 002004 006017 121503 904949 952999 |
| DUCT AND CLAMP INSTL-UNDER WING TRIM AIR | 21-61-05 | 01 | 002004 006999 |
| DUCT AND CLAMP INSTL-UNDER WING TRIM AIR | 21-61-05 | 02 | 002004 006100 107107 121503 904999 |
| DUCT INSTL-MIX BAY TRIM AIR (PRIMARY TEMPERATURE CONTROL SYSTEM ONLY) | 21-61-07 | 05 | 002004 006999 |
| DUCT INSTL-STA 340 TO 430 CONDITIONED AIR BELOW FLOOR LH SIDE | 21-61-01 | 01 | 002004 006999 |
| EQUIPMENT INSTL-MAIN ELECTRONICS AND E6 AFT EQPT CTR | 21-61-03 | 01 | 002004 006100 107107 121999 |
| EQUIPMENT INSTL-MAIN ELECTRONICS EQPT CTR (PRIMARY (ZONE) TEMPERATURE CONTROL SYSTEM ONLY) | 21-61-03 | 01B | 101102 |
| EQUIPMENT INSTL-MAIN ELECTRONICS EQPT CTR ZONE TEMP CONT | 21-61-03 | 08 | 103106 108120 |

 **BOEING**
757
PARTS CATALOG (MAINTENANCE)

CHAPTER 21 — AIR CONDITIONING

TABLE OF CONTENTS

| SUBJECT | CC-SS-UU | FIGURE | EFFECT |
|---|----------|--------|--|
| PACKAGE ASSY-OPTION P37 MISC RELAY (PRIMARY ZONE TEMPERATURE CONTROL SYSTEM ONLY) | 21-61-71 | 02B | 101102 504903 |
| PANEL ASSY-P37 MISC RELAY R (PRIMARY ZONE TEMPERATURE CONTROL SYSTEM ONLY) | 21-61-71 | 02 | 002004 006100 107107 121503 904999 |
| PANEL ASSY-TEMP SENSOR ACCESS | 21-61-51 | 08 | 011106 108120 504903 |
| PANEL ASSY-TEMP SENSOR ACCESS (PRIMARY (ZONE) TEMPERATURE CONTROL SYSTEM ONLY) | 21-61-51 | 01 | 002004 006010 107107 121503 904999 |
| PANEL INSTL-P37 R MISC RELAY (PRIMARY (ZONE) TEMPERATURE CONTROL SYSTEM ONLY) | 21-61-71 | 02D | 103106 108120 |
| PANEL INSTL-P5 OVERHEAD (PRIMARY (ZONE) TEMPERATURE CONTROL SYSTEM ONLY) | 21-61-04 | 01 | 002004 006010 107107 121503 904999 |
| PANEL INSTL-P5 OVERHEAD (PRIMARY (ZONE) TEMPERATURE CONTROL SYSTEM ONLY) | 21-61-04 | 02 | 011100 |
| PANEL INSTL-P5 OVHD (PRIMARY (ZONE) TEMPERATURE CONTROL SYSTEM ONLY) | 21-61-04 | 03 | 101106 108120 504903 |
| SENSOR INSTL-MAIN AND FLIGHT DECK COMPT TEMP | 21-61-08 | 01 | 002004 006100 107107 121503 904999 |
| SENSOR INSTL-MAIN AND FLIGHT DECK COMPT TEMP | 21-61-08 | 01A | 101106 108120 504903 |
| CABIN TEMPERATURE INDICATION SYSTEM | 21-65-00 | | |
| PANEL INSTL-P5 OVHD (CABIN (ZONE) TEMPERATURE INDICATOR SYSTEM ONLY) | 21-65-51 | 01 | 002004 006999 |

AIR CONDITIONING

BRI
MAY 28/07

21-00-00
SECTION TITLE
PAGE 1

 **BOEING**
757
PARTS CATALOG (MAINTENANCE)

NON-ILLUSTRATED FIGURE

THE ITEMS REFLECTED IN THIS FIGURE ARE INTENTIONALLY
NON-ILLUSTRATED. THEY ARE REFERENCED TO EITHER A
NEXT HIGHER OR NEXT LOWER ASSEMBLY/INSTALLATION FIGURE.

SYSTEMS INSTL-ENVIRONMENTAL CONTROLS
FIGURE 1

21-00-00-01

BRI
MAY 28/07

21-00-00-01
PAGE 0



757

PARTS CATALOG (MAINTENANCE)

| FIG ITEM | PART NUMBER | 1 2 3 4 5 6 7 | NOMENCLATURE | EFFECT FROM TO | UNITS PER ASSY |
|----------|-------------|---------------|---|--|----------------|
| 1 | | | SYSTEMS INSTL-ENVIRONMENTAL CONTROLS | 002004 006100 107107 121503 904999 | |
| - 1 | 210N0001-1 | | SYSTEMS INSTL-ENVIRONMENTAL CONTROLS VARIABLE DRAWING REF: 210N0001-5003 210N0901-5003 210N0901-5004 210N0901-5039 210N0901-5042 210N0901-5044 | 002004 006100 107107 121503 904999 | 1 |
| - 15 | 213N1002-7 | | . DUCT INSTL-AIR CONDITION PACK CONDITIONED AIR POSITION DATA: L SIDE FOR DETAILS SEE: 21-51-15-01 | 002004 006100 107107 121503 904999 | 1 |
| - 20 | 213N1002-8 | | . DUCT INSTL-AIR CONDITION PACK CONDITIONED AIR POSITION DATA: R SIDE FOR DETAILS SEE: 21-51-15-01 | 002004 006100 107107 121503 904999 | 1 |
| - 25 | 213N1003-27 | | . DUCT INSTL-AIR CONDITION PACK AIR SUPPLY POSITION DATA: L SIDE VARIABLE DRAWING REF: 213N1003-29 213N1003-31 FOR DETAILS SEE: 21-51-01-01 | 002004 006007 107107 121503 904949 952952 | 1 |
| - 25 | 213N1003-39 | | . DUCT INSTL-AIR CONDITION PACK AIR SUPPLY POSITION DATA: L SIDE VARIABLE DRAWING REF: 213N1003-43 FOR DETAILS SEE: 21-51-01-02 | 008100 950951 953999 | 1 |

MISSING ITEM NUMBERS NOT APPLICABLE

- ITEM NOT ILLUSTRATED

21-00-00-01

21-00-00
FIG. 01
PAGE 1
JAN 20/09

BRI



757

PARTS CATALOG (MAINTENANCE)

| FIG ITEM | PART NUMBER | 1 2 3 4 5 6 7 | NOMENCLATURE | EFFECT FROM TO | UNITS PER ASSY |
|----------|-------------|---------------|--|--|----------------|
| 1 | | | | | |
| - 30 | 213N1003-28 | | . DUCT INSTL-AIR CONDITION PACK AIR SUPPLY POSITION DATA: R SIDE VARIABLE DRAWING REF: 213N1003-30 213N1003-32 FOR DETAILS SEE: 21-51-01-01 | 002004 006007 107107 121503 904949 952952 | 1 |
| - 30 | 213N1003-40 | | . DUCT INSTL-AIR CONDITION PACK AIR SUPPLY POSITION DATA: R SIDE VARIABLE DRAWING REF: 213N1003-44 FOR DETAILS SEE: 21-51-01-02 | 008100 950951 953999 | 1 |
| - 40 | 213N2001-1 | | . DUCT INSTL-UNDER WING TRIM AIR FOR DETAILS SEE: 21-61-05-01 | 002004 006100 107107 121503 904999 | 1 |
| - 45 | 213N2002-2 | | . DUCT INSTL-MIX BAY TRIM AIR FUNCTIONAL REFERENCE: AIR CONDITIONING FOR DETAILS SEE 21-61-07-05 PLACARDS AND MARKINGS FOR DETAILS SEE 11-37-20-01 | 002004 006100 107107 121503 904999 | 1 |
| - 50 | 213N3002-1 | | . DUCT INSTL-RAM AIR HEAT SINK POSITION DATA: LH FOR DETAILS SEE: 21-53-07-01 | 002004 006100 107107 121503 904999 | 1 |
| - 55 | 213N3002-2 | | . DUCT INSTL-RAM AIR HEAT SINK POSITION DATA: RH FOR DETAILS SEE: 21-53-07-01 | 002004 006100 107107 121503 904999 | 1 |
| - 60 | 213N3001-1 | | . INLET INSTL-RAM AIR HEAT SINK POSITION DATA: LH FOR DETAILS SEE: 21-53-01-01 | 002004 006100 107107 121503 904999 | 1 |

MISSING ITEM NUMBERS NOT APPLICABLE

- ITEM NOT ILLUSTRATED

21-00-00-01

21-00-00
FIG. 01
PAGE 2
JAN 20/09

BRI



757

PARTS CATALOG (MAINTENANCE)

| FIG ITEM | PART NUMBER | 1 2 3 4 5 6 7 | NOMENCLATURE | EFFECT FROM TO | UNITS PER ASSY |
|----------|-------------|---------------|--|--|----------------|
| 1 | | | | | |
| - 65 | 213N3001-2 | | .INLET INSTL-RAM AIR HEAT SINK POSITION DATA: RH FOR DETAILS SEE: 21-53-01-01 | 002004 006100 107107 121503 904999 | 1 |
| - 70 | 213N2003-3 | | .MANIFOLD INSTL-MIX BAY CONDITIONED AIR FOR DETAILS SEE: 21-21-51-02 | 107107 | 1 |
| - 70 | 213N2003-5 | | .MANIFOLD INSTL-MIX BAY CONDITIONED AIR FOR DETAILS SEE: 21-21-51-02 | 002004 006100 121503 904999 | 1 |
| - 80 | 213N3003-7 | | .OUTLET INSTL-RAM AIR HEAT SINK POSITION DATA: LH FOR DETAILS SEE: 21-53-02-02 | 002004 006100 107107 121503 904999 | 1 |
| - 85 | 213N3003-8 | | .OUTLET INSTL-RAM AIR HEAT SINK POSITION DATA: RH FOR DETAILS SEE: 21-53-02-02 | 002004 006100 107107 121503 904999 | 1 |
| - 90 | 213N3004-1 | | .PROVISIONS INSTL-RAM AIR HEAT SINK POSITION DATA: LH FOR DETAILS SEE: 21-53-02-05 | 002004 006100 107107 121503 904999 | 1 |
| - 95 | 213N3004-2 | | .PROVISIONS INSTL-RAM AIR HEAT SINK POSITION DATA: RH FOR DETAILS SEE: 21-53-02-05 | 002004 006100 107107 121503 904999 | 1 |
| - 100 | 213N1001-1 | | .PACK INSTL-UNDER WING AIR CONDITIONING POSITION DATA: L SIDE VARIABLE DRAWING REF: 213N1001-3 213N1001-13 FOR DETAILS SEE: 21-52-01-01 | 002004 006100 107107 121503 904999 | 1 |

MISSING ITEM NUMBERS NOT APPLICABLE

- ITEM NOT ILLUSTRATED

21-00-00-01

21-00-00
FIG. 01
PAGE 3
JAN 20/09

BRI



757

PARTS CATALOG (MAINTENANCE)

| FIG ITEM | PART NUMBER | 1 2 3 4 5 6 7 | NOMENCLATURE | EFFECT FROM TO | UNITS PER ASSY |
|----------|-------------|---------------|--|--|----------------|
| 1 | | | | | |
| - 105 | 213N1001-2 | | .PACK INSTL-UNDER WING AIR CONDITIONING POSITION DATA: R SIDE VARIABLE DRAWING REF: 213N1001-4 213N1001-14 FOR DETAILS SEE: 21-52-01-01 | 002004 006100 107107 121503 904999 | 1 |
| - 110 | 214N1008-1 | | .DUCT INSTL-CONDITIONED AIR BELOW FLOOR POSITION DATA: STA 234 TO 310 FLIGHT DECK LH SIDE FUNCTIONAL REFERENCE: AIR CONDITIONING FOR DETAILS SEE 21-22-05-06 21-45-02-01 PLACARDS AND MARKINGS FOR DETAILS SEE 11-36-30-01 | 002004 006100 107107 121503 904999 | 1 |
| - 115 | 214N1009-1 | | .DUCT INSTL-CONDITIONED AIR BELOW FLOOR POSITION DATA: STA 234 TO 310 FLIGHT DECK RH SIDE FUNCTIONAL REFERENCE: AIR CONDITIONING FOR DETAILS SEE 21-22-05-07 21-45-02-02 PLACARDS AND MARKINGS FOR DETAILS SEE 11-36-30-01 | 002004 006100 107107 121503 904999 | 1 |
| - 120 | 214N1010-2 | | .DUCT INSTL-CONDITIONED AIR BELOW FLOOR CROSSOVER POSITION DATA: STA 314.5 FOR DETAILS SEE: 21-22-05-08 | 002004 006100 107107 121503 904999 | 1 |
| - 125 | 214N1011-3 | | .DUCT INSTL-CONDITIONED AIR BELOW FLOOR POSITION DATA: STA 340 TO 430 LH SIDE FOR DETAILS SEE: 21-22-05-09 21-61-01-01 | 002004 006100 107107 121503 904999 | 1 |

MISSING ITEM NUMBERS NOT APPLICABLE

- ITEM NOT ILLUSTRATED

21-00-00-01

21-00-00
FIG. 01
PAGE 4
JAN 20/09

BRI

 **BOEING**
757
PARTS CATALOG (MAINTENANCE)

| FIG ITEM | PART NUMBER | 1 2 3 4 5 6 7 | NOMENCLATURE | EFFECT FROM TO | UNITS PER ASSY |
|----------|-------------|---------------|--|--|----------------|
| 1 | | | | | |
| - 130 | 214N1003-1 | | . DUCT INSTL-CONDITIONED AIR BELOW FLOOR POSITION DATA: STA 430 TO 585 LH SIDE FOR DETAILS SEE: 21-22-05-01 | 002004 006100 107107 121503 904999 | 1 |
| - 135 | 214N1004-1 | | . DUCT INSTL-CONDITIONED AIR BELOW FLOOR POSITION DATA: STA 585 TO 828 LH SIDE FOR DETAILS SEE: 21-22-05-02 | 002004 006100 107107 121503 904999 | 1 |
| - 135 | 214N1004-2 | | . DUCT INSTL-CONDITIONED AIR BELOW FLOOR POSITION DATA: STA 585 TO 828 LH SIDE FOR DETAILS SEE: 21-22-05-18 | 950999 | 1 |
| - 140 | 214N1006-3 | | . DUCT INSTL-CONDITIONED AIR POSITION DATA: FLIGHT DECK FOR DETAILS SEE: 21-22-05-04 | 002004 006100 107107 121503 904999 | 1 |
| - 145 | 214N2001-17 | | . DUCT INSTL-SIDEWALL AIR DISTR SYS FOR DETAILS SEE: 21-23-01-12 | 107107 | 1 |
| - 146 | 214N2001-40 | | . DUCT INSTL-SIDEWALL AIR DISTR SYS FOR DETAILS SEE: 21-23-01-21 | 121503 904949 | 1 |
| - 146 | 214N2001-57 | | . DUCT INSTL-SIDEWALL AIR DISTR SYS FOR DETAILS SEE: 21-23-01-31 | 952999 | 1 |
| - 146 | 214N2001-61 | | . DUCT INSTL-SIDEWALL AIR DISTR SYS FOR DETAILS SEE: 21-23-01-33 | 002004 006100 | 1 |
| - 146 | 214N2001-62 | | . DUCT INSTL-SIDEWALL AIR DISTR SYS | 950951 | 1 |
| - 147 | 214N2001-77 | | . DUCT INSTL-SIDEWALL AIR DISTR SYS FOR DETAILS SEE: 21-23-01-57 | 950951 | 1 |

MISSING ITEM NUMBERS NOT APPLICABLE

- ITEM NOT ILLUSTRATED

BRI

21-00-00-01

21-00-00
FIG. 01
PAGE 5
JAN 20/09



757

PARTS CATALOG (MAINTENANCE)

| FIG ITEM | PART NUMBER | 1 2 3 4 5 6 7 | NOMENCLATURE | EFFECT FROM TO | UNITS PER ASSY |
|----------|-------------|---------------|---|--|----------------|
| 1 | | | | | |
| - 150 | 214N2002-11 | | . DUCT INSTL-AIR DISTR OVERHEAD VARIABLE DRAWING REF: 214N2002-3 FOR DETAILS SEE: 21-23-01-03 | 107107 | 1 |
| - 150 | 214N2002-31 | | . DUCT INSTL-OVERHEAD AIR DISTR SYS VARIABLE DRAWING REF: 214N2002-35 214N2002-53 FOR DETAILS SEE: 21-23-01-03 21-23-01-06 | 002004 121503 904949 952952 | 1 |
| - 150 | 214N2002-54 | | . DUCT INSTL-OVERHEAD AIR DISTR SYS VARIABLE DRAWING REF: 214N2002-61 214N2002-73 FOR DETAILS SEE: 21-23-01-03 21-23-01-06 | 006100 950951 953999 | 1 |
| - 155 | 214N2003-1 | | . DUCT INSTL-AIR DISTR SYS SIDEWALL RISER FOR DETAILS SEE: 21-23-01-01 | 002004 006100 107107 121503 904999 | 1 |
| - 160 | 214N2008-1 | | . PROVISIONS INSTL-AIR DISTR SYS SIDEWALL RISER SPRT FOR DETAILS SEE: 21-23-51-10 | 002004 006100 107107 121503 904999 | 1 |
| - 165 | 214N2007-2 | | . PROVISIONS INSTL-AIR DISTR SYS OVERHEAD DUCT SPRT VARIABLE DRAWING REF: 214N2007-3 214N2007-20 214N2007-32 FOR DETAILS SEE: 21-23-51-05 21-23-51-13 21-23-51-33 | 002004 107107 121503 904949 952952 | 1 |
| - 165 | 214N2007-34 | | . PROVISIONS INSTL-AIR DISTR SYS OVERHEAD DUCT SPRT VARIABLE DRAWING REF: 214N2007-51 FOR DETAILS SEE: 21-23-51-33 | 006010 950951 953999 | 1 |

MISSING ITEM NUMBERS NOT APPLICABLE

- ITEM NOT ILLUSTRATED

21-00-00-01

21-00-00
FIG. 01
PAGE 6
JAN 20/09

BRI



757

PARTS CATALOG (MAINTENANCE)

| FIG ITEM | PART NUMBER | 1 2 3 4 5 6 7 | NOMENCLATURE | EFFECT FROM TO | UNITS PER ASSY |
|----------|-------------|---------------|---|------------------|----------------|
| 1 | | | | | |
| - 170 | 214N3002-6 | | . DUCT INSTL-LAV/GALLEY VENT SYS POSITION DATA: SECT. 41 VARIABLE DRAWING REF: 214N3002-2 214N3002-4 FOR DETAILS SEE: 21-26-09-03 | 107107 | 1 |
| - 170 | 214N3002-10 | | . DUCT INSTL-LAV/GALLEY VENT SYS POSITION DATA: SECT. 41 FOR DETAILS SEE: 21-26-09-03 | 952999 | 1 |
| - 170 | 214N3002-11 | | . DUCT INSTL-LAV/GALLEY VENT SYS POSITION DATA: SECT. 41 FOR DETAILS SEE: 21-26-09-03 | 950951 | 1 |
| - 170 | 214N3002-7 | | . DUCT INSTL-LAV/GALLEY VENT SYS POSITION DATA: SECT. 41 FOR DETAILS SEE: 21-26-09-03 | 107107 | 1 |
| - 170 | 214N3002-23 | | . DUCT INSTL-LAV/GALLEY VENT SYS POSITION DATA: SECT. 41 FOR DETAILS SEE: 21-26-09-03 | 121503 904949 | 1 |
| - 170 | 214N3002-25 | | . DUCT INSTL-LAV/GALLEY VENT SYS POSITION DATA: SECT. 41 FOR DETAILS SEE: 21-26-09-03 | 002004 006017 | 1 |
| - 170 | 214N3002-34 | | . DUCT INSTL-LAV/GALLEY VENT SYS POSITION DATA: SECT. 41 FOR DETAILS SEE: 21-26-09-14 | 018100 | 1 |

MISSING ITEM NUMBERS NOT APPLICABLE

- ITEM NOT ILLUSTRATED

21-00-00-01

21-00-00
FIG. 01
PAGE 7
JAN 20/09

BRI



757

PARTS CATALOG (MAINTENANCE)

| FIG ITEM | PART NUMBER | 1 2 3 4 5 6 7 | NOMENCLATURE | EFFECT FROM TO | UNITS PER ASSY |
|----------|-------------|---------------|---|----------------------------|----------------|
| 1 | | | | | |
| - 175 | 214N3003-11 | | . DUCT INSTL-LAV/GALLEY VENT SYS POSITION DATA: SECT. 43 VARIABLE DRAWING REF: 214N3003-2 214N3003-3 214N3003-4 214N3003-5 FOR DETAILS SEE: 21-26-09-01 | 107107 121503 904949 | 1 |
| - 175 | 214N3003-16 | | . DUCT INSTL-LAV/GALLEY VENT SYS POSITION DATA: SECT. 43 FOR DETAILS SEE: 21-26-09-01 | 002004 006010 | 1 |
| - 175 | 214N3003-26 | | . DUCT INSTL-LAV/GALLEY VENT SYS POSITION DATA: SECT. 43 FOR DETAILS SEE: 21-26-09-13 | 952999 | 1 |
| - 175 | 214N3003-31 | | . DUCT INSTL-LAV/GALLEY VENT SYS POSITION DATA: SECT. 43 FOR DETAILS SEE: 21-26-09-13 | 950951 | 1 |
| - 176 | 214N3003-37 | | . DUCT INSTL-LAV/GALLEY VENT SYS POSITION DATA: SECT. 43 FOR DETAILS SEE: 21-26-09-29 | 011100 | 1 |
| - 190 | 214N3005-47 | | . DUCT INSTL-LAV/GALLEY VENT SYS POSITION DATA: SECT. 46 FOR DETAILS SEE: 21-26-09-05 | 002004 | 1 |
| - 245 | 214N3005-37 | | . DUCT INSTL-LAV/GALLEY VENT SYS POSITION DATA: SECT. 46 FOR DETAILS SEE: 21-26-09-09 | 107107 | 1 |

MISSING ITEM NUMBERS NOT APPLICABLE

- ITEM NOT ILLUSTRATED

21-00-00-01

21-00-00
FIG. 01
PAGE 8
JAN 20/09

BRI



757

PARTS CATALOG (MAINTENANCE)

| FIG ITEM | PART NUMBER | 1 2 3 4 5 6 7 | NOMENCLATURE | EFFECT FROM TO | UNITS PER ASSY |
|----------|-------------|---------------|--|--|----------------|
| 1 | | | | | |
| - 245 | 214N3005-41 | | . DUCT INSTL-LAV/GALLEY VENT SYS POSITION DATA: SECT. 46 FOR DETAILS SEE: 21-26-09-09 | 121503 904949 | 1 |
| - 245 | 214N3005-45 | | . DUCT INSTL-LAV/GALLEY SYS POSITION DATA: SECT. 46 FOR DETAILS SEE: 21-26-09-09 | 952999 | 1 |
| - 245 | 214N3005-58 | | . DUCT INSTL-LAV/GALLEY VENT SYS POSITION DATA: SECT. 46 FOR DETAILS SEE: 21-26-09-22 | 006100 | 1 |
| - 245 | 214N3005-52 | | . DUCT INSTL-LAV/GALLEY VENT SYS POSITION DATA: SECT. 46 FOR DETAILS SEE: 21-26-09-22 | 950951 | 1 |
| - 246 | 214N3005-56 | | . DUCT INSTL-LAV/GALLEY VENT SYS POSITION DATA: SECT. 46 FOR DETAILS SEE: 21-26-09-25 | 953999 | 1 |
| - 255 | 214N5006-3 | | . DUCT INSTL-CAB. AIR RECIRCULATION FOR DETAILS SEE: 21-25-05-01 | 950999 | 1 |
| - 255 | 214N5006-4 | | . DUCT INSTL-CAB. AIR RECIRCULATION FOR DETAILS SEE: 21-25-05-01 | 002004 006100 107107 121503 904951 011017 | 1 |
| - 261 | 214N2026-21 | | . DUCT INSTL-SIDEWALL AIR DISTR SYS FOR DETAILS SEE: 21-23-01-76 | 011017 | 1 |
| - 262 | 214N2026-41 | | . DUCT INSTL-SIDEWALL AIR DISTR SYS FOR DETAILS SEE: 21-23-01-76 | 018100 | 1 |

MISSING ITEM NUMBERS NOT APPLICABLE

- ITEM NOT ILLUSTRATED

21-00-00-01

21-00-00
FIG. 01
PAGE 9
JAN 20/09

BRI



757

PARTS CATALOG (MAINTENANCE)

| FIG ITEM | PART NUMBER | 1 2 3 4 5 6 7 | NOMENCLATURE | EFFECT FROM TO | UNITS PER ASSY |
|----------|-------------|---------------|--|--------------------------------------|----------------|
| 1 | | | | | |
| - 265 | 214N3007-90 | | .ORIFICE INSTL-LAV/GALLEY VENT SYS FOR DETAILS SEE: 21-26-09-39 | 950951 | 1 |
| - 265 | 214N3007-96 | | .ORIFICE INSTL-LAV/GALLEY VENT SYS FOR DETAILS SEE: 21-26-09-39 | 016100 | 1 |
| - 265 | 214N3007-6 | | .ORIFICE INSTL-LAV/GALLEY VENT SYS FOR DETAILS SEE: 21-26-09-06 | 107107 | 1 |
| - 265 | 214N3007-34 | | .ORIFICE INSTL-LAV/GALLEY VENT SYS FOR DETAILS SEE: 21-26-09-15 | 121503 | 1 |
| - 266 | 214N3007-23 | | .ORIFICE INSTL-LAV/GALLEY VENT SYS FOR DETAILS SEE: 21-26-09-06 | 904949 | 1 |
| - 267 | 214N3007-30 | | .ORIFICE INSTL-LAV/GALLEY VENT SYS FOR DETAILS SEE: 21-26-09-06 | 952952 | 1 |
| - 267 | 214N3007-33 | | .ORIFICE INSTL-LAV/GALLEY VENT SYS FOR DETAILS SEE: 21-26-09-06 | 002004 | 1 |
| - 267 | 214N3007-58 | | .ORIFICE INSTL-LAV/GALLEY VENT SYS FOR DETAILS SEE: 21-26-09-16 | 953999 | 1 |
| - 267 | 214N3007-61 | | .ORIFICE INSTL-LAV/GALLEY VENT SYS FOR DETAILS SEE: 21-26-09-16 | 006010 | 1 |
| - 268 | 214N3007-86 | | .ORIFICE INSTL-LAV/GALLEY VENT SYS FOR DETAILS SEE: 21-26-09-39 | 011015 | 1 |
| - 275 | 214N1002-4 | | .ORIFICE INSTL-LAV/GALLEY VENT SYS FOR DETAILS SEE: 21-22-01-01 | 107107 | 1 |
| - 275 | 214N1002-6 | | .ORIFICE INSTL-LAV/GALLEY VENT SYS FOR DETAILS SEE: 21-22-01-01 | 002004 006100 121503 904999 | 1 |

MISSING ITEM NUMBERS NOT APPLICABLE

- ITEM NOT ILLUSTRATED

21-00-00-01

21-00-00
FIG. 01
PAGE 10
JAN 20/09

BRI



757

PARTS CATALOG (MAINTENANCE)

| FIG ITEM | PART NUMBER | 1 2 3 4 5 6 7 | NOMENCLATURE | EFFECT FROM TO | UNITS PER ASSY |
|----------|--------------|---------------|--|--|----------------|
| 1 | | | | | |
| - 275 | 214N1002-8 | | .ORIFICE INSTL-CONDITIONED AIR POSITION DATA: FLIGHT DECK FOR DETAILS SEE: 21-22-01-01 | 006100 950951 953999 | 1 |
| - 280 | 214N2005-7 | | .NOZZLE INSTL-OVERHEAD AIR DISTR SYS FOR DETAILS SEE: 21-22-03-02 | 107107 | 1 |
| - 280 | 214N2005-47 | | .NOZZLE INSTL-OVERHEAD AIR DISTR SYS FOR DETAILS SEE: 21-22-03-06 | 904949 | 1 |
| - 280 | 214N2005-48 | | .NOZZLE INSTL-OVERHEAD AIR DISTR SYS FOR DETAILS SEE: 21-22-03-06 | 121503 | 1 |
| - 281 | 214N2005-101 | | .NOZZLE INSTL-OVERHEAD AIR DISTR SYS FOR DETAILS SEE: 21-22-03-25 | 950951 | 1 |
| - 281 | 214N2005-103 | | .NOZZLE INSTL-OVERHEAD AIR DISTR SYS FOR DETAILS SEE: 21-22-03-26 | 953999 | 1 |
| - 281 | 214N2005-108 | | .NOZZLE INSTL-OVERHEAD AIR DISTR SYS FOR DETAILS SEE: 21-22-03-26 | 952952 | 1 |
| - 281 | 214N2005-110 | | .NOZZLE INSTL-OVERHEAD AIR DISTR SYS | 950951 | 1 |
| - 281 | 214N2005-117 | | .NOZZLE INSTL-OVERHEAD AIR DISTR SYS FOR DETAILS SEE: 21-22-03-27 | 006100 | 1 |
| - 281 | 214N2005-99 | | .NOZZLE INSTL-OVERHEAD AIR DISTR SYS FOR DETAILS SEE: 21-22-03-27 | 002004 | 1 |
| - 285 | 214N1005-2 | | .DUCT INSTL-CONDITIONED AIR SIDEWALL POSITION DATA: FLIGHT DECK FOR DETAILS SEE: 21-22-05-03 21-45-01-01 | 002004 006010 107107 121503 904999 | 1 |

MISSING ITEM NUMBERS NOT APPLICABLE

- ITEM NOT ILLUSTRATED

BRI

21-00-00-01

BOEING PROPRIETARY - Copyright © - Unpublished Work - See title page for details.

21-00-00
FIG. 01
PAGE 11
JAN 20/09



757

PARTS CATALOG (MAINTENANCE)

| FIG ITEM | PART NUMBER | 1 2 3 4 5 6 7 | NOMENCLATURE | EFFECT FROM TO | UNITS PER ASSY |
|----------|-------------|---------------|---|--|----------------|
| 1 | | | | | |
| - 285 | 214N1005-6 | | . DUCT INSTL-CONDITIONED AIR SIDEWALL POSITION DATA: FLIGHT DECK FOR DETAILS SEE: 21-45-01-01 | 011100 | 1 |
| - 290 | 214N1007-3 | | . EQUIPMENT INSTL- CONDITIONED AIR OVERHEAD POSITION DATA: FLIGHT DECK VARIABLE DRAWING REF: 214N1007-4 FOR DETAILS SEE: 21-22-05-05 | 002004 006010 107107 121503 904999 | 1 |
| - 290 | 214N1007-6 | | . EQUIPMENT INSTL- CONDITIONED AIR OVERHEAD POSITION DATA: FLIGHT DECK FOR DETAILS SEE: 21-22-05-05 | 011100 | 1 |
| - 295 | 214N5001-7 | | . EQUIPMENT INSTL-MIX BAY CAB. AIR RECIRCULATE FOR DETAILS SEE: 21-25-01-10 | 002004 006100 107107 121503 904999 | 1 |
| - 300 | 214N3006-1 | | . FAN INSTL-VENT SYS POSITION DATA: SECT. 46 FOR DETAILS SEE: 21-26-01-01 | 002004 006100 107107 121503 904999 | 1 |
| - 305 | 214N2004-2 | | . ADAPTOR INSTL-OVERHEAD AIR DISTR SYS VARIABLE DRAWING REF: 214N2004-3 214N2004-21 214N2004-29 FOR DETAILS SEE: 21-22-03-01 21-22-03-05 21-22-03-24 | 002004 006100 107107 121503 904999 | 1 |
| - 305 | 214N2004-31 | | . ADAPTOR INSTL-OVERHEAD AIR DISTR SYS VARIABLE DRAWING REF: 214N2004-46 214N2004-47 FOR DETAILS SEE: 21-22-03-24 21-22-03-29 | 006100 953999 | 1 |

MISSING ITEM NUMBERS NOT APPLICABLE

- ITEM NOT ILLUSTRATED

21-00-00-01

21-00-00
FIG. 01
PAGE 12
JAN 20/09

BRI



757

PARTS CATALOG (MAINTENANCE)

| FIG ITEM | PART NUMBER | 1 2 3 4 5 6 7 | NOMENCLATURE | EFFECT FROM TO | UNITS PER ASSY |
|----------|-------------|---------------|---|--------------------------------------|----------------|
| 1 | | | | | |
| - 310 | 214N4001-3 | | . DUCT INSTL-LAV A SUPPLEMENTAL INDIVIDUAL AIR POSITION DATA: STA 297 THRU 340 LH FOR DETAILS SEE: 21-26-09-61 | 002004 006100 121503 950999 | 1 |
| - 315 | 214N4001-7 | | . DUCT INSTL-LAV F SUPPLEMENTAL INDIVIDUAL AIR POSITION DATA: STA 379.2 THRU 415.6 RH FOR DETAILS SEE: 21-26-09-61C | 121503 | 1 |
| - 320 | 214N4001-8 | | . DUCT INSTL-LAV S SUPPLEMENTAL INDIVIDUAL AIR POSITION DATA: STA 647 THRU 682.9 LH FOR DETAILS SEE: 21-26-09-61G | 950999 | 1 |
| - 325 | 214N4001-2 | | . DUCT INSTL-LAV B AND C SUPPLEMENTAL INDIVIDUAL AIR POSITION DATA: STA 1244 THRU 1315 LH FOR DETAILS SEE: 21-26-09-61A | 002004 006100 | 1 |
| - 325 | 214N4001-13 | | . DUCT INSTL-LAV B SUPPLEMENTAL INDIVIDUAL AIR POSITION DATA: STA 1244 THRU 1279.4 LH FOR DETAILS SEE: 21-26-09-61A | 952999 | 1 |
| - 330 | 214N4001-1 | | . DUCT INSTL-LAV C SUPPLEMENTAL INDIVIDUAL AIR POSITION DATA: STA 1279.6 LH FOR DETAILS SEE: 21-26-09-61A | 121503 950999 | 1 |
| - 335 | 214N4001-4 | | . DUCT INSTL-LAV D SUPPLEMENTAL INDIVIDUAL AIR POSITION DATA: STA 1279.6 THRU 1315 RH FOR DETAILS SEE: 21-26-09-61B | 002004 006100 121503 950999 | 1 |

MISSING ITEM NUMBERS NOT APPLICABLE

- ITEM NOT ILLUSTRATED

21-00-00-01

21-00-00
FIG. 01
PAGE 13
JAN 20/09

BRI



757

PARTS CATALOG (MAINTENANCE)

| FIG ITEM | PART NUMBER | 1 2 3 4 5 6 7 | NOMENCLATURE | EFFECT FROM TO | UNITS PER ASSY |
|----------|-------------|---------------|---|--|----------------|
| 1 | | | | | |
| - 355 | 214N6004-3 | | . DUCT INSTL-G4A CHILLER COND EXH FOR DETAILS SEE: 21-26-51-02 | 002004 006100 | 1 |
| - 360 | 212N1001-1 | | . SWITCH INSTL-ALTITUDE AND AIR SUPPLY DUCT PRESSURE TRANSDUCER FUNCTIONAL REFERENCE: AIR CONDITIONING FOR DETAILS SEE 21-51-17-01 PNEUMATIC FOR DETAILS SEE 36-21-02-02 | 107107 121503 904949 | 1 |
| - 360 | 212N1001-5 | | . SWITCH INSTL-ALTITUDE AND AIR SUPPLY DUCT PRESSURE TRANSDUCER FOR DETAILS SEE: 21-51-17-01 | 002004 006007 952952 | 1 |
| - 365 | 212N1001-7 | | . SWITCH INSTL-ALTITUDE AND AIR SUPPLY DUCT PRESSURE TRANSDUCER FOR DETAILS SEE: 36-21-02-02 | 107107 121503 904949 | 1 |
| - 365 | 212N1001-8 | | . SWITCH INSTL-ALTITUDE AND AIR SUPPLY DUCT PRESSURE TRANSDUCER FOR DETAILS SEE: 36-21-02-02 | 002004 006007 952952 | 1 |
| - 365 | 212N1001-9 | | . SWITCH INSTL-ALTITUDE PRESSURE TRANSDUCER FUNCTIONAL REFERENCE: PNEUMATIC FOR DETAILS SEE 36-21-02-02 AIR CONDITIONING FOR DETAILS SEE 21-51-17-01 | 008100 950951 953999 | 1 |
| - 370 | 212N1001-3 | | . SWITCH INSTL-ALTITUDE AND AIR SUPPLY DUCT PRESSURE TRANSDUCER FOR DETAILS SEE: 36-21-02-02 | 002004 006007 107107 121503 904949 952952 | 1 |

MISSING ITEM NUMBERS NOT APPLICABLE

- ITEM NOT ILLUSTRATED

BRI

21-00-00-01

21-00-00
FIG. 01
PAGE 14
JAN 20/09



757

PARTS CATALOG (MAINTENANCE)

| FIG ITEM | PART NUMBER | 1 2 3 4 5 6 7 | NOMENCLATURE | EFFECT FROM TO | UNITS PER ASSY |
|----------|-------------|---------------|---|--|----------------|
| 1 | | | | | |
| - 375 | 212N1001-4 | | .SWITCH INSTL-ALTITUDE AND AIR SUPPLY DUCT PRESSURE TRANSDUCER FOR DETAILS SEE: 36-21-02-02 | 002004 006007 107107 121503 904949 952952 | 1 |
| - 380 | 212N3001-8 | | .DUCT INSTL-UNDER WING AIR SUPPLY FUNCTIONAL REFERENCE: PNEUMATIC FOR DETAILS SEE 36-11-01-17 36-22-01-03 | 107107 904949 | 1 |
| - 380 | 212N3001-18 | | .DUCT INSTL-UNDER WING AIR SUPPLY FUNCTIONAL REFERENCE: PNEUMATIC FOR DETAILS SEE 36-11-01-17 36-22-01-03 | 121503 | 1 |
| - 380 | 212N3001-20 | | .DUCT INSTL-UNDER WING AIR SUPPLY FUNCTIONAL REFERENCE: PNEUMATIC FOR DETAILS SEE 36-11-01-17 36-22-01-03 | 002004 006007 952952 | 1 |
| - 380 | 212N3001-25 | | .DUCT INSTL-UNDER WING AIR FUNCTIONAL REFERENCE: PNEUMATIC FOR DETAILS SEE 36-11-01-15 36-22-01-02 | 008100 950951 953999 | 1 |
| - 385 | 212N3003-2 | | .DUCT INSTL-WHL WELL AND UNDER WING AIR SUPPLY FOR DETAILS SEE: 36-11-01-02 | 002004 006007 107107 121503 904949 952952 | 1 |
| - 385 | 212N3003-4 | | .DUCT INSTL-WHL WELL AND UNDER WING AIR SUPPLY FOR DETAILS SEE: 36-11-01-10 | 008017 950951 953999 | 1 |
| - 385 | 212N3003-9 | | .DUCT INSTL-WHL WELL AND UNDER WING AIR SUPPLY FOR DETAILS SEE: 36-11-01-10 | 018100 | 1 |

MISSING ITEM NUMBERS NOT APPLICABLE

- ITEM NOT ILLUSTRATED

21-00-00-01

21-00-00
FIG. 01
PAGE 15
JAN 20/09

BRI



757

PARTS CATALOG (MAINTENANCE)

| FIG ITEM | PART NUMBER | 1 2 3 4 5 6 7 | NOMENCLATURE | EFFECT FROM TO | UNITS PER ASSY |
|----------|-------------|---------------|--|--|----------------|
| 1 | | | | | |
| - 390 | 212N3005-1 | | . DUCT INSTL-AIR SUPPLY POSITION DATA: SECT. 46 FOR DETAILS SEE: 36-11-01-20 | 002004 006100 107107 121503 904999 | 1 |
| - 395 | 212N3007-2 | | . DUCT INSTL-AIR SUPPLY POSITION DATA: SECT. 48 FUNCTIONAL REFERENCE: PLACARDS AND MARKINGS FOR DETAILS SEE 11-23-00-02 PNEUMATIC FOR DETAILS SEE 36-11-10-01 | 107107 | 1 |
| - 395 | 212N3007-4 | | . DUCT INSTL-AIR SUPPLY POSITION DATA: SECT. 48 FUNCTIONAL REFERENCE: PLACARDS AND MARKINGS FOR DETAILS SEE 11-23-00-02 PNEUMATIC FOR DETAILS SEE 36-11-10-01 | 002004 006100 121503 904999 | 1 |
| - 400 | 212N3000-1 | | . DUCT INSTL- POSITION DATA: LH FOR DETAILS SEE: 21-51-22-02 | 008100 950951 953999 | 1 |
| - 405 | 212N3000-2 | | . DUCT INSTL- POSITION DATA: RH FOR DETAILS SEE: 21-51-22-02 | 008100 950951 953999 | 1 |
| - 410 | 212N3009-3 | | . DUCT INSTL-WING LE AIR SUPPLY POSITION DATA: LH FOR DETAILS SEE: 36-11-01-03 | 107107 904949 | 1 |
| - 410 | 212N3009-5 | | . DUCT INSTL-WING LE AIR SUPPLY POSITION DATA: LH FOR DETAILS SEE: 36-11-01-03 | 002004 006100 121503 950999 | 1 |

MISSING ITEM NUMBERS NOT APPLICABLE

- ITEM NOT ILLUSTRATED

21-00-00-01

21-00-00
FIG. 01
PAGE 16
JAN 20/09

BRI



757

PARTS CATALOG (MAINTENANCE)

| FIG ITEM | PART NUMBER | 1 2 3 4 5 6 7 | NOMENCLATURE | EFFECT FROM TO | UNITS PER ASSY |
|----------|-------------|---------------|---|--|----------------|
| 1 | | | | | |
| - 415 | 212N3009-4 | | . DUCT INSTL-WING LE AIR SUPPLY POSITION DATA: RH FOR DETAILS SEE: 36-11-01-03 | 107107 904949 | 1 |
| - 415 | 212N3009-6 | | . DUCT INSTL-WING LE AIR SUPPLY POSITION DATA: RH FOR DETAILS SEE: 36-11-01-03 | 002004 006100 121503 950999 | 1 |
| - 420 | 212N3010-1 | | . SUPPORT INSTL-UNDER WING AIR SUPPLY POSITION DATA: LH FUNCTIONAL REFERENCE: PNEUMATIC FOR DETAILS SEE 36-11-01-05 PLACARDS AND MARKINGS FOR DETAILS SEE 11-24-10-01 | 002004 006010 107107 121503 904999 | 1 |
| - 420 | 212N3010-13 | | . SUPPORT INSTL-UNDER WING AIR SUPPLY POSITION DATA: LH FUNCTIONAL REFERENCE: PNEUMATIC FOR DETAILS SEE 36-11-01-11 PLACARDS AND MARKINGS FOR DETAILS SEE 11-24-10-01 | 011100 | 1 |
| - 425 | 212N3010-2 | | . SUPPORT INSTL-UNDER WING AIR SUPPLY POSITION DATA: RH FUNCTIONAL REFERENCE: PNEUMATIC FOR DETAILS SEE 36-11-01-05 PLACARDS AND MARKINGS FOR DETAILS SEE 11-24-10-01 | 002004 006010 107107 121503 904999 | 1 |

MISSING ITEM NUMBERS NOT APPLICABLE

- ITEM NOT ILLUSTRATED

BRI

21-00-00-01

BOEING PROPRIETARY - Copyright © - Unpublished Work - See title page for details.

21-00-00
FIG. 01
PAGE 17
JAN 20/09



757

PARTS CATALOG (MAINTENANCE)

| FIG ITEM | PART NUMBER | 1 2 3 4 5 6 7 | NOMENCLATURE | EFFECT FROM TO | UNITS PER ASSY |
|----------|-------------|---------------|--|----------------|----------------|
| 1 | | | | | |
| - 425 | 212N3010-14 | | .SUPPORT INSTL-UNDER WING AIR SUPPLY POSITION DATA: RH FUNCTIONAL REFERENCE: PNEUMATIC FOR DETAILS SEE 36-11-51-01 PLACARDS AND MARKINGS FOR DETAILS SEE 11-24-10-01 | 011100 | 1 |
| - 430 | 214N2044-1 | | .HEATER SYSTEM INSTL-DOOR 1 AREA POST SERVICE BULLETIN: 21-0060 FUNCTIONAL REFERENCE: PLACARDS AND MARKINGS FOR DETAILS SEE 11-21-50-01 AIR CONDITIONING FOR DETAILS SEE 21-45-52-01 | 009009 | 1 |
| - 435 | 214N2044-2 | | .HEATER SYSTEM INSTL-DOOR 2 AREA POST SERVICE BULLETIN: 21-0060 FUNCTIONAL REFERENCE: PLACARDS AND MARKINGS FOR DETAILS SEE 11-21-50-01 AIR CONDITIONING FOR DETAILS SEE 21-45-52-02 | 009009 | 1 |
| - 440 | 214N2044-3 | | .HEATER SYSTEM INSTL-DOOR 3 AREA POST SERVICE BULLETIN: 21-0060 FUNCTIONAL REFERENCE: PLACARDS AND MARKINGS FOR DETAILS SEE 11-21-50-01 AIR CONDITIONING FOR DETAILS SEE 21-45-52-03 | 009009 | 1 |

MISSING ITEM NUMBERS NOT APPLICABLE

- ITEM NOT ILLUSTRATED

21-00-00-01

21-00-00
FIG. 01
PAGE 18
JAN 20/09

BRI



757

PARTS CATALOG (MAINTENANCE)

| FIG ITEM | PART NUMBER | 1 2 3 4 5 6 7 | NOMENCLATURE | EFFECT FROM TO | UNITS PER ASSY |
|----------|-------------|---------------|---|--|----------------|
| 1 | | | | | |
| - 445 | 214N2044-4 | | .HEATER SYSTEM INSTL-DOOR 4 AREA POST SERVICE BULLETIN: 21-0060 FUNCTIONAL REFERENCE: PLACARDS AND MARKINGS FOR DETAILS SEE 11-21-50-01 AIR CONDITIONING FOR DETAILS SEE 21-45-52-04 | 009009 | 1 |
| - 450 | 214N2048-1 | | .PROVISIONS INSTL-AUX HEATING SYS DOOR 1 AREA POST SERVICE BULLETIN: 21-0060 FOR DETAILS SEE: 21-45-52-05 | 009009 | 1 |
| - 455 | 214N2048-2 | | .PROVISIONS INSTL-AUX HEATING SYS DOOR 2 AREA POST SERVICE BULLETIN: 21-0060 FOR DETAILS SEE: 21-45-52-05 | 009009 | 1 |
| - 460 | 214N2048-3 | | .PROVISIONS INSTL-AUX HEATING SYS DOOR 3 AREA POST SERVICE BULLETIN: 21-0060 FOR DETAILS SEE: 21-45-52-05 | 009009 | 1 |
| - 465 | 214N2048-4 | | .PROVISIONS INSTL-AUX HEATING SYS DOOR 4 AREA POST SERVICE BULLETIN: 21-0060 FOR DETAILS SEE: 21-45-52-05 | 009009 | 1 |
| - 470 | 214N2024-5 | | .PROVISIONS INSTL-OVERHEAD AIR DISTR SYS FOR DETAILS SEE: 21-23-51-07 | 011100 | RF |
| - 475 | 214N2025-9 | | .DUCT INSTL-OVERHEAD AIR DISTR SYS FOR DETAILS SEE: 21-23-01-13A | 011100 | RF |
| - 480 | 214N5020-1 | | .SUPPORT INSTL-MIX BAY RECIRCULATE AIR FILTER POSITION DATA: RH FOR DETAILS SEE: 21-25-51-01 | 002004 006100 107107 121503 904999 | RF |

MISSING ITEM NUMBERS NOT APPLICABLE

- ITEM NOT ILLUSTRATED

21-00-00-01

21-00-00
FIG. 01
PAGE 19
JAN 20/09

BRI



757

PARTS CATALOG (MAINTENANCE)

| FIG ITEM | PART NUMBER | 1 2 3 4 5 6 7 | NOMENCLATURE | EFFECT FROM TO | UNITS PER ASSY |
|-------------|-------------|---------------|--|----------------------------|----------------------|
| 1 - 500 | 214N3011-3 | | .PROVISIONS INSTL-LAV/ GALLEY VENT SYS POSITION DATA: SECT. 46 FOR DETAILS SEE: 53-63-60-02 | 006100 950951 953999 | 1 |
| - 505 | 214N3009-2 | | .FAN INSTL-LAV/GALLEY VENT FOR DETAILS SEE: 21-26-01-04 | 006100 950951 953999 | 1 |

MISSING ITEM NUMBERS NOT APPLICABLE

- ITEM NOT ILLUSTRATED

BRI

21-00-00-01

BOEING PROPRIETARY - Copyright © - Unpublished Work - See title page for details.

21-00-00
FIG. 01
PAGE 20
JAN 20/09

 **BOEING**
757
PARTS CATALOG (MAINTENANCE)

NON-ILLUSTRATED FIGURE

THE ITEMS REFLECTED IN THIS FIGURE ARE INTENTIONALLY
NON-ILLUSTRATED. THEY ARE REFERENCED TO EITHER A
NEXT HIGHER OR NEXT LOWER ASSEMBLY/INSTALLATION FIGURE.

SYSTEMS INSTL-ENVIRONMENTAL CONTROLS
FIGURE 3

21-00-00-03

BRI
JAN 20/08

21-00-00-03
PAGE 0



757

PARTS CATALOG (MAINTENANCE)

| FIG ITEM | PART NUMBER | 1 2 3 4 5 6 7 | NOMENCLATURE | EFFECT FROM TO | UNITS PER ASSY |
|----------|-------------|---------------|--|--|----------------|
| 3 | | | SYSTEMS INSTL-ENVIRONMENTAL CONTROLS | 002004 006100 121503 950951 953999 | |
| - 305 | 215N3008-6 | | .DUCT INSTL-CARGO HEATING SYS POSITION DATA: L SIDE FOR DETAILS SEE: 21-44-08-01 | 002004 006100 121503 950951 953999 | 1 |

MISSING ITEM NUMBERS NOT APPLICABLE

- ITEM NOT ILLUSTRATED

BRI

21-00-00-03

BOEING PROPRIETARY - Copyright © - Unpublished Work - See title page for details.

21-00-00
FIG. 03
PAGE 1
JAN 20/09

NON-ILLUSTRATED FIGURE

THE ITEMS REFLECTED IN THIS FIGURE ARE INTENTIONALLY
NON-ILLUSTRATED. THEY ARE REFERENCED TO EITHER A
NEXT HIGHER OR NEXT LOWER ASSEMBLY/INSTALLATION FIGURE.

SYSTEMS INSTL-ENVIRONMENTAL CONTROLS
FIGURE 4

21-00-00-04

BRI
MAY 28/07

21-00-00-04
PAGE 0

 **BOEING**
757
PARTS CATALOG (MAINTENANCE)

| FIG ITEM | PART NUMBER | 1 2 3 4 5 6 7 | NOMENCLATURE | EFFECT FROM TO | UNITS PER ASSY |
|----------|--------------|---------------|--|--|----------------|
| 4 | | | SYSTEMS INSTL-ENVIRONMENTAL CONTROLS | 002004 006100 107107 121503 904999 | |
| - 1 | 210N0001-1 | | SYSTEMS INSTL-ENVIRONMENTAL CONTROLS VARIABLE DRAWING REF: 210N0001-5003 210N0901-5003 210N0901-5004 210N0901-5039 210N0901-5042 | 002004 006100 107107 121503 904999 | 1 |
| - 5 | 65C31493-112 | | .HOSE INSTL-GASPER POSITION DATA: STA 429 TO 1570 FOR DETAILS SEE: 21-24-00-05 | 952999 | 1 |
| - 5 | 65C31493-150 | | .HOSE INSTL-GASPER POSITION DATA: STA 429 TO 1570 FOR DETAILS SEE: 21-24-00-06 | 950951 | 1 |
| - 10 | 215N3003-6 | | .DUCT INSTL-CARGO HEATING SYS MIX BAY FUNCTIONAL REFERENCE: PLACARDS AND MARKINGS FOR DETAILS SEE 11-38-51-02 AIR CONDITIONING FOR DETAILS SEE 21-43-03-02 | 002004 006100 107107 121503 904999 | 1 |
| - 15 | 215N3008-5 | | .DUCT INSTL-CARGO HEATING SYS POSITION DATA: L SIDE FOR DETAILS SEE: 21-44-08-01 | 107107 904949 952952 | 1 |
| - 20 | 215N3007-9 | | .EQUIPMENT INSTL-CARGO HEATING SYS POSITION DATA: STA 1200 FUNCTIONAL REFERENCE: PLACARDS AND MARKINGS FOR DETAILS SEE 11-38-51-03 AIR CONDITIONING FOR DETAILS SEE 21-44-05-01 | 018100 | 1 |

MISSING ITEM NUMBERS NOT APPLICABLE

- ITEM NOT ILLUSTRATED

BRI

21-00-00-04

21-00-00
FIG. 04
PAGE 1
JAN 20/09



757

PARTS CATALOG (MAINTENANCE)

| FIG ITEM | PART NUMBER | 1 2 3 4 5 6 7 | NOMENCLATURE | EFFECT FROM TO | UNITS PER ASSY |
|----------|-------------|---------------|--|--|----------------|
| 4 | | | | | |
| - 20 | 215N3007-6 | | .EQUIPMENT INSTL-CARGO HEATING SYS POSITION DATA: STA 1200 FUNCTIONAL REFERENCE: PLACARDS AND MARKINGS FOR DETAILS SEE 11-38-51-03 AIR CONDITIONING FOR DETAILS SEE 21-44-05-01 | 002004 006017 107107 121503 904999 | 1 |
| - 25 | 215N1001-1 | | .SENSOR INSTL-COMPT TEMP POSITION DATA: FLT DECK FOR DETAILS SEE: 21-61-08-01 | 002004 006100 107107 121503 904999 | 1 |
| - 30 | 215N1001-2 | | .SENSOR INSTL-TEMP POSITION DATA: FWD PASS. COMPT VARIABLE DRAWING REF: 215N1001-7 FOR DETAILS SEE: 21-61-08-01 | 002004 006100 107107 121503 904999 | 1 |
| - 35 | 215N1001-3 | | .SENSOR INSTL-TEMP POSITION DATA: AFT PASS. COMPT VARIABLE DRAWING REF: 215N1001-8 FOR DETAILS SEE: 21-61-08-01 | 002004 006100 107107 121503 904999 | 1 |
| - 40 | 215N3004-1 | | .DUCT INSTL-CARGO HEATING SYS POSITION DATA: R SIDE FOR DETAILS SEE: 21-44-08-03 | 107107 904949 | 1 |
| - 40 | 215N3004-5 | | .DUCT INSTL-CARGO HEATING SYS POSITION DATA: R SIDE FOR DETAILS SEE: 21-44-08-03 | 002004 006100 121503 950999 | 1 |
| - 45 | 216N1001-8 | | .VALVE INSTL-CAB. PRESSURE SAFETY RELIEF FOR DETAILS SEE: 21-32-01-01 | 002004 006100 107107 121503 904999 | 1 |

MISSING ITEM NUMBERS NOT APPLICABLE

- ITEM NOT ILLUSTRATED

21-00-00-04

21-00-00
FIG. 04
PAGE 2
JAN 20/09

BRI



757

PARTS CATALOG (MAINTENANCE)

| FIG ITEM | PART NUMBER | 1 2 3 4 5 6 7 | NOMENCLATURE | EFFECT FROM TO | UNITS PER ASSY |
|----------|-------------|---------------|--|--|----------------|
| 4 | | | | | |
| - 50 | 216N1003-1 | | .VALVE INSTL-CAB. AIR OUTFLOW FOR DETAILS SEE: 21-31-03-01 | 002004 006100 107107 121503 904999 | 1 |
| - 55 | 217N1004-1 | | .DUCT INSTL-ELECTRICAL/ ELECTRONIC COOLING AIR EXH POSITION DATA: STA 343.0 TO 445.0 RH SIDE FOR DETAILS SEE: 21-58-08-20 | 002004 006100 107107 121503 904999 | 1 |
| - 70 | 217N1006-4 | | .DUCT INSTL-INSTR AND FWD ELECTRONICS COOLING EXH FOR DETAILS SEE: 21-58-08-21 | 002004 006007 107107 121503 904949 952952 017100 | 1 |
| - 70 | 217N1006-6 | | .DUCT INSTL-INSTR AND FWD ELECTRONICS COOLING EXH FOR DETAILS SEE: 21-58-08-21 | | 1 |
| - 75 | 217N1007-1 | | .DUCT INSTL-AIR SUPPLY AND AIR EXH E5 RACK ELECTRICAL/ELECTRONIC COOLING FOR DETAILS SEE: 21-58-08-22 | 002004 006100 107107 121503 904999 | 1 |
| - 80 | 217N1008-1 | | .DUCT INSTL-ELECTRICAL/ ELECTRONIC COOLING AIR SUPPLY POSITION DATA: SECT. 41 FOR DETAILS SEE: 21-58-08-10 | 002004 006100 107107 121503 904999 | 1 |
| - 85 | 217N1003-2 | | .DUCT INSTL-ELECTRICAL/ ELECTRONIC COOLING AIR EXH POSITION DATA: SECT. 41 FWD FOR DETAILS SEE: 21-58-08-08 | 002004 006100 107107 121503 904999 | 1 |

MISSING ITEM NUMBERS NOT APPLICABLE

- ITEM NOT ILLUSTRATED

21-00-00-04

21-00-00
FIG. 04
PAGE 3
JAN 20/09

BRI



757

PARTS CATALOG (MAINTENANCE)

| FIG ITEM | PART NUMBER | 1 2 3 4 5 6 7 | NOMENCLATURE | EFFECT FROM TO | UNITS PER ASSY |
|----------|-------------|---------------|---|--|----------------|
| 4 | | | | | |
| - 90 | 217N1009-1 | | . DUCT INSTL-ELECTRICAL/ ELECTRONIC COOLING AIR SUPPLY POSITION DATA: STA 431.5 REWORK DRAWING REF: 217N1044-5 REWORKED BY SB: 24-0048 FOR DETAILS SEE: 21-58-08-02 | 002004 006100 107107 950951 | 1 |
| - 90 | 217N1009-2 | | . DUCT INSTL-ELECTRICAL/ ELECTRONIC COOLING AIR SUPPLY POSITION DATA: STA 431.5 FOR DETAILS SEE: 21-58-08-02 | 904949 952952 | 1 |
| - 90 | 217N1009-3 | | . DUCT INSTL-ELECTRICAL/ ELECTRONIC COOLING AIR SUPPLY POSITION DATA: STA 431.5 FOR DETAILS SEE: 21-58-08-02 | 002004 006100 121503 953999 | 1 |
| - 95 | 217N1010-3 | | . DUCT INSTL-AIR SUPPLY POSITION DATA: SECT. 43 L SIDE FOR DETAILS SEE: 21-58-02-02 | 107107 950951 | 1 |
| - 95 | 217N1010-5 | | . DUCT INSTL-AIR SUPPLY POSITION DATA: SECT. 43 L SIDE FOR DETAILS SEE: 21-58-02-02 | 002004 006007 121503 904949 952952 | 1 |
| - 95 | 217N1010-9 | | . DUCT INSTL-AIR SUPPLY POSITION DATA: SECT. 43 L SIDE FOR DETAILS SEE: 21-58-02-02 | 950951 | 1 |
| - 95 | 217N1010-10 | | . DUCT INSTL-AIR SUPPLY POSITION DATA: SECT. 43 L SIDE FOR DETAILS SEE: 21-58-02-02 | 008100 953999 | 1 |

MISSING ITEM NUMBERS NOT APPLICABLE

- ITEM NOT ILLUSTRATED

21-00-00-04

21-00-00
FIG. 04
PAGE 4
JAN 20/09

BRI



757

PARTS CATALOG (MAINTENANCE)

| FIG ITEM | PART NUMBER | 1 2 3 4 5 6 7 | NOMENCLATURE | EFFECT FROM TO | UNITS PER ASSY |
|----------|-------------|---------------|---|--|----------------|
| 4 | | | | | |
| - 100 | 217N1011-1 | | . DUCT INSTL-E3-E4 RACKS AIR SUPPLY AND EXH FOR DETAILS SEE: 21-58-08-16 | 002004 006007 107107 121503 904949 952952 | 1 |
| - 100 | 217N1011-3 | | . DUCT INSTL-E3-E4 RACKS AIR SUPPLY AND EXH FOR DETAILS SEE: 21-58-08-16 | 008100 950951 953999 | 1 |
| - 120 | 217N1019-1 | | . DUCT INSTL-AIR EXH POSITION DATA: STA 424.25 FOR DETAILS SEE: 21-58-08-17 | 107107 | 1 |
| - 120 | 217N1019-2 | | . DUCT INSTL-AIR EXH POSITION DATA: STA 424.25 FOR DETAILS SEE: 21-58-08-17 | 904949 | 1 |
| - 120 | 217N1019-3 | | . DUCT INSTL-AIR EXH POSITION DATA: STA 424.25 FOR DETAILS SEE: 21-58-08-17 | 002004 006100 121503 950999 | 1 |
| - 125 | 217N1021-1 | | . DUCT INSTL-ELECTRICAL/ ELECTRONIC COOLING SYS POSITION DATA: AFT REWORK DRAWING REF: 217N1021-2 217N1021-3 217N1021-4 217N1021-5 FOR DETAILS SEE: 21-58-19-03 | 002004 006100 107107 950999 | 1 |
| - 150 | 217N1022-8 | | . DUCT INSTL-ELECTRICAL/ ELECTRONIC COMPT AIR EXH POSITION DATA: AFT FOR DETAILS SEE: 21-58-08-15 | 121503 904949 | 1 |

MISSING ITEM NUMBERS NOT APPLICABLE

- ITEM NOT ILLUSTRATED

BRI

21-00-00-04

BOEING PROPRIETARY - Copyright © - Unpublished Work - See title page for details.

21-00-00
FIG. 04
PAGE 5
JAN 20/09



757

PARTS CATALOG (MAINTENANCE)

| FIG ITEM | PART NUMBER | 1 2 3 4 5 6 7 | NOMENCLATURE | EFFECT FROM TO | UNITS PER ASSY |
|----------|-------------|---------------|--|--|----------------|
| 4 | | | | | |
| - 155 | 217N1023-6 | | . DUCT INSTL-ELECTRICAL/ ELECTRONIC COMPT AIR SUPPLY POSITION DATA: AFT VARIABLE DRAWING REF: 217N1023-12 FOR DETAILS SEE: 21-58-02-03 | 121503 904949 | 1 |
| - 160 | 217N2002-4 | | . DUCT INSTL-INSTR COOLING SUPPLY POSITION DATA: STA 202 TO 297 LWR RH FOR DETAILS SEE: 21-58-08-13 | 107107 904949 | 1 |
| - 160 | 217N2002-8 | | . DUCT INSTL-INSTR COOLING SUPPLY POSITION DATA: STA 202 TO 297 LWR RH FOR DETAILS SEE: 21-58-08-13 | 002004 006100 121503 950999 | 1 |
| - 165 | 217N2003-3 | | . DUCT INSTL-OVHD PNL INSTR COOLING SUPPLY RISER FOR DETAILS SEE: 21-58-08-06 | 002004 006010 107107 121503 904999 | 1 |
| - 165 | 217N2003-5 | | . DUCT INSTL-OVHD PNL INSTR COOLING SUPPLY RISER FOR DETAILS SEE: 21-58-08-06 | 011100 | 1 |
| - 170 | 217N2004-1 | | . DUCT INSTL-INSTR COOLING SUPPLY PRESSURE BHD POSITION DATA: FWD FOR DETAILS SEE: 21-58-08-14 | 002004 006100 107107 121503 904999 | 1 |
| - 175 | 217N2005-1 | | . DUCT INSTL-INSTR COOLING SUPPLY MAIN PNL FOR DETAILS SEE: 21-58-08-07 | 002004 006100 107107 121503 904999 | 1 |
| - 180 | 217N2005-2 | | . DUCT INSTL-INSTR COOLING SUPPLY AISLE STAND FOR DETAILS SEE: 21-58-08-07 | 002004 006100 121503 904999 | 1 |

MISSING ITEM NUMBERS NOT APPLICABLE

- ITEM NOT ILLUSTRATED

21-00-00-04

21-00-00
FIG. 04
PAGE 6
JAN 20/09

BRI



757

PARTS CATALOG (MAINTENANCE)

| FIG ITEM | PART NUMBER | 1 2 3 4 5 6 7 | NOMENCLATURE | EFFECT FROM TO | UNITS PER ASSY |
|----------|-------------|---------------|--|--|----------------|
| 4 | | | | | |
| - 180 | 217N2005-3 | | . DUCT INSTL-INSTR COOLING SUPPLY AISLE STAND FOR DETAILS SEE: 21-58-08-07 | 107107 | 1 |
| - 185 | 217N2011-3 | | . DUCT INSTL-INSTR COOLING EXH POSITION DATA: SECT. 41 LWR FOR DETAILS SEE: 21-58-08-25 | 002004 006017 107107 121503 904999 | 1 |
| - 185 | 217N2011-9 | | . DUCT INSTL-INSTR COOLING EXH POSITION DATA: SECT. 41 LWR FOR DETAILS SEE: 21-58-08-25 | 018100 | 1 |
| - 190 | 217N2012-4 | | . DUCT INSTL-RISER AND GLARESHIELD EXH FOR DETAILS SEE: 21-22-05-10 | 002004 006010 107107 121503 904999 | 1 |
| - 190 | 217N2012-8 | | . DUCT INSTL-RISER AND GLARESHIELD EXH FOR DETAILS SEE: 21-22-05-10 | 011100 | 1 |
| - 195 | 217N2014-2 | | . DUCT INSTL-INSTR COOLING EXH POSITION DATA: BELOW FLOOR LH SIDE FOR DETAILS SEE: 21-58-08-05 | 002004 006100 107107 121503 904999 | 1 |
| - 210 | 217N1017-13 | | . HEAT SINK INSTL- ELECTRICAL/ELECTRONIC COMPT AIR EXH FUNCTIONAL REFERENCE: AIR CONDITIONING FOR DETAILS SEE 21-58-06-05 | 002004 006007 107107 121503 904949 952952 | 1 |
| - 210 | 217N1017-23 | | . HEAT SINK INSTL- ELECTRICAL/ELECTRONIC COMPT AIR EXH FUNCTIONAL REFERENCE: AIR CONDITIONING FOR DETAILS SEE 21-58-06-05 PLACARDS AND MARKINGS FOR DETAILS SEE 11-36-26-01 | 017100 | 1 |

MISSING ITEM NUMBERS NOT APPLICABLE

- ITEM NOT ILLUSTRATED

21-00-00-04

21-00-00
FIG. 04
PAGE 7
JAN 20/09

BRI



757

PARTS CATALOG (MAINTENANCE)

| FIG ITEM | PART NUMBER | 1 2 3 4 5 6 7 | NOMENCLATURE | EFFECT FROM TO | UNITS PER ASSY |
|----------|-------------|---------------|--|--|----------------|
| 4 | | | | | |
| - 215 | 217N1017-15 | | .HEAT SINK INSTL- ELECTRICAL/ELECTRONIC COMPT AIR EXH POST SERVICE BULLETIN: 21-0050R1 FOR DETAILS SEE: 21-58-06-05 | 002004 006100 107107 121503 904999 | 1 |
| - 225 | 217N1018-7 | | .HEAT SINK INSTL- ELECTRICAL/ELECTRONIC COMPT AIR SUPPLY POSITION DATA: STA 520 TO 560 FOR DETAILS SEE: 21-58-06-02 | 002004 006100 107107 121503 904999 | 1 |
| - 235 | 217N1030-12 | | .ORIFICE INSTL-ELECTRICAL/ ELECTRONIC COOLING NON-ETOPS, PASSENGER MINOR MODEL POSITION DATA: BELOW FLOOR NOT APPROVED FOR ETOPS. FOR DETAILS SEE: 21-58-08-18 | 107107 950951 | 1 |
| - 235 | 217N1030-15 | | .ORIFICE INSTL-ELECTRICAL/ ELECTRONIC COOLING ETOPS, PASSENGER MINOR MODEL POSITION DATA: BELOW FLOOR FOR DETAILS SEE: 21-58-08-18 | 002004 006100 121503 904949 952999 | 1 |
| - 240 | 217N2019-12 | | .ORIFICE INSTL-FLIGHT DECK INSTR COOLING FOR DETAILS SEE: 21-58-08-19 | 002004 006100 107107 121503 904949 952999 | 1 |
| - 240 | 217N2019-18 | | .ORIFICE INSTL-DUAL WEATHER RADAR, CARBON BRAKES PASS MINOR MODEL FOR DETAILS SEE: 21-58-08-19 | 950951 | 1 |
| - 245 | 217N1025-1 | | .PROVISIONS INSTL- ELECTRICAL/ELECTRONIC VARIABLE DRAWING REF: 217N1025-4 FOR DETAILS SEE: 21-58-53-01 | 121503 904949 | 1 |

MISSING ITEM NUMBERS NOT APPLICABLE

- ITEM NOT ILLUSTRATED

21-00-00-04

21-00-00
FIG. 04
PAGE 8
JAN 20/09

BRI



757

PARTS CATALOG (MAINTENANCE)

| FIG ITEM | PART NUMBER | 1 2 3 4 5 6 7 | NOMENCLATURE | EFFECT FROM TO | UNITS PER ASSY |
|----------|-------------|---------------|---|--|----------------|
| 4 | | | | | |
| - 250 | 217N1041-1 | | . DUCT INSTL-PURGE AIR SUPPLY ELECTRICAL/ ELECTRONIC COOLING SYS POSITION DATA: FWD FOR DETAILS SEE: 21-58-55-01 | 002004 006010 107107 121503 904999 | 1 |
| - 250 | 217N1041-8 | | . DUCT INSTL-PURGE AIR SUPPLY ELECTRICAL/ ELECTRONIC COOLING SYS POSITION DATA: FWD FOR DETAILS SEE: 21-58-55-01 | 011100 | 1 |
| - 260 | 217N1040-2 | | . DUCT INSTL-PURGE AIR INERTIAL AIR CLEANER ELECTRICAL/ELECTRONIC POSITION DATA: AFT FOR DETAILS SEE: 21-58-54-02 | 121503 904949 | 1 |
| - 270 | 217N1152-1 | | . FAN INSTL-AUX ELECTRICAL/ ELECTRONICS COOLING SYS POSITION DATA: FWD POST SERVICE BULLETIN: 24-0048 FOR DETAILS SEE: 21-58-60-01 | 002004 006100 107107 121503 904949 952999 | 1 |
| - 320 | 218N1001-23 | | . DUCT INSTL-WING LE ANTI-ICING POSITION DATA: LH FOR DETAILS SEE: 30-11-01-01 | 002004 006100 107107 121503 904999 | 1 |
| - 325 | 218N1001-24 | | . DUCT INSTL-WING LE ANTI-ICING POSITION DATA: RH FOR DETAILS SEE: 30-11-01-01 | 002004 006100 107107 121503 904999 | 1 |
| - 330 | 218N4002-1 | | . SENSOR INSTL-DUCT LEAK DETECTION POSITION DATA: SECT. 48 FOR DETAILS SEE: 26-18-01-05 | 002004 006009 107107 121503 904949 952999 | 1 |

MISSING ITEM NUMBERS NOT APPLICABLE

- ITEM NOT ILLUSTRATED

21-00-00-04

21-00-00
FIG. 04
PAGE 9
JAN 20/09

BRI



757

PARTS CATALOG (MAINTENANCE)

| FIG ITEM | PART NUMBER | 1 2 3 4 5 6 7 | NOMENCLATURE | EFFECT FROM TO | UNITS PER ASSY |
|----------|-------------|---------------|---|--|----------------|
| 4 | | | | | |
| - 335 | 218N4003-3 | | .PROVISIONS INSTL-DUCT LEAK DETECTION POSITION DATA: SECT. 46 FOR DETAILS SEE: 26-18-51-01 | 002004 006100 107107 121503 904999 | 1 |
| - 340 | 218N4004-1 | | .SENSOR INSTL-DUCT LEAK DETECTION POSITION DATA: SECT. 46 FOR DETAILS SEE: 26-18-01-02 | 002004 006100 107107 121503 904999 | 1 |
| - 345 | 218N4006-1 | | .SENSOR INSTL-WHL WELL DUCT LEAK DETECTION FOR DETAILS SEE: 26-18-01-03 | 002004 006100 107107 121503 904999 | 1 |
| - 350 | 218N4008-1 | | .SENSOR INSTL-UNDER WING DUCT LEAK DETECTION REWORK DRAWING REF: 218N4001-1 FOR DETAILS SEE: 26-18-01-04 | 107107 | 1 |
| - 350 | 218N4008-2 | | .SENSOR INSTL-UNDER WING DUCT LEAK DETECTION FOR DETAILS SEE: 26-18-01-04 | 002004 006100 121503 904999 | 1 |
| - 355 | 218N4009-3 | | .SENSOR INSTL-WING LE DUCT LEAK DETECTION POSITION DATA: LH FOR DETAILS SEE: 26-18-01-01 | 002004 006100 107107 121503 904999 | 1 |
| - 360 | 218N4009-4 | | .SENSOR INSTL-WING LE DUCT LEAK DETECTION POSITION DATA: RH FOR DETAILS SEE: 26-18-01-06 | 002004 006100 107107 121503 904999 | 1 |
| - 365 | 417N3002-1 | | .DUCT INSTL-OVERDOOR GASPER POSITION DATA: LH FOR DETAILS SEE: 21-23-01-02 | 002004 006010 950999 | 1 |
| - 370 | 417N3002-2 | | .DUCT INSTL-OVERDOOR GASPER POSITION DATA: RH FOR DETAILS SEE: 21-23-01-02 | 002004 006010 950951 | 1 |

MISSING ITEM NUMBERS NOT APPLICABLE

- ITEM NOT ILLUSTRATED

BRI

21-00-00-04

21-00-00
FIG. 04
PAGE 10
JAN 20/09



757

PARTS CATALOG (MAINTENANCE)

| FIG ITEM | PART NUMBER | 1 2 3 4 5 6 7 | NOMENCLATURE | EFFECT FROM TO | UNITS PER ASSY |
|----------|-------------|---------------|--|--|----------------|
| 4 | | | | | |
| - 375 | 417N3002-7 | | . DUCT INSTL-OVERDOOR GASPER POSITION DATA: LH FOR DETAILS SEE: 21-23-01-02 | 011100 | 1 |
| - 380 | 417N3002-8 | | . DUCT INSTL-OVERDOOR GASPER POSITION DATA: RH FOR DETAILS SEE: 21-23-01-02 | 011100 | 1 |
| - 385 | 453N2220-1 | | . BOTTLE INSTL-CARGO COMPT FIRE EXT SYS POSITION DATA: AFT FOR DETAILS SEE: 26-23-02-01 | 107107 | 1 |
| - 385 | 453N2220-8 | | . BOTTLE INSTL-CARGO COMPT FIRE EXT SYS POSITION DATA: AFT FOR DETAILS SEE: 26-23-02-01 | 002004 006100 121503 904999 | 1 |
| - 390 | 453N2150-1 | | . TUBING INSTL-CARGO COMPT SMOKE DETECTOR POSITION DATA: FWD FOR DETAILS SEE: 26-23-02-01 | 002004 006100 107107 121503 904949 | 1 |
| - 390 | 453N2150-3 | | . TUBING INSTL-CARGO COMPT SMOKE DETECTOR POSITION DATA: FWD FOR DETAILS SEE: 26-16-58-01 | 950999 | 1 |
| - 395 | 453N2110-27 | | . DETECTOR INSTL-SMOKE FOR DETAILS SEE: 26-16-01-11 | 011100 | 1 |
| - 395 | 453N2110-20 | | . DETECTOR INSTL-SMOKE FOR DETAILS SEE: 26-16-01-01 | 904949 | 1 |
| - 395 | 453N2110-21 | | . DETECTOR INSTL-SMOKE FOR DETAILS SEE: 26-16-01-01 | 107107 | 1 |
| - 395 | 453N2110-23 | | . DETECTOR INSTL-SMOKE FOR DETAILS SEE: 26-16-01-01 | 002004 006010 121503 950999 | 1 |

MISSING ITEM NUMBERS NOT APPLICABLE

- ITEM NOT ILLUSTRATED

21-00-00-04

21-00-00
FIG. 04
PAGE 11
JAN 20/09

BRI



757

PARTS CATALOG (MAINTENANCE)

| FIG ITEM | PART NUMBER | 1 2 3 4 5 6 7 | NOMENCLATURE | EFFECT FROM TO | UNITS PER ASSY |
|----------|-------------|---------------|---|--|----------------|
| 4 | | | | | |
| - 400 | 453N2140-1 | | .TUBING INSTL-CARGO COMPT FIRE EXTINGUISHING POSITION DATA: FWD FOR DETAILS SEE: 26-23-53-01 | 107107 904949 | 1 |
| - 400 | 453N2140-5 | | .TUBING INSTL-CARGO COMPT FIRE EXTINGUISHING POSITION DATA: FWD FOR DETAILS SEE: 26-23-53-01 | 002004 006100 121503 | 1 |
| - 400 | 453N2140-6 | | .TUBING INSTL-CARGO COMPT FIRE EXTINGUISHING POSITION DATA: FWD FOR DETAILS SEE: 26-23-53-01 | 950999 | 1 |
| - 405 | 453N2210-19 | | .COVER INSTL-CARGO COMPT SMOKE DETECTOR POSITION DATA: AFT FOR DETAILS SEE: 26-16-01-01A | 002004 006100 107107 121503 904999 | 1 |
| - 410 | 453N2210-23 | | .DETECTOR INSTL-CARGO COMPT SMOKE POSITION DATA: AFT FOR DETAILS SEE: 26-16-01-01 | 107107 904949 | 1 |
| - 410 | 453N2210-26 | | .DETECTOR INSTL-CARGO COMPT SMOKE POSITION DATA: AFT FOR DETAILS SEE: 26-16-01-08 | 952952 | 1 |
| - 410 | 453N2210-30 | | .DETECTOR INSTL-CARGO COMPT SMOKE POSITION DATA: AFT FOR DETAILS SEE: 26-16-01-09 | 002004 006010 121503 950951 953999 | 1 |
| - 412 | 453N2210-32 | | .DETECTOR INSTL-SMOKE POSITION DATA: AFT CARGO COMPT FOR DETAILS SEE: 26-16-01-14 | 011100 | 1 |

MISSING ITEM NUMBERS NOT APPLICABLE

- ITEM NOT ILLUSTRATED

21-00-00-04

21-00-00
FIG. 04
PAGE 12
JAN 20/09

BRI



757

PARTS CATALOG (MAINTENANCE)

| FIG ITEM | PART NUMBER | 1 2 3 4 5 6 7 | NOMENCLATURE | EFFECT FROM TO | UNITS PER ASSY |
|----------|-------------|---------------|---|----------------------------|----------------|
| 4 | | | | | |
| - 415 | 453N2221-14 | . | SUPPORT INSTL-CARGO COMPT FIRE EXT SYS POSITION DATA: AFT FUNCTIONAL REFERENCE: FIRE PROTECTION FOR DETAILS SEE 26-23-02-01 PLACARDS AND MARKINGS FOR DETAILS SEE 11-38-57-01 | 107107 | 1 |
| - 415 | 453N2221-20 | . | SUPPORT INSTL-CARGO COMPT FIRE EXT SYS POSITION DATA: AFT FUNCTIONAL REFERENCE: PLACARDS AND MARKINGS FOR DETAILS SEE 11-38-57-01 FIRE PROTECTION FOR DETAILS SEE 26-23-02-01 | 904949 | 1 |
| - 415 | 453N2221-21 | . | SUPPORT INSTL-CARGO COMPT FIRE EXT SYS POSITION DATA: AFT FUNCTIONAL REFERENCE: FIRE PROTECTION FOR DETAILS SEE 26-23-02-01 | 002004 006008 952999 | 1 |
| - 415 | 453N2221-22 | . | SUPPORT INSTL-CARGO COMPT FIRE EXT SYS POSITION DATA: AFT FOR DETAILS SEE: 26-23-02-01 | 121503 | 1 |
| - 415 | 453N2221-23 | . | SUPPORT INSTL-CARGO COMPT FIRE EXT SYS POSITION DATA: AFT FUNCTIONAL REFERENCE: FIRE PROTECTION FOR DETAILS SEE 26-23-02-01 | 009100 950951 | 1 |

MISSING ITEM NUMBERS NOT APPLICABLE

- ITEM NOT ILLUSTRATED

21-00-00-04

21-00-00
FIG. 04
PAGE 13
JAN 20/09

BRI



757

PARTS CATALOG (MAINTENANCE)

| FIG ITEM | PART NUMBER | 1 2 3 4 5 6 7 | NOMENCLATURE | EFFECT FROM TO | UNITS PER ASSY |
|----------|-------------|---------------|--|--|----------------|
| 4 | | | | | |
| - 420 | 453N2240-10 | | .TUBING INSTL-CARGO COMPT FIRE EXTINGUISHING POSITION DATA: AFT FOR DETAILS SEE: 26-23-51-02 | 002004 006100 950999 | 1 |
| - 420 | 453N2240-12 | | .TUBING INSTL-CARGO COMPT FIRE EXTINGUISHING POSITION DATA: AFT FOR DETAILS SEE: 26-23-51-02 | 121503 | 1 |
| - 420 | 453N2240-15 | | .TUBING INSTL-CARGO COMPT FIRE EXTINGUISHING POSITION DATA: AFT FOR DETAILS SEE: 26-23-51-02 | 904949 | 1 |
| - 420 | 453N2240-5 | | .TUBING INSTL-CARGO COMPT FIRE EXTINGUISHING POSITION DATA: AFT FOR DETAILS SEE: 26-23-51-02 | 107107 | 1 |
| - 430 | 453N2250-1 | | .TUBING INSTL-CARGO COMPT SMOKE DETECTION POSITION DATA: AFT FOR DETAILS SEE: 26-16-59-01 | 002004 006100 107107 121503 904999 | 1 |
| - 435 | 217N2013-1 | | .DUCT INSTL-INSTR COOLING EXH BELOW FLOOR POSITION DATA: RH SIDE FOR DETAILS SEE: 21-58-08-04 | 002004 006100 107107 121503 904999 | 1 |
| - 440 | 232N6001-11 | | .SYSTEM INSTL-WSHLD WIPER POSITION DATA: LH ACCESS PANEL NUMBER: 211AL 212AR FOR DETAILS SEE: 30-42-01-05 | 002004 006100 107107 121503 904999 | 1 |

MISSING ITEM NUMBERS NOT APPLICABLE

- ITEM NOT ILLUSTRATED

21-00-00-04

21-00-00
FIG. 04
PAGE 14
JAN 20/09

BRI



757

PARTS CATALOG (MAINTENANCE)

| FIG ITEM | PART NUMBER | 1 2 3 4 5 6 7 | NOMENCLATURE | EFFECT FROM TO | UNITS PER ASSY |
|----------|-------------|---------------|---|--|----------------|
| 4 | | | | | |
| - 445 | 232N6001-12 | | .SYSTEM INSTL-WSHLD WIPER POSITION DATA: RH ACCESS PANEL NUMBER: 211AL 212AR FOR DETAILS SEE: 30-42-01-05 | 002004 006100 107107 121503 904999 | 1 |
| - 450 | 232N6201-11 | | .EQUIPMENT INSTL-RAIN REPELLENT VARIABLE DRAWING REF: 232N6201-12 232N6201-14 232N6201-21 FUNCTIONAL REFERENCE: PLACARDS AND MARKINGS FOR DETAILS SEE 11-31-25-01 ICE & RAIN PROTECTION FOR DETAILS SEE 30-43-01-05 | 006100 950951 953999 | 1 |
| - 450 | 232N6201-6 | | .EQUIPMENT INSTL-RAIN REPELLENT VARIABLE DRAWING REF: 232N6201-7 FUNCTIONAL REFERENCE: PLACARDS AND MARKINGS FOR DETAILS SEE 11-31-25-01 ICE & RAIN PROTECTION FOR DETAILS SEE 30-43-01-05 | 002004 107107 121503 904949 952952 | 1 |
| - 455 | 232N6202-42 | | .TUBING INSTL-RAIN REPELLENT VARIABLE DRAWING REF: 232N6202-43 232N6202-52 FOR DETAILS SEE: 30-43-51-05 | 002004 006100 107107 121503 904999 | 1 |

MISSING ITEM NUMBERS NOT APPLICABLE

- ITEM NOT ILLUSTRATED

21-00-00-04

21-00-00
FIG. 04
PAGE 15
JAN 20/09

BRI

NON-ILLUSTRATED FIGURE

THE ITEMS REFLECTED IN THIS FIGURE ARE INTENTIONALLY
NON-ILLUSTRATED. THEY ARE REFERENCED TO EITHER A
NEXT HIGHER OR NEXT LOWER ASSEMBLY/INSTALLATION FIGURE.



757

PARTS CATALOG (MAINTENANCE)

| FIG ITEM | PART NUMBER | 1 2 3 4 5 6 7 | NOMENCLATURE | EFFECT FROM TO | UNITS PER ASSY |
|----------|--------------|---------------|--|----------------------------|----------------|
| 12 | | | COLLECTOR-MANAGEMENT | 101102 108120 504903 | |
| - 1 | 210N0100-202 | | COLLECTOR-MANAGEMENT | 101102 108120 504903 | RF |
| - 5 | 214N1005-12 | | .DUCT INSTL-FLIGHT DECK CONDITIONED AIR SIDEWALL FOR DETAILS SEE: 21-22-05-03A | 101102 108120 504903 | 1 |
| - 10 | 214N2044-15 | | .HEATER SYSTEM INSTL-DOOR 3 AREA FUNCTIONAL REFERENCE: PLACARDS AND MARKINGS FOR DETAILS SEE 11-21-50-01 AIR CONDITIONING FOR DETAILS SEE 21-45-52-03 | 101102 504903 | 1 |
| - 12 | 214N2044-62 | | .HEATER SYSTEM INSTL-DOOR 3 AREA, 650W HEATER FUNCTIONAL REFERENCE: PLACARDS AND MARKINGS FOR DETAILS SEE 11-21-50-01 AIR CONDITIONING FOR DETAILS SEE 21-45-52-06 | 108120 | 1 |
| - 15 | 214N2044-34 | | .GRILLE INSTL-UNPAINTED GRILLE ASSY FOR DETAILS SEE: 21-45-52-01A | 101102 504903 | 1 |
| - 20 | 214N2044-35 | | .GRILLE INSTL-UNPAINTED GRILLE ASSY FOR DETAILS SEE: 21-45-52-02A | 101102 504903 | 1 |
| - 20 | 214N2044-36 | | .GRILLE INSTL-UNPAINTED GRILLE ASSY FOR DETAILS SEE: 21-45-52-04A | 101102 504903 | 1 |
| - 25 | 214N2048-7 | | .PROVISIONS INSTL-AUXILIARY HEATING SYSTEM DOOR 3 AREA FOR DETAILS SEE: 21-45-52-05 | 101102 108120 504903 | 1 |

MISSING ITEM NUMBERS NOT APPLICABLE

- ITEM NOT ILLUSTRATED

21-00-00-12

21-00-00
FIG. 12
PAGE 1
JAN 20/09

BRI



757

PARTS CATALOG (MAINTENANCE)

| FIG ITEM | PART NUMBER | 1 2 3 4 5 6 7 | NOMENCLATURE | EFFECT FROM TO | UNITS PER ASSY |
|----------|--------------|---------------|---|----------------------------|----------------|
| 12 | | | | | |
| - 30 | 214N3004-4 | | . DUCT INSTL-LAV/GALLY VENT SYS POSITION DATA: SECT. 44 FOR DETAILS SEE: 21-26-09-02 | 108120 504903 | 1 |
| - 35 | 214N4001-26 | | . DUCT INSTL-LAV D SUPPLEMENTAL INDIVIDUAL AIR POSITION DATA: STA 1279.6 THRU 1315 RH FOR DETAILS SEE: 21-26-09-61B | 101102 108120 504903 | 1 |
| - 40 | 215N1001-17 | | . SENSOR INSTL-TEMP FOR DETAILS SEE: 21-61-08-01A | 101102 108120 504903 | 1 |
| - 40 | 215N1001-18 | | . SENSOR INSTL-TEMP FOR DETAILS SEE: 21-61-08-01A | 101102 108120 504903 | 1 |
| - 45 | 215N3004-7 | | . DUCT INSTL-CARGO HEATING SYS POSITION DATA: R SIDE FOR DETAILS SEE: 21-44-08-03 | 101102 108120 504903 | 1 |
| - 50 | 214N2044-114 | | . GRILLE INSTL-DOOR 1 AREA AUX HEATING POSITION DATA: LH FOR DETAILS SEE: 21-40-51-01 | 108120 | 1 |
| - 52 | 214N2044-214 | | . GRILLE INSTL-DOOR 2 AREA AUX HEATING POSITION DATA: LH FOR DETAILS SEE: 21-40-51-01 | 108120 | 1 |
| - 54 | 214N2044-314 | | . GRILLE INSTL-DOOR 3 AREA AUX HEATING POSITION DATA: LH FOR DETAILS SEE: 21-40-51-01 | 108120 | 1 |
| - 56 | 214N2044-416 | | . GRILLE INSTL-DOOR 4 AREA AUX HEATING POSITION DATA: LH FOR DETAILS SEE: 21-40-51-01 | 108120 | 1 |

MISSING ITEM NUMBERS NOT APPLICABLE

- ITEM NOT ILLUSTRATED

21-00-00-12

21-00-00
FIG. 12
PAGE 2
JAN 20/09

BRI



757

PARTS CATALOG (MAINTENANCE)

| FIG ITEM | PART NUMBER | 1 2 3 4 5 6 7 | NOMENCLATURE | EFFECT FROM TO | UNITS PER ASSY |
|----------|---------------|---------------|---|----------------------------|----------------|
| 12 | | | | | |
| - 58 | 214N2044-113 | | .GRILLE INSTL-DOOR 1 AREA AUX HEATING POSITION DATA: RH FOR DETAILS SEE: 21-40-51-01 | 108120 | 1 |
| - 60 | 214N2044-213 | | .GRILLE INSTL-DOOR 2 AREA AUX HEATING POSITION DATA: RH FOR DETAILS SEE: 21-40-51-01 | 108120 | 1 |
| - 62 | 214N2044-313 | | .GRILLE INSTL-DOOR 3 AREA AUX HEATING POSITION DATA: RH FOR DETAILS SEE: 21-40-51-01 | 108120 | 1 |
| - 64 | 214N2044-415 | | .GRILLE INSTL-DOOR 4 AREA AUX HEATING POSITION DATA: RH FOR DETAILS SEE: 21-40-51-01 | 108120 | 1 |
| - 70 | 217N2019-12 | | .ORIFICE INSTL-INSTR COOLING POSITION DATA: FLIGHT DECK FOR DETAILS SEE: 21-58-08-19 | 101102 504903 | 1 |
| - 75 | 218N4003-6 | | .PROVISION INSTL-PASS MODEL W/O LR LAV FOR DETAILS SEE: 26-18-51-01 | 101102 108120 504903 | 1 |
| - 180 | 210N0100-1950 | | MANAGEMENT COLLECTOR- (NAB) NATIONAL AIRLINES W/ROLLS-ROYCE RB211-535E4/19 ENGINES | 108120 | 1 |
| - 185 | 210N0100-1620 | | COLLECTOR-MANAGEMENT-BAB 4-DOOR/RR | 504903 | 1 |
| - 190 | 212N1001-10 | | .SWITCH INSTL-ALTITUDE PRESSURE TRANSDUCER FUNCTIONAL REFERENCE: AIR CONDITIONING FOR DETAILS SEE 21-51-17-01 PNEUMATIC FOR DETAILS SEE 36-21-02-02 | 108120 | 1 |

MISSING ITEM NUMBERS NOT APPLICABLE

- ITEM NOT ILLUSTRATED

BRI

21-00-00-12

21-00-00
FIG. 12
PAGE 3
JAN 20/09



757

PARTS CATALOG (MAINTENANCE)

| FIG ITEM | PART NUMBER | 1 2 3 4 5 6 7 | NOMENCLATURE | EFFECT FROM TO | UNITS PER ASSY |
|----------|-------------|---------------|--|------------------|----------------|
| 12 | | | | | |
| - 190 | 212N1001-9 | | .SWITCH INSTL-ALTITUDE PRESSURE TRANSDUCER FUNCTIONAL REFERENCE: AIR CONDITIONING FOR DETAILS SEE 21-51-17-01 PNEUMATIC FOR DETAILS SEE 36-21-02-02 | 504903 | 1 |
| - 192 | 212N3000-9 | | .DUCT INSTL- POSITION DATA: LH FOR DETAILS SEE: 21-51-22-02A | 108120 504903 | 1 |
| - 193 | 212N3000-10 | | .DUCT INSTL- POSITION DATA: LH FOR DETAILS SEE: 21-51-22-02A | 108120 504903 | 1 |
| - 202 | 212N3000-13 | | .DUCT INSTL- FOR DETAILS SEE: 21-51-22-02A | 108120 504903 | 1 |
| - 203 | 212N3000-14 | | .DUCT INSTL- FOR DETAILS SEE: 21-51-22-02A | 108120 504903 | 1 |
| - 205 | 212N3001-25 | | .DUCT INSTL-UNDER WING AIR FUNCTIONAL REFERENCE: PNEUMATIC FOR DETAILS SEE 36-22-01-02 36-11-01-15 | 108120 504903 | 1 |
| - 210 | 212N3010-13 | | .SUPPORT INSTL-UNDER WING AIR SUPPLY POSITION DATA: LH FUNCTIONAL REFERENCE: PLACARDS AND MARKINGS FOR DETAILS SEE 11-24-10-01 PNEUMATIC FOR DETAILS SEE 36-11-01-11 | 108120 504903 | 1 |
| - 215 | 213N1001-35 | | .PLUG INSTL-UNDER WING AIR CONDITIONING POSITION DATA: LH FOR DETAILS SEE: 21-52-01-01A | 108120 504903 | 1 |

MISSING ITEM NUMBERS NOT APPLICABLE

- ITEM NOT ILLUSTRATED

21-00-00-12

21-00-00
FIG. 12
PAGE 4
JAN 20/09

BRI



757

PARTS CATALOG (MAINTENANCE)

| FIG ITEM | PART NUMBER | 1 2 3 4 5 6 7 | NOMENCLATURE | EFFECT FROM TO | UNITS PER ASSY |
|----------|---------------|---------------|--|------------------|----------------|
| 12 | | | | | |
| - 220 | 213N1001-36 | | .PLUG INSTL-UNDER WING AIR CONDITIONING POSITION DATA: RH FOR DETAILS SEE: 21-52-01-01A | 108120 504903 | 1 |
| - 225 | 213N1003-57 | | .DUCT INSTL-PASSENGER STD EICAS POSITION DATA: L SIDE FOR DETAILS SEE: 21-51-01-02A | 108120 504903 | 1 |
| - 225 | 214N3002-38 | | .DUCT INSTL-LAV/GALLEY VENT SYS POSITION DATA: SECT. 41 FOR DETAILS SEE: 21-26-09-14 | 108120 | 1 |
| - 230 | 213N1003-58 | | .DUCT INSTL-PASSENGER STD EICAS POSITION DATA: R SIDE FOR DETAILS SEE: 21-51-01-02A | 108120 504903 | 1 |
| - 235 | 214N1004-8 | | .DUCT INSTL-CONDITIONED AIR BELOW FLOOR POSITION DATA: STA 585 TO 828 LH FOR DETAILS SEE: 21-22-05-02 | 504903 | 1 |
| - 235 | 214N1004-24 | | .DUCT INSTL-CONDITIONED AIR POSITION DATA: BELOW FLOOR LH STA 585 TO 828 FOR DETAILS SEE: 21-22-05-18 | 108120 | 1 |
| - 240 | 214N2024-5 | | .PROVISIONS INSTL-OVHD AIR DISTR SYS FOR DETAILS SEE: 21-23-51-07 | 504903 | 1 |
| - 240 | 214N2024-9 | | .PROVISIONS INSTL-OVHD AIR DISTR SYS FOR DETAILS SEE: 21-23-51-04 | 108120 | 1 |
| - 246 | 214N2025-352B | | .DUCT INSTL-OVHD AIR DISTR SYS FOR DETAILS SEE: 21-23-01-18A | 504903 | 1 |

MISSING ITEM NUMBERS NOT APPLICABLE

- ITEM NOT ILLUSTRATED

21-00-00-12

21-00-00
FIG. 12
PAGE 5
JAN 20/09

BRI



757

PARTS CATALOG (MAINTENANCE)

| FIG ITEM | PART NUMBER | 1 2 3 4 5 6 7 | NOMENCLATURE | EFFECT FROM TO | UNITS PER ASSY |
|----------|---------------|---------------|---|------------------|----------------|
| 12 | | | | | |
| - 246 | 214N2025-378B | | . DUCT INSTL-OVHD AIR DISTR SYS FOR DETAILS SEE: 21-23-01-01A | 108120 | 1 |
| - 250 | 214N2026-76 | | . DUCT INSTL-SIDEWALL AIR DISTR SYSTEM FOR DETAILS SEE: 21-23-01-76 | 504903 | 1 |
| - 250 | 214N2026-90 | | . DUCT INSTL-SIDEWALL AIR FOR DETAILS SEE: 21-23-02-01 | 504903 | 1 |
| - 250 | 214N2026-144 | | . DUCT INSTL-SIDEWALL AIR DISTR SYS FOR DETAILS SEE: 21-23-01-02A | 108120 | 1 |
| - 255 | 214N3002-31 | | . DUCT INSTL-LAV/GALLEY VENT SYS POSITION DATA: SECT. 41 FOR DETAILS SEE: 21-26-09-32 | 504903 | 1 |
| - 260 | 214N3003-69 | | . DUCT INSTL- LAV/GALLEY VENT SYS POSITION DATA: SECT. 43 FOR DETAILS SEE: 21-26-09-26 | 108120 | 1 |
| - 260 | 214N3003-44 | | . DUCT INSTL-LAV/GALLEY VENT SYS POSITION DATA: SECT. 43 FOR DETAILS SEE: 21-26-09-29 | 504903 | 1 |
| - 265 | 214N3005-62 | | . DUCT INSTL-LAV/GALLEY VENT SYS POSITION DATA: SECT. 46 FOR DETAILS SEE: 21-26-09-41 | 108120 504903 | 1 |
| - 270 | 214N3007-108 | | . ORIFICE INSTL-LAV/GALLEY VENT SYS FOR DETAILS SEE: 21-26-09-16 | 108120 | 1 |
| - 270 | 214N3007-50 | | . ORIFICE INSTL-LAV/GALLEY VENT SYS FOR DETAILS SEE: 21-26-09-15 | 504903 | 1 |

MISSING ITEM NUMBERS NOT APPLICABLE

- ITEM NOT ILLUSTRATED

BRI

21-00-00-12

21-00-00
FIG. 12
PAGE 6
JAN 20/09



757

PARTS CATALOG (MAINTENANCE)

| FIG ITEM | PART NUMBER | 1 2 3 4 5 6 7 | NOMENCLATURE | EFFECT FROM TO | UNITS PER ASSY |
|----------|-------------|---------------|---|------------------|----------------|
| 12 | | | | | |
| - 275 | 214N4001-24 | | . DUCT INSTL-LAV C SUPPLEMENTAL INDIVIDUAL AIR POSITION DATA: STA 1279.6 THRU 1315 LH FOR DETAILS SEE: 21-26-09-61A | 108120 504903 | 1 |
| - 275 | 214N4001-7 | | . DUCT INSTL-LAV F SUPPLEMENTAL INDIVIDUAL AIR POSITION DATA: STA 379.2 THRU 415.6 RH FOR DETAILS SEE: 21-26-09-61C | 504903 | 1 |
| - 275 | 214N4001-33 | | . DUCT INSTL-LAV S SUPPLEMENTAL INDIVIDUAL AIR POSITION DATA: STA 647 THRU 682.9 LH FOR DETAILS SEE: 21-26-09-61G | 108120 | 1 |
| - 277 | 214N4002-27 | | . HOSE INSTL-GASPER POSITION DATA: STA 429 TO 1590 FOR DETAILS SEE: 21-24-02-10U | 108120 | 1 |
| - 280 | 214N5006-14 | | . DUCT INSTL-CAB. AIR RECIRCULATION FOR DETAILS SEE: 21-25-05-01 | 108120 | 1 |
| - 280 | 214N5006-15 | | . DUCT INSTL-CAB. AIR RECIRCULATION FOR DETAILS SEE: 21-25-05-01 | 108120 504903 | 1 |
| - 285 | 217N1010-10 | | . DUCT INSTL-AIR SUPPLY POSITION DATA: SECT. 43 L SIDE FOR DETAILS SEE: 21-58-02-02 | 108120 | 1 |
| - 285 | 217N1010-9 | | . DUCT INSTL-AIR SUPPLY POSITION DATA: SECT. 43 L SIDE FOR DETAILS SEE: 21-58-02-02 | 504903 | 1 |

MISSING ITEM NUMBERS NOT APPLICABLE

- ITEM NOT ILLUSTRATED

21-00-00-12

21-00-00
FIG. 12
PAGE 7
JAN 20/09

BRI



757

PARTS CATALOG (MAINTENANCE)

| FIG ITEM | PART NUMBER | 1 2 3 4 5 6 7 | NOMENCLATURE | EFFECT FROM TO | UNITS PER ASSY |
|----------|-------------|---------------|--|------------------|----------------|
| 12 | | | | | |
| - 290 | 217N1030-15 | | .ORIFICE INSTL-BELOW FLOOR ELEC/ELECTRONICS COOLING ETOPS PASSENGER MINOR MODEL FOR DETAILS SEE: 21-58-08-18 | 108120 | 1 |
| - 290 | 217N1030-12 | | .ORIFICE INSTL-BELOW FLOOR ELEC/ELECTRONICS COOLING NON-ETOPS PASSENGER MINOR MODEL NOT APPROVED FOR ETOPS. FOR DETAILS SEE: 21-58-08-18 | 504903 | 1 |
| - 294 | 217N2011-12 | | .DUCT INSTL-LWR SECT. 41 INSTR COOLING EXH FOR DETAILS SEE: 21-58-08-25A | 108120 | 1 |
| - 295 | 218N4009-11 | | .SENSOR INSTL-DUCT LEAK DETECTION WING LE POSITION DATA: LH FOR DETAILS SEE: 26-18-01-01 | 108120 504903 | 1 |
| - 300 | 218N4009-12 | | .SENSOR INSTL-DUCT LEAK DETECTION WING LE POSITION DATA: RH FOR DETAILS SEE: 26-18-01-06 | 108120 504903 | 1 |
| - 310 | 417N3002-7 | | .DUCT INSTL-GASPER POSITION DATA: OVERDOOR LH FOR DETAILS SEE: 21-23-01-02 | 108120 | 1 |
| - 310 | 417N3002-8 | | .DUCT INSTL-GASPER POSITION DATA: OVERDOOR RH FOR DETAILS SEE: 21-23-01-02 | 108120 | 1 |
| - 315 | 453N2140-10 | | .TUBING INSTL-FIRE EXTINGUISHING POSITION DATA: FWD CARGO COMPT WITH LAV S FOR DETAILS SEE: 26-23-53-01A | 108120 | 1 |

MISSING ITEM NUMBERS NOT APPLICABLE

- ITEM NOT ILLUSTRATED

BRI

21-00-00-12

BOEING PROPRIETARY - Copyright © - Unpublished Work - See title page for details.

21-00-00
FIG. 12
PAGE 8
JAN 20/09



757

PARTS CATALOG (MAINTENANCE)

| FIG ITEM | PART NUMBER | 1 2 3 4 5 6 7 | NOMENCLATURE | EFFECT FROM TO | UNITS PER ASSY |
|----------|-------------|---------------|---|------------------|----------------|
| 12 | | | | | |
| - 315 | 453N2140-13 | | .TUBING INSTL-FIRE EXTINGUISHING POSITION DATA: FWD CARGO COMPT NO LAV S, NO LAV T FOR DETAILS SEE: 26-23-53-01A | 504903 | 1 |
| - 320 | 453N2150-20 | | .TUBING INSTL-SMOKE DETECTOR POSITION DATA: FWD CARGO COMPT FOR DETAILS SEE: 26-16-58-02 | 504903 | 1 |
| - 320 | 453N2150-22 | | .TUBING INSTL-SMOKE DETECTOR POSITION DATA: FWD CARGO COMPT FOR DETAILS SEE: 26-16-58-01 | 108120 | 1 |
| - 325 | 214N4002-5 | | .HOSE INSTL-GASPER POSITION DATA: STA 429 TO 1590 FOR DETAILS SEE: 21-24-02-11L | 504903 | 1 |
| - 340 | 217N1009-3 | | .DUCT INSTL-ELECTRICAL/ ELECTRONICS COOLING AIR SUPPLY POSITION DATA: STA 431.5 FOR DETAILS SEE: 21-58-08-02 | 108120 | 1 |
| - 340 | 217N1009-4 | | .DUCT INSTL-ELECTRICAL/ ELECTRONICS COOLING AIR SUPPLY POSITION DATA: STA 431.5 FOR DETAILS SEE: 21-58-08-02 | 504903 | 1 |
| - 345 | 217N2005-9 | | .DUCT INSTL-W/ NO EXTRA WEATHER RADAR INDICATOR IN CENTER AISLE STAND FOR DETAILS SEE: 21-58-08-07 | 108120 504903 | 1 |
| - 365 | 217N1152-3 | | .FAN INSTL-AUX E/E COOLING SYS POSITION DATA: FWD FOR DETAILS SEE: 21-58-60-01 | 108120 | 1 |

MISSING ITEM NUMBERS NOT APPLICABLE

- ITEM NOT ILLUSTRATED

21-00-00-12

21-00-00
FIG. 12
PAGE 9
JAN 20/09

BRI



757

PARTS CATALOG (MAINTENANCE)

| FIG ITEM | PART NUMBER | 1 2 3 4 5 6 7 | NOMENCLATURE | EFFECT FROM TO | UNITS PER ASSY |
|----------|-------------|---------------|--|------------------|----------------|
| 12 | | | | | |
| - 370 | 217N2011-11 | | . DUCT INSTL-LWR SECT. 41 INSTR COOLING EXH FOR DETAILS SEE: 21-58-08-25A | 504903 | 1 |
| - 375 | 217N2019-18 | | . ORIFICE INSTL-DUAL WEATHER RADAR, CARBON BRAKES PASS MINOR MODEL POSITION DATA: FLIGHT DECK FOR DETAILS SEE: 21-58-08-19 | 108120 | 1 |
| - 405 | 214N5001-15 | | . EQUIPMENT INSTL-MIX BAY CAB. AIR RECIRCULATE FOR DETAILS SEE: 21-25-01-10A | 108120 504903 | 1 |
| - 410 | 214N5020-79 | | . SUPPORT INSTL-MIX BAY RECIRCULATE AIR FILTER POSITION DATA: RH FOR DETAILS SEE: 21-25-51-02 | 108120 504903 | 1 |

MISSING ITEM NUMBERS NOT APPLICABLE

- ITEM NOT ILLUSTRATED

BRI

21-00-00-12

BOEING PROPRIETARY - Copyright © - Unpublished Work - See title page for details.

21-00-00
FIG. 12
PAGE 10
JAN 20/09

 **BOEING**
757
PARTS CATALOG (MAINTENANCE)

NON-ILLUSTRATED FIGURE

THE ITEMS REFLECTED IN THIS FIGURE ARE INTENTIONALLY
NON-ILLUSTRATED. THEY ARE REFERENCED TO EITHER A
NEXT HIGHER OR NEXT LOWER ASSEMBLY/INSTALLATION FIGURE.

BRI
MAY 28/07

COLLECTOR-MANAGEMENT
FIGURE 14

21-00-00-14

21-00-00-14
PAGE 0



757

PARTS CATALOG (MAINTENANCE)

| FIG ITEM | PART NUMBER | 1 2 3 4 5 6 7 | NOMENCLATURE | EFFECT FROM TO | UNITS PER ASSY |
|----------|--------------|---------------|--|----------------------------|----------------|
| 14 | | | COLLECTOR-MANAGEMENT | 101102 108120 504903 | |
| - 1 | 210N0100-100 | | COLLECTOR-MANAGEMENT | 101102 108120 504903 | 1 |
| - 5 | 218N4006-2 | | .SENSOR INSTL-WHL WELL DUCT LEAK DETECTION FOR DETAILS SEE: 26-18-01-03 | 101102 108120 504903 | 1 |
| - 10 | 218N4008-2 | | .SENSOR INSTL-UNDER WING DUCT LEAK DETECTION FOR DETAILS SEE: 26-18-01-04 | 101102 108120 504903 | 1 |
| - 15 | 212N3005-3 | | .DUCT INSTL-AIR SUPPLY POSITION DATA: SECT. 46 FOR DETAILS SEE: 36-11-01-20 | 101102 108120 504903 | 1 |
| - 40 | 212N3010-14 | | .SUPPORT INSTL-UNDER WING AIR SUPPLY POSITION DATA: RH FUNCTIONAL REFERENCE: PNEUMATIC FOR DETAILS SEE 36-11-51-01 PLACARDS AND MARKINGS FOR DETAILS SEE 11-24-10-01 | 101102 108120 504903 | 1 |
| - 45 | 213N1001-31 | | .PACK INSTL-UNDER WING AIR CONDITIONING POSITION DATA: LH FOR DETAILS SEE: 21-52-01-01A | 101102 504903 | 1 |
| - 45 | 213N1001-43 | | .PACK INSTL-UNDER WING AIR CONDITIONING POSITION DATA: LH FOR DETAILS SEE: 21-52-01-01A | 108120 | 1 |
| - 50 | 213N1001-32 | | .PACK INSTL-UNDER WING AIR CONDITIONING POSITION DATA: RH FOR DETAILS SEE: 21-52-01-01A | 101102 504903 | 1 |

MISSING ITEM NUMBERS NOT APPLICABLE

- ITEM NOT ILLUSTRATED

21-00-00-14

21-00-00
FIG. 14
PAGE 1
JAN 20/09

BRI



757

PARTS CATALOG (MAINTENANCE)

| FIG ITEM | PART NUMBER | 1 2 3 4 5 6 7 | NOMENCLATURE | EFFECT FROM TO | UNITS PER ASSY |
|----------|-------------|---------------|--|----------------------------|----------------|
| 14 | | | | | |
| - 50 | 213N1001-44 | | .PACK INSTL-UNDER WING AIR CONDITIONING POSITION DATA: RH FOR DETAILS SEE: 21-52-01-01A | 108120 | 1 |
| - 55 | 213N1003-55 | | .DUCT INSTL-AIR CONDITION PACK AIR SUPPLY L SIDE FOR DETAILS SEE: 21-51-01-02A | 101102 108120 504903 | 1 |
| - 60 | 213N1003-56 | | .DUCT INSTL-AIR CONDITION PACK AIR SUPPLY R SIDE FOR DETAILS SEE: 21-51-01-02A | 101102 108120 504903 | 1 |
| - 65 | 213N3001-7 | | .INLET INSTL-RAM AIR HEAT SINK FOR DETAILS SEE: 21-53-01-01A | 108120 | 1 |
| - 70 | 213N3001-8 | | .INLET INSTL-RAM AIR HEAT SINK FOR DETAILS SEE: 21-53-01-01A | 108120 | 1 |
| - 81 | 213N3002-11 | | .DUCT INSTL-RAM AIR HEAT SINK POSITION DATA: LH FOR DETAILS SEE: 21-53-07-01A | 108120 | 1 |
| - 82 | 213N3002-12 | | .DUCT INSTL-RAM AIR HEAT SINK POSITION DATA: RH FOR DETAILS SEE: 21-53-07-01A | 108120 | 1 |
| - 92 | 213N3003-17 | | .OUTLET INSTL-SYS WITHOUT EXIT MODULATION POSITION DATA: LH FOR DETAILS SEE: 21-53-02-01A | 108120 | 1 |
| - 93 | 213N3003-18 | | .OUTLET INSTL-SYS WITHOUT EXIT MODULATION POSITION DATA: RH FOR DETAILS SEE: 21-53-02-01A | 108120 | 1 |

MISSING ITEM NUMBERS NOT APPLICABLE

- ITEM NOT ILLUSTRATED

21-00-00-14

21-00-00
FIG. 14
PAGE 2
JAN 20/09

BRI

 **BOEING**
757
PARTS CATALOG (MAINTENANCE)

| FIG ITEM | PART NUMBER | 1 2 3 4 5 6 7 | NOMENCLATURE | EFFECT FROM TO | UNITS PER ASSY |
|-------------|-------------|---------------|---|----------------------------|----------------------|
| 14 | | | | | |
| - 95 | 218N1001-37 | | . DUCT INSTL-WING LE ANTI ICING POSITION DATA: LH FOR DETAILS SEE: 30-11-01-01 | 101102 108120 504903 | 1 |
| - 100 | 218N1001-38 | | . DUCT INSTL-WING LE ANTI ICING POSITION DATA: RH FOR DETAILS SEE: 30-11-01-01 | 101102 108120 504903 | 1 |
| - 105 | 214N1005-9 | | . DUCT INSTL-FLIGHT DECK CONDITIONED AIR SIDEWALL FUNCTIONAL REFERENCE: AIR CONDITIONING FOR DETAILS SEE 21-22-05-03A 21-45-01-01A | 101102 108120 504903 | 1 |
| - 110 | 214N1006-4 | | . DUCT INSTL-CONDITIONED AIR POSITION DATA: FLIGHT DECK FOR DETAILS SEE: 21-22-05-04 | 101102 108120 504903 | 1 |
| - 115 | 214N1009-2 | | . DUCT INSTL-FLIGHT DECK CONDITIONED AIR BELOW FLOOR POSITION DATA: STA 234 - 305 RH FUNCTIONAL REFERENCE: PLACARDS AND MARKINGS FOR DETAILS SEE 11-36-30-01 AIR CONDITIONING FOR DETAILS SEE 21-22-05-07 21-45-02-02 | 101102 504903 | 1 |

MISSING ITEM NUMBERS NOT APPLICABLE

- ITEM NOT ILLUSTRATED

BRI

21-00-00-14

BOEING PROPRIETARY - Copyright © - Unpublished Work - See title page for details.

21-00-00
FIG. 14
PAGE 3
JAN 20/09



757

PARTS CATALOG (MAINTENANCE)

| FIG ITEM | PART NUMBER | 1 2 3 4 5 6 7 | NOMENCLATURE | EFFECT FROM TO | UNITS PER ASSY |
|-------------|-------------|---------------|---|----------------------------|----------------|
| 14 - 115 | 214N1009-3 | | . DUCT INSTL-FLIGHT DECK AIR CONDITIONED BELOW FLOOR POSITION DATA: STA 235 - 305 RH FUNCTIONAL REFERENCE: PLACARDS AND MARKINGS FOR DETAILS SEE 11-36-30-01 AIR CONDITIONING FOR DETAILS SEE 21-22-05-07 21-45-02-02 | 108120 | 1 |
| - 120 | 215N1001-16 | | . SENSOR INSTL-TEMP FOR DETAILS SEE: 21-61-08-01A | 101102 108120 | 1 |
| - 125 | 216N1001-16 | | . VALVE INSTL-CAB. PRESSURE SAFETY RELIEF POSITION DATA: STA 1410.0 FOR DETAILS SEE: 21-32-01-01 | 504903 101102 504903 | 1 |
| - 125 | 216N1001-17 | | . VALVE INSTL-CAB. PRESSURE SAFETY RELIEF POSITION DATA: STA 1410.0 FOR DETAILS SEE: 21-32-01-01 | 108120 | 1 |
| - 130 | 216N1003-2 | | . VALVE INSTL-CAB. AIR OUTFLOW FOR DETAILS SEE: 21-31-03-01 | 101102 108120 504903 | 1 |
| - 135 | 217N1004-2 | | . DUCT INSTL-ELECTRICAL ELECTRONICS COOLING AIR EXH POSITION DATA: STA 343.0 TO 445.0 RH SIDE FOR DETAILS SEE: 21-58-08-20 | 101102 108120 504903 | 1 |
| - 140 | 217N1007-2 | | . DUCT INSTL-AIR SUPPLY AND AIR EXH E5 RACK ELECTRICAL/ELECTRONICS COOLING FOR DETAILS SEE: 21-58-08-22 | 101102 108120 504903 | 1 |

MISSING ITEM NUMBERS NOT APPLICABLE

- ITEM NOT ILLUSTRATED

BRI

21-00-00-14

21-00-00
FIG. 14
PAGE 4
JAN 20/09



757

PARTS CATALOG (MAINTENANCE)

| FIG ITEM | PART NUMBER | 1 2 3 4 5 6 7 | NOMENCLATURE | EFFECT FROM TO | UNITS PER ASSY |
|----------|-------------|---------------|--|----------------------------|----------------|
| 14 | | | | | |
| - 145 | 217N1011-3 | | . DUCT INSTL-E3-E4 RACKS AIR SUPPLY AND EXH FOR DETAILS SEE: 21-58-08-16 | 101102 504903 | 1 |
| - 145 | 217N1011-4 | | . DUCT INSTL-E3-E4 RACKS AIR SUPPLY AND EXH FOR DETAILS SEE: 21-58-08-16 | 108120 | 1 |
| - 150 | 217N1018-10 | | . HEAT SINK INSTL- ELECTRICAL/ELECTRONICS COMPT AIR SUPPLY POSITION DATA: STA 520 TO 560 FOR DETAILS SEE: 21-58-06-02A | 101102 108120 504903 | 1 |
| - 155 | 217N1019-3 | | . DUCT INSTL-AIR EXH POSITION DATA: STA 424.25 FOR DETAILS SEE: 21-58-08-17 | 101102 108120 504903 | 1 |
| - 160 | 217N2004-2 | | . DUCT INSTL-INSTR COOLING SUPPLY PRESSURE BHD FWD FOR DETAILS SEE: 21-58-08-14 | 101102 108120 504903 | 1 |
| - 165 | 217N2005-13 | | . DUCT INSTL-INSTR COOLING SUPPLY MAIN PNL FOR DETAILS SEE: 21-58-08-07 | 101102 504903 | 1 |
| - 170 | 217N2014-3 | | . DUCT INSTL-INSTR COOLING EXH BELOW FLOOR POSITION DATA: LH SIDE FOR DETAILS SEE: 21-58-08-05 | 101102 108120 504903 | 1 |
| - 190 | 212N3003-11 | | . DUCT INSTL-WHL WELL AND UNDER WING AIR SUPPLY FOR DETAILS SEE: 36-11-01-12 | 101102 108120 504903 | 1 |
| - 195 | 232N6001-13 | | . SYSTEM INSTL-WSHLD WIPER POSITION DATA: LH ACCESS PANEL NUMBER: 211AL 212AR FOR DETAILS SEE: 30-42-01-05 | 101102 108120 504903 | 1 |

MISSING ITEM NUMBERS NOT APPLICABLE

- ITEM NOT ILLUSTRATED

21-00-00-14

21-00-00
FIG. 14
PAGE 5
JAN 20/09

BRI



757

PARTS CATALOG (MAINTENANCE)

| FIG ITEM | PART NUMBER | 1 2 3 4 5 6 7 | NOMENCLATURE | EFFECT FROM TO | UNITS PER ASSY |
|----------|---------------|---------------|--|----------------------------|----------------|
| 14 | | | | | |
| - 196 | 232N6001-14 | | .SYSTEM INSTL-WSHLD WIPER POSITION DATA: RH ACCESS PANEL NUMBER: 211AL 212AR FOR DETAILS SEE: 30-42-01-05 | 101102 108120 504903 | 1 |
| - 200 | 232N6001-15 | | .RIGGING INSTL-RIGGING INSTRUCTIONS POSITION DATA: LH | 101102 108120 504903 | 1 |
| - 205 | 232N6001-16 | | .RIGGING INSTL-RIGGING INSTRUCTIONS POSITION DATA: RH | 101102 108120 504903 | 1 |
| - 225 | 210N0100-1200 | | COLLECTOR-MANAGEMENT | 101102 | 1 |
| - 230 | 212N1001-9 | | .SWITCH INSTL-ALTITUDE PRESSURE TRANSDUCER (AIR CONDITIONING ONLY) FUNCTIONAL REFERENCE: AIR CONDITIONING FOR DETAILS SEE 21-51-17-01 PNEUMATIC FOR DETAILS SEE 36-21-02-02 | 101102 | 1 |
| - 235 | 213N1001-35 | | .PLUG INSTL-UNDER WING AIR CONDITIONING POSITION DATA: LH FOR DETAILS SEE: 21-52-01-01A | 101102 | 1 |
| - 240 | 213N1001-36 | | .PLUG INSTL-UNDER WING AIR CONDITIONING POSITION DATA: RH FOR DETAILS SEE: 21-52-01-01A | 101102 | 1 |
| - 245 | 213N1003-57 | | .DUCT INSTL-PASSENGER STD EICAS POSITION DATA: L SIDE FOR DETAILS SEE: 21-51-01-02A | 101102 | 1 |

MISSING ITEM NUMBERS NOT APPLICABLE

- ITEM NOT ILLUSTRATED

21-00-00-14

21-00-00
FIG. 14
PAGE 6
JAN 20/09

BRI



757

PARTS CATALOG (MAINTENANCE)

| FIG ITEM | PART NUMBER | 1 2 3 4 5 6 7 | NOMENCLATURE | EFFECT FROM TO | UNITS PER ASSY |
|-------------|---------------|---------------|--|----------------|----------------|
| 14 - 250 | 213N1003-58 | | . DUCT INSTL-PASSENGER STD EICAS POSITION DATA: R SIDE FOR DETAILS SEE: 21-51-01-02A | 101102 | 1 |
| - 265 | 214N5006-15 | | . DUCT INSTL-CAB. AIR RECIRCULATION FOR DETAILS SEE: 21-25-05-01 | 101102 | 1 |
| - 395 | 210N0100-1202 | | COLLECTOR-MANAGEMENT | 101102 | 1 |
| - 415 | 217N2011-12 | | . DUCT INSTL-LWR SECT. 41 INSTR COOLING EXH FOR DETAILS SEE: 21-58-08-25A | 101102 | 1 |
| - 807 | 212N3001-25 | | . DUCT INSTL-UNDER WING AIR SUPPLY (AIR SUPPLY DISTRIBUTION ONLY) FUNCTIONAL REFERENCE: PNEUMATIC FOR DETAILS SEE 36-11-01-15 36-22-01-02 | 101102 | 1 |
| - 851 | 217N2005-9 | | . DUCT INSTL-W/ NO EXTRA WEATHER RADAR INDICATOR IN CENTER AISLE STAND FOR DETAILS SEE: 21-58-08-07 | 101102 | 1 |

MISSING ITEM NUMBERS NOT APPLICABLE

- ITEM NOT ILLUSTRATED

BRI

21-00-00-14

BOEING PROPRIETARY - Copyright © - Unpublished Work - See title page for details.

21-00-00
FIG. 14
PAGE 7
JAN 20/09

 **BOEING**
757
PARTS CATALOG (MAINTENANCE)

NON-ILLUSTRATED FIGURE

THE ITEMS REFLECTED IN THIS FIGURE ARE INTENTIONALLY
NON-ILLUSTRATED. THEY ARE REFERENCED TO EITHER A
NEXT HIGHER OR NEXT LOWER ASSEMBLY/INSTALLATION FIGURE.

COLLECTOR-MANAGEMENT
FIGURE 15

21-00-00-15

BRI
MAY 28/07

21-00-00-15
PAGE 0



757

PARTS CATALOG (MAINTENANCE)

| FIG ITEM | PART NUMBER | 1 2 3 4 5 6 7 | NOMENCLATURE | EFFECT FROM TO | UNITS PER ASSY |
|----------|--------------|---------------|--|----------------------------|----------------|
| 15 | | | COLLECTOR-MANAGEMENT | 101102 108120 504903 | |
| - 1 | 210N0100-200 | | COLLECTOR-MANAGEMENT | 101102 108120 504903 | 1 |
| - 3 | 212N3007-4 | | .DUCT INSTL-AIR SUPPLY (PNEUMATICS ONLY) POSITION DATA: SECT. 48 FUNCTIONAL REFERENCE: PLACARDS AND MARKINGS FOR DETAILS SEE 11-23-00-02 PNEUMATIC FOR DETAILS SEE 36-11-10-01 | 101102 108120 504903 | 1 |
| - 4 | 212N3004-6 | | .PROVISION INSTL- FOR DETAILS SEE: 21-23-03-01 | 101102 108120 504903 | 1 |
| - 5 | 213N1001-39 | | .MARKER INSTL-UNDER WING AIR CONDITIONING POSITION DATA: LH FOR DETAILS SEE: 21-52-01-01A | 101102 108120 504903 | 1 |
| - 10 | 213N1001-40 | | .MARKER INSTL-UNDER WING AIR CONDITIONING POSITION DATA: RH FOR DETAILS SEE: 21-52-01-01A | 101102 108120 504903 | 1 |
| - 15 | 213N1002-11 | | .DUCT INSTL-AIR CONDITION PACK CONDITIONED AIR POSITION DATA: LH FOR DETAILS SEE: 21-51-15-01 | 101102 108120 504903 | 1 |
| - 20 | 213N1002-12 | | .DUCT INSTL-AIR CONDITION PACK CONDITIONED AIR POSITION DATA: RH FOR DETAILS SEE: 21-51-15-01 | 101102 108120 504903 | 1 |

MISSING ITEM NUMBERS NOT APPLICABLE

- ITEM NOT ILLUSTRATED

21-00-00-15

21-00-00
FIG. 15
PAGE 1
JAN 20/09

BRI



757

PARTS CATALOG (MAINTENANCE)

| FIG ITEM | PART NUMBER | 1 2 3 4 5 6 7 | NOMENCLATURE | EFFECT FROM TO | UNITS PER ASSY |
|----------|-------------|---------------|---|----------------------------|----------------|
| 15 | | | | | |
| - 25 | 213N1003-59 | | .VALVE INSTL-FCV 757-200 POSITION DATA: L SIDE FOR DETAILS SEE: 21-51-01-02A | 101102 108120 504903 | 1 |
| - 30 | 213N1003-60 | | .VALVE INSTL-FCV 757-200 POSITION DATA: R SIDE FOR DETAILS SEE: 21-51-01-02A | 101102 108120 504903 | 1 |
| - 35 | 213N2001-25 | | .DUCT INSTL-UNDER WING TRIM AIR FOR DETAILS SEE: 21-61-05-01 | 101102 108120 504903 | 1 |
| - 40 | 213N2002-3 | | .DUCT INSTL-MIX BAY TRIM AIR FUNCTIONAL REFERENCE: PLACARDS AND MARKINGS FOR DETAILS SEE 11-37-20-01 AIR CONDITIONING FOR DETAILS SEE 21-61-07-05 | 101102 108120 504903 | 1 |
| - 45 | 213N2003-12 | | .MANIFOLD INSTL-MIX BAY CONDITIONED AIR FOR DETAILS SEE: 21-21-51-02A | 101102 108120 504903 | 1 |
| - 47 | 213N3001-5 | | .INLET INSTL-RAM AIR HEAT SINK POSITION DATA: LH FOR DETAILS SEE: 21-53-01-01 | 101102 504903 | 1 |
| - 48 | 213N3001-6 | | .INLET INSTL-RAM AIR HEAT SINK POSITION DATA: LH FOR DETAILS SEE: 21-53-01-01 | 101102 504903 | 1 |
| - 50 | 214N1002-8 | | .ORIFICE INSTL-CONDITIONED AIR POSITION DATA: FLIGHT DECK FOR DETAILS SEE: 21-22-01-01 | 101102 108120 504903 | 1 |

MISSING ITEM NUMBERS NOT APPLICABLE

- ITEM NOT ILLUSTRATED

21-00-00-15

21-00-00
FIG. 15
PAGE 2
JAN 20/09

BRI



757

PARTS CATALOG (MAINTENANCE)

| FIG ITEM | PART NUMBER | 1 2 3 4 5 6 7 | NOMENCLATURE | EFFECT FROM TO | UNITS PER ASSY |
|----------|-------------|---------------|--|----------------------------|----------------|
| 15 | | | | | |
| - 55 | 214N1003-3 | | . DUCT INSTL-CONDITIONED AIR BELOW FLOOR POSITION DATA: STA 430 TO 585 LH FLIGHT DECK FOR DETAILS SEE: 21-22-05-01 | 101102 504903 | 1 |
| - 55 | 214N1003-6 | | . DUCT INSTL-CONDITIONED AIR BELOW FLOOR POSITION DATA: STA 430 TO 585 LH FLIGHT DECK FOR DETAILS SEE: 21-22-05-01 | 108120 | 1 |
| - 60 | 214N1005-13 | | . DUCT INSTL-FLIGHT DECK CONDITIONED AIR SIDEWALL FOR DETAILS SEE: 21-22-05-03A | 101102 108120 504903 | 1 |
| - 65 | 214N1007-12 | | . EQUIPMENT INSTL- CONDITIONED AIR OVERHEAD POSITION DATA: FLIGHT DECK FOR DETAILS SEE: 21-22-05-05 | 101102 504903 | 1 |
| - 65 | 214N1007-15 | | . EQUIPMENT INSTL-FLIGHT DECK CONDITIONED AIR FOR DETAILS SEE: 21-22-05-05 | 108120 | 1 |
| - 70 | 214N1008-3 | | . DUCT INSTL- FLIGHT DECK CONDITIONED AIR BELOW FLOOR POSITION DATA: STA 234 TO 310 LH SIDE FUNCTIONAL REFERENCE: PLACARDS AND MARKINGS FOR DETAILS SEE 11-36-30-01 AIR CONDITIONING FOR DETAILS SEE 21-22-05-06 21-45-02-01 | 101102 504903 | 1 |

MISSING ITEM NUMBERS NOT APPLICABLE

- ITEM NOT ILLUSTRATED

BRI

21-00-00-15

BOEING PROPRIETARY - Copyright © - Unpublished Work - See title page for details.

21-00-00
FIG. 15
PAGE 3
JAN 20/09



757

PARTS CATALOG (MAINTENANCE)

| FIG ITEM | PART NUMBER | 1 2 3 4 5 6 7 | NOMENCLATURE | EFFECT FROM TO | UNITS PER ASSY |
|------------|-------------|---------------|--|------------------|----------------|
| 15 - 70 | 214N1008-5 | | . DUCT INSTL- POSITION DATA: FLIGHT DECK, LH, BELOW FLOOR, STA 234 - 310 FUNCTIONAL REFERENCE: PLACARDS AND MARKINGS FOR DETAILS SEE 11-36-30-01 AIR CONDITIONING FOR DETAILS SEE 21-22-05-06 21-45-02-01 | 108120 | 1 |
| - 75 | 214N1010-4 | | . DUCT INSTL-CONDITIONED AIR CONDITIONED AIR BELOW FLOOR CROSSOVER POSITION DATA: STA 314.5 FLIGHT DECK FOR DETAILS SEE: 21-22-05-08 | 101102 504903 | 1 |
| - 75 | 214N1010-6 | | . DUCT INSTL-CONDITIONED AIR POSITION DATA: FLIGHT DECK, CROSSOVER BELOW FLOOR, STA 314.5 FOR DETAILS SEE: 21-22-05-08 | 108120 | 1 |
| - 80 | 214N1011-8 | | . DUCT INSTL-CONDITIONED AIR BELOW FLOOR POSITION DATA: STA 340 TO 430 LH SIDE FOR DETAILS SEE: 21-22-05-09 21-61-01-01 | 101102 504903 | 1 |
| - 80 | 214N1011-10 | | . DUCT INSTL-CONDITIONED AIR POSITION DATA: FLIGHT DECK, LH, BELOW FLOOR, STA 340 - 430 FOR DETAILS SEE: 21-22-05-09 21-61-01-01 | 108120 | 1 |
| - 85 | 214N2042-6 | | . DUCT INSTL-SIDEWALL RISER DISTR SYS POSITION DATA: STA 839 TO STA 860 FOR DETAILS SEE: 21-23-01-96 | 101102 504903 | 1 |

MISSING ITEM NUMBERS NOT APPLICABLE

- ITEM NOT ILLUSTRATED

21-00-00-15

21-00-00
FIG. 15
PAGE 4
JAN 20/09

BRI



757

PARTS CATALOG (MAINTENANCE)

| FIG ITEM | PART NUMBER | 1 2 3 4 5 6 7 | NOMENCLATURE | EFFECT FROM TO | UNITS PER ASSY |
|----------|-------------|---------------|---|----------------------------|----------------|
| 15 | | | | | |
| - 85 | 214N2042-10 | | . DUCT INSTL-SIDEWALL RISER DISTR SYS POSITION DATA: STA 839 TO STA 860 FOR DETAILS SEE: 21-23-01-96 | 108120 | 1 |
| - 90 | 214N2042-7 | | . DUCT INSTL-SIDEWALL RISER DISTR SYS POSITION DATA: STA 879 TO STA 900 FOR DETAILS SEE: 21-23-01-96A | 101102 504903 | 1 |
| - 90 | 214N2042-11 | | . DUCT INSTL-SIDEWALL RISER DISTR SYS POSITION DATA: STA 879 TO STA 900 FOR DETAILS SEE: 21-23-01-96A | 108120 | 1 |
| - 95 | 453N2240-30 | | . TUBING INSTL-CARGO COMPT OVERWING AND FOUR DOOR CONFIGURATION PASS. MINOR MODEL POSITION DATA: STA 1200 AFT FOR DETAILS SEE: 26-23-51-02B | 504903 | 1 |
| - 105 | 214N2044-31 | | . HEATER SYSTEM INSTL-DOOR 1 FUNCTIONAL REFERENCE: PLACARDS AND MARKINGS FOR DETAILS SEE 11-21-50-01 AIR CONDITIONING FOR DETAILS SEE 21-45-52-01A | 101102 108120 504903 | 1 |
| - 110 | 214N2044-32 | | . HEATER SYSTEM INSTL-DOOR 2 FUNCTIONAL REFERENCE: PLACARDS AND MARKINGS FOR DETAILS SEE 11-21-50-01 AIR CONDITIONING FOR DETAILS SEE 21-45-52-02A | 101102 504903 | 1 |

MISSING ITEM NUMBERS NOT APPLICABLE

- ITEM NOT ILLUSTRATED

BRI

21-00-00-15

21-00-00
FIG. 15
PAGE 5
JAN 20/09

 **BOEING**
757
PARTS CATALOG (MAINTENANCE)

| FIG ITEM | PART NUMBER | 1 2 3 4 5 6 7 | NOMENCLATURE | EFFECT FROM TO | UNITS PER ASSY |
|----------|-------------|---------------|--|----------------------------|----------------|
| 15 | | | | | |
| - 110 | 214N2044-63 | | .HEATER SYSTEM INSTL-DOOR 2 AREA, 2 325 WATT HEATERS FUNCTIONAL REFERENCE: PLACARDS AND MARKINGS FOR DETAILS SEE 11-21-50-01 AIR CONDITIONING FOR DETAILS SEE 21-45-52-07 | 108120 | 1 |
| - 115 | 214N2044-54 | | .HEATER SYSTEM INSTL-DOOR 4 FUNCTIONAL REFERENCE: PLACARDS AND MARKINGS FOR DETAILS SEE 11-21-50-01 AIR CONDITIONING FOR DETAILS SEE 21-45-52-04A | 101102 108120 504903 | 1 |
| - 120 | 214N2048-5 | | .PROVISIONS INSTL-AUXILIARY HEATING SYSTEM DOOR 1 AREA FOR DETAILS SEE: 21-45-52-05 | 101102 108120 504903 | 1 |
| - 125 | 214N2048-6 | | .PROVISIONS INSTL-AUXILIARY HEATING SYSTEM DOOR 2 AREA FOR DETAILS SEE: 21-45-52-05 | 101102 108120 504903 | 1 |
| - 130 | 214N2048-8 | | .PROVISIONS INSTL-AUXILIARY HEATING SYSTEM DOOR 4 AREA FOR DETAILS SEE: 21-45-52-05 | 101102 108120 504903 | 1 |
| - 135 | 214N3009-3 | | .FAN INSTL-LAV/GALLEY VENT FOR DETAILS SEE: 21-26-01-04 | 101102 108120 504903 | 1 |
| - 140 | 214N3011-3 | | .PROVISIONS INSTL-LAV/ GALLEY VENT SYS POSITION DATA: SECT. 46 FOR DETAILS SEE: 53-63-60-02 | 101102 108120 504903 | 1 |
| - 145 | 214N4001-3 | | .DUCT INSTL-LAV A SUPPLEMENTAL INDIVIDUAL AIR POSITION DATA: STA 297 THRU 340 LH FOR DETAILS SEE: 21-26-09-61 | 101102 108120 504903 | 1 |

MISSING ITEM NUMBERS NOT APPLICABLE

- ITEM NOT ILLUSTRATED

BRI

21-00-00-15

21-00-00
FIG. 15
PAGE 6
JAN 20/09



757

PARTS CATALOG (MAINTENANCE)

| FIG ITEM | PART NUMBER | 1 2 3 4 5 6 7 | NOMENCLATURE | EFFECT FROM TO | UNITS PER ASSY |
|----------|-------------|---------------|--|----------------------------|----------------|
| 15 | | | | | |
| - 150 | 214N5001-14 | | .EQUIPMENT INSTL-MIX BAY CAB. AIR RECIRCULATE FOR DETAILS SEE: 21-25-01-10A | 101102 108120 504903 | 1 |
| - 153 | 214N5002-2 | | .SUPPORT INSTL-FILTER POSITION DATA: RH FOR DETAILS SEE: 21-25-51-03 | 101102 108120 504903 | 1 |
| - 154 | 214N5002-26 | | .SUPPORT INSTL-FILTER FOR DETAILS SEE: 21-25-51-03 | 101102 108120 504903 | 1 |
| - 155 | 215N3003-9 | | .DUCT INSTL-CARGO HEATING SYS MIX BAY FUNCTIONAL REFERENCE: PLACARDS AND MARKINGS FOR DETAILS SEE 11-38-51-02 AIR CONDITIONING FOR DETAILS SEE 21-43-03-02 | 101102 504903 | 1 |
| - 155 | 215N3003-14 | | .DUCT INSTL-CARGO HEATING SYS MIX BAY FUNCTIONAL REFERENCE: PLACARDS AND MARKINGS FOR DETAILS SEE 11-38-51-02 AIR CONDITIONING FOR DETAILS SEE 21-43-03-02 | 108120 | 1 |
| - 157 | 213N3002-3 | | .DUCT INSTL-RAM AIR HEAT SINK POSITION DATA: LH FOR DETAILS SEE: 21-53-07-01 | 101102 504903 | 1 |
| - 158 | 213N3002-4 | | .DUCT INSTL-RAM AIR HEAT SINK POSITION DATA: RH FOR DETAILS SEE: 21-53-07-01 | 101102 504903 | 1 |

MISSING ITEM NUMBERS NOT APPLICABLE

- ITEM NOT ILLUSTRATED

21-00-00-15

21-00-00
FIG. 15
PAGE 7
JAN 20/09

BRI



757

PARTS CATALOG (MAINTENANCE)

| FIG ITEM | PART NUMBER | 1 2 3 4 5 6 7 | NOMENCLATURE | EFFECT FROM TO | UNITS PER ASSY |
|----------|-------------|---------------|--|----------------------------|----------------|
| 15 | | | | | |
| - 160 | 215N3007-12 | | .EQUIPMENT INSTL-CARGO HEATING SYS POSITION DATA: STA 1200 FUNCTIONAL REFERENCE: PLACARDS AND MARKINGS FOR DETAILS SEE 11-38-51-03 AIR CONDITIONING FOR DETAILS SEE 21-44-05-01 | 101102 108120 504903 | 1 |
| - 165 | 215N3008-8 | | .DUCT INSTL-CARGO HEATING SYS POSITION DATA: L SIDE FOR DETAILS SEE: 21-44-08-01 | 101102 108120 504903 | 1 |
| - 170 | 215N3009-1 | | .STRUCTURE INSTL-EQPT SPRT FOR DETAILS SEE: 21-44-05-01A | 101102 108120 504903 | 1 |
| - 175 | 217N1003-6 | | .DUCT INSTL-ELEC/ELECTRONICS COOLING AIR EXH POSITION DATA: SECT. 41 FWD FOR DETAILS SEE: 21-58-08-08 | 101102 108120 504903 | 1 |
| - 180 | 217N1006-11 | | .DUCT INSTL-INSTR AND FWD ELECTRONICS COOLING EXH FOR DETAILS SEE: 21-58-08-21 | 101102 108120 504903 | 1 |
| - 185 | 217N1008-3 | | .DUCT INSTL-ELECTRICAL/ELECTRONIC COOLING AIR SUPPLY POSITION DATA: SECT. 41 FOR DETAILS SEE: 21-58-08-10 | 101102 108120 504903 | 1 |
| - 190 | 217N1017-23 | | .HEAT SINK INSTL-ELECTRICAL/ELECTRONIC COMPT AIR EXH FUNCTIONAL REFERENCE: AIR CONDITIONING FOR DETAILS SEE 21-58-06-05 PLACARDS AND MARKINGS FOR DETAILS SEE 11-36-26-01 | 101102 108120 504903 | 1 |

MISSING ITEM NUMBERS NOT APPLICABLE

- ITEM NOT ILLUSTRATED

21-00-00-15

21-00-00
FIG. 15
PAGE 8
JAN 20/09

BRI



757

PARTS CATALOG (MAINTENANCE)

| FIG ITEM | PART NUMBER | 1 2 3 4 5 6 7 | NOMENCLATURE | EFFECT FROM TO | UNITS PER ASSY |
|----------|-------------|---------------|---|----------------------------|----------------|
| 15 | | | | | |
| - 195 | 217N1017-25 | | .HEAT SINK INSTL-SMOKE DETECTOR,-200 PASS MINOR MODEL,AIR EXH, E/E COMPT POSITION DATA: SECT. 43 FOR DETAILS SEE: 21-58-06-05 | 101102 504903 | 1 |
| - 195 | 217N1017-33 | | .HEAT SINK INSTL-SMOKE FOR DETAILS SEE: 21-58-06-05 | 108120 | 1 |
| - 200 | 217N1018-13 | | .HEAT SINK INSTL- ELECTRICAL/ELECTRONICS COMPT AIR SUPPLY POSITION DATA: STA 520 TO 560 FOR DETAILS SEE: 21-58-06-02A | 101102 108120 504903 | 1 |
| - 205 | 217N1021-7 | | .DUCT INSTL-ELECTRICAL/ ELECTRONICS COOLING SYS POSITION DATA: AFT FOR DETAILS SEE: 21-58-19-03 | 101102 504903 | 1 |
| - 205 | 217N1021-11 | | .DUCT INSTL-ELECTRICAL/ ELECTRONICS COOLING SYS POSITION DATA: AFT FOR DETAILS SEE: 21-58-19-03 | 108120 | 1 |
| - 215 | 217N2002-8 | | .DUCT INSTL-INSTR CLG SUPPLY POSITION DATA: STA 202 TO 297 LWR RH FOR DETAILS SEE: 21-58-08-13 | 101102 108120 504903 | 1 |
| - 220 | 217N2003-5 | | .DUCT INSTL-OVHD PNL INSTR COOLING SUPPLY RISER FOR DETAILS SEE: 21-58-08-06 | 101102 108120 504903 | 1 |
| - 223 | 217N2005-13 | | .DUCT INSTL-INSTR COOLING SUPPLY MAIN PNL FOR DETAILS SEE: 21-58-08-07 | 108120 | 1 |

MISSING ITEM NUMBERS NOT APPLICABLE

- ITEM NOT ILLUSTRATED

BRI

21-00-00-15

21-00-00
FIG. 15
PAGE 9
JAN 20/09



757

PARTS CATALOG (MAINTENANCE)

| FIG ITEM | PART NUMBER | 1 2 3 4 5 6 7 | NOMENCLATURE | EFFECT FROM TO | UNITS PER ASSY |
|----------|-------------|---------------|--|----------------------------|----------------|
| 15 | | | | | |
| - 225 | 217N2011-14 | | . DUCT INSTL-INSTR COOLING EXH POSITION DATA: LWR SECT. 41 FOR DETAILS SEE: 21-58-08-25A | 101102 108120 504903 | 1 |
| - 230 | 217N2012-8 | | . DUCT INSTL-RISER AND GLARESHIELD EXH FOR DETAILS SEE: 21-22-05-10 | 101102 108120 504903 | 1 |
| - 235 | 217N2013-2 | | . DUCT INSTL-INSTR COOLING EXH BELOW FLOOR POSITION DATA: RH SIDE FOR DETAILS SEE: 21-58-08-04 | 101102 108120 504903 | 1 |
| - 237 | 218N4004-2 | | . SENSOR INSTL-DUCT LEAK DETECTION POSITION DATA: SECT. 46 FOR DETAILS SEE: 26-18-01-02 | 101102 108120 504903 | 1 |
| - 240 | 453N2110-30 | | . DETECTOR INSTL-SMOKE POSITION DATA: FWD CARGO COMPT FOR DETAILS SEE: 26-16-01-13A | 101102 504903 | 1 |
| - 240 | 453N2110-34 | | . DETECTOR INSTL-SMOKE POSITION DATA: FWD CARGO COMPT FOR DETAILS SEE: 26-16-01-13A | 108120 | 1 |
| - 245 | 453N2140-12 | | . TUBING INSTL-FIRE EXTINGUISHING POSITION DATA: FWD CARGO COMPT FOR DETAILS SEE: 26-23-53-01A | 101102 108120 504903 | 1 |
| - 250 | 453N2210-19 | | . COVER INSTL-CARGO COMPT SMOKE DETECTOR POSITION DATA: AFT FOR DETAILS SEE: 26-16-01-01A | 101102 108120 504903 | 1 |
| - 255 | 453N2210-32 | | . DETECTOR INSTL-SMOKE POSITION DATA: AFT CARGO COMPT FOR DETAILS SEE: 26-16-01-14 | 101102 504903 | 1 |

MISSING ITEM NUMBERS NOT APPLICABLE

- ITEM NOT ILLUSTRATED

21-00-00-15

21-00-00
FIG. 15
PAGE 10
JAN 20/09

BRI



757

PARTS CATALOG (MAINTENANCE)

| FIG ITEM | PART NUMBER | 1 2 3 4 5 6 7 | NOMENCLATURE | EFFECT FROM TO | UNITS PER ASSY |
|----------|--------------|---------------|---|----------------------------|----------------|
| 15 | | | | | |
| - 255 | 453N2210-39 | | .DETECTOR INSTL-SMOKE POSITION DATA: AFT CARGO COMPT FOR DETAILS SEE: 26-16-01-14 | 108120 | 1 |
| - 260 | 453N2220-10 | | .BOTTLE INSTL-CARGO COMPT FIRE EXT SYS POSITION DATA: AFT FOR DETAILS SEE: 26-23-02-01 | 101102 504903 | 1 |
| - 264 | 453N2220-12 | | .BOTTLE INSTL-CARGO COMPT FIRE EXT SYS POSITION DATA: AFT FOR DETAILS SEE: 26-23-02-01 | 108120 | 1 |
| - 265 | 453N2221-23 | | .SUPPORT INSTL-CARGO COMPT FIRE EXT SYS POSITION DATA: AFT FOR DETAILS SEE: 26-23-02-01 | 101102 504903 | 1 |
| - 267 | 453N2221-200 | | .SUPPORT INSTL-CARGO COMPT FIRE EXT SYS POSITION DATA: AFT FOR DETAILS SEE: 26-23-02-01 | 108120 | 1 |
| - 270 | 453N2240-23 | | .TUBING INSTL-OVERWING AND FOUR DOOR CONFIG PASSENGER MINOR MODEL FOR DETAILS SEE: 26-23-51-02B | 101102 108120 504903 | 1 |
| - 275 | 453N2250-23 | | .TUBING INSTL-OVERWING CONFG FOOR DOOR AND SBL UNIT FOR DETAILS SEE: 26-16-59-03 | 101102 108120 504903 | 1 |
| - 277 | 453N2250-16 | | .PROVISION INSTL-SMOKE DETECTION POSITION DATA: AFT CARGO COMPT FOR DETAILS SEE: 26-16-59-03 | 101102 108120 504903 | 1 |
| - 290 | 213N3004-1 | | .PROVISIONS INSTL-RAM AIR HEAT SINK FOR DETAILS SEE: 21-53-02-05 | 101102 504903 | 1 |

MISSING ITEM NUMBERS NOT APPLICABLE

- ITEM NOT ILLUSTRATED

21-00-00-15

21-00-00
FIG. 15
PAGE 11
JAN 20/09

BRI



757

PARTS CATALOG (MAINTENANCE)

| FIG ITEM | PART NUMBER | 1 2 3 4 5 6 7 | NOMENCLATURE | EFFECT FROM TO | UNITS PER ASSY |
|----------|---------------|---------------|--|----------------------------|----------------|
| 15 | | | | | |
| - 290 | 213N3004-2 | | .PROVISIONS INSTL-RAM AIR HEAT SINK FOR DETAILS SEE: 21-53-02-05 | 101102 504903 | 1 |
| - 295 | 213N3003-15 | | .OUTLET INSTL-757-200 SYS WITH EXIT MODULATION POSITION DATA: LH FOR DETAILS SEE: 21-53-02-02 | 101102 504903 | 1 |
| - 297 | 213N3003-16 | | .OUTLET INSTL-757-200 SYS WITH EXIT MODULATION POSITION DATA: RH FOR DETAILS SEE: 21-53-02-02 | 101102 504903 | 1 |
| - 305 | 218N4003-11 | | .PROVISIONS INSTL- 757-200 P/F FOR DETAILS SEE: 26-18-51-01 | 101101 | 1 |
| - 315 | 218N4002-2 | | .SENSOR INSTL-DUCT LEAK DETECTION POSITION DATA: SECT. 48 FOR DETAILS SEE: 26-18-01-05 | 101102 108120 504903 | 1 |
| - 320 | 212N3009-7 | | .DUCT INSTL-WING LE AIR SUPPLY POSITION DATA: LH FOR DETAILS SEE: 36-11-01-03A | 101102 504504 | 1 |
| - 320 | 212N3009-11 | | .DUCT INSTL-WING LE AIR SUPPLY POSITION DATA: LH FOR DETAILS SEE: 36-11-01-03A | 108120 505903 | 1 |
| - 325 | 212N3009-8 | | .DUCT INSTL-WING LE AIR SUPPLY POSITION DATA: RH FOR DETAILS SEE: 36-11-01-03A | 101102 108120 504903 | 1 |
| - 600 | 210N0100-1100 | | COLLECTOR-MANAGEMENT | 101102 | 1 |
| - 600 | 210N0100-1440 | | COLLECTOR-MANAGEMENT (BRI) BRITANNIA, 757-204 WITH RB211 ENGINES | 101102 | 1 |

MISSING ITEM NUMBERS NOT APPLICABLE

- ITEM NOT ILLUSTRATED

21-00-00-15

21-00-00
FIG. 15
PAGE 12
JAN 20/09

BRI



757

PARTS CATALOG (MAINTENANCE)

| FIG ITEM | PART NUMBER | 1 2 3 4 5 6 7 | NOMENCLATURE | EFFECT FROM TO | UNITS PER ASSY |
|-------------|---------------|---------------|--|-------------------|----------------------|
| 15 | | | | | |
| - 605 | 214N1004-8 | | . DUCT INSTL-CONDITIONED AIR POSITION DATA: LH SIDE BELOW FLOOR STA 585-828 FOR DETAILS SEE: 21-22-05-02 | 101102 | 1 |
| - 610 | 214N2025-352B | | . DUCT INSTL-OVHD AIR FOR DETAILS SEE: 21-23-01-18A | 101102 | 1 |
| - 612 | 214N4001-25 | | . DUCT INSTL-LAV B AND C SUPPLEMENTAL INDIVIDUAL AIR POSITION DATA: STA 1244 THRU 1315 LH FOR DETAILS SEE: 21-26-09-61A | 101102 | 1 |
| - 615 | 218N4009-11 | | . SENSOR INSTL-DUCT LEAK DETECTION WING LE POSITION DATA: LH FOR DETAILS SEE: 26-18-01-01 | 101102 | 1 |
| - 620 | 218N4009-12 | | . SENSOR INSTL-DUCT LEAK DETECTION WING LE POSITION DATA: RH FOR DETAILS SEE: 26-18-01-06 | 101102 | 1 |
| - 625 | 212N3010-13 | | . SUPPORT INSTL-UNDER WING AIR SUPPLY (AIR CONDITIONING ONLY) POSITION DATA: LH FUNCTIONAL REFERENCE: PLACARDS AND MARKINGS FOR DETAILS SEE 11-24-10-01 PNEUMATIC FOR DETAILS SEE 36-11-01-11 | 101102 | 1 |
| - 630 | 214N2026-123 | | . DUCT INSTL-SIDEWALL AIR DISTR SYS FOR DETAILS SEE: 21-23-01-54B | 101101 | 1 |
| - 630 | 214N2026-134 | | . DUCT INSTL-SIDEWALL AIR DISTR SYS FOR DETAILS SEE: 21-23-01-54B | 102102 | 1 |

MISSING ITEM NUMBERS NOT APPLICABLE

- ITEM NOT ILLUSTRATED

BRI

21-00-00-15

BOEING PROPRIETARY - Copyright © - Unpublished Work - See title page for details.

21-00-00
FIG. 15
PAGE 13
JAN 20/09



757

PARTS CATALOG (MAINTENANCE)

| FIG ITEM | PART NUMBER | 1 2 3 4 5 6 7 | NOMENCLATURE | EFFECT FROM TO | UNITS PER ASSY |
|----------|-------------|---------------|--|----------------|----------------|
| 15 | | | | | |
| - 635 | 214N2033-2 | | . DUCT INSTL-SIDEWALL AIR DISTR SYS, CROWN VENT FOR DETAILS SEE: 21-23-01-11A | 101102 | 1 |
| - 640 | 214N2033-4 | | . DUCT INSTL- FOR DETAILS SEE: 21-23-01-11A | 101102 | 1 |
| - 645 | 212N3000-9 | | . DUCT INSTL- A/C PACK SUPPLY POSITION DATA: L.H. FOR DETAILS SEE: 21-51-22-02A | 101102 | 1 |
| - 650 | 212N3000-10 | | . DUCT INSTL- A/C PACK SUPPLY POSITION DATA: R.H. FOR DETAILS SEE: 21-51-22-02A | 101102 | 1 |
| - 655 | 212N3000-13 | | . DUCT INSTL- A/C PACK SUPPLY POSITION DATA: L.H. FOR DETAILS SEE: 21-51-22-02A | 101102 | 1 |
| - 660 | 212N3000-14 | | . DUCT INSTL- A/C PACK SUPPLY POSITION DATA: R.H. FOR DETAILS SEE: 21-51-22-02A | 101102 | 1 |
| - 665 | 212N3001-25 | | . DUCT INSTL-AIR SUPPLY UNDER WING FUNCTIONAL REFERENCE: PNEUMATIC FOR DETAILS SEE 36-11-01-15 36-22-01-02 | 101102 | 1 |
| - 670 | 214N2024-5 | | . PROVISIONS INSTL-OVHD AIR DISTR SYS FOR DETAILS SEE: 21-23-51-07 | 101102 | 1 |
| - 675 | 214N3002-34 | | . DUCT INSTL-LAV/GALLEY VENT SYS POSITION DATA: SECT. 41 FOR DETAILS SEE: 21-26-09-14 | 101102 | 1 |

MISSING ITEM NUMBERS NOT APPLICABLE

- ITEM NOT ILLUSTRATED

21-00-00-15

21-00-00
FIG. 15
PAGE 14
JAN 20/09

BRI



757

PARTS CATALOG (MAINTENANCE)

| FIG ITEM | PART NUMBER | 1 2 3 4 5 6 7 | NOMENCLATURE | EFFECT FROM TO | UNITS PER ASSY |
|----------|--------------|---------------|--|----------------|----------------|
| 15 | | | | | |
| - 695 | 214N4002-11 | | .HOSE INSTL-GASPER POSITION DATA: STA 429 TO 1590 FOR DETAILS SEE: 21-24-02-10C | 101102 | 1 |
| - 700 | 214N3003-253 | | .DUCT INSTL-LAV/GALLEY VENT SYS POSITION DATA: SECTION 43 FOR DETAILS SEE: 21-26-09-48 | 101102 | 1 |
| - 705 | 214N3005-63 | | .DUCT INSTL-LAV/GALLEY VENT SYS POSITION DATA: SECTION 46 FOR DETAILS SEE: 21-26-09-41 | 101102 | 1 |
| - 710 | 214N3007-96 | | .ORIFICE INSTL-LAV/GALLEY VENT SYS FOR DETAILS SEE: 21-26-09-39 | 101102 | 1 |
| - 714 | 214N5001-15 | | .EQUIPMENT INSTL-MIX BAY CAB. AIR RECIRCULATE FOR DETAILS SEE: 21-25-01-10A | 101102 | 1 |
| - 715 | 217N1009-3 | | .DUCT INSTL-E/E COOLING AIR SUPPLY, PASSENGER MINOR MODEL WITH ETOPS POSITION DATA: STA 431.5 FOR DETAILS SEE: 21-58-08-02 | 101102 | 1 |
| - 720 | 217N1010-10 | | .DUCT INSTL-AIR SUPPLY ETOPS, PASSENGER MINOR POSITION DATA: LS SECT.43 FOR DETAILS SEE: 21-58-02-02 | 101102 | 1 |
| - 725 | 217N1030-15 | | .ORIFICE INSTL-BELOW FLOOR ELEC/ELECTRONICS COOLING ETOPS PASSENGER MINOR MODEL FOR DETAILS SEE: 21-58-08-18 | 101102 | 1 |

MISSING ITEM NUMBERS NOT APPLICABLE

- ITEM NOT ILLUSTRATED

BRI

21-00-00-15

21-00-00
FIG. 15
PAGE 15
JAN 20/09



757

PARTS CATALOG (MAINTENANCE)

| FIG ITEM | PART NUMBER | 1 2 3 4 5 6 7 | NOMENCLATURE | EFFECT FROM TO | UNITS PER ASSY |
|----------|-------------|---------------|--|----------------|----------------|
| 15 | | | | | |
| - 730 | 217N1152-1 | | .FAN INSTL-AUX E/E COOLING SYS , ETOPS PASSENGER MINOR MODEL POSITION DATA: FWD FOR DETAILS SEE: 21-58-60-01 | 101102 | 1 |
| - 735 | 453N2140-13 | | .TUBING INSTL-FIRE EXTINGUISHING POSITION DATA: FWD CARGO COMPT NO LAV S, NO LAV T FOR DETAILS SEE: 26-23-53-01A | 101102 | 1 |
| - 740 | 453N2150-20 | | .TUBING INSTL-SMOKE DETECTOR NO LAV S AND LAV T POSITION DATA: FWD CARGO COMPT FOR DETAILS SEE: 26-16-58-02 | 101102 | 1 |
| - 750 | 214N5020-79 | | .SUPPORT INSTL-MIX BAY RECIRCULATE AIR FILTER POSITION DATA: RH FOR DETAILS SEE: 21-25-51-02 | 101102 | 1 |
| - 760 | 217N2005-9 | | .DUCT INSTL-W/ NO EXTRA WEATHER RADAR INDICATOR IN CTR AISLE STAND FOR DETAILS SEE: 21-58-08-07 | 101102 | 1 |
| - 810 | 214N3004-4 | | .DUCT INSTL-LAV/GALLY VENT SYS POSITION DATA: SECT. 44 FOR DETAILS SEE: 21-26-09-02 | 101102 | 1 |

MISSING ITEM NUMBERS NOT APPLICABLE

- ITEM NOT ILLUSTRATED

21-00-00-15

21-00-00
FIG. 15
PAGE 16
JAN 20/09

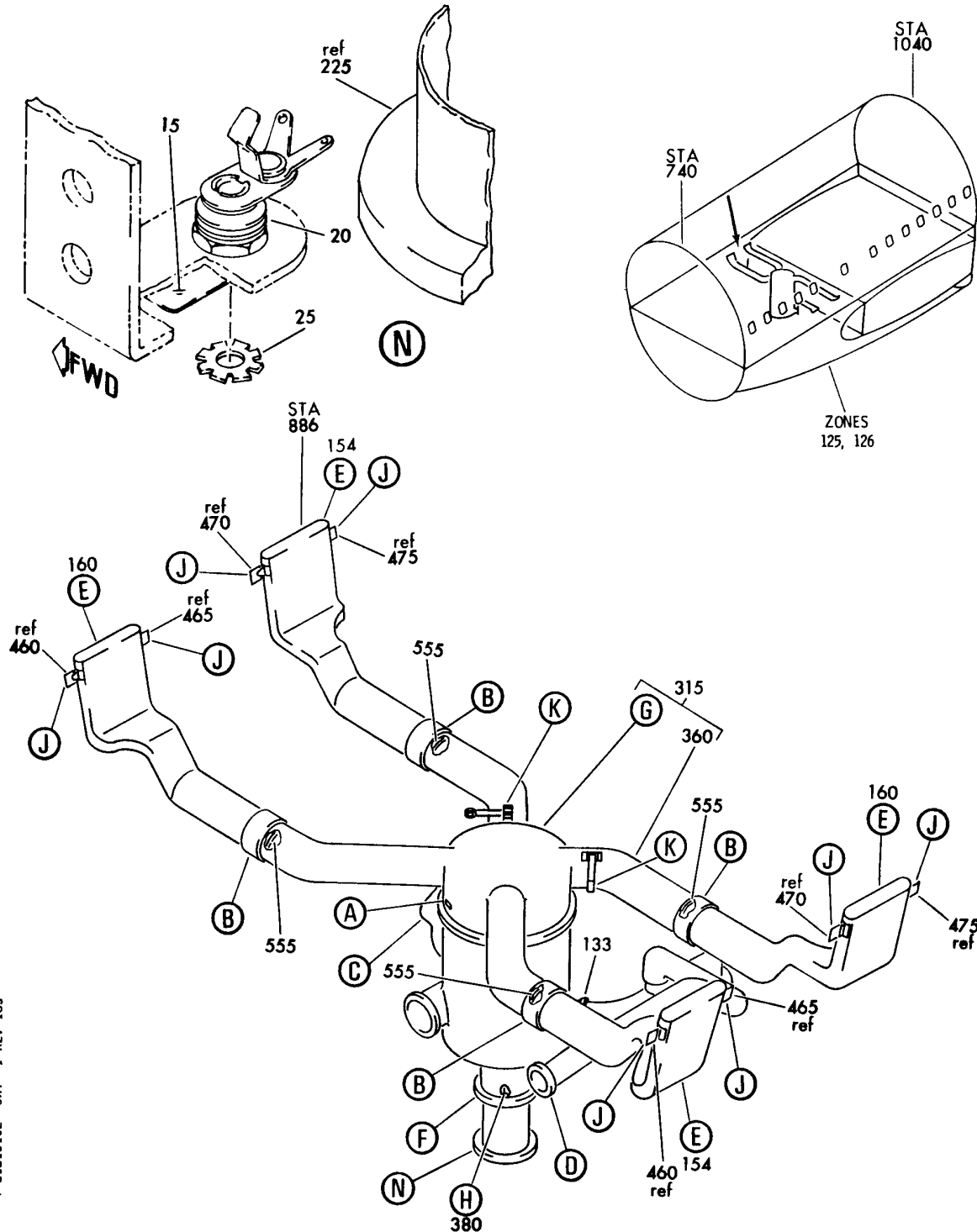
BRI

MAIN DISTRIBUTION MANIFOLD

BRI
MAY 28/07

21-21-00
SECTION TITLE
PAGE 1

BOEING
757
PARTS CATALOG (MAINTENANCE)



Y 21215102 SHT 1 REV 183

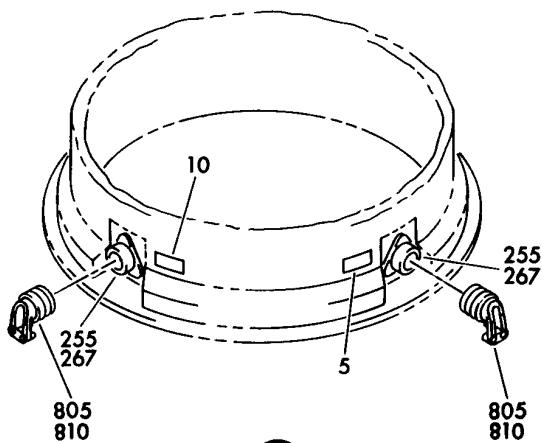
MANIFOLD INSTL-MIX BAY CONDITIONED AIR
FIGURE 2 (SHEET 1)

21-21-51-02

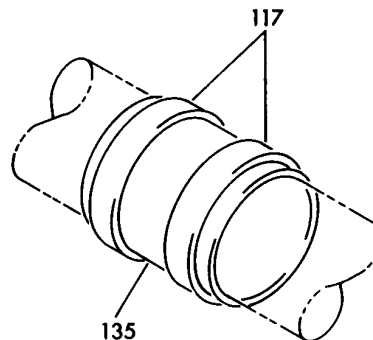
BRI
MAY 28/07

21-21-51-02
PAGE 0

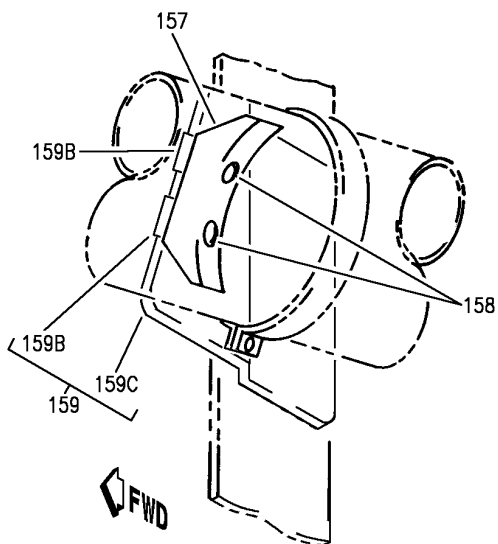
BOEING
757
PARTS CATALOG (MAINTENANCE)



(A)

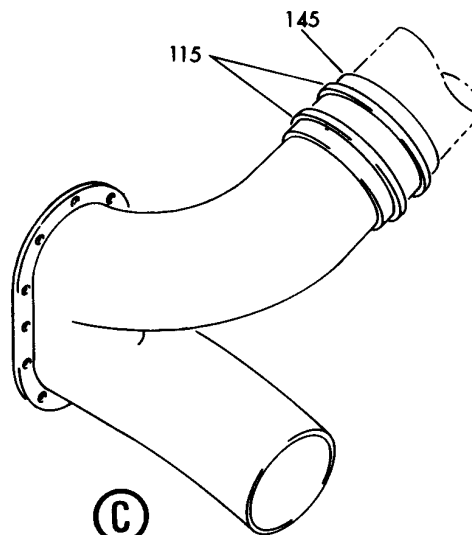


(B)



VIEW LOOKING UP

(P)



(C)

Y 21215102 SH1 2 REV 291

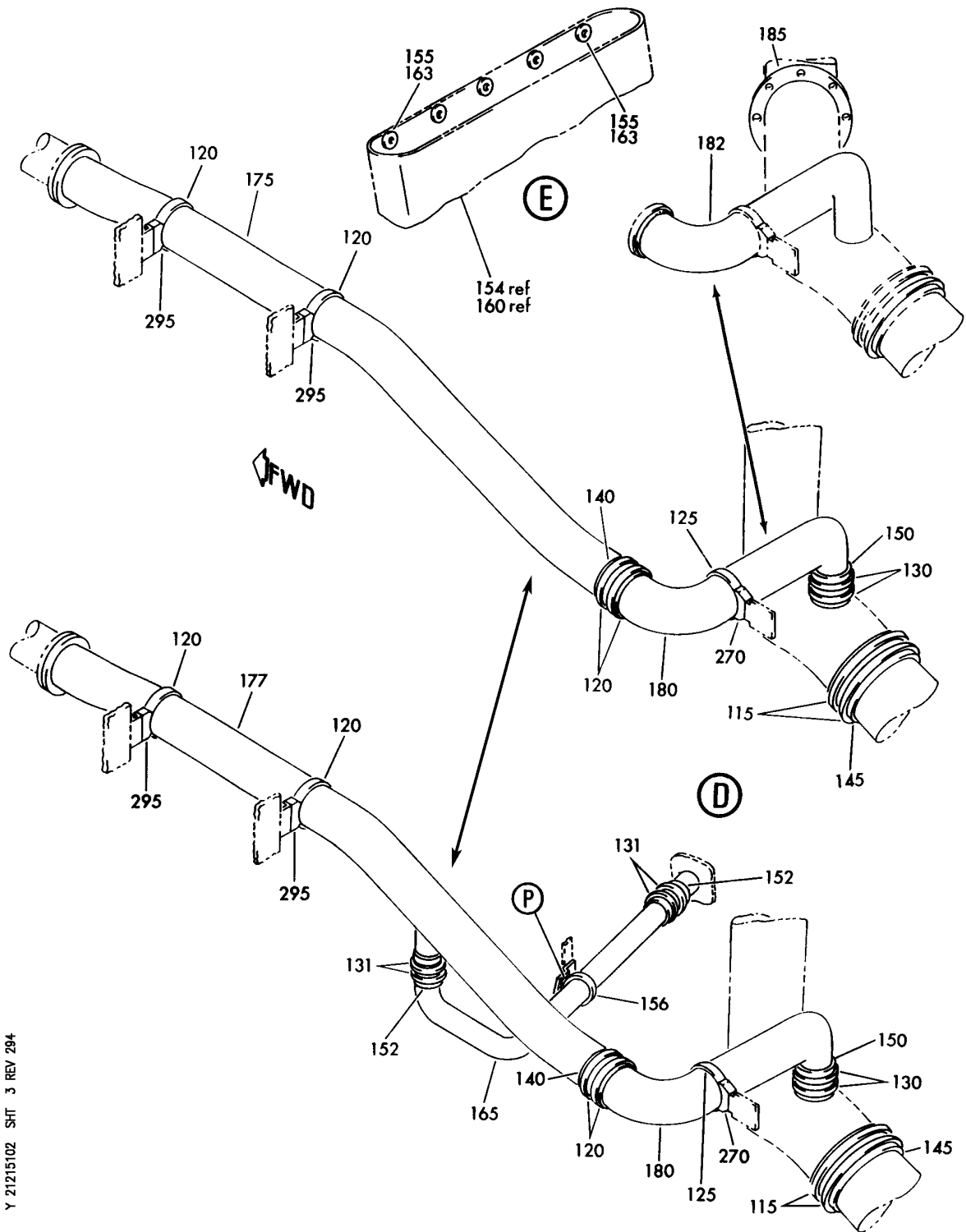
MANIFOLD INSTL-MIX BAY CONDITIONED AIR
FIGURE 2 (SHEET 2)

21-21-51-02

BRI
MAY 28/07

21-21-51-02
PAGE 0A

BOEING
757
PARTS CATALOG (MAINTENANCE)



Y 21215102 SH1 3 REV 294

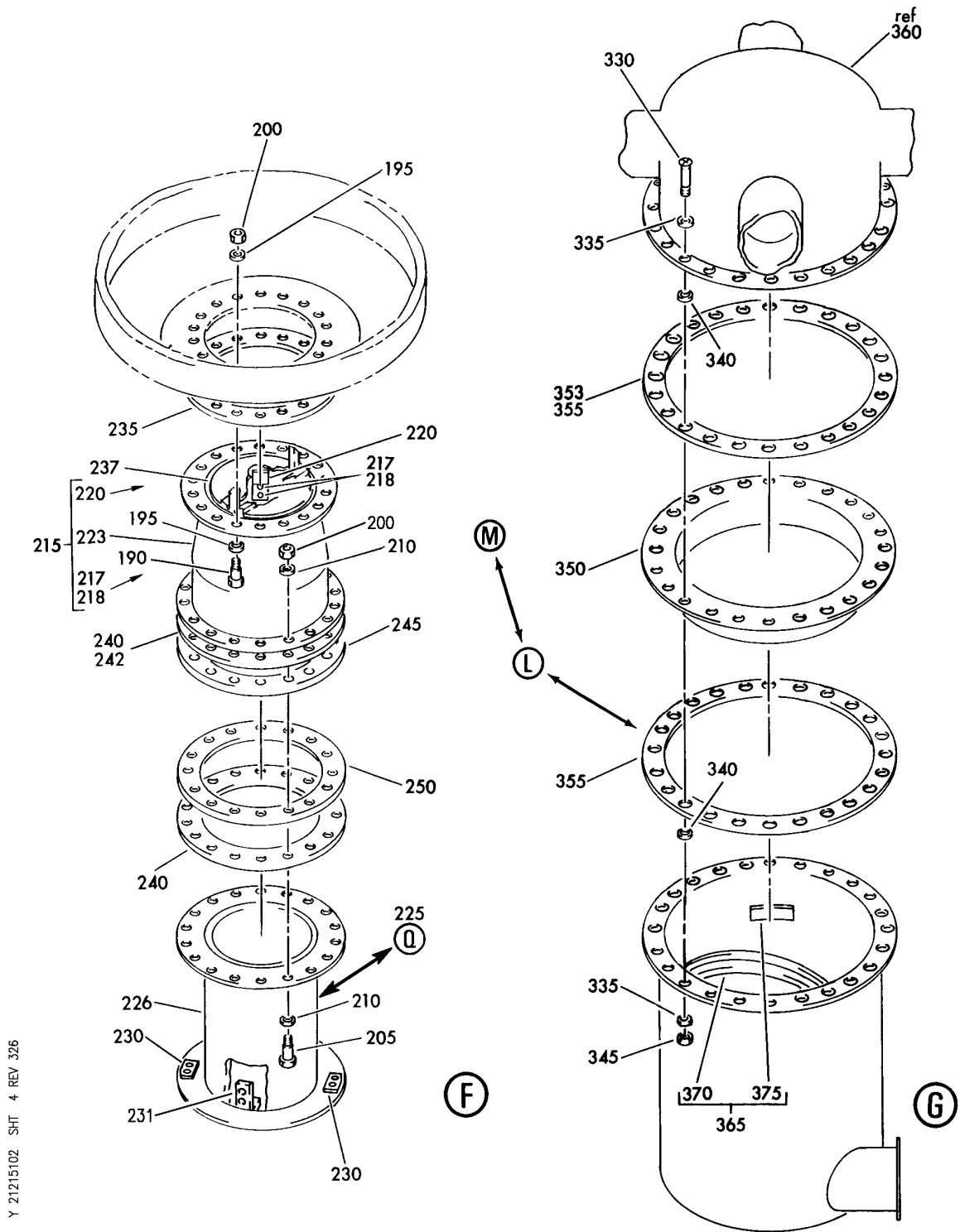
MANIFOLD INSTL-MIX BAY CONDITIONED AIR
FIGURE 2 (SHEET 3)

21-21-51-02

BRI
MAY 28/07

21-21-51-02
PAGE 0B

BOEING
757
PARTS CATALOG (MAINTENANCE)



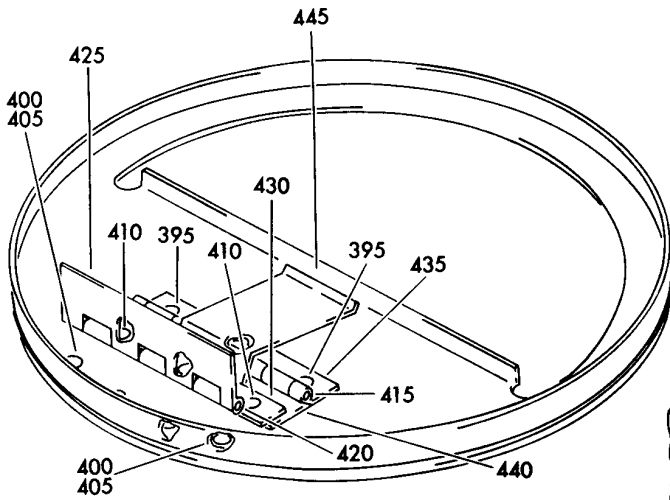
MANIFOLD INSTL-MIX BAY CONDITIONED AIR
FIGURE 2 (SHEET 4)

21-21-51-02

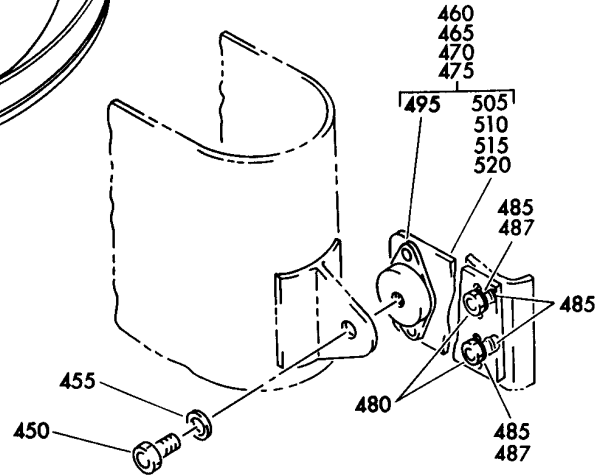
BRI
SEP 20/08

21-21-51-02
PAGE 0C

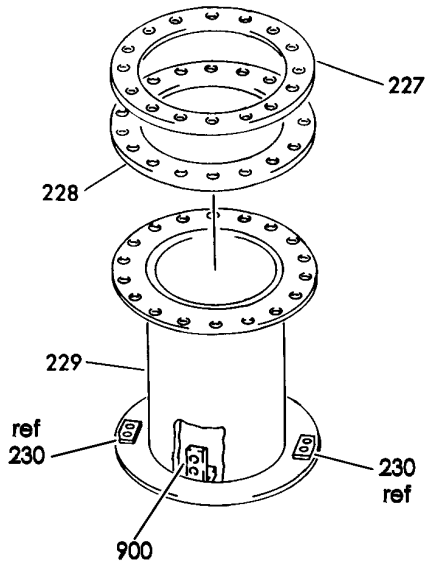
BOEING
757
PARTS CATALOG (MAINTENANCE)



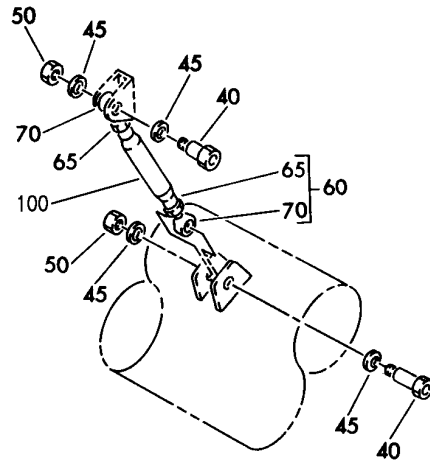
(H)



(J)



(Q)



(K)

Y 21215102 SHT 5 REV 294

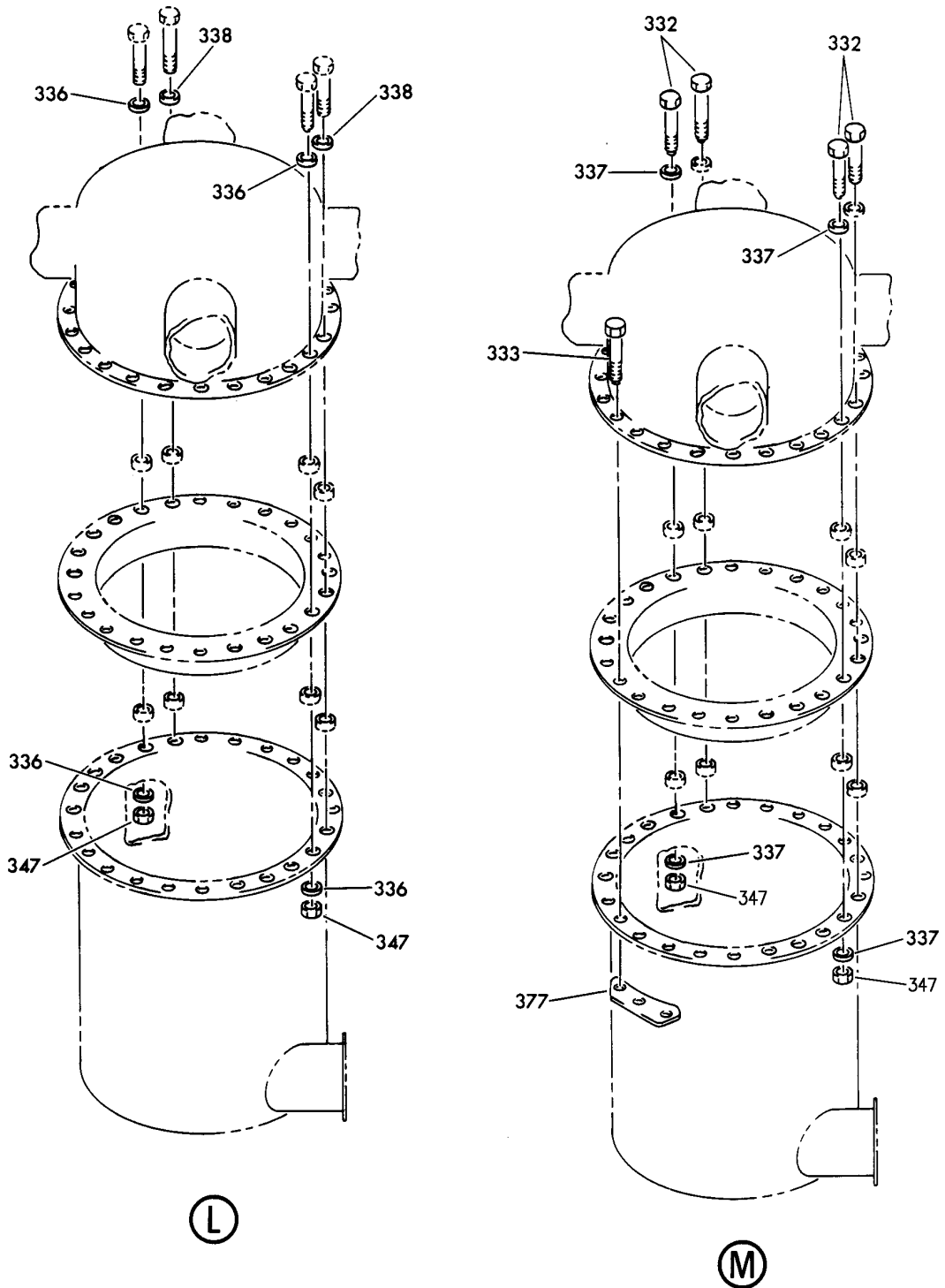
MANIFOLD INSTL-MIX BAY CONDITIONED AIR
FIGURE 2 (SHEET 5)

21-21-51-02

BRI
MAY 28/07

21-21-51-02
PAGE 0D

BOEING
757
PARTS CATALOG (MAINTENANCE)



Y 21215102 SH1 6 REV 294

MANIFOLD INSTL-MIX BAY CONDITIONED AIR
FIGURE 2 (SHEET 6)

21-21-51-02

BRI
MAY 28/07

21-21-51-02
PAGE 0E



**757
PARTS CATALOG (MAINTENANCE)**

| FIG ITEM | PART NUMBER | 1 2 3 4 5 6 7 | NOMENCLATURE | EFFECT FROM TO | UNITS PER ASSY |
|----------|--------------|---------------|---|--|----------------|
| 2 | | | MANIFOLD INSTL-MIX BAY CONDITIONED AIR | 002004 006100 107107 121503 904999 | |
| - 1 | 213N2003-3 | | MANIFOLD INSTL-MIX BAY CONDITIONED AIR FOR NHA SEE: 21-00-00-01 | 107107 | RF |
| - 1 | 213N2003-5 | | MANIFOLD INSTL-MIX BAY CONDITIONED AIR FOR NHA SEE: 21-00-00-01 | 002004 006100 121503 904999 | RF |
| 5 | BAC27NEC0054 | | .MARKER-ALUMINUM FOIL- PLACARD CONTENT: LEFT MIX MANIFOLD TEMP SENSOR TS200-D2954 | 002004 006100 107107 121503 904999 | 1 |
| 10 | BAC27NEC0055 | | .MARKER-ALUMINUM FOIL- PLACARD CONTENT: RIGHT MIX MANIFOLD TEMP SENSOR TS201-D3012 | 002004 006100 107107 121503 904999 | 1 |
| 40 | BACB30NM4K11 | | .BOLT | 002004 006100 107107 121503 904999 | 4 |
| 45 | AN960KD416L | | .WASHER- | 107107 | 8 |
| 45 | AN960JD416L | | .WASHER- | 002004 006100 121503 904999 | 8 |
| 50 | BRH10C4D | | .NUT- SUPPLIER CODE: V52828 SPECIFICATION NUMBER: BACN10JC4CD OPTIONAL PART: T6C428JCD V11815 NS202486-048 V80539 102LH9075-4W V72962 H51650-4BAC V15653 | 107107 | 4 |

MISSING ITEM NUMBERS NOT APPLICABLE

- ITEM NOT ILLUSTRATED

BRI

21-21-51-02

21-21-51
FIG. 02
PAGE 1
JAN 20/09



757

PARTS CATALOG (MAINTENANCE)

| FIG ITEM | PART NUMBER | 1 2 3 4 5 6 7 | NOMENCLATURE | EFFECT FROM TO | UNITS PER ASSY |
|----------|--------------|---------------|---|--|----------------|
| 2 | | | | | |
| 50 | MS21042L4 | . | NUT- | 002004 006100 121503 904999 | 4 |
| 60 | 65B41247-127 | . | ROD ASSY- | 002004 006100 107107 121503 904999 | 2 |
| 60 | 65B41247-151 | . | ROD ASSY- | 002004 006100 107107 121503 904999 | 2 |
| 65 | AN316-5R | .. | NUT | 002004 006100 107107 121503 904999 | 2 |
| 70 | ART4E118 | .. | BEARING- SUPPLIER CODE: V50294 OPTIONAL PART: MR45-14WA V73134 KNE4-22 V97613 BACB10A187 BACB10A187L | 002004 006100 107107 121503 904999 | 2 |

MISSING ITEM NUMBERS NOT APPLICABLE

- ITEM NOT ILLUSTRATED

BRI

21-21-51-02

21-21-51
FIG. 02
PAGE 2
JAN 20/09



757

PARTS CATALOG (MAINTENANCE)

| FIG ITEM | PART NUMBER | 1 2 3 4 5 6 7 | NOMENCLATURE | EFFECT FROM TO | UNITS PER ASSY |
|-------------|-------------|---------------|---|--|----------------------|
| 2 70 | AB4E27 | | .. BEARING- SUPPLIER CODE: V15860 SPECIFICATION NUMBER: BACB10A187 OPTIONAL PART: BRE4140 V81376 HB4E133 V02758 KB4ESS V97613 MXJ45-14B V73134 51564-04 V09455 AR4E4 VS0352 NB3B V73134 ASM4-6 V56644 ART4E118 V50294 MR45-14WA V73134 KNE4-22 V97613 BACB10A187L | 002004 006100 107107 121503 904999 | 2 |

MISSING ITEM NUMBERS NOT APPLICABLE

- ITEM NOT ILLUSTRATED

BRI

21-21-51-02

BOEING PROPRIETARY - Copyright © - Unpublished Work - See title page for details.

21-21-51
 FIG. 02
 PAGE 3
 JAN 20/09



757

PARTS CATALOG (MAINTENANCE)

| FIG ITEM | PART NUMBER | 1 2 3 4 5 6 7 | NOMENCLATURE | EFFECT FROM TO | UNITS PER ASSY |
|----------|-------------|---------------|--|--|----------------|
| 2 70 | AB4E27FN | | .. BEARING- SUPPLIER CODE: V15860 SPECIFICATION NUMBER: BACB10A187L OPTIONAL PART: BRE4140L V81376 HB4E135 V02758 KB4ESSFN V97613 MXJ45-14BFG V73134 51564-0402 V09455 AR4E4FN VS0352 ASM4F6 V56644 BACB10A187 ART4E118 V50294 MR45-14WA V73134 KNE4-22 V97613 | 002004 006100 107107 121503 904999 | 2 |
| 70 | MR45-14WA | | .. BEARING- SUPPLIER CODE: V73134 OPTIONAL PART: ART4E118 V50294 KNE4-22 V97613 BACB10A187 BACB10A187L | 002004 006100 107107 121503 904999 | 2 |
| 70 | KNE4-22 | | .. BEARING- SUPPLIER CODE: V97613 OPTIONAL PART: ART4E118 V50294 MR45-14WA V73134 BACB10A187 BACB10A187L | 002004 006100 107107 121503 904999 | 2 |

MISSING ITEM NUMBERS NOT APPLICABLE

- ITEM NOT ILLUSTRATED

21-21-51-02

21-21-51
 FIG. 02
 PAGE 4
 JAN 20/09

BRI



757

PARTS CATALOG (MAINTENANCE)

| FIG ITEM | PART NUMBER | 1 2 3 4 5 6 7 | NOMENCLATURE | EFFECT FROM TO | UNITS PER ASSY |
|----------|----------------|---------------|--|--|----------------|
| 2 | | | | | |
| 100 | 65B41247-128 | . . | ROD | 002004 006100 107107 121503 904999 | 1 |
| 115 | STBC10GG234 | . CLAMP- | OPTIONAL PART: NAS1922-0700-1 | 002004 006100 107107 121503 904999 | 4 |
| 115 | NAS1922-0700-1 | . CLAMP- | OPTIONAL PART: STBC10GG234 | 002004 006100 121503 904999 | 4 |
| 115 | NAS1922-0700-3 | . CLAMP- | | 002004 006100 121503 904999 | 4 |
| 117 | STBC10GG234 | . CLAMP | | 107107 | 8 |
| 117 | 120 | . CLAMP- | SUPPLIER CODE: V7Z588 SPECIFICATION NUMBER: STBC10GG254 OPTIONAL PART: WWD254H V66295 NAS1922-0750-1 | 002004 006100 121503 904999 | 8 |
| 117 | NAS1922-0750-1 | . CLAMP- | OPTIONAL PART: STBC10GG254 | 002004 006100 121503 904999 | 8 |
| 120 | 72 | . CLAMP- | SUPPLIER CODE: V7Z588 SPECIFICATION NUMBER: STBC10GG160 OPTIONAL PART: WWD160H V66295 NAS1922-0450-1 STBC10GG146 | 002004 006100 107107 121503 904999 | 4 |

R
R
R
R

MISSING ITEM NUMBERS NOT APPLICABLE

- ITEM NOT ILLUSTRATED

21-21-51-02

21-21-51
FIG. 02
PAGE 5
MAY 20/09

BRI



757

PARTS CATALOG (MAINTENANCE)

| FIG ITEM | PART NUMBER | 1 2 3 4 5 6 7 | NOMENCLATURE | EFFECT FROM TO | UNITS PER ASSY |
|----------|----------------|---------------|---|--|----------------|
| 2 120 | 64 | | .CLAMP- SUPPLIER CODE: V7Z588 SPECIFICATION NUMBER: STBC10GG146 OPTIONAL PART: WWD146H V66295 STBC10GG160 | 107107 | 4 |
| 120 | NAS1922-0450-1 | | .CLAMP- OPTIONAL PART: STBC10GG160 | 002004 006100 121503 904999 | 4 |
| 125 | 80 | | .CLAMP- SUPPLIER CODE: V7Z588 SPECIFICATION NUMBER: STBC10GG178 OPTIONAL PART: WWD178H V66295 NAS1922-0525-1 | 002004 006100 107107 121503 904999 | 1 |
| 125 | NAS1922-0525-1 | | .CLAMP- OPTIONAL PART: STBC10GG178 | 002004 006100 121503 904999 | 1 |
| 125 | NAS1922-0525-3 | | .CLAMP- | 002004 006100 121503 904999 | 1 |
| 131 | 48 | | .CLAMP- SUPPLIER CODE: V7Z588 SPECIFICATION NUMBER: STBC10GG98-114 OPTIONAL PART: WWD98-114 V66295 NAS1922-0275-1 | 002004 006100 121503 904999 | 4 |
| 131 | NAS1922-0275-1 | | .CLAMP- OPTIONAL PART: STBC10GG98-114 | 002004 006100 121503 904999 | 4 |

R
R
R
R

MISSING ITEM NUMBERS NOT APPLICABLE

- ITEM NOT ILLUSTRATED

21-21-51-02

21-21-51
FIG. 02
PAGE 6
MAY 20/09

BRI



757

PARTS CATALOG (MAINTENANCE)

| FIG ITEM | PART NUMBER | 1 2 3 4 5 6 7 | NOMENCLATURE | EFFECT FROM TO | UNITS PER ASSY |
|----------|---------------|---------------|---|--|----------------|
| 2 | | | | | |
| 133 | NH135008-0700 | .CLAMP- | SUPPLIER CODE: V00624 OPTIONAL PART: 15J02-700 V89513 32317AA700 V94581 | 002004 006100 107107 121503 904999 | 1 |
| 133 | 15J02-700 | .CLAMP- | SUPPLIER CODE: V89513 OPTIONAL PART: NH135008-0700 V00624 32317AA700 V94581 | 002004 006100 107107 121503 904999 | 1 |
| 133 | 32317AA700 | .CLAMP- | SUPPLIER CODE: V94581 OPTIONAL PART: NH135008-0700 V00624 15J02-700 V89513 | 002004 006100 107107 121503 904999 | 1 |
| 135 | AS1506-30D32 | .SLEEVE | | 002004 006100 107107 121503 904999 | 4 |
| 140 | AS1506-18D32 | .SLEEVE | | 002004 006100 107107 121503 904999 | 1 |
| 145 | AS1506-28D32 | .SLEEVE | | 002004 006100 107107 121503 904999 | 2 |
| 152 | AS1506-12D32 | .SLEEVE- | | 002004 006100 121503 904999 | 2 |
| 154 | 213N2025-44 | .DUCT ASSY- | | 107107 | 2 |
| 154 | 213N2025-56 | .DUCT ASSY- | | 002004 006017 121503 904999 | 2 |
| 154 | 213N2025-60 | .DUCT ASSY- | | 018100 | 2 |

MISSING ITEM NUMBERS NOT APPLICABLE

- ITEM NOT ILLUSTRATED

21-21-51-02

21-21-51
FIG. 02
PAGE 7
MAY 20/09

BRI



757

PARTS CATALOG (MAINTENANCE)

| FIG ITEM | PART NUMBER | 1 2 3 4 5 6 7 | NOMENCLATURE | EFFECT FROM TO | UNITS PER ASSY |
|----------|----------------|---------------|-----------------------|----------------|----------------|
| 2 | | | | | |
| 155 | 69-77300-2 | .. | SPACER- | 018100 | 5 |
| 155 | 213N2044-3 | .. | SPACER- | 002004 | 5 |
| | | | OPTIONAL PART: | 006017 | |
| | | | 69-77300-1 | 107107 | |
| | | | | 121503 | |
| | | | | 904999 | |
| 155 | 69-77300-1 | .. | SPACER- | 002004 | 5 |
| | | | OPTIONAL PART: | 006017 | |
| | | | 213N2044-3 | 121503 | |
| | | | | 904999 | |
| 156 | 48 | .CLAMP- | | 002004 | 1 |
| | | | SUPPLIER CODE: | 006100 | |
| | | | V7Z588 | 121503 | |
| | | | SPECIFICATION NUMBER: | 904999 | |
| | | | STBC10GG98-114 | | |
| | | | OPTIONAL PART: | | |
| | | | WWD98-114 | | |
| | | | V66295 | | |
| | | | NAS1922-0275-1 | | |
| 156 | NAS1922-0275-1 | .CLAMP- | | 002004 | 1 |
| | | | OPTIONAL PART: | 006100 | |
| | | | STBC10GG98-114 | 121503 | |
| | | | | 904999 | |
| 157 | 214T3424-4 | .SUPPORT- | | 002004 | 1 |
| | | | | 006100 | |
| | | | | 121503 | |
| | | | | 904999 | |
| 158 | BACS12FA3K7 | .SCREW- | | 002004 | 2 |
| | | | | 006100 | |
| | | | | 121503 | |
| | | | | 904999 | |
| | | | ATTACHING PARTS | | |
| -159A | BACR15BB4D5 | .RIVET- | | 002004 | 2 |
| | | | | 006100 | |
| | | | | 121503 | |
| | | | | 904999 | |
| | | | -----*----- | | |
| 160 | 213N2025-47 | .DUCT ASSY- | | 107107 | 2 |
| 160 | 213N2025-57 | .DUCT ASSY- | | 002004 | 2 |
| | | | | 006017 | |
| | | | | 121503 | |
| | | | | 904999 | |
| 160 | 213N2025-61 | .DUCT ASSY- | | 018100 | 2 |
| 163 | 213N2044-3 | .. | SPACER- | 002004 | 5 |
| | | | OPTIONAL PART: | 006017 | |
| | | | 69-77300-1 | 107107 | |
| | | | | 121503 | |
| | | | | 904999 | |

MISSING ITEM NUMBERS NOT APPLICABLE

- ITEM NOT ILLUSTRATED

21-21-51-02

21-21-51
FIG. 02
PAGE 8
MAY 20/09

BRI



757

PARTS CATALOG (MAINTENANCE)

| FIG ITEM | PART NUMBER | 1 2 3 4 5 6 7 | NOMENCLATURE | EFFECT FROM TO | UNITS PER ASSY |
|----------|--------------|---------------|--|--|----------------|
| 2 | | | | | |
| 163 | 69-77300-1 | .. | SPACER- OPTIONAL PART: 213N2044-3 | 002004 006017 121503 904999 | 5 |
| 163 | 69-77300-2 | .. | SPACER- | 018100 | 5 |
| 165 | 213N2331-1 | .DUCT | ASSY- | 002004 006100 121503 904999 | 1 |
| 175 | 213N2030-4 | .DUCT | ASSY- | 107107 | 1 |
| 175 | 213N2030-1 | .DUCT | ASSY- | 107107 | 1 |
| 177 | 213N2030-6 | .DUCT | ASSY- | 904949 | 1 |
| 177 | 213N2030-8 | .DUCT | ASSY- | 002004 006100 121503 904999 | 1 |
| 182 | 213N2029-3 | .DUCT | ASSY- | 002004 006100 107107 121503 904999 | 1 |
| 190 | BACB30NM3K4 | .BOLT- | | 107107 | 18 |
| 190 | BACB30NM3K6 | .BOLT- | | 002004 006100 121503 904999 | 18 |
| 195 | AN960D10L | .WASHER- | | 107107 | 36 |
| 195 | AN960JD10L | .WASHER- | | 002004 006100 121503 904999 | 36 |
| 200 | BRH10C3D | .NUT | SUPPLIER CODE: V52828 SPECIFICATION NUMBER: BACN10JC3CD OPTIONAL PART: T6C1032JCD V11815 NS202486-02 V80539 102LH9075-3W V72962 H51650-3BAC V15653 | 002004 006100 107107 121503 904999 | 36 |
| 205 | BACB30NM3K15 | .BOLT | | 107107 | 18 |

MISSING ITEM NUMBERS NOT APPLICABLE

- ITEM NOT ILLUSTRATED

BRI

21-21-51-02

BOEING PROPRIETARY - Copyright © - Unpublished Work - See title page for details.

21-21-51
FIG. 02
PAGE 9
MAY 20/09



757

PARTS CATALOG (MAINTENANCE)

| FIG ITEM | PART NUMBER | 1 2 3 4 5 6 7 | NOMENCLATURE | EFFECT FROM TO | UNITS PER ASSY |
|----------|--------------|---------------|---|--|----------------|
| 2 | | | | | |
| 205 | BACB30NM3K18 | . | BOLT- | 002004 006100 121503 904999 | 18 |
| 210 | AN960KD10L | . | WASHER- | 107107 | 36 |
| 210 | AN960JD10L | . | WASHER- | 002004 006100 121503 904999 | 36 |
| 215 | 65-3466-11 | . | DUCT ASSY- | 107107 | 1 |
| 215 | 65-3466-19 | . | DUCT ASSY- | 002004 006100 121503 904999 | 1 |
| 217 | BACR15BB4A | .. | RIVET-STOP SIZE DETERMINED ON INSTL. | 002004 006100 107107 121503 904999 | 2 |
| 218 | AN960JD6 | .. | WASHER | 002004 006100 107107 121503 904999 | 2 |
| 220 | 69-2880-1 | .. | VALVE ASSY-STOP | 002004 006100 107107 121503 904999 | 1 |
| 223 | 69-3466-12 | .. | DUCT | 107107 | 1 |
| 223 | 69-3466-20 | .. | DUCT | 002004 006100 121503 904999 | 1 |
| 225 | 65-25674-13 | . | DUCT ASSY- | 002004 006010 107107 121503 904999 | 1 |
| 225 | 65-25674-16 | . | DUCT ASSY- | 002004 006010 107107 121503 904999 | 1 |
| 225 | 65-25674-19 | . | DUCT ASSY- | 011100 | 1 |
| 227 | 213N2020-3 | .. | SPACER | 011100 | 1 |
| 228 | 213N2045-2 | .. | GASKET | 011100 | 1 |
| 229 | 65-25674-20 | .. | DUCT ASSY | 011100 | 1 |

MISSING ITEM NUMBERS NOT APPLICABLE

- ITEM NOT ILLUSTRATED

21-21-51-02

21-21-51
FIG. 02
PAGE 10
MAY 20/09

BRI



757

PARTS CATALOG (MAINTENANCE)

| FIG ITEM | PART NUMBER | 1 2 3 4 5 6 7 | NOMENCLATURE | EFFECT FROM TO | UNITS PER ASSY |
|----------|-------------|-----------------------------|---|--|----------------|
| 2 | | | | | |
| 230 | 66-15424-1 | . . | PLATE-BEARING | 002004 006100 107107 121503 904999 | 2 |
| 235 | 213N2045-1 | . GASKET- | | 107107 | 1 |
| 235 | 213N2045-3 | . GASKET- | | 002004 006100 121503 904999 | 1 |
| 237 | CYLB50715 | . VALVE-CHECK | SUPPLIER CODE: V05624 | 002004 006100 121503 904999 | 1 |
| 240 | 213N2045-2 | . GASKET- | | 002004 006010 107107 121503 904999 | 2 |
| 242 | 213N2045-2 | . GASKET | | 011100 | 1 |
| 245 | 213N2020-1 | . SPACER | | 002004 006100 107107 121503 904999 | 1 |
| 250 | 213N2020-3 | . SPACER | | 002004 006010 107107 121503 904999 | 1 |
| 255 | 624016-1 | . SENSOR ASSY-AIR DUCT TEMP | SUPPLIER CODE: V07217 SPECIFICATION NUMBER: S210T130-19 ELECTRICAL EQUIP NUMBER: TS0200 TS0201 COMPONENT MAINT MANUAL REF: 21-65-01 | 002004 006100 107107 121503 904949 952999 | 2 |

MISSING ITEM NUMBERS NOT APPLICABLE

- ITEM NOT ILLUSTRATED

BRI

21-21-51-02

BOEING PROPRIETARY - Copyright © - Unpublished Work - See title page for details.

21-21-51
FIG. 02
PAGE 11
MAY 20/09



757

PARTS CATALOG (MAINTENANCE)

| FIG ITEM | PART NUMBER | 1 2 3 4 5 6 7 | NOMENCLATURE | EFFECT FROM TO | UNITS PER ASSY |
|----------|-------------|---------------|--|--|----------------|
| 2 255 | 624016-2 | | .SENSOR ASSY-AIR DUCT TEMP SUPPLIER CODE: V07217 SPECIFICATION NUMBER: S210T130-75 ELECTRICAL EQUIP NUMBER: TS0200 TS0201 COMPONENT MAINT MANUAL REF: 21-65-01 POST SERVICE LETTER: 21-037 ATTACHING PARTS | 002004 006100 121503 904999 | 2 |
| - 260 | BACB30NM3K4 | | .BOLT | 002004 006100 107107 121503 904999 | 6 |
| - 265 | AN960D10L | | .WASHER | 002004 006100 107107 121503 904999 | 6 |
| 267 | 545131 | | -----*----- .GASKET- SUPPLIER CODE: V07217 | 002004 006100 107107 121503 904999 | 1 |
| - 268 | 3-905S613-6 | | .PACKING- SUPPLIER CODE: V83259 | 002004 006100 107107 121503 904999 | 1 |
| 270 | 214T3424-7 | | .SUPPORT-DUCT ATTACHING PARTS | 002004 006100 107107 121503 904999 | 1 |
| - 275 | BACB30NM3K3 | | .BOLT | 002004 006100 107107 121503 904999 | 2 |
| - 280 | AN960KD10L | | .WASHER- | 107107 | 2 |
| - 285 | AN960D10 | | .WASHER- | 107107 | 2 |

MISSING ITEM NUMBERS NOT APPLICABLE

- ITEM NOT ILLUSTRATED

21-21-51-02

21-21-51
FIG. 02
PAGE 12
MAY 20/09

BRI



757

PARTS CATALOG (MAINTENANCE)

| FIG ITEM | PART NUMBER | 1 2 3 4 5 6 7 | NOMENCLATURE | EFFECT FROM TO | UNITS PER ASSY |
|----------|-------------|---------------|---|--|----------------|
| 2 | | | | | |
| - 287 | AN960JD10L | . | WASHER- | 002004 006100 121503 904999 | 4 |
| - 290 | BRH10A3 | . | NUT- SUPPLIER CODE: V52828 SPECIFICATION NUMBER: BACN10JC3 OPTIONAL PART: H10-3BAC V15653 NS202101-02 V80539 RMLH9075-3W V72962 VN303A02 V92215 96-02 V80539 T6S1032J V11815 | 107107 | 2 |
| - 290 | MS21042L3 | . | NUT- | 002004 006100 121503 904999 | 2 |
| 295 | 214T3424-20 | -----* | SUPPORT-DUCT | 002004 006100 107107 121503 904999 | 2 |
| - 300 | BACB30NM3K3 | | ATTACHING PARTS .BOLT | 002004 006100 107107 121503 904999 | 4 |
| - 305 | AN960KD10L | . | WASHER- | 107107 | 8 |
| - 305 | AN960JD10L | . | WASHER- | 002004 006100 121503 904999 | 8 |

MISSING ITEM NUMBERS NOT APPLICABLE

- ITEM NOT ILLUSTRATED

BRI

21-21-51-02

BOEING PROPRIETARY - Copyright © - Unpublished Work - See title page for details.

21-21-51
FIG. 02
PAGE 13
MAY 20/09



757

PARTS CATALOG (MAINTENANCE)

| FIG ITEM | PART NUMBER | 1 2 3 4 5 6 7 | NOMENCLATURE | EFFECT FROM TO | UNITS PER ASSY |
|------------|---------------|---------------|--|--|----------------|
| 2 - 310 | BRH10C3D | .NUT- | SUPPLIER CODE: V52828 SPECIFICATION NUMBER: BACN10JC3CD OPTIONAL PART: T6C1032JCD V11815 NS202486-02 V80539 102LH9075-3W V72962 H51650-3BAC V15653 | 107107 | 4 |
| - 310 | MS21042L3 | .NUT- | | 002004 006100 121503 904999 | 4 |
| 315 | 213N2019-12 | .MANIFOLD | ASSY-MIX | 018100 | 1 |
| 315 | 213N2019-10 | .MANIFOLD | ASSY-MIX | 107107 | 1 |
| 315 | 213N2019-11 | .MANIFOLD | ASSY-MIX | 002004 006017 121503 904999 | 1 |
| 332 | NAS6603-5 | ..BOLT | | 002004 006100 107107 121503 904999 | 21 |
| 333 | NAS6603-6 | ..BOLT | | 002004 006100 107107 121503 904999 | 3 |
| 336 | NAS1149D0316H | ..WASHER- | | 002004 006100 107107 121503 904999 | 30 |
| 338 | NAS1149D0316H | ..WASHER- | | 002004 006100 107107 121503 904999 | 9 |

MISSING ITEM NUMBERS NOT APPLICABLE

- ITEM NOT ILLUSTRATED

BRI

21-21-51-02

BOEING PROPRIETARY - Copyright © - Unpublished Work - See title page for details.

21-21-51
FIG. 02
PAGE 14
JAN 20/09



757

PARTS CATALOG (MAINTENANCE)

| FIG ITEM | PART NUMBER | 1 2 3 4 5 6 7 | NOMENCLATURE | EFFECT FROM TO | UNITS PER ASSY |
|----------|-------------|---------------|---|--|----------------|
| 2 | 340 | NAS43DD3-6FC | .. SPACER- | 002004 006100 107107 121503 904999 | 48 |
| | 347 | BRH10C3D | .. NUT- SUPPLIER CODE: V52828 SPECIFICATION NUMBER: BACN10JC3CD OPTIONAL PART: T6C1032JCD V11815 NS202486-02 V80539 102LH9075-3W V72962 H51650-3BAC V15653 | 002004 006100 107107 121503 904999 | 15 |
| | 350 | 213N2028-3 | .. STRAIGHTENER ASSY-FLOW OPTIONAL PART: 213N2028-4 | 002004 006100 107107 121503 904999 | 1 |
| | 350 | 213N2028-4 | .. STRAIGHTENER ASSY-FLOW OPTIONAL PART: 213N2028-3 | 002004 006100 121503 904999 | 1 |
| | 353 | 213T4409-7 | ... GASKET | 002004 006100 107107 121503 904999 | 1 |
| | 360 | 213N2038-36 | .. MANIFOLD ASSY- POSITION DATA: UPPER | 018100 | 1 |
| | 360 | 213N2038-31 | .. MANIFOLD ASSY- POSITION DATA: UPPER | 002004 006017 107107 121503 904999 | 1 |
| | 365 | 213N2038-29 | .. MANIFOLD ASSY- POSITION DATA: LWR | 107107 | 1 |
| | 365 | 213N2038-35 | .. MANIFOLD ASSY- POSITION DATA: LWR | 002004 006100 121503 904999 | 1 |
| | 370 | 213N2038-15 | ... BAFFLE ASSY- | 107107 | 1 |

MISSING ITEM NUMBERS NOT APPLICABLE

- ITEM NOT ILLUSTRATED

BRI

21-21-51-02

21-21-51
FIG. 02
PAGE 15
JAN 20/09



757

PARTS CATALOG (MAINTENANCE)

| FIG ITEM | PART NUMBER | 1 2 3 4 5 6 7 | NOMENCLATURE | EFFECT FROM TO | UNITS PER ASSY |
|----------|-------------|---------------|--|--|----------------|
| 2 | | | | | |
| 377 | 213N2239-2 | | ..BRACKET ASSY | 002004 006100 107107 121503 904999 | 1 |
| 380 | 69-2914 | | .VALVE ASSY-SWING CHK GND SVCE COMPONENT MAINT MANUAL REF: 21-23-20 | 002004 006100 107107 121503 904999 | 1 |
| 380 | 69-2914-13 | | .VALVE ASSY-SWING CHK GND SVCE COMPONENT MAINT MANUAL REF: 21-23-20 | 002004 006100 107107 121503 904999 | 1 |
| 380 | 69-2914-15 | | .VALVE ASSY-SWING CHK GND SVCE COMPONENT MAINT MANUAL REF: 21-23-30 | 002004 006100 107107 121503 904999 | 1 |
| 380 | 69-2914-24 | | .VALVE ASSY-SWING CHK GND SVCE FUNCTIONAL DESCRIPTION: AIR FROM THE GROUND SERVICE CART PUSHES THE SWING CHECK VALVE OPEN, TO LET CONDITIONED AIR INTO THE AIRPLANE WHILE THE AIRPLANE IS PARKED. COMPONENT MAINT MANUAL REF: 21-23-20 | 002004 006100 121503 950951 953999 | 1 |
| 380 | 69-2914-25 | | .VALVE ASSY-SWING CHK GND SVCE COMPONENT MAINT MANUAL REF: 21-23-30 | 002004 006100 107107 121503 904999 | 1 |
| - 385 | NAS602-7 | | ATTACHING PARTS .SCREW | 002004 006100 107107 121503 904999 | 3 |
| - 390 | AN960KD8 | | .WASHER- | 107107 | 3 |
| - 390 | AN960JD8 | | .WASHER- | 002004 006100 121503 904999 | 3 |
| | | | -----*----- | | |

MISSING ITEM NUMBERS NOT APPLICABLE

- ITEM NOT ILLUSTRATED

BRI

21-21-51-02

21-21-51
FIG. 02
PAGE 16
JAN 20/09



757

PARTS CATALOG (MAINTENANCE)

| FIG ITEM | PART NUMBER | 1 2 3 4 5 6 7 | NOMENCLATURE | EFFECT FROM TO | UNITS PER ASSY |
|----------|-------------|---------------|---|--|----------------|
| 2 | | | | | |
| 395 | MS20470D4 | .. | RIVET- SIZE DETERMINED ON INSTL. | 002004 006100 107107 121503 904999 | 3 |
| 400 | MS20426D4 | .. | RIVET- SIZE DETERMINED ON INSTL. OPTIONAL PART: NAS1399D4-4 | 002004 006100 107107 121503 904999 | 4 |
| 405 | NAS1399D4-4 | .. | RIVET- OPTIONAL PART: MS20426D4 | 002004 006100 107107 121503 904999 | 4 |
| 410 | MS20426D5 | .. | RIVET- SIZE DETERMINED ON INSTL. | 002004 006100 107107 121503 904999 | 3 |
| 415 | 69-2914-9 | .. | PIN-HINGE MANUFACTURED FROM: ROD CRES .25FT MS20253-3 2.90 IN LONG | 002004 006100 107107 121503 904999 | 1 |
| 420 | 69-2914-8 | .. | PIN-HINGE MANUFACTURED FROM: ROD CRES .25FT MS20253-4 2.90 IN LONG | 002004 006100 107107 121503 904999 | 1 |
| 425 | 69-2914-5 | .. | HINGE HALF- | 002004 006100 107107 121503 904999 | 1 |
| 425 | 69-2914-17 | .. | HINGE HALF- | 002004 006100 107107 121503 904999 | 1 |
| 430 | 69-2914-4 | .. | HINGE HALF- | 002004 006100 107107 121503 904999 | 1 |

MISSING ITEM NUMBERS NOT APPLICABLE

- ITEM NOT ILLUSTRATED

BRI

21-21-51-02

BOEING PROPRIETARY - Copyright © - Unpublished Work - See title page for details.

21-21-51
FIG. 02
PAGE 17
JAN 20/09



757

PARTS CATALOG (MAINTENANCE)

| FIG ITEM | PART NUMBER | 1 2 3 4 5 6 7 | NOMENCLATURE | EFFECT FROM TO | UNITS PER ASSY |
|----------|-------------|---------------|--------------|--|----------------|
| 2 | | | | | |
| 430 | 69-2914-14 | .. | HINGE HALF- | 002004 006100 107107 121503 904999 | 1 |
| 430 | 69-2914-16 | .. | HINGE HALF- | 002004 006100 107107 121503 904999 | 1 |
| 435 | 69-2914-6 | .. | HINGE HALF- | 002004 006100 107107 121503 904999 | 1 |
| 435 | 69-2914-18 | .. | HINGE HALF- | 002004 006100 107107 121503 904999 | 1 |
| 440 | 69-2914-7 | .. | HINGE HALF- | 002004 006100 107107 121503 904999 | 1 |
| 440 | 69-2914-19 | .. | HINGE HALF- | 002004 006100 107107 121503 904999 | 1 |
| 445 | 66-3157 | .. | SPRING- | 002004 006100 107107 121503 904999 | 1 |
| 445 | 66-3157-1 | .. | SPRING- | 002004 006100 107107 121503 904999 | 1 |
| 450 | BACB30NM3K1 | . | BOLT | 002004 006100 107107 121503 904999 | 8 |
| 455 | AN960KD10L | . | WASHER- | 107107 | 8 |

MISSING ITEM NUMBERS NOT APPLICABLE

- ITEM NOT ILLUSTRATED

BRI

21-21-51-02

21-21-51
FIG. 02
PAGE 18
JAN 20/09

 **BOEING**
757
PARTS CATALOG (MAINTENANCE)

| FIG ITEM | PART NUMBER | 1 2 3 4 5 6 7 | NOMENCLATURE | EFFECT FROM TO | UNITS PER ASSY |
|-------------|-------------|---------------|------------------------------------|--|----------------------|
| 2 | | | | | |
| 455 | AN960JD10L | . | WASHER- | 002004 006100 121503 904999 | 8 |
| 460 | 213N2048-4 | . | PLATE ASSY | 002004 006100 107107 121503 904999 | 2 |
| 465 | 213N2048-5 | . | PLATE ASSY | 002004 006100 107107 121503 904999 | 2 |
| 470 | 213N2048-6 | . | PLATE ASSY | 002004 006100 107107 121503 904999 | 2 |
| 475 | 213N2048-7 | . | PLATE ASSY | 002004 006100 107107 121503 904999 | 2 |
| 480 | BACB30NM3K2 | | ATTACHING PARTS .BOLT | 002004 006100 107107 121503 904999 | 16 |
| 485 | AN960KD10L | . | WASHER- USED WITH: BACN10JC3 | 107107 | 32 |
| 487 | AN960KD10L | . | WASHER- USED WITH: BACN10YD2 | 107107 | 16 |
| 487 | AN960JD10L | . | -----*----- WASHER- | 002004 006100 121503 904999 | 16 |

MISSING ITEM NUMBERS NOT APPLICABLE

— ITEM NOT ILLUSTRATED

BRI

21-21-51-02

BOEING PROPRIETARY - Copyright © - Unpublished Work - See title page for details.

21-21-51
FIG. 02
PAGE 19
JAN 20/09

 **BOEING**
757
PARTS CATALOG (MAINTENANCE)

| FIG ITEM | PART NUMBER | 1 2 3 4 5 6 7 | NOMENCLATURE | EFFECT FROM TO | UNITS PER ASSY |
|----------|-------------|---------------|---|--|----------------|
| 2 | | | ATTACHING PARTS | | |
| - 490 | BRH10A3 | | .NUT- SUPPLIER CODE: V52828 SPECIFICATION NUMBER: BACN10JC3 OPTIONAL PART: H10-3BAC V15653 NS202101-02 V80539 RMLH9075-3W V72962 VN303A02 V92215 96-02 V80539 T6S1032J V11815 BACN10YD2 | 107107 | 16 |
| - 490 | BRC600-10-3 | | .NUT- SUPPLIER CODE: V52828 SPECIFICATION NUMBER: BACN10YD2 OPTIONAL PART: 130121 V60119 BACN10JC3 MS21042L3 | 002004 006100 107107 121503 904999 | 16 |
| - 490 | MS21042L3 | | .NUT- OPTIONAL PART: BACN10YD2 | 002004 006100 121503 904999 | 16 |
| 495 | DE820 | | -----*----- . . MOUNT- SUPPLIER CODE: V71985 SPECIFICATION NUMBER: S411T100-107 OPTIONAL PART: DE786 V71985 | 002004 006100 107107 121503 904999 | 1 |

MISSING ITEM NUMBERS NOT APPLICABLE

- ITEM NOT ILLUSTRATED

BRI

21-21-51-02

BOEING PROPRIETARY - Copyright © - Unpublished Work - See title page for details.

21-21-51
FIG. 02
PAGE 20
JAN 20/09

BOEING
757
PARTS CATALOG (MAINTENANCE)

| FIG ITEM | PART NUMBER | 1 2 3 4 5 6 7 | NOMENCLATURE | EFFECT FROM TO | UNITS PER ASSY |
|----------|-------------|---------------|---|--|----------------|
| 2 | | | ATTACHING PARTS | | |
| - 500 | BACR15BB3AD | | ..RIVET- SIZE DETERMINED ON INSTL. | 002004 006100 107107 121503 904999 | 2 |
| | | | -----*----- | | |
| 505 | 213N2048-8 | | ..PLATE- USED ON: 213N2048-4 | 002004 006100 107107 121503 904999 | 2 |
| 510 | 213N2048-9 | | ..PLATE- USED ON: 213N2048-5 | 002004 006100 107107 121503 904999 | 2 |
| 515 | 213N2048-10 | | ..PLATE- USED ON: 213N2048-6 | 002004 006100 107107 121503 904999 | 2 |
| 520 | 213N2048-11 | | ..PLATE- USED ON: 213N2048-7 | 002004 006100 107107 121503 904999 | 2 |
| - 800 | 286N4006 | | WIRE BUNDLE ASSY | 002004 006100 107107 121503 904999 | RF |
| 805 | GS3418-10CD | | .CLAMP- SUPPLIER CODE: V06324 SPECIFICATION NUMBER: BACC10HG10 OPTIONAL PART: S2126-10-8 V07418 ELECTRICAL EQUIP NUMBER: D02954T D03012T WIRING DIAGRAM REF: 215112 | 002004 006100 107107 121503 904999 | 2 |

MISSING ITEM NUMBERS NOT APPLICABLE

- ITEM NOT ILLUSTRATED

BRI

21-21-51-02

21-21-51
FIG. 02
PAGE 21
JAN 20/09



757

PARTS CATALOG (MAINTENANCE)

| FIG ITEM | PART NUMBER | 1 2 3 4 5 6 7 | NOMENCLATURE | EFFECT FROM TO | UNITS PER ASSY |
|----------|---------------|---------------|--|--|----------------|
| 2 805 | 620AA028NF10L | | .CLAMP- SUPPLIER CODE: V06324 SPECIFICATION NUMBER: BACC10KE10 OPTIONAL PART: S3820-10-65 V07418 ELECTRICAL EQUIP NUMBER: D02954T D03012T WIRING DIAGRAM REF: 215112 | 002004 006100 107107 121503 904999 | 2 |
| 810 | BCREF5962 | | .PLUG- SUPPLIER CODE: V13556 OVERLENGTH PART NUMBER: CN0966-10A20SN000 ELECTRICAL EQUIP NUMBER: D02954 D03012 WIRING DIAGRAM REF: 215112 | 002004 006100 107107 121503 904999 | 2 |
| 900 | | | ILLUSTRATION REFERENCE: PANEL INSTL-FRONT SPAR THRU BODY STA 820 FAIRING 53-36-52-01 | 002004 006100 107107 121503 904999 | RF |

MISSING ITEM NUMBERS NOT APPLICABLE

- ITEM NOT ILLUSTRATED

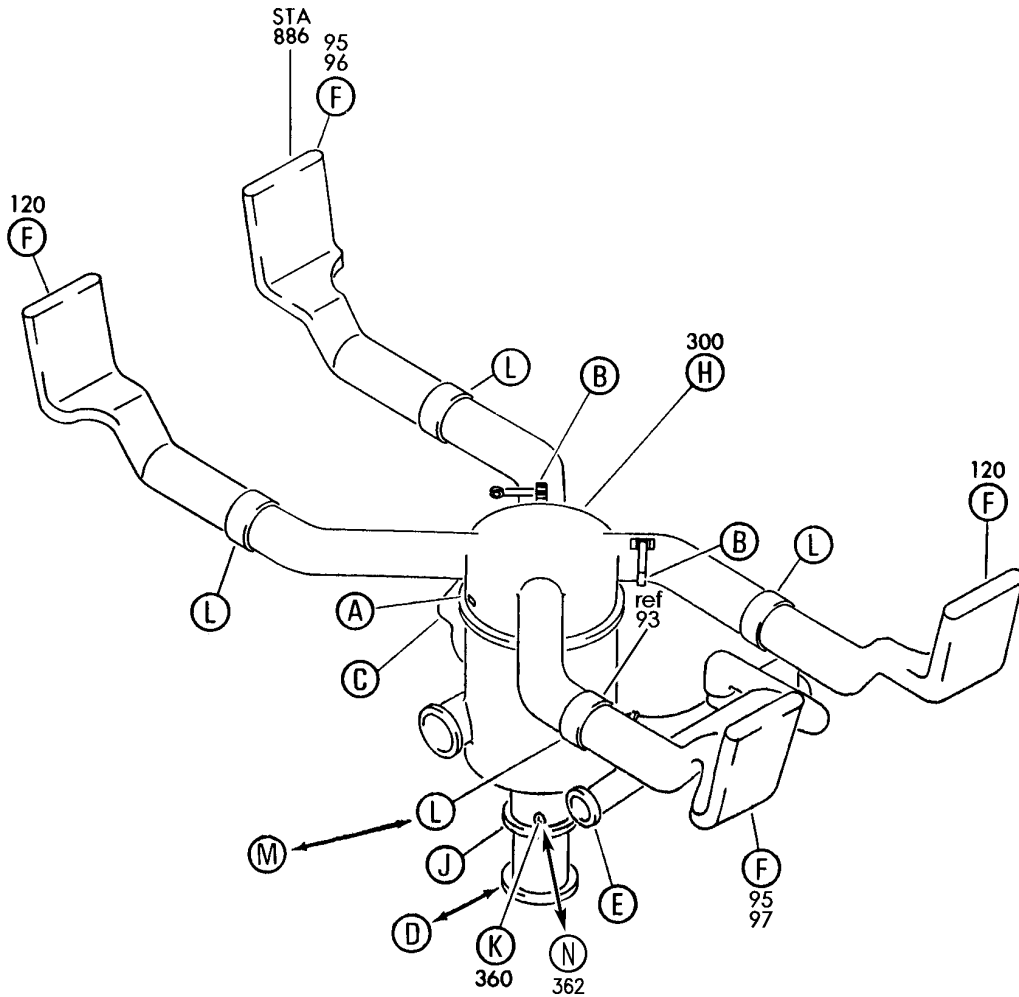
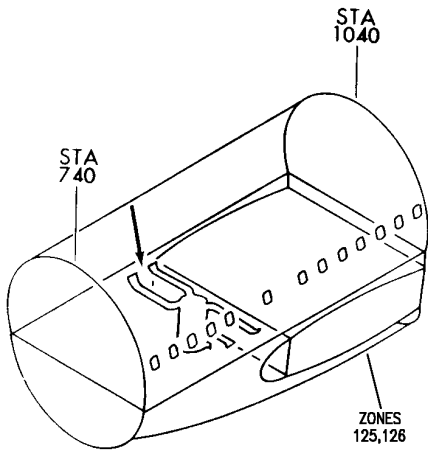
BRI

21-21-51-02

BOEING PROPRIETARY - Copyright © - Unpublished Work - See title page for details.

21-21-51
FIG. 02
PAGE 22
JAN 20/09

BOEING
757
PARTS CATALOG (MAINTENANCE)



Y 21215102A SHT 1 REV 269

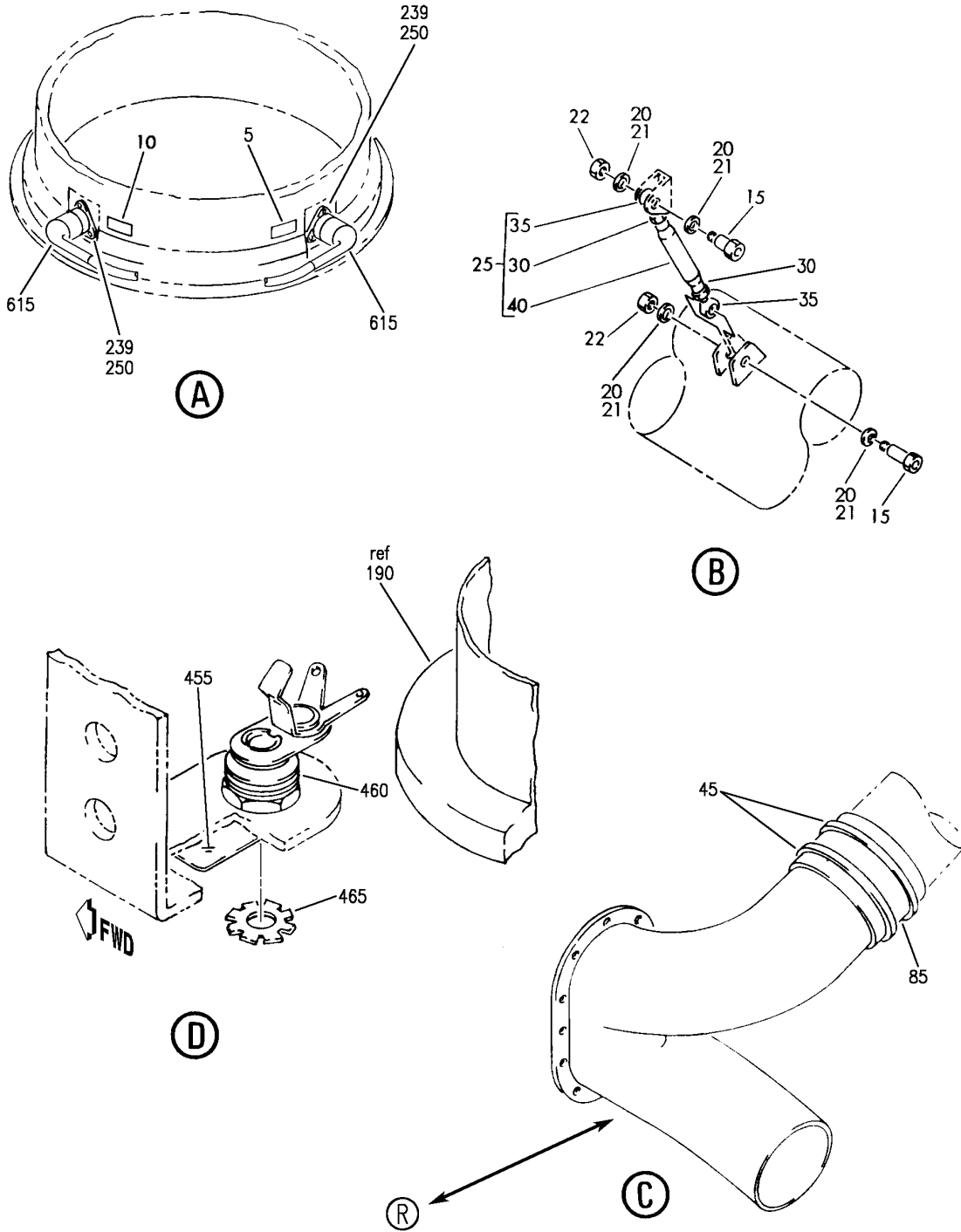
MANIFOLD INSTL-MIX BAY CONDITIONED AIR
FIGURE 2A (SHEET 1)

21-21-51-02A

BRI
MAY 28/07

21-21-51-02A
PAGE 0

BOEING
757
PARTS CATALOG (MAINTENANCE)



Y 21215102A SHT 2 REV 293

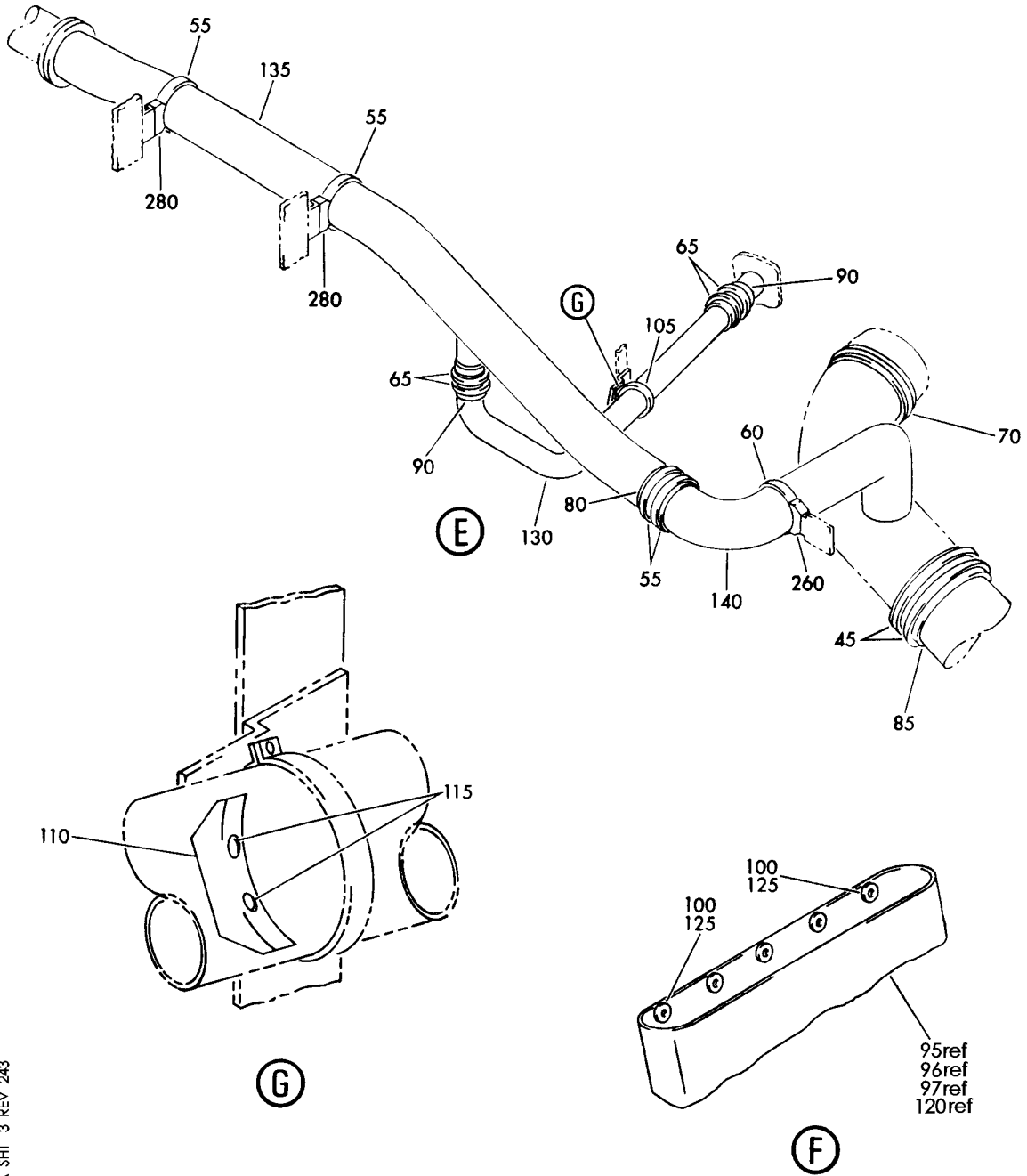
MANIFOLD INSTL-MIX BAY CONDITIONED AIR
FIGURE 2A (SHEET 2)

21-21-51-02A

BRI
MAY 28/07

21-21-51-02A
PAGE 0A

BOEING
757
PARTS CATALOG (MAINTENANCE)



Y 21215102A SHT 3 REV 243

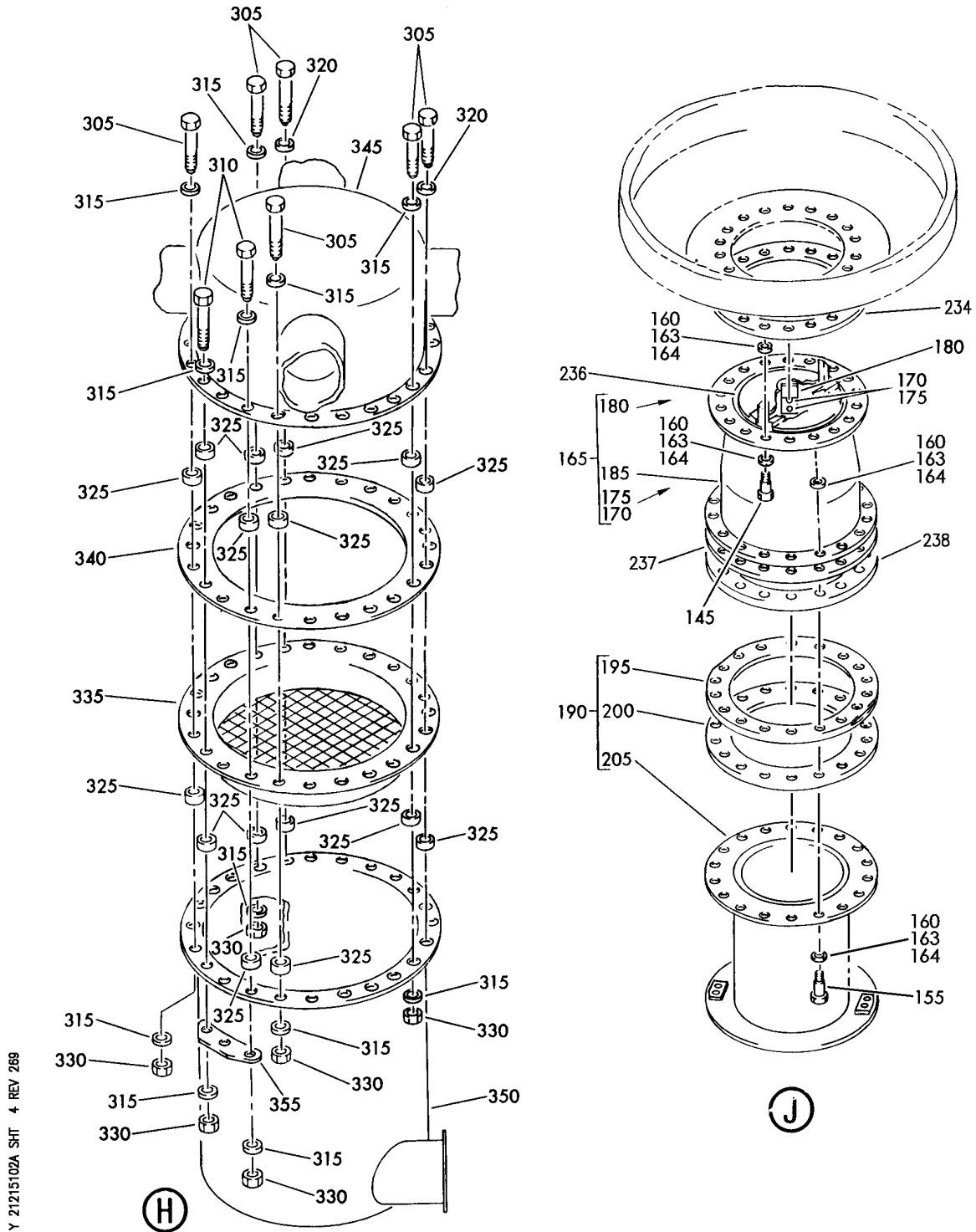
MANIFOLD INSTL-MIX BAY CONDITIONED AIR
FIGURE 2A (SHEET 3)

21-21-51-02A

BRI
MAY 28/07

21-21-51-02A
PAGE 0B

BOEING
757
PARTS CATALOG (MAINTENANCE)



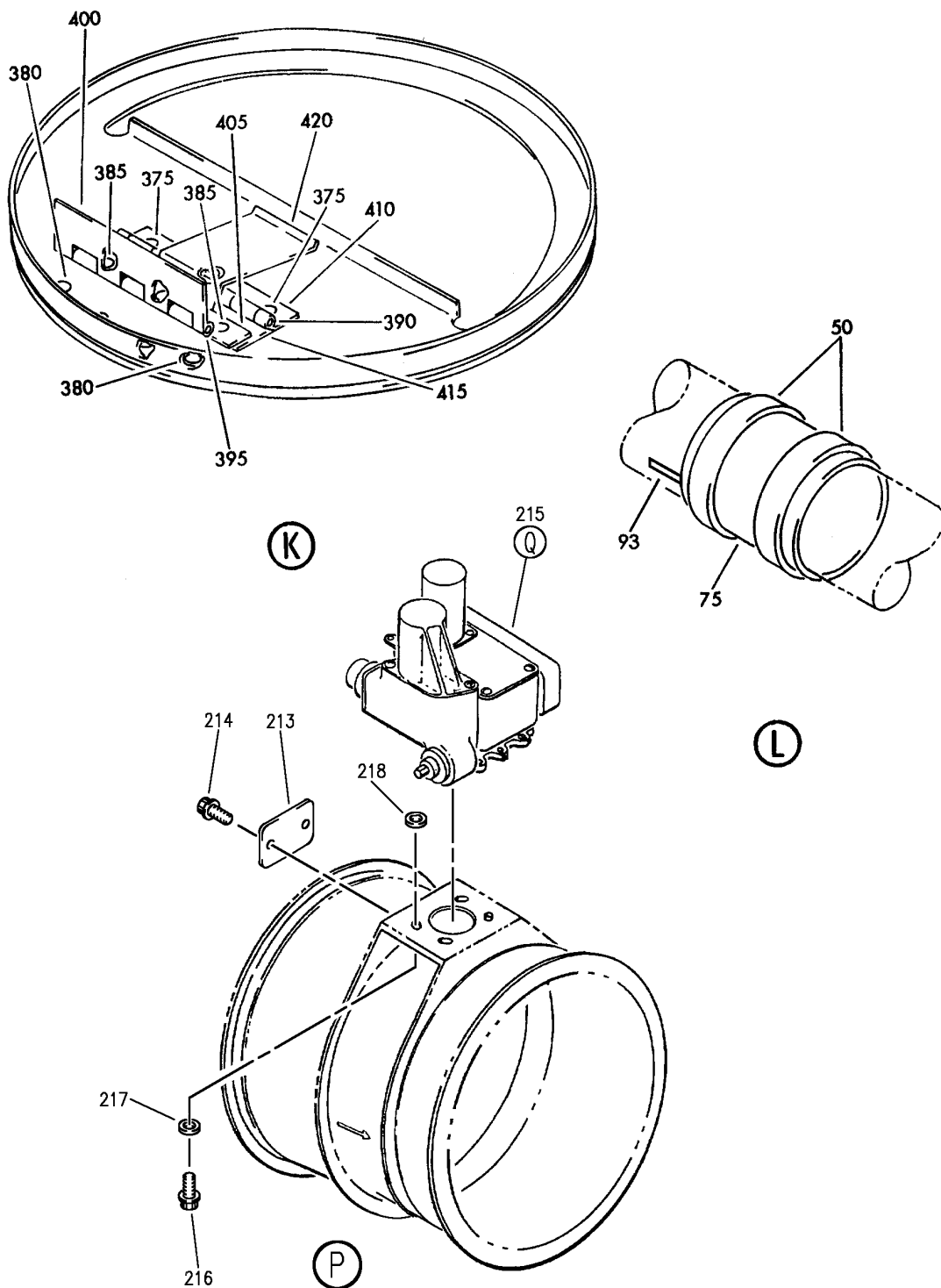
MANIFOLD INSTL-MIX BAY CONDITIONED AIR
FIGURE 2A (SHEET 4)

21-21-51-02A

BRI
MAY 28/07

21-21-51-02A
PAGE 0C

BOEING
757
PARTS CATALOG (MAINTENANCE)



Y 21215102A SHT 5 REV 269

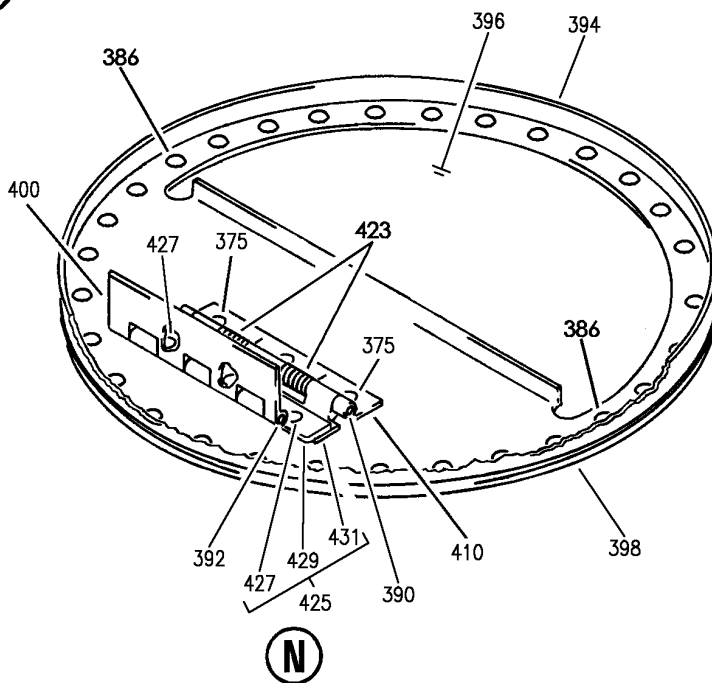
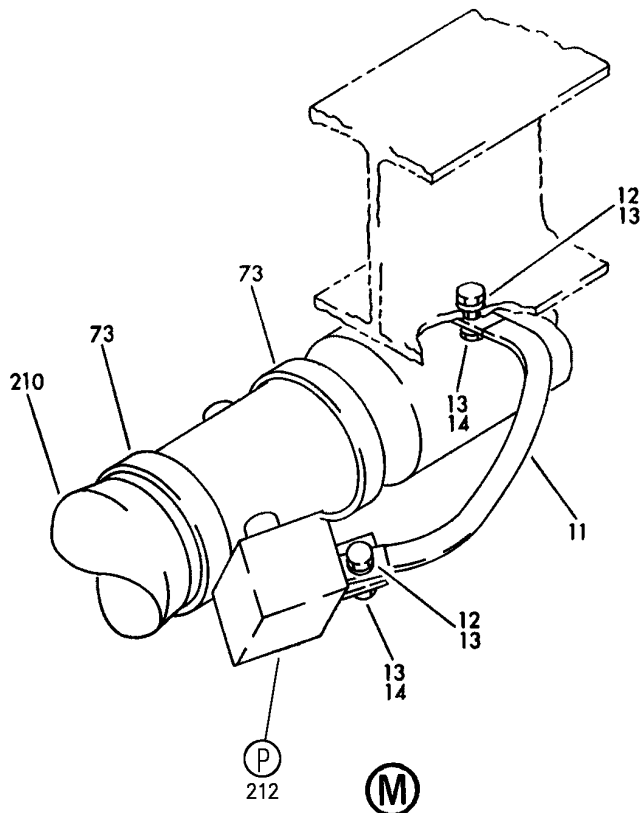
MANIFOLD INSTL-MIX BAY CONDITIONED AIR
FIGURE 2A (SHEET 5)

21-21-51-02A

BRI
MAY 28/07

21-21-51-02A
PAGE 0D

BOEING
757
PARTS CATALOG (MAINTENANCE)



Y 21215102A SHT 6 REV 269

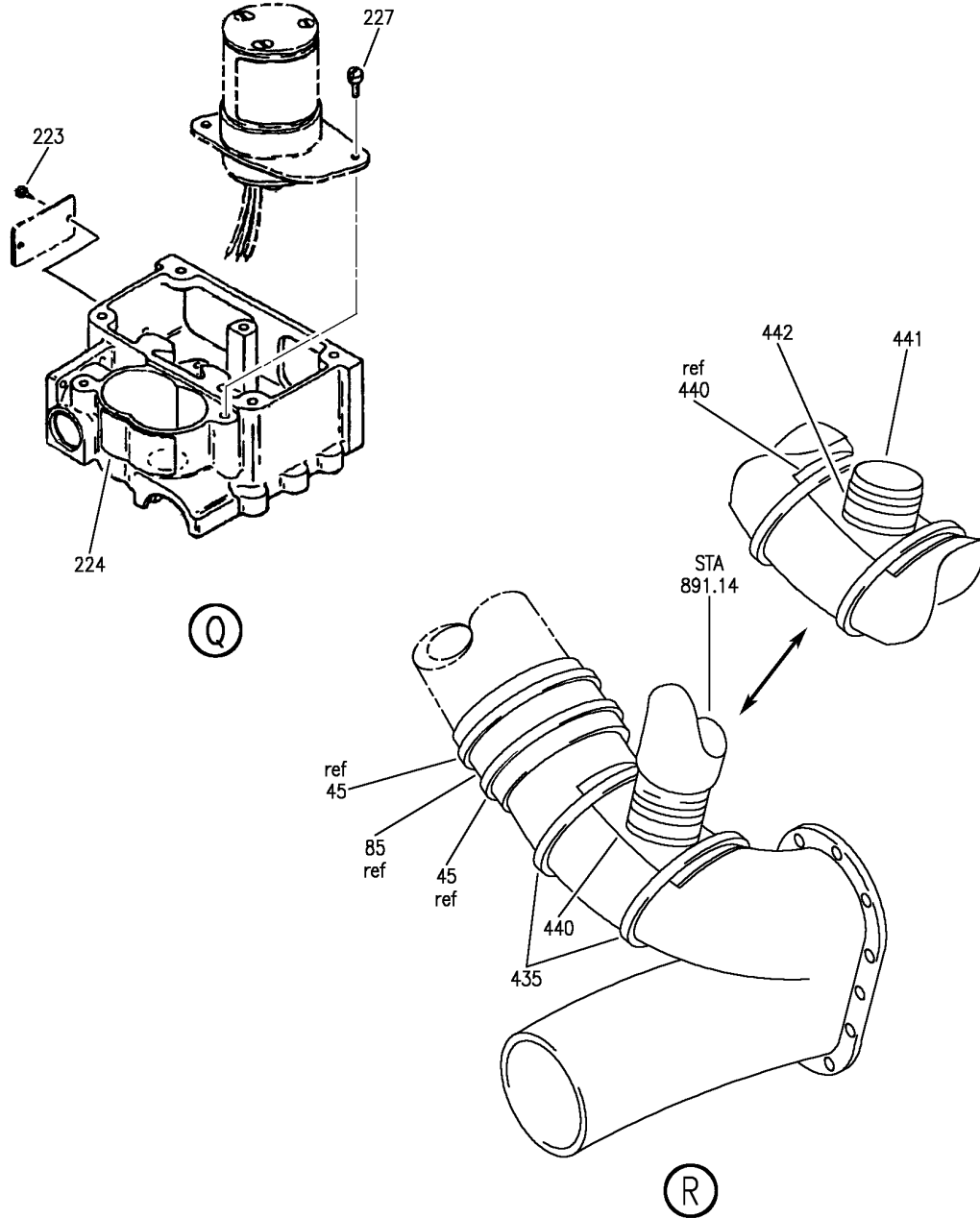
MANIFOLD INSTL-MIX BAY CONDITIONED AIR
FIGURE 2A (SHEET 6)

21-21-51-02A

BRI
MAY 28/07

21-21-51-02A
PAGE 0E

BOEING
757
PARTS CATALOG (MAINTENANCE)



Y 21215102A SHT 7 REV 325

MANIFOLD INSTL-MIX BAY CONDITIONED AIR
FIGURE 2A (SHEET 7)

21-21-51-02A

BRI
SEP 20/08

21-21-51-02A
PAGE OF



757

PARTS CATALOG (MAINTENANCE)

| FIG ITEM | PART NUMBER | 1 2 3 4 5 6 7 | NOMENCLATURE | EFFECT FROM TO | UNITS PER ASSY |
|----------|------------------|---------------|--|----------------------------|----------------|
| 2A | | | MANIFOLD INSTL-MIX BAY CONDITIONED AIR | 101102 108120 504903 | |
| - 1 | 213N2003-12 | | MANIFOLD INSTL-MIX BAY CONDITIONED AIR FOR NHA SEE: 21-00-00-15 | 101102 108120 504903 | RF |
| | 5 BAC27NEC0054 | | .MARKER-ALUMINUM FOIL- PLACARD CONTENT: LEFT MIX MANIFOLD TEMP SENSOR TS200-D2954 | 101102 108120 504903 | 1 |
| | 10 BAC27NEC0055 | | .MARKER-ALUMINUM FOIL- PLACARD CONTENT: RIGHT MIX MANIFOLD TEMP SENSOR TS201-D3012 | 101102 108120 504903 | 1 |
| | 15 BACB30NM4K11 | | .BOLT | 101102 108120 504903 | 4 |
| | 20 NAS1149D0416J | | .WASHER | 101102 108120 504903 | 8 |
| | 22 BRH10C4D | | .NUT SUPPLIER CODE: V52828 SPECIFICATION NUMBER: BACN10JC4CD OPTIONAL PART: T6C428JCD V11815 NS202486-048 V80539 102LH9075-4W V72962 H51650-4BAC V15653 | 101102 108120 504903 | 4 |
| | 25 65B41247-151 | | .ROD ASSY- | 101102 108120 504903 | 2 |
| | 25 65B41247-127 | | .ROD ASSY- | 101102 108120 504903 | 2 |
| | 30 AN316-5R | | ..NUT | 101102 108120 504903 | 2 |

MISSING ITEM NUMBERS NOT APPLICABLE

- ITEM NOT ILLUSTRATED

21-21-51-02A

21-21-51
FIG. 02A
PAGE 1
MAY 20/09

BRI



757

PARTS CATALOG (MAINTENANCE)

| FIG ITEM | PART NUMBER | 1 2 3 4 5 6 7 | NOMENCLATURE | EFFECT FROM TO | UNITS PER ASSY |
|----------|-------------|---------------|---|----------------------------|----------------|
| 2A 35 | ART4E118 | | .. BEARING- SUPPLIER CODE: V50294 OPTIONAL PART: BACB10A187 BACB10A187L MR45-14WA V73134 KNE4-22 V97613 | 101102 108120 504903 | 2 |
| 35 | AB4E27 | | .. BEARING- SUPPLIER CODE: V15860 SPECIFICATION NUMBER: BACB10A187 OPTIONAL PART: BRE4140 V81376 HB4E133 V02758 KB4ESS V97613 MXJ45-14B V73134 51564-04 V09455 AR4E4 VS0352 NB3B V73134 ASM4-6 V56644 ART4E118 V50294 BACB10A187L MR45-14WA V73134 KNE4-22 V97613 | 101102 108120 504903 | 2 |

MISSING ITEM NUMBERS NOT APPLICABLE

- ITEM NOT ILLUSTRATED

21-21-51-02A

21-21-51
FIG. 02A
PAGE 2
JAN 20/09

BRI



757

PARTS CATALOG (MAINTENANCE)

| FIG ITEM | PART NUMBER | 1 2 3 4 5 6 7 | NOMENCLATURE | EFFECT FROM TO | UNITS PER ASSY |
|----------|-------------|---------------|--|----------------------------|----------------|
| 2A 35 | AB4E27FN | | .. BEARING- SUPPLIER CODE: V15860 SPECIFICATION NUMBER: BACB10A187L OPTIONAL PART: BRE4140L V81376 HB4E135 V02758 KB4ESSFN V97613 MXJ45-14BFG V73134 51564-0402 V09455 AR4E4FN VS0352 ASM4F6 V56644 ART4E118 V50294 BACB10A187 MR45-14WA V73134 KNE4-22 V97613 | 101102 108120 504903 | 2 |
| 35 | MR45-14WA | | .. BEARING- SUPPLIER CODE: V73134 OPTIONAL PART: ART4E118 V50294 BACB10A187 BACB10A187L KNE4-22 V97613 | 101102 108120 504903 | 2 |
| 35 | KNE4-22 | | .. BEARING- SUPPLIER CODE: V97613 OPTIONAL PART: ART4E118 V50294 BACB10A187 BACB10A187L MR45-14WA V73134 | 101102 108120 504903 | 2 |

MISSING ITEM NUMBERS NOT APPLICABLE

- ITEM NOT ILLUSTRATED

21-21-51-02A

21-21-51
FIG. 02A
PAGE 3
JAN 20/09

BRI



757

PARTS CATALOG (MAINTENANCE)

| FIG ITEM | PART NUMBER | 1 2 3 4 5 6 7 | NOMENCLATURE | EFFECT FROM TO | UNITS PER ASSY |
|----------|----------------|---------------|---|----------------------------|----------------|
| 2A | | | | | |
| 40 | 65B41247-128 | . . | ROD | 101102 108120 504903 | 1 |
| 45 | NAS1922-0700-1 | . CLAMP- | OPTIONAL PART: STBC10GG234 | 101102 108120 504903 | 4 |
| 45 | STBC10GG234 | . CLAMP- | OPTIONAL PART: NAS1922-0700-1 | 101102 108120 504903 | 4 |
| 45 | NAS1922-0700-3 | . CLAMP- | | 101102 108120 504903 | 4 |
| 50 | NAS1922-0750-1 | . CLAMP- | OPTIONAL PART: STBC10GG254 | 101102 108120 504903 | 8 |
| 50 | 120 | . CLAMP- | SUPPLIER CODE: V7Z588 SPECIFICATION NUMBER: STBC10GG254 OPTIONAL PART: WWD254H V66295 NAS1922-0750-1 | 101102 108120 504903 | 8 |
| 55 | NAS1922-0450-1 | . CLAMP- | OPTIONAL PART: STBC10GG160 | 101102 108120 504903 | 4 |
| 55 | 72 | . CLAMP- | SUPPLIER CODE: V7Z588 SPECIFICATION NUMBER: STBC10GG160 OPTIONAL PART: WWD160H V66295 NAS1922-0450-1 | 101102 108120 504903 | 4 |
| 60 | NAS1922-0525-1 | . CLAMP- | OPTIONAL PART: STBC10GG178 | 101102 108120 504903 | 1 |
| 60 | 80 | . CLAMP- | SUPPLIER CODE: V7Z588 SPECIFICATION NUMBER: STBC10GG178 OPTIONAL PART: WWD178H V66295 NAS1922-0525-1 | 101102 108120 504903 | 1 |

R
R
R

MISSING ITEM NUMBERS NOT APPLICABLE

- ITEM NOT ILLUSTRATED

21-21-51-02A

21-21-51
FIG. 02A
PAGE 4
MAY 20/09

BRI

BOEING PROPRIETARY - Copyright © - Unpublished Work - See title page for details.

BOEING
757
PARTS CATALOG (MAINTENANCE)

| FIG ITEM | PART NUMBER | 1 2 3 4 5 6 7 | NOMENCLATURE | EFFECT FROM TO | UNITS PER ASSY |
|---|-------------|----------------|---|----------------------------|----------------|
| R R R | 2A 60 | NAS1922-0525-3 | .CLAMP- | 101102 108120 504903 | 1 |
| | 65 | NAS1922-0275-1 | .CLAMP- OPTIONAL PART: STBC10GG98-114 | 101102 108120 504903 | 4 |
| | 65 48 | | .CLAMP- SUPPLIER CODE: V7Z588 SPECIFICATION NUMBER: STBC10GG98-114 OPTIONAL PART: WWD98-114 V66295 NAS1922-0275-1 | 101102 108120 504903 | 4 |
| R R R R R R R R R R R | 70 | NH135008-0700 | .CLAMP- SUPPLIER CODE: V00624 | 101102 108120 504903 | 1 |
| | 70 | 15J02-700 | .CLAMP- SUPPLIER CODE: V89513 OPTIONAL PART: 32317AA700 V94581 | 101102 108120 504903 | 1 |
| | 70 | 32317AA700 | .CLAMP- SUPPLIER CODE: V94581 OPTIONAL PART: 15J02-700 V89513 | 101102 108120 504903 | 1 |
| R R R | 75 | AS1506-30D32 | .SLEEVE | 101102 108120 504903 | 4 |
| | 80 | AS1506-18D32 | .SLEEVE | 101102 108120 504903 | 1 |
| | 85 | AS1506-28D32 | .SLEEVE | 101102 108120 504903 | 2 |
| R R R | 90 | AS1506-12D32 | .SLEEVE | 101102 108120 504903 | 2 |
| | 95 | 213N2025-60 | .DUCT ASSY | 101102 108120 504903 | 2 |
| | 100 | 69-77300-2 | ..SPACER | 101102 108120 504903 | 5 |

MISSING ITEM NUMBERS NOT APPLICABLE

— ITEM NOT ILLUSTRATED

21-21-51-02A

21-21-51
FIG. 02A
PAGE 5
MAY 20/09

BRI

BOEING PROPRIETARY - Copyright © - Unpublished Work - See title page for details.



757

PARTS CATALOG (MAINTENANCE)

| FIG ITEM | PART NUMBER | 1 2 3 4 5 6 7 | NOMENCLATURE | EFFECT FROM TO | UNITS PER ASSY |
|----------|----------------|---|--|----------------------------|----------------|
| 2A | | | | | |
| 105 | NAS1922-0275-1 | .CLAMP- | OPTIONAL PART: STBC10GG98-114 | 101102 108120 504903 | 1 |
| 105 | 48 | .CLAMP- | SUPPLIER CODE: V7Z588 SPECIFICATION NUMBER: STBC10GG98-114 OPTIONAL PART: WWD98-114 V66295 NAS1922-0275-1 | 101102 108120 504903 | 1 |
| 110 | 214T3424-4 | .SUPPORT | | 101102 108120 504903 | 1 |
| 115 | BACS12FA3K7 | .SCREW | | 101102 108120 504903 | 2 |
| 120 | 213N2025-61 | .DUCT ASSY- | | 101102 108120 504903 | 2 |
| 125 | 69-77300-2 | ..SPACER | | 101102 108120 504903 | 5 |
| 130 | 213N2331-1 | .DUCT ASSY | | 101102 108120 504903 | 1 |
| 135 | 213N2030-8 | .DUCT ASSY | | 101102 108120 504903 | 1 |
| 140 | 213N2029-3 | .DUCT ASSY | | 101102 108120 504903 | 1 |
| 145 | BACB30NM3K6 | .BOLT | | 101102 108120 504903 | 18 |
| 155 | BACB30NM3K18 | .BOLT | | 101102 108120 504903 | 18 |
| 160 | NAS1149D0332J | .WASHER- | | 101102 108120 504903 | 72 |
| 165 | 65-3466-19 | .DUCT ASSY | | 101102 108120 504903 | 1 |
| 170 | BACR15BB4A | ..RIVET-STOP SIZE DETERMINED ON INSTL. | | 101102 108120 504903 | 2 |

MISSING ITEM NUMBERS NOT APPLICABLE

- ITEM NOT ILLUSTRATED

21-21-51-02A

21-21-51
FIG. 02A
PAGE 6
MAY 20/09

BRI

BOEING PROPRIETARY - Copyright © - Unpublished Work - See title page for details.



757

PARTS CATALOG (MAINTENANCE)

| FIG ITEM | PART NUMBER | 1 2 3 4 5 6 7 | NOMENCLATURE | EFFECT FROM TO | UNITS PER ASSY |
|----------|-------------|---------------|--|----------------------------|----------------|
| 2A | | | | | |
| 175 | AN960JD6 | .. | WASHER | 101102 108120 504903 | 2 |
| 180 | 69-2880-1 | .. | VALVE ASSY-STOP | 101102 108120 504903 | 1 |
| 185 | 69-3466-20 | .. | DUCT | 101102 108120 504903 | 1 |
| 190 | 65-25674-19 | . | DUCT ASSY | 101102 108120 504903 | 1 |
| 195 | 213N2020-3 | .. | SPACER | 101102 108120 504903 | 1 |
| 200 | 213N2045-2 | .. | GASKET | 101102 108120 504903 | 1 |
| 205 | 65-25674-20 | .. | DUCT ASSY | 101102 108120 504903 | 1 |
| 234 | 213N2045-3 | . | GASKET | 101102 108120 504903 | 1 |
| 236 | CYLB50715 | . | VALVE-CHECK SUPPLIER CODE: V05624 | 101102 108120 504903 | 1 |
| 237 | 213N2045-2 | . | GASKET | 101102 108120 504903 | 1 |
| 238 | 213N2020-1 | . | SPACER | 101102 108120 504903 | 1 |
| 239 | 624016-1 | . | SENSOR ASSY-AIR DUCT TEMP SUPPLIER CODE: V07217 SPECIFICATION NUMBER: S210T130-19 ELECTRICAL EQUIP NUMBER: TS0200 TS0201 COMPONENT MAINT MANUAL REF: 21-65-01 | 101102 108120 504903 | 2 |

MISSING ITEM NUMBERS NOT APPLICABLE

- ITEM NOT ILLUSTRATED

BRI

21-21-51-02A

BOEING PROPRIETARY - Copyright © - Unpublished Work - See title page for details.

21-21-51
FIG. 02A
PAGE 7
MAY 20/09



757

PARTS CATALOG (MAINTENANCE)

| FIG ITEM | PART NUMBER | 1 2 3 4 5 6 7 | NOMENCLATURE | EFFECT FROM TO | UNITS PER ASSY |
|-----------|---------------|---------------|--|----------------------------|----------------|
| 2A 239 | 624016-2 | | .SENSOR ASSY-AIR DUCT TEMP SUPPLIER CODE: V07217 SPECIFICATION NUMBER: S210T130-75 ELECTRICAL EQUIP NUMBER: TS0200 TS0201 COMPONENT MAINT MANUAL REF: 21-65-01 ATTACHING PARTS | 101102 108120 504903 | 2 |
| - 240 | BACB30NM3K4 | | .BOLT | 101102 108120 504903 | 6 |
| - 245 | NAS1149D0332J | | .WASHER- | 101102 108120 504903 | 6 |
| | | | -----*----- | | |
| 250 | 545131 | | ..GASKET- SUPPLIER CODE: V07217 | 101102 108120 504903 | 1 |
| - 255 | 3-905S613-6 | | ..PACKING- SUPPLIER CODE: V83259 | 101102 108120 504903 | 1 |
| 260 | 214T3424-7 | | .SUPPORT-DUCT ATTACHING PARTS | 101102 108120 504903 | 1 |
| - 265 | BACB30NM3K3 | | .BOLT | 101102 108120 504903 | 2 |
| - 270 | NAS1149D0332J | | .WASHER- | 101102 108120 504903 | 4 |
| - 275 | BRH10C3D | | .NUT- SUPPLIER CODE: V52828 SPECIFICATION NUMBER: BACN10JC3CD OPTIONAL PART: T6C1032JCD V11815 NS202486-02 V80539 102LH9075-3W V72962 H51650-3BAC V15653 -----*----- | 101102 108120 504903 | 2 |

MISSING ITEM NUMBERS NOT APPLICABLE

- ITEM NOT ILLUSTRATED

21-21-51-02A

21-21-51
FIG. 02A
PAGE 8
JAN 20/09

BRI



757

PARTS CATALOG (MAINTENANCE)

| FIG ITEM | PART NUMBER | 1 2 3 4 5 6 7 | NOMENCLATURE | EFFECT FROM TO | UNITS PER ASSY |
|-----------|---------------|---------------|-------------------------|----------------------------|----------------|
| 2A 280 | 214T3424-20 | . | SUPPORT-DUCT | 101102 108120 504903 | 2 |
| - 285 | BACB30NM3K3 | . | ATTACHING PARTS BOLT | 101102 108120 504903 | 4 |
| - 290 | NAS1149D0332J | . | WASHER- | 101102 108120 504903 | 8 |
| - 295 | BACN10JD3CD | . | NUT- | 101102 108120 504903 | 4 |
| | | | -----*----- | | |
| 300 | 213N2019-15 | . | MANIFOLD ASSY-MIX | 101102 108120 504903 | 1 |
| 305 | NAS6603-5 | .. | BOLT | 101102 108120 504903 | 21 |
| 310 | NAS6603-6 | .. | BOLT | 101102 108120 504903 | 3 |
| 315 | AN960D10L | .. | WASHER | 101102 108120 504903 | 30 |
| 320 | AN960D10L | .. | WASHER | 101102 108120 504903 | 9 |
| 325 | NAS43DD3-6 | .. | SPACER | 101102 108120 504903 | 48 |

MISSING ITEM NUMBERS NOT APPLICABLE

- ITEM NOT ILLUSTRATED

BRI

21-21-51-02A

BOEING PROPRIETARY - Copyright © - Unpublished Work - See title page for details.

21-21-51
FIG. 02A
PAGE 9
JAN 20/09



757

PARTS CATALOG (MAINTENANCE)

| FIG ITEM | PART NUMBER | 1 2 3 4 5 6 7 | NOMENCLATURE | EFFECT FROM TO | UNITS PER ASSY |
|-----------|-------------|---------------|--|----------------------------|----------------|
| 2A 330 | BRH10A3 | .. | NUT SUPPLIER CODE: V52828 SPECIFICATION NUMBER: BACN10JC3 OPTIONAL PART: H10-3BAC V15653 NS202101-02 V80539 RMLH9075-3W V72962 VN303A02 V92215 96-02 V80539 T6S1032J V11815 | 101102 108120 504903 | 15 |
| 335 | 213N2028-3 | .. | STRAIGHTENER ASSY-FLOW OPTIONAL PART: 213N2028-4 | 101102 108120 504903 | 1 |
| 340 | 213T4409-7 | ... | GASKET | 101102 108120 504903 | 1 |
| 345 | 213N2038-36 | .. | MANIFOLD ASSY- POSITION DATA: UPPER | 101102 108120 504903 | 1 |
| 350 | 213N2038-35 | .. | MANIFOLD ASSY- POSITION DATA: LWR | 101102 108120 504903 | 1 |
| 355 | 213N2239-2 | .. | BRACKET ASSY | 101102 108120 504903 | 1 |
| 360 | 69-2914-15 | . | VALVE ASSY-SWING CHK GND SVCE COMPONENT MAINT MANUAL REF: 21-23-20 OPTIONAL PART: 69-2914-25 | 101102 108120 504903 | 1 |
| 360 | 69-2914-13 | . | VALVE ASSY-SWING CHK GND SVCE COMPONENT MAINT MANUAL REF: 21-23-20 | 101102 108120 504903 | 1 |

MISSING ITEM NUMBERS NOT APPLICABLE

- ITEM NOT ILLUSTRATED

21-21-51-02A

21-21-51
FIG. 02A
PAGE 10
JAN 20/09

BRI



757

PARTS CATALOG (MAINTENANCE)

| FIG ITEM | PART NUMBER | 1 2 3 4 5 6 7 | NOMENCLATURE | EFFECT FROM TO | UNITS PER ASSY |
|-----------|---------------|---------------|---|----------------------------|----------------|
| 2A 362 | 69-2914-25 | | .VALVE ASSY-SWING CHK GND SVCE COMPONENT MAINT MANUAL REF: 21-23-20 OPTIONAL PART: 69-2914-15 69-2914-24 | 101102 108120 504903 | 1 |
| 362 | 69-2914-24 | | .VALVE ASSY-SWING CHK GND SVCE FUNCTIONAL DESCRIPTION: AIR FROM THE GROUND SERVICE CART PUSHES THE SWING CHECK VALVE OPEN, TO LET CONDITIONED AIR INTO THE AIRPLANE WHILE THE AIRPLANE IS PARKED. COMPONENT MAINT MANUAL REF: 21-23-20 OPTIONAL PART: 69-2914-25 ATTACHING PARTS | 101102 108120 504903 | 1 |
| - 365 | NAS602-7 | | .SCREW- | 101102 108120 504903 | 3 |
| - 370 | NAS1149DN832J | | .WASHER- | 101102 108120 504903 | 3 |
| 375 | MS20470D4 | | -----*----- ..RIVET- SIZE DETERMINED ON INSTL. | 101102 108120 504903 | 3 |
| 375 | MS206154MP | | ..RIVET- SIZE DETERMINED ON INSTL. USED ON: 69-2914-24 69-2914-15 69-2914-25 | 101102 108120 504903 | 3 |
| 377 | MS20426D4 | | ..RIVET- SIZE DETERMINED ON INSTL. USED ON: 69-2914-15 | 101102 108120 504903 | 26 |
| 380 | MS20426D4 | | ..RIVET- SIZE DETERMINED ON INSTL. OPTIONAL PART: NAS1399D4-4 USED ON: 69-2914-15 | 101102 108120 504903 | 4 |

MISSING ITEM NUMBERS NOT APPLICABLE

- ITEM NOT ILLUSTRATED

21-21-51-02A

21-21-51
FIG. 02A
PAGE 11
JAN 20/09

BRI

BOEING PROPRIETARY - Copyright © - Unpublished Work - See title page for details.



757

PARTS CATALOG (MAINTENANCE)

| FIG ITEM | PART NUMBER | 1 2 3 4 5 6 7 | NOMENCLATURE | EFFECT FROM TO | UNITS PER ASSY |
|-----------|--------------|---------------|---|----------------------------|----------------|
| 2A 380 | NAS1399D4-4 | .. | RIVET- SIZE DETERMINED ON INSTL. OPTIONAL PART: MS20426D4 USED ON: 69-2914-15 | 101102 108120 504903 | 4 |
| 384 | MS20427M4 | .. | RIVET- USED ON: 69-2914-15 | 101102 108120 504903 | 3 |
| 386 | BACR15BA4ADC | .. | RIVET- SIZE DETERMINED ON INSTL. USED ON: 69-2914-24 69-2914-25 | 101102 108120 504903 | 30 |
| 390 | 69-2914-9 | .. | PIN-HINGE MANUFACTURED FROM: ROD CRES .25FT MS20253-3 2.90 IN LONG USED ON: 69-2914-15 69-2914-24 69-2914-25 | 101102 108120 504903 | 1 |
| 392 | 69-2914-8 | .. | PIN-HINGE MANUFACTURED FROM: ROD CRES .25FT MS20253-4 2.90 IN LONG USED ON: 69-2914-15 69-2914-24 69-2914-25 | 101102 108120 504903 | 1 |
| 394 | 69-2914-1 | .. | FLANGE- USED ON: 69-2914-15 69-2914-24 69-2914-25 | 101102 108120 504903 | 1 |
| 396 | 69-2914-2 | .. | DISH- USED ON: 69-2914-15 69-2914-24 69-2914-25 | 101102 108120 504903 | 1 |
| 398 | 69-2914-3 | .. | RING- USED ON: 69-2914-15 69-2914-24 69-2914-25 | 101102 108120 504903 | 1 |
| 400 | 69-2914-17 | .. | HINGE HALF- USED ON: 69-2914-15 | 101102 108120 504903 | 1 |

MISSING ITEM NUMBERS NOT APPLICABLE

- ITEM NOT ILLUSTRATED

21-21-51-02A

21-21-51
FIG. 02A
PAGE 12
JAN 20/09

BRI

BOEING PROPRIETARY - Copyright © - Unpublished Work - See title page for details.



757

PARTS CATALOG (MAINTENANCE)

| FIG ITEM | PART NUMBER | 1 2 3 4 5 6 7 | NOMENCLATURE | EFFECT FROM TO | UNITS PER ASSY |
|----------|-------------|---------------|---|----------------------------|----------------|
| 2A | | | | | |
| 400 | 69-2914-5 | .. | HINGE HALF- USED ON: 69-2914-15 | 101102 108120 504903 | 1 |
| 400 | 69-2914-28 | .. | HINGE HALF- USED ON: 69-2914-24 69-2914-25 | 101102 108120 504903 | 1 |
| 405 | 69-2914-14 | .. | HINGE HALF- USED ON: 69-2914-15 | 101102 108120 504903 | 1 |
| 405 | 69-2914-4 | .. | HINGE HALF- | 101102 108120 504903 | 1 |
| 405 | 69-2914-16 | .. | HINGE HALF- USED ON: 69-2914-15 | 101102 108120 504903 | 1 |
| 410 | 69-2914-18 | .. | HINGE HALF- USED ON: 69-2914-15 | 101102 108120 504903 | 1 |
| 410 | 69-2914-6 | .. | HINGE HALF- USED ON: 69-2914-15 | 101102 108120 504903 | 1 |
| 410 | 69-2914-23 | .. | HINGE HALF- USED ON: 69-2914-24 69-2914-25 | 101102 108120 504903 | 1 |
| 415 | 69-2914-19 | .. | HINGE HALF- USED ON: 69-2914-15 | 101102 108120 504903 | 1 |
| 415 | 69-2914-7 | .. | HINGE HALF- USED ON: 69-2914-15 | 101102 108120 504903 | 1 |
| 420 | 66-3157-1 | .. | SPRING- USED ON: 69-2914-15 | 101102 108120 504903 | 1 |
| 420 | 66-3157 | .. | SPRING- | 101102 108120 504903 | 1 |
| 423 | 66-3157-2 | .. | SPRING- USED ON: 69-2914-24 69-2914-25 | 101102 108120 504903 | 2 |
| 425 | 69-2914-27 | .. | HINGE ASSY- OPTIONAL PART: 69-2914-22 USED ON: 69-2914-24 69-2914-25 | 101102 108120 504903 | 1 |

MISSING ITEM NUMBERS NOT APPLICABLE

- ITEM NOT ILLUSTRATED

21-21-51-02A

21-21-51
FIG. 02A
PAGE 13
JAN 20/09

BRI

BOEING PROPRIETARY - Copyright © - Unpublished Work - See title page for details.



757

PARTS CATALOG (MAINTENANCE)

| FIG ITEM | PART NUMBER | 1 2 3 4 5 6 7 | NOMENCLATURE | EFFECT FROM TO | UNITS PER ASSY |
|----------|--------------|---------------|--|----------------------------|----------------|
| 2A | | | | | |
| 425 | 69-2914-22 | | ..HINGE HALF- OPTIONAL PART: 69-2914-27 USED ON: 69-2914-24 69-2914-25 | 101102 108120 504903 | 1 |
| 427 | MS20427M4 | | ...RIVET- SIZE DETERMINED ON INSTL. USED ON: 69-2914-27 | 101102 108120 504903 | 3 |
| 429 | 69-2914-16 | | ...HINGE HALF- USED ON: 69-2914-27 | 101102 108120 504903 | 1 |
| 429 | 69-2914-14 | | ...HINGE HALF- USED ON: 69-2914-27 | 101102 108120 504903 | 1 |
| 429 | 69-2914-4 | | ...HINGE HALF- USED ON: 69-2914-27 | 101102 108120 504903 | 1 |
| 431 | 69-2914-26 | | ...HINGE HALF- USED ON: 69-2914-27 | 101102 108120 504903 | 1 |
| - 600 | 286N4006-326 | | WIRE BUNDLE ASSY | 108120 | RF |
| - 600 | 286N4006-344 | | WIRE BUNDLE ASSY | 504903 | RF |
| - 600 | 286N4006-322 | | WIRE BUNDLE ASSY | 101102 | RF |
| - 605 | 286N4106-301 | | WIRE BUNDLE ASSY | 101102 | RF |
| - 605 | 286N4106-351 | | WIRE BUNDLE ASSY | 108120 | RF |
| - 606 | 286N4106-340 | | WIRE BUNDLE ASSY | 504903 | RF |
| - 610 | GS3418-10CD | | .CLAMP-CABLE SUPPLIER CODE: V06324 SPECIFICATION NUMBER: BACC10HG10 OPTIONAL PART: S2126-10-8 V07418 ELECTRICAL EQUIP NUMBER: D02954T D03012T WIRING DIAGRAM REF: 215112 215122 | 101102 108120 504903 | 1 |

MISSING ITEM NUMBERS NOT APPLICABLE

- ITEM NOT ILLUSTRATED

21-21-51-02A

21-21-51
FIG. 02A
PAGE 14
JAN 20/09

BRI



757

PARTS CATALOG (MAINTENANCE)

| FIG ITEM | PART NUMBER | 1 2 3 4 5 6 7 | NOMENCLATURE | EFFECT FROM TO | UNITS PER ASSY |
|-------------|---------------|---------------|---|----------------------------|----------------|
| 2A - 610 | 620AA028NF10L | | .CLAMP-CABLE SUPPLIER CODE: V06324 SPECIFICATION NUMBER: BACC10KE10 OPTIONAL PART: S3820-10-65 V07418 ELECTRICAL EQUIP NUMBER: D02954T D03012T WIRING DIAGRAM REF: 215112 215122 | 101102 108120 504903 | 1 |
| 615 | BCREF9787 | | .PLUG- SUPPLIER CODE: V13556 OVERLENGTH PART NUMBER: CN0966A10A20SN000 ELECTRICAL EQUIP NUMBER: D02954 D03012 WIRING DIAGRAM REF: 215112 215122 | 101102 108120 504903 | 1 |

MISSING ITEM NUMBERS NOT APPLICABLE

- ITEM NOT ILLUSTRATED

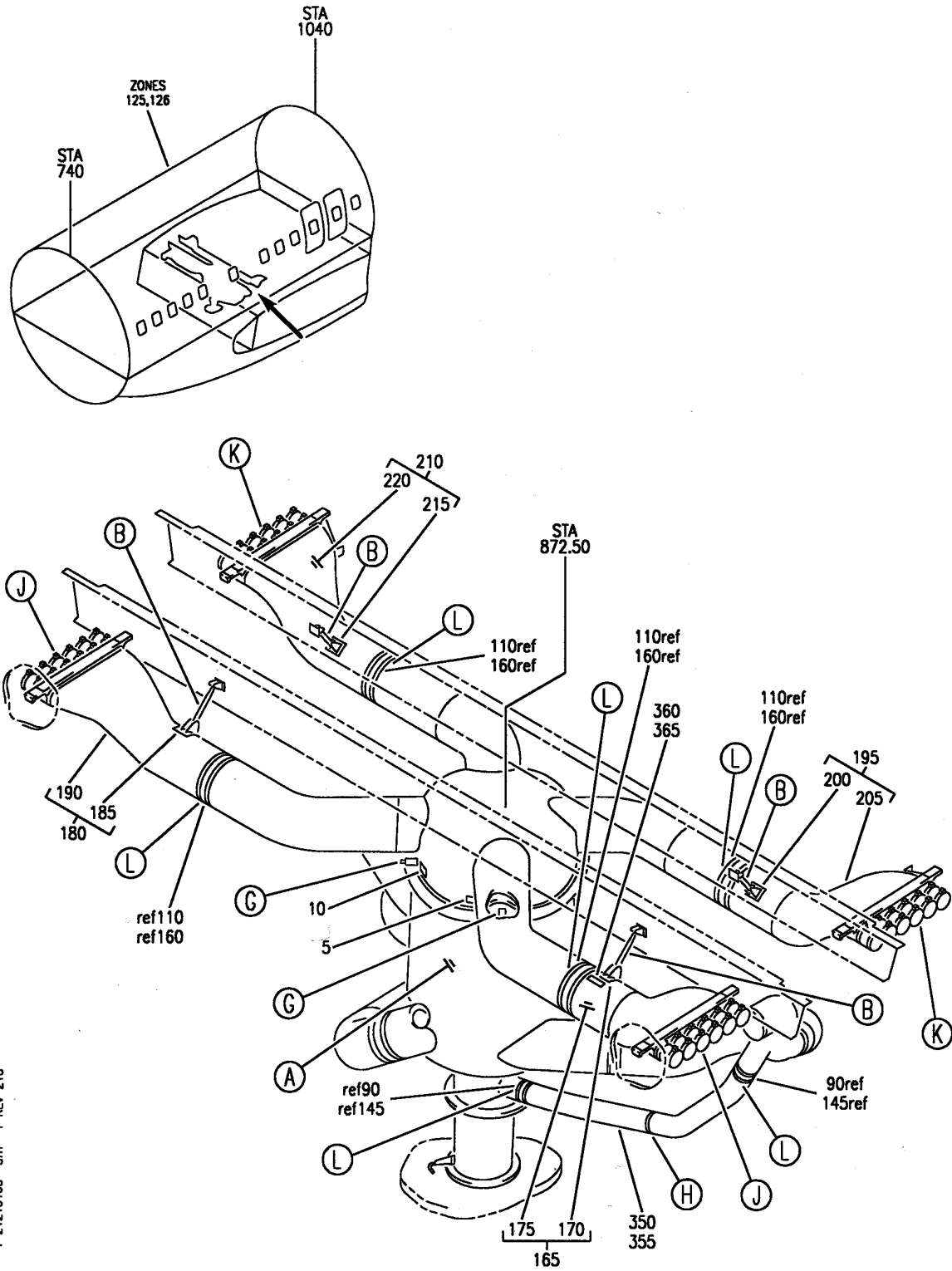
BRI

21-21-51-02A

BOEING PROPRIETARY - Copyright © - Unpublished Work - See title page for details.

21-21-51
FIG. 02A
PAGE 15
JAN 20/09

BOEING
757
PARTS CATALOG (MAINTENANCE)



Y 21215103 SHT 1 REV 218

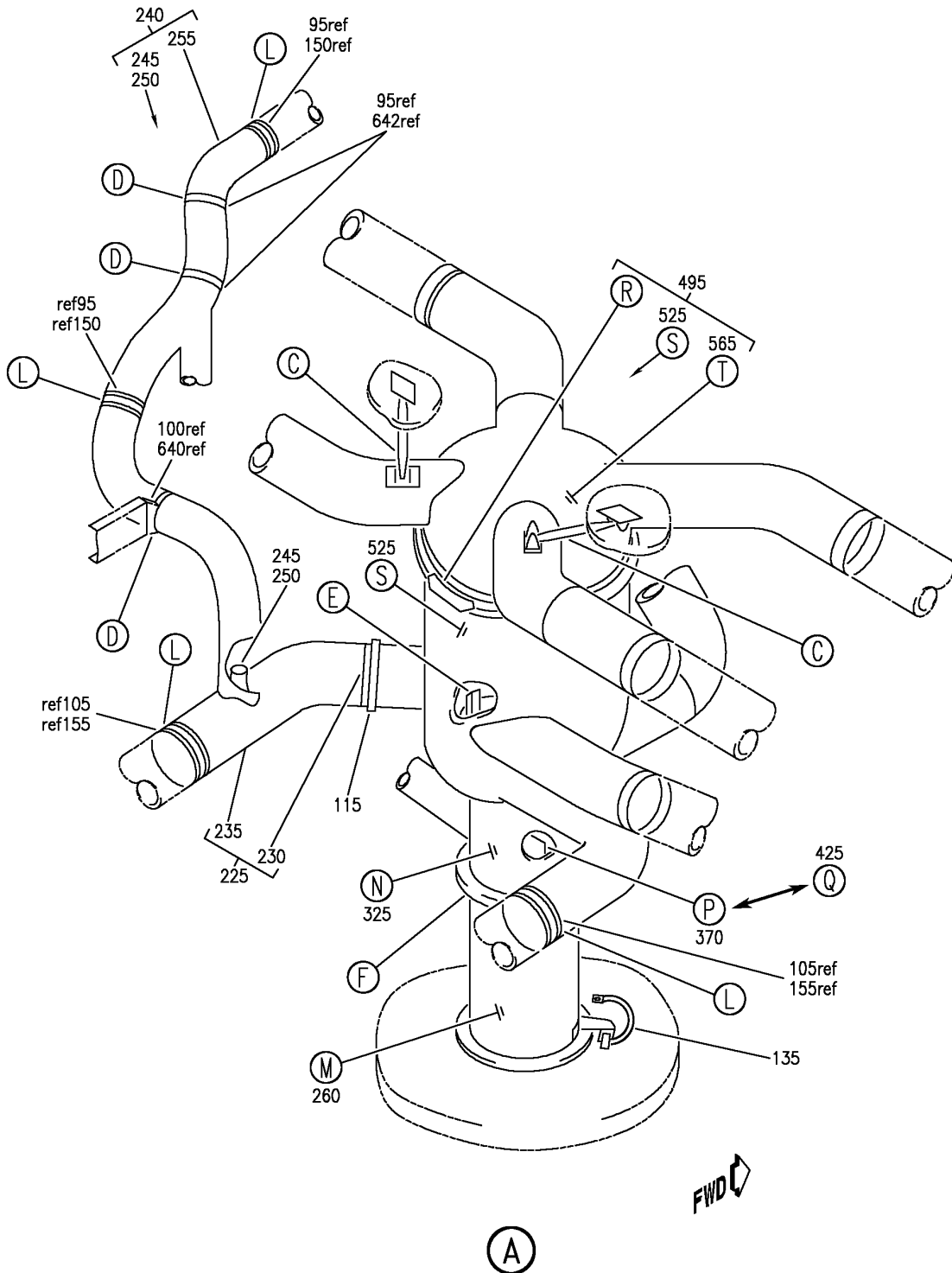
MANIFOLD INSTL-MIX BAY CONDITIONED AIR
FIGURE 3 (SHEET 1)

21-21-51-03

BRI
JAN 20/09

21-21-51-03
PAGE 0

BOEING
757
PARTS CATALOG (MAINTENANCE)



Y 21215103 SH1 2 REV 263

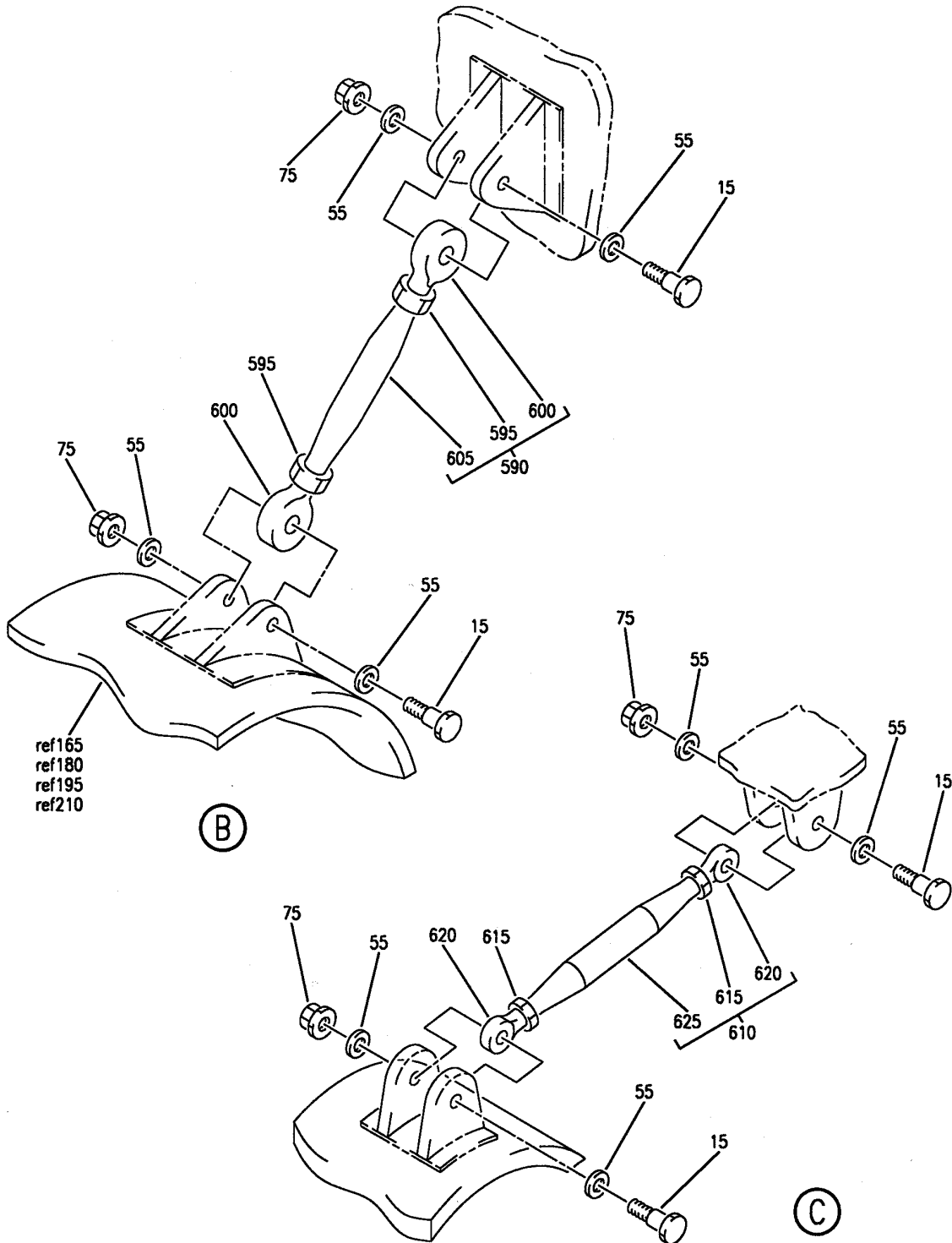
MANIFOLD INSTL-MIX BAY CONDITIONED AIR
FIGURE 3 (SHEET 2)

21-21-51-03

BRI
JAN 20/09

21-21-51-03
PAGE 0A

BOEING
757
PARTS CATALOG (MAINTENANCE)



Y 21215103 SHT 3 REV 218

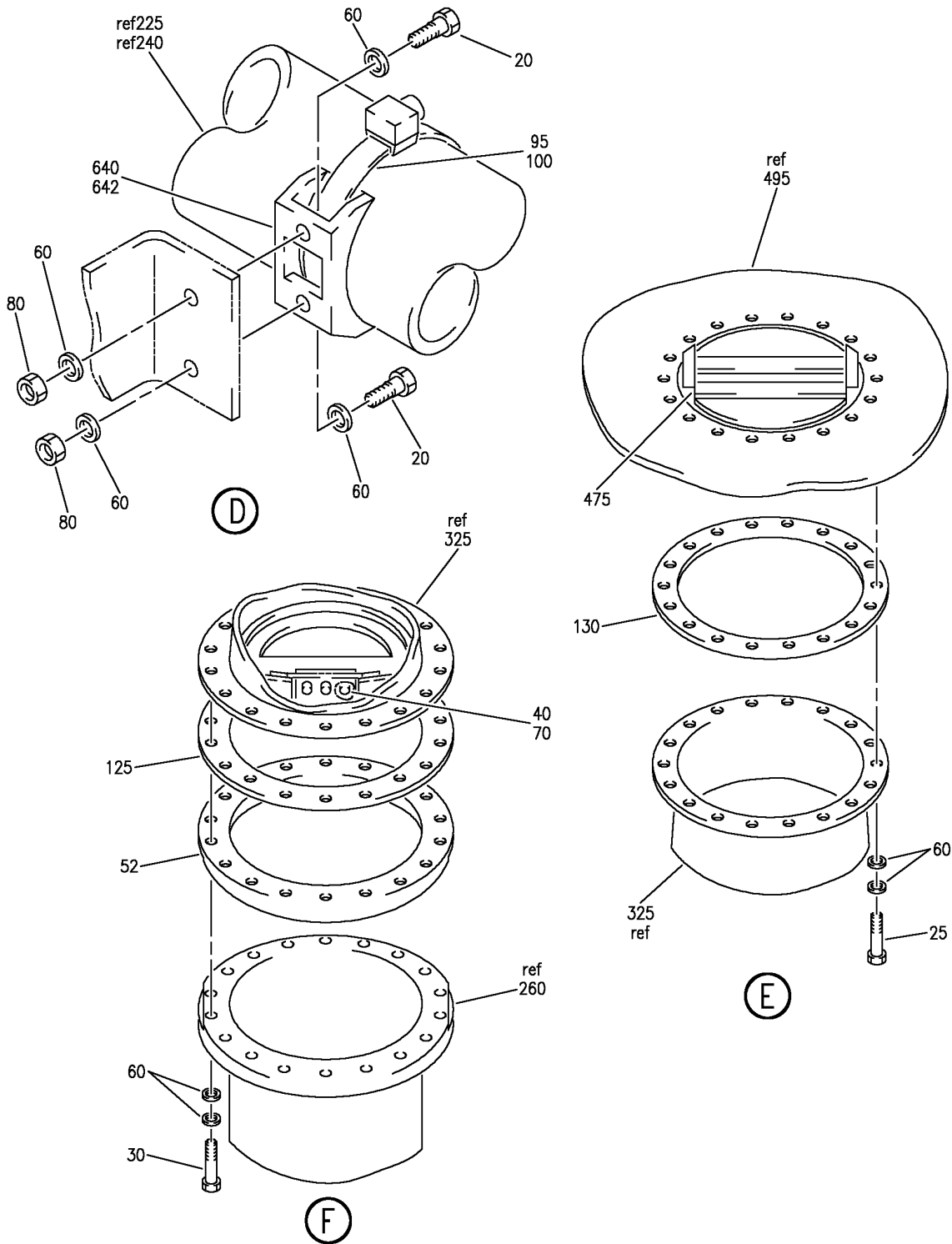
MANIFOLD INSTL-MIX BAY CONDITIONED AIR
FIGURE 3 (SHEET 3)

21-21-51-03

BRI
JAN 20/09

21-21-51-03
PAGE 0B


BOEING
 757
PARTS CATALOG (MAINTENANCE)



Y 21215103 SHT 4 REV 263

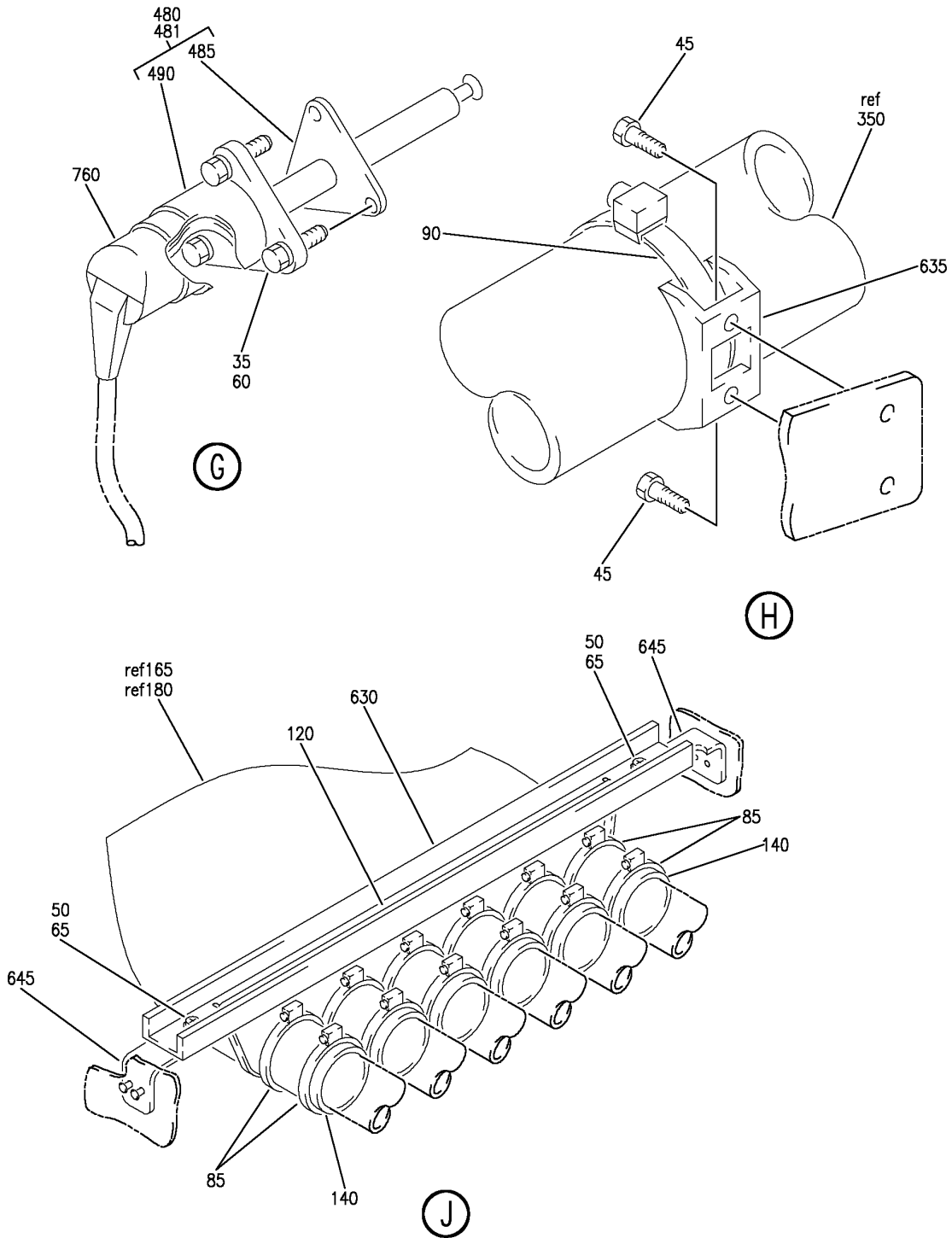
MANIFOLD INSTL-MIX BAY CONDITIONED AIR
 FIGURE 3 (SHEET 4)

21-21-51-03

BRI
JAN 20/09

21-21-51-03
 PAGE 0C

BOEING
757
PARTS CATALOG (MAINTENANCE)



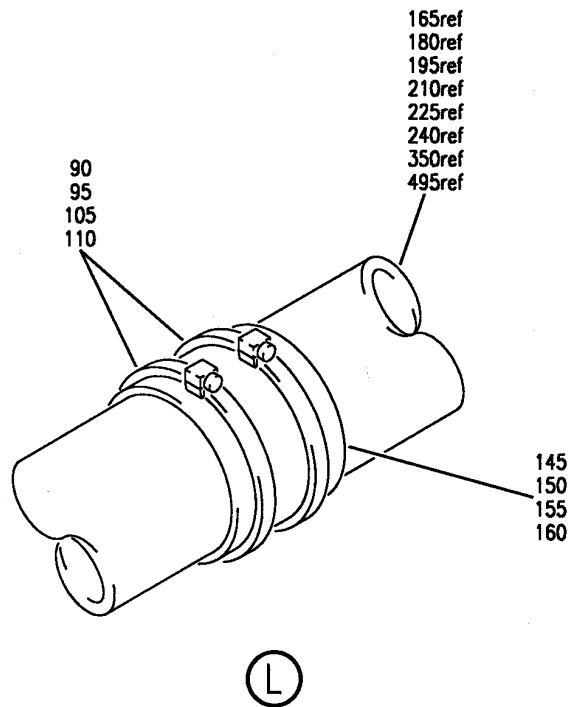
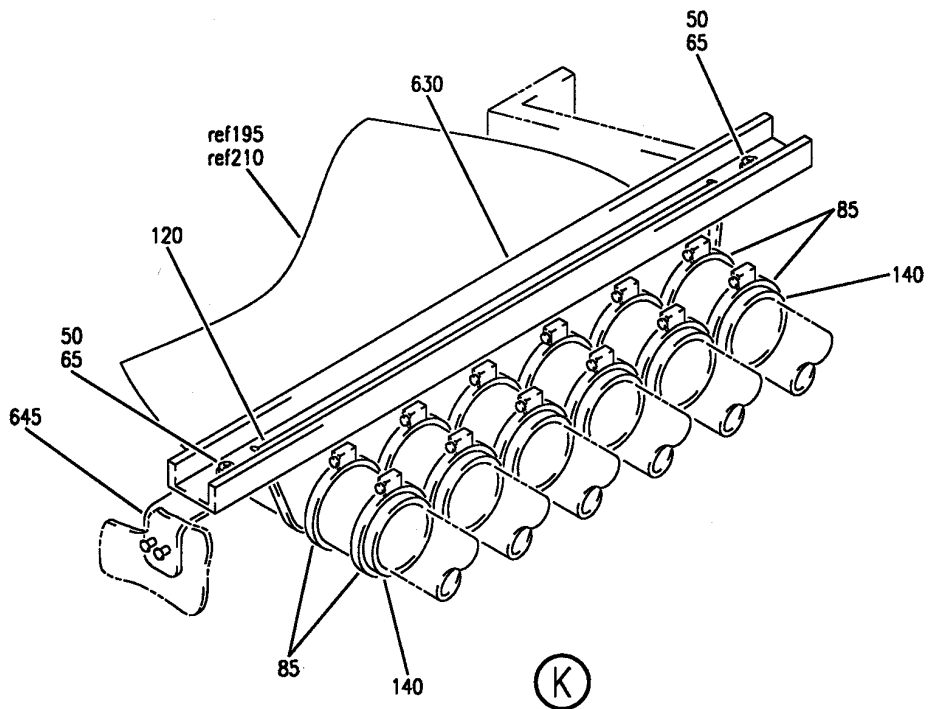
MANIFOLD INSTL-MIX BAY CONDITIONED AIR
FIGURE 3 (SHEET 5)

21-21-51-03

BRI
JAN 20/09

21-21-51-03
PAGE 0D

BOEING
757
PARTS CATALOG (MAINTENANCE)



Y 21215103 SH1 6 REV 218

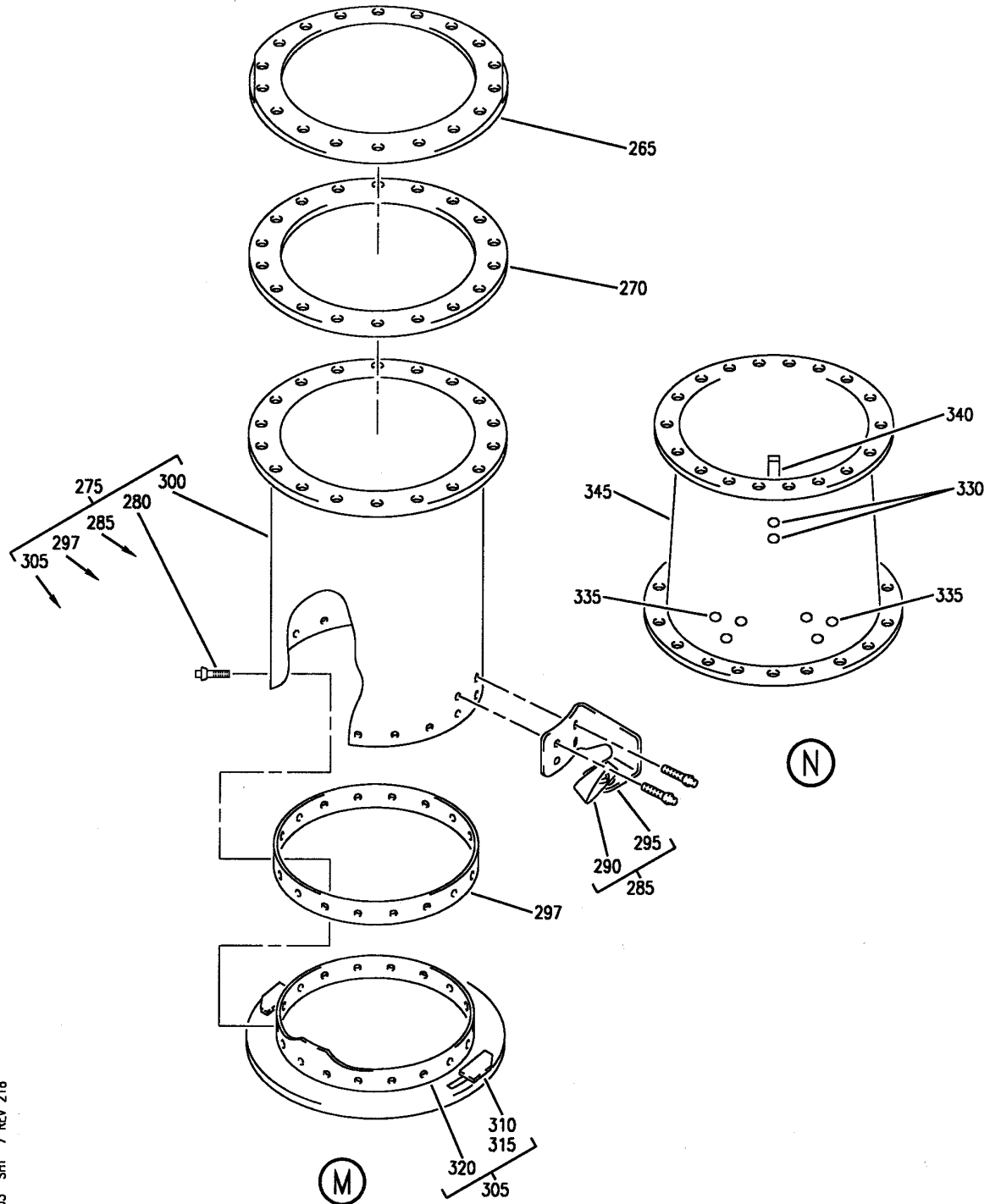
MANIFOLD INSTL-MIX BAY CONDITIONED AIR
FIGURE 3 (SHEET 6)

21-21-51-03

BRI
JAN 20/09

21-21-51-03
PAGE 0E

BOEING
757
PARTS CATALOG (MAINTENANCE)



Y 21215103 SH 7 REV 218

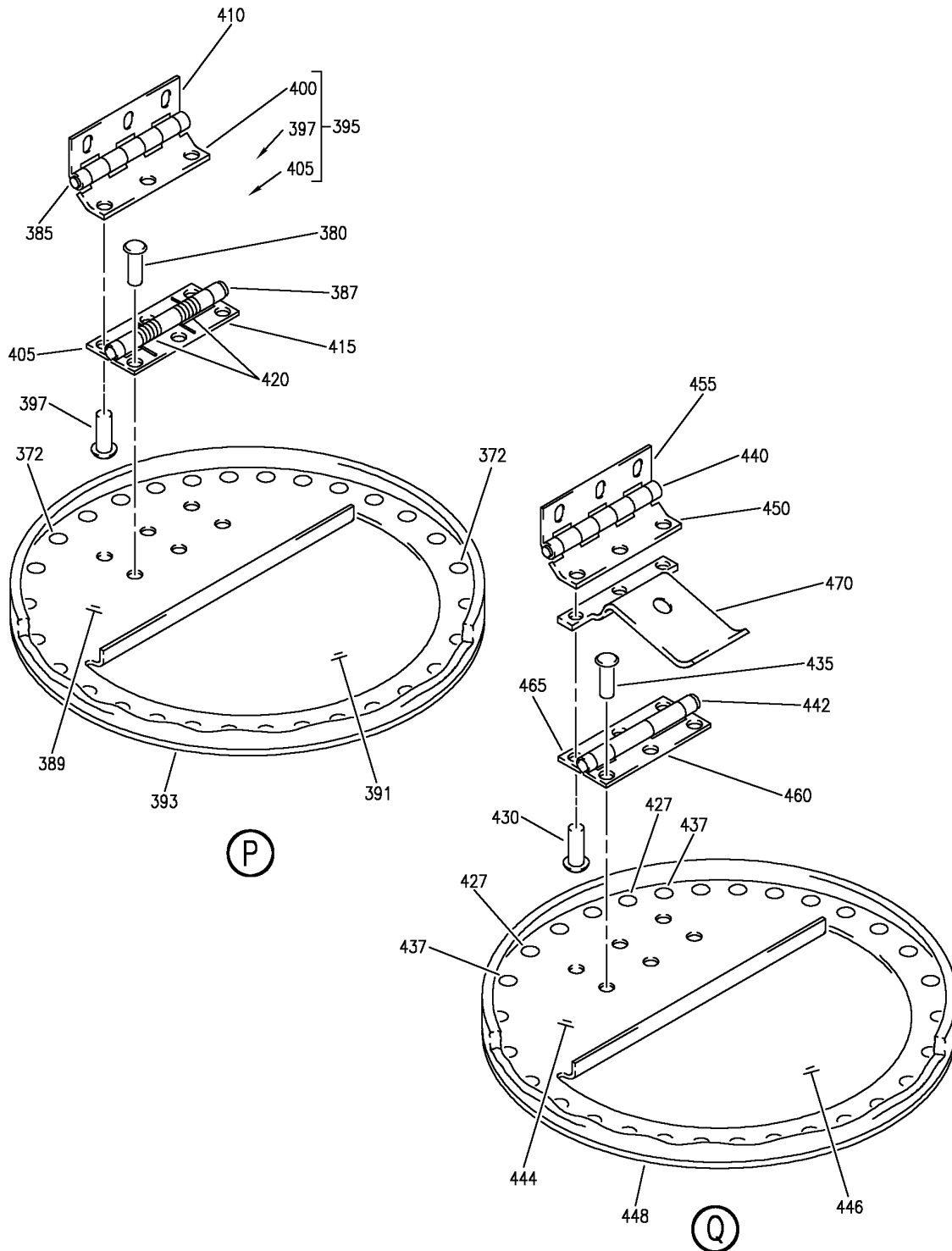
MANIFOLD INSTL-MIX BAY CONDITIONED AIR
FIGURE 3 (SHEET 7)

21-21-51-03

BRI
JAN 20/09

21-21-51-03
PAGE OF

BOEING
757
PARTS CATALOG (MAINTENANCE)



Y 21215103 SHT 8 REV 269

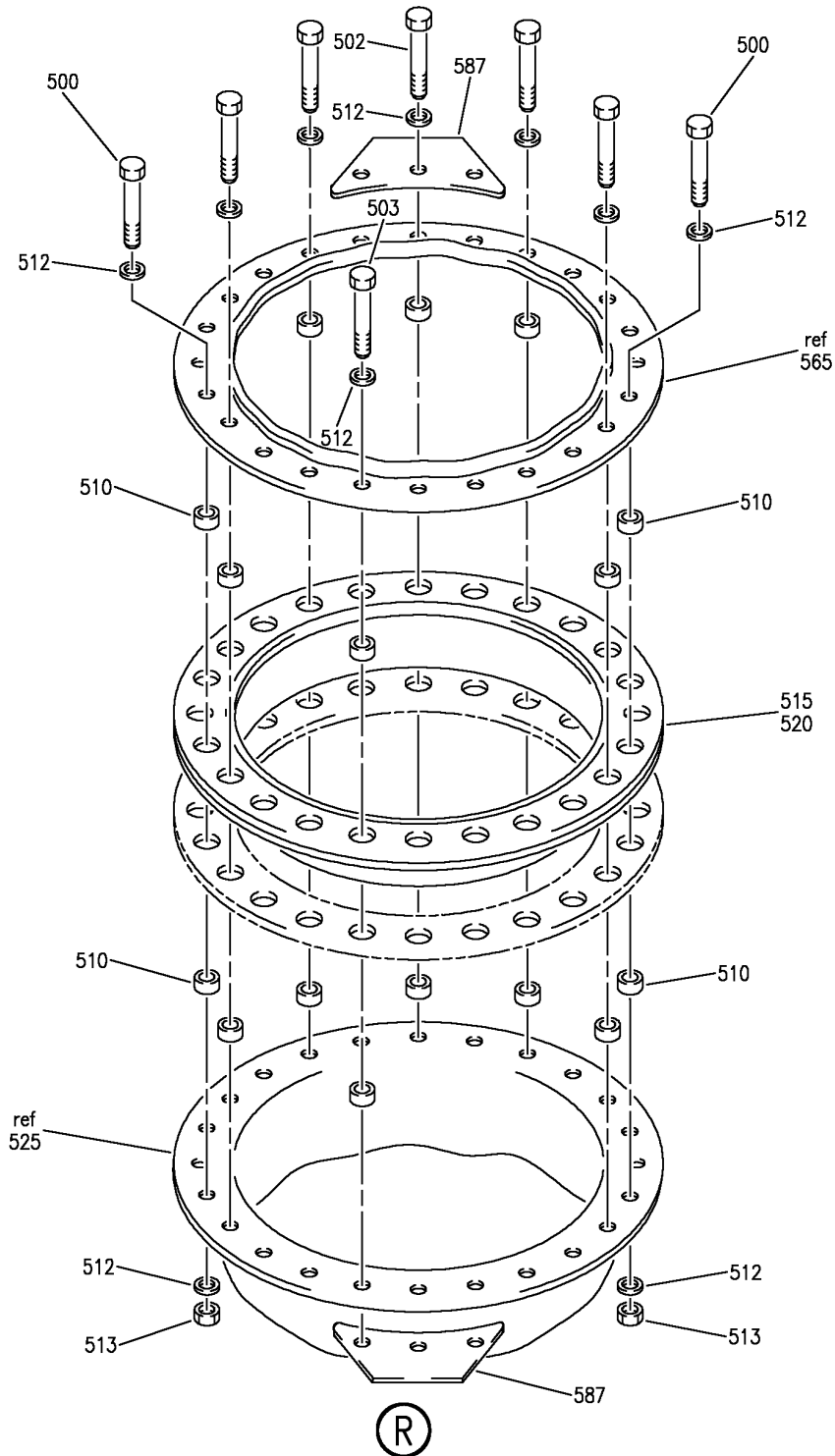
MANIFOLD INSTL-MIX BAY CONDITIONED AIR
FIGURE 3 (SHEET 8)

21-21-51-03

BRI
JAN 20/09

21-21-51-03
PAGE 08

BOEING
757
PARTS CATALOG (MAINTENANCE)



Y 21215103 SH1 9 REV 270

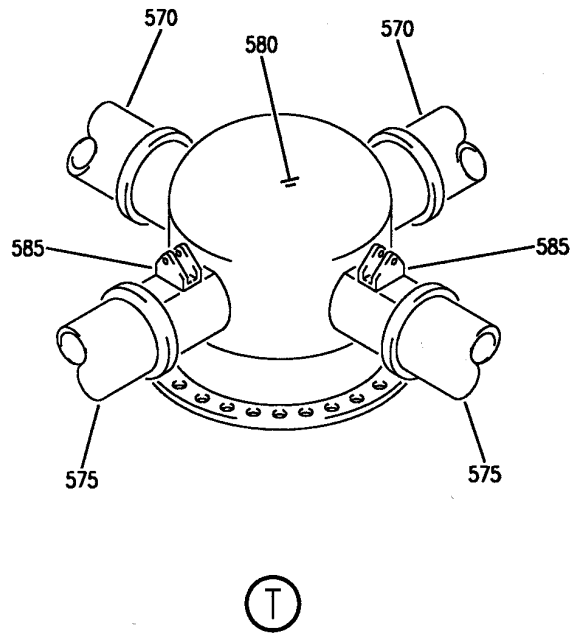
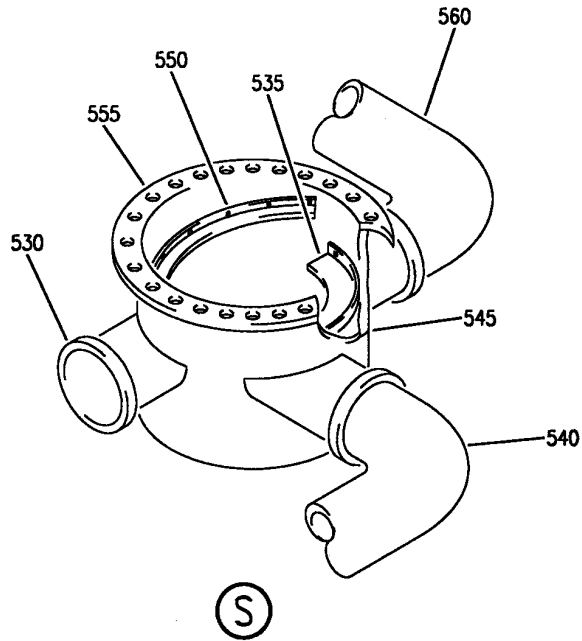
MANIFOLD INSTL-MIX BAY CONDITIONED AIR
FIGURE 3 (SHEET 9)

21-21-51-03

BRI
JAN 20/09

21-21-51-03
PAGE 0H

BOEING
757
PARTS CATALOG (MAINTENANCE)



Y 21215103 SHT 10 REV 218

MANIFOLD INSTL-MIX BAY CONDITIONED AIR
FIGURE 3 (SHEET 10)

21-21-51-03

BRI
JAN 20/09

21-21-51-03
PAGE 01



757

PARTS CATALOG (MAINTENANCE)

| FIG ITEM | PART NUMBER | 1 2 3 4 5 6 7 | NOMENCLATURE | EFFECT FROM TO | UNITS PER ASSY |
|----------|----------------|---------------|---|----------------|----------------|
| 3 | | | MANIFOLD INSTL-MIX BAY CONDITIONED AIR | 103106 | |
| - 1 | MODREF6064 | | MANIFOLD INSTL-MIX BAY CONDITIONED AIR | 103103 | 1 |
| - 1 | MODREF100452 | | MODULE NUMBER: 213N2003-14 REV A MANIFOLD INSTL-MIX BAY CONDITIONED AIR | 104106 | 1 |
| 5 | BAC27NEC0054 | | MODULE NUMBER: 213N2003-14 REV B .MARKER-ALUMINUM FOIL | 103106 | 1 |
| 10 | BAC27NEC0055 | | PLACARD CONTENT: LEFT MIX MANIFOLD TEMP SENSOR TS200-D2954 .MARKER-ALUMINUM FOIL | 103106 | 1 |
| 15 | BACB30NM4K11 | | PLACARD CONTENT: RIGHT MIX MANIFOLD TEMP SENSOR TS201-D3012 .BOLT | 103106 | 12 |
| 20 | BACB30NM3K3 | | .BOLT | 103106 | 6 |
| 25 | BACB30NM3K6 | | .BOLT | 103106 | 18 |
| 30 | BACB30NM3K18 | | .BOLT | 103106 | 18 |
| 35 | BACB30NM3K4 | | .BOLT | 103106 | 6 |
| 40 | NAS602-7 | | .SCREW | 103106 | 3 |
| 45 | BACS12FA3K7 | | .SCREW | 103106 | 2 |
| 50 | BACS12GU3K8 | | .SCREW | 103106 | 8 |
| 52 | 213N2020-1 | | .SPACER | 103106 | 1 |
| 55 | NAS1149D0416J | | .WASHER | 103106 | 24 |
| 60 | NAS1149D0332J | | .WASHER | 103106 | 90 |
| 65 | NAS1149D0316H | | .WASHER | 103106 | 8 |
| 70 | NAS1149DN832J | | .WASHER | 103106 | 3 |
| 75 | MS21042L4 | | .NUT | 103106 | 12 |
| 80 | MS21042L3 | | .NUT | 103106 | 6 |
| 85 | NAS1922-0225-3 | | .CLAMP- OPTIONAL PART: NAS1922-0225-1 | 103106 | 48 |
| 85 | NAS1922-0225-1 | | .CLAMP- OPTIONAL PART: NAS1922-0225-3 | 103106 | 48 |
| 90 | NAS1922-0275-3 | | .CLAMP- OPTIONAL PART: NAS1922-0275-1 | 103106 | 5 |
| 90 | NAS1922-0275-1 | | .CLAMP- OPTIONAL PART: NAS1922-0275-3 | 103106 | 5 |
| 95 | NAS1922-0450-3 | | .CLAMP- OPTIONAL PART: NAS1922-0450-1 | 103106 | 6 |

MISSING ITEM NUMBERS NOT APPLICABLE

- ITEM NOT ILLUSTRATED

21-21-51-03

21-21-51
FIG. 03
PAGE 1
JAN 20/09

BRI



757

PARTS CATALOG (MAINTENANCE)

| FIG ITEM | PART NUMBER | 1 2 3 4 5 6 7 | NOMENCLATURE | EFFECT FROM TO | UNITS PER ASSY |
|----------|-------------|---------------|--|----------------|----------------|
| 3 | | | | | |
| | 95 | | .CLAMP- OPTIONAL PART: NAS1922-0450-3 | 103106 | 6 |
| R | 100 | | .CLAMP- | 103106 | 1 |
| R | 100 | | .CLAMP- | 103106 | 1 |
| R | 105 | | .CLAMP- | 103106 | 4 |
| R | 105 | | .CLAMP- | 103106 | 4 |
| | 110 | | .CLAMP- OPTIONAL PART: NAS1922-0750-1 | 103106 | 8 |
| | 110 | | .CLAMP- OPTIONAL PART: NAS1922-0750-3 | 103106 | 8 |
| R | 115 | | .CLAMP- SUPPLIER CODE: V00624 | 103106 | 1 |
| R | 115 | | .CLAMP- SUPPLIER CODE: V89513 | 103106 | 1 |
| R | 115 | | .CLAMP- OPTIONAL PART: 32317AA700 V94581 | 103106 | 1 |
| R | 115 | | .CLAMP- SUPPLIER CODE: V94581 OPTIONAL PART: 15J02-700 V89513 | 103106 | 1 |
| R | 120 | | .STRAP- SUPPLIER CODE: V06383 | 103106 | 4 |
| | 125 | | .GASKET | 103106 | 1 |
| | 130 | | .GASKET | 103106 | 1 |
| | 135 | | .JUMPER ASSY | 103106 | 1 |
| R | 140 | | .SLEEVE- SUPPLIER CODE: V81343 | 103106 | 24 |
| R | 145 | | .SLEEVE | 103106 | 2 |
| | 150 | | .SLEEVE | 103106 | 2 |
| | 155 | | .SLEEVE | 103106 | 2 |
| | 160 | | .SLEEVE | 103106 | 4 |
| | 165 | | .DUCT ASSY | 103106 | 1 |
| | 170 | | ..CLEVIS | 103106 | 1 |
| | 175 | | ..DUCT | 103106 | 1 |
| | 180 | | .DUCT ASSY | 103106 | 1 |
| | 185 | | ..CLEVIS | 103106 | 1 |
| | 190 | | ..DUCT | 103106 | 1 |
| | 195 | | .DUCT ASSY | 103106 | 1 |
| | 200 | | ..CLEVIS | 103106 | 1 |

MISSING ITEM NUMBERS NOT APPLICABLE

- ITEM NOT ILLUSTRATED

21-21-51-03

21-21-51
FIG. 03
PAGE 2
MAY 20/09

BRI



757

PARTS CATALOG (MAINTENANCE)

| FIG ITEM | PART NUMBER | 1 2 3 4 5 6 7 | NOMENCLATURE | EFFECT FROM TO | UNITS PER ASSY |
|----------|----------------|---------------|--|----------------|----------------|
| 3 | | | | | |
| 205 | 213N2025-81 | .. | DUCT | 103106 | 1 |
| 210 | 213N2025-82 | .DUCT | ASSY | 103106 | 1 |
| 215 | 69B41326-4 | .. | CLEVIS | 103106 | 1 |
| 220 | 213N2025-83 | .. | DUCT | 103106 | 1 |
| 225 | 213N2029-3 | .DUCT | ASSY | 103106 | 1 |
| 230 | NK130004-0700 | .. | FLANGE- | 103106 | 1 |
| | | | SUPPLIER CODE: V98625 | | |
| | | | OPTIONAL PART: 15J03-700 V89513 2904AM700 V94581 | | |
| 230 | 15J03-700 | .. | FLANGE- | 103106 | 1 |
| | | | SUPPLIER CODE: V89513 | | |
| | | | OPTIONAL PART: 2904AM700 V94581 NK130004-0700 V98625 | | |
| 230 | 2904AM700 | .. | FLANGE- | 103106 | 1 |
| | | | SUPPLIER CODE: V94581 | | |
| | | | OPTIONAL PART: 15J03-700 V89513 NK130004-0700 V98625 | | |
| 235 | 213N2029-4 | .. | DUCT | 103106 | 1 |
| 240 | 213N2030-11 | .DUCT | ASSY | 103106 | 1 |
| 245 | 213N2008-1 | .. | ORIFICE ASSY | 103106 | 1 |
| 250 | 213N2008-2 | ... | INSERT-RESTRICTOR | 103106 | 1 |
| 255 | 213N2030-12 | .. | DUCT | 103106 | 1 |
| 260 | 65-25674-23 | .DUCT | ASSY | 103106 | 1 |
| 265 | 213N2020-3 | .. | SPACER | 103106 | 1 |
| 270 | 213N2045-2 | .. | GASKET | 103106 | 1 |
| 275 | 65-25674-24 | .. | DUCT ASSY | 103106 | 1 |
| 280 | MS21141U5P | ... | RIVET | 103106 | 18 |
| 285 | 213N2101-1 | ... | BRACKET ASSY | 103106 | 1 |
| 290 | MS90298-2 | | CONNECTOR | 103106 | 1 |
| 295 | 213N2101-2 | | BRACKET | 103106 | 1 |
| 297 | BACS40R008T254 | ... | SHIM | 103106 | 1 |
| 300 | 65-25674-12 | ... | DUCT | 103106 | 1 |
| 305 | 65-25674-21 | ... | FLANGE | 103106 | 1 |
| 310 | 69-2913-6 | | SHIM | 103106 | 2 |
| 315 | 66-15424-1 | | PLATE | 103106 | 2 |
| 320 | 65-25674-22 | | FLANGE | 103106 | 1 |
| 325 | 65-3466-19 | .DUCT | ASSY | 103106 | 1 |

MISSING ITEM NUMBERS NOT APPLICABLE

- ITEM NOT ILLUSTRATED

21-21-51-03

21-21-51
FIG. 03
PAGE 3
MAY 20/09

BRI



757

PARTS CATALOG (MAINTENANCE)

| FIG ITEM | PART NUMBER | 1 2 3 4 5 6 7 | NOMENCLATURE | EFFECT FROM TO | UNITS PER ASSY |
|----------|---------------|---------------|---|----------------|----------------|
| 3 | | | | | |
| 330 | BACR15BB4A | .. | RIVET-STOP SIZE DETERMINED ON INSTL. | 103106 | 2 |
| 335 | AN960JD6 | .. | WASHER | 103106 | 6 |
| 340 | 69-2880-1 | .. | VALVE ASSY-STOP | 103106 | 1 |
| 345 | 69-3466-20 | .. | DUCT | 103106 | 1 |
| 350 | 213N2331-1 | . | DUCT ASSY | 103106 | 1 |
| 355 | 213N2331-2 | .. | DUCT ASSY | 103106 | 1 |
| 360 | 214T3436-1262 | . | ORIFICE ASSY | 103106 | 1 |
| 365 | 214T3436-1263 | .. | ORIFICE | 103106 | 1 |
| 370 | 69-2914-24 | . | VALVE ASSY-SWING CHK GND SVCE FUNCTIONAL DESCRIPTION: AIR FROM THE GROUND SERVICE CART PUSHES THE SWING CHECK VALVE OPEN, TO LET CONDITIONED AIR INTO THE AIRPLANE WHILE THE AIRPLANE IS PARKED. COMPONENT MAINT MANUAL REF: 21-23-20 | 103106 | 1 |
| 370 | 69-2914-25 | . | VALVE ASSY-SWING CHK GND SVCE COMPONENT MAINT MANUAL REF: 21-23-20 OPTIONAL PART: 69-2914-15 | 103106 | 1 |
| 372 | BACR15BA4ADC | .. | RIVET- SIZE DETERMINED ON INSTL. USED ON: 69-2914-24 69-2914-25 | 103106 | 30 |
| 380 | MS206154MP | .. | RIVET- SIZE DETERMINED ON INSTL. USED ON: 69-2914-24 69-2914-25 | 103106 | 3 |
| 385 | 69-2914-8 | .. | PIN-HINGE MANUFACTURED FROM: ROD CRES .25FT MS20253-4 2.90 IN LONG USED ON: 69-2914-24 69-2914-25 | 103106 | 1 |

R
R
R
R
R
R
R
R
R
R
R
R
R
R
R
R
R
R
R
R
R

MISSING ITEM NUMBERS NOT APPLICABLE

— ITEM NOT ILLUSTRATED

21-21-51-03

21-21-51
FIG. 03
PAGE 4
MAY 20/09

BRI

BOEING PROPRIETARY - Copyright © - Unpublished Work - See title page for details.



757

PARTS CATALOG (MAINTENANCE)

| FIG ITEM | PART NUMBER | 1 2 3 4 5 6 7 | NOMENCLATURE | EFFECT FROM TO | UNITS PER ASSY |
|----------|-------------|---------------|---|----------------|----------------|
| 3 | | | | | |
| 387 | 69-2914-9 | .. | PIN-HINGE MANUFACTURED FROM: ROD CRES .25FT MS20253-3 2.90 IN LONG USED ON: 69-2914-24 69-2914-25 | 103106 | 1 |
| 389 | 69-2914-1 | .. | FLANGE- USED ON: 69-2914-24 69-2914-25 | 103106 | 1 |
| 391 | 69-2914-2 | .. | DISH- USED ON: 69-2914-24 69-2914-25 | 103106 | 1 |
| 393 | 69-2914-3 | .. | RING- USED ON: 69-2914-24 69-2914-25 | 103106 | 1 |
| 395 | 69-2914-27 | .. | HINGE ASSY- OPTIONAL PART: 69-2914-22 USED ON: 69-2914-24 69-2914-25 | 103106 | 1 |
| 395 | 69-2914-22 | .. | HINGE HALF- OPTIONAL PART: 69-2914-27 USED ON: 69-2914-24 69-2914-25 | 103106 | 1 |
| 397 | MS20427M4 | ... | RIVET- SIZE DETERMINED ON INSTL. USED ON: 69-2914-27 | 103106 | 3 |
| 400 | 69-2914-16 | ... | HINGE HALF- USED ON: 69-2914-27 | 103106 | 1 |
| 400 | 69-2914-14 | ... | HINGE HALF- USED ON: 69-2914-27 | 103106 | 1 |
| 400 | 69-2914-4 | ... | HINGE HALF- USED ON: 69-2914-27 | 103106 | 1 |
| 405 | 69-2914-26 | ... | HINGE HALF- USED ON: 69-2914-27 | 103106 | 1 |

MISSING ITEM NUMBERS NOT APPLICABLE

- ITEM NOT ILLUSTRATED

21-21-51-03

21-21-51
FIG. 03
PAGE 5
MAY 20/09

BRI

BOEING PROPRIETARY - Copyright © - Unpublished Work - See title page for details.

BOEING
757
PARTS CATALOG (MAINTENANCE)

| FIG ITEM | PART NUMBER | 1 2 3 4 5 6 7 | NOMENCLATURE | EFFECT FROM TO | UNITS PER ASSY |
|----------|-------------|---------------|--|----------------|----------------|
| 3 | | | | | |
| 410 | 69-2914-28 | | ..HINGE HALF- USED ON: 69-2914-24 69-2914-25 | 103106 | 1 |
| 415 | 69-2914-23 | | ..HINGE HALF- USED ON: 69-2914-24 69-2914-25 | 103106 | 1 |
| 420 | 66-3157-2 | | ..SPRING- USED ON: 69-2914-24 69-2914-25 | 103106 | 2 |
| R | 425 | 69-2914-15 | .VALVE ASSY-SWING CHK GND SVCE COMPONENT MAINT MANUAL REF: 21-23-20 OPTIONAL PART: 69-2914-25 | 103106 | 1 |
| R | | | | | |
| R | | | | | |
| R | | | | | |
| R | 425 | 69-2914-13 | .VALVE ASSY-SWING CHK GND SVCE COMPONENT MAINT MANUAL REF: 21-23-20 | 103106 | 1 |
| R | | | | | |
| R | 425 | 69-2914-24 | .VALVE ASSY-SWING CHK GND SVCE FUNCTIONAL DESCRIPTION: AIR FROM THE GROUND SERVICE CART PUSHES THE SWING CHECK VALVE OPEN, TO LET CONDITIONED AIR INTO THE AIRPLANE WHILE THE AIRPLANE IS PARKED. COMPONENT MAINT MANUAL REF: 21-23-20 | 103106 | 1 |
| R | | | | | |
| R | | | | | |
| R | | | | | |
| R | | | | | |
| R | | | | | |
| R | 425 | 69-2914-25 | .VALVE ASSY-SWING CHK GND SVCE COMPONENT MAINT MANUAL REF: 21-23-20 OPTIONAL PART: 69-2914-15 | 103106 | 1 |
| R | | | | | |
| R | | | | | |
| R | | | | | |
| R | 427 | MS20426D4 | ..RIVET- SIZE DETERMINED ON INSTL. OPTIONAL PART: NAS1399D4 | 103106 | 4 |
| R | | | | | |
| R | 427 | NAS1399D4 | ..RIVET- SIZE DETERMINED ON INSTL. OPTIONAL PART: MS20426D4 | 103106 | 4 |
| R | | | | | |
| R | 430 | MS20427M4 | ..RIVET- SIZE DETERMINED ON INSTL. | 103106 | 3 |

MISSING ITEM NUMBERS NOT APPLICABLE

— ITEM NOT ILLUSTRATED

21-21-51-03

21-21-51
FIG. 03
PAGE 6
MAY 20/09

BRI



757

PARTS CATALOG (MAINTENANCE)

| FIG ITEM | PART NUMBER | 1 2 3 4 5 6 7 | NOMENCLATURE | EFFECT FROM TO | UNITS PER ASSY |
|----------|-------------|---------------|--|----------------|----------------|
| 3 | | | | | |
| 435 | MS206154MP | .. | RIVET- SIZE DETERMINED ON INSTL. | 103106 | 3 |
| 435 | MS20470D4 | .. | RIVET- SIZE DETERMINED ON INSTL. | 103106 | 3 |
| 437 | MS20426D4 | .. | RIVET- SIZE DETERMINED ON INSTL. | 103106 | 26 |
| 440 | 69-2914-8 | .. | PIN-HINGE MANUFACTURED FROM: ROD CRES .25FT MS20253-4 2.90 IN LONG | 103106 | 1 |
| 442 | 69-2914-9 | .. | PIN-HINGE MANUFACTURED FROM: ROD CRES .25FT MS20253-3 2.90 IN LONG | 103106 | 1 |
| 444 | 69-2914-1 | .. | FLANGE | 103106 | 1 |
| 446 | 69-2914-2 | .. | DISH | 103106 | 1 |
| 448 | 69-2914-3 | .. | RING | 103106 | 1 |
| 450 | 69-2914-16 | .. | HINGE HALF- | 103106 | 1 |
| 450 | 69-2914-14 | .. | HINGE HALF- | 103106 | 1 |
| 455 | 69-2914-17 | .. | HINGE HALF- | 103106 | 1 |
| 455 | 69-2914-5 | .. | HINGE HALF- | 103106 | 1 |
| 460 | 69-2914-18 | .. | HINGE HALF- | 103106 | 1 |
| 460 | 69-2914-6 | .. | HINGE HALF- | 103106 | 1 |
| 465 | 69-2914-19 | .. | HINGE HALF- | 103106 | 1 |
| 465 | 69-2914-7 | .. | HINGE HALF- | 103106 | 1 |
| 470 | 66-3157-1 | .. | SPRING- | 103106 | 1 |
| 470 | 66-3157 | .. | SPRING- | 103106 | 1 |
| 475 | CYLB50715 | . | VALVE- SUPPLIER CODE: V05624 | 103106 | 1 |
| 480 | 624016-2 | . | SENSOR ASSY-AIR DUCT TEMP SUPPLIER CODE: V07217 SPECIFICATION NUMBER: S210T130-75 ELECTRICAL EQUIP NUMBER: TS0200 TS0201 COMPONENT MAINT MANUAL REF: 21-65-01 | 103106 | 2 |
| 485 | 545131-1 | .. | GASKET- SUPPLIER CODE: V07217 | 103106 | 1 |
| 490 | 3-905S613-6 | .. | PACKING- SUPPLIER CODE: V83259 | 103106 | 1 |
| 495 | 213N2019-15 | . | MANIFOLD ASSY-MIX | 103106 | 1 |
| 500 | NAS6603-5 | .. | BOLT | 103106 | 18 |
| 502 | NAS6603-6 | .. | BOLT | 103106 | 3 |

MISSING ITEM NUMBERS NOT APPLICABLE

- ITEM NOT ILLUSTRATED

21-21-51-03

21-21-51
FIG. 03
PAGE 7
MAY 20/09

BRI



757

PARTS CATALOG (MAINTENANCE)

| FIG ITEM | PART NUMBER | 1 2 3 4 5 6 7 | NOMENCLATURE | EFFECT FROM TO | UNITS PER ASSY |
|----------|---------------|---------------|---|----------------|----------------|
| 3 | | | | | |
| 503 | NAS6603-5 | .. | BOLT | 103106 | 3 |
| 510 | NAS43DD3-6 | .. | SPACER | 103106 | 48 |
| 512 | NAS1149D0316H | .. | WASHER | 103106 | 39 |
| 513 | BRH10C3D | .. | NUT | 103106 | 15 |
| | | | SUPPLIER CODE: V52828 | | |
| | | | SPECIFICATION NUMBER: BACN10JC3CD | | |
| | | | OPTIONAL PART: T6C1032JCD | | |
| | | | V11815 | | |
| | | | NS202486-02 | | |
| | | | V80539 | | |
| | | | 102LH9075-3W | | |
| | | | V72962 | | |
| | | | H51650-3BAC | | |
| | | | V15653 | | |
| 515 | 213N2028-3 | .. | STRAIGHTENER ASSY-FLOW | 103106 | 1 |
| 520 | 213T4409-7 | ... | GASKET | 103106 | 1 |
| 525 | 213N2038-35 | .. | MANIFOLD ASSY- POSITION DATA: LWR | 103106 | 1 |
| 530 | NK130004-0700 | ... | FLANGE- SUPPLIER CODE: V98625 | 103106 | 1 |
| | | | OPTIONAL PART: 15J03-700 | | |
| | | | V89513 | | |
| | | | 2904AM700 | | |
| | | | V94581 | | |
| 530 | 15J03-700 | ... | FLANGE- SUPPLIER CODE: V89513 | 103106 | 1 |
| | | | OPTIONAL PART: 2904AM700 | | |
| | | | V94581 | | |
| | | | NK130004-0700 | | |
| | | | V98625 | | |
| 530 | 2904AM700 | ... | FLANGE- SUPPLIER CODE: V94581 | 103106 | 1 |
| | | | OPTIONAL PART: 15J03-700 | | |
| | | | V89513 | | |
| | | | NK130004-0700 | | |
| | | | V98625 | | |
| 535 | 213N2038-12 | ... | BAFFLE | 103106 | 1 |
| 540 | 213N2027-3 | ... | DUCT | 103106 | 1 |
| 545 | 213N2038-30 | ... | MANIFOLD-LOWER | 103106 | 1 |

MISSING ITEM NUMBERS NOT APPLICABLE

- ITEM NOT ILLUSTRATED

21-21-51-03

21-21-51
FIG. 03
PAGE 8
MAY 20/09

BRI



757

PARTS CATALOG (MAINTENANCE)

| FIG ITEM | PART NUMBER | 1 2 3 4 5 6 7 | NOMENCLATURE | EFFECT FROM TO | UNITS PER ASSY |
|-------------|--------------|---------------|---|-------------------|----------------------|
| 3 | | | | | |
| 550 | 213N2038-34 | ... | BAFFLE | 103106 | 1 |
| 555 | 213T4409-7 | ... | GASKET | 103106 | 1 |
| 560 | 214N5014-6 | ... | DUCT | 103106 | 1 |
| 565 | 213N2038-36 | .. | MANIFOLD ASSY-UPPER | 103106 | 1 |
| 570 | 213N2023-10 | ... | DUCT | 103106 | 2 |
| 575 | 213N2038-23 | ... | DUCT | 103106 | 2 |
| 580 | 213N2038-32 | ... | DUCT | 103106 | 1 |
| 585 | 69B41326-4 | ... | CLEVIS | 103106 | 2 |
| 587 | 213N2239-2 | .. | BRACKET ASSY | 103106 | 2 |
| 590 | 65B41247-101 | .ROD | ASSY | 103106 | 4 |
| 595 | AN316-5R | .. | NUT | 103106 | 2 |
| 600 | ART4E118 | .. | BEARING- | 103106 | 2 |
| | | | SUPPLIER CODE: V50294 | | |
| | | | OPTIONAL PART: BACB10A187 BACB10A187L KNE4-22 V97613 MR45-14WA V73134 | | |

MISSING ITEM NUMBERS NOT APPLICABLE

- ITEM NOT ILLUSTRATED

BRI

21-21-51-03

BOEING PROPRIETARY - Copyright © - Unpublished Work - See title page for details.

21-21-51
FIG. 03
PAGE 9
MAY 20/09



757

PARTS CATALOG (MAINTENANCE)

| FIG ITEM | PART NUMBER | 1 2 3 4 5 6 7 | NOMENCLATURE | EFFECT FROM TO | UNITS PER ASSY |
|-------------|-------------|---------------|---|-------------------|----------------------|
| 3 600 | AB4E27 | | .. BEARING- SUPPLIER CODE: V15860 SPECIFICATION NUMBER: BACB10A187 OPTIONAL PART: BRE4140 V81376 HB4E133 V02758 KB4ESS V97613 MXJ45-14B V73134 51564-04 V09455 AR4E4 VS0352 NB3B V73134 ASM4-6 V56644 ART4E118 V50294 BACB10A187L MR45-14WA V73134 KNE4-22 V97613 | 103106 | 2 |

MISSING ITEM NUMBERS NOT APPLICABLE

- ITEM NOT ILLUSTRATED

BRI

21-21-51-03

BOEING PROPRIETARY - Copyright © - Unpublished Work - See title page for details.

21-21-51
FIG. 03
PAGE 10
JAN 20/09



757

PARTS CATALOG (MAINTENANCE)

| FIG ITEM | PART NUMBER | 1 2 3 4 5 6 7 | NOMENCLATURE | EFFECT FROM TO | UNITS PER ASSY |
|----------|--------------|---------------|--|----------------|----------------|
| 3 600 | AB4E27FN | | .. BEARING- SUPPLIER CODE: V15860 SPECIFICATION NUMBER: BACB10A187L OPTIONAL PART: BRE4140L V81376 HB4E135 V02758 KB4ESSFN V97613 MXJ45-14BFG V73134 51564-0402 V09455 AR4E4FN VS0352 ASM4F6 V56644 ART4E118 V50294 BACB10A187 MR45-14WA V73134 KNE4-22 V97613 | 103106 | 2 |
| 600 | MR45-14WA | | .. BEARING- SUPPLIER CODE: V73134 OPTIONAL PART: ART4E118 V50294 BACB10A187 BACB10A187L KNE4-22 V97613 | 103106 | 2 |
| 600 | KNE4-22 | | .. BEARING- SUPPLIER CODE: V97613 OPTIONAL PART: ART4E118 V50294 BACB10A187 BACB10A187L MR45-14WA V73134 | 103106 | 2 |
| 605 | 65B41247-102 | | .. ROD | 103106 | 1 |
| 610 | 65B41247-151 | | . ROD ASSY | 103106 | 2 |

MISSING ITEM NUMBERS NOT APPLICABLE

- ITEM NOT ILLUSTRATED

21-21-51-03

21-21-51
FIG. 03
PAGE 11
JAN 20/09

BRI



757

PARTS CATALOG (MAINTENANCE)

| FIG ITEM | PART NUMBER | 1 2 3 4 5 6 7 | NOMENCLATURE | EFFECT FROM TO | UNITS PER ASSY |
|----------|-------------|---------------|---|----------------|----------------|
| 3 | | | | | |
| 615 | AN316-5R | . | NUT | 103106 | 2 |
| 620 | ART4E118 | . | BEARING- | 103106 | 2 |
| | | | SUPPLIER CODE: V50294 | | |
| | | | OPTIONAL PART: BACB10A187 BACB10A187L MR45-14WA V73134 KNE4-22 V97613 | | |
| 620 | AB4E27 | . | BEARING- | 103106 | 2 |
| | | | SUPPLIER CODE: V15860 | | |
| | | | SPECIFICATION NUMBER: BACB10A187 | | |
| | | | OPTIONAL PART: BRE4140 V81376 HB4E133 V02758 KB4ESS V97613 MXJ45-14B V73134 51564-04 V09455 AR4E4 VS0352 NB3B V73134 ASM4-6 V56644 ART4E118 V50294 BACB10A187L MR45-14WA V73134 KNE4-22 V97613 | | |

MISSING ITEM NUMBERS NOT APPLICABLE

- ITEM NOT ILLUSTRATED

BRI

21-21-51-03

BOEING PROPRIETARY - Copyright © - Unpublished Work - See title page for details.

21-21-51
FIG. 03
PAGE 12
JAN 20/09



757

PARTS CATALOG (MAINTENANCE)

| FIG ITEM | PART NUMBER | 1 2 3 4 5 6 7 | NOMENCLATURE | EFFECT FROM TO | UNITS PER ASSY |
|----------|--------------|---------------|--|----------------|----------------|
| 3 620 | AB4E27FN | | .. BEARING- SUPPLIER CODE: V15860 SPECIFICATION NUMBER: BACB10A187L OPTIONAL PART: BRE4140L V81376 HB4E135 V02758 KB4ESSFN V97613 MXJ45-14BFG V73134 51564-0402 V09455 AR4E4FN VS0352 ASM4F6 V56644 ART4E118 V50294 BACB10A187 MR45-14WA V73134 KNE4-22 V97613 | 103106 | 2 |
| 620 | MR45-14WA | | .. BEARING- SUPPLIER CODE: V73134 OPTIONAL PART: ART4E118 V50294 BACB10A187 BACB10A187L KNE4-22 V97613 | 103106 | 2 |
| 620 | KNE4-22 | | .. BEARING- SUPPLIER CODE: V97613 OPTIONAL PART: ART4E118 V50294 BACB10A187 BACB10A187L MR45-14WA V73134 | 103106 | 2 |
| 625 | 65B41247-128 | | .. ROD | 103106 | 1 |
| 630 | 213N2401-1 | | . SUPPORT | 103106 | 4 |

MISSING ITEM NUMBERS NOT APPLICABLE

- ITEM NOT ILLUSTRATED

21-21-51-03

21-21-51
FIG. 03
PAGE 13
JAN 20/09

BRI



757

PARTS CATALOG (MAINTENANCE)

| FIG ITEM | PART NUMBER | 1 2 3 4 5 6 7 | NOMENCLATURE | EFFECT FROM TO | UNITS PER ASSY |
|-------------|-------------|---------------|--------------|-------------------|----------------------|
| 3 | | | | | |
| 635 | 214T3424-4 | . | SUPPORT | 103106 | 1 |
| 640 | 214T3424-7 | . | SUPPORT | 103106 | 1 |
| 642 | 214T3424-20 | . | SUPPORT-DUCT | 103106 | 2 |
| 645 | 65C37313-16 | . | BRACKET ASSY | 103106 | 6 |

MISSING ITEM NUMBERS NOT APPLICABLE

- ITEM NOT ILLUSTRATED

BRI

21-21-51-03

BOEING PROPRIETARY - Copyright © - Unpublished Work - See title page for details.

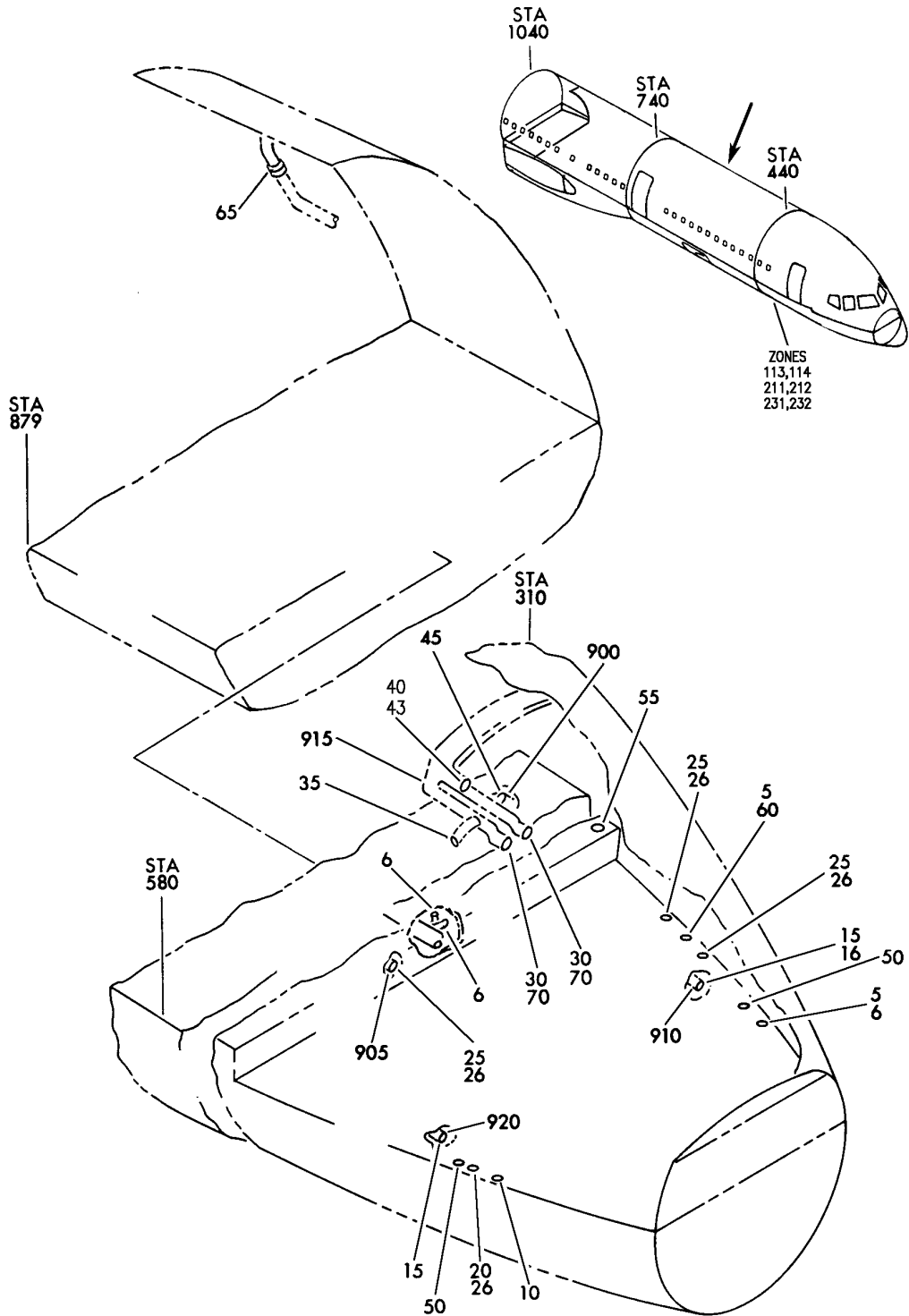
21-21-51
FIG. 03
PAGE 14
JAN 20/09

FLIGHT DECK CONDITIONED AIR DISTRIBUTION

BRI
MAY 28/07

21-22-00
SECTION TITLE
PAGE 1

BOEING
757
PARTS CATALOG (MAINTENANCE)



Y 21220101 REV 250

ORIFICE INSTL-FLIGHT DECK CONDITIONED AIR
FIGURE 1

21-22-01-01

BRI
MAY 28/07

21-22-01-01
PAGE 0



757

PARTS CATALOG (MAINTENANCE)

| FIG ITEM | PART NUMBER | 1 2 3 4 5 6 7 | NOMENCLATURE | EFFECT FROM TO | UNITS PER ASSY |
|----------|---------------|---------------|---|--|----------------|
| 1 | | | ORIFICE INSTL-FLIGHT DECK CONDITIONED AIR | 002004 006999 | |
| - 1 | 214N1002-4 | | ORIFICE INSTL-CONDITIONED AIR POSITION DATA: FLIGHT DECK FOR NHA SEE: 21-00-00-01 | 107107 | RF |
| - 1 | 214N1002-6 | | ORIFICE INSTL-CONDITIONED AIR POSITION DATA: FLIGHT DECK FOR NHA SEE: 21-00-00-01 | 002004 121503 904949 952952 | RF |
| - 1 | 214N1002-8 | | ORIFICE INSTL-CONDITIONED AIR POSITION DATA: FLIGHT DECK FOR NHA SEE: 21-00-00-01 21-00-00-15 | 006102 108120 504903 950951 953999 | RF |
| - 1 | MODREF6160 | | ORIFICE INSTL-CONDITIONED AIR MODULE NUMBER: 214N1002-9 REV A POSITION DATA: FLIGHT DECK | 103106 | 1 |
| 5 | 214T3436-149 | | .ORIFICE ASSY- | 002004 107107 121503 904949 952952 | 2 |
| 5 | 214T3436-1579 | | .ORIFICE ASSY- | 006106 108120 504903 950951 953999 | 2 |
| 10 | 214T3436-38 | | .ORIFICE ASSY | 002004 006999 | 1 |
| 15 | 214T3436-101 | | .ORIFICE ASSY | 002004 006999 | 2 |
| 20 | 214T3436-20 | | .ORIFICE ASSY- | 002004 107107 121503 904949 952952 | 1 |

MISSING ITEM NUMBERS NOT APPLICABLE

- ITEM NOT ILLUSTRATED

21-22-01-01

21-22-01
FIG. 01
PAGE 1
JAN 20/09

BRI



757

PARTS CATALOG (MAINTENANCE)

| FIG ITEM | PART NUMBER | 1 2 3 4 5 6 7 | NOMENCLATURE | EFFECT FROM TO | UNITS PER ASSY |
|----------|---------------|---------------|--|--|----------------|
| 1 | | | | | |
| 20 | 214T3436-1570 | . | ORIFICE ASSY- | 006106 108120 504903 950951 953999 | 1 |
| 25 | 214T3436-47 | . | ORIFICE ASSY- | 002004 107107 121503 904949 952952 | 3 |
| 25 | 214T3436-1567 | . | ORIFICE ASSY- | 006106 108120 504903 950951 953999 | 3 |
| 40 | 214N1210-1 | . | ORIFICE ASSY- | 002004 006999 | 1 |
| 45 | 214T3436-227 | . | ORIFICE ASSY- | 107107 | 1 |
| 50 | 214T3436-68 | . | ORIFICE ASSY- | 006106 108120 504903 950951 953999 | 2 |
| 50 | 214T3436-1585 | . | ORIFICE ASSY- PRE SERVICE BULLETIN: 21-0081R1 | 006106 108120 504903 950951 953999 | 2 |
| 55 | 214T3436-716 | . | ORIFICE ASSY | 002004 006999 | 1 |
| 65 | 214T3436-227 | . | ORIFICE ASSY- | 103106 904949 | 1 |
| 910 | | | ILLUSTRATION REFERENCE: DUCT INSTL-STA 234 TO 310 BELOW FLOOR LH SIDE (FLIGHT DECK CONDITIONED AIR) 21-22-05-06 | 002004 006999 | RF |
| 920 | | | ILLUSTRATION REFERENCE: DUCT INSTL-STA 235 TO 305 FLIGHT DECK CONDITIONED AIR BELOW FLOOR RH SIDE 21-22-05-07 | 002004 006999 | RF |

MISSING ITEM NUMBERS NOT APPLICABLE

- ITEM NOT ILLUSTRATED

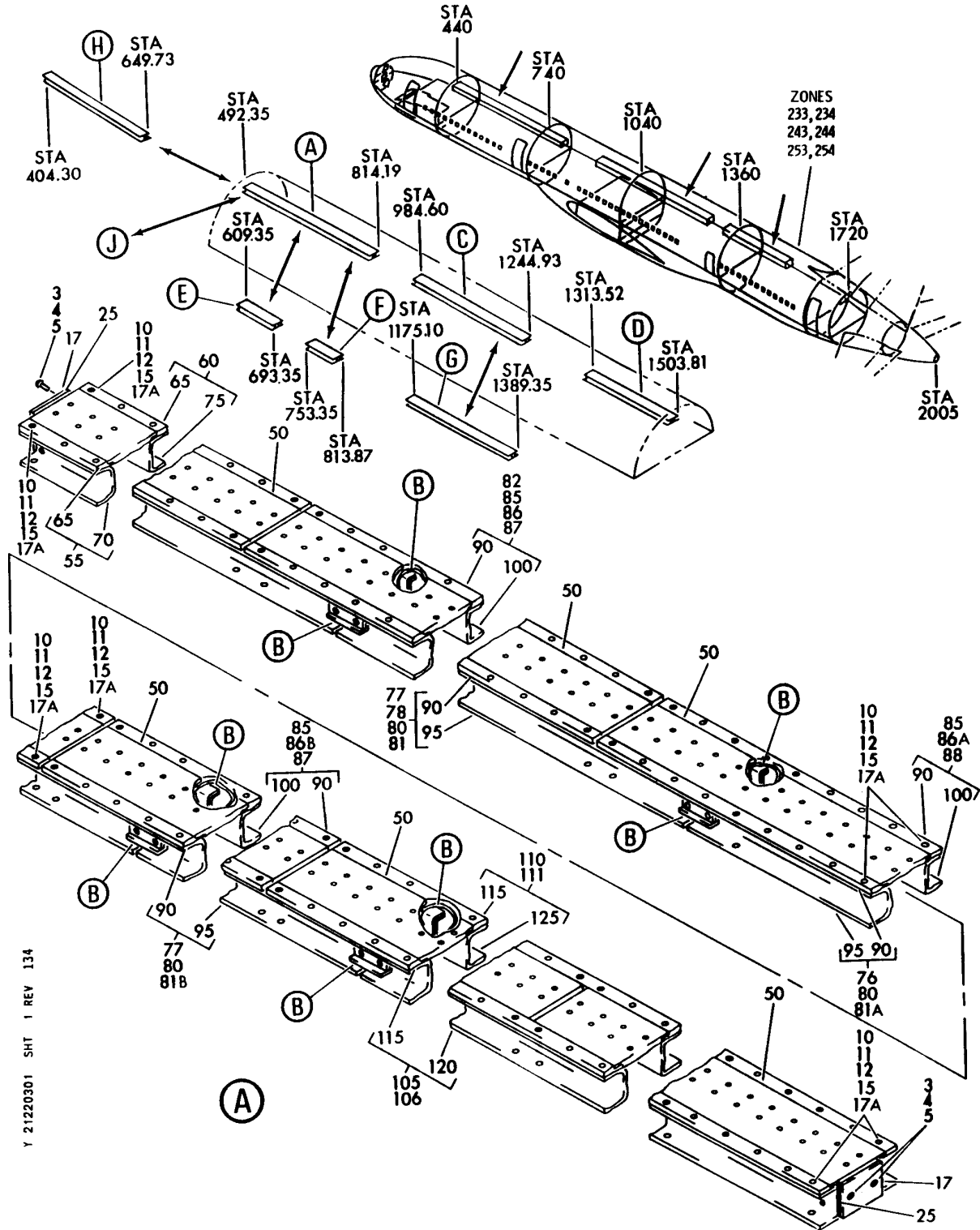
BRI

21-22-01-01

BOEING PROPRIETARY - Copyright © - Unpublished Work - See title page for details.

21-22-01
FIG. 01
PAGE 2
JAN 20/09

BOEING
757
PARTS CATALOG (MAINTENANCE)



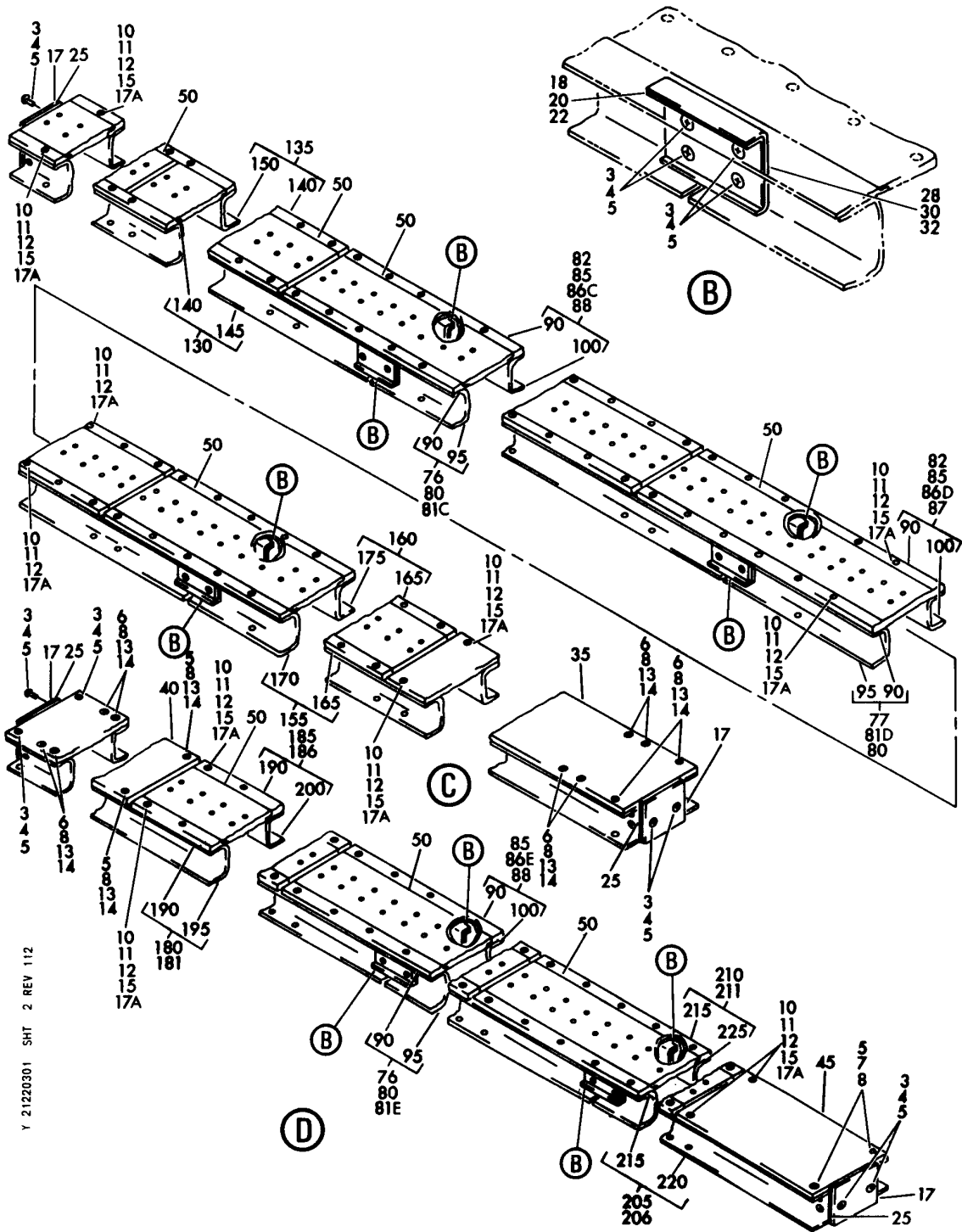
ADAPTOR INSTL-OVERHEAD AIR DISTR SYS
FIGURE 1 (SHEET 1)

21-22-03-01

BRI
MAY 28/07

21-22-03-01
PAGE 0

BOEING
757
PARTS CATALOG (MAINTENANCE)



Y 21220301 SHT 2 REV 112

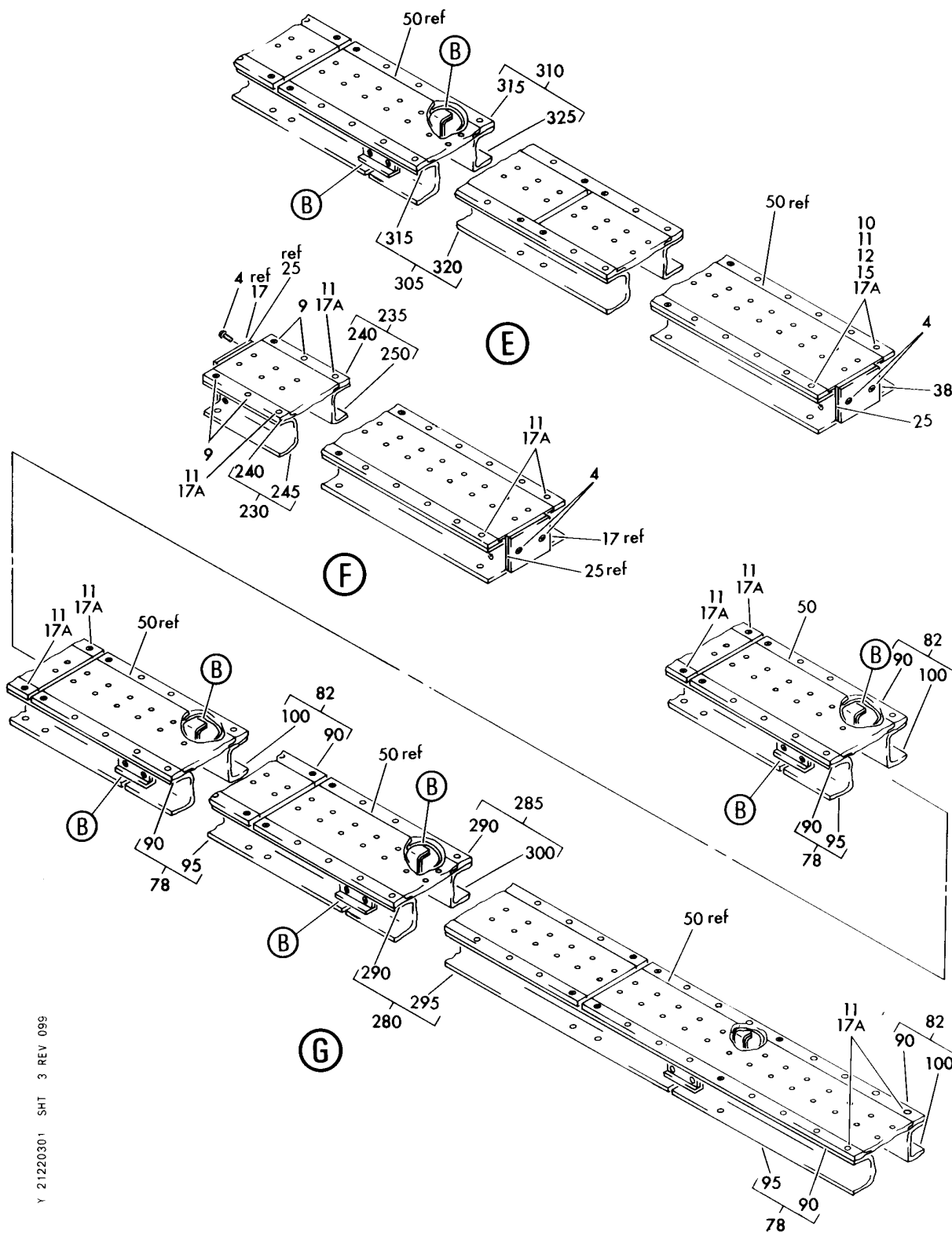
ADAPTOR INSTL-OVERHEAD AIR DISTR SYS
FIGURE 1 (SHEET 2)

21-22-03-01

BRI
MAY 28/07

21-22-03-01
PAGE 0A

BOEING
757
PARTS CATALOG (MAINTENANCE)



Y 21220301 SHT 3 REV 099

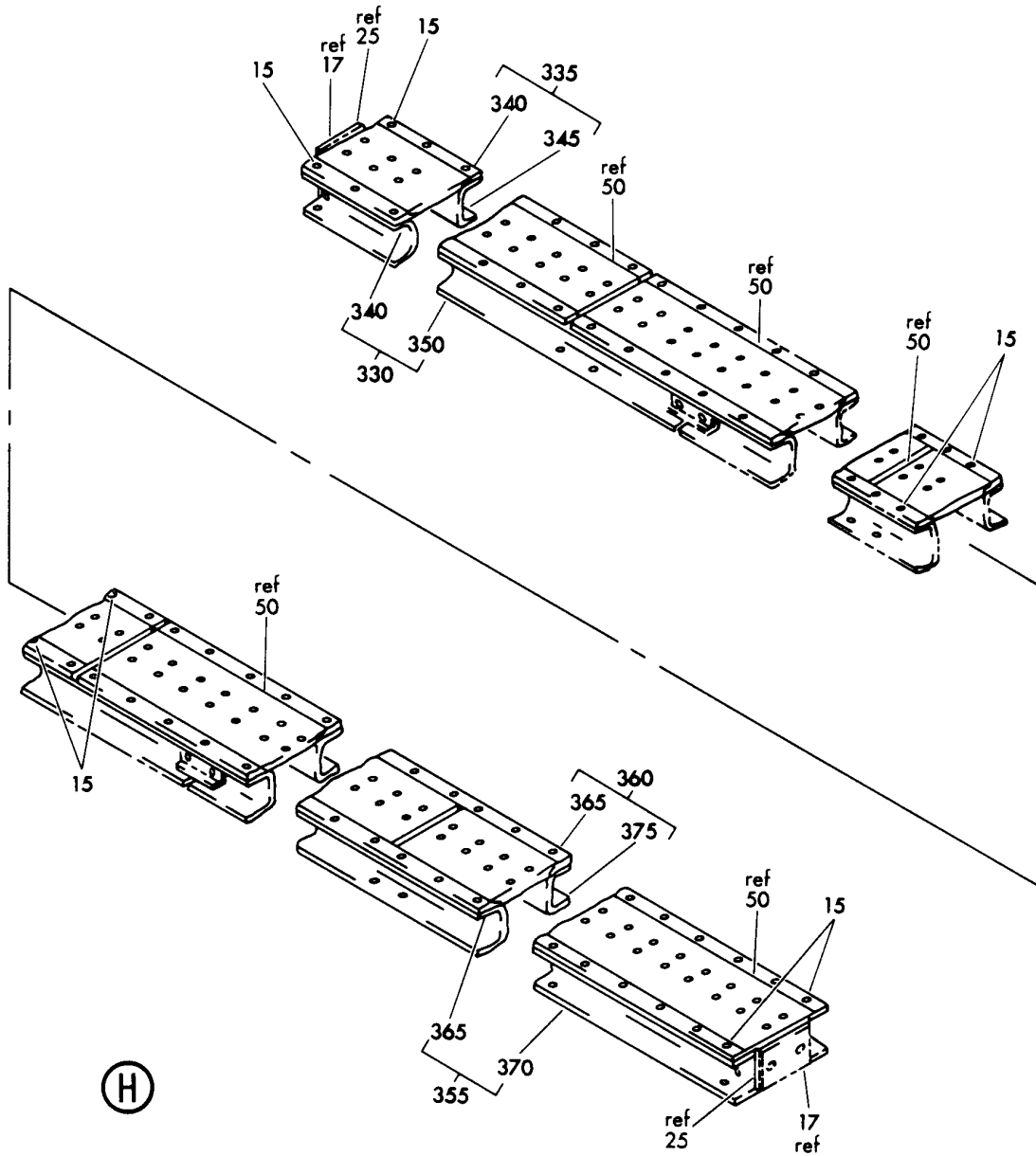
ADAPTOR INSTL-OVERHEAD AIR DISTR SYS
FIGURE 1 (SHEET 3)

21-22-03-01

BRI
MAY 28/07

21-22-03-01
PAGE 0B

BOEING
757
PARTS CATALOG (MAINTENANCE)



Y 21220301 SHT 4 REV 074

(H)

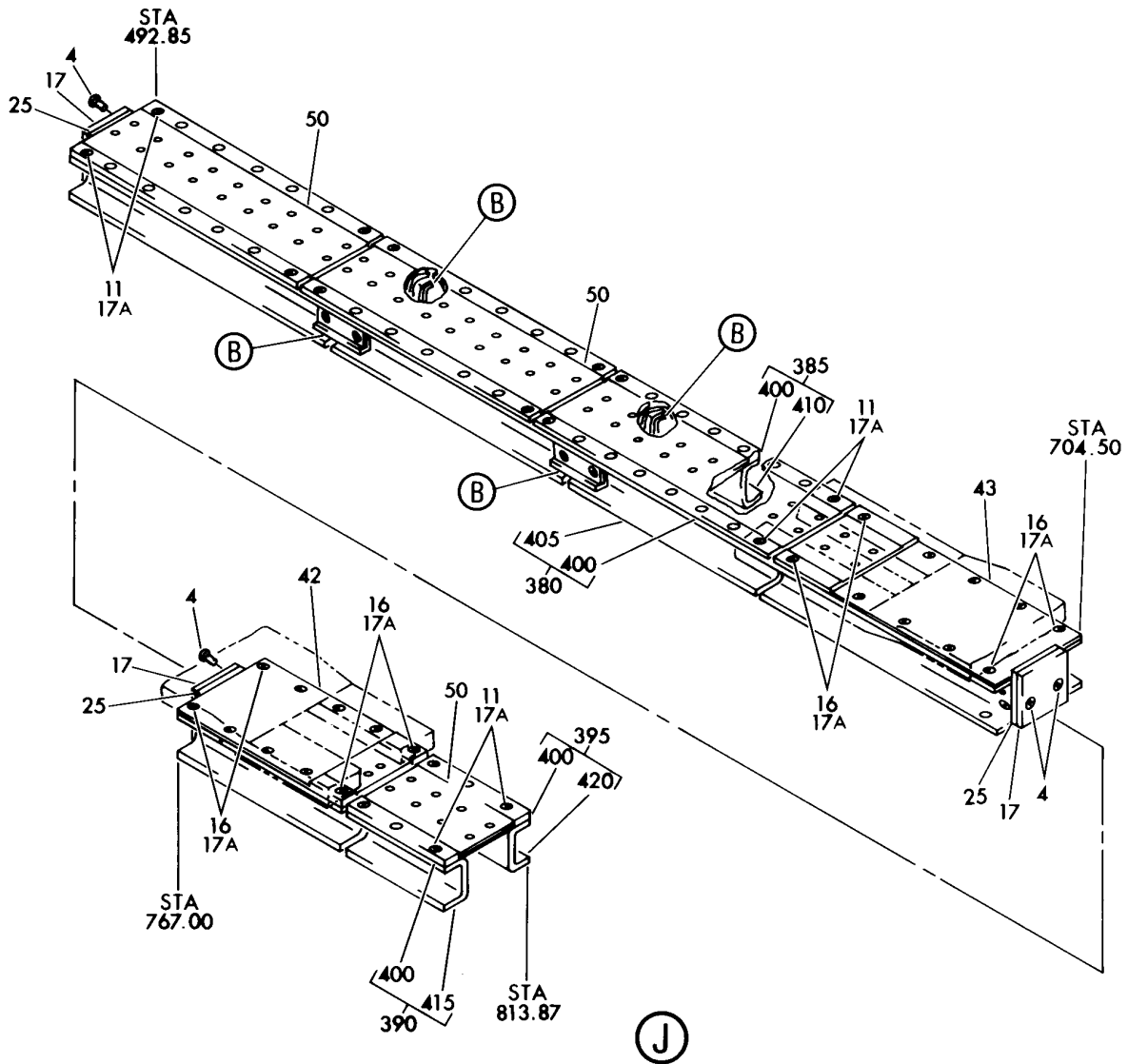
ADAPTOR INSTL-OVERHEAD AIR DISTR SYS
FIGURE 1 (SHEET 4)

21-22-03-01

BRI
MAY 28/07

21-22-03-01
PAGE 0C

BOEING
757
PARTS CATALOG (MAINTENANCE)



Y 21220301 SHT 5 REV 099

ADAPTOR INSTL-OVERHEAD AIR DISTR SYS
FIGURE 1 (SHEET 5)

21-22-03-01

BRI
MAY 28/07

21-22-03-01
PAGE 0D



757

PARTS CATALOG (MAINTENANCE)

| FIG ITEM | PART NUMBER | 1 2 3 4 5 6 7 | NOMENCLATURE | EFFECT FROM TO | UNITS PER ASSY |
|----------|--------------|---------------|---|--------------------------------------|----------------|
| 1 | | | ADAPTOR INSTL-OVERHEAD AIR DISTR SYS | 002004 006100 107107 950999 | |
| - 1 | 214N2004-2 | | ADAPTOR INSTL-OVERHEAD AIR DISTR SYS VARIABLE DRAWING REF: 214N2004-3 FOR NHA SEE: 21-00-00-01 | 002004 006100 107107 950999 | RF |
| 3 | BACS12FA3K7 | | .SCREW- | 002004 006100 107107 950999 | 86 |
| 7 | BACS12FA3K7 | | .SCREW- OPTIONAL PART: NAS1801-3-7 | 107107 | 2 |
| 7 | NAS1801-3-7 | | .SCREW- OPTIONAL PART: BACS12FA3K7 | 107107 | 2 |
| 8 | BACS12FA3K7 | | .SCREW- OPTIONAL PART: NAS1801-3-7 | 107107 | 14 |
| 8 | NAS1801-3-7 | | .SCREW- OPTIONAL PART: BACS12FA3K7 | 107107 | 14 |
| 12 | BACS12FA3K20 | | .SCREW- OPTIONAL PART: NAS1801-3-20 | 002004 006100 107107 950999 | 174 |
| 12 | NAS1801-3-20 | | .SCREW- OPTIONAL PART: BACS12FA3K20 | 002004 006100 107107 950999 | 174 |
| 13 | BACS12FA3K20 | | .SCREW- OPTIONAL PART: NAS1801-3-20 | 107107 | 12 |
| 13 | NAS1801-3-20 | | .SCREW- OPTIONAL PART: BACS12FA3K20 | 107107 | 12 |
| 18 | 69-62165-5 | | .COVER-END | 002004 006015 107107 950999 | 6 |
| 20 | 69-61591-4 | | .COVER-JOINT | 107107 | 10 |
| 22 | 69-61591-4 | | .COVER-JOINT | 107107 | 8 |

MISSING ITEM NUMBERS NOT APPLICABLE

- ITEM NOT ILLUSTRATED

21-22-03-01

21-22-03
FIG. 01
PAGE 1
JAN 20/09

BRI

 **BOEING**
757
PARTS CATALOG (MAINTENANCE)

| FIG ITEM | PART NUMBER | 1 2 3 4 5 6 7 | NOMENCLATURE | EFFECT FROM TO | UNITS PER ASSY |
|-------------|-------------|---|--|--------------------------------------|----------------------|
| 1 | | | | | |
| 25 | 69-61882-15 | .SEAL- | MANUFACTURED FROM: CLOSED CELL SILICONE SPONGE RUBBER PER BMS1-23 FIN F-7.10 1/16 X 2.7 X 1.9IN. USED WITH: 69-62165-5 | 002004 006015 107107 950999 | 6 |
| 30 | 69-61882-14 | .SEAL- | MANUFACTURED FROM: CLOSED CELL SILICONE SPONGE RUBBER PER BMS1-68 FIN F-7.10 1/16 X 1.8 X 3.7IN. USED WITH: 69-61591-4 | 107107 | 10 |
| 32 | 69-61882-14 | .SEAL- | MANUFACTURED FROM: CLOSED CELL SILICONE SPONGE RUBBER PER BMS1-68 FIN F-7.10 1/16 X 1.8 X 3.7IN. USED WITH: 69-61591-4 | 107107 | 8 |
| 35 | 214N2131-8 | .PLATE ASSY-COVER | | 107107 | 1 |
| 40 | 214N2131-1 | .PLATE ASSY-COVER | | 107107 | 1 |
| 45 | 214N2131-2 | .PLATE ASSY-COVER | | 002004 006015 107107 950999 | 1 |
| 50 | 214N2124-1 | .PLATE-RESTRICTOR OPTIONAL PART: 214N2124-5 | | 002004 006015 107107 950999 | 14 |
| 50 | 214N2124-5 | .PLATE-RESTRICTOR OPTIONAL PART: 214N2124-1 | | 002004 006015 107107 950999 | 14 |
| 55 | 214N2126-1 | .ADAPTOR ASSY- | | 107107 | 1 |
| 60 | 214N2126-2 | .ADAPTOR ASSY- | | 107107 | 1 |
| 65 | 69-61882-1 | ..SEAL- | | 107107 | 1 |
| 70 | 214N2126-15 | ..ADAPTOR- USED ON: 214N2126-1 | | 107107 | 1 |
| 75 | 214N2126-16 | ..ADAPTOR- USED ON: 214N2126-2 | | 107107 | 1 |
| 80 | 214N2126-3 | .ADAPTOR ASSY- | | 107107 | 6 |
| 85 | 214N2126-4 | .ADAPTOR ASSY- | | 107107 | 6 |

MISSING ITEM NUMBERS NOT APPLICABLE

— ITEM NOT ILLUSTRATED

BRI

21-22-03-01

21-22-03
FIG. 01
PAGE 2
JAN 20/09



757

PARTS CATALOG (MAINTENANCE)

| FIG ITEM | PART NUMBER | 1 2 3 4 5 6 7 | NOMENCLATURE | EFFECT FROM TO | UNITS PER ASSY |
|----------|-------------|-----------------------|-------------------------------------|----------------|----------------|
| 1 | | | | | |
| 90 | 69-61882-2 | .. | SEAL | 107107 | 1 |
| 95 | 214N2126-17 | .. | ADAPTOR- USED ON: 214N2126-3 | 107107 | 1 |
| 100 | 214N2126-18 | .. | ADAPTOR- USED ON: 214N2126-4 | 107107 | 1 |
| 105 | 214N2126-5 | .ADAPTOR ASSY- MOD | MODIFICATION DRAWING REF: V61846 | 107107 | 1 |
| 110 | 214N2126-6 | .ADAPTOR ASSY- MOD | MODIFICATION DRAWING REF: V61846 | 107107 | 1 |
| 115 | 69-61882-16 | .. | SEAL | 107107 | 1 |
| 120 | 214N2126-19 | .. | ADAPTOR- USED ON: 214N2126-5 | 107107 | 1 |
| 125 | 214N2126-20 | .. | ADAPTOR- USED ON: 214N2126-6 | 107107 | 1 |
| 130 | 214N2126-7 | .ADAPTOR ASSY- MOD | MODIFICATION DRAWING REF: V61846 | 107107 | 1 |
| 135 | 214N2126-8 | .ADAPTOR ASSY- MOD | MODIFICATION DRAWING REF: V61846 | 107107 | 1 |
| 140 | 69-61882-17 | .. | SEAL | 107107 | 1 |
| 145 | 214N2126-21 | .. | ADAPTOR- USED ON: 214N2126-7 | 107107 | 1 |
| 150 | 214N2126-22 | .. | ADAPTOR- USED ON: 214N2126-8 | 107107 | 1 |
| 155 | 214N2126-9 | .ADAPTOR ASSY- | | 107107 | 1 |
| 160 | 214N2126-10 | .ADAPTOR ASSY- | | 107107 | 1 |
| 165 | 69-61882-18 | .. | SEAL | 107107 | 1 |
| 170 | 214N2126-23 | .. | ADAPTOR- USED ON: 214N2126-9 | 107107 | 1 |
| 175 | 214N2126-24 | .. | ADAPTOR- USED ON: 214N2126-10 | 107107 | 1 |

MISSING ITEM NUMBERS NOT APPLICABLE

- ITEM NOT ILLUSTRATED

21-22-03-01

21-22-03
FIG. 01
PAGE 3
JAN 20/09

BRI



757

PARTS CATALOG (MAINTENANCE)

| FIG ITEM | PART NUMBER | 1 2 3 4 5 6 7 | NOMENCLATURE | EFFECT FROM TO | UNITS PER ASSY |
|----------|-------------|---------------|--|--------------------------------------|----------------|
| 1 | | | | | |
| 180 | 214N2126-11 | | .ADAPTOR ASSY- MOD MODIFICATION DRAWING REF: V61846 | 107107 | 1 |
| 185 | 214N2126-12 | | .ADAPTOR ASSY- MOD MODIFICATION DRAWING REF: V61846 | 107107 | 1 |
| 190 | 69-61882-19 | | ..SEAL- | 107107 | 1 |
| 195 | 214N2126-25 | | ..ADAPTOR- USED ON: 214N2126-11 | 107107 | 1 |
| 200 | 214N2126-26 | | ..ADAPTOR- USED ON: 214N2126-12 | 107107 | 1 |
| 205 | 214N2126-13 | | .ADAPTOR ASSY- MOD MODIFICATION DRAWING REF: V61846 | 002004 006015 107107 950999 | 1 |
| 210 | 214N2126-14 | | .ADAPTOR ASSY- MOD MODIFICATION DRAWING REF: V61846 | 002004 006015 107107 950999 | 1 |
| 215 | 69-61882-20 | | ..SEAL | 002004 006015 107107 950999 | 1 |
| 220 | 214N2126-27 | | ..ADAPTOR- USED ON: 214N2126-13 | 002004 006015 107107 950999 | 1 |
| 225 | 214N2126-28 | | ..ADAPTOR- USED ON: 214N2126-14 | 002004 006015 107107 950999 | 1 |

MISSING ITEM NUMBERS NOT APPLICABLE

- ITEM NOT ILLUSTRATED

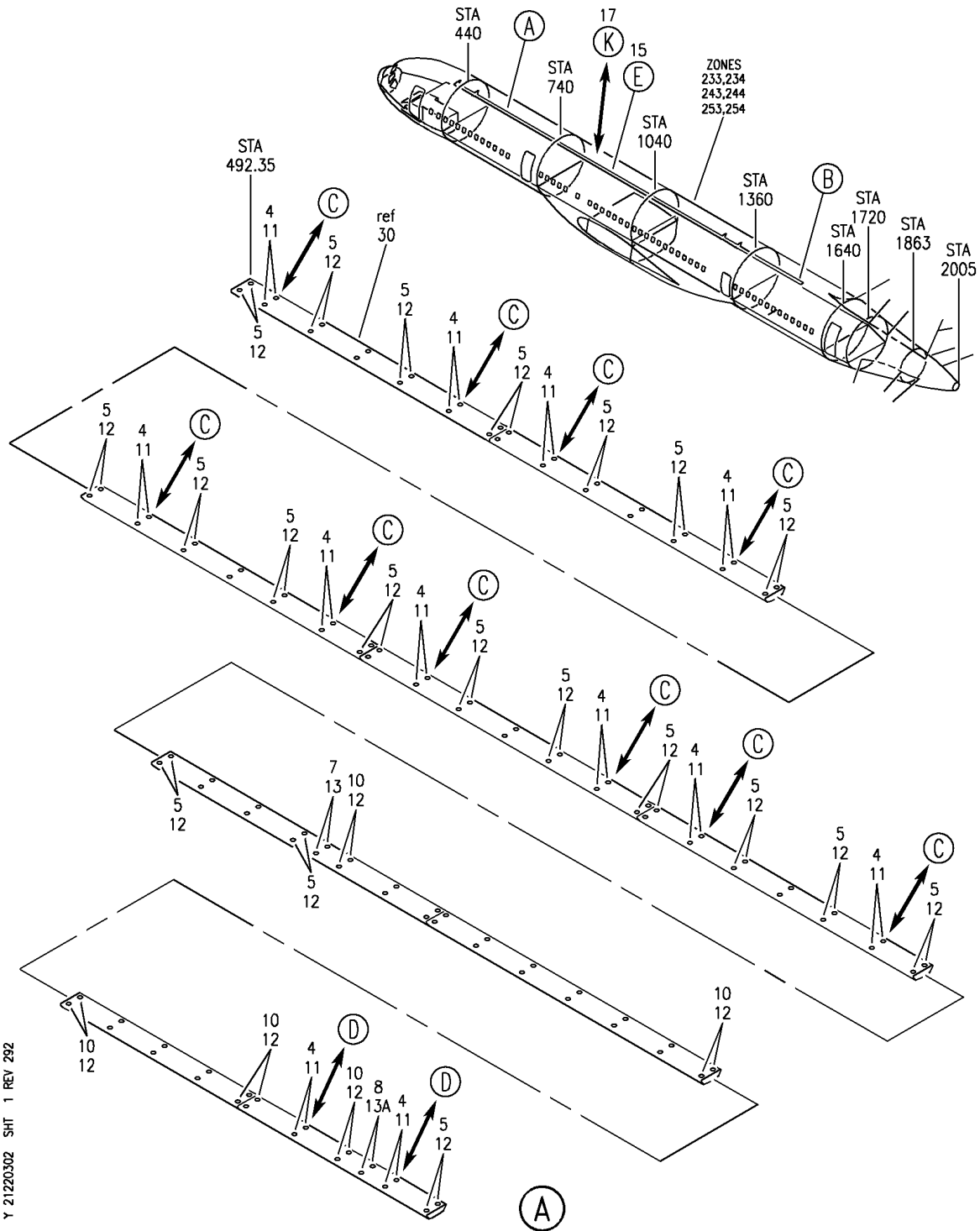
21-22-03-01

21-22-03
FIG. 01
PAGE 4
JAN 20/09

BRI

BOEING PROPRIETARY - Copyright © - Unpublished Work - See title page for details.

BOEING
757
PARTS CATALOG (MAINTENANCE)



Y 21220302 SHT 1 REV 292

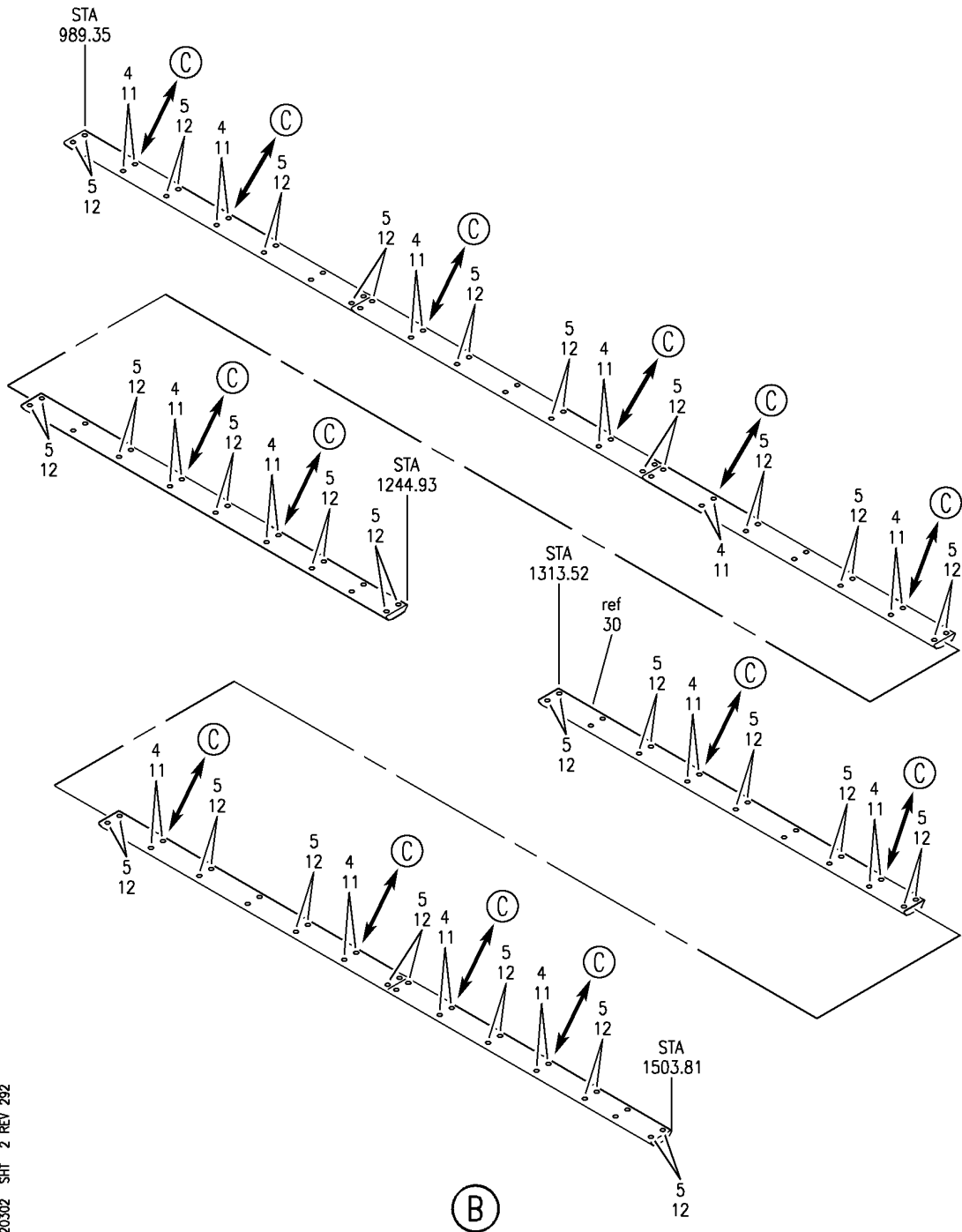
NOZZLE INSTL-OVERHEAD AIR DISTR SYS
FIGURE 2 (SHEET 1)

21-22-03-02

BRI
JAN 20/09

21-22-03-02
PAGE 0


BOEING
 757
PARTS CATALOG (MAINTENANCE)



Y 21220302 SH1 2 REV 292

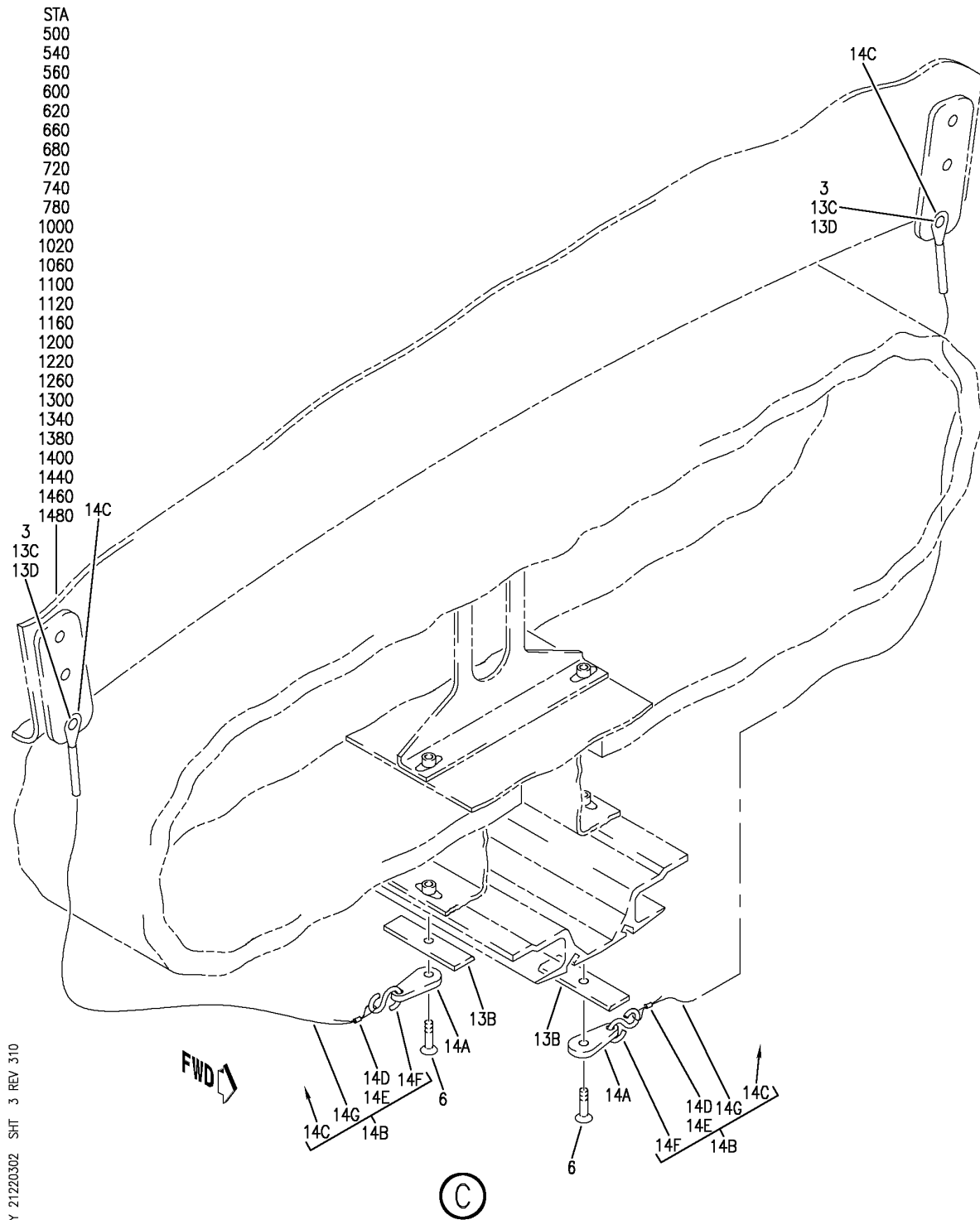
NOZZLE INSTL-OVERHEAD AIR DISTR SYS
 FIGURE 2 (SHEET 2)

21-22-03-02

BRI
 JAN 20/09

21-22-03-02
 PAGE 0A

BOEING
757
PARTS CATALOG (MAINTENANCE)



Y 21220302 SH1 3 REV 310

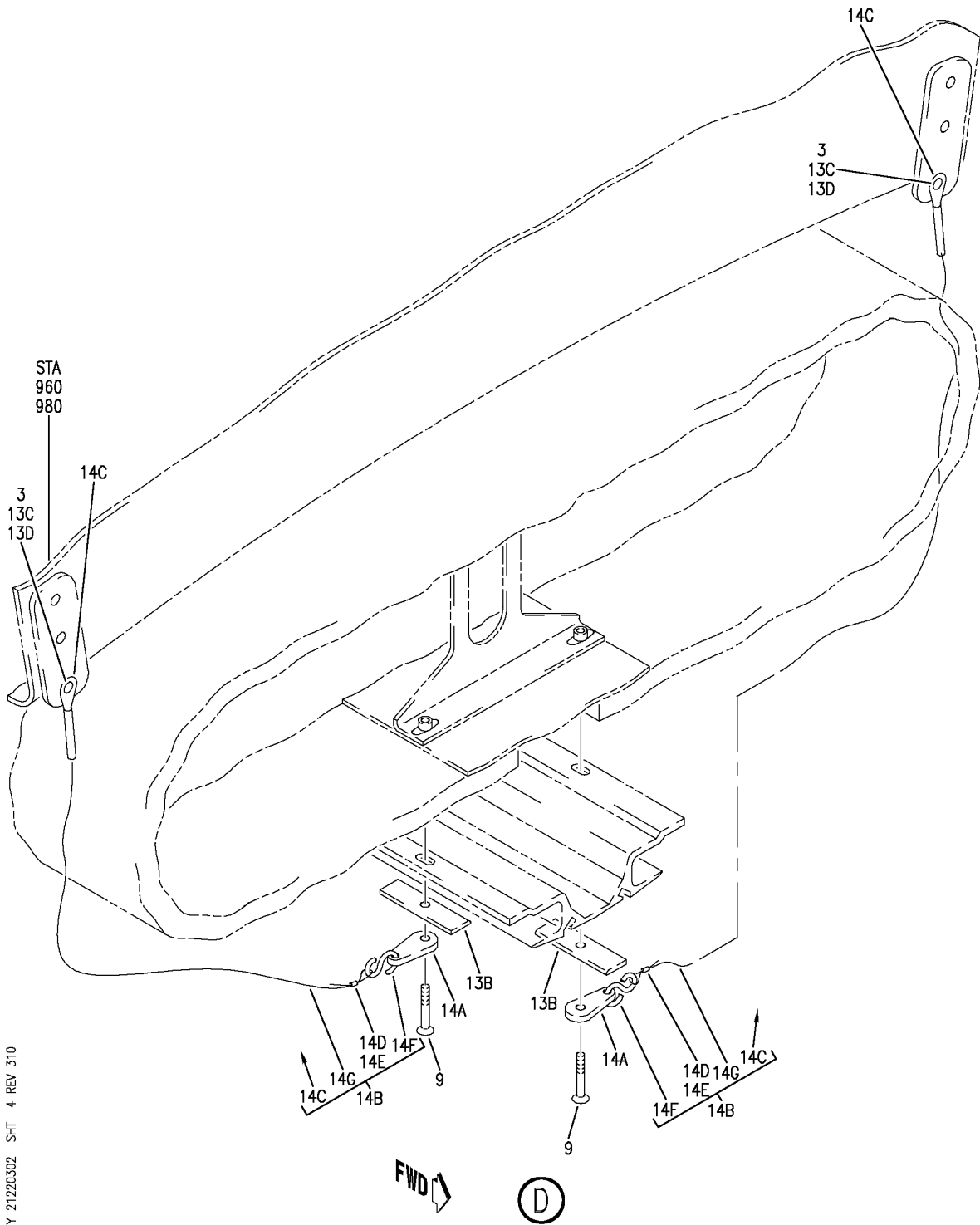
NOZZLE INSTL-OVERHEAD AIR DISTR SYS
FIGURE 2 (SHEET 3)

21-22-03-02

BRI
JAN 20/09

21-22-03-02
PAGE 0B

BOEING
757
PARTS CATALOG (MAINTENANCE)



Y 21220302 SHT 4 REV 310

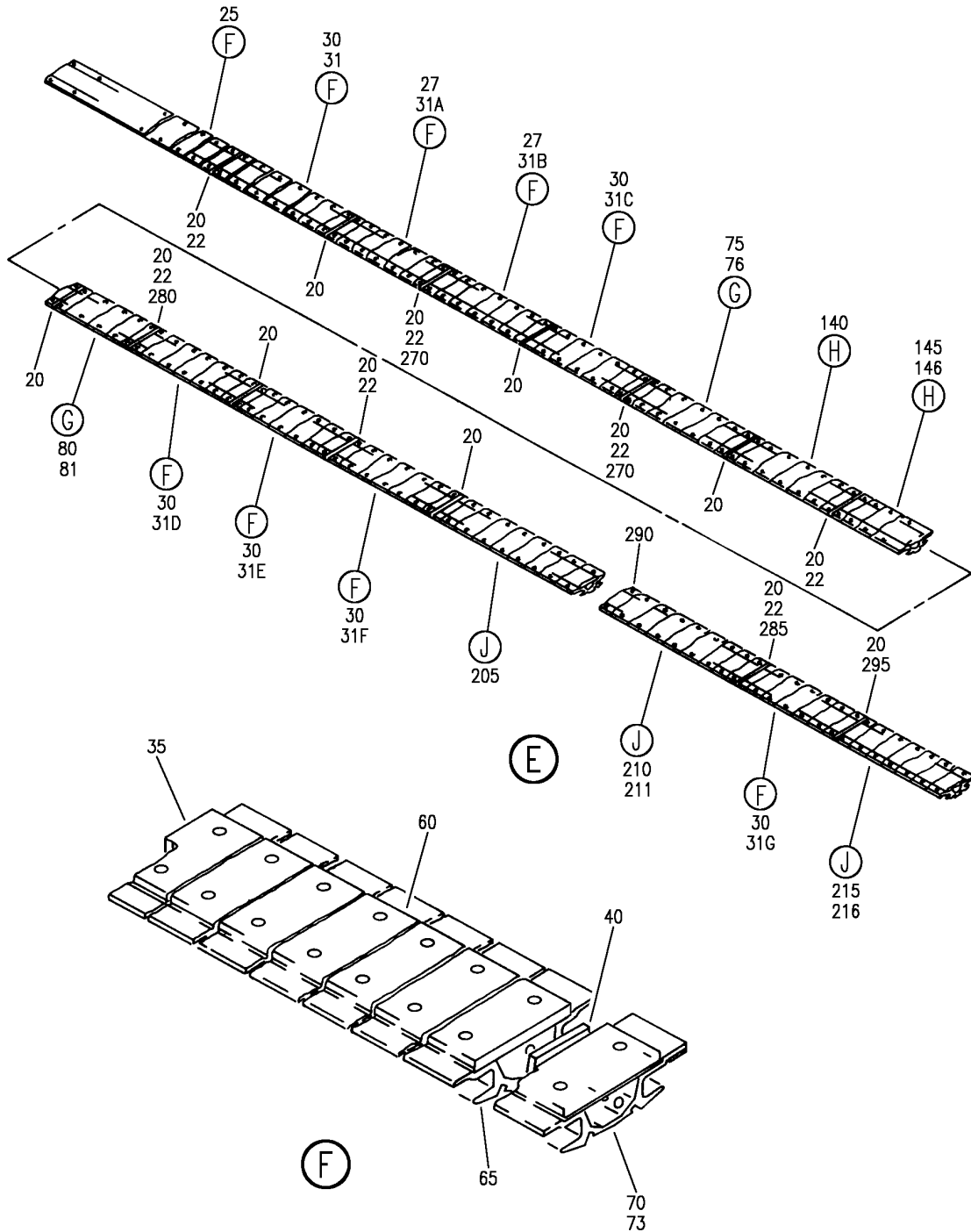
NOZZLE INSTL-OVERHEAD AIR DISTR SYS
FIGURE 2 (SHEET 4)

21-22-03-02

BRI
JAN 20/09

21-22-03-02
PAGE 0C

BOEING
757
PARTS CATALOG (MAINTENANCE)

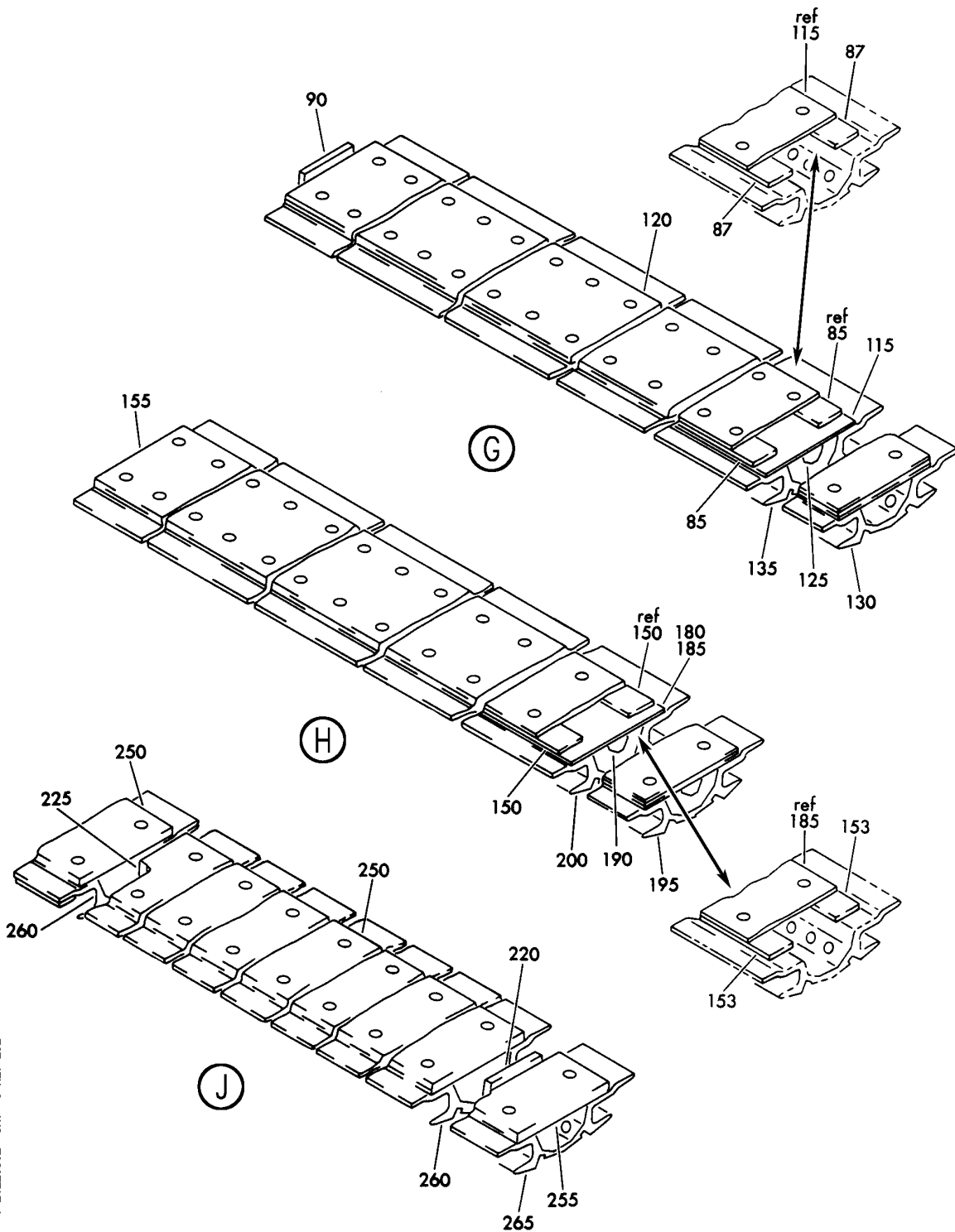


Y 21220302 SHT 5 REV 292

NOZZLE INSTL-OVERHEAD AIR DISTR SYS
FIGURE 2 (SHEET 5)

21-22-03-02

BOEING
757
PARTS CATALOG (MAINTENANCE)



Y 21220302 SH1 6 REV 292

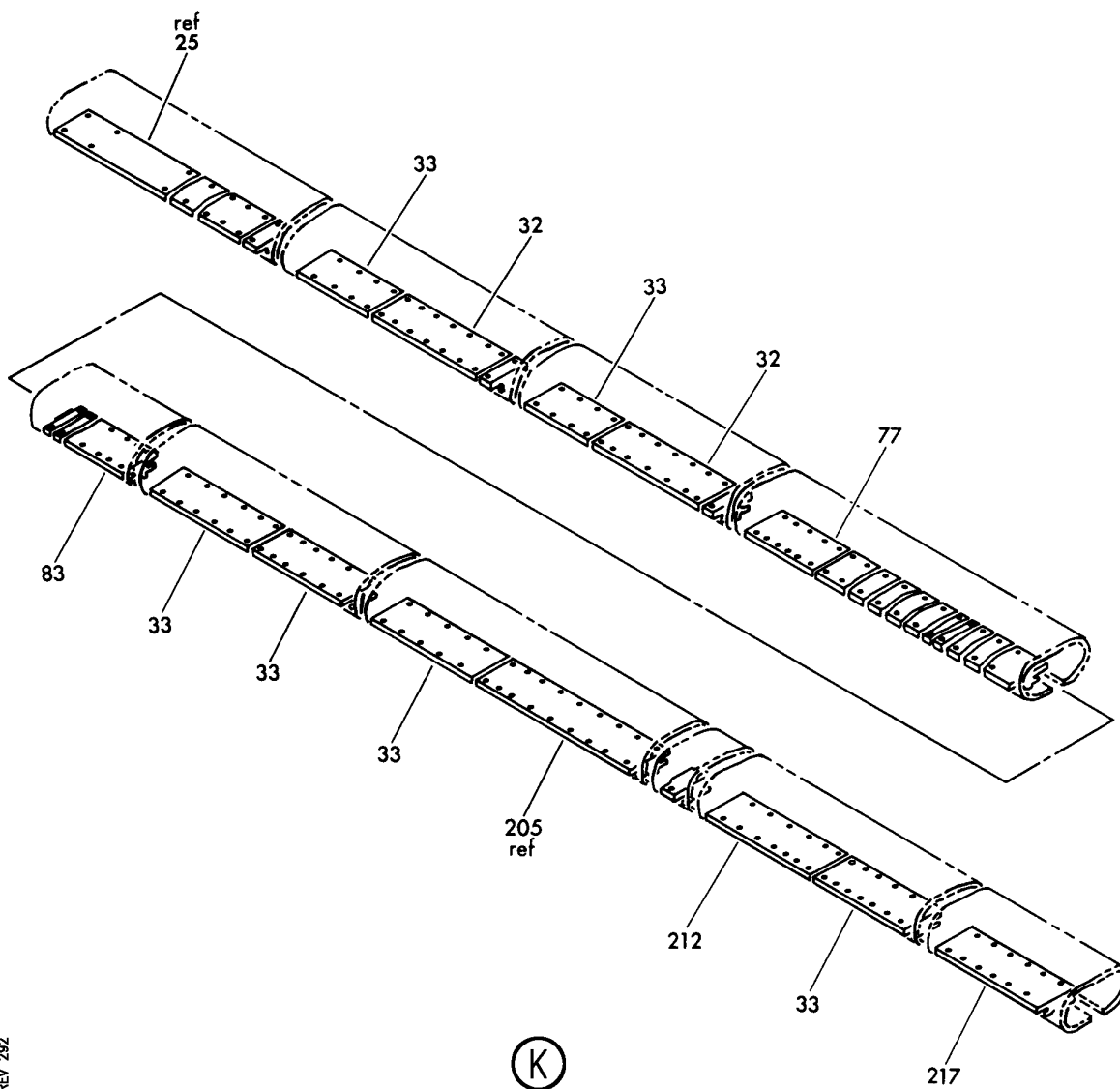
NOZZLE INSTL-OVERHEAD AIR DISTR SYS
FIGURE 2 (SHEET 6)

21-22-03-02

BRI
JAN 20/09

21-22-03-02
PAGE 0E

BOEING
757
PARTS CATALOG (MAINTENANCE)



Y 21220302 SH 7 REV 292

NOZZLE INSTL-OVERHEAD AIR DISTR SYS
FIGURE 2 (SHEET 7)

21-22-03-02

BRI
JAN 20/09

21-22-03-02
PAGE OF



757

PARTS CATALOG (MAINTENANCE)

| FIG ITEM | PART NUMBER | 1 2 3 4 5 6 7 | NOMENCLATURE | EFFECT FROM TO | UNITS PER ASSY |
|----------|---------------|---------------|--|----------------|----------------|
| 2 | | | NOZZLE INSTL-OVERHEAD AIR DISTR SYS | 107107 | |
| - 1 | 214N2005-7 | | NOZZLE INSTL-OVERHEAD AIR DISTR SYS FOR NHA SEE: 21-00-00-01 | 107107 | RF |
| 4 | BACS12FA3K11 | | .SCREW- | 107107 | 52 |
| 5 | BACS12FA3K11 | | .SCREW- | 107107 | 136 |
| 7 | BACS12FA3K11 | | .SCREW- | 107107 | 2 |
| 8 | BACS12FA3K11 | | .SCREW | 107107 | 2 |
| 10 | BACS12FA3K26 | | .SCREW- | 107107 | 34 |
| 11 | AN960JD11 | | .WASHER- | 107107 | 52 |
| 12 | AN960JD11 | | .WASHER | 107107 | 172 |
| 13 | AN960JD11 | | .WASHER | 107107 | 2 |
| 13A | AN960JD11 | | .WASHER | 107107 | 2 |
| 15 | 214N2005-10SP | | .NOZZLE ASSY-SET | 107107 | 1 |
| 20 | 69-42789-1 | | ..COVER-GAP | 107107 | 14 |
| 22 | 69-42789-1 | | ..COVER-GAP | 107107 | 7 |
| 25 | 214N2122-4 | | ..NOZZLE ASSY- | 107107 | 1 |
| 27 | 214N2122-5 | | ..NOZZLE ASSY- | 107107 | 2 |
| 27 | 214N2122-66 | | ..NOZZLE ASSY- | 107107 | 2 |
| 30 | 214N2122-5 | | ..NOZZLE ASSY- | 107107 | 6 |
| 30 | 214N2122-66 | | ..NOZZLE ASSY- | 107107 | 6 |
| 35 | 69-71974-1 | | ...SEAL- USED ON: 214N2122-4 214N2122-140 | 107107 | 1 |
| 40 | 66-14522-1 | | ...SEAL- USED ON: 214N2122-5 214N2122-122 | 107107 | 1 |
| 60 | 214N2123-1 | | ...BAFFLE | 107107 | 1 |
| 65 | 65-57176-83 | | ...NOZZLE- USED ON: 214N2122-4 | 107107 | 1 |
| 70 | 65-57176-75 | | ...NOZZLE- USED ON: 214N2122-5 | 107107 | 1 |
| 73 | 65-57176-75 | | ...NOZZLE- USED ON: 214N2122-5 | 107107 | 1 |
| 75 | 214N2122-29 | | ..NOZZLE ASSY- | 107107 | 1 |
| 80 | 214N2122-26 | | ..NOZZLE ASSY- | 107107 | 1 |
| 87 | 214N2122-34 | | ...SEAL- USED ON: 214N2122-26 214N2122-29 | 107107 | 2 |
| 90 | 66-14522-1 | | ...SEAL- | 107107 | 1 |

MISSING ITEM NUMBERS NOT APPLICABLE

- ITEM NOT ILLUSTRATED

21-22-03-02

21-22-03
FIG. 02
PAGE 1
JAN 20/09

BRI



757

PARTS CATALOG (MAINTENANCE)

| FIG ITEM | PART NUMBER | 1 2 3 4 5 6 7 | NOMENCLATURE | EFFECT FROM TO | UNITS PER ASSY |
|----------|-------------|---------------|--|----------------|----------------|
| 2 | | | | | |
| 115 | 214N2159-1 | | ...PLATE ASSY- USED ON: 214N2122-26 214N2122-29 | 107107 | 1 |
| 120 | 214N2123-1 | | ...BAFFLE | 107107 | 1 |
| 125 | 214N2123-3 | | ...BAFFLE | 107107 | 1 |
| 130 | 214N2122-31 | | ...NOZZLE- USED ON: 214N2122-29 | 107107 | 1 |
| 135 | 214N2122-32 | | ...NOZZLE- USED ON: 214N2122-26 | 107107 | 1 |
| 140 | 214N2122-10 | | ..NOZZLE ASSY- | 107107 | 1 |
| 140 | 214N2122-27 | | ..NOZZLE ASSY- | 107107 | 1 |
| 145 | 214N2122-28 | | ..NOZZLE ASSY- | 107107 | 1 |
| 153 | 214N2122-34 | | ...SEAL- USED ON: 214N2122-27 214N2122-28 | 107107 | 2 |
| 155 | 66-14522-1 | | ...SEAL- | 107107 | 1 |
| 190 | 214N2123-3 | | ...BAFFLE | 107107 | 1 |
| 195 | 65-57176-75 | | ...NOZZLE- USED ON: 214N2122-10 214N2122-27 | 107107 | 1 |
| 200 | 65-57176-77 | | ...NOZZLE- USED ON: 214N2122-11 214N2122-28 | 107107 | 1 |
| 205 | 214N2122-1 | | ..NOZZLE ASSY- | 107107 | 1 |
| 210 | 214N2122-2 | | ..NOZZLE ASSY- | 107107 | 1 |
| 215 | 214N2122-3 | | ..NOZZLE ASSY- | 107107 | 1 |
| 220 | 66-14522-1 | | ...SEAL- USED ON: 214N2122-1 214N2122-3 | 107107 | 1 |
| 225 | 69-71974-1 | | ...SEAL | 107107 | 1 |
| 250 | 214N2123-2 | | ...BAFFLE- USED ON: 214N2122-1 214N2122-2 | 107107 | 1 |
| 255 | 214N2123-1 | | ...BAFFLE- USED ON: 214N2122-3 | 107107 | 1 |
| 260 | 214N2122-7 | | ...NOZZLE- USED ON: 214N2122-1 214N2122-2 | 107107 | 1 |

MISSING ITEM NUMBERS NOT APPLICABLE

- ITEM NOT ILLUSTRATED

21-22-03-02

21-22-03
FIG. 02
PAGE 2
JAN 20/09

BRI

BOEING PROPRIETARY - Copyright © - Unpublished Work - See title page for details.



757

PARTS CATALOG (MAINTENANCE)

| FIG ITEM | PART NUMBER | 1 2 3 4 5 6 7 | NOMENCLATURE | EFFECT FROM TO | UNITS PER ASSY |
|-------------|-------------|---------------|---|-------------------|----------------------|
| 2 265 | 214N2122-8 | | . . . NOZZLE- USED ON: 214N2122-3 | 107107 | 1 |

MISSING ITEM NUMBERS NOT APPLICABLE

- ITEM NOT ILLUSTRATED

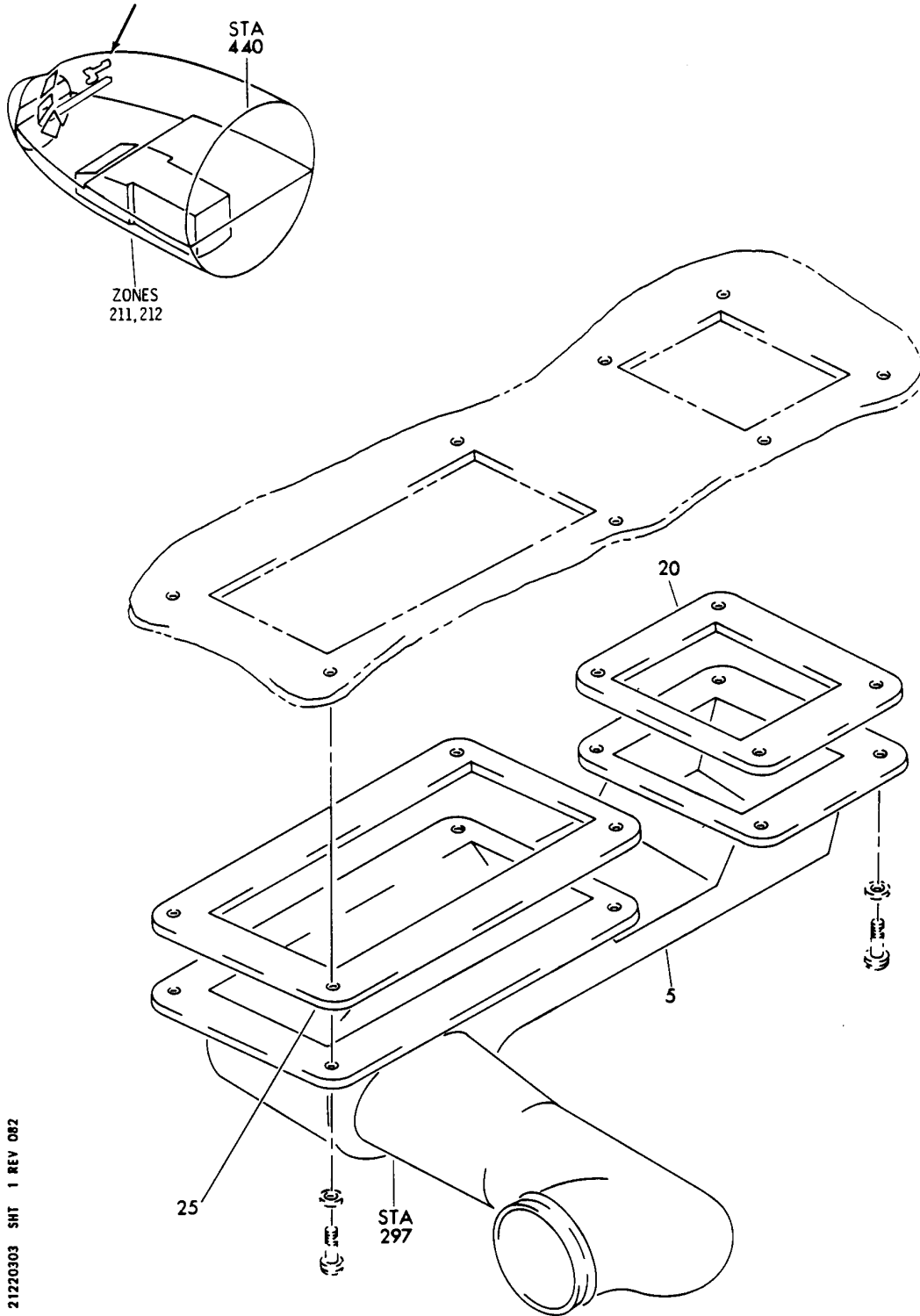
BRI

21-22-03-02

BOEING PROPRIETARY - Copyright © - Unpublished Work - See title page for details.

21-22-03
FIG. 02
PAGE 3
JAN 20/09

BOEING
757
PARTS CATALOG (MAINTENANCE)



Y 21220303 SMT 1 REV 082

MANIFOLD INSTL-FLIGHT DECK EXH AIR
FIGURE 3

21-22-03-03

BRI
MAY 28/07

21-22-03-03
PAGE 0



757

PARTS CATALOG (MAINTENANCE)

| FIG ITEM | PART NUMBER | 1 2 3 4 5 6 7 | NOMENCLATURE | EFFECT FROM TO | UNITS PER ASSY |
|----------|----------------|---------------|--|--|----------------|
| 3 | | | MANIFOLD INSTL-FLIGHT DECK EXH AIR | 002004 006010 107107 121503 904999 | |
| - 1 | 232N1307-1 | | MANIFOLD INSTL-FLIGHT DECK EXH AIR FOR NHA SEE: 25-10-00-01 | 002004 006010 107107 121503 904999 | RF |
| | 5 232N1308-16 | | .MANIFOLD ASSY- | 002004 107107 121503 904949 952952 | 1 |
| | 5 232N1308-23 | | .MANIFOLD ASSY- | 006010 950951 953999 | 1 |
| - 10 | NAS603-10P | | ATTACHING PARTS .SCREW | 002004 006010 107107 121503 904999 | 8 |
| - 15 | AN960D10L | | .WASHER | 002004 006010 107107 121503 904999 | 8 |
| | 20 232N1308-7 | | -----*----- . . GASKET | 002004 006010 107107 121503 904999 | 1 |
| | 25 232N1308-11 | | .GASKET- | 002004 006010 107107 121503 904999 | 1 |

MISSING ITEM NUMBERS NOT APPLICABLE

- ITEM NOT ILLUSTRATED

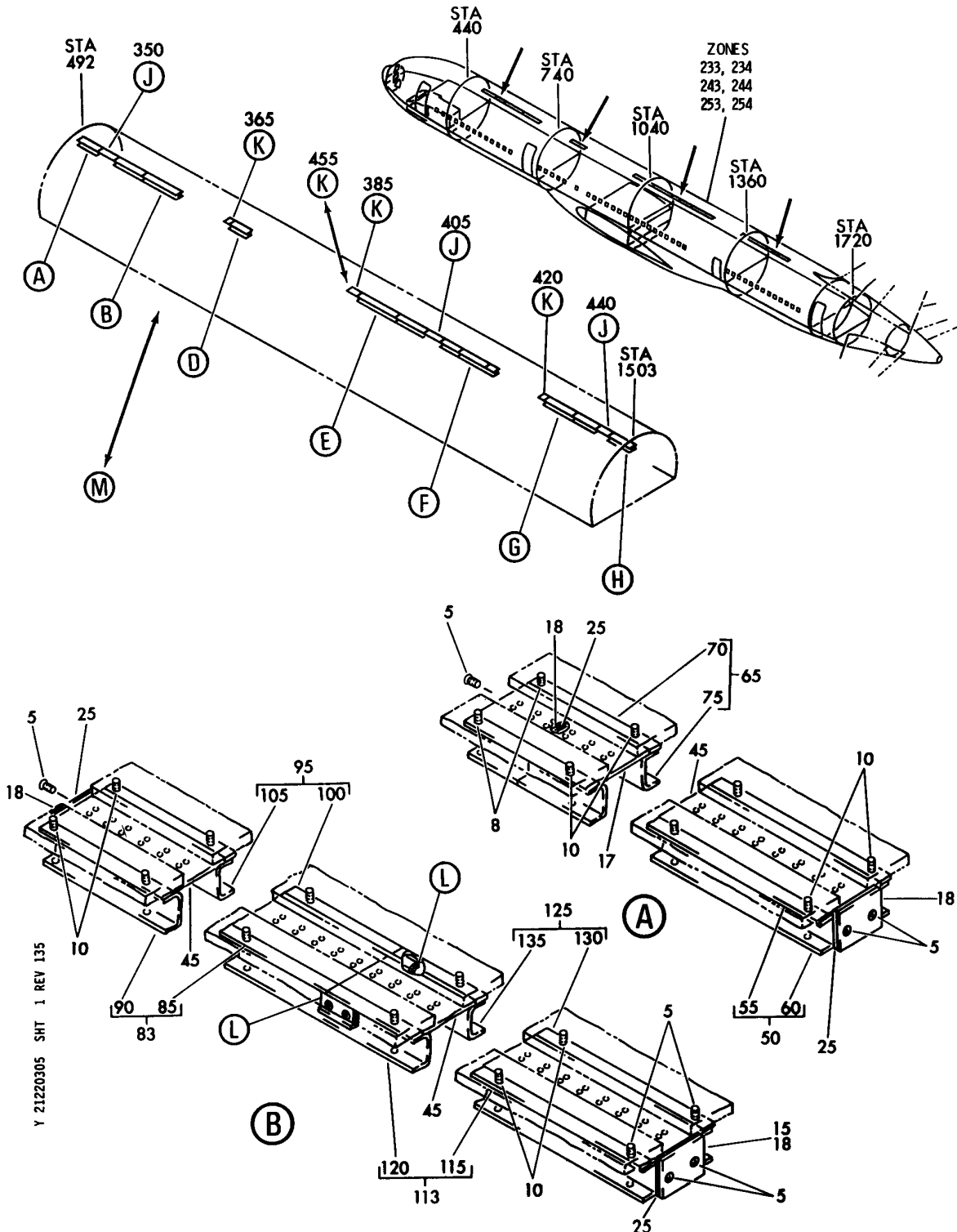
21-22-03-03

21-22-03
FIG. 03
PAGE 1
JAN 20/09

BRI

BOEING PROPRIETARY - Copyright © - Unpublished Work - See title page for details.

BOEING
757
PARTS CATALOG (MAINTENANCE)



Y 21220305 SHT 1 REV 135

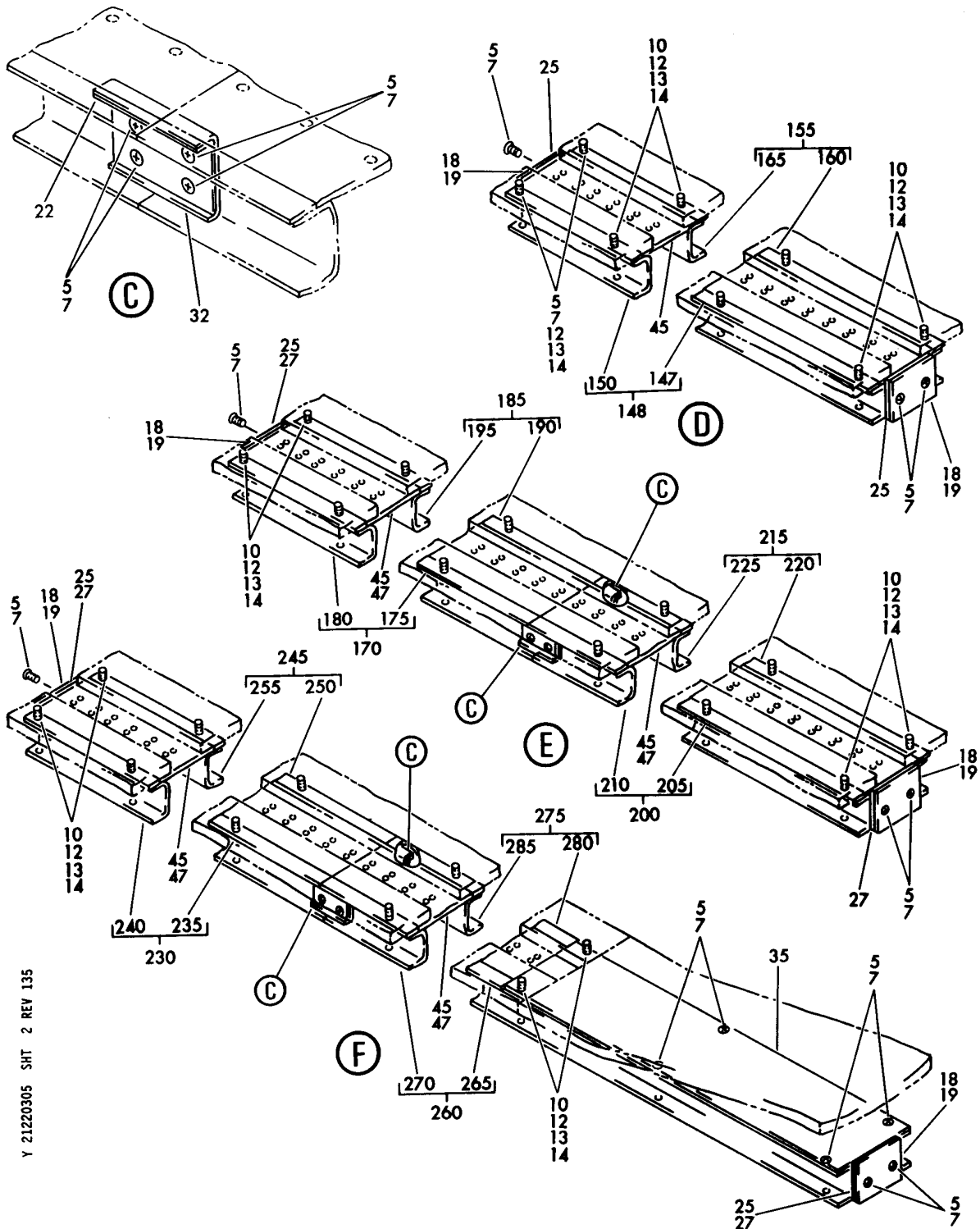
ADAPTOR INSTL-OVERHEAD AIR DISTR SYS
FIGURE 5 (SHEET 1)

21-22-03-05

BRI
MAY 28/07

21-22-03-05
PAGE 0

BOEING
757
PARTS CATALOG (MAINTENANCE)



Y 21220305 SHT 2 REV 135

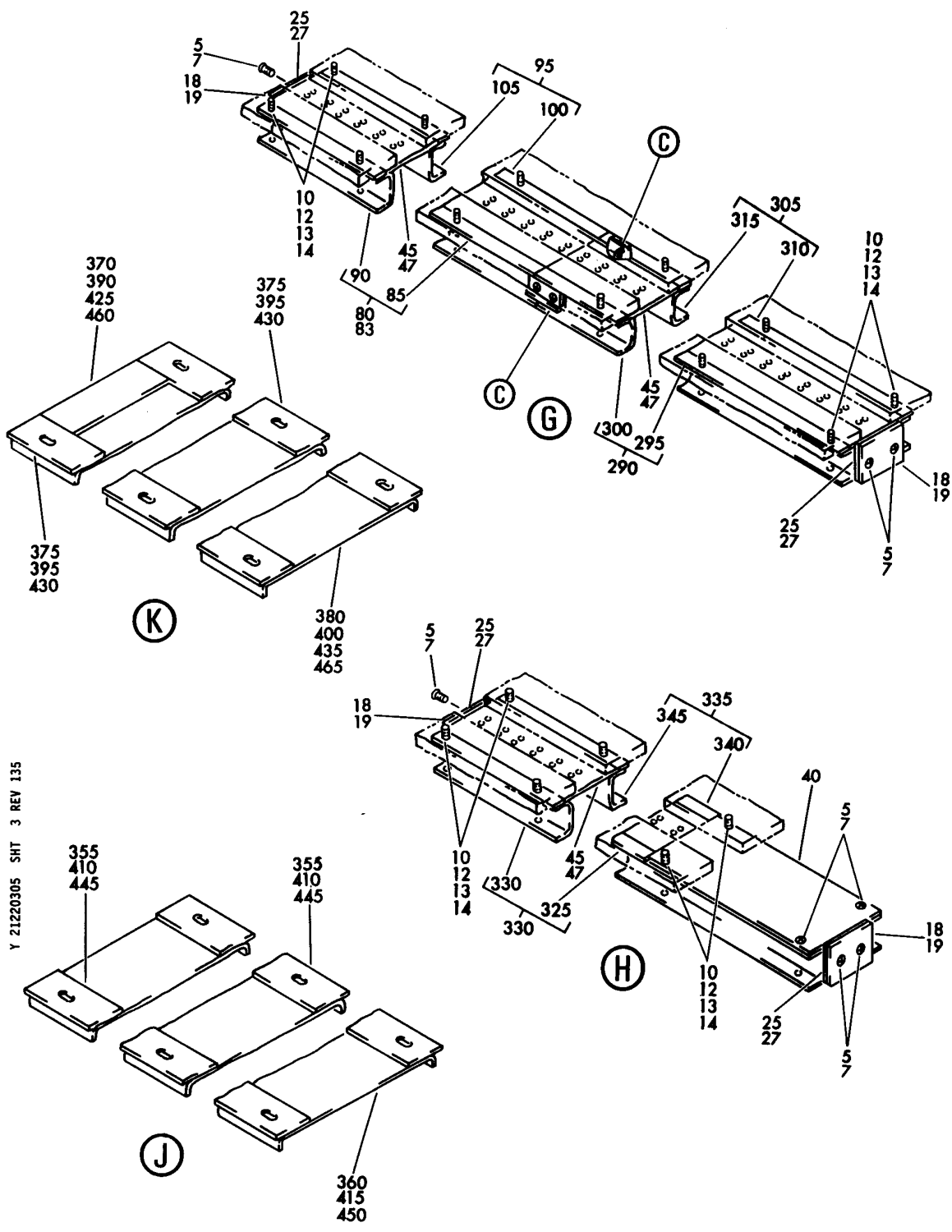
ADAPTOR INSTL-OVERHEAD AIR DISTR SYS
FIGURE 5 (SHEET 2)

21-22-03-05

BRI
MAY 28/07

21-22-03-05
PAGE 0A

BOEING
757
PARTS CATALOG (MAINTENANCE)

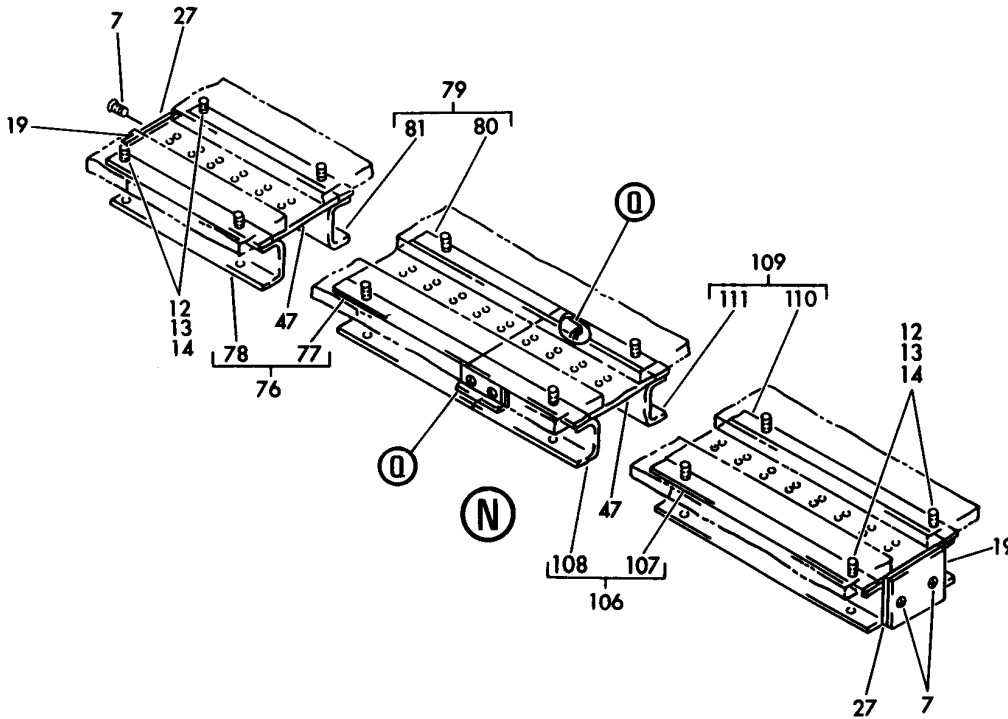
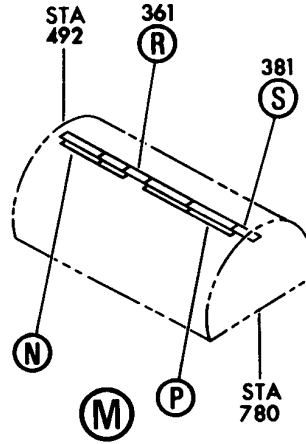
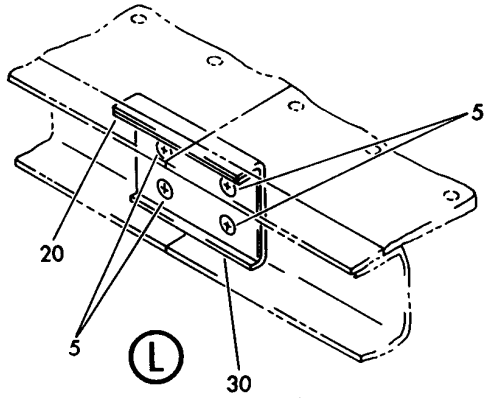


Y 21220305 SHT 3 REV 135

ADAPTOR INSTL-OVERHEAD AIR DISTR SYS
FIGURE 5 (SHEET 3)

21-22-03-05

BOEING
757
PARTS CATALOG (MAINTENANCE)



Y 21220305 SHT 4 REV 135

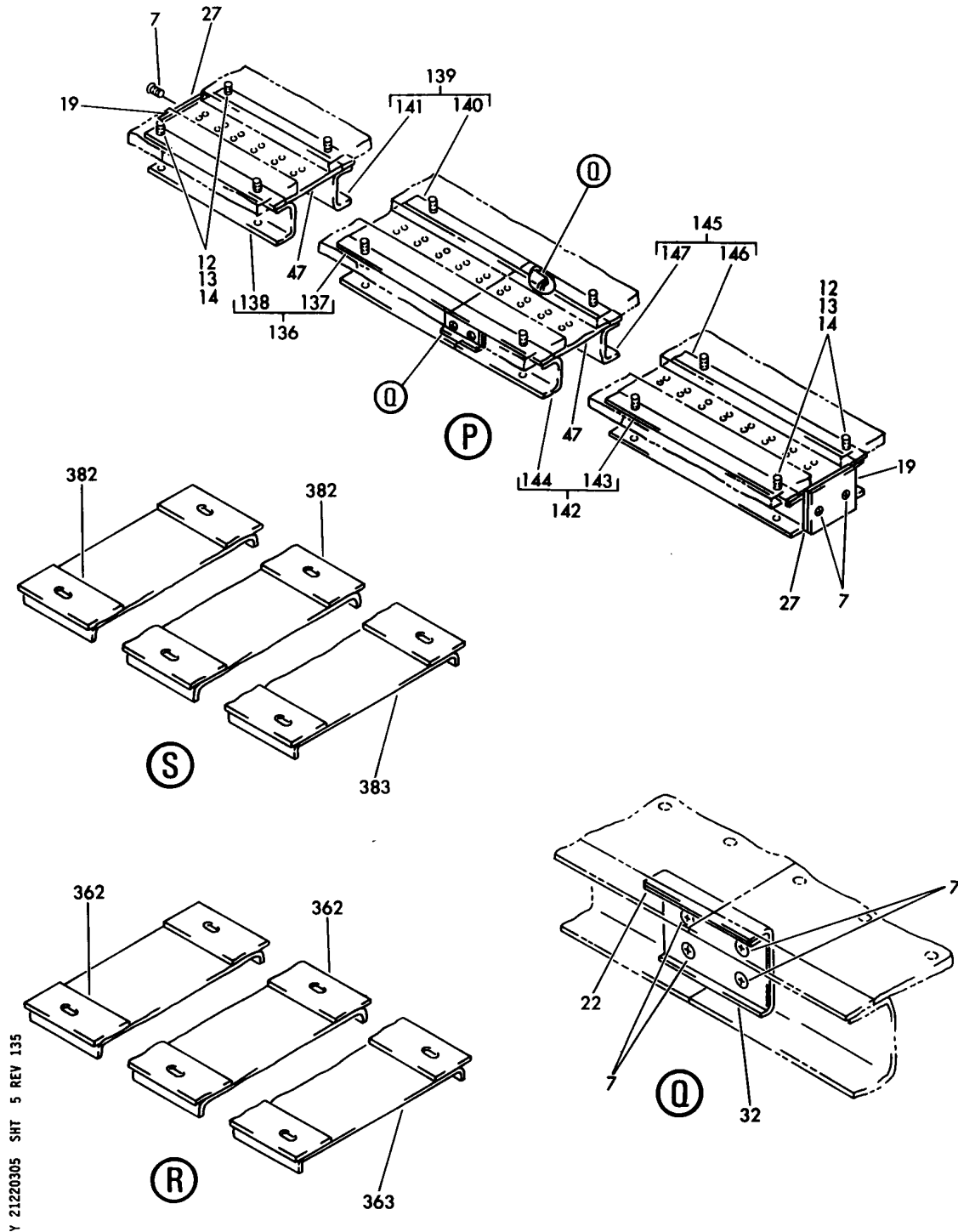
ADAPTOR INSTL-OVERHEAD AIR DISTR SYS
FIGURE 5 (SHEET 4)

21-22-03-05

BRI
MAY 28/07

21-22-03-05
PAGE 0C

BOEING
757
PARTS CATALOG (MAINTENANCE)



ADAPTOR INSTL-OVERHEAD AIR DISTR SYS
FIGURE 5 (SHEET 5)

21-22-03-05



757

PARTS CATALOG (MAINTENANCE)

| FIG ITEM | PART NUMBER | 1 2 3 4 5 6 7 | NOMENCLATURE | EFFECT FROM TO | UNITS PER ASSY |
|----------|--------------|---------------|--|----------------------------|----------------|
| 5 | | | ADAPTOR INSTL-OVERHEAD AIR DISTR SYS | 121503 904949 952952 | |
| - 1 | 214N2004-2 | | ADAPTOR INSTL-OVERHEAD AIR DISTR SYS VARIABLE DRAWING REF: 214N2004-21 FOR NHA SEE: 21-00-00-01 | 121503 904949 | RF |
| 7 | BACS12FA3K7 | | .SCREW- OPTIONAL PART: NAS1801-3-7 | 121503 904949 | 74 |
| 7 | NAS1801-3-7 | | .SCREW- OPTIONAL PART: BACS12FA3K7 | 121503 904949 | 74 |
| 8 | BACS12ER3K20 | | .SCREW | 121503 904949 | 2 |
| 12 | BACS12FA3K20 | | .SCREW- OPTIONAL PART: NAS1801-3-20 | 121503 904949 | 218 |
| 12 | NAS1801-3-20 | | .SCREW- OPTIONAL PART: BACS12FA3K20 | 121503 904949 | 218 |
| 13 | BACW10P136AL | | .WASHER | 121503 904949 | 218 |
| 17 | 69-75995-7 | | .PLATE-COVER | 121503 904949 | 1 |
| 19 | 69-62165-5 | | .COVER-END | 121503 904949 | 14 |
| 22 | 69-61591-4 | | .COVER-JT | 121503 904949 | 10 |
| 27 | 69-61882-15 | | .SEAL- MANUFACTURED FROM: CLOSED CELL SILICONE SPONGE RUBBER PER BMS1-23 FIN F-7.10 1/16 X 2.7 X 1.9IN. | 121503 904949 | 14 |
| 32 | 69-61882-14 | | .SEAL- MANUFACTURED FROM: CLOSED CELL SILICONE SPONGE RUBBER PER BMS1-68 FIN F-7.10 1/16 X 1.8 X 3.7IN. | 121503 904949 | 10 |
| 35 | 214N2131-8 | | .PLATE ASSY-COVER | 121503 904949 | 1 |
| 40 | 214N2131-2 | | .PLATE ASSY-COVER | 121503 904949 | 1 |

MISSING ITEM NUMBERS NOT APPLICABLE

- ITEM NOT ILLUSTRATED

21-22-03-05

21-22-03
FIG. 05
PAGE 1
JAN 20/09

BRI



757

PARTS CATALOG (MAINTENANCE)

| FIG ITEM | PART NUMBER | 1 2 3 4 5 6 7 | NOMENCLATURE | EFFECT FROM TO | UNITS PER ASSY |
|----------|--------------|---------------|--|----------------------------|----------------|
| 5 | | | | | |
| 45 | 214N2124-1 | . | PLATE-RESTRICTOR OPTIONAL PART: 214N2124-5 | 904949 | 11 |
| 45 | 214N2124-5 | . | PLATE-RESTRICTOR OPTIONAL PART: 214N2124-1 | 904949 | 11 |
| 47 | 214N2124-1 | . | PLATE-RESTRICTOR | 121503 904949 | 12 |
| 47 | 214N2124-5 | . | PLATE-RESTRICTOR | 952952 121503 904949 | 12 |
| 76 | 214N2126-107 | . | ADAPTOR ASSY | 952952 121503 | 1 |
| 77 | 69-61882-54 | .. | SEAL | 904949 121503 | 1 |
| 78 | 214N2126-109 | .. | ADAPTOR | 904949 121503 | 1 |
| 79 | 214N2126-108 | . | ADAPTOR ASSY | 904949 121503 | 1 |
| 80 | 69-61882-54 | .. | SEAL | 904949 121503 | 1 |
| 81 | 214N2126-110 | .. | ADAPTOR | 904949 121503 | 1 |
| 106 | 214N2126-87 | . | ADAPTOR ASSY | 904949 121503 | 1 |
| 107 | 69-61882-50 | .. | SEAL | 904949 121503 | 1 |
| 108 | 214N2126-91 | .. | ADAPTOR | 904949 121503 | 1 |
| 109 | 214N2126-88 | . | ADAPTOR ASSY | 904949 121503 | 1 |
| 110 | 69-61882-50 | .. | SEAL | 904949 121503 | 1 |
| 111 | 214N2126-92 | .. | ADAPTOR | 904949 121503 | 1 |
| 136 | 214N2126-53 | . | ADAPTOR ASSY | 904949 121503 | 2 |
| 137 | 69-61882-40 | .. | SEAL | 904949 121503 | 1 |
| 138 | 214N2126-71 | .. | ADAPTOR | 904949 121503 | 1 |
| 139 | 214N2126-54 | . | ADAPTOR ASSY | 904949 121503 | 2 |
| 140 | 69-61882-40 | .. | SEAL | 904949 121503 | 1 |
| 141 | 214N2126-72 | .. | ADAPTOR | 904949 121503 | 1 |

MISSING ITEM NUMBERS NOT APPLICABLE

- ITEM NOT ILLUSTRATED

21-22-03-05

21-22-03
FIG. 05
PAGE 2
JAN 20/09

BRI



BOEING
757
PARTS CATALOG (MAINTENANCE)

| FIG ITEM | PART NUMBER | 1 2 3 4 5 6 7 | NOMENCLATURE | EFFECT FROM TO | UNITS PER ASSY |
|----------|-------------|---------------|--------------|------------------|----------------|
| 5 | | | | | |
| 142 | 214N2126-89 | . | ADAPTOR ASSY | 121503 904949 | 1 |
| 143 | 69-61882-51 | .. | SEAL | 121503 904949 | 1 |
| 144 | 214N2126-93 | .. | ADAPTOR | 121503 904949 | 1 |
| 145 | 214N2126-90 | . | ADAPTOR ASSY | 121503 904949 | 1 |
| 146 | 69-61882-51 | .. | SEAL | 121503 904949 | 1 |
| 147 | 214N2126-94 | .. | ADAPTOR | 121503 904949 | 1 |
| 148 | 214N2126-57 | . | ADAPTOR ASSY | 121503 904949 | 1 |
| 149 | 69-61882-42 | .. | SEAL | 121503 904949 | 1 |
| 150 | 214N2126-75 | .. | ADAPTOR | 121503 904949 | 1 |
| 155 | 214N2126-58 | . | ADAPTOR ASSY | 121503 904949 | 1 |
| 160 | 69-61882-42 | .. | SEAL | 121503 904949 | 1 |
| 165 | 214N2126-76 | .. | ADAPTOR | 121503 904949 | 1 |
| 170 | 214N2126-59 | . | ADAPTOR ASSY | 121503 904949 | 1 |
| 175 | 69-61882-43 | .. | SEAL | 121503 904949 | 1 |
| 180 | 214N2126-77 | .. | ADAPTOR | 121503 904949 | 1 |
| 185 | 214N2126-60 | . | ADAPTOR ASSY | 121503 904949 | 1 |
| 190 | 69-61882-43 | .. | SEAL | 121503 904949 | 1 |
| 195 | 214N2126-78 | .. | ADAPTOR | 121503 904949 | 1 |
| 200 | 214N2126-61 | . | ADAPTOR ASSY | 121503 904949 | 1 |
| 205 | 69-61882-44 | .. | SEAL | 121503 904949 | 1 |
| 210 | 214N2126-79 | .. | ADAPTOR | 121503 904949 | 1 |
| 215 | 214N2126-62 | . | ADAPTOR ASSY | 121503 904949 | 1 |
| 220 | 69-61882-44 | .. | SEAL | 121503 904949 | 1 |
| 225 | 214N2126-80 | .. | ADAPTOR | 121503 904949 | 1 |

MISSING ITEM NUMBERS NOT APPLICABLE

- ITEM NOT ILLUSTRATED

BRI

21-22-03-05

21-22-03
FIG. 05
PAGE 3
JAN 20/09



757

PARTS CATALOG (MAINTENANCE)

| FIG ITEM | PART NUMBER | 1 2 3 4 5 6 7 | NOMENCLATURE | EFFECT FROM TO | UNITS PER ASSY |
|----------|--------------|---------------|---------------|------------------|----------------|
| 5 | | | | | |
| 230 | 214N2126-63 | . | ADAPTOR ASSY | 121503 904949 | 1 |
| 235 | 69-61882-45 | .. | SEAL | 121503 904949 | 1 |
| 240 | 214N2126-81 | .. | ADAPTOR | 121503 904949 | 1 |
| 245 | 214N2126-64 | . | ADAPTOR ASSY | 121503 904949 | 1 |
| 250 | 69-61882-45 | .. | SEAL | 121503 904949 | 1 |
| 255 | 214N2126-82 | .. | ADAPTOR | 121503 904949 | 1 |
| 260 | 214N2126-9 | . | ADAPTOR ASSY | 121503 904949 | 1 |
| 265 | 69-61882-18 | .. | SEAL | 121503 904949 | 1 |
| 270 | 214N2126-23 | .. | ADAPTOR | 121503 904949 | 1 |
| 275 | 214N2126-10 | . | ADAPTOR ASSY | 121503 904949 | 1 |
| 280 | 69-61882-18 | .. | SEAL | 121503 904949 | 1 |
| 285 | 214N2126-24 | .. | ADAPTOR | 121503 904949 | 1 |
| 290 | 214N2126-65 | . | ADAPTOR ASSY | 121503 904949 | 1 |
| 295 | 69-61882-46 | .. | SEAL | 121503 904949 | 1 |
| 300 | 214N2126-83 | .. | ADAPTOR | 121503 904949 | 1 |
| 305 | 214N2126-66 | . | ADAPTOR ASSY | 121503 904949 | 1 |
| 310 | 69-61882-46 | .. | SEAL | 121503 904949 | 1 |
| 315 | 214N2126-84 | .. | ADAPTOR | 121503 904949 | 1 |
| 320 | 214N2126-257 | . | ADAPTOR ASSY- | 121503 904949 | 1 |
| 325 | 69-61882-47 | .. | SEAL | 121503 904949 | 1 |
| 330 | 214N2126-259 | .. | ADAPTOR- | 121503 904949 | 1 |
| 335 | 214N2126-258 | . | ADAPTOR ASSY- | 121503 904949 | 1 |
| 340 | 69-61882-47 | .. | SEAL | 121503 904949 | 1 |
| 345 | 214N2126-260 | .. | ADAPTOR- | 121503 904949 | 1 |

MISSING ITEM NUMBERS NOT APPLICABLE

- ITEM NOT ILLUSTRATED

21-22-03-05

21-22-03
FIG. 05
PAGE 4
JAN 20/09

BRI

BOEING PROPRIETARY - Copyright © - Unpublished Work - See title page for details.


BOEING
 757
PARTS CATALOG (MAINTENANCE)

| FIG ITEM | PART NUMBER | 1 2 3 4 5 6 7 | NOMENCLATURE | EFFECT FROM TO | UNITS PER ASSY |
|-------------|-------------|---------------|------------------|-------------------|----------------------|
| 5 | | | | | |
| 361 | 214N2160-23 | . | PLATE ASSY-COVER | 121503 904949 | 1 |
| 362 | 214N2152-22 | .. | SEAL- | 121503 904949 | 2 |
| 363 | 214N2160-24 | .. | PLATE- | 121503 904949 | 1 |
| 381 | 214N2160-15 | . | PLATE ASSY-COVER | 121503 904949 | 1 |
| 382 | 214N2152-14 | .. | SEAL | 121503 904949 | 2 |
| 383 | 214N2160-16 | .. | PLATE | 121503 904949 | 1 |
| 405 | 214N2160-1 | . | PLATE ASSY-COVER | 121503 904949 | 1 |
| 410 | 214N2152-7 | .. | SEAL | 121503 904949 | 2 |
| 415 | 214N2160-2 | .. | PLATE | 121503 904949 | 1 |
| 420 | 214N2160-5 | . | PLATE ASSY-COVER | 121503 904949 | 1 |
| 425 | 214N2152-1 | .. | SEAL | 121503 904949 | 1 |
| 430 | 214N2152-9 | .. | SEAL | 121503 904949 | 2 |
| 435 | 214N2160-6 | .. | PLATE | 121503 904949 | 1 |
| 440 | 214N2160-7 | . | PLATE ASSY-COVER | 121503 904949 | 1 |
| 445 | 214N2152-10 | .. | SEAL | 121503 904949 | 2 |
| 450 | 214N2160-8 | .. | PLATE | 121503 904949 | 1 |
| 455 | 214N2160-73 | . | PLATE ASSY-COVER | 121503 904949 | 1 |
| 460 | 214N2160-57 | .. | SEAL- | 121503 904949 | 1 |
| 465 | 214N2160-74 | .. | PLATE- | 121503 904949 | 1 |

MISSING ITEM NUMBERS NOT APPLICABLE

— ITEM NOT ILLUSTRATED

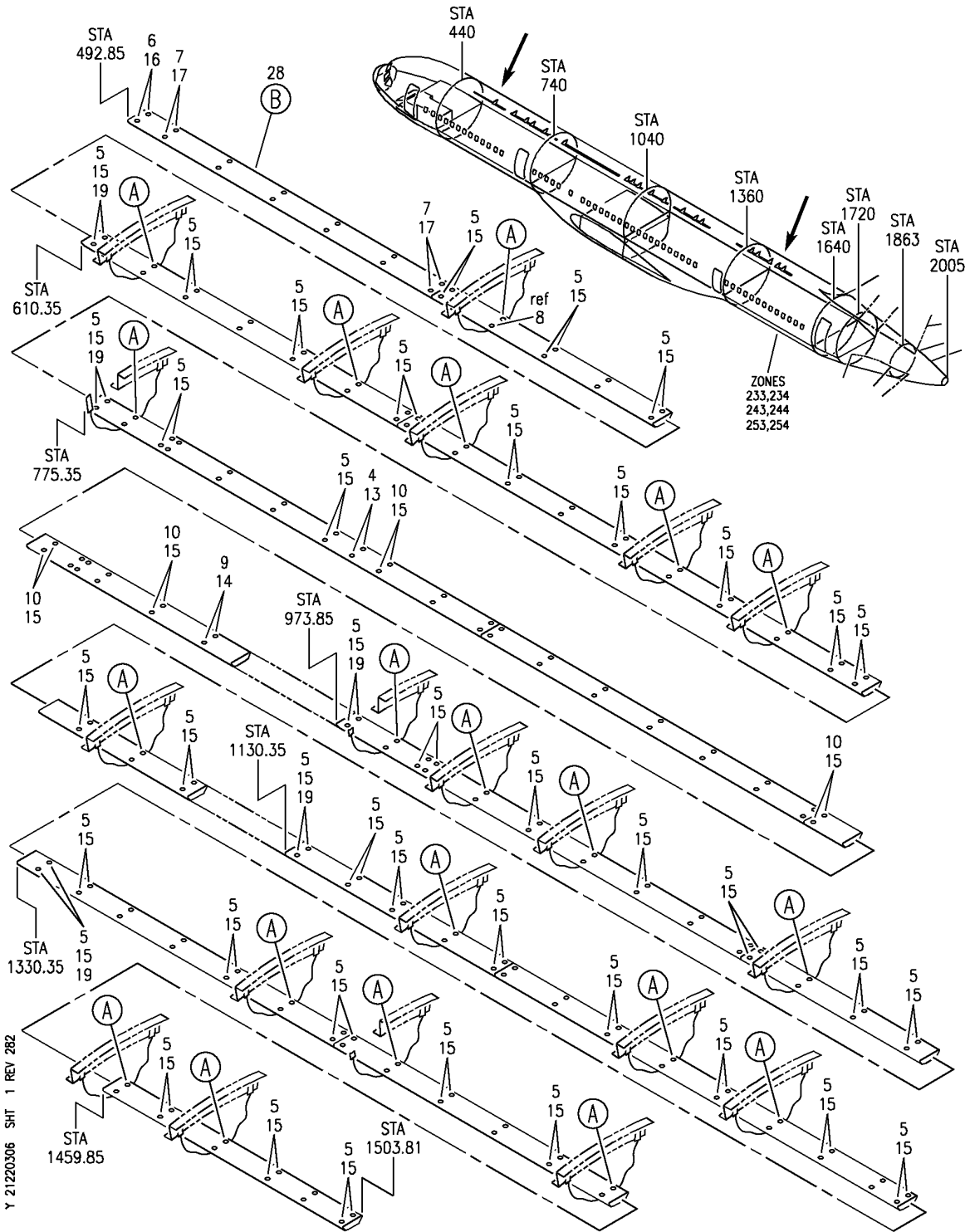
BRI

21-22-03-05

BOEING PROPRIETARY - Copyright © - Unpublished Work - See title page for details.

21-22-03
 FIG. 05
 PAGE 5
 JAN 20/09

BOEING
757
PARTS CATALOG (MAINTENANCE)



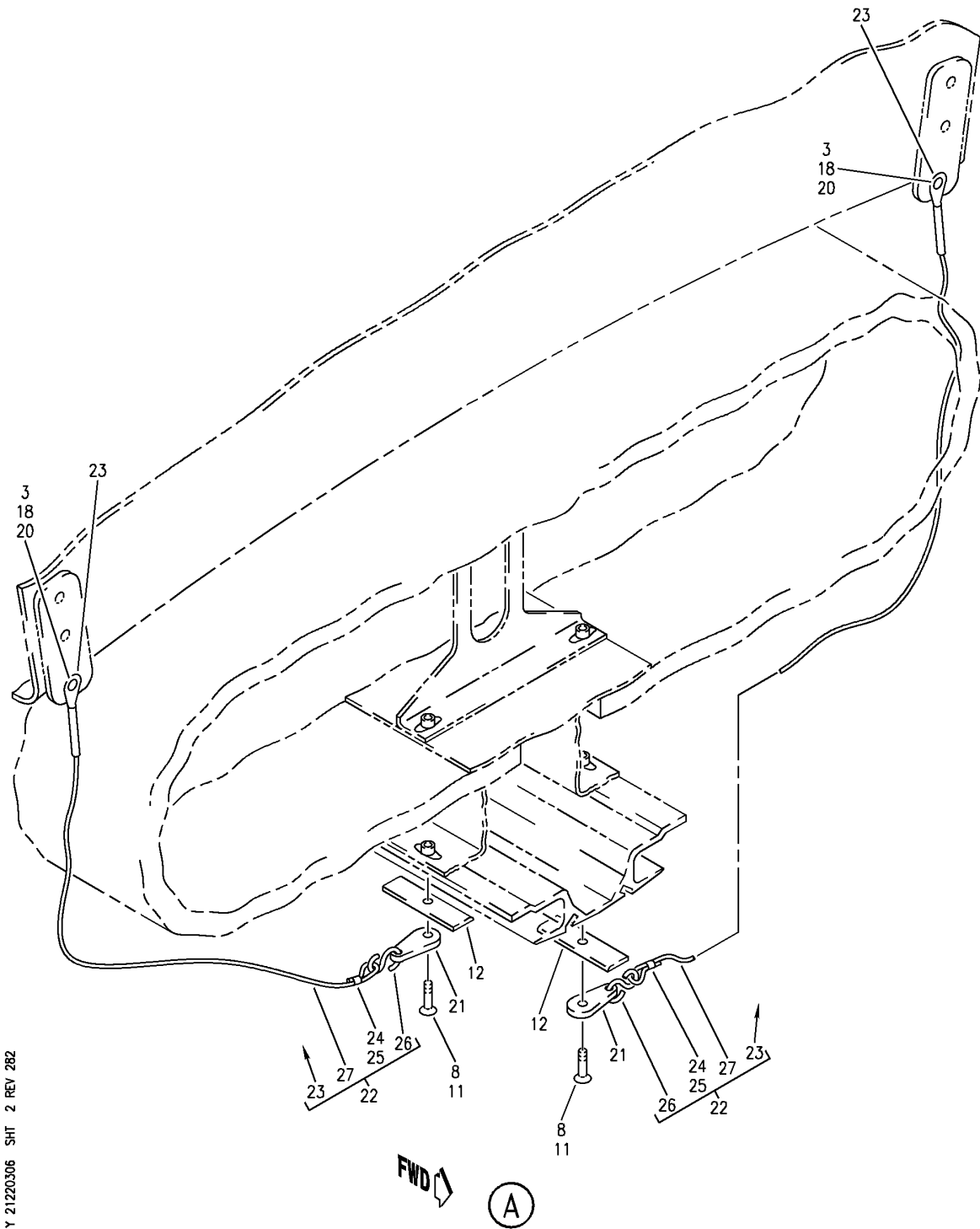
NOZZLE INSTL-OVERHEAD AIR DISTR SYS
FIGURE 6 (SHEET 1)

BRI
MAY 28/07

21-22-03-06

21-22-03-06
PAGE 0

BOEING
757
PARTS CATALOG (MAINTENANCE)



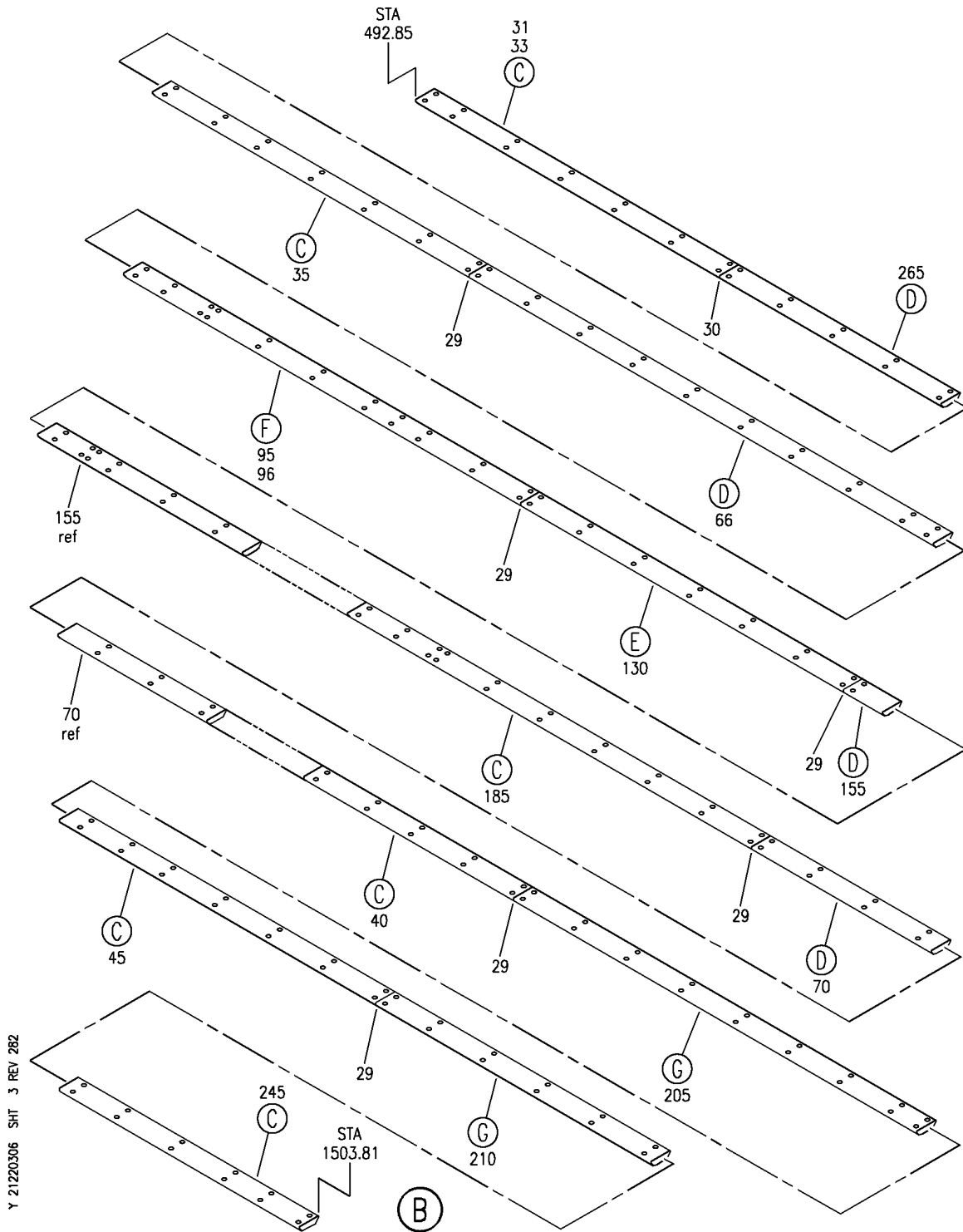
NOZZLE INSTL-OVERHEAD AIR DISTR SYS
FIGURE 6 (SHEET 2)

21-22-03-06

BRI
MAY 28/07

21-22-03-06
PAGE 0A

BOEING
757
PARTS CATALOG (MAINTENANCE)



Y 21220306 SHT 3 REV 2B2

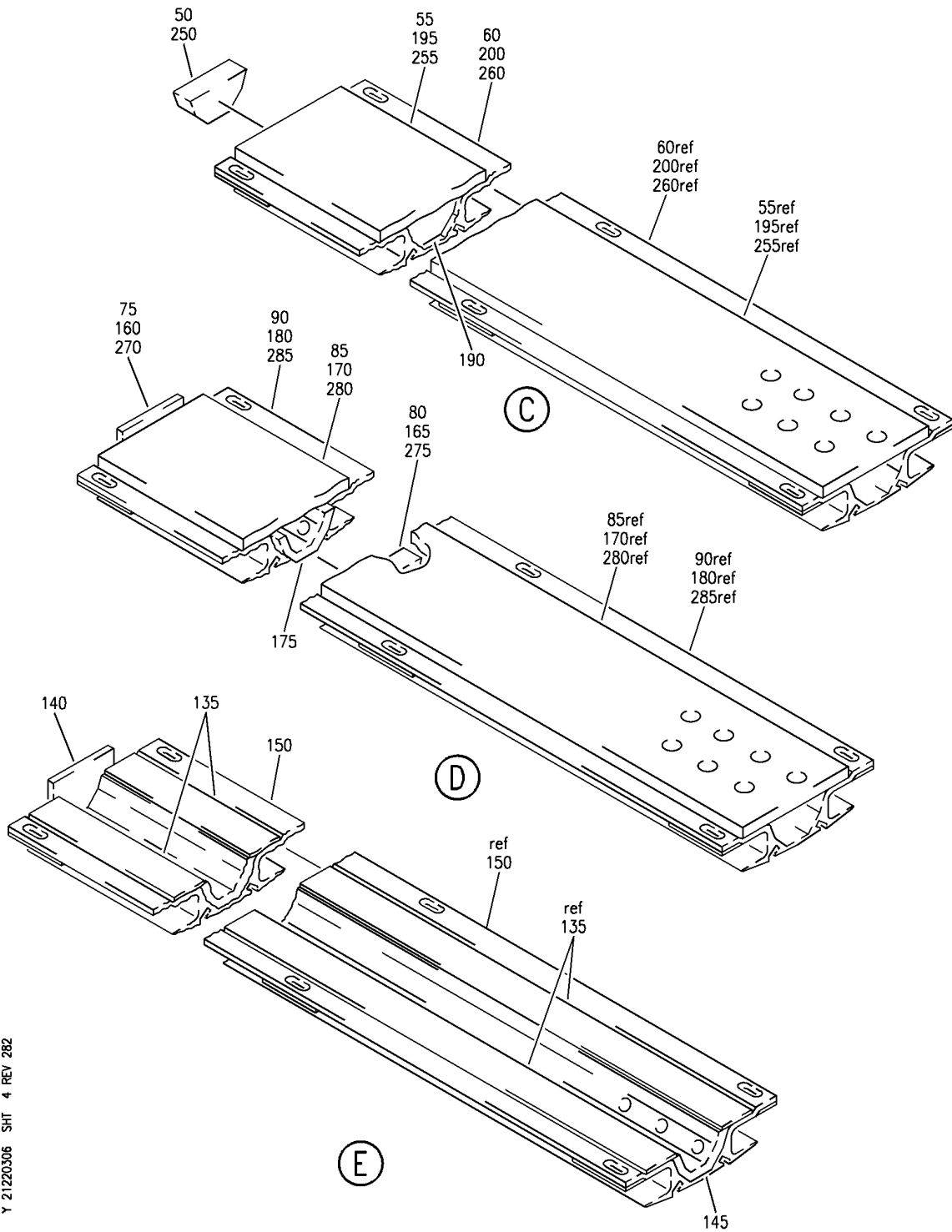
NOZZLE INSTL-OVERHEAD AIR DISTR SYS
FIGURE 6 (SHEET 3)

21-22-03-06

BRI
MAY 28/07

21-22-03-06
PAGE 0B

BOEING
757
PARTS CATALOG (MAINTENANCE)



Y 21220306 SHT 4 REV 2B2

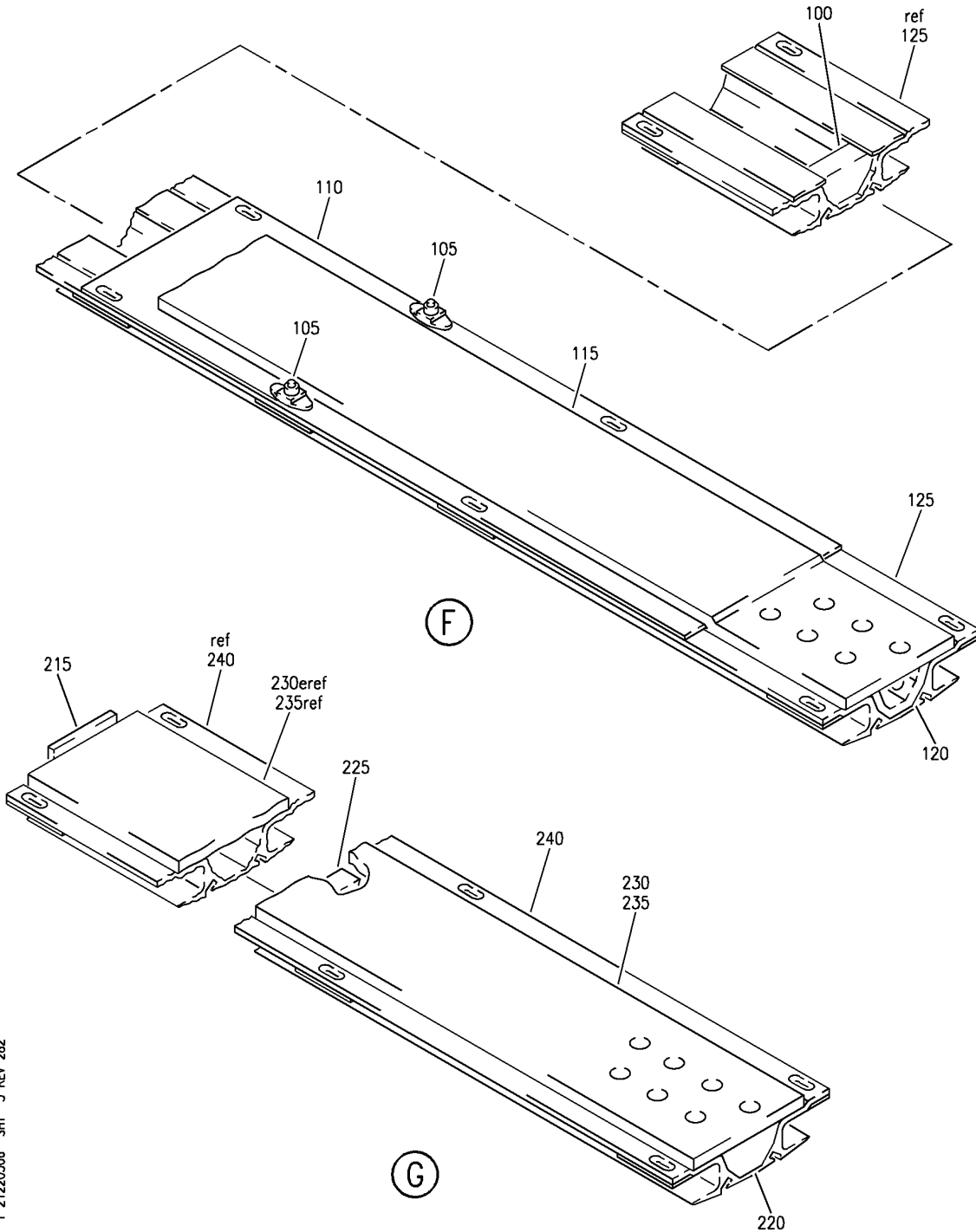
NOZZLE INSTL-OVERHEAD AIR DISTR SYS
FIGURE 6 (SHEET 4)

21-22-03-06

BRI
MAY 28/07

21-22-03-06
PAGE 0C

BOEING
757
PARTS CATALOG (MAINTENANCE)



Y 21220306 SHT 5 REV 2B2

NOZZLE INSTL-OVERHEAD AIR DISTR SYS
FIGURE 6 (SHEET 5)

21-22-03-06

BRI
MAY 28/07

21-22-03-06
PAGE 0D



757

PARTS CATALOG (MAINTENANCE)

| FIG ITEM | PART NUMBER | 1 2 3 4 5 6 7 | NOMENCLATURE | EFFECT FROM TO | UNITS PER ASSY |
|----------|---------------|---------------|---|------------------|----------------|
| 6 | | | NOZZLE INSTL-OVERHEAD AIR DISTR SYS | 121503 904949 | |
| - 1 | 214N2005-47 | | NOZZLE INSTL-OVERHEAD AIR DISTR SYS FOR NHA SEE: 21-00-00-01 | 904949 | RF |
| - 1 | 214N2005-48 | | NOZZLE INSTL-OVERHEAD AIR DISTR SYS FOR NHA SEE: 21-00-00-01 | 121503 | RF |
| 3 | BACB30NM3K2 | | .BOLT- POST SERVICE BULLETIN: 21-0088 | 121503 904949 | 40 |
| 4 | BACS12FA3K11 | | .SCREW | 904949 | 2 |
| 5 | BACS12FA3K11 | | .SCREW | 121503 904949 | 118 |
| 7 | BACS12FA3K11 | | .SCREW | 121503 904949 | 12 |
| 8 | BACS12FA3K11 | | .SCREW- PRE SERVICE BULLETIN: 21-0088 | 904949 | 2 |
| 8 | BACB30VF3K5 | | .BOLT- POST SERVICE BULLETIN: 21-0088 | 121503 904949 | 2 |
| 9 | BACS12FA3K26 | | .SCREW | 904949 | 2 |
| 10 | BACS12FA3K26 | | .SCREW- | 121503 904949 | 32 |
| 11 | BACS12FA3K11 | | .SCREW- PRE SERVICE BULLETIN: 21-0088 | 904949 | 38 |
| 11 | BACB30VF3K5 | | .BOLT- POST SERVICE BULLETIN: 21-0088 | 121503 904949 | 38 |
| 12 | 69-47875-4 | | .WASHER- POST SERVICE BULLETIN: 21-0088 | 121503 904949 | 40 |
| 13 | AN960JD11 | | .WASHER | 904949 | 2 |
| 14 | AN960JD11 | | .WASHER | 904949 | 2 |
| 15 | AN960JD11 | | .WASHER | 121503 904949 | 150 |
| 17 | AN960JD11 | | .WASHER | 121503 904949 | 12 |
| 18 | NAS1149D0332J | | .WASHER- POST SERVICE BULLETIN: 21-0088 | 121503 904949 | 40 |
| 19 | MS21042L3 | | .NUT | 121503 904949 | 10 |

MISSING ITEM NUMBERS NOT APPLICABLE

- ITEM NOT ILLUSTRATED

21-22-03-06

21-22-03
FIG. 06
PAGE 1
JAN 20/09

BRI



757

PARTS CATALOG (MAINTENANCE)

| FIG ITEM | PART NUMBER | 1 2 3 4 5 6 7 | NOMENCLATURE | EFFECT FROM TO | UNITS PER ASSY |
|----------|------------------|---------------|--|------------------|----------------|
| 6 | 20 PLH53CD | | .NUT- SUPPLIER CODE: VF0224 SPECIFICATION NUMBER: BACN10YR3CD OPTIONAL PART: H52732-3CD V15653 POST SERVICE BULLETIN: 21-0088 | 121503 904949 | 40 |
| | 21 214N2113-10 | | .BRACKET-LANYARD HOOK POST SERVICE BULLETIN: 21-0088 | 121503 904949 | 40 |
| | 22 214N2030-1 | | .LANYARD ASSY- POST SERVICE BULLETIN: 21-0088 | 121503 904949 | 40 |
| | 23 MS20668-2 | | ..TERMINAL | 121503 904949 | 1 |
| | 24 MS51844-62 | | ..SLEEVE | 121503 904949 | 1 |
| | 25 BACT63C01 | | ..TUBING | 121503 904949 | 1 |
| | 26 214N2113-11 | | ..BRACKET | 121503 904949 | 1 |
| | 27 214N2030-2 | | ..CABLE | 121503 904949 | 1 |
| | 28 214N2005-50SP | | .NOZZLE ASSY-SET | 121503 | 1 |
| | 28 214N2005-87SP | | .NOZZLE ASSY-SET | 904949 | 1 |
| | 29 69-42789-1 | | ..COVER-GAP | 121503 904949 | 6 |
| | 30 69-42789-1 | | ..COVER-GAP | 121503 904949 | 1 |
| | 33 214N2122-140 | | ..NOZZLE ASSY- | 904949 | 1 |
| | 33 214N2122-141 | | ..NOZZLE ASSY- | 121503 | 1 |
| | 35 214N2122-36 | | ..NOZZLE ASSY- | 904949 | 1 |
| | 35 214N2122-80 | | ..NOZZLE ASSY- | 121503 | 1 |
| | 40 214N2122-42 | | ..NOZZLE ASSY- | 904949 | 1 |
| | 40 214N2122-86 | | ..NOZZLE ASSY- | 121503 | 1 |
| | 45 214N2122-36 | | ..NOZZLE ASSY- | 904949 | 1 |
| | 45 214N2122-80 | | ..NOZZLE ASSY- | 121503 | 1 |
| | 50 69-71974-1 | | ...SEAL | 121503 904949 | 1 |
| | 55 214N2123-1 | | ...BAFFLE | 121503 904949 | 1 |
| | 60 214N2122-47 | | ...NOZZLE- USED ON: 214N2122-36 | 904949 | 1 |

MISSING ITEM NUMBERS NOT APPLICABLE

- ITEM NOT ILLUSTRATED

21-22-03-06

21-22-03
FIG. 06
PAGE 2
JAN 20/09

BRI



757

PARTS CATALOG (MAINTENANCE)

| FIG ITEM | PART NUMBER | 1 2 3 4 5 6 7 | NOMENCLATURE | EFFECT FROM TO | UNITS PER ASSY |
|----------|--------------|---------------|-------------------------------------|------------------|----------------|
| 6 | | | | | |
| 60 | 214N2122-47 | ... | NOZZLE- USED ON: 214N2122-36 | 904949 | 1 |
| 60 | 214N2122-53 | ... | NOZZLE- USED ON: 214N2122-42 | 904949 | 1 |
| 60 | 214N2122-106 | ... | NOZZLE- USED ON: 214N2122-80 | 121503 | 1 |
| 60 | 214N2122-112 | ... | NOZZLE- USED ON: 214N2122-86 | 121503 | 1 |
| 60 | 214N2122-143 | ... | NOZZLE- USED ON: 214N2122-141 | 121503 | 1 |
| 60 | 214N2122-142 | ... | NOZZLE- USED ON: 214N2122-140 | 904949 | 1 |
| 66 | 214N2122-58 | .. | NOZZLE ASSY- | 904949 | 1 |
| 66 | 214N2122-91 | .. | NOZZLE ASSY- | 121503 | 1 |
| 70 | 214N2122-41 | .. | NOZZLE ASSY- | 904949 | 1 |
| 70 | 214N2122-85 | .. | NOZZLE ASSY- | 121503 | 1 |
| 75 | 66-14522-1 | ... | SEAL | 121503 | 1 |
| 80 | 69-71974-1 | ... | SEAL | 904949 121503 | 1 |
| 85 | 214N2123-1 | ... | BAFFLE | 904949 121503 | 2 |
| 90 | 214N2122-52 | ... | NOZZLE- USED ON: 214N2122-41 | 904949 | 1 |
| 90 | 214N2122-60 | ... | NOZZLE- USED ON: 214N2122-58 | 904949 | 1 |
| 90 | 214N2122-111 | ... | NOZZLE- USED ON: 214N2122-85 | 121503 | 1 |
| 90 | 214N2122-117 | ... | NOZZLE- USED ON: 214N2122-91 | 121503 | 1 |
| 95 | 214N2122-38 | .. | NOZZLE ASSY- | 904949 | 1 |
| 96 | 214N2122-82 | .. | NOZZLE ASSY- | 121503 | 1 |
| 100 | 69-71974-1 | ... | SEAL | 121503 904949 | 1 |
| 105 | BACS12ER3K9 | ... | SCREW | 121503 904949 | 2 |
| 110 | 214N2159-1 | ... | PLATE ASSY | 121503 904949 | 1 |

MISSING ITEM NUMBERS NOT APPLICABLE

- ITEM NOT ILLUSTRATED

21-22-03-06

21-22-03
FIG. 06
PAGE 3
JAN 20/09

BRI



757

PARTS CATALOG (MAINTENANCE)

| FIG ITEM | PART NUMBER | 1 2 3 4 5 6 7 | NOMENCLATURE | EFFECT FROM TO | UNITS PER ASSY |
|----------|--------------|---------------|---------------------------------------|------------------|----------------|
| 6 | | | | | |
| 115 | 214N2123-1 | ... | BAFFLE | 121503 904949 | 1 |
| 120 | 214N2123-3 | ... | BAFFLE | 121503 904949 | 1 |
| 125 | 214N2122-49 | ... | NOZZLE- | 904949 | 1 |
| 125 | 214N2122-108 | ... | NOZZLE- | 121503 | 1 |
| 130 | 214N2122-27 | .. | NOZZLE ASSY- | 121503 904949 | 1 |
| 130 | 214N2122-69 | .. | NOZZLE ASSY- | 121503 904949 | 1 |
| 135 | 214N2122-34 | ... | SEAL | 121503 904949 | 2 |
| 140 | 66-14522-1 | ... | SEAL | 121503 904949 | 1 |
| 145 | 214N2123-3 | ... | BAFFLE | 121503 904949 | 1 |
| 150 | 65-57176-75 | ... | NOZZLE- | 904949 | 1 |
| 150 | 214N2122-94 | ... | NOZZLE- | 121503 | 1 |
| 155 | 214N2122-39 | .. | NOZZLE ASSY- | 904949 | 1 |
| 155 | 214N2122-83 | .. | NOZZLE ASSY- | 121503 | 1 |
| 160 | 66-14522-1 | ... | SEAL | 121503 904949 | 1 |
| 165 | 69-71974-1 | ... | SEAL | 121503 904949 | 1 |
| 170 | 214N2123-1 | ... | BAFFLE | 121503 904949 | 1 |
| 175 | 214N2123-3 | ... | BAFFLE | 121503 904949 | 1 |
| 180 | 214N2122-50 | ... | NOZZLE- | 904949 | 1 |
| 180 | 214N2122-109 | ... | NOZZLE- | 121503 | 1 |
| 185 | 214N2122-40 | .. | NOZZLE ASSY- | 904949 | 1 |
| 185 | 214N2122-84 | .. | NOZZLE ASSY- | 121503 | 1 |
| 190 | 69-71974-1 | ... | SEAL | 121503 904949 | 1 |
| 195 | 214N2123-1 | ... | BAFFLE | 121503 904949 | 2 |
| 200 | 214N2122-51 | ... | NOZZLE- | 904949 | 1 |
| 200 | 214N2122-110 | ... | NOZZLE- | 121503 | 1 |
| 205 | 214N2122-1 | .. | NOZZLE ASSY- | 904949 | 1 |
| 205 | 214N2122-72 | .. | NOZZLE ASSY- | 121503 | 1 |
| 210 | 214N2122-44 | .. | NOZZLE ASSY- | 904949 | 1 |
| 210 | 214N2122-88 | .. | NOZZLE ASSY- | 121503 | 1 |
| 215 | 66-14522-1 | ... | SEAL | 121503 904949 | 1 |
| 220 | 69-71974-1 | ... | SEAL- | 121503 | 1 |
| | | | USED ON: 214N2122-1 214N2122-72 | 904949 | |

MISSING ITEM NUMBERS NOT APPLICABLE

- ITEM NOT ILLUSTRATED

21-22-03-06

21-22-03
FIG. 06
PAGE 4
JAN 20/09

BRI



757

PARTS CATALOG (MAINTENANCE)

| FIG ITEM | PART NUMBER | 1 2 3 4 5 6 7 | NOMENCLATURE | EFFECT FROM TO | UNITS PER ASSY |
|----------|--------------|---------------|------------------------------------|------------------|----------------|
| 6 | | | | | |
| 225 | 69-71974-1 | ... | SEAL- USED ON: 214N2122-44 | 904949 | 1 |
| 230 | 214N2123-2 | ... | BAFFLE- USED ON: 214N2122-1 | 121503 904949 | 1 |
| 235 | 214N2123-1 | ... | BAFFLE- USED ON: 214N2122-44 | 121503 904949 | 1 |
| 240 | 214N2122-7 | ... | NOZZLE- USED ON: 214N2122-1 | 904949 | 1 |
| 240 | 214N2122-55 | ... | NOZZLE- USED ON: 214N2122-44 | 904949 | 1 |
| 240 | 214N2122-100 | ... | NOZZLE- USED ON: 214N2122-72 | 121503 | 1 |
| 240 | 214N2122-114 | ... | NOZZLE- USED ON: 214N2122-88 | 121503 | 1 |
| 245 | 214N2122-45 | .. | NOZZLE ASSY- | 904949 | 1 |
| 245 | 214N2122-89 | .. | NOZZLE ASSY- | 121503 | 1 |
| 250 | 69-71974-1 | ... | SEAL | 121503 | 2 |
| 255 | 214N2123-1 | ... | BAFFLE | 904949 121503 | 1 |
| 260 | 214N2122-56 | ... | NOZZLE- | 904949 | 1 |
| 260 | 214N2122-115 | ... | NOZZLE- | 121503 | 1 |
| 265 | 214N2122-57 | .. | NOZZLE ASSY- | 904949 | 1 |
| 265 | 214N2122-90 | .. | NOZZLE ASSY- | 121503 | 1 |
| 270 | 66-14522-1 | ... | SEAL | 121503 | 1 |
| 275 | 69-71974-1 | ... | SEAL | 904949 121503 | 1 |
| 280 | 214N2123-1 | ... | BAFFLE | 121503 904949 | 1 |
| 285 | 214N2122-59 | ... | NOZZLE- | 904949 | 1 |
| 285 | 214N2122-116 | ... | NOZZLE- | 121503 | 1 |

MISSING ITEM NUMBERS NOT APPLICABLE

- ITEM NOT ILLUSTRATED

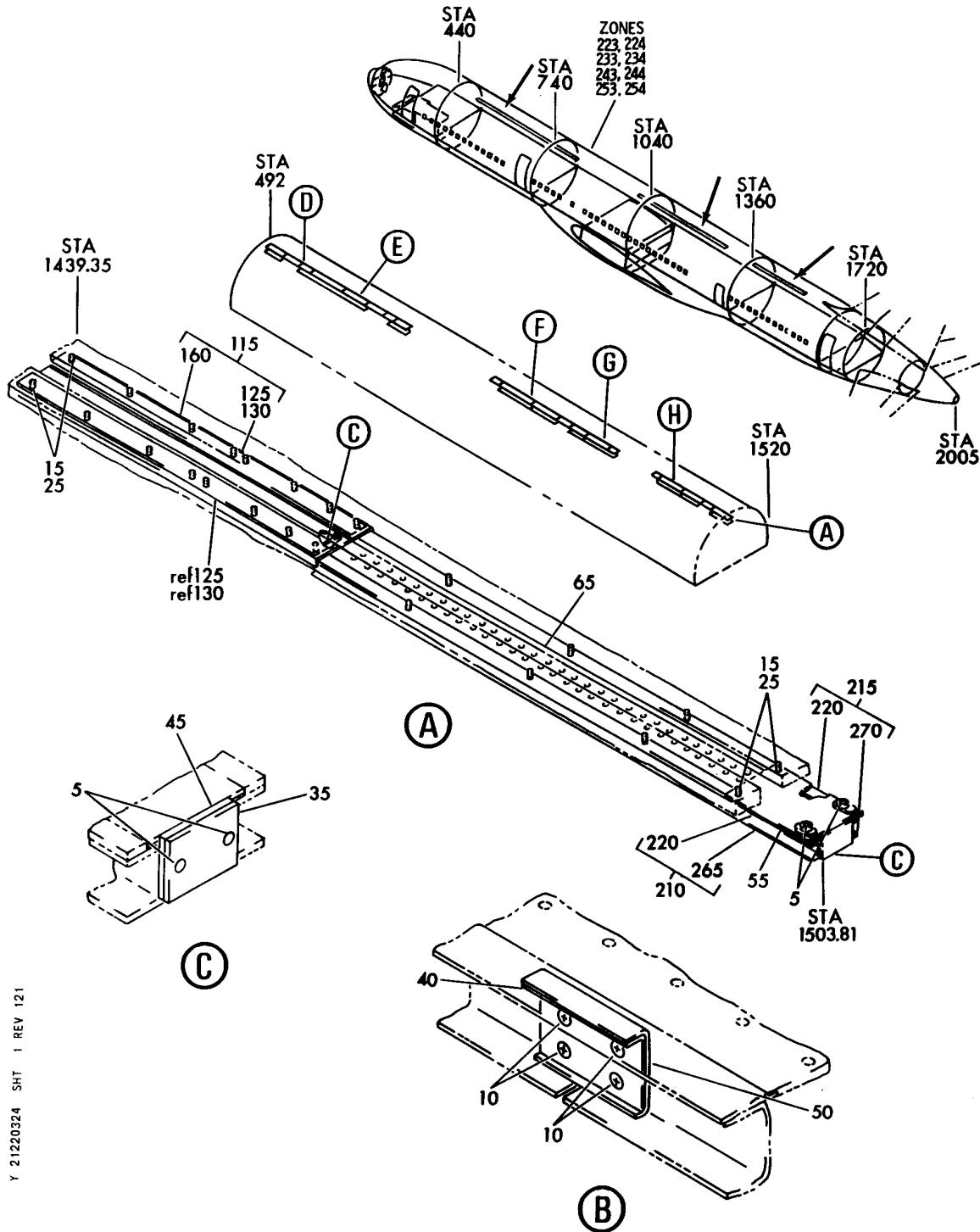
21-22-03-06

21-22-03
FIG. 06
PAGE 5
JAN 20/09

BRI

BOEING PROPRIETARY - Copyright © - Unpublished Work - See title page for details.

BOEING
757
PARTS CATALOG (MAINTENANCE)



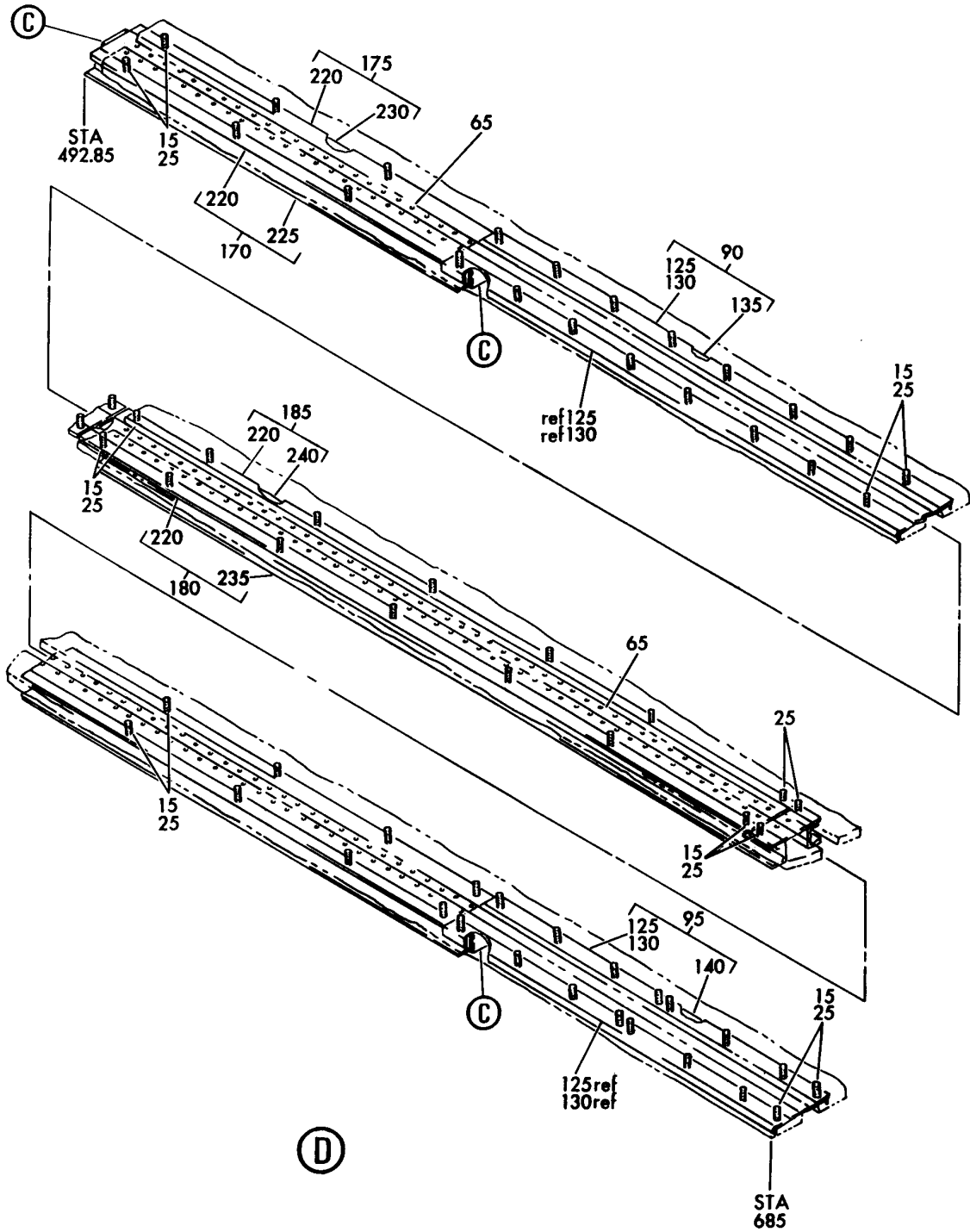
ADAPTOR INSTL-OVERHEAD AIR DISTR SYS
FIGURE 24 (SHEET 1)

21-22-03-24

BRI
MAY 28/07

21-22-03-24
PAGE 0


BOEING
 757
PARTS CATALOG (MAINTENANCE)



Y 21220324 SHT 2 REV 121

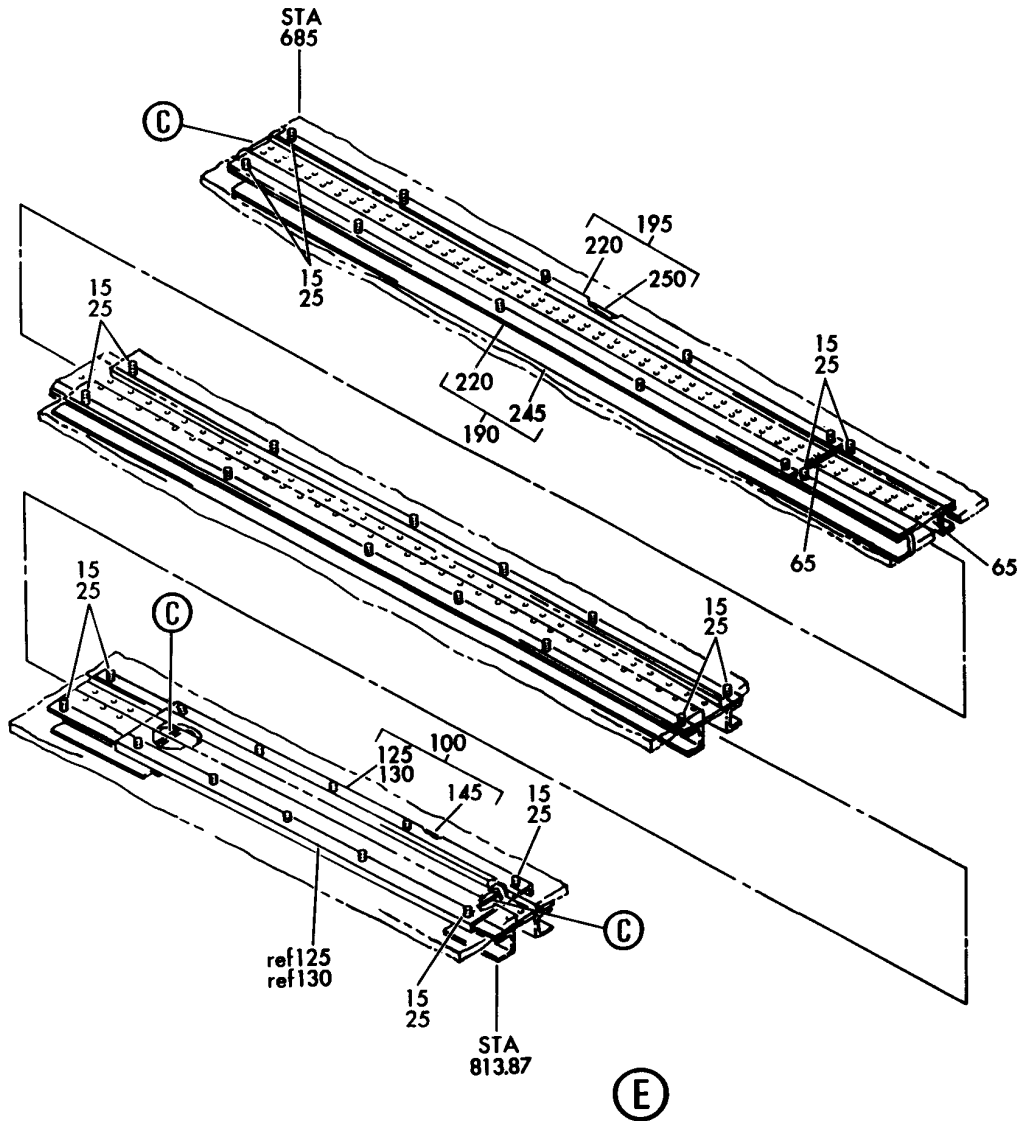
ADAPTOR INSTL-OVERHEAD AIR DISTR SYS
FIGURE 24 (SHEET 2)

21-22-03-24

BRI
MAY 28/07

21-22-03-24
PAGE 0A

BOEING
757
PARTS CATALOG (MAINTENANCE)



Y 21220324 SHT 3 REV 121

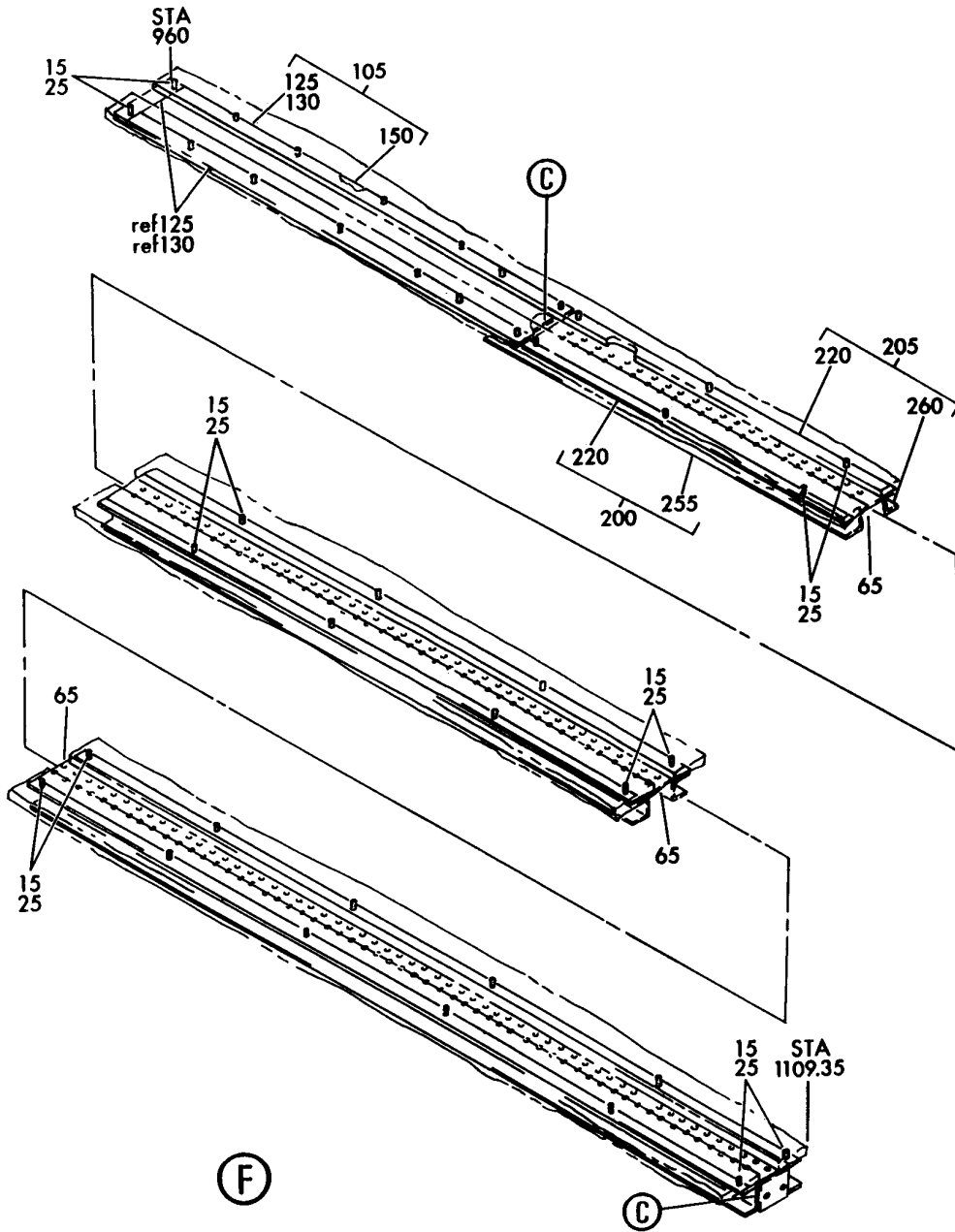
ADAPTOR INSTL-OVERHEAD AIR DISTR SYS
FIGURE 24 (SHEET 3)

21-22-03-24

BRI
MAY 28/07

21-22-03-24
PAGE 0B

BOEING
757
PARTS CATALOG (MAINTENANCE)



Y 21220324 SHT 4 REV 121

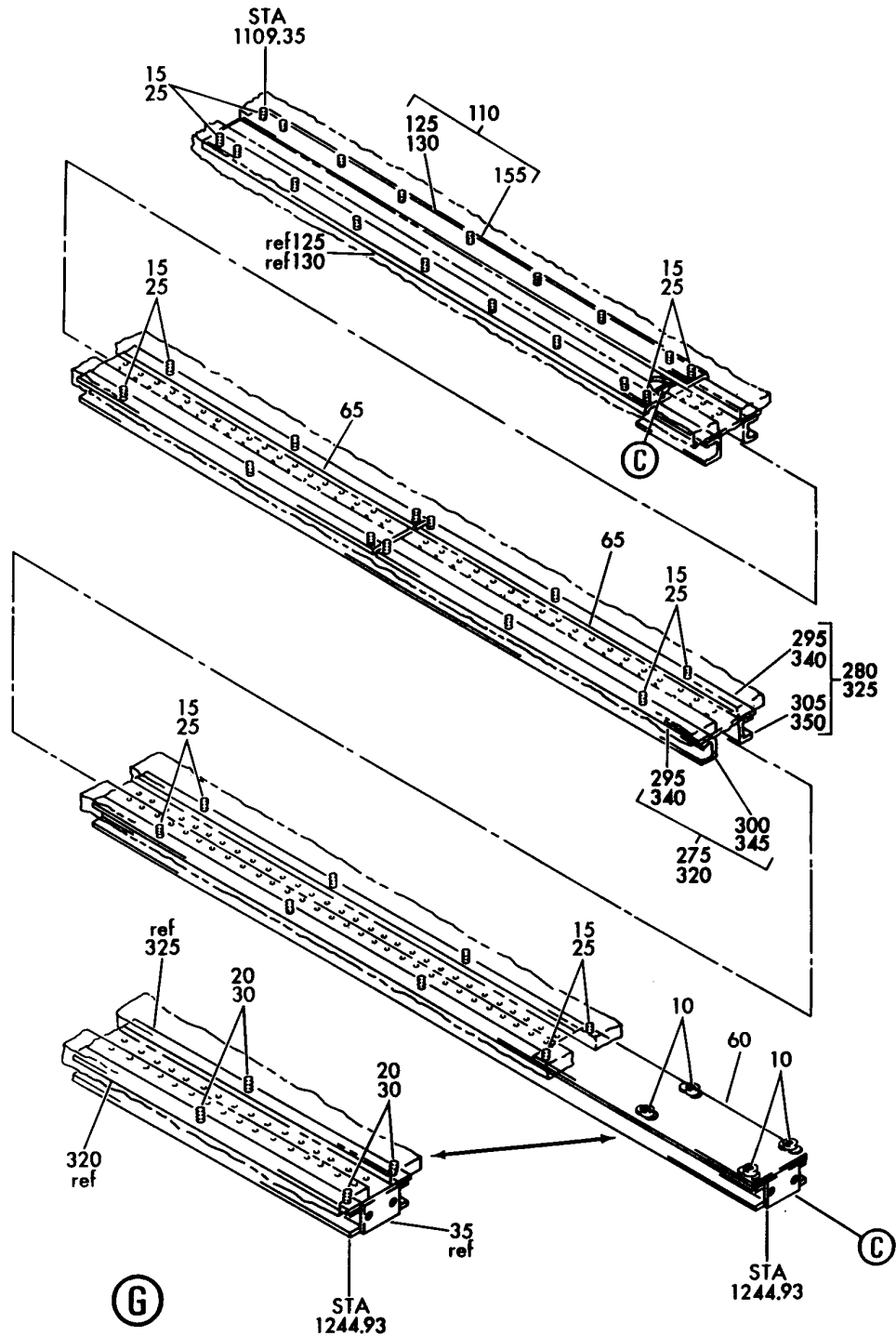
ADAPTOR INSTL-OVERHEAD AIR DISTR SYS
FIGURE 24 (SHEET 4)

21-22-03-24

BRI
MAY 28/07

21-22-03-24
PAGE 0C

BOEING
757
PARTS CATALOG (MAINTENANCE)



Y 21220324 SHT 5 REV 121

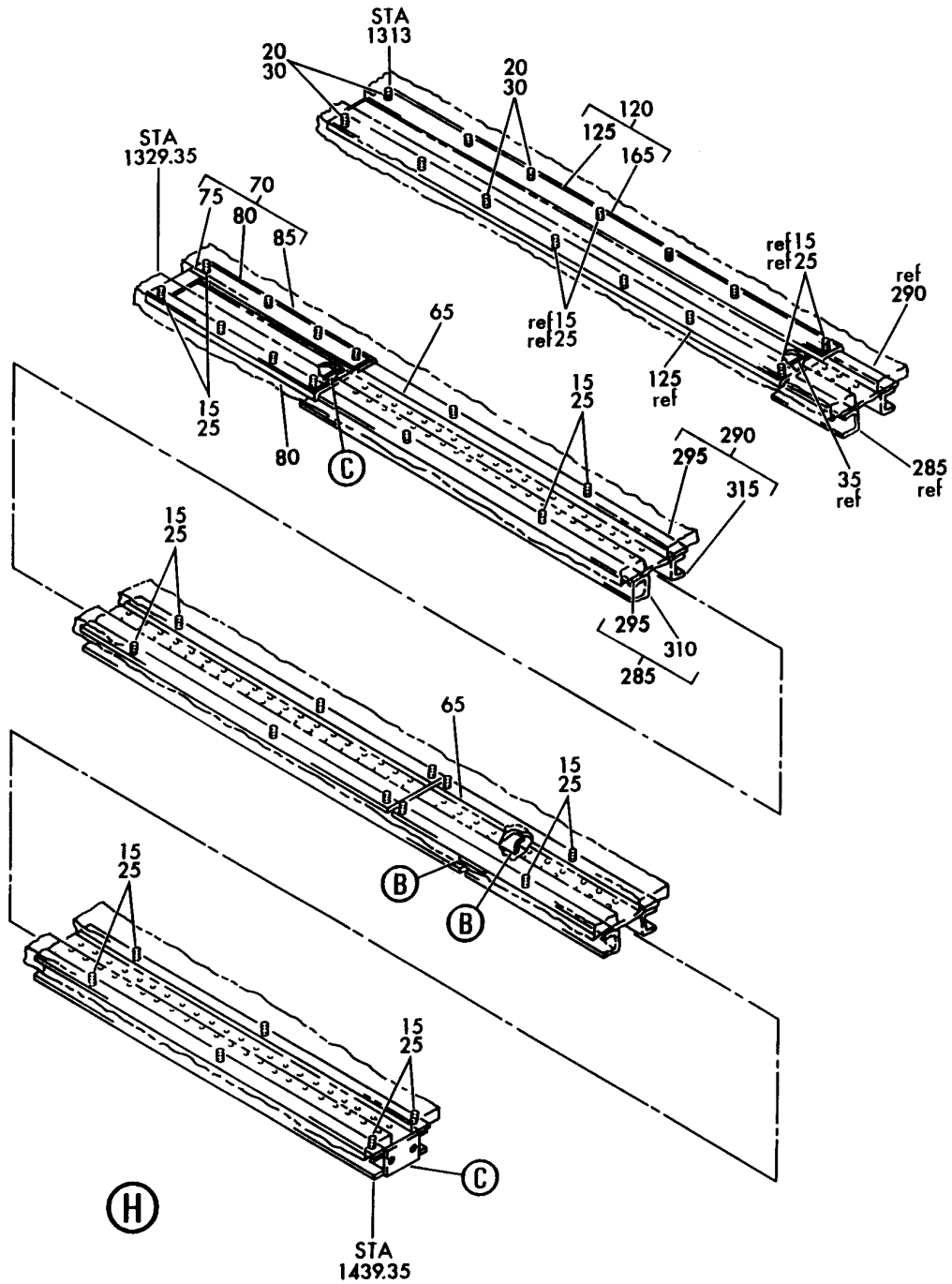
ADAPTOR INSTL-OVERHEAD AIR DISTR SYS
FIGURE 24 (SHEET 5)

21-22-03-24

BRI
MAY 28/07

21-22-03-24
PAGE 0D

BOEING
757
PARTS CATALOG (MAINTENANCE)



Y 21220324 SHT 6 REV 128

ADAPTOR INSTL-OVERHEAD AIR DISTR SYS
FIGURE 24 (SHEET 6)

21-22-03-24

BRI
MAY 28/07

21-22-03-24
PAGE 0E



757

PARTS CATALOG (MAINTENANCE)

| FIG ITEM | PART NUMBER | 1 2 3 4 5 6 7 | NOMENCLATURE | EFFECT FROM TO | UNITS PER ASSY |
|----------|--------------|---------------|--|----------------------------|----------------|
| 24 | | | ADAPTOR INSTL-OVERHEAD AIR DISTR SYS | 002004 006010 952999 | |
| - 1 | 214N2004-2 | | ADAPTOR INSTL-OVERHEAD AIR DISTR SYS VARIABLE DRAWING REF: 214N2004-29 FOR NHA SEE: 21-00-00-01 | 002004 952952 | RF |
| - 1 | 214N2004-31 | | ADAPTOR INSTL-OVERHEAD AIR DISTR SYS VARIABLE DRAWING REF: 214N2004-47 FOR NHA SEE: 21-00-00-01 | 006010 953999 | RF |
| 5 | BACS12FA3K7 | | .SCREW- | 002004 952952 | 30 |
| 5 | BACS12GU3K7 | | .SCREW- | 006010 953999 | 30 |
| 10 | BACS12FA3K7 | | .SCREW- OPTIONAL PART: NAS1801-3-7 | 002004 952952 | 12 |
| 10 | NAS1801-3-7 | | .SCREW- OPTIONAL PART: BACS12FA3K7 | 002004 952952 | 12 |
| 10 | BACS12GU3K7 | | .SCREW- | 006010 953999 | 12 |
| 15 | BACS12FA3K20 | | .SCREW- OPTIONAL PART: NAS1801-3-20 | 002004 952952 | 230 |
| 15 | NAS1801-3-20 | | .SCREW- OPTIONAL PART: BACS12FA3K20 | 002004 952952 | 230 |
| 15 | BACS12GU3K20 | | .SCREW- | 006010 953999 | 230 |
| 25 | BACW10P136AL | | .WASHER | 002004 006010 952999 | 230 |
| 35 | 69-62165-5 | | .COVER-END | 002004 006010 952999 | 14 |
| 40 | 69-61591-4 | | .COVER-JOINT | 002004 006010 952999 | 2 |

MISSING ITEM NUMBERS NOT APPLICABLE

- ITEM NOT ILLUSTRATED

BRI

21-22-03-24

21-22-03
FIG. 24
PAGE 1
JAN 20/09



757

PARTS CATALOG (MAINTENANCE)

| FIG ITEM | PART NUMBER | 1 2 3 4 5 6 7 | NOMENCLATURE | EFFECT FROM TO | UNITS PER ASSY |
|----------|--------------|-------------------|--|----------------------------|----------------|
| 24 | | | | | |
| 45 | 69-61882-15 | .SEAL- | MANUFACTURED FROM: CLOSED CELL SILICONE SPONGE RUBBER PER BMS1-23 FIN F-7.10 1/16 X 2.7 X 1.9IN. | 002004 006010 952999 | 14 |
| 50 | 69-61882-14 | .SEAL- | MANUFACTURED FROM: CLOSED CELL SILICONE SPONGE RUBBER PER BMS1-68 FIN F-7.10 1/16 X 1.8 X 3.7IN. | 002004 006010 952999 | 2 |
| 55 | 214N2131-2 | .PLATE ASSY-COVER | | 002004 006010 952999 | 1 |
| 60 | 214N2131-8 | .PLATE ASSY-COVER | | 002004 006010 952999 | 1 |
| 65 | 214N2124-5 | .PLATE-RESTRICTOR | | 002004 006010 952999 | 12 |
| 70 | 214N2160-5 | .PLATE ASSY | | 002004 006010 952999 | 1 |
| 75 | 214N2152-1 | ..SEAL | | 002004 006010 952999 | 1 |
| 80 | 214N2152-9 | ..SEAL | | 002004 006010 952999 | 2 |
| 85 | 214N2160-6 | ..PLATE | | 002004 006010 952999 | 1 |
| 90 | 214N2160-114 | .PLATE ASSY | | 002004 006010 952999 | 1 |
| 95 | 214N2160-116 | .PLATE ASSY | | 002004 006010 952999 | 1 |
| 100 | 214N2160-118 | .PLATE ASSY | | 002004 006010 952999 | 1 |
| 105 | 214N2160-120 | .PLATE ASSY | | 002004 006010 952999 | 1 |
| 110 | 214N2160-122 | .PLATE ASSY | | 002004 006010 952999 | 1 |

MISSING ITEM NUMBERS NOT APPLICABLE

- ITEM NOT ILLUSTRATED

21-22-03-24

21-22-03
FIG. 24
PAGE 2
JAN 20/09

BRI

BOEING PROPRIETARY - Copyright © - Unpublished Work - See title page for details.



757

PARTS CATALOG (MAINTENANCE)

| FIG ITEM | PART NUMBER | 1 2 3 4 5 6 7 | NOMENCLATURE | EFFECT FROM TO | UNITS PER ASSY |
|----------|--------------|---------------|------------------------------------|----------------------------|----------------|
| 24 | | | | | |
| 115 | 214N2160-108 | . | PLATE ASSY | 002004 006010 952999 | 1 |
| 130 | 214N2160-57 | .. | SEAL | 002004 006010 952999 | 1 |
| 135 | 214N2160-115 | .. | PLATE- USED ON: 214N2160-114 | 002004 006010 952999 | 1 |
| 140 | 214N2160-117 | .. | PLATE- USED ON: 214N2160-116 | 002004 006010 952999 | 1 |
| 145 | 214N2160-119 | .. | PLATE- USED ON: 214N2160-118 | 002004 006010 952999 | 1 |
| 150 | 214N2160-121 | .. | PLATE- USED ON: 214N2160-120 | 002004 006010 952999 | 1 |
| 155 | 214N2160-123 | .. | PLATE- USED ON: 214N2160-122 | 002004 006010 952999 | 1 |
| 160 | 214N2160-109 | .. | PLATE- USED ON: 214N2160-108 | 002004 006010 952999 | 1 |
| 170 | 214N2126-193 | . | ADAPTOR ASSY- | 002004 006010 952999 | 1 |
| 175 | 214N2126-194 | . | ADAPTOR ASSY- | 002004 006010 952999 | 1 |
| 180 | 214N2126-141 | . | ADAPTOR ASSY | 002004 006010 952999 | 1 |
| 185 | 214N2126-142 | . | ADAPTOR ASSY | 002004 006010 952999 | 1 |
| 190 | 214N2126-145 | . | ADAPTOR ASSY- | 002004 006010 952999 | 1 |
| 195 | 214N2126-146 | . | ADAPTOR ASSY- | 002004 006010 952999 | 1 |
| 200 | 214N2126-217 | . | ADAPTOR ASSY- | 002004 006010 952999 | 1 |
| 205 | 214N2126-218 | . | ADAPTOR ASSY- | 002004 006010 952999 | 1 |

MISSING ITEM NUMBERS NOT APPLICABLE

- ITEM NOT ILLUSTRATED

21-22-03-24

21-22-03
FIG. 24
PAGE 3
JAN 20/09

BRI

BOEING PROPRIETARY - Copyright © - Unpublished Work - See title page for details.



757

PARTS CATALOG (MAINTENANCE)

| FIG ITEM | PART NUMBER | 1 2 3 4 5 6 7 | NOMENCLATURE | EFFECT FROM TO | UNITS PER ASSY |
|----------|--------------|---------------|---|----------------------------|----------------|
| 24 | | | | | |
| 210 | 214N2126-261 | . | ADAPTOR ASSY- | 002004 006010 952999 | 1 |
| 215 | 214N2126-262 | . | ADAPTOR ASSY- | 002004 006010 952999 | 1 |
| 220 | 214N2160-57 | .. | SEAL- | 002004 006010 952999 | 1 |
| 225 | 214N2126-195 | .. | ADAPTOR ASSY- USED ON: 214N2126-193 | 002004 006010 952999 | 1 |
| 230 | 214N2126-196 | .. | ADAPTOR ASSY- USED ON: 214N2126-194 | 002004 006010 952999 | 1 |
| 235 | 214N2126-143 | .. | ADAPTOR- USED ON: 214N2126-141 | 002004 006010 952999 | 1 |
| 240 | 214N2126-144 | .. | ADAPTOR- USED ON: 214N2126-142 | 002004 006010 952999 | 1 |
| 245 | 214N2126-147 | .. | ADAPTOR- USED ON: 214N2126-145 | 002004 006010 952999 | 1 |
| 250 | 214N2126-148 | .. | ADAPTOR- USED ON: 214N2126-146 | 002004 006010 952999 | 1 |
| 255 | 214N2126-219 | .. | ADAPTOR- USED ON: 214N2126-217 | 002004 006010 952999 | 1 |
| 260 | 214N2126-220 | .. | ADAPTOR- USED ON: 214N2126-218 | 002004 006010 952999 | 1 |
| 265 | 214N2126-263 | .. | ADAPTOR- USED ON: 214N2126-261 | 002004 006010 952999 | 1 |
| 270 | 214N2126-264 | .. | ADAPTOR- USED ON: 214N2126-262 | 002004 006010 952999 | 1 |
| 285 | 214N2126-225 | . | ADAPTOR ASSY- | 002004 006010 952999 | 1 |
| 290 | 214N2126-226 | . | ADAPTOR ASSY- | 002004 006010 952999 | 1 |
| 295 | 214N2160-57 | .. | SEAL- | 002004 006010 952999 | 1 |

MISSING ITEM NUMBERS NOT APPLICABLE

- ITEM NOT ILLUSTRATED

21-22-03-24

21-22-03
FIG. 24
PAGE 4
JAN 20/09

BRI



757

PARTS CATALOG (MAINTENANCE)

| FIG ITEM | PART NUMBER | 1 2 3 4 5 6 7 | NOMENCLATURE | EFFECT FROM TO | UNITS PER ASSY |
|----------|--------------|---------------|--------------------------------------|----------------------------|----------------|
| 24 | | | | | |
| 310 | 214N2126-227 | .. | ADAPTOR- USED ON: 214N2126-225 | 002004 006010 952999 | 1 |
| 315 | 214N2126-228 | .. | ADAPTOR- USED ON: 214N2126-226 | 002004 006010 952999 | 1 |
| 320 | 214N2126-265 | . | ADAPTOR ASSY- | 002004 006010 952999 | 1 |
| 325 | 214N2126-266 | . | ADAPTOR ASSY- | 002004 006010 952999 | 1 |
| 340 | 214N2160-57 | .. | SEAL- | 002004 006010 952999 | 1 |
| 345 | 214N2126-267 | .. | ADAPTOR- USED ON: 214N2126-265 | 002004 006010 952999 | 1 |
| 350 | 214N2126-268 | .. | ADAPTOR- USED ON: 214N2126-266 | 002004 006010 952999 | 1 |

MISSING ITEM NUMBERS NOT APPLICABLE

- ITEM NOT ILLUSTRATED

BRI

21-22-03-24

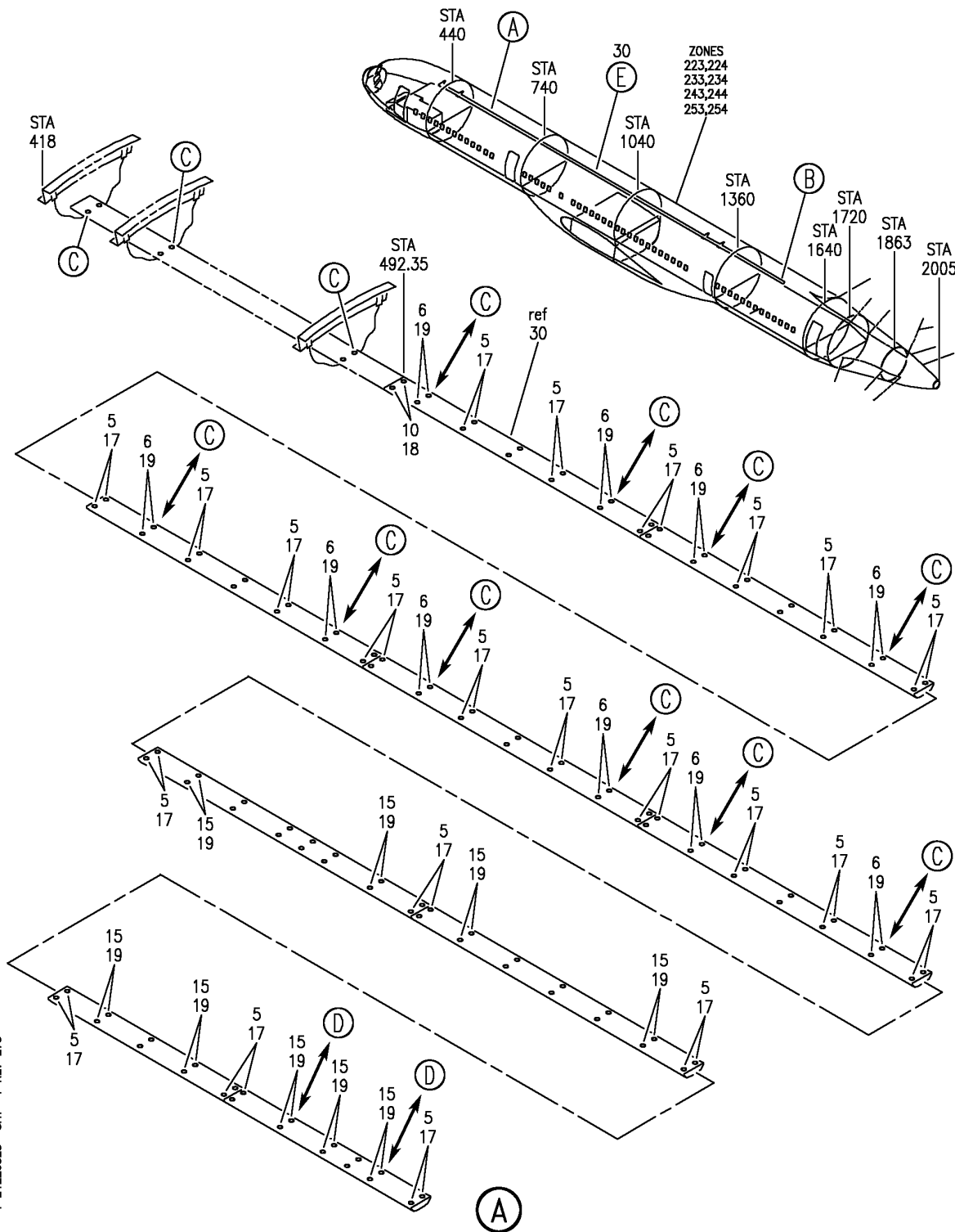
BOEING PROPRIETARY - Copyright © - Unpublished Work - See title page for details.

21-22-03
FIG. 24
PAGE 5
JAN 20/09

BOEING

757

PARTS CATALOG (MAINTENANCE)



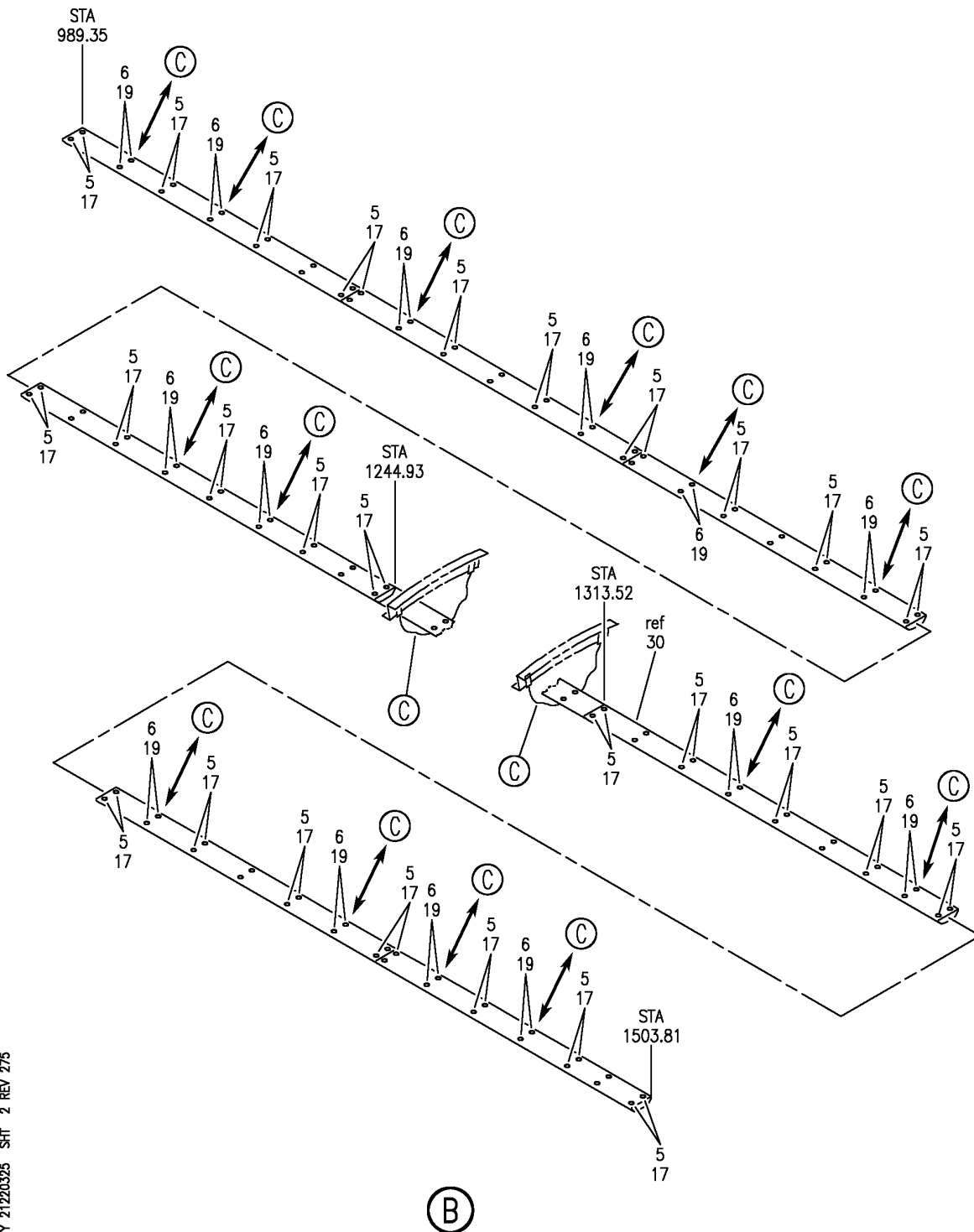
NOZZLE INSTL-OVERHEAD AIR DISTR SYS
FIGURE 25 (SHEET 1)

21-22-03-25

BRI
JAN 20/09

21-22-03-25
PAGE 0


BOEING
 757
PARTS CATALOG (MAINTENANCE)



Y 21220325 SH- 2 REV 275

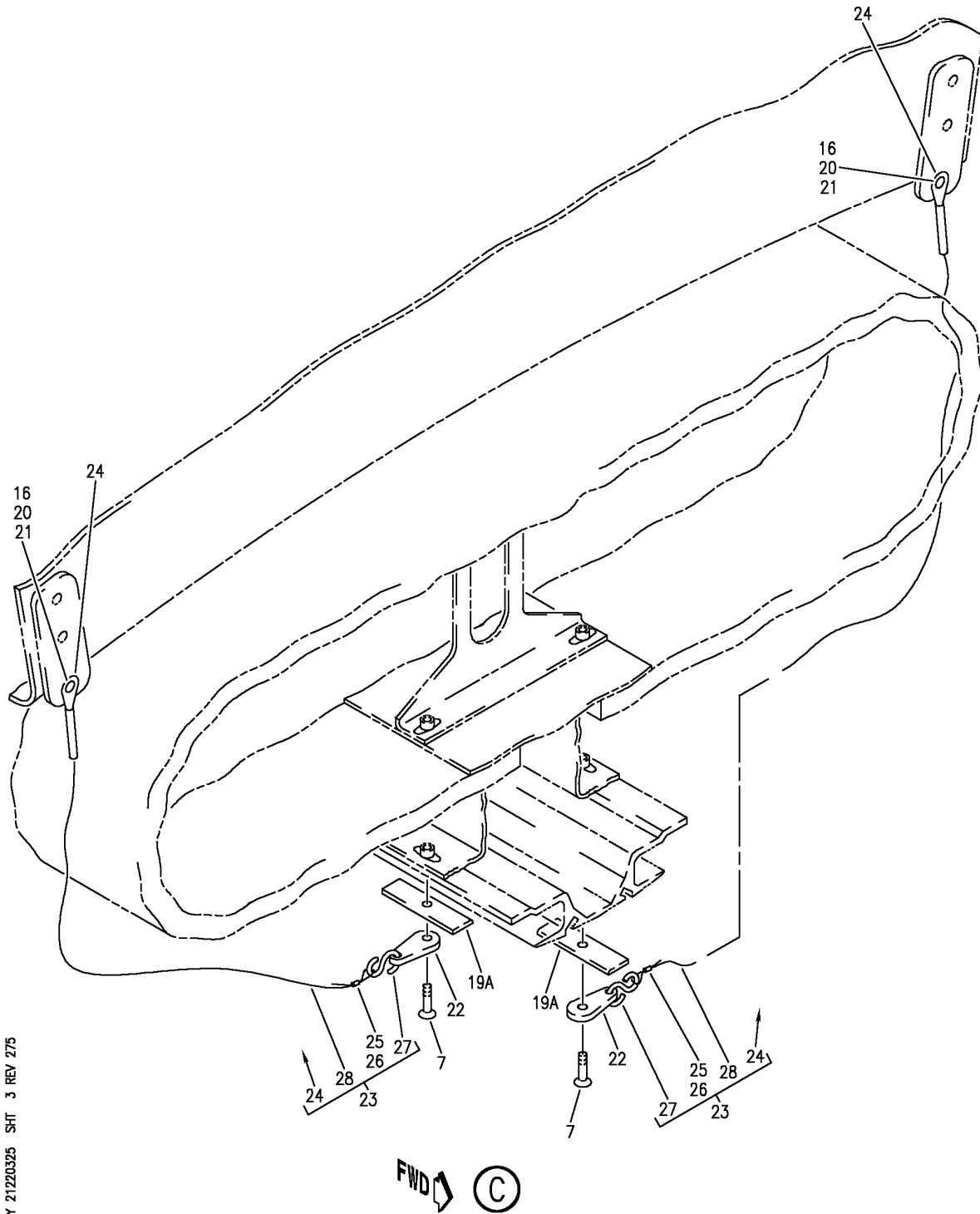
NOZZLE INSTL-OVERHEAD AIR DISTR SYS
 FIGURE 25 (SHEET 2)

21-22-03-25

BRI
 JAN 20/09

21-22-03-25
 PAGE 0A

BOEING
757
PARTS CATALOG (MAINTENANCE)



Y 21220325 SH1 3 REV 275

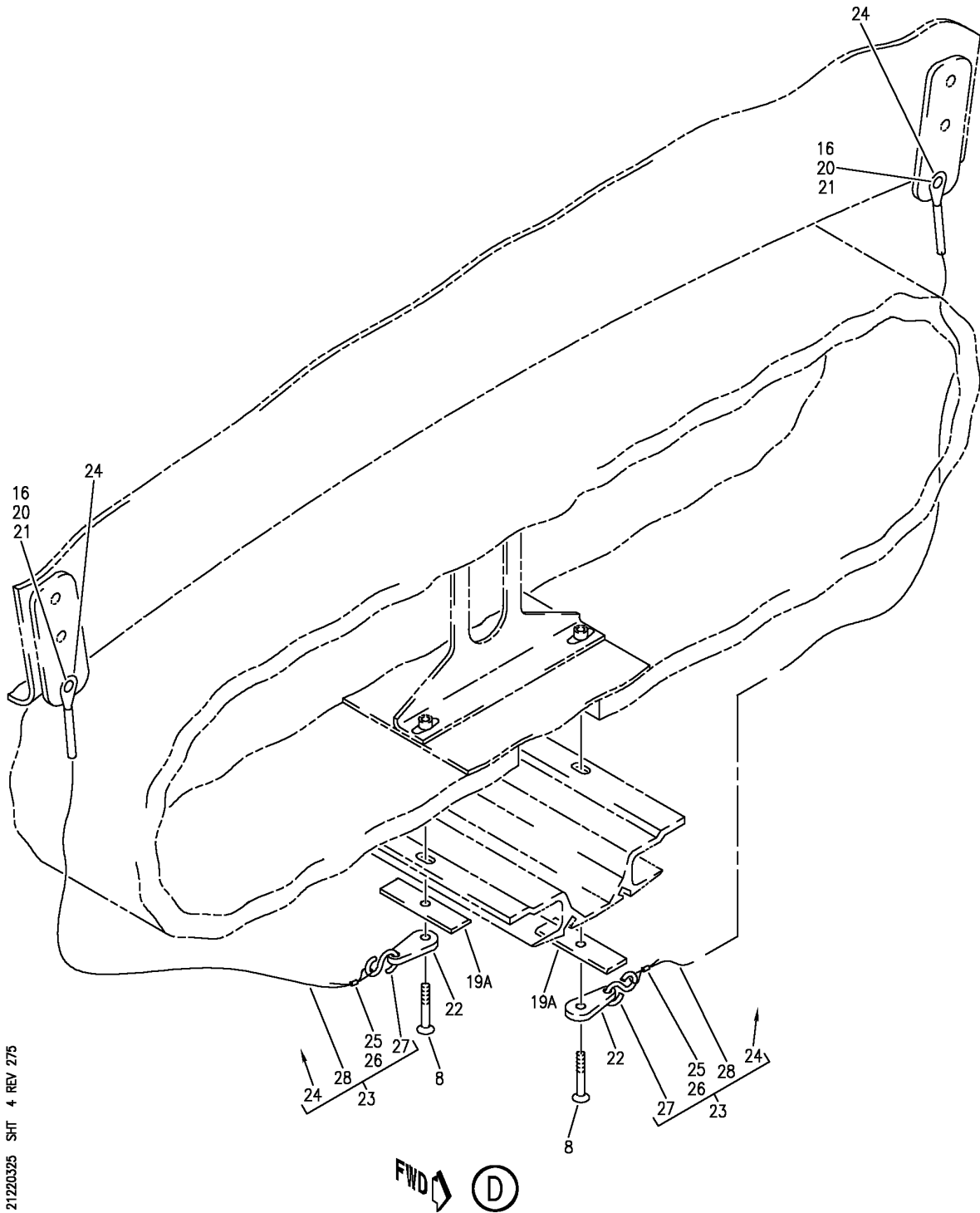
NOZZLE INSTL-OVERHEAD AIR DISTR SYS
FIGURE 25 (SHEET 3)

21-22-03-25

BRI
JAN 20/09

21-22-03-25
PAGE 0B

BOEING
757
PARTS CATALOG (MAINTENANCE)



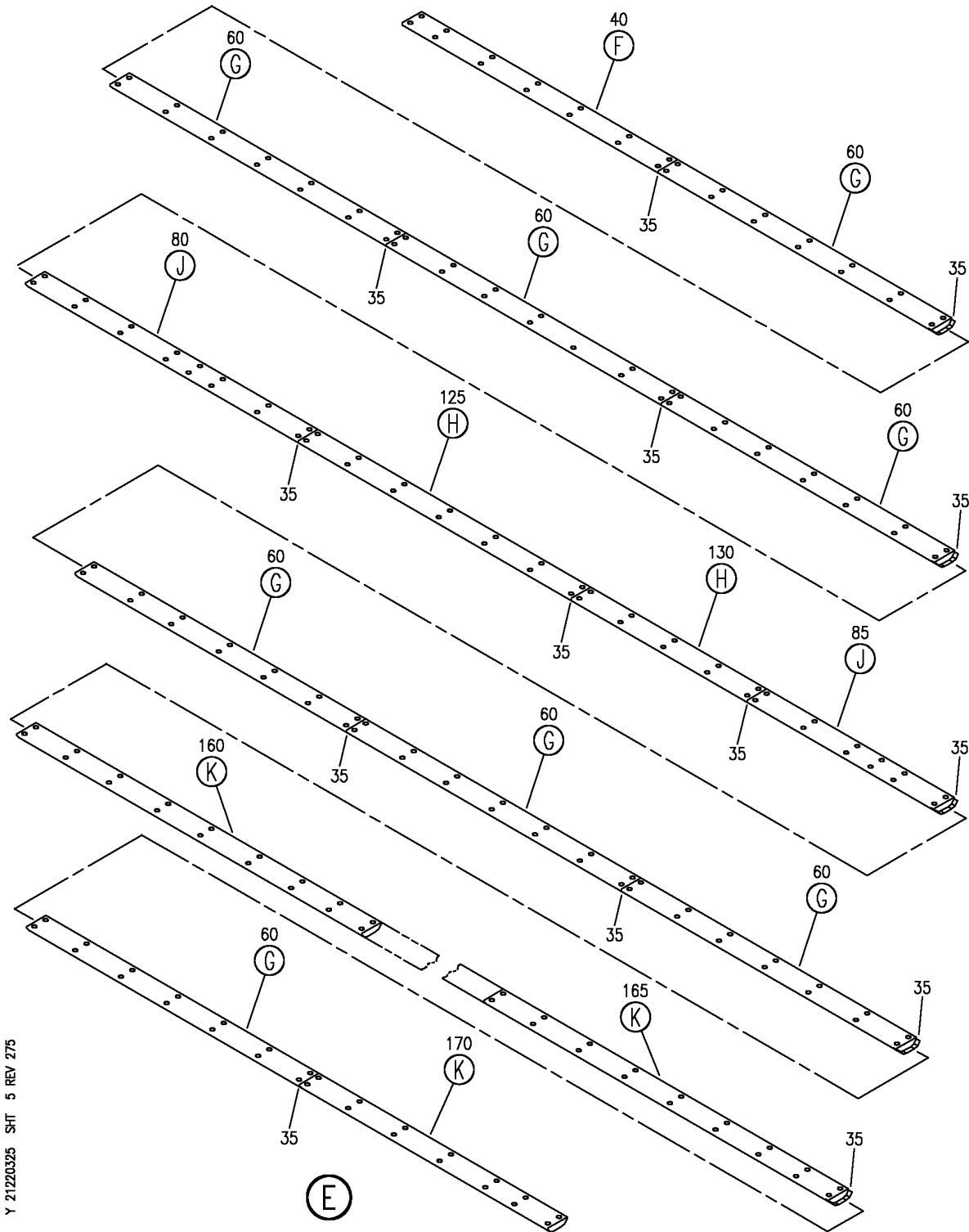
NOZZLE INSTL-OVERHEAD AIR DISTR SYS
FIGURE 25 (SHEET 4)

21-22-03-25

BRI
JAN 20/09

21-22-03-25
PAGE 0C

BOEING
757
PARTS CATALOG (MAINTENANCE)



Y 21220325 SH1 5 REV 275

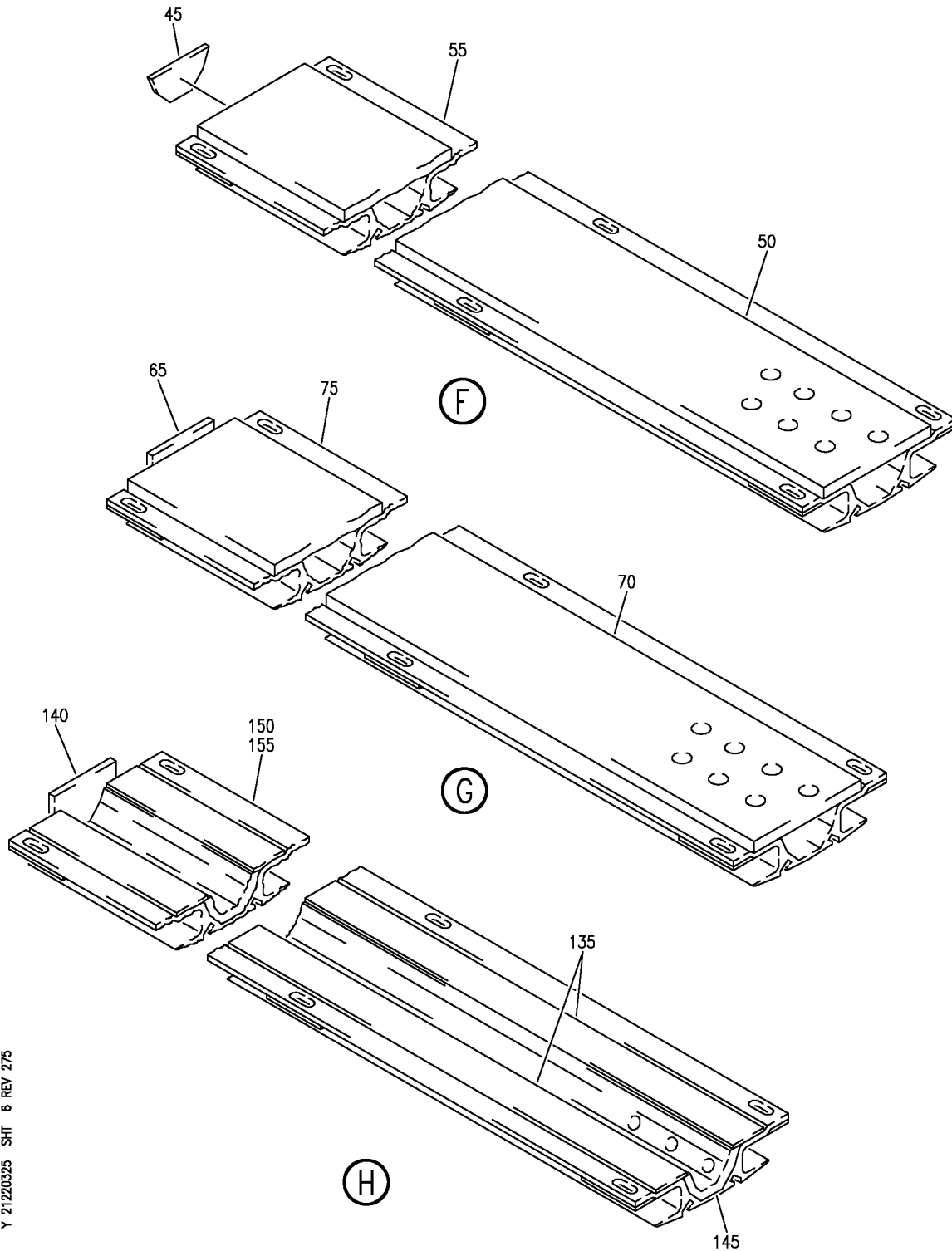
NOZZLE INSTL-OVERHEAD AIR DISTR SYS
FIGURE 25 (SHEET 5)

21-22-03-25

BRI
JAN 20/09

21-22-03-25
PAGE 0D

BOEING
757
PARTS CATALOG (MAINTENANCE)



Y 21220325 SH-T 6 REV 275

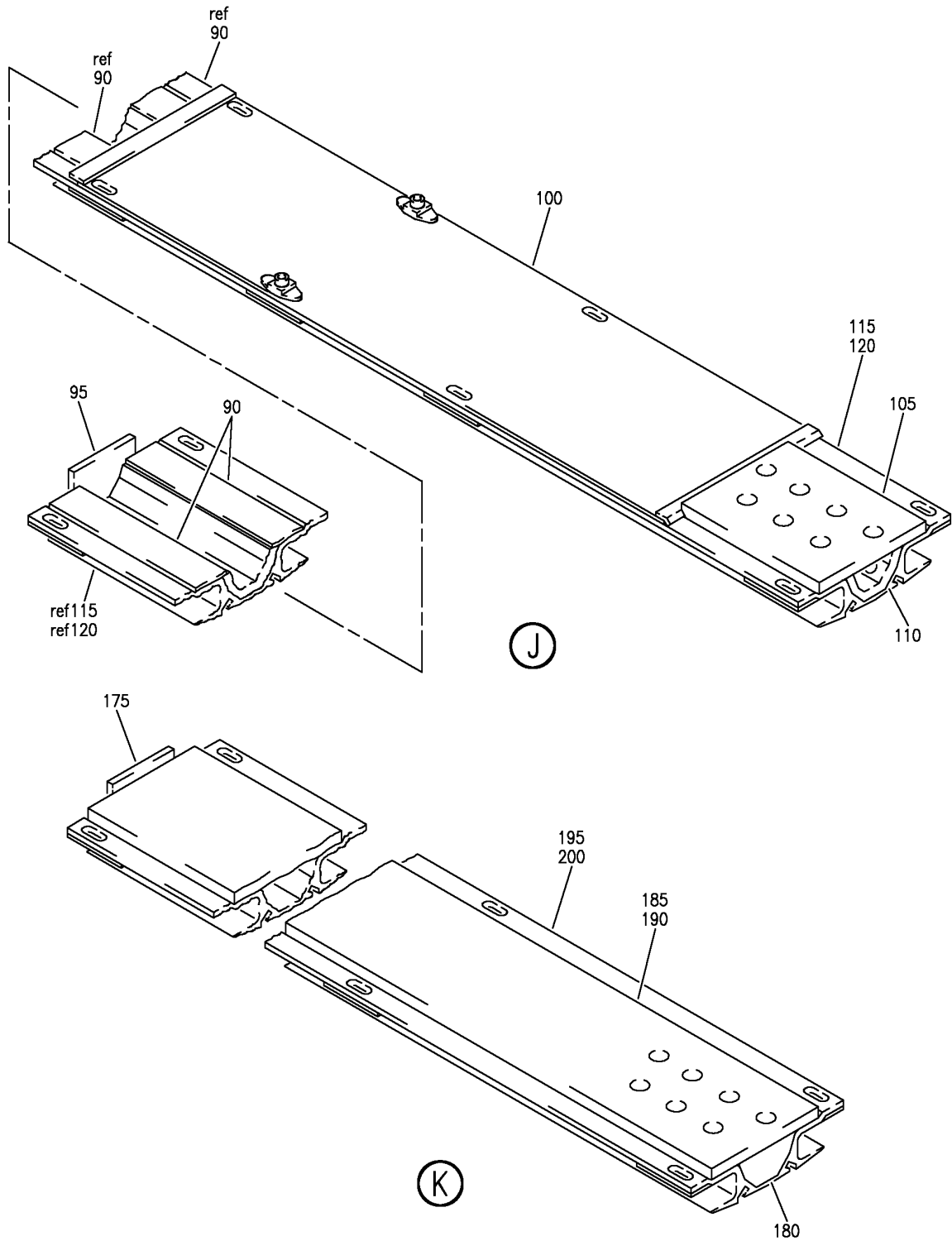
NOZZLE INSTL-OVERHEAD AIR DISTR SYS
FIGURE 25 (SHEET 6)

21-22-03-25

BRI
JAN 20/09

21-22-03-25
PAGE 0E

BOEING
757
PARTS CATALOG (MAINTENANCE)



Y 21220325 SH-7 REV 275

NOZZLE INSTL-OVERHEAD AIR DISTR SYS
FIGURE 25 (SHEET 7)

21-22-03-25

BRI
JAN 20/09

21-22-03-25
PAGE OF



757

PARTS CATALOG (MAINTENANCE)

| FIG ITEM | PART NUMBER | 1 2 3 4 5 6 7 | NOMENCLATURE | EFFECT FROM TO | UNITS PER ASSY |
|----------|----------------|---------------|---|----------------|----------------|
| 25 | | | NOZZLE INSTL-OVERHEAD AIR DISTR SYS | 950951 | |
| 1 | 214N2005-101 | | NOZZLE INSTL-OVERHEAD AIR DISTR SYS FOR NHA SEE: 21-00-00-01 | 950951 | RF |
| 5 | BACS12FA3K11 | | .SCREW | 950951 | 142 |
| 6 | BACS12FA3K11 | | .SCREW- | 950951 | 48 |
| 15 | BACS12FA3K26 | | .SCREW- | 950951 | 36 |
| 17 | AN960JD11 | | .WASHER | 950951 | 142 |
| 19 | AN960JD11 | | .WASHER- | 950951 | 84 |
| 30 | 214N2005-102SP | | .NOZZLE ASSY-SET | 950951 | 1 |
| 35 | 69-42789-1 | | ..COVER-GAP | 950951 | 14 |
| 40 | 214N2122-141 | | ..NOZZLE ASSY- | 950951 | 1 |
| 45 | 69-71974-1 | | ...SEAL- | 950951 | 1 |
| 50 | 214N2123-1 | | ...BAFFLE | 950951 | 1 |
| 55 | 214N2122-143 | | ...NOZZLE- | 950951 | 1 |
| 60 | 214N2122-66 | | ..NOZZLE ASSY- | 950951 | 8 |
| 65 | 66-14522-1 | | ...SEAL- | 950951 | 1 |
| 70 | 214N2123-1 | | ...BAFFLE | 950951 | 1 |
| 75 | 214N2122-94 | | ...NOZZLE- | 950951 | 1 |
| 80 | 214N2122-67 | | ..NOZZLE ASSY- | 950951 | 1 |
| 85 | 214N2122-71 | | ..NOZZLE ASSY- | 950951 | 1 |
| 90 | 214N2122-34 | | ...SEAL | 950951 | 2 |
| 95 | 66-14522-1 | | ...SEAL | 950951 | 1 |
| 100 | 214N2159-1 | | ...PLATE ASSY | 950951 | 1 |
| 105 | 214N2123-1 | | ...BAFFLE | 950951 | 1 |
| 110 | 214N2123-3 | | ...BAFFLE | 950951 | 1 |
| 115 | 214N2122-95 | | ...NOZZLE- USED ON: 214N2122-67 | 950951 | 1 |
| 120 | 214N2122-99 | | ...NOZZLE- USED ON: 214N2122-71 | 950951 | 1 |
| 125 | 214N2122-69 | | ..NOZZLE ASSY- | 950951 | 1 |
| 130 | 214N2122-70 | | ..NOZZLE ASSY- | 950951 | 1 |
| 135 | 214N2122-34 | | ...SEAL | 950951 | 2 |
| 140 | 66-14522-1 | | ...SEAL- | 950951 | 1 |
| 145 | 214N2123-3 | | ...BAFFLE | 950951 | 1 |
| 150 | 214N2122-94 | | ...NOZZLE- USED ON: 214N2122-69 | 950951 | 1 |
| 155 | 214N2122-98 | | ...NOZZLE- USED ON: 214N2122-70 | 950951 | 1 |
| 160 | 214N2122-72 | | ..NOZZLE ASSY- | 950951 | 1 |
| 165 | 214N2122-73 | | ..NOZZLE ASSY- | 950951 | 1 |
| 170 | 214N2122-74 | | ..NOZZLE ASSY- | 950951 | 1 |

MISSING ITEM NUMBERS NOT APPLICABLE

- ITEM NOT ILLUSTRATED

21-22-03-25

21-22-03
FIG. 25
PAGE 1
JAN 20/09

BRI



757

PARTS CATALOG (MAINTENANCE)

| FIG ITEM | PART NUMBER | 1 2 3 4 5 6 7 | NOMENCLATURE | EFFECT FROM TO | UNITS PER ASSY |
|------------|--------------------------|---------------|---|------------------|----------------|
| 25 175 | 66-14522-1 | ... | SEAL- USED ON: 214N2122-72 214N2122-74 | 950951 | 1 |
| 180 185 | 69-71974-1 214N2123-1 | ... | SEAL- BAFFLE- USED ON: 214N2122-74 | 950951 950951 | 1 1 |
| 190 | 214N2123-2 | ... | BAFFLE- USED ON: 214N2122-72 214N2122-73 | 950951 | 1 |
| 195 | 214N2122-100 | ... | NOZZLE- USED ON: 214N2122-72 214N2122-73 | 950951 | 1 |
| 200 | 214N2122-101 | ... | NOZZLE- USED ON: 214N2122-74 | 950951 | 1 |

MISSING ITEM NUMBERS NOT APPLICABLE

- ITEM NOT ILLUSTRATED

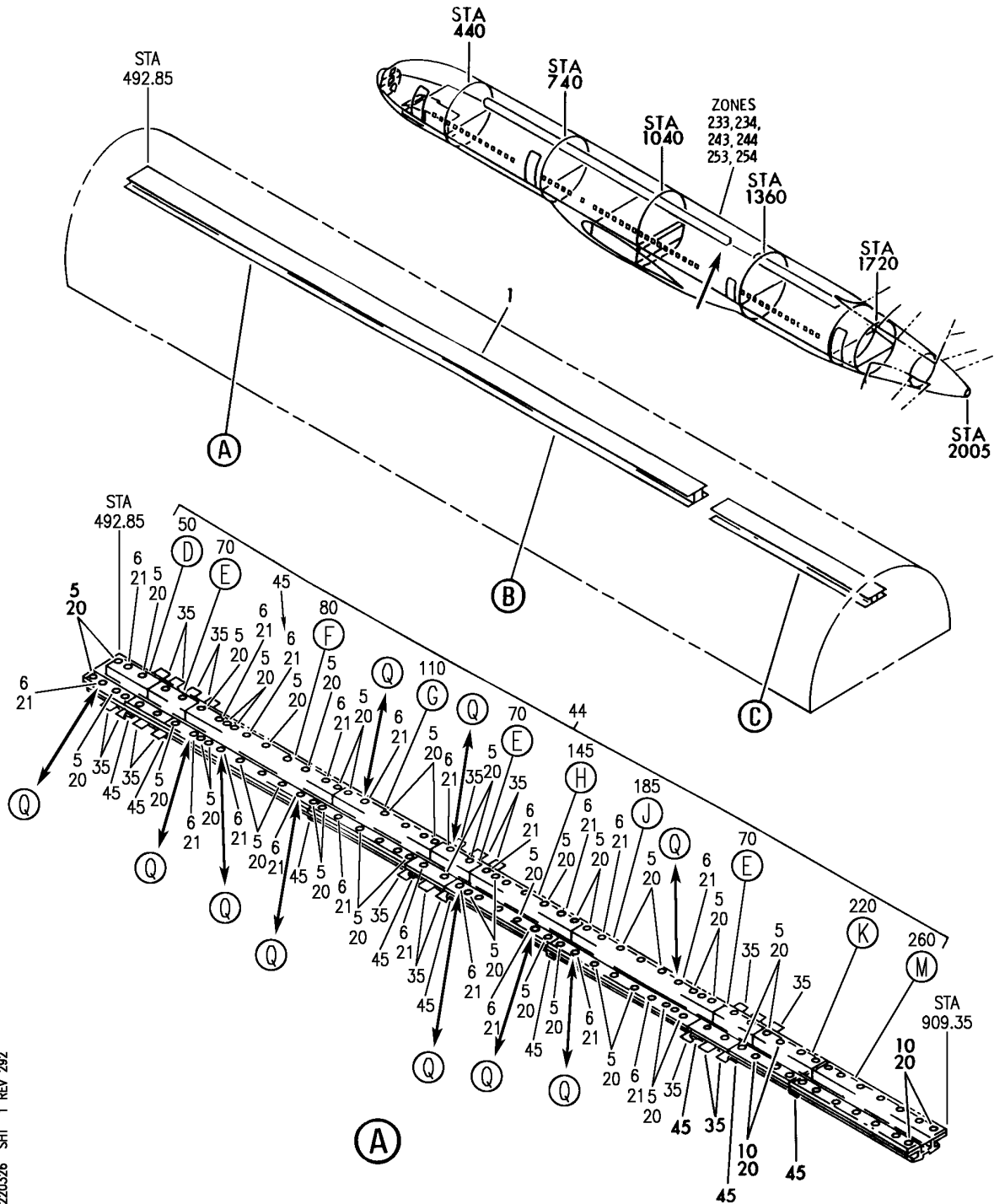
BRI

21-22-03-25

BOEING PROPRIETARY - Copyright © - Unpublished Work - See title page for details.

21-22-03
FIG. 25
PAGE 2
JAN 20/09

BOEING
757
PARTS CATALOG (MAINTENANCE)



Y 21220326 SHT 1 REV 292

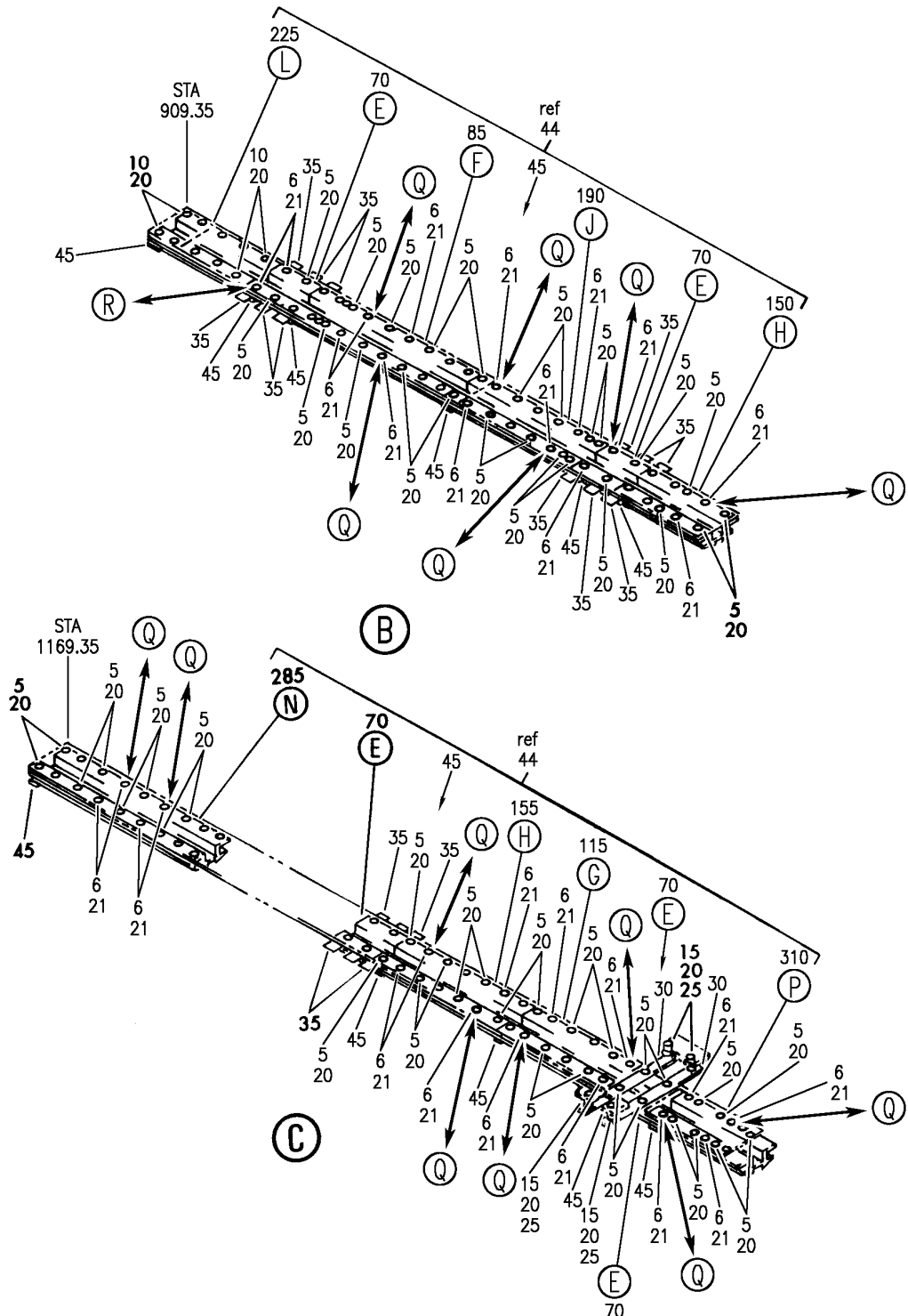
NOZZLE INSTL-OVERHEAD AIR DISTR SYS
FIGURE 26 (SHEET 1)

21-22-03-26

BRI
JAN 20/09

21-22-03-26
PAGE 0

BOEING
757
PARTS CATALOG (MAINTENANCE)



Y 21220326 SH1 2 REV 292

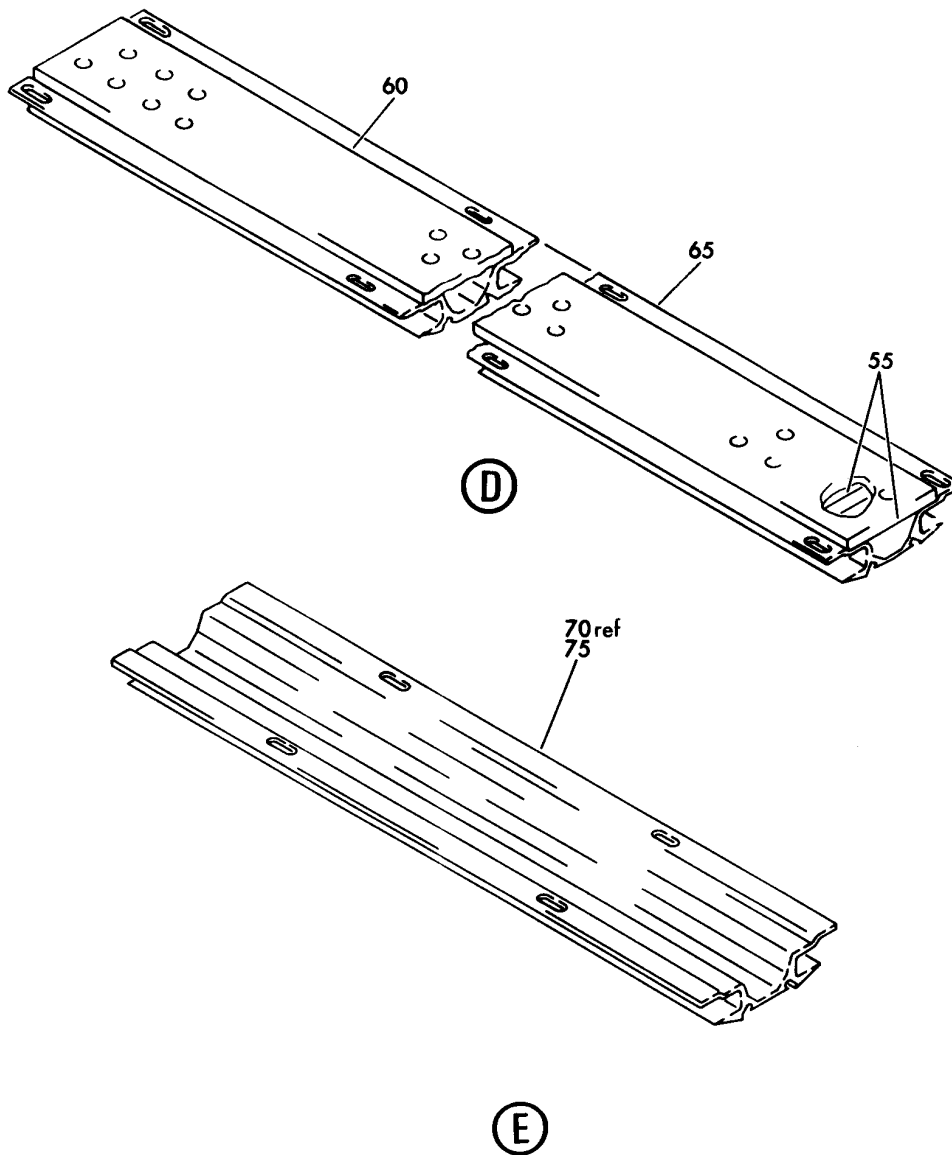
NOZZLE INSTL-OVERHEAD AIR DISTR SYS
FIGURE 26 (SHEET 2)

21-22-03-26

BRI
JAN 20/09

21-22-03-26
PAGE 0A

BOEING
757
PARTS CATALOG (MAINTENANCE)



Y 21220326 SHT 3 REV 124

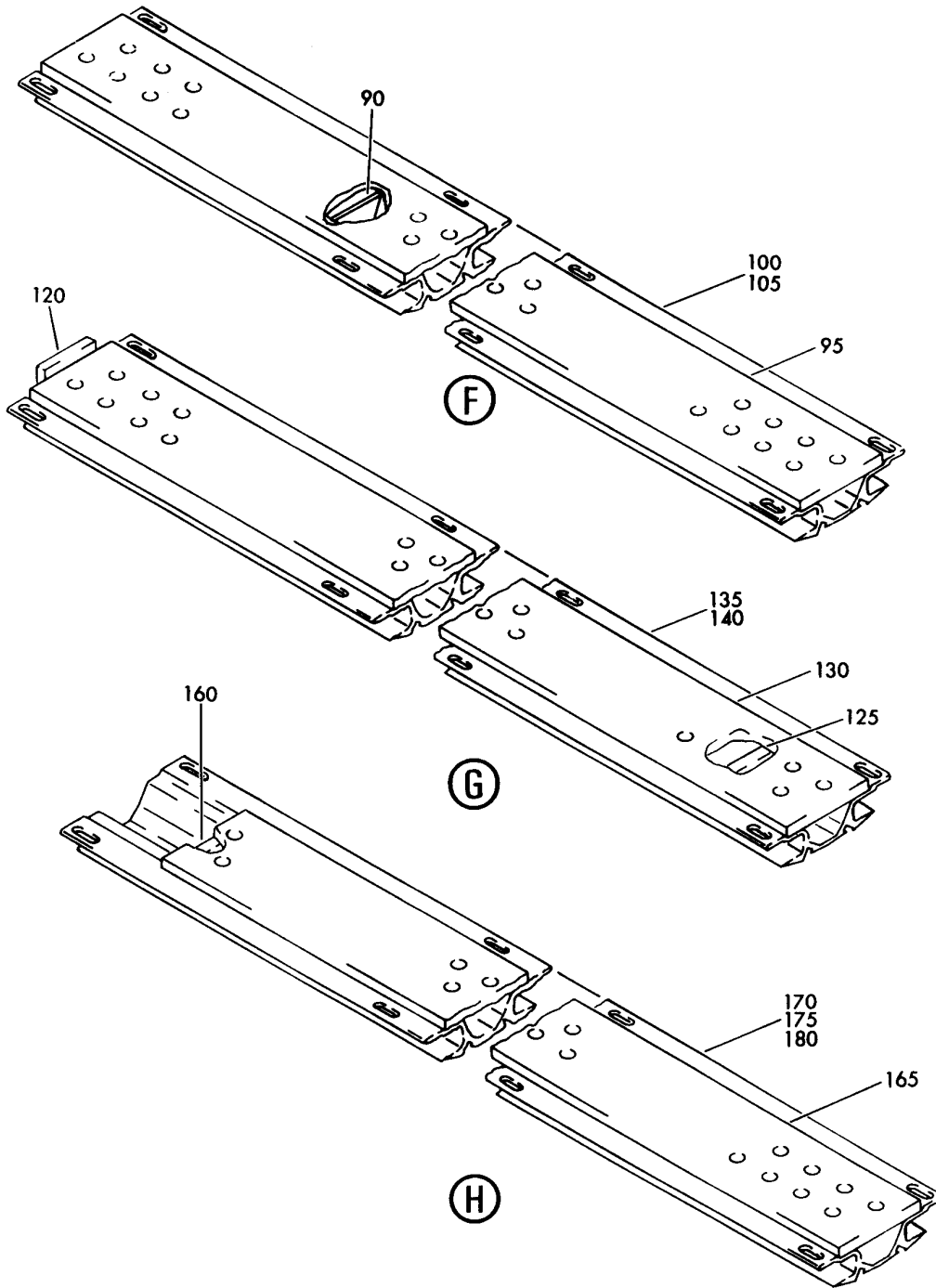
NOZZLE INSTL-OVERHEAD AIR DISTR SYS
FIGURE 26 (SHEET 3)

21-22-03-26

BRI
JAN 20/09

21-22-03-26
PAGE 0B

BOEING
757
PARTS CATALOG (MAINTENANCE)



Y 21220326 SHT 4 REV 124

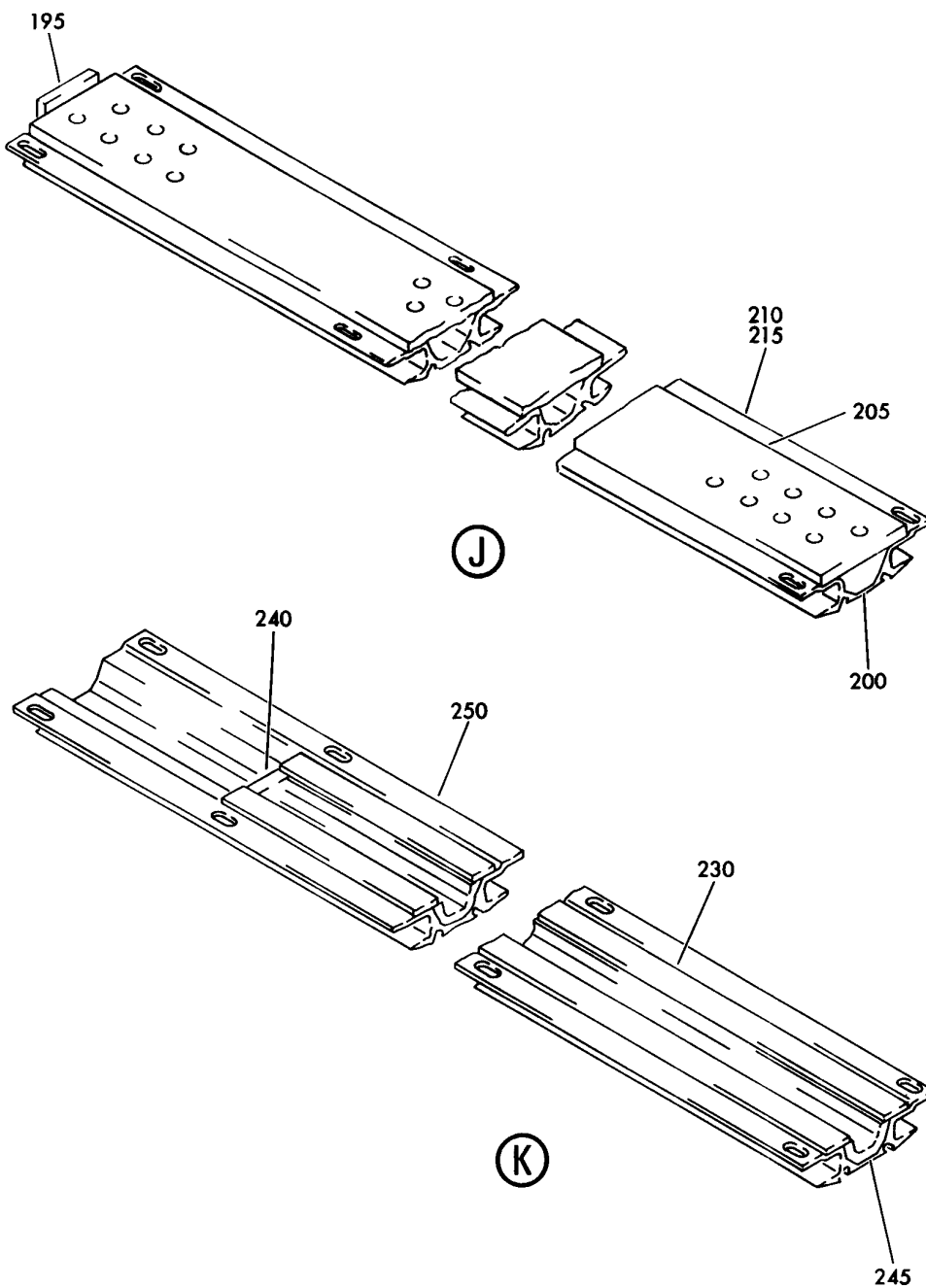
NOZZLE INSTL-OVERHEAD AIR DISTR SYS
FIGURE 26 (SHEET 4)

21-22-03-26

BRI
JAN 20/09

21-22-03-26
PAGE 0C

BOEING
757
PARTS CATALOG (MAINTENANCE)



Y 21220326 SHT 5 REV 124

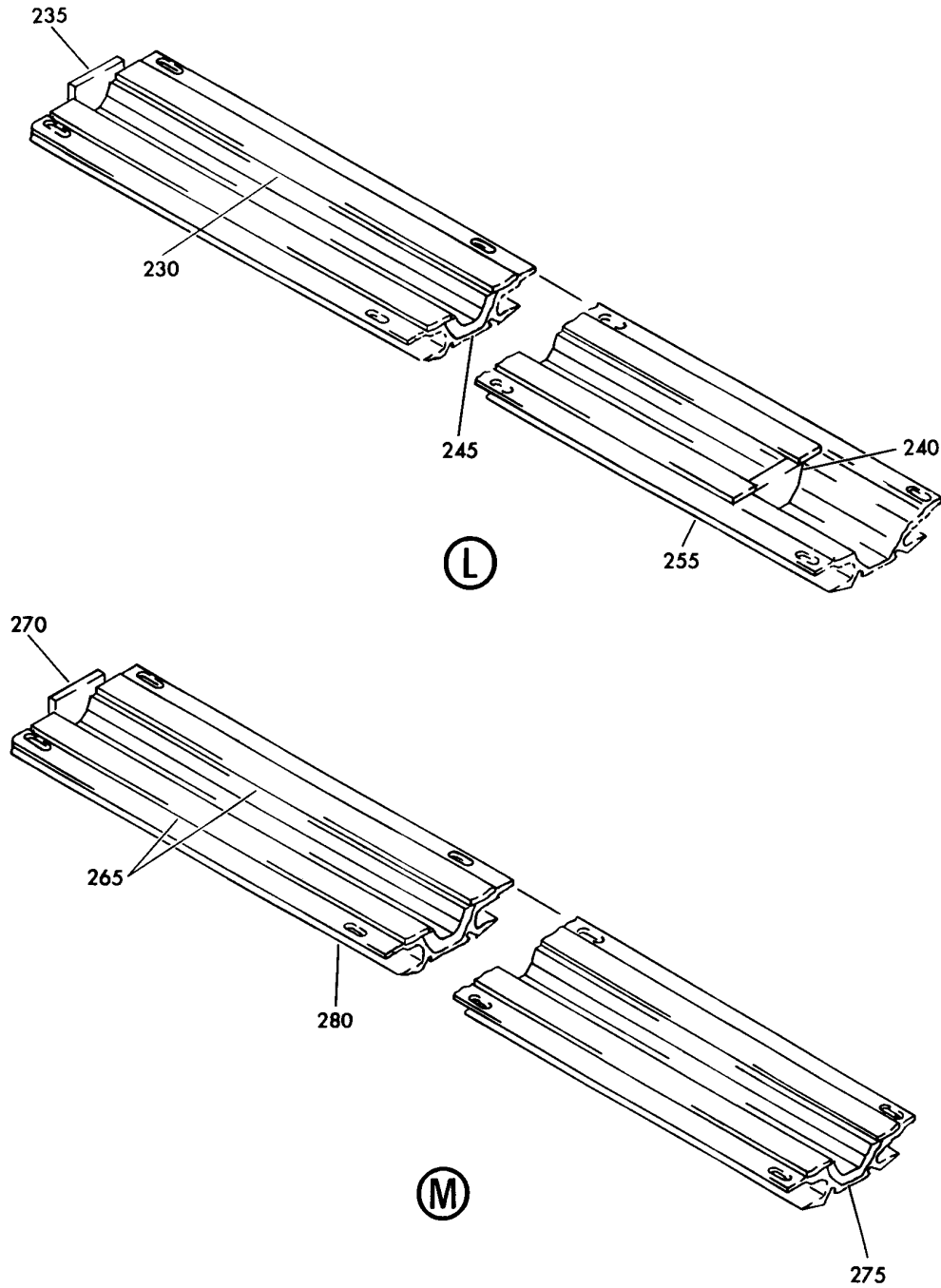
NOZZLE INSTL-OVERHEAD AIR DISTR SYS
FIGURE 26 (SHEET 5)

21-22-03-26

BRI
JAN 20/09

21-22-03-26
PAGE 0D

BOEING
757
PARTS CATALOG (MAINTENANCE)



Y 21220326 SHT 6 REV 124

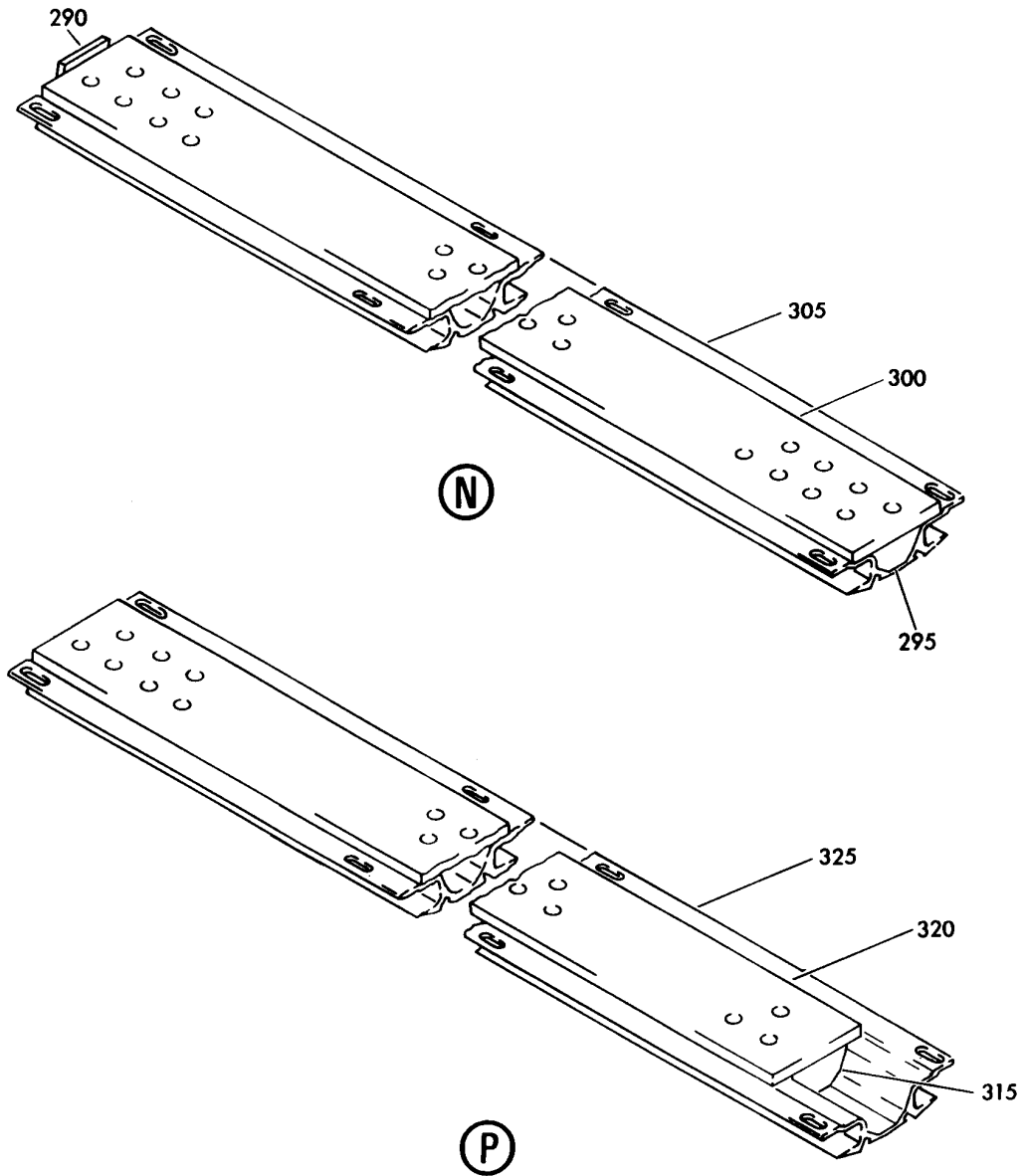
NOZZLE INSTL-OVERHEAD AIR DISTR SYS
FIGURE 26 (SHEET 6)

21-22-03-26

BRI
JAN 20/09

21-22-03-26
PAGE 0E

BOEING
757
PARTS CATALOG (MAINTENANCE)



Y 21220326 SHT 7 REV 124

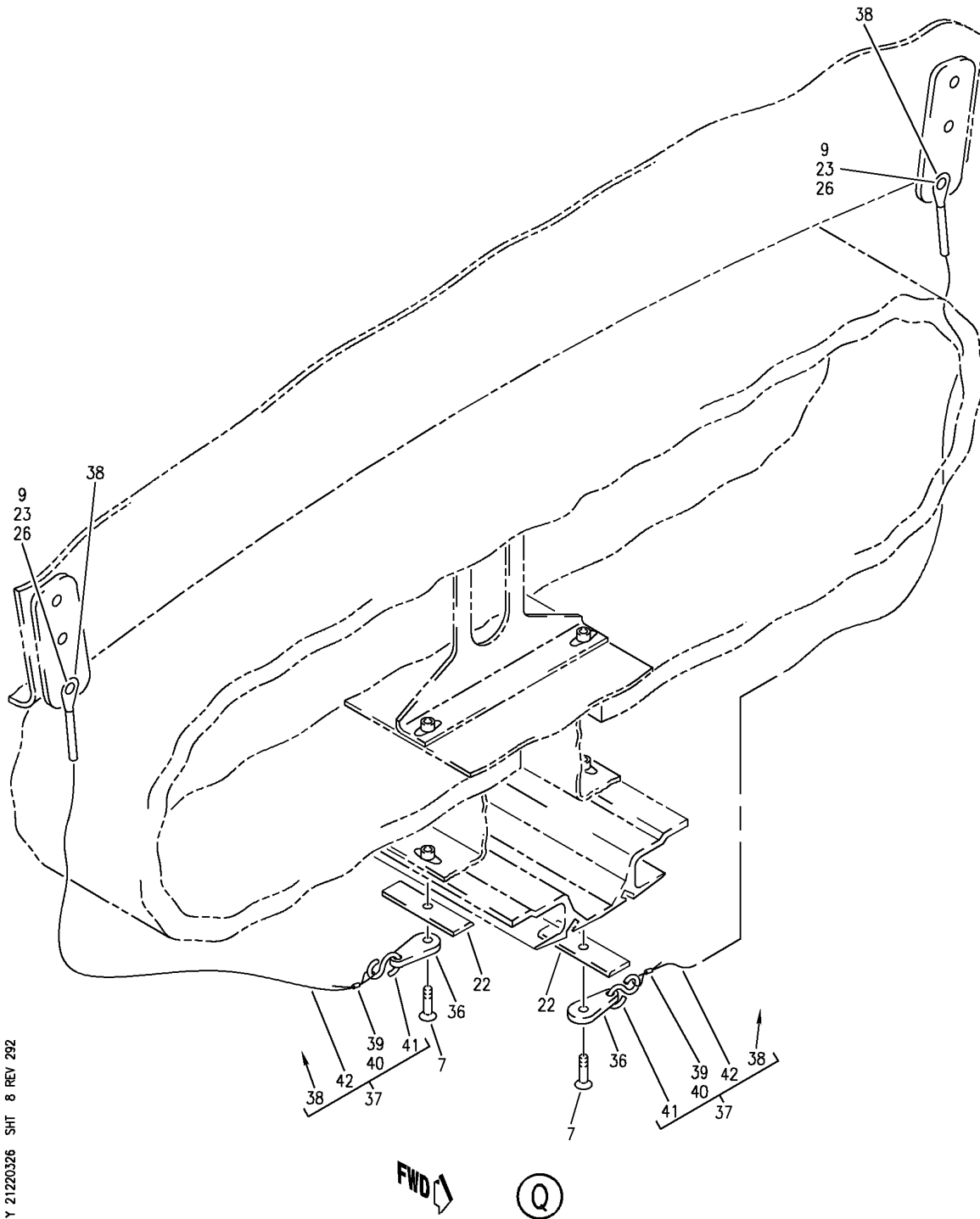
NOZZLE INSTL-OVERHEAD AIR DISTR SYS
FIGURE 26 (SHEET 7)

21-22-03-26

BRI
JAN 20/09

21-22-03-26
PAGE OF

BOEING
757
PARTS CATALOG (MAINTENANCE)



Y 21220326 SH 8 REV 292

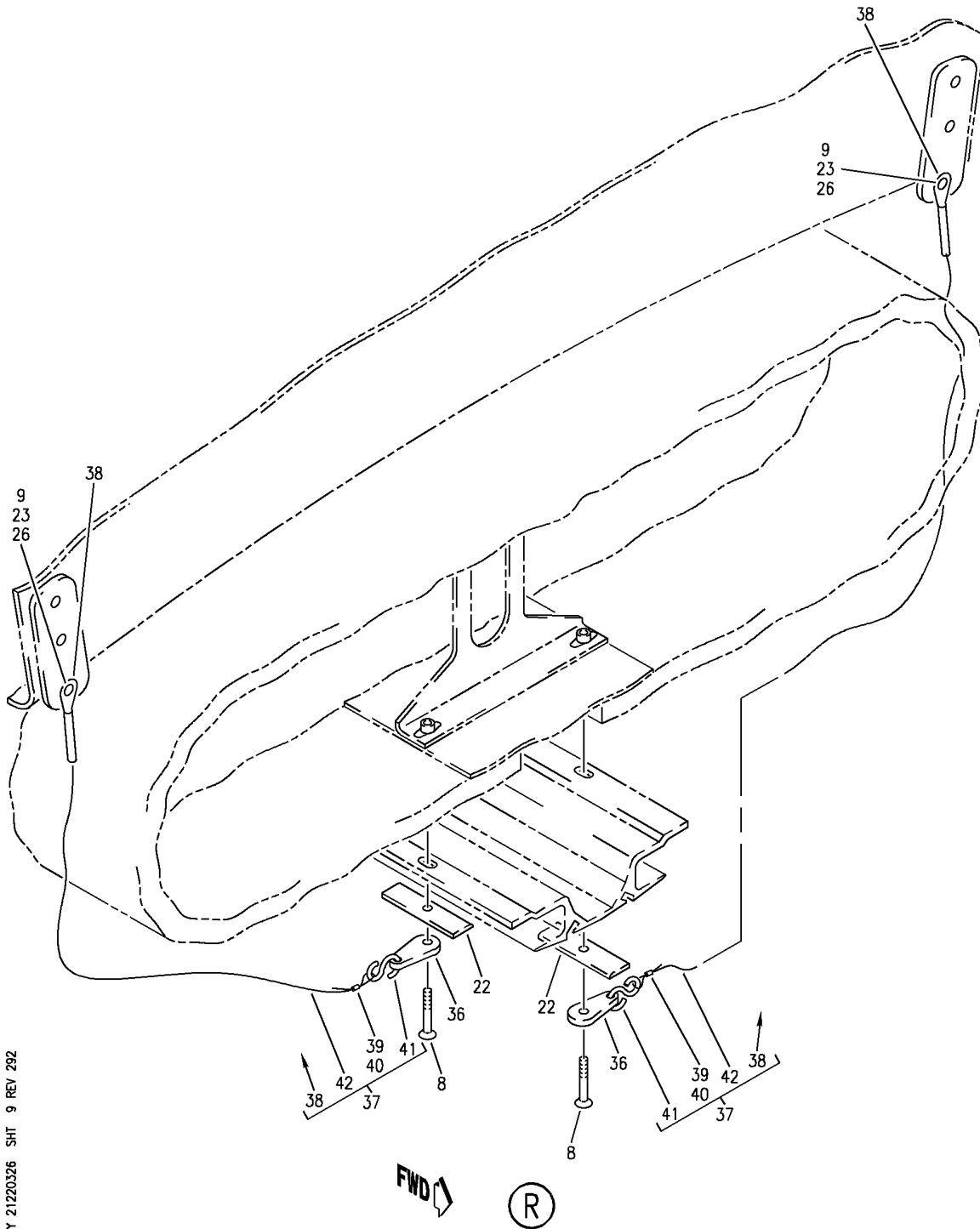
NOZZLE INSTL-OVERHEAD AIR DISTR SYS
FIGURE 26 (SHEET 8)

21-22-03-26

BRI
JAN 20/09

21-22-03-26
PAGE 06

BOEING
757
PARTS CATALOG (MAINTENANCE)



Y 21220326 SH 9 REV 292

NOZZLE INSTL-OVERHEAD AIR DISTR SYS
FIGURE 26 (SHEET 9)

21-22-03-26

BRI
JAN 20/09

21-22-03-26
PAGE 0H



757

PARTS CATALOG (MAINTENANCE)

| FIG ITEM | PART NUMBER | 1 2 3 4 5 6 7 | NOMENCLATURE | EFFECT FROM TO | UNITS PER ASSY |
|----------|----------------|---------------|---|----------------|----------------|
| 26 | | | NOZZLE INSTL-OVERHEAD AIR DISTR SYS | 952999 | |
| 1 | 214N2005-103 | | NOZZLE INSTL-OVERHEAD AIR DISTR SYS FOR NHA SEE: 21-00-00-01 | 953999 | RF |
| 1 | 214N2005-108 | | NOZZLE INSTL-OVERHEAD AIR DISTR SYS FOR NHA SEE: 21-00-00-01 | 952952 | RF |
| 5 | BACS12FA3K11 | | .SCREW | 952999 | 154 |
| 6 | BACS12FA3K11 | | .SCREW- | 952999 | 50 |
| 10 | BACS12FA3K24 | | .SCREW | 952999 | 30 |
| 15 | BACS12FA3K26 | | .SCREW | 952999 | 4 |
| 20 | AN960JD11 | | .WASHER | 952999 | 188 |
| 21 | AN960JD11 | | .WASHER- | 952999 | 50 |
| 25 | NAS42DD6-64FN | | .SPACER | 952999 | 4 |
| 30 | 214N2128-15 | | .BRACKET | 952999 | 2 |
| 35 | 214N2129-3 | | .BRACKET- | 952999 | 38 |
| 44 | 214N2005-115SP | | .NOZZLE ASSY-SET | 953999 | 1 |
| 44 | 214N2005-116SP | | .NOZZLE ASSY-SET | 952952 | 1 |
| 45 | 69-42789-1 | | ..COVER-GAP | 952999 | 20 |
| 50 | 214N2122-359 | | ..NOZZLE ASSY | 953999 | 1 |
| 50 | 214N2122-365 | | ..NOZZLE ASSY | 952952 | 1 |
| 55 | 69-71974-3 | | ...SEAL | 952999 | 2 |
| 60 | 214N2123-1 | | ...BAFFLE | 952999 | 1 |
| 65 | 214N2122-360 | | ...NOZZLE | 953999 | 1 |
| 65 | 214N2122-366 | | ...NOZZLE | 952952 | 1 |
| 70 | 214N2122-361 | | ..NOZZLE ASSY | 953999 | 7 |
| 70 | 214N2122-367 | | ..NOZZLE ASSY | 952952 | 7 |
| 75 | 214N2122-362 | | ...NOZZLE | 953999 | 1 |
| 75 | 214N2122-369 | | ...NOZZLE | 952952 | 1 |
| 80 | 214N2122-233 | | ..NOZZLE ASSY | 953999 | 1 |
| 80 | 214N2122-205 | | ..NOZZLE ASSY | 952952 | 1 |
| 85 | 214N2122-335 | | ..NOZZLE ASSY | 953999 | 1 |
| 85 | 214N2122-265 | | ..NOZZLE ASSY | 952952 | 1 |
| 90 | 69-71974-3 | | ...SEAL | 952999 | 1 |
| 95 | 214N2123-1 | | ...BAFFLE | 952999 | 1 |
| 100 | 214N2122-247 | | ...NOZZLE- USED ON: 214N2122-233 | 953999 | 1 |
| 100 | 214N2122-219 | | ...NOZZLE- USED ON: 214N2122-205 | 952952 | 1 |
| 105 | 214N2122-336 | | ...NOZZLE- USED ON: 214N2122-335 | 953999 | 1 |

MISSING ITEM NUMBERS NOT APPLICABLE

- ITEM NOT ILLUSTRATED

21-22-03-26

21-22-03
FIG. 26
PAGE 1
JAN 20/09

BRI

 **BOEING**
757
PARTS CATALOG (MAINTENANCE)

| FIG ITEM | PART NUMBER | 1 2 3 4 5 6 7 | NOMENCLATURE | EFFECT FROM TO | UNITS PER ASSY |
|----------|--------------|---------------|-------------------------------------|----------------|----------------|
| 26 | | | | | |
| 105 | 214N2122-277 | ... | NOZZLE- USED ON: 214N2122-265 | 952952 | 1 |
| 110 | 214N2122-234 | .. | NOZZLE ASSY | 953999 | 1 |
| 110 | 214N2122-206 | .. | NOZZLE ASSY | 952952 | 1 |
| 115 | 214N2122-345 | .. | NOZZLE ASSY | 953999 | 1 |
| 115 | 214N2122-270 | .. | NOZZLE ASSY | 952952 | 1 |
| 120 | 66-14522-2 | ... | SEAL | 952999 | 1 |
| 125 | 69-71974-3 | ... | SEAL | 952999 | 1 |
| 130 | 214N2123-1 | ... | BAFFLE | 952999 | 1 |
| 135 | 214N2122-248 | ... | NOZZLE- USED ON: 214N2122-234 | 953999 | 1 |
| 135 | 214N2122-220 | ... | NOZZLE- USED ON: 214N2122-206 | 952952 | 1 |
| 140 | 214N2122-346 | ... | NOZZLE- USED ON: 214N2122-345 | 953999 | 1 |
| 140 | 214N2122-282 | ... | NOZZLE- USED ON: 214N2122-270 | 952952 | 1 |
| 145 | 214N2122-235 | .. | NOZZLE ASSY | 953999 | 1 |
| 145 | 214N2122-207 | .. | NOZZLE ASSY | 952952 | 1 |
| 150 | 214N2122-339 | .. | NOZZLE ASSY | 953999 | 1 |
| 150 | 214N2122-267 | .. | NOZZLE ASSY | 952952 | 1 |
| 155 | 214N2122-343 | .. | NOZZLE ASSY | 953999 | 1 |
| 155 | 214N2122-269 | .. | NOZZLE ASSY | 952952 | 1 |
| 160 | 69-71974-3 | ... | SEAL | 952999 | 1 |
| 165 | 214N2123-1 | ... | BAFFLE | 952999 | 1 |
| 170 | 214N2122-249 | ... | NOZZLE- USED ON: 214N2122-235 | 953999 | 1 |
| 170 | 214N2122-221 | ... | NOZZLE- USED ON: 214N2122-207 | 952952 | 1 |
| 175 | 214N2122-340 | ... | NOZZLE- USED ON: 214N2122-339 | 953999 | 1 |
| 175 | 214N2122-279 | ... | NOZZLE- USED ON: 214N2122-267 | 952952 | 1 |
| 180 | 214N2122-344 | ... | NOZZLE- USED ON: 214N2122-343 | 953999 | 1 |
| 180 | 214N2122-281 | ... | NOZZLE- USED ON: 214N2122-269 | 952952 | 1 |
| 185 | 214N2122-236 | .. | NOZZLE ASSY | 953999 | 1 |

MISSING ITEM NUMBERS NOT APPLICABLE

— ITEM NOT ILLUSTRATED

BRI

21-22-03-26

21-22-03
FIG. 26
PAGE 2
JAN 20/09

 **BOEING**
757
PARTS CATALOG (MAINTENANCE)

| FIG ITEM | PART NUMBER | 1 2 3 4 5 6 7 | NOMENCLATURE | EFFECT FROM TO | UNITS PER ASSY |
|----------|--------------|---------------|--|----------------|----------------|
| 26 | | | | | |
| 185 | 214N2122-208 | .. | NOZZLE ASSY | 952952 | 1 |
| 190 | 214N2122-337 | .. | NOZZLE ASSY | 953999 | 1 |
| 190 | 214N2122-266 | .. | NOZZLE ASSY | 952952 | 1 |
| 195 | 66-14522-2 | ... | SEAL | 952999 | 1 |
| 200 | 69-71974-3 | ... | SEAL | 952999 | 1 |
| 205 | 214N2123-1 | ... | BAFFLE | 952999 | 1 |
| 210 | 214N2122-250 | ... | NOZZLE- | 953999 | 1 |
| | | | USED ON: 214N2122-236 | | |
| 210 | 214N2122-222 | ... | NOZZLE- | 952952 | 1 |
| | | | USED ON: 214N2122-208 | | |
| 215 | 214N2122-338 | ... | NOZZLE- | 953999 | 1 |
| | | | USED ON: 214N2122-337 | | |
| 215 | 214N2122-278 | ... | NOZZLE- | 952952 | 1 |
| | | | USED ON: 214N2122-266 | | |
| 220 | 214N2122-237 | .. | NOZZLE ASSY | 953999 | 1 |
| 220 | 214N2122-209 | .. | NOZZLE ASSY | 952952 | 1 |
| 225 | 214N2122-238 | .. | NOZZLE ASSY | 953999 | 1 |
| 225 | 214N2122-210 | .. | NOZZLE ASSY | 952952 | 1 |
| 230 | 214N2122-34 | ... | SEAL | 952999 | 1 |
| 235 | 66-14522-2 | ... | SEAL- | 952999 | 1 |
| | | | USED ON: 214N2122-238 214N2122-210 | | |
| 240 | 69-71974-3 | ... | SEAL | 952999 | 1 |
| 245 | 214N2123-3 | ... | BAFFLE | 952999 | 1 |
| 250 | 214N2122-251 | ... | NOZZLE- | 953999 | 1 |
| | | | USED ON: 214N2122-237 | | |
| 250 | 214N2122-223 | ... | NOZZLE- | 952952 | 1 |
| | | | USED ON: 214N2122-209 | | |
| 255 | 214N2122-252 | ... | NOZZLE- | 953999 | 1 |
| | | | USED ON: 214N2122-238 | | |
| 255 | 214N2122-224 | ... | NOZZLE- | 952952 | 1 |
| | | | USED ON: 214N2122-210 | | |
| 260 | 214N2122-69 | .. | NOZZLE ASSY- | 952999 | 1 |
| 260 | 214N2122-27 | .. | NOZZLE ASSY- | 952999 | 1 |
| 265 | 214N2122-34 | ... | SEAL | 952999 | 2 |
| 270 | 66-14522-1 | ... | SEAL | 952999 | 1 |
| 275 | 214N2123-3 | ... | BAFFLE | 952999 | 1 |
| 280 | 214N2122-94 | ... | NOZZLE | 953999 | 1 |
| 280 | 66-57176-75 | ... | NOZZLE | 952952 | 1 |
| 285 | 214N2122-72 | .. | NOZZLE ASSY | 953999 | 1 |

MISSING ITEM NUMBERS NOT APPLICABLE

— ITEM NOT ILLUSTRATED

21-22-03-26

21-22-03
FIG. 26
PAGE 3
JAN 20/09

BRI



757

PARTS CATALOG (MAINTENANCE)

| FIG ITEM | PART NUMBER | 1 2 3 4 5 6 7 | NOMENCLATURE | EFFECT FROM TO | UNITS PER ASSY |
|-------------|--------------|---------------|--------------|-------------------|----------------------|
| 26 | | | | | |
| 285 | 214N2122-1 | .. | NOZZLE ASSY | 952952 | 1 |
| 290 | 66-14522-1 | ... | SEAL | 952999 | 1 |
| 295 | 69-71974-1 | ... | SEAL | 952999 | 1 |
| 300 | 214N2123-2 | ... | BAFFLE | 952999 | 1 |
| 305 | 214N2122-100 | ... | NOZZLE | 953999 | 1 |
| 305 | 214N2122-7 | ... | NOZZLE | 952952 | 1 |
| 310 | 214N2122-347 | .. | NOZZLE ASSY | 953999 | 1 |
| 310 | 214N2122-271 | .. | NOZZLE ASSY | 952952 | 1 |
| 315 | 69-71974-3 | ... | SEAL | 952999 | 2 |
| 320 | 214N2123-1 | ... | BAFFLE | 952999 | 1 |
| 325 | 214N2122-348 | ... | NOZZLE | 953999 | 1 |
| 325 | 214N2122-283 | ... | NOZZLE | 952952 | 1 |

MISSING ITEM NUMBERS NOT APPLICABLE

- ITEM NOT ILLUSTRATED

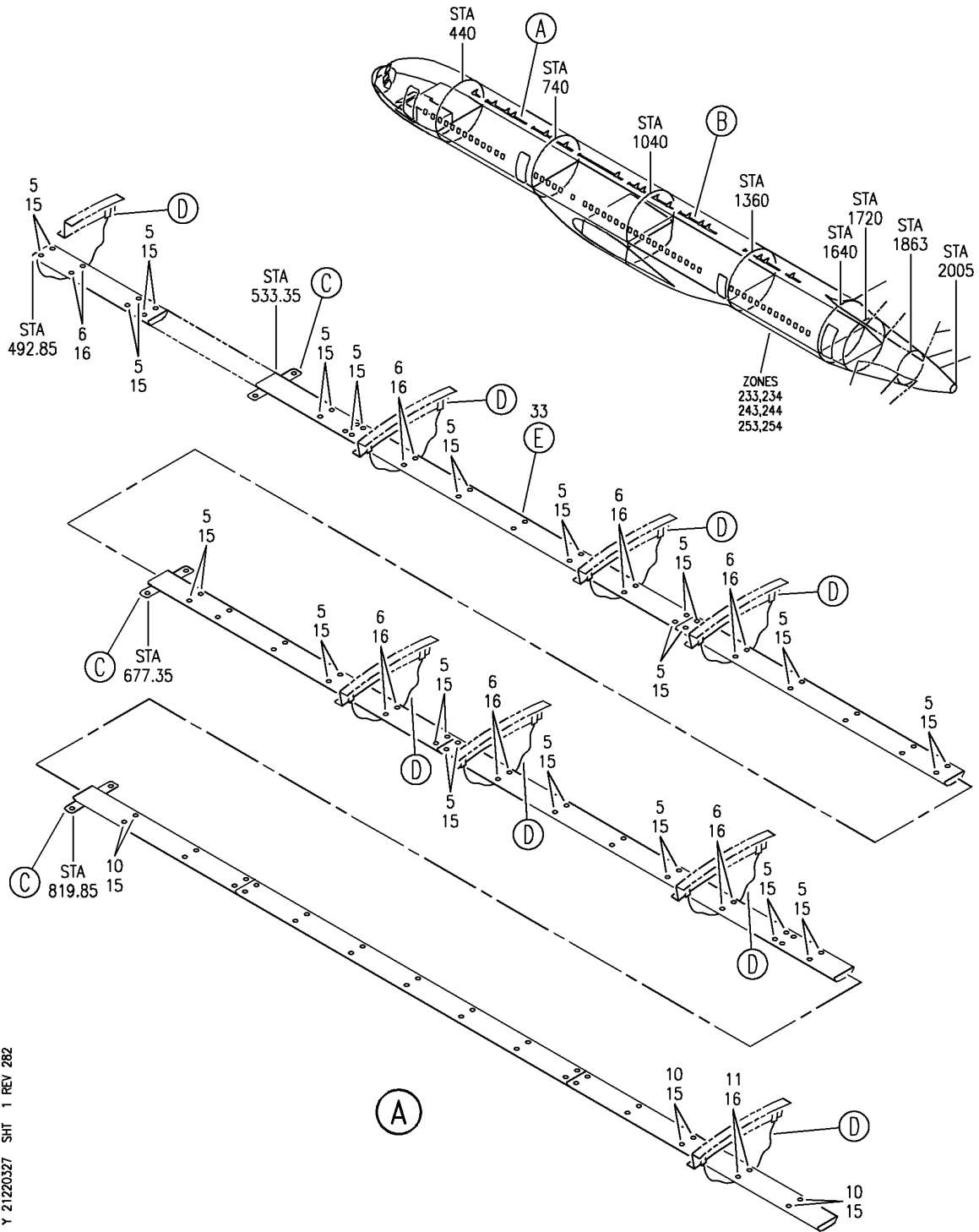
BRI

21-22-03-26

BOEING PROPRIETARY - Copyright © - Unpublished Work - See title page for details.

21-22-03
FIG. 26
PAGE 4
JAN 20/09

BOEING
757
PARTS CATALOG (MAINTENANCE)



Y 21220327 SHT 1 REV 2B2

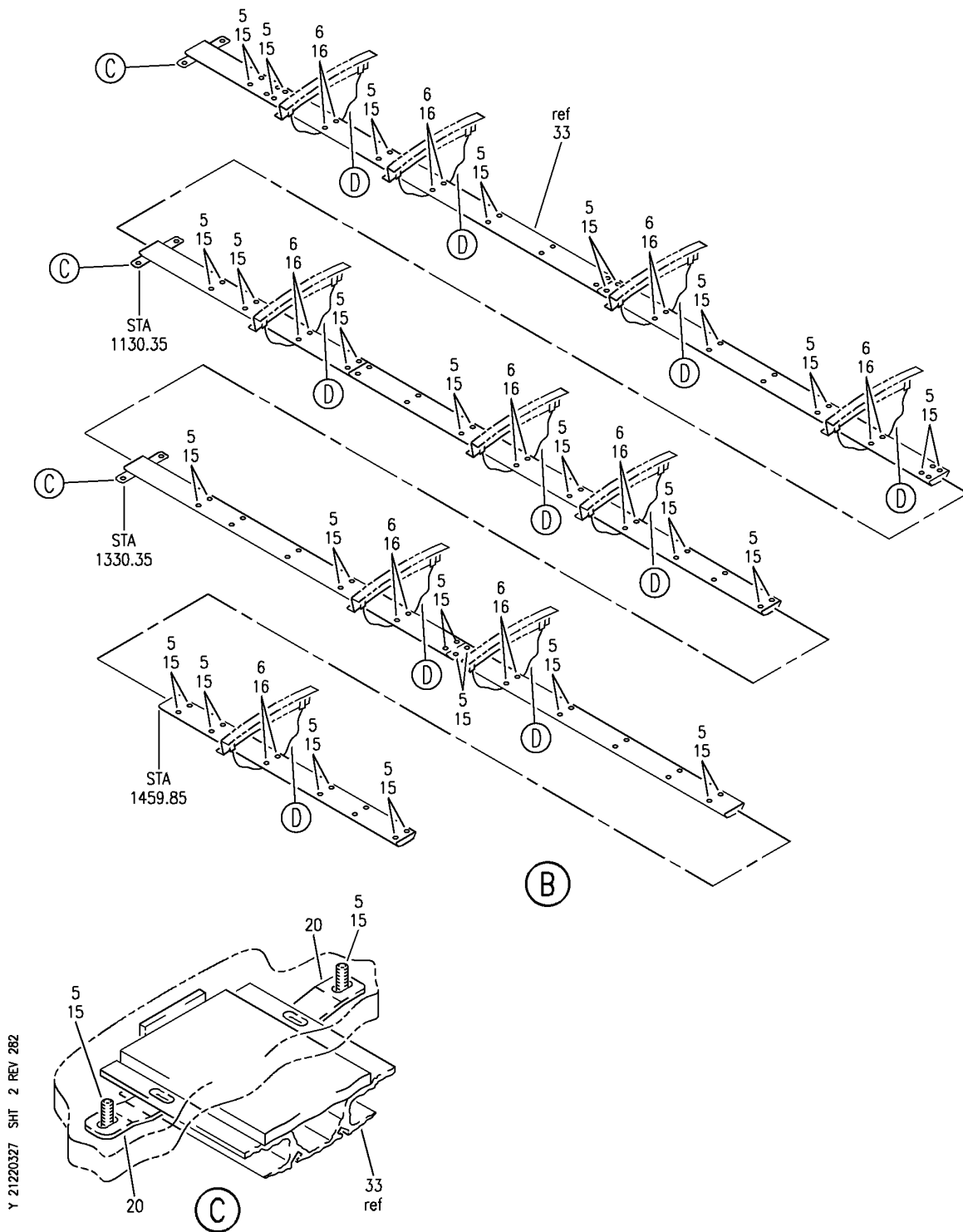
NOZZLE INSTL-OVERHEAD AIR DISTR SYS
FIGURE 27 (SHEET 1)

21-22-03-27

BRI
MAY 28/07

21-22-03-27
PAGE 0


BOEING
 757
PARTS CATALOG (MAINTENANCE)



Y 21220327 SHT 2 REV 2B2

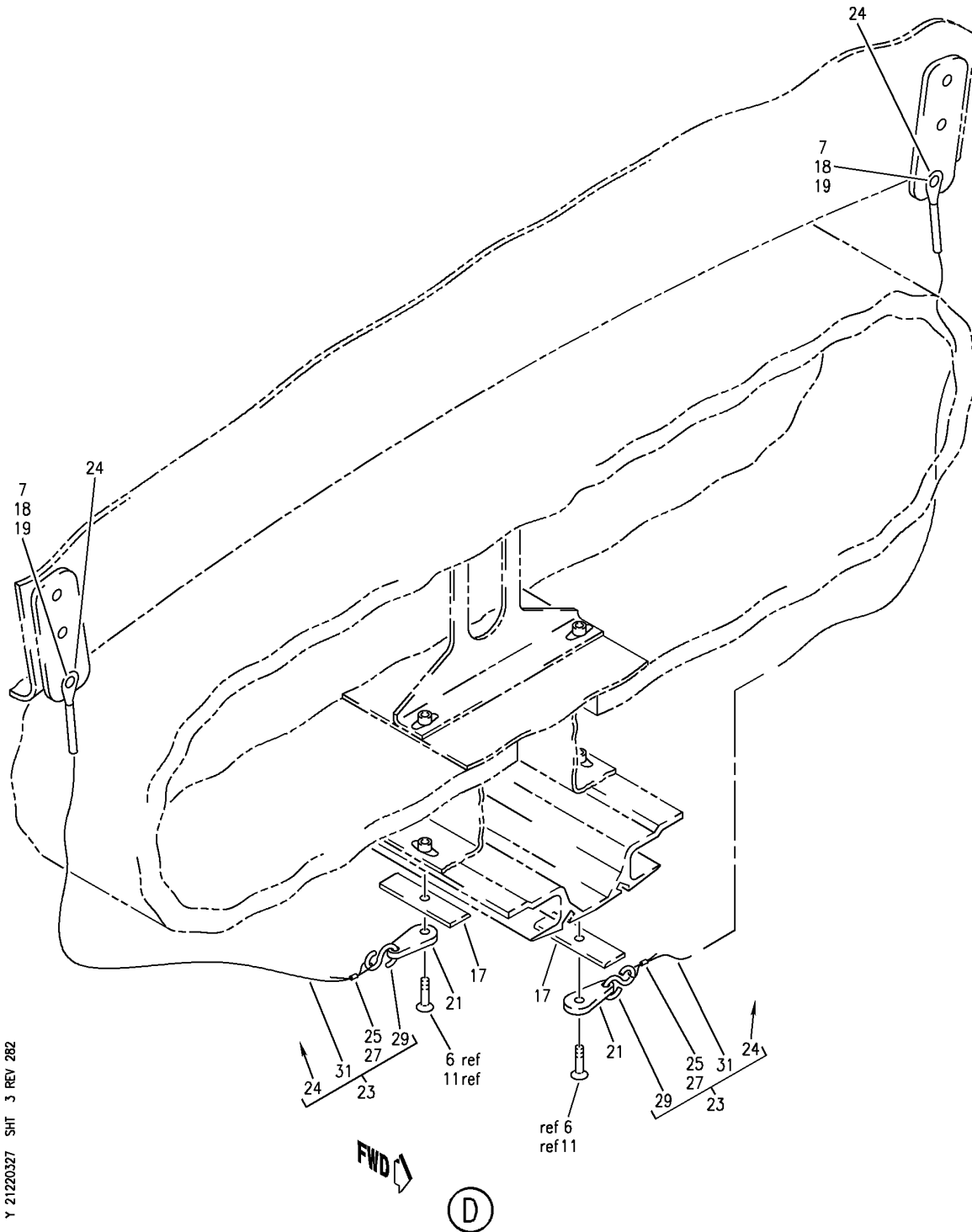
NOZZLE INSTL-OVERHEAD AIR DISTR SYS
 FIGURE 27 (SHEET 2)

21-22-03-27

BRI
 MAY 28/07

21-22-03-27
 PAGE 0A

BOEING
757
PARTS CATALOG (MAINTENANCE)



Y 21220327 SHT 3 REV 282

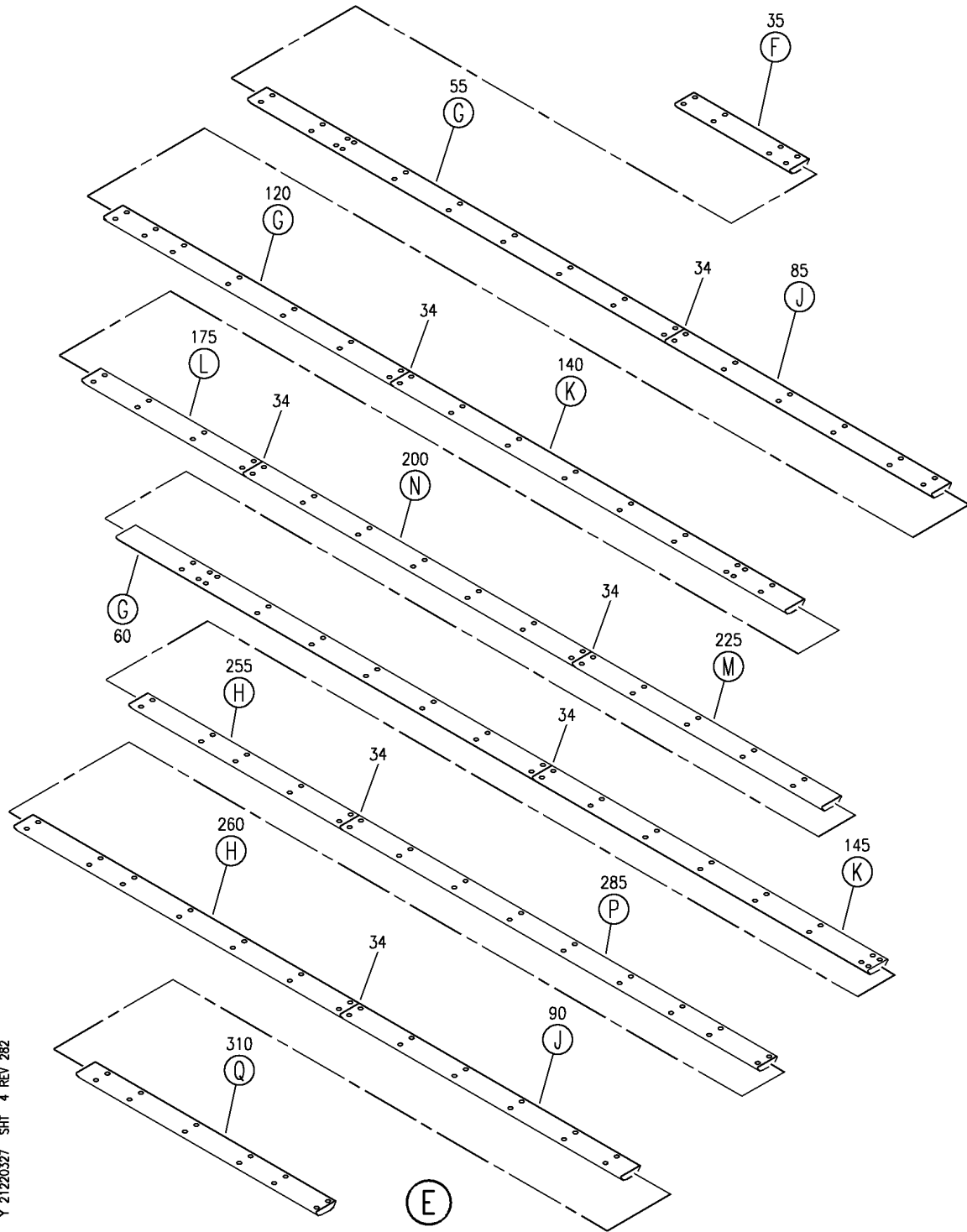
NOZZLE INSTL-OVERHEAD AIR DISTR SYS
FIGURE 27 (SHEET 3)

21-22-03-27

BRI
MAY 28/07

21-22-03-27
PAGE 0B

BOEING
757
PARTS CATALOG (MAINTENANCE)



Y 21220327 SHT 4 REV 2B2

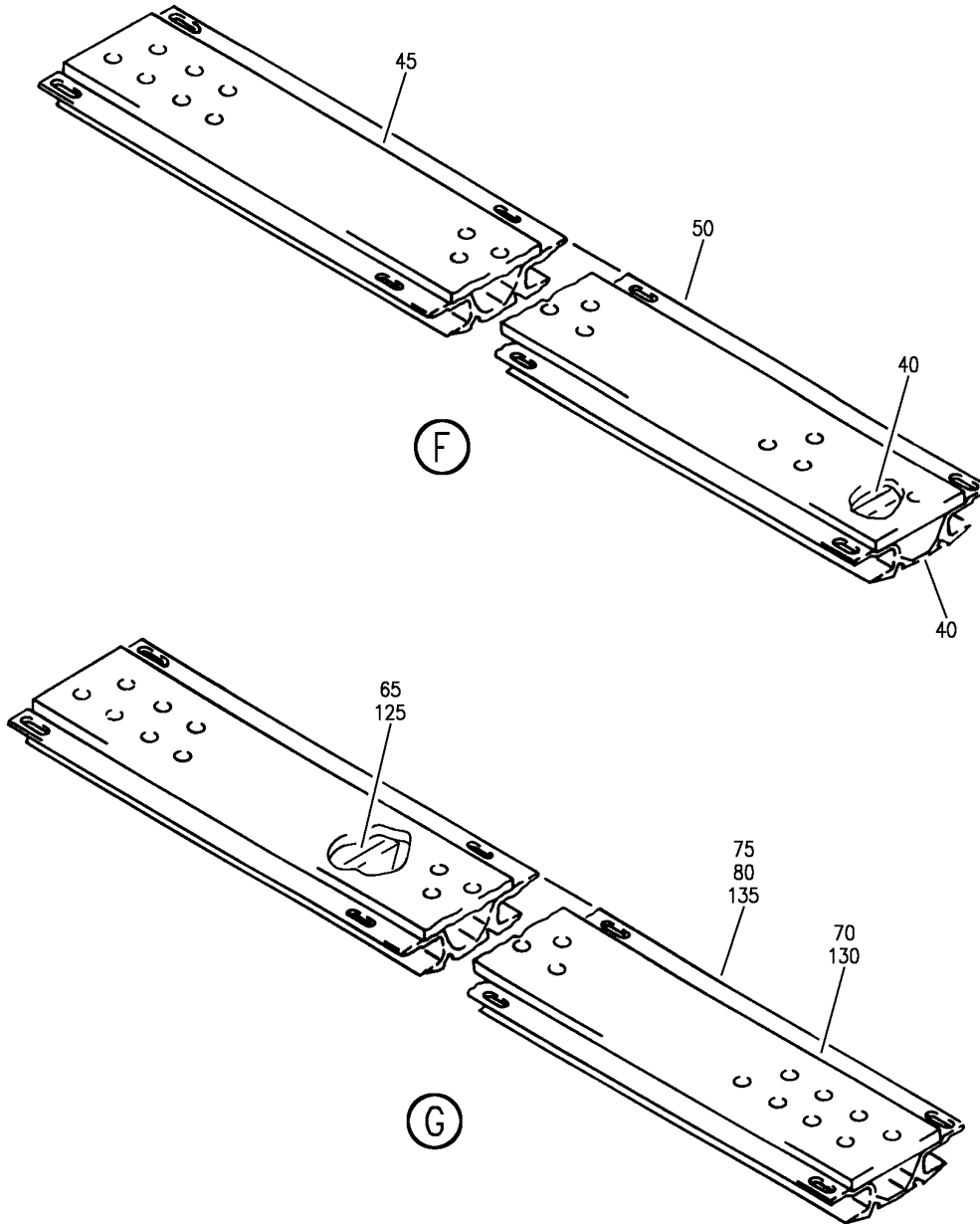
NOZZLE INSTL-OVERHEAD AIR DISTR SYS
FIGURE 27 (SHEET 4)

21-22-03-27

BRI
MAY 28/07

21-22-03-27
PAGE 0C

BOEING
757
PARTS CATALOG (MAINTENANCE)



Y 21220327 SH- 5 REV 282

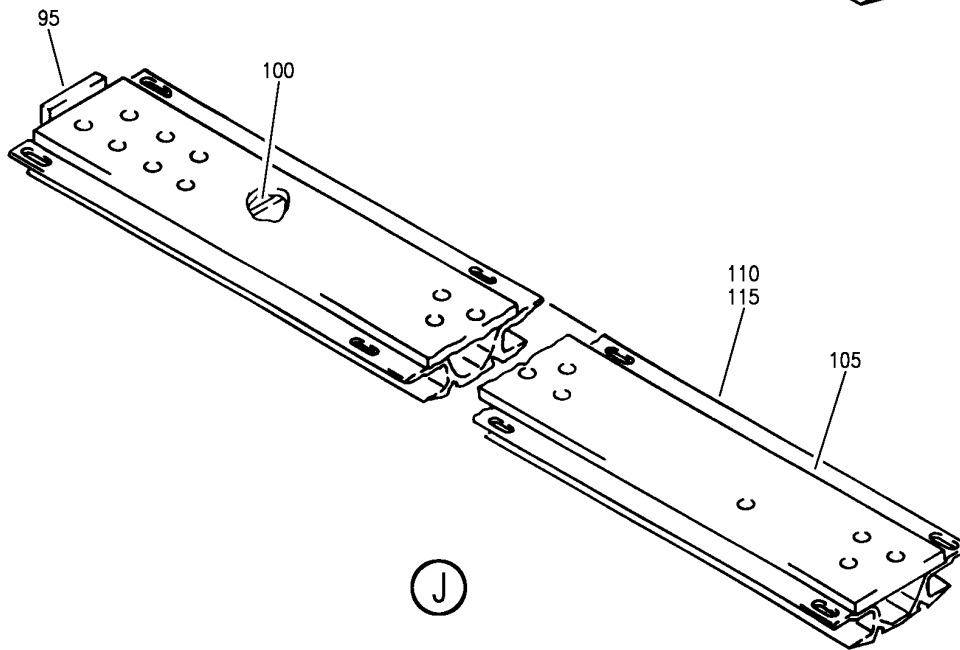
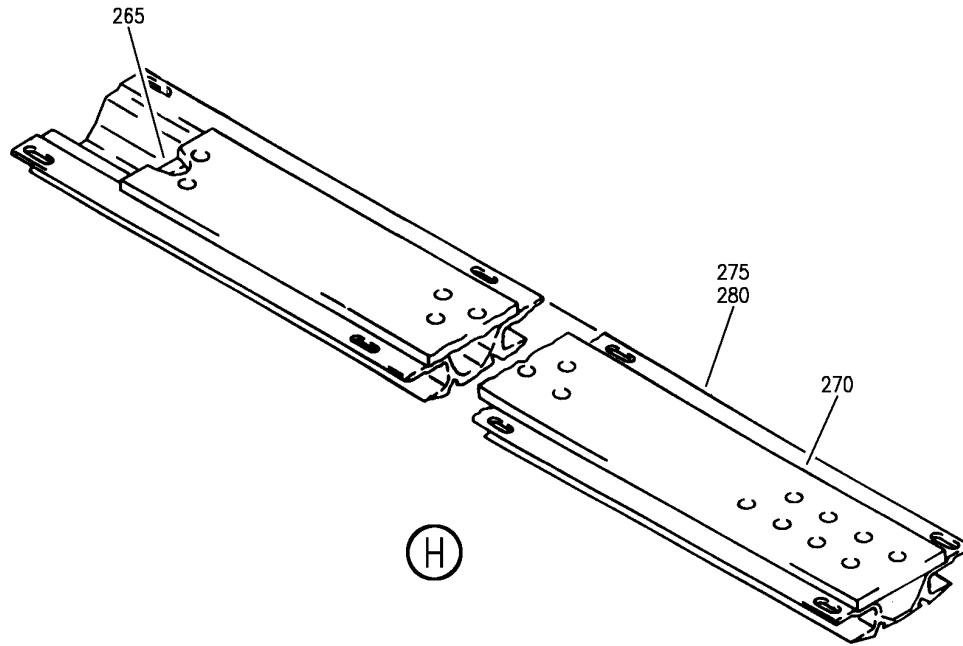
NOZZLE INSTL-OVERHEAD AIR DISTR SYS
FIGURE 27 (SHEET 5)

21-22-03-27

BRI
MAY 28/07

21-22-03-27
PAGE 0D

BOEING
757
PARTS CATALOG (MAINTENANCE)



Y 21220327 SH- 6 REV 282

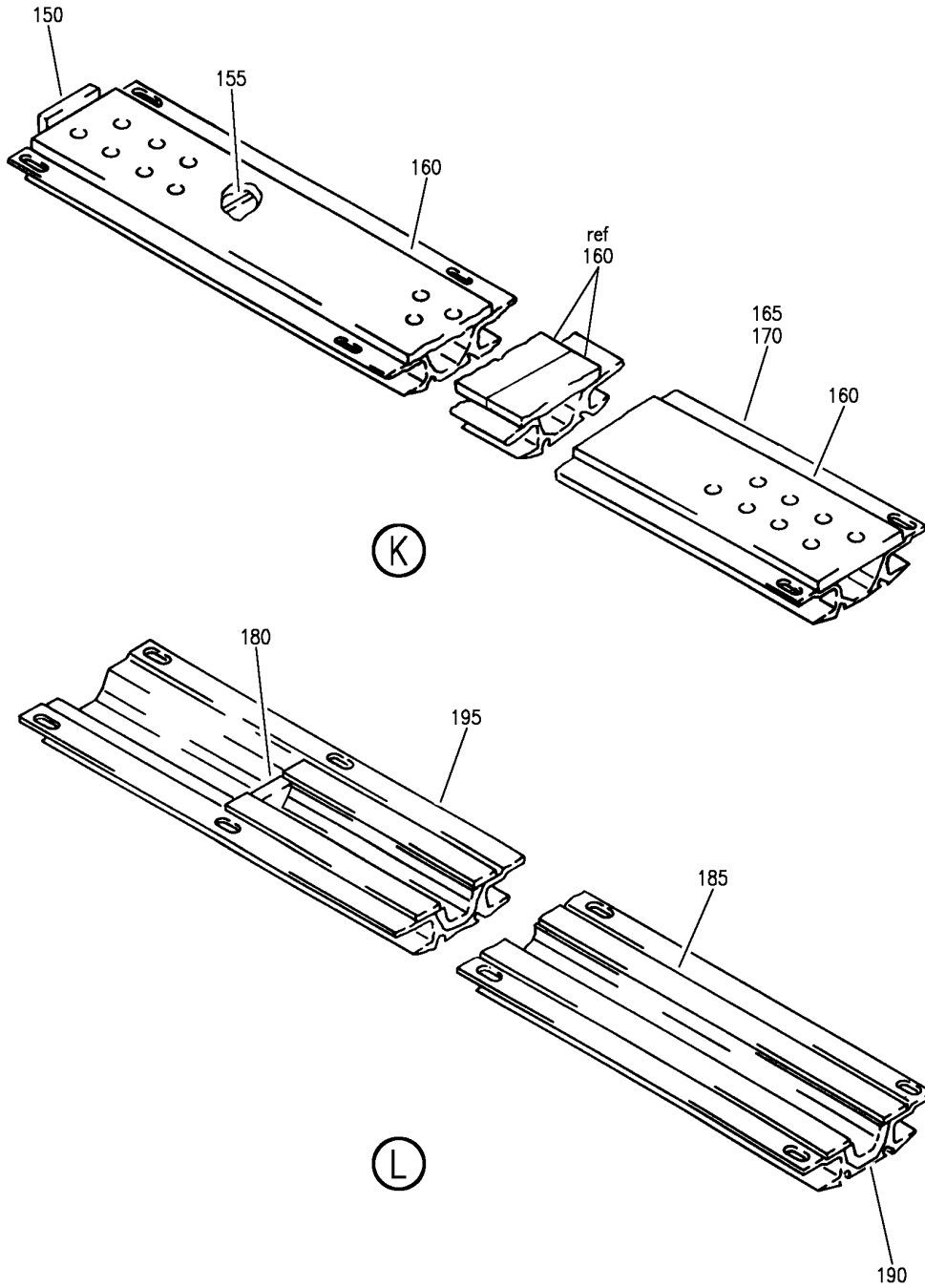
NOZZLE INSTL-OVERHEAD AIR DISTR SYS
FIGURE 27 (SHEET 6)

21-22-03-27

BRI
MAY 28/07

21-22-03-27
PAGE 0E

BOEING
757
PARTS CATALOG (MAINTENANCE)



Y 21220327 SH- 7 REV 282

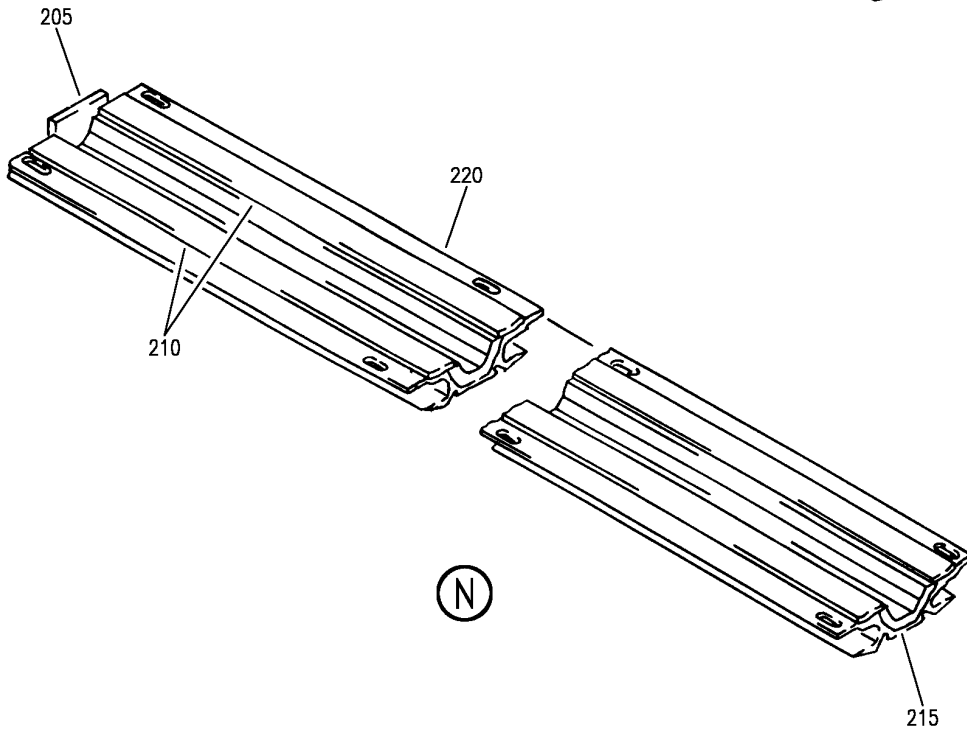
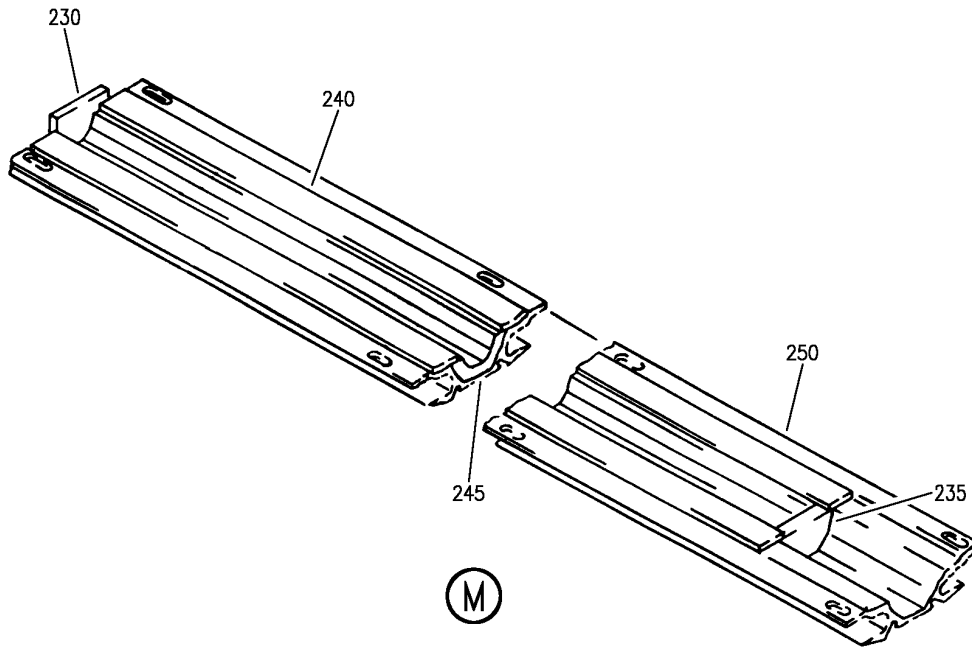
NOZZLE INSTL-OVERHEAD AIR DISTR SYS
FIGURE 27 (SHEET 7)

21-22-03-27

BRI
MAY 28/07

21-22-03-27
PAGE OF

BOEING
757
PARTS CATALOG (MAINTENANCE)



Y 21220327 SH1 8 REV 282

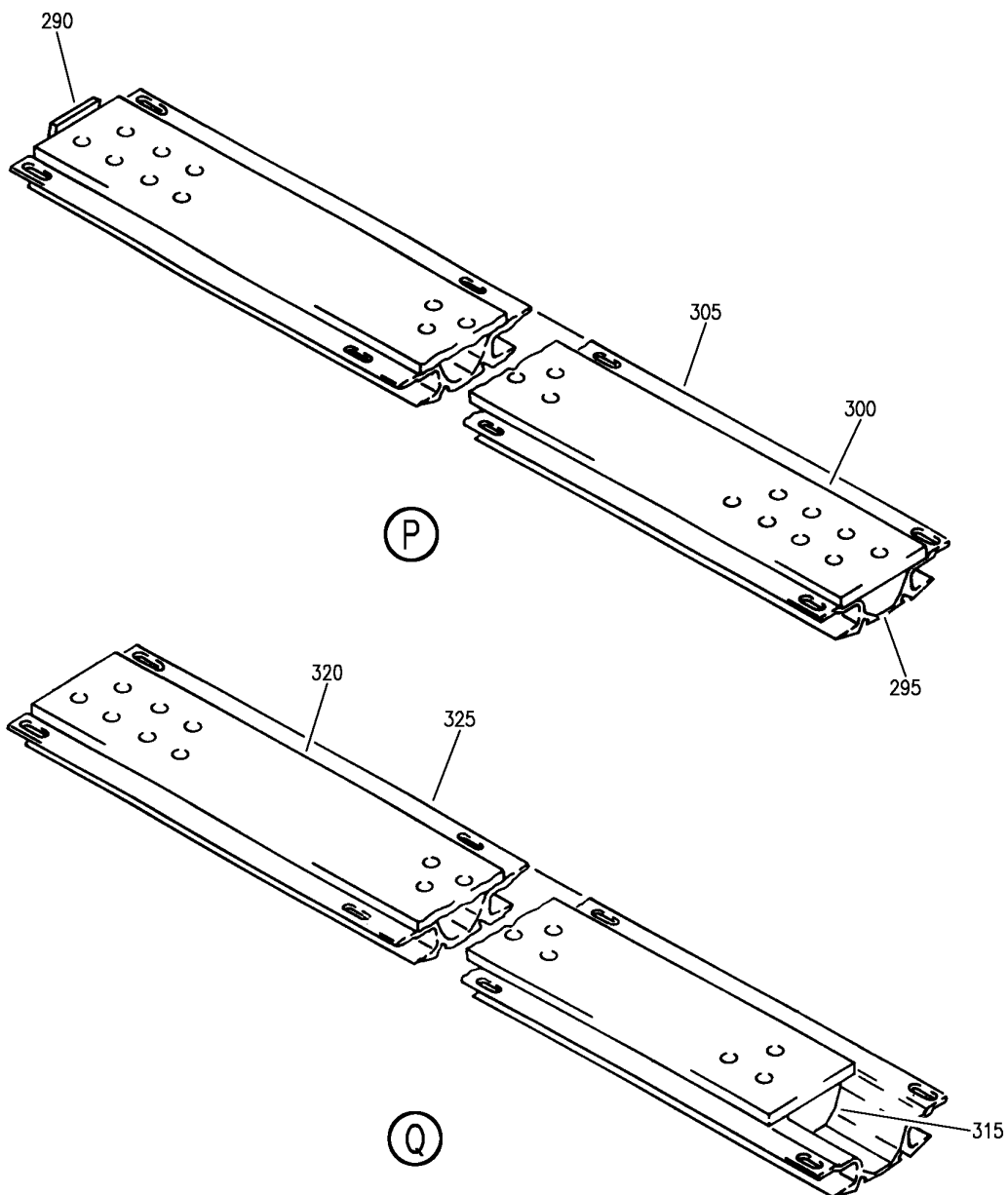
NOZZLE INSTL-OVERHEAD AIR DISTR SYS
FIGURE 27 (SHEET 8)

21-22-03-27

BRI
MAY 28/07

21-22-03-27
PAGE 06

BOEING
757
PARTS CATALOG (MAINTENANCE)



Y 21220327 SH1 9 REV 282

NOZZLE INSTL-OVERHEAD AIR DISTR SYS
FIGURE 27 (SHEET 9)

21-22-03-27

BRI
MAY 28/07

21-22-03-27
PAGE 0H



757

PARTS CATALOG (MAINTENANCE)

| FIG ITEM | PART NUMBER | 1 2 3 4 5 6 7 | NOMENCLATURE | EFFECT FROM TO | UNITS PER ASSY |
|----------|---------------|---------------|---|------------------|----------------|
| 27 | | | NOZZLE INSTL-OVERHEAD AIR DISTR SYS | 002004 006100 | |
| - 1 | 214N2005-99 | | NOZZLE INSTL-OVERHEAD AIR DISTR SYS FOR NHA SEE: 21-00-00-01 | 002004 | RF |
| - 1 | 214N2005-117 | | NOZZLE INSTL-OVERHEAD AIR DISTR SYS FOR NHA SEE: 21-00-00-01 | 006100 | RF |
| 5 | BACS12FA3K11 | | .SCREW | 002004 006100 | 142 |
| 6 | BACS12FA3K11 | | .SCREW- PRE SERVICE BULLETIN: 21-0088 | 002004 006100 | 34 |
| 6 | BACB30VF3K5 | | .BOLT- POST SERVICE BULLETIN: 21-0088 | 002004 006010 | 34 |
| 7 | BACB30NM3K2 | | .BOLT- POST SERVICE BULLETIN: 21-0088 | 002004 006010 | 36 |
| 10 | BACS12FA3K21 | | .SCREW- | 002004 006100 | 28 |
| 11 | BACS12FA3K21 | | .SCREW- PRE SERVICE BULLETIN: 21-0088 | 002004 006100 | 2 |
| 11 | BACB30VF3K13 | | .BOLT- POST SERVICE BULLETIN: 21-0088 | 002004 006010 | 2 |
| 15 | AN960JD11 | | .WASHER | 002004 006100 | 170 |
| 16 | AN960JD11 | | .WASHER- PRE SERVICE BULLETIN: 21-0088 | 002004 006100 | 36 |
| 17 | 69-47875-4 | | .WASHER- POST SERVICE BULLETIN: 21-0088 | 002004 006010 | 36 |
| 18 | NAS1149D0332J | | .WASHER- POST SERVICE BULLETIN: 21-0088 | 002004 006010 | 36 |

MISSING ITEM NUMBERS NOT APPLICABLE

- ITEM NOT ILLUSTRATED

BRI

21-22-03-27

21-22-03
FIG. 27
PAGE 1
JAN 20/09

 **BOEING**
757
PARTS CATALOG (MAINTENANCE)

| FIG ITEM | PART NUMBER | 1 2 3 4 5 6 7 | NOMENCLATURE | EFFECT FROM TO | UNITS PER ASSY |
|----------|----------------|---------------|------------------------|----------------|----------------|
| 27 | | | | | |
| 19 | PLH53CD | . | NUT- | 002004 | 36 |
| | | | SUPPLIER CODE: | 006010 | |
| | | | VF0224 | | |
| | | | SPECIFICATION NUMBER: | | |
| | | | BACN10YR3CD | | |
| | | | OPTIONAL PART: | | |
| | | | H52732-3CD | | |
| | | | V15653 | | |
| | | | POST SERVICE BULLETIN: | | |
| | | | 21-0088 | | |
| 20 | 214N2129-3 | . | BRACKET | 002004 | 12 |
| | | | | 006100 | |
| 21 | 214N2113-10 | . | BRACKET-LANYARD HOOK | 002004 | 36 |
| | | | POST SERVICE BULLETIN: | 006010 | |
| | | | 21-0088 | | |
| 23 | 214N2030-1 | . | LANYARD ASSY- | 002004 | 36 |
| | | | POST SERVICE BULLETIN: | 006010 | |
| | | | 21-0088 | | |
| 24 | MS20668-2 | .. | TERMINAL | 002004 | 1 |
| | | | | 006010 | |
| 25 | MS51844-62 | .. | SLEEVE | 002004 | 1 |
| | | | | 006010 | |
| 27 | BACT63C01 | .. | TUBING | 002004 | 1 |
| | | | | 006010 | |
| 29 | 214N2113-11 | .. | BRACKET | 002004 | 1 |
| | | | | 006010 | |
| 31 | 214N2030-2 | .. | CABLE | 002004 | 1 |
| | | | | 006010 | |
| 33 | 214N2005-118SP | . | NOZZLE ASSY-SET | 006100 | 1 |
| 33 | 214N2005-124SP | . | NOZZLE ASSY-SET | 002004 | 1 |
| 34 | 69-42789-1 | .. | COVER-GAP | 002004 | 7 |
| | | | | 006100 | |
| 35 | 214N2122-365 | .. | NOZZLE ASSY | 002004 | 1 |
| 35 | 214N2122-359 | .. | NOZZLE ASSY | 006100 | 1 |
| 40 | 69-71974-3 | ... | SEAL | 002004 | 2 |
| | | | | 006100 | |
| 45 | 214N2123-1 | ... | BAFFLE | 002004 | 1 |
| | | | | 006100 | |
| 50 | 214N2122-366 | ... | NOZZLE | 002004 | 1 |
| 50 | 214N2122-360 | ... | NOZZLE | 006100 | 1 |
| 55 | 214N2122-205 | .. | NOZZLE ASSY | 002004 | 1 |
| 55 | 214N2122-233 | .. | NOZZLE ASSY | 006100 | 1 |
| 60 | 214N2122-265 | .. | NOZZLE ASSY | 002004 | 1 |
| 60 | 214N2122-335 | .. | NOZZLE ASSY | 006100 | 1 |
| 65 | 69-71974-3 | ... | SEAL | 002004 | 1 |
| | | | | 006100 | |
| 70 | 214N2123-1 | ... | BAFFLE | 002004 | 2 |
| | | | | 006100 | |

MISSING ITEM NUMBERS NOT APPLICABLE

— ITEM NOT ILLUSTRATED

BRI

21-22-03-27

21-22-03
FIG. 27
PAGE 2
JAN 20/09



757

PARTS CATALOG (MAINTENANCE)

| FIG ITEM | PART NUMBER | 1 2 3 4 5 6 7 | NOMENCLATURE | EFFECT FROM TO | UNITS PER ASSY |
|----------|--------------|---------------|-------------------------------------|----------------|----------------|
| 27 | | | | | |
| 75 | 214N2122-219 | ... | NOZZLE- USED ON: 214N2122-205 | 002004 | 1 |
| 75 | 214N2122-247 | ... | NOZZLE- USED ON: 214N2122-233 | 006100 | 1 |
| 80 | 214N2122-277 | ... | NOZZLE- USED ON: 214N2122-265 | 002004 | 1 |
| 80 | 214N2122-336 | ... | NOZZLE- USED ON: 214N2122-335 | 006100 | 1 |
| 85 | 214N2122-206 | .. | NOZZLE ASSY | 002004 | 1 |
| 85 | 214N2122-234 | .. | NOZZLE ASSY | 006100 | 1 |
| 90 | 214N2122-270 | .. | NOZZLE ASSY | 002004 | 1 |
| 90 | 214N2122-345 | .. | NOZZLE ASSY | 006100 | 1 |
| 95 | 66-14522-2 | ... | SEAL | 002004 | 1 |
| | | | | 006100 | |
| 100 | 69-71974-3 | ... | SEAL | 002004 | 1 |
| | | | | 006100 | |
| 105 | 214N2123-1 | ... | BAFFLE | 002004 | 1 |
| | | | | 006100 | |
| 110 | 214N2122-220 | ... | NOZZLE- USED ON: 214N2122-206 | 002004 | 1 |
| 110 | 214N2122-248 | ... | NOZZLE- USED ON: 214N2122-234 | 006100 | 1 |
| 115 | 214N2122-282 | ... | NOZZLE- USED ON: 214N2122-270 | 002004 | 1 |
| 115 | 214N2122-346 | ... | NOZZLE- USED ON: 214N2122-345 | 006100 | 1 |
| 120 | 214N2122-207 | .. | NOZZLE ASSY | 002004 | 1 |
| 120 | 214N2122-235 | .. | NOZZLE ASSY | 006100 | 1 |
| 125 | 69-71974-3 | ... | SEAL | 002004 | 1 |
| | | | | 006100 | |
| 130 | 214N2123-1 | ... | BAFFLE | 002004 | 1 |
| | | | | 006100 | |
| 135 | 214N2122-221 | ... | NOZZLE | 002004 | 1 |
| 135 | 214N2122-249 | ... | NOZZLE | 006100 | 1 |
| 140 | 214N2122-208 | .. | NOZZLE ASSY | 002004 | 1 |
| 140 | 214N2122-236 | .. | NOZZLE ASSY | 006100 | 1 |
| 145 | 214N2122-266 | .. | NOZZLE ASSY | 002004 | 1 |
| 145 | 214N2122-337 | .. | NOZZLE ASSY | 006100 | 1 |
| 150 | 66-14522-2 | ... | SEAL | 002004 | 1 |
| | | | | 006100 | |

MISSING ITEM NUMBERS NOT APPLICABLE

- ITEM NOT ILLUSTRATED

21-22-03-27

21-22-03
FIG. 27
PAGE 3
JAN 20/09

BRI



757

PARTS CATALOG (MAINTENANCE)

| FIG ITEM | PART NUMBER | 1 2 3 4 5 6 7 | NOMENCLATURE | EFFECT FROM TO | UNITS PER ASSY |
|----------|--------------|---------------|-------------------------------------|------------------|----------------|
| 27 | | | | | |
| 155 | 69-71974-3 | ... | SEAL | 002004 006100 | 1 |
| 160 | 214N2123-1 | ... | BAFFLE | 002004 006100 | 2 |
| 165 | 214N2122-222 | ... | NOZZLE- USED ON: 214N2122-205 | 002004 | 1 |
| 165 | 214N2122-250 | ... | NOZZLE- USED ON: 214N2122-236 | 006100 | 1 |
| 170 | 214N2122-278 | ... | NOZZLE- USED ON: 214N2122-266 | 002004 | 1 |
| 170 | 214N2122-338 | ... | NOZZLE- USED ON: 214N2122-337 | 006100 | 1 |
| 175 | 214N2122-209 | .. | NOZZLE ASSY | 002004 | 1 |
| 175 | 214N2122-237 | .. | NOZZLE ASSY | 006100 | 1 |
| 180 | 69-71974-3 | ... | SEAL | 002004 006100 | 1 |
| 185 | 214N2122-34 | ... | SEAL | 002004 006100 | 1 |
| 190 | 214N2123-1 | ... | BAFFLE- | 002004 006100 | 1 |
| 195 | 214N2122-223 | ... | NOZZLE- USED ON: 214N2122-209 | 002004 | 1 |
| 195 | 214N2122-251 | ... | NOZZLE- USED ON: 214N2122-237 | 006100 | 1 |
| 200 | 214N2122-27 | .. | NOZZLE ASSY- | 002004 006100 | 1 |
| 200 | 214N2122-69 | .. | NOZZLE ASSY- | 002004 006100 | 1 |
| 205 | 66-14522-1 | ... | SEAL | 002004 006100 | 1 |
| 210 | 214N2122-34 | ... | SEAL | 002004 006100 | 2 |
| 215 | 214N2123-3 | ... | BAFFLE | 002004 006100 | 1 |
| 220 | 65-57176-75 | ... | NOZZLE- | 002004 | 1 |
| 220 | 214N2122-94 | ... | NOZZLE | 006100 | 1 |
| 225 | 214N2122-210 | .. | NOZZLE ASSY- | 002004 | 1 |
| 225 | 214N2122-238 | .. | NOZZLE ASSY- | 006100 | 1 |
| 230 | 66-14522-2 | ... | SEAL- | 002004 006100 | 1 |
| 235 | 69-71974-3 | ... | SEAL | 002004 006100 | 1 |

MISSING ITEM NUMBERS NOT APPLICABLE

- ITEM NOT ILLUSTRATED

21-22-03-27

21-22-03
FIG. 27
PAGE 4
JAN 20/09

BRI

BOEING PROPRIETARY - Copyright © - Unpublished Work - See title page for details.



757

PARTS CATALOG (MAINTENANCE)

| FIG ITEM | PART NUMBER | 1 2 3 4 5 6 7 | NOMENCLATURE | EFFECT FROM TO | UNITS PER ASSY |
|----------|--------------|---------------|-------------------------------------|------------------|----------------|
| 27 | | | | | |
| 240 | 214N2122-34 | ... | SEAL | 002004 006100 | 1 |
| 245 | 214N2123-3 | ... | BAFFLE | 002004 006100 | 1 |
| 250 | 214N2122-224 | ... | NOZZLE- | 002004 | 1 |
| 250 | 214N2122-252 | ... | NOZZLE- | 006100 | 1 |
| 255 | 214N2122-267 | .. | NOZZLE ASSY | 002004 | 1 |
| 255 | 214N2122-339 | .. | NOZZLE ASSY | 006100 | 1 |
| 260 | 214N2122-379 | .. | NOZZLE ASSY- | 002004 | 1 |
| 260 | 214N2122-363 | .. | NOZZLE ASSY- | 006100 | 1 |
| 265 | 69-71974-3 | ... | SEAL- | 002004 006100 | 1 |
| 270 | 214N2123-1 | ... | BAFFLE | 002004 006100 | 1 |
| 275 | 214N2122-279 | ... | NOZZLE- USED ON: 214N2122-267 | 002004 | 1 |
| 275 | 214N2122-340 | ... | NOZZLE- USED ON: 214N2122-339 | 006100 | 1 |
| 280 | 214N2122-380 | ... | NOZZLE- USED ON: 214N2122-379 | 002004 | 1 |
| 280 | 214N2122-364 | ... | NOZZLE- USED ON: 214N2122-363 | 006100 | 1 |
| 285 | 214N2122-1 | .. | NOZZLE ASSY | 002004 | 1 |
| 285 | 214N2122-72 | .. | NOZZLE ASSY | 006100 | 1 |
| 290 | 66-14522-1 | ... | SEAL | 002004 006100 | 1 |
| 295 | 69-71974-1 | ... | SEAL | 006100 | 1 |
| 300 | 214N2123-2 | ... | BAFFLE | 002004 006100 | 1 |
| 305 | 214N2122-7 | ... | NOZZLE | 002004 | 1 |
| 305 | 214N2122-100 | ... | NOZZLE | 006100 | 1 |
| 310 | 214N2122-271 | .. | NOZZLE ASSY- | 002004 | 1 |
| 310 | 214N2122-347 | .. | NOZZLE ASSY- | 006100 | 1 |
| 315 | 69-71974-3 | ... | SEAL- | 002004 006100 | 2 |
| 320 | 214N2123-1 | ... | BAFFLE | 002004 006100 | 1 |
| 325 | 214N2122-283 | ... | NOZZLE- | 002004 | 1 |
| 325 | 214N2122-348 | ... | NOZZLE- | 006100 | 1 |

MISSING ITEM NUMBERS NOT APPLICABLE

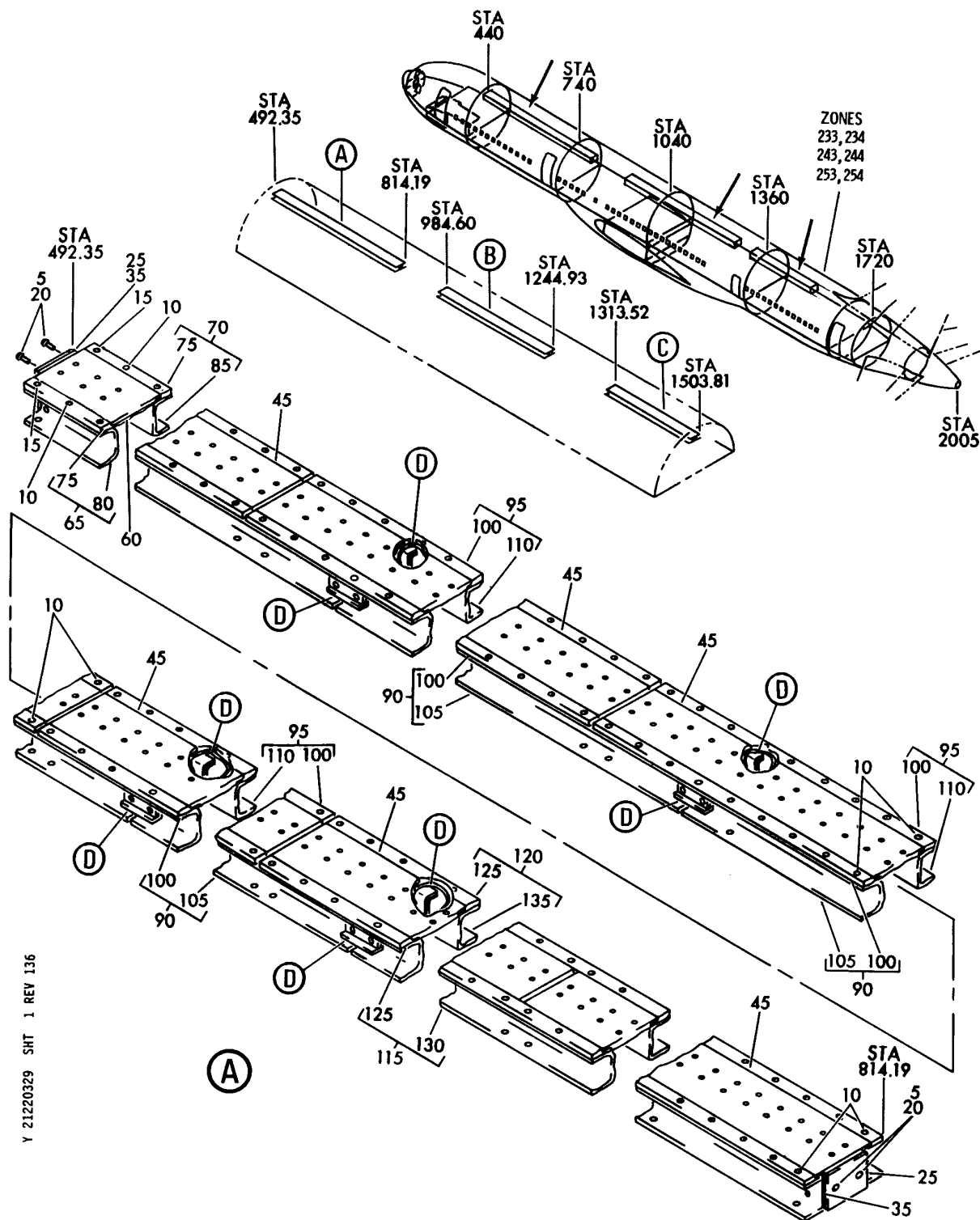
- ITEM NOT ILLUSTRATED

21-22-03-27

21-22-03
FIG. 27
PAGE 5
JAN 20/09

BRI

BOEING
757
PARTS CATALOG (MAINTENANCE)

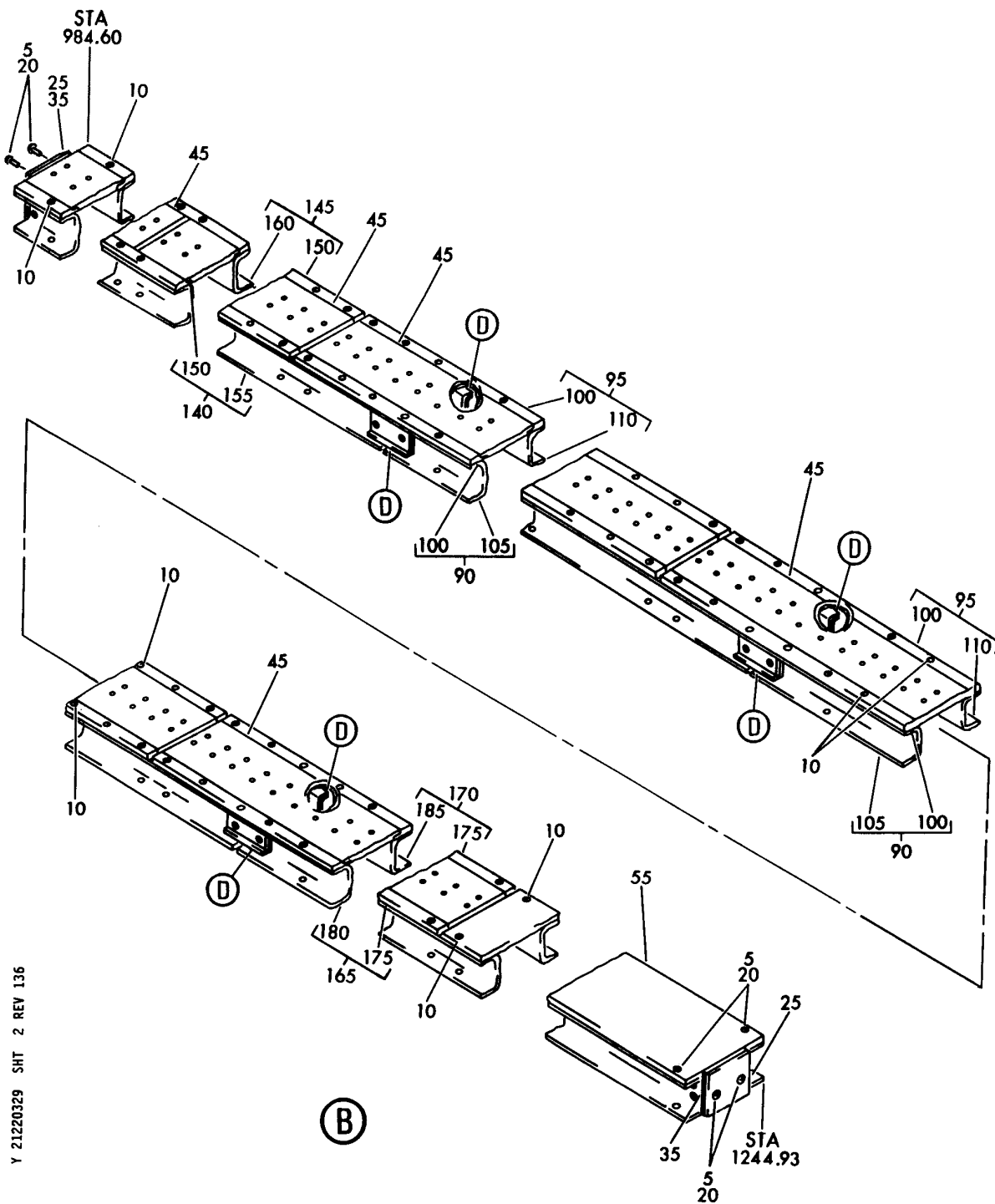


Y 21220329 SHT 1 REV 136

ADAPTOR INSTL-OVERHEAD AIR DISTR SYS
FIGURE 29 (SHEET 1)

21-22-03-29

BOEING
757
PARTS CATALOG (MAINTENANCE)



Y 21220329 SH1 2 REV 136

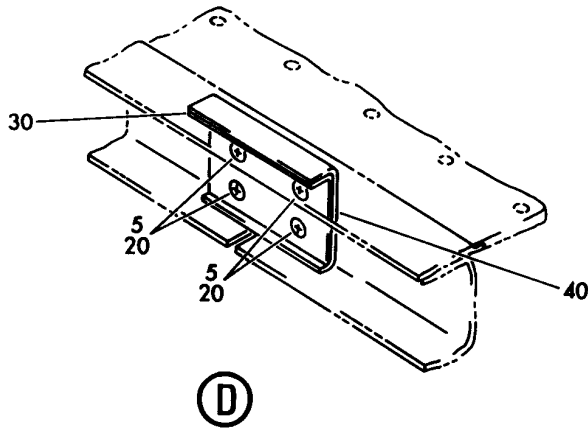
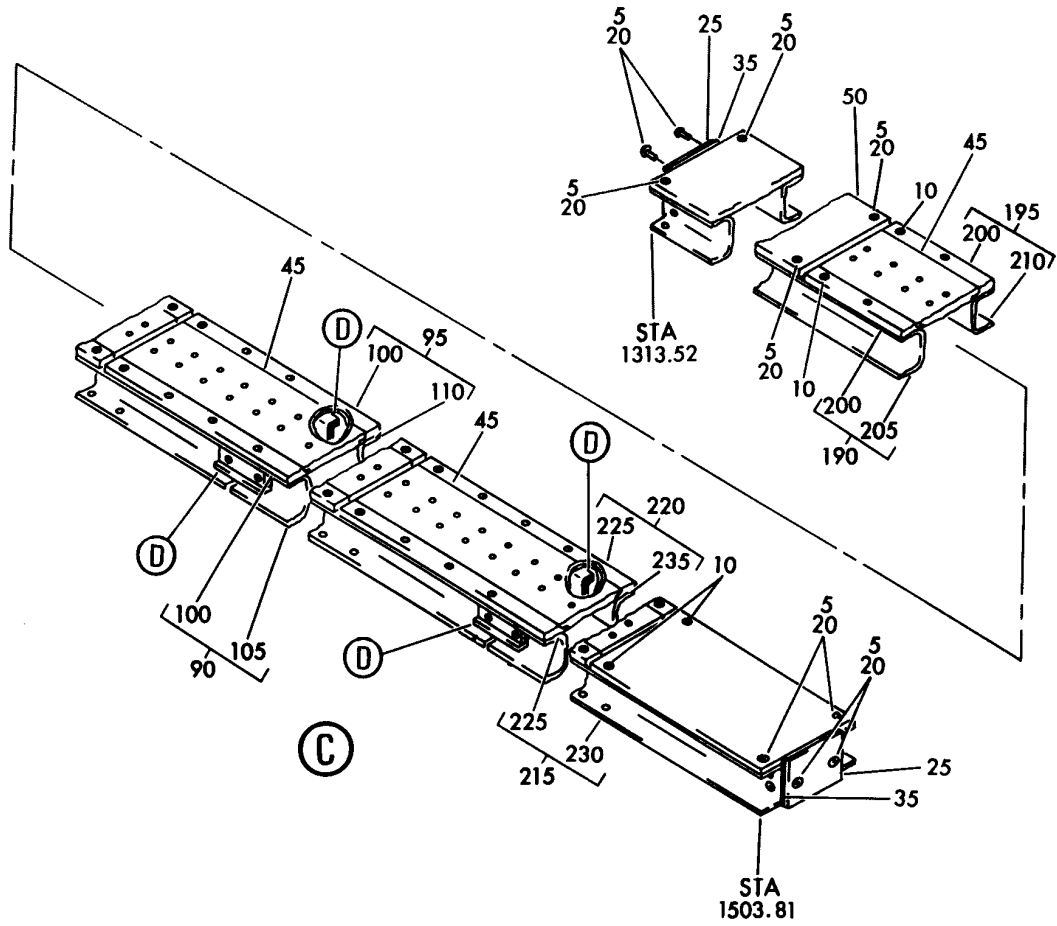
ADAPTOR INSTL-OVERHEAD AIR DISTR SYS
FIGURE 29 (SHEET 2)

21-22-03-29

BRI
JAN 20/09

21-22-03-29
PAGE 0A

BOEING
757
PARTS CATALOG (MAINTENANCE)



Y 21220329 SHT 3 REV 136

ADAPTOR INSTL-OVERHEAD AIR DISTR SYS
FIGURE 29 (SHEET 3)

21-22-03-29

BRI
JAN 20/09

21-22-03-29
PAGE 0B



757

PARTS CATALOG (MAINTENANCE)

| FIG ITEM | PART NUMBER | 1 2 3 4 5 6 7 | NOMENCLATURE | EFFECT FROM TO | UNITS PER ASSY |
|----------|--------------|-------------------|--|----------------|----------------|
| 29 | | | ADAPTOR INSTL-OVERHEAD AIR DISTR SYS | 950951 | |
| - 1 | 214N2004-31 | | ADAPTOR INSTL-OVERHEAD AIR DISTR SYS VARIABLE DRAWING REF: 214N2004-46 FOR NHA SEE: 21-00-00-01 | 950951 | RF |
| 5 | BACS12GU3K7 | .SCREW- | | 950951 | 92 |
| 10 | BACS12GU3K20 | .SCREW- | | 950951 | 172 |
| 15 | BACS12GU3K20 | .SCREW | | 950951 | 2 |
| 20 | BACW10P136AL | .WASHER | | 950951 | 92 |
| 25 | 69-62165-5 | .COVER-END | | 950951 | 6 |
| 30 | 69-61591-4 | .COVER-JOINT | | 950951 | 18 |
| 35 | 69-61882-15 | .SEAL- | MANUFACTURED FROM: CLOSED CELL SILICONE SPONGE RUBBER PER BMS1-23 FIN F-7.10 1/16 X 2.7 X 1.9IN. USED WITH: 69-62165-5 | 950951 | 6 |
| 40 | 69-61882-14 | .SEAL- | MANUFACTURED FROM: CLOSED CELL SILICONE SPONGE RUBBER PER BMS1-68 FIN F-7.10 1/16 X 1.8 X 3.7IN. USED WITH: 69-61591-4 | 950951 | 18 |
| 45 | 214N2124-1 | .PLATE-RESTRICTOR | | 950951 | 14 |
| 45 | 214N2124-5 | .PLATE-RESTRICTOR | | 950951 | 14 |
| 50 | 214N2131-1 | .PLATE ASSY | | 950951 | 1 |
| 55 | 214N2131-8 | .PLATE ASSY | | 950951 | 1 |
| 60 | 69-75995-7 | .PLATE | | 950951 | 1 |
| 65 | 214N2126-107 | .ADAPTOR ASSY- | | 950951 | 1 |
| 70 | 214N2126-108 | .ADAPTOR ASSY- | | 950951 | 1 |
| 75 | 69-61882-54 | ..SEAL- | | 950951 | 1 |
| 80 | 214N2126-109 | ..ADAPTOR- | USED ON: 214N2126-107 | 950951 | 1 |
| 85 | 214N2126-110 | ..ADAPTOR- | USED ON: 214N2126-108 | 950951 | 1 |
| 90 | 214N2126-3 | .ADAPTOR ASSY | | 950951 | 6 |
| 95 | 214N2126-4 | .ADAPTOR ASSY | | 950951 | 6 |
| 100 | 69-61882-2 | ..SEAL | | 950951 | 1 |

MISSING ITEM NUMBERS NOT APPLICABLE

- ITEM NOT ILLUSTRATED

21-22-03-29

21-22-03
FIG. 29
PAGE 1
JAN 20/09

BRI



757

PARTS CATALOG (MAINTENANCE)

| FIG ITEM | PART NUMBER | 1 2 3 4 5 6 7 | NOMENCLATURE | EFFECT FROM TO | UNITS PER ASSY |
|----------|-------------|---------------|-------------------------------------|----------------|----------------|
| 29 | | | | | |
| 105 | 214N2126-17 | .. | ADAPTOR- USED ON: 214N2126-3 | 950951 | 6 |
| 110 | 214N2126-18 | .. | ADAPTOR- USED ON: 214N2126-4 | 950951 | 6 |
| 115 | 214N2126-5 | . | ADAPTOR ASSY- | 950951 | 1 |
| 120 | 214N2126-6 | . | ADAPTOR ASSY- | 950951 | 1 |
| 125 | 69-61882-16 | .. | SEAL- | 950951 | 1 |
| 130 | 214N2126-19 | .. | ADAPTOR- USED ON: 214N2126-5 | 950951 | 1 |
| 135 | 214N2126-20 | .. | ADAPTOR- USED ON: 214N2126-6 | 950951 | 1 |
| 140 | 214N2126-7 | . | ADAPTOR ASSY- | 950951 | 1 |
| 145 | 214N2126-8 | . | ADAPTOR ASSY- | 950951 | 1 |
| 150 | 69-61882-17 | .. | SEAL- | 950951 | 1 |
| 155 | 214N2126-21 | .. | ADAPTOR- USED ON: 214N2126-7 | 950951 | 1 |
| 160 | 214N2126-22 | .. | ADAPTOR- USED ON: 214N2126-8 | 950951 | 1 |
| 165 | 214N2126-9 | . | ADAPTOR ASSY | 950951 | 1 |
| 170 | 214N2126-10 | . | ADAPTOR ASSY | 950951 | 1 |
| 175 | 69-61882-18 | .. | SEAL- | 950951 | 1 |
| 180 | 214N2126-23 | .. | ADAPTOR- USED ON: 214N2126-9 | 950951 | 1 |
| 185 | 214N2126-24 | .. | ADAPTOR- USED ON: 214N2126-10 | 950951 | 1 |
| 190 | 214N2126-11 | . | ADAPTOR ASSY | 950951 | 1 |
| 195 | 214N2126-12 | . | ADAPTOR ASSY | 950951 | 1 |
| 200 | 69-61882-19 | .. | SEAL | 950951 | 1 |
| 205 | 214N2126-25 | .. | ADAPTOR- USED ON: 214N2126-11 | 950951 | 1 |
| 210 | 214N2126-26 | .. | ADAPTOR- USED ON: 214N2126-12 | 950951 | 1 |
| 215 | 214N2126-13 | . | ADAPTOR ASSY | 950951 | 1 |
| 220 | 214N2126-14 | . | ADAPTOR ASSY | 950951 | 1 |
| 225 | 69-61882-20 | .. | SEAL | 950951 | 1 |
| 230 | 214N2126-27 | .. | ADAPTOR- USED ON: 214N2126-13 | 950951 | 1 |

MISSING ITEM NUMBERS NOT APPLICABLE

- ITEM NOT ILLUSTRATED

21-22-03-29

21-22-03
FIG. 29
PAGE 2
JAN 20/09

BRI



757

PARTS CATALOG (MAINTENANCE)

| FIG ITEM | PART NUMBER | 1 2 3 4 5 6 7 | NOMENCLATURE | EFFECT FROM TO | UNITS PER ASSY |
|-------------|-------------|---------------|---|-------------------|----------------------|
| 29 235 | 214N2126-28 | | . . ADAPTOR- USED ON: 214N2126-14 | 950951 | 1 |

MISSING ITEM NUMBERS NOT APPLICABLE

- ITEM NOT ILLUSTRATED

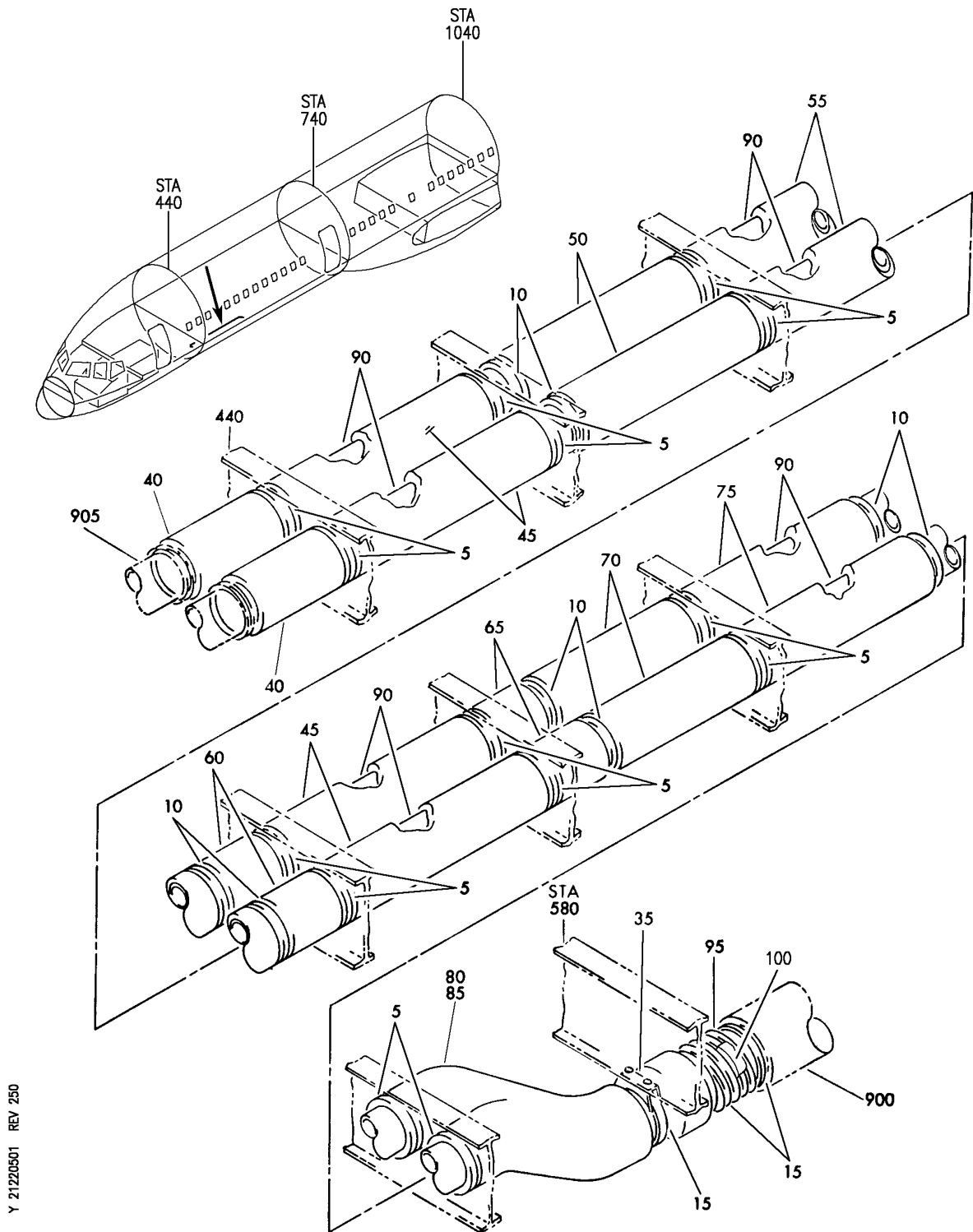
BRI

21-22-03-29

BOEING PROPRIETARY - Copyright © - Unpublished Work - See title page for details.

21-22-03
FIG. 29
PAGE 3
JAN 20/09

BOEING
757
PARTS CATALOG (MAINTENANCE)



Y 21220501 REV 250

DUCT INSTL-STA 430 TO 585 FLIGHT DECK CONDITIONED AIR BELOW FLOOR (LH)
FIGURE 1

BRI
MAY 28/07

21-22-05-01

21-22-05-01
PAGE 0



757

PARTS CATALOG (MAINTENANCE)

| FIG ITEM | PART NUMBER | 1 2 3 4 5 6 7 | NOMENCLATURE | EFFECT FROM TO | UNITS PER ASSY |
|----------|---------------|---------------|---|--|----------------|
| 1 | | | DUCT INSTL-STA 430 TO 585 FLIGHT DECK CONDITIONED AIR BELOW FLOOR (LH) | 002004 006999 | |
| - 1 | 214N1003-1 | | DUCT INSTL-CONDITIONED AIR BELOW FLOOR POSITION DATA: STA 430 TO 585 LH FLIGHT DECK FOR NHA SEE: 21-00-00-01 | 002004 006100 107107 121503 904999 | RF |
| - 1 | 214N1003-3 | | DUCT INSTL-CONDITIONED AIR BELOW FLOOR POSITION DATA: STA 430 TO 585 LH FLIGHT DECK FOR NHA SEE: 21-00-00-15 | 101102 504903 | RF |
| - 1 | 214N1003-6 | | DUCT INSTL-CONDITIONED AIR BELOW FLOOR POSITION DATA: STA 430 TO 585 LH FLIGHT DECK FOR NHA SEE: 21-00-00-15 | 108120 | RF |
| - 1 | MODREF6161 | | DUCT INSTL-CONDITIONED AIR BELOW FLOOR MODULE NUMBER: 214N1003-6 REV A POSITION DATA: STA 430 TO 585 LH FLIGHT DECK | 103106 | 1 |
| 5 | 214N1091-1 | | .GROMMET | 002004 006999 | 14 |
| 10 | NH135008-0325 | | .COUPLING- SUPPLIER CODE: V00624 OPTIONAL PART: 15J02-325 V89513 | 002004 006100 107107 121503 904999 | 8 |
| 10 | 32317AA325 | | .COUPLING- SUPPLIER CODE: V94581 OPTIONAL PART: 15J02-325 V89513 | 002004 006100 107107 121503 904999 | 8 |

MISSING ITEM NUMBERS NOT APPLICABLE

- ITEM NOT ILLUSTRATED

21-22-05-01

21-22-05
FIG. 01
PAGE 1
JAN 20/09

BRI



757

PARTS CATALOG (MAINTENANCE)

| FIG ITEM | PART NUMBER | 1 2 3 4 5 6 7 | NOMENCLATURE | EFFECT FROM TO | UNITS PER ASSY |
|----------|-----------------|---------------|--|--|----------------|
| 1 | | | | | |
| 10 | 15J02-325 | | .COUPLING- SUPPLIER CODE: V89513 OPTIONAL PART: NH135008-0325 V98625 32317AA325 V94581 | 002004 006100 107107 121503 904999 | 8 |
| 10 | NH135008-0325 | | .COUPLING SUPPLIER CODE: V00624 SPECIFICATION NUMBER: BACC10HX325 | 101106 108120 504903 | 8 |
| 15 | 72 | | .CLAMP- SUPPLIER CODE: V7Z588 SPECIFICATION NUMBER: STBC10GG160 OPTIONAL PART: WWD160H V66295 | 002004 006102 107107 121999 | 3 |
| 15 | BACC10JB142C172 | | .CLAMP- ATTACHING PARTS | 103106 108120 | 3 |
| - 20 | BACS12FA3K9 | | .SCREW | 002004 006999 | 2 |
| - 25 | AN960KD10 | | .WASHER | 002004 006100 107107 121503 904999 | 2 |
| - 25 | NAS1149D0363J | | .WASHER | 101106 108120 504903 | 2 |
| - 30 | BRH10C3D | | .NUT- SUPPLIER CODE: V52828 SPECIFICATION NUMBER: BACN10JC3CD OPTIONAL PART: T6C1032JCD V11815 NS202486-02 V80539 102LH9075-3W V72962 H51650-3BAC V15653 -----*----- | 002004 006999 | 2 |

MISSING ITEM NUMBERS NOT APPLICABLE

- ITEM NOT ILLUSTRATED

21-22-05-01

21-22-05
FIG. 01
PAGE 2
JAN 20/09

BRI



757

PARTS CATALOG (MAINTENANCE)

| FIG ITEM | PART NUMBER | 1 2 3 4 5 6 7 | NOMENCLATURE | EFFECT FROM TO | UNITS PER ASSY |
|----------|-------------|---------------|--------------|--|----------------|
| 1 | | | | | |
| 35 | 214T3424-20 | . | SUPPORT | 002004 006999 | 1 |
| 40 | 214N1090-6 | . | INSULATION- | 002004 006100 107107 121503 904999 | 2 |
| 40 | 214N1090-28 | . | INSULATION- | 002004 006999 | 2 |
| 45 | 214N1090-1 | . | INSULATION- | 002004 006100 107107 121503 904999 | 4 |
| 45 | 214N1090-23 | . | INSULATION- | 002004 006999 | 4 |
| 50 | 214N1090-2 | . | INSULATION- | 002004 006100 107107 121503 904999 | 2 |
| 50 | 214N1090-24 | . | INSULATION- | 002004 006999 | 2 |
| 55 | 214N1090-5 | . | INSULATION- | 002004 006100 107107 121503 904999 | 2 |
| 55 | 214N1090-27 | . | INSULATION- | 002004 006999 | 2 |
| 60 | 214N1090-7 | . | INSULATION- | 002004 006100 107107 121503 904999 | 2 |
| 60 | 214N1090-29 | . | INSULATION- | 002004 006999 | 2 |
| 65 | 214N1090-8 | . | INSULATION- | 002004 006100 107107 121503 904999 | 2 |
| 65 | 214N1090-30 | . | INSULATION- | 002004 006999 | 2 |
| 70 | 214N1090-4 | . | INSULATION- | 002004 006100 107107 121503 904999 | 2 |

MISSING ITEM NUMBERS NOT APPLICABLE

- ITEM NOT ILLUSTRATED

21-22-05-01

21-22-05
FIG. 01
PAGE 3
JAN 20/09

BRI

BOEING PROPRIETARY - Copyright © - Unpublished Work - See title page for details.

 **BOEING**
757
PARTS CATALOG (MAINTENANCE)

| FIG ITEM | PART NUMBER | 1 2 3 4 5 6 7 | NOMENCLATURE | EFFECT FROM TO | UNITS PER ASSY |
|-------------|----------------|---------------|---|--|----------------------|
| 1 | | | | | |
| 70 | 214N1090-26 | . | INSULATION- | 002004 006999 | 2 |
| 75 | 214N1090-3 | . | INSULATION- | 002004 006100 107107 121503 904999 | 2 |
| 75 | 214N1090-25 | . | INSULATION- | 002004 006999 | 2 |
| 80 | 214N1088-8 | . | DUCT ASSY- MISCELLANEOUS DATA: 214N1088-1008 CAN REPLACE BUT NOT BE REPLACED BY 214N1088-8 PRE ALERT SB: 21A0084 | 002004 006503 904999 | 1 |
| 80 | 214N1088-1008 | . | DUCT ASSY- MISCELLANEOUS DATA: 214N1088-1008 CAN REPLACE BUT NOT BE REPLACED BY 214N1088-8 POST ALERT SB: 21A0084 | 002004 006999 | 1 |
| 85 | 214N1088-3 | .. | INSULATION- USED ON: 214N1088-1 | 002004 006100 107107 121503 904999 | 1 |
| 85 | 214N1088-6 | .. | INSULATION- USED ON: 214N1088-4 214N1088-8 | 002004 006100 107107 121503 904999 | 1 |
| 85 | 214N1088-11 | .. | INSULATION- USED ON: 214N1088-1008 | 002004 006999 | 1 |
| 90 | 214N1097-1 | . | DUCT ASSY- OPTIONAL PART: 214N1097-3 | 002004 006999 | 8 |
| 90 | 214N1097-3 | . | DUCT ASSY- OPTIONAL PART: 214N1097-1 | 002004 006999 | 8 |
| 95 | AS1505-18B0062 | . | HOSE-FLEX | 002004 006999 | 1 |

MISSING ITEM NUMBERS NOT APPLICABLE

— ITEM NOT ILLUSTRATED

BRI

21-22-05-01

21-22-05
FIG. 01
PAGE 4
JAN 20/09



757

PARTS CATALOG (MAINTENANCE)

| FIG ITEM | PART NUMBER | 1 2 3 4 5 6 7 | NOMENCLATURE | EFFECT FROM TO | UNITS PER ASSY |
|-------------|-------------|---------------|---|--|----------------------|
| 1 900 | | | ILLUSTRATION REFERENCE: DUCT INSTL-STA 585 TO 828 CONDITIONED AIR BELOW FLOOR LH 21-22-05-02 | 002004 006100 107107 121503 904949 | RF |
| 905 | | | ILLUSTRATION REFERENCE: DUCT INSTL-STA 340 TO 430 FLIGHT DECK CONDITIONED AIR BELOW FLOOR LH SIDE 21-22-05-09 | 002004 006999 | RF |

MISSING ITEM NUMBERS NOT APPLICABLE

- ITEM NOT ILLUSTRATED

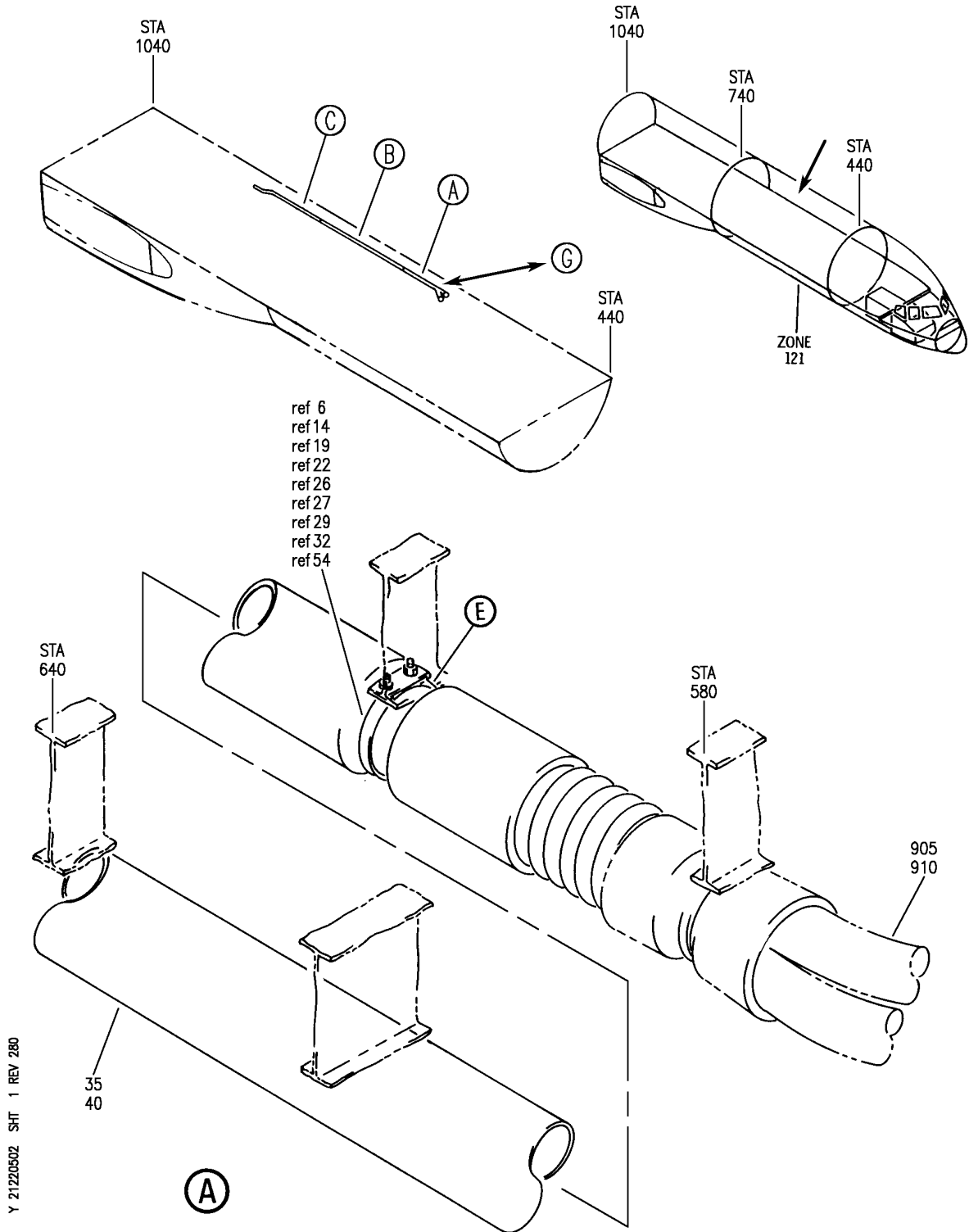
BRI

21-22-05-01

BOEING PROPRIETARY - Copyright © - Unpublished Work - See title page for details.

21-22-05
FIG. 01
PAGE 5
JAN 20/09

BOEING
757
PARTS CATALOG (MAINTENANCE)



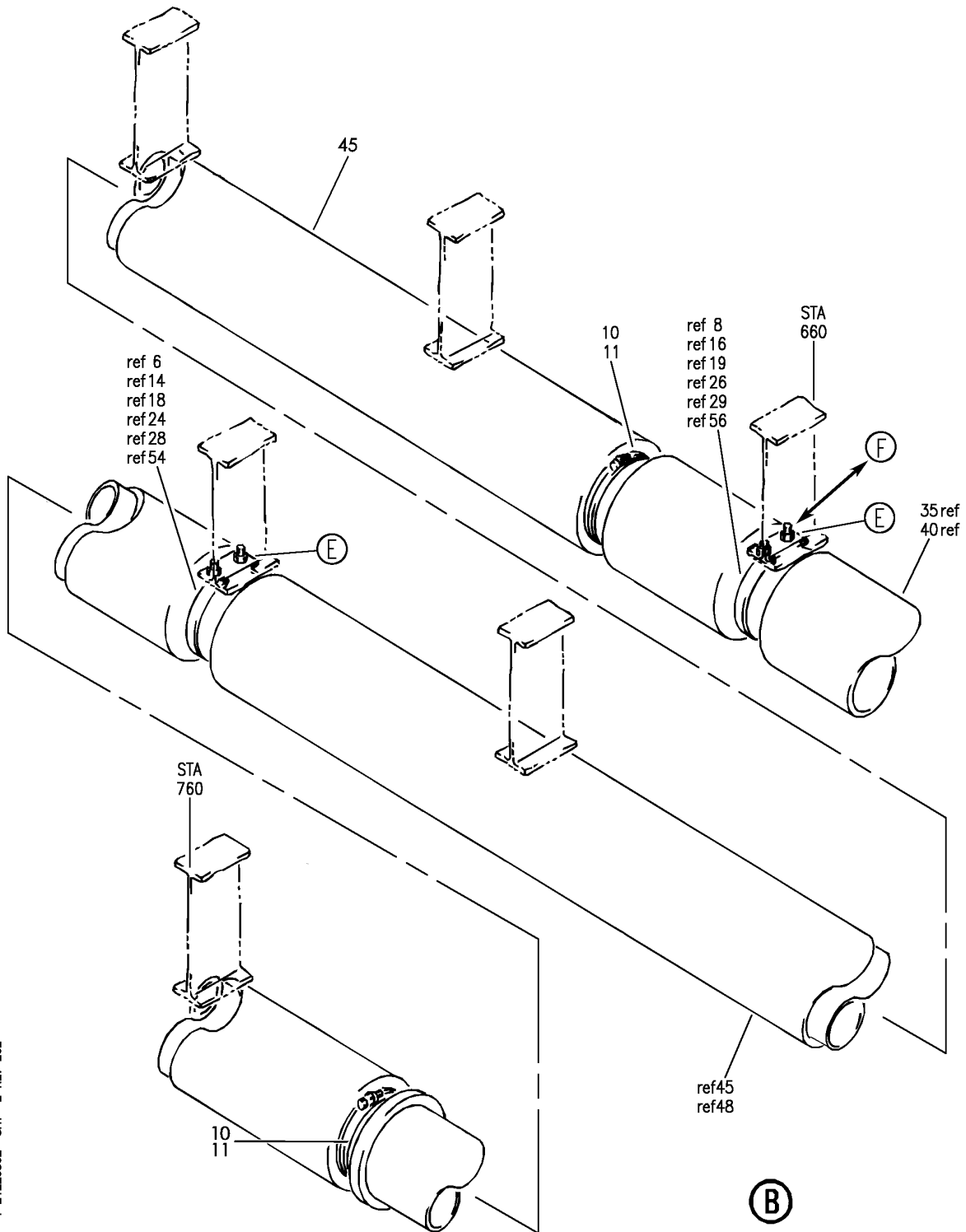
DUCT INSTL-STA 585 TO 828 CONDITIONED AIR BELOW FLOOR LH
FIGURE 2 (SHEET 1)

BRI
MAY 28/07

21-22-05-02

21-22-05-02
PAGE 0

BOEING
757
PARTS CATALOG (MAINTENANCE)



Y 21220502 SH1 2 REV 262

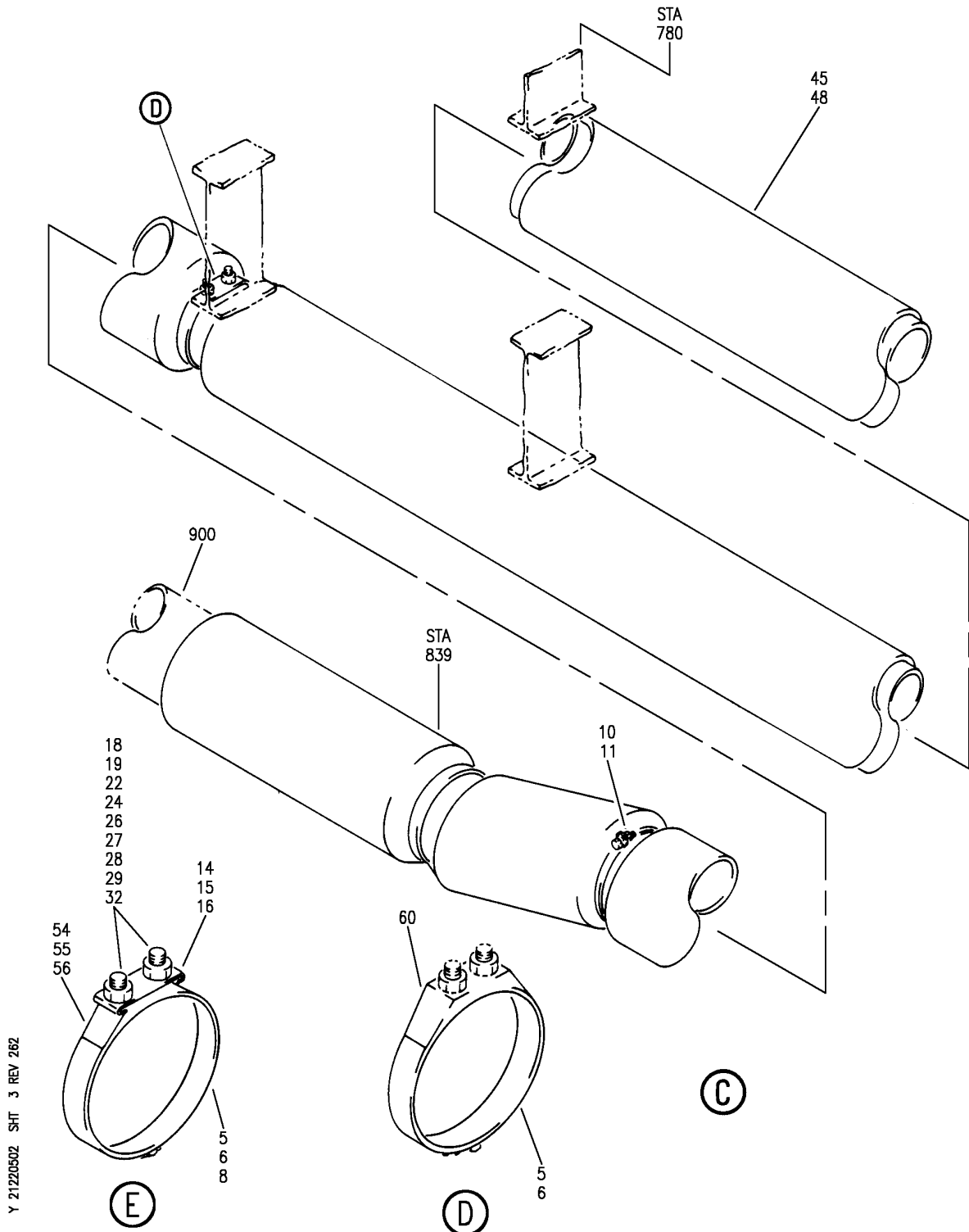
DUCT INSTL-STA 585 TO 828 CONDITIONED AIR BELOW FLOOR LH
FIGURE 2 (SHEET 2)

BRI
MAY 28/07

21-22-05-02

21-22-05-02
PAGE 0A

BOEING
757
PARTS CATALOG (MAINTENANCE)



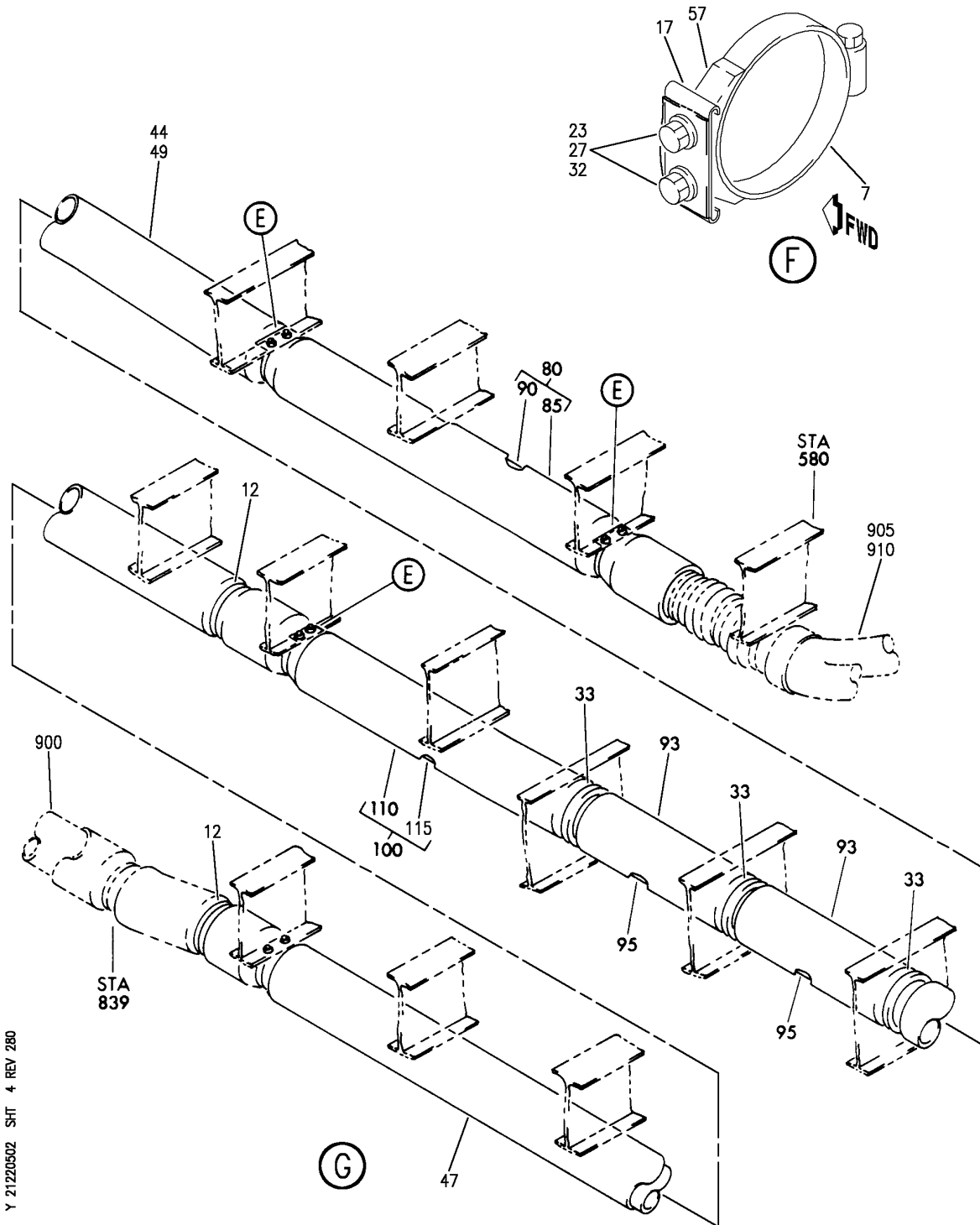
DUCT INSTL-STA 585 TO 828 CONDITIONED AIR BELOW FLOOR LH
FIGURE 2 (SHEET 3)

BRI
MAY 28/07

21-22-05-02

21-22-05-02
PAGE 08

BOEING
757
PARTS CATALOG (MAINTENANCE)



Y 21220502 SH1 4 REV 280

DUCT INSTL-STA 585 TO 828 CONDITIONED AIR BELOW FLOOR LH
FIGURE 2 (SHEET 4)

21-22-05-02

BRI
MAY 28/07

21-22-05-02
PAGE 0C



757

PARTS CATALOG (MAINTENANCE)

| FIG ITEM | PART NUMBER | 1 2 3 4 5 6 7 | NOMENCLATURE | EFFECT FROM TO | UNITS PER ASSY |
|----------|---------------|---------------|--|--|----------------|
| 2 | | | DUCT INSTL-STA 585 TO 828 CONDITIONED AIR BELOW FLOOR LH | 002004 006102 107107 121949 | |
| - 1 | 214N1004-1 | | DUCT INSTL-CONDITIONED AIR BELOW FLOOR POSITION DATA: STA 585 TO 828 LH FOR NHA SEE: 21-00-00-01 | 002004 006100 107107 121503 904949 | RF |
| - 1 | 214N1004-8 | | DUCT INSTL-CONDITIONED AIR BELOW FLOOR POSITION DATA: STA 585 TO 828 LH FOR NHA SEE: 21-00-00-12 21-00-00-15 | 101102 504903 | RF |
| 5 | 72 | | .CLAMP- SUPPLIER CODE: V7Z588 SPECIFICATION NUMBER: STBC10GG160 OPTIONAL PART: WWD160H V66295 | 002004 006102 107107 121949 | 4 |
| 10 | 15J02-450 | | .CLAMP ASSY- SUPPLIER CODE: V89513 OPTIONAL PART: NH135008-0450 V98625 32317AA450 V94581 | 002004 006102 107107 121949 | 3 |
| 10 | NH135008-0450 | | .CLAMP ASSY- SUPPLIER CODE: V00624 OPTIONAL PART: 32317AA450 V94581 15J02-450 V89513 | 002004 006102 107107 121949 | 3 |
| 10 | 32317AA450 | | .CLAMP ASSY- SUPPLIER CODE: V94581 OPTIONAL PART: NH135008-0450 V98625 15J02-450 V89513 | 002004 006102 107107 121949 | 3 |

MISSING ITEM NUMBERS NOT APPLICABLE

- ITEM NOT ILLUSTRATED

21-22-05-02

21-22-05
FIG. 02
PAGE 1
JAN 20/09

BRI

 **BOEING**
757
PARTS CATALOG (MAINTENANCE)

| FIG ITEM | PART NUMBER | 1 2 3 4 5 6 7 | NOMENCLATURE | EFFECT FROM TO | UNITS PER ASSY |
|-------------|---------------|---------------|--|--|----------------------|
| 2 | 15 214N1063-2 | | .BRACKET- | 002004 006102 107107 121949 | 3 |
| - 20 | HL11VAZ6-3 | | ATTACHING PARTS .BOLT SUPPLIER CODE: V60516 SPECIFICATION NUMBER: BACB30NW6K3 OPTIONAL PART: B30NW6K3 V97928 HL11VAZ6-3 V73197 HL11VAZ6-3 V92215 HL11VAZ6-3 V97928 L803-6K3 V06725 HL11VAZ6-3 VOPTK6 HL11VAZ6-3 V56878 | 002004 006102 107107 121949 | 6 |
| - 25 | AN960KD10 | | .WASHER | 002004 006100 107107 121503 904949 | 6 |
| - 25 | NAS1149D0363J | | .WASHER | 101102 504903 | 6 |
| - 30 | NAS1805-3N | | .NUT | 002004 006100 107107 121503 904949 | 6 |
| - 30 | NAS1805-3L | | .NUT | 101102 504903 | 6 |
| 35 | 214N1098-1 | | -----*----- .DUCT ASSY- | 002004 006102 107107 121503 904949 | 1 |

MISSING ITEM NUMBERS NOT APPLICABLE

- ITEM NOT ILLUSTRATED

BRI

21-22-05-02

BOEING PROPRIETARY - Copyright © - Unpublished Work - See title page for details.

21-22-05
FIG. 02
PAGE 2
JAN 20/09



757

PARTS CATALOG (MAINTENANCE)

| FIG ITEM | PART NUMBER | 1 2 3 4 5 6 7 | NOMENCLATURE | EFFECT FROM TO | UNITS PER ASSY |
|----------|---------------|---|--------------|--|----------------|
| 2 | | | | | |
| 35 | 214N1098-4 | .DUCT ASSY- PRE ALERT SB: 21A0084 | | 002004 006102 107107 121503 904949 | 1 |
| 35 | 214N1098-1004 | .DUCT ASSY- POST ALERT SB: 21A0084 | | 002004 006102 107107 121949 | 1 |
| 40 | 214N1098-3 | ..INSULATION- USED ON: 214N1098-1 | | 002004 006102 107107 121503 904949 | 1 |
| 40 | 214N1098-6 | ..INSULATION- USED ON: 214N1098-4 | | 002004 006102 107107 121503 904949 | 1 |
| 40 | 214N1098-8 | ..INSULATION- USED ON: 214N1098-1004 | | 002004 006102 107107 121949 | 1 |
| 45 | 214N1089-1 | .DUCT ASSY- QUALIFIED I/W DATA: 214N1089-1004 CAN REPLACE BUT NOT BE REPLACED BY 214N1089-4 OR 214N1089-1 | | 002004 006102 107107 121503 904949 | 2 |
| 45 | 214N1089-4 | .DUCT ASSY- QUALIFIED I/W DATA: 214N1089-1004 CAN REPLACE BUT NOT BE REPLACED BY 214N1089-4 OR 214N1089-1 PRE ALERT SB: 21A0084 | | 002004 006102 107107 121503 904949 | 2 |
| 45 | 214N1089-1004 | .DUCT ASSY- QUALIFIED I/W DATA: 214N1089-1004 CAN REPLACE BUT NOT BE REPLACED BY 214N1089-4 OR 214N1089-1 POST ALERT SB: 21A0084 | | 002004 006102 107107 121949 | 2 |

MISSING ITEM NUMBERS NOT APPLICABLE

- ITEM NOT ILLUSTRATED

21-22-05-02

21-22-05
FIG. 02
PAGE 3
JAN 20/09

BRI

BOEING
757
PARTS CATALOG (MAINTENANCE)

| FIG ITEM | PART NUMBER | 1 2 3 4 5 6 7 | NOMENCLATURE | EFFECT FROM TO | UNITS PER ASSY |
|-------------------------------------|-------------|---------------|---|--|----------------|
| 2 | | | | | |
| 48 | 214N1089-3 | .. | INSULATION- USED ON: 214N1089-1 | 002004 006102 107107 121503 904949 | 1 |
| 48 | 214N1089-6 | .. | INSULATION- USED ON: 214N1089-4 | 002004 006102 107107 121503 904949 | 1 |
| 48 | 214N1089-8 | .. | INSULATION- USED ON: 214N1089-1004 | 002004 006102 107107 121949 | 1 |
| 55 | 214N1051-7 | . | SUPPORT | 002004 006102 107107 121949 | 3 |
| 60 | 214T3424-20 | . | SUPPORT | 002004 006102 107107 121949 | 1 |
| - | 65 | BACS12FA3K9 | ATTACHING PARTS .SCREW | 002004 006102 107107 121949 | 2 |
| - | 70 | AN960KD10 | .WASHER | 002004 006100 107107 121503 904949 | 2 |
| - | 70 | NAS1149D0363J | .WASHER | 101102 504903 | 2 |
| - | 75 | BRH10C3D | .NUT SUPPLIER CODE: V52828 SPECIFICATION NUMBER: BACN10JC3CD OPTIONAL PART: T6C1032JCD V11815 NS202486-02 V80539 102LH9075-3W V72962 H51650-3BAC V15653 -----*----- | 002004 006102 107107 121949 | 2 |
| MISSING ITEM NUMBERS NOT APPLICABLE | | | | | |

- ITEM NOT ILLUSTRATED

BRI

21-22-05-02

21-22-05
FIG. 02
PAGE 4
JAN 20/09



757

PARTS CATALOG (MAINTENANCE)

| FIG ITEM | PART NUMBER | 1 2 3 4 5 6 7 | NOMENCLATURE | EFFECT FROM TO | UNITS PER ASSY |
|-------------|-------------|---------------|--|--|----------------------|
| 2 900 | | | ILLUSTRATION REFERENCE: MANIFOLD INSTL-MIX BAY CONDITIONED AIR 21-21-51-02 | 002004 006100 107107 121503 904949 | RF |
| 905 | | | ILLUSTRATION REFERENCE: DUCT INSTL-STA 430 TO 585 FLIGHT DECK CONDITIONED AIR BELOW FLOOR (LH) 21-22-05-01 | 002004 006100 107107 121503 904949 | RF |

MISSING ITEM NUMBERS NOT APPLICABLE

- ITEM NOT ILLUSTRATED

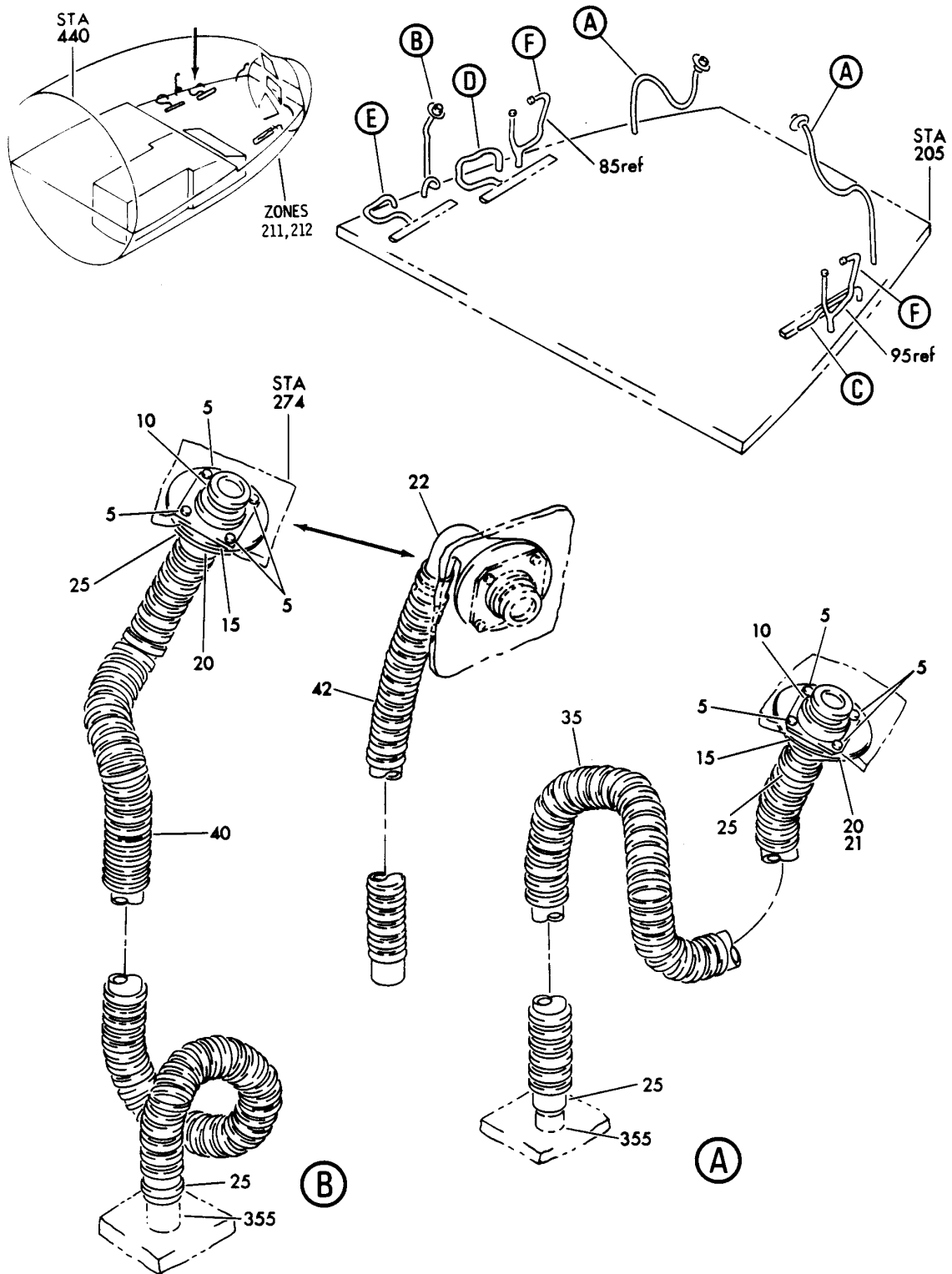
BRI

21-22-05-02

BOEING PROPRIETARY - Copyright © - Unpublished Work - See title page for details.

21-22-05
FIG. 02
PAGE 5
JAN 20/09

BOEING
757
PARTS CATALOG (MAINTENANCE)



Y 21220503 SHT 1 REV 088

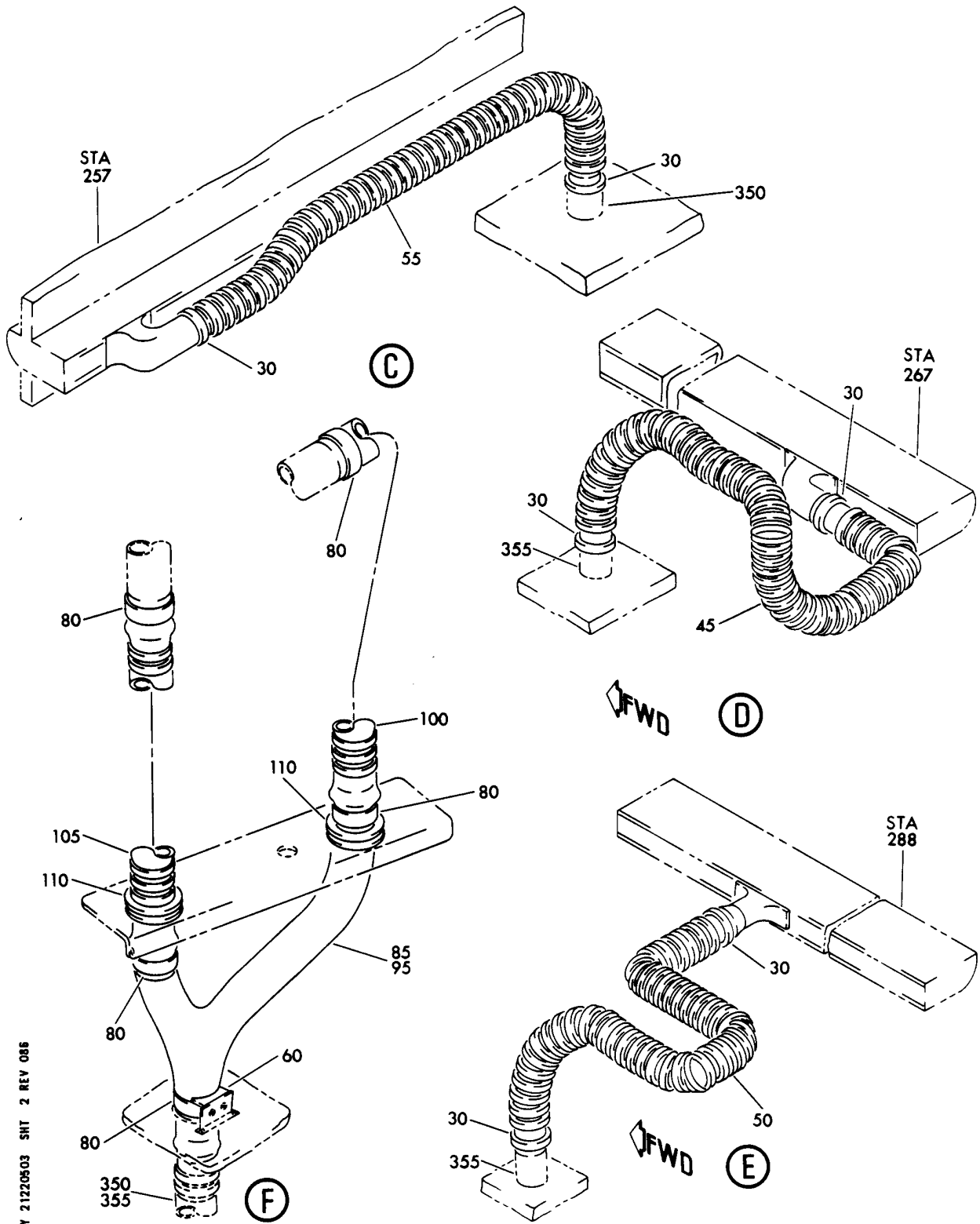
DUCT INSTL-FLIGHT DECK CONDITIONED AIR SIDEWALL (FLIGHT DECK CONDITIONED AIR DISTRIBUTION ONLY)
FIGURE 3 (SHEET 1)

BRI
MAY 28/07

21-22-05-03

21-22-05-03
PAGE 0

BOEING
757
PARTS CATALOG (MAINTENANCE)



Y 21220503 SHT 2 REV 086

DUCT INSTL-FLIGHT DECK CONDITIONED AIR SIDEWALL (FLIGHT DECK CONDITIONED AIR DISTRIBUTION ONLY)
FIGURE 3 (SHEET 2)

BRI
MAY 28/07

21-22-05-03

21-22-05-03
PAGE 0A



757

PARTS CATALOG (MAINTENANCE)

| FIG ITEM | PART NUMBER | 1 2 3 4 5 6 7 | NOMENCLATURE | EFFECT FROM TO | UNITS PER ASSY |
|----------|--------------|---------------|--|--|----------------|
| 3 | | | DUCT INSTL-FLIGHT DECK CONDITIONED AIR SIDEWALL (FLIGHT DECK CONDITIONED AIR DISTRIBUTION ONLY) | 002004 006100 107107 121503 904999 | |
| - 1 | 214N1005-2 | | DUCT INSTL-FLIGHT DECK CONDITIONED AIR SIDEWALL (FLIGHT DECK CONDITIONED AIR DISTRIBUTION ONLY) FOR NHA/OTHER SYS DET SEE: 21-00-00-01 | 002004 006010 107107 121503 904999 | RF |
| - 1 | 214N1005-6 | | DUCT INSTL-FLIGHT DECK CONDITIONED AIR SIDEWALL (FLIGHT DECK CONDITIONED AIR DISTRIBUTION ONLY) FOR NHA/OTHER SYS DET SEE: 21-00-00-01 | 011100 | RF |
| 5 | FH8C16DS04BN | | .SCREW-COLORED SUPPLIER CODE: V12324 | 002004 006010 107107 121503 904999 | 12 |
| 10 | 2470-03 | | .VALVE ASSY- SUPPLIER CODE: VOACHO | 002004 006010 107107 121503 904999 | 3 |
| 10 | 2470-05 | | .VALVE ASSY- SUPPLIER CODE: VOACHO | 002004 006010 107107 121503 904999 | 3 |
| 10 | 2470-5 | | .VALVE ASSY-AIR SUPPLIER CODE: VOACHO | 002004 006010 107107 121503 904999 | 3 |
| 15 | 214N1047-4 | | .SEAL- MANUFACTURED FROM: SH RUBBER TYPE 1 GRADE B BMS1-60 .125X3.3 X 3.3 IN. | 002004 006010 107107 121503 904999 | 3 |
| 20 | 214N1047-3 | | .PLENUM ASSY | 006010 107107 121503 904999 | 3 |

MISSING ITEM NUMBERS NOT APPLICABLE

- ITEM NOT ILLUSTRATED

BRI

21-22-05-03

21-22-05
FIG. 03
PAGE 1
JAN 20/09



757

PARTS CATALOG (MAINTENANCE)

| FIG ITEM | PART NUMBER | 1 2 3 4 5 6 7 | NOMENCLATURE | EFFECT FROM TO | UNITS PER ASSY |
|----------|-----------------|---------------|--|--|----------------|
| 3 | | | | | |
| 25 | 16 | | .CLAMP- SUPPLIER CODE: V7Z588 SPECIFICATION NUMBER: STBC10GG38-48 OPTIONAL PART: WWD38-48H V66295 | 002004 006010 107107 121503 904999 | 6 |
| 25 | NAS1922-0125-3 | | .CLAMP- | 011100 | 6 |
| 30 | 20 | | .CLAMP- SUPPLIER CODE: V7Z588 SPECIFICATION NUMBER: STBC10GG48-58 OPTIONAL PART: WWD48-58H V66295 | 002004 006010 107107 121503 904999 | 6 |
| 30 | NAS1922-0150-3 | | .CLAMP- | 011100 | 6 |
| 35 | BOE2027-05D0360 | | .HOSE- SUPPLIER CODE: V16632 SPECIFICATION NUMBER: AS1503-05D0360 | 002004 006010 107107 121503 904999 | 2 |
| 35 | BOE2027-05D0250 | | .HOSE- SUPPLIER CODE: V16632 SPECIFICATION NUMBER: AS1503-05D0250 | 011017 | 2 |
| 35 | AS1591-05-0250A | | .HOSE- | 018100 | 2 |
| 40 | BOE2027-05D0390 | | .HOSE- SUPPLIER CODE: V16632 SPECIFICATION NUMBER: AS1503-05D0390 | 002004 006017 107107 121503 904999 | 1 |
| 40 | AS1591-05-0390A | | .HOSE- | 018100 | 1 |
| 45 | BOE2027-06D0180 | | .HOSE- SUPPLIER CODE: V16632 SPECIFICATION NUMBER: AS1503-06D0180 | 002004 006010 107107 121503 904999 | 1 |
| 45 | BOE2027-06D0240 | | .HOSE- SUPPLIER CODE: V16632 SPECIFICATION NUMBER: AS1503-06D0240 | 011017 | 1 |
| 45 | AS1591-06-0240A | | .HOSE- | 018100 | 1 |

MISSING ITEM NUMBERS NOT APPLICABLE

- ITEM NOT ILLUSTRATED

21-22-05-03

21-22-05
FIG. 03
PAGE 2
JAN 20/09

BRI



757

PARTS CATALOG (MAINTENANCE)

| FIG ITEM | PART NUMBER | 1 2 3 4 5 6 7 | NOMENCLATURE | EFFECT FROM TO | UNITS PER ASSY |
|----------|-----------------|---------------|---|--|----------------|
| 3 | | | | | |
| 50 | BOE2027-06D0160 | .HOSE- | SUPPLIER CODE: V16632 | 002004 107107 904949 | 1 |
| | | | SPECIFICATION NUMBER: AS1503-06D0160 | 952952 | |
| 55 | BOE2027-06D0250 | .HOSE- | SUPPLIER CODE: V16632 | 002004 006010 107107 | 1 |
| | | | SPECIFICATION NUMBER: AS1503-06D0250 | 121503 904999 | |
| 55 | BOE2027-06D0160 | .HOSE- | SUPPLIER CODE: V16632 | 011017 | 1 |
| | | | SPECIFICATION NUMBER: AS1503-06D0160 | | |
| 55 | AS1591-06-0160A | .HOSE- | | 018100 | 1 |
| 60 | 214T3424-1 | .SUPPORT-DUCT | | 002004 006100 107107 121503 904999 | 2 |
| - | 65 | BACS12FA3K7 | ATTACHING PARTS .SCREW | 002004 006100 107107 121503 904999 | 4 |
| - | 70 | AN960KD10 | .WASHER | 002004 006100 107107 121503 904999 | 4 |
| - | 75 | BRH10C3D | .NUT SUPPLIER CODE: V52828 SPECIFICATION NUMBER: BACN10JC3CD OPTIONAL PART: T6C1032JCD V11815 NS202486-02 V80539 102LH9075-3W V72962 H51650-3BAC V15653 -----*----- | 002004 006100 107107 121503 904999 | 4 |

MISSING ITEM NUMBERS NOT APPLICABLE

- ITEM NOT ILLUSTRATED

21-22-05-03

21-22-05
FIG. 03
PAGE 3
JAN 20/09

BRI



757

PARTS CATALOG (MAINTENANCE)

| FIG ITEM | PART NUMBER | 1 2 3 4 5 6 7 | NOMENCLATURE | EFFECT FROM TO | UNITS PER ASSY |
|----------|-----------------|---------------|---|--|----------------|
| 3 | | | | | |
| 80 | 28 | | .CLAMP- SUPPLIER CODE: V7Z588 SPECIFICATION NUMBER: STBC10GG58-66 OPTIONAL PART: WWD58-66H V66295 | 002004 006010 107107 121503 904999 | 10 |
| 82 | NAS1922-0150-3 | | .CLAMP- | 011100 | 8 |
| 85 | 214N1103-5 | | .DUCT ASSY- | 002004 006100 107107 121503 904999 | 1 |
| 95 | 214N1103-6 | | .DUCT ASSY- | 002004 006100 107107 121503 904999 | 1 |
| 100 | BOE2027-06D0152 | | .HOSE- SUPPLIER CODE: V16632 SPECIFICATION NUMBER: AS1503-06D0152 | 003004 006100 107107 121503 904999 | 2 |
| 105 | BOE2027-06D0152 | | .HOSE- SUPPLIER CODE: V16632 SPECIFICATION NUMBER: AS1503-06D0152 | 011100 | 2 |
| 105 | BOE2027-06D0142 | | .HOSE- SUPPLIER CODE: V16632 SPECIFICATION NUMBER: AS1503-06D0142 | 002004 006010 107107 121503 904999 | 2 |
| 110 | 214N1005-3 | | .SEAL- | 002004 006100 107107 121503 904999 | 4 |
| 900 | | | ILLUSTRATION REFERENCE: DUCT INSTL-STA 235 TO 305 FLIGHT DECK CONDITIONED AIR BELOW FLOOR RH SIDE 21-22-05-07 | 002004 006100 107107 121503 904999 | RF |

MISSING ITEM NUMBERS NOT APPLICABLE

- ITEM NOT ILLUSTRATED

21-22-05-03

21-22-05
FIG. 03
PAGE 4
JAN 20/09

BRI

BOEING PROPRIETARY - Copyright © - Unpublished Work - See title page for details.



757

PARTS CATALOG (MAINTENANCE)

| FIG ITEM | PART NUMBER | 1 2 3 4 5 6 7 NOMENCLATURE | EFFECT FROM TO | UNITS PER ASSY |
|-------------|-------------|--|--|----------------------|
| 3 905 | | ILLUSTRATION REFERENCE: DUCT INSTL-STA 234 TO 310 BELOW FLOOR LH SIDE (FLIGHT DECK CONDITIONED AIR) 21-22-05-06 | 002004 006100 107107 121503 904999 | R F |

MISSING ITEM NUMBERS NOT APPLICABLE

- ITEM NOT ILLUSTRATED

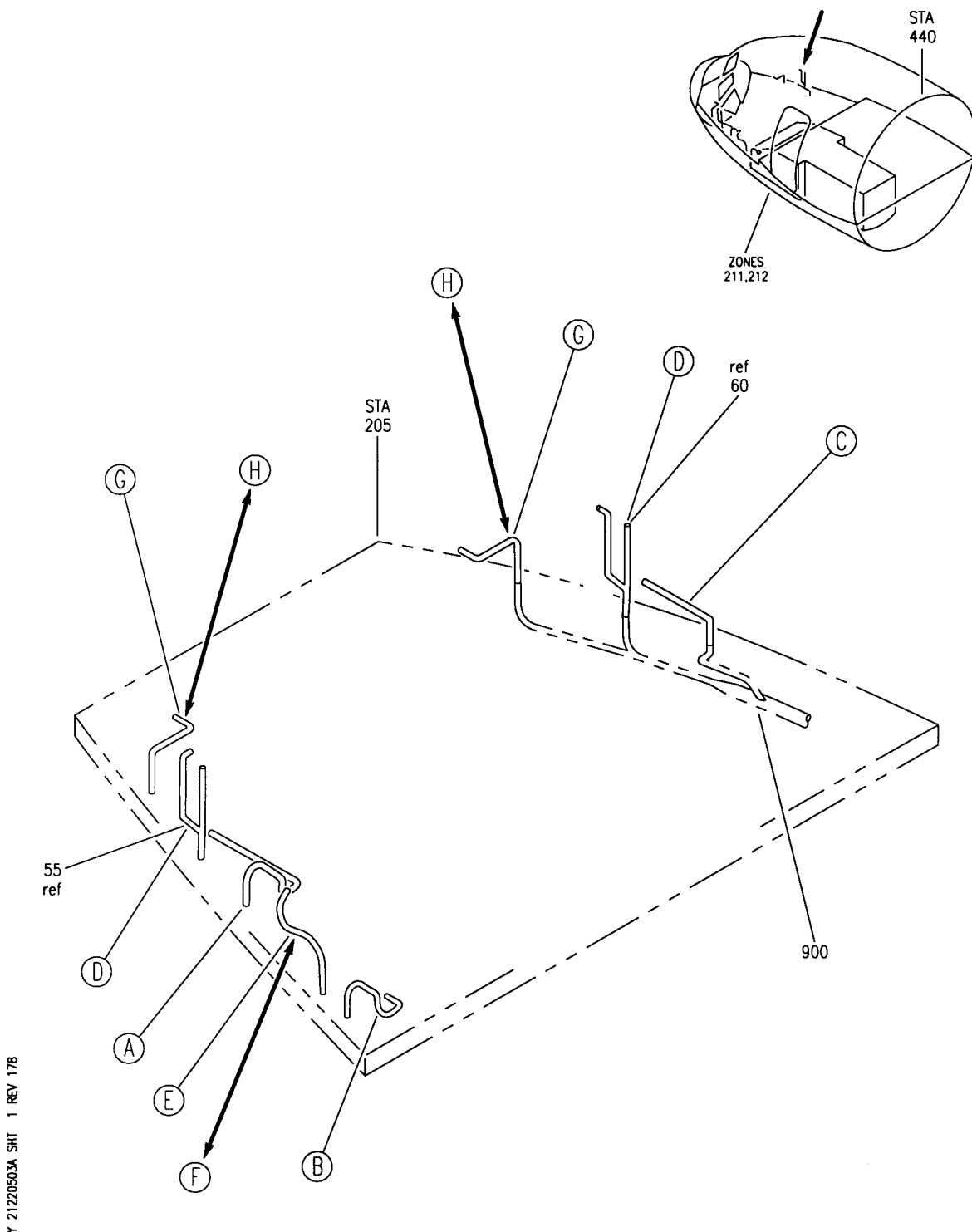
BRI

21-22-05-03

BOEING PROPRIETARY - Copyright © - Unpublished Work - See title page for details.

21-22-05
FIG. 03
PAGE 5
JAN 20/09

BOEING
757
PARTS CATALOG (MAINTENANCE)



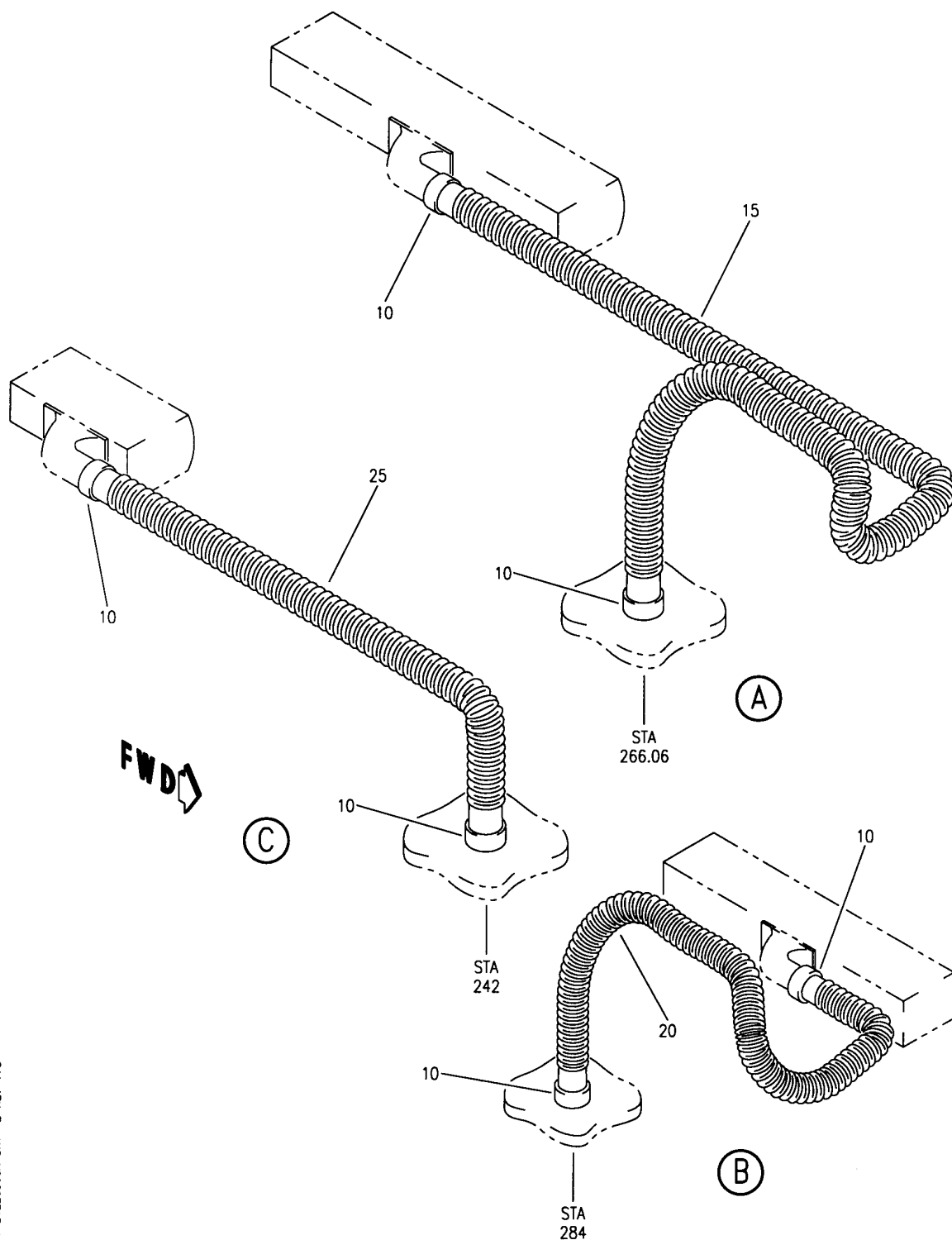
DUCT INSTL-FLIGHT DECK CONDITIONED AIR SIDEWALL (FLIGHT DECK CONDITIONED AIR DISTRIBUTION ONLY)
FIGURE 3A (SHEET 1)

BRI
MAY 28/07

21-22-05-03A

21-22-05-03A
PAGE 0

BOEING
757
PARTS CATALOG (MAINTENANCE)



Y 21220503A SHT 2 REV 178

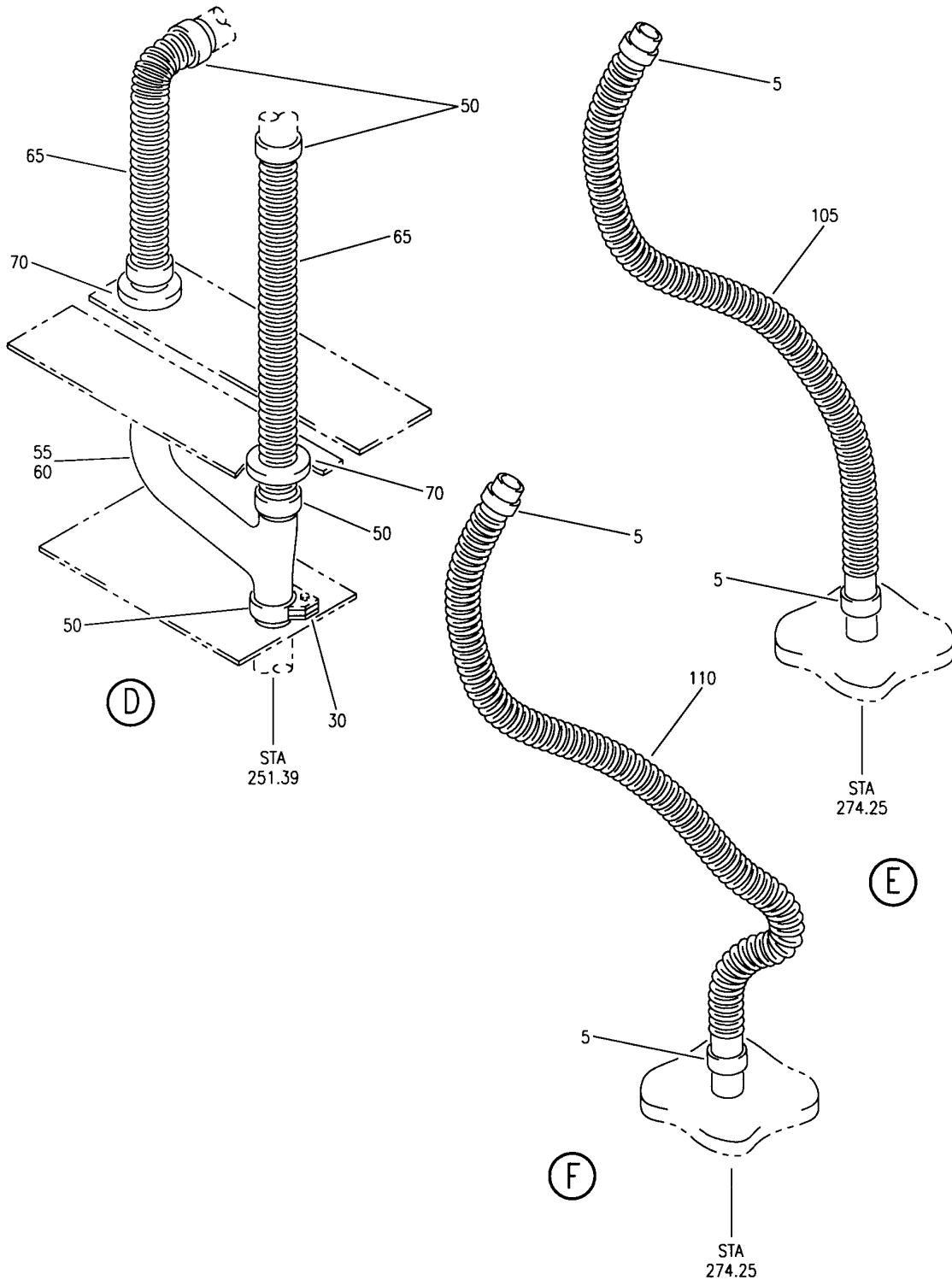
DUCT INSTL-FLIGHT DECK CONDITIONED AIR SIDEWALL (FLIGHT DECK CONDITIONED AIR DISTRIBUTION ONLY)
FIGURE 3A (SHEET 2)

BRI
MAY 28/07

21-22-05-03A

21-22-05-03A
PAGE 0A

BOEING
757
PARTS CATALOG (MAINTENANCE)



Y 21220503A SHT 3 REV 178

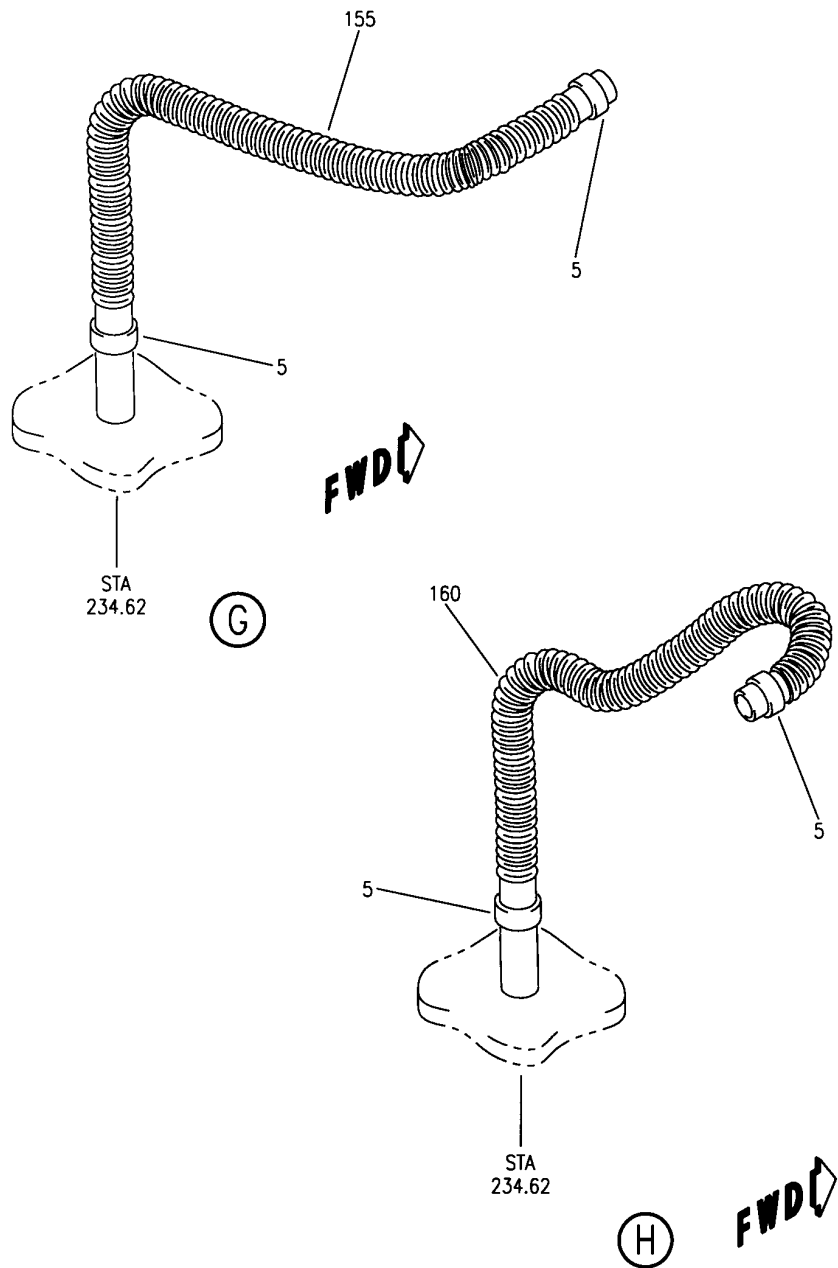
DUCT INSTL-FLIGHT DECK CONDITIONED AIR SIDEWALL (FLIGHT DECK CONDITIONED AIR DISTRIBUTION ONLY)
FIGURE 3A (SHEET 3)

BRI
MAY 28/07

21-22-05-03A

21-22-05-03A
PAGE 0B

BOEING
757
PARTS CATALOG (MAINTENANCE)



Y 21220503A SHT 4 REV 178

DUCT INSTL-FLIGHT DECK CONDITIONED AIR SIDEWALL (FLIGHT DECK CONDITIONED AIR DISTRIBUTION ONLY)
FIGURE 3A (SHEET 4)

BRI
MAY 28/07

21-22-05-03A

21-22-05-03A
PAGE 0C



757

PARTS CATALOG (MAINTENANCE)

| FIG ITEM | PART NUMBER | 1 2 3 4 5 6 7 | NOMENCLATURE | EFFECT FROM TO | UNITS PER ASSY |
|----------|--------------------|---------------|--|----------------------------|----------------|
| 3A | | | DUCT INSTL-FLIGHT DECK CONDITIONED AIR SIDEWALL (FLIGHT DECK CONDITIONED AIR DISTRIBUTION ONLY) | 101106 108120 504903 | |
| - 1 | 214N1005-9 | | DUCT INSTL-FLIGHT DECK CONDITIONED AIR SIDEWALL (FLIGHT DECK CONDITIONED AIR DISTRIBUTION ONLY) | 101102 108120 504903 | RF |
| - 1 | MODREF6173 | | FOR NHA/OTHER SYS DET SEE: 21-00-00-14 DUCT INSTL-FLIGHT DECK CONDITIONED AIR SIDEWALL (FLIGHT DECK CONDITIONED AIR DISTRIBUTION ONLY) | 103106 | 1 |
| | 5 NAS1922-0125-3 | | .CLAMP | 101106 108120 504903 | 6 |
| | 10 NAS1922-0150-3 | | .CLAMP | 101106 108120 504903 | 6 |
| | 15 AS1591-06-0240A | | .HOSE | 101106 108120 504903 | 1 |
| | 20 AS1591-06-0220A | | .HOSE | 101106 108120 504903 | 1 |
| | 25 AS1591-06-0160A | | .HOSE | 101106 108120 504903 | 1 |
| | 30 214T3424-1 | | .SUPPORT-DUCT | 101106 108120 504903 | 2 |
| - 35 | BACS12FA3K7 | | ATTACHING PARTS .SCREW | 101106 108120 504903 | 4 |
| - 40 | NAS1149D0363H | | .WASHER | 101106 108120 504903 | 4 |

MISSING ITEM NUMBERS NOT APPLICABLE

- ITEM NOT ILLUSTRATED

21-22-05-03A

21-22-05
FIG. 03A
PAGE 1
JAN 20/09

BRI

BOEING PROPRIETARY - Copyright © - Unpublished Work - See title page for details.

BOEING
757
PARTS CATALOG (MAINTENANCE)

| FIG ITEM | PART NUMBER | 1 2 3 4 5 6 7 | NOMENCLATURE | EFFECT FROM TO | UNITS PER ASSY |
|------------|-----------------|---------------|--|----------------------------|----------------|
| 3A - 45 | BRH10C3D | . | NUT SUPPLIER CODE: V52828 SPECIFICATION NUMBER: BACN10JC3CD OPTIONAL PART: T6C1032JCD V11815 NS202486-02 V80539 102LH9075-3W V72962 H51650-3BAC V15653 -----*----- | 101106 108120 504903 | 4 |
| 50 | NAS1922-0150-3 | . | CLAMP | 101106 108120 504903 | 8 |
| 55 | 214N1103-5 | . | DUCT ASSY | 101106 108120 504903 | 1 |
| 60 | 214N1103-6 | . | DUCT ASSY | 101106 108120 504903 | 1 |
| 65 | AS1591-06-0152A | . | HOSE | 101106 108120 504903 | 4 |
| 70 | 214N1005-3 | . | SEAL | 101106 108120 504903 | 4 |
| - 100 | 214N1005-13 | | DUCT INSTL-FLIGHT DECK CONDITIONED AIR SIDEWALL FOR NHA SEE: 21-00-00-15 | 101102 108120 504903 | RF |
| - 100 | MODREF6171 | | DUCT INSTL-FLIGHT DECK CONDITIONED AIR SIDEWALL MODULE NUMBER: 214N1005-13 REV A | 103106 | 1 |
| 110 | AS1591-05-0390A | . | HOSE | 101106 108120 504903 | 1 |
| - 150 | 214N1005-12 | | DUCT INSTL-FLIGHT DECK CONDITIONED AIR SIDEWALL FOR NHA SEE: 21-00-00-12 | 101102 108120 504903 | RF |
| - 150 | MODREF6172 | | DUCT INSTL-FLIGHT DECK CONDITIONED AIR SIDEWALL MODULE NUMBER: 214N1005-15 REV A | 103106 | 1 |

MISSING ITEM NUMBERS NOT APPLICABLE

- ITEM NOT ILLUSTRATED

BRI

21-22-05-03A

BOEING PROPRIETARY - Copyright © - Unpublished Work - See title page for details.

21-22-05
FIG. 03A
PAGE 2
JAN 20/09



757

PARTS CATALOG (MAINTENANCE)

| FIG ITEM | PART NUMBER | 1 2 3 4 5 6 7 | NOMENCLATURE | EFFECT FROM TO | UNITS PER ASSY |
|-----------|-----------------|---------------|---|----------------------------|----------------|
| 3A 160 | AS1591-05-0250A | . | HOSE | 101102 108120 504903 | 2 |
| 160 | AS1591-05-0280A | . | HOSE- | 103106 | 2 |
| 900 | | | SUPPLIER CODE: V81343 ILLUSTRATION REFERENCE: DUCT INSTL-STA 235 TO 305 FLIGHT DECK CONDITIONED AIR BELOW FLOOR RH SIDE 21-22-05-07 | 101106 108120 504903 | RF |

MISSING ITEM NUMBERS NOT APPLICABLE

- ITEM NOT ILLUSTRATED

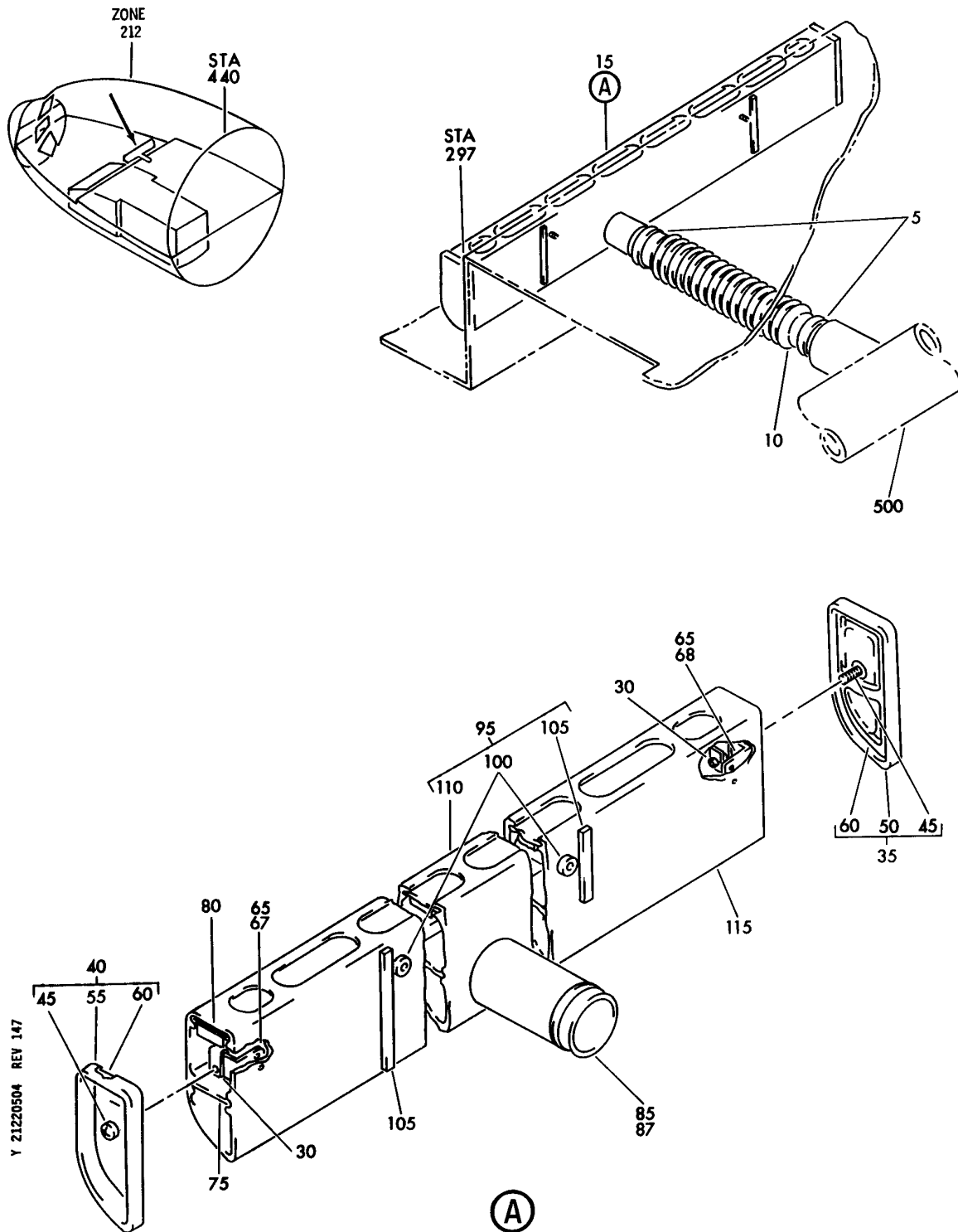
BRI

21-22-05-03A

BOEING PROPRIETARY - Copyright © - Unpublished Work - See title page for details.

21-22-05
FIG. 03A
PAGE 3
JAN 20/09

BOEING
757
PARTS CATALOG (MAINTENANCE)



DUCT INSTL-FLIGHT DECK CONDITIONED AIR
FIGURE 4

21-22-05-04

BRI
MAY 28/07

21-22-05-04
PAGE 0



757

PARTS CATALOG (MAINTENANCE)

| FIG ITEM | PART NUMBER | 1 2 3 4 5 6 7 | NOMENCLATURE | EFFECT FROM TO | UNITS PER ASSY |
|----------|-----------------|---------------|---|--|----------------|
| 4 | | | DUCT INSTL-FLIGHT DECK CONDITIONED AIR | 002004 006999 | |
| - 1 | 214N1006-3 | | DUCT INSTL-CONDITIONED AIR POSITION DATA: FLIGHT DECK FOR NHA SEE: 21-00-00-01 | 002004 006100 107107 121503 904999 | RF |
| - 1 | 214N1006-4 | | DUCT INSTL-CONDITIONED AIR POSITION DATA: FLIGHT DECK FOR NHA SEE: 21-00-00-14 | 101102 108120 504903 | RF |
| - 1 | MODREF6174 | | DUCT INSTL-CONDITIONED AIR MODULE NUMBER: 214N1006-4 REV A POSITION DATA: FLIGHT DECK | 103106 | 1 |
| 5 | 20 | | .CLAMP SUPPLIER CODE: V7Z588 SPECIFICATION NUMBER: STBC10GG48-58 OPTIONAL PART: WWD48-58H V66295 | 002004 006999 | 2 |
| 10 | BOE2027-06D0112 | | .HOSE- SUPPLIER CODE: V16632 SPECIFICATION NUMBER: AS1503-06D0112 | 002004 006999 | 1 |
| 15 | 214N1022-16 | | .REGISTER ASSY-FLOOR | 002004 107107 904949 952952 | 1 |
| 15 | 214N1022-33 | | .REGISTER ASSY-FLOOR | 121503 | 1 |
| 15 | 214N1022-45 | | .REGISTER ASSY-FLOOR | 006106 108120 504903 950951 953999 | 1 |
| - 20 | BACS12FA3K40 | | ATTACHING PARTS .SCREW | 002004 006999 | 2 |
| - 25 | AN960KD10L | | .WASHER | 002004 006100 107107 121503 904999 | 2 |

MISSING ITEM NUMBERS NOT APPLICABLE

- ITEM NOT ILLUSTRATED

21-22-05-04

21-22-05
FIG. 04
PAGE 1
JAN 20/09

BRI



757

PARTS CATALOG (MAINTENANCE)

| FIG ITEM | PART NUMBER | 1 2 3 4 5 6 7 | NOMENCLATURE | EFFECT FROM TO | UNITS PER ASSY |
|----------|---------------|---------------|--|----------------------------|----------------|
| 4 | | | | | |
| - 25 | NAS1149D0332J | . | WASHER | 101106 108120 504903 | 2 |
| | | -----* | | | |
| 30 | BRC500-8-3 | .. | NUT SUPPLIER CODE: V52828 SPECIFICATION NUMBER: BACN10FX21 OPTIONAL PART: F49322-3-21 V15653 SL240-3-1 V97393 130061 V60119 A11330-8-3 V72962 | 002004 006999 | 2 |
| 35 | 214T1117-1 | .. | COVER ASSY-DIFFUSER | 002004 006999 | 1 |
| 40 | 214T1117-2 | .. | COVER ASSY-DIFFUSER | 002004 006999 | 1 |
| 45 | DP7900-10A3 | ... | SCREW-CAPTIVE SUPPLIER CODE: V17419 OPTIONAL PART: CS1000P3-6-3 V0799B | 002004 006999 | 1 |
| 45 | CS1000P3-6-3 | ... | SCREW-CAPTIVE SUPPLIER CODE: V0799B OPTIONAL PART: DP7900-10A3 V17419 | 002004 006999 | 1 |
| 50 | 214T1434-1 | ... | COVER- USED ON: 214T1117-1 | 002004 006999 | 1 |
| 55 | 214T1434-2 | ... | COVER- USED ON: 214T1117-2 | 002004 006999 | 1 |
| 60 | 214T1435-1 | ... | GASKET | 002004 006999 | 1 |
| 67 | 214N1029-4 | .. | BRACKET- | 002004 006999 | 1 |
| 68 | 214N1029-5 | .. | BRACKET- | 002004 006999 | 1 |

MISSING ITEM NUMBERS NOT APPLICABLE

- ITEM NOT ILLUSTRATED

21-22-05-04

21-22-05
FIG. 04
PAGE 2
JAN 20/09

BRI



757

PARTS CATALOG (MAINTENANCE)

| FIG ITEM | PART NUMBER | 1 2 3 4 5 6 7 | NOMENCLATURE | EFFECT FROM TO | UNITS PER ASSY |
|----------|-------------|---------------|--|--|----------------|
| 4 | | | ATTACHING PARTS | | |
| - 70 | BACR15FR4B | | ..RIVET- SIZE DETERMINED ON INSTL. OPTIONAL PART: NAS1398D4 | 002004 006999 | 4 |
| - 70 | NAS1398D4 | | ..RIVET- SIZE DETERMINED ON INSTL. OPTIONAL PART: BACR15FR4B | 002004 006999 | 4 |
| | | | -----*----- | | |
| 75 | 214N1027-6 | | ..RESTRICTOR- | 002004 107107 121503 904949 952952 | 1 |
| 80 | 214N1026-38 | | ..DIFFUSER ASSY- | 002004 006999 | 1 |
| 85 | 214N1028-3 | | ..DUCT-INLET | 002004 107107 904949 952952 | 1 |
| 87 | 214N1028-5 | | ..DUCT-INLET | 006106 108903 950951 953999 | 1 |
| | | | ATTACHING PARTS | | |
| - 90 | BACR15BB3AD | | ..RIVET- SIZE DETERMINED ON INSTL. -----*----- | 002004 006999 | 2 |
| 115 | 214N1099-11 | | ..HOUSING- | 002004 006999 | 1 |
| 900 | | | ILLUSTRATION REFERENCE: DUCT INSTL-STA 314.5 FLIGHT DECK CONDITIONED AIR BELOW FLOOR CROSSOVER 21-22-05-08 | 101106 108120 504903 | RF |

MISSING ITEM NUMBERS NOT APPLICABLE

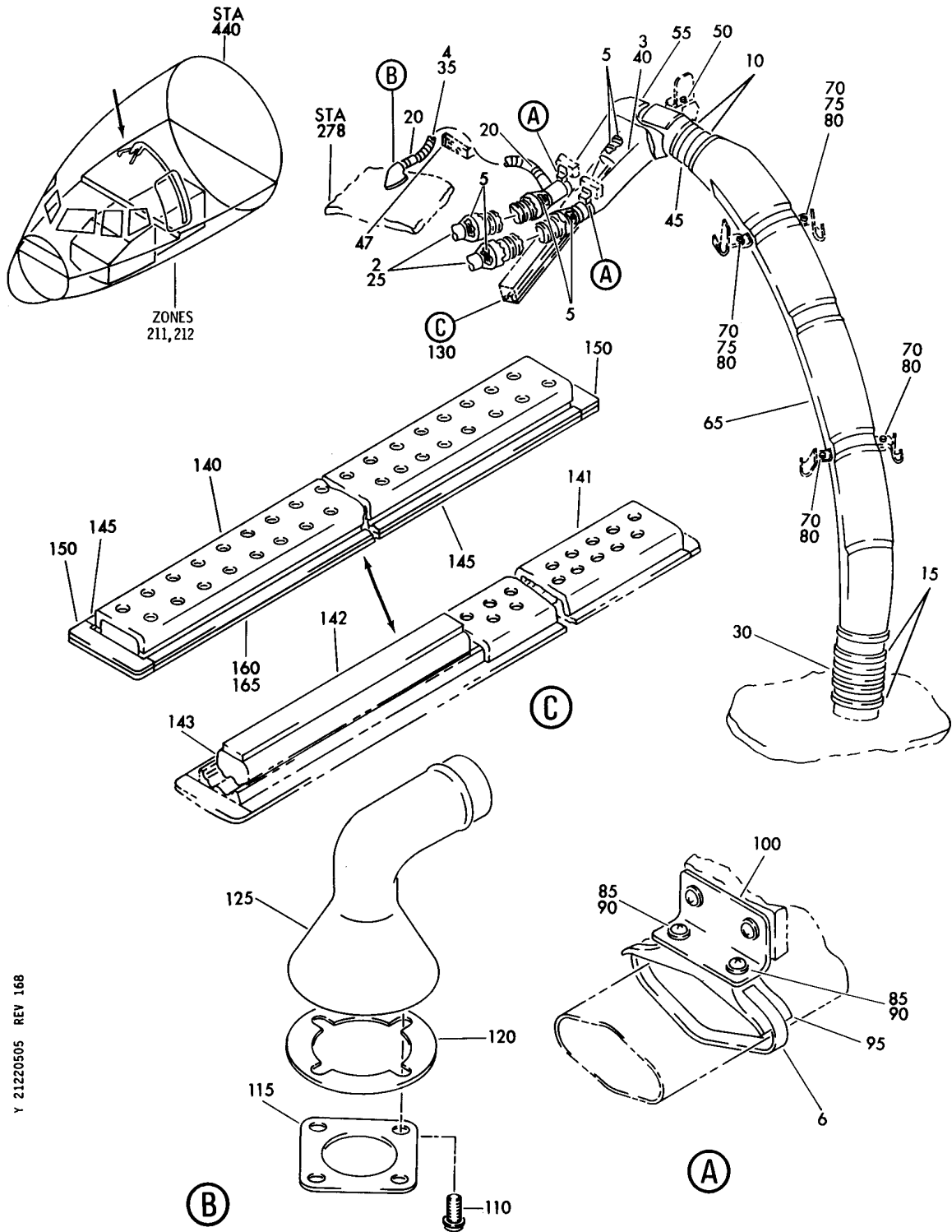
- ITEM NOT ILLUSTRATED

BRI

21-22-05-04

21-22-05
FIG. 04
PAGE 3
JAN 20/09

BOEING
757
PARTS CATALOG (MAINTENANCE)



Y 21220505 REV 168

EQUIPMENT INSTL-FLIGHT DECK CONDITIONED AIR OVERHEAD
FIGURE 5

21-22-05-05

BRI
MAY 28/07

21-22-05-05
PAGE 0



757

PARTS CATALOG (MAINTENANCE)

| FIG ITEM | PART NUMBER | 1 2 3 4 5 6 7 | NOMENCLATURE | EFFECT FROM TO | UNITS PER ASSY |
|----------|-----------------|---------------|--|--|----------------|
| 5 | | | EQUIPMENT INSTL-FLIGHT DECK CONDITIONED AIR OVERHEAD | 002004 006999 | |
| - 1 | 214N1007-3 | | EQUIPMENT INSTL-CONDITIONED AIR OVERHEAD POSITION DATA: FLIGHT DECK VARIABLE DRAWING REF: 214N1007-4 FOR NHA SEE: 21-00-00-01 | 002004 006010 107107 121503 904999 | RF |
| - 1 | 214N1007-6 | | EQUIPMENT INSTL-CONDITIONED AIR OVERHEAD POSITION DATA: FLIGHT DECK FOR NHA SEE: 21-00-00-01 | 011100 | RF |
| - 1 | 214N1007-12 | | EQUIPMENT INSTL-FLIGHT DECK CONDITIONED AIR OVERHEAD FOR NHA SEE: 21-00-00-15 | 101102 504903 | RF |
| - 1 | 214N1007-15 | | EQUIPMENT INSTL-FLIGHT DECK CONDITIONED AIR OVERHEAD FOR NHA SEE: 21-00-00-15 | 108120 | RF |
| - 1 | MODREF6176 | | EQUIPMENT INSTL-FLIGHT DECK CONDITIONED AIR OVERHEAD MODULE NUMBER: 214N1007-15 REV A | 103106 | 1 |
| 2 | 214N1090-56 | | .BLANKET-INSULATION | 002004 006999 | 2 |
| 3 | 214N1090-57 | | .BLANKET-INSULATION | 002004 006999 | 1 |
| 4 | 214N1090-60 | | .BLANKET-INSULATION | 002004 006999 | 1 |
| 5 | 32 | | .CLAMP- SUPPLIER CODE: V7Z588 SPECIFICATION NUMBER: STBC10GG66-82 OPTIONAL PART: WWD66-82H V66295 | 002004 006102 107107 121999 | 6 |
| 5 | BACC10JB062C080 | | .CLAMP- | 103106 108120 | 6 |

MISSING ITEM NUMBERS NOT APPLICABLE

- ITEM NOT ILLUSTRATED

21-22-05-05

21-22-05
FIG. 05
PAGE 1
JAN 20/09

BRI



757

PARTS CATALOG (MAINTENANCE)

| FIG ITEM | PART NUMBER | 1 2 3 4 5 6 7 | NOMENCLATURE | EFFECT FROM TO | UNITS PER ASSY |
|----------|-----------------|---------------|---|--------------------------------------|----------------|
| 5 | | | | | |
| 6 | 36 | | .CLAMP- SUPPLIER CODE: V7Z588 SPECIFICATION NUMBER: STBC10GG74-91 OPTIONAL PART: WWD74-91H V66295 | 002004 006102 107107 121999 | 2 |
| 6 | BACC10JB070C100 | | .CLAMP- | 103106 108120 | 2 |
| 10 | 80 | | .CLAMP- SUPPLIER CODE: V7Z588 SPECIFICATION NUMBER: STBC10GG178 OPTIONAL PART: WWD178H V66295 | 002004 006102 107107 121999 | 2 |
| 10 | BACC10JB142C172 | | .CLAMP- | 103106 108120 | 2 |
| 15 | 48 | | .CLAMP- SUPPLIER CODE: V7Z588 SPECIFICATION NUMBER: STBC10GG98-114 OPTIONAL PART: WWD98-114 V66295 | 002004 006102 107107 121999 | 2 |
| 15 | BACC10JB082C112 | | .CLAMP- | 103106 108120 | 2 |
| 20 | 16 | | .CLAMP- SUPPLIER CODE: V7Z588 SPECIFICATION NUMBER: STBC10GG38-48 OPTIONAL PART: WWD38-48H V66295 | 002004 006102 107107 121999 | 2 |
| 20 | BACC10JB038C052 | | .CLAMP- | 103106 108120 | 2 |
| 25 | BOE2027-09D0140 | | .HOSE- SUPPLIER CODE: V16632 SPECIFICATION NUMBER: AS1503-09D0140 | 002004 006999 | 2 |
| 30 | AS1505-12B0090 | | .HOSE | 002004 006999 | 1 |

MISSING ITEM NUMBERS NOT APPLICABLE

- ITEM NOT ILLUSTRATED

21-22-05-05

21-22-05
FIG. 05
PAGE 2
JAN 20/09

BRI



757

PARTS CATALOG (MAINTENANCE)

| FIG ITEM | PART NUMBER | 1 2 3 4 5 6 7 | NOMENCLATURE | EFFECT FROM TO | UNITS PER ASSY |
|----------|-------------|-----------------|--|--|----------------|
| 5 | 35 | BOE2027-05D0250 | .HOSE- SUPPLIER CODE: V16632 SPECIFICATION NUMBER: AS1503-05D0250 | 002004 006010 107107 121503 904999 | 1 |
| | 35 | BOE2027-05D0220 | .HOSE- SUPPLIER CODE: V16632 SPECIFICATION NUMBER: AS1503-05D0220 | 011017 | 1 |
| | 35 | AS1591-05-0200A | .HOSE- | 018106 108120 504903 | 1 |
| | 40 | AS1506-09D32 | .SLEEVE- OPTIONAL PART: BACD40D9-14-10 | 002004 006999 | 1 |
| | 40 | BACD40D9-14-10 | .SLEEVE- OPTIONAL PART: AS1506-09D32 | 101106 108120 504903 | 1 |
| | 45 | AS1506-20D32 | .HOSE | 002004 006999 | 1 |
| | 47 | BACG20ZA001275 | .GROMMET | 018106 108120 504903 | AR |
| | 50 | BACB30NM3K1 | .BOLT | 002004 006999 | 1 |
| | 55 | 214N1048-8 | .DUCT ASSY- MISCELLANEOUS DATA: 214N1048-1008 CAN REPLACE BUT NOT BE REPLACED BY 214N1048-8 PRE ALERT SB: 21A0084 | 002004 006102 107107 121503 904999 | 1 |
| | 55 | 214N1048-1008 | .DUCT ASSY- MISCELLANEOUS DATA: 214N1048-1008 CAN REPLACE BUT NOT BE REPLACED BY 214N1048-8 POST ALERT SB: 21A0084 | 002004 006999 | 1 |
| | 65 | 214N1033-1 | .DUCT ASSY | 002004 006999 | 1 |
| | 70 | BACB30PW4-3 | ATTACHING PARTS .BOLT | 002004 006999 | 4 |
| | 75 | AN960KD416 | .WASHER- | 002004 006102 107107 121999 | 2 |

MISSING ITEM NUMBERS NOT APPLICABLE

- ITEM NOT ILLUSTRATED

21-22-05-05

21-22-05
FIG. 05
PAGE 3
JAN 20/09

BRI



757

PARTS CATALOG (MAINTENANCE)

| FIG ITEM | PART NUMBER | 1 2 3 4 5 6 7 | NOMENCLATURE | EFFECT FROM TO | UNITS PER ASSY |
|----------|---------------|---------------|--------------------------------------|--------------------------------------|----------------|
| 5 | | | | | |
| 75 | NAS1149D0463J | . | WASHER- | 103106 108120 | 2 |
| 80 | BACW10P135AM | . | WASHER | 002004 006999 | 4 |
| | | | -----*----- | | |
| 85 | BACS12FA3K7 | . | SCREW | 002004 006999 | 4 |
| 90 | BRH10C3D | . | NUT | 002004 006999 | 4 |
| | | | SUPPLIER CODE: V52828 | | |
| | | | SPECIFICATION NUMBER: BACN10JC3CD | | |
| | | | OPTIONAL PART: T6C1032JCD | | |
| | | | V11815 | | |
| | | | NS202486-02 | | |
| | | | V80539 | | |
| | | | 102LH9075-3W | | |
| | | | V72962 | | |
| | | | H51650-3BAC | | |
| | | | V15653 | | |
| 95 | 214T3424-7 | . | SUPPORT | 002004 006999 | 2 |
| 100 | 214N1029-3 | . | BRACKET- | 121503 904949 | 2 |
| 100 | 214N1029-6 | . | BRACKET- | 002004 006999 | 2 |
| | | | ATTACHING PARTS | | |
| - 105 | BACS12FA3K6 | . | SCREW | 002004 006999 | 4 |
| | | | -----*----- | | |
| 110 | FH8C14DL12BN | . | SCREW-COLORED | 002004 | 4 |
| | | | SUPPLIER CODE: V12324 | 006010 107107 121503 904999 | |
| 115 | 2470-03 | . | VALVE ASSY-AIR | 002004 | 1 |
| | | | SUPPLIER CODE: VOACHO | 006010 107107 121503 904999 | |
| 115 | 2470-05 | . | VALVE ASSY-AIR | 002004 | 1 |
| | | | SUPPLIER CODE: VOACHO | 006010 107107 121503 904999 | |

MISSING ITEM NUMBERS NOT APPLICABLE

- ITEM NOT ILLUSTRATED

BRI

21-22-05-05

BOEING PROPRIETARY - Copyright © - Unpublished Work - See title page for details.

21-22-05
FIG. 05
PAGE 4
JAN 20/09



757

PARTS CATALOG (MAINTENANCE)

| FIG ITEM | PART NUMBER | 1 2 3 4 5 6 7 | NOMENCLATURE | EFFECT FROM TO | UNITS PER ASSY |
|----------|-------------|---------------|--|--|----------------|
| 5 | | | | | |
| 120 | 214N1047-4 | | .SEAL-PLENUM MANUFACTURED FROM: SH RUBBER TYPE 1 GRADE B BMS1-60 .125X3.3 X 3.3 IN. | 002004 006010 107107 121503 904999 | 1 |
| 125 | 214N1047-1 | | .PLENUM ASSY | 002004 006010 107107 121503 904999 | 1 |
| 130 | 214N1095-14 | | .REGISTER ASSY- MANUFACTURED FROM: CLOSED CELL SILICONEFOAM RUBBER PER BMS1-68, FORM III. OPTIONAL MATERIAL STRIP RUBBER PER CHR C110-19 OR EQUIVALENT. FIN F-25.01 .063 X .50 X 36.5 IN OPTIONAL PART: 214N1095-20 | 002004 006120 504903 950999 | 1 |
| 130 | 214N1095-20 | | .REGISTER ASSY- MANUFACTURED FROM: CLOSED CELL SILICONEFOAM RUBBER PER BMS1-68, FORM III. OPTIONAL MATERIAL STRIP RUBBER PER CHR C110-19 OR EQUIVALENT. FIN F-25.01 .063 X .50 X 36.5 IN OPTIONAL PART: 214N1095-14 | 002004 006120 504903 950999 | 1 |
| 130 | 214N1095-7 | | .REGISTER ASSY- | 002004 006010 107107 950999 | 1 |
| 130 | 214N1095-11 | | .REGISTER ASSY- MANUFACTURED FROM: CLOSED CELL SILICONEFOAM RUBBER PER BMS1-68, FORM III. OPTIONAL MATERIAL STRIP RUBBER PER CHR C110-19 OR EQUIVALENT. FIN F-25.01 .063 X .50 X 36.5 IN | 002004 006010 107107 950999 | 1 |

MISSING ITEM NUMBERS NOT APPLICABLE

- ITEM NOT ILLUSTRATED

21-22-05-05

21-22-05
FIG. 05
PAGE 5
JAN 20/09

BRI



757

PARTS CATALOG (MAINTENANCE)

| FIG ITEM | PART NUMBER | 1 2 3 4 5 6 7 | NOMENCLATURE | EFFECT FROM TO | UNITS PER ASSY |
|----------|-------------|---------------|--|--|----------------|
| 5 | | | | | |
| 130 | 214N1095-22 | | .REGISTER ASSY- MANUFACTURED FROM: CLOSED CELL SILICONEFOAM RUBBER PER BMS1-68, FORM III. OPTIONAL MATERIAL STRIP RUBBER PER CHR C110-19 OR EQUIVALENT. FIN F-25.01 .063 X .50 X 36.5IN | 002004 006120 504903 950999 | 1 |
| 130 | 214N1095-12 | | .REGISTER ASSY- (VARIABLE) ATTACHING PARTS | 121503 904949 | 1 |
| - 135 | FH4C8DL12BN | | .SCREW-COLORED SUPPLIER CODE: V12324 | 002004 006010 107107 121503 904999 | 18 |
| - 137 | FH4C8DL12BN | | .SCREW-COLORED SUPPLIER CODE: V12324 | 011106 108120 504903 | 16 |
| | | | -----*----- | | |
| 140 | 214N1401-2 | | ..BAFFLE- OPTIONAL PART: 214N1096-3 USED ON: 214N1095-7 | 002004 006010 107107 121503 904999 | 1 |
| 140 | 214N1096-3 | | ..BAFFLE- OPTIONAL PART: 214N1401-2 USED ON: 214N1095-7 | 002004 006010 107107 121503 904999 | 1 |
| 141 | 214N1096-4 | | ..BAFFLE- USED ON: 214N1095-11 214N1095-22 | 002004 006999 | 1 |
| 141 | 214N1096-14 | | ..BAFFLE- USED ON: 214N1095-14 214N1095-20 | 002004 006999 | 1 |
| 142 | 214N1096-5 | | ..BAFFLE- USED ON: 214N1095-11 214N1095-14 214N1095-20 214N1095-22 | 002004 006999 | 1 |

MISSING ITEM NUMBERS NOT APPLICABLE

- ITEM NOT ILLUSTRATED

21-22-05-05

21-22-05
FIG. 05
PAGE 6
JAN 20/09

BRI



757

PARTS CATALOG (MAINTENANCE)

| FIG ITEM | PART NUMBER | 1 2 3 4 5 6 7 | NOMENCLATURE | EFFECT FROM TO | UNITS PER ASSY |
|----------|-------------|---------------|---|--------------------------------------|----------------|
| 5 | | | | | |
| 143 | 214N1212-1 | .. | HOUSING- USED ON: 214N1095-11 214N1095-14 | 002004 006999 | 1 |
| 143 | 214N1212-2 | .. | HOUSING- USED ON: 214N1095-20 214N1095-22 | 002004 006999 | 1 |
| 145 | 214N1095-16 | .. | SEAL- USED ON: 214N1095-14 214N1095-20 | 002004 006999 | 2 |
| 145 | 214N1095-6 | .. | SEAL- USED ON: 214N1095-11 214N1095-7 | 002004 006999 | 2 |
| 145 | 214N1095-24 | .. | SEAL- | 002004 006999 | 2 |
| 150 | 214T1400-2 | .. | SEAL- MANUFACTURED FROM: SH RUBBER BMS 1-23 F25.01 .06IN .45IN 3.00IN | 002004 006999 | 2 |
| 160 | 214N1095-15 | .. | REGISTER- USED ON: 214N1095-14 | 002004 006120 504903 950999 | 1 |
| 160 | 214N1095-5 | .. | REGISTER- USED ON: 214N1095-11 214N1095-7 | 002004 006010 107107 950999 | 1 |
| 160 | 214N1095-21 | .. | REGISTER- USED ON: 214N1095-20 | 002004 006120 504903 950999 | 1 |
| 160 | 214N1095-23 | .. | REGISTER- USED ON: 214N1095-22 | 002004 006120 504903 950999 | 1 |
| 165 | 214N1095-9 | .. | REGISTER- | 121503 904949 | 1 |

MISSING ITEM NUMBERS NOT APPLICABLE

- ITEM NOT ILLUSTRATED

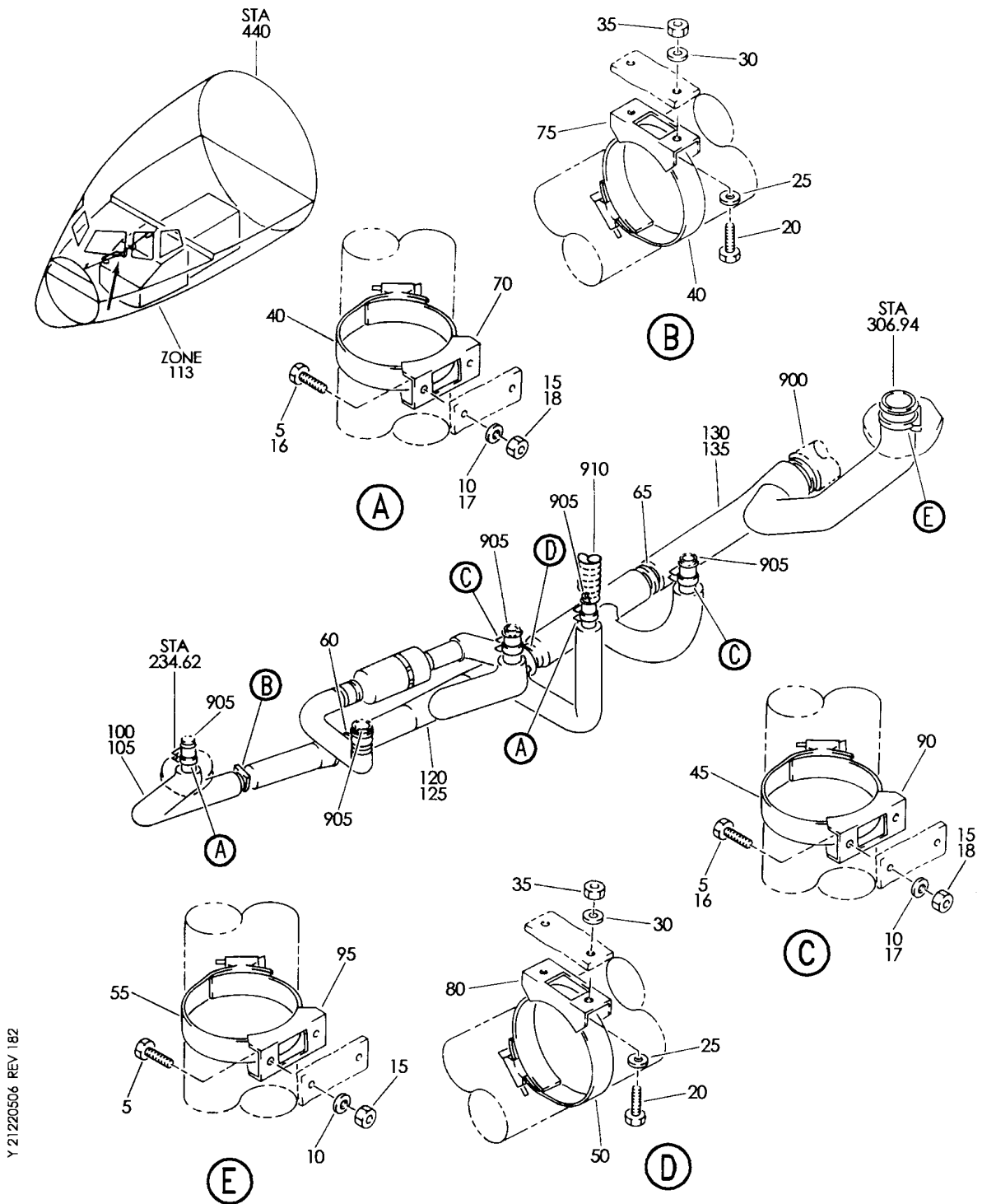
21-22-05-05

21-22-05
FIG. 05
PAGE 7
JAN 20/09

BRI

BOEING PROPRIETARY - Copyright © - Unpublished Work - See title page for details.

BOEING
757
PARTS CATALOG (MAINTENANCE)



Y 21220506 REV 182

DUCT INSTL-STA 234 TO 310 BELOW FLOOR LH SIDE (FLIGHT DECK CONDITIONED AIR)
FIGURE 6

BRI
MAY 28/07

21-22-05-06

21-22-05-06
PAGE 0



**757
PARTS CATALOG (MAINTENANCE)**

| FIG ITEM | PART NUMBER | 1 2 3 4 5 6 7 | NOMENCLATURE | EFFECT FROM TO | UNITS PER ASSY |
|----------|-------------|---------------|--|--|----------------|
| 6 | | | DUCT INSTL-STA 234 TO 310 BELOW FLOOR LH SIDE (FLIGHT DECK CONDITIONED AIR) | 002004 006999 | |
| - 1 | 214N1008-1 | | DUCT INSTL-CONDITIONED AIR BELOW FLOOR (FLIGHT DECK CONDITIONED AIR DISTRIBUTION ONLY) POSITION DATA: STA 234 TO 310 LH FLIGHT DECK FOR NHA/OTHER SYS DET SEE: 21-00-00-01 | 002004 006100 107107 121503 904999 | RF |
| - 1 | 214N1008-3 | | DUCT INSTL-CONDITIONED AIR BELOW FLOOR (FLIGHT DECK CONDITIONED AIR DISTRIBUTION ONLY) POSITION DATA: STA 234 TO 310 LH FLIGHT DECK FOR NHA/OTHER SYS DET SEE: 21-00-00-15 | 101102 504903 | RF |
| - 1 | 214N1008-5 | | DUCT INSTL-CONDITIONED AIR BELOW FLOOR (FLIGHT DECK CONDITIONED AIR DISTRIBUTION ONLY) POSITION DATA: STA 234 TO 310 LH FLIGHT DECK FOR NHA/OTHER SYS DET SEE: 21-00-00-15 | 108120 | RF |
| - 1 | MODREF6178 | | DUCT INSTL-CONDITIONED AIR BELOW FLOOR (FLIGHT DECK CONDITIONED AIR DISTRIBUTION ONLY) MODULE NUMBER: 214N1008-5 REV A POSITION DATA: STA 234 TO 310 LH FLIGHT DECK FOR OTHER SYS DETAILS SEE: 11-36-30-01 21-45-02-01 | 103106 | 1 |
| 5 | BACS12FA3K7 | | .SCREW | 002004 006999 | 10 |

MISSING ITEM NUMBERS NOT APPLICABLE

- ITEM NOT ILLUSTRATED

BRI

21-22-05-06

BOEING PROPRIETARY - Copyright © - Unpublished Work - See title page for details.

21-22-05
FIG. 06
PAGE 1
JAN 20/09



757

PARTS CATALOG (MAINTENANCE)

| FIG ITEM | PART NUMBER | 1 2 3 4 5 6 7 | NOMENCLATURE | EFFECT FROM TO | UNITS PER ASSY |
|----------|------------------|---------------|--|--|----------------|
| 6 | 10 AN960KD10 | .WASHER | | 002004 006100 107107 121503 904999 | 10 |
| | 10 NAS1149D0363J | .WASHER | | 101106 108120 504903 | 10 |
| 15 | BRH10C3D | .NUT | SUPPLIER CODE: V52828 SPECIFICATION NUMBER: BACN10JC3CD OPTIONAL PART: T6C1032JCD V11815 NS202486-02 V80539 102LH9075-3W V72962 H51650-3BAC V15653 | 002004 006999 | 10 |
| 20 | BACB30PW4-3 | .BOLT | | 002004 006999 | 4 |
| 25 | AN960KD416L | .WASHER | | 002004 006100 107107 121503 904999 | 4 |
| 25 | NAS1149D0416J | .WASHER | | 101106 108120 504903 | 4 |
| 30 | BACW10BN3SP | .WASHER | | 002004 006999 | 4 |
| 35 | NAS1805-3N | .NUT | | 002004 006100 107107 121503 904999 | 4 |
| 35 | NAS1805-3L | .NUT | | 101106 108120 504903 | 4 |

MISSING ITEM NUMBERS NOT APPLICABLE

- ITEM NOT ILLUSTRATED

21-22-05-06

21-22-05
FIG. 06
PAGE 2
JAN 20/09

BRI

BOEING PROPRIETARY - Copyright © - Unpublished Work - See title page for details.



757

PARTS CATALOG (MAINTENANCE)

| FIG ITEM | PART NUMBER | 1 2 3 4 5 6 7 | NOMENCLATURE | EFFECT FROM TO | UNITS PER ASSY |
|----------|-----------------|---------------|---|--------------------------------------|----------------|
| 6 | | | | | |
| 40 | 16 | | .CLAMP- SUPPLIER CODE: V7Z588 SPECIFICATION NUMBER: STBC10GG38-48 OPTIONAL PART: WWD38-48H V66295 | 002004 006102 107107 121999 | 3 |
| 40 | BACC10JB032C046 | | .CLAMP- | 103106 108120 | 3 |
| 45 | 20 | | .CLAMP- SUPPLIER CODE: V7Z588 SPECIFICATION NUMBER: STBC10GG48-58 OPTIONAL PART: WWD48-58H V66295 | 002004 006102 107107 121999 | 2 |
| 45 | BACC10JB046C060 | | .CLAMP- | 103106 108120 | 2 |
| 50 | 36 | | .CLAMP- SUPPLIER CODE: V7Z588 SPECIFICATION NUMBER: STBC10GG74-91 OPTIONAL PART: WWD74-91H V66295 | 002004 006102 107107 121999 | 1 |
| 50 | BACC10JB070C100 | | .CLAMP- | 103106 108120 | 1 |
| 55 | 48 | | .CLAMP- SUPPLIER CODE: V7Z588 SPECIFICATION NUMBER: STBC10GG98-114 OPTIONAL PART: WWD98-114 V66295 | 002004 006102 107107 121999 | 1 |
| 55 | BACC10JB082C112 | | .CLAMP- | 103106 108120 | 1 |
| 60 | 15J02-150 | | .COUPLING ASSY- SUPPLIER CODE: V89513 OPTIONAL PART: 32317AA150 V94581 NH135008-0150 V00624 | 002004 006102 107107 121999 | 1 |

MISSING ITEM NUMBERS NOT APPLICABLE

- ITEM NOT ILLUSTRATED

21-22-05-06

21-22-05
FIG. 06
PAGE 3
JAN 20/09

BRI



757

PARTS CATALOG (MAINTENANCE)

| FIG ITEM | PART NUMBER | 1 2 3 4 5 6 7 | NOMENCLATURE | EFFECT FROM TO | UNITS PER ASSY |
|----------|---------------|---|--------------------------|--------------------------------------|----------------|
| 6 | | | | | |
| 60 | 32317AA150 | . COUPLING- | SUPPLIER CODE: V94581 | 002004 006102 107107 121999 | 1 |
| | | OPTIONAL PART: 15J02-150 V89513 NH135008-0150 V00624 | | | |
| 60 | NH135008-0150 | . COUPLING- | SUPPLIER CODE: V00624 | 002004 006102 107107 121999 | 1 |
| | | OPTIONAL PART: 15J02-150 V89513 | | | |
| 60 | NH135008-0150 | . COUPLING- | SUPPLIER CODE: V00624 | 103106 108120 | 1 |
| | | SPECIFICATION NUMBER: BACC10HX150 | | | |
| 65 | 15J02-250 | . CLAMP ASSY- | SUPPLIER CODE: V89513 | 002004 006102 107107 121999 | 1 |
| | | OPTIONAL PART: 32317AA250 V94581 NH135008-0250 V94581 | | | |
| 65 | 32317AA250 | . CLAMP ASSY- | SUPPLIER CODE: V94581 | 002004 006102 107107 121999 | 1 |
| | | OPTIONAL PART: 15J02-250 V89513 NH135008-0250 V98625 | | | |
| 65 | NH135008-0250 | . CLAMP ASSY- | SUPPLIER CODE: V00624 | 002004 006102 107107 121999 | 1 |
| | | OPTIONAL PART: 15J02-250 V89513 32317AA250 V94581 | | | |
| 65 | NH135008-0250 | . COUPLING- | SUPPLIER CODE: V00624 | 103106 108120 | 1 |
| | | SPECIFICATION NUMBER: BACC10HX250 | | | |

MISSING ITEM NUMBERS NOT APPLICABLE

- ITEM NOT ILLUSTRATED

21-22-05-06

21-22-05
FIG. 06
PAGE 4
JAN 20/09

BRI



757

PARTS CATALOG (MAINTENANCE)

| FIG ITEM | PART NUMBER | 1 2 3 4 5 6 7 | NOMENCLATURE | EFFECT FROM TO | UNITS PER ASSY |
|----------|---------------|---------------|---|--|----------------|
| 6 | | | | | |
| 70 | 214T3424-16 | . | SUPPORT | 002004 006999 | 2 |
| 75 | 214N1051-12 | . | SUPPORT- | 002004 006999 | 1 |
| 80 | 214N1051-3 | . | SUPPORT- | 002004 006999 | 1 |
| 90 | 214T3424-17 | . | SUPPORT | 002004 006999 | 2 |
| 95 | 214T3424-4 | . | SUPPORT | 002004 006102 107107 121999 | 1 |
| 100 | 214N1052-4 | . | DUCT ASSY- MISCELLANEOUS DATA: 214N1052-1004 CAN REPLACE BUT NOT BE REPLACED BY 214N1052-4 PRE ALERT SB: 21A0084 | 002004 006102 107107 121503 904999 | 1 |
| 100 | 214N1052-1004 | . | DUCT ASSY- MISCELLANEOUS DATA: 214N1052-1004 CAN REPLACE BUT NOT BE REPLACED BY 214N1052-4 POST ALERT SB: 21A0084 | 002004 006999 | 1 |
| 105 | 214N1052-6 | .. | BLANKET-INSULATION USED ON: 214N1052-4 | 002004 006102 107107 121503 904999 | 1 |
| 105 | 214N1052-8 | .. | BLANKET-INSULATION USED ON: 214N1052-1004 | 002004 006999 | 1 |
| 120 | 214N1054-4 | . | DUCT ASSY- MISCELLANEOUS DATA: 2014N1054-1004 CAN REPLACE BUT NOT BE REPLACED BY 214N1054-4. | 002004 006102 107107 121999 | 1 |
| 120 | 214N1054-1004 | . | DUCT ASSY- MISCELLANEOUS DATA: 2014N1054-1004 CAN REPLACE BUT NOT BE REPLACED BY 214N1054-4. | 002004 006999 | 1 |
| 125 | 214N1054-6 | .. | BLANKET-INSULATION USED ON: 214N1054-4 | 002004 006102 107107 121999 | 1 |

MISSING ITEM NUMBERS NOT APPLICABLE

- ITEM NOT ILLUSTRATED

21-22-05-06

21-22-05
FIG. 06
PAGE 5
JAN 20/09

BRI



757

PARTS CATALOG (MAINTENANCE)

| FIG ITEM | PART NUMBER | 1 2 3 4 5 6 7 | NOMENCLATURE | EFFECT FROM TO | UNITS PER ASSY |
|----------|---------------|---------------|---|--|----------------|
| 6 | | | | | |
| 125 | 214N1054-8 | | ..BLANKET-INSULATION USED ON: 214N1054-1004 | 002004 006999 | 1 |
| 130 | 214N1055-4 | | .DUCT ASSY- MISCELLANEOUS DATA: 2014N1055-1004 CAN REPLACE BUT NOT BE REPLACED BY 214N1055-4. | 002004 006102 107107 121999 | 1 |
| 130 | 214N1055-1004 | | .DUCT ASSY- MISCELLANEOUS DATA: 2014N1055-1004 CAN REPLACE BUT NOT BE REPLACED BY 214N1055-4. | 002004 006102 107107 121999 | 1 |
| 135 | 214N1055-6 | | ..BLANKET-INSULATION USED ON: 214N1055-4 | 002004 006102 107107 121999 | 1 |
| 135 | 214N1055-8 | | ..BLANKET-INSULATION USED ON: 214N1055-1004 | 002004 006102 107107 121999 | 1 |
| 905 | | | ILLUSTRATION REFERENCE: ORIFICE INSTL-FLIGHT DECK CONDITIONED AIR 21-22-01-01 | 002004 006999 | RF |
| 910 | | | ILLUSTRATION REFERENCE: DUCT INSTL-FLIGHT DECK CONDITIONED AIR SIDEWALL (FLIGHT DECK CONDITIONED AIR DISTRIBUTION ONLY) 21-22-05-03 | 002004 006100 107107 121503 904999 | RF |

MISSING ITEM NUMBERS NOT APPLICABLE

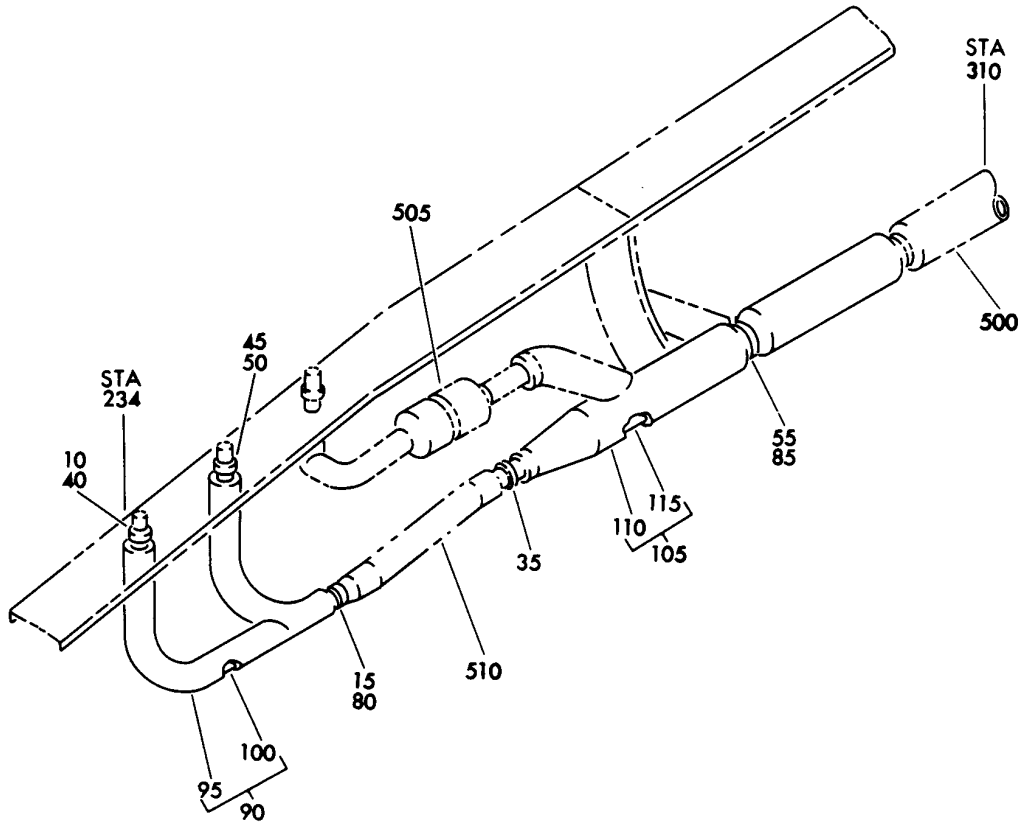
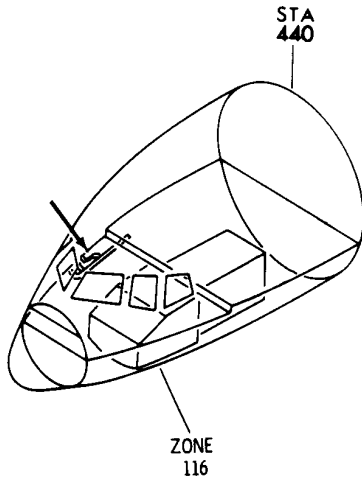
- ITEM NOT ILLUSTRATED

BRI

21-22-05-06

21-22-05
FIG. 06
PAGE 6
JAN 20/09

BOEING
757
PARTS CATALOG (MAINTENANCE)



Y 21220507 SHT 1 REV 088

DUCT INSTL-STA 235 TO 305 FLIGHT DECK CONDITIONED AIR BELOW FLOOR RH SIDE
FIGURE 7

BRI
MAY 28/07

21-22-05-07

21-22-05-07
PAGE 0



757

PARTS CATALOG (MAINTENANCE)

| FIG ITEM | PART NUMBER | 1 2 3 4 5 6 7 | NOMENCLATURE | EFFECT FROM TO | UNITS PER ASSY |
|----------|-----------------|---------------|---|--|----------------|
| 7 | | | DUCT INSTL-STA 235 TO 305 FLIGHT DECK CONDITIONED AIR BELOW FLOOR RH SIDE | 002004 006999 | |
| - 1 | 214N1009-1 | | DUCT INSTL-FLIGHT DECK CONDITIONED AIR BELOW FLOOR POSITION DATA: STA 235 TO 305 RH SIDE FOR NHA/OTHER SYS DET SEE: 21-00-00-01 | 002004 006100 107107 121503 904999 | RF |
| - 1 | 214N1009-2 | | DUCT INSTL-STA 235 TO 305 FLIGHT DECK CONDITIONED AIR BELOW FLOOR RH SIDE FOR NHA/OTHER SYS DET SEE: 21-00-00-14 | 101102 504903 | RF |
| - 1 | 214N1009-3 | | DUCT INSTL-STA 235 TO 305 FLIGHT DECK CONDITIONED AIR BELOW FLOOR RH SIDE FOR NHA/OTHER SYS DET SEE: 21-00-00-14 | 108120 | RF |
| - 1 | MODREF6179 | | DUCT INSTL-STA 235 TO 305 FLIGHT DECK CONDITIONED AIR BELOW FLOOR RH SIDE MODULE NUMBER: 214N1009-3 REV A FOR OTHER SYS DETAILS SEE: 11-36-30-01 21-45-02-02 | 103106 | 1 |
| 10 16 | | | .CLAMP- SUPPLIER CODE: V7Z588 SPECIFICATION NUMBER: STBC10GG38-48 OPTIONAL PART: WWD38-48H V66295 | 002004 006102 107107 121999 | 1 |
| 10 | BACC10JB032C046 | | .CLAMP- | 103106 108120 | 1 |
| 15 20 | | | .CLAMP- SUPPLIER CODE: V7Z588 SPECIFICATION NUMBER: STBC10GG48-58 OPTIONAL PART: WWD48-58H V66295 | 002004 006102 107107 121999 | 1 |
| 15 | BACC10JB046C060 | | .CLAMP- | 103106 108120 | 1 |

MISSING ITEM NUMBERS NOT APPLICABLE

- ITEM NOT ILLUSTRATED

21-22-05-07

21-22-05
FIG. 07
PAGE 1
JAN 20/09

BRI



757

PARTS CATALOG (MAINTENANCE)

| FIG ITEM | PART NUMBER | 1 2 3 4 5 6 7 | NOMENCLATURE | EFFECT FROM TO | UNITS PER ASSY |
|----------|---------------|---------------|--|--|----------------|
| 7 | | | ATTACHING PARTS | | |
| - 20 | BACS12FA3K7 | | .SCREW | 002004 006999 | 4 |
| - 25 | AN960KD10 | | .WASHER | 002004 006100 107107 121503 904999 | 4 |
| - 25 | NAS1149D0363J | | .WASHER | 101106 108120 504903 | 4 |
| - 30 | BRH10C3D | | .NUT | 002004 006999 | 4 |
| | | | SUPPLIER CODE: V52828 | | |
| | | | SPECIFICATION NUMBER: BACN10JC3CD | | |
| | | | OPTIONAL PART: T6C1032JCD V11815 NS202486-02 V80539 102LH9075-3W V72962 H51650-3BAC V15653 | | |
| | | | -----*----- | | |
| 35 | 15J02-150 | | .COUPLING ASSY- | 002004 | 1 |
| | | | SUPPLIER CODE: V89513 | 006102 107107 121999 | |
| | | | OPTIONAL PART: 32317AA150 V94581 NH135008-0150 V00624 | | |
| 35 | 32317AA150 | | .COUPLING- | 002004 | 1 |
| | | | SUPPLIER CODE: V94581 | 006102 107107 121999 | |
| | | | OPTIONAL PART: NH135008-0150 V00624 15J02-150 V89513 | | |

MISSING ITEM NUMBERS NOT APPLICABLE

- ITEM NOT ILLUSTRATED

BRI

21-22-05-07

BOEING PROPRIETARY - Copyright © - Unpublished Work - See title page for details.

21-22-05
FIG. 07
PAGE 2
JAN 20/09



757

PARTS CATALOG (MAINTENANCE)

| FIG ITEM | PART NUMBER | 1 2 3 4 5 6 7 | NOMENCLATURE | EFFECT FROM TO | UNITS PER ASSY |
|----------|-----------------|---------------|---|--|----------------|
| 7 | | | | | |
| 35 | NH135008-0150 | . | COUPLING- SUPPLIER CODE: V00624 OPTIONAL PART: 15J02-150 V89513 32317AA150 V94581 | 002004 006999 | 1 |
| 35 | NH135008-0150 | . | COUPLING- SUPPLIER CODE: V00624 SPECIFICATION NUMBER: BACC10HX150 | 103106 108120 | 1 |
| 40 | 214T3424-16 | . | SUPPORT | 002004 006999 | 1 |
| 45 | 214T3424-17 | . | SUPPORT | 002004 006999 | 1 |
| 50 | 20 | . | CLAMP- SUPPLIER CODE: V7Z588 SPECIFICATION NUMBER: STBC10GG48-58 OPTIONAL PART: WWD48-58H V66295 | 002004 006102 107107 121999 | 1 |
| 50 | BACC10JB046C060 | . | CLAMP- | 103106 108120 | 1 |
| 55 | 36 | . | CLAMP- SUPPLIER CODE: V7Z588 SPECIFICATION NUMBER: STBC10GG74-91 OPTIONAL PART: WWD74-91H V66295 | 002004 006102 107107 121999 | 1 |
| 55 | BACC10JB070C100 | . | CLAMP- | 103106 108120 | 1 |
| | | | ATTACHING PARTS | | |
| - 60 | BACB30PW4-3 | . | BOLT | 002004 006999 | 4 |
| - 65 | AN960KD416L | . | WASHER | 002004 006100 107107 121503 904999 | 4 |
| - 65 | NAS1149D0416J | . | WASHER | 101106 108120 504903 | 4 |

MISSING ITEM NUMBERS NOT APPLICABLE

- ITEM NOT ILLUSTRATED

21-22-05-07

21-22-05
FIG. 07
PAGE 3
JAN 20/09

BRI



757

PARTS CATALOG (MAINTENANCE)

| FIG ITEM | PART NUMBER | 1 2 3 4 5 6 7 | NOMENCLATURE | EFFECT FROM TO | UNITS PER ASSY |
|----------|---------------|---------------|--|--|----------------|
| 7 | | | | | |
| - 70 | BACW10BN3SP | . | WASHER | 002004 006999 | 4 |
| - 75 | NAS1805-3N | . | NUT | 002004 006100 107107 121503 904999 | 4 |
| - 75 | NAS1805-3L | . | NUT | 101106 108120 504903 | 4 |
| | | | -----*----- | | |
| 80 | 214N1051-1 | . | SUPPORT | 002004 006999 | 1 |
| 85 | 214N1051-3 | . | SUPPORT | 002004 006999 | 1 |
| 90 | 214N1066-1 | . | DUCT ASSY- OPTIONAL PART: 214N1066-7 | 002004 006100 107107 121503 904999 | 1 |
| 90 | 214N1066-7 | . | DUCT ASSY- | 002004 006999 | 1 |
| 90 | 214N1066-1007 | . | DUCT ASSY- | 002004 006999 | 1 |
| 95 | 214N1066-6 | .. | INSULATION- USED ON: 214N1066-1 | 002004 006100 107107 121503 904999 | 1 |
| 95 | 214N1066-9 | .. | INSULATION- USED ON: 214N1066-7 | 002004 006999 | 1 |
| 95 | 214N1066-11 | .. | INSULATION- USED ON: 214N1066-1004 | 002004 006999 | 1 |
| 100 | 214N1066-2 | .. | DUCT- USED ON: 214N1066-1 | 002004 006100 107107 121503 904999 | 1 |
| 100 | 214N1066-8 | .. | DUCT- USED ON: 214N1066-7 | 002004 006999 | 1 |
| 105 | 214N1068-1 | . | DUCT ASSY- OPTIONAL PART: 214N1068-4 | 002004 006100 107107 121503 904999 | 1 |

MISSING ITEM NUMBERS NOT APPLICABLE

- ITEM NOT ILLUSTRATED

21-22-05-07

21-22-05
FIG. 07
PAGE 4
JAN 20/09

BRI



757

PARTS CATALOG (MAINTENANCE)

| FIG ITEM | PART NUMBER | 1 2 3 4 5 6 7 | NOMENCLATURE | EFFECT FROM TO | UNITS PER ASSY |
|----------|---------------|---------------|---|--|----------------|
| 7 | | | | | |
| 105 | 214N1068-4 | | . DUCT ASSY- MISCELLANEOUS DATA: 2014N1068-1004 CAN REPLACE BUT NOT BE REPLACED BY 214N1068-4. PRE ALERT SB: 21A0084 | 002004 006503 904999 | 1 |
| 105 | 214N1068-1004 | | . DUCT ASSY- MISCELLANEOUS DATA: 2014N1068-1004 CAN REPLACE BUT NOT BE REPLACED BY 214N1068-4. POST ALERT SB: 21A0084 | 002004 006999 | 1 |
| 110 | 214N1068-3 | | .. INSULATION- USED ON: 214N1068-1 | 002004 006100 107107 121503 904999 | 1 |
| 110 | 214N1068-6 | | .. INSULATION- USED ON: 214N1068-4 | 002004 006503 904999 | 1 |
| 110 | 214N1068-8 | | .. INSULATION- USED ON: 214N1068-1004 | 002004 006999 | 1 |
| 115 | 214N1068-2 | | .. DUCT- USED ON: 214N1068-1 | 002004 006100 107107 121503 904999 | 1 |
| 115 | 214N1068-5 | | .. DUCT- USED ON: 214N1068-4 | 002004 006999 | 1 |
| 505 | | | ILLUSTRATION REFERENCE: ORIFICE INSTL-FLIGHT DECK CONDITIONED AIR 21-22-01-01 | 002004 006999 | RF |
| 510 | | | ILLUSTRATION REFERENCE: DUCT INSTL-FLIGHT DECK CONDITIONED AIR SIDEWALL (FLIGHT DECK CONDITIONED AIR DISTRIBUTION ONLY) 21-22-05-03 | 002004 006100 107107 121503 904999 | RF |

MISSING ITEM NUMBERS NOT APPLICABLE

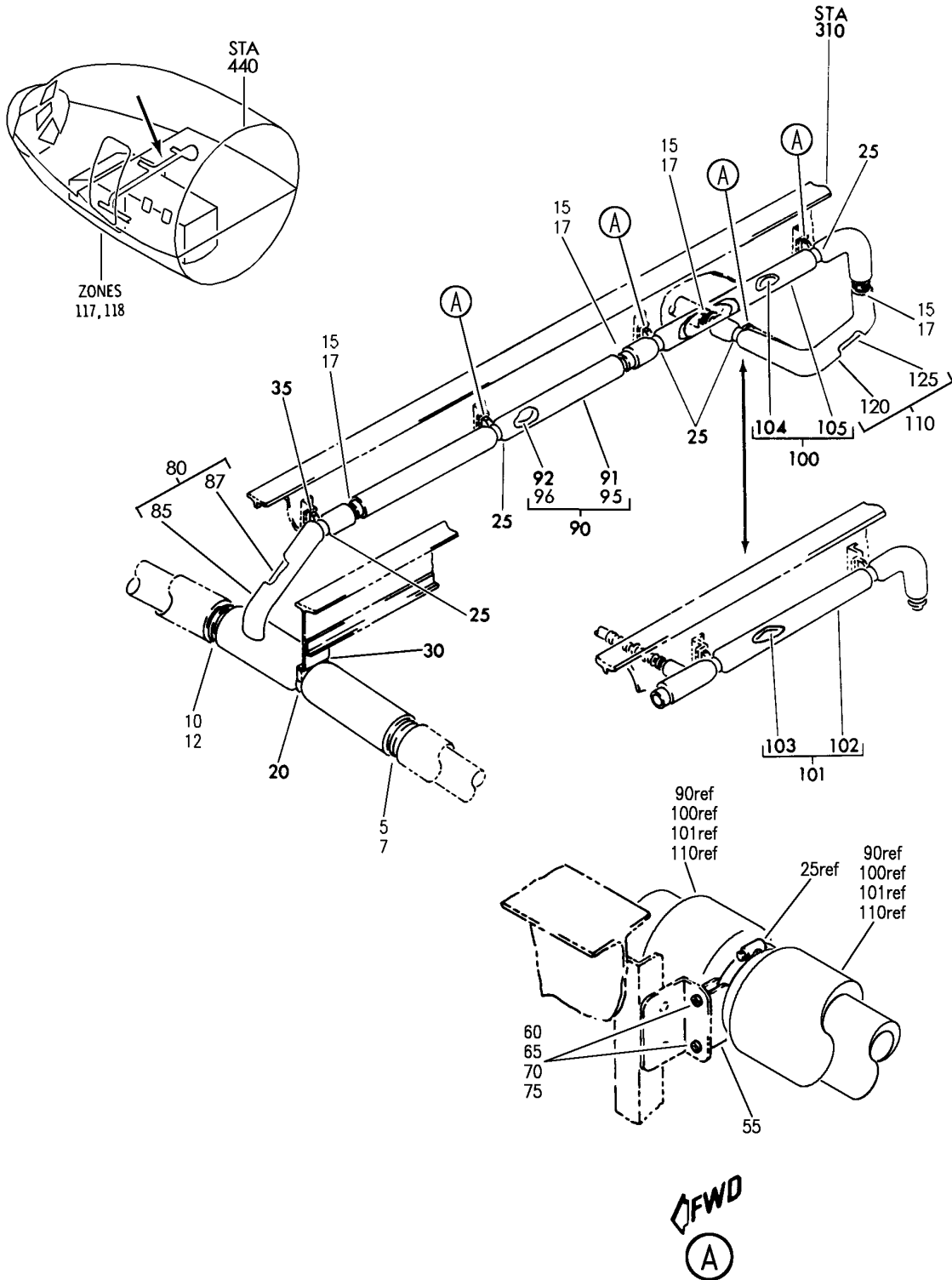
- ITEM NOT ILLUSTRATED

21-22-05-07

21-22-05
FIG. 07
PAGE 5
JAN 20/09

BRI

BOEING
757
PARTS CATALOG (MAINTENANCE)



Y 21220508 REV 256

DUCT INSTL-STA 314.5 FLIGHT DECK CONDITIONED AIR BELOW FLOOR CROSSOVER
FIGURE 8

BRI
MAY 28/07

21-22-05-08

21-22-05-08
PAGE 0



757

PARTS CATALOG (MAINTENANCE)

| FIG ITEM | PART NUMBER | 1 2 3 4 5 6 7 | NOMENCLATURE | EFFECT FROM TO | UNITS PER ASSY |
|----------|-------------|---------------|---|--|----------------|
| 8 | | | DUCT INSTL-STA 314.5 FLIGHT DECK CONDITIONED AIR BELOW FLOOR CROSSOVER | 002004 006999 | |
| - 1 | 214N1010-2 | | DUCT INSTL-CONDITIONED AIR BELOW FLOOR CROSSOVER POSITION DATA: STA 314.5 FLIGHT DECK FOR NHA SEE: 21-00-00-01 | 002004 006100 107107 121503 904999 | RF |
| - 1 | 214N1010-4 | | DUCT INSTL-CONDITIONED AIR BELOW FLOOR CROSSOVER POSITION DATA: STA 314.5 FLIGHT DECK FOR NHA SEE: 21-00-00-15 | 101102 504903 | RF |
| - 1 | 214N1010-6 | | DUCT INSTL-CONDITIONED AIR BELOW FLOOR CROSSOVER POSITION DATA: STA 314.5 FLIGHT DECK FOR NHA SEE: 21-00-00-15 | 108120 | RF |
| - 1 | MODREF6181 | | DUCT INSTL-CONDITIONED AIR BELOW FLOOR CROSSOVER MODULE NUMBER: 214N1010-6 REV A POSITION DATA: STA 314.5 FLIGHT DECK | 103106 | 1 |
| 5 | 15J02-450 | | .CLAMP ASSY- SUPPLIER CODE: V89513 OPTIONAL PART: 32317AA450 V94581 NH135008-0450 V98625 | 002004 006102 107107 121999 | 1 |
| 5 | 32317AA450 | | .CLAMP ASSY- SUPPLIER CODE: V94581 OPTIONAL PART: 15J02-450 V89513 NH135008-0450 V98625 | 002004 006102 107107 121999 | 1 |

MISSING ITEM NUMBERS NOT APPLICABLE

- ITEM NOT ILLUSTRATED

21-22-05-08

21-22-05
FIG. 08
PAGE 1
JAN 20/09

BRI



757

PARTS CATALOG (MAINTENANCE)

| FIG ITEM | PART NUMBER | 1 2 3 4 5 6 7 | NOMENCLATURE | EFFECT FROM TO | UNITS PER ASSY |
|----------|------------------|---------------|---|--------------------------------------|----------------|
| 8 | 5 NH135008-0450 | | .CLAMP ASSY- SUPPLIER CODE: V00624 OPTIONAL PART: 15J02-450 V89513 32317AA450 V94581 | 002004 006102 107107 121999 | 1 |
| | 7 NH135008-0450 | | .COUPLING- SUPPLIER CODE: V00624 SPECIFICATION NUMBER: BACC10HX450 | 103106 108120 | 1 |
| | 10 32317AA400 | | .COUPLING- SUPPLIER CODE: V94581 OPTIONAL PART: 15J02-400 V89513 NH135008-0400 V00624 | 002004 006102 107107 121999 | 1 |
| | 10 NH135008-0400 | | .COUPLING- SUPPLIER CODE: V00624 OPTIONAL PART: 15J02-400 V89513 32317AA400 V94581 | 002004 006102 107107 121999 | 1 |
| | 10 NH135008-0400 | | .COUPLING- SUPPLIER CODE: V00624 SPECIFICATION NUMBER: BACC10HX400 | 103106 108120 | 1 |
| | 12 15J02-400 | | .CLAMP ASSY- SUPPLIER CODE: V89513 OPTIONAL PART: 32317AA400 V94581 NH135008-0400 V00624 | 002004 006102 107107 121999 | 1 |

MISSING ITEM NUMBERS NOT APPLICABLE

- ITEM NOT ILLUSTRATED

BRI

21-22-05-08

BOEING PROPRIETARY - Copyright © - Unpublished Work - See title page for details.

21-22-05
FIG. 08
PAGE 2
JAN 20/09



757

PARTS CATALOG (MAINTENANCE)

| FIG ITEM | PART NUMBER | 1 2 3 4 5 6 7 | NOMENCLATURE | EFFECT FROM TO | UNITS PER ASSY |
|----------|-----------------|---------------|--|--------------------------------------|----------------|
| 8 | | | | | |
| 15 | 15J02-250 | | .CLAMP ASSY- SUPPLIER CODE: V89513 OPTIONAL PART: 32317AA250 V94581 NH135008-0250 V00624 | 002004 006102 107107 121999 | 4 |
| 15 | 32317AA250 | | .CLAMP ASSY- SUPPLIER CODE: V94581 OPTIONAL PART: 15J02-250 V89513 NH135008-0250 V00624 | 002004 006102 107107 121999 | 4 |
| 15 | NH135008-0250 | | .CLAMP ASSY- SUPPLIER CODE: V00624 OPTIONAL PART: 15J02-250 V89513 32317AA250 V94581 | 002004 006102 107107 121999 | 4 |
| 17 | NH135008-0250 | | .COUPLING- SUPPLIER CODE: V00624 SPECIFICATION NUMBER: BACC10HX250 | 103106 108120 | 4 |
| 20 | 72 | | .CLAMP- SUPPLIER CODE: V7Z588 SPECIFICATION NUMBER: STBC10GG160 OPTIONAL PART: WWD160H V66295 | 002004 006102 107107 121999 | 1 |
| 20 | BACC10JB126C156 | | .CLAMP- | 103106 108120 | 1 |
| 25 | 36 | | .CLAMP- SUPPLIER CODE: V7Z588 SPECIFICATION NUMBER: STBC10GG74-91 OPTIONAL PART: WWD74-91H V66295 | 002004 006102 107107 121999 | 5 |
| 25 | BACC10JB070C100 | | .CLAMP- | 103106 108120 | 5 |

MISSING ITEM NUMBERS NOT APPLICABLE

- ITEM NOT ILLUSTRATED

21-22-05-08

21-22-05
FIG. 08
PAGE 3
JAN 20/09

BRI



757

PARTS CATALOG (MAINTENANCE)

| FIG ITEM | PART NUMBER | 1 2 3 4 5 6 7 | NOMENCLATURE | EFFECT FROM TO | UNITS PER ASSY |
|----------|---------------|---------------|--|--|----------------|
| 8 | | | | | |
| 30 | 214T3424-20 | . | SUPPORT | 002004 006999 | 1 |
| 35 | 214T3424-3 | . | SUPPORT | 002004 006999 | 1 |
| - 40 | BACS12FA3K7 | . | ATTACHING PARTS SCREW | 002004 006999 | 4 |
| - 45 | AN960KD10 | . | WASHER | 002004 006100 107107 121503 904999 | 4 |
| - 45 | NAS1149D0363J | . | WASHER | 101106 108120 504903 | 4 |
| - 50 | BRH10C3D | . | NUT SUPPLIER CODE: V52828 SPECIFICATION NUMBER: BACN10JC3CD OPTIONAL PART: T6C1032JCD V11815 NS202486-02 V80539 102LH9075-3W V72962 H51650-3BAC V15653 -----*----- | 002004 006999 | 4 |
| 55 | 214N1051-3 | . | SUPPORT | 002004 006999 | 4 |
| 60 | BACB30PW4-3 | . | ATTACHING PARTS BOLT | 002004 006999 | 8 |
| 65 | BACW10BN3SP | . | WASHER | 002004 006999 | 8 |
| 70 | AN960KD416L | . | WASHER | 002004 006100 107107 121503 904999 | 8 |
| 70 | NAS1149D0416J | . | WASHER | 101106 108120 504903 | 8 |

MISSING ITEM NUMBERS NOT APPLICABLE

- ITEM NOT ILLUSTRATED

21-22-05-08

21-22-05
FIG. 08
PAGE 4
JAN 20/09

BRI

BOEING PROPRIETARY - Copyright © - Unpublished Work - See title page for details.



757

PARTS CATALOG (MAINTENANCE)

| FIG ITEM | PART NUMBER | 1 2 3 4 5 6 7 | NOMENCLATURE | EFFECT FROM TO | UNITS PER ASSY |
|----------|------------------|----------------------------|---|--|----------------|
| 8 | 75 NAS1805-3N | .NUT | | 002004 006100 107107 121503 904999 | 8 |
| | 75 NAS1805-3L | .NUT | | 101106 108120 504903 | 8 |
| | 80 214N1075-4 | -----*----- .DUCT ASSY- | POSITION DATA: LBL 30 TO LBL 58 MISCELLANEOUS DATA: 214N1075-1004 CAN REPLACE BUT NOT BE REPLACED BY 214N1075-4 PRE ALERT SB: 21A0084 | 002004 006102 107107 121503 904999 | 1 |
| | 80 214N1075-1004 | .DUCT ASSY- | POSITION DATA: LBL 30 TO LBL 58 MISCELLANEOUS DATA: 214N1075-1004 CAN REPLACE BUT NOT BE REPLACED BY 214N1075-4 POST ALERT SB: 21A0084 | 002004 006999 | 1 |
| | 85 214N1075-6 | ..BLANKET-INSULATION | USED ON: 214N1075-4 | 002004 006102 107107 121503 904999 | 1 |
| | 85 214N1075-9 | ..BLANKET-INSULATION | USED ON: 214N1075-1004 | 002004 006999 | 1 |
| | 87 214N1075-5 | ..DUCT- | USED ON: 214N1075-1004 214N1075-4 | 002004 006999 | 1 |
| | 90 214N1100-1 | .DUCT ASSY- | MISCELLANEOUS DATA: 214N1100-1001 CAN REPLACE BUT NOT BE REPLACED BY 214N1100-1 | 002004 006102 107107 121999 | 1 |
| | 90 214N1100-1001 | .DUCT ASSY- | MISCELLANEOUS DATA: 214N1100-1001 CAN REPLACE BUT NOT BE REPLACED BY 214N1100-1 | 002004 006999 | 1 |

MISSING ITEM NUMBERS NOT APPLICABLE

- ITEM NOT ILLUSTRATED

21-22-05-08

21-22-05
FIG. 08
PAGE 5
JAN 20/09

BRI



757

PARTS CATALOG (MAINTENANCE)

| FIG ITEM | PART NUMBER | 1 2 3 4 5 6 7 | NOMENCLATURE | EFFECT FROM TO | UNITS PER ASSY |
|----------|---------------|---------------|--|--|----------------|
| 8 | | | | | |
| 91 | 214N1100-4 | .. | BLANKET- USED ON: 214N1100-1 | 002004 006102 107107 121999 | 1 |
| 91 | 214N1100-6 | .. | BLANKET- USED ON: 214N1100-1001 | 002004 006999 | 1 |
| 92 | 214N1100-2 | .. | DUCT- USED ON: 214N1100-1 214N1100-1001 | 002004 006999 | 1 |
| 101 | 214N1078-7 | .DUCT | ASSY- MISCELLANEOUS DATA: 214N1078-1007 CAN REPLACE BUT NOT BE REPLACED BY 214N1078-7 PRE ALERT SB: 21A0084 | 002004 006102 107107 121503 904999 | 1 |
| 101 | 214N1078-1007 | .DUCT | ASSY- MISCELLANEOUS DATA: 214N1078-1007 CAN REPLACE BUT NOT BE REPLACED BY 214N1078-7 POST ALERT SB: 21A0084 | 002004 006999 | 1 |
| 102 | 214N1078-9 | .. | BLANKET- USED ON: 214N1078-7 | 002004 006102 107107 121503 904999 | 1 |
| 102 | 214N1078-11 | .. | BLANKET- USED ON: 214N1078-1007 | 002004 006999 | 1 |
| 103 | 214N1078-8 | .. | DUCT- USED ON: 214N1078-7 214N1078-1007 | 002004 006999 | 1 |
| 110 | 214N1079-6 | .DUCT | ASSY- MISCELLANEOUS DATA: 214N1079-1006 CAN REPLACE BUT NOT BE REPLACED BY 214N1079-6 PRE ALERT SB: 21A0084 | 002004 006102 107107 121503 904999 | 1 |

MISSING ITEM NUMBERS NOT APPLICABLE

- ITEM NOT ILLUSTRATED

BRI

21-22-05-08

21-22-05
FIG. 08
PAGE 6
JAN 20/09



757

PARTS CATALOG (MAINTENANCE)

| FIG ITEM | PART NUMBER | 1 2 3 4 5 6 7 | NOMENCLATURE | EFFECT FROM TO | UNITS PER ASSY |
|-------------|---------------|---------------|--|--|----------------------|
| 8 110 | 214N1079-1006 | | .DUCT ASSY- MISCELLANEOUS DATA: 214N1079-1006 CAN REPLACE BUT NOT BE REPLACED BY 214N1079-6 POST ALERT SB: 21A0084 | 002004 006999 | 1 |
| 120 | 214N1079-8 | | ..BLANKET- USED ON: 214N1079-6 | 002004 006102 107107 121503 904999 | 1 |
| 120 | 214N1079-10 | | ..BLANKET- USED ON: 214N1079-1006 | 002004 006999 | 1 |
| 125 | 214N1079-7 | | ..DUCT- USED ON: 214N1079-1006 214N1079-6 | 002004 006999 | 1 |

MISSING ITEM NUMBERS NOT APPLICABLE

- ITEM NOT ILLUSTRATED

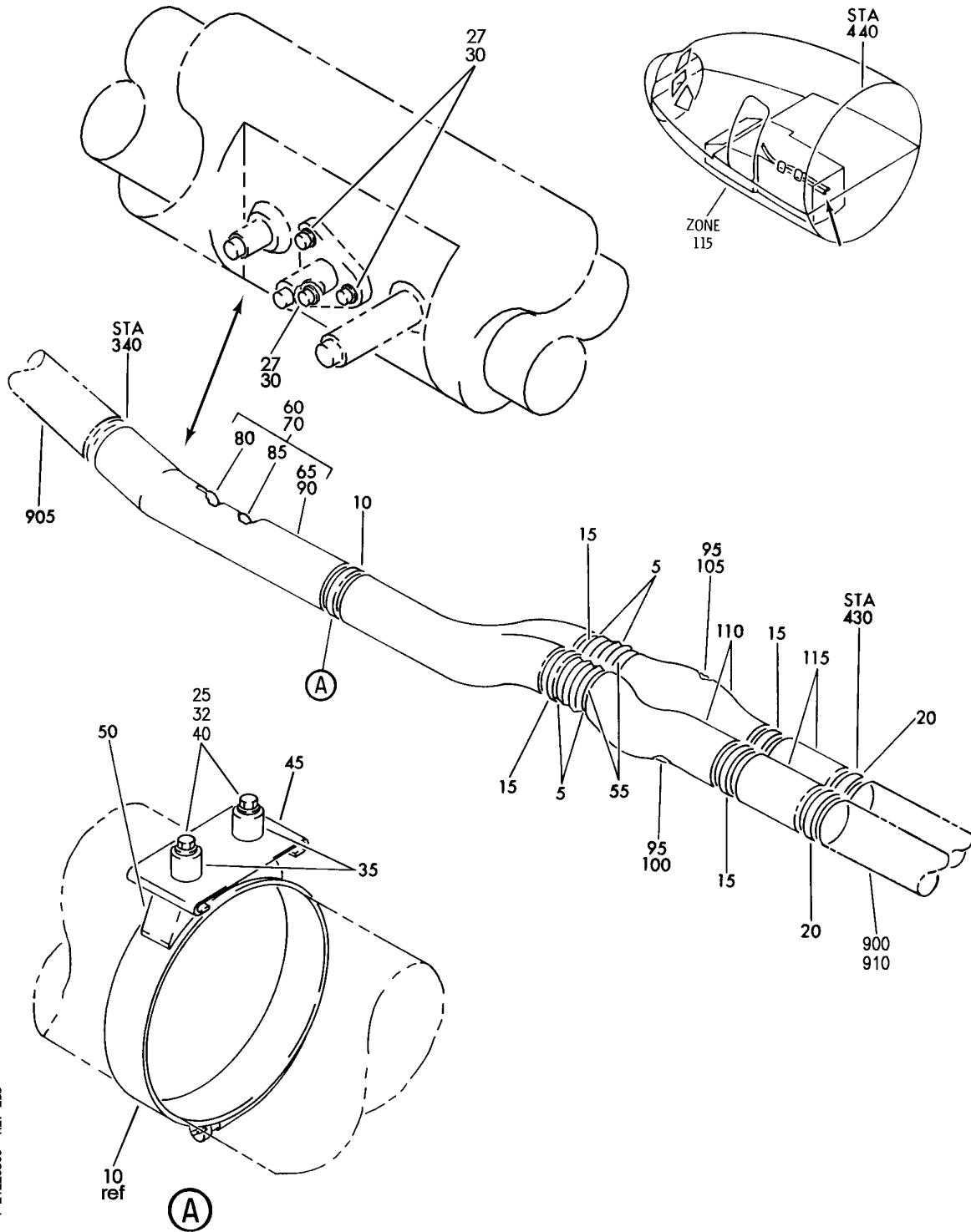
BRI

21-22-05-08

BOEING PROPRIETARY - Copyright © - Unpublished Work - See title page for details.

21-22-05
FIG. 08
PAGE 7
JAN 20/09

BOEING
757
PARTS CATALOG (MAINTENANCE)



Y 21220509 REV 283

DUCT INSTL-STA 340 TO 430 FLIGHT DECK CONDITIONED AIR BELOW FLOOR LH SIDE
FIGURE 9

BRI
MAY 28/07

21-22-05-09

21-22-05-09
PAGE 0



757

PARTS CATALOG (MAINTENANCE)

| FIG ITEM | PART NUMBER | 1 2 3 4 5 6 7 | NOMENCLATURE | EFFECT FROM TO | UNITS PER ASSY |
|----------|-------------|---------------|--|--|----------------|
| 9 | | | DUCT INSTL-STA 340 TO 430 FLIGHT DECK CONDITIONED AIR BELOW FLOOR LH SIDE | 002004 006999 | |
| - 1 | 214N1011-3 | | DUCT INSTL-CONDITIONED AIR BELOW FLOOR (FLIGHT DECK CONDITIONED AIR DISTRIBUTION ONLY) POSITION DATA: STA 340 TO 430 LH SIDE FLIGHT DECK FOR NHA SEE: 21-00-00-01 | 002004 006100 107107 121503 904999 | RF |
| - 1 | 214N1011-8 | | DUCT INSTL-CONDITIONED AIR BELOW FLOOR (FLIGHT DECK CONDITIONED AIR DISTRIBUTION ONLY) POSITION DATA: STA 340 TO 430 LH SIDE FLIGHT DECK FOR NHA SEE: 21-00-00-15 | 101102 504903 | RF |
| - 1 | 214N1011-10 | | DUCT INSTL-CONDITIONED AIR BELOW FLOOR (FLIGHT DECK CONDITIONED AIR DISTRIBUTION ONLY) POSITION DATA: STA 340 TO 430 LH SIDE FLIGHT DECK FOR NHA SEE: 21-00-00-15 | 108120 | RF |
| - 1 | MODREF6182 | | DUCT INSTL-CONDITIONED AIR BELOW FLOOR (FLIGHT DECK CONDITIONED AIR DISTRIBUTION ONLY) MODULE NUMBER: 214N1011-10 REV A POSITION DATA: STA 340 TO 430 LH SIDE FLIGHT DECK FOR OTHER SYS DETAILS SEE: 21-61-01-01 | 103106 | 1 |
| 5 | 56 | | .CLAMP SUPPLIER CODE: V7Z588 SPECIFICATION NUMBER: STBC10GG128 OPTIONAL PART: WWD128H V66295 | 002004 006102 107107 121999 | 4 |

R
R
R
R
R
R
R

MISSING ITEM NUMBERS NOT APPLICABLE

- ITEM NOT ILLUSTRATED

21-22-05-09

21-22-05
FIG. 09
PAGE 1
MAY 20/09

BRI

 **BOEING**
757
PARTS CATALOG (MAINTENANCE)

| FIG ITEM | PART NUMBER | 1 2 3 4 5 6 7 | NOMENCLATURE | EFFECT FROM TO | UNITS PER ASSY |
|--|-------------|-----------------|---|--------------------------------------|----------------|
| R R R R R R R R R R | 9 | | | | |
| | 5 | BACC10JB102C132 | .CLAMP | 103106 108120 | 4 |
| | 10 | 72 | .CLAMP SUPPLIER CODE: V7Z588 SPECIFICATION NUMBER: STBC10GG160 OPTIONAL PART: WWD160H V66295 | 002004 006102 107107 121999 | 1 |
| | 10 | BACC10JB142C172 | .CLAMP | 103106 108120 | 1 |
| | 15 | 214N1091-1 | .GROMMET | 002004 006999 | 4 |
| | 20 | 15J02-325 | .COUPLING- SUPPLIER CODE: V89513 OPTIONAL PART: 32317AA325 V94581 NH135008-0325 V98625 | 002004 006102 107107 121999 | 2 |
| | 20 | 32317AA325 | .COUPLING- SUPPLIER CODE: V94581 OPTIONAL PART: 15J02-325 V89513 NH135008-0325 V98625 | 002004 006102 107107 121999 | 2 |
| | 20 | NH135008-0325 | .COUPLING- SUPPLIER CODE: V00624 OPTIONAL PART: 15J02-325 V89513 32317AA325 V94581 | 002004 006102 107107 121999 | 2 |
| | 20 | NH135008-0325 | .COUPLING SUPPLIER CODE: V00624 SPECIFICATION NUMBER: BACC10HX325 | 103106 108120 | 2 |
| | | | | | |

MISSING ITEM NUMBERS NOT APPLICABLE

— ITEM NOT ILLUSTRATED

BRI

21-22-05-09

BOEING PROPRIETARY - Copyright © - Unpublished Work - See title page for details.

21-22-05
FIG. 09
PAGE 2
MAY 20/09



757

PARTS CATALOG (MAINTENANCE)

| FIG ITEM | PART NUMBER | 1 2 3 4 5 6 7 | NOMENCLATURE | EFFECT FROM TO | UNITS PER ASSY |
|----------|---------------|---------------|--|--|----------------|
| 9 | | | | | |
| 25 | HL11VAZ6-10 | .BOLT- | SUPPLIER CODE: V60516 SPECIFICATION NUMBER: BACB30NW6K10 OPTIONAL PART: B30NW6K10 V97928 HL11VAZ6-10 V73197 HL11VAZ6-10 V92215 HL11VAZ6-10 V97928 L803-6K10 V06725 HL11VAZ6-10 VOPTK6 HL11VAZ6-10 V56878 | 002004 006999 | 2 |
| 27 | BACS12FA3K9 | .SCREW | | 002004 006999 | 3 |
| 30 | AN960KD10 | .WASHER | | 002004 006100 107107 121503 904999 | 3 |
| 30 | NAS1149D0363J | .WASHER | | 101106 108120 504903 | 3 |
| 32 | AN960KD10 | .WASHER- | | 002004 006100 107107 121503 904999 | 2 |
| 32 | NAS1149D0363J | .WASHER | | 101106 108120 504903 | 2 |
| 35 | BACS18K10-28W | .SPACER- | | 002004 006999 | 2 |
| 40 | NAS1805-3N | .NUT- | | 002004 006100 107107 121503 904999 | 2 |
| 40 | NAS1805-3L | .NUT | | 101106 108120 504903 | 2 |

MISSING ITEM NUMBERS NOT APPLICABLE

- ITEM NOT ILLUSTRATED

21-22-05-09

21-22-05
FIG. 09
PAGE 3
JAN 20/09

BRI



757

PARTS CATALOG (MAINTENANCE)

| FIG ITEM | PART NUMBER | 1 2 3 4 5 6 7 | NOMENCLATURE | EFFECT FROM TO | UNITS PER ASSY |
|-----------------------|-------------|----------------|--|--------------------------------------|----------------|
| 9 R R R R | 45 | 214N1063-2 | .BRACKET- OPTIONAL PART: 214N1063-6 | 002004 006999 | 1 |
| | 45 | 214N1063-6 | .BRACKET- OPTIONAL PART: 214N1063-2 | 101106 108120 504903 | 1 |
| | 50 | 214N1051-7 | .SUPPORT- | 002004 006999 | 1 |
| | 55 | AS1505-13B0060 | .HOSE | 002004 006999 | 2 |
| | 70 | 214N1080-10 | .DUCT ASSY- | 107107 904949 | 1 |
| | 70 | 214N1080-13 | .DUCT ASSY | 002004 006100 121503 950999 | 1 |
| | 70 | 214N1080-14 | .DUCT ASSY- MISCELLANEOUS DATA: 214N1080-1014 CAN REPLACE BUT NOT BE REPLACED BY 214N1080-14. | 101102 504903 | 1 |
| | 70 | 214N1080-1014 | .DUCT ASSY- MISCELLANEOUS DATA: 214N1080-1014 CAN REPLACE BUT NOT BE REPLACED BY 214N1080-14. | 101106 108120 504903 | 1 |
| | 80 | 52NA1-080 | ..NUT-ANCHOR SUPPLIER CODE: V72962 OPTIONAL PART: MS21078-8 | 002004 006106 108903 950999 | 1 |
| | 80 | MS21078-8 | ..NUTPLATE- OPTIONAL PART: 52NA1-080 V72962 | 101106 108120 504903 | 1 |
| | 85 | 52NA1-108 | ..NUT-ANCHOR SUPPLIER CODE: V72962 OPTIONAL PART: MS21078-10 | 002004 006106 108903 950999 | 1 |
| | 85 | MS21078-10 | ..NUTPLATE- OPTIONAL PART: 52NA1-108 V72962 | 101106 108120 504903 | 1 |

MISSING ITEM NUMBERS NOT APPLICABLE

- ITEM NOT ILLUSTRATED

21-22-05-09

21-22-05
FIG. 09
PAGE 4
MAY 20/09

BRI

BOEING
757
PARTS CATALOG (MAINTENANCE)

| FIG ITEM | PART NUMBER | 1 2 3 4 5 6 7 | NOMENCLATURE | EFFECT FROM TO | UNITS PER ASSY |
|----------|---------------|---------------|--|--|----------------|
| 9 | | | ATTACHING PARTS | | |
| - 87 | BACR15BA4A | | ..RIVET- SIZE DETERMINED ON INSTL. | 002004 006106 108903 950999 | 4 |
| | | | -----*----- | | |
| 90 | 214N1080-16 | | ..BLANKET-INSULATION | 101102 504903 | 1 |
| 90 | 214N1080-9 | | ..BLANKET-INSULATION | 002004 006100 107107 121503 904999 | 1 |
| 90 | 214N1080-18 | | ..BLANKET-INSULATION | 101106 108120 504903 | 1 |
| 90 | 214N1080-1009 | | ..BLANKET-INSULATION | 002004 006100 107107 121503 904999 | 1 |
| 100 | 214N1102-1 | | .DUCT ASSY | 101106 108120 504903 | 1 |
| 105 | 214N1102-3 | | .DUCT ASSY | 101106 108120 504903 | 1 |
| 110 | 214N1090-32 | | .BLANKET-INSULATION | 002004 006999 | 2 |
| 115 | 214N1090-31 | | .BLANKET-INSULATION | 002004 006999 | 2 |
| 900 | | | ILLUSTRATION REFERENCE: DUCT INSTL-STA 430 TO 585 FLIGHT DECK CONDITIONED AIR BELOW FLOOR (LH) 21-22-05-01 | 002004 006999 | RF |
| 905 | | | ILLUSTRATION REFERENCE: DUCT INSTL-STA 314.5 FLIGHT DECK CONDITIONED AIR BELOW FLOOR CROSSOVER 21-22-05-08 | 002004 006999 | RF |

R
R
R
R
R

MISSING ITEM NUMBERS NOT APPLICABLE

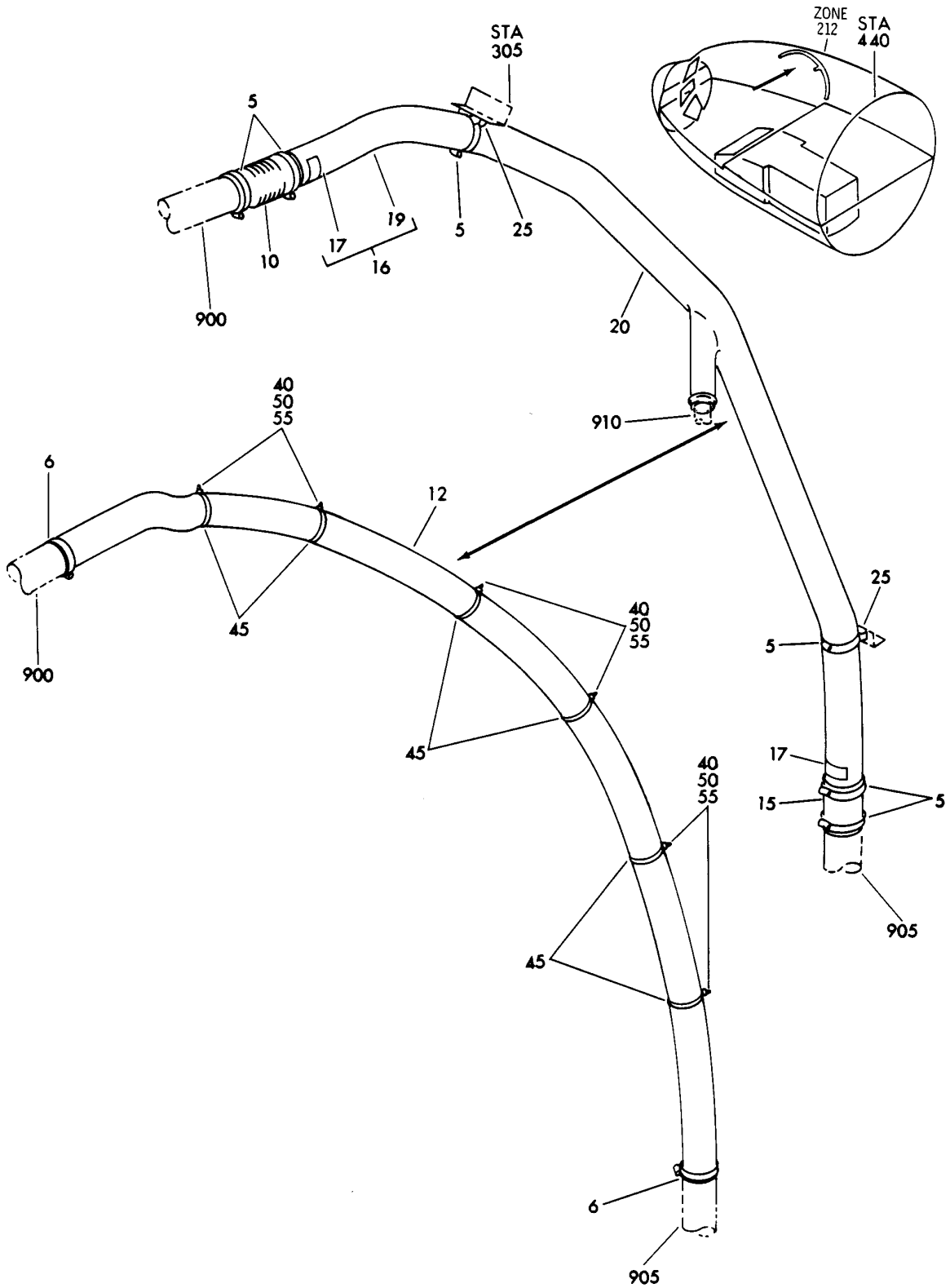
- ITEM NOT ILLUSTRATED

BRI

21-22-05-09

21-22-05
FIG. 09
PAGE 5
MAY 20/09

BOEING
757
PARTS CATALOG (MAINTENANCE)



Y 21220510 SHT 1 REV 089

DUCT INSTL-RISER AND GLARESHIELD EXHAUST
FIGURE 10

21-22-05-10

BRI
MAY 28/07

21-22-05-10
PAGE 0



757

PARTS CATALOG (MAINTENANCE)

| FIG ITEM | PART NUMBER | 1 2 3 4 5 6 7 | NOMENCLATURE | EFFECT FROM TO | UNITS PER ASSY |
|----------|-----------------|---------------|---|--|----------------|
| 10 | | | DUCT INSTL-RISER AND GLARESHIELD EXHAUST | 002004 006999 | |
| - 1 | 217N2012-8 | | DUCT INSTL-RISER AND GLARESHIELD EXH FOR NHA SEE: 21-00-00-04 21-00-00-15 | 011102 108120 504903 | RF |
| - 1 | 217N2012-4 | | DUCT INSTL-RISER AND GLARESHIELD EXH FOR NHA SEE: 21-00-00-04 | 002004 006010 107107 121503 904999 103106 | RF |
| - 1 | MODREF5746 | | DUCT INSTL-RISER AND GLARESHIELD EXH MODULE NUMBER: 217N2012-8 REV A | | 1 |
| 5 | 36 | | .CLAMP SUPPLIER CODE: V7Z588 SPECIFICATION NUMBER: STBC10GG74-91 OPTIONAL PART: WWD74-91H V66295 | 002004 006999 | 6 |
| 10 | BOE2027-10D0052 | | .HOSE- SUPPLIER CODE: V16632 SPECIFICATION NUMBER: AS1503-10D0052 | 002004 107107 121503 904949 952952 | 1 |
| 10 | BOE2027-10D0180 | | .HOSE- SUPPLIER CODE: V16632 SPECIFICATION NUMBER: AS1503-10D0180 | 006010 950951 953999 | 1 |
| 10 | BOE2022-10A0200 | | .HOSE SUPPLIER CODE: V16632 SPECIFICATION NUMBER: AS1544-10A0200 | 011106 108120 504903 | 1 |
| 15 | AS1506-10D32 | | .SLEEVE | 002004 006999 | 1 |
| 16 | 217N2062-4 | | .DUCT ASSY- | 107107 904949 | 1 |
| 16 | 217N2062-7 | | .DUCT ASSY- | 002004 006106 108903 950999 | 1 |
| 17 | BACT11AAF3FW | | ..TAPE | 107107 904949 | 2 |

MISSING ITEM NUMBERS NOT APPLICABLE

- ITEM NOT ILLUSTRATED

21-22-05-10

21-22-05
FIG. 10
PAGE 1
JAN 20/09

BRI



757

PARTS CATALOG (MAINTENANCE)

| FIG ITEM | PART NUMBER | 1 2 3 4 5 6 7 | NOMENCLATURE | EFFECT FROM TO | UNITS PER ASSY |
|----------|--------------|---------------|--|--|----------------|
| 10 | | | | | |
| 17 | BACT11AGE3FW | . . | TAPE | 002004 006106 108903 950999 | 2 |
| 19 | 217N2062-3 | . . | DUCT | 002004 006999 | 1 |
| 25 | 214T3424-3 | . | SUPPORT | 002004 006999 | 2 |
| - 30 | BACS12FA3K6 | . | ATTACHING PARTS SCREW | 002004 006999 | 4 |
| - 35 | AN960KD10L | . | WASHER | 002004 006999 | 4 |
| 900 | | -----*----- | ILLUSTRATION REFERENCE: MANIFOLD INSTL-FLIGHT DECK EXH AIR 21-22-03-03 | 002004 006010 107107 121503 904999 | RF |
| 910 | | | ILLUSTRATION REFERENCE: ORIFICE INSTL-FLIGHT DECK INSTR COOLING 21-58-08-19 | 002004 006999 | RF |

MISSING ITEM NUMBERS NOT APPLICABLE

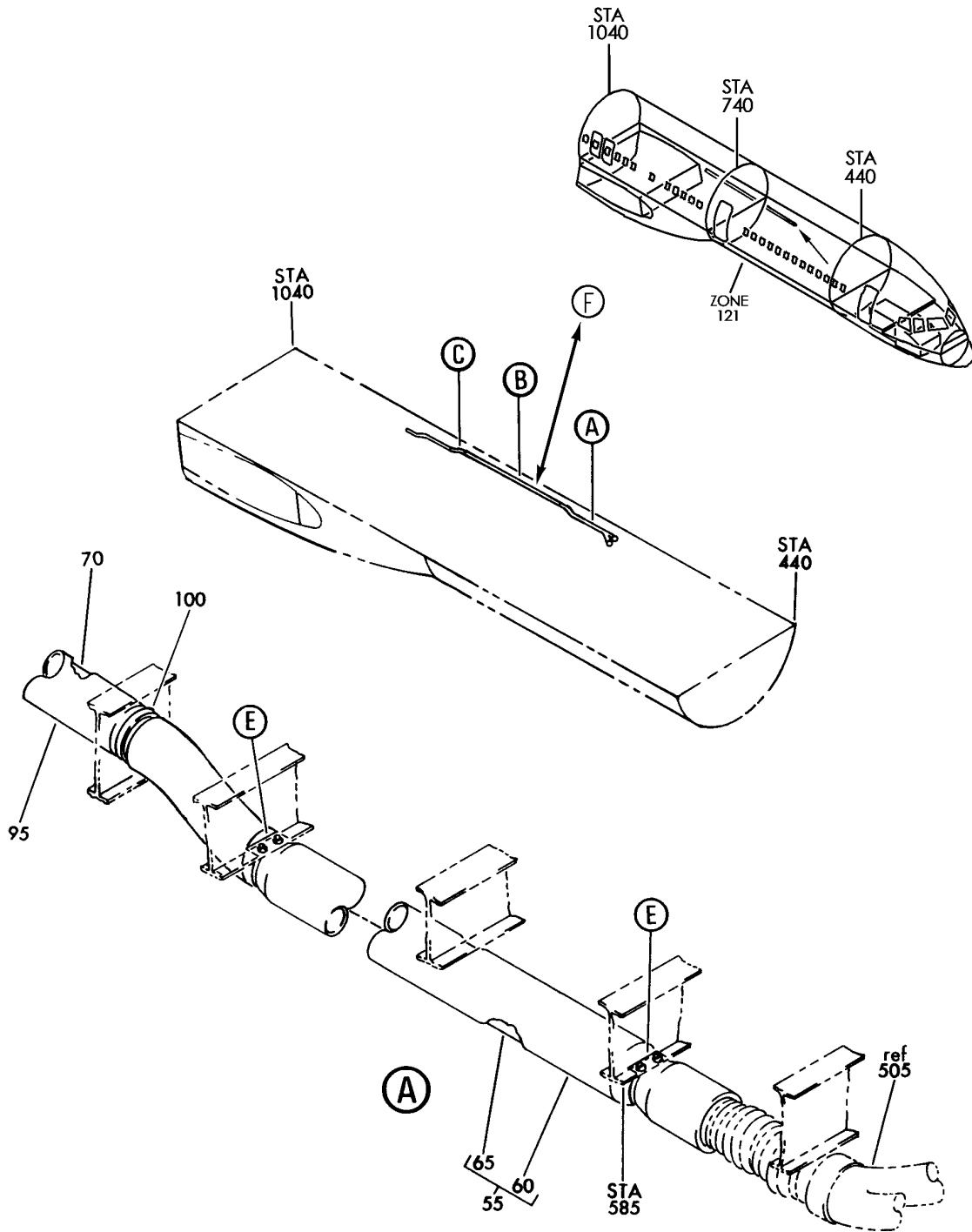
- ITEM NOT ILLUSTRATED

21-22-05-10

21-22-05
FIG. 10
PAGE 2
JAN 20/09

BRI

BOEING
757
PARTS CATALOG (MAINTENANCE)



Y 21220515 SHT 1 REV 295

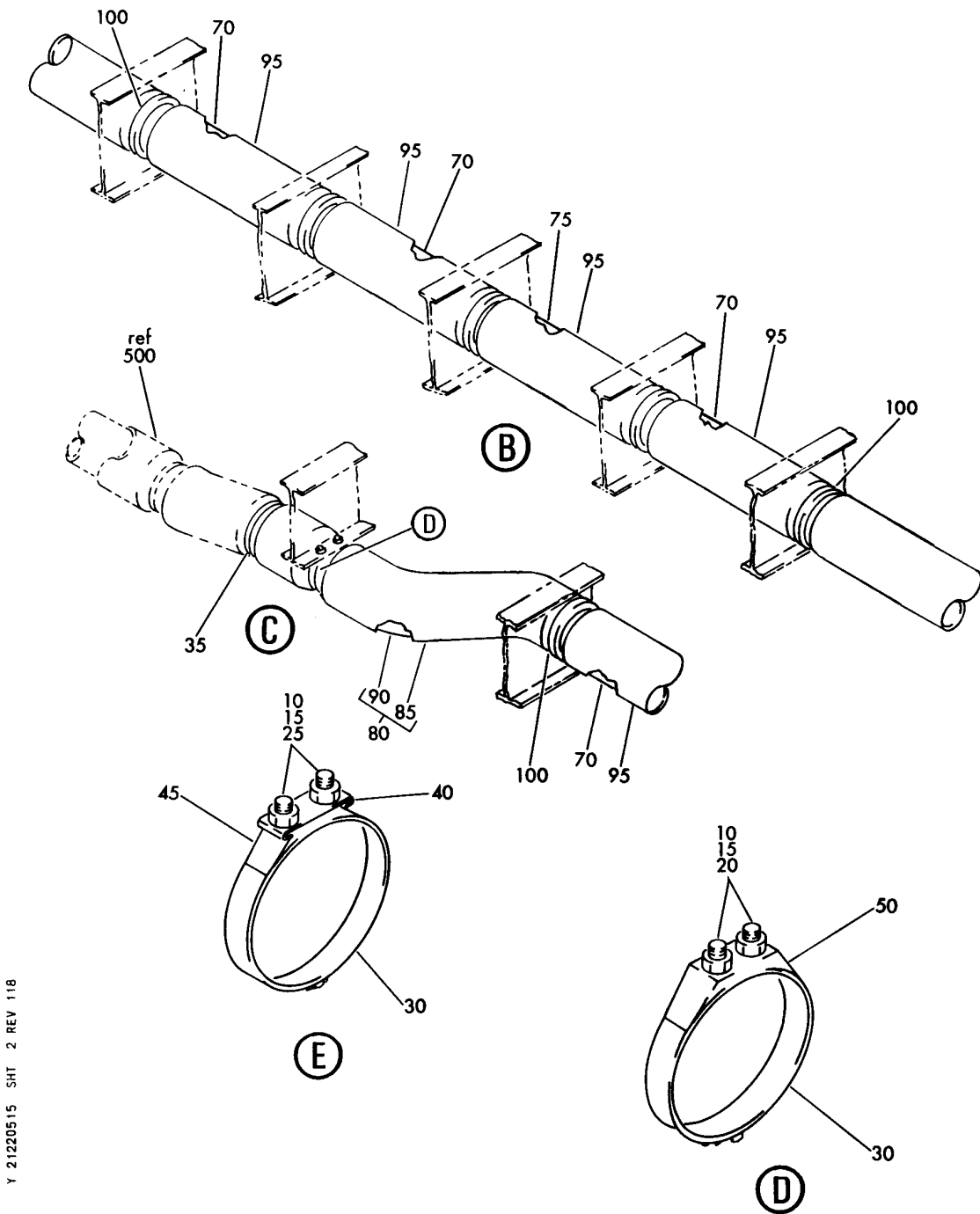
DUCT INSTL-FLIGHT DECK CONDITIONED AIR BELOW FLOOR STA 585 TO 828 (LH)
FIGURE 15 (SHEET 1)

BRI
JAN 20/09

21-22-05-15

21-22-05-15
PAGE 0

BOEING
757
PARTS CATALOG (MAINTENANCE)



Y 21220515 SHT 2 REV 118

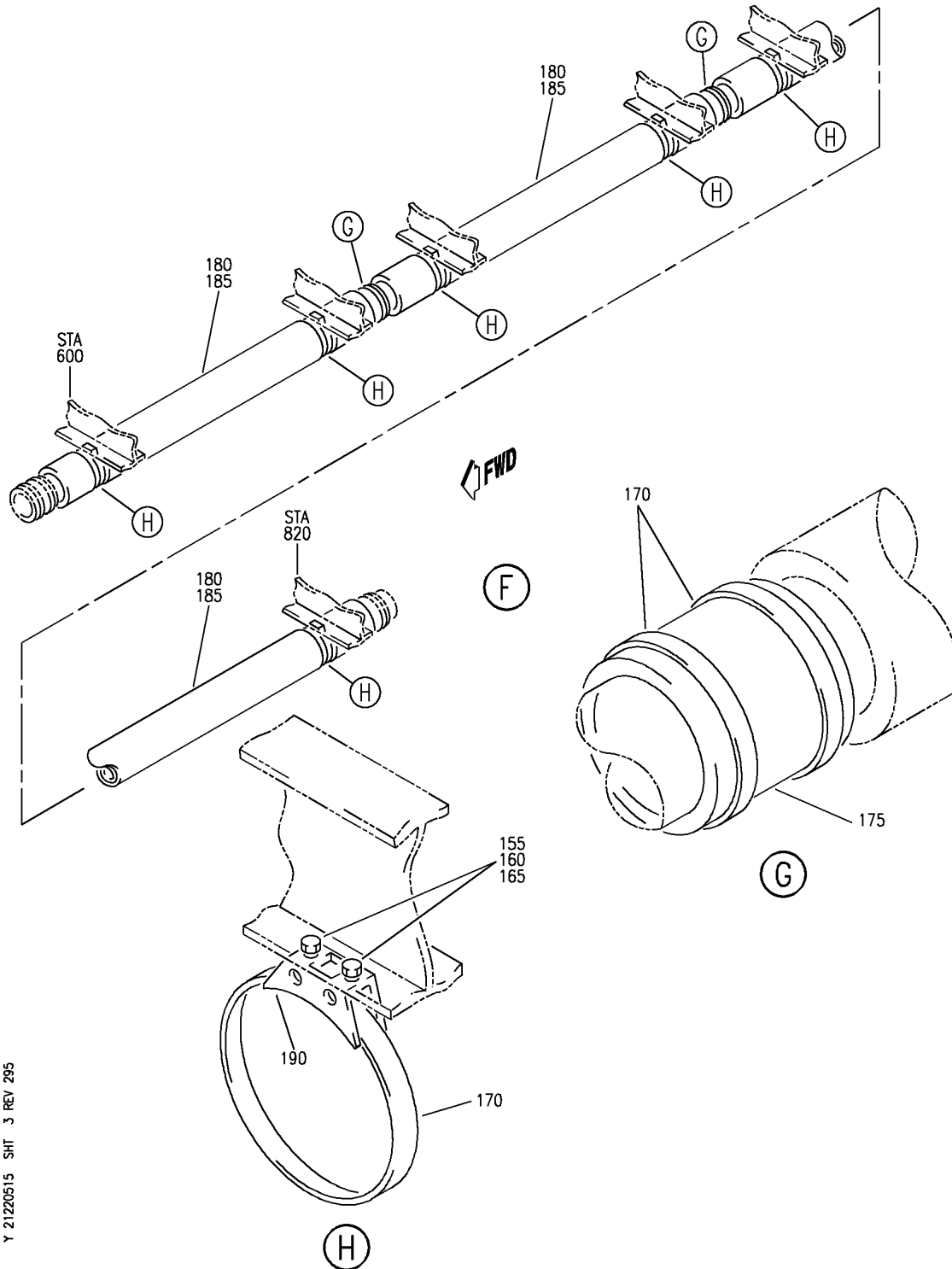
DUCT INSTL-FLIGHT DECK CONDITIONED AIR BELOW FLOOR STA 585 TO 828 (LH)
FIGURE 15 (SHEET 2)

21-22-05-15

BRI
JAN 20/09

21-22-05-15
PAGE 0A

BOEING
757
PARTS CATALOG (MAINTENANCE)



Y 21220515 SH1 3 REV 295

DUCT INSTL-FLIGHT DECK CONDITIONED AIR BELOW FLOOR STA 585 TO 828 (LH)
FIGURE 15 (SHEET 3)

BRI
JAN 20/09

21-22-05-15

21-22-05-15
PAGE 0B



757

PARTS CATALOG (MAINTENANCE)

| FIG ITEM | PART NUMBER | 1 2 3 4 5 6 7 | NOMENCLATURE | EFFECT FROM TO | UNITS PER ASSY |
|----------|---------------|---------------|--|----------------|----------------|
| 15 | | | DUCT INSTL-FLIGHT DECK CONDITIONED AIR BELOW FLOOR STA 585 TO 828 (LH) | 103106 | RF |
| - 150 | MODREF6164 | | DUCT INSTL-CONDITIONED AIR BELOW FLOOR MODULE NUMBER: 214N1004-22 REV A POSITION DATA: STA 585 TO 828 LH FLIGHT DECK | 103106 | 1 |
| 155 | BACS12GU3K10 | .SCREW | | 103106 | 12 |
| 160 | NAS1149D0332J | .WASHER | | 103106 | 12 |
| 165 | BRH10C3D | .NUT | | 103106 | 12 |
| | | | SUPPLIER CODE: V52828 SPECIFICATION NUMBER: BACN10JC3CD OPTIONAL PART: T6C1032JCD V11815 NS202486-02 V80539 102LH9075-3W V72962 H51650-3BAC V15653 | | |
| 170 | SLT10LHC6 | .STRAP- | | 103106 | 10 |
| | | | SUPPLIER CODE: V06383 | | |
| 175 | AS1506-18D32 | .SLEEVE | | 103106 | 2 |
| 180 | 202W1100-67 | .DUCT ASSY | | 103106 | 3 |
| 185 | 202W1100-29 | ..DUCT | | 103106 | 1 |
| 190 | 214T3424-20 | .SUPPORT | | 103106 | 6 |
| 505 | | | ILLUSTRATION REFERENCE: DUCT INSTL-STA 430 TO 585 FLIGHT DECK CONDITIONED AIR BELOW FLOOR (LH) 21-22-05-01 | 103106 | RF |

MISSING ITEM NUMBERS NOT APPLICABLE

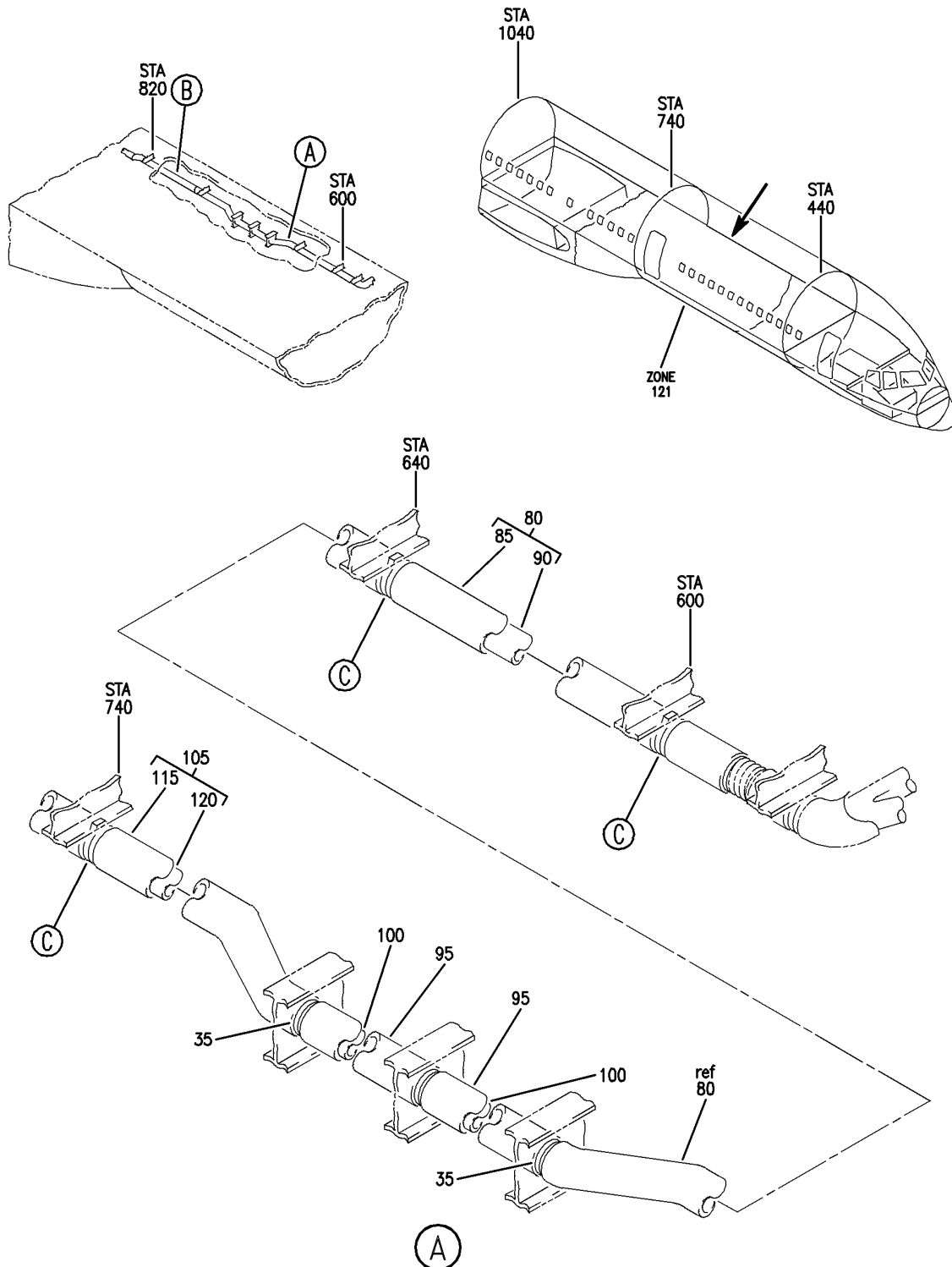
- ITEM NOT ILLUSTRATED

21-22-05-15

21-22-05
FIG. 15
PAGE 1
JAN 20/09

BRI

BOEING
757
PARTS CATALOG (MAINTENANCE)



Y 21220518 SHT 1 REV 225

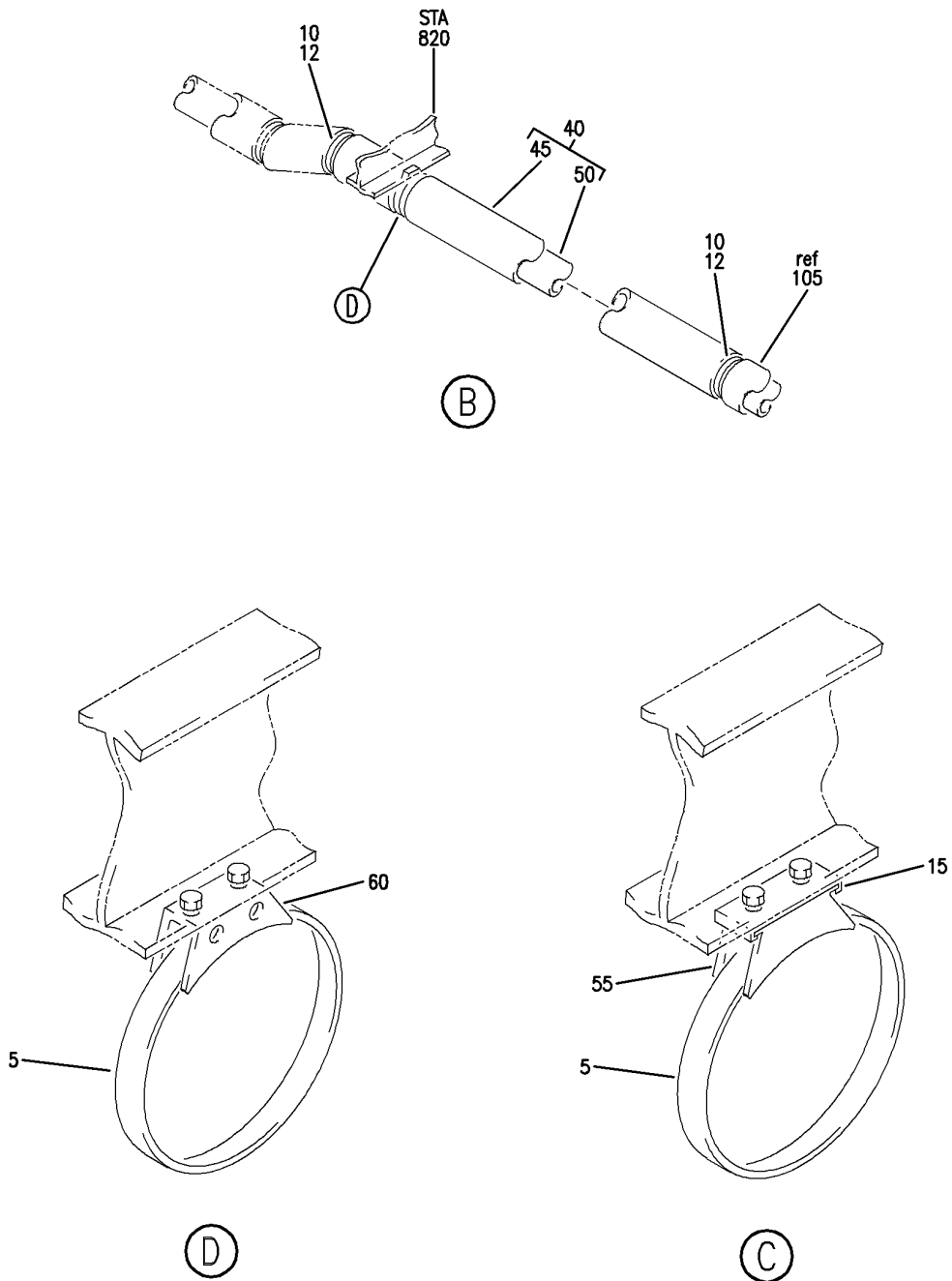
DUCT INSTL-FLIGHT DECK CONDITIONED AIR, LH BELOW FLOOR, STA 585 TO STA 828
FIGURE 18 (SHEET 1)

BRI
JAN 20/09

21-22-05-18

21-22-05-18
PAGE 0

BOEING
757
PARTS CATALOG (MAINTENANCE)



Y 21220518 SHT 2 REV 225

DUCT INSTL-FLIGHT DECK CONDITIONED AIR, LH BELOW FLOOR, STA 585 TO STA 828
FIGURE 18 (SHEET 2)

BRI
JAN 20/09

21-22-05-18

21-22-05-18
PAGE 0A



757

PARTS CATALOG (MAINTENANCE)

| FIG ITEM | PART NUMBER | 1 2 3 4 5 6 7 | NOMENCLATURE | EFFECT FROM TO | UNITS PER ASSY |
|----------|-----------------|---------------|---|------------------|----------------|
| 18 | | | DUCT INSTL-FLIGHT DECK CONDITIONED AIR, LH BELOW FLOOR, STA 585 TO STA 828 | 108120 950999 | |
| - 1 | 214N1004-2 | | DUCT INSTL-FLIGHT DECK CONDITIONED AIR, BELOW FLOOR POSITION DATA: STA 585 TO 828 LH FOR NHA SEE: 21-00-00-01 | 950999 | RF |
| - 1 | 214N1004-24 | | DUCT INSTL-FLIGHT DECK CONDITIONED AIR, BELOW FLOOR POSITION DATA: STA 585 TO 828 LH FOR NHA SEE: 21-00-00-12 | 108120 | RF |
| 5 | 72 | | .CLAMP SUPPLIER CODE: V7Z588 SPECIFICATION NUMBER: STBC10GG160 OPTIONAL PART: WWD160H V66295 | 950999 | 4 |
| 5 | BACC10JB142C172 | | .CLAMP | 950999 | 4 |
| 10 | 15J02-450 | | .CLAMP ASSY- SUPPLIER CODE: V89513 OPTIONAL PART: NH135008-0450 V98625 32317AA450 V94581 | 950999 | 2 |
| 10 | NH135008-0450 | | .CLAMP ASSY- SUPPLIER CODE: V00624 OPTIONAL PART: 32317AA450 V94581 15J02-450 V89513 | 950999 | 2 |

MISSING ITEM NUMBERS NOT APPLICABLE

- ITEM NOT ILLUSTRATED

21-22-05-18

21-22-05
FIG. 18
PAGE 1
JAN 20/09

BRI



757

PARTS CATALOG (MAINTENANCE)

| FIG ITEM | PART NUMBER | 1 2 3 4 5 6 7 | NOMENCLATURE | EFFECT FROM TO | UNITS PER ASSY |
|----------|---------------|---------------|--|----------------|----------------|
| 18 | | | | | |
| 10 | 32317AA450 | | .CLAMP ASSY- SUPPLIER CODE: V94581 OPTIONAL PART: NH135008-0450 V98625 15J02-450 V89513 | 950999 | 2 |
| 12 | NH135008-0450 | | .COUPLING- SUPPLIER CODE: V00624 SPECIFICATION NUMBER: BACC10HX450 | 950999 | 2 |
| 15 | 214N1063-6 | | .BRACKET- OPTIONAL PART: 214N1063-2 ATTACHING PARTS | 950999 | 3 |
| - 25 | AN960KD10 | | .WASHER | 950999 | 6 |
| - 25 | NAS1149D0363J | | .WASHER | 108120 | 6 |
| - 30 | NAS1805-3N | | .NUT | 950999 | 6 |
| - 30 | NAS1805-3L | | .NUT | 108120 | 6 |
| | | | -----*----- | | |
| 40 | 214N1089-4 | | .DUCT ASSY- QUALIFIED I/W DATA: 214N1089-1004 CAN REPLACE BUT NOT BE REPLACED BY 214N1089-4 OR 214N1089-1 | 950999 | 1 |
| 45 | 214N1089-6 | | ..INSULATION- USED ON: 214N1089-4 ATTACHING PARTS | 950999 | 1 |
| - 70 | AN960KD10 | | .WASHER | 950999 | 2 |
| - 70 | NAS1149D0363J | | .WASHER | 108120 | 2 |
| | | | -----*----- | | |
| 80 | 214N1104-1 | | .DUCT ASSY | 950999 | 1 |
| 85 | 214N1104-3 | | ..INSULATION- USED ON: 214N1104-1 | 950999 | 1 |
| 105 | 214N1106-1 | | .DUCT ASSY | 950999 | 1 |
| 115 | 214N1106-3 | | ..INSULATION- USED ON: 214N1106-1 | 950999 | 1 |
| 900 | | | ILLUSTRATION REFERENCE: MANIFOLD INSTL-MIX BAY CONDITIONED AIR 21-21-51-02A | 108120 | RF |

MISSING ITEM NUMBERS NOT APPLICABLE

- ITEM NOT ILLUSTRATED

21-22-05-18

21-22-05
FIG. 18
PAGE 2
JAN 20/09

BRI



757

PARTS CATALOG (MAINTENANCE)

| FIG ITEM | PART NUMBER | 1 2 3 4 5 6 7 | NOMENCLATURE | EFFECT FROM TO | UNITS PER ASSY |
|-------------|-------------|---------------|--|-------------------|----------------------|
| 18 905 | | | ILLUSTRATION REFERENCE: DUCT INSTL-STA 430 TO 585 FLIGHT DECK CONDITIONED AIR BELOW FLOOR (LH) 21-22-05-01 | 108120 950999 | RF |

MISSING ITEM NUMBERS NOT APPLICABLE

- ITEM NOT ILLUSTRATED

BRI

21-22-05-18

BOEING PROPRIETARY - Copyright © - Unpublished Work - See title page for details.

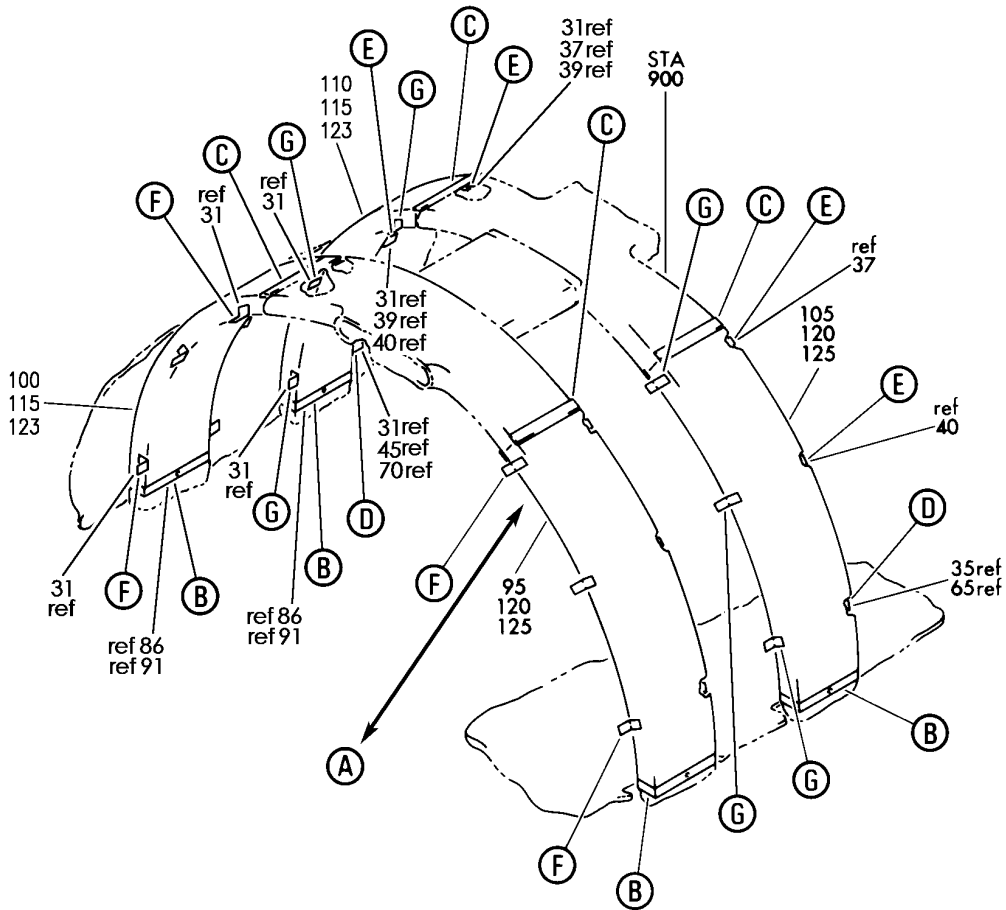
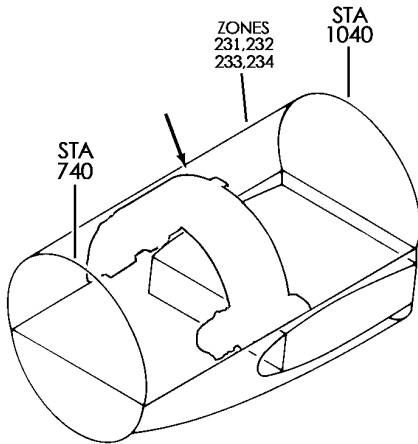
21-22-05
FIG. 18
PAGE 3
JAN 20/09

PASSENGER CABIN CONDITIONED AIR DISTRIBUTION

BRI
MAY 28/07

21-23-00
SECTION TITLE
PAGE 1

BOEING
757
PARTS CATALOG (MAINTENANCE)



Y 21230101 SHT 1 REV 280

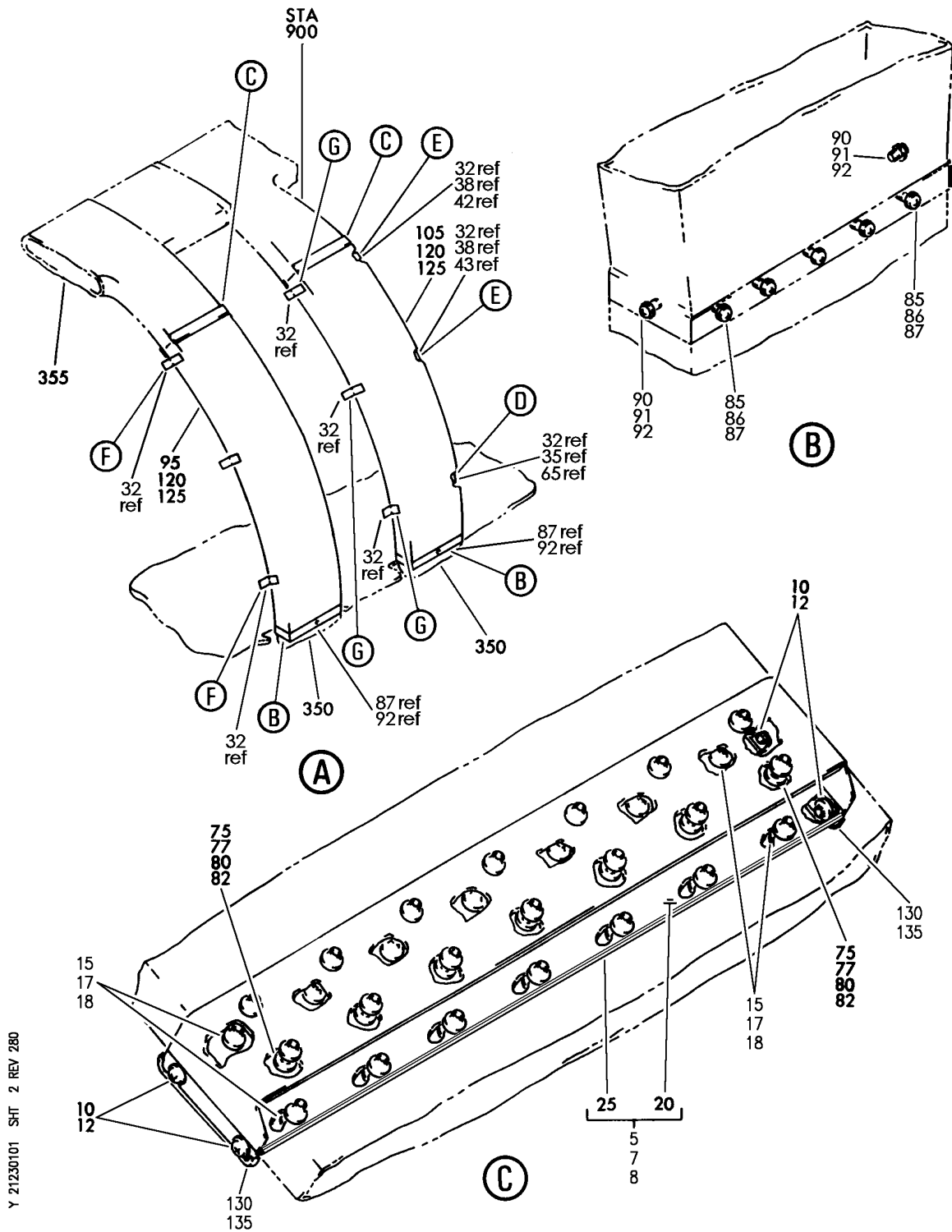
DUCT INSTL-AIR DISTR SYS SIDEWALL RISER
FIGURE 1 (SHEET 1)

21-23-01-01

BRI
MAY 28/07

21-23-01-01
PAGE 0

BOEING
757
PARTS CATALOG (MAINTENANCE)



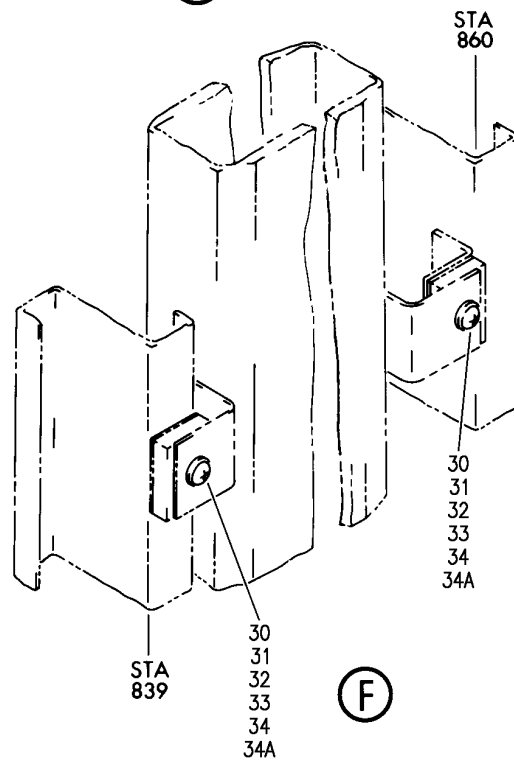
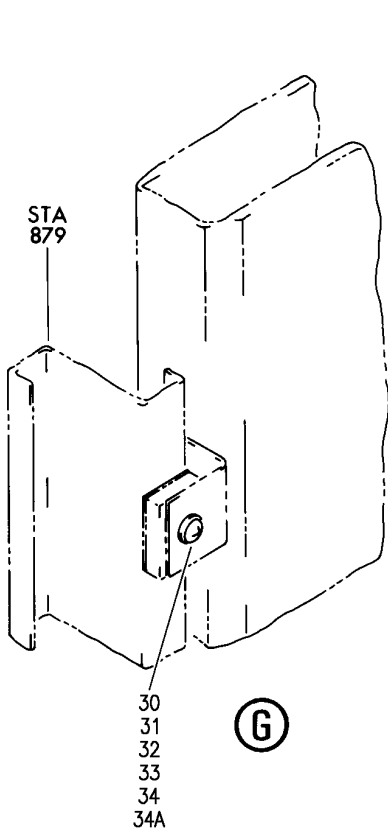
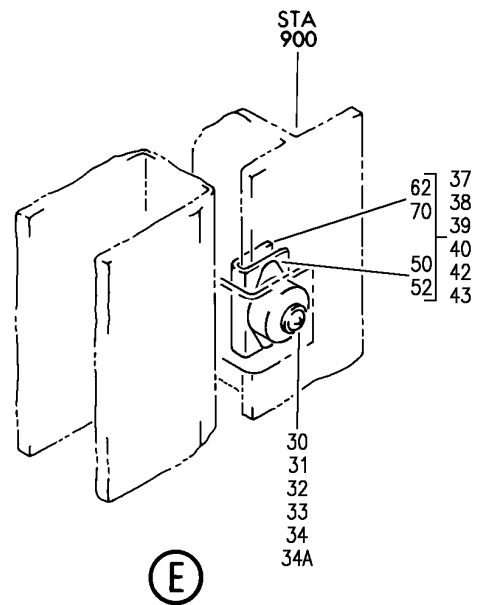
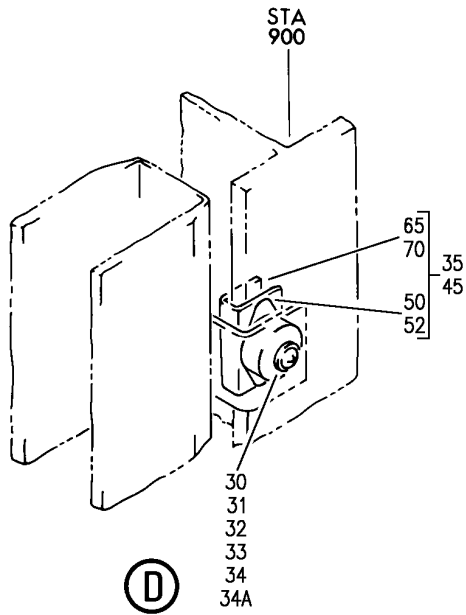
DUCT INSTL-AIR DISTR SYS SIDEWALL RISER
FIGURE 1 (SHEET 2)

21-23-01-01

BRI
MAY 28/07

21-23-01-01
PAGE 0A

BOEING
757
PARTS CATALOG (MAINTENANCE)



Y 21230101 SHT 3 REV 280

DUCT INSTL-AIR DISTR SYS SIDEWALL RISER
FIGURE 1 (SHEET 3)

21-23-01-01

BRI
MAY 28/07

21-23-01-01
PAGE 0B

 **BOEING**
757
PARTS CATALOG (MAINTENANCE)

| FIG ITEM | PART NUMBER | 1 2 3 4 5 6 7 | NOMENCLATURE | EFFECT FROM TO | UNITS PER ASSY |
|-------------|-------------|---------------|---|--|----------------------|
| 1 | | | DUCT INSTL-AIR DISTR SYS SIDEWALL RISER | 002004 006100 107107 121503 904999 | |
| - 1 | 214N2003-1 | | DUCT INSTL-AIR DISTR SYS SIDEWALL RISER FOR NHA SEE: 21-00-00-01 | 002004 006100 107107 121503 904999 | RF |
| 5 | 214N2137-1 | | .PLATE ASSY-JT COVER | 002004 006100 107107 121503 904999 | 4 |
| 10 | BACS12FA3K5 | | ATTACHING PARTS .SCREW- | 002004 006100 107107 121503 904999 | 16 |
| 15 | BACS12FA3K7 | | .SCREW | 002004 006100 107107 121503 904999 | 56 |
| 20 | 214N2139-1 | | -----*----- . . GASKET- | 002004 006100 107107 121503 904999 | 1 |
| 25 | 214N2137-2 | | . . PLATE- | 002004 006100 107107 121503 904999 | 1 |
| 30 | BACS12FA3K5 | | .SCREW | 002004 006100 107107 121503 904999 | 24 |
| 33 | BACW10P44AL | | .WASHER | 002004 006100 121503 904999 | 24 |
| 35 | 214N2135-3 | | .BRACKET ASSY-SPRT | 107107 | 1 |

MISSING ITEM NUMBERS NOT APPLICABLE

- ITEM NOT ILLUSTRATED

BRI

21-23-01-01

BOEING PROPRIETARY - Copyright © - Unpublished Work - See title page for details.

21-23-01
FIG. 01
PAGE 1
JAN 20/09



757

PARTS CATALOG (MAINTENANCE)

| FIG ITEM | PART NUMBER | 1 2 3 4 5 6 7 | NOMENCLATURE | EFFECT FROM TO | UNITS PER ASSY |
|----------|-------------|---------------|---|--|----------------|
| 1 | | | | | |
| 35 | 214N2135-9 | . | BRACKET ASSY-SPRT | 002004 006100 121503 904999 | 1 |
| 37 | 214N2135-1 | . | BRACKET ASSY-SPRT | 002004 006100 107107 121503 904999 | 2 |
| 40 | 214N2135-1 | . | BRACKET ASSY-SPRT | 107107 | 2 |
| 40 | 214N2135-7 | . | BRACKET ASSY-SPRT | 002004 006100 121503 904999 | 2 |
| 45 | 214N2135-4 | . | BRACKET ASSY-SPRT | 107107 | 1 |
| 45 | 214N2135-10 | . | BRACKET ASSY-SPRT | 002004 006100 121503 904999 | 1 |
| 50 | DE820 | .. | MOUNT-ISOLATOR SUPPLIER CODE: V71985 SPECIFICATION NUMBER: S411T100-107 OPTIONAL PART: DE786 V71985 ATTACHING PARTS | 002004 006100 107107 121503 904999 | 1 |
| - 55 | BACR15BA3D | .. | RIVET- SIZE DETERMINED ON INSTL. | 002004 006100 107107 121503 904999 | 2 |
| | | | -----*----- | | |
| 60 | 214N2135-2 | .. | BRACKET- USED ON: 214N2135-1 | 002004 006100 107107 121503 904999 | 1 |
| 60 | 214N2135-2 | .. | BRACKET- USED ON: 214N2135-1 | 107107 | 1 |
| 60 | 214N2135-8 | .. | BRACKET- USED ON: 214N2135-7 | 002004 006100 121503 904999 | 1 |
| 65 | 214N2135-5 | .. | BRACKET- USED ON: 214N2135-3 | 107107 | 1 |

MISSING ITEM NUMBERS NOT APPLICABLE

- ITEM NOT ILLUSTRATED

21-23-01-01

21-23-01
FIG. 01
PAGE 2
JAN 20/09

BRI



757

PARTS CATALOG (MAINTENANCE)

| FIG ITEM | PART NUMBER | 1 2 3 4 5 6 7 | NOMENCLATURE | EFFECT FROM TO | UNITS PER ASSY |
|----------|--------------|---------------|-------------------------------------|--|----------------|
| 1 | | | | | |
| 65 | 214N2135-11 | .. | BRACKET- USED ON: 214N2135-9 | 002004 006100 121503 904999 | 1 |
| 70 | 214N2135-6 | .. | BRACKET- USED ON: 214N2135-4 | 107107 | 1 |
| 70 | 214N2135-12 | .. | BRACKET- USED ON: 214N2135-10 | 002004 006100 121503 904999 | 1 |
| 75 | BACS12FA3K8 | . | SCREW | 002004 006100 107107 121503 904999 | 28 |
| 80 | BACW10P166L | . | WASHER | 002004 006100 107107 121503 904999 | 28 |
| 85 | BACS12FA3K53 | . | SCREW | 002004 006100 107107 121503 904999 | 20 |
| 90 | BACS12FA3K7 | . | SCREW | 002004 006100 107107 121503 904999 | 8 |
| 95 | 214N2130-1 | . | DUCT ASSY- | 107107 | 1 |
| 95 | 214N2130-11 | . | DUCT ASSY- | 002004 006100 121503 904999 | 1 |
| 100 | 214N2130-2 | . | DUCT ASSY- | 107107 | 1 |
| 100 | 214N2130-12 | . | DUCT ASSY- | 002004 006100 121503 904999 | 1 |
| 105 | 214N2130-3 | . | DUCT ASSY- | 107107 | 1 |
| 105 | 214N2130-13 | . | DUCT ASSY- | 002004 006100 121503 904999 | 1 |
| 110 | 214N2130-4 | . | DUCT ASSY- | 107107 | 1 |

MISSING ITEM NUMBERS NOT APPLICABLE

- ITEM NOT ILLUSTRATED

21-23-01-01

21-23-01
FIG. 01
PAGE 3
JAN 20/09

BRI

BOEING PROPRIETARY - Copyright © - Unpublished Work - See title page for details.



757

PARTS CATALOG (MAINTENANCE)

| FIG ITEM | PART NUMBER | 1 2 3 4 5 6 7 | NOMENCLATURE | EFFECT FROM TO | UNITS PER ASSY |
|----------|----------------|---------------|------------------------------------|--|----------------|
| 1 | | | | | |
| 110 | 214N2130-14 | . | DUCT ASSY- | 002004 006100 121503 904999 | 1 |
| 115 | 214N2130-5 | .. | DUCT ASSY- POSITION DATA: RH | 002004 006100 107107 121503 904999 | 1 |
| 120 | 214N2130-5 | .. | DUCT ASSY- POSITION DATA: LH | 002004 006100 107107 121503 904999 | 1 |
| 123 | 214N2130-6 | ... | DUCT- POSITION DATA: RH | 002004 006100 107107 121503 904999 | 1 |
| 125 | 214N2130-6 | ... | DUCT- POSITION DATA: LH | 002004 006100 107107 121503 904999 | 1 |
| 130 | BACG20ZA001275 | . | GROMMET- POSITION DATA: LH | 002004 006100 107107 121503 904999 | 4 |
| 135 | BACG20ZA001275 | . | GROMMET- POSITION DATA: RH | 002004 006100 107107 121503 904999 | 4 |

MISSING ITEM NUMBERS NOT APPLICABLE

- ITEM NOT ILLUSTRATED

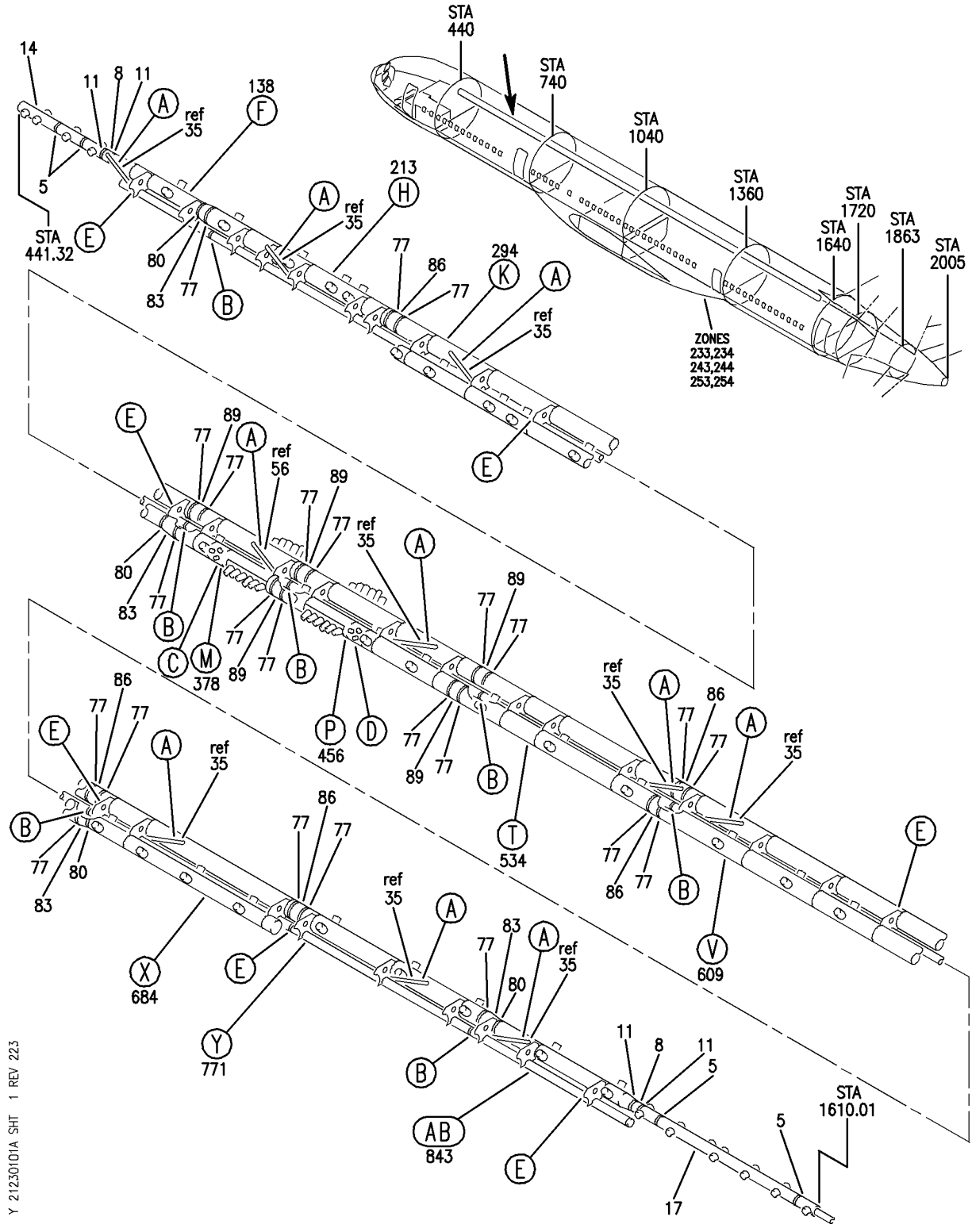
BRI

21-23-01-01

BOEING PROPRIETARY - Copyright © - Unpublished Work - See title page for details.

21-23-01
FIG. 01
PAGE 4
JAN 20/09

BOEING
757
PARTS CATALOG (MAINTENANCE)

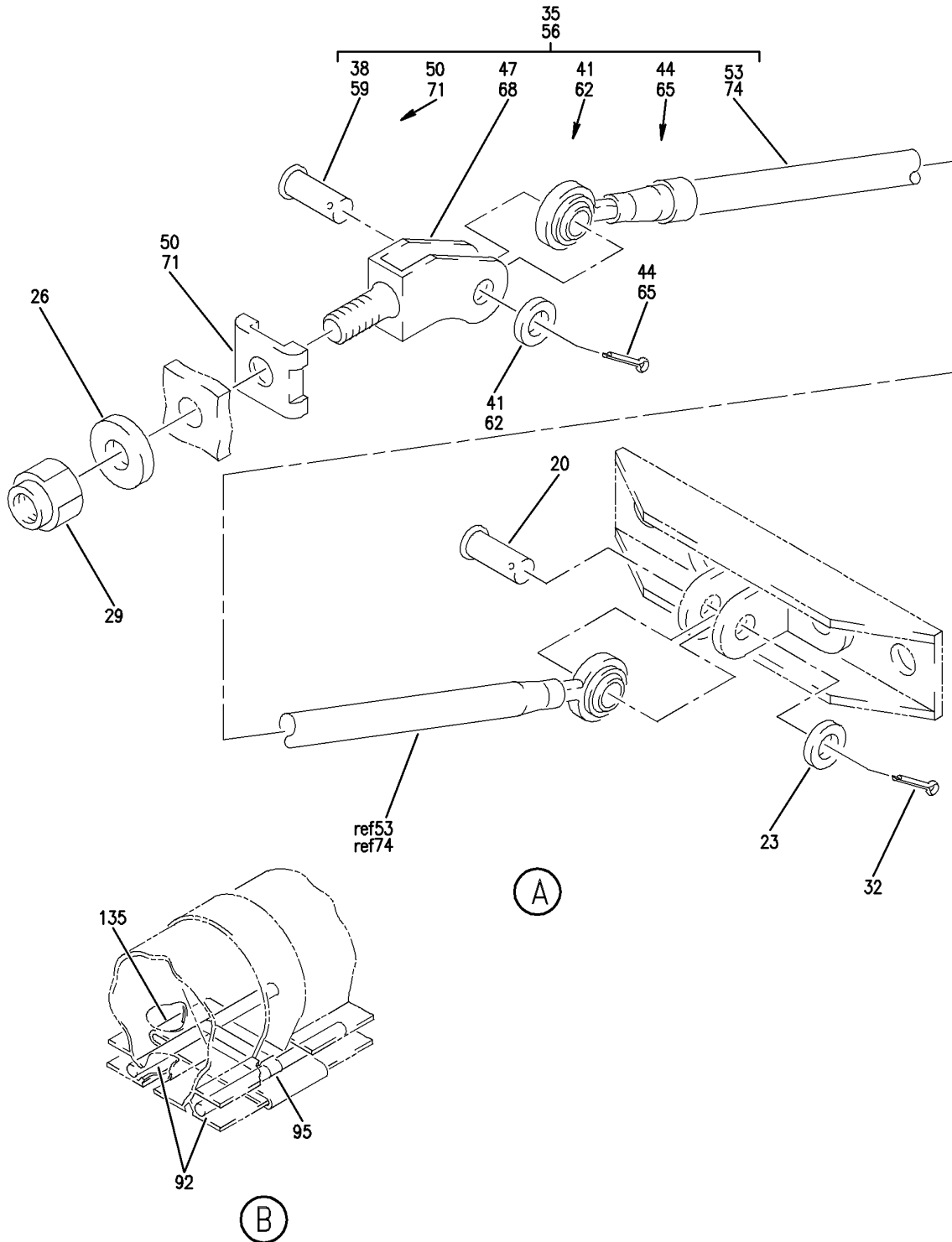


Y 21230101A SHT 1 REV 223

DUCT INSTL-OVERHEAD AIR DISTR SYS
FIGURE 1A (SHEET 1)

21-23-01-01A

BOEING
757
PARTS CATALOG (MAINTENANCE)



Y 21230101A SHT 2 REV 223

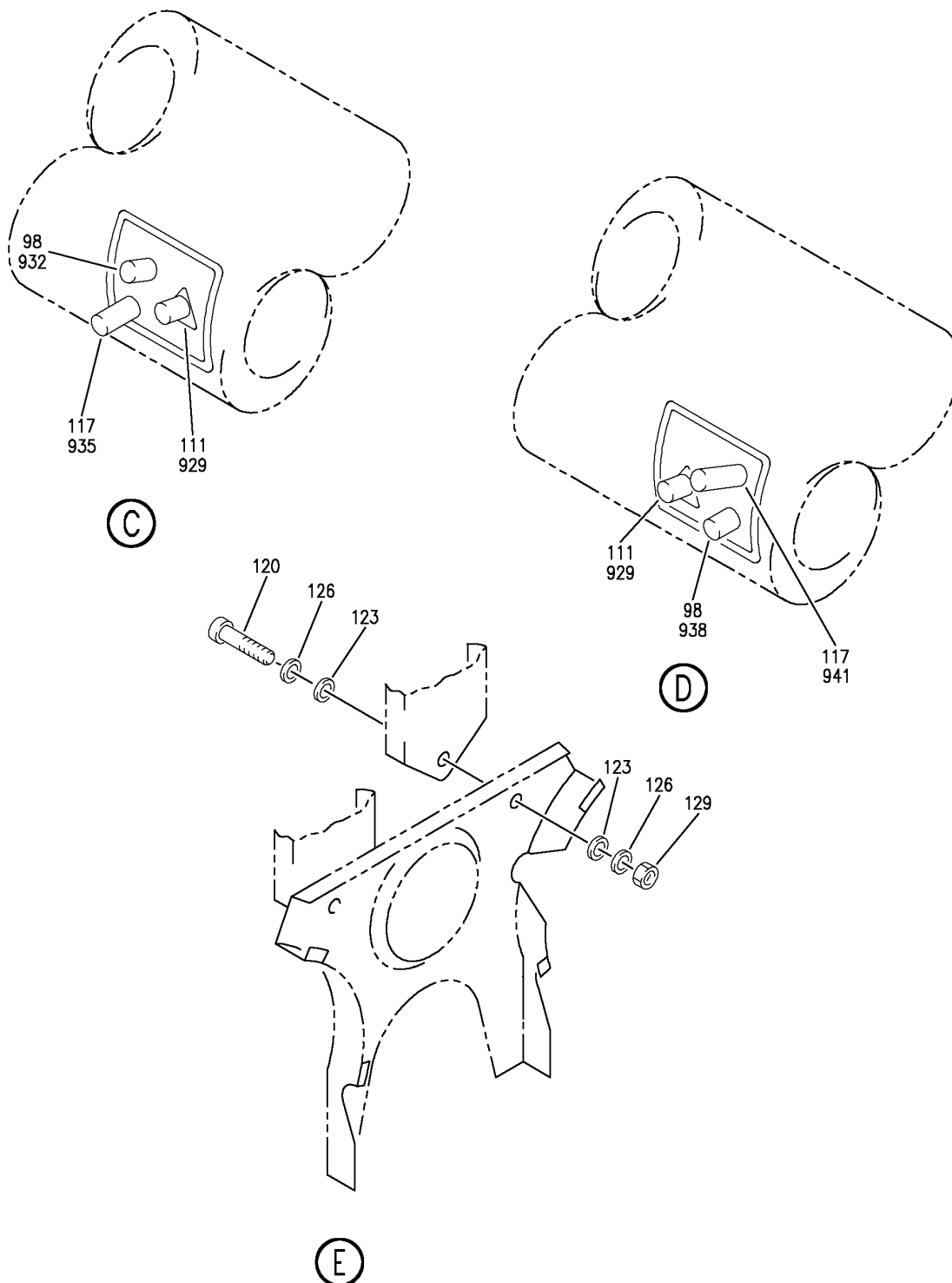
DUCT INSTL-OVERHEAD AIR DISTR SYS
FIGURE 1A (SHEET 2)

21-23-01-01A

BRI
JAN 20/09

21-23-01-01A
PAGE 0A

BOEING
757
PARTS CATALOG (MAINTENANCE)



Y 21230101A SHT 3 REV 255

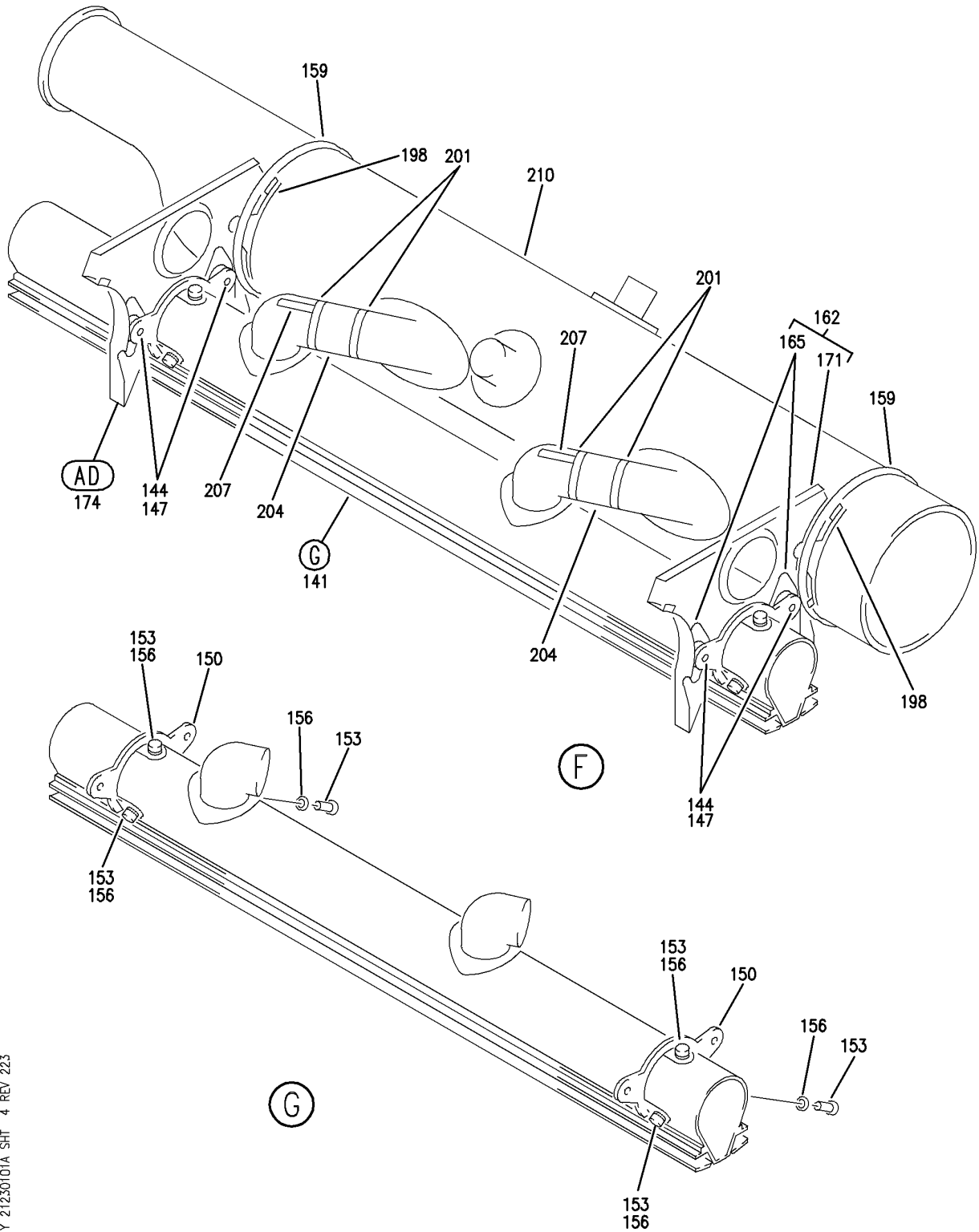
DUCT INSTL-OVERHEAD AIR DISTR SYS
FIGURE 1A (SHEET 3)

BRI
JAN 20/09

21-23-01-01A

21-23-01-01A
PAGE 0B

BOEING
757
PARTS CATALOG (MAINTENANCE)



Y 21230101A SHT 4 REV 223

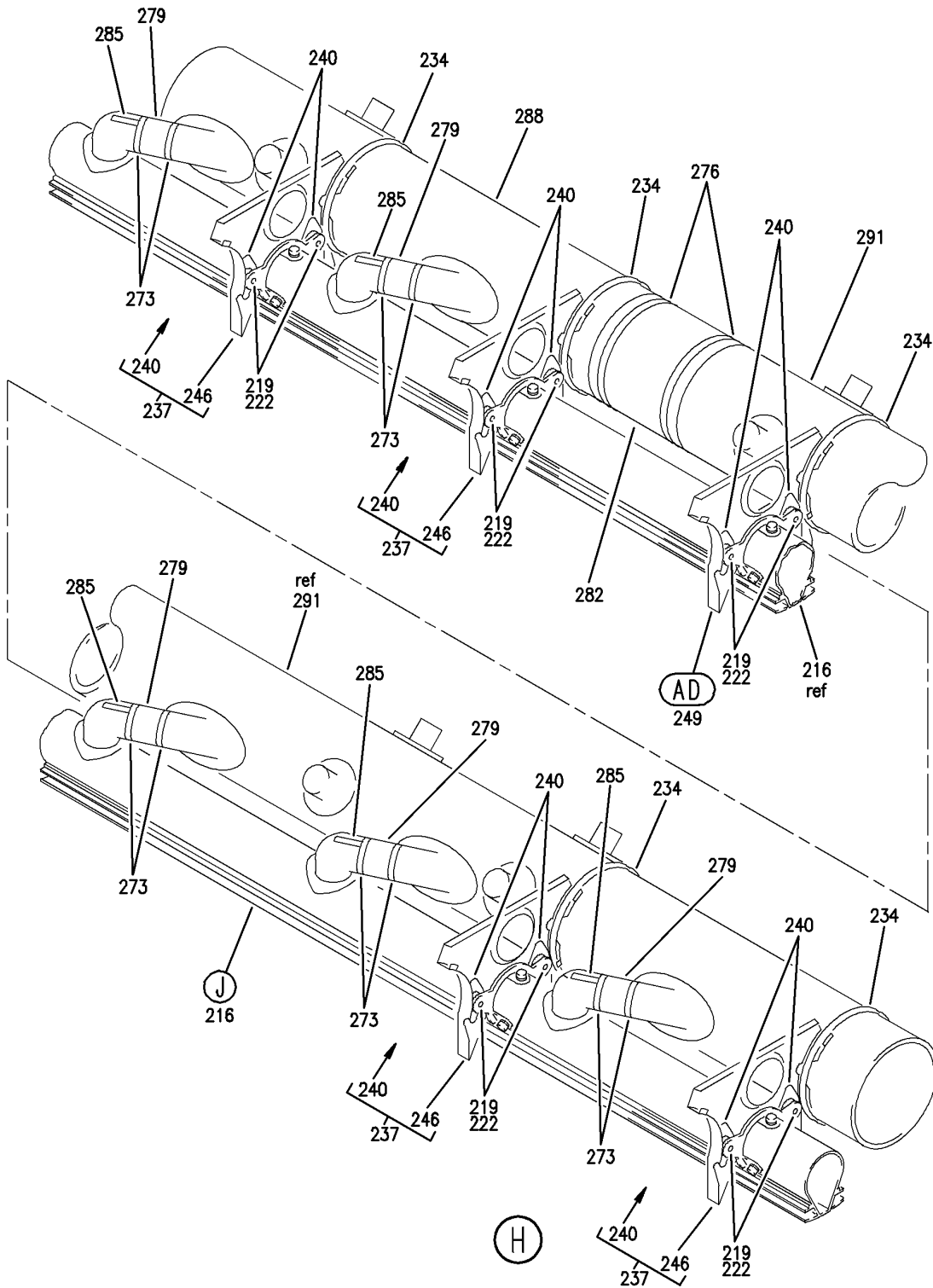
DUCT INSTL-OVERHEAD AIR DISTR SYS
FIGURE 1A (SHEET 4)

21-23-01-01A

BRI
JAN 20/09

21-23-01-01A
PAGE 0C

BOEING
757
PARTS CATALOG (MAINTENANCE)



Y 21230101A SHT 5 REV 223

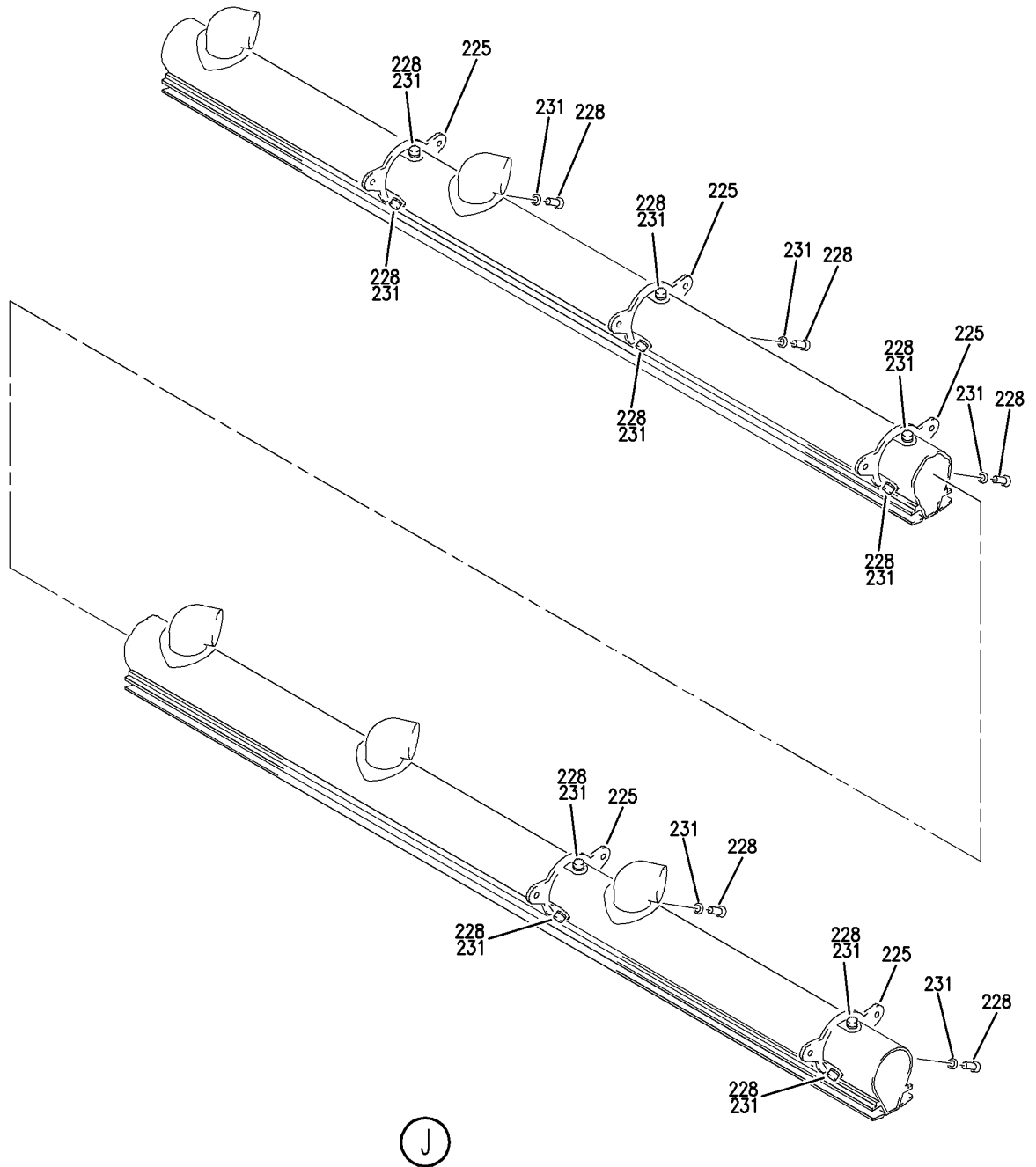
DUCT INSTL-OVERHEAD AIR DISTR SYS
FIGURE 1A (SHEET 5)

21-23-01-01A

BRI
JAN 20/09

21-23-01-01A
PAGE 0D

BOEING
757
PARTS CATALOG (MAINTENANCE)



Y 21230101A SHT 6 REV 223

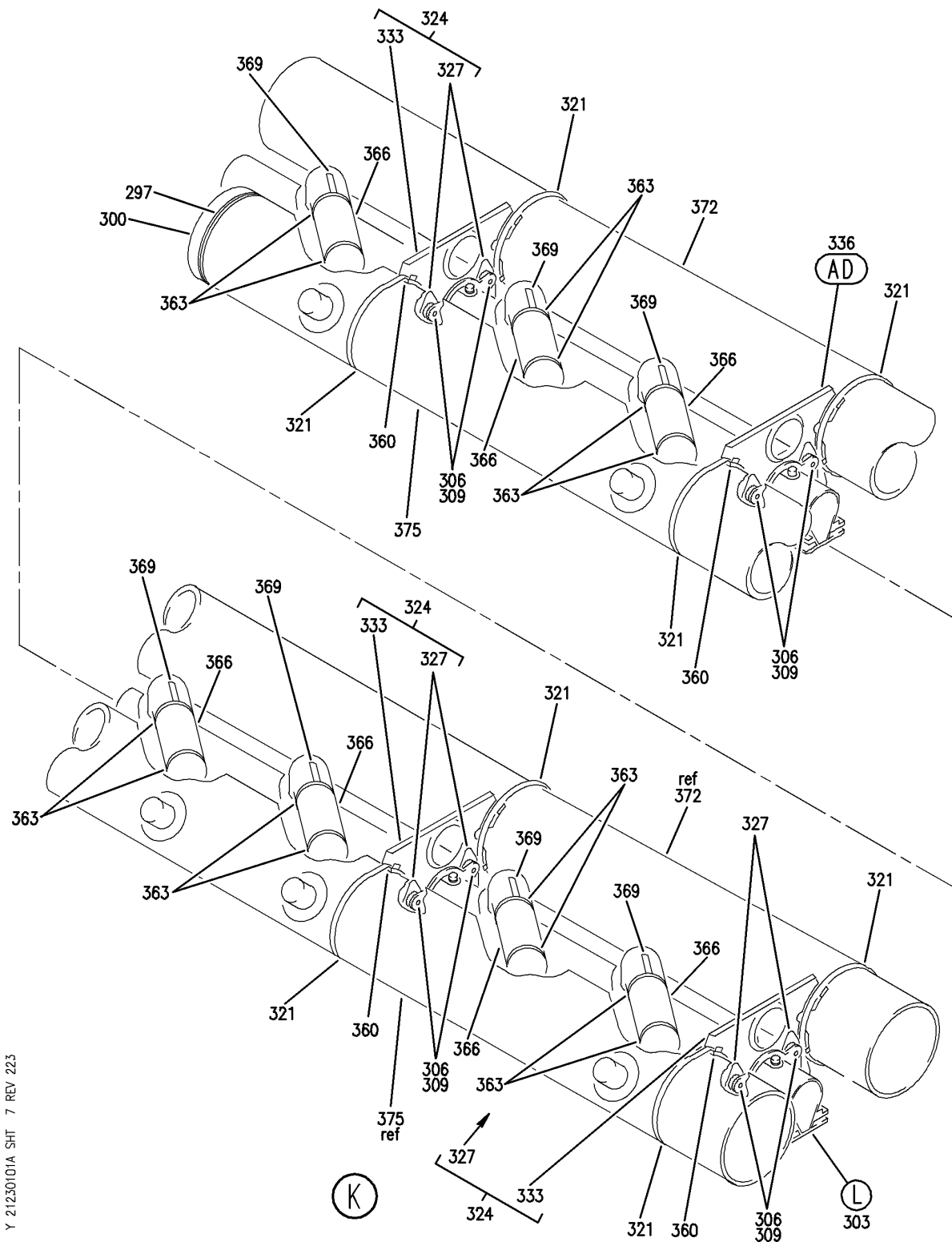
DUCT INSTL-OVERHEAD AIR DISTR SYS
FIGURE 1A (SHEET 6)

21-23-01-01A

BRI
JAN 20/09

21-23-01-01A
PAGE 0E

BOEING
757
PARTS CATALOG (MAINTENANCE)



Y 21230101A SHT 7 REV 223

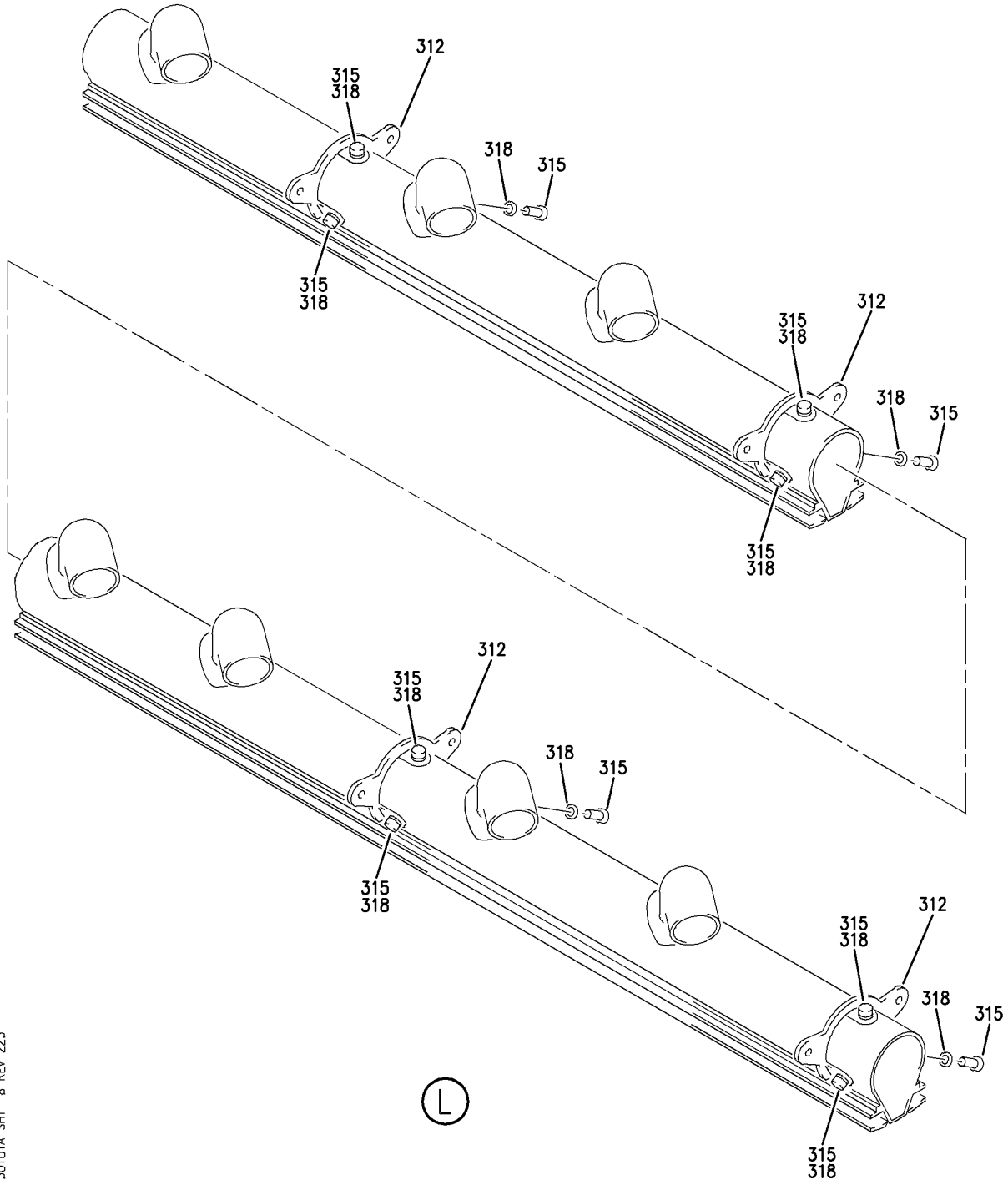
DUCT INSTL-OVERHEAD AIR DISTR SYS
FIGURE 1A (SHEET 7)

21-23-01-01A

BRI
JAN 20/09

21-23-01-01A
PAGE OF

BOEING
757
PARTS CATALOG (MAINTENANCE)



Y 21230101A SHT 8 REV 223

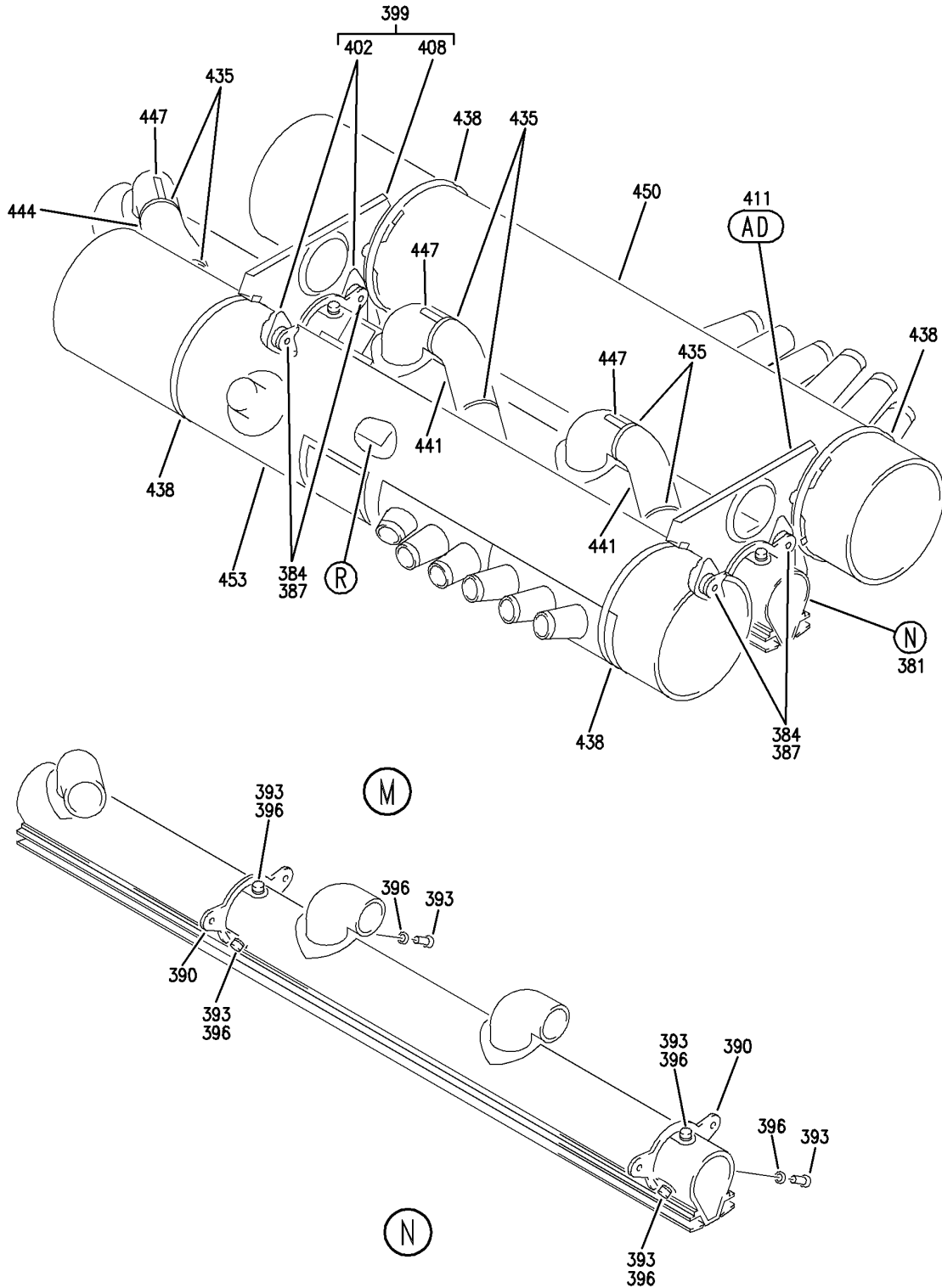
DUCT INSTL-OVERHEAD AIR DISTR SYS
FIGURE 1A (SHEET 8)

21-23-01-01A

BRI
JAN 20/09

21-23-01-01A
PAGE 08

BOEING
757
PARTS CATALOG (MAINTENANCE)



Y 21230101A SHT 9 REV 223

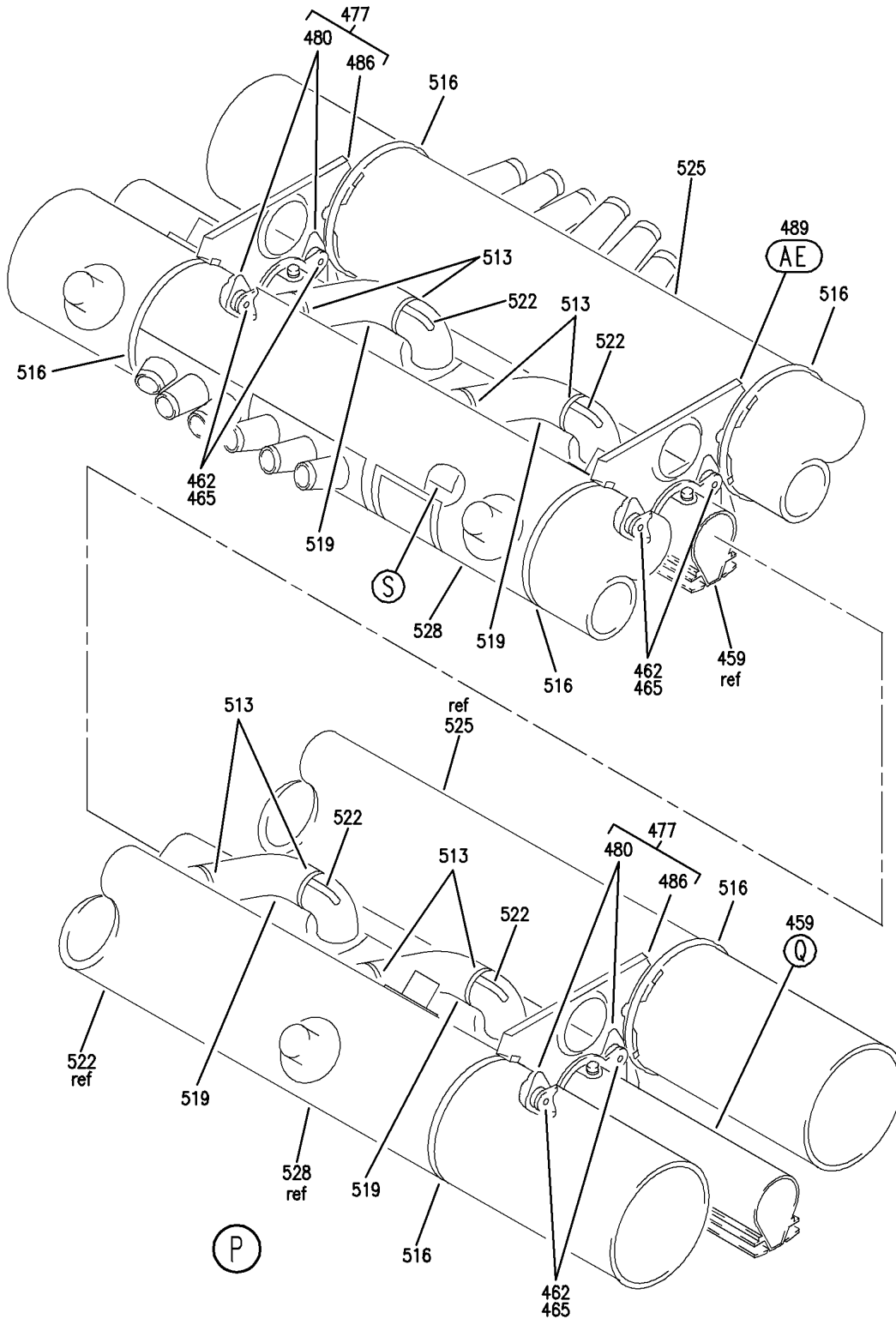
DUCT INSTL-OVERHEAD AIR DISTR SYS
FIGURE 1A (SHEET 9)

21-23-01-01A

BRI
JAN 20/09

21-23-01-01A
PAGE 0H

BOEING
757
PARTS CATALOG (MAINTENANCE)



Y 21230101A SHT 10 REV 223

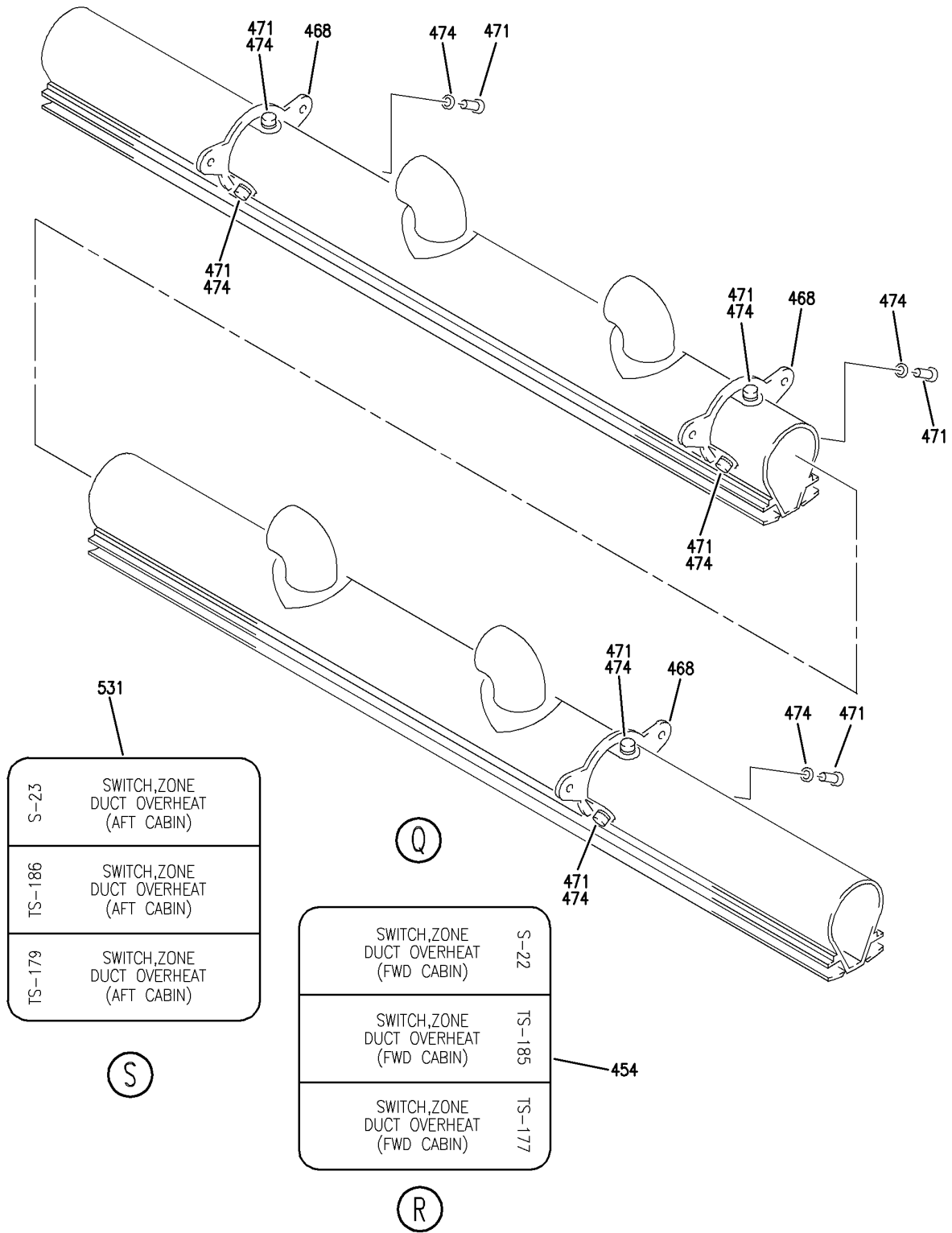
DUCT INSTL-OVERHEAD AIR DISTR SYS
FIGURE 1A (SHEET 10)

21-23-01-01A

BRI
JAN 20/09

21-23-01-01A
PAGE 01

BOEING
757
PARTS CATALOG (MAINTENANCE)



Y 21230101A SHT 11 REV 223

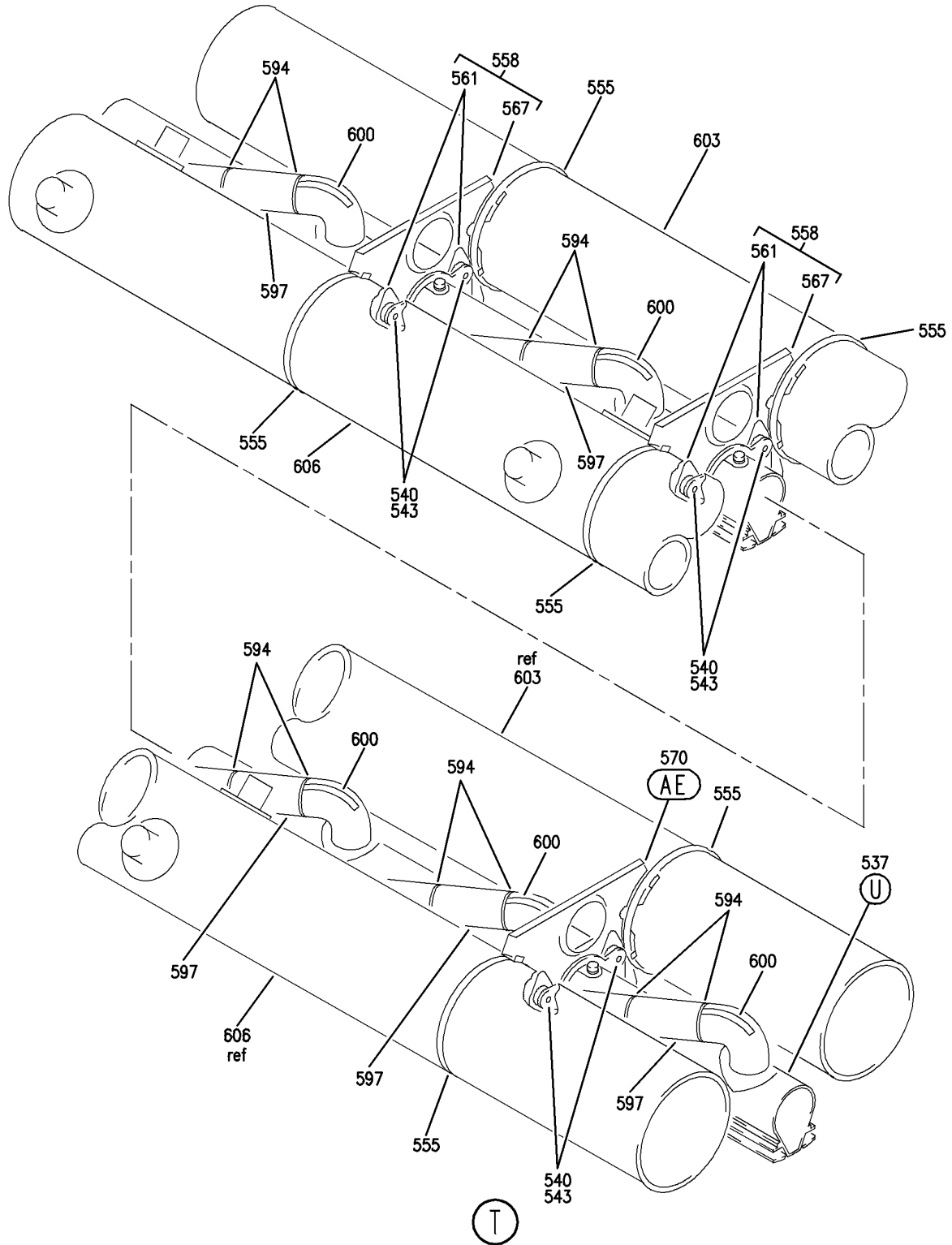
DUCT INSTL-OVERHEAD AIR DISTR SYS
FIGURE 1A (SHEET 11)

21-23-01-01A

BRI
JAN 20/09

21-23-01-01A
PAGE 0J

BOEING
757
PARTS CATALOG (MAINTENANCE)



Y 21230101A SHT 12 REV 223

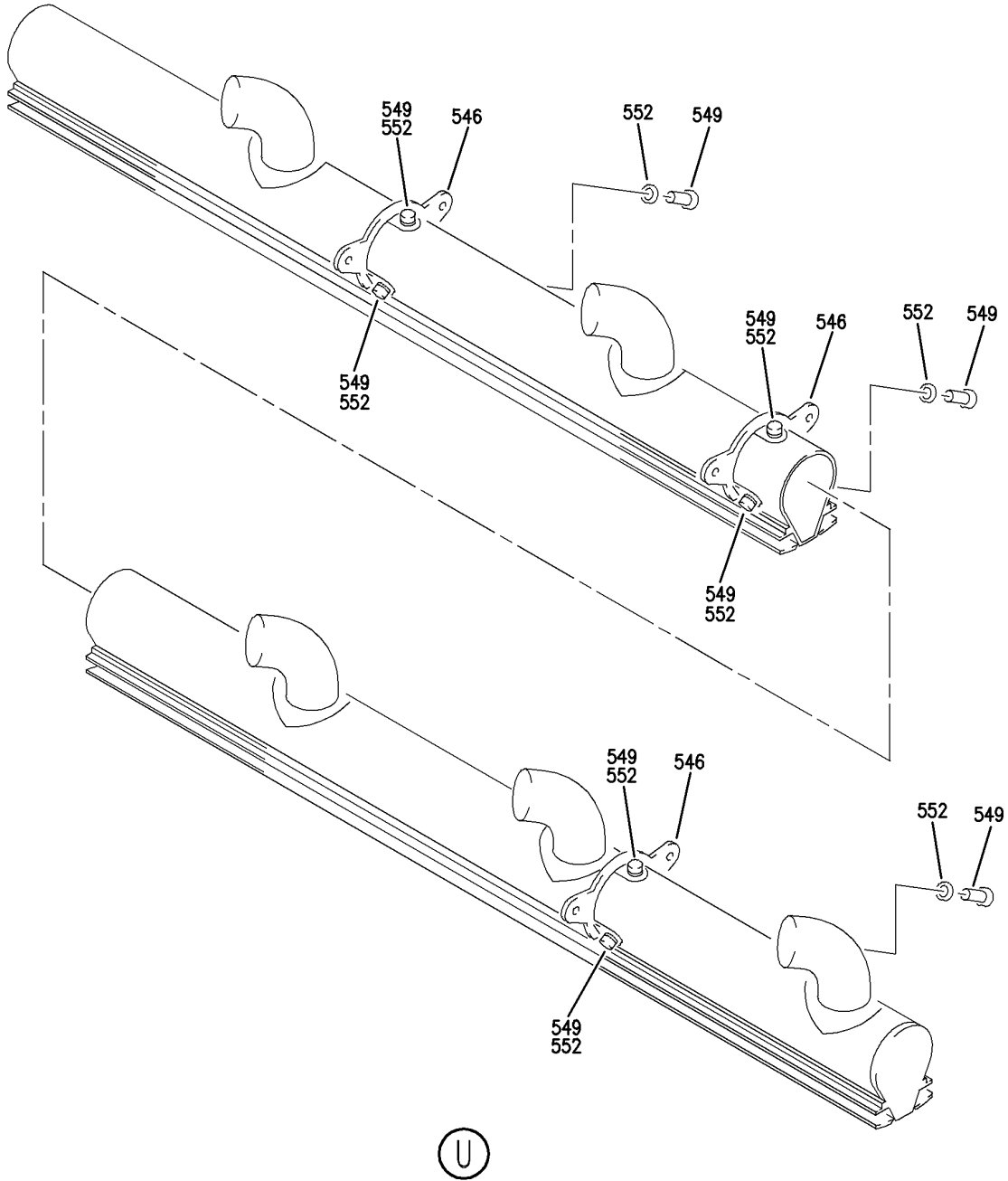
DUCT INSTL-OVERHEAD AIR DISTR SYS
FIGURE 1A (SHEET 12)

21-23-01-01A

BRI
JAN 20/09

21-23-01-01A
PAGE 0K

BOEING
757
PARTS CATALOG (MAINTENANCE)



Y 21230101A SHT 13 REV 223

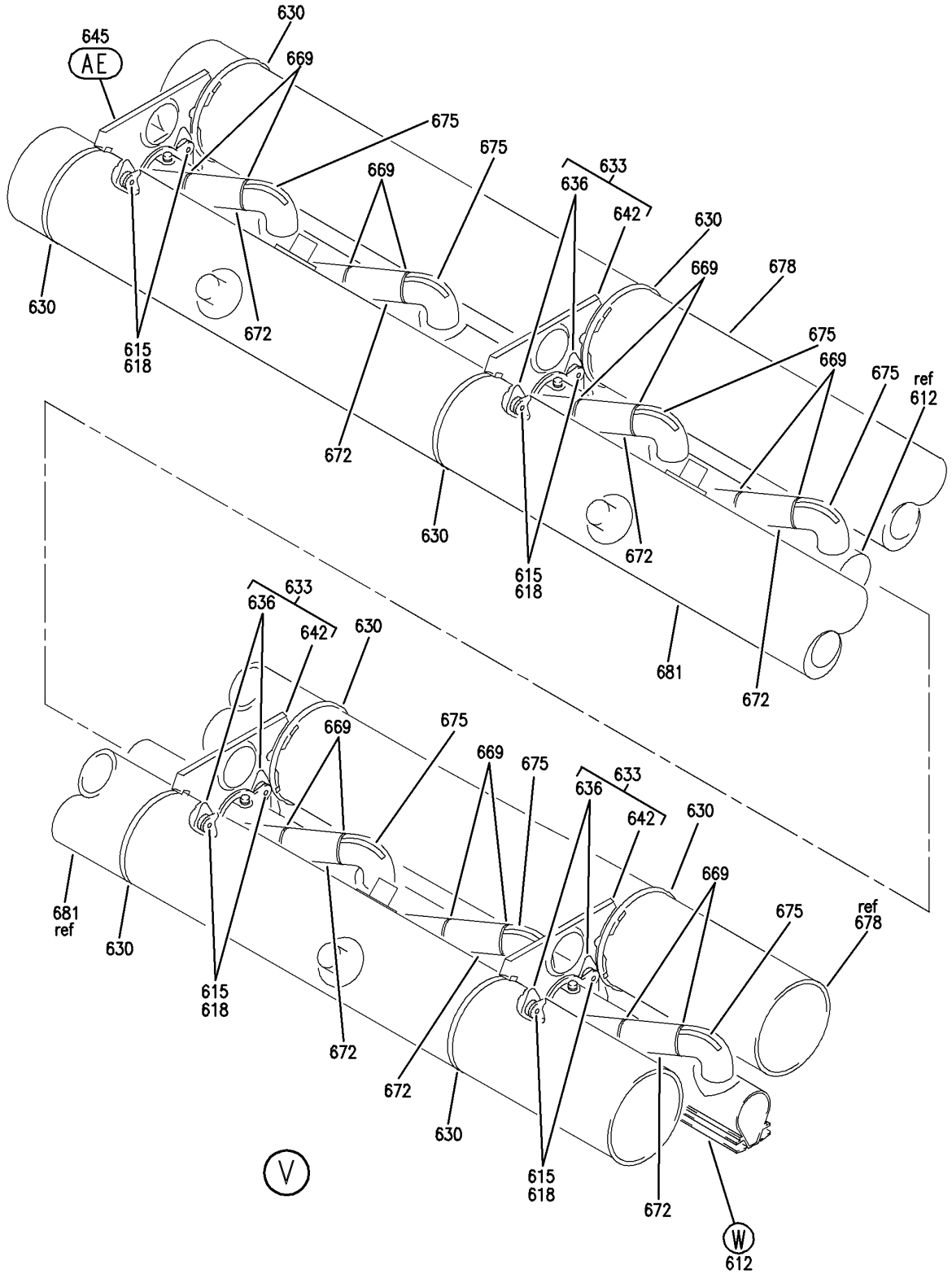
DUCT INSTL-OVERHEAD AIR DISTR SYS
FIGURE 1A (SHEET 13)

21-23-01-01A

BRI
JAN 20/09

21-23-01-01A
PAGE 01

BOEING
757
PARTS CATALOG (MAINTENANCE)



Y 21230101A SHT 14 REV 223

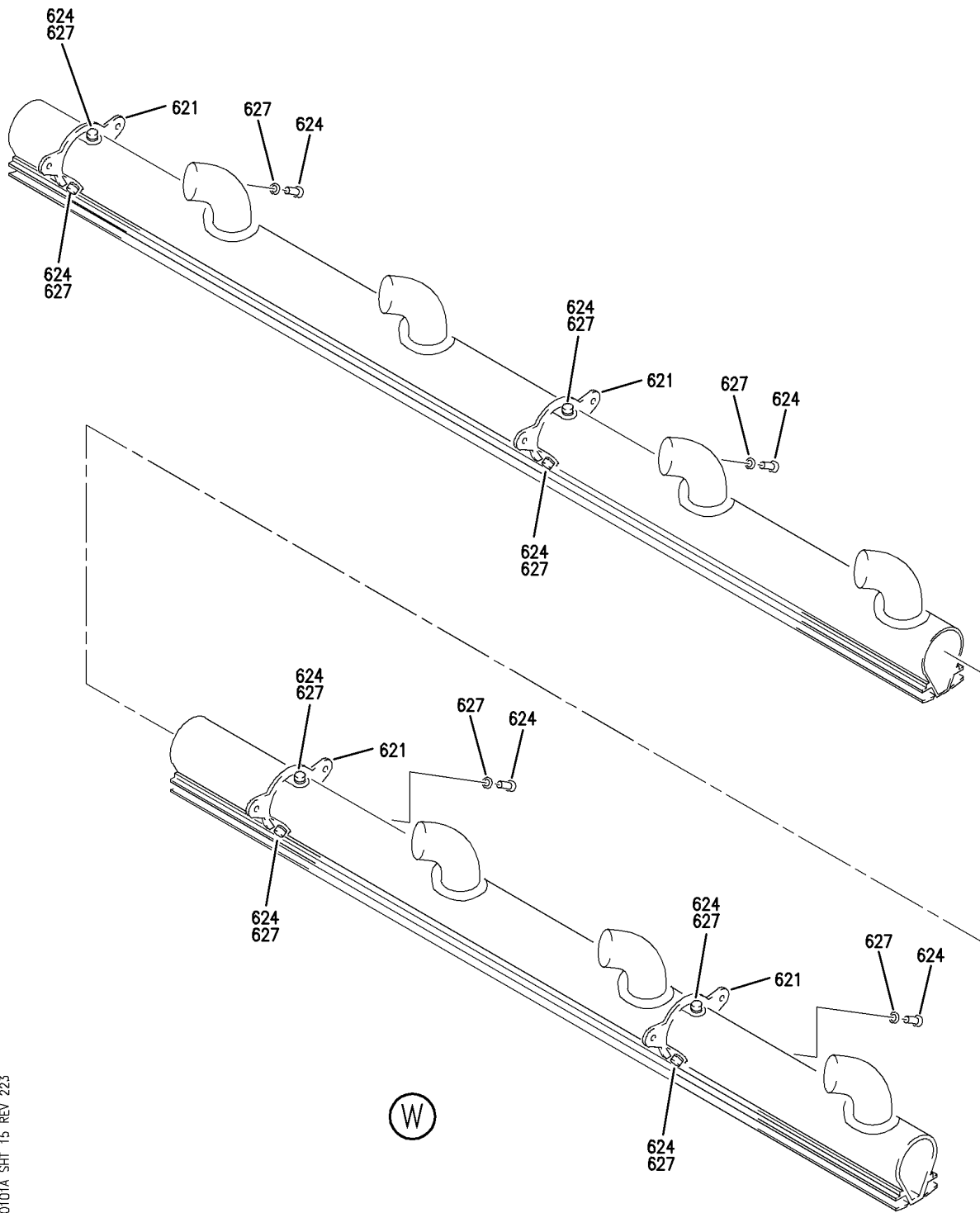
DUCT INSTL-OVERHEAD AIR DISTR SYS
FIGURE 1A (SHEET 14)

21-23-01-01A

BRI
JAN 20/09

21-23-01-01A
PAGE 0M

BOEING
757
PARTS CATALOG (MAINTENANCE)



Y 21230101A SHT 15 REV 223

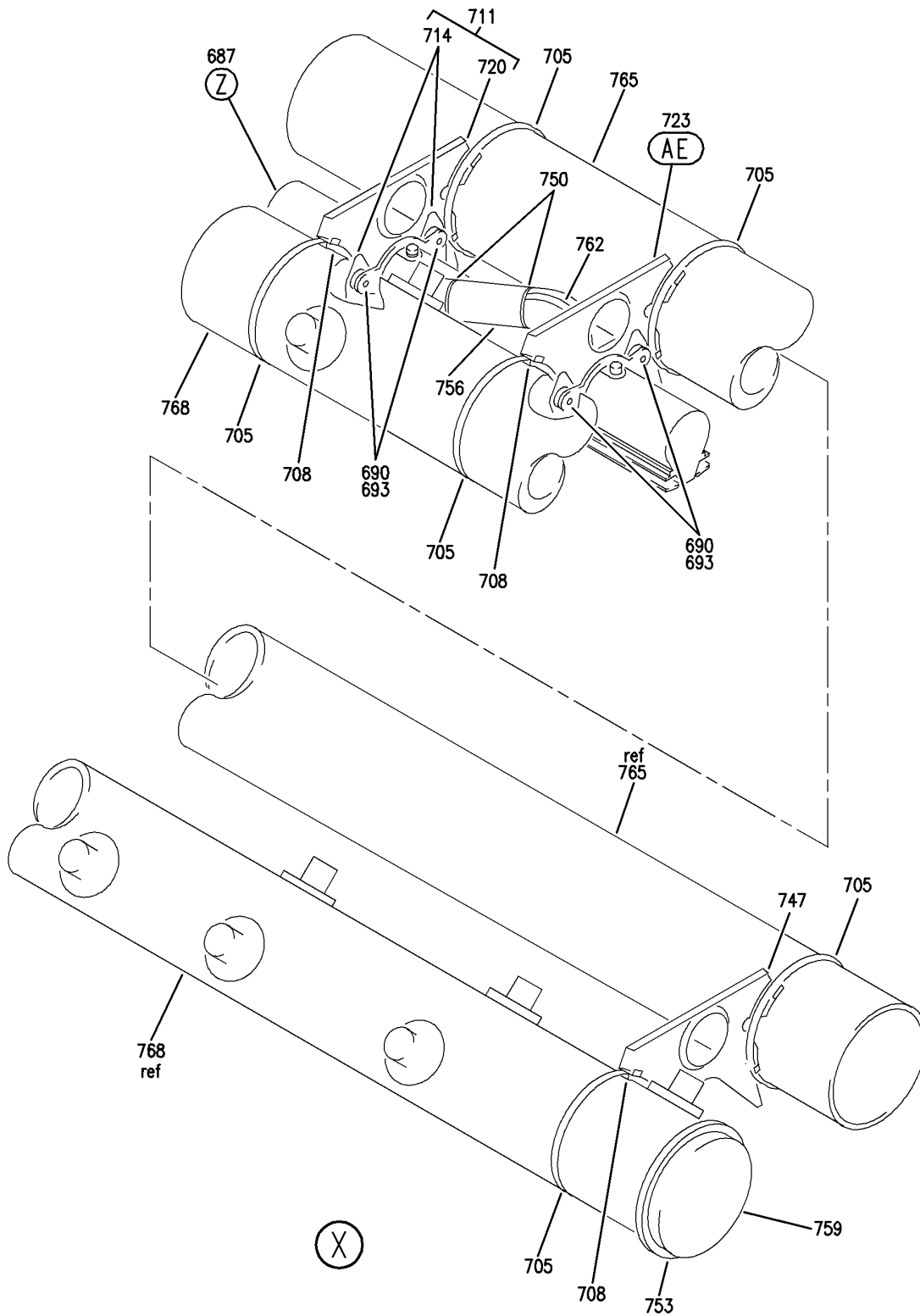
DUCT INSTL-OVERHEAD AIR DISTR SYS
FIGURE 1A (SHEET 15)

21-23-01-01A

BRI
JAN 20/09

21-23-01-01A
PAGE ON

BOEING
757
PARTS CATALOG (MAINTENANCE)



Y 21230101A SHT 16 REV 223

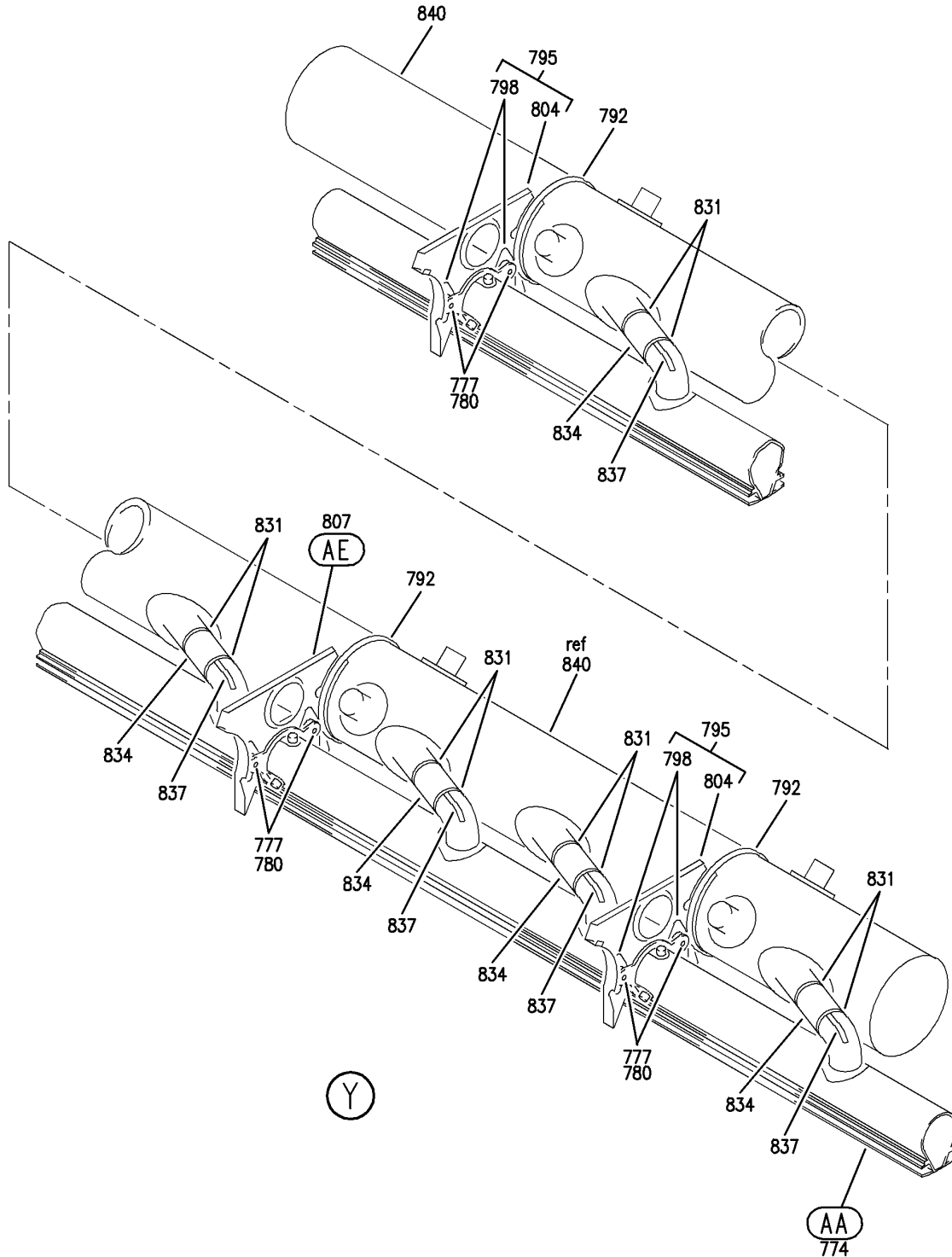
DUCT INSTL-OVERHEAD AIR DISTR SYS
FIGURE 1A (SHEET 16)

21-23-01-01A

BRI
JAN 20/09

21-23-01-01A
PAGE 00

BOEING
757
PARTS CATALOG (MAINTENANCE)



Y 21230101A SHT 17 REV 223

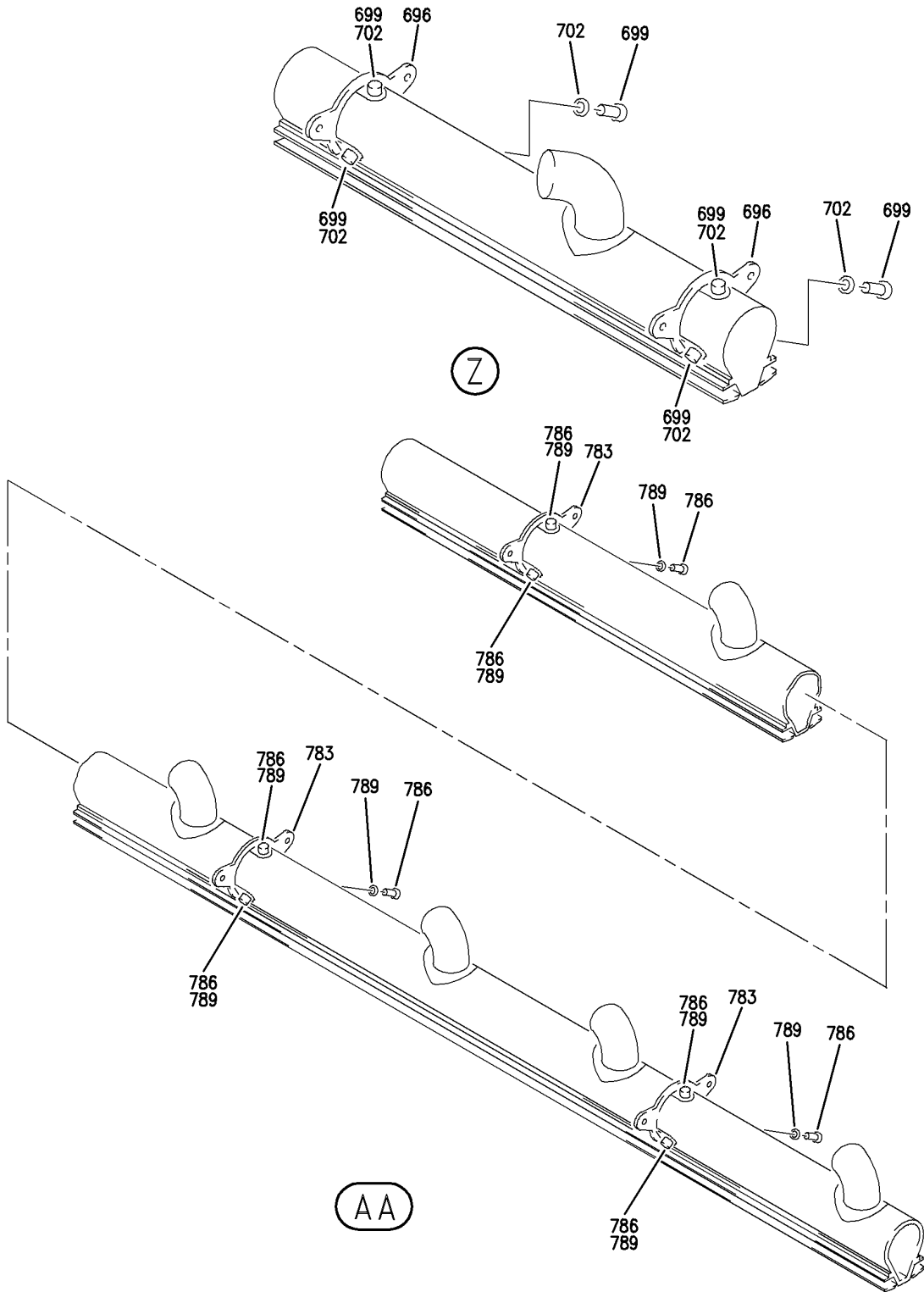
DUCT INSTL-OVERHEAD AIR DISTR SYS
FIGURE 1A (SHEET 17)

21-23-01-01A

BRI
JAN 20/09

21-23-01-01A
PAGE 0P

BOEING
757
PARTS CATALOG (MAINTENANCE)



Y 21230101A SHT 18 REV 223

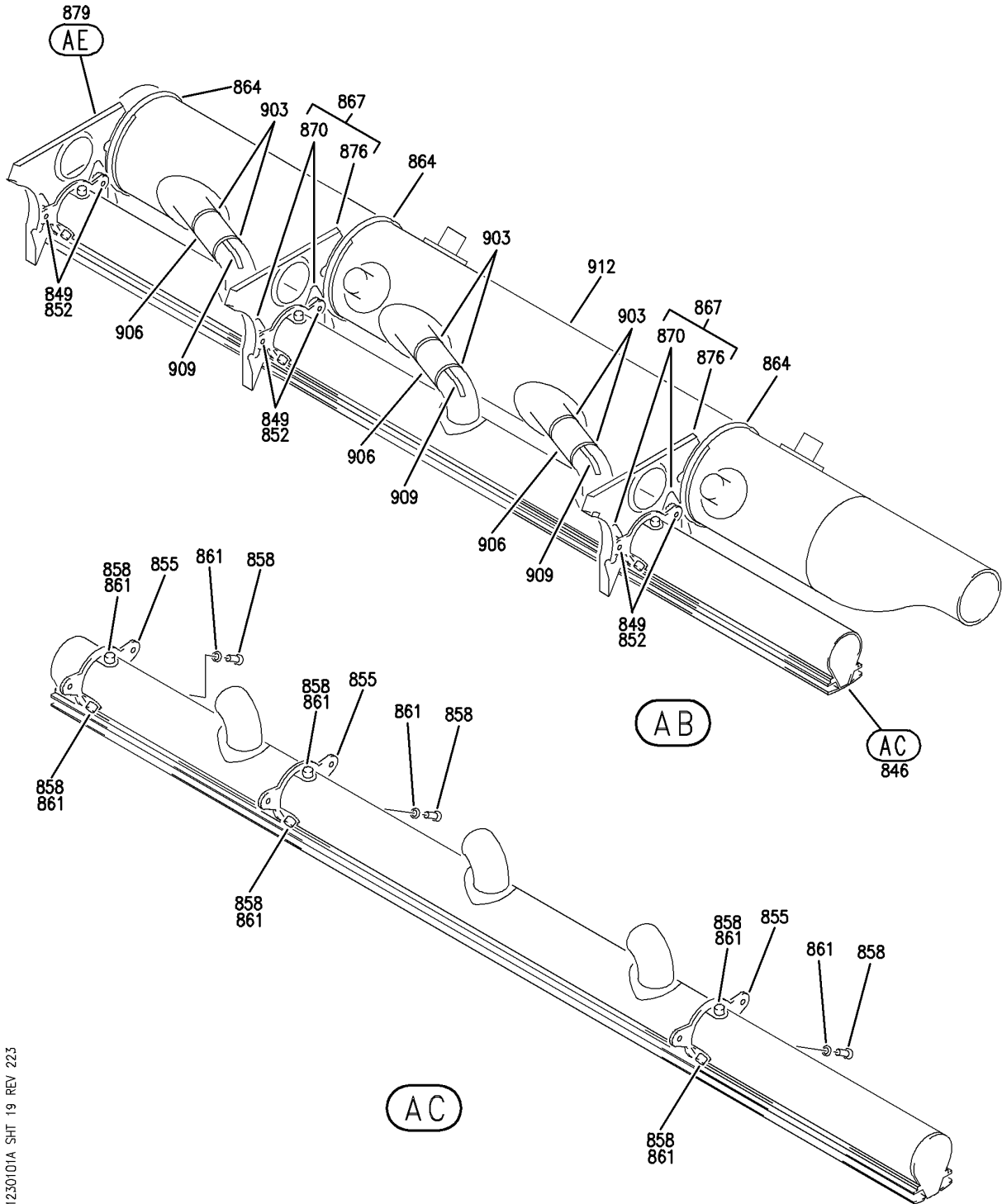
DUCT INSTL-OVERHEAD AIR DISTR SYS
FIGURE 1A (SHEET 18)

21-23-01-01A

BRI
JAN 20/09

21-23-01-01A
PAGE 00

BOEING
757
PARTS CATALOG (MAINTENANCE)



Y 21230101A SHT 19 REV 223

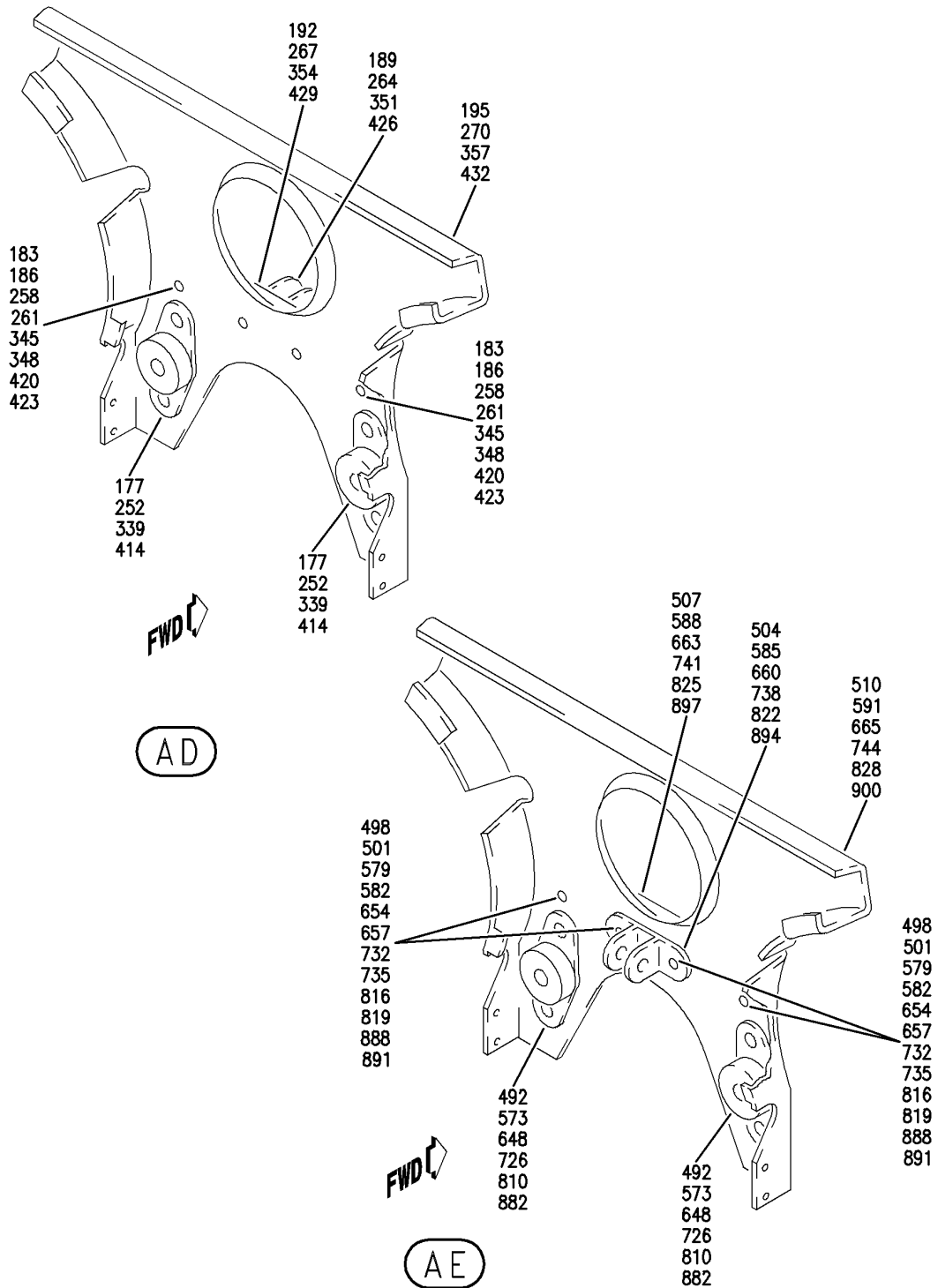
DUCT INSTL-OVERHEAD AIR DISTR SYS
FIGURE 1A (SHEET 19)

21-23-01-01A

BRI
JAN 20/09

21-23-01-01A
PAGE OR

BOEING
757
PARTS CATALOG (MAINTENANCE)



Y 21230101A SHT 20 REV 223

DUCT INSTL-OVERHEAD AIR DISTR SYS
FIGURE 1A (SHEET 20)

21-23-01-01A

BRI
JAN 20/09

21-23-01-01A
PAGE 05



757

PARTS CATALOG (MAINTENANCE)

| FIG ITEM | PART NUMBER | 1 2 3 4 5 6 7 | NOMENCLATURE | EFFECT FROM TO | UNITS PER ASSY |
|----------|----------------|---------------|--|----------------|----------------|
| 1 A | | | DUCT INSTL-OVERHEAD AIR DISTR SYS | 108120 | |
| - 1 | 214N2025-378B | | DUCT INSTL-OVERHEAD AIR DISTR SYS FOR NHA SEE: 21-00-00-12 | 108120 | RF |
| 5 | PLT4SM | | .STRAP SUPPLIER CODE: V06383 SPECIFICATION NUMBER: BACS38K2 OPTIONAL PART: T05L0 V53421 | 108120 | 4 |
| 8 | AS1506-16D32 | | .HOSE | 108120 | 2 |
| 11 | NAS1922-0400-3 | | .CLAMP | 108120 | 4 |
| 14 | 214N2177-91 | | .DUCT ASSY | 108120 | 1 |
| 17 | 214N2177-95 | | .DUCT ASSY | 108120 | 1 |
| 20 | MS20392-3C21 | | .PIN | 108120 | 10 |
| 23 | NAS1149D0416J | | .WASHER | 108120 | 10 |
| 26 | NAS1149D0516J | | .WASHER | 108120 | 10 |
| 29 | BRH10C5D | | .NUT SUPPLIER CODE: V52828 SPECIFICATION NUMBER: BACN10JC5CD OPTIONAL PART: T6C524JCD V11815 102LH9075-5W V72962 H51650-5BAC V15653 | 108120 | 10 |
| 32 | MS24665-132 | | .PIN-COTTER | 108120 | 10 |
| 35 | 412N2030-33 | | .DIAGONAL ASSY | 108120 | 9 |
| 38 | MS20392-3C17 | | ..PIN | 108120 | 1 |
| 41 | AN960PD416L | | ..WASHER | 108120 | 1 |
| 44 | MS24665-132 | | ..PIN-COTTER | 108120 | 1 |
| 47 | 412N2031-1 | | ..CLEVIS | 108120 | 1 |
| 50 | 412N2032-5 | | ..INSULATOR-CLEVIS | 108120 | 1 |
| 53 | 1293-29 | | ..ROD ASSY- SUPPLIER CODE: V34742 | 108120 | 1 |
| 56 | 412N2030-34 | | .DIAGONAL ASSY | 108120 | 1 |
| 59 | MS20392-3C17 | | ..PIN | 108120 | 1 |
| 62 | AN960PD416L | | ..WASHER | 108120 | 1 |
| 65 | MS24665-132 | | ..PIN-COTTER | 108120 | 1 |
| 68 | 412N2031-1 | | ..CLEVIS | 108120 | 1 |
| 71 | 412N2032-5 | | ..INSULATOR-CLEVIS | 108120 | 1 |

MISSING ITEM NUMBERS NOT APPLICABLE

- ITEM NOT ILLUSTRATED

21-23-01-01A

21-23-01
FIG. 01A
PAGE 1
JAN 20/09

BRI



757

PARTS CATALOG (MAINTENANCE)

| FIG ITEM | PART NUMBER | 1 2 3 4 5 6 7 | NOMENCLATURE | EFFECT FROM TO | UNITS PER ASSY |
|----------|----------------|---------------|---|----------------|----------------|
| 1 A | | | | | |
| 74 | 1293-31 | | . . ROD ASSY- SUPPLIER CODE: V34742 | 108120 | 1 |
| 77 | NAS1922-0750-3 | | . CLAMP | 108120 | 24 |
| 80 | NAS1922-0625-3 | | . CLAMP | 108120 | 4 |
| 83 | 214N2166-2 | | . DUCT-FLEX | 108120 | 4 |
| 86 | AS1506-30D32 | | . SLEEVE | 108120 | 5 |
| 89 | AS1506-30D33 | | . SLEEVE | 108120 | 5 |
| 92 | 214N2035-1 | | . PIN | 108120 | 16 |
| 95 | MLT2S | | . TIE- SUPPLIER CODE: V06383 | 108120 | 8 |
| 98 | MS28034-1 | | . BULB-TEMP ELECTRICAL EQUIP NUMBER: TS0185 TS0186 | 108120 | 2 |
| 111 | 624016-2 | | . SENSOR ASSY-TEMP SUPPLIER CODE: V07217 SPECIFICATION NUMBER: S210T130-75 ELECTRICAL EQUIP NUMBER: TS0177 TS0177 COMPONENT MAINT MANUAL REF: 21-65-01 | 108120 | 2 |
| - 114 | BACS12GU3K9 | | . SCREW | 108120 | 6 |
| 117 | 641121-1 | | . SWITCH ASSY-THERMAL SUPPLIER CODE: V07217 SPECIFICATION NUMBER: S210T130-18 ELECTRICAL EQUIP NUMBER: S00022 S00023 | 108120 | 2 |
| 120 | BACB30NR4K5 | | . BOLT | 108120 | 64 |
| 123 | BACW10P271TF | | . WASHER | 108120 | 128 |
| 126 | NAS1149D0463J | | . WASHER | 108120 | 128 |
| 129 | PLH54CM | | . NUT SUPPLIER CODE: V62554 SPECIFICATION NUMBER: BACN10YR4CM OPTIONAL PART: H52732-4CM V15653 | 108120 | 64 |
| - 132 | 214N2025-355B | | . DUCT ASSY- | 108120 | 1 |
| 135 | 69-42789-1 | | . . COVER-NOZZLE CAP | 108120 | 8 |
| 138 | 214N2180-29 | | . . DUCT ASSY-SEGMENT | 108120 | 1 |

MISSING ITEM NUMBERS NOT APPLICABLE

- ITEM NOT ILLUSTRATED

21-23-01-01A

21-23-01
FIG. 01A
PAGE 2
JAN 20/09

BRI

BOEING PROPRIETARY - Copyright © - Unpublished Work - See title page for details.



757

PARTS CATALOG (MAINTENANCE)

| FIG ITEM | PART NUMBER | 1 2 3 4 5 6 7 | NOMENCLATURE | EFFECT FROM TO | UNITS PER ASSY |
|----------|---------------|---------------|---|----------------|----------------|
| 1A | | | | | |
| 141 | 214N2183-11 | ... | NOZZLE ASSY ATTACHING PARTS | 108120 | 1 |
| 144 | BACS12GU3K7 | ... | SCREW | 108120 | 4 |
| 147 | NAS1149D0332J | ... | WASHER | 108120 | 4 |
| | | | -----*----- | | |
| 150 | 214N2167-2 | | BRACKET ATTACHING PARTS | 108120 | 2 |
| 153 | BACS12GU3K7 | | SCREW | 108120 | 6 |
| 156 | AN960JD10L | | WASHER | 108120 | 6 |
| | | | -----*----- | | |
| 159 | T012L0 | ... | STRAP SUPPLIER CODE: V53421 SPECIFICATION NUMBER: BACS38K6 | 108120 | 2 |
| 162 | 214N2168-1 | ... | BRACKET ASSY | 108120 | 1 |
| 165 | DE819 | | SHOCKMOUNT-ISOLATOR SUPPLIER CODE: V71985 SPECIFICATION NUMBER: S411T100-901 OPTIONAL PART: SL8113-3 V97393 ATTACHING PARTS | 108120 | 2 |
| - 168 | BACR15BA4D | | RIVET- SIZE DETERMINED ON INSTL. -----*----- | 108120 | 4 |
| 171 | 214N2167-1 | | BRACKET | 108120 | 1 |
| 174 | 214N2168-2 | ... | BRACKET ASSY | 108120 | 1 |
| 177 | DE819 | | SHOCKMOUNT-ISOLATOR SUPPLIER CODE: V71985 SPECIFICATION NUMBER: S411T100-901 OPTIONAL PART: SL8113-3 V97393 ATTACHING PARTS | 108120 | 2 |
| - 180 | BACR15BA4D | | RIVET- SIZE DETERMINED ON INSTL. -----*----- | 108120 | 4 |
| 183 | BACB30NX6K | | BOLT- SIZE DETERMINED ON INSTL. | 108120 | 4 |

MISSING ITEM NUMBERS NOT APPLICABLE

- ITEM NOT ILLUSTRATED

21-23-01-01A

21-23-01
FIG. 01A
PAGE 3
JAN 20/09

BRI

BOEING PROPRIETARY - Copyright © - Unpublished Work - See title page for details.



757

PARTS CATALOG (MAINTENANCE)

| FIG ITEM | PART NUMBER | 1 2 3 4 5 6 7 | NOMENCLATURE | EFFECT FROM TO | UNITS PER ASSY |
|-----------|----------------|---------------|---|----------------|----------------|
| 1A 186 | HL1187-6 | | COLLAR SUPPLIER CODE: V5M902 SPECIFICATION NUMBER: BACC30X6 OPTIONAL PART: HL87-6 V92215 HL87-6 V73197 HL1187-6 V56878 HL1187-6 V92215 HL87-6 V56878 HL1187-6 V73197 | 108120 | 4 |
| 189 | 214N2161-2 | | BRACKET | 108120 | 1 |
| 192 | 214N2161-3 | | BRACKET | 108120 | 1 |
| 195 | 214N2167-1 | | BRACKET | 108120 | 1 |
| 198 | 214N2184-1 | ... | SPACER | 108120 | 2 |
| 201 | NAS1922-0200-3 | ... | CLAMP | 108120 | 4 |
| 204 | AS1506-08D40 | ... | HOSE-FLEX | 108120 | 2 |
| 207 | 214T3436-1549 | ... | ORIFICE ASSY- OPTIONAL PART: 214T3436-1837 | 108120 | 2 |
| 207 | 214T3436-1837 | ... | ORIFICE ASSY- OPTIONAL PART: 214T3436-1549 | 108120 | 2 |
| 210 | 214N2177-79 | ... | DUCT ASSY | 108120 | 1 |
| 213 | 214N2180-32 | .. | DUCT ASSY | 108120 | 1 |
| 216 | 214N2183-2 | ... | NOZZLE ASSY ATTACHING PARTS | 108120 | 1 |
| 219 | BACS12GU3K7 | ... | SCREW | 108120 | 10 |
| 222 | NAS1149D0332J | ... | WASHER -----*----- | 108120 | 10 |
| 225 | 214N2167-2 | | BRACKET ATTACHING PARTS | 108120 | 5 |
| 228 | BACS12GU3K7 | | SCREW | 108120 | 15 |
| 231 | AN960JD10L | | WASHER -----*----- | 108120 | 15 |
| 234 | T012L0 | ... | STRAP SUPPLIER CODE: V53421 SPECIFICATION NUMBER: BACS38K6 | 108120 | 5 |
| 237 | 214N2168-1 | ... | BRACKET ASSY | 108120 | 4 |

MISSING ITEM NUMBERS NOT APPLICABLE

- ITEM NOT ILLUSTRATED

21-23-01-01A

21-23-01
FIG. 01A
PAGE 4
JAN 20/09

BRI

BOEING PROPRIETARY - Copyright © - Unpublished Work - See title page for details.



757

PARTS CATALOG (MAINTENANCE)

| FIG ITEM | PART NUMBER | 1 2 3 4 5 6 7 | NOMENCLATURE | EFFECT FROM TO | UNITS PER ASSY |
|-----------|-------------|---------------|---|----------------|----------------|
| 1A 240 | DE819 | | SHOCKMOUNT-ISOLATOR SUPPLIER CODE: V71985 SPECIFICATION NUMBER: S411T100-901 OPTIONAL PART: SL8113-3 V97393 ATTACHING PARTS | 108120 | 2 |
| - 243 | BACR15BA4D | | RIVET- SIZE DETERMINED ON INSTL. -----*----- | 108120 | 4 |
| 246 | 214N2167-1 | | BRACKET | 108120 | 1 |
| 249 | 214N2168-2 | ... | BRACKET ASSY | 108120 | 1 |
| 252 | DE819 | | SHOCKMOUNT-ISOLATOR SUPPLIER CODE: V71985 SPECIFICATION NUMBER: S411T100-901 OPTIONAL PART: SL8113-3 V97393 ATTACHING PARTS | 108120 | 2 |
| - 255 | BACR15BA4D | | RIVET- SIZE DETERMINED ON INSTL. -----*----- | 108120 | 4 |
| 258 | BACB30NX6K | | BOLT- SIZE DETERMINED ON INSTL. | 108120 | 4 |
| 261 | HL1187-6 | | COLLAR SUPPLIER CODE: V5M902 SPECIFICATION NUMBER: BACC30X6 OPTIONAL PART: HL87-6 V92215 HL87-6 V73197 HL1187-6 V56878 HL1187-6 V92215 HL87-6 V56878 HL1187-6 V73197 | 108120 | 4 |
| 264 | 214N2161-2 | | BRACKET | 108120 | 1 |
| 267 | 214N2161-3 | | BRACKET | 108120 | 1 |
| 270 | 214N2167-1 | | BRACKET | 108120 | 1 |

MISSING ITEM NUMBERS NOT APPLICABLE

- ITEM NOT ILLUSTRATED

21-23-01-01A

21-23-01
FIG. 01A
PAGE 5
JAN 20/09

BRI

BOEING PROPRIETARY - Copyright © - Unpublished Work - See title page for details.

 **BOEING**
757
PARTS CATALOG (MAINTENANCE)

| FIG ITEM | PART NUMBER | 1 2 3 4 5 6 7 | NOMENCLATURE | EFFECT FROM TO | UNITS PER ASSY |
|----------|----------------|---------------|---|----------------|----------------|
| 1A | | | | | |
| 273 | NAS1922-0200-3 | ... | CLAMP | 108120 | 10 |
| 276 | NAS1922-0750-3 | ... | CLAMP | 108120 | 2 |
| 279 | AS1506-08D21 | ... | HOSE-FLEX | 108120 | 5 |
| 282 | AS1505-30B0083 | ... | DUCT-FLEX | 108120 | 1 |
| 285 | 214T3436-1546 | ... | ORIFICE ASSY- OPTIONAL PART: 214T3436-1834 | 108120 | 5 |
| 285 | 214T3436-1834 | ... | ORIFICE ASSY- OPTIONAL PART: 214T3436-1546 | 108120 | 5 |
| 288 | 214N2177-3 | ... | DUCT ASSY | 108120 | 1 |
| 291 | 214N2177-83 | ... | DUCT ASSY | 108120 | 1 |
| 294 | 214N2180-33 | .. | DUCT ASSY-SEGMENT | 108120 | 1 |
| 297 | NAS1922-0625-3 | ... | CLAMP | 108120 | 1 |
| 300 | 841006-1 | ... | CAP- SUPPLIER CODE: V25205 | 108120 | 1 |
| 303 | 214N2183-3 | ... | NOZZLE ASSY ATTACHING PARTS | 108120 | 1 |
| 306 | BACS12GU3K7 | ... | SCREW | 108120 | 8 |
| 309 | NAS1149D0332J | ... | WASHER -----*----- | 108120 | 8 |
| 312 | 214N2167-2 | | BRACKET ATTACHING PARTS | 108120 | 4 |
| 315 | BACS12GU3K7 | | SCREW | 108120 | 12 |
| 318 | AN960JD10L | | WASHER -----*----- | 108120 | 12 |
| 321 | T012L0 | ... | STRAP SUPPLIER CODE: V53421 SPECIFICATION NUMBER: BACS38K6 | 108120 | 8 |
| 324 | 214N2168-1 | ... | BRACKET ASSY | 108120 | 3 |
| 327 | DE819 | | SHOCKMOUNT-ISOLATOR SUPPLIER CODE: V71985 SPECIFICATION NUMBER: S411T100-901 OPTIONAL PART: SL8113-3 V97393 ATTACHING PARTS | 108120 | 2 |
| - 330 | BACR15BA4D | | RIVET- SIZE DETERMINED ON INSTL. -----*----- | 108120 | 4 |
| 333 | 214N2167-1 | | BRACKET | 108120 | 1 |
| 336 | 214N2168-2 | ... | BRACKET ASSY | 108120 | 1 |

MISSING ITEM NUMBERS NOT APPLICABLE

- ITEM NOT ILLUSTRATED

BRI

21-23-01-01A

BOEING PROPRIETARY - Copyright © - Unpublished Work - See title page for details.

21-23-01
FIG. 01A
PAGE 6
JAN 20/09



757

PARTS CATALOG (MAINTENANCE)

| FIG ITEM | PART NUMBER | 1 2 3 4 5 6 7 | NOMENCLATURE | EFFECT FROM TO | UNITS PER ASSY |
|-----------|----------------|---------------|---|----------------|----------------|
| 1A 339 | DE819 | | SHOCKMOUNT-ISOLATOR SUPPLIER CODE: V71985 SPECIFICATION NUMBER: S411T100-901 OPTIONAL PART: SL8113-3 V97393 ATTACHING PARTS | 108120 | 2 |
| - 342 | BACR15BA4D | | RIVET- SIZE DETERMINED ON INSTL. -----*----- | 108120 | 4 |
| 345 | BACB30NX6K | | BOLT- SIZE DETERMINED ON INSTL. | 108120 | 4 |
| 348 | HL1187-6 | | COLLAR SUPPLIER CODE: V5M902 SPECIFICATION NUMBER: BACC30X6 OPTIONAL PART: HL87-6 V92215 HL87-6 V73197 HL1187-6 V56878 HL1187-6 V92215 HL87-6 V56878 HL1187-6 V73197 | 108120 | 4 |
| 351 | 214N2161-2 | | BRACKET | 108120 | 1 |
| 354 | 214N2161-3 | | BRACKET | 108120 | 1 |
| 357 | 214N2167-1 | | BRACKET | 108120 | 1 |
| 360 | 214N2184-1 | | SPACER | 108120 | 4 |
| 363 | NAS1922-0200-3 | ... | CLAMP | 108120 | 14 |
| 366 | AS1506-08D40 | ... | HOSE | 108120 | 7 |
| 369 | 214T3436-601 | ... | ORIFICE ASSY- OPTIONAL PART: 214T3436-1831 | 108120 | 7 |
| 369 | 214T3436-1831 | ... | ORIFICE ASSY- OPTIONAL PART: 214T3436-601 | 108120 | 7 |
| 372 | 214N2177-7 | ... | DUCT ASSY | 108120 | 1 |
| 375 | 214N2177-25 | ... | DUCT ASSY | 108120 | 1 |
| 378 | 214N2180-42 | .. | DUCT ASSY-SEGMENT | 108120 | 1 |
| 381 | 214N2183-27 | ... | NOZZLE ASSY | 108120 | 1 |

MISSING ITEM NUMBERS NOT APPLICABLE

- ITEM NOT ILLUSTRATED

21-23-01-01A

21-23-01
FIG. 01A
PAGE 7
JAN 20/09

BRI

 **BOEING**
757
PARTS CATALOG (MAINTENANCE)

| FIG ITEM | PART NUMBER | 1 2 3 4 5 6 7 | NOMENCLATURE | EFFECT FROM TO | UNITS PER ASSY |
|----------|---------------|---------------|---------------------------------------|----------------|----------------|
| 1 A | | | ATTACHING PARTS | | |
| 384 | BACS12GU3K7 | ... | SCREW | 108120 | 4 |
| 387 | NAS1149D0332J | ... | WASHER | 108120 | 4 |
| | | | -----*----- | | |
| 390 | 214N2167-2 | | BRACKET | 108120 | 2 |
| | | | ATTACHING PARTS | | |
| 393 | BACS12GU3K7 | | SCREW | 108120 | 6 |
| 396 | NAS1149D0332J | | WASHER | 108120 | 6 |
| | | | -----*----- | | |
| 399 | 214N2168-1 | ... | BRACKET ASSY | 108120 | 1 |
| 402 | DE819 | | SHOCKMOUNT-ISOLATOR | 108120 | 2 |
| | | | SUPPLIER CODE: V71985 | | |
| | | | SPECIFICATION NUMBER: S411T100-901 | | |
| | | | OPTIONAL PART: SL8113-3 V97393 | | |
| | | | ATTACHING PARTS | | |
| - 405 | BACR15BA4D | | RIVET- | 108120 | 4 |
| | | | SIZE DETERMINED ON INSTL. | | |
| | | | -----*----- | | |
| 408 | 214N2167-1 | | BRACKET | 108120 | 1 |
| 411 | 214N2168-2 | ... | BRACKET ASSY | 108120 | 1 |
| 414 | DE819 | | SHOCKMOUNT-ISOLATOR | 108120 | 2 |
| | | | SUPPLIER CODE: V71985 | | |
| | | | SPECIFICATION NUMBER: S411T100-901 | | |
| | | | OPTIONAL PART: SL8113-3 V97393 | | |
| | | | ATTACHING PARTS | | |
| - 417 | BACR15BA4D | | RIVET- | 108120 | 4 |
| | | | SIZE DETERMINED ON INSTL. | | |
| | | | -----*----- | | |
| 420 | BACB30NX6K | | BOLT- | 108120 | 4 |
| | | | SIZE DETERMINED ON INSTL. | | |

MISSING ITEM NUMBERS NOT APPLICABLE

- ITEM NOT ILLUSTRATED

BRI

21-23-01-01A

BOEING PROPRIETARY - Copyright © - Unpublished Work - See title page for details.

21-23-01
FIG. 01A
PAGE 8
JAN 20/09

BOEING
757
PARTS CATALOG (MAINTENANCE)

| FIG ITEM | PART NUMBER | 1 2 3 4 5 6 7 | NOMENCLATURE | EFFECT FROM TO | UNITS PER ASSY |
|------------|-----------------|---------------|---|----------------|----------------|
| 1 A 423 | HL1187-6 | | COLLAR SUPPLIER CODE: V5M902 SPECIFICATION NUMBER: BACC30X6 OPTIONAL PART: HL87-6 V92215 HL87-6 V73197 HL1187-6 V56878 HL1187-6 V92215 HL87-6 V56878 HL1187-6 V73197 | 108120 | 4 |
| 426 | 214N2161-2 | | BRACKET | 108120 | 1 |
| 429 | 214N2161-3 | | BRACKET | 108120 | 1 |
| 432 | 214N2167-1 | | BRACKET | 108120 | 1 |
| 435 | NAS1922-0200-3 | ... | CLAMP | 108120 | 6 |
| 438 | NAS1922-0825-3 | ... | CLAMP | 108120 | 4 |
| 441 | AS4804-08-0082A | ... | HOSE-FLEX | 108120 | 2 |
| 444 | AS1591-08-0070A | ... | HOSE-FLEX SUPPLIER CODE: V81343 | 108120 | 1 |
| 447 | 214T3436-1831 | ... | ORIFICE ASSY | 108120 | 3 |
| 450 | 214N2182-23 | ... | DUCT ASSY | 108120 | 1 |
| 453 | 214N2182-29 | ... | DUCT ASSY | 108120 | 1 |
| 454 | BAC27NEC0091 | | DECAL | 108120 | 1 |
| 456 | 214N2180-43 | .. | DUCT ASSY-SEGMENT | 108120 | 1 |
| 459 | 214N2183-28 | ... | NOZZLE ASSY ATTACHING PARTS | 108120 | 1 |
| 462 | BACS12GU3K7 | ... | SCREW | 108120 | 6 |
| 465 | NAS1149D0332J | ... | WASHER -----*----- | 108120 | 6 |
| 468 | 214N2167-2 | | BRACKET ATTACHING PARTS | 108120 | 3 |
| 471 | BACS12GU3K7 | | SCREW | 108120 | 9 |
| 474 | NAS1149D0332J | | WASHER -----*----- | 108120 | 9 |
| 477 | 214N2168-1 | ... | BRACKET ASSY | 108120 | 2 |

MISSING ITEM NUMBERS NOT APPLICABLE

— ITEM NOT ILLUSTRATED

BRI

21-23-01-01A

BOEING PROPRIETARY - Copyright © - Unpublished Work - See title page for details.

21-23-01
FIG. 01A
PAGE 9
MAY 20/09



757

PARTS CATALOG (MAINTENANCE)

| FIG ITEM | PART NUMBER | 1 2 3 4 5 6 7 | NOMENCLATURE | EFFECT FROM TO | UNITS PER ASSY |
|------------|-------------|---------------|---|----------------|----------------|
| 1 A 480 | DE819 | | SHOCKMOUNT-ISOLATOR SUPPLIER CODE: V71985 SPECIFICATION NUMBER: S411T100-901 OPTIONAL PART: SL8113-3 V97393 ATTACHING PARTS | 108120 | 2 |
| - 483 | BACR15BA4D | | RIVET- SIZE DETERMINED ON INSTL. -----*----- | 108120 | 4 |
| 486 | 214N2167-1 | | BRACKET | 108120 | 1 |
| 489 | 214N2168-3 | ... | BRACKET ASSY | 108120 | 1 |
| 492 | DE819 | | SHOCKMOUNT-ISOLATOR SUPPLIER CODE: V71985 SPECIFICATION NUMBER: S411T100-901 OPTIONAL PART: SL8113-3 V97393 ATTACHING PARTS | 108120 | 2 |
| - 495 | BACR15BA4D | | RIVET- SIZE DETERMINED ON INSTL. -----*----- | 108120 | 4 |
| 498 | BACB30NX6K | | BOLT- SIZE DETERMINED ON INSTL. | 108120 | 4 |
| 501 | HL1187-6 | | COLLAR SUPPLIER CODE: V5M902 SPECIFICATION NUMBER: BACC30X6 OPTIONAL PART: HL87-6 V92215 HL87-6 V73197 HL1187-6 V56878 HL1187-6 V92215 HL87-6 V56878 HL1187-6 V73197 | 108120 | 4 |
| 504 | 214N2161-2 | | BRACKET | 108120 | 1 |
| 507 | 214N2161-3 | | BRACKET | 108120 | 1 |
| 510 | 214N2167-1 | | BRACKET | 108120 | 1 |

MISSING ITEM NUMBERS NOT APPLICABLE

- ITEM NOT ILLUSTRATED

21-23-01-01A

21-23-01
FIG. 01A
PAGE 10
MAY 20/09

BRI

BOEING
757
PARTS CATALOG (MAINTENANCE)

| FIG ITEM | PART NUMBER | 1 2 3 4 5 6 7 | NOMENCLATURE | EFFECT FROM TO | UNITS PER ASSY |
|----------|-----------------|---------------|---------------------------------------|----------------|----------------|
| 1 A | | | | | |
| 513 | NAS1922-0200-3 | ... | CLAMP | 108120 | 8 |
| 516 | NAS1922-0825-3 | ... | CLAMP | 108120 | 6 |
| 519 | AS1591-08-0070A | ... | HOSE-FLEX | 108120 | 4 |
| | | | SUPPLIER CODE: V81343 | | |
| 522 | 214T3436-1843 | ... | ORIFICE ASSY | 108120 | 4 |
| 525 | 214N2182-25 | ... | DUCT ASSY | 108120 | 1 |
| 528 | 214N2182-27 | ... | DUCT ASSY | 108120 | 1 |
| 531 | BAC27NEC0092 | | DECAL | 108120 | 1 |
| 534 | 214N2180-14 | .. | DUCT ASSY-SEGMENT | 108120 | 1 |
| 537 | 214N2183-14 | ... | NOZZLE ASSY | 108120 | 1 |
| | | | ATTACHING PARTS | | |
| 540 | BACS12GU3K7 | ... | SCREW | 108120 | 6 |
| 543 | NAS1149D0332J | ... | WASHER | 108120 | 6 |
| | | | -----*----- | | |
| 546 | 214N2167-2 | | BRACKET | 108120 | 3 |
| | | | ATTACHING PARTS | | |
| 549 | BACS12GU3K7 | | SCREW | 108120 | 9 |
| 552 | AN960JD10L | | WASHER | 108120 | 9 |
| | | | -----*----- | | |
| 555 | T012L0 | ... | STRAP | 108120 | 6 |
| | | | SUPPLIER CODE: V53421 | | |
| | | | SPECIFICATION NUMBER: BACS38K6 | | |
| 558 | 214N2168-1 | ... | BRACKET ASSY | 108120 | 2 |
| 561 | DE819 | | SHOCKMOUNT-ISOLATOR | 108120 | 2 |
| | | | SUPPLIER CODE: V71985 | | |
| | | | SPECIFICATION NUMBER: S411T100-901 | | |
| | | | OPTIONAL PART: SL8113-3 V97393 | | |
| | | | ATTACHING PARTS | | |
| - 564 | BACR15BA4D | | RIVET- | 108120 | 4 |
| | | | SIZE DETERMINED ON INSTL. | | |
| | | | -----*----- | | |
| 567 | 214N2167-1 | | BRACKET | 108120 | 1 |
| 570 | 214N2168-2 | ... | BRACKET ASSY | 108120 | 1 |
| 573 | DE819 | | SHOCKMOUNT-ISOLATOR | 108120 | 2 |
| | | | SUPPLIER CODE: V71985 | | |
| | | | SPECIFICATION NUMBER: S411T100-901 | | |
| | | | OPTIONAL PART: SL8113-3 V97393 | | |

MISSING ITEM NUMBERS NOT APPLICABLE

- ITEM NOT ILLUSTRATED

BRI

21-23-01-01A

BOEING PROPRIETARY - Copyright © - Unpublished Work - See title page for details.

21-23-01
FIG. 01A
PAGE 11
MAY 20/09

BOEING
757
PARTS CATALOG (MAINTENANCE)

| FIG ITEM | PART NUMBER | 1 2 3 4 5 6 7 | NOMENCLATURE | EFFECT FROM TO | UNITS PER ASSY |
|----------|----------------|---------------|---|----------------|----------------|
| 1A | | | ATTACHING PARTS | | |
| - 576 | BACR15BA4D | | RIVET- SIZE DETERMINED ON INSTL. -----*----- | 108120 | 4 |
| 579 | BACB30NX6K | | BOLT- SIZE DETERMINED ON INSTL. | 108120 | 4 |
| 582 | HL1187-6 | | COLLAR SUPPLIER CODE: V5M902 SPECIFICATION NUMBER: BACC30X6 OPTIONAL PART: HL87-6 V92215 HL87-6 V73197 HL1187-6 V56878 HL1187-6 V92215 HL87-6 V56878 HL1187-6 V73197 | 108120 | 4 |
| 585 | 214N2161-2 | | BRACKET | 108120 | 1 |
| 588 | 214N2161-3 | | BRACKET | 108120 | 1 |
| 591 | 214N2167-1 | | BRACKET | 108120 | 1 |
| 594 | NAS1922-0200-3 | ... | CLAMP | 108120 | 10 |
| 597 | AS1506-08D21 | ... | HOSE-FLEX | 108120 | 5 |
| 600 | 214T3436-601 | ... | ORIFICE ASSY- OPTIONAL PART: 214T3436-1831 | 108120 | 5 |
| 600 | 214T3436-1831 | ... | ORIFICE ASSY- OPTIONAL PART: 214T3436-601 | 108120 | 5 |
| 603 | 214N2177-13 | ... | DUCT ASSY | 108120 | 1 |
| 606 | 214N2177-45 | ... | DUCT ASSY | 108120 | 1 |
| 609 | 214N2180-7 | .. | DUCT ASSY-SEGMENT | 108120 | 1 |
| 612 | 214N2183-7 | ... | NOZZLE ASSY ATTACHING PARTS | 108120 | 1 |
| 615 | BACS12GU3K7 | ... | SCREW | 108120 | 8 |
| 618 | NAS1149D0332J | ... | WASHER -----*----- | 108120 | 8 |
| 621 | 214N2167-2 | | BRACKET ATTACHING PARTS | 108120 | 4 |
| 624 | BACS12GU3K7 | | SCREW | 108120 | 12 |
| 627 | AN960JD10L | | WASHER -----*----- | 108120 | 12 |

MISSING ITEM NUMBERS NOT APPLICABLE

- ITEM NOT ILLUSTRATED

21-23-01-01A

21-23-01
FIG. 01A
PAGE 12
MAY 20/09

BRI

BOEING PROPRIETARY - Copyright © - Unpublished Work - See title page for details.



757

PARTS CATALOG (MAINTENANCE)

| FIG ITEM | PART NUMBER | 1 2 3 4 5 6 7 | NOMENCLATURE | EFFECT FROM TO | UNITS PER ASSY |
|-----------|-------------|---------------|---|----------------|----------------|
| 1A 630 | T012L0 | | ...STRAP SUPPLIER CODE: V53421 SPECIFICATION NUMBER: BACS38K6 | 108120 | 8 |
| 633 | 214N2168-1 | | ...BRACKET ASSY | 108120 | 3 |
| 636 | DE819 | |SHOCKMOUNT-ISOLATOR SUPPLIER CODE: V71985 SPECIFICATION NUMBER: S411T100-901 OPTIONAL PART: SL8113-3 V97393 ATTACHING PARTS | 108120 | 2 |
| - 639 | BACR15BA4D | |RIVET- SIZE DETERMINED ON INSTL. -----*----- | 108120 | 4 |
| 642 | 214N2167-1 | |BRACKET | 108120 | 1 |
| 645 | 214N2168-3 | | ...BRACKET ASSY | 108120 | 1 |
| 648 | DE819 | |SHOCKMOUNT-ISOLATOR SUPPLIER CODE: V71985 SPECIFICATION NUMBER: S411T100-901 OPTIONAL PART: SL8113-3 V97393 ATTACHING PARTS | 108120 | 2 |
| - 651 | BACR15BA4D | |RIVET- SIZE DETERMINED ON INSTL. -----*----- | 108120 | 4 |
| 654 | BACB30NX6K | |BOLT- SIZE DETERMINED ON INSTL. | 108120 | 4 |

MISSING ITEM NUMBERS NOT APPLICABLE

- ITEM NOT ILLUSTRATED

21-23-01-01A

21-23-01
FIG. 01A
PAGE 13
MAY 20/09

BRI



757

PARTS CATALOG (MAINTENANCE)

| FIG ITEM | PART NUMBER | 1 2 3 4 5 6 7 | NOMENCLATURE | EFFECT FROM TO | UNITS PER ASSY |
|-----------|----------------|---------------|---|----------------|----------------|
| 1A 657 | HL1187-6 | | COLLAR SUPPLIER CODE: V5M902 SPECIFICATION NUMBER: BACC30X6 OPTIONAL PART: HL87-6 V92215 HL87-6 V73197 HL1187-6 V56878 HL1187-6 V92215 HL87-6 V56878 HL1187-6 V73197 | 108120 | 4 |
| 660 | 214N2161-2 | | BRACKET | 108120 | 1 |
| 663 | 214N2161-3 | | BRACKET | 108120 | 1 |
| 665 | 214N2167-1 | | BRACKET | 108120 | 1 |
| 669 | NAS1922-0200-3 | ... | CLAMP | 108120 | 14 |
| 672 | AS1506-08D21 | ... | HOSE-FLEX | 108120 | 7 |
| 675 | 214T3436-601 | ... | ORIFICE ASSY- OPTIONAL PART: 214T3436-1831 | 108120 | 7 |
| 675 | 214T3436-1831 | ... | ORIFICE ASSY- OPTIONAL PART: 214T3436-601 | 108120 | 7 |
| 678 | 214N2177-15 | ... | DUCT ASSY | 108120 | 1 |
| 681 | 214N2177-33 | ... | DUCT ASSY | 108120 | 1 |
| 684 | 214N2180-16 | .. | DUCT ASSY-SEGMENT | 108120 | 1 |
| 687 | 214N2183-16 | ... | NOZZLE ASSY ATTACHING PARTS | 108120 | 1 |
| 690 | BACS12GU3K7 | ... | SCREW | 108120 | 4 |
| 693 | NAS1149D0332J | ... | WASHER -----*----- | 108120 | 4 |
| 696 | 214N2167-2 | | BRACKET ATTACHING PARTS | 108120 | 2 |
| 699 | BACS12GU3K7 | | SCREW | 108120 | 6 |
| 702 | AN960JD10L | | WASHER -----*----- | 108120 | 6 |
| 705 | T012L0 | ... | STRAP SUPPLIER CODE: V53421 SPECIFICATION NUMBER: BACS38K6 | 108120 | 6 |
| 708 | 214N2184-1 | ... | SPACER | 108120 | 3 |
| 711 | 214N2168-1 | ... | BRACKET ASSY | 108120 | 1 |

MISSING ITEM NUMBERS NOT APPLICABLE

- ITEM NOT ILLUSTRATED

21-23-01-01A

21-23-01
FIG. 01A
PAGE 14
MAY 20/09

BRI

BOEING PROPRIETARY - Copyright © - Unpublished Work - See title page for details.



757

PARTS CATALOG (MAINTENANCE)

| FIG ITEM | PART NUMBER | 1 2 3 4 5 6 7 | NOMENCLATURE | EFFECT FROM TO | UNITS PER ASSY |
|-----------|-------------|---------------|---|----------------|----------------|
| 1A 714 | DE819 | | SHOCKMOUNT-ISOLATOR SUPPLIER CODE: V71985 SPECIFICATION NUMBER: S411T100-901 OPTIONAL PART: SL8113-3 V97393 ATTACHING PARTS | 108120 | 2 |
| - 717 | BACR15BA4D | | RIVET- SIZE DETERMINED ON INSTL. -----*----- | 108120 | 4 |
| 720 | 214N2167-1 | | BRACKET | 108120 | 1 |
| 723 | 214N2168-2 | ... | BRACKET ASSY | 108120 | 1 |
| 726 | DE819 | | SHOCKMOUNT-ISOLATOR SUPPLIER CODE: V71985 SPECIFICATION NUMBER: S411T100-901 OPTIONAL PART: SL8113-3 V97393 ATTACHING PARTS | 108120 | 2 |
| - 729 | BACR15BA4D | | RIVET- SIZE DETERMINED ON INSTL. -----*----- | 108120 | 4 |
| 732 | BACB30NX6K | | BOLT- SIZE DETERMINED ON INSTL. | 108120 | 4 |
| 735 | HL1187-6 | | COLLAR SUPPLIER CODE: V5M902 SPECIFICATION NUMBER: BACC30X6 OPTIONAL PART: HL87-6 V92215 HL87-6 V73197 HL1187-6 V56878 HL1187-6 V92215 HL87-6 V56878 HL1187-6 V73197 | 108120 | 4 |
| 738 | 214N2161-2 | | BRACKET | 108120 | 1 |
| 741 | 214N2161-3 | | BRACKET | 108120 | 1 |
| 744 | 214N2167-1 | | BRACKET | 108120 | 1 |

MISSING ITEM NUMBERS NOT APPLICABLE

- ITEM NOT ILLUSTRATED

21-23-01-01A

21-23-01
FIG. 01A
PAGE 15
MAY 20/09

BRI

BOEING PROPRIETARY - Copyright © - Unpublished Work - See title page for details.

BOEING
757
PARTS CATALOG (MAINTENANCE)

| FIG ITEM | PART NUMBER | 1 2 3 4 5 6 7 | NOMENCLATURE | EFFECT FROM TO | UNITS PER ASSY |
|----------|----------------|---------------|---------------------------------------|----------------|----------------|
| 1A | | | | | |
| 747 | 214N2167-1 | ... | BRACKET | 108120 | 1 |
| 750 | NAS1922-0200-3 | ... | CLAMP | 108120 | 2 |
| 753 | NAS1922-0625-3 | ... | CLAMP | 108120 | 1 |
| 756 | AS1506-08D40 | ... | HOSE-FLEX | 108120 | 1 |
| 759 | 841006-1 | ... | CAP- | 108120 | 1 |
| | | | SUPPLIER CODE: V25205 | | |
| 762 | 214T3436-1552 | ... | ORIFICE ASSY- | 108120 | 1 |
| | | | OPTIONAL PART: 214T3436-1840 | | |
| 762 | 214T3436-1840 | ... | ORIFICE ASSY- | 108120 | 1 |
| | | | OPTIONAL PART: 214T3436-1552 | | |
| 765 | 214N2177-17 | ... | DUCT ASSY | 108120 | 1 |
| 768 | 214N2177-49 | ... | DUCT ASSY | 108120 | 1 |
| 771 | 214N2180-15 | .. | DUCT ASSY-SEGMENT | 108120 | 1 |
| 774 | 214N2183-15 | ... | NOZZLE ASSY | 108120 | 1 |
| | | | ATTACHING PARTS | | |
| 777 | BACS12GU3K7 | ... | SCREW | 108120 | 6 |
| 780 | NAS1149D0332J | ... | WASHER | 108120 | 6 |
| | | | -----*----- | | |
| 783 | 214N2167-2 | | BRACKET | 108120 | 3 |
| | | | ATTACHING PARTS | | |
| 786 | BACS12GU3K7 | | SCREW | 108120 | 9 |
| 789 | AN960JD10L | | WASHER | 108120 | 9 |
| | | | -----*----- | | |
| 792 | T012L0 | ... | STRAP | 108120 | 3 |
| | | | SUPPLIER CODE: V53421 | | |
| | | | SPECIFICATION NUMBER: BACS38K6 | | |
| 795 | 214N2168-1 | ... | BRACKET ASSY | 108120 | 2 |
| 798 | DE819 | | SHOCKMOUNT-ISOLATOR | 108120 | 2 |
| | | | SUPPLIER CODE: V71985 | | |
| | | | SPECIFICATION NUMBER: S411T100-901 | | |
| | | | OPTIONAL PART: SL8113-3 V97393 | | |
| | | | ATTACHING PARTS | | |
| - 801 | BACR15BA4D | | RIVET- | 108120 | 4 |
| | | | SIZE DETERMINED ON INSTL. | | |
| | | | -----*----- | | |
| 804 | 214N2167-1 | | BRACKET | 108120 | 1 |
| 807 | 214N2168-3 | ... | BRACKET ASSY | 108120 | 1 |

MISSING ITEM NUMBERS NOT APPLICABLE

- ITEM NOT ILLUSTRATED

BRI

21-23-01-01A

21-23-01
FIG. 01A
PAGE 16
MAY 20/09

BOEING PROPRIETARY - Copyright © - Unpublished Work - See title page for details.



757

PARTS CATALOG (MAINTENANCE)

| FIG ITEM | PART NUMBER | 1 2 3 4 5 6 7 | NOMENCLATURE | EFFECT FROM TO | UNITS PER ASSY |
|-----------|----------------|---------------|---|----------------|----------------|
| 1A 810 | DE819 | | SHOCKMOUNT-ISOLATOR SUPPLIER CODE: V71985 SPECIFICATION NUMBER: S411T100-901 OPTIONAL PART: SL8113-3 V97393 ATTACHING PARTS | 108120 | 2 |
| - 813 | BACR15BA4D | | RIVET- SIZE DETERMINED ON INSTL. -----*----- | 108120 | 4 |
| 816 | BACB30NX6K | | BOLT- SIZE DETERMINED ON INSTL. | 108120 | 4 |
| 819 | HL1187-6 | | COLLAR SUPPLIER CODE: V5M902 SPECIFICATION NUMBER: BACC30X6 OPTIONAL PART: HL87-6 V92215 HL87-6 V73197 HL1187-6 V56878 HL1187-6 V92215 HL87-6 V56878 HL1187-6 V73197 | 108120 | 4 |
| 822 | 214N2161-2 | | BRACKET | 108120 | 1 |
| 825 | 214N2161-3 | | BRACKET | 108120 | 1 |
| 828 | 214N2167-1 | | BRACKET | 108120 | 1 |
| 831 | NAS1922-0200-3 | ... | CLAMP | 108120 | 10 |
| 834 | AS1506-08D21 | ... | HOSE-FLEX | 108120 | 5 |
| 837 | 214T3436-601 | ... | ORIFICE ASSY- OPTIONAL PART: 214T3436-1831 | 108120 | 5 |
| 837 | 214T3436-1831 | ... | ORIFICE ASSY- OPTIONAL PART: 214T3436-601 | 108120 | 5 |
| 840 | 214N2177-47 | ... | DUCT ASSY | 108120 | 1 |
| 843 | 214N2180-10 | .. | DUCT ASSY-SEGMENT | 108120 | 1 |
| 846 | 214N2183-10 | ... | NOZZLE ASSY ATTACHING PARTS | 108120 | 1 |
| 849 | BACS12GU3K7 | ... | SCREW | 108120 | 6 |

MISSING ITEM NUMBERS NOT APPLICABLE

- ITEM NOT ILLUSTRATED

21-23-01-01A

21-23-01
FIG. 01A
PAGE 17
MAY 20/09

BRI



757

PARTS CATALOG (MAINTENANCE)

| FIG ITEM | PART NUMBER | 1 2 3 4 5 6 7 | NOMENCLATURE | EFFECT FROM TO | UNITS PER ASSY |
|----------|---------------|---------------|---|----------------|----------------|
| 1 A | | | | | |
| 852 | NAS1149D0332J | ... | WASHER -----*----- | 108120 | 6 |
| 855 | 214N2167-2 | | BRACKET ATTACHING PARTS | 108120 | 3 |
| 858 | BACS12GU3K7 | | SCREW | 108120 | 9 |
| 861 | AN960JD10L | | WASHER -----*----- | 108120 | 9 |
| 864 | T012L0 | ... | STRAP SUPPLIER CODE: V53421 SPECIFICATION NUMBER: BACS38K6 | 108120 | 3 |
| 867 | 214N2168-1 | ... | BRACKET ASSY | 108120 | 2 |
| 870 | DE819 | | SHOCKMOUNT-ISOLATOR SUPPLIER CODE: V71985 SPECIFICATION NUMBER: S411T100-901 OPTIONAL PART: SL8113-3 V97393 ATTACHING PARTS | 108120 | 2 |
| - 873 | BACR15BA4D | | RIVET- SIZE DETERMINED ON INSTL. -----*----- | 108120 | 4 |
| 876 | 214N2167-1 | | BRACKET | 108120 | 1 |
| 879 | 214N2168-2 | ... | BRACKET ASSY | 108120 | 1 |
| 882 | DE819 | | SHOCKMOUNT-ISOLATOR SUPPLIER CODE: V71985 SPECIFICATION NUMBER: S411T100-901 OPTIONAL PART: SL8113-3 V97393 ATTACHING PARTS | 108120 | 2 |
| - 885 | BACR15BA4D | | RIVET- SIZE DETERMINED ON INSTL. -----*----- | 108120 | 4 |
| 888 | BACB30NX6K | | BOLT- SIZE DETERMINED ON INSTL. | 108120 | 4 |

MISSING ITEM NUMBERS NOT APPLICABLE

- ITEM NOT ILLUSTRATED

21-23-01-01A

21-23-01
FIG. 01A
PAGE 18
MAY 20/09

BRI

BOEING PROPRIETARY - Copyright © - Unpublished Work - See title page for details.



757

PARTS CATALOG (MAINTENANCE)

| FIG ITEM | PART NUMBER | 1 2 3 4 5 6 7 | NOMENCLATURE | EFFECT FROM TO | UNITS PER ASSY |
|------------|----------------|---------------|---|----------------|----------------|
| 1 A 891 | HL1187-6 | | COLLAR SUPPLIER CODE: V5M902 SPECIFICATION NUMBER: BACC30X6 OPTIONAL PART: HL87-6 V92215 HL87-6 V73197 HL1187-6 V56878 HL1187-6 V92215 HL87-6 V56878 HL1187-6 V73197 | 108120 | 4 |
| 894 | 214N2161-2 | | BRACKET | 108120 | 1 |
| 897 | 214N2161-3 | | BRACKET | 108120 | 1 |
| 900 | 214N2167-1 | | BRACKET | 108120 | 1 |
| 903 | NAS1922-0200-3 | ... | CLAMP | 108120 | 6 |
| 906 | AS1506-08D40 | ... | HOSE | 108120 | 3 |
| 909 | 214T3436-1552 | ... | ORIFICE ASSY- OPTIONAL PART: 214T3436-1840 | 108120 | 3 |
| 909 | 214T3436-1840 | ... | ORIFICE ASSY- OPTIONAL PART: 214T3436-1552 | 108120 | 3 |
| 912 | 214N2177-21 | ... | DUCT ASSY | 108120 | 1 |
| - 921 | 286N2728-301 | | WIRE BUNDLE ASSY | 108120 | RF |
| - 923 | BACC10GH10 | . | CLAMP- ELECTRICAL EQUIP NUMBER: D02566T WIRING DIAGRAM REF: 216121 | 108120 | 1 |

MISSING ITEM NUMBERS NOT APPLICABLE

- ITEM NOT ILLUSTRATED

21-23-01-01A

21-23-01
FIG. 01A
PAGE 19
MAY 20/09

BRI



757

PARTS CATALOG (MAINTENANCE)

| FIG ITEM | PART NUMBER | 1 2 3 4 5 6 7 | NOMENCLATURE | EFFECT FROM TO | UNITS PER ASSY |
|-------------|----------------|---------------|--|----------------|----------------|
| 1A - 926 | 457EA005C10 | | .BACKSHELL- SUPPLIER CODE: V06324 SPECIFICATION NUMBER: BACC10JC10 OPTIONAL PART: GTR21-10CD V06324 S3642-10 V07418 ELECTRICAL EQUIP NUMBER: D02580T WIRING DIAGRAM REF: 216131 | 108120 | 1 |
| 929 | C48-06R10-20S | | .PLUG- SUPPLIER CODE: V13556 ELECTRICAL EQUIP NUMBER: D02566 D02580 WIRING DIAGRAM REF: 216121 216131 OPTIONAL SUPPLIER CODE: 86165 | 108120 | 2 |
| 932 | BACC63CE12SA3S | | .CONNECTOR- ELECTRICAL EQUIP NUMBER: D04650 WIRING DIAGRAM REF: 216512 | 108120 | 1 |
| 935 | BACC45FT10-5S | | .CONNECTOR- ELECTRICAL EQUIP NUMBER: D02564 WIRING DIAGRAM REF: 216121 | 108120 | 1 |
| 938 | BACC63CE12S3S | | .CONNECTOR- ELECTRICAL EQUIP NUMBER: D04652 WIRING DIAGRAM REF: 216512 | 108120 | 1 |
| 941 | BACC45FT10A5S | | .CONNECTOR- ELECTRICAL EQUIP NUMBER: D02578 WIRING DIAGRAM REF: 216131 | 108120 | 1 |

MISSING ITEM NUMBERS NOT APPLICABLE

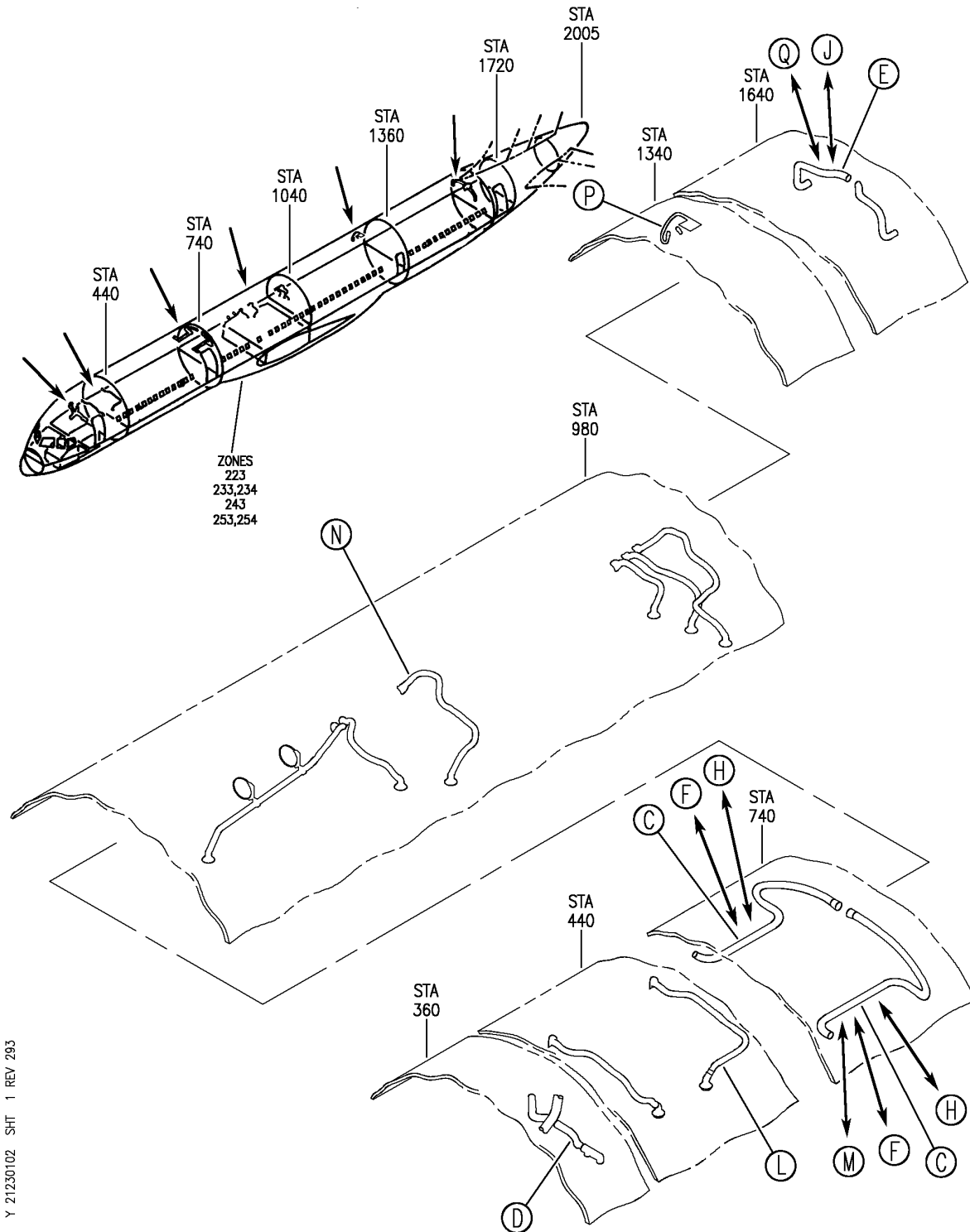
- ITEM NOT ILLUSTRATED

21-23-01-01A

21-23-01
FIG. 01A
PAGE 20
MAY 20/09

BRI

BOEING
757
PARTS CATALOG (MAINTENANCE)



Y 21230102 SHT 1 REV 293

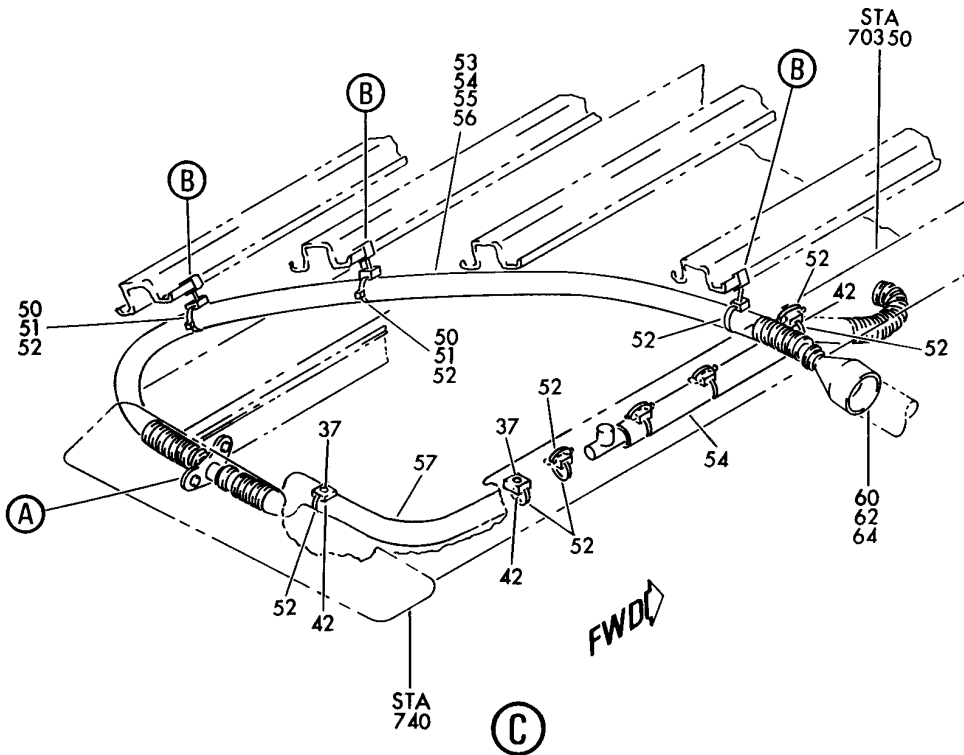
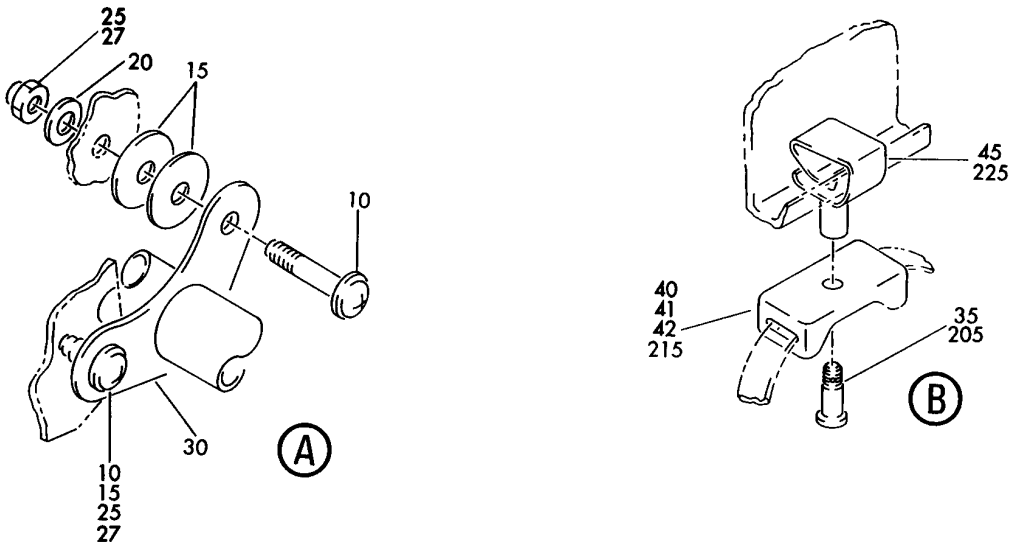
DUCT INSTL-OVERDOOR GASPER
FIGURE 2 (SHEET 1)

21-23-01-02

BRI
MAY 28/07

21-23-01-02
PAGE 0

BOEING
757
PARTS CATALOG (MAINTENANCE)



Y 21230102 SHT 2 REV 158

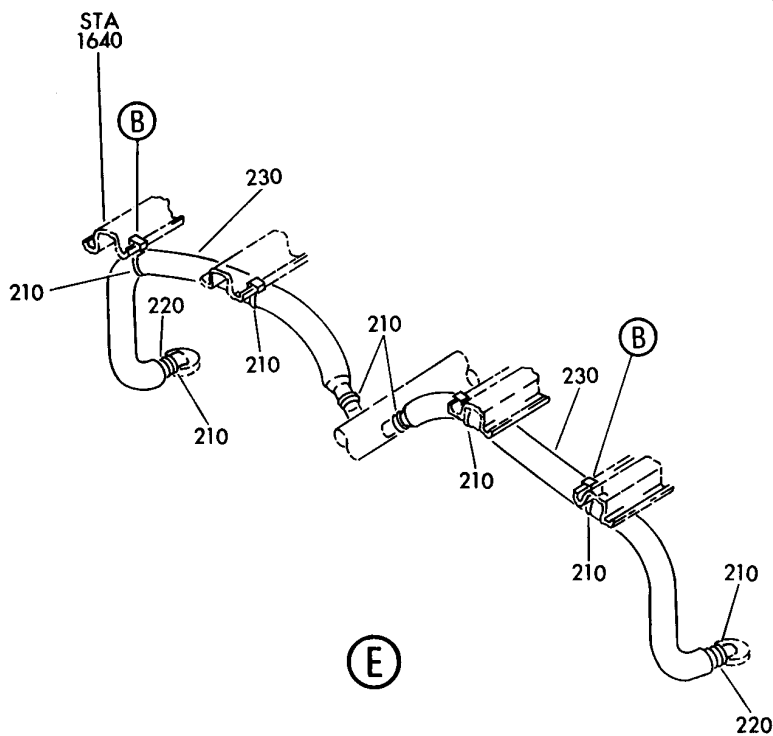
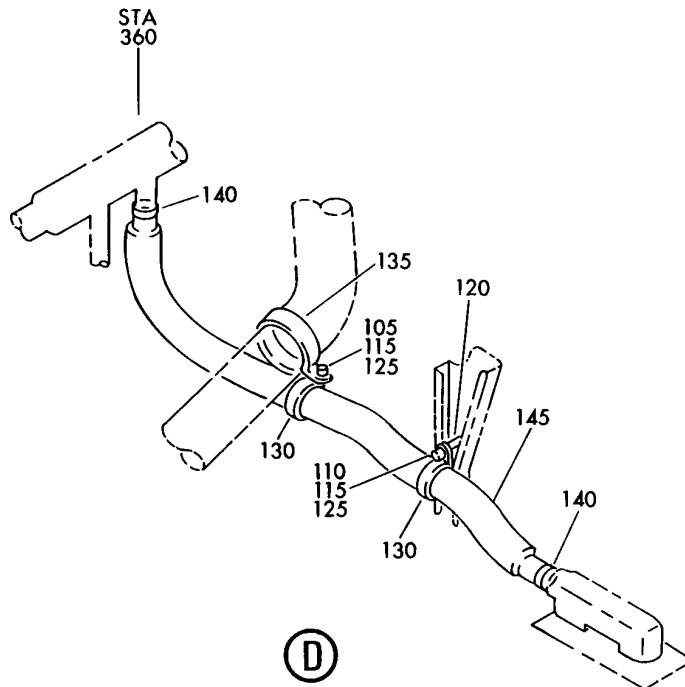
DUCT INSTL-OVERDOOR GASPER
FIGURE 2 (SHEET 2)

21-23-01-02

BRI
MAY 28/07

21-23-01-02
PAGE 0A

BOEING
757
PARTS CATALOG (MAINTENANCE)



Y 21230102 SHT 3 REV 158

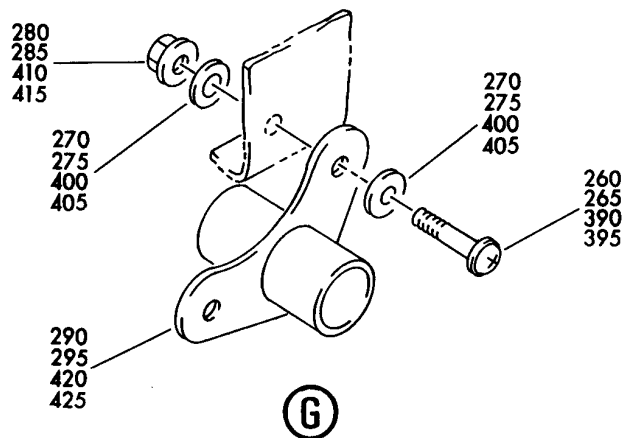
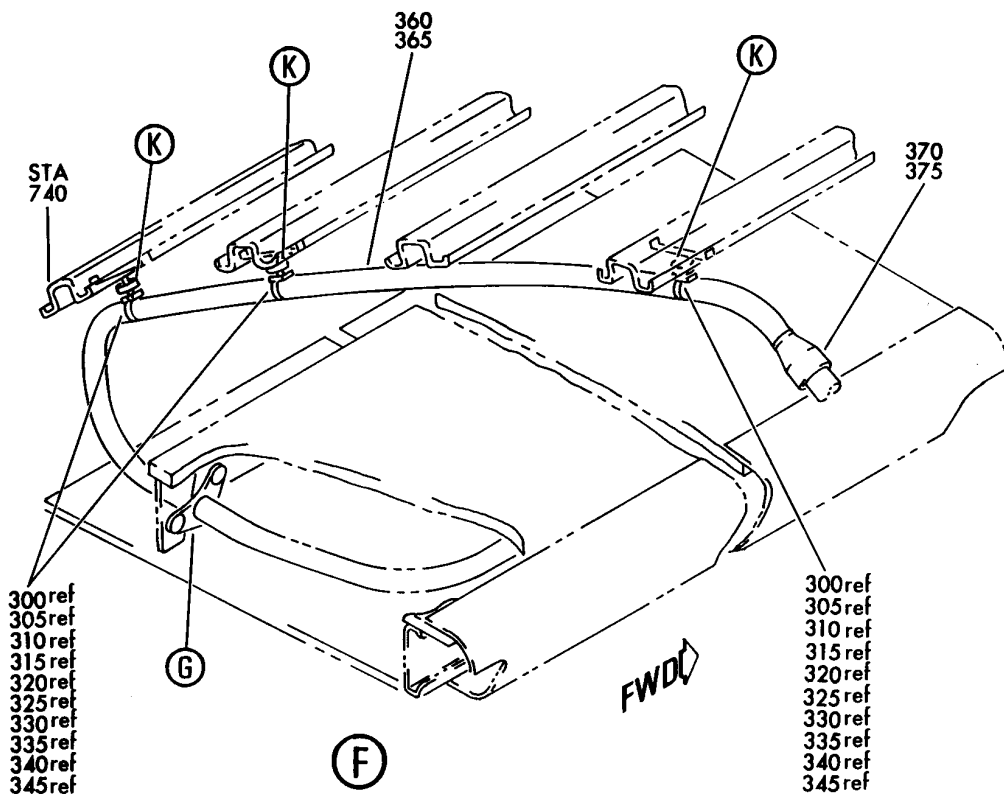
DUCT INSTL-OVERDOOR GASPER
FIGURE 2 (SHEET 3)

21-23-01-02

BRI
MAY 28/07

21-23-01-02
PAGE 0B

BOEING
757
PARTS CATALOG (MAINTENANCE)



Y 21230102 SHT 4 REV 158

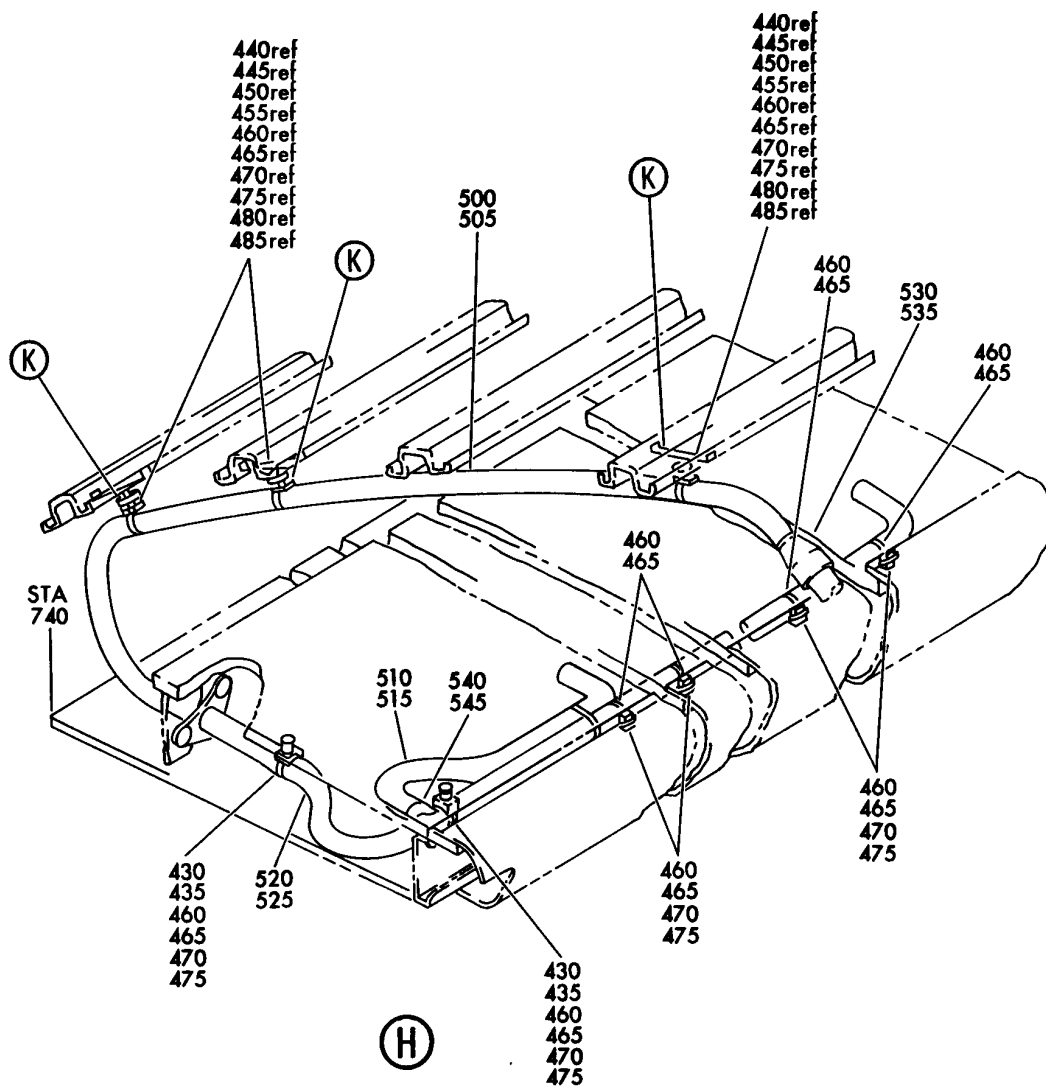
DUCT INSTL-OVERDOOR GASPER
FIGURE 2 (SHEET 4)

21-23-01-02

BRI
MAY 28/07

21-23-01-02
PAGE 0C

BOEING
757
PARTS CATALOG (MAINTENANCE)



Y 21230102 SHT 5 REV 158

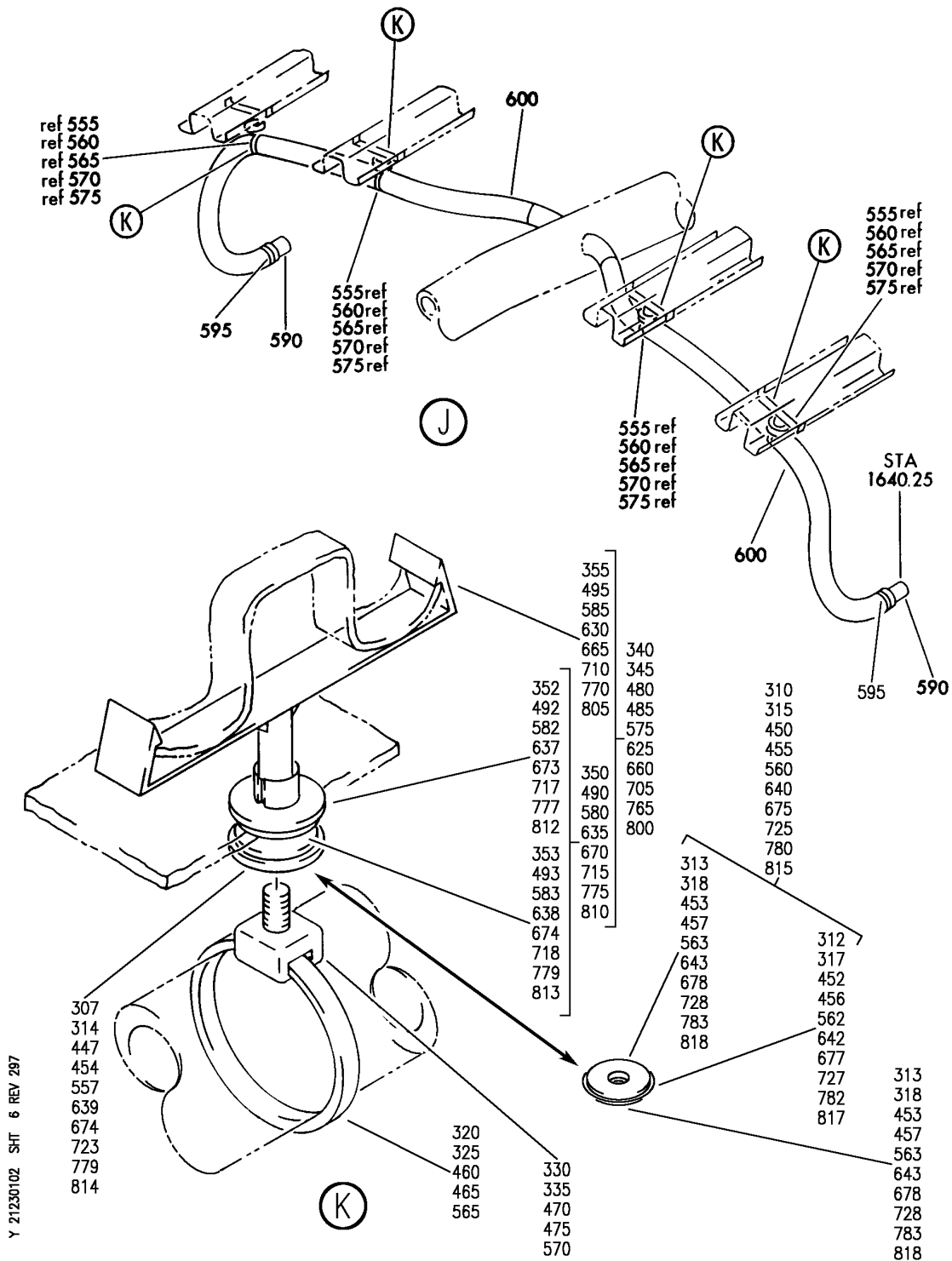
DUCT INSTL-OVERDOOR GASPER
FIGURE 2 (SHEET 5)

21-23-01-02

BRI
MAY 28/07

21-23-01-02
PAGE 0D

BOEING
757
PARTS CATALOG (MAINTENANCE)



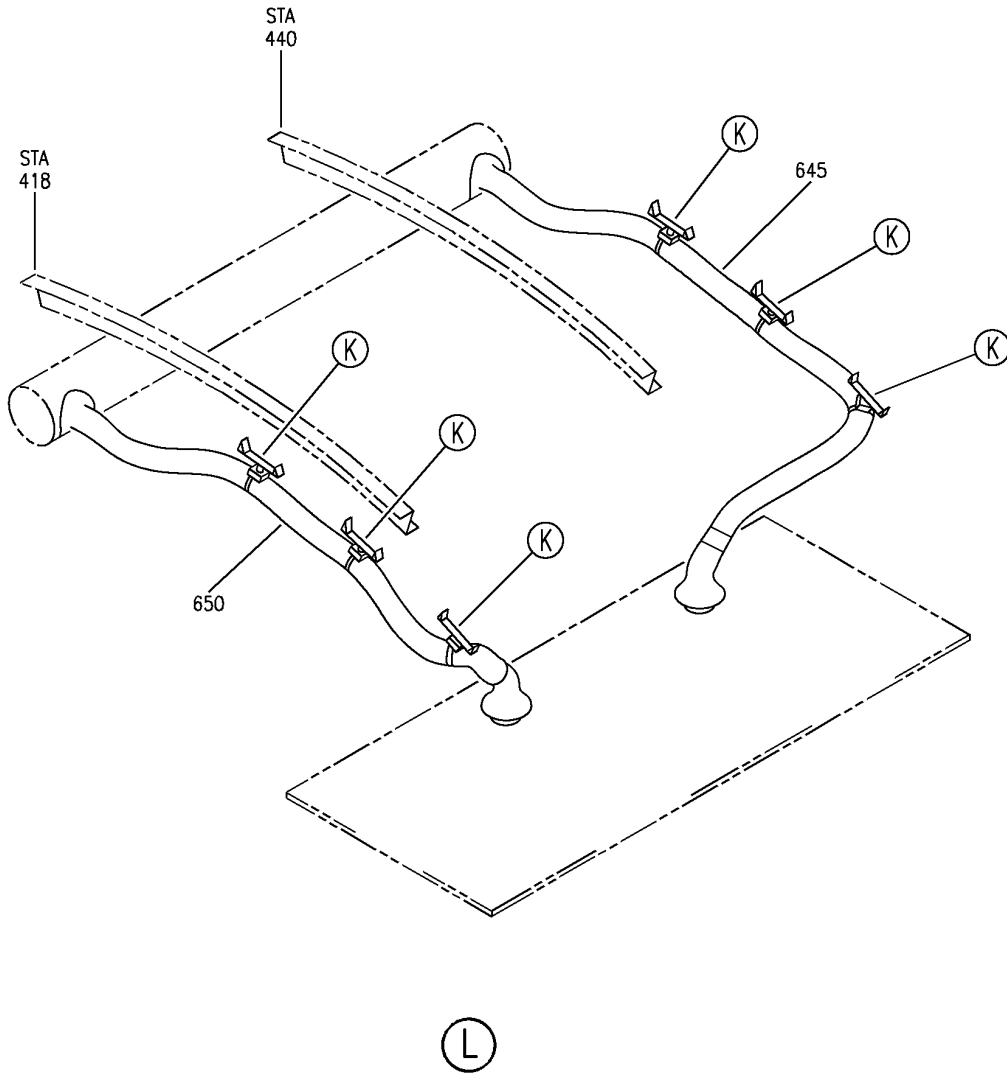
DUCT INSTL-OVERDOOR GASPER
FIGURE 2 (SHEET 6)

21-23-01-02

BRI
MAY 28/07

21-23-01-02
PAGE 0E

BOEING
757
PARTS CATALOG (MAINTENANCE)



Y 21230102 SHT 7 REV 293

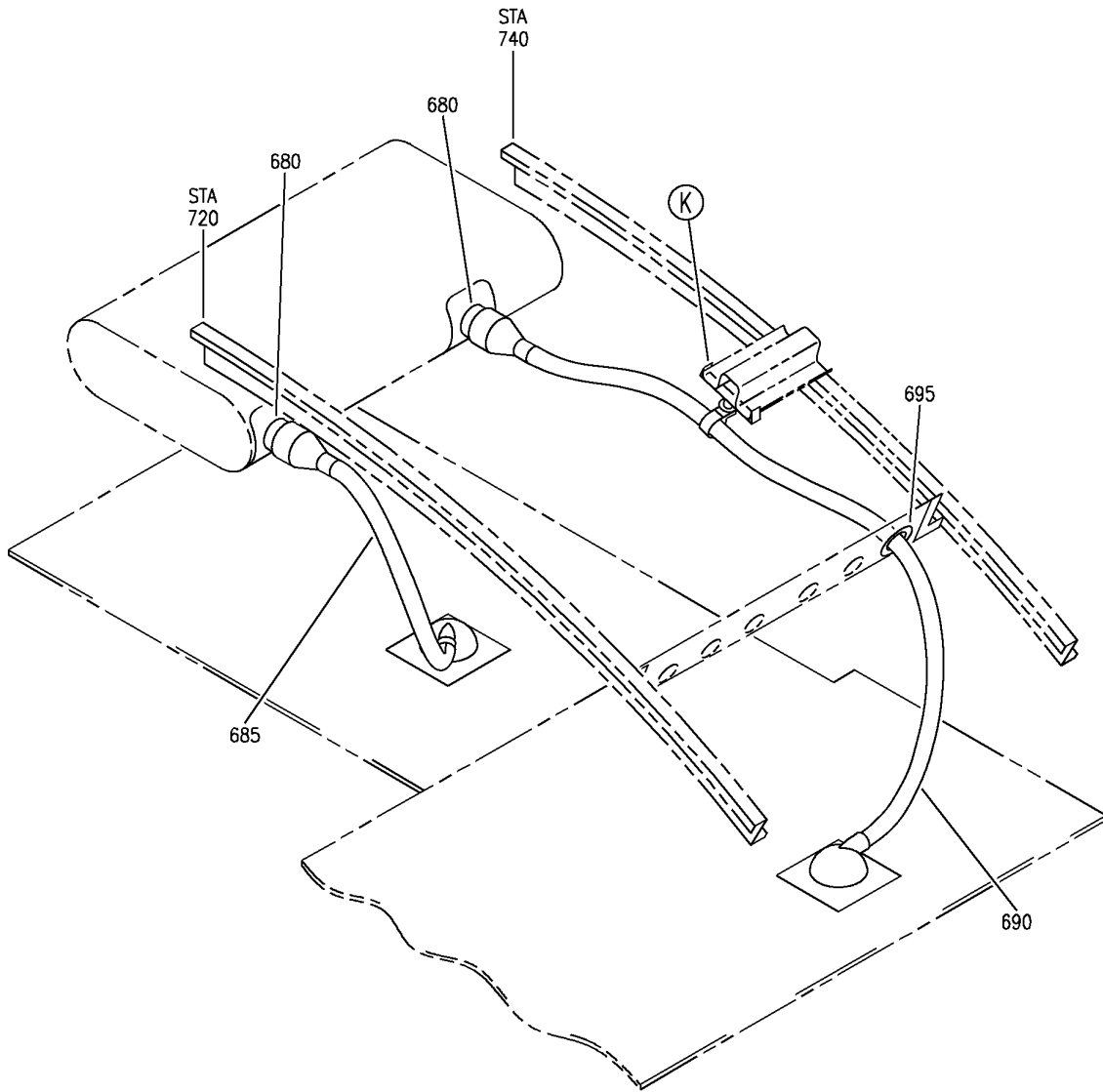
DUCT INSTL-OVERDOOR GASPER
FIGURE 2 (SHEET 7)

21-23-01-02

BRI
MAY 28/07

21-23-01-02
PAGE OF

BOEING
757
PARTS CATALOG (MAINTENANCE)



Y 21230102 SHT 8 REV 293

(M)

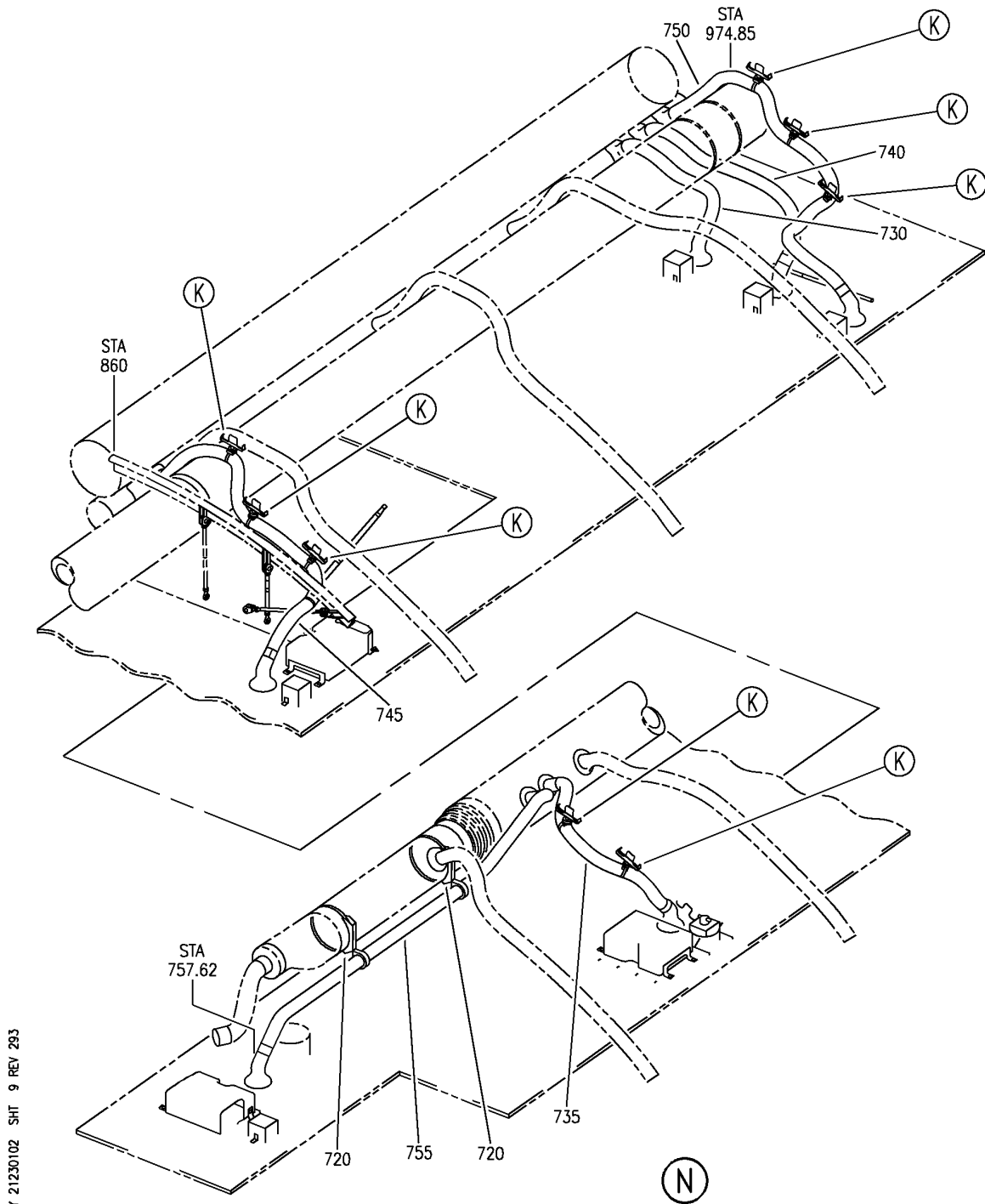
DUCT INSTL-OVERDOOR GASPER
FIGURE 2 (SHEET 8)

BRI
MAY 28/07

21-23-01-02

21-23-01-02
PAGE 06

BOEING
757
PARTS CATALOG (MAINTENANCE)



Y 21230102 SHT 9 REV 293

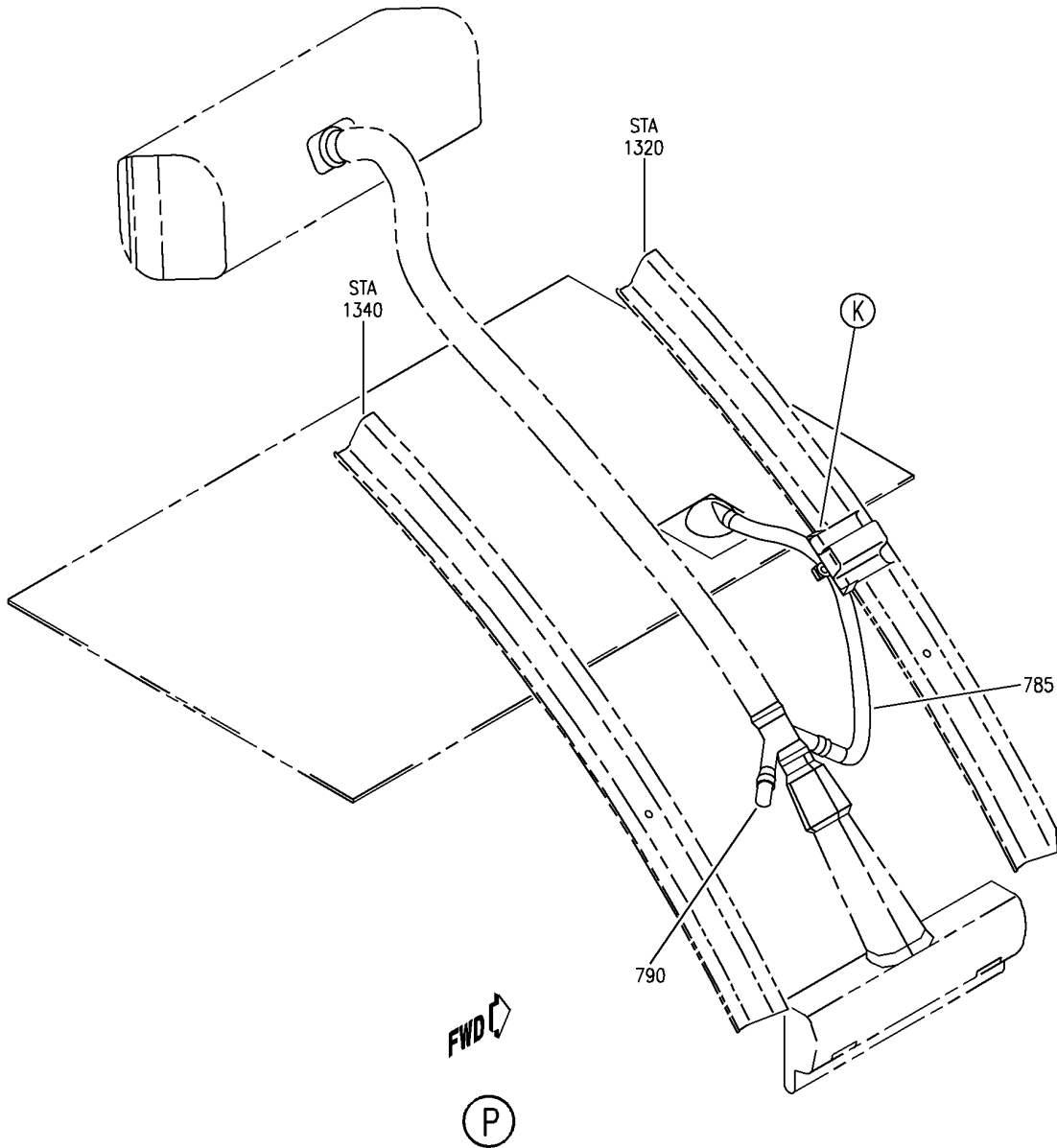
DUCT INSTL-OVERDOOR GASPER
FIGURE 2 (SHEET 9)

21-23-01-02

BRI
MAY 28/07

21-23-01-02
PAGE 0H

BOEING
757
PARTS CATALOG (MAINTENANCE)



Y 21230102 SHT 10 REV 283

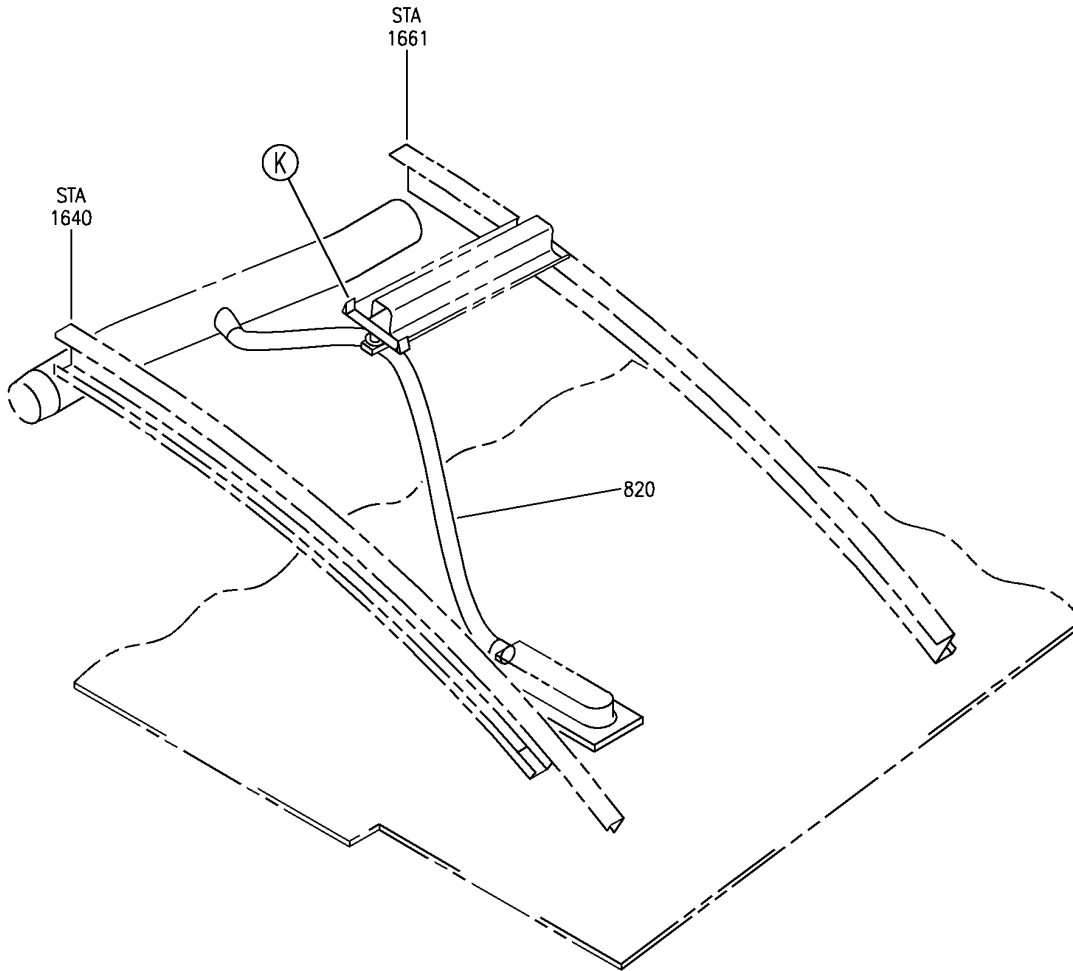
DUCT INSTL-OVERDOOR GASPER
FIGURE 2 (SHEET 10)

21-23-01-02

BRI
MAY 28/07

21-23-01-02
PAGE 01

BOEING
757
PARTS CATALOG (MAINTENANCE)



Y 21230102 SHT 11 REV 293

DUCT INSTL-OVERDOOR GASPER
FIGURE 2 (SHEET 11)

21-23-01-02

BRI
MAY 28/07

21-23-01-02
PAGE 0J



757

PARTS CATALOG (MAINTENANCE)

| FIG ITEM | PART NUMBER | 1 2 3 4 5 6 7 | NOMENCLATURE | EFFECT FROM TO | UNITS PER ASSY |
|----------|--------------|---------------|--|--------------------------------------|----------------|
| 2 | | | DUCT INSTL-OVERDOOR GASPER | 002004 006100 108120 950999 | |
| - 1 | 417N3002-1 | | DUCT INSTL-GASPER POSITION DATA: OVERDOOR LH FOR NHA SEE: 21-00-00-04 | 002004 006010 950999 | RF |
| - 5 | 417N3002-2 | | DUCT INSTL-GASPER POSITION DATA: OVERDOOR RH FOR NHA SEE: 21-00-00-04 | 002004 006010 950951 | RF |
| 10 | BACS12FA08K7 | | .SCREW | 002004 006010 950951 | 2 |
| 10 | BACS12FA08K7 | | .SCREW | 952999 | 2 |
| 15 | AN960PD8L | | .WASHER | 002004 006010 950951 | 3 |
| 15 | AN960PD8L | | .WASHER | 952999 | 3 |
| 20 | AN960PD8 | | .WASHER | 002004 006010 950951 | 1 |
| 20 | AN960PD8 | | .WASHER | 952999 | 1 |
| 25 | BRH10A08 | | .NUT | 002004 006010 950951 | 2 |
| | | | SUPPLIER CODE: V52828 | | |
| | | | SPECIFICATION NUMBER: BACN10JC08 | | |
| | | | OPTIONAL PART: H10-08BAC V15653 NS202101-82 V80539 RMLH9075-82W V72962 VN303A82 V92215 96-82 V80539 T6S832J V11815 | | |

MISSING ITEM NUMBERS NOT APPLICABLE

- ITEM NOT ILLUSTRATED

BRI

21-23-01-02

21-23-01
FIG. 02
PAGE 1
JAN 20/09



757

PARTS CATALOG (MAINTENANCE)

| FIG ITEM | PART NUMBER | 1 2 3 4 5 6 7 | NOMENCLATURE | EFFECT FROM TO | UNITS PER ASSY |
|----------|----------------|---------------|---|----------------------------|----------------|
| 2 | 25 BRH10A08 | | .NUT- SUPPLIER CODE: V52828 SPECIFICATION NUMBER: BACN10JC08 OPTIONAL PART: H10-08BAC V15653 NS202101-82 V80539 RMLH9075-82W V72962 VN303A82 V92215 96-82 V80539 T6S832J V11815 POSITION DATA: LH SIDE | 952999 | 2 |
| | 30 417N3063-1 | | .PLATE ASSY-MTG | 002004 006010 950951 | 1 |
| | 30 417N3063-1 | | .PLATE ASSY-MTG | 952999 | 1 |
| | 35 BACB30NT3K1 | | .BOLT | 002004 006010 950951 | 3 |
| | 35 BACB30NT3K1 | | .BOLT | 952999 | 3 |
| | 40 TM3S10 | | .PLATE-MTG SUPPLIER CODE: V06383 SPECIFICATION NUMBER: STBP19M12 | 002004 006010 950951 | 3 |
| | 40 TM3S10 | | .PLATE- SUPPLIER CODE: V06383 SPECIFICATION NUMBER: STBP19M12 POSITION DATA: LH SIDE | 952999 | 3 |
| | 45 294243-10C | | .FASTENER ASSY-LINING SUPPLIER CODE: V76530 | 002004 006010 950951 | 3 |
| | 45 294243-10C | | .FASTENER ASSY-LINING SUPPLIER CODE: V76530 | 952999 | 3 |
| | 50 MS3367-1-9 | | .STRAP | 002004 006010 950951 | 2 |

MISSING ITEM NUMBERS NOT APPLICABLE

- ITEM NOT ILLUSTRATED

21-23-01-02

21-23-01
FIG. 02
PAGE 2
JAN 20/09

BRI



757

PARTS CATALOG (MAINTENANCE)

| FIG ITEM | PART NUMBER | 1 2 3 4 5 6 7 | NOMENCLATURE | EFFECT FROM TO | UNITS PER ASSY |
|----------|---------------|---------------|--|--------------------------------------|----------------|
| 2 | | | | | |
| 50 | MS3367-1-9 | . | STRAP- POSITION DATA: LH SIDE | 952999 | 2 |
| 55 | BACD40P3A280 | . | DUCT | 002004 006010 950951 | 1 |
| 55 | BACD40P3A280 | . | DUCT- POSITION DATA: LH SIDE | 002004 006010 950951 | 1 |
| 60 | 417N3062-1 | . | REDUCER-AIR DUCT | 002004 006010 950951 | 1 |
| 60 | 417N3062-1 | . | REDUCER-AIR DUCT POSITION DATA: LH SIDE | 002004 006010 950951 952999 | 1 |
| - 250 | 417N3002-7 | | DUCT INSTL-GASPER POSITION DATA: OVERDOOR LH FOR NHA SEE: 21-00-00-04 21-00-00-12 | 011100 108120 | RF |
| - 255 | 417N3002-8 | | DUCT INSTL-GASPER POSITION DATA: OVERDOOR RH FOR NHA SEE: 21-00-00-04 21-00-00-12 | 011100 108120 | RF |
| 260 | BACS12FA08K9 | . | SCREW | 011100 108120 | 2 |
| 270 | NAS1149D0363J | . | WASHER- | 011100 108120 | 4 |
| 280 | MS21042L08 | . | NUT | 011100 108120 | 2 |
| 290 | 417N3063-1 | . | PLATE ASSY-MTG | 011100 108120 | 1 |
| 300 | BACS12ER3K10 | . | SCREW | 011100 108120 | 3 |
| 307 | BACW10DZ3 | . | WASHER- OPTIONAL PART: 411N4026-12 | 011100 108120 | 3 |
| 310 | 411N4026-12 | . | WASHER ASSY- OPTIONAL PART: BACW10DZ3 | 011100 108120 | 3 |
| 312 | 411N4026-13 | .. | WASHER | 011100 108120 | 1 |
| 313 | 411N4026-7 | .. | TAPE | 011100 108120 | 2 |

MISSING ITEM NUMBERS NOT APPLICABLE

- ITEM NOT ILLUSTRATED

21-23-01-02

21-23-01
FIG. 02
PAGE 3
JAN 20/09

BRI



757

PARTS CATALOG (MAINTENANCE)

| FIG ITEM | PART NUMBER | 1 2 3 4 5 6 7 | NOMENCLATURE | EFFECT FROM TO | UNITS PER ASSY |
|----------|--------------|---------------|---|------------------|----------------|
| 2 | | | | | |
| 320 | PLT4SM | . | STRAP-TIE SUPPLIER CODE: V06383 SPECIFICATION NUMBER: BACS38K2 OPTIONAL PART: T05L0 V53421 | 011100 108120 | 3 |
| 330 | TM2S8 | . | PLATE SUPPLIER CODE: V06383 SPECIFICATION NUMBER: STBP19M9 | 011100 108120 | 3 |
| 340 | 214N5054-14 | . | SUPPORT ASSY | 011100 108120 | 3 |
| 350 | 411N4026-10 | .. | CAP ASSY- OPTIONAL PART: 411N4026-2 | 011100 108120 | 1 |
| 350 | 411N4026-2 | .. | CAP ASSY- OPTIONAL PART: 411N4026-10 | 011100 108120 | 1 |
| 352 | 411N4026-11 | ... | CAP- USED ON: 411N4026-10 | 011100 108120 | 1 |
| 352 | 411N4026-5 | ... | CAP- USED ON: 411N4026-2 | 011100 108120 | 1 |
| 353 | 411N4026-7 | ... | TAPE | 011100 108120 | 1 |
| 355 | 2055155-5C | .. | CLIP-STRINGER SUPPLIER CODE: V04169 | 011100 108120 | 1 |
| 360 | BACD40P3A400 | . | DUCT | 011100 108120 | 1 |
| 370 | 417N3062-2 | . | REDUCER-AIR DUCT | 011100 108120 | 1 |

MISSING ITEM NUMBERS NOT APPLICABLE

- ITEM NOT ILLUSTRATED

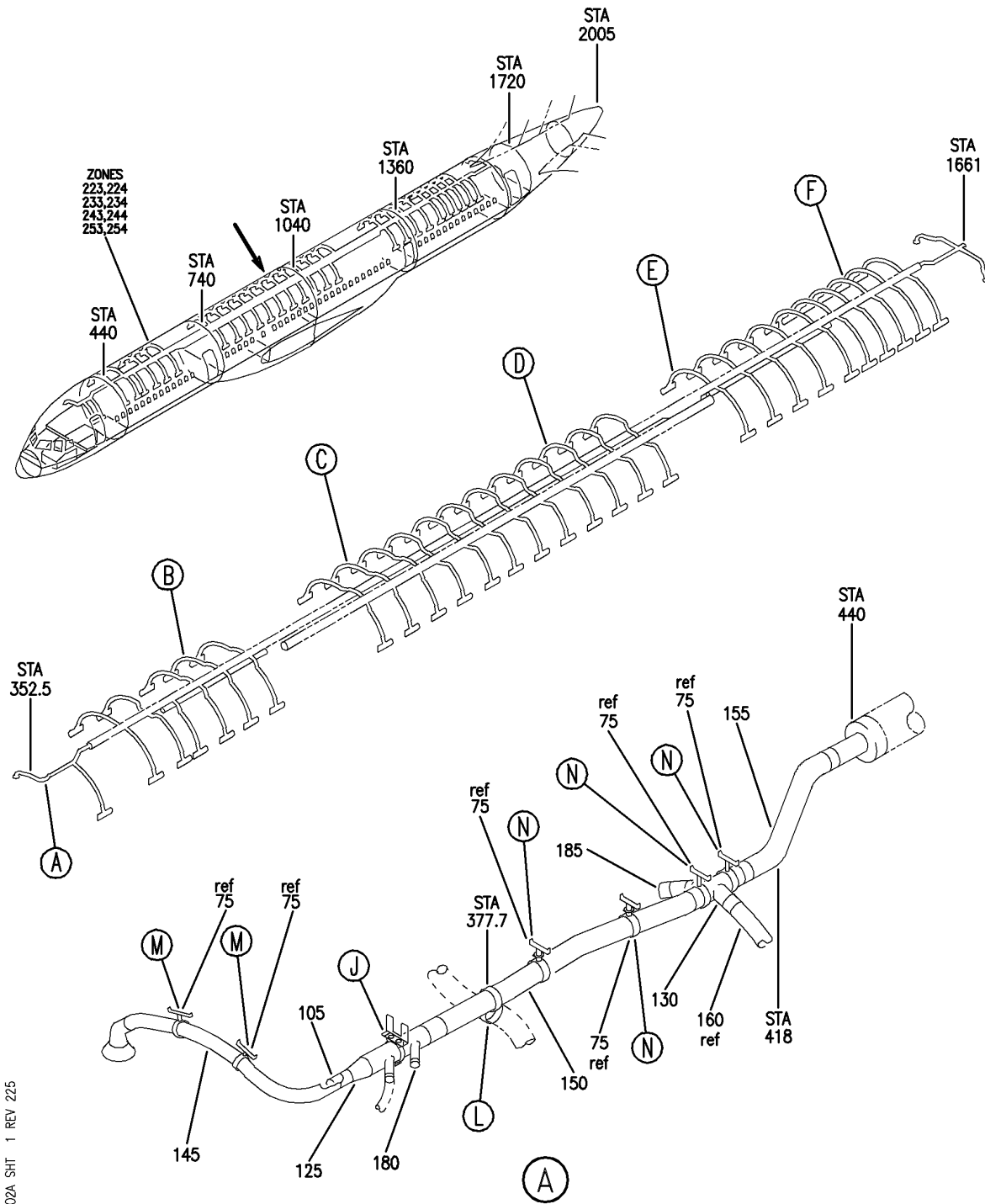
BRI

21-23-01-02

BOEING PROPRIETARY - Copyright © - Unpublished Work - See title page for details.

21-23-01
FIG. 02
PAGE 4
JAN 20/09

BOEING
757
PARTS CATALOG (MAINTENANCE)



Y 21230102A SH1 1 REV 225

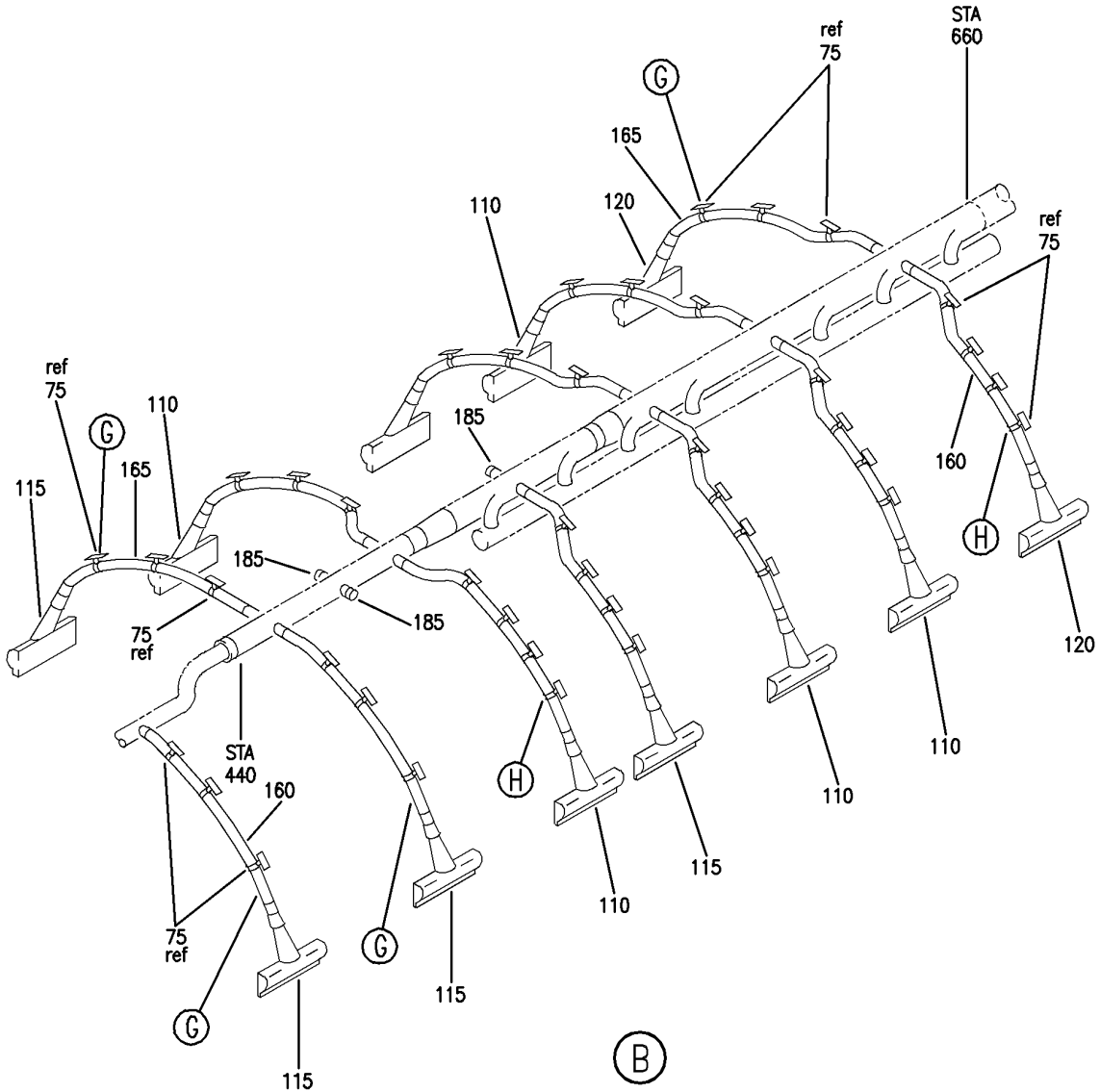
DUCT INSTL-SIDEWALL AIR DISTR SYS, ILF/NAB
FIGURE 2A (SHEET 1)

21-23-01-02A

BRI
JAN 20/09

21-23-01-02A
PAGE 0

BOEING
757
PARTS CATALOG (MAINTENANCE)



Y 21230102A SH1 2 REV 225

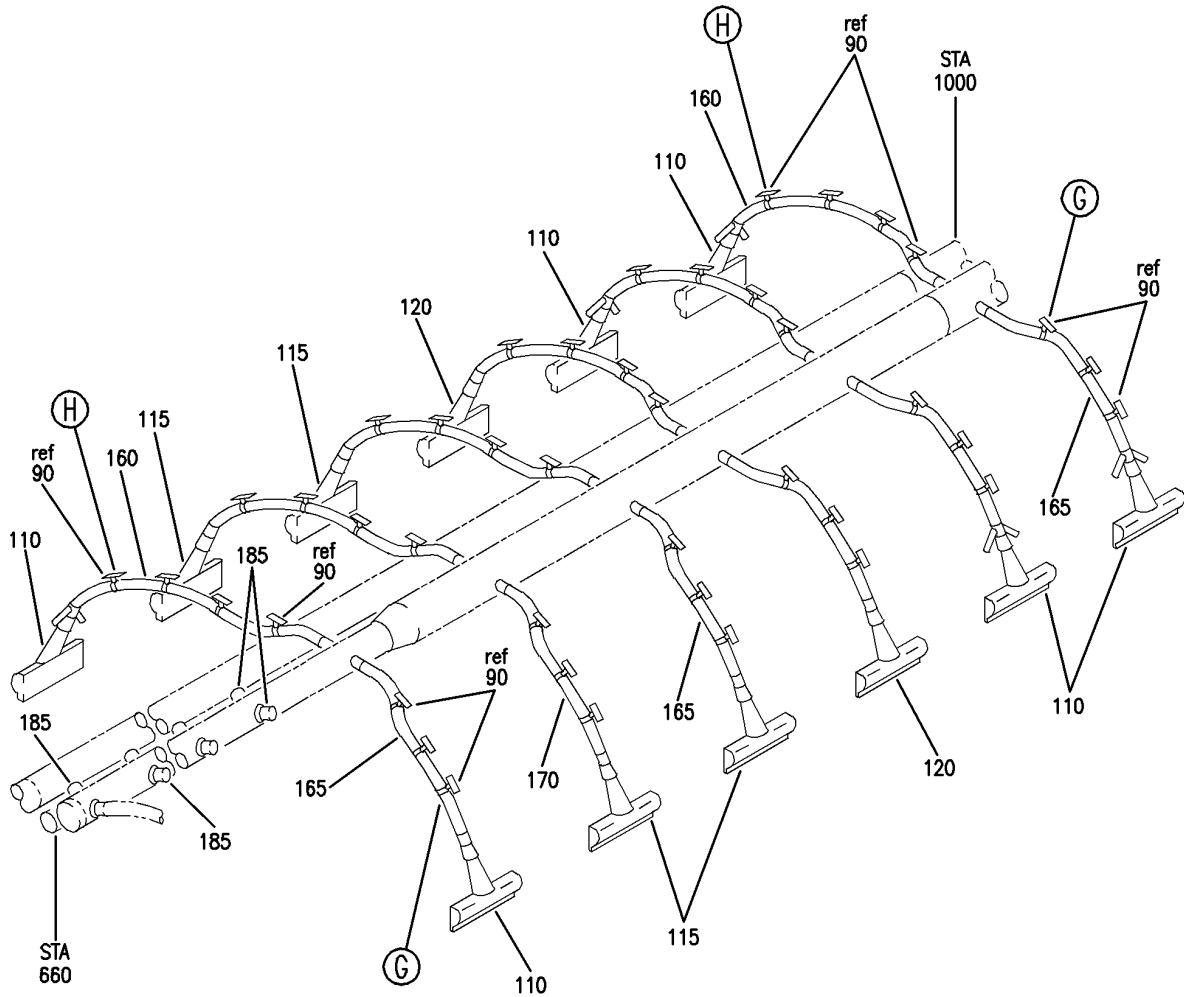
DUCT INSTL-SIDEWALL AIR DISTR SYS, ILF/NAB
FIGURE 2A (SHEET 2)

21-23-01-02A

BRI
JAN 20/09

21-23-01-02A
PAGE 0A

BOEING
757
PARTS CATALOG (MAINTENANCE)



(C)

Y 21230102A SH1 3 REV 225

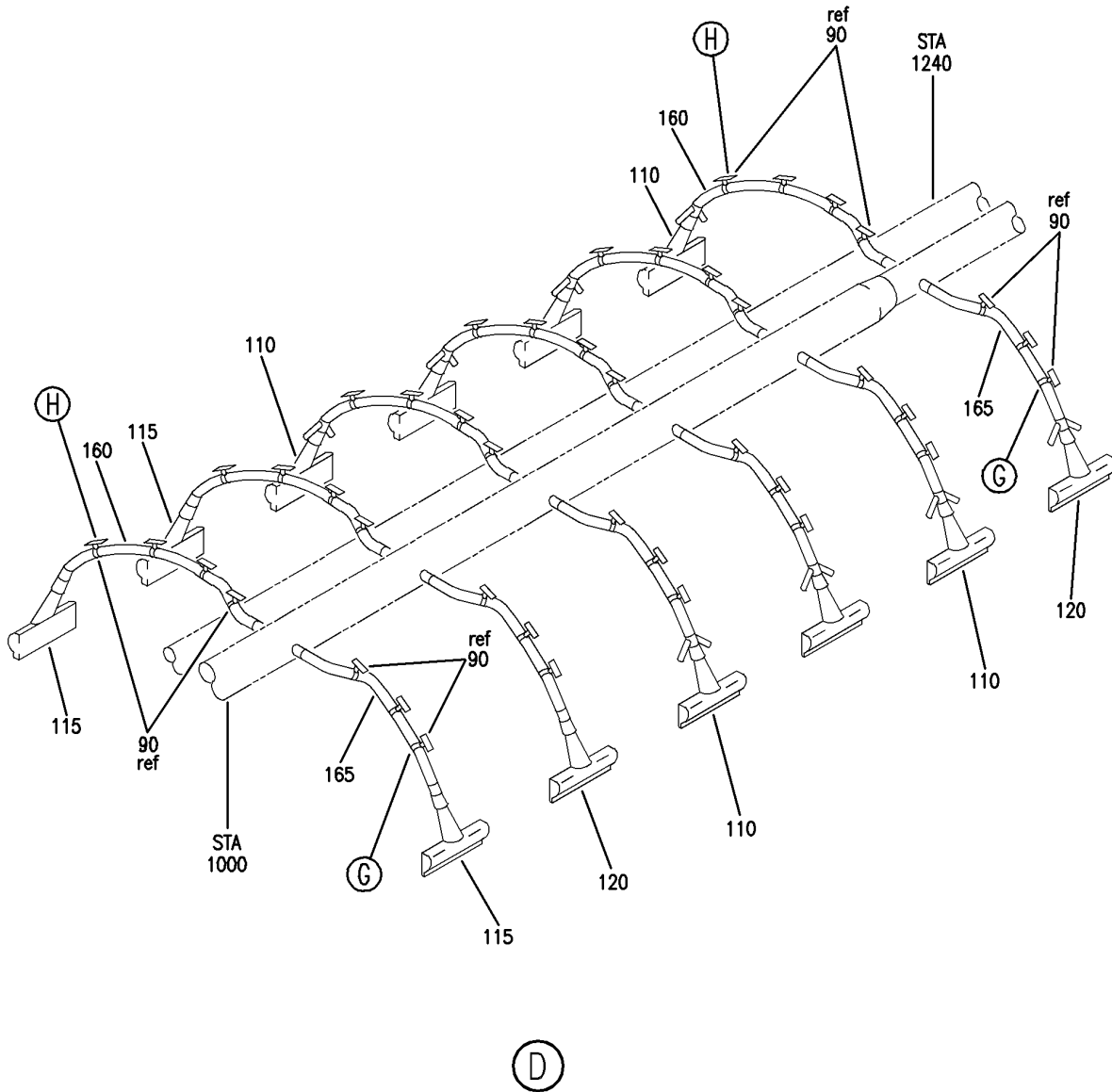
DUCT INSTL-SIDEWALL AIR DISTR SYS, ILF/NAB
FIGURE 2A (SHEET 3)

21-23-01-02A

BRI
JAN 20/09

21-23-01-02A
PAGE 0B

BOEING
757
PARTS CATALOG (MAINTENANCE)



Y 21230102A SH1 4 REV 225

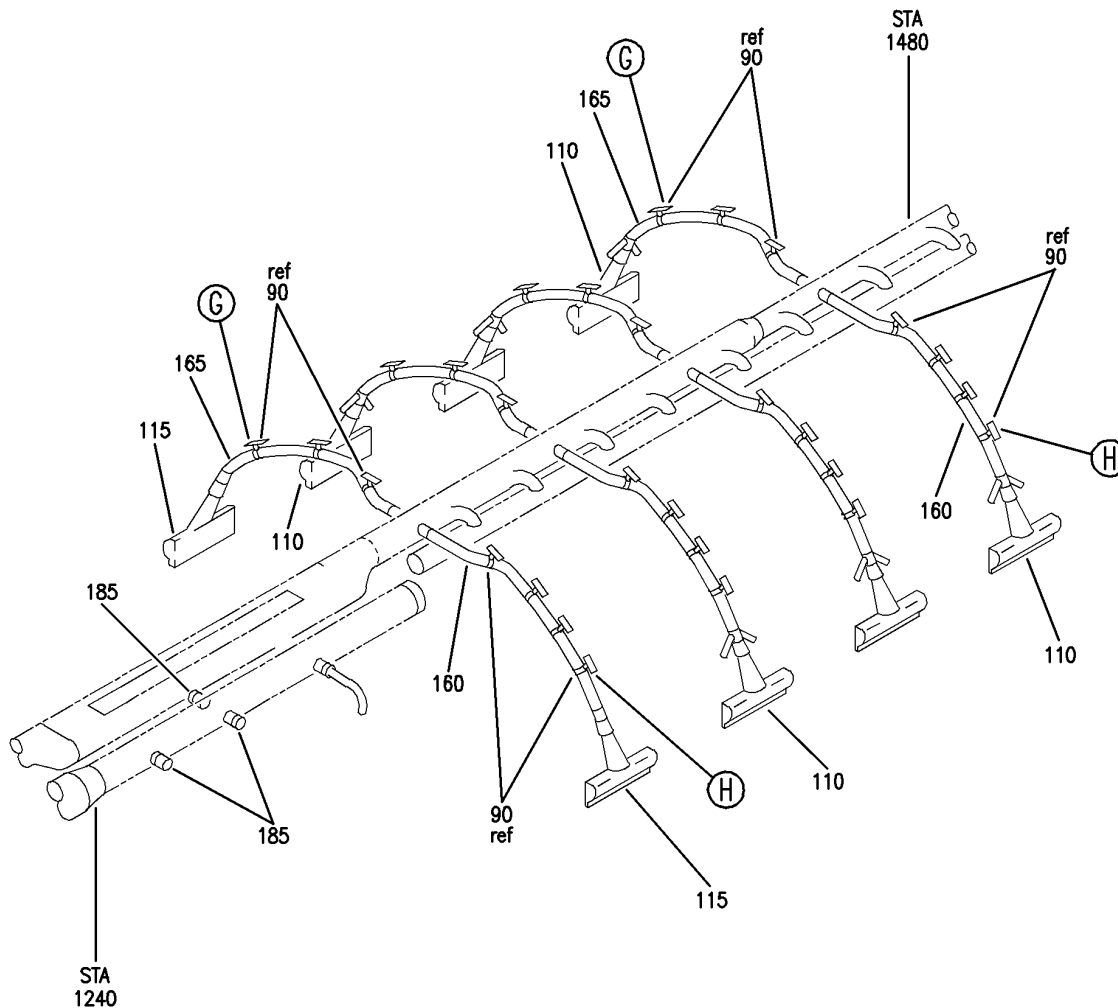
DUCT INSTL-SIDEWALL AIR DISTR SYS, ILF/NAB
FIGURE 2A (SHEET 4)

21-23-01-02A

BRI
JAN 20/09

21-23-01-02A
PAGE 0C

BOEING
757
PARTS CATALOG (MAINTENANCE)



(E)

Y 21230102A SH1 5 REV 225

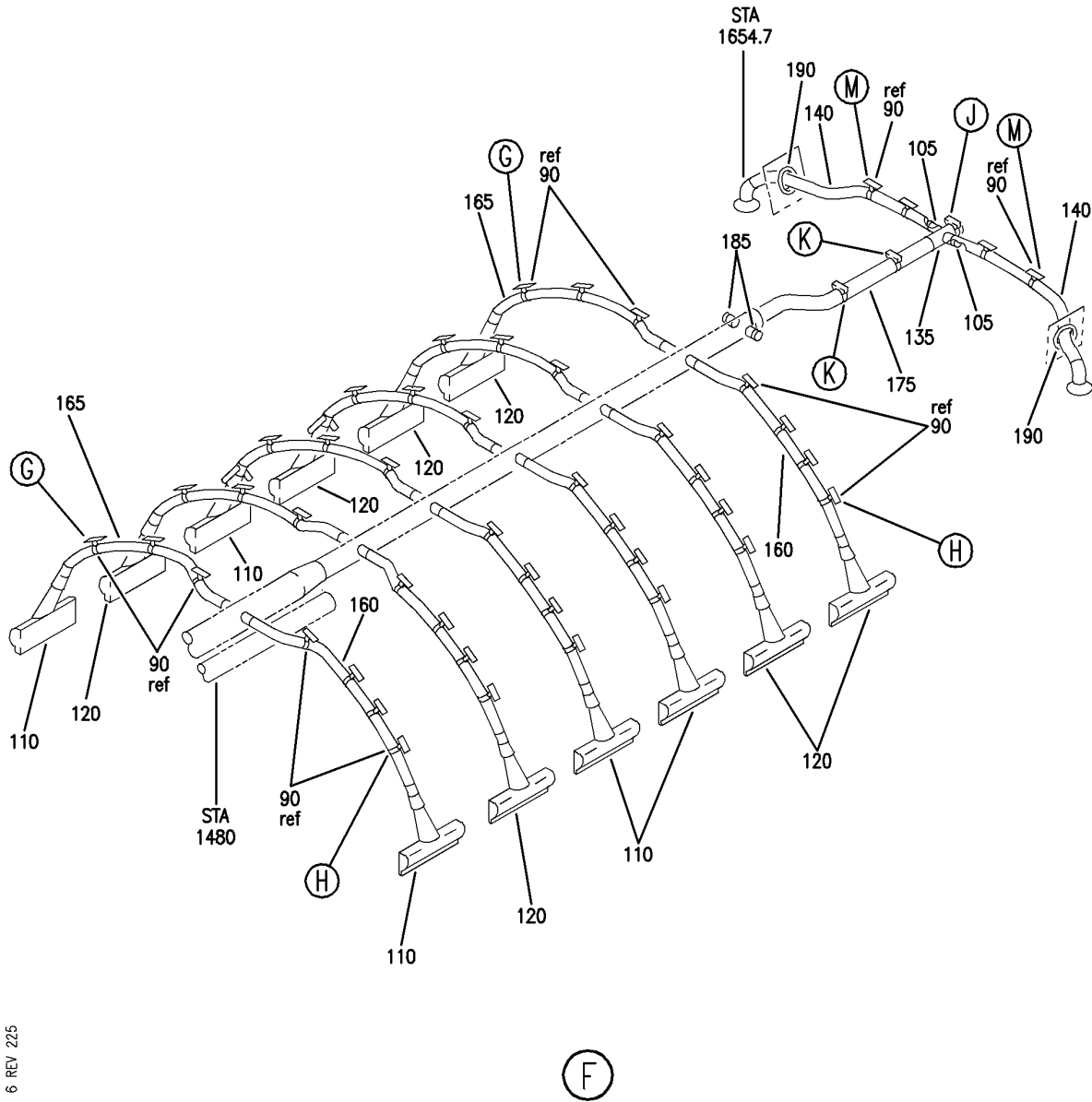
DUCT INSTL-SIDEWALL AIR DISTR SYS, ILF/NAB
FIGURE 2A (SHEET 5)

21-23-01-02A

BRI
JAN 20/09

21-23-01-02A
PAGE 0D

BOEING
757
PARTS CATALOG (MAINTENANCE)



Y 21230102A SH1 6 REV 225

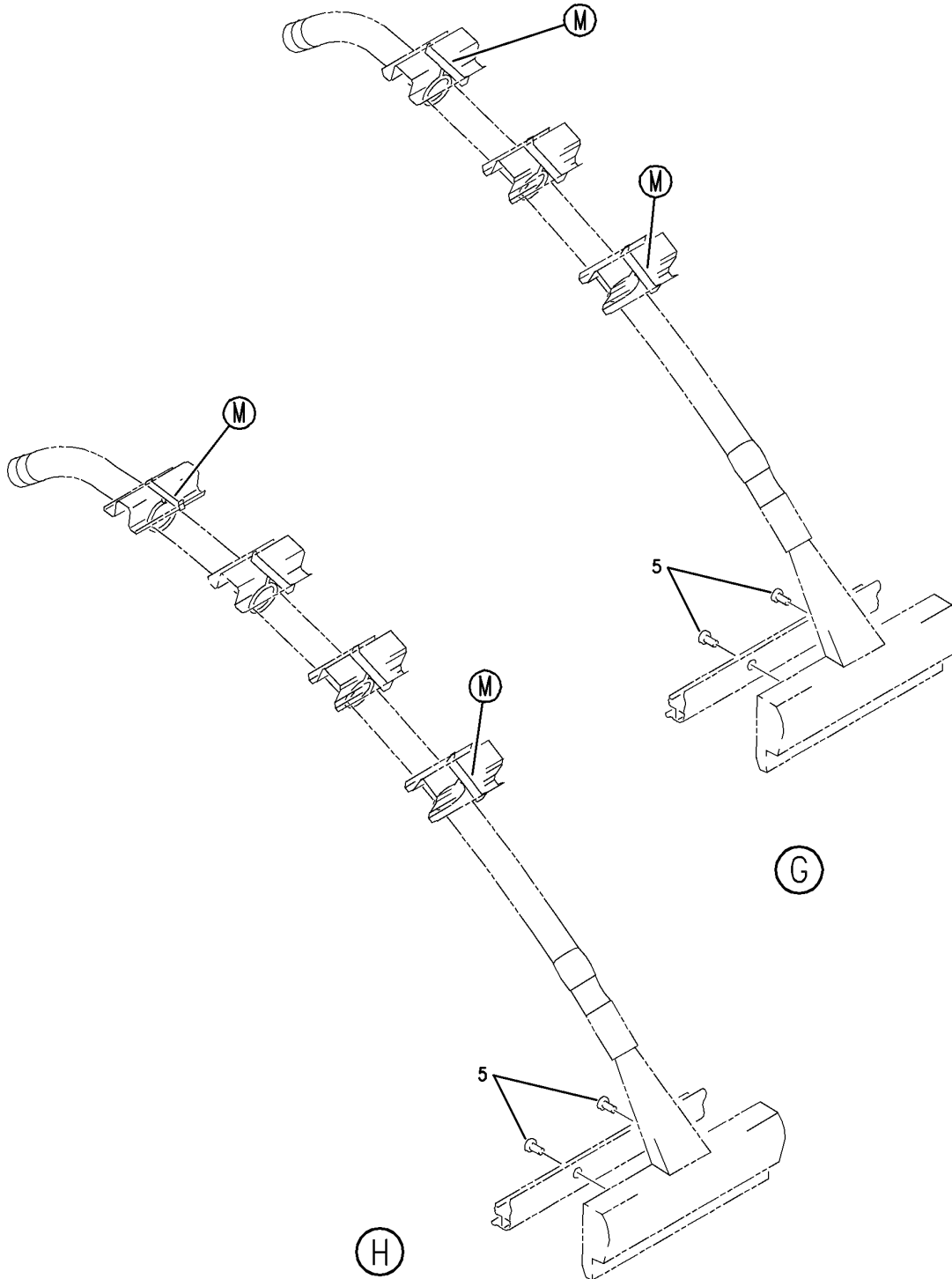
DUCT INSTL-SIDEWALL AIR DISTR SYS, ILF/NAB
FIGURE 2A (SHEET 6)

21-23-01-02A

BRI
JAN 20/09

21-23-01-02A
PAGE 0E

BOEING
757
PARTS CATALOG (MAINTENANCE)



Y 21230102A SH1 7 REV 225

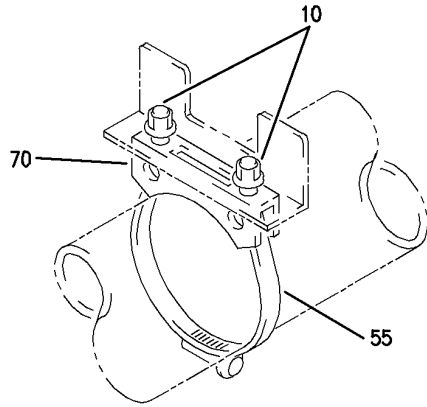
DUCT INSTL-SIDEWALL AIR DISTR SYS, ILF/NAB
FIGURE 2A (SHEET 7)

21-23-01-02A

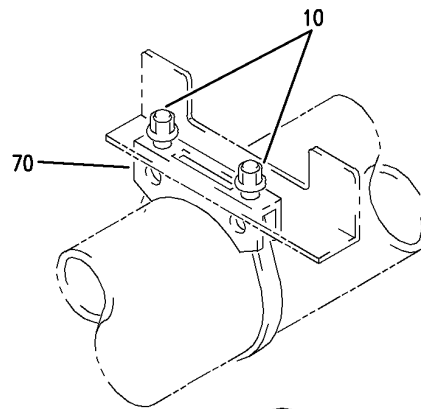
BRI
JAN 20/09

21-23-01-02A
PAGE OF

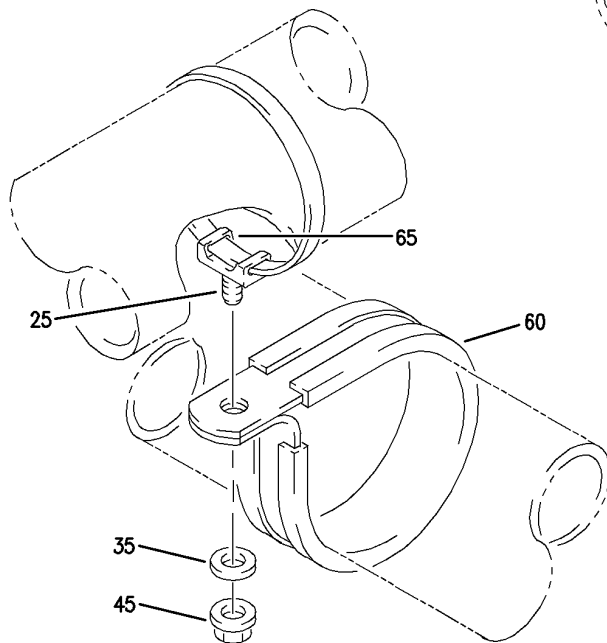
BOEING
757
PARTS CATALOG (MAINTENANCE)



(J)



(K)



(L)

Y 21230102A SH1 8 REV 225

DUCT INSTL-SIDEWALL AIR DISTR SYS, ILF/NAB
FIGURE 2A (SHEET 8)

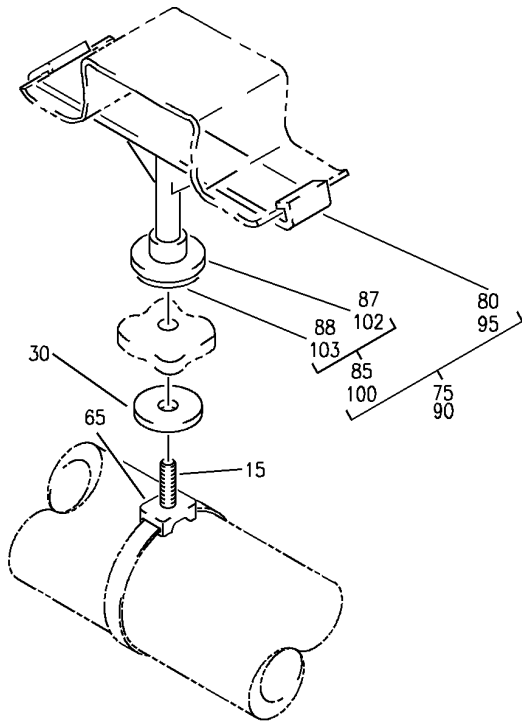
21-23-01-02A

BRI
JAN 20/09

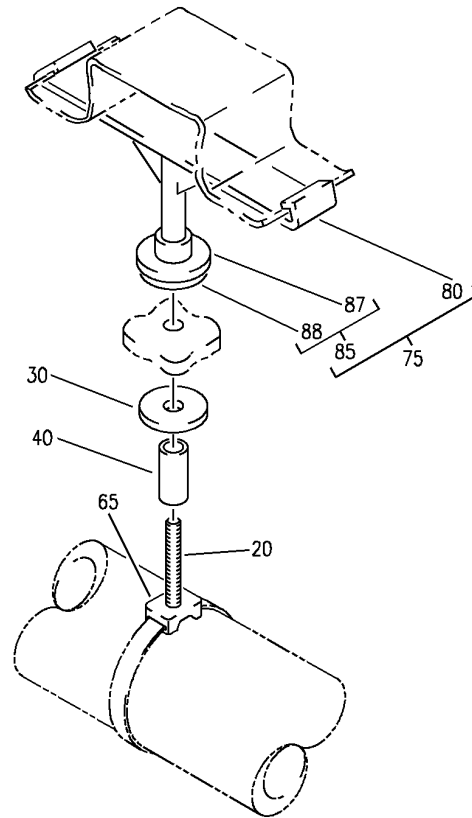
21-23-01-02A
PAGE 06

BOEING PROPRIETARY - Copyright © - Unpublished Work - See title page for details.

BOEING
757
PARTS CATALOG (MAINTENANCE)



(M)



(N)

Y 21230102A SHT 9 REV 297

DUCT INSTL-SIDEWALL AIR DISTR SYS, ILF/NAB
FIGURE 2A (SHEET 9)

21-23-01-02A

BRI
JAN 20/09

21-23-01-02A
PAGE 0H



757

PARTS CATALOG (MAINTENANCE)

| FIG ITEM | PART NUMBER | 1 2 3 4 5 6 7 | NOMENCLATURE | EFFECT FROM TO | UNITS PER ASSY |
|----------|----------------|---------------|---|----------------|----------------|
| 2A | | | DUCT INSTL-SIDEWALL AIR DISTR SYS, ILF/NAB | 108120 | |
| - 1 | 214N2026-144 | | DUCT INSTL-SIDEWALL AIR DISTR SYS, ILF/NAB FOR NHA SEE: 21-00-00-12 | 108120 | RF |
| 5 | BACS12ER08K8 | . | SCREW | 108120 | 112 |
| 10 | BACS12FA3K7 | . | SCREW | 108120 | 8 |
| 15 | BACS12ER3K10 | . | SCREW | 108120 | 201 |
| 20 | BACS12ER3K26 | . | SCREW | 108120 | 4 |
| 25 | BACS12ER3K8 | . | SCREW | 108120 | 1 |
| 30 | BACW10DZ3 | . | WASHER | 108120 | 205 |
| 35 | NAS1149D0332J | . | WASHER | 108120 | 1 |
| 40 | NAS43DD3-67FC | . | SPACER | 108120 | 4 |
| 45 | PLH53CD | . | NUT | 108120 | 1 |
| | | | SUPPLIER CODE: VF0224 | | |
| | | | SPECIFICATION NUMBER: BACN10YR3CD | | |
| | | | OPTIONAL PART: H52732-3CD V15653 | | |
| - 50 | PLT4SM | . | STRAP SUPPLIER CODE: V06383 SPECIFICATION NUMBER: BACS38K2 OPTIONAL PART: T05L0 V53421 | 108120 | 205 |
| 55 | NAS1922-0225-3 | . | CLAMP | 108120 | 2 |
| 60 | MS21919WDG32 | . | CLAMP | 108120 | 1 |
| 65 | TM3S10 | . | PLATE SUPPLIER CODE: V06383 SPECIFICATION NUMBER: STBP19M12 | 108120 | 206 |
| 70 | 214T3424-2 | . | SUPPORT | 108120 | 4 |
| 75 | 214N5054-11 | . | SUPPORT ASSY | 108120 | 47 |
| 80 | 2055155-5B | .. | CLIP-STRINGER SUPPLIER CODE: V04169 | 108120 | 1 |
| 85 | 411N4026-2 | .. | CAP ASSY- OPTIONAL PART: 411N4026-10 | 108120 | 1 |
| 85 | 411N4026-10 | .. | CAP ASSY- OPTIONAL PART: 411N4026-2 | 108120 | 1 |

MISSING ITEM NUMBERS NOT APPLICABLE

- ITEM NOT ILLUSTRATED

21-23-01-02A

21-23-01
FIG. 02A
PAGE 1
JAN 20/09

BRI

 **BOEING**
757
PARTS CATALOG (MAINTENANCE)

| FIG ITEM | PART NUMBER | 1 2 3 4 5 6 7 | NOMENCLATURE | EFFECT FROM TO | UNITS PER ASSY |
|----------|-----------------|---------------|--|----------------|----------------|
| 2A | | | | | |
| 87 | 411N4026-11 | ... | CAP- USED ON: 411N4026-10 | 108120 | 1 |
| 87 | 411N4026-5 | ... | CAP- USED ON: 411N4026-2 | 108120 | 1 |
| 88 | 411N4026-7 | ... | TAPE | 108120 | 1 |
| 90 | 214N5054-14 | . | SUPPORT ASSY | 108120 | 158 |
| 95 | 2055155-5C | .. | CLIP-STRINGER SUPPLIER CODE: V04169 | 108120 | 1 |
| 100 | 411N4026-2 | .. | CAP ASSY- OPTIONAL PART: 411N4026-10 | 108120 | 1 |
| 100 | 411N4026-10 | .. | CAP ASSY- OPTIONAL PART: 411N4026-2 | 108120 | 1 |
| 102 | 411N4026-11 | ... | CAP- USED ON: 411N4026-10 | 108120 | 1 |
| 102 | 411N4026-5 | ... | CAP- USED ON: 411N4026-2 | 108120 | 1 |
| 103 | 411N4026-7 | ... | TAPE | 108120 | 1 |
| 105 | 66-4895-5 | . | RESTRICTOR | 108120 | 3 |
| 110 | 214N2520-80 | . | DIFFUSER ASSY | 108120 | 30 |
| 115 | 214N2520-81 | . | DIFFUSER ASSY | 108120 | 13 |
| 120 | 214N2520-82 | . | DIFFUSER ASSY | 108120 | 13 |
| 125 | 214N2102-1 | . | DUCT | 108120 | 1 |
| 130 | 214N2103-4 | . | DUCT | 108120 | 1 |
| 135 | 214N2103-2 | . | DUCT | 108120 | 1 |
| 140 | AS1591-06-0330A | . | DUCT | 108120 | 2 |
| 145 | AS1591-06-0362A | . | DUCT | 108120 | 1 |
| 150 | AS1591-08-0620A | . | DUCT | 108120 | 1 |
| 155 | AS1591-08-0162A | . | HOSE | 108120 | 1 |
| 160 | AS1591-06-0590A | . | DUCT | 108120 | 29 |
| 165 | AS1591-06-0450A | . | DUCT | 108120 | 26 |
| 170 | AS1591-06-0490A | . | DUCT | 108120 | 1 |
| 175 | AS1591-08-0520A | . | DUCT | 108120 | 1 |
| 180 | 12-1000 | . | CAP-END SUPPLIER CODE: V25205 | 108120 | 1 |
| 185 | 24-1000 | . | CAP-END SUPPLIER CODE: V25205 | 108120 | 16 |
| 185 | 1500-16 | . | CAP-END SUPPLIER CODE: V15819 | 108120 | 16 |
| 190 | BACG20AD1900 | . | GROMMET | 108120 | 2 |

MISSING ITEM NUMBERS NOT APPLICABLE

— ITEM NOT ILLUSTRATED

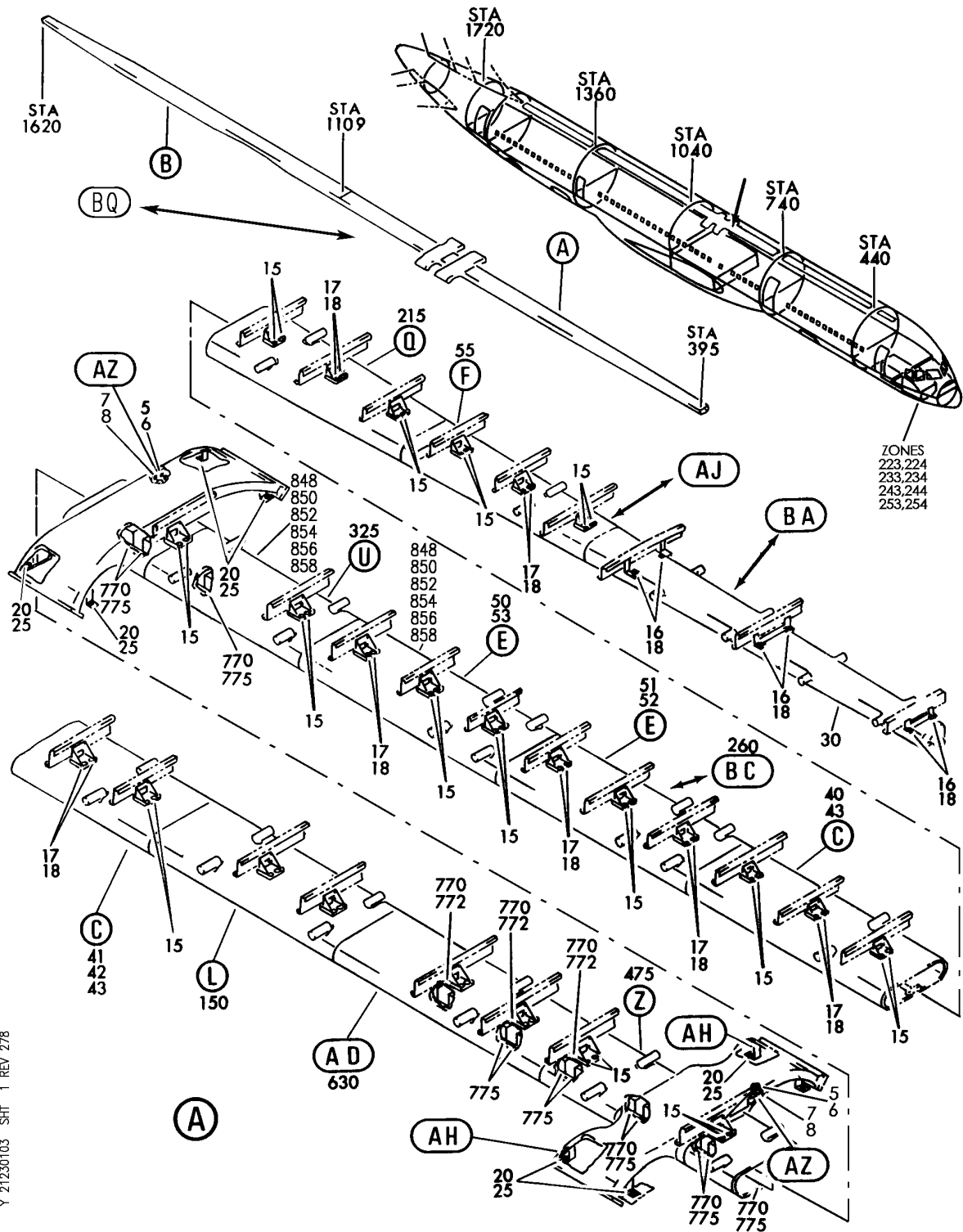
BRI

21-23-01-02A

21-23-01
FIG. 02A
PAGE 2
JAN 20/09

BOEING PROPRIETARY - Copyright © - Unpublished Work - See title page for details.

BOEING
757
PARTS CATALOG (MAINTENANCE)



Y 21230103_SHT 1 REV 278

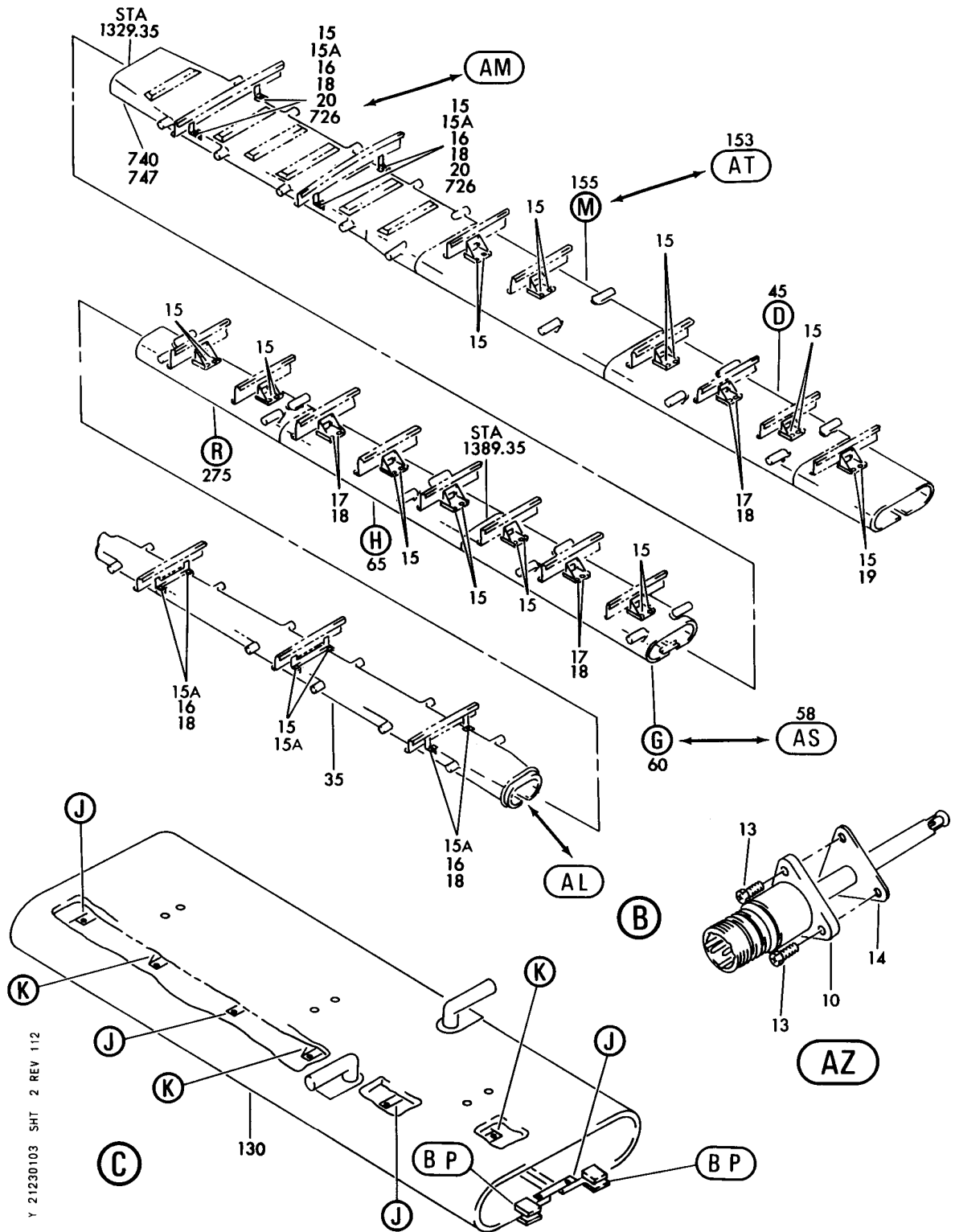
DUCT INSTL-OVERHEAD AIR DISTR SYS
FIGURE 3 (SHEET 1)

21-23-01-03

BRI
MAY 28/07

21-23-01-03
PAGE 0

BOEING
757
PARTS CATALOG (MAINTENANCE)



Y 21230103 SHT 2 REV 112

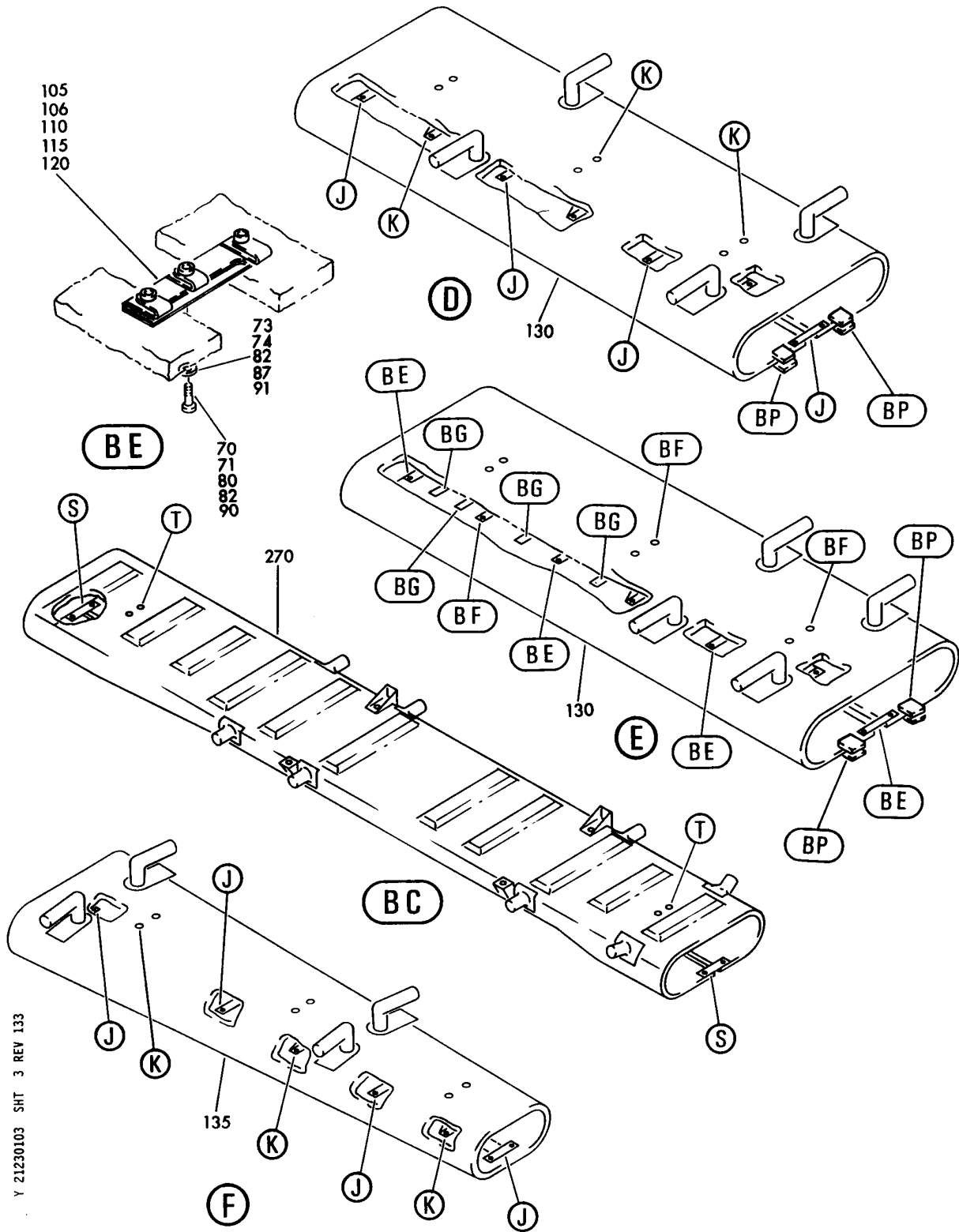
DUCT INSTL-OVERHEAD AIR DISTR SYS
FIGURE 3 (SHEET 2)

21-23-01-03

BRI
MAY 28/07

21-23-01-03
PAGE 0A

BOEING
757
PARTS CATALOG (MAINTENANCE)



Y 21230103 SHT 3 REV 133

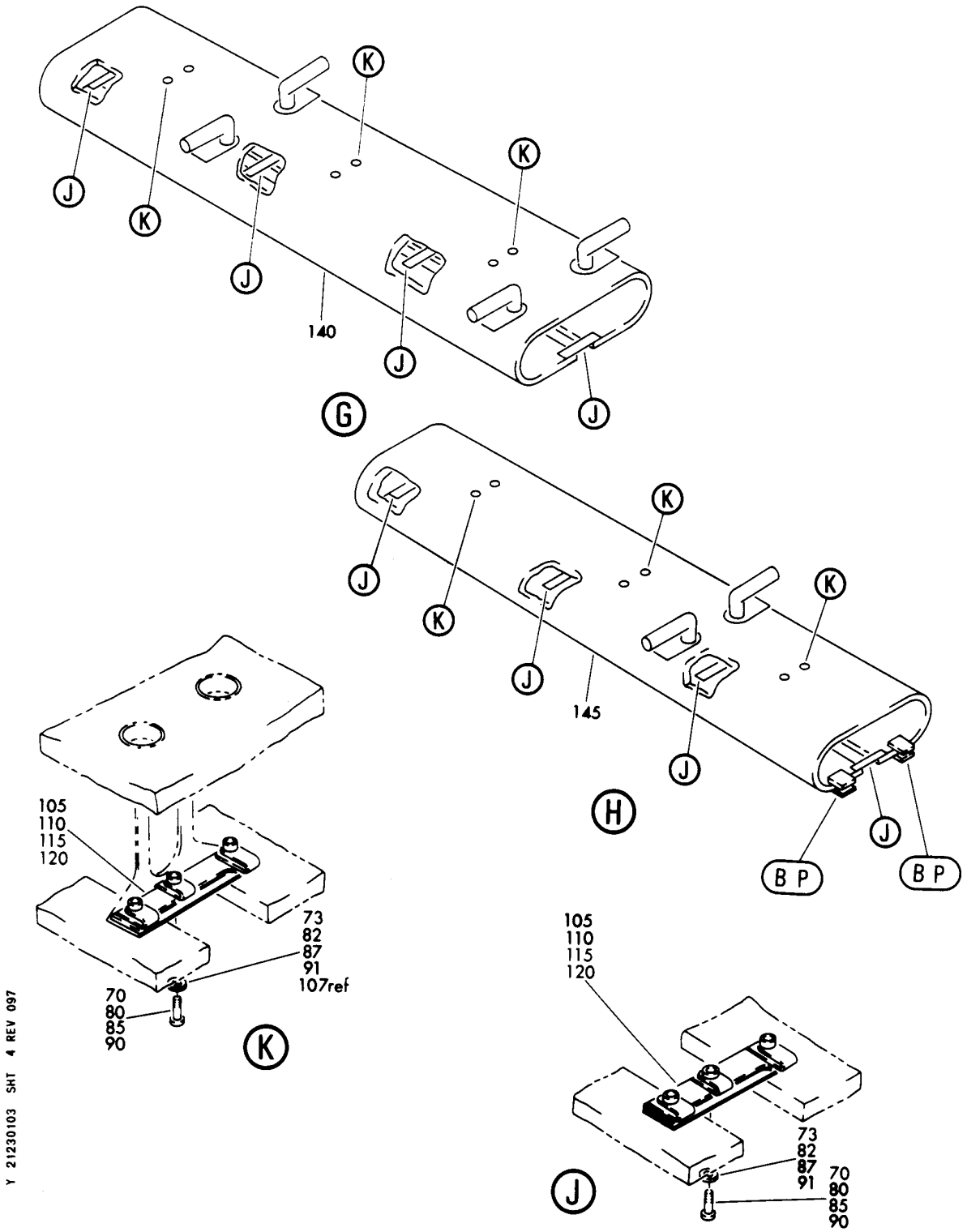
DUCT INSTL-OVERHEAD AIR DISTR SYS
FIGURE 3 (SHEET 3)

21-23-01-03

BRI
MAY 28/07

21-23-01-03
PAGE 0B

BOEING
757
PARTS CATALOG (MAINTENANCE)



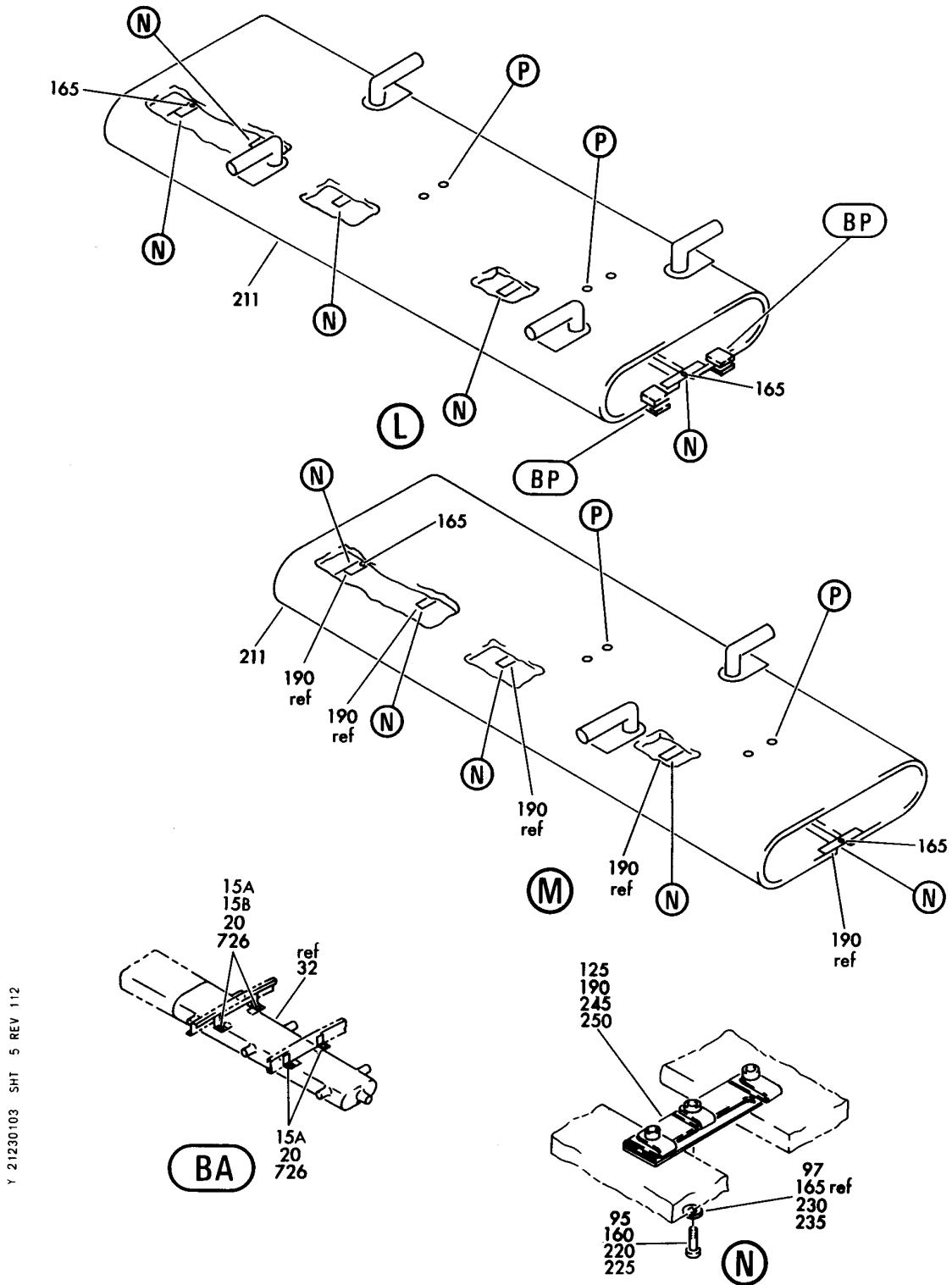
DUCT INSTL-OVERHEAD AIR DISTR SYS
FIGURE 3 (SHEET 4)

21-23-01-03

BRI
MAY 28/07

21-23-01-03
PAGE 0C

BOEING
757
PARTS CATALOG (MAINTENANCE)



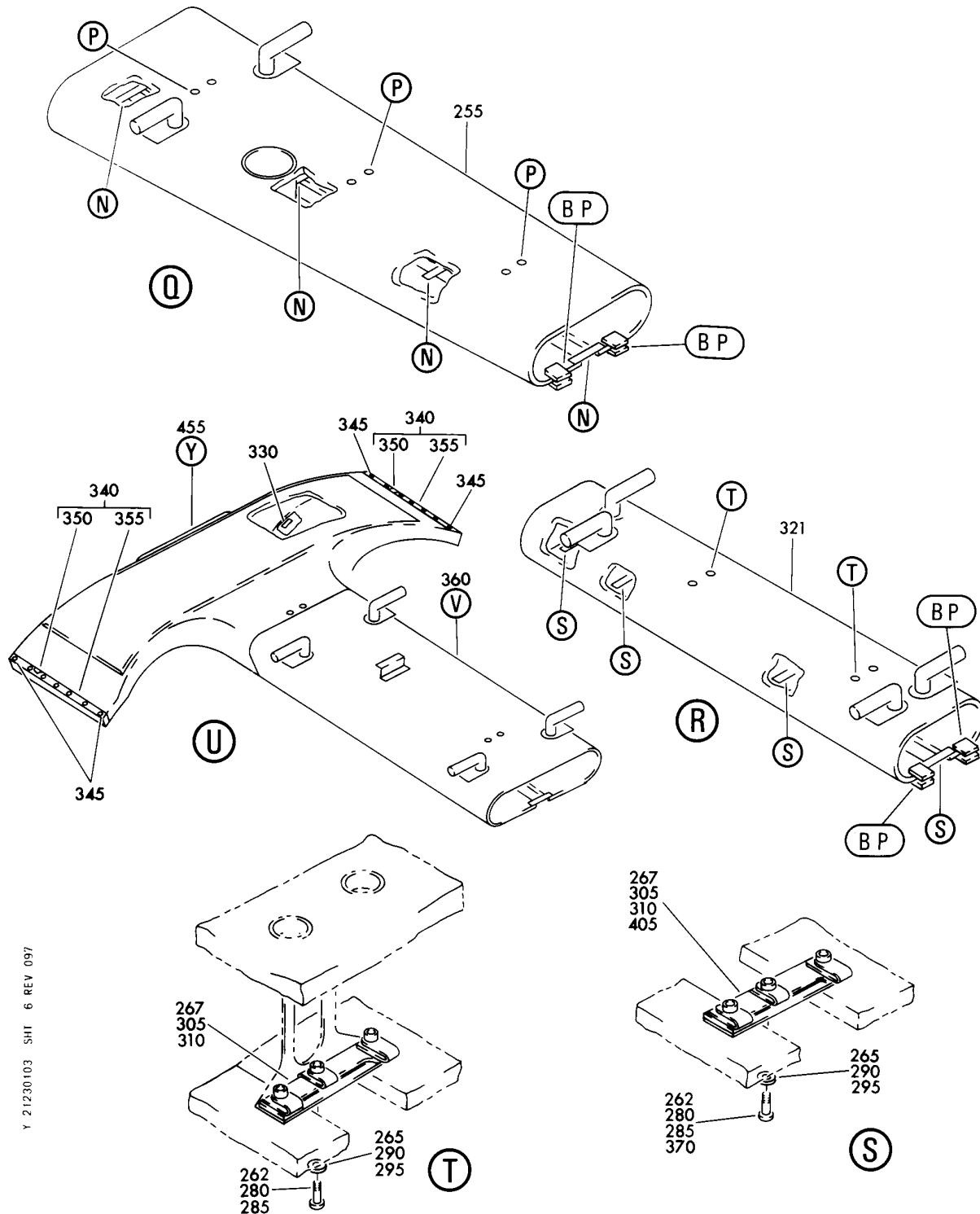
DUCT INSTL-OVERHEAD AIR DISTR SYS
FIGURE 3 (SHEET 5)

21-23-01-03

BRI
MAY 28/07

21-23-01-03
PAGE 0D

BOEING
757
PARTS CATALOG (MAINTENANCE)



Y 21230103 SH1 6 REV 097

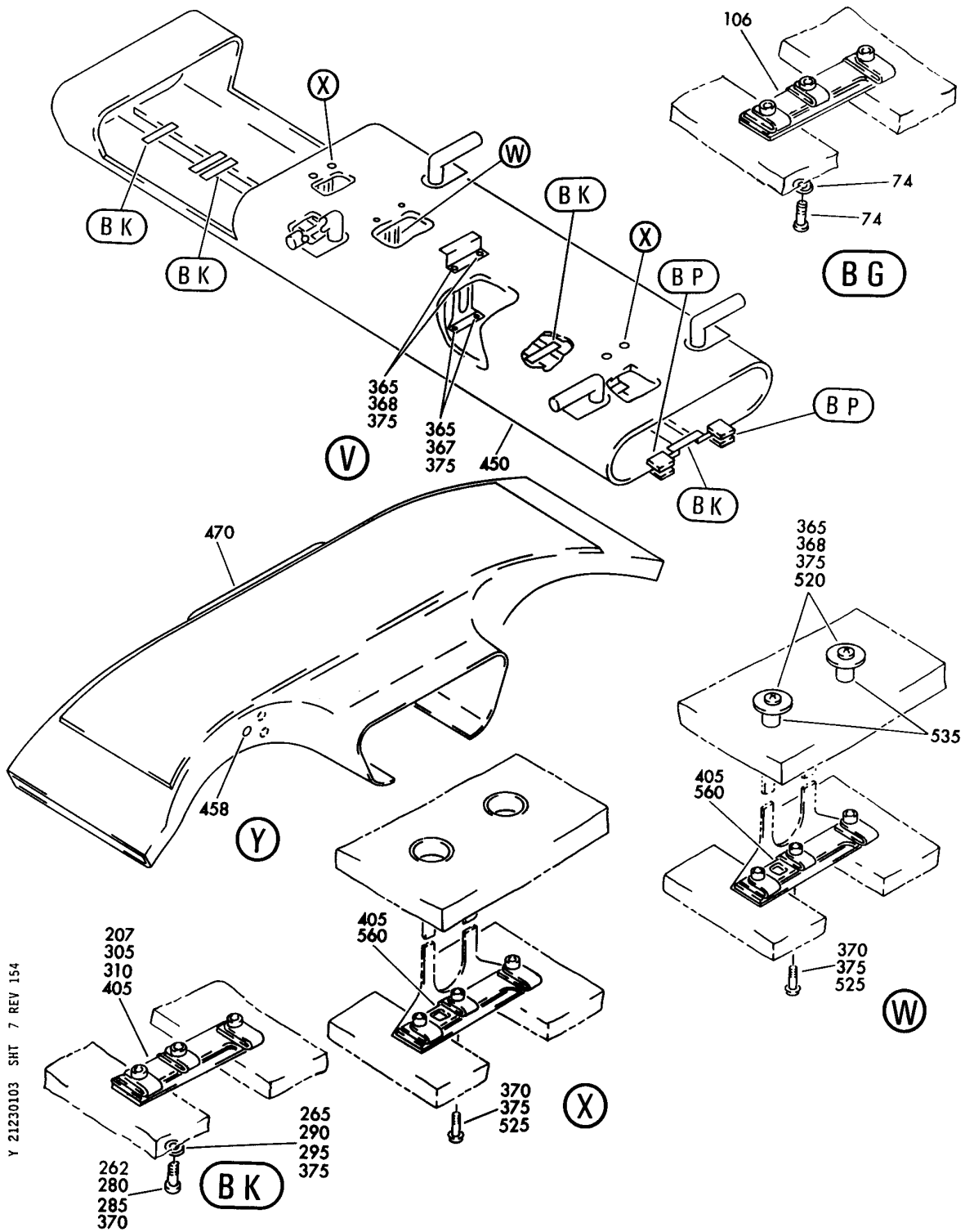
DUCT INSTL-OVERHEAD AIR DISTR SYS
FIGURE 3 (SHEET 6)

21-23-01-03

BRI
MAY 28/07

21-23-01-03
PAGE 0E

BOEING
757
PARTS CATALOG (MAINTENANCE)



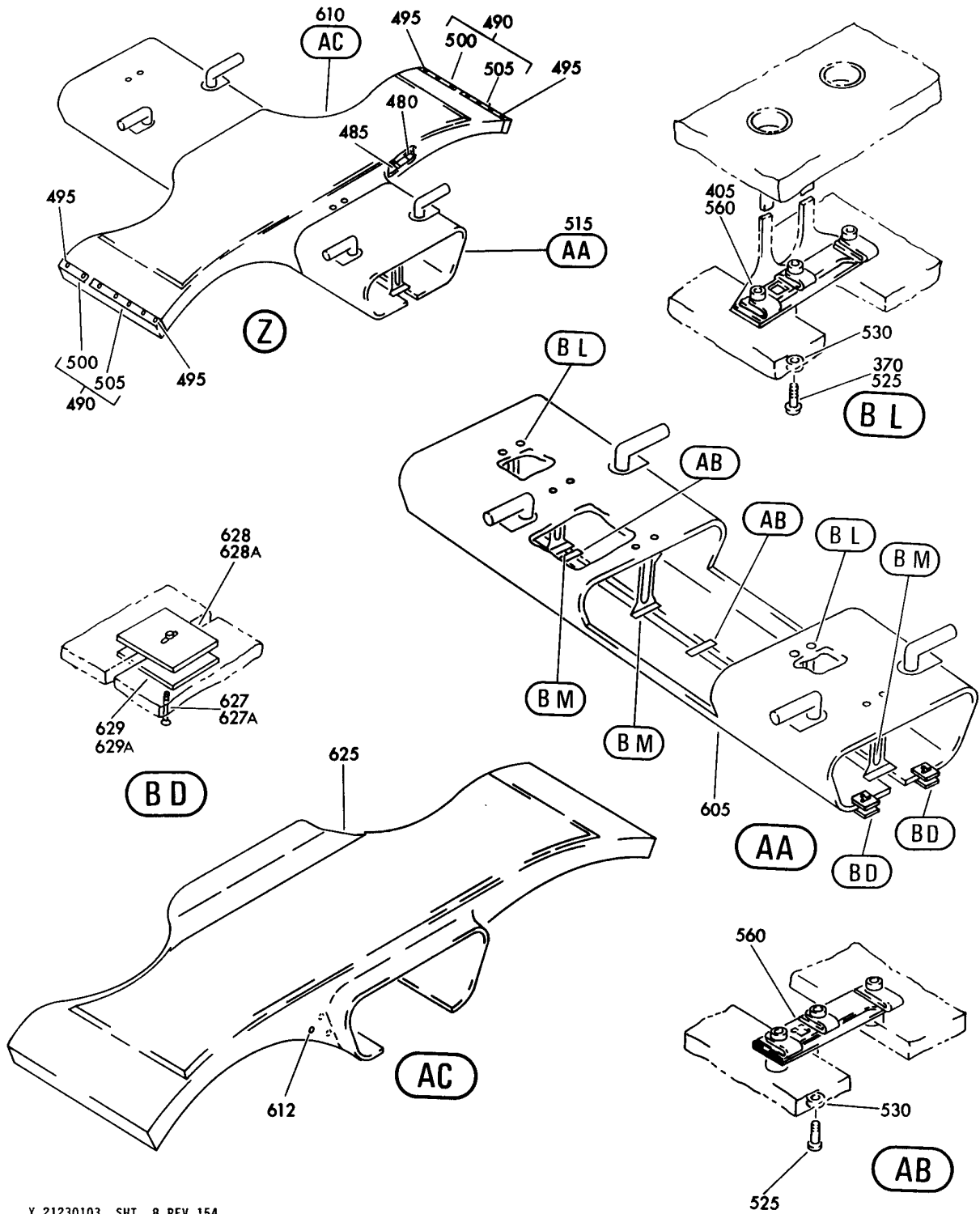
DUCT INSTL-OVERHEAD AIR DISTR SYS
FIGURE 3 (SHEET 7)

21-23-01-03

BRI
MAY 28/07

21-23-01-03
PAGE OF

BOEING
757
PARTS CATALOG (MAINTENANCE)



Y 21230103 SHT 8 REV 154

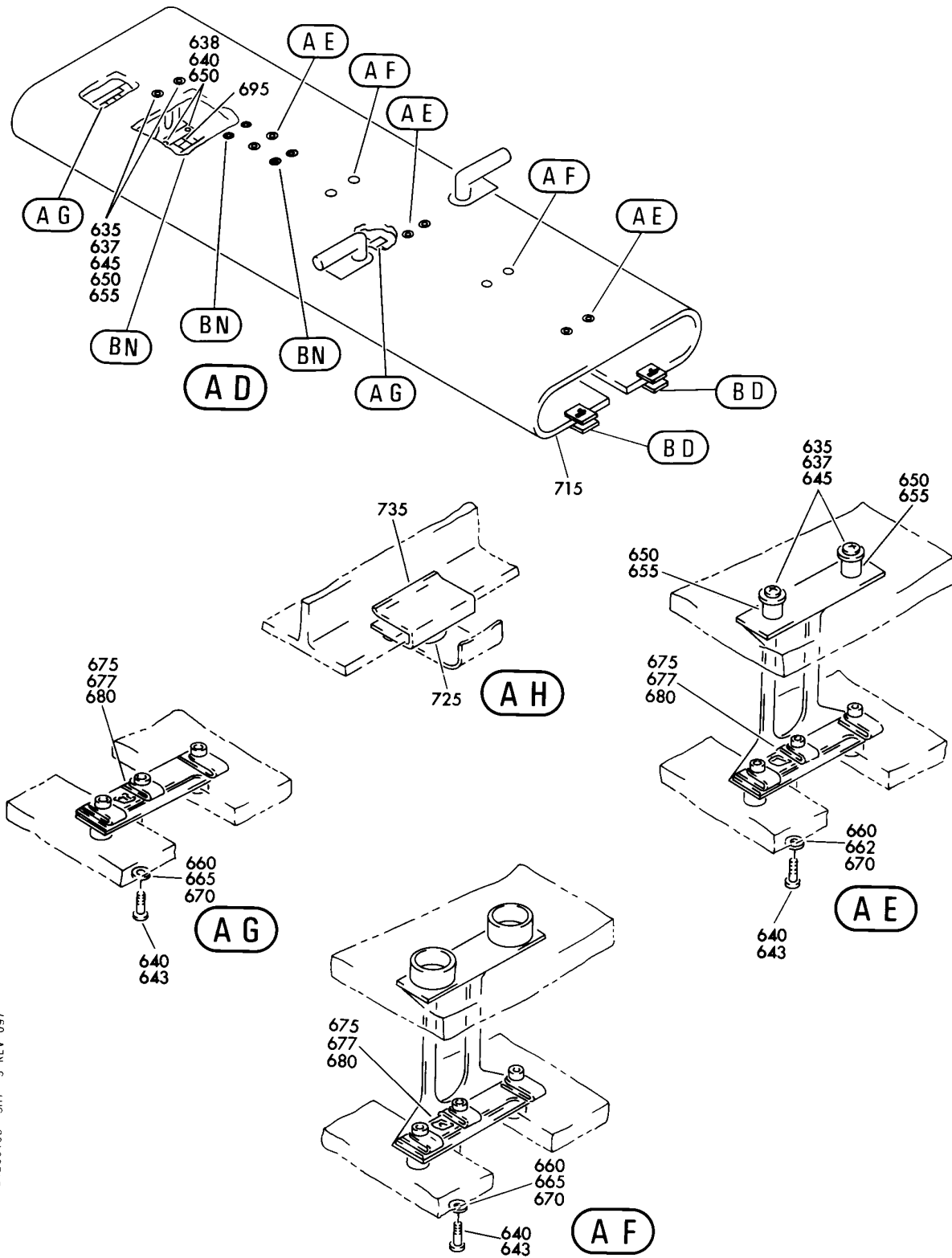
DUCT INSTL-OVERHEAD AIR DISTR SYS
FIGURE 3 (SHEET 8)

21-23-01-03

BRI
MAY 28/07

21-23-01-03
PAGE 0G

BOEING
757
PARTS CATALOG (MAINTENANCE)



Y 21230103 SH1 9 REV 097

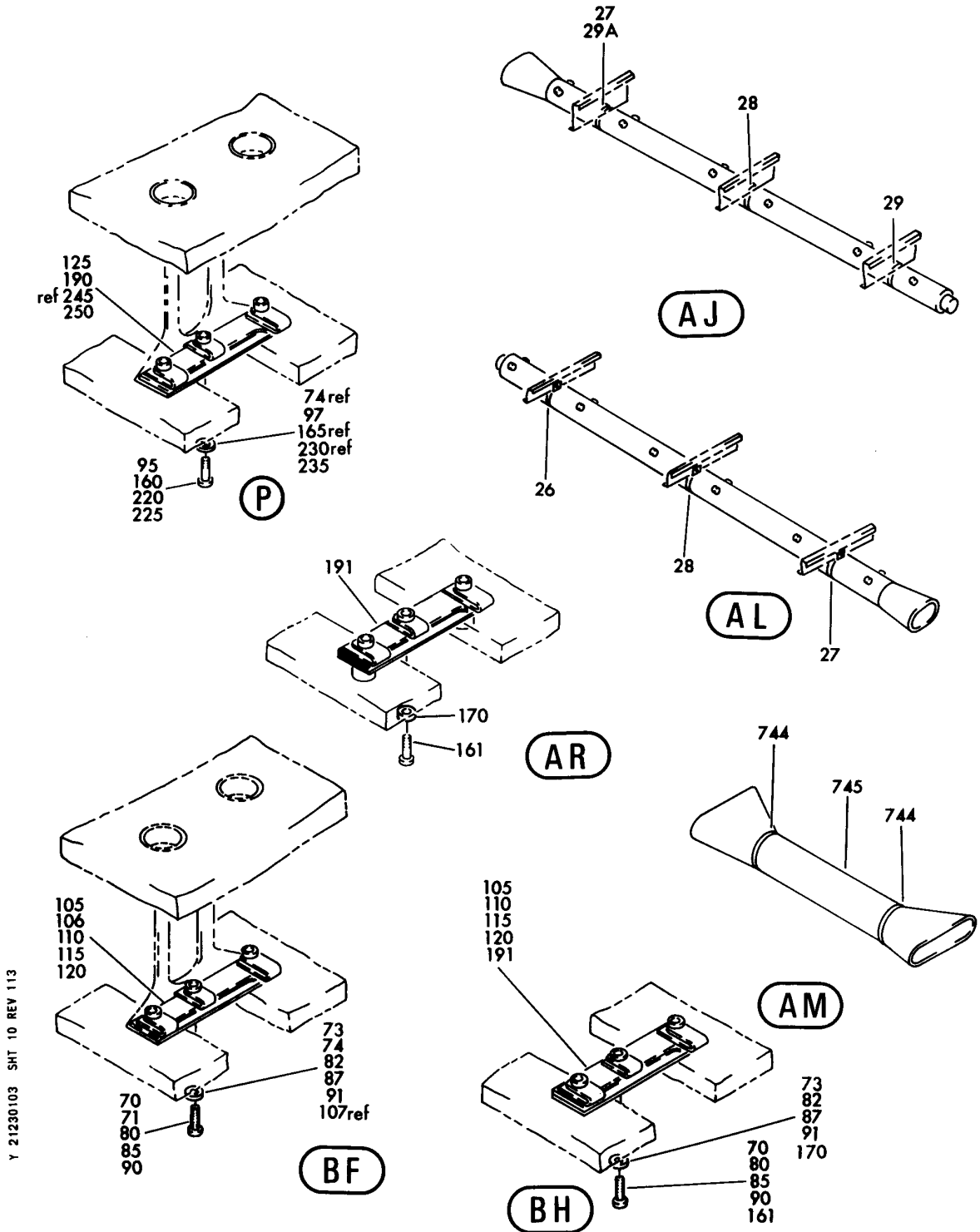
DUCT INSTL-OVERHEAD AIR DISTR SYS
FIGURE 3 (SHEET 9)

21-23-01-03

BRI
MAY 28/07

21-23-01-03
PAGE 0H

BOEING
757
PARTS CATALOG (MAINTENANCE)



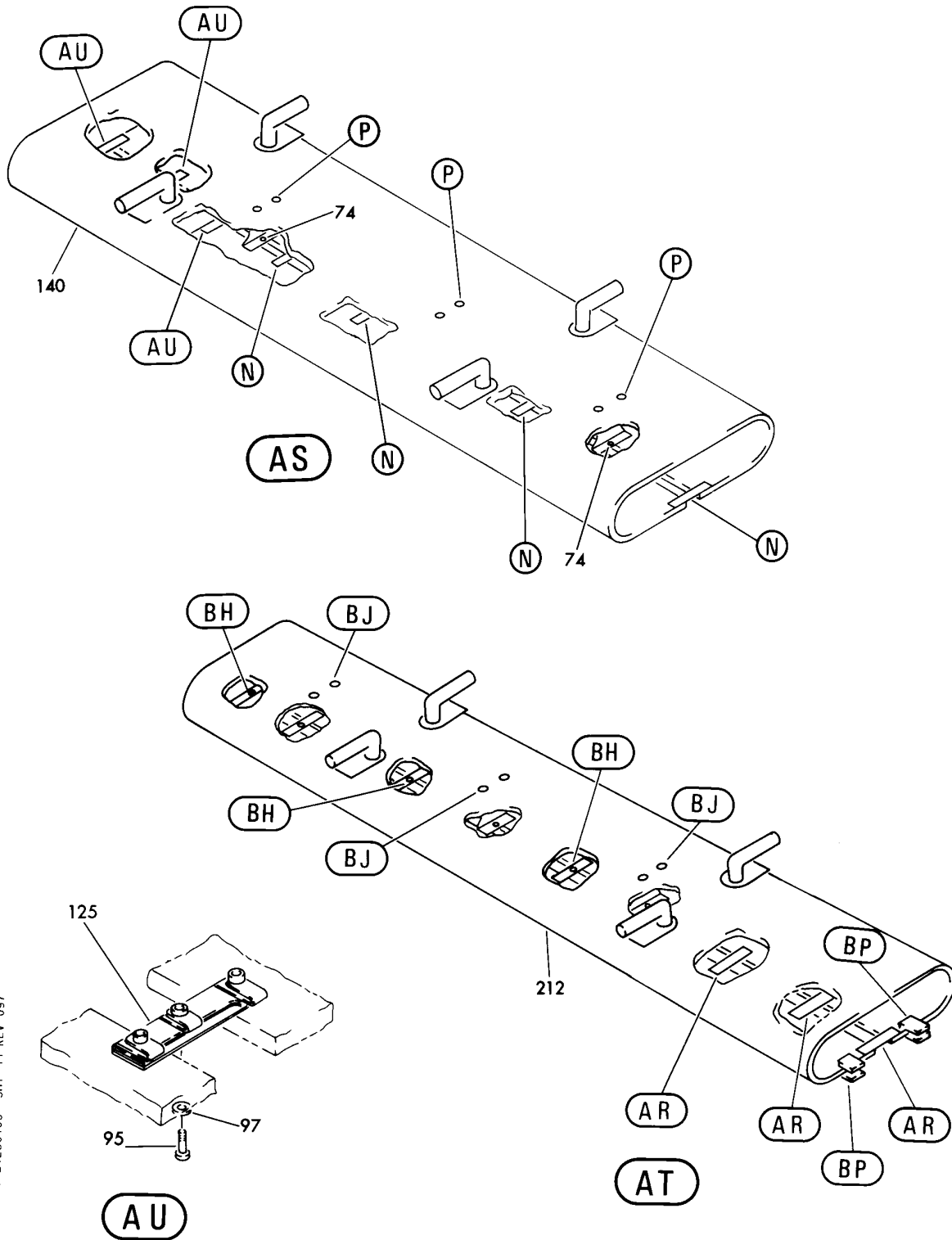
DUCT INSTL-OVERHEAD AIR DISTR SYS
FIGURE 3 (SHEET 10)

21-23-01-03

BRI
MAY 28/07

21-23-01-03
PAGE 01

BOEING
757
PARTS CATALOG (MAINTENANCE)



Y 21230103 SHT 11 REV 097

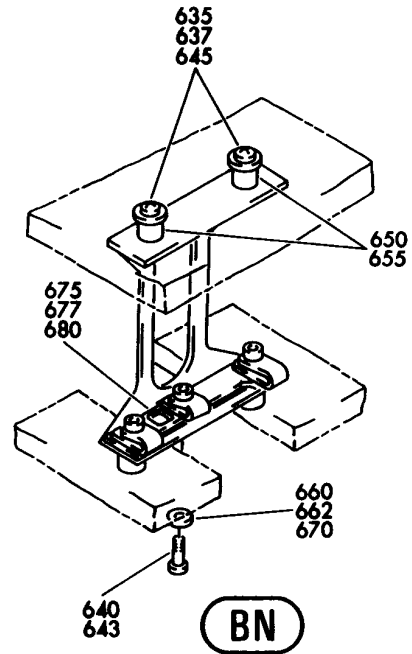
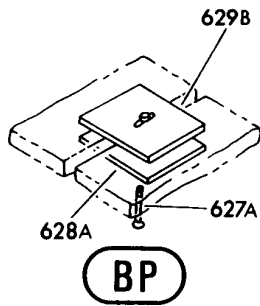
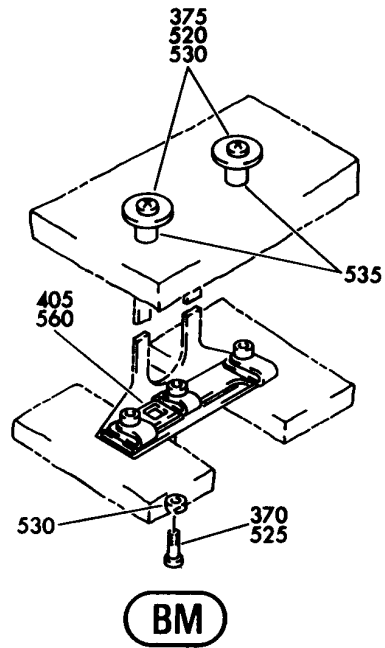
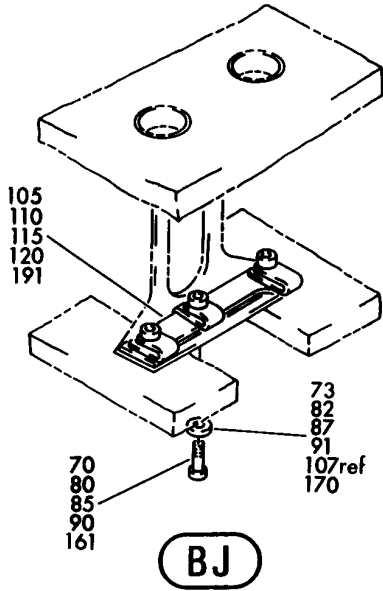
DUCT INSTL-OVERHEAD AIR DISTR SYS
FIGURE 3 (SHEET 11)

21-23-01-03

BRI
MAY 28/07

21-23-01-03
PAGE 0J

BOEING
757
PARTS CATALOG (MAINTENANCE)



Y 21230103 SHT 12 REV 132

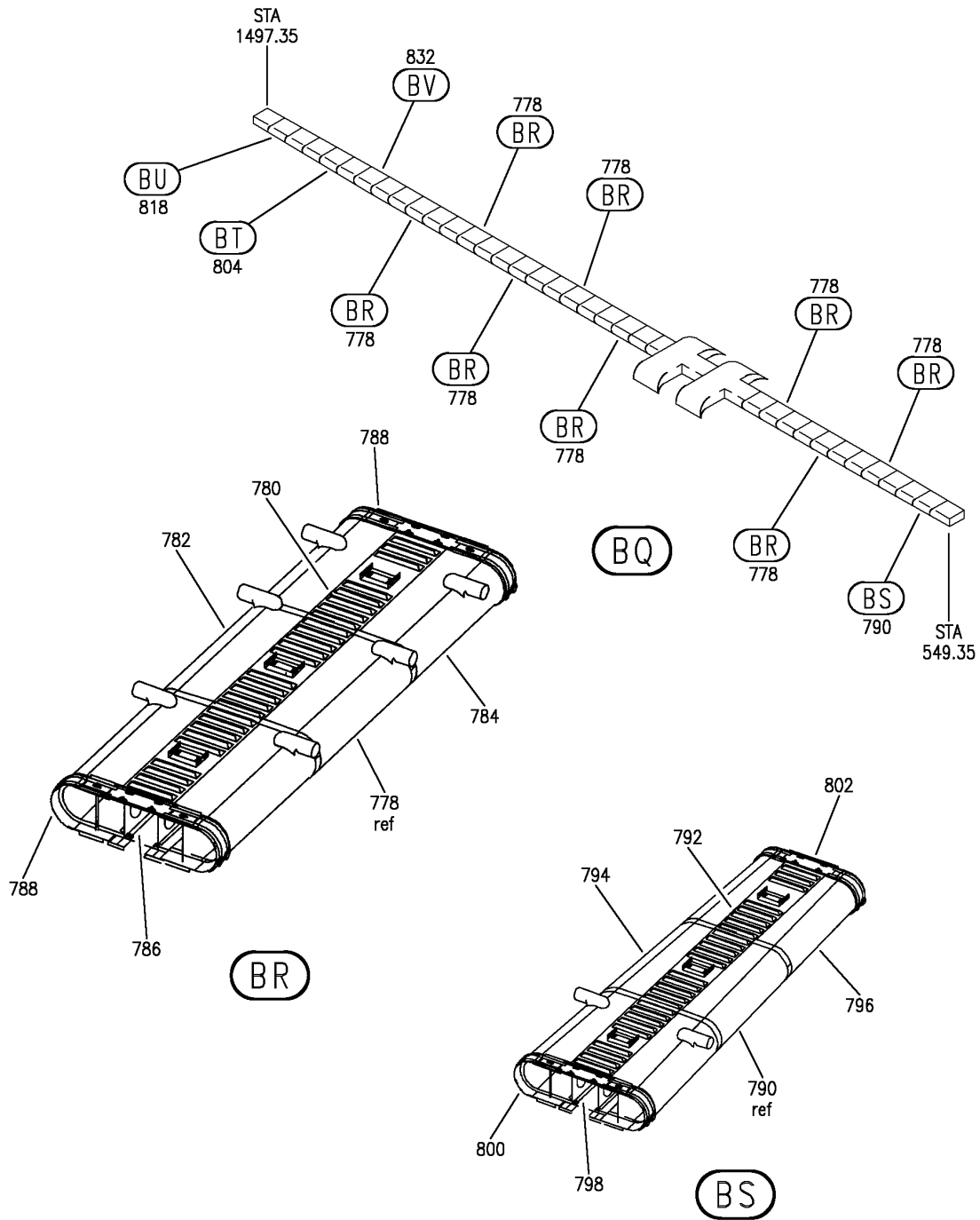
DUCT INSTL-OVERHEAD AIR DISTR SYS
FIGURE 3 (SHEET 12)

21-23-01-03

BRI
MAY 28/07

21-23-01-03
PAGE OK

BOEING
757
PARTS CATALOG (MAINTENANCE)



Y 21230103 SHT 13 REV 278

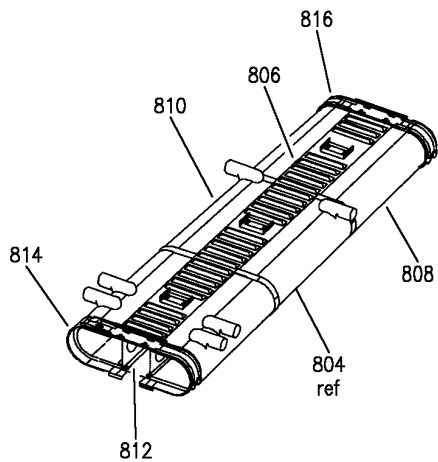
DUCT INSTL-OVERHEAD AIR DISTR SYS
FIGURE 3 (SHEET 13)

21-23-01-03

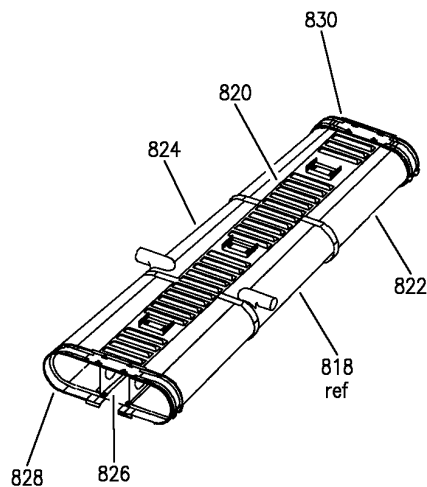
BRI
MAY 28/07

21-23-01-03
PAGE 01

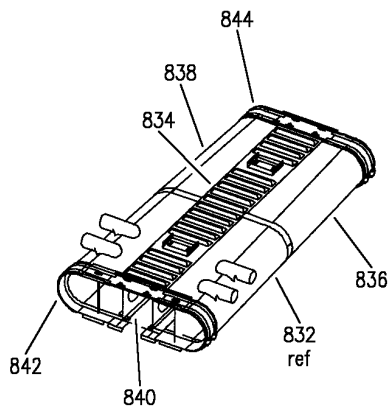
BOEING
757
PARTS CATALOG (MAINTENANCE)



BT



BU



BV

Y 21230103 SH1 14 REV 27B

DUCT INSTL-OVERHEAD AIR DISTR SYS
FIGURE 3 (SHEET 14)

21-23-01-03

BRI
MAY 28/07

21-23-01-03
PAGE 0M



757

PARTS CATALOG (MAINTENANCE)

| FIG ITEM | PART NUMBER | 1 2 3 4 5 6 7 | NOMENCLATURE | EFFECT FROM TO | UNITS PER ASSY |
|----------|-------------|---------------|---|--|----------------|
| 3 | | | DUCT INSTL-OVERHEAD AIR DISTR SYS | 011100 107107 121503 904949 951951 | |
| - 1 | 214N2002-11 | | DUCT INSTL-OVERHEAD AIR DISTR SYS VARIABLE DRAWING REF: 214N2002-3 FOR NHA SEE: 21-00-00-01 | 107107 | RF |
| - 1 | 214N2002-31 | | DUCT INSTL-OVERHEAD AIR DISTR SYS VARIABLE DRAWING REF: 214N2002-35 FOR NHA SEE: 21-00-00-01 | 121503 904949 | RF |
| - 1 | 214N2002-54 | | DUCT INSTL-OVERHEAD AIR DISTR SYS VARIABLE DRAWING REF: 214N2002-61 FOR NHA SEE: 21-00-00-01 | 951951 | RF |
| 5 | 641121-1 | | .SWITCH ASSY-THRM SUPPLIER CODE: V07217 FUNCTIONAL DESCRIPTION: DETECTS OVERHEAT CONDITIONS IN THE AIR CONDITIONING PNEUMATIC DUCTING. SPECIFICATION NUMBER: S210T130-18 ELECTRICAL EQUIP NUMBER: S00022 S00023 | 011100 107107 121503 904949 951951 | 2 |
| 6 | MS9385-05 | | ..PACKING- USED ON: 641121-1 | 011100 107107 121503 904949 951951 | 1 |
| 7 | MS28034-1 | | .BULB- ELECTRICAL EQUIP NUMBER: TS0185 TS0186 | 011100 107107 121503 904949 951951 | 2 |

MISSING ITEM NUMBERS NOT APPLICABLE

- ITEM NOT ILLUSTRATED

21-23-01-03

21-23-01
FIG. 03
PAGE 1
JAN 20/09

BRI



757

PARTS CATALOG (MAINTENANCE)

| FIG ITEM | PART NUMBER | 1 2 3 4 5 6 7 | NOMENCLATURE | EFFECT FROM TO | UNITS PER ASSY |
|----------|--------------|---------------|--|--|----------------|
| 3 | 8 AN900-10 | | .GASKET- OPTIONAL PART: MS35769-11 | 011100 107107 121503 904949 951951 | 2 |
| | 8 MS35769-11 | | .GASKET- OPTIONAL PART: AN900-10 | 011100 107107 121503 904949 951951 | 2 |
| 10 | 624016-1 | | .SENSOR ASSY-TEMP SUPPLIER CODE: V07217 SPECIFICATION NUMBER: S210T130-19 ELECTRICAL EQUIP NUMBER: TS0177 TS0179 COMPONENT MAINT MANUAL REF: 21-65-01 | 011100 107107 121503 904949 951951 | 2 |
| 10 | 624016-2 | | .SENSOR ASSY-TEMP SUPPLIER CODE: V07217 SPECIFICATION NUMBER: S210T130-75 ELECTRICAL EQUIP NUMBER: TS0177 TS0179 COMPONENT MAINT MANUAL REF: 21-65-01 | 011100 107107 121503 904949 951951 | 2 |
| 13 | NAS1801-3-9 | | ATTACHING PARTS .SCREW- | 011100 107107 121503 904949 951951 | 6 |
| 14 | 545131-1 | | -----*----- ..GASKET- SUPPLIER CODE: V07217 | 011100 107107 121503 904949 951951 | 1 |
| - 14B | 3-905S613-6 | | ..PACKING- SUPPLIER CODE: V83259 | 011100 107107 121503 904949 951951 | 1 |

MISSING ITEM NUMBERS NOT APPLICABLE

- ITEM NOT ILLUSTRATED

21-23-01-03

21-23-01
FIG. 03
PAGE 2
JAN 20/09

BRI



757

PARTS CATALOG (MAINTENANCE)

| FIG ITEM | PART NUMBER | 1 2 3 4 5 6 7 | NOMENCLATURE | EFFECT FROM TO | UNITS PER ASSY |
|----------|-------------|---------------|---|--|----------------|
| 3 | | | | | |
| 15 | BACS12FA3K7 | . | SCREW- | 011100 107107 121503 904949 951951 | 60 |
| 16 | BACS12FA3K7 | . | SCREW | 107107 121503 904949 | 16 |
| 20 | BACS12FA3K6 | . | SCREW- | 011100 107107 121503 904949 951951 | 8 |
| 25 | BACW10P166L | . | WASHER | 011100 107107 121503 904949 951951 | 8 |
| 26 | 72 | . | CLAMP SUPPLIER CODE: V7Z588 SPECIFICATION NUMBER: STBC10GG160 OPTIONAL PART: WWD160H V66295 | 011100 | 1 |
| 27 | 88 | . | CLAMP SUPPLIER CODE: V7Z588 SPECIFICATION NUMBER: STBC10GG192 OPTIONAL PART: WWD192H V66295 | 011100 | 2 |
| 29 | 72 | . | CLAMP- SUPPLIER CODE: V7Z588 SPECIFICATION NUMBER: STBC10GG160 OPTIONAL PART: WWD160H V66295 | 011100 | 1 |

MISSING ITEM NUMBERS NOT APPLICABLE

- ITEM NOT ILLUSTRATED

BRI

21-23-01-03

21-23-01
FIG. 03
PAGE 3
JAN 20/09



757

PARTS CATALOG (MAINTENANCE)

| FIG ITEM | PART NUMBER | 1 2 3 4 5 6 7 | NOMENCLATURE | EFFECT FROM TO | UNITS PER ASSY |
|----------|-------------|---------------|--|----------------------------|----------------|
| 3 29A | 88 | | .CLAMP- SUPPLIER CODE: V7Z588 SPECIFICATION NUMBER: STBC10GG192 OPTIONAL PART: WWD192H V66295 | 011100 | 1 |
| 30 | 214N2111-5 | | .DUCT ASSY- | 011100 | 1 |
| 30 | 214N2111-7 | | .DUCT ASSY- | 107107 | 1 |
| 30 | 214N2111-33 | | .DUCT ASSY- | 951951 | 1 |
| 32 | 214N2111-13 | | .DUCT ASSY- | 904949 | 1 |
| 35 | 214N2111-8 | | .DUCT ASSY-VARIABLE | 107107 904949 | 1 |
| 35 | 214N2111-16 | | .DUCT ASSY- | 011100 | 1 |
| 35 | 214N2111-18 | | .DUCT ASSY-VARIABLE | 121503 951951 | 1 |
| 40 | 214N2109-1 | | .DUCT ASSY- | 011100 107107 951951 | 1 |
| 40 | 214N2109-15 | | .DUCT ASSY- | 011100 107107 951951 | 1 |
| 40 | 214N2109-33 | | .DUCT ASSY- | 011100 107107 951951 | 1 |
| 41 | 214N2109-1 | | .DUCT ASSY- | 011100 107107 951951 | 1 |
| 41 | 214N2109-15 | | .DUCT ASSY- | 011100 107107 951951 | 1 |
| 41 | 214N2109-33 | | .DUCT ASSY- | 011100 107107 951951 | 1 |
| 42 | 214N2109-15 | | .DUCT ASSY- PRE AIRLINE MOD: SL21-057A VBRI | 121503 904949 | 1 |
| 42 | 214N2109-33 | | .DUCT ASSY- PRE AIRLINE MOD: SL21-057A VBRI | 121503 904949 | 1 |
| 43 | 214N2109-76 | | .DUCT ASSY- PRE AIRLINE MOD: SL21-057A VBRI | 121503 904949 | 1 |

MISSING ITEM NUMBERS NOT APPLICABLE

- ITEM NOT ILLUSTRATED

21-23-01-03

21-23-01
FIG. 03
PAGE 4
JAN 20/09

BRI



757

PARTS CATALOG (MAINTENANCE)

| FIG ITEM | PART NUMBER | 1 2 3 4 5 6 7 | NOMENCLATURE | EFFECT FROM TO | UNITS PER ASSY |
|----------|--------------|---------------|--|----------------------------|----------------|
| 3 | | | | | |
| 43 | 214N2109-111 | | .DUCT ASSY- PRE AIRLINE MOD: SL21-057A VBRI | 121503 904949 | 1 |
| 45 | 214N2109-10 | | .DUCT ASSY- | 011100 107107 951951 | 1 |
| 45 | 214N2109-24 | | .DUCT ASSY- | 011100 107107 951951 | 1 |
| 45 | 214N2109-40 | | .DUCT ASSY- PRE AIRLINE MOD: SL21-057A VBRI | 121503 904949 | 1 |
| 50 | 214N2109-17 | | .DUCT ASSY- | 011100 107107 951951 | 1 |
| 50 | 214N2109-3 | | .DUCT ASSY- | 011100 107107 951951 | 1 |
| 50 | 214N2109-102 | | .DUCT ASSY- | 011100 107107 951951 | 1 |
| 50 | 214N2109-62 | | .DUCT ASSY- | 011100 107107 951951 | 1 |
| 50 | 214N2109-94 | | .DUCT ASSY- | 011100 107107 951951 | 1 |
| 51 | 214N2109-3 | | .DUCT ASSY- | 011100 107107 951951 | 1 |
| 51 | 214N2109-17 | | .DUCT ASSY- | 011100 107107 951951 | 1 |
| 51 | 214N2109-102 | | .DUCT ASSY- | 011100 107107 951951 | 1 |
| 51 | 214N2109-62 | | .DUCT ASSY- | 011100 107107 951951 | 1 |
| 51 | 214N2109-94 | | .DUCT ASSY- | 011100 107107 951951 | 1 |
| 52 | 214N2109-17 | | .DUCT ASSY- PRE AIRLINE MOD: SL21-057A VBRI | 121503 904949 | 1 |

MISSING ITEM NUMBERS NOT APPLICABLE

- ITEM NOT ILLUSTRATED

21-23-01-03

21-23-01
FIG. 03
PAGE 5
JAN 20/09

BRI



757

PARTS CATALOG (MAINTENANCE)

| FIG ITEM | PART NUMBER | 1 2 3 4 5 6 7 | NOMENCLATURE | EFFECT FROM TO | UNITS PER ASSY |
|----------|--------------|---------------|---|--|----------------|
| 3 | | | | | |
| 52 | 214N2109-102 | | . DUCT ASSY- PRE AIRLINE MOD: SL21-057A VBRI | 121503 904949 | 1 |
| 52 | 214N2109-62 | | . DUCT ASSY- PRE AIRLINE MOD: SL21-057A VBRI | 121503 904949 | 1 |
| 52 | 214N2109-94 | | . DUCT ASSY- PRE AIRLINE MOD: SL21-057A VBRI | 121503 904949 | 1 |
| 53 | 214N2109-44 | | . DUCT ASSY- PRE AIRLINE MOD: SL21-057A VBRI | 121503 904949 | 1 |
| 55 | 214N2109-4 | | . DUCT ASSY- | 011100 107107 121503 904949 951951 | 1 |
| 55 | 214N2109-18 | | . DUCT ASSY- | 011100 107107 121503 904949 951951 | 1 |
| 58 | 214N2109-69 | | . DUCT ASSY- | 011100 | 1 |
| 58 | 214N2109-79 | | . DUCT ASSY- | 107107 951951 | 1 |
| 58 | 214N2109-82 | | . DUCT ASSY- PRE AIRLINE MOD: SL21-057A VBRI | 121503 904949 | 1 |
| 58 | 214N2109-20 | | . DUCT ASSY- | 107107 951951 | 1 |
| 60 | 214N2109-6 | | . DUCT ASSY- | 107107 951951 | 1 |
| 60 | 214N2109-14 | | . DUCT ASSY- | 107107 951951 | 1 |
| 60 | 214N2109-28 | | . DUCT ASSY- | 107107 951951 | 1 |
| 65 | 214N2109-7 | | . DUCT ASSY- | 011100 107107 951951 | 1 |
| 65 | 214N2109-21 | | . DUCT ASSY- | 011100 107107 951951 | 1 |

MISSING ITEM NUMBERS NOT APPLICABLE

- ITEM NOT ILLUSTRATED

21-23-01-03

21-23-01
FIG. 03
PAGE 6
JAN 20/09

BRI

BOEING PROPRIETARY - Copyright © - Unpublished Work - See title page for details.



757

PARTS CATALOG (MAINTENANCE)

| FIG ITEM | PART NUMBER | 1 2 3 4 5 6 7 | NOMENCLATURE | EFFECT FROM TO | UNITS PER ASSY |
|----------|-------------|---------------|---|--|----------------|
| 3 | | | | | |
| 65 | 214N2109-36 | | .DUCT ASSY- PRE AIRLINE MOD: SL21-057A VBRI | 121503 904949 | 1 |
| 70 | NAS6603-2 | | ..BOLT- OPTIONAL PART: BACS12FA3K8 USED ON: 214N2109-1 214N2109-3 214N2109-4 214N2109-6 214N2109-7 214N2109-10 214N2109-15 214N2109-17 214N2109-18 214N2109-21 214N2109-24 214N2109-28 | 011100 107107 121503 904949 951951 | 7 |
| 70 | BACS12FA3K8 | | ..SCREW- OPTIONAL PART: NAS6603-2 USED ON: 214N2109-1 214N2109-3 214N2109-4 214N2109-6 214N2109-7 214N2109-10 214N2109-15 214N2109-17 214N2109-18 214N2109-21 214N2109-24 214N2109-28 | 011100 107107 121503 904949 951951 | 7 |
| 70 | NAS6603-2 | | ..BOLT- OPTIONAL PART: BACS12FA3K8 USED ON: 214N2109-15 214N2109-17 | 121503 904949 | 7 |
| 70 | BACS12FA3K8 | | ..SCREW- OPTIONAL PART: NAS6603-2 USED ON: 214N2109-15 214N2109-17 | 121503 904949 | 7 |

MISSING ITEM NUMBERS NOT APPLICABLE

- ITEM NOT ILLUSTRATED

BRI

21-23-01-03

21-23-01
FIG. 03
PAGE 7
JAN 20/09



757

PARTS CATALOG (MAINTENANCE)

| FIG ITEM | PART NUMBER | 1 2 3 4 5 6 7 | NOMENCLATURE | EFFECT FROM TO | UNITS PER ASSY |
|----------|-------------|---------------|--|--|----------------|
| 3 | | | | | |
| 71 | NAS6603-2 | .. | BOLT- OPTIONAL PART: BACS12FA3K8 USED ON: 214N2109-44 | 121503 904949 | 11 |
| 71 | BACS12FA3K8 | .. | SCREW- OPTIONAL PART: NAS6603-2 USED ON: 214N2109-44 | 121503 904949 | 11 |
| 73 | AN960PD10L | .. | WASHER- USED ON: 214N2109-1 214N2109-3 214N2109-4 214N2109-6 214N2109-7 214N2109-10 214N2109-15 214N2109-17 214N2109-18 214N2109-21 214N2109-24 214N2109-28 | 011100 107107 121503 904949 951951 | 7 |
| 73 | AN960PD10L | .. | WASHER- USED ON: 214N2109-15 214N2109-17 | 121503 904949 | 7 |
| 74 | AN960PD10L | .. | WASHER- USED ON: 214N2109-44 | 121503 904949 | 11 |
| 80 | NAS6603-2 | .. | BOLT- OPTIONAL PART: BACS12FA3K8 USED ON: 214N2109-42 214N2109-76 | 121503 904949 | 9 |
| 80 | BACS12FA3K8 | .. | SCREW- OPTIONAL PART: NAS6603-2 USED ON: 214N2109-42 214N2109-76 | 121503 904949 | 9 |
| 82 | AN960PD10L | .. | WASHER- USED ON: 214N2109-42 214N2109-76 | 121503 904949 | 9 |

MISSING ITEM NUMBERS NOT APPLICABLE

- ITEM NOT ILLUSTRATED

21-23-01-03

21-23-01
FIG. 03
PAGE 8
JAN 20/09

BRI

BOEING PROPRIETARY - Copyright © - Unpublished Work - See title page for details.



757

PARTS CATALOG (MAINTENANCE)

| FIG ITEM | PART NUMBER | 1 2 3 4 5 6 7 | NOMENCLATURE | EFFECT FROM TO | UNITS PER ASSY |
|----------|-------------|---------------|--|----------------------------|----------------|
| 3 | | | | | |
| 85 | NAS6603-2 | .. | BOLT- OPTIONAL PART: BACS12FA3K8 USED ON: 214N2109-36 | 121503 904949 | 8 |
| 85 | BACS12FA3K8 | .. | SCREW- OPTIONAL PART: NAS6603-2 USED ON: 214N2109-36 | 121503 904949 | 8 |
| 87 | AN960PD10L | .. | WASHER- USED ON: 214N2109-36 | 121503 904949 | 8 |
| 90 | NAS6603-2 | .. | BOLT- OPTIONAL PART: BACS12FA3K8 USED ON: 214N2109-14 214N2109-40 214N2109-79 | 121503 904949 951951 | 11 |
| 90 | BACS12FA3K8 | .. | SCREW- OPTIONAL PART: NAS6603-2 USED ON: 214N2109-14 214N2109-40 214N2109-79 | 121503 904949 951951 | 11 |
| 91 | AN960PD10L | .. | WASHER- USED ON: 214N2109-14 214N2109-40 214N2109-79 | 121503 904949 951951 | 11 |
| 95 | NAS6603-2 | .. | BOLT- OPTIONAL PART: BACS12FA3K8 USED ON: 214N2109-12 214N2109-26 214N2109-34 214N2109-69 | 011100 | 9 |
| 95 | BACS12FA3K8 | .. | SCREW- OPTIONAL PART: NAS6603-2 USED ON: 214N2109-12 214N2109-26 214N2109-34 214N2109-69 | 011100 | 9 |

MISSING ITEM NUMBERS NOT APPLICABLE

- ITEM NOT ILLUSTRATED

21-23-01-03

21-23-01
FIG. 03
PAGE 9
JAN 20/09

BRI

BOEING PROPRIETARY - Copyright © - Unpublished Work - See title page for details.



757

PARTS CATALOG (MAINTENANCE)

| FIG ITEM | PART NUMBER | 1 2 3 4 5 6 7 | NOMENCLATURE | EFFECT FROM TO | UNITS PER ASSY |
|----------|---------------|---------------|--|--|----------------|
| 3 | 97 AN960PD10L | | .. WASHER- USED ON: 214N2109-12 214N2109-26 214N2109-34 214N2109-69 | 011100 | 9 |
| 105 | 214N2127-1 | | .. SEAL ASSY- USED ON: 214N2109-1 214N2109-3 214N2109-4 214N2109-6 214N2109-7 214N2109-10 214N2109-15 214N2109-17 214N2109-18 214N2109-21 214N2109-24 214N2109-28 | 011100 107107 121503 904949 951951 | 7 |
| 105 | 214N2127-1 | | .. SEAL ASSY- USED ON: 214N2109-15 214N2109-17 | 121503 904949 | 7 |
| 106 | 214N2127-1 | | .. SEAL ASSY- USED ON: 214N2109-44 | 121503 904949 | 11 |
| 110 | 214N2127-1 | | .. SEAL ASSY- USED ON: 214N2109-42 214N2109-76 | 121503 904949 | 9 |
| 115 | 214N2127-1 | | .. SEAL ASSY- USED ON: 214N2109-36 | 121503 904949 | 8 |
| 120 | 214N2127-1 | | .. SEAL ASSY- USED ON: 214N2109-14 214N2109-79 | 121503 904949 951951 | 11 |
| 125 | 214N2127-1 | | .. SEAL ASSY- USED ON: 214N2109-12 214N2109-26 214N2109-34 214N2109-69 | 011100 | 9 |
| 130 | 214N2110-1 | | .. DUCT- USED ON: 214N2109-1 214N2109-3 214N2109-10 | 011100 107107 951951 | 1 |

MISSING ITEM NUMBERS NOT APPLICABLE

- ITEM NOT ILLUSTRATED

21-23-01-03

21-23-01
FIG. 03
PAGE 10
JAN 20/09

BRI



757

PARTS CATALOG (MAINTENANCE)

| FIG ITEM | PART NUMBER | 1 2 3 4 5 6 7 | NOMENCLATURE | EFFECT FROM TO | UNITS PER ASSY |
|----------|-------------|---------------|---|--|----------------|
| 3 | | | | | |
| 130 | 214N2110-12 | .. | DUCT- USED ON: 214N2109-15 214N2109-17 214N2109-24 | 011100 107107 951951 | 1 |
| 130 | 214N2110-12 | .. | DUCT- USED ON: 214N2109-15 214N2109-17 214N2109-40 214N2109-42 214N2109-44 214N2109-76 | 121503 904949 | 1 |
| 135 | 214N2110-6 | .. | DUCT- USED ON: 214N2109-4 | 011100 107107 121503 904949 951951 | 1 |
| 135 | 214N2110-17 | .. | DUCT- USED ON: 214N2109-18 214N2109-34 | 011100 107107 121503 904949 951951 | 1 |
| 140 | 214N2110-11 | .. | DUCT- USED ON: 214N2109-12 | 011100 | 1 |
| 140 | 214N2110-22 | .. | DUCT- USED ON: 214N2109-26 214N2109-69 | 011100 | 1 |
| 140 | 214N2110-15 | .. | DUCT- USED ON: 214N2109-28 214N2109-41 214N2109-79 214N2109-82 | 011100 107107 951951 | 1 |
| 145 | 214N2110-3 | .. | DUCT- USED ON: 214N2109-7 | 011100 107107 121503 904949 951951 | 1 |
| 145 | 214N2110-14 | .. | DUCT- USED ON: 214N2109-21 214N2109-36 | 011100 107107 121503 904949 951951 | 1 |
| 150 | 214N2109-2 | .. | DUCT ASSY- | 107107 | 1 |
| 150 | 214N2109-16 | .. | DUCT ASSY- | 107107 | 1 |

MISSING ITEM NUMBERS NOT APPLICABLE

- ITEM NOT ILLUSTRATED

21-23-01-03

21-23-01
FIG. 03
PAGE 11
JAN 20/09

BRI



757

PARTS CATALOG (MAINTENANCE)

| FIG ITEM | PART NUMBER | 1 2 3 4 5 6 7 | NOMENCLATURE | EFFECT FROM TO | UNITS PER ASSY |
|----------|-------------|---------------|--|--|----------------|
| 3 | | | | | |
| 150 | 214N2109-66 | | . DUCT ASSY- PRE AIRLINE MOD: SL21-057A VBRI | 011100 121503 904949 951951 | 1 |
| 153 | 214N2109-68 | | . DUCT ASSY- | 011100 | 1 |
| 155 | 214N2109-9 | | . DUCT ASSY- | 107107 | 1 |
| 155 | 214N2109-13 | | . DUCT ASSY- | 107107 | 1 |
| 155 | 214N2109-27 | | . DUCT ASSY- | 107107 | 1 |
| 155 | 214N2109-78 | | . DUCT ASSY- PRE AIRLINE MOD: SL21-057A VBRI | 121503 904949 951951 | 1 |
| 155 | 214N2109-71 | | . DUCT ASSY- PRE AIRLINE MOD: SL21-057A VBRI | 121503 904949 951951 | 1 |
| 155 | 214N2109-23 | | . DUCT ASSY- | 107107 | 1 |
| 155 | 214N2109-96 | | . DUCT ASSY- PRE AIRLINE MOD: SL21-057A VBRI | 121503 904949 951951 | 1 |
| 160 | NAS6603-2 | | .. BOLT- OPTIONAL PART: BACS12FA3K8 USED ON: 214N2109-2 214N2109-9 214N2109-13 214N2109-16 214N2109-27 214N2109-66 214N2109-78 | 011100 107107 121503 904949 951951 | 7 |
| 160 | BACS12FA3K8 | | .. SCREW- OPTIONAL PART: NAS6603-2 USED ON: 214N2109-2 214N2109-9 214N2109-13 214N2109-16 214N2109-27 214N2109-66 214N2109-78 | 011100 107107 121503 904949 951951 | 7 |

MISSING ITEM NUMBERS NOT APPLICABLE

- ITEM NOT ILLUSTRATED

BRI

21-23-01-03

21-23-01
FIG. 03
PAGE 12
JAN 20/09



757

PARTS CATALOG (MAINTENANCE)

| FIG ITEM | PART NUMBER | 1 2 3 4 5 6 7 | NOMENCLATURE | EFFECT FROM TO | UNITS PER ASSY |
|----------|-------------|---------------|---|--|----------------|
| 3 | | | | | |
| 161 | NAS6603-2 | .. | BOLT- OPTIONAL PART: BACS12FA3K8 USED ON: 214N2109-11 214N2109-25 214N2109-68 | 011100 | 9 |
| 161 | BACS12FA3K8 | .. | SCREW- OPTIONAL PART: NAS6603-2 USED ON: 214N2109-11 214N2109-25 214N2109-68 | 011100 | 9 |
| 165 | AN960PD10L | .. | WASHER- USED ON: 214N2109-2 214N2109-9 214N2109-13 214N2109-16 214N2109-27 214N2109-66 214N2109-78 | 011100 107107 121503 904949 951951 | 7 |
| 170 | AN960PD10L | .. | WASHER- USED ON: 214N2109-11 214N2109-25 214N2109-68 | 011100 | 9 |
| 190 | 214N2127-1 | .. | SEAL ASSY- USED ON: 214N2109-2 214N2109-9 214N2109-13 214N2109-16 214N2109-27 214N2109-66 214N2109-78 | 011100 107107 121503 904949 951951 | 7 |
| 191 | 214N2127-1 | .. | SEAL ASSY- USED ON: 214N2109-11 214N2109-25 214N2109-68 | 011100 | 9 |
| 212 | 214N2110-21 | .. | DUCT- USED ON: 214N2109-25 214N2109-68 | 011100 | 1 |

MISSING ITEM NUMBERS NOT APPLICABLE

- ITEM NOT ILLUSTRATED

21-23-01-03

21-23-01
FIG. 03
PAGE 13
JAN 20/09

BRI



757

PARTS CATALOG (MAINTENANCE)

| FIG ITEM | PART NUMBER | 1 2 3 4 5 6 7 | NOMENCLATURE | EFFECT FROM TO | UNITS PER ASSY |
|----------|-------------|---------------|---|--|----------------|
| 3 | | | | | |
| 212 | 214N2110-12 | .. | DUCT- USED ON: 214N2109-16 214N2109-27 214N2109-66 214N2109-78 | 011100 107107 121503 904949 951951 | 1 |
| 215 | 214N2109-5 | . . | DUCT ASSY- | 011100 107107 951951 | 1 |
| 215 | 214N2109-19 | . . | DUCT ASSY- | 011100 107107 951951 | 1 |
| 215 | 214N2109-77 | . . | DUCT ASSY- PRE AIRLINE MOD: SL21-057A VBRI | 121503 904949 | 1 |
| 220 | NAS6603-2 | .. | BOLT- OPTIONAL PART: BACS12FA3K8 | 011100 107107 951951 | 7 |
| 220 | BACS12FA3K8 | .. | SCREW- OPTIONAL PART: NAS6603-2 | 011100 107107 951951 | 7 |
| 225 | NAS6603-2 | .. | BOLT- OPTIONAL PART: BACS12FA3K8 | 121503 904949 | 9 |
| 225 | BACS12FA3K8 | .. | SCREW- OPTIONAL PART: NAS6603-2 | 121503 904949 | 9 |
| 230 | AN960PD10L | .. | WASHER | 011100 107107 951951 | 7 |
| 235 | AN960PD10L | .. | WASHER | 121503 904949 | 9 |
| 245 | 214N2127-1 | .. | SEAL ASSY | 011100 107107 951951 | 7 |
| 250 | 214N2127-1 | .. | SEAL ASSY | 121503 904949 | 9 |
| 255 | 214N2110-5 | .. | DUCT- USED ON: 214N2109-5 | 011100 107107 121503 904949 951951 | 1 |
| 255 | 214N2110-16 | .. | DUCT- USED ON: 214N2109-19 214N2109-35 214N2109-43 214N2109-77 | 011100 107107 121503 904949 951951 | 1 |

MISSING ITEM NUMBERS NOT APPLICABLE

- ITEM NOT ILLUSTRATED

BRI

21-23-01-03

21-23-01
FIG. 03
PAGE 14
JAN 20/09



757

PARTS CATALOG (MAINTENANCE)

| FIG ITEM | PART NUMBER | 1 2 3 4 5 6 7 | NOMENCLATURE | EFFECT FROM TO | UNITS PER ASSY |
|----------|-------------|---------------|---|--|----------------|
| 3 | | | | | |
| 275 | 214N2109-8 | . | DUCT ASSY- | 011100 107107 951951 | 1 |
| 275 | 214N2109-22 | . | DUCT ASSY- | 011100 107107 951951 | 1 |
| 275 | 214N2109-37 | . | DUCT ASSY- | 121503 904949 | 1 |
| 280 | NAS6603-2 | .. | BOLT- OPTIONAL PART: BACS12FA3K8 | 011100 107107 951951 | 6 |
| 280 | BACS12FA3K8 | .. | SCREW- OPTIONAL PART: NAS6603-2 | 011100 107107 951951 | 6 |
| 285 | NAS6603-2 | .. | BOLT- OPTIONAL PART: BACS12FA3K8 | 121503 904949 | 8 |
| 285 | BACS12FA3K8 | .. | SCREW- OPTIONAL PART: NAS6603-2 | 121503 904949 | 8 |
| 290 | AN960PD10L | .. | WASHER | 011100 107107 951951 | 6 |
| 295 | AN960PD10L | .. | WASHER | 121503 904949 | 8 |
| 310 | 214N2127-1 | .. | SEAL ASSY | 011100 107107 121503 904949 951951 | 8 |
| 321 | 214N2110-2 | .. | DUCT- USED ON: 214N2109-8 | 011100 107107 121503 904949 951951 | 1 |
| 321 | 214N2110-13 | .. | DUCT- USED ON: 214N2109-22 214N2109-37 | 011100 107107 121503 904949 951951 | 1 |
| 325 | 214N2115-8 | . | DUCT ASSY-TRANSITION | 107107 | 1 |
| 325 | 214N2115-12 | . | DUCT ASSY-TRANSITION | 011100 121503 904949 951951 | 1 |

MISSING ITEM NUMBERS NOT APPLICABLE

- ITEM NOT ILLUSTRATED

BRI

21-23-01-03

21-23-01
FIG. 03
PAGE 15
JAN 20/09



757

PARTS CATALOG (MAINTENANCE)

| FIG ITEM | PART NUMBER | 1 2 3 4 5 6 7 | NOMENCLATURE | EFFECT FROM TO | UNITS PER ASSY |
|----------|--------------|---------------|--|--|----------------|
| 3 | | | | | |
| 330 | BAC27NEC0091 | .. | DECAL- | 011100 107107 121503 904949 951951 | 1 |
| 340 | 214N2138-1 | .. | BRACKET ASSY | 011100 107107 121503 904949 951951 | 2 |
| | | | ATTACHING PARTS | | |
| - 345 | BACS12FA3K7 | .. | SCREW | 011100 107107 121503 904949 951951 | 14 |
| | | | -----*----- | | |
| 350 | 214N2139-2 | ... | GASKET-JT | 011100 107107 121503 904949 951951 | 1 |
| 355 | 214N2138-2 | ... | BRACKET | 011100 107107 121503 904949 951951 | 1 |
| 360 | 214N2116-4 | .. | DUCT ASSY- USED ON: 214N2115-5 214N2115-8 | 107107 | 1 |
| 360 | 214N2116-11 | .. | DUCT ASSY- USED ON: 214N2115-12 | 011100 121503 904949 951951 | 1 |
| 365 | NAS6603-9 | ... | BOLT- OPTIONAL PART: BACS12FA3K14 | 107107 | 6 |
| 365 | BACS12FA3K14 | ... | SCREW- OPTIONAL PART: NAS6603-9 | 107107 | 6 |
| 367 | NAS6603-9 | ... | BOLT- OPTIONAL PART: BACSFA3K14 | 011100 121503 904949 951951 | 2 |
| 367 | BACS12FA3K14 | ... | SCREW- OPTIONAL PART: NAS6603-9 | 011100 121503 904949 951951 | 2 |

MISSING ITEM NUMBERS NOT APPLICABLE

- ITEM NOT ILLUSTRATED

21-23-01-03

21-23-01
FIG. 03
PAGE 16
JAN 20/09

BRI



757

PARTS CATALOG (MAINTENANCE)

| FIG ITEM | PART NUMBER | 1 2 3 4 5 6 7 | NOMENCLATURE | EFFECT FROM TO | UNITS PER ASSY |
|----------|--------------|---------------|---|--|----------------|
| 3 | | | | | |
| 368 | NAS6603-10 | ... | BOLT- OPTIONAL PART: BACSFA3K16 | 011100 121503 904949 951951 | 4 |
| 368 | BACS12FA3K16 | ... | SCREW- OPTIONAL PART: NAS6603-10 | 011100 121503 904949 951951 | 4 |
| 370 | NAS6603-2 | ... | BOLT- OPTIONAL PART: BACS12FA3K8 | 011100 107107 121503 904949 951951 | 8 |
| 370 | BACS12FA3K8 | ... | SCREW- OPTIONAL PART: NAS6603-2 | 011100 107107 121503 904949 951951 | 8 |
| 375 | BACW10P166L | ... | WASHER- | 107107 | 14 |
| 375 | AN960JD10L | ... | WASHER- | 011100 121503 904949 951951 | 14 |
| 405 | 214N2127-1 | ... | SEAL ASSY | 011100 107107 121503 904949 951951 | 8 |
| 450 | 214N2110-18 | ... | DUCT- USED ON: 214N2116-4 | 011100 107107 121503 904949 951951 | 1 |
| 455 | 214N2117-19 | .. | DUCT ASSY- OPTIONAL PART: 214N2117-42 | 107107 951951 | 1 |
| 455 | 214N2117-42 | .. | DUCT ASSY- OPTIONAL PART: 214N2117-19 | 107107 951951 | 1 |
| 458 | 52NA1-080 | ... | NUT-ANCHOR SUPPLIER CODE: V72962 ATTACHING PARTS | 107107 | 1 |
| - 459 | BACR15BA4A | ... | RIVET- USED ON: 214N2117-12 214N2117-19 | 107107 | 2 |

MISSING ITEM NUMBERS NOT APPLICABLE

- ITEM NOT ILLUSTRATED

21-23-01-03

21-23-01
FIG. 03
PAGE 17
JAN 20/09

BRI



757

PARTS CATALOG (MAINTENANCE)

| FIG ITEM | PART NUMBER | 1 2 3 4 5 6 7 | NOMENCLATURE | EFFECT FROM TO | UNITS PER ASSY |
|----------|--------------|---------------|---------------------------------------|--|----------------|
| 3 | | | | | |
| - 459 | BACR15DR4 | ... | RIVET- USED ON: 214N2117-42 | 107107 951951 | 2 |
| | | | -----*----- | | |
| - 460 | 214N2117-44 | ... | DUCT ASSY- USED ON: 214N2117-42 | 107107 951951 | 1 |
| - 464 | 214N2117-45 | ... | DUCT ASSY- USED ON: 214N2117-42 | 107107 951951 | 1 |
| - 468 | 214N2117-46 | ... | DUCT ASSY- USED ON: 214N2117-42 | 107107 951951 | 1 |
| 470 | 214N2117-21 | ... | DUCT ASSY- USED ON: 214N2117-19 | 107107 951951 | 1 |
| 475 | 214N2115-9 | . | DUCT ASSY-TRANSITION | 107107 | 1 |
| 475 | 214N2115-13 | . | DUCT ASSY-TRANSITION | 011100 121503 904949 951951 | 1 |
| 480 | BAC27NEC0092 | .. | DECAL- | 011100 107107 121503 904949 951951 | 1 |
| 490 | 214N2138-1 | .. | BRACKET ASSY | 011100 107107 121503 904949 951951 | 2 |
| | | | ATTACHING PARTS | | |
| - 495 | BACS12FA3K7 | .. | SCREW | 011100 107107 121503 904949 951951 | 14 |
| | | | -----*----- | | |
| 500 | 214N2139-2 | ... | GASKET-JT | 011100 107107 121503 904949 951951 | 1 |
| 505 | 214N2138-2 | ... | BRACKET | 011100 107107 121503 904949 951951 | 1 |

MISSING ITEM NUMBERS NOT APPLICABLE

- ITEM NOT ILLUSTRATED

BRI

21-23-01-03

21-23-01
FIG. 03
PAGE 18
JAN 20/09



757

PARTS CATALOG (MAINTENANCE)

| FIG ITEM | PART NUMBER | 1 2 3 4 5 6 7 | NOMENCLATURE | EFFECT FROM TO | UNITS PER ASSY |
|----------|--------------|---------------|--|--|----------------|
| 3 | | | | | |
| 515 | 214N2116-5 | .. | DUCT ASSY- USED ON: 214N2115-6 214N2115-9 | 107107 | 1 |
| 515 | 214N2116-12 | .. | DUCT ASSY- USED ON: 214N2115-13 | 011100 121503 904949 951951 | 1 |
| 520 | NAS6603-9 | ... | BOLT- OPTIONAL PART: BACS12FA3K14 | 107107 | 6 |
| 520 | BACS12FA3K14 | ... | SCREW- OPTIONAL PART: NAS6603-9 | 107107 | 6 |
| 520 | NAS6603-10 | ... | BOLT- OPTIONAL PART: BACS12FA3K16 | 011100 121503 904949 951951 | 6 |
| 520 | BACS12FA3K16 | ... | SCREW- OPTIONAL PART: NAS6603-10 | 011100 121503 904949 951951 | 6 |
| 525 | NAS6603-2 | ... | BOLT- OPTIONAL PART: BACS12FA3K8 | 011100 107107 121503 904949 951951 | 7 |
| 525 | BACS12FA3K8 | ... | SCREW- OPTIONAL PART: NAS6603-2 | 011100 107107 121503 904949 951951 | 7 |
| 530 | BACW10P166L | ... | WASHER- | 107107 | 13 |
| 530 | AN960JD10L | ... | WASHER- | 011100 121503 904949 951951 | 13 |
| 560 | 214N2127-1 | ... | SEAL ASSY | 011100 107107 121503 904949 951951 | 7 |
| 605 | 214N2110-20 | ... | DUCT- USED ON: 214N2116-5 214N2116-12 | 011100 107107 121503 904949 951951 | 1 |

MISSING ITEM NUMBERS NOT APPLICABLE

- ITEM NOT ILLUSTRATED

21-23-01-03

21-23-01
FIG. 03
PAGE 19
JAN 20/09

BRI

BOEING PROPRIETARY - Copyright © - Unpublished Work - See title page for details.



757

PARTS CATALOG (MAINTENANCE)

| FIG ITEM | PART NUMBER | 1 2 3 4 5 6 7 | NOMENCLATURE | EFFECT FROM TO | UNITS PER ASSY |
|----------|--------------|---------------|---|--|----------------|
| 3 | | | | | |
| 610 | 214N2117-20 | .. | DUCT ASSY- OPTIONAL PART: 214N2117-42 | 011100 107107 121503 904949 | 1 |
| 610 | 214N2117-42 | .. | DUCT ASSY- OPTIONAL PART: 214N2117-19 | 011100 107107 121503 904949 | 1 |
| 612 | 52NA1-080 | ... | NUT-ANCHOR SUPPLIER CODE: V72962 | 011100 107107 121503 904949 | 1 |
| - 613 | BACR15BA4A | ... | ATTACHING PARTS RIVET | 011100 107107 121503 904949 | 2 |
| | | | -----*----- | | |
| - 615 | 214N2117-47 | ... | DUCT ASSY- USED ON: 214N2117-42 | 011100 107107 121503 904949 | 1 |
| - 618 | 214N2117-48 | ... | DUCT ASSY- USED ON: 214N2117-42 | 011100 107107 121503 904949 | 1 |
| - 620 | 214N2117-49 | ... | DUCT ASSY- USED ON: 214N2117-42 | 011100 107107 121503 904949 | 1 |
| 625 | 214N2117-22 | ... | DUCT ASSY- USED ON: 214N2117-20 | 011100 107107 121503 904949 | 1 |
| 627 | BACS12FA3K14 | . | SCREW | 107107 121503 904949 951951 | 4 |
| 627A | BACS12FA3K14 | . | SCREW | 011100 107107 121503 904949 951951 | 26 |
| 628 | 65-54411-69 | . | SUPPORT ASSY | 107107 121503 904949 951951 | 4 |

MISSING ITEM NUMBERS NOT APPLICABLE

- ITEM NOT ILLUSTRATED

BRI

21-23-01-03

21-23-01
FIG. 03
PAGE 20
JAN 20/09



757

PARTS CATALOG (MAINTENANCE)

| FIG ITEM | PART NUMBER | 1 2 3 4 5 6 7 | NOMENCLATURE | EFFECT FROM TO | UNITS PER ASSY |
|-----------|--------------|---------------|---|--|----------------|
| 3 628A | 65-54411-69 | . | SUPPORT ASSY | 011100 107107 121503 904949 951951 | 26 |
| 629 | 65-54411-68 | . | SUPPORT | 107107 121503 904949 951951 | 4 |
| 629B | 65-54411-68 | . | SUPPORT- | 011100 107107 121503 904949 951951 | 26 |
| 630 | 214N2116-3 | . | DUCT ASSY- | 011100 | 1 |
| 630 | 214N2116-6 | . | DUCT ASSY- | 011100 | 1 |
| 630 | 214N2116-13 | . | DUCT ASSY- | 011100 | 1 |
| 630 | 214N2116-22 | . | DUCT ASSY- | 951951 121503 | 1 |
| 635 | NAS6603-9 | .. | BOLT- OPTIONAL PART: BACS12FA3K14 | 904949 011100 | 10 |
| 635 | BACS12FA3K14 | .. | SCREW- OPTIONAL PART: NAS6603-9 | 011100 | 10 |
| 637 | NAS6603-10 | .. | BOLT- OPTIONAL PART: BACS12FA3K16 | 011100 121503 904949 951951 | 8 |
| 637 | BACS12FA3K16 | .. | SCREW- OPTIONAL PART: NAS6603-10 | 011100 121503 904949 951951 | 8 |
| 638 | NAS6603-9 | .. | BOLT- OPTIONAL PART: BACS12FA3K14 | 011100 951951 | 2 |
| 638 | BACS12FA3K14 | .. | SCREW- OPTIONAL PART: NAS6603-9 | 011100 951951 | 2 |
| 640 | NAS6603-2 | .. | BOLT- OPTIONAL PART: BACS12FA3K8 | 011100 951951 | 7 |
| 640 | BACS12FA3K8 | .. | SCREW- OPTIONAL PART: NAS6603-2 | 011100 951951 | 7 |
| 650 | BACW10P166L | .. | WASHER- | 011100 951951 | 8 |

MISSING ITEM NUMBERS NOT APPLICABLE

- ITEM NOT ILLUSTRATED

21-23-01-03

21-23-01
FIG. 03
PAGE 21
JAN 20/09

BRI



757

PARTS CATALOG (MAINTENANCE)

| FIG ITEM | PART NUMBER | 1 2 3 4 5 6 7 | NOMENCLATURE | EFFECT FROM TO | UNITS PER ASSY |
|----------|-------------|---------------|--|--|----------------|
| 3 | | | | | |
| 650 | AN960JD10L | .. | WASHER- | 011100 121503 904949 951951 | 8 |
| 655 | AN960PD10L | .. | WASHER- | 011100 | 2 |
| 655 | AN960JD10L | .. | WASHER- | 011100 951951 | 2 |
| 660 | AN960PD10L | .. | WASHER- | 011100 | 7 |
| 660 | AN960JD10L | .. | WASHER- | 011100 951951 | 7 |
| 670 | AN960JD10L | .. | WASHER | 121503 904949 | 10 |
| 675 | 214N2127-1 | .. | SEAL ASSY | 011100 951951 | 7 |
| 680 | 214N2127-1 | .. | SEAL ASSY | 121503 904949 | 10 |
| 695 | 214N2129-1 | .. | BRACKET | 011100 951951 | 1 |
| 715 | 214N2110-8 | .. | DUCT- | 011100 107107 951951 | 1 |
| 715 | 214N2110-19 | .. | DUCT- | 011100 107107 951951 | 1 |
| 715 | 214N2110-26 | .. | DUCT- | 121503 904949 | 1 |
| 720 | 214N2135-1 | . | BRACKET ASSY-SPRT | 011100 107107 121503 904949 951951 | 2 |
| 725 | DE820 | .. | MOUNT-ISOLATOR SUPPLIER CODE: V71985 SPECIFICATION NUMBER: S411T100-107 OPTIONAL PART: DE786 V71985 | 011100 107107 121503 904949 951951 | 1 |
| 735 | 214N2135-2 | .. | BRACKET | 011100 107107 121503 904949 951951 | 1 |
| 740 | 214N2112-1 | . | DUCT ASSY- | 951951 | 1 |
| 740 | 214N2112-15 | . | DUCT ASSY- PRE AIRLINE MOD: SL21-057A VBRI | 107107 121503 904949 951951 | 1 |

MISSING ITEM NUMBERS NOT APPLICABLE

- ITEM NOT ILLUSTRATED

21-23-01-03

21-23-01
FIG. 03
PAGE 22
JAN 20/09

BRI



757

PARTS CATALOG (MAINTENANCE)

| FIG ITEM | PART NUMBER | 1 2 3 4 5 6 7 | NOMENCLATURE | EFFECT FROM TO | UNITS PER ASSY |
|----------|-------------|---------------|--|----------------|----------------|
| 3 | | | | | |
| 744 | 136 | | .CLAMP- SUPPLIER CODE: V7Z588 SPECIFICATION NUMBER: STBC10GG288 OPTIONAL PART: WWD288H V66295 | 011100 | 2 |
| 745 | 214N2147-1 | | .DUCT ASSY- | 011100 | 1 |
| 770 | 214N2158-1 | | .RESTRICTOR ASSY- | 011100 | 11 |
| | | | | 107107 | |
| | | | | 951951 | |
| 772 | 214N2158-1 | | .RESTRICTOR ASSY- | 011100 | 3 |
| | | | | 107107 | |
| | | | | 951951 | |
| 775 | 214N2158-1 | | .RESTRICTOR ASSY | 121503 | 12 |
| | | | | 904949 | |
| 778 | SGDDK2109-1 | | .DUCT ASSY- SUPPLIER CODE: V15801 POST AIRLINE MOD: SL21-057A VBRI | 904949 | 8 |
| 780 | SGDDK2110-1 | | ..BOX BEAM ASSY- SUPPLIER CODE: V15801 | 904949 | 1 |
| 782 | SGDDK2116-1 | | ..DUCT HALF ASSY- SUPPLIER CODE: V15801 POSITION DATA: LH | 904949 | 1 |
| 784 | SGDDK2116-2 | | ..DUCT HALF ASSY- SUPPLIER CODE: V15801 POSITION DATA: RH | 904949 | 1 |
| 786 | SGDDK2118-1 | | ..NUTCLIP STRIP- SUPPLIER CODE: V15801 | 904949 | 2 |
| 788 | SGDDK2122-1 | | ..END SEAL ASSY- SUPPLIER CODE: V15801 | 904949 | 2 |
| 790 | SGDDK2109-2 | | .DUCT ASSY- SUPPLIER CODE: V15801 POST AIRLINE MOD: SL21-057A VBRI | 904949 | 1 |

MISSING ITEM NUMBERS NOT APPLICABLE

- ITEM NOT ILLUSTRATED

BRI

21-23-01-03

21-23-01
FIG. 03
PAGE 23
JAN 20/09



757

PARTS CATALOG (MAINTENANCE)

| FIG ITEM | PART NUMBER | 1 2 3 4 5 6 7 | NOMENCLATURE | EFFECT FROM TO | UNITS PER ASSY |
|----------|-------------|---------------|--|----------------|----------------|
| 3 | | | | | |
| 792 | SGDDK2110-5 | .. | BOX BEAM ASSY- SUPPLIER CODE: V15801 | 904949 | 1 |
| 794 | SGDDK2116-3 | .. | DUCT HALF ASSY- SUPPLIER CODE: V15801 POSITION DATA: LH | 904949 | 1 |
| 796 | SGDDK2116-4 | .. | DUCT HALF ASSY- SUPPLIER CODE: V15801 POSITION DATA: RH | 904949 | 1 |
| 798 | SGDDK2118-1 | .. | NUTCLIP STRIP- SUPPLIER CODE: V15801 | 904949 | 2 |
| 800 | SGDDK2122-1 | .. | END SEAL ASSY- SUPPLIER CODE: V15801 | 904949 | 1 |
| 802 | SGDDK2122-3 | .. | END SEAL ASSY- SUPPLIER CODE: V15801 | 904949 | 1 |
| 804 | SGDDK2109-3 | . | DUCT ASSY- SUPPLIER CODE: V15801 POST AIRLINE MOD: SL21-057A VBRI | 904949 | 1 |
| 806 | SGDDK2110-1 | .. | BOX BEAM ASSY- SUPPLIER CODE: V15801 | 904949 | 1 |
| 808 | SGDDK2116-7 | .. | DUCT HALF ASSY- SUPPLIER CODE: V15801 POSITION DATA: LH | 904949 | 1 |
| 810 | SGDDK2116-8 | .. | DUCT HALF ASSY- SUPPLIER CODE: V15801 POSITION DATA: RH | 904949 | 1 |
| 812 | SGDDK2118-1 | .. | NUTCLIP STRIP- SUPPLIER CODE: V15801 | 904949 | 2 |
| 814 | SGDDK2122-2 | .. | END SEAL ASSY- SUPPLIER CODE: V15801 | 904949 | 1 |

MISSING ITEM NUMBERS NOT APPLICABLE

- ITEM NOT ILLUSTRATED

21-23-01-03

21-23-01
FIG. 03
PAGE 24
JAN 20/09

BRI

 **BOEING**
757
PARTS CATALOG (MAINTENANCE)

| FIG ITEM | PART NUMBER | 1 2 3 4 5 6 7 | NOMENCLATURE | EFFECT FROM TO | UNITS PER ASSY |
|----------|--------------|---------------|---|----------------|----------------|
| 3 | | | | | |
| 816 | SGDDK2122-4 | | ..END SEAL ASSY- SUPPLIER CODE: V15801 | 904949 | 1 |
| 818 | SGDDK2109-4 | | .DUCT ASSY- SUPPLIER CODE: V15801 POST AIRLINE MOD: SL21-057A VBRI | 904949 | 1 |
| 820 | SGDDK2110-1 | | ..BOX BEAM ASSY- SUPPLIER CODE: V15801 | 904949 | 1 |
| 822 | SGDDK2116-9 | | ..DUCT HALF ASSY- SUPPLIER CODE: V15801 POSITION DATA: LH | 904949 | 1 |
| 824 | SGDDK2116-10 | | ..DUCT HALF ASSY- SUPPLIER CODE: V15801 POSITION DATA: RH | 904949 | 1 |
| 826 | SGDDK2118-1 | | ..NUTCLIP STRIP- SUPPLIER CODE: V15801 | 904949 | 2 |
| 828 | SGDDK2122-4 | | ..END SEAL ASSY- SUPPLIER CODE: V15801 | 904949 | 1 |
| 830 | SGDDK2122-5 | | ..END SEAL ASSY- SUPPLIER CODE: V15801 | 904949 | 1 |
| 832 | SGDDK2109-5 | | .DUCT ASSY- SUPPLIER CODE: V15801 POST AIRLINE MOD: SL21-057A VBRI | 904949 | 1 |
| 834 | SGDDK2110-2 | | ..BOX BEAM ASSY- SUPPLIER CODE: V15801 | 904949 | 1 |
| 836 | SGDDK2116-5 | | ..DUCT HALF ASSY- SUPPLIER CODE: V15801 POSITION DATA: LH | 904949 | 1 |

MISSING ITEM NUMBERS NOT APPLICABLE

— ITEM NOT ILLUSTRATED

BRI

21-23-01-03

BOEING PROPRIETARY - Copyright © - Unpublished Work - See title page for details.

21-23-01
FIG. 03
PAGE 25
JAN 20/09



757

PARTS CATALOG (MAINTENANCE)

| FIG ITEM | PART NUMBER | 1 2 3 4 5 6 7 | NOMENCLATURE | EFFECT FROM TO | UNITS PER ASSY |
|-------------|-------------|---------------|---|-------------------|----------------------|
| 3 838 | SGDDK2116-6 | | ..DUCT HALF ASSY- SUPPLIER CODE: V15801 POSITION DATA: RH | 904949 | 1 |
| 840 | SGDDK2118-2 | | ..NUTCLIP STRIP- SUPPLIER CODE: V15801 | 904949 | 2 |
| 842 | SGDDK2122-1 | | ..END SEAL ASSY- SUPPLIER CODE: V15801 | 904949 | 1 |
| 844 | SGDDK2122-2 | | ..END SEAL ASSY- SUPPLIER CODE: V15801 | 904949 | 1 |

MISSING ITEM NUMBERS NOT APPLICABLE

- ITEM NOT ILLUSTRATED

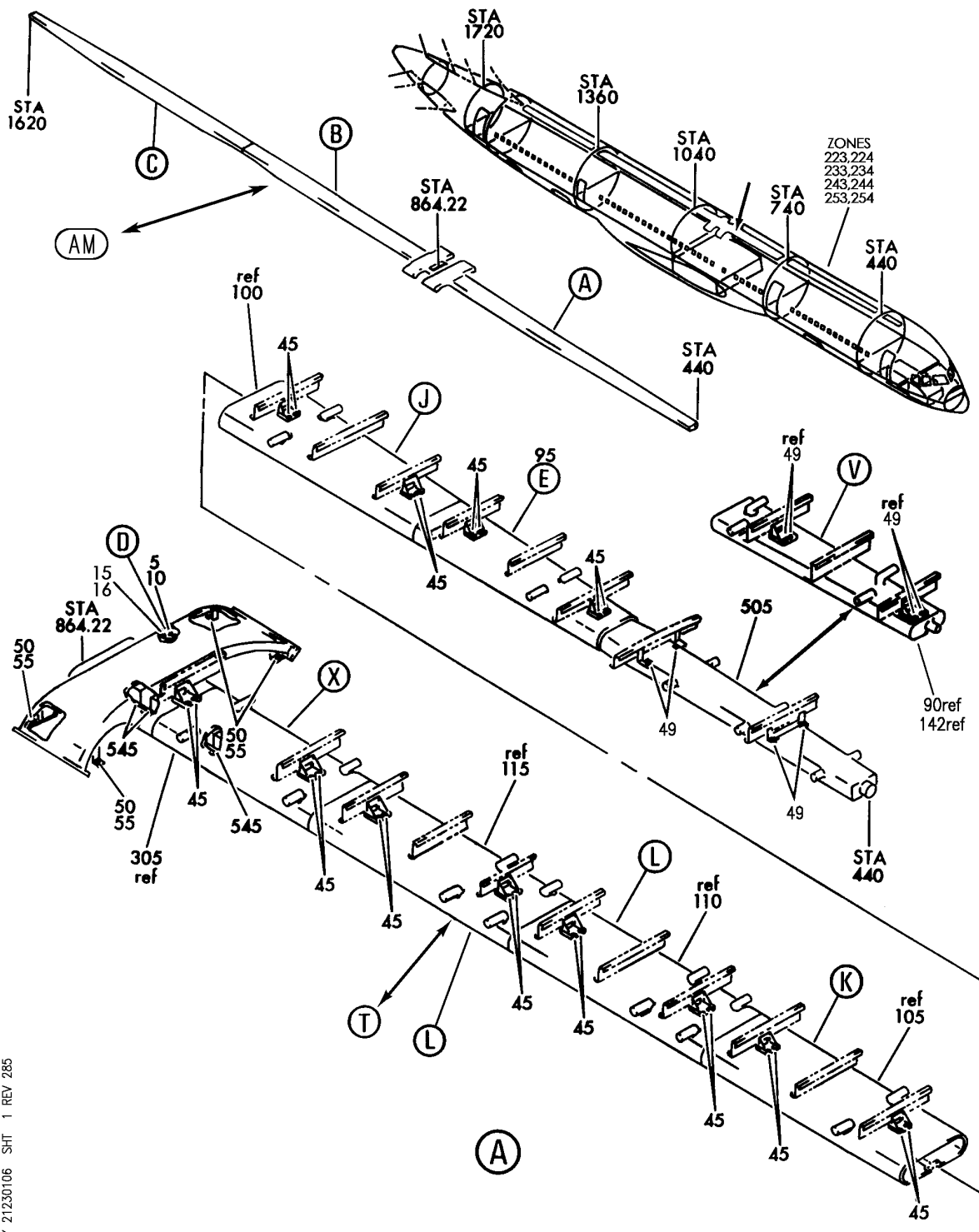
BRI

21-23-01-03

BOEING PROPRIETARY - Copyright © - Unpublished Work - See title page for details.

21-23-01
FIG. 03
PAGE 26
JAN 20/09

BOEING
 757
 PARTS CATALOG (MAINTENANCE)



Y 21230106 SHT 1 REV 285

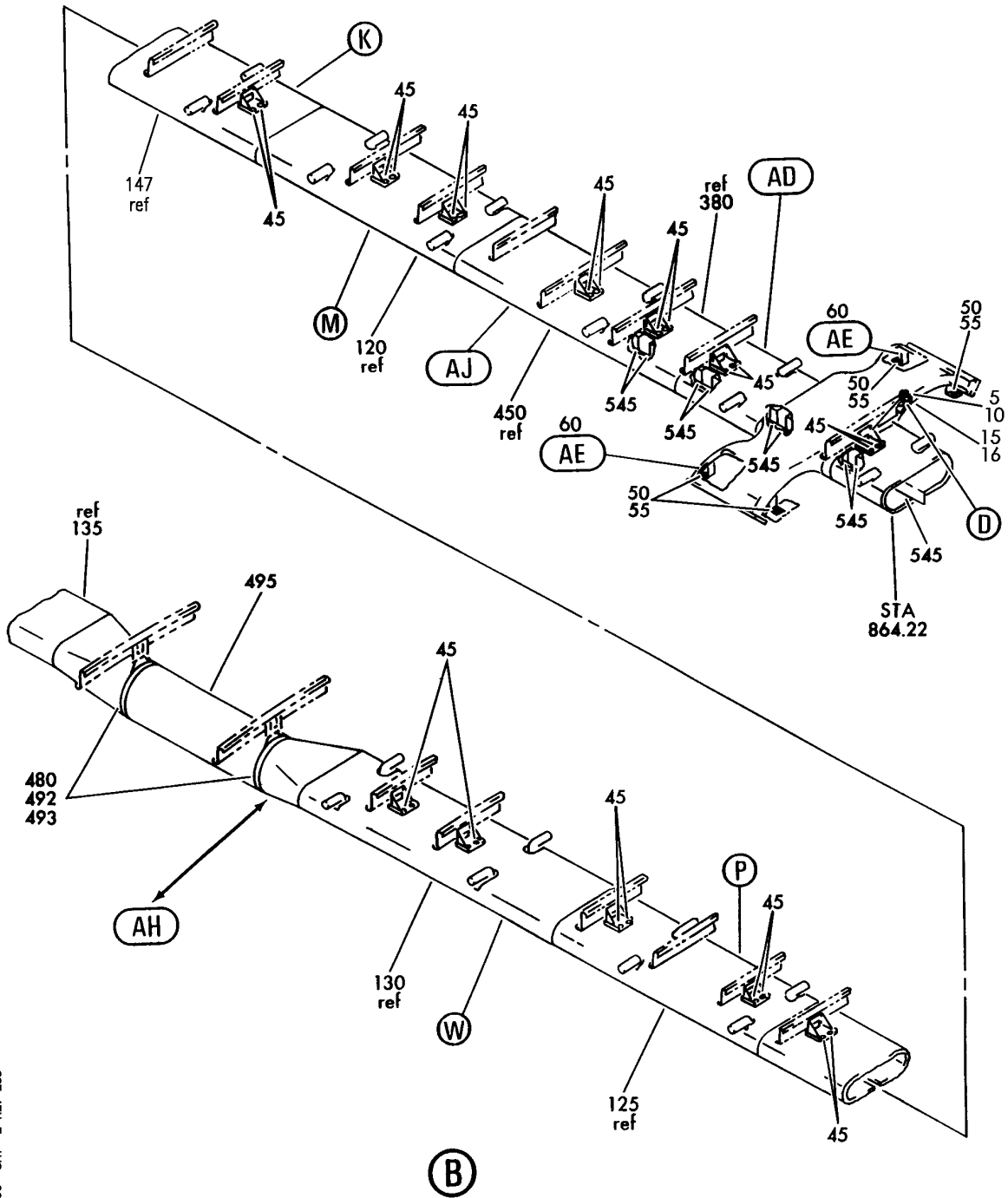
DUCT INSTL-OVERHEAD AIR DISTR SYS
 FIGURE 6 (SHEET 1)

21-23-01-06

BRI
 MAY 28/07

21-23-01-06
 PAGE 0

BOEING
757
PARTS CATALOG (MAINTENANCE)



Y 21230106 SH1 2 REV 253

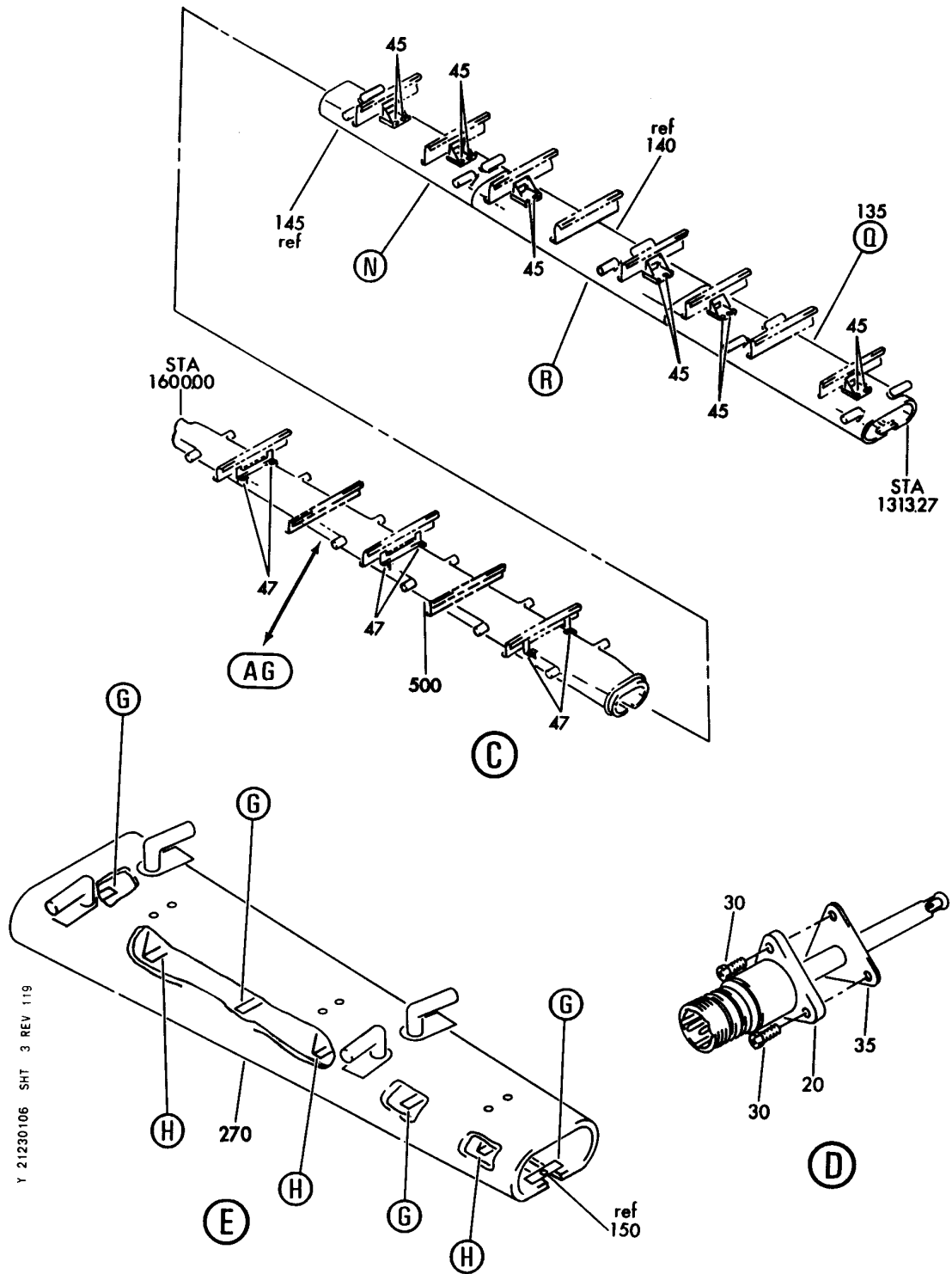
DUCT INSTL-OVERHEAD AIR DISTR SYS
FIGURE 6 (SHEET 2)

21-23-01-06

BRI
MAY 28/07

21-23-01-06
PAGE 0A

BOEING
757
PARTS CATALOG (MAINTENANCE)



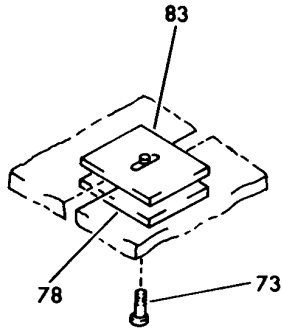
DUCT INSTL-OVERHEAD AIR DISTR SYS
FIGURE 6 (SHEET 3)

21-23-01-06

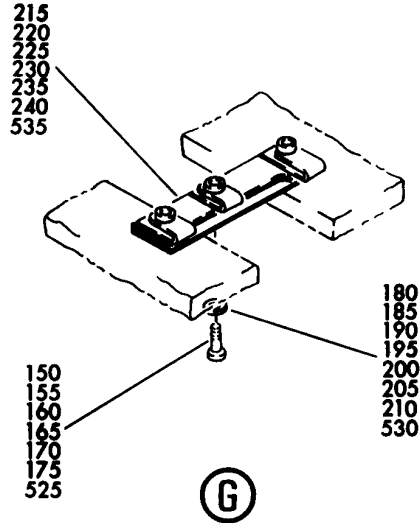
BRI
MAY 28/07

21-23-01-06
PAGE 0B

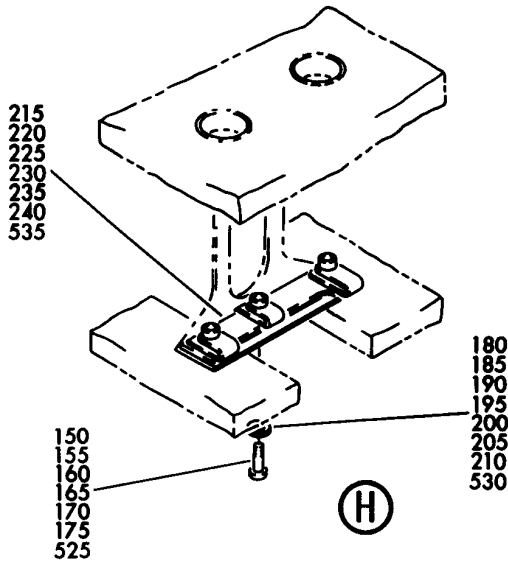
BOEING
757
PARTS CATALOG (MAINTENANCE)



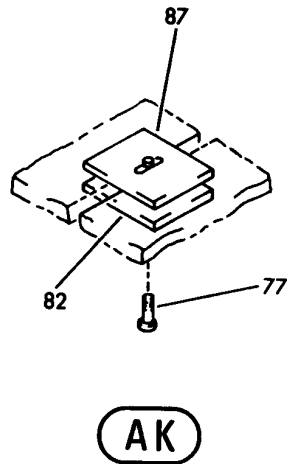
(F)



(G)



(H)



(AK)

Y 21230106 SH- 4 REV 253

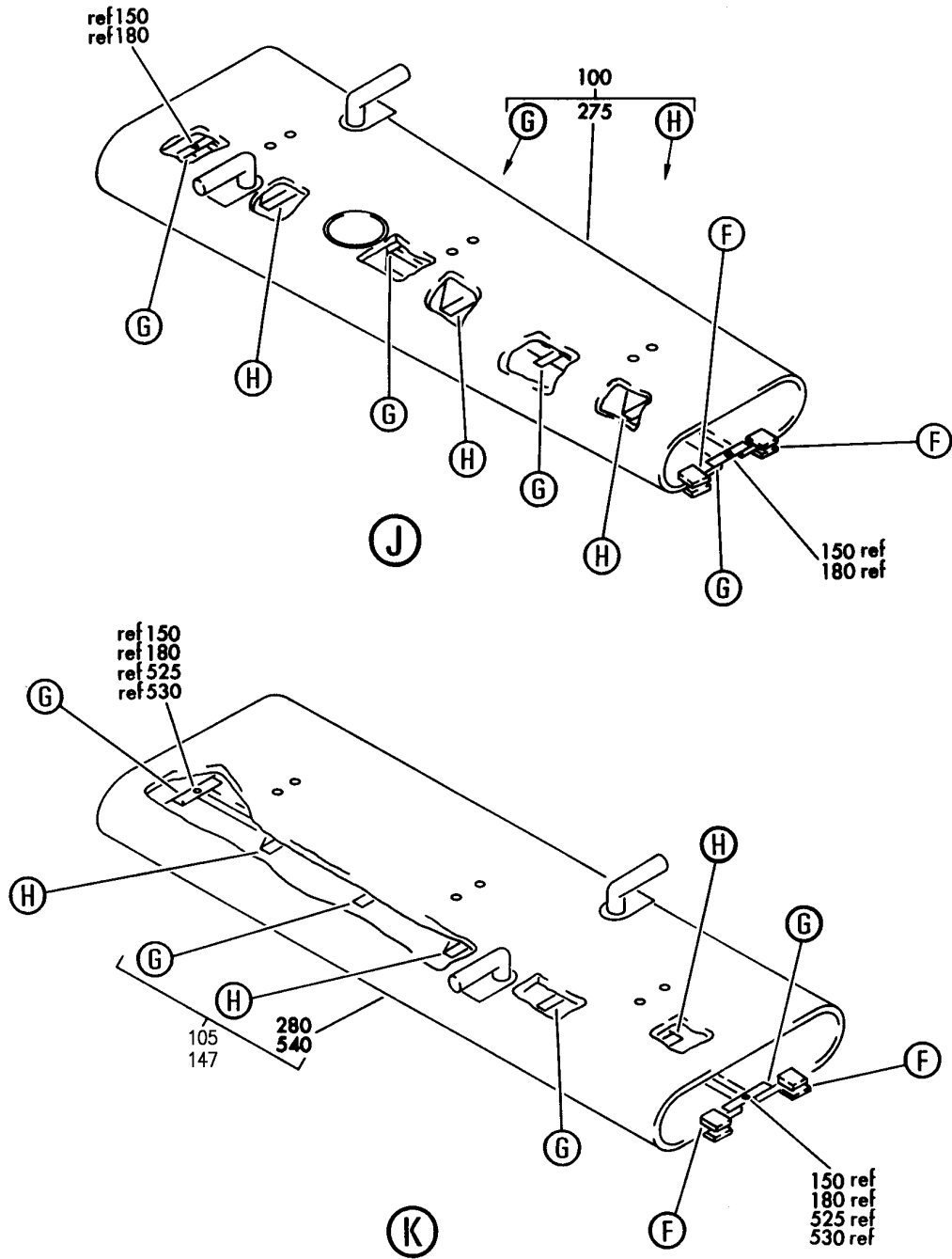
DUCT INSTL-OVERHEAD AIR DISTR SYS
FIGURE 6 (SHEET 4)

21-23-01-06

BRI
MAY 28/07

21-23-01-06
PAGE 0C

BOEING
757
PARTS CATALOG (MAINTENANCE)



Y 21230106 SH- 5 REV 253

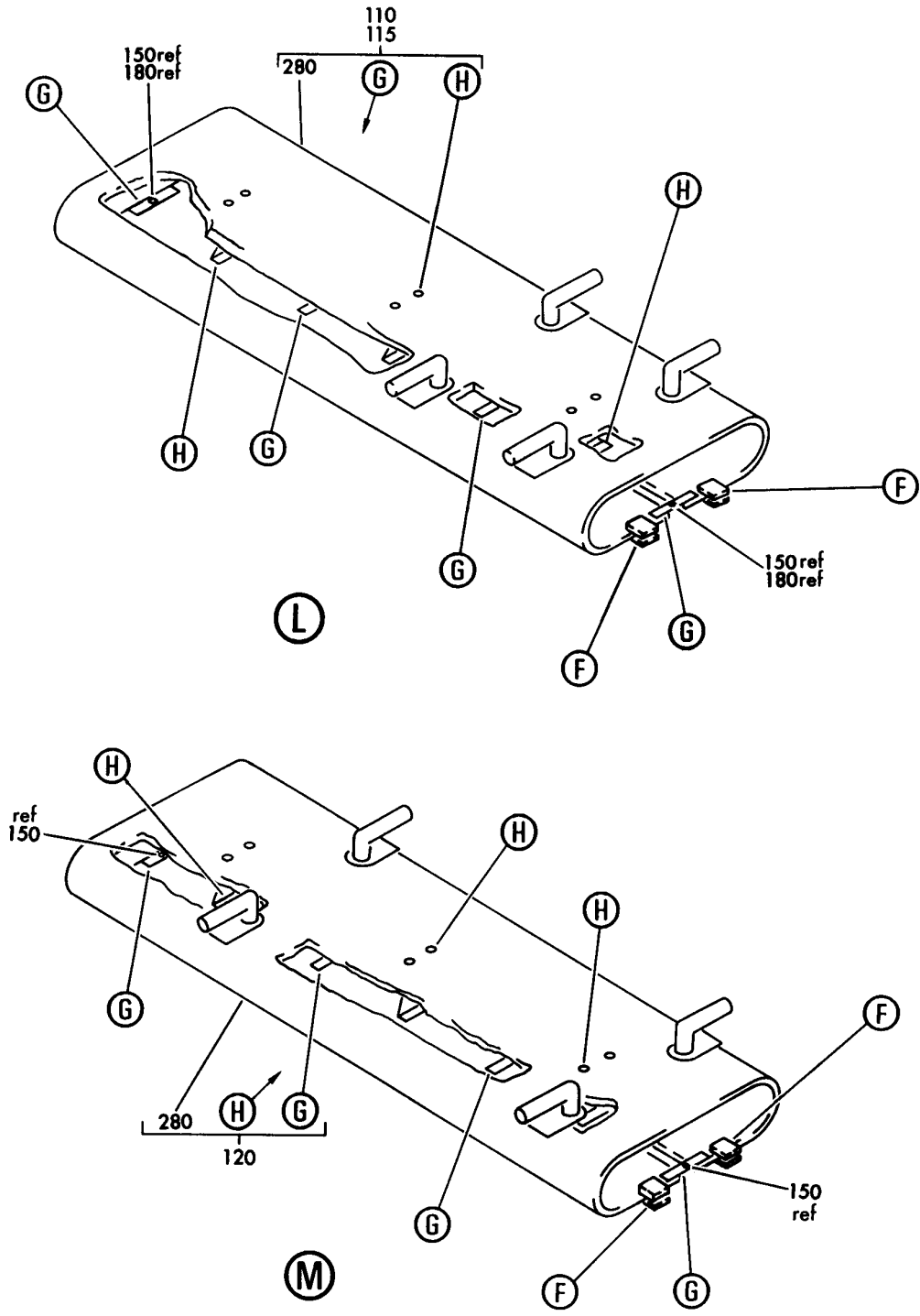
DUCT INSTL-OVERHEAD AIR DISTR SYS
FIGURE 6 (SHEET 5)

21-23-01-06

BRI
MAY 28/07

21-23-01-06
PAGE 0D

BOEING
757
PARTS CATALOG (MAINTENANCE)



Y 21230106 SHT 6 REV 253

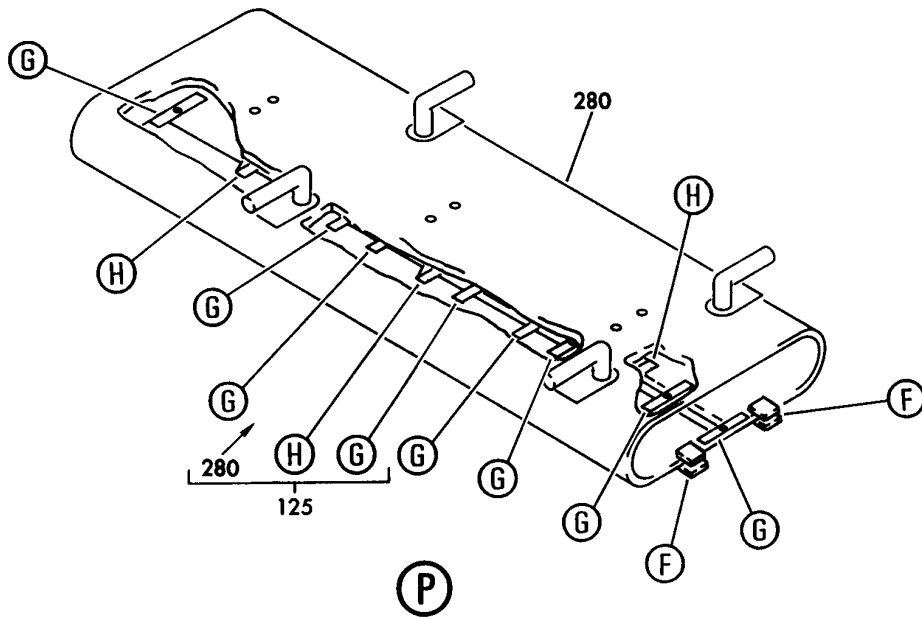
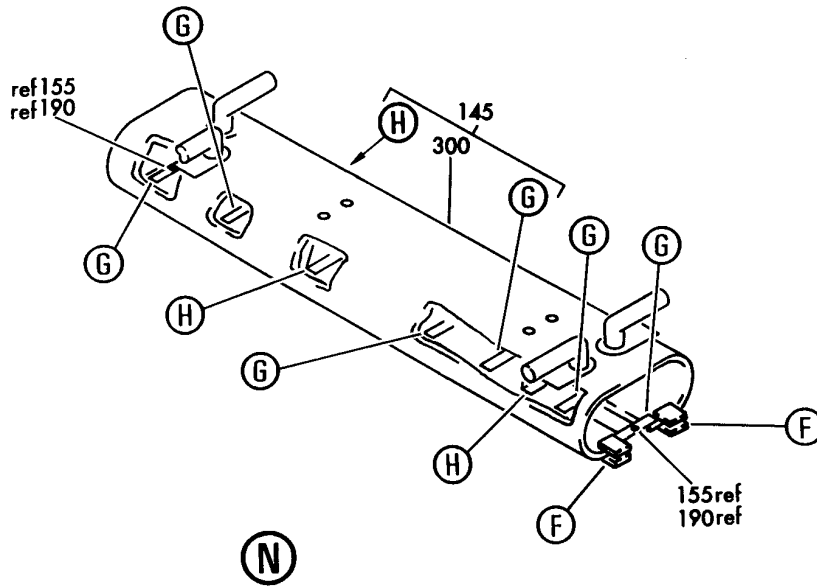
DUCT INSTL-OVERHEAD AIR DISTR SYS
FIGURE 6 (SHEET 6)

21-23-01-06

BRI
MAY 28/07

21-23-01-06
PAGE 0E

BOEING
757
PARTS CATALOG (MAINTENANCE)



Y 21230106 SH-T 7 REV 253

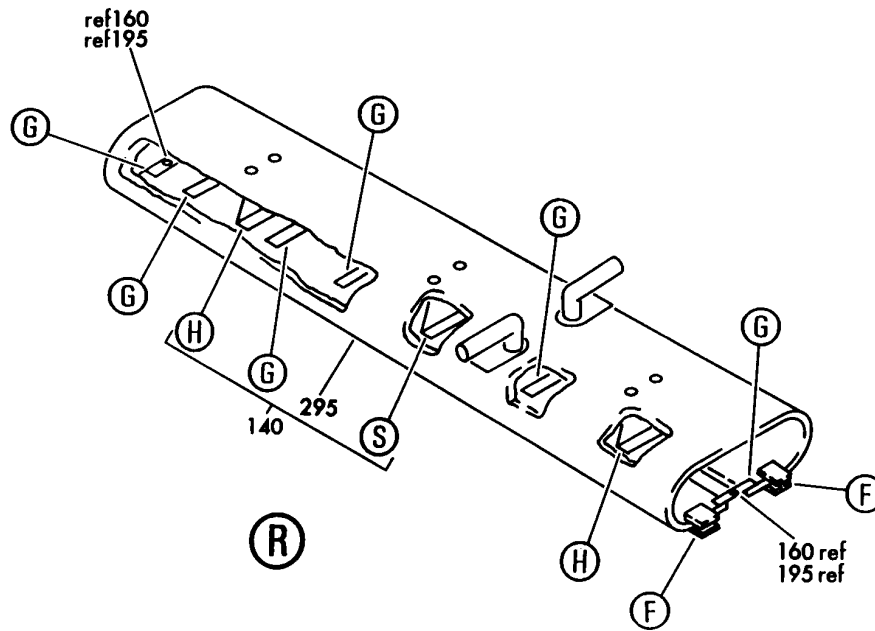
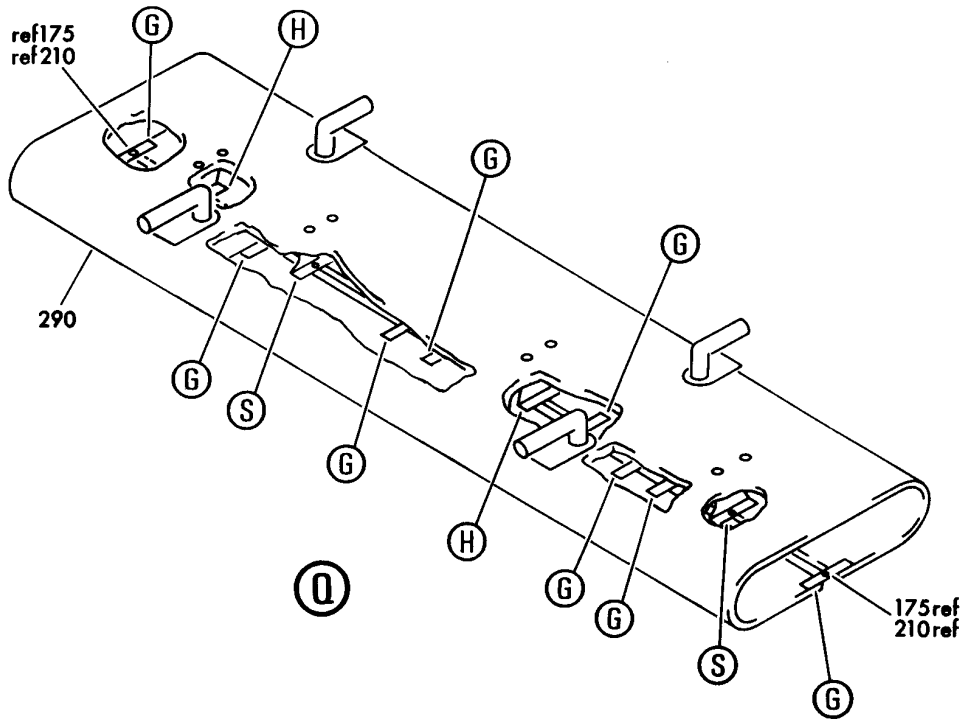
DUCT INSTL-OVERHEAD AIR DISTR SYS
FIGURE 6 (SHEET 7)

21-23-01-06

BRI
MAY 28/07

21-23-01-06
PAGE OF

BOEING
757
PARTS CATALOG (MAINTENANCE)



Y 21230106 SH- 8 REV 253

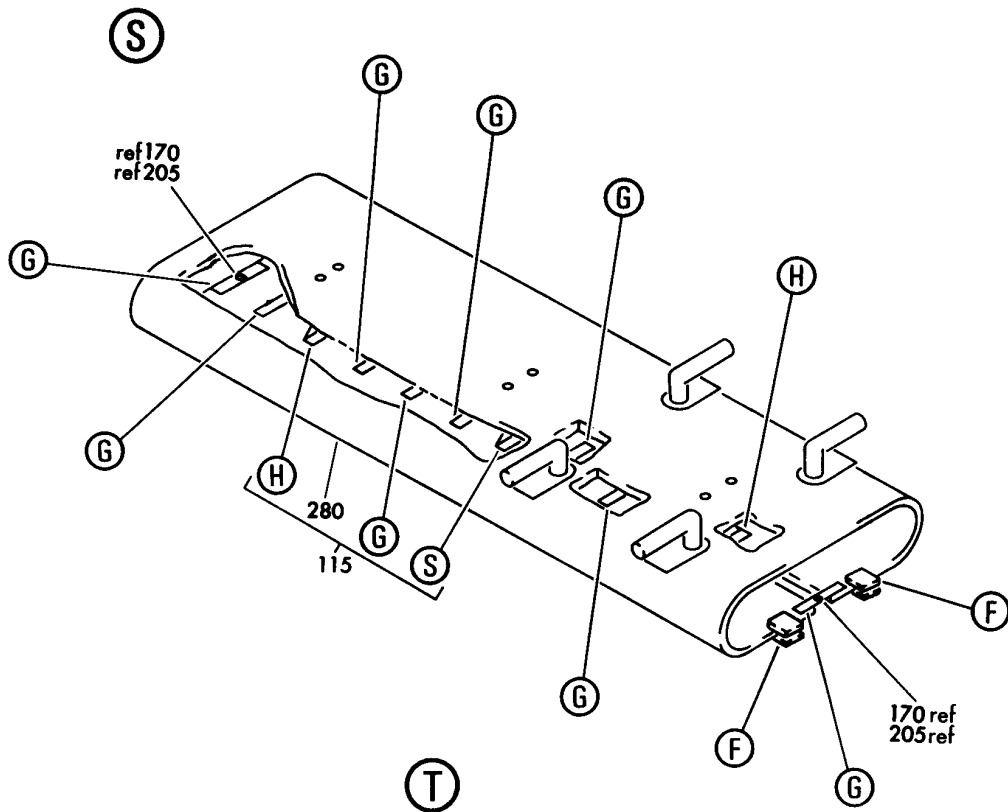
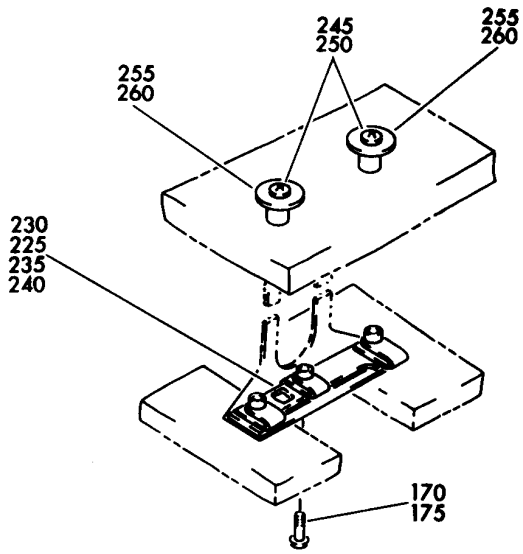
DUCT INSTL-OVERHEAD AIR DISTR SYS
FIGURE 6 (SHEET 8)

21-23-01-06

BRI
MAY 28/07

21-23-01-06
PAGE 06

BOEING
757
PARTS CATALOG (MAINTENANCE)



Y 21230106 SH-T 9 REV 253

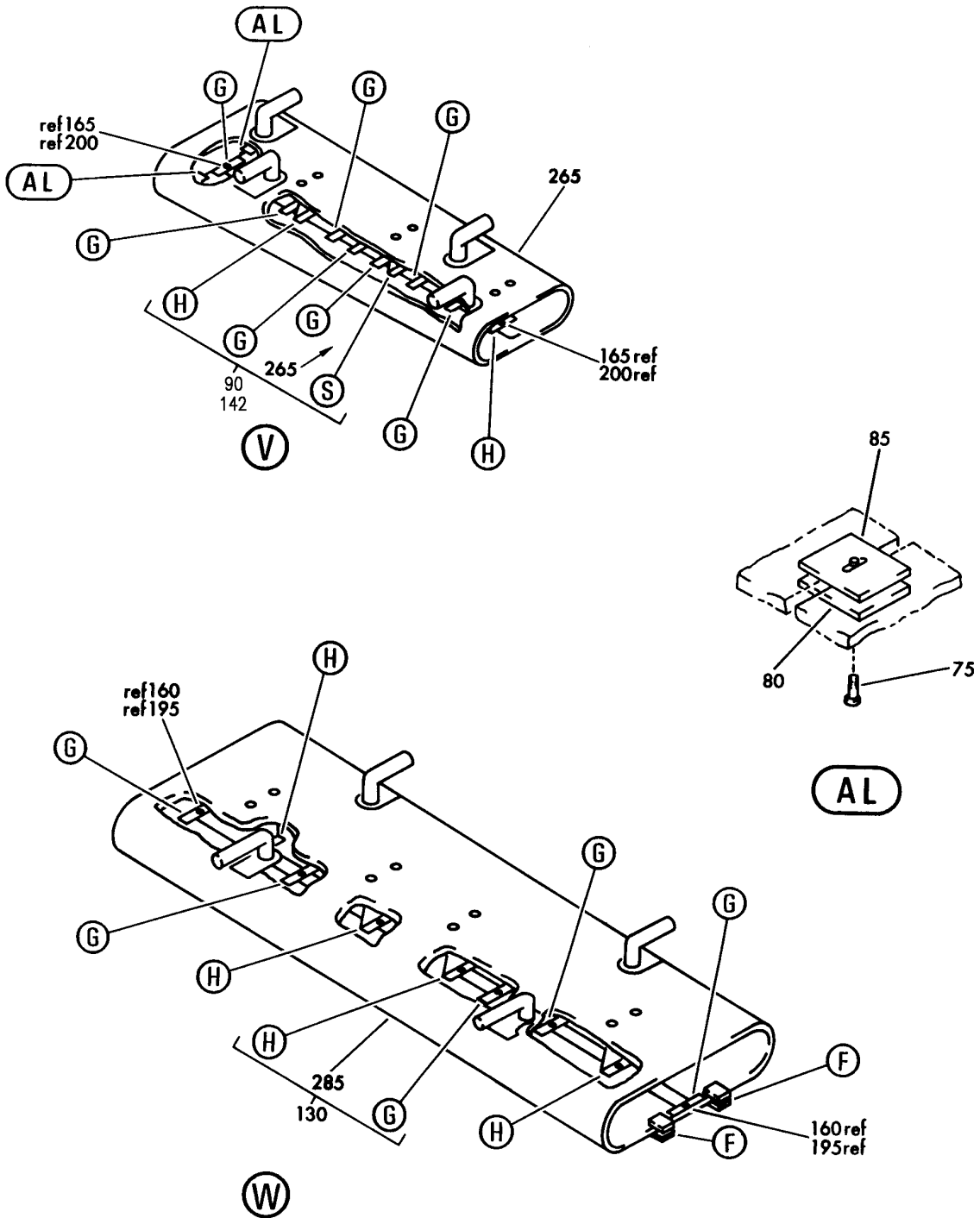
DUCT INSTL-OVERHEAD AIR DISTR SYS
FIGURE 6 (SHEET 9)

21-23-01-06

BRI
MAY 28/07

21-23-01-06
PAGE 0H

BOEING
757
PARTS CATALOG (MAINTENANCE)



Y 21230106 SHT 10 REV 253

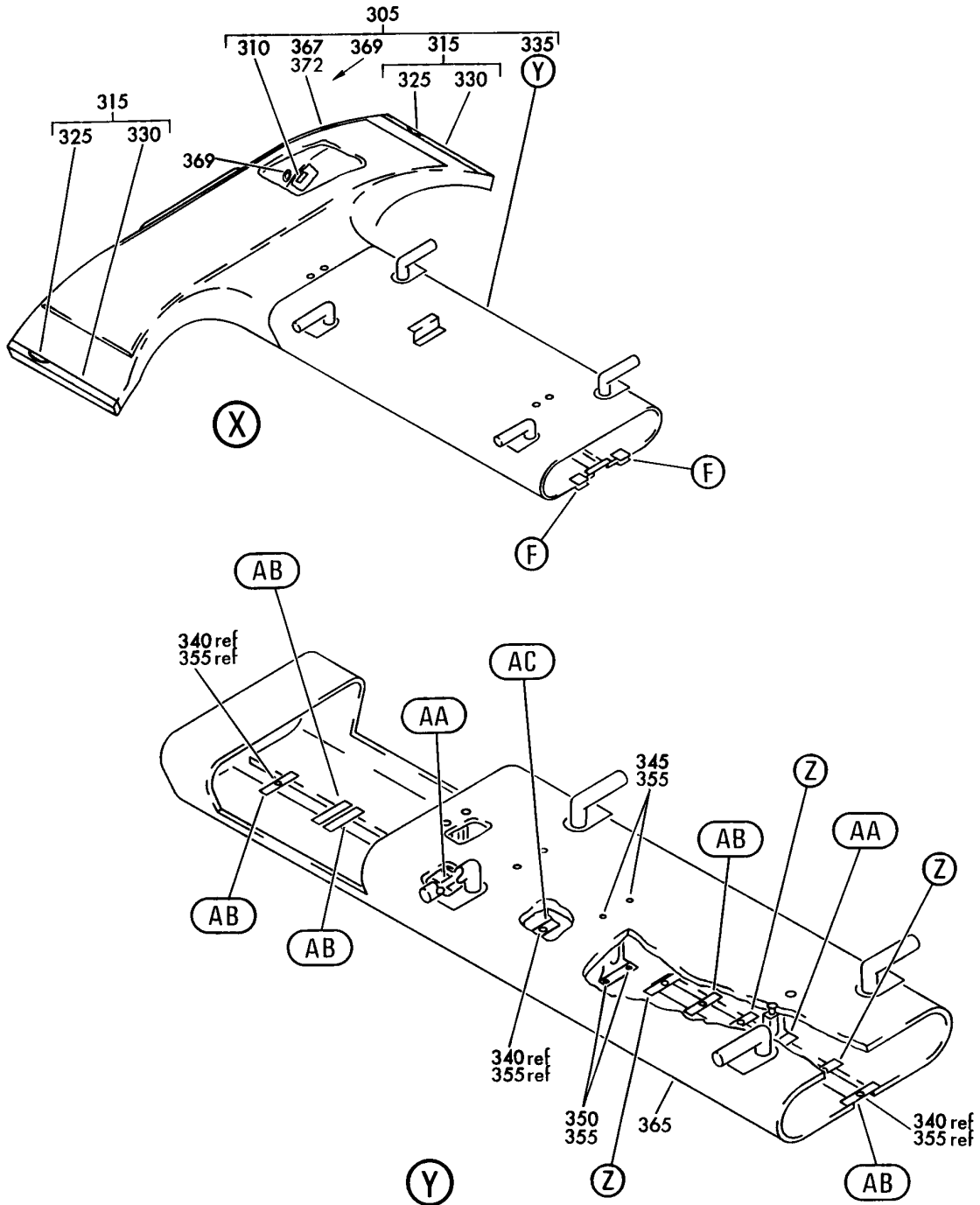
DUCT INSTL-OVERHEAD AIR DISTR SYS
FIGURE 6 (SHEET 10)

21-23-01-06

BRI
MAY 28/07

21-23-01-06
PAGE 01

BOEING
757
PARTS CATALOG (MAINTENANCE)



Y 21230106 SHT 11 REV 154

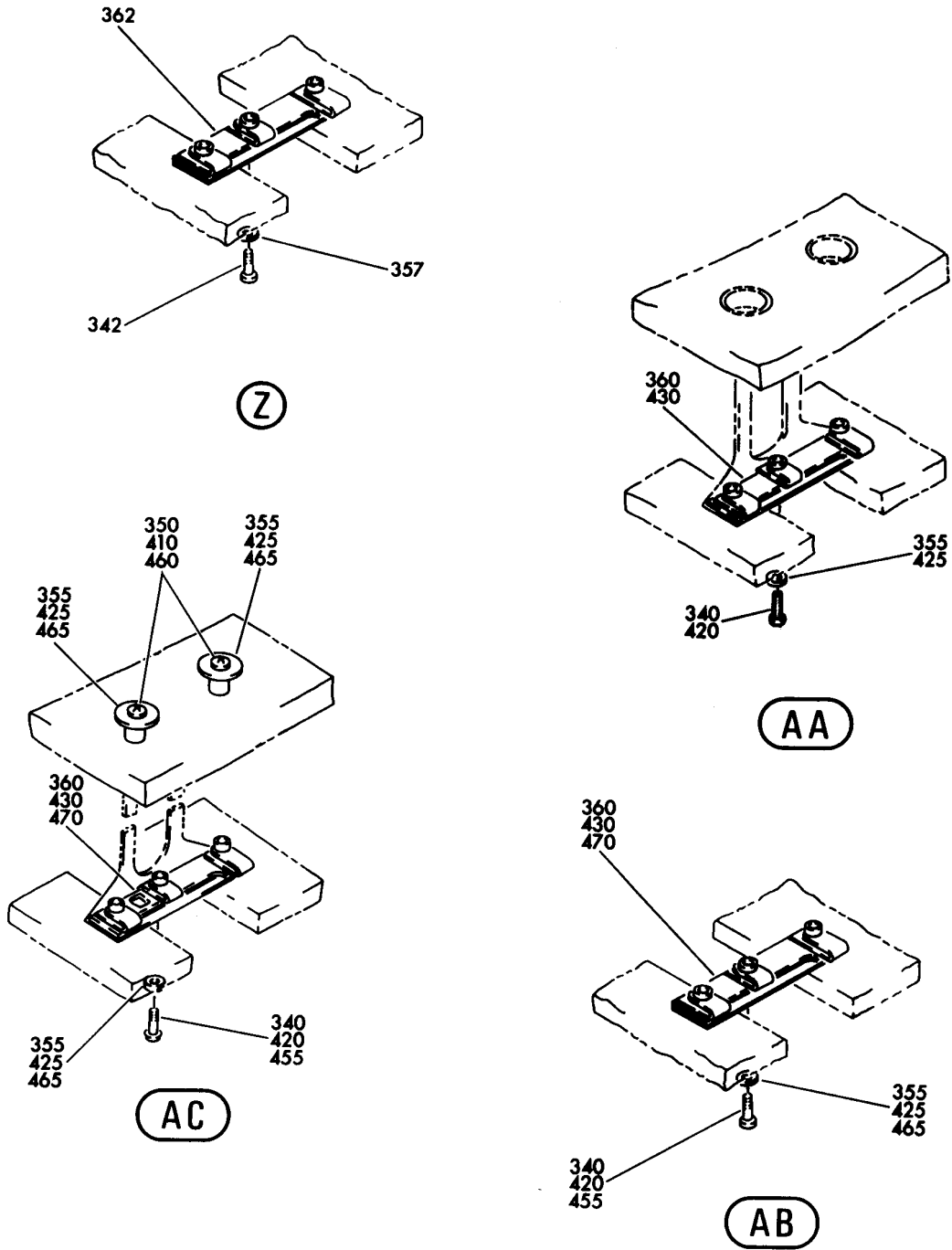
DUCT INSTL-OVERHEAD AIR DISTR SYS
FIGURE 6 (SHEET 11)

21-23-01-06

BRI
MAY 28/07

21-23-01-06
PAGE 0J

BOEING
757
PARTS CATALOG (MAINTENANCE)



Y 21230106 SHT 12 REV 119

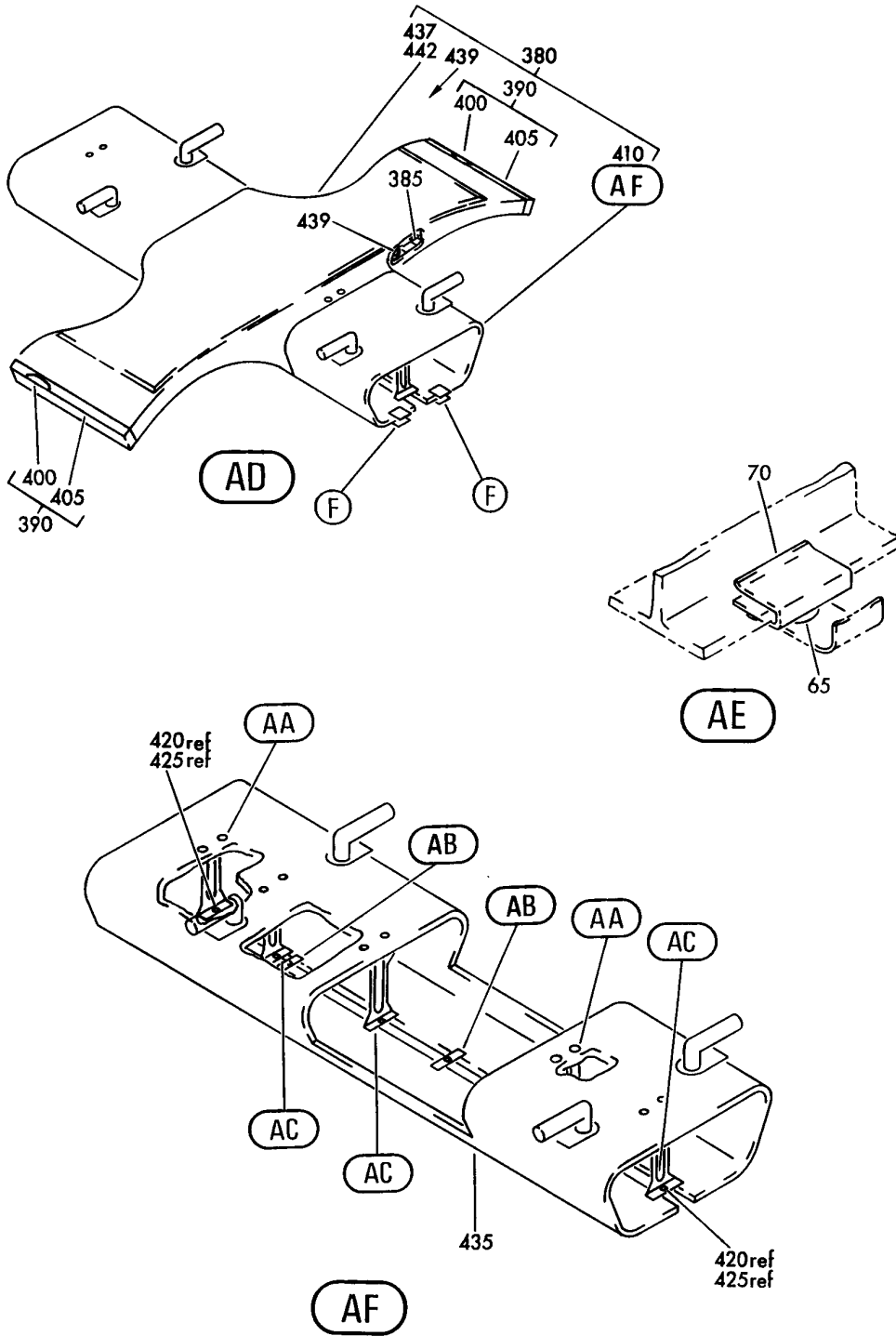
DUCT INSTL-OVERHEAD AIR DISTR SYS
FIGURE 6 (SHEET 12)

21-23-01-06

BRI
MAY 28/07

21-23-01-06
PAGE OK

BOEING
757
PARTS CATALOG (MAINTENANCE)



Y 21230106 SHT 13 REV 154

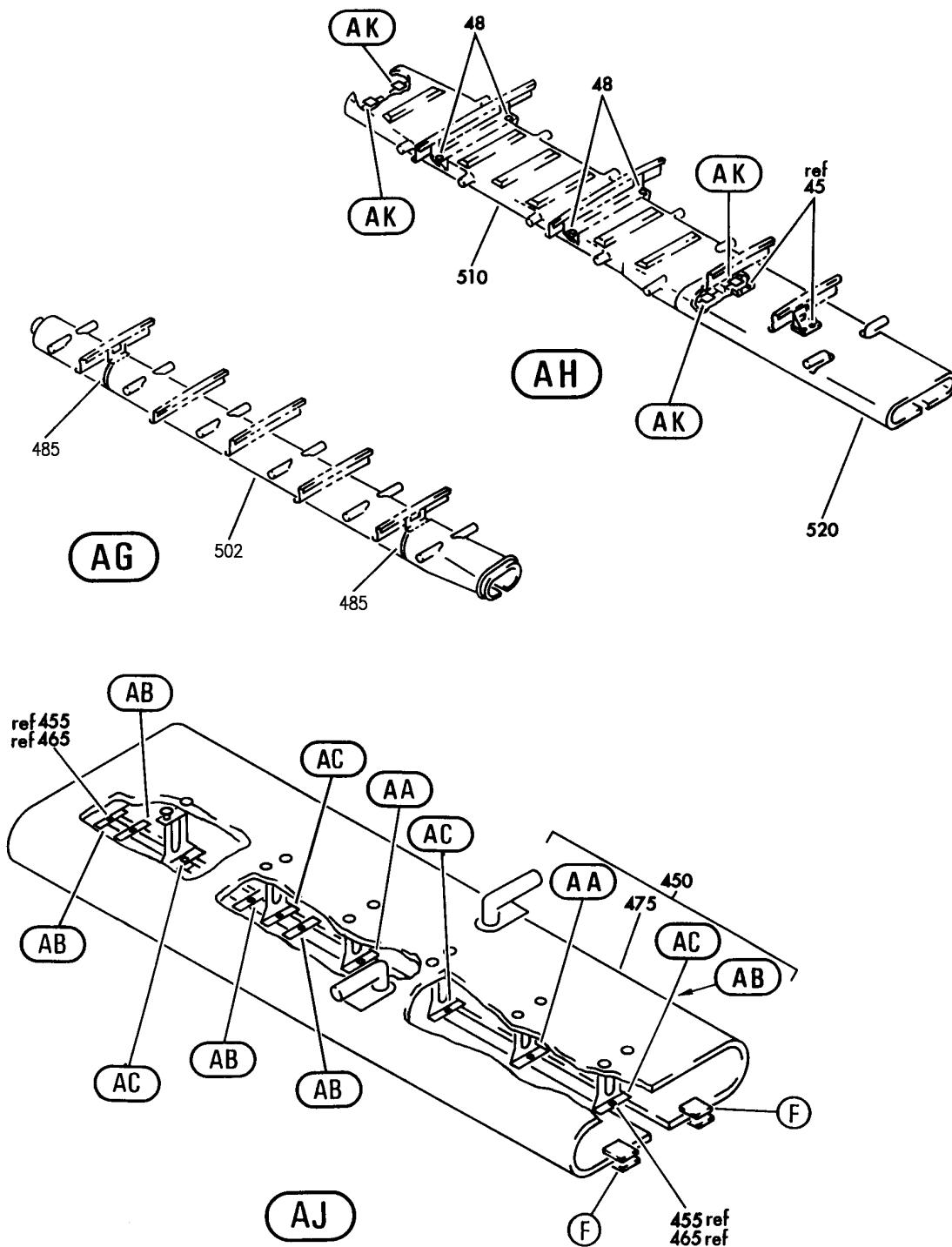
DUCT INSTL-OVERHEAD AIR DISTR SYS
FIGURE 6 (SHEET 13)

21-23-01-06

BRI
MAY 28/07

21-23-01-06
PAGE 01

BOEING
757
PARTS CATALOG (MAINTENANCE)



Y 21230106 SH-14 REV 253

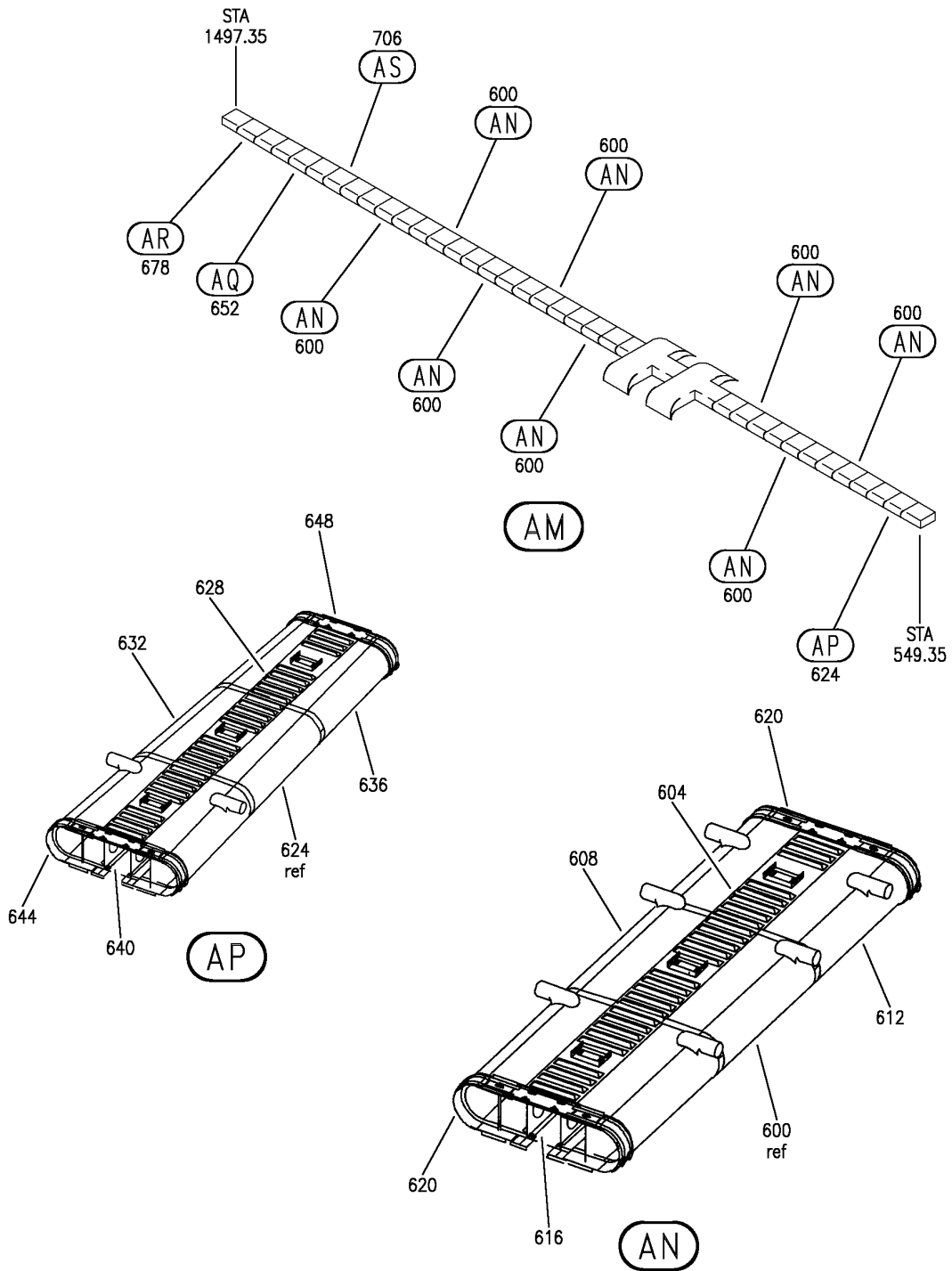
DUCT INSTL-OVERHEAD AIR DISTR SYS
FIGURE 6 (SHEET 14)

21-23-01-06

BRI
MAY 28/07

21-23-01-06
PAGE 0M

BOEING
757
PARTS CATALOG (MAINTENANCE)



Y 21230106 SH-15 REV 285

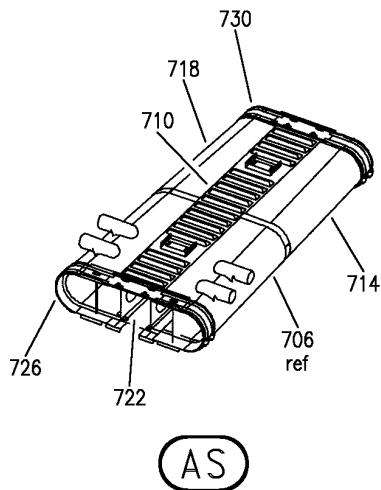
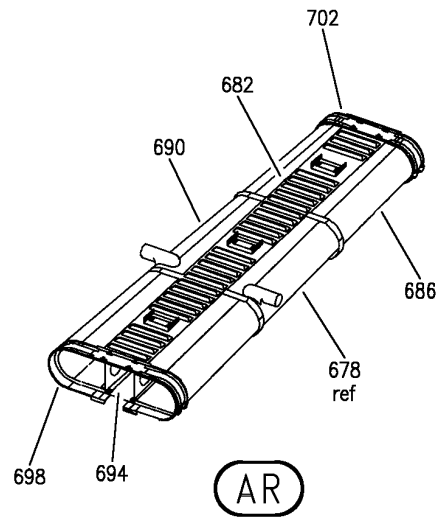
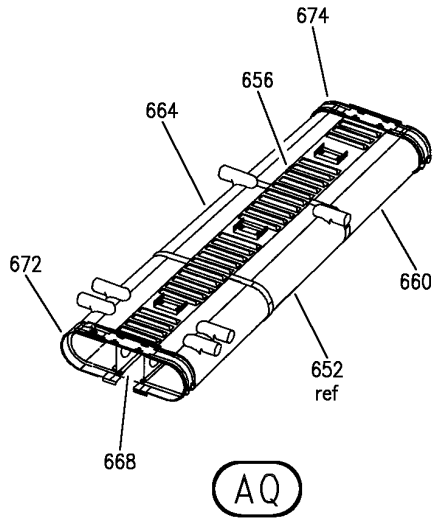
DUCT INSTL-OVERHEAD AIR DISTR SYS
FIGURE 6 (SHEET 15)

21-23-01-06

BRI
MAY 28/07

21-23-01-06
PAGE ON

BOEING
757
PARTS CATALOG (MAINTENANCE)



Y 21230106 SHT 16 REV 285

DUCT INSTL-OVERHEAD AIR DISTR SYS
FIGURE 6 (SHEET 16)

21-23-01-06

BRI
MAY 28/07

21-23-01-06
PAGE 00



757

PARTS CATALOG (MAINTENANCE)

| FIG ITEM | PART NUMBER | 1 2 3 4 5 6 7 | NOMENCLATURE | EFFECT FROM TO | UNITS PER ASSY |
|----------|-------------|---------------|---|----------------------------|----------------|
| 6 | | | DUCT INSTL-OVERHEAD AIR DISTR SYS | 002004 006010 952999 | |
| - 1 | 214N2002-31 | | DUCT INSTL-OVERHEAD AIR DISTR SYS VARIABLE DRAWING REF: 214N2002-53 FOR NHA SEE: 21-00-00-01 | 002004 952952 | RF |
| - 1 | 214N2002-54 | | DUCT INSTL-OVERHEAD AIR DISTR SYS VARIABLE DRAWING REF: 214N2002-73 FOR NHA SEE: 21-00-00-01 | 006010 953999 | RF |
| 5 | 641121-1 | | .SWITCH ASSY-THRM SUPPLIER CODE: V07217 FUNCTIONAL DESCRIPTION: DETECTS OVERHEAT CONDITIONS IN THE AIR CONDITIONING PNEUMATIC DUCTING. SPECIFICATION NUMBER: S210T130-18 ELECTRICAL EQUIP NUMBER: S00022 S00023 | 002004 006010 952999 | 2 |
| 10 | MS9385-05 | | ..PACKING- | 002004 006010 952999 | 1 |
| 15 | MS28034-1 | | .BULB- ELECTRICAL EQUIP NUMBER: TS0185 TS0186 | 002004 006010 952999 | 2 |
| 16 | AN900-10 | | .GASKET- OPTIONAL PART: MS35769-11 | 002004 006010 952999 | 2 |
| 16 | MS35769-11 | | .GASKET- OPTIONAL PART: AN900-10 | 002004 006010 952999 | 2 |

MISSING ITEM NUMBERS NOT APPLICABLE

- ITEM NOT ILLUSTRATED

21-23-01-06

21-23-01
FIG. 06
PAGE 1
JAN 20/09

BRI

 **BOEING**
757
PARTS CATALOG (MAINTENANCE)

| FIG ITEM | PART NUMBER | 1 2 3 4 5 6 7 | NOMENCLATURE | EFFECT FROM TO | UNITS PER ASSY |
|----------|-------------|---------------|---|----------------------------|----------------|
| 6 | | | | | |
| 20 | 624016-1 | . | SENSOR ASSY-TEMP SUPPLIER CODE: V07217 SPECIFICATION NUMBER: S210T130-19 ELECTRICAL EQUIP NUMBER: TS0177 TS0179 COMPONENT MAINT MANUAL REF: 21-65-01 | 002004 006010 952999 | 2 |
| 20 | 624016-2 | . | SENSOR ASSY-TEMP SUPPLIER CODE: V07217 SPECIFICATION NUMBER: S210T130-75 ELECTRICAL EQUIP NUMBER: TS0177 TS0179 COMPONENT MAINT MANUAL REF: 21-65-01 | 002004 006010 952999 | 2 |
| 30 | NAS1801-3-9 | . | ATTACHING PARTS SCREW- | 002004 006010 952999 | 6 |
| 35 | 545131-1 | .. | -----*----- GASKET- SUPPLIER CODE: V07217 | 002004 006010 952999 | 1 |
| 40 | 3-905S613-6 | .. | PACKING- SUPPLIER CODE: V83259 | 002004 006010 952999 | 1 |
| 45 | BACS12FA3K7 | . | SCREW | 002004 006010 952999 | 60 |
| 47 | BACS12FA3K7 | . | SCREW | 002004 006010 952999 | 6 |
| 48 | BACS12FA3K7 | . | SCREW | 002004 006010 952999 | 4 |
| 49 | BACS12FA3K7 | . | SCREW | 002004 006010 952999 | 4 |
| 50 | BACS12FA3K6 | . | SCREW | 002004 006010 952999 | 8 |
| 55 | BACW10P166L | . | WASHER | 002004 006010 952999 | 8 |

MISSING ITEM NUMBERS NOT APPLICABLE

— ITEM NOT ILLUSTRATED

BRI

21-23-01-06

21-23-01
FIG. 06
PAGE 2
JAN 20/09



757

PARTS CATALOG (MAINTENANCE)

| FIG ITEM | PART NUMBER | 1 2 3 4 5 6 7 | NOMENCLATURE | EFFECT FROM TO | UNITS PER ASSY |
|----------|--------------|---------------|---|----------------------------|----------------|
| 6 | | | | | |
| 60 | 214N2135-1 | . | BRACKET ASSY-SPRT | 002004 006010 952999 | 2 |
| 65 | DE820 | .. | MOUNT-ISOLATOR SUPPLIER CODE: V71985 SPECIFICATION NUMBER: S411T100-107 OPTIONAL PART: DE786 V71985 ATTACHING PARTS | 002004 006010 952999 | 1 |
| - 67 | BACR15BA3D | .. | RIVET- SIZE DETERMINED ON INSTL. -----*----- | 002004 006010 952999 | 2 |
| 70 | 214N2135-2 | .. | BRACKET | 002004 006010 952999 | 1 |
| 73 | BACS12FA3K14 | . | SCREW | 002004 006010 952999 | 26 |
| 77 | BACS12FA3K14 | . | SCREW | 002004 006010 952999 | 4 |
| 78 | 65-54411-68 | . | SUPPORT | 002004 006010 952999 | 26 |
| 82 | 65-54411-68 | . | SUPPORT | 002004 006010 952999 | 4 |
| 83 | 65-54411-69 | . | SUPPORT ASSY | 002004 006010 952999 | 26 |
| 87 | 65-54411-69 | . | SUPPORT ASSY | 002004 006010 952999 | 4 |
| 95 | 214N2109-86 | . | DUCT ASSY-VARIABLE | 002004 006010 952999 | 1 |
| 100 | 214N2109-19 | . | DUCT ASSY- PRE AIRLINE MOD: SL21-057A VBRI | 002004 006010 952999 | 1 |
| 105 | 214N2109-118 | . | DUCT ASSY-VARIABLE PRE AIRLINE MOD: SL21-057A VBRI | 002004 006010 952999 | 1 |

MISSING ITEM NUMBERS NOT APPLICABLE

- ITEM NOT ILLUSTRATED

21-23-01-06

21-23-01
FIG. 06
PAGE 3
JAN 20/09

BRI

 **BOEING**
757
PARTS CATALOG (MAINTENANCE)

| FIG ITEM | PART NUMBER | 1 2 3 4 5 6 7 | NOMENCLATURE | EFFECT FROM TO | UNITS PER ASSY |
|----------|--------------|---|--------------|----------------------------|----------------|
| 6 | | | | | |
| 105 | 214N2109-87 | . DUCT ASSY-VARIABLE PRE AIRLINE MOD: SL21-057A VBRI | | 002004 006010 952999 | 1 |
| 105 | 214N2109-126 | . DUCT ASSY-VARIABLE PRE AIRLINE MOD: SL21-057A VBRI | | 002004 006010 952999 | 1 |
| 110 | 214N2109-119 | . DUCT ASSY-VARIABLE PRE AIRLINE MOD: SL21-057A VBRI | | 002004 006010 952999 | 1 |
| 110 | 214N2109-88 | . DUCT ASSY-VARIABLE PRE AIRLINE MOD: SL21-057A VBRI | | 002004 006010 952999 | 1 |
| 115 | 214N2109-17 | . DUCT ASSY- PRE AIRLINE MOD: SL21-057A VBRI | | 002004 006010 952999 | 1 |
| 115 | 214N2109-102 | . DUCT ASSY- PRE AIRLINE MOD: SL21-057A VBRI | | 002004 006010 952999 | 1 |
| 115 | 214N2109-62 | . DUCT ASSY- PRE AIRLINE MOD: SL21-057A VBRI | | 002004 006010 952999 | 1 |
| 115 | 214N2109-94 | . DUCT ASSY- PRE AIRLINE MOD: SL21-057A VBRI | | 002004 006010 952999 | 1 |
| 120 | 214N2109-66 | . DUCT ASSY- PRE AIRLINE MOD: SL21-057A VBRI | | 002004 006010 952999 | 1 |
| 125 | 214N2109-97 | . DUCT ASSY-VARIABLE PRE AIRLINE MOD: SL21-057A VBRI | | 002004 006010 952999 | 1 |
| 140 | 214N2109-106 | . DUCT ASSY- PRE AIRLINE MOD: SL21-057A VBRI | | 002004 006010 952999 | 1 |
| 142 | 214N2109-120 | . DUCT ASSY-VARIABLE PRE AIRLINE MOD: SL21-057A VBRI | | 002004 006010 952999 | 1 |

MISSING ITEM NUMBERS NOT APPLICABLE

— ITEM NOT ILLUSTRATED

BRI

21-23-01-06

BOEING PROPRIETARY - Copyright © - Unpublished Work - See title page for details.

21-23-01
FIG. 06
PAGE 4
JAN 20/09



757

PARTS CATALOG (MAINTENANCE)

| FIG ITEM | PART NUMBER | 1 2 3 4 5 6 7 | NOMENCLATURE | EFFECT FROM TO | UNITS PER ASSY |
|----------|-------------|---------------|---|----------------------------|----------------|
| 6 | | | | | |
| 145 | 214N2109-92 | . | DUCT ASSY-VARIABLE | 002004 006010 952999 | 1 |
| 147 | 214N2109-15 | . | DUCT ASSY- PRE AIRLINE MOD: SL21-057A VBRI | 002004 006010 952999 | 1 |
| 147 | 214N2109-33 | . | DUCT ASSY- PRE AIRLINE MOD: SL21-057A VBRI | 002004 006010 952999 | 1 |
| 150 | BACS12FA3K8 | .. | SCREW- OPTIONAL PART: NAS6603-2 USED ON: 214N2109-17 214N2109-62 214N2109-94 214N2109-102 | 002004 006010 952999 | 7 |
| 150 | NAS6603-2 | .. | BOLT- OPTIONAL PART: BACS12FA3K8 USED ON: 214N2109-17 214N2109-62 214N2109-94 214N2109-102 | 002004 006010 952999 | 7 |
| 150 | BACS12FA3K8 | .. | SCREW- OPTIONAL PART: NAS6603-2 USED ON: 214N2109-19 214N2109-66 214N2109-15 214N2109-33 | 002004 006010 952999 | 7 |
| 150 | NAS6603-2 | .. | BOLT- OPTIONAL PART: BACS12FA3K8 USED ON: 214N2109-19 214N2109-66 214N2109-15 214N2109-33 | 002004 006010 952999 | 7 |
| 155 | BACS12FA3K8 | .. | SCREW- OPTIONAL PART: NAS6603-2 USED ON: 214N2109-92 | 002004 006010 952999 | 8 |

MISSING ITEM NUMBERS NOT APPLICABLE

- ITEM NOT ILLUSTRATED

21-23-01-06

21-23-01
FIG. 06
PAGE 5
JAN 20/09

BRI



757

PARTS CATALOG (MAINTENANCE)

| FIG ITEM | PART NUMBER | 1 2 3 4 5 6 7 | NOMENCLATURE | EFFECT FROM TO | UNITS PER ASSY |
|----------|-------------|---------------|--|----------------------------|----------------|
| 6 155 | NAS6603-2 | .. | BOLT- OPTIONAL PART: BACS12FA3K8 USED ON: 214N2109-92 | 002004 006010 952999 | 8 |
| 160 | BACS12FA3K8 | .. | SCREW- OPTIONAL PART: NAS6603-2 USED ON: 214N2109-119 214N2109-87 214N2109-126 214N2109-88 | 002004 006010 952999 | 9 |
| 160 | NAS6603-2 | .. | BOLT- OPTIONAL PART: BACS12FA3K8 USED ON: 214N2109-118 214N2109-119 214N2109-87 214N2109-126 214N2109-88 | 002004 006010 952999 | 9 |
| 160 | BACS12FA3K8 | .. | SCREW- OPTIONAL PART: NAS6603-2 USED ON: 214N2109-106 | 002004 006010 952999 | 9 |
| 160 | NAS6603-2 | .. | BOLT- OPTIONAL PART: BACS12FA3K8 USED ON: 214N2109-106 | 002004 006010 952999 | 9 |
| 165 | BACS12FA3K8 | .. | SCREW- OPTIONAL PART: NAS6603-2 USED ON: 214N2109-120 | 002004 006010 952999 | 10 |
| 165 | NAS6603-2 | .. | BOLT- OPTIONAL PART: BACS12FA3K8 USED ON: 214N2109-120 | 002004 006010 952999 | 10 |
| 170 | BACS12FA3K8 | .. | SCREW- OPTIONAL PART: NAS6603-2 USED ON: 214N2109-97 | 002004 006010 952999 | 11 |

MISSING ITEM NUMBERS NOT APPLICABLE

- ITEM NOT ILLUSTRATED

21-23-01-06

21-23-01
FIG. 06
PAGE 6
JAN 20/09

BRI

BOEING PROPRIETARY - Copyright © - Unpublished Work - See title page for details.



757

PARTS CATALOG (MAINTENANCE)

| FIG ITEM | PART NUMBER | 1 2 3 4 5 6 7 | NOMENCLATURE | EFFECT FROM TO | UNITS PER ASSY |
|----------|-------------|---------------|---|----------------------------|----------------|
| 6 | | | | | |
| 170 | NAS6603-2 | .. | BOLT- OPTIONAL PART: BACS12FA3K8 USED ON: 214N2109-97 | 002004 006010 952999 | 11 |
| 175 | BACS12FA3K8 | .. | SCREW- OPTIONAL PART: NAS6603-2 USED ON: 214N2109-86 | 002004 006010 952999 | 12 |
| 175 | NAS6603-2 | .. | BOLT- OPTIONAL PART: BACS12FA3K8 USED ON: 214N2109-86 | 002004 006010 952999 | 12 |
| 180 | AN960PD10L | .. | WASHER- USED ON: 214N2109-17 214N2109-62 214N2109-94 214N2109-102 | 002004 006010 952999 | 7 |
| 180 | AN960PD10L | .. | WASHER- USED ON: 214N2109-19 214N2109-66 214N2109-15 214N2109-33 | 002004 006010 952999 | 7 |
| 190 | AN960PD10L | .. | WASHER- USED ON: 214N2109-92 | 002004 006010 952999 | 8 |
| 195 | AN960PD10L | .. | WASHER- USED ON: 214N2109-118 214N2109-119 214N2109-87 214N2109-126 214N2109-88 | 002004 006010 952999 | 9 |
| 195 | AN960PD10L | .. | WASHER- USED ON: 214N2109-106 | 002004 006010 952999 | 9 |
| 200 | AN960PD10L | .. | WASHER- USED ON: 214N2109-120 | 002004 006010 952999 | 10 |
| 205 | AN960PD10L | .. | WASHER- USED ON: 214N2109-97 | 002004 006010 952999 | 11 |
| 210 | AN960JD10L | .. | WASHER- USED ON: 214N2109-86 | 002004 006010 952999 | 12 |

MISSING ITEM NUMBERS NOT APPLICABLE

- ITEM NOT ILLUSTRATED

21-23-01-06

21-23-01
FIG. 06
PAGE 7
JAN 20/09

BRI



757

PARTS CATALOG (MAINTENANCE)

| FIG ITEM | PART NUMBER | 1 2 3 4 5 6 7 | NOMENCLATURE | EFFECT FROM TO | UNITS PER ASSY |
|----------|-------------|---------------|---|----------------------------|----------------|
| 6 | | | | | |
| 215 | 214N2127-1 | .. | SEAL ASSY- USED ON: 214N2109-17 214N2109-62 214N2109-94 214N2109-102 | 002004 006010 952999 | 7 |
| 215 | 214N2127-1 | .. | SEAL ASSY- USED ON: 214N2109-19 214N2109-66 214N2109-15 214N2109-33 | 002004 006010 952999 | 7 |
| 220 | 214N2127-1 | .. | SEAL ASSY- USED ON: 214N2109-92 | 002004 006010 952999 | 8 |
| 225 | 214N2127-1 | .. | SEAL ASSY- USED ON: 214N2109-118 214N2109-119 214N2109-87 214N2109-126 | 002004 006010 952999 | 9 |
| 225 | 214N2127-1 | .. | SEAL ASSY- USED ON: 214N2109-106 | 002004 006010 952999 | 9 |
| 230 | 214N2127-1 | .. | SEAL ASSY- USED ON: 214N2109-120 | 002004 006010 952999 | 10 |
| 235 | 214N2127-1 | .. | SEAL ASSY- USED ON: 214N2109-97 | 002004 006010 952999 | 11 |
| 240 | 214N2127-1 | .. | SEAL ASSY- USED ON: 214N2109-86 | 002004 006010 952999 | 12 |
| 245 | NAS6603-10 | .. | BOLT- USED ON: 214N2109-106 | 002004 006010 952999 | 2 |
| 255 | AN960JD10L | .. | WASHER- USED ON: 214N2109-106 | 002004 006010 952999 | 2 |
| 270 | 214N2110-17 | .. | DUCT- USED ON: 214N2109-18 214N2109-86 | 002004 006010 952999 | 1 |
| 275 | 214N2110-16 | .. | DUCT- USED ON: 214N2109-19 | 002004 006010 952999 | 1 |

MISSING ITEM NUMBERS NOT APPLICABLE

- ITEM NOT ILLUSTRATED

21-23-01-06

21-23-01
FIG. 06
PAGE 8
JAN 20/09

BRI

BOEING PROPRIETARY - Copyright © - Unpublished Work - See title page for details.

 **BOEING**
757
PARTS CATALOG (MAINTENANCE)

| FIG ITEM | PART NUMBER | 1 2 3 4 5 6 7 | NOMENCLATURE | EFFECT FROM TO | UNITS PER ASSY |
|----------|--------------|---------------|---|----------------------------|----------------|
| 6 | | | | | |
| 280 | 214N2110-12 | .. | DUCT- USED ON: 214N2109-118 214N2109-119 214N2109-17 214N2109-88 214N2109-62 214N2109-94 214N2109-102 | 002004 006010 952999 | 1 |
| 280 | 214N2110-12 | .. | DUCT- USED ON: 214N2109-66 214N2109-97 214N2109-15 214N2109-33 | 002004 006010 952999 | 1 |
| 295 | 214N2110-14 | .. | DUCT- USED ON: 214N2109-106 | 002004 006010 952999 | 1 |
| 300 | 214N2110-13 | .. | DUCT- USED ON: 214N2109-92 | 002004 006010 952999 | 1 |
| 305 | 214N2115-20 | . | DUCT ASSY-TRANSITION | 002004 006010 952999 | 1 |
| 310 | BAC27NEC0091 | .. | DECAL | 002004 006010 952999 | 1 |
| 315 | 214N2138-1 | .. | BRACKET ASSY | 002004 006010 952999 | 2 |
| - 320 | BACS12FA3K7 | .. | ATTACHING PARTS SCREW | 002004 006010 952999 | 14 |
| 325 | 214N2139-2 | ... | -----*----- GASKET-JT | 002004 006010 952999 | 1 |
| 330 | 214N2138-2 | ... | BRACKET | 002004 006010 952999 | 1 |
| 335 | 214N2116-27 | .. | DUCT ASSY- | 002004 006010 952999 | 1 |
| 340 | BACS12FA3K8 | ... | SCREW- OPTIONAL PART: NAS6603-2 | 002004 006010 952999 | 8 |

MISSING ITEM NUMBERS NOT APPLICABLE

- ITEM NOT ILLUSTRATED

BRI

21-23-01-06

BOEING PROPRIETARY - Copyright © - Unpublished Work - See title page for details.

21-23-01
FIG. 06
PAGE 9
JAN 20/09



757

PARTS CATALOG (MAINTENANCE)

| FIG ITEM | PART NUMBER | 1 2 3 4 5 6 7 | NOMENCLATURE | EFFECT FROM TO | UNITS PER ASSY |
|----------|--------------|---------------|---|----------------------------|----------------|
| 6 | | | | | |
| 340 | NAS6603-2 | ... | BOLT- OPTIONAL PART: BACS12FA3K8 | 002004 006010 952999 | 8 |
| 342 | BACS12FA3K8 | ... | SCREW- OPTIONAL PART: NAS6603-2 | 002004 006010 952999 | 3 |
| 342 | NAS6603-2 | ... | BOLT- OPTIONAL PART: BACS12FA3K8 | 002004 006010 952999 | 3 |
| 345 | BACS12FA3K14 | ... | SCREW- OPTIONAL PART: NAS6603-9 | 002004 006010 952999 | 2 |
| 345 | NAS6603-9 | ... | BOLT- OPTIONAL PART: BACSFA3K14 | 002004 006010 952999 | 2 |
| 350 | NAS6603-9 | ... | BOLT- | 002004 006010 952999 | 4 |
| 355 | AN960JD10L | ... | WASHER | 002004 006010 952999 | 14 |
| 357 | AN960JD10L | ... | WASHER | 002004 006010 952999 | 3 |
| 360 | 214N2127-1 | ... | SEAL ASSY | 002004 006010 952999 | 8 |
| 362 | 214N2127-1 | ... | SEAL ASSY | 002004 006010 952999 | 3 |
| 365 | 214N2110-18 | ... | DUCT | 002004 006010 952999 | 1 |
| 367 | 214N2117-19 | .. | DUCT ASSY- OPTIONAL PART: 214N2117-42 | 002004 006010 952999 | 1 |
| 367 | 214N2117-42 | .. | DUCT ASSY- OPTIONAL PART: 214N2117-19 | 002004 006010 952999 | 1 |
| 369 | 52NA1-080 | ... | NUT-ANCHOR SUPPLIER CODE: V72962 | 002004 006010 952999 | 1 |
| - 371 | BACR15BA4A | ... | RIVET- USED ON: 214N2117-19 | 002004 006010 952999 | 2 |

MISSING ITEM NUMBERS NOT APPLICABLE

- ITEM NOT ILLUSTRATED

21-23-01-06

21-23-01
FIG. 06
PAGE 10
JAN 20/09

BRI



757

PARTS CATALOG (MAINTENANCE)

| FIG ITEM | PART NUMBER | 1 2 3 4 5 6 7 | NOMENCLATURE | EFFECT FROM TO | UNITS PER ASSY |
|----------|--------------|---------------|---|----------------------------|----------------|
| 6 | | | | | |
| - 371 | BACR15DR4 | ... | RIVET- USED ON: 214N2117-42 | 002004 006010 952999 | 2 |
| | | | -----*----- | | |
| 372 | 214N2117-21 | ... | DUCT ASSY- USED ON: 214N2117-19 | 002004 006010 952999 | 1 |
| - 374 | 214N2117-44 | ... | DUCT ASSY- USED ON: 214N2117-42 | 002004 006010 952999 | 1 |
| - 376 | 214N2117-45 | ... | DUCT ASSY- USED ON: 214N2117-42 | 002004 006010 952999 | 1 |
| - 378 | 214N2117-46 | ... | DUCT ASSY- USED ON: 214N2117-42 | 002004 006010 952999 | 1 |
| 380 | 214N2115-13 | . | DUCT ASSY-TRANSITION | 002004 006010 952999 | 1 |
| 385 | BAC27NEC0092 | .. | DECAL | 002004 006010 952999 | 1 |
| 390 | 214N2138-1 | .. | BRACKET ASSY | 002004 006010 952999 | 2 |
| | | | ATTACHING PARTS | | |
| - 395 | BACS12FA3K7 | .. | SCREW | 002004 006010 952999 | 14 |
| | | | -----*----- | | |
| 400 | 214N2139-2 | ... | GASKET-JT | 002004 006010 952999 | 1 |
| 405 | 214N2138-2 | ... | BRACKET | 002004 006010 952999 | 1 |
| 410 | 214N2116-12 | .. | DUCT ASSY | 002004 006010 952999 | 1 |
| 415 | BACS12FA3K16 | ... | SCREW- OPTIONAL PART: NAS6603-10 | 002004 006010 952999 | 6 |
| 415 | NAS6603-10 | ... | BOLT- OPTIONAL PART: BACS12FA3K16 | 002004 006010 952999 | 6 |
| 420 | BACS12FA3K8 | ... | SCREW- OPTIONAL PART: NAS6603-2 | 002004 006010 952999 | 7 |

MISSING ITEM NUMBERS NOT APPLICABLE

- ITEM NOT ILLUSTRATED

21-23-01-06

21-23-01
FIG. 06
PAGE 11
JAN 20/09

BRI

 **BOEING**
757
PARTS CATALOG (MAINTENANCE)

| FIG ITEM | PART NUMBER | 1 2 3 4 5 6 7 | NOMENCLATURE | EFFECT FROM TO | UNITS PER ASSY |
|----------|-------------|---------------|---|----------------------------|----------------|
| 6 | | | | | |
| 420 | NAS6603-2 | ... | BOLT- OPTIONAL PART: BACS12FA3K8 | 002004 006010 952999 | 7 |
| 425 | AN960JD10L | ... | WASHER | 002004 006010 952999 | 13 |
| 430 | 214N2127-1 | ... | SEAL ASSY | 002004 006010 952999 | 7 |
| 435 | 214N2110-20 | ... | DUCT | 002004 006010 952999 | 1 |
| 437 | 214N2117-20 | .. | DUCT ASSY- OPTIONAL PART: 214N2117-43 | 002004 006010 952999 | 1 |
| 437 | 214N2117-43 | .. | DUCT ASSY- OPTIONAL PART: 214N2117-20 | 002004 006010 952999 | 1 |
| 439 | 52NA1-080 | ... | NUT-ANCHOR SUPPLIER CODE: V72962 | 002004 006010 952999 | 1 |
| - 441 | BACR15BA4A | ... | RIVET- USED ON: 214N2117-20 | 002004 006010 952999 | 2 |
| - 441 | BACR15DR4 | ... | RIVET- USED ON: 214N2117-43 | 002004 006010 952999 | 2 |
| | | | -----*----- | | |
| 442 | 214N2117-22 | ... | DUCT ASSY- USED ON: 214N2117-20 | 002004 006010 952999 | 1 |
| - 444 | 214N2117-47 | ... | DUCT ASSY- USED ON: 214N2117-43 | 002004 006010 952999 | 1 |
| - 446 | 214N2117-48 | ... | DUCT ASSY- USED ON: 214N2117-43 | 002004 006010 952999 | 1 |
| - 448 | 214N2117-49 | ... | DUCT ASSY- USED ON: 214N2117-43 | 002004 006010 952999 | 1 |
| 450 | 214N2116-23 | . | DUCT ASSY- | 002004 006010 952999 | 1 |
| 455 | BACS12FA3K8 | .. | SCREW- OPTIONAL PART: NAS6603-2 | 002004 006010 952999 | 10 |

MISSING ITEM NUMBERS NOT APPLICABLE

- ITEM NOT ILLUSTRATED

BRI

21-23-01-06

21-23-01
FIG. 06
PAGE 12
JAN 20/09



757

PARTS CATALOG (MAINTENANCE)

| FIG ITEM | PART NUMBER | 1 2 3 4 5 6 7 | NOMENCLATURE | EFFECT FROM TO | UNITS PER ASSY |
|----------|--------------|---------------|--|----------------------------|----------------|
| 6 | | | | | |
| 455 | NAS6603-2 | .. | BOLT- OPTIONAL PART: BACS12FA3K8 | 002004 006010 952999 | 10 |
| 460 | BACS12FA3K16 | .. | SCREW- OPTIONAL PART: NAS6603-10 | 002004 006010 952999 | 8 |
| 460 | NAS6603-10 | .. | BOLT- OPTIONAL PART: BACS12FA3K16 | 002004 006010 952999 | 8 |
| 465 | AN960JD10L | .. | WASHER | 002004 006010 952999 | 8 |
| 470 | 214N2127-1 | .. | SEAL ASSY | 002004 006010 952999 | 10 |
| 475 | 214N2110-26 | .. | DUCT | 002004 006010 952999 | 1 |
| 500 | 214N2111-18 | . | DUCT ASSY-VARIABLE | 002004 006010 952999 | 1 |
| 505 | 214N2111-20 | . | DUCT ASSY- | 006006 | 1 |
| 505 | 214N2111-31 | . | DUCT ASSY- | 007010 953999 | 1 |
| 510 | 214N2112-15 | . | DUCT ASSY- PRE AIRLINE MOD: SL21-057A VBRI | 002004 006010 952999 | 1 |
| 520 | 214N2109-78 | . | DUCT ASSY-VARIABLE PRE AIRLINE MOD: SL21-057A VBRI | 002004 006010 952999 | 1 |
| 520 | 214N2109-71 | . | DUCT ASSY-VARIABLE PRE AIRLINE MOD: SL21-057A VBRI | 002004 006010 952999 | 1 |
| 520 | 214N2109-96 | . | DUCT ASSY-VARIABLE | 002004 006010 952999 | 1 |
| 525 | BACS12FA3K8 | .. | SCREW- OPTIONAL PART: NAS6603-2 USED ON: 214N2109-78 214N2109-71 214N2109-96 | 002004 006010 952999 | 7 |

MISSING ITEM NUMBERS NOT APPLICABLE

- ITEM NOT ILLUSTRATED

BRI

21-23-01-06

21-23-01
FIG. 06
PAGE 13
JAN 20/09



757

PARTS CATALOG (MAINTENANCE)

| FIG ITEM | PART NUMBER | 1 2 3 4 5 6 7 | NOMENCLATURE | EFFECT FROM TO | UNITS PER ASSY |
|----------|-------------|---------------|---|----------------------------|----------------|
| 6 | | | | | |
| 525 | NAS6603-2 | .. | BOLT- OPTIONAL PART: BACS12FA3K8 USED ON: 214N2109-78 214N2109-71 214N2109-96 | 002004 006010 952999 | 7 |
| 530 | AN960PD10L | .. | WASHER- USED ON: 214N2109-78 214N2109-71 214N2109-96 | 002004 006010 952999 | 7 |
| 535 | 214N2127-1 | .. | SEAL ASSY- USED ON: 214N2109-78 214N2109-71 214N2109-96 | 002004 006010 952999 | 7 |
| 540 | 214N2110-12 | .. | DUCT- USED ON: 214N2109-78 214N2109-71 214N2109-96 | 002004 006010 952999 | 1 |
| 545 | 214N2158-1 | . | RESTRICTOR ASSY | 002004 006010 952999 | 12 |
| 600 | SGDDK2109-1 | . | DUCT ASSY- SUPPLIER CODE: V15801 POST AIRLINE MOD: SL21-057A VBRI | 002004 006010 | 8 |
| 604 | SGDDK2110-1 | .. | BOX BEAM ASSY- SUPPLIER CODE: V15801 | 002004 006010 | 1 |
| 608 | SGDDK2116-1 | .. | DUCT HALF ASSY- SUPPLIER CODE: V15801 POSITION DATA: LH | 002004 006010 | 1 |
| 612 | SGDDK2116-2 | .. | DUCT HALF ASSY- SUPPLIER CODE: V15801 POSITION DATA: RH | 002004 006010 | 1 |
| 616 | SGDDK2118-1 | .. | NUTCLIP STRIP- SUPPLIER CODE: V15801 | 002004 006010 | 2 |

MISSING ITEM NUMBERS NOT APPLICABLE

- ITEM NOT ILLUSTRATED

BRI

21-23-01-06

21-23-01
FIG. 06
PAGE 14
JAN 20/09



757

PARTS CATALOG (MAINTENANCE)

| FIG ITEM | PART NUMBER | 1 2 3 4 5 6 7 | NOMENCLATURE | EFFECT FROM TO | UNITS PER ASSY |
|----------|-------------|---------------|---|------------------|----------------|
| 6 | | | | | |
| 620 | SGDDK2122-1 | | ..END SEAL ASSY- SUPPLIER CODE: V15801 | 002004 006010 | 2 |
| 624 | SGDDK2109-2 | | .DUCT ASSY- SUPPLIER CODE: V15801 POST AIRLINE MOD: SL21-057A VBRI | 002004 006010 | 1 |
| 628 | SGDDK2110-5 | | ..BOX BEAM ASSY- SUPPLIER CODE: V15801 | 002004 006010 | 1 |
| 632 | SGDDK2116-3 | | ..DUCT HALF ASSY- SUPPLIER CODE: V15801 POSITION DATA: LH | 002004 006010 | 1 |
| 636 | SGDDK2116-4 | | ..DUCT HALF ASSY- SUPPLIER CODE: V15801 POSITION DATA: RH | 002004 006010 | 1 |
| 640 | SGDDK2118-1 | | ..NUTCLIP STRIP- SUPPLIER CODE: V15801 | 002004 006010 | 2 |
| 644 | SGDDK2122-1 | | ..END SEAL ASSY- SUPPLIER CODE: V15801 | 002004 006010 | 1 |
| 648 | SGDDK2122-3 | | ..END SEAL ASSY- SUPPLIER CODE: V15801 | 002004 006010 | 1 |
| 652 | SGDDK2109-3 | | .DUCT ASSY- SUPPLIER CODE: V15801 POST AIRLINE MOD: SL21-057A VBRI | 002004 006010 | 1 |
| 656 | SGDDK2110-1 | | ..BOX BEAM ASSY- SUPPLIER CODE: V15801 | 002004 006010 | 1 |
| 660 | SGDDK2116-7 | | ..DUCT HALF ASSY- SUPPLIER CODE: V15801 POSITION DATA: LH | 002004 006010 | 1 |

MISSING ITEM NUMBERS NOT APPLICABLE

- ITEM NOT ILLUSTRATED

21-23-01-06

21-23-01
FIG. 06
PAGE 15
JAN 20/09

BRI



757

PARTS CATALOG (MAINTENANCE)

| FIG ITEM | PART NUMBER | 1 2 3 4 5 6 7 | NOMENCLATURE | EFFECT FROM TO | UNITS PER ASSY |
|----------|--------------|---------------|--|------------------|----------------|
| 6 | | | | | |
| 664 | SGDDK2116-8 | .. | DUCT HALF ASSY- SUPPLIER CODE: V15801 POSITION DATA: RH | 002004 006010 | 1 |
| 668 | SGDDK2118-1 | .. | NUTCLIP STRIP- SUPPLIER CODE: V15801 | 002004 006010 | 2 |
| 672 | SGDDK2122-2 | .. | END SEAL ASSY- SUPPLIER CODE: V15801 | 002004 006010 | 1 |
| 674 | SGDDK2122-4 | .. | END SEAL ASSY- SUPPLIER CODE: V15801 | 002004 006010 | 1 |
| 678 | SGDDK2109-4 | .D | DUCT ASSY- SUPPLIER CODE: V15801 POST AIRLINE MOD: SL21-057 VBRI | 002004 006010 | 1 |
| 682 | SGDDK2110-1 | .. | BOX BEAM ASSY- SUPPLIER CODE: V15801 | 002004 006010 | 1 |
| 686 | SGDDK2116-9 | .. | DUCT HALF ASSY- SUPPLIER CODE: V15801 POSITION DATA: LH | 002004 006010 | 1 |
| 690 | SGDDK2116-10 | .. | DUCT HALF ASSY- SUPPLIER CODE: V15801 POSITION DATA: RH | 002004 006010 | 1 |
| 694 | SGDDK2118-1 | .. | NUTCLIP STRIP- SUPPLIER CODE: V15801 | 002004 006010 | 2 |
| 698 | SGDDK2122-4 | .. | END SEAL ASSY- SUPPLIER CODE: V15801 | 002004 006010 | 1 |
| 702 | SGDDK2122-5 | .. | END SEAL ASSY- SUPPLIER CODE: V15801 | 002004 006010 | 1 |
| 706 | SGDDK2109-5 | .D | DUCT ASSY- SUPPLIER CODE: V15801 POST AIRLINE MOD: SL21-057A VBRI | 002004 006010 | 1 |

MISSING ITEM NUMBERS NOT APPLICABLE

- ITEM NOT ILLUSTRATED

BRI

21-23-01-06

21-23-01
FIG. 06
PAGE 16
JAN 20/09



757

PARTS CATALOG (MAINTENANCE)

| FIG ITEM | PART NUMBER | 1 2 3 4 5 6 7 | NOMENCLATURE | EFFECT FROM TO | UNITS PER ASSY |
|----------|-------------|---------------|---|------------------|----------------|
| 6 | | | | | |
| 710 | SGDDK2110-2 | | ..BOX BEAM ASSY- SUPPLIER CODE: V15801 | 002004 006010 | 1 |
| 714 | SGDDK2116-5 | | ..DUCT HALF ASSY- SUPPLIER CODE: V15801 POSITION DATA: LH | 002004 006010 | 1 |
| 718 | SGDDK2116-6 | | ..DUCT HALF ASSY- SUPPLIER CODE: V15801 POSITION DATA: RH | 002004 006010 | 1 |
| 722 | SGDDK2118-2 | | ..NUTCLIP STRIP- SUPPLIER CODE: V15801 | 002004 006010 | 2 |
| 726 | SGDDK2122-1 | | ..END SEAL ASSY- SUPPLIER CODE: V15801 | 002004 006010 | 1 |
| 730 | SGDDK2122-2 | | ..END SEAL ASSY- SUPPLIER CODE: V15801 | 002004 006010 | 1 |

MISSING ITEM NUMBERS NOT APPLICABLE

- ITEM NOT ILLUSTRATED

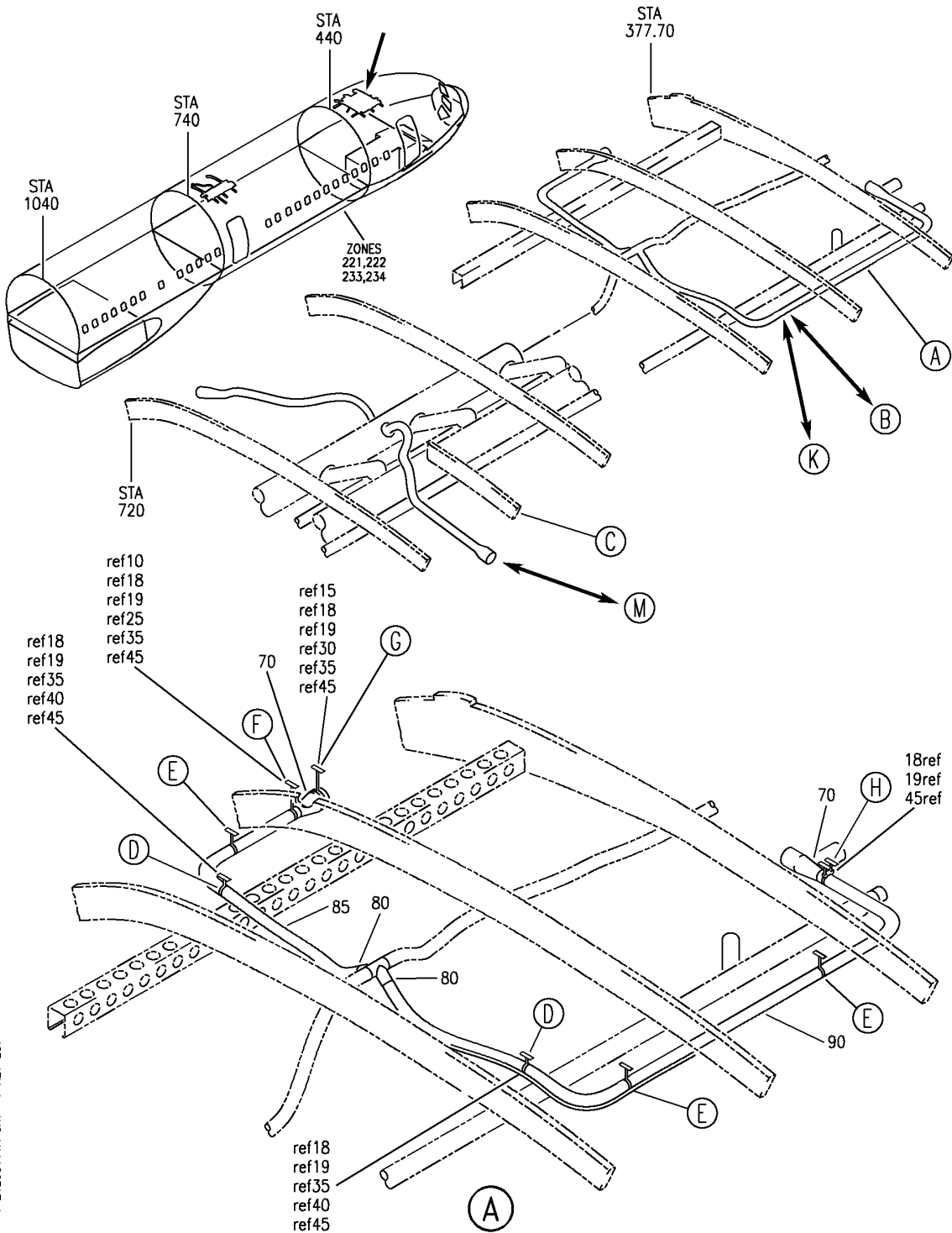
BRI

21-23-01-06

BOEING PROPRIETARY - Copyright © - Unpublished Work - See title page for details.

21-23-01
FIG. 06
PAGE 17
JAN 20/09

BOEING
757
PARTS CATALOG (MAINTENANCE)



Y 21230111A SHT 1 REV 297

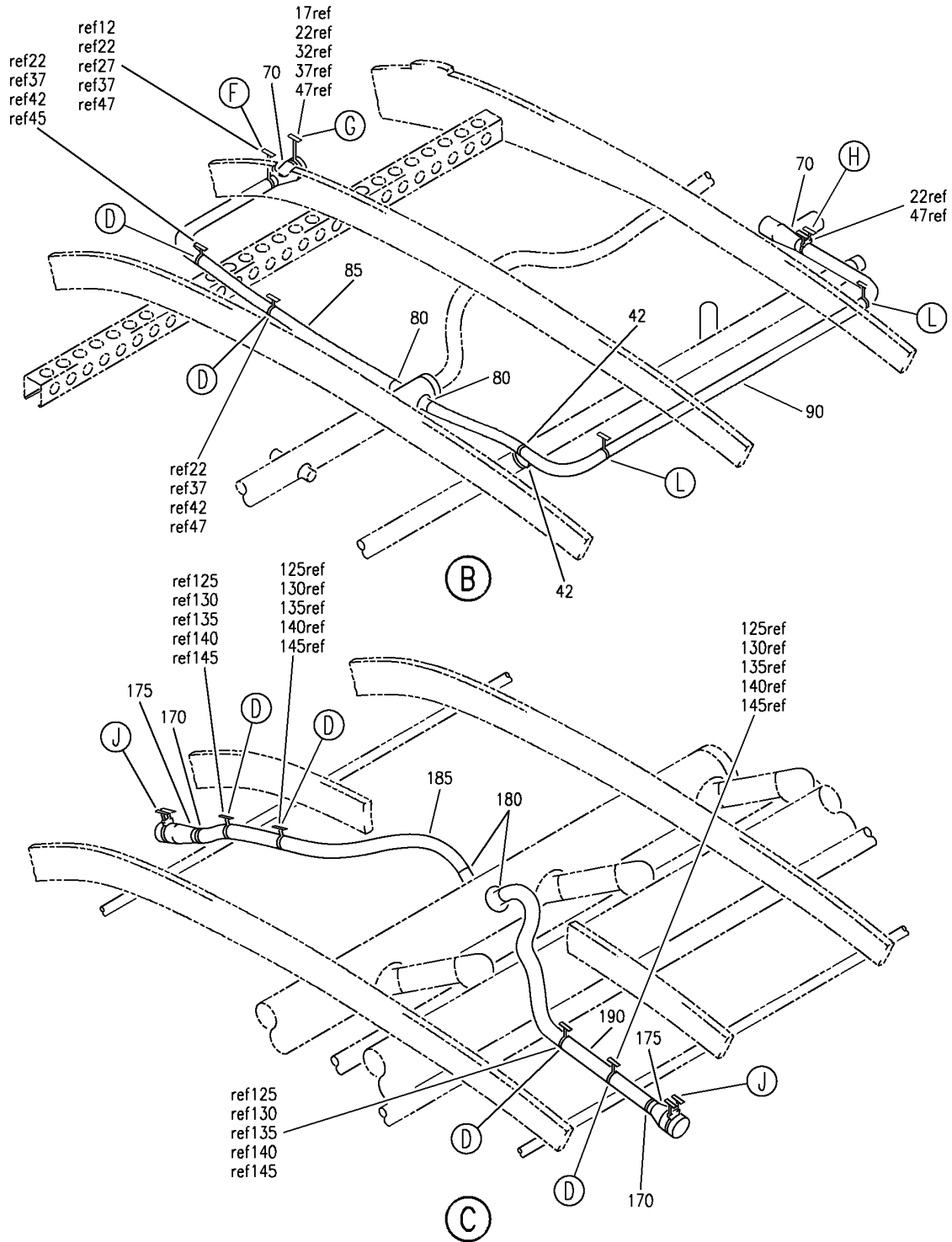
DUCT INSTL-SIDEWALL AIR DISTR SYS, CROWN VENT
FIGURE 11A (SHEET 1)

21-23-01-11A

BRI
MAY 28/07

21-23-01-11A
PAGE 0

BOEING
757
PARTS CATALOG (MAINTENANCE)



Y 21230111A SH1 2 REV 297

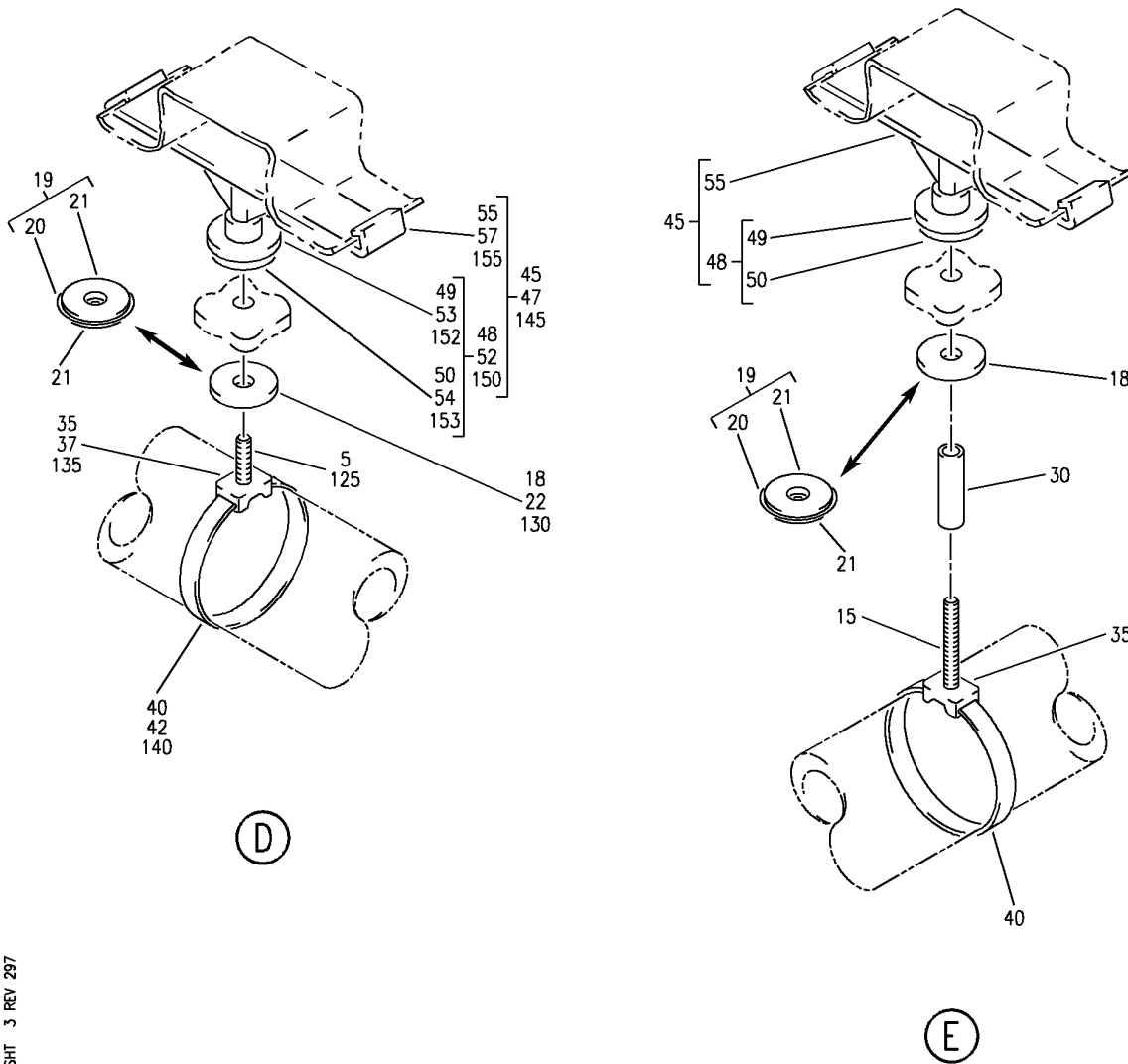
DUCT INSTL-SIDEWALL AIR DISTR SYS, CROWN VENT
FIGURE 11A (SHEET 2)

21-23-01-11A

BRI
MAY 28/07

21-23-01-11A
PAGE 0A

BOEING
757
PARTS CATALOG (MAINTENANCE)



Y 21230111A SHT 3 REV 297

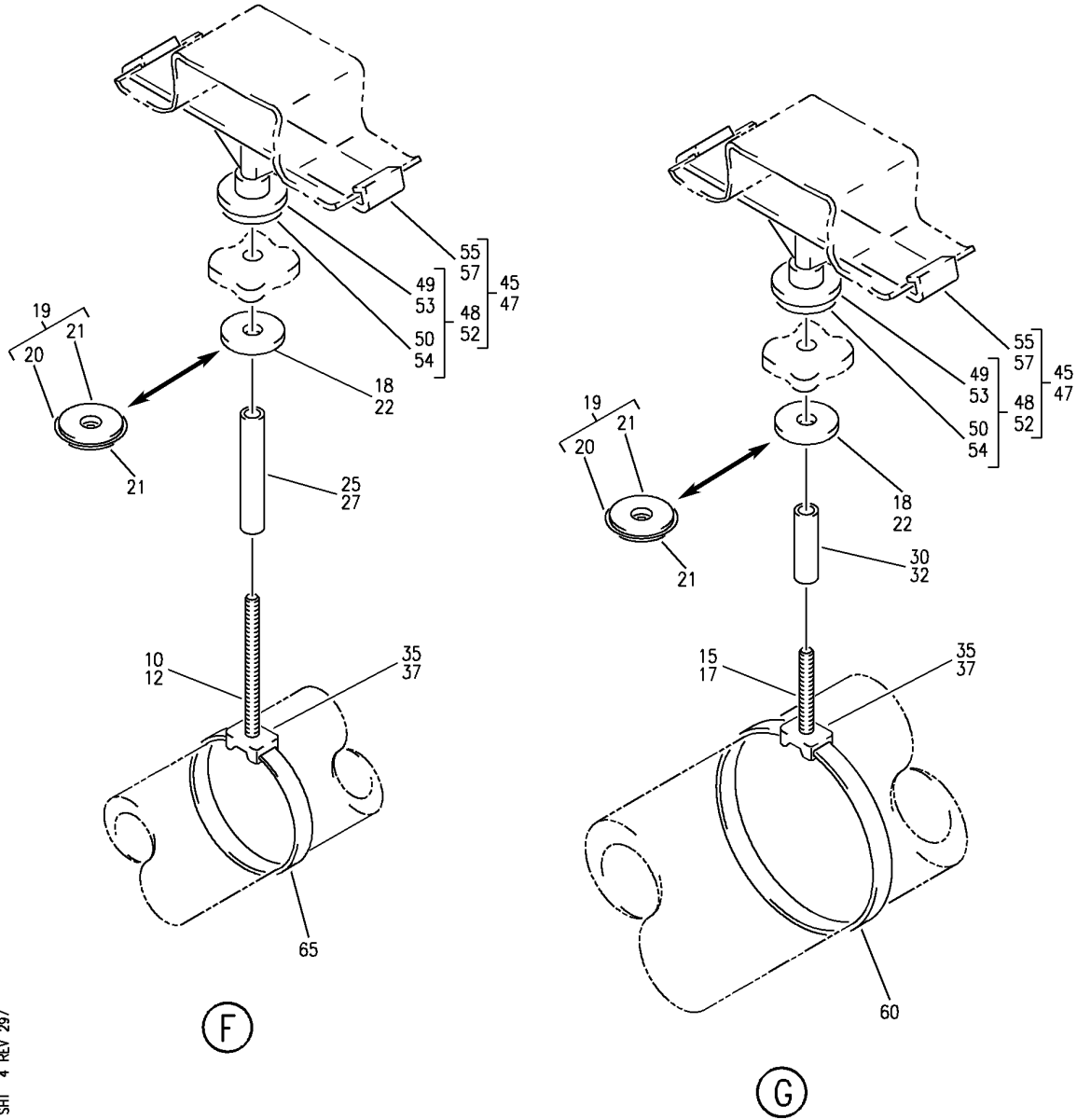
DUCT INSTL-SIDEWALL AIR DISTR SYS, CROWN VENT
FIGURE 11A (SHEET 3)

21-23-01-11A

BRI
MAY 28/07

21-23-01-11A
PAGE 0B


BOEING
 757
PARTS CATALOG (MAINTENANCE)



Y 21230111A SH 4 REV 297

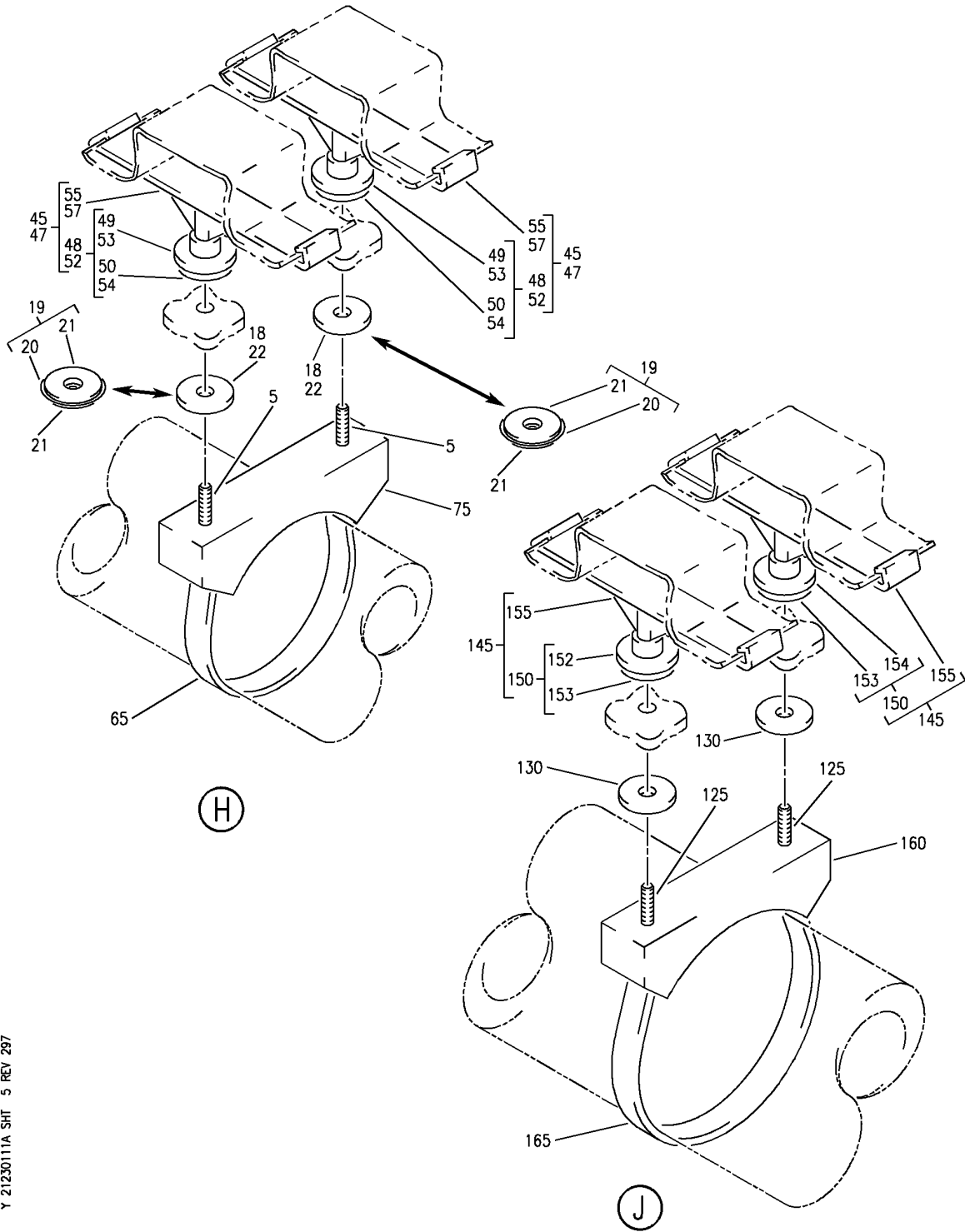
DUCT INSTL-SIDEWALL AIR DISTR SYS, CROWN VENT
 FIGURE 11A (SHEET 4)

21-23-01-11A

BRI
 MAY 28/07

21-23-01-11A
 PAGE 0C

BOEING
757
PARTS CATALOG (MAINTENANCE)



Y 21230111A SHT 5 REV 297

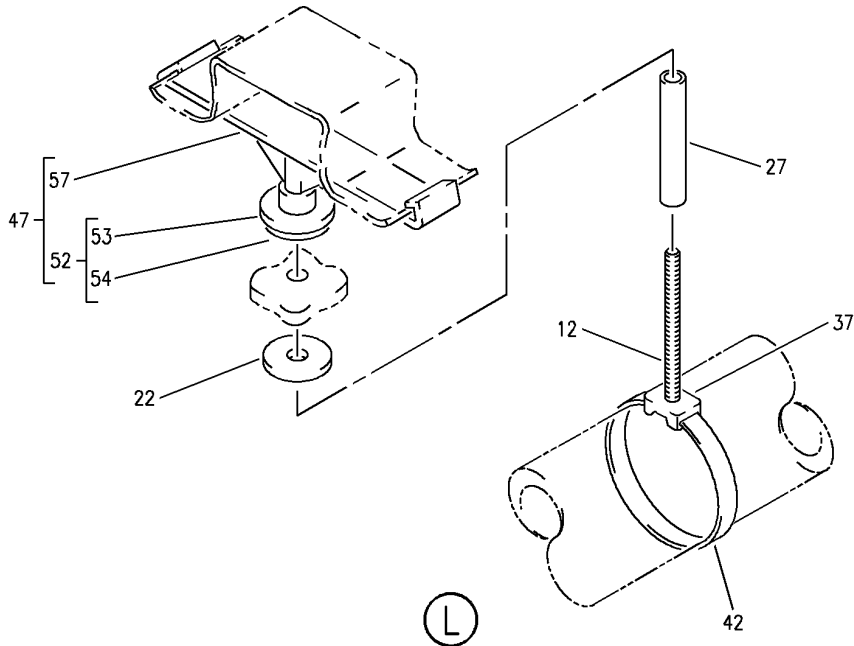
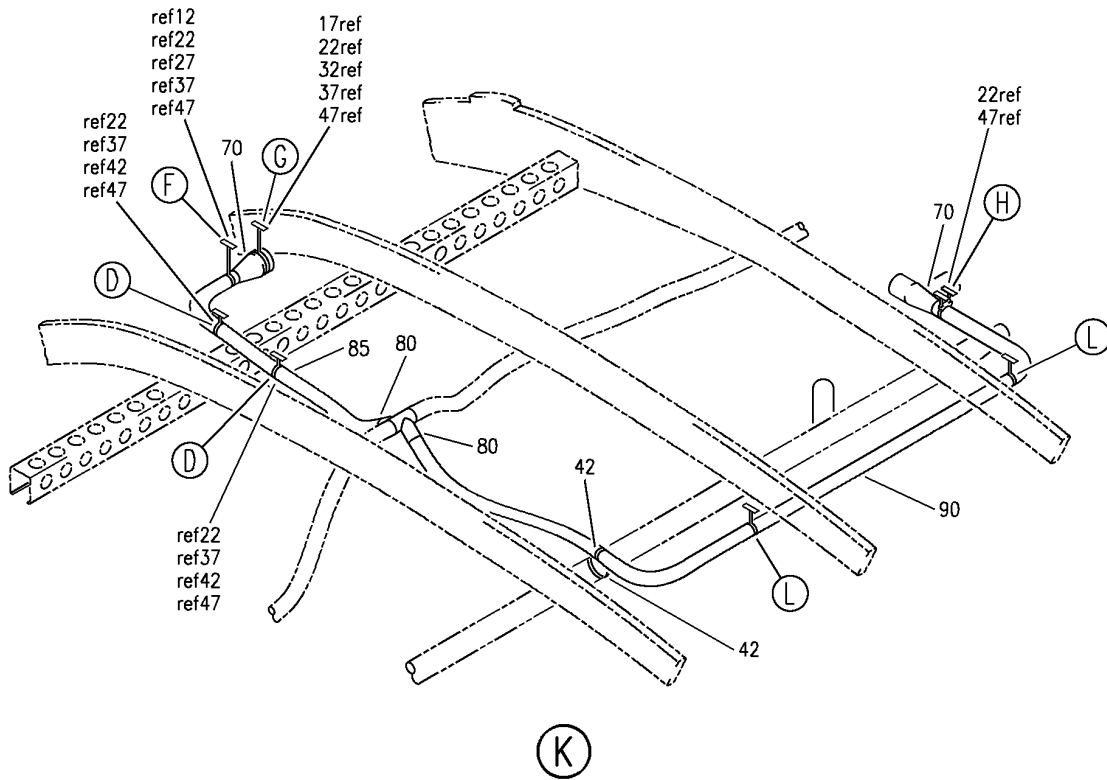
DUCT INSTL-SIDEWALL AIR DISTR SYS, CROWN VENT
FIGURE 11A (SHEET 5)

21-23-01-11A

BRI
MAY 28/07

21-23-01-11A
PAGE 0D

BOEING
757
PARTS CATALOG (MAINTENANCE)



Y 21230111A SHT 6 REV 297

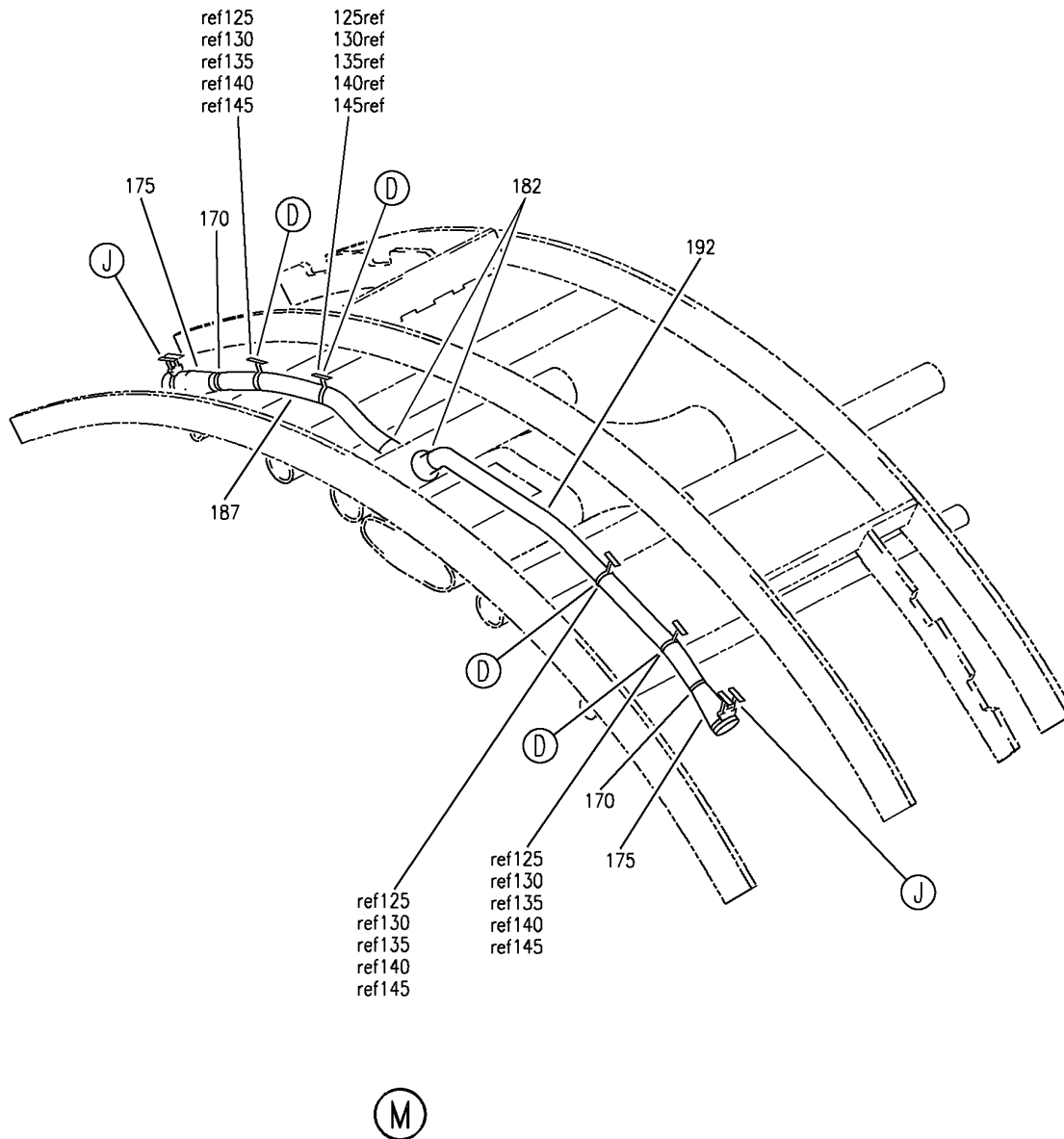
DUCT INSTL-SIDEWALL AIR DISTR SYS, CROWN VENT
FIGURE 11A (SHEET 6)

21-23-01-11A

BRI
MAY 28/07

21-23-01-11A
PAGE 0E

BOEING
757
PARTS CATALOG (MAINTENANCE)



Y 21230111A SH1 7 REV 297

DUCT INSTL-SIDEWALL AIR DISTR SYS, CROWN VENT
FIGURE 11A (SHEET 7)

21-23-01-11A

BRI
MAY 28/07

21-23-01-11A
PAGE OF



757

PARTS CATALOG (MAINTENANCE)

| FIG ITEM | PART NUMBER | 1 2 3 4 5 6 7 | NOMENCLATURE | EFFECT FROM TO | UNITS PER ASSY |
|----------|-----------------|---------------|---------------------------|----------------|----------------|
| 11A | | | DUCT INSTL-SIDEWALL | 101102 | |
| | | | AIR DISTR SYS, CROWN VENT | | |
| - 2 | 214N2033-4 | | DUCT INSTL- | 101102 | RF |
| | | | FOR NHA SEE: | | |
| | | | 21-00-00-15 | | |
| 5 | BACS12ER3K10 | | .SCREW | 101102 | 4 |
| 12 | BACS12ER3K36 | | .SCREW | 101102 | 3 |
| 17 | BACS12ER3K26 | | .SCREW | 101102 | 1 |
| 22 | BACW10DZ3 | | .WASHER | 101102 | 8 |
| 27 | NAS43DD3-96FC | | .SPACER | 101102 | 3 |
| 32 | NAS43DD3-67FC | | .SPACER | 101102 | 1 |
| 37 | TM3S10 | | .PLATE | 101102 | 6 |
| | | | SUPPLIER CODE: | | |
| | | | V06383 | | |
| | | | SPECIFICATION NUMBER: | | |
| | | | STBP19M12 | | |
| 42 | SLT10LHC6 | | .STRAP- | 101102 | 6 |
| | | | SUPPLIER CODE: | | |
| | | | V06383 | | |
| 47 | 214N5054-11 | | .SUPPORT ASSY | 101102 | 8 |
| 52 | 411N4026-10 | | ..CAP ASSY- | 101102 | 1 |
| | | | OPTIONAL PART: | | |
| | | | 411N4026-2 | | |
| 52 | 411N4026-2 | | ..CAP ASSY- | 101102 | 1 |
| | | | OPTIONAL PART: | | |
| | | | 411N4026-10 | | |
| 53 | 411N4026-11 | | ...CAP- | 101102 | 1 |
| | | | USED ON: | | |
| | | | 411N4026-10 | | |
| 53 | 411N4026-5 | | ...CAP- | 101102 | 1 |
| | | | USED ON: | | |
| | | | 411N4026-2 | | |
| 54 | 411N4026-7 | | ...TAPE | 101102 | 1 |
| 57 | 2055155-5B | | ..CLIP- | 101102 | 1 |
| | | | SUPPLIER CODE: | | |
| | | | V04169 | | |
| 60 | NAS1922-0275-3 | | .CLAMP- | 101102 | 1 |
| 65 | NAS1922-0150-3 | | .CLAMP | 101102 | 2 |
| 70 | 69B43325-21 | | .CONNECTOR | 101102 | 2 |
| 75 | 214T3424-17 | | .SUPPORT | 101102 | 1 |
| 80 | 214T3436-47 | | .ORIFICE ASSY- | 101102 | 2 |
| | | | PRE SERVICE BULLETIN: | | |
| | | | 21-0081R1 | | |
| 85 | AS1591-06-0360A | | .DUCT | 101102 | 1 |
| 90 | AS1591-06-0750A | | .DUCT | 101102 | 1 |

MISSING ITEM NUMBERS NOT APPLICABLE

- ITEM NOT ILLUSTRATED

21-23-01-11A

21-23-01
FIG. 11A
PAGE 1
JAN 20/09

BRI



757

PARTS CATALOG (MAINTENANCE)

| FIG ITEM | PART NUMBER | 1 2 3 4 5 6 7 | NOMENCLATURE | EFFECT FROM TO | UNITS PER ASSY |
|--------------|-----------------|---------------|---|----------------|----------------|
| 11A - 120 | 214N2033-2 | | DUCT INSTL-SIDEWALL AIR DISTR SYS, CROWN VENT DOOR 2 FOR NHA SEE: 21-00-00-15 | 101102 | RF |
| 125 | BACS12ER3K10 | | .SCREW | 101102 | 8 |
| 130 | BACW10DZ3 | | .WASHER- | 101102 | 8 |
| 135 | TM3S10 | | .PLATE SUPPLIER CODE: V06383 SPECIFICATION NUMBER: STBP19M12 | 101102 | 4 |
| 140 | SLT10LHC6 | | .STRAP- SUPPLIER CODE: V06383 | 101102 | 4 |
| 145 | 214N5054-14 | | .SUPPORT ASSY- | 101102 | 8 |
| 150 | 411N4026-10 | | ..CAP ASSY- OPTIONAL PART: 411N4026-2 | 101102 | 1 |
| 150 | 411N4026-2 | | ..CAP ASSY- OPTIONAL PART: 411N4026-10 | 101102 | 1 |
| 152 | 411N4026-11 | | ...CAP- USED ON: 411N4026-10 | 101102 | 1 |
| 152 | 411N4026-5 | | ...CAP- USED ON: 411N4026-2 | 101102 | 1 |
| 153 | 411N4026-7 | | ...TAPE | 101102 | 1 |
| 155 | 2055155-5C | | ..CLIP- SUPPLIER CODE: V04169 | 101102 | 1 |
| 160 | 214T3424-3 | | .SUPPORT- | 101102 | 2 |
| 165 | NAS1922-0275-3 | | .CLAMP | 101102 | 2 |
| 170 | NAS1922-0150-3 | | .CLAMP | 101102 | 2 |
| 175 | 69B43325-21 | | .CONNECTOR | 101102 | 2 |
| 180 | 214T3436-10 | | .ORIFICE ASSY- PRE SERVICE BULLETIN: 21-0081R1 | 101102 | 2 |
| 185 | AS1591-06-0360A | | .DUCT- | 101102 | 1 |
| 190 | AS1591-06-0450A | | .DUCT- | 101102 | 1 |

MISSING ITEM NUMBERS NOT APPLICABLE

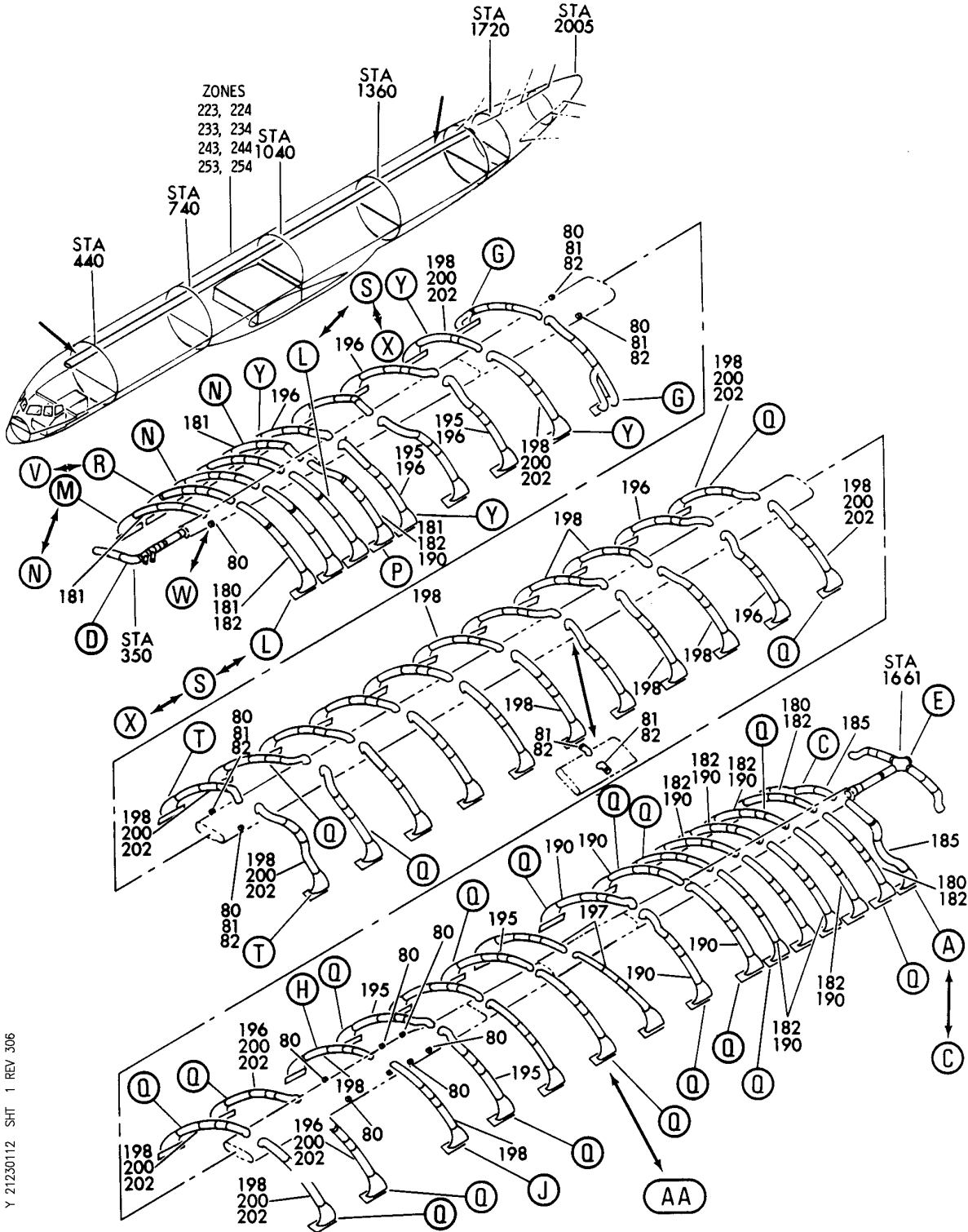
- ITEM NOT ILLUSTRATED

21-23-01-11A

21-23-01
FIG. 11A
PAGE 2
JAN 20/09

BRI

BOEING
 757
 PARTS CATALOG (MAINTENANCE)



Y 21230112 SHT 1 REV 306

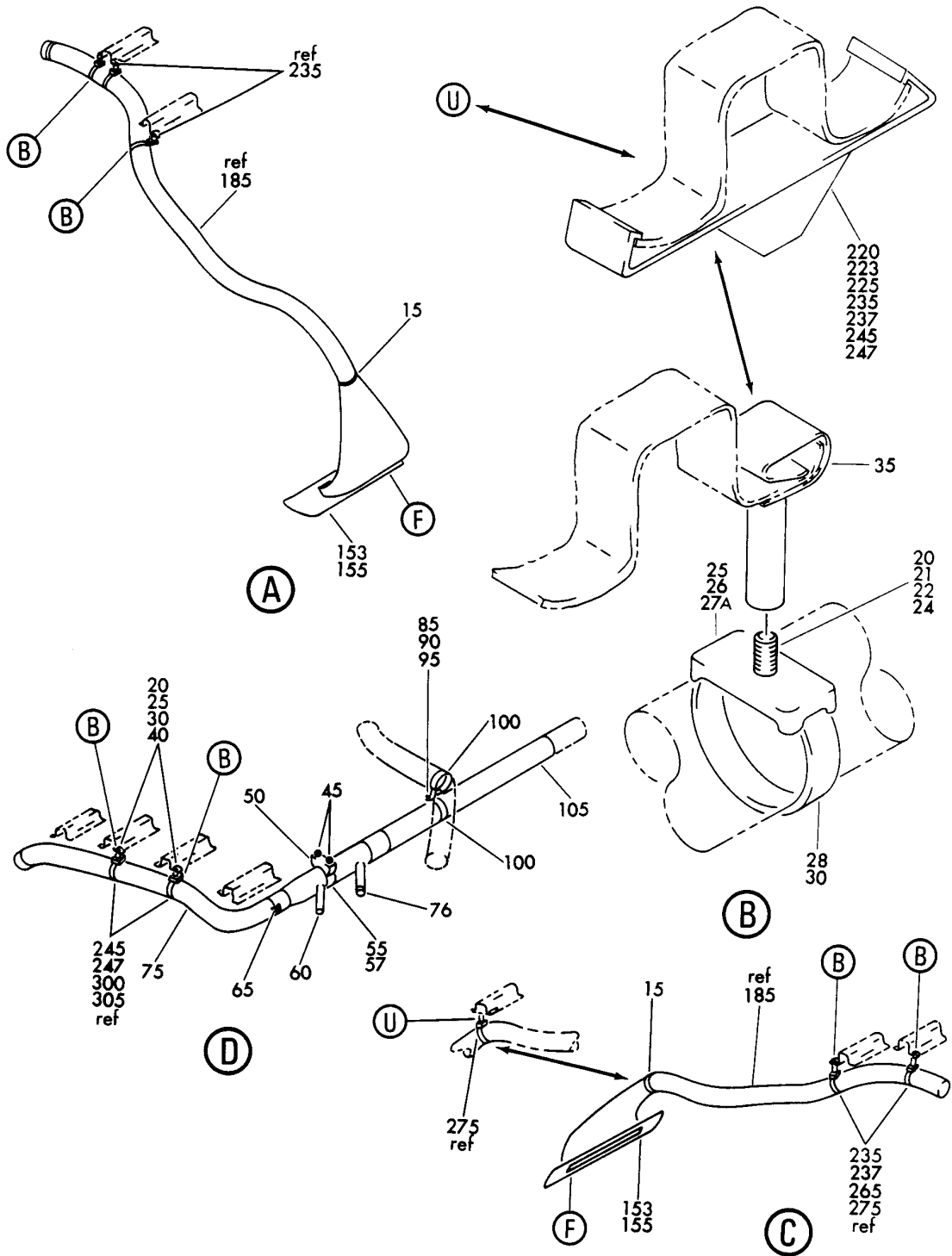
DUCT INSTL-SIDEWALL AIR DISTR SYS
 FIGURE 12 (SHEET 1)

21-23-01-12

BRI
 JAN 20/09

21-23-01-12
 PAGE 0

BOEING
757
PARTS CATALOG (MAINTENANCE)



Y 21230112 SHT 2 REV 306

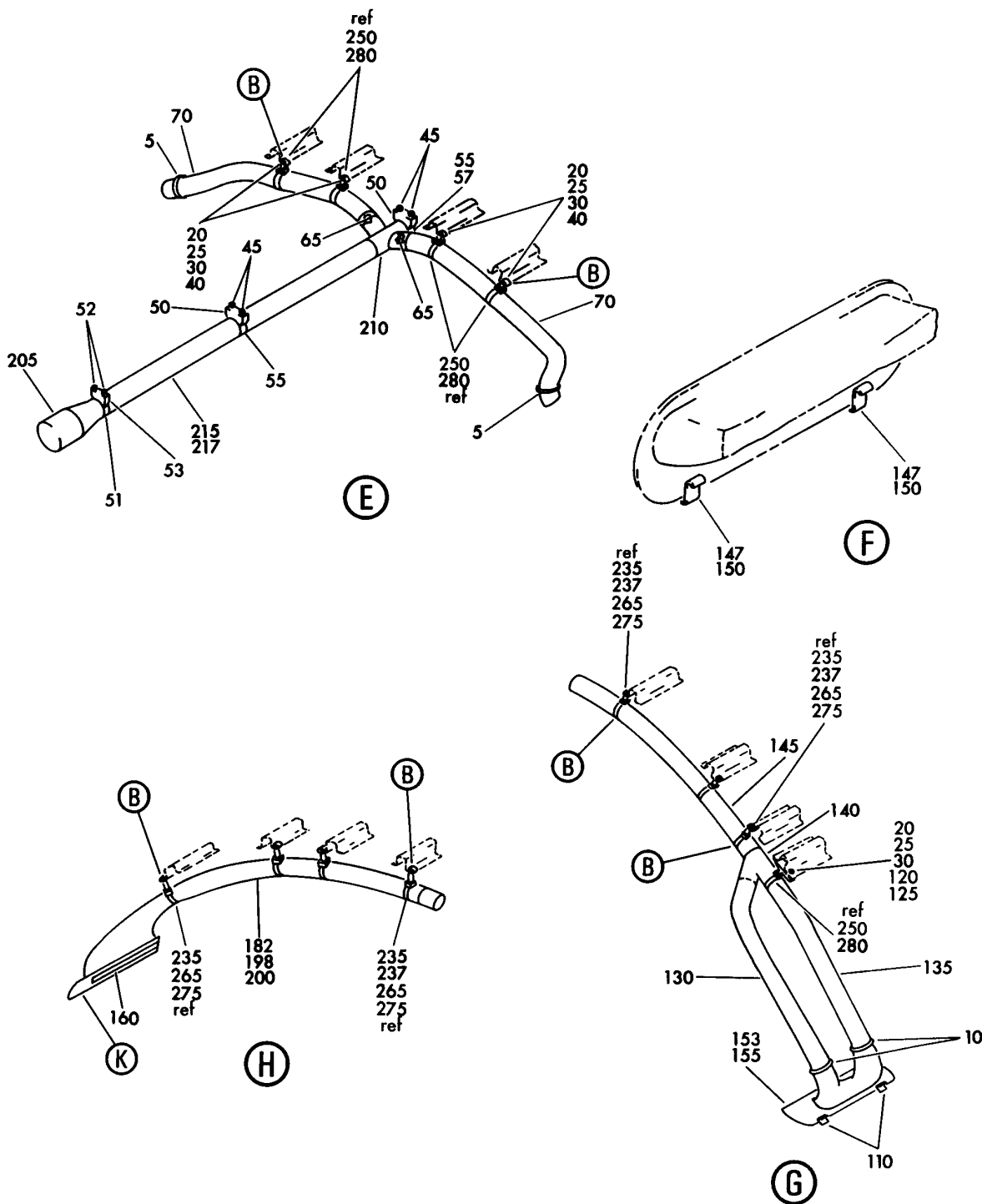
DUCT INSTL-SIDEWALL AIR DISTR SYS
FIGURE 12 (SHEET 2)

21-23-01-12

BRI
JAN 20/09

21-23-01-12
PAGE 0A

BOEING
757
PARTS CATALOG (MAINTENANCE)



Y 21230112 SHT 3 REV 306

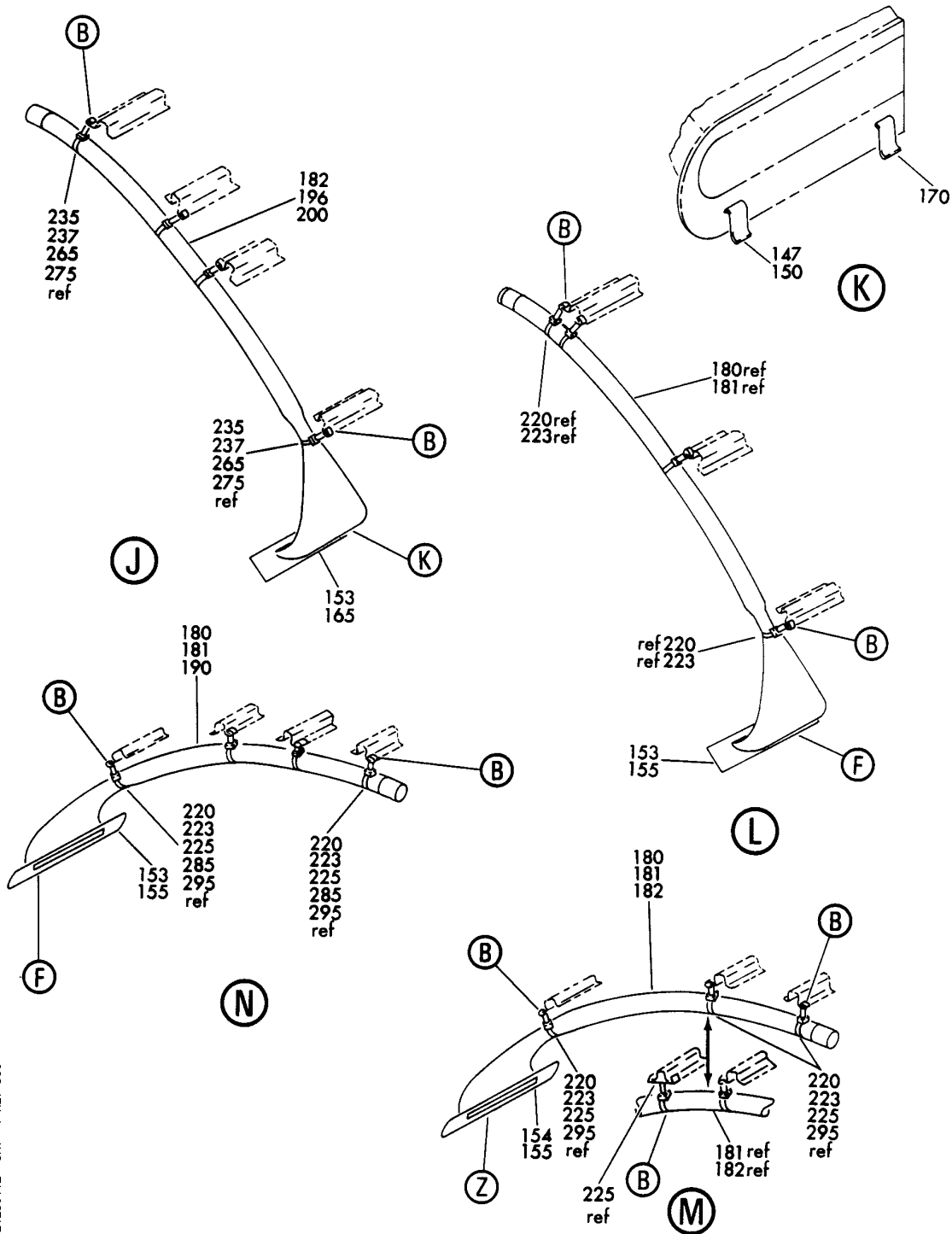
DUCT INSTL-SIDEWALL AIR DISTR SYS
FIGURE 12 (SHEET 3)

21-23-01-12

BRI
JAN 20/09

21-23-01-12
PAGE 0B


BOEING
 757
PARTS CATALOG (MAINTENANCE)



Y 21230112 SH1 4 REV 306

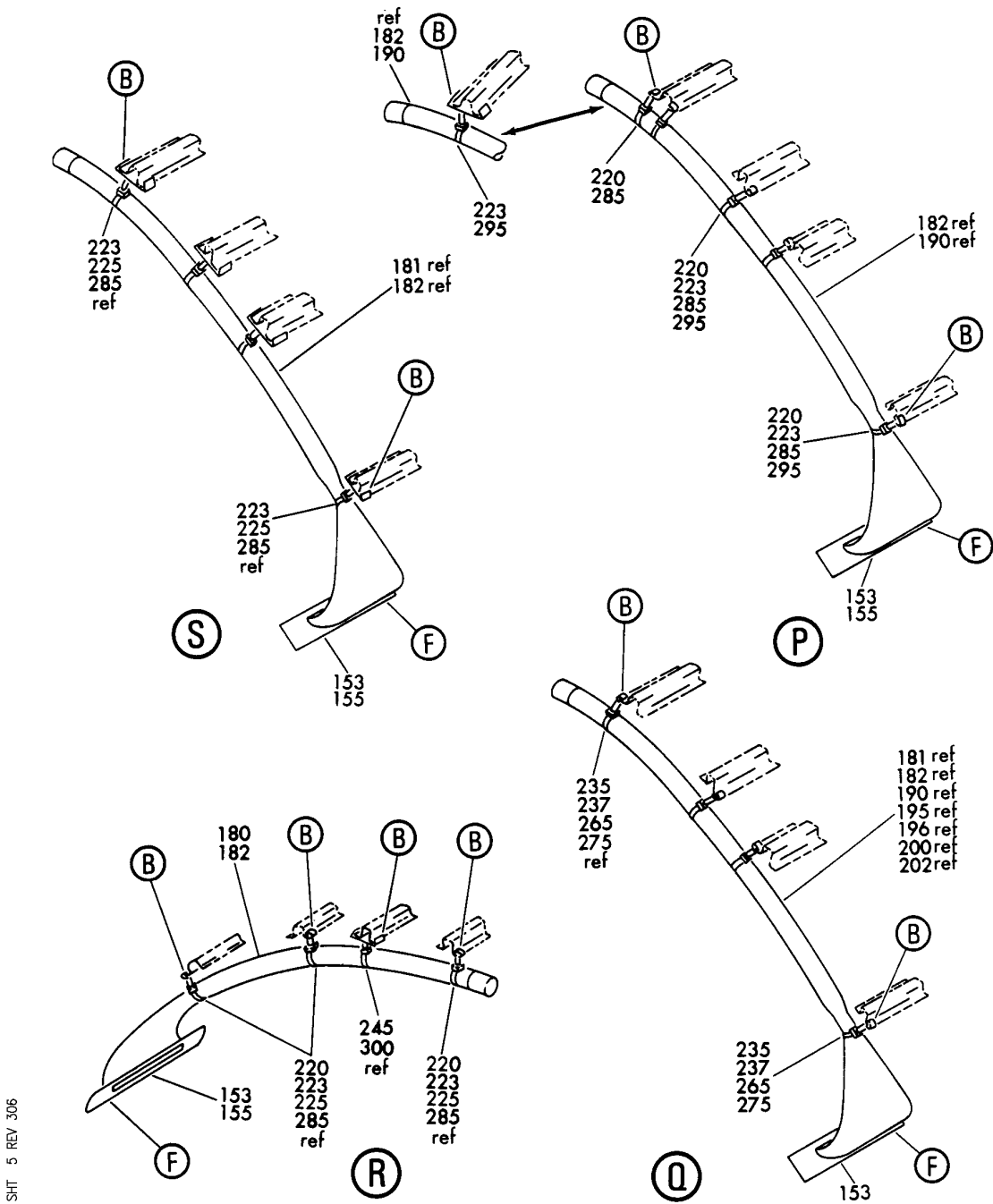
DUCT INSTL-SIDEWALL AIR DISTR SYS
 FIGURE 12 (SHEET 4)

21-23-01-12

BRI
 JAN 20/09

21-23-01-12
 PAGE 0C


BOEING
 757
PARTS CATALOG (MAINTENANCE)



Y 21230112 SH- 5 REV 306

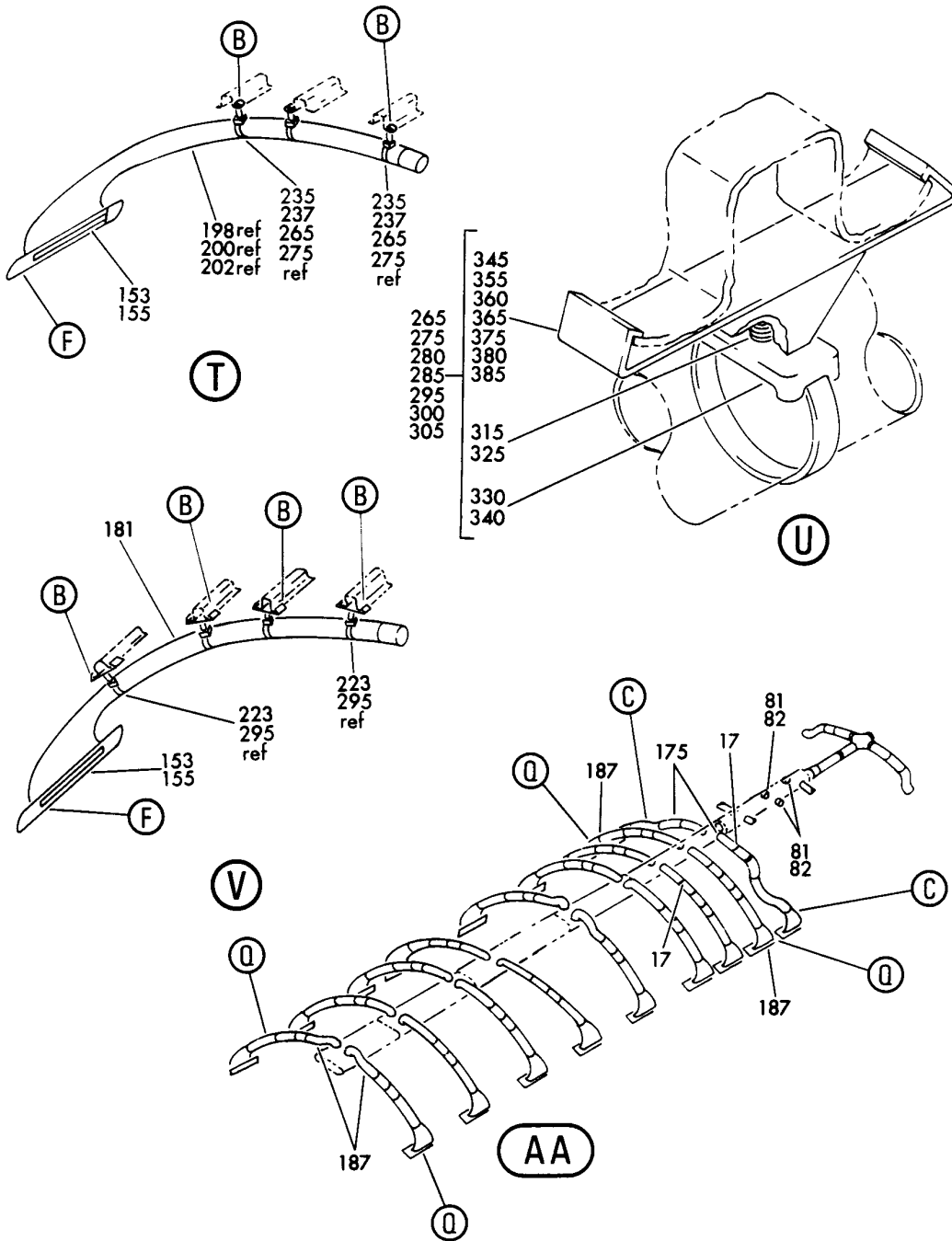
DUCT INSTL-SIDEWALL AIR DISTR SYS
 FIGURE 12 (SHEET 5)

21-23-01-12

BRI
JAN 20/09

21-23-01-12
 PAGE 0D

BOEING
757
PARTS CATALOG (MAINTENANCE)



Y 21230112 SH-T 6 REV 306

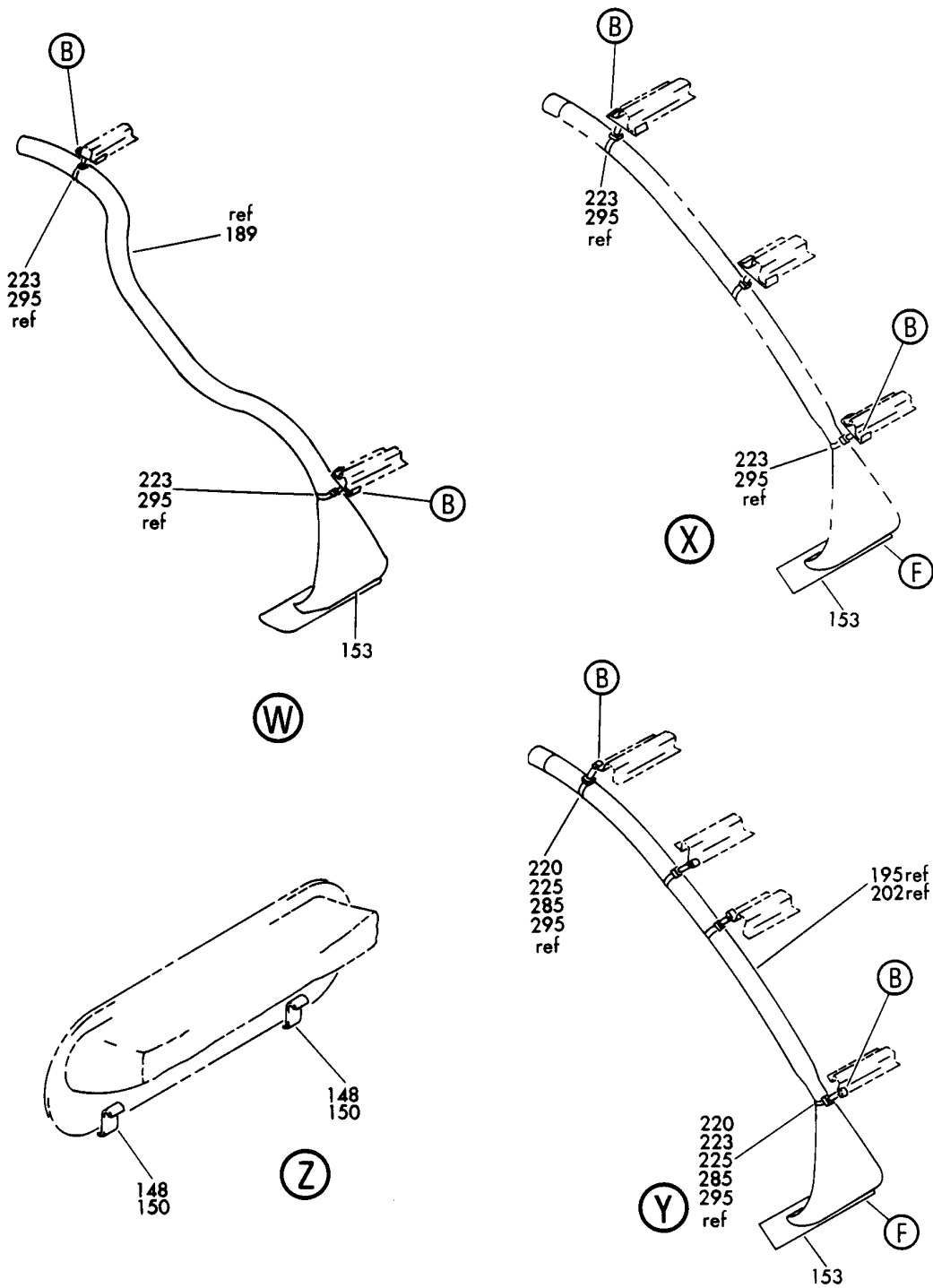
DUCT INSTL-SIDEWALL AIR DISTR SYS
FIGURE 12 (SHEET 6)

21-23-01-12

BRI
JAN 20/09

21-23-01-12
PAGE 0E

BOEING
757
PARTS CATALOG (MAINTENANCE)



Y 21230112 SH7 7 REV 306

DUCT INSTL-SIDEWALL AIR DISTR SYS
FIGURE 12 (SHEET 7)

21-23-01-12

BRI
JAN 20/09

21-23-01-12
PAGE OF



757

PARTS CATALOG (MAINTENANCE)

| FIG ITEM | PART NUMBER | 1 2 3 4 5 6 7 | NOMENCLATURE | EFFECT FROM TO | UNITS PER ASSY |
|----------|-----------------|---------------|---|----------------|----------------|
| 12 | | | DUCT INSTL-SIDEWALL AIR | 107107 | |
| - 1 | 214N2001-17 | | DISTR SYS DUCT INSTL-SIDEWALL AIR DISTR SYS FOR NHA SEE: 21-00-00-01 | 107107 | RF |
| 5 | BACG20AD1900 | | .GROMMET- | 107107 | 2 |
| 10 | BACG20ZA1275 | | .GROMMET- | 107107 | 4 |
| 15 | BACG20ZD1275 | | .GROMMET | 107107 | 2 |
| 24 | BACS12ER3K6 | | .SCREW- USED WITH: STBP19M9 | 107107 | 273 |
| 28 | MS3367-2-9 | | .STRAP | 107107 | 273 |
| 30 | MS3367-2-9 | | .STRAP | 107107 | 284 |
| 45 | BACS12FA3K7 | | .SCREW | 107107 | 6 |
| 50 | 214T3424-2 | | .SUPPORT | 107107 | 3 |
| 55 | 32 | | .CLAMP SUPPLIER CODE: V7Z588 SPECIFICATION NUMBER: STBC10GG66-82 OPTIONAL PART: WWD66-82H V66295 | 107107 | 3 |
| 60 | 214N2102-1 | | .DUCT-BRANCH | 107107 | 1 |
| 65 | 66-4895-5 | | .RESTRICTOR- | 107107 | 3 |
| 70 | BOE2022-06A0292 | | .HOSE SUPPLIER CODE: V16632 SPECIFICATION NUMBER: AS1544-06A0292 | 107107 | 2 |
| 75 | AS1504-06B0362 | | .HOSE | 107107 | 1 |
| 82 | 1500-16 | | .CAP-END SUPPLIER CODE: V15819 OPTIONAL PART: 24-1000 V25205 | 107107 | 9 |
| 82 | 24-1000 | | .CAP-END SUPPLIER CODE: V25205 OPTIONAL PART: 1500-16 V15819 | 107107 | 9 |
| 85 | BACS12FA3K7 | | .SCREW | 107107 | 1 |
| 90 | AN960PD10L | | .WASHER | 107107 | 1 |

MISSING ITEM NUMBERS NOT APPLICABLE

- ITEM NOT ILLUSTRATED

21-23-01-12

21-23-01
FIG. 12
PAGE 1
JAN 20/09

BRI



757

PARTS CATALOG (MAINTENANCE)

| FIG ITEM | PART NUMBER | 1 2 3 4 5 6 7 | NOMENCLATURE | EFFECT FROM TO | UNITS PER ASSY |
|----------|-----------------|---|---|----------------|----------------|
| 12 95 | BRH10A3 | .NUT | SUPPLIER CODE: V52828 SPECIFICATION NUMBER: BACN10JC3 OPTIONAL PART: H10-3BAC V15653 NS202101-02 V80539 RMLH9075-3W V72962 VN303A02 V92215 96-02 V80539 T6S1032J V11815 | 107107 | 1 |
| 100 | MS21919WDG32 | .CLAMP- | | 107107 | 2 |
| 105 | AS1504-08B0210 | .HOSE | | 107107 | 1 |
| 110 | 69-61802-1 | .SPRING-CLIP | | 107107 | 4 |
| 115 | 214N2104-6 | .DIFFUSER ASSY- | | 107107 | 2 |
| 115 | 214N2104-7 | .DIFFUSER ASSY- OPTIONAL PART: 214N2104-8 | | 107107 | 2 |
| 130 | BOE2022-06A0190 | .HOSE | SUPPLIER CODE: V16632 SPECIFICATION NUMBER: AS1544-06A0190 | 107107 | 2 |
| 135 | BOE2022-06A0180 | .HOSE | SUPPLIER CODE: V16632 SPECIFICATION NUMBER: AS1544-06A0180 | 107107 | 2 |
| 140 | 214N2105-1 | .DUCT-WYE | | 107107 | 2 |
| 145 | AS1504-06B0323 | .HOSE | | 107107 | 2 |
| 150 | 69-61802-1 | .SPRING-CLIP | | 107107 | 132 |
| 160 | 214N2101-16 | .DIFFUSER ASSY- | | 107107 | 1 |
| 165 | 214N2101-17 | .DIFFUSER ASSY- | | 107107 | 1 |
| 170 | 69-61894-1 | .CLIP- | | 107107 | 2 |
| 185 | BOE2022-06A0560 | .HOSE- | SUPPLIER CODE: V16632 SPECIFICATION NUMBER: AS1544-06A0560 | 107107 | 2 |
| 195 | AS1504-06B0482 | .HOSE | | 107107 | 12 |
| 202 | AS1504-06B0460 | .HOSE | | 107107 | 28 |
| 205 | 214N2118-1 | .DUCT-TRANSITION | | 107107 | 1 |

MISSING ITEM NUMBERS NOT APPLICABLE

- ITEM NOT ILLUSTRATED

21-23-01-12

21-23-01
FIG. 12
PAGE 2
JAN 20/09

BRI



757

PARTS CATALOG (MAINTENANCE)

| FIG ITEM | PART NUMBER | 1 2 3 4 5 6 7 | NOMENCLATURE | EFFECT FROM TO | UNITS PER ASSY |
|----------|----------------|---------------|---|----------------|----------------|
| 12 | | | | | |
| 210 | 214N2103-2 | . | DUCT-TEE | 107107 | 1 |
| 215 | AS1504-08B0340 | . | DUCT- | 107107 | 1 |
| 245 | 2055155-5B | . | CLIP-STGR | 107107 | 3 |
| | | | SUPPLIER CODE: V04169 | | |
| | | | USED WITH: STBP19M9 | | |
| 265 | 214N5054-1 | . | SUPPORT ASSY- | 107107 | 200 |
| | | | QUALIFIED OPTIONAL DATA: (OPT STBP19M9 | | |
| | | | USED WITH BACS12ER3K6, 2055155-10C | | |
| 280 | 214N5054-2 | . | SUPPORT ASSY- | 107107 | 6 |
| | | | QUALIFIED OPTIONAL DATA: (OPT STBP19M9 | | |
| | | | USED WITH BACS12ER3K6, 2055155-5C | | |
| 285 | 214N5054-3 | . | SUPPORT ASSY- | 107107 | 67 |
| | | | QUALIFIED OPTIONAL DATA: (OPT STBP19M9 | | |
| | | | USED WITH BACS12ER3K6, 2055155-10B | | |
| 300 | 214N5054-4 | . | SUPPORT ASSY- | 107107 | 3 |
| | | | QUALIFIED OPTIONAL DATA: (OPT STBP19M9 | | |
| | | | USED WITH BACS12ER3K6, 2055155-5B | | |
| 315 | BACS12ER3K6 | .. | SCREW | 107107 | 1 |
| 330 | TM2S8 | .. | PLATE | 107107 | 1 |
| | | | SUPPLIER CODE: V06383 | | |
| | | | SPECIFICATION NUMBER: STBP19M9 | | |
| 345 | 2055155-10C | .. | CLIP-STGR | 107107 | 1 |
| | | | SUPPLIER CODE: V04169 | | |
| | | | USED ON: 214N5054-1 | | |
| 360 | 2055155-5C | .. | CLIP-STGR | 107107 | 1 |
| | | | SUPPLIER CODE: V04169 | | |
| | | | USED ON: 214N5054-2 | | |
| 365 | 2055155-10B | .. | CLIP-STGR | 107107 | 1 |
| | | | SUPPLIER CODE: V04169 | | |
| | | | USED ON: 214N5054-3 | | |

MISSING ITEM NUMBERS NOT APPLICABLE

- ITEM NOT ILLUSTRATED

21-23-01-12

21-23-01
FIG. 12
PAGE 3
JAN 20/09

BRI



757

PARTS CATALOG (MAINTENANCE)

| FIG ITEM | PART NUMBER | 1 2 3 4 5 6 7 | NOMENCLATURE | EFFECT FROM TO | UNITS PER ASSY |
|-------------|-------------|---------------|---|-------------------|----------------------|
| 12 380 | 2055155-5B | | . . CLIP-STGR SUPPLIER CODE : V04169 USED ON : 214N5054-4 | 107107 | 1 |

MISSING ITEM NUMBERS NOT APPLICABLE

- ITEM NOT ILLUSTRATED

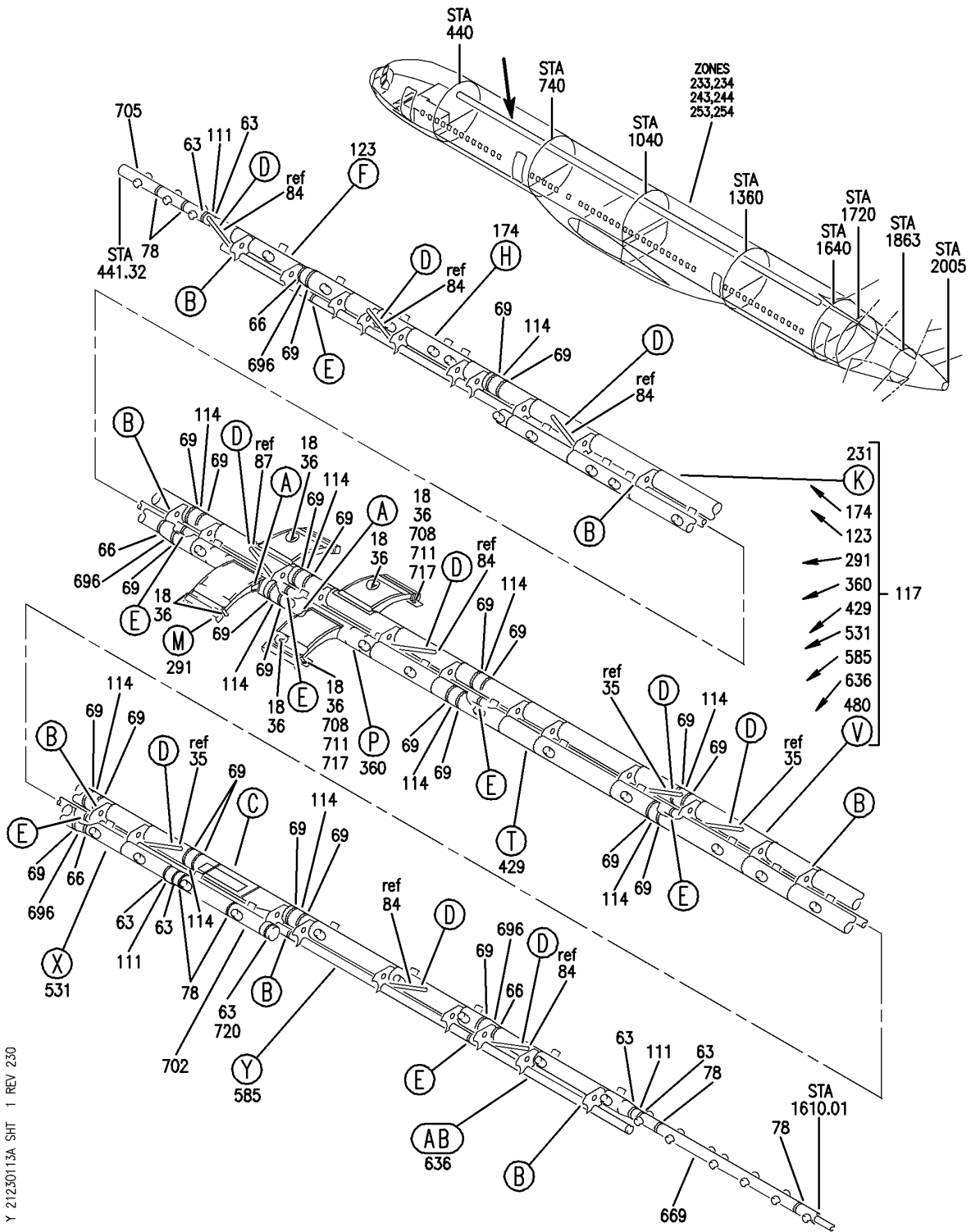
BRI

21-23-01-12

BOEING PROPRIETARY - Copyright © - Unpublished Work - See title page for details.

21-23-01
FIG. 12
PAGE 4
JAN 20/09

BOEING
757
PARTS CATALOG (MAINTENANCE)



Y 21230113A SHT 1 REV 230

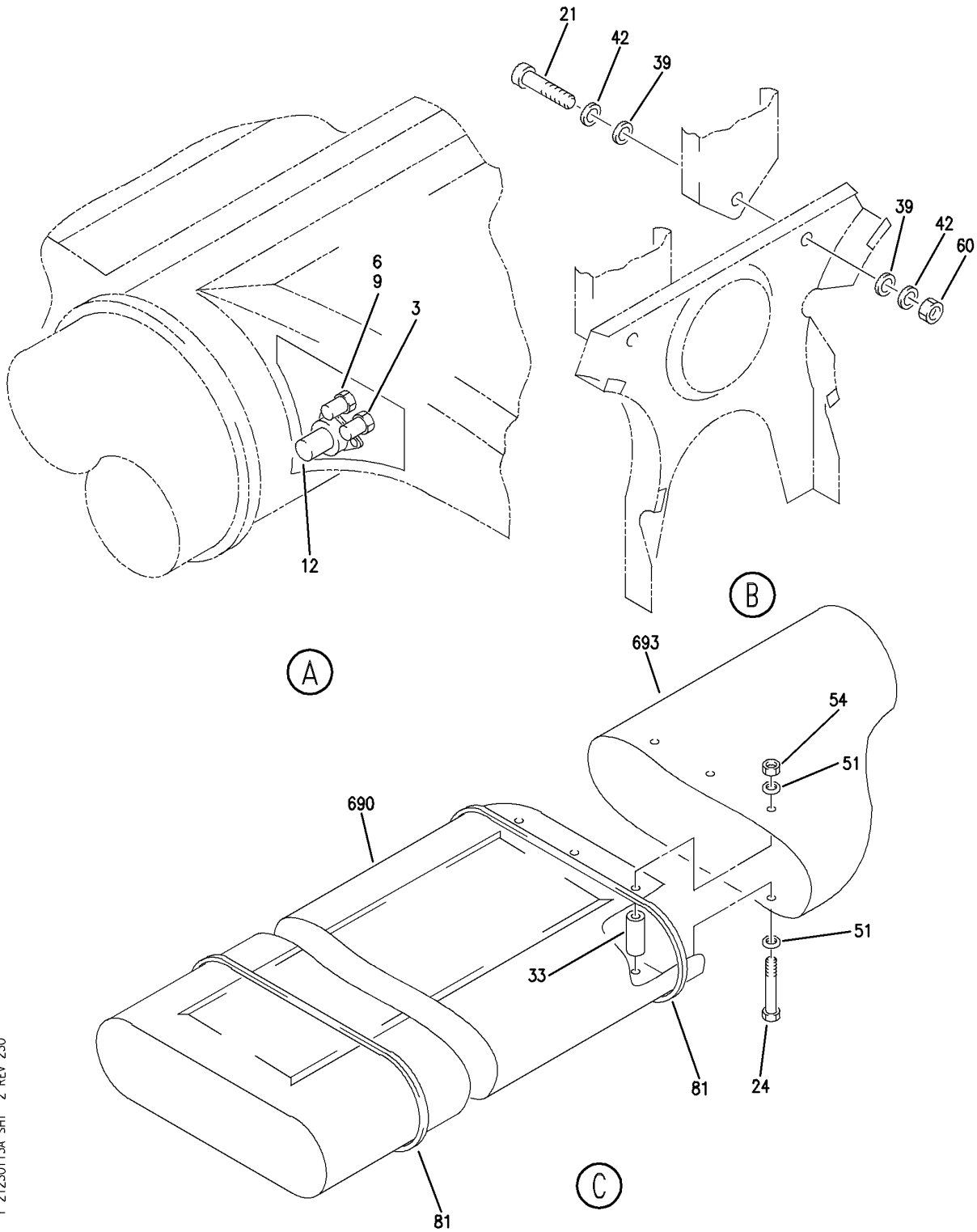
DUCT INSTL-OVERHEAD AIR DISTR SYS
FIGURE 13A (SHEET 1)

21-23-01-13A

BRI
MAY 28/07

21-23-01-13A
PAGE 0

BOEING
757
PARTS CATALOG (MAINTENANCE)



Y 21230113A SHT 2 REV 230

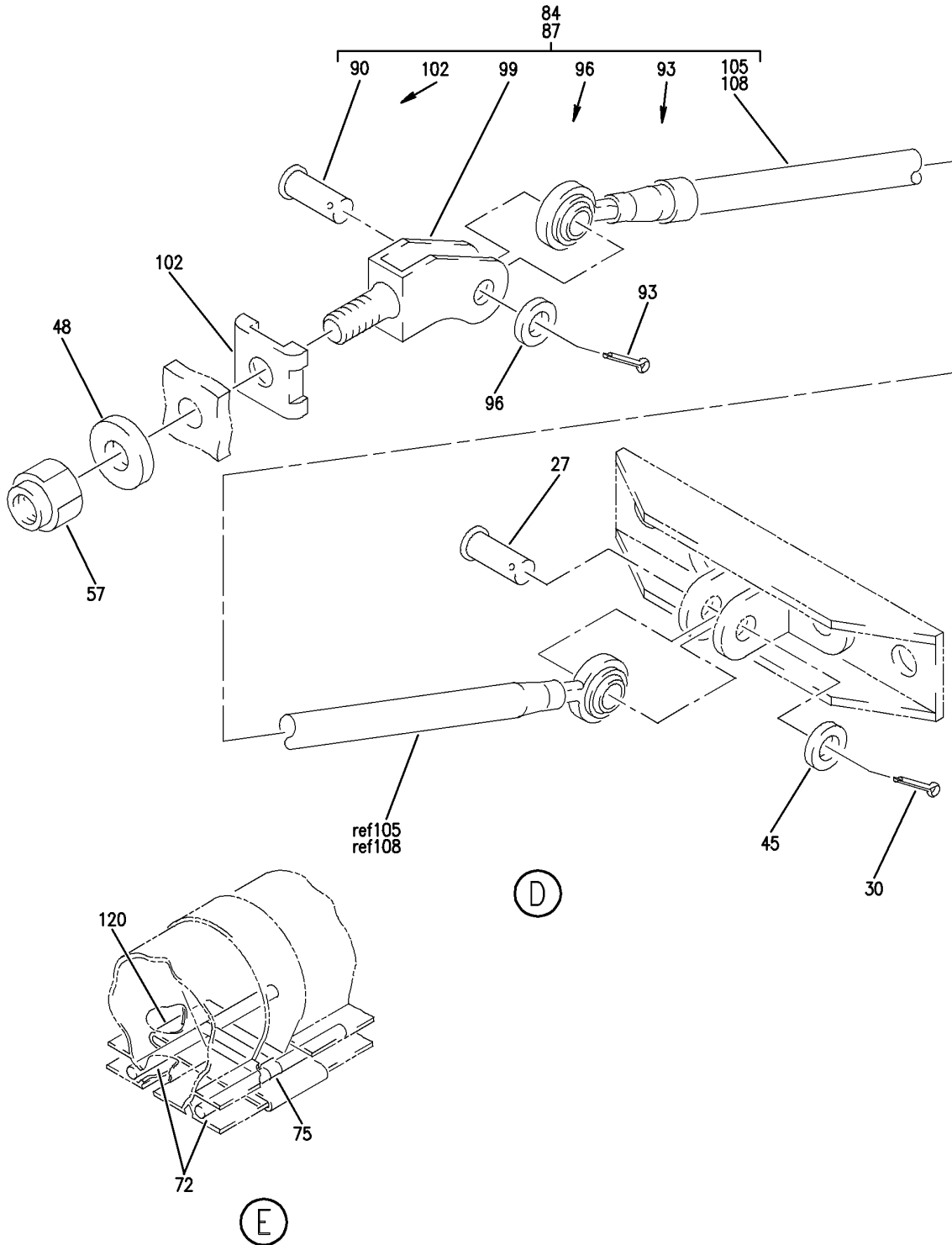
DUCT INSTL-OVERHEAD AIR DISTR SYS
FIGURE 13A (SHEET 2)

21-23-01-13A

BRI
MAY 28/07

21-23-01-13A
PAGE 0A

BOEING
757
PARTS CATALOG (MAINTENANCE)



Y 21230113A SHT 3 REV 230

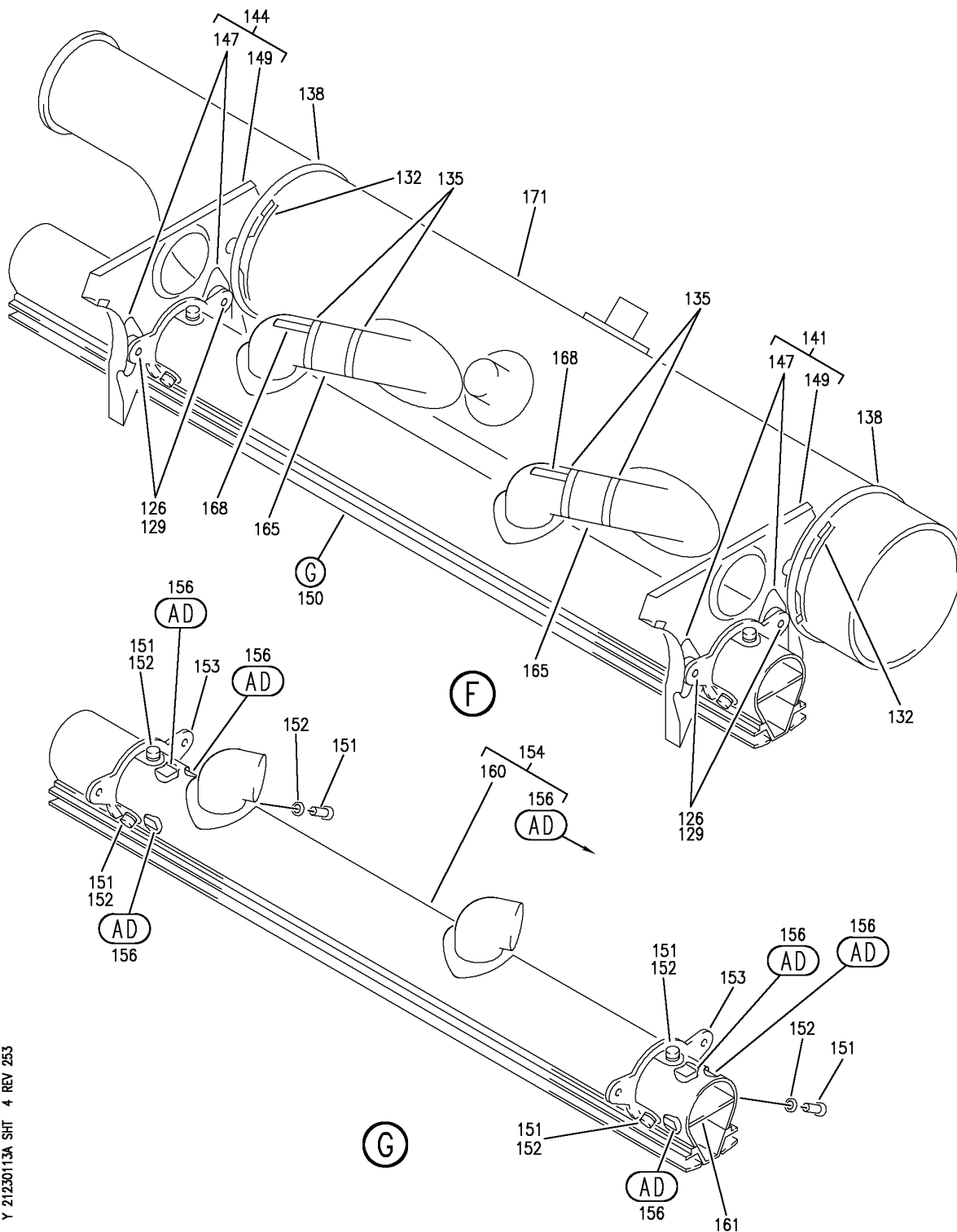
DUCT INSTL-OVERHEAD AIR DISTR SYS
FIGURE 13A (SHEET 3)

21-23-01-13A

BRI
MAY 28/07

21-23-01-13A
PAGE 0B

BOEING
757
PARTS CATALOG (MAINTENANCE)



Y 21230113A SHT 4 REV 253

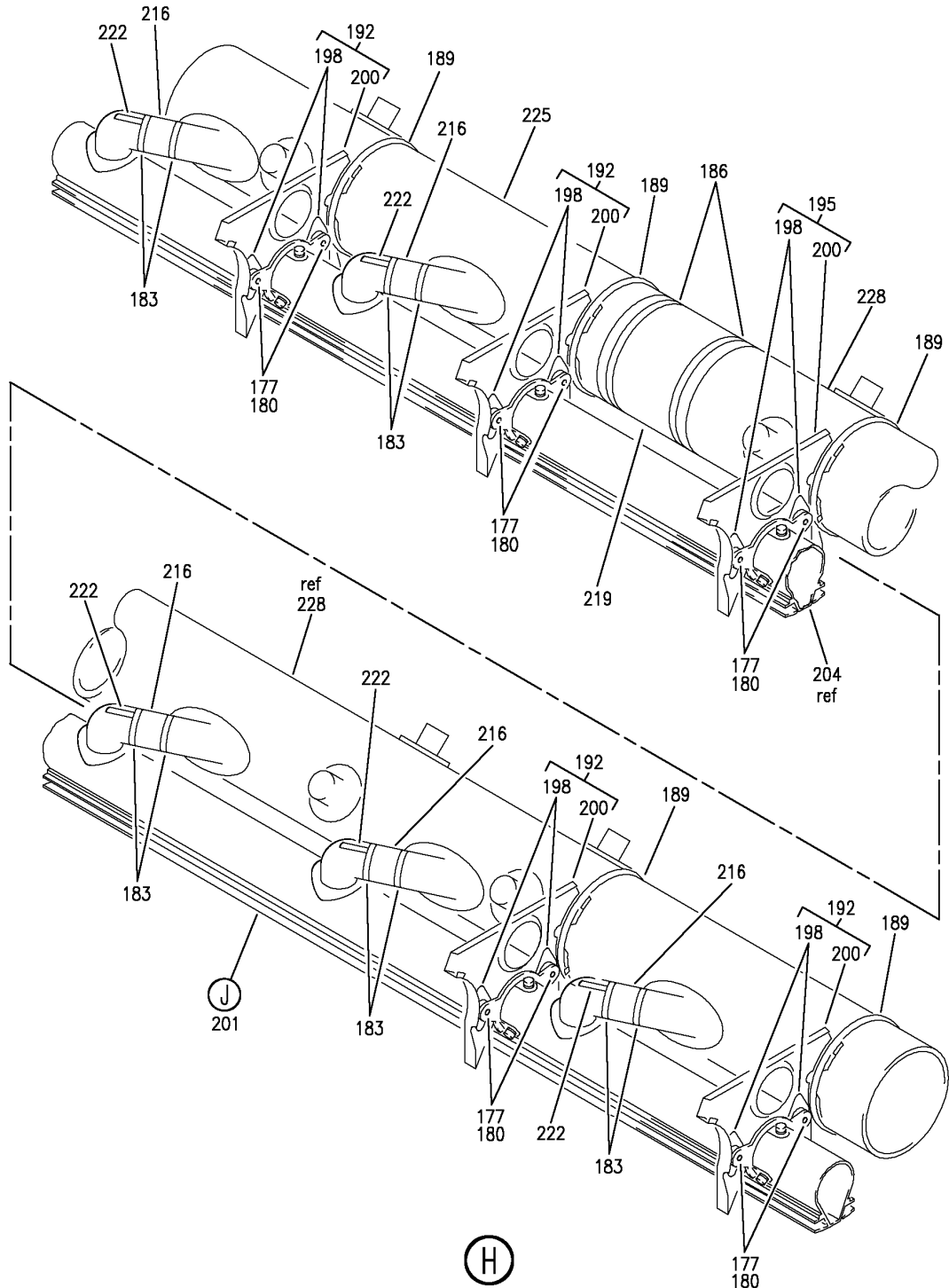
DUCT INSTL-OVERHEAD AIR DISTR SYS
FIGURE 13A (SHEET 4)

21-23-01-13A

BRI
MAY 28/07

21-23-01-13A
PAGE 0C

BOEING
757
PARTS CATALOG (MAINTENANCE)



Y 21230113A SHT 5 REV 253

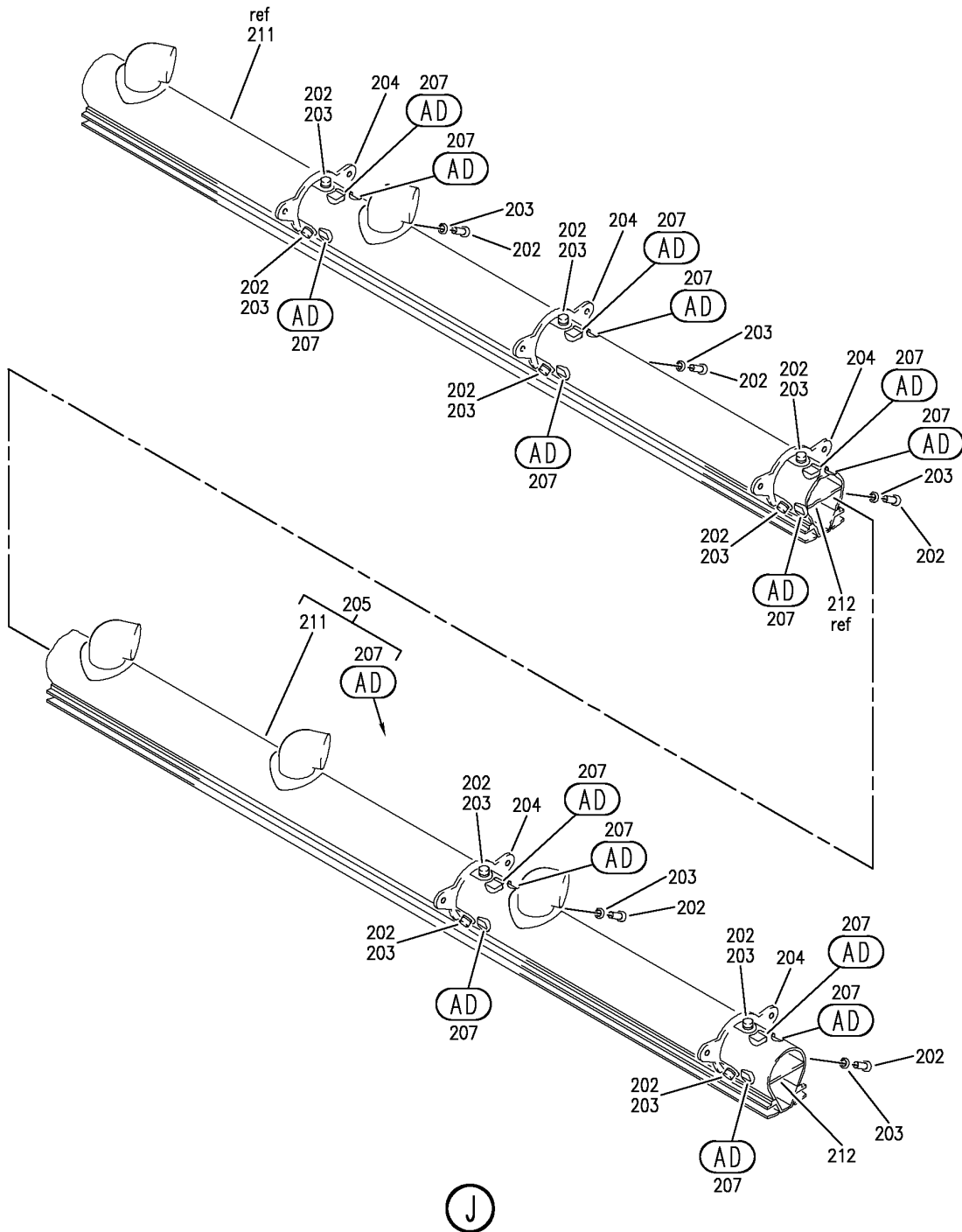
DUCT INSTL-OVERHEAD AIR DISTR SYS
FIGURE 13A (SHEET 5)

21-23-01-13A

BRI
MAY 28/07

21-23-01-13A
PAGE 0D

BOEING
757
PARTS CATALOG (MAINTENANCE)



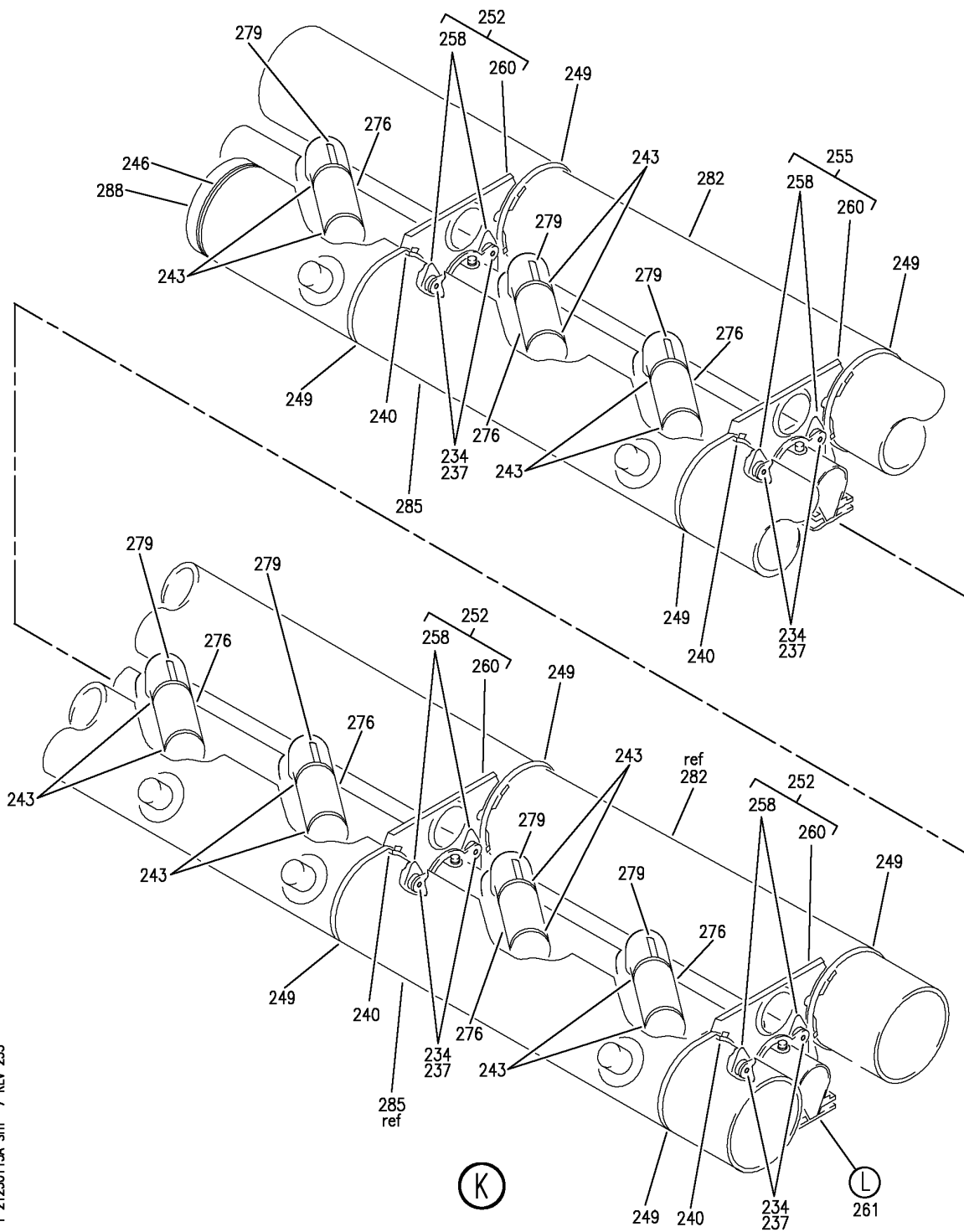
Y 21230113A SHT 6 REV 253

DUCT INSTL-OVERHEAD AIR DISTR SYS
FIGURE 13A (SHEET 6)

21-23-01-13A

BRI
MAY 28/07

21-23-01-13A
PAGE 0E



Y 21230113A SHT 7 REV 253

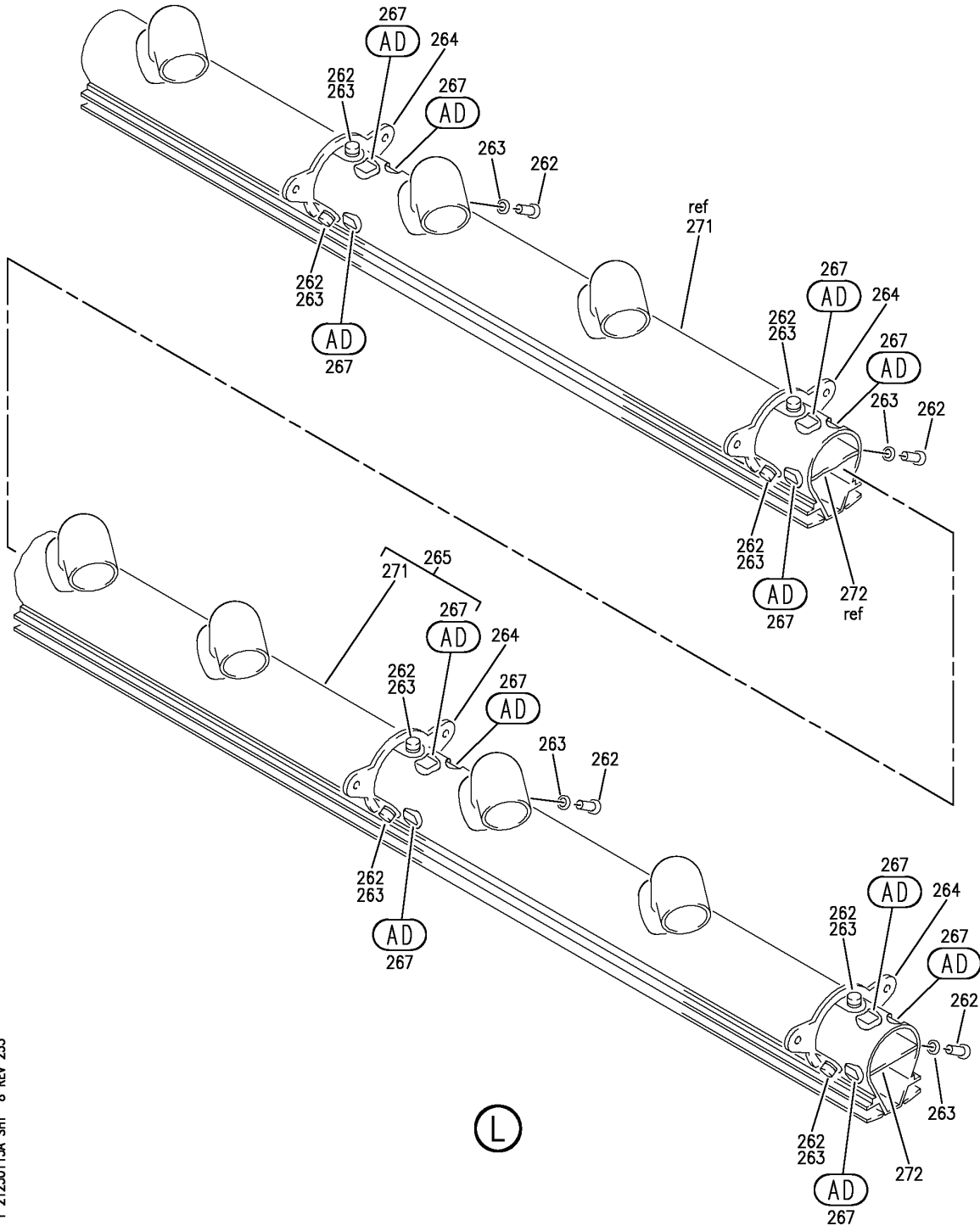
DUCT INSTL-OVERHEAD AIR DISTR SYS
FIGURE 13A (SHEET 7)

21-23-01-13A

BRI
MAY 28/07

21-23-01-13A
PAGE OF

BOEING
757
PARTS CATALOG (MAINTENANCE)



Y 21230113A SHT 8 REV 253

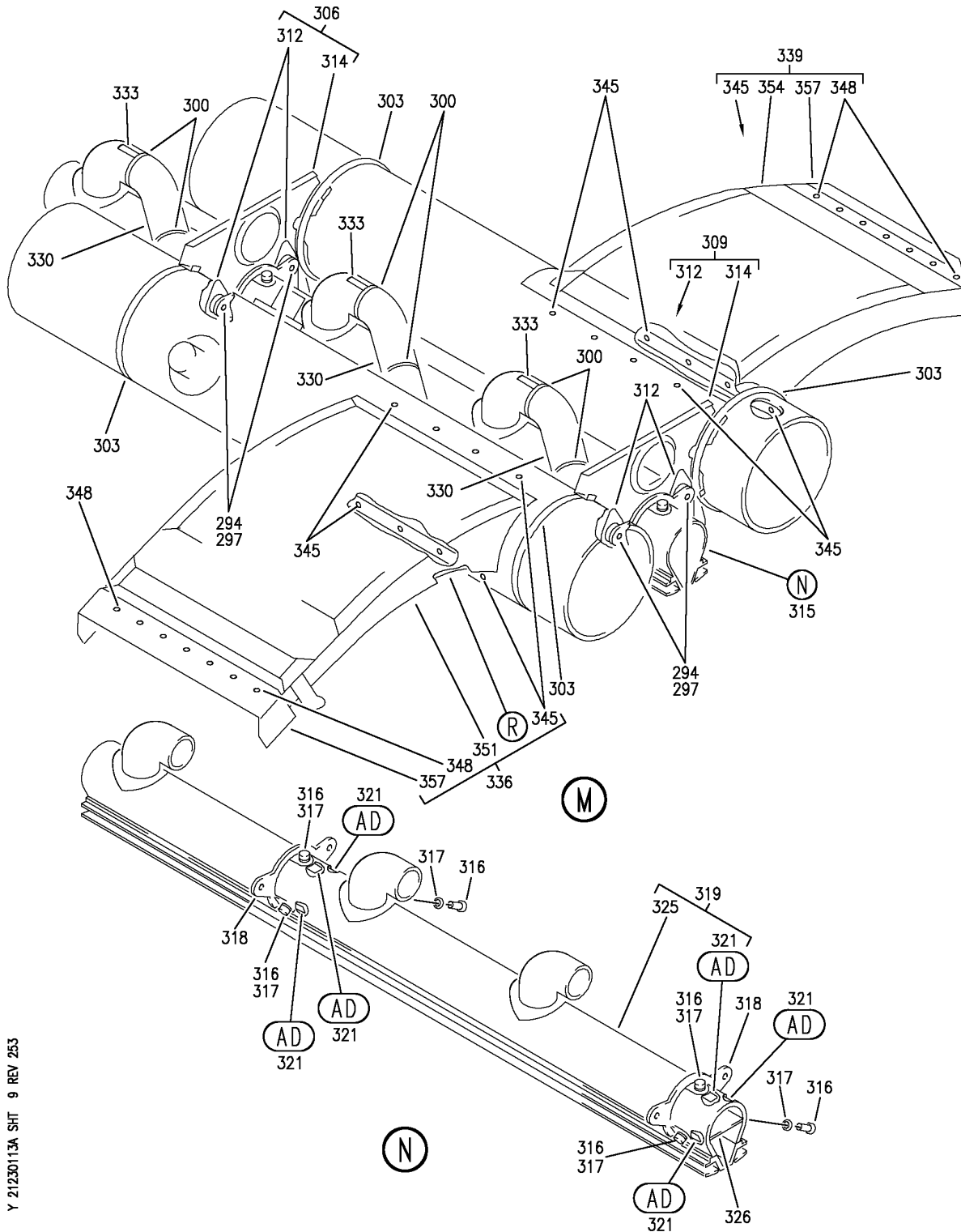
DUCT INSTL-OVERHEAD AIR DISTR SYS
FIGURE 13A (SHEET 8)

21-23-01-13A

BRI
MAY 28/07

21-23-01-13A
PAGE 08

BOEING
757
PARTS CATALOG (MAINTENANCE)



Y 21230113A SHT 9 REV 253

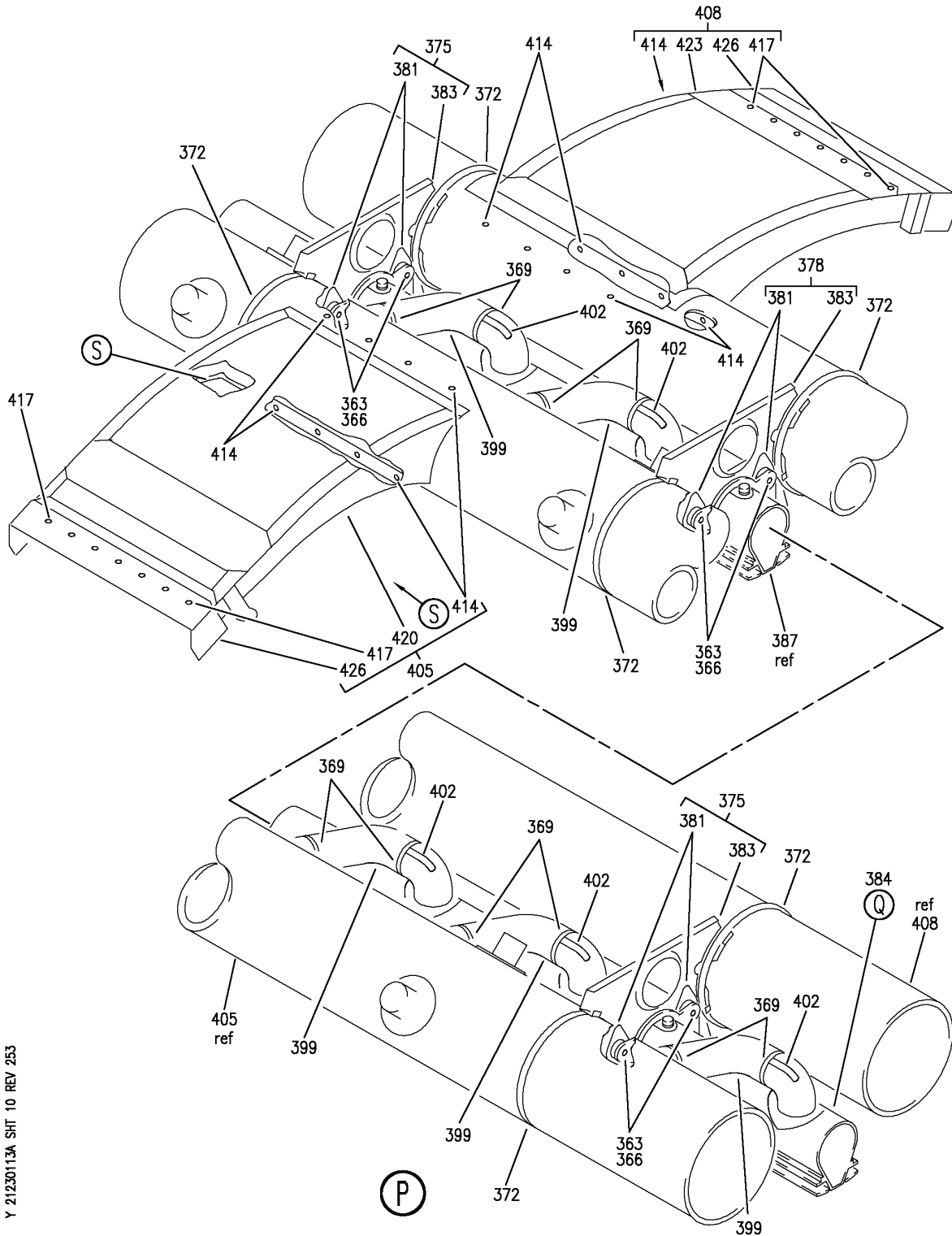
DUCT INSTL-OVERHEAD AIR DISTR SYS
FIGURE 13A (SHEET 9)

21-23-01-13A

BRI
MAY 28/07

21-23-01-13A
PAGE 0H

BOEING
757
PARTS CATALOG (MAINTENANCE)



Y 21230113A SHT 10 REV 253

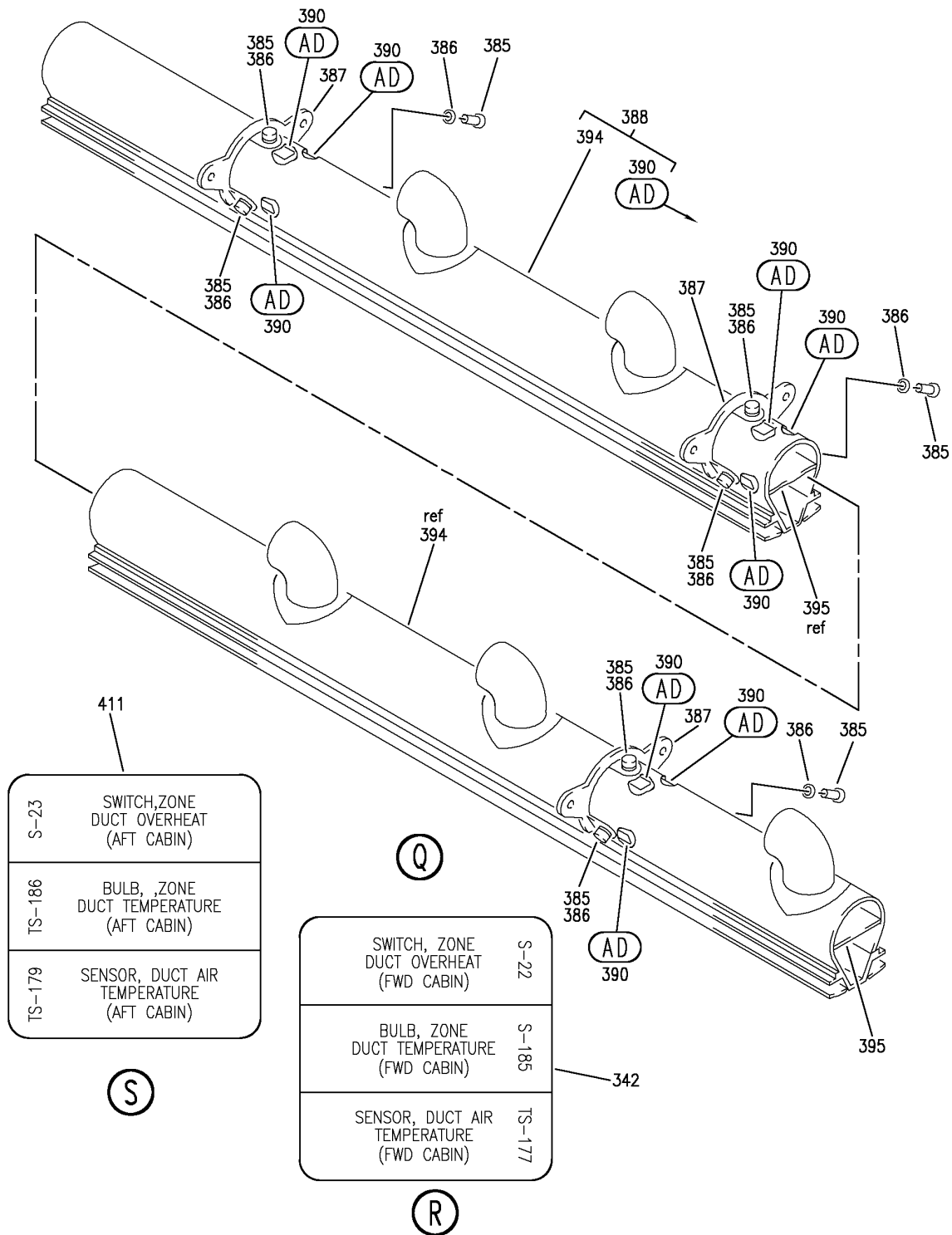
DUCT INSTL-OVERHEAD AIR DISTR SYS
FIGURE 13A (SHEET 10)

21-23-01-13A

BRI
MAY 28/07

21-23-01-13A
PAGE 01

BOEING
757
PARTS CATALOG (MAINTENANCE)



Y 21230113A SHT 11 REV 253

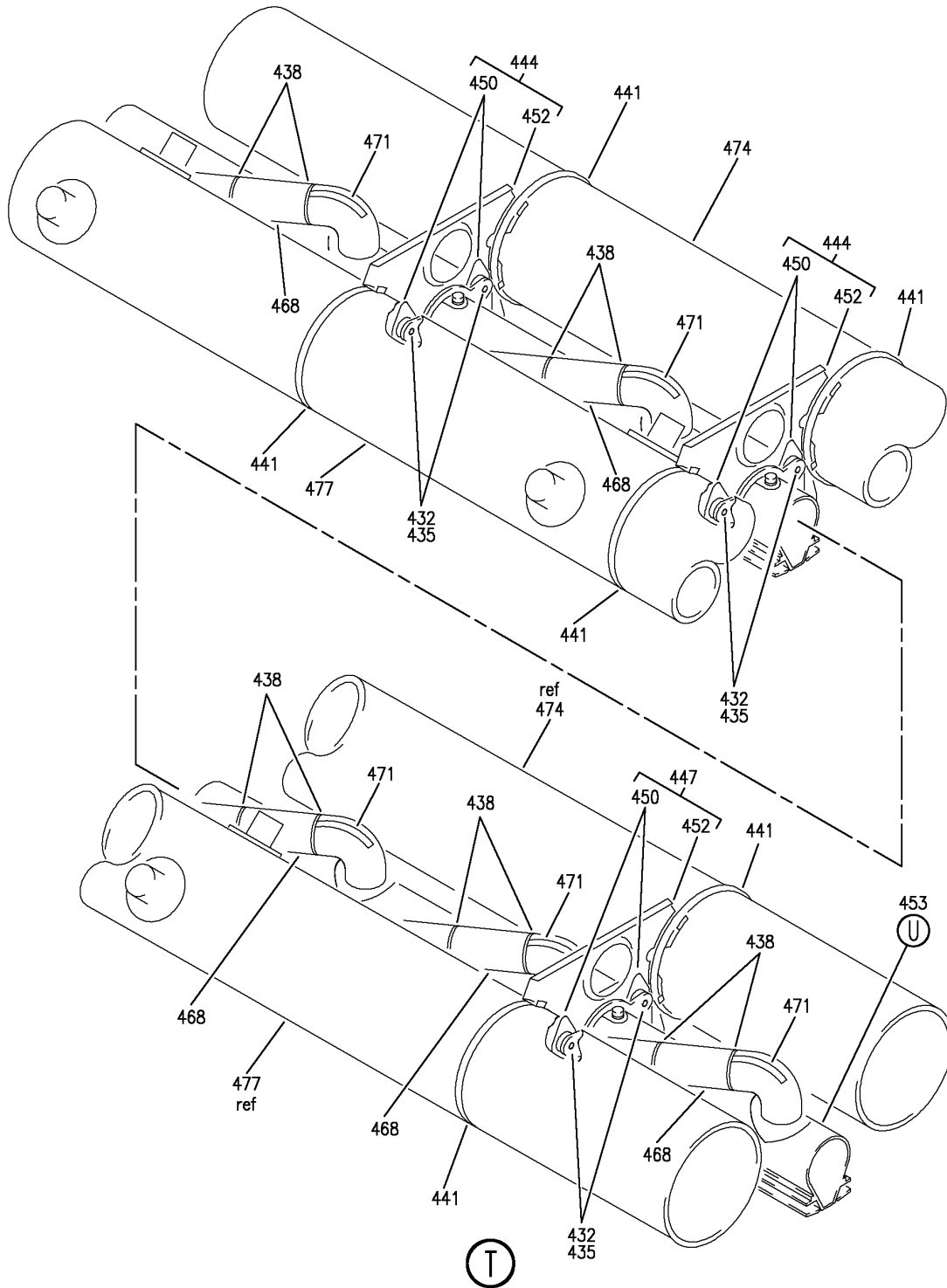
DUCT INSTL-OVERHEAD AIR DISTR SYS
FIGURE 13A (SHEET 11)

21-23-01-13A

BRI
MAY 28/07

21-23-01-13A
PAGE 0J

BOEING
757
PARTS CATALOG (MAINTENANCE)



Y 21230113A SHT 12 REV 253

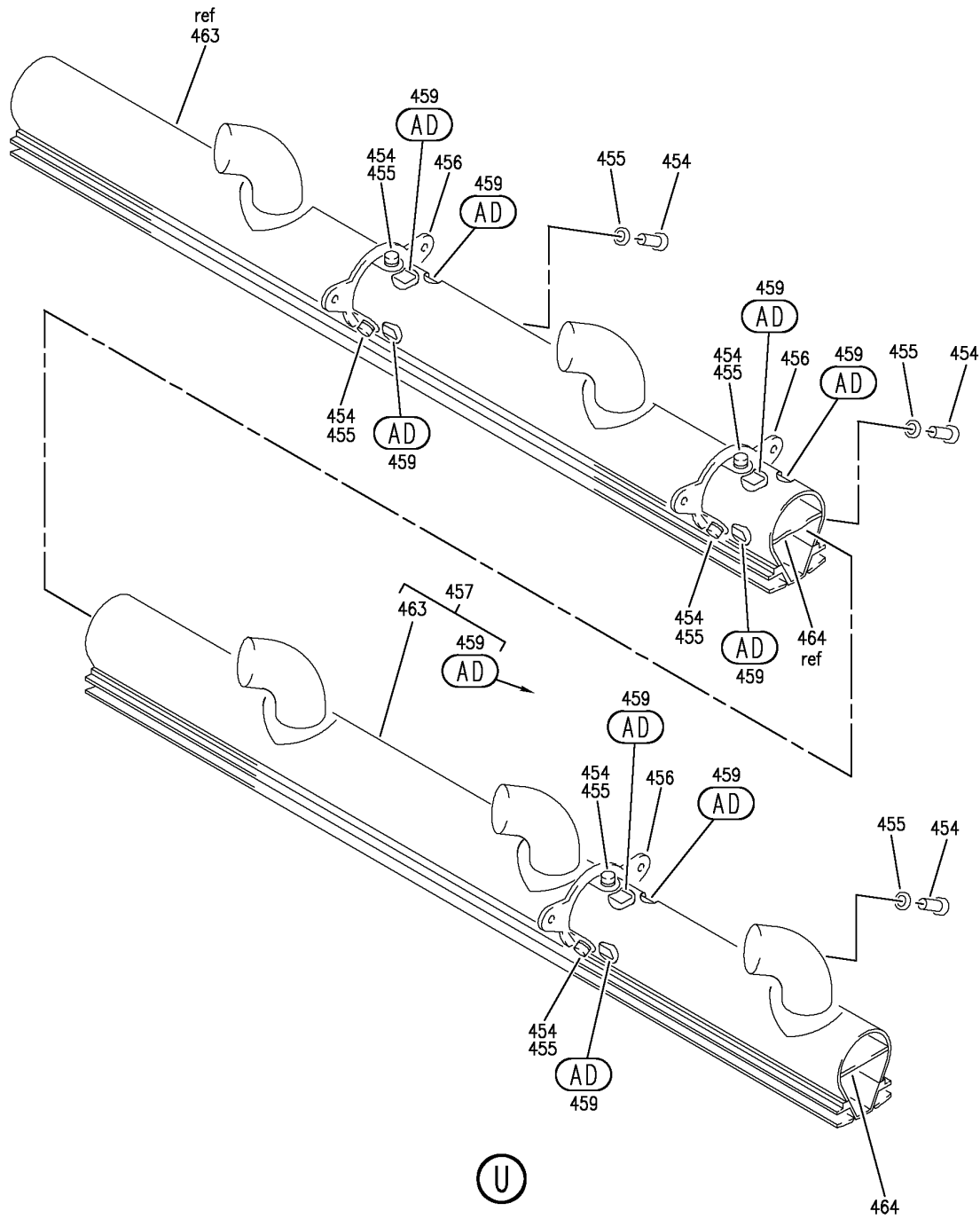
DUCT INSTL-OVERHEAD AIR DISTR SYS
FIGURE 13A (SHEET 12)

21-23-01-13A

BRI
MAY 28/07

21-23-01-13A
PAGE OK

BOEING
757
PARTS CATALOG (MAINTENANCE)



Y 21230113A SHT 13 REV 253

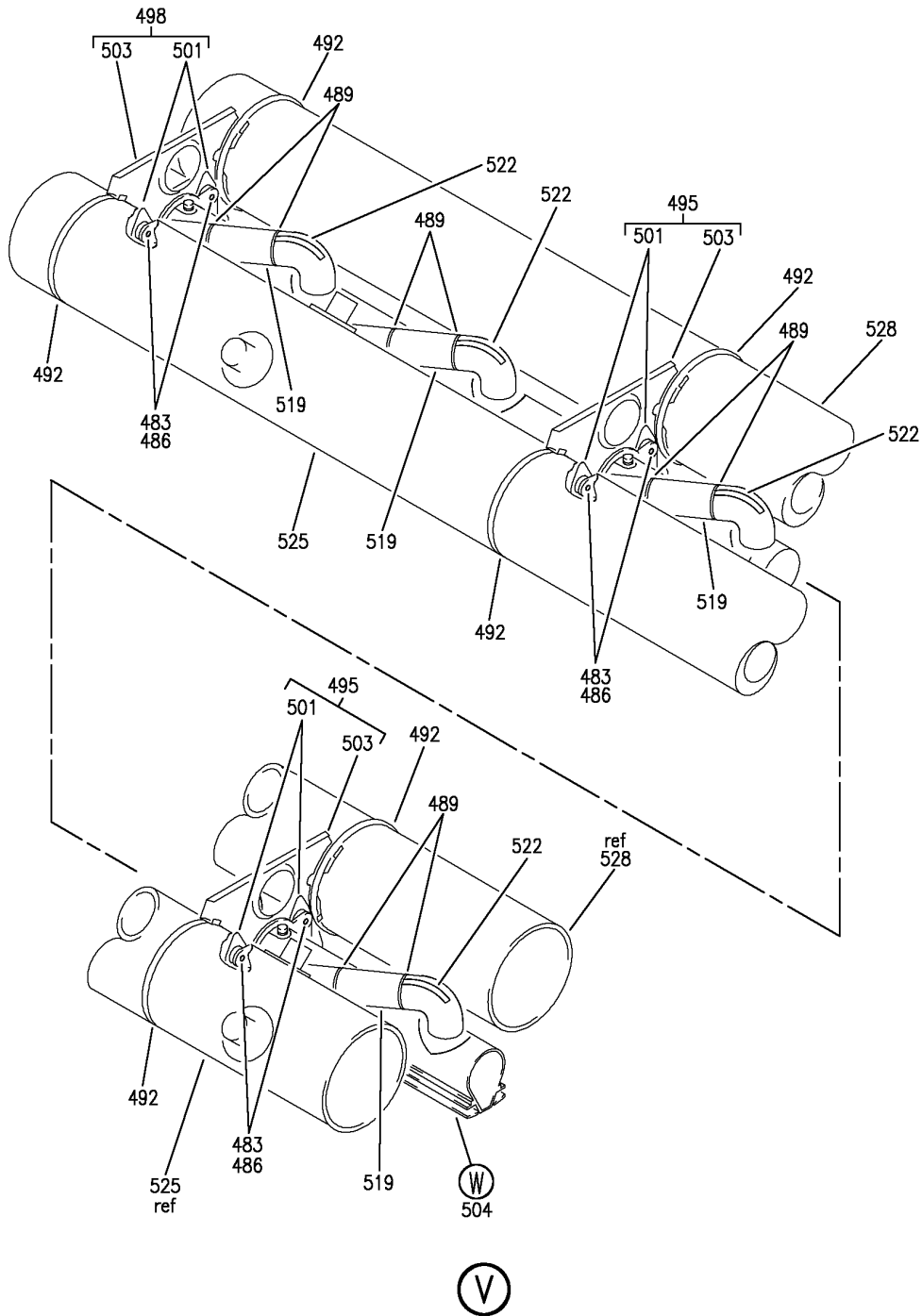
DUCT INSTL-OVERHEAD AIR DISTR SYS
FIGURE 13A (SHEET 13)

21-23-01-13A

BRI
MAY 28/07

21-23-01-13A
PAGE 01

BOEING
757
PARTS CATALOG (MAINTENANCE)



Y 21230113A SHT 14 REV 253

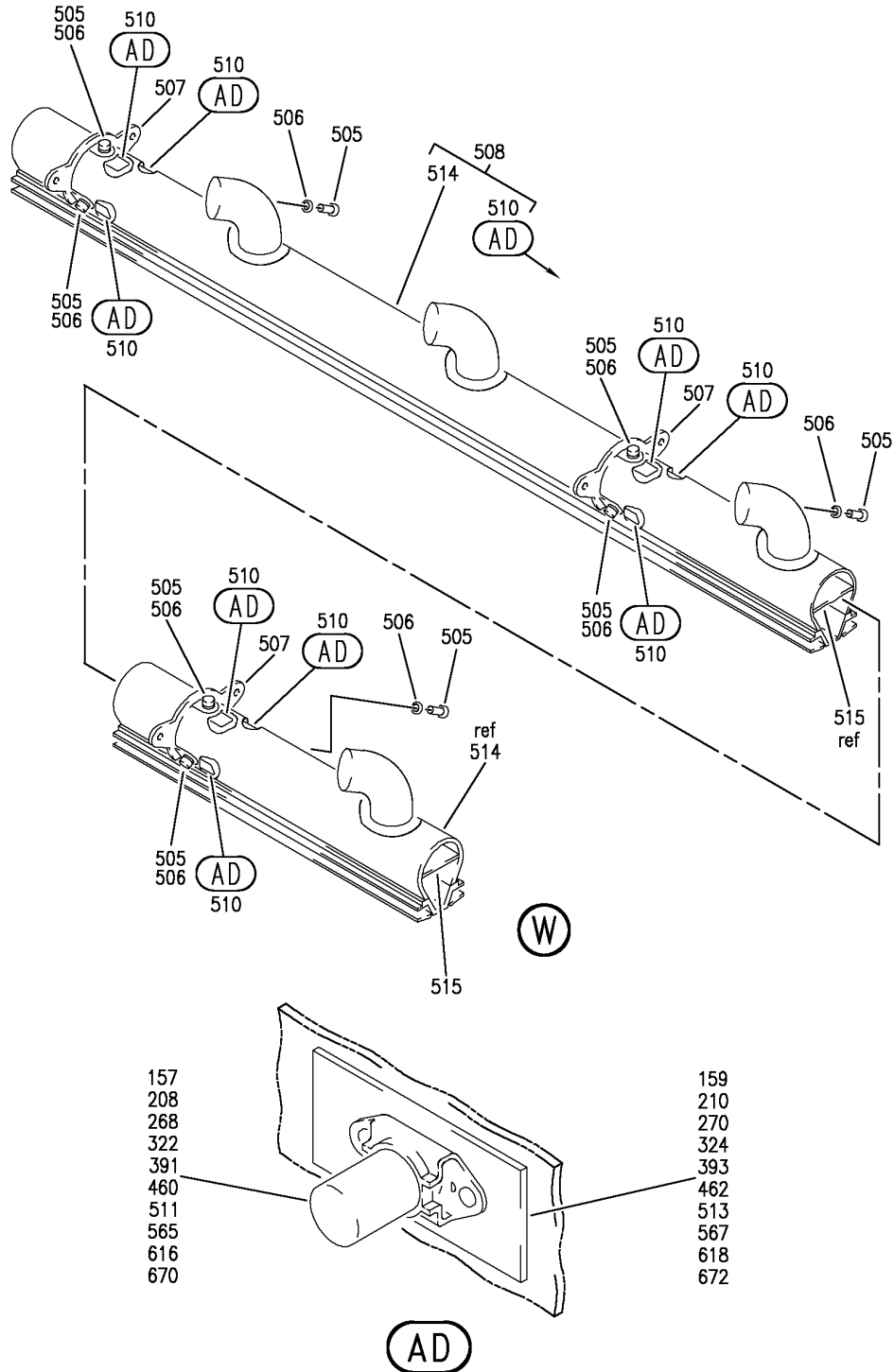
DUCT INSTL-OVERHEAD AIR DISTR SYS
FIGURE 13A (SHEET 14)

21-23-01-13A

BRI
MAY 28/07

21-23-01-13A
PAGE 0M

BOEING
757
PARTS CATALOG (MAINTENANCE)



Y 21230113A SHT 15 REV 253

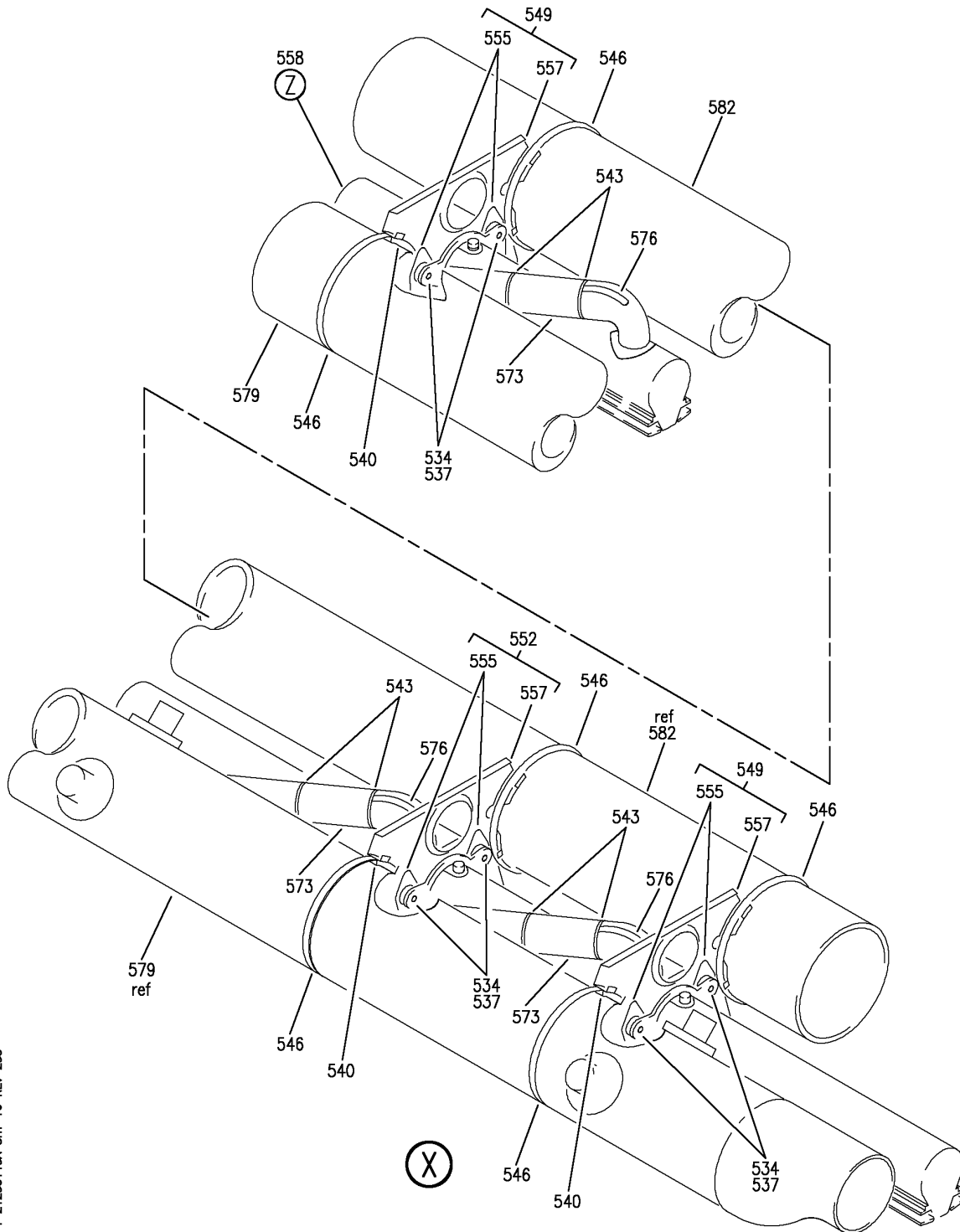
DUCT INSTL-OVERHEAD AIR DISTR SYS
FIGURE 13A (SHEET 15)

21-23-01-13A

BRI
MAY 28/07

21-23-01-13A
PAGE ON

BOEING
757
PARTS CATALOG (MAINTENANCE)



Y 21230113A SHT 16 REV 253

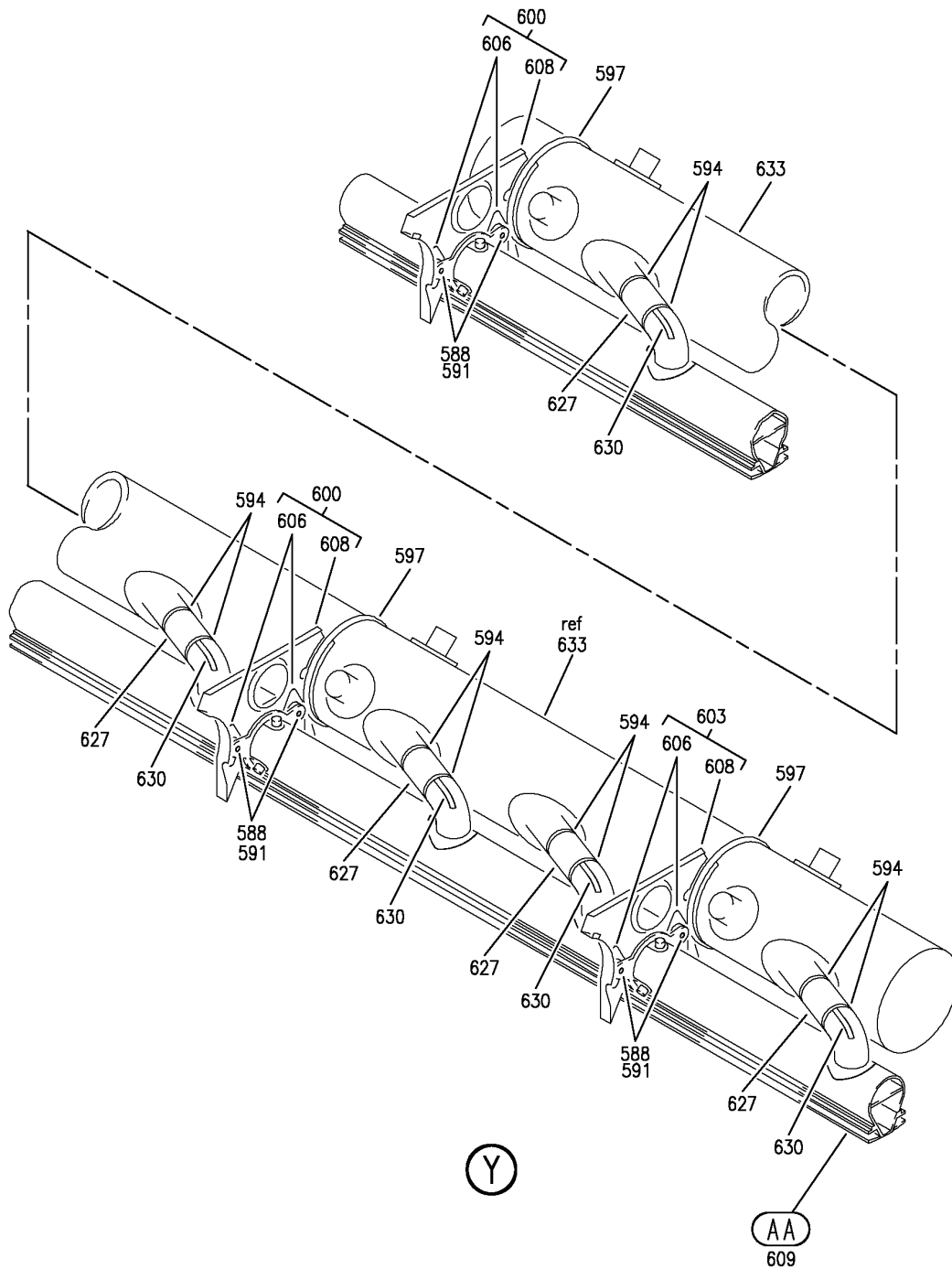
DUCT INSTL-OVERHEAD AIR DISTR SYS
FIGURE 13A (SHEET 16)

21-23-01-13A

BRI
MAY 28/07

21-23-01-13A
PAGE 00

BOEING
757
PARTS CATALOG (MAINTENANCE)



Y 21230113A SHT 17 REV 253

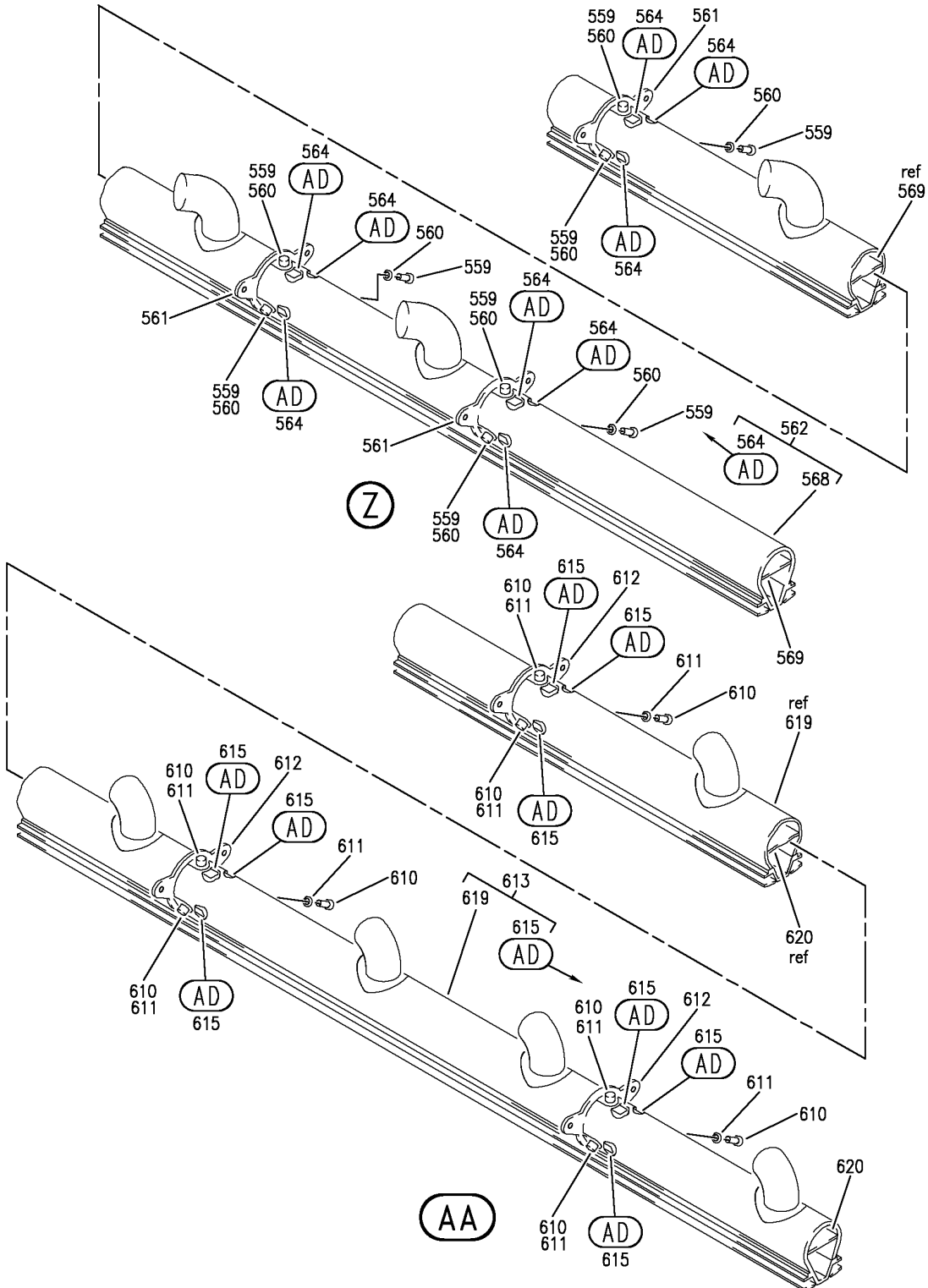
DUCT INSTL-OVERHEAD AIR DISTR SYS
FIGURE 13A (SHEET 17)

21-23-01-13A

BRI
MAY 28/07

21-23-01-13A
PAGE 0P

BOEING
757
PARTS CATALOG (MAINTENANCE)



Y 21230113A SHT 18 REV 253

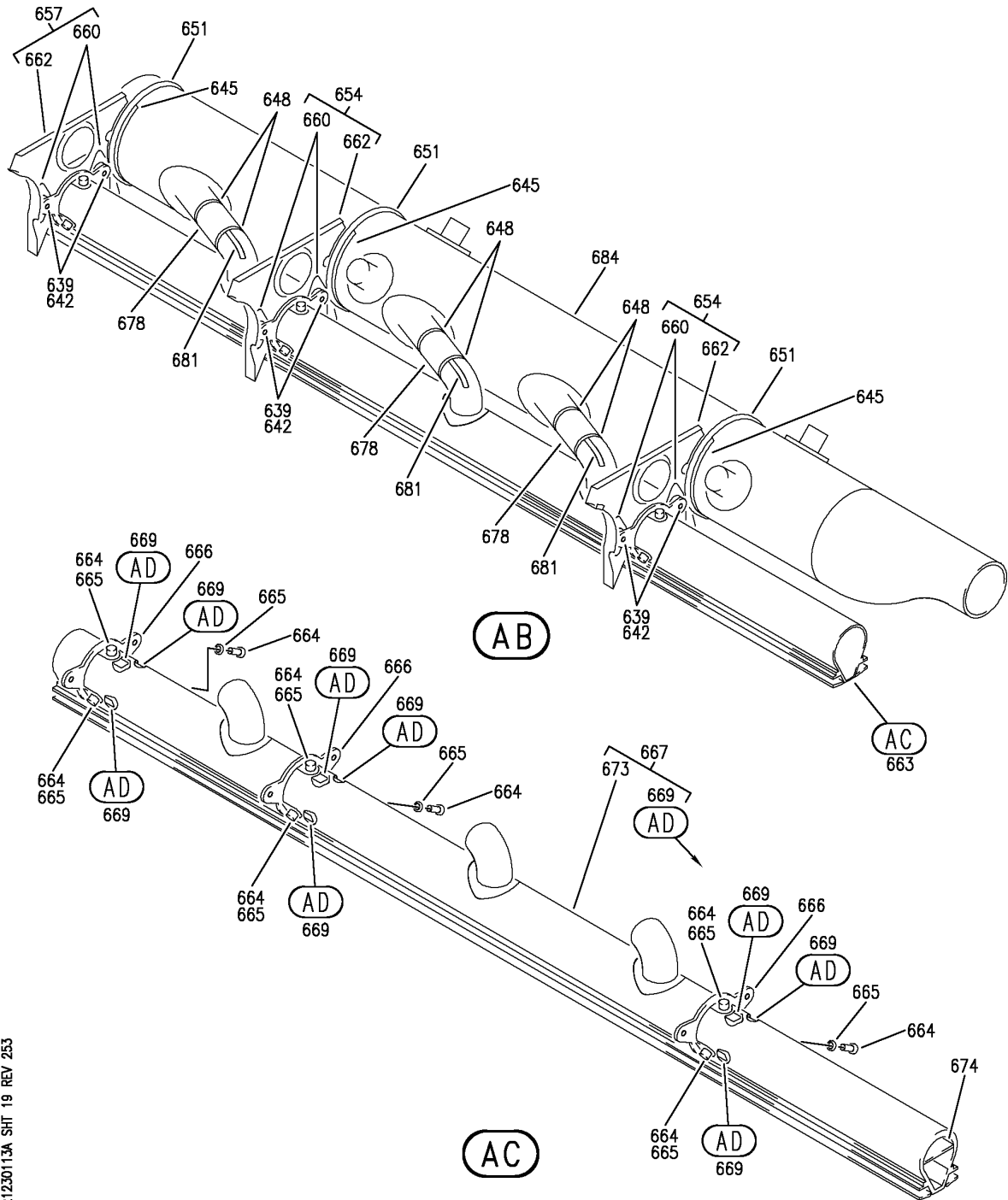
DUCT INSTL-OVERHEAD AIR DISTR SYS
FIGURE 13A (SHEET 18)

21-23-01-13A

BRI
MAY 28/07

21-23-01-13A
PAGE 00

BOEING
757
PARTS CATALOG (MAINTENANCE)



Y 21230113A SHT 19 REV 253

DUCT INSTL-OVERHEAD AIR DISTR SYS
FIGURE 13A (SHEET 19)

BRI
MAY 28/07

21-23-01-13A

21-23-01-13A
PAGE OR



757

PARTS CATALOG (MAINTENANCE)

| FIG ITEM | PART NUMBER | 1 2 3 4 5 6 7 | NOMENCLATURE | EFFECT FROM TO | UNITS PER ASSY |
|----------|----------------|---------------|---|----------------|----------------|
| 13A | | | DUCT INSTL-OVERHEAD AIR DISTR SYS | 011100 | |
| - 1 | 214N2025-9 | | DUCT INSTL-OVERHEAD AIR DISTR SYS FOR NHA SEE: 21-00-00-01 | 011100 | RF |
| 3 | 641121-1 | | .SWITCH ASSY-THRM SUPPLIER CODE: V07217 FUNCTIONAL DESCRIPTION: DETECTS OVERHEAT CONDITIONS IN THE AIR CONDITIONING PNEUMATIC DUCTING. SPECIFICATION NUMBER: S210T130-18 ELECTRICAL EQUIP NUMBER: S00022 S00023 | 011100 | 2 |
| 6 | MS28034-1 | | .BULB- ELECTRICAL EQUIP NUMBER: TS0185 TS0186 | 011100 | 2 |
| 9 | AN900-10 | | .GASKET- OPTIONAL PART: MS35769-11 | 011100 | 2 |
| 9 | MS35769-11 | | .GASKET- OPTIONAL PART: AN900-10 | 011100 | 2 |
| 12 | 624016-2 | | .SENSOR ASSY-TEMP SUPPLIER CODE: V07217 SPECIFICATION NUMBER: S210T130-75 ELECTRICAL EQUIP NUMBER: TS0177 TS0179 COMPONENT MAINT MANUAL REF: 21-65-01 | 011100 | 2 |
| - 15 | NAS1801-3-9 | | ATTACHING PARTS .SCREW -----*----- | 011100 | 6 |
| 18 | BACS12FA3K5 | | .SCREW | 011100 | 8 |
| 21 | BACB30NR4K5 | | .BOLT | 011100 | 62 |
| 24 | NAS1801-3-70 | | .SCREW | 011100 | 3 |
| 27 | MS20392-3C21 | | .PIN | 011100 | 10 |
| 30 | MS24665-132 | | .PIN | 011100 | 10 |
| 33 | NAS43DD3-246FC | | .SPACER | 011100 | 3 |
| 36 | BACW10P166L | | .WASHER | 011100 | 8 |

MISSING ITEM NUMBERS NOT APPLICABLE

- ITEM NOT ILLUSTRATED

21-23-01-13A

21-23-01
FIG. 13A
PAGE 1
JAN 20/09

BRI



757

PARTS CATALOG (MAINTENANCE)

| FIG ITEM | PART NUMBER | 1 2 3 4 5 6 7 | NOMENCLATURE | EFFECT FROM TO | UNITS PER ASSY |
|----------|----------------|---------------|--|----------------|----------------|
| 13A | | | | | |
| 39 | BACW10P271TF | .WASHER | | 011100 | 124 |
| 42 | NAS1149D0463J | .WASHER | | 011100 | 124 |
| 45 | NAS1149D0416J | .WASHER | | 011100 | 10 |
| 48 | NAS1149D0516J | .WASHER | | 011100 | 10 |
| 51 | NAS1149D0332J | .WASHER | | 011100 | 6 |
| 54 | PLH53CD | .NUT | | 011100 | 3 |
| | | | SUPPLIER CODE: VF0224 | | |
| | | | SPECIFICATION NUMBER: BACN10YR3CD | | |
| | | | OPTIONAL PART: H52732-3CD V15653 | | |
| 57 | BRH10C5D | .NUT | | 011100 | 10 |
| | | | SUPPLIER CODE: V52828 | | |
| | | | SPECIFICATION NUMBER: BACN10JC5CD | | |
| | | | OPTIONAL PART: T6C524JCD V11815 102LH9075-5W V72962 H51650-5BAC V15653 | | |
| 60 | PLH54CM | .NUT | | 011100 | 62 |
| | | | SUPPLIER CODE: V62554 | | |
| | | | SPECIFICATION NUMBER: BACN10YR4CM | | |
| | | | OPTIONAL PART: H52732-4CM V15653 | | |
| 63 | NAS1922-0400-3 | .CLAMP | | 011100 | 7 |
| 66 | NAS1922-0625-3 | .CLAMP | | 011100 | 4 |
| 69 | NAS1922-0750-3 | .CLAMP | | 011100 | 26 |
| 72 | 214N2035-1 | .PIN | | 011100 | 16 |
| 75 | MLT2S | .TIE- | | 011100 | 8 |
| | | | SUPPLIER CODE: V06383 | | |
| 78 | PLT4HTL | .STRAP | | 011100 | 6 |
| | | | SUPPLIER CODE: V06383 | | |
| | | | SPECIFICATION NUMBER: BACS38K3 | | |
| | | | OPTIONAL PART: T012RO V53421 | | |

MISSING ITEM NUMBERS NOT APPLICABLE

- ITEM NOT ILLUSTRATED

21-23-01-13A

21-23-01
FIG. 13A
PAGE 2
JAN 20/09

BRI

 **BOEING**
757
PARTS CATALOG (MAINTENANCE)

| FIG ITEM | PART NUMBER | 1 2 3 4 5 6 7 | NOMENCLATURE | EFFECT FROM TO | UNITS PER ASSY |
|-----------|----------------|---------------|---|----------------|----------------|
| 13A 81 | T012L0 | . | STRAP SUPPLIER CODE: V53421 SPECIFICATION NUMBER: BACS38K6 | 011100 | 20 |
| 84 | 412N2030-33 | . | DIAGONAL ASSY | 011100 | 9 |
| 87 | 412N2030-34 | . | DIAGONAL ASSY | 011100 | 1 |
| 90 | MS20392-3C17 | .. | PIN | 011100 | 1 |
| 93 | MS24665-132 | .. | PIN | 011100 | 1 |
| 96 | AN960PD416L | .. | WASHER | 011100 | 1 |
| 99 | 412N2031-1 | .. | CLEVIS | 011100 | 1 |
| 102 | 412N2032-5 | .. | INSULATOR | 011100 | 1 |
| 105 | 1293-31 | .. | ROD ASSY- SUPPLIER CODE: V34742 USED ON: 412N2030-34 | 011100 | 1 |
| 108 | 1293-29 | .. | ROD ASSY- SUPPLIER CODE: V34742 USED ON: 412N2030-33 | 011100 | 1 |
| 111 | AS1506-16D32 | . | HOSE | 011100 | 3 |
| 114 | AS1506-30D32 | . | SLEEVE | 011100 | 11 |
| 117 | 214N2025-28SP | . | DUCT ASSY-SET | 011100 | 1 |
| 120 | 69-42789-1 | .. | COVER | 011100 | 8 |
| 123 | 214N2180-29 | .. | DUCT ASSY | 011100 | 1 |
| 126 | BACS12GU3K7 | ... | SCREW | 011100 | 4 |
| 129 | NAS1149D0332J | ... | WASHER | 011100 | 4 |
| 132 | 214N2184-1 | ... | SPACER | 011100 | 2 |
| 135 | NAS1922-0200-3 | ... | CLAMP | 011100 | 4 |
| 138 | T012L0 | ... | STRAP SUPPLIER CODE: V53421 SPECIFICATION NUMBER: BACS38K6 | 011100 | 2 |
| 141 | 214N2168-1 | ... | BRACKET ASSY | 011100 | 1 |
| 144 | 214N2168-2 | ... | BRACKET ASSY | 011100 | 1 |
| 147 | SL8113-3 | | SHOCKMOUNT-ISOLATOR SUPPLIER CODE: V97393 SPECIFICATION NUMBER: S411T100-901 OPTIONAL PART: DE819 V71985 | 011100 | 2 |

MISSING ITEM NUMBERS NOT APPLICABLE

— ITEM NOT ILLUSTRATED

BRI

21-23-01-13A

BOEING PROPRIETARY - Copyright © - Unpublished Work - See title page for details.

21-23-01
FIG. 13A
PAGE 3
JAN 20/09



757

PARTS CATALOG (MAINTENANCE)

| FIG ITEM | PART NUMBER | 1 2 3 4 5 6 7 | NOMENCLATURE | EFFECT FROM TO | UNITS PER ASSY |
|------------|---------------|---------------|---|----------------|----------------|
| 13A 147 | DE819 | | SHOCKMOUNT-ISOLATOR SUPPLIER CODE: V71985 SPECIFICATION NUMBER: S411T100-901 OPTIONAL PART: SL8113-3 V97393 ATTACHING PARTS | 011100 | 2 |
| - 148 | BACR15BA4D | | RIVET -----*----- | 011100 | 2 |
| 149 | 214N2167-1 | | BRACKET | 011100 | 1 |
| 150 | 214N2183-11 | | NOZZLE ASSY | 011100 | 1 |
| 151 | BACS12GU3K7 | | SCREW | 011100 | 6 |
| 152 | AN960JD10L | | WASHER | 011100 | 6 |
| 153 | 214N2167-2 | | BRACKET | 011100 | 2 |
| 154 | 214N2179-21 | | PLENUM ASSY | 011100 | 1 |
| - 155 | CB2010CR3CRP | | NUTPLATE- SUPPLIER CODE: V66530 OPTIONAL PART: 214N2178-1 | 011100 | 6 |
| 156 | 214N2178-1 | | NUTPLATE ASSY- OPTIONAL PART: CB2010CR3CRP V66530 | 011100 | 6 |
| 157 | NS202541-3 | | NUTPLATE- SUPPLIER CODE: V80539 SPECIFICATION NUMBER: BACN10KA3BCD OPTIONAL PART: T8100C1032KCPM V11815 USED ON: 214N2178-1 ATTACHING PARTS | 011100 | 1 |
| - 158 | BACR15CE3D | | RIVET- SIZE DETERMINED ON INSTL. -----*----- | 011100 | 2 |
| 159 | 214N2178-2 | | PLATE- USED ON: 214N2178-1 | 011100 | 1 |
| 160 | 214N2179-22 | | PLENUM | 011100 | 1 |
| 161 | 214N2124-16 | | PLATE-RESTRICTOR | 011100 | 1 |
| 165 | AS1506-08D40 | | HOSE | 011100 | 2 |
| 168 | 214T3436-1549 | | ORIFICE ASSY- OPTIONAL PART: 214T3436-1837 | 011100 | 2 |

MISSING ITEM NUMBERS NOT APPLICABLE

- ITEM NOT ILLUSTRATED

21-23-01-13A

21-23-01
FIG. 13A
PAGE 4
JAN 20/09

BRI



757

PARTS CATALOG (MAINTENANCE)

| FIG ITEM | PART NUMBER | 1 2 3 4 5 6 7 | NOMENCLATURE | EFFECT FROM TO | UNITS PER ASSY |
|------------|----------------|---------------|---|----------------|----------------|
| 13A 168 | 214T3436-1837 | ... | ORIFICE ASSY- OPTIONAL PART: 214T3436-1549 | 011100 | 2 |
| 171 | 214N2177-79 | ... | DUCT ASSY | 011100 | 1 |
| 174 | 214N2180-2 | .. | DUCT ASSY | 011100 | 1 |
| 177 | BACS12GU3K7 | ... | SCREW | 011100 | 10 |
| 180 | NAS1149D0332J | ... | WASHER | 011100 | 10 |
| 183 | NAS1922-0200-3 | ... | CLAMP | 011100 | 10 |
| 186 | NAS1922-0750-3 | ... | CLAMP | 011100 | 2 |
| 189 | T012L0 | ... | STRAP SUPPLIER CODE: V53421 SPECIFICATION NUMBER: BACS38K6 | 011100 | 5 |
| 192 | 214N2168-1 | ... | BRACKET ASSY | 011100 | 4 |
| 195 | 214N2168-2 | ... | BRACKET ASSY | 011100 | 1 |
| 198 | SL8113-3 | | SHOCKMOUNT-ISOLATOR SUPPLIER CODE: V97393 SPECIFICATION NUMBER: S411T100-901 OPTIONAL PART: DE819 V71985 | 011100 | 2 |
| 198 | DE819 | | SHOCKMOUNT-ISOLATOR SUPPLIER CODE: V71985 SPECIFICATION NUMBER: S411T100-901 OPTIONAL PART: SL8113-3 V97393 ATTACHING PARTS | 011100 | 2 |
| - 199 | BACR15BA4D | | RIVET -----*----- | 011100 | 2 |
| 200 | 214N2167-1 | | BRACKET | 011100 | 1 |
| 201 | 214N2183-2 | ... | NOZZLE ASSY-PLENUM | 011100 | 1 |
| 202 | BACS12GU3K7 | | SCREW | 011100 | 15 |
| 203 | AN960JD10L | | WASHER | 011100 | 15 |
| 204 | 214N2167-2 | | BRACKET | 011100 | 5 |
| 205 | 214N2179-3 | | PLENUM ASSY | 011100 | 1 |
| - 206 | CB2010CR3CRP | | NUTPLATE- SUPPLIER CODE: V66530 OPTIONAL PART: 214N2178-1 | 011100 | 15 |

MISSING ITEM NUMBERS NOT APPLICABLE

- ITEM NOT ILLUSTRATED

21-23-01-13A

21-23-01
FIG. 13A
PAGE 5
JAN 20/09

BRI



757

PARTS CATALOG (MAINTENANCE)

| FIG ITEM | PART NUMBER | 1 2 3 4 5 6 7 | NOMENCLATURE | EFFECT FROM TO | UNITS PER ASSY |
|------------|----------------|---------------|---|----------------|----------------|
| 13A 207 | 214N2178-1 | | NUTPLATE ASSY- OPTIONAL PART: CB2010CR3CRP V66530 | 011100 | 15 |
| 208 | NS202541-3 | | NUTPLATE- SUPPLIER CODE: V80539 SPECIFICATION NUMBER: BACN10KA3BCD OPTIONAL PART: T8100C1032KCPM V11815 USED ON: 214N2178-1 ATTACHING PARTS | 011100 | 1 |
| - 209 | BACR15CE3D | | RIVET- SIZE DETERMINED ON INSTL. -----*----- | 011100 | 2 |
| 210 | 214N2178-2 | | PLATE- USED ON: 214N2178-1 | 011100 | 1 |
| 211 | 214N2179-4 | | PLENUM | 011100 | 1 |
| 212 | 214N2124-7 | | PLATE-RESTRICTOR | 011100 | 1 |
| 216 | AS1506-08D21 | ... | HOSE | 011100 | 5 |
| 219 | AS1505-30B0083 | ... | DUCT-FLEX | 011100 | 1 |
| 222 | 214T3436-1546 | ... | ORIFICE ASSY- OPTIONAL PART: 214T3436-1834 | 011100 | 5 |
| 222 | 214T3436-1834 | ... | ORIFICE ASSY- OPTIONAL PART: 214T3436-1546 | 011100 | 5 |
| 225 | 214N2177-3 | ... | DUCT ASSY | 011100 | 1 |
| 228 | 214N2177-5 | ... | DUCT ASSY | 011100 | 1 |
| 231 | 214N2180-3 | .. | DUCT ASSY | 011100 | 1 |
| 234 | BACS12GU3K7 | ... | SCREW | 011100 | 8 |
| 237 | NAS1149D0332J | ... | WASHER | 011100 | 8 |
| 240 | 214N2184-1 | ... | SPACER | 011100 | 4 |
| 243 | NAS1922-0200-3 | ... | CLAMP | 011100 | 14 |
| 246 | NAS1922-0625-3 | ... | CLAMP | 011100 | 1 |
| 249 | T012L0 | ... | STRAP SUPPLIER CODE: V53421 SPECIFICATION NUMBER: BACS38K6 | 011100 | 8 |
| 252 | 214N2168-1 | ... | BRACKET ASSY | 011100 | 3 |
| 255 | 214N2168-2 | ... | BRACKET ASSY | 011100 | 1 |

MISSING ITEM NUMBERS NOT APPLICABLE

- ITEM NOT ILLUSTRATED

21-23-01-13A

21-23-01
FIG. 13A
PAGE 6
JAN 20/09

BRI

BOEING PROPRIETARY - Copyright © - Unpublished Work - See title page for details.



757

PARTS CATALOG (MAINTENANCE)

| FIG ITEM | PART NUMBER | 1 2 3 4 5 6 7 | NOMENCLATURE | EFFECT FROM TO | UNITS PER ASSY |
|------------|--------------|---------------|---|----------------|----------------|
| 13A 258 | SL8113-3 | | SHOCKMOUNT-ISOLATOR SUPPLIER CODE: V97393 SPECIFICATION NUMBER: S411T100-901 OPTIONAL PART: DE819 V71985 | 011100 | 2 |
| 258 | DE819 | | SHOCKMOUNT-ISOLATOR SUPPLIER CODE: V71985 SPECIFICATION NUMBER: S411T100-901 OPTIONAL PART: SL8113-3 V97393 ATTACHING PARTS | 011100 | 2 |
| - 259 | BACR15BA4D | | RIVET -----*----- | 011100 | 2 |
| 260 | 214N2167-1 | | BRACKET | 011100 | 1 |
| 261 | 214N2183-3 | ... | NOZZLE ASSY-PLENUM | 011100 | 1 |
| 262 | BACS12GU3K7 | | SCREW | 011100 | 12 |
| 263 | AN960JD10L | | WASHER | 011100 | 12 |
| 264 | 214N2167-2 | | BRACKET | 011100 | 4 |
| 265 | 214N2179-5 | | PLENUM ASSY | 011100 | 1 |
| - 266 | CB2010CR3CRP | | NUTPLATE- SUPPLIER CODE: V66530 OPTIONAL PART: 214N2178-1 | 011100 | 12 |
| 267 | 214N2178-1 | | NUTPLATE ASSY- OPTIONAL PART: CB2010CR3CRP V66530 | 011100 | 12 |
| 268 | NS202541-3 | | NUTPLATE- SUPPLIER CODE: V80539 SPECIFICATION NUMBER: BACN10KA3BCD OPTIONAL PART: T8100C1032KCPM V11815 USED ON: 214N2178-1 ATTACHING PARTS | 011100 | 1 |
| - 269 | BACR15CE3D | | RIVET- SIZE DETERMINED ON INSTL. -----*----- | 011100 | 2 |

MISSING ITEM NUMBERS NOT APPLICABLE

- ITEM NOT ILLUSTRATED

21-23-01-13A

21-23-01
FIG. 13A
PAGE 7
JAN 20/09

BRI

BOEING PROPRIETARY - Copyright © - Unpublished Work - See title page for details.

 **BOEING**
757
PARTS CATALOG (MAINTENANCE)

| FIG ITEM | PART NUMBER | 1 2 3 4 5 6 7 | NOMENCLATURE | EFFECT FROM TO | UNITS PER ASSY |
|------------|----------------|---------------|--|----------------|----------------|
| 13A 270 | 214N2178-2 | | PLATE- USED ON: 214N2178-1 | 011100 | 1 |
| 271 | 214N2179-6 | | PLENUM | 011100 | 1 |
| 272 | 214N2124-8 | | PLATE-RESTRICTOR | 011100 | 1 |
| 276 | AS1506-08D40 | ... | HOSE | 011100 | 7 |
| 279 | 214T3436-601 | ... | ORIFICE ASSY- OPTIONAL PART: 214T3436-1831 | 011100 | 7 |
| 279 | 214T3436-1831 | ... | ORIFICE ASSY- OPTIONAL PART: 214T3436-601 | 011100 | 7 |
| 282 | 214N2177-7 | ... | DUCT ASSY | 011100 | 1 |
| 285 | 214N2177-25 | ... | DUCT ASSY | 011100 | 1 |
| 288 | 841006-1 | ... | CAP- SUPPLIER CODE: V25205 | 011100 | 1 |
| 291 | 214N2180-27 | .. | DUCT ASSY | 011100 | 1 |
| 294 | BACS12GU3K7 | ... | SCREW | 011100 | 4 |
| 297 | NAS1149D0332J | ... | WASHER | 011100 | 4 |
| 300 | NAS1922-0200-3 | ... | CLAMP | 011100 | 6 |
| 303 | T012L0 | ... | STRAP SUPPLIER CODE: V53421 SPECIFICATION NUMBER: BACS38K6 | 011100 | 4 |
| 306 | 214N2168-1 | ... | BRACKET ASSY | 011100 | 1 |
| 309 | 214N2168-2 | ... | BRACKET ASSY | 011100 | 1 |
| 312 | SL8113-3 | | SHOCKMOUNT-ISOLATOR SUPPLIER CODE: V97393 SPECIFICATION NUMBER: S411T100-901 OPTIONAL PART: DE819 V71985 | 011100 | 2 |
| 312 | DE819 | | SHOCKMOUNT-ISOLATOR SUPPLIER CODE: V71985 SPECIFICATION NUMBER: S411T100-901 OPTIONAL PART: SL8113-3 V97393 | 011100 | 2 |
| - 313 | BACR15BA4D | | RIVET -----*----- | 011100 | 2 |
| 314 | 214N2167-1 | | BRACKET | 011100 | 1 |
| 315 | 214N2183-4 | ... | NOZZLE ASSY-PLENUM | 011100 | 1 |

MISSING ITEM NUMBERS NOT APPLICABLE

- ITEM NOT ILLUSTRATED

BRI

21-23-01-13A

BOEING PROPRIETARY - Copyright © - Unpublished Work - See title page for details.

21-23-01
FIG. 13A
PAGE 8
JAN 20/09



757

PARTS CATALOG (MAINTENANCE)

| FIG ITEM | PART NUMBER | 1 2 3 4 5 6 7 | NOMENCLATURE | EFFECT FROM TO | UNITS PER ASSY |
|----------|---------------|---------------|---|----------------|----------------|
| 13A | | | | | |
| 316 | BACS12GU3K7 | | SCREW | 011100 | 6 |
| 317 | AN960JD10L | | WASHER | 011100 | 6 |
| 318 | 214N2167-2 | | BRACKET | 011100 | 2 |
| 319 | 214N2179-7 | | PLENUM ASSY | 011100 | 1 |
| - 320 | CB2010CR3CRP | | NUTPLATE- SUPPLIER CODE: V66530 OPTIONAL PART: 214N2178-1 | 011100 | 6 |
| 321 | 214N2178-1 | | NUTPLATE ASSY- OPTIONAL PART: CB2010CR3CRP V66530 | 011100 | 6 |
| 322 | NS202541-3 | | NUTPLATE- SUPPLIER CODE: V80539 SPECIFICATION NUMBER: BACN10KA3BCD OPTIONAL PART: T8100C1032KCPM V11815 USED ON: 214N2178-1 ATTACHING PARTS | 011100 | 1 |
| - 323 | BACR15CE3D | | RIVET- SIZE DETERMINED ON INSTL. -----*----- | 011100 | 2 |
| 324 | 214N2178-2 | | PLATE- USED ON: 214N2178-1 | 011100 | 1 |
| 325 | 214N2179-8 | | PLENUM | 011100 | 1 |
| 326 | 214N2124-9 | | PLATE-RESTRICTOR | 011100 | 1 |
| 330 | AS1506-08D21 | ... | HOSE | 011100 | 3 |
| 333 | 214T3436-601 | ... | ORIFICE ASSY- OPTIONAL PART: 214T3436-1831 | 011100 | 3 |
| 333 | 214T3436-1831 | ... | ORIFICE ASSY- OPTIONAL PART: 214T3436-601 | 011100 | 3 |
| 336 | 214N2182-13 | ... | DUCT ASSY | 011100 | 1 |
| 339 | 214N2182-5 | ... | DUCT ASSY | 011100 | 1 |
| 342 | BAC27NEC0091 | | DECAL- USED ON: 214N2182-13 | 011100 | 1 |
| 345 | BACR15FR4M | | RIVET | 011100 | 8 |
| 348 | BACS12FA3K7 | | SCREW | 011100 | 7 |
| 351 | 214N2181-6 | | DUCT- USED ON: 214N2182-13 | 011100 | 1 |

MISSING ITEM NUMBERS NOT APPLICABLE

- ITEM NOT ILLUSTRATED

21-23-01-13A

21-23-01
FIG. 13A
PAGE 9
JAN 20/09

BRI



757

PARTS CATALOG (MAINTENANCE)

| FIG ITEM | PART NUMBER | 1 2 3 4 5 6 7 | NOMENCLATURE | EFFECT FROM TO | UNITS PER ASSY |
|------------|----------------|---------------|--|----------------|----------------|
| 13A 354 | 214N2181-3 | | DUCT- USED ON: 214N2182-5 | 011100 | 1 |
| 357 | 214N2138-1 | | BRACKET ASSY | 011100 | 1 |
| 360 | 214N2180-28 | .. | DUCT ASSY | 011100 | 1 |
| 363 | BACS12GU3K7 | ... | SCREW | 011100 | 6 |
| 366 | NAS1149D0332J | ... | WASHER | 011100 | 6 |
| 369 | NAS1922-0200-3 | ... | CLAMP | 011100 | 10 |
| 372 | T012L0 | ... | STRAP SUPPLIER CODE: V53421 SPECIFICATION NUMBER: BACS38K6 | 011100 | 6 |
| 375 | 214N2168-1 | ... | BRACKET ASSY | 011100 | 2 |
| 378 | 214N2168-3 | ... | BRACKET ASSY | 011100 | 1 |
| 381 | SL8113-3 | | SHOCKMOUNT-ISOLATOR SUPPLIER CODE: V97393 SPECIFICATION NUMBER: S411T100-901 OPTIONAL PART: DE819 V71985 | 011100 | 2 |
| 381 | DE819 | | SHOCKMOUNT-ISOLATOR SUPPLIER CODE: V71985 SPECIFICATION NUMBER: S411T100-901 OPTIONAL PART: SL8113-3 V97393 | 011100 | 2 |
| - 382 | BACR15BA4D | | RIVET -----*----- | 011100 | 2 |
| 383 | 214N2167-1 | | BRACKET | 011100 | 1 |
| 384 | 214N2183-5 | ... | NOZZLE ASSY-PLENUM | 011100 | 1 |
| 385 | BACS12GU3K7 | | SCREW | 011100 | 9 |
| 386 | AN960JD10L | | WASHER | 011100 | 9 |
| 387 | 214N2167-2 | | BRACKET | 011100 | 3 |
| 388 | 214N2179-9 | | PLENUM ASSY | 011100 | 1 |
| - 389 | CB2010CR3CRP | | NUTPLATE- SUPPLIER CODE: V66530 OPTIONAL PART: 214N2178-1 | 011100 | 9 |
| 390 | 214N2178-1 | | NUTPLATE ASSY- OPTIONAL PART: CB2010CR3CRP V66530 | 011100 | 9 |

MISSING ITEM NUMBERS NOT APPLICABLE

- ITEM NOT ILLUSTRATED

21-23-01-13A

21-23-01
FIG. 13A
PAGE 10
JAN 20/09

BRI

BOEING PROPRIETARY - Copyright © - Unpublished Work - See title page for details.

 **BOEING**
757
PARTS CATALOG (MAINTENANCE)

| FIG ITEM | PART NUMBER | 1 2 3 4 5 6 7 | NOMENCLATURE | EFFECT FROM TO | UNITS PER ASSY |
|------------|----------------|---------------|---|----------------|----------------|
| 13A 391 | NS202541-3 | | NUTPLATE- SUPPLIER CODE: V80539 SPECIFICATION NUMBER: BACN10KA3BCD OPTIONAL PART: T8100C1032KCPM V11815 USED ON: 214N2178-1 ATTACHING PARTS | 011100 | 1 |
| - 392 | BACR15CE3D | | RIVET- SIZE DETERMINED ON INSTL. -----*----- | 011100 | 2 |
| 393 | 214N2178-2 | | PLATE- USED ON: 214N2178-1 | 011100 | 1 |
| 394 | 214N2179-10 | | PLENUM | 011100 | 1 |
| 395 | 214N2124-10 | | PLATE-RESTRICTOR | 011100 | 1 |
| 399 | AS1506-08D21 | ... | HOSE | 011100 | 5 |
| 402 | 214T3436-1546 | ... | ORIFICE ASSY- OPTIONAL PART: 214T3436-1834 | 011100 | 5 |
| 402 | 214T3436-1834 | ... | ORIFICE ASSY- OPTIONAL PART: 214T3436-1546 | 011100 | 5 |
| 405 | 214N2182-11 | ... | DUCT ASSY | 011100 | 1 |
| 408 | 214N2182-7 | ... | DUCT ASSY | 011100 | 1 |
| 411 | BAC27NEC0092 | | DECAL- USED ON: 214N2182-11 | 011100 | 1 |
| 414 | BACR15FR4M | | RIVET | 011100 | 8 |
| 417 | BACS12FA3K7 | | SCREW | 011100 | 7 |
| 420 | 214N2181-5 | | DUCT- USED ON: 214N2182-11 | 011100 | 1 |
| 423 | 214N2181-4 | | DUCT- USED ON: 214N2182-7 | 011100 | 1 |
| 426 | 214N2138-1 | | BRACKET ASSY | 011100 | 1 |
| 429 | 214N2180-14 | .. | DUCT ASSY | 011100 | 1 |
| 432 | BACS12GU3K7 | ... | SCREW | 011100 | 6 |
| 435 | NAS1149D0332J | ... | WASHER | 011100 | 6 |
| 438 | NAS1922-0200-3 | ... | CLAMP | 011100 | 10 |
| 441 | T012LO | ... | STRAP SUPPLIER CODE: V53421 SPECIFICATION NUMBER: BACS38K6 | 011100 | 6 |

MISSING ITEM NUMBERS NOT APPLICABLE

- ITEM NOT ILLUSTRATED

21-23-01-13A

21-23-01
FIG. 13A
PAGE 11
JAN 20/09

BRI

BOEING PROPRIETARY - Copyright © - Unpublished Work - See title page for details.

BOEING
757
PARTS CATALOG (MAINTENANCE)

| FIG ITEM | PART NUMBER | 1 2 3 4 5 6 7 | NOMENCLATURE | EFFECT FROM TO | UNITS PER ASSY |
|----------|--------------|---------------|--|----------------|----------------|
| 13A | | | | | |
| 444 | 214N2168-1 | ... | BRACKET ASSY | 011100 | 2 |
| 447 | 214N2168-3 | ... | BRACKET ASSY | 011100 | 1 |
| 450 | SL8113-3 | | SHOCKMOUNT-ISOLATOR SUPPLIER CODE: V97393 SPECIFICATION NUMBER: S411T100-901 OPTIONAL PART: DE819 V71985 | 011100 | 2 |
| 450 | DE819 | | SHOCKMOUNT-ISOLATOR SUPPLIER CODE: V71985 SPECIFICATION NUMBER: S411T100-901 OPTIONAL PART: SL8113-3 V97393 ATTACHING PARTS | 011100 | 2 |
| - 451 | BACR15BA4D | | RIVET -----*----- | 011100 | 2 |
| 452 | 214N2167-1 | | BRACKET | 011100 | 1 |
| 453 | 214N2183-14 | ... | NOZZLE ASSY-PLENUM | 011100 | 1 |
| 454 | BACS12GU3K7 | | SCREW | 011100 | 9 |
| 455 | AN960JD10L | | WASHER | 011100 | 9 |
| 456 | 214N2167-2 | | BRACKET | 011100 | 3 |
| 457 | 214N2179-27 | | PLENUM ASSY | 011100 | 1 |
| - 458 | CB2010CR3CRP | | NUTPLATE- SUPPLIER CODE: V66530 OPTIONAL PART: 214N2178-1 | 011100 | 9 |
| 459 | 214N2178-1 | | NUTPLATE ASSY- OPTIONAL PART: CB2010CR3CRP V66530 | 011100 | 9 |
| 460 | NS202541-3 | | NUTPLATE- SUPPLIER CODE: V80539 SPECIFICATION NUMBER: BACN10KA3BCD OPTIONAL PART: T8100C1032KCPM V11815 USED ON: 214N2178-1 | 011100 | 1 |

MISSING ITEM NUMBERS NOT APPLICABLE

- ITEM NOT ILLUSTRATED

BRI

21-23-01-13A

BOEING PROPRIETARY - Copyright © - Unpublished Work - See title page for details.

21-23-01
FIG. 13A
PAGE 12
JAN 20/09

 **BOEING**
757
PARTS CATALOG (MAINTENANCE)

| FIG ITEM | PART NUMBER | 1 2 3 4 5 6 7 | NOMENCLATURE | EFFECT FROM TO | UNITS PER ASSY |
|----------|----------------|---------------|--|----------------|----------------|
| 13A | | | ATTACHING PARTS | | |
| - 461 | BACR15CE3D | | RIVET- SIZE DETERMINED ON INSTL. -----*----- | 011100 | 2 |
| 462 | 214N2178-2 | | PLATE- USED ON: 214N2178-1 | 011100 | 1 |
| 463 | 214N2179-28 | | PLENUM | 011100 | 1 |
| 464 | 214N2124-11 | | PLATE-RESTRICTOR | 011100 | 1 |
| 468 | AS1506-08D21 | ... | HOSE | 011100 | 5 |
| 471 | 214T3436-601 | ... | ORIFICE ASSY- OPTIONAL PART: 214T3436-1831 | 011100 | 5 |
| 471 | 214T3436-1831 | ... | ORIFICE ASSY- OPTIONAL PART: 214T3436-601 | 011100 | 5 |
| 474 | 214N2177-13 | ... | DUCT ASSY | 011100 | 1 |
| 477 | 214N2177-45 | ... | DUCT ASSY | 011100 | 1 |
| 480 | 214N2180-18 | .. | DUCT ASSY | 011100 | 1 |
| 483 | BACS12GU3K7 | ... | SCREW | 011100 | 6 |
| 486 | NAS1149D0332J | ... | WASHER | 011100 | 6 |
| 489 | NAS1922-0200-3 | ... | CLAMP | 011100 | 8 |
| 492 | T012L0 | ... | STRAP SUPPLIER CODE: V53421 SPECIFICATION NUMBER: BACS38K6 | 011100 | 6 |
| 495 | 214N2168-1 | ... | BRACKET ASSY | 011100 | 2 |
| 498 | 214N2168-3 | ... | BRACKET ASSY | 011100 | 1 |
| 501 | SL8113-3 | | SHOCKMOUNT-ISOLATOR SUPPLIER CODE: V97393 SPECIFICATION NUMBER: S411T100-901 OPTIONAL PART: DE819 V71985 | 011100 | 2 |
| 501 | DE819 | | SHOCKMOUNT-ISOLATOR SUPPLIER CODE: V71985 SPECIFICATION NUMBER: S411T100-901 OPTIONAL PART: SL8113-3 V97393 | 011100 | 2 |
| - 502 | BACR15BA4D | | RIVET -----*----- | 011100 | 2 |
| 503 | 214N2167-1 | | BRACKET | 011100 | 1 |

MISSING ITEM NUMBERS NOT APPLICABLE

- ITEM NOT ILLUSTRATED

BRI

21-23-01-13A

21-23-01
FIG. 13A
PAGE 13
JAN 20/09

BOEING
757
PARTS CATALOG (MAINTENANCE)

| FIG ITEM | PART NUMBER | 1 2 3 4 5 6 7 | NOMENCLATURE | EFFECT FROM TO | UNITS PER ASSY |
|----------|----------------|---------------|---|----------------|----------------|
| 13A | | | | | |
| 504 | 214N2183-18 | ... | NOZZLE ASSY-PLENUM | 011100 | 1 |
| 505 | BACS12GU3K7 | | SCREW | 011100 | 9 |
| 506 | AN960JD10L | | WASHER | 011100 | 9 |
| 507 | 214N2167-2 | | BRACKET | 011100 | 3 |
| 508 | 214N2179-35 | | PLENUM ASSY | 011100 | 1 |
| - 509 | CB2010CR3CRP | | NUTPLATE- SUPPLIER CODE: V66530 OPTIONAL PART: 214N2178-1 | 011100 | 9 |
| 510 | 214N2178-1 | | NUTPLATE ASSY- OPTIONAL PART: CB2010CR3CRP V66530 | 011100 | 9 |
| 511 | NS202541-3 | | NUTPLATE- SUPPLIER CODE: V80539 SPECIFICATION NUMBER: BACN10KA3BCD OPTIONAL PART: T8100C1032KCPM V11815 USED ON: 214N2178-1 ATTACHING PARTS | 011100 | 1 |
| - 512 | BACR15CE3D | | RIVET- SIZE DETERMINED ON INSTL. -----*----- | 011100 | 2 |
| 513 | 214N2178-2 | | PLATE- USED ON: 214N2178-1 | 011100 | 1 |
| 514 | 214N2179-36 | | PLENUM | 011100 | 1 |
| 515 | 214N2124-21 | | PLATE-RESTRICTOR | 011100 | 1 |
| 519 | AS1506-08D21 | ... | HOSE | 011100 | 4 |
| 522 | 214T3436-601 | ... | ORIFICE ASSY- OPTIONAL PART: 214T3436-1831 | 011100 | 4 |
| 522 | 214T3436-1831 | ... | ORIFICE ASSY- OPTIONAL PART: 214T3436-601 | 011100 | 4 |
| 525 | 214N2177-51 | ... | DUCT ASSY | 011100 | 1 |
| 528 | 214N2177-53 | ... | DUCT ASSY | 011100 | 1 |
| 531 | 214N2180-22 | .. | DUCT ASSY | 011100 | 1 |
| 534 | BACS12GU3K7 | ... | SCREW | 011100 | 6 |
| 537 | NAS1149D0332J | ... | WASHER | 011100 | 6 |
| 540 | 214N2184-1 | ... | SPACER | 011100 | 3 |
| 543 | NAS1922-0200-3 | ... | CLAMP | 011100 | 6 |

MISSING ITEM NUMBERS NOT APPLICABLE

- ITEM NOT ILLUSTRATED

21-23-01-13A

21-23-01
FIG. 13A
PAGE 14
JAN 20/09

BRI

BOEING PROPRIETARY - Copyright © - Unpublished Work - See title page for details.



757

PARTS CATALOG (MAINTENANCE)

| FIG ITEM | PART NUMBER | 1 2 3 4 5 6 7 | NOMENCLATURE | EFFECT FROM TO | UNITS PER ASSY |
|------------|--------------|---------------|---|----------------|----------------|
| 13A 546 | T012L0 | ... | STRAP SUPPLIER CODE: V53421 SPECIFICATION NUMBER: BACS38K6 | 011100 | 6 |
| 549 | 214N2168-1 | ... | BRACKET ASSY | 011100 | 2 |
| 552 | 214N2168-3 | ... | BRACKET ASSY | 011100 | 1 |
| 555 | SL8113-3 | | SHOCKMOUNT-ISOLATOR SUPPLIER CODE: V97393 SPECIFICATION NUMBER: S411T100-901 OPTIONAL PART: DE819 V71985 | 011100 | 2 |
| 555 | DE819 | | SHOCKMOUNT-ISOLATOR SUPPLIER CODE: V71985 SPECIFICATION NUMBER: S411T100-901 OPTIONAL PART: SL8113-3 V97393 ATTACHING PARTS | 011100 | 2 |
| - 556 | BACR15BA4D | | RIVET -----*----- | 011100 | 2 |
| 557 | 214N2167-1 | | BRACKET | 011100 | 1 |
| 558 | 214N2183-22 | ... | NOZZLE ASSY-PLENUM | 011100 | 1 |
| 559 | BACS12GU3K7 | | SCREW | 011100 | 9 |
| 560 | AN960JD10L | | WASHER | 011100 | 9 |
| 561 | 214N2167-2 | | BRACKET | 011100 | 3 |
| 562 | 214N2179-43 | | PLENUM ASSY | 011100 | 1 |
| - 563 | CB2010CR3CRP | | NUTPLATE- SUPPLIER CODE: V66530 OPTIONAL PART: 214N2178-1 | 011100 | 9 |
| 564 | 214N2178-1 | | NUTPLATE ASSY- OPTIONAL PART: CB2010CR3CRP V66530 | 011100 | 9 |

MISSING ITEM NUMBERS NOT APPLICABLE

- ITEM NOT ILLUSTRATED

21-23-01-13A

21-23-01
FIG. 13A
PAGE 15
JAN 20/09

BRI

 **BOEING**
757
PARTS CATALOG (MAINTENANCE)

| FIG ITEM | PART NUMBER | 1 2 3 4 5 6 7 | NOMENCLATURE | EFFECT FROM TO | UNITS PER ASSY |
|------------|----------------|---------------|---|----------------|----------------|
| 13A 565 | NS202541-3 | | NUTPLATE- SUPPLIER CODE: V80539 SPECIFICATION NUMBER: BACN10KA3BCD OPTIONAL PART: T8100C1032KCPM V11815 USED ON: 214N2178-1 ATTACHING PARTS | 011100 | 1 |
| - 566 | BACR15CE3D | | RIVET- SIZE DETERMINED ON INSTL. -----*----- | 011100 | 2 |
| 567 | 214N2178-2 | | PLATE- USED ON: 214N2178-1 | 011100 | 1 |
| 568 | 214N2179-44 | | PLENUM | 011100 | 1 |
| 569 | 214N2124-24 | | PLATE-RESTRICTOR | 011100 | 1 |
| 573 | AS1506-08D40 | ... | HOSE | 011100 | 3 |
| 576 | 214T3436-1552 | ... | ORIFICE ASSY- OPTIONAL PART: 214T3436-1840 | 011100 | 3 |
| 576 | 214T3436-1840 | ... | ORIFICE ASSY- OPTIONAL PART: 214T3436-1552 | 011100 | 3 |
| 579 | 214N2177-57 | ... | DUCT ASSY | 011100 | 1 |
| 582 | 214N2177-59 | ... | DUCT ASSY | 011100 | 1 |
| 585 | 214N2180-24 | .. | DUCT ASSY | 011100 | 1 |
| 588 | BACS12GU3K7 | ... | SCREW | 011100 | 6 |
| 591 | NAS1149D0332J | ... | WASHER | 011100 | 6 |
| 594 | NAS1922-0200-3 | ... | CLAMP | 011100 | 10 |
| 597 | T012L0 | ... | STRAP SUPPLIER CODE: V53421 SPECIFICATION NUMBER: BACS38K6 | 011100 | 3 |
| 600 | 214N2168-1 | ... | BRACKET ASSY | 011100 | 2 |
| 603 | 214N2168-3 | ... | BRACKET ASSY | 011100 | 1 |
| 606 | SL8113-3 | | SHOCKMOUNT-ISOLATOR SUPPLIER CODE: V97393 SPECIFICATION NUMBER: S411T100-901 OPTIONAL PART: DE819 V71985 | 011100 | 2 |

MISSING ITEM NUMBERS NOT APPLICABLE

- ITEM NOT ILLUSTRATED

BRI

21-23-01-13A

BOEING PROPRIETARY - Copyright © - Unpublished Work - See title page for details.

21-23-01
FIG. 13A
PAGE 16
JAN 20/09



757

PARTS CATALOG (MAINTENANCE)

| FIG ITEM | PART NUMBER | 1 2 3 4 5 6 7 | NOMENCLATURE | EFFECT FROM TO | UNITS PER ASSY |
|------------|--------------|---------------|---|----------------|----------------|
| 13A 606 | DE819 | | SHOCKMOUNT-ISOLATOR SUPPLIER CODE: V71985 SPECIFICATION NUMBER: S411T100-901 OPTIONAL PART: SL8113-3 V97393 ATTACHING PARTS | 011100 | 2 |
| - 607 | BACR15BA4D | | RIVET -----*----- | 011100 | 2 |
| 608 | 214N2167-1 | | BRACKET | 011100 | 1 |
| 609 | 214N2183-24 | | NOZZLE ASSY-PLENUM | 011100 | 1 |
| 610 | BACS12GU3K7 | | SCREW | 011100 | 9 |
| 611 | AN960JD10L | | WASHER | 011100 | 9 |
| 612 | 214N2167-2 | | BRACKET | 011100 | 3 |
| 613 | 214N2179-47 | | PLENUM ASSY | 011100 | 1 |
| - 614 | CB2010CR3CRP | | NUTPLATE- SUPPLIER CODE: V66530 OPTIONAL PART: 214N2178-1 | 011100 | 9 |
| 615 | 214N2178-1 | | NUTPLATE ASSY- OPTIONAL PART: CB2010CR3CRP V66530 | 011100 | 9 |
| 616 | NS202541-3 | | NUTPLATE- SUPPLIER CODE: V80539 SPECIFICATION NUMBER: BACN10KA3BCD OPTIONAL PART: T8100C1032KCPM V11815 USED ON: 214N2178-1 ATTACHING PARTS | 011100 | 1 |
| - 617 | BACR15CE3D | | RIVET- SIZE DETERMINED ON INSTL. -----*----- | 011100 | 2 |
| 618 | 214N2178-2 | | PLATE- USED ON: 214N2178-1 | 011100 | 1 |
| 619 | 214N2179-48 | | PLENUM | 011100 | 1 |
| 620 | 214N2124-19 | | PLATE-RESTRICTOR | 011100 | 1 |
| 627 | AS1506-08D21 | | HOSE | 011100 | 5 |
| 630 | 214T3436-601 | | ORIFICE ASSY- OPTIONAL PART: 214T3436-1831 | 011100 | 5 |

MISSING ITEM NUMBERS NOT APPLICABLE

- ITEM NOT ILLUSTRATED

21-23-01-13A

21-23-01
FIG. 13A
PAGE 17
JAN 20/09

BRI



757

PARTS CATALOG (MAINTENANCE)

| FIG ITEM | PART NUMBER | 1 2 3 4 5 6 7 | NOMENCLATURE | EFFECT FROM TO | UNITS PER ASSY |
|------------|----------------|---------------|--|----------------|----------------|
| 13A 630 | 214T3436-1831 | ... | ORIFICE ASSY- OPTIONAL PART: 214T3436-601 | 011100 | 5 |
| 633 | 214N2177-67 | ... | DUCT ASSY | 011100 | 1 |
| 636 | 214N2180-10 | .. | DUCT ASSY | 011100 | 1 |
| 639 | BACS12GU3K7 | ... | SCREW | 011100 | 6 |
| 642 | NAS1149D0332J | ... | WASHER | 011100 | 6 |
| 645 | 214N2184-1 | ... | SPACER | 011100 | 3 |
| 648 | NAS1922-0200-3 | ... | CLAMP | 011100 | 6 |
| 651 | T012L0 | ... | STRAP SUPPLIER CODE: V53421 SPECIFICATION NUMBER: BACS38K6 | 011100 | 3 |
| 654 | 214N2168-1 | ... | BRACKET ASSY | 011100 | 2 |
| 657 | 214N2168-3 | ... | BRACKET ASSY | 011100 | 1 |
| 660 | SL8113-3 | | SHOCKMOUNT-ISOLATOR SUPPLIER CODE: V97393 SPECIFICATION NUMBER: S411T100-901 OPTIONAL PART: DE819 V71985 | 011100 | 2 |
| 660 | DE819 | | SHOCKMOUNT-ISOLATOR SUPPLIER CODE: V71985 SPECIFICATION NUMBER: S411T100-901 OPTIONAL PART: SL8113-3 V97393 | 011100 | 2 |
| - 661 | BACR15BA4D | | RIVET -----*----- | 011100 | 2 |
| 662 | 214N2167-1 | | BRACKET | 011100 | 1 |
| 663 | 214N2183-10 | ... | NOZZLE ASSY | 011100 | 1 |
| 664 | BACS12GU3K7 | | SCREW | 011100 | 9 |
| 665 | AN960JD10L | | WASHER | 011100 | 9 |
| 666 | 214N2167-2 | | BRACKET | 011100 | 3 |
| 667 | 214N2179-19 | | PLENUM ASSY | 011100 | 1 |
| - 668 | CB2010CR3CRP | | NUTPLATE- SUPPLIER CODE: V66530 OPTIONAL PART: 214N2178-1 | 011100 | 9 |

MISSING ITEM NUMBERS NOT APPLICABLE

- ITEM NOT ILLUSTRATED

21-23-01-13A

21-23-01
FIG. 13A
PAGE 18
JAN 20/09

BRI

 **BOEING**
757
PARTS CATALOG (MAINTENANCE)

| FIG ITEM | PART NUMBER | 1 2 3 4 5 6 7 | NOMENCLATURE | EFFECT FROM TO | UNITS PER ASSY |
|------------|---------------|---------------|---|----------------|----------------|
| 13A 669 | 214N2178-1 | | NUTPLATE ASSY- OPTIONAL PART: CB2010CR3CRP V66530 | 011100 | 9 |
| 670 | NS202541-3 | | NUTPLATE- SUPPLIER CODE: V80539 SPECIFICATION NUMBER: BACN10KA3BCD OPTIONAL PART: T8100C1032KCPM V11815 USED ON: 214N2178-1 ATTACHING PARTS | 011100 | 1 |
| - 671 | BACR15CE3D | | RIVET- SIZE DETERMINED ON INSTL. -----*----- | 011100 | 2 |
| 672 | 214N2178-2 | | PLATE- USED ON: 214N2178-1 | 011100 | 1 |
| 673 | 214N2179-20 | | PLENUM | 011100 | 1 |
| 674 | 214N2124-15 | | PLATE-RESTRICTOR | 011100 | 1 |
| 678 | AS1506-08D40 | ... | HOSE | 011100 | 3 |
| 681 | 214T3436-1552 | ... | ORIFICE ASSY- OPTIONAL PART: 214T3436-1840 | 011100 | 3 |
| 681 | 214T3436-1840 | ... | ORIFICE ASSY- OPTIONAL PART: 214T3436-1552 | 011100 | 3 |
| 684 | 214N2177-21 | ... | DUCT ASSY | 011100 | 1 |
| - 687 | 214N2164-1 | ... | REDUCER | 011100 | 1 |
| 690 | 214N2186-5 | .DUCT | DUCT ASSY | 011100 | 1 |
| 693 | 214N2165-4 | .DUCT | DUCT | 011100 | 1 |
| 696 | 214N2166-1 | .DUCT- | DUCT- OPTIONAL PART: 214N2166-2 | 011100 | 4 |
| 696 | 214N2166-2 | .DUCT- | DUCT- OPTIONAL PART: 214N2166-1 | 011100 | 4 |
| 699 | 214N2177-23 | .DUCT | DUCT ASSY | 011100 | 1 |
| 702 | 214N2177-71 | .DUCT | DUCT ASSY | 011100 | 1 |
| 705 | 214N2177-81 | .DUCT | DUCT ASSY | 011100 | 1 |
| 708 | 214N2135-1 | .BRACKET | BRACKET ASSY | 011100 | 2 |

MISSING ITEM NUMBERS NOT APPLICABLE

- ITEM NOT ILLUSTRATED

21-23-01-13A

21-23-01
FIG. 13A
PAGE 19
JAN 20/09

BRI

BOEING PROPRIETARY - Copyright © - Unpublished Work - See title page for details.



757

PARTS CATALOG (MAINTENANCE)

| FIG ITEM | PART NUMBER | 1 2 3 4 5 6 7 | NOMENCLATURE | EFFECT FROM TO | UNITS PER ASSY |
|------------|-------------|---------------|---|----------------|----------------|
| 13A 711 | DE820 | | ..MOUNT-ISOLATOR SUPPLIER CODE: V71985 SPECIFICATION NUMBER: S411T100-107 OPTIONAL PART: DE786 V71985 ATTACHING PARTS | 011100 | 1 |
| - 714 | BACR15BA3D | | ..RIVET- SIZE DETERMINED ON INSTL. -----*----- | 011100 | 2 |
| 717 | 214N2135-2 | | ..BRACKET | 011100 | 1 |
| 720 | 701114-1 | | .CAP- SUPPLIER CODE: V99212 | 011100 | 1 |

MISSING ITEM NUMBERS NOT APPLICABLE

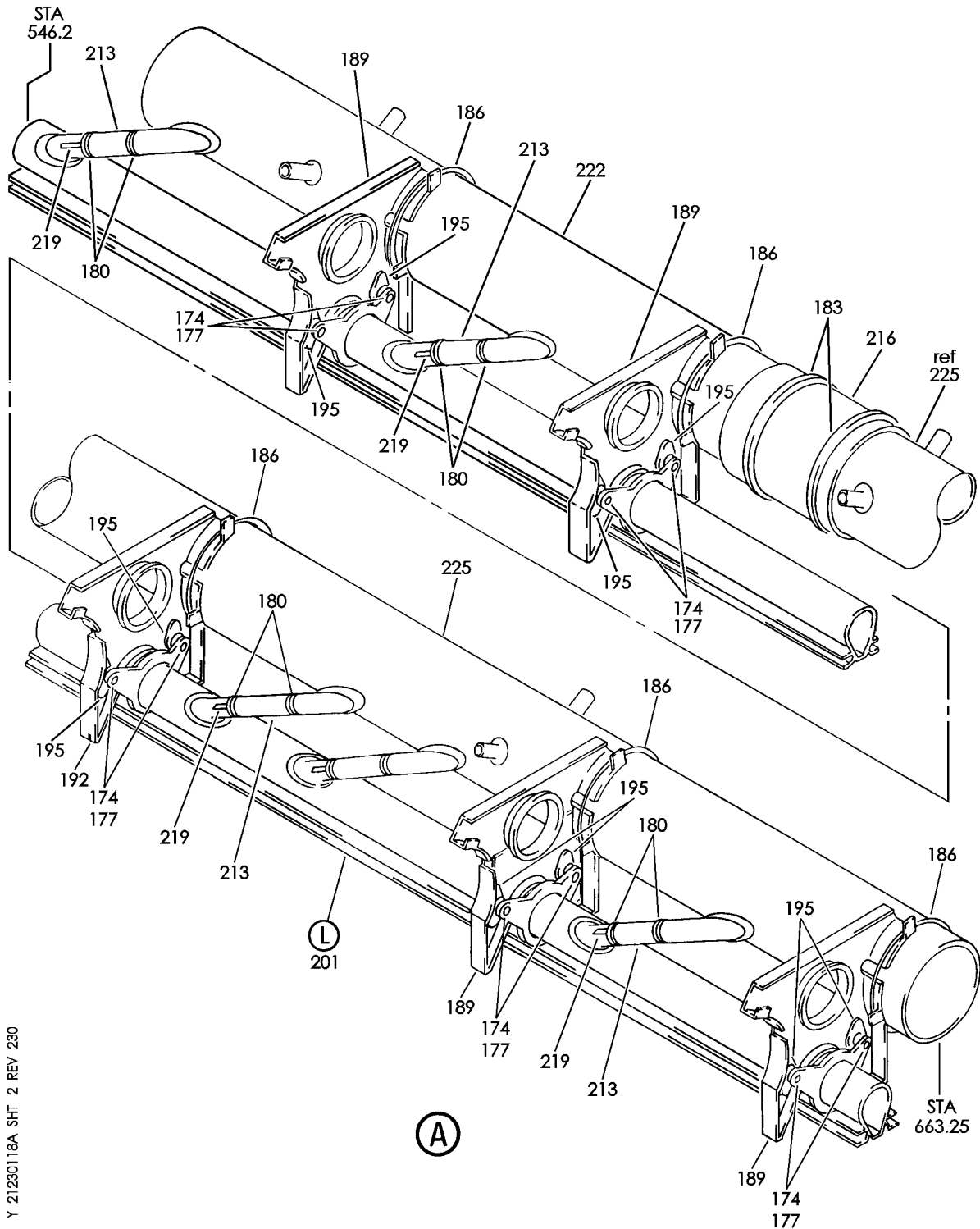
- ITEM NOT ILLUSTRATED

21-23-01-13A

21-23-01
FIG. 13A
PAGE 20
JAN 20/09

BRI

BOEING
757
PARTS CATALOG (MAINTENANCE)



Y 21230118A SHT 2 REV 230

DUCT INSTL-OVERHEAD AIR DISTR SYS
FIGURE 18A (SHEET 2)

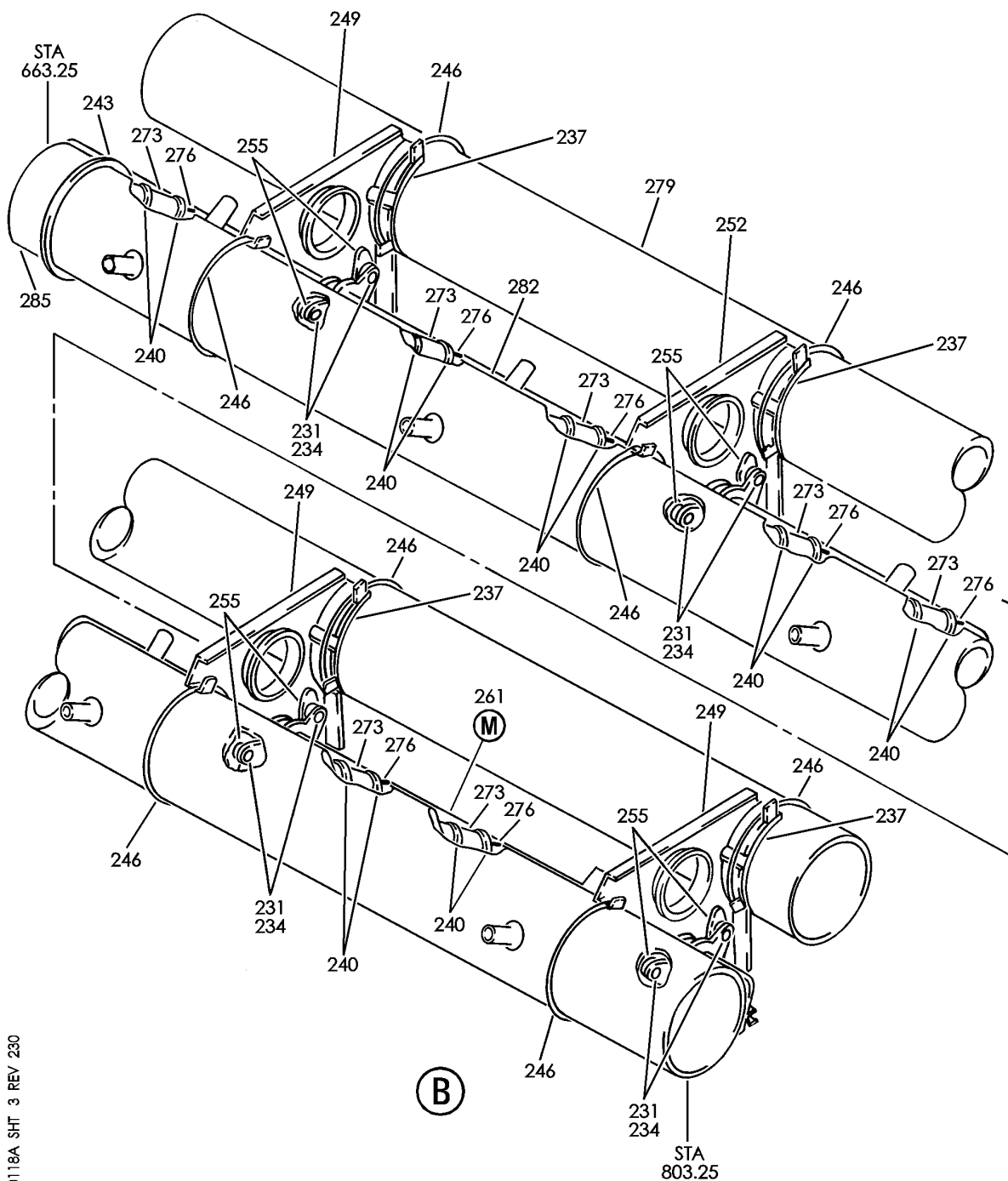
21-23-01-18A

BRI
MAY 28/07

21-23-01-18A
PAGE 0A



757
PARTS CATALOG (MAINTENANCE)



Y 21230118A SHT 3 REV 230

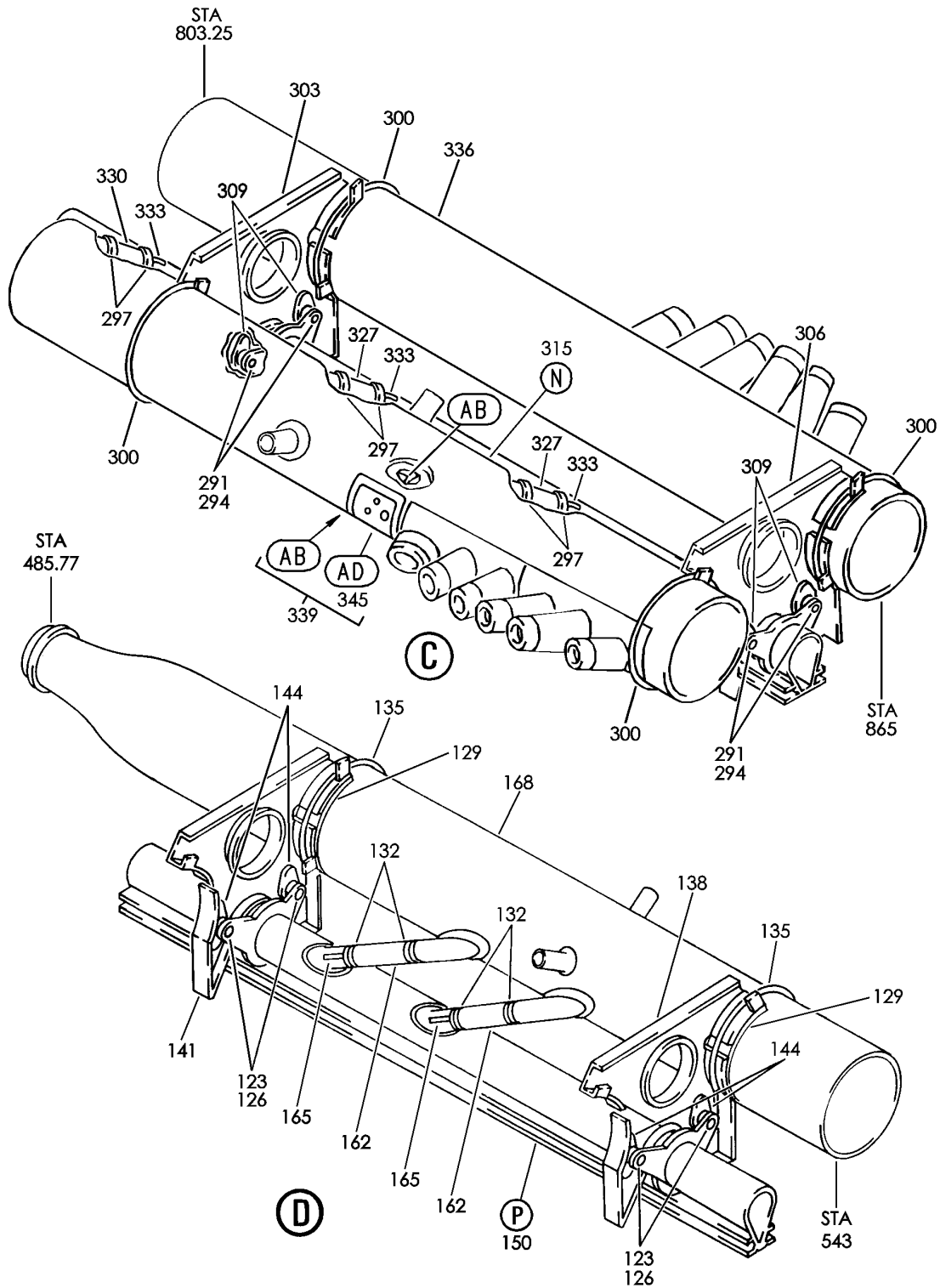
DUCT INSTL-OVERHEAD AIR DISTR SYS
 FIGURE 18A (SHEET 3)

21-23-01-18A

BRI
 MAY 28/07

21-23-01-18A
 PAGE 0B

BOEING
757
PARTS CATALOG (MAINTENANCE)



Y 21230118A SHT 4 REV 230

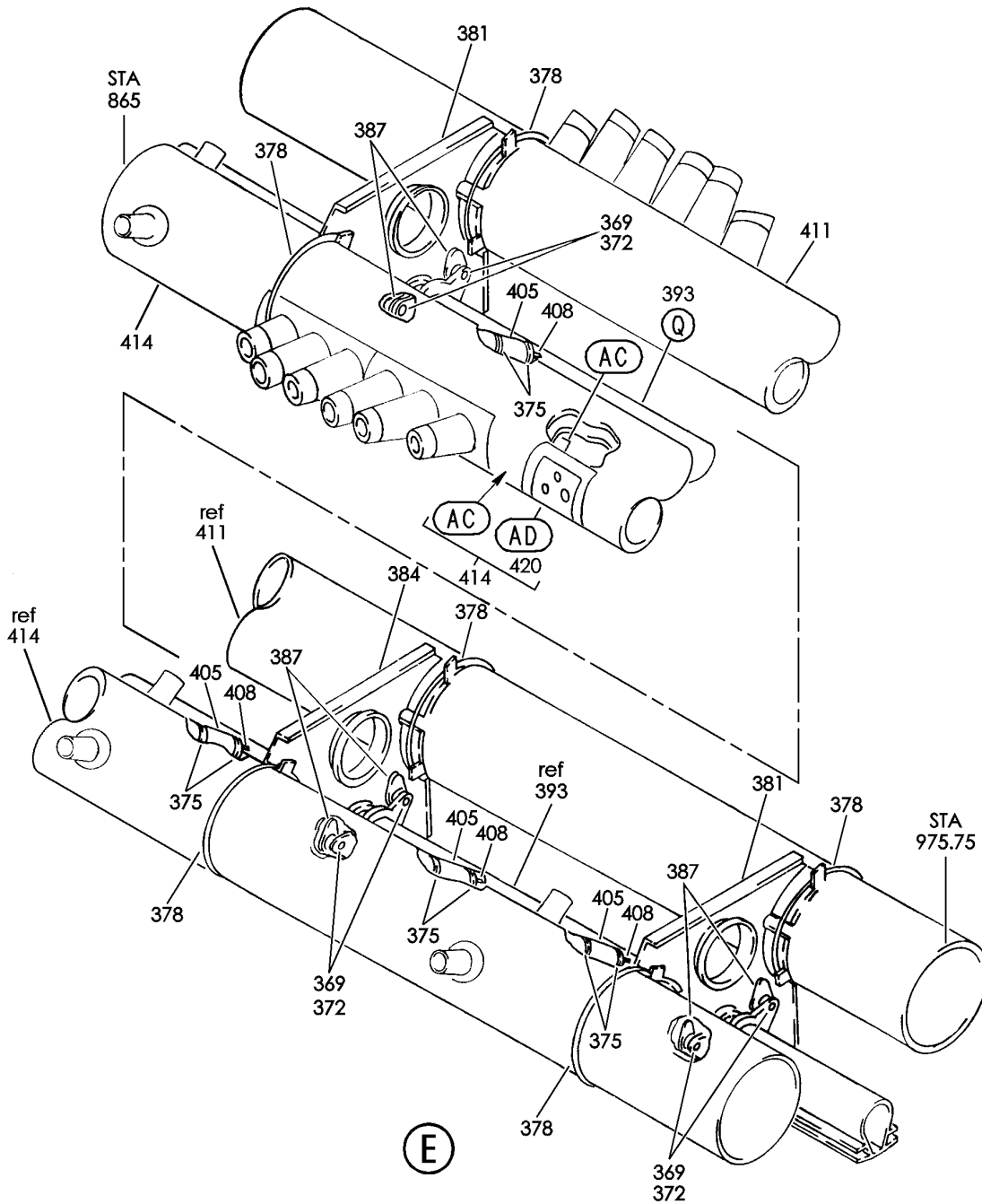
DUCT INSTL-OVERHEAD AIR DISTR SYS
FIGURE 18A (SHEET 4)

21-23-01-18A

BRI
MAY 28/07

21-23-01-18A
PAGE 0C

BOEING
757
PARTS CATALOG (MAINTENANCE)



Y 21230118A SHT 5 REV 230

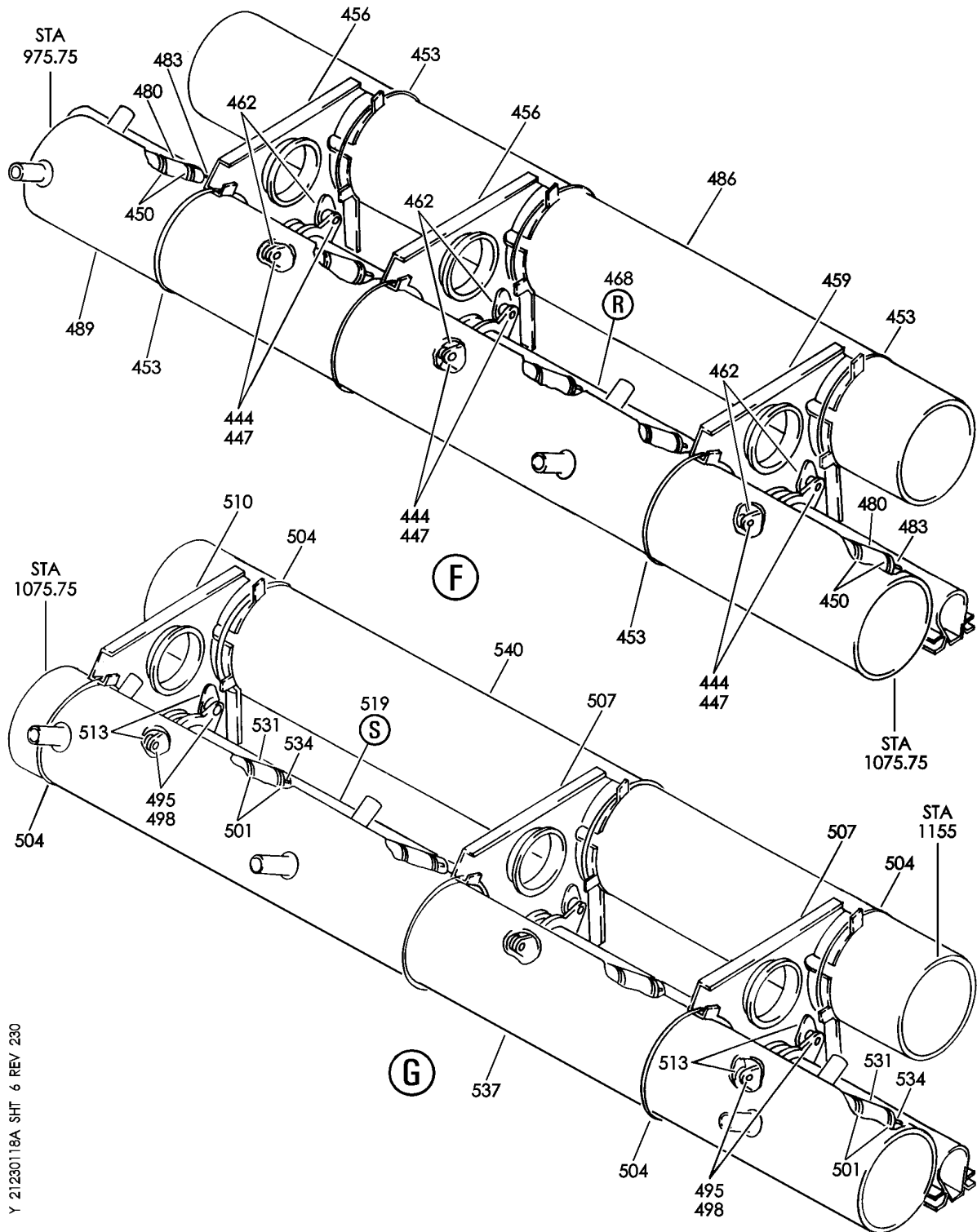
DUCT INSTL-OVERHEAD AIR DISTR SYS
FIGURE 18A (SHEET 5)

21-23-01-18A

BRI
MAY 28/07

21-23-01-18A
PAGE 0D

BOEING
757
PARTS CATALOG (MAINTENANCE)



Y 21230118A SHT 6 REV 230

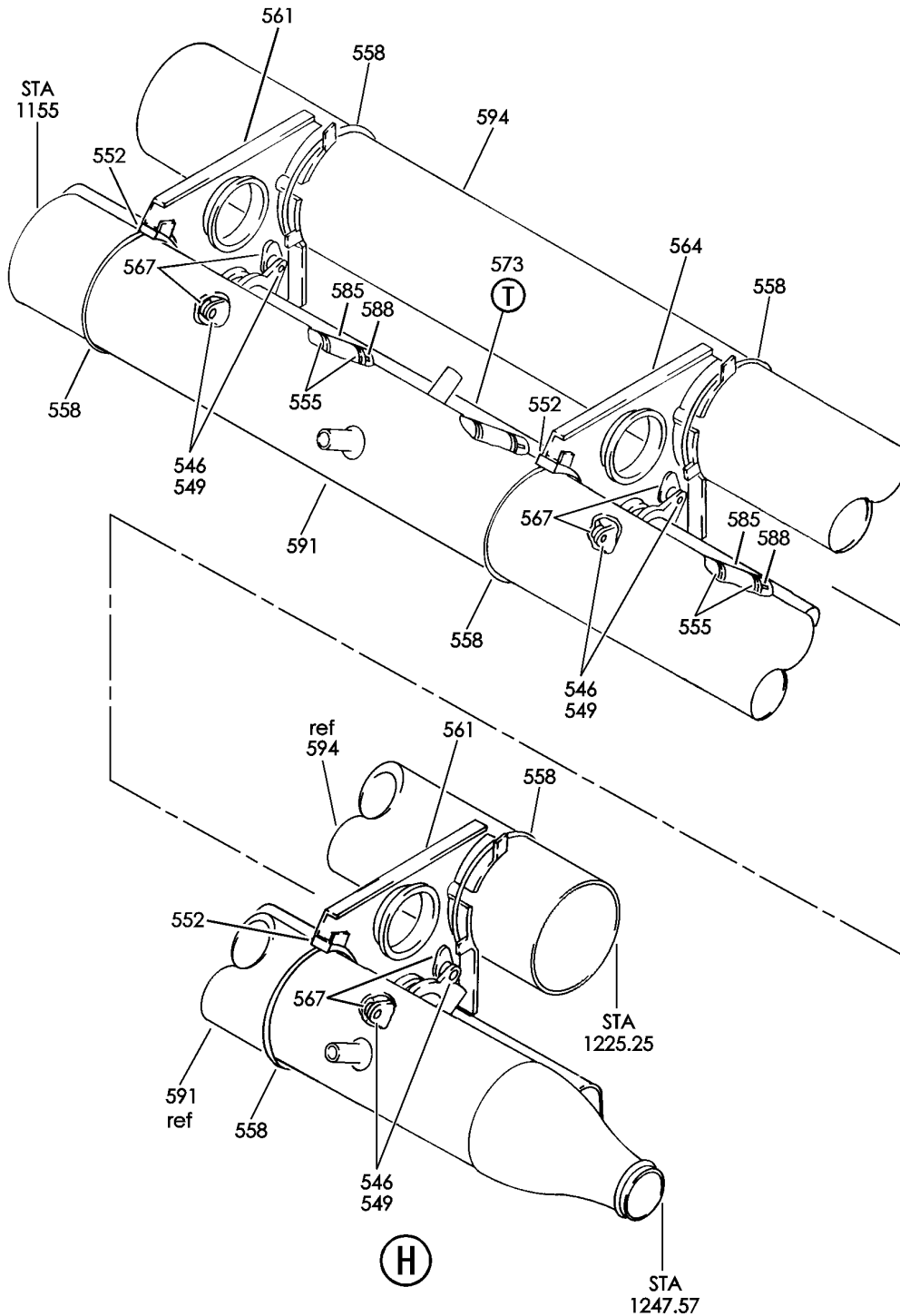
DUCT INSTL-OVERHEAD AIR DISTR SYS
FIGURE 18A (SHEET 6)

21-23-01-18A

BRI
MAY 28/07

21-23-01-18A
PAGE 0E

BOEING
757
PARTS CATALOG (MAINTENANCE)



Y 21230118A SHT 7 REV 230

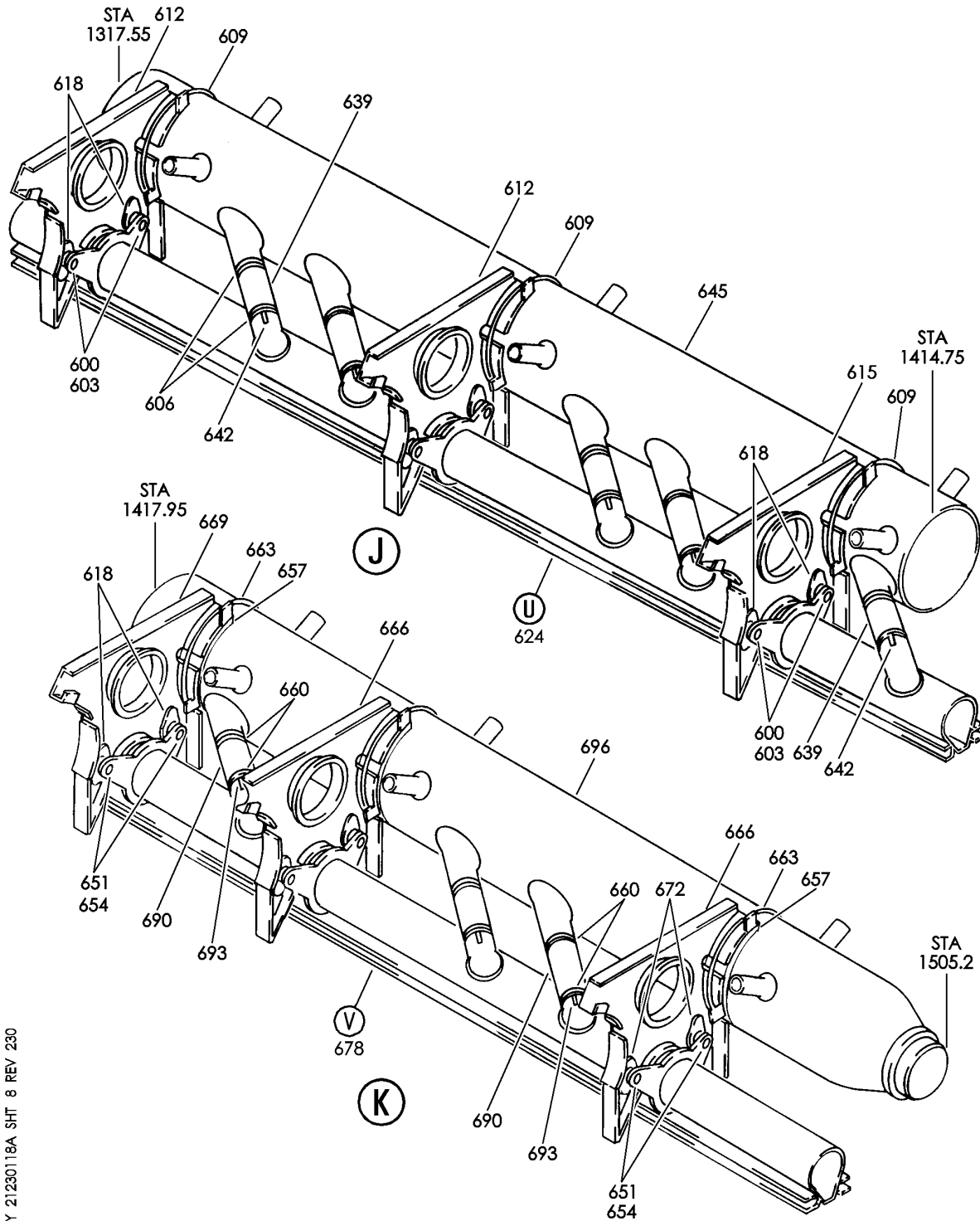
DUCT INSTL-OVERHEAD AIR DISTR SYS
FIGURE 18A (SHEET 7)

21-23-01-18A

BRI
MAY 28/07

21-23-01-18A
PAGE OF

BOEING
757
PARTS CATALOG (MAINTENANCE)



Y 21230118A SHT 8 REV 230

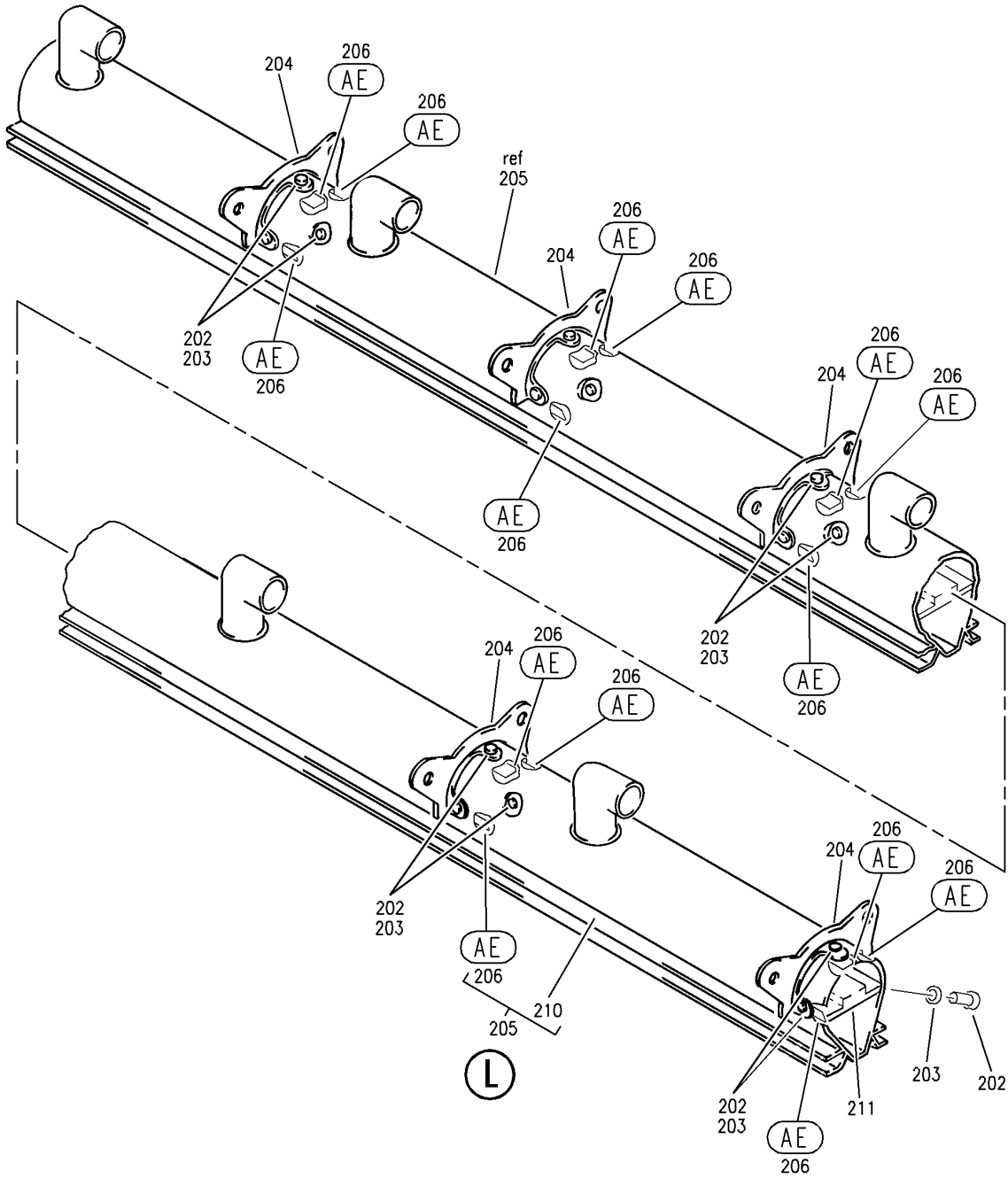
DUCT INSTL-OVERHEAD AIR DISTR SYS
FIGURE 18A (SHEET 8)

21-23-01-18A

BRI
MAY 28/07

21-23-01-18A
PAGE 0G

BOEING
757
PARTS CATALOG (MAINTENANCE)



Y 21230118A SH 9 REV 233

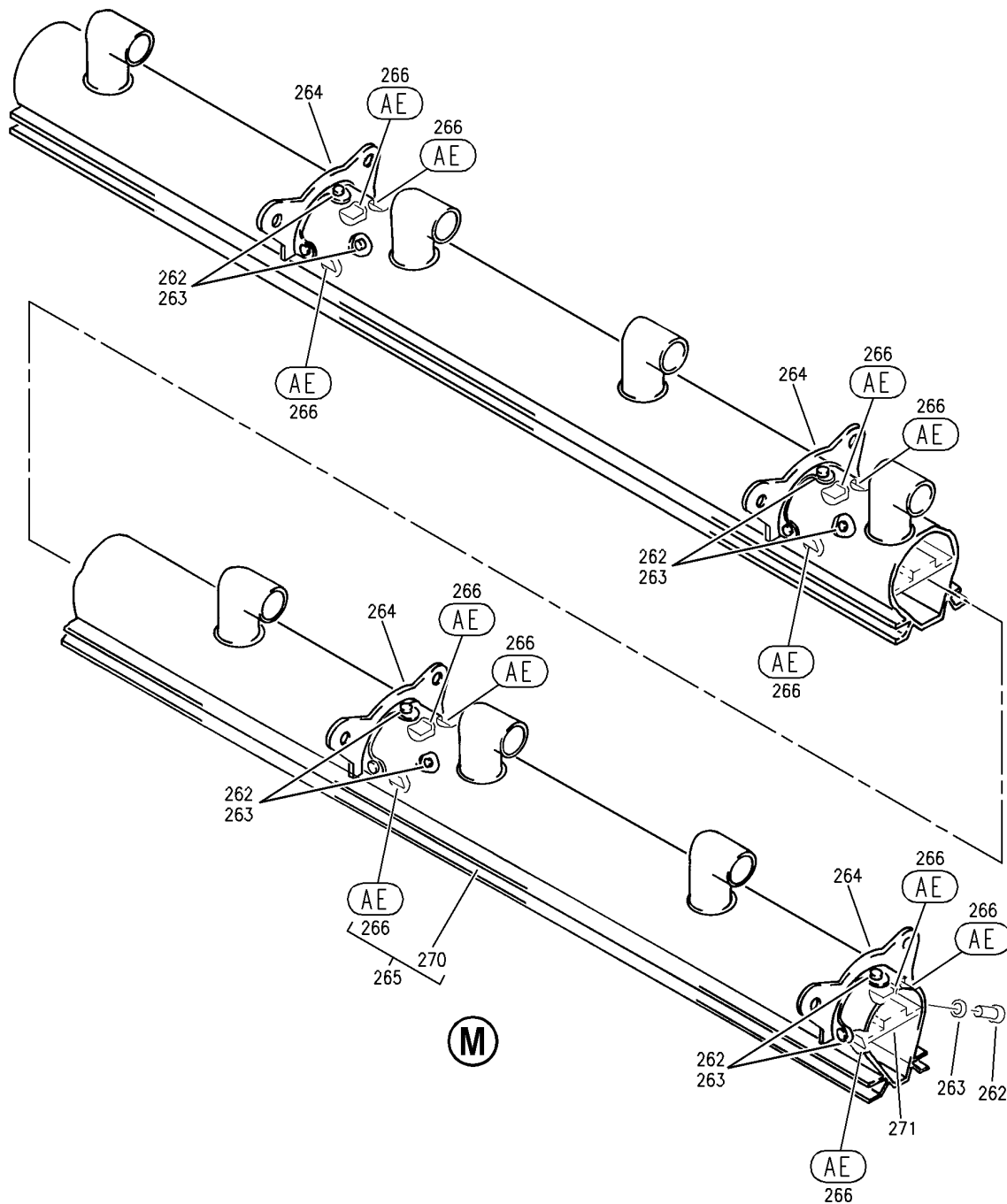
DUCT INSTL-OVERHEAD AIR DISTR SYS
FIGURE 18A (SHEET 9)

21-23-01-18A

BRI
MAY 28/07

21-23-01-18A
PAGE 0H

BOEING
757
PARTS CATALOG (MAINTENANCE)



Y 21230118A SHT 10 REV 233

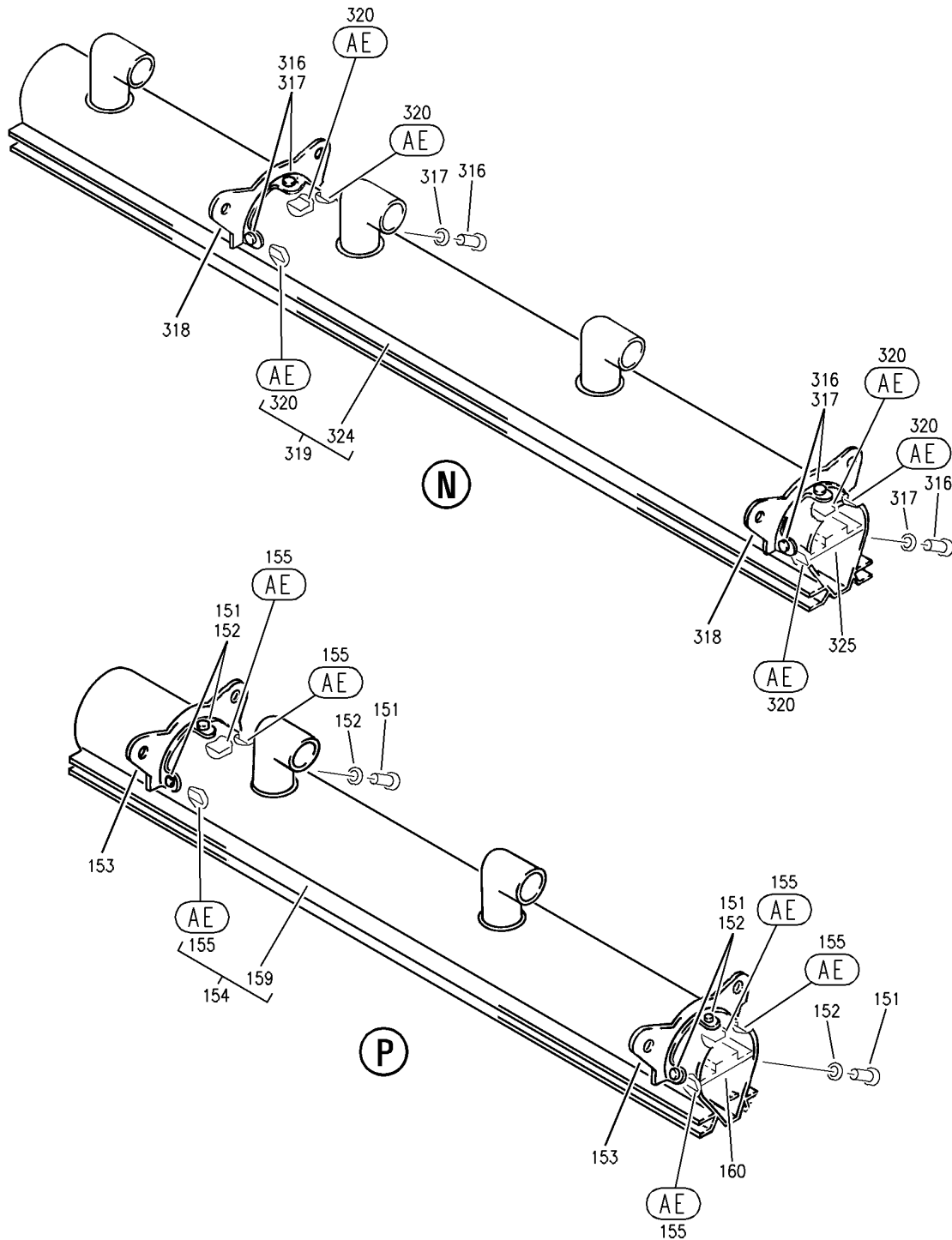
DUCT INSTL-OVERHEAD AIR DISTR SYS
FIGURE 18A (SHEET 10)

21-23-01-18A

BRI
MAY 28/07

21-23-01-18A
PAGE 01

BOEING
757
PARTS CATALOG (MAINTENANCE)



Y 21230118A SHT 11 REV 233

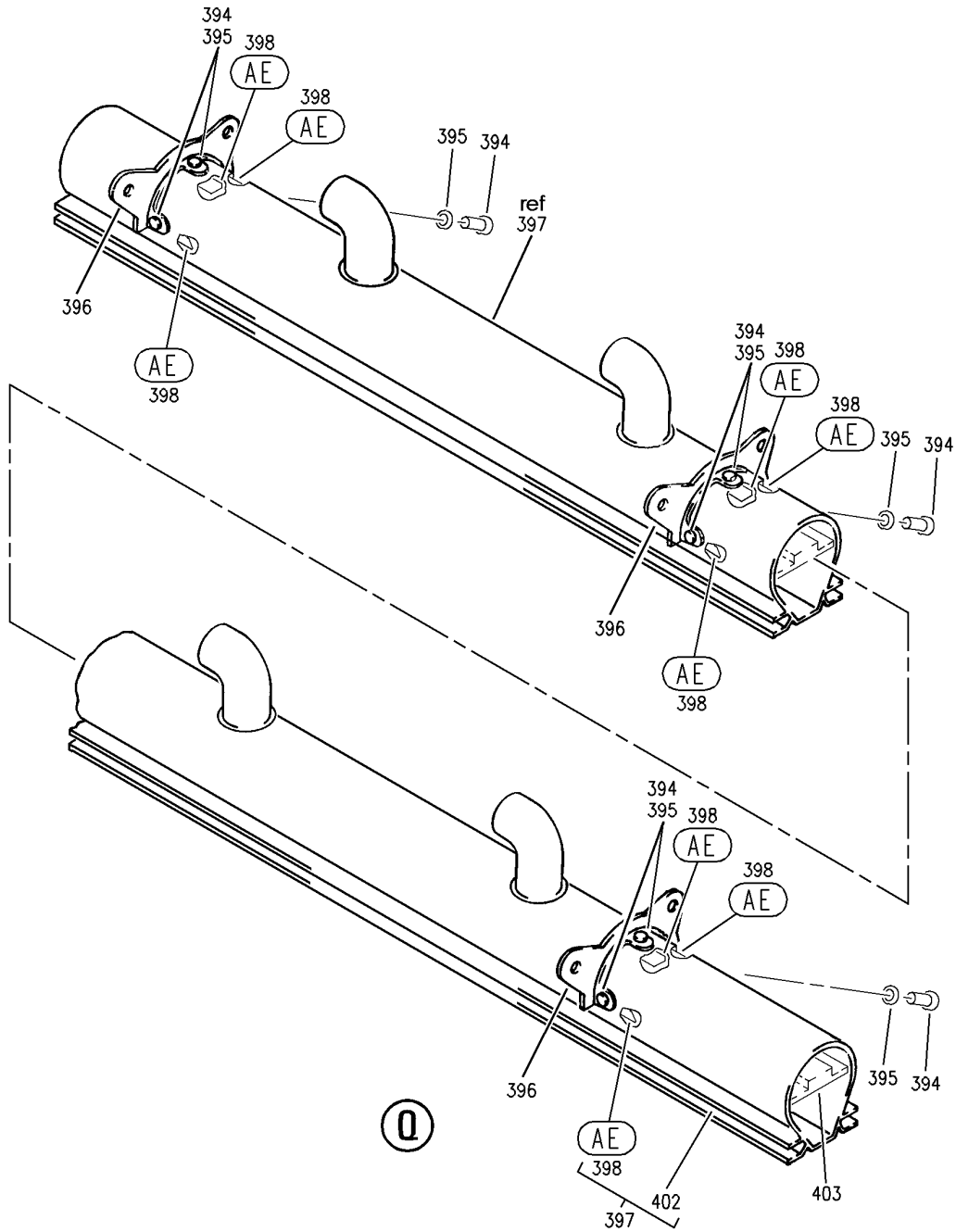
DUCT INSTL-OVERHEAD AIR DISTR SYS
FIGURE 18A (SHEET 11)

21-23-01-18A

BRI
MAY 28/07

21-23-01-18A
PAGE 0J

BOEING
757
PARTS CATALOG (MAINTENANCE)



Y 21230118A SHT 12 REV 233

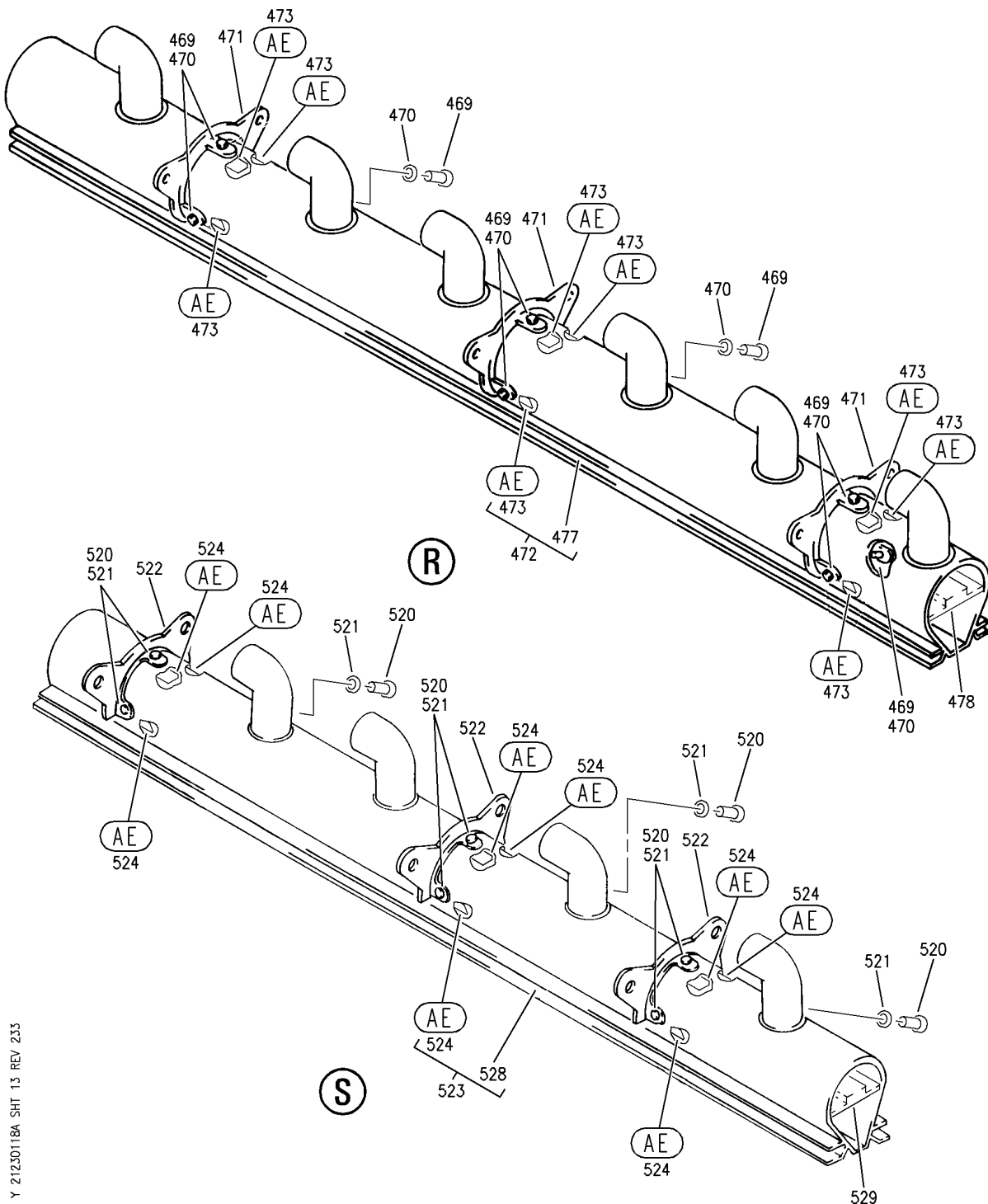
DUCT INSTL-OVERHEAD AIR DISTR SYS
FIGURE 18A (SHEET 12)

21-23-01-18A

BRI
MAY 28/07

21-23-01-18A
PAGE OK

BOEING
757
PARTS CATALOG (MAINTENANCE)



Y 21230118A SHT 13 REV 235

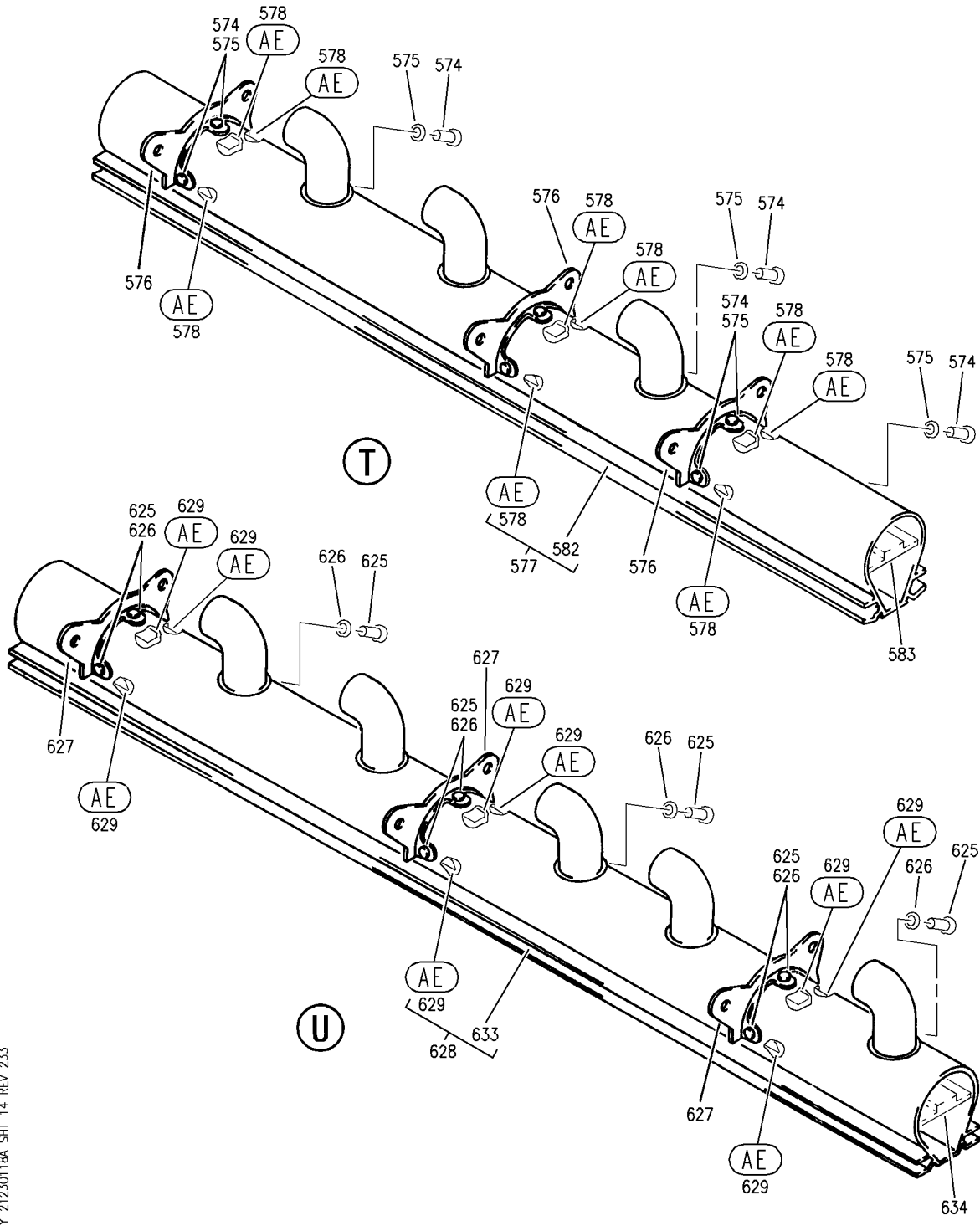
DUCT INSTL-OVERHEAD AIR DISTR SYS
FIGURE 18A (SHEET 13)

21-23-01-18A

BRI
MAY 28/07

21-23-01-18A
PAGE 01

BOEING
757
PARTS CATALOG (MAINTENANCE)



Y 21230118A SHT 14 REV 233

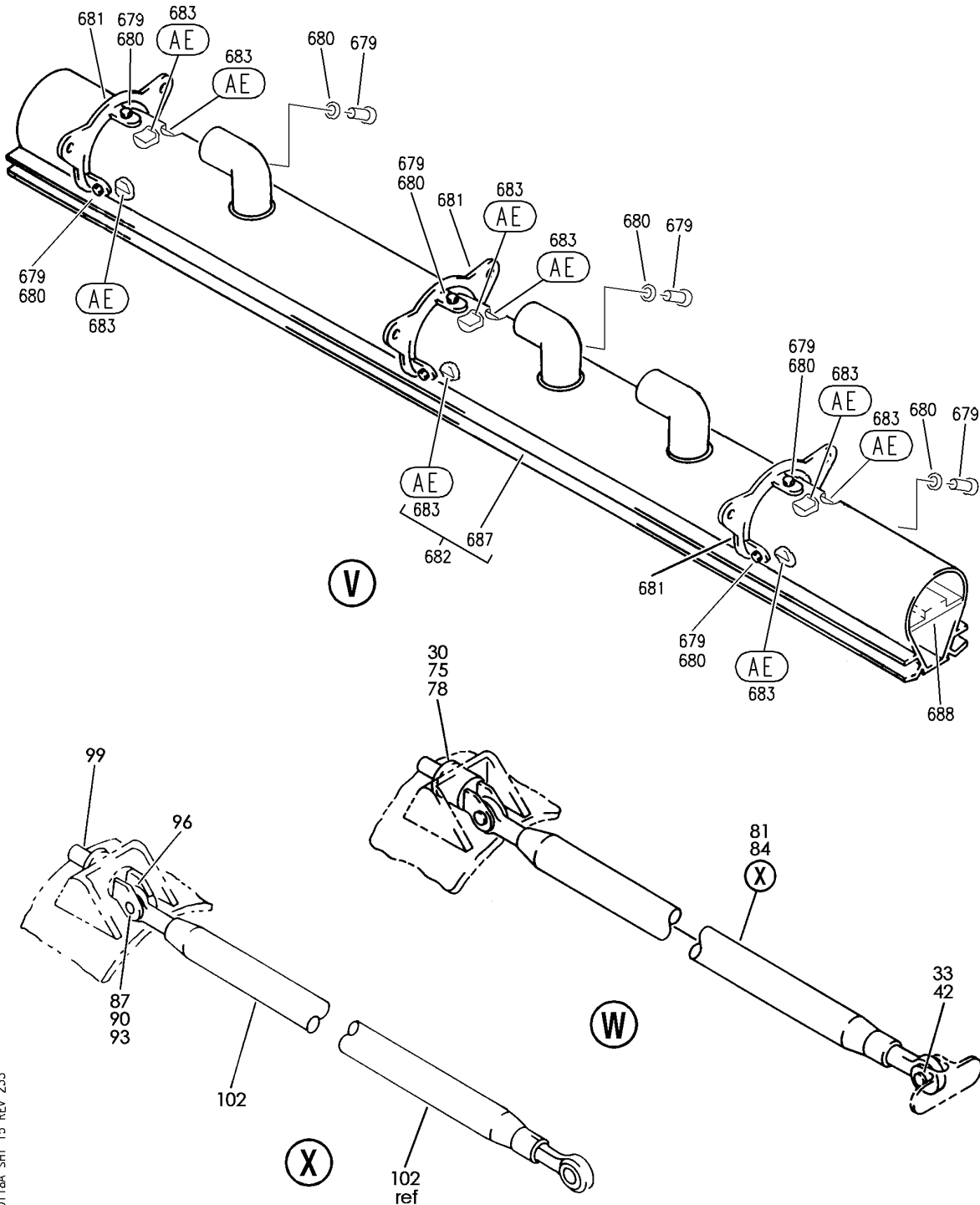
DUCT INSTL-OVERHEAD AIR DISTR SYS
FIGURE 18A (SHEET 14)

21-23-01-18A

BRI
MAY 28/07

21-23-01-18A
PAGE 0M

BOEING
757
PARTS CATALOG (MAINTENANCE)



Y 21230118A SHT 15 REV 233

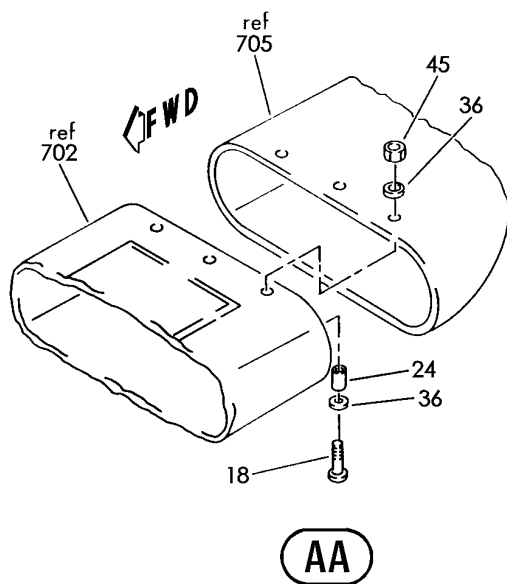
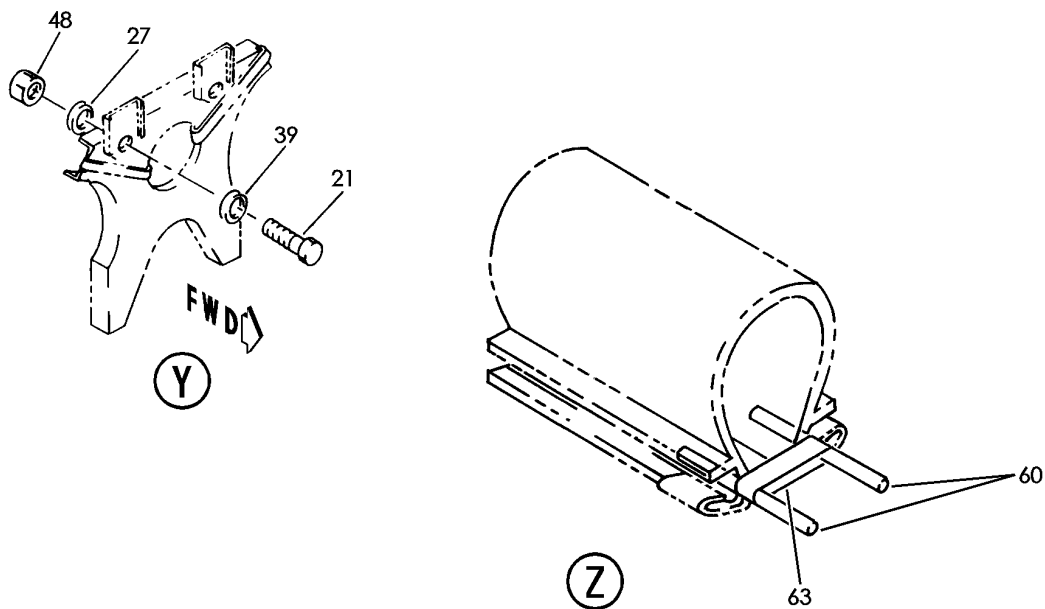
DUCT INSTL-OVERHEAD AIR DISTR SYS
FIGURE 18A (SHEET 15)

21-23-01-18A

BRI
MAY 28/07

21-23-01-18A
PAGE ON

BOEING
757
PARTS CATALOG (MAINTENANCE)



Y 21230118A SHT 16 REV 230

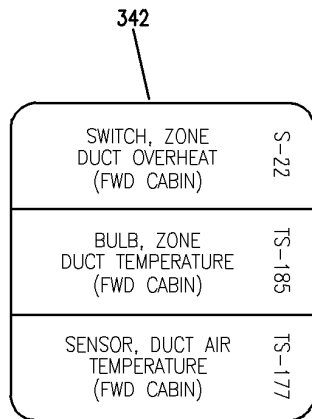
DUCT INSTL-OVERHEAD AIR DISTR SYS
FIGURE 18A (SHEET 16)

21-23-01-18A

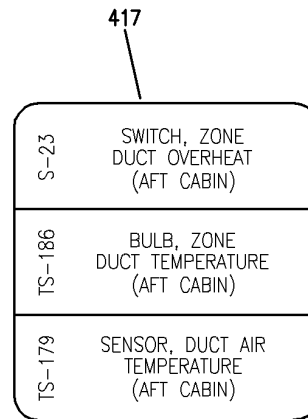
BRI
MAY 28/07

21-23-01-18A
PAGE 00

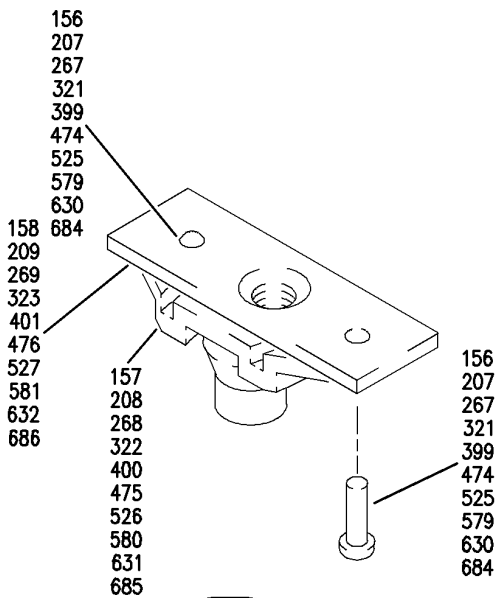
BOEING
757
PARTS CATALOG (MAINTENANCE)



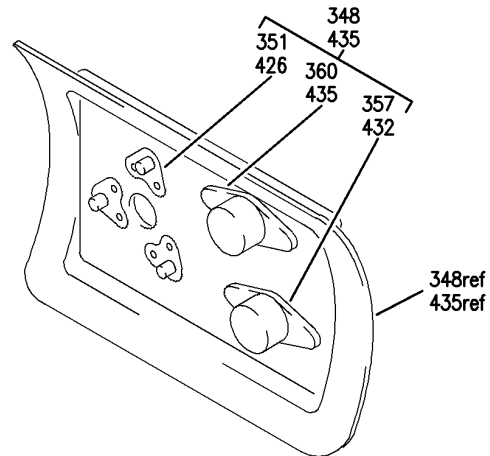
(AB)



(AC)



(AE)



(AD)

Y 21230118A SH1 17 REV 233

DUCT INSTL-OVERHEAD AIR DISTR SYS
FIGURE 18A (SHEET 17)

21-23-01-18A

BRI
MAY 28/07

21-23-01-18A
PAGE 0P



757

PARTS CATALOG (MAINTENANCE)

| FIG ITEM | PART NUMBER | 1 2 3 4 5 6 7 | NOMENCLATURE | EFFECT FROM TO | UNITS PER ASSY |
|----------|----------------|---------------|--|------------------|----------------|
| 18A | | | DUCT INSTL-OVERHEAD AIR DISTR SYS | 101102 504903 | |
| - 1 | 214N2025-352B | | DUCT INSTL-OVERHEAD AIR FOR NHA SEE: 21-00-00-12 21-00-00-15 | 101102 504903 | RF |
| 3 | 641121-1 | | .SWITCH ASSY-THRM SUPPLIER CODE: V07217 SPECIFICATION NUMBER: S210T130-18 ELECTRICAL EQUIP NUMBER: S00022 S00023 | 101102 504903 | 2 |
| 6 | MS28034-1 | | .BULB- ELECTRICAL EQUIP NUMBER: TS0185 TS0186 | 101102 504903 | 2 |
| 9 | AN900-10 | | .GASKET- OPTIONAL PART: MS35769-11 | 101102 504903 | 2 |
| 9 | MS35769-11 | | .GASKET- OPTIONAL PART: AN900-10 | 101102 504903 | 2 |
| 12 | 624016-2 | | .SENSOR ASSY-TEMP SUPPLIER CODE: V07217 SPECIFICATION NUMBER: S210T130-75 ELECTRICAL EQUIP NUMBER: TS0177 TS0179 COMPONENT MAINT MANUAL REF: 21-65-01 | 101102 504903 | 2 |
| - 15 | BACS12GU3K9 | | ATTACHING PARTS .SCREW | 101102 504903 | 6 |
| 18 | BACS12GU3K70 | | -----*----- .SCREW | 101102 504903 | 3 |
| 21 | BACB30NR4K5 | | .BOLT | 101102 504903 | 62 |
| 24 | NAS43DD3-246FC | | .SPACER | 101102 504903 | 3 |
| 27 | NAS1149D0463J | | .WASHER | 101102 504903 | 132 |
| 30 | NAS1149D0416J | | .WASHER | 101102 504903 | 10 |

MISSING ITEM NUMBERS NOT APPLICABLE

- ITEM NOT ILLUSTRATED

21-23-01-18A

21-23-01
FIG. 18A
PAGE 1
JAN 20/09

BRI



757

PARTS CATALOG (MAINTENANCE)

| FIG ITEM | PART NUMBER | 1 2 3 4 5 6 7 | NOMENCLATURE | EFFECT FROM TO | UNITS PER ASSY |
|----------|----------------|---------------|---|------------------|----------------|
| 18A | | | | | |
| 33 | NAS1149D0516J | . | WASHER | 101102 504903 | 10 |
| 36 | NAS1149D0332J | . | WASHER | 101102 504903 | 3 |
| 39 | BACW10P271TF | . | WASHER | 101102 504903 | 124 |
| 42 | BRH10C5D | . | NUT SUPPLIER CODE: V52828 SPECIFICATION NUMBER: BACN10JC5CD OPTIONAL PART: T6C524JCD V11815 102LH9075-5W V72962 H51650-5BAC V15653 | 101102 504903 | 10 |
| 45 | PLH53CD | . | NUT SUPPLIER CODE: VF0224 SPECIFICATION NUMBER: BACN10YR3CD OPTIONAL PART: H52732-3CD V15653 | 101102 504903 | 3 |
| 48 | PLH54CM | . | NUT SUPPLIER CODE: V62554 SPECIFICATION NUMBER: BACN10YR4CM OPTIONAL PART: H52732-4CM V15653 | 101102 504903 | 62 |
| 51 | NAS1922-0400-3 | . | CLAMP | 101102 504903 | 7 |
| 54 | NAS1922-0625-3 | . | CLAMP | 101102 504903 | 4 |
| 57 | NAS1922-0750-3 | . | CLAMP | 101102 504903 | 26 |
| 60 | 214N2035-1 | . | PIN | 101102 504903 | 16 |
| 63 | MLT2S | . | TIE- SUPPLIER CODE: V06383 | 101102 504903 | 8 |

MISSING ITEM NUMBERS NOT APPLICABLE

- ITEM NOT ILLUSTRATED

21-23-01-18A

21-23-01
FIG. 18A
PAGE 2
JAN 20/09

BRI

BOEING PROPRIETARY - Copyright © - Unpublished Work - See title page for details.



757

PARTS CATALOG (MAINTENANCE)

| FIG ITEM | PART NUMBER | 1 2 3 4 5 6 7 | NOMENCLATURE | EFFECT FROM TO | UNITS PER ASSY |
|-----------|--------------|----------------|---|------------------|----------------|
| 18A 66 | PLT4HTL | .STRAP | SUPPLIER CODE: V06383 SPECIFICATION NUMBER: BACS38K3 OPTIONAL PART: T012R0 V53421 | 101102 504903 | 6 |
| 69 | T012L0 | .STRAP | SUPPLIER CODE: V53421 SPECIFICATION NUMBER: BACS38K6 | 101102 504903 | 20 |
| 72 | SLT10LHC6 | .STRAP- | SUPPLIER CODE: V06383 | 101102 504903 | 26 |
| 75 | MS20392-3C21 | .PIN | | 101102 504903 | 10 |
| 78 | MS24665-132 | .PIN | | 101102 504903 | 10 |
| 81 | 412N2030-33 | .DIAGONAL ASSY | | 101102 504903 | 9 |
| 84 | 412N2030-34 | .DIAGONAL ASSY | | 101102 504903 | 1 |
| 87 | MS20392-3C17 | ..PIN | | 101102 504903 | 1 |
| 90 | MS24665-132 | ..PIN | | 101102 504903 | 1 |
| 93 | AN960PD416L | ..WASHER | | 101102 504903 | 1 |
| 96 | 412N2031-1 | ..CLEVIS | | 101102 504903 | 1 |
| 99 | 412N2032-5 | ..INSULATOR | | 101102 504903 | 1 |
| 102 | 1293-29 | ..ROD ASSY- | SUPPLIER CODE: V34742 USED ON: 412N2030-33 | 101102 504903 | 1 |
| 102 | 1293-31 | ..ROD ASSY- | SUPPLIER CODE: V34742 USED ON: 412N2030-34 | 101102 504903 | 1 |
| 105 | AS1506-16D32 | .HOSE | | 101102 504903 | 3 |
| 108 | AS1506-30D32 | .SLEEVE | | 101102 504903 | 6 |

MISSING ITEM NUMBERS NOT APPLICABLE

- ITEM NOT ILLUSTRATED

21-23-01-18A

21-23-01
FIG. 18A
PAGE 3
JAN 20/09

BRI



757

PARTS CATALOG (MAINTENANCE)

| FIG ITEM | PART NUMBER | 1 2 3 4 5 6 7 | NOMENCLATURE | EFFECT FROM TO | UNITS PER ASSY |
|----------|----------------|---------------|---|------------------|----------------|
| 18A | | | | | |
| 111 | AS1506-30D33 | . | SLEEVE | 101102 504903 | 5 |
| 114 | 214N2177-91 | . | DUCT ASSY | 101102 504903 | 1 |
| 117 | 214N2025-353B | . | DUCT ASSY-SET | 101102 504903 | 1 |
| 120 | 214N2180-29 | .. | DUCT ASSY | 101102 504903 | 1 |
| 123 | BACS12GU3K7 | ... | SCREW | 101102 504903 | 4 |
| 126 | NAS1149D0332J | ... | WASHER | 101102 504903 | 4 |
| 129 | 214N2184-1 | ... | SPACER | 101102 504903 | 2 |
| 132 | NAS1922-0200-3 | ... | CLAMP | 101102 504903 | 4 |
| 135 | T012L0 | ... | STRAP SUPPLIER CODE: V53421 SPECIFICATION NUMBER: BACS38K6 | 101102 504903 | 2 |
| 138 | 214N2168-1 | ... | BRACKET ASSY | 101102 504903 | 1 |
| 141 | 214N2168-2 | ... | BRACKET ASSY | 101102 504903 | 1 |
| 144 | SL8113-3 | | SHOCKMOUNT-ISOLATOR SUPPLIER CODE: V97393 SPECIFICATION NUMBER: S411T100-901 OPTIONAL PART: DE819 V71985 | 101102 504903 | 2 |
| 144 | DE819 | | SHOCKMOUNT-ISOLATOR SUPPLIER CODE: V71985 SPECIFICATION NUMBER: S411T100-901 OPTIONAL PART: SL8113-3 V97393 ATTACHING PARTS | 101102 504903 | 2 |
| - 147 | BACR15BA4D | | RIVET | 101102 504903 | 2 |
| 150 | 214N2183-11 | ... | NOZZLE ASSY | 101102 504903 | 1 |
| 151 | BACS12GU3K7 | | SCREW | 101102 504903 | 6 |

MISSING ITEM NUMBERS NOT APPLICABLE

- ITEM NOT ILLUSTRATED

21-23-01-18A

21-23-01
FIG. 18A
PAGE 4
JAN 20/09

BRI

BOEING PROPRIETARY - Copyright © - Unpublished Work - See title page for details.

 **BOEING**
757
PARTS CATALOG (MAINTENANCE)

| FIG ITEM | PART NUMBER | 1 2 3 4 5 6 7 | NOMENCLATURE | EFFECT FROM TO | UNITS PER ASSY |
|----------|---------------|---------------|--|------------------|----------------|
| 18A | | | | | |
| 152 | AN960JD10L | | WASHER | 101102 504903 | 6 |
| 153 | 214N2167-2 | | BRACKET | 101102 504903 | 2 |
| 154 | 214N2179-21 | | PLENUM ASSY | 101102 504903 | 1 |
| -154A | CB2010CR3CRP | | NUTPLATE- SUPPLIER CODE: V66530 OPTIONAL PART: 214N2178-1 | 101102 504903 | 6 |
| 155 | 214N2178-1 | | NUTPLATE ASSY- OPTIONAL PART: CB2010CR3CRP V66530 | 101102 504903 | 6 |
| 156 | BACR15CE3D | | RIVET- SIZE DETERMINED ON INSTL. | 101102 504903 | 2 |
| 157 | NS202541-3 | | NUTPLATE- SUPPLIER CODE: V80539 SPECIFICATION NUMBER: BACN10KA3BCD OPTIONAL PART: T8100C1032KCPM V11815 USED ON: 214N2178-1 | 101102 504903 | 1 |
| 158 | 214N2178-2 | | PLATE- USED ON: 214N2178-1 | 101102 504903 | 1 |
| 159 | 214N2179-22 | | PLENUM | 101102 504903 | 1 |
| 160 | 214N2124-16 | | PLATE | 101102 504903 | 1 |
| 162 | AS1506-08D40 | ... | HOSE | 101102 504903 | 2 |
| 165 | 214T3436-1549 | ... | ORIFICE ASSY- OPTIONAL PART: 214T3436-1837 | 101102 504903 | 2 |
| 165 | 214T3436-1837 | ... | ORIFICE ASSY- OPTIONAL PART: 214T3436-1549 | 101102 504903 | 2 |
| 168 | 214N2177-79 | ... | DUCT ASSY | 101102 504903 | 1 |
| 171 | 214N2180-32 | .. | DUCT ASSY | 101102 504903 | 1 |
| 174 | BACS12GU3K7 | ... | SCREW | 101102 504903 | 10 |

MISSING ITEM NUMBERS NOT APPLICABLE

- ITEM NOT ILLUSTRATED

21-23-01-18A

21-23-01
FIG. 18A
PAGE 5
JAN 20/09

BRI

BOEING PROPRIETARY - Copyright © - Unpublished Work - See title page for details.

 **BOEING**
757
PARTS CATALOG (MAINTENANCE)

| FIG ITEM | PART NUMBER | 1 2 3 4 5 6 7 | NOMENCLATURE | EFFECT FROM TO | UNITS PER ASSY |
|----------|----------------|---------------|---|------------------|----------------|
| 18A | | | | | |
| 177 | NAS1149D0332J | ... | WASHER | 101102 504903 | 10 |
| 180 | NAS1922-0200-3 | ... | CLAMP | 101102 504903 | 10 |
| 183 | NAS1922-0750-3 | ... | CLAMP | 101102 504903 | 2 |
| 186 | T012L0 | ... | STRAP SUPPLIER CODE: V53421 SPECIFICATION NUMBER: BACS38K6 | 101102 504903 | 5 |
| 189 | 214N2168-1 | ... | BRACKET ASSY | 101102 504903 | 4 |
| 192 | 214N2168-2 | ... | BRACKET ASSY | 101102 504903 | 1 |
| 195 | SL8113-3 | | SHOCKMOUNT-ISOLATOR SUPPLIER CODE: V97393 SPECIFICATION NUMBER: S411T100-901 OPTIONAL PART: DE819 V71985 | 101102 504903 | 2 |
| 195 | DE819 | | SHOCKMOUNT-ISOLATOR SUPPLIER CODE: V71985 SPECIFICATION NUMBER: S411T100-901 OPTIONAL PART: SL8113-3 V97393 ATTACHING PARTS | 101102 504903 | 2 |
| - 198 | BACR15BA4D | | RIVET | 101102 504903 | 2 |
| | | | -----*----- | | |
| 201 | 214N2183-2 | ... | NOZZLE ASSY-PLENUM | 101102 504903 | 1 |
| 202 | BACS12GU3K7 | | SCREW | 101102 504903 | 15 |
| 203 | AN960JD10L | | WASHER | 101102 504903 | 15 |
| 204 | 214N2167-2 | | BRACKET | 101102 504903 | 5 |
| 205 | 214N2179-3 | | PLENUM ASSY | 101102 504903 | 1 |

MISSING ITEM NUMBERS NOT APPLICABLE

- ITEM NOT ILLUSTRATED

BRI

21-23-01-18A

BOEING PROPRIETARY - Copyright © - Unpublished Work - See title page for details.

21-23-01
FIG. 18A
PAGE 6
JAN 20/09

 **BOEING**
757
PARTS CATALOG (MAINTENANCE)

| FIG ITEM | PART NUMBER | 1 2 3 4 5 6 7 | NOMENCLATURE | EFFECT FROM TO | UNITS PER ASSY |
|--------------|----------------|---------------|--|------------------|----------------|
| 18A -205A | CB2010CR3CRP | | NUTPLATE- SUPPLIER CODE: V66530 OPTIONAL PART: 214N2178-1 | 101102 504903 | 15 |
| 206 | 214N2178-1 | | NUTPLATE ASSY- OPTIONAL PART: CB2010CR3CRP V66530 | 101102 504903 | 15 |
| 207 | BACR15CE3D | | RIVET- SIZE DETERMINED ON INSTL. | 101102 504903 | 2 |
| 208 | NS202541-3 | | NUTPLATE- SUPPLIER CODE: V80539 SPECIFICATION NUMBER: BACN10KA3BCD OPTIONAL PART: T8100C1032KCPM V11815 USED ON: 214N2178-1 | 101102 504903 | 1 |
| 209 | 214N2178-2 | | PLATE- USED ON: 214N2178-1 | 101102 504903 | 1 |
| 210 | 214N2179-4 | | PLENUM | 101102 504903 | 1 |
| 211 | 214N2124-7 | | PLATE | 101102 504903 | 1 |
| 213 | AS1506-08D21 | ... | HOSE | 101102 504903 | 5 |
| 216 | AS1505-30B0083 | ... | DUCT-MOBILITY | 101102 504903 | 1 |
| 219 | 214T3436-1546 | ... | ORIFICE ASSY- OPTIONAL PART: 214T3436-1834 | 101102 504903 | 5 |
| 219 | 214T3436-1834 | ... | ORIFICE ASSY- OPTIONAL PART: 214T3436-1546 | 101102 504903 | 5 |
| 222 | 214N2177-3 | ... | DUCT ASSY | 101102 504903 | 1 |
| 225 | 214N2177-83 | ... | DUCT ASSY | 101102 504903 | 1 |
| 228 | 214N2180-3 | .. | DUCT ASSY | 101102 504903 | 1 |
| 231 | BACS12GU3K7 | ... | SCREW | 101102 504903 | 8 |
| 234 | NAS1149D0332J | ... | WASHER | 101102 504903 | 8 |

MISSING ITEM NUMBERS NOT APPLICABLE

- ITEM NOT ILLUSTRATED

21-23-01-18A

21-23-01
FIG. 18A
PAGE 7
JAN 20/09

BRI

BOEING PROPRIETARY - Copyright © - Unpublished Work - See title page for details.

 **BOEING**
757
PARTS CATALOG (MAINTENANCE)

| FIG ITEM | PART NUMBER | 1 2 3 4 5 6 7 | NOMENCLATURE | EFFECT FROM TO | UNITS PER ASSY |
|------------|----------------|---------------|---|------------------|----------------|
| 18A 237 | 214N2184-1 | ... | SPACER | 101102 504903 | 4 |
| 240 | NAS1922-0200-3 | ... | CLAMP | 101102 504903 | 14 |
| 243 | NAS1922-0625-3 | ... | CLAMP | 101102 504903 | 1 |
| 246 | T012L0 | ... | STRAP SUPPLIER CODE: V53421 SPECIFICATION NUMBER: BACS38K6 | 101102 504903 | 8 |
| 249 | 214N2168-1 | ... | BRACKET ASSY | 101102 504903 | 3 |
| 252 | 214N2168-2 | ... | BRACKET ASSY | 101102 504903 | 1 |
| 255 | SL8113-3 | | SHOCKMOUNT-ISOLATOR SUPPLIER CODE: V97393 SPECIFICATION NUMBER: S411T100-901 OPTIONAL PART: DE819 V71985 | 101102 504903 | 2 |
| 255 | DE819 | | SHOCKMOUNT-ISOLATOR SUPPLIER CODE: V71985 SPECIFICATION NUMBER: S411T100-901 OPTIONAL PART: SL8113-3 V97393 ATTACHING PARTS | 101102 504903 | 2 |
| - 258 | BACR15BA4D | | RIVET | 101102 504903 | 2 |
| 261 | 214N2183-3 | ... | NOZZLE ASSY-PLENUM | 101102 504903 | 1 |
| 262 | BACS12GU3K7 | | SCREW | 101102 504903 | 12 |
| 263 | AN960JD10L | | WASHER | 101102 504903 | 12 |
| 264 | 214N2167-2 | | BRACKET | 101102 504903 | 4 |
| 265 | 214N2179-5 | | PLENUM ASSY | 101102 504903 | 1 |

MISSING ITEM NUMBERS NOT APPLICABLE

- ITEM NOT ILLUSTRATED

BRI

21-23-01-18A

BOEING PROPRIETARY - Copyright © - Unpublished Work - See title page for details.

21-23-01
FIG. 18A
PAGE 8
JAN 20/09

 **BOEING**
757
PARTS CATALOG (MAINTENANCE)

| FIG ITEM | PART NUMBER | 1 2 3 4 5 6 7 | NOMENCLATURE | EFFECT FROM TO | UNITS PER ASSY |
|--------------|---------------|---------------|--|------------------|----------------|
| 18A -265A | CB2010CR3CRP | | NUTPLATE- SUPPLIER CODE: V66530 OPTIONAL PART: 214N2178-1 | 101102 504903 | 12 |
| 266 | 214N2178-1 | | NUTPLATE ASSY- OPTIONAL PART: CB2010CR3CRP V66530 | 101102 504903 | 12 |
| 267 | BACR15CE3D | | RIVET- SIZE DETERMINED ON INSTL. | 101102 504903 | 2 |
| 268 | NS202541-3 | | NUTPLATE- SUPPLIER CODE: V80539 SPECIFICATION NUMBER: BACN10KA3BCD OPTIONAL PART: T8100C1032KCPM V11815 USED ON: 214N2178-1 | 101102 504903 | 1 |
| 269 | 214N2178-2 | | PLATE- USED ON: 214N2178-1 | 101102 504903 | 1 |
| 270 | 214N2179-6 | | PLENUM | 101102 504903 | 1 |
| 271 | 214N2124-8 | | PLATE | 101102 504903 | 1 |
| 273 | AS1506-08D40 | ... | HOSE | 101102 504903 | 7 |
| 276 | 214T3436-601 | ... | ORIFICE ASSY- OPTIONAL PART: 214T3436-1831 | 101102 504903 | 7 |
| 276 | 214T3436-1831 | ... | ORIFICE ASSY- OPTIONAL PART: 214T3436-601 | 101102 504903 | 7 |
| 279 | 214N2177-7 | ... | DUCT ASSY | 101102 504903 | 1 |
| 282 | 214N2177-25 | ... | DUCT ASSY | 101102 504903 | 1 |
| 285 | 841006-1 | ... | CAP- SUPPLIER CODE: V25205 | 101102 504903 | 1 |
| 288 | 214N2180-42 | .. | DUCT ASSY- REWORKED BY ALERT SB: 21A0094R1 | 101102 504903 | 1 |
| 291 | BACS12GU3K7 | ... | SCREW | 101102 504903 | 4 |

MISSING ITEM NUMBERS NOT APPLICABLE

- ITEM NOT ILLUSTRATED

BRI

21-23-01-18A

BOEING PROPRIETARY - Copyright © - Unpublished Work - See title page for details.

21-23-01
FIG. 18A
PAGE 9
JAN 20/09

 **BOEING**
757
PARTS CATALOG (MAINTENANCE)

| FIG ITEM | PART NUMBER | 1 2 3 4 5 6 7 | NOMENCLATURE | EFFECT FROM TO | UNITS PER ASSY |
|----------|----------------|---------------|---|------------------|----------------|
| 18A | | | | | |
| 294 | NAS1149D0332J | ... | WASHER | 101102 504903 | 4 |
| 297 | NAS1922-0200-3 | ... | CLAMP | 101102 504903 | 6 |
| 300 | NAS1922-0825-3 | ... | CLAMP | 101102 504903 | 4 |
| 303 | 214N2168-1 | ... | BRACKET ASSY | 101102 504903 | 1 |
| 306 | 214N2168-2 | ... | BRACKET ASSY | 101102 504903 | 1 |
| 309 | SL8113-3 | | SHOCKMOUNT-ISOLATOR SUPPLIER CODE: V97393 SPECIFICATION NUMBER: S411T100-901 OPTIONAL PART: DE819 V71985 | 101102 504903 | 2 |
| 309 | DE819 | | SHOCKMOUNT-ISOLATOR SUPPLIER CODE: V71985 SPECIFICATION NUMBER: S411T100-901 OPTIONAL PART: SL8113-3 V97393 ATTACHING PARTS | 101102 504903 | 2 |
| - 312 | BACR15BA4D | | RIVET | 101102 504903 | 2 |
| | | | -----*----- | | |
| 315 | 214N2183-27 | ... | NOZZLE ASSY-PLENUM | 101102 504903 | 1 |
| 316 | BACS12GU3K7 | | SCREW | 101102 504903 | 6 |
| 317 | AN960JD10L | | WASHER- | 101102 504903 | 6 |
| 317 | NAS1149D0332J | | WASHER- | 101102 504903 | 6 |
| 318 | 214N2167-2 | | BRACKET | 101102 504903 | 2 |
| 319 | 214N2179-7 | | PLENUM ASSY | 101102 504903 | 1 |
| -319A | CB2010CR3CRP | | NUTPLATE- SUPPLIER CODE: V66530 OPTIONAL PART: 214N2178-1 | 101102 504903 | 6 |

MISSING ITEM NUMBERS NOT APPLICABLE

- ITEM NOT ILLUSTRATED

BRI

21-23-01-18A

21-23-01
FIG. 18A
PAGE 10
JAN 20/09

BOEING PROPRIETARY - Copyright © - Unpublished Work - See title page for details.



757

PARTS CATALOG (MAINTENANCE)

| FIG ITEM | PART NUMBER | 1 2 3 4 5 6 7 | NOMENCLATURE | EFFECT FROM TO | UNITS PER ASSY |
|------------|-----------------|---------------|--|------------------|----------------|
| 18A 320 | 214N2178-1 | | NUTPLATE ASSY- OPTIONAL PART: CB2010CR3CRP V66530 | 101102 504903 | 6 |
| 321 | BACR15CE3D | | RIVET- SIZE DETERMINED ON INSTL. | 101102 504903 | 2 |
| 322 | NS202541-3 | | NUTPLATE- SUPPLIER CODE: V80539 SPECIFICATION NUMBER: BACN10KA3BCD OPTIONAL PART: T8100C1032KCPM V11815 USED ON: 214N2178-1 | 101102 504903 | 1 |
| 323 | 214N2178-2 | | PLATE- USED ON: 214N2178-1 | 101102 504903 | 1 |
| 324 | 214N2179-8 | | PLENUM | 101102 504903 | 1 |
| 325 | 214N2124-9 | | PLATE | 101102 504903 | 1 |
| 327 | AS1591-08-0070A | ... | HOSE- SUPPLIER CODE: V81343 | 101102 504903 | 2 |
| 330 | AS4804-08-0082A | ... | HOSE | 101102 504903 | 1 |
| 333 | 214T3436-1831 | ... | ORIFICE ASSY | 101102 504903 | 3 |
| 336 | 214N2182-23 | ... | DUCT ASSY | 101102 504903 | 1 |
| 339 | 214N2182-29 | ... | DUCT ASSY | 101102 504903 | 1 |
| 342 | BAC27NEC0091 | | DECAL- USED ON: 214N2182-29 | 101102 504903 | 1 |
| 345 | 214N2046-1 | | PLATE ASSY- USED ON: 214N2182-29 | 101102 504903 | 1 |
| 348 | 214N2046-2 | | PLATE ASSY | 101102 504903 | 1 |

R
R
R

MISSING ITEM NUMBERS NOT APPLICABLE

- ITEM NOT ILLUSTRATED

21-23-01-18A

21-23-01
FIG. 18A
PAGE 11
MAY 20/09

BRI

 **BOEING**
757
PARTS CATALOG (MAINTENANCE)

| FIG ITEM | PART NUMBER | 1 2 3 4 5 6 7 | NOMENCLATURE | EFFECT FROM TO | UNITS PER ASSY |
|------------|----------------|---------------|---|------------------|----------------|
| 18A 351 | F51754-3 | | NUTPLATE SUPPLIER CODE: V15653 SPECIFICATION NUMBER: BACN10KE3D OPTIONAL PART: NS103193-02 V80539 ATTACHING PARTS | 101102 504903 | 3 |
| - 354 | BACR15BA3B | | RIVET- SIZE DETERMINED ON INSTL. -----*----- | 101102 504903 | 6 |
| 357 | F52NA1-080 | | NUTPLATE- SUPPLIER CODE: V72962 OPTIONAL PART: MS21078-8 V72962 | 101102 504903 | 1 |
| 357 | MS21078-8 | | NUTPLATE- OPTIONAL PART: F52NA1-080 V72962 | 101102 504903 | 1 |
| 360 | F52NA1-108 | | NUTPLATE- SUPPLIER CODE: V72962 OPTIONAL PART: MS21078-10 | 101102 504903 | 1 |
| 360 | MS21078-10 | | NUTPLATE- OPTIONAL PART: F52NA1-108 V72962 ATTACHING PARTS | 101102 504903 | 1 |
| - 363 | BACR15BA4B | | RIVET- SIZE DETERMINED ON INSTL. -----*----- | 101102 504903 | 4 |
| 366 | 214N2180-43 | .. | DUCT ASSY- REWORKED BY ALERT SB: 21A0094R1 | 101102 504903 | 1 |
| 369 | BACS12GU3K7 | ... | SCREW | 101102 504903 | 6 |
| 372 | NAS1149D0332J | ... | WASHER | 101102 504903 | 6 |
| 375 | NAS1922-0200-3 | ... | CLAMP | 101102 504903 | 8 |
| 378 | NAS1922-0825-3 | ... | CLAMP | 101102 504903 | 6 |
| 381 | 214N2168-1 | ... | BRACKET ASSY | 101102 504903 | 2 |

MISSING ITEM NUMBERS NOT APPLICABLE

- ITEM NOT ILLUSTRATED

BRI

21-23-01-18A

BOEING PROPRIETARY - Copyright © - Unpublished Work - See title page for details.

21-23-01
FIG. 18A
PAGE 12
MAY 20/09

 **BOEING**
757
PARTS CATALOG (MAINTENANCE)

| FIG ITEM | PART NUMBER | 1 2 3 4 5 6 7 | NOMENCLATURE | EFFECT FROM TO | UNITS PER ASSY |
|------------|--------------|---------------|---|------------------|----------------|
| 18A 384 | 214N2168-3 | ... | BRACKET ASSY | 101102 504903 | 1 |
| 387 | SL8113-3 | | SHOCKMOUNT-ISOLATOR SUPPLIER CODE: V97393 SPECIFICATION NUMBER: S411T100-901 OPTIONAL PART: DE819 V71985 | 101102 504903 | 2 |
| 387 | DE819 | | SHOCKMOUNT-ISOLATOR SUPPLIER CODE: V71985 SPECIFICATION NUMBER: S411T100-901 OPTIONAL PART: SL8113-3 V97393 ATTACHING PARTS | 101102 504903 | 2 |
| - 390 | BACR15BA4D | | RIVET | 101102 504903 | 2 |
| | | | -----*----- | | |
| 393 | 214N2183-28 | ... | NOZZLE ASSY-PLENUM | 101102 504903 | 1 |
| 394 | BACS12GU3K7 | | SCREW | 101102 504903 | 9 |
| 395 | AN960JD10L | | WASHER | 101102 504903 | 9 |
| 396 | 214N2167-2 | | BRACKET | 101102 504903 | 3 |
| 397 | 214N2179-54 | | PLENUM ASSY | 101102 504903 | 1 |
| -397A | CB2010CR3CRP | | NUTPLATE- SUPPLIER CODE: V66530 OPTIONAL PART: 214N2178-1 | 101102 504903 | 9 |
| 398 | 214N2178-1 | | NUTPLATE ASSY- OPTIONAL PART: CB2010CR3CRP V66530 | 101102 504903 | 9 |
| 399 | BACR15CE3D | | RIVET- SIZE DETERMINED ON INSTL. | 101102 504903 | 2 |

MISSING ITEM NUMBERS NOT APPLICABLE

- ITEM NOT ILLUSTRATED

BRI

21-23-01-18A

BOEING PROPRIETARY - Copyright © - Unpublished Work - See title page for details.

21-23-01
FIG. 18A
PAGE 13
MAY 20/09



757

PARTS CATALOG (MAINTENANCE)

| FIG ITEM | PART NUMBER | 1 2 3 4 5 6 7 | NOMENCLATURE | EFFECT FROM TO | UNITS PER ASSY |
|------------|-----------------|---------------|--|------------------|----------------|
| 18A 400 | NS202541-3 | | NUTPLATE- SUPPLIER CODE: V80539 SPECIFICATION NUMBER: BACN10KA3BCD OPTIONAL PART: T8100C1032KCPM V11815 USED ON: 214N2178-1 | 101102 504903 | 1 |
| 401 | 214N2178-2 | | PLATE- USED ON: 214N2178-1 | 101102 504903 | 1 |
| 402 | 214N2179-55 | | PLENUM | 101102 504903 | 1 |
| 403 | 214N2124-10 | | PLATE | 101102 504903 | 1 |
| 405 | AS1591-08-0070A | ...HOSE- | SUPPLIER CODE: V81343 | 101102 504903 | 4 |
| 408 | 214T3436-1843 | ...ORIFICE | ASSY | 101102 504903 | 5 |
| 411 | 214N2182-25 | ...DUCT | ASSY | 101102 504903 | 1 |
| 414 | 214N2182-27 | ...DUCT | ASSY | 101102 504903 | 1 |
| 417 | BAC27NEC0092 | | DECAL- USED ON: 214N2182-27 | 101102 504903 | 1 |
| 420 | 214N2046-1 | | PLATE ASSY- USED ON: 214N2182-27 | 101102 504903 | 1 |
| 423 | 214N2046-2 | | PLATE ASSY | 101102 504903 | 1 |
| 426 | F51754-3 | | NUTPLATE SUPPLIER CODE: V15653 SPECIFICATION NUMBER: BACN10KE3D OPTIONAL PART: NS103193-02 V80539 | 101102 504903 | 3 |
| - 429 | BACR15BA3B | | ATTACHING PARTS RIVET- SIZE DETERMINED ON INSTL. -----*----- | 101102 504903 | 6 |

R
R
R

MISSING ITEM NUMBERS NOT APPLICABLE

- ITEM NOT ILLUSTRATED

21-23-01-18A

21-23-01
FIG. 18A
PAGE 14
MAY 20/09

BRI

 **BOEING**
757
PARTS CATALOG (MAINTENANCE)

| FIG ITEM | PART NUMBER | 1 2 3 4 5 6 7 | NOMENCLATURE | EFFECT FROM TO | UNITS PER ASSY |
|------------|----------------|---------------|---|------------------|----------------|
| 18A 432 | F52NA1-080 | | NUTPLATE- SUPPLIER CODE: V72962 OPTIONAL PART: MS21078-8 V72962 | 101102 504903 | 1 |
| 432 | MS21078-8 | | NUTPLATE- OPTIONAL PART: F52NA1-080 V72962 | 101102 504903 | 1 |
| 435 | F52NA1-108 | | NUTPLATE- SUPPLIER CODE: V72962 OPTIONAL PART: MS21078-10 | 101102 504903 | 1 |
| 435 | MS21078-10 | | NUTPLATE- OPTIONAL PART: F52NA1-108 V72962 | 101102 504903 | 1 |
| - 438 | BACR15BA4B | | ATTACHING PARTS RIVET- SIZE DETERMINED ON INSTL. -----*----- | 101102 504903 | 4 |
| 441 | 214N2180-14 | .. | DUCT ASSY | 101102 504903 | 1 |
| 444 | BACS12GU3K7 | ... | SCREW | 101102 504903 | 6 |
| 447 | NAS1149D0332J | ... | WASHER | 101102 504903 | 6 |
| 450 | NAS1922-0200-3 | ... | CLAMP | 101102 504903 | 10 |
| 453 | T012L0 | ... | STRAP SUPPLIER CODE: V53421 SPECIFICATION NUMBER: BACS38K6 | 101102 504903 | 6 |
| 456 | 214N2168-1 | ... | BRACKET ASSY | 101102 504903 | 2 |
| 459 | 214N2168-3 | ... | BRACKET ASSY | 101102 504903 | 1 |
| 462 | SL8113-3 | | SHOCKMOUNT-ISOLATOR SUPPLIER CODE: V97393 SPECIFICATION NUMBER: S411T100-901 OPTIONAL PART: DE819 V71985 | 101102 504903 | 2 |

MISSING ITEM NUMBERS NOT APPLICABLE

- ITEM NOT ILLUSTRATED

BRI

21-23-01-18A

21-23-01
FIG. 18A
PAGE 15
JAN 20/09



757

PARTS CATALOG (MAINTENANCE)

| FIG ITEM | PART NUMBER | 1 2 3 4 5 6 7 | NOMENCLATURE | EFFECT FROM TO | UNITS PER ASSY |
|------------|--------------|---------------|--|------------------|----------------|
| 18A 462 | DE819 | | SHOCKMOUNT-ISOLATOR SUPPLIER CODE: V71985 SPECIFICATION NUMBER: S411T100-901 OPTIONAL PART: SL8113-3 V97393 ATTACHING PARTS | 101102 504903 | 2 |
| - 465 | BACR15BA4D | | RIVET | 101102 504903 | 2 |
| | | -----* | | | |
| 468 | 214N2183-14 | | NOZZLE ASSY-PLENUM | 101102 504903 | 1 |
| 469 | BACS12GU3K7 | | SCREW | 101102 504903 | 9 |
| 470 | AN960JD10L | | WASHER | 101102 504903 | 9 |
| 471 | 214N2167-2 | | BRACKET | 101102 504903 | 3 |
| 472 | 214N2179-27 | | PLENUM ASSY | 101102 504903 | 1 |
| -472A | CB2010CR3CRP | | NUTPLATE- SUPPLIER CODE: V66530 OPTIONAL PART: 214N2178-1 | 101102 504903 | 9 |
| 473 | 214N2178-1 | | NUTPLATE ASSY- OPTIONAL PART: CB2010CR3CRP V66530 | 101102 504903 | 9 |
| 474 | BACR15CE3D | | RIVET- SIZE DETERMINED ON INSTL. | 101102 504903 | 2 |
| 475 | NS202541-3 | | NUTPLATE- SUPPLIER CODE: V80539 SPECIFICATION NUMBER: BACN10KA3BCD OPTIONAL PART: T8100C1032KCPM V11815 USED ON: 214N2178-1 | 101102 504903 | 1 |
| 476 | 214N2178-2 | | PLATE- USED ON: 214N2178-1 | 101102 504903 | 1 |
| 477 | 214N2179-28 | | PLENUM | 101102 504903 | 1 |

MISSING ITEM NUMBERS NOT APPLICABLE

- ITEM NOT ILLUSTRATED

21-23-01-18A

21-23-01
FIG. 18A
PAGE 16
JAN 20/09

BRI

BOEING PROPRIETARY - Copyright © - Unpublished Work - See title page for details.



757

PARTS CATALOG (MAINTENANCE)

| FIG ITEM | PART NUMBER | 1 2 3 4 5 6 7 | NOMENCLATURE | EFFECT FROM TO | UNITS PER ASSY |
|----------|----------------|---------------|--|------------------|----------------|
| 18A | | | | | |
| 478 | 214N2124-11 | | PLATE | 101102 504903 | 1 |
| 480 | AS1506-08D21 | ... | HOSE | 101102 504903 | 5 |
| 483 | 214T3436-601 | ... | ORIFICE ASSY- OPTIONAL PART: 214T3436-1831 | 101102 504903 | 5 |
| 483 | 214T3436-1831 | ... | ORIFICE ASSY- OPTIONAL PART: 214T3436-601 | 101102 504903 | 5 |
| 486 | 214N2177-13 | ... | DUCT ASSY | 101102 504903 | 1 |
| 489 | 214N2177-45 | ... | DUCT ASSY | 101102 504903 | 1 |
| 492 | 214N2180-18 | .. | DUCT ASSY | 101102 504903 | 1 |
| 495 | BACS12GU3K7 | ... | SCREW | 101102 504903 | 6 |
| 498 | NAS1149D0332J | ... | WASHER | 101102 504903 | 6 |
| 501 | NAS1922-0200-3 | ... | CLAMP | 101102 504903 | 8 |
| 504 | T012L0 | ... | STRAP SUPPLIER CODE: V53421 SPECIFICATION NUMBER: BACS38K6 | 101102 504903 | 6 |
| 507 | 214N2168-1 | ... | BRACKET ASSY | 101102 504903 | 2 |
| 510 | 214N2168-3 | ... | BRACKET ASSY | 101102 504903 | 1 |
| 513 | SL8113-3 | | SHOCKMOUNT-ISOLATOR SUPPLIER CODE: V97393 SPECIFICATION NUMBER: S411T100-901 OPTIONAL PART: DE819 V71985 | 101102 504903 | 2 |
| 513 | DE819 | | SHOCKMOUNT-ISOLATOR SUPPLIER CODE: V71985 SPECIFICATION NUMBER: S411T100-901 OPTIONAL PART: SL8113-3 V97393 | 101102 504903 | 2 |

MISSING ITEM NUMBERS NOT APPLICABLE

- ITEM NOT ILLUSTRATED

21-23-01-18A

21-23-01
FIG. 18A
PAGE 17
JAN 20/09

BRI

BOEING PROPRIETARY - Copyright © - Unpublished Work - See title page for details.

BOEING
757
PARTS CATALOG (MAINTENANCE)

| FIG ITEM | PART NUMBER | 1 2 3 4 5 6 7 | NOMENCLATURE | EFFECT FROM TO | UNITS PER ASSY |
|----------|--------------|---------------|--|------------------|----------------|
| 18A | | | ATTACHING PARTS | | |
| - 516 | BACR15BA4D | | RIVET | 101102 504903 | 2 |
| | | | -----*----- | | |
| 519 | 214N2183-18 | ... | NOZZLE ASSY-PLENUM | 101102 504903 | 1 |
| 520 | BACS12GU3K7 | | SCREW | 101102 504903 | 9 |
| 521 | AN960JD10L | | WASHER | 101102 504903 | 9 |
| 522 | 214N2167-2 | | BRACKET | 101102 504903 | 3 |
| 523 | 214N2179-35 | | PLENUM ASSY | 101102 504903 | 1 |
| -523A | CB2010CR3CRP | | NUTPLATE- SUPPLIER CODE: V66530 OPTIONAL PART: 214N2178-1 | 101102 504903 | 9 |
| 524 | 214N2178-1 | | NUTPLATE ASSY- OPTIONAL PART: CB2010CR3CRP V66530 | 101102 504903 | 9 |
| 525 | BACR15CE3D | | RIVET- SIZE DETERMINED ON INSTL. | 101102 504903 | 2 |
| 526 | NS202541-3 | | NUTPLATE- SUPPLIER CODE: V80539 SPECIFICATION NUMBER: BACN10KA3BCD OPTIONAL PART: T8100C1032KCPM V11815 USED ON: 214N2178-1 | 101102 504903 | 1 |
| 527 | 214N2178-2 | | PLATE- USED ON: 214N2178-1 | 101102 504903 | 1 |
| 528 | 214N2179-36 | | PLENUM | 101102 504903 | 1 |
| 529 | 214N2124-21 | | PLATE | 101102 504903 | 1 |
| 531 | AS1506-08D21 | ... | HOSE | 101102 504903 | 4 |
| 534 | 214T3436-601 | ... | ORIFICE ASSY- OPTIONAL PART: 214T3436-1831 | 101102 504903 | 4 |

MISSING ITEM NUMBERS NOT APPLICABLE

- ITEM NOT ILLUSTRATED

BRI

21-23-01-18A

BOEING PROPRIETARY - Copyright © - Unpublished Work - See title page for details.

21-23-01
FIG. 18A
PAGE 18
JAN 20/09

 **BOEING**
757
PARTS CATALOG (MAINTENANCE)

| FIG ITEM | PART NUMBER | 1 2 3 4 5 6 7 | NOMENCLATURE | EFFECT FROM TO | UNITS PER ASSY |
|------------|----------------|---------------|--|------------------|----------------|
| 18A 534 | 214T3436-1831 | ... | ORIFICE ASSY- OPTIONAL PART: 214T3436-601 | 101102 504903 | 4 |
| 537 | 214N2177-51 | ... | DUCT ASSY | 101102 504903 | 1 |
| 540 | 214N2177-53 | ... | DUCT ASSY | 101102 504903 | 1 |
| 543 | 214N2180-22 | .. | DUCT ASSY | 101102 504903 | 1 |
| 546 | BACS12GU3K7 | ... | SCREW | 101102 504903 | 6 |
| 549 | NAS1149D0332J | ... | WASHER | 101102 504903 | 6 |
| 552 | 214N2184-1 | ... | SPACER | 101102 504903 | 3 |
| 555 | NAS1922-0200-3 | ... | CLAMP | 101102 504903 | 6 |
| 558 | T012L0 | ... | STRAP SUPPLIER CODE: V53421 SPECIFICATION NUMBER: BACS38K6 | 101102 504903 | 6 |
| 561 | 214N2168-1 | ... | BRACKET ASSY | 101102 504903 | 2 |
| 564 | 214N2168-3 | ... | BRACKET ASSY | 101102 504903 | 1 |
| 567 | SL8113-3 | | SHOCKMOUNT-ISOLATOR SUPPLIER CODE: V97393 SPECIFICATION NUMBER: S411T100-901 OPTIONAL PART: DE819 V71985 | 101102 504903 | 2 |
| 567 | DE819 | | SHOCKMOUNT-ISOLATOR SUPPLIER CODE: V71985 SPECIFICATION NUMBER: S411T100-901 OPTIONAL PART: SL8113-3 V97393 | 101102 504903 | 2 |
| - 570 | BACR15BA4D | | RIVET -----*----- | 101102 504903 | 2 |
| 573 | 214N2183-22 | ... | NOZZLE ASSY-PLENUM | 101102 504903 | 1 |

MISSING ITEM NUMBERS NOT APPLICABLE

- ITEM NOT ILLUSTRATED

BRI

21-23-01-18A

BOEING PROPRIETARY - Copyright © - Unpublished Work - See title page for details.

21-23-01
FIG. 18A
PAGE 19
JAN 20/09



757

PARTS CATALOG (MAINTENANCE)

| FIG ITEM | PART NUMBER | 1 2 3 4 5 6 7 | NOMENCLATURE | EFFECT FROM TO | UNITS PER ASSY |
|------------|---------------|---------------|--|------------------|----------------|
| 18A 574 | BACS12GU3K7 | | SCREW | 101102 504903 | 9 |
| 575 | AN960JD10L | | WASHER | 101102 504903 | 9 |
| 576 | 214N2167-2 | | BRACKET | 101102 504903 | 3 |
| 577 | 214N2179-43 | | PLENUM ASSY | 101102 504903 | 1 |
| -577A | CB2010CR3CRP | | NUTPLATE- SUPPLIER CODE: V66530 OPTIONAL PART: 214N2178-1 | 101102 504903 | 9 |
| 578 | 214N2178-1 | | NUTPLATE ASSY- OPTIONAL PART: CB2010CR3CRP V66530 | 101102 504903 | 9 |
| 579 | BACR15CE3D | | RIVET- SIZE DETERMINED ON INSTL. | 101102 504903 | 2 |
| 580 | NS202541-3 | | NUTPLATE- SUPPLIER CODE: V80539 SPECIFICATION NUMBER: BACN10KA3BCD OPTIONAL PART: T8100C1032KCPM V11815 USED ON: 214N2178-1 | 101102 504903 | 1 |
| 581 | 214N2178-2 | | PLATE- USED ON: 214N2178-1 | 101102 504903 | 1 |
| 582 | 214N2179-44 | | PLENUM | 101102 504903 | 1 |
| 583 | 214N2124-24 | | PLATE | 101102 504903 | 1 |
| 585 | AS1506-08D40 | ... | HOSE | 101102 504903 | 3 |
| 588 | 214T3436-1552 | ... | ORIFICE ASSY- OPTIONAL PART: 214T3436-1840 | 101102 504903 | 3 |
| 588 | 214T3436-1840 | ... | ORIFICE ASSY- OPTIONAL PART: 214T3436-1552 | 101102 504903 | 3 |
| 591 | 214N2177-57 | ... | DUCT ASSY | 101102 504903 | 1 |
| 594 | 214N2177-59 | ... | DUCT ASSY | 101102 504903 | 1 |

MISSING ITEM NUMBERS NOT APPLICABLE

- ITEM NOT ILLUSTRATED

21-23-01-18A

21-23-01
FIG. 18A
PAGE 20
JAN 20/09

BRI

 **BOEING**
757
PARTS CATALOG (MAINTENANCE)

| FIG ITEM | PART NUMBER | 1 2 3 4 5 6 7 | NOMENCLATURE | EFFECT FROM TO | UNITS PER ASSY |
|------------|----------------|---------------|---|------------------|----------------|
| 18A 597 | 214N2180-24 | .. | DUCT ASSY | 101102 504903 | 1 |
| 600 | BACS12GU3K7 | ... | SCREW | 101102 504903 | 6 |
| 603 | NAS1149D0332J | ... | WASHER | 101102 504903 | 6 |
| 606 | NAS1922-0200-3 | ... | CLAMP | 101102 504903 | 10 |
| 609 | T012L0 | ... | STRAP SUPPLIER CODE: V53421 SPECIFICATION NUMBER: BACS38K6 | 101102 504903 | 3 |
| 612 | 214N2168-1 | ... | BRACKET ASSY | 101102 504903 | 2 |
| 615 | 214N2168-3 | ... | BRACKET ASSY | 101102 504903 | 1 |
| 618 | SL8113-3 | | SHOCKMOUNT-ISOLATOR SUPPLIER CODE: V97393 SPECIFICATION NUMBER: S411T100-901 OPTIONAL PART: DE819 V71985 | 101102 504903 | 2 |
| 618 | DE819 | | SHOCKMOUNT-ISOLATOR SUPPLIER CODE: V71985 SPECIFICATION NUMBER: S411T100-901 OPTIONAL PART: SL8113-3 V97393 ATTACHING PARTS | 101102 504903 | 2 |
| - 621 | BACR15BA4D | | RIVET | 101102 504903 | 2 |
| 624 | 214N2183-24 | ... | NOZZLE ASSY-PLENUM | 101102 504903 | 1 |
| 625 | BACS12GU3K7 | | SCREW | 101102 504903 | 9 |
| 626 | AN960JD10L | | WASHER | 101102 504903 | 9 |
| 627 | 214N2167-2 | | BRACKET | 101102 504903 | 3 |
| 628 | 214N2179-47 | | PLENUM ASSY | 101102 504903 | 1 |

MISSING ITEM NUMBERS NOT APPLICABLE

- ITEM NOT ILLUSTRATED

BRI

21-23-01-18A

BOEING PROPRIETARY - Copyright © - Unpublished Work - See title page for details.

21-23-01
FIG. 18A
PAGE 21
JAN 20/09

BOEING
757
PARTS CATALOG (MAINTENANCE)

| FIG ITEM | PART NUMBER | 1 2 3 4 5 6 7 | NOMENCLATURE | EFFECT FROM TO | UNITS PER ASSY |
|--------------|----------------|---------------|--|------------------|----------------|
| 18A -628A | CB2010CR3CRP | | NUTPLATE- SUPPLIER CODE: V66530 OPTIONAL PART: 214N2178-1 | 101102 504903 | 9 |
| 629 | 214N2178-1 | | NUTPLATE ASSY- OPTIONAL PART: CB2010CR3CRP V66530 | 101102 504903 | 9 |
| 630 | BACR15CE3D | | RIVET- SIZE DETERMINED ON INSTL. | 101102 504903 | 2 |
| 631 | NS202541-3 | | NUTPLATE- SUPPLIER CODE: V80539 SPECIFICATION NUMBER: BACN10KA3BCD OPTIONAL PART: T8100C1032KCPM V11815 USED ON: 214N2178-1 | 101102 504903 | 1 |
| 632 | 214N2178-2 | | PLATE- USED ON: 214N2178-1 | 101102 504903 | 1 |
| 633 | 214N2179-48 | | PLENUM | 101102 504903 | 1 |
| 634 | 214N2124-19 | | PLATE | 101102 504903 | 1 |
| 639 | AS1506-08D21 | ... | HOSE | 101102 504903 | 5 |
| 642 | 214T3436-601 | ... | ORIFICE ASSY- OPTIONAL PART: 214T3436-1831 | 101102 504903 | 5 |
| 642 | 214T3436-1831 | ... | ORIFICE ASSY- OPTIONAL PART: 214T3436-601 | 101102 504903 | 5 |
| 645 | 214N2177-67 | ... | DUCT ASSY | 101102 504903 | 1 |
| 648 | 214N2180-10 | .. | DUCT ASSY | 101102 504903 | 1 |
| 651 | BACS12GU3K7 | ... | SCREW | 101102 504903 | 6 |
| 654 | NAS1149D0332J | ... | WASHER | 101102 504903 | 6 |
| 657 | 214N2184-1 | ... | SPACER | 101102 504903 | 3 |
| 660 | NAS1922-0200-3 | ... | CLAMP | 101102 504903 | 6 |

MISSING ITEM NUMBERS NOT APPLICABLE

- ITEM NOT ILLUSTRATED

BRI

21-23-01-18A

BOEING PROPRIETARY - Copyright © - Unpublished Work - See title page for details.

21-23-01
FIG. 18A
PAGE 22
JAN 20/09

BOEING
757
PARTS CATALOG (MAINTENANCE)

| FIG ITEM | PART NUMBER | 1 2 3 4 5 6 7 | NOMENCLATURE | EFFECT FROM TO | UNITS PER ASSY |
|-------------|--------------|---------------|---|-------------------|----------------------|
| 18A 663 | T012L0 | ... | STRAP SUPPLIER CODE: V53421 SPECIFICATION NUMBER: BACS38K6 | 101102 504903 | 3 |
| 666 | 214N2168-1 | ... | BRACKET ASSY | 101102 504903 | 2 |
| 669 | 214N2168-3 | ... | BRACKET ASSY | 101102 504903 | 1 |
| 672 | SL8113-3 | | SHOCKMOUNT-ISOLATOR SUPPLIER CODE: V97393 SPECIFICATION NUMBER: S411T100-901 OPTIONAL PART: DE819 V71985 | 101102 504903 | 2 |
| 672 | DE819 | | SHOCKMOUNT-ISOLATOR SUPPLIER CODE: V71985 SPECIFICATION NUMBER: S411T100-901 OPTIONAL PART: SL8113-3 V97393 ATTACHING PARTS | 101102 504903 | 2 |
| - 675 | BACR15BA4D | | RIVET | 101102 504903 | 2 |
| 678 | 214N2183-10 |* | NOZZLE ASSY | 101102 504903 | 1 |
| 679 | BACS12GU3K7 | | SCREW | 101102 504903 | 9 |
| 680 | AN960JD10L | | WASHER | 101102 504903 | 9 |
| 681 | 214N2167-2 | | BRACKET | 101102 504903 | 3 |
| 682 | 214N2179-19 | | PLENUM ASSY | 101102 504903 | 1 |
| -682A | CB2010CR3CRP | | NUTPLATE- SUPPLIER CODE: V66530 OPTIONAL PART: 214N2178-1 | 101102 504903 | 9 |
| 683 | 214N2178-1 | | NUTPLATE ASSY- OPTIONAL PART: CB2010CR3CRP V66530 | 101102 504903 | 9 |

MISSING ITEM NUMBERS NOT APPLICABLE

- ITEM NOT ILLUSTRATED

BRI

21-23-01-18A

BOEING PROPRIETARY - Copyright © - Unpublished Work - See title page for details.

21-23-01
FIG. 18A
PAGE 23
JAN 20/09

 **BOEING**
757
PARTS CATALOG (MAINTENANCE)

| FIG ITEM | PART NUMBER | 1 2 3 4 5 6 7 | NOMENCLATURE | EFFECT FROM TO | UNITS PER ASSY |
|-------------|---------------|---------------|--|-------------------|----------------------|
| 18A 684 | BACR15CE3D | | RIVET- SIZE DETERMINED ON INSTL. | 101102 504903 | 2 |
| 685 | NS202541-3 | | NUTPLATE- SUPPLIER CODE: V80539 SPECIFICATION NUMBER: BACN10KA3BCD OPTIONAL PART: T8100C1032KCPM V11815 USED ON: 214N2178-1 | 101102 504903 | 1 |
| 686 | 214N2178-2 | | PLATE- USED ON: 214N2178-1 | 101102 504903 | 1 |
| 687 | 214N2179-20 | | PLENUM | 101102 504903 | 1 |
| 688 | 214N2124-15 | | PLATE | 101102 504903 | 1 |
| 690 | AS1506-08D40 | ... | HOSE | 101102 504903 | 3 |
| 693 | 214T3436-1552 | ... | ORIFICE ASSY- OPTIONAL PART: 214T3436-1840 | 101102 504903 | 3 |
| 693 | 214T3436-1840 | ... | ORIFICE ASSY- OPTIONAL PART: 214T3436-1552 | 101102 504903 | 3 |
| 696 | 214N2177-21 | ... | DUCT ASSY | 101102 504903 | 1 |
| - 699 | 214N2164-1 | ... | REDUCER | 101102 504903 | 1 |
| 702 | 214N2186-5 | .DUCT | ASSY | 101102 504903 | 1 |
| 705 | 214N2165-4 | .DUCT | | 101102 504903 | 1 |
| 708 | 214N2166-2 | .DUCT | | 101102 504903 | 4 |
| 711 | 214N2177-95 | .DUCT | ASSY | 101102 504903 | 1 |
| 714 | 214N2177-71 | .DUCT | ASSY | 101102 504903 | 1 |
| 717 | 701114-1 | .CAP- | SUPPLIER CODE: V99212 | 101102 504903 | 1 |

MISSING ITEM NUMBERS NOT APPLICABLE

- ITEM NOT ILLUSTRATED

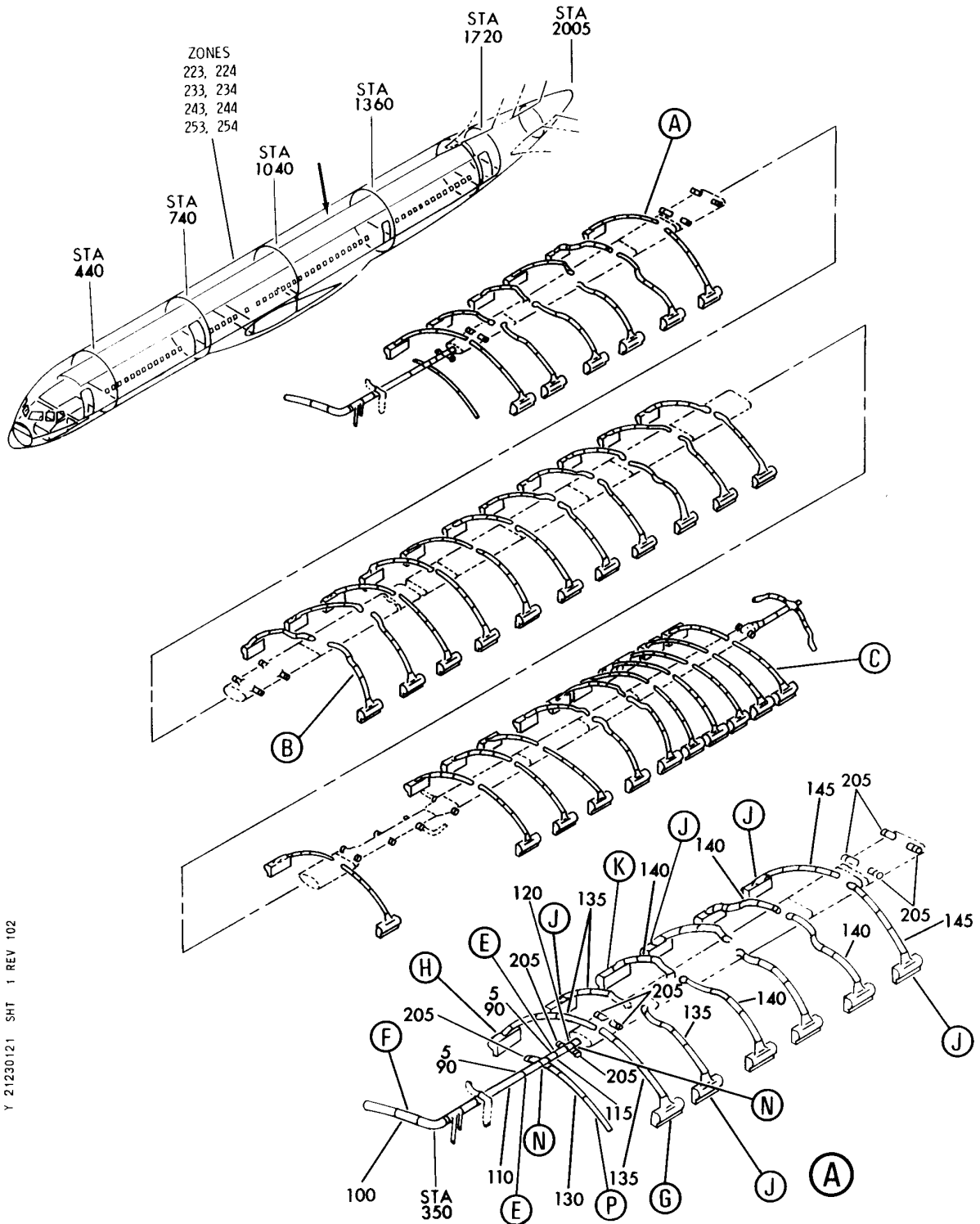
21-23-01-18A

21-23-01
FIG. 18A
PAGE 24
JAN 20/09

BRI

BOEING PROPRIETARY - Copyright © - Unpublished Work - See title page for details.

BOEING
757
PARTS CATALOG (MAINTENANCE)



Y 21230121 SHT 1 REV 102

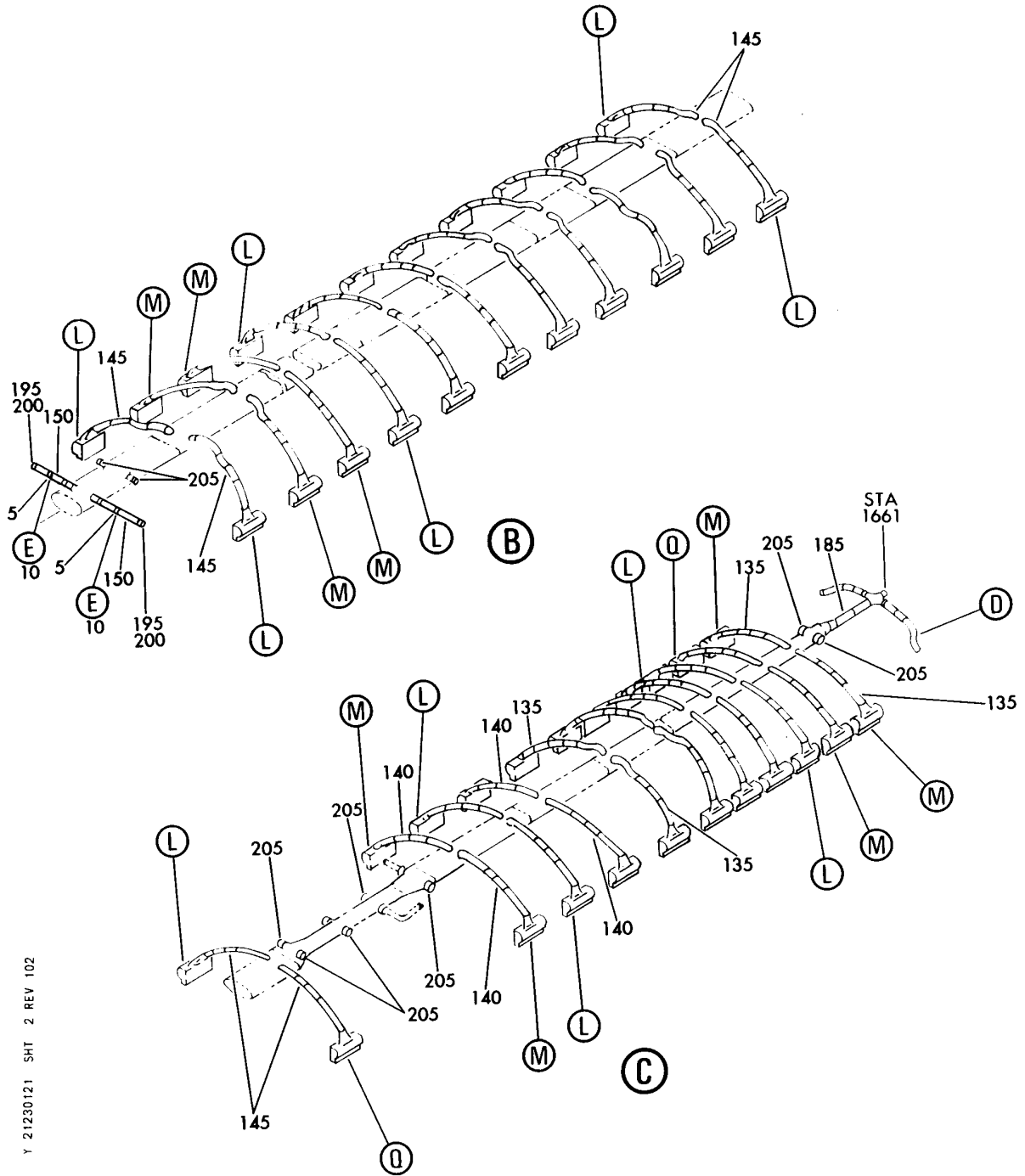
DUCT INSTL-SIDEWALL AIR DISTR SYS
FIGURE 21 (SHEET 1)

21-23-01-21

BRI
MAY 28/07

21-23-01-21
PAGE 0

BOEING
757
PARTS CATALOG (MAINTENANCE)



Y 21230121 SHT 2 REV 102

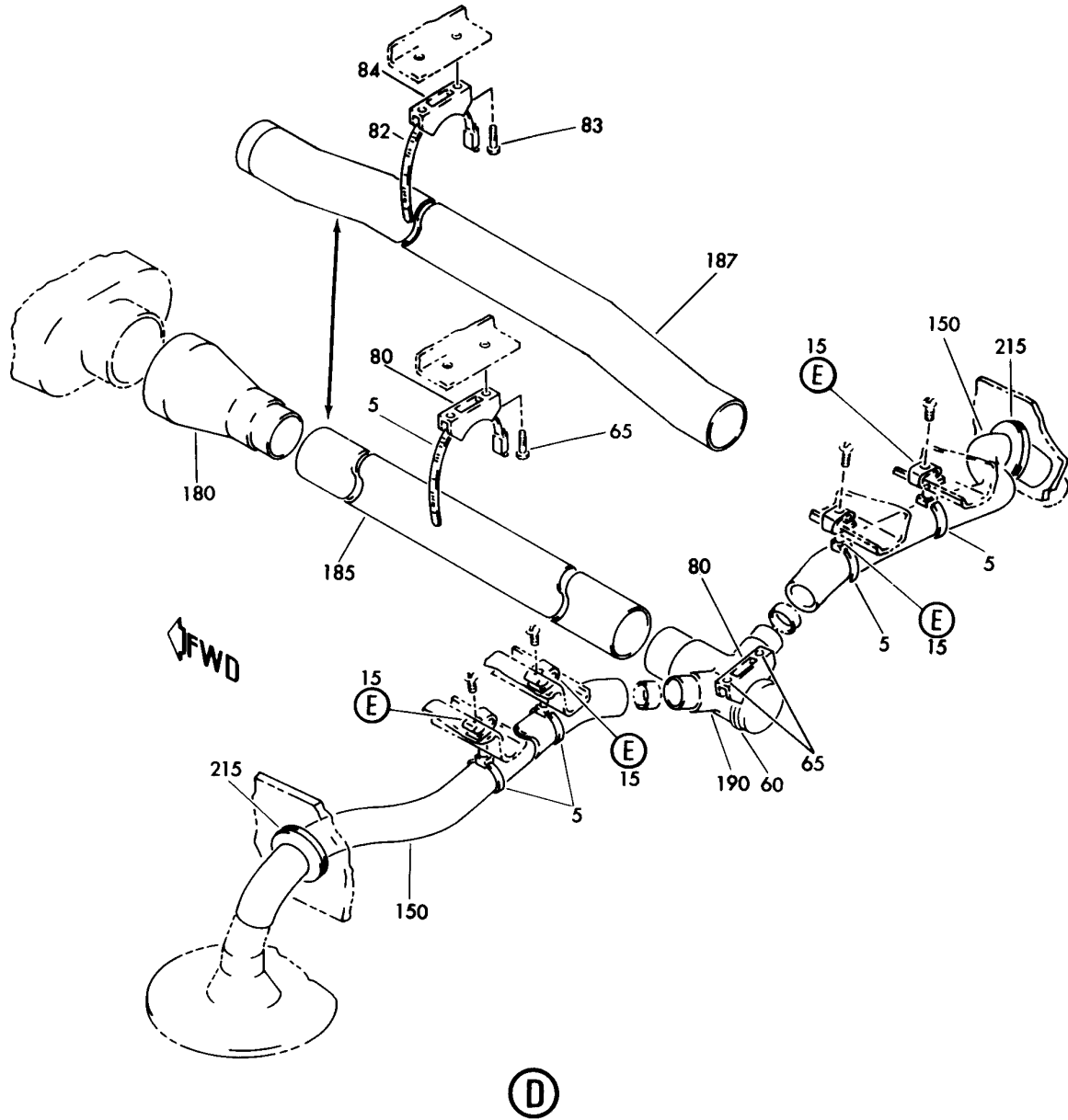
DUCT INSTL-SIDEWALL AIR DISTR SYS
FIGURE 21 (SHEET 2)

21-23-01-21

BRI
MAY 28/07

21-23-01-21
PAGE 0A

BOEING
757
PARTS CATALOG (MAINTENANCE)



Y 21230121 SHT 3 REV 103

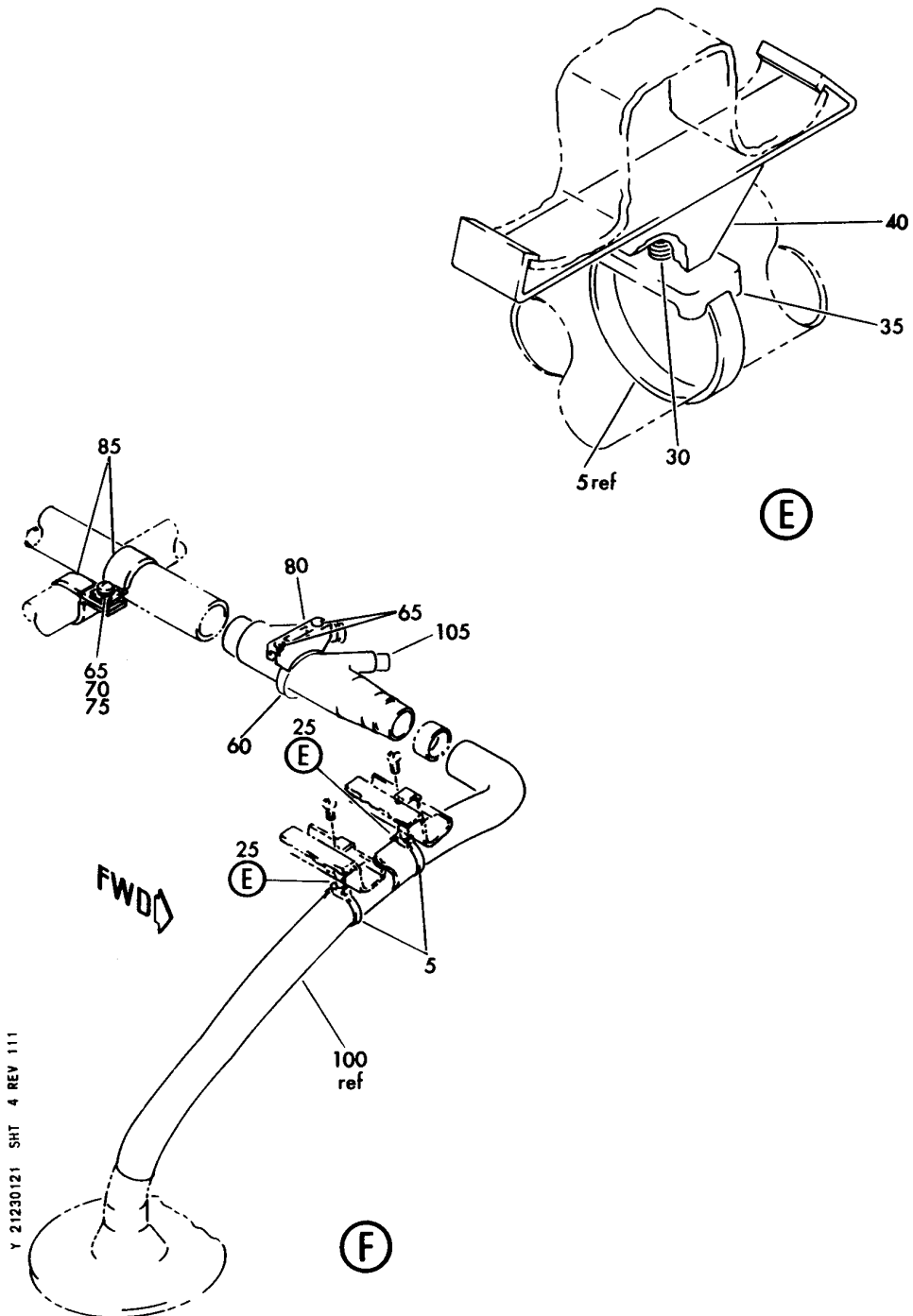
DUCT INSTL-SIDEWALL AIR DISTR SYS
FIGURE 21 (SHEET 3)

21-23-01-21

BRI
MAY 28/07

21-23-01-21
PAGE 0B

BOEING
757
PARTS CATALOG (MAINTENANCE)



Y 21230121 SHT 4 REV 111

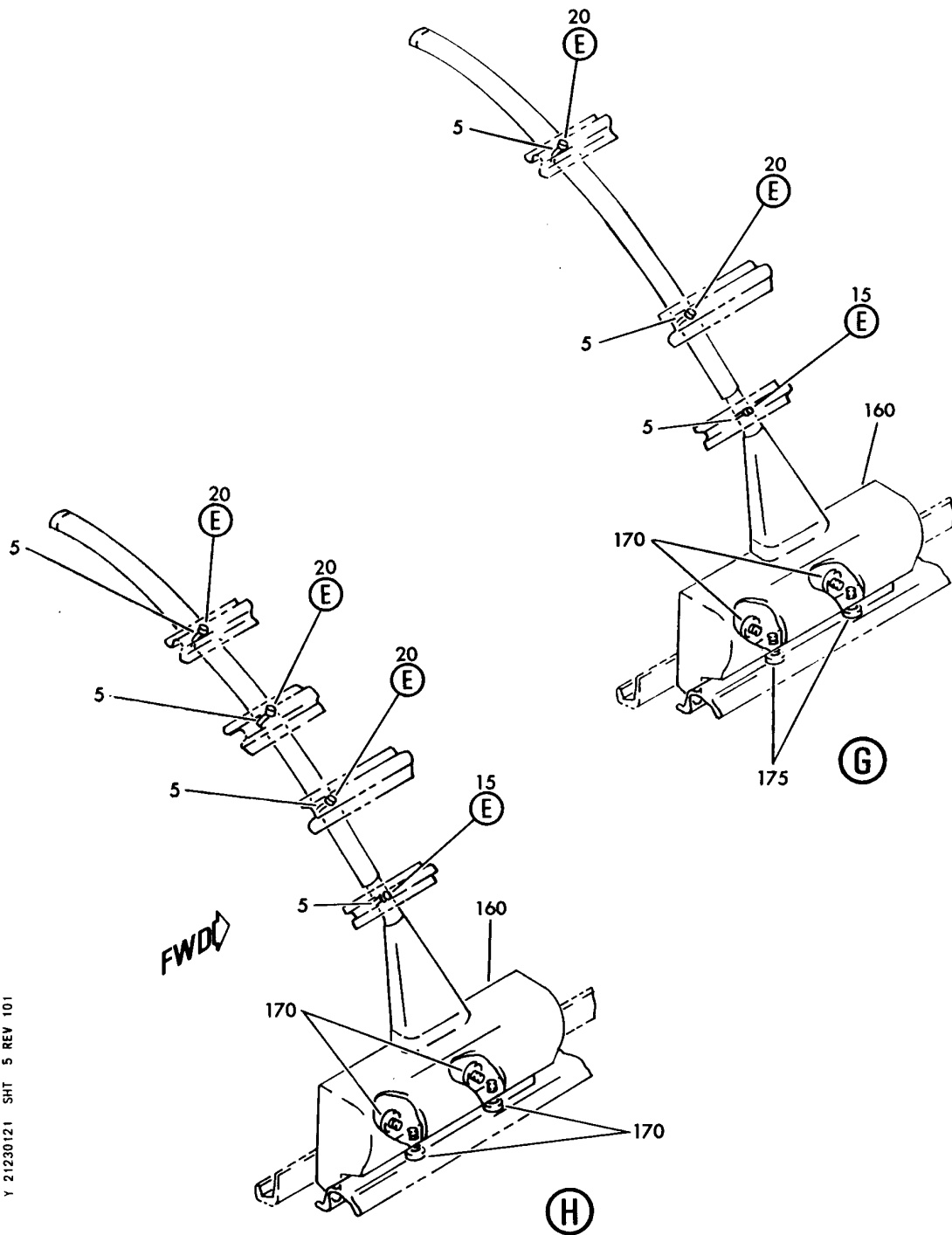
DUCT INSTL-SIDEWALL AIR DISTR SYS
FIGURE 21 (SHEET 4)

21-23-01-21

BRI
MAY 28/07

21-23-01-21
PAGE 0C

BOEING
757
PARTS CATALOG (MAINTENANCE)



Y 21230121 SHT 5 REV 101

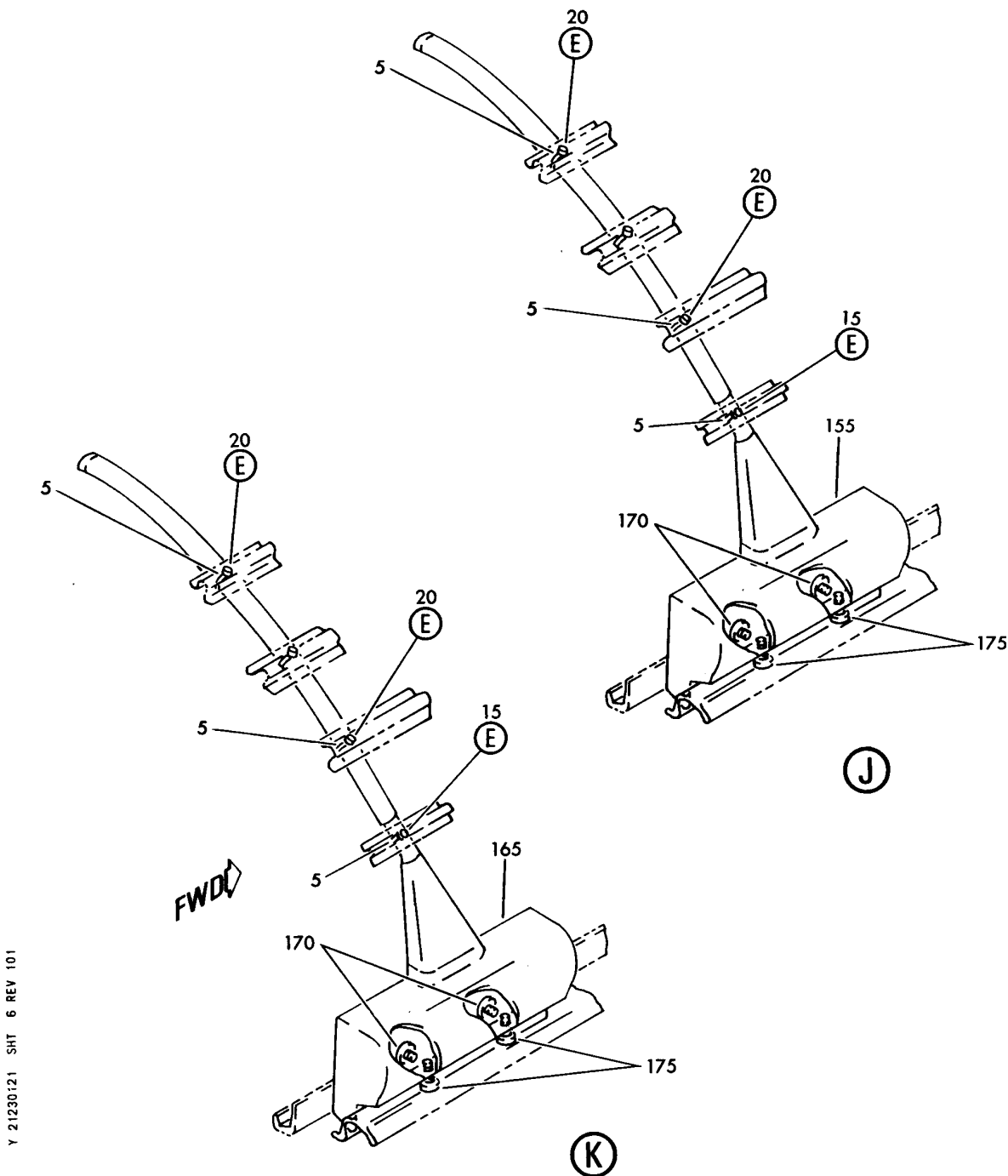
DUCT INSTL-SIDEWALL AIR DISTR SYS
FIGURE 21 (SHEET 5)

21-23-01-21

BRI
MAY 28/07

21-23-01-21
PAGE 0D

BOEING
757
PARTS CATALOG (MAINTENANCE)



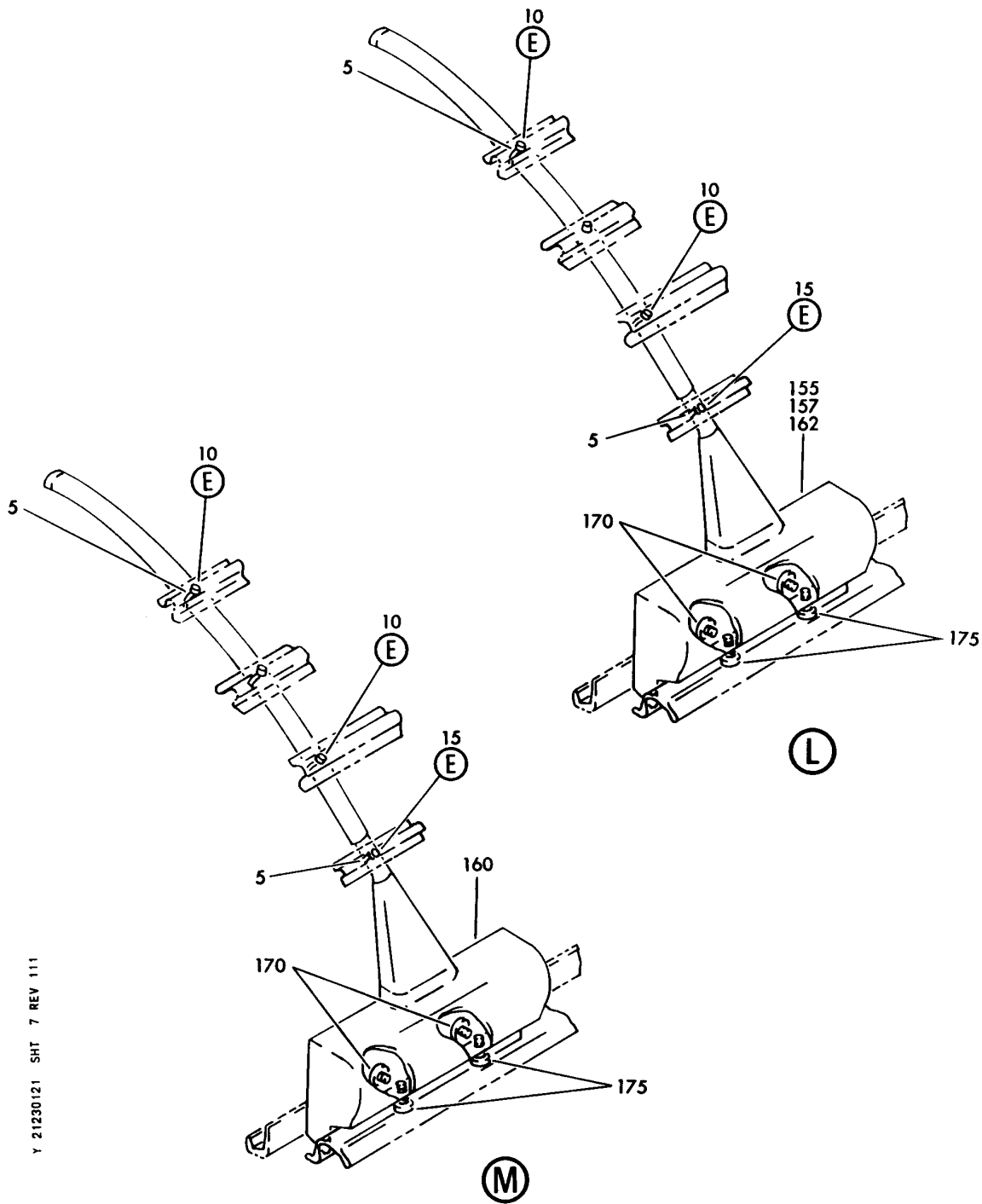
DUCT INSTL-SIDEWALL AIR DISTR SYS
FIGURE 21 (SHEET 6)

21-23-01-21

BRI
MAY 28/07

21-23-01-21
PAGE 0E

BOEING
757
PARTS CATALOG (MAINTENANCE)



Y 21230121 SHT 7 REV 111

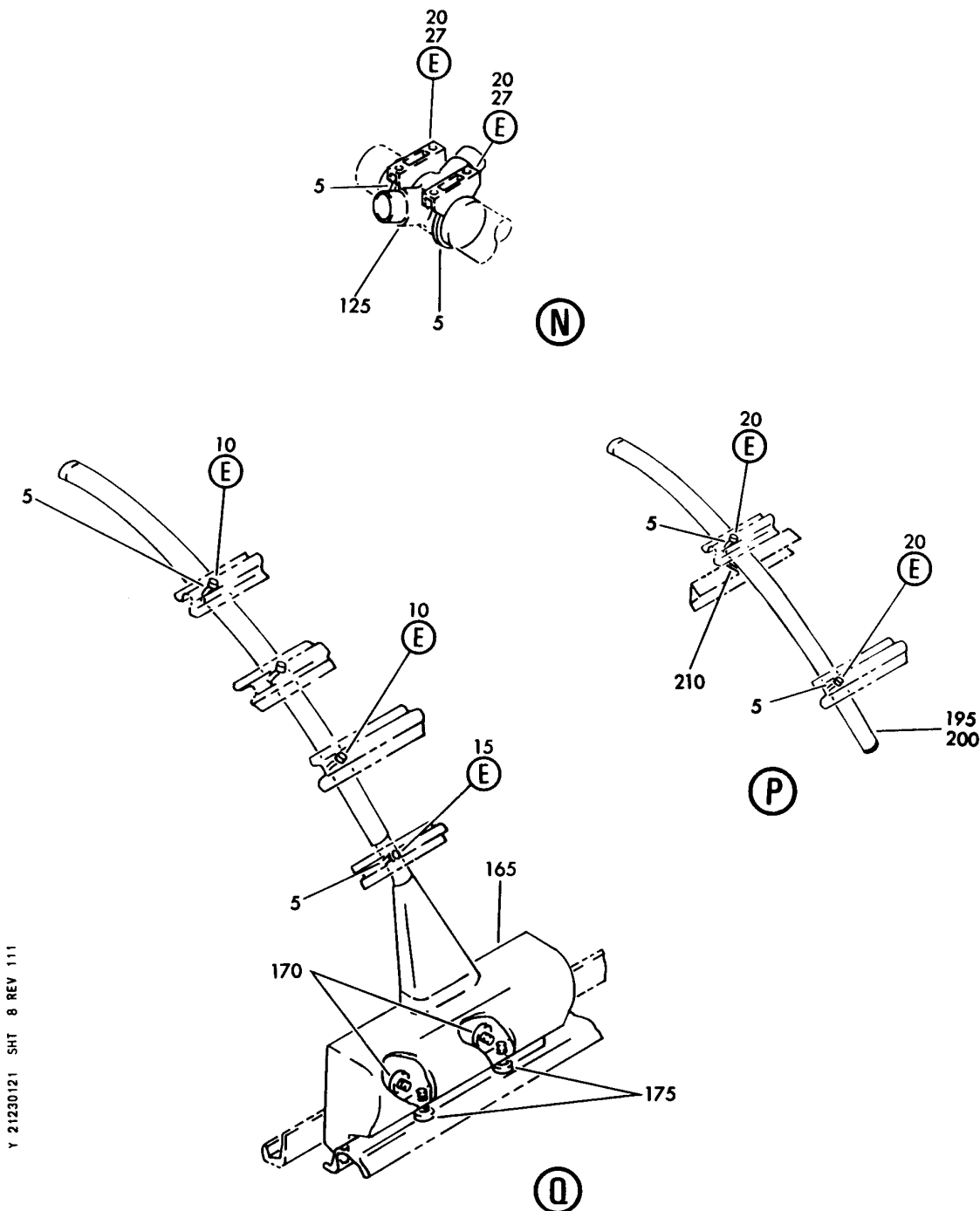
DUCT INSTL-SIDEWALL AIR DISTR SYS
FIGURE 21 (SHEET 7)

21-23-01-21

BRI
MAY 28/07

21-23-01-21
PAGE OF

BOEING
757
PARTS CATALOG (MAINTENANCE)



Y 21230121 SHT 8 REV 111

DUCT INSTL-SIDEWALL AIR DISTR SYS
FIGURE 21 (SHEET 8)

21-23-01-21

BRI
MAY 28/07

21-23-01-21
PAGE 0G



757

PARTS CATALOG (MAINTENANCE)

| FIG ITEM | PART NUMBER | 1 2 3 4 5 6 7 | NOMENCLATURE | EFFECT FROM TO | UNITS PER ASSY |
|----------|-------------|---------------|--|------------------|----------------|
| 21 | | | DUCT INSTL-SIDEWALL AIR DISTR SYS | 121503 904949 | |
| - 1 | 214N2001-40 | | DUCT INSTL-SIDEWALL AIR DISTR SYS FOR NHA SEE: 21-00-00-01 | 121503 904949 | RF |
| 5 | MS3367-2-9 | | .STRAP | 121503 904949 | AR |
| 10 | 214N5054-1 | | .SUPPORT ASSY | 121503 904949 | 134 |
| 15 | 214N5054-2 | | .SUPPORT ASSY | 121503 904949 | 60 |
| 20 | 214N5054-3 | | .SUPPORT ASSY | 121503 904949 | 39 |
| 25 | 214N5054-4 | | .SUPPORT ASSY | 121503 904949 | 2 |
| 27 | 214N5054-6 | | .SUPPORT ASSY | 121503 904949 | 2 |
| 30 | BACS12ER3K6 | | ..SCREW | 121503 904949 | 1 |
| 35 | TM2S8 | | ..PLATE SUPPLIER CODE: V06383 SPECIFICATION NUMBER: STBP19M9 | 121503 904949 | 1 |
| 40 | 2055155-10C | | ..CLIP-STGR SUPPLIER CODE: V04169 USED ON: 214N5054-1 | 121503 904949 | 1 |
| 40 | 2055155-5C | | ..CLIP-STGR SUPPLIER CODE: V04169 USED ON: 214N5054-2 | 121503 904949 | 1 |
| 40 | 2055155-10B | | ..CLIP-STGR SUPPLIER CODE: V04169 USED ON: 214N5054-3 | 121503 904949 | 1 |
| 40 | 2055155-5B | | ..CLIP-STGR SUPPLIER CODE: V04169 USED ON: 214N5054-4 | 121503 904949 | 1 |

MISSING ITEM NUMBERS NOT APPLICABLE

- ITEM NOT ILLUSTRATED

21-23-01-21

21-23-01
FIG. 21
PAGE 1
JAN 20/09

BRI



757

PARTS CATALOG (MAINTENANCE)

| FIG ITEM | PART NUMBER | 1 2 3 4 5 6 7 | NOMENCLATURE | EFFECT FROM TO | UNITS PER ASSY |
|----------|--------------|---------------|---|------------------|----------------|
| 21 | | | | | |
| 40 | 2055155-20B | .. | CLIP-STGR SUPPLIER CODE: V04169 USED ON: 214N5054-6 | 121503 904949 | 1 |
| 60 | 32 | .CLAMP | SUPPLIER CODE: V7Z588 SPECIFICATION NUMBER: STBC10GG66-82 OPTIONAL PART: WWD66-82H V66295 | 121503 904949 | 2 |
| 65 | BACS12FA3K7 | .SCREW | | 121503 904949 | 7 |
| 70 | AN960JD10L | .WASHER | | 121503 904949 | 1 |
| 75 | BRH10A3 | .NUT | SUPPLIER CODE: V52828 SPECIFICATION NUMBER: BACN10JC3 OPTIONAL PART: H10-3BAC V15653 NS202101-02 V80539 RMLH9075-3W V72962 VN303A02 V92215 96-02 V80539 T6S1032J V11815 | 121503 904949 | 1 |
| 80 | 214T3424-2 | .SUPPORT | | 121503 904949 | 3 |
| 82 | MS3367-2-9 | .STRAP | | 121503 | 1 |
| 83 | BACS12FA3K7 | .SCREW | | 121503 | 2 |
| 84 | 214T3424-2 | .SUPPORT | | 121503 | 1 |
| 85 | MS21919WDG32 | .CLAMP | | 121503 904949 | 2 |
| 90 | TM2S8 | .PLATE | SUPPLIER CODE: V06383 SPECIFICATION NUMBER: STBP19M9 | 121503 904949 | 2 |

MISSING ITEM NUMBERS NOT APPLICABLE

- ITEM NOT ILLUSTRATED

21-23-01-21

21-23-01
FIG. 21
PAGE 2
JAN 20/09

BRI



757

PARTS CATALOG (MAINTENANCE)

| FIG ITEM | PART NUMBER | 1 2 3 4 5 6 7 | NOMENCLATURE | EFFECT FROM TO | UNITS PER ASSY |
|----------|-----------------|---------------|---|------------------|----------------|
| 21 | | | ATTACHING PARTS | | |
| - 95 | BACS12ER3K6 | | .SCREW | 121503 904949 | 2 |
| | | | -----*----- | | |
| 100 | AS1504-06B0362 | | .HOSE | 121503 904949 | 1 |
| 105 | 214N2102-1 | | .DUCT | 121503 904949 | 1 |
| 110 | AS1504-08B0390 | | .HOSE | 121503 904949 | 1 |
| 115 | AS1504-08B0210 | | .HOSE | 121503 904949 | 1 |
| 120 | AS1504-08B0152 | | .DUCT | 121503 904949 | 1 |
| 125 | 214N2103-4 | | .DUCT | 121503 904949 | 2 |
| 130 | AS1504-06B0460 | | .HOSE | 121503 904949 | 1 |
| 135 | AS1504-06B0442 | | .HOSE | 121503 904949 | 18 |
| 140 | AS1504-06B0422 | | .HOSE | 121503 904949 | 12 |
| 145 | AS1504-06B0400 | | .HOSE | 121503 904949 | 26 |
| 150 | BOE2022-06A0292 | | .HOSE | 121503 904949 | 4 |
| | | | SUPPLIER CODE: V16632 | | |
| | | | SPECIFICATION NUMBER: AS1544-06A0292 | | |
| 155 | 214N2520-60 | | .DIFFUSER ASSY- OPTIONAL PART: 214N2520-101 | 121503 904949 | 40 |
| 155 | 214N2520-101 | | .DIFFUSER ASSY- OPTIONAL PART: 214N2520-60 | 121503 | 40 |
| 157 | 214N2520-60 | | .DIFFUSER ASSY- | 904949 | 2 |
| 160 | 214N2520-61 | | .DIFFUSER ASSY- OPTIONAL PART: 214N2520-107 | 121503 904949 | 11 |
| 160 | 214N2520-107 | | .DIFFUSER ASSY- OPTIONAL PART: 214N2520-61 | 121503 | 11 |
| 162 | 214N2520-61 | | .DIFFUSER ASSY- OPTIONAL PART: 214N2520-107 | 121503 | 2 |
| 162 | 214N2520-107 | | .DIFFUSER ASSY- OPTIONAL PART: 214N2520-61 | 121503 | 2 |

MISSING ITEM NUMBERS NOT APPLICABLE

- ITEM NOT ILLUSTRATED

21-23-01-21

21-23-01
FIG. 21
PAGE 3
JAN 20/09

BRI



757

PARTS CATALOG (MAINTENANCE)

| FIG ITEM | PART NUMBER | 1 2 3 4 5 6 7 | NOMENCLATURE | EFFECT FROM TO | UNITS PER ASSY |
|----------|----------------|---------------|---|------------------|----------------|
| 21 | | | | | |
| 165 | 214N2520-62 | | .DIFFUSER ASSY- OPTIONAL PART: 214N2520-109 | 121503 904949 | 3 |
| 165 | 214N2520-109 | | .DIFFUSER ASSY- OPTIONAL PART: 214N2520-62 | 121503 904949 | 3 |
| 165 | 214N2520-85 | | .DIFFUSER ASSY- | 121503 904949 | 3 |
| 170 | BACS12FA08K6 | | ATTACHING PARTS .SCREW | 121503 904949 | 112 |
| 175 | NAS514P832-6 | | .SCREW | 121503 904949 | 112 |
| | | | -----*----- | | |
| 180 | 214N2118-1 | | .DUCT | 904949 | 1 |
| 185 | AS1504-08B0340 | | .DUCT- | 904949 | 1 |
| 187 | AS1504-08B0450 | | .DUCT- | 121503 | 1 |
| 190 | 214N2103-2 | | .DUCT | 121503 904949 | 1 |
| 195 | 20 | | .CLAMP SUPPLIER CODE: V7Z588 SPECIFICATION NUMBER: STBC10GG48-58 OPTIONAL PART: WWD48-58H V66295 | 121503 904949 | 3 |
| 200 | NAS820-24A | | .PLUG | 121503 904949 | 3 |
| 205 | 1500-16 | | .CAP-END SUPPLIER CODE: V15819 OPTIONAL PART: 24-1000 V25205 | 121503 904949 | 19 |
| 205 | 24-1000 | | .CAP-END SUPPLIER CODE: V25205 OPTIONAL PART: 1500-16 V15819 | 121503 904949 | 19 |
| 210 | BACG20ZB1275 | | .GROMMET | 121503 904949 | 1 |
| 215 | BACG20AD1900 | | .GROMMET | 121503 904949 | 2 |

MISSING ITEM NUMBERS NOT APPLICABLE

- ITEM NOT ILLUSTRATED

21-23-01-21

21-23-01
FIG. 21
PAGE 4
MAY 20/09

BRI



757

PARTS CATALOG (MAINTENANCE)

| FIG ITEM | PART NUMBER | 1 2 3 4 5 6 7 | NOMENCLATURE | EFFECT FROM TO | UNITS PER ASSY |
|----------|-----------------|---------------|---|----------------|----------------|
| 21 | | | | | |
| - 500 | 214N2001-36 | | DUCT INSTL-SIDEWALL AIR DISTR SYS FLYAWAY POST RAPID REVISION: RR92003-19 FOR NHA SEE: 25-20-00-10 | 904949 | RF |
| - 502 | MS3367-2-9 | | .STRAP | 904949 | 2 |
| - 504 | 214N5054-3 | | .SUPPORT ASSY | 904949 | 2 |
| - 506 | BACS12ER3K6 | | ..SCREW | 904949 | 1 |
| - 508 | TM2S8 | | ..PLATE SUPPLIER CODE: V06383 SPECIFICATION NUMBER: STBP19M9 | 904949 | 1 |
| - 510 | 2055155-10B | | ..CLIP-STGR SUPPLIER CODE: V04169 | 904949 | 1 |
| - 512 | 214N2520-60 | | .DIFFUSER ASSY | 904949 | 1 |
| - 514 | BOE2022-06A0460 | | .HOSE SUPPLIER CODE: V16632 SPECIFICATION NUMBER: AS1544-06A0460 | 904949 | 1 |
| - 516 | BACG20AD1900 | | .GROMMET | 904949 | 1 |
| - 518 | BACS12FA08K6 | | .SCREW | 904949 | 2 |
| - 520 | NAS514P832-6 | | .SCREW | 904949 | 2 |
| - 522 | 214N2001-37 | | .TAPE | 904949 | AR |

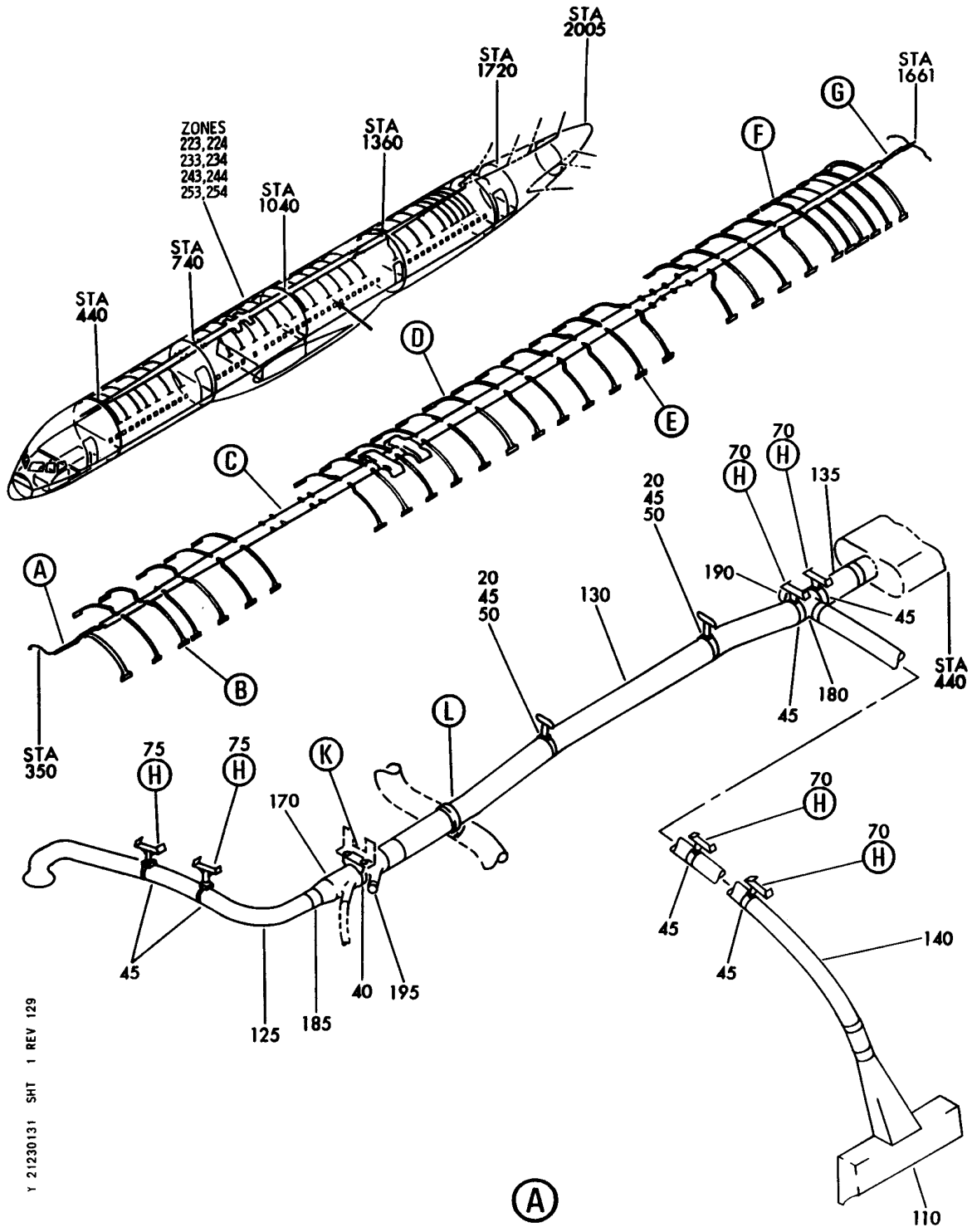
MISSING ITEM NUMBERS NOT APPLICABLE

- ITEM NOT ILLUSTRATED

21-23-01-21

21-23-01
FIG. 21
PAGE 5
MAY 20/09

BRI



Y 21230131 SHT 1 REV 129

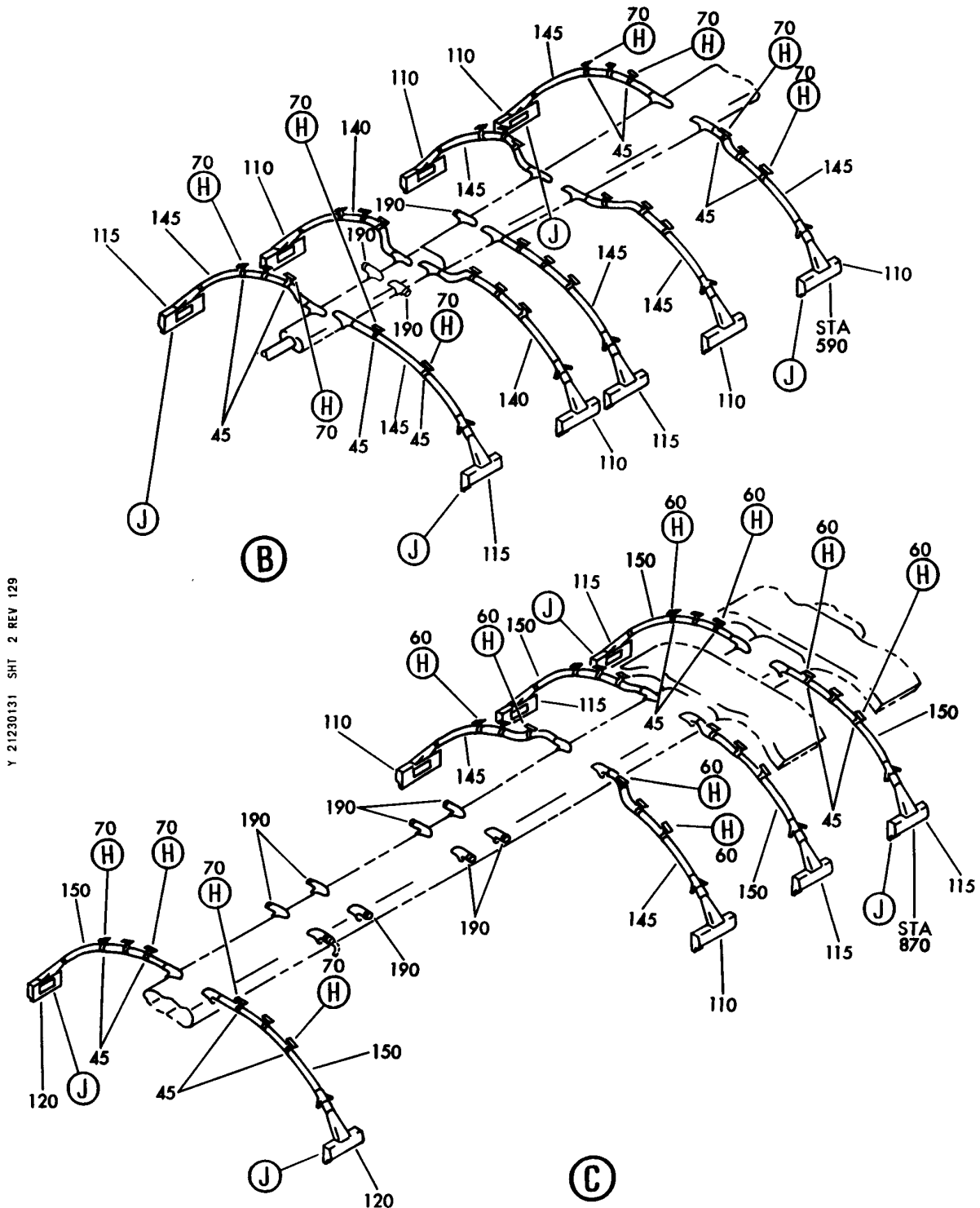
DUCT INSTL-SIDEWALL AIR DISTR SYS
FIGURE 31 (SHEET 1)

21-23-01-31

BRI
JAN 20/09

21-23-01-31
PAGE 0

BOEING
757
PARTS CATALOG (MAINTENANCE)



Y 21230131 SHT 2 REV 129

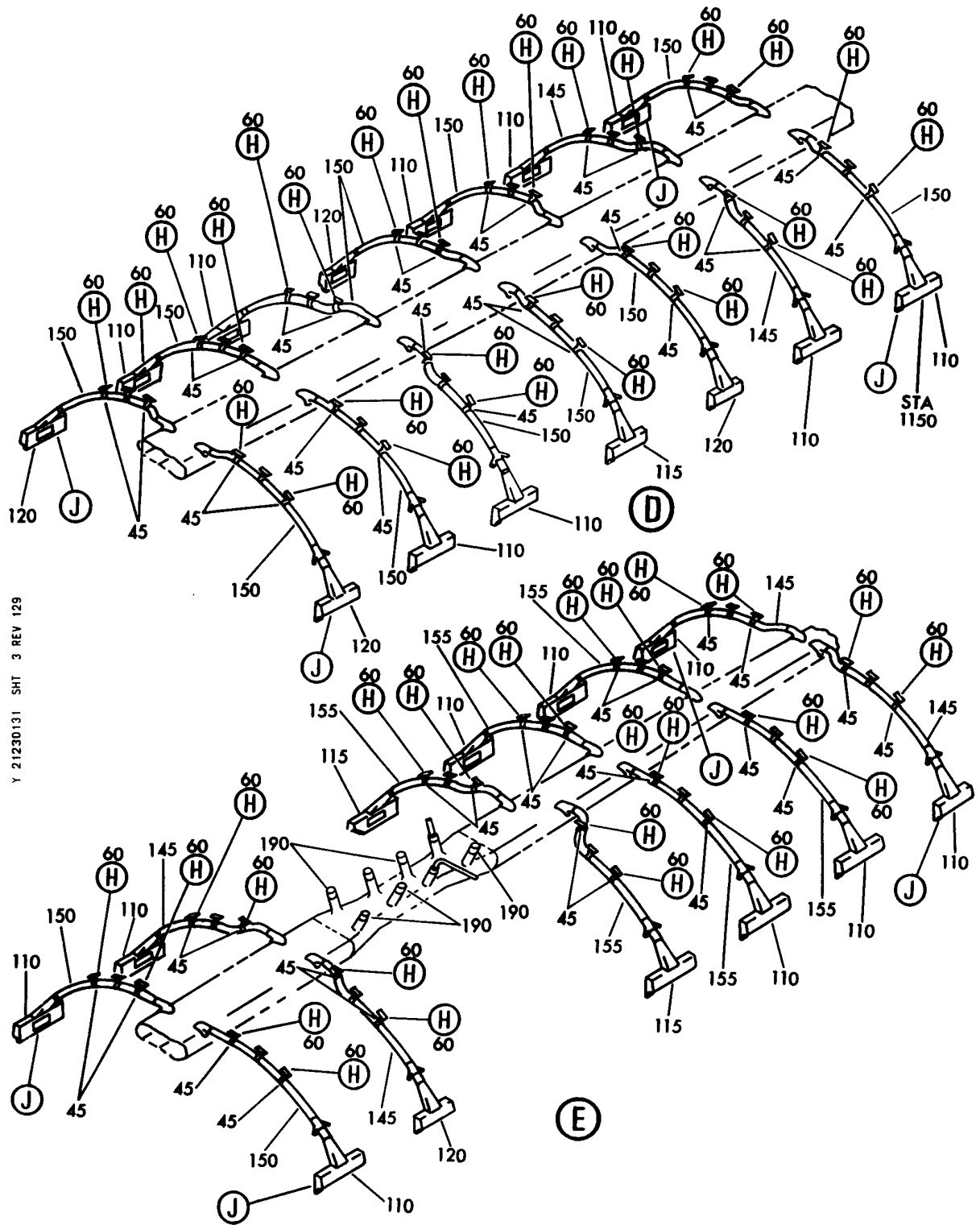
DUCT INSTL-SIDEWALL AIR DISTR SYS
FIGURE 31 (SHEET 2)

21-23-01-31

BRI
JAN 20/09

21-23-01-31
PAGE 0A

BOEING
757
PARTS CATALOG (MAINTENANCE)



Y 21230131 SHT 3 REV 129

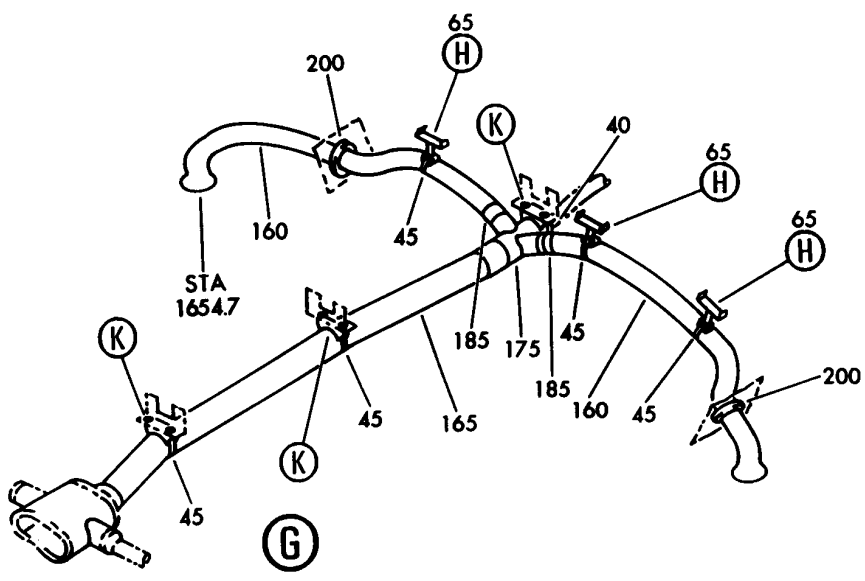
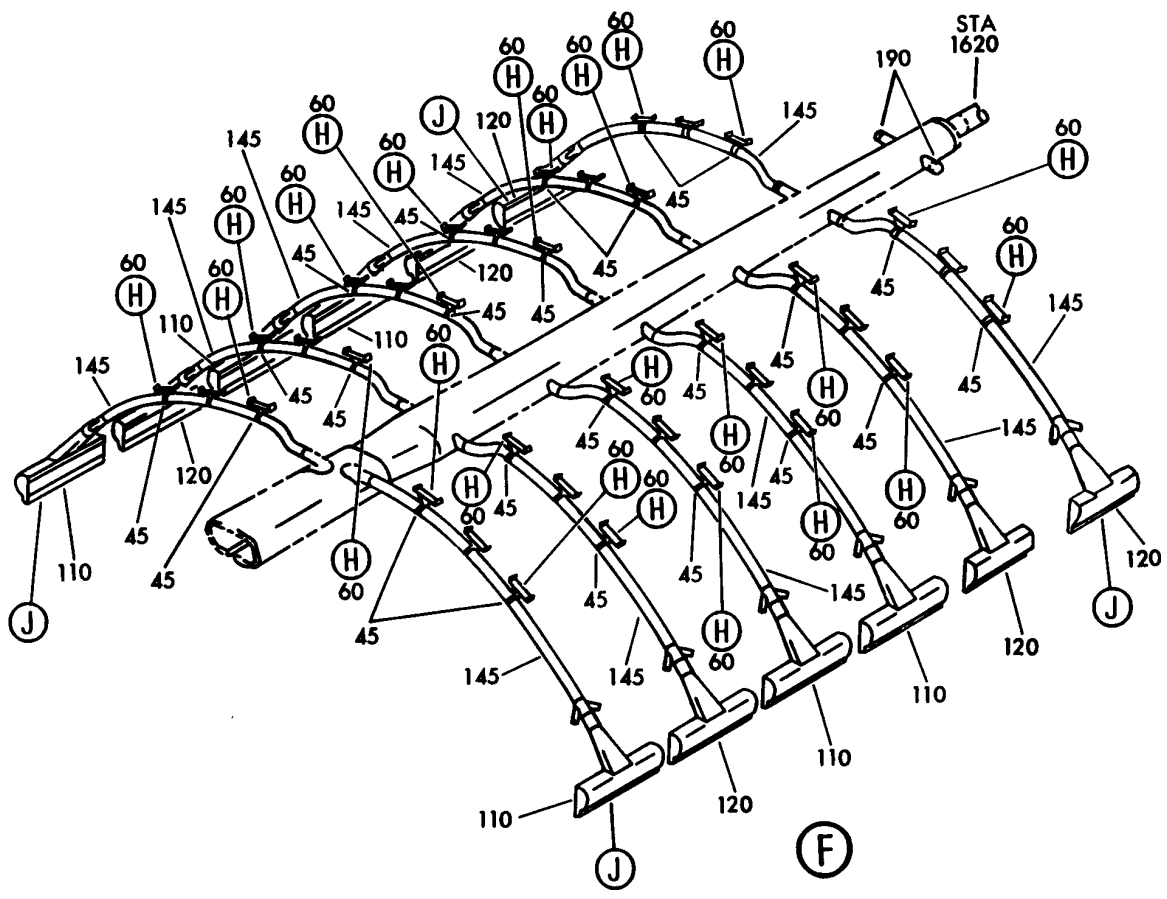
DUCT INSTL-SIDEWALL AIR DISTR SYS
FIGURE 31 (SHEET 3)

21-23-01-31

BRI
JAN 20/09

21-23-01-31
PAGE 0B

BOEING
757
PARTS CATALOG (MAINTENANCE)



Y 21230131 SHT 4 REV 129

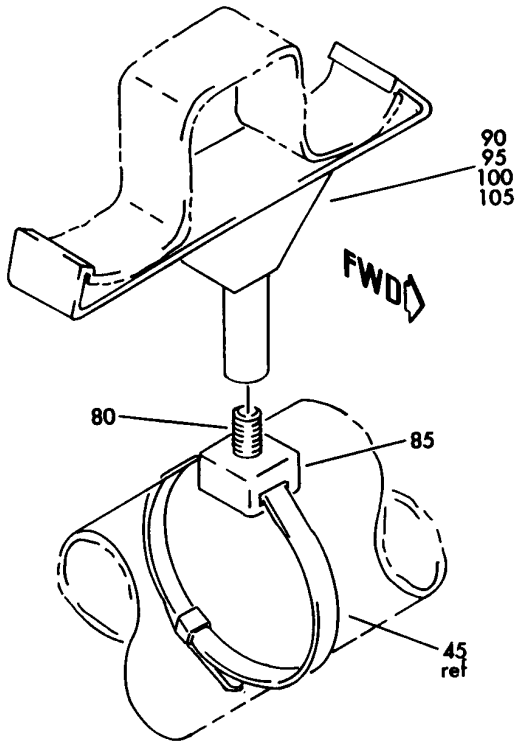
DUCT INSTL-SIDEWALL AIR DISTR SYS
FIGURE 31 (SHEET 4)

21-23-01-31

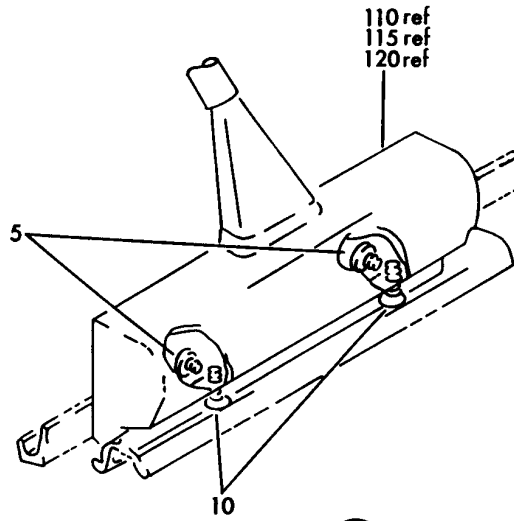
BRI
JAN 20/09

21-23-01-31
PAGE 0C

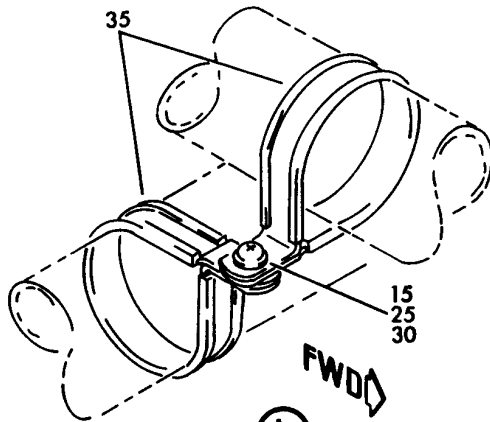
BOEING
757
PARTS CATALOG (MAINTENANCE)



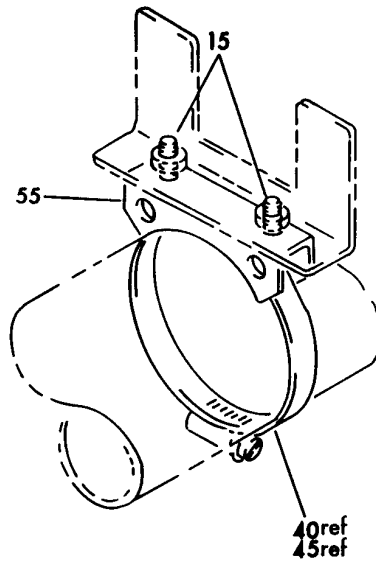
(H)



(J)



(L)



(K)

Y 21230131 SHT 5 REV 129

DUCT INSTL-SIDEWALL AIR DISTR SYS
FIGURE 31 (SHEET 5)

21-23-01-31

 **BOEING**
757
PARTS CATALOG (MAINTENANCE)

| FIG ITEM | PART NUMBER | 1 2 3 4 5 6 7 | NOMENCLATURE | EFFECT FROM TO | UNITS PER ASSY |
|----------|--------------|---------------|---|----------------|----------------|
| 31 | | | DUCT INSTL-SIDEWALL AIR DISTR SYS | 952999 | |
| - 1 | 214N2001-57 | | DUCT INSTL-SIDEWALL AIR DISTR SYS FOR NHA SEE: 21-00-00-01 | 952999 | RF |
| 5 | BACS12FA08K6 | | .SCREW | 952999 | 112 |
| 10 | NAS514P832-6 | | .SCREW | 952999 | 112 |
| 15 | BACS12FA3K7 | | .SCREW | 952999 | 9 |
| 20 | BACS12ER3K6 | | .SCREW | 952999 | 2 |
| 25 | AN960KD10L | | .WASHER | 952999 | 1 |
| 30 | BRH10A3 | | .NUT | 952999 | 1 |
| | | | SUPPLIER CODE: V52828 | | |
| | | | SPECIFICATION NUMBER: BACN10JC3 | | |
| | | | OPTIONAL PART: H10-3BAC V15653 NS202101-02 V80539 RMLH9075-3W V72962 VN303A02 V92215 96-02 V80539 T6S1032J V11815 | | |
| 35 | MS2191MDG32 | | .CLAMP | 952999 | 2 |
| 40 | 32 | | .CLAMP | 952999 | 2 |
| | | | SUPPLIER CODE: V7Z588 | | |
| | | | SPECIFICATION NUMBER: STBC10GG66-82 | | |
| | | | OPTIONAL PART: WWD66-82H V66295 | | |
| 45 | MS3367-2-9 | | .STRAP | 952999 | AR |
| 50 | TM2S8 | | .PLATE | 952999 | 2 |
| | | | SUPPLIER CODE: V06383 | | |
| | | | SPECIFICATION NUMBER: STBP19M9 | | |
| 55 | 214T3424-2 | | .SUPPORT | 952999 | 4 |
| 60 | 214N5054-1 | | .SUPPORT ASSY | 952999 | 132 |
| 65 | 214N5054-2 | | .SUPPORT ASSY | 952999 | 3 |
| 70 | 214N5054-3 | | .SUPPORT ASSY | 952999 | 36 |
| 75 | 214N5054-4 | | .SUPPORT ASSY | 952999 | 2 |

MISSING ITEM NUMBERS NOT APPLICABLE

- ITEM NOT ILLUSTRATED

21-23-01-31

21-23-01
FIG. 31
PAGE 1
JAN 20/09

BRI



757

PARTS CATALOG (MAINTENANCE)

| FIG ITEM | PART NUMBER | 1 2 3 4 5 6 7 | NOMENCLATURE | EFFECT FROM TO | UNITS PER ASSY |
|----------|----------------|--------------------------------|-----------------------------------|----------------|----------------|
| 31 | | | | | |
| 80 | BACS12ER3K6 | .. | SCREW | 952999 | 1 |
| 85 | TM2S8 | .. | PLATE | 952999 | 1 |
| | | | SUPPLIER CODE: V06383 | | |
| | | | SPECIFICATION NUMBER: STBP19M9 | | |
| 90 | 2055155-10C | .. | CLIP- | 952999 | 1 |
| | | | SUPPLIER CODE: V04169 | | |
| | | | USED ON: 214N5054-1 | | |
| 95 | 2055155-5C | .. | CLIP- | 952999 | 1 |
| | | | SUPPLIER CODE: V04169 | | |
| | | | USED ON: 214N5054-2 | | |
| 100 | 2055155-10B | .. | CLIP- | 952999 | 1 |
| | | | SUPPLIER CODE: V04169 | | |
| | | | USED ON: 214N5054-3 | | |
| 105 | 2055155-5B | .. | CLIP- | 952999 | 1 |
| | | | SUPPLIER CODE: V04169 | | |
| | | | USED ON: 214N5054-4 | | |
| 110 | 214N2520-57 | .DIFFUSER ASSY- | | 952999 | 33 |
| 110 | 214N2520-100 | .DIFFUSER ASSY- | | 952999 | 33 |
| 110 | 214N2520-21 | .DIFFUSER ASSY- | | 952999 | 33 |
| 115 | 214N2520-58 | .DIFFUSER ASSY- | | 952999 | 10 |
| | | OPTIONAL PART: 214N2001-106 | | | |
| 115 | 214N2520-106 | .DIFFUSER ASSY- | | 952999 | 10 |
| | | OPTIONAL PART: 214N2001-58 | | | |
| 120 | 214N2520-59 | .DIFFUSER ASSY- | | 952999 | 13 |
| | | OPTIONAL PART: 214N2520-108 | | | |
| 120 | 214N2520-108 | .DIFFUSER ASSY- | | 952999 | 13 |
| | | OPTIONAL PART: 214N2520-59 | | | |
| 125 | AS1504-06B0362 | .HOSE | | 952999 | 1 |
| 130 | AS1504-08B0630 | .HOSE | | 952999 | 1 |
| 135 | AS1504-08B0152 | .DUCT | | 952999 | 1 |
| 140 | AS1504-06B0460 | .HOSE | | 952999 | 3 |
| 145 | AS1504-06B0442 | .HOSE | | 952999 | 27 |
| 150 | AS1504-06B0400 | .HOSE | | 952999 | 20 |
| 155 | AS1504-06B0422 | .HOSE | | 952999 | 6 |

MISSING ITEM NUMBERS NOT APPLICABLE

- ITEM NOT ILLUSTRATED

21-23-01-31

21-23-01
FIG. 31
PAGE 2
JAN 20/09

BRI



757

PARTS CATALOG (MAINTENANCE)

| FIG ITEM | PART NUMBER | 1 2 3 4 5 6 7 | NOMENCLATURE | EFFECT FROM TO | UNITS PER ASSY |
|----------|-----------------|---------------|---|----------------|----------------|
| 31 | | | | | |
| 160 | BOE2022-06A0323 | .HOSE | SUPPLIER CODE: V16632 SPECIFICATION NUMBER: AS1544-06A0323 | 952999 | 2 |
| 165 | AS1504-08B0450 | .DUCT | | 952999 | 1 |
| 170 | 214N2102-1 | .DUCT | | 952999 | 1 |
| 175 | 214N2103-2 | .DUCT | | 952999 | 1 |
| 180 | 214N2103-4 | .DUCT | | 952999 | 1 |
| 185 | 66-4895-5 | .RESTRICTOR | | 952999 | 3 |
| 190 | 1500-16 | .CAP-END | SUPPLIER CODE: V15819 OPTIONAL PART: 24-1000 V25205 | 952999 | 19 |
| 190 | 24-1000 | .CAP-END | SUPPLIER CODE: V25205 OPTIONAL PART: 1500-16 V15819 | 952999 | 19 |
| 195 | 750-16 | .CAP-END | SUPPLIER CODE: V15819 OPTIONAL PART: 12-1000 V25205 | 952999 | 1 |
| 195 | 12-1000 | .CAP-END | SUPPLIER CODE: V25205 OPTIONAL PART: 750-16 V15819 | 952999 | 1 |
| 200 | BACG20AD1900 | .GROMMET | | 952999 | 2 |

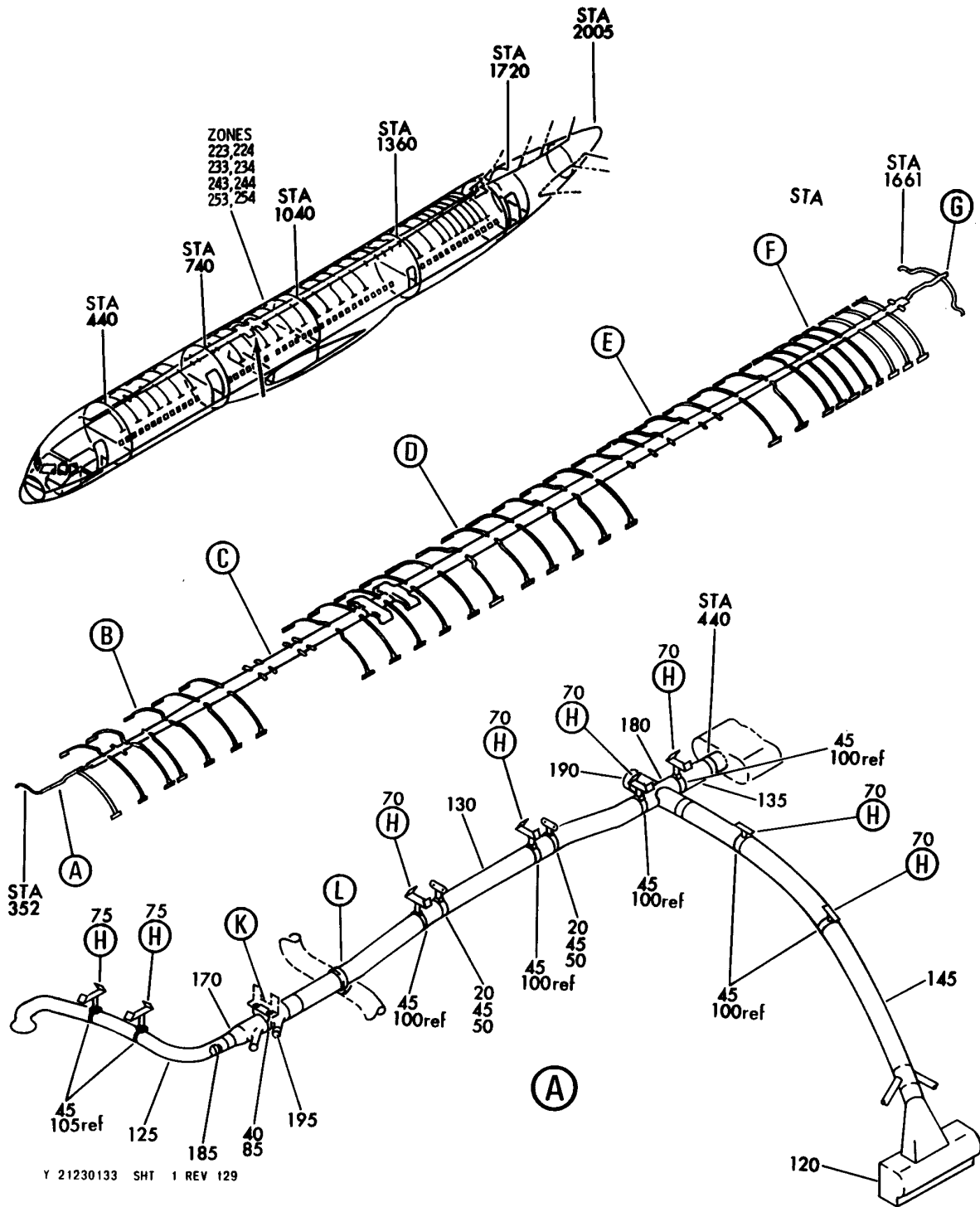
MISSING ITEM NUMBERS NOT APPLICABLE

- ITEM NOT ILLUSTRATED

BRI

21-23-01-31

21-23-01
FIG. 31
PAGE 3
JAN 20/09

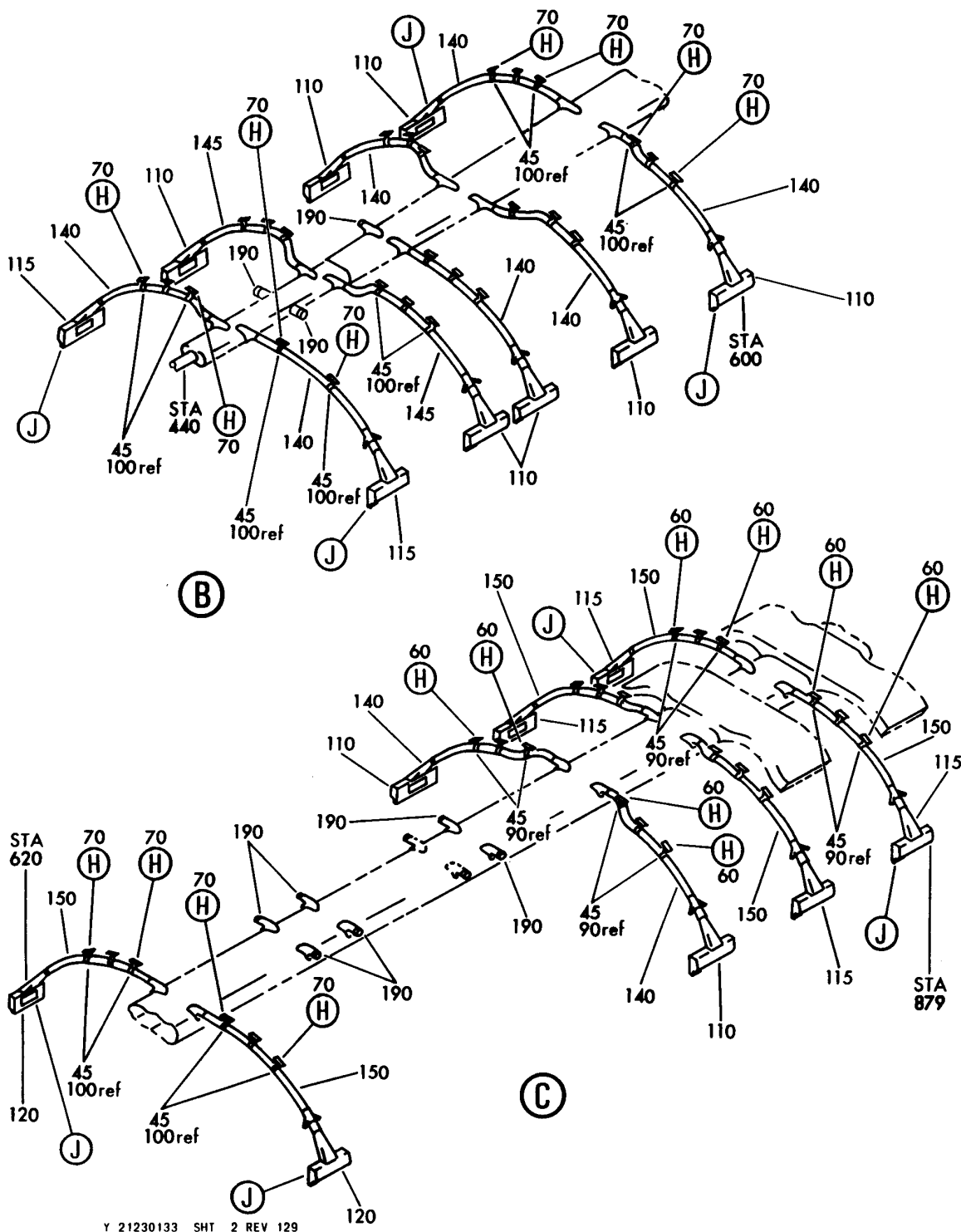


Y 21230133 SHT 1 REV 129

DUCT INSTL-SIDEWALL AIR DISTR SYS
FIGURE 33 (SHEET 1)

21-23-01-33

BOEING
757
PARTS CATALOG (MAINTENANCE)



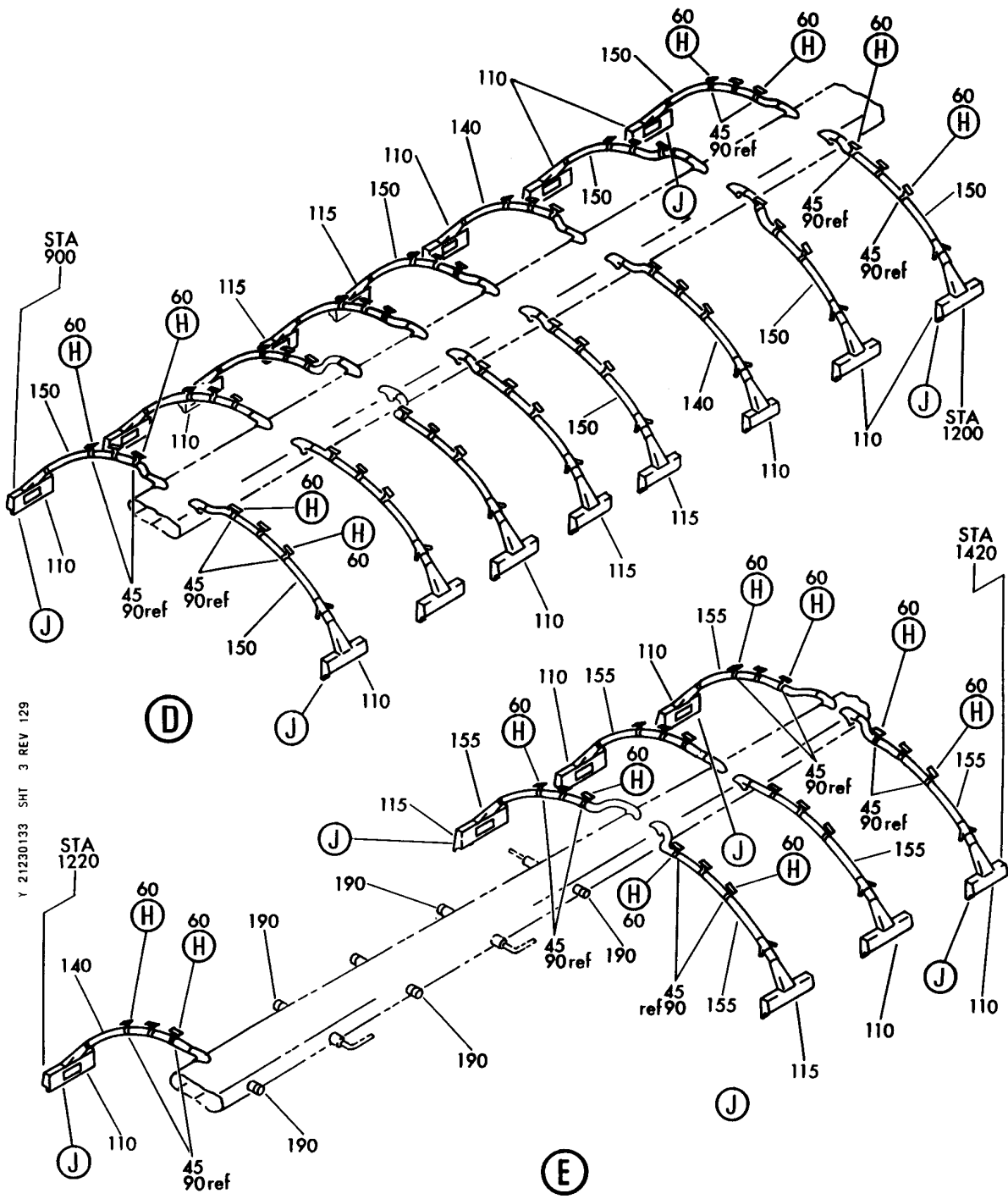
DUCT INSTL-SIDEWALL AIR DISTR SYS
FIGURE 33 (SHEET 2)

21-23-01-33

BRI
MAY 28/07

21-23-01-33
PAGE 0A


BOEING
 757
PARTS CATALOG (MAINTENANCE)

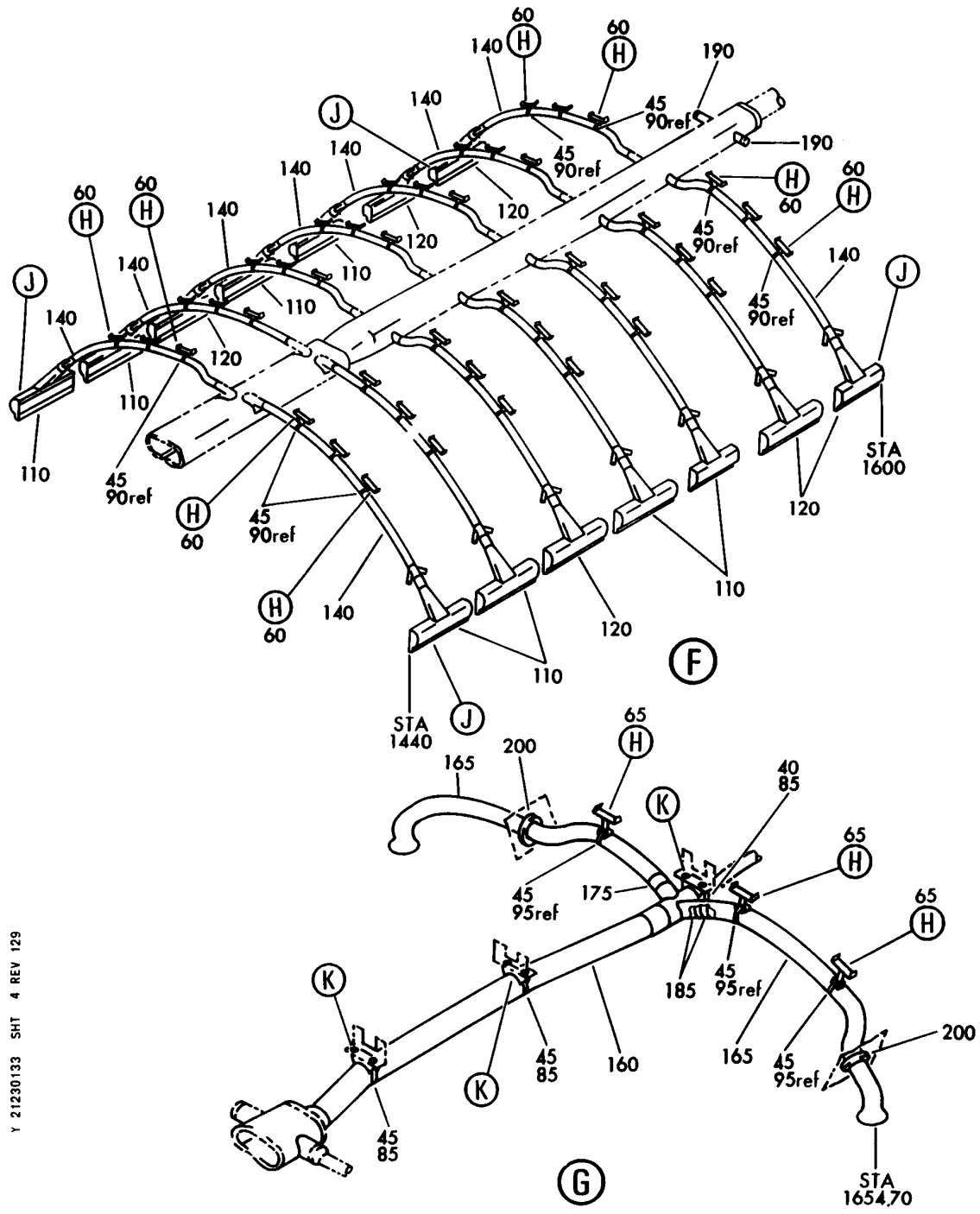


DUCT INSTL-SIDEWALL AIR DISTR SYS
 FIGURE 33 (SHEET 3)

21-23-01-33

BRI
 MAY 28/07

21-23-01-33
 PAGE 0B



Y 21230133 SHT 4 REV 129

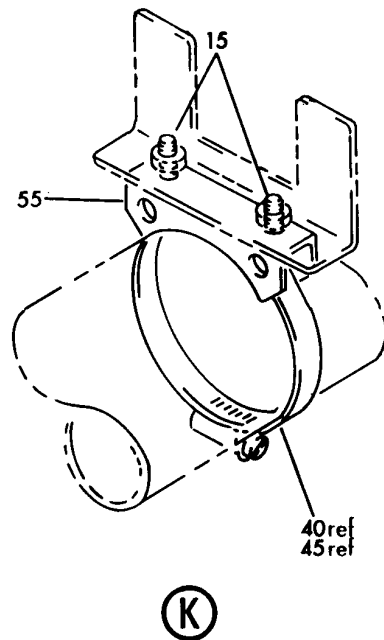
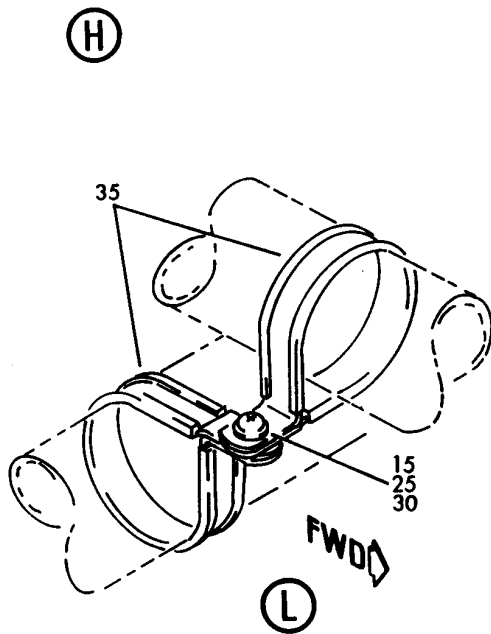
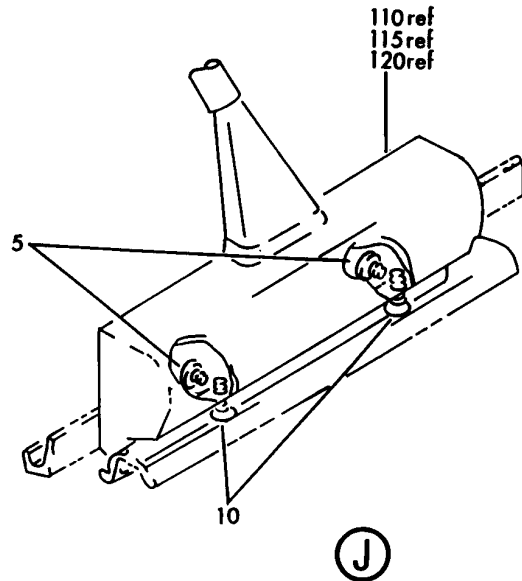
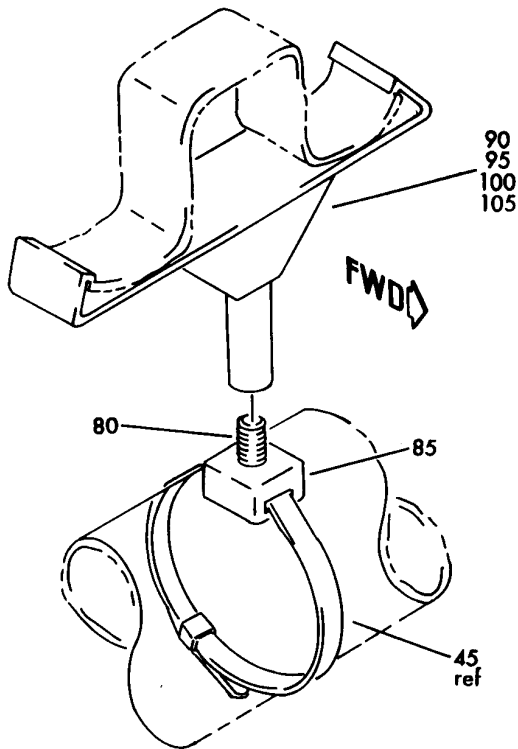
DUCT INSTL-SIDEWALL AIR DISTR SYS
FIGURE 33 (SHEET 4)

21-23-01-33

BRI
MAY 28/07

21-23-01-33
PAGE 0C

BOEING
757
PARTS CATALOG (MAINTENANCE)



Y 21230133 SHIT 5 REV 129

DUCT INSTL-SIDEWALL AIR DISTR SYS
FIGURE 33 (SHEET 5)

21-23-01-33

BRI
MAY 28/07

21-23-01-33
PAGE 0D



757

PARTS CATALOG (MAINTENANCE)

| FIG ITEM | PART NUMBER | 1 2 3 4 5 6 7 | NOMENCLATURE | EFFECT FROM TO | UNITS PER ASSY |
|----------|--------------|---------------|---|------------------|----------------|
| 33 | | | DUCT INSTL-SIDEWALL AIR DISTR SYS | 002004 006100 | |
| - 1 | 214N2001-61 | | DUCT INSTL-SIDEWALL AIR DISTR SYS FOR NHA SEE: 21-00-00-01 | 002004 006100 | RF |
| 5 | BACS12FA08K6 | | .SCREW | 002004 006100 | 110 |
| 10 | NAS514P832-6 | | .SCREW | 002004 006100 | 110 |
| 15 | BACS12FA3K7 | | .SCREW | 002004 006100 | 9 |
| 20 | BACS12ER3K6 | | .SCREW | 002004 006100 | 2 |
| 25 | AN960KD10L | | .WASHER | 002004 006100 | 1 |
| 30 | BRH10A3 | | .NUT SUPPLIER CODE: V52828 SPECIFICATION NUMBER: BACN10JC3 OPTIONAL PART: H10-3BAC V15653 NS202101-02 V80539 RMLH9075-3W V72962 VN303A02 V92215 96-02 V80539 T6S1032J V11815 | 002004 006100 | 1 |
| 35 | MS2191MDG32 | | .CLAMP | 002004 006100 | 2 |
| 40 | 32 | | .CLAMP SUPPLIER CODE: V7Z588 SPECIFICATION NUMBER: STBC10GG66-82 OPTIONAL PART: WWD66-82H V66295 | 002004 006100 | 2 |
| 45 | MS3367-2-9 | | .STRAP | 002004 006100 | AR |

MISSING ITEM NUMBERS NOT APPLICABLE

- ITEM NOT ILLUSTRATED

21-23-01-33

21-23-01
FIG. 33
PAGE 1
JAN 20/09

BRI



757

PARTS CATALOG (MAINTENANCE)

| FIG ITEM | PART NUMBER | 1 2 3 4 5 6 7 | NOMENCLATURE | EFFECT FROM TO | UNITS PER ASSY |
|----------|--------------|---------------|--|------------------|----------------|
| 33 | | | | | |
| 50 | TM2S8 | | .PLATE SUPPLIER CODE: V06383 SPECIFICATION NUMBER: STBP19M9 | 002004 006100 | 2 |
| 55 | 214T3424-2 | | .SUPPORT | 002004 006100 | 4 |
| 60 | 214N5054-1 | | .SUPPORT ASSY | 002004 006100 | 129 |
| 65 | 214N5054-2 | | .SUPPORT ASSY | 002004 006100 | 3 |
| 70 | 214N5054-3 | | .SUPPORT ASSY | 002004 006100 | 38 |
| 75 | 214N5054-4 | | .SUPPORT ASSY | 002004 006100 | 2 |
| 80 | BACS12ER3K6 | | ..SCREW | 002004 006100 | 1 |
| 85 | TM2S8 | | ..PLATE SUPPLIER CODE: V06383 SPECIFICATION NUMBER: STBP19M9 | 002004 006100 | 1 |
| 90 | 2055155-10C | | ..CLIP- SUPPLIER CODE: V04169 USED ON: 214N5054-1 | 002004 006100 | 1 |
| 95 | 2055155-5C | | ..CLIP- SUPPLIER CODE: V04169 USED ON: 214N5054-2 | 002004 006100 | 1 |
| 100 | 2055155-10B | | ..CLIP- SUPPLIER CODE: V04169 USED ON: 214N5054-3 | 002004 006100 | 1 |
| 105 | 2055155-5B | | ..CLIP- SUPPLIER CODE: V04169 USED ON: 214N5054-4 | 002004 006100 | 1 |
| 110 | 214N2520-60 | | .DIFFUSER ASSY- OPTIONAL PART: 214N2520-101 | 002004 | 34 |
| 110 | 214N2520-101 | | .DIFFUSER ASSY- OPTIONAL PART: 214N2520-60 | 002004 | 34 |
| 110 | 214N2520-83 | | .DIFFUSER ASSY | 006100 | 34 |

MISSING ITEM NUMBERS NOT APPLICABLE

- ITEM NOT ILLUSTRATED

21-23-01-33

21-23-01
FIG. 33
PAGE 2
JAN 20/09

BRI

 **BOEING**
757
PARTS CATALOG (MAINTENANCE)

| FIG ITEM | PART NUMBER | 1 2 3 4 5 6 7 | NOMENCLATURE | EFFECT FROM TO | UNITS PER ASSY |
|----------|-----------------|---------------|--|------------------|----------------|
| 33 | | | | | |
| 115 | 214N2520-61 | | .DIFFUSER ASSY- OPTIONAL PART: 214N2520-107 | 002004 | 12 |
| 115 | 214N2520-107 | | .DIFFUSER ASSY- OPTIONAL PART: 214N2520-61 | 002004 | 12 |
| 115 | 214N2520-84 | | .DIFFUSER ASSY | 006100 | 12 |
| 120 | 214N2520-62 | | .DIFFUSER ASSY- OPTIONAL PART: 214N2520-109 | 002004 | 9 |
| 120 | 214N2520-109 | | .DIFFUSER ASSY- OPTIONAL PART: 214N2520-62 | 002004 | 9 |
| 120 | 214N2520-85 | | .DIFFUSER ASSY- | 002004 006100 | 9 |
| 125 | AS1504-06B0362 | | .HOSE | 002004 006100 | 1 |
| 130 | AS1504-08B0630 | | .HOSE | 002004 006100 | 1 |
| 135 | AS1504-08B0120 | | .DUCT | 002004 006100 | 1 |
| 140 | AS1504-06B0442 | | .HOSE | 002004 006100 | 26 |
| 145 | AS1504-06B0460 | | .HOSE | 002004 006100 | 3 |
| 150 | AS1504-06B0400 | | .HOSE | 002004 006100 | 20 |
| 155 | AS1504-06B0422 | | .HOSE | 002004 006100 | 6 |
| 160 | AS1504-08B0450 | | .DUCT | 002004 006100 | 1 |
| 165 | BOE2022-06A0323 | | .HOSE SUPPLIER CODE: V16632 SPECIFICATION NUMBER: AS1544-06A0323 | 002004 006100 | 2 |
| 170 | 214N2102-1 | | .DUCT | 002004 006100 | 1 |
| 175 | 214N2103-2 | | .DUCT | 002004 006100 | 1 |
| 180 | 214N2103-4 | | .DUCT | 002004 006100 | 1 |
| 185 | 66-4895-5 | | .RESTRICTOR | 002004 006100 | 3 |

R
R

MISSING ITEM NUMBERS NOT APPLICABLE

- ITEM NOT ILLUSTRATED

BRI

21-23-01-33

21-23-01
FIG. 33
PAGE 3
MAY 20/09



757

PARTS CATALOG (MAINTENANCE)

| FIG ITEM | PART NUMBER | 1 2 3 4 5 6 7 | NOMENCLATURE | EFFECT FROM TO | UNITS PER ASSY |
|-----------|--------------|---|--------------|------------------|----------------|
| 33 190 | 1500-16 | .CAP-END SUPPLIER CODE: V15819 OPTIONAL PART: 24-1000 V25205 | | 002004 006100 | 18 |
| 190 | 24-1000 | .CAP-END SUPPLIER CODE: V25205 OPTIONAL PART: 1500-16 V15819 | | 002004 006100 | 18 |
| 195 | 750-16 | .CAP-END SUPPLIER CODE: V15819 OPTIONAL PART: 12-1000 V25205 | | 002004 006100 | 1 |
| 195 | 12-1000 | .CAP-END SUPPLIER CODE: V25205 OPTIONAL PART: 750-16 V15819 | | 002004 006100 | 1 |
| 200 | BACG20AD1900 | .GROMMET | | 002004 006100 | 2 |

MISSING ITEM NUMBERS NOT APPLICABLE

- ITEM NOT ILLUSTRATED

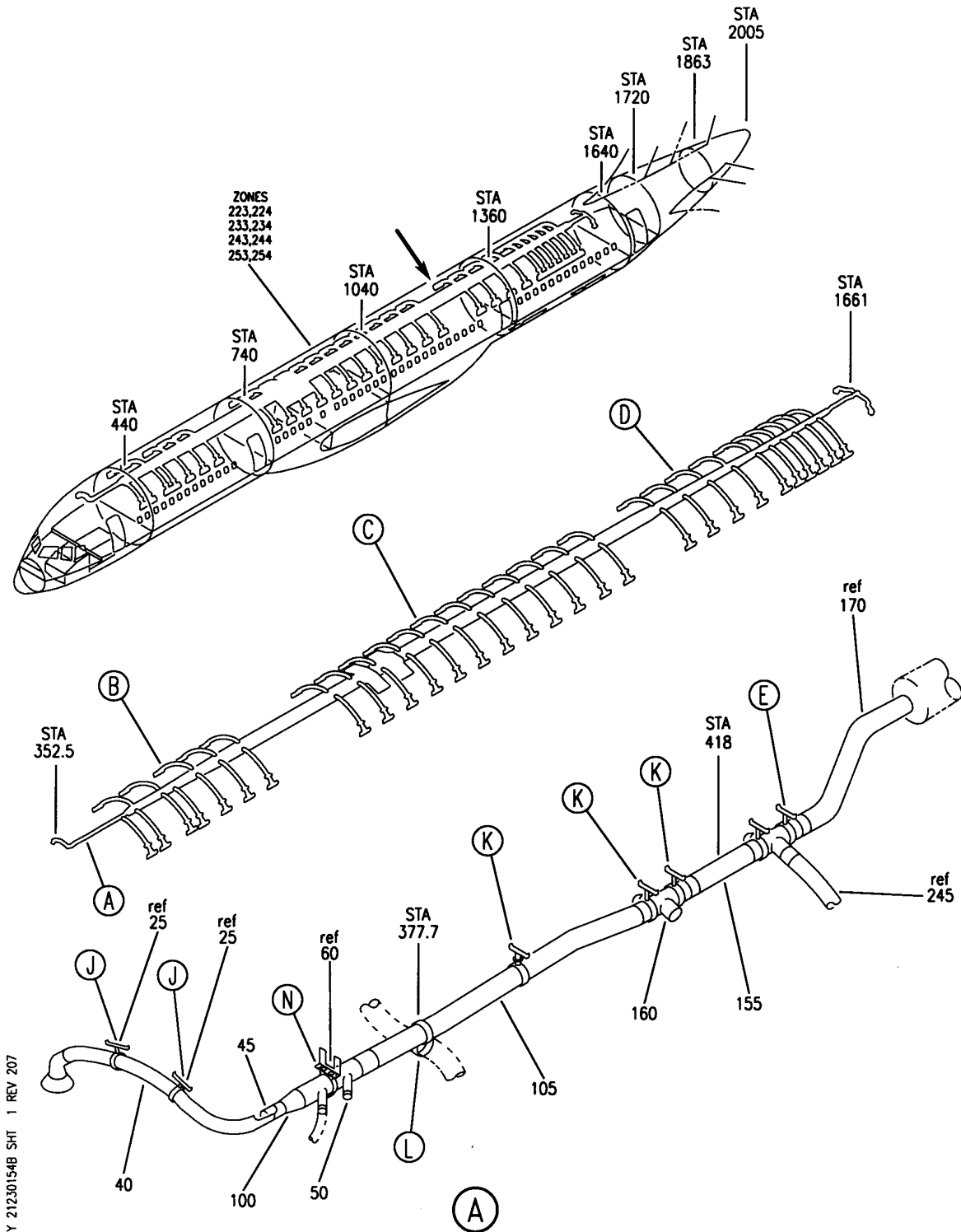
BRI

21-23-01-33

BOEING PROPRIETARY - Copyright © - Unpublished Work - See title page for details.

21-23-01
FIG. 33
PAGE 4
MAY 20/09

BOEING
757
PARTS CATALOG (MAINTENANCE)



Y 21230154B SHT 1 REV 207

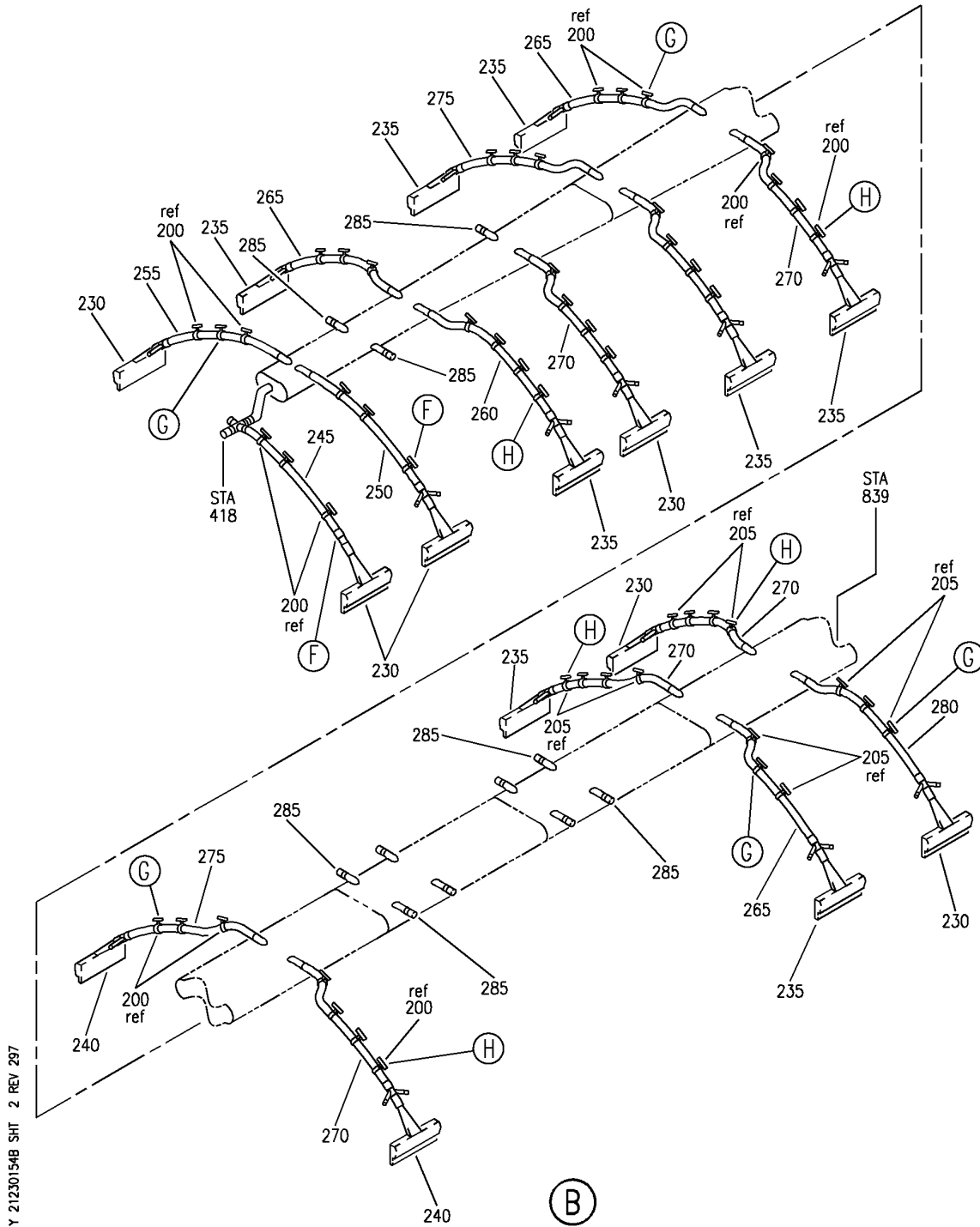
DUCT INSTL-SIDEWALL AIR DISTR SYS
FIGURE 54B (SHEET 1)

21-23-01-54B

BRI
MAY 28/07

21-23-01-54B
PAGE 0

BOEING
757
PARTS CATALOG (MAINTENANCE)



Y 21230154B SHT 2 REV 297

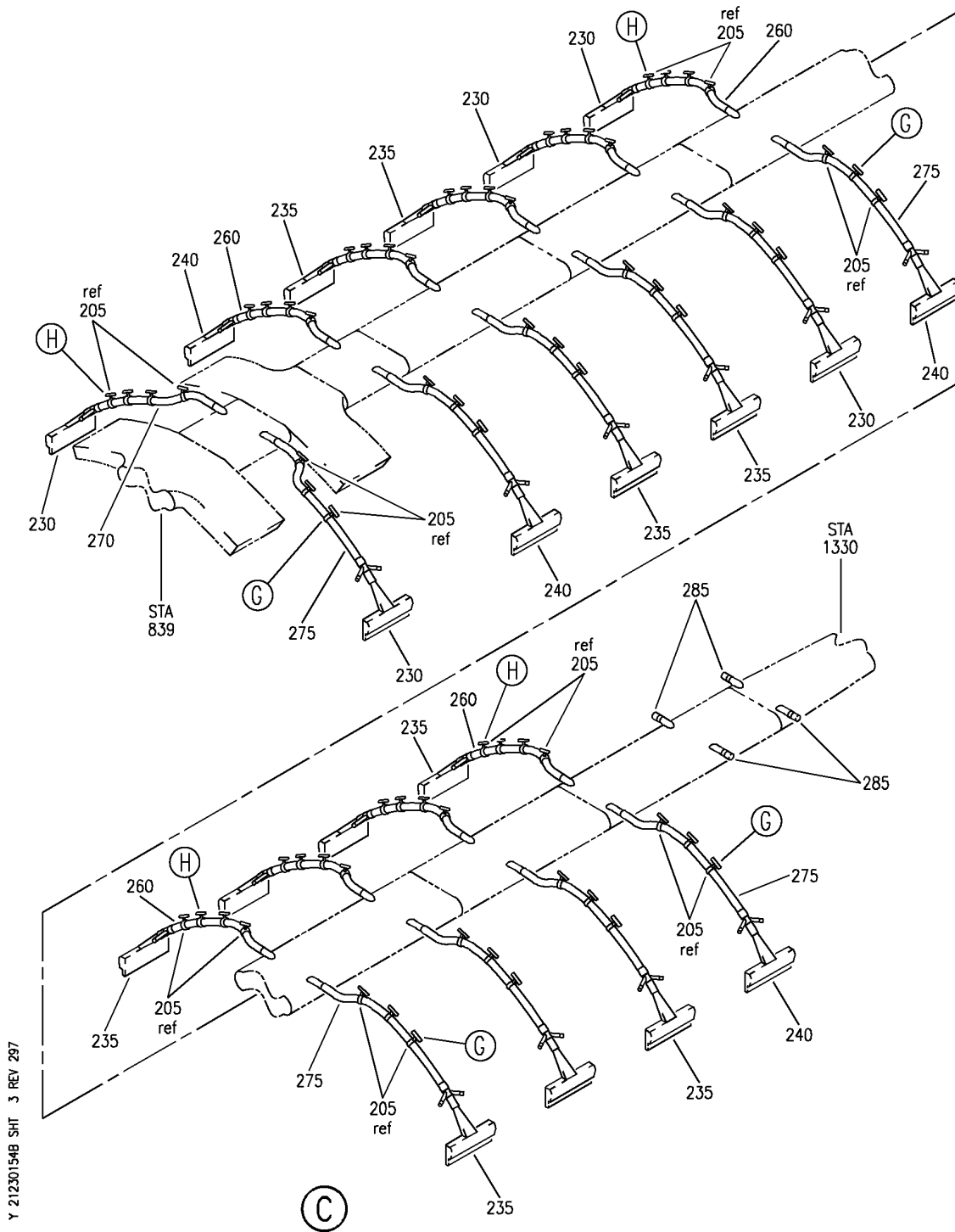
DUCT INSTL-SIDEWALL AIR DISTR SYS
FIGURE 54B (SHEET 2)

21-23-01-54B

BRI
MAY 28/07

21-23-01-54B
PAGE 0A

BOEING
757
PARTS CATALOG (MAINTENANCE)



Y 21230154B SHT 3 REV 297

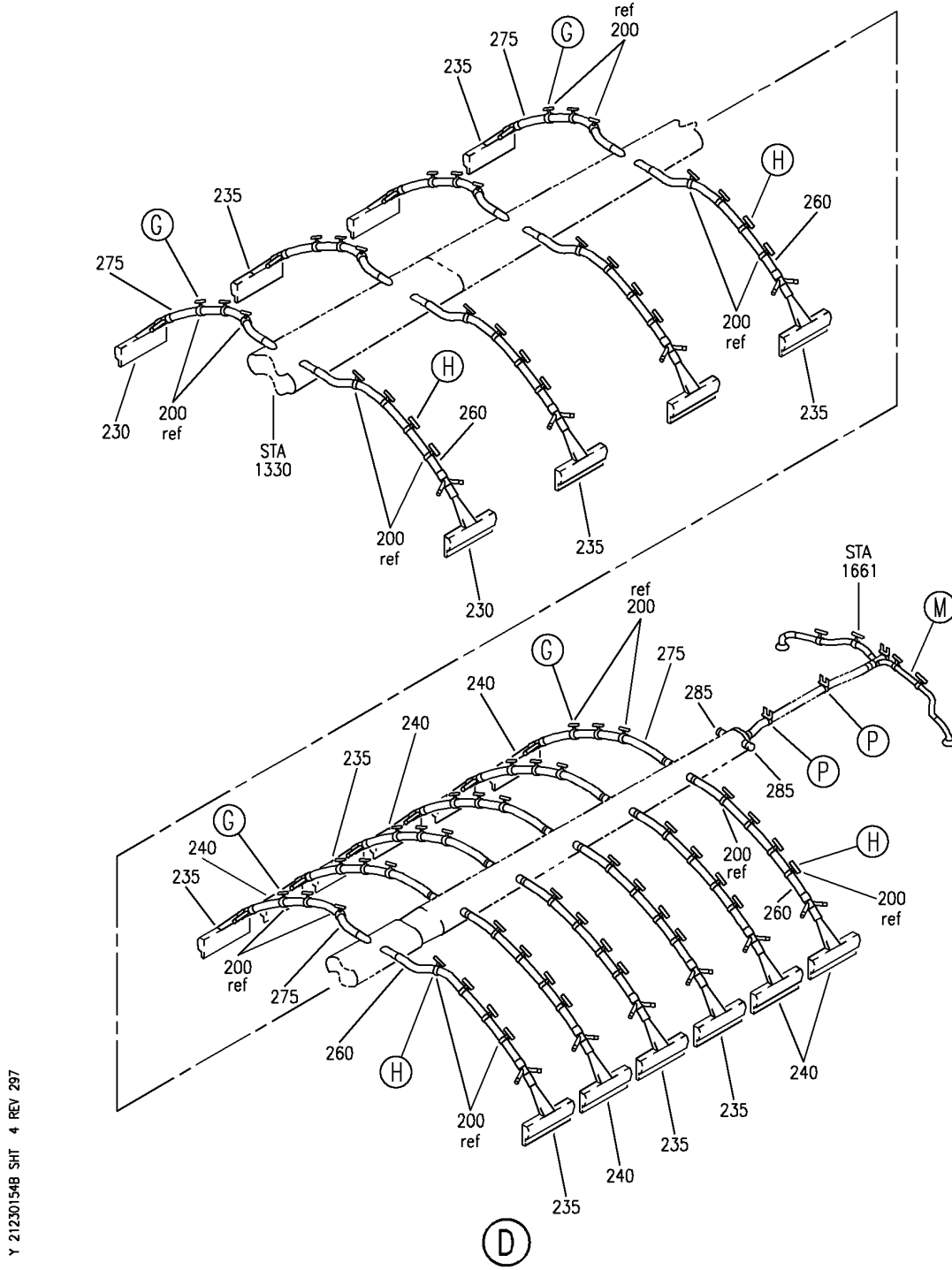
DUCT INSTL-SIDEWALL AIR DISTR SYS
FIGURE 54B (SHEET 3)

BRI
MAY 28/07

21-23-01-54B

21-23-01-54B
PAGE 0B

BOEING
757
PARTS CATALOG (MAINTENANCE)



Y 21230154B SHT 4 REV 297

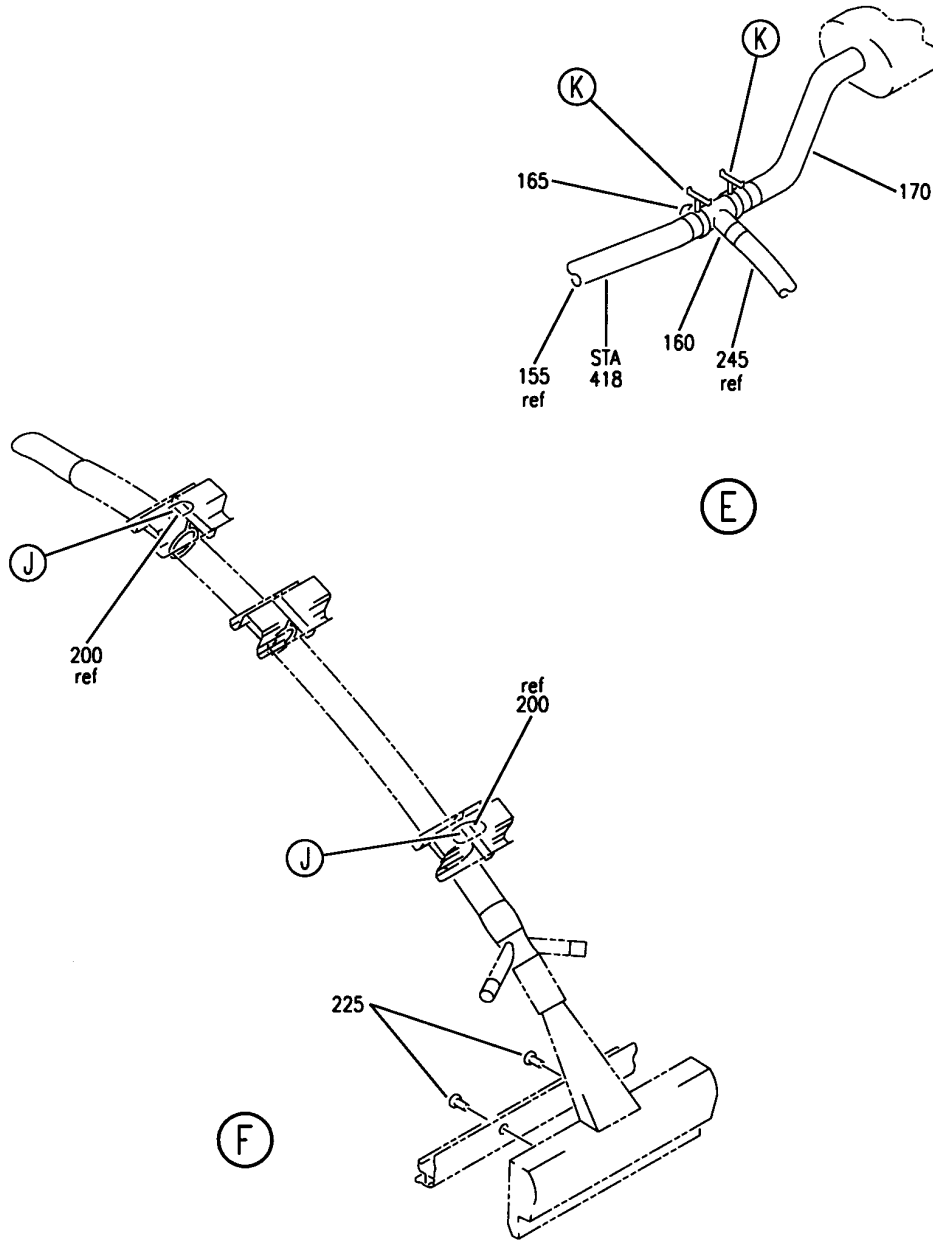
DUCT INSTL-SIDEWALL AIR DISTR SYS
 FIGURE 54B (SHEET 4)

21-23-01-54B

BRI
 MAY 28/07

21-23-01-54B
 PAGE 0C

BOEING
757
PARTS CATALOG (MAINTENANCE)



Y 21230154B SH1 5 REV 207

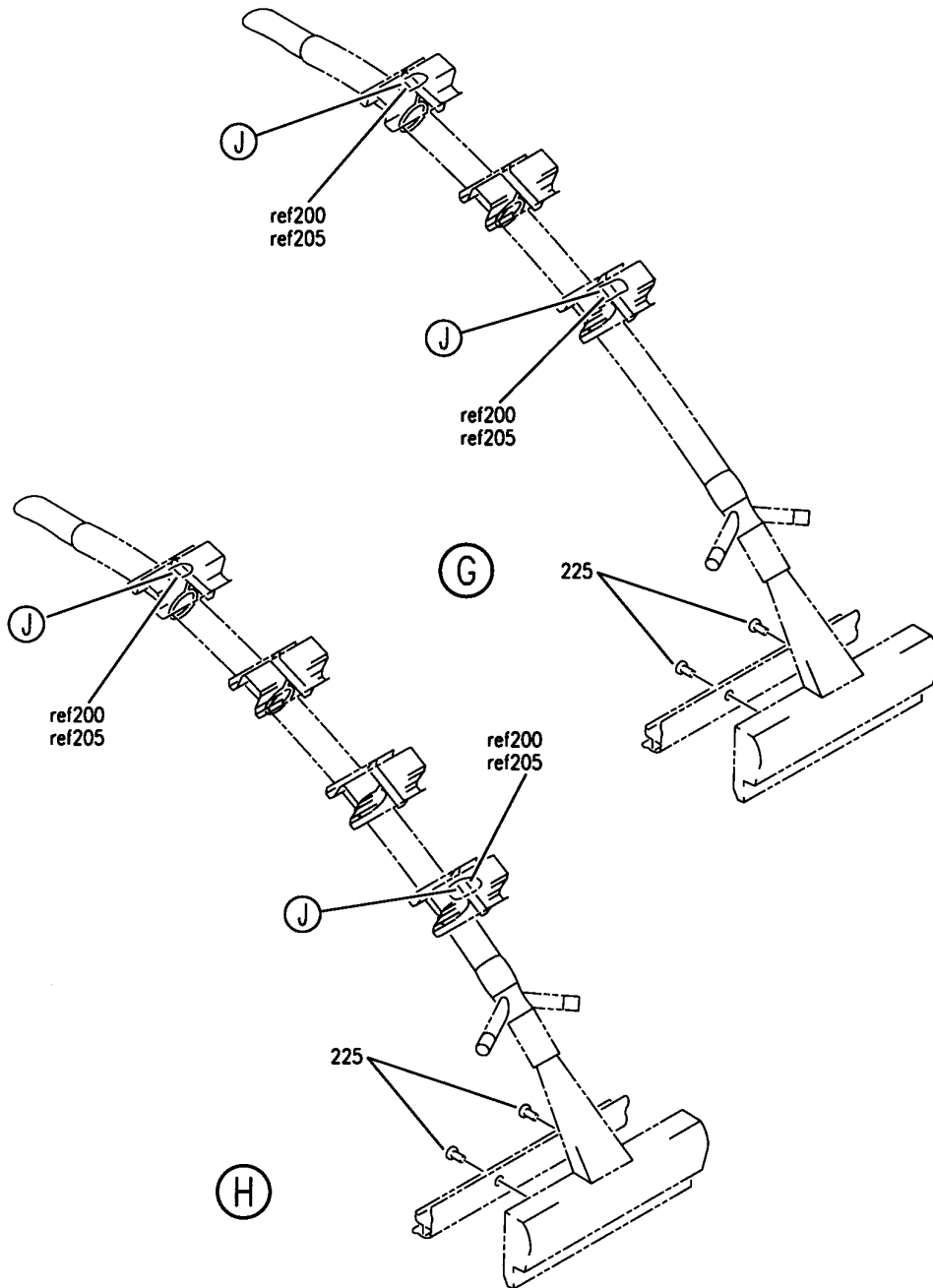
DUCT INSTL-SIDEWALL AIR DISTR SYS
FIGURE 54B (SHEET 5)

21-23-01-54B

BRI
MAY 28/07

21-23-01-54B
PAGE 0D

BOEING
757
PARTS CATALOG (MAINTENANCE)



Y 21230154B SHT 6 REV 207

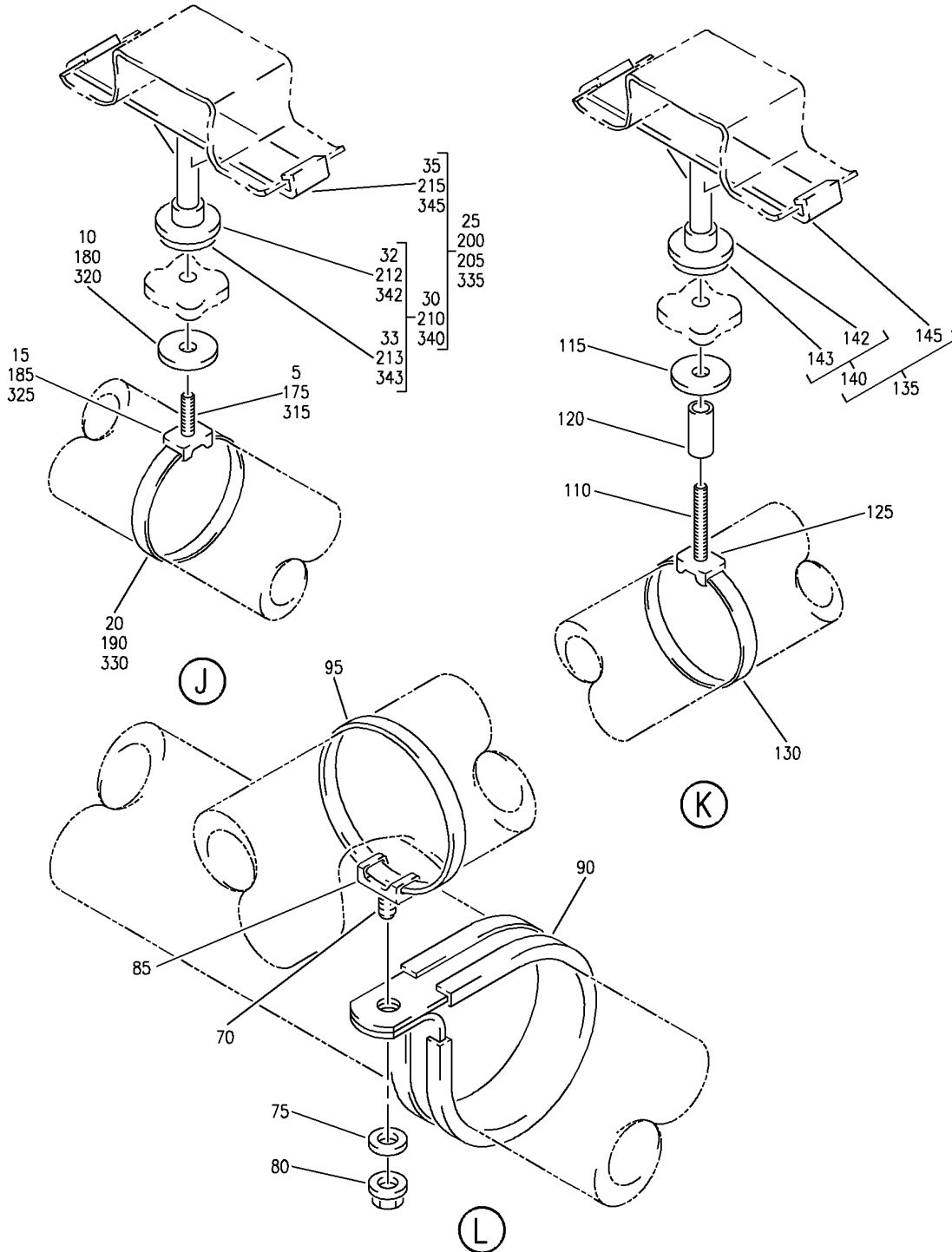
DUCT INSTL-SIDEWALL AIR DISTR SYS
FIGURE 54B (SHEET 6)

21-23-01-54B

BRI
MAY 28/07

21-23-01-54B
PAGE 0E

BOEING
757
PARTS CATALOG (MAINTENANCE)



Y 21230154B SHT 7 REV 297

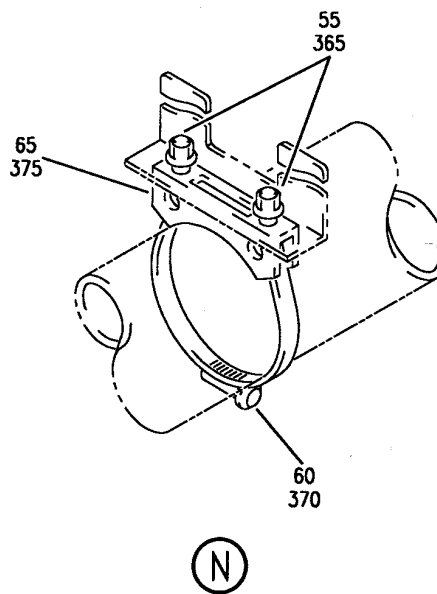
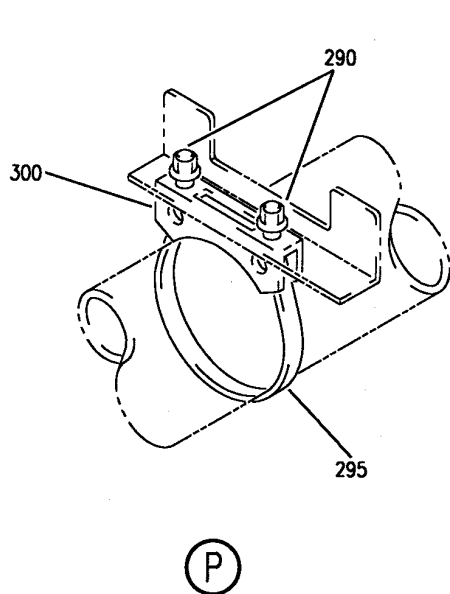
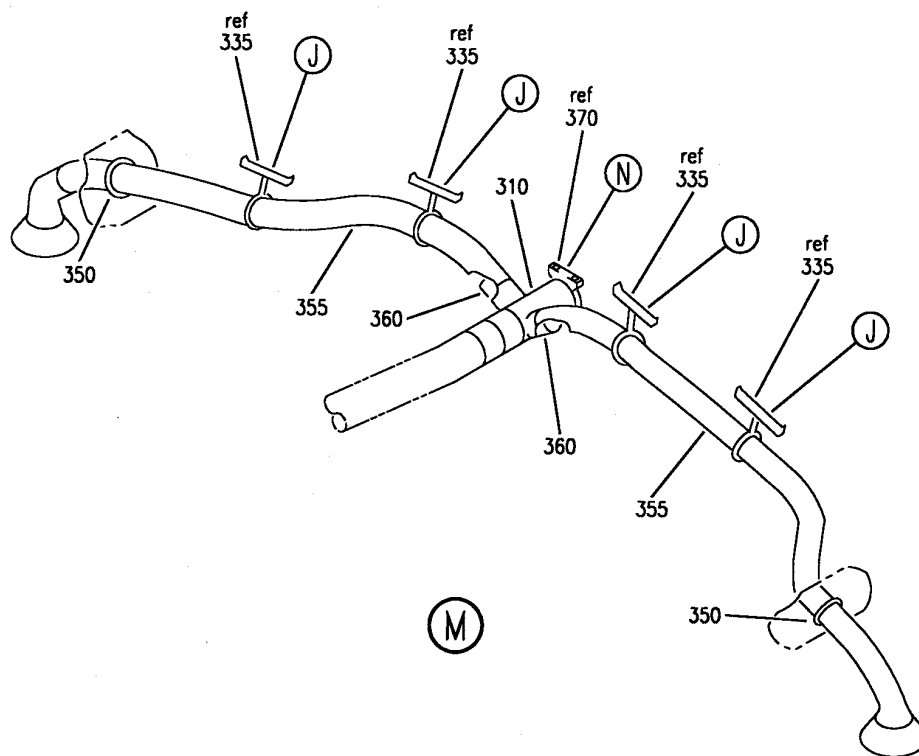
DUCT INSTL-SIDEWALL AIR DISTR SYS
FIGURE 54B (SHEET 7)

21-23-01-54B

BRI
MAY 28/07

21-23-01-54B
PAGE OF

BOEING
757
PARTS CATALOG (MAINTENANCE)



Y 21230154B SHIT 8 REV 213

DUCT INSTL-SIDEWALL AIR DISTR SYS
FIGURE 54B (SHEET 8)

21-23-01-54B

BRI
MAY 28/07

21-23-01-54B
PAGE 0G



757

PARTS CATALOG (MAINTENANCE)

| FIG ITEM | PART NUMBER | 1 2 3 4 5 6 7 | NOMENCLATURE | EFFECT FROM TO | UNITS PER ASSY |
|----------|-----------------|---------------|--|----------------|----------------|
| 54B | | | DUCT INSTL-SIDEWALL AIR DISTR SYS | 101102 | |
| - 1 | 214N2026-123 | | DUCT INSTL-SIDEWALL AIR DISTR SYS FOR NHA SEE: 21-00-00-15 | 101101 | RF |
| - 1 | 214N2026-134 | | DUCT INSTL-SIDEWALL AIR DISTR SYS FOR NHA SEE: 21-00-00-15 | 102102 | RF |
| 5 | BACS12ER3K10 | | .SCREW | 101102 | 2 |
| 10 | BACW10DZ3 | | .WASHER | 101102 | 2 |
| 15 | TM3S10 | | .PLATE SUPPLIER CODE: V06383 SPECIFICATION NUMBER: STBP19M12 | 101102 | 2 |
| 20 | SLT10LHC6 | | .STRAP- SUPPLIER CODE: V06383 | 101101 | 2 |
| 20 | T012L0 | | .STRAP- SUPPLIER CODE: V53421 SPECIFICATION NUMBER: BACS38K6 | 102102 | 2 |
| 25 | 214N5054-11 | | .SUPPORT ASSY- | 101102 | 2 |
| 30 | 411N4026-10 | | ..CAP ASSY- OPTIONAL PART: 411N4026-2 | 101102 | 1 |
| 30 | 411N4026-2 | | ..CAP ASSY- OPTIONAL PART: 411N4026-10 | 101102 | 1 |
| 32 | 411N4026-11 | | ...CAP- USED ON: 411N4026-10 | 101102 | 1 |
| 32 | 411N4026-5 | | ...CAP- USED ON: 411N4026-2 | 101102 | 1 |
| 33 | 411N4026-7 | | ...TAPE | 101102 | 1 |
| 35 | 2055155-5B | | ..CLIP-STRINGER SUPPLIER CODE: V04169 | 101102 | 1 |
| 40 | AS1591-06-0362A | | .DUCT-FLEX | 101102 | 1 |
| 45 | 66-4895-5 | | .RESTRICTOR | 101102 | 1 |
| 50 | 12-1000 | | .CAP-END SUPPLIER CODE: V25205 | 101102 | 1 |
| 55 | BACS12FA3K7 | | .SCREW- | 101102 | 2 |
| 60 | NAS1922-0225-3 | | .CLAMP | 101102 | 1 |

MISSING ITEM NUMBERS NOT APPLICABLE

- ITEM NOT ILLUSTRATED

21-23-01-54B

21-23-01
FIG. 54B
PAGE 1
JAN 20/09

BRI



757

PARTS CATALOG (MAINTENANCE)

| FIG ITEM | PART NUMBER | 1 2 3 4 5 6 7 | NOMENCLATURE | EFFECT FROM TO | UNITS PER ASSY |
|----------|-----------------|---------------|--|----------------|----------------|
| 54B | | | | | |
| 65 | 214T3424-2 | . | SUPPORT-DUCT | 101102 | 1 |
| 70 | BACS12ER3K8 | . | SCREW | 101102 | 1 |
| 75 | NAS1149D0332J | . | WASHER | 101102 | 1 |
| 80 | PLH53CD | . | NUT | 101102 | 1 |
| | | | SUPPLIER CODE: VF0224 | | |
| | | | SPECIFICATION NUMBER: BACN10YR3CD | | |
| | | | OPTIONAL PART: H52732-3CD V15653 | | |
| 85 | TM3S10 | . | PLATE | 101102 | 1 |
| | | | SUPPLIER CODE: V06383 | | |
| | | | SPECIFICATION NUMBER: STBP19M12 | | |
| 90 | MS21919WDG32 | . | CLAMP | 101102 | 1 |
| 95 | SLT10LHC6 | . | STRAP- | 101101 | 1 |
| | | | SUPPLIER CODE: V06383 | | |
| 95 | T012L0 | . | STRAP- | 102102 | 1 |
| | | | SUPPLIER CODE: V53421 | | |
| | | | SPECIFICATION NUMBER: BACS38K6 | | |
| 100 | AS1591-08-0480A | . | HOSE-FLEX | 101102 | 1 |
| 105 | AS1591-08-0440A | . | DUCT-FLEX | 101102 | 1 |
| | | | POSITION DATA: STA 377.70- STA 395 | | |
| 110 | BACS12ER3K26 | . | SCREW | 101102 | 5 |
| 115 | BACW10DZ3 | . | WASHER | 101102 | 5 |
| 120 | NAS43DD3-67FC | . | SPACER | 101102 | 5 |
| 125 | TM3S10 | . | PLATE | 101102 | 5 |
| | | | SUPPLIER CODE: V06383 | | |
| | | | SPECIFICATION NUMBER: STBP19M12 | | |
| 130 | SLT10LHC6 | . | STRAP- | 101101 | 5 |
| | | | SUPPLIER CODE: V06383 | | |
| 130 | T012L0 | . | STRAP- | 102102 | 5 |
| | | | SUPPLIER CODE: V53421 | | |
| | | | SPECIFICATION NUMBER: BACS38K6 | | |
| 135 | 214N5054-11 | . | SUPPORT ASSY- | 101102 | 5 |
| 140 | 411N4026-10 | .. | CAP ASSY- | 101102 | 1 |
| | | | OPTIONAL PART: 411N4026-2 | | |

MISSING ITEM NUMBERS NOT APPLICABLE

- ITEM NOT ILLUSTRATED

21-23-01-54B

21-23-01
FIG. 54B
PAGE 2
JAN 20/09

BRI

BOEING PROPRIETARY - Copyright © - Unpublished Work - See title page for details.



757

PARTS CATALOG (MAINTENANCE)

| FIG ITEM | PART NUMBER | 1 2 3 4 5 6 7 | NOMENCLATURE | EFFECT FROM TO | UNITS PER ASSY |
|----------|-----------------|---------------|---|----------------|----------------|
| 54B | | | | | |
| 140 | 411N4026-2 | .. | CAP ASSY- OPTIONAL PART: 411N4026-10 | 101102 | 1 |
| 142 | 411N4026-11 | ... | CAP- USED ON: 411N4026-10 | 101102 | 1 |
| 142 | 411N4026-5 | ... | CAP- USED ON: 411N4026-2 | 101102 | 1 |
| 143 | 411N4026-7 | ... | TAPE | 101102 | 1 |
| 145 | 2055155-5B | .. | CLIP-STRINGER SUPPLIER CODE: V04169 | 101102 | 1 |
| 155 | AS1591-08-0120A | . | DUCT-FLEX | 101102 | 1 |
| 160 | 214N2103-4 | . | DUCT-TEE | 101102 | 2 |
| 165 | 24-1000 | . | CAP-END SUPPLIER CODE: V25205 | 101102 | 1 |
| 165 | 1500-16 | . | CAP-END SUPPLIER CODE: V15819 | 101102 | 1 |
| 170 | AS1591-08-0162A | . | HOSE-FLEX | 101102 | 1 |
| 175 | BACS12ER3K10 | . | SCREW | 101102 | 195 |
| 180 | BACW10DZ3 | . | WASHER | 101102 | 195 |
| 185 | TM3S10 | . | PLATE SUPPLIER CODE: V06383 SPECIFICATION NUMBER: STBP19M12 | 101102 | 195 |
| 190 | SLT10LHC6 | . | STRAP- SUPPLIER CODE: V06383 | 101101 | 195 |
| 190 | T012L0 | . | STRAP- SUPPLIER CODE: V53421 SPECIFICATION NUMBER: BACS38K6 | 102102 | 195 |
| 200 | 214N5054-11 | . | SUPPORT ASSY- | 101102 | 41 |
| 205 | 214N5054-14 | . | SUPPORT ASSY | 101102 | 154 |
| 210 | 411N4026-10 | .. | CAP ASSY- OPTIONAL PART: 411N4026-2 | 101102 | 1 |
| 210 | 411N4026-2 | .. | CAP ASSY- OPTIONAL PART: 411N4026-10 | 101102 | 1 |
| 212 | 411N4026-11 | ... | CAP- USED ON: 411N4026-10 | 101102 | 1 |

MISSING ITEM NUMBERS NOT APPLICABLE

- ITEM NOT ILLUSTRATED

21-23-01-54B

21-23-01
FIG. 54B
PAGE 3
JAN 20/09

BRI

BOEING PROPRIETARY - Copyright © - Unpublished Work - See title page for details.



757

PARTS CATALOG (MAINTENANCE)

| FIG ITEM | PART NUMBER | 1 2 3 4 5 6 7 | NOMENCLATURE | EFFECT FROM TO | UNITS PER ASSY |
|------------|--------------|---------------|---|----------------|----------------|
| 54B 212 | 411N4026-5 | ... | CAP- USED ON: 411N4026-2 | 101102 | 1 |
| 213 | 411N4026-7 | ... | TAPE | 101102 | 1 |
| 215 | 2055155-5B | .. | CLIP- SUPPLIER CODE: V04169 USED ON: 214N5054-11 | 101102 | 1 |
| 220 | 2055155-5C | .. | CLIP- SUPPLIER CODE: V04169 USED ON: 214N5054-14 | 101102 | 1 |
| 225 | BACS12ER08K8 | . | SCREW | 101102 | 112 |
| 230 | 214N2520-81 | . | DIFFUSER ASSY- POSITION DATA: STA 418 -STA 440 LH STA 440 -STA 460 LH, RH STA 500 -STA 520 LH STA 820 -STA 839 LH, RH STA 860 -STA 879 LH, RH STA 1020 -STA 1040 LH, RH STA 1060 -STA 1080 RH STA 1320 -STA 1340 LH, RH | 101102 | 13 |
| 235 | 214N2520-80 | . | DIFFUSER ASSY- POSITION DATA: STA 480 -STA 500 LH, RH STA 540 -STA 560 LH, RH STA 580 -STA 600 LH, RH STA 780 -STA 800 LH, RH STA 940 -STA 960 LH, RH STA 980 -STA 1000 LH, RH STA 1100 -STA 1120 LH, RH STA 1140 -STA 1160 LH, RH STA 1180 -STA 1200 LH, RH STA 1220 -STA 1240 RH STA 1360 -STA 1380 LH, RH STA 1400 -STA 1420 LH, RH STA 1440 -STA 1460 LH, RH STA 1480 -STA 1500 LH, RH STA 1520 -STA 1540 LH, RH STA 1540 -STA 1560 LH | 101102 | 30 |

MISSING ITEM NUMBERS NOT APPLICABLE

- ITEM NOT ILLUSTRATED

21-23-01-54B

21-23-01
FIG. 54B
PAGE 4
JAN 20/09

BRI

BOEING PROPRIETARY - Copyright © - Unpublished Work - See title page for details.



757

PARTS CATALOG (MAINTENANCE)

| FIG ITEM | PART NUMBER | 1 2 3 4 5 6 7 | NOMENCLATURE | EFFECT FROM TO | UNITS PER ASSY |
|------------|-----------------|---------------|---|----------------|----------------|
| 54B 240 | 214N2520-82 | | .DIFFUSER ASSY- POSITION DATA: STA 620 -STA 640 LH, RH STA 900 -STA 920 LH, RH STA 1060-STA 1080 LH STA 1220-STA 1240 LH STA 1500-STA 1520 LH, RH STA 1540-STA 1560 RH STA 1560-STA 1580 LH, RH STA 1580-STA 1600 LH, RH | 101102 | 13 |
| 245 | AS1591-06-0520A | | .DUCT-FLEX POSITION DATA: STA 418 - STA 440 LH | 101102 | 1 |
| 250 | AS1591-06-0570A | | .DUCT-FLEX POSITION DATA: STA 440 - STA 460 LH | 101102 | 1 |
| 255 | AS1591-06-0430A | | .DUCT-FLEX POSITION DATA: STA 440 - STA 460 RH | 101102 | 1 |
| 260 | AS1591-06-0580A | | .DUCT-FLEX POSITION DATA: STA 480 - STA 500 LH STA 900 - STA 920 RH STA 940 - STA 960 RH STA 980 - STA 1000 RH STA 1020 - STA 1040 RH STA 1060 - STA 1080 RH STA 1100 - STA 1120 RH STA 1140 - STA 1160 RH STA 1180 - STA 1200 RH STA 1220 - STA 1240 RH STA 1320 - STA 1600 LH | 101102 | 20 |
| 265 | AS1591-06-0450A | | .DUCT-FLEX POSITION DATA: STA 480 - STA 500 RH STA 580 - STA 600 RH STA 780 - STA 800 LH | 101102 | 3 |
| 270 | AS1591-06-0590A | | .DUCT-FLEX POSITION DATA: STA 500 - STA 640 LH STA 780 - STA 879 RH | 101102 | 7 |
| 275 | AS1591-06-0440A | | .DUCT-FLEX POSITION DATA: STA 540 - STA 560 RH STA 620 - STA 640 RH STA 860 - STA 1240 LH STA 1320 - STA 1600 RH | 101102 | 22 |

MISSING ITEM NUMBERS NOT APPLICABLE

- ITEM NOT ILLUSTRATED

21-23-01-54B

21-23-01
FIG. 54B
PAGE 5
JAN 20/09

BRI

BOEING PROPRIETARY - Copyright © - Unpublished Work - See title page for details.



757

PARTS CATALOG (MAINTENANCE)

| FIG ITEM | PART NUMBER | 1 2 3 4 5 6 7 | NOMENCLATURE | EFFECT FROM TO | UNITS PER ASSY |
|------------|-----------------|-----------------|--|----------------|----------------|
| 54B 280 | AS1591-06-0490A | . DUCT-FLEX | POSITION DATA: STA 820 - STA 839 LH | 101102 | 1 |
| 285 | 24-1000 | . CAP-END | SUPPLIER CODE: V25205 | 101102 | 17 |
| 285 | 1500-16 | . CAP-END | SUPPLIER CODE: V15819 | 101102 | 17 |
| 290 | BACS12FA3K7 | . SCREW- | | 101102 | 4 |
| 295 | SLT10LHC6 | . STRAP- | SUPPLIER CODE: V06383 | 101101 | 2 |
| 295 | T012L0 | . STRAP- | SUPPLIER CODE: V53421 SPECIFICATION NUMBER: BACS38K6 | 102102 | 2 |
| 300 | 214T3424-2 | . SUPPORT-DUCT | | 101102 | 2 |
| 310 | 214N2103-2 | . DUCT-TEE | | 101102 | 1 |
| 315 | BACS12ER3K10 | . SCREW | | 101102 | 4 |
| 320 | BACW10DZ3 | . WASHER | | 101102 | 4 |
| 325 | TM3S10 | . PLATE | SUPPLIER CODE: V06383 SPECIFICATION NUMBER: STBP19M12 | 101102 | 4 |
| 330 | SLT10LHC6 | . STRAP- | SUPPLIER CODE: V06383 | 101101 | 4 |
| 330 | T012L0 | . STRAP- | SUPPLIER CODE: V53421 SPECIFICATION NUMBER: BACS38K6 | 102102 | 4 |
| 335 | 214N5054-14 | . SUPPORT ASSY- | | 101102 | 4 |
| 340 | 411N4026-10 | .. CAP ASSY- | OPTIONAL PART: 411N4026-2 | 101102 | 1 |
| 340 | 411N4026-2 | .. CAP ASSY- | OPTIONAL PART: 411N4026-10 | 101102 | 1 |
| 342 | 411N4026-11 | ... CAP- | USED ON: 411N4026-10 | 101102 | 1 |
| 342 | 411N4026-5 | ... CAP- | USED ON: 411N4026-2 | 101102 | 1 |
| 343 | 411N4026-7 | ... TAPE | | 101102 | 1 |

MISSING ITEM NUMBERS NOT APPLICABLE

- ITEM NOT ILLUSTRATED

21-23-01-54B

21-23-01
FIG. 54B
PAGE 6
JAN 20/09

BRI

BOEING PROPRIETARY - Copyright © - Unpublished Work - See title page for details.



757

PARTS CATALOG (MAINTENANCE)

| FIG ITEM | PART NUMBER | 1 2 3 4 5 6 7 | NOMENCLATURE | EFFECT FROM TO | UNITS PER ASSY |
|-------------|-----------------|----------------|---|-------------------|----------------------|
| 54B 345 | 2055155-5C | . . | CLIP-STRINGER SUPPLIER CODE: V04169 | 101102 | 1 |
| 350 | BACG20AD1900 | . GROMMET- | | 101102 | 2 |
| 355 | AS1591-06-0330A | . DUCT-FLEX | | 101102 | 2 |
| 360 | 66-4895-5 | . RESTRICTOR | | 101102 | 2 |
| 365 | BACS12FA3K7 | . SCREW | | 101102 | 2 |
| 370 | NAS1922-0225-3 | . CLAMP | | 101102 | 1 |
| 375 | 214T3424-2 | . SUPPORT-DUCT | | 101102 | 1 |

MISSING ITEM NUMBERS NOT APPLICABLE

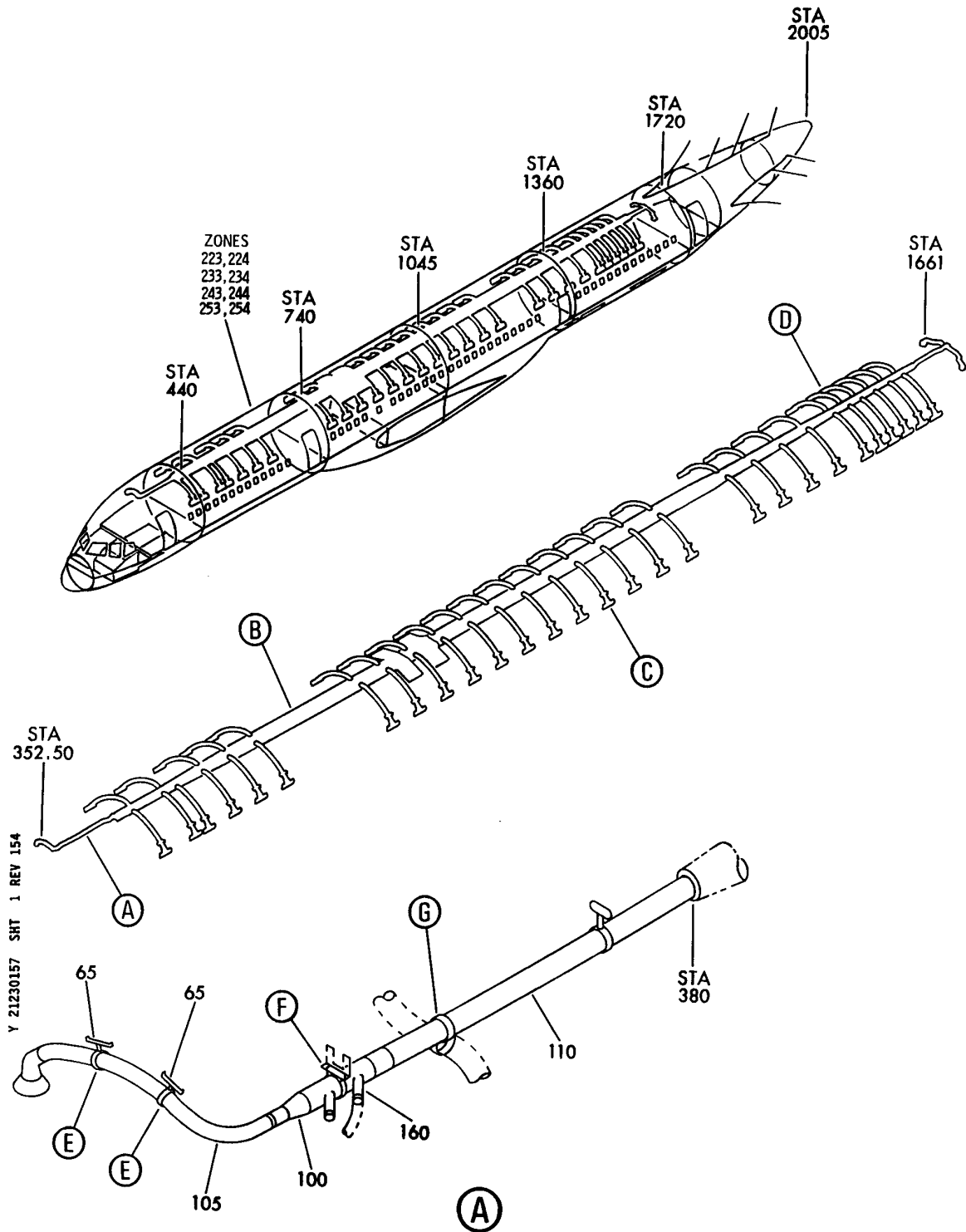
- ITEM NOT ILLUSTRATED

21-23-01-54B

21-23-01
FIG. 54B
PAGE 7
JAN 20/09

BRI

BOEING
757
PARTS CATALOG (MAINTENANCE)



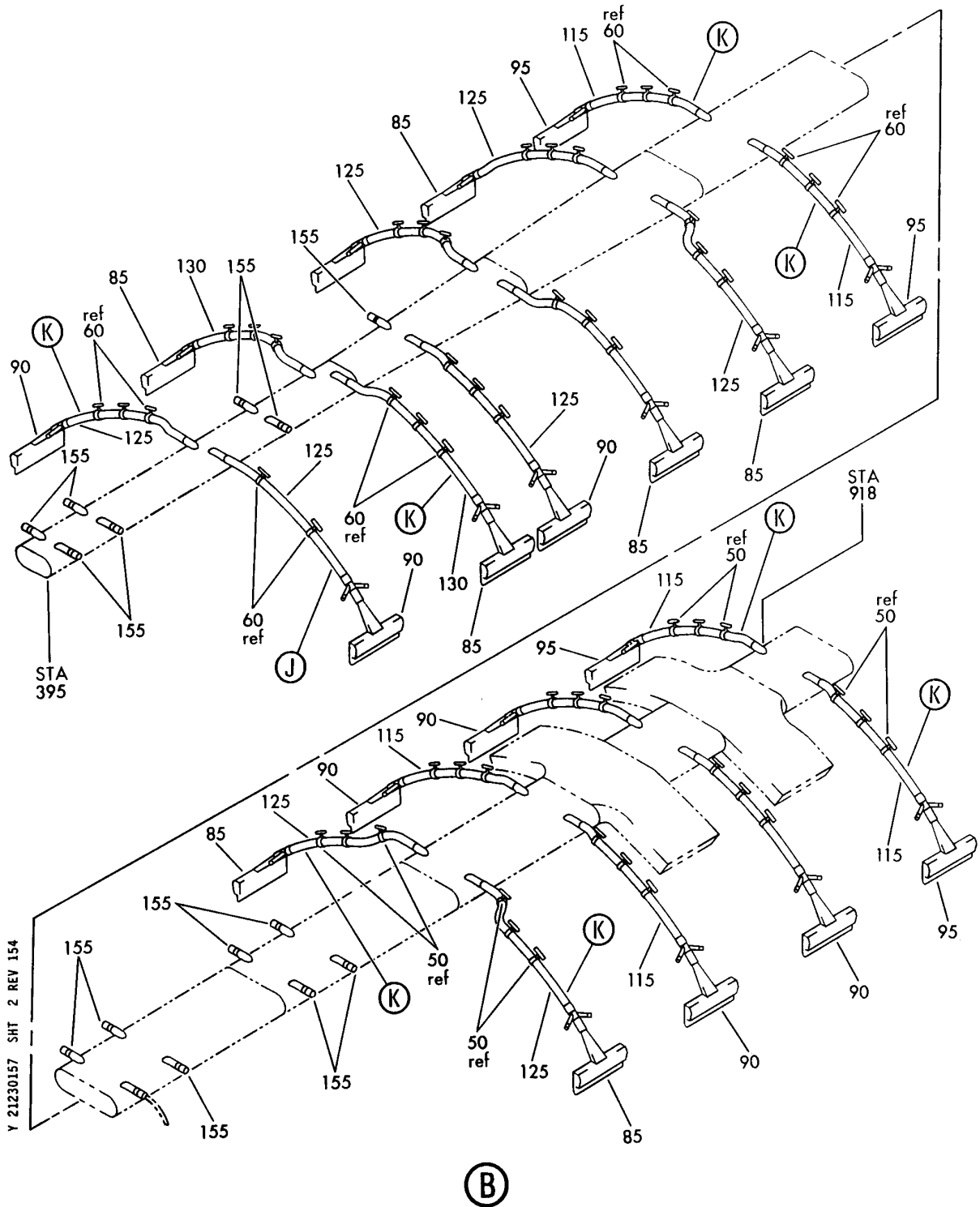
DUCT INSTL-SIDEWALL AIR DISTR SYS
FIGURE 57 (SHEET 1)

21-23-01-57

BRI
JAN 20/09

21-23-01-57
PAGE 0

BOEING
757
PARTS CATALOG (MAINTENANCE)



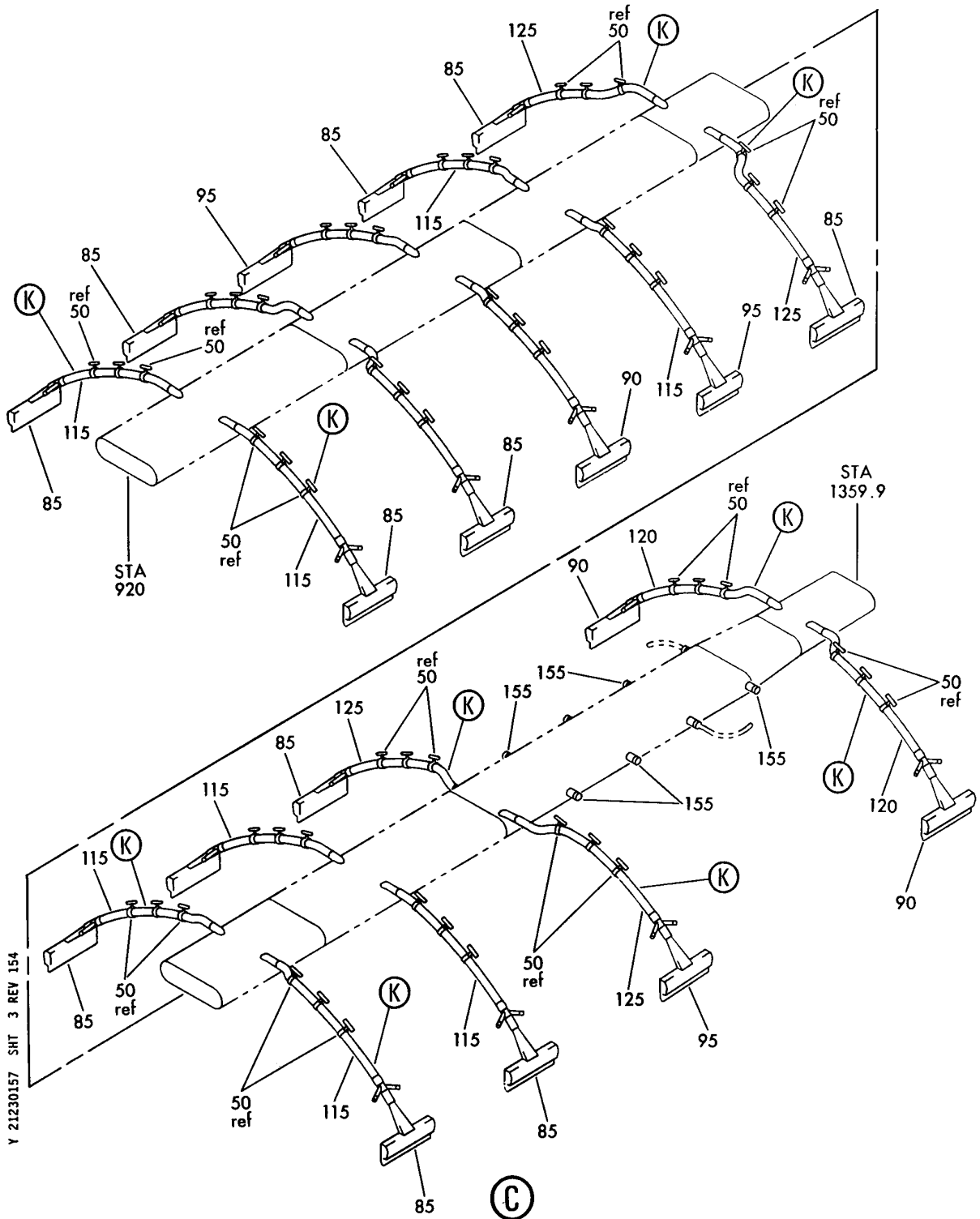
DUCT INSTL-SIDEWALL AIR DISTR SYS
FIGURE 57 (SHEET 2)

21-23-01-57

BRI
JAN 20/09

21-23-01-57
PAGE 0A

BOEING
757
PARTS CATALOG (MAINTENANCE)



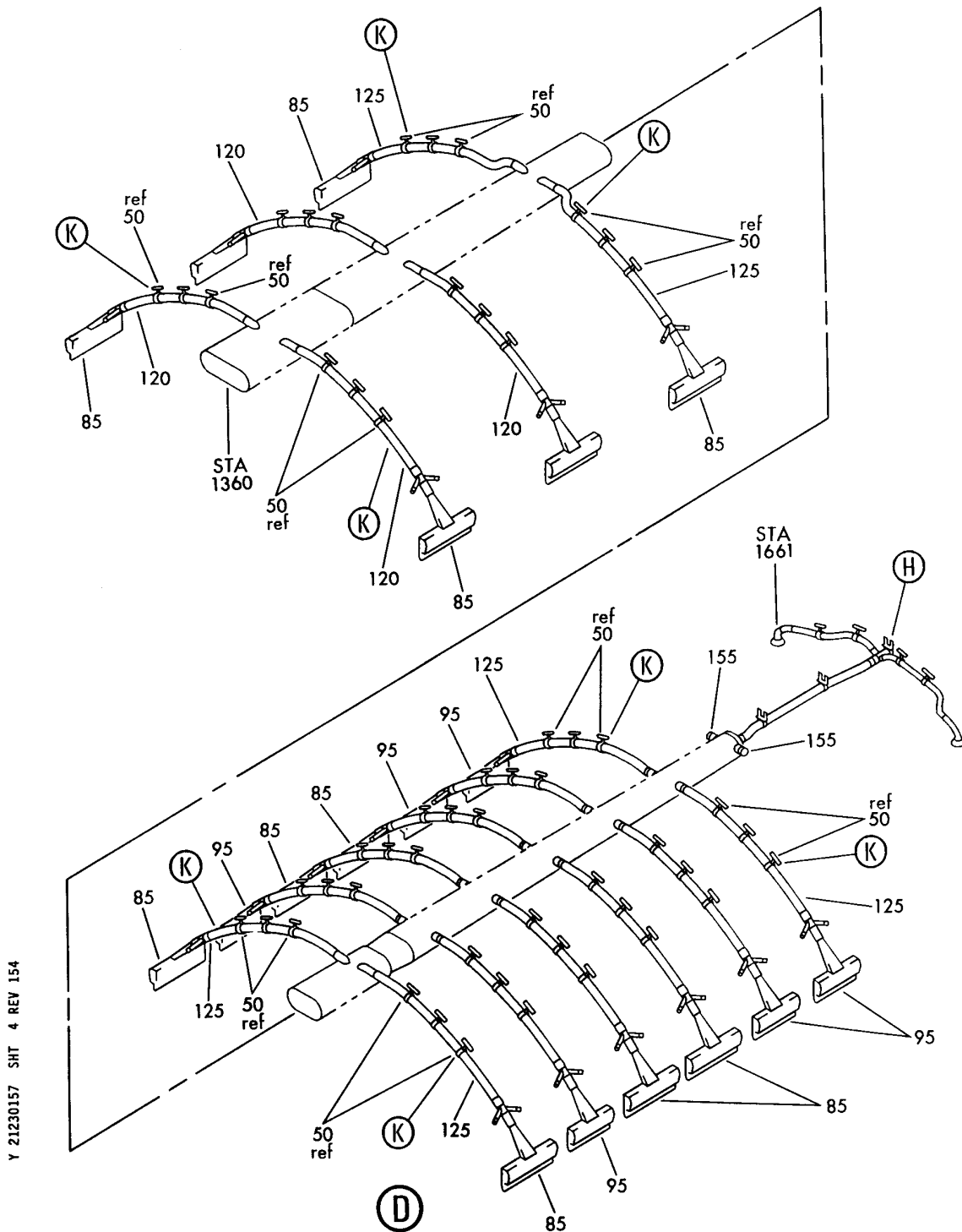
DUCT INSTL-SIDEWALL AIR DISTR SYS
FIGURE 57 (SHEET 3)

21-23-01-57

BRI
JAN 20/09

21-23-01-57
PAGE 0B

BOEING
757
PARTS CATALOG (MAINTENANCE)



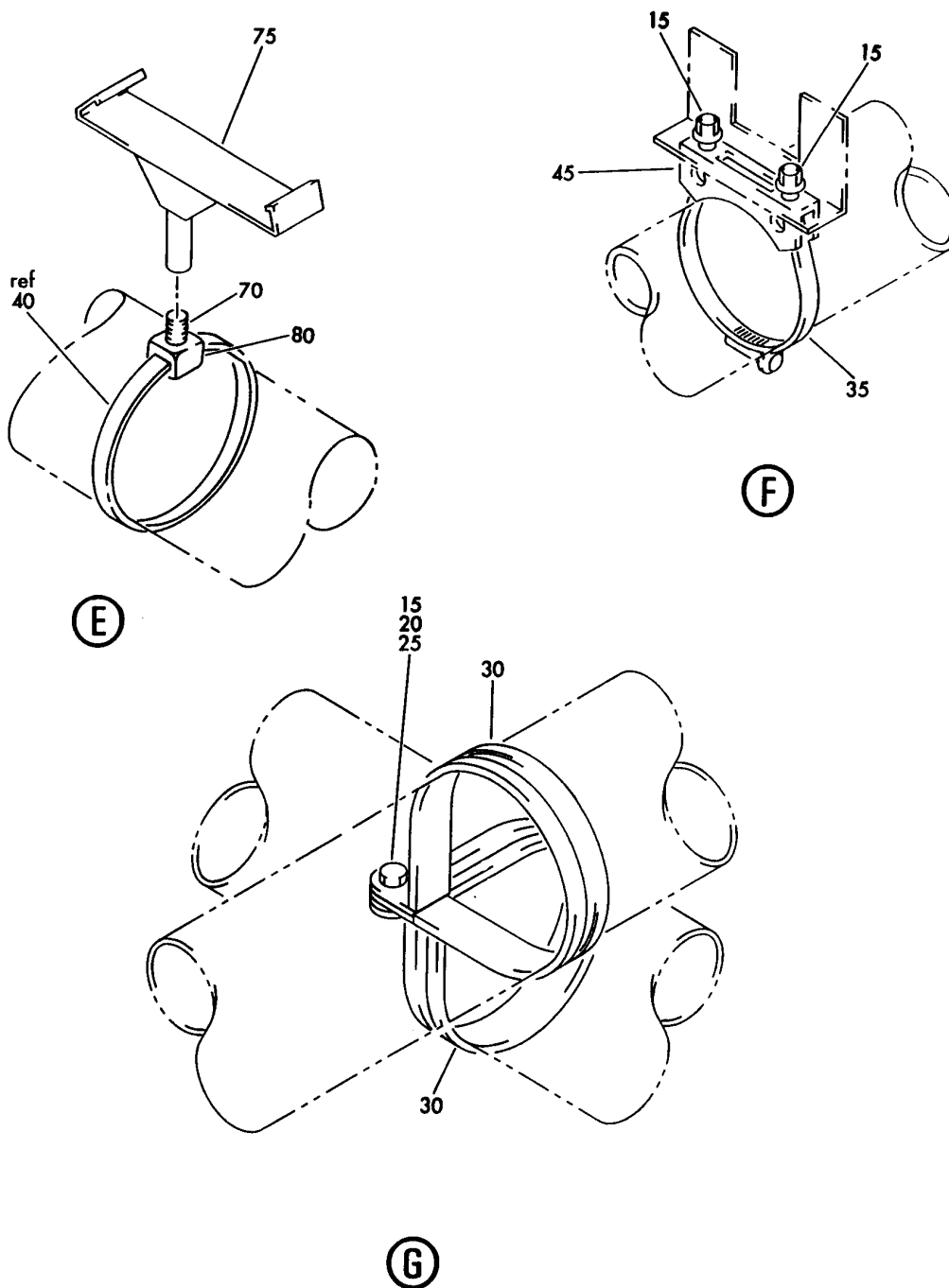
DUCT INSTL-SIDEWALL AIR DISTR SYS
FIGURE 57 (SHEET 4)

21-23-01-57

BRI
JAN 20/09

21-23-01-57
PAGE 0C

BOEING
757
PARTS CATALOG (MAINTENANCE)



Y 21230157 SHT 5 REV 154

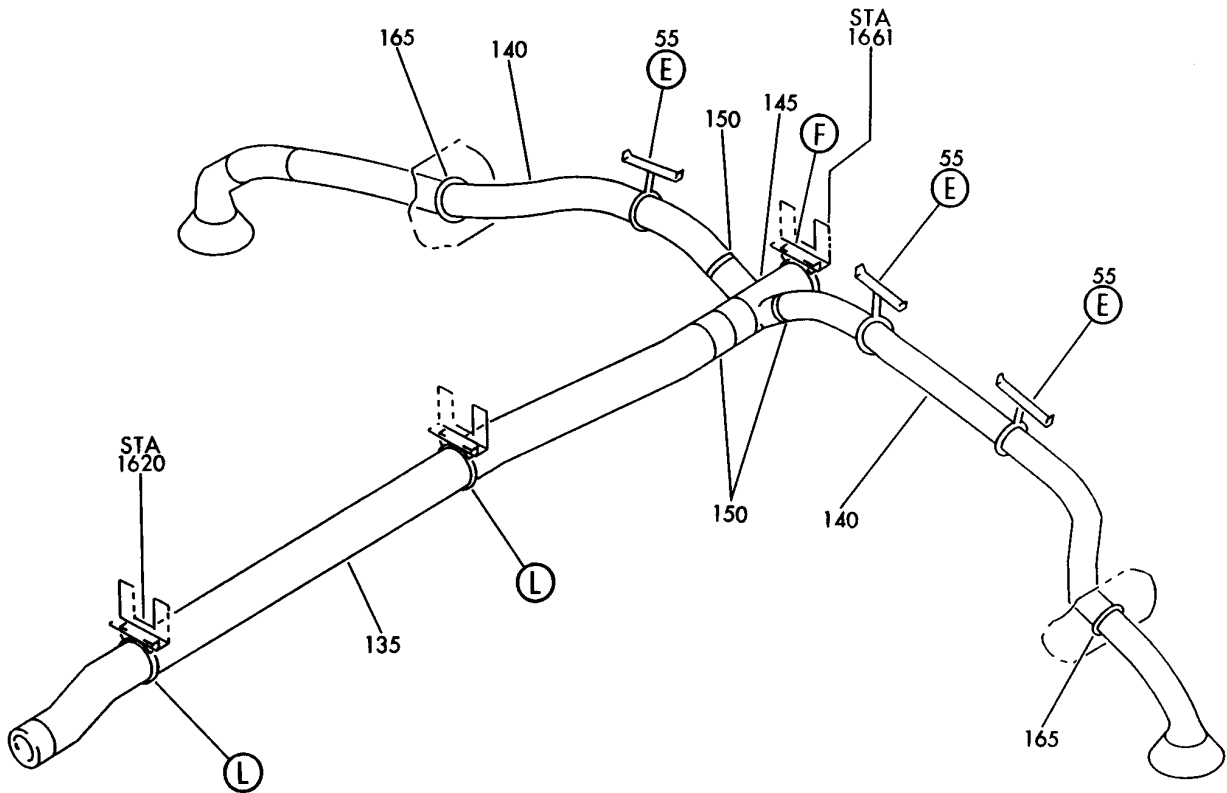
DUCT INSTL-SIDEWALL AIR DISTR SYS
FIGURE 57 (SHEET 5)

21-23-01-57

BRI
JAN 20/09

21-23-01-57
PAGE 0D

BOEING
757
PARTS CATALOG (MAINTENANCE)



Y 21230157 SHT 6 REV 154

(H)

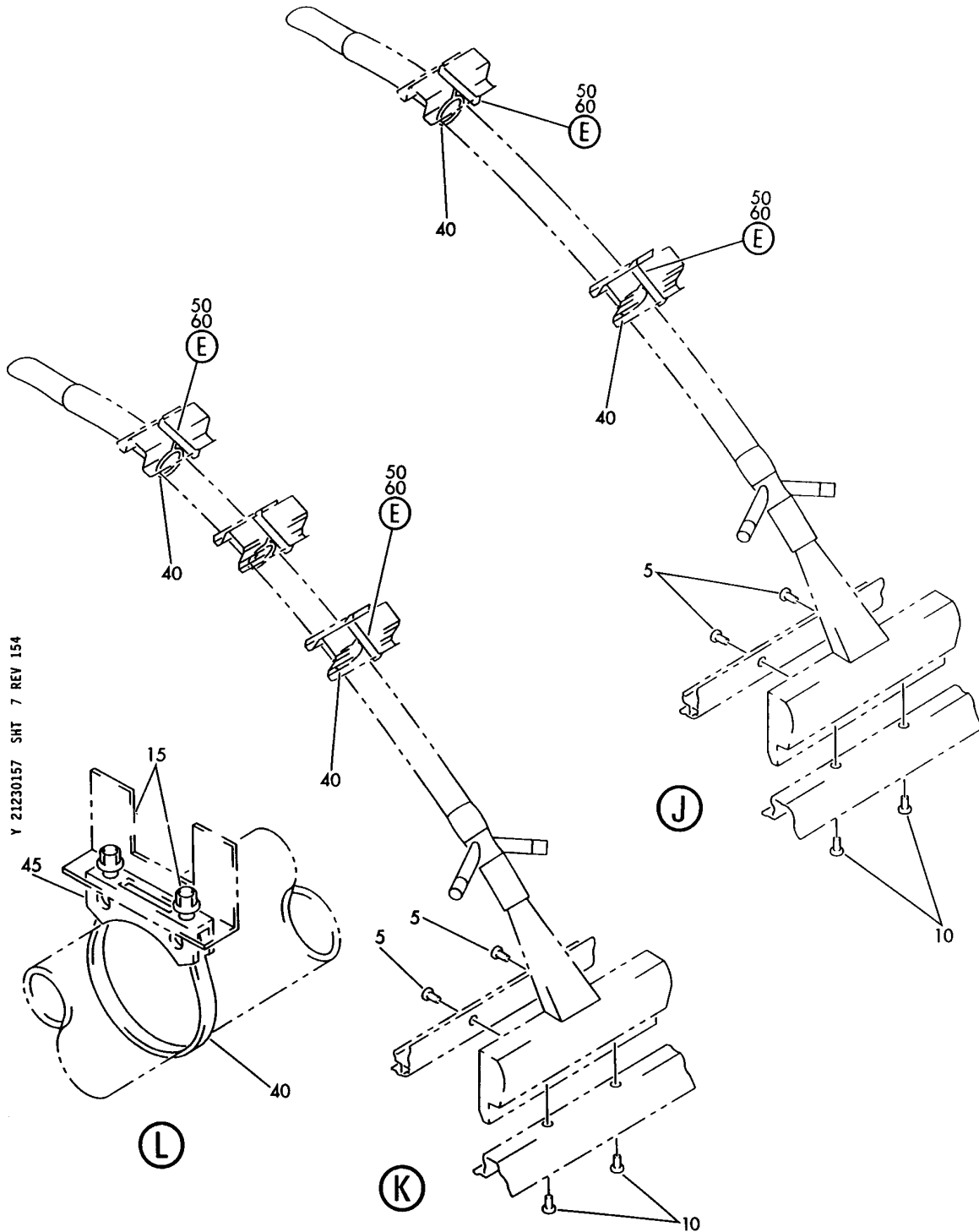
DUCT INSTL-SIDEWALL AIR DISTR SYS
FIGURE 57 (SHEET 6)

21-23-01-57

BRI
JAN 20/09

21-23-01-57
PAGE 0E

BOEING
757
PARTS CATALOG (MAINTENANCE)



Y 21230157 SHT 7 REV 154

DUCT INSTL-SIDEWALL AIR DISTR SYS
FIGURE 57 (SHEET 7)

21-23-01-57

BRI
JAN 20/09

21-23-01-57
PAGE OF



757

PARTS CATALOG (MAINTENANCE)

| FIG ITEM | PART NUMBER | 1 2 3 4 5 6 7 | NOMENCLATURE | EFFECT FROM TO | UNITS PER ASSY |
|----------|--------------|---------------|---|----------------|----------------|
| 57 | | | DUCT INSTL-SIDEWALL AIR DISTR SYS | 950951 | |
| - 1 | 214N2001-77 | | DUCT INSTL-SIDEWALL AIR DISTR SYS FOR NHA SEE: 21-00-00-01 | 950951 | RF |
| 5 | BACS12FA08K6 | | .SCREW | 950951 | 110 |
| 10 | NAS514P832-6 | | .SCREW | 950951 | 110 |
| 15 | BACS12FA3K7 | | .SCREW | 950951 | 9 |
| 20 | AN960KD10L | | .WASHER | 950951 | 1 |
| 25 | BRH10A3 | | .NUT | 950951 | 1 |
| | | | SUPPLIER CODE: V52828 | | |
| | | | SPECIFICATION NUMBER: BACN10JC3 | | |
| | | | OPTIONAL PART: H10-3BAC | | |
| | | | V15653 | | |
| | | | NS202101-02 | | |
| | | | V80539 | | |
| | | | RMLH9075-3W | | |
| | | | V72962 | | |
| | | | VN303A02 | | |
| | | | V92215 | | |
| | | | 96-02 | | |
| | | | V80539 | | |
| | | | T6S1032J | | |
| | | | V11815 | | |
| 30 | MS21919WDG32 | | .CLAMP- | 950951 | 2 |
| 35 | 32 | | .CLAMP | 950951 | 2 |
| | | | SUPPLIER CODE: V7Z588 | | |
| | | | SPECIFICATION NUMBER: STBC10GG66-82 | | |
| | | | OPTIONAL PART: WWD66-82H | | |
| | | | V66295 | | |
| 40 | MS3367-2-9 | | .STRAP | 950951 | 171 |
| 45 | 214T3424-2 | | .SUPPORT | 950951 | 4 |
| 50 | 214N5054-1 | | .SUPPORT ASSY | 950951 | 132 |
| 55 | 214N5054-2 | | .SUPPORT ASSY | 950951 | 3 |
| 60 | 214N5054-3 | | .SUPPORT ASSY | 950951 | 32 |
| 65 | 214N5054-4 | | .SUPPORT ASSY | 950951 | 2 |
| 70 | BACS12ER3K6 | | ..SCREW | 950951 | 1 |
| 75 | TM2S8 | | ..PLATE | 950951 | 1 |
| | | | SUPPLIER CODE: V06383 | | |
| | | | SPECIFICATION NUMBER: STBP19M9 | | |

MISSING ITEM NUMBERS NOT APPLICABLE

- ITEM NOT ILLUSTRATED

21-23-01-57

21-23-01
FIG. 57
PAGE 1
JAN 20/09

BRI



757

PARTS CATALOG (MAINTENANCE)

| FIG ITEM | PART NUMBER | 1 2 3 4 5 6 7 | NOMENCLATURE | EFFECT FROM TO | UNITS PER ASSY |
|----------|-----------------|---------------|---|----------------|----------------|
| 57 | | | | | |
| 80 | 2055155-10C | .. | CLIP- SUPPLIER CODE: V04169 USED ON: 214N5054-1 | 950951 | 1 |
| 80 | 2055155-5C | .. | CLIP- SUPPLIER CODE: V04169 USED ON: 214N5054-2 | 950951 | 1 |
| 80 | 2055155-10B | .. | CLIP- SUPPLIER CODE: V04169 USED ON: 214N5054-3 | 950951 | 1 |
| 80 | 2055155-5B | .. | CLIP- SUPPLIER CODE: V04169 USED ON: 214N5054-4 | 950951 | 1 |
| 85 | 214N2520-80 | . | DIFFUSER ASSY | 950951 | 32 |
| 90 | 214N2520-81 | . | DIFFUSER ASSY | 950951 | 10 |
| 95 | 214N2520-82 | . | DIFFUSER ASSY | 950951 | 13 |
| 100 | 214N2102-1 | . | DUCT | 950951 | 1 |
| 105 | AS1504-06B0362 | . | HOSE | 950951 | 1 |
| 110 | AS1504-08B0210 | . | HOSE | 950951 | 1 |
| 115 | AS1504-06B0400 | . | HOSE | 950951 | 20 |
| 120 | AS1504-06B0422 | . | HOSE | 950951 | 6 |
| 125 | AS1504-06B0442 | . | HOSE | 950951 | 27 |
| 130 | AS1504-06B0460 | . | HOSE | 950951 | 2 |
| 135 | AS1504-08B0450 | . | DUCT | 950951 | 1 |
| 140 | BOE2022-06A0323 | . | HOSE SUPPLIER CODE: V16632 SPECIFICATION NUMBER: AS1544-06A0323 | 950951 | 2 |
| 145 | 214N2103-2 | . | DUCT | 950951 | 1 |
| 150 | 66-4895-5 | . | RESTRICTOR | 950951 | 3 |
| 155 | 24-1000 | . | CAP-END SUPPLIER CODE: V25205 OPTIONAL PART: 1500-16 V15819 | 950951 | 22 |

MISSING ITEM NUMBERS NOT APPLICABLE

- ITEM NOT ILLUSTRATED

21-23-01-57

21-23-01
FIG. 57
PAGE 2
JAN 20/09

BRI



757

PARTS CATALOG (MAINTENANCE)

| FIG ITEM | PART NUMBER | 1 2 3 4 5 6 7 | NOMENCLATURE | EFFECT FROM TO | UNITS PER ASSY |
|-----------|--------------|---------------|---|----------------|----------------|
| 57 155 | 1500-16 | | .CAP-END SUPPLIER CODE: V15819 OPTIONAL PART: 24-1000 V25205 | 950951 | 22 |
| 160 | 12-1000 | | .CAP-END SUPPLIER CODE: V25205 OPTIONAL PART: 750-16 V15819 | 950951 | 1 |
| 160 | 750-16 | | .CAP-END SUPPLIER CODE: V15819 OPTIONAL PART: 12-1000 V25205 | 950951 | 1 |
| 165 | BACG20AD1900 | | .GROMMET | 950951 | 2 |

MISSING ITEM NUMBERS NOT APPLICABLE

- ITEM NOT ILLUSTRATED

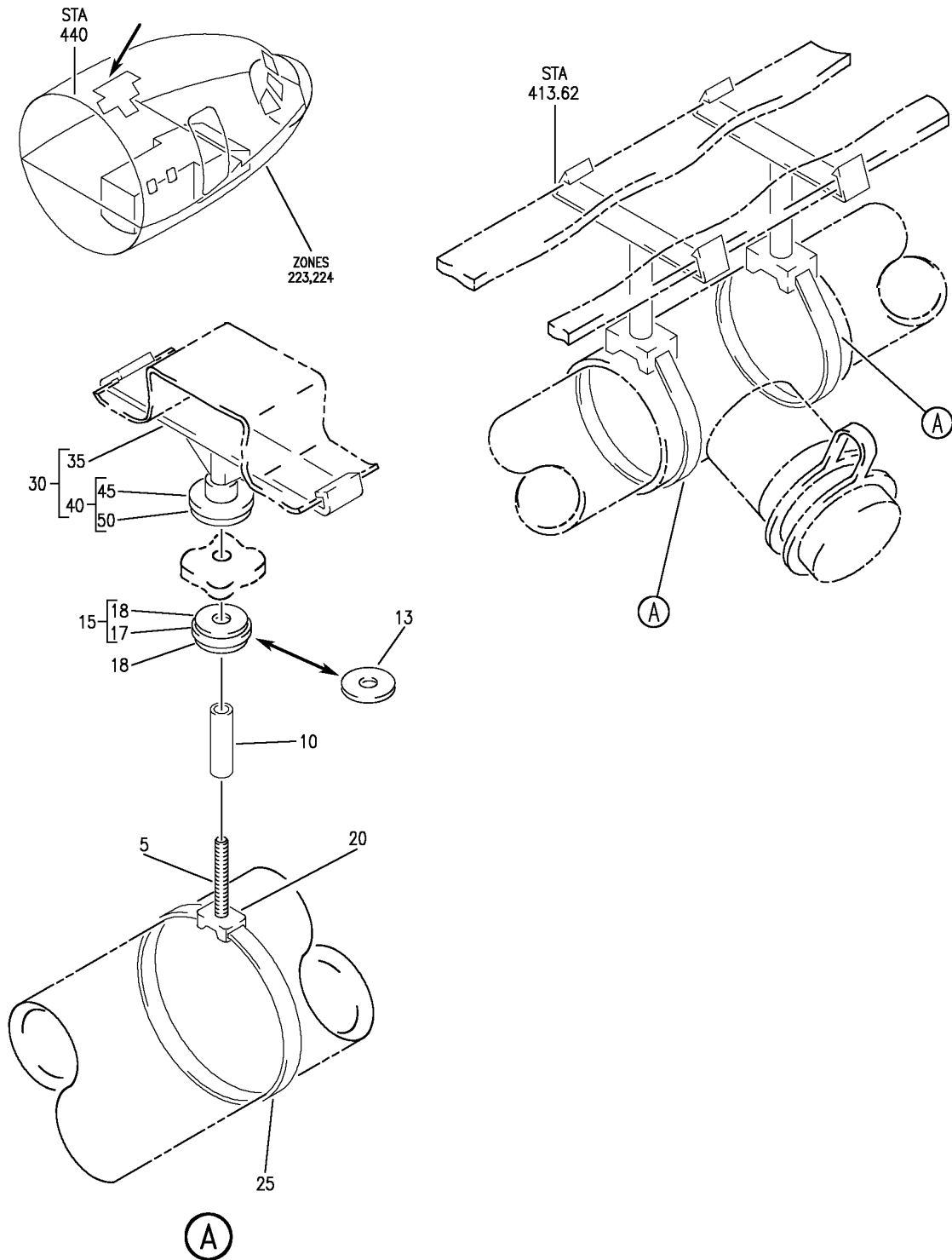
BRI

21-23-01-57

BOEING PROPRIETARY - Copyright © - Unpublished Work - See title page for details.

21-23-01
FIG. 57
PAGE 3
JAN 20/09

BOEING
757
PARTS CATALOG (MAINTENANCE)



Y 21230160 REV 256

DUCT INSTL-SECTION 41 AIR DISTR SYS
FIGURE 60

21-23-01-60

BRI
JAN 20/09

21-23-01-60
PAGE 0



757

PARTS CATALOG (MAINTENANCE)

| FIG ITEM | PART NUMBER | 1 2 3 4 5 6 7 | NOMENCLATURE | EFFECT FROM TO | UNITS PER ASSY |
|----------|-----------------|---------------|--|----------------|----------------|
| 60 | | | DUCT INSTL-SECTION 41 AIR DISTR SYS | 103106 | |
| - 1 | MODREF6596 | | DUCT INSTL-AIR DISTR SYS MODULE NUMBER: 214N2051-1 REV A POSITION DATA: SECT 41 BL 0 BASELINE STA 409-415 | 103106 | 1 |
| 5 | NAS514P1032-26P | .SCREW | | 103106 | 2 |
| 10 | NAS43DD3-67FC | .SPACER | | 103106 | 2 |
| 13 | BACW10DZ3 | .WASHER- | | 103106 | 2 |
| | | | OPTIONAL PART: 411N4026-12 | | |
| 15 | 411N4026-12 | .WASHER ASSY- | | 103106 | 2 |
| | | | OPTIONAL PART: BACW10DZ3 | | |
| 17 | 411N4026-13 | ..WASHER | | 103106 | 1 |
| 18 | 411N4026-7 | ..TAPE | | 103106 | 2 |
| 20 | TM3S10 | .PLATE | | 103106 | 2 |
| | | | SUPPLIER CODE: V06383 SPECIFICATION NUMBER: STBP19M12 | | |
| 25 | SLT10LHC6 | .STRAP- | | 103106 | 2 |
| | | | SUPPLIER CODE: V06383 | | |
| 30 | 214N5054-11 | .SUPPORT ASSY | | 103106 | 2 |
| 35 | 2055155-5B | ..CLIP- | | 103106 | 1 |
| | | | SUPPLIER CODE: V04169 | | |
| 40 | 411N4026-2 | ..CAP ASSY- | | 103106 | 1 |
| | | | OPTIONAL PART: 411N4026-10 | | |
| 40 | 411N4026-10 | ..CAP ASSY- | | 103106 | 1 |
| | | | OPTIONAL PART: 411N4026-2 | | |
| 45 | 411N4026-5 | ...CAP- | | 103106 | 1 |
| | | | USED ON: 411N4026-2 | | |
| 45 | 411N4026-11 | ...CAP- | | 103106 | 1 |
| | | | USED ON: 411N4026-10 | | |
| 50 | 411N4026-7 | ...TAPE | | 103106 | 1 |

MISSING ITEM NUMBERS NOT APPLICABLE

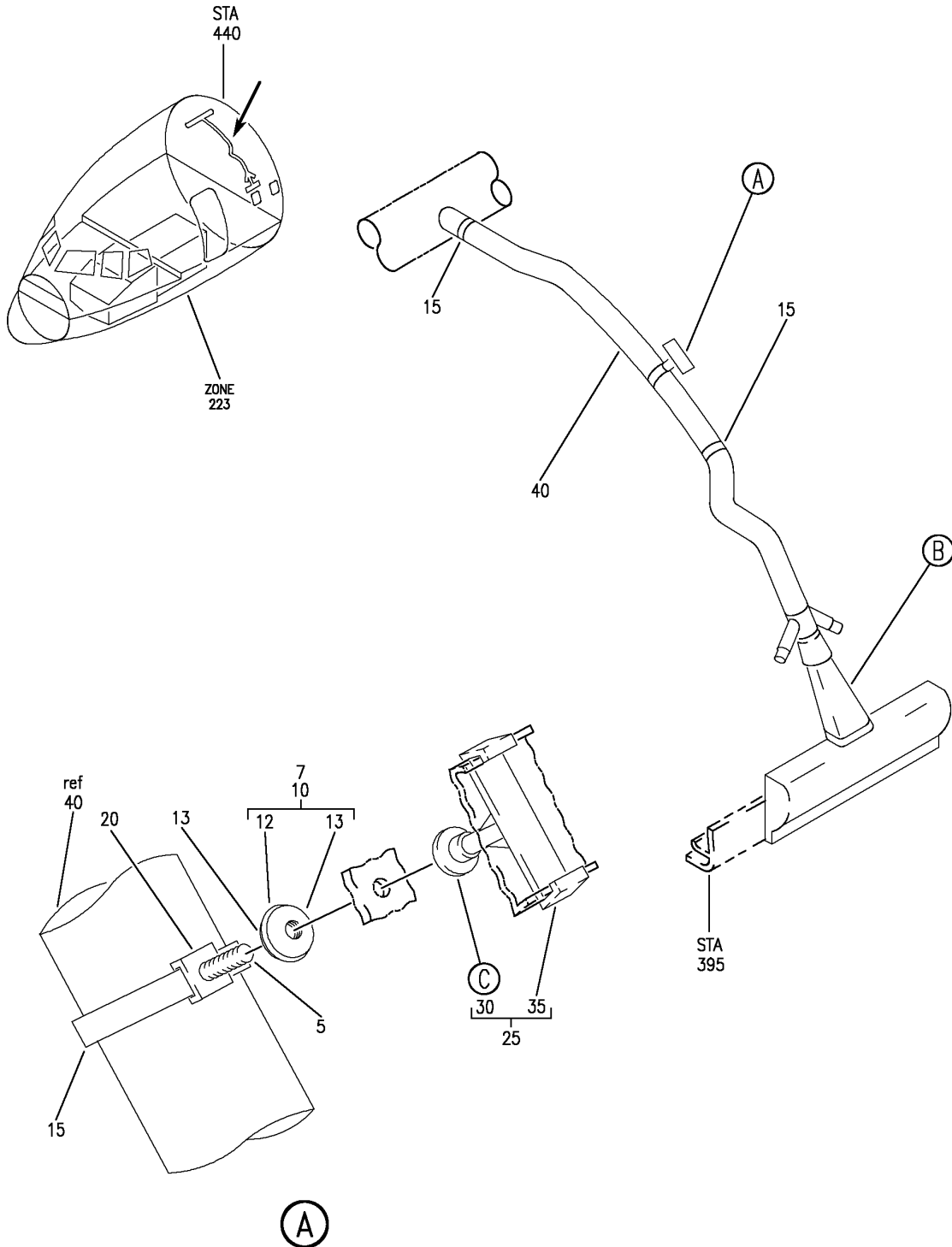
- ITEM NOT ILLUSTRATED

BRI

21-23-01-60

21-23-01
FIG. 60
PAGE 1
JAN 20/09

BOEING
757
PARTS CATALOG (MAINTENANCE)



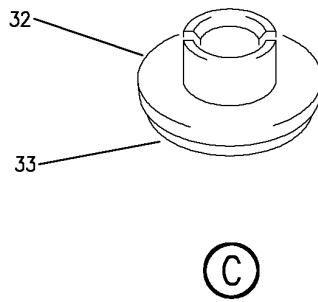
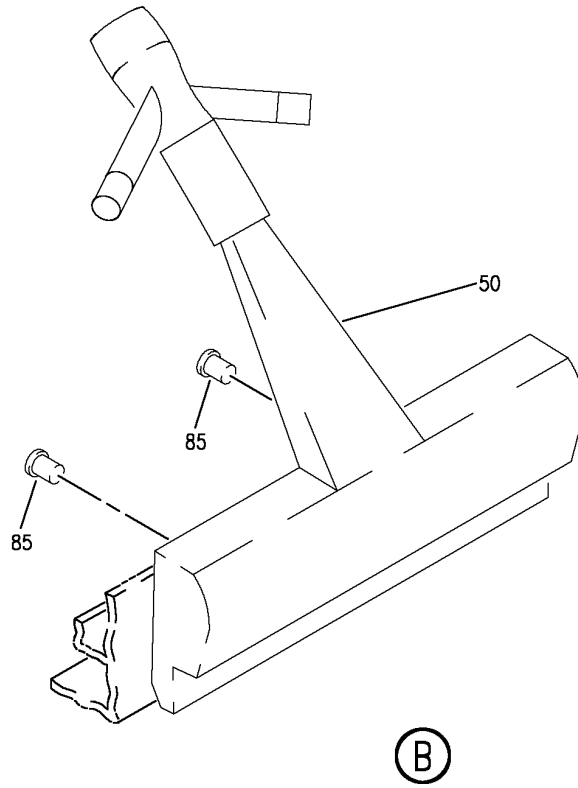
DUCT INSTL-SIDEWALL AIR DISTR SYS
FIGURE 60G (SHEET 1)

21-23-01-60G

BRI
JAN 20/09

21-23-01-60G
PAGE 0

BOEING
757
PARTS CATALOG (MAINTENANCE)



Y 21230160G SHT 2 REV 245

DUCT INSTL-SIDEWALL AIR DISTR SYS
FIGURE 60G (SHEET 2)

21-23-01-60G

BRI
JAN 20/09

21-23-01-60G
PAGE 0A



757

PARTS CATALOG (MAINTENANCE)

| FIG ITEM | PART NUMBER | 1 2 3 4 5 6 7 | NOMENCLATURE | EFFECT FROM TO | UNITS PER ASSY |
|----------|-----------------|---------------|--|----------------|----------------|
| 60G | | | DUCT INSTL-SIDEWALL AIR DISTR SYS | 103106 | |
| - 1 | MODREF4687 | | DUCT INSTL-SIDEWALL AIR DISTR SYS MODULE NUMBER: 214N2057-31 REV A POSITION DATA: SECTION 41 STA 395 TO STA 418 LH | 103106 | 1 |
| 5 | BACS12ER3K10 | | .SCREW | 103106 | 1 |
| 7 | BACW10DZ3 | | .WASHER- OPTIONAL PART: 411N4026-12 | 103106 | 1 |
| 10 | 411N4026-12 | | .WASHER ASSY- OPTIONAL PART: BACW10DZ3 | 103106 | 1 |
| 12 | 411N4026-13 | | ..WASHER- USED ON: 411N4026-12 | 103106 | 1 |
| 13 | 411N4026-7 | | ..TAPE- USED ON: 411N4026-12 | 103106 | 2 |
| 15 | SLT10LHC6 | | .STRAP- SUPPLIER CODE: V06383 | 103106 | 3 |
| 20 | TM3S10 | | .PLATE- SUPPLIER CODE: V06383 SPECIFICATION NUMBER: STBP19M12 | 103106 | 1 |
| 25 | 214N5054-11 | | .SUPPORT ASSY | 103106 | 1 |
| 30 | 411N4026-10 | | ..CAP ASSY- OPTIONAL PART: 411N4026-2 | 103106 | 1 |
| 30 | 411N4026-2 | | ..CAP ASSY- OPTIONAL PART: 411N4026-10 | 103106 | 1 |
| 32 | 411N4026-5 | | ...CAP- USED ON: 411N4026-2 | 103106 | 1 |
| 32 | 411N4026-11 | | ...CAP- USED ON: 411N4026-10 | 103106 | 1 |
| 33 | 411N4026-7 | | ...TAPE | 103106 | 1 |
| 35 | 2055155-5B | | ..CLIP- SUPPLIER CODE: V04169 | 103106 | 1 |
| 40 | AS1591-06-0530A | | .DUCT- | 103106 | 1 |

MISSING ITEM NUMBERS NOT APPLICABLE

- ITEM NOT ILLUSTRATED

21-23-01-60G

21-23-01
FIG. 60G
PAGE 1
JAN 20/09

BRI

BOEING PROPRIETARY - Copyright © - Unpublished Work - See title page for details.



757

PARTS CATALOG (MAINTENANCE)

| FIG ITEM | PART NUMBER | 1 2 3 4 5 6 7 | NOMENCLATURE | EFFECT FROM TO | UNITS PER ASSY |
|----------|--------------|---------------|--|----------------|----------------|
| 60G | | | | | |
| 50 | 214N2520-120 | . | DIFFUSER ASSY- OPTIONAL PART: 214N2520-119 | 103106 | 1 |
| 50 | 214N2520-119 | . | DIFFUSER ASSY- OPTIONAL PART: 214N2520-120 | 103106 | 1 |
| - 55 | BACS12FA08K5 | . | ATTACHING PARTS SCREW | 103106 | 2 |
| | | | -----*----- | | |
| 85 | 6035-2BR185 | .. | INSERT- SUPPLIER CODE: V01556 | 103106 | 2 |

MISSING ITEM NUMBERS NOT APPLICABLE

- ITEM NOT ILLUSTRATED

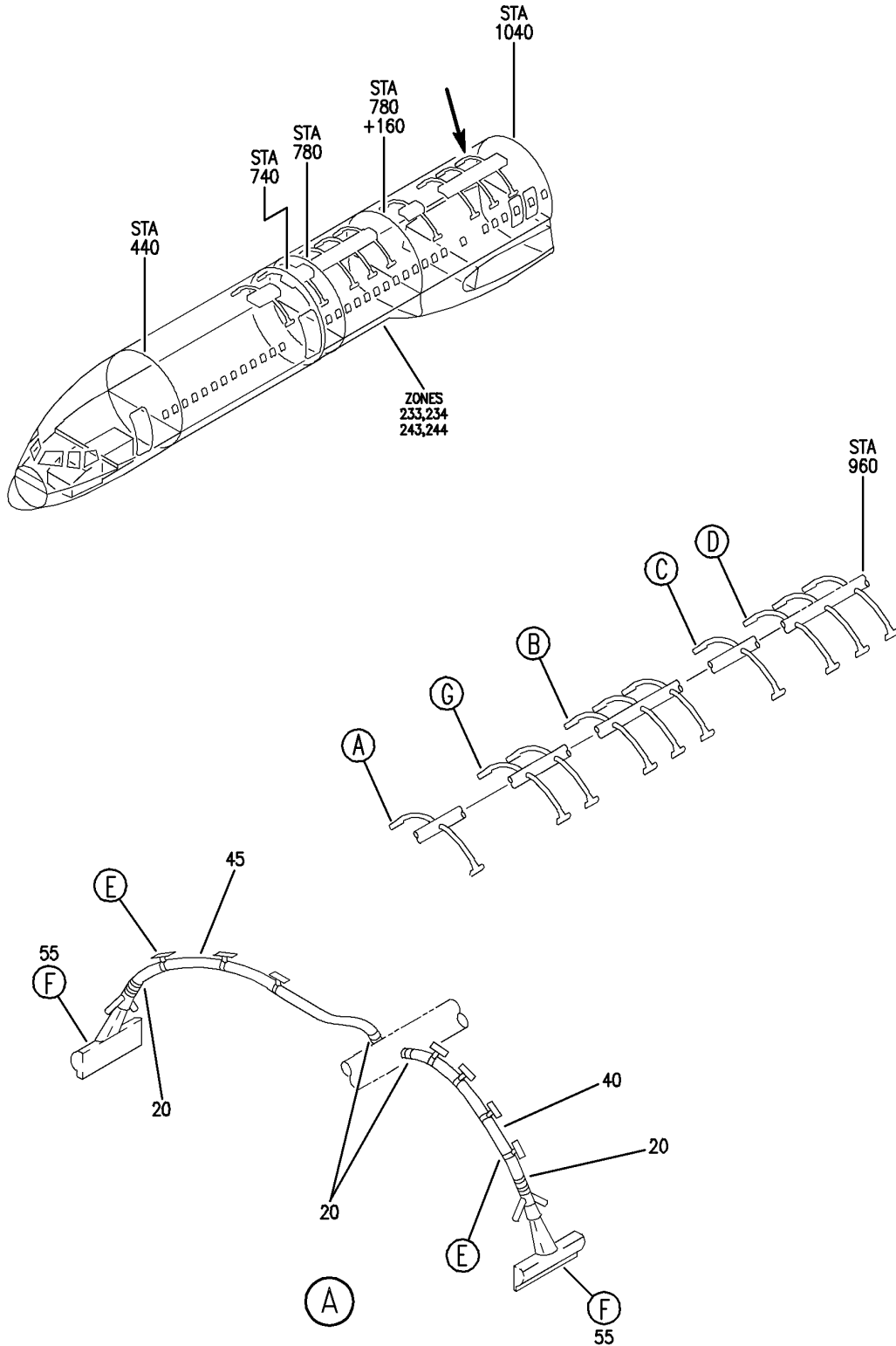
BRI

21-23-01-60G

BOEING PROPRIETARY - Copyright © - Unpublished Work - See title page for details.

21-23-01
FIG. 60G
PAGE 2
JAN 20/09

BOEING
757
PARTS CATALOG (MAINTENANCE)



Y 21230160H SHT 1 REV 236

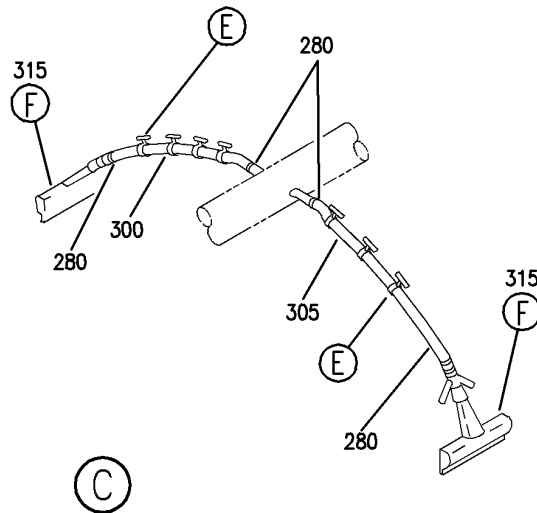
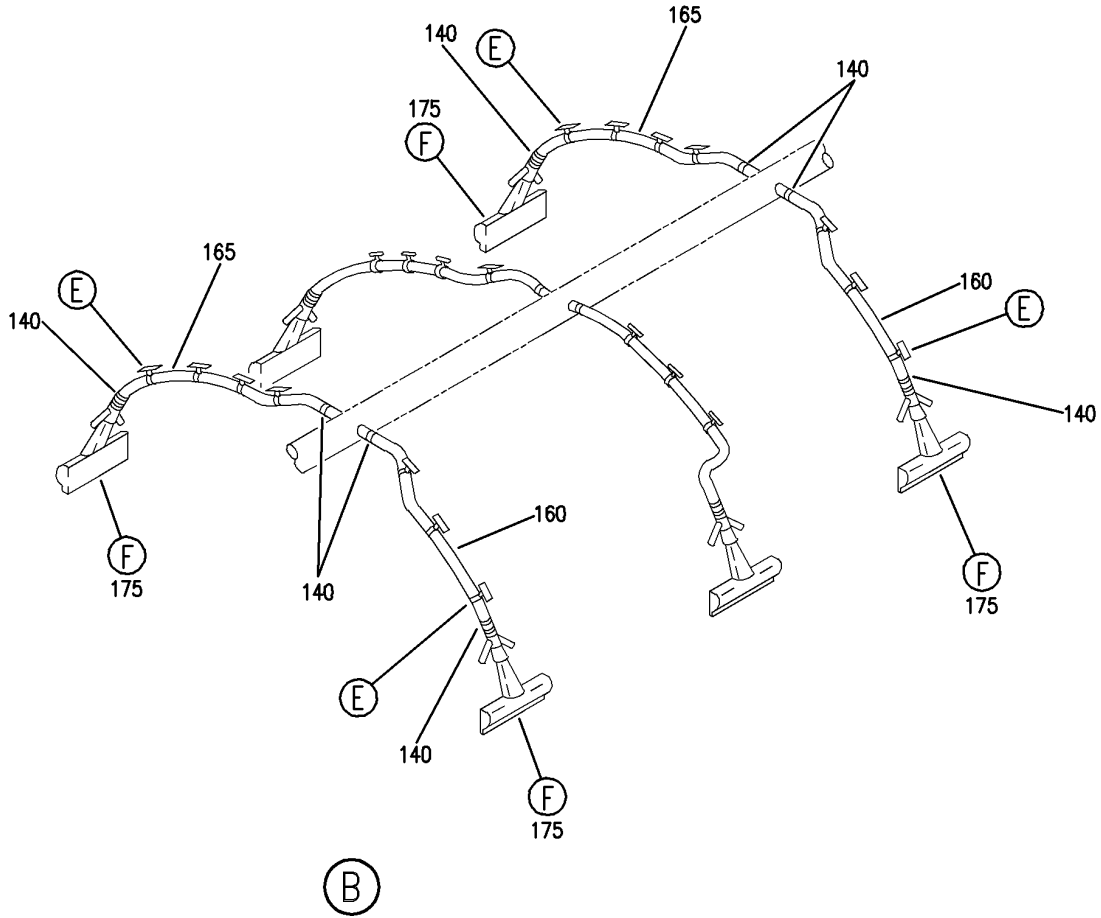
DUCT INSTL-SIDEWALL AIR DISTR SYS
FIGURE 60H (SHEET 1)

21-23-01-60H

BRI
JAN 20/09

21-23-01-60H
PAGE 0

BOEING
757
PARTS CATALOG (MAINTENANCE)



Y 21230160H SHT 2 REV 236

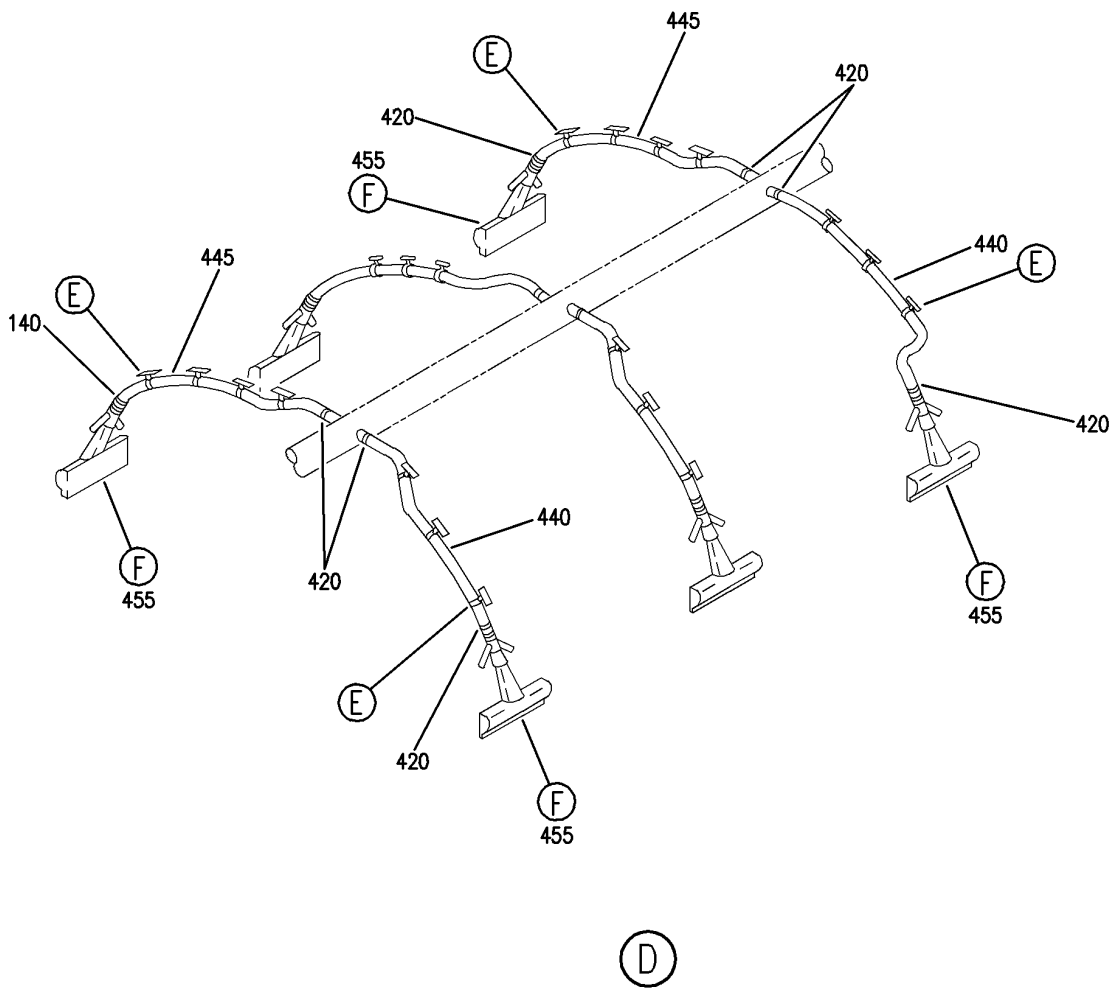
DUCT INSTL-SIDEWALL AIR DISTR SYS
FIGURE 60H (SHEET 2)

BRI
JAN 20/09

21-23-01-60H

21-23-01-60H
PAGE 0A

BOEING
757
PARTS CATALOG (MAINTENANCE)



Y 21230160H SHT 3 REV 236

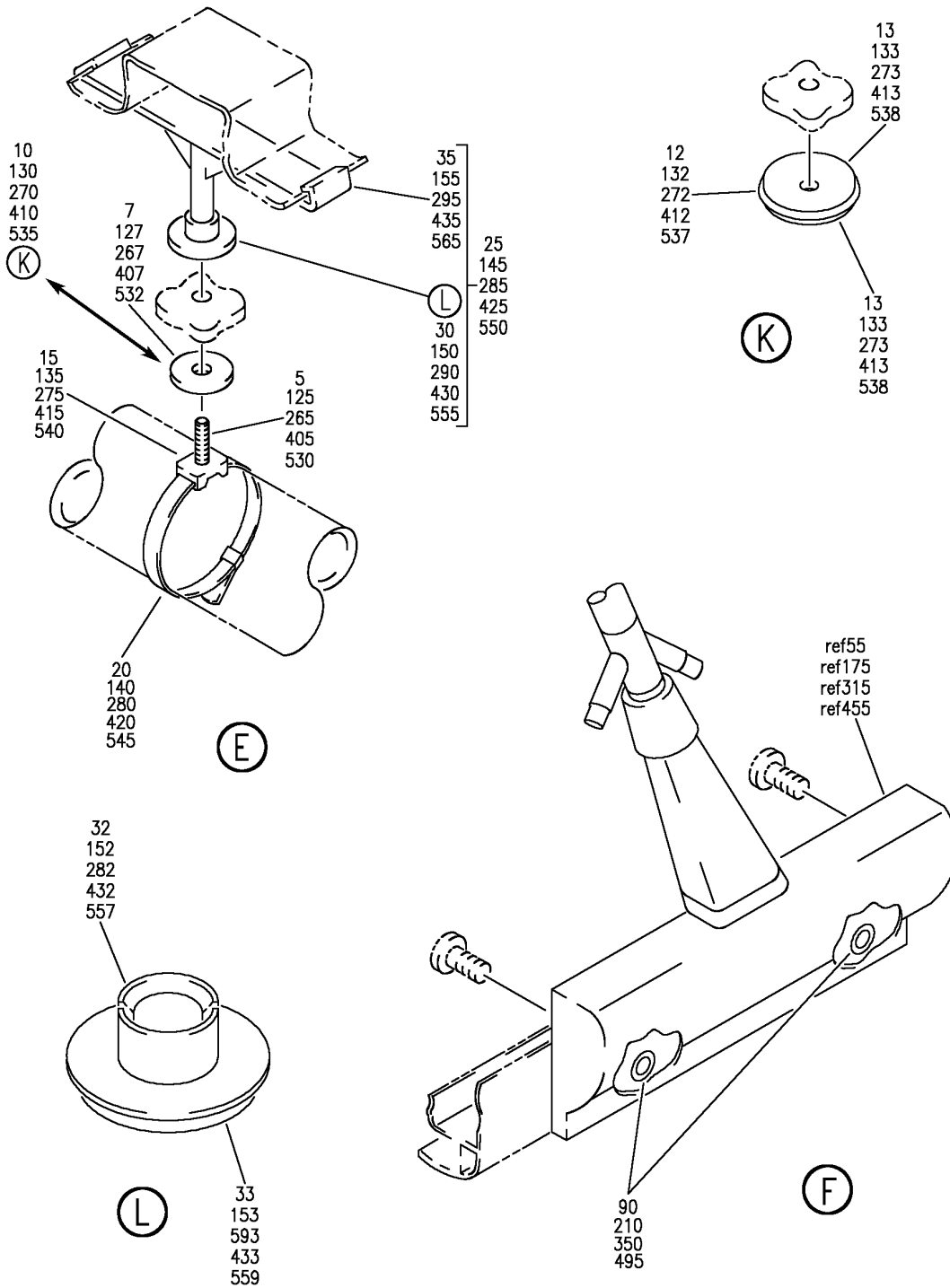
DUCT INSTL-SIDEWALL AIR DISTR SYS
FIGURE 60H (SHEET 3)

21-23-01-60H

BRI
JAN 20/09

21-23-01-60H
PAGE 0B

BOEING
757
PARTS CATALOG (MAINTENANCE)



Y 21230160H SHT 4 REV 256

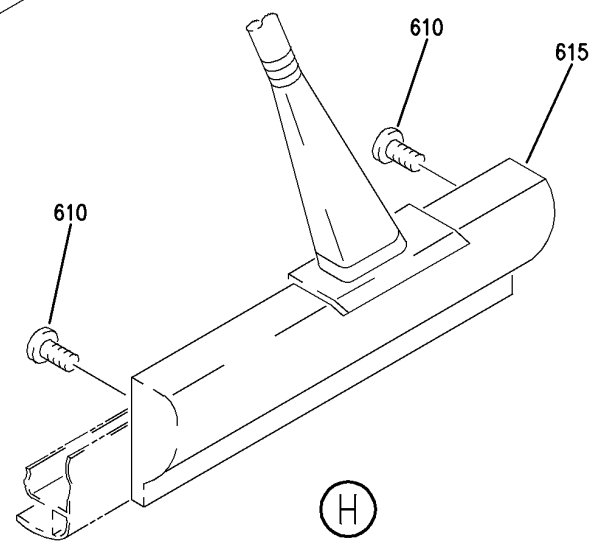
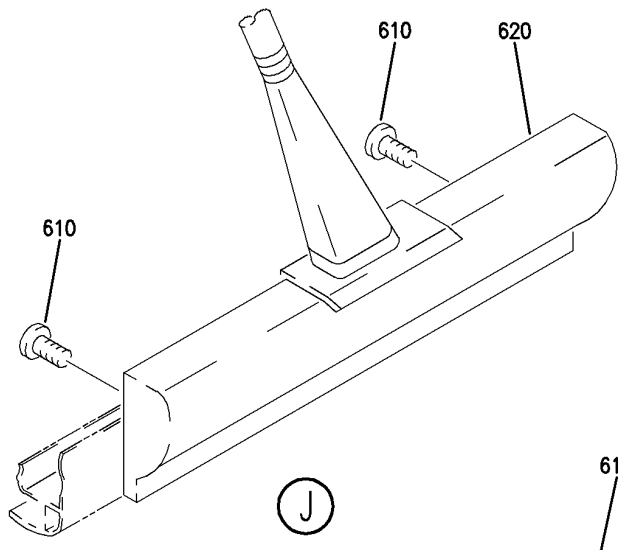
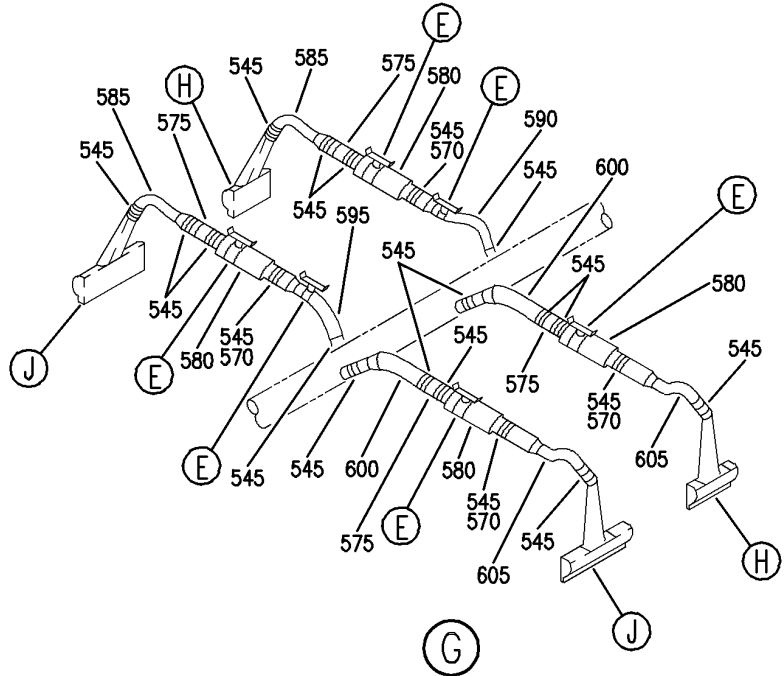
DUCT INSTL-SIDEWALL AIR DISTR SYS
FIGURE 60H (SHEET 4)

BRI
JAN 20/09

21-23-01-60H

21-23-01-60H
PAGE 0C

BOEING
757
PARTS CATALOG (MAINTENANCE)



Y 21230160H SHT 5 REV 236

DUCT INSTL-SIDEWALL AIR DISTR SYS
FIGURE 60H (SHEET 5)

21-23-01-60H

BRI
JAN 20/09

21-23-01-60H
PAGE 0D



757

PARTS CATALOG (MAINTENANCE)

| FIG ITEM | PART NUMBER | 1 2 3 4 5 6 7 | NOMENCLATURE | EFFECT FROM TO | UNITS PER ASSY |
|----------|-----------------|---------------|---|----------------|----------------|
| 60H | | | DUCT INSTL-SIDEWALL AIR DISTR SYS | 103106 | |
| - 1 | MODREF4672 | | DUCT INSTL-SIDEWALL AIR DISTR SYS MODULE NUMBER: 214N2057-1 REV A POSITION DATA: SECTION 43 STA 520-STA 590 | 103106 | 1 |
| 5 | BACS12ER3K10 | | .SCREW | 103106 | 7 |
| 7 | BACW10DZ3 | | .WASHER- OPTIONAL PART: 411N4026-12 | 103106 | 7 |
| 10 | 411N4026-12 | | .WASHER ASSY- OPTIONAL PART: BACW10DZ3 | 103106 | 7 |
| 12 | 411N4026-13 | | ..WASHER- USED ON: 411N4026-12 | 103106 | 1 |
| 13 | 411N4026-7 | | ..TAPE- USED ON: 411N4026-12 | 103106 | 2 |
| 15 | TM3S10 | | .PLATE SUPPLIER CODE: V06383 SPECIFICATION NUMBER: STBP19M12 | 103106 | 7 |
| 20 | SLT10LHC6 | | .STRAP- SUPPLIER CODE: V06383 | 103106 | 11 |
| 25 | 214N5054-11 | | .SUPPORT ASSY- | 103106 | 7 |
| 30 | 411N4026-2 | | ..CAP ASSY- OPTIONAL PART: 411N4026-10 | 103106 | 1 |
| 30 | 411N4026-10 | | ..CAP ASSY- OPTIONAL PART: 411N4026-2 | 103106 | 1 |
| 32 | 411N4026-5 | | ...CAP- USED ON: 411N4026-2 | 103106 | 1 |
| 32 | 411N4026-11 | | ...CAP- USED ON: 411N4026-10 | 103106 | 1 |
| 33 | 411N4026-7 | | ...TAPE | 103106 | 1 |
| 35 | 2055155-5B | | ..CLIP-STGR SUPPLIER CODE: V04169 | 103106 | 1 |
| 40 | AS1591-06-0590A | | .DUCT- | 103106 | 1 |
| 45 | AS1591-06-0490A | | .DUCT | 103106 | 1 |

MISSING ITEM NUMBERS NOT APPLICABLE

- ITEM NOT ILLUSTRATED

21-23-01-60H

21-23-01
FIG. 60H
PAGE 1
JAN 20/09

BRI



757

PARTS CATALOG (MAINTENANCE)

| FIG ITEM | PART NUMBER | 1 2 3 4 5 6 7 | NOMENCLATURE | EFFECT FROM TO | UNITS PER ASSY |
|----------|--------------|---------------|--|----------------|----------------|
| 60H | | | | | |
| 55 | 214N2520-120 | . | DIFFUSER ASSY- OPTIONAL PART: 214N2520-119 | 103106 | 2 |
| 55 | 214N2520-119 | . | DIFFUSER ASSY- OPTIONAL PART: 214N2520-120 | 103106 | 2 |
| - 60 | BACS12FA08K5 | . | ATTACHING PARTS SCREW | 103106 | 4 |
| 90 | 6035-2BR185 | .. | INSERT- SUPPLIER CODE: V01556 | 103106 | 2 |
| | | | -----*----- | | |

MISSING ITEM NUMBERS NOT APPLICABLE

- ITEM NOT ILLUSTRATED

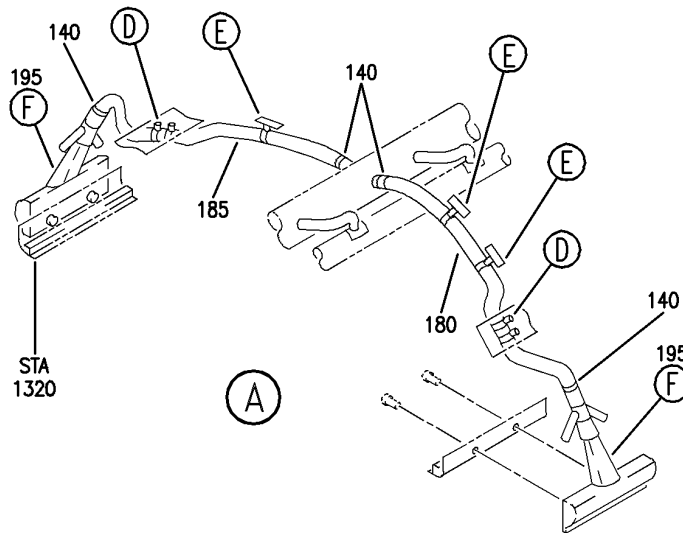
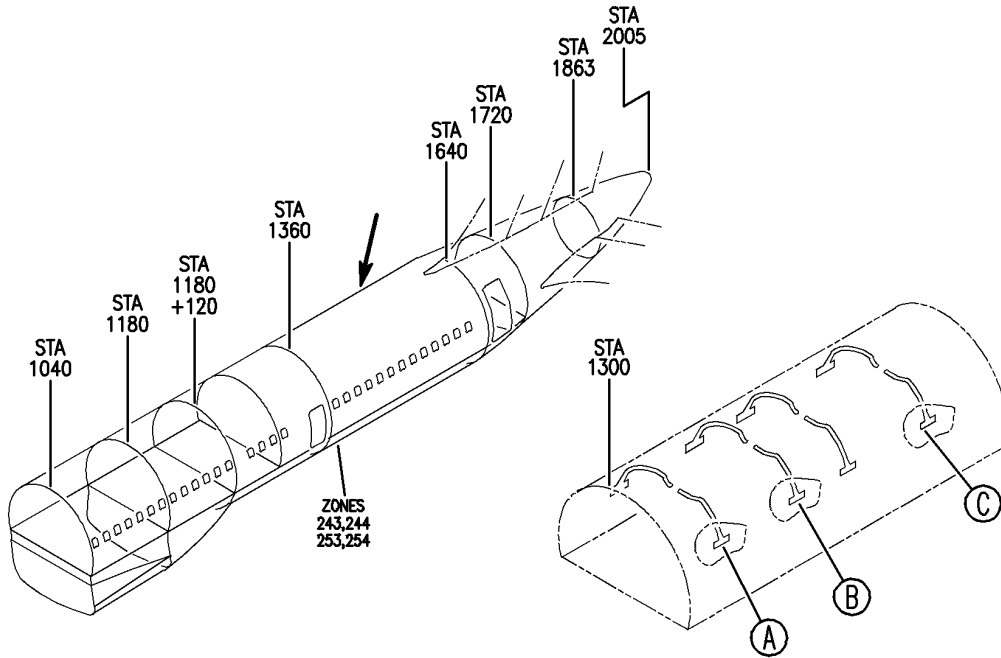
BRI

21-23-01-60H

BOEING PROPRIETARY - Copyright © - Unpublished Work - See title page for details.

21-23-01
FIG. 60H
PAGE 2
JAN 20/09

BOEING
757
PARTS CATALOG (MAINTENANCE)



Y 21230160L SHT 1 REV 237

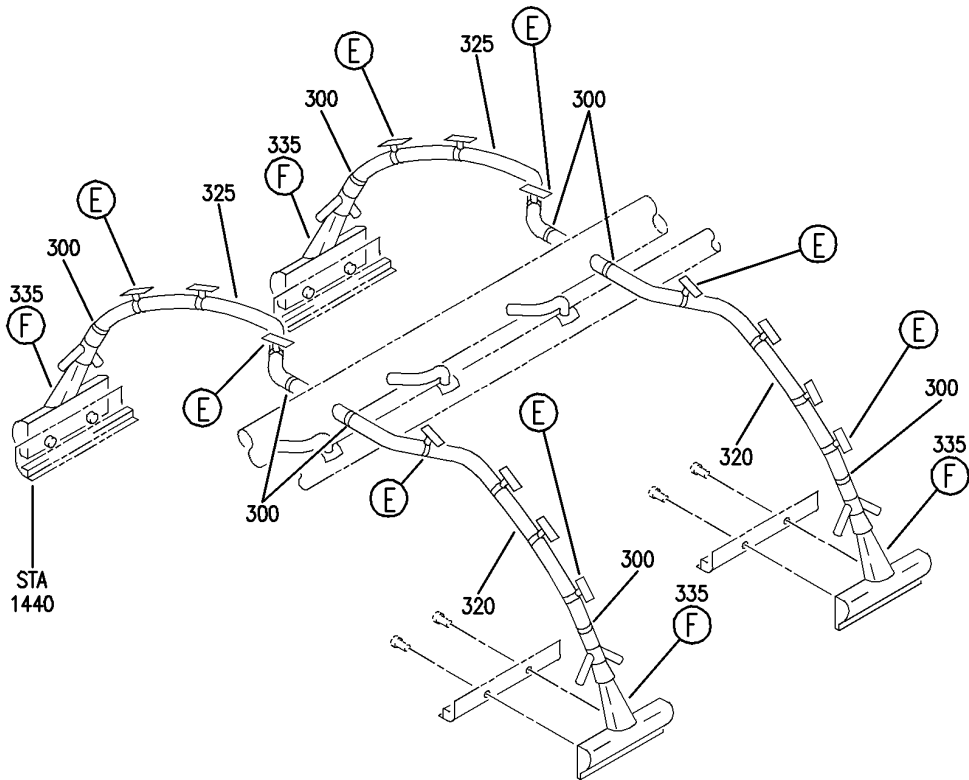
DUCT INSTL-SIDEWALL AIR DISTR SYS
FIGURE 60L (SHEET 1)

BRI
JAN 20/09

21-23-01-60L

21-23-01-60L
PAGE 0

BOEING
757
PARTS CATALOG (MAINTENANCE)



(B)

Y 21230160L SHT 2 REV 237

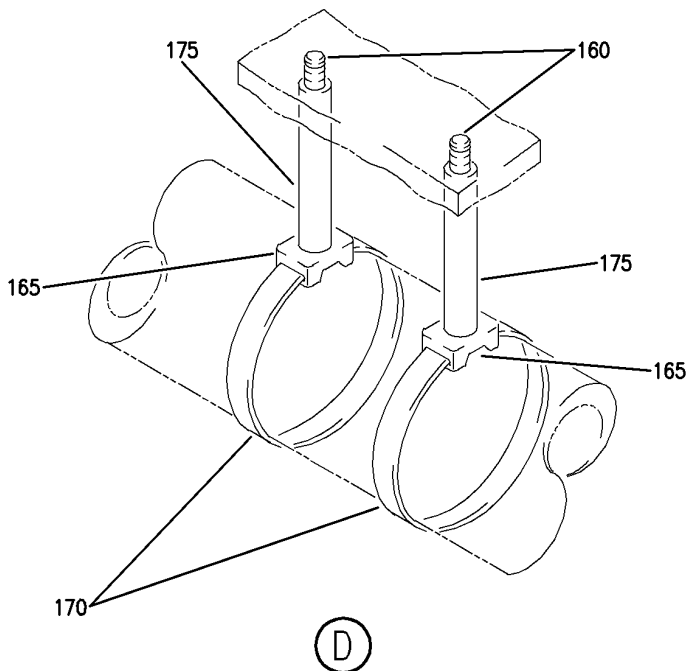
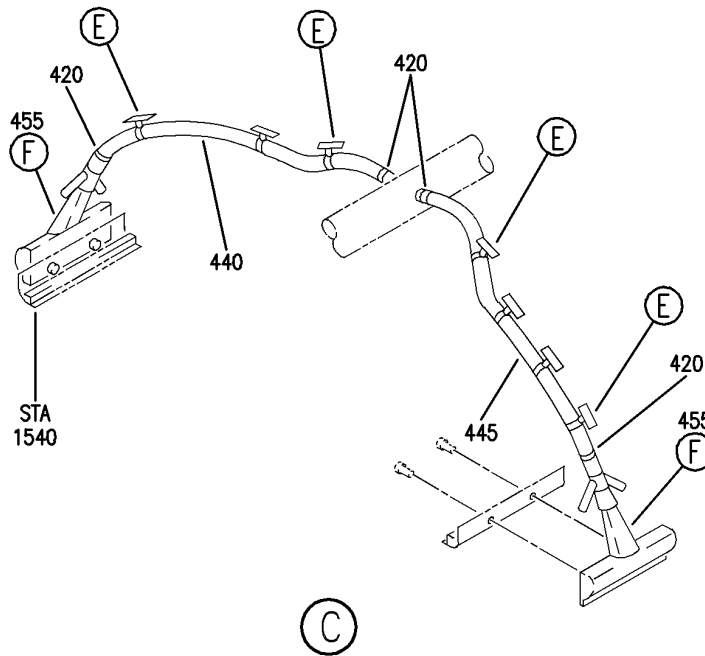
DUCT INSTL-SIDEWALL AIR DISTR SYS
FIGURE 60L (SHEET 2)

21-23-01-60L

BRI
JAN 20/09

21-23-01-60L
PAGE 0A

BOEING
757
PARTS CATALOG (MAINTENANCE)



Y 21230160L SHT 3 REV 237

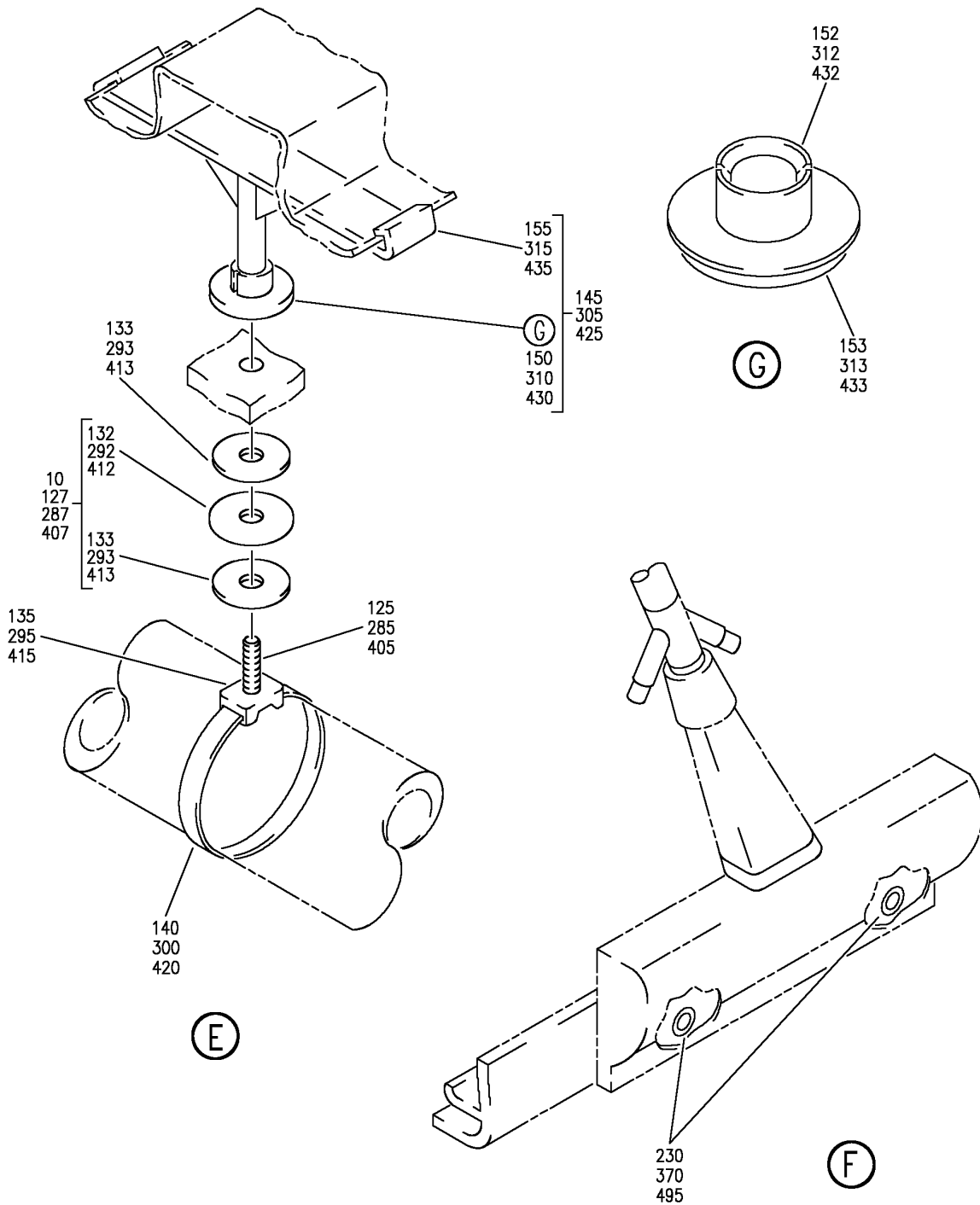
DUCT INSTL-SIDEWALL AIR DISTR SYS
FIGURE 60L (SHEET 3)

21-23-01-60L

BRI
JAN 20/09

21-23-01-60L
PAGE 0B

BOEING
757
PARTS CATALOG (MAINTENANCE)



Y 21230160L SHT 4 REV 256

DUCT INSTL-SIDEWALL AIR DISTR SYS
FIGURE 60L (SHEET 4)

21-23-01-60L

BRI
JAN 20/09

21-23-01-60L
PAGE 0C

 **BOEING**
757
PARTS CATALOG (MAINTENANCE)

| FIG ITEM | PART NUMBER | 1 2 3 4 5 6 7 | NOMENCLATURE | EFFECT FROM TO | UNITS PER ASSY |
|----------|--------------|---------------|---|----------------|----------------|
| 60L | | | DUCT INSTL-SIDEWALL | 103106 | |
| - 120 | MODREF4794 | | AIR DISTR SYS DUCT INSTL-SIDEWALL | 103106 | 1 |
| | | | AIR DISTR SYS MODULE NUMBER: 214N2057-8 REV A POSITION DATA: SECTION 46 BASELINE STA 1300 TO STA 1340 | | |
| 125 | BACS12ER3K10 | | .SCREW | 103106 | 3 |
| 127 | BACW10DZ3 | | .WASHER- | 103106 | 3 |
| | | | OPTIONAL PART: 411N4026-12 | | |
| 130 | 411N4026-12 | | .WASHER ASSY- | 103106 | 3 |
| | | | OPTIONAL PART: BACW10DZ3 | | |
| 132 | 411N4026-13 | | ..WASHER- | 103106 | 1 |
| | | | USED ON: 411N4026-12 | | |
| 133 | 411N4026-7 | | ..TAPE- | 103106 | 2 |
| | | | USED ON: 411N4026-12 | | |
| 135 | TM3S10 | | .PLATE | 103106 | 3 |
| | | | SUPPLIER CODE: V06383 SPECIFICATION NUMBER: STBP19M12 | | |
| 140 | SLT10LHC6 | | .STRAP- | 103106 | 7 |
| | | | SUPPLIER CODE: V06383 | | |
| 145 | 214N5054-14 | | .SUPPORT ASSY | 103106 | 3 |
| 150 | 411N4026-2 | | ..CAP ASSY- | 103106 | 1 |
| | | | OPTIONAL PART: 411N4026-10 | | |
| 150 | 411N4026-10 | | ..CAP ASSY- | 103106 | 1 |
| | | | OPTIONAL PART: 411N4026-2 | | |
| 152 | 411N4026-5 | | ...CAP- | 103106 | 1 |
| | | | USED ON: 411N4026-2 | | |
| 152 | 411N4026-11 | | ...CAP- | 103106 | 1 |
| | | | USED ON: 411N4026-10 | | |
| 153 | 411N4026-7 | | ...TAPE | 103106 | 1 |
| 155 | 2055155-5C | | ..CLIP-STGR | 103106 | 1 |
| | | | SUPPLIER CODE: V04169 | | |
| 160 | BACS12ER3K18 | | .SCREW | 103106 | 4 |

MISSING ITEM NUMBERS NOT APPLICABLE

- ITEM NOT ILLUSTRATED

21-23-01-60L

21-23-01
FIG. 60L
PAGE 1
JAN 20/09

BRI

BOEING PROPRIETARY - Copyright © - Unpublished Work - See title page for details.

BOEING
757
PARTS CATALOG (MAINTENANCE)

| FIG ITEM | PART NUMBER | 1 2 3 4 5 6 7 | NOMENCLATURE | EFFECT FROM TO | UNITS PER ASSY |
|------------|-----------------|---------------|--|----------------|----------------|
| 60L 165 | TM3S10 | | .PLATE SUPPLIER CODE: V06383 SPECIFICATION NUMBER: STBP19M12 | 103106 | 4 |
| 170 | SLT10LHC6 | | .STRAP- SUPPLIER CODE: V06383 | 103106 | 4 |
| 175 | NAS43DD3-38FC | | .SPACER | 103106 | 4 |
| 180 | AS1591-06-0620A | | .DUCT | 103106 | 1 |
| 185 | AS1591-06-0490A | | .DUCT | 103106 | 1 |
| 195 | 214N2520-120 | | .DIFFUSER ASSY- OPTIONAL PART: 214N2520-119 | 103106 | 2 |
| 195 | 214N2520-119 | | .DIFFUSER ASSY- OPTIONAL PART: 214N2520-120 ATTACHING PARTS | 103106 | 2 |
| - 200 | BACS12FA08K5 | | .SCREW -----*----- | 103106 | 4 |
| 230 | 6035-2BR185 | | ..INSERT- SUPPLIER CODE: V01556 | 103106 | 2 |
| - 280 | MODREF4795 | | DUCT INSTL-SIDEWALL AIR DISTR SYS MODULE NUMBER: 214N2057-9 REV A POSITION DATA: SECTION 46 BASELINE STA 1440 TO STA 1500 | 103106 | 1 |
| 285 | BACS12ER3K10 | | .SCREW | 103106 | 14 |
| 287 | BACW10DZ3 | | .WASHER- OPTIONAL PART: 411N4026-12 | 103106 | 14 |
| 290 | 411N4026-12 | | .WASHER ASSY- OPTIONAL PART: BACW10DZ3 | 103106 | 14 |
| 292 | 411N4026-13 | | ..WASHER- USED ON: 411N4026-12 | 103106 | 1 |
| 293 | 411N4026-7 | | ..TAPE- USED ON: 411N4026-12 | 103106 | 2 |
| 295 | TM3S10 | | .PLATE SUPPLIER CODE: V06383 SPECIFICATION NUMBER: STBP19M12 | 103106 | 14 |

MISSING ITEM NUMBERS NOT APPLICABLE

- ITEM NOT ILLUSTRATED

21-23-01-60L

21-23-01
FIG. 60L
PAGE 2
JAN 20/09

BRI

BOEING PROPRIETARY - Copyright © - Unpublished Work - See title page for details.

BOEING
757
PARTS CATALOG (MAINTENANCE)

| FIG ITEM | PART NUMBER | 1 2 3 4 5 6 7 | NOMENCLATURE | EFFECT FROM TO | UNITS PER ASSY |
|------------|-----------------|---------------|---|----------------|----------------|
| 60L 300 | SLT10LHC6 | | .STRAP- SUPPLIER CODE: V06383 | 103106 | 22 |
| 305 | 214N5054-14 | | .SUPPORT ASSY | 103106 | 14 |
| 310 | 411N4026-2 | | ..CAP ASSY- OPTIONAL PART: 411N4026-10 | 103106 | 1 |
| 310 | 411N4026-10 | | ..CAP ASSY- OPTIONAL PART: 411N4026-2 | 103106 | 1 |
| 312 | 411N4026-5 | | ...CAP- USED ON: 411N4026-2 | 103106 | 1 |
| 312 | 411N4026-11 | | ...CAP- USED ON: 411N4026-10 | 103106 | 1 |
| 313 | 411N4026-7 | | ...TAPE | 103106 | 1 |
| 315 | 2055155-5C | | ..CLIP-STGR SUPPLIER CODE: V04169 | 103106 | 1 |
| 320 | AS1591-06-0590A | | .DUCT | 103106 | 2 |
| 325 | AS1591-06-0450A | | .DUCT | 103106 | 2 |
| 335 | 214N2520-120 | | .DIFFUSER ASSY- OPTIONAL PART: 214N2520-119 | 103106 | 4 |
| 335 | 214N2520-119 | | .DIFFUSER ASSY- OPTIONAL PART: 214N2520-120 ATTACHING PARTS | 103106 | 4 |
| - 340 | BACS12FA08K5 | | .SCREW -----*----- | 103106 | 8 |
| 370 | 6035-2BR185 | | ..INSERT- SUPPLIER CODE: V01556 | 103106 | 2 |
| - 400 | MODREF4673 | | DUCT INSTL-SIDEWALL AIR DISTR SYS MODULE NUMBER: 214N2057-10 REV A POSITION DATA: SECTION 46 STA 1540 TO STA 1560 | 103106 | 1 |
| 405 | BACS12ER3K10 | | .SCREW | 103106 | 7 |
| 407 | BACW10DZ3 | | .WASHER- OPTIONAL PART: 411N4026-12 | 103106 | 7 |
| 410 | 411N4026-12 | | .WASHER ASSY- OPTIONAL PART: BACW10DZ3 | 103106 | 7 |

MISSING ITEM NUMBERS NOT APPLICABLE

- ITEM NOT ILLUSTRATED

BRI

21-23-01-60L

BOEING PROPRIETARY - Copyright © - Unpublished Work - See title page for details.

21-23-01
FIG. 60L
PAGE 3
JAN 20/09

 **BOEING**
757
PARTS CATALOG (MAINTENANCE)

| FIG ITEM | PART NUMBER | 1 2 3 4 5 6 7 | NOMENCLATURE | EFFECT FROM TO | UNITS PER ASSY |
|----------|-----------------|---------------|---|----------------|----------------|
| 60L | | | | | |
| 412 | 411N4026-13 | .. | WASHER- USED ON: 411N4026-12 | 103106 | 1 |
| 413 | 411N4026-7 | .. | TAPE- USED ON: 411N4026-12 | 103106 | 2 |
| 415 | TM3S10 | . | PLATE SUPPLIER CODE: V06383 SPECIFICATION NUMBER: STBP19M12 | 103106 | 7 |
| 420 | SLT10LHC6 | . | STRAP- SUPPLIER CODE: V06383 | 103106 | 11 |
| 425 | 214N5054-14 | . | SUPPORT ASSY | 103106 | 7 |
| 430 | 411N4026-2 | .. | CAP ASSY- OPTIONAL PART: 411N4026-10 | 103106 | 1 |
| 430 | 411N4026-10 | .. | CAP ASSY- OPTIONAL PART: 411N4026-2 | 103106 | 1 |
| 432 | 411N4026-5 | ... | CAP- USED ON: 411N4026-2 | 103106 | 1 |
| 432 | 411N4026-11 | ... | CAP- USED ON: 411N4026-10 | 103106 | 1 |
| 433 | 411N4026-7 | ... | TAPE | 103106 | 1 |
| 435 | 2055155-5C | .. | CLIP-STGR SUPPLIER CODE: V04169 | 103106 | 1 |
| 440 | AS1591-06-0450A | . | DUCT | 103106 | 1 |
| 445 | AS1591-06-0590A | . | DUCT | 103106 | 1 |
| 455 | 214N2520-120 | . | DIFFUSER ASSY- OPTIONAL PART: 214N2520-119 | 103106 | 2 |
| 455 | 214N2520-119 | . | DIFFUSER ASSY- OPTIONAL PART: 214N2520-120 ATTACHING PARTS | 103106 | 2 |
| - 460 | BACS12FA08K5 | . | SCREW -----*----- | 103106 | 4 |
| 495 | 6035-2BR185 | .. | INSERT- SUPPLIER CODE: V01556 | 103106 | 2 |

MISSING ITEM NUMBERS NOT APPLICABLE

- ITEM NOT ILLUSTRATED

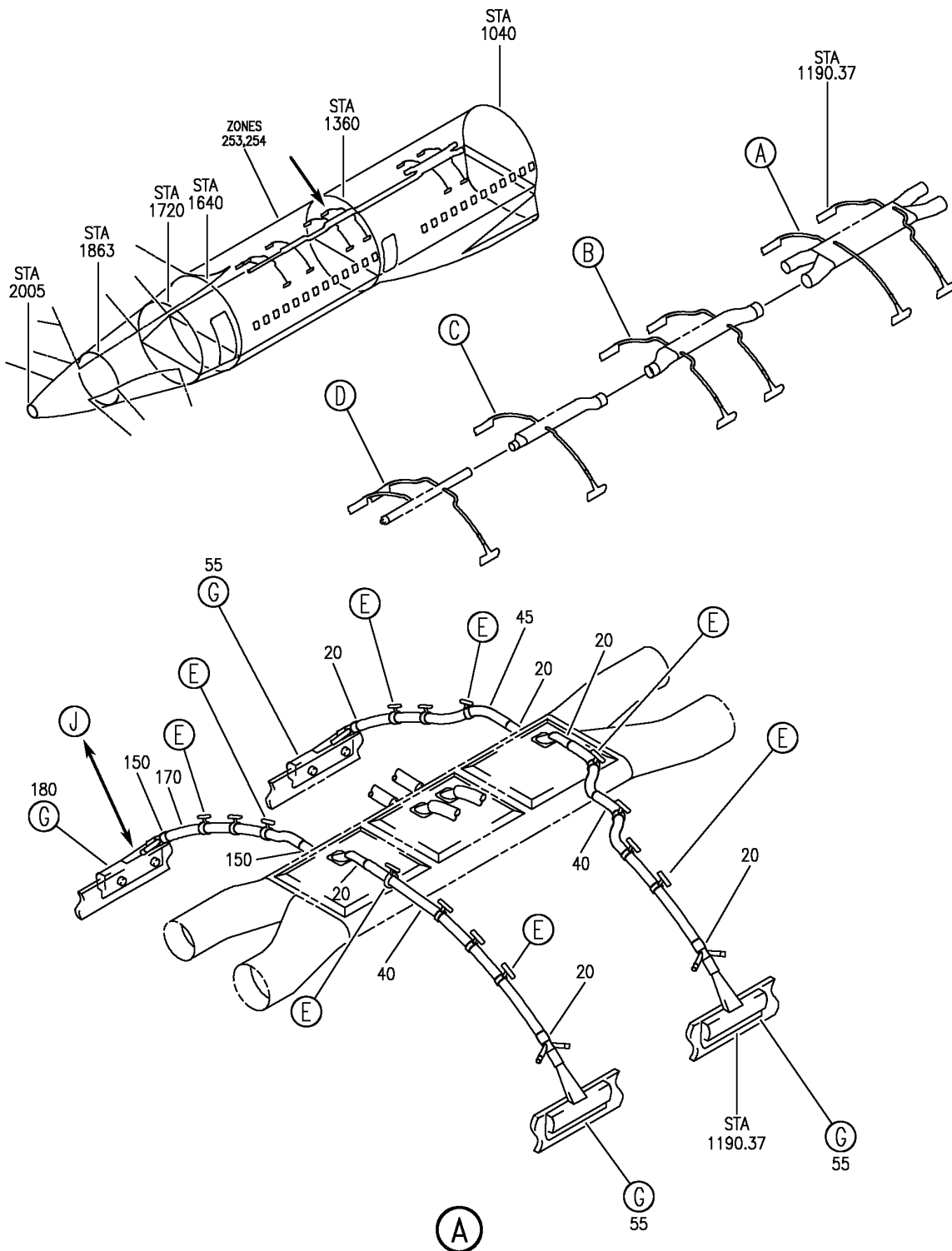
BRI

21-23-01-60L

BOEING PROPRIETARY - Copyright © - Unpublished Work - See title page for details.

21-23-01
FIG. 60L
PAGE 4
JAN 20/09

BOEING
757
PARTS CATALOG (MAINTENANCE)



Y 21230160M SHT 1 REV 27B

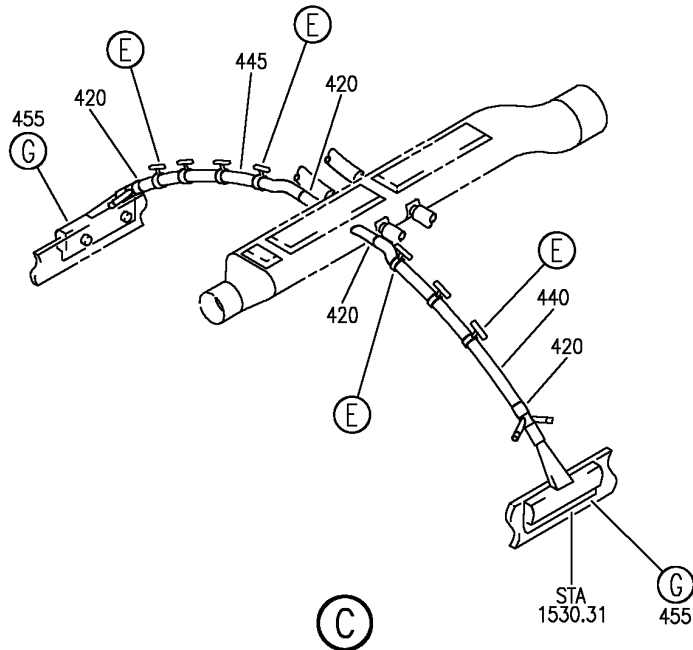
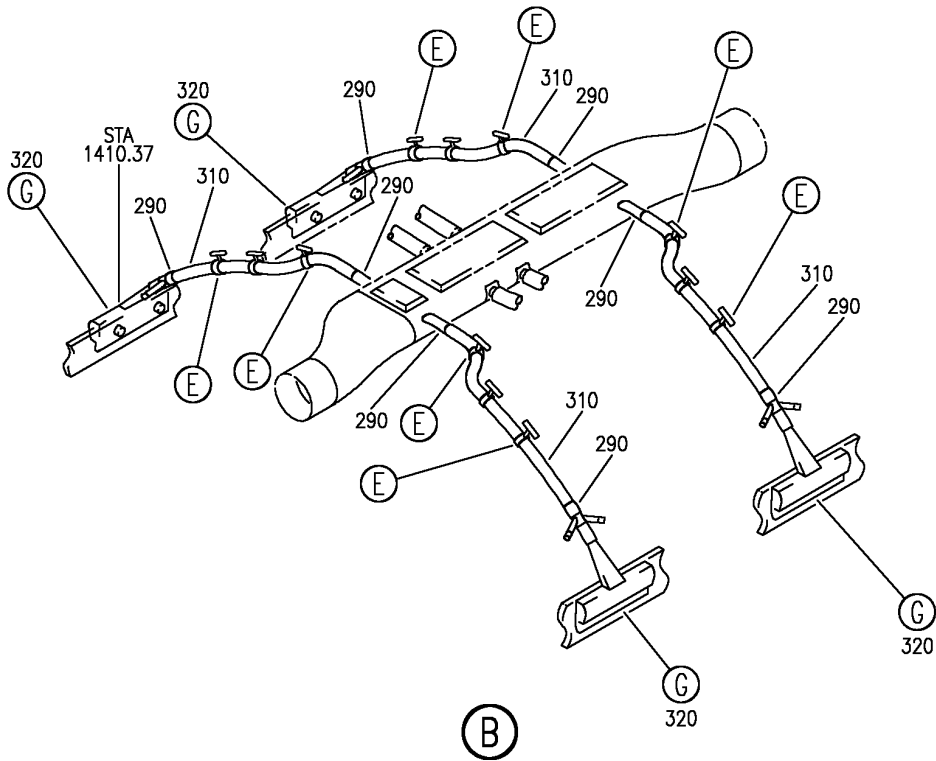
DUCT INSTL-SIDEWALL AIR DISTR SYS
FIGURE 60M (SHEET 1)

21-23-01-60M

BRI
JAN 20/09

21-23-01-60M
PAGE 0

BOEING
757
PARTS CATALOG (MAINTENANCE)



Y 21230160M SHT 2 REV 278

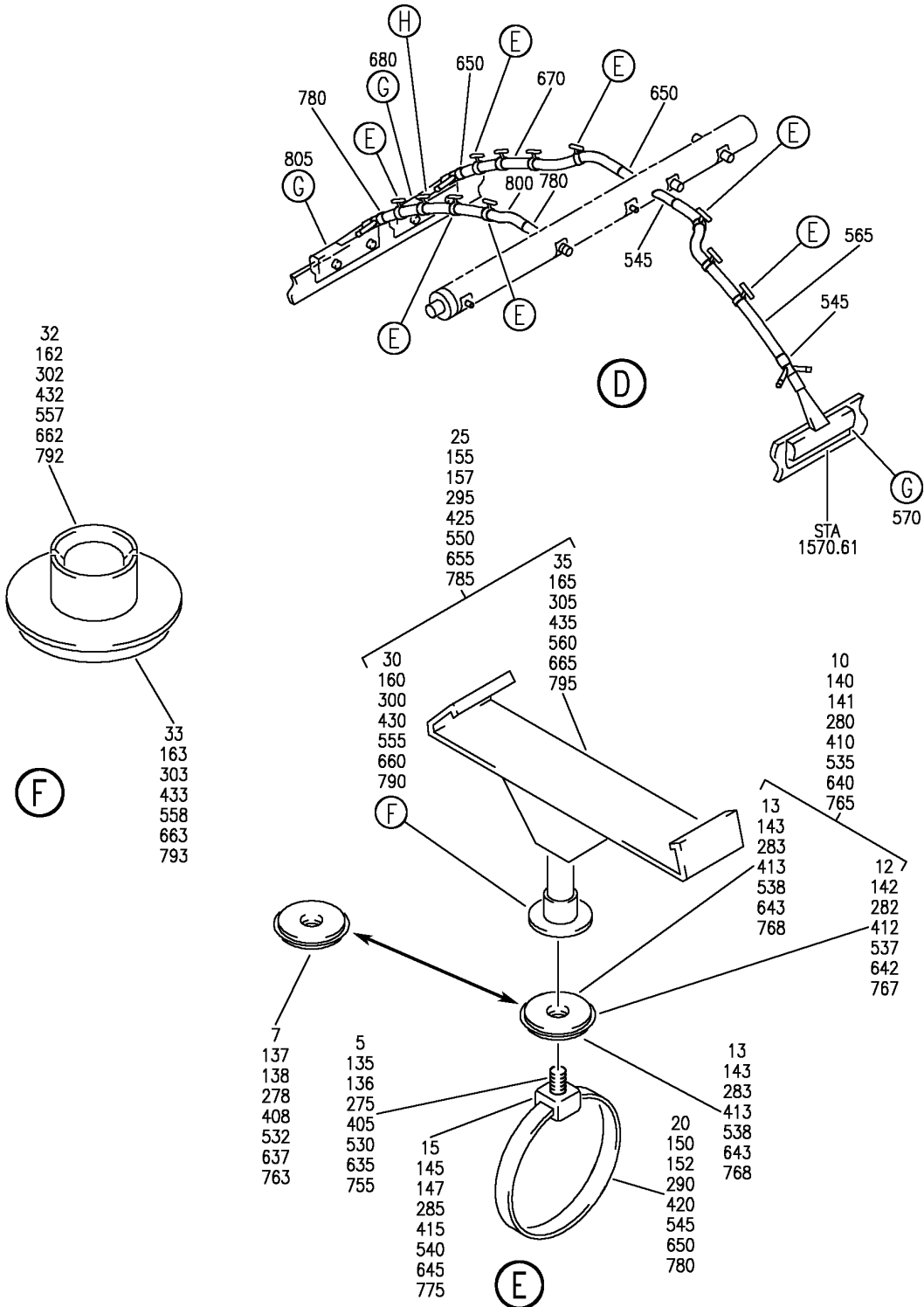
DUCT INSTL-SIDEWALL AIR DISTR SYS
FIGURE 60M (SHEET 2)

21-23-01-60M

BRI
JAN 20/09

21-23-01-60M
PAGE 0A

BOEING
757
PARTS CATALOG (MAINTENANCE)

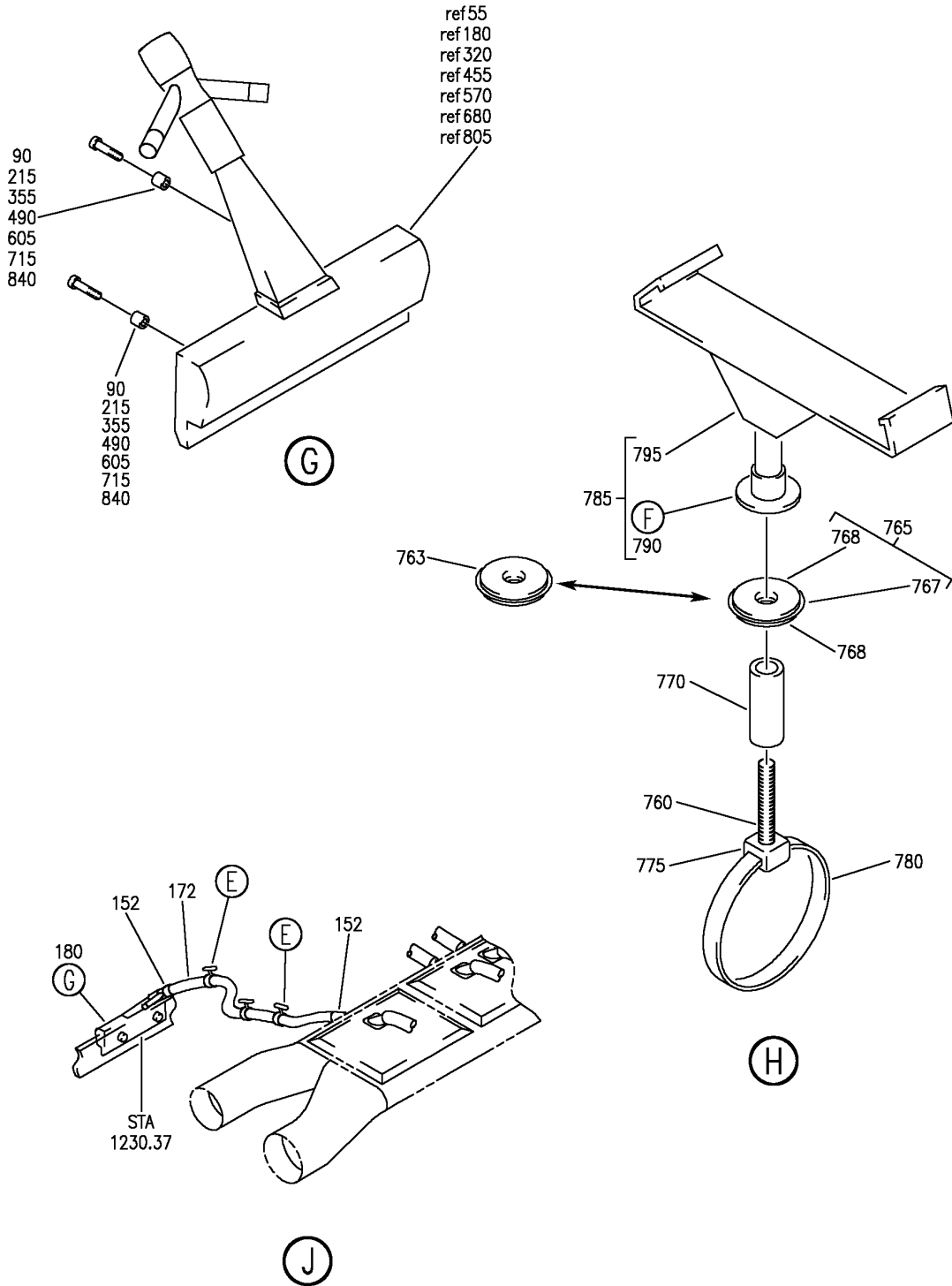


Y 21230160M SHT 3 REV 278

DUCT INSTL-SIDEWALL AIR DISTR SYS
FIGURE 60M (SHEET 3)

21-23-01-60M

BOEING
757
PARTS CATALOG (MAINTENANCE)



Y 21230160M SHT 4 REV 278

DUCT INSTL-SIDEWALL AIR DISTR SYS
FIGURE 60M (SHEET 4)

21-23-01-60M

BRI
JAN 20/09

21-23-01-60M
PAGE 0C



757

PARTS CATALOG (MAINTENANCE)

| FIG ITEM | PART NUMBER | 1 2 3 4 5 6 7 | NOMENCLATURE | EFFECT FROM TO | UNITS PER ASSY |
|----------|-----------------|---------------|-------------------------|----------------|----------------|
| 60M | | | DUCT INSTL-SIDEWALL | 103106 | |
| - 130 | MODREF4688 | | AIR DISTR SYS | | |
| | | | DUCT INSTL-SIDEWALL | 106106 | 1 |
| | | | AIR DISTR SYS WITH | | |
| | | | C/L STOWAGE NO LB | | |
| | | | MODULE NUMBER: | | |
| | | | 214N2057-37 REV A | | |
| | | | POSITION DATA: | | |
| | | | STA 1220 TO STA 1240 LH | | |
| 135 | BACS12ER3K10 | | .SCREW | 106106 | 3 |
| 137 | BACW10DZ3 | | .WASHER- | 106106 | 3 |
| | | | OPTIONAL PART: | | |
| | | | 411N4026-12 | | |
| 140 | 411N4026-12 | | .WASHER ASSY- | 106106 | 3 |
| | | | OPTIONAL PART: | | |
| | | | BACW10DZ3 | | |
| 142 | 411N4026-13 | | ..WASHER | 106106 | 1 |
| 143 | 411N4026-7 | | ..TAPE | 106106 | 2 |
| 145 | TM3S10 | | .PLATE | 106106 | 3 |
| | | | SUPPLIER CODE: | | |
| | | | V06383 | | |
| | | | SPECIFICATION NUMBER: | | |
| | | | STBP19M12 | | |
| 150 | SLT10LHC6 | | .STRAP- | 106106 | 5 |
| | | | SUPPLIER CODE: | | |
| | | | V06383 | | |
| 155 | 214N5054-14 | | .SUPPORT ASSY | 106106 | 3 |
| 160 | 411N4026-2 | | ..CAP ASSY- | 106106 | 1 |
| | | | OPTIONAL PART: | | |
| | | | 411N4026-10 | | |
| 160 | 411N4026-10 | | ..CAP ASSY- | 106106 | 1 |
| | | | OPTIONAL PART: | | |
| | | | 411N4026-2 | | |
| 162 | 411N4026-5 | | ...CAP- | 106106 | 1 |
| | | | USED ON: | | |
| | | | 411N4026-2 | | |
| 162 | 411N4026-11 | | ...CAP- | 106106 | 1 |
| | | | USED ON: | | |
| | | | 411N4026-10 | | |
| 163 | 411N4026-7 | | ...TAPE | 106106 | 1 |
| 165 | 2055155-5C | | ..CLIP-STGR | 106106 | 1 |
| | | | SUPPLIER CODE: | | |
| | | | V04169 | | |
| 170 | AS1591-06-0450A | | .DUCT | 106106 | 1 |
| 180 | 214N2520-120 | | .DIFFUSER ASSY- | 106106 | 1 |
| | | | OPTIONAL PART: | | |
| | | | 214N2520-119 | | |

MISSING ITEM NUMBERS NOT APPLICABLE

- ITEM NOT ILLUSTRATED

21-23-01-60M

21-23-01
FIG. 60M
PAGE 1
JAN 20/09

BRI



757

PARTS CATALOG (MAINTENANCE)

| FIG ITEM | PART NUMBER | 1 2 3 4 5 6 7 | NOMENCLATURE | EFFECT FROM TO | UNITS PER ASSY |
|------------|--------------|---------------|---|----------------|----------------|
| 60M 180 | 214N2520-119 | | .DIFFUSER ASSY- OPTIONAL PART: 214N2520-120 ATTACHING PARTS | 106106 | 1 |
| - 185 | BACS12FA08K5 | | .SCREW -----*----- | 106106 | 2 |
| 215 | 6035-2BR185 | | ..INSERT- SUPPLIER CODE: V01556 | 106106 | 2 |
| - 270 | MODREF4679 | | DUCT INSTL-SIDEWALL AIR DISTR SYS WITH C/L STOWAGE MODULE NUMBER: 214N2057-18 REV A POSITION DATA: POSITION F SECTION 46 STA 1340 TO 1440 | 103106 | 1 |
| 275 | BACS12ER3K10 | | .SCREW | 103106 | 12 |
| 278 | BACW10DZ3 | | .WASHER- OPTIONAL PART: 411N4026-12 | 103106 | 12 |
| 280 | 411N4026-12 | | .WASHER ASSY- OPTIONAL PART: BACW10DZ3 | 103106 | 12 |
| 282 | 411N4026-13 | | ..WASHER | 103106 | 1 |
| 283 | 411N4026-7 | | ..TAPE | 103106 | 2 |
| 285 | TM3S10 | | .PLATE SUPPLIER CODE: V06383 SPECIFICATION NUMBER: STBP19M12 | 103106 | 12 |
| 290 | SLT10LHC6 | | .STRAP- SUPPLIER CODE: V06383 | 103106 | 20 |
| 295 | 214N5054-14 | | .SUPPORT ASSY | 103106 | 12 |
| 300 | 411N4026-2 | | ..CAP ASSY- OPTIONAL PART: 411N4026-10 | 103106 | 1 |
| 300 | 411N4026-10 | | ..CAP ASSY- OPTIONAL PART: 411N4026-2 | 103106 | 1 |
| 302 | 411N4026-5 | | ...CAP- USED ON: 411N4026-2 | 103106 | 1 |
| 302 | 411N4026-11 | | ...CAP- USED ON: 411N4026-10 | 103106 | 1 |
| 303 | 411N4026-7 | | ...TAPE | 103106 | 1 |

MISSING ITEM NUMBERS NOT APPLICABLE

- ITEM NOT ILLUSTRATED

21-23-01-60M

21-23-01
FIG. 60M
PAGE 2
JAN 20/09

BRI



757

PARTS CATALOG (MAINTENANCE)

| FIG ITEM | PART NUMBER | 1 2 3 4 5 6 7 | NOMENCLATURE | EFFECT FROM TO | UNITS PER ASSY |
|------------|-----------------|---|---------------------------------------|----------------|----------------|
| 60M 305 | 2055155-5C | .. | CLIP-STGR SUPPLIER CODE: V04169 | 103106 | 1 |
| 310 | AS1591-06-0490A | .DUCT | | 103106 | 4 |
| 320 | 214N2520-120 | .DIFFUSER ASSY- OPTIONAL PART: 214N2520-119 | | 103106 | 4 |
| 320 | 214N2520-119 | .DIFFUSER ASSY- OPTIONAL PART: 214N2520-120 | | 103106 | 4 |
| - 325 | BACS12FA08K5 | .SCREW -----*----- | | 103106 | 8 |
| 355 | 6035-2BR185 | ..INSERT- SUPPLIER CODE: V01556 | | 103106 | 2 |
| - 400 | MODREF4680 | DUCT INSTL-SIDEWALL AIR DISTR SYS WITH C/L STOWAGE MODULE NUMBER: 214N2057-19 REV A POSITION DATA: POSITION G SECTION 46 STA 1500 TO STA 1540 | | 103106 | 1 |
| 405 | BACS12ER3K10 | .SCREW | | 103106 | 7 |
| 408 | BACW10DZ3 | .WASHER- OPTIONAL PART: 411N4026-12 | | 103106 | 7 |
| 410 | 411N4026-12 | .WASHER ASSY- OPTIONAL PART: BACW10DZ3 | | 103106 | 7 |
| 412 | 411N4026-13 | ..WASHER | | 103106 | 1 |
| 413 | 411N4026-7 | ..TAPE | | 103106 | 2 |
| 415 | TM3S10 | .PLATE SUPPLIER CODE: V06383 SPECIFICATION NUMBER: STBP19M12 | | 103106 | 7 |
| 420 | SLT10LHC6 | .STRAP- SUPPLIER CODE: V06383 | | 103106 | 11 |
| 425 | 214N5054-14 | .SUPPORT ASSY | | 103106 | 7 |
| 430 | 411N4026-2 | ..CAP ASSY- OPTIONAL PART: 411N4026-10 | | 103106 | 1 |
| 430 | 411N4026-10 | ..CAP ASSY- OPTIONAL PART: 411N4026-2 | | 103106 | 1 |

MISSING ITEM NUMBERS NOT APPLICABLE

- ITEM NOT ILLUSTRATED

21-23-01-60M

21-23-01
FIG. 60M
PAGE 3
JAN 20/09

BRI



757

PARTS CATALOG (MAINTENANCE)

| FIG ITEM | PART NUMBER | 1 2 3 4 5 6 7 | NOMENCLATURE | EFFECT FROM TO | UNITS PER ASSY |
|------------|-----------------|---------------|--|----------------|----------------|
| 60M 432 | 411N4026-5 | ... | CAP- USED ON: 411N4026-2 | 103106 | 1 |
| 432 | 411N4026-11 | ... | CAP- USED ON: 411N4026-10 | 103106 | 1 |
| 433 | 411N4026-7 | ... | TAPE | 103106 | 1 |
| 435 | 2055155-5C | .. | CLIP-STGR SUPPLIER CODE: V04169 | 103106 | 1 |
| 440 | AS1591-06-0450A | . | DUCT | 103106 | 1 |
| 445 | AS1591-06-0530A | . | DUCT | 103106 | 1 |
| 455 | 214N2520-120 | . | DIFFUSER ASSY- OPTIONAL PART: 214N2520-119 | 103106 | 2 |
| 455 | 214N2520-119 | . | DIFFUSER ASSY- OPTIONAL PART: 214N2520-120 | 103106 | 2 |
| - 460 | BACS12FA08K5 | . | SCREW -----*----- | 103106 | 4 |
| 490 | 6035-2BR185 | .. | INSERT- SUPPLIER CODE: V01556 | 103106 | 2 |

MISSING ITEM NUMBERS NOT APPLICABLE

- ITEM NOT ILLUSTRATED

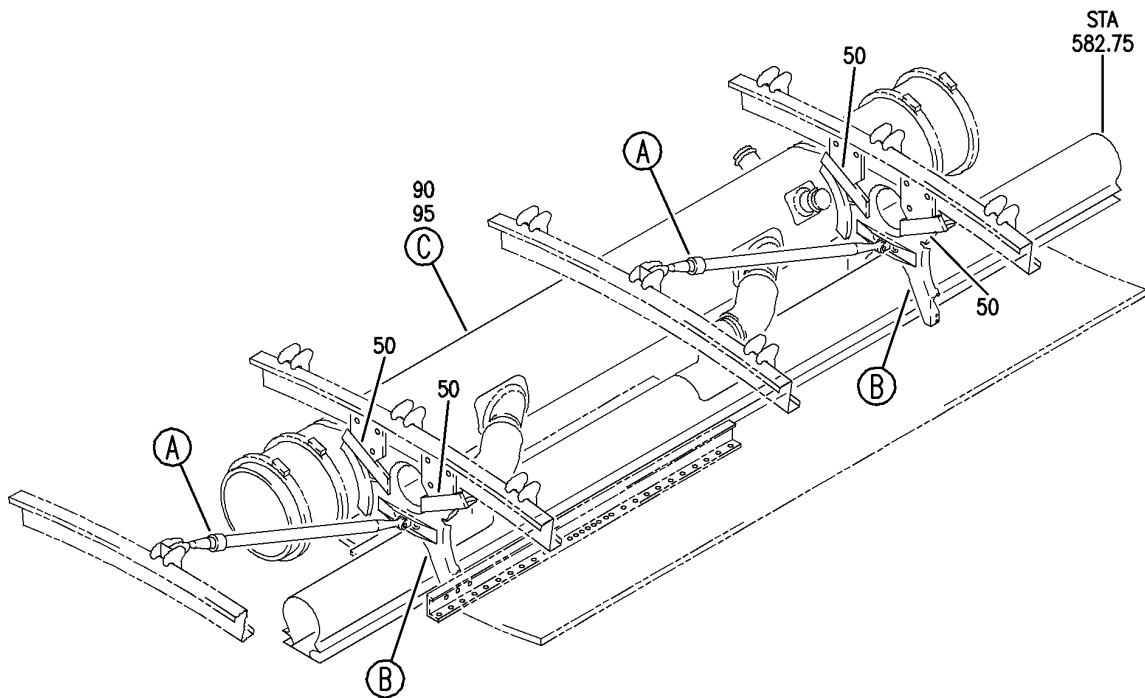
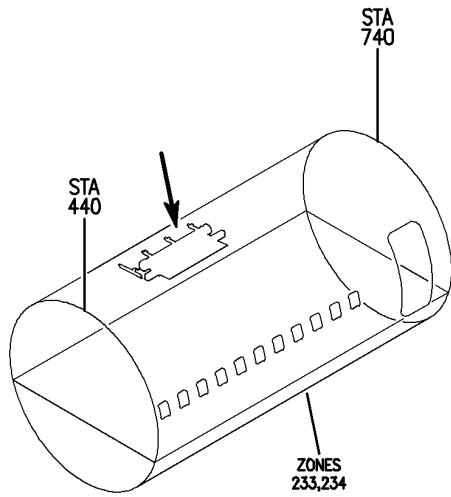
21-23-01-60M

21-23-01
FIG. 60M
PAGE 4
JAN 20/09

BRI

BOEING PROPRIETARY - Copyright © - Unpublished Work - See title page for details.

BOEING
757
PARTS CATALOG (MAINTENANCE)



Y 21230161L SHT 1 REV 237

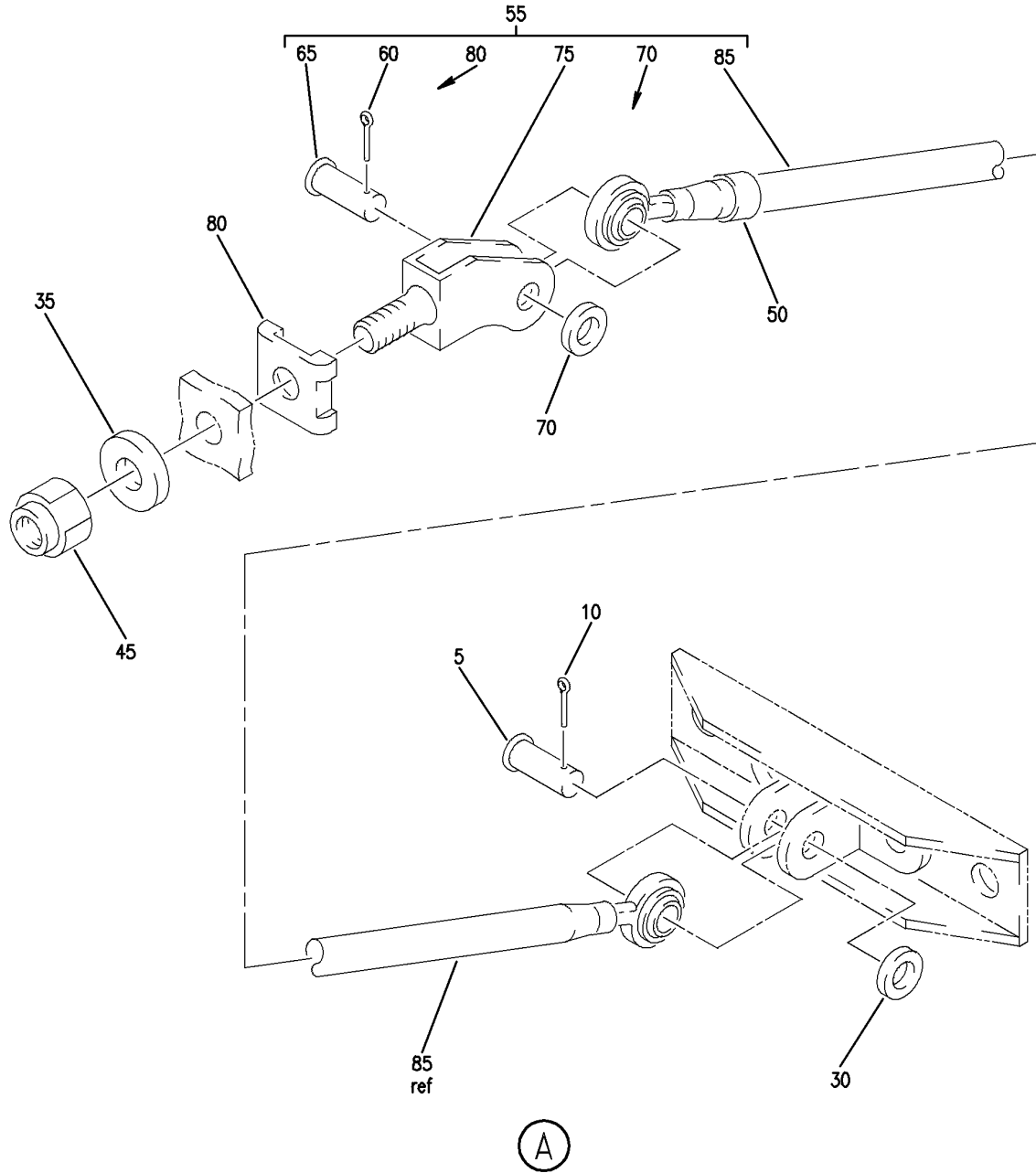
DUCT INSTL-SECTION 43 AIR DISTR SYS
FIGURE 61L (SHEET 1)

BRI
JAN 20/09

21-23-01-61L

21-23-01-61L
PAGE 0

BOEING
757
PARTS CATALOG (MAINTENANCE)



Y 21230161L SHT 2 REV 237

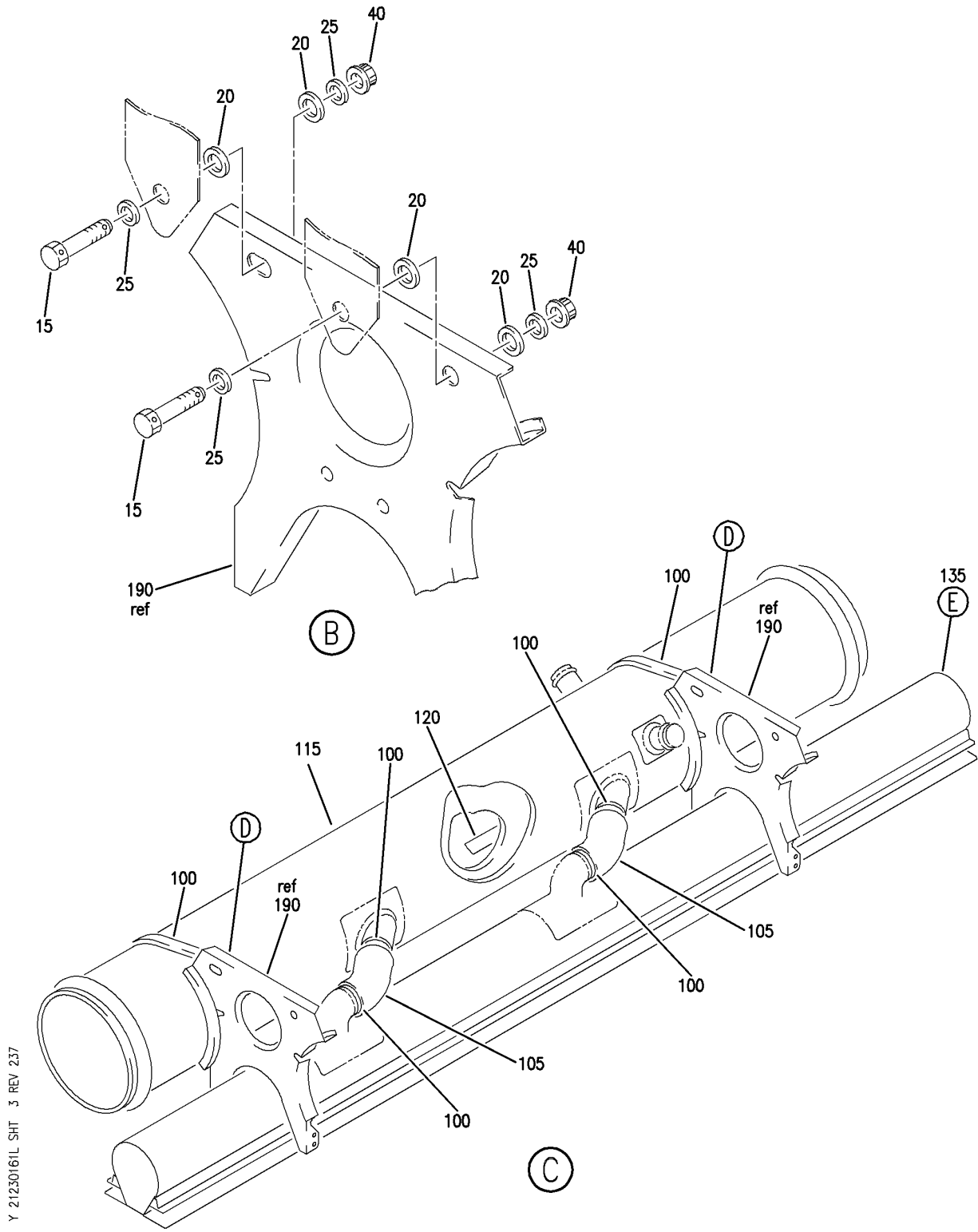
DUCT INSTL-SECTION 43 AIR DISTR SYS
FIGURE 61L (SHEET 2)

21-23-01-61L

BRI
JAN 20/09

21-23-01-61L
PAGE 0A

BOEING
757
PARTS CATALOG (MAINTENANCE)



Y 21230161L SHT 3 REV 237

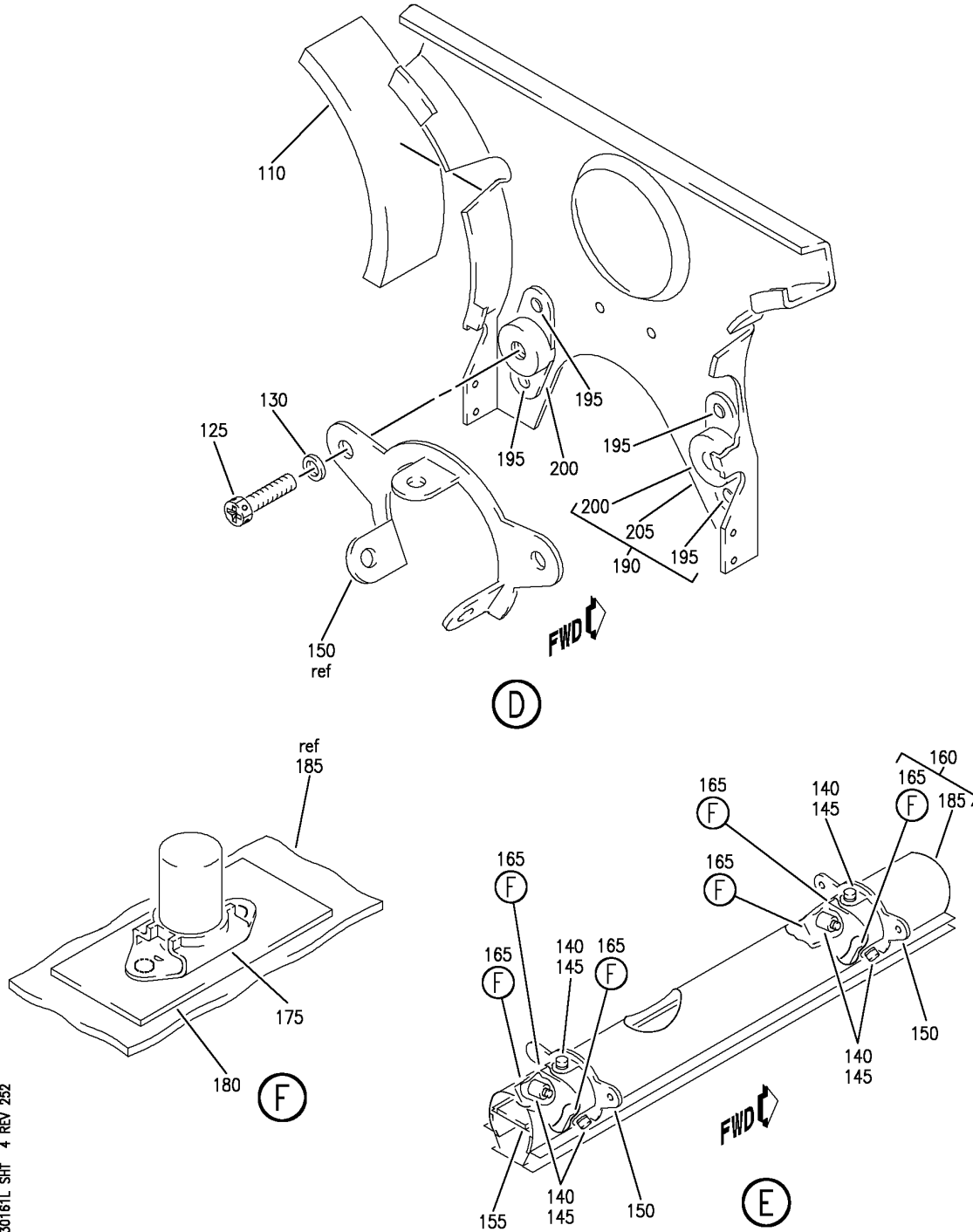
DUCT INSTL-SECTION 43 AIR DISTR SYS
FIGURE 61L (SHEET 3)

21-23-01-61L

BRI
JAN 20/09

21-23-01-61L
PAGE 0B

BOEING
757
PARTS CATALOG (MAINTENANCE)



Y 21230161L SHT 4 REV 252

DUCT INSTL-SECTION 43 AIR DISTR SYS
FIGURE 61L (SHEET 4)

21-23-01-61L

BRI
JAN 20/09

21-23-01-61L
PAGE 0C



757

PARTS CATALOG (MAINTENANCE)

| FIG ITEM | PART NUMBER | 1 2 3 4 5 6 7 | NOMENCLATURE | EFFECT FROM TO | UNITS PER ASSY |
|----------|----------------|---------------|--|----------------|----------------|
| 61L | | | DUCT INSTL-SECTION 43 AIR DISTR SYS | 103106 | |
| - 1 | MODREF6714 | | DUCT INSTL-AIR DISTR SYS MODULE NUMBER: 214N2053-67B REV A POSITION DATA: SECT. 43 BASELINE STA 517-STA 572 | 103106 | 1 |
| 5 | MS20392-3C21 | | .PIN | 103106 | 2 |
| 10 | BACP18BC02C04P | | .PIN | 103106 | 2 |
| 15 | BACB30NR4K5 | | .BOLT | 103106 | 4 |
| 20 | BACW10P271TF | | .WASHER | 103106 | 8 |
| 25 | NAS1149D0463J | | .WASHER | 103106 | 8 |
| 30 | NAS1149D0416J | | .WASHER | 103106 | 2 |
| 35 | NAS1149D0516J | | .WASHER | 103106 | 2 |
| 40 | PLH54CM | | .NUT SUPPLIER CODE: V62554 SPECIFICATION NUMBER: BACN10YR4CM OPTIONAL PART: H52732-4CM V15653 | 103106 | 4 |
| 45 | BRH10C5D | | .NUT SUPPLIER CODE: V52828 SPECIFICATION NUMBER: BACN10JC5CD OPTIONAL PART: T6C524JCD V11815 102LH9075-5W V72962 H51650-5BAC V15653 | 103106 | 2 |
| 50 | 214N2053-30 | | .SEAL-FELT STRIP | 103106 | AR |
| 55 | 412N2030-33 | | .DIAGONAL ASSY | 103106 | 2 |
| 60 | MS24665-132 | | ..PIN | 103106 | 1 |
| 65 | MS20392-3C17 | | ..PIN | 103106 | 1 |
| 70 | AN960PD416L | | ..WASHER | 103106 | 1 |
| 75 | 412N2031-1 | | ..CLEVIS | 103106 | 1 |
| 80 | 412N2032-5 | | ..INSULATOR-CLEVIS | 103106 | 1 |
| 85 | 1293-29 | | ..ROD ASSY- SUPPLIER CODE: V34742 | 103106 | 1 |
| 90 | 214N2053-72 | | .DUCT ASSY-SET | 103106 | 1 |
| 95 | 214N2180-182 | | ..DUCT ASSY-SEGMENT | 103106 | 1 |

MISSING ITEM NUMBERS NOT APPLICABLE

- ITEM NOT ILLUSTRATED

21-23-01-61L

21-23-01
FIG. 61L
PAGE 1
JAN 20/09

BRI

BOEING PROPRIETARY - Copyright © - Unpublished Work - See title page for details.

 **BOEING**
757
PARTS CATALOG (MAINTENANCE)

| FIG ITEM | PART NUMBER | 1 2 3 4 5 6 7 | NOMENCLATURE | EFFECT FROM TO | UNITS PER ASSY |
|-------------|-------------|-----------------|---|----------------|----------------|
| 61L 100 | PLT4SM | ... | STRAP SUPPLIER CODE: V06383 SPECIFICATION NUMBER: BACS38K2 OPTIONAL PART: T05L0 V53421 | 103106 | 6 |
| R R R | 105 | AS1591-08-0070A | ...HOSE- SUPPLIER CODE: V81343 | 103106 | 2 |
| | 110 | 214N2184-1 | ...SPACER | 103106 | 2 |
| | 115 | 214N2177-300 | ...DUCT ASSY | 103106 | 1 |
| | 120 | BAC27TEC417 |MARKER-ALUMINUM FOIL PLACARD CONTENT: CROWN DRYER LEAVE UNCAPPED | 103106 | RF |
| | 125 | BACS12GU3K7 | ...SCREW | 103106 | 4 |
| | 130 | NAS1149D0332J | ...WASHER | 103106 | 4 |
| | 135 | 214N2183-377 | ...NOZZLE ASSY-PLENUM | 103106 | 1 |
| | 140 | BACS12GU3K7 |SCREW | 103106 | 6 |
| | 145 | NAS1149D0316J |WASHER | 103106 | 6 |
| | 150 | 214N2167-2 |BRACKET | 103106 | 2 |
| | 155 | 214N2124-353 |PLATE-RESTRICTOR | 103106 | 1 |
| | 160 | 214N2179-342 |PLENUM ASSY | 103106 | 1 |
| - | 163 | CB2010CR3CRP |NUTPLATE- SUPPLIER CODE: V66530 OPTIONAL PART: 214N2178-1 | 103106 | 6 |
| | 165 | 214N2178-1 |NUTPLATE ASSY- OPTIONAL PART: CB2010CR3CRP V66530 | 103106 | 6 |
| | 175 | NS202541-3 |NUTPLATE- SUPPLIER CODE: V80539 SPECIFICATION NUMBER: BACN10KA3BCD OPTIONAL PART: T8100C1032KCPM V11815 USED ON: 214N2178-1 | 103106 | 1 |
| - | 177 | BACR15CE3D | ATTACHING PARTSRIVET- SIZE DETERMINED ON INSTL. -----*----- | 103106 | 2 |

MISSING ITEM NUMBERS NOT APPLICABLE

- ITEM NOT ILLUSTRATED

BRI

21-23-01-61L

BOEING PROPRIETARY - Copyright © - Unpublished Work - See title page for details.

21-23-01
FIG. 61L
PAGE 2
MAY 20/09



757

PARTS CATALOG (MAINTENANCE)

| FIG ITEM | PART NUMBER | 1 2 3 4 5 6 7 | NOMENCLATURE | EFFECT FROM TO | UNITS PER ASSY |
|------------|--------------|---------------|--|----------------|----------------|
| 61L 180 | 214N2178-2 | | PLATE- USED ON: 214N2178-1 | 103106 | 1 |
| 185 | 214N2179-343 | | PLENUM | 103106 | 1 |
| 190 | 214N2168-2 | ... | BRACKET ASSY | 103106 | 2 |
| 195 | BACR15BA4D | | RIVET- SIZE DETERMINED ON INSTL. | 103106 | 4 |
| 200 | SL8113-3 | | SHOCKMOUNT-ISOLATOR SUPPLIER CODE: V97393 SPECIFICATION NUMBER: S411T100-901 OPTIONAL PART: DE819 V71985 | 103106 | 2 |
| 200 | DE819 | | SHOCKMOUNT-ISOLATOR SUPPLIER CODE: V71985 SPECIFICATION NUMBER: S411T100-901 OPTIONAL PART: SL8113-3 V97393 | 103106 | 2 |
| 205 | 214N2167-1 | | BRACKET | 103106 | 1 |

MISSING ITEM NUMBERS NOT APPLICABLE

- ITEM NOT ILLUSTRATED

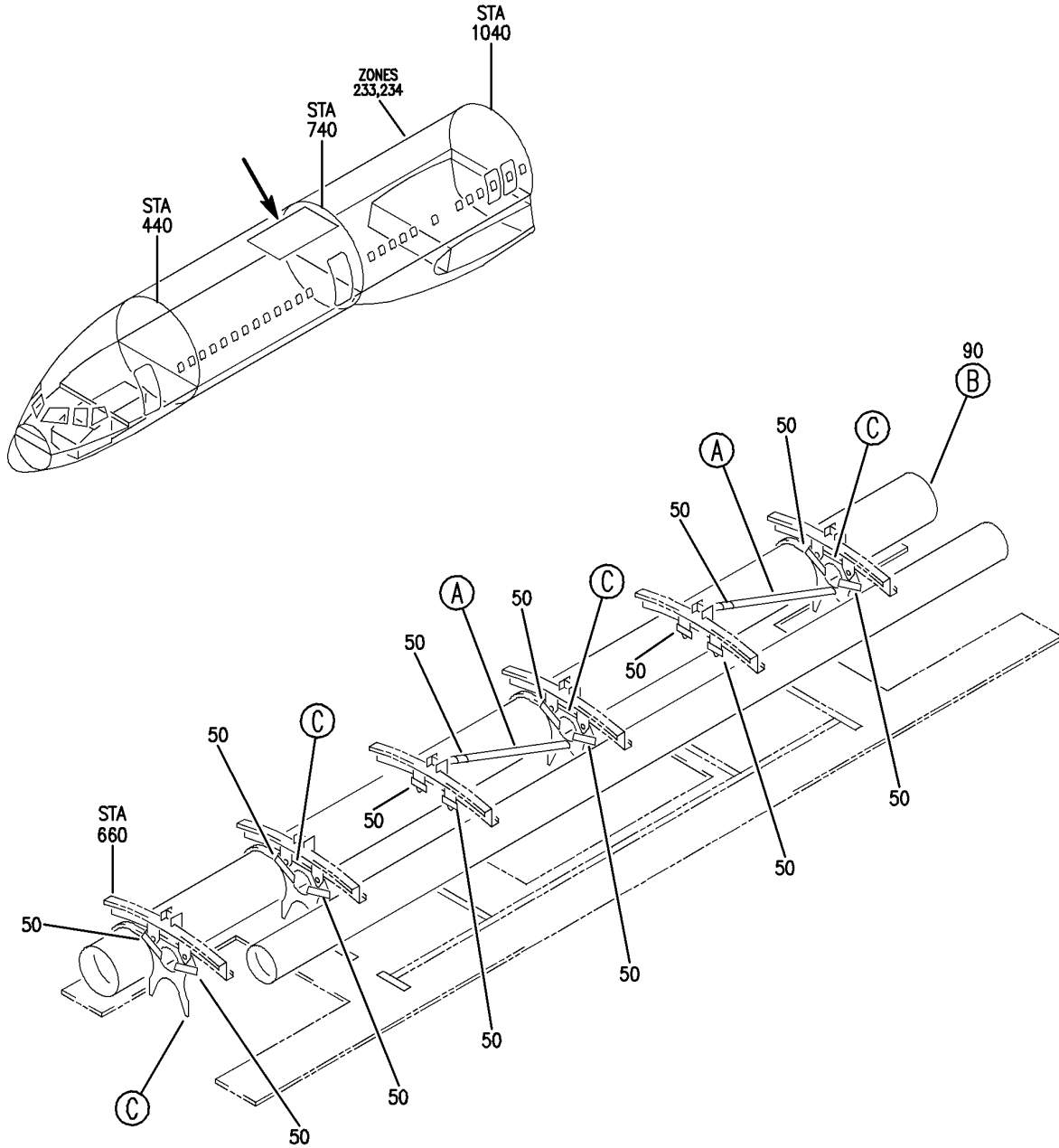
BRI

21-23-01-61L

BOEING PROPRIETARY - Copyright © - Unpublished Work - See title page for details.

21-23-01
FIG. 61L
PAGE 3
MAY 20/09

BOEING
757
PARTS CATALOG (MAINTENANCE)



Y 21230161N SHT 1 REV 237

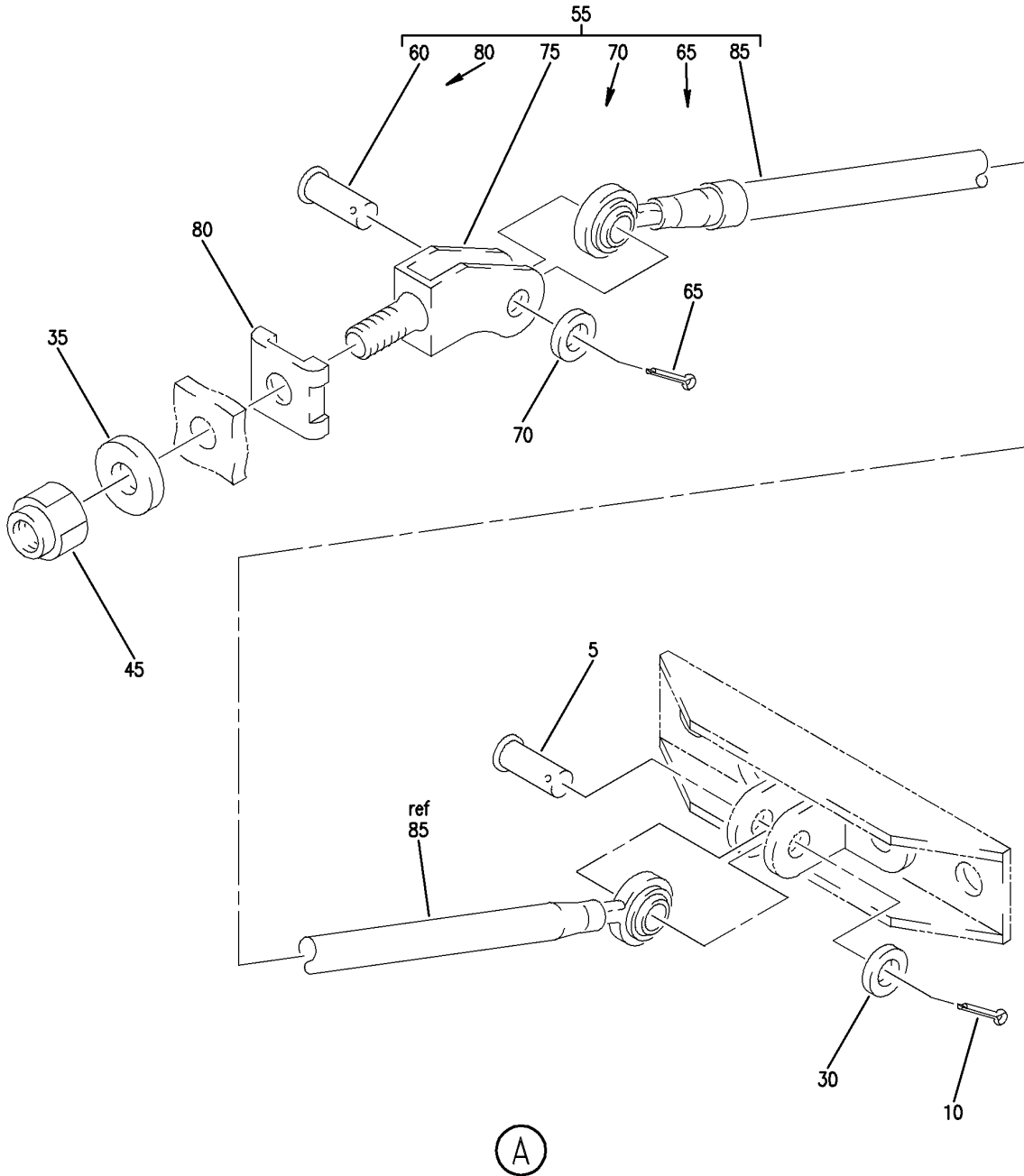
DUCT INSTL-SECTION 43 AIR DISTR SYS
FIGURE 61N (SHEET 1)

BRI
JAN 20/09

21-23-01-61N

21-23-01-61N
PAGE 0

BOEING
757
PARTS CATALOG (MAINTENANCE)



Y 21230161N SHT 2 REV 237

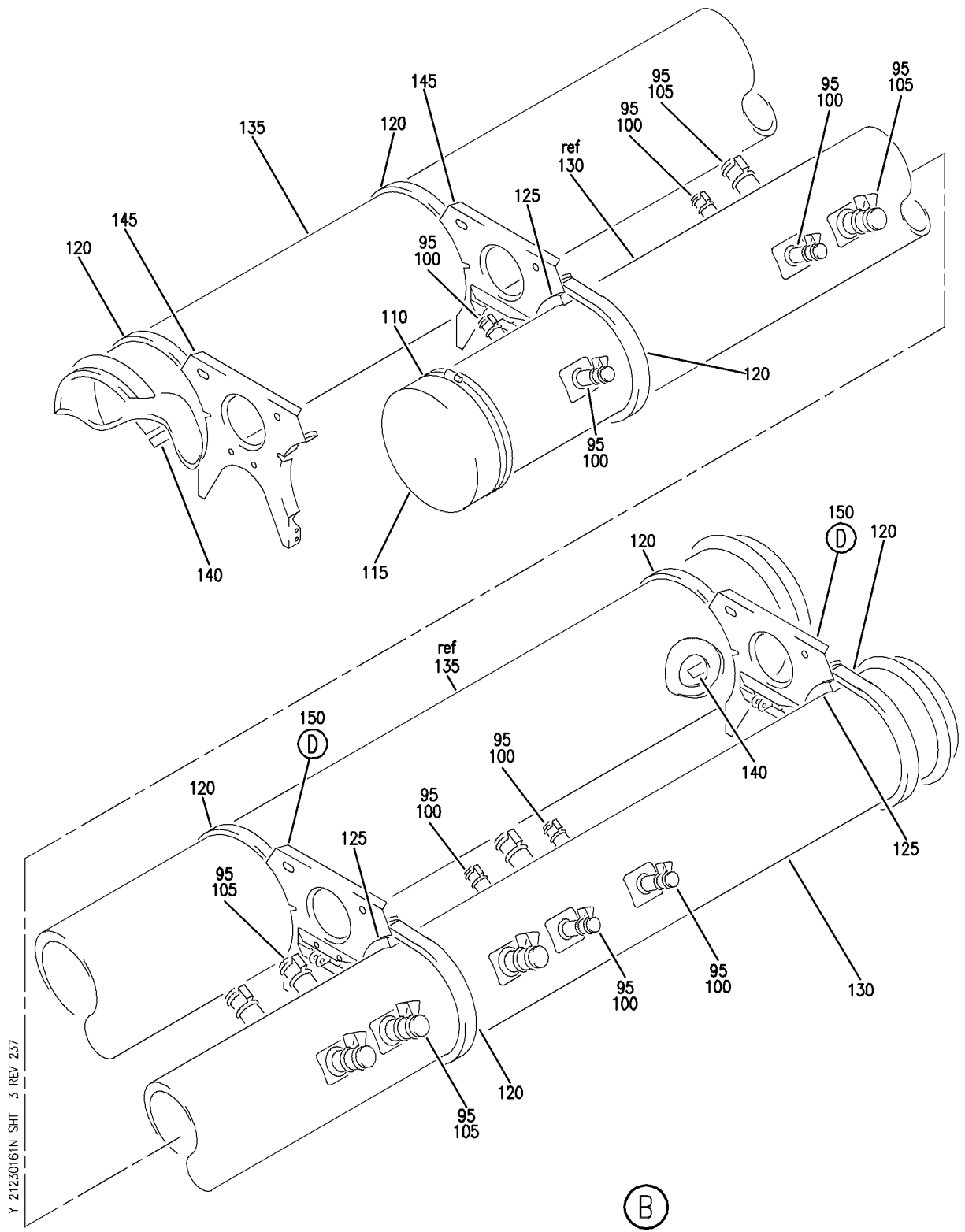
DUCT INSTL-SECTION 43 AIR DISTR SYS
FIGURE 61N (SHEET 2)

21-23-01-61N

BRI
JAN 20/09

21-23-01-61N
PAGE 0A

BOEING
757
PARTS CATALOG (MAINTENANCE)



Y 21230161N SHT 3 REV 237

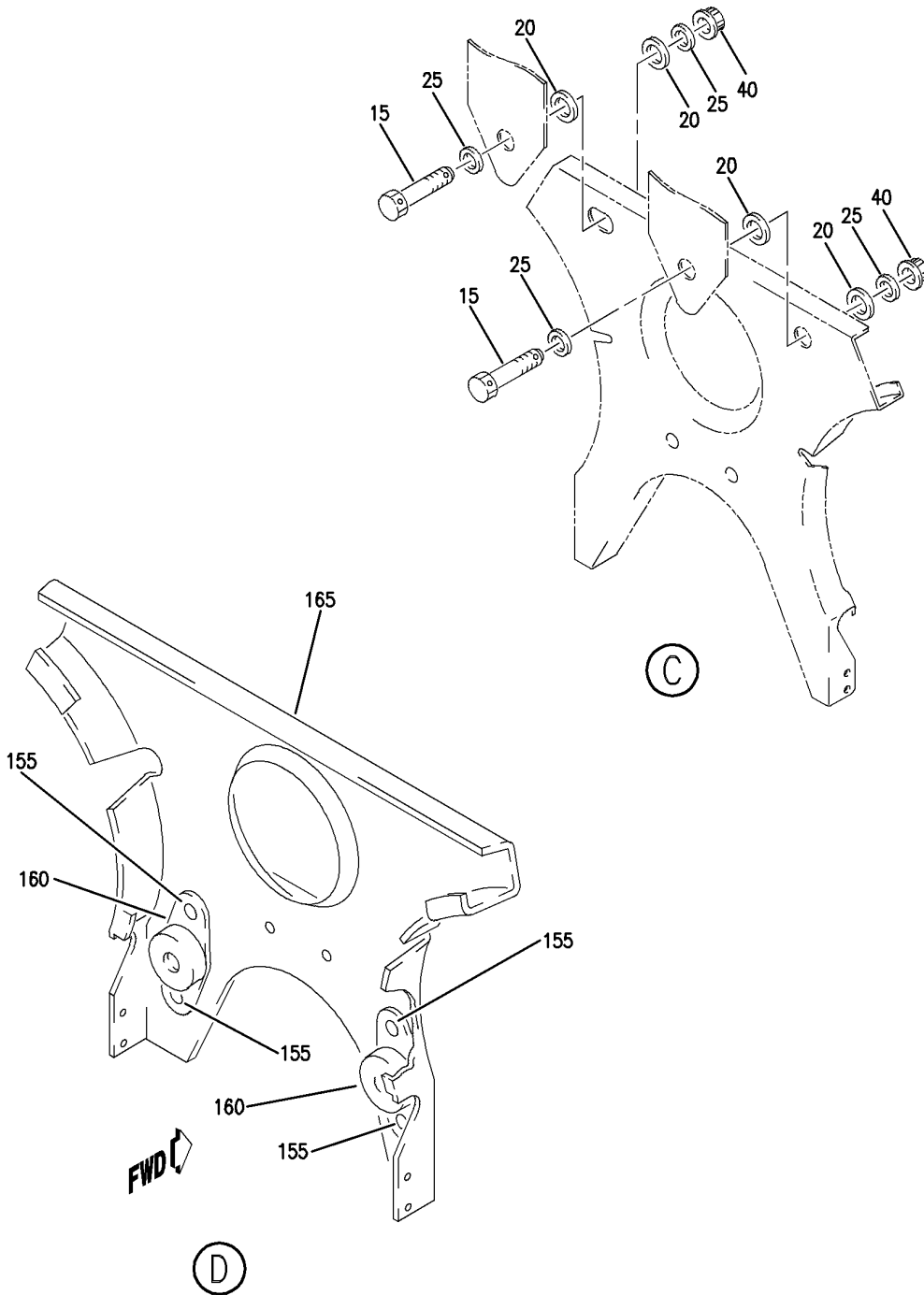
DUCT INSTL-SECTION 43 AIR DISTR SYS
FIGURE 61N (SHEET 3)

21-23-01-61N

BRI
JAN 20/09

21-23-01-61N
PAGE 0B

BOEING
757
PARTS CATALOG (MAINTENANCE)



Y 21230161N SHT 4 REV 237

DUCT INSTL-SECTION 43 AIR DISTR SYS
FIGURE 61N (SHEET 4)

21-23-01-61N

BRI
JAN 20/09

21-23-01-61N
PAGE 0C



757

PARTS CATALOG (MAINTENANCE)

| FIG ITEM | PART NUMBER | 1 2 3 4 5 6 7 | NOMENCLATURE | EFFECT FROM TO | UNITS PER ASSY |
|----------|----------------|---------------|---|----------------|----------------|
| 61N | | | DUCT INSTL-SECTION 43 | 103106 | |
| - 1 | MODREF6716 | | AIR DISTR SYS DUCT INSTL-AIR DISTR SYS | 103106 | 1 |
| | | | MODULE NUMBER: 214N2053-69 REV A | | |
| | | | POSITION DATA: SECT. 43 | | |
| 5 | MS20392-3C21 | | .PIN | 103106 | 2 |
| 10 | BACP18BC02C04P | | .PIN | 103106 | 2 |
| 15 | BACB30NR4K5 | | .BOLT | 103106 | 8 |
| 20 | BACW10P271TF | | .WASHER | 103106 | 16 |
| 25 | NAS1149D0463J | | .WASHER | 103106 | 16 |
| 30 | NAS1149D0416J | | .WASHER | 103106 | 2 |
| 35 | NAS1149D0516J | | .WASHER | 103106 | 2 |
| 40 | PLH54CM | | .NUT | 103106 | 8 |
| | | | SUPPLIER CODE: V62554 | | |
| | | | SPECIFICATION NUMBER: BACN10YR4CM | | |
| | | | OPTIONAL PART: H52732-4CM | | |
| | | | V15653 | | |
| 45 | BRH10C5D | | .NUT | 103106 | 2 |
| | | | SUPPLIER CODE: V52828 | | |
| | | | SPECIFICATION NUMBER: BACN10JC5CD | | |
| | | | OPTIONAL PART: T6C524JCD | | |
| | | | V11815 | | |
| | | | 102LH9075-5W | | |
| | | | V72962 | | |
| | | | H51650-5BAC | | |
| | | | V15653 | | |
| 50 | 214N2053-30 | | .SEAL-FELT STRIP | 103106 | AR |
| 55 | 412N2030-33 | | .DIAGONAL ASSY | 103106 | 2 |
| 60 | MS24665-132 | | ..PIN | 103106 | 1 |
| 65 | MS20392-3C17 | | ..PIN | 103106 | 1 |
| 70 | AN960PD416L | | ..WASHER | 103106 | 1 |
| 75 | 412N2031-1 | | ..CLEVIS | 103106 | 1 |
| 80 | 412N2032-5 | | ..INSULATOR-CLEVIS | 103106 | 1 |
| 85 | 1293-29 | | ..ROD ASSY- | 103106 | 1 |
| | | | SUPPLIER CODE: V34742 | | |
| 90 | 214N2180-184 | | .DUCT ASSY-SEGMENT | 103106 | 1 |

MISSING ITEM NUMBERS NOT APPLICABLE

- ITEM NOT ILLUSTRATED

21-23-01-61N

21-23-01
FIG. 61N
PAGE 1
JAN 20/09

BRI



757

PARTS CATALOG (MAINTENANCE)

| FIG ITEM | PART NUMBER | 1 2 3 4 5 6 7 | NOMENCLATURE | EFFECT FROM TO | UNITS PER ASSY |
|-----------|----------------|---------------|---|----------------|----------------|
| 61N 95 | PLT4SM | .. | STRAP SUPPLIER CODE: V06383 SPECIFICATION NUMBER: BACS38K2 OPTIONAL PART: T05L0 V53421 | 103106 | 12 |
| 100 | BE539-4 | .. | CAP- SUPPLIER CODE: V05399 OPTIONAL PART: 12-1250 V25205 | 103106 | 8 |
| 100 | 12-1250 | .. | CAP- SUPPLIER CODE: V25205 OPTIONAL PART: BE539-4 V05399 | 103106 | 8 |
| 105 | BE539-2 | .. | CAP- SUPPLIER CODE: V05399 OPTIONAL PART: 24-1250 V25205 | 103106 | 4 |
| 105 | 24-1250 | .. | CAP- SUPPLIER CODE: V25205 OPTIONAL PART: BE539-2 V05399 | 103106 | 4 |
| 110 | NAS1922-0625-3 | .. | CLAMP | 103106 | 1 |
| 115 | 841006-1 | .. | CAP- SUPPLIER CODE: V9A735 | 103106 | 1 |
| 120 | T012L0 | .. | STRAP SUPPLIER CODE: V53421 SPECIFICATION NUMBER: BACS38K6 | 103106 | 7 |
| 125 | 214N2184-1 | .. | SPACER | 103106 | 3 |
| 130 | 214N2177-350 | .. | DUCT ASSY | 103106 | 1 |
| 135 | 214N2177-304 | .. | DUCT ASSY | 103106 | 1 |
| 140 | BAC27TEC417 | ... | MARKER-ALUMINUM FOIL PLACARD CONTENT: CROWN DRYER LEAVE UNCAPPED | 103106 | RF |
| 145 | 214N2167-1 | .. | BRACKET | 103106 | 2 |

MISSING ITEM NUMBERS NOT APPLICABLE

- ITEM NOT ILLUSTRATED

21-23-01-61N

21-23-01
FIG. 61N
PAGE 2
JAN 20/09

BRI

BOEING PROPRIETARY - Copyright © - Unpublished Work - See title page for details.



757

PARTS CATALOG (MAINTENANCE)

| FIG ITEM | PART NUMBER | 1 2 3 4 5 6 7 | NOMENCLATURE | EFFECT FROM TO | UNITS PER ASSY |
|----------|-------------|---------------|--|----------------|----------------|
| 61N | | | | | |
| 150 | 214N2168-2 | .. | BRACKET ASSY | 103106 | 2 |
| 155 | BACR15BA4D | ... | RIVET- SIZE DETERMINED ON INSTL. | 103106 | 4 |
| 160 | SL8113-3 | ... | SHOCKMOUNT-ISOLATOR SUPPLIER CODE: V97393 SPECIFICATION NUMBER: S411T100-901 OPTIONAL PART: DE819 V71985 | 103106 | 2 |
| 160 | DE819 | ... | SHOCKMOUNT-ISOLATOR SUPPLIER CODE: V71985 SPECIFICATION NUMBER: S411T100-901 OPTIONAL PART: SL8113-3 V97393 | 103106 | 2 |
| 165 | 214N2167-1 | ... | BRACKET | 103106 | 1 |

MISSING ITEM NUMBERS NOT APPLICABLE

- ITEM NOT ILLUSTRATED

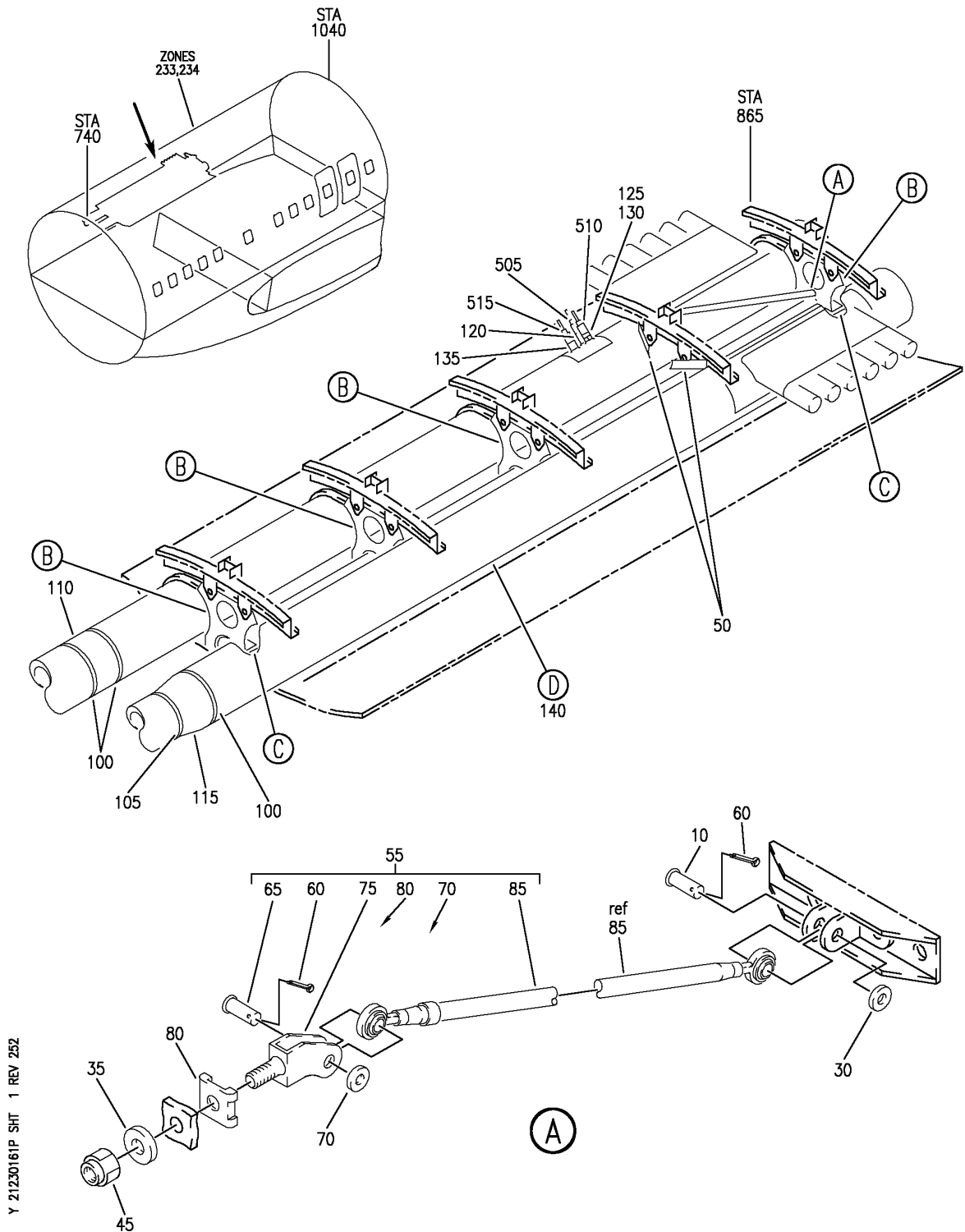
BRI

21-23-01-61N

BOEING PROPRIETARY - Copyright © - Unpublished Work - See title page for details.

21-23-01
FIG. 61N
PAGE 3
JAN 20/09

BOEING
757
PARTS CATALOG (MAINTENANCE)



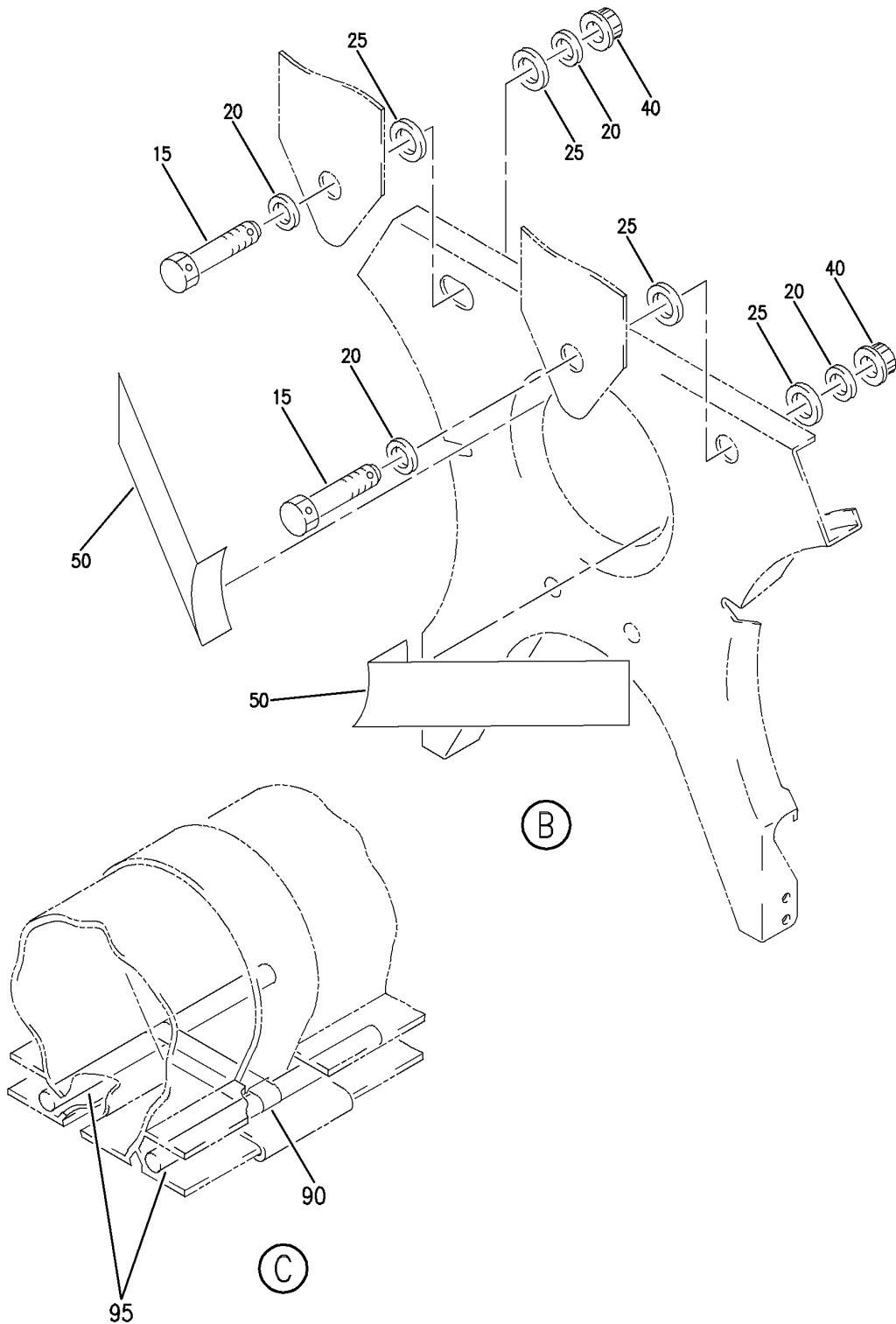
DUCT INSTL-SECTION 43 AIR DISTR SYS
FIGURE 61P (SHEET 1)

21-23-01-61P

BRI
JAN 20/09

21-23-01-61P
PAGE 0

BOEING
757
PARTS CATALOG (MAINTENANCE)



Y 21230161P SHT 2 REV 237

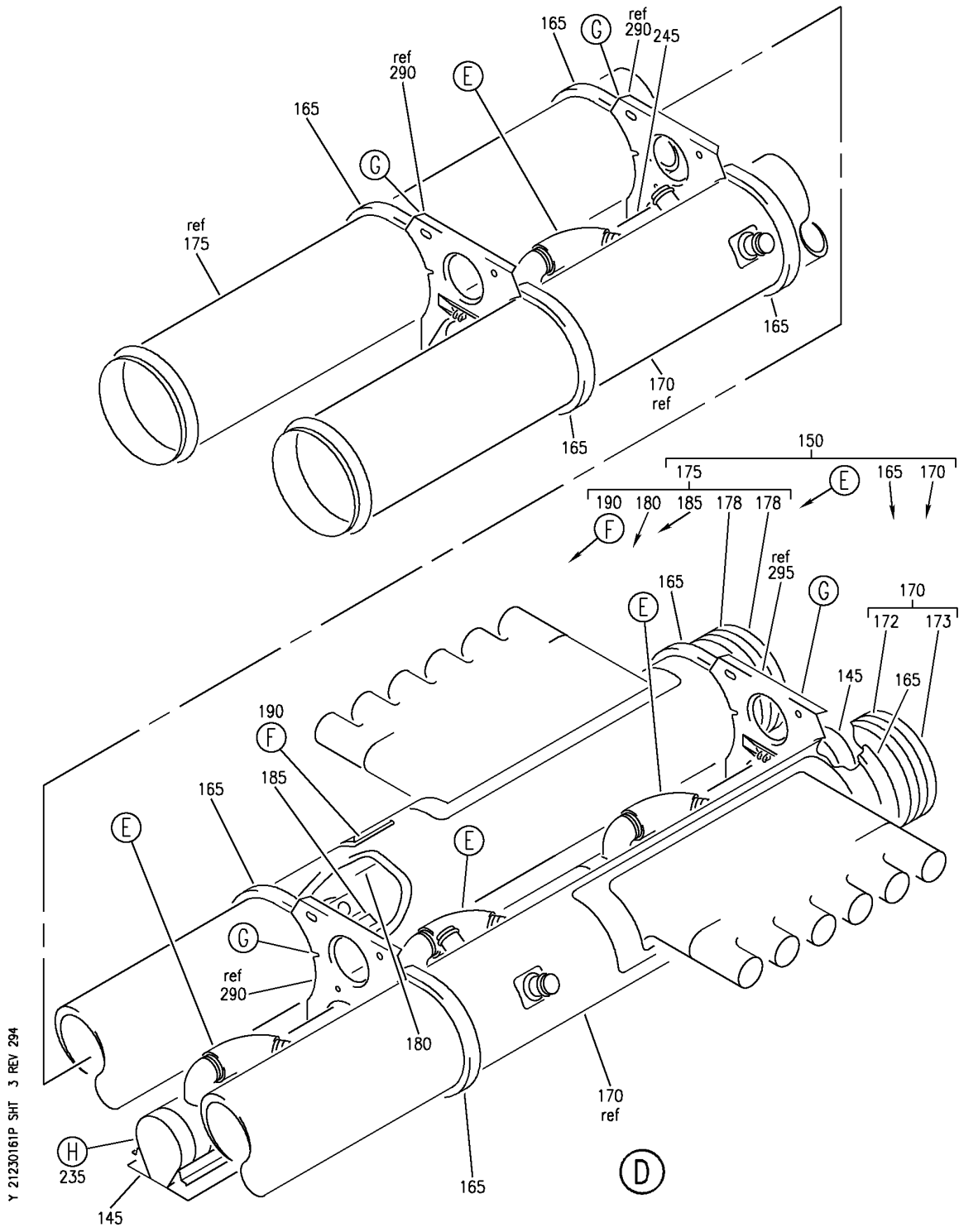
DUCT INSTL-SECTION 43 AIR DISTR SYS
FIGURE 61P (SHEET 2)

21-23-01-61P

BRI
JAN 20/09

21-23-01-61P
PAGE 0A

BOEING
757
PARTS CATALOG (MAINTENANCE)



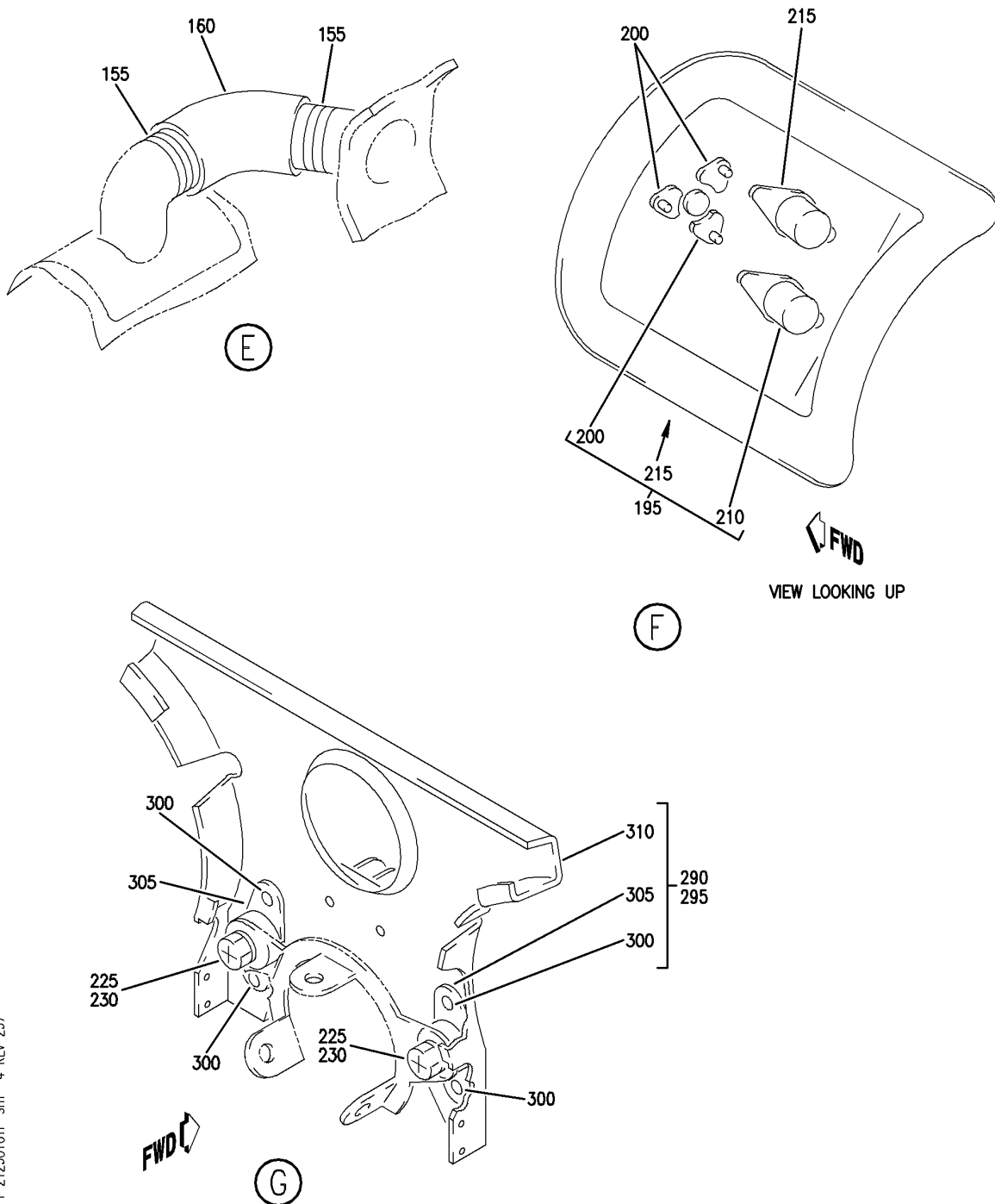
DUCT INSTL-SECTION 43 AIR DISTR SYS
FIGURE 61P (SHEET 3)

21-23-01-61P

BRI
JAN 20/09

21-23-01-61P
PAGE 0B

BOEING
757
PARTS CATALOG (MAINTENANCE)



Y 21230161P SHT 4 REV 237

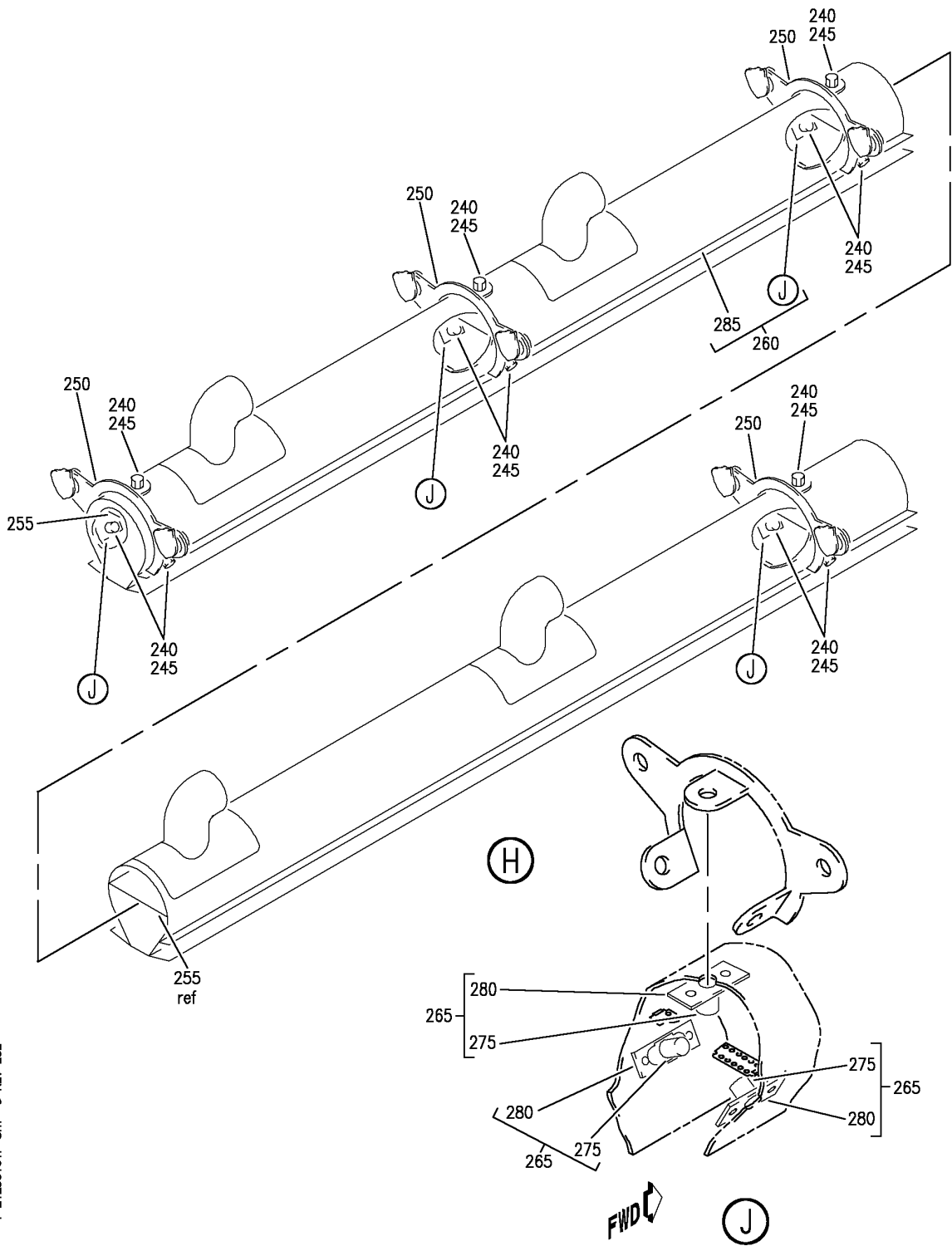
DUCT INSTL-SECTION 43 AIR DISTR SYS
FIGURE 61P (SHEET 4)

21-23-01-61P

BRI
JAN 20/09

21-23-01-61P
PAGE 0C

BOEING
 757
 PARTS CATALOG (MAINTENANCE)



Y 21230161P SHT 5 REV 252

DUCT INSTL-SECTION 43 AIR DISTR SYS
 FIGURE 61P (SHEET 5)

21-23-01-61P

BRI
 JAN 20/09

21-23-01-61P
 PAGE 0D



757

PARTS CATALOG (MAINTENANCE)

| FIG ITEM | PART NUMBER | 1 2 3 4 5 6 7 | NOMENCLATURE | EFFECT FROM TO | UNITS PER ASSY |
|----------|----------------|---------------|---|----------------|----------------|
| 61P | | | DUCT INSTL-SECTION 43 | 103106 | |
| - 1 | MODREF6717 | | AIR DISTR SYS DUCT INSTL-AIR DISTR SYS | 103106 | 1 |
| | | | MODULE NUMBER: 214N2053-70B REV A | | |
| | | | POSITION DATA: SECT. 43 BASELINE | | |
| | | | STA 764-STA 865 | | |
| | | | FWD RISERS | | |
| 5 | MS20392-3C21 | | .PIN | 103106 | 1 |
| 10 | BACP18BC02C04P | | .PIN | 103106 | 1 |
| 15 | BACB30NR4K5 | | .BOLT | 103106 | 8 |
| 20 | BACW10P271TF | | .WASHER | 103106 | 16 |
| 25 | NAS1149D0463J | | .WASHER | 103106 | 16 |
| 30 | NAS1149D0416J | | .WASHER | 103106 | 1 |
| 35 | NAS1149D0516J | | .WASHER | 103106 | 1 |
| 40 | PLH54CM | | .NUT | 103106 | 8 |
| | | | SUPPLIER CODE: V62554 | | |
| | | | SPECIFICATION NUMBER: BACN10YR4CM | | |
| | | | OPTIONAL PART: H52732-4CM | | |
| | | | V15653 | | |
| 45 | BRH10C5D | | .NUT | 103106 | 1 |
| | | | SUPPLIER CODE: V52828 | | |
| | | | SPECIFICATION NUMBER: BACN10JC5CD | | |
| | | | OPTIONAL PART: T6C524JCD | | |
| | | | V11815 | | |
| | | | 102LH9075-5W | | |
| | | | V72962 | | |
| | | | H51650-5BAC | | |
| | | | V15653 | | |
| 50 | 214N2053-30 | | .SEAL-FELT STRIP | 103106 | AR |
| 55 | 412N2030-34 | | .DIAGONAL ASSY | 103106 | 1 |
| 60 | MS24665-132 | | ..PIN | 103106 | 1 |
| 65 | MS20392-3C17 | | ..PIN | 103106 | 1 |
| 70 | AN960PD416L | | ..WASHER | 103106 | 1 |
| 75 | 412N2031-1 | | ..CLEVIS | 103106 | 1 |
| 80 | 412N2032-5 | | ..INSULATOR-CLEVIS | 103106 | 1 |
| 85 | 1293-31 | | ..ROD ASSY- | 103106 | 1 |
| | | | SUPPLIER CODE: V34742 | | |
| 90 | MLT2S | | .TIE- | 103106 | 2 |
| | | | SUPPLIER CODE: V06383 | | |

MISSING ITEM NUMBERS NOT APPLICABLE

- ITEM NOT ILLUSTRATED

BRI

21-23-01-61P

21-23-01
FIG. 61P
PAGE 1
JAN 20/09



757

PARTS CATALOG (MAINTENANCE)

| FIG ITEM | PART NUMBER | 1 2 3 4 5 6 7 | NOMENCLATURE | EFFECT FROM TO | UNITS PER ASSY |
|----------|----------------|-----------------------------|--------------|----------------|----------------|
| 61P | | | | | |
| 95 | 214N2035-1 | .PIN | | 103106 | 4 |
| 100 | NAS1922-0750-3 | .CLAMP | | 103106 | 3 |
| 105 | NAS1922-0625-3 | .CLAMP | | 103106 | 1 |
| 110 | AS1506-30D50 | .SLEEVE | | 103106 | 1 |
| 115 | 214N2166-2 | .DUCT-FLEX | | 103106 | 1 |
| 120 | 641121-1 | .SWITCH ASSY-THRM | | 103106 | 1 |
| | | SUPPLIER CODE: | | | |
| | | V07217 | | | |
| | | FUNCTIONAL DESCRIPTION: | | | |
| | | DETECTS OVERHEAT | | | |
| | | CONDITIONS IN THE AIR | | | |
| | | CONDITIONING PNEUMATIC | | | |
| | | DUCTING. | | | |
| | | SPECIFICATION NUMBER: | | | |
| | | S210T130-18 | | | |
| | | ELECTRICAL EQUIP NUMBER: | | | |
| | | S00022 | | | |
| 125 | MS28034-1 | .BULB- | | 103106 | 1 |
| | | ELECTRICAL EQUIP NUMBER: | | | |
| | | TS0185 | | | |
| 130 | AN900-10 | .GASKET- | | 103106 | 1 |
| | | OPTIONAL PART: | | | |
| | | MS35769-11 | | | |
| 130 | MS35769-11 | .GASKET- | | 103106 | 1 |
| | | OPTIONAL PART: | | | |
| | | AN900-10 | | | |
| 135 | 624016-2 | .SENSOR ASSY-TEMP | | 103106 | 1 |
| | | SUPPLIER CODE: | | | |
| | | V07217 | | | |
| | | SPECIFICATION NUMBER: | | | |
| | | S210T130-75 | | | |
| | | ELECTRICAL EQUIP NUMBER: | | | |
| | | TS0177 | | | |
| | | COMPONENT MAINT MANUAL REF: | | | |
| | | 21-65-01 | | | |
| 140 | 214N2053-75 | .DUCT ASSY-SET | | 103106 | 1 |
| 145 | 69-42789-5 | ..COVER | | 103106 | 2 |
| 150 | 214N2180-185 | ..DUCT ASSY-SEGMENT | | 103106 | 1 |
| 155 | PLT4SM | ...STRAP | | 103106 | 8 |
| | | SUPPLIER CODE: | | | |
| | | V06383 | | | |
| | | SPECIFICATION NUMBER: | | | |
| | | BACS38K2 | | | |
| | | OPTIONAL PART: | | | |
| | | T05L0 | | | |
| | | V53421 | | | |
| R 160 | 65C36915-1 | ...MUFFLER ASSY- | | 103106 | 4 |

MISSING ITEM NUMBERS NOT APPLICABLE

- ITEM NOT ILLUSTRATED

BRI

21-23-01-61P

21-23-01
FIG. 61P
PAGE 2
MAY 20/09



757

PARTS CATALOG (MAINTENANCE)

| FIG ITEM | PART NUMBER | 1 2 3 4 5 6 7 | NOMENCLATURE | EFFECT FROM TO | UNITS PER ASSY |
|-------------|-------------|-----------------|--|----------------|----------------|
| R R R | 61P 160 | AS1591-08-0070A | ...HOSE- SUPPLIER CODE: V81343 | 103106 | 4 |
| | 165 | T012L0 | ...STRAP SUPPLIER CODE: V53421 SPECIFICATION NUMBER: BACS38K6 | 103106 | 8 |
| | 170 | 214N2182-200 | ...DUCT ASSY- | 103106 | 1 |
| | 175 | 214N2182-202 | ...DUCT ASSY- | 103106 | 1 |
| | 180 | BAC27NEC0091 |DECAL-ALUMINUM FOIL | 103106 | 1 |
| | 185 | BAC27TEC417 |MARKER-ALUMINUM FOIL PLACARD CONTENT: CROWN DRYER LEAVE UNCAPPED | 103106 | RF |
| | 190 | 214N2046-1 |PLATE ASSY-SENSOR | 103106 | 1 |
| | 195 | 214N2046-2 |PLATE ASSY | 103106 | 1 |
| | 200 | F51754-3 |NUTPLATE SUPPLIER CODE: V15653 SPECIFICATION NUMBER: BACN10KE3D OPTIONAL PART: NS103193-02 V80539 ATTACHING PARTS | 103106 | 3 |
| | - 205 | BACR15BA3B |RIVET- SIZE DETERMINED ON INSTL. -----*----- | 103106 | 6 |
| | 210 | F52NA1-080 |NUTPLATE- SUPPLIER CODE: V72962 OPTIONAL PART: MS21078-8 V72962 | 103106 | 1 |
| | 210 | MS21078-8 |NUTPLATE- OPTIONAL PART: F52NA1-080 V72962 | 103106 | 1 |
| | 215 | F52NA1-108 |NUTPLATE- SUPPLIER CODE: V72962 OPTIONAL PART: MS21078-10 | 103106 | 1 |
| | 215 | MS21078-10 |NUTPLATE- OPTIONAL PART: F52NA1-108 V72962 | 103106 | 1 |

MISSING ITEM NUMBERS NOT APPLICABLE

- ITEM NOT ILLUSTRATED

21-23-01-61P

21-23-01
FIG. 61P
PAGE 3
MAY 20/09

BRI

BOEING
757
PARTS CATALOG (MAINTENANCE)

| FIG ITEM | PART NUMBER | 1 2 3 4 5 6 7 | NOMENCLATURE | EFFECT FROM TO | UNITS PER ASSY |
|----------|---------------|---------------|--|----------------|----------------|
| 61P | | | ATTACHING PARTS | | |
| - 220 | BACR15BA4B | | RIVET- SIZE DETERMINED ON INSTL. -----*----- | 103106 | 4 |
| 225 | BACS12GU3K7 | ... | SCREW | 103106 | 8 |
| 230 | NAS1149D0332J | ... | WASHER | 103106 | 8 |
| 235 | 214N2183-384 | ... | NOZZLE ASSY-PLENUM | 103106 | 1 |
| 240 | BACS12GU3K7 | | SCREW | 103106 | 12 |
| 245 | NAS1149D0316J | | WASHER | 103106 | 12 |
| 250 | 214N2167-2 | | BRACKET | 103106 | 4 |
| 255 | 214N2124-358 | | PLATE-RESTRICTOR | 103106 | 1 |
| 260 | 214N2179-200 | | PLENUM ASSY | 103106 | 1 |
| - 263 | CB2010CR3CRP | | NUTPLATE- SUPPLIER CODE: V66530 OPTIONAL PART: 214N2178-1 | 103106 | 12 |
| 265 | 214N2178-1 | | NUTPLATE ASSY- OPTIONAL PART: CB2010CR3CRP V66530 | 103106 | 12 |
| 275 | NS202541-3 | | NUTPLATE- SUPPLIER CODE: V80539 SPECIFICATION NUMBER: BACN10KA3BCD OPTIONAL PART: T8100C1032KCPM V11815 USED ON: 214N2178-1 | 103106 | 1 |
| - 277 | BACR15CE3D | | ATTACHING PARTS RIVET- SIZE DETERMINED ON INSTL. -----*----- | 103106 | 2 |
| 280 | 214N2178-2 | | PLATE- USED ON: 214N2178-1 | 103106 | 1 |
| 285 | 214N2179-201 | | PLENUM | 103106 | 1 |
| 290 | 214N2168-1 | ... | BRACKET ASSY | 103106 | 3 |
| 295 | 214N2168-2 | ... | BRACKET ASSY | 103106 | 1 |
| 300 | BACR15BA4D | | RIVET- SIZE DETERMINED ON INSTL. | 103106 | 4 |

MISSING ITEM NUMBERS NOT APPLICABLE

- ITEM NOT ILLUSTRATED

21-23-01-61P

21-23-01
FIG. 61P
PAGE 4
MAY 20/09

BRI

BOEING PROPRIETARY - Copyright © - Unpublished Work - See title page for details.



757

PARTS CATALOG (MAINTENANCE)

| FIG ITEM | PART NUMBER | 1 2 3 4 5 6 7 | NOMENCLATURE | EFFECT FROM TO | UNITS PER ASSY |
|------------|-------------|---------------|--|----------------|----------------|
| 61P 305 | SL8113-3 | | SHOCKMOUNT-ISOLATOR SUPPLIER CODE: V97393 SPECIFICATION NUMBER: S411T100-901 OPTIONAL PART: DE819 V71985 | 103106 | 2 |
| 305 | DE819 | | SHOCKMOUNT-ISOLATOR SUPPLIER CODE: V71985 SPECIFICATION NUMBER: S411T100-901 OPTIONAL PART: SL8113-3 V97393 | 103106 | 2 |
| 310 | 214N2167-1 | | BRACKET | 103106 | 1 |

MISSING ITEM NUMBERS NOT APPLICABLE

- ITEM NOT ILLUSTRATED

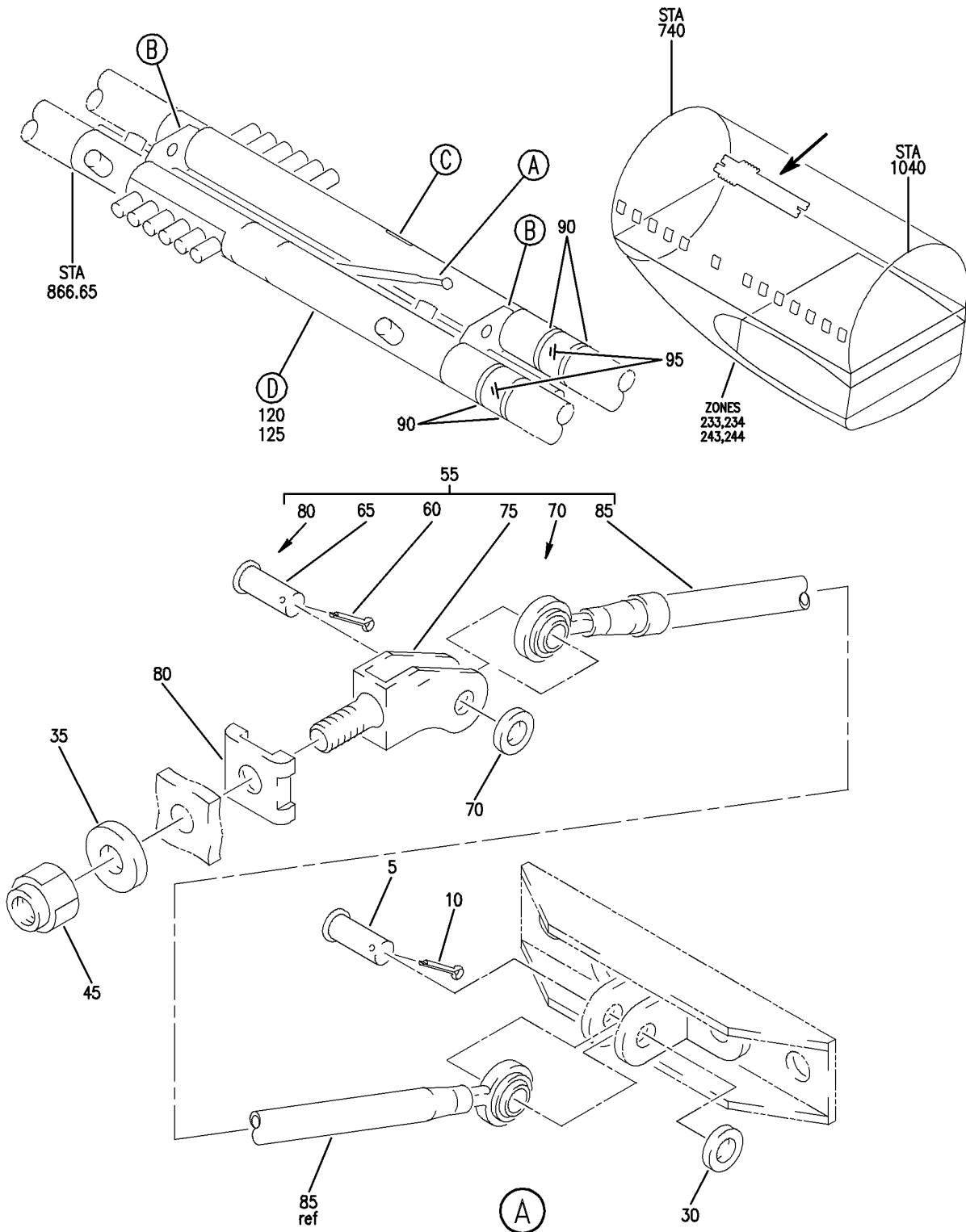
BRI

21-23-01-61P

BOEING PROPRIETARY - Copyright © - Unpublished Work - See title page for details.

21-23-01
FIG. 61P
PAGE 5
MAY 20/09

BOEING
757
PARTS CATALOG (MAINTENANCE)



Y 21230161Q SHT 1 REV 237

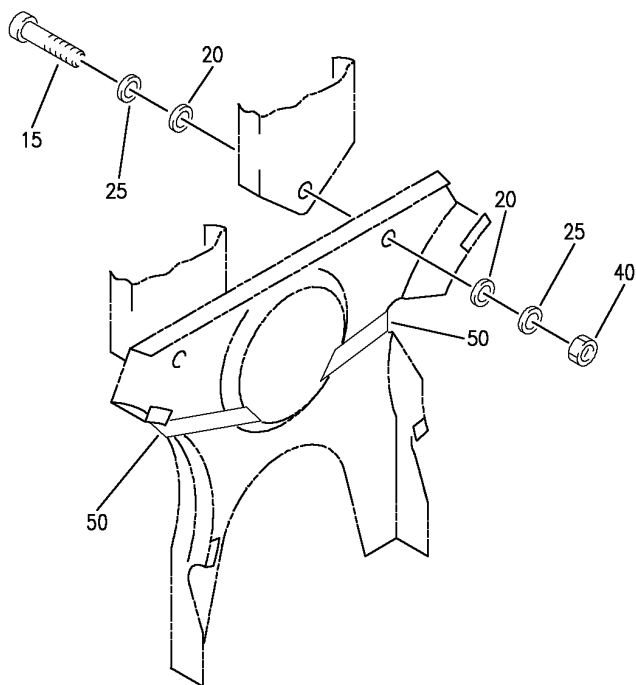
DUCT INSTL-SECTION 43 AIR DISTR SYS
FIGURE 61Q (SHEET 1)

21-23-01-61Q

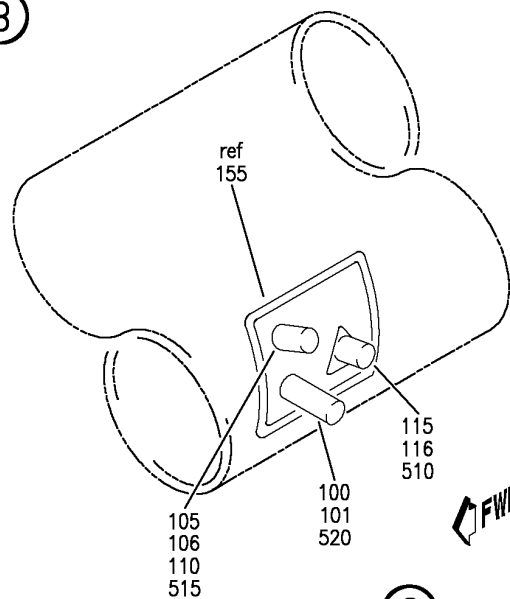
BRI
JAN 20/09

21-23-01-61Q
PAGE 0

BOEING
757
PARTS CATALOG (MAINTENANCE)



(B)



(C)

Y 21230161Q SHT 2 REV 255

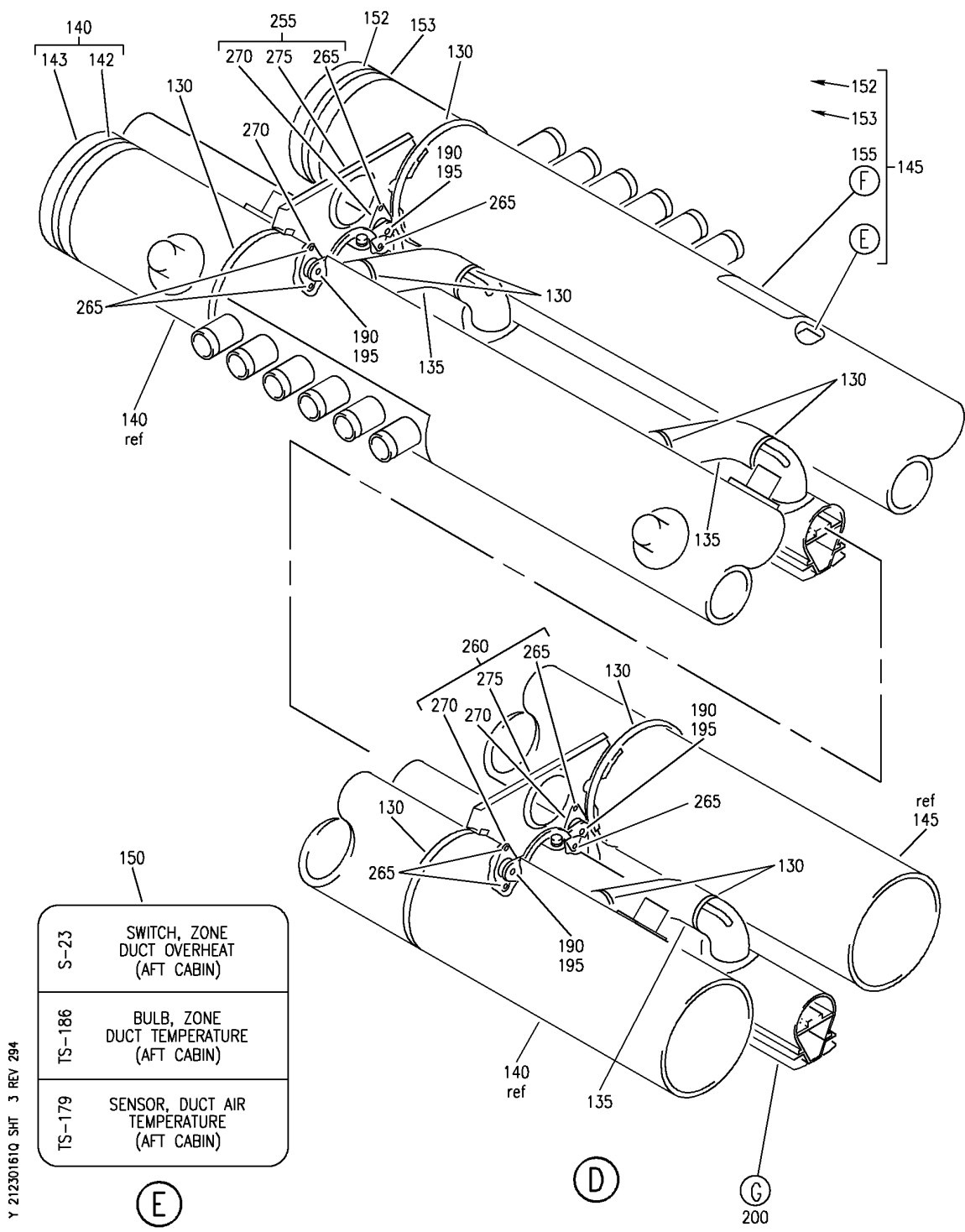
DUCT INSTL-SECTION 43 AIR DISTR SYS
FIGURE 61Q (SHEET 2)

21-23-01-61Q

BRI
JAN 20/09

21-23-01-61Q
PAGE 0A

BOEING
757
PARTS CATALOG (MAINTENANCE)



Y 21230161Q SHT 3 REV 294

| | |
|--------|--|
| S-23 | SWITCH, ZONE DUCT OVERHEAT (AFT CABIN) |
| TS-186 | BULB, ZONE DUCT TEMPERATURE (AFT CABIN) |
| TS-179 | SENSOR, DUCT AIR TEMPERATURE (AFT CABIN) |

(E)

(D)

(G)
200

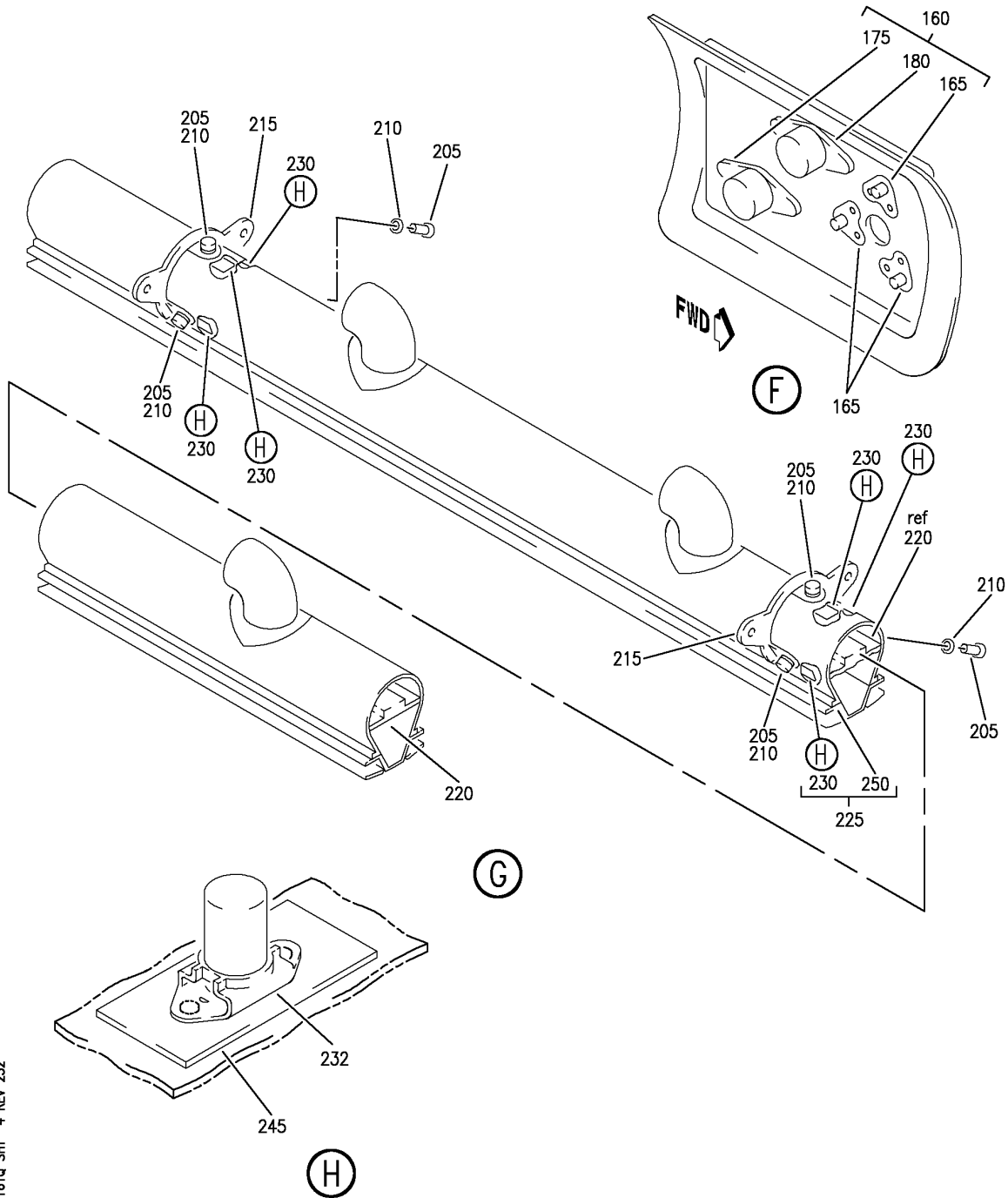
DUCT INSTL-SECTION 43 AIR DISTR SYS
FIGURE 61Q (SHEET 3)

21-23-01-61Q

BRI
JAN 20/09

21-23-01-61Q
PAGE 0B

BOEING
757
PARTS CATALOG (MAINTENANCE)



Y 21230161Q SHT 4 REV 252

DUCT INSTL-SECTION 43 AIR DISTR SYS
FIGURE 61Q (SHEET 4)

BRI
JAN 20/09

21-23-01-61Q

21-23-01-61Q
PAGE 0C



757

PARTS CATALOG (MAINTENANCE)

| FIG ITEM | PART NUMBER | 1 2 3 4 5 6 7 | NOMENCLATURE | EFFECT FROM TO | UNITS PER ASSY |
|----------|----------------|--------------------|---|----------------|----------------|
| 61Q | | | DUCT INSTL-SECTION 43 | 103106 | |
| - 1 | MODREF6718 | | AIR DISTR SYS DUCT INSTL-AIR DISTR SYS | 103106 | 1 |
| | | | MODULE NUMBER: 214N2053-71B REV A | | |
| | | | POSITION DATA: SECT. 43 BASELINE | | |
| | | | STA 866-STA 938 | | |
| | | | FWD RISERS | | |
| 5 | MS20392-3C21 | .PIN | | 103106 | 1 |
| 10 | BACP18BC02C04P | .PIN | | 103106 | 1 |
| 15 | BACB30NR4K5 | .BOLT | | 103106 | 4 |
| 20 | BACW10P271TF | .WASHER | | 103106 | 8 |
| 25 | NAS1149D0463J | .WASHER | | 103106 | 8 |
| 30 | NAS1149D0416J | .WASHER | | 103106 | 1 |
| 35 | NAS1149D0516J | .WASHER | | 103106 | 1 |
| 40 | PLH54CM | .NUT | | 103106 | 4 |
| | | | SUPPLIER CODE: V62554 | | |
| | | | SPECIFICATION NUMBER: BACN10YR4CM | | |
| | | | OPTIONAL PART: H52732-4CM | | |
| | | | V15653 | | |
| 45 | BRH10C5D | .NUT | | 103106 | 1 |
| | | | SUPPLIER CODE: V52828 | | |
| | | | SPECIFICATION NUMBER: BACN10JC5CD | | |
| | | | OPTIONAL PART: T6C524JCD | | |
| | | | V11815 | | |
| | | | 102LH9075-5W | | |
| | | | V72962 | | |
| | | | H51650-5BAC | | |
| | | | V15653 | | |
| 50 | 214N2053-30 | .SEAL-FELT STRIP | | 103106 | AR |
| 55 | 412N2030-33 | .DIAGONAL ASSY | | 103106 | 1 |
| 60 | MS24665-132 | ..PIN | | 103106 | 1 |
| 65 | MS20392-3C17 | ..PIN | | 103106 | 1 |
| 70 | AN960PD416L | ..WASHER | | 103106 | 1 |
| 75 | 412N2031-1 | ..CLEVIS | | 103106 | 1 |
| 80 | 412N2032-5 | ..INSULATOR-CLEVIS | | 103106 | 1 |
| 85 | 1293-29 | ..ROD ASSY- | | 103106 | 1 |
| | | | SUPPLIER CODE: V34742 | | |
| 90 | NAS1922-0750-3 | .CLAMP | | 103106 | 4 |
| 95 | AS1506-30D50 | .SLEEVE | | 103106 | 2 |

MISSING ITEM NUMBERS NOT APPLICABLE

- ITEM NOT ILLUSTRATED

BRI

21-23-01-61Q

BOEING PROPRIETARY - Copyright © - Unpublished Work - See title page for details.

21-23-01
FIG. 61Q
PAGE 1
JAN 20/09



757

PARTS CATALOG (MAINTENANCE)

| FIG ITEM | PART NUMBER | 1 2 3 4 5 6 7 | NOMENCLATURE | EFFECT FROM TO | UNITS PER ASSY |
|------------------|---------------------|---------------|--|----------------|----------------|
| 61Q 100 | 641121-1 | . | SWITCH ASSY-THRM SUPPLIER CODE: V07217 FUNCTIONAL DESCRIPTION: DETECTS OVERHEAT CONDITIONS IN THE AIR CONDITIONING PNEUMATIC DUCTING. SPECIFICATION NUMBER: S210T130-18 ELECTRICAL EQUIP NUMBER: S00023 | 103106 | 1 |
| 105 | MS28034-1 | . | BULB- ELECTRICAL EQUIP NUMBER: TS0186 | 103106 | 1 |
| 110 | AN900-10 | . | GASKET- OPTIONAL PART: MS35769-11 | 103106 | 1 |
| 110 | MS35769-11 | . | GASKET- OPTIONAL PART: AN900-10 | 103106 | 1 |
| 115 | 624016-2 | . | SENSOR ASSY-TEMP SUPPLIER CODE: V07217 SPECIFICATION NUMBER: S210T130-75 ELECTRICAL EQUIP NUMBER: TS0179 COMPONENT MAINT MANUAL REF: 21-65-01 | 103106 | 1 |
| 120 | 214N2053-76 | . | DUCT ASSY-SET | 103106 | 1 |
| 125 | 214N2180-186 | .. | DUCT ASSY-SEGMENT | 103106 | 1 |
| 130 | PLT4SM | ... | STRAP SUPPLIER CODE: V06383 SPECIFICATION NUMBER: BACS38K2 OPTIONAL PART: T05L0 V53421 | 103106 | 10 |
| R R R R | 135 65C36915-1 | ... | MUFFLER ASSY- | 103106 | 3 |
| | 135 AS1591-08-0070A | ... | HOSE- SUPPLIER CODE: V81343 | 103106 | 3 |
| | 140 214N2182-204 | ... | DUCT ASSY- | 103106 | 1 |
| | 145 214N2182-206 | ... | DUCT ASSY- | 103106 | 1 |
| | 150 BAC27NEC0092 | | DECAL | 103106 | 1 |
| | 155 214N2046-1 | | PLATE ASSY-SENSOR | 103106 | 1 |
| | 160 214N2046-2 | | PLATE ASSY | 103106 | 1 |

MISSING ITEM NUMBERS NOT APPLICABLE

- ITEM NOT ILLUSTRATED

21-23-01-61Q

21-23-01
FIG. 61Q
PAGE 2
MAY 20/09

BRI

BOEING
757
PARTS CATALOG (MAINTENANCE)

| FIG ITEM | PART NUMBER | 1 2 3 4 5 6 7 | NOMENCLATURE | EFFECT FROM TO | UNITS PER ASSY |
|------------|---------------|---------------|---|----------------|----------------|
| 61Q 165 | F51754-3 | | NUTPLATE SUPPLIER CODE: V15653 SPECIFICATION NUMBER: BACN10KE3D OPTIONAL PART: NS103193-02 V80539 ATTACHING PARTS | 103106 | 3 |
| - 170 | BACR15BA3B | | RIVET- SIZE DETERMINED ON INSTL. -----*----- | 103106 | 6 |
| 175 | F52NA1-080 | | NUTPLATE- SUPPLIER CODE: V72962 OPTIONAL PART: MS21078-8 V72962 | 103106 | 1 |
| 175 | MS21078-8 | | NUTPLATE- OPTIONAL PART: F52NA1-080 V72962 | 103106 | 1 |
| 180 | F52NA1-108 | | NUTPLATE- SUPPLIER CODE: V72962 OPTIONAL PART: MS21078-10 | 103106 | 1 |
| 180 | MS21078-10 | | NUTPLATE- OPTIONAL PART: F52NA1-108 V72962 ATTACHING PARTS | 103106 | 1 |
| - 185 | BACR15BA4B | | RIVET- SIZE DETERMINED ON INSTL. -----*----- | 103106 | 4 |
| 190 | BACS12GU3K7 | ... | SCREW | 103106 | 4 |
| 195 | NAS1149D0332J | ... | WASHER | 103106 | 4 |
| 200 | 214N2183-385 | ... | NOZZLE ASSY-PLENUM | 103106 | 1 |
| 205 | BACS12GU3K7 | | SCREW | 103106 | 6 |
| 210 | NAS1149D0316J | | WASHER | 103106 | 6 |
| 215 | 214N2167-2 | | BRACKET | 103106 | 2 |
| 220 | 214N2124-359 | | PLATE-RESTRICTOR | 103106 | 1 |
| 225 | 214N2179-202 | | PLENUM ASSY | 103106 | 1 |
| - 227 | CB2010CR3CRP | | NUTPLATE- SUPPLIER CODE: V66530 OPTIONAL PART: 214N2178-1 | 103106 | 6 |

MISSING ITEM NUMBERS NOT APPLICABLE

- ITEM NOT ILLUSTRATED

BRI

21-23-01-61Q

BOEING PROPRIETARY - Copyright © - Unpublished Work - See title page for details.

21-23-01
FIG. 61Q
PAGE 3
JAN 20/09



757

PARTS CATALOG (MAINTENANCE)

| FIG ITEM | PART NUMBER | 1 2 3 4 5 6 7 | NOMENCLATURE | EFFECT FROM TO | UNITS PER ASSY |
|------------|--------------|---------------|---|----------------|----------------|
| 61Q 230 | 214N2178-1 | | NUTPLATE ASSY- OPTIONAL PART: CB2010CR3CRP V66530 | 103106 | 6 |
| 232 | NS202541-3 | | NUTPLATE- SUPPLIER CODE: V80539 SPECIFICATION NUMBER: BACN10KA3BCD OPTIONAL PART: T8100C1032KCPM V11815 USED ON: 214N2178-1 ATTACHING PARTS | 103106 | 1 |
| - 235 | BACR15CE3D | | RIVET- SIZE DETERMINED ON INSTL. -----*----- | 103106 | 2 |
| 245 | 214N2178-2 | | PLATE- USED ON: 214N2178-1 | 103106 | 1 |
| 250 | 214N2179-203 | | PLENUM | 103106 | 1 |
| 255 | 214N2168-1 | ... | BRACKET ASSY | 103106 | 1 |
| 260 | 214N2168-3 | ... | BRACKET ASSY | 103106 | 1 |
| 270 | SL8113-3 | | SHOCKMOUNT-ISOLATOR SUPPLIER CODE: V97393 SPECIFICATION NUMBER: S411T100-901 OPTIONAL PART: DE819 V71985 | 103106 | 2 |
| 270 | DE819 | | SHOCKMOUNT-ISOLATOR SUPPLIER CODE: V71985 SPECIFICATION NUMBER: S411T100-901 OPTIONAL PART: SL8113-3 V97393 ATTACHING PARTS | 103106 | 2 |
| - 272 | BACR15BA4D | | RIVET- SIZE DETERMINED ON INSTL. -----*----- | 103106 | 4 |
| 275 | 214N2167-1 | | BRACKET | 103106 | 1 |

MISSING ITEM NUMBERS NOT APPLICABLE

- ITEM NOT ILLUSTRATED

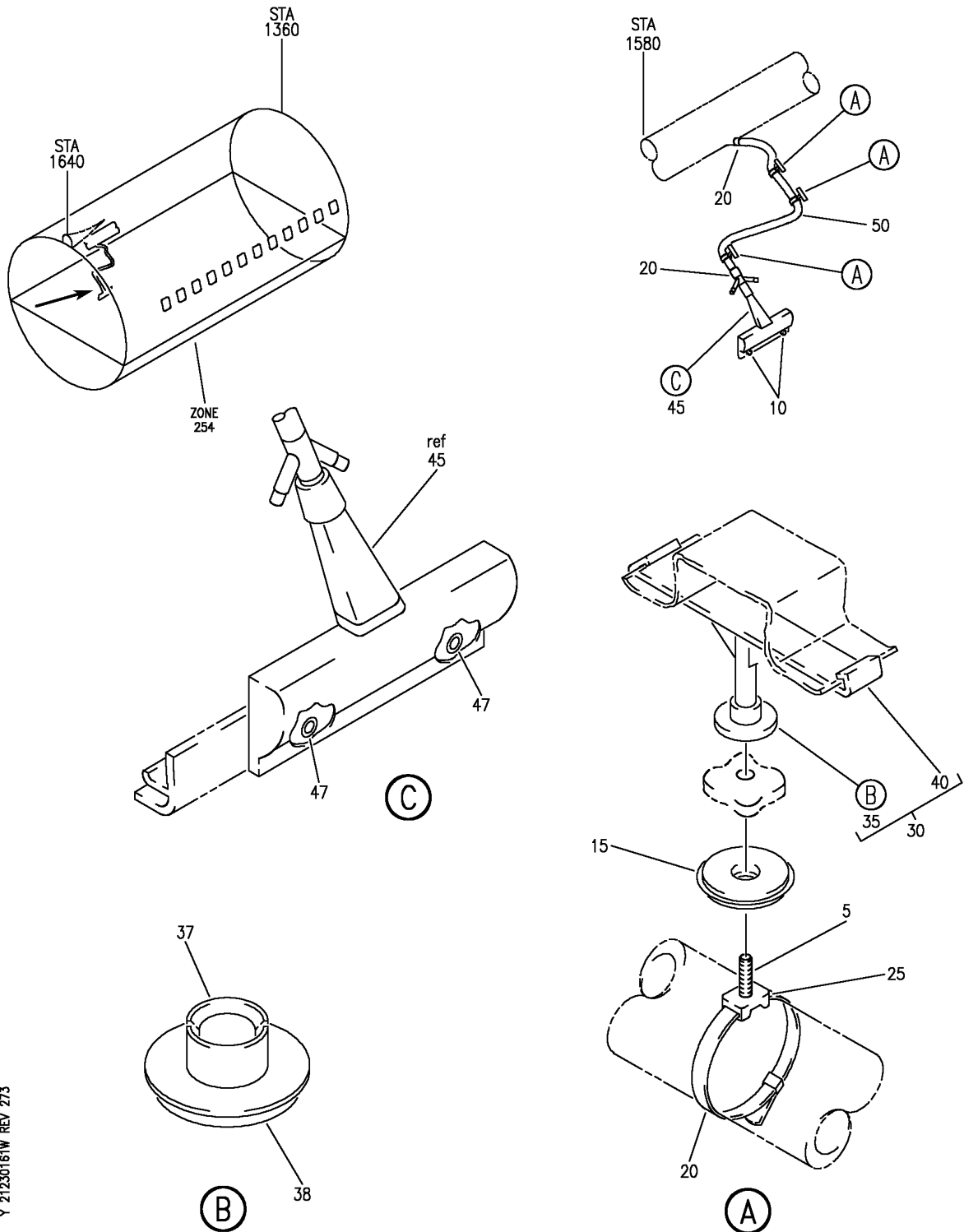
21-23-01-61Q

21-23-01
FIG. 61Q
PAGE 4
JAN 20/09

BRI

BOEING PROPRIETARY - Copyright © - Unpublished Work - See title page for details.

BOEING
757
PARTS CATALOG (MAINTENANCE)



Y 21230161W REV 273

DUCT INSTL-SIDEWALL AIR DISTR SYS
FIGURE 61W

21-23-01-61W

BRI
JAN 20/09

21-23-01-61W
PAGE 0



757

PARTS CATALOG (MAINTENANCE)

| FIG ITEM | PART NUMBER | 1 2 3 4 5 6 7 | NOMENCLATURE | EFFECT FROM TO | UNITS PER ASSY |
|----------|-----------------|--|---|----------------|----------------|
| 61W | | | DUCT INSTL-SIDEWALL AIR DISTR SYS | 103106 | |
| - 1 | MODREF4791 | | DUCT INSTL-SIDEWALL AIR DISTR SYS MODULE NUMBER: 214N2057-68 REV A POSITION DATA: SECTION 46 STA 1560 TO 1600 | 103106 | 1 |
| 5 | BACS12ER3K10 | .SCREW | | 103106 | 3 |
| 10 | BACS12ER08K8 | .SCREW | | 103106 | 2 |
| 15 | BACW10DZ3 | .WASHER | | 103106 | 3 |
| 20 | SLT10LHC6 | .STRAP- | | 103106 | 5 |
| | | SUPPLIER CODE: V06383 | | | |
| 25 | TM3S10 | .PLATE | | 103106 | 3 |
| | | SUPPLIER CODE: V06383 SPECIFICATION NUMBER: STBP19M12 | | | |
| 30 | 214N5054-14 | .SUPPORT ASSY | | 103106 | 3 |
| 35 | 411N4026-2 | ..CAP ASSY- | | 103106 | 1 |
| | | OPTIONAL PART: 411N4026-10 | | | |
| 35 | 411N4026-10 | ..CAP ASSY- | | 103106 | 1 |
| | | OPTIONAL PART: 411N4026-2 | | | |
| 37 | 411N4026-5 | ...CAP- | | 103106 | 1 |
| | | USED ON: 411N4026-2 | | | |
| 37 | 411N4026-11 | ...CAP- | | 103106 | 1 |
| | | USED ON: 411N4026-10 | | | |
| 38 | 411N4026-7 | ...TAPE | | 103106 | 1 |
| 40 | 2055155-5C | ..CLIP-STGR | | 103106 | 1 |
| | | SUPPLIER CODE: V04169 | | | |
| 45 | 214N2520-82 | .DIFFUSER ASSY- | | 103106 | 1 |
| 50 | AS1591-06-0600A | .DUCT-FLEX | | 103106 | 1 |

MISSING ITEM NUMBERS NOT APPLICABLE

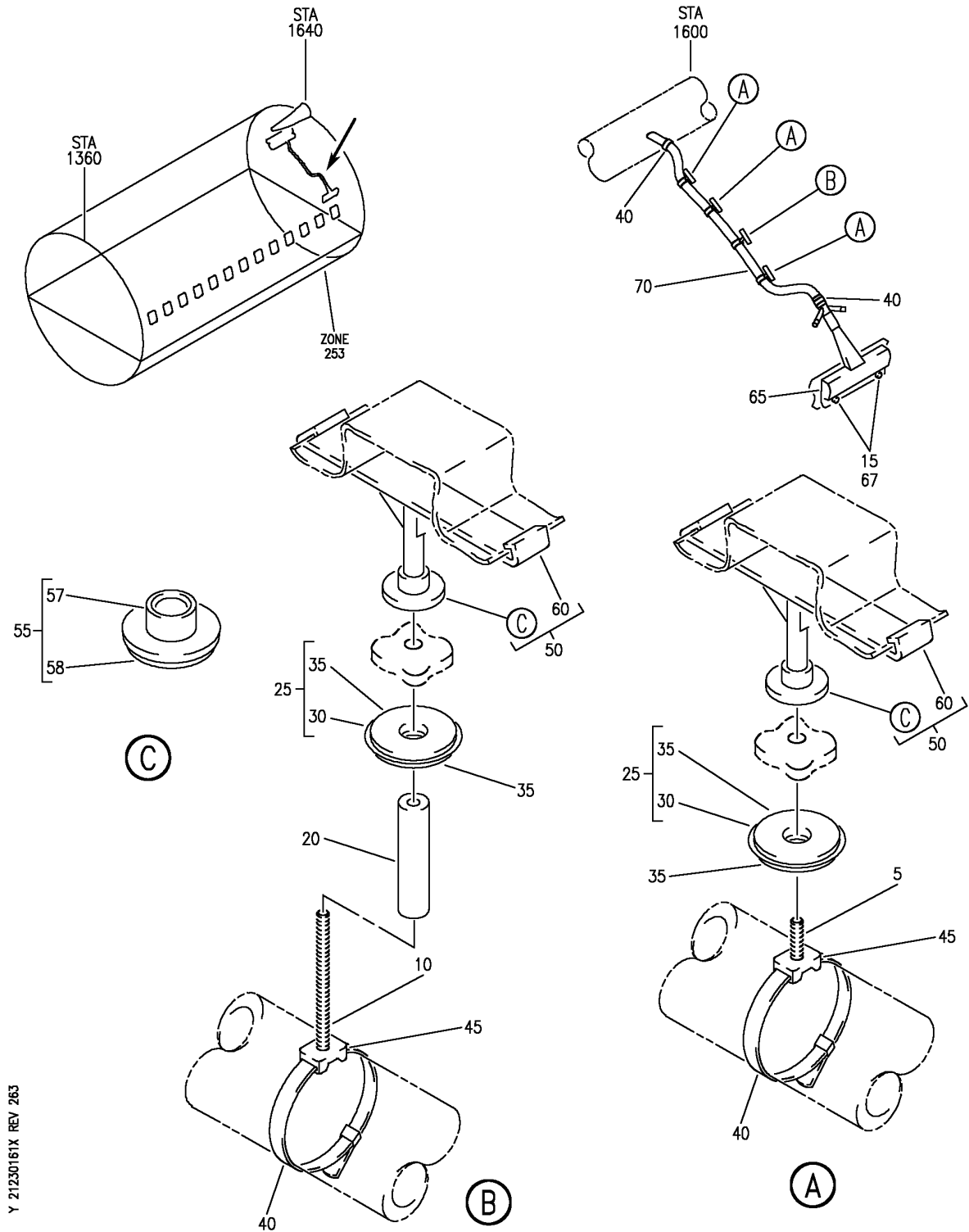
- ITEM NOT ILLUSTRATED

21-23-01-61W

21-23-01
FIG. 61W
PAGE 1
JAN 20/09

BRI

BOEING
757
PARTS CATALOG (MAINTENANCE)



Y 21230161X REV 263

DUCT INSTL-SIDEWALL AIR DISTR SYS
FIGURE 61X

21-23-01-61X

BRI
JAN 20/09

21-23-01-61X
PAGE 0

 **BOEING**
757
PARTS CATALOG (MAINTENANCE)

| FIG ITEM | PART NUMBER | 1 2 3 4 5 6 7 | NOMENCLATURE | EFFECT FROM TO | UNITS PER ASSY |
|----------|------------------|---------------|---|----------------|----------------|
| 61X | | | DUCT INSTL-SIDEWALL AIR DISTR SYS | 103106 | |
| - 1 | MODREF33067 | | DUCT INSTL-SIDEWALL AIR DISTR SYS MODULE NUMBER: 214N2057-69 REV B POSITION DATA: SECTION 46 STA 1580 TO 1600 | 103106 | 1 |
| | 5 BACS12ER3K10 | | .SCREW | 103106 | 3 |
| | 10 BACS12ER3K26 | | .SCREW | 103106 | 1 |
| | 15 BACS12FA08K5 | | .SCREW | 103106 | 2 |
| | 20 NAS43DD3-56FC | | .SPACER | 103106 | 1 |
| | 25 411N4026-12 | | .WASHER ASSY | 103106 | 4 |
| | 30 411N4026-13 | | ..WASHER | 103106 | 1 |
| | 35 411N4026-7 | | ..TAPE | 103106 | 2 |
| | 40 SLT10LHC6 | | .STRAP- SUPPLIER CODE: V06383 | 103106 | 6 |
| | 45 TM3S10 | | .PLATE SUPPLIER CODE: V06383 SPECIFICATION NUMBER: STBP19M12 | 103106 | 4 |
| | 50 214N5054-14 | | .SUPPORT ASSY | 103106 | 4 |
| | 55 411N4026-2 | | ..CAP ASSY- OPTIONAL PART: 411N4026-10 | 103106 | 1 |
| | 55 411N4026-10 | | ..CAP ASSY- OPTIONAL PART: 411N4026-2 | 103106 | 1 |
| | 57 411N4026-5 | | ...CAP- USED ON: 411N4026-2 | 103106 | 1 |
| | 57 411N4026-11 | | ...CAP- USED ON: 411N4026-10 | 103106 | 1 |
| | 58 411N4026-7 | | ...TAPE | 103106 | 1 |
| | 60 2055155-5C | | ..CLIP-STGR SUPPLIER CODE: V04169 | 103106 | 1 |
| | 65 214N2520-120 | | .DIFFUSER ASSY- OPTIONAL PART: 214N2520-119 | 103106 | 1 |
| | 65 214N2520-119 | | .DIFFUSER ASSY- OPTIONAL PART: 214N2520-120 | 103106 | 1 |

MISSING ITEM NUMBERS NOT APPLICABLE

- ITEM NOT ILLUSTRATED

21-23-01-61X

21-23-01
FIG. 61X
PAGE 1
JAN 20/09

BRI

BOEING PROPRIETARY - Copyright © - Unpublished Work - See title page for details.



757

PARTS CATALOG (MAINTENANCE)

| FIG ITEM | PART NUMBER | 1 2 3 4 5 6 7 | NOMENCLATURE | EFFECT FROM TO | UNITS PER ASSY |
|-------------|-----------------|---------------|---|-------------------|----------------------|
| 61X 67 | 6035-2BR185 | | . . INSERT- SUPPLIER CODE: V01556 | 103106 | 2 |
| 70 | AS1591-06-0570A | | . DUCT-FLEX | 103106 | 1 |

MISSING ITEM NUMBERS NOT APPLICABLE

- ITEM NOT ILLUSTRATED

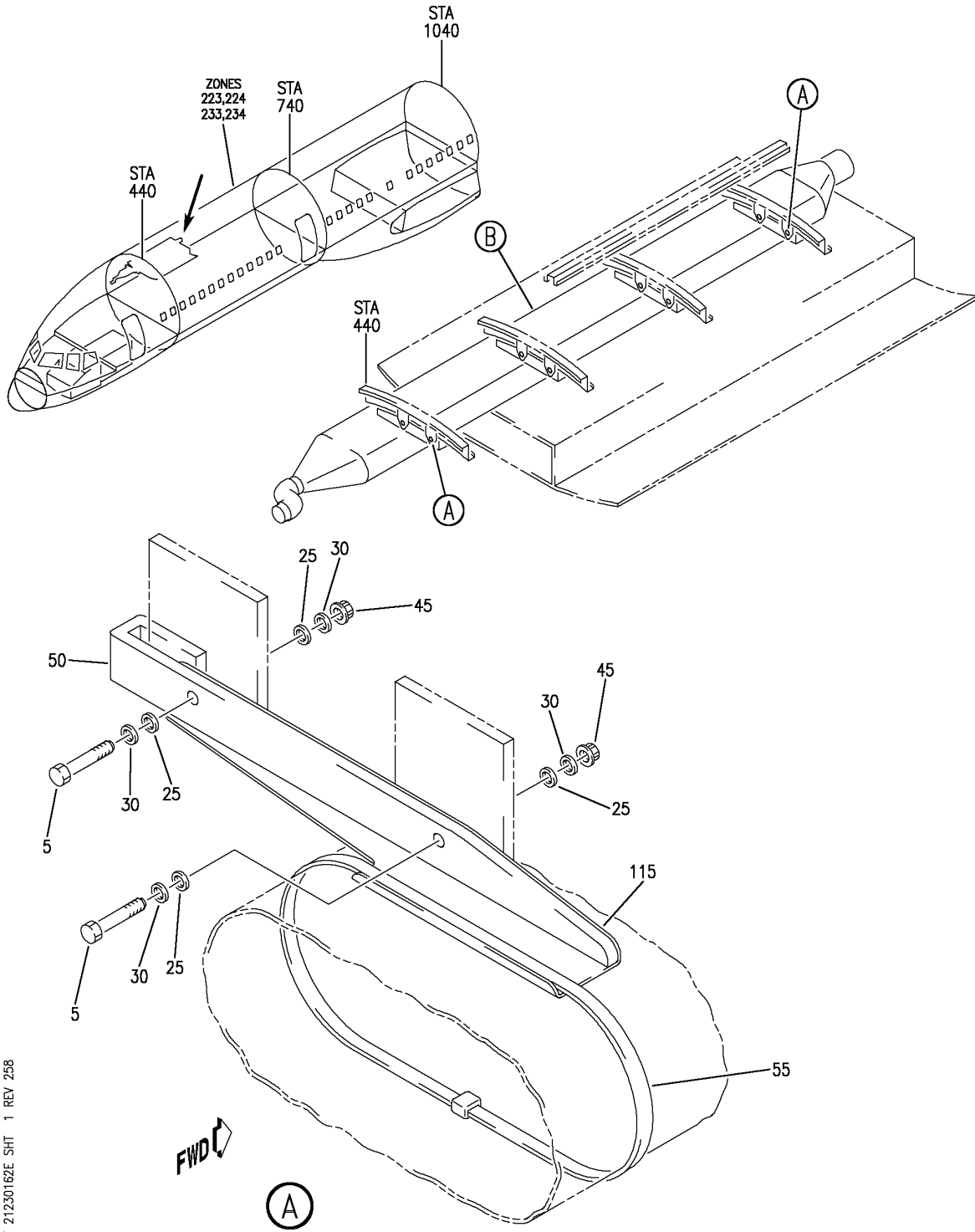
BRI

21-23-01-61X

BOEING PROPRIETARY - Copyright © - Unpublished Work - See title page for details.

21-23-01
FIG. 61X
PAGE 2
JAN 20/09

BOEING
757
PARTS CATALOG (MAINTENANCE)



Y 21230162E SH1 1 REV 258

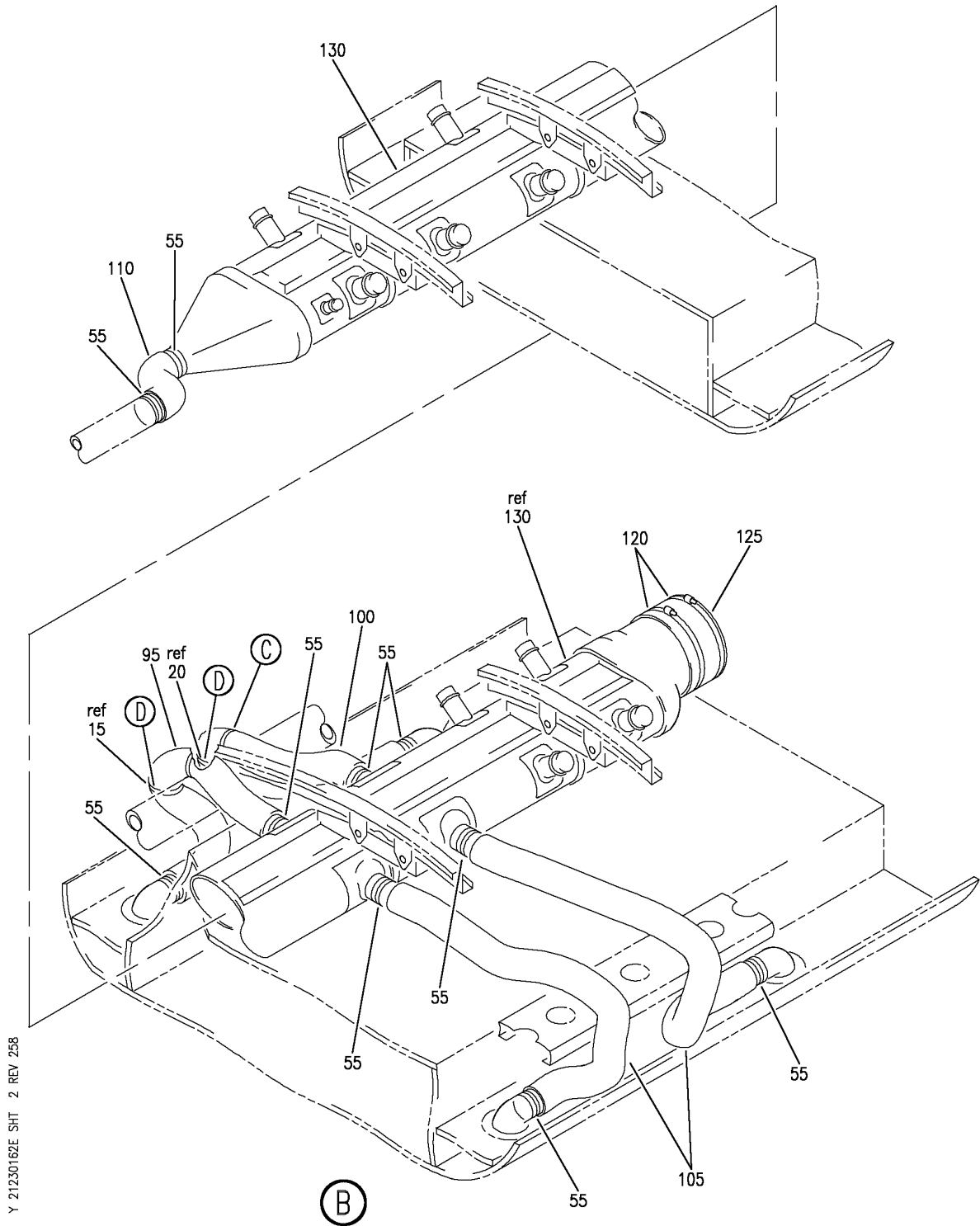
DUCT INSTL-SECT 43 OVHD AIR DISTR
FIGURE 62E (SHEET 1)

21-23-01-62E

BRI
JAN 20/09

21-23-01-62E
PAGE 0

BOEING
757
PARTS CATALOG (MAINTENANCE)



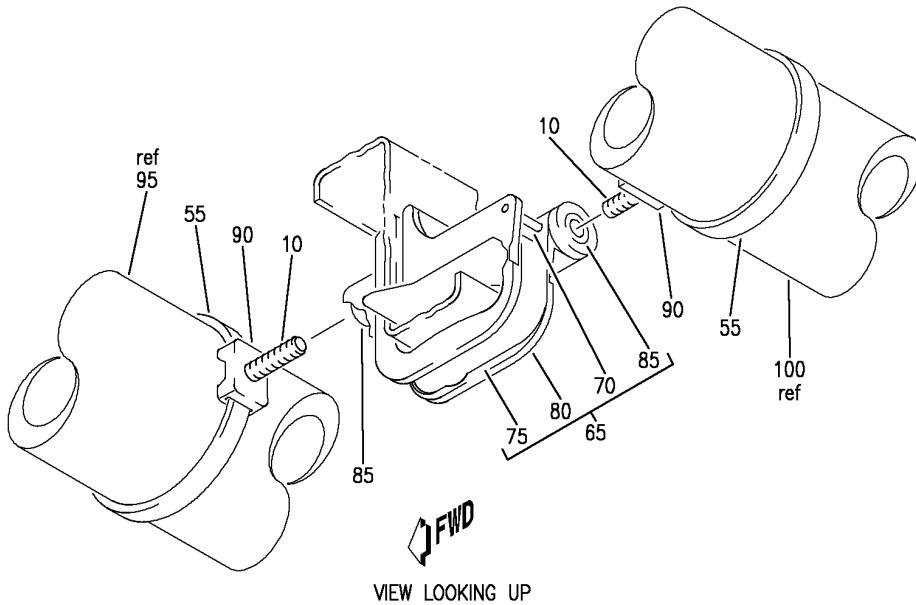
DUCT INSTL-SECT 43 OVHD AIR DISTR
FIGURE 62E (SHEET 2)

BRI
JAN 20/09

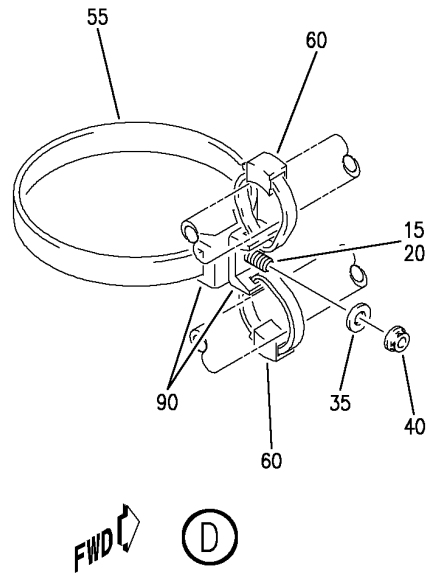
21-23-01-62E

21-23-01-62E
PAGE 0A

BOEING
757
PARTS CATALOG (MAINTENANCE)



(C)



(D)

Y 21230162E SHIT 3 REV 258

DUCT INSTL-SECT 43 OVHD AIR DISTR
FIGURE 62E (SHEET 3)

21-23-01-62E

BRI
JAN 20/09

21-23-01-62E
PAGE 0B



757

PARTS CATALOG (MAINTENANCE)

| FIG ITEM | PART NUMBER | 1 2 3 4 5 6 7 | NOMENCLATURE | EFFECT FROM TO | UNITS PER ASSY |
|----------|---------------|---------------|--|----------------|----------------|
| 62E | | | DUCT INSTL-SECT 43 | 103106 | |
| - 1 | MODREF33404 | | OVHD AIR DISTR DUCT INSTL-OVHD AIR DISTR MODULE NUMBER: 214N2053-89 REV A POSITION DATA: SECTION 43 STA 421.45 TO STA 516.25 | 103106 | 1 |
| 5 | BACB30NR4K5 | | .BOLT | 103106 | 8 |
| 10 | BACS12ER3K10 | | .SCREW | 103106 | 2 |
| 15 | BACS12ER3K20 | | .SCREW | 103106 | 1 |
| 20 | BACS12ER3K11 | | .SCREW | 103106 | 1 |
| 25 | BACW10P271TF | | .WASHER | 103106 | 16 |
| 30 | NAS1149D0463J | | .WASHER | 103106 | 16 |
| 35 | NAS1149D0332J | | .WASHER | 103106 | 2 |
| 40 | PLH53CM | | .NUT SUPPLIER CODE: VF0224 SPECIFICATION NUMBER: BACN10YR3CM OPTIONAL PART: H52732-3CM V15653 | 103106 | 2 |
| 45 | PLH54CM | | .NUT SUPPLIER CODE: V62554 SPECIFICATION NUMBER: BACN10YR4CM OPTIONAL PART: H52732-4CM V15653 | 103106 | 8 |
| 50 | 214N2053-30 | | .SEAL-FELT STRIP | 103106 | AR |
| 55 | T012L0 | | .STRAP SUPPLIER CODE: V53421 SPECIFICATION NUMBER: BACS38K6 | 103106 | 18 |
| 60 | CBR2HS | | .STRAP SUPPLIER CODE: V06386 SPECIFICATION NUMBER: BACS38W3 | 103106 | 4 |
| 65 | 411A4902-6 | | .CLIP ASSY-RETAINER | 103106 | 1 |
| 70 | MS16562-194 | | ..PIN | 103106 | 1 |
| 75 | 411A4902-8 | | ..SPRING | 103106 | 1 |
| 80 | 411A4902-3 | | ..RETAINER | 103106 | 1 |
| 85 | H02030-2L | | ..INSERT- SUPPLIER CODE: V1101B | 103106 | 2 |

MISSING ITEM NUMBERS NOT APPLICABLE

- ITEM NOT ILLUSTRATED

21-23-01-62E

21-23-01
FIG. 62E
PAGE 1
JAN 20/09

BRI



757

PARTS CATALOG (MAINTENANCE)

| FIG ITEM | PART NUMBER | 1 2 3 4 5 6 7 | NOMENCLATURE | EFFECT FROM TO | UNITS PER ASSY |
|-----------|-----------------|---------------|--|----------------|----------------|
| 62E 90 | TM3S10 | | .PLATE-MTG SUPPLIER CODE: V06383 SPECIFICATION NUMBER: STBP19M12 | 103106 | 6 |
| 95 | AS1591-06-0270A | | .HOSE | 103106 | 1 |
| 100 | AS1591-06-0300A | | .DUCT | 103106 | 1 |
| 105 | AS1591-06-0340A | | .DUCT | 103106 | 2 |
| 110 | AS1591-08-0120A | | .DUCT | 103106 | 1 |
| 115 | 214N2170-11 | | .BRACKET | 103106 | 4 |
| 120 | NAS1922-0625-3 | | .CLAMP | 103106 | 2 |
| 125 | AS1506-24D40 | | .HOSE | 103106 | 1 |
| 130 | 214N2190-50 | | .DUCT ASSY | 103106 | 1 |

MISSING ITEM NUMBERS NOT APPLICABLE

- ITEM NOT ILLUSTRATED

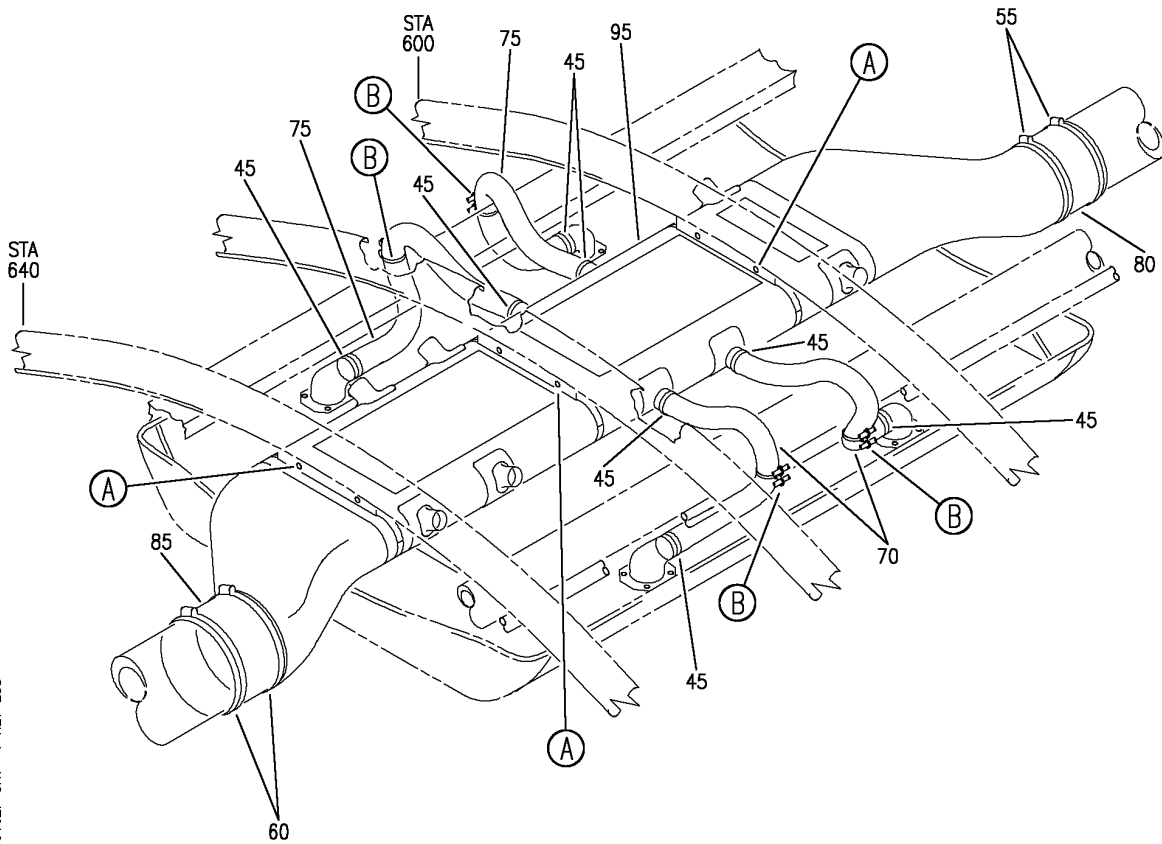
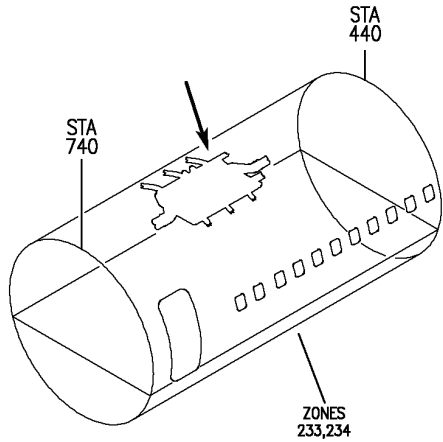
BRI

21-23-01-62E

BOEING PROPRIETARY - Copyright © - Unpublished Work - See title page for details.

21-23-01
FIG. 62E
PAGE 2
JAN 20/09

BOEING
757
PARTS CATALOG (MAINTENANCE)



Y 21230162F SHT 1 REV 258

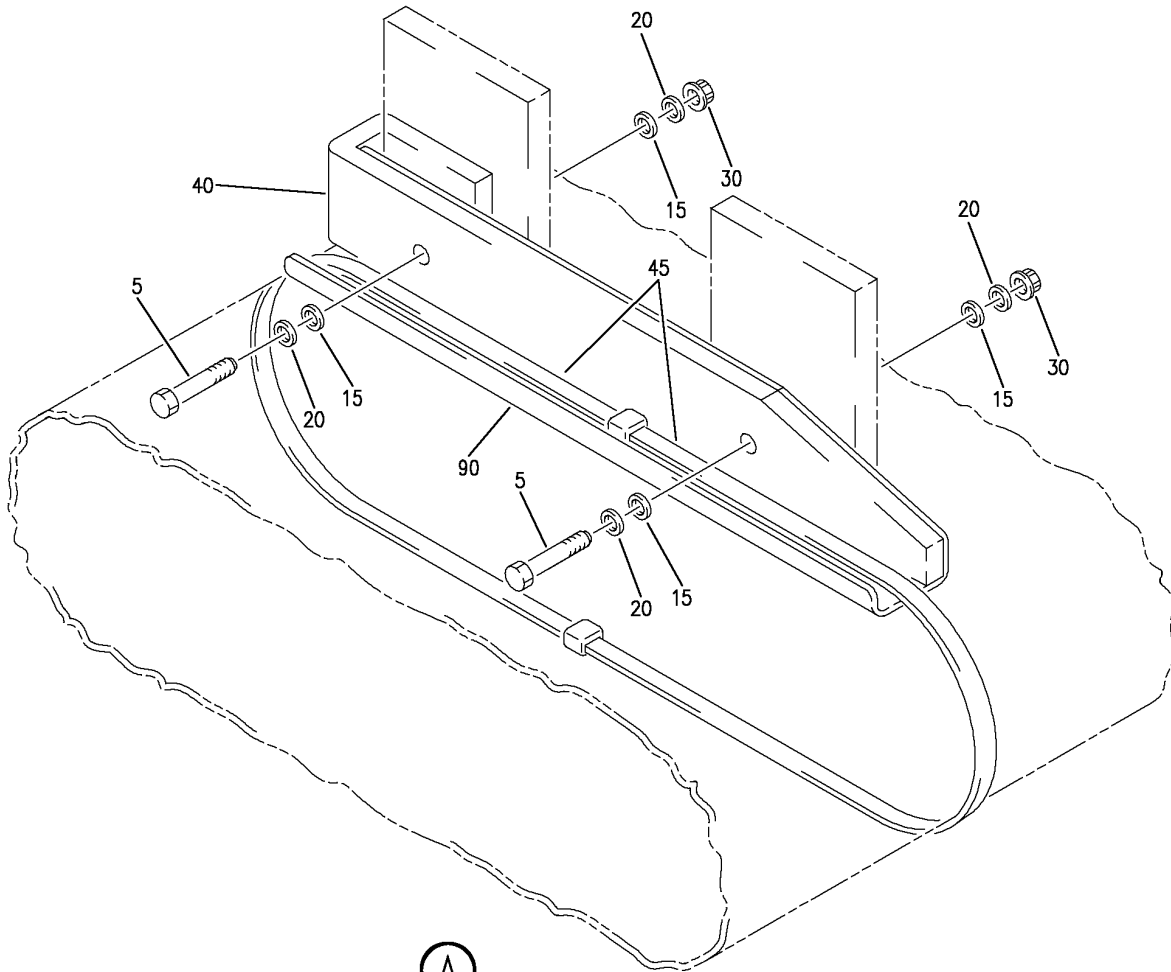
DUCT INSTL-SECT 43 OVHD AIR DISTR
FIGURE 62F (SHEET 1)

21-23-01-62F

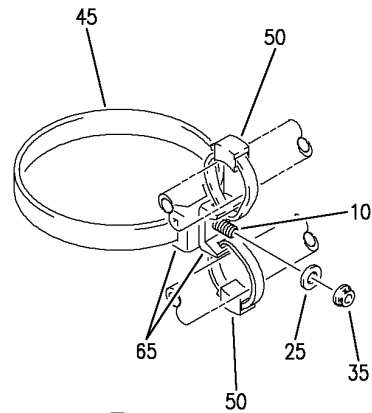
BRI
JAN 20/09

21-23-01-62F
PAGE 0

BOEING
757
PARTS CATALOG (MAINTENANCE)



(A)



(B)

Y 21230162F SHT 2 REV 258

DUCT INSTL-SECT 43 OVHD AIR DISTR
FIGURE 62F (SHEET 2)

21-23-01-62F

BRI
JAN 20/09

21-23-01-62F
PAGE 0A



757

PARTS CATALOG (MAINTENANCE)

| FIG ITEM | PART NUMBER | 1 2 3 4 5 6 7 | NOMENCLATURE | EFFECT FROM TO | UNITS PER ASSY |
|----------|-----------------|---------------|--|----------------|----------------|
| 62 F | | | DUCT INSTL-SECT 43 | 103106 | |
| - 1 | MODREF33405 | | OVHD AIR DISTR DUCT INSTL-OVHD AIR DISTR MODULE NUMBER: 214N2053-90 REV A POSITION DATA: SECTION 43 STA 573.86 TO STA 655.91 | 103106 | 1 |
| 5 | BACB30NR4K5 | | .BOLT | 103106 | 6 |
| 10 | BACS12ER3K11 | | .SCREW | 103106 | 4 |
| 15 | BACW10P271TF | | .WASHER | 103106 | 12 |
| 20 | NAS1149D0463J | | .WASHER | 103106 | 12 |
| 25 | NAS1149D0332J | | .WASHER | 103106 | 4 |
| 30 | PLH54CM | | .NUT SUPPLIER CODE: V62554 SPECIFICATION NUMBER: BACN10YR4CM OPTIONAL PART: H52732-4CM V15653 | 103106 | 6 |
| 35 | PLH53CM | | .NUT SUPPLIER CODE: VF0224 SPECIFICATION NUMBER: BACN10YR3CM OPTIONAL PART: H52732-3CM V15653 | 103106 | 4 |
| 40 | 214N2053-30 | | .SEAL-FELT STRIP | 103106 | AR |
| 45 | T012L0 | | .STRAP SUPPLIER CODE: V53421 SPECIFICATION NUMBER: BACS38K6 | 103106 | 18 |
| 50 | CBR2HS | | .STRAP SUPPLIER CODE: V06386 SPECIFICATION NUMBER: BACS38W3 | 103106 | 8 |
| 55 | NAS1922-0625-3 | | .CLAMP | 103106 | 2 |
| 60 | NAS1922-0750-3 | | .CLAMP | 103106 | 2 |
| 65 | TM3S10 | | .PLATE-MTG SUPPLIER CODE: V06383 SPECIFICATION NUMBER: STBP19M12 | 103106 | 8 |
| 70 | AS1591-06-0250A | | .DUCT | 103106 | 2 |
| 75 | AS1591-06-0300A | | .DUCT | 103106 | 2 |

MISSING ITEM NUMBERS NOT APPLICABLE

- ITEM NOT ILLUSTRATED

21-23-01-62F

21-23-01
FIG. 62F
PAGE 1
JAN 20/09

BRI



757

PARTS CATALOG (MAINTENANCE)

| FIG ITEM | PART NUMBER | 1 2 3 4 5 6 7 | NOMENCLATURE | EFFECT FROM TO | UNITS PER ASSY |
|-------------|--------------|---------------|--------------|-------------------|----------------------|
| 62 F | | | | | |
| 80 | AS1506-24D40 | . | HOSE | 103106 | 1 |
| 85 | AS1506-30D42 | . | SLEEVE | 103106 | 1 |
| 90 | 214N2170-12 | . | BRACKET | 103106 | 3 |
| 95 | 214N2190-52 | . | DUCT ASSY | 103106 | 1 |

MISSING ITEM NUMBERS NOT APPLICABLE

- ITEM NOT ILLUSTRATED

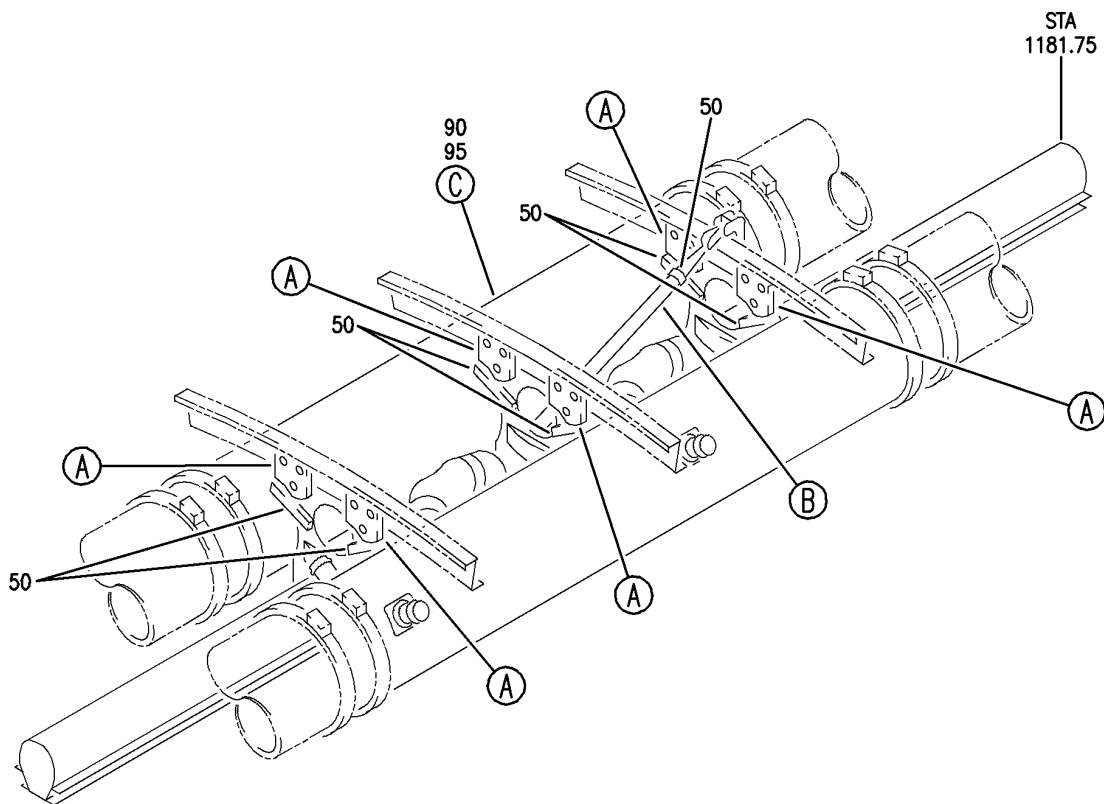
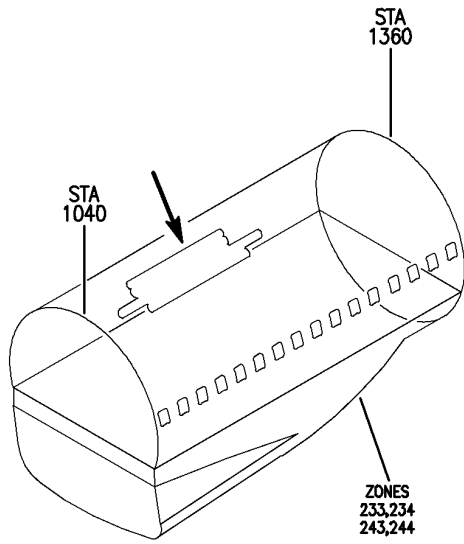
BRI

21-23-01-62F

BOEING PROPRIETARY - Copyright © - Unpublished Work - See title page for details.

21-23-01
FIG. 62F
PAGE 2
JAN 20/09

BOEING
757
PARTS CATALOG (MAINTENANCE)



Y 21230163E SHT 1 REV 235

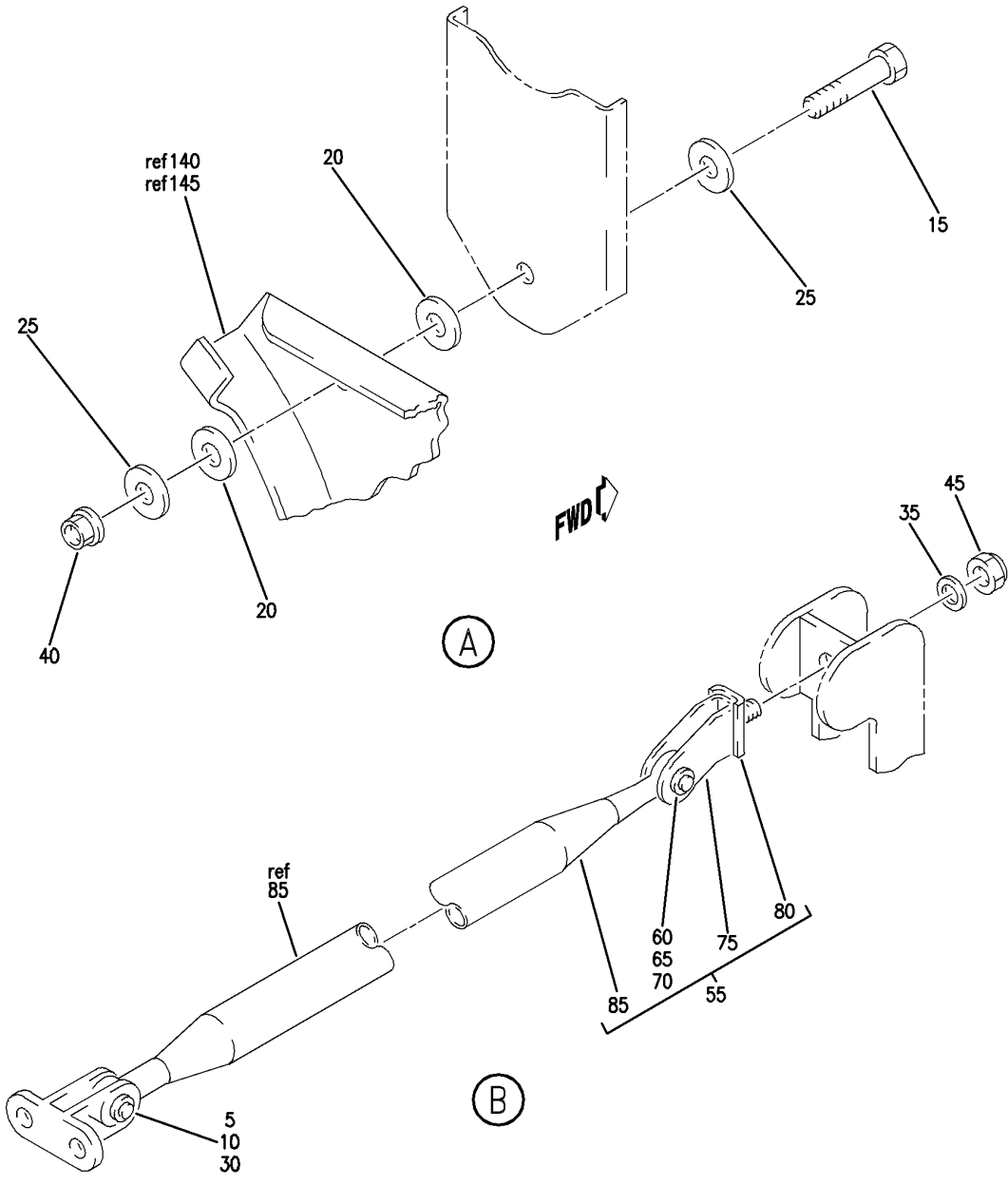
DUCT INSTL-SECTION 44 AIR DISTR SYS
FIGURE 63E (SHEET 1)

21-23-01-63E

BRI
JAN 20/09

21-23-01-63E
PAGE 0

BOEING
757
PARTS CATALOG (MAINTENANCE)



Y 21230163E SH1 2 REV 234

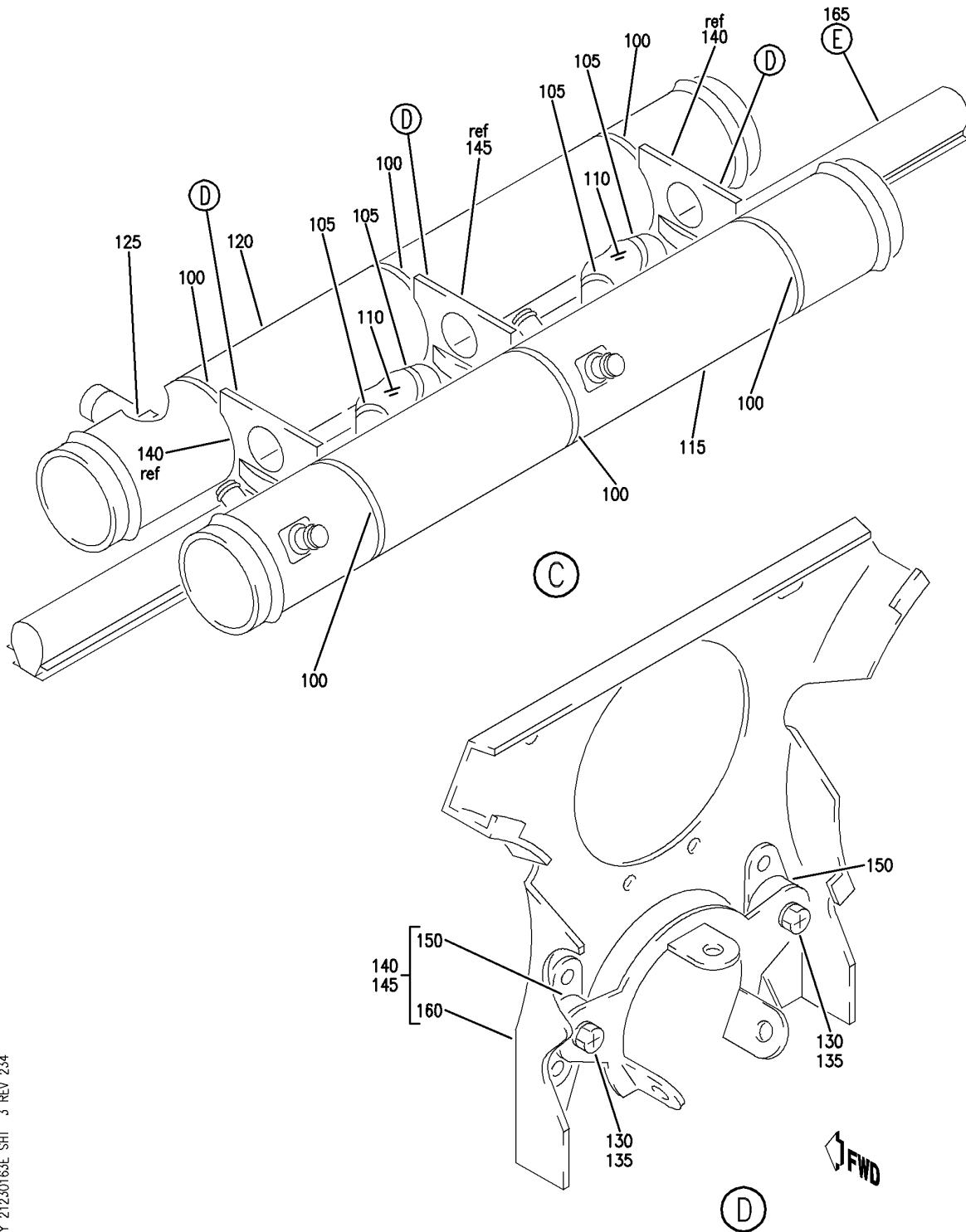
DUCT INSTL-SECTION 44 AIR DISTR SYS
FIGURE 63E (SHEET 2)

21-23-01-63E

BRI
JAN 20/09

21-23-01-63E
PAGE 0A

BOEING
757
PARTS CATALOG (MAINTENANCE)



Y 21230163E SHT 3 REV 234

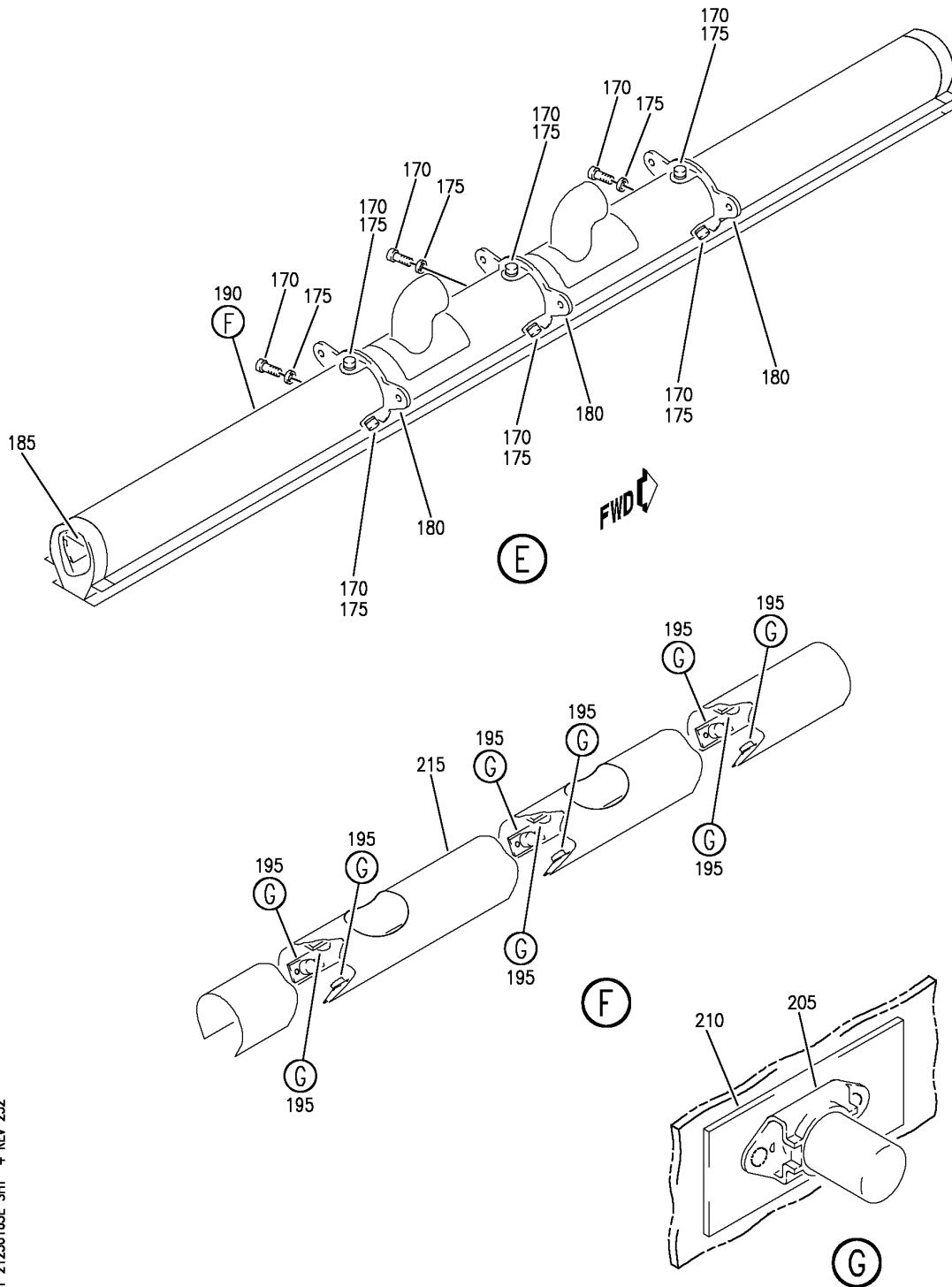
DUCT INSTL-SECTION 44 AIR DISTR SYS
FIGURE 63E (SHEET 3)

21-23-01-63E

BRI
JAN 20/09

21-23-01-63E
PAGE 0B

BOEING
 757
 PARTS CATALOG (MAINTENANCE)



Y 21230163E SHT 4 REV 252

DUCT INSTL-SECTION 44 AIR DISTR SYS
 FIGURE 63E (SHEET 4)

21-23-01-63E

BRI
 JAN 20/09

21-23-01-63E
 PAGE 0C



757

PARTS CATALOG (MAINTENANCE)

| FIG ITEM | PART NUMBER | 1 2 3 4 5 6 7 | NOMENCLATURE | EFFECT FROM TO | UNITS PER ASSY |
|----------|----------------|---------------|--|----------------|----------------|
| 63E | | | DUCT INSTL-SECTION 44 | 103106 | |
| - 1 | MODREF4580 | | AIR DISTR SYS DUCT INSTL-AIR DISTR SYS 757-200 BASELINE POSITION D THRU POSITION E MODULE NUMBER: 214N2054-28B REV A POSITION DATA: SECTION 44 STA 1111-1163 | 103106 | 1 |
| 5 | MS20392-3C21 | | .PIN | 103106 | 1 |
| 10 | BACP18BC02C04P | | .PIN- | 103106 | 1 |
| 15 | BACB30NR4K5 | | .BOLT | 103106 | 6 |
| 20 | BACW10P271TF | | .WASHER | 103106 | 12 |
| 25 | NAS1149D0463J | | .WASHER | 103106 | 12 |
| 30 | NAS1149D0416J | | .WASHER | 103106 | 1 |
| 35 | NAS1149D0516J | | .WASHER | 103106 | 1 |
| 40 | PLH54CM | | .NUT | 103106 | 6 |
| | | | SUPPLIER CODE: V62554 SPECIFICATION NUMBER: BACN10YR4CM OPTIONAL PART: H52732-4CM V15653 | | |
| 45 | BRH10C5D | | .NUT | 103106 | 1 |
| | | | SUPPLIER CODE: V52828 SPECIFICATION NUMBER: BACN10JC5CD OPTIONAL PART: T6C524JCD V11815 102LH9075-5W V72962 H51650-5BAC V15653 | | |
| 50 | 214N2054-13 | | .SEAL-STRIP | 103106 | AR |
| 55 | 412N2030-33 | | .DIAGONAL ASSY | 103106 | 1 |
| 60 | MS20392-3C17 | | ..PIN | 103106 | 1 |
| 65 | MS24665-132 | | ..PIN-COTTER | 103106 | 1 |
| 70 | AN960PD416L | | ..WASHER | 103106 | 1 |
| 75 | 412N2031-1 | | ..CLEVIS | 103106 | 1 |
| 80 | 412N2032-5 | | ..INSULATOR-CLEVIS | 103106 | 1 |
| 85 | 1293-29 | | ..ROD ASSY- | 103106 | 1 |
| | | | SUPPLIER CODE: V34742 | | |
| 90 | 214N2054-30 | | .DUCT ASSY-SET | 103106 | 1 |
| 95 | 214N2180-188 | | ..DUCT ASSY-SEGMENT | 103106 | 1 |

MISSING ITEM NUMBERS NOT APPLICABLE

- ITEM NOT ILLUSTRATED

21-23-01-63E

21-23-01
FIG. 63E
PAGE 1
JAN 20/09

BRI



757

PARTS CATALOG (MAINTENANCE)

| FIG ITEM | PART NUMBER | 1 2 3 4 5 6 7 | NOMENCLATURE | EFFECT FROM TO | UNITS PER ASSY |
|-------------|-------------|-----------------|--|----------------|----------------|
| R R R | 63E 100 | T012L0 | ...STRAP SUPPLIER CODE: V53421 SPECIFICATION NUMBER: BACS38K6 | 103106 | 6 |
| | 105 | PLT4SM | ...STRAP SUPPLIER CODE: V06383 SPECIFICATION NUMBER: BACS38K2 OPTIONAL PART: T05L0 V53421 | 103106 | 4 |
| | 110 | AS1591-08-0070A | ...HOSE-FLEX SUPPLIER CODE: V81343 | 103106 | 2 |
| | 115 | 214N2177-364 | ...DUCT ASSY | 103106 | 1 |
| | 120 | 214N2177-366 | ...DUCT ASSY | 103106 | 1 |
| | 125 | BAC27TEC417 |MARKER- PLACARD CONTENT: CROWN DRYER LEAVE UNCAPPED | 103106 | 1 |
| | 130 | BACS12GU3K7 | ...SCREW | 103106 | 6 |
| | 135 | NAS1149D0332J | ...WASHER | 103106 | 6 |
| | 140 | 214N2168-1 | ...BRACKET ASSY | 103106 | 2 |
| | 145 | 214N2168-3 | ...BRACKET ASSY | 103106 | 1 |
| | 150 | SL8113-3 |SHOCKMOUNT-ISOLATOR SUPPLIER CODE: V97393 SPECIFICATION NUMBER: S411T100-901 OPTIONAL PART: DE819 V71985 | 103106 | 2 |
| | 150 | DE819 |SHOCKMOUNT-ISOLATOR SUPPLIER CODE: V71985 SPECIFICATION NUMBER: S411T100-901 OPTIONAL PART: SL8113-3 V97393 | 103106 | 2 |
| | - 155 | BACR15BA4D |RIVET- SIZE DETERMINED ON INSTL. -----*----- | 103106 | 4 |
| | 160 | 214N2167-1 |BRACKET | 103106 | 1 |
| | 165 | 214N2183-387 | ...NOZZLE ASSY-PLENUM | 103106 | 1 |
| | 170 | BACS12GU3K7 |SCREW | 103106 | 9 |

MISSING ITEM NUMBERS NOT APPLICABLE

- ITEM NOT ILLUSTRATED

21-23-01-63E

21-23-01
FIG. 63E
PAGE 2
MAY 20/09

BRI

 **BOEING**
757
PARTS CATALOG (MAINTENANCE)

| FIG ITEM | PART NUMBER | 1 2 3 4 5 6 7 | NOMENCLATURE | EFFECT FROM TO | UNITS PER ASSY |
|----------|---------------|---------------|---|----------------|----------------|
| 63E | | | | | |
| 175 | NAS1149D0316H | | WASHER | 103106 | 9 |
| 180 | 214N2167-2 | | BRACKET | 103106 | 3 |
| 185 | 214N2124-361 | | PLATE-RESTRICTOR | 103106 | 1 |
| 190 | 214N2179-206 | | PLENUM ASSY | 103106 | 1 |
| - 193 | CB2010CR3CRP | | NUTPLATE- SUPPLIER CODE: V66530 OPTIONAL PART: 214N2178-1 | 103106 | 9 |
| 195 | 214N2178-1 | | NUTPLATE ASSY- OPTIONAL PART: CB2010CR3CRP V66530 | 103106 | 9 |
| 205 | NS202541-3 | | NUTPLATE- SUPPLIER CODE: V80539 SPECIFICATION NUMBER: BACN10KA3BCD OPTIONAL PART: T8100C1032KCPM V11815 USED ON: 214N2178-1 ATTACHING PARTS | 103106 | 1 |
| - 207 | BACR15CE3D | | RIVET- SIZE DETERMINED ON INSTL. -----*----- | 103106 | 2 |
| 210 | 214N2178-2 | | PLATE- USED ON: 214N2178-1 | 103106 | 1 |
| 215 | 214N2179-207 | | PLENUM | 103106 | 1 |

MISSING ITEM NUMBERS NOT APPLICABLE

- ITEM NOT ILLUSTRATED

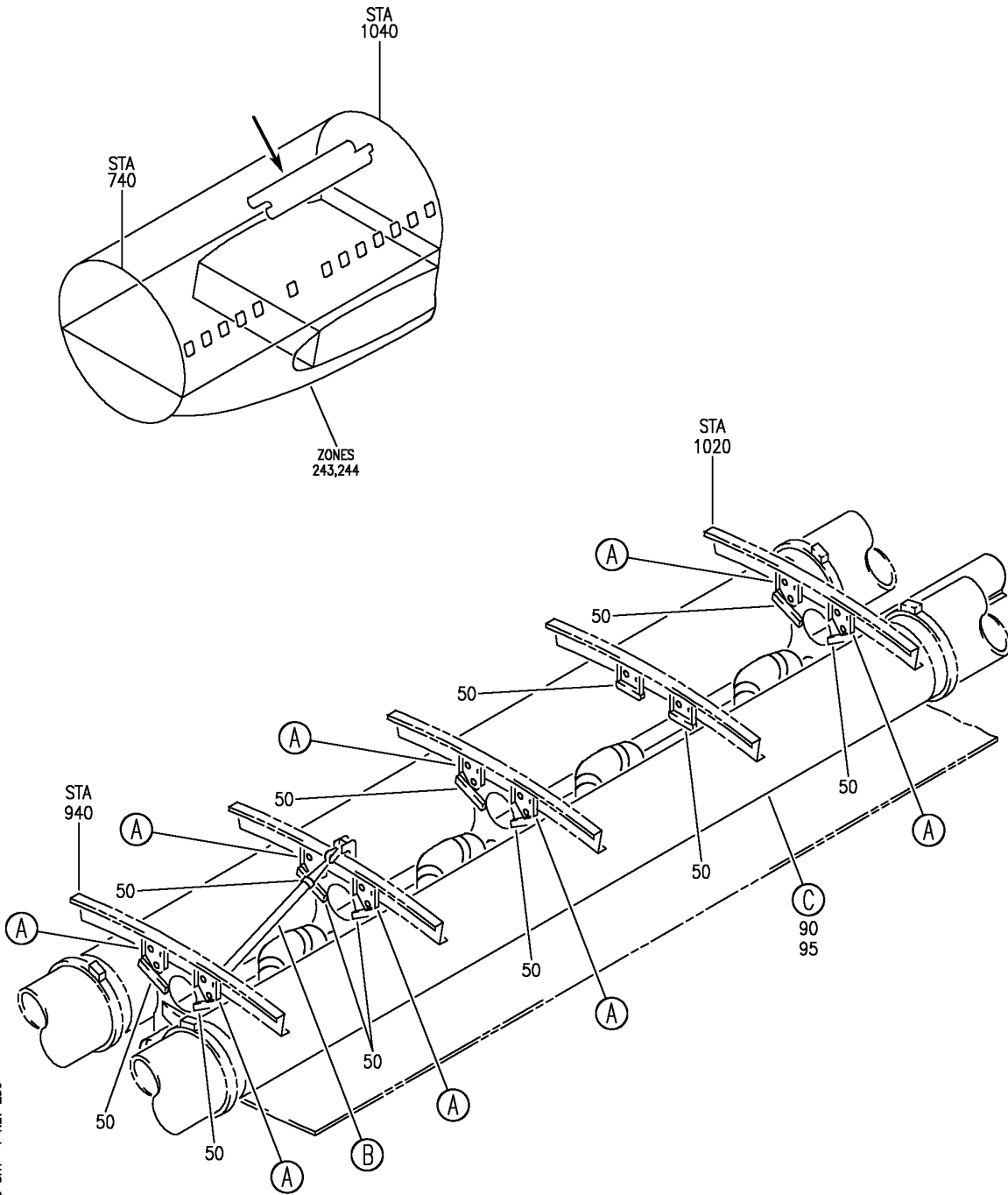
BRI

21-23-01-63E

BOEING PROPRIETARY - Copyright © - Unpublished Work - See title page for details.

21-23-01
FIG. 63E
PAGE 3
MAY 20/09

BOEING
757
PARTS CATALOG (MAINTENANCE)



Y 21230163J SHT 1 REV 256

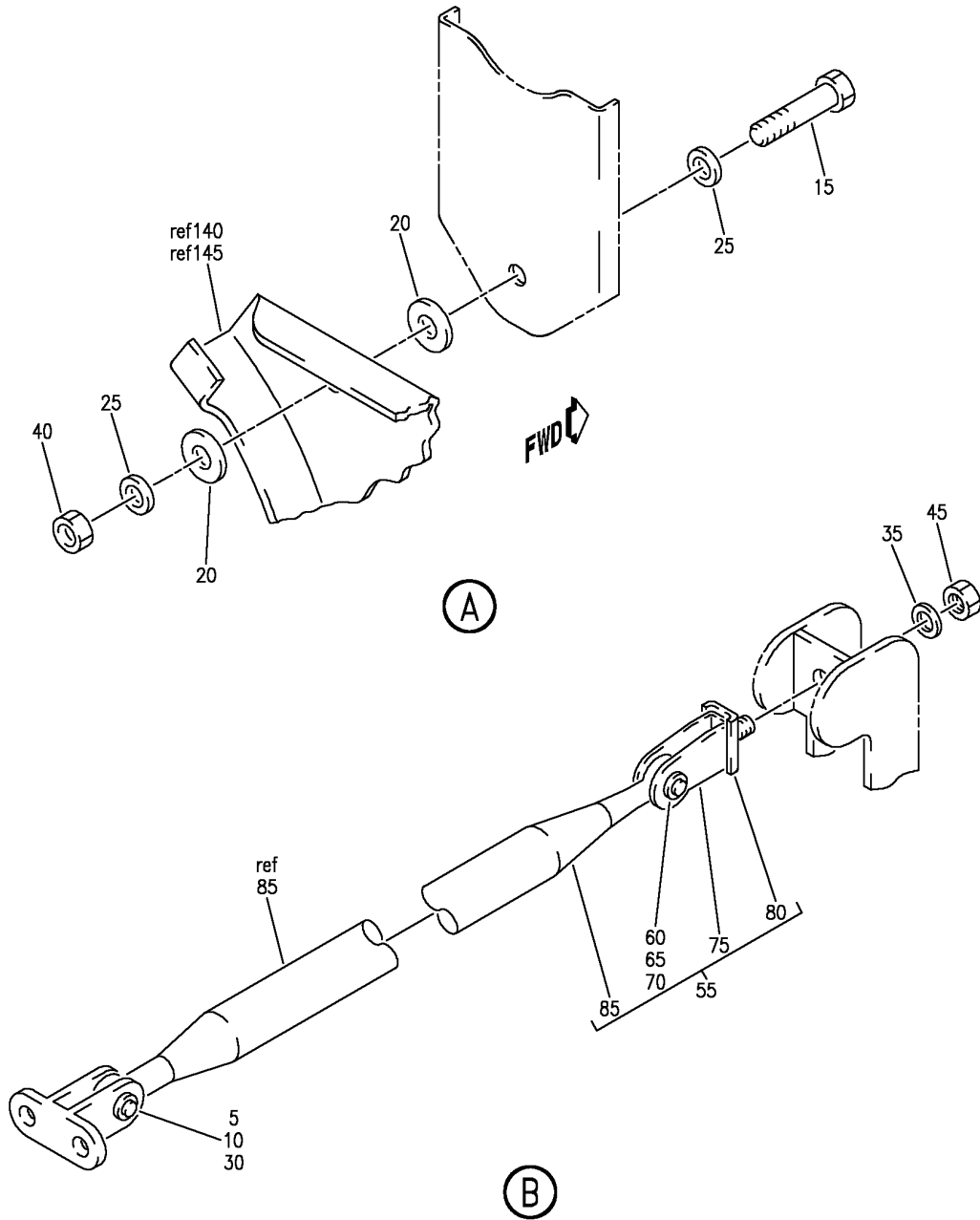
DUCT INSTL-AIR DISTR SYS SECT. 44
FIGURE 63J (SHEET 1)

BRI
JAN 20/09

21-23-01-63J

21-23-01-63J
PAGE 0

BOEING
757
PARTS CATALOG (MAINTENANCE)



Y 21230163J SHT 2 REV 256

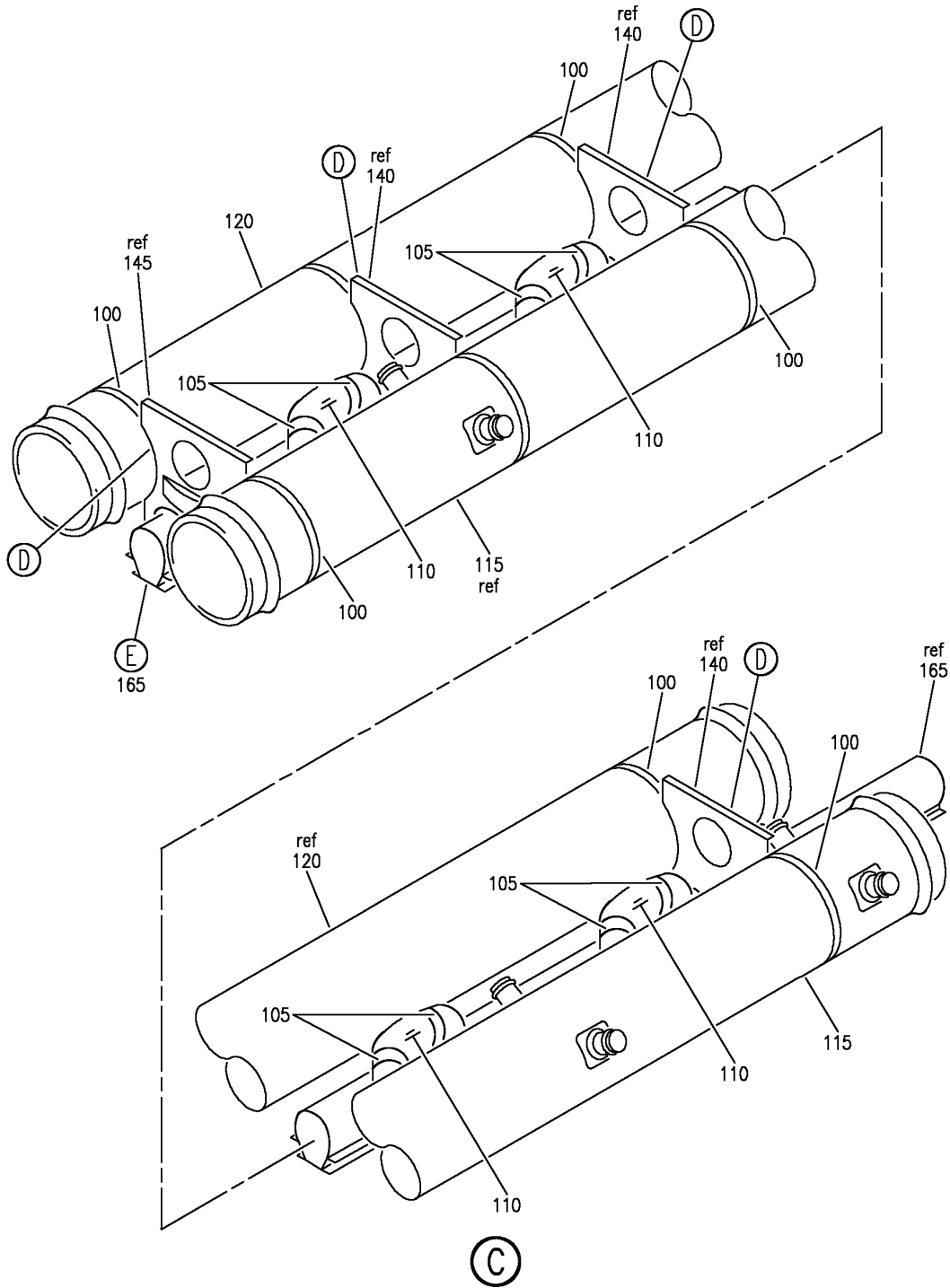
DUCT INSTL-AIR DISTR SYS SECT. 44
FIGURE 63J (SHEET 2)

21-23-01-63J

BRI
JAN 20/09

21-23-01-63J
PAGE 0A

BOEING
757
PARTS CATALOG (MAINTENANCE)



Y 21230163J SHT 3 REV 256

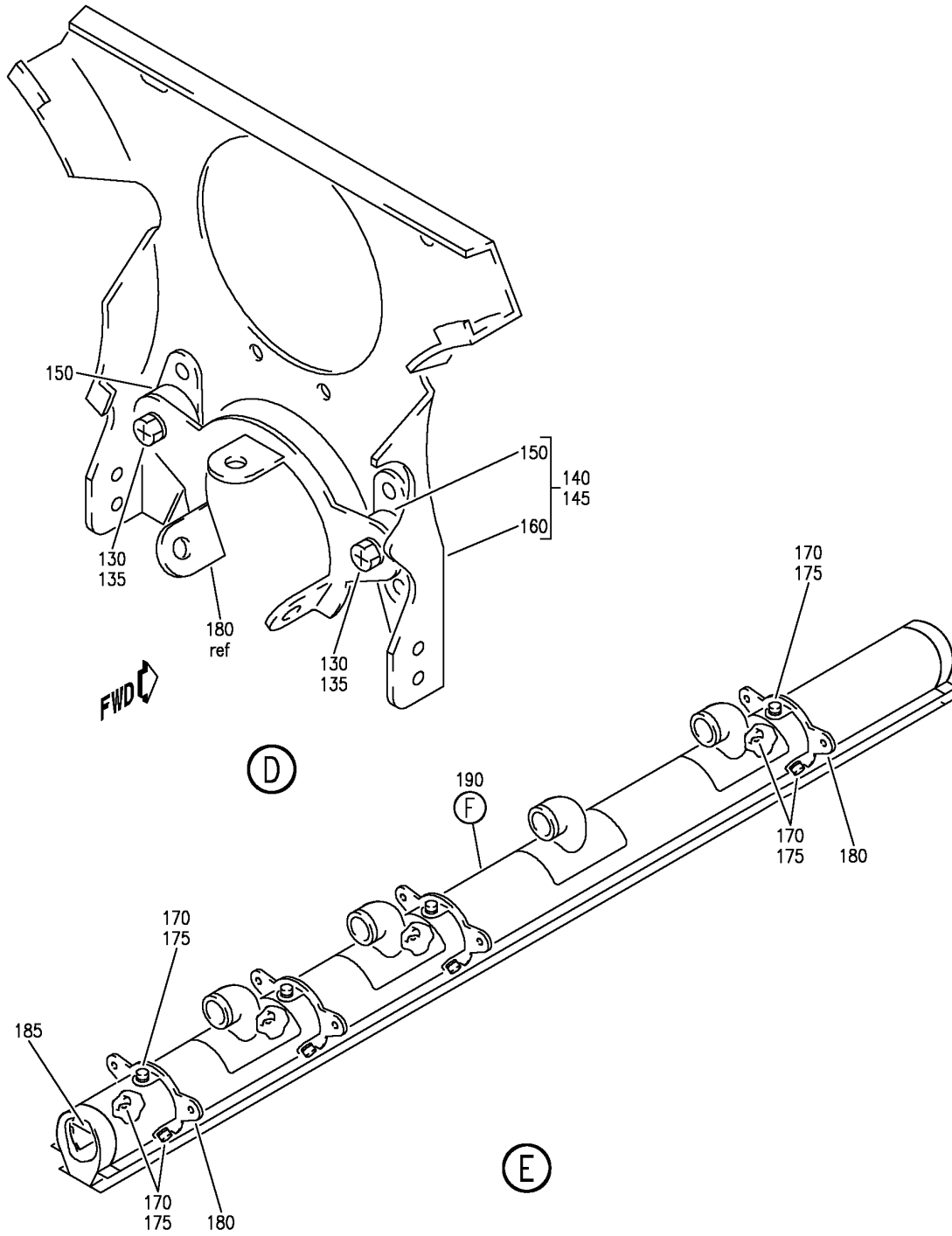
DUCT INSTL-AIR DISTR SYS SECT. 44
FIGURE 63J (SHEET 3)

21-23-01-63J

BRI
JAN 20/09

21-23-01-63J
PAGE 0B

BOEING
757
PARTS CATALOG (MAINTENANCE)



Y 21230163J SHT 4 REV 256

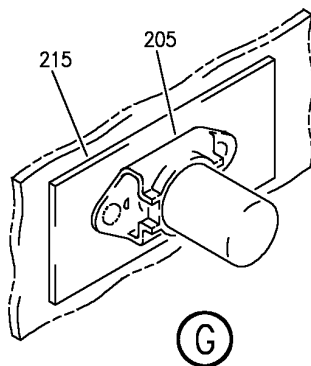
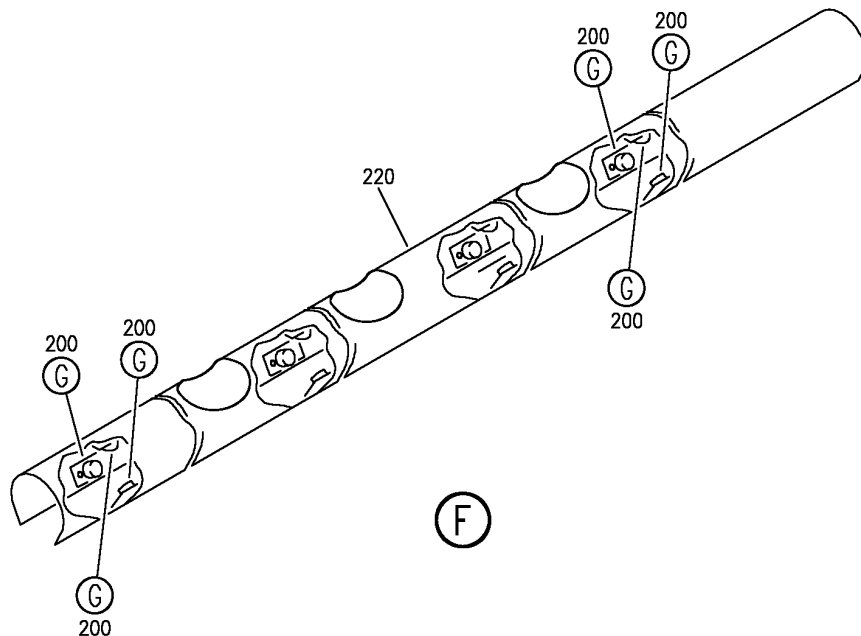
DUCT INSTL-AIR DISTR SYS SECT. 44
FIGURE 63J (SHEET 4)

BRI
JAN 20/09

21-23-01-63J

21-23-01-63J
PAGE 0C

BOEING
757
PARTS CATALOG (MAINTENANCE)



Y 21230163J SHT 5 REV 256

DUCT INSTL-AIR DISTR SYS SECT. 44
FIGURE 63J (SHEET 5)

21-23-01-63J

BRI
JAN 20/09

21-23-01-63J
PAGE 0D



757

PARTS CATALOG (MAINTENANCE)

| FIG ITEM | PART NUMBER | 1 2 3 4 5 6 7 | NOMENCLATURE | EFFECT FROM TO | UNITS PER ASSY |
|----------|----------------|---------------|--------------------------------------|----------------|----------------|
| 63J | | | DUCT INSTL-AIR DISTR SYS | 103106 | |
| - 1 | MODREF32185 | | SECT. 44 DUCT INSTL-AIR DISTR SYS | 103106 | 1 |
| | | | MODULE NUMBER: 214N2054-36B REV A | | |
| | | | POSITION DATA: SECT. 44 | | |
| 5 | BACP18BD3C21 | | .PIN | 103106 | 1 |
| 10 | BACP18BC02C04P | | .PIN | 103106 | 1 |
| 15 | BACB30NR4K5 | | .BOLT | 103106 | 8 |
| 20 | BACW10P271TF | | .WASHER | 103106 | 16 |
| 25 | NAS1149D0463J | | .WASHER | 103106 | 16 |
| 30 | NAS1149E0416P | | .WASHER | 103106 | 1 |
| 35 | NAS1149D0516J | | .WASHER | 103106 | 1 |
| 40 | PLH54CM | | .NUT | 103106 | 8 |
| | | | SUPPLIER CODE: V62554 | | |
| | | | SPECIFICATION NUMBER: BACN10YR4CM | | |
| | | | OPTIONAL PART: H52732-4CM | | |
| | | | V15653 | | |
| 45 | BRH10C5D | | .NUT | 103106 | 1 |
| | | | SUPPLIER CODE: V52828 | | |
| | | | SPECIFICATION NUMBER: BACN10JC5CD | | |
| | | | OPTIONAL PART: T6C524JCD | | |
| | | | V11815 | | |
| | | | 102LH9075-5W | | |
| | | | V72962 | | |
| | | | H51650-5BAC | | |
| | | | V15653 | | |
| 50 | 214N2054-13 | | .SEAL-STRIP | 103106 | AR |
| 55 | 412N2030-33 | | .DIAGONAL ASSY | 103106 | 1 |
| 60 | MS20392-3C17 | | ..PIN | 103106 | 1 |
| 65 | MS24665-132 | | ..PIN-COTTER | 103106 | 1 |
| 70 | AN960PD416L | | ..WASHER | 103106 | 1 |
| 75 | 412N2031-1 | | ..CLEVIS | 103106 | 1 |
| 80 | 412N2032-5 | | ..INSULATOR-CLEVIS | 103106 | 1 |
| 85 | 1293-29 | | ..ROD ASSY- | 103106 | 1 |
| | | | SUPPLIER CODE: V34742 | | |
| 90 | 214N2054-37B | | .DUCT ASSY-SET | 103106 | 1 |
| 95 | 214N2180-204 | | ..DUCT ASSY-SEGMENT | 103106 | 1 |

MISSING ITEM NUMBERS NOT APPLICABLE

- ITEM NOT ILLUSTRATED

21-23-01-63J

21-23-01
FIG. 63J
PAGE 1
JAN 20/09

BRI



757

PARTS CATALOG (MAINTENANCE)

| FIG ITEM | PART NUMBER | 1 2 3 4 5 6 7 | NOMENCLATURE | EFFECT FROM TO | UNITS PER ASSY |
|-----------------------|-------------|-----------------|--|----------------|----------------|
| R R R R R | 63J 100 | T012L0 | ...STRAP SUPPLIER CODE: V53421 SPECIFICATION NUMBER: BACS38K6 | 103106 | 8 |
| | 105 | PLT4SM | ...STRAP SUPPLIER CODE: V06383 SPECIFICATION NUMBER: BACS38K2 OPTIONAL PART: T05L0 V53421 | 103106 | 8 |
| | 110 | 65C36915-1 | ...MUFFLER ASSY- | 103106 | 4 |
| | 110 | AS1591-08-0070A | ...HOSE- SUPPLIER CODE: V81343 | 103106 | 4 |
| | 115 | 214N2177-360 | ...DUCT ASSY | 103106 | 1 |
| | 120 | 214N2177-362 | ...DUCT ASSY | 103106 | 1 |
| | 130 | BACS12GU3K7 | ...SCREW | 103106 | 8 |
| | 135 | NAS1149D0332J | ...WASHER | 103106 | 8 |
| | 140 | 214N2168-1 | ...BRACKET ASSY | 103106 | 3 |
| | 145 | 214N2168-3 | ...BRACKET ASSY | 103106 | 1 |
| | 150 | SL8113-3 |SHOCKMOUNT-ISOLATOR SUPPLIER CODE: V97393 SPECIFICATION NUMBER: S411T100-901 OPTIONAL PART: DE819 V71985 | 103106 | 2 |
| | 150 | DE819 |SHOCKMOUNT-ISOLATOR SUPPLIER CODE: V71985 SPECIFICATION NUMBER: S411T100-901 OPTIONAL PART: SL8113-3 V97393 | 103106 | 2 |
| | - 155 | BACR15BA4D |RIVET- SIZE DETERMINED ON INSTL. -----*----- | 103106 | 4 |
| | 160 | 214N2167-1 |BRACKET | 103106 | 1 |
| | 165 | 214N2183-396 | ...NOZZLE ASSY-PLENUM | 103106 | 1 |
| | 170 | BACS12GU3K7 |SCREW | 103106 | 12 |
| | 175 | NAS1149D0316H |WASHER | 103106 | 12 |
| | 180 | 214N2167-2 |BRACKET | 103106 | 4 |
| | 185 | 214N2124-360 |PLATE-RESTRICTOR | 103106 | 1 |

MISSING ITEM NUMBERS NOT APPLICABLE

- ITEM NOT ILLUSTRATED

21-23-01-63J

21-23-01
FIG. 63J
PAGE 2
MAY 20/09

BRI

BOEING PROPRIETARY - Copyright © - Unpublished Work - See title page for details.

BOEING
757
PARTS CATALOG (MAINTENANCE)

| FIG ITEM | PART NUMBER | 1 2 3 4 5 6 7 | NOMENCLATURE | EFFECT FROM TO | UNITS PER ASSY |
|----------|--------------|---------------|---------------------------------------|----------------|----------------|
| 63J | | | | | |
| 190 | 214N2179-208 | | PLENUM ASSY | 103106 | 1 |
| - 195 | CB2010CR3CRP | | NUTPLATE- | 103106 | 12 |
| | | | SUPPLIER CODE: V66530 | | |
| | | | OPTIONAL PART: 214N2178-1 | | |
| 200 | 214N2178-1 | | NUTPLATE ASSY- | 103106 | 12 |
| | | | OPTIONAL PART: CB2010CR3CRP | | |
| | | | V66530 | | |
| 205 | NS202541-3 | | NUTPLATE | 103106 | 1 |
| | | | SUPPLIER CODE: V80539 | | |
| | | | SPECIFICATION NUMBER: BACN10KA3BCD | | |
| | | | OPTIONAL PART: T8100C1032KCPM | | |
| | | | V11815 | | |
| | | | ATTACHING PARTS | | |
| - 210 | BACR15CE3D | | RIVET- | 103106 | 2 |
| | | | SIZE DETERMINED ON INSTL. | | |
| | | | -----*----- | | |
| 215 | 214N2178-2 | | PLATE | 103106 | 1 |
| 220 | 214N2179-209 | | PLENUM | 103106 | 1 |

MISSING ITEM NUMBERS NOT APPLICABLE

- ITEM NOT ILLUSTRATED

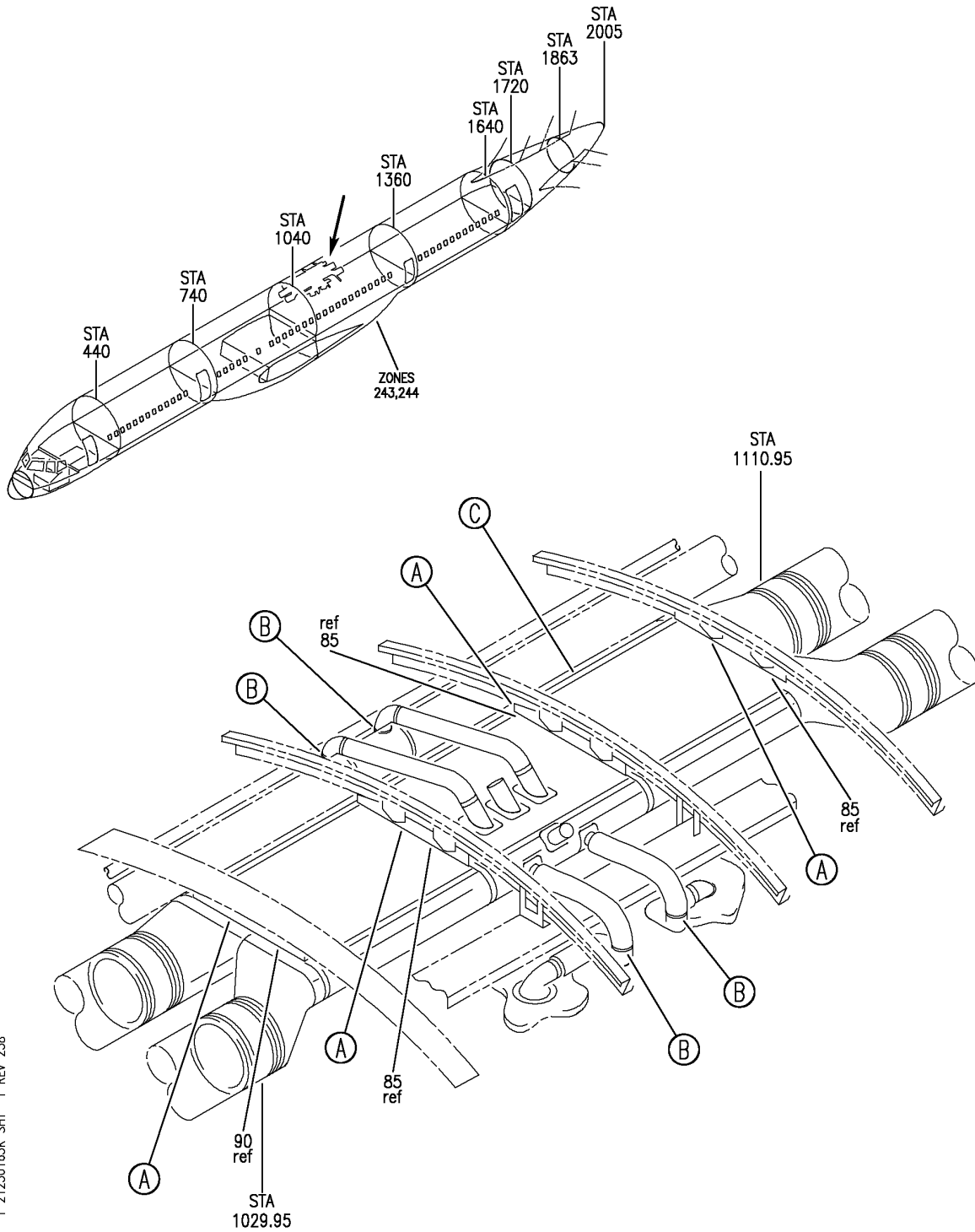
BRI

21-23-01-63J

BOEING PROPRIETARY - Copyright © - Unpublished Work - See title page for details.

21-23-01
FIG. 63J
PAGE 3
MAY 20/09

BOEING
757
PARTS CATALOG (MAINTENANCE)



Y 21230163K SHT 1 REV 258

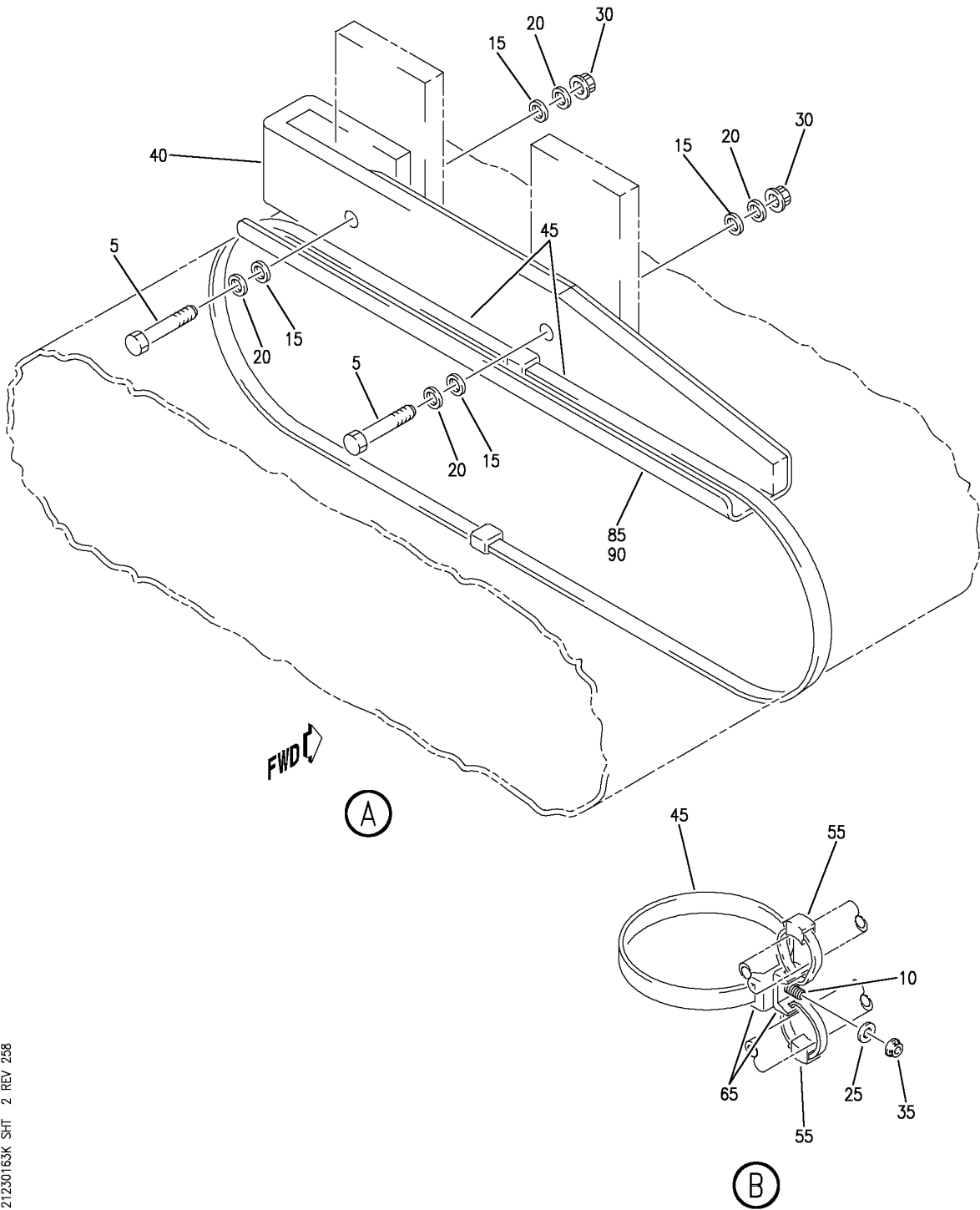
DUCT INSTL-AIR DISTR SYS SECT. 44
FIGURE 63K (SHEET 1)

BRI
JAN 20/09

21-23-01-63K

21-23-01-63K
PAGE 0

BOEING
757
PARTS CATALOG (MAINTENANCE)



Y 21230163K SHT 2 REV 258

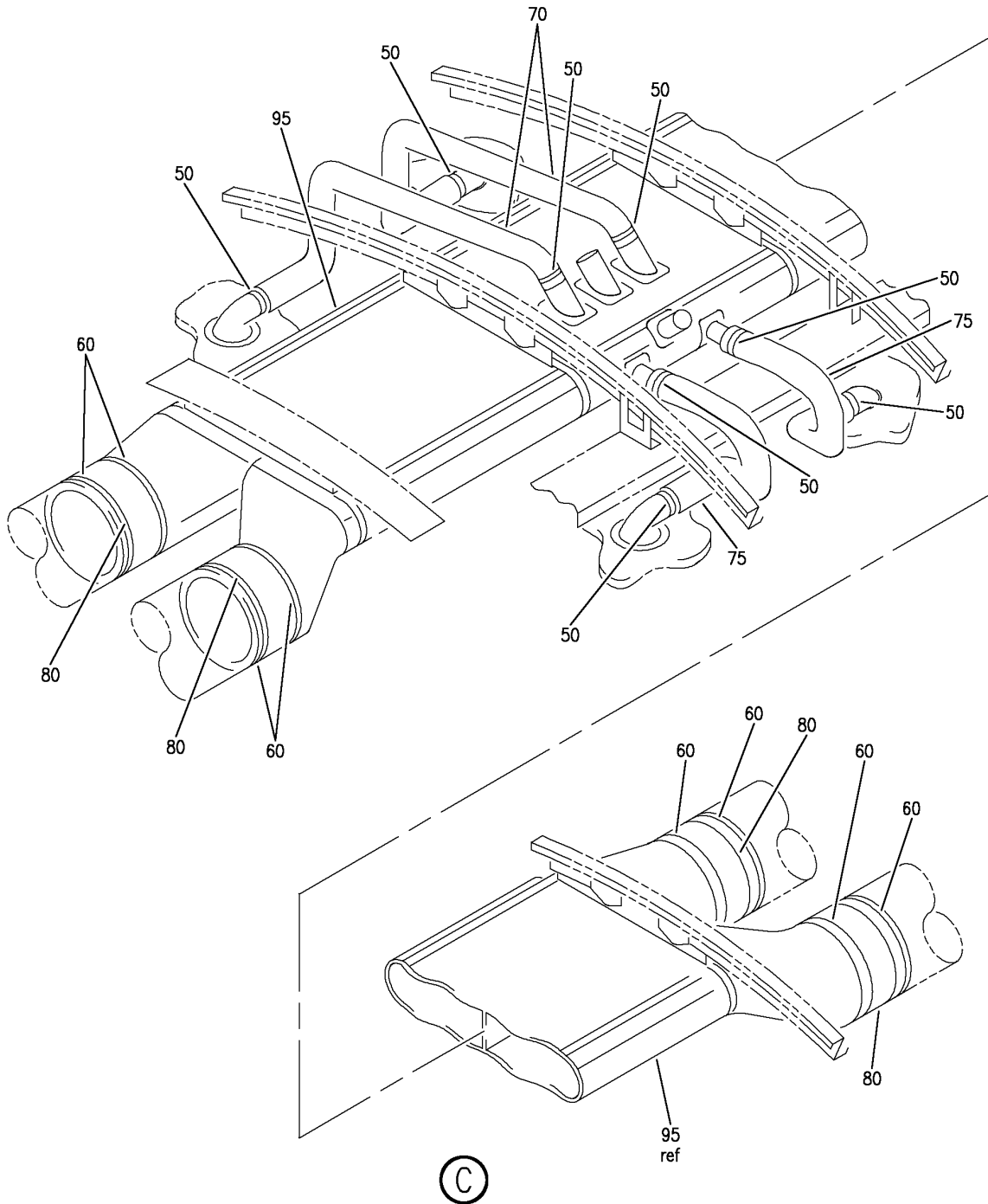
DUCT INSTL-AIR DISTR SYS SECT. 44
FIGURE 63K (SHEET 2)

21-23-01-63K

BRI
JAN 20/09

21-23-01-63K
PAGE 0A

BOEING
757
PARTS CATALOG (MAINTENANCE)



Y 21230163K SHT 3 REV 258

DUCT INSTL-AIR DISTR SYS SECT. 44
FIGURE 63K (SHEET 3)

21-23-01-63K

BRI
JAN 20/09

21-23-01-63K
PAGE 0B



757

PARTS CATALOG (MAINTENANCE)

| FIG ITEM | PART NUMBER | 1 2 3 4 5 6 7 | NOMENCLATURE | EFFECT FROM TO | UNITS PER ASSY |
|----------|----------------|---------------|--------------------------------------|----------------|----------------|
| 63K | | | DUCT INSTL-AIR DISTR SYS | 103106 | |
| - 1 | MODREF33409 | | SECT. 44 DUCT INSTL-AIR DISTR SYS | 103106 | 1 |
| | | | MODULE NUMBER: 214N2054-38 REV A | | |
| | | | POSITION DATA: SECT. 44 | | |
| 5 | BACB30NR4K5 | | .BOLT | 103106 | 8 |
| 10 | BACS12ER3K11 | | .SCREW | 103106 | 4 |
| 15 | BACW10P271TF | | .WASHER | 103106 | 16 |
| 20 | NAS1149D0463J | | .WASHER | 103106 | 16 |
| 25 | NAS1149D0332J | | .WASHER | 103106 | 4 |
| 30 | PLH54CM | | .NUT | 103106 | 8 |
| | | | SUPPLIER CODE: V62554 | | |
| | | | SPECIFICATION NUMBER: BACN10YR4CM | | |
| | | | OPTIONAL PART: H52732-4CM | | |
| | | | V15653 | | |
| 35 | PLH53CM | | .NUT | 103106 | 4 |
| | | | SUPPLIER CODE: VF0224 | | |
| | | | SPECIFICATION NUMBER: BACN10YR3CM | | |
| | | | OPTIONAL PART: H52732-3CM | | |
| | | | V15653 | | |
| 40 | 214N2054-13 | | .SEAL-FELT STRIP | 103106 | AR |
| 45 | T012L0 | | .STRAP | 103106 | 12 |
| | | | SUPPLIER CODE: V53421 | | |
| | | | SPECIFICATION NUMBER: BACS38K6 | | |
| 50 | PLT4SM | | .STRAP | 103106 | 8 |
| | | | SUPPLIER CODE: V06383 | | |
| | | | SPECIFICATION NUMBER: BACS38K2 | | |
| | | | OPTIONAL PART: T05L0 | | |
| | | | V53421 | | |
| 55 | CBR2HS | | .STRAP | 103106 | 8 |
| | | | SUPPLIER CODE: V06386 | | |
| | | | SPECIFICATION NUMBER: BACS38W3 | | |
| 60 | NAS1922-0750-3 | | .CLAMP | 103106 | 8 |

MISSING ITEM NUMBERS NOT APPLICABLE

- ITEM NOT ILLUSTRATED

21-23-01-63K

21-23-01
FIG. 63K
PAGE 1
JAN 20/09

BRI



**757
PARTS CATALOG (MAINTENANCE)**

| FIG ITEM | PART NUMBER | 1 2 3 4 5 6 7 | NOMENCLATURE | EFFECT FROM TO | UNITS PER ASSY |
|---|-----------------|---------------|--|-------------------|----------------------|
| 63K 65 70 75 80 85 90 95 | TM3S10 | | .PLATE-MTG SUPPLIER CODE: V06383 SPECIFICATION NUMBER: STBP19M12 | 103106 | 8 |
| | AS1591-06-0350A | | .HOSE- SUPPLIER CODE: V81343 | 103106 | 2 |
| | AS1591-06-0272A | | .DUCT | 103106 | 2 |
| | AS1506-30D50 | | .SLEEVE | 103106 | 4 |
| | 214N2170-13 | | .BRACKET | 103106 | 3 |
| | 214N2170-24 | | .BRACKET | 103106 | 1 |
| | 214N2190-55 | | .BRACKET ASSY | 103106 | 1 |

R
R
R

MISSING ITEM NUMBERS NOT APPLICABLE

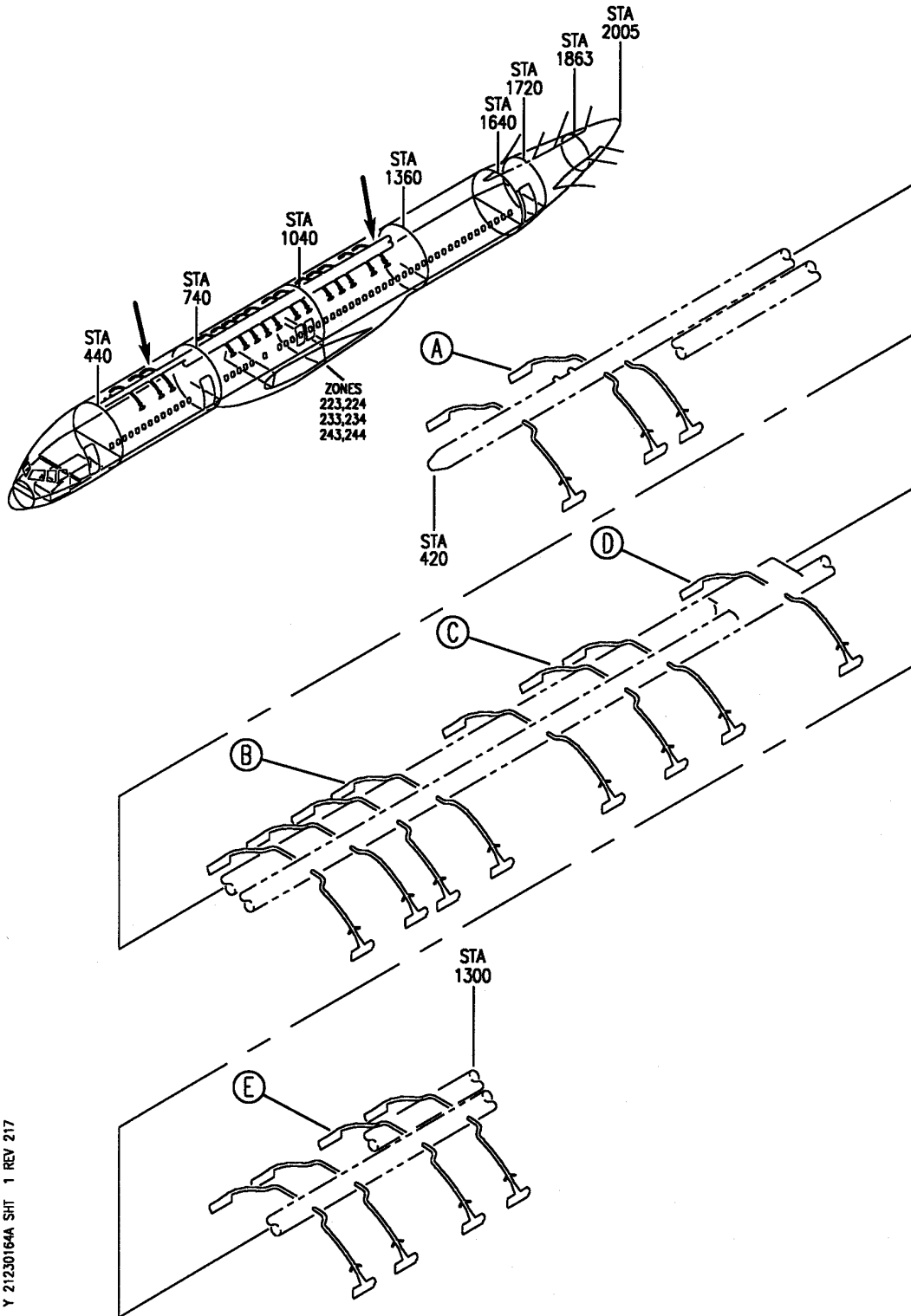
- ITEM NOT ILLUSTRATED

21-23-01-63K

21-23-01
FIG. 63K
PAGE 2
MAY 20/09

BRI

BOEING
757
PARTS CATALOG (MAINTENANCE)



Y 21230164A SHT 1 REV 217

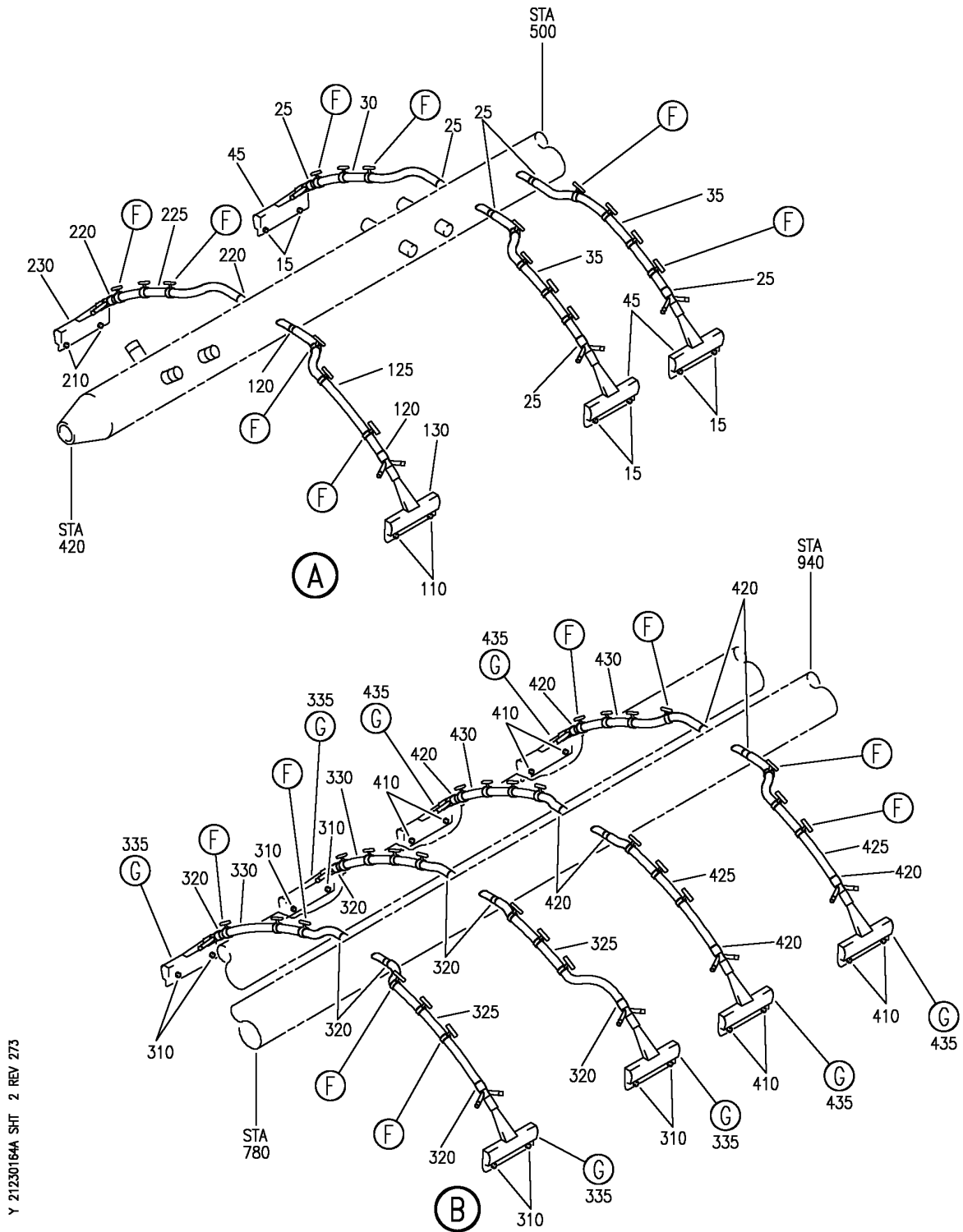
DUCT INSTL-SIDEWALL AIR DISTR SYSTEM
FIGURE 64A (SHEET 1)

21-23-01-64A

BRI
JAN 20/09

21-23-01-64A
PAGE 0

BOEING
757
PARTS CATALOG (MAINTENANCE)



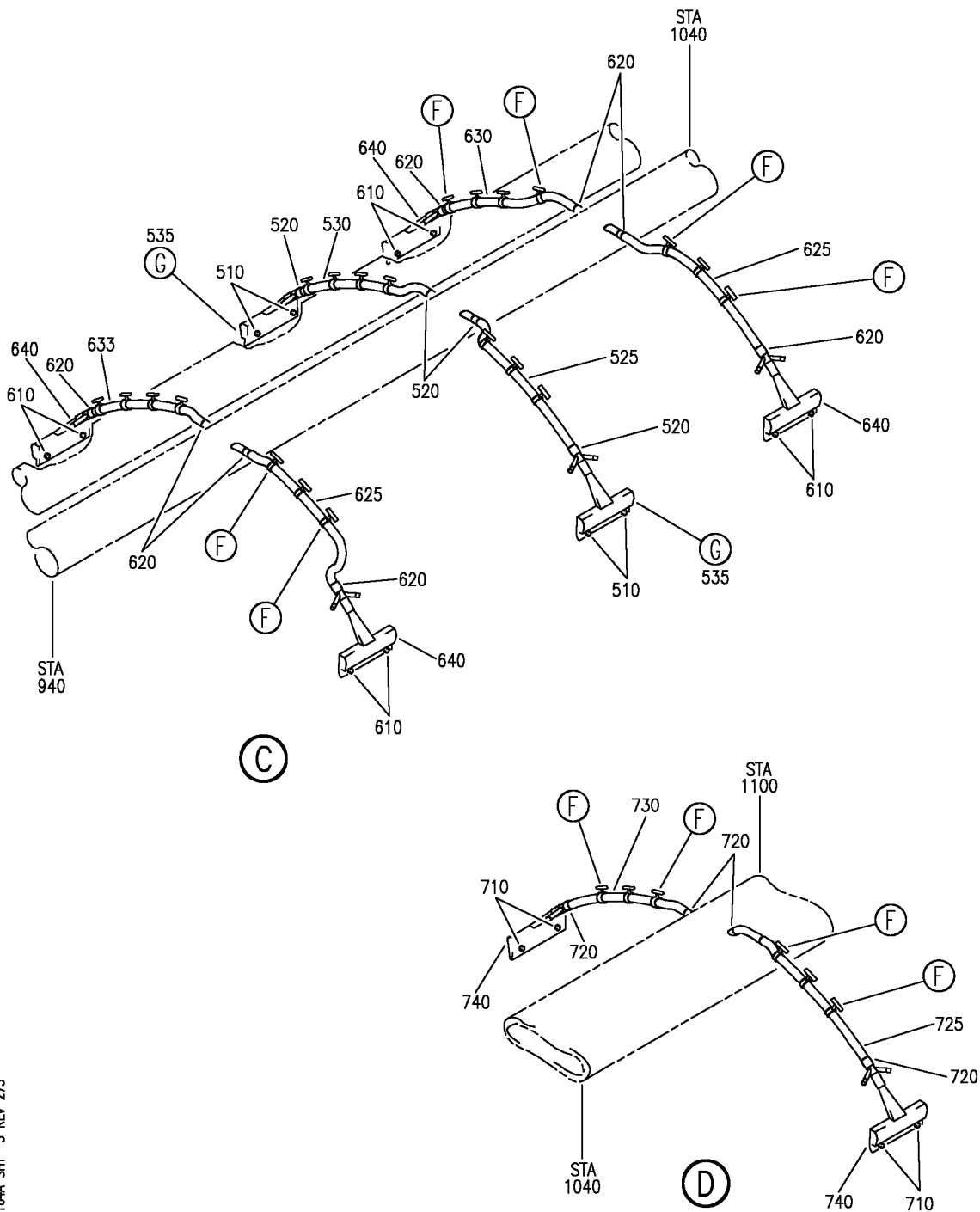
DUCT INSTL-SIDEWALL AIR DISTR SYSTEM
FIGURE 64A (SHEET 2)

21-23-01-64A

BRI
JAN 20/09

21-23-01-64A
PAGE 0A

BOEING
757
PARTS CATALOG (MAINTENANCE)



Y 21230164A SHT 3 REV 273

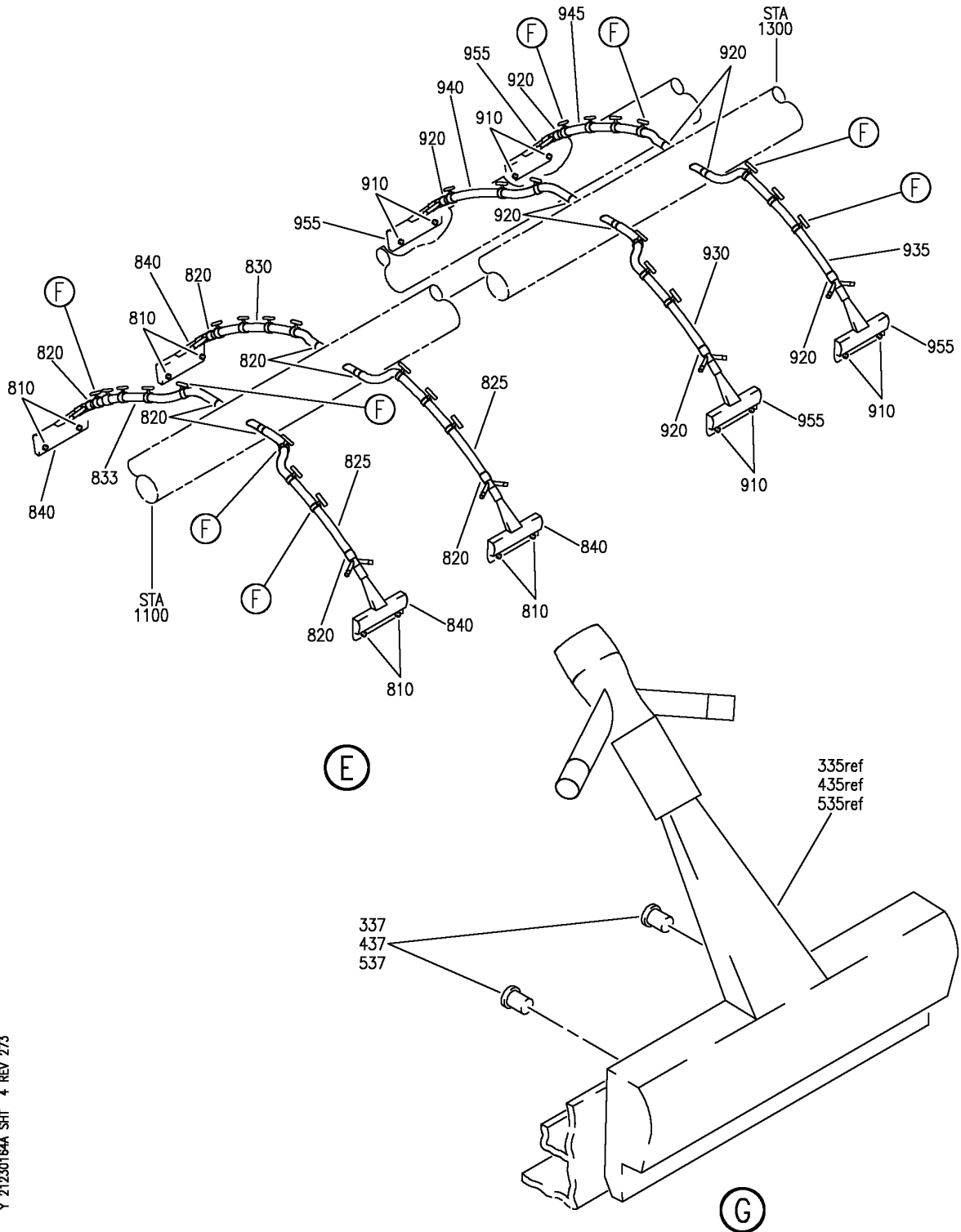
DUCT INSTL-SIDEWALL AIR DISTR SYSTEM
FIGURE 64A (SHEET 3)

21-23-01-64A

BRI
JAN 20/09

21-23-01-64A
PAGE 0B

BOEING
757
PARTS CATALOG (MAINTENANCE)



Y 21230164A SHT 4 REV 273

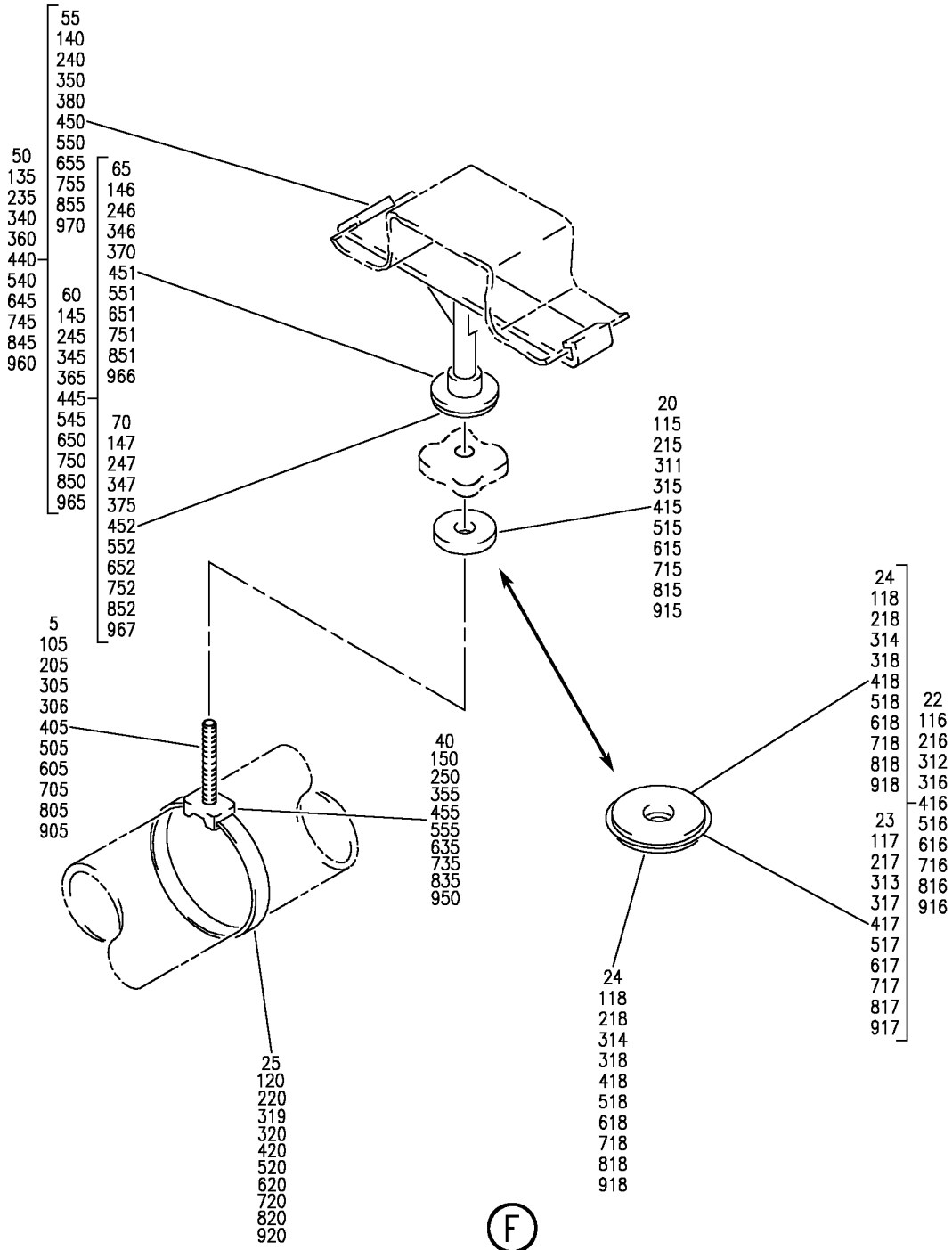
DUCT INSTL-SIDEWALL AIR DISTR SYSTEM
FIGURE 64A (SHEET 4)

21-23-01-64A

BRI
JAN 20/09

21-23-01-64A
PAGE 0C

BOEING
757
PARTS CATALOG (MAINTENANCE)



Y 21230164A SHT 5 REV 263

DUCT INSTL-SIDEWALL AIR DISTR SYSTEM
FIGURE 64A (SHEET 5)

21-23-01-64A

BRI
JAN 20/09

21-23-01-64A
PAGE 0D



757

PARTS CATALOG (MAINTENANCE)

| FIG ITEM | PART NUMBER | 1 2 3 4 5 6 7 | NOMENCLATURE | EFFECT FROM TO | UNITS PER ASSY |
|----------|-----------------|-----------------|--|----------------|----------------|
| 64A | | | DUCT INSTL-SIDEWALL AIR DISTR SYSTEM | 103106 | |
| - 1 | MODREF4698 | | DUCT INSTL-SIDEWALL AIR DISTR SYSTEM POS A WITH STOWAGE MODULE NUMBER: 214N2057-49 REV A POSITION DATA: STA 480-STA 520 | 103106 | 1 |
| 5 | BACS12ER3K10 | .SCREW | | 103106 | 11 |
| 15 | BACS12FA08K5 | .SCREW | | 103106 | 6 |
| 20 | BACW10DZ3 | .WASHER- | | 103106 | 11 |
| | | | OPTIONAL PART: 411N4026-12 | | |
| 22 | 411N4026-12 | .WASHER ASSY- | | 103106 | 11 |
| | | | OPTIONAL PART: BACW10DZ3 | | |
| 23 | 411N4026-13 | ..WASHER | | 103106 | 1 |
| 24 | 411N4026-7 | ..TAPE | | 103106 | 2 |
| 25 | PLT4SM | .STRAP | | 103106 | 17 |
| | | | SUPPLIER CODE: V06383 SPECIFICATION NUMBER: BACS38K2 OPTIONAL PART: T05L0 V53421 | | |
| 30 | AS1591-06-0490A | .DUCT | | 103106 | 1 |
| 35 | AS1591-06-0590A | .DUCT | | 103106 | 2 |
| 40 | TM3S10 | .PLATE | | 103106 | 11 |
| | | | SUPPLIER CODE: V06383 SPECIFICATION NUMBER: STBP19M12 | | |
| 45 | 214N2520-82 | .DIFFUSER ASSY | | 103106 | 3 |
| 50 | 214N5054-11 | .SUPPORT ASSY | | 103106 | 11 |
| 55 | 2055155-5B | ..CLIP-STRINGER | | 103106 | 1 |
| | | | SUPPLIER CODE: V04169 | | |
| 60 | 411N4026-2 | ..CAP ASSY- | | 103106 | 1 |
| | | | OPTIONAL PART: 411N4026-10 | | |
| 60 | 411N4026-10 | ..CAP ASSY- | | 103106 | 1 |
| | | | OPTIONAL PART: 411N4026-2 | | |
| 65 | 411N4026-11 | ...CAP- | | 103106 | 1 |
| | | | USED ON: 411N4026-10 | | |

MISSING ITEM NUMBERS NOT APPLICABLE

- ITEM NOT ILLUSTRATED

21-23-01-64A

21-23-01
FIG. 64A
PAGE 1
JAN 20/09

BRI

BOEING PROPRIETARY - Copyright © - Unpublished Work - See title page for details.



757

PARTS CATALOG (MAINTENANCE)

| FIG ITEM | PART NUMBER | 1 2 3 4 5 6 7 | NOMENCLATURE | EFFECT FROM TO | UNITS PER ASSY |
|-----------|-----------------|---------------|--|----------------|----------------|
| 64A 65 | 411N4026-5 | ... | CAP- USED ON: 411N4026-2 | 103106 | 1 |
| 70 | 411N4026-7 | ... | TAPE | 103106 | 1 |
| - 100 | MODREF4778 | | DUCT INSTL-SIDEWALL AIR DISTR SYSTEM POS A WITH STOWAGE, NO CLOSET MODULE NUMBER: 214N2057-50 REV A POSITION DATA: STA 440-STA 460 LEFT | 103106 | 1 |
| 105 | BACS12ER3K10 | . | SCREW | 103106 | 3 |
| 110 | BACS12FA08K5 | . | SCREW | 103106 | 2 |
| 115 | BACW10DZ3 | . | WASHER- OPTIONAL PART: 411N4026-12 | 103106 | 3 |
| 116 | 411N4026-12 | . | WASHER ASSY- OPTIONAL PART: BACW10DZ3 | 103106 | 3 |
| 117 | 411N4026-13 | .. | WASHER | 103106 | 1 |
| 118 | 411N4026-7 | .. | TAPE | 103106 | 2 |
| 120 | PLT4SM | . | STRAP SUPPLIER CODE: V06383 SPECIFICATION NUMBER: BACS38K2 OPTIONAL PART: T05L0 V53421 | 103106 | 5 |
| 125 | AS1591-06-0590A | . | DUCT | 103106 | 1 |
| 130 | 214N2520-82 | . | DIFFUSER ASSY | 103106 | 1 |
| 135 | 214N5054-11 | . | SUPPORT ASSY | 103106 | 3 |
| 140 | 2055155-5B | .. | CLIP-STRINGER SUPPLIER CODE: V04169 | 103106 | 1 |
| 145 | 411N4026-2 | .. | CAP ASSY- OPTIONAL PART: 411N4026-10 | 103106 | 1 |
| 145 | 411N4026-10 | .. | CAP ASSY- OPTIONAL PART: 411N4026-2 | 103106 | 1 |
| 146 | 411N4026-11 | ... | CAP- USED ON: 411N4026-10 | 103106 | 1 |
| 146 | 411N4026-5 | ... | CAP- USED ON: 411N4026-2 | 103106 | 1 |
| 147 | 411N4026-7 | ... | TAPE | 103106 | 1 |

MISSING ITEM NUMBERS NOT APPLICABLE

- ITEM NOT ILLUSTRATED

21-23-01-64A

21-23-01
FIG. 64A
PAGE 2
JAN 20/09

BRI

BOEING PROPRIETARY - Copyright © - Unpublished Work - See title page for details.

 **BOEING**
757
PARTS CATALOG (MAINTENANCE)

| FIG ITEM | PART NUMBER | 1 2 3 4 5 6 7 | NOMENCLATURE | EFFECT FROM TO | UNITS PER ASSY |
|------------|-----------------|---------------|---|----------------|----------------|
| 64A 150 | TM3S10 | | .PLATE SUPPLIER CODE: V06383 SPECIFICATION NUMBER: STBP19M12 | 103106 | 3 |
| - 200 | MODREF4779 | | DUCT INSTL-SIDEWALL AIR DISTR SYSTEM POS A WITH STOWAGE, NO CLOSET MODULE NUMBER: 214N2057-51 REV A POSITION DATA: STA 440-STA 460 RIGHT | 103106 | 1 |
| 205 | BACS12ER3K10 | | .SCREW | 103106 | 3 |
| 210 | BACS12FA08K5 | | .SCREW | 103106 | 2 |
| 215 | BACW10DZ3 | | .WASHER- OPTIONAL PART: 411N4026-12 | 103106 | 3 |
| 216 | 411N4026-12 | | .WASHER ASSY- OPTIONAL PART: BACW10DZ3 | 103106 | 3 |
| 217 | 411N4026-13 | | ..WASHER | 103106 | 1 |
| 218 | 411N4026-7 | | ..TAPE | 103106 | 2 |
| 220 | PLT4SM | | .STRAP SUPPLIER CODE: V06383 SPECIFICATION NUMBER: BACS38K2 OPTIONAL PART: T05LO V53421 | 103106 | 5 |
| 225 | AS1591-06-0490A | | .DUCT | 103106 | 1 |
| 230 | 214N2520-82 | | .DIFFUSER ASSY | 103106 | 1 |
| 235 | 214N5054-11 | | .SUPPORT ASSY | 103106 | 3 |
| 240 | 2055155-5B | | ..CLIP-STRINGER SUPPLIER CODE: V04169 | 103106 | 1 |
| 245 | 411N4026-2 | | ..CAP ASSY- OPTIONAL PART: 411N4026-10 | 103106 | 1 |
| 245 | 411N4026-10 | | ..CAP ASSY- OPTIONAL PART: 411N4026-2 | 103106 | 1 |
| 246 | 411N4026-11 | | ...CAP- USED ON: 411N4026-10 | 103106 | 1 |
| 246 | 411N4026-5 | | ...CAP- USED ON: 411N4026-2 | 103106 | 1 |

MISSING ITEM NUMBERS NOT APPLICABLE

- ITEM NOT ILLUSTRATED

21-23-01-64A

21-23-01
FIG. 64A
PAGE 3
JAN 20/09

BRI

BOEING PROPRIETARY - Copyright © - Unpublished Work - See title page for details.



757

PARTS CATALOG (MAINTENANCE)

| FIG ITEM | PART NUMBER | 1 2 3 4 5 6 7 | NOMENCLATURE | EFFECT FROM TO | UNITS PER ASSY |
|----------|--------------|---------------|---|----------------|----------------|
| 64A | | | | | |
| 247 | 411N4026-7 | | ...TAPE | 103106 | 1 |
| 250 | TM3S10 | | .PLATE | 103106 | 3 |
| | | | SUPPLIER CODE: V06383 | | |
| | | | SPECIFICATION NUMBER: STBP19M12 | | |
| - 300 | MODREF4780 | | DUCT INSTL-SIDEWALL AIR DISTR SYSTEM FWD RISER-BASELINE MODULE NUMBER: 214N2057-52 REV A POSITION DATA: STA 780-STA 840 | 103104 | 1 |
| - 300 | MODREF75263 | | DUCT INSTL-SIDEWALL AIR DISTR SYSTEM FWD RISER-BASELINE MODULE NUMBER: 214N2057-52 REV B POSITION DATA: STA 780-STA 840 | 105106 | 1 |
| 305 | BACS12ER3K10 | | .SCREW | 103106 | 13 |
| 306 | BACS12ER3K10 | | .SCREW | 103104 | 1 |
| 310 | BACS12FA08K5 | | .SCREW | 103106 | 8 |
| 311 | BACW10DZ3 | | .WASHER- | 103104 | 1 |
| | | | OPTIONAL PART: 411N4026-12 | | |
| 312 | 411N4026-12 | | .WASHER ASSY- | 103104 | 1 |
| | | | OPTIONAL PART: BACW10DZ3 | | |
| 313 | 411N4026-13 | | ..WASHER | 103104 | 1 |
| 314 | 411N4026-7 | | ..TAPE | 103104 | 2 |
| 315 | BACW10DZ3 | | .WASHER- | 103106 | 13 |
| | | | OPTIONAL PART: 411N4026-12 | | |
| 316 | 411N4026-12 | | .WASHER ASSY- | 103106 | 13 |
| | | | OPTIONAL PART: BACW10DZ3 | | |
| 317 | 411N4026-13 | | ..WASHER | 103106 | 1 |
| 318 | 411N4026-7 | | ..TAPE | 103106 | 2 |
| 319 | PLT4SM | | .STRAP | 103104 | 1 |
| | | | SUPPLIER CODE: V06383 | | |
| | | | SPECIFICATION NUMBER: BACS38K2 | | |
| | | | OPTIONAL PART: T05L0 V53421 | | |

MISSING ITEM NUMBERS NOT APPLICABLE

- ITEM NOT ILLUSTRATED

21-23-01-64A

21-23-01
FIG. 64A
PAGE 4
JAN 20/09

BRI

BOEING PROPRIETARY - Copyright © - Unpublished Work - See title page for details.



757

PARTS CATALOG (MAINTENANCE)

| FIG ITEM | PART NUMBER | 1 2 3 4 5 6 7 | NOMENCLATURE | EFFECT FROM TO | UNITS PER ASSY |
|------------|-----------------|---------------|---|----------------|----------------|
| 64A 320 | PLT4SM | . | STRAP SUPPLIER CODE: V06383 SPECIFICATION NUMBER: BACS38K2 OPTIONAL PART: T05L0 V53421 | 103106 | 21 |
| 325 | AS1591-06-0450A | . | DUCT | 103106 | 2 |
| 330 | AS1591-06-0590A | . | DUCT | 103106 | 2 |
| 335 | 214N2520-82 | . | DIFFUSER ASSY- | 103106 | 4 |
| 340 | 214N5054-14 | . | SUPPORT ASSY | 103106 | 13 |
| 345 | 411N4026-10 | .. | CAP ASSY- OPTIONAL PART: 411N4026-2 | 103106 | 1 |
| 345 | 411N4026-2 | .. | CAP ASSY- OPTIONAL PART: 411N4026-10 | 103106 | 1 |
| 346 | 411N4026-11 | ... | CAP- USED ON: 411N4026-10 | 103106 | 1 |
| 346 | 411N4026-5 | ... | CAP- USED ON: 411N4026-2 | 103106 | 1 |
| 347 | 411N4026-7 | ... | TAPE | 103106 | 1 |
| 350 | 2055155-5C | .. | CLIP-STRINGER SUPPLIER CODE: V04169 | 103106 | 1 |
| 355 | TM3S10 | . | PLATE SUPPLIER CODE: V06383 SPECIFICATION NUMBER: STBP19M12 | 103106 | 13 |
| 360 | 214N5054-14 | . | SUPPORT ASSY | 103104 | 1 |
| 365 | 411N4026-10 | .. | CAP ASSY- OPTIONAL PART: 411N4026-2 | 103104 | 1 |
| 365 | 411N4026-2 | .. | CAP ASSY- OPTIONAL PART: 411N4026-10 | 103104 | 1 |
| 370 | 411N4026-11 | ... | CAP- USED ON: 411N4026-10 | 103104 | 1 |
| 370 | 411N4026-5 | ... | CAP- USED ON: 411N4026-2 | 103104 | 1 |
| 375 | 2055155-5C | .. | CLIP-STRINGER SUPPLIER CODE: V04169 | 103104 | 1 |

MISSING ITEM NUMBERS NOT APPLICABLE

- ITEM NOT ILLUSTRATED

21-23-01-64A

21-23-01
FIG. 64A
PAGE 5
JAN 20/09

BRI

BOEING PROPRIETARY - Copyright © - Unpublished Work - See title page for details.

 **BOEING**
757
PARTS CATALOG (MAINTENANCE)

| FIG ITEM | PART NUMBER | 1 2 3 4 5 6 7 | NOMENCLATURE | EFFECT FROM TO | UNITS PER ASSY |
|------------|-----------------|---------------|---|----------------|----------------|
| 64A 380 | TM3S10 | . | PLATE SUPPLIER CODE: V06383 SPECIFICATION NUMBER: STBP19M12 | 103104 | 1 |
| - 400 | MODREF4781 | DUCT | INSTL-SIDEWALL AIR DISTR SYSTEM AFT RISER MODULE NUMBER: 214N2057-53 REV A POSITION DATA: STA 860-STA 960 | 103106 | 1 |
| 405 | BACS12ER3K10 | . | SCREW | 103106 | 14 |
| 410 | BACS12FA08K5 | . | SCREW | 103106 | 8 |
| 415 | BACW10DZ3 | . | WASHER- OPTIONAL PART: 411N4026-12 | 103106 | 14 |
| 416 | 411N4026-12 | . | WASHER ASSY- OPTIONAL PART: BACW10DZ3 | 103106 | 14 |
| 417 | 411N4026-13 | .. | WASHER | 103106 | 1 |
| 418 | 411N4026-7 | .. | TAPE | 103106 | 2 |
| 420 | PLT4SM | . | STRAP SUPPLIER CODE: V06383 SPECIFICATION NUMBER: BACS38K2 OPTIONAL PART: T05L0 V53421 | 103106 | 22 |
| 425 | AS1591-06-0450A | . | DUCT | 103106 | 2 |
| 430 | AS1591-06-0590A | . | DUCT | 103106 | 2 |
| 435 | 214N2520-82 | . | DIFFUSER ASSY- | 103106 | 4 |
| 440 | 214N5054-14 | . | SUPPORT ASSY | 103106 | 14 |
| 445 | 411N4026-10 | .. | CAP ASSY- OPTIONAL PART: 411N4026-2 | 103106 | 1 |
| 445 | 411N4026-2 | .. | CAP ASSY- OPTIONAL PART: 411N4026-10 | 103106 | 1 |
| 450 | 2055155-5C | .. | CLIP-STRINGER SUPPLIER CODE: V04169 | 103106 | 1 |
| 451 | 411N4026-11 | ... | CAP- USED ON: 411N4026-10 | 103106 | 1 |
| 451 | 411N4026-5 | ... | CAP- USED ON: 411N4026-2 | 103106 | 1 |

MISSING ITEM NUMBERS NOT APPLICABLE

- ITEM NOT ILLUSTRATED

BRI

21-23-01-64A

BOEING PROPRIETARY - Copyright © - Unpublished Work - See title page for details.

21-23-01
FIG. 64A
PAGE 6
JAN 20/09



757

PARTS CATALOG (MAINTENANCE)

| FIG ITEM | PART NUMBER | 1 2 3 4 5 6 7 | NOMENCLATURE | EFFECT FROM TO | UNITS PER ASSY |
|----------|-----------------|---------------|---|----------------|----------------|
| 64A | | | | | |
| 452 | 411N4026-7 | | ...TAPE | 103106 | 1 |
| 455 | TM3S10 | | .PLATE | 103106 | 14 |
| | | | SUPPLIER CODE: V06383 | | |
| | | | SPECIFICATION NUMBER: STBP19M12 | | |
| - 500 | MODREF4782 | | DUCT INSTL-SIDEWALL AIR DISTR SYSTEM DOOR 4 | 103106 | 1 |
| | | | MODULE NUMBER: 214N2057-54 REV A | | |
| | | | POSITION DATA: STA 980-STA 1000 | | |
| 505 | BACS12ER3K10 | | .SCREW | 103106 | 7 |
| 510 | BACS12FA08K5 | | .SCREW | 103106 | 4 |
| 515 | BACW10DZ3 | | .WASHER- | 103106 | 7 |
| | | | OPTIONAL PART: 411N4026-12 | | |
| 516 | 411N4026-12 | | .WASHER ASSY- | 103106 | 7 |
| | | | OPTIONAL PART: BACW10DZ3 | | |
| 517 | 411N4026-13 | | ..WASHER | 103106 | 1 |
| 518 | 411N4026-7 | | ..TAPE | 103106 | 2 |
| 520 | PLT4SM | | .STRAP | 103106 | 11 |
| | | | SUPPLIER CODE: V06383 | | |
| | | | SPECIFICATION NUMBER: BACS38K2 | | |
| | | | OPTIONAL PART: T05LO V53421 | | |
| 525 | AS1591-06-0450A | | .DUCT | 103106 | 1 |
| 530 | AS1591-06-0590A | | .DUCT | 103106 | 1 |
| 535 | 214N2520-82 | | .DIFFUSER ASSY- | 103106 | 2 |
| 540 | 214N5054-14 | | .SUPPORT ASSY | 103106 | 7 |
| 545 | 411N4026-10 | | ..CAP ASSY- | 103106 | 1 |
| | | | OPTIONAL PART: 411N4026-2 | | |
| 545 | 411N4026-2 | | ..CAP ASSY- | 103106 | 1 |
| | | | OPTIONAL PART: 411N4026-10 | | |
| 550 | 2055155-5C | | ..CLIP-STRINGER | 103106 | 1 |
| | | | SUPPLIER CODE: V04169 | | |
| 551 | 411N4026-11 | | ...CAP- | 103106 | 1 |
| | | | USED ON: 411N4026-10 | | |

MISSING ITEM NUMBERS NOT APPLICABLE

- ITEM NOT ILLUSTRATED

21-23-01-64A

21-23-01
FIG. 64A
PAGE 7
JAN 20/09

BRI



757

PARTS CATALOG (MAINTENANCE)

| FIG ITEM | PART NUMBER | 1 2 3 4 5 6 7 | NOMENCLATURE | EFFECT FROM TO | UNITS PER ASSY |
|------------|-----------------|---------------|---|----------------|----------------|
| 64A 551 | 411N4026-5 | ... | CAP- USED ON: 411N4026-2 | 103106 | 1 |
| 552 | 411N4026-7 | ... | TAPE | 103106 | 1 |
| 555 | TM3S10 | . | PLATE SUPPLIER CODE: V06383 SPECIFICATION NUMBER: STBP19M12 | 103106 | 7 |
| - 700 | MODREF4784 | | DUCT INSTL-SIDEWALL AIR DISTR SYSTEM POS D WITH STOWAGE MODULE NUMBER: 214N2057-57 REV A POSITION DATA: STA 1040-STA 1100 | 103106 | 1 |
| 705 | BACS12ER3K10 | . | SCREW | 103106 | 6 |
| 710 | BACS12FA08K5 | . | SCREW | 103106 | 4 |
| 715 | BACW10DZ3 | . | WASHER- OPTIONAL PART: 411N4026-12 | 103106 | 6 |
| 716 | 411N4026-12 | . | WASHER ASSY- OPTIONAL PART: BACW10DZ3 | 103106 | 6 |
| 717 | 411N4026-13 | .. | WASHER | 103106 | 1 |
| 718 | 411N4026-7 | .. | TAPE | 103106 | 2 |
| 720 | PLT4SM | . | STRAP SUPPLIER CODE: V06383 SPECIFICATION NUMBER: BACS38K2 OPTIONAL PART: T05L0 V53421 | 103106 | 10 |
| 725 | AS1591-06-0450A | . | DUCT | 103106 | 1 |
| 730 | AS1591-06-0560A | . | DUCT | 103106 | 1 |
| 735 | TM3S10 | . | PLATE SUPPLIER CODE: V06383 SPECIFICATION NUMBER: STBP19M12 | 103106 | 6 |
| 740 | 214N2520-82 | . | DIFFUSER ASSY | 103106 | 2 |
| 745 | 214N5054-14 | . | SUPPORT ASSY | 103106 | 6 |
| 750 | 411N4026-10 | .. | CAP ASSY- OPTIONAL PART: 411N4026-2 | 103106 | 1 |
| 750 | 411N4026-2 | .. | CAP ASSY- OPTIONAL PART: 411N4026-10 | 103106 | 1 |

MISSING ITEM NUMBERS NOT APPLICABLE

- ITEM NOT ILLUSTRATED

21-23-01-64A

21-23-01
FIG. 64A
PAGE 8
JAN 20/09

BRI

BOEING PROPRIETARY - Copyright © - Unpublished Work - See title page for details.



757

PARTS CATALOG (MAINTENANCE)

| FIG ITEM | PART NUMBER | 1 2 3 4 5 6 7 | NOMENCLATURE | EFFECT FROM TO | UNITS PER ASSY |
|------------|-------------|---------------|---|----------------|----------------|
| 64A 751 | 411N4026-11 | ... | CAP- USED ON: 411N4026-10 | 103106 | 1 |
| 751 | 411N4026-5 | ... | CAP- USED ON: 411N4026-2 | 103106 | 1 |
| 752 | 411N4026-7 | ... | TAPE | 103106 | 1 |
| 755 | 2055155-5C | .. | CLIP-STRINGER SUPPLIER CODE: V04169 | 103106 | 1 |

MISSING ITEM NUMBERS NOT APPLICABLE

- ITEM NOT ILLUSTRATED

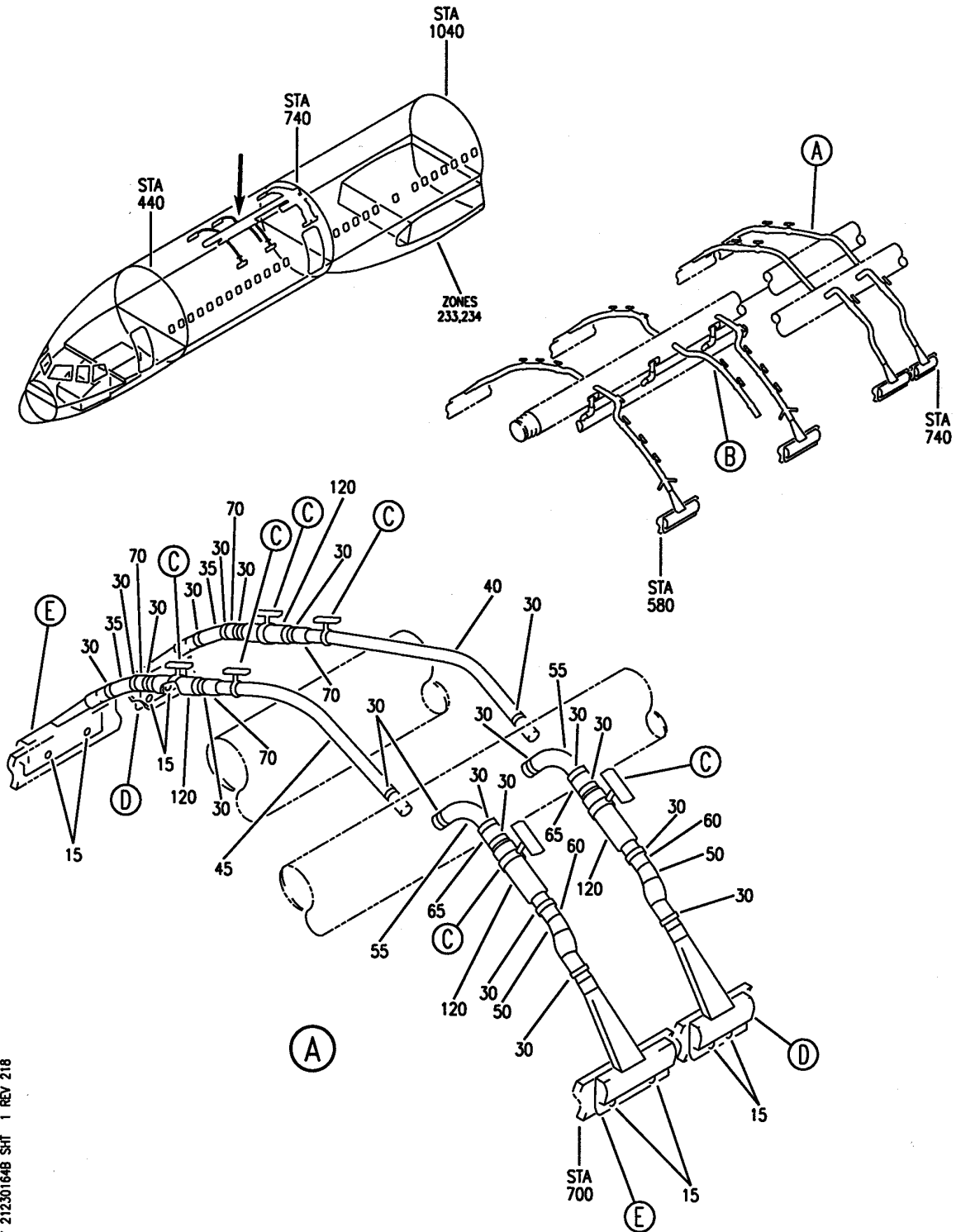
BRI

21-23-01-64A

BOEING PROPRIETARY - Copyright © - Unpublished Work - See title page for details.

21-23-01
FIG. 64A
PAGE 9
JAN 20/09

BOEING
757
PARTS CATALOG (MAINTENANCE)



Y 21230164B SHT 1 REV 218

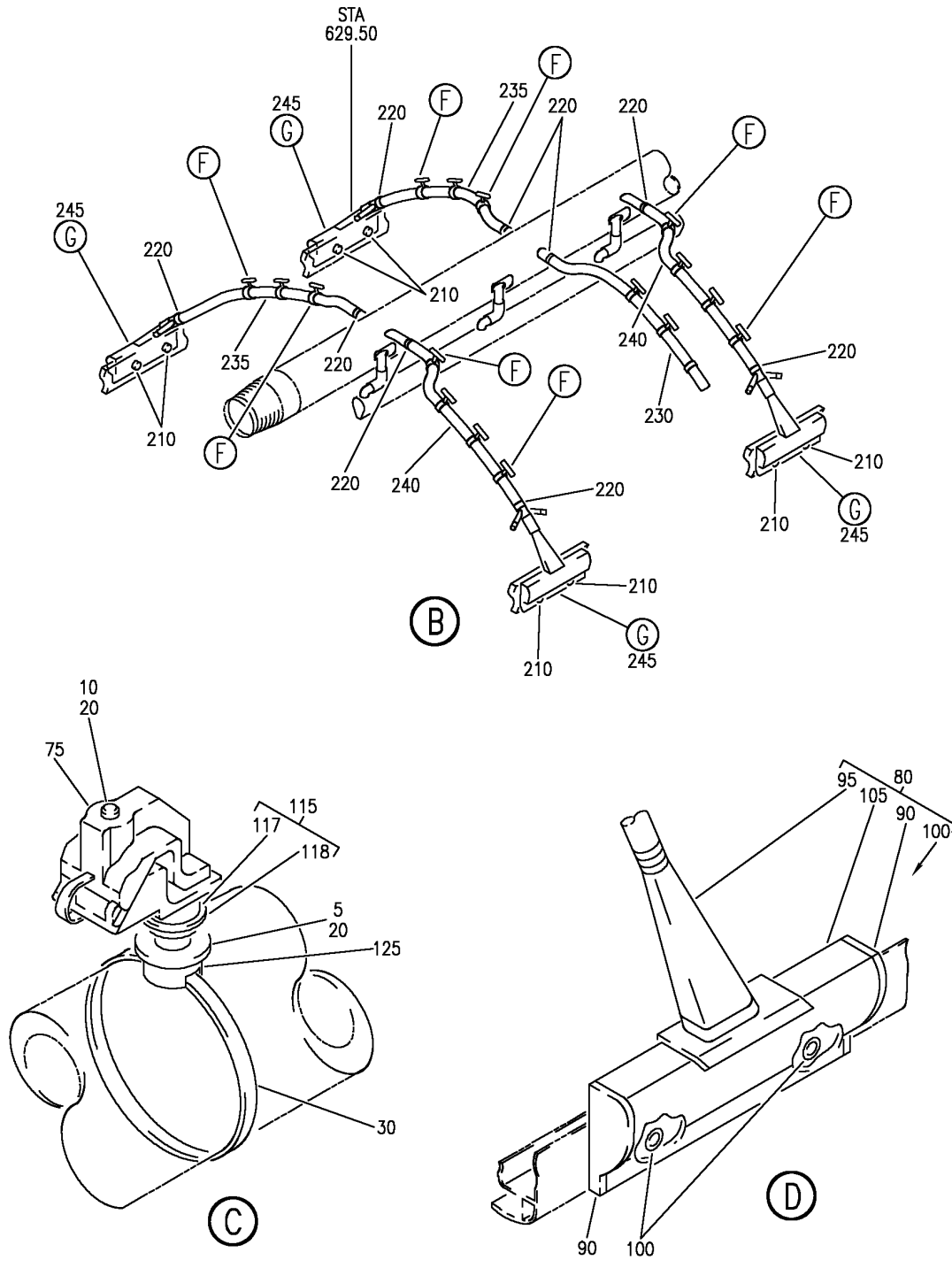
DUCT INSTL-SIDEWALL AIR DISTR SYSTEM
FIGURE 64B (SHEET 1)

21-23-01-64B

BRI
JAN 20/09

21-23-01-64B
PAGE 0

BOEING
757
PARTS CATALOG (MAINTENANCE)



Y 21230164B SHT 2 REV 263

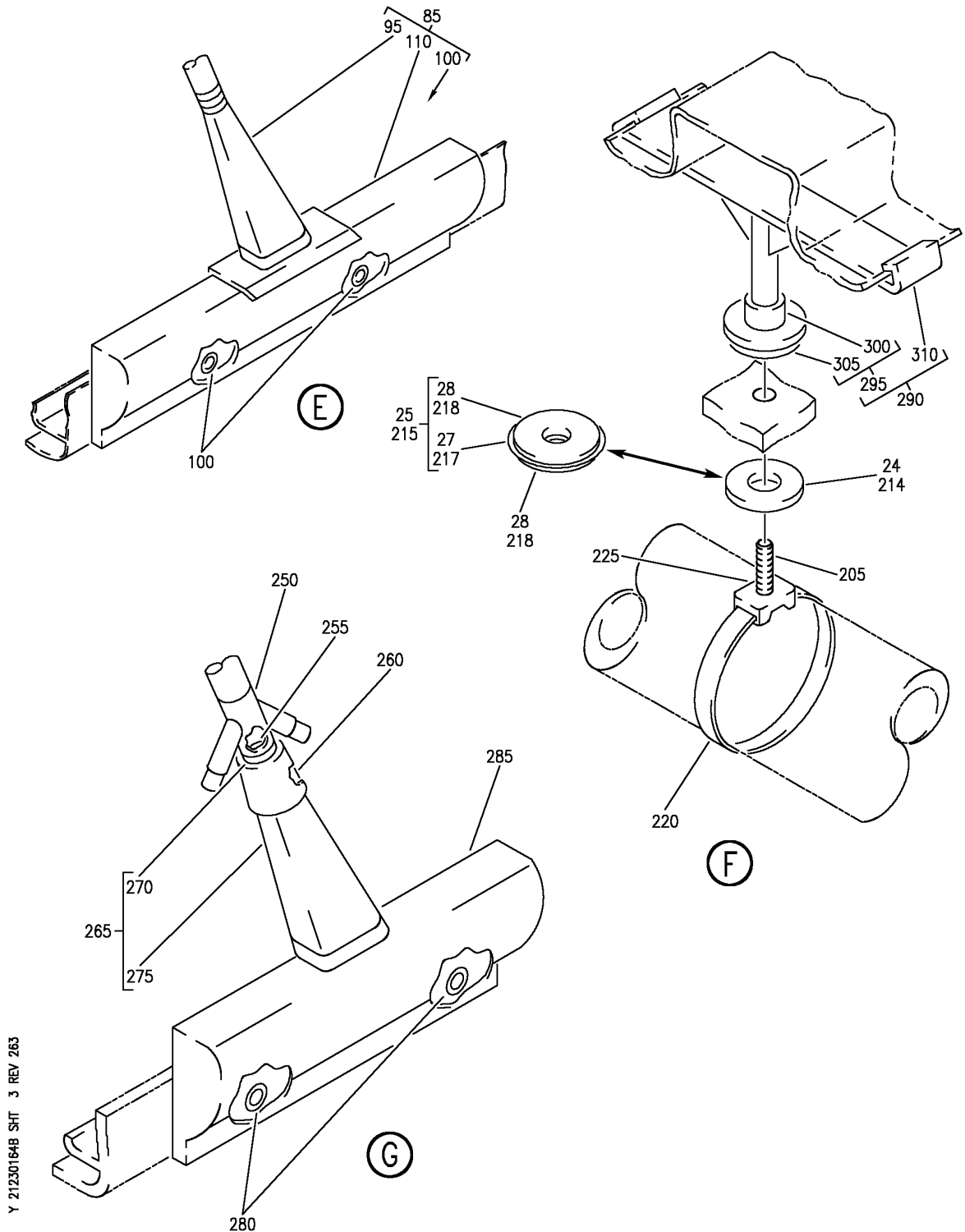
DUCT INSTL-SIDEWALL AIR DISTR SYSTEM
FIGURE 64B (SHEET 2)

21-23-01-64B

BRI
JAN 20/09

21-23-01-64B
PAGE 0A

BOEING
757
PARTS CATALOG (MAINTENANCE)



Y 21230164B SHT 3 REV 263

DUCT INSTL-SIDEWALL AIR DISTR SYSTEM
FIGURE 64B (SHEET 3)

21-23-01-64B

BRI
JAN 20/09

21-23-01-64B
PAGE 0B



757

PARTS CATALOG (MAINTENANCE)

| FIG ITEM | PART NUMBER | 1 2 3 4 5 6 7 | NOMENCLATURE | EFFECT FROM TO | UNITS PER ASSY |
|----------|--------------------|---------------|---|----------------|----------------|
| 64B | | | DUCT INSTL-SIDEWALL AIR DISTR SYSTEM | 103106 | |
| - 1 | MODREF4787 | | DUCT INSTL-SIDEWALL AIR DISTR SYSTEM DOOR 2 MODULE NUMBER: 214N2057-61 REV A POSITION DATA: STA 700-STA 740 | 103106 | 1 |
| | 5 BACS12GU3K10 | | .SCREW | 103106 | 6 |
| | 10 BACS12GU3K16 | | .SCREW | 103106 | 6 |
| | 15 BACS12FA08K5 | | .SCREW | 103106 | 8 |
| | 20 NAS1149D0332J | | .WASHER | 103106 | 12 |
| | 24 BACW10DZ3 | | .WASHER- OPTIONAL PART: 411N4026-12 | 103106 | 6 |
| | 25 411N4026-12 | | .WASHER ASSY- OPTIONAL PART: BACW10DZ3 | 103106 | 6 |
| | 27 411N4026-13 | | ..WASHER | 103106 | 1 |
| | 28 411N4026-7 | | ..TAPE | 103106 | 2 |
| | 30 PLT4SM | | .STRAP SUPPLIER CODE: V06383 SPECIFICATION NUMBER: BACS38K2 OPTIONAL PART: T05L0 V53421 | 103106 | 26 |
| | 35 AS1506-06D42 | | .HOSE | 103106 | 2 |
| | 40 AS1591-06-0222A | | .HOSE | 103106 | 1 |
| | 45 AS1591-06-0200A | | .DUCT | 103106 | 1 |
| | 50 BCREF15012 | | .HOSE- OVERLENGTH PART NUMBER: BACD40V0806-0052 | 103106 | 2 |
| | 55 BCREF134545 | | .HOSE- OVERLENGTH PART NUMBER: BACD40V0806-0070 | 103106 | 2 |
| | 60 69B43325-14 | | .CONNECTOR | 103106 | 2 |
| | 65 69B43325-3 | | .CONNECTOR | 103106 | 2 |
| | 70 69B43325-8 | | .CONNECTOR | 103106 | 4 |
| | 75 287W4149-1 | | .CLAMP- | 103106 | 6 |
| | 75 BACS38Y3 | | .SUPPORT- | 103106 | 6 |
| | 80 214N2520-128 | | .DIFFUSER ASSY | 103106 | 2 |
| | 85 214N2520-130 | | .DIFFUSER ASSY | 103106 | 2 |
| | 90 214N2520-7 | | ..PLATE | 103106 | 2 |
| | 95 214N2520-124 | | ..INLET | 103106 | 1 |

MISSING ITEM NUMBERS NOT APPLICABLE

- ITEM NOT ILLUSTRATED

21-23-01-64B

21-23-01
FIG. 64B
PAGE 1
MAY 20/09

BRI



757

PARTS CATALOG (MAINTENANCE)

| FIG ITEM | PART NUMBER | 1 2 3 4 5 6 7 | NOMENCLATURE | EFFECT FROM TO | UNITS PER ASSY |
|-------------|--------------|---------------|--|-------------------|----------------------|
| 64B 100 | 6035-2BR185 | | .. INSERT- SUPPLIER CODE: V01556 | 103106 | 2 |
| 105 | 214N2520-125 | | .. DIFFUSER- USED ON: 214N2520-128 | 103106 | 1 |
| 110 | 214N2520-127 | | .. DIFFUSER- USED ON: 214N2520-130 | 103106 | 1 |
| 115 | 411N4026-8 | | .CAP ASSY | 103106 | 6 |
| 117 | 411N4026-9 | | .. CAP | 103106 | 1 |
| 118 | 411N4026-7 | | .. TAPE | 103106 | 1 |
| 120 | 65C36915-1 | | .MUFFLER ASSY | 103106 | 4 |
| 125 | TM3S10 | | .PLATE SUPPLIER CODE: V06383 SPECIFICATION NUMBER: STBP19M12 | 103106 | 6 |

MISSING ITEM NUMBERS NOT APPLICABLE

- ITEM NOT ILLUSTRATED

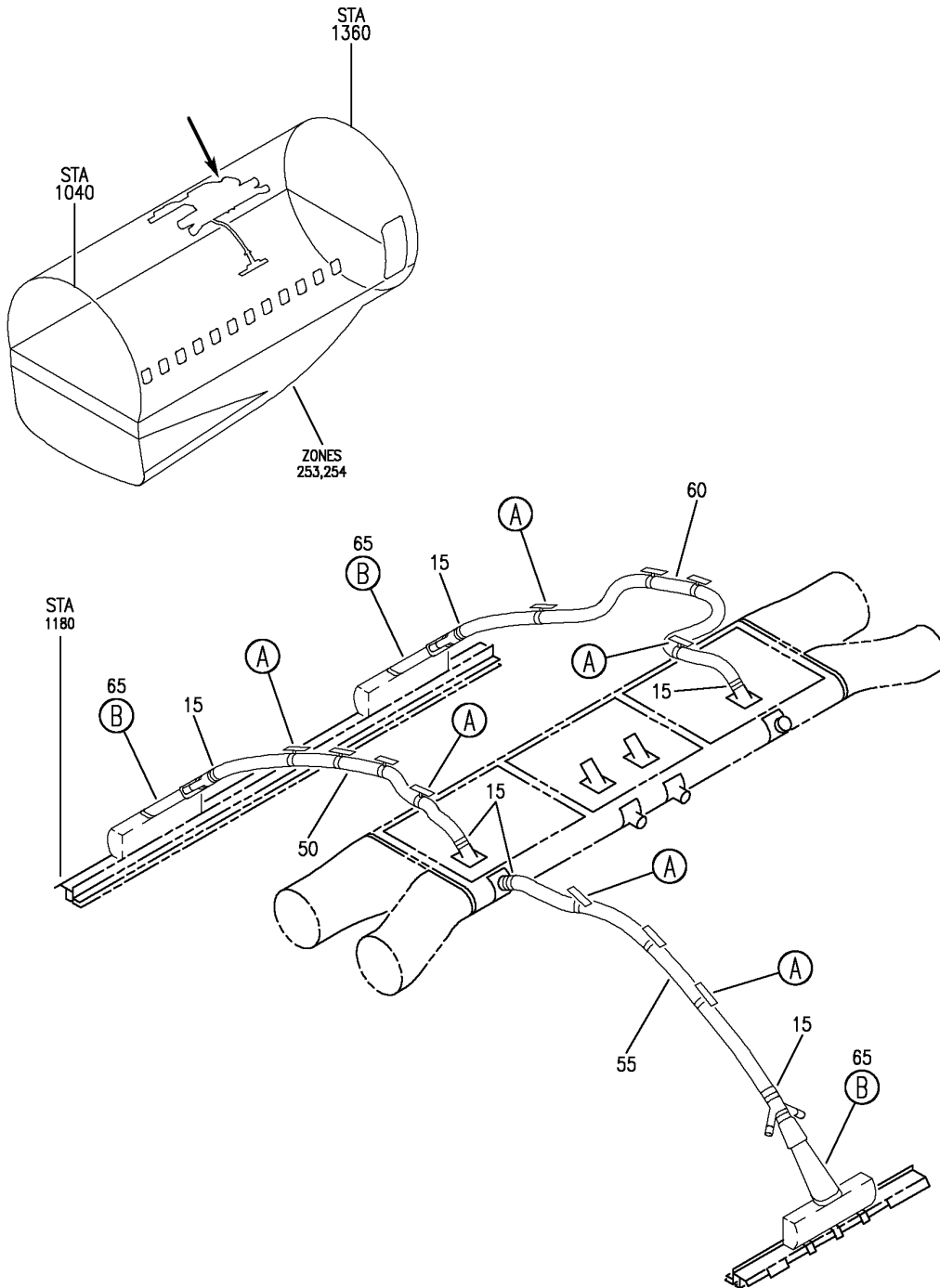
BRI

21-23-01-64B

BOEING PROPRIETARY - Copyright © - Unpublished Work - See title page for details.

21-23-01
FIG. 64B
PAGE 2
JAN 20/09

BOEING
757
PARTS CATALOG (MAINTENANCE)



Y 21230164J SHT 1 REV 254

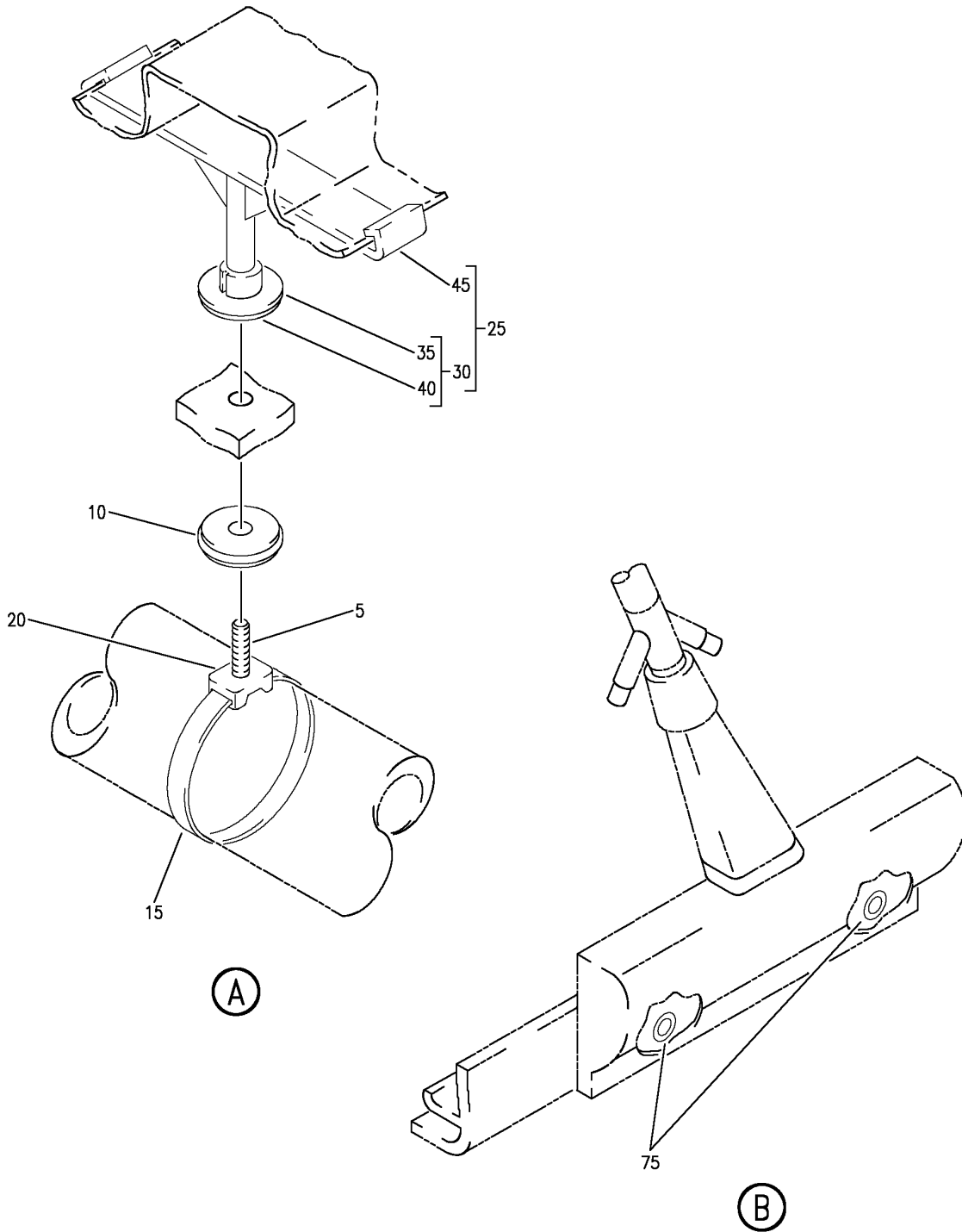
DUCT INSTL-SIDEWALL AIR DISTR SYS
FIGURE 64J (SHEET 1)

21-23-01-64J

BRI
JAN 20/09

21-23-01-64J
PAGE 0

BOEING
757
PARTS CATALOG (MAINTENANCE)



Y 21230164J SHT 2 REV 254

DUCT INSTL-SIDEWALL AIR DISTR SYS
FIGURE 64J (SHEET 2)

21-23-01-64J

BRI
JAN 20/09

21-23-01-64J
PAGE 0A



757

PARTS CATALOG (MAINTENANCE)

| FIG ITEM | PART NUMBER | 1 2 3 4 5 6 7 | NOMENCLATURE | EFFECT FROM TO | UNITS PER ASSY |
|----------|-----------------|---------------|---|----------------|----------------|
| 64J | | | DUCT INSTL-SIDEWALL AIR DISTR SYS | 103106 | |
| - 1 | MODREF23243 | | DUCT INSTL-SIDEWALL AIR DISTR SYS MODULE NUMBER: 214N2057-27 REV A POSITION DATA: STA 1180 TO STA 1260 | 103106 | 1 |
| 5 | BACS12ER3K10 | | .SCREW | 103106 | 11 |
| 10 | BACW10DZ3 | | .WASHER | 103106 | 11 |
| 15 | PLT3SM | | .STRAP SUPPLIER CODE: V06383 SPECIFICATION NUMBER: BACS38K7 OPTIONAL PART: T0510 V53421 | 103106 | 17 |
| 20 | TM3S10 | | .PLATE SUPPLIER CODE: V06383 SPECIFICATION NUMBER: STBP19M12 | 103106 | 11 |
| 25 | 214N5054-14 | | .SUPPORT ASSY | 103106 | 11 |
| 30 | 411N4026-2 | | ..CAP ASSY- OPTIONAL PART: 411N4026-10 | 103106 | 1 |
| 30 | 411N4026-10 | | ..CAP ASSY- OPTIONAL PART: 411N4026-2 | 103106 | 1 |
| 35 | 411N4026-5 | | ...CAP- USED ON: 411N4026-2 | 103106 | 1 |
| 35 | 411N4026-11 | | ...CAP- USED ON: 411N4026-10 | 103106 | 1 |
| 40 | 411N4026-7 | | ...TAPE | 103106 | 1 |
| 45 | 2055155-5C | | ..CLIP-STGR SUPPLIER CODE: V04169 | 103106 | 1 |
| 50 | AS1591-06-0590A | | .DUCT | 103106 | 1 |
| 55 | AS1591-06-0490A | | .DUCT | 103106 | 1 |
| 60 | AS1591-06-0620A | | .DUCT | 103106 | 1 |
| 65 | 214N2520-120 | | .DIFFUSER ASSY- OPTIONAL PART: 214N2520-119 | 103106 | 3 |
| 65 | 214N2520-119 | | .DIFFUSER ASSY- OPTIONAL PART: 214N2520-120 | 103106 | 3 |

MISSING ITEM NUMBERS NOT APPLICABLE

- ITEM NOT ILLUSTRATED

21-23-01-64J

21-23-01
FIG. 64J
PAGE 1
JAN 20/09

BRI

BOEING PROPRIETARY - Copyright © - Unpublished Work - See title page for details.



757

PARTS CATALOG (MAINTENANCE)

| FIG ITEM | PART NUMBER | 1 2 3 4 5 6 7 | NOMENCLATURE | EFFECT FROM TO | UNITS PER ASSY |
|-------------|--------------|---------------|---------------------------------------|-------------------|----------------------|
| 64J | | | | | |
| - 70 | BACS12FA08K5 | | ATTACHING PARTS .SCREW | 103106 | 6 |
| | | | -----*----- | | |
| 75 | 6035-2BR185 | | ..INSERT- SUPPLIER CODE: V01556 | 103106 | 2 |

MISSING ITEM NUMBERS NOT APPLICABLE

- ITEM NOT ILLUSTRATED

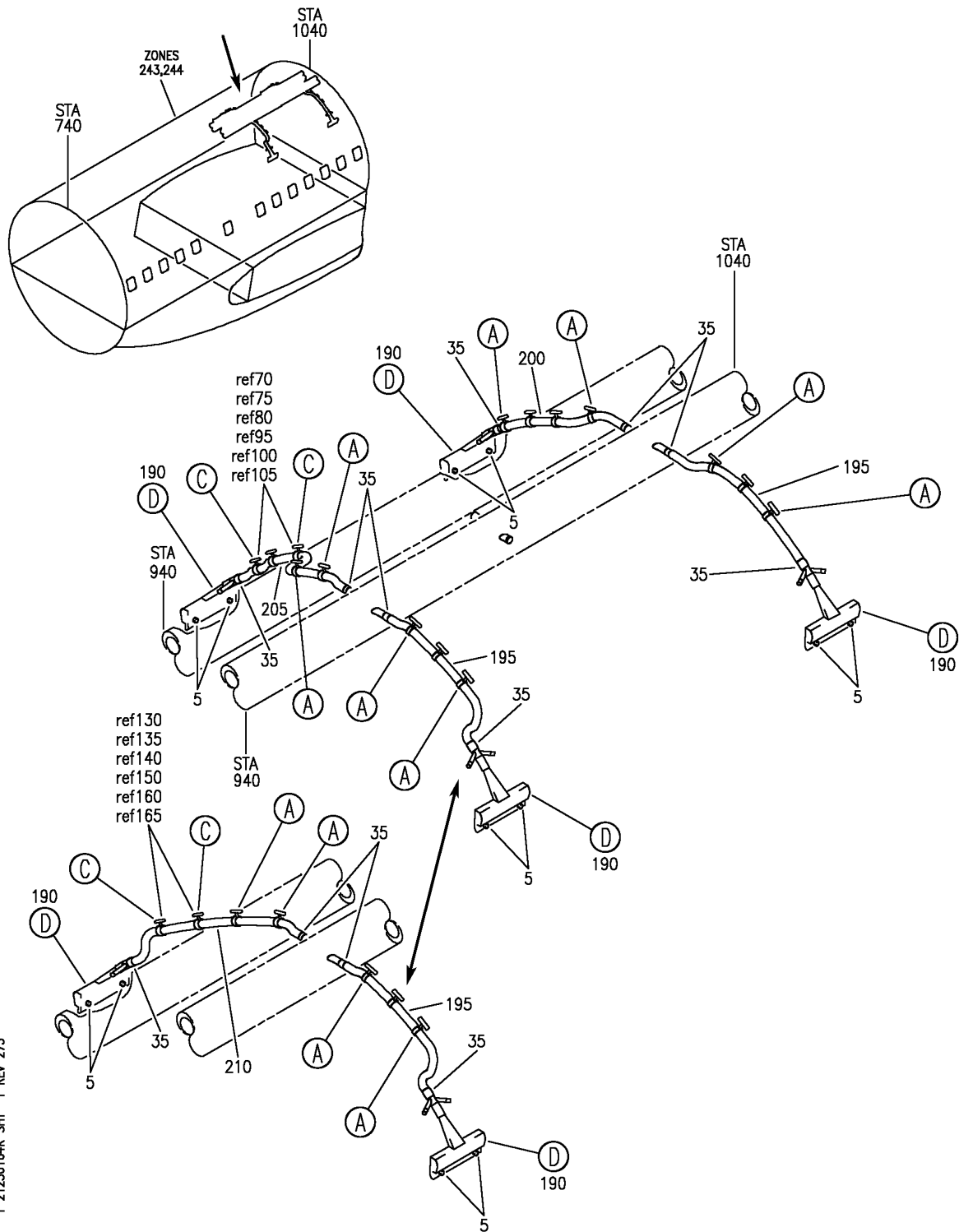
BRI

21-23-01-64J

BOEING PROPRIETARY - Copyright © - Unpublished Work - See title page for details.

21-23-01
FIG. 64J
PAGE 2
JAN 20/09

BOEING
757
PARTS CATALOG (MAINTENANCE)



Y 21230164K SHT 1 REV 273

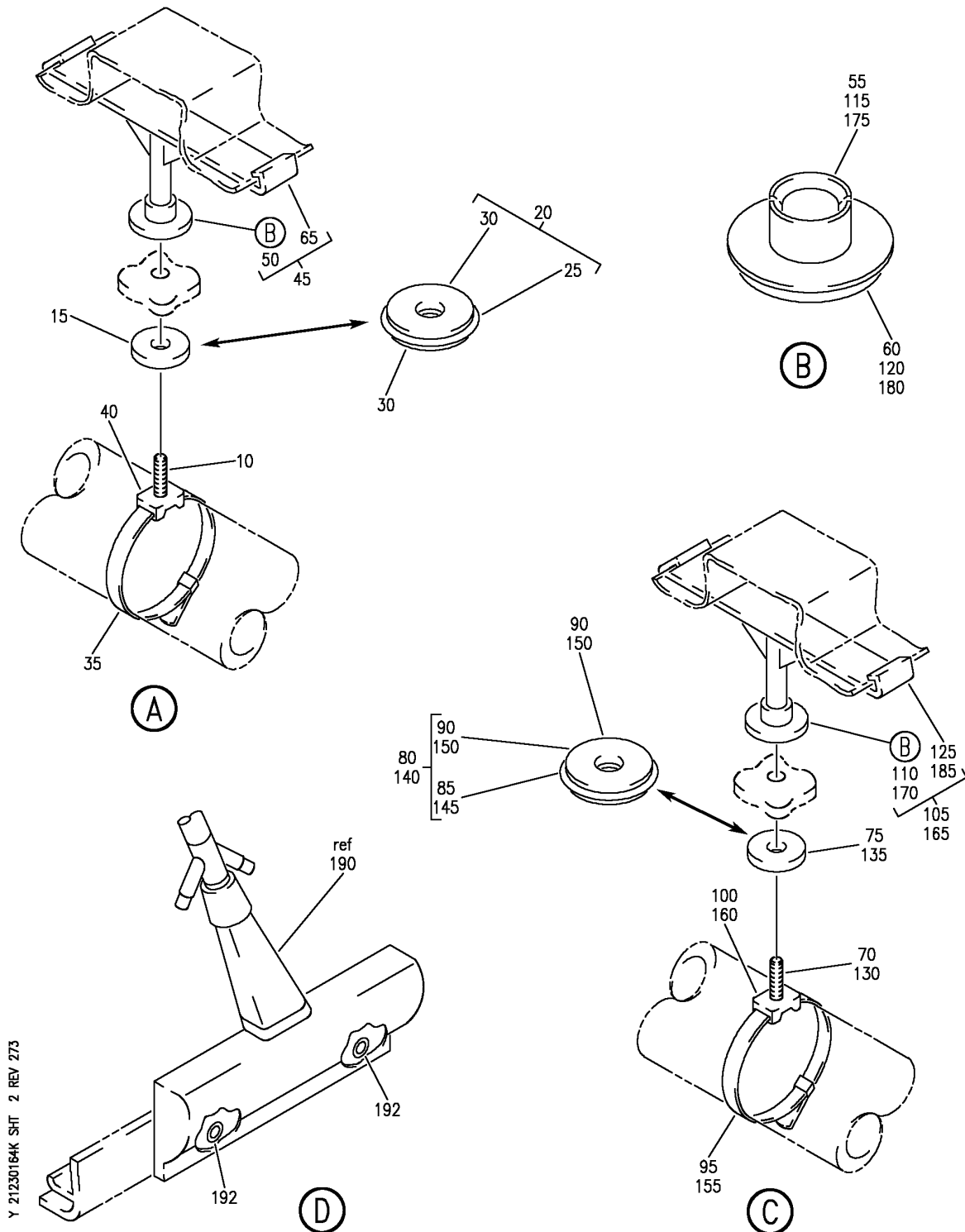
DUCT INSTL-SIDEWALL AIR DISTR SYSTEM
FIGURE 64K (SHEET 1)

21-23-01-64K

BRI
JAN 20/09

21-23-01-64K
PAGE 0

BOEING
757
PARTS CATALOG (MAINTENANCE)



Y 21230164K SHT 2 REV 273

DUCT INSTL-SIDEWALL AIR DISTR SYSTEM
FIGURE 64K (SHEET 2)

BRI
JAN 20/09

21-23-01-64K

21-23-01-64K
PAGE 0A



757

PARTS CATALOG (MAINTENANCE)

| FIG ITEM | PART NUMBER | 1 2 3 4 5 6 7 | NOMENCLATURE | EFFECT FROM TO | UNITS PER ASSY |
|----------|--------------|---------------|---|----------------|----------------|
| 64K | | | DUCT INSTL-SIDEWALL AIR DISTR SYSTEM | 103106 | |
| - 1 | MODREF31657 | | DUCT INSTL-SIDEWALL AIR DISTR SYSTEM MODULE NUMBER: 214N2057-55 REV B POSITION DATA: STA 940-STA 1040 | 103105 | 1 |
| - 1 | MODREF102171 | | DUCT INSTL-SIDEWALL AIR DISTR SYSTEM MODULE NUMBER: 214N2057-55 REV C POSITION DATA: STA 940-STA 1040 | 106106 | 1 |
| 5 | BACS12FA08K5 | | .SCREW | 103106 | 8 |
| 10 | BACS12ER3K10 | | .SCREW | 103106 | 12 |
| 15 | BACW10DZ3 | | .WASHER- OPTIONAL PART: 411N4026-12 | 103106 | 12 |
| 20 | 411N4026-12 | | .WASHER ASSY- OPTIONAL PART: BACW10DZ3 | 103106 | 12 |
| 25 | 411N4026-13 | | ..WASHER | 103106 | 1 |
| 30 | 411N4026-7 | | ..TAPE | 103106 | 2 |
| 35 | PLT4SM | | .STRAP SUPPLIER CODE: V06383 SPECIFICATION NUMBER: BACS38K2 OPTIONAL PART: T05LO V53421 | 103106 | 20 |
| 40 | TM3S10 | | .PLATE SUPPLIER CODE: V06383 SPECIFICATION NUMBER: STBP19M12 | 103106 | 12 |
| 45 | 214N5054-14 | | .SUPPORT ASSY | 103106 | 12 |
| 50 | 411N4026-10 | | ..CAP ASSY- OPTIONAL PART: 411N4026-2 | 103106 | 1 |
| 50 | 411N4026-2 | | ..CAP ASSY- OPTIONAL PART: 411N4026-10 | 103106 | 1 |
| 55 | 411N4026-11 | | ...CAP- USED ON: 411N4026-10 | 103106 | 1 |

MISSING ITEM NUMBERS NOT APPLICABLE

- ITEM NOT ILLUSTRATED

21-23-01-64K

21-23-01
FIG. 64K
PAGE 1
JAN 20/09

BRI



757

PARTS CATALOG (MAINTENANCE)

| FIG ITEM | PART NUMBER | 1 2 3 4 5 6 7 | NOMENCLATURE | EFFECT FROM TO | UNITS PER ASSY |
|----------|--------------|---------------|---|----------------|----------------|
| 64K | | | | | |
| 55 | 411N4026-5 | ... | CAP- USED ON: 411N4026-2 | 103106 | 1 |
| 60 | 411N4026-7 | ... | TAPE | 103106 | 1 |
| 65 | 2055155-5C | .. | CLIP-STRINGER SUPPLIER CODE: V04169 | 103106 | 1 |
| 70 | BACS12ER3K10 | . | SCREW | 103105 | 3 |
| 75 | BACW10DZ3 | . | WASHER- OPTIONAL PART: 411N4026-12 | 103105 | 3 |
| 80 | 411N4026-12 | . | WASHER ASSY- OPTIONAL PART: BACW10DZ3 | 103105 | 3 |
| 85 | 411N4026-13 | .. | WASHER | 103105 | 1 |
| 90 | 411N4026-7 | .. | TAPE | 103105 | 2 |
| 95 | PLT4SM | . | STRAP SUPPLIER CODE: V06383 SPECIFICATION NUMBER: BACS38K2 OPTIONAL PART: T05L0 V53421 | 103105 | 3 |
| 100 | TM3S10 | . | PLATE SUPPLIER CODE: V06383 SPECIFICATION NUMBER: STBP19M12 | 103105 | 3 |
| 105 | 214N5054-14 | . | SUPPORT ASSY | 103105 | 3 |
| 110 | 411N4026-10 | .. | CAP ASSY- OPTIONAL PART: 411N4026-2 | 103105 | 1 |
| 110 | 411N4026-2 | .. | CAP ASSY- OPTIONAL PART: 411N4026-10 | 103105 | 1 |
| 115 | 411N4026-11 | ... | CAP- USED ON: 411N4026-10 | 103105 | 1 |
| 115 | 411N4026-5 | ... | CAP- USED ON: 411N4026-2 | 103105 | 1 |
| 120 | 411N4026-7 | ... | TAPE | 103105 | 1 |
| 125 | 2055155-5C | .. | CLIP-STRINGER SUPPLIER CODE: V04169 | 103105 | 1 |
| 130 | BACS12ER3K10 | . | SCREW | 106106 | 2 |

MISSING ITEM NUMBERS NOT APPLICABLE

- ITEM NOT ILLUSTRATED

21-23-01-64K

21-23-01
FIG. 64K
PAGE 2
JAN 20/09

BRI

BOEING PROPRIETARY - Copyright © - Unpublished Work - See title page for details.

 **BOEING**
757
PARTS CATALOG (MAINTENANCE)

| FIG ITEM | PART NUMBER | 1 2 3 4 5 6 7 | NOMENCLATURE | EFFECT FROM TO | UNITS PER ASSY |
|------------|-----------------|---------------|---|----------------|----------------|
| 64K 135 | BACW10DZ3 | . | WASHER- OPTIONAL PART: 411N4026-12 | 106106 | 2 |
| 140 | 411N4026-12 | . | WASHER ASSY- OPTIONAL PART: BACW10DZ3 | 106106 | 2 |
| 145 | 411N4026-13 | .. | WASHER | 106106 | 1 |
| 150 | 411N4026-7 | .. | TAPE | 106106 | 2 |
| 155 | PLT4SM | . | STRAP SUPPLIER CODE: V06383 SPECIFICATION NUMBER: BACS38K2 OPTIONAL PART: T05LO V53421 | 106106 | 2 |
| 160 | TM3S10 | . | PLATE SUPPLIER CODE: V06383 SPECIFICATION NUMBER: STBP19M12 | 106106 | 2 |
| 165 | 214N5054-14 | . | SUPPORT ASSY | 106106 | 2 |
| 170 | 411N4026-10 | .. | CAP ASSY- OPTIONAL PART: 411N4026-2 | 106106 | 1 |
| 170 | 411N4026-2 | .. | CAP ASSY- OPTIONAL PART: 411N4026-10 | 106106 | 1 |
| 175 | 411N4026-11 | ... | CAP- USED ON: 411N4026-10 | 106106 | 1 |
| 175 | 411N4026-5 | ... | CAP- USED ON: 411N4026-2 | 106106 | 1 |
| 180 | 411N4026-7 | ... | TAPE | 106106 | 1 |
| 185 | 2055155-5C | .. | CLIP-STRINGER SUPPLIER CODE: V04169 | 106106 | 1 |
| 190 | 214N2520-82 | . | DIFFUSER ASSY- | 103106 | 4 |
| 195 | AS1591-06-0420A | . | DUCT | 103106 | 2 |
| 200 | AS1591-06-0550A | . | DUCT | 103106 | 1 |
| 205 | AS1591-06-0700A | . | DUCT- | 103105 | 1 |
| 210 | AS1591-06-0590A | . | DUCT- | 106106 | 1 |

MISSING ITEM NUMBERS NOT APPLICABLE

— ITEM NOT ILLUSTRATED

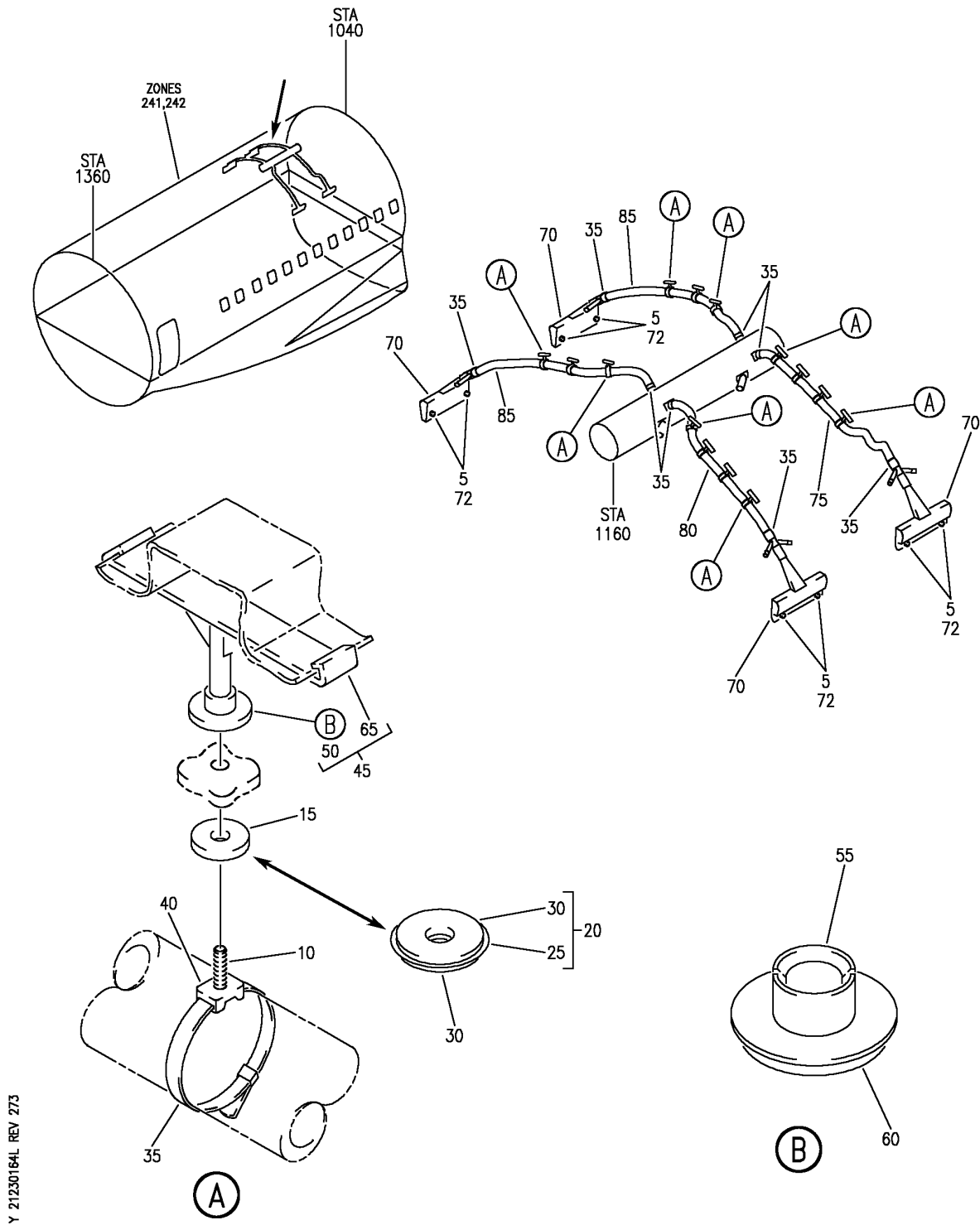
21-23-01-64K

21-23-01
FIG. 64K
PAGE 3
JAN 20/09

BRI

BOEING PROPRIETARY - Copyright © - Unpublished Work - See title page for details.

BOEING
757
PARTS CATALOG (MAINTENANCE)



Y 21230164L REV 273

DUCT INSTL-SIDEWALL AIR DISTR SYS
FIGURE 64L

21-23-01-64L

BRI
JAN 20/09

21-23-01-64L
PAGE 0



757

PARTS CATALOG (MAINTENANCE)

| FIG ITEM | PART NUMBER | 1 2 3 4 5 6 7 | NOMENCLATURE | EFFECT FROM TO | UNITS PER ASSY |
|----------|--------------|-----------------|---|----------------|----------------|
| 64L | | | DUCT INSTL-SIDEWALL AIR DISTR SYS | 103106 | |
| - 1 | MODREF33193 | | DUCT INSTL-SIDEWALL AIR DISTR SYSTEM MODULE NUMBER: 214N2057-70 REV A POSITION DATA: SECTION 44 STA 1100-STA 1160 | 103106 | 1 |
| 5 | BACS12FA08K5 | .SCREW | | 103106 | 8 |
| 10 | BACS12ER3K10 | .SCREW | | 103106 | 14 |
| 15 | BACW10DZ3 | .WASHER- | | 103106 | 14 |
| | | | OPTIONAL PART: 411N4026-12 | | |
| 20 | 411N4026-12 | .WASHER ASSY- | | 103106 | 14 |
| | | | OPTIONAL PART: BACW10DZ3 | | |
| 25 | 411N4026-13 | ..WASHER | | 103106 | 1 |
| 30 | 411N4026-7 | ..TAPE | | 103106 | 2 |
| 35 | PLT4SM | .STRAP | | 103106 | 22 |
| | | | SUPPLIER CODE: V06383 SPECIFICATION NUMBER: BACS38K2 OPTIONAL PART: T05L0 V53421 | | |
| 40 | TM3S10 | .PLATE | | 103106 | 14 |
| | | | SUPPLIER CODE: V06383 SPECIFICATION NUMBER: STBP19M12 | | |
| 45 | 214N5054-14 | .SUPPORT ASSY | | 103106 | 14 |
| 50 | 411N4026-10 | ..CAP ASSY- | | 103106 | 1 |
| | | | OPTIONAL PART: 411N4026-2 | | |
| 50 | 411N4026-2 | ..CAP ASSY- | | 103106 | 1 |
| | | | OPTIONAL PART: 411N4026-10 | | |
| 55 | 411N4026-11 | ...CAP- | | 103106 | 1 |
| | | | USED ON: 411N4026-10 | | |
| 55 | 411N4026-5 | ...CAP- | | 103106 | 1 |
| | | | USED ON: 411N4026-2 | | |
| 60 | 411N4026-7 | ...TAPE | | 103106 | 1 |
| 65 | 2055155-5C | ..CLIP-STRINGER | | 103106 | 1 |
| | | | SUPPLIER CODE: V04169 | | |

MISSING ITEM NUMBERS NOT APPLICABLE

- ITEM NOT ILLUSTRATED

21-23-01-64L

21-23-01
FIG. 64L
PAGE 1
JAN 20/09

BRI



757

PARTS CATALOG (MAINTENANCE)

| FIG ITEM | PART NUMBER | 1 2 3 4 5 6 7 | NOMENCLATURE | EFFECT FROM TO | UNITS PER ASSY |
|-------------|-----------------|---------------|----------------|-------------------|----------------------|
| 64L | | | | | |
| 70 | 214N2520-82 | . | DIFFUSER ASSY- | 103106 | 4 |
| 75 | AS1591-06-0750A | . | DUCT | 103106 | 1 |
| 80 | AS1591-06-0600A | . | DUCT | 103106 | 1 |
| 85 | AS1591-06-0462A | . | DUCT | 103106 | 2 |

MISSING ITEM NUMBERS NOT APPLICABLE

- ITEM NOT ILLUSTRATED

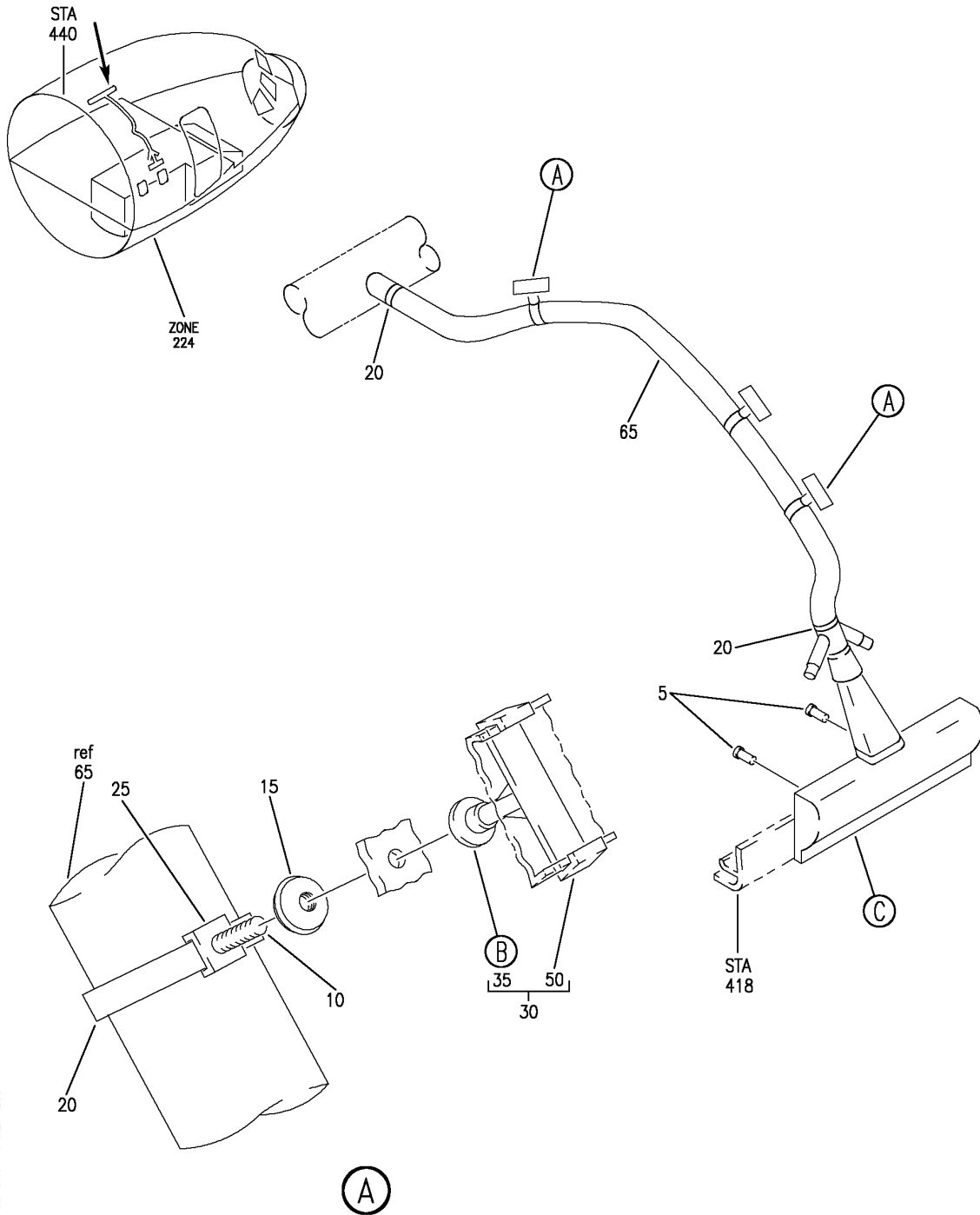
BRI

21-23-01-64L

BOEING PROPRIETARY - Copyright © - Unpublished Work - See title page for details.

21-23-01
FIG. 64L
PAGE 2
JAN 20/09

BOEING
757
PARTS CATALOG (MAINTENANCE)



Y 21230164M SHT 1 REV 258

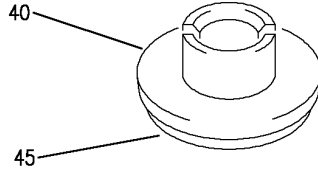
DUCT INSTL-SIDEWALL AIR DISTR SYS
FIGURE 64M (SHEET 1)

BRI
JAN 20/09

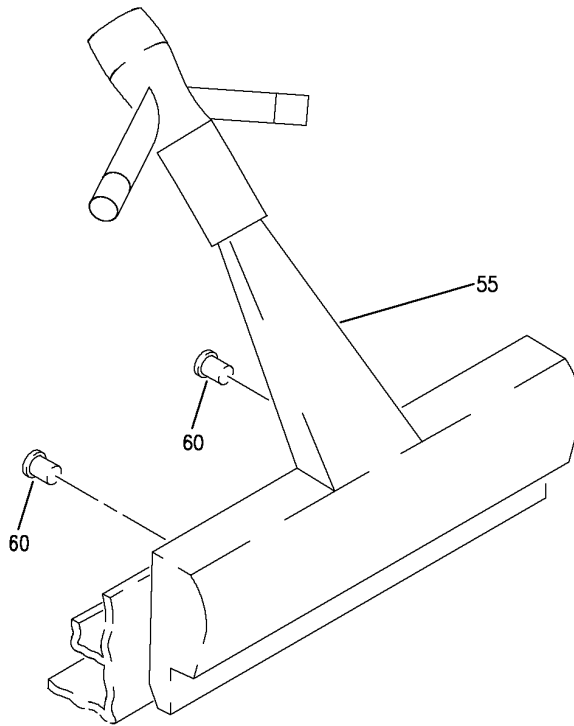
21-23-01-64M

21-23-01-64M
PAGE 0

BOEING
757
PARTS CATALOG (MAINTENANCE)



(B)



(C)

Y 21230164M SHT 2 REV 258

DUCT INSTL-SIDEWALL AIR DISTR SYS
FIGURE 64M (SHEET 2)

21-23-01-64M

BRI
JAN 20/09

21-23-01-64M
PAGE 0A

BOEING
757
PARTS CATALOG (MAINTENANCE)

| FIG ITEM | PART NUMBER | 1 2 3 4 5 6 7 | NOMENCLATURE | EFFECT FROM TO | UNITS PER ASSY |
|----------|--------------|---------------|--|----------------|----------------|
| 64M | | | DUCT INSTL-SIDEWALL AIR DISTR SYS | 103106 | |
| - 1 | MODREF33558 | | DUCT INSTL-SIDEWALL AIR DISTR SYSTEM MODULE NUMBER: 214N2057-39 REV A POSITION DATA: SECTION 43 STA 395 TO STA 418 | 103104 | 1 |
| - 1 | MODREF75262 | | DUCT INSTL-SIDEWALL AIR DISTR SYSTEM MODULE NUMBER: 214N2057-39 REV B POSITION DATA: SECTION 43 STA 395 TO STA 418 | 105106 | 1 |
| 5 | BACS12FA08K5 | | .SCREW | 103106 | 2 |
| 10 | BACS12ER3K10 | | .SCREW | 103106 | 3 |
| 15 | BACW10DZ3 | | .WASHER | 103106 | 3 |
| 20 | PLT2IC | | .STRAP SUPPLIER CODE: V06383 SPECIFICATION NUMBER: BACS38K10 | 103106 | 5 |
| 25 | TM3S10 | | .PLATE SUPPLIER CODE: V06383 SPECIFICATION NUMBER: STBP19M12 | 103106 | 3 |
| 30 | 214N5054-14 | | .SUPPORT ASSY- | 103104 | 3 |
| 30 | 214N5054-11 | | .SUPPORT ASSY- | 105106 | 3 |
| 35 | 411N4026-10 | | ..CAP ASSY- OPTIONAL PART: 411N4026-2 | 103106 | 1 |
| 35 | 411N4026-2 | | ..CAP ASSY- OPTIONAL PART: 411N4026-10 | 103106 | 1 |
| 40 | 411N4026-11 | | ...CAP- USED ON: 411N4026-5 | 103106 | 1 |
| 40 | 411N4026-5 | | ...CAP- USED ON: 411N4026-11 | 103106 | 1 |
| 45 | 411N4026-7 | | ...TAPE | 103106 | 1 |
| 50 | 2055155-5C | | ..CLIP-STRINGER SUPPLIER CODE: V04169 | 103104 | 1 |

MISSING ITEM NUMBERS NOT APPLICABLE

- ITEM NOT ILLUSTRATED

BRI

21-23-01-64M

21-23-01
FIG. 64M
PAGE 1
JAN 20/09

BOEING PROPRIETARY - Copyright © - Unpublished Work - See title page for details.



757

PARTS CATALOG (MAINTENANCE)

| FIG ITEM | PART NUMBER | 1 2 3 4 5 6 7 | NOMENCLATURE | EFFECT FROM TO | UNITS PER ASSY |
|-------------|-----------------|---------------|---|-------------------|----------------------|
| 64M | | | | | |
| 50 | 2055155-5B | | . . CLIP-STRINGER SUPPLIER CODE: V04169 | 105106 | 1 |
| 55 | 214N2520-120 | | . DIFFUSER ASSY | 103106 | 1 |
| 60 | 6035-2BR185 | | . . INSERT- SUPPLIER CODE: V01556 | 103106 | 2 |
| 65 | AS1591-06-0610A | | . DUCT | 103106 | 1 |

MISSING ITEM NUMBERS NOT APPLICABLE

- ITEM NOT ILLUSTRATED

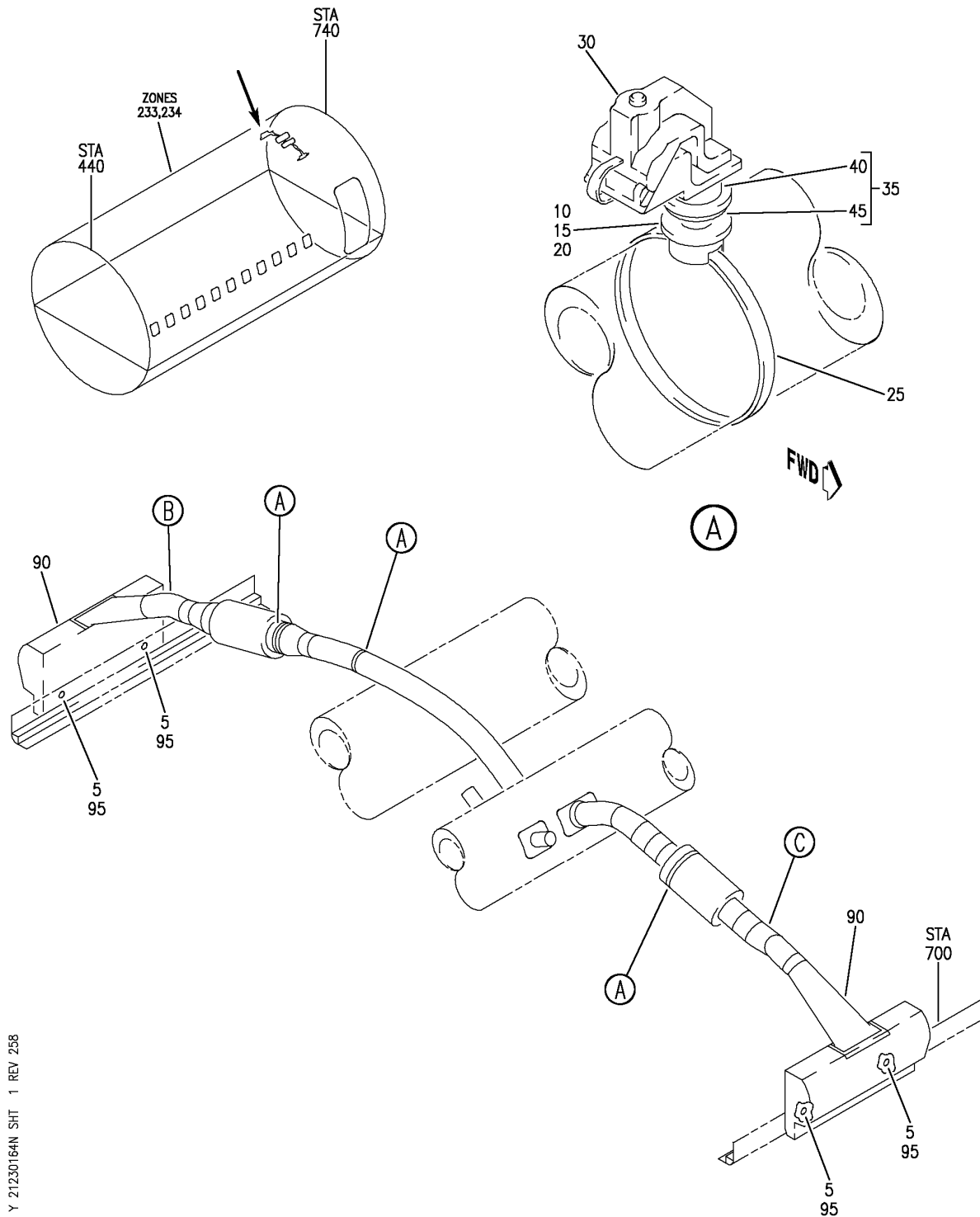
BRI

21-23-01-64M

BOEING PROPRIETARY - Copyright © - Unpublished Work - See title page for details.

21-23-01
FIG. 64M
PAGE 2
JAN 20/09

BOEING
757
PARTS CATALOG (MAINTENANCE)



Y 21230164N SHT 1 REV 258

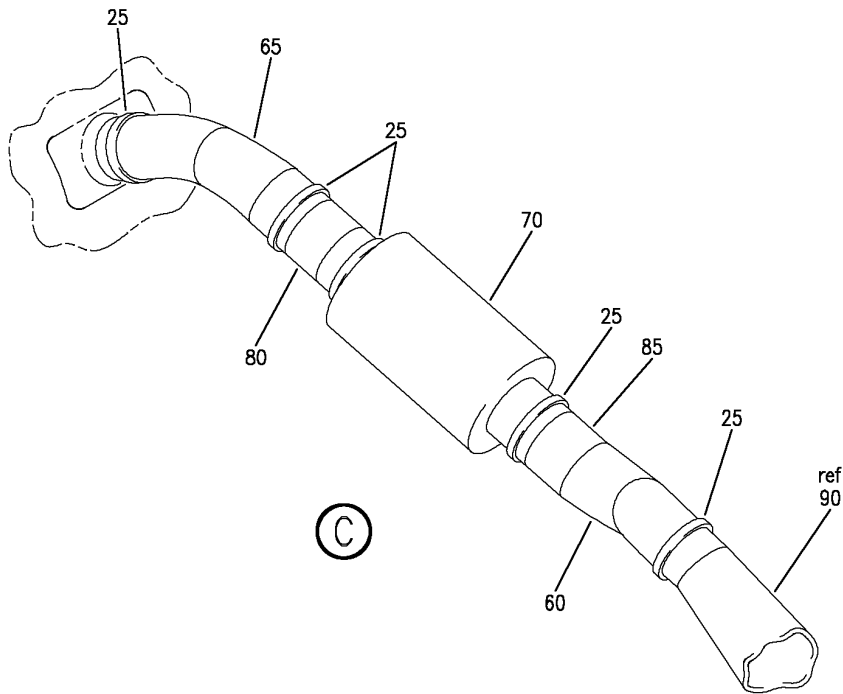
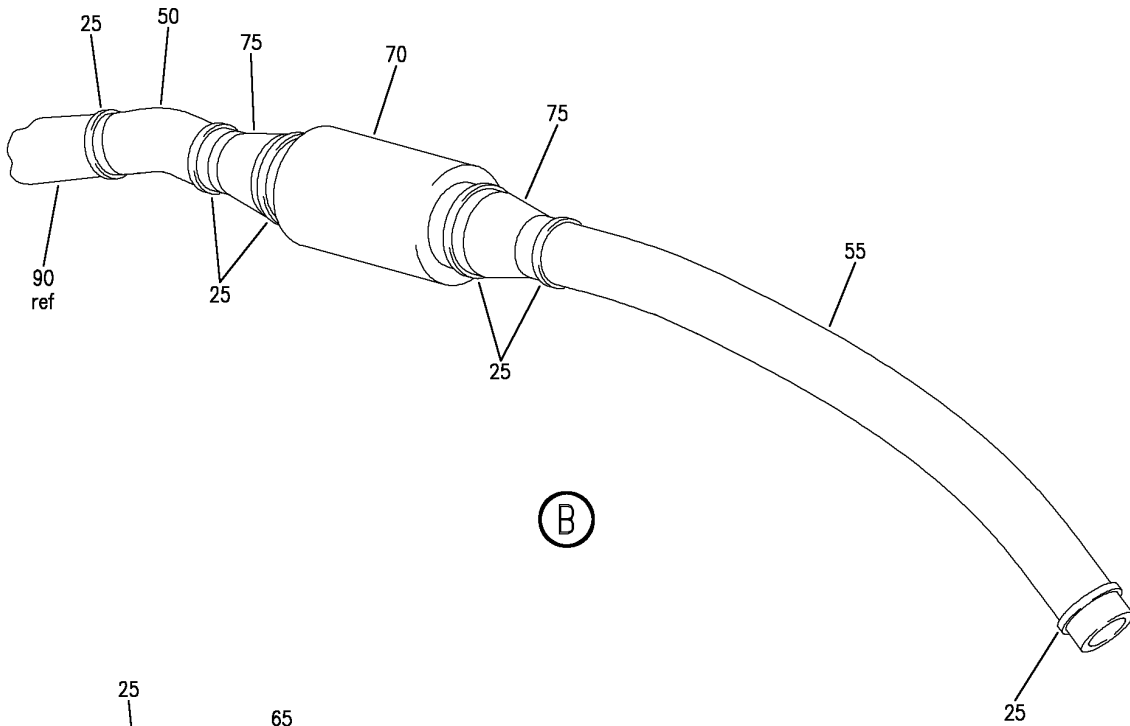
DUCT INSTL-SIDEWALL AIR DISTR SYS
FIGURE 64N (SHEET 1)

BRI
JAN 20/09

21-23-01-64N

21-23-01-64N
PAGE 0

BOEING
 757
 PARTS CATALOG (MAINTENANCE)



Y 21230164N SHT 2 REV 258

DUCT INSTL-SIDEWALL AIR DISTR SYS
 FIGURE 64N (SHEET 2)

21-23-01-64N

BRI
 JAN 20/09

21-23-01-64N
 PAGE 0A

BOEING
757
PARTS CATALOG (MAINTENANCE)

| FIG ITEM | PART NUMBER | 1 2 3 4 5 6 7 | NOMENCLATURE | EFFECT FROM TO | UNITS PER ASSY |
|----------|--------------------|---------------|--|----------------|----------------|
| 64N | | | DUCT INSTL-SIDEWALL AIR DISTR SYS | 103106 | |
| - 1 | MODREF33559 | | DUCT INSTL-SIDEWALL AIR DISTR SYSTEM MODULE NUMBER: 214N2057-60 REV A POSITION DATA: SECTION 43 STA 680 TO STA 700 | 103106 | 1 |
| | 5 BACS12FA08K5 | | .SCREW | 103106 | 4 |
| | 10 BACS12GU3K10 | | .SCREW | 103106 | 3 |
| | 15 NAS1149D0332J | | .WASHER | 103106 | 3 |
| | 20 BACW10DZ3 | | .WASHER | 103106 | 3 |
| | 25 PLT4SM | | .STRAP SUPPLIER CODE: V06383 SPECIFICATION NUMBER: BACS38K2 OPTIONAL PART: T05LO V53421 | 103106 | 14 |
| R | 30 287W4149-1 | | .CLAMP- | 103106 | 3 |
| R | 30 BACS38Y3 | | .SUPPORT- | 103106 | 3 |
| | 35 411N4026-8 | | .CAP ASSY | 103106 | 3 |
| | 40 411N4026-7 | | ..TAPE | 103106 | 1 |
| | 45 411N4026-9 | | ..CAP | 103106 | 1 |
| | 50 AS1506-06D42 | | .HOSE | 103106 | 1 |
| | 55 AS1591-06-0200A | | .DUCT | 103106 | 1 |
| | 60 BCREF15012 | | .HOSE- OVERLENGTH PART NUMBER: BACD40V0806-0052 | 103106 | 1 |
| | 65 BCREF134545 | | .HOSE- OVERLENGTH PART NUMBER: BACD40V0806-0070 | 103106 | 1 |
| | 70 65C36915-1 | | .MUFFLER ASSY | 103106 | 2 |
| | 75 69B43325-8 | | .CONNECTOR | 103106 | 2 |
| | 80 69B43325-3 | | .CONNECTOR | 103106 | 1 |
| | 85 69B43325-14 | | .CONNECTOR | 103106 | 1 |
| | 90 214N2520-129 | | .DIFFUSER ASSY | 103106 | 2 |
| | 95 6035-2BR185 | | ..INSERT- SUPPLIER CODE: V01556 | 103106 | 2 |

MISSING ITEM NUMBERS NOT APPLICABLE

- ITEM NOT ILLUSTRATED

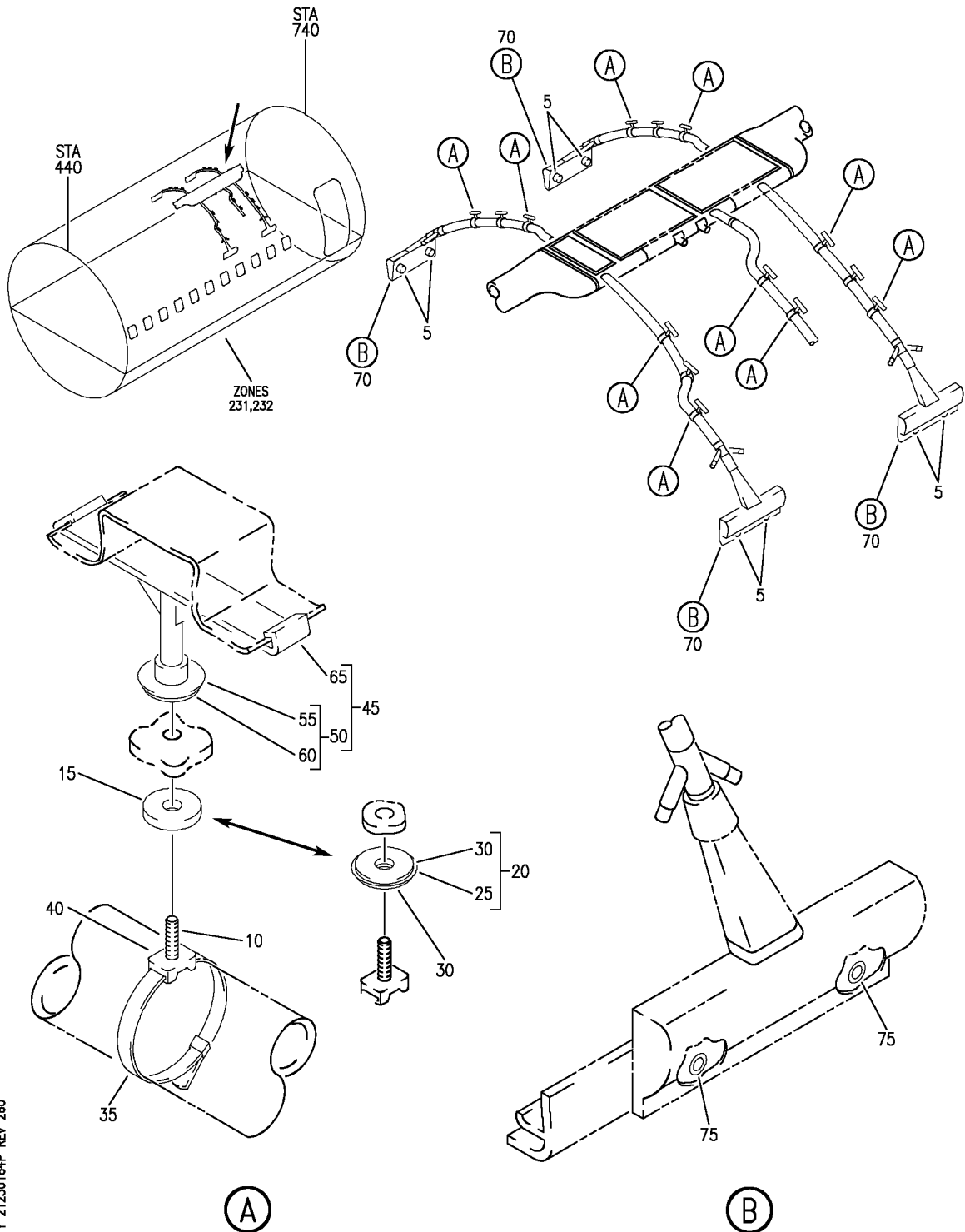
BRI

21-23-01-64N

BOEING PROPRIETARY - Copyright © - Unpublished Work - See title page for details.

21-23-01
FIG. 64N
PAGE 1
MAY 20/09

BOEING
757
PARTS CATALOG (MAINTENANCE)



Y 21230164P REV 260

DUCT INSTL-SIDEWALL AIR DISTR SYS
FIGURE 64P

21-23-01-64P



757

PARTS CATALOG (MAINTENANCE)

| FIG ITEM | PART NUMBER | 1 2 3 4 5 6 7 | NOMENCLATURE | EFFECT FROM TO | UNITS PER ASSY |
|----------|--------------|---------------|---|----------------|----------------|
| 64P | | | DUCT INSTL-SIDEWALL AIR DISTR SYS | 103106 | |
| - 1 | MODREF32183 | | DUCT INSTL-SIDEWALL AIR DISTR SYSTEM MODULE NUMBER: 214N2057-63 REV A POSITION DATA: SECTION 43 STA 580-STA 640 | 103106 | 1 |
| 5 | BACS12FA08K5 | | .SCREW | 103106 | 8 |
| 10 | BACS12ER3K10 | | .SCREW | 103106 | 14 |
| 15 | BACW10DZ3 | | .WASHER- OPTIONAL PART: 411N4026-12 | 103106 | 14 |
| 20 | 411N4026-12 | | .WASHER ASSY- OPTIONAL PART: BACW10DZ3 | 103106 | 14 |
| 25 | 411N4026-13 | | ..WASHER | 103106 | 1 |
| 30 | 411N4026-7 | | ..TAPE | 103106 | 2 |
| 35 | PLT4SM | | .STRAP SUPPLIER CODE: V06383 SPECIFICATION NUMBER: BACS38K2 OPTIONAL PART: T05LO V53421 | 103106 | 24 |
| 40 | TM3S10 | | .PLATE SUPPLIER CODE: V06383 SPECIFICATION NUMBER: STBP19M12 | 103106 | 14 |
| 45 | 214N5054-11 | | .SUPPORT ASSY | 103106 | 14 |
| 50 | 411N4026-10 | | ..CAP ASSY- OPTIONAL PART: 411N4026-2 | 103106 | 1 |
| 50 | 411N4026-2 | | ..CAP ASSY- OPTIONAL PART: 411N4026-10 | 103106 | 1 |
| 55 | 411N4026-11 | | ...CAP- USED ON: 411N4026-10 | 103106 | 1 |
| 55 | 411N4026-5 | | ...CAP- USED ON: 411N4026-2 | 103106 | 1 |
| 60 | 411N4026-7 | | ...TAPE | 103106 | 1 |
| 65 | 2055155-5B | | ..CLIP-STRINGER SUPPLIER CODE: V04169 | 103106 | 1 |

MISSING ITEM NUMBERS NOT APPLICABLE

- ITEM NOT ILLUSTRATED

21-23-01-64P

21-23-01
FIG. 64P
PAGE 1
JAN 20/09

BRI

BOEING PROPRIETARY - Copyright © - Unpublished Work - See title page for details.



757

PARTS CATALOG (MAINTENANCE)

| FIG ITEM | PART NUMBER | 1 2 3 4 5 6 7 | NOMENCLATURE | EFFECT FROM TO | UNITS PER ASSY |
|----------|--------------|---------------|--|----------------|----------------|
| 64P | | | | | |
| 70 | 214N2520-120 | . | DIFFUSER ASSY- OPTIONAL PART: 214N2520-119 | 103106 | 4 |
| 70 | 214N2520-119 | . | DIFFUSER ASSY- OPTIONAL PART: 214N2520-120 | 103106 | 4 |
| 75 | 6035-2BR185 | .. | INSERT- SUPPLIER CODE: V01556 | 103106 | 2 |

MISSING ITEM NUMBERS NOT APPLICABLE

- ITEM NOT ILLUSTRATED

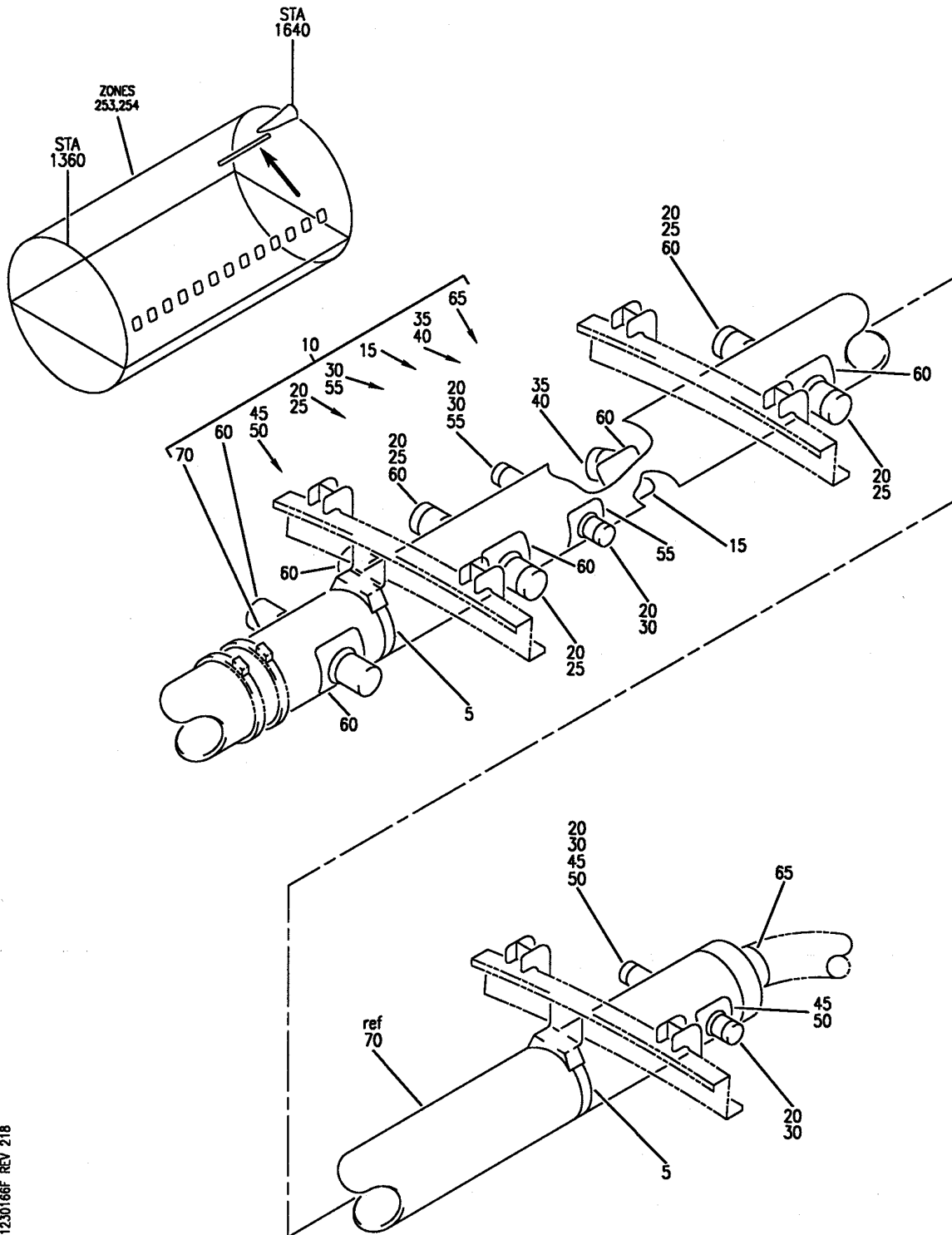
BRI

21-23-01-64P

BOEING PROPRIETARY - Copyright © - Unpublished Work - See title page for details.

21-23-01
FIG. 64P
PAGE 2
JAN 20/09

BOEING
757
PARTS CATALOG (MAINTENANCE)



Y 21230166F REV 218

DUCT INSTL-SECTION 46 AIR DISTR SYS
FIGURE 66F

21-23-01-66F

BRI
JAN 20/09

21-23-01-66F
PAGE 0



757

PARTS CATALOG (MAINTENANCE)

| FIG ITEM | PART NUMBER | 1 2 3 4 5 6 7 | NOMENCLATURE | EFFECT FROM TO | UNITS PER ASSY |
|----------|--------------|---------------|---|----------------|----------------|
| 66F | | | DUCT INSTL-SECTION 46 | 103106 | |
| - 1 | MODREF4588 | | AIR DISTR SYS DUCT INSTL-AIR DISTR SYS | 103106 | 1 |
| | | | MODULE NUMBER: 214N2056-44 REV A | | |
| | | | POSITION DATA: STA 1552- STA 1611 | | |
| 5 | T012L0 | | .STRAP | 103106 | 2 |
| | | | SUPPLIER CODE: V53421 | | |
| | | | SPECIFICATION NUMBER: BACS38K6 | | |
| 10 | 214N2177-368 | | .DUCT ASSY | 103106 | 1 |
| 15 | BAC27TEC417 | | ..MARKER- | 103106 | 1 |
| | | | PLACARD CONTENT: CROWN DRYER LEAVE UNCAPPED | | |
| 20 | PLT4SM | | ..STRAP | 103106 | 8 |
| | | | SUPPLIER CODE: V06383 | | |
| | | | SPECIFICATION NUMBER: BACS38K2 | | |
| | | | OPTIONAL PART: T05L0 V53421 | | |
| 25 | BE539-2 | | ..CAP- | 103106 | 4 |
| | | | SUPPLIER CODE: V05399 | | |
| | | | OPTIONAL PART: 24-1250 V25205 | | |
| 25 | 24-1250 | | ..CAP- | 103106 | 4 |
| | | | SUPPLIER CODE: V25205 | | |
| | | | OPTIONAL PART: BE539-2 V05399 | | |
| 30 | BE539-4 | | ..CAP- | 103106 | 4 |
| | | | SUPPLIER CODE: V05399 | | |
| | | | OPTIONAL PART: 12-1250 | | |
| 30 | 12-1250 | | ..CAP- | 103106 | 4 |
| | | | SUPPLIER CODE: V25205 | | |
| | | | OPTIONAL PART: BE539-4 | | |
| 35 | 214T3436-818 | | ..ORIFICE ASSY | 103106 | 1 |
| 40 | 214T3436-819 | | ...ORIFICE | 103106 | 1 |

MISSING ITEM NUMBERS NOT APPLICABLE

- ITEM NOT ILLUSTRATED

21-23-01-66F

21-23-01
FIG. 66F
PAGE 1
JAN 20/09

BRI

BOEING PROPRIETARY - Copyright © - Unpublished Work - See title page for details.



757
PARTS CATALOG (MAINTENANCE)

| FIG ITEM | PART NUMBER | 1 2 3 4 5 6 7 | NOMENCLATURE | EFFECT FROM TO | UNITS PER ASSY |
|----------|--------------|---------------|--------------|----------------|----------------|
| 66 F | | | | | |
| 45 | 214T3436-891 | .. | ORIFICE ASSY | 103106 | 2 |
| 50 | 214T3436-892 | ... | ORIFICE | 103106 | 1 |
| 55 | 214T3488-200 | .. | SPUD | 103106 | 2 |
| 60 | 214T3488-202 | .. | SPUD | 103106 | 8 |
| 65 | 214T3488-204 | .. | SPUD | 103106 | 1 |
| 70 | 214N2177-341 | .. | DUCT | 103106 | 1 |

MISSING ITEM NUMBERS NOT APPLICABLE

- ITEM NOT ILLUSTRATED

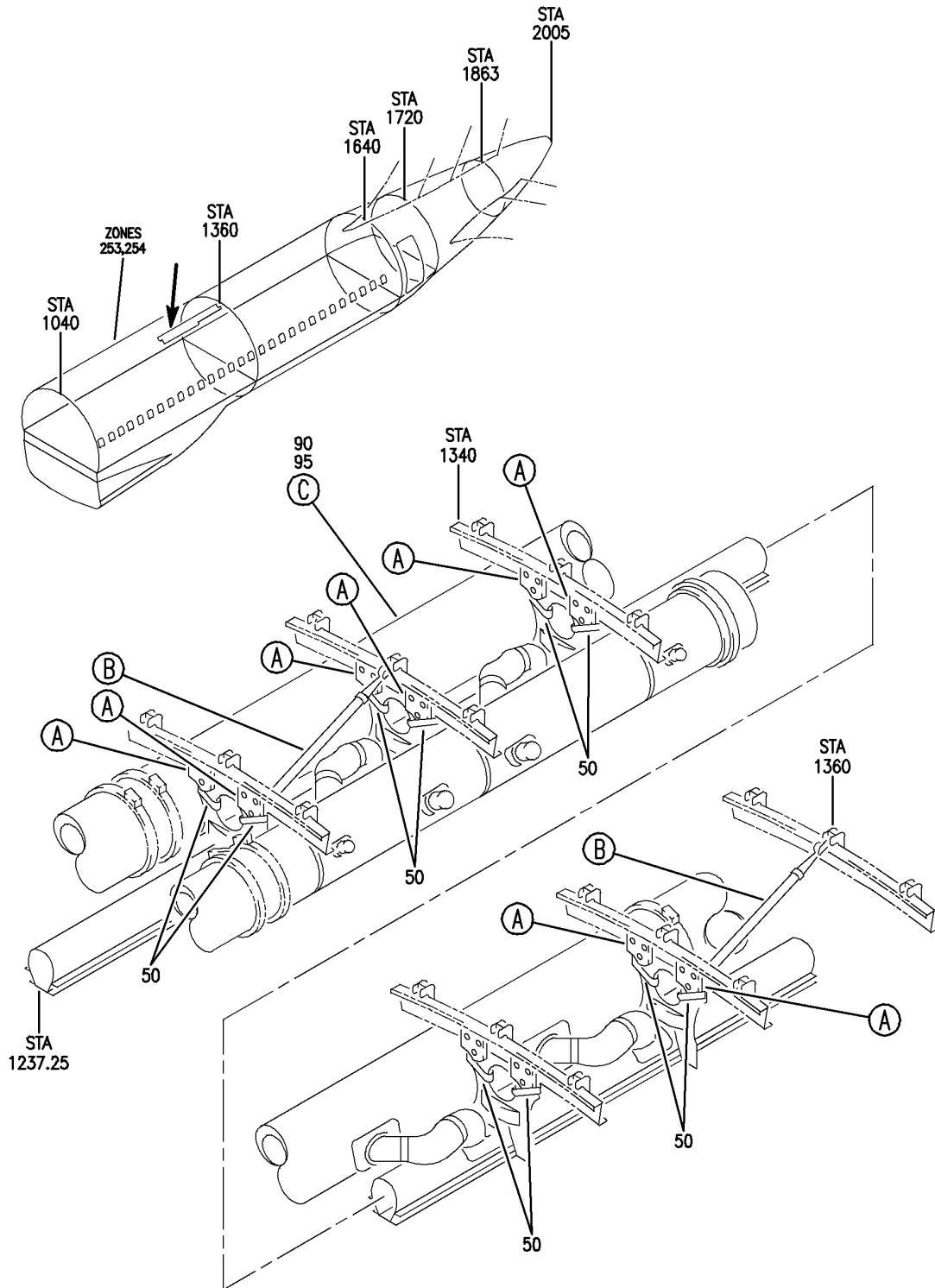
BRI

21-23-01-66F

BOEING PROPRIETARY - Copyright © - Unpublished Work - See title page for details.

21-23-01
FIG. 66F
PAGE 2
JAN 20/09

BOEING
757
PARTS CATALOG (MAINTENANCE)



Y 21230166G SHT 1 REV 236

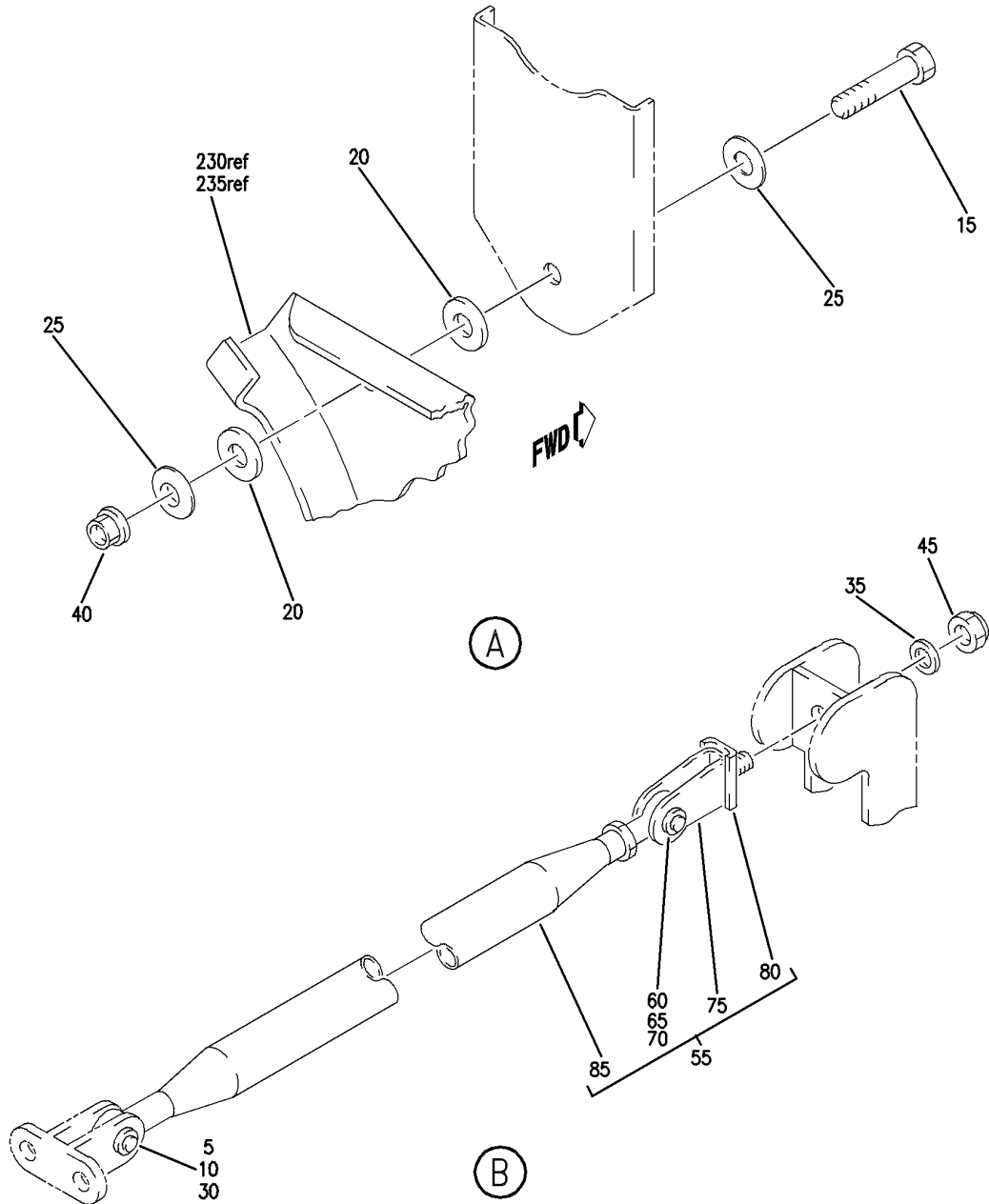
DUCT INSTL-SECTION 46 AIR DISTR SYS
FIGURE 66G (SHEET 1)

21-23-01-66G

BRI
JAN 20/09

21-23-01-66G
PAGE 0

BOEING
757
PARTS CATALOG (MAINTENANCE)



Y 21230166G SH1 2 REV 236

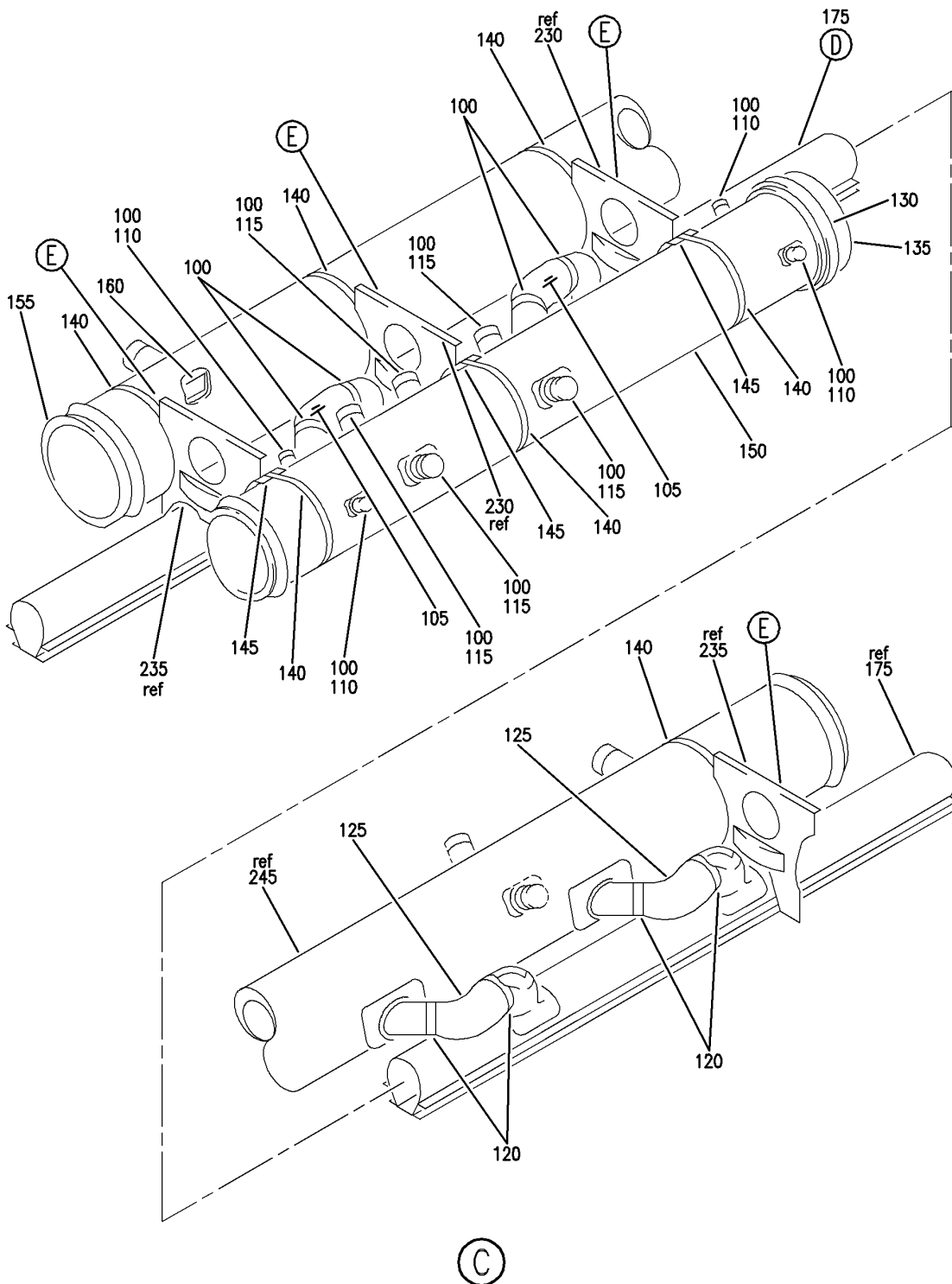
DUCT INSTL-SECTION 46 AIR DISTR SYS
FIGURE 66G (SHEET 2)

BRI
JAN 20/09

21-23-01-66G

21-23-01-66G
PAGE 0A

BOEING
757
PARTS CATALOG (MAINTENANCE)



Y 21230166G SHT 3 REV 236

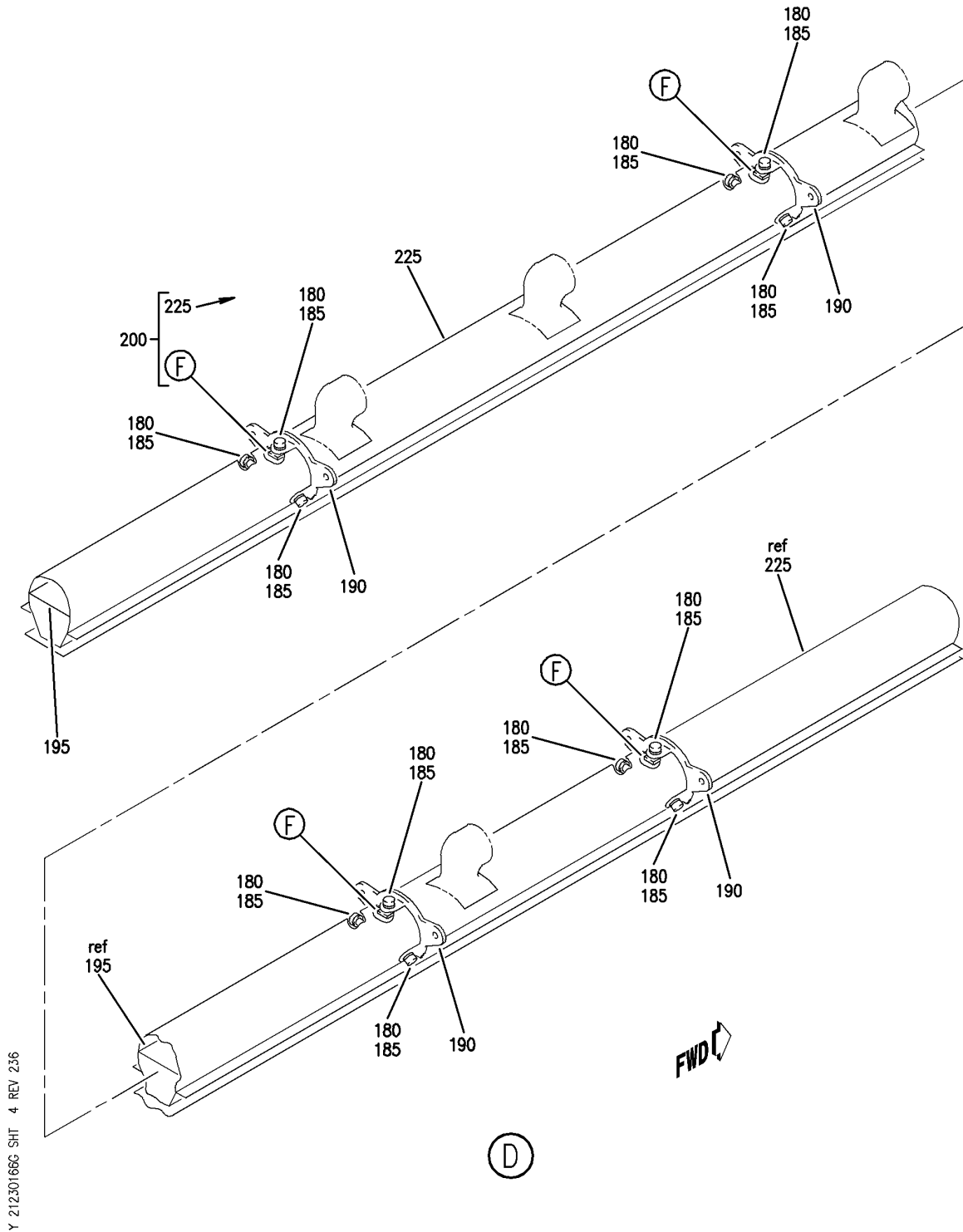
DUCT INSTL-SECTION 46 AIR DISTR SYS
FIGURE 66G (SHEET 3)

21-23-01-66G

BRI
JAN 20/09

21-23-01-66G
PAGE 0B

BOEING
757
PARTS CATALOG (MAINTENANCE)



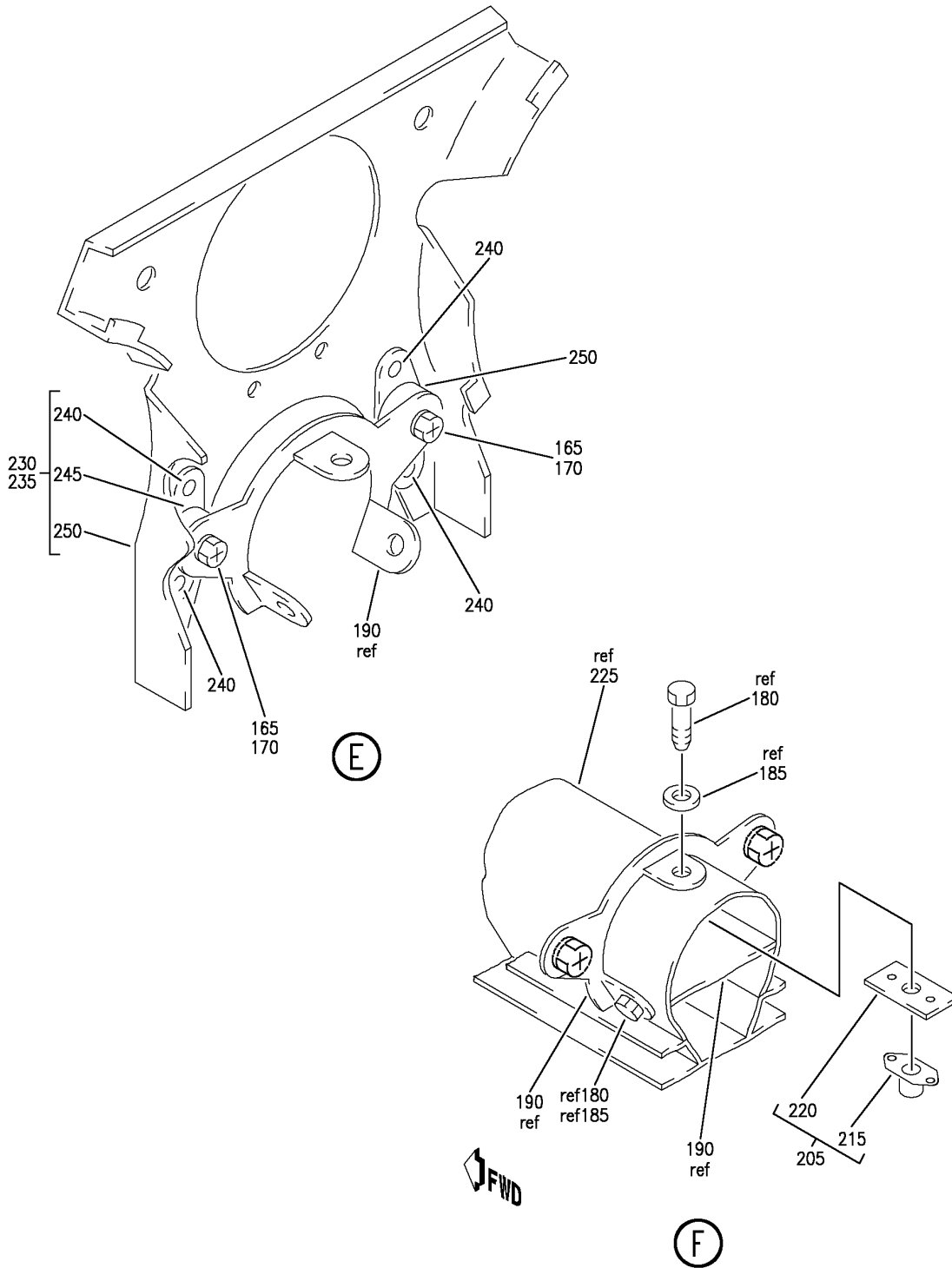
DUCT INSTL-SECTION 46 AIR DISTR SYS
FIGURE 66G (SHEET 4)

21-23-01-66G

BRI
JAN 20/09

21-23-01-66G
PAGE 0C

BOEING
757
PARTS CATALOG (MAINTENANCE)



Y 21230166G SHT 5 REV 252

DUCT INSTL-SECTION 46 AIR DISTR SYS
FIGURE 66G (SHEET 5)

21-23-01-66G

BRI
JAN 20/09

21-23-01-66G
PAGE 0D



757

PARTS CATALOG (MAINTENANCE)

| FIG ITEM | PART NUMBER | 1 2 3 4 5 6 7 | NOMENCLATURE | EFFECT FROM TO | UNITS PER ASSY |
|----------|----------------|---------------|--|----------------|----------------|
| 66G | | | DUCT INSTL-SECTION 46 AIR DISTR SYS | 103106 | |
| - 1 | MODREF4592 | | DUCT INSTL-AIR DISTR SYS 757-200 BASELINE POSITION E THRU F MODULE NUMBER: 214N2056-53B REV A POSITION DATA: STA 1257-STA 1342 | 103106 | 1 |
| 5 | MS20392-3C21 | | .PIN | 103106 | 2 |
| 10 | BACP18BC02C04P | | .PIN | 103106 | 2 |
| 15 | BACB30NR4K5 | | .BOLT | 103106 | 8 |
| 20 | BACW10P271TF | | .WASHER | 103106 | 16 |
| 25 | NAS1149D0463J | | .WASHER | 103106 | 16 |
| 30 | NAS1149D0416J | | .WASHER | 103106 | 2 |
| 35 | NAS1149D0516J | | .WASHER | 103106 | 2 |
| 40 | PLH54CM | | .NUT | 103106 | 8 |
| | | | SUPPLIER CODE: V62554 SPECIFICATION NUMBER: BACN10YR4CM OPTIONAL PART: H52732-4CM V15653 | | |
| 45 | BRH10C5D | | .NUT | 103106 | 2 |
| | | | SUPPLIER CODE: V52828 SPECIFICATION NUMBER: BACN10JC5CD OPTIONAL PART: T6C524JCD V11815 102LH9075-5W V72962 H51650-5BAC V15653 | | |
| 50 | 214N2056-28 | | .SEAL-FELT STRIP | 103106 | AR |
| 55 | 412N2030-33 | | .DIAGONAL ASSY | 103106 | 2 |
| 60 | MS20392-3C17 | | ..PIN | 103106 | 1 |
| 65 | MS24665-132 | | ..PIN-COTTER | 103106 | 1 |
| 70 | AN960PD416L | | ..WASHER | 103106 | 1 |
| 75 | 412N2031-1 | | ..CLEVIS | 103106 | 1 |
| 80 | 412N2032-5 | | ..INSULATOR-CLEVIS | 103106 | 1 |
| 85 | 1293-29 | | ..ROD ASSY- | 103106 | 1 |
| | | | SUPPLIER CODE: V34742 | | |
| 90 | 214N2056-55 | | .DUCT ASSY-SET | 103106 | 1 |
| 95 | 214N2180-190 | | ..DUCT ASSY-SEGMENT | 103106 | 1 |

MISSING ITEM NUMBERS NOT APPLICABLE

- ITEM NOT ILLUSTRATED

BRI

21-23-01-66G

21-23-01
FIG. 66G
PAGE 1
JAN 20/09



757

PARTS CATALOG (MAINTENANCE)

| FIG ITEM | PART NUMBER | 1 2 3 4 5 6 7 | NOMENCLATURE | EFFECT FROM TO | UNITS PER ASSY |
|------------|----------------|---------------|---|----------------|----------------|
| 66G 100 | PLT4SM | ... | STRAP SUPPLIER CODE: V06383 SPECIFICATION NUMBER: BACS38K2 OPTIONAL PART: T05L0 V53421 | 103106 | 13 |
| 105 | AS1506-08D52 | ... | SLEEVE | 103106 | 2 |
| 110 | BE539-4 | ... | CAP- SUPPLIER CODE: V05399 OPTIONAL PART: 12-1250 V25205 | 103106 | 4 |
| 110 | 12-1250 | ... | CAP- SUPPLIER CODE: V25205 OPTIONAL PART: BE539-4 V05399 | 103106 | 4 |
| 115 | BE539-2 | ... | CAP- SUPPLIER CODE: V05399 OPTIONAL PART: 24-1250 V25205 | 103106 | 5 |
| 115 | 24-1250 | ... | CAP- SUPPLIER CODE: V25205 OPTIONAL PART: BE539-2 V05399 | 103106 | 5 |
| 120 | SLT10LHC6 | ... | STRAP- SUPPLIER CODE: V06383 | 103106 | 4 |
| 125 | AS1506-08D60 | ... | SLEEVE | 103106 | 2 |
| 130 | NAS1922-0625-3 | ... | CLAMP | 103106 | 1 |
| 135 | 841006-1 | ... | CAP- SUPPLIER CODE: V9A735 | 103106 | 1 |
| 140 | T012L0 | ... | STRAP SUPPLIER CODE: V53421 SPECIFICATION NUMBER: BACS38K6 | 103106 | 7 |
| 145 | 214N2184-1 | ... | SPACER | 103106 | 3 |
| 150 | 214N2177-336 | ... | DUCT ASSY | 103106 | 1 |
| 155 | 214N2177-334 | ... | DUCT ASSY | 103106 | 1 |

MISSING ITEM NUMBERS NOT APPLICABLE

- ITEM NOT ILLUSTRATED

21-23-01-66G

21-23-01
FIG. 66G
PAGE 2
JAN 20/09

BRI

BOEING PROPRIETARY - Copyright © - Unpublished Work - See title page for details.



757

PARTS CATALOG (MAINTENANCE)

| FIG ITEM | PART NUMBER | 1 2 3 4 5 6 7 | NOMENCLATURE | EFFECT FROM TO | UNITS PER ASSY |
|------------|---------------|---------------|---|----------------|----------------|
| 66G 160 | BAC27TEC417 | | MARKER-ALUMINUM FOIL PLACARD CONTENT: CROWN DRYER LEAVE UNCAPPED | 103106 | RF |
| 165 | BACS12GU3K7 | ... | SCREW | 103106 | 8 |
| 170 | NAS1149D0332J | ... | WASHER | 103106 | 8 |
| 175 | 214N2183-375 | ... | NOZZLE ASSY-PLENUM | 103106 | 1 |
| 180 | BACS12GU3K7 | | SCREW | 103106 | 12 |
| 185 | NAS1149D0316J | | WASHER | 103106 | 12 |
| 190 | 214N2167-2 | | BRACKET | 103106 | 4 |
| 195 | 214N2124-351 | | PLATE-RESTRICTOR | 103106 | 1 |
| 200 | 214N2179-338 | | PLENUM ASSY | 103106 | 1 |
| - 203 | CB2010CR3CRP | | NUTPLATE- SUPPLIER CODE: V66530 OPTIONAL PART: 214N2178-1 | 103106 | 12 |
| 205 | 214N2178-1 | | NUTPLATE ASSY- OPTIONAL PART: CB2010CR3CRP V66530 | 103106 | 12 |
| 215 | NS202541-3 | | NUTPLATE- SUPPLIER CODE: V80539 SPECIFICATION NUMBER: BACN10KA3BCD OPTIONAL PART: T8100C1032KCPM V11815 USED ON: 214N2178-1 ATTACHING PARTS | 103106 | 1 |
| - 217 | BACR15CE3D | | RIVET- SIZE DETERMINED ON INSTL. -----*----- | 103106 | 2 |
| 220 | 214N2178-2 | | PLATE- USED ON: 214N2178-1 | 103106 | 1 |
| 225 | 214N2179-339 | | PLENUM | 103106 | 1 |
| 230 | 214N2168-1 | ... | BRACKET ASSY | 103106 | 2 |
| 235 | 214N2168-3 | ... | BRACKET ASSY | 103106 | 2 |
| 240 | BACR15BA4D | | RIVET- SIZE DETERMINED ON INSTL. | 103106 | 4 |

MISSING ITEM NUMBERS NOT APPLICABLE

- ITEM NOT ILLUSTRATED

21-23-01-66G

21-23-01
FIG. 66G
PAGE 3
JAN 20/09

BRI

BOEING PROPRIETARY - Copyright © - Unpublished Work - See title page for details.



757

PARTS CATALOG (MAINTENANCE)

| FIG ITEM | PART NUMBER | 1 2 3 4 5 6 7 | NOMENCLATURE | EFFECT FROM TO | UNITS PER ASSY |
|------------|-------------|---------------|--|----------------|----------------|
| 66G 245 | SL8113-3 | | SHOCKMOUNT-ISOLATOR SUPPLIER CODE: V97393 SPECIFICATION NUMBER: S411T100-901 OPTIONAL PART: DE819 V71985 | 103106 | 2 |
| 245 | DE819 | | SHOCKMOUNT-ISOLATOR SUPPLIER CODE: V71985 SPECIFICATION NUMBER: S411T100-901 OPTIONAL PART: SL8113-3 V97393 | 103106 | 2 |
| 250 | 214N2167-1 | | BRACKET | 103106 | 1 |

MISSING ITEM NUMBERS NOT APPLICABLE

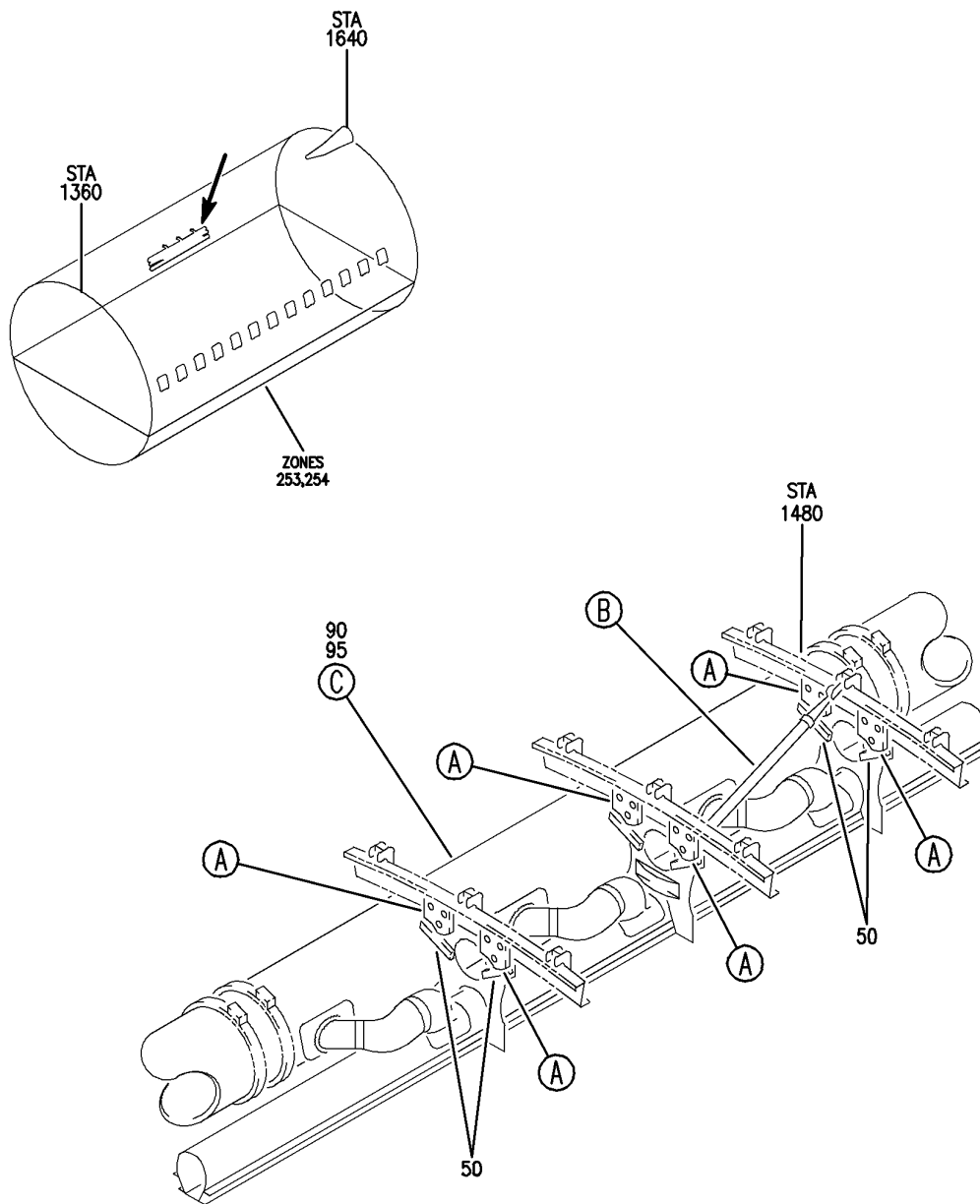
- ITEM NOT ILLUSTRATED

BRI

21-23-01-66G

BOEING PROPRIETARY - Copyright © - Unpublished Work - See title page for details.

21-23-01
FIG. 66G
PAGE 4
JAN 20/09



Y 21230166H SHT 1 REV 236

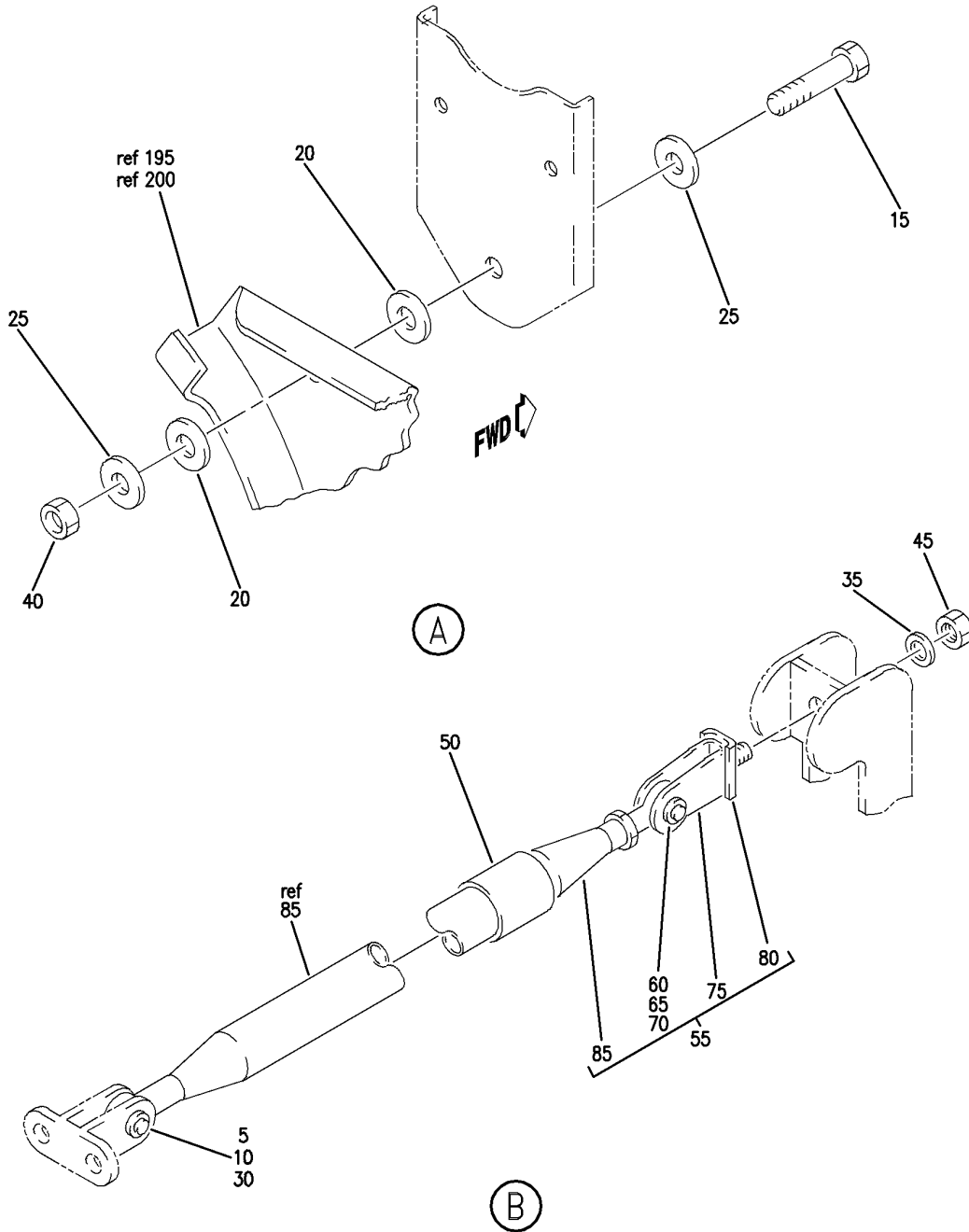
DUCT INSTL-SECTION 46 AIR DISTR SYS
FIGURE 66H (SHEET 1)

BRI
JAN 20/09

21-23-01-66H

21-23-01-66H
PAGE 0

BOEING
757
PARTS CATALOG (MAINTENANCE)



Y 21230166H SHT 2 REV 236

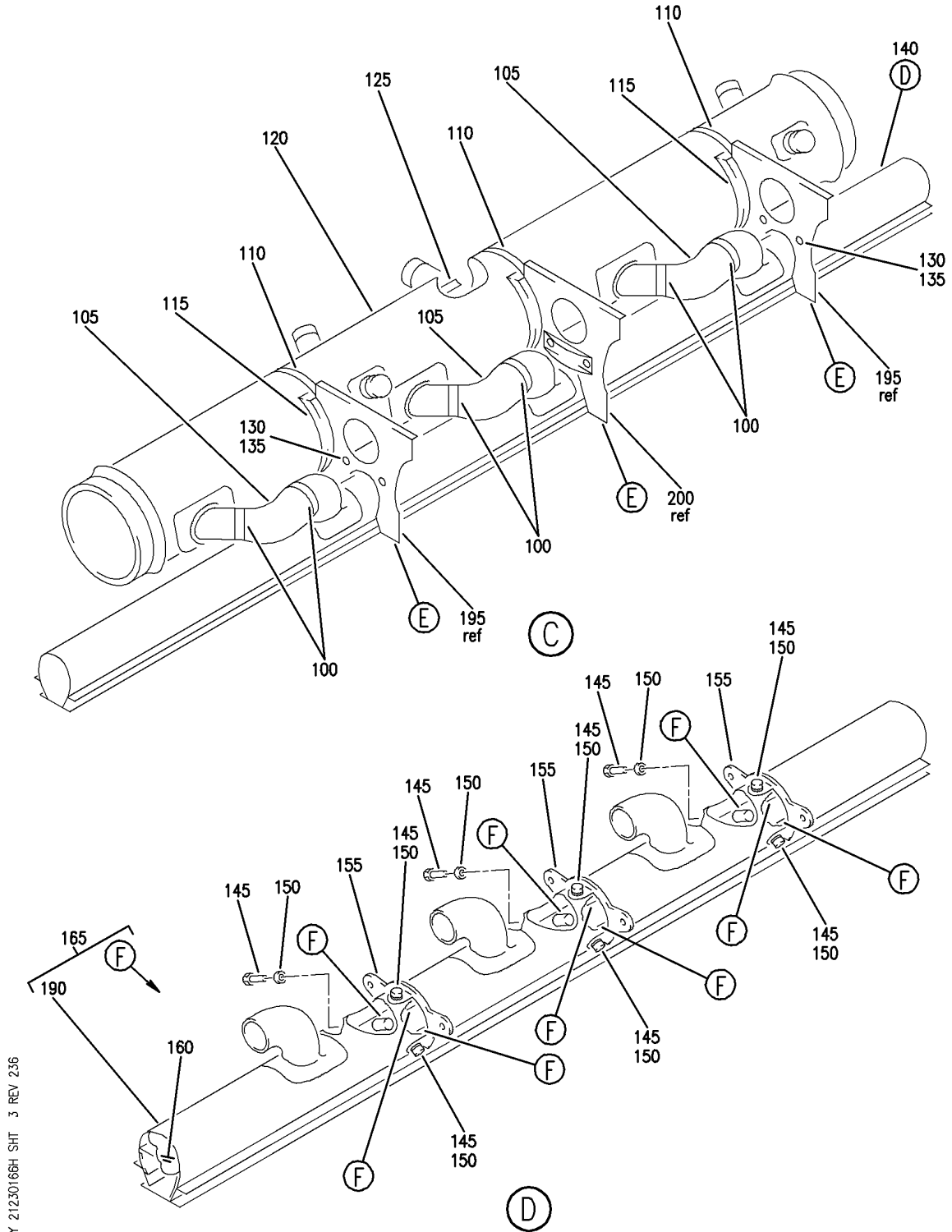
DUCT INSTL-SECTION 46 AIR DISTR SYS
FIGURE 66H (SHEET 2)

21-23-01-66H

BRI
JAN 20/09

21-23-01-66H
PAGE 0A

BOEING
757
PARTS CATALOG (MAINTENANCE)



Y 21230166H SHT 3 REV 236

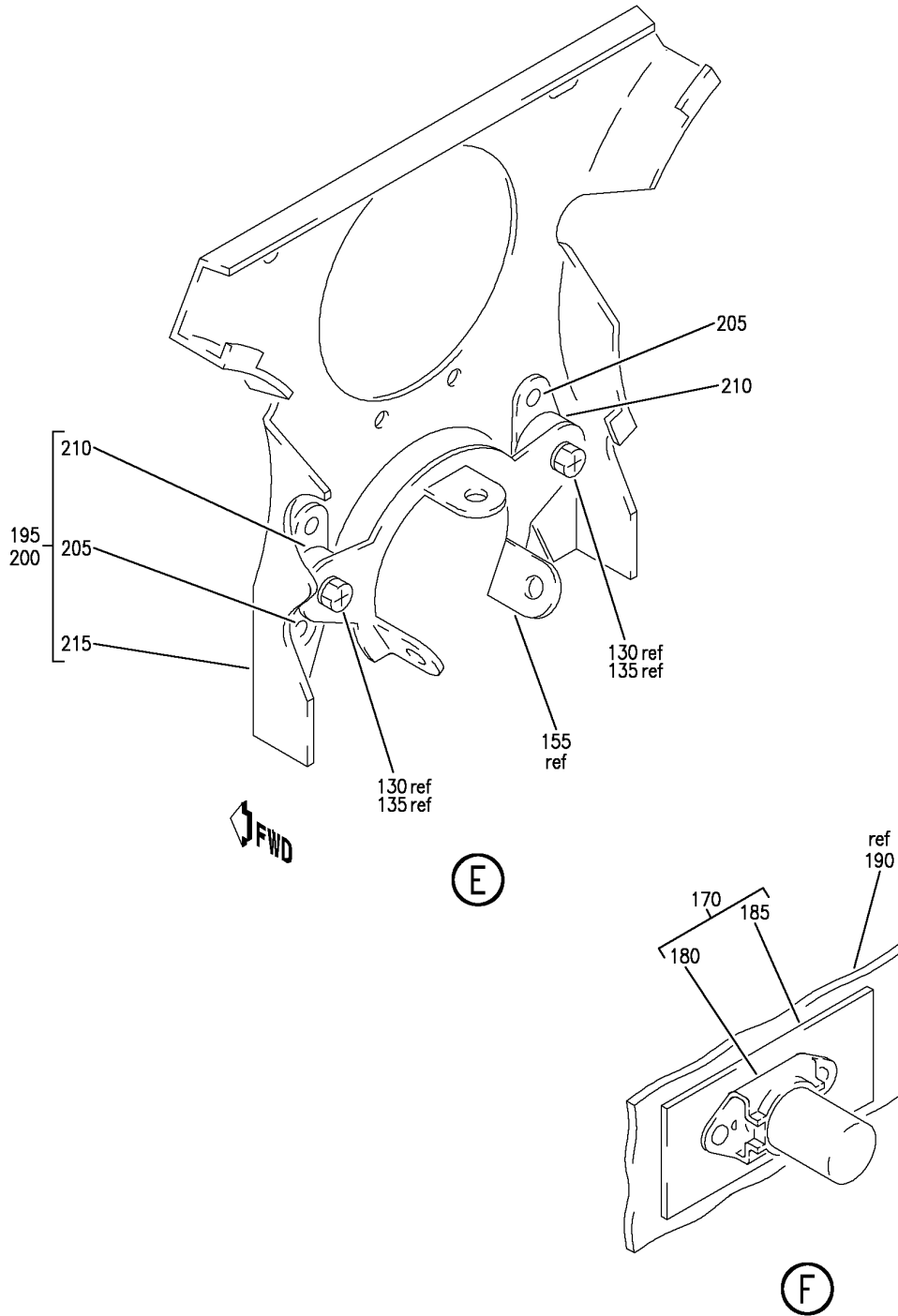
DUCT INSTL-SECTION 46 AIR DISTR SYS
FIGURE 66H (SHEET 3)

21-23-01-66H

BRI
JAN 20/09

21-23-01-66H
PAGE 0B

BOEING
757
PARTS CATALOG (MAINTENANCE)



Y 21230166H SHT 4 REV 252

DUCT INSTL-SECTION 46 AIR DISTR SYS
FIGURE 66H (SHEET 4)

21-23-01-66H

BRI
JAN 20/09

21-23-01-66H
PAGE 0C



757

PARTS CATALOG (MAINTENANCE)

| FIG ITEM | PART NUMBER | 1 2 3 4 5 6 7 | NOMENCLATURE | EFFECT FROM TO | UNITS PER ASSY |
|----------|----------------|---------------|--|----------------|----------------|
| 66H | | | DUCT INSTL-SECTION 46 AIR DISTR SYS | 103106 | |
| - 1 | MODREF4593 | | DUCT INSTL-AIR DISTR SYS 757-200 BASELINE POSITION F THRU G MODULE NUMBER: 214N2056-54B REV A POSITION DATA: STA 1425-STA 1485 | 103106 | 1 |
| 5 | MS20392-3C21 | | .PIN | 103106 | 1 |
| 10 | BACP18BC02C04P | | .PIN | 103106 | 1 |
| 15 | BACB30NR4K5 | | .BOLT | 103106 | 6 |
| 20 | BACW10P271TF | | .WASHER | 103106 | 12 |
| 25 | NAS1149D0463J | | .WASHER | 103106 | 12 |
| 30 | NAS1149D0416J | | .WASHER | 103106 | 1 |
| 35 | NAS1149D0516J | | .WASHER | 103106 | 1 |
| 40 | PLH54CM | | .NUT | 103106 | 6 |
| | | | SUPPLIER CODE: V62554 SPECIFICATION NUMBER: BACN10YR4CM OPTIONAL PART: H52732-4CM V15653 | | |
| 45 | BRH10C5D | | .NUT | 103106 | 1 |
| | | | SUPPLIER CODE: V52828 SPECIFICATION NUMBER: BACN10JC5CD OPTIONAL PART: T6C524JCD V11815 102LH9075-5W V72962 H51650-5BAC V15653 | | |
| 50 | 214N2056-28 | | .SEAL-FELT STRIP | 103106 | AR |
| 55 | 412N2030-33 | | .DIAGONAL ASSY | 103106 | 1 |
| 60 | MS20392-3C17 | | ..PIN | 103106 | 1 |
| 65 | MS24665-132 | | ..PIN-COTTER | 103106 | 1 |
| 70 | AN960PD416L | | ..WASHER | 103106 | 1 |
| 75 | 412N2031-1 | | ..CLEVIS | 103106 | 1 |
| 80 | 412N2032-5 | | ..INSULATOR-CLEVIS | 103106 | 1 |
| 85 | 1293-29 | | ..ROD ASSY- | 103106 | 1 |
| | | | SUPPLIER CODE: V34742 | | |
| 90 | 214N2056-56 | | .DUCT ASSY-SET | 103106 | 1 |
| 95 | 214N2180-189 | | ..DUCT ASSY-SEGMENT | 103106 | 1 |

MISSING ITEM NUMBERS NOT APPLICABLE

- ITEM NOT ILLUSTRATED

BRI

21-23-01-66H

21-23-01
FIG. 66H
PAGE 1
JAN 20/09

 **BOEING**
757
PARTS CATALOG (MAINTENANCE)

| FIG ITEM | PART NUMBER | 1 2 3 4 5 6 7 | NOMENCLATURE | EFFECT FROM TO | UNITS PER ASSY |
|------------|---------------|---------------|--|----------------|----------------|
| 66H 100 | PLT4SM | ... | STRAP SUPPLIER CODE: V06383 SPECIFICATION NUMBER: BACS38K2 OPTIONAL PART: T05L0 V53421 | 103106 | 6 |
| 105 | AS1506-08D52 | ... | SLEEVE | 103106 | 3 |
| 110 | T012L0 | ... | STRAP SUPPLIER CODE: V53421 SPECIFICATION NUMBER: BACS38K6 | 103106 | 3 |
| 115 | 214N2184-1 | ... | SPACER | 103106 | 3 |
| 120 | 214N2177-338 | ... | DUCT ASSY | 103106 | 1 |
| 125 | BAC27TEC417 | | MARKER-ALUMINUM FOIL PLACARD CONTENT: CROWN DRYER LEAVE UNCAPPED | 103106 | RF |
| 130 | BACS12GU3K7 | ... | SCREW | 103106 | 6 |
| 135 | NAS1149D0332J | ... | WASHER | 103106 | 6 |
| 140 | 214N2183-376 | ... | NOZZLE ASSY-PLENUM | 103106 | 1 |
| 145 | BACS12GU3K7 | | SCREW | 103106 | 9 |
| 150 | NAS1149D0316J | | WASHER | 103106 | 9 |
| 155 | 214N2167-2 | | BRACKET | 103106 | 3 |
| 160 | 214N2124-352 | | PLATE-RESTRICTOR | 103106 | 1 |
| 165 | 214N2179-340 | | PLENUM ASSY | 103106 | 1 |
| - 167 | CB2010CR3CRP | | NUTPLATE- SUPPLIER CODE: V66530 OPTIONAL PART: 214N2178-1 | 103106 | 9 |
| 170 | 214N2178-1 | | NUTPLATE ASSY- OPTIONAL PART: CB2010CR3CRP V66530 | 103106 | 9 |
| 180 | NS202541-3 | | NUTPLATE- SUPPLIER CODE: V80539 SPECIFICATION NUMBER: BACN10KA3BCD OPTIONAL PART: T8100C1032KCPM V11815 USED ON: 214N2178-1 | 103106 | 1 |

MISSING ITEM NUMBERS NOT APPLICABLE

- ITEM NOT ILLUSTRATED

BRI

21-23-01-66H

21-23-01
FIG. 66H
PAGE 2
JAN 20/09

BOEING
757
PARTS CATALOG (MAINTENANCE)

| FIG ITEM | PART NUMBER | 1 2 3 4 5 6 7 | NOMENCLATURE | EFFECT FROM TO | UNITS PER ASSY |
|----------|--------------|---------------|--|----------------|----------------|
| 66H | | | ATTACHING PARTS | | |
| - 182 | BACR15CE3D | | RIVET- SIZE DETERMINED ON INSTL. -----*----- | 103106 | 2 |
| 185 | 214N2178-2 | | PLATE- USED ON: 214N2178-1 | 103106 | 1 |
| 190 | 214N2179-341 | | PLENUM | 103106 | 1 |
| 195 | 214N2168-1 | ... | BRACKET ASSY | 103106 | 2 |
| 200 | 214N2168-3 | ... | BRACKET ASSY | 103106 | 1 |
| 205 | BACR15BA4D | | RIVET- SIZE DETERMINED ON INSTL. | 103106 | 4 |
| 210 | SL8113-3 | | SHOCKMOUNT-ISOLATOR SUPPLIER CODE: V97393 SPECIFICATION NUMBER: S411T100-901 OPTIONAL PART: DE819 V71985 | 103106 | 2 |
| 210 | DE819 | | SHOCKMOUNT-ISOLATOR SUPPLIER CODE: V71985 SPECIFICATION NUMBER: S411T100-901 OPTIONAL PART: SL8113-3 V97393 | 103106 | 2 |
| 215 | 214N2167-1 | | BRACKET | 103106 | 1 |

MISSING ITEM NUMBERS NOT APPLICABLE

- ITEM NOT ILLUSTRATED

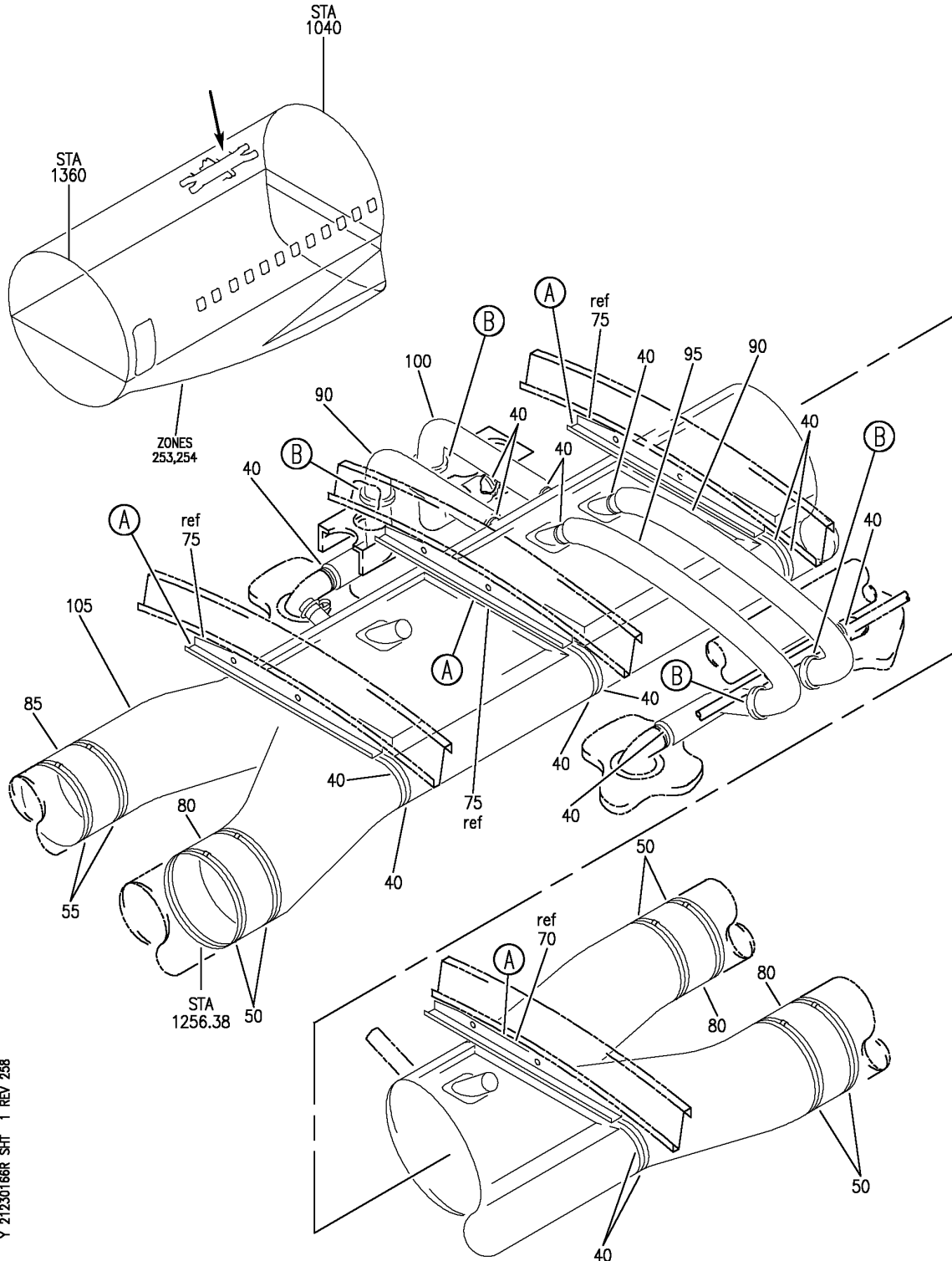
BRI

21-23-01-66H

BOEING PROPRIETARY - Copyright © - Unpublished Work - See title page for details.

21-23-01
FIG. 66H
PAGE 3
JAN 20/09

BOEING
757
PARTS CATALOG (MAINTENANCE)



Y 21230166R SHT 1 REV 258

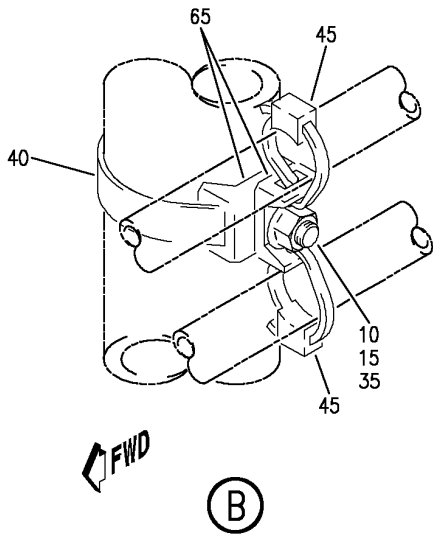
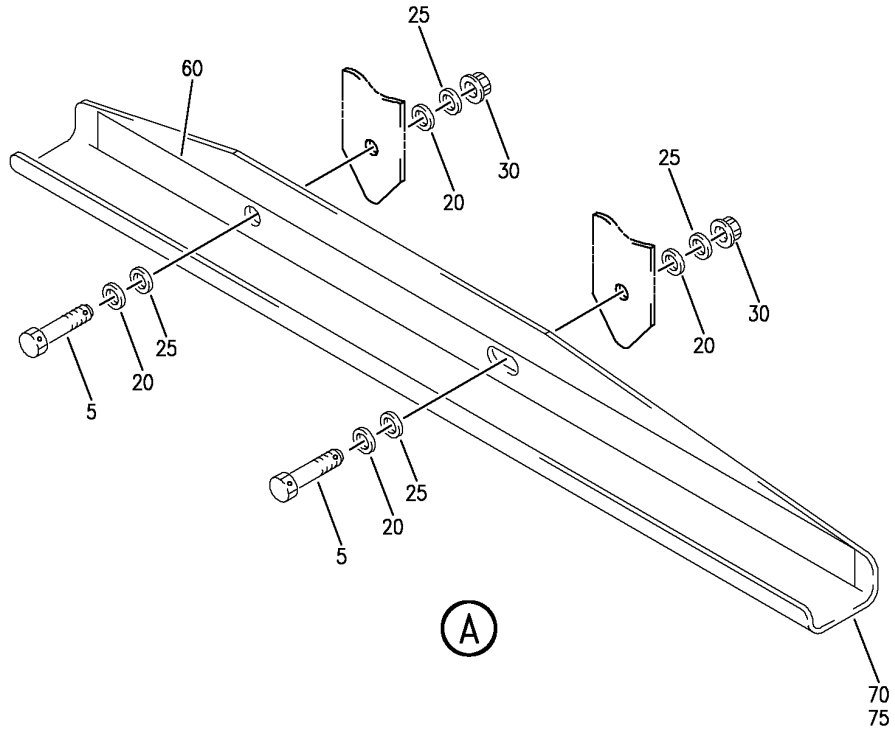
DUCT INSTL-SECT 46 OVHD AIR DISTR SYS
FIGURE 66R (SHEET 1)

21-23-01-66R

BRI
JAN 20/09

21-23-01-66R
PAGE 0

BOEING
757
PARTS CATALOG (MAINTENANCE)



Y 21230166R SHT 2 REV 258

DUCT INSTL-SECT 46 OVHD AIR DISTR SYS
FIGURE 66R (SHEET 2)

21-23-01-66R

BRI
JAN 20/09

21-23-01-66R
PAGE 0A

BOEING
757
PARTS CATALOG (MAINTENANCE)

| FIG ITEM | PART NUMBER | 1 2 3 4 5 6 7 | NOMENCLATURE | EFFECT FROM TO | UNITS PER ASSY |
|----------|----------------|------------------|--|----------------|----------------|
| 66R | | | DUCT INSTL-SECT 46 | 103106 | |
| - 1 | MODREF33410 | | OVHD AIR DISTR SYS DUCT INSTL-OVHD AIR DISTR SYS MODULE NUMBER: 214N2056-76 REV A POSITION DATA: SECTION 46 STA 1164.52-STA 1256.38 | 103106 | 1 |
| 5 | BACB30NR4K5 | .BOLT | | 103106 | 8 |
| 10 | BACS12ER3K11 | .SCREW | | 103106 | 4 |
| 15 | NAS1149D0332J | .WASHER | | 103106 | 4 |
| 20 | BACW10P271TF | .WASHER | | 103106 | 16 |
| 25 | NAS1149D0463J | .WASHER | | 103106 | 16 |
| 30 | PLH54CM | .NUT | | 103106 | 8 |
| | | | SUPPLIER CODE: V62554 SPECIFICATION NUMBER: BACN10YR4CM OPTIONAL PART: H52732-4CM V15653 | | |
| 35 | PLH53CM | .NUT | | 103106 | 4 |
| | | | SUPPLIER CODE: VF0224 SPECIFICATION NUMBER: BACN10YR3CM OPTIONAL PART: H52732-3CM V15653 | | |
| 40 | T012L0 | .STRAP | | 103106 | 20 |
| | | | SUPPLIER CODE: V53421 SPECIFICATION NUMBER: BACS38K6 | | |
| 45 | CBR2HS | .STRAP | | 103106 | 8 |
| | | | SUPPLIER CODE: V06386 SPECIFICATION NUMBER: BACS38W3 | | |
| 50 | NAS1922-0750-3 | .CLAMP | | 103106 | 6 |
| 55 | NAS1922-0625-3 | .CLAMP | | 103106 | 2 |
| 60 | 214N2056-28 | .SEAL-FELT STRIP | | 103106 | AR |
| 65 | TM3S10 | .PLATE | | 103106 | 8 |
| | | | SUPPLIER CODE: V06383 SPECIFICATION NUMBER: STBP19M12 | | |
| 70 | 214N2170-24 | .BRACKET | | 103106 | 1 |

MISSING ITEM NUMBERS NOT APPLICABLE

- ITEM NOT ILLUSTRATED

21-23-01-66R

21-23-01
FIG. 66R
PAGE 1
JAN 20/09

BRI

BOEING PROPRIETARY - Copyright © - Unpublished Work - See title page for details.



757

PARTS CATALOG (MAINTENANCE)

| FIG ITEM | PART NUMBER | 1 2 3 4 5 6 7 | NOMENCLATURE | EFFECT FROM TO | UNITS PER ASSY |
|----------|-----------------|---------------|--------------------------|----------------|----------------|
| 66R | | | | | |
| 75 | 214N2170-13 | . | BRACKET | 103106 | 3 |
| 80 | AS1506-30D40 | . | SLEEVE | 103106 | 3 |
| 85 | AS1506-24D40 | . | HOSE | 103106 | 1 |
| 90 | AS1591-06-0350A | . | HOSE- | 103106 | 2 |
| | | | SUPPLIER CODE: V81343 | | |
| 95 | AS1591-06-0450A | . | DUCT | 103106 | 1 |
| 100 | AS1591-06-0240A | . | HOSE | 103106 | 1 |
| 105 | 214N2190-52 | . | DUCT ASSY | 103106 | 1 |

R
R
R
R

MISSING ITEM NUMBERS NOT APPLICABLE

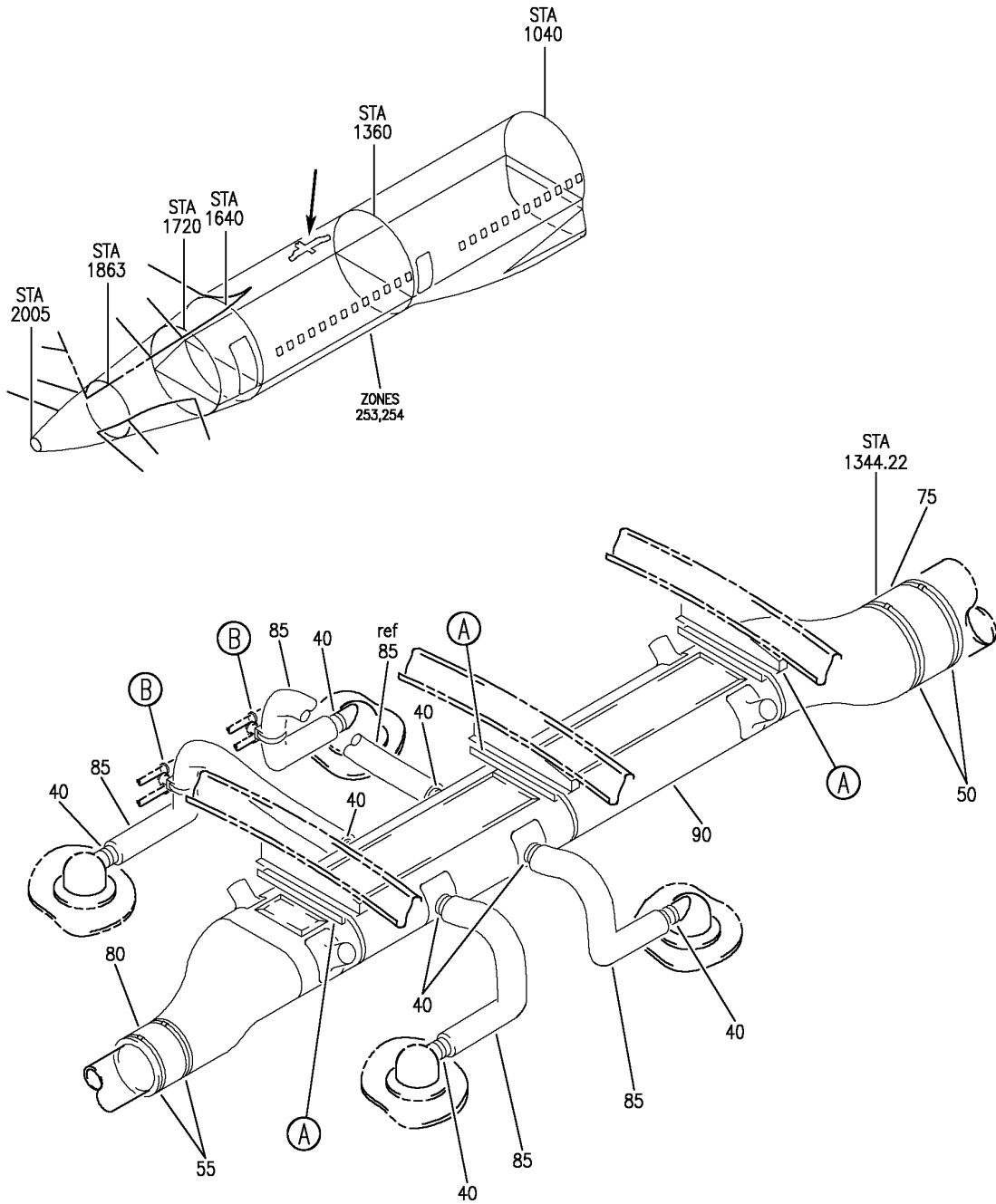
- ITEM NOT ILLUSTRATED

21-23-01-66R

21-23-01
FIG. 66R
PAGE 2
MAY 20/09

BRI

BOEING
757
PARTS CATALOG (MAINTENANCE)



Y 21230166S SHT 1 REV 258

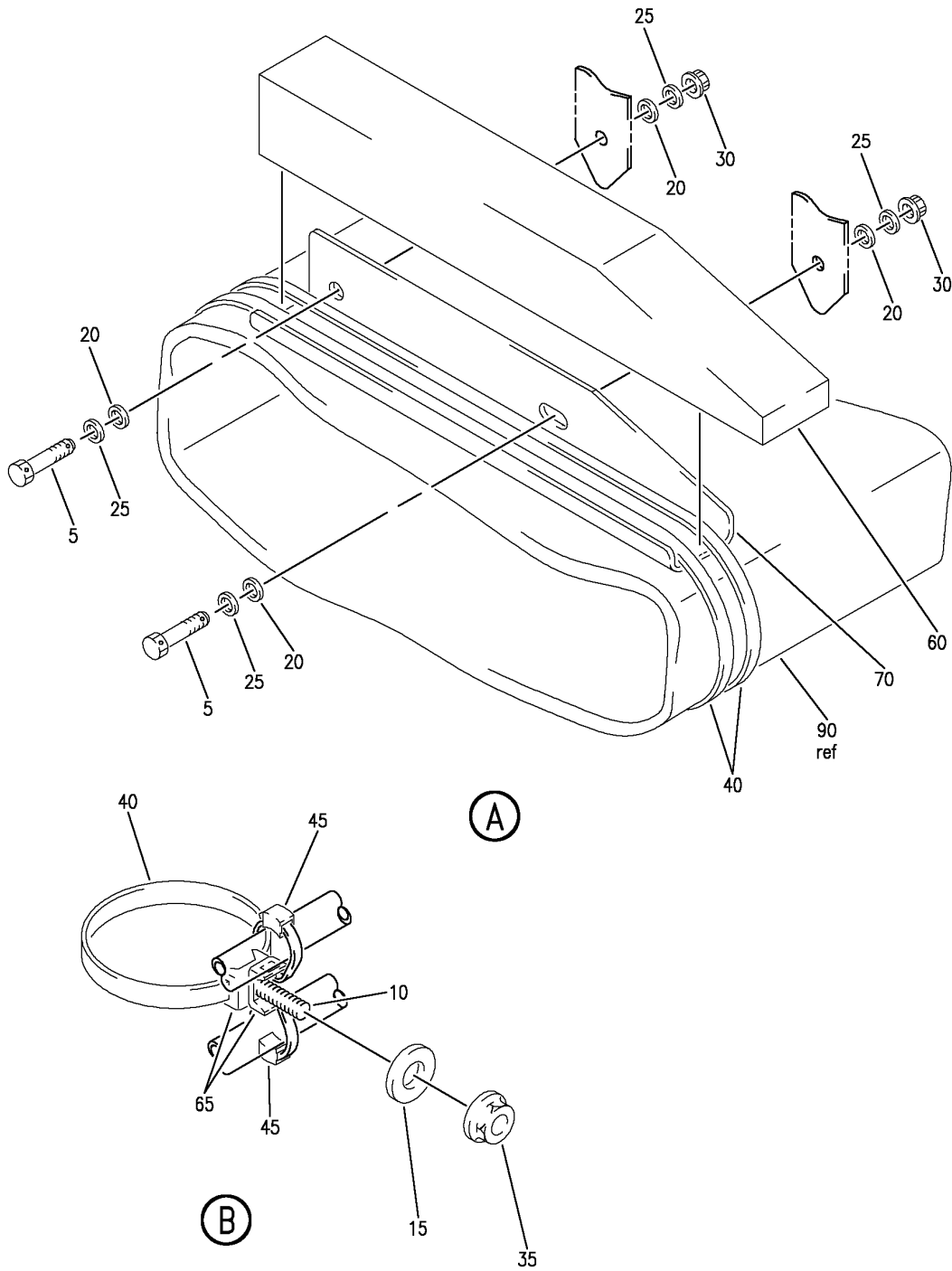
DUCT INSTL-SECT 46 OVHD AIR DISTR SYS
FIGURE 66S (SHEET 1)

21-23-01-66S

BRI
JAN 20/09

21-23-01-66S
PAGE 0

BOEING
757
PARTS CATALOG (MAINTENANCE)



Y 21230166S SH1 2 REV 258

DUCT INSTL-SECT 46 OVHD AIR DISTR SYS
FIGURE 66S (SHEET 2)

21-23-01-66S

BRI
JAN 20/09

21-23-01-66S
PAGE 0A

 **BOEING**
757
PARTS CATALOG (MAINTENANCE)

| FIG ITEM | PART NUMBER | 1 2 3 4 5 6 7 | NOMENCLATURE | EFFECT FROM TO | UNITS PER ASSY |
|----------|----------------|------------------|--|----------------|----------------|
| 66S | | | DUCT INSTL-SECT 46 | 103106 | |
| - 1 | MODREF33411 | | OVHD AIR DISTR SYS DUCT INSTL-OVHD AIR DISTR SYS MODULE NUMBER: 214N2056-77 REV A POSITION DATA: SECTION 46 STA 1344.22-STA 1426.28 | 103106 | 1 |
| 5 | BACB30NR4K5 | .BOLT | | 103106 | 6 |
| 10 | BACS12ER3K11 | .SCREW | | 103106 | 2 |
| 15 | NAS1149D0332J | .WASHER | | 103106 | 2 |
| 20 | BACW10P271TF | .WASHER | | 103106 | 12 |
| 25 | NAS1149D0463J | .WASHER | | 103106 | 12 |
| 30 | PLH54CM | .NUT | | 103106 | 6 |
| | | | SUPPLIER CODE: V62554 SPECIFICATION NUMBER: BACN10YR4CM OPTIONAL PART: H52732-4CM V15653 | | |
| 35 | PLH53CM | .NUT | | 103106 | 2 |
| | | | SUPPLIER CODE: VF0224 SPECIFICATION NUMBER: BACN10YR3CM OPTIONAL PART: H52732-3CM V15653 | | |
| 40 | T012L0 | .STRAP | | 103106 | 16 |
| | | | SUPPLIER CODE: V53421 SPECIFICATION NUMBER: BACS38K6 | | |
| 45 | CBR2HS | .STRAP | | 103106 | 4 |
| | | | SUPPLIER CODE: V06386 SPECIFICATION NUMBER: BACS38W3 | | |
| 50 | NAS1922-0750-3 | .CLAMP | | 103106 | 2 |
| 55 | NAS1922-0625-3 | .CLAMP | | 103106 | 2 |
| 60 | 214N2056-28 | .SEAL-FELT STRIP | | 103106 | AR |
| 65 | TM3S10 | .PLATE | | 103106 | 4 |
| | | | SUPPLIER CODE: V06383 SPECIFICATION NUMBER: STBP19M12 | | |
| 70 | 214N2170-12 | .BRACKET | | 103106 | 3 |

MISSING ITEM NUMBERS NOT APPLICABLE

- ITEM NOT ILLUSTRATED

21-23-01-66S

21-23-01
FIG. 66S
PAGE 1
JAN 20/09

BRI

BOEING PROPRIETARY - Copyright © - Unpublished Work - See title page for details.



757

PARTS CATALOG (MAINTENANCE)

| FIG ITEM | PART NUMBER | 1 2 3 4 5 6 7 | NOMENCLATURE | EFFECT FROM TO | UNITS PER ASSY |
|-------------|-----------------|---------------|--------------|-------------------|----------------------|
| 66S | | | | | |
| 75 | AS1506-30D42 | . | SLEEVE | 103106 | 1 |
| 80 | AS1506-24D40 | . | HOSE | 103106 | 1 |
| 85 | AS1591-06-0300A | . | DUCT | 103106 | 4 |
| 90 | 214N2190-53 | . | DUCT ASSY | 103106 | 1 |

MISSING ITEM NUMBERS NOT APPLICABLE

- ITEM NOT ILLUSTRATED

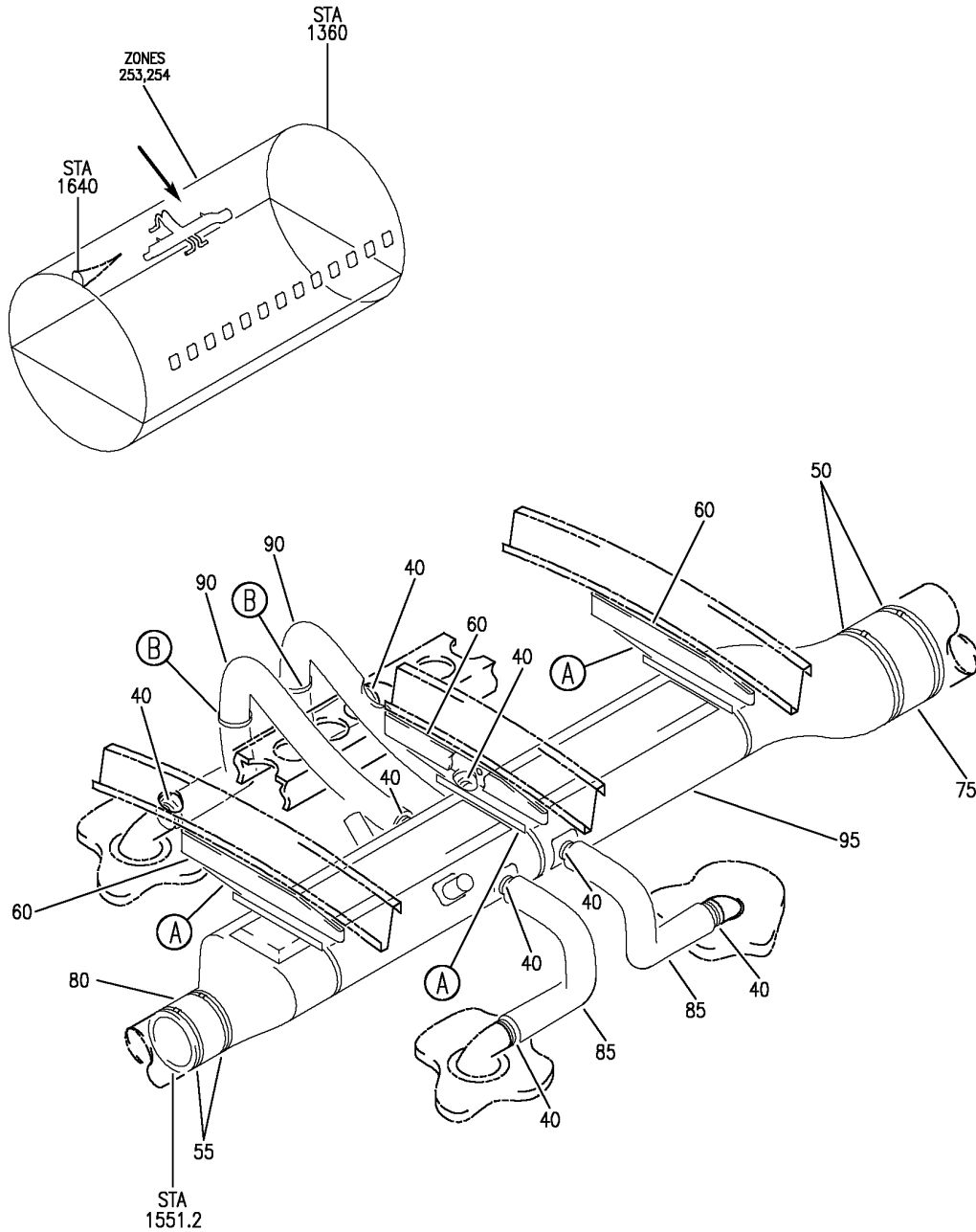
BRI

21-23-01-66S

BOEING PROPRIETARY - Copyright © - Unpublished Work - See title page for details.

21-23-01
FIG. 66S
PAGE 2
JAN 20/09

BOEING
757
PARTS CATALOG (MAINTENANCE)



Y 21230166T SHT 1 REV 258

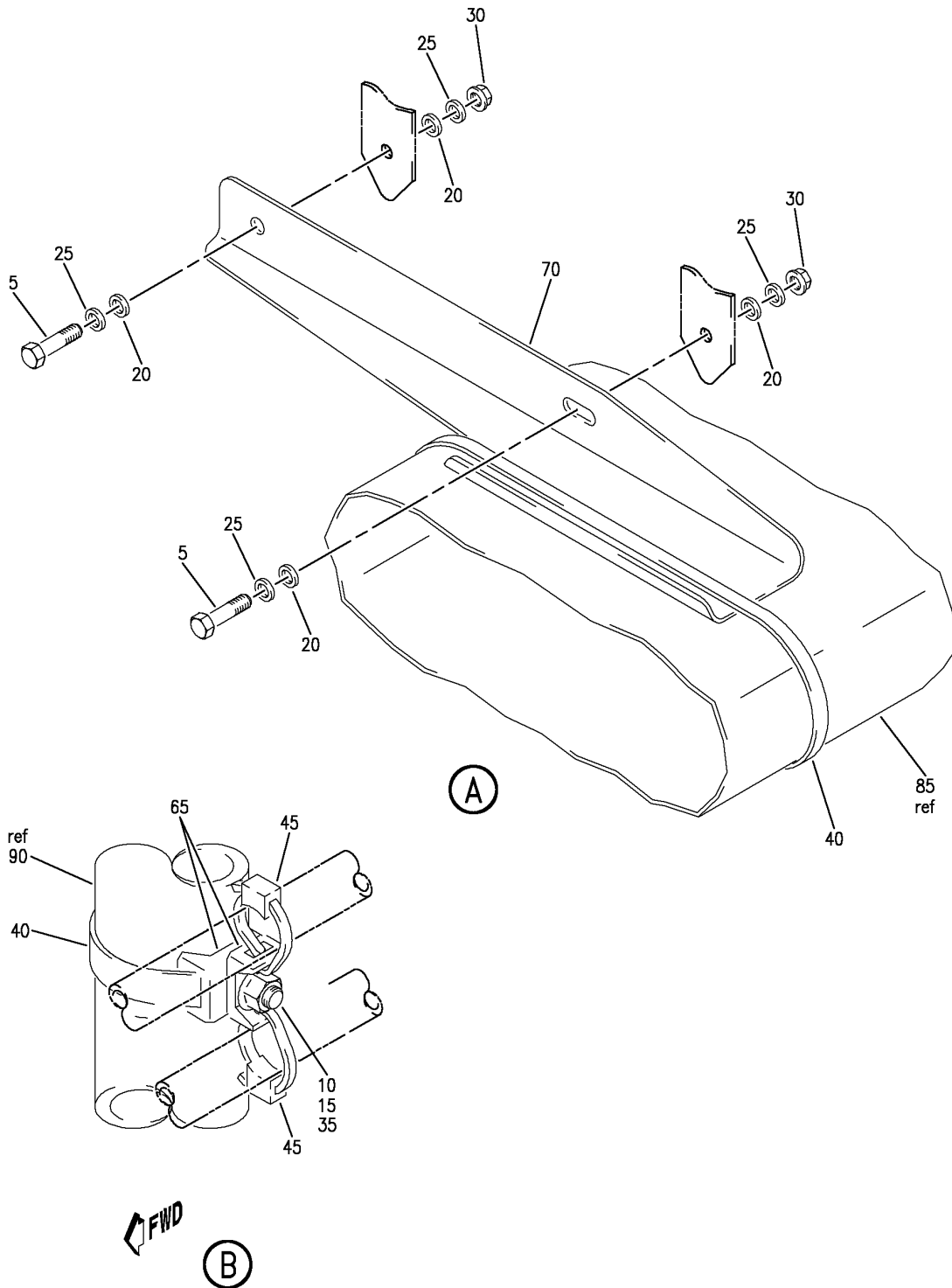
DUCT INSTL-SECT 46 OVHD AIR DISTR SYS
FIGURE 66T (SHEET 1)

BRI
JAN 20/09

21-23-01-66T

21-23-01-66T
PAGE 0

BOEING
757
PARTS CATALOG (MAINTENANCE)



Y 21230166T SHT 2 REV 258

DUCT INSTL-SECT 46 OVHD AIR DISTR SYS
FIGURE 66T (SHEET 2)

21-23-01-66T

BRI
JAN 20/09

21-23-01-66T
PAGE 0A



757

PARTS CATALOG (MAINTENANCE)

| FIG ITEM | PART NUMBER | 1 2 3 4 5 6 7 | NOMENCLATURE | EFFECT FROM TO | UNITS PER ASSY |
|----------|----------------|---------------|--|----------------|----------------|
| 66T | | | DUCT INSTL-SECT 46 | 103106 | |
| - 1 | MODREF33412 | | OVHD AIR DISTR SYS DUCT INSTL-OVHD AIR DISTR SYS MODULE NUMBER: 214N2056-78 REV A POSITION DATA: SECTION 46 STA 1486.65-STA 1551.20 | 103106 | 1 |
| 5 | BACB30NR4K5 | | .BOLT | 103106 | 6 |
| 10 | BACS12ER3K11 | | .SCREW | 103106 | 2 |
| 15 | NAS1149D0332J | | .WASHER | 103106 | 2 |
| 20 | BACW10P271TF | | .WASHER | 103106 | 12 |
| 25 | NAS1149D0463J | | .WASHER | 103106 | 12 |
| 30 | PLH54CM | | .NUT SUPPLIER CODE: V62554 SPECIFICATION NUMBER: BACN10YR4CM OPTIONAL PART: H52732-4CM V15653 | 103106 | 6 |
| 35 | PLH53CM | | .NUT SUPPLIER CODE: VF0224 SPECIFICATION NUMBER: BACN10YR3CM OPTIONAL PART: H52732-3CM V15653 | 103106 | 2 |
| 40 | T012L0 | | .STRAP SUPPLIER CODE: V53421 SPECIFICATION NUMBER: BACS38K6 | 103106 | 13 |
| 45 | CBR2HS | | .STRAP SUPPLIER CODE: V06386 SPECIFICATION NUMBER: BACS38W3 | 103106 | 4 |
| 50 | NAS1922-0625-3 | | .CLAMP | 103106 | 2 |
| 55 | NAS1922-0400-3 | | .CLAMP | 103106 | 2 |
| 60 | 214N2056-28 | | .SEAL-FELT STRIP | 103106 | AR |
| 65 | TM3S10 | | .PLATE SUPPLIER CODE: V06383 SPECIFICATION NUMBER: STBP19M12 | 103106 | 4 |
| 70 | 214N2170-11 | | .BRACKET | 103106 | 3 |

MISSING ITEM NUMBERS NOT APPLICABLE

- ITEM NOT ILLUSTRATED

21-23-01-66T

21-23-01
FIG. 66T
PAGE 1
JAN 20/09

BRI



757

PARTS CATALOG (MAINTENANCE)

| FIG ITEM | PART NUMBER | 1 2 3 4 5 6 7 | NOMENCLATURE | EFFECT FROM TO | UNITS PER ASSY |
|-------------|-----------------|---------------|--------------|-------------------|----------------------|
| 66T | | | | | |
| 75 | AS1506-24D40 | .HOSE | | 103106 | 1 |
| 80 | AS1506-16D30 | .HOSE | | 103106 | 1 |
| 85 | AS1591-06-0200A | .DUCT | | 103106 | 2 |
| 90 | AS1591-06-0360A | .DUCT | | 103106 | 2 |
| 95 | 214N2190-54 | .DUCT | ASSY | 103106 | 1 |

MISSING ITEM NUMBERS NOT APPLICABLE

- ITEM NOT ILLUSTRATED

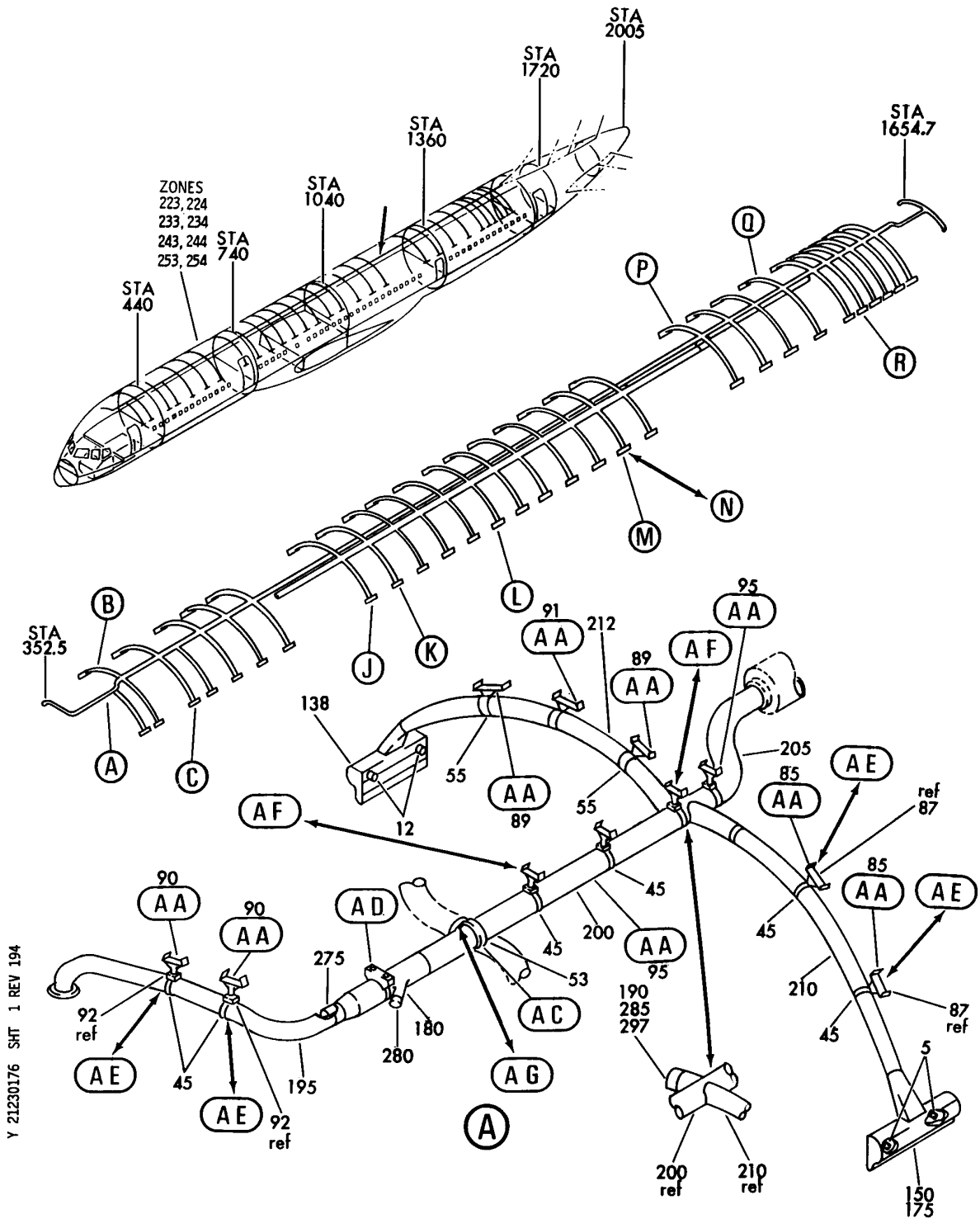
BRI

21-23-01-66T

BOEING PROPRIETARY - Copyright © - Unpublished Work - See title page for details.

21-23-01
FIG. 66T
PAGE 2
JAN 20/09

BOEING
757
PARTS CATALOG (MAINTENANCE)



Y 21230176 SHT 1 REV 194

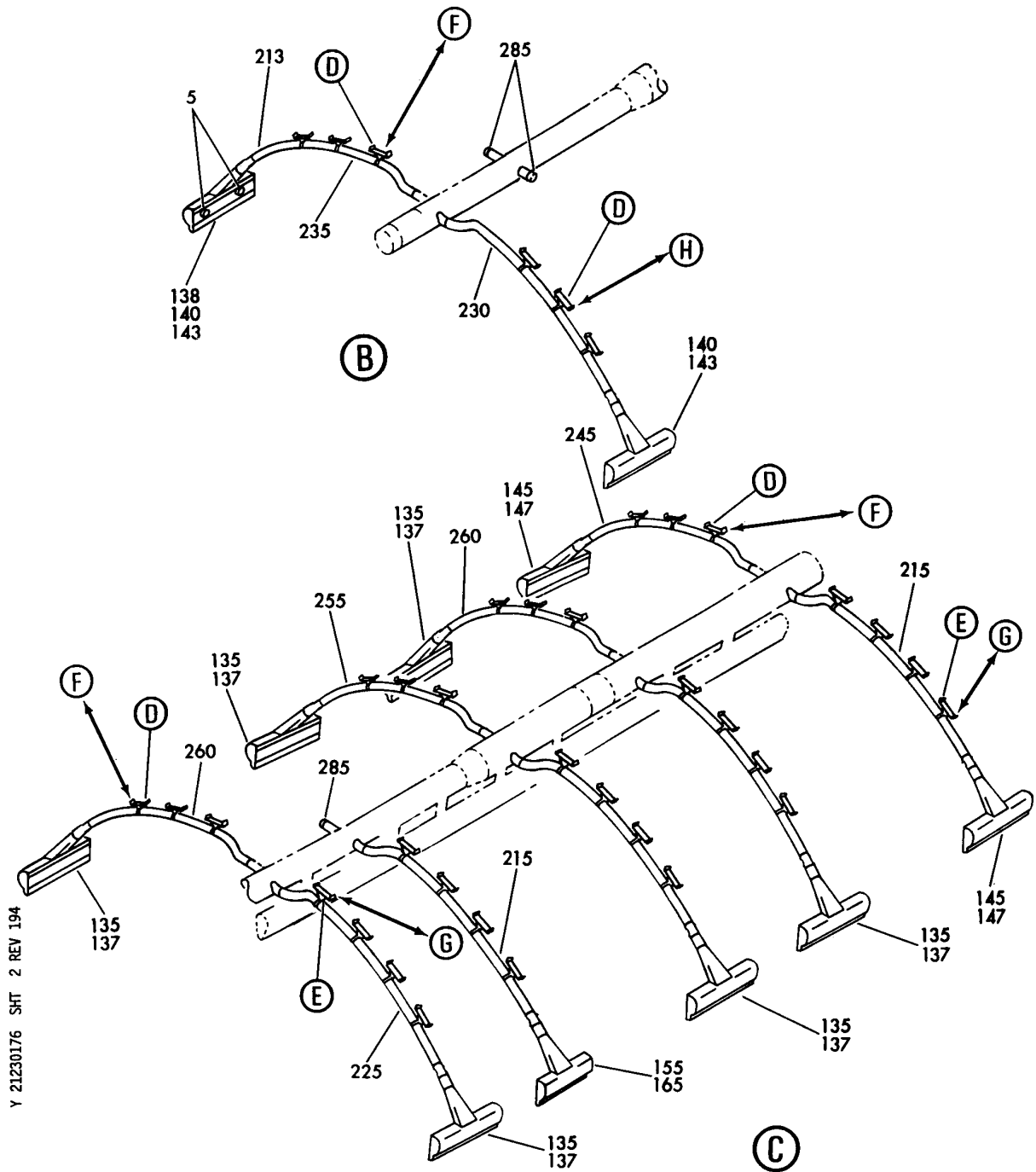
DUCT INSTL-SIDEWALL AIR DISTR SYSTEM
FIGURE 76 (SHEET 1)

21-23-01-76

BRI
MAY 28/07

21-23-01-76
PAGE 0

BOEING
757
PARTS CATALOG (MAINTENANCE)



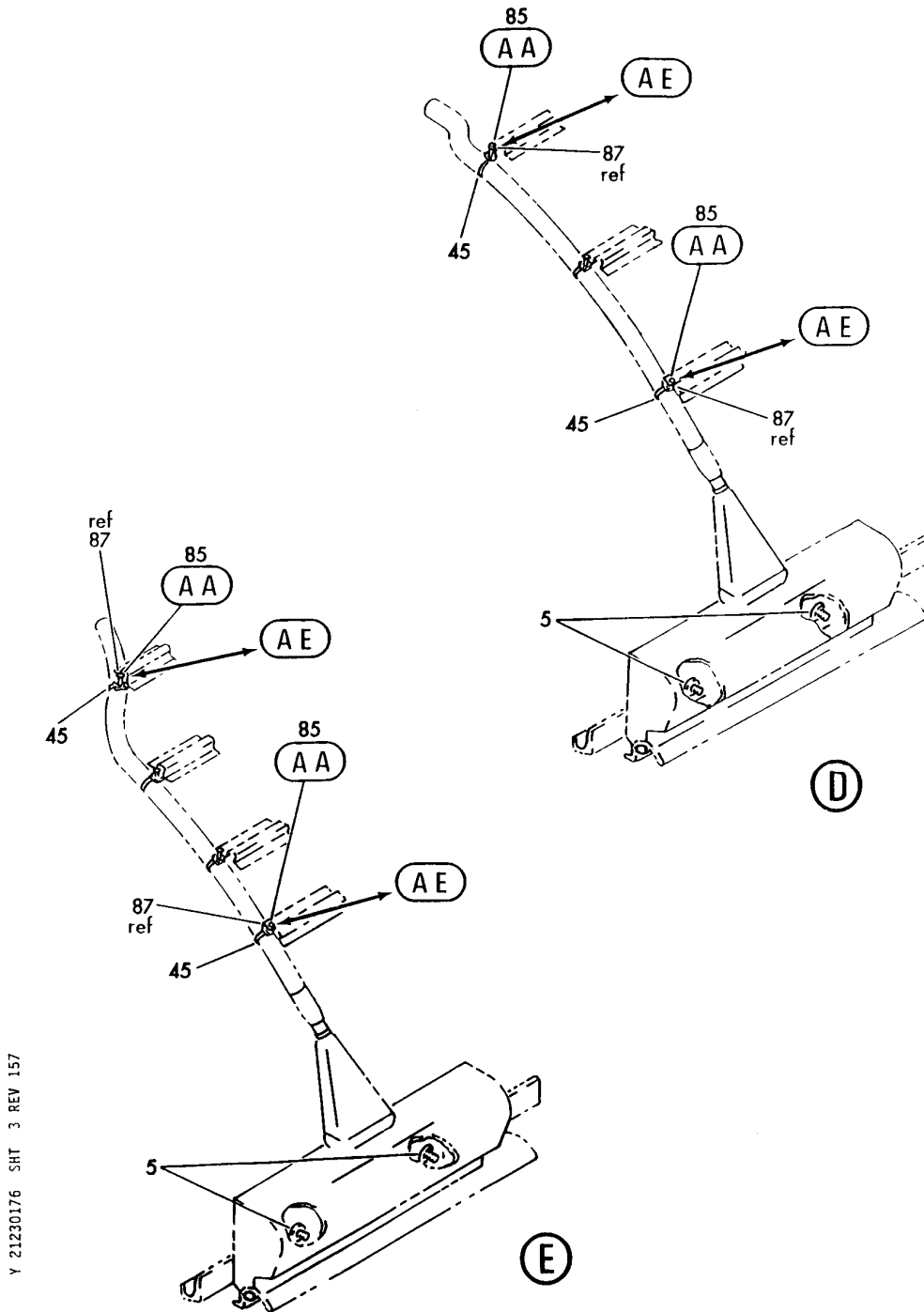
DUCT INSTL-SIDEWALL AIR DISTR SYSTEM
FIGURE 76 (SHEET 2)

21-23-01-76

BRI
MAY 28/07

21-23-01-76
PAGE 0A

BOEING
757
PARTS CATALOG (MAINTENANCE)



Y 21230176 SHT 3 REV 157

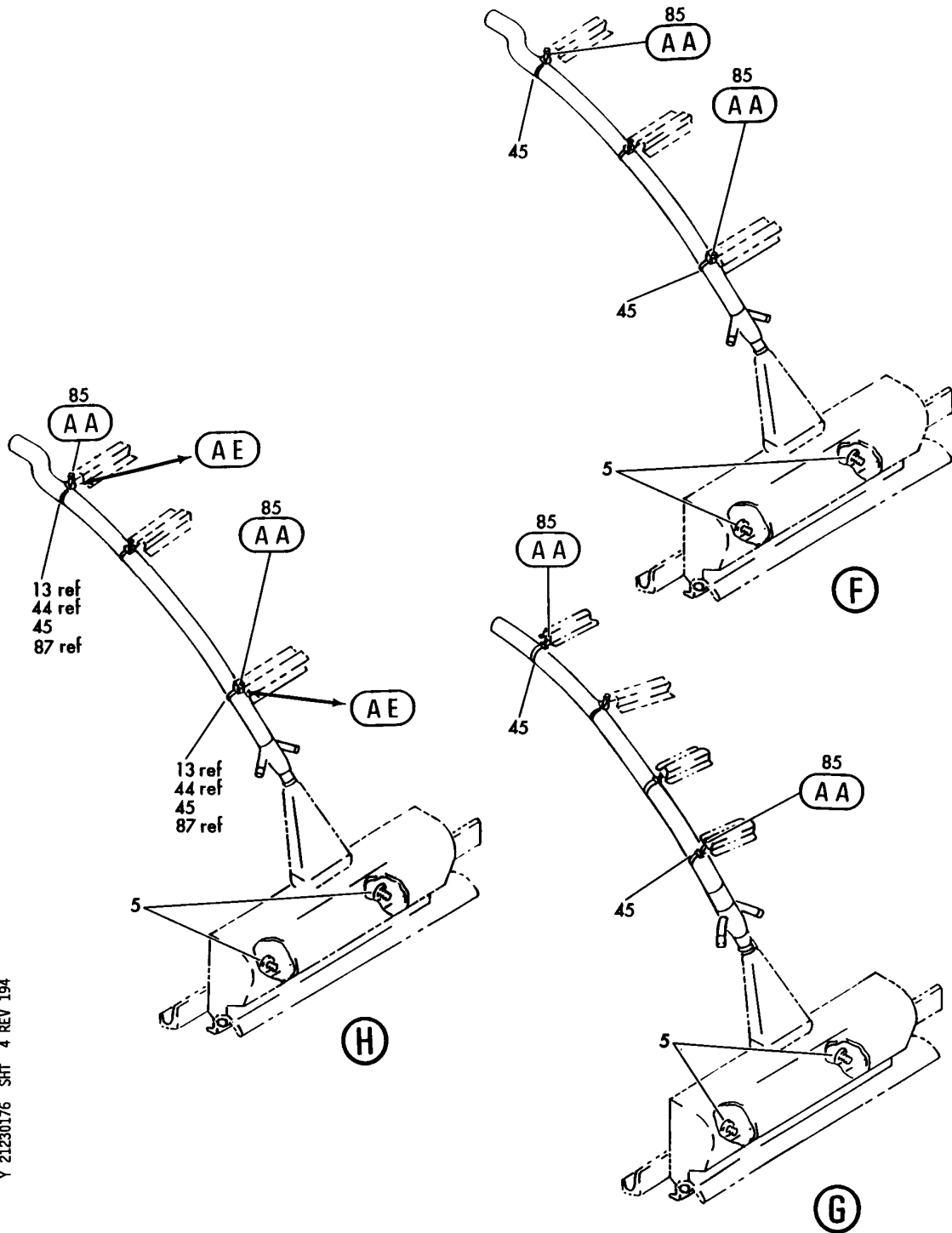
DUCT INSTL-SIDEWALL AIR DISTR SYSTEM
FIGURE 76 (SHEET 3)

21-23-01-76

BRI
MAY 28/07

21-23-01-76
PAGE 0B

BOEING
757
PARTS CATALOG (MAINTENANCE)



Y 21230176 SHT 4 REV 194

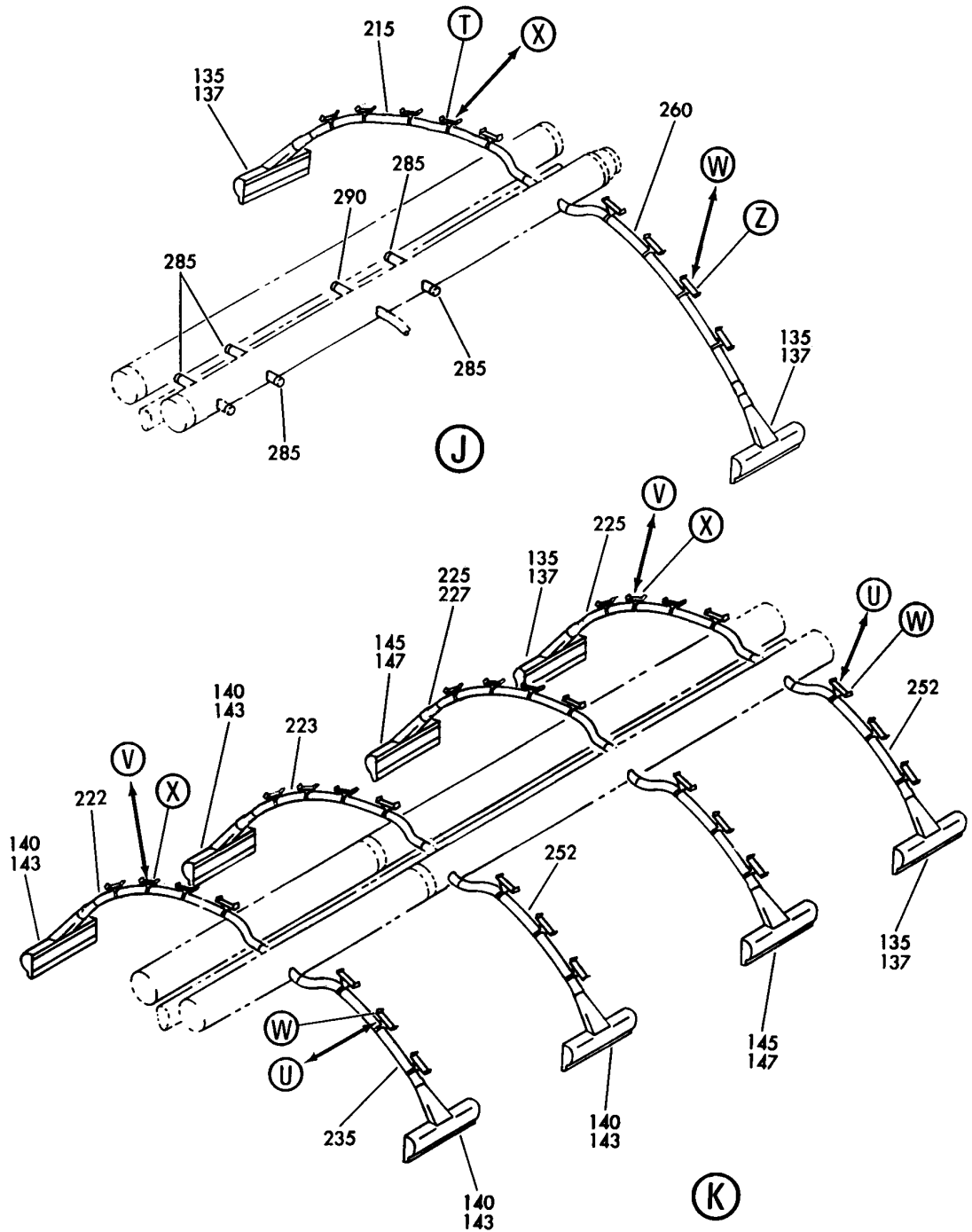
DUCT INSTL-SIDEWALL AIR DISTR SYSTEM
FIGURE 76 (SHEET 4)

21-23-01-76

BRI
MAY 28/07

21-23-01-76
PAGE 0C

BOEING
757
PARTS CATALOG (MAINTENANCE)



Y 21230176 SHT 5 REV 194

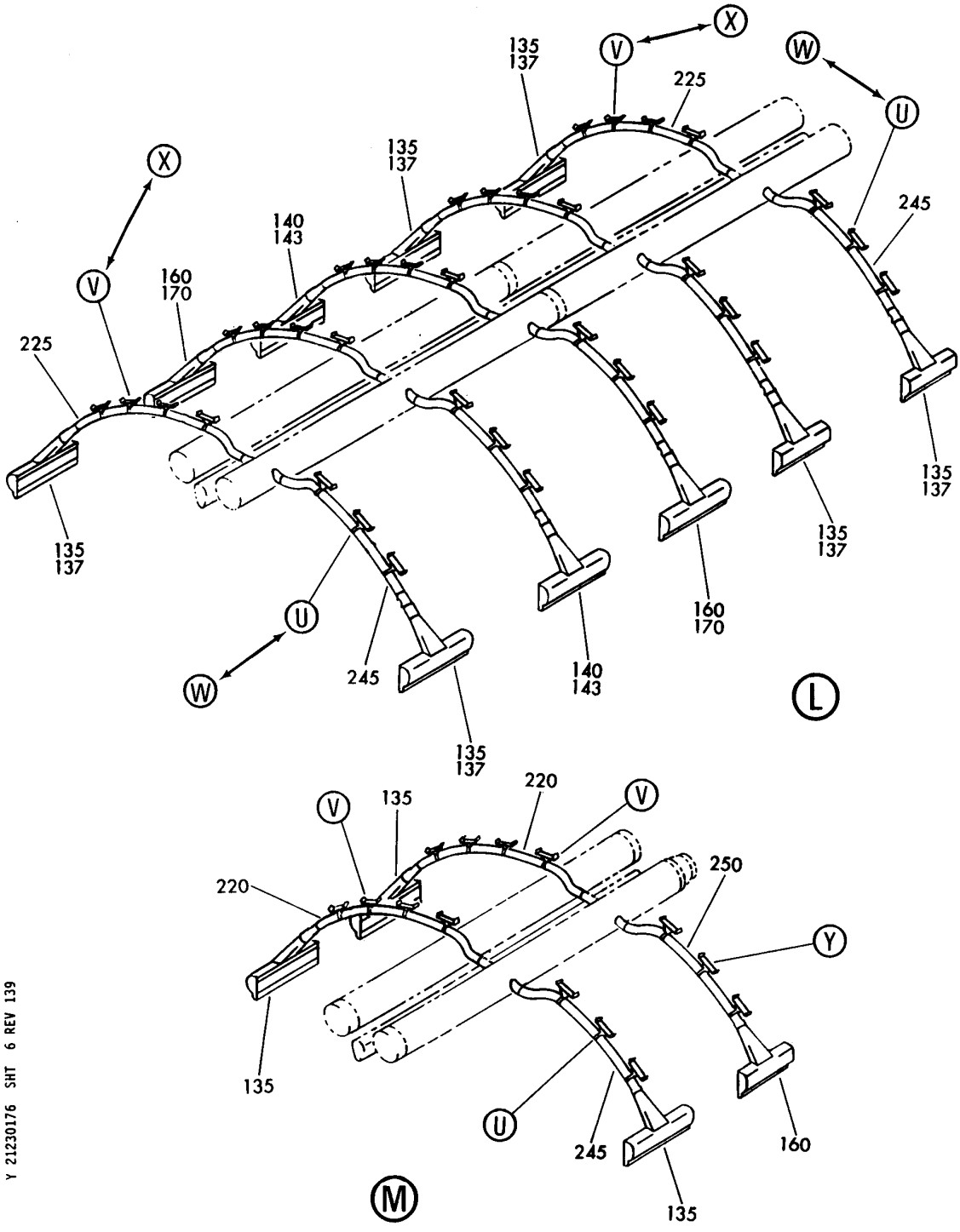
DUCT INSTL-SIDEWALL AIR DISTR SYSTEM
FIGURE 76 (SHEET 5)

21-23-01-76

BRI
MAY 28/07

21-23-01-76
PAGE 0D

BOEING
757
PARTS CATALOG (MAINTENANCE)



Y 21230176 SHT 6 REV 139

DUCT INSTL-SIDEWALL AIR DISTR SYSTEM
FIGURE 76 (SHEET 6)

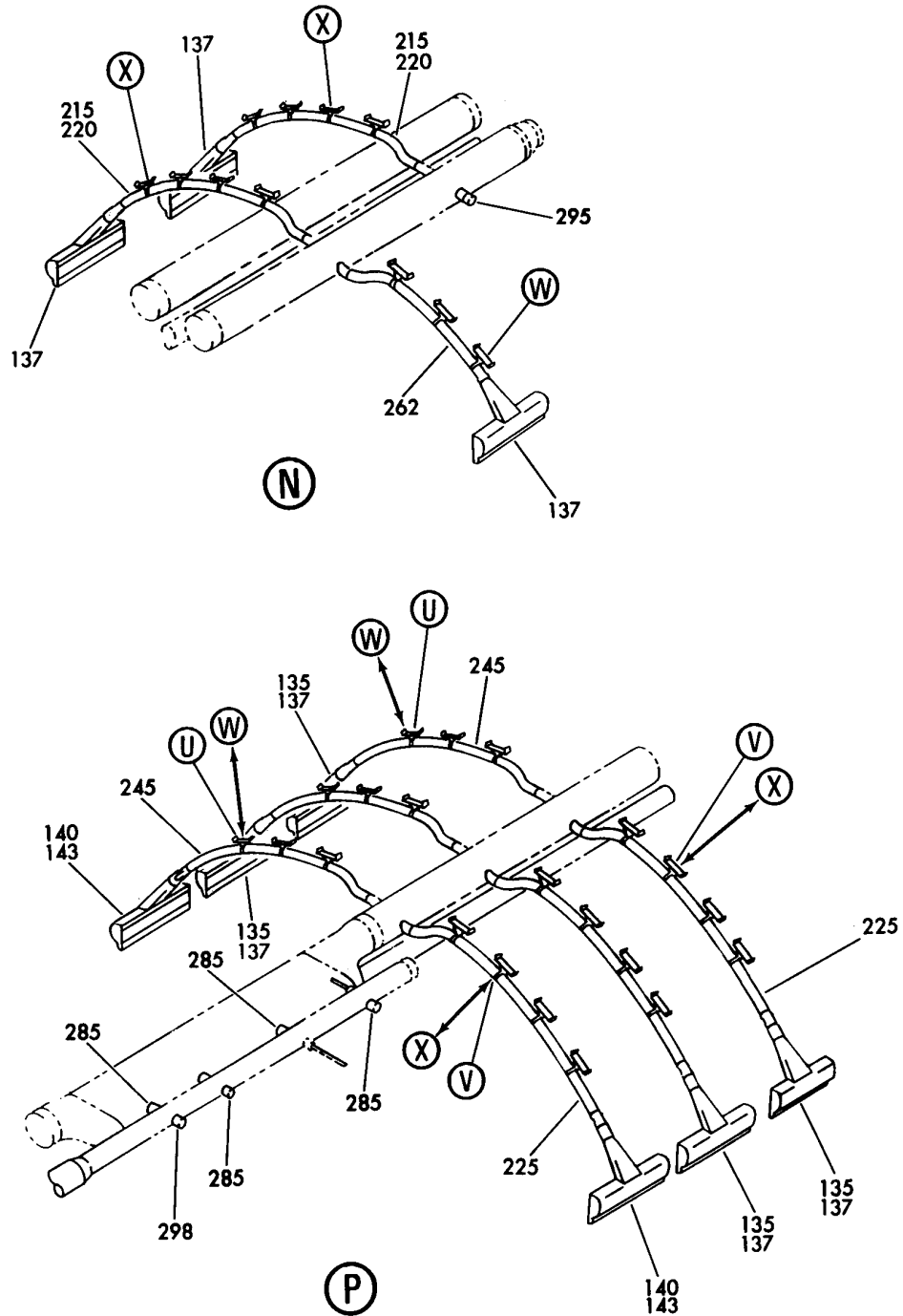
21-23-01-76

BRI
MAY 28/07

21-23-01-76
PAGE 0E

BOEING PROPRIETARY - Copyright © - Unpublished Work - See title page for details.

BOEING
757
PARTS CATALOG (MAINTENANCE)



Y 21230176 SHT 7 REV 194

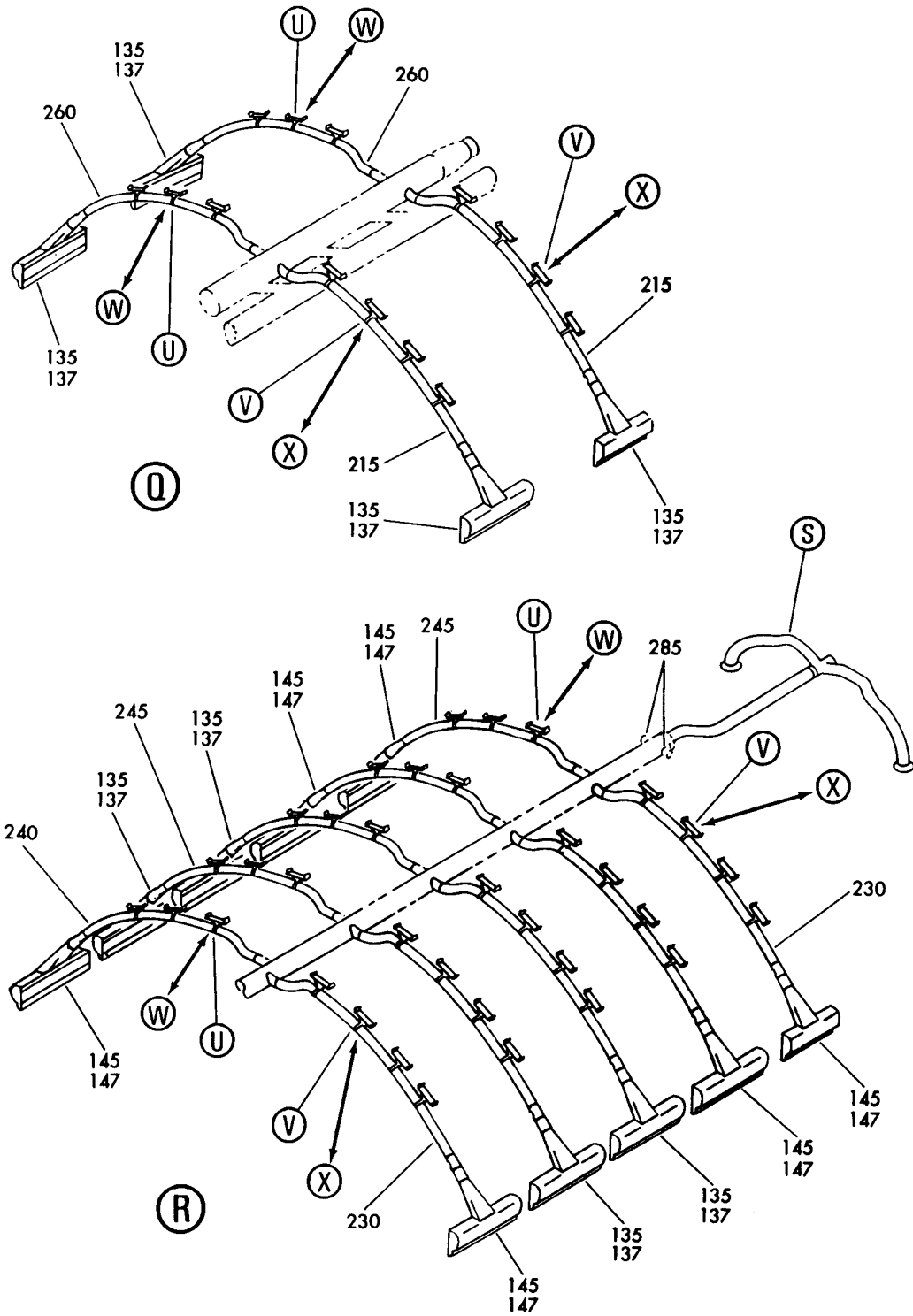
DUCT INSTL-SIDEWALL AIR DISTR SYSTEM
FIGURE 76 (SHEET 7)

21-23-01-76

BRI
MAY 28/07

21-23-01-76
PAGE OF

BOEING
757
PARTS CATALOG (MAINTENANCE)



Y 21230176 SHT 8 REV 139

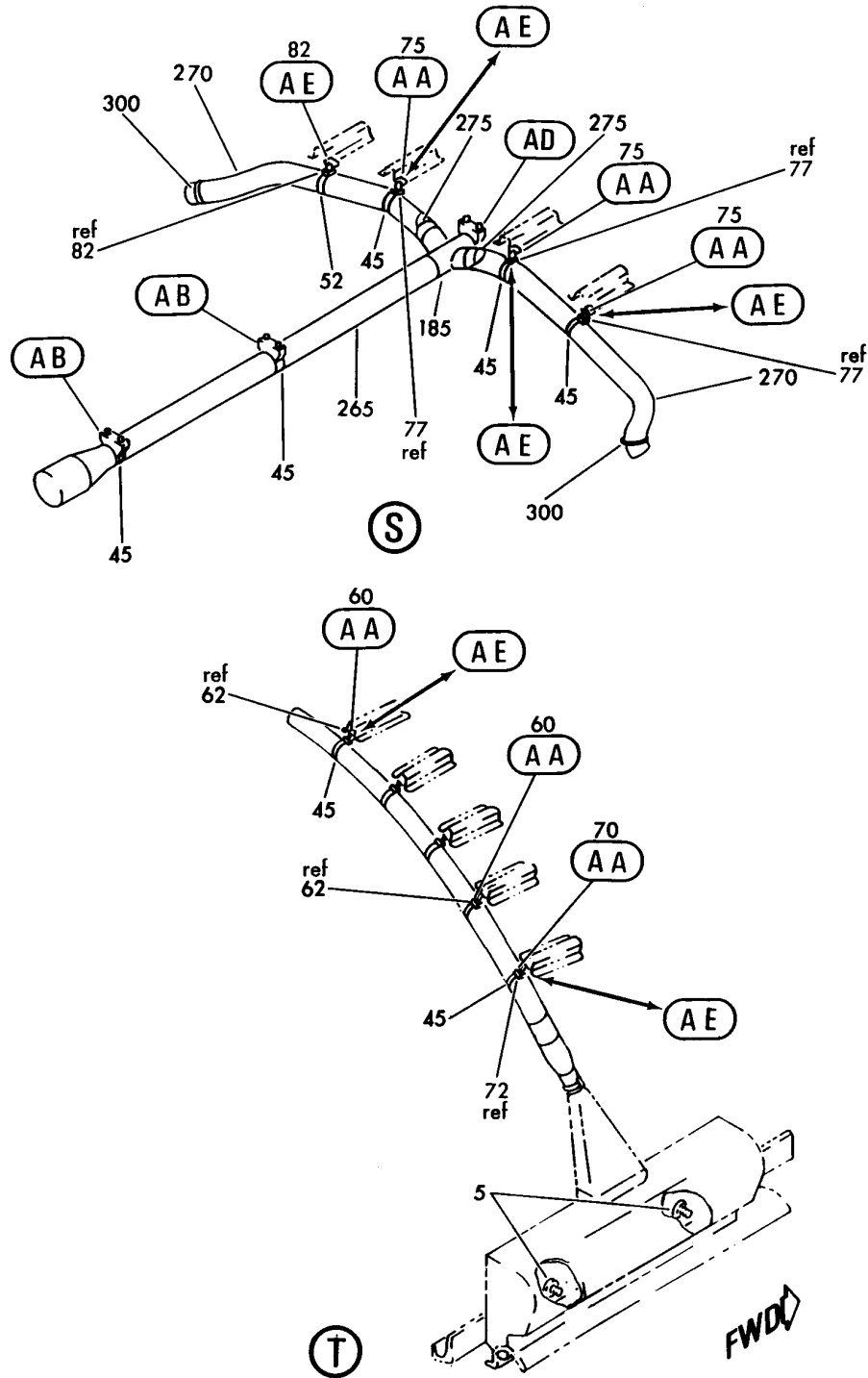
DUCT INSTL-SIDEWALL AIR DISTR SYSTEM
FIGURE 76 (SHEET 8)

21-23-01-76

BRI
MAY 28/07

21-23-01-76
PAGE 08

BOEING
757
PARTS CATALOG (MAINTENANCE)



Y 21230176 SHT 9 REV 194

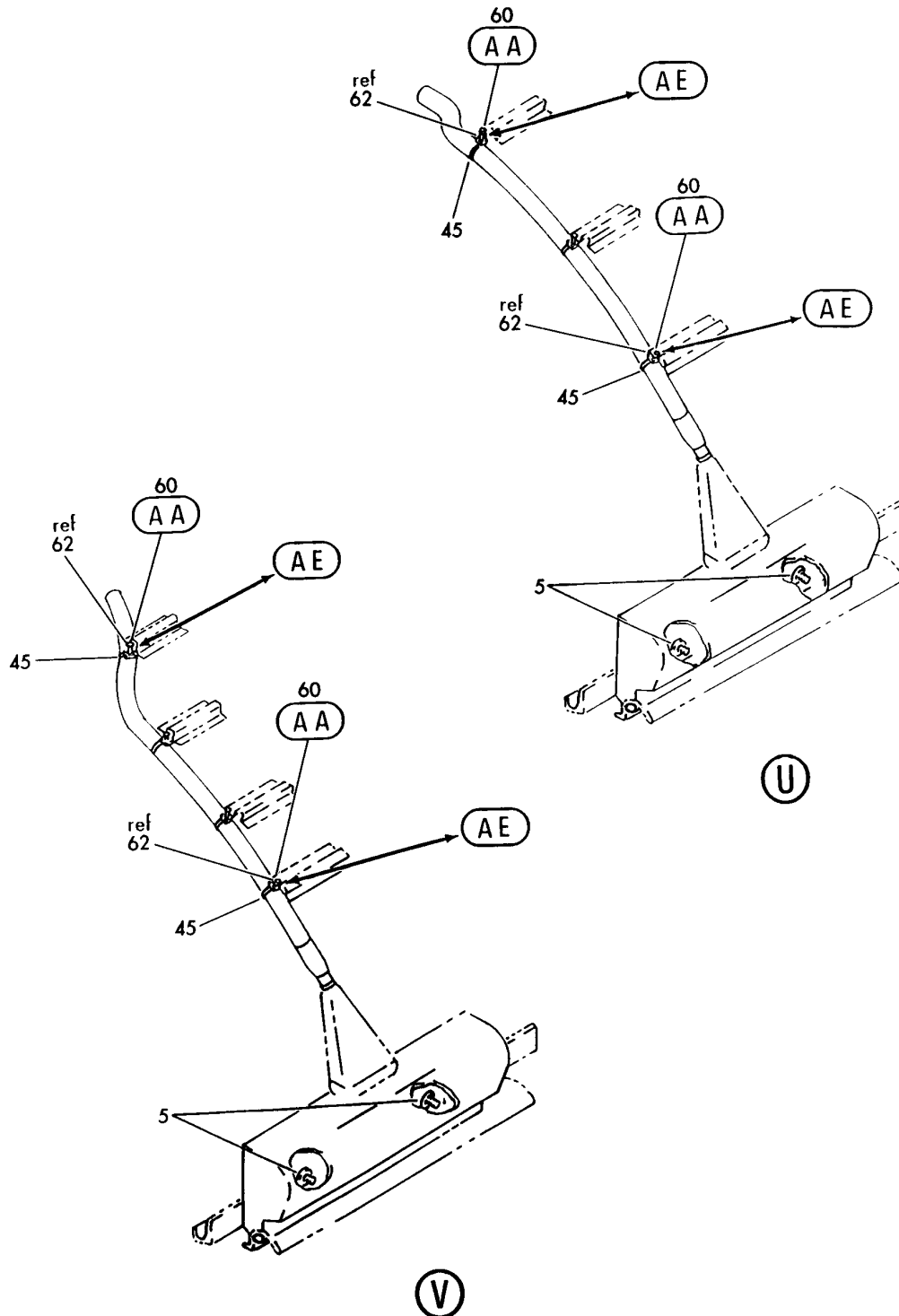
DUCT INSTL-SIDEWALL AIR DISTR SYSTEM
FIGURE 76 (SHEET 9)

21-23-01-76

BRI
MAY 28/07

21-23-01-76
PAGE 0H

BOEING
757
PARTS CATALOG (MAINTENANCE)



Y 21230176 SHT 10 REV 157

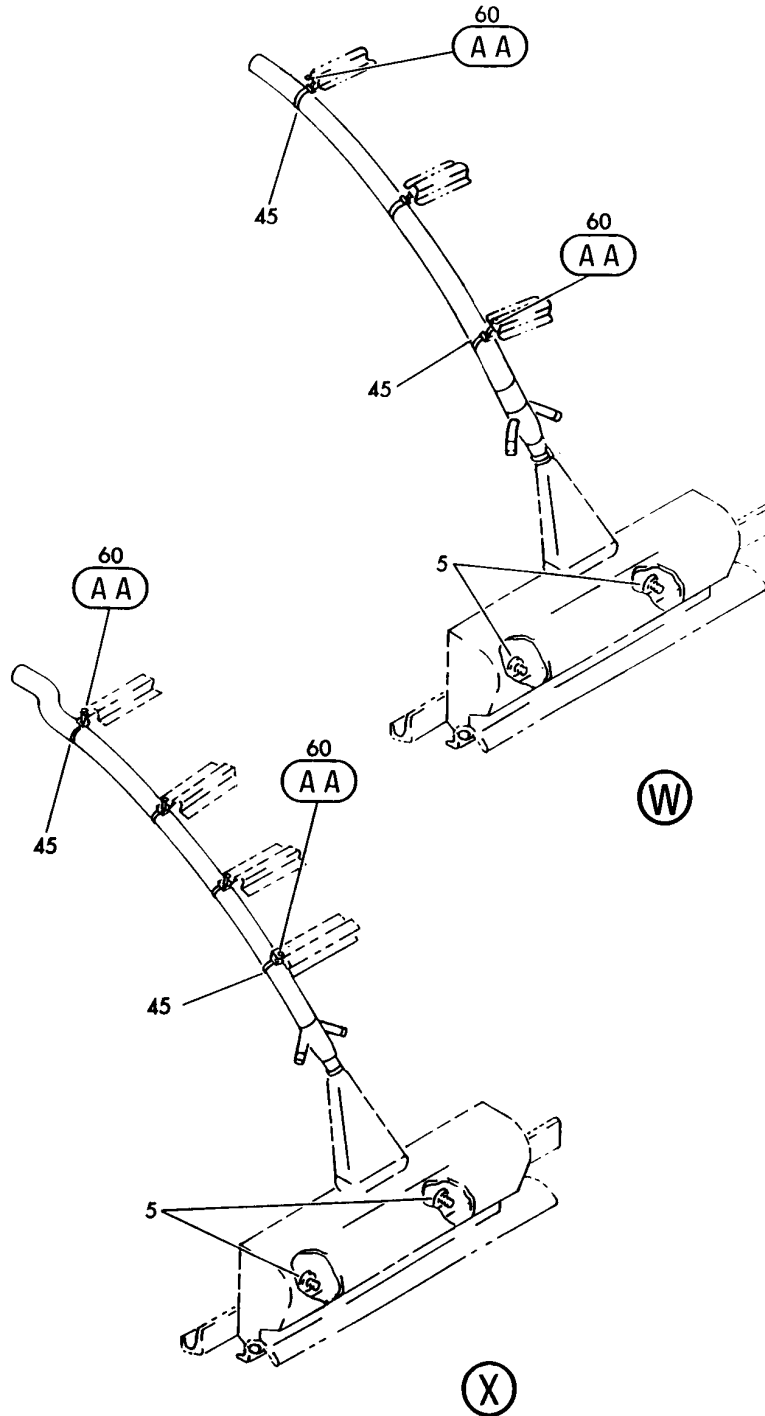
DUCT INSTL-SIDEWALL AIR DISTR SYSTEM
FIGURE 76 (SHEET 10)

21-23-01-76

BRI
MAY 28/07

21-23-01-76
PAGE 01

BOEING
757
PARTS CATALOG (MAINTENANCE)



Y 21230176 SHT 11 REV 157

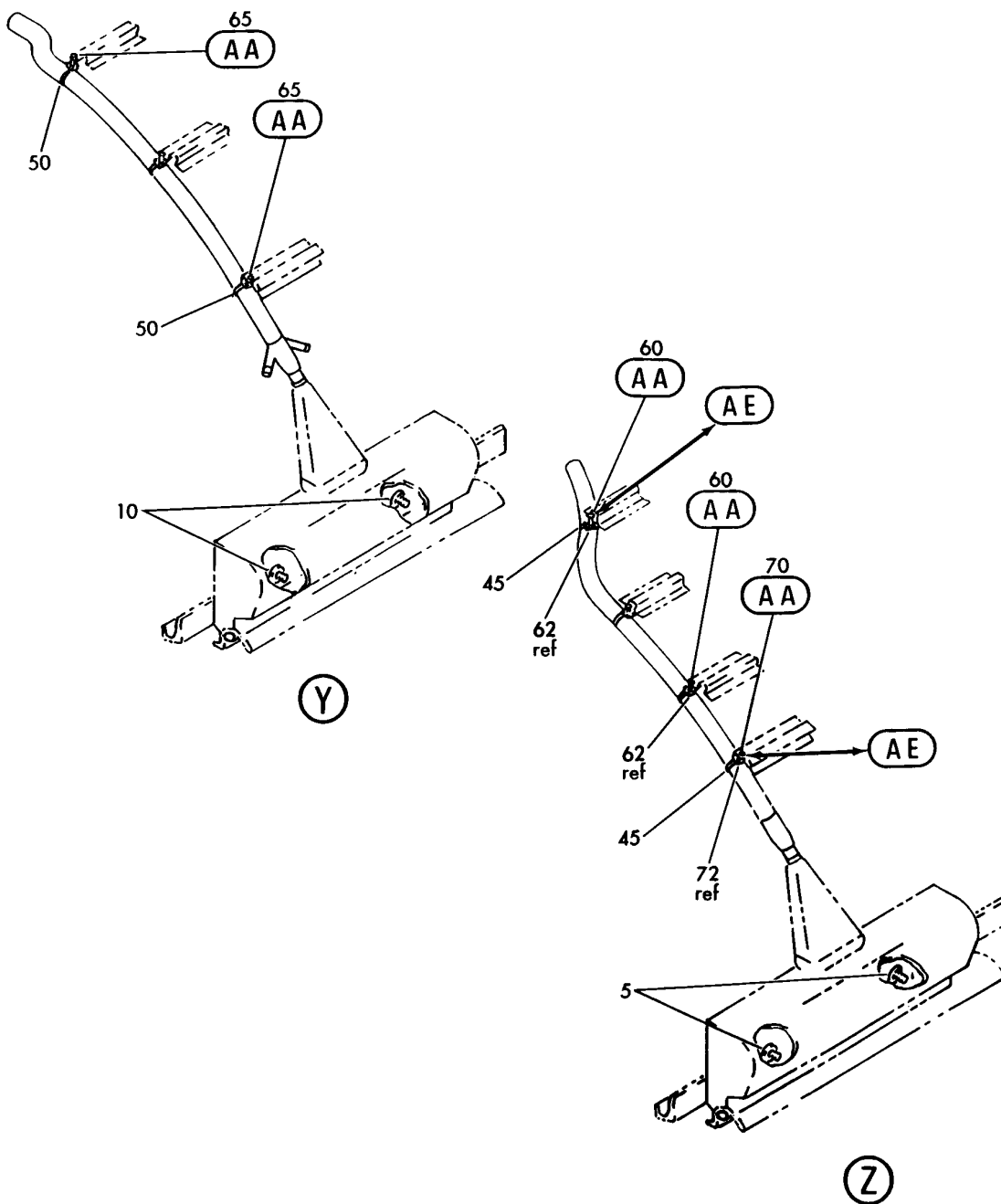
DUCT INSTL-SIDEWALL AIR DISTR SYSTEM
FIGURE 76 (SHEET 11)

21-23-01-76

BRI
MAY 28/07

21-23-01-76
PAGE 0J

BOEING
757
PARTS CATALOG (MAINTENANCE)



Y 21230176 SHT 12 REV 194

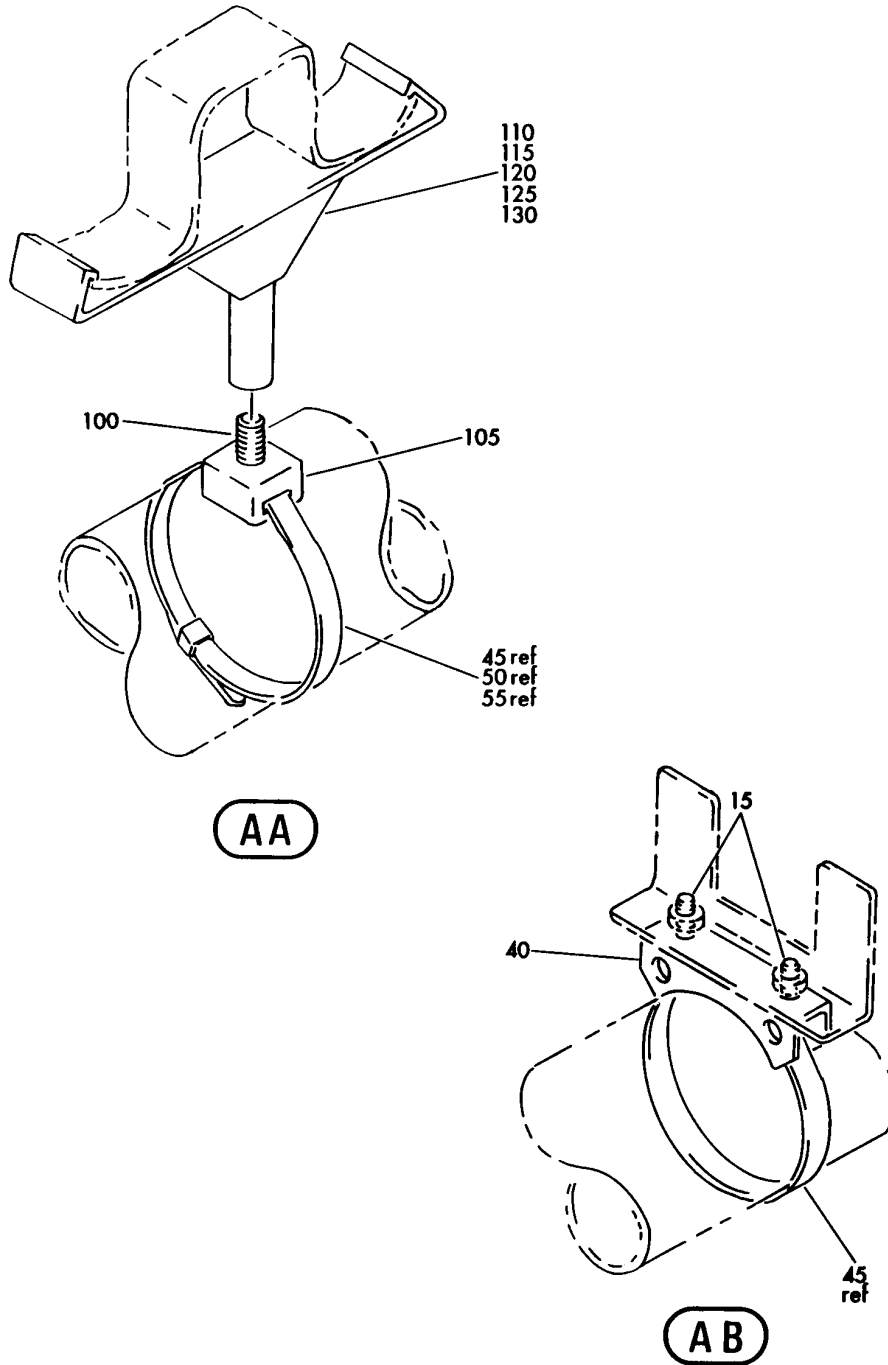
DUCT INSTL-SIDEWALL AIR DISTR SYSTEM
FIGURE 76 (SHEET 12)

21-23-01-76

BRI
MAY 28/07

21-23-01-76
PAGE OK

BOEING
757
PARTS CATALOG (MAINTENANCE)



Y 21230176 SHT 13 REV 139

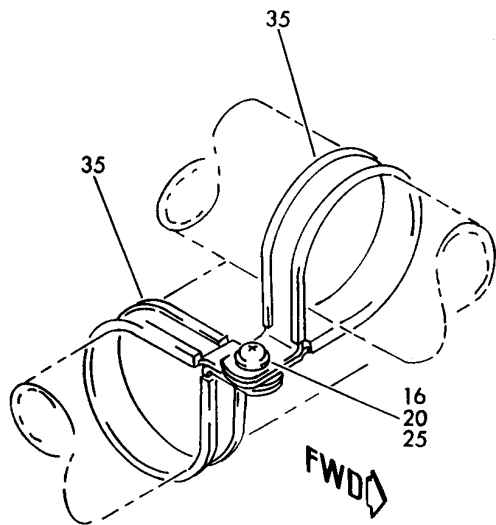
DUCT INSTL-SIDEWALL AIR DISTR SYSTEM
FIGURE 76 (SHEET 13)

21-23-01-76

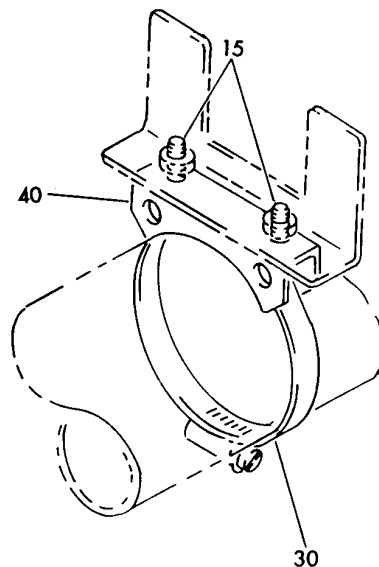
BRI
MAY 28/07

21-23-01-76
PAGE 0L

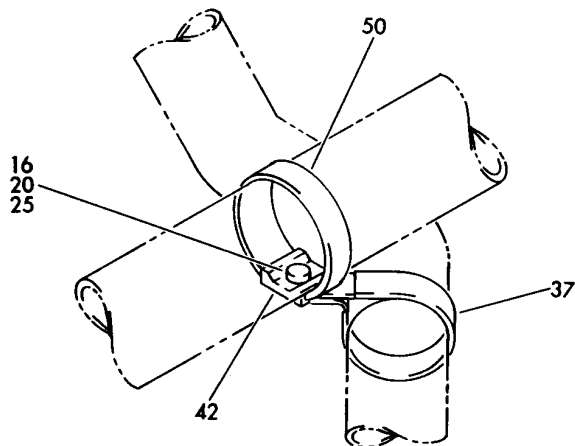
BOEING
757
PARTS CATALOG (MAINTENANCE)



AC



AD



AG

Y 21230176 SHT 14 REV 157

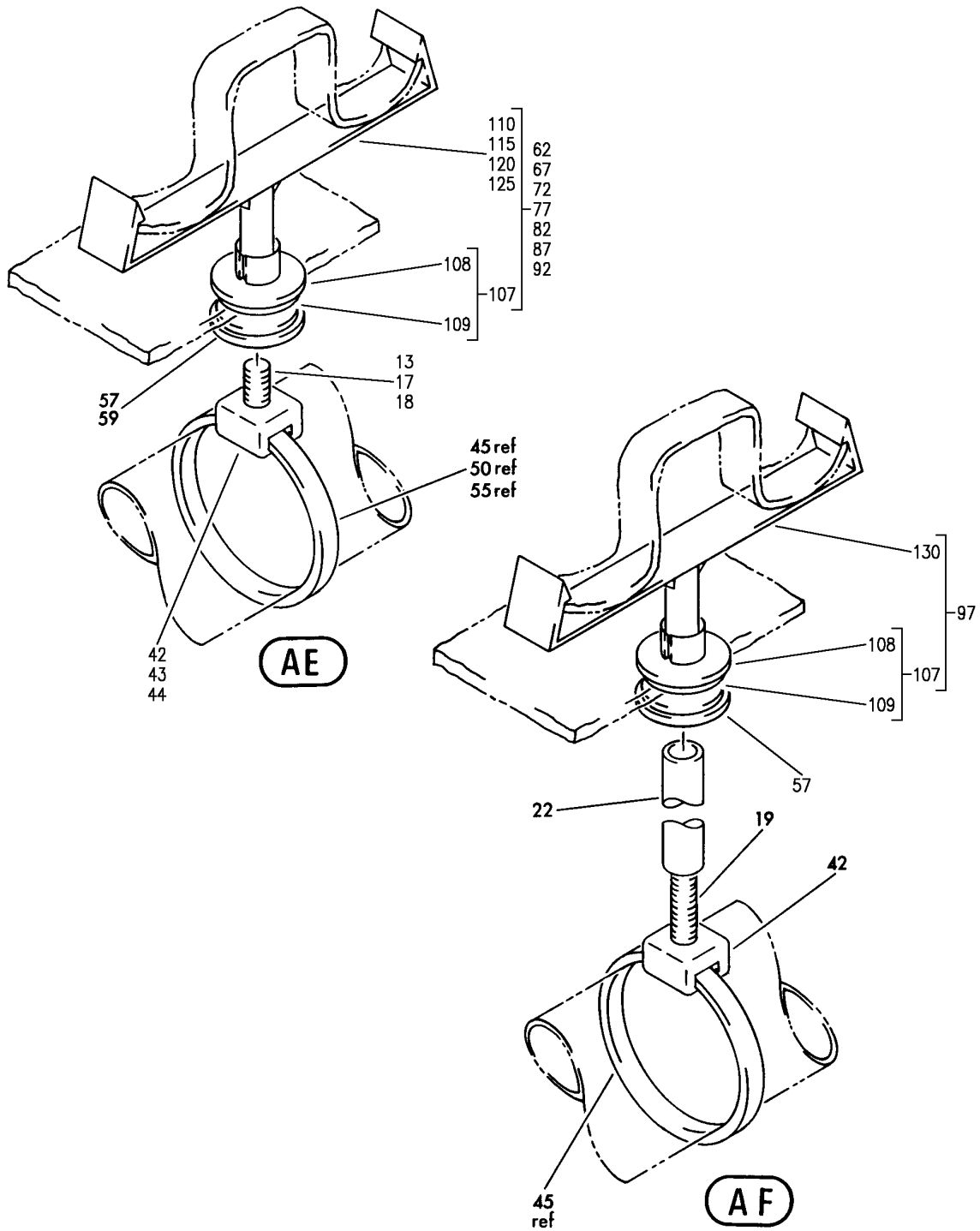
DUCT INSTL-SIDEWALL AIR DISTR SYSTEM
FIGURE 76 (SHEET 14)

21-23-01-76

BRI
MAY 28/07

21-23-01-76
PAGE 0M

BOEING
757
PARTS CATALOG (MAINTENANCE)



Y 21230176 SH1 15 REV 299

DUCT INSTL-SIDEWALL AIR DISTR SYSTEM
FIGURE 76 (SHEET 15)

21-23-01-76

BRI
MAY 28/07

21-23-01-76
PAGE ON



757

PARTS CATALOG (MAINTENANCE)

| FIG ITEM | PART NUMBER | 1 2 3 4 5 6 7 | NOMENCLATURE | EFFECT FROM TO | UNITS PER ASSY |
|----------|-----------------|---------------|--|------------------|----------------|
| 76 | | | DUCT INSTL-SIDEWALL AIR DISTR SYSTEM | 011100 504903 | |
| - 1 | 214N2026-21 | | DUCT INSTL-SIDEWALL AIR DISTR SYSTEM FOR NHA SEE: 21-00-00-01 | 011017 | RF |
| - 1 | 214N2026-41 | | DUCT INSTL-SIDEWALL AIR DISTR SYSTEM FOR NHA SEE: 21-00-00-01 | 018100 | RF |
| - 1 | 214N2026-76 | | DUCT INSTL-SIDEWALL AIR DISTR SYSTEM FOR NHA SEE: 21-00-00-12 | 504903 | RF |
| 5 | BACS12FA08K6 | | .SCREW | 011100 504903 | 110 |
| 10 | BACS12FA08K6 | | .SCREW | 504903 | 2 |
| 12 | BACS12FA08K6 | | .SCREW | 011017 | 2 |
| 13 | BACS12ER3K10 | | .SCREW- | 504903 | 3 |
| 15 | BACS12FA3K7 | | .SCREW- | 011100 504903 | 8 |
| 16 | BACS12FA3K7 | | .SCREW | 011017 | 1 |
| 16 | BACS12FA3K8 | | .SCREW- | 018100 504903 | 1 |
| 17 | BACS12GP3K10 | | .SCREW- | 018100 | 196 |
| 17 | BACS12ER3K10 | | .SCREW- | 504903 | 196 |
| 18 | BACS12GP3K10 | | .SCREW | 018100 | 3 |
| 19 | NAS514P1032-26P | | .SCREW | 018100 504903 | 4 |
| 20 | NAS1149D0332J | | .WASHER- | 011100 504903 | 1 |
| 22 | NAS43DD3-67FC | | .SPACER | 018100 504903 | 4 |
| 25 | PLH53CD | | .NUT SUPPLIER CODE: VF0224 SPECIFICATION NUMBER: BACN10YR3CD OPTIONAL PART: H52732-3CD V15653 | 011100 504903 | 1 |
| 30 | 32 | | .CLAMP- SUPPLIER CODE: V7Z588 SPECIFICATION NUMBER: STBC10GG66-82 OPTIONAL PART: WWD66-82H V66295 | 504903 | 2 |

MISSING ITEM NUMBERS NOT APPLICABLE

- ITEM NOT ILLUSTRATED

21-23-01-76

21-23-01
FIG. 76
PAGE 1
JAN 20/09

BRI



757

PARTS CATALOG (MAINTENANCE)

| FIG ITEM | PART NUMBER | 1 2 3 4 5 6 7 | NOMENCLATURE | EFFECT FROM TO | UNITS PER ASSY |
|----------|----------------|---------------|-----------------------|----------------|----------------|
| 76 | | | | | |
| 30 | NAS1922-0225-1 | . | CLAMP- | 011100 | 2 |
| 35 | MS21919WDG32 | . | CLAMP | 011017 | 2 |
| 37 | MS21919WDG32 | . | CLAMP | 018100 | 1 |
| | | | | 504903 | |
| 40 | 214T3424-2 | . | SUPPORT | 011100 | 4 |
| | | | | 504903 | |
| 42 | TM2S8 | . | PLATE | 018100 | 201 |
| | | | SUPPLIER CODE: | 504903 | |
| | | | V06383 | | |
| | | | SPECIFICATION NUMBER: | | |
| | | | STBP19M9 | | |
| 43 | TM2S8 | . | PLATE | 018100 | 3 |
| | | | SUPPLIER CODE: | | |
| | | | V06383 | | |
| | | | SPECIFICATION NUMBER: | | |
| | | | STBP19M9 | | |
| 44 | TM2S8 | . | PLATE | 504903 | 3 |
| | | | SUPPLIER CODE: | | |
| | | | V06383 | | |
| | | | SPECIFICATION NUMBER: | | |
| | | | STBP19M9 | | |
| 45 | PLT4SM | . | STRAP | 011100 | 202 |
| | | | SUPPLIER CODE: | 504903 | |
| | | | V06383 | | |
| | | | SPECIFICATION NUMBER: | | |
| | | | BACS38K2 | | |
| | | | OPTIONAL PART: | | |
| | | | T05LO | | |
| | | | V53421 | | |
| 50 | PLT4SM | . | STRAP | 504903 | 3 |
| | | | SUPPLIER CODE: | | |
| | | | V06383 | | |
| | | | SPECIFICATION NUMBER: | | |
| | | | BACS38K2 | | |
| | | | OPTIONAL PART: | | |
| | | | T05LO | | |
| | | | V53421 | | |
| 52 | PLT4SM | . | STRAP | 011100 | 1 |
| | | | SUPPLIER CODE: | | |
| | | | V06383 | | |
| | | | SPECIFICATION NUMBER: | | |
| | | | BACS38K2 | | |
| | | | OPTIONAL PART: | | |
| | | | T05LO | | |
| | | | V53421 | | |

MISSING ITEM NUMBERS NOT APPLICABLE

- ITEM NOT ILLUSTRATED

BRI

21-23-01-76

21-23-01
FIG. 76
PAGE 2
JAN 20/09

 **BOEING**
757
PARTS CATALOG (MAINTENANCE)

| FIG ITEM | PART NUMBER | 1 2 3 4 5 6 7 | NOMENCLATURE | EFFECT FROM TO | UNITS PER ASSY |
|----------|-------------|---------------|---|------------------|----------------|
| 76 | | | | | |
| 53 | PLT4SM | . | STRAP SUPPLIER CODE: V06383 SPECIFICATION NUMBER: BACS38K2 OPTIONAL PART: T05LO V53421 | 504903 | 1 |
| 55 | PLT4SM | . | STRAP SUPPLIER CODE: V06383 SPECIFICATION NUMBER: BACS38K2 OPTIONAL PART: T05LO V53421 | 011017 | 3 |
| 57 | 411N4026-3 | . | WASHER ASSY- OPTIONAL PART: 411N4026-12 | 018100 | 201 |
| 57 | 411N4026-12 | . | WASHER ASSY- OPTIONAL PART: 411N4026-3 | 018100 504903 | 201 |
| 58 | 411N4026-12 | . | WASHER ASSY | 504903 | 3 |
| 60 | 214N5054-1 | . | SUPPORT ASSY- | 011017 | 151 |
| 62 | 214N5054-14 | . | SUPPORT ASSY- | 018100 504903 | 151 |
| 67 | 214N5054-14 | . | SUPPORT ASSY- | 504903 | 3 |
| 70 | 214N5054-1 | . | SUPPORT ASSY- | 011017 | 3 |
| 72 | 214N5054-14 | . | SUPPORT ASSY- | 018100 | 3 |
| 75 | 214N5054-2 | . | SUPPORT ASSY- | 011017 | 3 |
| 77 | 214N5054-14 | . | SUPPORT ASSY- | 018100 504903 | 3 |
| 82 | 214N5054-14 | . | SUPPORT ASSY | 018100 | 1 |
| 85 | 214N5054-3 | . | SUPPORT ASSY- | 011017 | 40 |
| 87 | 214N5054-11 | . | SUPPORT ASSY- | 018100 504903 | 40 |
| 90 | 214N5054-4 | . | SUPPORT ASSY- | 011017 | 2 |
| 92 | 214N5054-11 | . | SUPPORT ASSY- | 018100 504903 | 2 |
| 95 | 214N5054-6 | . | SUPPORT ASSY- | 011017 | 4 |
| 97 | 214N5054-11 | . | SUPPORT ASSY- | 018100 504903 | 4 |
| 100 | BACS12ER3K6 | .. | SCREW | 011017 | 1 |
| 105 | TM2S8 | .. | PLATE SUPPLIER CODE: V06383 SPECIFICATION NUMBER: STBP19M9 | 011017 | 1 |

MISSING ITEM NUMBERS NOT APPLICABLE

— ITEM NOT ILLUSTRATED

BRI

21-23-01-76

21-23-01
FIG. 76
PAGE 3
JAN 20/09



757

PARTS CATALOG (MAINTENANCE)

| FIG ITEM | PART NUMBER | 1 2 3 4 5 6 7 | NOMENCLATURE | EFFECT FROM TO | UNITS PER ASSY |
|----------|-------------|---------------|--|------------------|----------------|
| 76 | | | | | |
| 107 | 411N4026-2 | .. | CAP ASSY- OPTIONAL PART: 411N4026-10 | 018100 504903 | 1 |
| 107 | 411N4026-10 | .. | CAP ASSY- OPTIONAL PART: 411N4026-2 | 018100 504903 | 1 |
| 108 | 411N4026-5 | ... | CAP- USED ON: 411N4026-2 | 018100 504903 | 1 |
| 108 | 411N4026-11 | ... | CAP- USED ON: 411N4026-10 | 018100 504903 | 1 |
| 109 | 411N4026-7 | ... | TAPE | 018100 504903 | 1 |
| 110 | 2055155-10C | .. | CLIP- SUPPLIER CODE: V04169 USED ON: 214N5054-1 | 011017 | 1 |
| 110 | 2055155-10C | .. | CLIP- SUPPLIER CODE: V04169 USED ON: 214N5054-1 | 011017 | 1 |
| 110 | 2055155-5C | .. | CLIP- SUPPLIER CODE: V04169 USED ON: 214N5054-14 | 018100 504903 | 1 |
| 110 | 2055155-5C | .. | CLIP- SUPPLIER CODE: V04169 USED ON: 214N5054-14 | 018100 504903 | 1 |
| 115 | 2055155-5C | .. | CLIP- SUPPLIER CODE: V04169 USED ON: 214N5054-2 214N5054-14 | 504903 | 1 |
| 115 | 2055155-5C | .. | CLIP- SUPPLIER CODE: V04169 USED ON: 214N5054-2 214N5054-14 | 011100 | 1 |

MISSING ITEM NUMBERS NOT APPLICABLE

- ITEM NOT ILLUSTRATED

21-23-01-76

21-23-01
FIG. 76
PAGE 4
JAN 20/09

BRI

BOEING PROPRIETARY - Copyright © - Unpublished Work - See title page for details.

 **BOEING**
757
PARTS CATALOG (MAINTENANCE)

| FIG ITEM | PART NUMBER | 1 2 3 4 5 6 7 | NOMENCLATURE | EFFECT FROM TO | UNITS PER ASSY |
|----------|-----------------|---------------|--|------------------|----------------|
| 76 | | | | | |
| 120 | 2055155-10B | .. | CLIP- SUPPLIER CODE: V04169 USED ON: 214N5054-3 | 011017 | 1 |
| 120 | 2055155-5B | .. | CLIP- SUPPLIER CODE: V04169 USED ON: 214N5054-11 | 018100 504903 | 1 |
| 125 | 2055155-5B | .. | CLIP- SUPPLIER CODE: V04169 USED ON: 214N5054-4 214N5054-11 | 011100 504903 | 1 |
| 130 | 2055155-20B | .. | CLIP- SUPPLIER CODE: V04169 USED ON: 214N5054-6 | 011017 | 1 |
| 130 | 2055155-5B | .. | CLIP- SUPPLIER CODE: V04169 USED ON: 214N5054-11 | 018100 504903 | 1 |
| 135 | 214N2520-80 | . | DIFFUSER ASSY | 504903 | 31 |
| 137 | 214N2520-83 | . | DIFFUSER ASSY | 011100 | 31 |
| 138 | 214N2520-83 | . | DIFFUSER ASSY | 011017 | 1 |
| 140 | 214N2520-81 | . | DIFFUSER ASSY | 504903 | 10 |
| 143 | 214N2520-84 | . | DIFFUSER ASSY | 011100 | 10 |
| 145 | 214N2520-82 | . | DIFFUSER ASSY | 504903 | 10 |
| 147 | 214N2520-85 | . | DIFFUSER ASSY | 011100 | 10 |
| 150 | 214N2520-80 | . | DIFFUSER ASSY | 504903 | 1 |
| 155 | 214N2520-81 | . | DIFFUSER ASSY | 504903 | 1 |
| 160 | 214N2520-82 | . | DIFFUSER ASSY | 504903 | 3 |
| 165 | 214N2520-83 | . | DIFFUSER ASSY | 018100 | 1 |
| 170 | 214N2520-84 | . | DIFFUSER ASSY | 011100 | 2 |
| 175 | 214N2520-85 | . | DIFFUSER ASSY | 011100 | 1 |
| 180 | 214N2102-1 | . | DUCT | 011100 504903 | 1 |
| 185 | 214N2103-2 | . | DUCT | 011100 504903 | 1 |
| 190 | 214N2103-4 | . | DUCT | 011100 504903 | 1 |
| 195 | AS1591-06-0362A | . | DUCT | 011100 504903 | 1 |
| 200 | AS1591-08-0630A | . | DUCT | 011100 504903 | 1 |

MISSING ITEM NUMBERS NOT APPLICABLE

— ITEM NOT ILLUSTRATED

BRI

21-23-01-76

21-23-01
FIG. 76
PAGE 5
JAN 20/09



757

PARTS CATALOG (MAINTENANCE)

| FIG ITEM | PART NUMBER | 1 2 3 4 5 6 7 | NOMENCLATURE | EFFECT FROM TO | UNITS PER ASSY |
|----------|-----------------|---------------|------------------------------------|------------------|----------------|
| 76 | | | | | |
| 205 | AS1591-08-0152A | . DUCT | | 011100 504903 | 1 |
| 210 | AS1591-06-0510A | . DUCT | | 011100 504903 | 1 |
| 212 | AS1591-06-0510A | . DUCT- | | 011017 | 1 |
| | | | POSITION DATA: STA 418-440 RH | | |
| 213 | AS1591-06-0430A | . DUCT | | 011100 504903 | 1 |
| 215 | AS1591-06-0590A | . DUCT | | 011100 504903 | 9 |
| 220 | AS1591-06-0590A | . DUCT | | 011100 | 2 |
| 222 | AS1591-06-0560A | . DUCT- | | 504903 | 1 |
| | | | POSITION DATA: STA 820-839 RH | | |
| 223 | AS1591-06-0570A | . DUCT- | | 504903 | 1 |
| | | | POSITION DATA: STA 860-879 RH | | |
| 225 | AS1591-06-0580A | . DUCT | | 011100 504903 | 10 |
| 227 | AS1591-06-0580A | . DUCT- | | 011100 | 1 |
| | | | POSITION DATA: STA 900-920 RH | | |
| 227 | AS1591-06-0560A | . DUCT | | 504903 | 1 |
| 230 | AS1591-06-0570A | . DUCT | | 011100 504903 | 6 |
| 235 | AS1591-06-0420A | . DUCT | | 504903 | 1 |
| 235 | AS1591-06-0430A | . DUCT | | 011100 | 1 |
| 235 | AS1591-06-0450A | . DUCT | | 011100 | 1 |
| 240 | AS1591-06-0430A | . DUCT | | 011100 504903 | 1 |
| 245 | AS1591-06-0440A | . DUCT | | 011100 504903 | 13 |
| 250 | AS1591-06-0440A | . DUCT | | 011100 | 1 |
| 250 | AS1591-06-0450A | . DUCT | | 504903 | 1 |
| 252 | AS1591-06-0440A | . DUCT- | | 011100 | 3 |
| | | | POSITION DATA: STA 860-960 LH | | |
| 252 | AS1591-06-0430A | . DUCT | | 504903 | 3 |
| 255 | AS1591-06-0440A | . DUCT | | 504903 | 1 |
| 255 | AS1591-06-0450A | . DUCT | | 011100 | 1 |
| 260 | AS1591-06-0450A | . DUCT | | 011100 504903 | 5 |
| 262 | AS1591-06-0450A | . DUCT- | | 504903 | 1 |
| | | | POSITION DATA: STA 1220-1240 LH | | |
| 265 | AS1591-08-0520A | . DUCT | | 011100 504903 | 1 |
| 270 | AS1544-06A0330 | . DUCT- | | 011017 | 2 |

MISSING ITEM NUMBERS NOT APPLICABLE

- ITEM NOT ILLUSTRATED

21-23-01-76

21-23-01
FIG. 76
PAGE 6
JAN 20/09

BRI

BOEING PROPRIETARY - Copyright © - Unpublished Work - See title page for details.



757

PARTS CATALOG (MAINTENANCE)

| FIG ITEM | PART NUMBER | 1 2 3 4 5 6 7 | NOMENCLATURE | EFFECT FROM TO | UNITS PER ASSY |
|----------|-----------------|---------------|--|------------------|----------------|
| 76 | | | | | |
| 270 | AS1591-06-0330A | . | DUCT- | 018100 504903 | 2 |
| 275 | 66-4895-5 | . | RESTRICTOR | 011100 504903 | 3 |
| 280 | 12-1000 | . | CAP-END SUPPLIER CODE: V25205 OPTIONAL PART: 750-16 V15819 | 011100 504903 | 1 |
| 280 | 750-16 | . | CAP-END SUPPLIER CODE: V15819 OPTIONAL PART: 12-1000 V25205 | 011100 | 1 |
| 285 | 24-1000 | . | CAP-END SUPPLIER CODE: V25205 OPTIONAL PART: 1500-16 V15819 | 011100 504903 | 17 |
| 285 | 1500-16 | . | CAP-END SUPPLIER CODE: V15819 OPTIONAL PART: 24-1000 V25205 | 011100 504903 | 17 |
| 287 | 24-1000 | . | CAP-END SUPPLIER CODE: V25205 OPTIONAL PART: 1500-16 V15819 | 018100 | 1 |
| 287 | 1500-16 | . | CAP-END SUPPLIER CODE: V15819 OPTIONAL PART: 24-1000 V25205 | 018100 | 1 |
| 300 | BACG20AD1900 | . | GROMMET | 011100 504903 | 2 |

MISSING ITEM NUMBERS NOT APPLICABLE

- ITEM NOT ILLUSTRATED

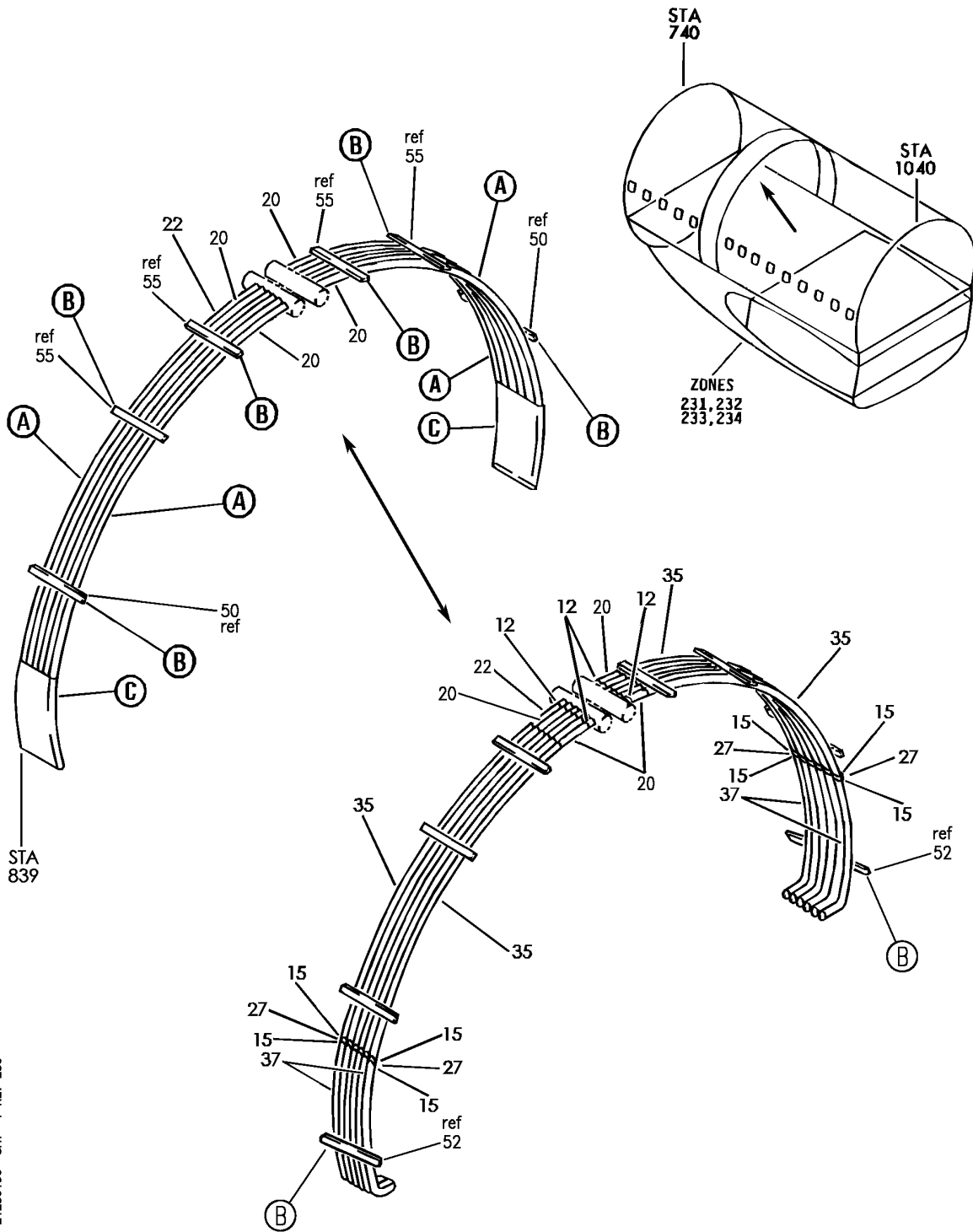
BRI

21-23-01-76

BOEING PROPRIETARY - Copyright © - Unpublished Work - See title page for details.

21-23-01
FIG. 76
PAGE 7
JAN 20/09

BOEING
757
PARTS CATALOG (MAINTENANCE)



Y 21230196 SH1 1 REV 256

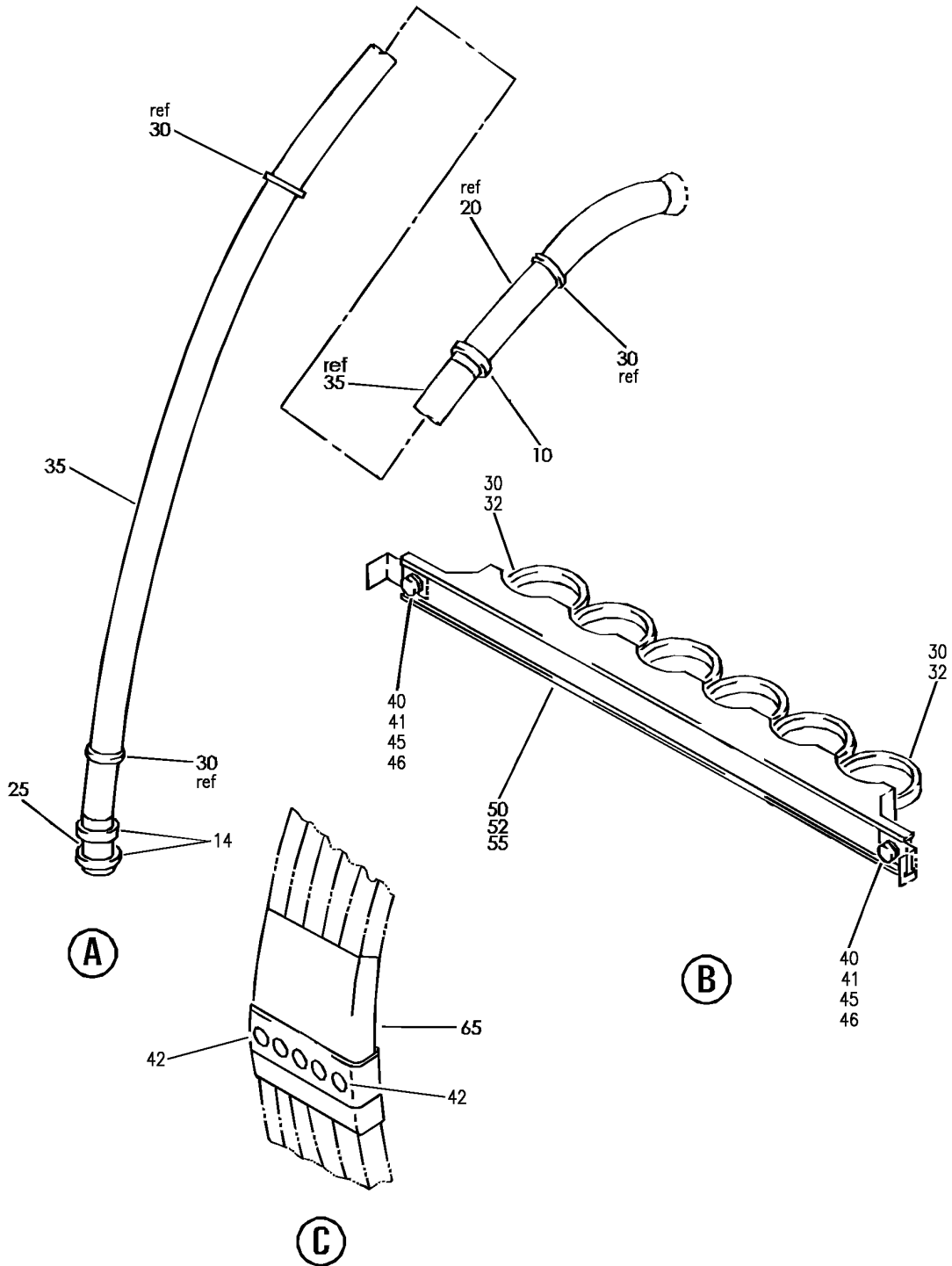
DUCT INSTL-SIDWALL RISER AIR DISTR SYS
FIGURE 96 (SHEET 1)

21-23-01-96

BRI
MAY 28/07

21-23-01-96
PAGE 0

BOEING
757
PARTS CATALOG (MAINTENANCE)



Y 21230196 SH1 2 REV 256

DUCT INSTL-SIDEWALL RISER AIR DISTR SYS
FIGURE 96 (SHEET 2)

21-23-01-96

BRI
MAY 28/07

21-23-01-96
PAGE 0A



757

PARTS CATALOG (MAINTENANCE)

| FIG ITEM | PART NUMBER | 1 2 3 4 5 6 7 | NOMENCLATURE | EFFECT FROM TO | UNITS PER ASSY |
|----------|-----------------|---------------|---|----------------------------|----------------|
| 96 | | | DUCT INSTL-SIDEWALL RISER AIR DISTR SYS | 101106 108120 504903 | |
| - 1 | 214N2042-6 | | DUCT INSTL-SIDEWALL RISER DISTR SYS POSITION DATA: STA 839 TO STA 860 FOR NHA SEE: 21-00-00-15 | 101102 504903 | RF |
| - 1 | 214N2042-10 | | DUCT INSTL-SIDEWALL RISER DISTR SYS POSITION DATA: STA 839 TO STA 860 FOR NHA SEE: 21-00-00-15 | 108120 | RF |
| - 1 | MODREF6479 | | DUCT INSTL-SIDEWALL RISER DISTR SYS MODULE NUMBER: 214N2042-12 REV A POSITION DATA: STA 839 TO STA 860 | 103104 | 1 |
| - 1 | MODREF34739 | | DUCT INSTL-SIDEWALL RISER DISTR SYS MODULE NUMBER: 214N2042-12 REV B POSITION DATA: STA 839 TO STA 860 | 105106 | 1 |
| 10 | NAS1922-0275-3 | | .CLAMP- OPTIONAL PART: NAS1922-0225-3 | 101106 108120 504903 | 12 |
| 10 | NAS1922-0225-3 | | .CLAMP- OPTIONAL PART: NAS1922-0275-3 | 105106 | 12 |
| 12 | NAS1922-0275-3 | | .CLAMP- OPTIONAL PART: NAS1922-0225-3 | 103106 | 12 |
| 12 | NAS1922-0225-3 | | .CLAMP- OPTIONAL PART: NAS1922-0275-3 | 105106 | 12 |
| 14 | NAS1922-0225-3 | | .CLAMP | 103106 | 24 |
| 15 | NAS1922-0225-3 | | .CLAMP | 101102 108120 504903 | 24 |
| 20 | AS1591-10-0232A | | .DUCT-FLEX | 101102 108120 504903 | 11 |
| 20 | AS1591-10-0222A | | .DUCT-FLEX | 103106 | 11 |
| 22 | AS1591-10-0222A | | .DUCT-FLEX | 103106 | 1 |

MISSING ITEM NUMBERS NOT APPLICABLE

- ITEM NOT ILLUSTRATED

21-23-01-96

21-23-01
FIG. 96
PAGE 1
JAN 20/09

BRI



757

PARTS CATALOG (MAINTENANCE)

| FIG ITEM | PART NUMBER | 1 2 3 4 5 6 7 | NOMENCLATURE | EFFECT FROM TO | UNITS PER ASSY |
|----------|-----------------|---------------|---|----------------------------|----------------|
| 96 | | | | | |
| 22 | AS1591-10-0232A | . | DUCT-FLEX | 101102 108120 504903 | 1 |
| 25 | AS1506-10D20 | . | SLEEVE-FLEX | 101102 108120 504903 | 12 |
| 27 | AS1506-10D32 | . | SLEEVE-FLEX | 103106 | 12 |
| 30 | PLT4SM | . | STRAP SUPPLIER CODE: V06383 SPECIFICATION NUMBER: BACS38K2 OPTIONAL PART: T05LO V53421 | 101106 108120 504903 | 36 |
| 32 | PLT4SM | . | STRAP SUPPLIER CODE: V06383 SPECIFICATION NUMBER: BACS38K2 OPTIONAL PART: T05LO V53421 | 103106 | 12 |
| 35 | 65C37312-2 | . | DUCT | 101102 504903 | 12 |
| 35 | 65C37312-4 | . | DUCT | 103106 108120 | 12 |
| 37 | 65C37312-3 | . | DUCT | 103106 | 12 |
| 40 | BACS12GU3K8 | . | SCREW | 101106 108120 504903 | 12 |
| 41 | BACS12GU3K8 | . | SCREW | 103106 | 4 |
| 42 | BACS12GU3K53 | . | SCREW | 101102 108120 504903 | 10 |
| 45 | NAS1149D0316H | . | WASHER | 101106 108120 504903 | 12 |
| 46 | NAS1149D0316H | . | WASHER | 103106 | 4 |
| 50 | 65C37395-8 | . | SUPPORT | 101106 108120 504903 | 2 |
| 52 | 65C37395-8 | . | SUPPORT | 103106 | 2 |
| 55 | 65C37395-6 | . | SUPPORT ASSY | 101106 108120 504903 | 4 |
| 65 | 65C37396-3 | . | DUCT ASSY-TRANSITION | 101102 108120 504903 | 2 |

MISSING ITEM NUMBERS NOT APPLICABLE

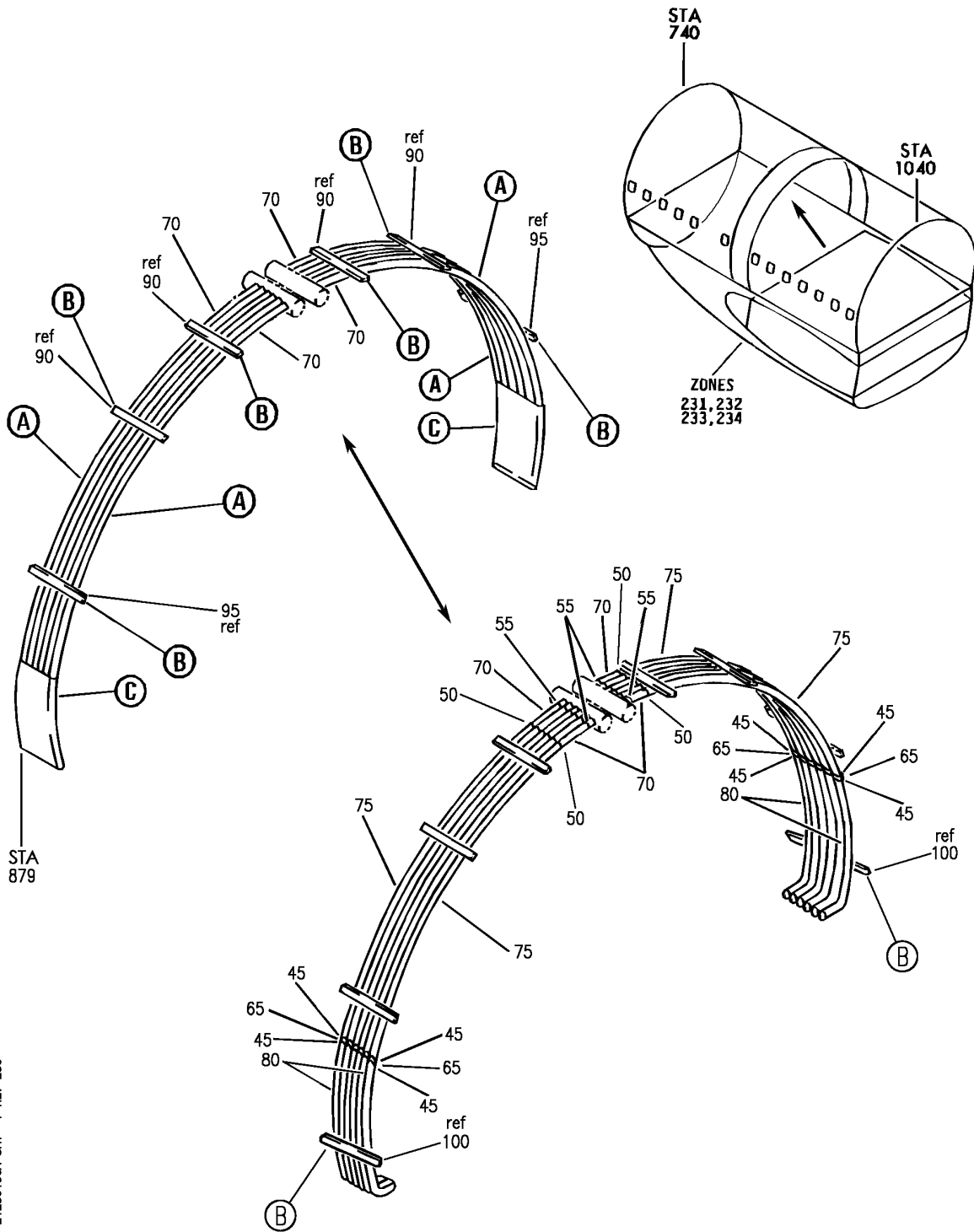
- ITEM NOT ILLUSTRATED

BRI

21-23-01-96

21-23-01
FIG. 96
PAGE 2
JAN 20/09

BOEING
757
PARTS CATALOG (MAINTENANCE)



Y 21230196A SHT 1 REV 256

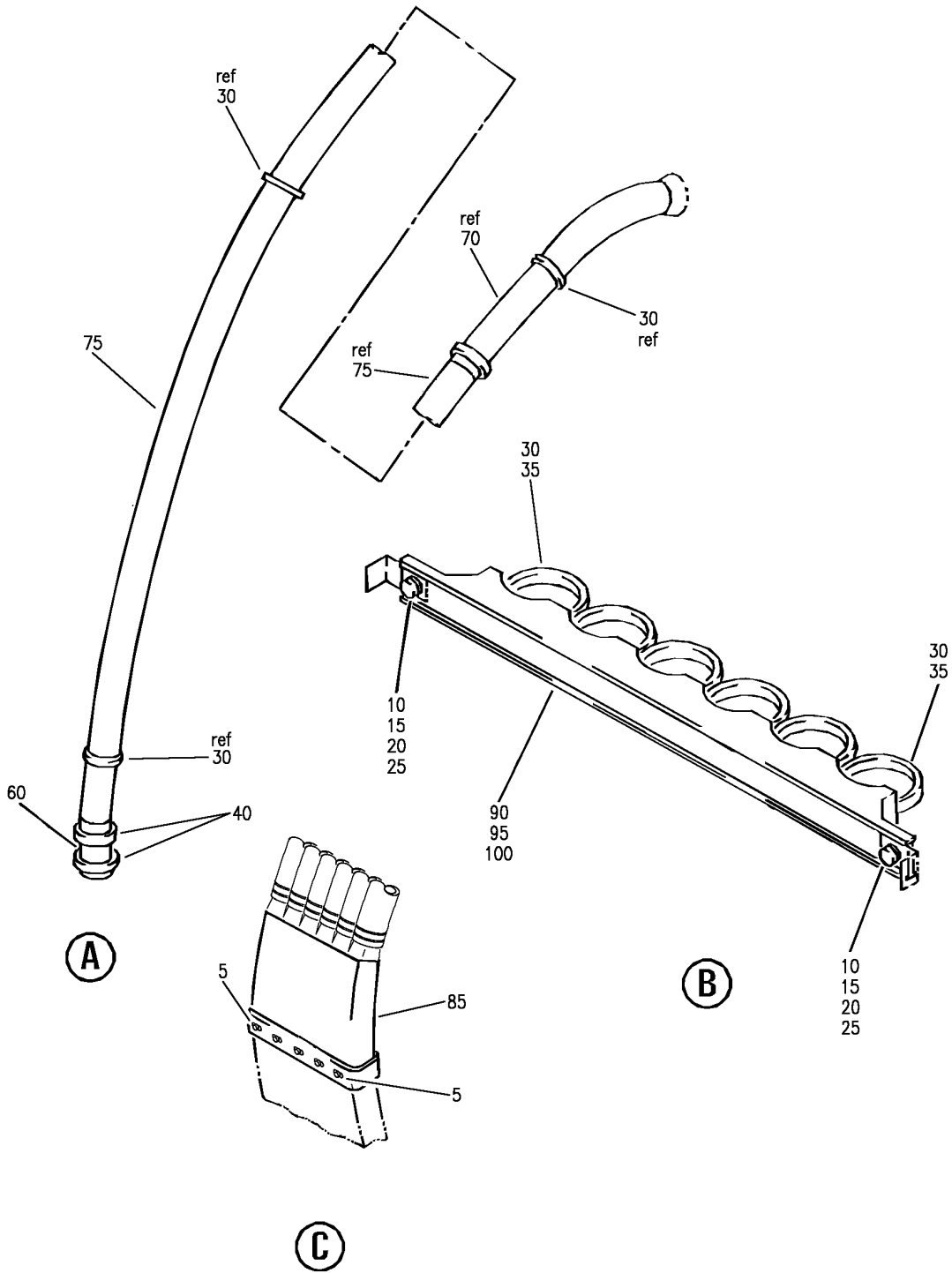
DUCT INSTL-SIDEWALL RISER AIR DISTR SYS
FIGURE 96A (SHEET 1)

21-23-01-96A

BRI
MAY 28/07

21-23-01-96A
PAGE 0

BOEING
757
PARTS CATALOG (MAINTENANCE)



Y 21230196A SHT 2 REV 256

DUCT INSTL-SIDEWALL RISER AIR DISTR SYS
FIGURE 96A (SHEET 2)

21-23-01-96A

BRI
MAY 28/07

21-23-01-96A
PAGE 0A



757

PARTS CATALOG (MAINTENANCE)

| FIG ITEM | PART NUMBER | 1 2 3 4 5 6 7 | NOMENCLATURE | EFFECT FROM TO | UNITS PER ASSY |
|----------|---------------|---------------|---|----------------------------|----------------|
| 96A | | | DUCT INSTL-SIDEWALL RISER AIR DISTR SYS | 101106 108120 504903 | |
| - 1 | 214N2042-7 | | DUCT INSTL-SIDEWALL RISER DISTR SYS POSITION DATA: STA 879 TO STA 900 FOR NHA SEE: 21-00-00-15 | 101102 504903 | RF |
| - 1 | 214N2042-11 | | DUCT INSTL-SIDEWALL RISER DISTR SYS POSITION DATA: STA 879 TO STA 900 FOR NHA SEE: 21-00-00-15 | 108120 | RF |
| - 1 | MODREF32907 | | DUCT INSTL-SIDEWALL RISER DISTR SYS MODULE NUMBER: 214N2042-13 REV B POSITION DATA: STA 879 TO STA 900 | 103104 | 1 |
| - 1 | MODREF34740 | | DUCT INSTL-SIDEWALL RISER DISTR SYS MODULE NUMBER: 214N2042-13 REV C POSITION DATA: STA 879 TO STA 900 | 105106 | 1 |
| 5 | BACS12GU3K53 | | .SCREW | 101102 108120 504903 | 10 |
| 10 | BACS12GU3K8 | | .SCREW | 101106 108120 504903 | 12 |
| 15 | BACS12GU3K8 | | .SCREW | 103106 | 4 |
| 20 | NAS1149D0316H | | .WASHER | 101106 108120 504903 | 12 |
| 25 | NAS1149D0316H | | .WASHER | 103106 | 4 |
| 30 | PLT4SM | | .STRAP SUPPLIER CODE: V06383 SPECIFICATION NUMBER: BACS38K2 OPTIONAL PART: T05L0 V53421 | 101106 108120 504903 | 36 |

MISSING ITEM NUMBERS NOT APPLICABLE

- ITEM NOT ILLUSTRATED

21-23-01-96A

21-23-01
FIG. 96A
PAGE 1
JAN 20/09

BRI



757

PARTS CATALOG (MAINTENANCE)

| FIG ITEM | PART NUMBER | 1 2 3 4 5 6 7 | NOMENCLATURE | EFFECT FROM TO | UNITS PER ASSY |
|-----------|-----------------|---------------|---|--|----------------|
| 96A 35 | PLT4SM | . | STRAP SUPPLIER CODE: V06383 SPECIFICATION NUMBER: BACS38K2 OPTIONAL PART: T05L0 V53421 | 103106 | 12 |
| 40 | NAS1922-0225-3 | . | CLAMP | 101102 108120 504903 103106 | 24 |
| 45 | NAS1922-0225-3 | . | CLAMP- OPTIONAL PART: NAS1922-0275-3 | 105106 | 24 |
| 45 | NAS1922-0275-3 | . | CLAMP- OPTIONAL PART: NAS1922-0225-3 | 101102 105106 108120 504903 103106 | 12 |
| 50 | NAS1922-0275-3 | . | CLAMP- OPTIONAL PART: NAS1922-0225-3 | 105106 | 12 |
| 50 | NAS1922-0225-3 | . | CLAMP- OPTIONAL PART: NAS1922-0275-3 | 105106 | 12 |
| 55 | NAS1922-0275-3 | . | CLAMP- OPTIONAL PART: NAS1922-0225-3 | 103106 | 12 |
| 55 | NAS1922-0225-3 | . | CLAMP- OPTIONAL PART: NAS1922-0275-3 | 101102 108120 504903 103106 | 12 |
| 60 | AS1506-10D20 | . | SLEEVE-FLEX | 103106 | 12 |
| 65 | AS1506-10D32 | . | SLEEVE-FLEX | 103106 | 12 |
| 70 | AS1591-10-0222A | . | DUCT-FLEX | 101102 108120 504903 | 12 |
| 70 | AS1591-10-0232A | . | DUCT-FLEX | 101102 108120 504903 | 12 |
| 75 | 65C37312-2 | . | DUCT | 103106 | 12 |
| 75 | 65C37312-4 | . | DUCT | 101102 504903 | 12 |
| 80 | 65C37312-3 | . | DUCT | 103106 | 12 |
| 85 | 65C37396-3 | . | DUCT ASSY | 101102 108120 504903 | 2 |
| 90 | 65C37395-9 | . | SUPPORT ASSY | 101106 108120 504903 | 4 |

MISSING ITEM NUMBERS NOT APPLICABLE

- ITEM NOT ILLUSTRATED

21-23-01-96A

21-23-01
FIG. 96A
PAGE 2
JAN 20/09

BRI

BOEING PROPRIETARY - Copyright © - Unpublished Work - See title page for details.



757
PARTS CATALOG (MAINTENANCE)

| FIG ITEM | PART NUMBER | 1 2 3 4 5 6 7 | NOMENCLATURE | EFFECT FROM TO | UNITS PER ASSY |
|-------------|-------------|---------------|--------------|-------------------|----------------------|
| 96A 95 | 65C37395-8 | . | SUPPORT | 101106 108120 | 2 |
| 100 | 65C37395-8 | . | SUPPORT | 504903 103106 | 2 |

MISSING ITEM NUMBERS NOT APPLICABLE

- ITEM NOT ILLUSTRATED

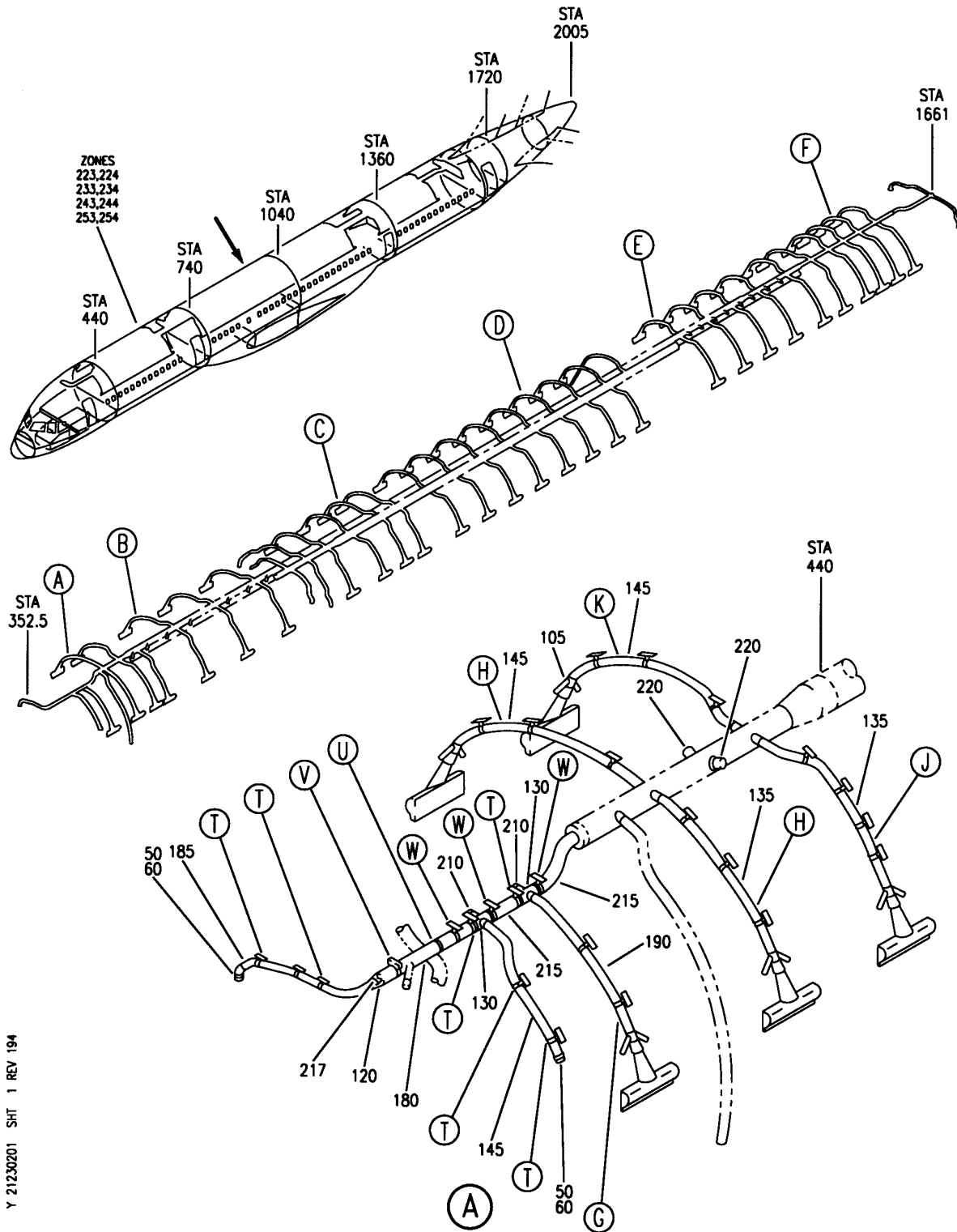
BRI

21-23-01-96A

BOEING PROPRIETARY - Copyright © - Unpublished Work - See title page for details.

21-23-01
FIG. 96A
PAGE 3
JAN 20/09

BOEING
757
PARTS CATALOG (MAINTENANCE)



Y 21230201 SHT 1 REV 194

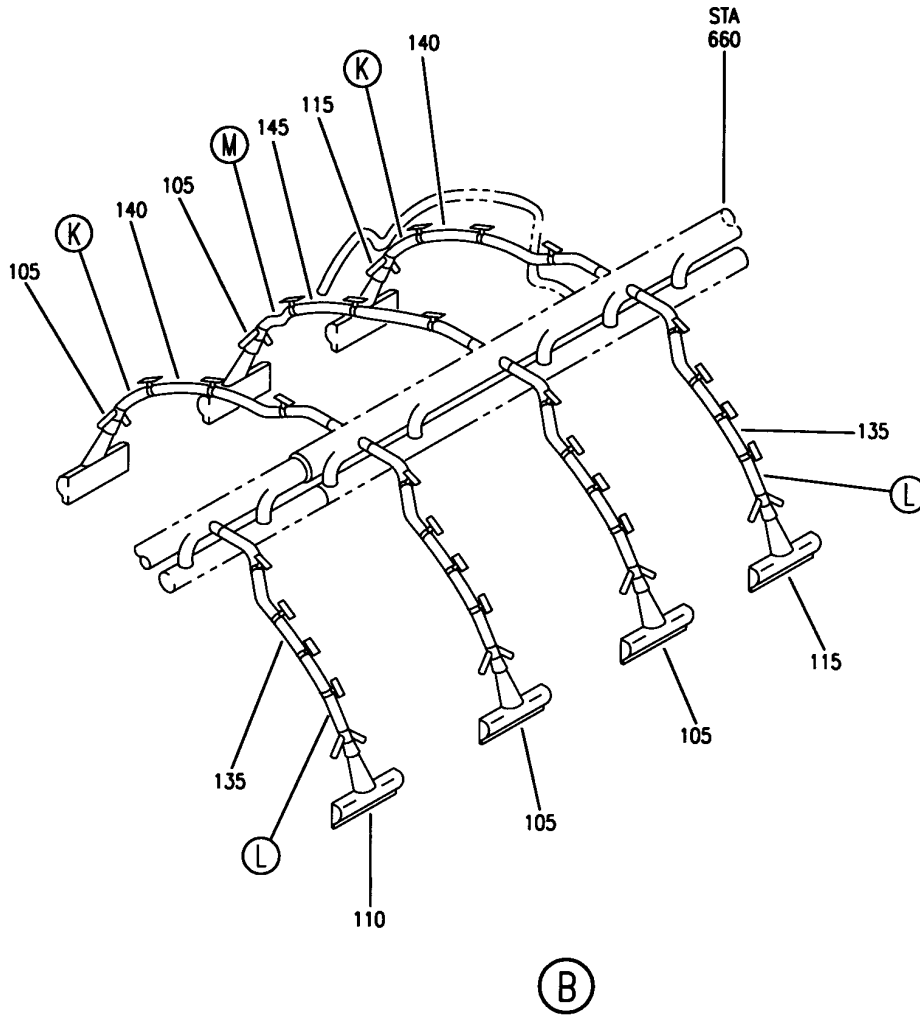
DUCT INSTL-SIDEWALL AIR DISTR SYS
FIGURE 1 (SHEET 1)

21-23-02-01

BRI
JAN 20/09

21-23-02-01
PAGE 0

BOEING
757
PARTS CATALOG (MAINTENANCE)



Y 21230201 SHT 2 REV 187

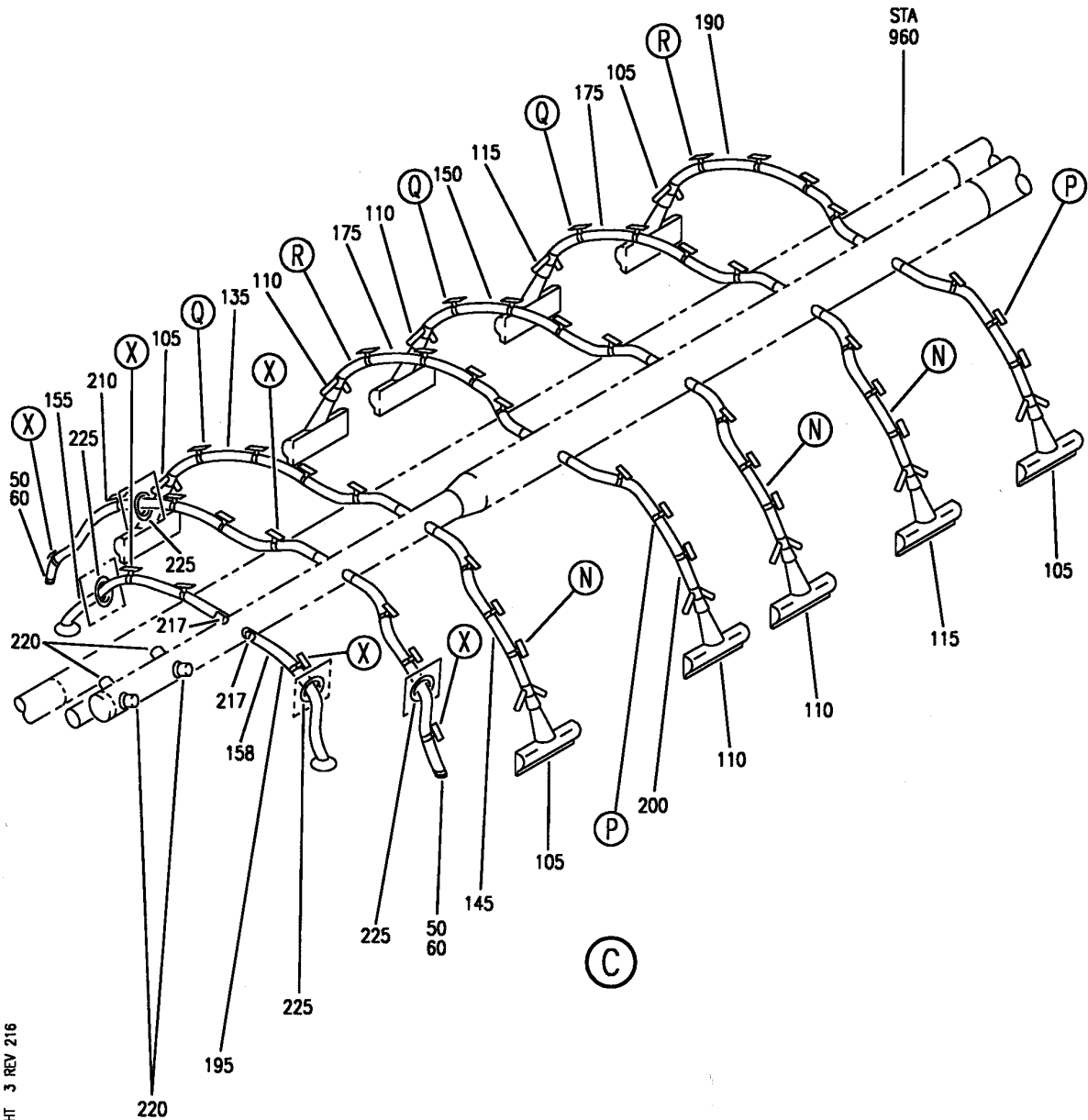
DUCT INSTL-SIDEWALL AIR DISTR SYS
FIGURE 1 (SHEET 2)

21-23-02-01

BRI
JAN 20/09

21-23-02-01
PAGE 0A

BOEING
757
PARTS CATALOG (MAINTENANCE)



Y 21230201 SHT 3 REV 216

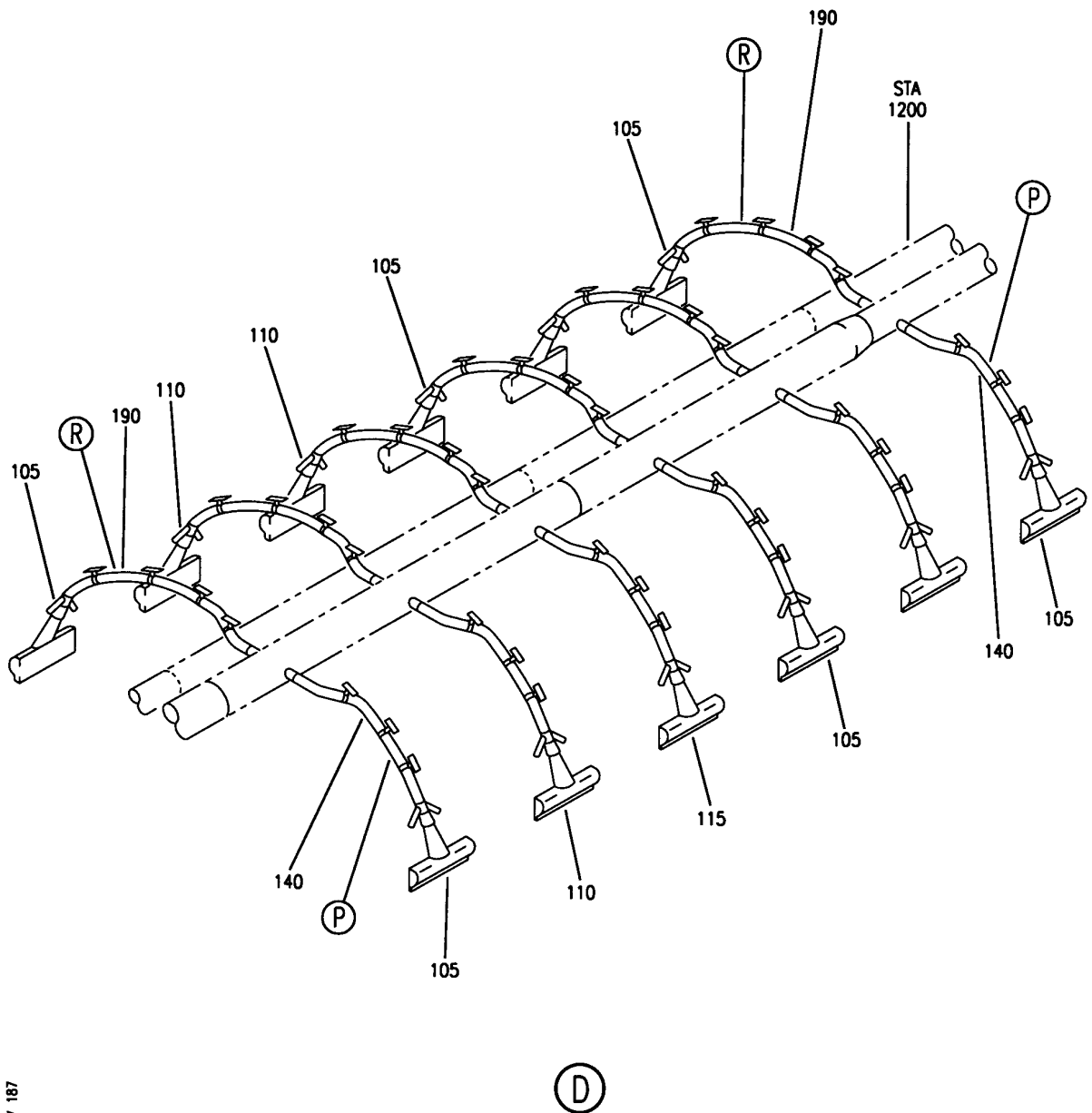
DUCT INSTL-SIDEWALL AIR DISTR SYS
FIGURE 1 (SHEET 3)

21-23-02-01

BRI
JAN 20/09

21-23-02-01
PAGE 0B

BOEING
757
PARTS CATALOG (MAINTENANCE)



Y 21230201 SHT 4 REV 187

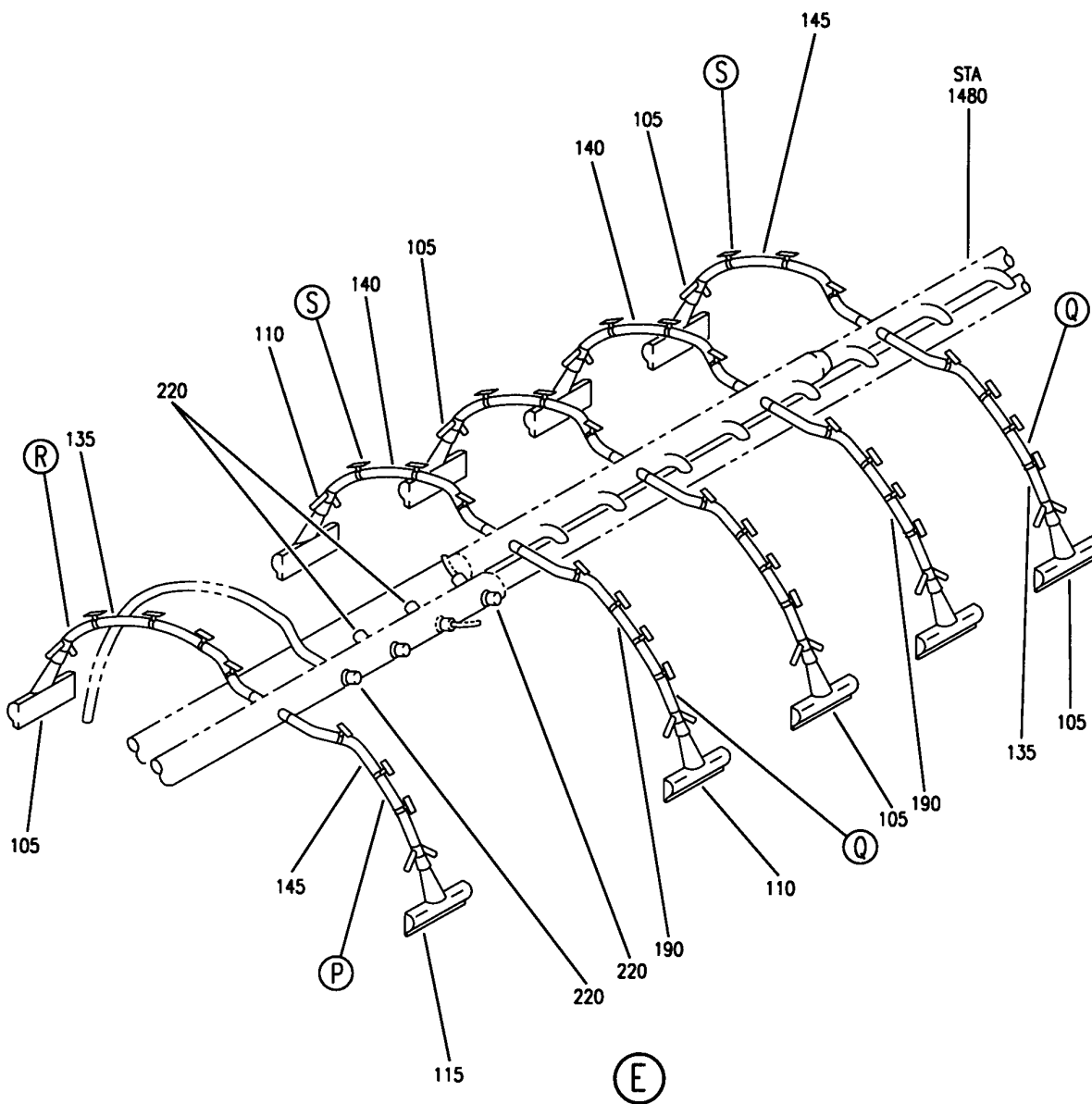
DUCT INSTL-SIDEWALL AIR DISTR SYS
FIGURE 1 (SHEET 4)

21-23-02-01

BRI
JAN 20/09

21-23-02-01
PAGE 0C

BOEING
757
PARTS CATALOG (MAINTENANCE)



Y 21230201 SHT 5 REV 187

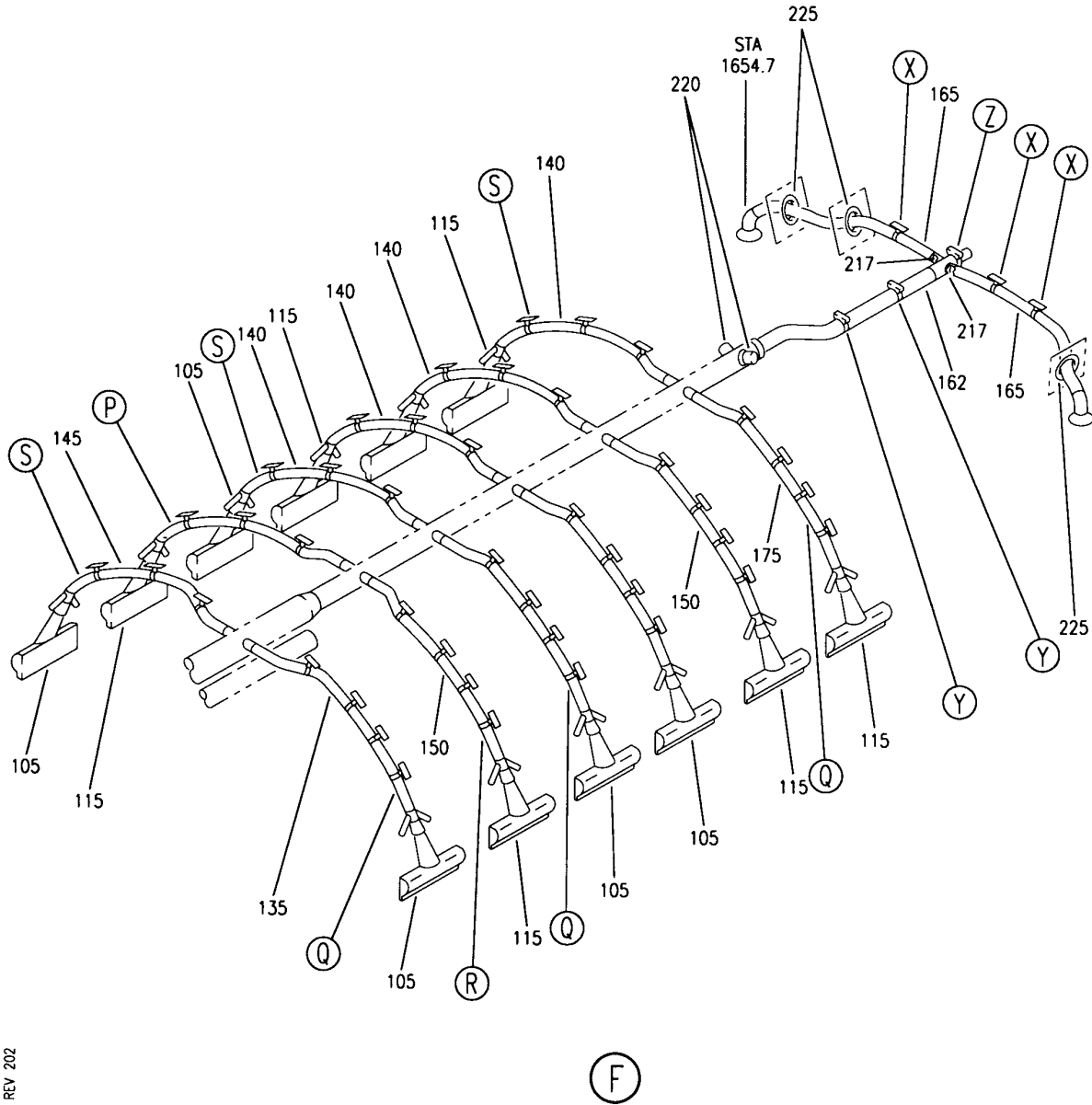
DUCT INSTL-SIDEWALL AIR DISTR SYS
FIGURE 1 (SHEET 5)

21-23-02-01

BRI
JAN 20/09

21-23-02-01
PAGE 08

BOEING
757
PARTS CATALOG (MAINTENANCE)



Y 21230201 SHT 6 REV 202

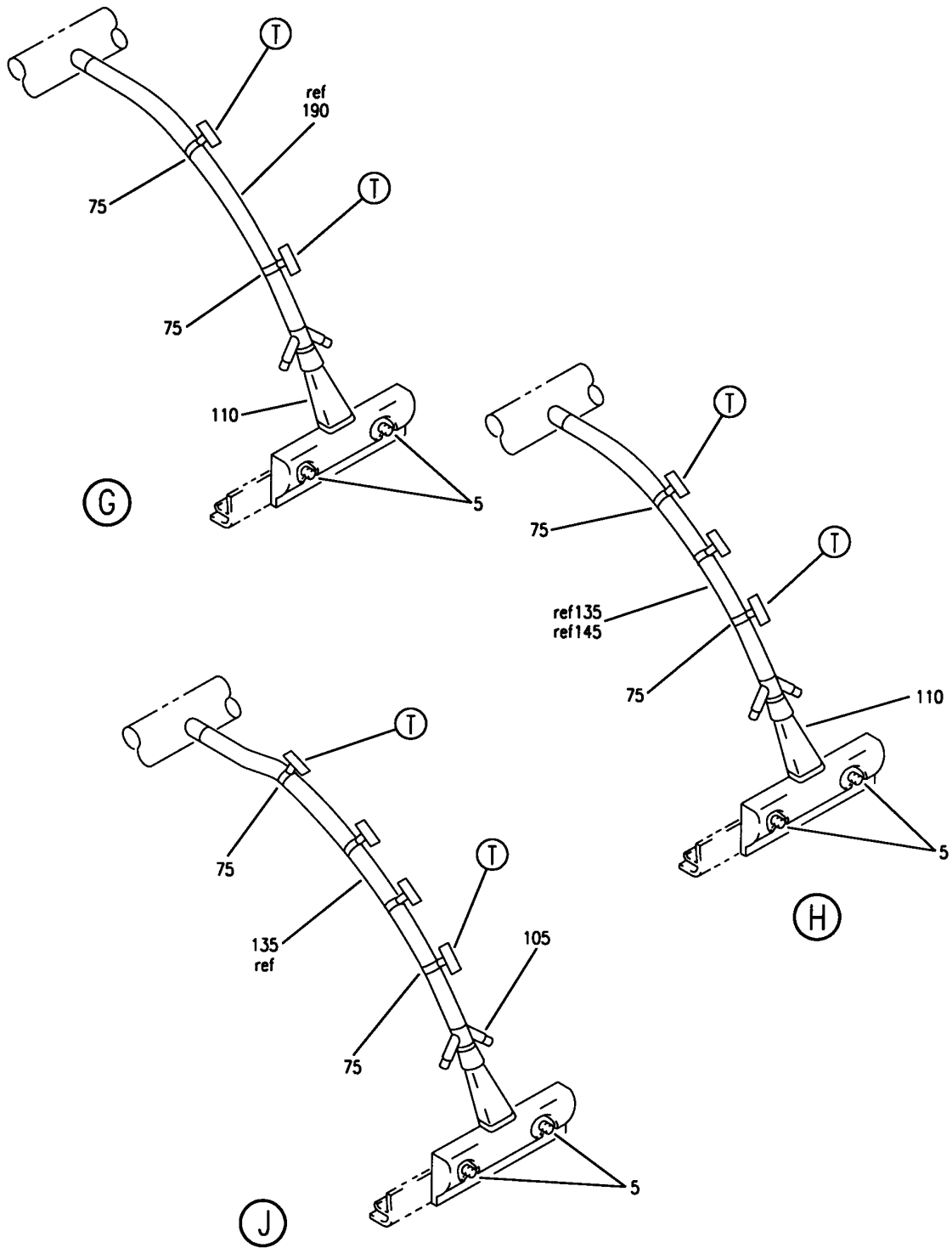
DUCT INSTL-SIDEWALL AIR DISTR SYS
FIGURE 1 (SHEET 6)

21-23-02-01

BRI
JAN 20/09

21-23-02-01
PAGE 0E

BOEING
757
PARTS CATALOG (MAINTENANCE)



Y 21230201 SHT 7 REV 187

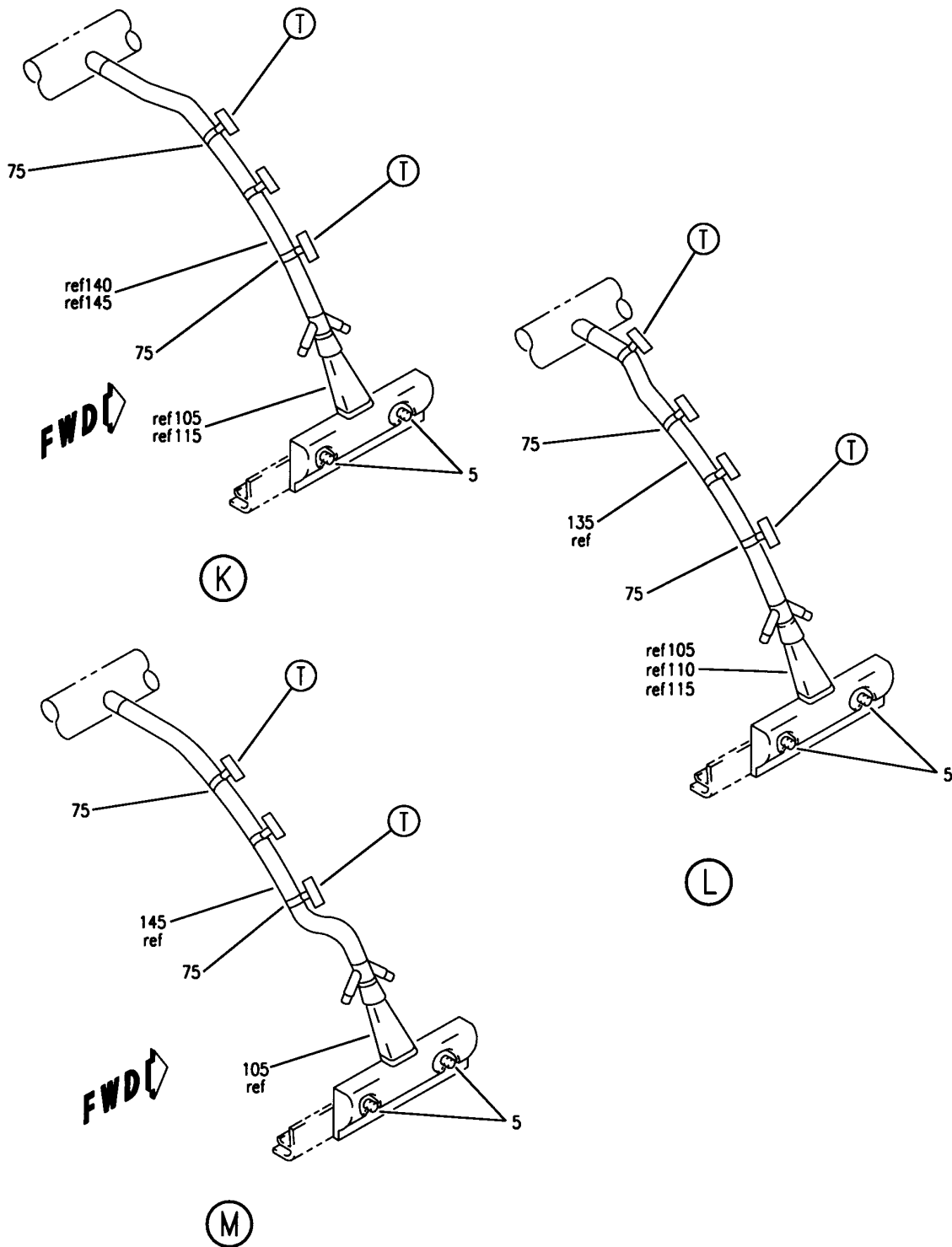
DUCT INSTL-SIDEWALL AIR DISTR SYS
FIGURE 1 (SHEET 7)

21-23-02-01

BRI
JAN 20/09

21-23-02-01
PAGE OF


BOEING
 757
PARTS CATALOG (MAINTENANCE)



Y 21230201 SHT 8 REV 187

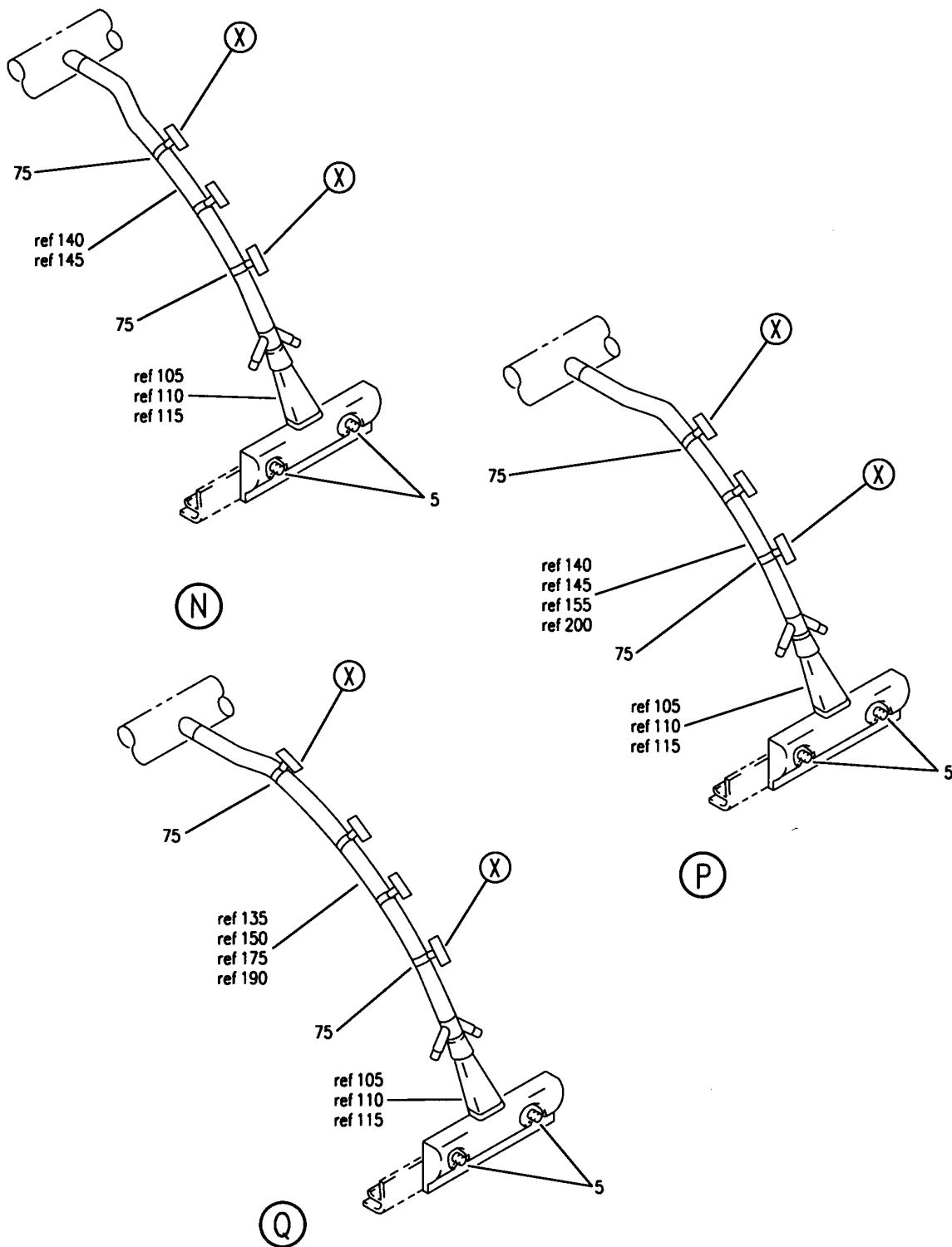
DUCT INSTL-SIDEWALL AIR DISTR SYS
 FIGURE 1 (SHEET 8)

21-23-02-01

BRI
 JAN 20/09

21-23-02-01
 PAGE 06

BOEING
757
PARTS CATALOG (MAINTENANCE)



Y 21230201 SHT 9 REV 187

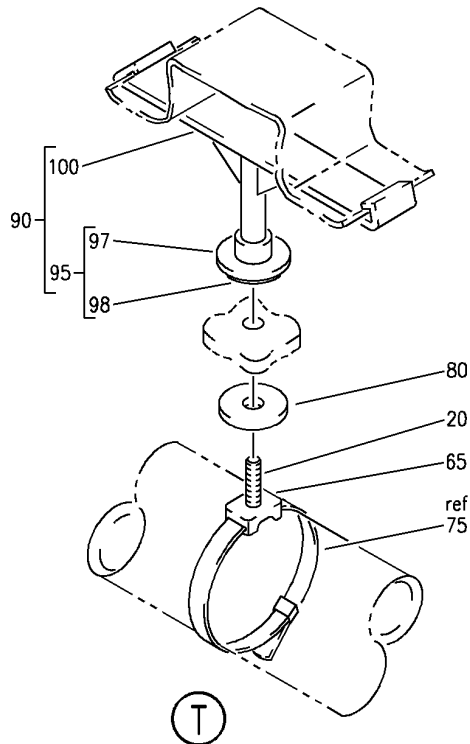
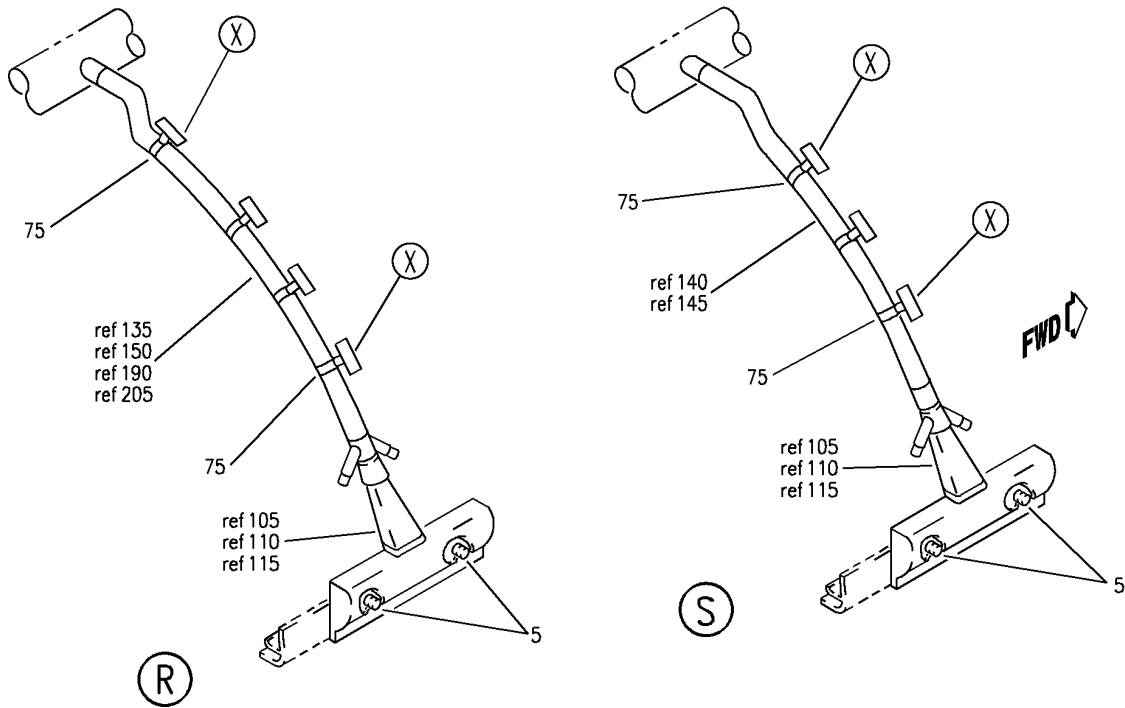
DUCT INSTL-SIDEWALL AIR DISTR SYS
FIGURE 1 (SHEET 9)

21-23-02-01

BRI
JAN 20/09

21-23-02-01
PAGE 0H


BOEING
 757
PARTS CATALOG (MAINTENANCE)



Y 21230201 SHT 10 REV 299

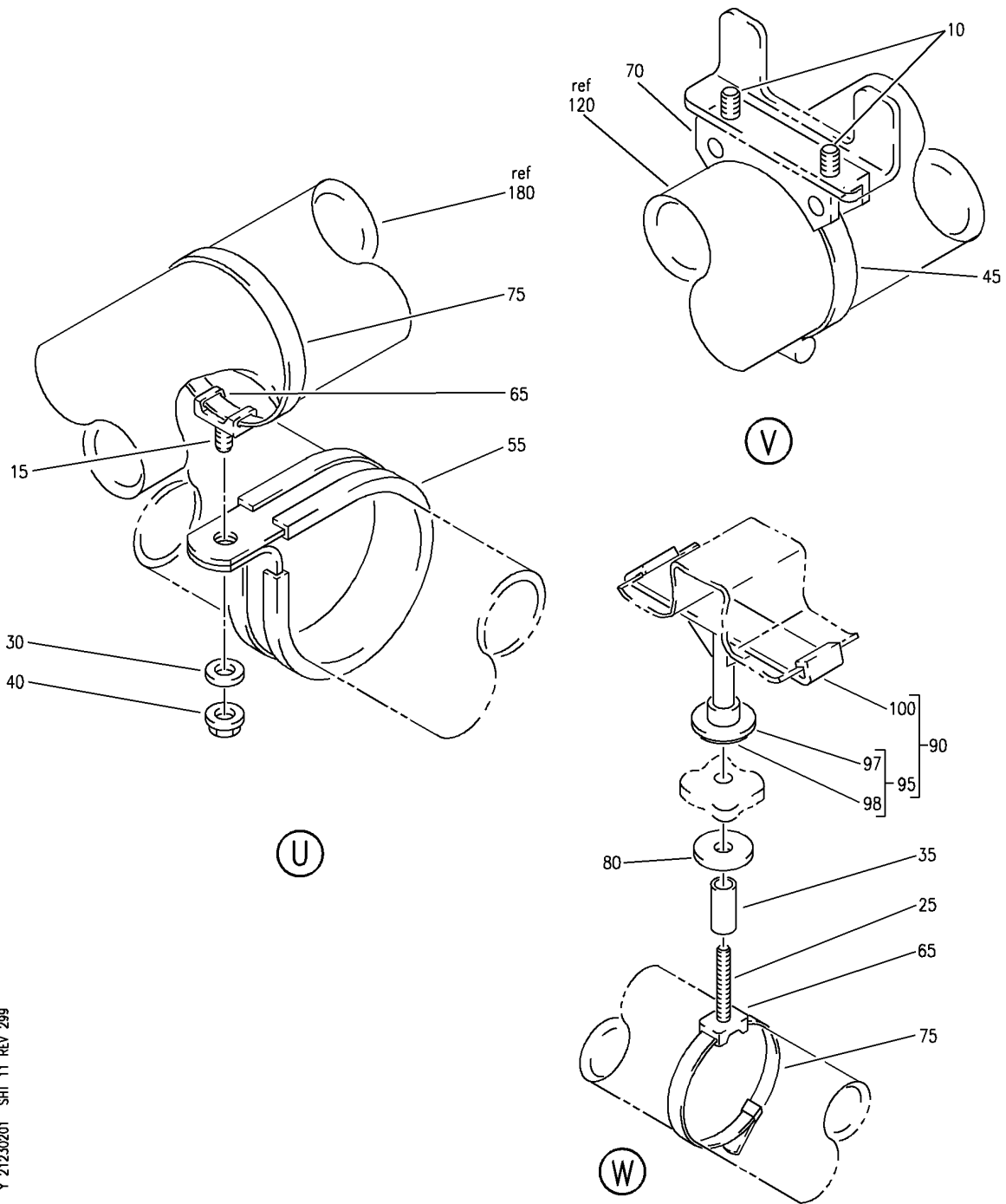
DUCT INSTL-SIDEWALL AIR DISTR SYS
 FIGURE 1 (SHEET 10)

21-23-02-01

BRI
JAN 20/09

21-23-02-01
 PAGE 01

BOEING
757
PARTS CATALOG (MAINTENANCE)



Y 21230201 SHT 11 REV 299

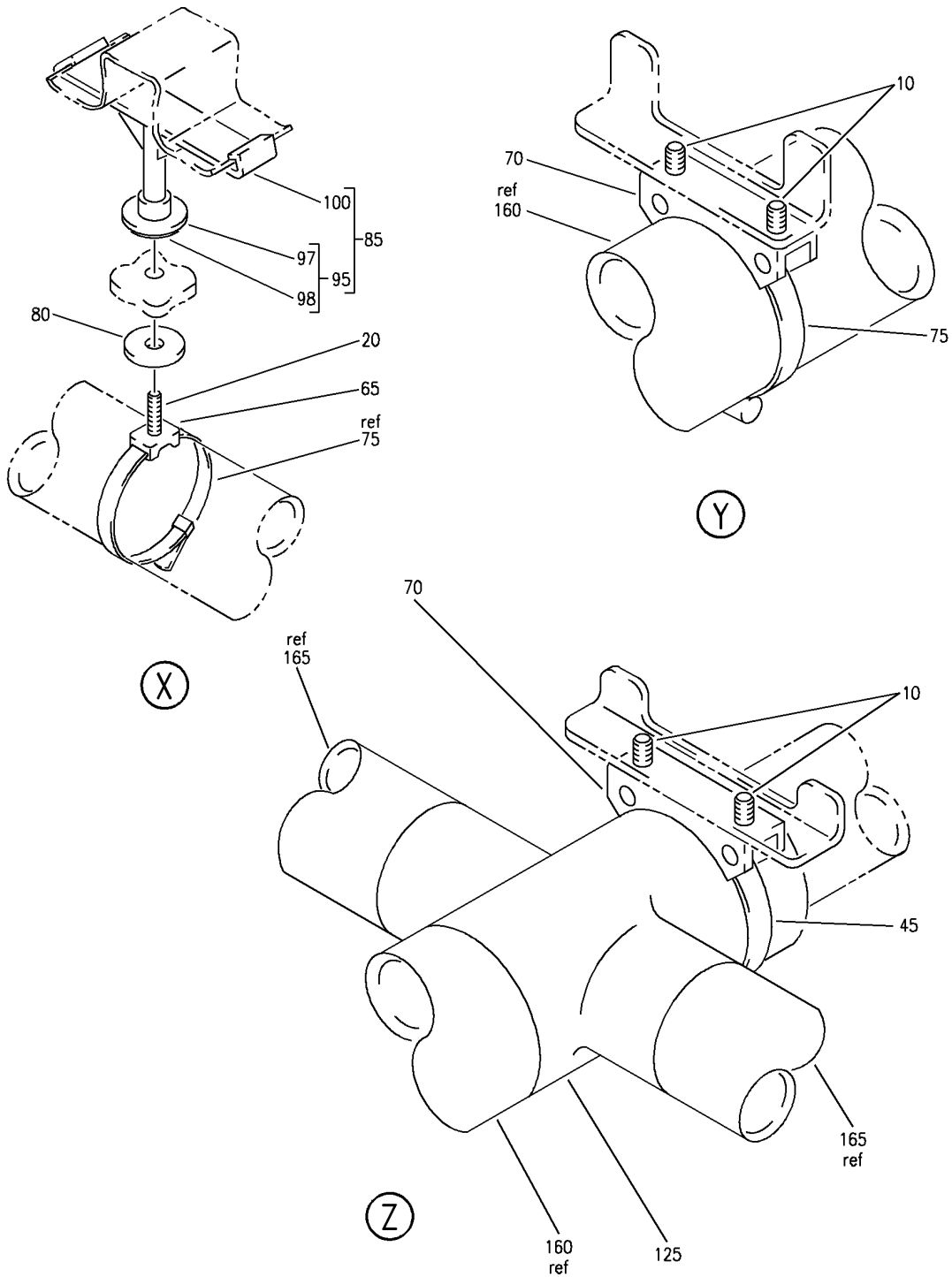
DUCT INSTL-SIDEWALL AIR DISTR SYS
FIGURE 1 (SHEET 11)

21-23-02-01

BRI
JAN 20/09

21-23-02-01
PAGE 0J

BOEING
757
PARTS CATALOG (MAINTENANCE)



Y 21230201 SHT 12 REV 299

DUCT INSTL-SIDEWALL AIR DISTR SYS
FIGURE 1 (SHEET 12)

21-23-02-01

BRI
JAN 20/09

21-23-02-01
PAGE OK



757

PARTS CATALOG (MAINTENANCE)

| FIG ITEM | PART NUMBER | 1 2 3 4 5 6 7 | NOMENCLATURE | EFFECT FROM TO | UNITS PER ASSY |
|----------|-----------------|---------------|--|----------------|----------------|
| 1 | | | DUCT INSTL-SIDEWALL AIR DISTR SYS | 504903 | |
| - 1 | 214N2026-90 | | DUCT INSTL-SIDEWALL AIR DISTR SYS FOR NHA SEE: 21-00-00-12 | 504903 | RF |
| 5 | BACS12ER08K8 | | .SCREW | 504903 | 112 |
| 10 | BACS12FA3K7 | | .SCREW | 504903 | 8 |
| 15 | BACS12ER3K8 | | .SCREW | 504903 | 1 |
| 20 | BACS12ER3K10 | | .SCREW | 504903 | 212 |
| 25 | NAS514P1032-26P | | .SCREW | 504903 | 3 |
| 30 | NAS1149D0332J | | .WASHER | 504903 | 1 |
| 35 | NAS43DD3-67FC | | .SPACER | 504903 | 3 |
| 40 | PLH53CD | | .NUT SUPPLIER CODE: VF0224 SPECIFICATION NUMBER: BACN10YR3CD OPTIONAL PART: H52732-3CD V15653 | 504903 | 1 |
| 45 | NAS1922-0225-1 | | .CLAMP | 504903 | 2 |
| 50 | NAS1922-0150-1 | | .CLAMP | 504903 | 4 |
| 55 | MS21919WDG32 | | .CLAMP | 504903 | 1 |
| 60 | NAS820-24A | | .PLUG | 504903 | 4 |
| 65 | TM2S8 | | .PLATE SUPPLIER CODE: V06383 SPECIFICATION NUMBER: STBP19M9 | 504903 | 216 |
| 70 | 214T3424-2 | | .SUPPORT | 504903 | 4 |
| 75 | PLT4SM | | .STRAP SUPPLIER CODE: V06383 SPECIFICATION NUMBER: BACS38K2 OPTIONAL PART: T05LO V53421 | 504903 | 218 |
| 80 | BACW10DZ3 | | .WASHER- OPTIONAL PART: 411N4026-12 | 504903 | 215 |
| 80 | 411N4026-12 | | .WASHER ASSY- OPTIONAL PART: BACW10DZ3 | 504903 | 215 |
| 85 | 214N5054-14 | | .SUPPORT ASSY | 504903 | 167 |
| 90 | 214N5054-11 | | .SUPPORT ASSY | 504903 | 48 |

MISSING ITEM NUMBERS NOT APPLICABLE

- ITEM NOT ILLUSTRATED

21-23-02-01

21-23-02
FIG. 01
PAGE 1
JAN 20/09

BRI

 **BOEING**
757
PARTS CATALOG (MAINTENANCE)

| FIG ITEM | PART NUMBER | 1 2 3 4 5 6 7 | NOMENCLATURE | EFFECT FROM TO | UNITS PER ASSY |
|----------|-----------------|---------------|--|----------------|----------------|
| 1 | | | | | |
| 95 | 411N4026-2 | .. | CAP ASSY- OPTIONAL PART: 411N4026-10 | 504903 | 1 |
| 95 | 411N4026-10 | .. | CAP ASSY- OPTIONAL PART: 411N4026-2 | 504903 | 1 |
| 97 | 411N4026-5 | ... | CAP- USED ON: 411N4026-2 | 504903 | 1 |
| 97 | 411N4026-11 | ... | CAP- USED ON: 411N4026-10 | 504903 | 1 |
| 98 | 411N4026-7 | ... | TAPE | 504903 | 1 |
| 100 | 2055155-5C | .. | CLIP- SUPPLIER CODE: V04169 USED ON: 214N5054-14 | 504903 | 1 |
| 100 | 2055155-5B | .. | CLIP- SUPPLIER CODE: V04169 USED ON: 214N5054-11 | 504903 | 1 |
| 105 | 214N2520-80 | . | DIFFUSER ASSY | 504903 | 30 |
| 110 | 214N2520-81 | . | DIFFUSER ASSY | 504903 | 13 |
| 115 | 214N2520-82 | . | DIFFUSER ASSY | 504903 | 13 |
| 120 | 214N2102-1 | . | DUCT | 504903 | 1 |
| 125 | 214N2103-2 | . | DUCT | 504903 | 1 |
| 130 | 214N2103-4 | . | DUCT | 504903 | 2 |
| 135 | AS1591-06-0590A | . | DUCT | 504903 | 10 |
| 140 | AS1591-06-0440A | . | DUCT | 504903 | 15 |
| 145 | AS1591-06-0450A | . | DUCT | 504903 | 8 |
| 150 | AS1591-06-0570A | . | DUCT | 504903 | 5 |
| 155 | AS1591-06-0430A | . | DUCT | 504903 | 1 |
| 158 | AS1591-06-0520A | . | DUCT | 504903 | 1 |
| 162 | AS1591-08-0520A | . | DUCT | 504903 | 1 |
| 165 | AS1591-06-0330A | . | DUCT | 504903 | 2 |
| 175 | AS1591-06-0560A | . | DUCT | 504903 | 3 |
| 180 | AS1591-08-0460A | . | HOSE | 504903 | 1 |
| 185 | AS1591-06-0362A | . | DUCT | 504903 | 1 |
| 190 | AS1591-06-0580A | . | DUCT | 504903 | 11 |
| 195 | AS1591-06-0280A | . | HOSE | 504903 | 1 |
| 200 | AS1591-06-0420A | . | DUCT- | 504903 | 1 |
| 210 | AS1591-06-0660A | . | DUCT | 504903 | 1 |
| 215 | AS1591-08-0152A | . | DUCT | 504903 | 2 |
| 217 | 66-4895-5 | . | RESTRICTOR | 504903 | 5 |
| 220 | 24-1000 | . | CAP-END SUPPLIER CODE: V25205 | 504903 | 16 |

MISSING ITEM NUMBERS NOT APPLICABLE

— ITEM NOT ILLUSTRATED

BRI

21-23-02-01

BOEING PROPRIETARY - Copyright © - Unpublished Work - See title page for details.

21-23-02
FIG. 01
PAGE 2
JAN 20/09



757

PARTS CATALOG (MAINTENANCE)

| FIG ITEM | PART NUMBER | 1 2 3 4 5 6 7 | NOMENCLATURE | EFFECT FROM TO | UNITS PER ASSY |
|-------------|--------------|---------------|--------------------------------------|-------------------|----------------------|
| 1 | | | | | |
| 220 | 1500-16 | | .CAP-END SUPPLIER CODE: V15819 | 504903 | 16 |
| 225 | BACG20AD1900 | | .GROMMET | 504903 | 7 |

MISSING ITEM NUMBERS NOT APPLICABLE

- ITEM NOT ILLUSTRATED

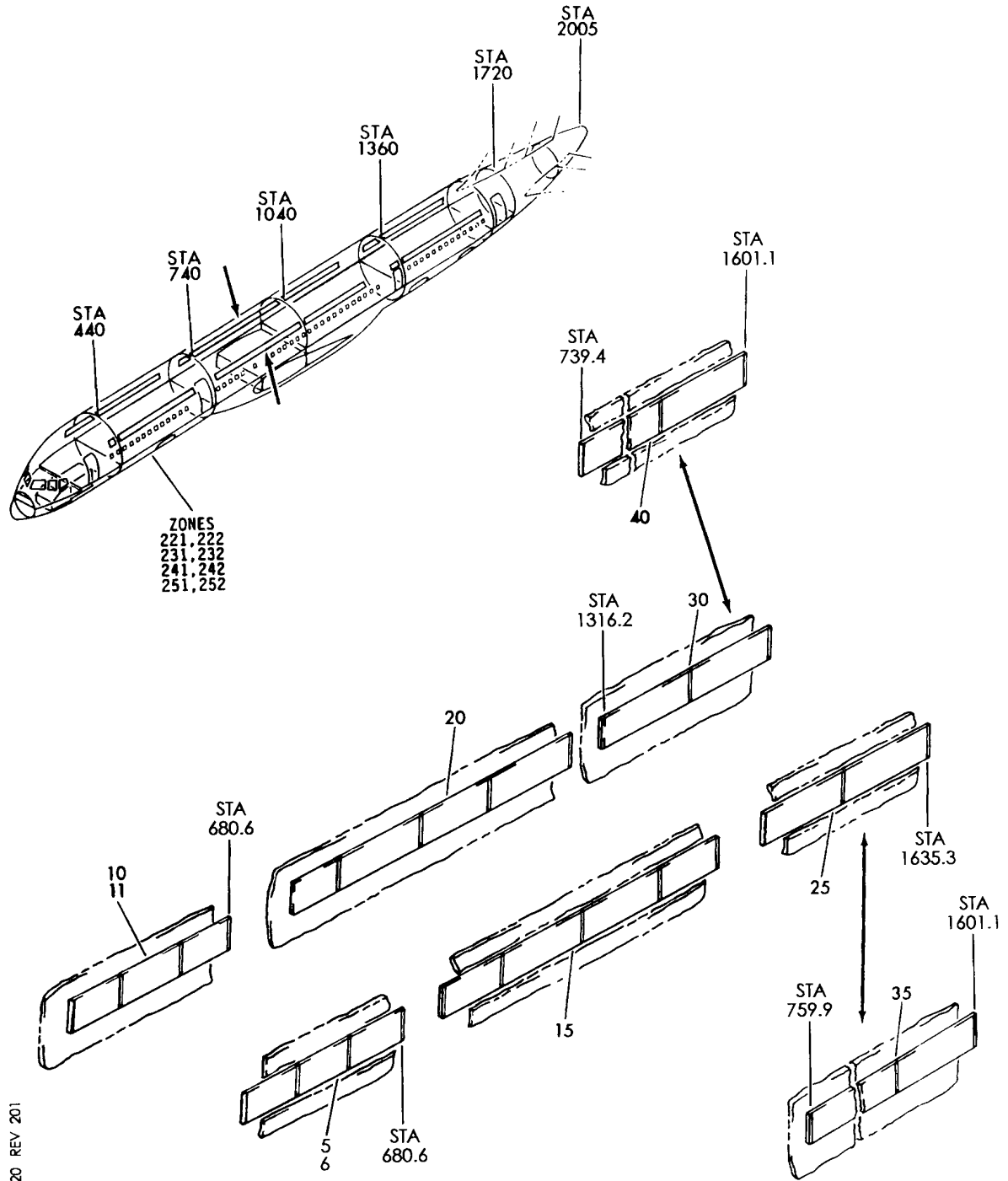
BRI

21-23-02-01

BOEING PROPRIETARY - Copyright © - Unpublished Work - See title page for details.

21-23-02
FIG. 01
PAGE 3
JAN 20/09

BOEING
757
PARTS CATALOG (MAINTENANCE)



Y 21230220 REV 201

EXTRUSION INSTL-SIDEWALL AC OUTLET
FIGURE 20

21-23-02-20

BRI
JAN 20/09

21-23-02-20
PAGE 0



757

PARTS CATALOG (MAINTENANCE)

| FIG ITEM | PART NUMBER | 1 2 3 4 5 6 7 | NOMENCLATURE | EFFECT FROM TO | UNITS PER ASSY |
|----------|--------------|---------------|---|----------------|----------------|
| 20 | | | EXTRUSION INSTL-SIDEWALL AC OUTLET | 107107 | |
| - 1 | 412N3100-17 | | EXTRUSION INSTL-SIDEWALL AC OUTLET | 107107 | RF |
| | | | FOR NHA SEE: 25-20-00-01B | | |
| 5 | 412N3100-121 | | .EXTRUSION INSTL- POSITION DATA: L SIDE FWD | 107107 | 1 |
| | | | FOR DETAILS SEE: 21-23-02-21 | | |
| 10 | 412N3100-128 | | .EXTRUSION INSTL- POSITION DATA: R SIDE FWD | 107107 | 1 |
| | | | FOR DETAILS SEE: 21-23-02-21 | | |
| 15 | 412N3100-213 | | .EXTRUSION INSTL- POSITION DATA: L SIDE CTR | 107107 | 1 |
| | | | FOR DETAILS SEE: 21-23-02-22 | | |
| 20 | 412N3100-212 | | .EXTRUSION INSTL- POSITION DATA: R SIDE CTR | 107107 | 1 |
| | | | FOR DETAILS SEE: 21-23-02-22 | | |
| 25 | 412N3100-309 | | .EXTRUSION INSTL- POSITION DATA: L SIDE AFT | 107107 | 1 |
| | | | FOR DETAILS SEE: 21-23-02-23 | | |
| 30 | 412N3100-320 | | .EXTRUSION INSTL- POSITION DATA: R SIDE AFT | 107107 | 1 |
| | | | FOR DETAILS SEE: 21-23-02-23 | | |

MISSING ITEM NUMBERS NOT APPLICABLE

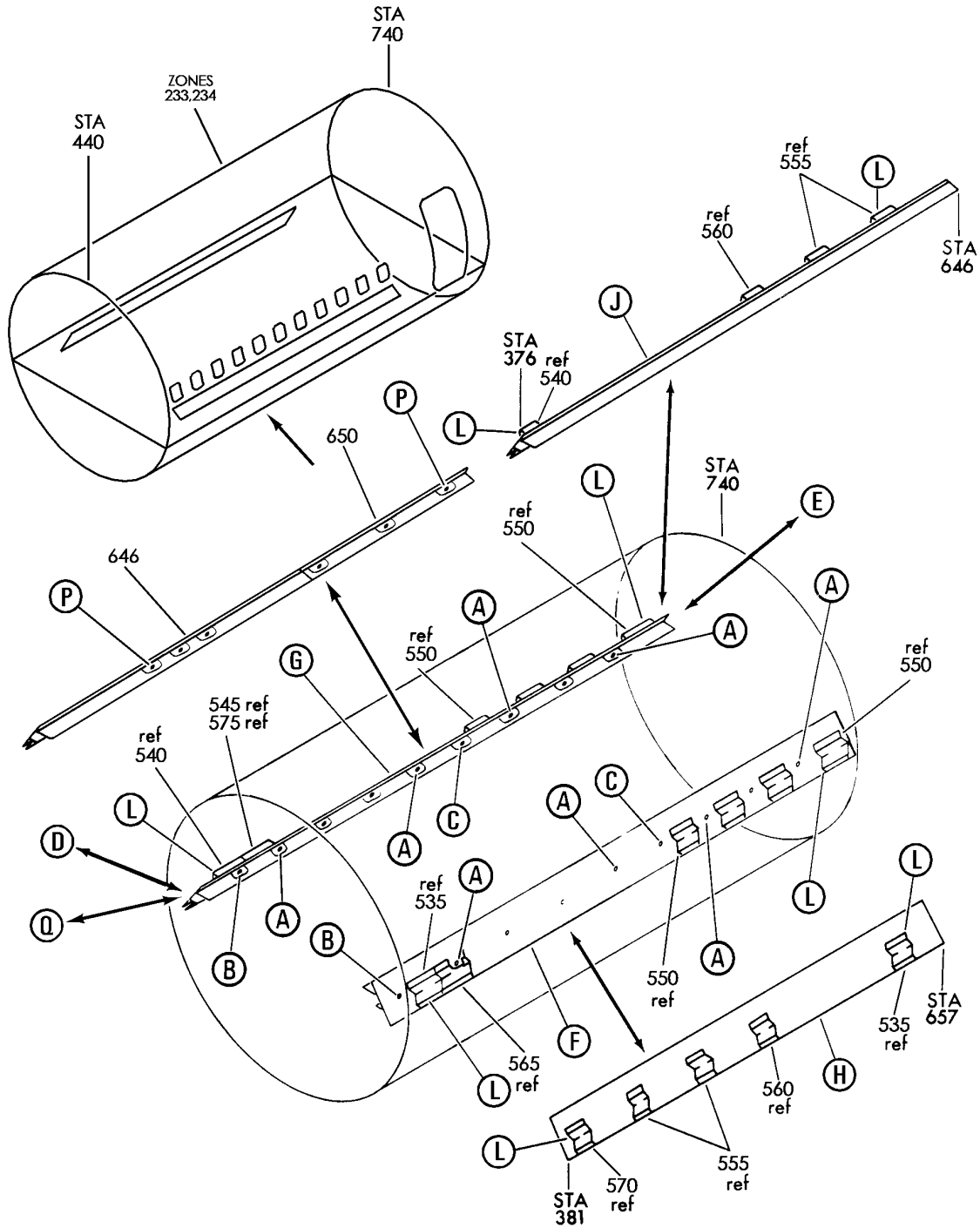
- ITEM NOT ILLUSTRATED

BRI

21-23-02-20

21-23-02
FIG. 20
PAGE 1
JAN 20/09


BOEING
 757
PARTS CATALOG (MAINTENANCE)



Y 21230221 SHT 1 REV 212

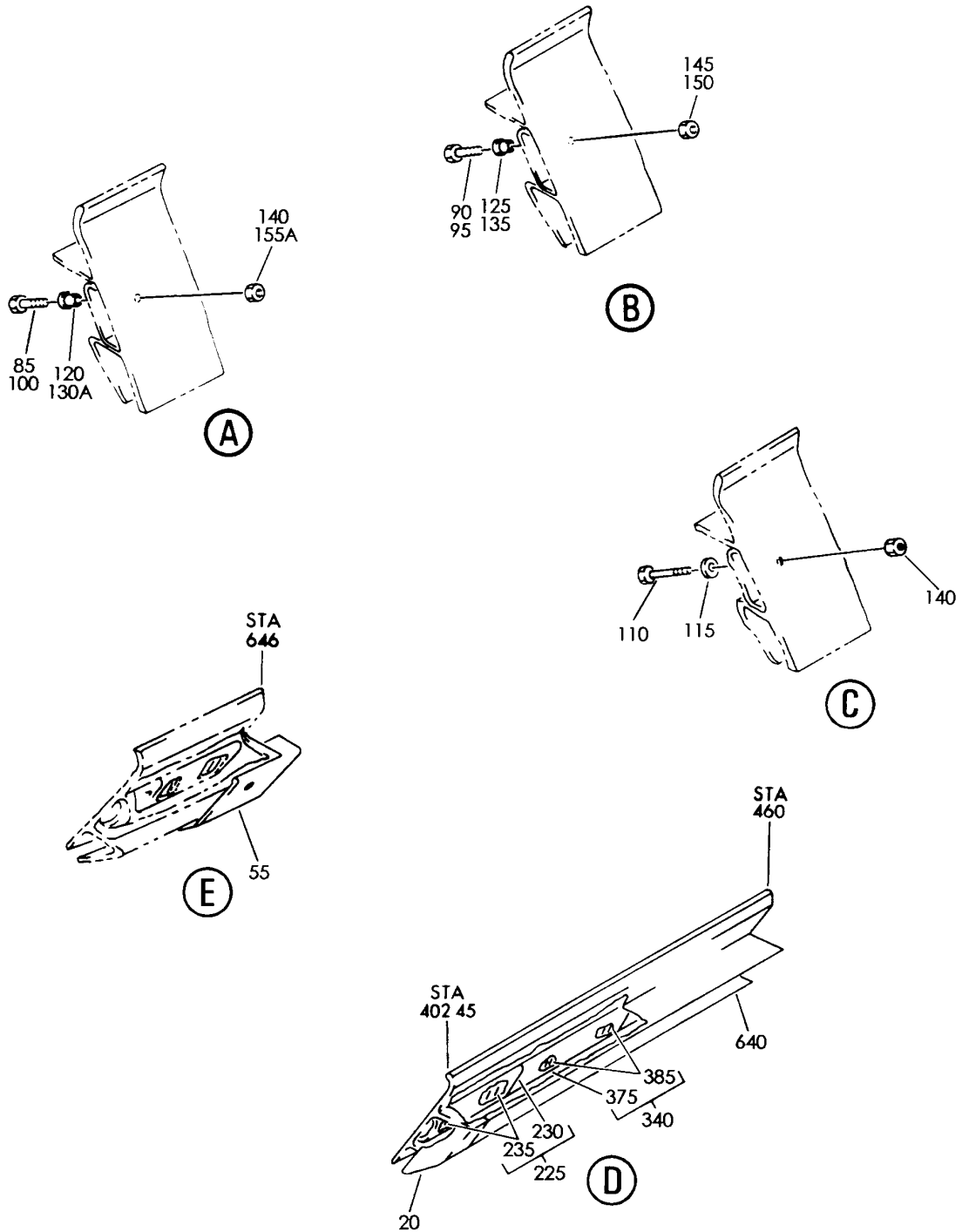
EXTRUSION INSTL-SIDEWALL AC OUTLET FWD
FIGURE 21 (SHEET 1)

21-23-02-21

BRI
JAN 20/09

21-23-02-21
PAGE 0

BOEING
757
PARTS CATALOG (MAINTENANCE)



Y 21230221 SH1 2 REV 202

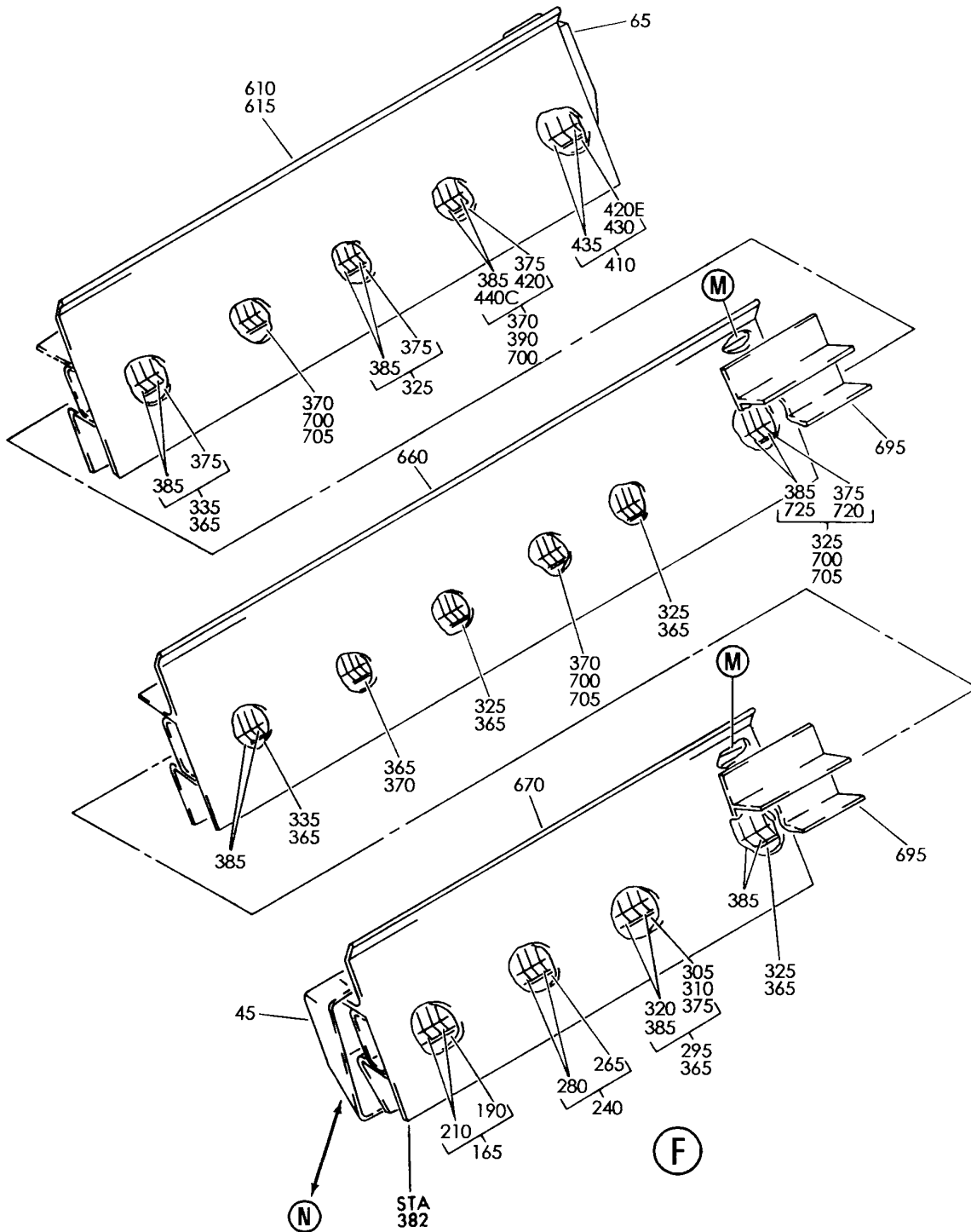
EXTRUSION INSTL-SIDEWALL AC OUTLET FWD
FIGURE 21 (SHEET 2)

21-23-02-21

BRI
JAN 20/09

21-23-02-21
PAGE 0A

BOEING
757
PARTS CATALOG (MAINTENANCE)



Y 21230221 SHT 3 REV 202

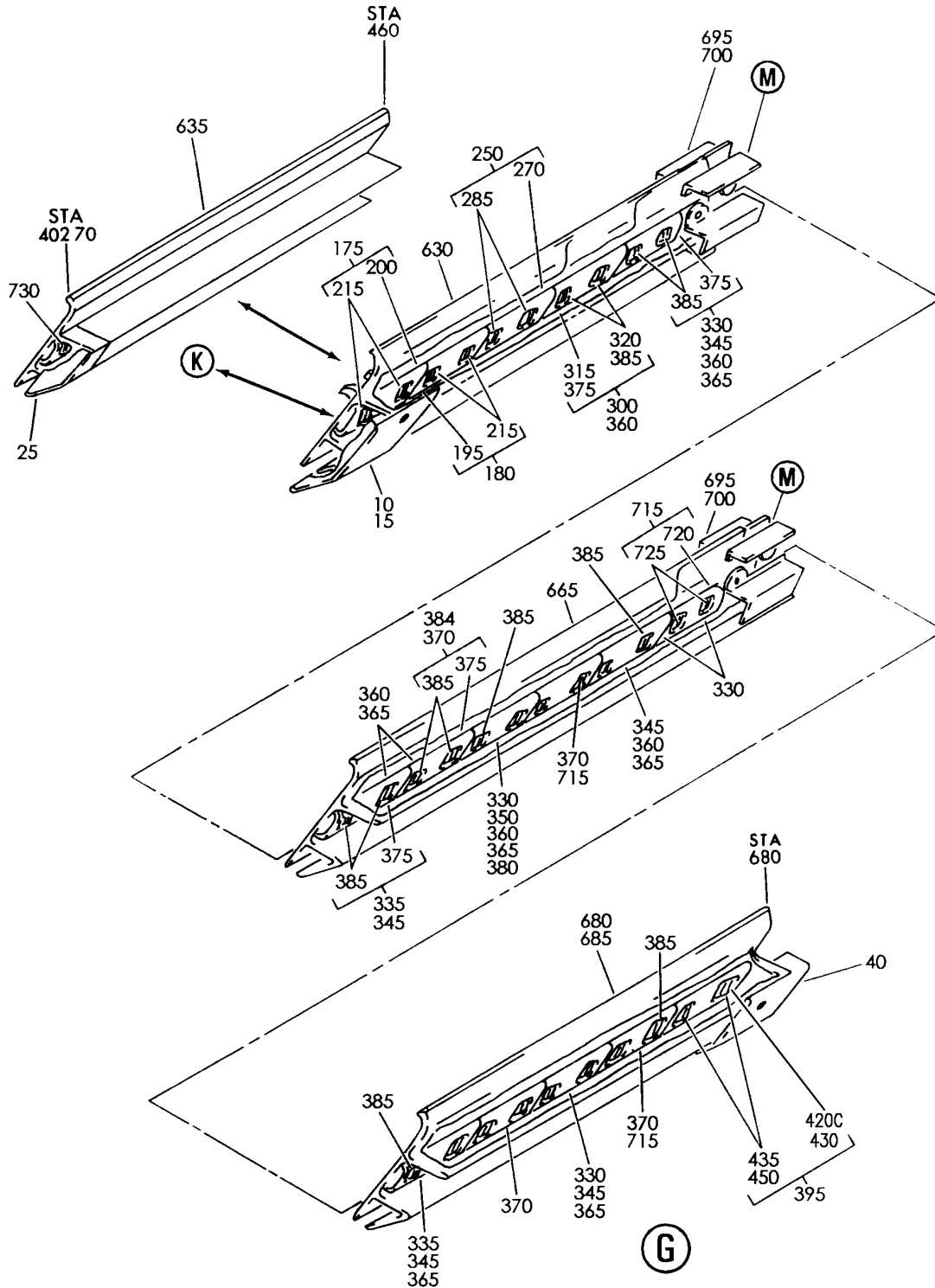
EXTRUSION INSTL-SIDEWALL AC OUTLET FWD
FIGURE 21 (SHEET 3)

21-23-02-21

BRI
JAN 20/09

21-23-02-21
PAGE 0B

BOEING
757
PARTS CATALOG (MAINTENANCE)



Y 21230221 SH1 4 REV 328

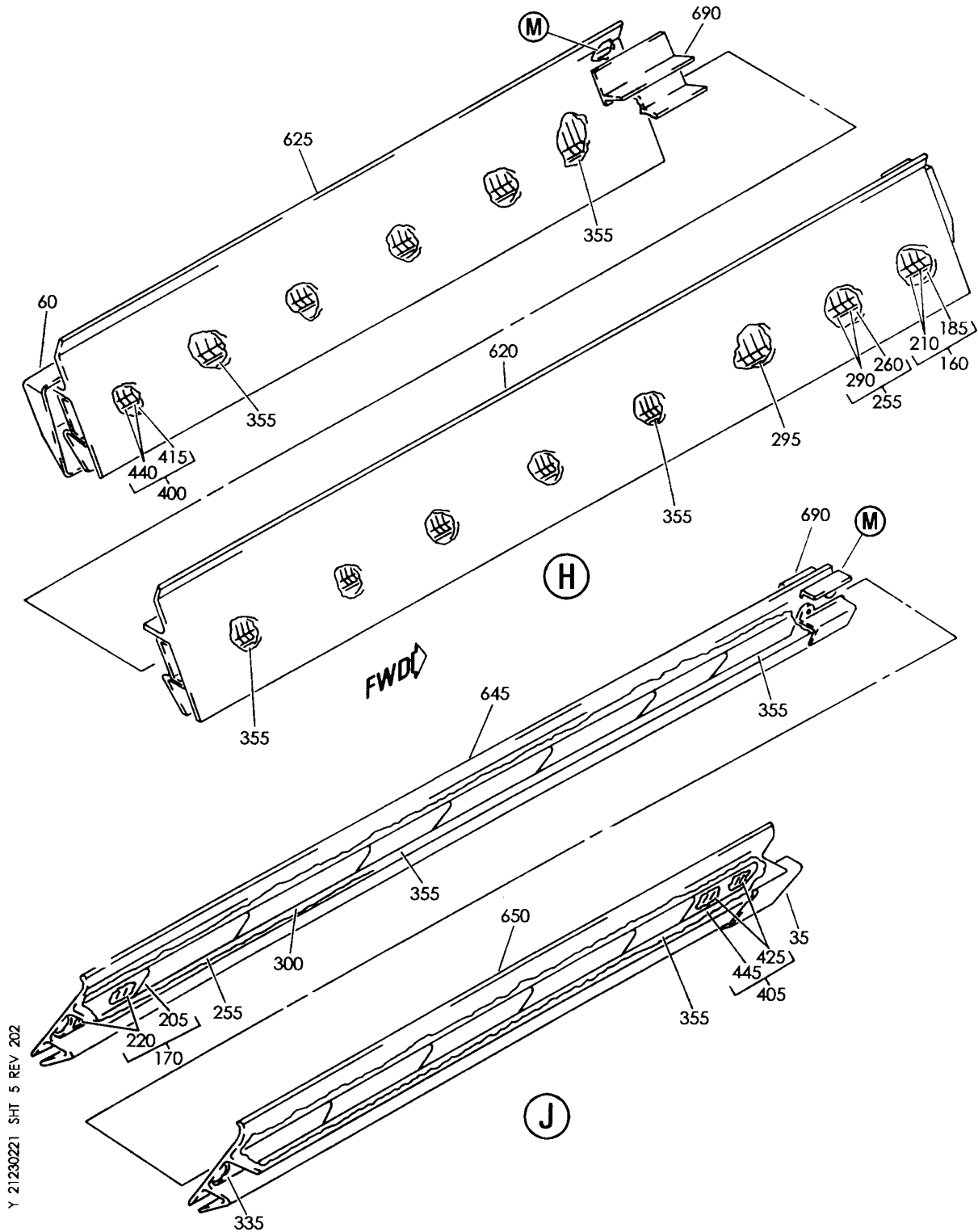
EXTRUSION INSTL-SIDEWALL AC OUTLET FWD
FIGURE 21 (SHEET 4)

21-23-02-21

BRI
JAN 20/09

21-23-02-21
PAGE 0C

BOEING
757
PARTS CATALOG (MAINTENANCE)



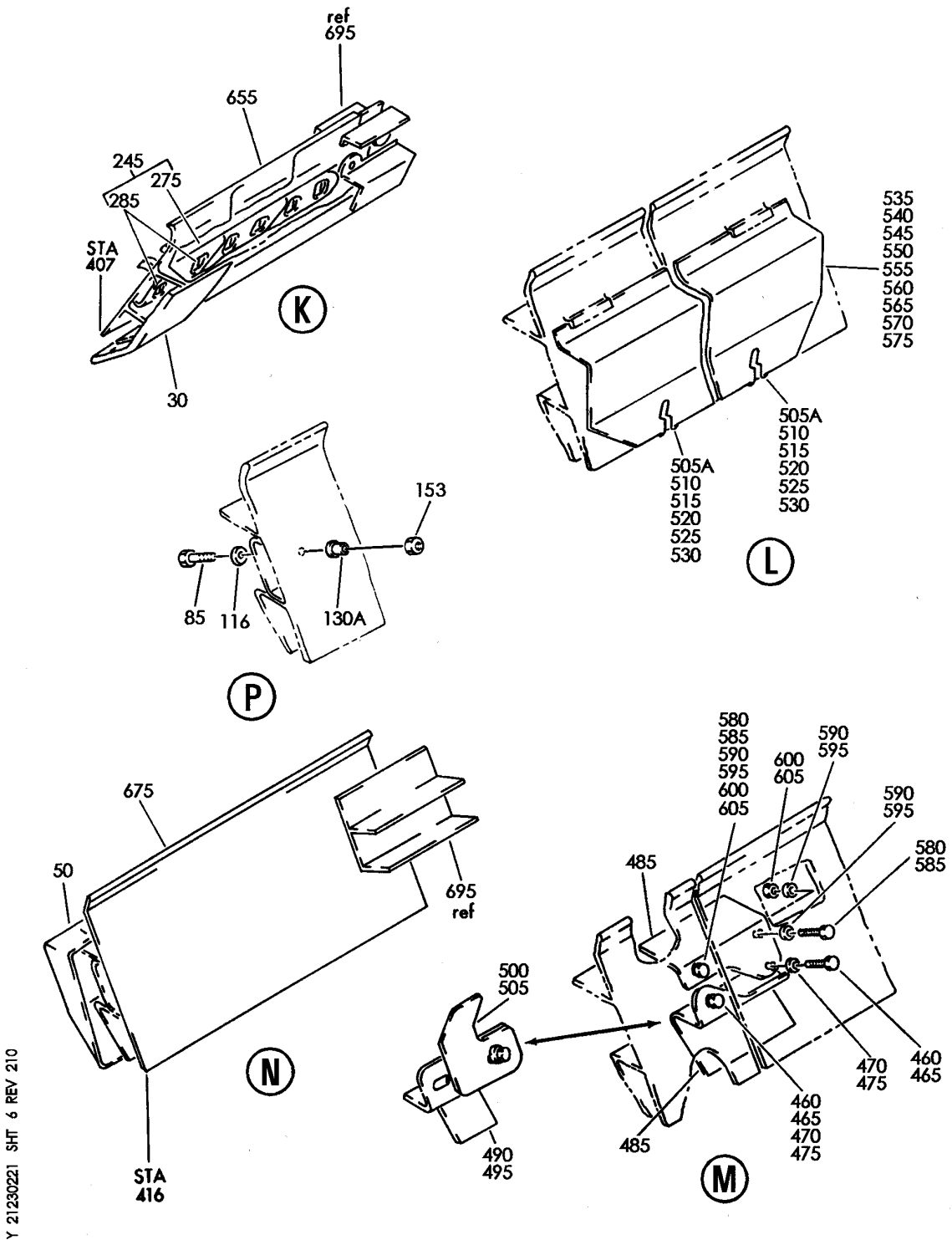
EXTRUSION INSTL-SIDEWALL AC OUTLET FWD
FIGURE 21 (SHEET 5)

21-23-02-21

BRI
JAN 20/09

21-23-02-21
PAGE 0D

BOEING
757
PARTS CATALOG (MAINTENANCE)



Y 21230221 SHT 6 REV 210

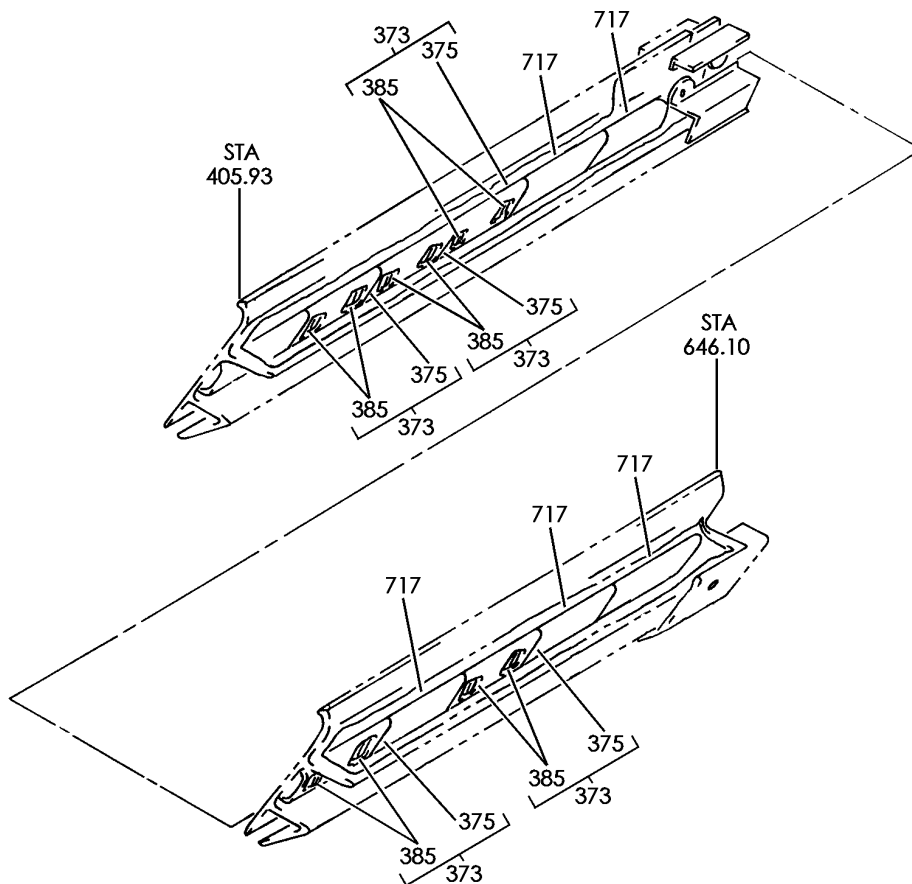
EXTRUSION INSTL-SIDEWALL AC OUTLET FWD
FIGURE 21 (SHEET 6)

21-23-02-21

BRI
JAN 20/09

21-23-02-21
PAGE 0E

BOEING
757
PARTS CATALOG (MAINTENANCE)



Q

Y 21230221 SHT 7 REV 212

EXTRUSION INSTL-SIDEWALL AC OUTLET FWD
FIGURE 21 (SHEET 7)

21-23-02-21

BRI
JAN 20/09

21-23-02-21
PAGE OF



757

PARTS CATALOG (MAINTENANCE)

| FIG ITEM | PART NUMBER | 1 2 3 4 5 6 7 | NOMENCLATURE | EFFECT FROM TO | UNITS PER ASSY |
|----------|--------------|---------------|--|----------------|----------------|
| 21 | | | EXTRUSION INSTL-SIDEWALL AC OUTLET FWD | 107107 | |
| - 1 | 412N3100-121 | | EXTRUSION INSTL-SIDEWALL AC OUTLET POSITION DATA: L SIDE FWD FOR NHA SEE: 21-23-02-20 | 107107 | RF |
| - 5 | 412N3100-128 | | EXTRUSION INSTL-SIDEWALL AC OUTLET POSITION DATA: R SIDE FWD FOR NHA SEE: 21-23-02-20 | 107107 | RF |
| 10 | 412N3130-6SP | | .CAP-END POSITION DATA: STA 368.80 RH SIDE | 107107 | 1 |
| 40 | 412N3130-7SP | | .CAP-END POSITION DATA: RH SIDE | 107107 | 1 |
| 50 | 412N3130-5SP | | .CAP-END POSITION DATA: STA 416.20 LH SIDE | 107107 | 1 |
| 65 | 412N3130-8SP | | .CAP-END POSITION DATA: STA 680.60 LH SIDE | 107107 | 1 |
| - 75 | BACB30LU3-14 | | ATTACHING PARTS .BOLT -----*----- | 107107 | 2 |
| 90 | BACB30NM3K4 | | .BOLT- POSITION DATA: RH SIDE | 107107 | 1 |
| 100 | BACB30NM3K4 | | .BOLT- POSITION DATA: LH SIDE | 107107 | 7 |
| 110 | BACB30NM3K2 | | .BOLT | 107107 | 1 |
| 115 | NAS620-10L | | .WASHER | 107107 | 1 |
| 120 | 412N2004-55 | | .SPACER- POSITION DATA: LH SIDE | 107107 | 7 |
| 135 | 412N2004-55 | | .SPACER- POSITION DATA: RH SIDE | 107107 | 1 |

MISSING ITEM NUMBERS NOT APPLICABLE

- ITEM NOT ILLUSTRATED

BRI

21-23-02-21

21-23-02
FIG. 21
PAGE 1
JAN 20/09



757

PARTS CATALOG (MAINTENANCE)

| FIG ITEM | PART NUMBER | 1 2 3 4 5 6 7 | NOMENCLATURE | EFFECT FROM TO | UNITS PER ASSY |
|-----------|-------------|---------------|---|----------------|----------------|
| 21 140 | BRH10A3 | | .NUT- SUPPLIER CODE: V52828 SPECIFICATION NUMBER: BACN10JC3 OPTIONAL PART: H10-3BAC V15653 NS202101-02 V80539 RMLH9075-3W V72962 VN303A02 V92215 96-02 V80539 T6S1032J V11815 POSITION DATA: LH SIDE | 107107 | 8 |
| 145 | BRH10A3 | | .NUT- SUPPLIER CODE: V52828 SPECIFICATION NUMBER: BACN10JC3 OPTIONAL PART: H10-3BAC V15653 NS202101-02 V80539 RMLH9075-3W V72962 VN303A02 V92215 96-02 V80539 T6S1032J V11815 POSITION DATA: LH SIDE | 107107 | 1 |

MISSING ITEM NUMBERS NOT APPLICABLE

- ITEM NOT ILLUSTRATED

BRI

21-23-02-21

BOEING PROPRIETARY - Copyright © - Unpublished Work - See title page for details.

21-23-02
FIG. 21
PAGE 2
JAN 20/09



757

PARTS CATALOG (MAINTENANCE)

| FIG ITEM | PART NUMBER | 1 2 3 4 5 6 7 | NOMENCLATURE | EFFECT FROM TO | UNITS PER ASSY |
|-----------|-------------|---------------|---|----------------|----------------|
| 21 150 | BRH10A3 | | .NUT- SUPPLIER CODE: V52828 SPECIFICATION NUMBER: BACN10JC3 OPTIONAL PART: H10-3BAC V15653 NS202101-02 V80539 RMLH9075-3W V72962 VN303A02 V92215 96-02 V80539 T6S1032J V11815 POSITION DATA: RH SIDE | 107107 | 1 |
| 175 | 65C27330-66 | | .GRILL ASSY- POSITION DATA: RH SIDE | 107107 | 1 |
| 180 | 65C27330-62 | | .GRILL ASSY- POSITION DATA: RH SIDE | 107107 | 1 |
| 195 | 65C27330-64 | | ..GRILL- USED ON: 65C27330-62 65C27330-153 | 107107 | 1 |
| 200 | 65C27330-67 | | ..GRILL- USED ON: 65C27330-66 | 107107 | 1 |
| 215 | 412N3121-1 | | ..CLIP- POSITION DATA: RH SIDE | 107107 | 2 |
| 250 | 412N3120-96 | | .GRILL ASSY- POSITION DATA: RH SIDE | 107107 | 1 |
| 270 | 412N3120-97 | | ..GRILL- POSITION DATA: RH SIDE | 107107 | 1 |
| 285 | 417N3121-1 | | ..CLIP- POSITION DATA: RH SIDE | 107107 | 2 |
| 295 | 412N3120-90 | | .GRILL ASSY- POSITION DATA: LH SIDE | 107107 | 1 |

MISSING ITEM NUMBERS NOT APPLICABLE

- ITEM NOT ILLUSTRATED

21-23-02-21

21-23-02
FIG. 21
PAGE 3
JAN 20/09

BRI

 **BOEING**
757
PARTS CATALOG (MAINTENANCE)

| FIG ITEM | PART NUMBER | 1 2 3 4 5 6 7 | NOMENCLATURE | EFFECT FROM TO | UNITS PER ASSY |
|----------|--------------|---------------|---------------------------|----------------|----------------|
| 21 | | | | | |
| 300 | 412N3120-66 | .GRILL ASSY- | POSITION DATA: RH SIDE | 107107 | 1 |
| 310 | 412N3120-56 | ..GRILL- | POSITION DATA: LH SIDE | 107107 | 1 |
| 315 | 412N3120-9 | ..GRILL- | POSITION DATA: RH SIDE | 107107 | 1 |
| 320 | 417N3121-1 | ..CLIP- | POSITION DATA: LH SIDE | 107107 | 2 |
| 365 | 412N3120-80 | .GRILL ASSY- | POSITION DATA: LH SIDE | 107107 | 7 |
| 375 | 412N3120-13 | ..GRILL | | 107107 | 1 |
| 375 | 412N3120-13 | ..GRILL | | 107107 | 1 |
| 385 | 412N3121-1 | ..CLIP | | 107107 | 2 |
| 385 | 412N3121-1 | ..CLIP | | 107107 | 2 |
| 395 | 412N3120-78 | .GRILL ASSY- | POSITION DATA: RH SIDE | 107107 | 1 |
| 410 | 412N3120-77 | .GRILL ASSY- | POSITION DATA: LH SIDE | 107107 | 1 |
| 430 | 412N3120-39 | ..GRILL- | POSITION DATA: LH SIDE | 107107 | 1 |
| 435 | 412N3121-1 | ..CLIP- | POSITION DATA: LH SIDE | 107107 | 2 |
| 455 | 412N3121-1 | ..CLIP- | POSITION DATA: RH SIDE | 107107 | 1 |
| 460 | BACB30NM4K2 | .BOLT | | 107107 | 4 |
| 470 | AN960PD416L | .WASHER | | 107107 | 4 |
| 495 | 412N3101-4SP | .COVER-GAP | | 107107 | 2 |
| 500 | 412N3101-6SP | .COVER-GAP | | 107107 | 2 |
| 520 | 412N1125-3 | .SPRING-CLIP | POSITION DATA: RH SIDE | 107107 | 2 |
| 585 | BACB30NM3K2 | .BOLT | | 107107 | 4 |
| 595 | BACW10P183AL | .WASHER | | 107107 | 4 |

MISSING ITEM NUMBERS NOT APPLICABLE

— ITEM NOT ILLUSTRATED

BRI

21-23-02-21

21-23-02
FIG. 21
PAGE 4
JAN 20/09



757

PARTS CATALOG (MAINTENANCE)

| FIG ITEM | PART NUMBER | 1 2 3 4 5 6 7 | NOMENCLATURE | EFFECT FROM TO | UNITS PER ASSY |
|-----------|----------------|---------------|---|----------------|----------------|
| 21 605 | BRH10A3 | .NUT | SUPPLIER CODE: V52828 SPECIFICATION NUMBER: BACN10JC3 OPTIONAL PART: H10-3BAC V15653 NS202101-02 V80539 RMLH9075-3W V72962 VN303A02 V92215 96-02 V80539 T6S1032J V11815 | 107107 | 4 |
| 610 | 412N3110-221SP | .OUTLET ASSY- | POSITION DATA: LH SIDE | 107107 | 1 |
| 630 | 412N3110-201SP | .OUTLET ASSY- | POSITION DATA: RH SIDE | 107107 | 1 |
| 660 | 412N3110-129SP | .OUTLET- | POSITION DATA: LH SIDE | 107107 | 1 |
| 660 | 412N3110-215SP | .OUTLET- | POSITION DATA: LH SIDE | 107107 | 1 |
| 665 | 412N3110-130SP | .OUTLET- | POSITION DATA: RH SIDE | 107107 | 1 |
| 665 | 412N3110-216SP | .OUTLET- | POSITION DATA: RH SIDE | 107107 | 1 |
| 675 | 412N3110-119SP | .OUTLET ASSY- | POSITION DATA: LH SIDE | 107107 | 1 |
| 675 | 412N3110-203SP | .OUTLET ASSY- | POSITION DATA: LH SIDE | 107107 | 1 |
| 680 | 412N3110-222SP | .OUTLET ASSY- | POSITION DATA: RH SIDE | 107107 | 1 |
| 695 | 412N2004-44 | .BRACKET ASSY | | 107107 | 2 |
| 715 | 65C27330-35 | .GRILL ASSY- | POSITION DATA: RH SIDE | 107107 | 4 |

MISSING ITEM NUMBERS NOT APPLICABLE

- ITEM NOT ILLUSTRATED

21-23-02-21

21-23-02
FIG. 21
PAGE 5
JAN 20/09

BRI



757

PARTS CATALOG (MAINTENANCE)

| FIG ITEM | PART NUMBER | 1 2 3 4 5 6 7 | NOMENCLATURE | EFFECT FROM TO | UNITS PER ASSY |
|----------|-------------|---------------|--------------|----------------|----------------|
| 21 | | | | | |
| 720 | 65C27330-22 | .. | GRILL | 107107 | 1 |
| 720 | 65C27330-22 | .. | GRILL | 107107 | 1 |
| 725 | 412N3121-1 | .. | CLIP | 107107 | 2 |

MISSING ITEM NUMBERS NOT APPLICABLE

- ITEM NOT ILLUSTRATED

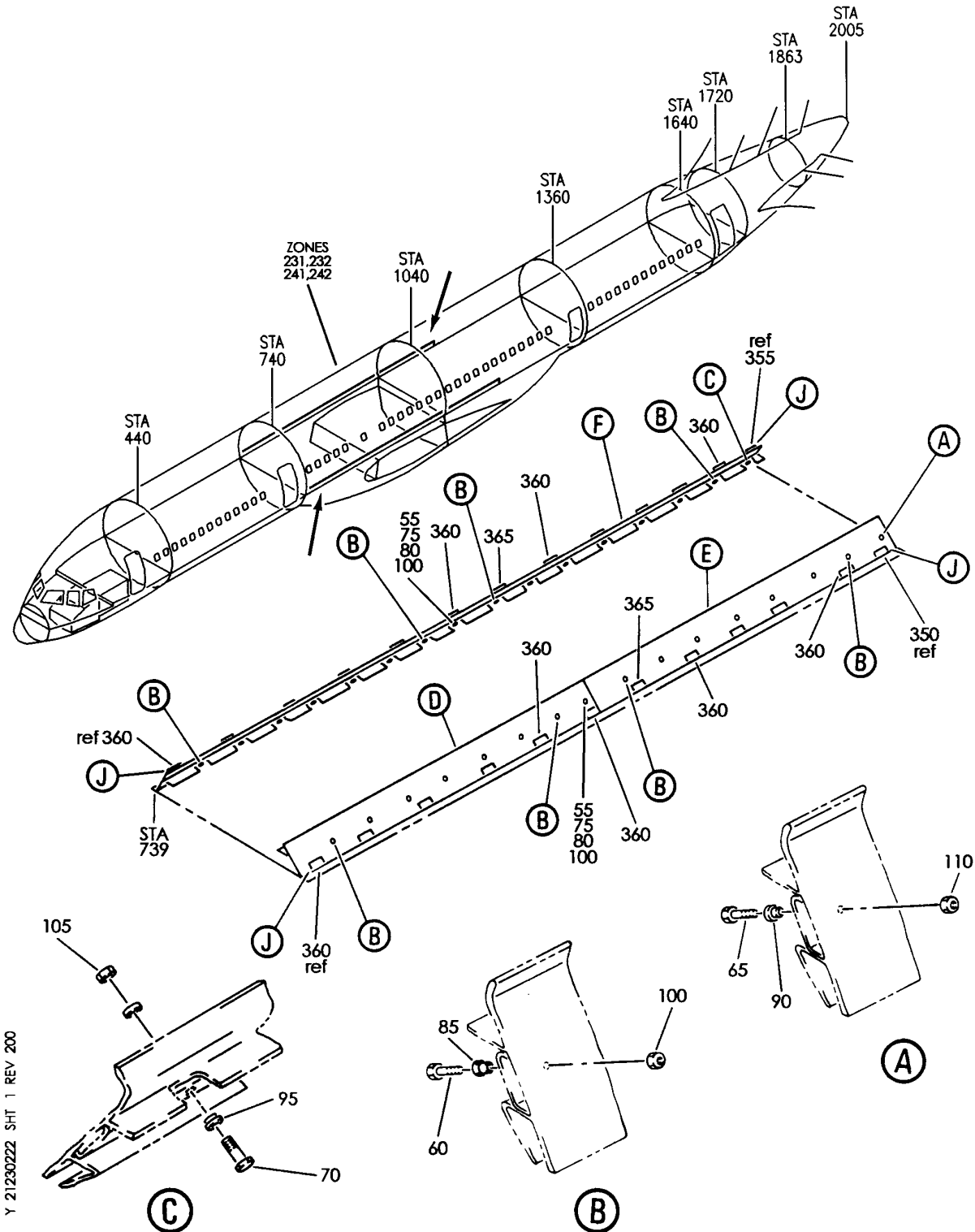
BRI

21-23-02-21

BOEING PROPRIETARY - Copyright © - Unpublished Work - See title page for details.

21-23-02
FIG. 21
PAGE 6
JAN 20/09

BOEING
757
PARTS CATALOG (MAINTENANCE)



Y 21230222 SHT 1 REV 200

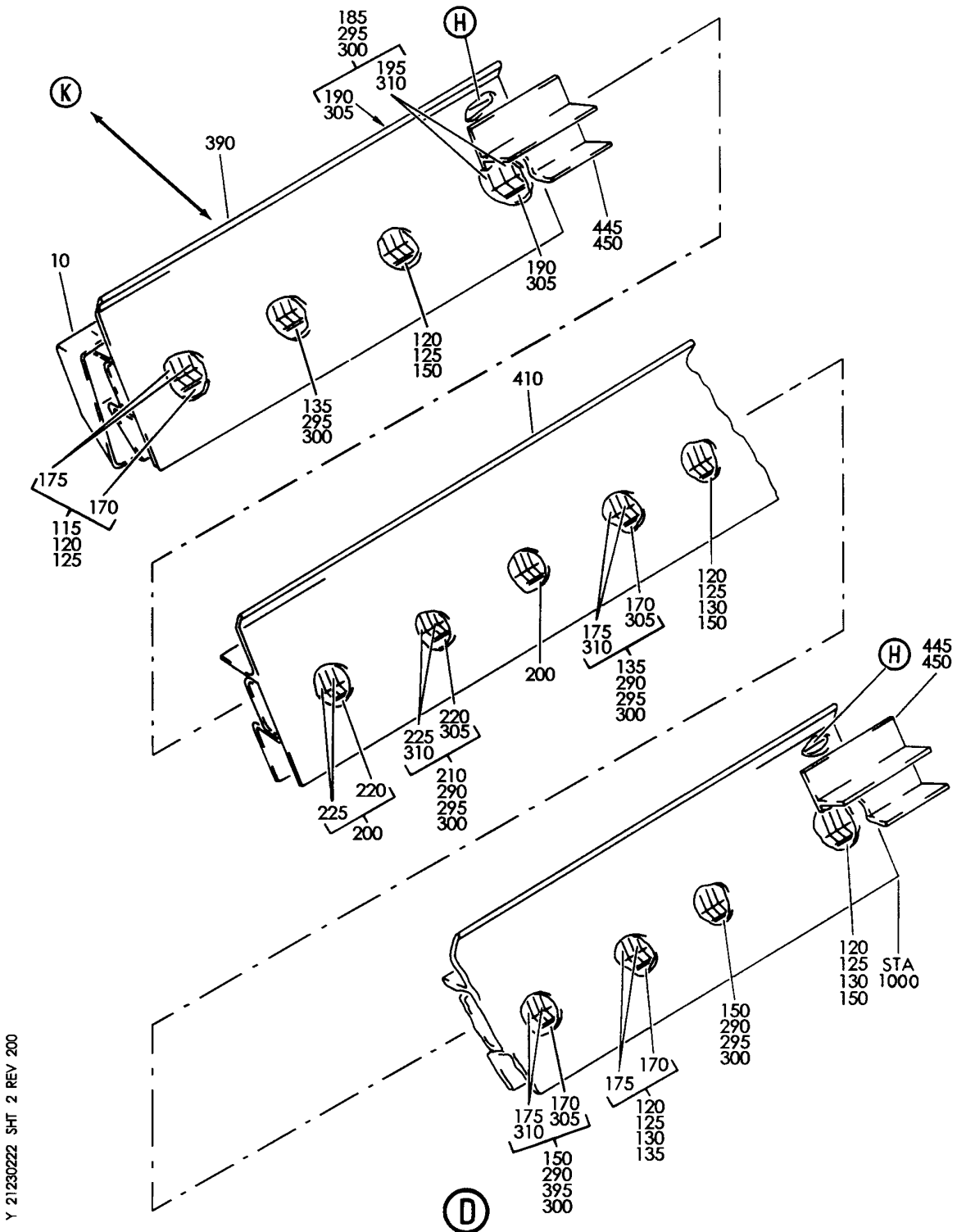
EXTRUSION INSTL-SIDEWALL AC OUTLET CTR
FIGURE 22 (SHEET 1)

21-23-02-22

BRI
JAN 20/09

21-23-02-22
PAGE 0

BOEING
757
PARTS CATALOG (MAINTENANCE)



Y 21230222 SHT 2 REV 200

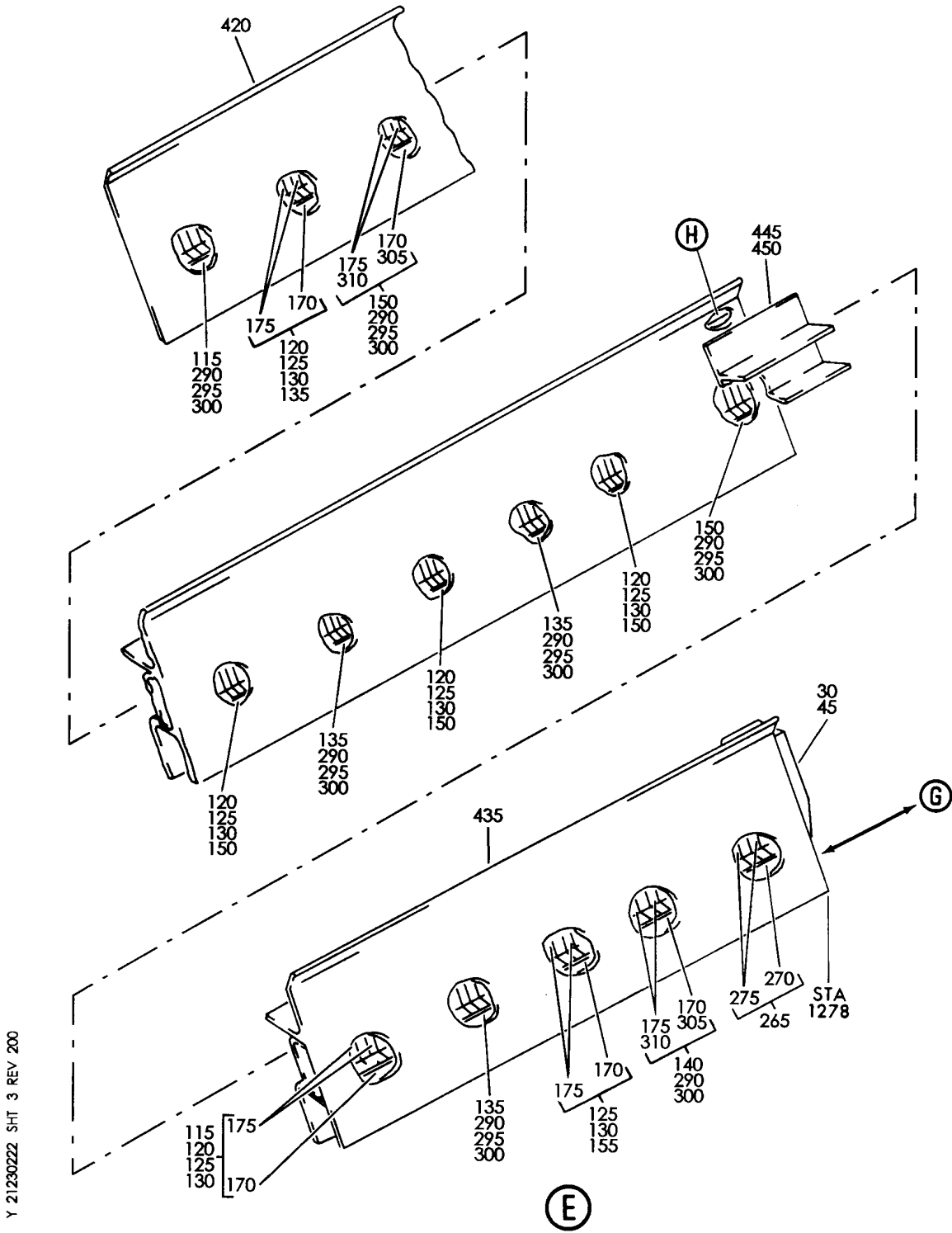
EXTRUSION INSTL-SIDEWALL AC OUTLET CTR
FIGURE 22 (SHEET 2)

21-23-02-22

BRI
JAN 20/09

21-23-02-22
PAGE 0A

BOEING
757
PARTS CATALOG (MAINTENANCE)



Y 21230222 SHT 3 REV 200

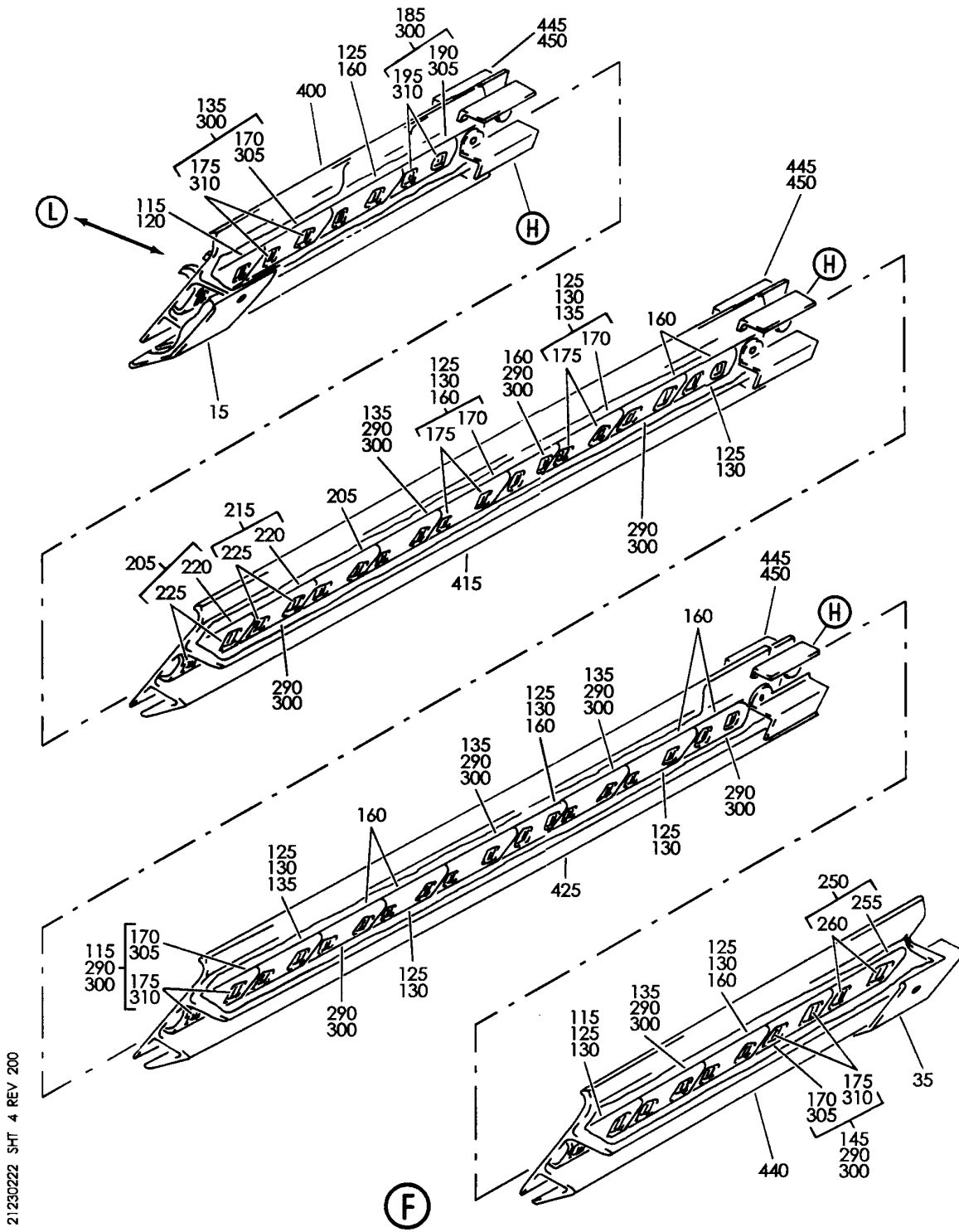
EXTRUSION INSTL-SIDEWALL AC OUTLET CTR
FIGURE 22 (SHEET 3)

21-23-02-22

BRI
JAN 20/09

21-23-02-22
PAGE 0B

BOEING
 757
 PARTS CATALOG (MAINTENANCE)



Y 21230222 SHT 4 REV 200

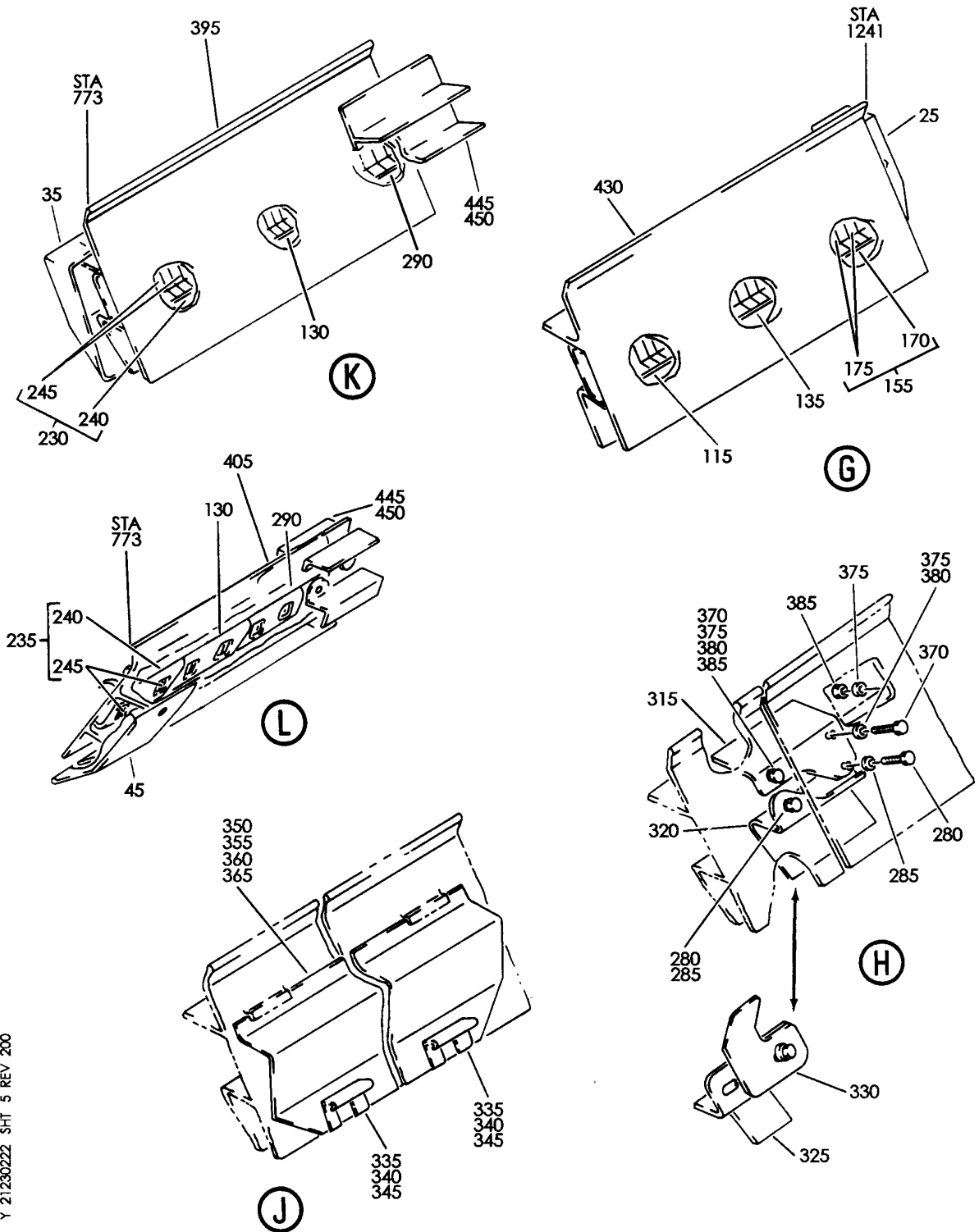
EXTRUSION INSTL-SIDEWALL AC OUTLET CTR
 FIGURE 22 (SHEET 4)

21-23-02-22

BRI
 JAN 20/09

21-23-02-22
 PAGE 0C

BOEING
757
PARTS CATALOG (MAINTENANCE)



Y 21230222 SH1 5 REV 200

EXTRUSION INSTL-SIDEWALL AC OUTLET CTR
FIGURE 22 (SHEET 5)

21-23-02-22

BRI
JAN 20/09

21-23-02-22
PAGE 0D



757

PARTS CATALOG (MAINTENANCE)

| FIG ITEM | PART NUMBER | 1 2 3 4 5 6 7 | NOMENCLATURE | EFFECT FROM TO | UNITS PER ASSY |
|----------|--------------|---------------|--|----------------|----------------|
| 22 | | | EXTRUSION INSTL-SIDEWALL AC OUTLET CTR | 107107 | |
| - 1 | 412N3100-213 | | EXTRUSION INSTL-SIDEWALL AC OUTLET POSITION DATA: L SIDE CTR FOR NHA SEE: 21-23-02-20 | 107107 | RF |
| - 5 | 412N3100-212 | | EXTRUSION INSTL-SIDEWALL AC OUTLET POSITION DATA: R SIDE CTR FOR NHA SEE: 21-23-02-20 | 107107 | RF |
| 10 | 412N3130-3SP | | .CAP-END POSITION DATA: LH SIDE | 107107 | 1 |
| 15 | 412N3130-4SP | | .CAP-END POSITION DATA: RH SIDE | 107107 | 1 |
| - 20 | BACB30LU3-6 | | ATTACHING PARTS .BOLT -----*----- | 107107 | 1 |
| 30 | 412N3130-6SP | | .CAP-END POSITION DATA: STA 1278.40 LH SIDE | 107107 | 1 |
| 40 | 412N3130-5SP | | .CAP-END POSITION DATA: RH SIDE | 107107 | 1 |
| - 50 | BACB30LU3-14 | | ATTACHING PARTS .BOLT -----*----- | 107107 | 1 |
| 55 | BACB30NM3K2 | | .BOLT | 107107 | 1 |
| 60 | BACB30NM3K4 | | .BOLT | 107107 | 14 |
| 65 | BACB30NM3K4 | | .BOLT- POSITION DATA: LH SIDE | 107107 | 1 |
| 70 | BACB30NM3K4 | | .BOLT- POSITION DATA: RH SIDE | 107107 | 1 |
| 75 | BACW10P183AL | | .WASHER | 107107 | 1 |
| 80 | NAS620-10L | | .WASHER | 107107 | 1 |
| 85 | 412N2004-55 | | .SPACER | 107107 | 14 |
| 90 | 412N2004-55 | | .SPACER- POSITION DATA: LH SIDE | 107107 | 1 |
| 95 | 412N2004-55 | | .SPACER- POSITION DATA: RH SIDE | 107107 | 1 |

MISSING ITEM NUMBERS NOT APPLICABLE

- ITEM NOT ILLUSTRATED

21-23-02-22

21-23-02
FIG. 22
PAGE 1
JAN 20/09

BRI



757

PARTS CATALOG (MAINTENANCE)

| FIG ITEM | PART NUMBER | 1 2 3 4 5 6 7 | NOMENCLATURE | EFFECT FROM TO | UNITS PER ASSY |
|-----------|-------------|---------------|--|----------------|----------------|
| 22 100 | BRH10A3 | .NUT | SUPPLIER CODE: V52828 SPECIFICATION NUMBER: BACN10JC3 OPTIONAL PART: H10-3BAC V15653 NS202101-02 V80539 RMLH9075-3W V72962 VN303A02 V92215 96-02 V80539 T6S1032J V11815 | 107107 | 15 |
| 105 | BRH10A3 | .NUT- | SUPPLIER CODE: V52828 SPECIFICATION NUMBER: BACN10JC3 OPTIONAL PART: H10-3BAC V15653 NS202101-02 V80539 RMLH9075-3W V72962 VN303A02 V92215 96-02 V80539 T6S1032J V11815 POSITION DATA: RH SIDE | 107107 | 1 |

MISSING ITEM NUMBERS NOT APPLICABLE

- ITEM NOT ILLUSTRATED

BRI

21-23-02-22

BOEING PROPRIETARY - Copyright © - Unpublished Work - See title page for details.

21-23-02
FIG. 22
PAGE 2
JAN 20/09



757

PARTS CATALOG (MAINTENANCE)

| FIG ITEM | PART NUMBER | 1 2 3 4 5 6 7 | NOMENCLATURE | EFFECT FROM TO | UNITS PER ASSY |
|-----------|--------------|---------------|--|----------------|----------------|
| 22 110 | BRH10A3 | . | NUT- SUPPLIER CODE: V52828 SPECIFICATION NUMBER: BACN10JC3 OPTIONAL PART: H10-3BAC V15653 NS202101-02 V80539 RMLH9075-3W V72962 VN303A02 V92215 96-02 V80539 T6S1032J V11815 POSITION DATA: LH SIDE | 107107 | 1 |
| 125 | 412N3120-80 | . | GRILL ASSY | 107107 | 11 |
| 170 | 412N3120-13 | .. | GRILL- USED ON: 412N3120-80 | 107107 | 1 |
| 175 | 412N3121-1 | .. | CLIP-SPR | 107107 | 2 |
| 200 | 412N3120-69 | . | GRILL ASSY- POSITION DATA: LH SIDE | 107107 | 2 |
| 205 | 412N3120-70 | . | GRILL ASSY- POSITION DATA: RH SIDE | 107107 | 2 |
| 220 | 412N3120-21 | .. | GRILL | 107107 | 1 |
| 225 | 412N3121-1 | .. | CLIP-SPR | 107107 | 2 |
| 250 | 412N3120-85 | . | GRILL ASSY- POSITION DATA: RH SIDE | 107107 | 1 |
| 255 | 412N3120-41 | .. | GRILL | 107107 | 1 |
| 260 | 412N3121-1 | .. | CLIP-SPR | 107107 | 2 |
| 265 | 412N3120-92 | . | GRILL ASSY- POSITION DATA: LH SIDE | 107107 | 1 |
| 270 | 412N3120-41 | .. | GRILL | 107107 | 1 |
| 275 | 412N3121-1 | .. | CLIP-SPR | 107107 | 2 |
| 280 | BACB30NM4K2 | . | BOLT | 107107 | 6 |
| 285 | AN960PD416L | . | WASHER | 107107 | 6 |
| 300 | 65C27330-35 | . | GRILL ASSY | 107107 | 13 |
| 305 | 65C27330-22 | .. | GRILL | 107107 | 1 |
| 310 | 412N3121-1 | .. | CLIP-SPR | 107107 | 2 |
| 325 | 412N3101-4SP | . | COVER-GAP | 107107 | 3 |

MISSING ITEM NUMBERS NOT APPLICABLE

- ITEM NOT ILLUSTRATED

21-23-02-22

21-23-02
FIG. 22
PAGE 3
JAN 20/09

BRI



757

PARTS CATALOG (MAINTENANCE)

| FIG ITEM | PART NUMBER | 1 2 3 4 5 6 7 | NOMENCLATURE | EFFECT FROM TO | UNITS PER ASSY |
|----------|----------------|---------------|---|----------------|----------------|
| 22 | | | | | |
| 330 | 412N3101-6SP | . | COVER-GAP | 107107 | 3 |
| 370 | BACB30NM3K2 | . | BOLT | 107107 | 6 |
| 375 | AN960PD10L | . | WASHER | 107107 | 12 |
| 385 | BRH10A3 | . | NUT | 107107 | 6 |
| | | | SUPPLIER CODE: V52828 | | |
| | | | SPECIFICATION NUMBER: BACN10JC3 | | |
| | | | OPTIONAL PART: H10-3BAC | | |
| | | | V15653 | | |
| | | | NS202101-02 | | |
| | | | V80539 | | |
| | | | RMLH9075-3W | | |
| | | | V72962 | | |
| | | | VN303A02 | | |
| | | | V92215 | | |
| | | | 96-02 | | |
| | | | V80539 | | |
| | | | T6S1032J | | |
| | | | V11815 | | |
| 390 | 412N3110-137SP | . | OUTLET ASSY- POSITION DATA: LH SIDE | 107107 | 1 |
| 390 | 412N3110-223SP | . | OUTLET ASSY- POSITION DATA: LH SIDE | 107107 | 1 |
| 400 | 412N3110-138SP | . | OUTLET ASSY- POSITION DATA: RH SIDE | 107107 | 1 |
| 400 | 412N3110-224SP | . | OUTLET ASSY- POSITION DATA: RH SIDE | 107107 | 1 |
| 410 | 412N3110-125SP | . | OUTLET- POSITION DATA: LH SIDE | 107107 | 1 |
| 410 | 412N3110-211SP | . | OUTLET- POSITION DATA: LH SIDE | 107107 | 1 |
| 415 | 412N3110-126SP | . | OUTLET- POSITION DATA: RH SIDE | 107107 | 1 |
| 415 | 412N3110-212SP | . | OUTLET- POSITION DATA: RH SIDE | 107107 | 1 |
| 420 | 412N3110-127SP | . | OUTLET- POSITION DATA: LH SIDE | 107107 | 1 |

MISSING ITEM NUMBERS NOT APPLICABLE

- ITEM NOT ILLUSTRATED

21-23-02-22

21-23-02
FIG. 22
PAGE 4
JAN 20/09

BRI



757

PARTS CATALOG (MAINTENANCE)

| FIG ITEM | PART NUMBER | 1 2 3 4 5 6 7 | NOMENCLATURE | EFFECT FROM TO | UNITS PER ASSY |
|----------|----------------|---------------|--|----------------|----------------|
| 22 | | | | | |
| 420 | 412N3110-213SP | | .OUTLET- POSITION DATA: LH SIDE | 107107 | 1 |
| 425 | 412N3110-128SP | | .OUTLET- POSITION DATA: RH SIDE | 107107 | 1 |
| 425 | 412N3110-214SP | | .OUTLET- POSITION DATA: RH SIDE | 107107 | 1 |
| 435 | 412N3110-123SP | | .OUTLET ASSY- POSITION DATA: LH SIDE | 107107 | 1 |
| 435 | 412N3110-207SP | | .OUTLET ASSY- POSITION DATA: LH SIDE | 107107 | 1 |
| 440 | 412N3110-208SP | | .OUTLET ASSY- POSITION DATA: RH SIDE | 107107 | 1 |
| 440 | 412N3110-124SP | | .OUTLET ASSY- POSITION DATA: RH SIDE | 107107 | 1 |
| 445 | 412N2004-44 | | .BRACKET ASSY | 107107 | 3 |
| 450 | 412N2004-45 | | ..BRACKET | 107107 | 1 |

MISSING ITEM NUMBERS NOT APPLICABLE

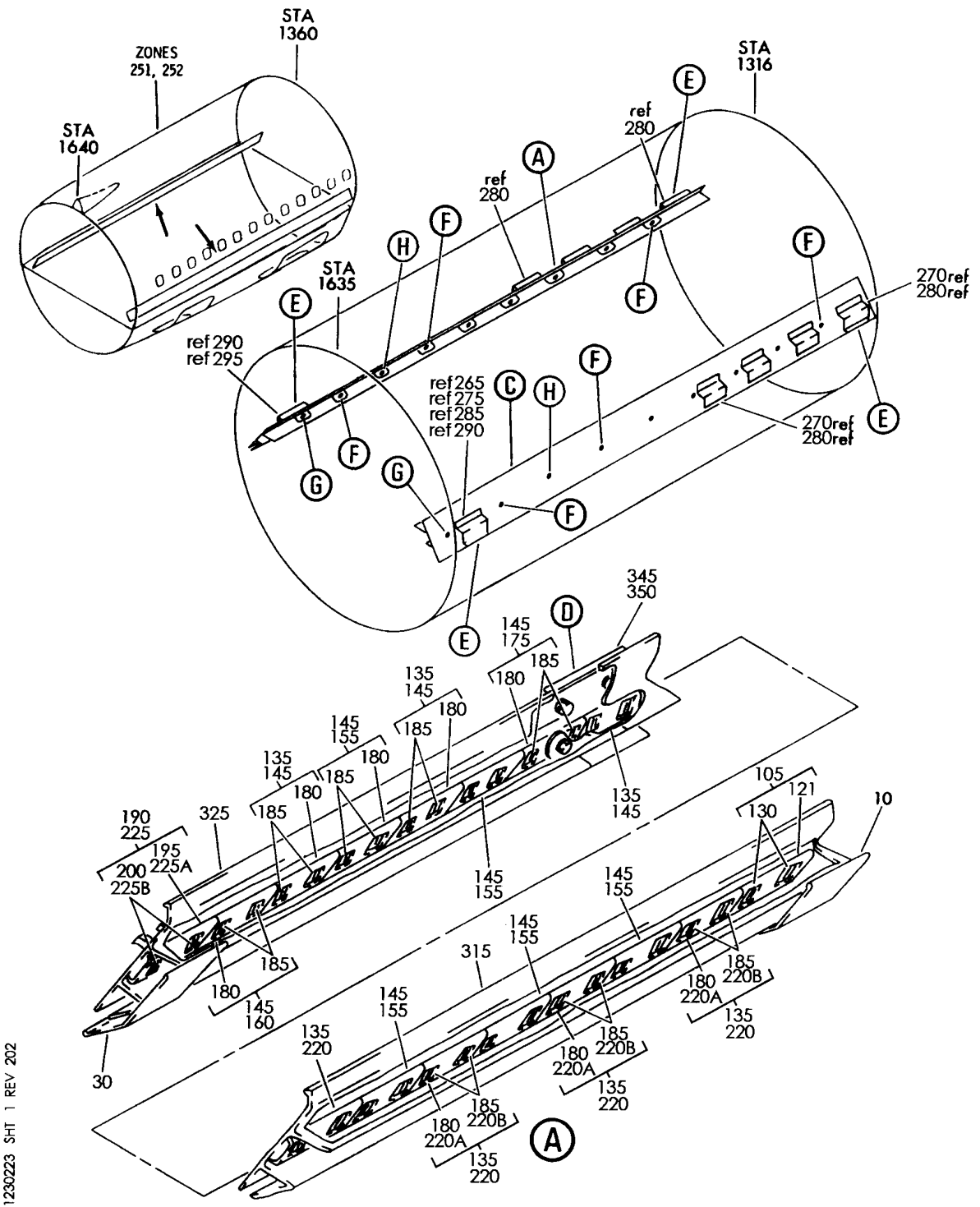
- ITEM NOT ILLUSTRATED

BRI

21-23-02-22

21-23-02
FIG. 22
PAGE 5
JAN 20/09

BOEING
757
PARTS CATALOG (MAINTENANCE)



Y 21230223 SHT 1 REV 202

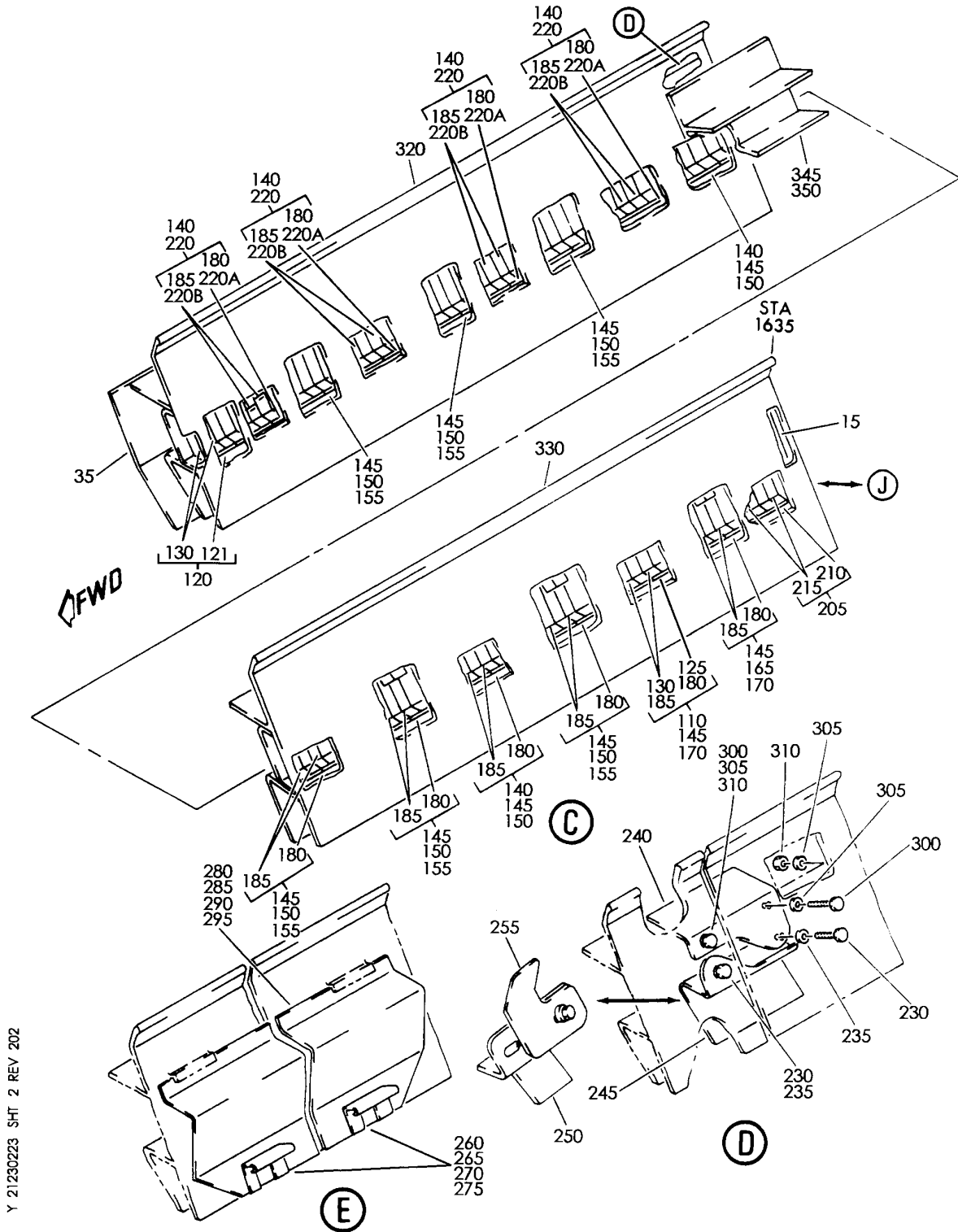
EXTRUSION INSTL OUTLET AFT
FIGURE 23 (SHEET 1)

21-23-02-23

BRI
JAN 20/09

21-23-02-23
PAGE 0

BOEING
757
PARTS CATALOG (MAINTENANCE)



Y 21230223 SHT 2 REV 202

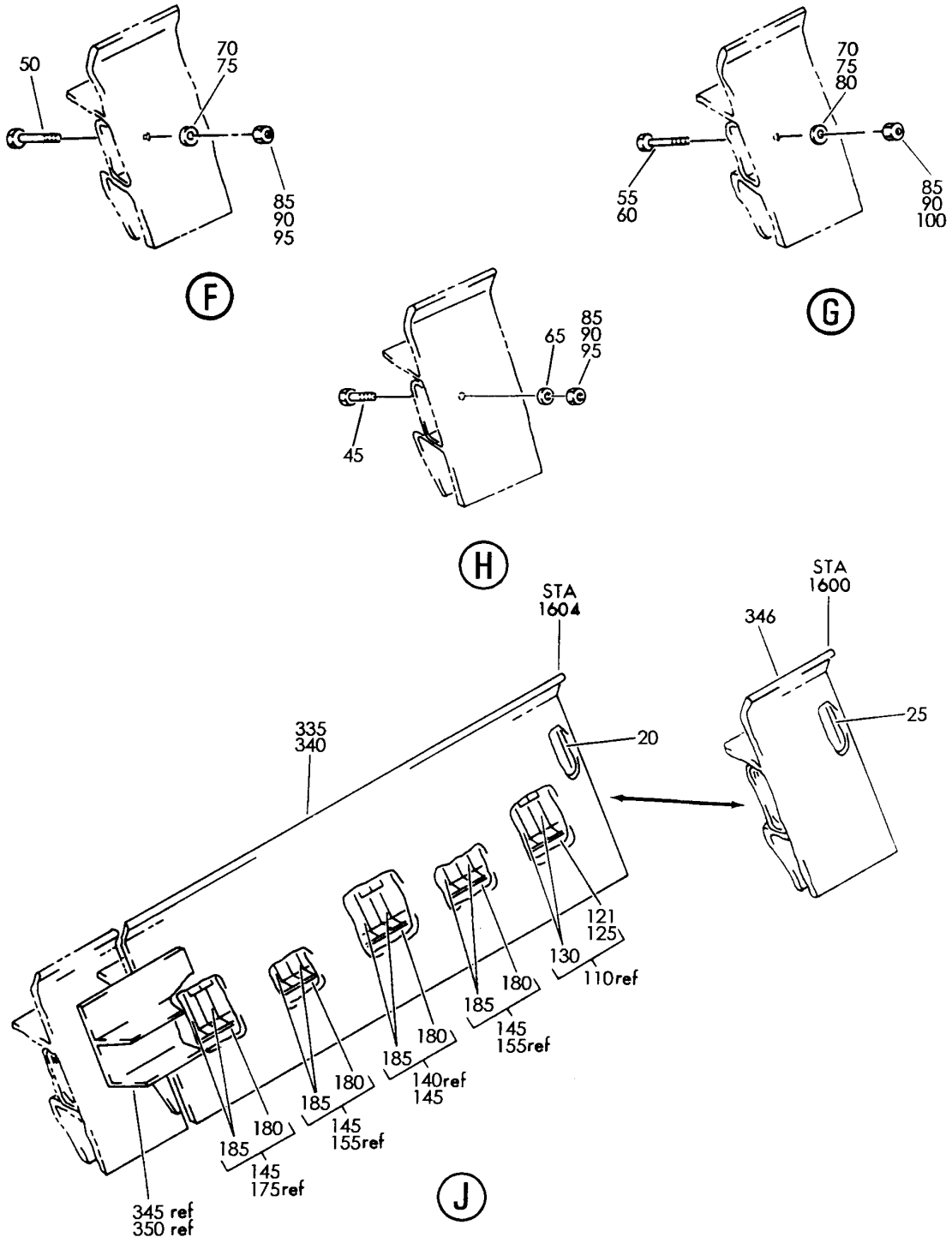
EXTRUSION INSTL OUTLET AFT
FIGURE 23 (SHEET 2)

21-23-02-23

BRI
JAN 20/09

21-23-02-23
PAGE 0A

BOEING
757
PARTS CATALOG (MAINTENANCE)



Y 21230223 SHT 3 REV 202

EXTRUSION INSTL OUTLET AFT
FIGURE 23 (SHEET 3)

21-23-02-23

BRI
JAN 20/09

21-23-02-23
PAGE 0B



757

PARTS CATALOG (MAINTENANCE)

| FIG ITEM | PART NUMBER | 1 2 3 4 5 6 7 | NOMENCLATURE | EFFECT FROM TO | UNITS PER ASSY |
|----------|--------------|---------------|--|----------------|----------------|
| 23 | | | EXTRUSION INSTL OUTLET AFT | 107107 | |
| - 1 | 412N3100-309 | | EXTRUSION INSTL-SIDEWALL AC OUTLET POSITION DATA: L SIDE AFT FOR NHA SEE: 21-23-02-20 | 107107 | RF |
| - 5 | 412N3100-320 | | EXTRUSION INSTL-SIDEWALL AC OUTLET POSITION DATA: RH SIDE, AFT FOR NHA SEE: 21-23-02-20 | 107107 | RF |
| 10 | 412N3130-5SP | | .CAP-END POSITION DATA: LH SIDE | 107107 | 1 |
| 15 | 412N3130-5SP | | .CAP-END POSITION DATA: RH SIDE | 107107 | 1 |
| 30 | 412N3130-6SP | | .CAP-END POSITION DATA: LH SIDE | 107107 | 1 |
| 35 | 412N3130-6SP | | .CAP-END POSITION DATA: RH SIDE | 107107 | 1 |
| - 40 | BACB30LU3-14 | | ATTACHING PARTS .BOLT -----*----- | 107107 | 2 |
| 45 | BACB30NM3K2 | | .BOLT | 107107 | 1 |
| 50 | BACB30NM3K4 | | .BOLT | 107107 | 7 |
| 55 | BACB30NM3K4 | | .BOLT- POSITION DATA: LH SIDE | 107107 | 1 |
| 60 | BACB30NM3K4 | | .BOLT- POSITION DATA: RH SIDE | 107107 | 1 |
| 65 | NAS620-10L | | .WASHER | 107107 | 1 |
| 70 | 412N2004-55 | | .SPACER- POSITION DATA: LH SIDE | 107107 | 8 |
| 75 | 412N2004-55 | | .SPACER- POSITION DATA: RH SIDE | 107107 | 7 |
| 80 | 412N2004-55 | | .SPACER- POSITION DATA: RH SIDE | 107107 | 1 |

MISSING ITEM NUMBERS NOT APPLICABLE

- ITEM NOT ILLUSTRATED

21-23-02-23

21-23-02
FIG. 23
PAGE 1
JAN 20/09

BRI



757

PARTS CATALOG (MAINTENANCE)

| FIG ITEM | PART NUMBER | 1 2 3 4 5 6 7 | NOMENCLATURE | EFFECT FROM TO | UNITS PER ASSY |
|----------|-------------|---------------|--|----------------|----------------|
| 23 85 | BRH10A3 | .NUT- | SUPPLIER CODE: V52828 SPECIFICATION NUMBER: BACN10JC3 OPTIONAL PART: H10-3BAC V15653 NS202101-02 V80539 RMLH9075-3W V72962 VN303A02 V92215 96-02 V80539 T6S1032J V11815 POSITION DATA: LH SIDE | 107107 | 9 |
| 90 | BRH10A3 | .NUT- | SUPPLIER CODE: V52828 SPECIFICATION NUMBER: BACN10JC3 OPTIONAL PART: H10-3BAC V15653 NS202101-02 V80539 RMLH9075-3W V72962 VN303A02 V92215 96-02 V80539 T6S1032J V11815 POSITION DATA: RH SIDE | 107107 | 9 |
| 105 | 412N3120-71 | .GRILL ASSY- | POSITION DATA: LH SIDE | 107107 | 1 |
| 120 | 412N3120-72 | .GRILL ASSY- | POSITION DATA: RH SIDE | 107107 | 1 |
| 130 | 412N3121-1 | ..CLIP-SPR | | 107107 | 2 |
| 145 | 412N3120-80 | .GRILL ASSY | | 107107 | 10 |
| 180 | 412N3120-13 | ..GRILL | | 107107 | 1 |

MISSING ITEM NUMBERS NOT APPLICABLE

- ITEM NOT ILLUSTRATED

21-23-02-23

21-23-02
FIG. 23
PAGE 2
JAN 20/09

BRI



757

PARTS CATALOG (MAINTENANCE)

| FIG ITEM | PART NUMBER | 1 2 3 4 5 6 7 | NOMENCLATURE | EFFECT FROM TO | UNITS PER ASSY |
|----------|----------------|---------------|-----------------------|----------------|----------------|
| 23 | | | | | |
| 185 | 412N3121-1 | .. | CLIP-SPR | 107107 | 2 |
| 205 | 65C27330-70 | .GRILL ASSY- | | 107107 | 1 |
| | | | POSITION DATA: | | |
| | | | RH SIDE | | |
| 215 | 412N3121-1 | .. | CLIP-SPR | 107107 | 2 |
| 220 | 65C27330-35 | .GRILL ASSY | | 107107 | 4 |
| 220A | 65C27330-22 | .. | GRILL | 107107 | 1 |
| 220B | 412N3121-1 | .. | CLIP-SPR | 107107 | 2 |
| 225 | 65C27330-48 | .GRILL ASSY- | | 107107 | 1 |
| | | | POSITION DATA: | | |
| | | | LH SIDE | | |
| 225A | 65C27330-51 | .. | GRILL | 107107 | 1 |
| 225B | 412N3121-1 | .. | CLIP-SPR | 107107 | 2 |
| 230 | BACB30NM4K2 | .BOLT | | 107107 | 2 |
| 235 | AN960PD416L | .WASHER | | 107107 | 2 |
| 250 | 412N3101-4SP | .COVER-GAP | | 107107 | 1 |
| 255 | 412N3101-6SP | .COVER-GAP | | 107107 | 1 |
| 300 | BACB30NM3K2 | .BOLT | | 107107 | 2 |
| 305 | AN960PD10L | .WASHER | | 107107 | 4 |
| 310 | BRH10A3 | .NUT | | 107107 | 2 |
| | | | SUPPLIER CODE: | | |
| | | | V52828 | | |
| | | | SPECIFICATION NUMBER: | | |
| | | | BACN10JC3 | | |
| | | | OPTIONAL PART: | | |
| | | | H10-3BAC | | |
| | | | V15653 | | |
| | | | NS202101-02 | | |
| | | | V80539 | | |
| | | | RMLH9075-3W | | |
| | | | V72962 | | |
| | | | VN303A02 | | |
| | | | V92215 | | |
| | | | 96-02 | | |
| | | | V80539 | | |
| | | | T6S1032J | | |
| | | | V11815 | | |
| 315 | 412N3110-131SP | .OUTLET ASSY- | | 107107 | 1 |
| | | | POSITION DATA: | | |
| | | | LH SIDE | | |
| 315 | 412N3110-217SP | .OUTLET ASSY- | | 107107 | 1 |
| | | | POSITION DATA: | | |
| | | | LH SIDE | | |
| 320 | 412N3110-132SP | .OUTLET ASSY- | | 107107 | 1 |
| | | | POSITION DATA: | | |
| | | | RH SIDE | | |
| 320 | 412N3110-218SP | .OUTLET ASSY- | | 107107 | 1 |
| | | | POSITION DATA: | | |
| | | | RH SIDE | | |

MISSING ITEM NUMBERS NOT APPLICABLE

- ITEM NOT ILLUSTRATED

21-23-02-23

21-23-02
FIG. 23
PAGE 3
JAN 20/09

BRI



757

PARTS CATALOG (MAINTENANCE)

| FIG ITEM | PART NUMBER | 1 2 3 4 5 6 7 | NOMENCLATURE | EFFECT FROM TO | UNITS PER ASSY |
|-------------|----------------|---------------|--|-------------------|----------------------|
| 23 | | | | | |
| 325 | 412N3110-141SP | | .OUTLET ASSY- POSITION DATA: LH SIDE | 107107 | 1 |
| 325 | 412N3110-227SP | | .OUTLET ASSY- POSITION DATA: LH SIDE | 107107 | 1 |
| 330 | 412N3110-142SP | | .OUTLET ASSY- POSITION DATA: RH SIDE | 107107 | 1 |
| 330 | 412N3110-228SP | | .OUTLET ASSY- POSITION DATA: RH SIDE | 107107 | 1 |
| 345 | 412N2004-44 | | .BRACKET ASSY | 107107 | 1 |
| 350 | 412N2004-45 | | ..BRACKET | 107107 | 1 |

MISSING ITEM NUMBERS NOT APPLICABLE

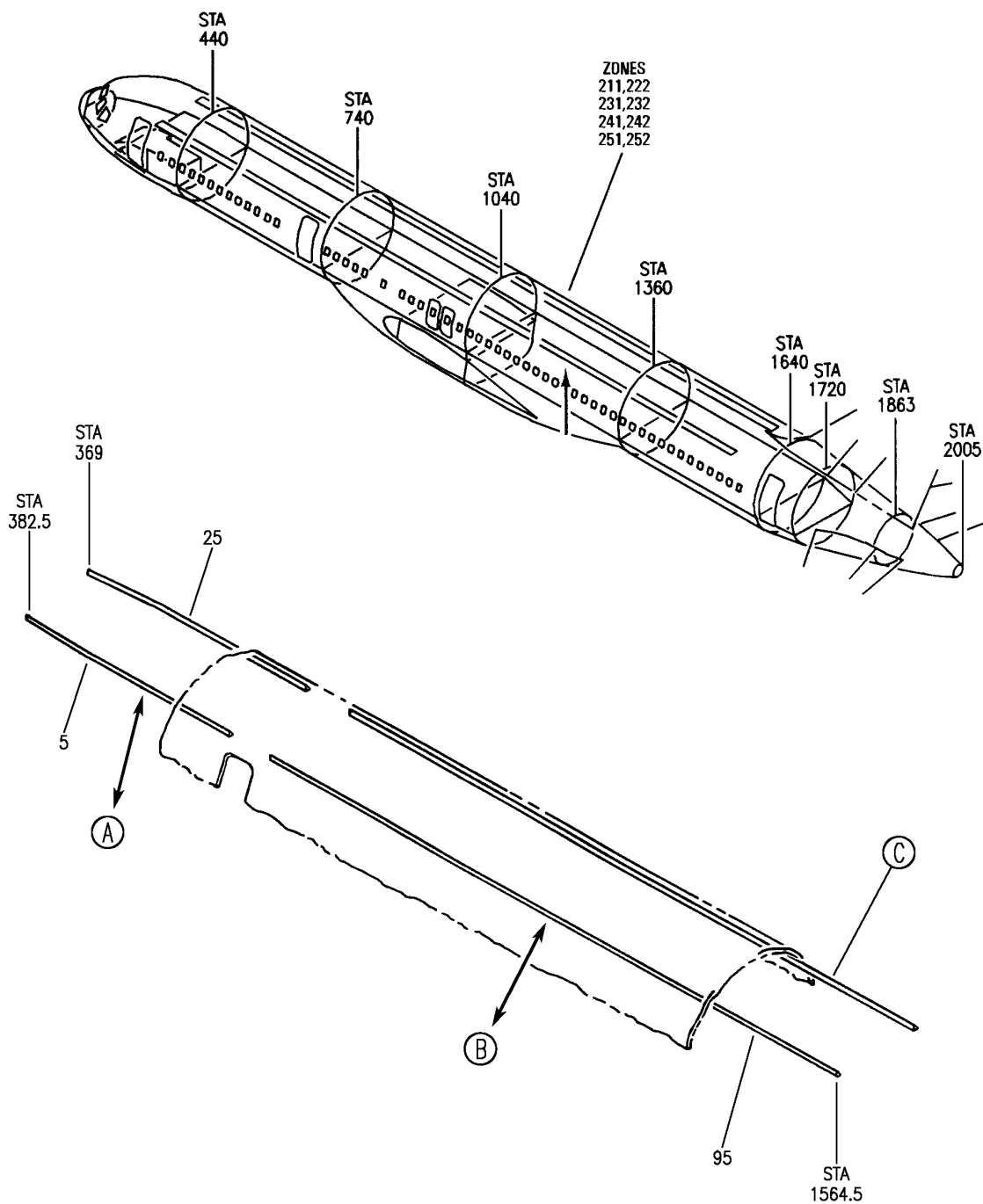
- ITEM NOT ILLUSTRATED

21-23-02-23

21-23-02
FIG. 23
PAGE 4
JAN 20/09

BRI

BOEING
757
PARTS CATALOG (MAINTENANCE)



Y 21230226 SH1 1 REV 306

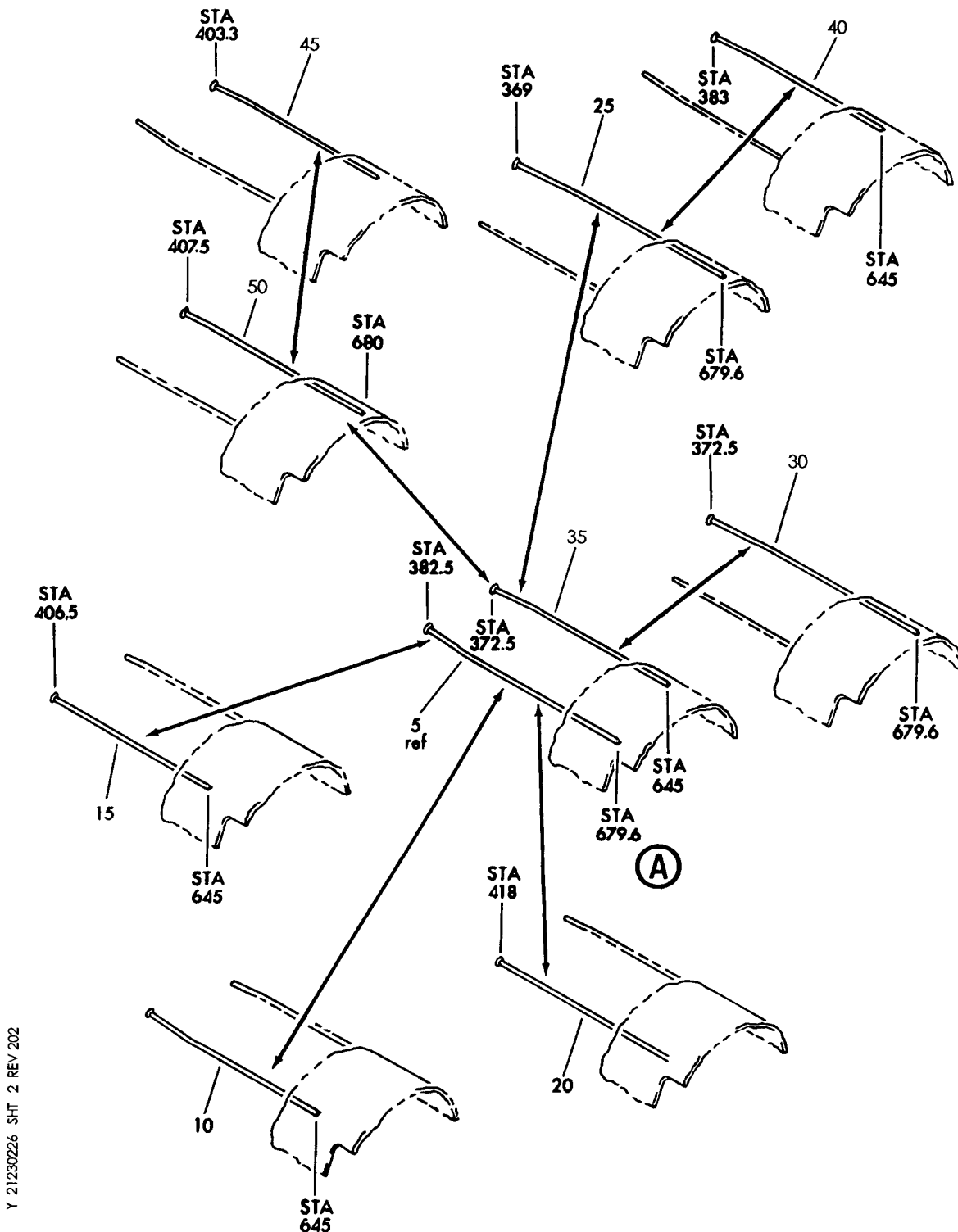
EXTRUSION INSTL-SIDEWALL AC OUTLET
FIGURE 26 (SHEET 1)

21-23-02-26

BRI
MAY 28/07

21-23-02-26
PAGE 0

BOEING
757
PARTS CATALOG (MAINTENANCE)



Y 21230226 SHT 2 REV 202

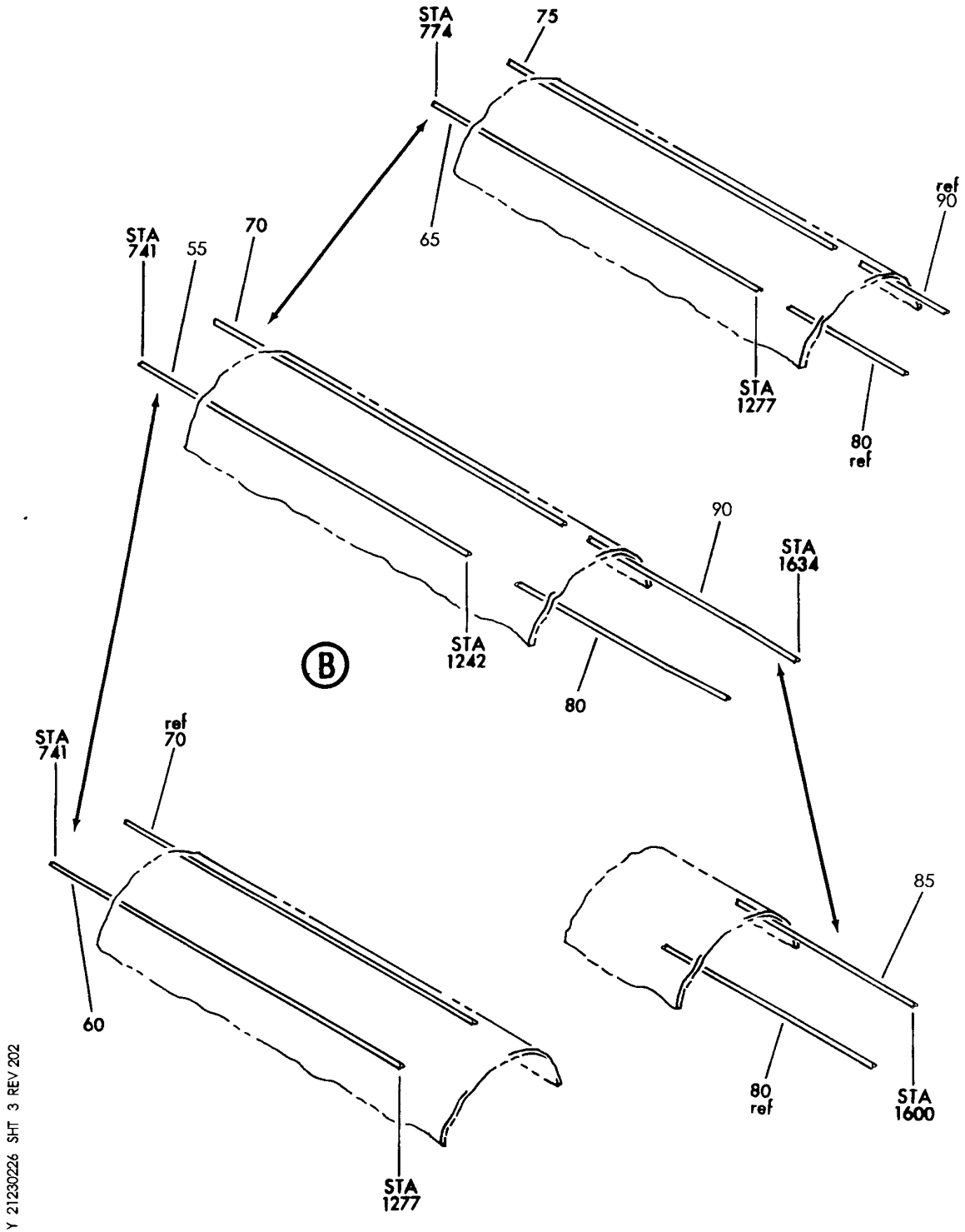
EXTRUSION INSTL-SIDEWALL AC OUTLET
FIGURE 26 (SHEET 2)

21-23-02-26

BRI
MAY 28/07

21-23-02-26
PAGE 0A

BOEING
757
PARTS CATALOG (MAINTENANCE)



Y 21230226 SHT 3 REV 202

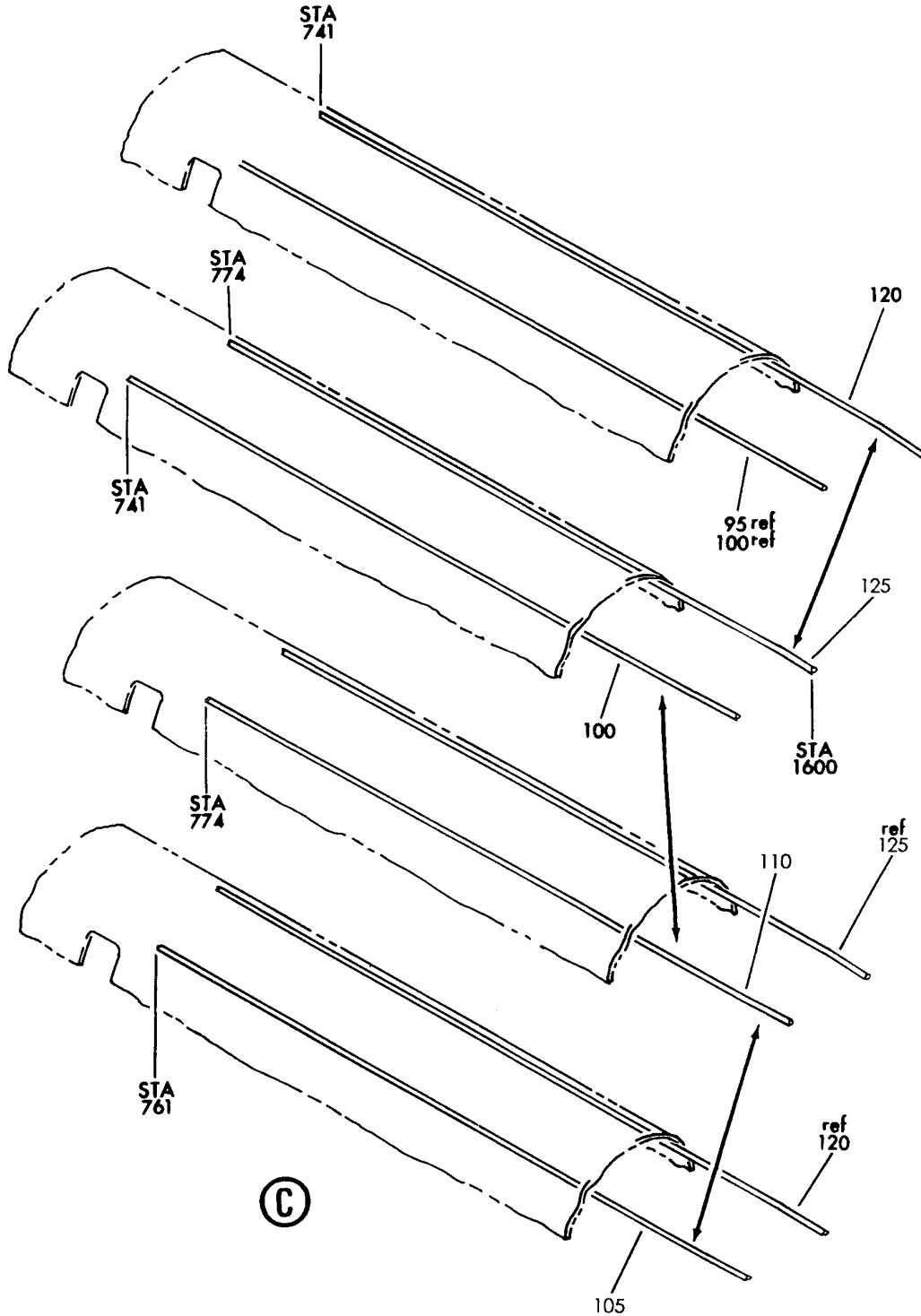
EXTRUSION INSTL-SIDEWALL AC OUTLET
FIGURE 26 (SHEET 3)

21-23-02-26

BRI
MAY 28/07

21-23-02-26
PAGE 0B

BOEING
757
PARTS CATALOG (MAINTENANCE)



Y 21230226 SHT 4 REV 202

EXTRUSION INSTL-SIDEWALL AC OUTLET
FIGURE 26 (SHEET 4)

21-23-02-26

BRI
MAY 28/07

21-23-02-26
PAGE 0C



757

PARTS CATALOG (MAINTENANCE)

| FIG ITEM | PART NUMBER | 1 2 3 4 5 6 7 | NOMENCLATURE | EFFECT FROM TO | UNITS PER ASSY |
|----------|--------------|---------------|--|--------------------------------------|----------------|
| 26 | | | EXTRUSION INSTL- SIDEWALL AC OUTLET | 002004 121503 904949 952952 | |
| - 1 | 412N3131-8 | | EXTRUSION INSTL-SIDEWALL AC OUTLET FOR NHA SEE: 25-20-00-01B | 121503 | RF |
| - 2 | 412N3131-12 | | EXTRUSION INSTL-SIDEWALL AC OUTLET FOR NHA SEE: 25-20-00-01B | 904949 | RF |
| - 2 | 412N3131-29 | | EXTRUSION INSTL-SIDEWALL AC OUTLET FOR NHA SEE: 25-20-00-01G | 002004 | RF |
| 5 | 412N3131-110 | | .EXTRUSION INSTL-SIDEWALL AC OUTLET POSITION DATA: L SIDE FWD FOR DETAILS SEE: 21-23-02-27 | 002004 | 1 |
| 20 | 412N3131-106 | | .EXTRUSION INSTL-SIDEWALL AC OUTLET POSITION DATA: L SIDE FWD FOR DETAILS SEE: 21-23-02-27 | 121503 904949 | 1 |
| 25 | 412N3131-203 | | .EXTRUSION INSTL-SIDEWALL AC OUTLET POSITION DATA: R SIDE FWD FOR DETAILS SEE: 21-23-02-27A | 121503 | 1 |
| 50 | 412N3131-205 | | .EXTRUSION INSTL-SIDEWALL AC OUTLET POSITION DATA: R SIDE FWD FOR DETAILS SEE: 21-23-02-27A | 904949 | 1 |
| 50 | 412N3131-215 | | .EXTRUSION INSTL-SIDEWALL AC OUTLET POSITION DATA: R SIDE FWD FOR DETAILS SEE: 21-23-02-27A | 002004 | 1 |

MISSING ITEM NUMBERS NOT APPLICABLE

- ITEM NOT ILLUSTRATED

21-23-02-26

21-23-02
FIG. 26
PAGE 1
JAN 20/09

BRI



757

PARTS CATALOG (MAINTENANCE)

| FIG ITEM | PART NUMBER | 1 2 3 4 5 6 7 | NOMENCLATURE | EFFECT FROM TO | UNITS PER ASSY |
|----------|--------------|---------------|---|--------------------------------------|----------------|
| 26 55 | 412N3131-304 | | .EXTRUSION INSTL-SIDEWALL AC OUTLET POSITION DATA: L SIDE MID FOR DETAILS SEE: 21-23-02-28 | 002004 | 1 |
| 60 | 412N3131-303 | | .EXTRUSION INSTL-SIDEWALL AC OUTLET POSITION DATA: L SIDE MID FOR DETAILS SEE: 21-23-02-28 | 121503 904949 | 1 |
| 70 | 412N3131-403 | | .EXTRUSION INSTL-SIDEWALL AC OUTLET POSITION DATA: L SIDE MID FOR DETAILS SEE: 21-23-02-28 | 002004 121503 904949 952952 | 1 |
| 80 | 412N3131-501 | | .EXTRUSION INSTL-SIDEWALL AC OUTLET POSITION DATA: L SIDE AFT FOR DETAILS SEE: 21-23-02-29 | 121503 904949 | 1 |
| 80 | 412N3131-706 | | .EXTRUSION INSTL-SIDEWALL AC OUTLET POSITION DATA: L SIDE AFT FOR DETAILS SEE: 21-23-02-29 | 002004 | 1 |
| 90 | 412N3131-602 | | .EXTRUSION INSTL-SIDEWALL AC OUTLET POSITION DATA: R SIDE AFT FOR DETAILS SEE: 21-23-02-29 | 121503 904949 | 1 |
| 90 | 412N3131-604 | | .EXTRUSION INSTL-SIDEWALL AC OUTLET POSITION DATA: R SIDE AFT FOR DETAILS SEE: 21-23-02-29 | 002004 | 1 |

MISSING ITEM NUMBERS NOT APPLICABLE

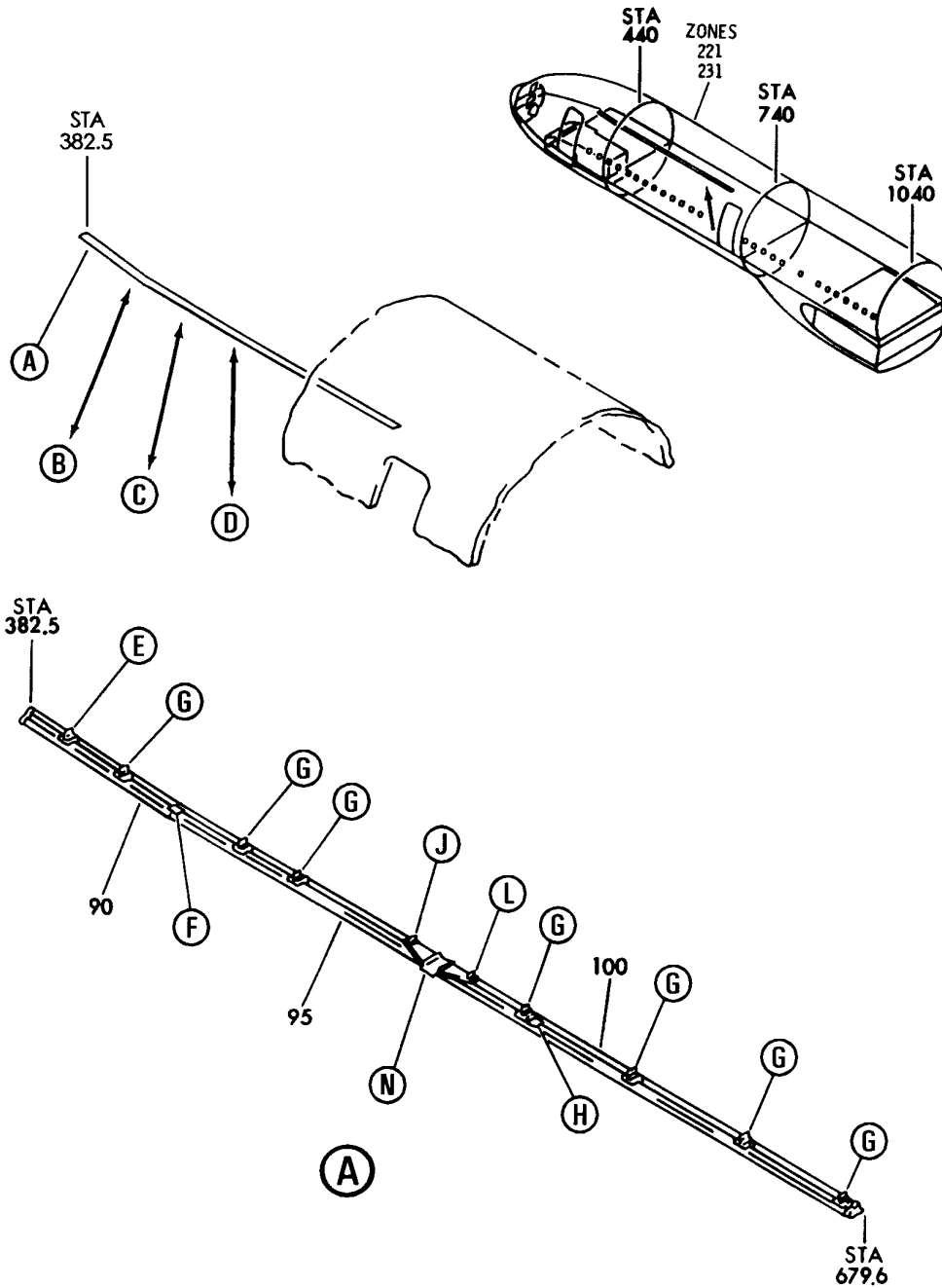
- ITEM NOT ILLUSTRATED

21-23-02-26

21-23-02
FIG. 26
PAGE 2
JAN 20/09

BRI

BOEING
757
PARTS CATALOG (MAINTENANCE)



Y 21230227 SHT 1 REV 203

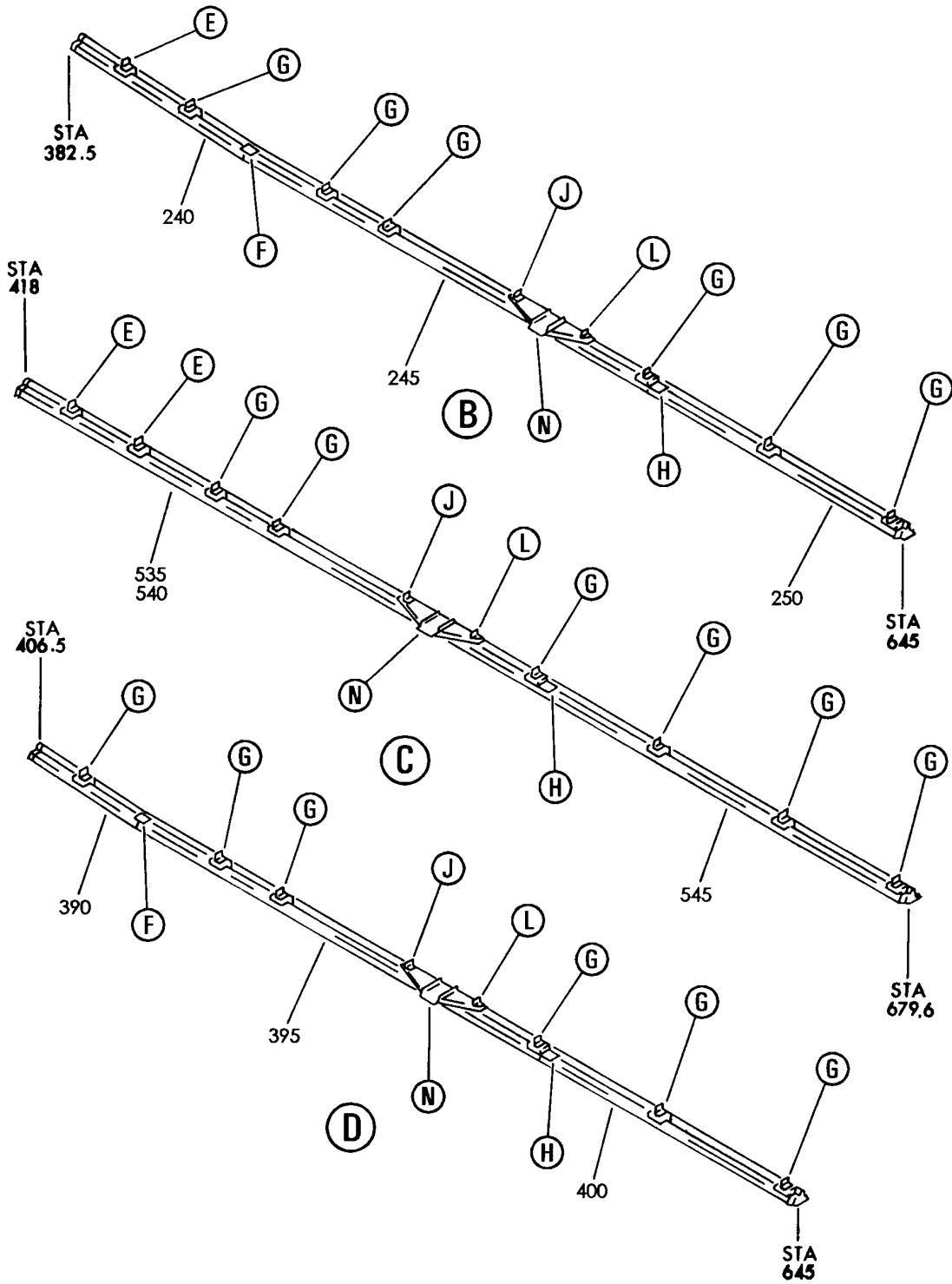
EXTRUSION INSTL-SIDEWALL AC OUTLET (LH SIDE FWD)
FIGURE 27 (SHEET 1)

21-23-02-27

BRI
MAY 28/07

21-23-02-27
PAGE 0


BOEING
 757
PARTS CATALOG (MAINTENANCE)



Y 21230227 SHT 2 REV 203

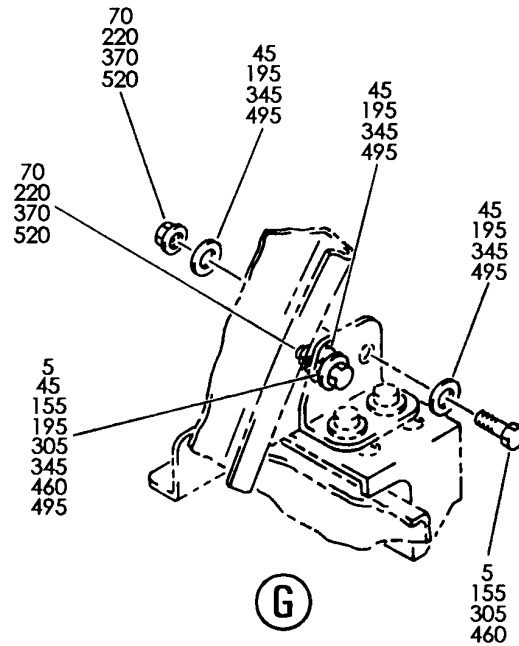
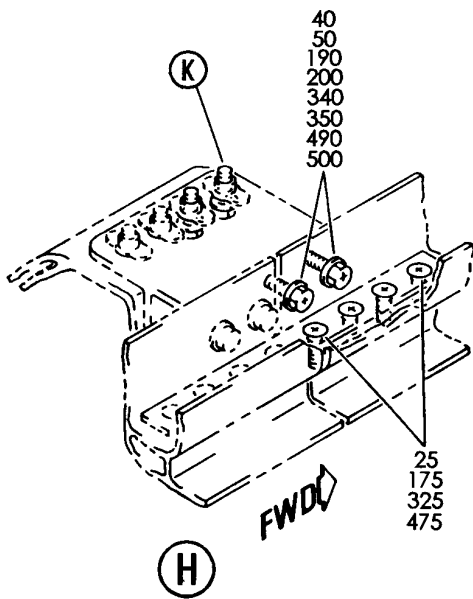
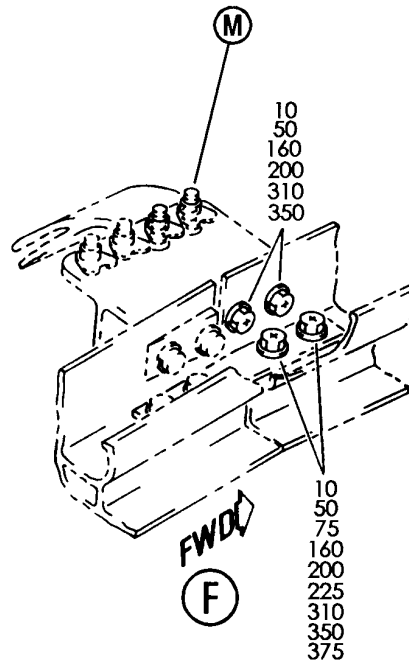
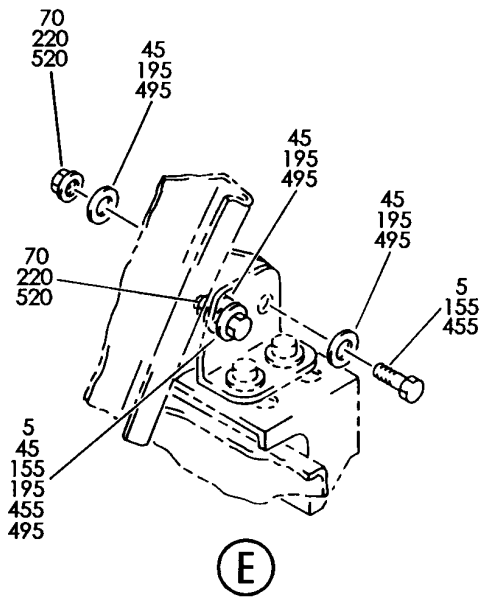
EXTRUSION INSTL-SIDEWALL AC OUTLET (LH SIDE FWD)
 FIGURE 27 (SHEET 2)

21-23-02-27

BRI
 MAY 28/07

21-23-02-27
 PAGE 0A

BOEING
757
PARTS CATALOG (MAINTENANCE)



Y 21230227 SHT 3 REV 203

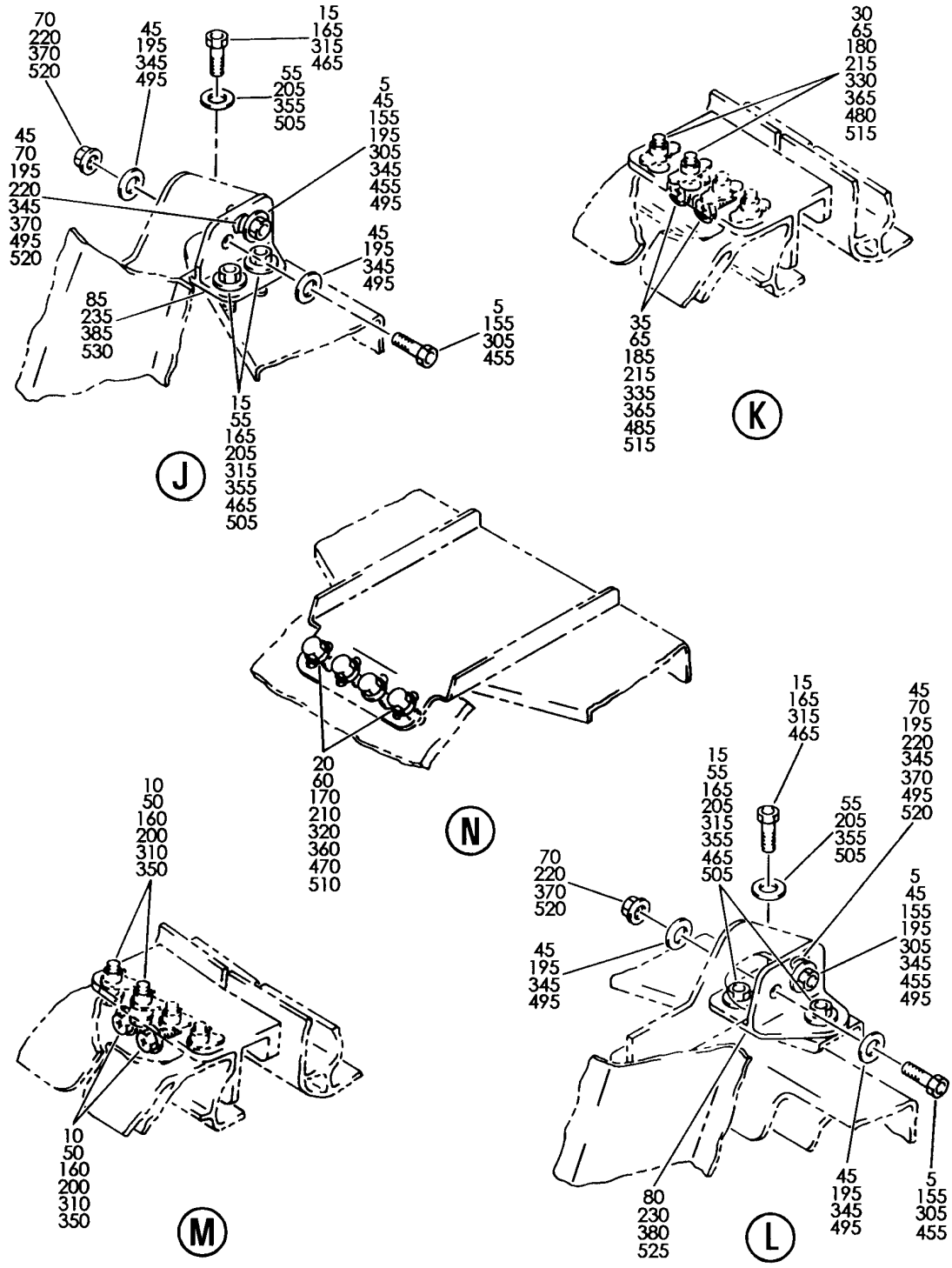
EXTRUSION INSTL-SIDEWALL AC OUTLET (LH SIDE FWD)
FIGURE 27 (SHEET 3)

21-23-02-27

BRI
MAY 28/07

21-23-02-27
PAGE 0B

BOEING
757
PARTS CATALOG (MAINTENANCE)



Y 21230227 SHT 4 REV 203

EXTRUSION INSTL-SIDEWALL AC OUTLET (LH SIDE FWD)
FIGURE 27 (SHEET 4)

21-23-02-27

BRI
MAY 28/07

21-23-02-27
PAGE 0C



757

PARTS CATALOG (MAINTENANCE)

| FIG ITEM | PART NUMBER | 1 2 3 4 5 6 7 | NOMENCLATURE | EFFECT FROM TO | UNITS PER ASSY |
|----------|--------------|---------------|--|--------------------------------------|----------------|
| 27 | | | EXTRUSION INSTL-SIDEWALL AC OUTLET (LH SIDE FWD) | 002004 121503 904949 952952 | |
| - 1 | 412N3131-110 | | EXTRUSION INSTL-SIDEWALL AC OUTLET POSITION DATA: L SIDE FWD FOR NHA SEE: 21-23-02-26 | 002004 | RF |
| 5 | BACB30NM3K5 | .BOLT | | 002004 | 20 |
| 10 | NAS1801-08-8 | .SCREW- | OPTIONAL PART: BACS12GU08K8 | 002004 | 8 |
| 10 | BACS12GU08K8 | .SCREW- | OPTIONAL PART: NAS1801-08-8 | 002004 | 8 |
| 15 | BACB30NM3K4 | .BOLT | | 002004 | 6 |
| 20 | BACB30NM4K3 | .BOLT | | 002004 | 4 |
| 25 | BACB30LU3-2 | .BOLT- | OPTIONAL PART: BACB30NN3K2 | 002004 | 4 |
| 25 | BACB30NN3K2 | .BOLT- | OPTIONAL PART: BACB30LU3-2 | 002004 | 4 |
| 25 | BACB30LU2-2 | .BOLT | | 002004 | 4 |
| 30 | NAS514P832-8 | .SCREW- | OPTIONAL PART: BACS12ER08K8 | 002004 | 2 |
| 30 | BACS12ER08K8 | .SCREW- | OPTIONAL PART: NAS514P832-8 | 002004 | 2 |
| 35 | NAS514P832-7 | .SCREW- | OPTIONAL PART: BACS12ER08K7 | 002004 | 2 |
| 35 | BACS12ER08K7 | .SCREW- | OPTIONAL PART: NAS514P832-7 | 002004 | 2 |
| 40 | NAS1801-08-7 | .SCREW- | OPTIONAL PART: BACS12GU08K7 | 002004 | 2 |
| 40 | BACS12GU08K7 | .SCREW- | OPTIONAL PART: NAS1801-08-7 | 002004 | 2 |
| 45 | BACW10P43AL | .WASHER | | 002004 | 40 |
| 50 | AN960JD8L | .WASHER | | 002004 | 10 |
| 55 | AN960JD10L | .WASHER | | 002004 | 6 |
| 60 | AN960JD416L | .WASHER | | 002004 | 4 |
| 65 | BACW10DM5P | .WASHER | | 002004 | 4 |

MISSING ITEM NUMBERS NOT APPLICABLE

- ITEM NOT ILLUSTRATED

21-23-02-27

21-23-02
FIG. 27
PAGE 1
JAN 20/09

BRI



757

PARTS CATALOG (MAINTENANCE)

| FIG ITEM | PART NUMBER | 1 2 3 4 5 6 7 | NOMENCLATURE | EFFECT FROM TO | UNITS PER ASSY |
|----------|----------------|---|--------------|----------------|----------------|
| 27 | | | | | |
| 70 | MS21042L3 | .NUT | | 002004 | 20 |
| 75 | 130008 | .NUT | | 002004 | 2 |
| | | SUPPLIER CODE: V60119 SPECIFICATION NUMBER: BACN10FX84 OPTIONAL PART: RM52LHA4972-6-8 V72962 SL211-08-1 V97393 A11330-6-82 V72962 A4972-6-82 V72962 | | | |
| 80 | 412N2004-89 | .BRACKET | | 002004 | 1 |
| 85 | 412N2004-92 | .BRACKET | | 002004 | 1 |
| 90 | 412N3103-266SP | .OUTLET ASSY- | | 002004 | 1 |
| | | FOR DETAILS SEE: 21-23-02-32 | | | |
| 95 | 412N3103-155SP | .OUTLET ASSY- | | 002004 | 1 |
| | | FOR DETAILS SEE: 21-23-02-32 | | | |
| 100 | 412N3103-47SP | .OUTLET ASSY- | | 002004 | 1 |
| | | FOR DETAILS SEE: 21-23-02-32 | | | |
| - 150 | 412N3131-109 | EXTRUSION INSTL-SIDEWALL | | 952952 | RF |
| | | AC OUTLET POSITION DATA: L SIDE FWD FOR NHA SEE: 21-23-02-42 | | | |
| 155 | BACB30NM3K5 | .BOLT | | 952952 | 18 |
| 160 | NAS1801-08-8 | .SCREW- | | 952952 | 8 |
| | | OPTIONAL PART: BACS12GU08K8 | | | |
| 160 | BACS12GU08K8 | .SCREW- | | 952952 | 8 |
| | | OPTIONAL PART: NAS1801-08-8 | | | |
| 165 | BACB30NM3K4 | .BOLT | | 952952 | 6 |
| 170 | BACB30NM4K3 | .BOLT | | 952952 | 4 |
| 175 | BACB30LU3-2 | .BOLT- | | 952952 | 4 |
| | | OPTIONAL PART: BACB30NN3K2 | | | |
| 175 | BACB30NN3K2 | .BOLT- | | 952952 | 4 |
| | | OPTIONAL PART: BACB30LU3-2 | | | |
| 175 | BACB30LU2-2 | .BOLT | | 952952 | 4 |

MISSING ITEM NUMBERS NOT APPLICABLE

- ITEM NOT ILLUSTRATED

21-23-02-27

21-23-02
 FIG. 27
 PAGE 2
 JAN 20/09

BRI



757

PARTS CATALOG (MAINTENANCE)

| FIG ITEM | PART NUMBER | 1 2 3 4 5 6 7 | NOMENCLATURE | EFFECT FROM TO | UNITS PER ASSY |
|----------|----------------|---------------|-------------------------------------|----------------|----------------|
| 27 | | | | | |
| 180 | NAS514P832-8 | .SCREW- | OPTIONAL PART: BACS12ER08K8 | 952952 | 2 |
| 180 | BACS12ER08K8 | .SCREW- | OPTIONAL PART: NAS514P832-8 | 952952 | 2 |
| 185 | NAS514P832-7 | .SCREW- | OPTIONAL PART: BACS12ER08K7 | 952952 | 2 |
| 185 | BACS12ER08K7 | .SCREW- | OPTIONAL PART: NAS514P832-7 | 952952 | 2 |
| 190 | NAS1801-08-7 | .SCREW- | OPTIONAL PART: BACS12GU08K7 | 952952 | 2 |
| 190 | BACS12GU08K7 | .SCREW- | OPTIONAL PART: NAS1801-08-7 | 952952 | 2 |
| 195 | BACW10P43AL | .WASHER | | 952952 | 36 |
| 200 | AN960JD8L | .WASHER | | 952952 | 10 |
| 205 | AN960JD10L | .WASHER | | 952952 | 6 |
| 210 | AN960JD416L | .WASHER | | 952952 | 4 |
| 215 | BACW10DM5P | .WASHER | | 952952 | 4 |
| 220 | MS21042L3 | .NUT | | 952952 | 18 |
| 225 | 130008 | .NUT | | 952952 | 2 |
| | | | SUPPLIER CODE: V60119 | | |
| | | | SPECIFICATION NUMBER: BACN10FX84 | | |
| | | | OPTIONAL PART: RM52LHA4972-6-8 | | |
| | | | V72962 | | |
| | | | SL211-08-1 | | |
| | | | V97393 | | |
| | | | A11330-6-82 | | |
| | | | V72962 | | |
| | | | A4972-6-82 | | |
| | | | V72962 | | |
| 230 | 412N2004-89 | .BRACKET | | 952952 | 1 |
| 235 | 412N2004-92 | .BRACKET | | 952952 | 1 |
| 240 | 412N3103-266SP | .OUTLET ASSY- | FOR DETAILS SEE: 21-23-02-32 | 952952 | 1 |
| 245 | 412N3103-155SP | .OUTLET ASSY- | FOR DETAILS SEE: 21-23-02-32 | 952952 | 1 |
| 250 | 412N3103-31SP | .OUTLET ASSY- | FOR DETAILS SEE: 21-23-02-32 | 952952 | 1 |

MISSING ITEM NUMBERS NOT APPLICABLE

- ITEM NOT ILLUSTRATED

21-23-02-27

21-23-02
FIG. 27
PAGE 3
JAN 20/09

BRI



757

PARTS CATALOG (MAINTENANCE)

| FIG ITEM | PART NUMBER | 1 2 3 4 5 6 7 | NOMENCLATURE | EFFECT FROM TO | UNITS PER ASSY |
|-------------|--------------|---------------|--|------------------|----------------|
| 27 - 450 | 412N3131-106 | | EXTRUSION INSTL-SIDEWALL AC OUTLET POSITION DATA: L SIDE FWD FOR NHA SEE: 21-23-02-26 | 121503 904949 | RF |
| 455 | BACB30NM3K5 | | .BOLT | 121503 904949 | 8 |
| 460 | BACB30NM3K5 | | .BOLT- | 121503 904949 | 12 |
| 465 | BACB30NM3K4 | | .BOLT | 121503 904949 | 6 |
| 470 | BACB30NM4K3 | | .BOLT | 121503 904949 | 4 |
| 475 | BACB30LU3-2 | | .BOLT- OPTIONAL PART: BACB30NN3K2 | 121503 904949 | 4 |
| 475 | BACB30NN3K2 | | .BOLT- OPTIONAL PART: BACB30LU3-2 | 121503 904949 | 4 |
| 475 | BACB30LU2-2 | | .BOLT | 121503 904949 | 4 |
| 480 | NAS514P832-8 | | .SCREW- OPTIONAL PART: BACS12ER08K8 | 121503 904949 | 2 |
| 480 | BACS12ER08K8 | | .SCREW- OPTIONAL PART: NAS514P832-8 | 121503 904949 | 2 |
| 485 | NAS514P832-7 | | .SCREW- OPTIONAL PART: BACS12ER08K7 | 121503 904949 | 2 |
| 485 | BACS12ER08K7 | | .SCREW- OPTIONAL PART: NAS514P832-7 | 121503 904949 | 2 |
| 490 | NAS1801-08-7 | | .SCREW- OPTIONAL PART: BACS12GU08K7 | 121503 904949 | 2 |
| 490 | BACS12GU08K7 | | .SCREW- OPTIONAL PART: NAS1801-08-7 | 121503 904949 | 2 |
| 495 | BACW10P43AL | | .WASHER | 121503 904949 | 40 |
| 500 | AN960JD8L | | .WASHER | 121503 904949 | 2 |
| 505 | AN960JD10L | | .WASHER- | 121503 904949 | 6 |
| 510 | AN960JD416L | | .WASHER- | 121503 904949 | 4 |

MISSING ITEM NUMBERS NOT APPLICABLE

- ITEM NOT ILLUSTRATED

21-23-02-27

21-23-02
FIG. 27
PAGE 4
JAN 20/09

BRI



757

PARTS CATALOG (MAINTENANCE)

| FIG ITEM | PART NUMBER | 1 2 3 4 5 6 7 | NOMENCLATURE | EFFECT FROM TO | UNITS PER ASSY |
|-------------|----------------|---------------|---|-------------------|----------------------|
| 27 | | | | | |
| 515 | BACW10DM5P | . | WASHER | 121503 904949 | 4 |
| 520 | MS21042L3 | . | NUT | 121503 904949 | 20 |
| 525 | 412N2004-89 | . | BRACKET | 121503 904949 | 1 |
| 530 | 412N2004-92 | . | BRACKET | 121503 904949 | 1 |
| 535 | 412N3103-136SP | . | OUTLET ASSY- FOR DETAILS SEE: 21-23-02-32 | 121503 904949 | 1 |
| 545 | 412N3103-47SP | . | OUTLET ASSY- FOR DETAILS SEE: 21-23-02-32 | 121503 904949 | 1 |

MISSING ITEM NUMBERS NOT APPLICABLE

- ITEM NOT ILLUSTRATED

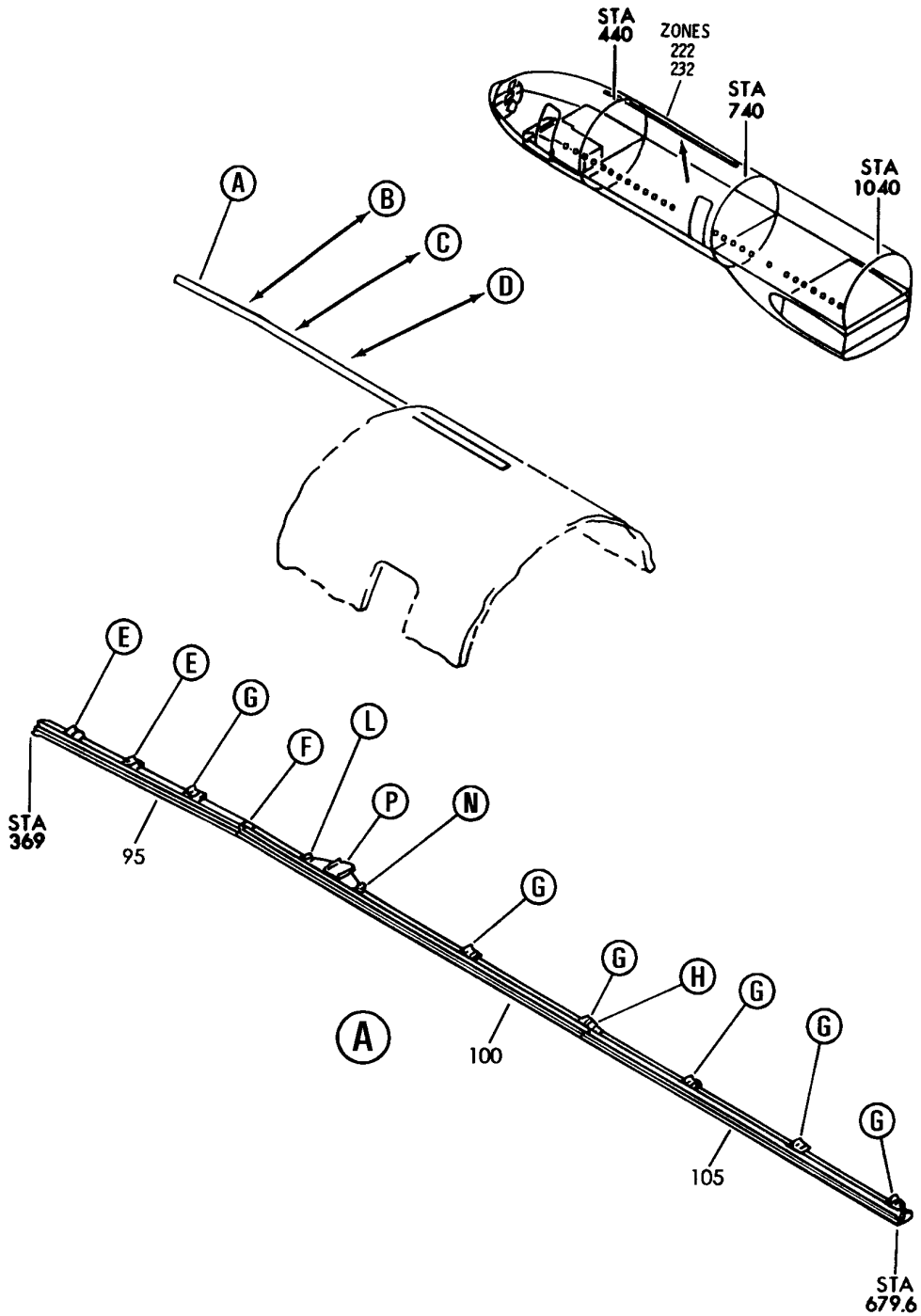
BRI

21-23-02-27

BOEING PROPRIETARY - Copyright © - Unpublished Work - See title page for details.

21-23-02
FIG. 27
PAGE 5
JAN 20/09

BOEING
757
PARTS CATALOG (MAINTENANCE)



Y 21230227A SHT 1 REV 203

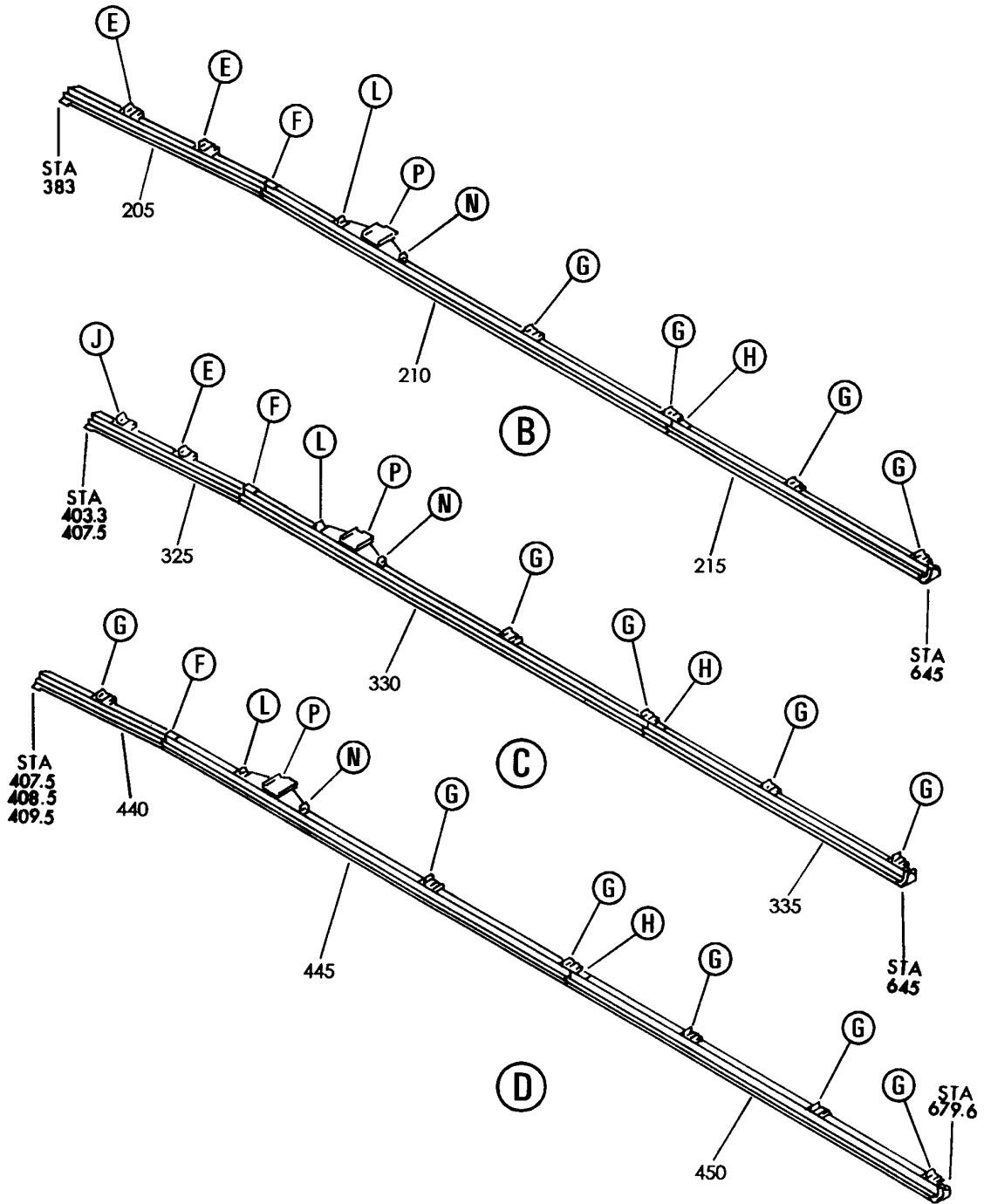
EXTRUSION INSTL AC OUTLET (RH SIDE, FWD)
FIGURE 27A (SHEET 1)

21-23-02-27A

BRI
MAY 28/07

21-23-02-27A
PAGE 0


BOEING
 757
PARTS CATALOG (MAINTENANCE)



Y 21230227A SHT 2 REV 203

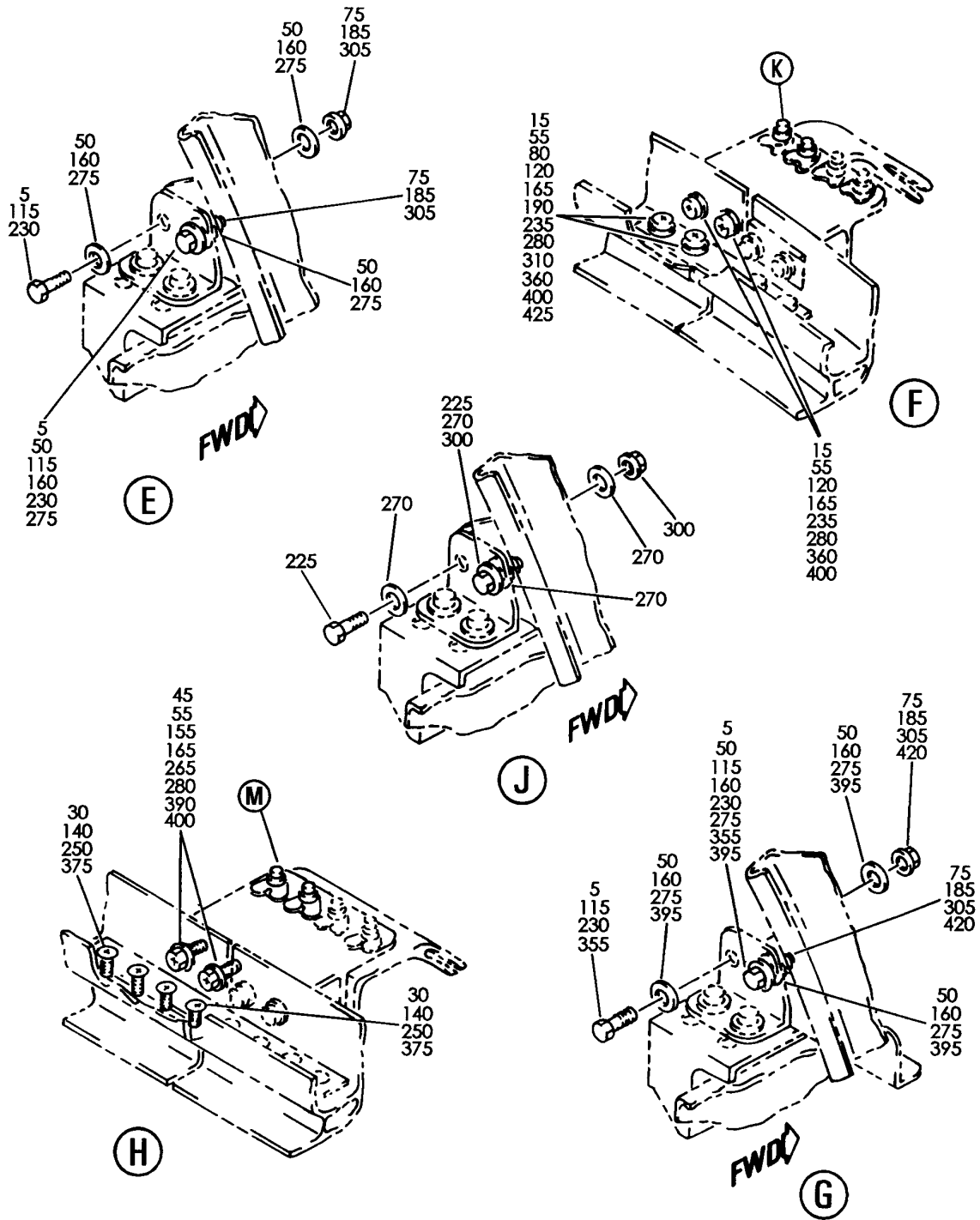
EXTRUSION INSTL AC OUTLET (RH SIDE, FWD)
 FIGURE 27A (SHEET 2)

21-23-02-27A

BRI
 MAY 28/07

21-23-02-27A
 PAGE 0A

BOEING
757
PARTS CATALOG (MAINTENANCE)



Y 21230227A SHT 3 REV 203

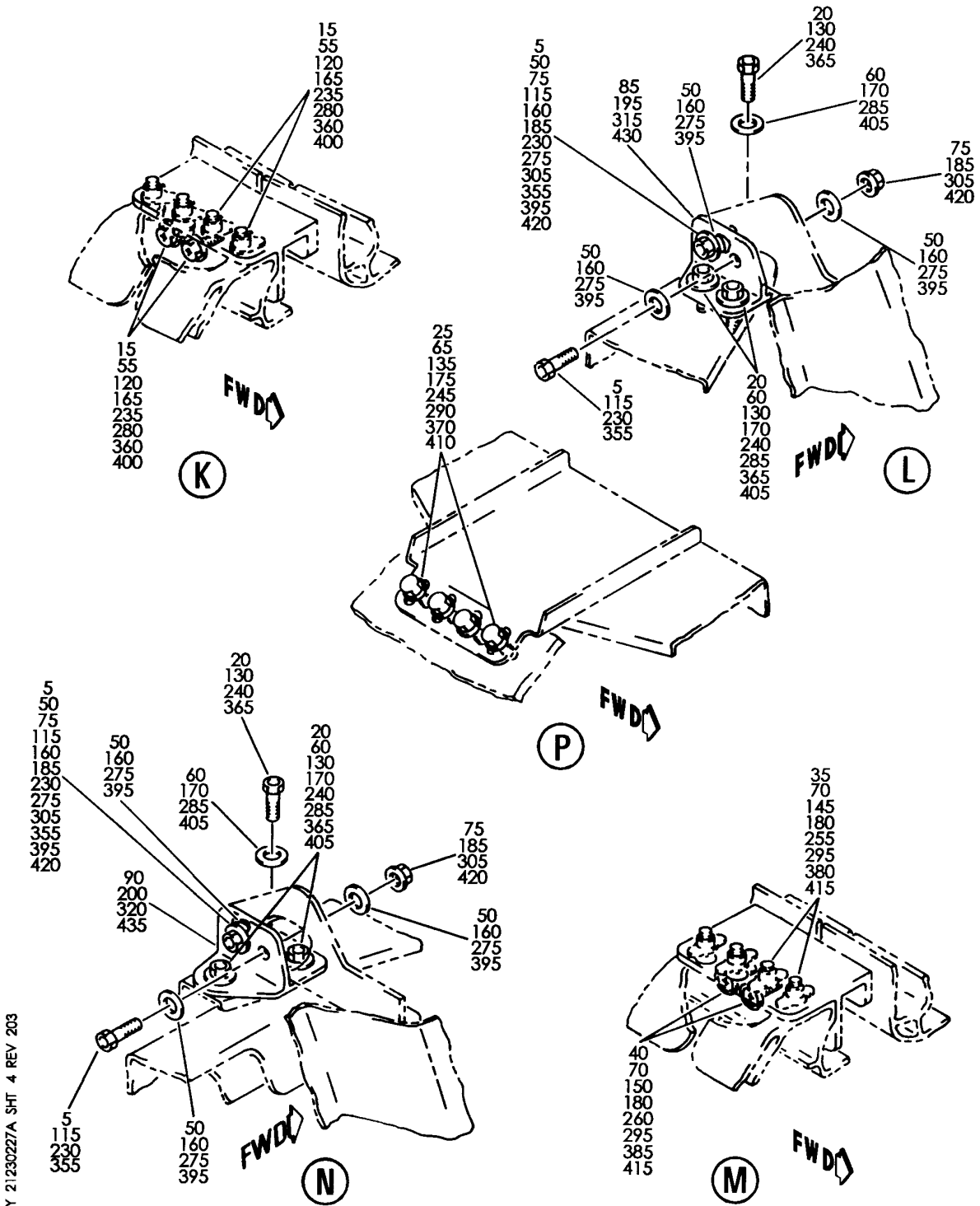
EXTRUSION INSTL AC OUTLET (RH SIDE, FWD)
FIGURE 27A (SHEET 3)

21-23-02-27A

BRI
MAY 28/07

21-23-02-27A
PAGE 0B

BOEING
757
PARTS CATALOG (MAINTENANCE)



Y 21230227A SHT 4 REV 203

EXTRUSION INSTL AC OUTLET (RH SIDE, FWD)
FIGURE 27A (SHEET 4)

21-23-02-27A

BRI
MAY 28/07

21-23-02-27A
PAGE 0C



757

PARTS CATALOG (MAINTENANCE)

| FIG ITEM | PART NUMBER | 1 2 3 4 5 6 7 | NOMENCLATURE | EFFECT FROM TO | UNITS PER ASSY |
|----------|--------------|---------------|--|--|----------------|
| 27A | | | EXTRUSION INSTL AC OUTLET (RH SIDE, FWD) | 002004 121503 904949 952952 121503 | |
| - 1 | 412N3131-203 | | EXTRUSION INSTL-SIDEWALL AC OUTLET POSITION DATA: R SIDE FWD FOR NHA SEE: 21-23-02-26 | | RF |
| - 1 | 412N3131-214 | | EXTRUSION INSTL-SIDEWALL AC OUTLET POSITION DATA: R SIDE FWD FOR NHA SEE: 21-23-02-42 | 952952 | RF |
| 5 | BACB30NM3K5 | | .BOLT | 121503 952952 | 20 |
| 10 | BACB30LU2-2 | | .BOLT | 121503 952952 | 4 |
| 15 | NAS1801-08-8 | | .SCREW- OPTIONAL PART: BACS12GU08K8 | 121503 952952 | 8 |
| 15 | BACS12GU08K8 | | .SCREW- OPTIONAL PART: NAS1801-08-8 | 121503 952952 | 8 |
| 20 | BACB30NM3K4 | | .BOLT | 121503 952952 | 6 |
| 25 | BACB30NM4K3 | | .BOLT | 121503 952952 | 4 |
| 30 | BACB30LU3-2 | | .BOLT- OPTIONAL PART: BACB30NN3K2 | 121503 952952 | 4 |
| 30 | BACB30NN3K2 | | .BOLT- OPTIONAL PART: BACB30LU3-2 | 121503 952952 | 4 |
| 35 | NAS514P832-8 | | .SCREW- OPTIONAL PART: BACS12ER08K8 | 121503 952952 | 2 |
| 35 | BACS12ER08K8 | | .SCREW- OPTIONAL PART: NAS514P832-8 | 121503 952952 | 2 |
| 40 | NAS514P832-7 | | .SCREW- OPTIONAL PART: BACS12ER08K7 | 121503 952952 | 2 |
| 40 | BACS12ER08K7 | | .SCREW- OPTIONAL PART: NAS514P832-7 | 121503 952952 | 2 |

MISSING ITEM NUMBERS NOT APPLICABLE

- ITEM NOT ILLUSTRATED

21-23-02-27A

21-23-02
FIG. 27A
PAGE 1
JAN 20/09

BRI



757

PARTS CATALOG (MAINTENANCE)

| FIG ITEM | PART NUMBER | 1 2 3 4 5 6 7 | NOMENCLATURE | EFFECT FROM TO | UNITS PER ASSY |
|----------|----------------|-----------------------|--------------|----------------|----------------|
| 27A | | | | | |
| 45 | NAS1801-08-7 | .SCREW- | | 121503 | 2 |
| | | OPTIONAL PART: | | 952952 | |
| | BACS12GU08K7 | BACS12GU08K7 | | | |
| 45 | BACS12GU08K7 | .SCREW- | | 121503 | 2 |
| | | OPTIONAL PART: | | 952952 | |
| | | NAS1801-08-7 | | | |
| 50 | BACW10P43AL | .WASHER | | 121503 | 40 |
| | | | | 952952 | |
| 55 | AN960JD8L | .WASHER | | 121503 | 10 |
| | | | | 952952 | |
| 60 | AN960JD10L | .WASHER | | 121503 | 6 |
| | | | | 952952 | |
| 65 | AN960JD416L | .WASHER | | 121503 | 4 |
| | | | | 952952 | |
| 70 | BACW10DM5P | .WASHER | | 121503 | 4 |
| | | | | 952952 | |
| 75 | MS21042L3 | .NUT | | 121503 | 20 |
| | | | | 952952 | |
| 80 | 130008 | .NUT | | 121503 | 2 |
| | | SUPPLIER CODE: | | 952952 | |
| | | V60119 | | | |
| | | SPECIFICATION NUMBER: | | | |
| | | BACN10FX84 | | | |
| | | OPTIONAL PART: | | | |
| | | RM52LHA4972-6-8 | | | |
| | | V72962 | | | |
| | | SL211-08-1 | | | |
| | | V97393 | | | |
| | | A11330-6-82 | | | |
| | | V72962 | | | |
| | | A4972-6-82 | | | |
| | | V72962 | | | |
| 85 | 412N2004-90 | .BRACKET | | 121503 | 1 |
| | | | | 952952 | |
| 90 | 412N2004-91 | .BRACKET | | 121503 | 1 |
| | | | | 952952 | |
| 95 | 412N3103-52SP | .OUTLET ASSY- | | 121503 | 1 |
| | | FOR DETAILS SEE: | | | |
| | | 21-23-02-33 | | | |
| 100 | 412N3103-30SP | .OUTLET ASSY- | | 121503 | 1 |
| | | FOR DETAILS SEE: | | | |
| | | 21-23-02-33 | | | |
| 100 | 412N3103-270SP | .OUTLET ASSY- | | 952952 | 1 |
| | | FOR DETAILS SEE: | | | |
| | | 21-23-02-33 | | | |
| 100 | 412N3103-156SP | .OUTLET ASSY- | | 952952 | 1 |
| | | FOR DETAILS SEE: | | | |
| | | 21-23-02-33 | | | |

MISSING ITEM NUMBERS NOT APPLICABLE

- ITEM NOT ILLUSTRATED

21-23-02-27A

21-23-02
FIG. 27A
PAGE 2
JAN 20/09

BRI

BOEING PROPRIETARY - Copyright © - Unpublished Work - See title page for details.



757

PARTS CATALOG (MAINTENANCE)

| FIG ITEM | PART NUMBER | 1 2 3 4 5 6 7 | NOMENCLATURE | EFFECT FROM TO | UNITS PER ASSY |
|------------|---------------|---------------|--|------------------|----------------|
| 27A 105 | 412N3103-48SP | | .OUTLET ASSY- FOR DETAILS SEE: 21-23-02-39 | 121503 952952 | 1 |
| - 350 | 412N3131-205 | | EXTRUSION INSTL-SIDEWALL AC OUTLET POSITION DATA: R SIDE FWD FOR NHA SEE: 21-23-02-39 | 904949 | RF |
| - 350 | 412N3131-215 | | EXTRUSION INSTL-SIDEWALL AC OUTLET POSITION DATA: R SIDE FWD FOR NHA SEE: 21-23-02-26 | 002004 | RF |
| 355 | BACB30NM3K5 | | .BOLT | 002004 904949 | 16 |
| 360 | NAS1801-08-8 | | .SCREW- OPTIONAL PART: BACS12GU08K8 | 002004 904949 | 8 |
| 360 | BACS12GU08K8 | | .SCREW- OPTIONAL PART: NAS1801-08-8 | 002004 904949 | 8 |
| 365 | BACB30NM3K4 | | .BOLT | 002004 904949 | 6 |
| 370 | BACB30NM4K3 | | .BOLT | 002004 904949 | 4 |
| 375 | BACB30LU3-2 | | .BOLT- OPTIONAL PART: BACB30NN3K2 | 002004 904949 | 4 |
| 375 | BACB30NN3K2 | | .BOLT- OPTIONAL PART: BACB30LU3-2 | 002004 904949 | 4 |
| 375 | BACB30LU2-2 | | .BOLT | 002004 904949 | 4 |
| 380 | NAS514P832-8 | | .SCREW- OPTIONAL PART: BACS12ER08K8 | 002004 904949 | 2 |
| 380 | BACS12ER08K8 | | .SCREW- OPTIONAL PART: NAS514P832-8 | 002004 904949 | 2 |
| 385 | NAS514P832-7 | | .SCREW- OPTIONAL PART: BACS12ER08K7 | 002004 904949 | 2 |
| 385 | BACS12ER08K7 | | .SCREW- OPTIONAL PART: NAS514P832-7 | 002004 904949 | 2 |

MISSING ITEM NUMBERS NOT APPLICABLE

- ITEM NOT ILLUSTRATED

21-23-02-27A

21-23-02
FIG. 27A
PAGE 3
JAN 20/09

BRI



757

PARTS CATALOG (MAINTENANCE)

| FIG ITEM | PART NUMBER | 1 2 3 4 5 6 7 | NOMENCLATURE | EFFECT FROM TO | UNITS PER ASSY |
|------------|----------------|---------------|---|------------------|----------------|
| 27A 390 | NAS1801-08-7 | .SCREW- | OPTIONAL PART: BACS12GU08K7 | 002004 904949 | 2 |
| 390 | BACS12GU08K7 | .SCREW- | OPTIONAL PART: NAS1801-08-7 | 002004 904949 | 2 |
| 395 | BACW10P43AL | .WASHER | | 002004 904949 | 32 |
| 400 | AN960JD8L | .WASHER | | 002004 904949 | 10 |
| 405 | AN960JD10L | .WASHER | | 002004 904949 | 6 |
| 410 | AN960JD416L | .WASHER | | 002004 904949 | 4 |
| 415 | BACW10DM5P | .WASHER | | 002004 904949 | 4 |
| 420 | MS21042L3 | .NUT | | 002004 904949 | 16 |
| 425 | 130008 | .NUT | SUPPLIER CODE: V60119 SPECIFICATION NUMBER: BACN10FX84 OPTIONAL PART: RM52LHA4972-6-8 V72962 SL211-08-1 V97393 A11330-6-82 V72962 A4972-6-82 V72962 | 002004 904949 | 2 |
| 430 | 412N2004-90 | .BRACKET | | 002004 904949 | 1 |
| 435 | 412N2004-91 | .BRACKET | | 002004 904949 | 1 |
| 440 | 412N3103-281SP | .OUTLET ASSY- | FOR DETAILS SEE: 21-23-02-33 | 002004 | 1 |
| 440 | 412N3103-183SP | .OUTLET ASSY- | FOR DETAILS SEE: 21-23-02-33 | 904949 | 1 |
| 445 | 412N3103-156SP | .OUTLET ASSY- | FOR DETAILS SEE: 21-23-02-33 | 002004 | 1 |
| 445 | 412N3103-30SP | .OUTLET ASSY- | FOR DETAILS SEE: 21-23-02-33 | 904949 | 1 |

MISSING ITEM NUMBERS NOT APPLICABLE

- ITEM NOT ILLUSTRATED

21-23-02-27A

21-23-02
FIG. 27A
PAGE 4
JAN 20/09

BRI

BOEING PROPRIETARY - Copyright © - Unpublished Work - See title page for details.



757

PARTS CATALOG (MAINTENANCE)

| FIG ITEM | PART NUMBER | 1 2 3 4 5 6 7 | NOMENCLATURE | EFFECT FROM TO | UNITS PER ASSY |
|-------------|---------------|---------------|--|-------------------|----------------------|
| 27A 450 | 412N3103-48SP | | .OUTLET ASSY- FOR DETAILS SEE: 21-23-02-39 | 002004 904949 | 1 |

MISSING ITEM NUMBERS NOT APPLICABLE

- ITEM NOT ILLUSTRATED

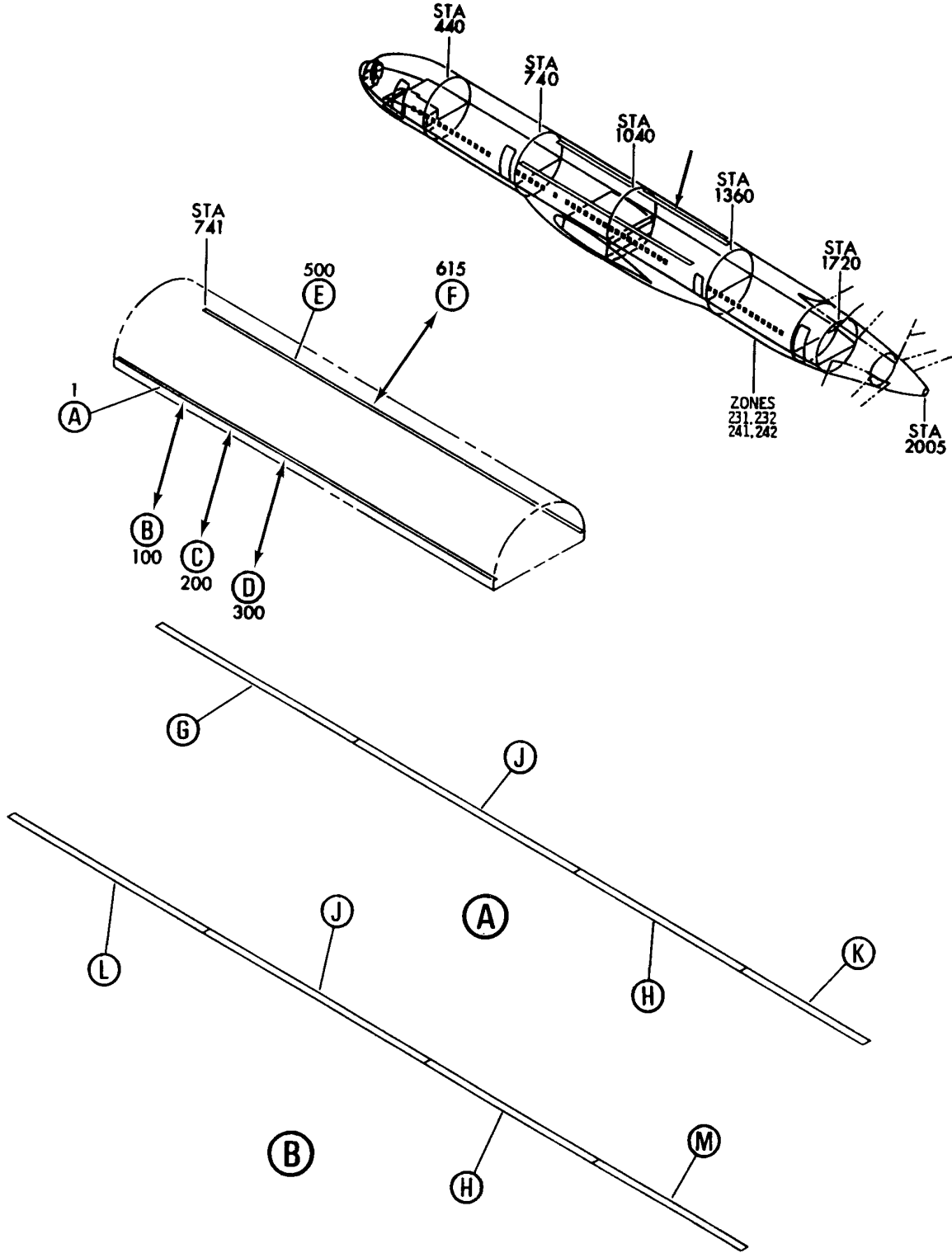
BRI

21-23-02-27A

BOEING PROPRIETARY - Copyright © - Unpublished Work - See title page for details.

21-23-02
FIG. 27A
PAGE 5
JAN 20/09

BOEING
757
PARTS CATALOG (MAINTENANCE)



Y 21230228 SHT 1 REV 202

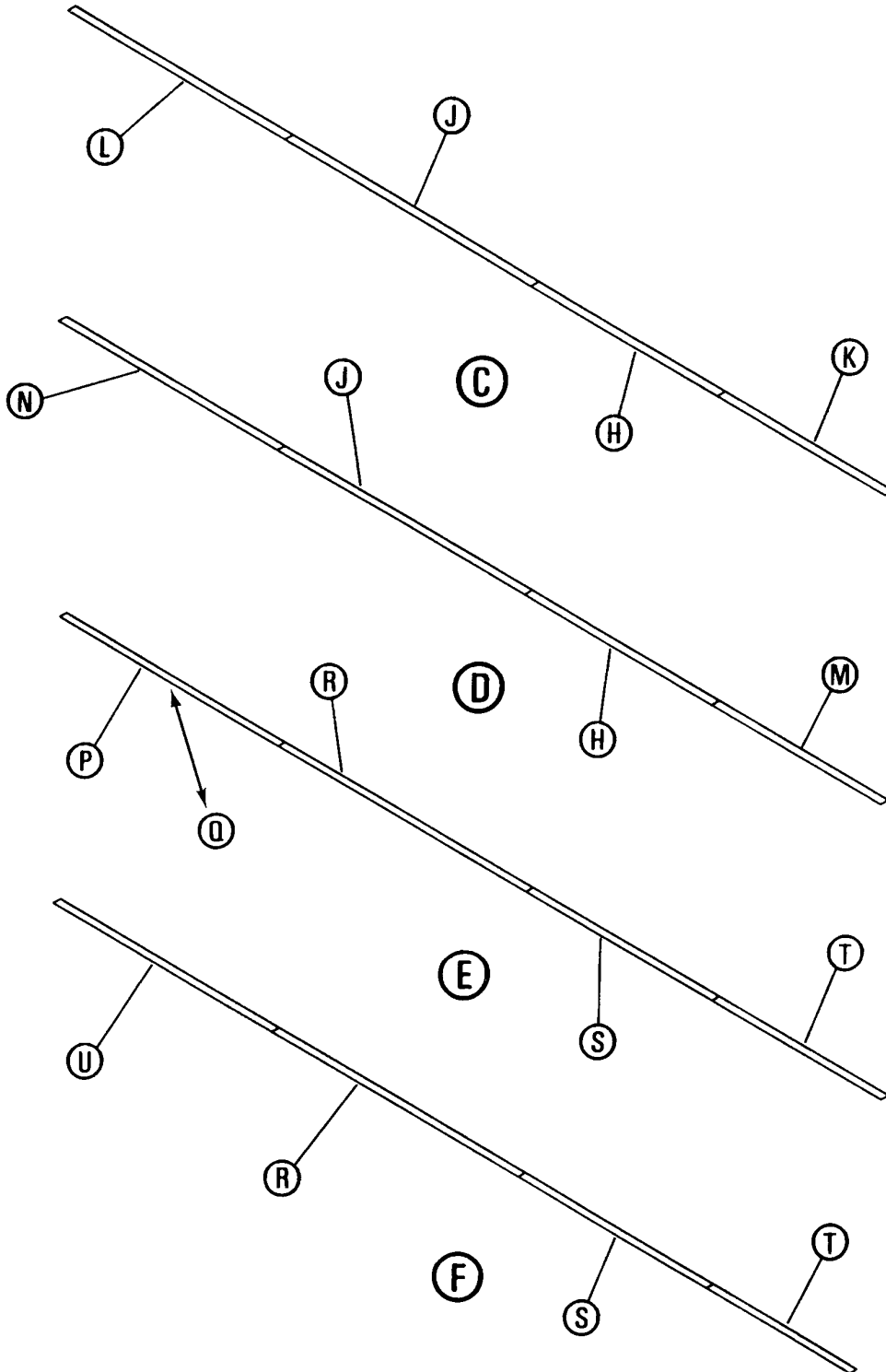
EXTRUSION INSTL-SIDEWALL SC OUTLET (L AND R SIDE MID)
FIGURE 28 (SHEET 1)

21-23-02-28

BRI
MAY 28/07

21-23-02-28
PAGE 0

BOEING
757
PARTS CATALOG (MAINTENANCE)



Y 21230228 SHT 2 REV 202

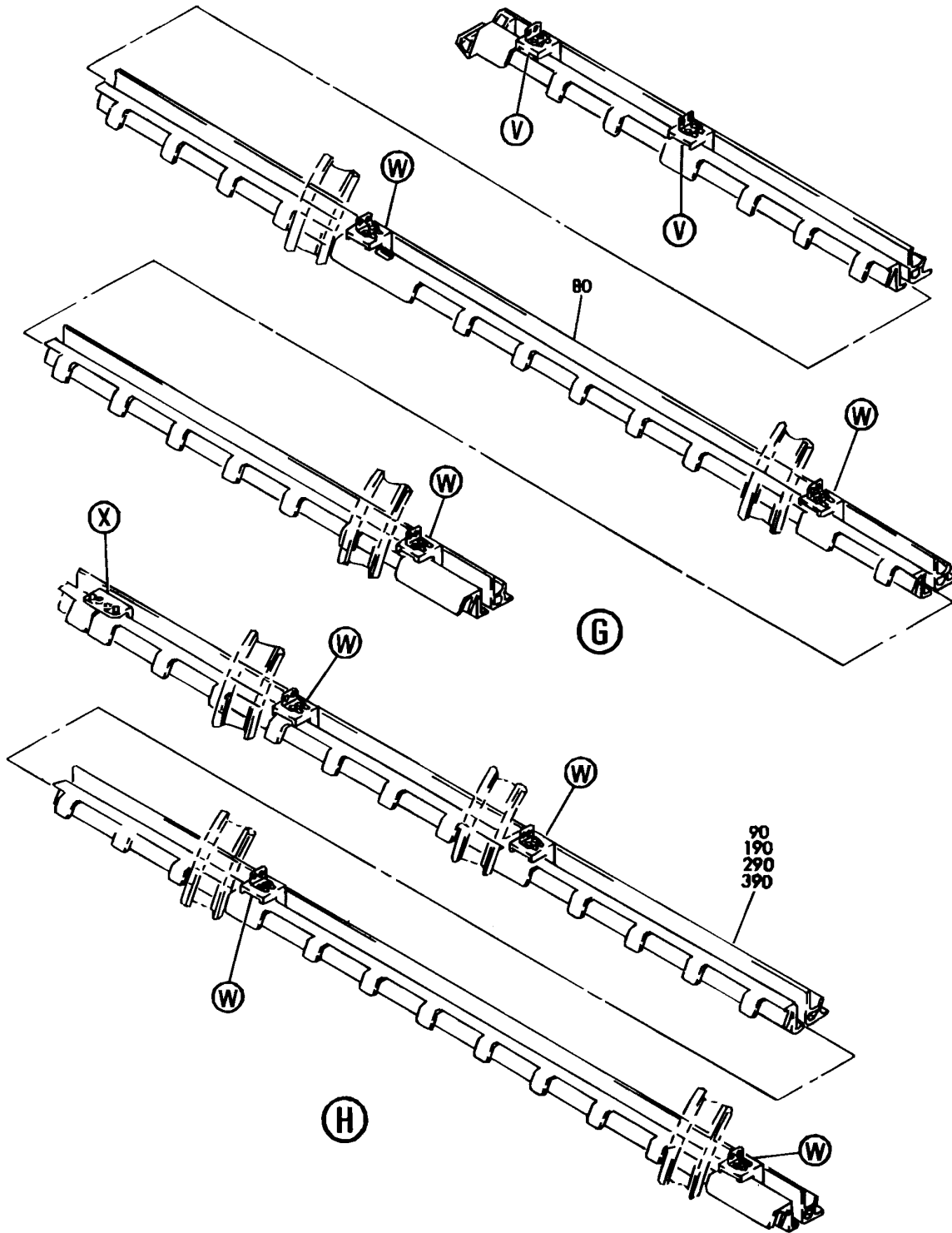
EXTRUSION INSTL-SIDEWALL SC OUTLET (L AND R SIDE MID)
FIGURE 28 (SHEET 2)

21-23-02-28

BRI
MAY 28/07

21-23-02-28
PAGE 0A

BOEING
757
PARTS CATALOG (MAINTENANCE)



Y 21230228 SHT 3 REV 202

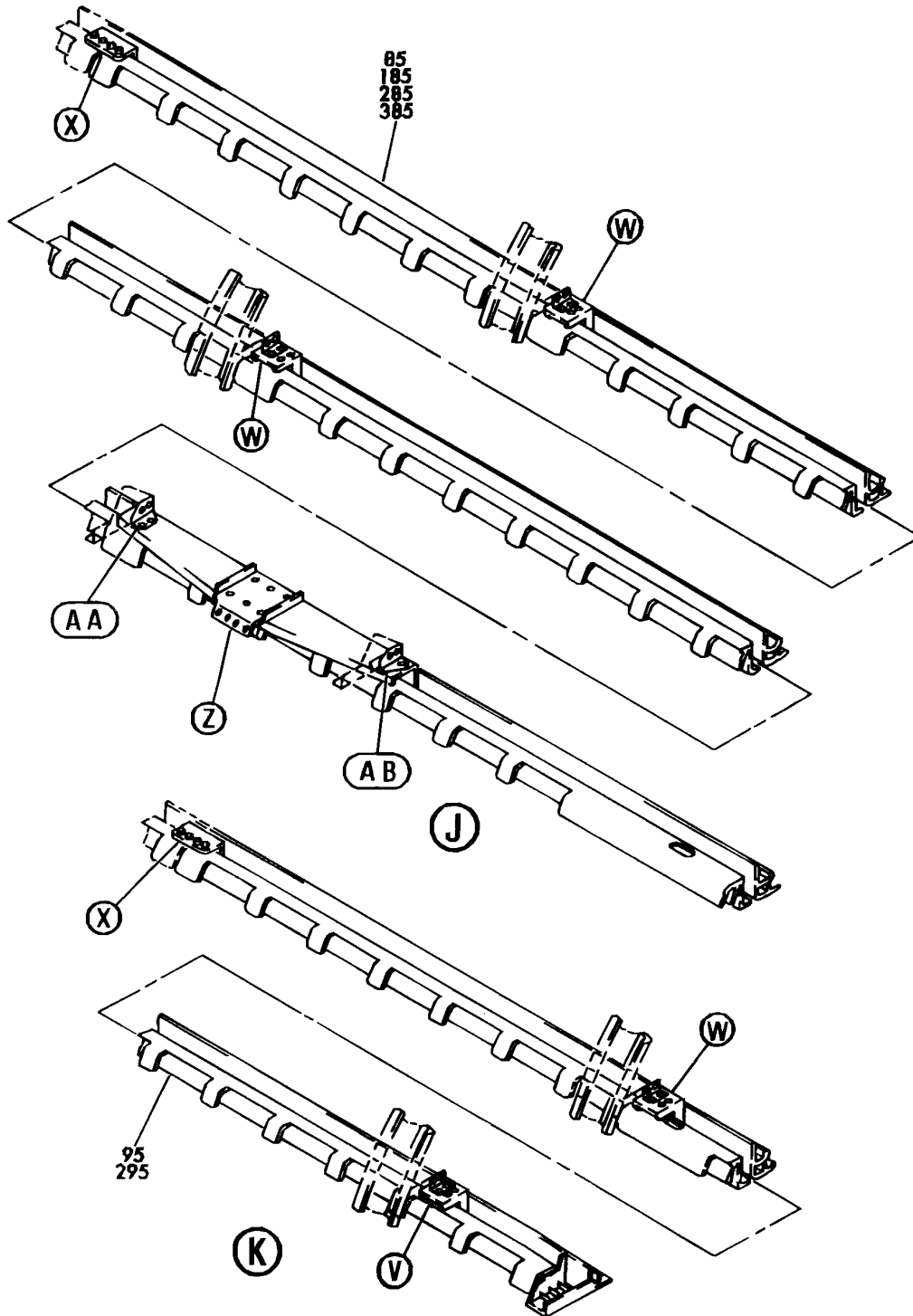
EXTRUSION INSTL-SIDEWALL SC OUTLET (L AND R SIDE MID)
FIGURE 28 (SHEET 3)

21-23-02-28

BRI
MAY 28/07

21-23-02-28
PAGE 08

BOEING
757
PARTS CATALOG (MAINTENANCE)



Y 21230228 SHT 4 REV 202

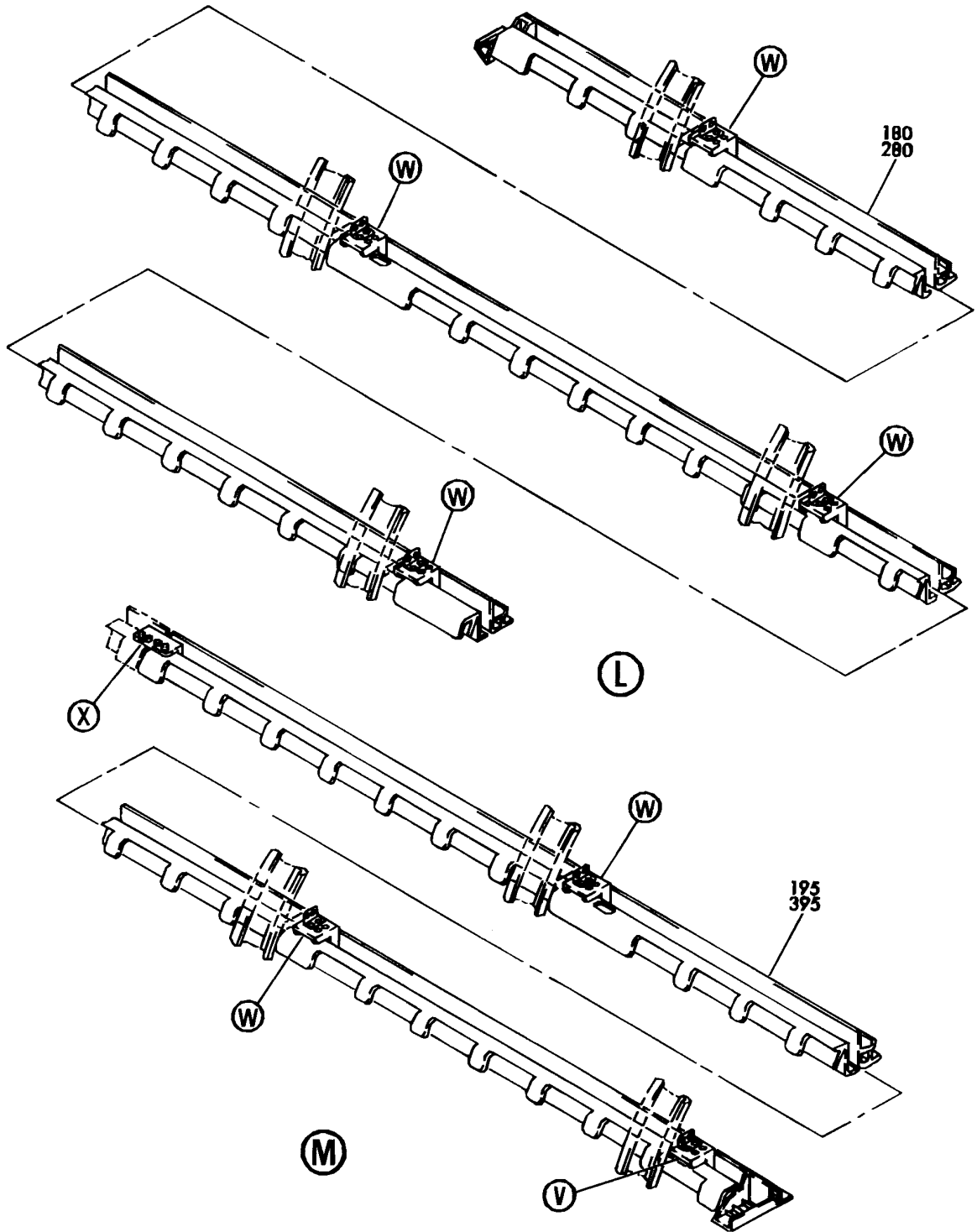
EXTRUSION INSTL-SIDEWALL SC OUTLET (L AND R SIDE MID)
FIGURE 28 (SHEET 4)

21-23-02-28

BRI
MAY 28/07

21-23-02-28
PAGE 0C

BOEING
757
PARTS CATALOG (MAINTENANCE)



Y 21230228 SHT 5 REV 202

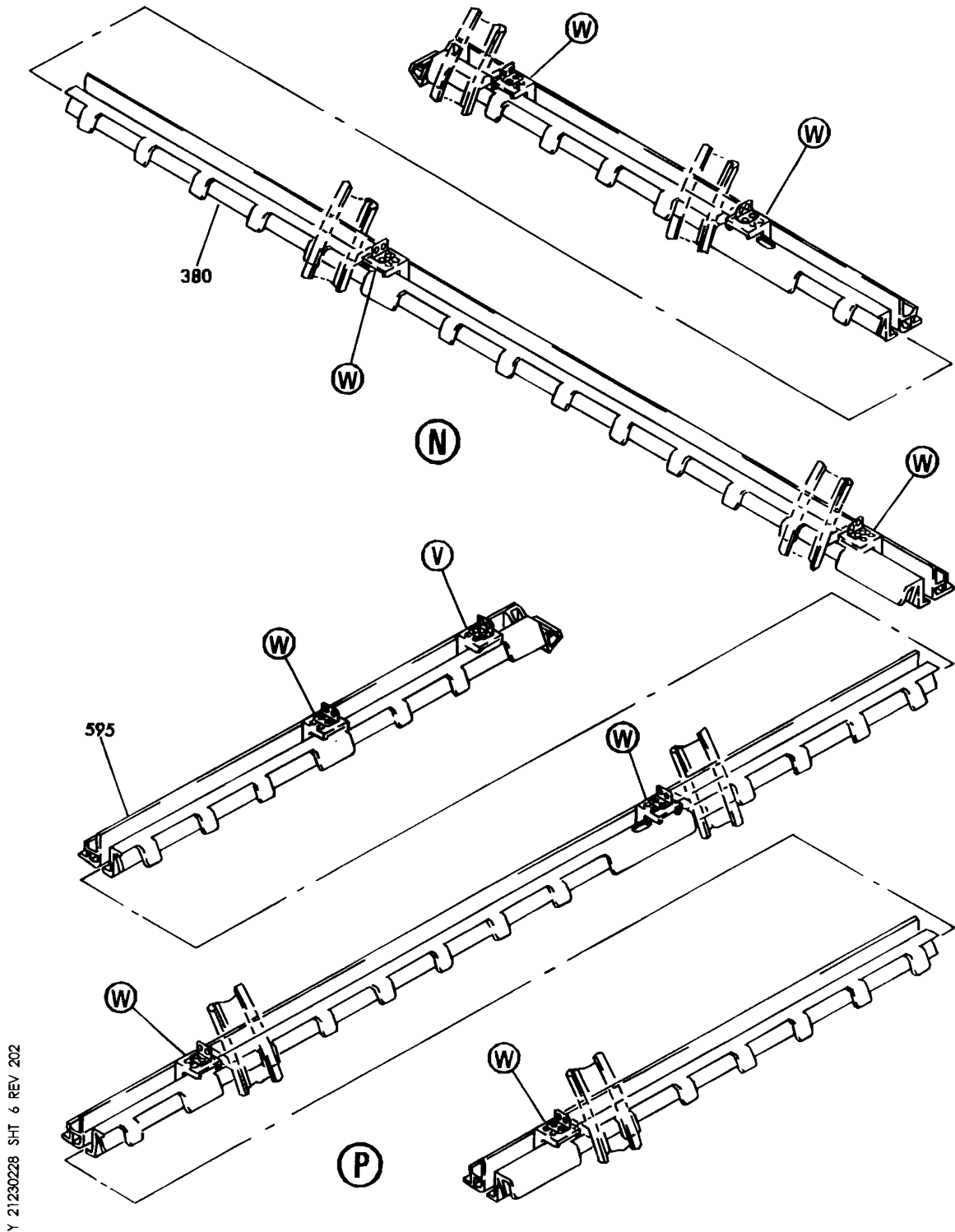
EXTRUSION INSTL-SIDEWALL SC OUTLET (L AND R SIDE MID)
FIGURE 28 (SHEET 5)

21-23-02-28

BRI
MAY 28/07

21-23-02-28
PAGE 0D

BOEING
757
PARTS CATALOG (MAINTENANCE)



Y 21230228 SHT 6 REV 202

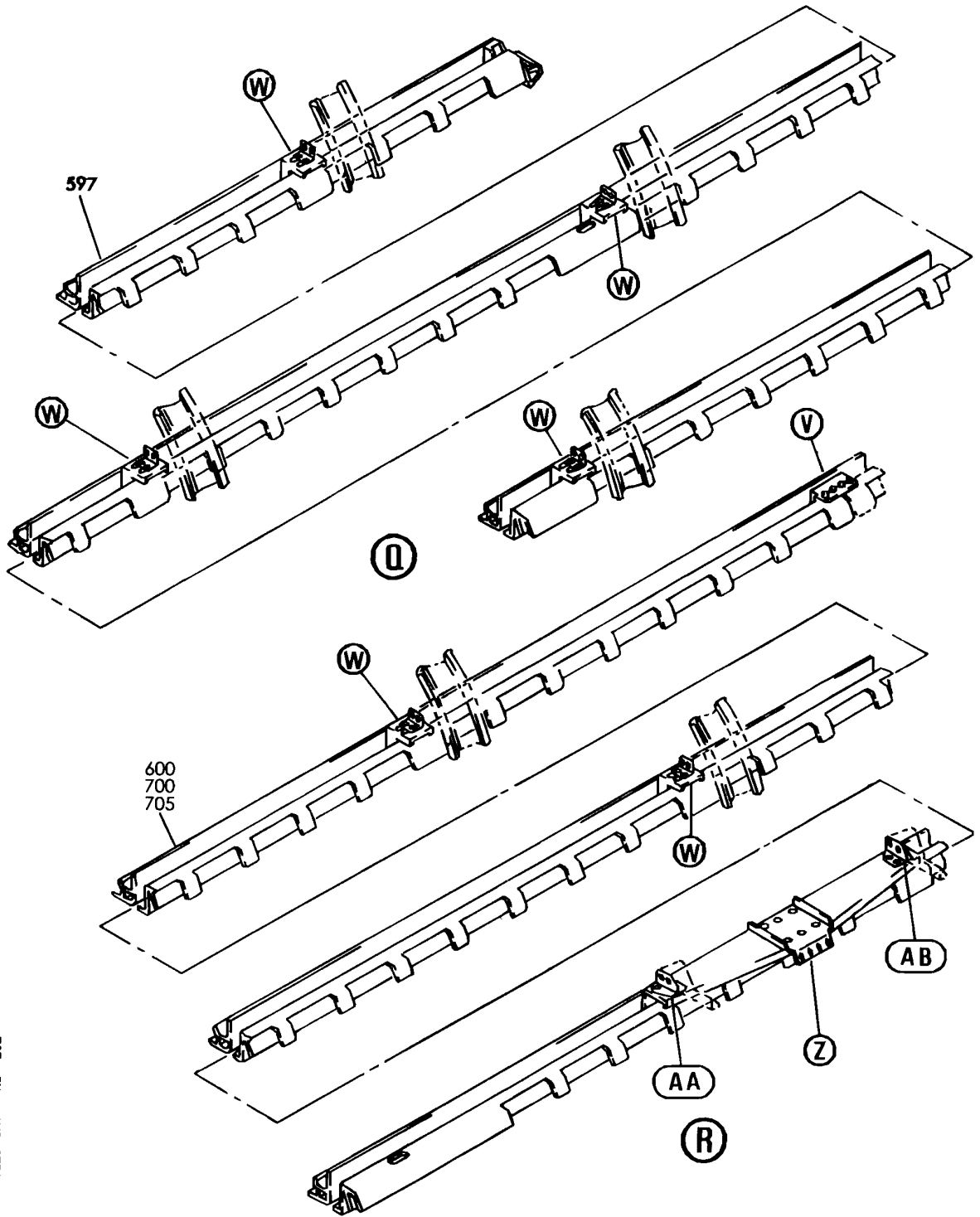
EXTRUSION INSTL-SIDEWALL SC OUTLET (L AND R SIDE MID)
FIGURE 28 (SHEET 6)

21-23-02-28

BRI
MAY 28/07

21-23-02-28
PAGE 0E

BOEING
757
PARTS CATALOG (MAINTENANCE)



Y 21230228 SHT 7 REV 202

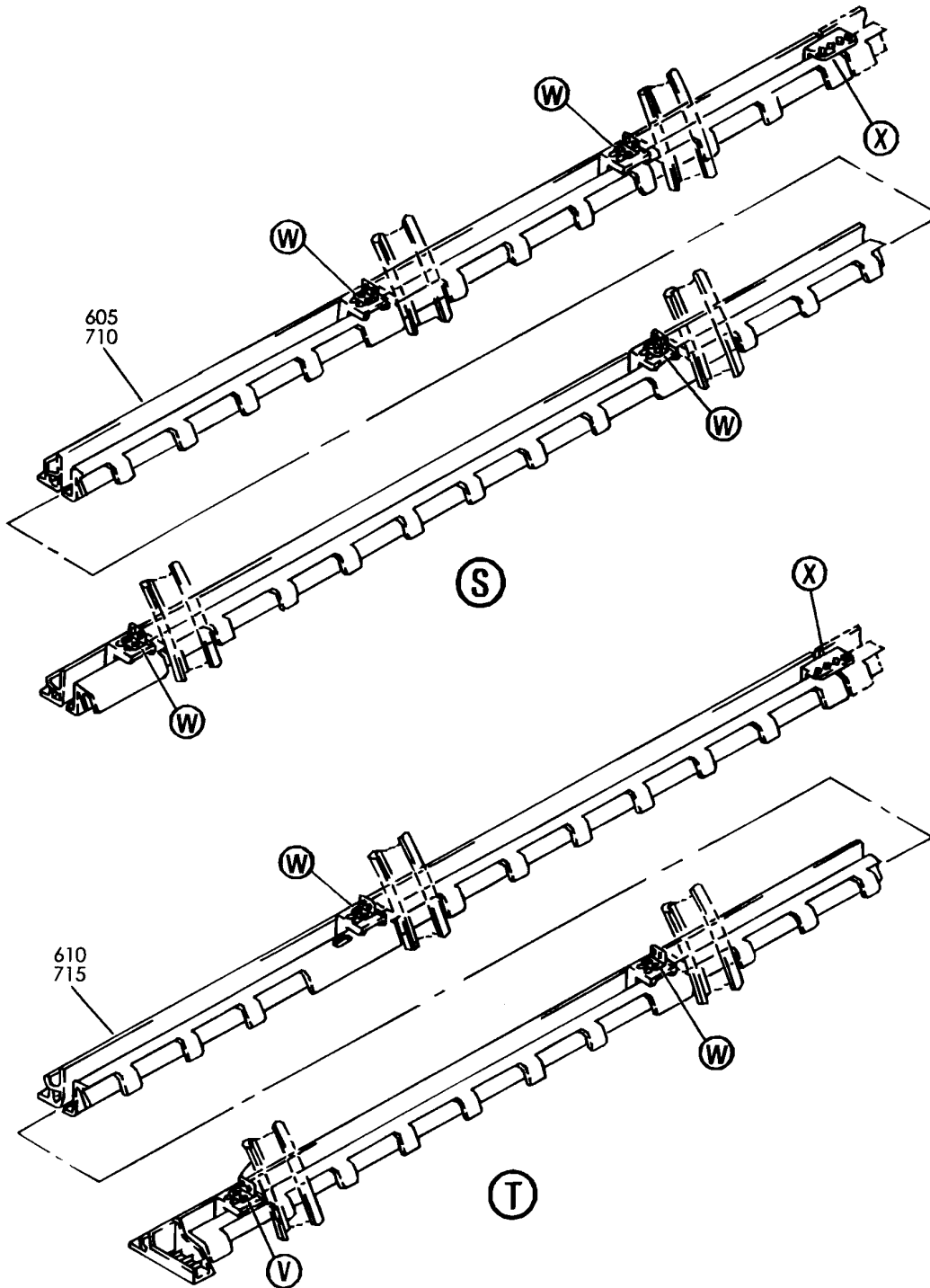
EXTRUSION INSTL-SIDEWALL SC OUTLET (L AND R SIDE MID)
FIGURE 28 (SHEET 7)

21-23-02-28

BRI
MAY 28/07

21-23-02-28
PAGE OF

BOEING
757
PARTS CATALOG (MAINTENANCE)



Y 21230228 SHT 8 REV 202

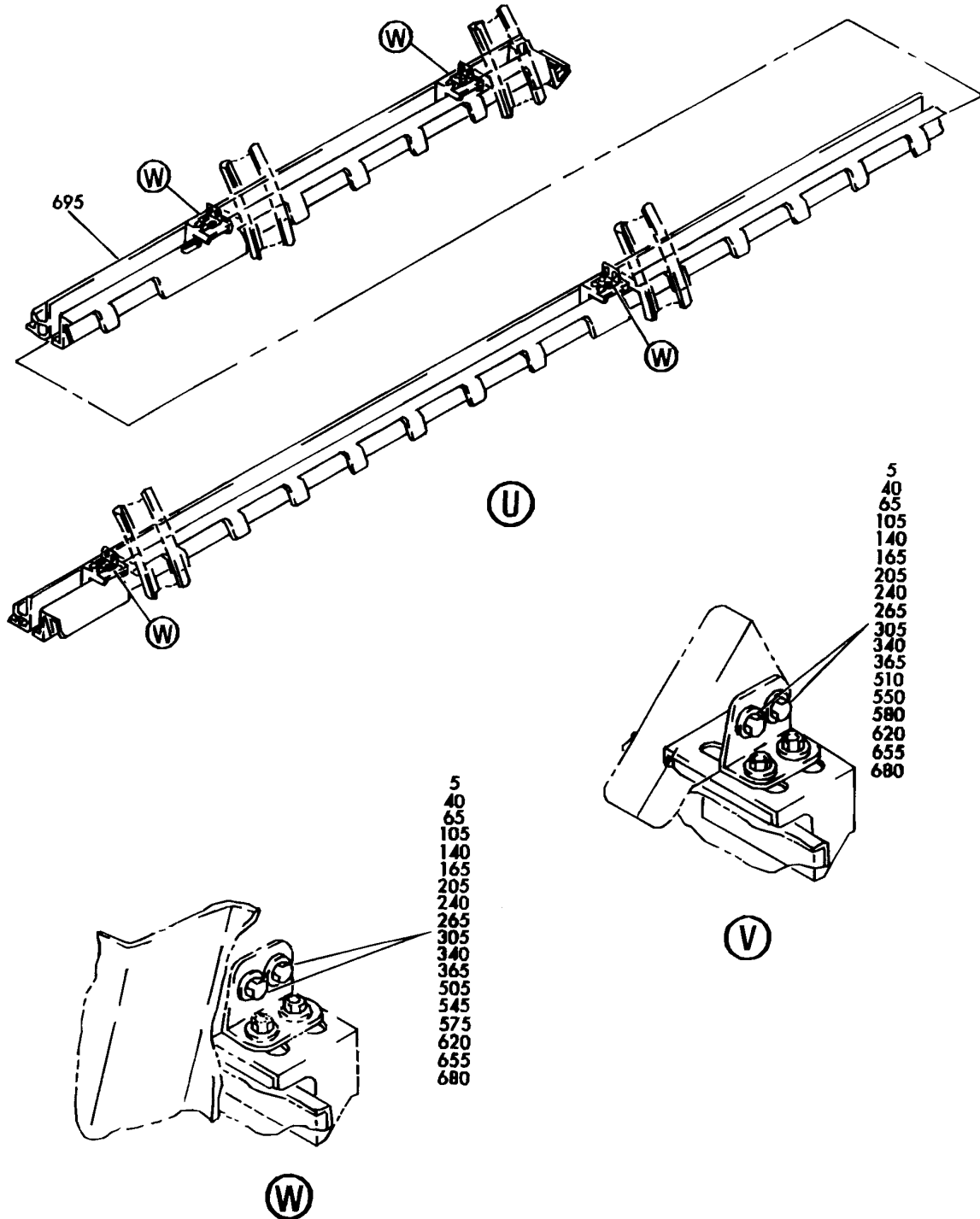
EXTRUSION INSTL-SIDEWALL SC OUTLET (L AND R SIDE MID)
FIGURE 28 (SHEET 8)

21-23-02-28

BRI
MAY 28/07

21-23-02-28
PAGE 0G

BOEING
757
PARTS CATALOG (MAINTENANCE)



Y 21230228 SHT 9 REV 202

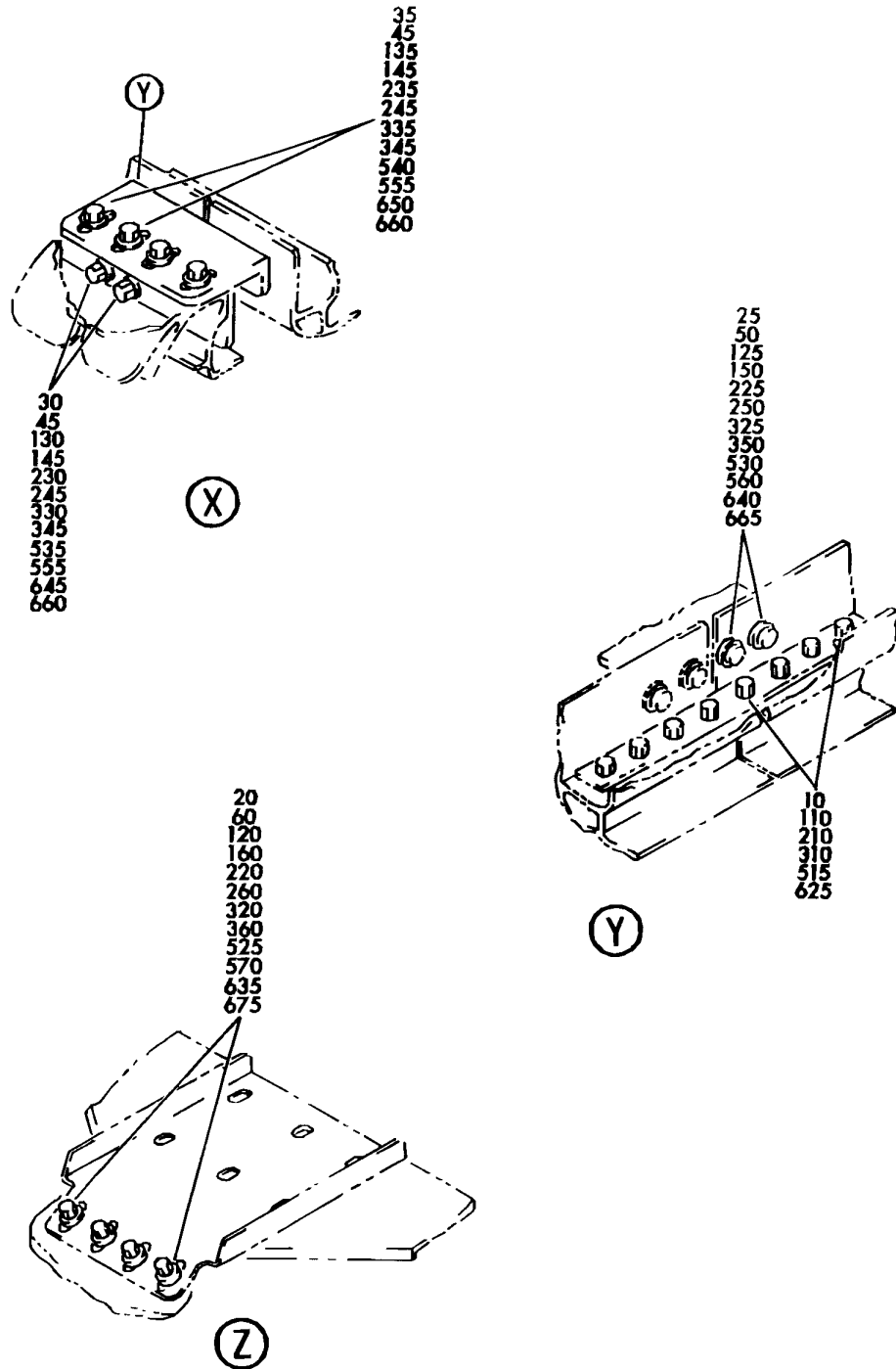
EXTRUSION INSTL-SIDEWALL SC OUTLET (L AND R SIDE MID)
FIGURE 28 (SHEET 9)

21-23-02-28

BRI
MAY 28/07

21-23-02-28
PAGE 0H

BOEING
757
PARTS CATALOG (MAINTENANCE)



Y 21230228 SHT 10 REV 202

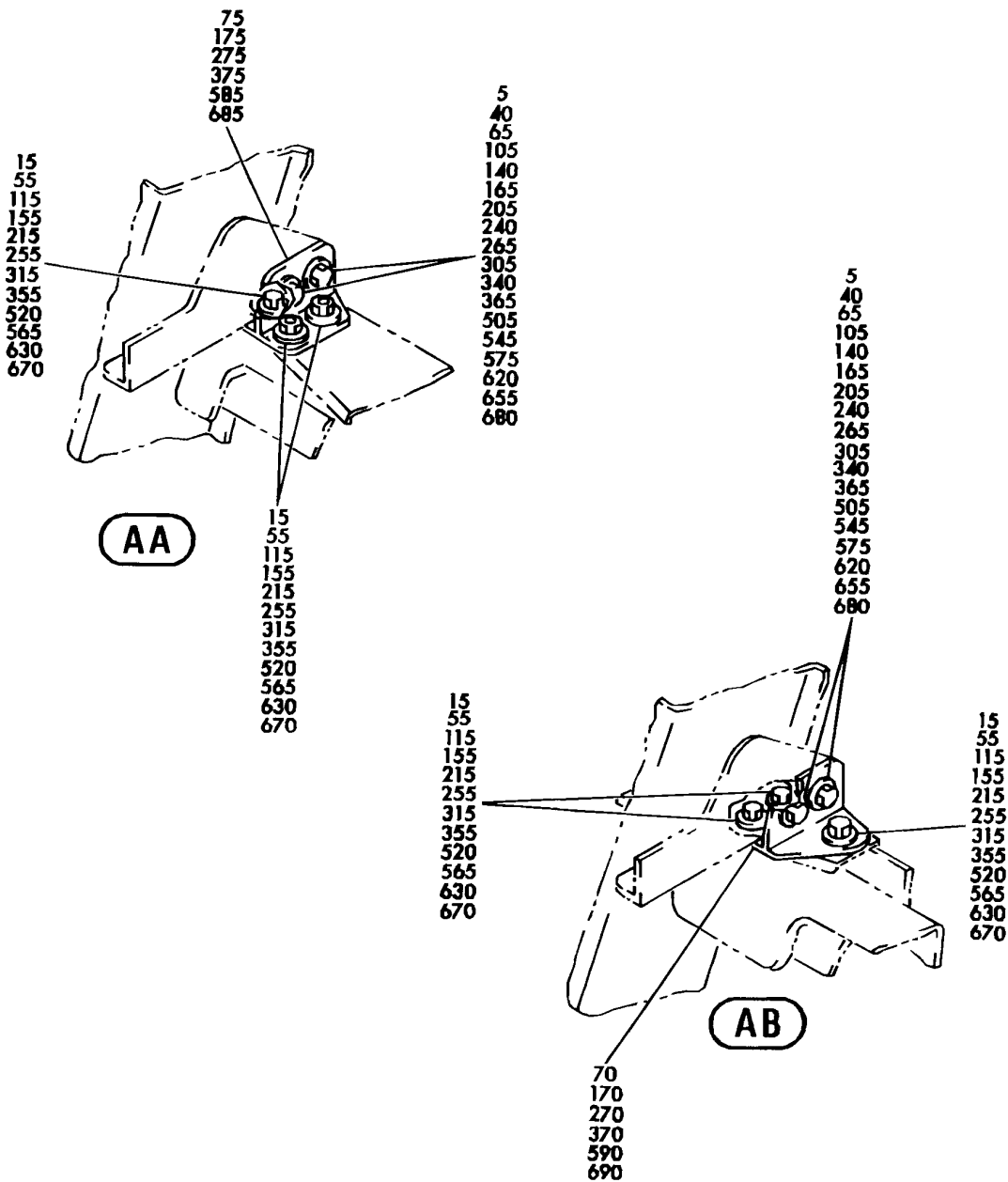
EXTRUSION INSTL-SIDEWALL SC OUTLET (L AND R SIDE MID)
FIGURE 28 (SHEET 10)

21-23-02-28

BRI
MAY 28/07

21-23-02-28
PAGE 01

BOEING
757
PARTS CATALOG (MAINTENANCE)



Y 21230228 SH1 11 REV 202

EXTRUSION INSTL-SIDEWALL SC OUTLET (L AND R SIDE MID)
FIGURE 28 (SHEET 11)

21-23-02-28

BRI
MAY 28/07

21-23-02-28
PAGE 0J



757

PARTS CATALOG (MAINTENANCE)

| FIG ITEM | PART NUMBER | 1 2 3 4 5 6 7 | NOMENCLATURE | EFFECT FROM TO | UNITS PER ASSY |
|----------|--------------|---------------|---|--------------------------------------|----------------|
| 28 | | | EXTRUSION INSTL-SIDEWALL SC OUTLET (L AND R SIDE MID) | 002004 121503 904949 952952 | |
| - 100 | 412N3131-303 | | EXTRUSION INSTL-SIDEWALL AC OUTLET POSITION DATA: L SIDE MID FOR NHA SEE: 21-23-02-26 21-23-02-42 | 121503 904949 952952 | RF |
| 105 | BACB30NM3K5 | .BOLT | | 121503 904949 952952 | 30 |
| 110 | BACB30LU2-2 | .BOLT | | 121503 904949 952952 | 12 |
| 115 | BACB30NM3K4 | .BOLT | | 121503 904949 952952 | 6 |
| 120 | BACB30NM3K3 | .BOLT | | 121503 904949 952952 | 4 |
| 125 | NAS1801-08-7 | .SCREW | | 121503 904949 952952 | 6 |
| 130 | NAS514P832-7 | .SCREW | | 121503 904949 952952 | 6 |
| 135 | NAS514P832-8 | .SCREW | | 121503 904949 952952 | 6 |
| 140 | BACW10P43AL | .WASHER | | 121503 904949 952952 | 60 |
| 145 | BACW10DM5P | .WASHER | | 121503 904949 952952 | 12 |
| 150 | AN960JD8L | .WASHER | | 121503 904949 952952 | 6 |
| 155 | AN960JD10L | .WASHER | | 121503 904949 952952 | 6 |
| 160 | AN960JD416L | .WASHER | | 121503 904949 952952 | 4 |

MISSING ITEM NUMBERS NOT APPLICABLE

- ITEM NOT ILLUSTRATED

BRI

21-23-02-28

21-23-02
FIG. 28
PAGE 1
JAN 20/09



757

PARTS CATALOG (MAINTENANCE)

| FIG ITEM | PART NUMBER | 1 2 3 4 5 6 7 | NOMENCLATURE | EFFECT FROM TO | UNITS PER ASSY |
|----------|----------------|---------------|--|----------------------------|----------------|
| 28 | | | | | |
| 165 | MS21042L3 | . | NUT | 121503 904949 952952 | 30 |
| 170 | 412N2004-89 | . | BRACKET | 121503 904949 952952 | 1 |
| 175 | 412N2004-72 | . | BRACKET | 121503 904949 952952 | 1 |
| 180 | 412N3103-137SP | . | OUTLET ASSY- FOR DETAILS SEE: 21-23-02-34 | 121503 904949 952952 | 1 |
| 185 | 412N3103-55SP | . | OUTLET ASSY- FOR DETAILS SEE: 21-23-02-34 | 121503 904949 952952 | 1 |
| 190 | 412N3103-57SP | . | OUTLET ASSY- FOR DETAILS SEE: 21-23-02-34 | 121503 904949 952952 | 1 |
| 195 | 412N3103-59SP | . | OUTLET ASSY- FOR DETAILS SEE: 21-23-02-34 | 121503 904949 952952 | 1 |
| - 200 | 412N3131-304 | | EXTRUSION INSTL-SIDEWALL AC OUTLET POSITION DATA: L SIDE MID FOR NHA SEE: 21-23-02-26 | 002004 | RF |
| 205 | BACB30NM3K5 | . | BOLT | 002004 | 28 |
| 210 | BACB30LU2-2 | . | BOLT | 002004 | 12 |
| 215 | BACB30NM3K4 | . | BOLT | 002004 | 6 |
| 220 | BACB30NM4K3 | . | BOLT | 002004 | 4 |
| 225 | NAS1801-08-7 | . | SCREW | 002004 | 6 |
| 230 | NAS514P832-7 | . | SCREW | 002004 | 6 |
| 235 | NAS514P832-8 | . | SCREW | 002004 | 6 |
| 240 | BACW10P43AL | . | WASHER | 002004 | 56 |
| 245 | BACW10DM5P | . | WASHER | 002004 | 12 |
| 250 | AN960JD8L | . | WASHER | 002004 | 6 |
| 255 | AN960JD10L | . | WASHER | 002004 | 6 |
| 260 | AN960JD416L | . | WASHER | 002004 | 4 |
| 265 | MS21042L3 | . | NUT | 002004 | 28 |
| 270 | 412N2004-89 | . | BRACKET | 002004 | 1 |
| 275 | 412N2004-92 | . | BRACKET | 002004 | 1 |
| 280 | 412N3103-137SP | . | OUTLET ASSY- FOR DETAILS SEE: 21-23-02-34 | 002004 | 1 |
| 285 | 412N3103-55SP | . | OUTLET ASSY- FOR DETAILS SEE: 21-23-02-34 | 002004 | 1 |

MISSING ITEM NUMBERS NOT APPLICABLE

- ITEM NOT ILLUSTRATED

21-23-02-28

21-23-02
FIG. 28
PAGE 2
JAN 20/09

BRI



757

PARTS CATALOG (MAINTENANCE)

| FIG ITEM | PART NUMBER | 1 2 3 4 5 6 7 | NOMENCLATURE | EFFECT FROM TO | UNITS PER ASSY |
|----------|---------------|---------------|---|--------------------------------------|----------------|
| 28 | | | | | |
| 290 | 412N3103-57SP | | .OUTLET ASSY- FOR DETAILS SEE: 21-23-02-34 | 002004 | 1 |
| 295 | 412N3103-67SP | | .OUTLET ASSY- FOR DETAILS SEE: 21-23-02-34 | 002004 | 1 |
| - 500 | 412N3131-403 | | EXTRUSION INSTL-SIDEWALL AC OUTLET POSITION DATA: R SIDE MID FOR NHA SEE: 21-23-02-26 21-23-02-42 | 002004 121503 904949 952952 | RF |
| 510 | BACB30NM3K5 | | .BOLT | 002004 121503 904949 952952 | 30 |
| 515 | BACB30LU2-2 | | .BOLT | 002004 121503 904949 952952 | 12 |
| 520 | BACB30NM3K4 | | .BOLT | 002004 121503 904949 952952 | 6 |
| 525 | BACB30NM4K3 | | .BOLT | 002004 121503 904949 952952 | 4 |
| 530 | NAS1801-08-7 | | .SCREW | 002004 121503 904949 952952 | 6 |
| 535 | NAS514P832-7 | | .SCREW | 002004 121503 904949 952952 | 6 |
| 540 | NAS514P832-8 | | .SCREW | 002004 121503 904949 952952 | 6 |
| 545 | BACW10P43AL | | .WASHER | 002004 121503 904949 952952 | 60 |
| 555 | BACW10DM5P | | .WASHER | 002004 121503 904949 952952 | 12 |

MISSING ITEM NUMBERS NOT APPLICABLE

- ITEM NOT ILLUSTRATED

21-23-02-28

21-23-02
FIG. 28
PAGE 3
JAN 20/09

BRI



757

PARTS CATALOG (MAINTENANCE)

| FIG ITEM | PART NUMBER | 1 2 3 4 5 6 7 | NOMENCLATURE | EFFECT FROM TO | UNITS PER ASSY |
|-----------|----------------|---------------|---|--------------------------------------|----------------|
| 28 560 | AN960JD8L | . | WASHER | 002004 121503 904949 952952 | 6 |
| 565 | AN960JD10L | . | WASHER | 002004 121503 904949 952952 | 6 |
| 570 | AN960JD416L | . | WASHER | 002004 121503 904949 952952 | 4 |
| 575 | MS21042L3 | . | NUT | 002004 121503 904949 952952 | 30 |
| 585 | 412N2004-90 | . | BRACKET | 002004 121503 904949 952952 | 1 |
| 590 | 412N2004-91 | . | BRACKET | 002004 121503 904949 952952 | 1 |
| 600 | 412N3103-138SP | . | OUTLET ASSY- FOR DETAILS SEE: 21-23-02-35 | 002004 121503 904949 952952 | 1 |
| 600 | 412N3103-56SP | . | OUTLET ASSY- FOR DETAILS SEE: 21-23-02-35 | 002004 121503 904949 952952 | 1 |
| 605 | 412N3103-58SP | . | OUTLET ASSY- FOR DETAILS SEE: 21-23-02-35 | 002004 121503 904949 952952 | 1 |
| 610 | 412N3103-60SP | . | OUTLET ASSY- FOR DETAILS SEE: 21-23-02-35 | 002004 121503 904949 952952 | 1 |

MISSING ITEM NUMBERS NOT APPLICABLE

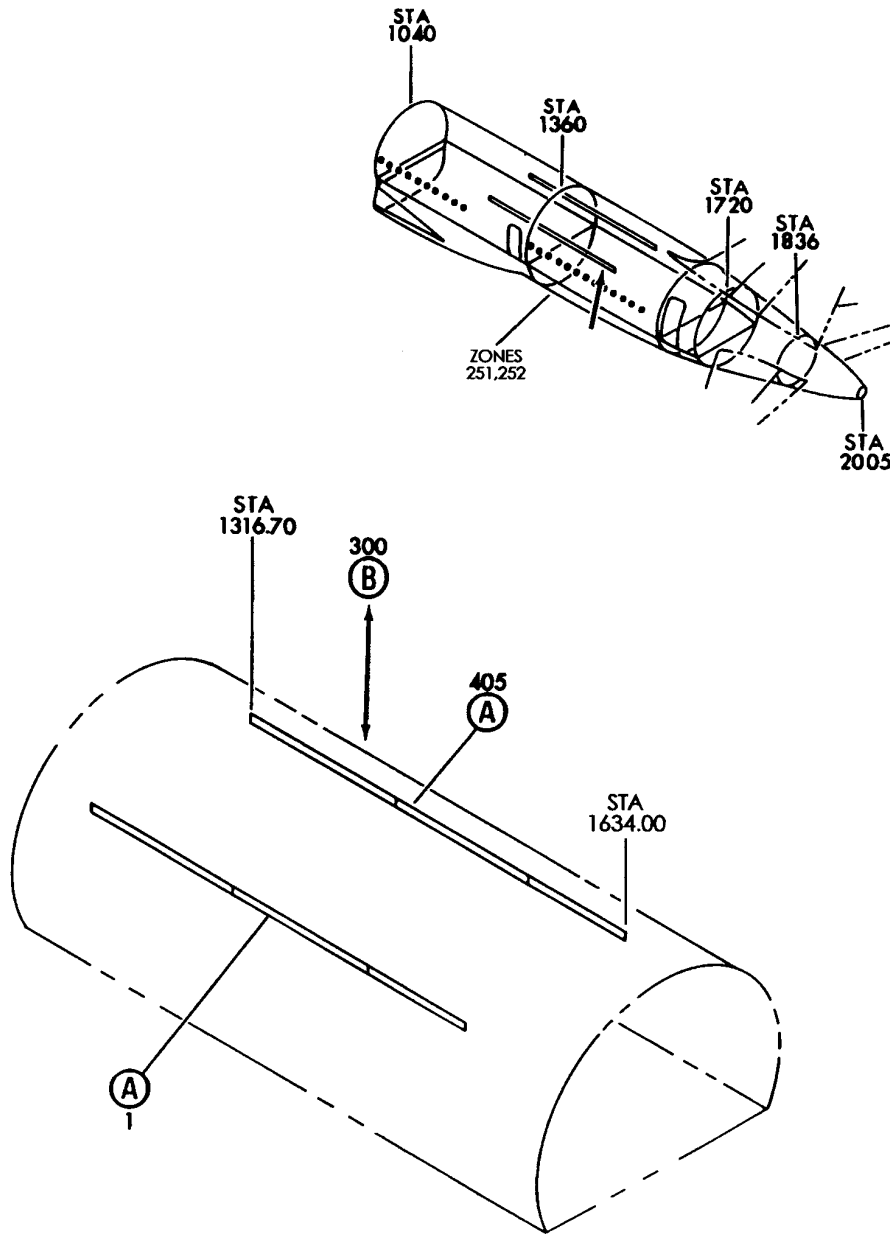
- ITEM NOT ILLUSTRATED

21-23-02-28

21-23-02
FIG. 28
PAGE 4
JAN 20/09

BRI

BOEING
757
PARTS CATALOG (MAINTENANCE)



Y 21230229 SHT 1 REV 200

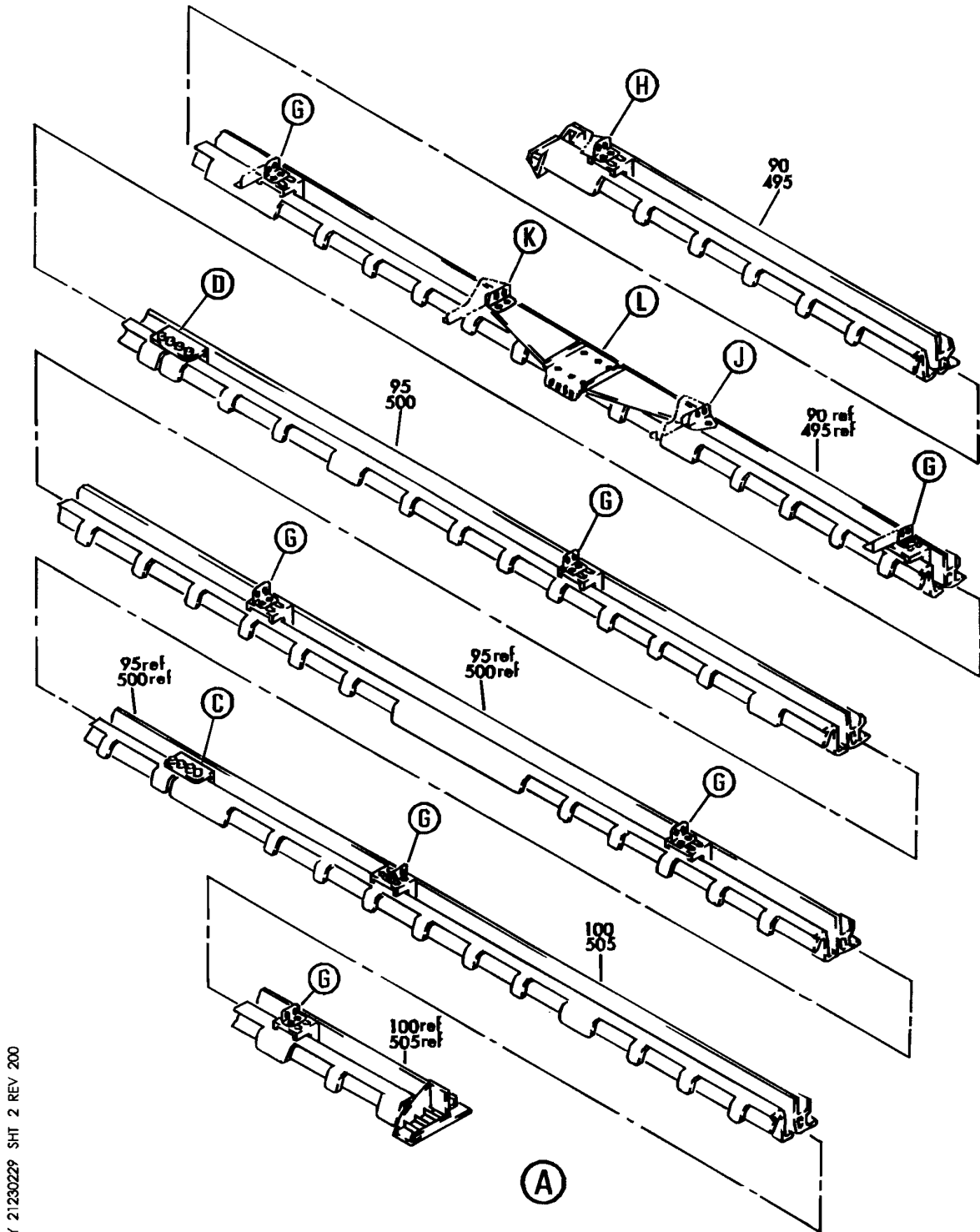
EXTRUSION INSTL-SIDEWALL AC OUTLET (L AND R SIDE AFT)
FIGURE 29 (SHEET 1)

21-23-02-29

BRI
MAY 28/07

21-23-02-29
PAGE 0

BOEING
757
PARTS CATALOG (MAINTENANCE)



Y 21230229 SH1 2 REV 200

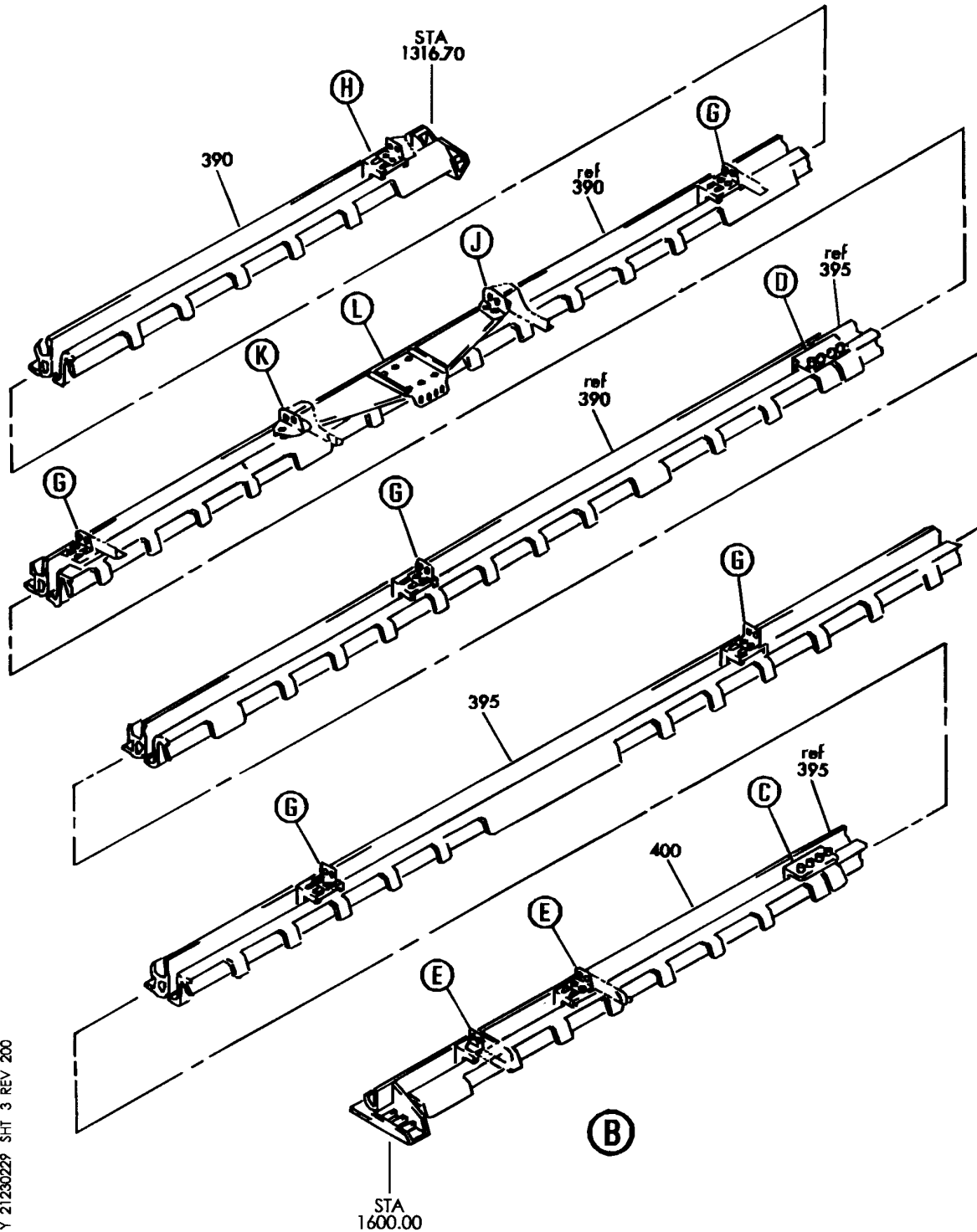
EXTRUSION INSTL-SIDEWALL AC OUTLET (L AND R SIDE AFT)
FIGURE 29 (SHEET 2)

21-23-02-29

BRI
MAY 28/07

21-23-02-29
PAGE 0A

BOEING
757
PARTS CATALOG (MAINTENANCE)



Y 21230229 SHT 3 REV 200

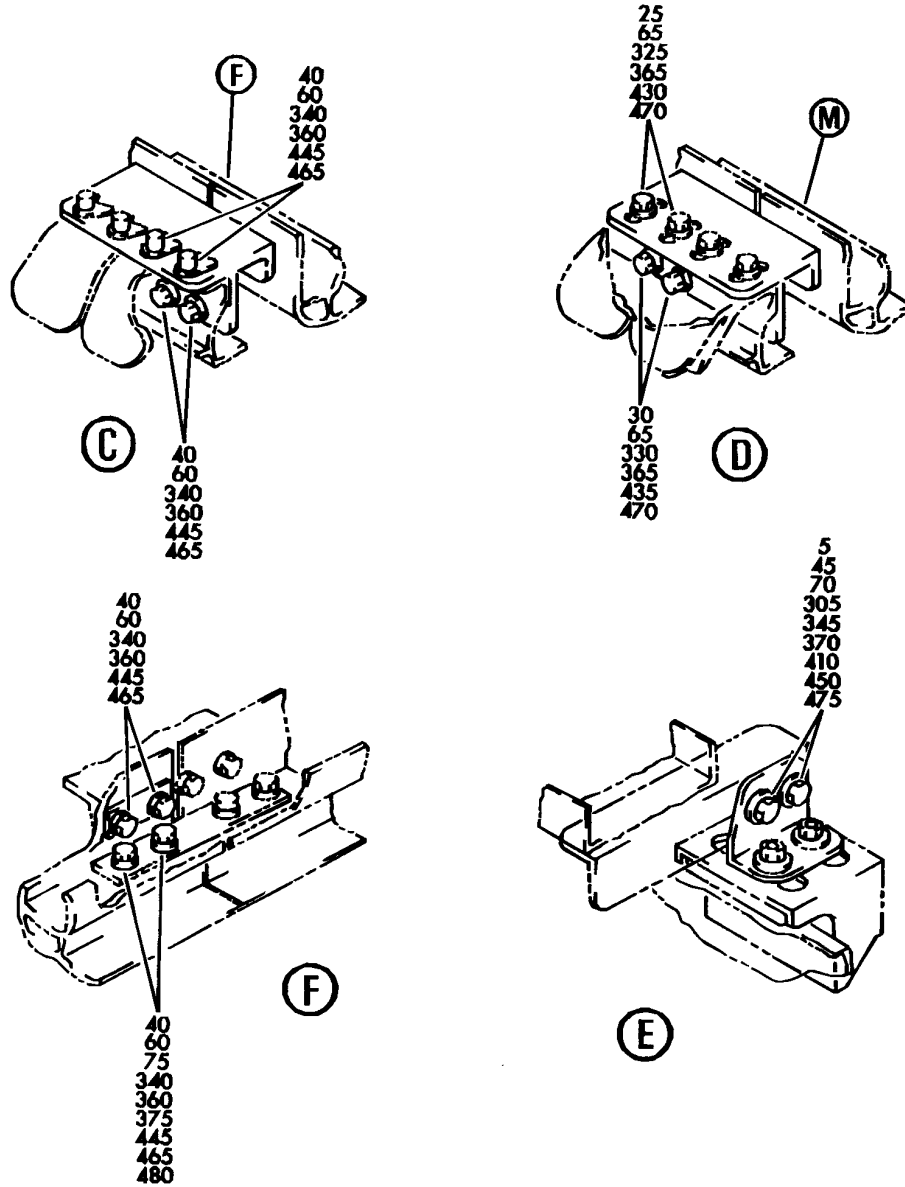
EXTRUSION INSTL-SIDEWALL AC OUTLET (L AND R SIDE AFT)
FIGURE 29 (SHEET 3)

21-23-02-29

BRI
MAY 28/07

21-23-02-29
PAGE 0B

BOEING
757
PARTS CATALOG (MAINTENANCE)



Y 21230229 SHT 4 REV 200

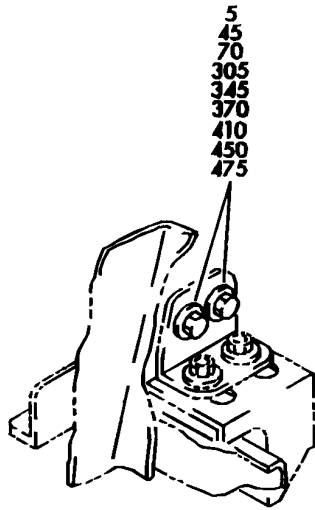
EXTRUSION INSTL-SIDEWALL AC OUTLET (L AND R SIDE AFT)
FIGURE 29 (SHEET 4)

21-23-02-29

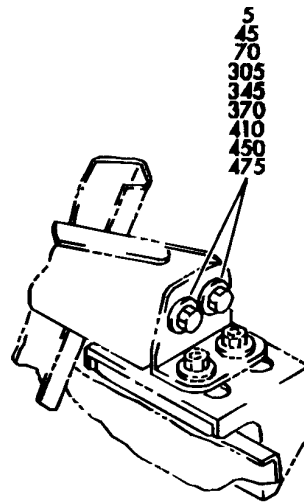
BRI
MAY 28/07

21-23-02-29
PAGE 0C

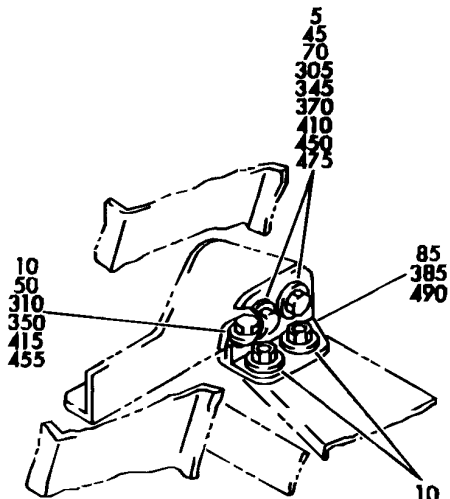
BOEING
757
PARTS CATALOG (MAINTENANCE)



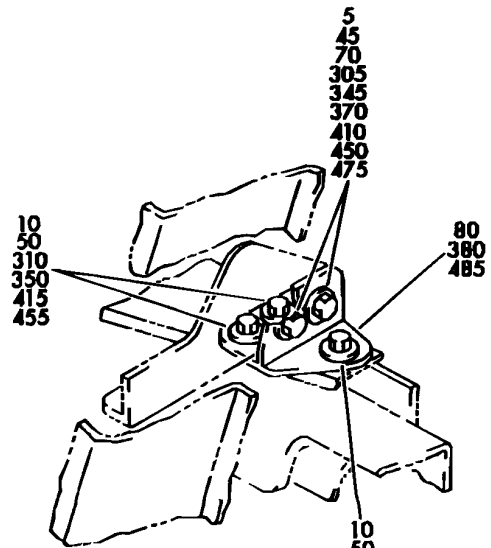
(G)



(H)



(K)



(J)

Y 21230229 SHT 5 REV 200

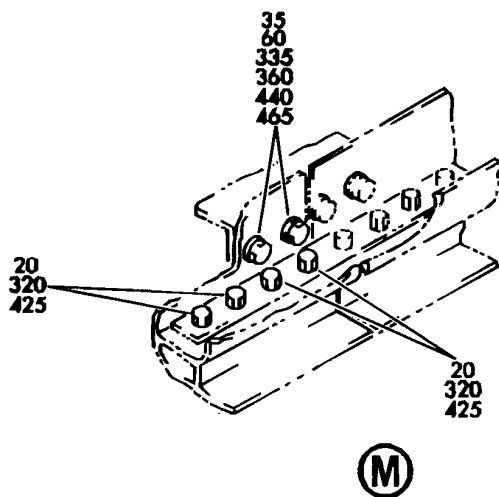
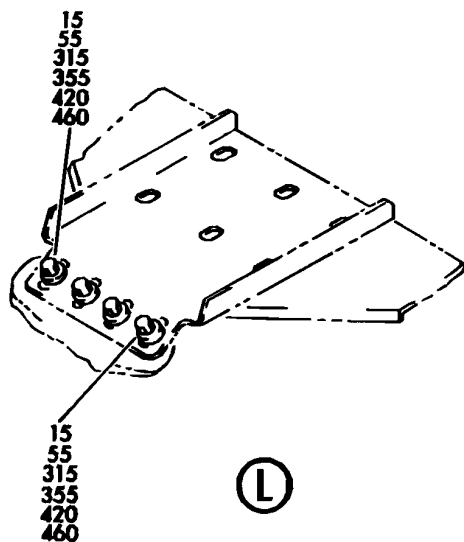
EXTRUSION INSTL-SIDEWALL AC OUTLET (L AND R SIDE AFT)
FIGURE 29 (SHEET 5)

21-23-02-29

BRI
MAY 28/07

21-23-02-29
PAGE 0D

BOEING
757
PARTS CATALOG (MAINTENANCE)



Y 21230229 SHT 6 REV 200

EXTRUSION INSTL-SIDEWALL AC OUTLET (L AND R SIDE AFT)
FIGURE 29 (SHEET 6)

21-23-02-29

BRI
MAY 28/07

21-23-02-29
PAGE 0E



757

PARTS CATALOG (MAINTENANCE)

| FIG ITEM | PART NUMBER | 1 2 3 4 5 6 7 | NOMENCLATURE | EFFECT FROM TO | UNITS PER ASSY |
|----------|--------------|---------------|--|----------------------------|----------------|
| 29 | | | EXTRUSION INSTL-SIDEWALL AC OUTLET (L AND R SIDE AFT) | 002004 121503 904949 | |
| 1 | 412N3131-501 | | EXTRUSION INSTL-SIDEWALL AC OUTLET POSITION DATA: L SIDE AFT FOR NHA SEE: 21-23-02-26 | 121503 904949 | RF |
| 1 | 412N3131-706 | | EXTRUSION INSTL-SIDEWALL AC OUTLET POSITION DATA: L SIDE AFT FOR NHA SEE: 21-23-02-26 | 002004 952952 | RF |
| 5 | BACB30NM3K5 | | .BOLT | 002004 121503 904949 | 20 |
| 10 | BACB30NM3K4 | | .BOLT | 002004 121503 904949 | 6 |
| 15 | BACB30NM4K3 | | .BOLT | 002004 121503 904949 | 4 |
| 20 | BACB30LU2-2 | | .BOLT | 002004 121503 904949 | 4 |
| 25 | NAS514P832-8 | | .SCREW- OPTIONAL PART: BACS12ER08K8 | 002004 121503 904949 | 2 |
| 25 | BACS12ER08K8 | | .SCREW- OPTIONAL PART: NAS514P832-8 | 002004 121503 904949 | 2 |
| 30 | NAS514P832-7 | | .SCREW- OPTIONAL PART: BACS12ER08K7 | 002004 121503 904949 | 2 |
| 30 | BACS12ER08K7 | | .SCREW- OPTIONAL PART: NAS514P832-7 | 002004 121503 904949 | 2 |
| 35 | NAS1801-08-7 | | .SCREW- OPTIONAL PART: BACS12GU08K7 | 002004 121503 904949 | 2 |
| 35 | BACS12GU08K7 | | .SCREW- OPTIONAL PART: NAS1801-08-7 | 002004 121503 904949 | 2 |

MISSING ITEM NUMBERS NOT APPLICABLE

- ITEM NOT ILLUSTRATED

21-23-02-29

21-23-02
FIG. 29
PAGE 1
JAN 20/09

BRI



757

PARTS CATALOG (MAINTENANCE)

| FIG ITEM | PART NUMBER | 1 2 3 4 5 6 7 | NOMENCLATURE | EFFECT FROM TO | UNITS PER ASSY |
|----------|----------------|-----------------------|--------------|----------------|----------------|
| 29 | | | | | |
| 40 | NAS1801-08-8 | .SCREW- | | 002004 | 8 |
| | | OPTIONAL PART: | | 121503 | |
| | | BACS12GU08K8 | | 904949 | |
| 40 | BACS12GU08K8 | .SCREW- | | 002004 | 8 |
| | | OPTIONAL PART: | | 121503 | |
| | | NAS1801-08-8 | | 904949 | |
| 45 | BACW10P43AL | .WASHER | | 002004 | 40 |
| | | | | 121503 | |
| | | | | 904949 | |
| 50 | AN960JD10L | .WASHER | | 002004 | 6 |
| | | | | 121503 | |
| | | | | 904949 | |
| 55 | AN960JD416L | .WASHER | | 002004 | 4 |
| | | | | 121503 | |
| | | | | 904949 | |
| 60 | AN960JD8L | .WASHER | | 002004 | 8 |
| | | | | 121503 | |
| | | | | 904949 | |
| 65 | BACW10DM5P | .WASHER | | 002004 | 4 |
| | | | | 121503 | |
| | | | | 904949 | |
| 70 | MS21042L3 | .NUT | | 002004 | 20 |
| | | | | 121503 | |
| | | | | 904949 | |
| 75 | 130008 | .NUT | | 002004 | 2 |
| | | SUPPLIER CODE: | | 121503 | |
| | | V60119 | | 904949 | |
| | | SPECIFICATION NUMBER: | | | |
| | | BACN10FX84 | | | |
| | | OPTIONAL PART: | | | |
| | | RM52LHA4972-6-8 | | | |
| | | V72962 | | | |
| | | SL211-08-1 | | | |
| | | V97393 | | | |
| | | A11330-6-82 | | | |
| | | V72962 | | | |
| | | A4972-6-82 | | | |
| | | V72962 | | | |
| 80 | 412N2004-89 | .BRACKET | | 002004 | 1 |
| | | | | 121503 | |
| | | | | 904949 | |
| 85 | 412N2004-92 | .BRACKET | | 002004 | 1 |
| | | | | 121503 | |
| | | | | 904949 | |
| 90 | 412N3103-121SP | .OUTLET ASSY- | | 121503 | 1 |
| | | FOR DETAILS SEE: | | 904949 | |
| | | 21-23-02-38 | | | |

MISSING ITEM NUMBERS NOT APPLICABLE

- ITEM NOT ILLUSTRATED

21-23-02-29

21-23-02
FIG. 29
PAGE 2
JAN 20/09

BRI



757

PARTS CATALOG (MAINTENANCE)

| FIG ITEM | PART NUMBER | 1 2 3 4 5 6 7 | NOMENCLATURE | EFFECT FROM TO | UNITS PER ASSY |
|----------|----------------|---|---------------------------------|--------------------------------------|----------------|
| 29 | | | | | |
| 90 | 412N3103-267SP | .OUTLET ASSY- | FOR DETAILS SEE: 21-23-02-38 | 002004 952952 | 1 |
| 95 | 412N3103-157SP | .OUTLET ASSY- | FOR DETAILS SEE: 21-23-02-38 | 002004 121503 904949 952952 | 1 |
| 100 | 412N3103-65SP | .OUTLET ASSY- | FOR DETAILS SEE: 21-23-02-38 | 002004 121503 904949 952952 | 1 |
| 405 | 412N3131-602 | EXTRUSION INSTL-SIDEWALL AC OUTLET POSITION DATA: R SIDE AFT FOR NHA SEE: 21-23-02-26 | | 121503 904949 | RF |
| 405 | 412N3131-604 | EXTRUSION INSTL-SIDEWALL AC OUTLET POSITION DATA: R SIDE AFT FOR NHA SEE: 21-23-02-26 21-23-02-42 | | 002004 952952 | RF |
| 410 | BACB30NM3K5 | .BOLT | | 002004 121503 904949 952952 | 20 |
| 415 | BACB30NM3K4 | .BOLT | | 002004 121503 904949 952952 | 6 |
| 420 | BACB30NM4K3 | .BOLT | | 002004 121503 904949 952952 | 4 |
| 425 | BACB30LU2-2 | .BOLT | | 002004 121503 904949 952952 | 4 |
| 430 | NAS514P832-8 | .SCREW- | OPTIONAL PART: BACS12ER08K8 | 002004 121503 904949 952952 | 2 |
| 430 | BACS12ER08K8 | .SCREW- | OPTIONAL PART: NAS514P832-8 | 002004 121503 904949 952952 | 2 |

MISSING ITEM NUMBERS NOT APPLICABLE

- ITEM NOT ILLUSTRATED

21-23-02-29

21-23-02
FIG. 29
PAGE 3
JAN 20/09

BRI



757

PARTS CATALOG (MAINTENANCE)

| FIG ITEM | PART NUMBER | 1 2 3 4 5 6 7 | NOMENCLATURE | EFFECT FROM TO | UNITS PER ASSY |
|----------|--------------|---------------|--------------------------------|--------------------------------------|----------------|
| 29 | | | | | |
| 435 | NAS514P832-7 | .SCREW- | OPTIONAL PART: BACS12ER08K7 | 002004 121503 904949 952952 | 2 |
| 435 | BACS12ER08K7 | .SCREW- | OPTIONAL PART: NAS514P832-7 | 002004 121503 904949 952952 | 2 |
| 440 | NAS1801-08-7 | .SCREW- | OPTIONAL PART: BACS12GU08K7 | 002004 121503 904949 952952 | 2 |
| 440 | BACS12GU08K7 | .SCREW- | OPTIONAL PART: NAS1801-08-7 | 002004 121503 904949 952952 | 2 |
| 445 | NAS1801-08-8 | .SCREW- | OPTIONAL PART: BACS12GU08K8 | 002004 121503 904949 952952 | 8 |
| 445 | BACS12GU08K8 | .SCREW- | OPTIONAL PART: NAS1801-08-8 | 002004 121503 904949 952952 | 8 |
| 450 | BACW10P43AL | .WASHER | | 002004 121503 904949 952952 | 40 |
| 455 | AN960JD10L | .WASHER | | 002004 121503 904949 952952 | 6 |
| 460 | AN960JD416L | .WASHER | | 002004 121503 904949 952952 | 4 |
| 465 | AN960JD8L | .WASHER | | 002004 121503 904949 952952 | 8 |
| 475 | MS21042L3 | .NUT | | 002004 121503 904949 952952 | 20 |

MISSING ITEM NUMBERS NOT APPLICABLE

- ITEM NOT ILLUSTRATED

21-23-02-29

21-23-02
FIG. 29
PAGE 4
JAN 20/09

BRI



757

PARTS CATALOG (MAINTENANCE)

| FIG ITEM | PART NUMBER | 1 2 3 4 5 6 7 | NOMENCLATURE | EFFECT FROM TO | UNITS PER ASSY |
|-----------|----------------|---------------|--|--------------------------------------|----------------|
| 29 480 | 130008 | . | NUT SUPPLIER CODE: V60119 SPECIFICATION NUMBER: BACN10FX84 OPTIONAL PART: RM52LHA4972-6-8 V72962 SL211-08-1 V97393 A11330-6-82 V72962 A4972-6-82 V72962 | 002004 121503 904949 952952 | 2 |
| 485 | 412N2004-90 | . | BRACKET | 002004 121503 904949 952952 | 1 |
| 490 | 412N2004-91 | . | BRACKET | 002004 121503 904949 952952 | 1 |
| 495 | 412N3103-122SP | . | OUTLET ASSY- FOR DETAILS SEE: 21-23-02-38A | 121503 904949 | 1 |
| 495 | 412N3103-268SP | . | OUTLET ASSY- FOR DETAILS SEE: 21-23-02-38A | 002004 952952 | 1 |
| 500 | 412N3103-158SP | . | OUTLET ASSY- FOR DETAILS SEE: 21-23-02-38A | 002004 121503 904949 952952 | 1 |
| 505 | 412N3103-66SP | . | OUTLET ASSY- FOR DETAILS SEE: 21-23-02-38A | 002004 121503 904949 952952 | 1 |

MISSING ITEM NUMBERS NOT APPLICABLE

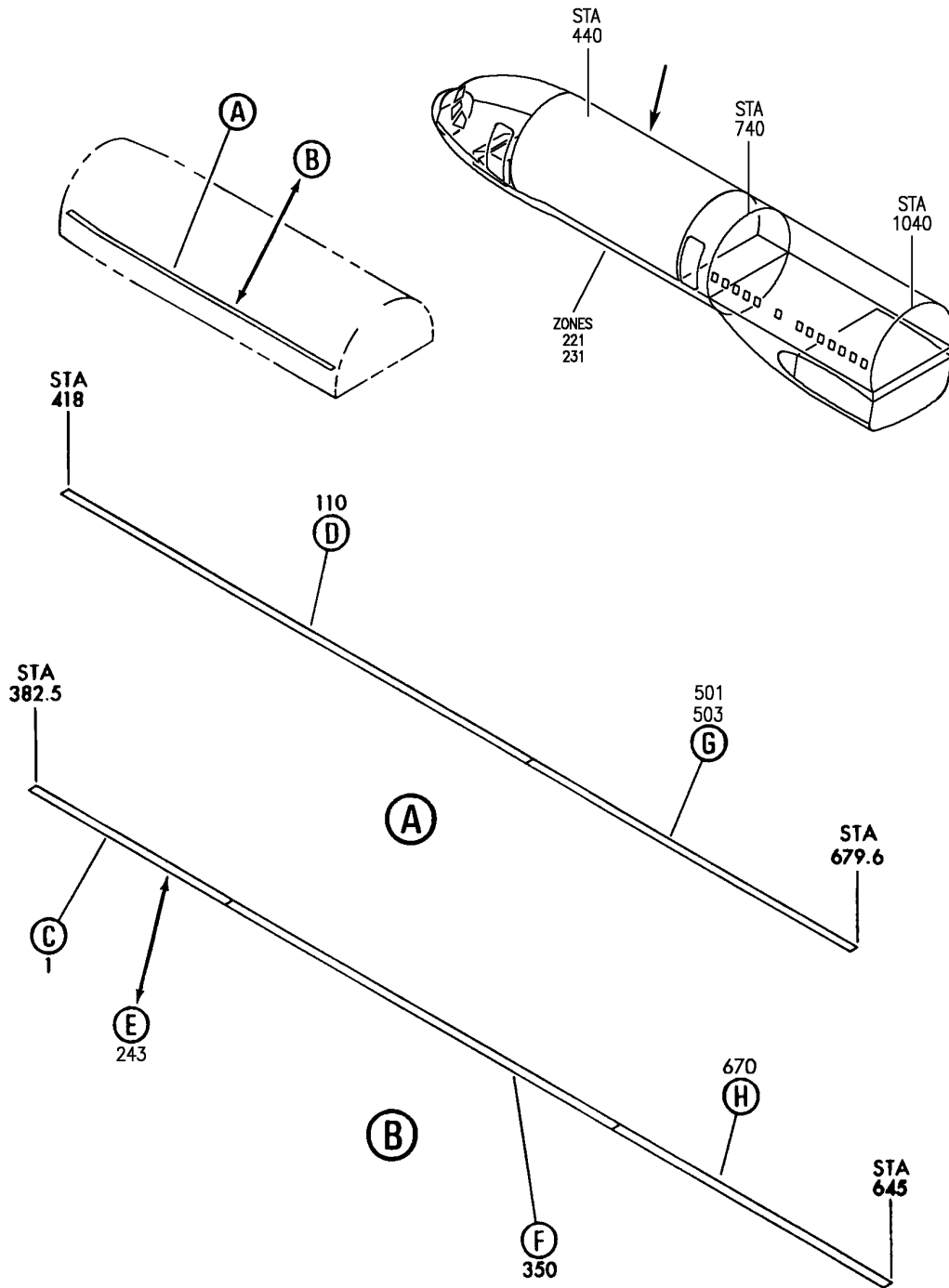
- ITEM NOT ILLUSTRATED

BRI

21-23-02-29

21-23-02
FIG. 29
PAGE 5
JAN 20/09

BOEING
757
PARTS CATALOG (MAINTENANCE)



Y 21230232 SH1 1 REV 265

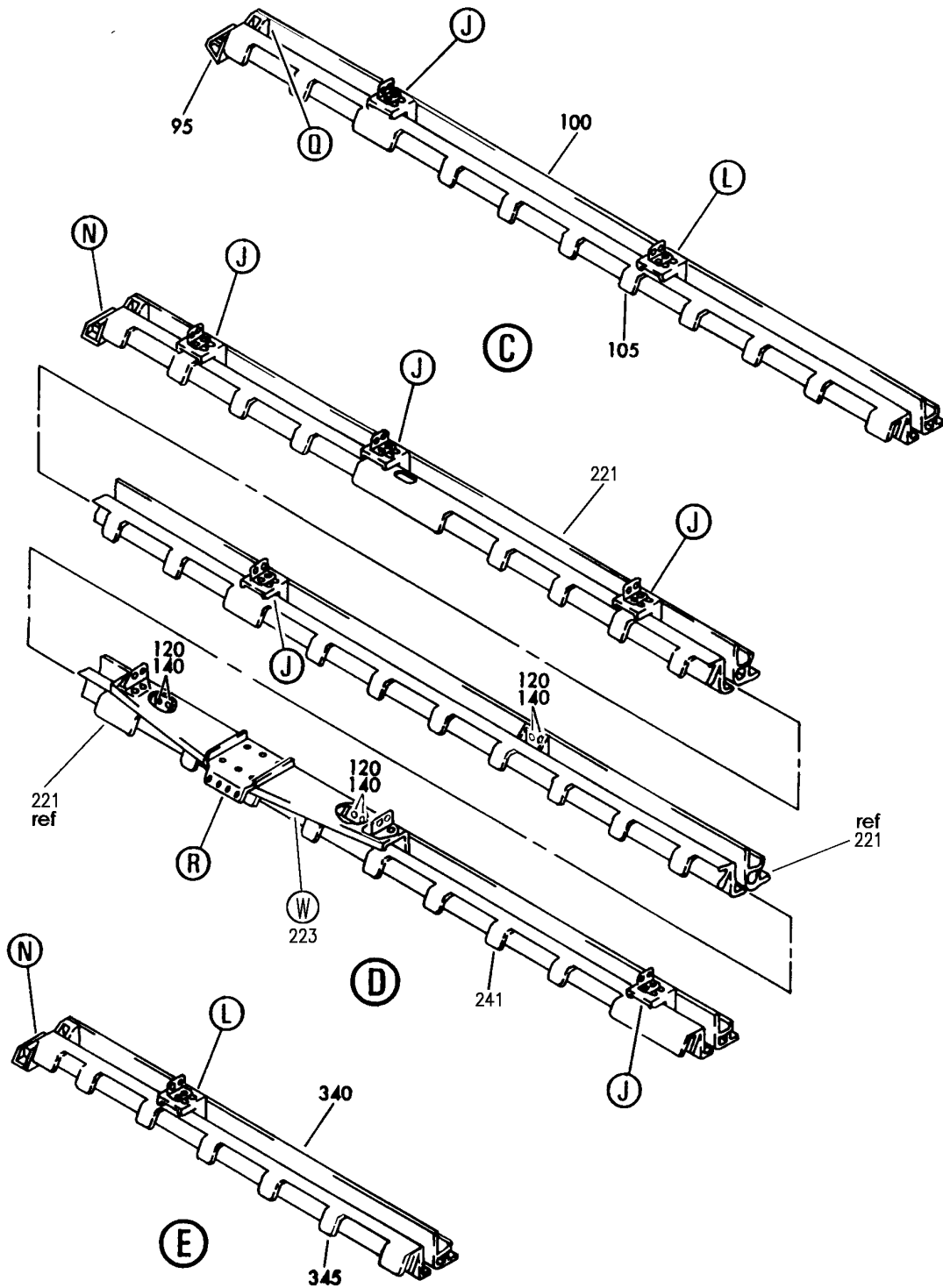
OUTLET ASSY-L SIDE FWD
FIGURE 32 (SHEET 1)

21-23-02-32

BRI
MAY 28/07

21-23-02-32
PAGE 0

BOEING
757
PARTS CATALOG (MAINTENANCE)



Y 21230232 SH1 2 REV 265

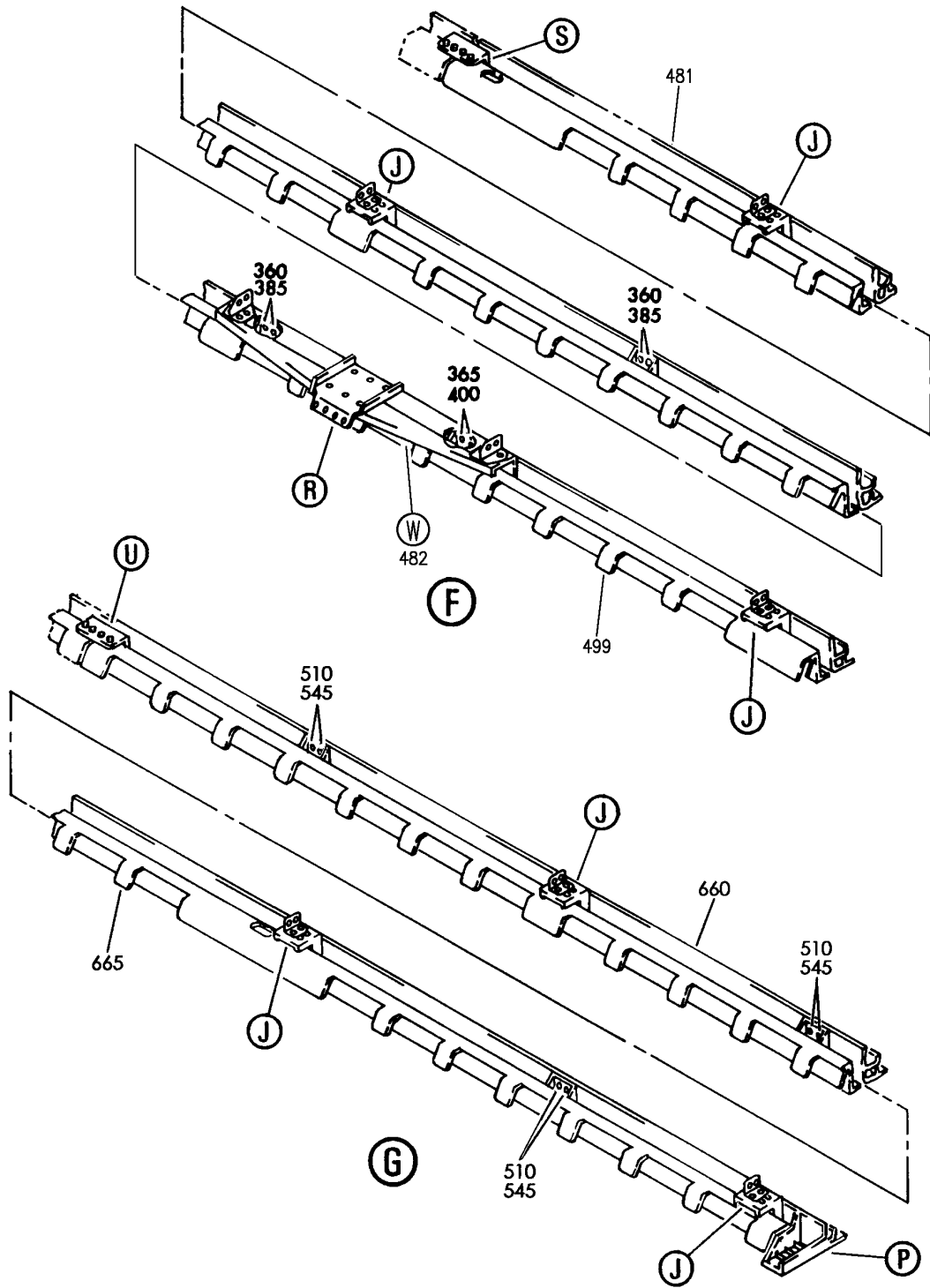
OUTLET ASSY-L SIDE FWD
FIGURE 32 (SHEET 2)

21-23-02-32

BRI
MAY 28/07

21-23-02-32
PAGE 0A

BOEING
757
PARTS CATALOG (MAINTENANCE)



Y 21230232 SH1 3 REV 265

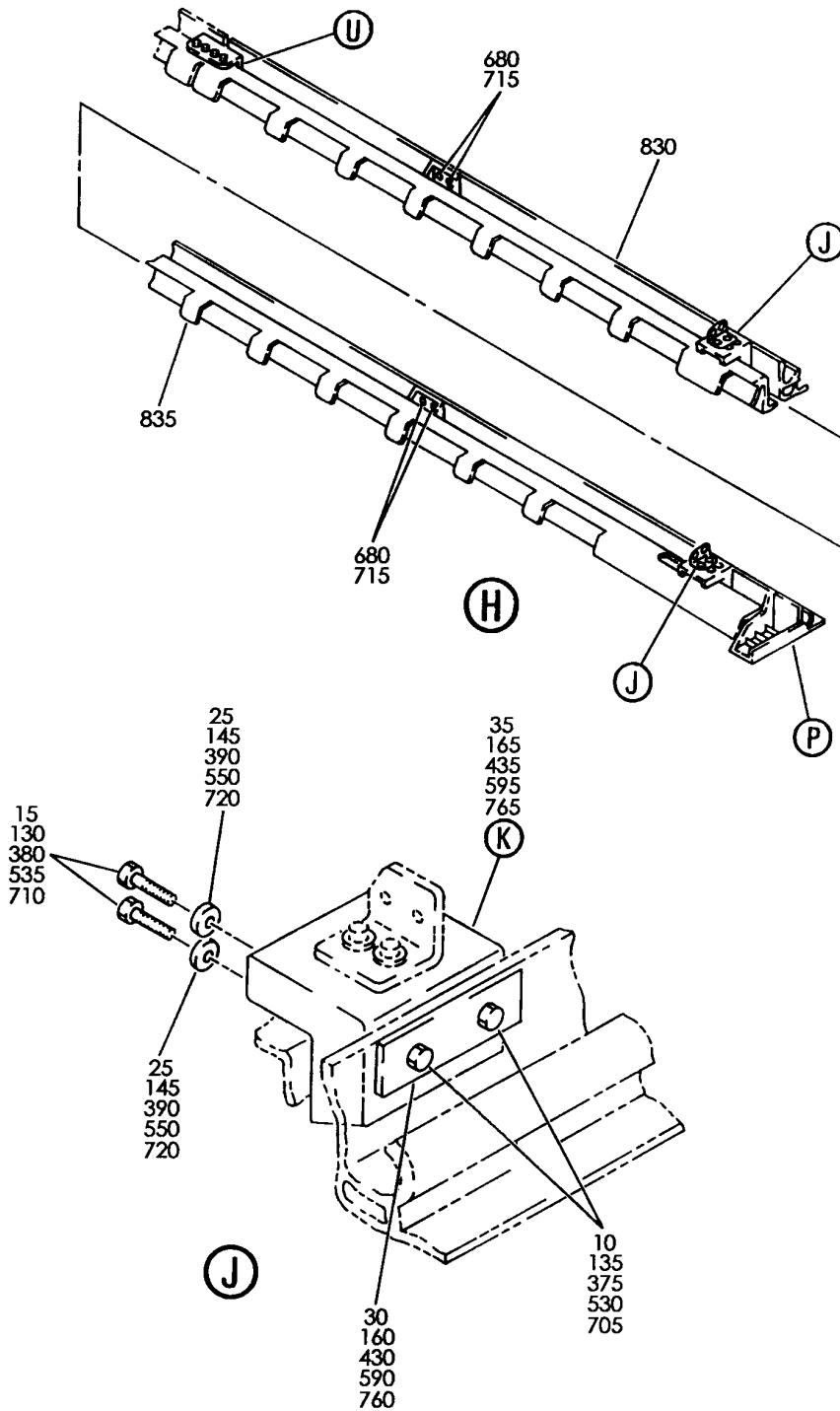
OUTLET ASSY-L SIDE FWD
FIGURE 32 (SHEET 3)

21-23-02-32

BRI
MAY 28/07

21-23-02-32
PAGE 0B

BOEING
757
PARTS CATALOG (MAINTENANCE)



Y 21230232 SHT 4 REV 202

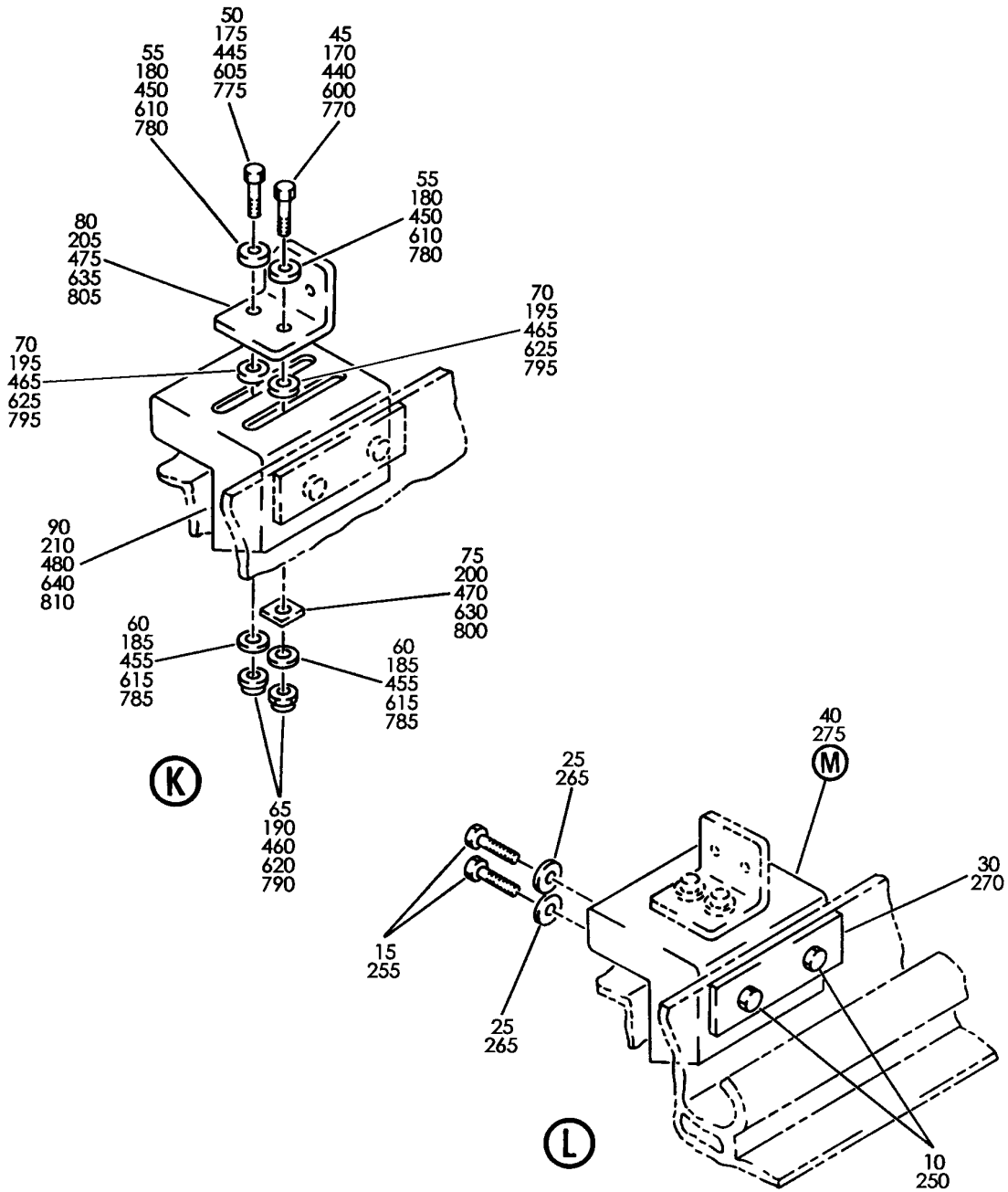
OUTLET ASSY-L SIDE FWD
FIGURE 32 (SHEET 4)

21-23-02-32

BRI
MAY 28/07

21-23-02-32
PAGE 0C


BOEING
 757
PARTS CATALOG (MAINTENANCE)



Y 21230232 SHT 5 REV 202

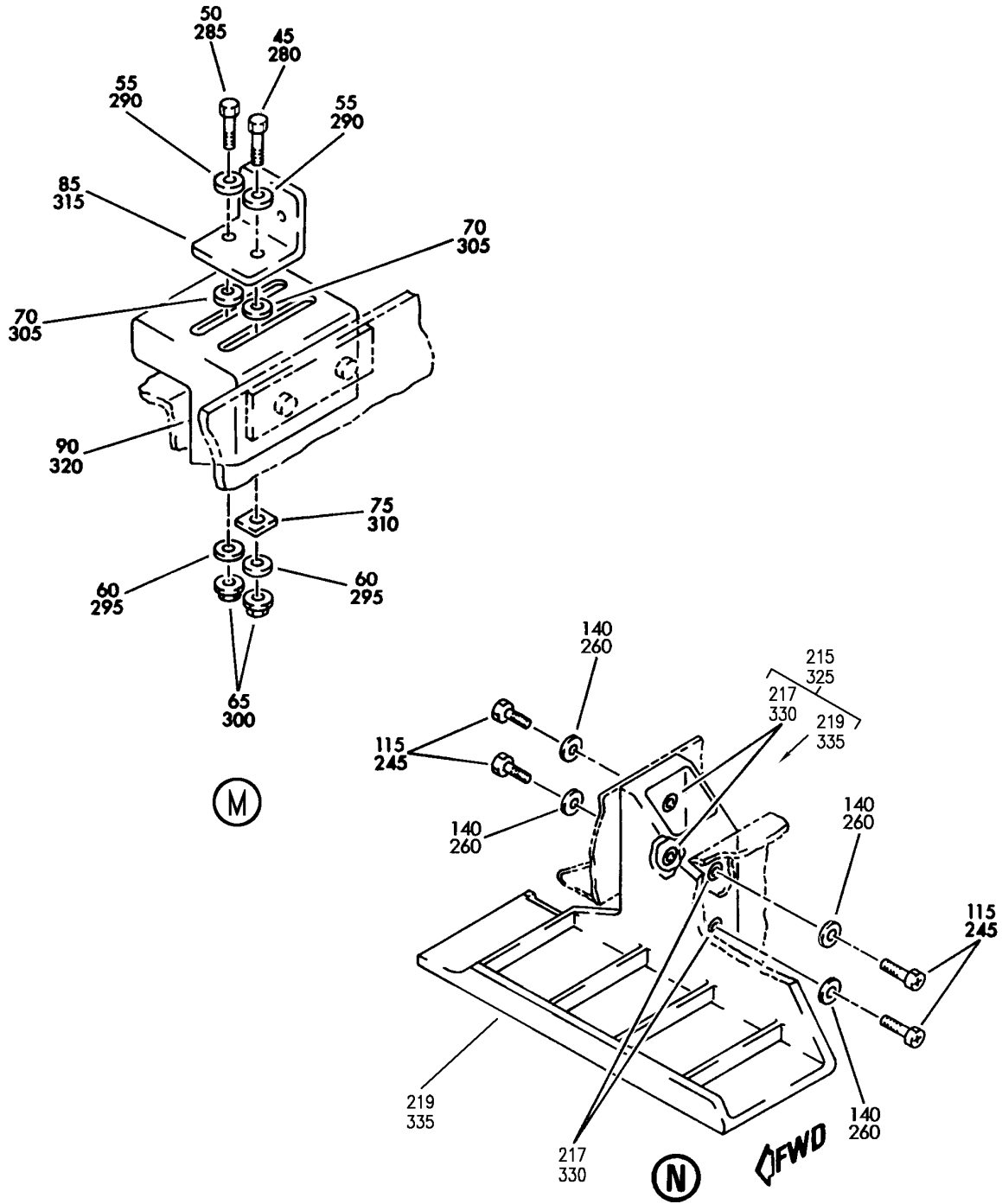
OUTLET ASSY-L SIDE FWD
 FIGURE 32 (SHEET 5)

21-23-02-32

BRI
MAY 28/07

21-23-02-32
 PAGE 0D

BOEING
757
PARTS CATALOG (MAINTENANCE)



Y 21230232 SH1 6 REV 265

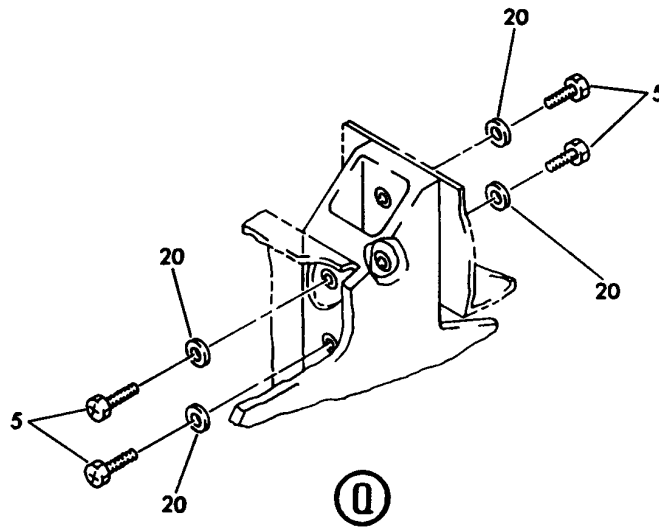
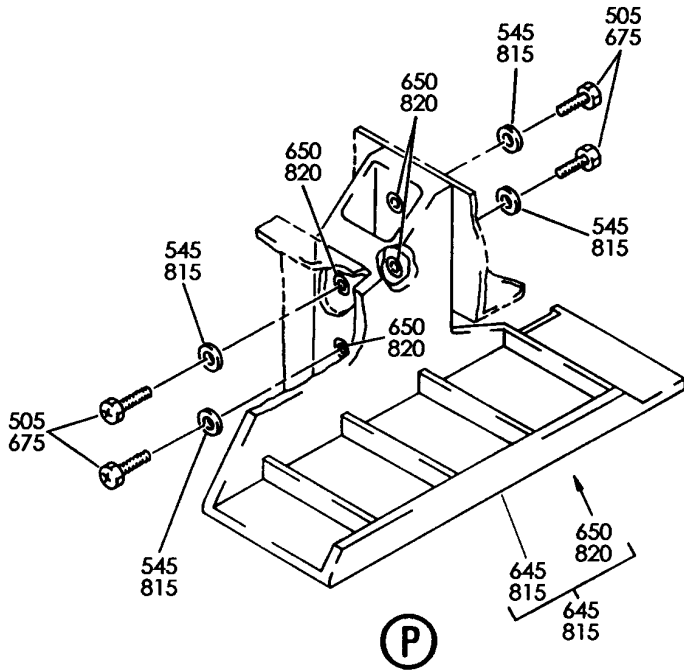
OUTLET ASSY-L SIDE FWD
FIGURE 32 (SHEET 6)

21-23-02-32

BRI
MAY 28/07

21-23-02-32
PAGE 0E

BOEING
757
PARTS CATALOG (MAINTENANCE)



Y 21230232 SHT 7 REV 202

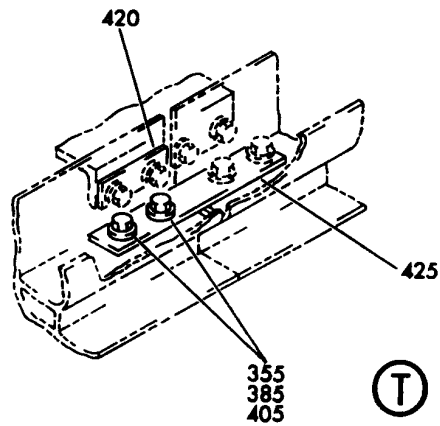
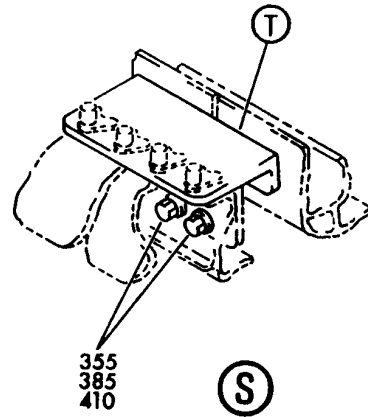
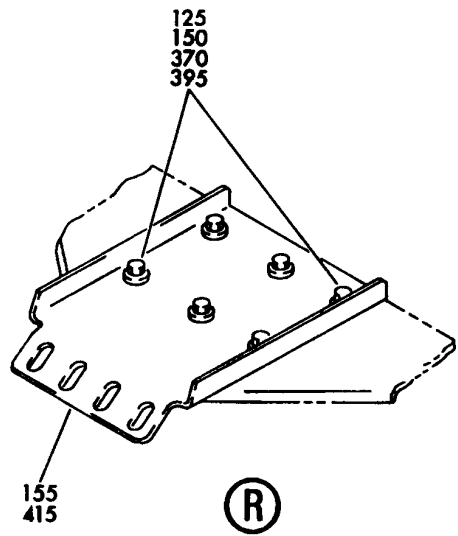
OUTLET ASSY-L SIDE FWD
FIGURE 32 (SHEET 7)

21-23-02-32

BRI
MAY 28/07

21-23-02-32
PAGE OF

BOEING
757
PARTS CATALOG (MAINTENANCE)



Y 21230232 SHT 8 REV 202

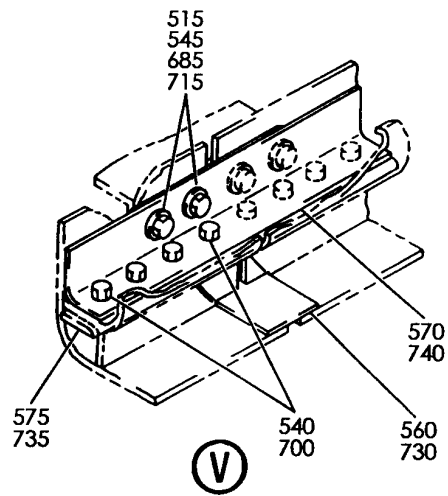
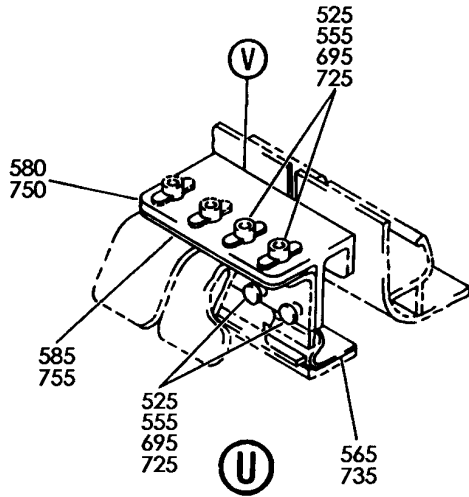
OUTLET ASSY-L SIDE FWD
FIGURE 32 (SHEET 8)

21-23-02-32

BRI
MAY 28/07

21-23-02-32
PAGE 0G

BOEING
757
PARTS CATALOG (MAINTENANCE)



Y 21230232 SHT 9 REV 202

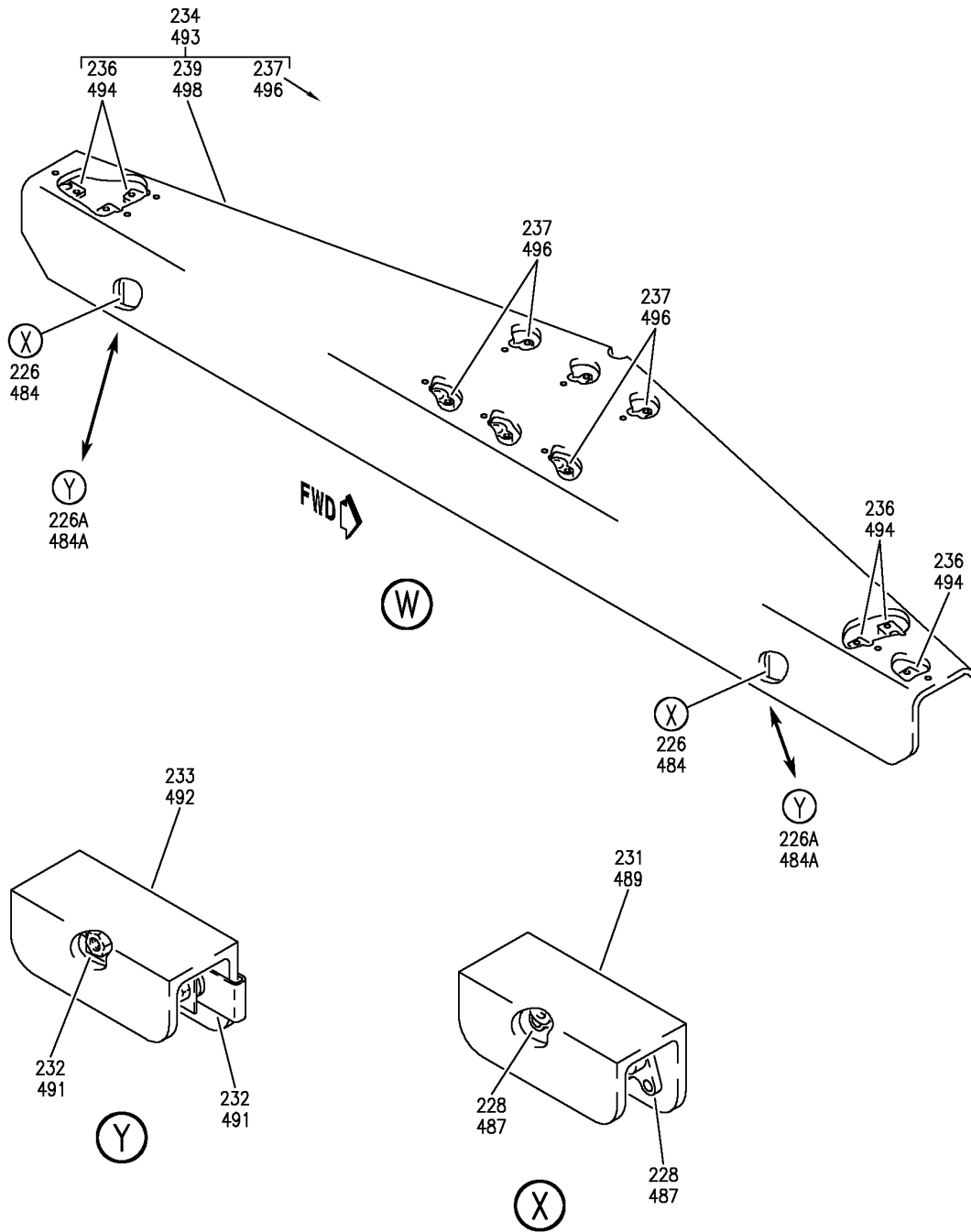
OUTLET ASSY-L SIDE FWD
FIGURE 32 (SHEET 9)

21-23-02-32

BRI
MAY 28/07

21-23-02-32
PAGE 0H


BOEING
 757
PARTS CATALOG (MAINTENANCE)



Y 21230232 SH1 10 REV 265

OUTLET ASSY-L SIDE FWD
 FIGURE 32 (SHEET 10)

21-23-02-32

BRI
MAY 28/07

21-23-02-32
 PAGE 01



757

PARTS CATALOG (MAINTENANCE)

| FIG ITEM | PART NUMBER | 1 2 3 4 5 6 7 | NOMENCLATURE | EFFECT FROM TO | UNITS PER ASSY |
|----------|----------------|---------------|---|--------------------------------------|----------------|
| 32 | | | OUTLET ASSY-L SIDE FWD | 002004 121503 904949 952952 | |
| 1 | 412N3103-266SP | | OUTLET ASSY- POSITION DATA: L SIDE FWD FOR NHA SEE: 21-23-02-27 | 002004 952952 | RF |
| 5 | NAS1801-08-5 | | .SCREW | 952952 | 4 |
| 10 | BACB30VF3K4 | | .BOLT- OPTIONAL PART: NAS8703-3 BACB30VF3K3 BACS12ER3K9 | 952952 | 4 |
| 10 | BACS12ER3K9 | | .SCREW- OPTIONAL PART: NAS8703-3 BACB30VF3K3 BACB30VF3K4 | 952952 | 4 |
| 15 | BACB30NT3K2 | | .BOLT | 952952 | 4 |
| 20 | AN960JD8L | | .WASHER | 952952 | 4 |
| 25 | AN960JD10LL | | .WASHER | 952952 | 4 |
| 30 | 65C27021-177 | | .DOUBLER | 952952 | 2 |
| 35 | 412N3133-1 | | .FITTING ASSY | 952952 | 1 |
| 40 | 412N3133-3 | | .FITTING ASSY | 952952 | 1 |
| 45 | BACB30NM3K5 | | ..BOLT | 952952 | 1 |
| 50 | BACB30NM3K3 | | ..BOLT | 952952 | 1 |
| 55 | AN960JD10LL | | ..WASHER | 952952 | 2 |
| 60 | AN960JD10L | | ..WASHER | 952952 | 2 |
| 65 | MS21042L3 | | ..NUT | 952952 | 2 |
| 70 | 412N2004-55 | | ..SPACER | 952952 | 2 |
| 75 | 65C27021-178 | | ..FILLER | 952952 | 1 |
| 80 | 65C27021-198 | | ..BRACKET- USED ON: 412N3133-1 | 952952 | 1 |
| 85 | 65C27021-179 | | ..BRACKET- USED ON: 412N3133-3 | 952952 | 1 |
| 90 | 412N3134-1 | | ..BRACKET | 952952 | 1 |
| 95 | 412N3104-10SP | | .CAP ASSY-END | 952952 | 1 |
| 105 | 412N3137-809SP | | .BEAM ASSY | 002004 952952 | 1 |
| 105 | 412N3137-837SP | | .BEAM ASSY | 002004 | 1 |
| 110 | 412N3103-136SP | | OUTLET ASSY- POSITION DATA: L SIDE FWD FOR NHA SEE: 21-23-02-27 | 121503 904949 | RF |

MISSING ITEM NUMBERS NOT APPLICABLE

- ITEM NOT ILLUSTRATED

21-23-02-32

21-23-02
FIG. 32
PAGE 1
JAN 20/09

BRI



757

PARTS CATALOG (MAINTENANCE)

| FIG ITEM | PART NUMBER | 1 2 3 4 5 6 7 | NOMENCLATURE | EFFECT FROM TO | UNITS PER ASSY |
|----------|--------------|---------------|--|------------------|----------------|
| 32 | | | | | |
| 115 | NAS1801-08-5 | . | SCREW | 121503 904949 | 4 |
| 120 | NAS1801-08-6 | . | SCREW | 121503 904949 | 6 |
| 125 | BACB30NM4K2 | . | BOLT | 121503 904949 | 6 |
| 130 | BACB30NT3K2 | . | BOLT | 121503 904949 | 10 |
| 135 | BACB30VF3K4 | . | BOLT- | 121503 904949 | 10 |
| | | | OPTIONAL PART: BACS12ER3K9 BACB30VF3K3 | | |
| 135 | BACS12ER3K9 | . | SCREW- | 121503 904949 | 10 |
| | | | OPTIONAL PART: BACB30VF3K3 BACB30VF3K4 | | |
| 135 | BACB30VF3K3 | . | BOLT- | 121503 904949 | 10 |
| | | | OPTIONAL PART: BACS12ER3K9 BACB30VF3K4 | | |
| 140 | AN960JD8L | . | WASHER | 121503 904949 | 10 |
| 145 | AN960JD10LL | . | WASHER | 121503 904949 | 10 |
| 150 | AN960JD416L | . | WASHER | 121503 904949 | 6 |
| 155 | 412N2003-87 | . | SUPPORT | 121503 904949 | 1 |
| 160 | 65C27021-177 | . | DOUBLER | 121503 904949 | 5 |
| 165 | 412N3133-1 | . | FITTING ASSY | 121503 904949 | 5 |
| 170 | BACB30NM3K5 | .. | BOLT | 121503 904949 | 1 |
| 175 | BACB30NM3K3 | .. | BOLT | 121503 904949 | 1 |
| 180 | AN960JD10LL | .. | WASHER | 121503 904949 | 2 |
| 185 | AN960JD10L | .. | WASHER | 121503 904949 | 2 |
| 190 | MS21042L3 | .. | NUT | 121503 904949 | 2 |
| 195 | 412N2004-55 | .. | SPACER | 121503 904949 | 2 |
| 200 | 65C27021-178 | .. | FILLER | 121503 904949 | 1 |
| 205 | 65C27021-198 | .. | BRACKET | 121503 904949 | 1 |

MISSING ITEM NUMBERS NOT APPLICABLE

- ITEM NOT ILLUSTRATED

21-23-02-32

21-23-02
FIG. 32
PAGE 2
JAN 20/09

BRI

BOEING PROPRIETARY - Copyright © - Unpublished Work - See title page for details.



757

PARTS CATALOG (MAINTENANCE)

| FIG ITEM | PART NUMBER | 1 2 3 4 5 6 7 | NOMENCLATURE | EFFECT FROM TO | UNITS PER ASSY |
|----------|----------------|---------------|--|------------------|----------------|
| 32 | | | | | |
| 210 | 412N3134-1 | .. | BRACKET | 121503 904949 | 1 |
| 215 | 412N3104-1SP | .CAP | ASSY | 121503 904949 | 1 |
| 217 | 6035-2BRX185 | .. | INSERT- SUPPLIER CODE: V01556 | 121503 904949 | 4 |
| 219 | 412N3104-3 | .. | CAP | 121503 904949 | 1 |
| 221 | 412N3136-151SP | .BEAM | ASSY- | 121503 904949 | 1 |
| 223 | 412N2021-22 | .. | SUPPORT ASSY | 121503 904949 | 1 |
| | | | ATTACHING PARTS | | |
| - 224 | BACR15FT6D | .. | RIVET- SIZE DETERMINED ON INSTL. -----*----- | 121503 904949 | 17 |
| 226 | 412N2004-93 | ... | BRACKET ASSY- OPTIONAL PART: 412N2004-132 | 121503 904949 | 2 |
| 226A | 412N2004-132 | ... | BRACKET ASSY- OPTIONAL PART: 412N2004-93 | 121503 904949 | 2 |
| | | | ATTACHING PARTS | | |
| - 227 | NAS1399D5 | ... | RIVET- SIZE DETERMINED ON INSTL. -----*----- | 121503 904949 | 4 |
| 228 | T8078S832 | | NUTPLATE- SUPPLIER CODE: V11815 SPECIFICATION NUMBER: BACN10JP08C OPTIONAL PART: MK3000-08BAC V15653 NS103199-82 V80539 RMA9205M82 V72962 VN203A1-82 V92215 BRM300A08 V52828 USED ON: 412N2004-93 | 121503 904949 | 2 |

MISSING ITEM NUMBERS NOT APPLICABLE

- ITEM NOT ILLUSTRATED

BRI

21-23-02-32

21-23-02
FIG. 32
PAGE 3
JAN 20/09



757

PARTS CATALOG (MAINTENANCE)

| FIG ITEM | PART NUMBER | 1 2 3 4 5 6 7 | NOMENCLATURE | EFFECT FROM TO | UNITS PER ASSY |
|----------|--------------|---------------|---|------------------|----------------|
| 32 | | | ATTACHING PARTS | | |
| - 229 | BACR15BA3AD | | RIVET- SIZE DETERMINED ON INSTL. USED ON: 412N2004-93 -----*----- | 121503 904949 | 4 |
| 231 | 412N2004-94 | | BRACKET- USED ON: 412N2004-93 | 121503 904949 | 1 |
| 232 | 130007 | | NUT- SUPPLIER CODE: V60119 SPECIFICATION NUMBER: BACN10FX83 OPTIONAL PART: BRC500-8-08 V52828 SL213-08-1 V97393 A11330-8-82 V72962 A4972-8-82 V72962 A4972-8-82 V72962 USED ON: 412N2004-132 | 121503 904949 | 2 |
| 233 | 412N2004-133 | | BRACKET- USED ON: 412N2004-132 | 121503 904949 | 1 |
| 234 | 412N2003-90 | ... | SUPPORT ASSY | 121503 904949 | 1 |

MISSING ITEM NUMBERS NOT APPLICABLE

- ITEM NOT ILLUSTRATED

21-23-02-32

21-23-02
FIG. 32
PAGE 4
JAN 20/09

BRI



757

PARTS CATALOG (MAINTENANCE)

| FIG ITEM | PART NUMBER | 1 2 3 4 5 6 7 | NOMENCLATURE | EFFECT FROM TO | UNITS PER ASSY |
|-----------|----------------|---------------|---|------------------|----------------|
| 32 236 | MF53049-3 | | NUTPLATE SUPPLIER CODE: V15653 SPECIFICATION NUMBER: BACN10JN3 OPTIONAL PART: BRFM20A3 V52828 MF1000-3BAC V15653 NS103218-02 V80539 RMF9201M3 V72962 VN252A02 V92215 T8124S3S V11815 | 121503 904949 | 6 |
| 237 | T8076S428 | | NUTPLATE SUPPLIER CODE: V11815 SPECIFICATION NUMBER: BACN10JP4A OPTIONAL PART: MK1000-4BAC V15653 NS103197-048 V80539 RMA9201M4 V72962 VN202A1-048 V92215 BRM200A4 V52828 | 121503 904949 | 6 |
| - 238 | BACR15BA3D | | ATTACHING PARTS RIVET- SIZE DETERMINED ON INSTL. -----*----- | 121503 904949 | 24 |
| 239 | 412N2003-92 | | BRACKET | 121503 904949 | 1 |
| 241 | 412N3137-426SP | . | BEAM ASSY | 121503 904949 | 1 |
| 350 | 412N3103-155SP | | OUTLET ASSY- POSITION DATA: L SIDE FWD FOR NHA SEE: 21-23-02-27 | 002004 952952 | RF |
| 355 | NAS1801-08-8 | . | SCREW | 002004 952952 | 4 |

MISSING ITEM NUMBERS NOT APPLICABLE

- ITEM NOT ILLUSTRATED

21-23-02-32

21-23-02
FIG. 32
PAGE 5
JAN 20/09

BRI



757

PARTS CATALOG (MAINTENANCE)

| FIG ITEM | PART NUMBER | 1 2 3 4 5 6 7 | NOMENCLATURE | EFFECT FROM TO | UNITS PER ASSY |
|----------|--------------|---------------|--|------------------|----------------|
| 32 | | | | | |
| 360 | NAS1801-08-6 | . | SCREW | 002004 952952 | 4 |
| 365 | NAS514P832-7 | . | SCREW | 002004 952952 | 2 |
| 370 | BACB30NM4K2 | . | BOLT | 002004 952952 | 6 |
| 375 | BACB30VF3K4 | . | BOLT- OPTIONAL PART: BACS12ER3K9 BACB30VF3K3 | 002004 952952 | 6 |
| 375 | BACS12ER3K9 | . | SCREW- OPTIONAL PART: BACB30VF3K3 BACB30VF3K4 | 002004 952952 | 6 |
| 375 | BACB30VF3K3 | . | BOLT- OPTIONAL PART: BACS12ER3K9 BACB30VF3K4 | 002004 952952 | 6 |
| 380 | BACB30NT3K2 | . | BOLT | 002004 952952 | 6 |
| 385 | AN960JD8L | . | WASHER | 002004 952952 | 12 |
| 390 | AN960JD10LL | . | WASHER | 002004 952952 | 6 |
| 395 | AN960JD416L | . | WASHER | 002004 952952 | 6 |
| 400 | BACW10DM5P | . | WASHER | 002004 952952 | 2 |
| 405 | 130008 | . | NUT SUPPLIER CODE: V60119 SPECIFICATION NUMBER: BACN10FX84 OPTIONAL PART: RM52LHA4972-6-8 V72962 SL211-08-1 V97393 A11330-6-82 V72962 A4972-6-82 V72962 | 002004 952952 | 2 |
| 410 | MS21042L08 | . | NUT | 002004 952952 | 2 |
| 415 | 412N2003-87 | . | SUPPORT | 002004 952952 | 1 |
| 420 | 65C27021-191 | . | FILLER | 002004 952952 | 1 |

MISSING ITEM NUMBERS NOT APPLICABLE

- ITEM NOT ILLUSTRATED

21-23-02-32

21-23-02
FIG. 32
PAGE 6
JAN 20/09

BRI

BOEING PROPRIETARY - Copyright © - Unpublished Work - See title page for details.



757

PARTS CATALOG (MAINTENANCE)

| FIG ITEM | PART NUMBER | 1 2 3 4 5 6 7 | NOMENCLATURE | EFFECT FROM TO | UNITS PER ASSY |
|----------|---------------|---------------|--|------------------|----------------|
| 32 | | | | | |
| 425 | 65C27021-193 | . | DOUBLER | 002004 952952 | 1 |
| 430 | 65C27021-177 | . | DOUBLER | 002004 952952 | 3 |
| 435 | 412N3133-1 | . | FITTING ASSY | 002004 952952 | 3 |
| 440 | BACB30NM3K5 | .. | BOLT | 002004 952952 | 1 |
| 445 | BACB30NM3K3 | .. | BOLT | 002004 952952 | 1 |
| 450 | AN960JD10LL | .. | WASHER | 002004 952952 | 2 |
| 455 | AN960JD10L | .. | WASHER | 002004 952952 | 2 |
| 460 | MS21042L3 | .. | NUT | 002004 952952 | 2 |
| 465 | 412N2004-55 | .. | SPACER | 002004 952952 | 2 |
| 470 | 65C27021-178 | .. | FILLER | 002004 952952 | 1 |
| 475 | 65C27021-198 | .. | BRACKET | 002004 952952 | 1 |
| 480 | 412N3134-1 | .. | BRACKET | 002004 952952 | 1 |
| 481 | 412N3136-31SP | . | BEAM ASSY | 002004 952952 | 1 |
| 482 | 412N2021-22 | .. | SUPPORT ASSY | 002004 952952 | 1 |
| | | | ATTACHING PARTS | | |
| - 483 | BACR15FT6D | .. | RIVET- SIZE DETERMINED ON INSTL. -----*----- | 002004 952952 | 17 |
| 484 | 412N2004-93 | ... | BRACKET ASSY- OPTIONAL PART: 412N2004-132 | 002004 952952 | 2 |
| 484A | 412N2004-132 | ... | BRACKET ASSY- OPTIONAL PART: 412N2004-93 | 002004 952952 | 2 |
| | | | ATTACHING PARTS | | |
| - 486 | NAS1399D5 | ... | RIVET- SIZE DETERMINED ON INSTL. -----*----- | 002004 952952 | 4 |

MISSING ITEM NUMBERS NOT APPLICABLE

- ITEM NOT ILLUSTRATED

21-23-02-32

21-23-02
FIG. 32
PAGE 7
JAN 20/09

BRI



757

PARTS CATALOG (MAINTENANCE)

| FIG ITEM | PART NUMBER | 1 2 3 4 5 6 7 | NOMENCLATURE | EFFECT FROM TO | UNITS PER ASSY |
|-----------|--------------|---------------|--|------------------|----------------|
| 32 487 | T8078S832 | |NUTPLATE- SUPPLIER CODE: V11815 SPECIFICATION NUMBER: BACN10JP08C OPTIONAL PART: MK3000-08BAC V15653 NS103199-82 V80539 RMA9205M82 V72962 VN203A1-82 V92215 BRM300A08 V52828 USED ON: 412N2004-93 ATTACHING PARTS | 002004 952952 | 2 |
| - 488 | BACR15BA3AD | |RIVET- SIZE DETERMINED ON INSTL. USED ON: 412N2004-93 -----*----- | 002004 952952 | 4 |
| 489 | 412N2004-94 | |BRACKET- USED ON: 412N2004-93 | 002004 952952 | 1 |
| 491 | 130007 | |NUT- SUPPLIER CODE: V60119 SPECIFICATION NUMBER: BACN10FX83 OPTIONAL PART: BRC500-8-08 V52828 SL213-08-1 V97393 A11330-8-82 V72962 A4972-8-82 V72962 A4972-8-82 V72962 USED ON: 412N2004-132 | 002004 952952 | 2 |
| 492 | 412N2004-133 | |BRACKET- USED ON: 412N2004-132 | 002004 952952 | 1 |

MISSING ITEM NUMBERS NOT APPLICABLE

- ITEM NOT ILLUSTRATED

21-23-02-32

21-23-02
FIG. 32
PAGE 8
JAN 20/09

BRI



757

PARTS CATALOG (MAINTENANCE)

| FIG ITEM | PART NUMBER | 1 2 3 4 5 6 7 | NOMENCLATURE | EFFECT FROM TO | UNITS PER ASSY |
|----------|----------------|---------------|---|----------------------------|----------------|
| 32 | | | | | |
| 493 | 412N2003-90 | ... | SUPPORT ASSY | 002004 952952 | 1 |
| 494 | MF53049-3 | | NUTPLATE SUPPLIER CODE: V15653 SPECIFICATION NUMBER: BACN10JN3 OPTIONAL PART: BRFM20A3 V52828 MF1000-3BAC V15653 NS103218-02 V80539 RMF9201M3 V72962 VN252A02 V92215 T8124S3S V11815 | 002004 952952 | 6 |
| 496 | T8076S428 | | NUTPLATE SUPPLIER CODE: V11815 SPECIFICATION NUMBER: BACN10JP4A OPTIONAL PART: MK1000-4BAC V15653 NS103197-048 V80539 RMA9201M4 V72962 VN202A1-048 V92215 BRM200A4 V52828 | 002004 952952 | 6 |
| - 497 | BACR15BA3D | | ATTACHING PARTS RIVET- SIZE DETERMINED ON INSTL. -----*----- | 002004 952952 | 24 |
| 498 | 412N2003-92 | | BRACKET | 002004 952952 | 1 |
| 499 | 412N3137-457SP | . | BEAM ASSY | 002004 952952 | 1 |
| 501 | 412N3103-47SP | | OUTLET ASSY- POSITION DATA: L SIDE FWD FOR NHA SEE: 21-23-02-27 | 002004 121503 904949 | RF |

MISSING ITEM NUMBERS NOT APPLICABLE

- ITEM NOT ILLUSTRATED

21-23-02-32

21-23-02
FIG. 32
PAGE 9
JAN 20/09

BRI



757

PARTS CATALOG (MAINTENANCE)

| FIG ITEM | PART NUMBER | 1 2 3 4 5 6 7 | NOMENCLATURE | EFFECT FROM TO | UNITS PER ASSY |
|----------|--------------|---------------|---|----------------------------|----------------|
| 32 | | | | | |
| 505 | NAS1801-08-5 | . | SCREW | 002004 121503 904949 | 4 |
| 510 | NAS1801-08-6 | . | SCREW | 002004 121503 904949 | 6 |
| 515 | NAS1801-08-7 | . | SCREW | 002004 121503 904949 | 2 |
| 520 | NAS514P832-7 | . | SCREW | 002004 121503 904949 | 2 |
| 525 | NAS514P832-8 | . | SCREW | 002004 121503 904949 | 2 |
| 530 | NAS8703-3 | . | SCREW- OPTIONAL PART: BACB30VF3K4 BACS12ER3K9 BACB30VF3K3 | 002004 121503 904949 | 6 |
| 530 | BACB30VF3K4 | . | BOLT- OPTIONAL PART: NAS8703-3 BACB30VF3K3 BACS12ER3K9 | 002004 121503 904949 | 6 |
| 530 | BACS12ER3K9 | . | SCREW- OPTIONAL PART: BACB30VF3K3 BACB30VF3K4 NAS8703-3 | 002004 121503 904949 | 6 |
| 530 | BACB30VF3K3 | . | BOLT- OPTIONAL PART: NAS8703-3 BACB30VF3K4 BACS12ER3K9 | 002004 121503 904949 | 6 |
| 535 | BACB30NT3K2 | . | BOLT | 002004 121503 904949 | 6 |
| 540 | BACB30LU3-2 | . | BOLT | 002004 121503 904949 | 4 |
| 540 | BACB30LU2-2 | . | BOLT | 002004 121503 904949 | 4 |
| 545 | AN960JD8L | . | WASHER | 002004 121503 904949 | 12 |

MISSING ITEM NUMBERS NOT APPLICABLE

- ITEM NOT ILLUSTRATED

21-23-02-32

21-23-02
FIG. 32
PAGE 10
JAN 20/09

BRI

BOEING PROPRIETARY - Copyright © - Unpublished Work - See title page for details.



757

PARTS CATALOG (MAINTENANCE)

| FIG ITEM | PART NUMBER | 1 2 3 4 5 6 7 | NOMENCLATURE | EFFECT FROM TO | UNITS PER ASSY |
|----------|---------------|---------------|--------------|----------------------------|----------------|
| 32 | | | | | |
| 550 | AN960JD10LL | . | WASHER | 002004 121503 904949 | 6 |
| 555 | BACW10DM5P | . | WASHER | 002004 121503 904949 | 4 |
| 560 | 412N3101-35SP | . | COVER | 002004 121503 904949 | 1 |
| 565 | 412N3101-24SP | . | COVER ASSY | 002004 121503 904949 | 1 |
| 570 | 65C27020-612 | . | DOUBLER | 002004 121503 904949 | 1 |
| 575 | 65C27021-277 | . | DOUBLER | 002004 121503 904949 | 1 |
| 580 | 65C27021-482 | . | FITTING ASSY | 002004 121503 904949 | 1 |
| 585 | 65C27021-481 | . | FILLER | 002004 121503 904949 | 1 |
| 590 | 65C27021-177 | . | DOUBLER | 002004 121503 904949 | 3 |
| 595 | 412N3133-1 | . | FITTING ASSY | 002004 121503 904949 | 3 |
| 600 | BACB30NM3K5 | .. | BOLT | 002004 121503 904949 | 1 |
| 605 | BACB30NM3K3 | .. | BOLT | 002004 121503 904949 | 1 |
| 610 | AN960JD10LL | .. | WASHER | 002004 121503 904949 | 2 |
| 615 | AN960JD10L | .. | WASHER | 002004 121503 904949 | 2 |
| 620 | MS21042L3 | .. | NUT | 002004 121503 904949 | 2 |
| 625 | 412N2004-55 | .. | SPACER | 002004 121503 904949 | 2 |

MISSING ITEM NUMBERS NOT APPLICABLE

- ITEM NOT ILLUSTRATED

BRI

21-23-02-32

21-23-02
FIG. 32
PAGE 11
JAN 20/09



757

PARTS CATALOG (MAINTENANCE)

| FIG ITEM | PART NUMBER | 1 2 3 4 5 6 7 | NOMENCLATURE | EFFECT FROM TO | UNITS PER ASSY |
|----------|----------------|---------------|---|----------------------------|----------------|
| 32 | | | | | |
| 630 | 65C27021-178 | .. | FILLER | 002004 121503 904949 | 1 |
| 635 | 65C27021-198 | .. | BRACKET | 002004 121503 904949 | 1 |
| 640 | 412N3134-1 | .. | BRACKET | 002004 121503 904949 | 1 |
| 645 | 412N3104-2SP | . | CAP ASSY-END | 002004 121503 904949 | 1 |
| 650 | 6035-2BRX185 | .. | INSERT- SUPPLIER CODE: V01556 | 002004 121503 904949 | 4 |
| 655 | 412N3104-4 | .. | CAP-END | 002004 121503 904949 | 1 |
| 660 | 412N3136-55SP | . | BEAM | 002004 121503 904949 | 1 |
| 665 | 412N3137-137SP | . | BEAM ASSY | 002004 121503 904949 | 1 |
| 670 | 412N3103-31SP | | OUTLET ASSY- POSITION DATA: L SIDE FWD FOR NHA SEE: 21-23-02-27 | 952952 | RF |
| 675 | NAS1801-08-5 | . | SCREW | 952952 | 4 |
| 680 | NAS1801-08-6 | . | SCREW | 952952 | 4 |
| 685 | NAS1801-08-7 | . | SCREW | 952952 | 2 |
| 690 | NAS514P832-7 | . | SCREW | 952952 | 2 |
| 695 | NAS514P832-8 | . | SCREW | 952952 | 2 |
| 700 | BACB30LU3-2 | . | BOLT | 952952 | 4 |
| 700 | BACB30LU2-2 | . | BOLT | 952952 | 4 |
| 705 | NAS8703-3 | . | SCREW- OPTIONAL PART: BACB30VF3K4 BACS12ER3K9 BACB30VF3K3 | 952952 | 4 |
| 705 | BACB30VF3K4 | . | BOLT- OPTIONAL PART: NAS8703-3 BACB30VF3K3 BACS12ER3K9 | 952952 | 4 |

MISSING ITEM NUMBERS NOT APPLICABLE

- ITEM NOT ILLUSTRATED

BRI

21-23-02-32

21-23-02
FIG. 32
PAGE 12
JAN 20/09



757

PARTS CATALOG (MAINTENANCE)

| FIG ITEM | PART NUMBER | 1 2 3 4 5 6 7 | NOMENCLATURE | EFFECT FROM TO | UNITS PER ASSY |
|----------|---------------|----------------|--------------|----------------|----------------|
| 32 | | | | | |
| 705 | BACS12ER3K9 | .SCREW- | | 952952 | 4 |
| | | OPTIONAL PART: | | | |
| | | NAS8703-3 | | | |
| | | BACB30VF3K3 | | | |
| | | BACB30VF3K4 | | | |
| 705 | BACB30VF3K3 | .BOLT- | | 952952 | 4 |
| | | OPTIONAL PART: | | | |
| | | NAS8703-3 | | | |
| | | BACB30VF3K4 | | | |
| | | BACS12ER3K9 | | | |
| 710 | BACB30NT3K2 | .BOLT | | 952952 | 4 |
| 715 | AN960JD8L | .WASHER | | 952952 | 10 |
| 720 | AN960JD10LL | .WASHER | | 952952 | 4 |
| 725 | BACW10DM5P | .WASHER | | 952952 | 4 |
| 730 | 412N3101-35SP | .COVER | | 952952 | 1 |
| 735 | 412N3101-24SP | .COVER ASSY | | 952952 | 1 |
| 740 | 65C27020-612 | .DOUBLER | | 952952 | 1 |
| 745 | 65C27021-277 | .DOUBLER | | 952952 | 1 |
| 750 | 65C27021-482 | .FITTING ASSY | | 952952 | 1 |
| 755 | 65C27021-481 | .FILLER- | | 952952 | 1 |
| 760 | 65C27021-177 | .DOUBLER | | 952952 | 2 |
| 765 | 412N3133-1 | .FITTING ASSY | | 952952 | 2 |
| 770 | BACB30NM3K5 | ..BOLT | | 952952 | 1 |
| 775 | BACB30NM3K3 | ..BOLT | | 952952 | 1 |
| 780 | AN960JD10LL | ..WASHER | | 952952 | 2 |
| 785 | AN960JD10L | ..WASHER | | 952952 | 2 |
| 790 | MS21042L3 | ..NUT | | 952952 | 2 |
| 795 | 412N2004-55 | ..SPACER | | 952952 | 2 |
| 800 | 65C27021-178 | ..FILLER | | 952952 | 1 |
| 805 | 65C27021-198 | ..BRACKET | | 952952 | 1 |
| 810 | 412N3134-1 | ..BRACKET | | 952952 | 1 |
| 815 | 412N3104-2SP | .CAP ASSY-END | | 952952 | 1 |
| 820 | 6035-2BRX185 | ..INSERT- | | 952952 | 4 |
| | | SUPPLIER CODE: | | | |
| | | V01556 | | | |
| 830 | 412N3136-35SP | .BEAM | | 952952 | 1 |
| 835 | 412N3137-89SP | .BEAM ASSY | | 952952 | 1 |

MISSING ITEM NUMBERS NOT APPLICABLE

- ITEM NOT ILLUSTRATED

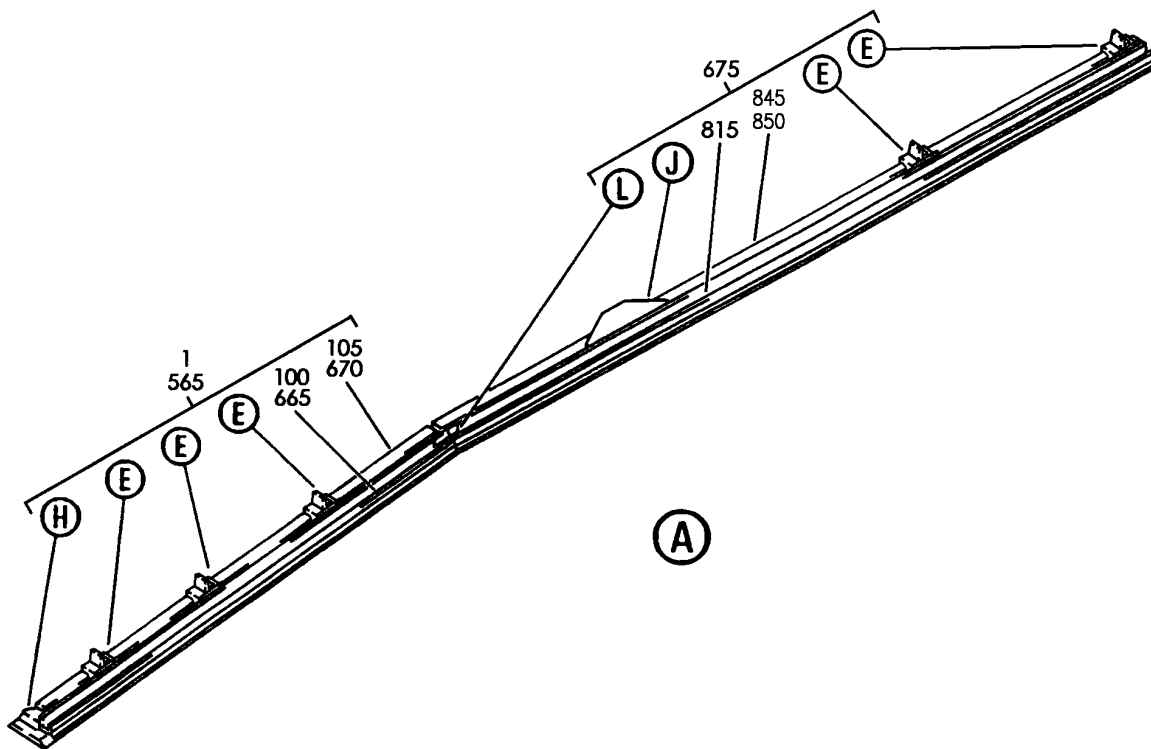
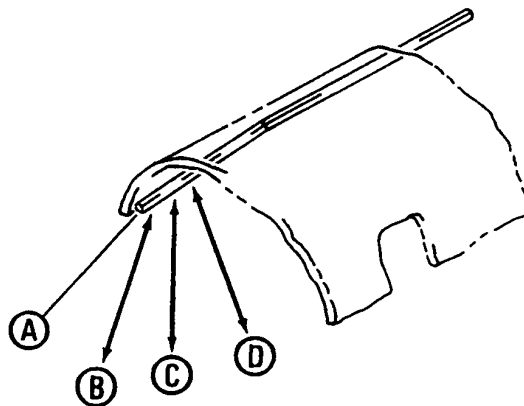
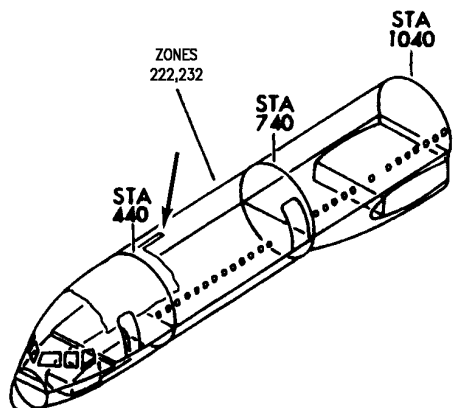
21-23-02-32

21-23-02
FIG. 32
PAGE 13
JAN 20/09

BRI

BOEING PROPRIETARY - Copyright © - Unpublished Work - See title page for details.

BOEING
757
PARTS CATALOG (MAINTENANCE)



Y 21230233 SH1 1 REV 265

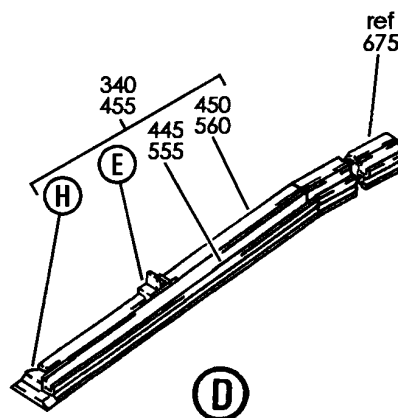
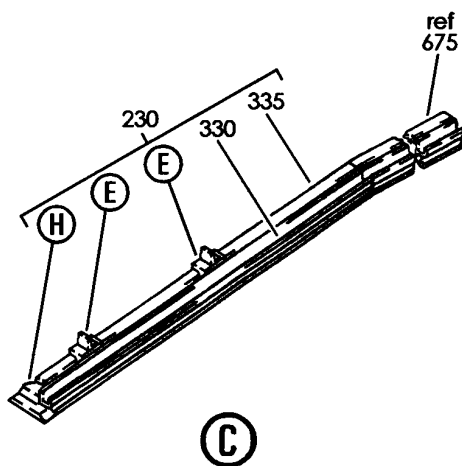
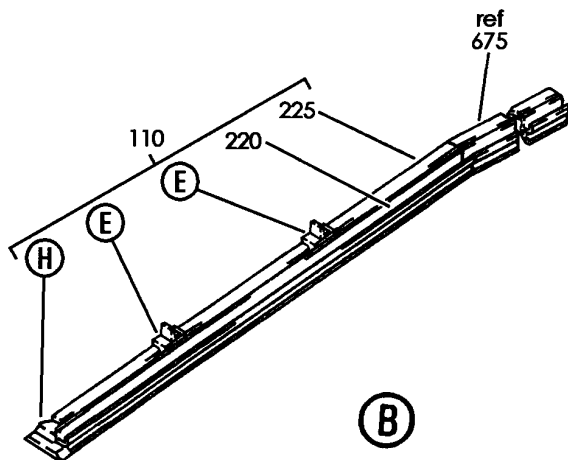
OUTLET ASSY-R SIDE FWD
FIGURE 33 (SHEET 1)

BRI
MAY 28/07

21-23-02-33

21-23-02-33
PAGE 0

BOEING
757
PARTS CATALOG (MAINTENANCE)



Y 21230233 SHT 2 REV 203

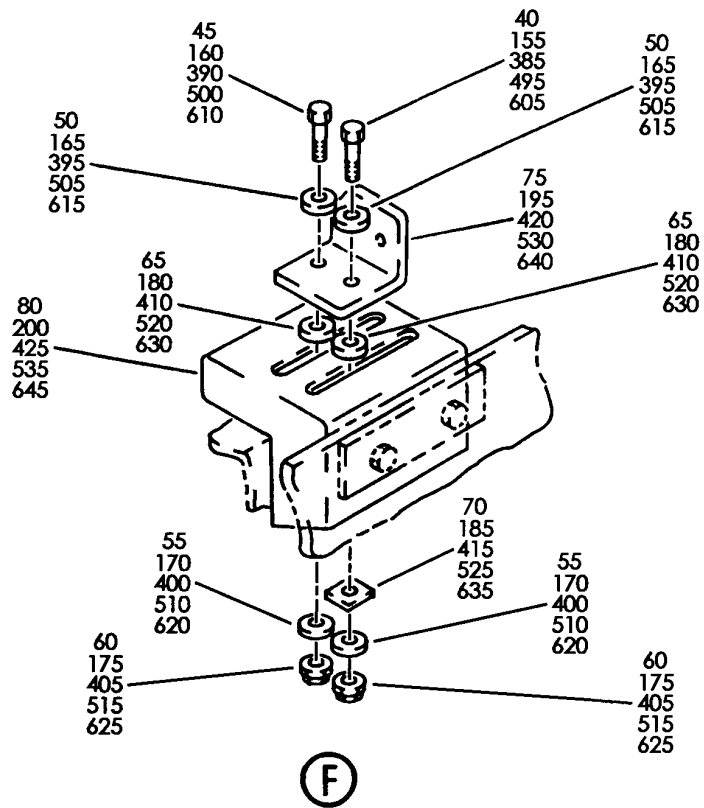
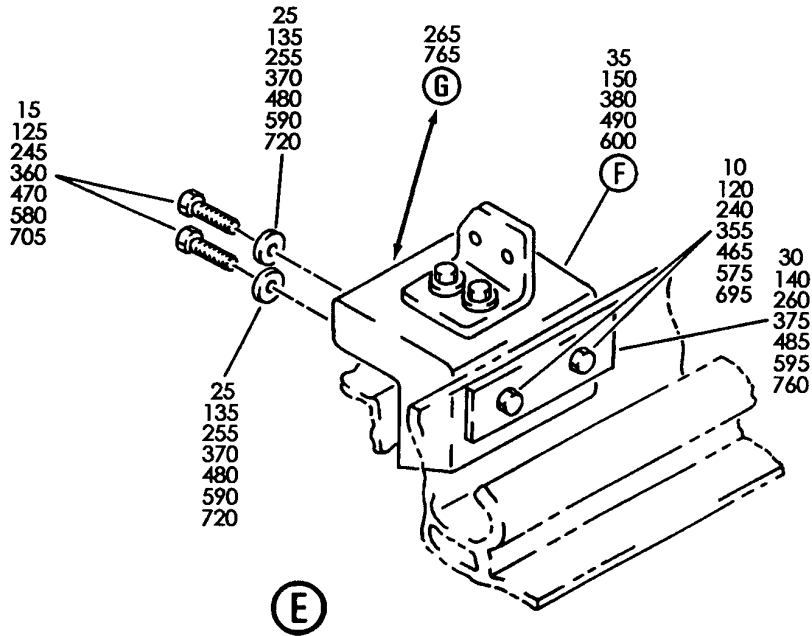
OUTLET ASSY-R SIDE FWD
FIGURE 33 (SHEET 2)

BRI
MAY 28/07

21-23-02-33

21-23-02-33
PAGE 0A

BOEING
757
PARTS CATALOG (MAINTENANCE)



Y 21230233 SHT 3 REV 203

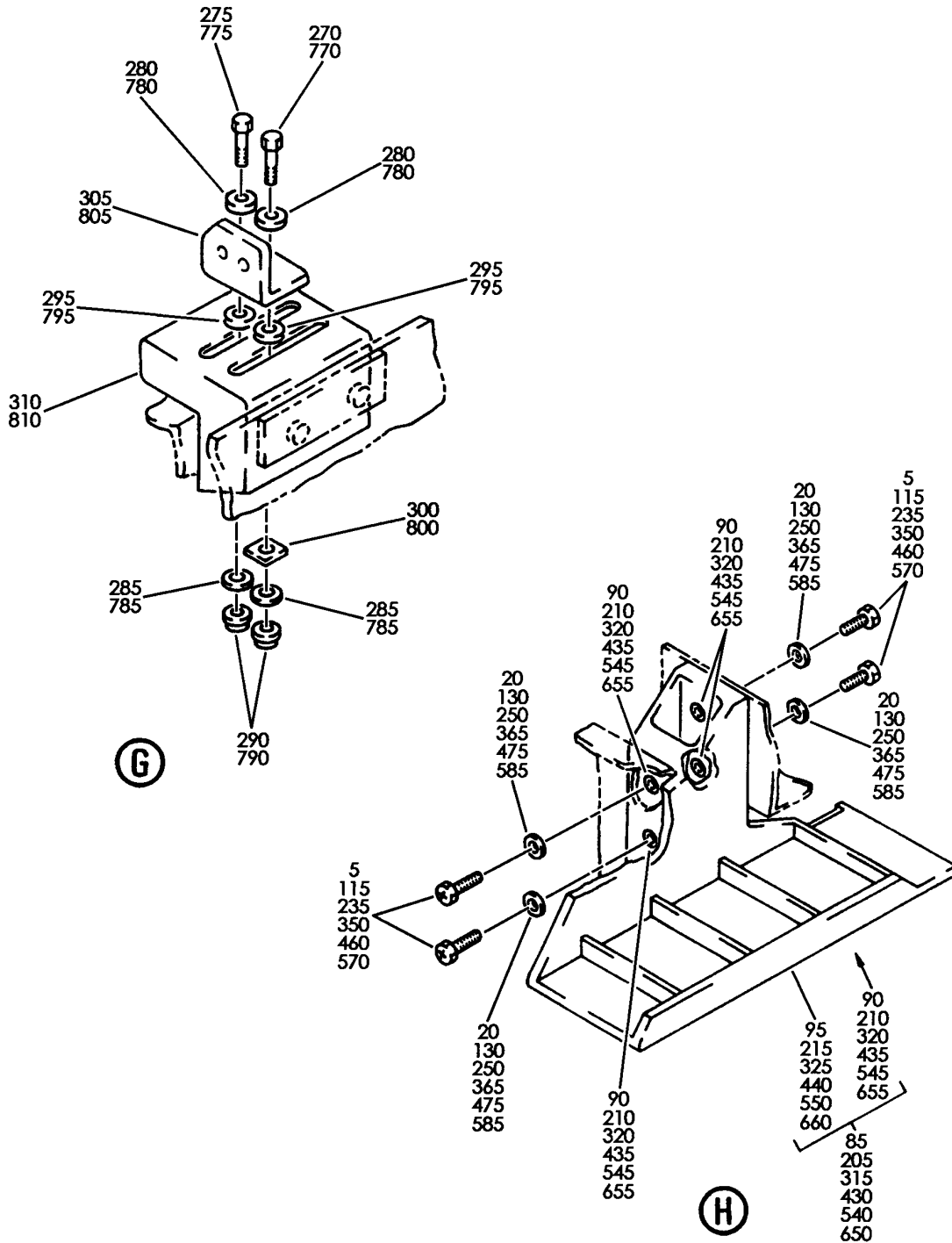
OUTLET ASSY-R SIDE FWD
FIGURE 33 (SHEET 3)

21-23-02-33

BRI
MAY 28/07

21-23-02-33
PAGE 0B


BOEING
 757
PARTS CATALOG (MAINTENANCE)



Y 21230233 SHT 4 REV 203

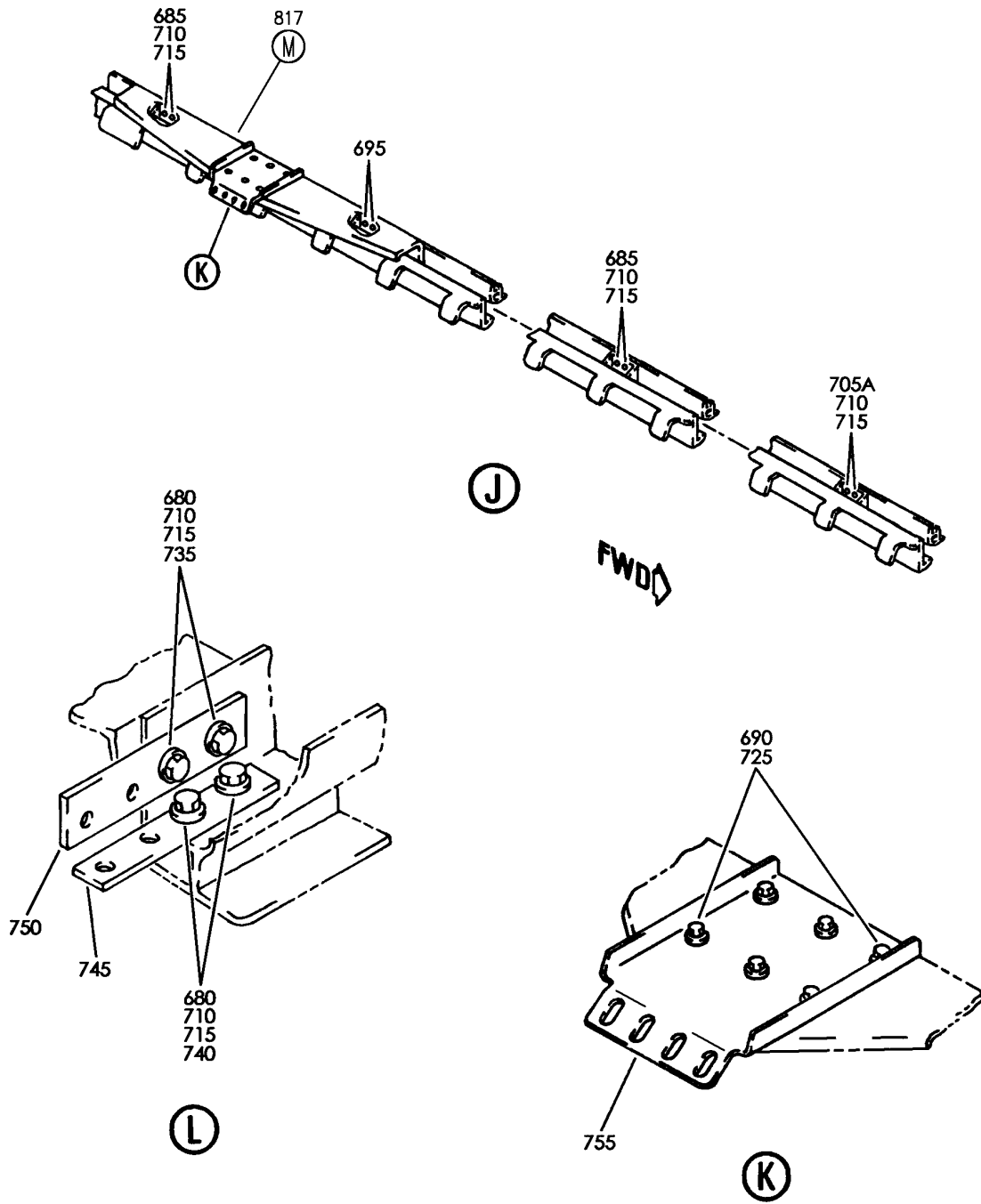
OUTLET ASSY-R SIDE FWD
 FIGURE 33 (SHEET 4)

21-23-02-33

BRI
MAY 28/07

21-23-02-33
 PAGE 0C

BOEING
757
PARTS CATALOG (MAINTENANCE)



Y 21230233 SH- 5 REV 265

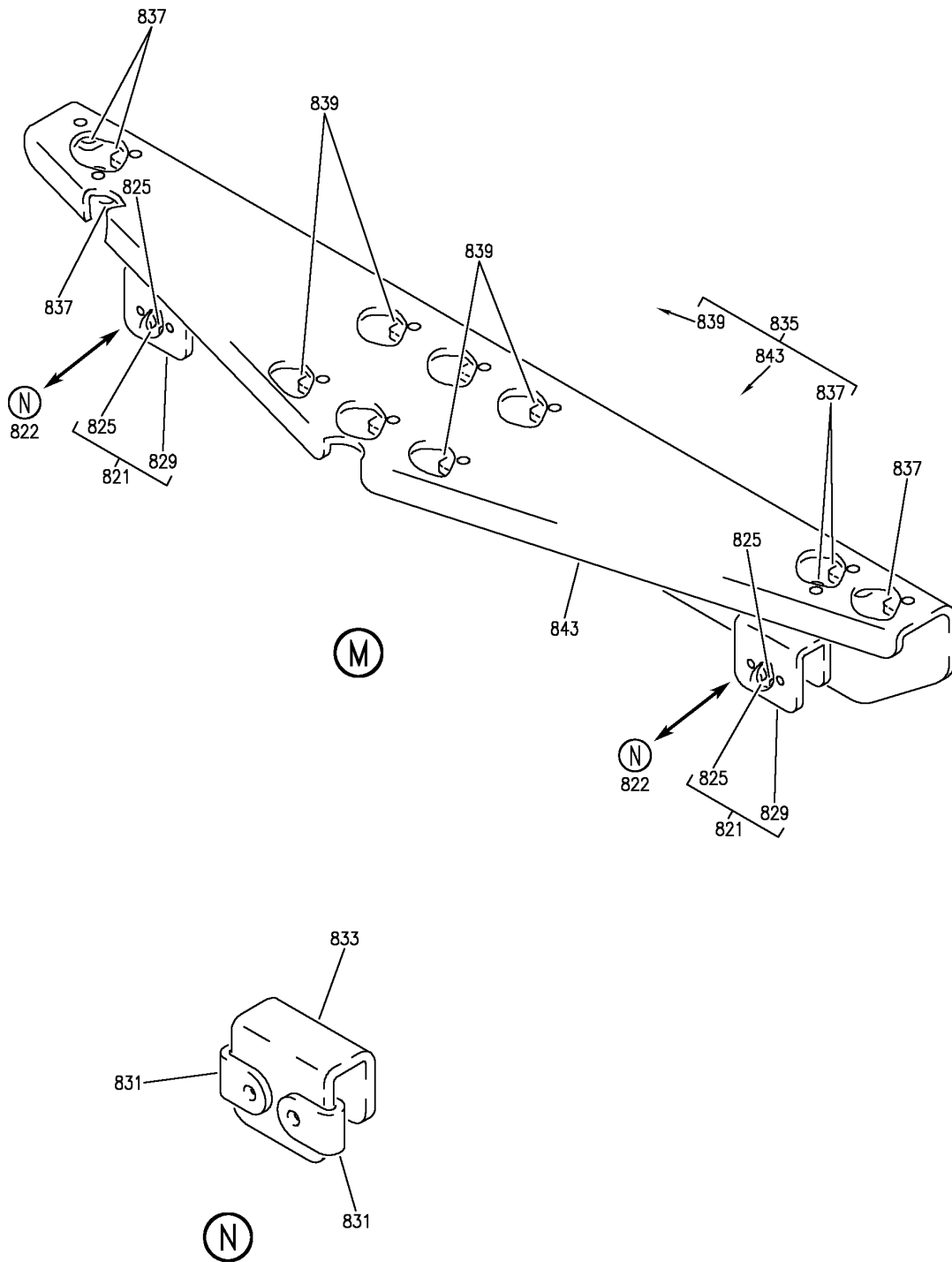
OUTLET ASSY-R SIDE FWD
FIGURE 33 (SHEET 5)

21-23-02-33

BRI
MAY 28/07

21-23-02-33
PAGE 0D

BOEING
757
PARTS CATALOG (MAINTENANCE)



Y 21230233 SH1 6 REV 265

OUTLET ASSY-R SIDE FWD
FIGURE 33 (SHEET 6)

21-23-02-33

BRI
MAY 28/07

21-23-02-33
PAGE 0E



757

PARTS CATALOG (MAINTENANCE)

| FIG ITEM | PART NUMBER | 1 2 3 4 5 6 7 | NOMENCLATURE | EFFECT FROM TO | UNITS PER ASSY |
|----------|----------------|---------------|---|--|----------------|
| 33 | | | OUTLET ASSY-R SIDE FWD | 002004 121503 904949 952952 952952 | |
| 1 | 412N3103-270SP | | OUTLET ASSY- POSITION DATA: R SIDE FWD FOR NHA SEE: 21-23-02-27A | | RF |
| 5 | NAS1801-08-5 | | .SCREW | 952952 | 4 |
| 10 | BACB30VF3K4 | | .BOLT- OPTIONAL PART: BACS12ER3K9 BACB30VF3K3 | 952952 | 6 |
| 10 | BACB30VF3K3 | | .BOLT- OPTIONAL PART: BACS12ER3K9 BACB30VF3K4 | 952952 | 6 |
| 10 | BACS12ER3K9 | | .SCREW- OPTIONAL PART: BACB30VF3K4 BACB30VF3K3 | 952952 | 6 |
| 15 | BACB30NT3K2 | | .BOLT | 952952 | 6 |
| 20 | AN960JD8L | | .WASHER | 952952 | 4 |
| 25 | AN960JD10LL | | .WASHER | 952952 | 6 |
| 30 | 65C27021-177 | | .DOUBLER | 952952 | 3 |
| 35 | 412N3133-4 | | .FITTING ASSY | 952952 | 3 |
| 40 | BACB30NM3K5 | | ..BOLT | 952952 | 1 |
| 45 | BACB30NM3K3 | | ..BOLT | 952952 | 1 |
| 50 | AN960JD10LL | | ..WASHER | 952952 | 2 |
| 55 | AN960JD10L | | ..WASHER | 952952 | 2 |
| 60 | MS21042L3 | | ..NUT- | 952952 | 2 |
| 65 | 412N2004-55 | | ..SPACER | 952952 | 2 |
| 70 | 65C27021-178 | | ..FILLER | 952952 | 1 |
| 75 | 65C27021-200 | | ..BRACKET | 952952 | 1 |
| 80 | 412N3134-1 | | ..BRACKET | 952952 | 1 |
| 85 | 412N3104-19SP | | .CAP ASSY | 952952 | 1 |
| 90 | 6035-2BRX185 | | ..INSERT- SUPPLIER CODE: V01556 | 952952 | 4 |
| 95 | 412N3104-8SP | | ..CAP-END | 952952 | 1 |
| 100 | 412N3136-250SP | | .BEAM | 952952 | 1 |
| 105 | 412N3137-812SP | | .BEAM ASSY | 952952 | 1 |
| 455 | 412N3103-183SP | | OUTLET ASSY- POSITION DATA: R SIDE FWD FOR NHA/OTHER SYS DET SEE: 21-23-02-27A 25-28-00-80 | 121503 904949 | RF |

MISSING ITEM NUMBERS NOT APPLICABLE

- ITEM NOT ILLUSTRATED

21-23-02-33

21-23-02
FIG. 33
PAGE 1
JAN 20/09

BRI



757

PARTS CATALOG (MAINTENANCE)

| FIG ITEM | PART NUMBER | 1 2 3 4 5 6 7 | NOMENCLATURE | EFFECT FROM TO | UNITS PER ASSY |
|----------|----------------|---------------|--|----------------------------|----------------|
| 33 | | | | | |
| 455 | 412N3103-209SP | | OUTLET ASSY- POSITION DATA: R SIDE FWD | 952952 | RF |
| 455 | 412N3103-281SP | | OUTLET ASSY- POSITION DATA: R SIDE FWD | 002004 | RF |
| 460 | NAS1801-08-5 | | .SCREW | 121503 904949 | 4 |
| 460 | NAS1801-08-5 | | .SCREW- OPTIONAL PART: BACS12GU08K5 | 002004 | 4 |
| 460 | BACS12GU08K5 | | .SCREW- OPTIONAL PART: NAS1801-08-5 | 002004 | 4 |
| 465 | NAS8703-3 | | .SCREW- OPTIONAL PART: BACB30VF3K3 BACB30VF3K4 BACS12ER3K9 | 002004 121503 904949 | 2 |
| 465 | BACB30VF3K3 | | .BOLT- OPTIONAL PART: NAS8703-3 BACB30VF3K4 BACS12ER3K9 | 002004 121503 904949 | 2 |
| 465 | BACB30VF3K4 | | .BOLT- OPTIONAL PART: NAS8703-3 BACB30VF3K3 BACS12ER3K9 | 002004 121503 904949 | 2 |
| 465 | BACS12ER3K9 | | .SCREW- OPTIONAL PART: NAS8703-3 BACB30VF3K3 BACB30VF3K4 | 002004 121503 904949 | 2 |
| 470 | BACB30NM3K2 | | .BOLT | 002004 121503 904949 | 2 |
| 475 | AN960JD8L | | .WASHER | 002004 121503 904949 | 4 |
| 480 | AN960JD10LL | | .WASHER | 002004 121503 904949 | 2 |
| 485 | 65C27021-177 | | .DOUBLER | 002004 121503 904949 | 1 |
| 490 | 412N3133-4 | | .FITTING ASSY | 952952 | 1 |

MISSING ITEM NUMBERS NOT APPLICABLE

- ITEM NOT ILLUSTRATED

21-23-02-33

21-23-02
FIG. 33
PAGE 2
JAN 20/09

BRI

 **BOEING**
757
PARTS CATALOG (MAINTENANCE)

| FIG ITEM | PART NUMBER | 1 2 3 4 5 6 7 | NOMENCLATURE | EFFECT FROM TO | UNITS PER ASSY |
|----------|----------------|---------------|-------------------------------------|----------------------------|----------------|
| 33 | | | | | |
| 490 | 412N3133-2 | . | FITTING ASSY | 002004 121503 904949 | 1 |
| 495 | BACB30NM3K5 | .. | BOLT | 002004 121503 904949 | 1 |
| 500 | BACB30NM3K3 | .. | BOLT | 002004 121503 904949 | 1 |
| 505 | AN960JD10LL | .. | WASHER | 002004 121503 904949 | 2 |
| 510 | AN960JD10L | .. | WASHER | 002004 121503 904949 | 2 |
| 515 | MS21042L3 | .. | NUT | 002004 121503 904949 | 2 |
| 520 | 412N2004-55 | .. | SPACER | 002004 121503 904949 | 2 |
| 525 | 65C27021-178 | .. | FILLER | 002004 121503 904949 | 1 |
| 530 | 65C27021-200 | .. | BRACKET | 952952 | 1 |
| 530 | 65C27021-199 | .. | BRACKET | 002004 121503 904949 | 1 |
| 535 | 412N3134-1 | .. | BRACKET | 002004 121503 904949 | 1 |
| 540 | 412N3104-6SP | . | CAP ASSY | 002004 121503 904949 | 1 |
| 545 | 6035-2BRX185 | .. | INSERT- SUPPLIER CODE: V01556 | 002004 121503 904949 | 4 |
| 550 | 412N3104-8 | .. | CAP-END | 002004 121503 904949 | 1 |
| 555 | 412N3136-175SP | . | BEAM | 121503 904949 | 1 |
| 555 | 412N3136-254SP | . | BEAM | 002004 | 1 |
| 560 | 412N3137-605SP | . | BEAM ASSY | 121503 904949 | 1 |
| 560 | 412N3137-834SP | . | BEAM ASSY | 002004 | 1 |

MISSING ITEM NUMBERS NOT APPLICABLE

— ITEM NOT ILLUSTRATED

BRI

21-23-02-33

21-23-02
FIG. 33
PAGE 3
JAN 20/09



757

PARTS CATALOG (MAINTENANCE)

| FIG ITEM | PART NUMBER | 1 2 3 4 5 6 7 | NOMENCLATURE | EFFECT FROM TO | UNITS PER ASSY |
|----------|---------------|---------------|---|------------------|----------------|
| 33 | | | | | |
| 565 | 412N3103-52SP | | OUTLET ASSY- POSITION DATA: R SIDE FWD FOR NHA/OTHER SYS DET SEE: 21-23-02-27A 25-28-00-80 | 121503 904949 | RF |
| 570 | NAS1801-08-5 | | .SCREW | 121503 904949 | 4 |
| 575 | NAS8703-3 | | .SCREW- OPTIONAL PART: BACB30VF3K3 BACB30VF3K4 BACS12ER3K9 | 121503 904949 | 6 |
| 575 | BACB30VF3K3 | | .BOLT- OPTIONAL PART: NAS8703-3 BACB30VF3K4 BACS12ER3K9 | 121503 904949 | 6 |
| 575 | BACB30VF3K4 | | .BOLT- OPTIONAL PART: NAS8703-3 BACB30VF3K3 BACS12ER3K9 | 121503 904949 | 6 |
| 575 | BACS12EREK9 | | .BOLT- OPTIONAL PART: NAS8703-3 BACB30VF3K3 BACB30VF3K4 | 121503 904949 | 6 |
| 580 | BACB30NT3K2 | | .BOLT | 121503 904949 | 6 |
| 585 | AN960JD8L | | .WASHER | 121503 904949 | 4 |
| 590 | AN960JD10LL | | .WASHER | 121503 904949 | 6 |
| 595 | 65C27021-177 | | .DOUBLER | 121503 904949 | 3 |
| 600 | 412N3133-4 | | .FITTING ASSY | 121503 904949 | 3 |
| 605 | BACB30NM3K5 | | ..BOLT | 121503 904949 | 1 |
| 610 | BACB30NM3K3 | | ..BOLT | 121503 904949 | 1 |
| 615 | AN960JD10LL | | ..WASHER | 121503 904949 | 2 |
| 620 | AN960JD10L | | ..WASHER | 121503 904949 | 2 |
| 625 | MS1042L3 | | ..NUT | 121503 904949 | 2 |

MISSING ITEM NUMBERS NOT APPLICABLE

- ITEM NOT ILLUSTRATED

21-23-02-33

21-23-02
FIG. 33
PAGE 4
JAN 20/09

BRI

 **BOEING**
757
PARTS CATALOG (MAINTENANCE)

| FIG ITEM | PART NUMBER | 1 2 3 4 5 6 7 | NOMENCLATURE | EFFECT FROM TO | UNITS PER ASSY |
|----------|----------------|---------------|---|--------------------------------------|----------------|
| 33 | | | | | |
| 630 | 412N2004-55 | .. | SPACER | 121503 904949 | 2 |
| 635 | 65C27021-178 | .. | FILLER | 121503 904949 | 1 |
| 640 | 65C27021-200 | .. | BRACKET | 121503 904949 | 1 |
| 645 | 412N3134-1 | .. | BRACKET | 121503 904949 | 1 |
| 650 | 412N3104-6SP | . | CAP ASSY-END | 121503 904949 | 1 |
| 655 | 6035-2BRX185 | .. | INSERT- SUPPLIER CODE: V01556 | 121503 904949 | 4 |
| 660 | 412N3104-8 | .. | CAP-END | 121503 904949 | 1 |
| 665 | 412N3136-60SP | . | BEAM | 121503 904949 | 1 |
| 670 | 412N3137-152SP | . | BEAM ASSY | 121503 904949 | 1 |
| 675 | 412N3103-30SP | | OUTLET ASSY- R SIDE FWD FOR NHA SEE: 21-23-02-27A | 121503 904949 | RF |
| 675 | 412N3103-156SP | | OUTLET ASSY- R SIDE FWD FOR NHA SEE: 21-23-02-27A | 002004 952952 | RF |
| 680 | NAS1801-08-8 | . | SCREW | 002004 121503 904949 952952 | 4 |
| 685 | NAS1801-08-6 | . | SCREW | 002004 121503 904949 952952 | 6 |
| 690 | BACB30NM4K2 | . | BOLT | 002004 121503 904949 952952 | 6 |
| 695 | NAS514P832-6 | . | SCREW | 002004 121503 904949 952952 | 2 |
| 700 | BACS12ER3K9 | . | SCREW- OPTIONAL PART: BACB30VF3K3 BACB30VF3K4 NAS8703-3 | 002004 121503 904949 952952 | 4 |

MISSING ITEM NUMBERS NOT APPLICABLE

— ITEM NOT ILLUSTRATED

BRI

21-23-02-33

21-23-02
FIG. 33
PAGE 5
JAN 20/09



757

PARTS CATALOG (MAINTENANCE)

| FIG ITEM | PART NUMBER | 1 2 3 4 5 6 7 | NOMENCLATURE | EFFECT FROM TO | UNITS PER ASSY |
|----------|-------------|---------------|---|--------------------------------------|----------------|
| 33 | | | | | |
| 700 | BACB30VF3K3 | .BOLT- | OPTIONAL PART: BACS12ER3K9 BACB30VF3K4 NAS8703-3 | 002004 121503 904949 952952 | 4 |
| 700 | BACB30VF3K4 | .BOLT- | OPTIONAL PART: BACS12ER3K9 BACB30VF3K3 NAS8703-3 | 002004 121503 904949 952952 | 4 |
| 700 | NAS8703-3 | .SCREW- | OPTIONAL PART: BACS12ER3K9 BACB30VF3K3 BACB30VF3K4 | 121503 904949 | 4 |
| 705 | BACB30NT3K2 | .BOLT | | 002004 121503 904949 952952 | 4 |
| 710 | AN960JD8L | .WASHER | | 002004 952952 | 14 |
| 715 | AN960JD8L | .WASHER | | 002004 952952 | 12 |
| 720 | AN960JD10LL | .WASHER | | 002004 121503 904949 952952 | 4 |
| 725 | AN960JD416L | .WASHER | | 002004 121503 904949 952952 | 6 |
| - 730 | BACW10DM5P | | ATTACHING PARTS .WASHER | 002004 121503 904949 952952 | 2 |
| 735 | MS21042L8 | -----*----- | .NUT | 002004 121503 904949 952952 | 2 |

MISSING ITEM NUMBERS NOT APPLICABLE

- ITEM NOT ILLUSTRATED

21-23-02-33

21-23-02
FIG. 33
PAGE 6
JAN 20/09

BRI



757

PARTS CATALOG (MAINTENANCE)

| FIG ITEM | PART NUMBER | 1 2 3 4 5 6 7 | NOMENCLATURE | EFFECT FROM TO | UNITS PER ASSY |
|-----------|--------------|---------------|--|--------------------------------------|----------------|
| 33 740 | 130008 | . | NUT SUPPLIER CODE: V60119 SPECIFICATION NUMBER: BACN10FX84 OPTIONAL PART: RM52LHA4972-6-8 V72962 SL211-08-1 V97393 A11330-6-82 V72962 A4972-6-82 V72962 | 002004 121503 904949 952952 | 2 |
| 745 | 65C27021-193 | . | DOUBLER | 002004 121503 904949 952952 | 1 |
| 750 | 65C27021-191 | . | FILLER | 002004 121503 904949 952952 | 1 |
| 755 | 412N2003-87 | . | SUPPORT | 002004 121503 904949 952952 | 1 |
| 760 | 65C27021-177 | . | DOUBLER | 002004 121503 904949 952952 | 2 |
| 765 | 412N3133-2 | . | FITTING ASSY | 002004 121503 904949 952952 | 2 |
| 770 | BACB30NM3K5 | .. | BOLT | 002004 121503 904949 952952 | 1 |
| 775 | BACB30NM3K3 | .. | BOLT | 002004 121503 904949 952952 | 1 |
| 780 | AN960JD10LL | .. | WASHER | 002004 121503 904949 952952 | 2 |

MISSING ITEM NUMBERS NOT APPLICABLE

- ITEM NOT ILLUSTRATED

21-23-02-33

21-23-02
FIG. 33
PAGE 7
JAN 20/09

BRI



757

PARTS CATALOG (MAINTENANCE)

| FIG ITEM | PART NUMBER | 1 2 3 4 5 6 7 | NOMENCLATURE | EFFECT FROM TO | UNITS PER ASSY |
|-----------|---------------|--------------------|--|--------------------------------------|----------------|
| 33 785 | AN960JD10L | .. | WASHER | 002004 121503 904949 952952 | 2 |
| 790 | MS21042L3 | .. | NUT- | 002004 121503 904949 952952 | 2 |
| 795 | 412N2004-55 | .. | SPACER | 002004 121503 904949 952952 | 2 |
| 800 | 65C27021-178 | .. | FILLER | 002004 121503 904949 952952 | 1 |
| 805 | 65C27021-199 | .. | BRACKET | 002004 121503 904949 952952 | 1 |
| 810 | 412N3134-1 | .. | BRACKET | 002004 121503 904949 952952 | 1 |
| 815 | 412N3136-33SP | . | BEAM | 002004 121503 904949 952952 | 1 |
| 817 | 412N2021-21 | .. | SUPPORT ASSY | 002004 121503 904949 952952 | 1 |
| - 819 | BACR15FT6D | .. | RIVET- ATTACHING PARTS SIZE DETERMINED ON INSTL. | 002004 121503 904949 952952 | 17 |
| 821 | 412N2004-93 | ... -----*----- | BRACKET ASSY- OPTIONAL PART: 412N2004-132 | 002004 121503 904949 952952 | 2 |
| 822 | 412N2004-132 | ... -----*----- | BRACKET ASSY- OPTIONAL PART: 412N2004-93 | 002004 121503 904949 952952 | 2 |

MISSING ITEM NUMBERS NOT APPLICABLE

- ITEM NOT ILLUSTRATED

BRI

21-23-02-33

21-23-02
FIG. 33
PAGE 8
JAN 20/09



757

PARTS CATALOG (MAINTENANCE)

| FIG ITEM | PART NUMBER | 1 2 3 4 5 6 7 | NOMENCLATURE | EFFECT FROM TO | UNITS PER ASSY |
|----------|-------------|---------------|---|--------------------------------------|----------------|
| 33 | | | ATTACHING PARTS | | |
| - 823 | NAS1399D5 | | ...RIVET- SIZE DETERMINED ON INSTL. | 002004 121503 904949 952952 | 4 |
| 825 | T8078S832 | | -----*-----NUTPLATE- SUPPLIER CODE: V11815 SPECIFICATION NUMBER: BACN10JP08C OPTIONAL PART: MK3000-08BAC V15653 NS103199-82 V80539 RMA9205M82 V72962 VN203A1-82 V92215 BRM300A08 V52828 USED ON: 412N2004-93 | 002004 121503 904949 952952 | 2 |
| - 827 | BACR15BA3AD | | ATTACHING PARTSRIVET- SIZE DETERMINED ON INSTL. USED ON: 412N2004-93 | 002004 121503 904949 952952 | 4 |
| 829 | 412N2004-94 | | -----*-----BRACKET- USED ON: 412N2004-93 | 002004 121503 904949 952952 | 1 |

MISSING ITEM NUMBERS NOT APPLICABLE

- ITEM NOT ILLUSTRATED

21-23-02-33

21-23-02
FIG. 33
PAGE 9
JAN 20/09

BRI



757

PARTS CATALOG (MAINTENANCE)

| FIG ITEM | PART NUMBER | 1 2 3 4 5 6 7 | NOMENCLATURE | EFFECT FROM TO | UNITS PER ASSY |
|-----------|--------------|---------------|---|--------------------------------------|----------------|
| 33 831 | 130007 | | NUT- SUPPLIER CODE: V60119 SPECIFICATION NUMBER: BACN10FX83 OPTIONAL PART: BRC500-8-08 V52828 SL213-08-1 V97393 A11330-8-82 V72962 A4972-8-82 V72962 A4972-8-82 V72962 USED ON: 412N2004-132 | 002004 121503 904949 952952 | 2 |
| 833 | 412N2004-133 | | BRACKET- USED ON: 412N2004-132 | 002004 121503 904949 952952 | 1 |
| 835 | 412N2003-91 | ... | SUPPORT ASSY | 002004 121503 904949 952952 | 1 |
| 837 | MF53049-3 | | NUTPLATE SUPPLIER CODE: V15653 SPECIFICATION NUMBER: BACN10JN3 OPTIONAL PART: BRFM20A3 V52828 MF1000-3BAC V15653 NS103218-02 V80539 RMF9201M3 V72962 VN252A02 V92215 T8124S3S V11815 | 002004 121503 904949 952952 | 6 |

MISSING ITEM NUMBERS NOT APPLICABLE

- ITEM NOT ILLUSTRATED

BRI

21-23-02-33

21-23-02
FIG. 33
PAGE 10
JAN 20/09



757

PARTS CATALOG (MAINTENANCE)

| FIG ITEM | PART NUMBER | 1 2 3 4 5 6 7 | NOMENCLATURE | EFFECT FROM TO | UNITS PER ASSY |
|-----------|----------------|---------------|---|--------------------------------------|----------------|
| 33 839 | T8076S428 | | NUTPLATE SUPPLIER CODE: V11815 SPECIFICATION NUMBER: BACN10JP4A OPTIONAL PART: MK1000-4BAC V15653 NS103197-048 V80539 RMA9201M4 V72962 VN202A1-048 V92215 BRM200A4 V52828 ATTACHING PARTS | 002004 121503 904949 952952 | 6 |
| - 841 | BACR15BA3D | | RIVET- SIZE DETERMINED ON INSTL. | 002004 121503 904949 952952 | 24 |
| 843 | 412N2003-93 | | *----- BRACKET | 002004 121503 904949 952952 | 1 |
| 845 | 412N3137-86SP | .BEAM | ASSY | 121503 904949 | 1 |
| 850 | 412N3137-459SP | .BEAM | ASSY | 002004 952952 | 1 |

MISSING ITEM NUMBERS NOT APPLICABLE

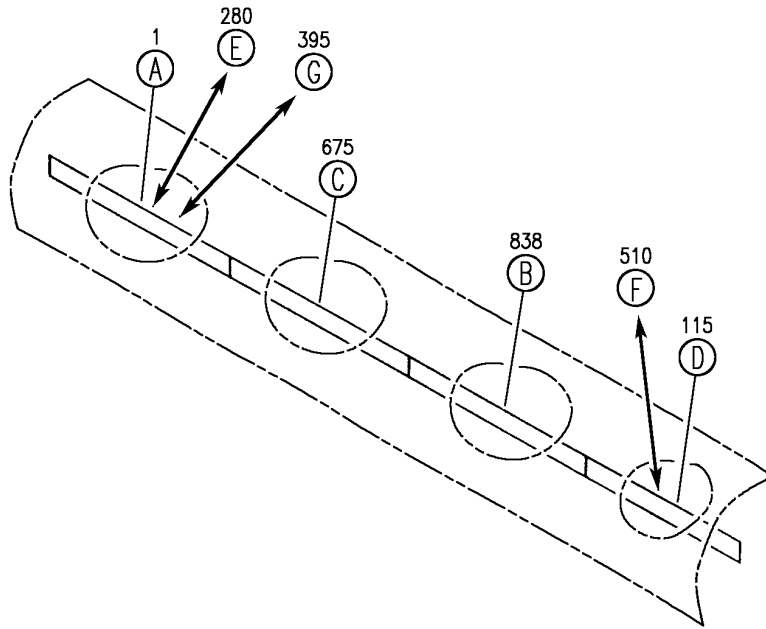
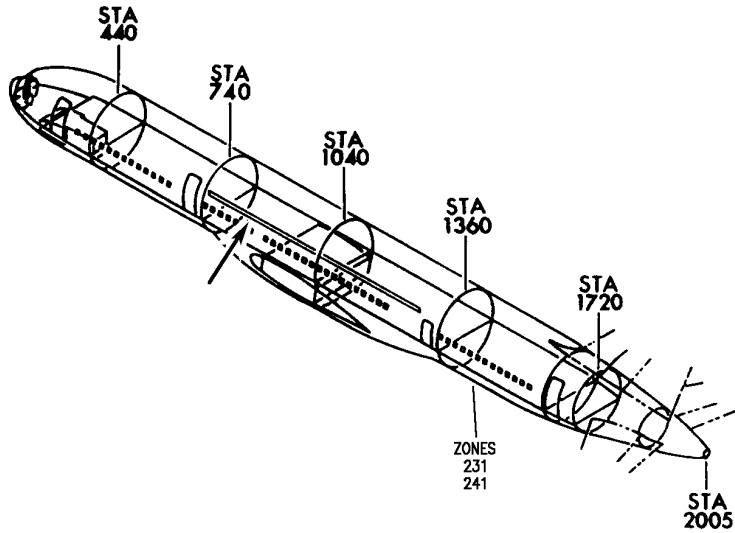
- ITEM NOT ILLUSTRATED

21-23-02-33

21-23-02
FIG. 33
PAGE 11
JAN 20/09

BRI

BOEING
757
PARTS CATALOG (MAINTENANCE)



Y 21230234 SH1 1 REV 265

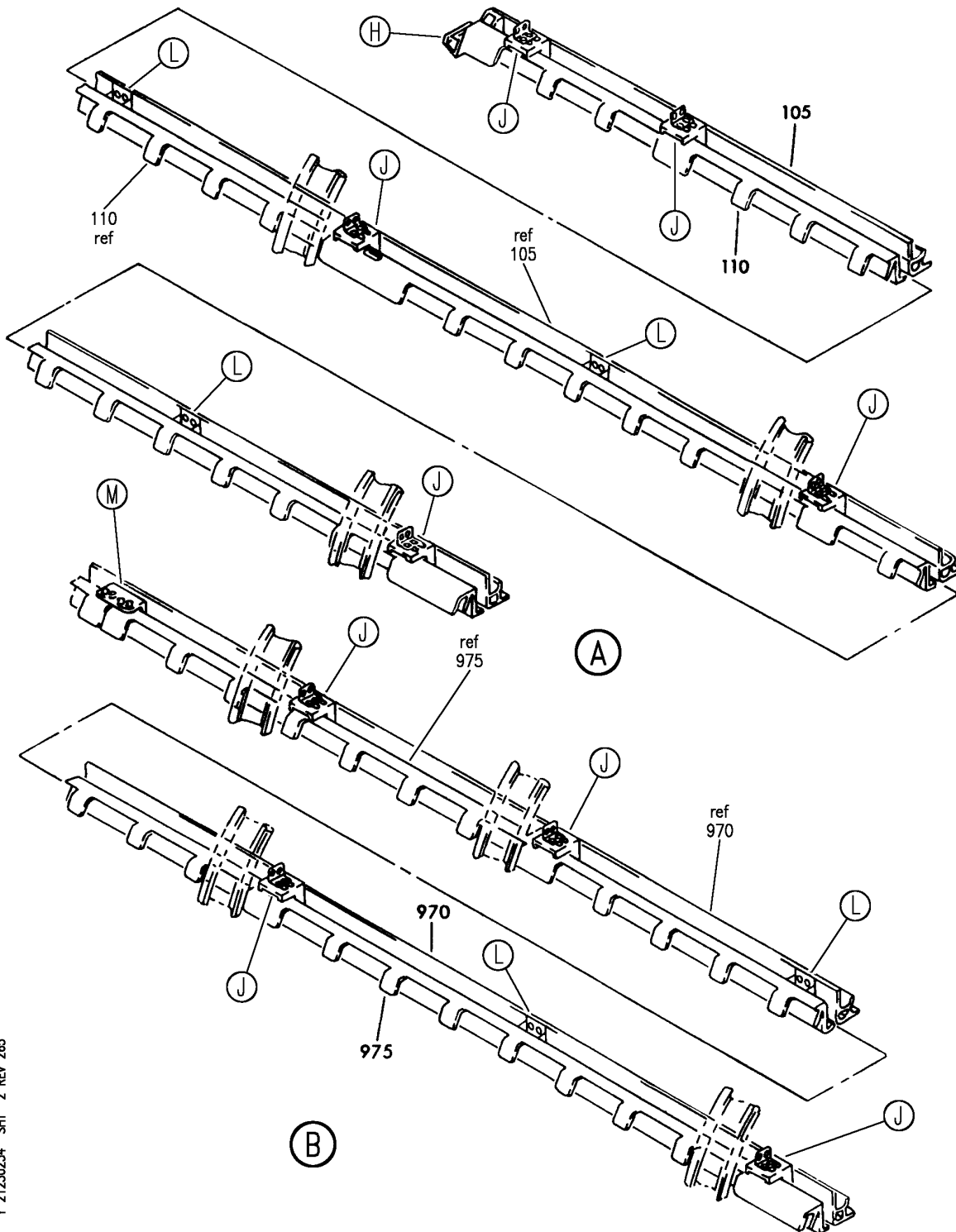
OUTLET ASSY-L SIDE MID
FIGURE 34 (SHEET 1)

BRI
MAY 28/07

21-23-02-34

21-23-02-34
PAGE 0

BOEING
757
PARTS CATALOG (MAINTENANCE)



Y 21230234 SH1 2 REV 265

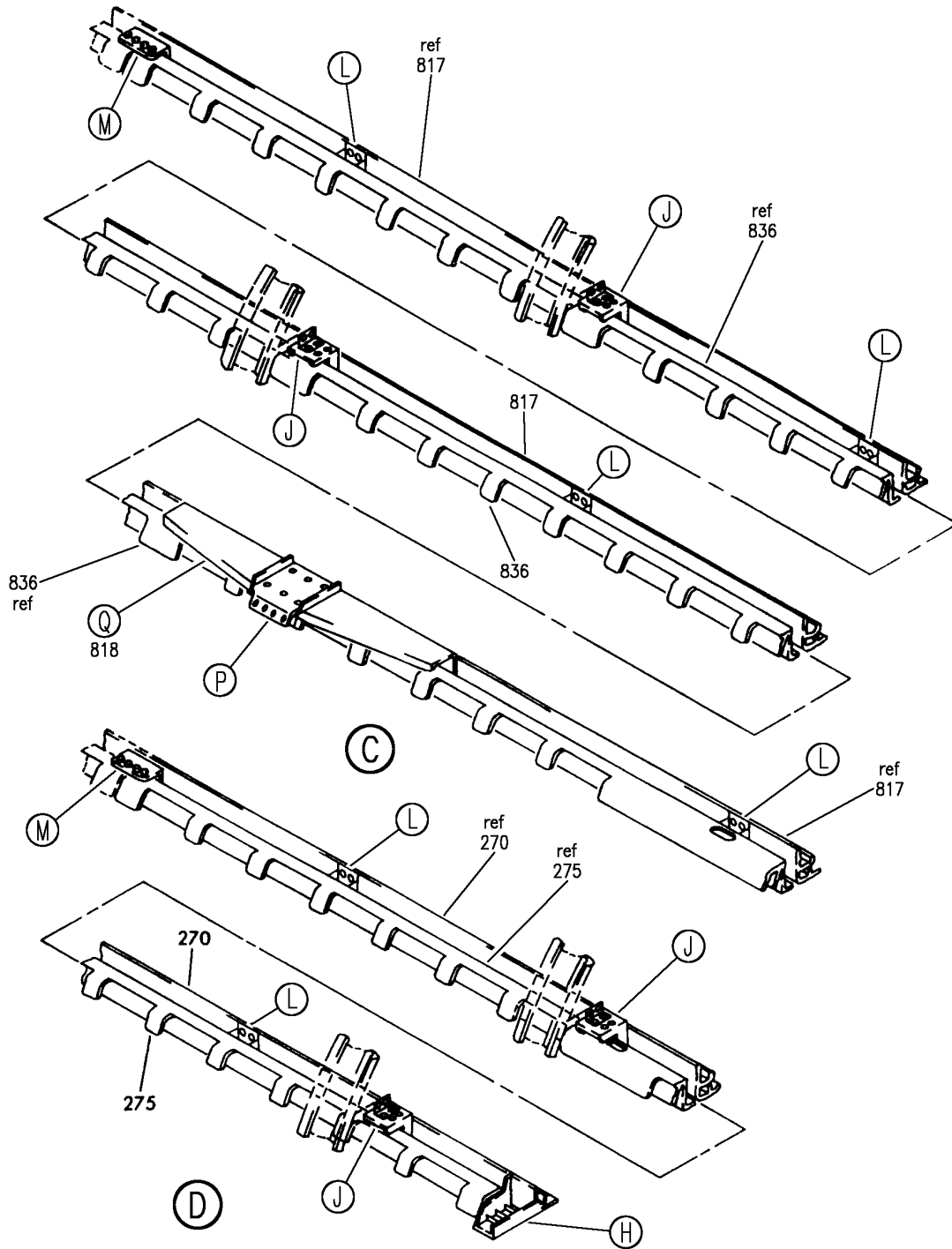
OUTLET ASSY-L SIDE MID
FIGURE 34 (SHEET 2)

21-23-02-34

BRI
MAY 28/07

21-23-02-34
PAGE 0A

BOEING
757
PARTS CATALOG (MAINTENANCE)



Y 21230234 SH1 3 REV 265

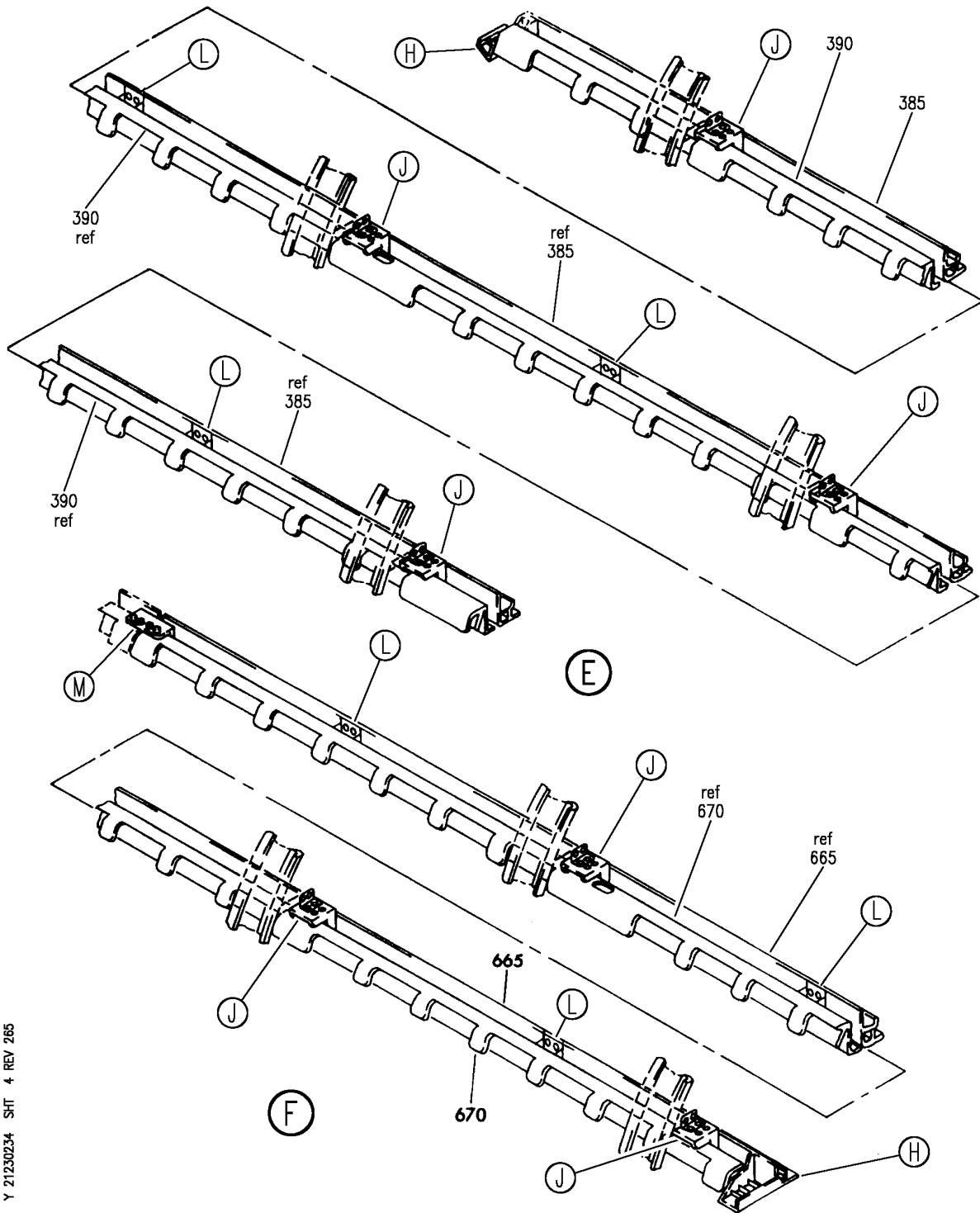
OUTLET ASSY-L SIDE MID
FIGURE 34 (SHEET 3)

21-23-02-34

BRI
MAY 28/07

21-23-02-34
PAGE 0B

BOEING
757
PARTS CATALOG (MAINTENANCE)



Y 21230234 SH1 4 REV 265

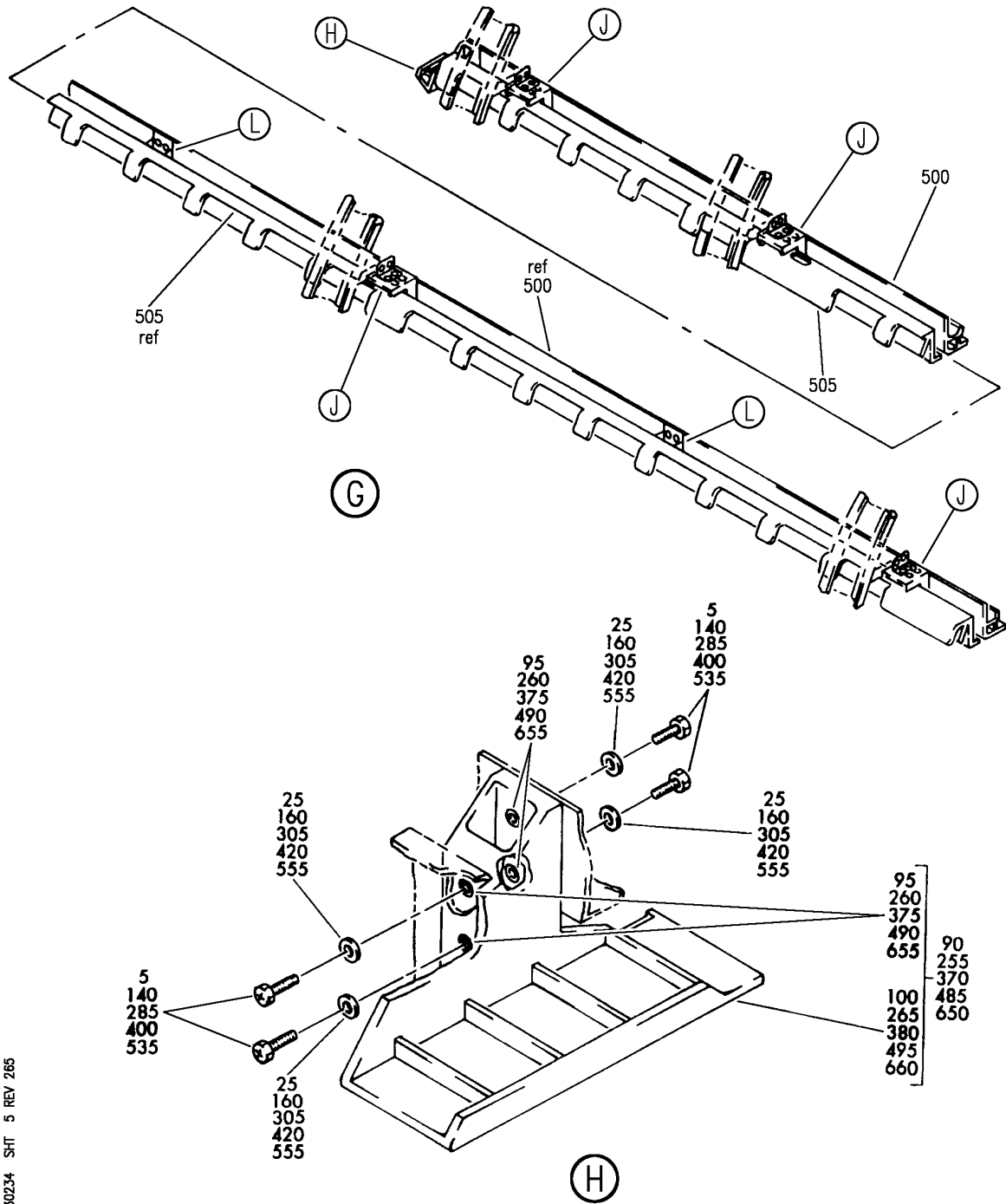
OUTLET ASSY-L SIDE MID
FIGURE 34 (SHEET 4)

21-23-02-34

BRI
MAY 28/07

21-23-02-34
PAGE 0C

BOEING
757
PARTS CATALOG (MAINTENANCE)



Y 21230234 SH1 5 REV 265

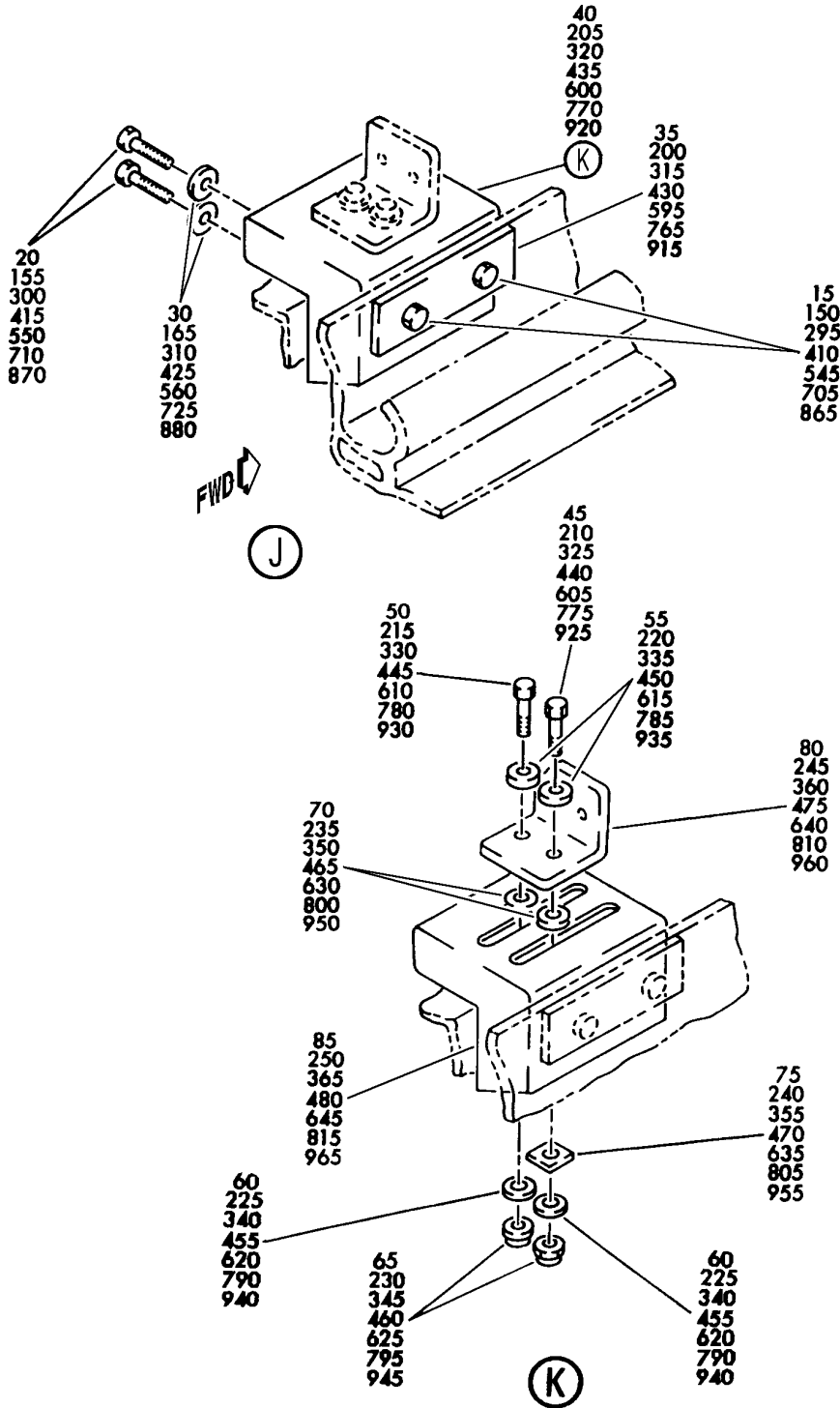
OUTLET ASSY-L SIDE MID
FIGURE 34 (SHEET 5)

21-23-02-34

BRI
MAY 28/07

21-23-02-34
PAGE 0D

BOEING
757
PARTS CATALOG (MAINTENANCE)



Y 21230234 SH1 6 REV 265

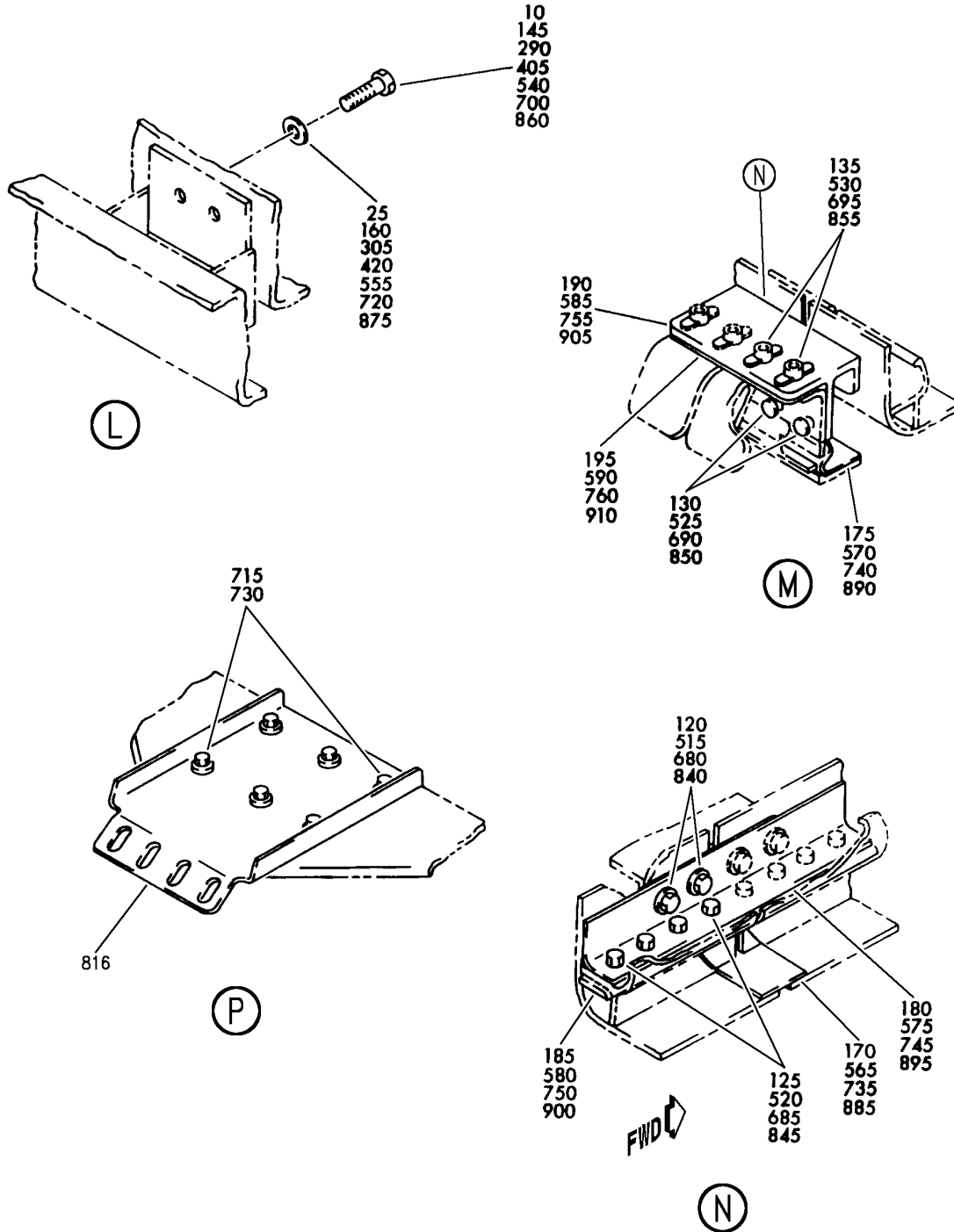
OUTLET ASSY-L SIDE MID
FIGURE 34 (SHEET 6)

21-23-02-34

BRI
MAY 28/07

21-23-02-34
PAGE 0E

BOEING
757
PARTS CATALOG (MAINTENANCE)



Y 21230234 SH-7 REV 265

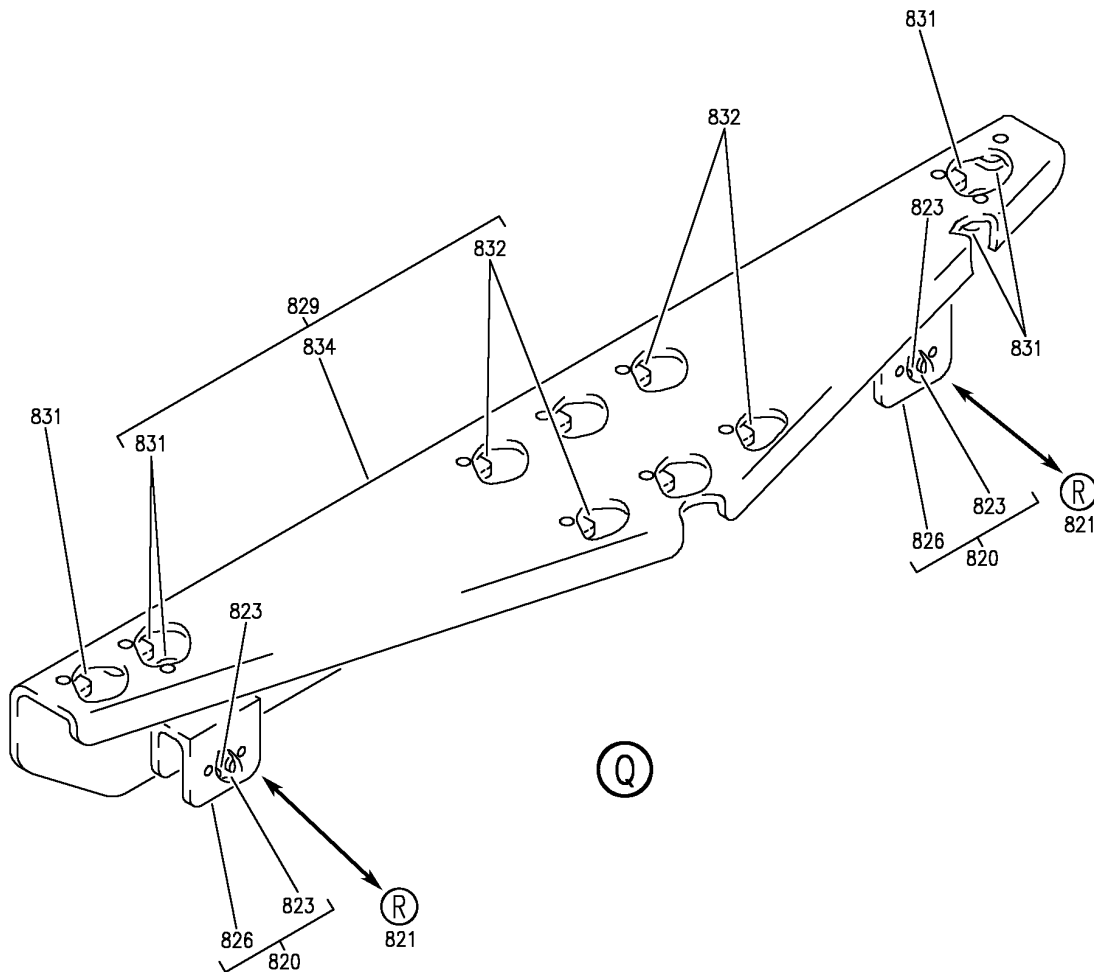
OUTLET ASSY-L SIDE MID
FIGURE 34 (SHEET 7)

21-23-02-34

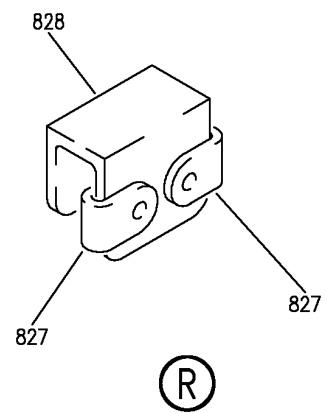
BRI
MAY 28/07

21-23-02-34
PAGE OF

BOEING
757
PARTS CATALOG (MAINTENANCE)



Q



Y 21230234 SH1 8 REV 265

OUTLET ASSY-L SIDE MID
FIGURE 34 (SHEET 8)

21-23-02-34

BRI
MAY 28/07

21-23-02-34
PAGE 0G



757

PARTS CATALOG (MAINTENANCE)

| FIG ITEM | PART NUMBER | 1 2 3 4 5 6 7 | NOMENCLATURE | EFFECT FROM TO | UNITS PER ASSY |
|----------|---------------|----------------|---|--------------------------------------|----------------|
| 34 | | | OUTLET ASSY-L SIDE MID | 002004 121503 904949 952952 | |
| 115 | 412N3103-67SP | | OUTLET ASSY- POSITION DATA: L SIDE MID FOR NHA SEE: 21-23-02-28 | 002004 | RF |
| 120 | NAS1801-08-7 | .SCREW | | 002004 | 2 |
| 125 | BACB30LU2-2 | .BOLT | | 002004 | 4 |
| 130 | NAS514P832-7 | .SCREW | | 002004 | 2 |
| 135 | NAS514P832-8 | .SCREW | | 002004 | 2 |
| 140 | NAS1801-08-5 | .SCREW | | 002004 | 4 |
| 145 | NAS1801-08-6 | .SCREW | | 002004 | 4 |
| 150 | NAS8703-3 | .SCREW- | | 002004 | 4 |
| | | | OPTIONAL PART: BACB30VF3K4 BACS12ER3K9 BACB30VF3K3 | | |
| 150 | BACB30VF3K3 | .BOLT- | | 002004 | 4 |
| | | | OPTIONAL PART: BACB30VF3K4 BACS12ER3K9 NAS8703-3 | | |
| 150 | BACS12ER3K9 | .SCREW- | | 002004 | 4 |
| | | | OPTIONAL PART: NAS8703-3 BACB30VF3K3 BACB30VF3K4 | | |
| 150 | BACB30VF3K4 | .BOLT- | | 002004 | 4 |
| | | | OPTIONAL PART: BACB30VF3K3 BACS12ER3K9 NAS8703-3 | | |
| 155 | BACB30NT3K2 | .BOLT | | 002004 | 4 |
| 160 | AN960JD8L | .WASHER | | 002004 | 10 |
| 165 | AN960JD10LL | .WASHER | | 002004 | 4 |
| 170 | 412N3101-35SP | .COVER | | 002004 | 1 |
| 175 | 412N3101-24SP | .COVER ASSY | | 002004 | 1 |
| 180 | 65C27020-612 | .DOUBLER | | 002004 | 1 |
| 185 | 65C27021-277 | .DOUBLER | | 002004 | 1 |
| 190 | 65C27021-186 | .FITTING ASSY- | | 002004 | 1 |
| | | | OPTIONAL PART: 65C27021-482 | | |
| 190 | 65C27021-482 | .FITTING ASSY- | | 002004 | 1 |
| | | | OPTIONAL PART: 65C27021-186 | | |

MISSING ITEM NUMBERS NOT APPLICABLE

- ITEM NOT ILLUSTRATED

21-23-02-34

21-23-02
FIG. 34
PAGE 1
JAN 20/09

BRI



757

PARTS CATALOG (MAINTENANCE)

| FIG ITEM | PART NUMBER | 1 2 3 4 5 6 7 | NOMENCLATURE | EFFECT FROM TO | UNITS PER ASSY |
|----------|----------------|---------------|---|--------------------------------------|----------------|
| 34 | | | | | |
| 195 | 65C27021-189 | . | FILLER- OPTIONAL PART: 65C27021-481 | 002004 | 1 |
| 195 | 65C27021-481 | . | FILLER- OPTIONAL PART: 65C27021-189 | 002004 | 1 |
| 200 | 65C27021-177 | . | DOUBLER | 002004 | 2 |
| 205 | 412N3133-1 | . | FITTING ASSY | 002004 | 2 |
| 210 | BACB30NM3K5 | .. | BOLT | 002004 | 1 |
| 215 | BACB30NM3K3 | .. | BOLT | 002004 | 1 |
| 220 | AN960JD10LL | .. | WASHER | 002004 | 2 |
| 225 | AN960JD10L | .. | WASHER | 002004 | 2 |
| 230 | MS21042L3 | .. | NUT | 002004 | 2 |
| 235 | 412N2004-55 | .. | SPACER | 002004 | 2 |
| 240 | 65C27021-178 | .. | FILLER | 002004 | 1 |
| 245 | 65C27021-198 | .. | BRACKET | 002004 | 1 |
| 250 | 412N3134-1 | .. | BRACKET | 002004 | 1 |
| 255 | 412N3104-2SP | . | CAP ASSY-END | 002004 | 1 |
| 260 | 6035-2BRX185 | .. | INSERT- SUPPLIER CODE: V01556 | 002004 | 4 |
| 265 | 412N3104-4 | .. | CAP-END | 002004 | 1 |
| 270 | 412N3136-79SP | . | BEAM | 002004 | 1 |
| 275 | 412N3137-197SP | . | BEAM ASSY | 002004 | 1 |
| 395 | 412N3103-137SP | | OUTLET ASSY- POSITION DATA: L SIDE MID FOR NHA SEE: 21-23-02-28 | 002004 | RF |
| 400 | NAS1801-08-5 | . | SCREW | 002004 121503 904949 952952 | 4 |
| 405 | NAS1801-08-6 | . | SCREW | 002004 121503 904949 952952 | 6 |
| 410 | BACB30VF3K3 | . | BOLT- OPTIONAL PART: BACS12ER3K9 BACB30VF3K4 | 002004 121503 904949 952952 | 8 |
| 410 | BACB30VF3K4 | . | BOLT- OPTIONAL PART: BACS12ER3K9 BACB30VF3K3 | 002004 121503 904949 952952 | 8 |
| 410 | BACS12ER3K9 | . | SCREW- OPTIONAL PART: BACB30VF3K3 BACB30VF3K4 | 002004 121503 904949 952952 | 8 |

MISSING ITEM NUMBERS NOT APPLICABLE

- ITEM NOT ILLUSTRATED

21-23-02-34

21-23-02
FIG. 34
PAGE 2
JAN 20/09

BRI



757

PARTS CATALOG (MAINTENANCE)

| FIG ITEM | PART NUMBER | 1 2 3 4 5 6 7 | NOMENCLATURE | EFFECT FROM TO | UNITS PER ASSY |
|----------|--------------|---------------|--------------|--------------------------------------|----------------|
| 34 | | | | | |
| 415 | BACB30NT3K2 | . | BOLT | 002004 121503 904949 952952 | 8 |
| 420 | AN960JD8L | . | WASHER | 002004 121503 904949 952952 | 10 |
| 425 | AN960JD10LL | . | WASHER | 002004 121503 904949 952952 | 8 |
| 430 | 65C27021-177 | . | DOUBLER | 002004 121503 904949 952952 | 4 |
| 435 | 412N3133-1 | . | FITTING ASSY | 002004 121503 904949 952952 | 4 |
| 440 | BACB30NM3K5 | .. | BOLT | 002004 121503 904949 952952 | 1 |
| 445 | BACB30NM3K3 | .. | BOLT | 002004 121503 904949 952952 | 1 |
| 450 | AN960JD10LL | .. | WASHER | 002004 121503 904949 952952 | 2 |
| 455 | AN960JD10L | .. | WASHER | 002004 121503 904949 952952 | 2 |
| 460 | MS21042L3 | .. | NUT | 002004 121503 904949 952952 | 2 |
| 465 | 412N2004-55 | .. | SPACER | 002004 121503 904949 952952 | 2 |
| 470 | 65C27021-178 | .. | FILLER | 002004 121503 904949 952952 | 1 |

MISSING ITEM NUMBERS NOT APPLICABLE

- ITEM NOT ILLUSTRATED

BRI

21-23-02-34

BOEING PROPRIETARY - Copyright © - Unpublished Work - See title page for details.

21-23-02
FIG. 34
PAGE 3
JAN 20/09

 **BOEING**
757
PARTS CATALOG (MAINTENANCE)

| FIG ITEM | PART NUMBER | 1 2 3 4 5 6 7 | NOMENCLATURE | EFFECT FROM TO | UNITS PER ASSY |
|----------|----------------|---|-------------------------------------|--------------------------------------|----------------|
| 34 | | | | | |
| 475 | 65C27021-198 | .. | BRACKET | 002004 121503 904949 952952 | 1 |
| 480 | 412N3134-1 | .. | BRACKET | 002004 121503 904949 952952 | 1 |
| 485 | 412N3104-1SP | .CAP | ASSY-END | 002004 121503 904949 952952 | 1 |
| 490 | 6035-2BRX185 | .. | INSERT- SUPPLIER CODE: V01556 | 002004 121503 904949 952952 | 4 |
| 495 | 412N3104-3 | .. | CAP-END | 002004 121503 904949 952952 | 1 |
| 500 | 412N3136-149SP | .BEAM | | 002004 121503 904949 952952 | 1 |
| 505 | 412N3137-427SP | .BEAM | ASSY | 002004 121503 904949 952952 | 1 |
| 510 | 412N3103-59SP | OUTLET ASSY- POSITION DATA: L SIDE MID FOR NHA SEE: 21-23-02-28 | | 121503 904949 952952 | RF |
| 515 | NAS1801-08-7 | .SCREW | | 121503 904949 952952 | 2 |
| 520 | BACB30LU2-2 | .BOLT | | 121503 904949 952952 | 4 |
| 525 | NAS514P832-7 | .SCREW | | 121503 904949 952952 | 2 |
| 530 | NAS514P832-8 | .SCREW | | 121503 904949 952952 | 2 |
| 535 | NAS1801-08-5 | .SCREW | | 121503 904949 952952 | 4 |

MISSING ITEM NUMBERS NOT APPLICABLE

— ITEM NOT ILLUSTRATED

BRI

21-23-02-34

21-23-02
FIG. 34
PAGE 4
JAN 20/09



757

PARTS CATALOG (MAINTENANCE)

| FIG ITEM | PART NUMBER | 1 2 3 4 5 6 7 | NOMENCLATURE | EFFECT FROM TO | UNITS PER ASSY |
|----------|---------------|---------------|---|----------------------------|----------------|
| 34 | | | | | |
| 540 | NAS1801-08-6 | . | SCREW | 121503 904949 952952 | 6 |
| 545 | NAS8703-3 | . | SCREW- OPTIONAL PART: BACB30VF3K3 BACB30VF3K4 BACS12ER3K9 | 121503 904949 952952 | 6 |
| 545 | BACB30VF3K3 | . | BOLT- OPTIONAL PART: NAS8703-3 BACB30VF3K4 BACS12ER3K9 | 121503 904949 952952 | 6 |
| 545 | BACS12ER3K9 | . | SCREW- OPTIONAL PART: NAS8703-3 BACB30VF3K3 BACB30VF3K4 | 121503 904949 952952 | 6 |
| 545 | BACB30VF3K4 | . | BOLT- OPTIONAL PART: NAS8703-3 BACS12ER3K9 BACB30VF3K3 | 121503 904949 952952 | 6 |
| 550 | BACB30NT3K2 | . | BOLT | 121503 904949 952952 | 6 |
| 555 | AN960JD8L | . | WASHER | 121503 904949 952952 | 12 |
| 560 | AN960JD10LL | . | WASHER | 121503 904949 952952 | 6 |
| 565 | 412N3101-35SP | . | COVER | 121503 904949 952952 | 1 |
| 570 | 412N3101-24SP | . | COVER ASSY | 121503 904949 952952 | 1 |
| 575 | 65C27020-612 | . | DOUBLER | 121503 904949 952952 | 1 |
| 580 | 65C27021-277 | . | DOUBLER | 121503 904949 952952 | 1 |
| 585 | 65C27021-186 | . | FITTING ASSY- OPTIONAL PART: 65C27021-482 | 121503 904949 952952 | 1 |

MISSING ITEM NUMBERS NOT APPLICABLE

- ITEM NOT ILLUSTRATED

21-23-02-34

21-23-02
FIG. 34
PAGE 5
JAN 20/09

BRI

BOEING PROPRIETARY - Copyright © - Unpublished Work - See title page for details.



757

PARTS CATALOG (MAINTENANCE)

| FIG ITEM | PART NUMBER | 1 2 3 4 5 6 7 | NOMENCLATURE | EFFECT FROM TO | UNITS PER ASSY |
|----------|--------------|---------------|---|----------------------------|----------------|
| 34 | | | | | |
| 585 | 65C27021-482 | . | FITTING ASSY- OPTIONAL PART: 65C27021-186 | 121503 904949 952952 | 1 |
| 590 | 65C27021-189 | . | FILLER- OPTIONAL PART: 65C27021-481 | 121503 904949 952952 | 1 |
| 590 | 65C27021-481 | . | FILLER- OPTIONAL PART: 65C27021-189 | 121503 904949 952952 | 1 |
| 595 | 65C27021-177 | . | DOUBLER | 121503 904949 952952 | 3 |
| 600 | 412N3133-1 | . | FITTING ASSY | 121503 904949 952952 | 3 |
| 605 | BACB30NM3K5 | .. | BOLT | 121503 904949 952952 | 1 |
| 610 | BACB30NM3K3 | .. | BOLT | 121503 904949 952952 | 1 |
| 615 | AN960JD10LL | .. | WASHER | 121503 904949 952952 | 2 |
| 620 | AN960JD10L | .. | WASHER | 121503 904949 952952 | 2 |
| 625 | MS21042L3 | .. | NUT | 121503 904949 952952 | 2 |
| 630 | 412N2004-55 | .. | SPACER | 121503 904949 952952 | 2 |
| 635 | 65C27021-178 | .. | FILLER | 121503 904949 952952 | 1 |
| 640 | 65C27021-198 | .. | BRACKET | 121503 904949 952952 | 1 |
| 645 | 412N3134-1 | .. | BRACKET | 121503 904949 952952 | 1 |
| 650 | 412N3104-2SP | . | CAP ASSY-END | 121503 904949 952952 | 1 |
| 655 | 6035-2BRX185 | .. | INSERT- SUPPLIER CODE: V01556 | 121503 904949 952952 | 4 |

MISSING ITEM NUMBERS NOT APPLICABLE

- ITEM NOT ILLUSTRATED

BRI

21-23-02-34

21-23-02
FIG. 34
PAGE 6
JAN 20/09



757

PARTS CATALOG (MAINTENANCE)

| FIG ITEM | PART NUMBER | 1 2 3 4 5 6 7 | NOMENCLATURE | EFFECT FROM TO | UNITS PER ASSY |
|----------|----------------|---|--------------|--------------------------------------|----------------|
| 34 | | | | | |
| 660 | 412N3104-4 | . . | CAP-END | 121503 904949 952952 | 1 |
| 665 | 412N3136-69SP | . BEAM | | 121503 904949 952952 | 1 |
| 670 | 412N3137-173SP | . BEAM ASSY | | 121503 904949 952952 | 1 |
| 675 | 412N3103-55SP | OUTLET ASSY- POSITION DATA: L SIDE MID FOR NHA SEE: 21-23-02-28 | | 002004 121503 904949 952952 | RF |
| 680 | NAS1801-08-7 | . SCREW | | 002004 121503 904949 952952 | 2 |
| 685 | BACB30LU2-2 | . BOLT | | 002004 121503 904949 952952 | 4 |
| 690 | NAS514P832-7 | . SCREW | | 002004 121503 904949 952952 | 2 |
| 695 | NAS514P832-8 | . SCREW | | 002004 121503 904949 952952 | 2 |
| 700 | NAS1801-08-6 | . SCREW | | 002004 121503 904949 952952 | 12 |
| 705 | NAS8703-3 | . SCREW- OPTIONAL PART: BACB30VF3K3 BACB30VF3K4 BACS12ER3K9 | | 002004 121503 904949 952952 | 4 |
| 705 | BACB30VF3K3 | . BOLT- OPTIONAL PART: NAS8703-3 BACB30VF3K4 BACS12ER3K9 | | 002004 121503 904949 952952 | 4 |
| 705 | BACS12ER3K9 | . SCREW- OPTIONAL PART: NAS8703-3 BACB30VF3K3 BACB30VF3K4 | | 002004 121503 904949 952952 | 4 |

MISSING ITEM NUMBERS NOT APPLICABLE

- ITEM NOT ILLUSTRATED

21-23-02-34

21-23-02
FIG. 34
PAGE 7
JAN 20/09

BRI



757

PARTS CATALOG (MAINTENANCE)

| FIG ITEM | PART NUMBER | 1 2 3 4 5 6 7 | NOMENCLATURE | EFFECT FROM TO | UNITS PER ASSY |
|----------|---------------|---------------|---|--------------------------------------|----------------|
| 34 | | | | | |
| 705 | BACS12ER3K9 | . | SCREW- OPTIONAL PART: NAS8703-3 | 002004 121503 904949 952952 | 4 |
| 710 | BACB30NT3K2 | . | BOLT | 002004 121503 904949 952952 | 4 |
| 715 | BACB30NM4K2 | . | BOLT | 002004 121503 904949 952952 | 6 |
| 720 | AN960JD8L | . | WASHER | 002004 121503 904949 952952 | 14 |
| 725 | AN960JD10LL | . | WASHER | 002004 121503 904949 952952 | 4 |
| 730 | AN960JD416L | . | WASHER | 002004 121503 904949 952952 | 6 |
| 735 | 412N3101-35SP | . | COVER | 002004 121503 904949 952952 | 1 |
| 740 | 412N3101-24SP | . | COVER ASSY | 002004 121503 904949 952952 | 1 |
| 745 | 65C27020-612 | . | DOUBLER | 002004 121503 904949 952952 | 1 |
| 750 | 65C27021-277 | . | DOUBLER | 002004 121503 904949 952952 | 1 |
| 755 | 65C27021-186 | . | FITTING ASSY- OPTIONAL PART: 65C27021-482 | 002004 121503 904949 952952 | 1 |
| 755 | 65C27021-482 | . | FITTING ASSY- OPTIONAL PART: 65C27021-186 | 002004 121503 904949 952952 | 1 |

MISSING ITEM NUMBERS NOT APPLICABLE

- ITEM NOT ILLUSTRATED

21-23-02-34

21-23-02
FIG. 34
PAGE 8
JAN 20/09

BRI

BOEING PROPRIETARY - Copyright © - Unpublished Work - See title page for details.



757

PARTS CATALOG (MAINTENANCE)

| FIG ITEM | PART NUMBER | 1 2 3 4 5 6 7 | NOMENCLATURE | EFFECT FROM TO | UNITS PER ASSY |
|----------|--------------|----------------|--------------|----------------|----------------|
| 34 | | | | | |
| 760 | 65C27021-189 | . FILLER- | | 002004 | 1 |
| | | OPTIONAL PART: | | 121503 | |
| | | 65C27021-481 | | 904949 | |
| | | | | 952952 | |
| 760 | 65C27021-481 | . FILLER- | | 002004 | 1 |
| | | OPTIONAL PART: | | 121503 | |
| | | 65C27021-189 | | 904949 | |
| | | | | 952952 | |
| 765 | 65C27021-177 | . DOUBLER | | 002004 | 2 |
| | | | | 121503 | |
| | | | | 904949 | |
| | | | | 952952 | |
| 770 | 412N3133-1 | . FITTING ASSY | | 002004 | 2 |
| | | | | 121503 | |
| | | | | 904949 | |
| | | | | 952952 | |
| 775 | BACB30NM3K5 | .. BOLT | | 002004 | 1 |
| | | | | 121503 | |
| | | | | 904949 | |
| | | | | 952952 | |
| 780 | BACB30NM3K3 | .. BOLT | | 002004 | 1 |
| | | | | 121503 | |
| | | | | 904949 | |
| | | | | 952952 | |
| 785 | AN960JD10LL | .. WASHER | | 002004 | 2 |
| | | | | 121503 | |
| | | | | 904949 | |
| | | | | 952952 | |
| 790 | AN960JD10L | .. WASHER | | 002004 | 2 |
| | | | | 121503 | |
| | | | | 904949 | |
| | | | | 952952 | |
| 795 | MS21042L3 | .. NUT | | 002004 | 2 |
| | | | | 121503 | |
| | | | | 904949 | |
| | | | | 952952 | |
| 800 | 412N2004-55 | .. SPACER | | 002004 | 2 |
| | | | | 121503 | |
| | | | | 904949 | |
| | | | | 952952 | |
| 805 | 65C27021-178 | .. FILLER | | 002004 | 1 |
| | | | | 121503 | |
| | | | | 904949 | |
| | | | | 952952 | |
| 810 | 65C27021-198 | .. BRACKET | | 002004 | 1 |
| | | | | 121503 | |
| | | | | 904949 | |
| | | | | 952952 | |

MISSING ITEM NUMBERS NOT APPLICABLE

- ITEM NOT ILLUSTRATED

BRI

21-23-02-34

21-23-02
FIG. 34
PAGE 9
JAN 20/09



757

PARTS CATALOG (MAINTENANCE)

| FIG ITEM | PART NUMBER | 1 2 3 4 5 6 7 | NOMENCLATURE | EFFECT FROM TO | UNITS PER ASSY |
|-----------|---------------|---------------|--|--------------------------------------|----------------|
| 34 815 | 412N3134-1 | . . | BRACKET | 002004 121503 904949 952952 | 1 |
| 816 | 412N2003-87 | . . | SUPPORT | 002004 121503 904949 952952 | 1 |
| 817 | 412N3136-63SP | . . | BEAM ASSY | 002004 121503 904949 952952 | 1 |
| 818 | 412N2021-22 | . . | SUPPORT ASSY | 002004 121503 904949 952952 | 1 |
| - 819 | BACR15FT6D | . . | ATTACHING PARTS RIVET- SIZE DETERMINED ON INSTL. | 002004 121503 904949 952952 | 17 |
| 820 | 412N2004-93 | . . . | BRACKET ASSY- OPTIONAL PART: 412N2004-132 | 002004 121503 904949 952952 | 2 |
| 821 | 412N2004-132 | . . . | BRACKET ASSY- OPTIONAL PART: 412N2004-93 | 002004 121503 904949 952952 | 2 |
| - 822 | NAS1399D5 | . . . | ATTACHING PARTS RIVET- SIZE DETERMINED ON INSTL. | 002004 121503 904949 952952 | 4 |

MISSING ITEM NUMBERS NOT APPLICABLE

- ITEM NOT ILLUSTRATED

BRI

21-23-02-34

21-23-02
FIG. 34
PAGE 10
JAN 20/09



757

PARTS CATALOG (MAINTENANCE)

| FIG ITEM | PART NUMBER | 1 2 3 4 5 6 7 | NOMENCLATURE | EFFECT FROM TO | UNITS PER ASSY |
|-----------|-------------|---------------|--|--------------------------------------|----------------|
| 34 823 | T8078S832 | |NUTPLATE- SUPPLIER CODE: V11815 SPECIFICATION NUMBER: BACN10JP08C OPTIONAL PART: MK3000-08BAC V15653 NS103199-82 V80539 RMA9205M82 V72962 VN203A1-82 V92215 BRM300A08 V52828 USED ON: 412N2004-93 ATTACHING PARTS | 002004 121503 904949 952952 | 2 |
| - 824 | BACR15BA3AD | |RIVET- SIZE DETERMINED ON INSTL. USED ON: 412N2004-93 -----*----- | 002004 121503 904949 952952 | 4 |
| 826 | 412N2004-94 | |BRACKET- USED ON: 412N2004-93 | 002004 121503 904949 952952 | 1 |
| 827 | 130007 | |NUT- SUPPLIER CODE: V60119 SPECIFICATION NUMBER: BACN10FX83 OPTIONAL PART: BRC500-8-08 V52828 SL213-08-1 V97393 A11330-8-82 V72962 A4972-8-82 V72962 A4972-8-82 V72962 USED ON: 412N2004-132 | 002004 121503 904949 952952 | 2 |

MISSING ITEM NUMBERS NOT APPLICABLE

- ITEM NOT ILLUSTRATED

BRI

21-23-02-34

21-23-02
FIG. 34
PAGE 11
JAN 20/09



757

PARTS CATALOG (MAINTENANCE)

| FIG ITEM | PART NUMBER | 1 2 3 4 5 6 7 | NOMENCLATURE | EFFECT FROM TO | UNITS PER ASSY |
|-----------|--------------|---------------|---|--------------------------------------|----------------|
| 34 828 | 412N2004-133 | | BRACKET- USED ON: 412N2004-132 | 002004 121503 904949 952952 | 1 |
| 829 | 412N2003-90 | ... | SUPPORT ASSY | 002004 121503 904949 952952 | 1 |
| 831 | MF53049-3 | | NUTPLATE SUPPLIER CODE: V15653 SPECIFICATION NUMBER: BACN10JN3 OPTIONAL PART: BRFM20A3 V52828 MF1000-3BAC V15653 NS103218-02 V80539 RMF9201M3 V72962 VN252A02 V92215 T8124S3S V11815 | 002004 121503 904949 952952 | 6 |
| 832 | T8076S428 | | NUTPLATE SUPPLIER CODE: V11815 SPECIFICATION NUMBER: BACN10JP4A OPTIONAL PART: MK1000-4BAC V15653 NS103197-048 V80539 RMA9201M4 V72962 VN202A1-048 V92215 BRM200A4 V52828 | 002004 121503 904949 952952 | 6 |
| - 833 | BACR15BA3D | | ATTACHING PARTS RIVET- SIZE DETERMINED ON INSTL. -----*----- | 002004 121503 904949 952952 | 24 |

MISSING ITEM NUMBERS NOT APPLICABLE

- ITEM NOT ILLUSTRATED

21-23-02-34

21-23-02
FIG. 34
PAGE 12
JAN 20/09

BRI



757

PARTS CATALOG (MAINTENANCE)

| FIG ITEM | PART NUMBER | 1 2 3 4 5 6 7 | NOMENCLATURE | EFFECT FROM TO | UNITS PER ASSY |
|----------|----------------|---|--------------|--------------------------------------|----------------|
| 34 | | | | | |
| 834 | 412N2003-92 | | BRACKET | 002004 121503 904949 952952 | 1 |
| 836 | 412N3137-161SP | . BEAM | ASSY | 002004 121503 904949 952952 | 1 |
| 838 | 412N3103-57SP | OUTLET ASSY- POSITION DATA: L SIDE MID FOR NHA SEE: 21-23-02-28 | | 002004 121503 904949 952952 | RF |
| 840 | NAS1801-08-7 | . SCREW | | 002004 121503 904949 952952 | 2 |
| 845 | BACB30LU2-2 | . BOLT | | 002004 121503 904949 952952 | 4 |
| 850 | NAS514P832-7 | . SCREW | | 002004 121503 904949 952952 | 2 |
| 855 | NAS514P832-8 | . SCREW | | 002004 121503 904949 952952 | 2 |
| 860 | NAS1801-08-6 | . SCREW | | 002004 121503 904949 952952 | 4 |
| 865 | NAS8703-3 | . SCREW- OPTIONAL PART: BACB30VF3K3 BACB30VF3K4 BACS12ER3K9 | | 002004 121503 904949 952952 | 8 |
| 865 | BACB30VF3K3 | . BOLT- OPTIONAL PART: NAS8703-3 BACB30VF3K4 BACS12ER3K9 | | 002004 121503 904949 952952 | 8 |
| 865 | BACB30VF3K4 | . BOLT- OPTIONAL PART: NAS8703-3 BACS12ER3K9 BACB30VF3K3 | | 002004 121503 904949 952952 | 8 |

MISSING ITEM NUMBERS NOT APPLICABLE

- ITEM NOT ILLUSTRATED

21-23-02-34

21-23-02
FIG. 34
PAGE 13
JAN 20/09

BRI



757

PARTS CATALOG (MAINTENANCE)

| FIG ITEM | PART NUMBER | 1 2 3 4 5 6 7 | NOMENCLATURE | EFFECT FROM TO | UNITS PER ASSY |
|----------|---------------|---------------|---|--------------------------------------|----------------|
| 34 | | | | | |
| 865 | BACS12ER3K9 | . | SCREW- OPTIONAL PART: NAS8703-3 BACB30VF3K3 BACB30VF3K4 | 002004 121503 904949 952952 | 8 |
| 870 | BACB30NT3K2 | . | BOLT | 002004 121503 904949 952952 | 8 |
| 875 | AN960JD8L | . | WASHER | 002004 121503 904949 952952 | 6 |
| 880 | AN960JD10LL | . | WASHER | 002004 121503 904949 952952 | 8 |
| 885 | 412N3101-35SP | . | COVER | 002004 121503 904949 952952 | 1 |
| 890 | 412N3101-24SP | . | COVER ASSY | 002004 121503 904949 952952 | 1 |
| 895 | 65C27020-612 | . | DOUBLER | 002004 121503 904949 952952 | 1 |
| 900 | 65C27021-277 | . | DOUBLER | 002004 121503 904949 952952 | 1 |
| 905 | 65C27021-186 | . | FITTING ASSY- OPTIONAL PART: 65C27021-482 | 002004 121503 904949 952952 | 1 |
| 905 | 65C27021-482 | . | FITTING ASSY- OPTIONAL PART: 65C27021-186 | 002004 121503 904949 952952 | 1 |
| 910 | 65C27021-189 | . | FILLER- OPTIONAL PART: 65C27021-481 | 002004 121503 904949 952952 | 1 |
| 910 | 65C27021-481 | . | FILLER- OPTIONAL PART: 65C27021-189 | 002004 121503 904949 952952 | 1 |

MISSING ITEM NUMBERS NOT APPLICABLE

- ITEM NOT ILLUSTRATED

BRI

21-23-02-34

21-23-02
FIG. 34
PAGE 14
JAN 20/09



757

PARTS CATALOG (MAINTENANCE)

| FIG ITEM | PART NUMBER | 1 2 3 4 5 6 7 | NOMENCLATURE | EFFECT FROM TO | UNITS PER ASSY |
|----------|---------------|---------------|--------------|--------------------------------------|----------------|
| 34 | | | | | |
| 915 | 65C27021-177 | . | DOUBLER | 002004 121503 904949 952952 | 4 |
| 920 | 412N3133-1 | . | FITTING ASSY | 002004 121503 904949 952952 | 4 |
| 925 | BACB30NM3K5 | .. | BOLT | 002004 121503 904949 952952 | 1 |
| 930 | BACB30NM3K3 | .. | BOLT | 002004 121503 904949 952952 | 1 |
| 935 | AN960JD10LL | .. | WASHER | 002004 121503 904949 952952 | 2 |
| 940 | AN960JD10L | .. | WASHER | 002004 121503 904949 952952 | 2 |
| 945 | MS21042L3 | .. | NUT | 002004 121503 904949 952952 | 2 |
| 950 | 412N2004-55 | .. | SPACER | 002004 121503 904949 952952 | 2 |
| 955 | 65C27021-178 | .. | FILLER | 002004 121503 904949 952952 | 1 |
| 960 | 65C27021-198 | .. | BRACKET | 002004 121503 904949 952952 | 1 |
| 965 | 412N3134-1 | .. | BRACKET | 002004 121503 904949 952952 | 1 |
| 970 | 412N3136-67SP | . | BEAM | 002004 121503 904949 952952 | 1 |

MISSING ITEM NUMBERS NOT APPLICABLE

- ITEM NOT ILLUSTRATED

21-23-02-34

21-23-02
FIG. 34
PAGE 15
JAN 20/09

BRI

BOEING PROPRIETARY - Copyright © - Unpublished Work - See title page for details.



757

PARTS CATALOG (MAINTENANCE)

| FIG ITEM | PART NUMBER | 1 2 3 4 5 6 7 | NOMENCLATURE | EFFECT FROM TO | UNITS PER ASSY |
|-------------|----------------|---------------|--------------|--------------------------------------|----------------------|
| 34 975 | 412N3137-167SP | . | BEAM ASSY | 002004 121503 904949 952952 | 1 |

MISSING ITEM NUMBERS NOT APPLICABLE

- ITEM NOT ILLUSTRATED

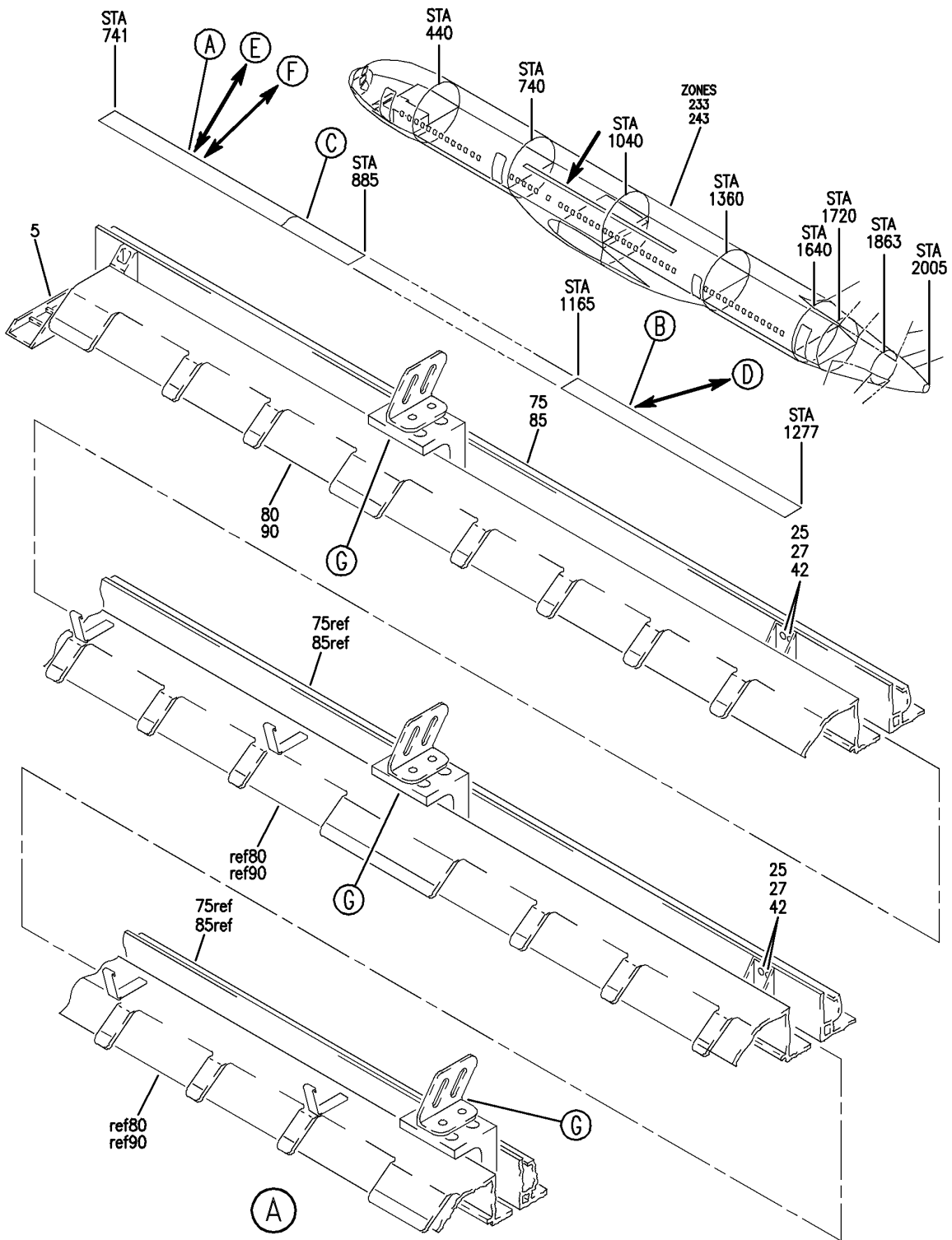
BRI

21-23-02-34

BOEING PROPRIETARY - Copyright © - Unpublished Work - See title page for details.

21-23-02
FIG. 34
PAGE 16
JAN 20/09

BOEING
757
PARTS CATALOG (MAINTENANCE)



Y 21230234A SH1 1 REV 229

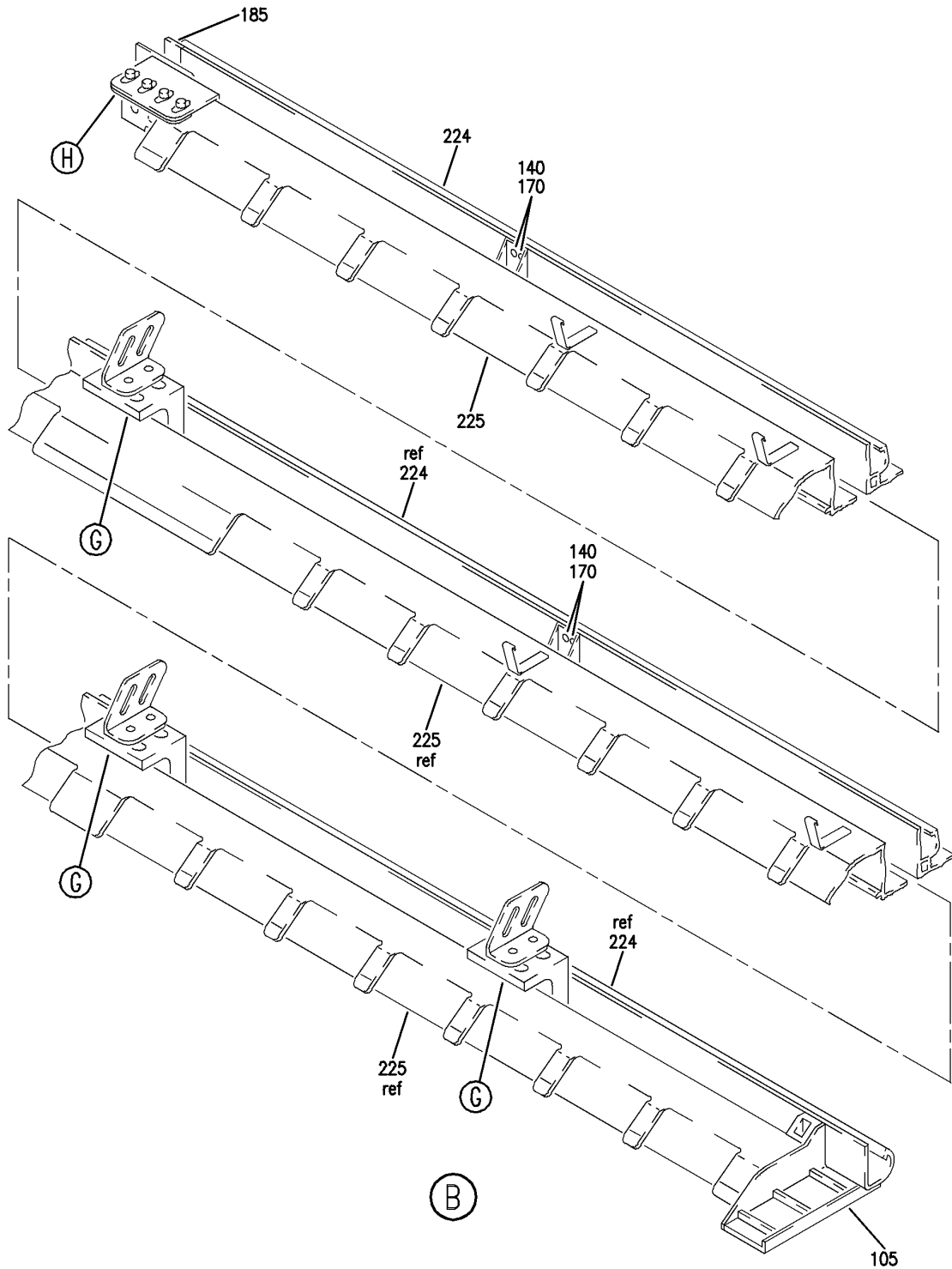
OUTLET ASSY-SIDEWALL AIR CONDITIONING
FIGURE 34A (SHEET 1)

21-23-02-34A

BRI
MAY 28/07

21-23-02-34A
PAGE 0

BOEING
757
PARTS CATALOG (MAINTENANCE)



Y 21230234A SH1 2 REV 229

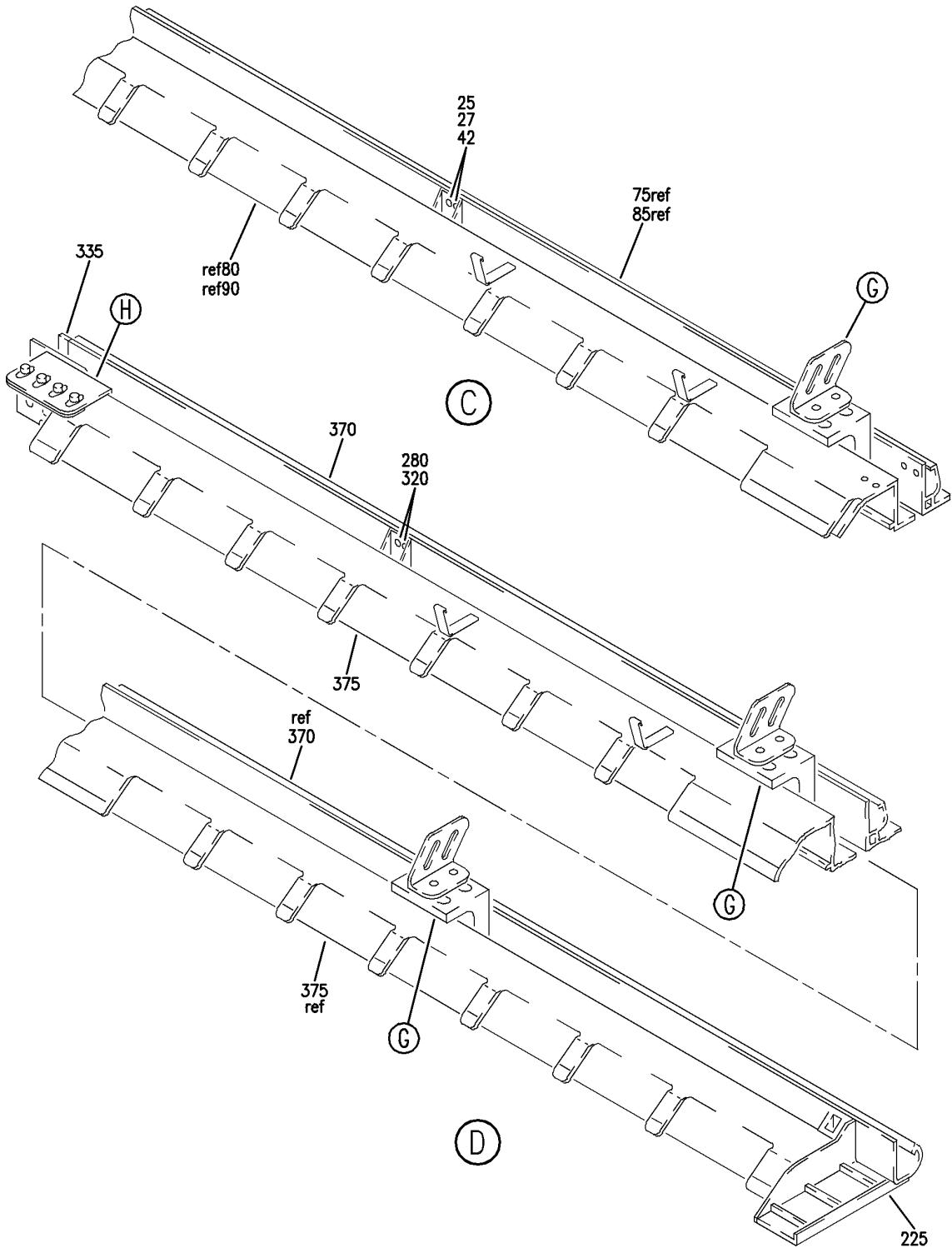
OUTLET ASSY-SIDEWALL AIR CONDITIONING
FIGURE 34A (SHEET 2)

21-23-02-34A

BRI
MAY 28/07

21-23-02-34A
PAGE 0A

BOEING
757
PARTS CATALOG (MAINTENANCE)



Y 21230234A SH1 3 REV 229

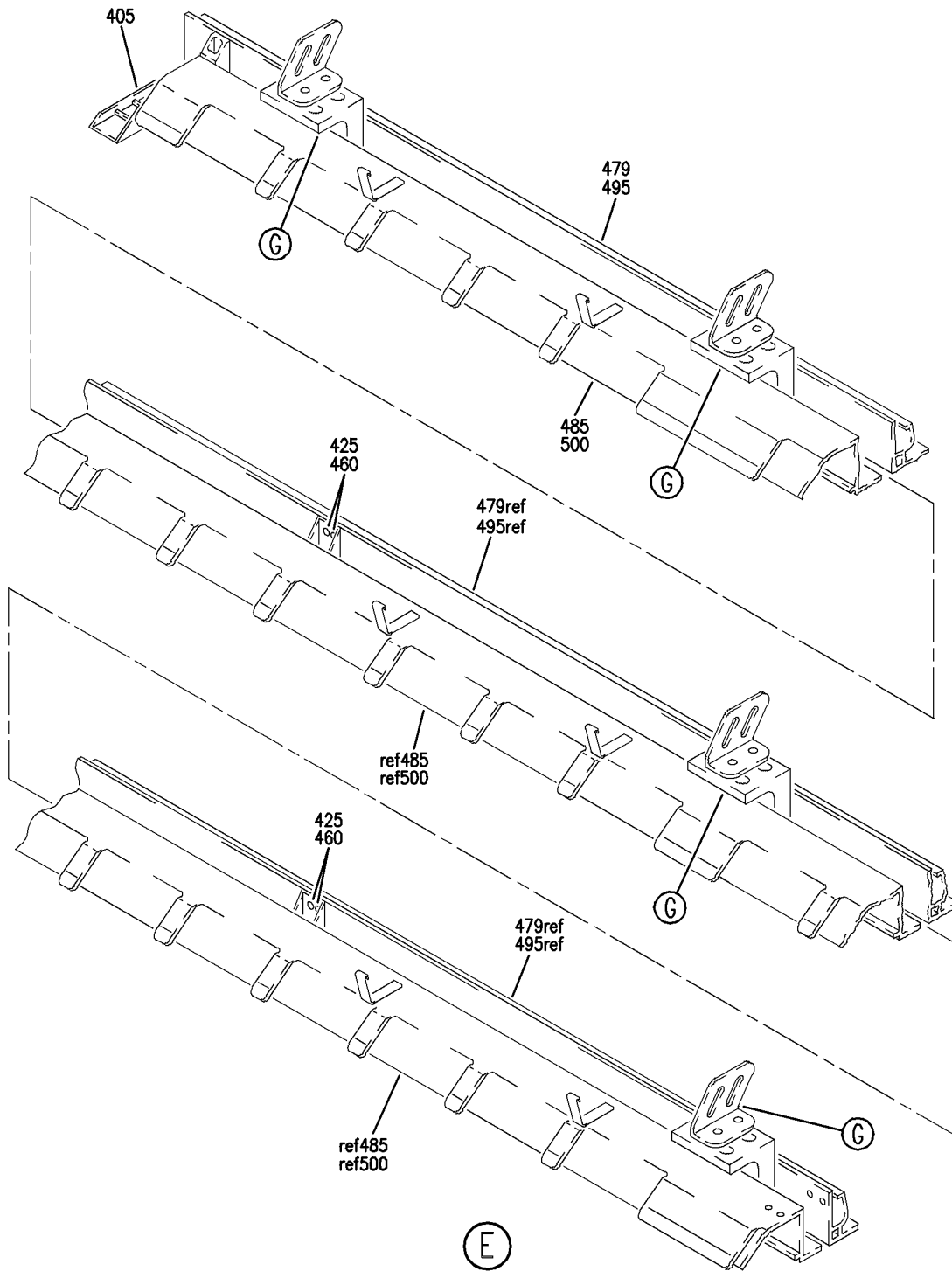
OUTLET ASSY-SIDEWALL AIR CONDITIONING
FIGURE 34A (SHEET 3)

21-23-02-34A

BRI
MAY 28/07

21-23-02-34A
PAGE 08

BOEING
757
PARTS CATALOG (MAINTENANCE)



Y 21230234A SH1 4 REV 229

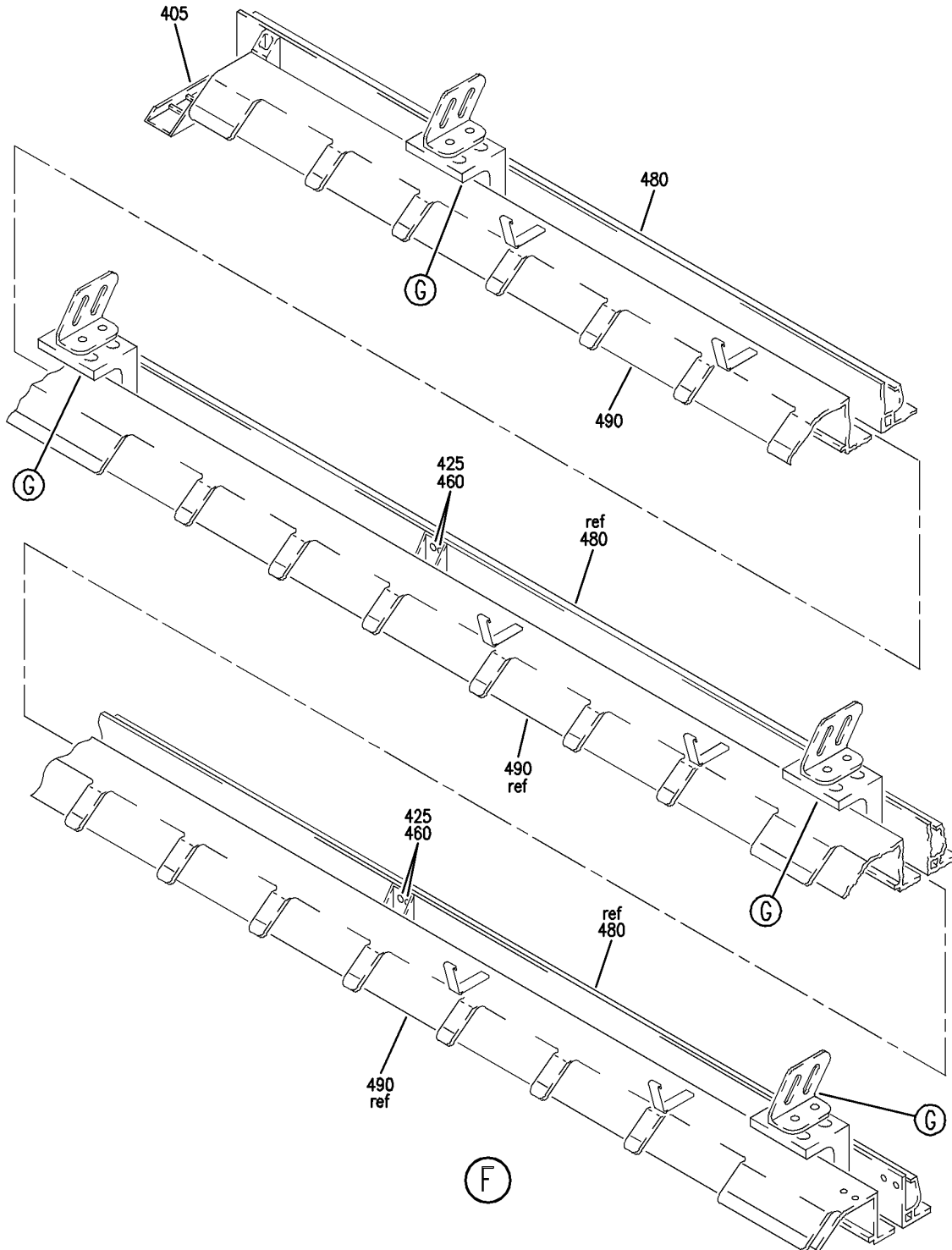
OUTLET ASSY-SIDEWALL AIR CONDITIONING
FIGURE 34A (SHEET 4)

21-23-02-34A

BRI
MAY 28/07

21-23-02-34A
PAGE 0C

BOEING
757
PARTS CATALOG (MAINTENANCE)



Y 21230234A SH1 5 REV 229

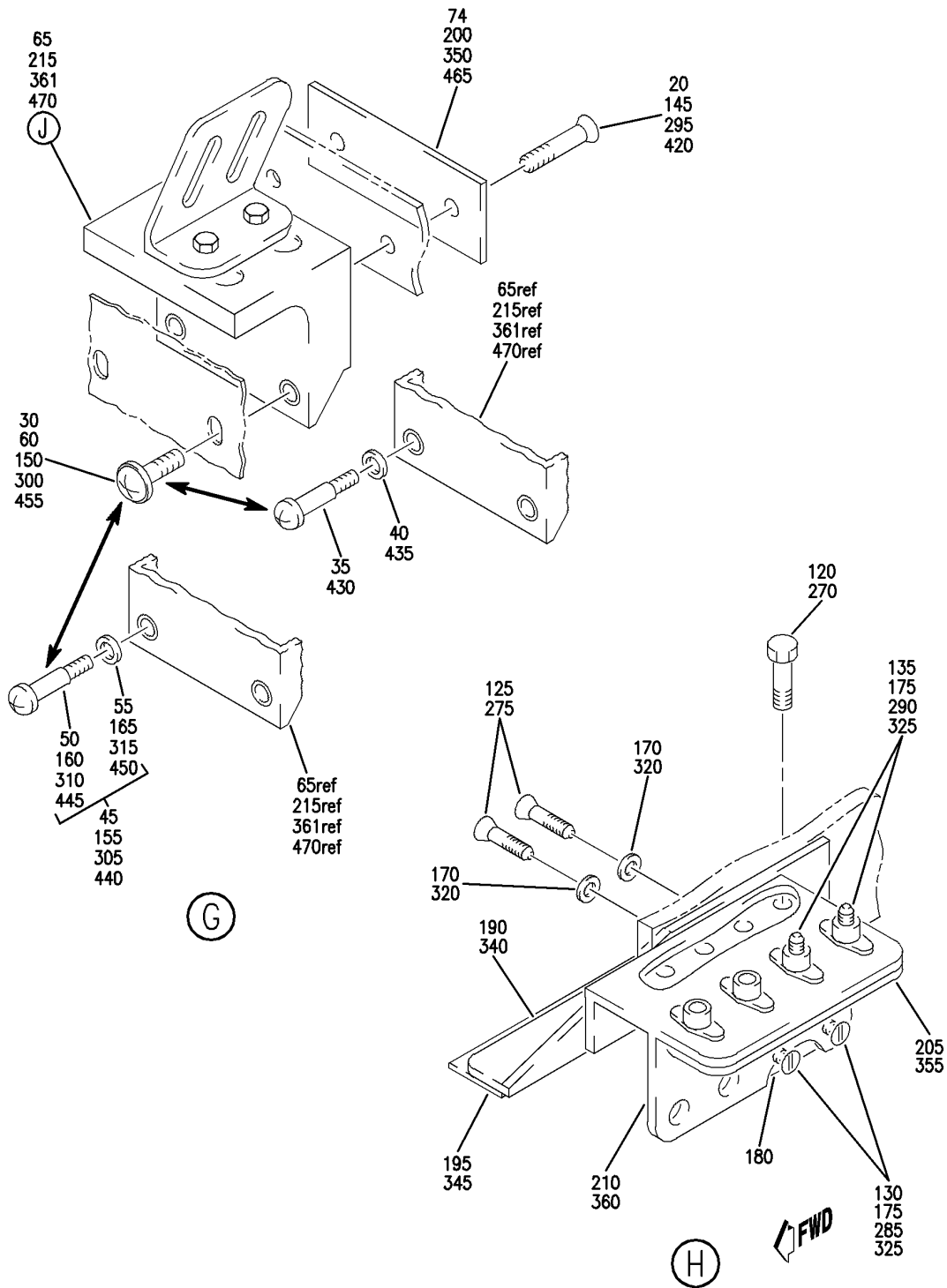
OUTLET ASSY-SIDEWALL AIR CONDITIONING
FIGURE 34A (SHEET 5)

21-23-02-34A

BRI
MAY 28/07

21-23-02-34A
PAGE 0D

BOEING
757
PARTS CATALOG (MAINTENANCE)



Y 21230234A SH1 6 REV 229

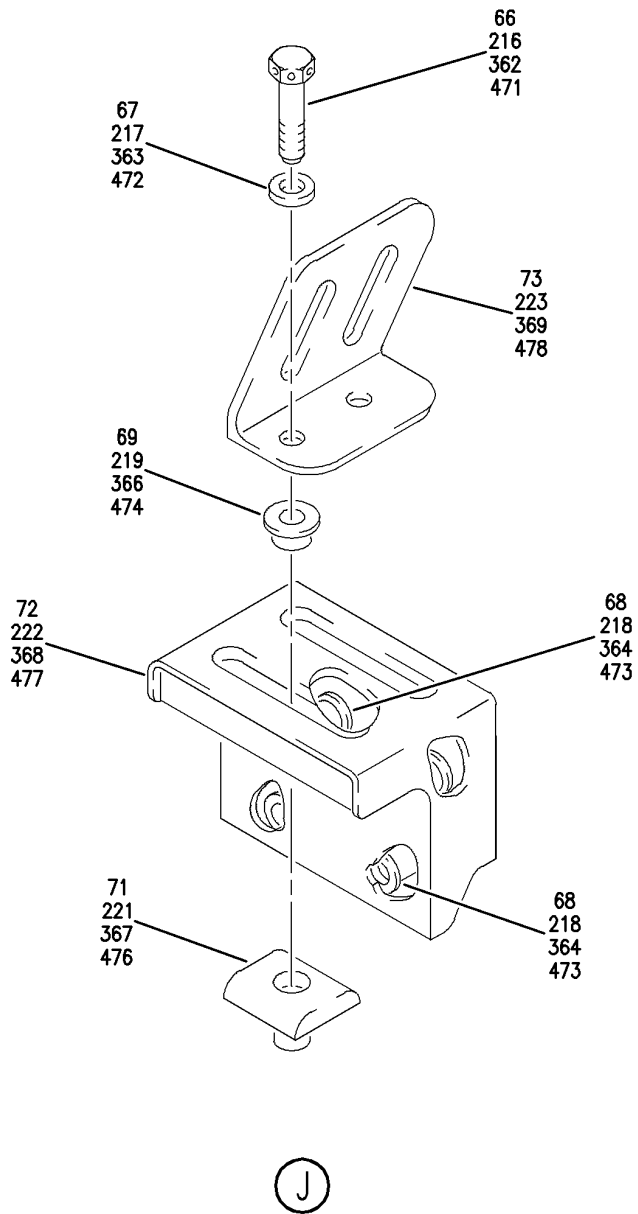
OUTLET ASSY-SIDEWALL AIR CONDITIONING
FIGURE 34A (SHEET 6)

21-23-02-34A

BRI
MAY 28/07

21-23-02-34A
PAGE 0E

BOEING
757
PARTS CATALOG (MAINTENANCE)



Y 21230234A SH1 7 REV 229

OUTLET ASSY-SIDEWALL AIR CONDITIONING
FIGURE 34A (SHEET 7)

21-23-02-34A

BRI
MAY 28/07

21-23-02-34A
PAGE OF



757

PARTS CATALOG (MAINTENANCE)

| FIG ITEM | PART NUMBER | 1 2 3 4 5 6 7 | NOMENCLATURE | EFFECT FROM TO | UNITS PER ASSY |
|----------|-----------------|---------------|--|--|----------------|
| 34A | | | OUTLET ASSY-SIDEWALL AIR CONDITIONING | 006102 108120 504903 950951 953999 | |
| - 1 | 412N3103-1105SP | | OUTLET ASSY-SIDEWALL AC FOR NHA SEE: 21-23-02-44B | 006100 950951 953999 | RF |
| - 1 | 412N3103-1297SP | | OUTLET ASSY-SIDEWALL AC FOR NHA SEE: 21-23-02-44B | 101102 108120 | RF |
| 5 | 412N3104-1SP | | .CAP ASSY-END | 006102 108120 950951 953999 | 1 |
| - 10 | BACS12GU08K5 | | ATTACHING PARTS .SCREW- OPTIONAL PART: NAS1801-08-5 | 006102 108120 950951 953999 | 4 |
| - 10 | NAS1801-08-5 | | .SCREW- OPTIONAL PART: BACS12GU08K5 | 006102 108120 950951 953999 | 4 |
| - 15 | AN960JD8L | | .WASHER- | 006100 950951 953999 | 4 |
| - 15 | NAS1149DN816J | | .WASHER- | 101102 108120 | 4 |
| 20 | BACS12ER3K9 | | -----*----- .SCREW- OPTIONAL PART: BACB30VF3K3 | 006102 108120 950951 953999 | 8 |
| 20 | BACB30VF3K3 | | .BOLT- OPTIONAL PART: BACS12ER3K9 | 006102 108120 950951 953999 | 8 |
| 25 | BACS12GU08K6 | | .SCREW- OPTIONAL PART: NAS1801-08-6 | 006102 108120 950951 953999 | 6 |
| 25 | NAS1801-08-6 | | .SCREW- OPTIONAL PART: BACS12GU08K6 | 006102 108120 950951 953999 | 6 |

MISSING ITEM NUMBERS NOT APPLICABLE

- ITEM NOT ILLUSTRATED

21-23-02-34A

21-23-02
FIG. 34A
PAGE 1
JAN 20/09

BRI



757

PARTS CATALOG (MAINTENANCE)

| FIG ITEM | PART NUMBER | 1 2 3 4 5 6 7 | NOMENCLATURE | EFFECT FROM TO | UNITS PER ASSY |
|----------|-----------------|---------------|---|--------------------------------------|----------------|
| 34A | | | | | |
| 30 | BAC S12FA3K8 | . | SCREW- QUALIFIED OPTIONAL DATA: BACB30NT3K2 WITH AN960JD8L OPTIONAL TO BACS12FA3K8 | 006100 950951 953999 | 8 |
| 35 | BACB30NT3K2 | . | BOLT- QUALIFIED OPTIONAL DATA: BACB30NT3K2 WITH AN960JD8L OPTIONAL TO BACS12FA3K8 | 006100 950951 953999 | 8 |
| 40 | AN960JD8L | . | WASHER- QUALIFIED OPTIONAL DATA: BACB30NT3K2 WITH AN960JD8L OPTIONAL TO BACS12FA3K8 | 006100 950951 953999 | 8 |
| 42 | NAS1149DN816J | . | WASHER | 101102 108120 | 6 |
| - 45 | 412N3103-1330 | . | SUBKIT ASSY- OPTIONAL PART: BACS12FA3K8 | 101102 108120 | 8 |
| 50 | BACB30NT3K2 | .. | BOLT | 101102 108120 | 1 |
| 55 | NAS1149D0316J | .. | WASHER- | 101102 108120 | 1 |
| 60 | BAC S12FA3K8 | . | SCREW- OPTIONAL PART: 412N3103-1330 | 101102 108120 | 8 |
| 65 | 412N3133-23 | . | SUPPORT ASSY | 006102 108120 950951 953999 | 4 |
| 66 | BACB30NM3K5 | .. | BOLT | 006102 108120 950951 953999 | 2 |
| 67 | AN960JD10LL | .. | WASHER | 006102 108120 950951 953999 | 2 |
| 68 | BAC S13CJ3L080P | .. | INSERT | 006102 108120 950951 953999 | 4 |
| 69 | 412N2004-55 | .. | SPACER | 006102 108120 950951 953999 | 2 |

MISSING ITEM NUMBERS NOT APPLICABLE

- ITEM NOT ILLUSTRATED

21-23-02-34A

21-23-02
FIG. 34A
PAGE 2
JAN 20/09

BRI

BOEING PROPRIETARY - Copyright © - Unpublished Work - See title page for details.



757

PARTS CATALOG (MAINTENANCE)

| FIG ITEM | PART NUMBER | 1 2 3 4 5 6 7 | NOMENCLATURE | EFFECT FROM TO | UNITS PER ASSY |
|----------|-----------------|---------------|--|--------------------------------------|----------------|
| 34A | | | | | |
| 71 | 65C27021-463 | .. | FILLER ASSY | 006102 108120 950951 953999 | 2 |
| 72 | 412N3134-1 | .. | BRACKET | 006102 108120 950951 953999 | 1 |
| 73 | 65C27021-459 | .. | BRACKET | 006102 108120 950951 953999 | 1 |
| 74 | 65C27021-177 | . | DOUBLER | 006102 108120 950951 953999 | 4 |
| 75 | 412N3136-149SP | . | BEAM- | 006100 950951 953999 | 1 |
| 80 | 412N3137-1239SP | . | BEAM ASSY | 006100 950951 953999 | 1 |
| 85 | 412N3136-1149SP | . | BEAM- | 101102 108120 | 1 |
| 90 | 412N3137-1607SP | . | BEAM ASSY- | 101102 108120 | 1 |
| - 100 | 412N3103-1201SP | | OUTLET ASSY-SIDEWALL AC FOR NHA SEE: 21-23-02-44B | 108120 504903 950951 953999 | RF |
| 105 | 412N3104-2SP | . | CAP ASSY-END | 108120 504903 950951 953999 | 1 |
| - 110 | BACS12GU08K5 | | ATTACHING PARTS .SCREW- OPTIONAL PART: NAS1801-08-5 | 108120 504903 950951 953999 | 4 |
| - 110 | NAS1801-08-5 | | .SCREW- OPTIONAL PART: BACS12GU08K5 | 108120 504903 950951 953999 | 4 |
| - 115 | NAS1149DN816J | | .WASHER | 108120 504903 950951 953999 | 4 |
| | | | -----* | | |

MISSING ITEM NUMBERS NOT APPLICABLE

- ITEM NOT ILLUSTRATED

BRI

21-23-02-34A

BOEING PROPRIETARY - Copyright © - Unpublished Work - See title page for details.

21-23-02
FIG. 34A
PAGE 3
JAN 20/09



757

PARTS CATALOG (MAINTENANCE)

| FIG ITEM | PART NUMBER | 1 2 3 4 5 6 7 | NOMENCLATURE | EFFECT FROM TO | UNITS PER ASSY |
|------------|--------------|---------------|---------------------------------|--------------------------------------|----------------|
| 34A 120 | BACB30LU2-2 | .BOLT | | 108120 504903 950951 953999 | 4 |
| 125 | BACS12GU08K7 | .SCREW- | OPTIONAL PART: NAS1801-08-7 | 108120 504903 950951 953999 | 2 |
| 125 | NAS1801-08-7 | .SCREW- | OPTIONAL PART: BACS12GU08K7 | 108120 504903 950951 953999 | 2 |
| 130 | BACS12ER08K7 | .SCREW- | OPTIONAL PART: NAS514P832-7 | 108120 504903 950951 953999 | 2 |
| 130 | NAS514P832-7 | .SCREW- | OPTIONAL PART: BACS12ER08K7 | 108120 504903 950951 953999 | 2 |
| 135 | BACS12ER08K8 | .SCREW- | OPTIONAL PART: NAS514P832-8 | 108120 504903 950951 953999 | 2 |
| 135 | NAS514P832-8 | .SCREW- | OPTIONAL PART: BACS12ER08K8 | 108120 504903 950951 953999 | 2 |
| 140 | BACS12GU08K6 | .SCREW- | OPTIONAL PART: NAS1801-08-6 | 108120 504903 950951 953999 | 4 |
| 140 | NAS1801-08-6 | .SCREW- | OPTIONAL PART: BACS12GU08K6 | 108120 504903 950951 953999 | 4 |
| 145 | BACS12ER3K9 | .SCREW- | OPTIONAL PART: BACB30VF3K3 | 108120 504903 950951 953999 | 6 |
| 145 | BACB30VF3K3 | .BOLT- | OPTIONAL PART: BACS12ER3K9 | 108120 504903 950951 953999 | 6 |
| 150 | BACS12FA3K8 | .SCREW- | OPTIONAL PART: 412N3103-1330 | 108120 504903 950951 953999 | 6 |

MISSING ITEM NUMBERS NOT APPLICABLE

- ITEM NOT ILLUSTRATED

21-23-02-34A

21-23-02
FIG. 34A
PAGE 4
JAN 20/09

BRI

BOEING PROPRIETARY - Copyright © - Unpublished Work - See title page for details.



757

PARTS CATALOG (MAINTENANCE)

| FIG ITEM | PART NUMBER | 1 2 3 4 5 6 7 | NOMENCLATURE | EFFECT FROM TO | UNITS PER ASSY |
|--------------|---------------|---------------|---|--------------------------------------|----------------|
| 34A - 155 | 412N3103-1330 | . | SUBKIT ASSY- OPTIONAL PART: BACS12FA3K8 | 108120 504903 950951 953999 | 6 |
| 160 | BACB30NT3K2 | .. | BOLT | 108120 504903 950951 953999 | 1 |
| 165 | NAS1149D0316J | .. | WASHER | 108120 504903 950951 953999 | 1 |
| 170 | NAS1149DN816J | . | WASHER | 108120 504903 950951 953999 | 6 |
| 175 | BACW10DM5P | . | WASHER | 108120 504903 950951 953999 | 4 |
| 180 | 412N3101-24SP | . | COVER ASSY | 108120 504903 950951 953999 | 1 |
| 185 | 412N3101-35SP | . | COVER | 108120 504903 950951 953999 | 1 |
| 190 | 65C27020-612 | . | DOUBLER | 108120 504903 950951 953999 | 1 |
| 195 | 65C27021-277 | . | DOUBLER | 108120 504903 950951 953999 | 1 |
| 200 | 65C27021-177 | . | DOUBLER | 108120 504903 950951 953999 | 3 |
| 205 | 65C27021-481 | . | FILLER | 108120 504903 950951 953999 | 1 |
| 210 | 65C27021-482 | . | FITTING ASSY | 108120 504903 950951 953999 | 1 |

MISSING ITEM NUMBERS NOT APPLICABLE

- ITEM NOT ILLUSTRATED

21-23-02-34A

21-23-02
FIG. 34A
PAGE 5
JAN 20/09

BRI

BOEING PROPRIETARY - Copyright © - Unpublished Work - See title page for details.



757

PARTS CATALOG (MAINTENANCE)

| FIG ITEM | PART NUMBER | 1 2 3 4 5 6 7 | NOMENCLATURE | EFFECT FROM TO | UNITS PER ASSY |
|------------|-----------------|---------------|---|--------------------------------------|----------------|
| 34A 215 | 412N3133-23 | . | SUPPORT ASSY | 108120 504903 950951 953999 | 3 |
| 216 | BACB30NM3K5 | .. | BOLT | 108120 504903 950951 953999 | 2 |
| 217 | AN960JD10LL | .. | WASHER | 108120 504903 950951 953999 | 2 |
| 218 | BACS13CJ3L080P | .. | INSERT | 108120 504903 950951 953999 | 4 |
| 219 | 412N2004-55 | .. | SPACER | 108120 504903 950951 953999 | 2 |
| 221 | 65C27021-463 | .. | FILLER ASSY | 108120 504903 950951 953999 | 2 |
| 222 | 412N3134-1 | .. | BRACKET | 108120 504903 950951 953999 | 1 |
| 223 | 65C27021-459 | .. | BRACKET | 108120 504903 950951 953999 | 1 |
| 224 | 412N3136-1075SP | . | BEAM | 108120 504903 950951 953999 | 1 |
| 225 | 412N3137-1417SP | . | BEAM ASSY | 108120 504903 950951 953999 | 1 |
| - 250 | 412N3103-1156SP | | OUTLET ASSY-SIDEWALL AC FOR NHA SEE: 21-23-02-44B | 006102 | RF |
| 255 | 412N3104-2SP | . | CAP ASSY-END ATTACHING PARTS | 006102 | 1 |
| - 260 | BACS12GU08K5 | . | SCREW- OPTIONAL PART: NAS1801-08-5 | 006102 | 4 |

MISSING ITEM NUMBERS NOT APPLICABLE

- ITEM NOT ILLUSTRATED

21-23-02-34A

21-23-02
FIG. 34A
PAGE 6
JAN 20/09

BRI

BOEING PROPRIETARY - Copyright © - Unpublished Work - See title page for details.



757

PARTS CATALOG (MAINTENANCE)

| FIG ITEM | PART NUMBER | 1 2 3 4 5 6 7 | NOMENCLATURE | EFFECT FROM TO | UNITS PER ASSY |
|----------|---------------|---------------|---|----------------|----------------|
| 34A | | | | | |
| - 260 | NAS1801-08-5 | . | SCREW- OPTIONAL PART: BACS12GU08K5 | 006102 | 4 |
| - 265 | AN960JD8L | . | WASHER -----*----- | 006102 | 4 |
| 270 | BACB30LU2-2 | . | BOLT | 006102 | 4 |
| 275 | BACS12GU08K7 | . | SCREW- OPTIONAL PART: NAS1801-08-7 | 006102 | 2 |
| 275 | NAS1801-08-7 | . | SCREW- OPTIONAL PART: BACS12GU08K7 | 006102 | 2 |
| 280 | BACS12GU08K6 | . | SCREW- OPTIONAL PART: NAS1801-08-6 | 006102 | 2 |
| 280 | NAS1801-08-6 | . | SCREW- OPTIONAL PART: BACS12GU08K6 | 006102 | 2 |
| 285 | BACS12ER08K7 | . | SCREW- OPTIONAL PART: NAS514P832-7 | 006102 | 2 |
| 285 | NAS514P832-7 | . | SCREW- OPTIONAL PART: BACS12ER08K7 | 006102 | 2 |
| 290 | BACS12ER08K8 | . | SCREW- OPTIONAL PART: NAS514P832-8 | 006102 | 2 |
| 290 | NAS514P832-8 | . | SCREW- OPTIONAL PART: BACS12ER08K8 | 006102 | 2 |
| 295 | BACS12ER3K9 | . | SCREW- OPTIONAL PART: BACB30VF3K3 | 006102 | 4 |
| 295 | BACB30VF3K3 | . | BOLT- OPTIONAL PART: BACS12ER3K9 | 006102 | 4 |
| 300 | BACS12FA3K8 | . | SCREW- OPTIONAL PART: 412N3103-1329 | 006102 | 4 |
| - 305 | 412N3103-1329 | . | SUBKIT ASSY- OPTIONAL PART: BACS12FA3K8 | 006102 | 4 |
| 310 | BACB30NT3K2 | .. | BOLT | 006102 | 1 |
| 315 | AN960JD10LL | .. | WASHER | 006102 | 1 |
| 320 | NAS1149DN816J | . | WASHER | 006102 | 4 |
| 325 | BACW10DM5P | . | WASHER | 006102 | 4 |
| 330 | 412N3101-24SP | . | COVER ASSY | 006102 | 1 |
| 335 | 412N3101-35SP | . | COVER | 006102 | 1 |
| 340 | 65C27020-612 | . | DOUBLER | 006102 | 1 |

MISSING ITEM NUMBERS NOT APPLICABLE

- ITEM NOT ILLUSTRATED

21-23-02-34A

21-23-02
FIG. 34A
PAGE 7
JAN 20/09

BRI

BOEING PROPRIETARY - Copyright © - Unpublished Work - See title page for details.



757

PARTS CATALOG (MAINTENANCE)

| FIG ITEM | PART NUMBER | 1 2 3 4 5 6 7 | NOMENCLATURE | EFFECT FROM TO | UNITS PER ASSY |
|----------|-----------------|---------------|---|----------------|----------------|
| 34A | | | | | |
| 345 | 65C27021-277 | . | DOUBLER | 006102 | 1 |
| 350 | 65C27021-177 | . | DOUBLER | 006102 | 2 |
| 355 | 65C27021-481 | . | FILLER | 006102 | 1 |
| 360 | 65C27021-482 | . | FITTING ASSY | 006102 | 1 |
| 361 | 412N3133-23 | . | SUPPORT ASSY | 006102 | 2 |
| 362 | BACB30NM3K5 | .. | BOLT | 006102 | 2 |
| 363 | AN960JD10LL | .. | WASHER | 006102 | 2 |
| 364 | BACS13CJ3L080P | .. | INSERT | 006102 | 4 |
| 366 | 412N2004-55 | .. | SPACER | 006102 | 2 |
| 367 | 65C27021-463 | .. | FILLER ASSY | 006102 | 2 |
| 368 | 412N3134-1 | .. | BRACKET | 006102 | 1 |
| 369 | 65C27021-459 | .. | BRACKET | 006102 | 1 |
| 370 | 412N3136-1072SP | . | BEAM | 006102 | 1 |
| 375 | 412N3137-1321SP | . | BEAM ASSY | 006102 | 1 |
| - 400 | 412N3103-1285SP | | OUTLET ASSY-SIDEWALL AC FOR NHA SEE: 21-23-02-44B | 504903 | RF |
| 405 | 412N3104-1SP | . | CAP ASSY-END ATTACHING PARTS | 504903 | 1 |
| - 410 | BACS12GU08K5 | . | SCREW- OPTIONAL PART: NAS1801-08-5 | 504903 | 4 |
| - 410 | NAS1801-08-5 | . | SCREW- OPTIONAL PART: BACS12GU08K5 | 504903 | 4 |
| - 415 | NAS1149DN816J | . | WASHER -----*----- | 504903 | 4 |
| 420 | BACS12ER3K9 | . | SCREW- OPTIONAL PART: BACB30VF3K4 BACB30VF3K3 | 504903 | 8 |
| 420 | BACB30VF3K4 | . | BOLT- OPTIONAL PART: BACS12ER3K9 | 504903 | 8 |
| 420 | BACB30VF3K3 | . | BOLT- OPTIONAL PART: BACS12ER3K9 | 504903 | 8 |
| 425 | BACS12GU08K6 | . | SCREW- OPTIONAL PART: NAS1801-08-6 | 504903 | 4 |
| 425 | NAS1801-08-6 | . | SCREW- OPTIONAL PART: BACS12GU08K6 | 504903 | 4 |
| - 440 | 412N3103-1330 | . | SUBKIT ASSY- OPTIONAL PART: BACS12FA3K8 | 504903 | 8 |
| 445 | BACB30NT3K2 | .. | BOLT | 504903 | 1 |
| 450 | NAS1149D0316J | .. | WASHER | 504903 | 1 |

MISSING ITEM NUMBERS NOT APPLICABLE

- ITEM NOT ILLUSTRATED

21-23-02-34A

21-23-02
FIG. 34A
PAGE 8
JAN 20/09

BRI

BOEING PROPRIETARY - Copyright © - Unpublished Work - See title page for details.



757

PARTS CATALOG (MAINTENANCE)

| FIG ITEM | PART NUMBER | 1 2 3 4 5 6 7 | NOMENCLATURE | EFFECT FROM TO | UNITS PER ASSY |
|----------|-----------------|---------------|---------------------------------|----------------|----------------|
| 34A | | | | | |
| 455 | BACS12FA3K8 | . | SCREW- | 504903 | 8 |
| | | | OPTIONAL PART: 412N3103-1330 | | |
| 460 | NAS1149DN816J | . | WASHER | 504903 | 4 |
| 465 | 65C27021-177 | . | DOUBLER | 504903 | 4 |
| 470 | 412N3133-23 | . | SUPPORT ASSY | 504903 | 4 |
| 471 | BACB30NM3K5 | .. | BOLT | 504903 | 2 |
| 472 | AN960JD10LL | .. | WASHER | 504903 | 2 |
| 473 | BACS13CJ3L080P | .. | INSERT | 504903 | 4 |
| 474 | 412N2004-55 | .. | SPACER | 504903 | 2 |
| 476 | 65C27021-463 | .. | FILLER ASSY | 504903 | 2 |
| 477 | 412N3134-1 | .. | BRACKET | 504903 | 1 |
| 478 | 65C27021-459 | .. | BRACKET | 504903 | 1 |
| 480 | 412N3136-1161SP | . | BEAM | 504903 | 1 |
| 490 | 412N3137-1589SP | . | BEAM ASSY | 504903 | 1 |

MISSING ITEM NUMBERS NOT APPLICABLE

- ITEM NOT ILLUSTRATED

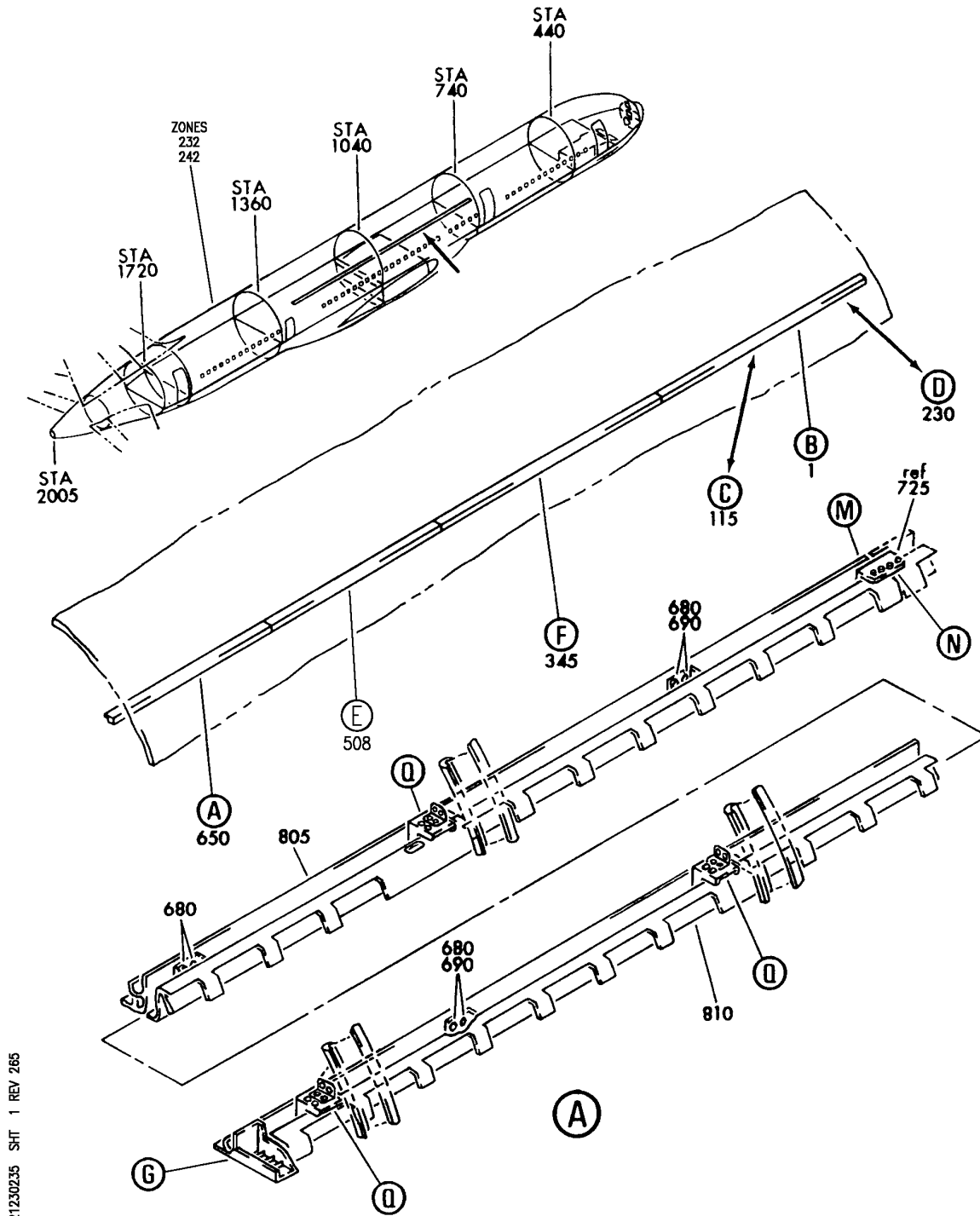
21-23-02-34A

21-23-02
FIG. 34A
PAGE 9
JAN 20/09

BRI

BOEING PROPRIETARY - Copyright © - Unpublished Work - See title page for details.

BOEING
757
PARTS CATALOG (MAINTENANCE)



Y 21230235 SH1 1 REV 265

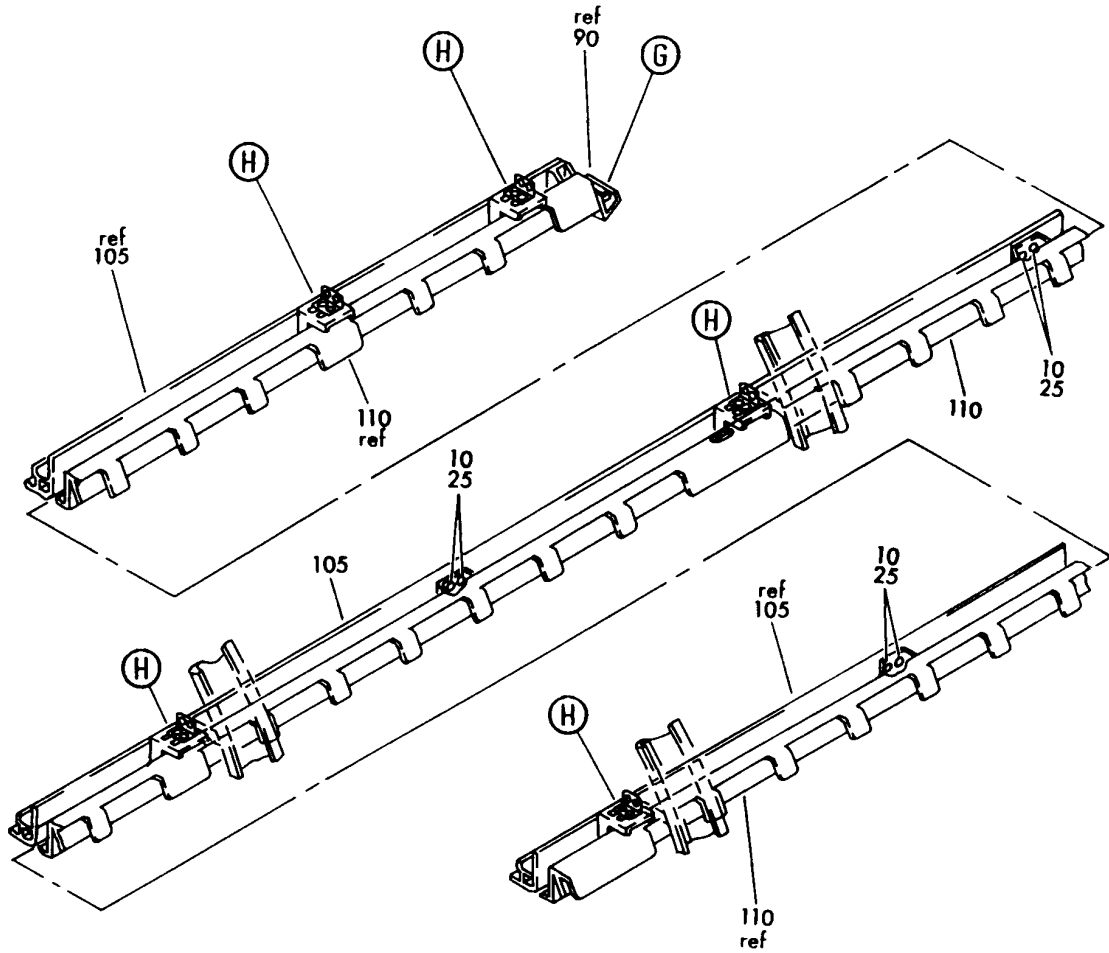
OUTLET ASSY-R SIDE MID
FIGURE 35 (SHEET 1)

21-23-02-35

BRI
MAY 28/07

21-23-02-35
PAGE 0

BOEING
757
PARTS CATALOG (MAINTENANCE)



Y 21230235 SHT 2 REV 201

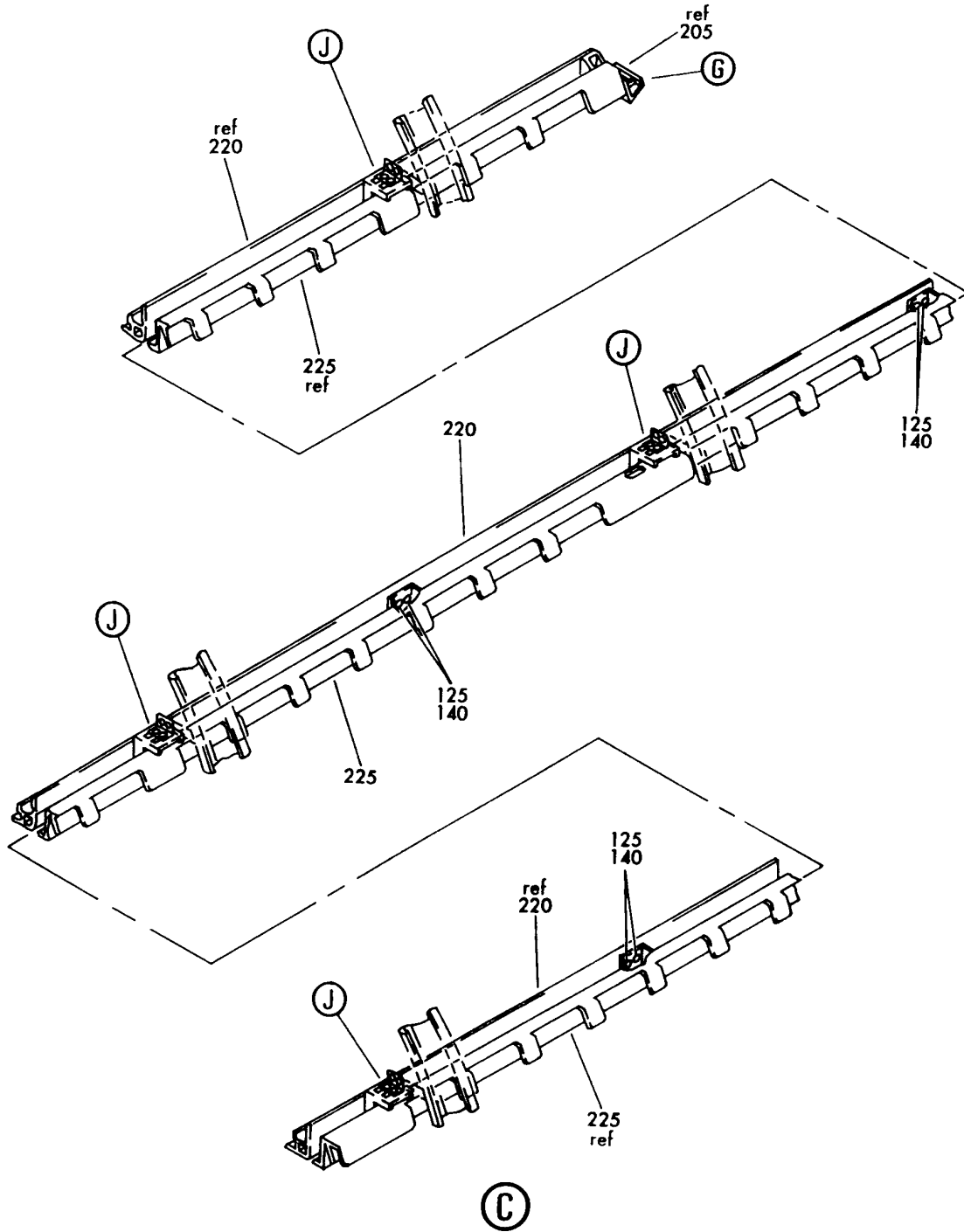
OUTLET ASSY-R SIDE MID
FIGURE 35 (SHEET 2)

21-23-02-35

BRI
MAY 28/07

21-23-02-35
PAGE 0A

BOEING
757
PARTS CATALOG (MAINTENANCE)



Y 21230235 SHT 3 REV 201

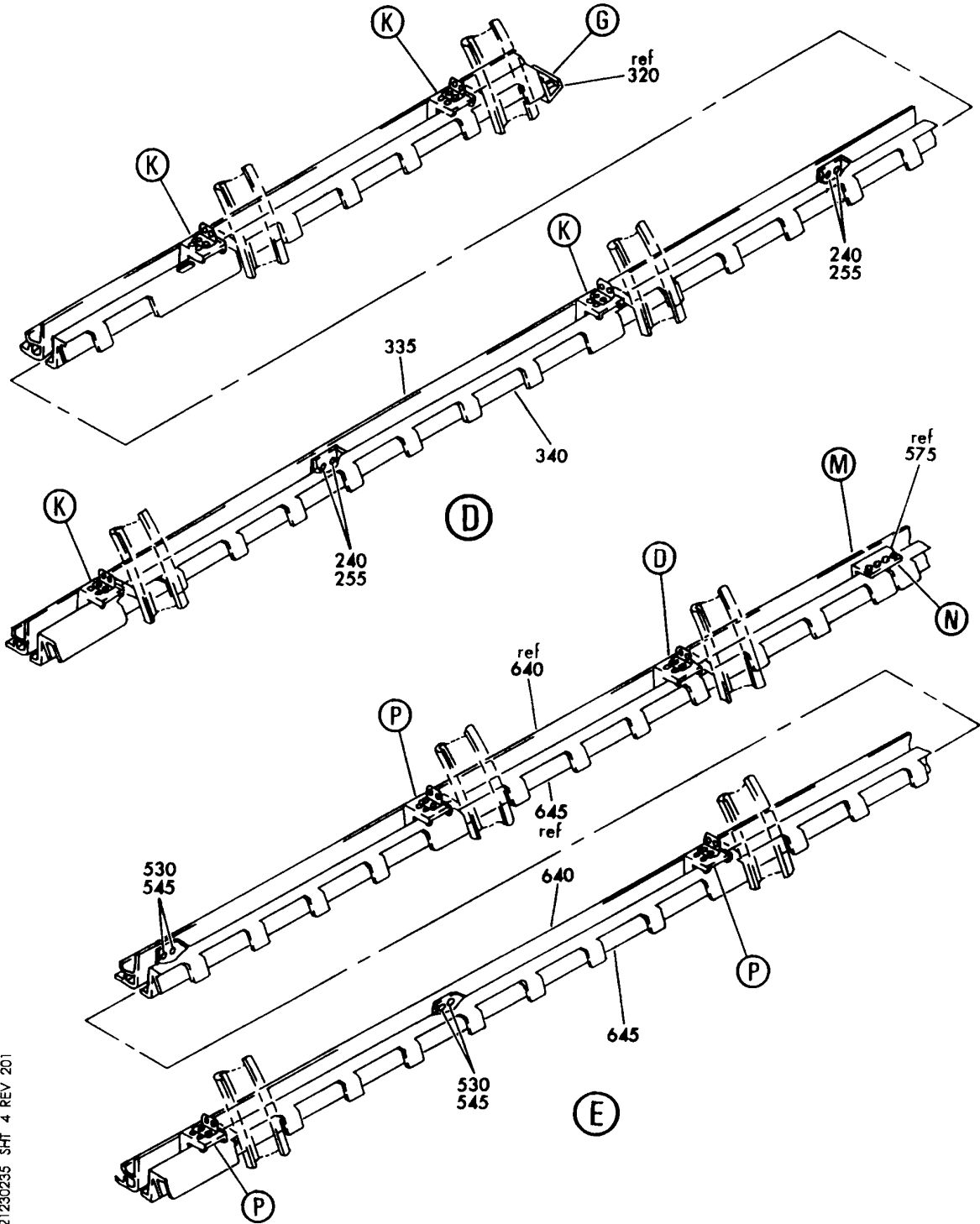
OUTLET ASSY-R SIDE MID
FIGURE 35 (SHEET 3)

21-23-02-35

BRI
MAY 28/07

21-23-02-35
PAGE 0B

BOEING
757
PARTS CATALOG (MAINTENANCE)



Y 21230235 SHT 4 REV 201

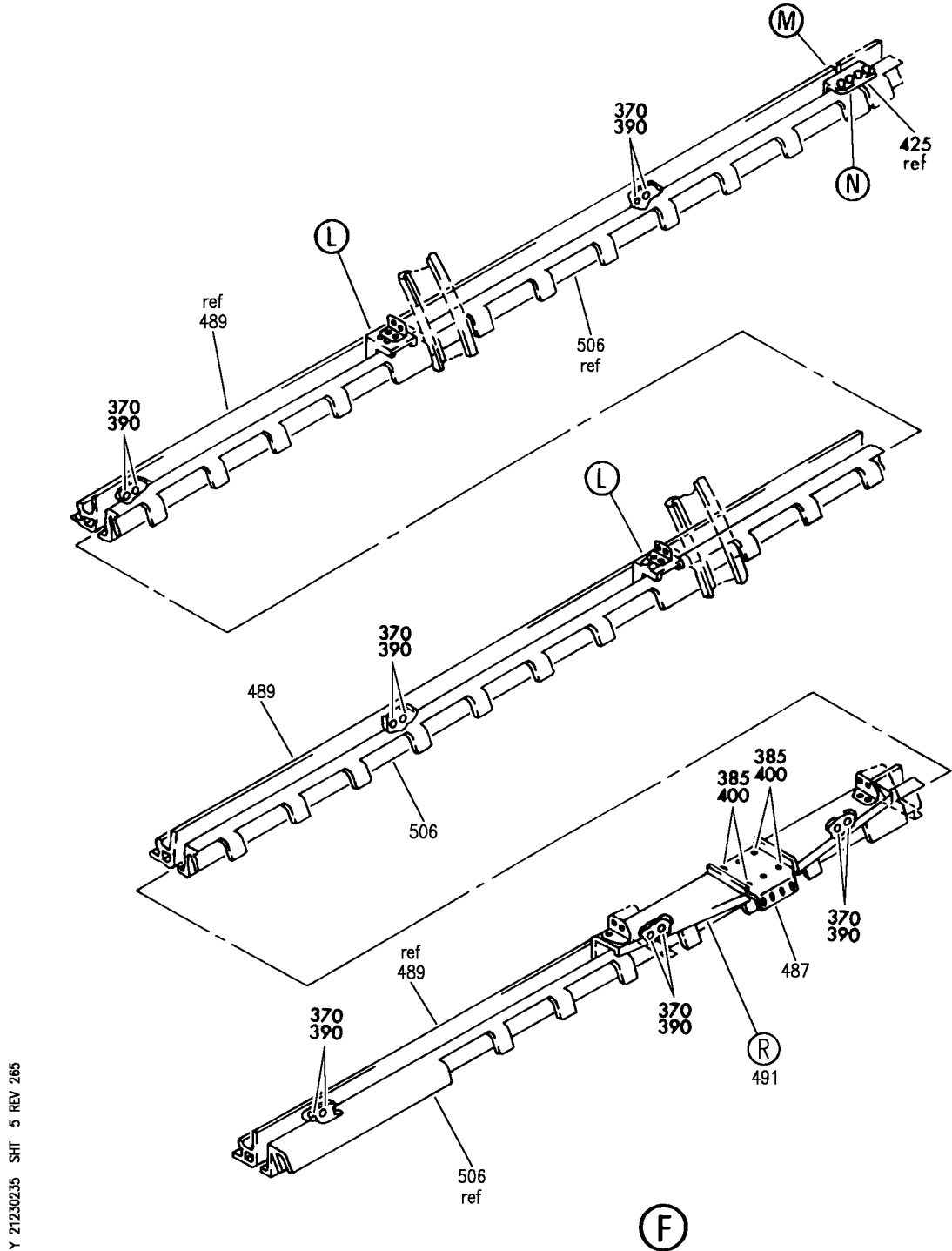
OUTLET ASSY-R SIDE MID
FIGURE 35 (SHEET 4)

21-23-02-35

BRI
MAY 28/07

21-23-02-35
PAGE 0C

BOEING
757
PARTS CATALOG (MAINTENANCE)



Y 21230235 SH1 5 REV 265

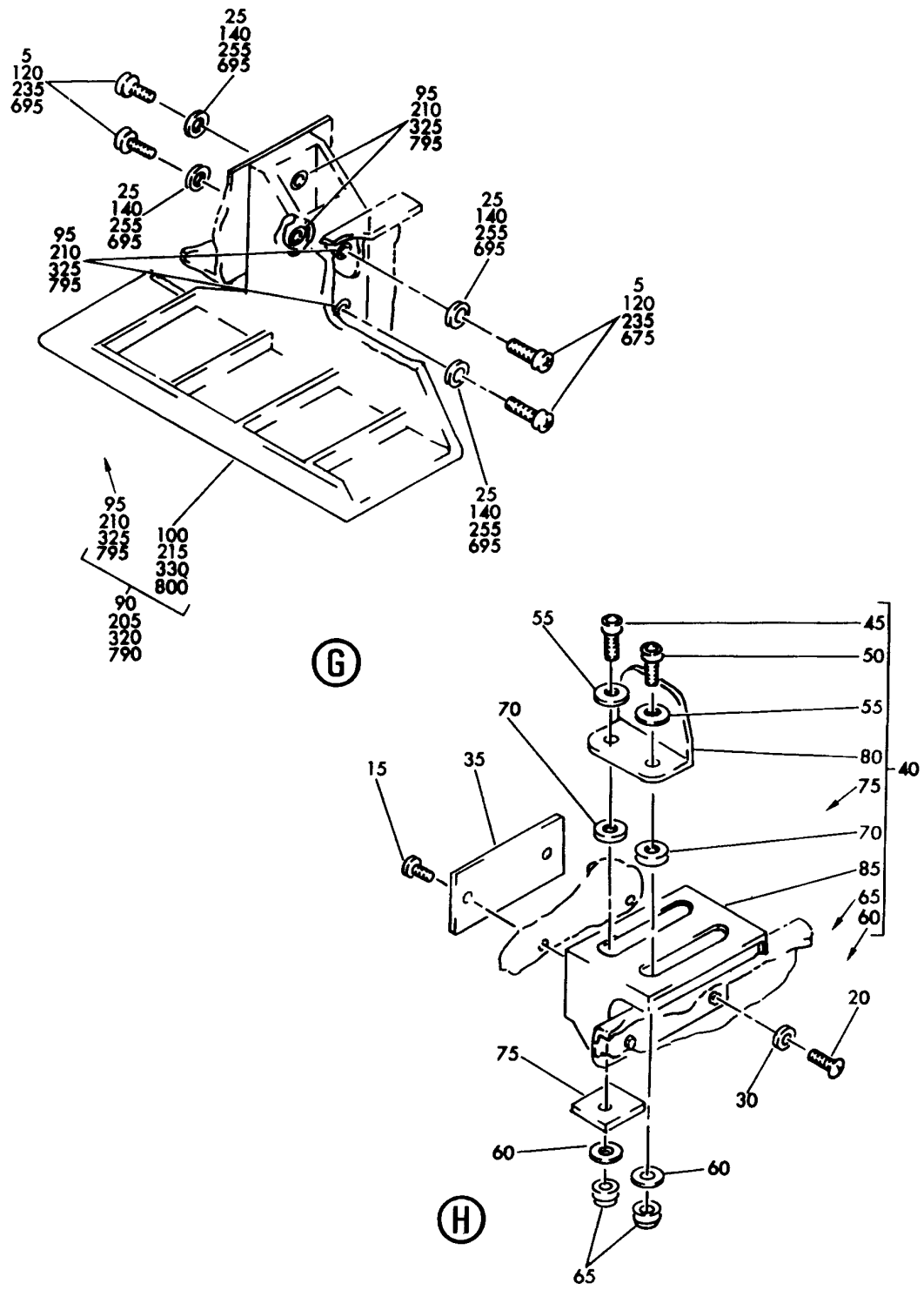
OUTLET ASSY-R SIDE MID
FIGURE 35 (SHEET 5)

21-23-02-35

BRI
MAY 28/07

21-23-02-35
PAGE 0D

BOEING
757
PARTS CATALOG (MAINTENANCE)



Y 21230235 SHT 6 REV 201

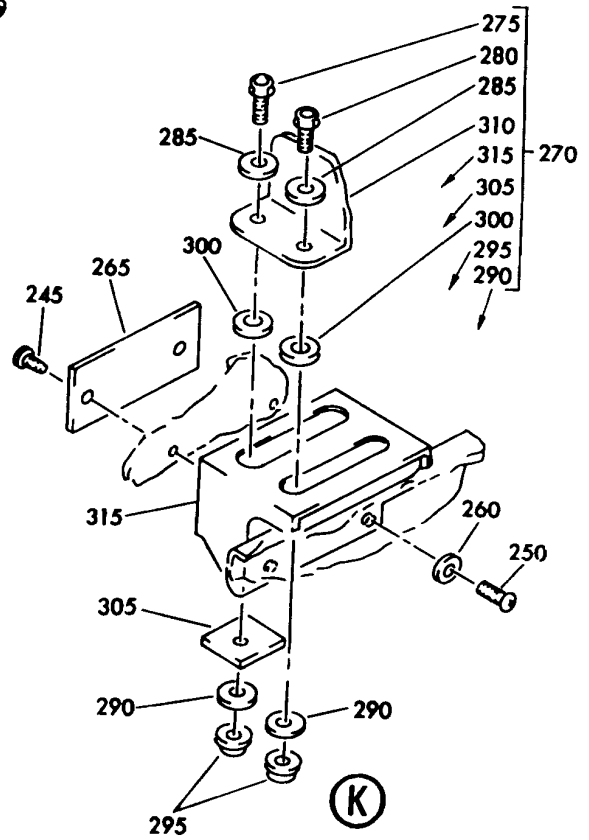
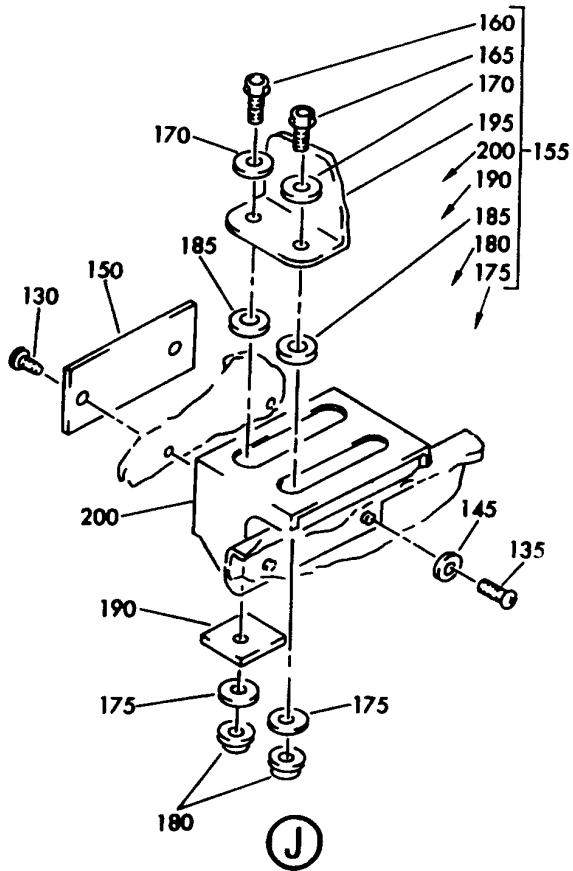
OUTLET ASSY-R SIDE MID
FIGURE 35 (SHEET 6)

21-23-02-35

BRI
MAY 28/07

21-23-02-35
PAGE 0E

BOEING
757
PARTS CATALOG (MAINTENANCE)



Y 21230235 SHT 7 REV 201

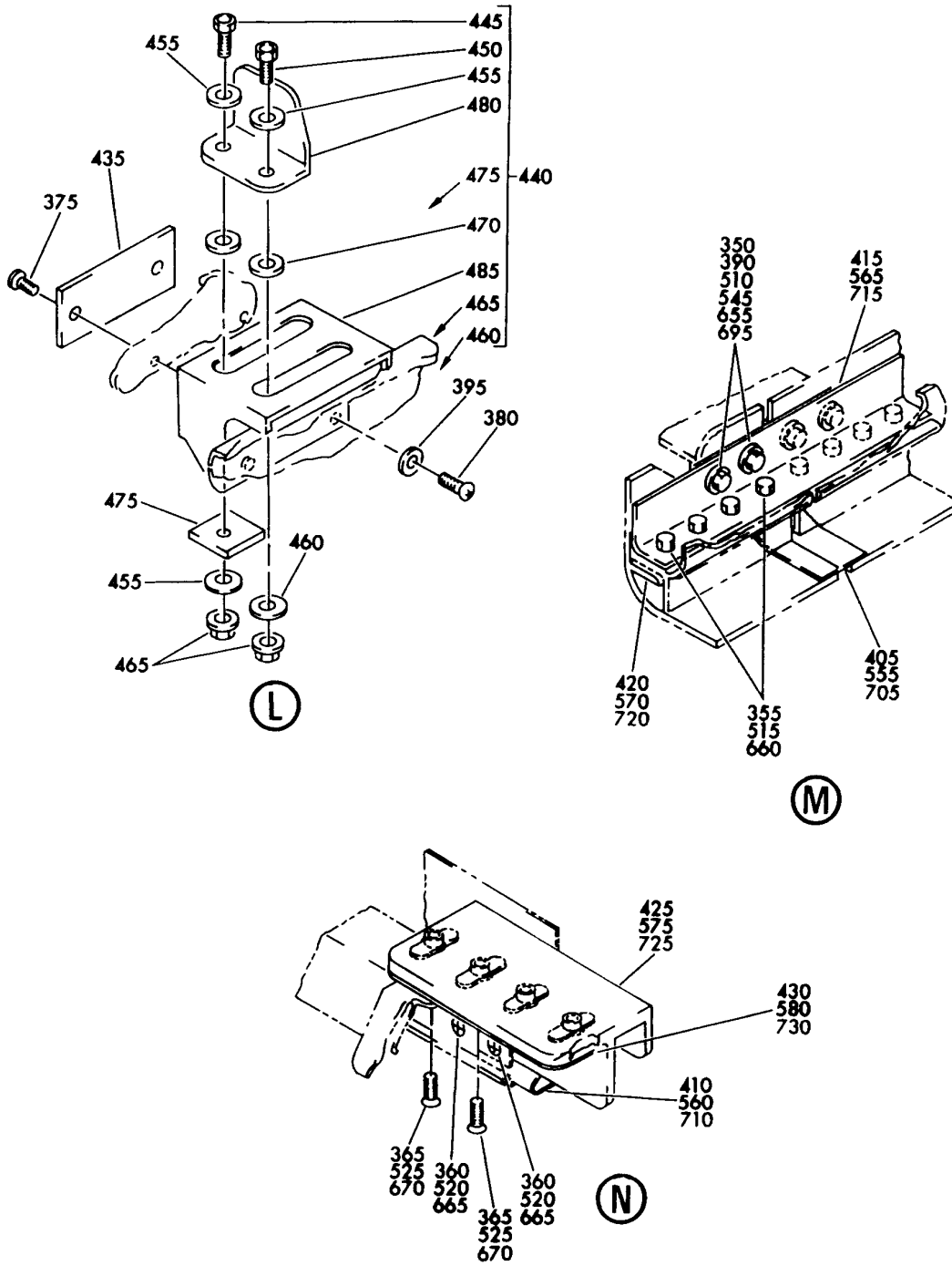
OUTLET ASSY-R SIDE MID
FIGURE 35 (SHEET 7)

21-23-02-35

BRI
MAY 28/07

21-23-02-35
PAGE OF

BOEING
757
PARTS CATALOG (MAINTENANCE)



Y 21230235 SHT 8 REV 201

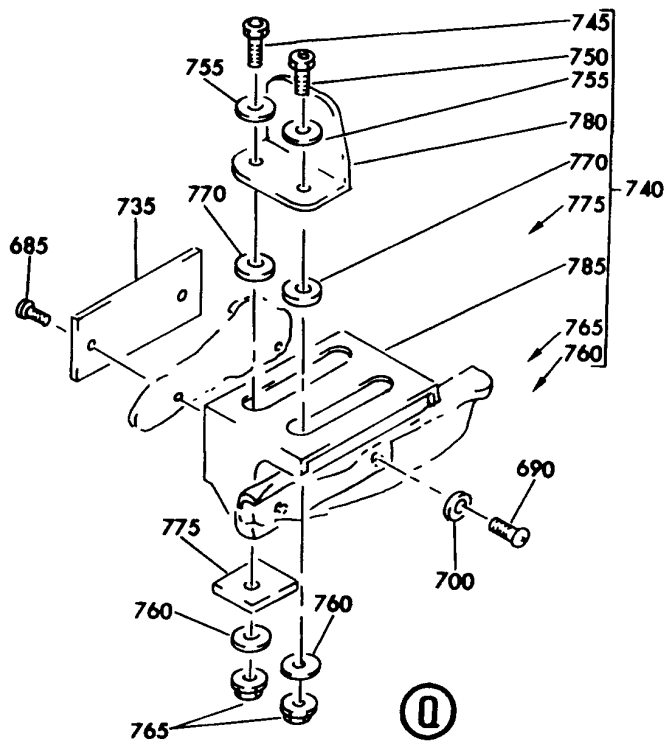
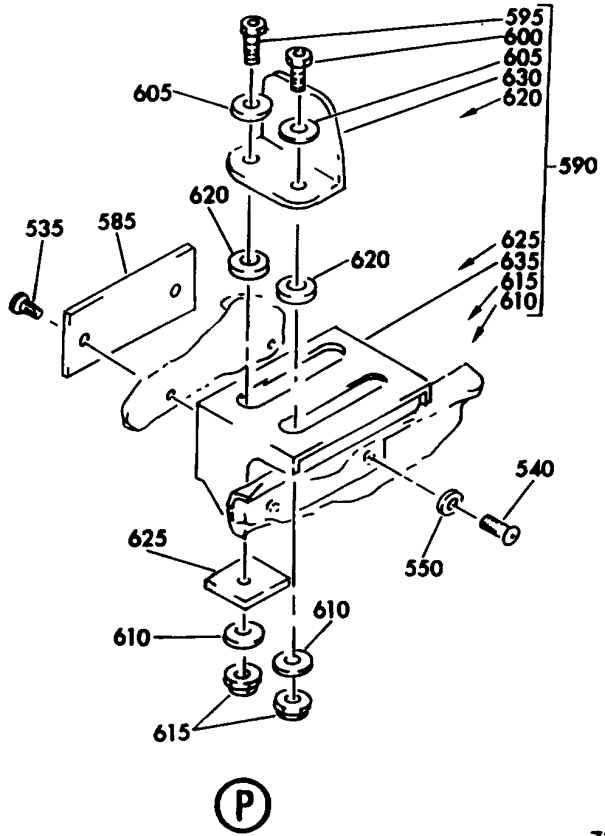
OUTLET ASSY-R SIDE MID
FIGURE 35 (SHEET 8)

21-23-02-35

BRI
MAY 28/07

21-23-02-35
PAGE 0G


BOEING
 757
PARTS CATALOG (MAINTENANCE)



Y 21230235 SHT 9 REV 201

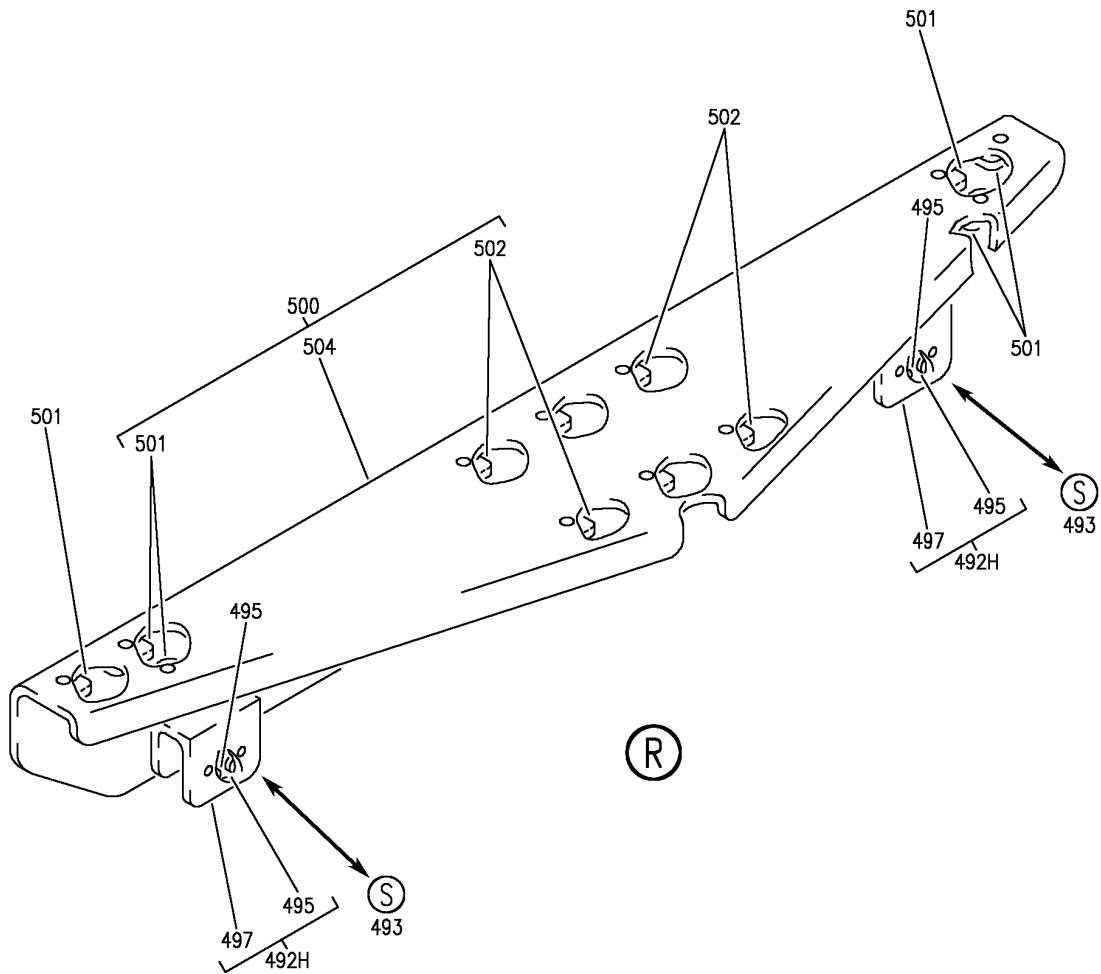
OUTLET ASSY-R SIDE MID
 FIGURE 35 (SHEET 9)

21-23-02-35

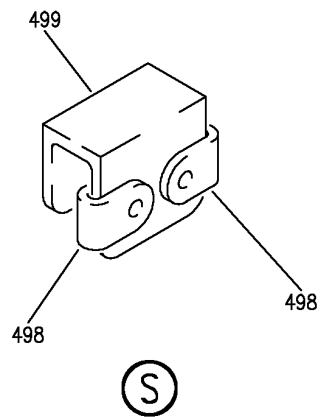
BRI
 MAY 28/07

21-23-02-35
 PAGE 0H

BOEING
757
PARTS CATALOG (MAINTENANCE)



(R)



Y 21230235 SH1 10 REV 265

OUTLET ASSY-R SIDE MID
FIGURE 35 (SHEET 10)

21-23-02-35

BRI
MAY 28/07

21-23-02-35
PAGE 01



757

PARTS CATALOG (MAINTENANCE)

| FIG ITEM | PART NUMBER | 1 2 3 4 5 6 7 | NOMENCLATURE | EFFECT FROM TO | UNITS PER ASSY |
|----------|----------------|---------------|---|--------------------------------------|----------------|
| 35 | | | OUTLET ASSY-R SIDE MID | 002004 121503 904949 952952 | |
| 115 | 412N3103-138SP | | OUTLET ASSY- POSITION DATA: R SIDE MID FOR NHA SEE: 21-23-02-28 | 002004 121503 904949 952952 | RF |
| 120 | NAS1801-08-5 | | .SCREW | 002004 121503 904949 952952 | 4 |
| 125 | NAS1801-08-6 | | .SCREW | 002004 121503 904949 952952 | 6 |
| 130 | BACS12ER3K9 | | .SCREW- OPTIONAL PART: BACB30VF3K3 BACB30VF3K4 | 002004 121503 904949 952952 | 8 |
| 130 | BACB30VF3K3 | | .BOLT- OPTIONAL PART: BACB30VF3K4 BACS12ER3K9 | 002004 121503 904949 952952 | 8 |
| 130 | BACB30VF3K4 | | .BOLT- OPTIONAL PART: BACB30VF3K3 BACS12ER3K9 | 002004 121503 904949 952952 | 8 |
| 135 | BACB30NT3K2 | | .BOLT | 002004 121503 904949 952952 | 8 |
| 140 | AN960JD8L | | .WASHER | 002004 121503 904949 952952 | 10 |
| 145 | AN960JD10LL | | .WASHER | 002004 121503 904949 952952 | 8 |
| 150 | 65C27021-177 | | .DOUBLER | 002004 121503 904949 952952 | 4 |
| 155 | 412N3133-2 | | .FITTING ASSY | 002004 121503 904949 952952 | 4 |

MISSING ITEM NUMBERS NOT APPLICABLE

- ITEM NOT ILLUSTRATED

21-23-02-35

21-23-02
FIG. 35
PAGE 1
JAN 20/09

BRI

BOEING PROPRIETARY - Copyright © - Unpublished Work - See title page for details.



757

PARTS CATALOG (MAINTENANCE)

| FIG ITEM | PART NUMBER | 1 2 3 4 5 6 7 | NOMENCLATURE | EFFECT FROM TO | UNITS PER ASSY |
|----------|--------------|---------------|-------------------------------------|--------------------------------------|----------------|
| 35 | | | | | |
| 160 | BACB30NM3K5 | .. | BOLT | 002004 121503 904949 952952 | 1 |
| 165 | BACB30NM3K3 | .. | BOLT | 002004 121503 904949 952952 | 1 |
| 170 | AN960JD10LL | .. | WASHER | 002004 121503 904949 952952 | 2 |
| 175 | AN960JD10L | .. | WASHER | 002004 121503 904949 952952 | 2 |
| 180 | MS21042L3 | .. | NUT | 002004 121503 904949 952952 | 2 |
| 185 | 412N2004-55 | .. | SPACER | 002004 121503 904949 952952 | 2 |
| 190 | 65C27021-178 | .. | FILLER | 002004 121503 904949 952952 | 1 |
| 195 | 65C27021-199 | .. | BRACKET | 002004 121503 904949 952952 | 1 |
| 200 | 412N3134-1 | .. | BRACKET | 002004 121503 904949 952952 | 1 |
| 205 | 412N3104-2SP | .CAP | ASSY-END | 002004 121503 904949 952952 | 1 |
| 210 | 6035-2BRX185 | .. | INSERT- SUPPLIER CODE: V01556 | 002004 121503 904949 952952 | 4 |
| 215 | 412N3104-4 | .. | CAP-END | 002004 121503 904949 952952 | 1 |

MISSING ITEM NUMBERS NOT APPLICABLE

- ITEM NOT ILLUSTRATED

BRI

21-23-02-35

21-23-02
FIG. 35
PAGE 2
JAN 20/09



757

PARTS CATALOG (MAINTENANCE)

| FIG ITEM | PART NUMBER | 1 2 3 4 5 6 7 | NOMENCLATURE | EFFECT FROM TO | UNITS PER ASSY |
|----------|----------------|---------------|---|--------------------------------------|----------------|
| 35 | | | | | |
| 220 | 412N3136-150SP | . | BEAM | 002004 121503 904949 952952 | 1 |
| 225 | 412N3137-428SP | . | BEAM ASSY | 002004 121503 904949 952952 | 1 |
| 345 | 412N3103-56SP | | OUTLET ASSY- POSITION DATA: R SIDE MID FOR NHA SEE: 21-23-02-28 | 002004 121503 904949 952952 | RF |
| 350 | NAS1801-08-7 | . | SCREW | 002004 121503 904949 952952 | 2 |
| 355 | BACB30LU2-2 | . | BOLT | 002004 121503 904949 952952 | 4 |
| 360 | NAS514P832-7 | . | SCREW | 002004 121503 904949 952952 | 2 |
| 365 | NAS514P832-8 | . | SCREW | 002004 121503 904949 952952 | 2 |
| 370 | NAS1801-08-6 | . | SCREW | 002004 121503 904949 952952 | 12 |
| 375 | NAS8703-3 | . | SCREW- OPTIONAL PART: BACB30VF3K3 BACB30VF3K4 BACS12ER3K9 | 002004 121503 904949 952952 | 4 |
| 375 | BACB30VF3K3 | . | BOLT- OPTIONAL PART: NAS8703-3 BACB30VF3K4 BACS12ER3K9 | 002004 121503 904949 952952 | 4 |
| 375 | BACS12ER3K9 | . | SCREW- OPTIONAL PART: NAS8703-3 BACB30VF3K3 BACB30VF3K4 | 002004 121503 904949 952952 | 4 |

MISSING ITEM NUMBERS NOT APPLICABLE

- ITEM NOT ILLUSTRATED

21-23-02-35

21-23-02
FIG. 35
PAGE 3
JAN 20/09

BRI



757

PARTS CATALOG (MAINTENANCE)

| FIG ITEM | PART NUMBER | 1 2 3 4 5 6 7 | NOMENCLATURE | EFFECT FROM TO | UNITS PER ASSY |
|----------|---------------|---------------|---|--------------------------------------|----------------|
| 35 | | | | | |
| 380 | BACB30NT3K2 | . | BOLT | 002004 121503 904949 952952 | 4 |
| 385 | BACB30NM4K2 | . | BOLT | 002004 121503 904949 952952 | 6 |
| 390 | AN960JD8L | . | WASHER | 002004 121503 904949 952952 | 14 |
| 395 | AN960JD10LL | . | WASHER | 002004 121503 904949 952952 | 4 |
| 400 | AN960JD416L | . | WASHER | 002004 121503 904949 952952 | 6 |
| 405 | 412N3101-36SP | . | COVER | 002004 121503 904949 952952 | 1 |
| 410 | 412N3101-25SP | . | COVER | 002004 121503 904949 952952 | 1 |
| 415 | 65C27020-612 | . | DOUBLER | 002004 121503 904949 952952 | 1 |
| 420 | 65C27021-277 | . | DOUBLER | 002004 121503 904949 952952 | 1 |
| 425 | 65C27021-213 | . | FITTING ASSY- OPTIONAL PART: 65C27021-483 | 002004 121503 904949 952952 | 1 |
| 425 | 65C27021-483 | . | FITTING ASSY- OPTIONAL PART: 65C27021-213 | 002004 121503 904949 952952 | 1 |
| 430 | 65C27021-189 | . | FILLER- OPTIONAL PART: 65C27021-481 | 002004 121503 904949 952952 | 1 |

MISSING ITEM NUMBERS NOT APPLICABLE

- ITEM NOT ILLUSTRATED

21-23-02-35

21-23-02
FIG. 35
PAGE 4
JAN 20/09

BRI



757

PARTS CATALOG (MAINTENANCE)

| FIG ITEM | PART NUMBER | 1 2 3 4 5 6 7 | NOMENCLATURE | EFFECT FROM TO | UNITS PER ASSY |
|----------|--------------|---------------|---|--------------------------------------|----------------|
| 35 | | | | | |
| 430 | 65C27021-481 | . | FILLER- OPTIONAL PART: 65C27021-189 | 002004 121503 904949 952952 | 1 |
| 435 | 65C27021-177 | . | DOUBLER | 002004 121503 904949 952952 | 2 |
| 440 | 412N3133-2 | . | FITTING ASSY | 002004 121503 904949 952952 | 2 |
| 445 | BACB30NM3K5 | .. | BOLT | 002004 121503 904949 952952 | 1 |
| 450 | BACB30NM3K3 | .. | BOLT | 002004 121503 904949 952952 | 1 |
| 455 | AN960JD10LL | .. | WASHER | 002004 121503 904949 952952 | 2 |
| 460 | AN960JD10L | .. | WASHER | 002004 121503 904949 952952 | 2 |
| 465 | MS21042L3 | .. | NUT | 002004 121503 904949 952952 | 2 |
| 470 | 412N2004-55 | .. | SPACER | 002004 121503 904949 952952 | 2 |
| 475 | 65C27021-178 | .. | FILLER | 002004 121503 904949 952952 | 1 |
| 480 | 65C27021-199 | .. | BRACKET | 002004 121503 904949 952952 | 1 |
| 485 | 412N3134-1 | .. | BRACKET | 002004 121503 904949 952952 | 1 |

MISSING ITEM NUMBERS NOT APPLICABLE

- ITEM NOT ILLUSTRATED

BRI

21-23-02-35

BOEING PROPRIETARY - Copyright © - Unpublished Work - See title page for details.

21-23-02
FIG. 35
PAGE 5
JAN 20/09



757

PARTS CATALOG (MAINTENANCE)

| FIG ITEM | PART NUMBER | 1 2 3 4 5 6 7 | NOMENCLATURE | EFFECT FROM TO | UNITS PER ASSY |
|-----------|---------------|---------------|--|--------------------------------------|----------------|
| 35 487 | 412N2003-87 | . | SUPPORT | 002004 121503 904949 952952 | 1 |
| 489 | 412N3136-64SP | . | BEAM ASSY- | 002004 121503 904949 952952 | 1 |
| 491 | 412N2021-21 | .. | SUPPORT ASSY | 002004 121503 904949 952952 | 1 |
| - 492 | BACR15FT6D | .. | ATTACHING PARTS RIVET- SIZE DETERMINED ON INSTL. | 002004 121503 904949 952952 | 17 |
| 492H | 412N2004-93 | ... | BRACKET ASSY- OPTIONAL PART: 412N2004-132 | 002004 121503 904949 952952 | 2 |
| 493 | 412N2004-132 | ... | BRACKET ASSY- OPTIONAL PART: 412N2004-93 | 002004 121503 904949 952952 | 2 |
| - 494 | NAS1399D5 | ... | ATTACHING PARTS RIVET- SIZE DETERMINED ON INSTL. | 002004 121503 904949 952952 | 4 |

MISSING ITEM NUMBERS NOT APPLICABLE

- ITEM NOT ILLUSTRATED

BRI

21-23-02-35

21-23-02
FIG. 35
PAGE 6
JAN 20/09



757

PARTS CATALOG (MAINTENANCE)

| FIG ITEM | PART NUMBER | 1 2 3 4 5 6 7 | NOMENCLATURE | EFFECT FROM TO | UNITS PER ASSY |
|-----------|-------------|---------------|--|--------------------------------------|----------------|
| 35 495 | T8078S832 | |NUTPLATE- SUPPLIER CODE: V11815 SPECIFICATION NUMBER: BACN10JP08C OPTIONAL PART: MK3000-08BAC V15653 NS103199-82 V80539 RMA9205M82 V72962 VN203A1-82 V92215 BRM300A08 V52828 USED ON: 412N2004-93 ATTACHING PARTS | 002004 121503 904949 952952 | 2 |
| - 496 | BACR15BA3AD | |RIVET- SIZE DETERMINED ON INSTL. USED ON: 412N2004-93 -----*----- | 002004 121503 904949 952952 | 4 |
| 497 | 412N2004-94 | |BRACKET- USED ON: 412N2004-93 | 002004 121503 904949 952952 | 1 |
| 498 | 130007 | |NUT- SUPPLIER CODE: V60119 SPECIFICATION NUMBER: BACN10FX83 OPTIONAL PART: BRC500-8-08 V52828 SL213-08-1 V97393 A11330-8-82 V72962 A4972-8-82 V72962 A4972-8-82 V72962 USED ON: 412N2004-132 | 002004 121503 904949 952952 | 2 |

MISSING ITEM NUMBERS NOT APPLICABLE

- ITEM NOT ILLUSTRATED

BRI

21-23-02-35

21-23-02
FIG. 35
PAGE 7
JAN 20/09



757

PARTS CATALOG (MAINTENANCE)

| FIG ITEM | PART NUMBER | 1 2 3 4 5 6 7 | NOMENCLATURE | EFFECT FROM TO | UNITS PER ASSY |
|-----------|--------------|---------------|---|--------------------------------------|----------------|
| 35 499 | 412N2004-133 | | BRACKET- USED ON: 412N2004-132 | 002004 121503 904949 952952 | 1 |
| 500 | 412N2003-91 | ... | SUPPORT ASSY | 002004 121503 904949 952952 | 1 |
| 501 | MF53049-3 | | NUTPLATE SUPPLIER CODE: V15653 SPECIFICATION NUMBER: BACN10JN3 OPTIONAL PART: BRFM20A3 V52828 MF1000-3BAC V15653 NS103218-02 V80539 RMF9201M3 V72962 VN252A02 V92215 T8124S3S V11815 | 002004 121503 904949 952952 | 6 |
| 502 | T8076S428 | | NUTPLATE SUPPLIER CODE: V11815 SPECIFICATION NUMBER: BACN10JP4A OPTIONAL PART: MK1000-4BAC V15653 NS103197-048 V80539 RMA9201M4 V72962 VN202A1-048 V92215 BRM200A4 V52828 | 002004 121503 904949 952952 | 6 |
| - 503 | BACR15BA3D | | ATTACHING PARTS RIVET- SIZE DETERMINED ON INSTL. -----*----- | 002004 121503 904949 952952 | 24 |

MISSING ITEM NUMBERS NOT APPLICABLE

- ITEM NOT ILLUSTRATED

21-23-02-35

21-23-02
FIG. 35
PAGE 8
JAN 20/09

BRI



757

PARTS CATALOG (MAINTENANCE)

| FIG ITEM | PART NUMBER | 1 2 3 4 5 6 7 | NOMENCLATURE | EFFECT FROM TO | UNITS PER ASSY |
|----------|----------------|---|--------------|--------------------------------------|----------------|
| 35 | | | | | |
| 504 | 412N2003-93 | | BRACKET | 002004 121503 904949 952952 | 1 |
| 506 | 412N3137-162SP | . BEAM | ASSY | 002004 121503 904949 952952 | 1 |
| 508 | 412N3103-58SP | OUTLET ASSY- POSITION DATA: R SIDE MID FOR NHA SEE: 21-23-02-28 | | 002004 121503 904949 952952 | RF |
| 510 | NAS1801-08-7 | . SCREW | | 002004 121503 904949 952952 | 2 |
| 515 | BACB30LU2-2 | . BOLT | | 002004 121503 904949 952952 | 4 |
| 520 | NAS514P832-7 | . SCREW | | 002004 121503 904949 952952 | 2 |
| 525 | NAS514P832-8 | . SCREW | | 002004 121503 904949 952952 | 2 |
| 530 | NAS1801-08-6 | . SCREW | | 002004 121503 904949 952952 | 4 |
| 535 | NAS8703-3 | . SCREW- OPTIONAL PART: BACB30VF3K3 BACB30VF3K4 BACS12ER3K9 | | 002004 121503 904949 952952 | 8 |
| 535 | BACB30VF3K3 | . BOLT- OPTIONAL PART: NAS8703-3 BACB30VF3K4 BACS12ER3K9 | | 002004 121503 904949 952952 | 8 |
| 535 | BACB30VF3K4 | . BOLT- OPTIONAL PART: NAS8703-3 BACB30VF3K3 BACS12ER3K9 | | 002004 121503 904949 952952 | 8 |

MISSING ITEM NUMBERS NOT APPLICABLE

- ITEM NOT ILLUSTRATED

21-23-02-35

21-23-02
FIG. 35
PAGE 9
JAN 20/09

BRI



757

PARTS CATALOG (MAINTENANCE)

| FIG ITEM | PART NUMBER | 1 2 3 4 5 6 7 | NOMENCLATURE | EFFECT FROM TO | UNITS PER ASSY |
|----------|---------------|---------------|---|--------------------------------------|----------------|
| 35 | | | | | |
| 535 | BACS12ER3K9 | . | SCREW- OPTIONAL PART: NAS8703-3 BACB30VF3K3 BACB30VF3K4 | 002004 121503 904949 952952 | 8 |
| 540 | BACB30NT3K2 | . | BOLT | 002004 121503 904949 952952 | 8 |
| 545 | AN960JD8L | . | WASHER | 002004 121503 904949 952952 | 6 |
| 550 | AN960JD10LL | . | WASHER | 002004 121503 904949 952952 | 8 |
| 555 | 412N3101-36SP | . | COVER | 002004 121503 904949 952952 | 1 |
| 560 | 412N3101-25SP | . | COVER | 002004 121503 904949 952952 | 1 |
| 565 | 65C27020-612 | . | DOUBLER | 002004 121503 904949 952952 | 1 |
| 570 | 65C27021-277 | . | DOUBLER | 002004 121503 904949 952952 | 1 |
| 575 | 65C27021-213 | . | FITTING ASSY- OPTIONAL PART: 65C27021-483 | 002004 121503 904949 952952 | 1 |
| 575 | 65C27021-483 | . | FITTING ASSY- OPTIONAL PART: 65C27021-213 | 002004 121503 904949 952952 | 1 |
| 580 | 65C27021-189 | . | FILLER- OPTIONAL PART: 65C27021-481 | 002004 121503 904949 952952 | 1 |
| 580 | 65C27021-481 | . | FILLER- OPTIONAL PART: 65C27021-189 | 002004 121503 904949 952952 | 1 |

MISSING ITEM NUMBERS NOT APPLICABLE

- ITEM NOT ILLUSTRATED

BRI

21-23-02-35

21-23-02
FIG. 35
PAGE 10
JAN 20/09

 **BOEING**
757
PARTS CATALOG (MAINTENANCE)

| FIG ITEM | PART NUMBER | 1 2 3 4 5 6 7 | NOMENCLATURE | EFFECT FROM TO | UNITS PER ASSY |
|----------|---------------|---------------|--------------|--------------------------------------|----------------|
| 35 | | | | | |
| 585 | 65C27021-177 | . | DOUBLER | 002004 121503 904949 952952 | 4 |
| 590 | 412N3133-2 | . | FITTING ASSY | 002004 121503 904949 952952 | 4 |
| 595 | BACB30NM3K5 | .. | BOLT | 002004 121503 904949 952952 | 1 |
| 600 | BACB30NM3K3 | .. | BOLT | 002004 121503 904949 952952 | 1 |
| 605 | AN960JD10LL | .. | WASHER | 002004 121503 904949 952952 | 2 |
| 610 | AN960JD10L | .. | WASHER | 002004 121503 904949 952952 | 2 |
| 615 | MS21042L3 | .. | NUT | 002004 121503 904949 952952 | 2 |
| 620 | 412N2004-55 | .. | SPACER | 002004 121503 904949 952952 | 2 |
| 625 | 65C27021-178 | .. | FILLER | 002004 121503 904949 952952 | 1 |
| 630 | 65C27021-199 | .. | BRACKET | 002004 121503 904949 952952 | 1 |
| 635 | 412N3134-1 | .. | BRACKET | 002004 121503 904949 952952 | 1 |
| 640 | 412N3136-68SP | . | BEAM | 002004 121503 904949 952952 | 1 |

MISSING ITEM NUMBERS NOT APPLICABLE

— ITEM NOT ILLUSTRATED

BRI

21-23-02-35

BOEING PROPRIETARY - Copyright © - Unpublished Work - See title page for details.

21-23-02
FIG. 35
PAGE 11
JAN 20/09



757

PARTS CATALOG (MAINTENANCE)

| FIG ITEM | PART NUMBER | 1 2 3 4 5 6 7 | NOMENCLATURE | EFFECT FROM TO | UNITS PER ASSY |
|----------|----------------|---------------|---|--------------------------------------|----------------|
| 35 | | | | | |
| 645 | 412N3137-168SP | . | BEAM ASSY | 002004 121503 904949 952952 | 1 |
| 650 | 412N3103-60SP | | OUTLET ASSY- POSITION DATA: R SIDE FOR NHA SEE: 21-23-02-28 | 002004 121503 904949 952952 | RF |
| 655 | NAS1801-08-7 | . | SCREW | 002004 121503 904949 952952 | 2 |
| 660 | BACB30LU2-2 | . | BOLT | 002004 121503 904949 952952 | 4 |
| 665 | NAS514P832-7 | . | SCREW | 002004 121503 904949 952952 | 2 |
| 670 | NAS514P832-8 | . | SCREW | 002004 121503 904949 952952 | 2 |
| 675 | NAS1801-08-5 | . | SCREW | 002004 121503 904949 952952 | 4 |
| 680 | NAS1801-08-6 | . | SCREW | 002004 121503 904949 952952 | 6 |
| 685 | NAS8703-3 | . | SCREW- OPTIONAL PART: BACB30VF3K3 BACB30VF3K4 BACS12ER3K9 | 002004 121503 904949 952952 | 6 |
| 685 | BACB30VF3K3 | . | BOLT- OPTIONAL PART: NAS8703-3 BACB30VF3K4 BACS12ER3K9 | 002004 121503 904949 952952 | 6 |
| 685 | BACB30VF3K4 | . | BOLT- OPTIONAL PART: NAS8703-3 BACB30VF3K3 BACS12ER3K9 | 002004 121503 904949 952952 | 6 |

MISSING ITEM NUMBERS NOT APPLICABLE

- ITEM NOT ILLUSTRATED

BRI

21-23-02-35

21-23-02
FIG. 35
PAGE 12
JAN 20/09



757

PARTS CATALOG (MAINTENANCE)

| FIG ITEM | PART NUMBER | 1 2 3 4 5 6 7 | NOMENCLATURE | EFFECT FROM TO | UNITS PER ASSY |
|----------|---------------|---------------|---|--------------------------------------|----------------|
| 35 | | | | | |
| 685 | BACS12ER3K9 | . | SCREW- OPTIONAL PART: NAS8703-3 BACB30VF3K3 BACB30VF3K4 | 002004 121503 904949 952952 | 6 |
| 690 | BACB30NT3K2 | . | BOLT | 002004 121503 904949 952952 | 6 |
| 695 | AN960JD8L | . | WASHER | 002004 121503 904949 952952 | 12 |
| 700 | AN960JD10LL | . | WASHER | 002004 121503 904949 952952 | 6 |
| 705 | 412N3101-36SP | . | COVER | 002004 121503 904949 952952 | 1 |
| 710 | 412N3101-25SP | . | COVER | 002004 121503 904949 952952 | 1 |
| 715 | 65C27020-612 | . | DOUBLER | 002004 121503 904949 952952 | 1 |
| 720 | 65C27021-277 | . | DOUBLER | 002004 121503 904949 952952 | 1 |
| 725 | 65C27021-213 | . | FITTING ASSY- OPTIONAL PART: 65C27021-483 | 002004 121503 904949 952952 | 1 |
| 725 | 65C27021-483 | . | FITTING ASSY- OPTIONAL PART: 65C27021-189 | 002004 121503 904949 952952 | 1 |
| 730 | 65C27021-189 | . | FILLER- OPTIONAL PART: 65C27021-481 | 002004 121503 904949 952952 | 1 |
| 730 | 65C27021-481 | . | FILLER- OPTIONAL PART: 65C27021-189 | 002004 121503 904949 952952 | 1 |

MISSING ITEM NUMBERS NOT APPLICABLE

- ITEM NOT ILLUSTRATED

BRI

21-23-02-35

21-23-02
FIG. 35
PAGE 13
JAN 20/09



757

PARTS CATALOG (MAINTENANCE)

| FIG ITEM | PART NUMBER | 1 2 3 4 5 6 7 | NOMENCLATURE | EFFECT FROM TO | UNITS PER ASSY |
|----------|--------------|---------------|--------------|--------------------------------------|----------------|
| 35 | | | | | |
| 735 | 65C27021-177 | . | DOUBLER | 002004 121503 904949 952952 | 3 |
| 740 | 412N3133-2 | . | FITTING ASSY | 002004 121503 904949 952952 | 3 |
| 745 | BACB30NM3K5 | .. | BOLT | 002004 121503 904949 952952 | 1 |
| 750 | BACB30NM3K3 | .. | BOLT | 002004 121503 904949 952952 | 1 |
| 755 | AN960JD10LL | .. | WASHER | 002004 121503 904949 952952 | 2 |
| 760 | AN960JD10L | .. | WASHER | 002004 121503 904949 952952 | 2 |
| 765 | MS21042L3 | .. | NUT | 002004 121503 904949 952952 | 2 |
| 770 | 412N2004-55 | .. | SPACER | 002004 121503 904949 952952 | 2 |
| 775 | 65C27021-178 | .. | FILLER | 002004 121503 904949 952952 | 1 |
| 780 | 65C27021-199 | .. | BRACKET | 002004 121503 904949 952952 | 1 |
| 785 | 412N3134-1 | .. | BRACKET | 002004 121503 904949 952952 | 1 |
| 790 | 412N3104-1SP | . | CAP ASSY-END | 002004 121503 904949 952952 | 1 |

MISSING ITEM NUMBERS NOT APPLICABLE

- ITEM NOT ILLUSTRATED

21-23-02-35

21-23-02
FIG. 35
PAGE 14
JAN 20/09

BRI

BOEING PROPRIETARY - Copyright © - Unpublished Work - See title page for details.



757

PARTS CATALOG (MAINTENANCE)

| FIG ITEM | PART NUMBER | 1 2 3 4 5 6 7 | NOMENCLATURE | EFFECT FROM TO | UNITS PER ASSY |
|-------------|----------------|---------------|--|--------------------------------------|----------------------|
| 35 795 | 6035-2BRX185 | | .. INSERT- SUPPLIER CODE: V01556 | 002004 121503 904949 952952 | 4 |
| 800 | 412N3104-3 | | .. CAP-END | 002004 121503 904949 952952 | 1 |
| 805 | 412N3136-70SP | | . BEAM | 002004 121503 904949 952952 | 1 |
| 810 | 412N3137-174SP | | . BEAM ASSY | 002004 121503 904949 952952 | 1 |

MISSING ITEM NUMBERS NOT APPLICABLE

- ITEM NOT ILLUSTRATED

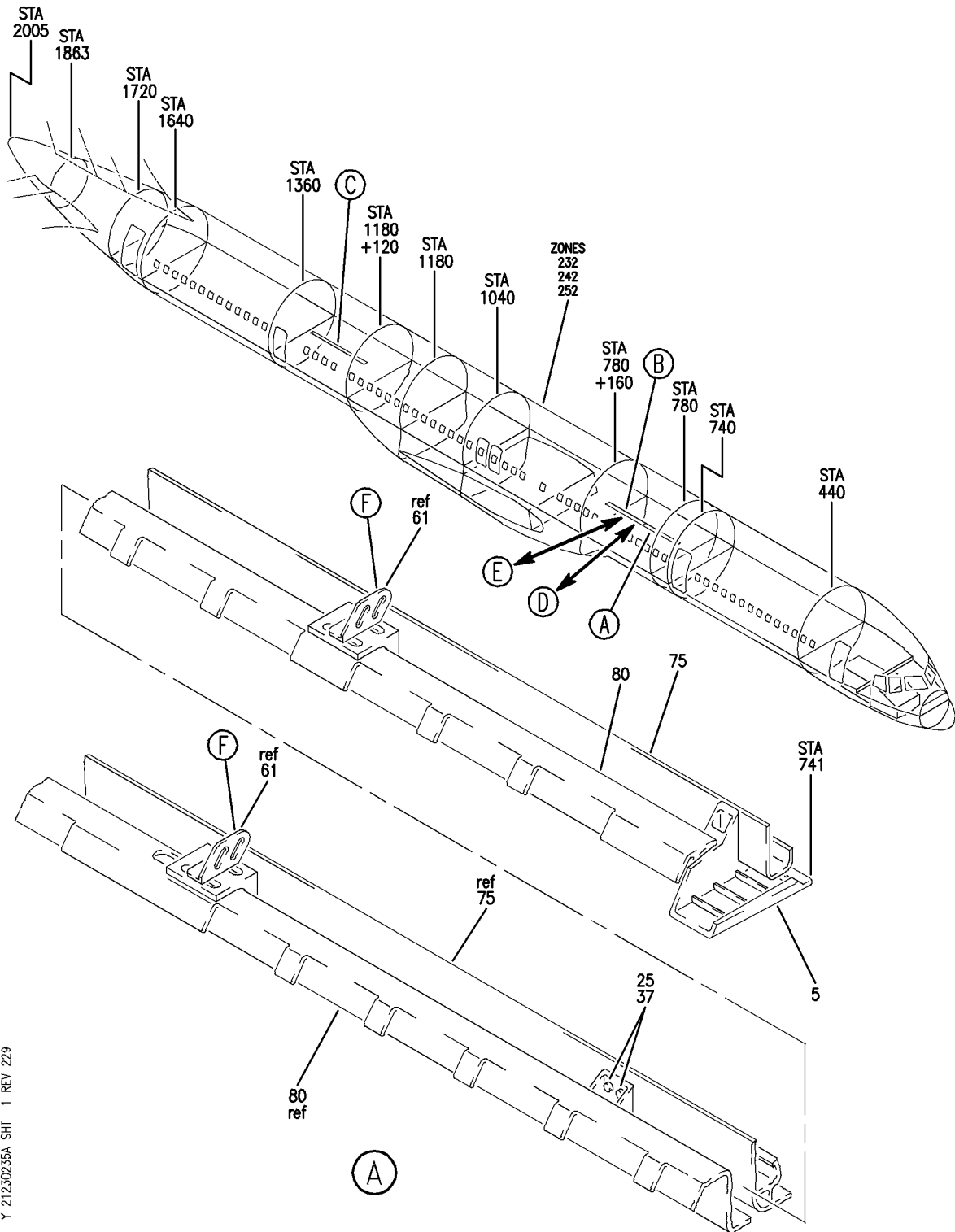
BRI

21-23-02-35

BOEING PROPRIETARY - Copyright © - Unpublished Work - See title page for details.

21-23-02
FIG. 35
PAGE 15
JAN 20/09

BOEING
757
PARTS CATALOG (MAINTENANCE)



Y 21230235A SH1 1 REV 229

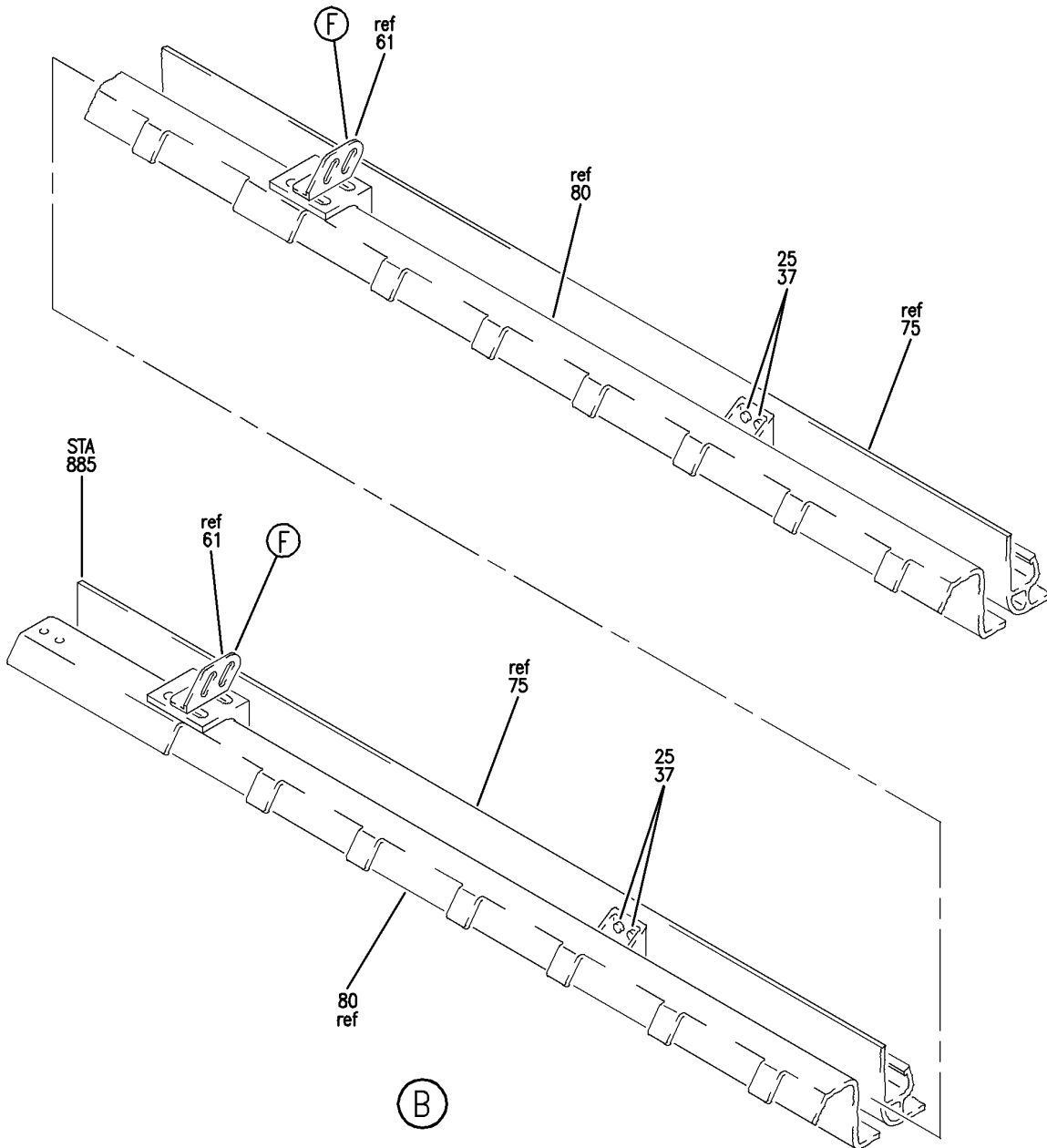
OUTLET ASSY-SIDEWALL AIRCONDITIONING
FIGURE 35A (SHEET 1)

21-23-02-35A

BRI
MAY 28/07

21-23-02-35A
PAGE 0

BOEING
757
PARTS CATALOG (MAINTENANCE)



Y 21230235A SH1 2 REV 229

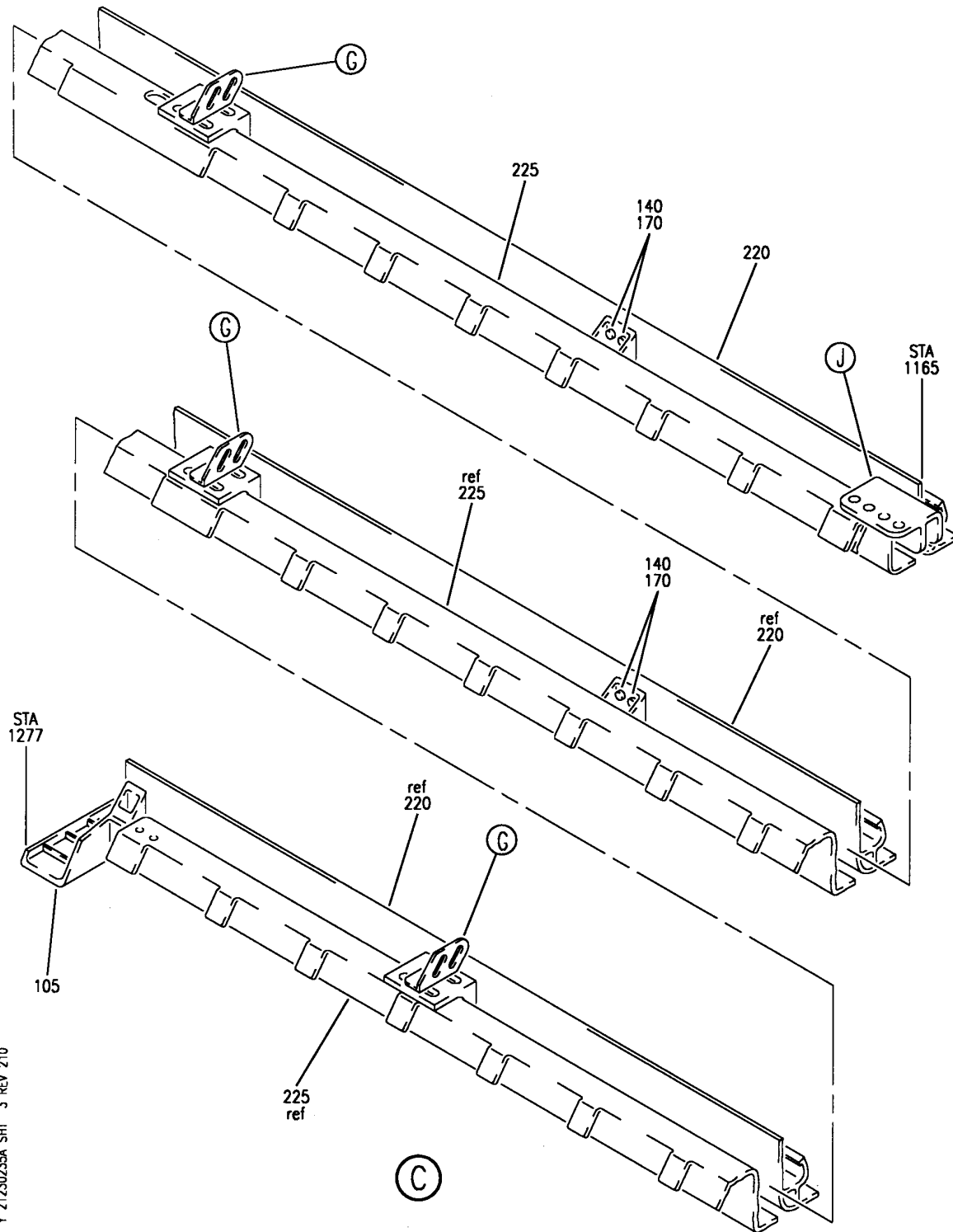
OUTLET ASSY-SIDEWALL AIRCONDITIONING
FIGURE 35A (SHEET 2)

BRI
MAY 28/07

21-23-02-35A

21-23-02-35A
PAGE 0A

BOEING
757
PARTS CATALOG (MAINTENANCE)



Y 21230235A SHT 3 REV 210

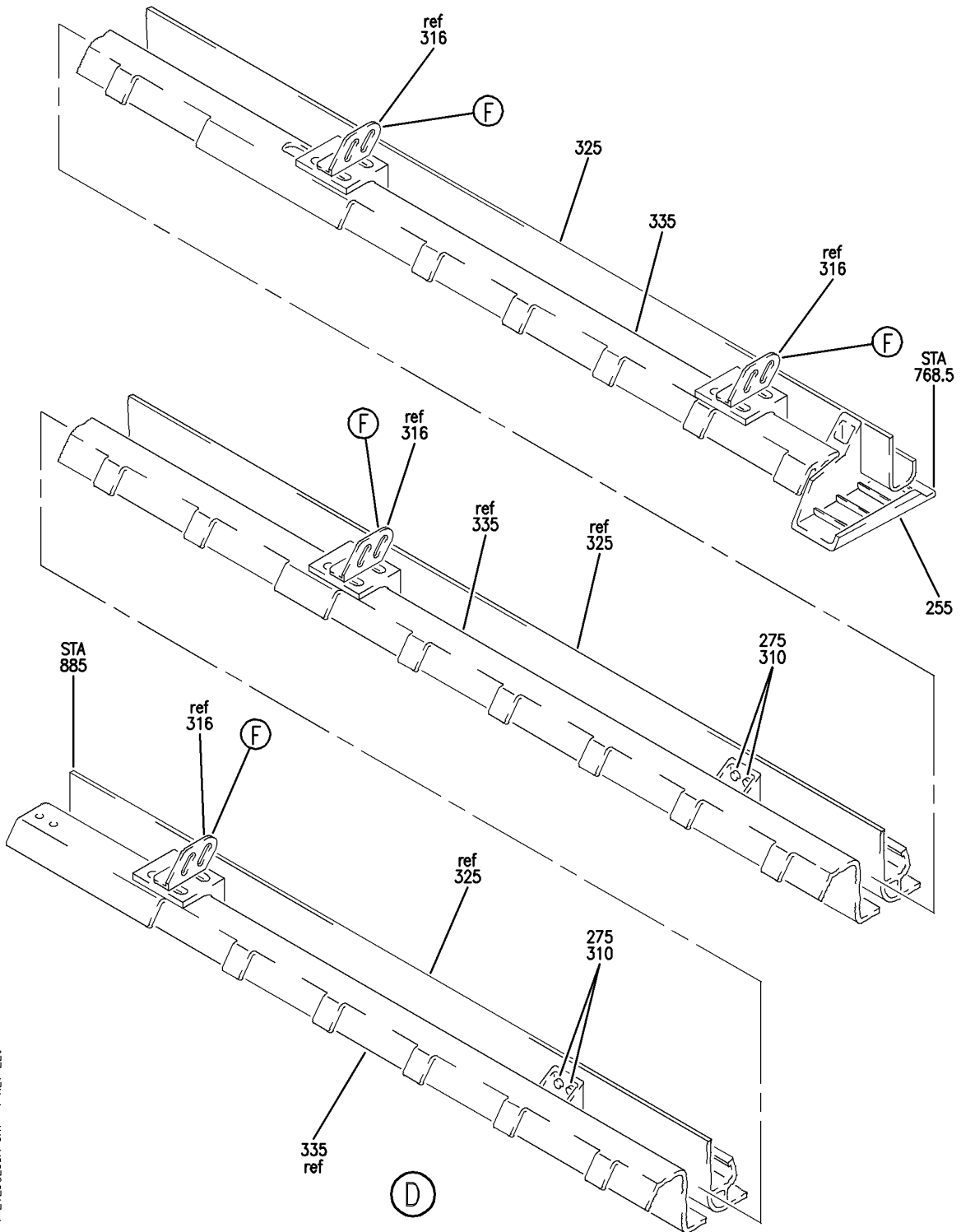
OUTLET ASSY-SIDEWALL AIRCONDITIONING
FIGURE 35A (SHEET 3)

21-23-02-35A

BRI
MAY 28/07

21-23-02-35A
PAGE 0B

BOEING
757
PARTS CATALOG (MAINTENANCE)



Y 21230235A SH1 4 REV 229

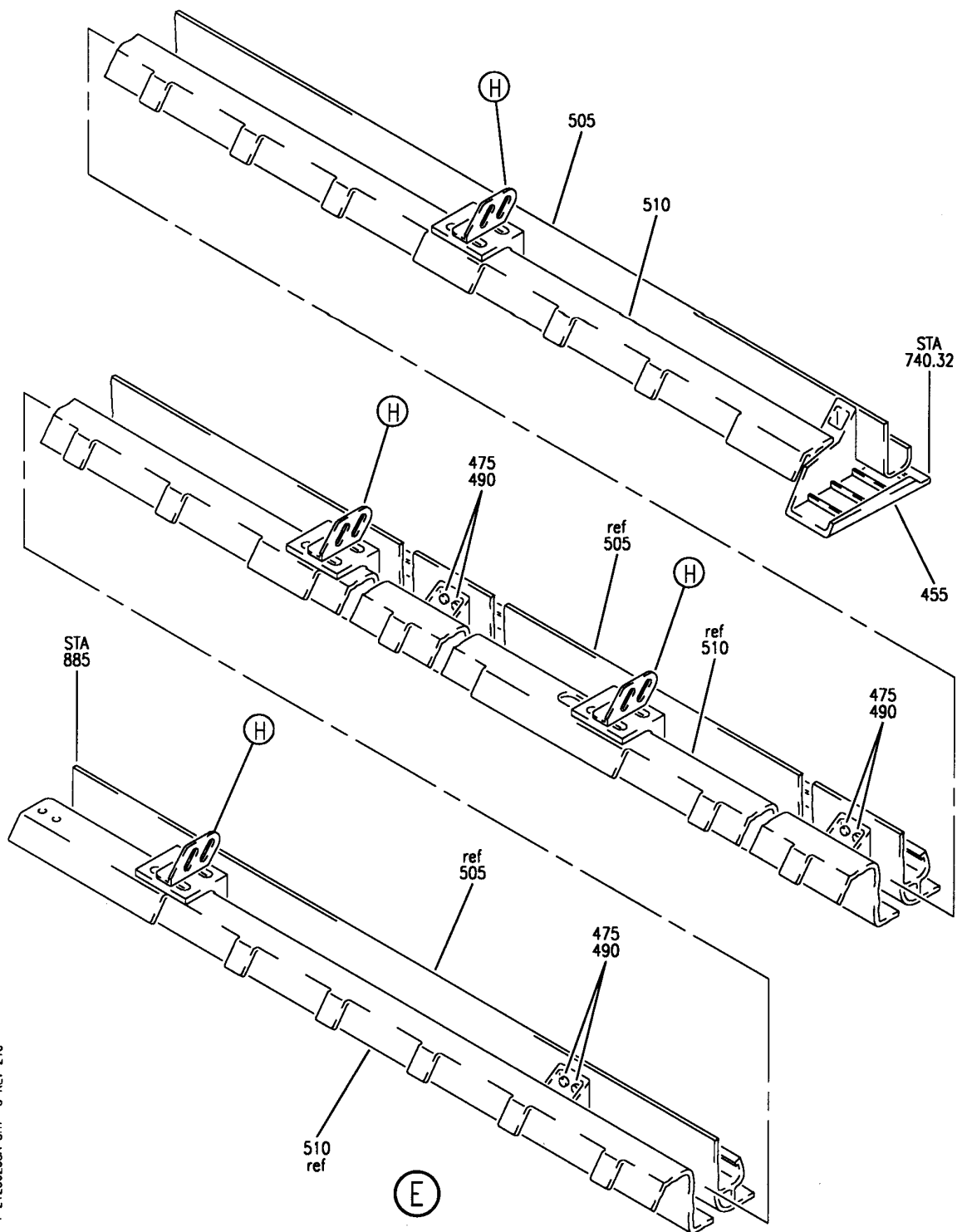
OUTLET ASSY-SIDEWALL AIRCONDITIONING
FIGURE 35A (SHEET 4)

21-23-02-35A

BRI
MAY 28/07

21-23-02-35A
PAGE 0C

BOEING
757
PARTS CATALOG (MAINTENANCE)



Y 21230235A SHT 5 REV 210

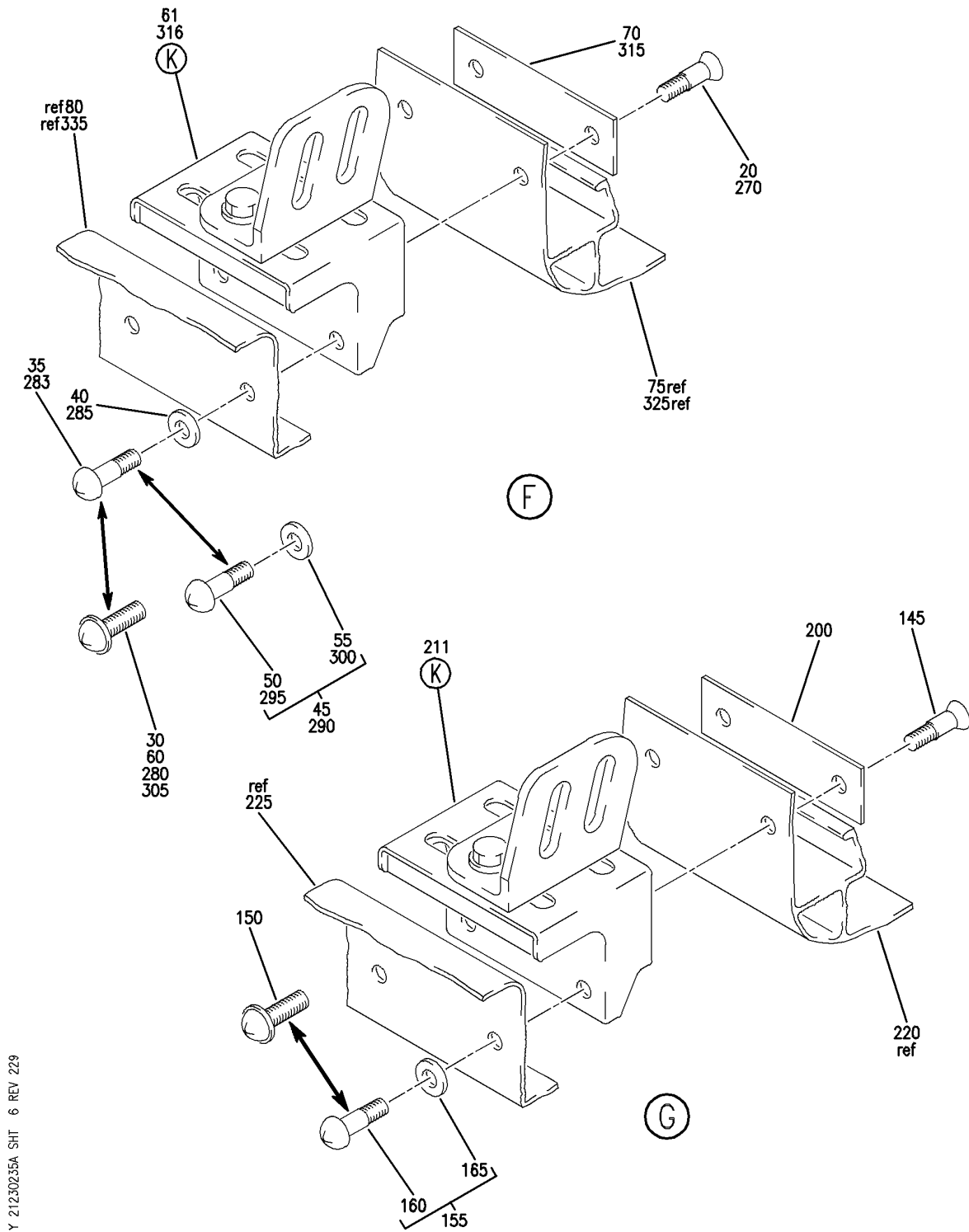
OUTLET ASSY-SIDEWALL AIRCONDITIONING
FIGURE 35A (SHEET 5)

21-23-02-35A

BRI
MAY 28/07

21-23-02-35A
PAGE 0D

BOEING
757
PARTS CATALOG (MAINTENANCE)



Y 21230235A SH1 6 REV 229

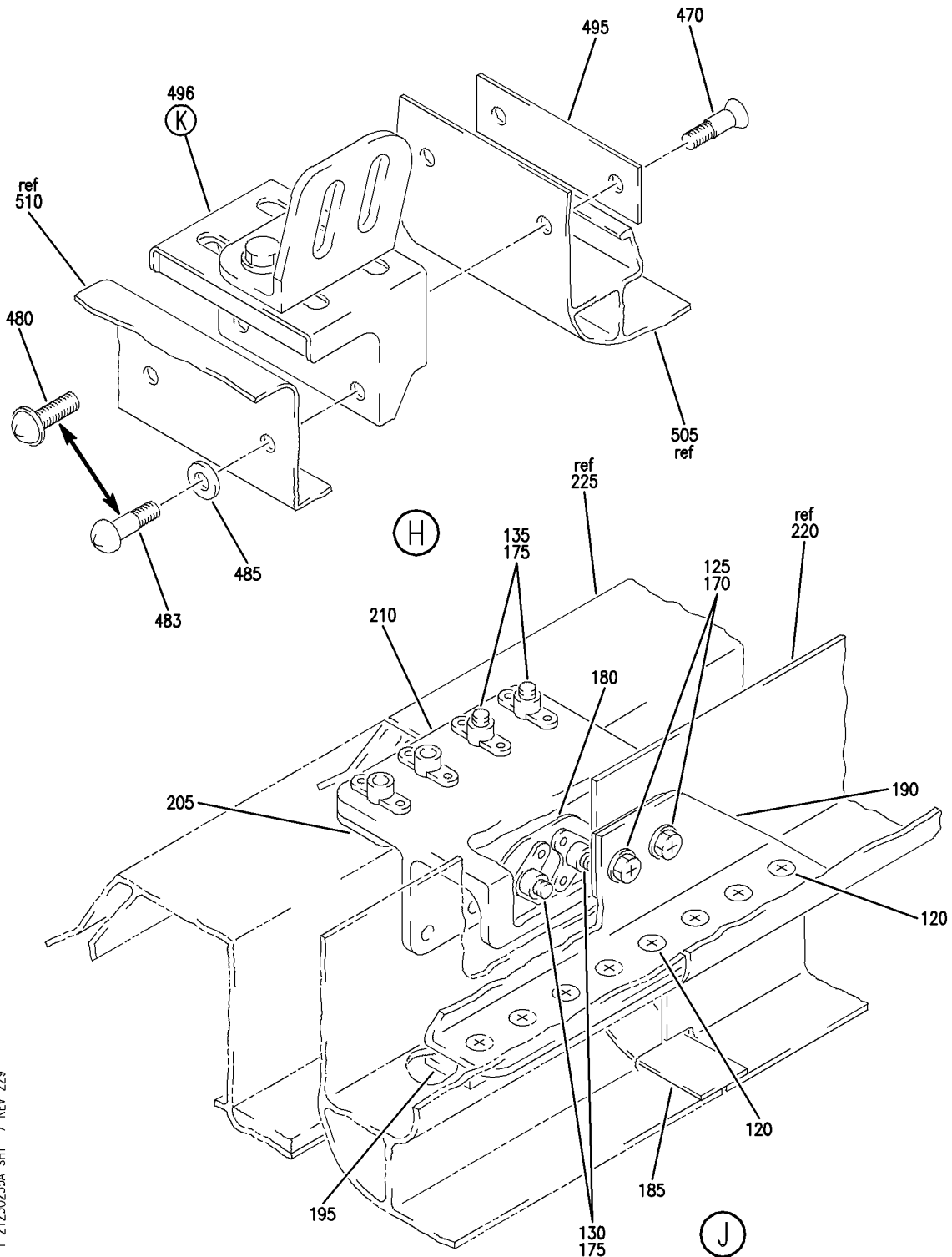
OUTLET ASSY-SIDEWALL AIRCONDITIONING
FIGURE 35A (SHEET 6)

21-23-02-35A

BRI
MAY 28/07

21-23-02-35A
PAGE 0E

BOEING
757
PARTS CATALOG (MAINTENANCE)



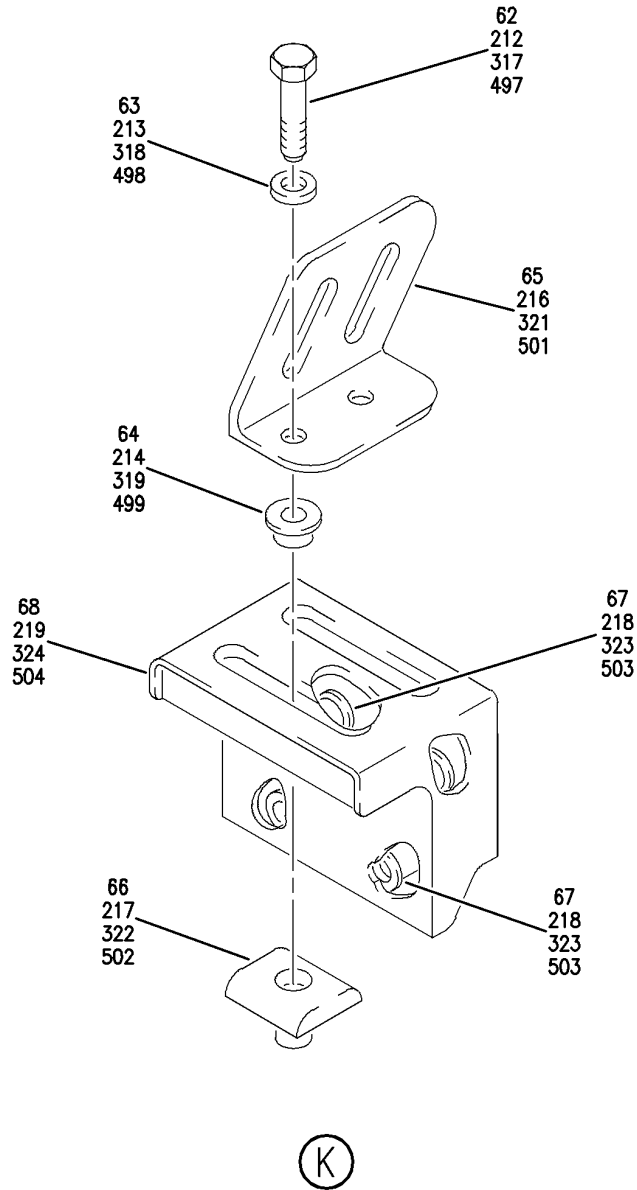
OUTLET ASSY-SIDEWALL AIRCONDITIONING
FIGURE 35A (SHEET 7)

21-23-02-35A

BRI
MAY 28/07

21-23-02-35A
PAGE OF

BOEING
757
PARTS CATALOG (MAINTENANCE)



Y 21230235A SH1 8 REV 229

OUTLET ASSY-SIDEWALL AIRCONDITIONING
FIGURE 35A (SHEET 8)

21-23-02-35A

BRI
MAY 28/07

21-23-02-35A
PAGE 06



757

PARTS CATALOG (MAINTENANCE)

| FIG ITEM | PART NUMBER | 1 2 3 4 5 6 7 | NOMENCLATURE | EFFECT FROM TO | UNITS PER ASSY |
|----------|-----------------|---------------|--|--|----------------|
| 35A | | | OUTLET ASSY-SIDEWALL AIRCONDITIONING | 006102 108120 504903 950951 953999 | |
| - 1 | 412N3103-1106SP | | OUTLET ASSY-SIDEWALL AC FOR NHA SEE: 21-23-02-44B | 006100 950951 953999 | RF |
| - 1 | 412N3103-1298SP | | OUTLET ASSY-SIDEWALL AC FOR NHA SEE: 21-23-02-44B | 101102 108120 | RF |
| 5 | 412N3104-2SP | | .CAP ASSY-END | 006102 108120 950951 953999 | 1 |
| - 10 | BACS12GU08K5 | | ATTACHING PARTS .SCREW- OPTIONAL PART: NAS1801-08-5 | 006102 108120 950951 953999 | 4 |
| - 10 | NAS1801-08-5 | | .SCREW- OPTIONAL PART: BACS12GU08K5 | 006102 108120 950951 953999 | 4 |
| - 15 | AN960JD8L | | .WASHER- | 006100 950951 953999 | 4 |
| - 15 | NAS1149DN816J | | .WASHER- | 101102 108120 | 4 |
| 20 | BACS12ER3K9 | | -----*----- .SCREW- OPTIONAL PART: BACB30VF3K3 | 006102 108120 950951 953999 | 8 |
| 20 | BACB30VF3K3 | | .BOLT- OPTIONAL PART: BACS12ER3K9 | 006102 108120 950951 953999 | 8 |
| 25 | BACS12GU08K6 | | .SCREW- OPTIONAL PART: NAS1801-08-6 | 006102 108120 950951 953999 | 6 |
| 25 | NAS1801-08-6 | | .SCREW- OPTIONAL PART: BACS12GU08K6 | 006102 108120 950951 953999 | 6 |

MISSING ITEM NUMBERS NOT APPLICABLE

- ITEM NOT ILLUSTRATED

21-23-02-35A

21-23-02
FIG. 35A
PAGE 1
JAN 20/09

BRI



757

PARTS CATALOG (MAINTENANCE)

| FIG ITEM | PART NUMBER | 1 2 3 4 5 6 7 | NOMENCLATURE | EFFECT FROM TO | UNITS PER ASSY |
|----------|---------------|---------------|---|--------------------------------------|----------------|
| 35A | | | | | |
| 30 | BAC S12FA3K8 | . | SCREW- QUALIFIED OPTIONAL DATA: BACB30NT3K2 WITH AN960JD8L OPTIONAL TO BACS12FA3K8 | 006100 950951 953999 | 8 |
| 35 | BACB30NT3K2 | . | BOLT- QUALIFIED OPTIONAL DATA: BACB30NT3K2 WITH AN960JD8L OPTIONAL TO BACS12FA3K8 | 006100 950951 953999 | 8 |
| 37 | NAS1149DN816J | . | WASHER | 006102 108120 950951 953999 | 6 |
| 40 | AN960JD8L | . | WASHER- QUALIFIED OPTIONAL DATA: BACB30NT3K2 WITH AN960JD8L OPTIONAL TO BACS12FA3K8 | 006100 950951 953999 | 8 |
| 45 | 412N3103-1330 | . | SUBKIT ASSY- OPTIONAL PART: BACS12FA3K8 | 101102 108120 | 8 |
| 50 | BACB30NT3K2 | .. | BOLT | 101102 108120 | 1 |
| 55 | NAS1149D0316J | .. | WASHER- | 101102 108120 | 1 |
| 60 | BAC S12FA3K8 | . | SCREW- OPTIONAL PART: 412N3103-1330 | 101102 108120 | 8 |
| 61 | 412N3133-24 | . | SUPPORT ASSY | 006102 108120 950951 953999 | 4 |
| 62 | BACB30NM3K5 | .. | BOLT | 006102 108120 950951 953999 | 2 |
| 63 | AN960JD10LL | .. | WASHER | 006102 108120 950951 953999 | 2 |
| 64 | 412N2004-55 | .. | SPACER | 006102 108120 950951 953999 | 2 |
| 65 | 65C27021-460 | .. | BRACKET- USED ON: 412N3133-24 | 006102 108120 950951 953999 | 1 |

MISSING ITEM NUMBERS NOT APPLICABLE

- ITEM NOT ILLUSTRATED

21-23-02-35A

21-23-02
FIG. 35A
PAGE 2
JAN 20/09

BRI

BOEING PROPRIETARY - Copyright © - Unpublished Work - See title page for details.



757

PARTS CATALOG (MAINTENANCE)

| FIG ITEM | PART NUMBER | 1 2 3 4 5 6 7 | NOMENCLATURE | EFFECT FROM TO | UNITS PER ASSY |
|-----------|-----------------|---------------|--|--|----------------|
| 35A 66 | 65C27021-463 | .. | FILLER ASSY | 006102 108120 950951 953999 | 2 |
| 67 | BACS13CJ3L080P | .. | INSERT | 006102 108120 950951 953999 | 4 |
| 68 | 412N3134-1 | .. | BRACKET | 006102 108120 950951 953999 | 1 |
| 70 | 65C27021-177 | . | DOUBLER | 006102 108120 950951 953999 | 4 |
| 75 | 412N3136-150SP | . | BEAM- | 006100 950951 953999 | 1 |
| 75 | 412N3136-1150SP | . | BEAM- | 101102 108120 | 1 |
| 80 | 412N3137-1240SP | . | BEAM ASSY | 006100 950951 953999 | 1 |
| 80 | 412N3137-1608SP | . | BEAM ASSY- | 101102 108120 | 1 |
| - 100 | 412N3103-1202SP | | OUTLET ASSY-SIDEWALL AC FOR NHA SEE: 21-23-02-44B | 006102 108120 504903 950951 953999 | RF |
| 105 | 412N3104-1SP | . | CAP ASSY-END | 006102 108120 504903 950951 953999 | 1 |
| - 110 | BACS12GU08K5 | | ATTACHING PARTS .SCREW- OPTIONAL PART: NAS1801-08-5 | 006102 108120 504903 950951 953999 | 4 |
| - 110 | NAS1801-08-5 | | .SCREW- OPTIONAL PART: BACS12GU08K5 | 006102 108120 504903 950951 953999 | 4 |

MISSING ITEM NUMBERS NOT APPLICABLE

- ITEM NOT ILLUSTRATED

21-23-02-35A

21-23-02
FIG. 35A
PAGE 3
JAN 20/09

BRI



757

PARTS CATALOG (MAINTENANCE)

| FIG ITEM | PART NUMBER | 1 2 3 4 5 6 7 | NOMENCLATURE | EFFECT FROM TO | UNITS PER ASSY |
|--------------|---------------|---------------|--|--|----------------|
| 35A - 115 | NAS1149DN816J | . | WASHER | 006102 108120 504903 950951 953999 | 4 |
| 120 | BACB30LU2-2 | -----* | .BOLT | 006102 108120 504903 950951 953999 | 4 |
| 125 | BACS12GU08K7 | . | SCREW- OPTIONAL PART: NAS1801-08-7 | 006102 108120 504903 950951 953999 | 2 |
| 125 | NAS1801-08-7 | . | SCREW- OPTIONAL PART: BACS12GU08K7 | 006102 108120 504903 950951 953999 | 2 |
| 130 | BACS12ER08K7 | . | SCREW- OPTIONAL PART: NAS514P832-7 | 006102 108120 504903 950951 953999 | 2 |
| 130 | NAS514P832-7 | . | SCREW- OPTIONAL PART: BACS12ER08K7 | 006102 108120 504903 950951 953999 | 2 |
| 135 | BACS12ER08K8 | . | SCREW- OPTIONAL PART: NAS514P832-8 | 006102 108120 504903 950951 953999 | 2 |
| 135 | NAS514P832-8 | . | SCREW- OPTIONAL PART: BACS12ER08K8 | 006102 108120 504903 950951 953999 | 2 |
| 140 | BACS12GU08K6 | . | SCREW- OPTIONAL PART: NAS1801-08-6 | 006102 108120 504903 950951 953999 | 4 |

MISSING ITEM NUMBERS NOT APPLICABLE

- ITEM NOT ILLUSTRATED

21-23-02-35A

21-23-02
FIG. 35A
PAGE 4
JAN 20/09

BRI



757

PARTS CATALOG (MAINTENANCE)

| FIG ITEM | PART NUMBER | 1 2 3 4 5 6 7 | NOMENCLATURE | EFFECT FROM TO | UNITS PER ASSY |
|------------|---------------|---------------|---------------------------------|--|----------------|
| 35A 140 | NAS1801-08-6 | .SCREW- | OPTIONAL PART: BACS12GU08K6 | 006102 108120 504903 950951 953999 | 4 |
| 145 | BACS12ER3K9 | .SCREW- | OPTIONAL PART: BACB30VF3K3 | 006102 108120 504903 950951 953999 | 6 |
| 145 | BACB30VF3K3 | .BOLT- | OPTIONAL PART: BACS12ER3K9 | 006102 108120 504903 950951 953999 | 6 |
| 150 | BACS12FA3K8 | .SCREW- | OPTIONAL PART: 412N3103-1330 | 006102 108120 504903 950951 953999 | 6 |
| 155 | 412N3103-1330 | .SUBKIT ASSY- | OPTIONAL PART: BACS12FA3K8 | 006102 108120 504903 950951 953999 | 6 |
| 160 | BACB30NT3K2 | ..BOLT | | 006102 108120 504903 950951 953999 | 1 |
| 165 | NAS1149D0316J | ..WASHER | | 006102 108120 504903 950951 953999 | 1 |
| 170 | NAS1149DN816J | .WASHER | | 006102 108120 504903 950951 953999 | 6 |
| 175 | BACW10DM5P | .WASHER | | 006102 108120 504903 950951 953999 | 4 |

MISSING ITEM NUMBERS NOT APPLICABLE

- ITEM NOT ILLUSTRATED

21-23-02-35A

21-23-02
FIG. 35A
PAGE 5
JAN 20/09

BRI

BOEING PROPRIETARY - Copyright © - Unpublished Work - See title page for details.



757

PARTS CATALOG (MAINTENANCE)

| FIG ITEM | PART NUMBER | 1 2 3 4 5 6 7 | NOMENCLATURE | EFFECT FROM TO | UNITS PER ASSY |
|------------|---------------|---------------|--------------|--|----------------|
| 35A 180 | 412N3101-25SP | . | COVER | 006102 108120 504903 950951 953999 | 1 |
| 185 | 412N3101-36SP | . | COVER | 006102 108120 504903 950951 953999 | 1 |
| 190 | 65C27020-612 | . | DOUBLER | 006102 108120 504903 950951 953999 | 1 |
| 195 | 65C27021-277 | . | DOUBLER | 006102 108120 504903 950951 953999 | 1 |
| 200 | 65C27021-177 | . | DOUBLER | 006102 108120 504903 950951 953999 | 3 |
| 205 | 65C27021-481 | . | FILLER | 006102 108120 504903 950951 953999 | 1 |
| 210 | 65C27021-483 | . | FITTING ASSY | 006102 108120 504903 950951 953999 | 1 |
| 211 | 412N3133-24 | . | SUPPORT ASSY | 006102 108120 504903 950951 953999 | 3 |
| 212 | BACB30NM3K5 | .. | BOLT | 006102 108120 504903 950951 953999 | 2 |

MISSING ITEM NUMBERS NOT APPLICABLE

- ITEM NOT ILLUSTRATED

21-23-02-35A

21-23-02
FIG. 35A
PAGE 6
JAN 20/09

BRI

BOEING PROPRIETARY - Copyright © - Unpublished Work - See title page for details.



757

PARTS CATALOG (MAINTENANCE)

| FIG ITEM | PART NUMBER | 1 2 3 4 5 6 7 | NOMENCLATURE | EFFECT FROM TO | UNITS PER ASSY |
|------------|-----------------|---------------|---|--|----------------|
| 35A 213 | AN960JD10LL | .. | WASHER | 006102 108120 504903 950951 953999 | 2 |
| 214 | 412N2004-55 | .. | SPACER | 006102 108120 504903 950951 953999 | 2 |
| 216 | 65C27021-460 | .. | BRACKET- USED ON: 412N3133-24 | 006102 108120 504903 950951 953999 | 1 |
| 217 | 65C27021-463 | .. | FILLER ASSY | 006102 108120 504903 950951 953999 | 2 |
| 218 | BACS13CJ3L080P | .. | INSERT | 006102 108120 504903 950951 953999 | 4 |
| 219 | 412N3134-1 | .. | BRACKET | 006102 108120 504903 950951 953999 | 1 |
| 220 | 412N3136-1076SP | . | BEAM | 006102 108120 504903 950951 953999 | 1 |
| 225 | 412N3137-1418SP | . | BEAM ASSY | 006102 108120 504903 950951 953999 | 1 |
| - 250 | 412N3103-1286SP | | OUTLET ASSY-SIDEWALL AC FOR NHA SEE: 21-23-02-44B | 504903 | RF |
| 255 | 412N3104-2SP | . | CAP ASSY-END ATTACHING PARTS | 504903 | 1 |
| - 260 | BACS12GU08K5 | . | SCREW- OPTIONAL PART: NAS1801-08-5 | 504903 | 4 |

MISSING ITEM NUMBERS NOT APPLICABLE

- ITEM NOT ILLUSTRATED

21-23-02-35A

21-23-02
FIG. 35A
PAGE 7
JAN 20/09

BRI

BOEING PROPRIETARY - Copyright © - Unpublished Work - See title page for details.



757

PARTS CATALOG (MAINTENANCE)

| FIG ITEM | PART NUMBER | 1 2 3 4 5 6 7 | NOMENCLATURE | EFFECT FROM TO | UNITS PER ASSY |
|----------|-----------------|---------------|--|----------------|----------------|
| 35A | | | | | |
| - 260 | NAS1801-08-5 | . | SCREW- OPTIONAL PART: BACS12GU08K5 | 504903 | 4 |
| - 265 | NAS1149DN816J | . | WASHER -----*----- | 504903 | 4 |
| 270 | BACS12ER3K9 | . | SCREW- OPTIONAL PART: BACB30VF3K4 BACB30VF3K3 | 504903 | 8 |
| 270 | BACB30VF3K4 | . | BOLT- OPTIONAL PART: BACS12ER3K9 | 504903 | 8 |
| 270 | BACB30VF3K3 | . | BOLT- OPTIONAL PART: BACS12ER3K9 | 504903 | 8 |
| 275 | BACS12GU08K6 | . | SCREW- OPTIONAL PART: NAS1801-08-6 | 504903 | 4 |
| 275 | NAS1801-08-6 | . | SCREW- OPTIONAL PART: BACS12GU08K6 | 504903 | 4 |
| 290 | 412N3103-1330 | . | SUBKIT ASSY- OPTIONAL PART: BACS12FA3K8 | 504903 | 8 |
| 295 | BACB30NT3K2 | .. | BOLT | 504903 | 1 |
| 300 | NAS1149D0316J | .. | WASHER | 504903 | 1 |
| 305 | BACS12FA3K8 | . | SCREW- OPTIONAL PART: 412N3103-1330 | 504903 | 8 |
| 310 | NAS1149DN816J | . | WASHER | 504903 | 4 |
| 315 | 65C27021-177 | . | DOUBLER | 504903 | 4 |
| 316 | 412N3133-24 | . | SUPPORT ASSY | 504903 | 4 |
| 317 | BACB30NM3K5 | .. | BOLT | 504903 | 2 |
| 318 | AN960JD10LL | .. | WASHER | 504903 | 2 |
| 319 | 412N2004-55 | .. | SPACER | 504903 | 2 |
| 321 | 65C27021-460 | .. | BRACKET | 504903 | 1 |
| 322 | 65C27021-463 | .. | FILLER ASSY | 504903 | 2 |
| 323 | BACS13CJ3L080P | .. | INSERT | 504903 | 4 |
| 324 | 412N3134-1 | .. | BRACKET | 504903 | 1 |
| 325 | 412N3136-1162SP | . | BEAM | 504903 | 1 |

MISSING ITEM NUMBERS NOT APPLICABLE

- ITEM NOT ILLUSTRATED

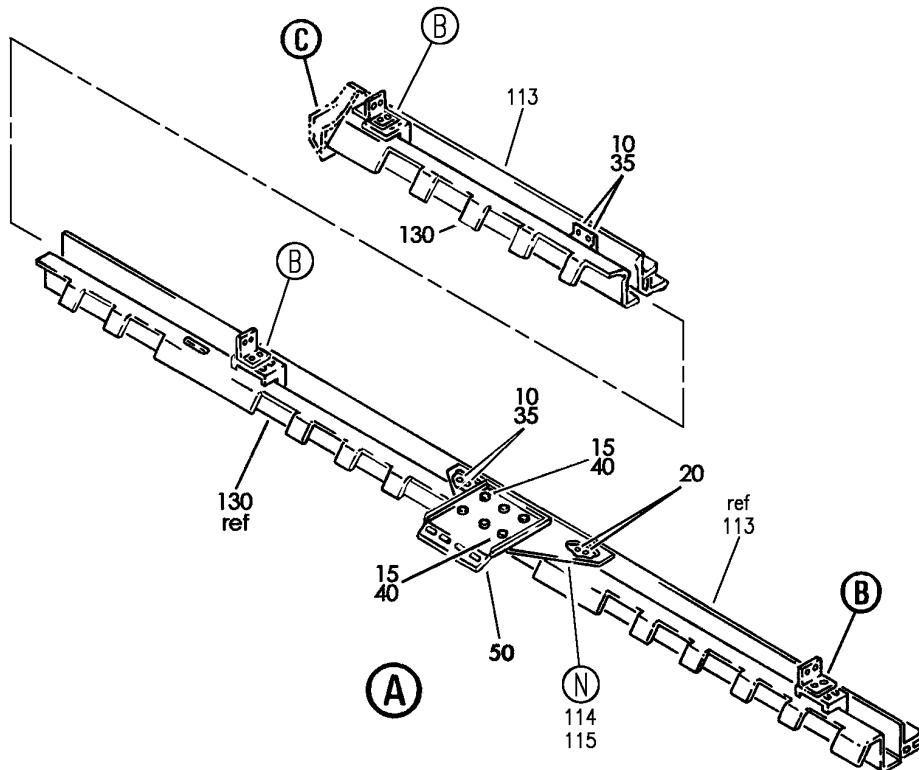
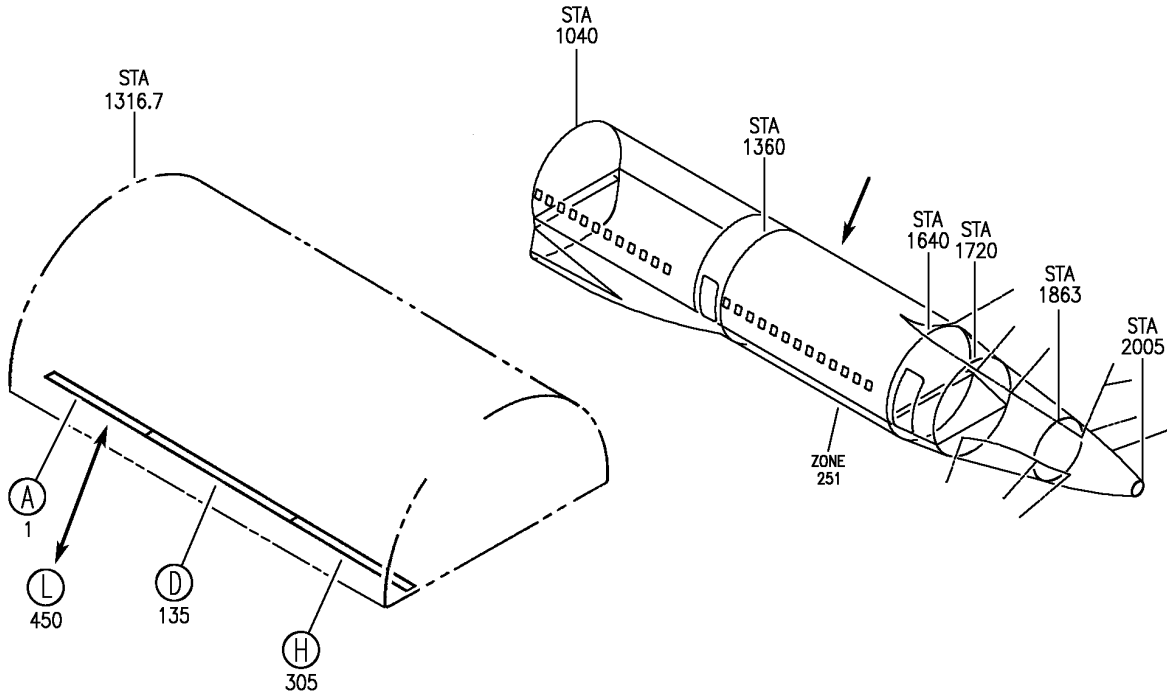
21-23-02-35A

21-23-02
FIG. 35A
PAGE 8
JAN 20/09

BRI

BOEING PROPRIETARY - Copyright © - Unpublished Work - See title page for details.

BOEING
757
PARTS CATALOG (MAINTENANCE)



Y 21230238 SHT 1 REV 265

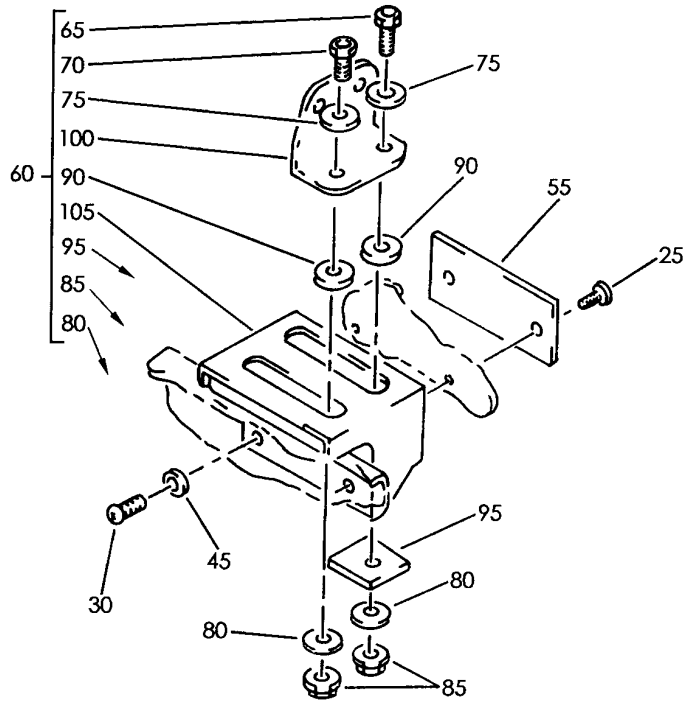
OUTLET ASSY-LEFT SIDE AFT
FIGURE 38 (SHEET 1)

21-23-02-38

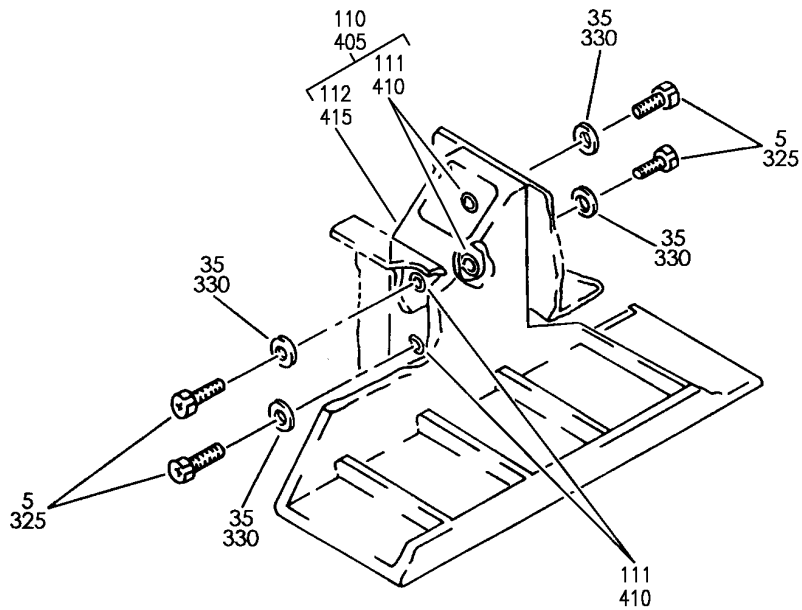
BRI
MAY 28/07

21-23-02-38
PAGE 0

BOEING
757
PARTS CATALOG (MAINTENANCE)



(B)



(C)

Y 21230238 SH1 2 REV 265

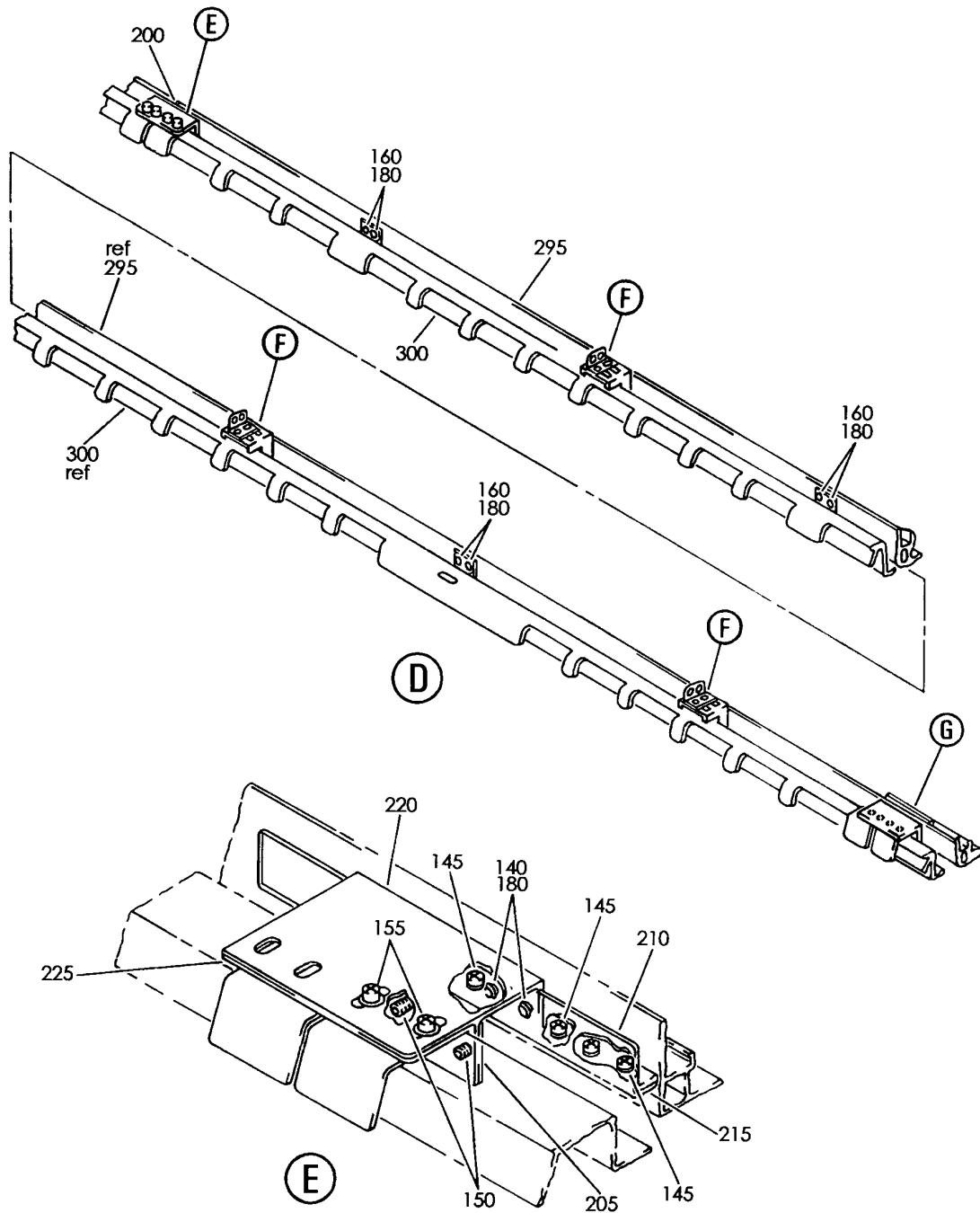
OUTLET ASSY-LEFT SIDE AFT
FIGURE 38 (SHEET 2)

21-23-02-38

BRI
MAY 28/07

21-23-02-38
PAGE 0A

BOEING
757
PARTS CATALOG (MAINTENANCE)



Y 21230238 SHT 3 REV 202

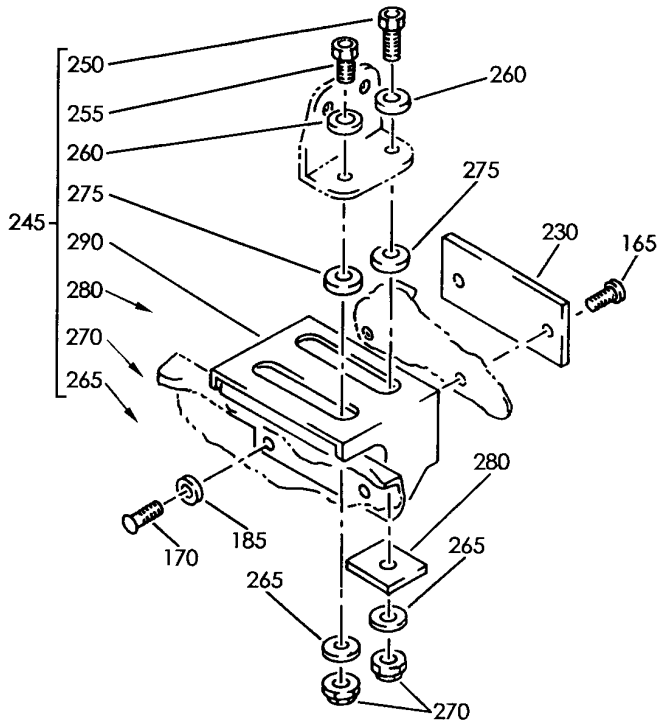
OUTLET ASSY-LEFT SIDE AFT
FIGURE 38 (SHEET 3)

21-23-02-38

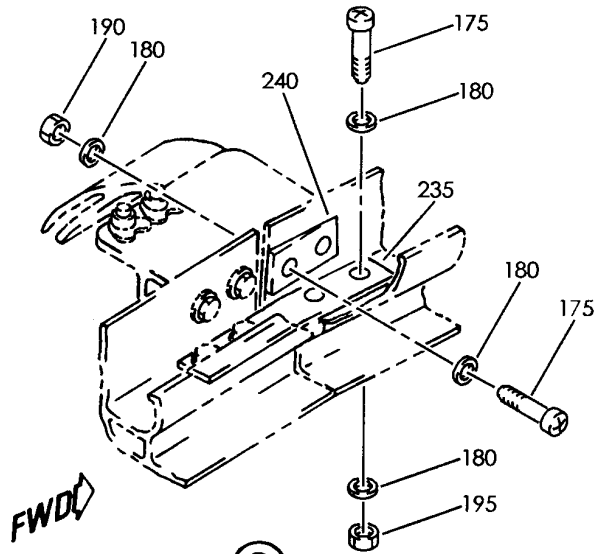
BRI
MAY 28/07

21-23-02-38
PAGE 0B

BOEING
757
PARTS CATALOG (MAINTENANCE)



(F)



(G)

Y 21230238 SH1 4 REV 202

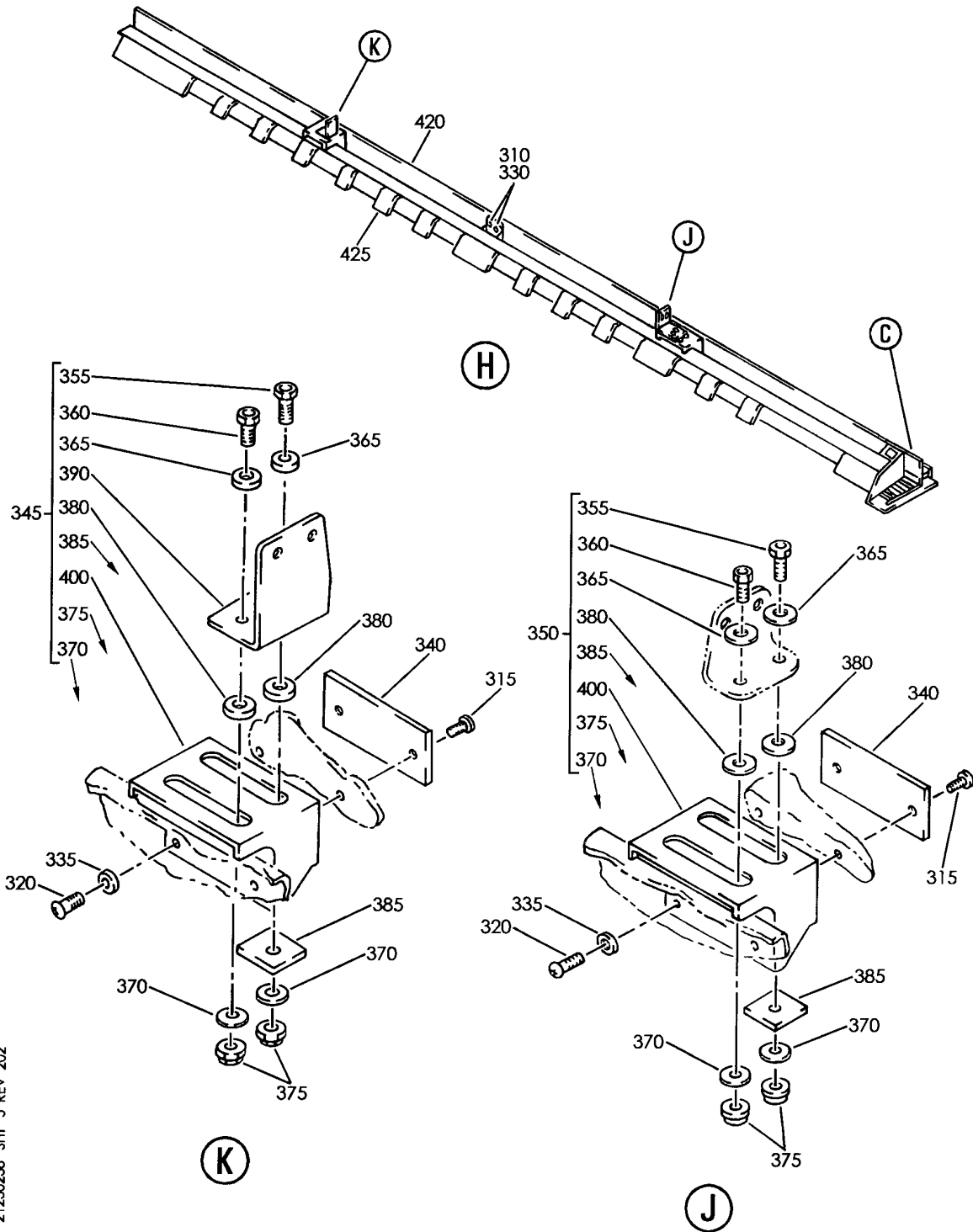
OUTLET ASSY-LEFT SIDE AFT
FIGURE 38 (SHEET 4)

21-23-02-38

BRI
MAY 28/07

21-23-02-38
PAGE 0C

BOEING
757
PARTS CATALOG (MAINTENANCE)



Y 21230238 SHT 5 REV 202

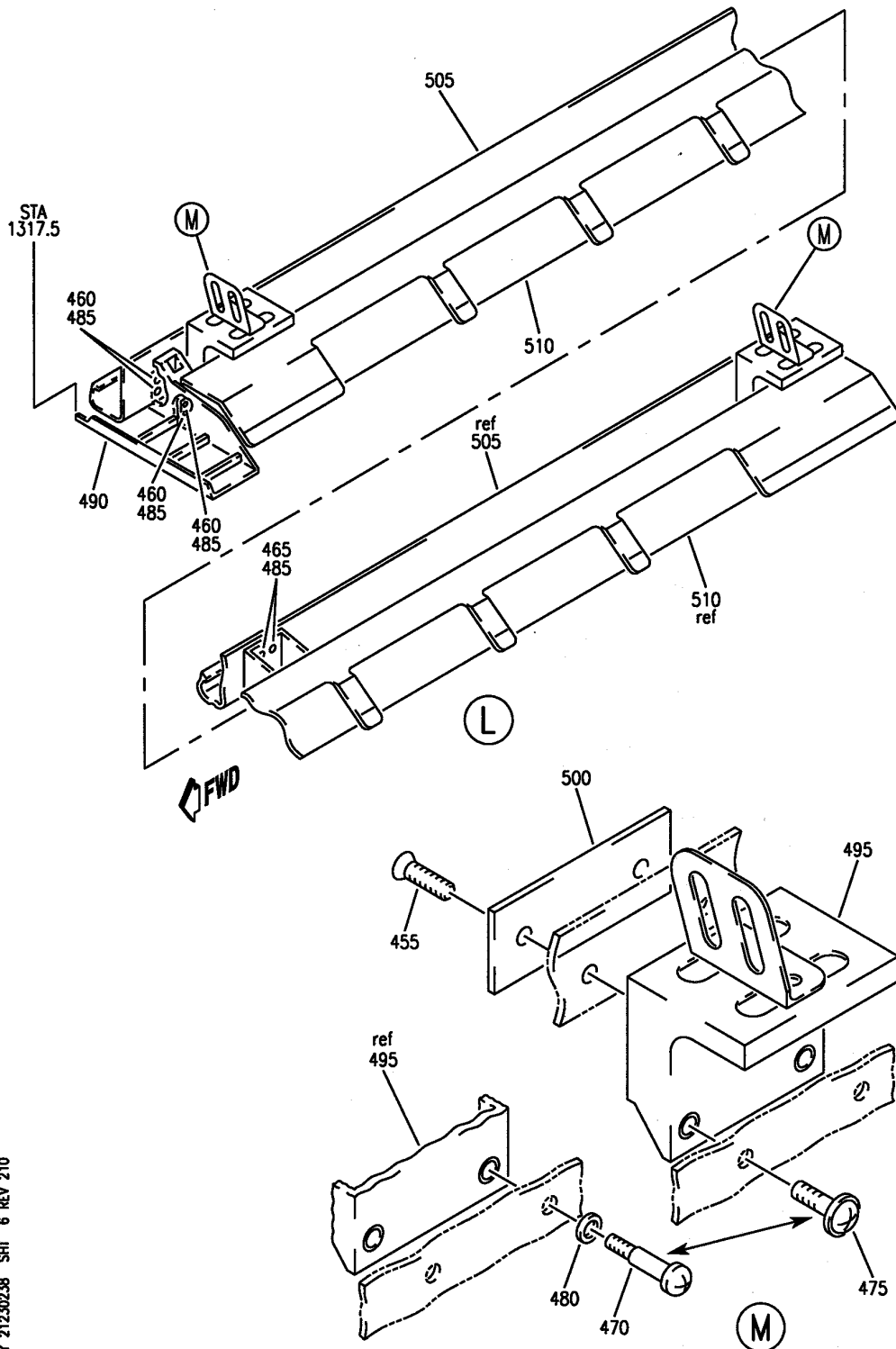
OUTLET ASSY-LEFT SIDE AFT
FIGURE 38 (SHEET 5)

21-23-02-38

BRI
MAY 28/07

21-23-02-38
PAGE 0D

BOEING
757
PARTS CATALOG (MAINTENANCE)



Y 21230238 SH 6 REV 210

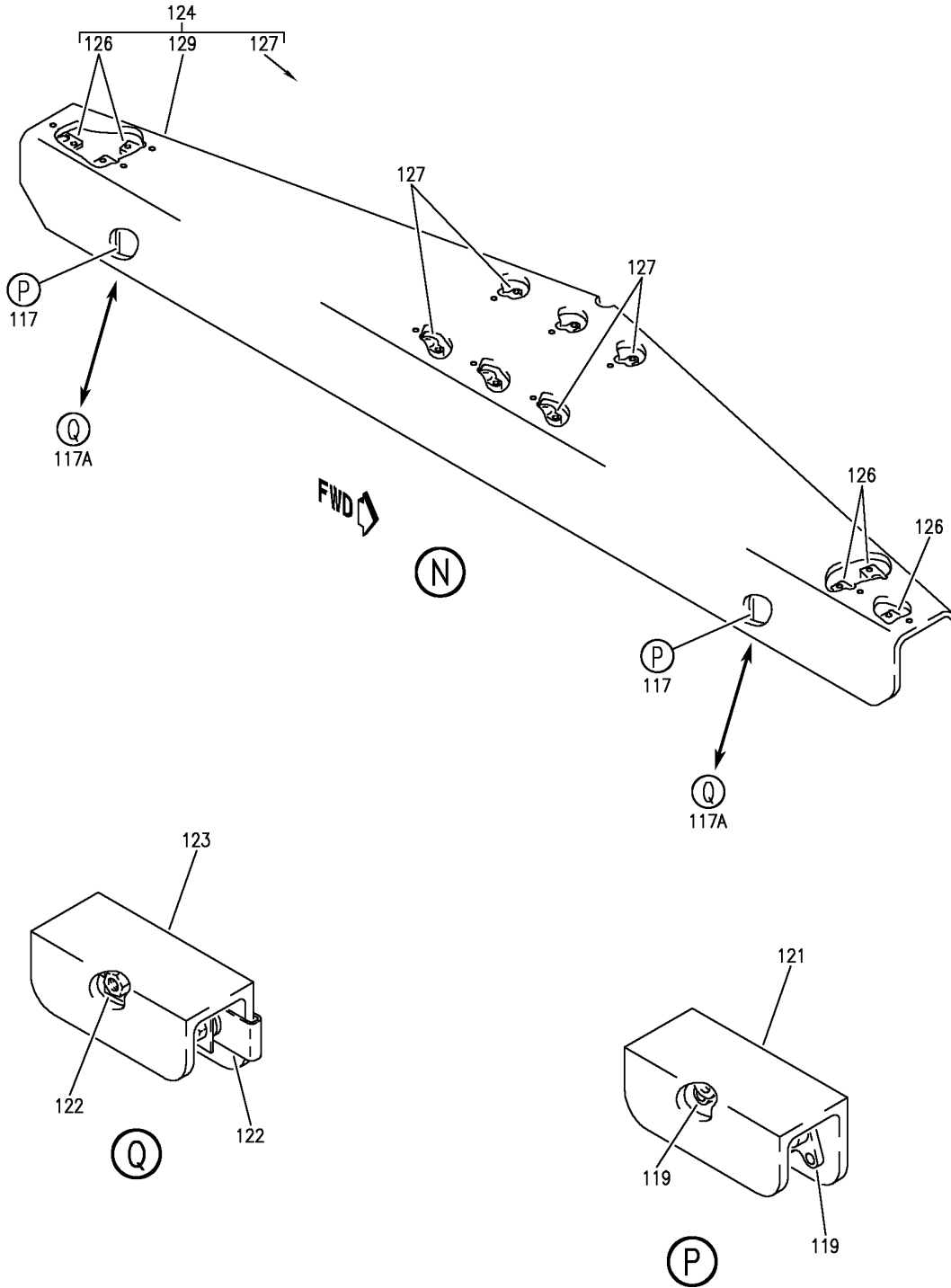
OUTLET ASSY-LEFT SIDE AFT
FIGURE 38 (SHEET 6)

21-23-02-38

BRI
MAY 28/07

21-23-02-38
PAGE 0E

BOEING
757
PARTS CATALOG (MAINTENANCE)



Y 21230238 SH 7 REV 265

OUTLET ASSY-LEFT SIDE AFT
FIGURE 38 (SHEET 7)

21-23-02-38

BRI
MAY 28/07

21-23-02-38
PAGE OF



757

PARTS CATALOG (MAINTENANCE)

| FIG ITEM | PART NUMBER | 1 2 3 4 5 6 7 | NOMENCLATURE | EFFECT FROM TO | UNITS PER ASSY |
|----------|----------------|---------------|---|--------------------------------------|----------------|
| 38 | | | OUTLET ASSY-LEFT SIDE AFT | 002004 121503 904949 952952 | |
| 1 | 412N3103-121SP | | OUTLET ASSY- POSITION DATA: L SIDE AFT FOR NHA SEE: 21-23-02-29 | 121503 904949 | RF |
| 1 | 412N3103-267SP | | OUTLET ASSY- POSITION DATA: L SIDE AFT FOR NHA SEE: 21-23-02-29 | 002004 952952 | RF |
| 5 | NAS1801-08-5 | | .SCREW | 002004 121503 904949 952952 | 4 |
| 10 | NAS1801-08-6 | | .SCREW | 002004 121503 904949 952952 | 4 |
| 15 | BACB30NM4K2 | | .BOLT | 002004 121503 904949 952952 | 6 |
| 20 | NAS514P832-6 | | .SCREW | 002004 121503 904949 952952 | 2 |
| 25 | NAS8703-3 | | .SCREW- OPTIONAL PART: BACB30VF3K3 BACB30VF3K4 BACS12ER3K9 | 121503 904949 | 6 |
| 25 | BACB30VF3K4 | | .BOLT- OPTIONAL PART: BACB30VF3K3 BACS12ER3K9 NAS8703-3 | 002004 121503 904949 952952 | 6 |
| 25 | BACS12ER3K9 | | .SCREW- OPTIONAL PART: BACB30VF3K3 BACB30VF3K4 NAS8703-3 | 002004 121503 904949 952952 | 6 |
| 25 | BACB30VF3K3 | | .BOLT- OPTIONAL PART: BACS12ER3K9 NAS8703-3 | 002004 121503 904949 952952 | 6 |

MISSING ITEM NUMBERS NOT APPLICABLE

- ITEM NOT ILLUSTRATED

21-23-02-38

21-23-02
FIG. 38
PAGE 1
JAN 20/09

BRI



757

PARTS CATALOG (MAINTENANCE)

| FIG ITEM | PART NUMBER | 1 2 3 4 5 6 7 | NOMENCLATURE | EFFECT FROM TO | UNITS PER ASSY |
|----------|--------------|---------------|--------------|--------------------------------------|----------------|
| 38 | | | | | |
| 30 | BACB30NT3K2 | . | BOLT | 002004 121503 904949 952952 | 6 |
| 35 | AN960JD8L | . | WASHER | 002004 121503 904949 952952 | 8 |
| 40 | AN960JD416L | . | WASHER | 002004 121503 904949 952952 | 6 |
| 45 | AN960JD10LL | . | WASHER | 002004 121503 904949 952952 | 6 |
| 50 | 412N2003-87 | . | SUPPORT | 002004 121503 904949 952952 | 1 |
| 55 | 65C27021-177 | . | DOUBLER | 002004 121503 904949 952952 | 3 |
| 60 | 412N3133-1 | . | FITTING ASSY | 002004 121503 904949 952952 | 3 |
| 65 | BACB30NM3K5 | .. | BOLT | 002004 121503 904949 952952 | 1 |
| 70 | BACB30NM3K3 | .. | BOLT | 002004 121503 904949 952952 | 1 |
| 75 | AN960JD10LL | .. | WASHER | 002004 121503 904949 952952 | 2 |
| 80 | AN960JD10L | .. | WASHER | 002004 121503 904949 952952 | 2 |
| 85 | MS21042L3 | .. | NUT | 002004 121503 904949 952952 | 2 |

MISSING ITEM NUMBERS NOT APPLICABLE

- ITEM NOT ILLUSTRATED

21-23-02-38

21-23-02
FIG. 38
PAGE 2
JAN 20/09

BRI

BOEING PROPRIETARY - Copyright © - Unpublished Work - See title page for details.



757

PARTS CATALOG (MAINTENANCE)

| FIG ITEM | PART NUMBER | 1 2 3 4 5 6 7 | NOMENCLATURE | EFFECT FROM TO | UNITS PER ASSY |
|----------|----------------|---------------|--|--------------------------------------|----------------|
| 38 | | | | | |
| 90 | 412N2004-55 | .. | SPACER | 002004 121503 904949 952952 | 2 |
| 95 | 65C27021-178 | .. | FILLER | 002004 121503 904949 952952 | 1 |
| 100 | 65C27021-198 | .. | BRACKET | 002004 121503 904949 952952 | 1 |
| 105 | 412N3134-1 | .. | BRACKET | 002004 121503 904949 952952 | 1 |
| 110 | 412N3104-1SP | . | CAP ASSY-END | 002004 121503 904949 952952 | 1 |
| 111 | 6035-2BRX185 | .. | INSERT-END SUPPLIER CODE: V01556 | 002004 121503 904949 952952 | 4 |
| 112 | 412N3104-3 | .. | CAP-END | 002004 121503 904949 952952 | 1 |
| 113 | 412N3136-133SP | . | BEAM ASSY | 121503 904949 | 1 |
| 113 | 412N3136-245SP | . | BEAM ASSY | 002004 952952 | 1 |
| 115 | 412N2021-22 | .. | SUPPORT ASSY- USED ON: 412N3136-133SP 412N3136-245SP ATTACHING PARTS | 002004 121503 904949 952952 | 1 |
| - 116 | BACR15FT6D | .. | RIVET- SIZE DETERMINED ON INSTL. | 002004 121503 904949 952952 | 17 |
| 117 | 412N2004-93 | .. | BRACKET ASSY- OPTIONAL PART: 412N2004-132 | 002004 121503 904949 952952 | 2 |

MISSING ITEM NUMBERS NOT APPLICABLE

- ITEM NOT ILLUSTRATED

21-23-02-38

21-23-02
FIG. 38
PAGE 3
JAN 20/09

BRI



757

PARTS CATALOG (MAINTENANCE)

| FIG ITEM | PART NUMBER | 1 2 3 4 5 6 7 | NOMENCLATURE | EFFECT FROM TO | UNITS PER ASSY |
|------------|--------------|---------------|---|--------------------------------------|----------------|
| 38 117A | 412N2004-132 | | ...BRACKET ASSY- OPTIONAL PART: 412N2004-93 | 002004 121503 904949 952952 | 2 |
| - 118 | NAS1399D5 | | ATTACHING PARTS ...RIVET- SIZE DETERMINED ON INSTL. | 002004 121503 904949 952952 | 4 |
| 119 | T8078S832 | | -----*-----NUTPLATE- SUPPLIER CODE: V11815 SPECIFICATION NUMBER: BACN10JP08C OPTIONAL PART: MK3000-08BAC V15653 NS103199-82 V80539 RMA9205M82 V72962 VN203A1-82 V92215 BRM300A08 V52828 USED ON: 412N2004-93 | 002004 121503 904949 952952 | 2 |
| - 120 | BACR15BA3AD | | ATTACHING PARTSRIVET- SIZE DETERMINED ON INSTL. USED ON: 412N2004-93 | 002004 121503 904949 952952 | 4 |
| 121 | 412N2004-94 | | -----*-----BRACKET- USED ON: 412N2004-93 | 002004 121503 904949 952952 | 1 |

MISSING ITEM NUMBERS NOT APPLICABLE

- ITEM NOT ILLUSTRATED

21-23-02-38

21-23-02
FIG. 38
PAGE 4
JAN 20/09

BRI



757

PARTS CATALOG (MAINTENANCE)

| FIG ITEM | PART NUMBER | 1 2 3 4 5 6 7 | NOMENCLATURE | EFFECT FROM TO | UNITS PER ASSY |
|-----------|--------------|---------------|---|--------------------------------------|----------------|
| 38 122 | 130007 | | NUT- SUPPLIER CODE: V60119 SPECIFICATION NUMBER: BACN10FX83 OPTIONAL PART: BRC500-8-08 V52828 SL213-08-1 V97393 A11330-8-82 V72962 A4972-8-82 V72962 A4972-8-82 V72962 USED ON: 412N2004-132 | 002004 121503 904949 952952 | 2 |
| 123 | 412N2004-133 | | BRACKET- USED ON: 412N2004-132 | 002004 121503 904949 952952 | 1 |
| 124 | 412N2003-90 | ... | SUPPORT ASSY | 002004 121503 904949 952952 | 1 |
| 126 | MF53049-3 | | NUTPLATE SUPPLIER CODE: V15653 SPECIFICATION NUMBER: BACN10JN3 OPTIONAL PART: BRFM20A3 V52828 MF1000-3BAC V15653 NS103218-02 V80539 RMF9201M3 V72962 VN252A02 V92215 T8124S3S V11815 | 002004 121503 904949 952952 | 6 |

MISSING ITEM NUMBERS NOT APPLICABLE

- ITEM NOT ILLUSTRATED

21-23-02-38

21-23-02
FIG. 38
PAGE 5
JAN 20/09

BRI



757

PARTS CATALOG (MAINTENANCE)

| FIG ITEM | PART NUMBER | 1 2 3 4 5 6 7 | NOMENCLATURE | EFFECT FROM TO | UNITS PER ASSY |
|-----------|----------------|---|---|--------------------------------------|----------------|
| 38 127 | T8076S428 | | NUTPLATE SUPPLIER CODE: V11815 SPECIFICATION NUMBER: BACN10JP4A OPTIONAL PART: MK1000-4BAC V15653 NS103197-048 V80539 RMA9201M4 V72962 VN202A1-048 V92215 BRM200A4 V52828 ATTACHING PARTS | 002004 121503 904949 952952 | 6 |
| - 128 | BACR15BA3D | | RIVET- SIZE DETERMINED ON INSTL. | 002004 121503 904949 952952 | 24 |
| 129 | 412N2003-92 | | *----- BRACKET | 002004 121503 904949 952952 | 1 |
| 130 | 412N3137-395SP | . | BEAM ASSY | 121503 904949 | 1 |
| 135 | 412N3103-157SP | OUTLET ASSY- POSITION DATA: L SIDE AFT FOR NHA SEE: 21-23-02-29 | | 002004 121503 904949 952952 | RF |
| 140 | NAS1801-08-7 | . | SCREW | 002004 121503 904949 952952 | 2 |
| 145 | BACB30LU3-2 | . | BOLT- | 002004 121503 904949 952952 | 4 |
| 150 | NAS514P832-7 | . | SCREW | 002004 121503 904949 952952 | 2 |
| 155 | NAS514P832-8 | . | SCREW | 002004 121503 904949 952952 | 2 |

MISSING ITEM NUMBERS NOT APPLICABLE

- ITEM NOT ILLUSTRATED

21-23-02-38

21-23-02
FIG. 38
PAGE 6
JAN 20/09

BRI



757

PARTS CATALOG (MAINTENANCE)

| FIG ITEM | PART NUMBER | 1 2 3 4 5 6 7 | NOMENCLATURE | EFFECT FROM TO | UNITS PER ASSY |
|----------|--------------|---------------|--|--------------------------------------|----------------|
| 38 | | | | | |
| 160 | NAS1801-08-6 | . | SCREW | 002004 121503 904949 952952 | 6 |
| 165 | BACB30VF3K4 | . | BOLT- OPTIONAL PART: BACB30VF3K3 BACS12ER3K9 | 002004 121503 904949 952952 | 6 |
| 165 | BACS12ER3K9 | . | SCREW- OPTIONAL PART: BACB30VF3K4 BACB30VF3K3 | 002004 121503 904949 952952 | 6 |
| 165 | BACB30VF3K3 | . | BOLT- OPTIONAL PART: BACS12ER3K9 BACB30VF3K4 | 002004 121503 904949 952952 | 6 |
| 170 | BACB30NT3K2 | . | BOLT | 002004 121503 904949 952952 | 6 |
| 175 | NAS1801-08-8 | . | SCREW | 002004 121503 904949 952952 | 4 |
| 180 | AN960JD8L | . | WASHER | 002004 121503 904949 952952 | 16 |
| 185 | AN960JD10LL | . | WASHER | 002004 121503 904949 952952 | 6 |
| 190 | MS21042L08 | . | NUT | 002004 121503 904949 952952 | 2 |

MISSING ITEM NUMBERS NOT APPLICABLE

- ITEM NOT ILLUSTRATED

21-23-02-38

21-23-02
FIG. 38
PAGE 7
JAN 20/09

BRI

BOEING PROPRIETARY - Copyright © - Unpublished Work - See title page for details.



757

PARTS CATALOG (MAINTENANCE)

| FIG ITEM | PART NUMBER | 1 2 3 4 5 6 7 | NOMENCLATURE | EFFECT FROM TO | UNITS PER ASSY |
|-----------|---------------|---------------|--|--------------------------------------|----------------|
| 38 195 | 130008 | . | NUT SUPPLIER CODE: V60119 SPECIFICATION NUMBER: BACN10FX84 OPTIONAL PART: RM52LHA4972-6-8 V72962 SL211-08-1 V97393 A11330-6-82 V72962 A4972-6-82 V72962 | 002004 121503 904949 952952 | 2 |
| 200 | 412N3101-35SP | . | COVER-GAP | 002004 121503 904949 952952 | 1 |
| 205 | 412N3101-24SP | . | COVER ASSY-GAP | 002004 121503 904949 952952 | 1 |
| 210 | 65C27020-612 | . | DOUBLER | 002004 121503 904949 952952 | 1 |
| 215 | 65C27021-277 | . | DOUBLER | 002004 121503 904949 952952 | 1 |
| 220 | 65C27021-482 | . | FITTING ASSY | 002004 121503 904949 952952 | 1 |
| 225 | 65C27021-481 | . | FILLER | 002004 121503 904949 952952 | 1 |
| 230 | 65C27021-177 | . | DOUBLER | 002004 121503 904949 952952 | 3 |
| 235 | 65C27021-193 | . | DOUBLER | 002004 121503 904949 952952 | 1 |

MISSING ITEM NUMBERS NOT APPLICABLE

- ITEM NOT ILLUSTRATED

21-23-02-38

21-23-02
FIG. 38
PAGE 8
JAN 20/09

BRI



757

PARTS CATALOG (MAINTENANCE)

| FIG ITEM | PART NUMBER | 1 2 3 4 5 6 7 | NOMENCLATURE | EFFECT FROM TO | UNITS PER ASSY |
|----------|----------------|---------------|--------------|--------------------------------------|----------------|
| 38 | | | | | |
| 240 | 65C27021-191 | . | FILLER | 002004 121503 904949 952952 | 1 |
| 245 | 412N3133-1 | . | FITTING ASSY | 002004 121503 904949 952952 | 3 |
| 250 | BACB30NM3K5 | .. | BOLT | 002004 121503 904949 952952 | 1 |
| 255 | BACB30NM3K3 | .. | BOLT- | 002004 121503 904949 952952 | 1 |
| 260 | AN960JD10LL | .. | WASHER | 002004 121503 904949 952952 | 2 |
| 265 | AN960JD10L | .. | WASHER | 002004 121503 904949 952952 | 2 |
| 270 | MS21042L3 | .. | NUT | 002004 121503 904949 952952 | 2 |
| 275 | 412N2004-55 | .. | SPACER | 002004 121503 904949 952952 | 2 |
| 280 | 65C27021-178 | .. | FILLER | 002004 121503 904949 952952 | 1 |
| 290 | 412N3134-1 | .. | BRACKET | 002004 121503 904949 952952 | 1 |
| 295 | 412N3136-75SP | . | BEAM | 002004 121503 904949 952952 | 1 |
| 300 | 412N3137-461SP | . | BEAM ASSY | 002004 121503 904949 952952 | 1 |

MISSING ITEM NUMBERS NOT APPLICABLE

- ITEM NOT ILLUSTRATED

BRI

21-23-02-38

21-23-02
FIG. 38
PAGE 9
JAN 20/09



757

PARTS CATALOG (MAINTENANCE)

| FIG ITEM | PART NUMBER | 1 2 3 4 5 6 7 | NOMENCLATURE | EFFECT FROM TO | UNITS PER ASSY |
|----------|---------------|---------------|---|--------------------------------------|----------------|
| 38 | | | | | |
| 305 | 412N3103-65SP | | OUTLET ASSY- POSITION DATA: L SIDE AFT FOR NHA SEE: 21-23-02-29 | 002004 121503 904949 952952 | RF |
| 310 | NAS1801-08-6 | | .SCREW | 002004 121503 904949 952952 | 2 |
| 315 | NAS8703-3 | | .SCREW- OPTIONAL PART: BACB30VF3K3 BACB30VF3K4 BACS12ER3K9 | 002004 121503 904949 952952 | 4 |
| 315 | BACB30VF3K4 | | .BOLT- OPTIONAL PART: NAS8703-3 BACB30VF3K3 BACS12ER3K9 | 002004 121503 904949 952952 | 4 |
| 315 | BACS12ER3K9 | | .SCREW- OPTIONAL PART: NAS8703-3 BACB30VF3K3 BACB30VF3K4 | 002004 121503 904949 952952 | 4 |
| 315 | BACB30VF3K3 | | .BOLT- OPTIONAL PART: NAS8703-3 | 002004 121503 904949 952952 | 4 |
| 320 | BACB30NT3K2 | | .BOLT | 002004 121503 904949 952952 | 4 |
| 325 | NAS1801-08-5 | | .SCREW | 002004 121503 904949 952952 | 4 |
| 330 | AN960JD8L | | .WASHER | 002004 121503 904949 952952 | 6 |
| 335 | AN960JD10LL | | .WASHER | 002004 121503 904949 952952 | 4 |
| 340 | 65C27021-177 | | .DOUBLER | 002004 121503 904949 952952 | 2 |

MISSING ITEM NUMBERS NOT APPLICABLE

- ITEM NOT ILLUSTRATED

21-23-02-38

21-23-02
FIG. 38
PAGE 10
JAN 20/09

BRI



757

PARTS CATALOG (MAINTENANCE)

| FIG ITEM | PART NUMBER | 1 2 3 4 5 6 7 | NOMENCLATURE | EFFECT FROM TO | UNITS PER ASSY |
|----------|--------------|---------------|------------------------------------|--------------------------------------|----------------|
| 38 | | | | | |
| 345 | 412N3133-1 | . | FITTING ASSY | 002004 121503 904949 952952 | 1 |
| 350 | 412N3133-10 | . | FITTING ASSY | 002004 121503 904949 952952 | 1 |
| 355 | BACB30NM3K5 | .. | BOLT | 002004 121503 904949 952952 | 1 |
| 360 | BACB30NM3K3 | .. | BOLT | 002004 121503 904949 952952 | 1 |
| 365 | AN960JD10LL | .. | WASHER | 002004 121503 904949 952952 | 2 |
| 370 | AN960JD10L | .. | WASHER | 002004 121503 904949 952952 | 2 |
| 375 | MS21042L3 | .. | NUT | 002004 121503 904949 952952 | 2 |
| 380 | 412N2004-55 | .. | SPACER | 002004 121503 904949 952952 | 2 |
| 385 | 65C27021-178 | .. | FILLER | 002004 121503 904949 952952 | 1 |
| 390 | 65C27021-198 | .. | BRACKET- USED ON: 412N3133-1 | 002004 121503 904949 952952 | 1 |
| 400 | 412N3134-1 | .. | BRACKET | 002004 121503 904949 952952 | 1 |
| 405 | 412N3104-6SP | . | CAP ASSY-END | 002004 121503 904949 952952 | 1 |

MISSING ITEM NUMBERS NOT APPLICABLE

- ITEM NOT ILLUSTRATED

21-23-02-38

21-23-02
FIG. 38
PAGE 11
JAN 20/09

BRI

BOEING PROPRIETARY - Copyright © - Unpublished Work - See title page for details.



757

PARTS CATALOG (MAINTENANCE)

| FIG ITEM | PART NUMBER | 1 2 3 4 5 6 7 | NOMENCLATURE | EFFECT FROM TO | UNITS PER ASSY |
|----------|----------------|---------------|-------------------------------------|--------------------------------------|----------------|
| 38 | | | | | |
| 410 | 6035-2BRX185 | .. | INSERT- SUPPLIER CODE: V01556 | 002004 121503 904949 952952 | 4 |
| 415 | 412N3104-7 | .. | CAP-END | 002004 121503 904949 952952 | 1 |
| 420 | 412N3136-77SP | . | BEAM | 002004 121503 904949 952952 | 1 |
| 425 | 412N3137-191SP | . | BEAM ASSY | 002004 121503 904949 952952 | 1 |

MISSING ITEM NUMBERS NOT APPLICABLE

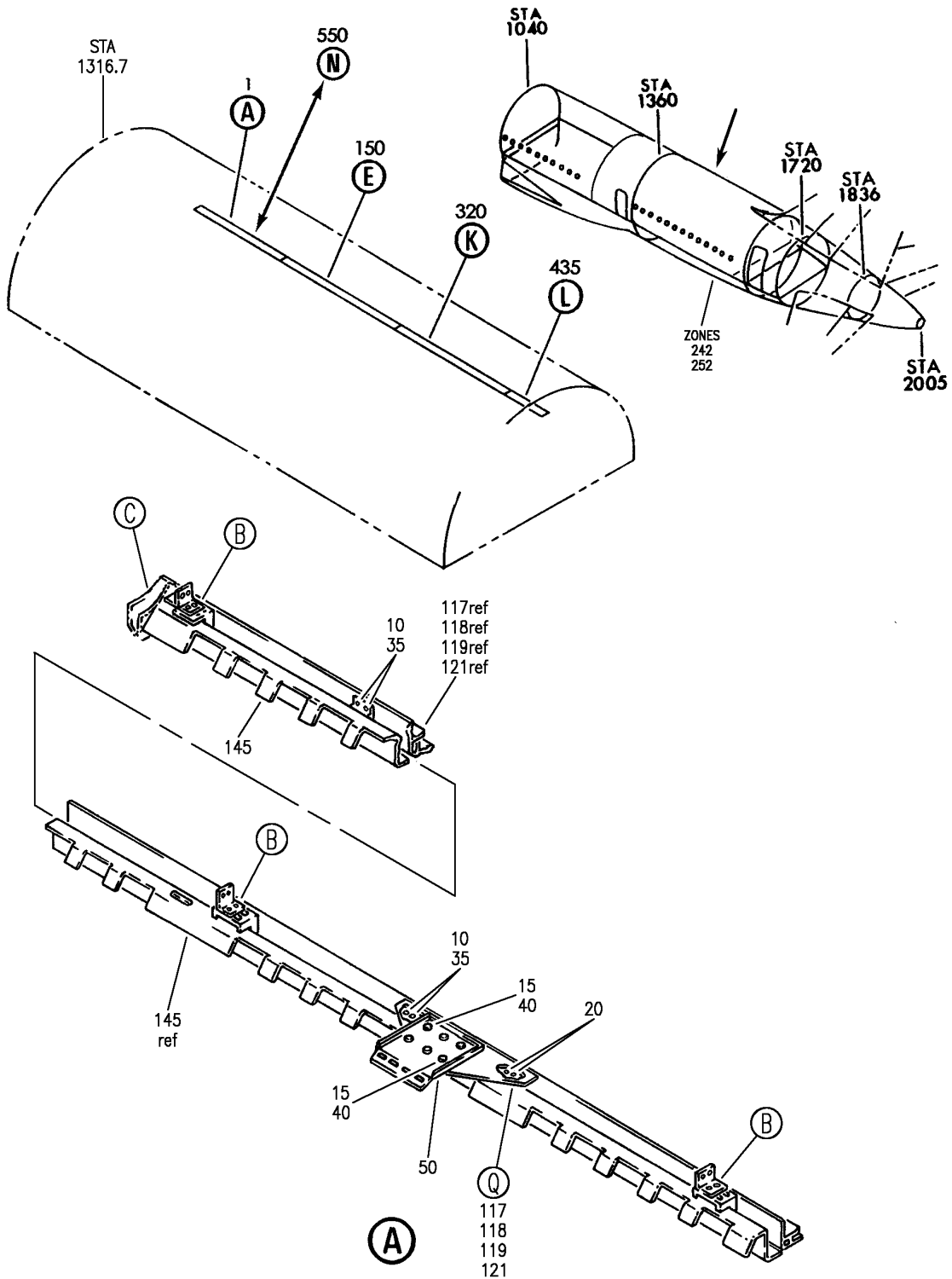
- ITEM NOT ILLUSTRATED

21-23-02-38

21-23-02
FIG. 38
PAGE 12
JAN 20/09

BRI

BOEING
757
PARTS CATALOG (MAINTENANCE)



Y 21230238A SHT 1 REV 265

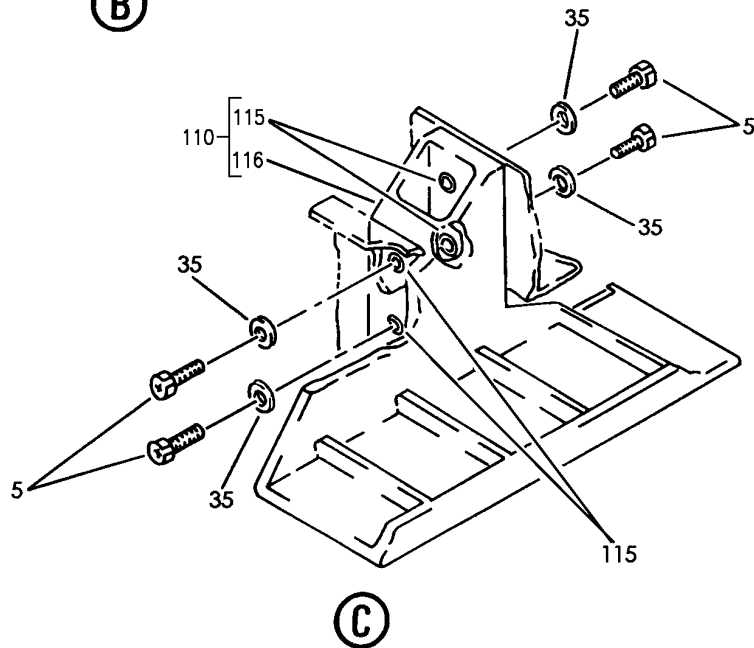
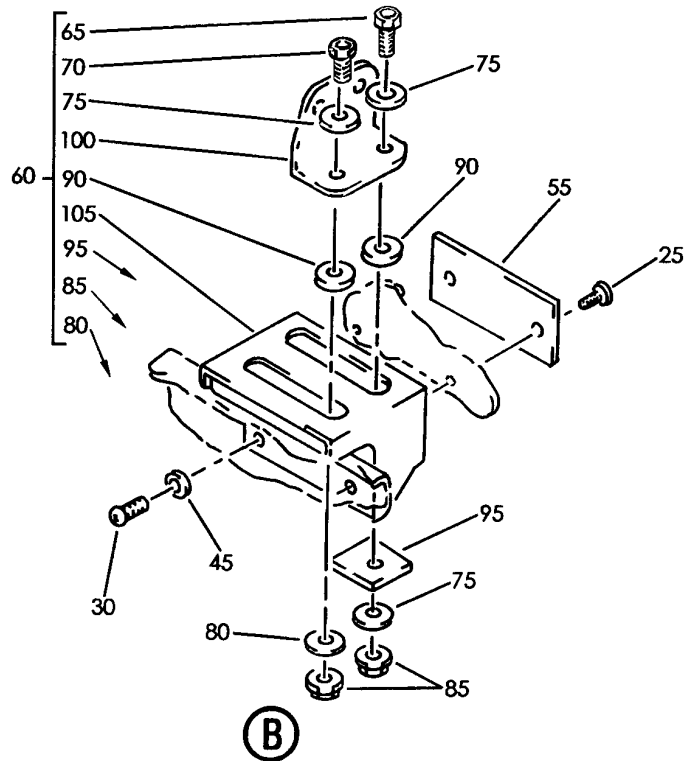
OUTLET ASSY-RIGHT SIDE AFT
FIGURE 38A (SHEET 1)

21-23-02-38A

BRI
MAY 28/07

21-23-02-38A
PAGE 0

BOEING
757
PARTS CATALOG (MAINTENANCE)



Y 21230238A SHT 2 REV 265

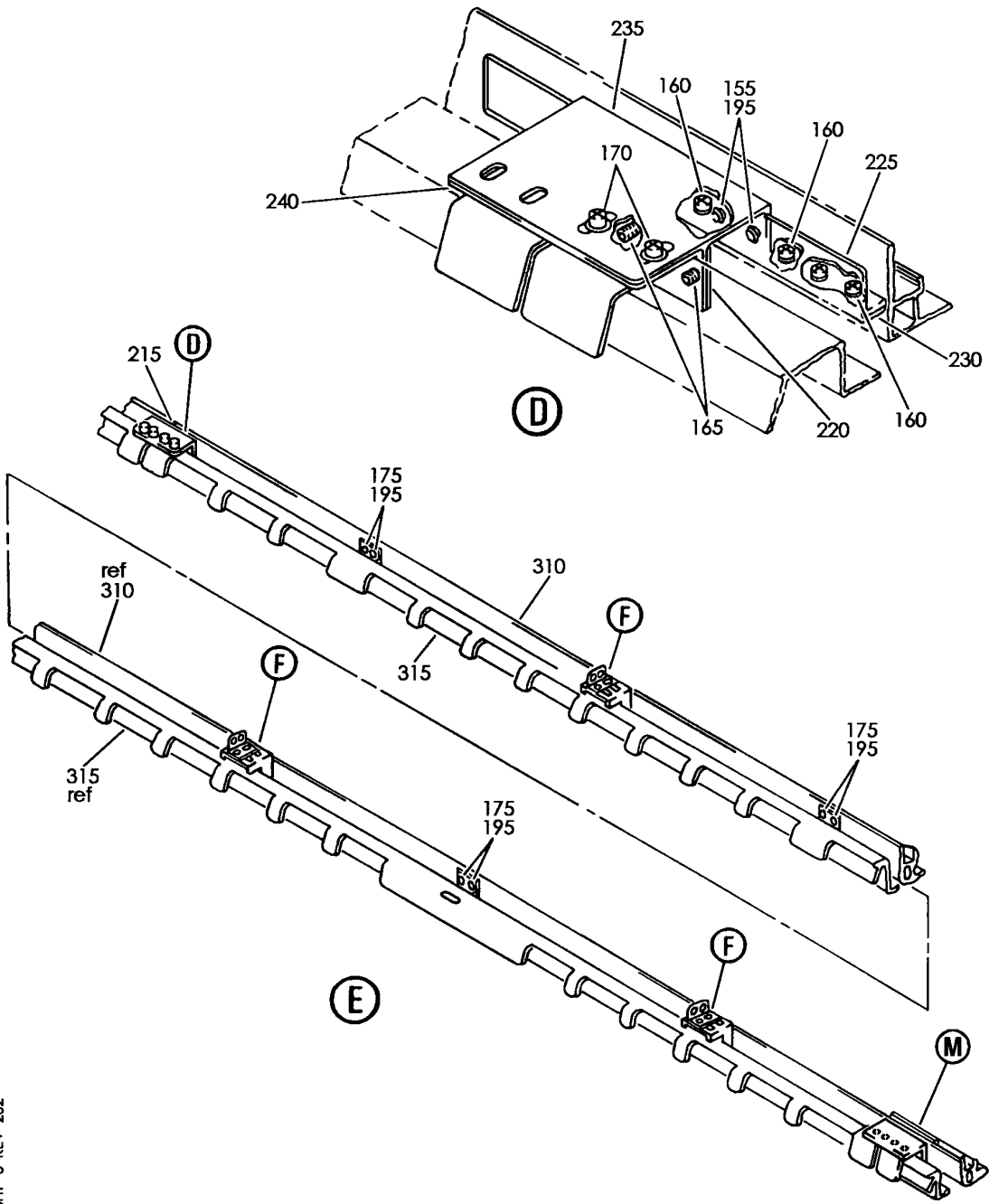
OUTLET ASSY-RIGHT SIDE AFT
FIGURE 38A (SHEET 2)

21-23-02-38A

BRI
MAY 28/07

21-23-02-38A
PAGE 0A

BOEING
757
PARTS CATALOG (MAINTENANCE)



Y 21230238A SHT 3 REV 202

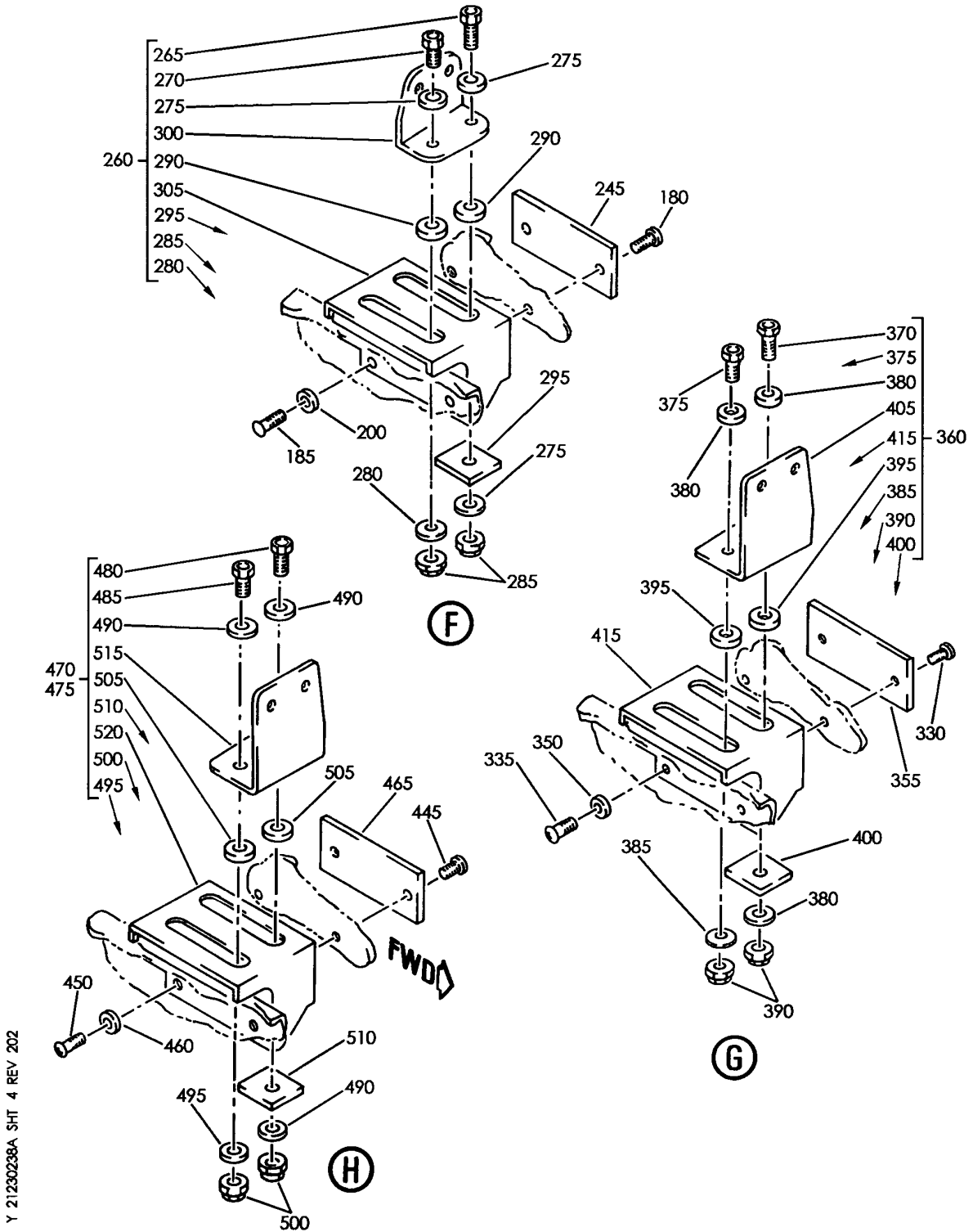
OUTLET ASSY-RIGHT SIDE AFT
FIGURE 38A (SHEET 3)

21-23-02-38A

BRI
MAY 28/07

21-23-02-38A
PAGE 0B

BOEING
757
PARTS CATALOG (MAINTENANCE)



Y 21230238A_SHT 4 REV 202

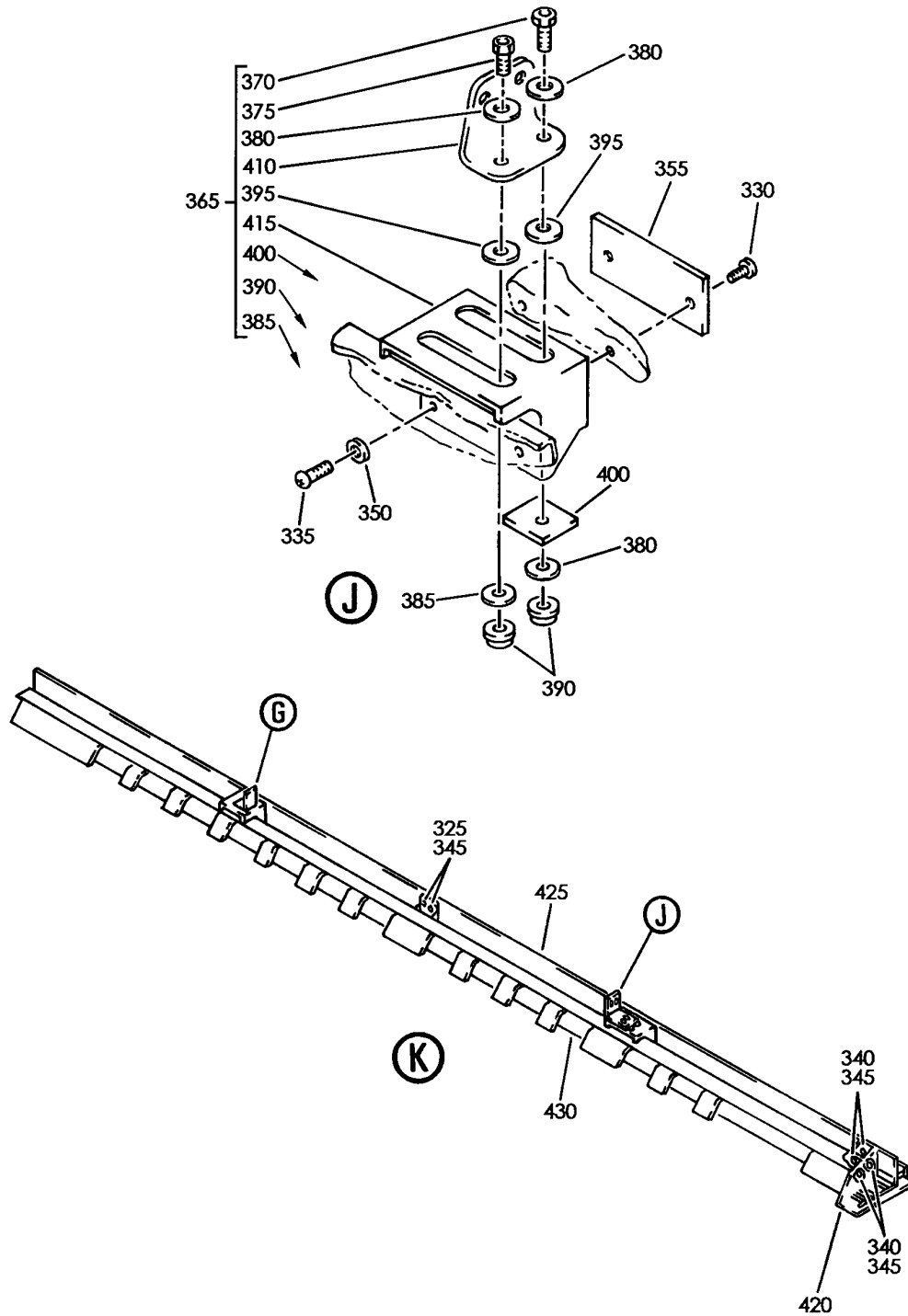
OUTLET ASSY-RIGHT SIDE AFT
FIGURE 38A (SHEET 4)

21-23-02-38A

BRI
MAY 28/07

21-23-02-38A
PAGE 0C

BOEING
757
PARTS CATALOG (MAINTENANCE)



Y 21230238A SHT 5 REV 202

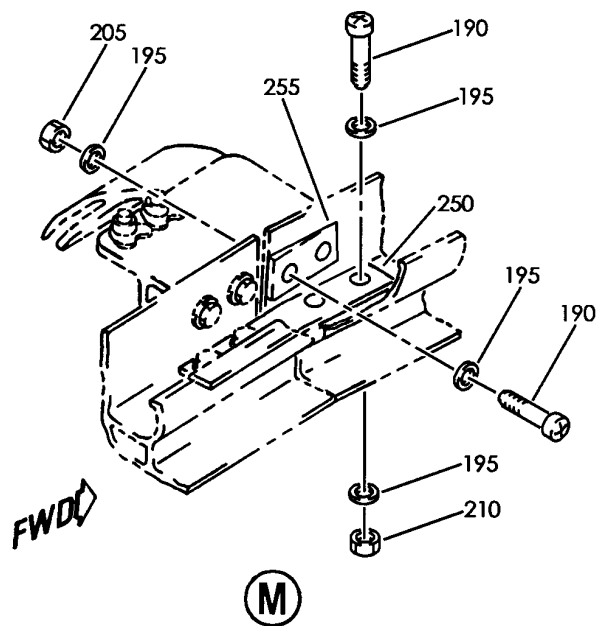
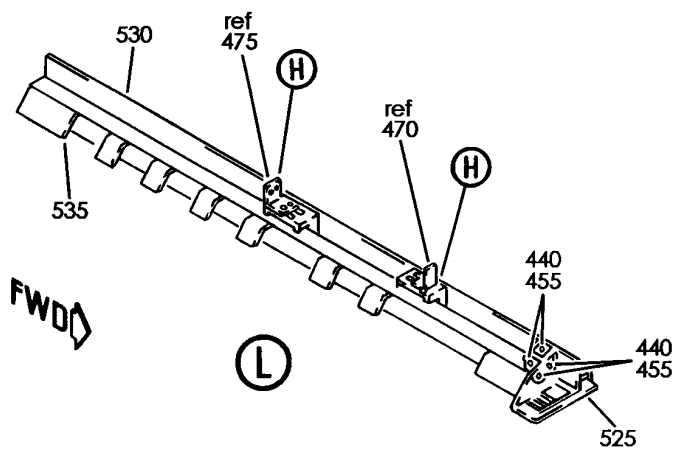
OUTLET ASSY-RIGHT SIDE AFT
FIGURE 38A (SHEET 5)

21-23-02-38A

BRI
MAY 28/07

21-23-02-38A
PAGE 0D

BOEING
757
PARTS CATALOG (MAINTENANCE)



Y 21230238A SHT 6 REV 202

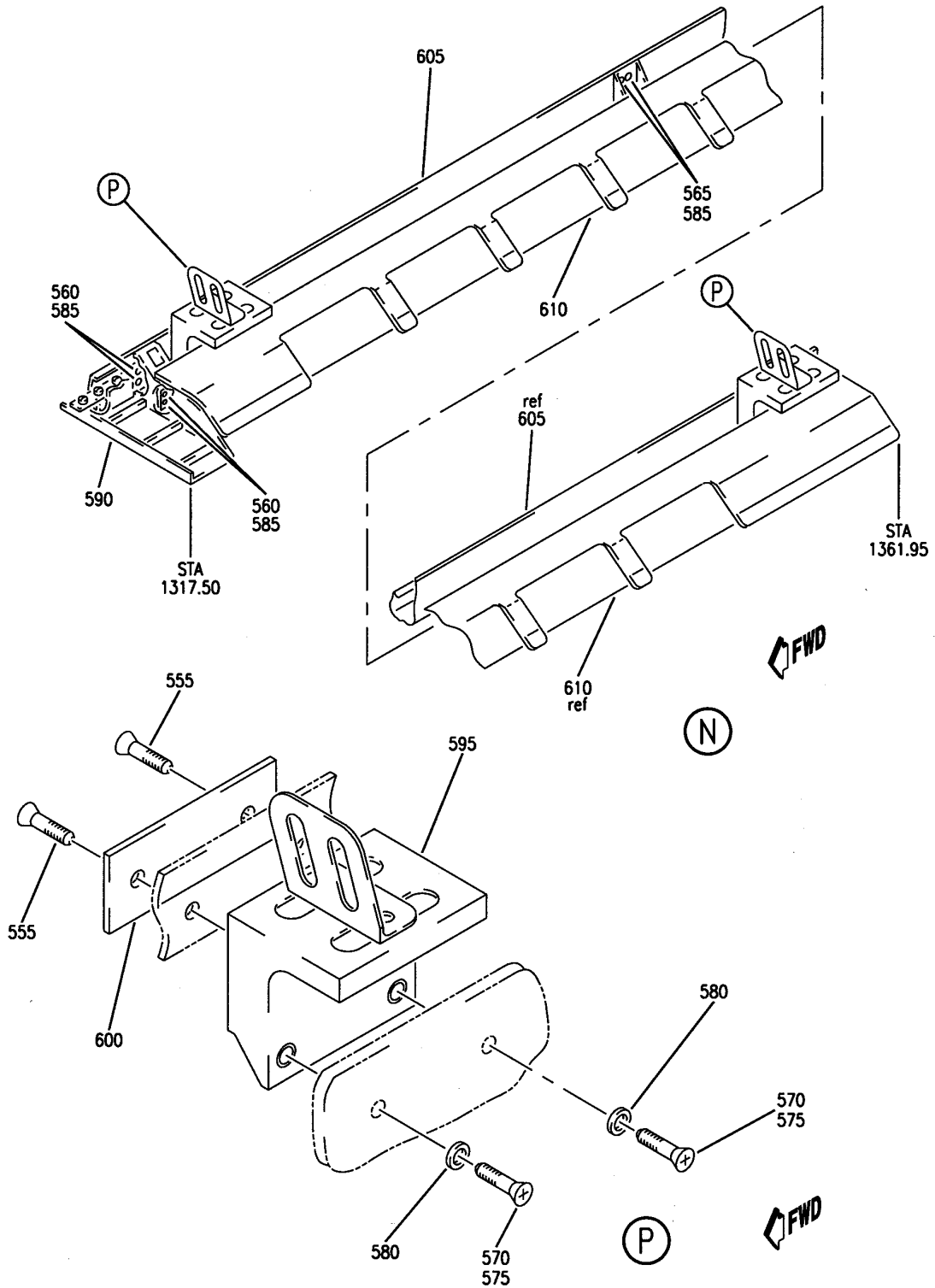
OUTLET ASSY-RIGHT SIDE AFT
FIGURE 38A (SHEET 6)

21-23-02-38A

BRI
MAY 28/07

21-23-02-38A
PAGE 0E

BOEING
757
PARTS CATALOG (MAINTENANCE)



Y 21230238A SHT 7 REV 210

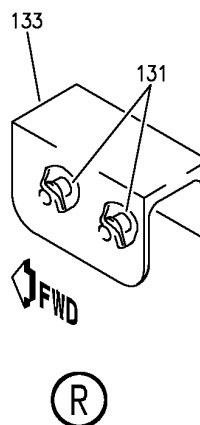
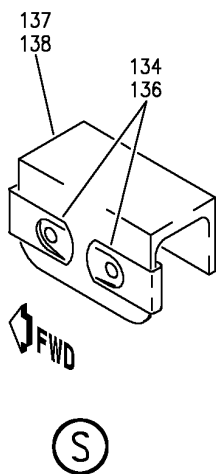
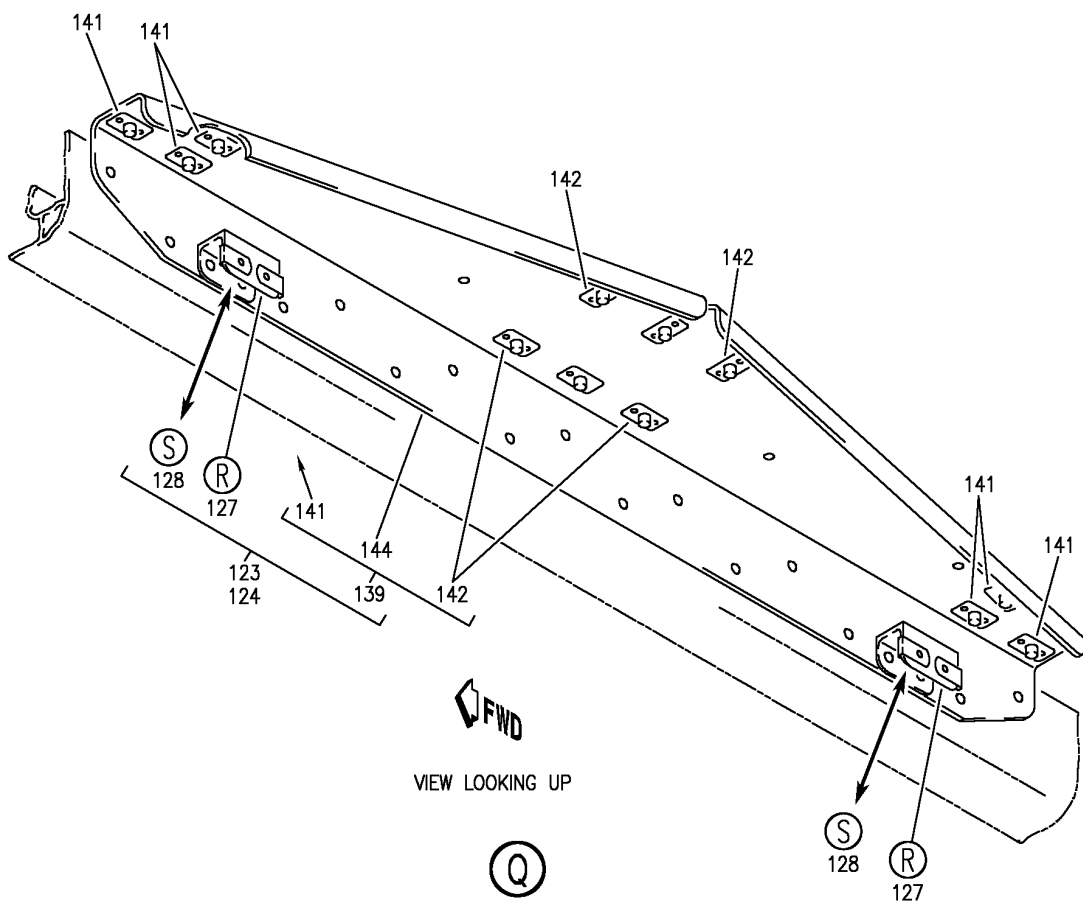
OUTLET ASSY-RIGHT SIDE AFT
FIGURE 38A (SHEET 7)

21-23-02-38A

BRI
MAY 28/07

21-23-02-38A
PAGE OF

BOEING
757
PARTS CATALOG (MAINTENANCE)



Y 21230238A SHT 8 REV 265

OUTLET ASSY-RIGHT SIDE AFT
FIGURE 38A (SHEET 8)

21-23-02-38A

BRI
MAY 28/07

21-23-02-38A
PAGE 06

 **BOEING**
757
PARTS CATALOG (MAINTENANCE)

| FIG ITEM | PART NUMBER | 1 2 3 4 5 6 7 | NOMENCLATURE | EFFECT FROM TO | UNITS PER ASSY |
|----------|----------------|---------------|---|--------------------------------------|----------------|
| 38A | | | OUTLET ASSY-RIGHT SIDE AFT | 002004 121503 904949 952952 | |
| 1 | 412N3103-122SP | | OUTLET ASSY- POSITION DATA: R SIDE AFT FOR NHA SEE: 21-23-02-29 | 121503 904949 | RF |
| 1 | 412N3103-268SP | | OUTLET ASSY- POSITION DATA: R SIDE AFT FOR NHA SEE: 21-23-02-29 | 002004 952952 | RF |
| 5 | NAS1801-08-5 | | .SCREW | 002004 121503 904949 952952 | 4 |
| 10 | NAS1801-08-6 | | .SCREW | 002004 121503 904949 952952 | 4 |
| 15 | BACB30NM4K2 | | .BOLT | 002004 121503 904949 952952 | 6 |
| 20 | NAS514P832-6 | | .SCREW | 002004 121503 904949 952952 | 2 |
| 25 | NAS8703-3 | | .SCREW- OPTIONAL PART: BACB30VF3K3 BACB30VF3K4 BACS12ER3K9 | 121503 904949 | 6 |
| 25 | BACB30VF3K4 | | .BOLT- OPTIONAL PART: BACS12ER3K9 BACB30VF3K3 NAS8703-3 | 002004 121503 904949 952952 | 6 |
| 25 | BACS12ER3K9 | | .SCREW- OPTIONAL PART: BACB30VF3K3 BACB30VF3K4 NAS8703-3 | 002004 121503 904949 952952 | 6 |

MISSING ITEM NUMBERS NOT APPLICABLE

— ITEM NOT ILLUSTRATED

BRI

21-23-02-38A

BOEING PROPRIETARY - Copyright © - Unpublished Work - See title page for details.

21-23-02
FIG. 38A
PAGE 1
JAN 20/09



757

PARTS CATALOG (MAINTENANCE)

| FIG ITEM | PART NUMBER | 1 2 3 4 5 6 7 | NOMENCLATURE | EFFECT FROM TO | UNITS PER ASSY |
|----------|--------------|---------------|---|--------------------------------------|----------------|
| 38A | | | | | |
| 25 | BACB30VF3K3 | .BOLT- | OPTIONAL PART: BACS12ER3K9 BACB30VF3K4 NAS8703-3 | 002004 121503 904949 952952 | 6 |
| 30 | BACB30NT3K2 | .BOLT | | 002004 121503 904949 952952 | 6 |
| 35 | AN960JD8L | .WASHER | | 002004 121503 904949 952952 | 8 |
| 40 | AN960JD416L | .WASHER | | 002004 121503 904949 952952 | 6 |
| 45 | AN960JD10LL | .WASHER | | 002004 121503 904949 952952 | 6 |
| 50 | 412N2003-87 | .SUPPORT | | 002004 121503 904949 952952 | 1 |
| 55 | 65C27021-177 | .DOUBLER | | 002004 121503 904949 952952 | 3 |
| 60 | 412N3133-2 | .FITTING ASSY | | 002004 121503 904949 952952 | 3 |
| 65 | BACB30NM3K5 | ..BOLT | | 002004 121503 904949 952952 | 1 |
| 70 | BACB30NM3K3 | ..BOLT | | 002004 121503 904949 952952 | 1 |
| 75 | AN960JD10LL | ..WASHER | | 002004 121503 904949 952952 | 3 |
| 80 | AN960JD10L | ..WASHER | | 002004 121503 904949 952952 | 1 |

MISSING ITEM NUMBERS NOT APPLICABLE

- ITEM NOT ILLUSTRATED

21-23-02-38A

21-23-02
FIG. 38A
PAGE 2
JAN 20/09

BRI

BOEING PROPRIETARY - Copyright © - Unpublished Work - See title page for details.



757

PARTS CATALOG (MAINTENANCE)

| FIG ITEM | PART NUMBER | 1 2 3 4 5 6 7 | NOMENCLATURE | EFFECT FROM TO | UNITS PER ASSY |
|-----------|----------------|---------------|---|--------------------------------------|----------------|
| 38A 85 | MS21042L3 | .. | NUT | 002004 121503 904949 952952 | 2 |
| 90 | 412N2004-55 | .. | SPACER | 002004 121503 904949 952952 | 2 |
| 95 | 65C27021-178 | .. | FILLER | 002004 121503 904949 952952 | 1 |
| 100 | 65C27021-199 | .. | BRACKET | 002004 121503 904949 952952 | 1 |
| 105 | 412N3134-1 | .. | BRACKET | 002004 121503 904949 952952 | 1 |
| 110 | 412N3104-2SP | . | CAP ASSY-END | 002004 121503 904949 952952 | 1 |
| 115 | 6035-2BRX185 | .. | INSERT-END SUPPLIER CODE: V01556 | 002004 121503 904949 952952 | 4 |
| 116 | 412N3104-3 | .. | CAP-END | 002004 121503 904949 952952 | 1 |
| 117 | 412N3136-134SP | . | BEAM ASSY | 121503 904949 | 1 |
| 118 | 412N3136-246SP | . | BEAM ASSY | 002004 952952 | 1 |
| 124 | 412N2021-21 | .. | SUPPORT ASSY- USED ON: 412N3136-134SP 412N3136-246SP | 002004 121503 904949 952952 | 1 |
| - 126 | BACR15FT6D | .. | RIVET- ATTACHING PARTS SIZE DETERMINED ON INSTL. -----*----- | 002004 121503 904949 952952 | 17 |

MISSING ITEM NUMBERS NOT APPLICABLE

- ITEM NOT ILLUSTRATED

21-23-02-38A

21-23-02
FIG. 38A
PAGE 3
JAN 20/09

BRI

BOEING PROPRIETARY - Copyright © - Unpublished Work - See title page for details.



757

PARTS CATALOG (MAINTENANCE)

| FIG ITEM | PART NUMBER | 1 2 3 4 5 6 7 | NOMENCLATURE | EFFECT FROM TO | UNITS PER ASSY |
|------------|--------------|---------------|---|--------------------------------------|----------------|
| 38A 127 | 412N2004-93 | ... | BRACKET ASSY- OPTIONAL PART: 412N2004-132 USED ON: 412N2021-21 | 002004 121503 904949 952952 | 2 |
| 127 | 412N2004-132 | ... | BRACKET ASSY- OPTIONAL PART: 412N2004-93 USED ON: 412N2021-21 | 002004 121503 904949 952952 | 2 |
| - 129 | NAS1399D5 | ... | RIVET- SIZE DETERMINED ON INSTL. | 002004 121503 904949 952952 | 4 |
| 131 | T8078S832 | -----*----- |NUTPLATE- SUPPLIER CODE: V11815 SPECIFICATION NUMBER: BACN10JP08C OPTIONAL PART: MK3000-08BAC V15653 NS103199-82 V80539 RMA9205M82 V72962 VN203A1-82 V92215 BRM300A08 V52828 USED ON: 412N2004-93 | 002004 121503 904949 952952 | 2 |
| - 132 | BACR15BA3AD | | RIVET- SIZE DETERMINED ON INSTL. USED ON: 412N2004-93 | 002004 121503 904949 952952 | 4 |
| 133 | 412N2004-94 | -----*----- |BRACKET- USED ON: 412N2004-93 | 002004 121503 904949 952952 | 1 |

MISSING ITEM NUMBERS NOT APPLICABLE

- ITEM NOT ILLUSTRATED

21-23-02-38A

21-23-02
FIG. 38A
PAGE 4
JAN 20/09

BRI

BOEING PROPRIETARY - Copyright © - Unpublished Work - See title page for details.



757

PARTS CATALOG (MAINTENANCE)

| FIG ITEM | PART NUMBER | 1 2 3 4 5 6 7 | NOMENCLATURE | EFFECT FROM TO | UNITS PER ASSY |
|------------|--------------|---------------|---|--------------------------------------|----------------|
| 38A 134 | 130007 | | NUT- SUPPLIER CODE: V60119 SPECIFICATION NUMBER: BACN10FX83 OPTIONAL PART: BRC500-8-08 V52828 SL213-08-1 V97393 A11330-8-82 V72962 A4972-8-82 V72962 A4972-8-82 V72962 USED ON: 412N2004-132 | 002004 121503 904949 952952 | 2 |
| 137 | 412N2004-133 | | BRACKET- USED ON: 412N2004-132 | 002004 121503 904949 952952 | 1 |
| 139 | 412N2003-91 | ... | SUPPORT ASSY | 002004 121503 904949 952952 | 1 |
| 141 | MF53049-3 | | NUTPLATE SUPPLIER CODE: V15653 SPECIFICATION NUMBER: BACN10JN3 OPTIONAL PART: BRFM20A3 V52828 MF1000-3BAC V15653 NS103218-02 V80539 RMF9201M3 V72962 VN252A02 V92215 T8124S3S V11815 | 002004 121503 904949 952952 | 6 |

MISSING ITEM NUMBERS NOT APPLICABLE

- ITEM NOT ILLUSTRATED

21-23-02-38A

21-23-02
FIG. 38A
PAGE 5
JAN 20/09

BRI

 **BOEING**
757
PARTS CATALOG (MAINTENANCE)

| FIG ITEM | PART NUMBER | 1 2 3 4 5 6 7 | NOMENCLATURE | EFFECT FROM TO | UNITS PER ASSY |
|------------|----------------|---|---|--------------------------------------|----------------|
| 38A 142 | T8076S428 | | NUTPLATE SUPPLIER CODE: V11815 SPECIFICATION NUMBER: BACN10JP4A OPTIONAL PART: MK1000-4BAC V15653 NS103197-048 V80539 RMA9201M4 V72962 VN202A1-048 V92215 BRM200A4 V52828 ATTACHING PARTS | 002004 121503 904949 952952 | 6 |
| - 143 | BACR15BA3D | | RIVET- SIZE DETERMINED ON INSTL. | 002004 121503 904949 952952 | 24 |
| 144 | 412N2003-93 | | *----- BRACKET | 002004 121503 904949 952952 | 1 |
| 145 | 412N3137-396SP | .BEAM | ASSY | 002004 121503 904949 952952 | 1 |
| 145 | 412N3137-804SP | .BEAM | ASSY | 002004 952952 | 1 |
| 150 | 412N3103-158SP | OUTLET ASSY- POSITION DATA: R SIDE AFT FOR NHA SEE: 21-23-02-29 | | 002004 121503 904949 952952 | RF |
| 155 | NAS1801-08-7 | .SCREW | | 002004 121503 904949 952952 | 2 |
| 160 | BACB30LU3-2 | .BOLT- | | 002004 121503 904949 952952 | 4 |
| 165 | NAS514P832-7 | .SCREW | | 002004 121503 904949 952952 | 2 |

MISSING ITEM NUMBERS NOT APPLICABLE

- ITEM NOT ILLUSTRATED

21-23-02-38A

21-23-02
FIG. 38A
PAGE 6
JAN 20/09

BRI

BOEING PROPRIETARY - Copyright © - Unpublished Work - See title page for details.



757

PARTS CATALOG (MAINTENANCE)

| FIG ITEM | PART NUMBER | 1 2 3 4 5 6 7 | NOMENCLATURE | EFFECT FROM TO | UNITS PER ASSY |
|------------|--------------|---------------|---|--------------------------------------|----------------|
| 38A 170 | NAS514P832-8 | . | SCREW | 002004 121503 904949 952952 | 2 |
| 175 | NAS1801-08-6 | . | SCREW | 002004 121503 904949 952952 | 6 |
| 180 | BACS12ER3K9 | . | SCREW- OPTIONAL PART: BACB30VF3K4 BACB30VF3K3 NAS8703-3 | 002004 121503 904949 952952 | 6 |
| 180 | BACB30VF3K4 | . | BOLT- OPTIONAL PART: BACB30VF3K3 BACS12ER3K9 NAS8703-3 | 002004 121503 904949 952952 | 6 |
| 180 | BACB30VF3K3 | . | BOLT- OPTIONAL PART: BACS12ER3K9 BACB30VF3K4 NAS8703-3 | 002004 121503 904949 952952 | 6 |
| 185 | BACB30NT3K2 | . | BOLT | 002004 121503 904949 952952 | 6 |
| 190 | NAS1801-08-8 | . | SCREW | 002004 121503 904949 952952 | 4 |
| 195 | AN960JD8L | . | WASHER | 002004 121503 904949 952952 | 16 |
| 200 | AN960JD10LL | . | WASHER | 002004 121503 904949 952952 | 6 |
| 205 | MS21042L08 | . | NUT | 002004 121503 904949 952952 | 2 |

MISSING ITEM NUMBERS NOT APPLICABLE

- ITEM NOT ILLUSTRATED

21-23-02-38A

21-23-02
FIG. 38A
PAGE 7
JAN 20/09

BRI

BOEING PROPRIETARY - Copyright © - Unpublished Work - See title page for details.



757

PARTS CATALOG (MAINTENANCE)

| FIG ITEM | PART NUMBER | 1 2 3 4 5 6 7 | NOMENCLATURE | EFFECT FROM TO | UNITS PER ASSY |
|------------|---------------|---------------|--|--------------------------------------|----------------|
| 38A 210 | 130008 | . | NUT SUPPLIER CODE: V60119 SPECIFICATION NUMBER: BACN10FX84 OPTIONAL PART: RM52LHA4972-6-8 V72962 SL211-08-1 V97393 A11330-6-82 V72962 A4972-6-82 V72962 | 002004 121503 904949 952952 | 2 |
| 215 | 412N3101-36SP | . | COVER-GAP | 002004 121503 904949 952952 | 1 |
| 220 | 412N3101-25SP | . | COVER-GAP | 002004 121503 904949 952952 | 1 |
| 225 | 65C27020-612 | . | DOUBLER | 002004 121503 904949 952952 | 1 |
| 230 | 65C27021-277 | . | DOUBLER | 002004 121503 904949 952952 | 1 |
| 235 | 65C27021-186 | . | FITTING ASSY- | 002004 121503 904949 952952 | 1 |
| 240 | 65C27021-189 | . | FILLER- | 002004 121503 904949 952952 | 1 |
| 245 | 65C27021-177 | . | DOUBLER | 002004 121503 904949 952952 | 3 |
| 250 | 65C27021-193 | . | DOUBLER | 002004 121503 904949 952952 | 1 |

MISSING ITEM NUMBERS NOT APPLICABLE

- ITEM NOT ILLUSTRATED

21-23-02-38A

21-23-02
FIG. 38A
PAGE 8
JAN 20/09

BRI

BOEING PROPRIETARY - Copyright © - Unpublished Work - See title page for details.



757

PARTS CATALOG (MAINTENANCE)

| FIG ITEM | PART NUMBER | 1 2 3 4 5 6 7 | NOMENCLATURE | EFFECT FROM TO | UNITS PER ASSY |
|------------|---------------|---------------|--------------|--------------------------------------|----------------|
| 38A 255 | 65C27021-191 | . | FILLER | 002004 121503 904949 952952 | 1 |
| 260 | 412N3133-1 | . | FITTING ASSY | 002004 121503 904949 952952 | 3 |
| 265 | BACB30NM3K5 | .. | BOLT | 002004 121503 904949 952952 | 1 |
| 270 | BACB30NM3K3 | .. | BOLT | 002004 121503 904949 952952 | 1 |
| 275 | AN960JD10LL | .. | WASHER | 002004 121503 904949 952952 | 3 |
| 280 | AN960JD10L | .. | WASHER | 002004 121503 904949 952952 | 1 |
| 285 | MS21042L3 | .. | NUT | 002004 121503 904949 952952 | 2 |
| 290 | 412N2004-55 | .. | SPACER | 002004 121503 904949 952952 | 2 |
| 295 | 65C27021-178 | .. | FILLER | 002004 121503 904949 952952 | 1 |
| 300 | 65C27021-199 | .. | BRACKET | 002004 121503 904949 952952 | 1 |
| 305 | 412N3134-1 | .. | BRACKET | 002004 121503 904949 952952 | 1 |
| 310 | 412N3136-76SP | . | BEAM | 002004 121503 904949 952952 | 1 |

MISSING ITEM NUMBERS NOT APPLICABLE

- ITEM NOT ILLUSTRATED

21-23-02-38A

21-23-02
FIG. 38A
PAGE 9
JAN 20/09

BRI

BOEING PROPRIETARY - Copyright © - Unpublished Work - See title page for details.



757

PARTS CATALOG (MAINTENANCE)

| FIG ITEM | PART NUMBER | 1 2 3 4 5 6 7 | NOMENCLATURE | EFFECT FROM TO | UNITS PER ASSY |
|------------|----------------|---------------|---|--------------------------------------|----------------|
| 38A 315 | 412N3137-462SP | . | BEAM ASSY | 002004 121503 904949 952952 | 1 |
| 320 | 412N3103-66SP | | OUTLET ASSY- POSITION DATA: R SIDE AFT FOR NHA SEE: 21-23-02-29 | 002004 121503 904949 952952 | RF |
| 325 | NAS1801-08-6 | . | SCREW | 002004 121503 904949 952952 | 2 |
| 330 | NAS8703-3 | . | SCREW- OPTIONAL PART: BACB30VF3K4 BACS12ER3K9 BACB30VF3K3 | 002004 121503 904949 952952 | 4 |
| 330 | BACB30VF3K4 | . | BOLT- OPTIONAL PART: BACS12ER3K9 NAS8703-3 BACB30VF3K3 | 002004 121503 904949 952952 | 4 |
| 330 | BACS12ER3K9 | . | SCREW- OPTIONAL PART: BACB30VF3K3 BACB30VF3K4 NAS8703-3 | 002004 121503 904949 952952 | 4 |
| 330 | BACB30VF3K3 | . | BOLT- OPTIONAL PART: BACS12ER3K9 NAS8703-3 BACB30VF3K4 | 002004 121503 904949 952952 | 4 |
| 335 | BACB30NT3K2 | . | BOLT | 002004 121503 904949 952952 | 4 |
| 340 | NAS1801-08-5 | . | SCREW | 002004 121503 904949 952952 | 4 |
| 345 | AN960JD8L | . | WASHER | 002004 121503 904949 952952 | 6 |
| 350 | AN960JD10LL | . | WASHER | 002004 121503 904949 952952 | 4 |

MISSING ITEM NUMBERS NOT APPLICABLE

- ITEM NOT ILLUSTRATED

21-23-02-38A

21-23-02
FIG. 38A
PAGE 10
JAN 20/09

BRI



757

PARTS CATALOG (MAINTENANCE)

| FIG ITEM | PART NUMBER | 1 2 3 4 5 6 7 | NOMENCLATURE | EFFECT FROM TO | UNITS PER ASSY |
|------------|--------------|---------------|-------------------------------------|--------------------------------------|----------------|
| 38A 355 | 65C27021-177 | . | DOUBLER | 002004 121503 904949 952952 | 2 |
| 360 | 412N3133-4 | . | FITTING ASSY- | 002004 121503 904949 952952 | 1 |
| 365 | 412N3133-10 | . | FITTING ASSY | 002004 121503 904949 952952 | 1 |
| 370 | BACB30NM3K5 | .. | BOLT | 002004 121503 904949 952952 | 1 |
| 375 | BACB30NM3K3 | .. | BOLT | 002004 121503 904949 952952 | 1 |
| 380 | AN960JD10LL | .. | WASHER | 002004 121503 904949 952952 | 3 |
| 385 | AN960JD10L | .. | WASHER | 002004 121503 904949 952952 | 1 |
| 390 | MS21042L3 | .. | NUT | 002004 121503 904949 952952 | 2 |
| 395 | 412N2004-55 | .. | SPACER | 002004 121503 904949 952952 | 2 |
| 400 | 65C27021-178 | .. | FILLER | 002004 121503 904949 952952 | 1 |
| 405 | 65C27021-200 | .. | BRACKET- USED ON: 412N3133-4 | 002004 121503 904949 952952 | 1 |
| 410 | 65C27021-264 | .. | BRACKET- USED ON: 412N3133-10 | 002004 121503 904949 952952 | 1 |

MISSING ITEM NUMBERS NOT APPLICABLE

- ITEM NOT ILLUSTRATED

21-23-02-38A

21-23-02
FIG. 38A
PAGE 11
JAN 20/09

BRI

BOEING PROPRIETARY - Copyright © - Unpublished Work - See title page for details.



757

PARTS CATALOG (MAINTENANCE)

| FIG ITEM | PART NUMBER | 1 2 3 4 5 6 7 | NOMENCLATURE | EFFECT FROM TO | UNITS PER ASSY |
|-------------|----------------|---------------|--------------|--------------------------------------|----------------------|
| 38A 415 | 412N3134-1 | . . | BRACKET | 002004 121503 904949 952952 | 1 |
| 420 | 412N3104-5SP | . CAP | ASSY-END | 002004 121503 904949 952952 | 1 |
| 425 | 412N3136-78SP | . BEAM | | 002004 121503 904949 952952 | 1 |
| 430 | 412N3137-192SP | . BEAM | | 002004 121503 904949 952952 | 1 |

MISSING ITEM NUMBERS NOT APPLICABLE

- ITEM NOT ILLUSTRATED

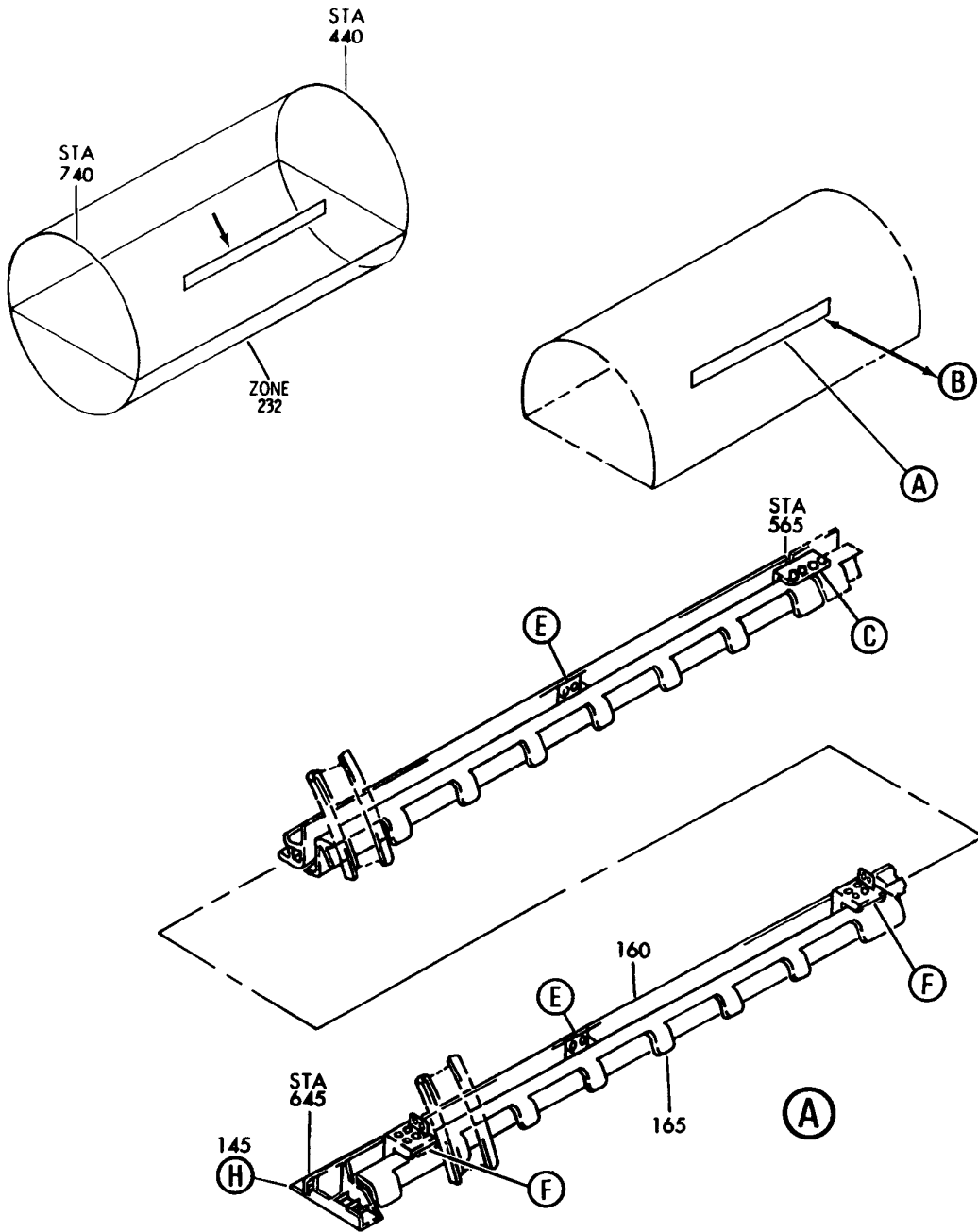
BRI

21-23-02-38A

BOEING PROPRIETARY - Copyright © - Unpublished Work - See title page for details.

21-23-02
FIG. 38A
PAGE 12
JAN 20/09

BOEING
757
PARTS CATALOG (MAINTENANCE)



Y 21230239 SHT 1 REV 201

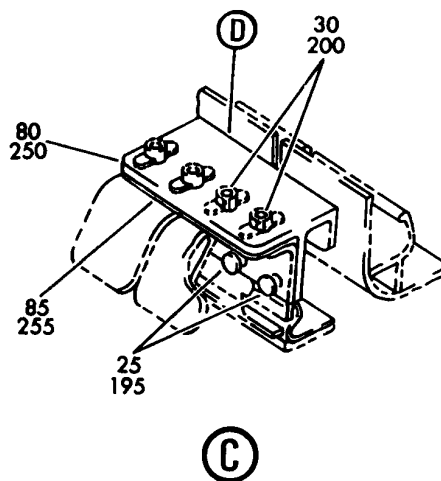
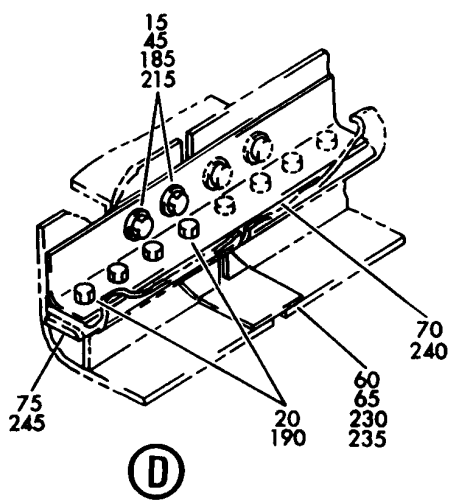
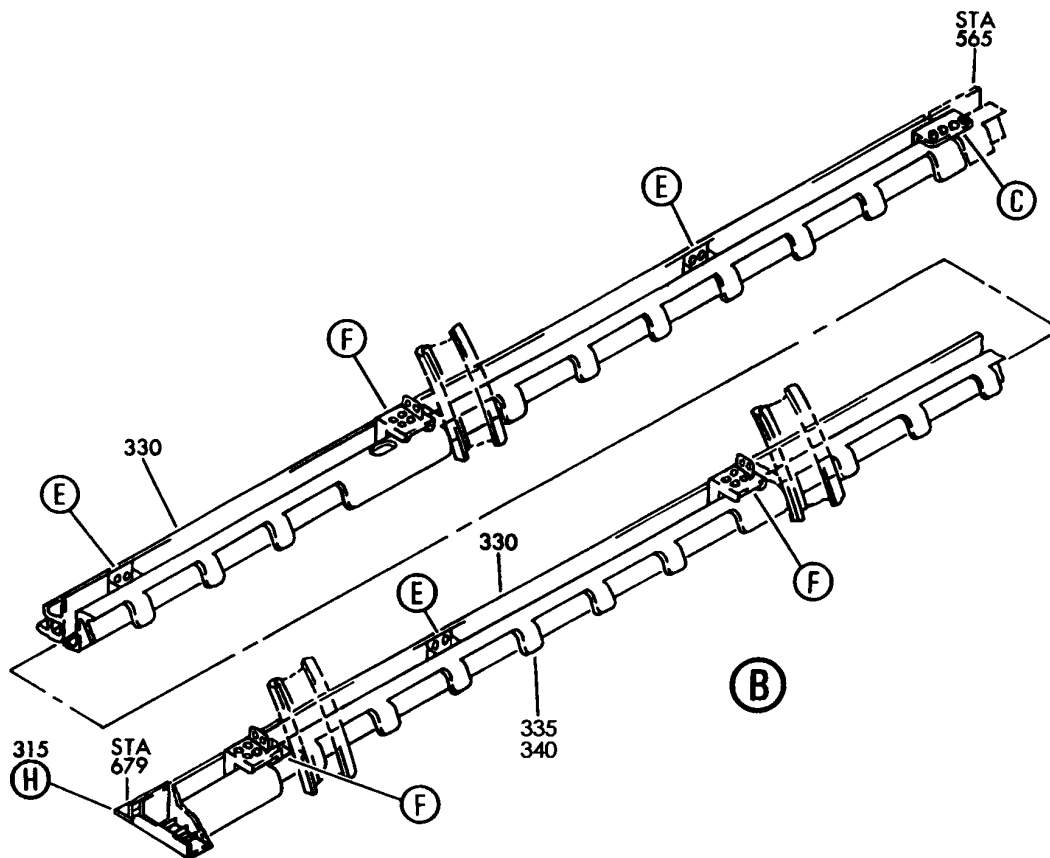
OUTLET ASSY-R SIDE FWD
FIGURE 39 (SHEET 1)

21-23-02-39

BRI
MAY 28/07

21-23-02-39
PAGE 0

BOEING
757
PARTS CATALOG (MAINTENANCE)



Y 21230239 SHT 2 REV 201

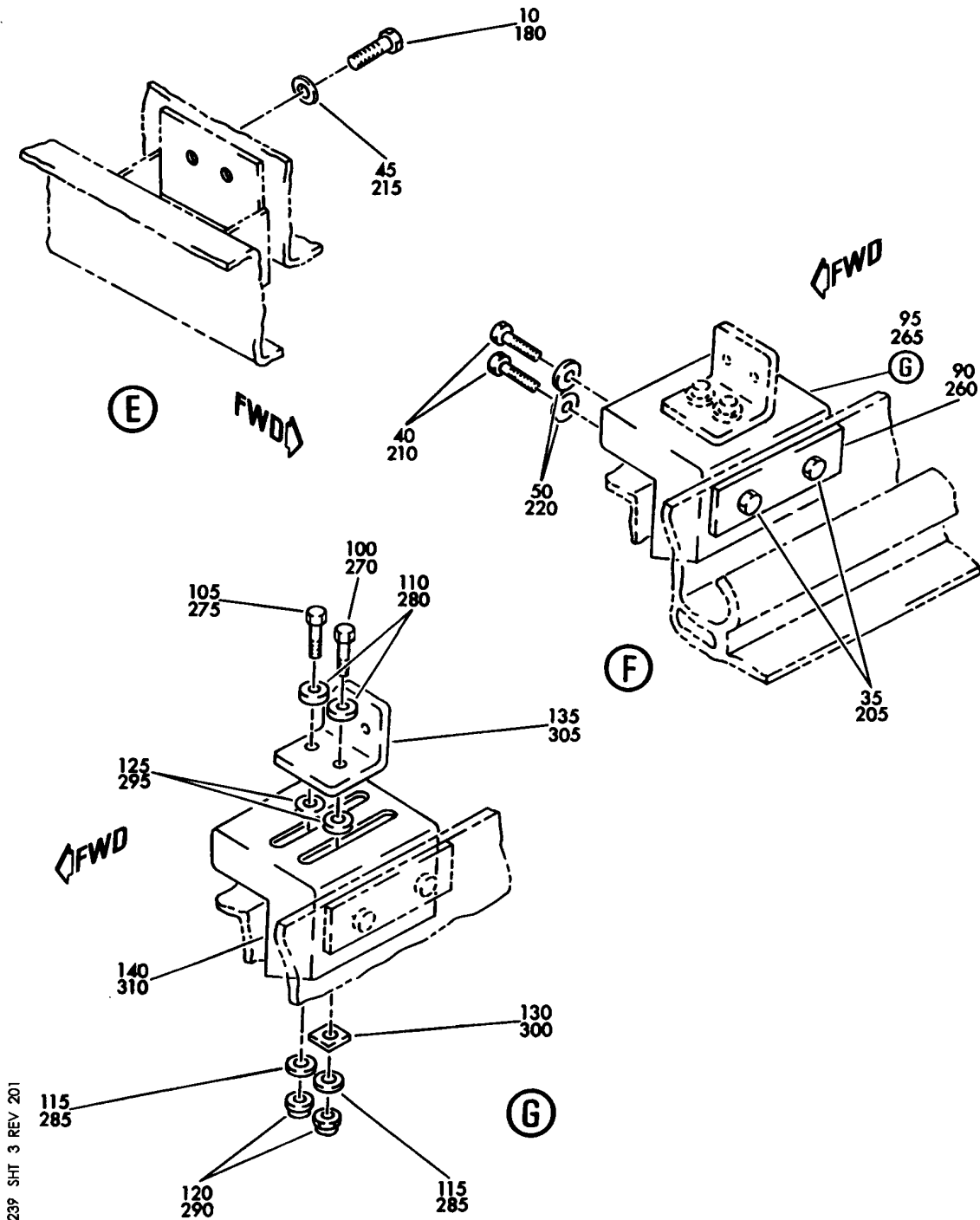
OUTLET ASSY-R SIDE FWD
FIGURE 39 (SHEET 2)

21-23-02-39

BRI
MAY 28/07

21-23-02-39
PAGE 0A

BOEING
757
PARTS CATALOG (MAINTENANCE)



Y 21230239 SHT 3 REV 201

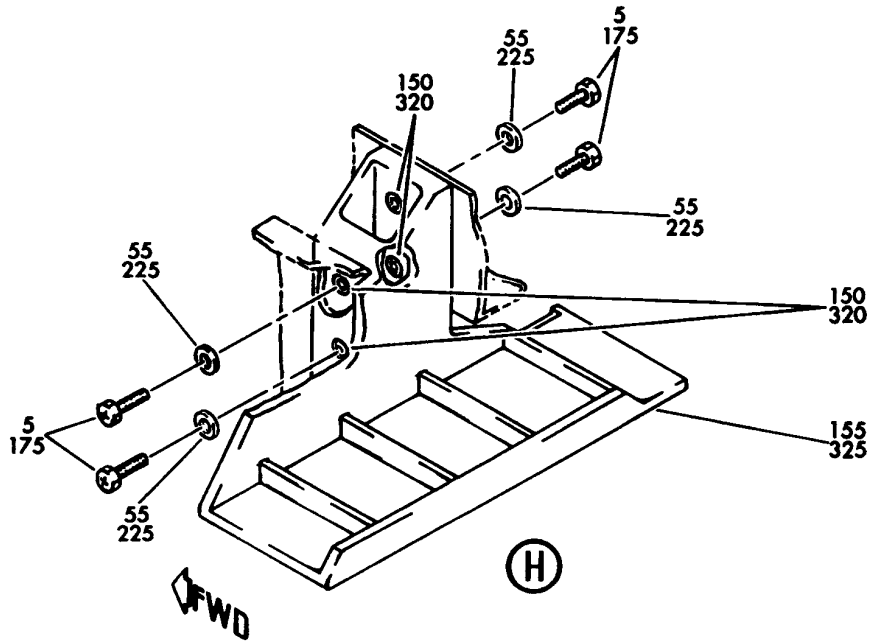
OUTLET ASSY-R SIDE FWD
FIGURE 39 (SHEET 3)

21-23-02-39

BRI
MAY 28/07

21-23-02-39
PAGE 0B

BOEING
757
PARTS CATALOG (MAINTENANCE)



Y 21230239 SH 4 REV 201

OUTLET ASSY-R SIDE FWD
FIGURE 39 (SHEET 4)

21-23-02-39

BRI
MAY 28/07

21-23-02-39
PAGE 0C



757

PARTS CATALOG (MAINTENANCE)

| FIG ITEM | PART NUMBER | 1 2 3 4 5 6 7 NOMENCLATURE | EFFECT FROM TO | UNITS PER ASSY |
|----------|---------------|--|--------------------------------------|----------------|
| 39 | | OUTLET ASSY-R SIDE FWD | 002004 121503 904949 952952 | |
| 170 | 412N3103-48SP | OUTLET ASSY- POSITION DATA: R SIDE FWD FOR NHA SEE: 21-23-02-27A | 002004 121503 904949 952952 | RF |
| 175 | NAS1801-08-5 | .SCREW | 002004 121503 904949 952952 | 4 |
| 180 | NAS1801-08-6 | .SCREW | 002004 121503 904949 952952 | 6 |
| 185 | NAS1801-08-7 | .SCREW | 002004 121503 904949 952952 | 2 |
| 190 | BACB30LU2-2 | .BOLT | 002004 121503 904949 952952 | 4 |
| 195 | NAS514P832-7 | .SCREW | 002004 121503 904949 952952 | 2 |
| 200 | NAS514P832-8 | .SCREW | 002004 121503 904949 952952 | 2 |
| 205 | NAS8703-3 | .SCREW- OPTIONAL PART: BACB30VF3K3 BACB30VF3K4 BACS12ER3K9 | 002004 121503 904949 952952 | 6 |
| 205 | BACB30VF3K3 | .BOLT- OPTIONAL PART: NAS8703-3 BACB30VF3K4 BACS12ER3K9 | 002004 121503 904949 952952 | 6 |
| 205 | BACB30VF3K4 | .BOLT- OPTIONAL PART: NAS8703-3 BACB30VF3K3 BACS12ER3K9 | 002004 121503 904949 952952 | 6 |

MISSING ITEM NUMBERS NOT APPLICABLE

- ITEM NOT ILLUSTRATED

21-23-02-39

21-23-02
FIG. 39
PAGE 1
JAN 20/09

BRI



757

PARTS CATALOG (MAINTENANCE)

| FIG ITEM | PART NUMBER | 1 2 3 4 5 6 7 | NOMENCLATURE | EFFECT FROM TO | UNITS PER ASSY |
|----------|---------------|---------------|---|--------------------------------------|----------------|
| 39 | | | | | |
| 210 | BACB30NT3K2 | . | BOLT | 002004 121503 904949 952952 | 6 |
| 215 | AN960JD8L | . | WASHER | 002004 121503 904949 952952 | 12 |
| 220 | AN960JD10LL | . | WASHER | 002004 121503 904949 952952 | 6 |
| 225 | BACW10DM5P | . | WASHER | 002004 121503 904949 952952 | 4 |
| 230 | 412N3101-36SP | . | COVER | 002004 121503 904949 952952 | 1 |
| 235 | 412N3101-25SP | . | COVER | 002004 121503 904949 952952 | 1 |
| 240 | 65C27020-612 | . | DOUBLER | 002004 121503 904949 952952 | 1 |
| 245 | 65C27021-277 | . | DOUBLER | 002004 121503 904949 952952 | 1 |
| 250 | 65C27021-483 | . | FITTING ASSY- OPTIONAL PART: 65C27021-213 | 002004 121503 904949 952952 | 1 |
| 250 | 65C27021-213 | . | FITTING ASSY- OPTIONAL PART: 65C27021-483 | 002004 121503 904949 952952 | 1 |
| 255 | 65C27021-481 | . | FILLER- OPTIONAL PART: 65C27021-189 | 002004 121503 904949 952952 | 1 |
| 255 | 65C27021-189 | . | FILLER- OPTIONAL PART: 65C27021-481 | 002004 121503 904949 952952 | 1 |

MISSING ITEM NUMBERS NOT APPLICABLE

- ITEM NOT ILLUSTRATED

21-23-02-39

21-23-02
FIG. 39
PAGE 2
JAN 20/09

BRI

 **BOEING**
757
PARTS CATALOG (MAINTENANCE)

| FIG ITEM | PART NUMBER | 1 2 3 4 5 6 7 | NOMENCLATURE | EFFECT FROM TO | UNITS PER ASSY |
|----------|--------------|---------------|--------------|--------------------------------------|----------------|
| 39 | | | | | |
| 260 | 65C27021-177 | . | DOUBLER | 002004 121503 904949 952952 | 3 |
| 265 | 412N3133-2 | . | FITTING ASSY | 002004 121503 904949 952952 | 3 |
| 270 | BACB30NM3K5 | .. | BOLT | 002004 121503 904949 952952 | 1 |
| 275 | BACB30NM3K3 | .. | BOLT | 002004 121503 904949 952952 | 1 |
| 280 | AN960JD10LL | .. | WASHER | 002004 121503 904949 952952 | 2 |
| 285 | AN960JD10L | .. | WASHER | 002004 121503 904949 952952 | 2 |
| 290 | MS21042L3 | .. | NUT | 002004 121503 904949 952952 | 2 |
| 295 | 412N2004-55 | .. | SPACER | 002004 121503 904949 952952 | 2 |
| 300 | 65C27021-178 | .. | FILLER | 002004 121503 904949 952952 | 1 |
| 305 | 65C27021-199 | .. | BRACKET | 002004 121503 904949 952952 | 1 |
| 310 | 412N3134-1 | .. | BRACKET | 002004 121503 904949 952952 | 1 |
| 315 | 412N3104-1SP | . | CAP ASSY-END | 002004 121503 904949 952952 | 1 |

MISSING ITEM NUMBERS NOT APPLICABLE

— ITEM NOT ILLUSTRATED

BRI

21-23-02-39

BOEING PROPRIETARY - Copyright © - Unpublished Work - See title page for details.

21-23-02
FIG. 39
PAGE 3
JAN 20/09



**757
PARTS CATALOG (MAINTENANCE)**

| FIG ITEM | PART NUMBER | 1 2 3 4 5 6 7 | NOMENCLATURE | EFFECT FROM TO | UNITS PER ASSY |
|-------------|----------------|---------------|-------------------------------------|--------------------------------------|----------------------|
| 39 | | | | | |
| 320 | 6035-2BRX185 | .. | INSERT- SUPPLIER CODE: V01556 | 002004 121503 904949 952952 | 4 |
| 325 | 412N3104-3 | .. | CAP-END | 002004 121503 904949 952952 | 1 |
| 330 | 412N3136-56SP | . | BEAM | 002004 121503 904949 952952 | 1 |
| 335 | 412N3137-138SP | . | BEAM ASSY | 002004 121503 904949 952952 | 1 |

MISSING ITEM NUMBERS NOT APPLICABLE

— ITEM NOT ILLUSTRATED

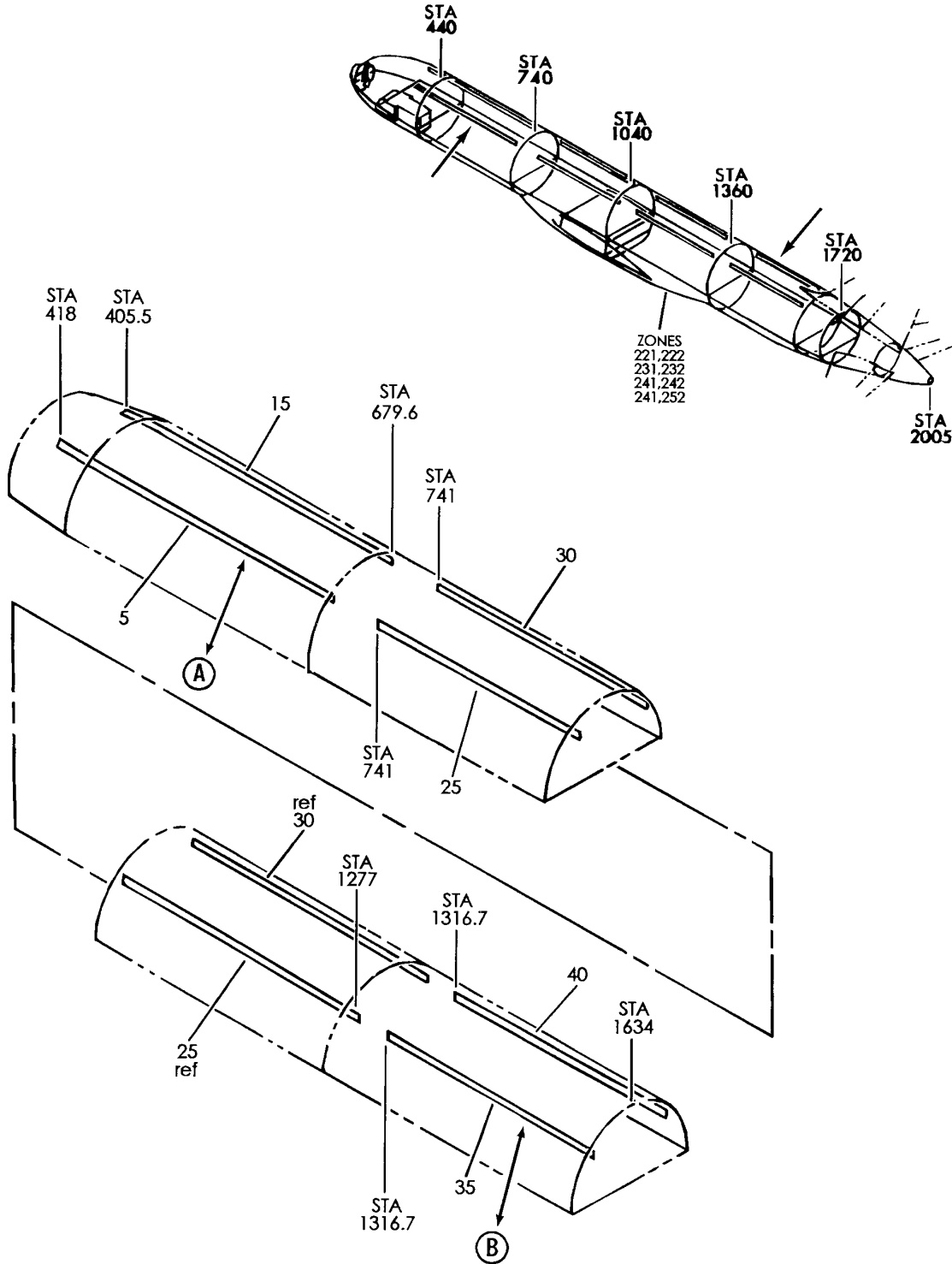
BRI

21-23-02-39

BOEING PROPRIETARY - Copyright © - Unpublished Work - See title page for details.

21-23-02
FIG. 39
PAGE 4
JAN 20/09

BOEING
757
PARTS CATALOG (MAINTENANCE)



Y 21230242 SHT 1 REV 201

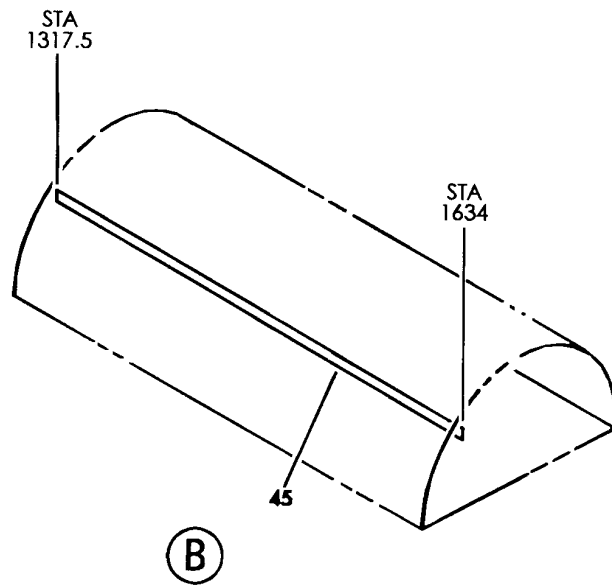
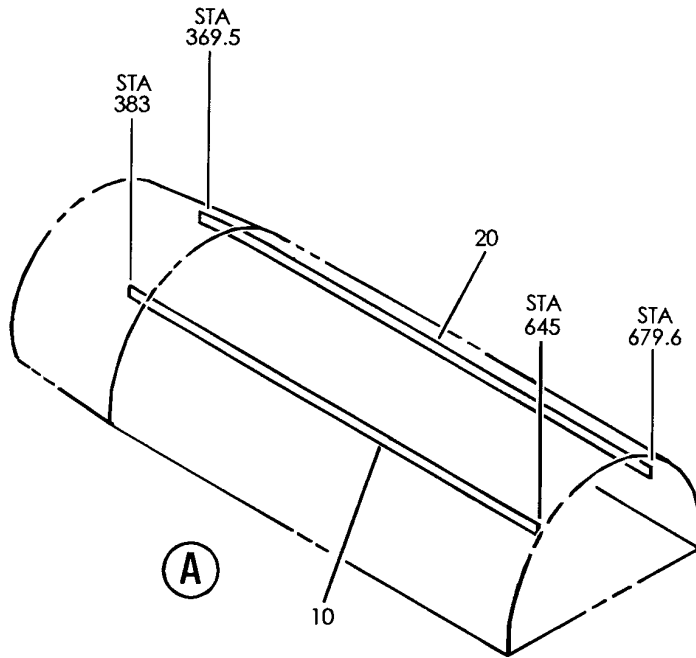
EXTRUSION INSTL-SIDEWALL AC OUTLET
FIGURE 42 (SHEET 1)

21-23-02-42

BRI
JAN 20/09

21-23-02-42
PAGE 0

BOEING
757
PARTS CATALOG (MAINTENANCE)



Y 21230242 SH1 2 REV 201

EXTRUSION INSTL-SIDEWALL AC OUTLET
FIGURE 42 (SHEET 2)

21-23-02-42

BRI
JAN 20/09

21-23-02-42
PAGE 0A



757

PARTS CATALOG (MAINTENANCE)

| FIG ITEM | PART NUMBER | 1 2 3 4 5 6 7 | NOMENCLATURE | EFFECT FROM TO | UNITS PER ASSY |
|----------|--------------|---------------|--|----------------|----------------|
| 42 | | | EXTRUSION INSTL-SIDEWALL AC OUTLET | 952952 | |
| - 1 | 412N3131-27 | | EXTRUSION INSTL-SIDEWALL AC OUTLET FOR NHA SEE: 25-20-00-01G | 952952 | RF |
| 10 | 412N3131-109 | | .EXTRUSION INSTL-SIDEWALL AC OUTLET POSITION DATA: L SIDE FWD FOR DETAILS SEE: 21-23-02-27 | 952952 | 1 |
| 20 | 412N3131-214 | | .EXTRUSION INSTL-SIDEWALL AC OUTLET POSITION DATA: R SIDE FWD FOR DETAILS SEE: 21-23-02-27A | 952952 | 1 |
| 25 | 412N3131-303 | | .EXTRUSION INSTL-SIDEWALL AC OUTLET POSITION DATA: L SIDE MID FOR DETAILS SEE: 21-23-02-28 | 952952 | 1 |
| 30 | 412N3131-403 | | .EXTRUSION INSTL-SIDEWALL AC OUTLET POSITION DATA: R SIDE MID FOR DETAILS SEE: 21-23-02-28 | 952952 | 1 |
| 40 | 412N3131-604 | | .EXTRUSION INSTL-SIDEWALL AC OUTLET POSITION DATA: R SIDE AFT FOR DETAILS SEE: 21-23-02-29 | 952952 | 1 |
| 45 | 412N3131-706 | | .EXTRUSION INSTL-SIDEWALL AC OUTLET POSITION DATA: L SIDE AFT FOR DETAILS SEE: 21-23-02-29 | 952952 | 1 |

MISSING ITEM NUMBERS NOT APPLICABLE

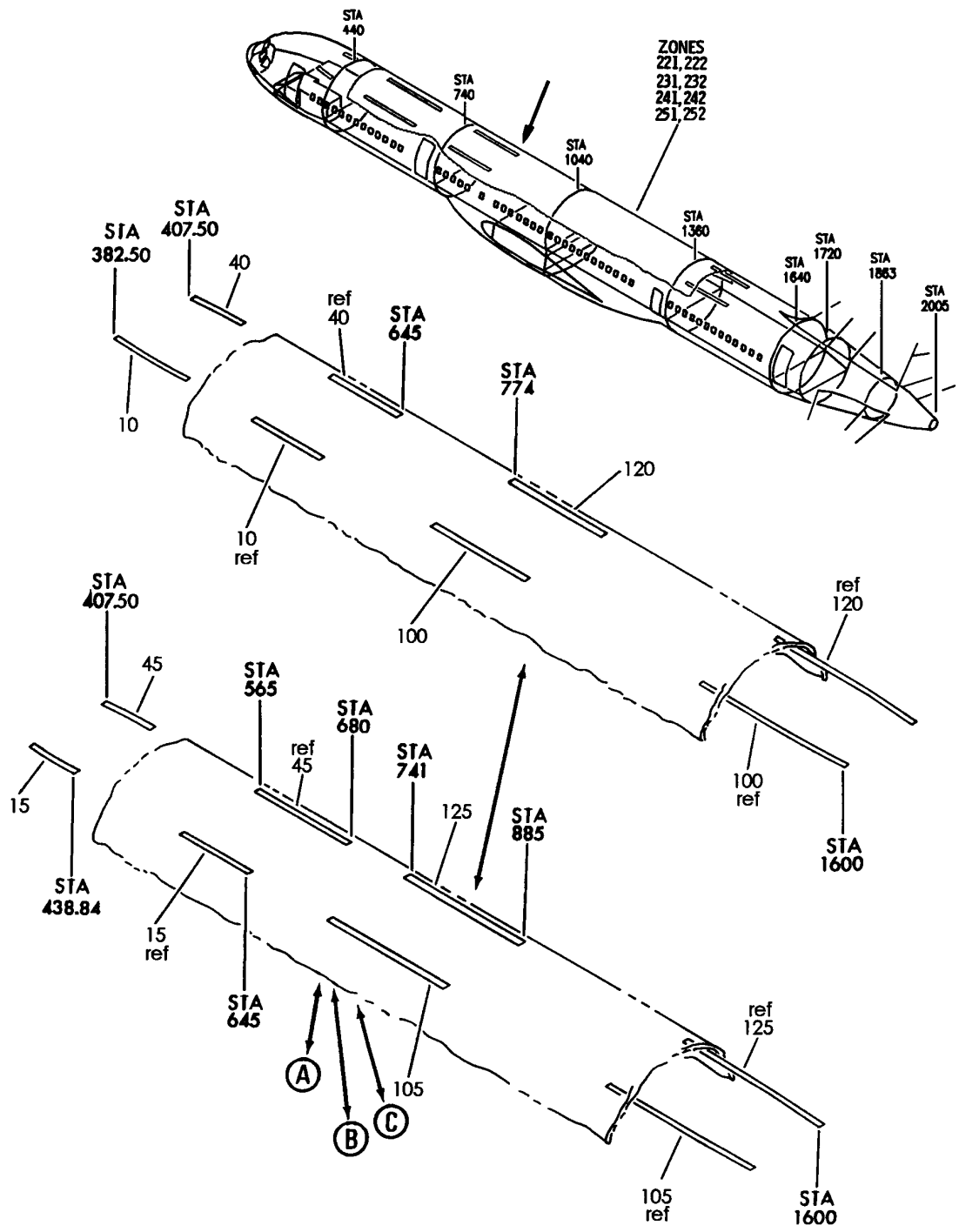
- ITEM NOT ILLUSTRATED

BRI

21-23-02-42

21-23-02
FIG. 42
PAGE 1
JAN 20/09


BOEING
 757
PARTS CATALOG (MAINTENANCE)



Y 21230243 SHT 1 REV 202

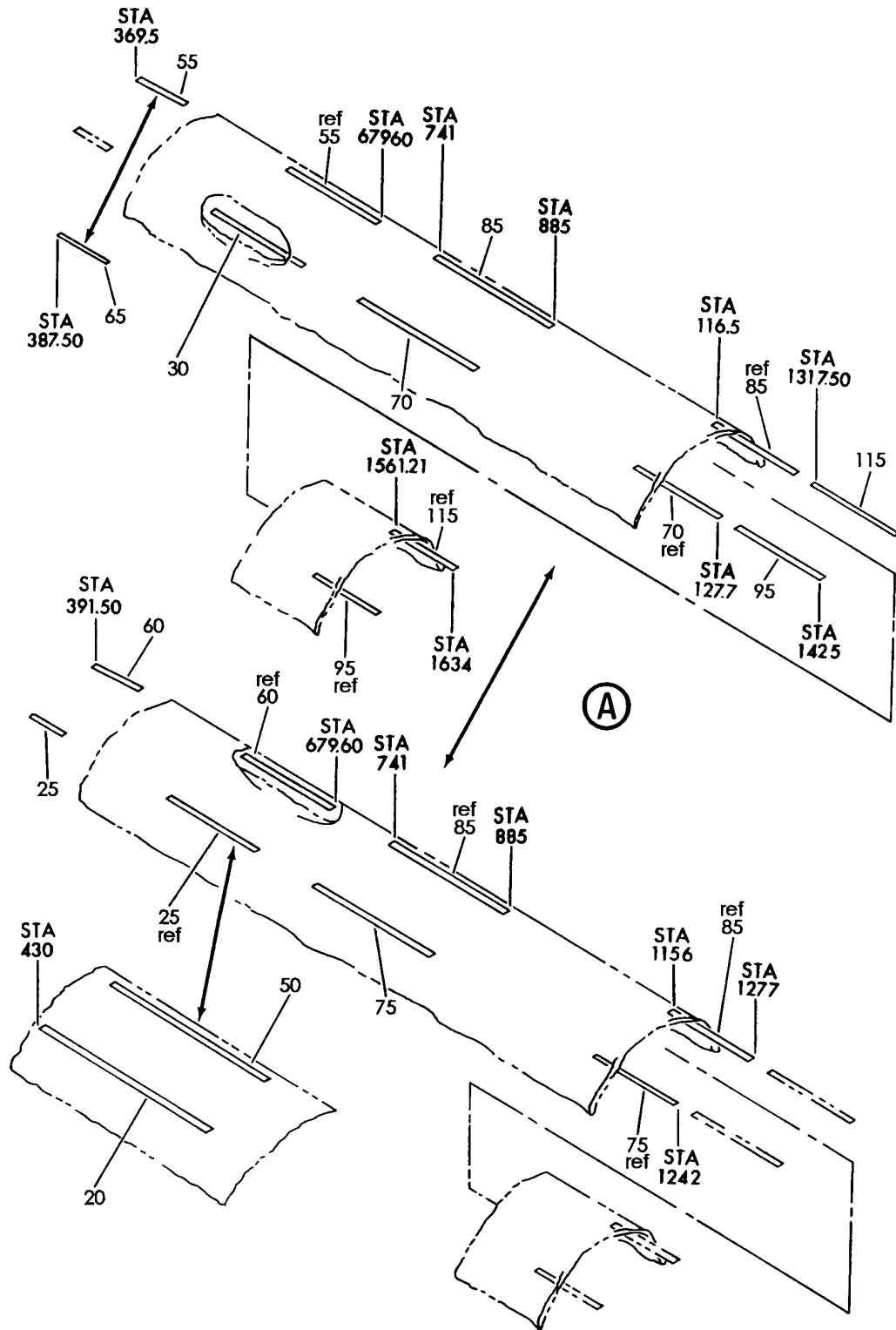
EXTRUSION INSTL-SIDEWALL AC OUTLET
 FIGURE 43 (SHEET 1)

21-23-02-43

BRI
MAY 28/07

21-23-02-43
 PAGE 0

BOEING
757
PARTS CATALOG (MAINTENANCE)



Y 21230243 SHT 2 REV 202

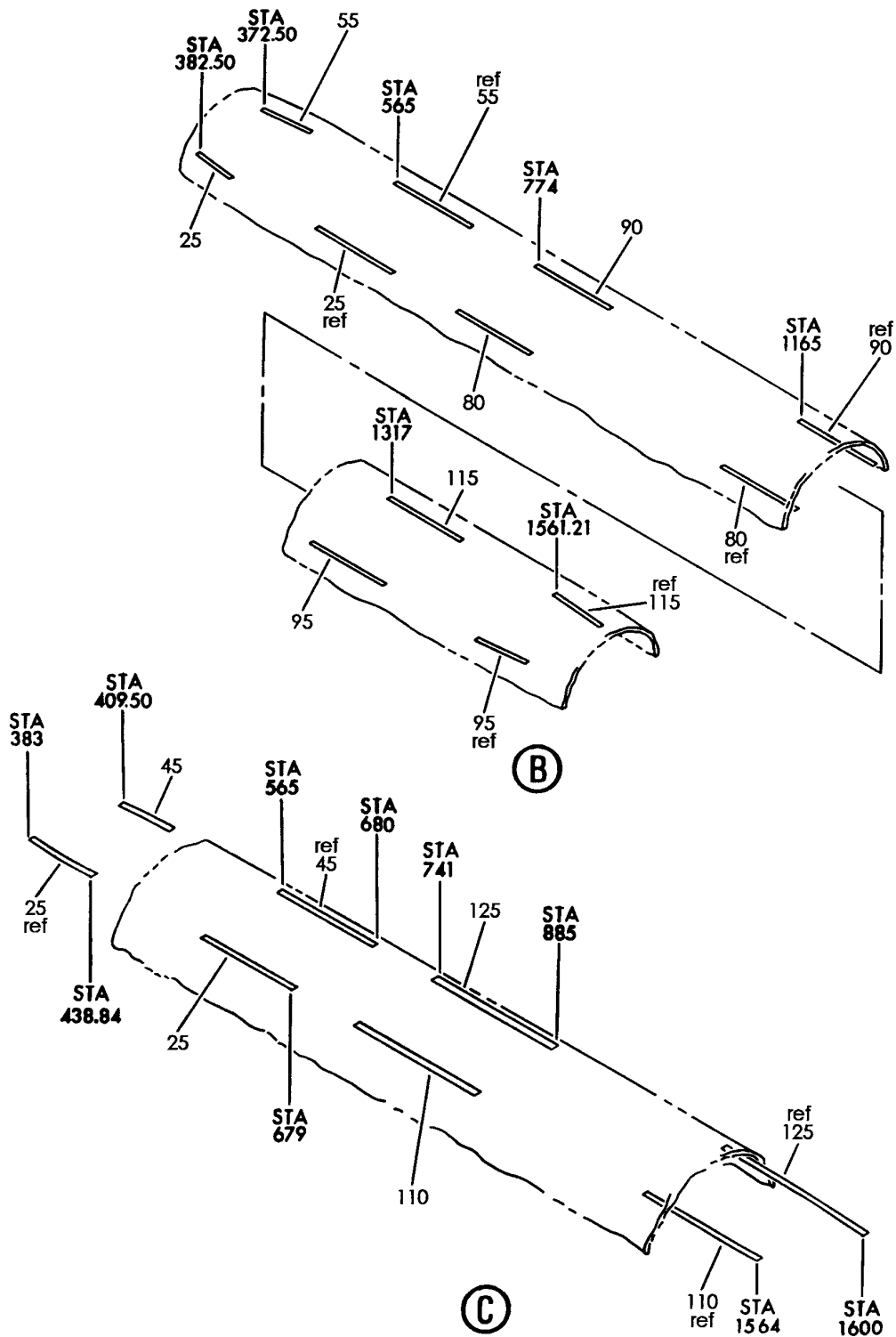
EXTRUSION INSTL-SIDEWALL AC OUTLET
FIGURE 43 (SHEET 2)

21-23-02-43

BRI
MAY 28/07

21-23-02-43
PAGE 0A

BOEING
757
PARTS CATALOG (MAINTENANCE)



Y 21230243 SHT 3 REV 202

EXTRUSION INSTL-SIDEWALL AC OUTLET
FIGURE 43 (SHEET 3)

21-23-02-43

BRI
MAY 28/07

21-23-02-43
PAGE 0B



757

PARTS CATALOG (MAINTENANCE)

| FIG ITEM | PART NUMBER | 1 2 3 4 5 6 7 | NOMENCLATURE | EFFECT FROM TO | UNITS PER ASSY |
|----------|--------------|---------------|---|----------------------------|----------------|
| 43 | | | EXTRUSION INSTL-SIDEWALL AC OUTLET | 006100 950951 953999 | |
| - 1 | 412N3001-4 | | EXTRUSION INSTL-SIDEWALL AC OUTLET FOR NHA SEE: 25-20-00-01G | 953999 | RF |
| - 1 | 412N3001-7 | | EXTRUSION INSTL-SIDEWALL AC OUTLET FOR NHA SEE: 25-20-00-01G | 006010 | RF |
| - 1 | 412N3001-10 | | EXTRUSION INSTL-SIDEWALL AC OUTLET FOR NHA SEE: 25-20-00-01G | 950950 | RF |
| - 2 | 412N3001-26 | | EXTRUSION INSTL-SIDEWALL AC OUTLET FOR NHA SEE: 25-20-00-01G | 951951 | RF |
| - 2 | 412N3001-28 | | EXTRUSION INSTL-SIDEWALL AC OUTLET FOR NHA SEE: 25-20-00-01G | 011017 | RF |
| - 3 | 412N3001-39 | | EXTRUSION INSTL-SIDEWALL AC OUTLET FOR NHA SEE: 25-20-00-01G | 018100 | RF |
| 10 | 412N3001-104 | | .EXTRUSION INSTL- POSITION DATA: FWD L FOR DETAILS SEE: 21-23-02-44 | 953999 | 1 |
| 15 | 412N3001-109 | | .EXTRUSION INSTL- POSITION DATA: FWD L FOR DETAILS SEE: 21-23-02-44 | 950950 | 1 |
| 15 | 412N3001-117 | | .EXTRUSION INSTL- POSITION DATA: FWD L FOR DETAILS SEE: 21-23-02-44 | 951951 | 1 |
| 25 | 412N3001-106 | | .EXTRUSION INSTL- POSITION DATA: FWD L FOR DETAILS SEE: 21-23-02-44 | 006010 | 1 |

MISSING ITEM NUMBERS NOT APPLICABLE

- ITEM NOT ILLUSTRATED

21-23-02-43

21-23-02
FIG. 43
PAGE 1
JAN 20/09

BRI



757

PARTS CATALOG (MAINTENANCE)

| FIG ITEM | PART NUMBER | 1 2 3 4 5 6 7 | NOMENCLATURE | EFFECT FROM TO | UNITS PER ASSY |
|----------|--------------|---------------|---|----------------------------|----------------|
| 43 | | | | | |
| 25 | 412N3001-118 | . | EXTRUSION INSTL- POSITION DATA: FWD L FOR DETAILS SEE: 21-23-02-44 | 011100 | 1 |
| 45 | 412N3001-206 | . | EXTRUSION INSTL- POSITION DATA: FWD R FOR DETAILS SEE: 21-23-02-44A | 006010 950950 | 1 |
| 45 | 412N3001-219 | . | EXTRUSION INSTL- POSITION DATA: FWD R FOR DETAILS SEE: 21-23-02-44A | 951951 | 1 |
| 55 | 412N3001-204 | . | EXTRUSION INSTL- POSITION DATA: FWD R FOR DETAILS SEE: 21-23-02-44A | 953999 | 1 |
| 60 | 412N3001-222 | . | EXTRUSION INSTL- POSITION DATA: FWD R FOR DETAILS SEE: 21-23-02-44A | 011100 | 1 |
| 70 | 412N3001-301 | . | EXTRUSION INSTL- POSITION DATA: CTR L FOR DETAILS SEE: 21-23-02-44B | 950951 953999 | 1 |
| 75 | 412N3001-302 | . | EXTRUSION INSTL- POSITION DATA: CTR L FOR DETAILS SEE: 21-23-02-44B | 006100 | 1 |
| 85 | 412N3001-401 | . | EXTRUSION INSTL- POSITION DATA: CTR R FOR DETAILS SEE: 21-23-02-44B | 006100 950951 953999 | 1 |
| 95 | 412N3001-703 | . | EXTRUSION INSTL- POSITION DATA: AFT L FOR DETAILS SEE: 21-23-02-44C | 006010 950950 953999 | 1 |

MISSING ITEM NUMBERS NOT APPLICABLE

- ITEM NOT ILLUSTRATED

21-23-02-43

21-23-02
FIG. 43
PAGE 2
JAN 20/09

BRI



757

PARTS CATALOG (MAINTENANCE)

| FIG ITEM | PART NUMBER | 1 2 3 4 5 6 7 | NOMENCLATURE | EFFECT FROM TO | UNITS PER ASSY |
|----------|--------------|---------------|---|----------------------------|----------------|
| 43 | | | | | |
| 95 | 412N3001-708 | . | EXTRUSION INSTL- POSITION DATA: AFT L FOR DETAILS SEE: 21-23-02-44C | 951951 | 1 |
| 95 | 412N3001-711 | . | EXTRUSION INSTL- POSITION DATA: AFT L FOR DETAILS SEE: 21-23-02-44C | 011017 | 1 |
| 95 | 412N3001-712 | . | EXTRUSION INSTL- POSITION DATA: AFT L FOR DETAILS SEE: 21-23-02-44C | 018100 | 1 |
| 115 | 412N3001-803 | . | EXTRUSION INSTL- POSITION DATA: AFT R FOR DETAILS SEE: 21-23-02-44D | 006010 950950 953999 | 1 |
| 115 | 412N3001-807 | . | EXTRUSION INSTL- POSITION DATA: AFT R FOR DETAILS SEE: 21-23-02-44D | 011017 951951 | 1 |
| 115 | 412N3001-810 | . | EXTRUSION INSTL- POSITION DATA: AFT R FOR DETAILS SEE: 21-23-02-44D | 018100 | 1 |

MISSING ITEM NUMBERS NOT APPLICABLE

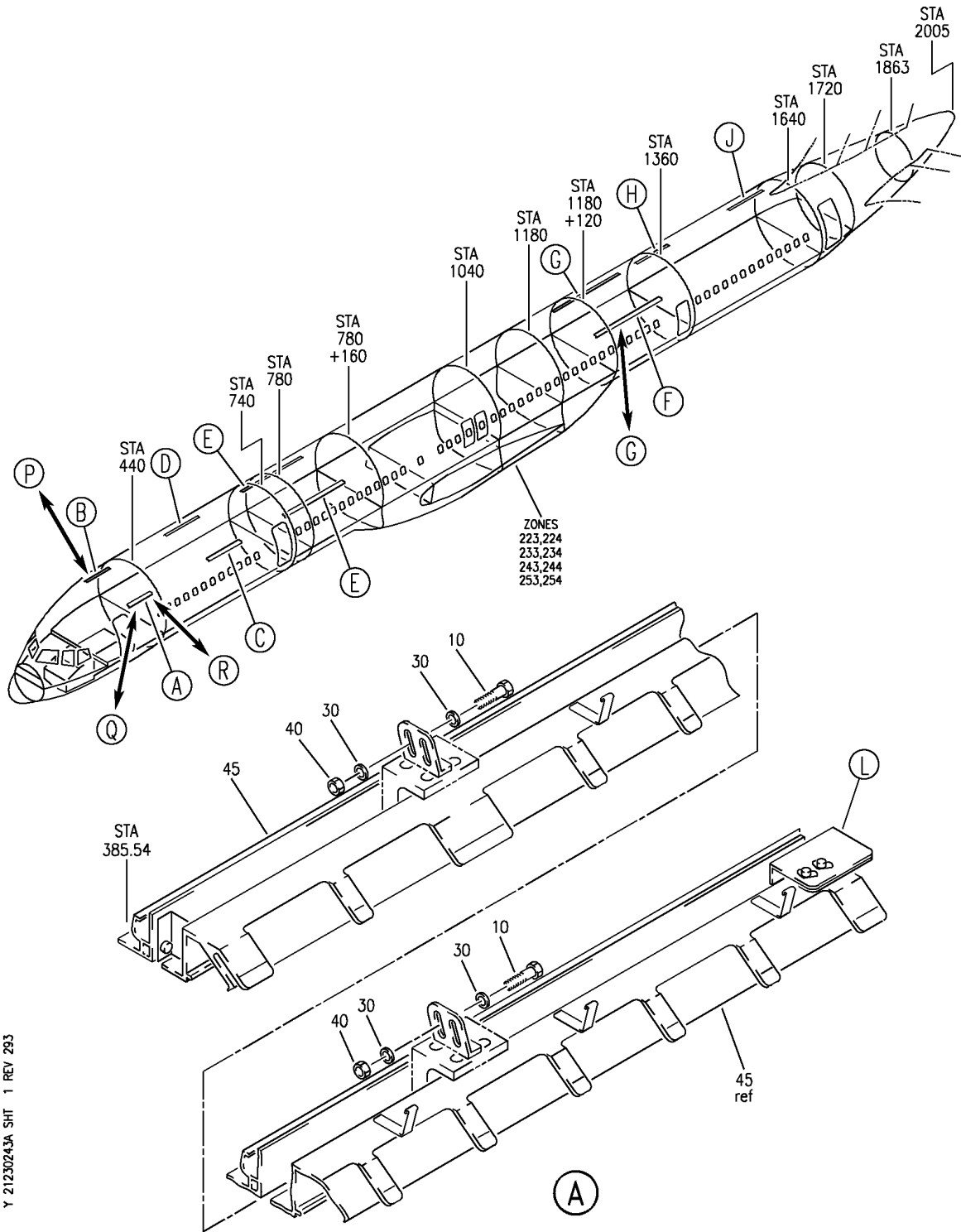
- ITEM NOT ILLUSTRATED

21-23-02-43

21-23-02
FIG. 43
PAGE 3
JAN 20/09

BRI

BOEING
757
PARTS CATALOG (MAINTENANCE)



Y 21230243A SHT 1 REV 293

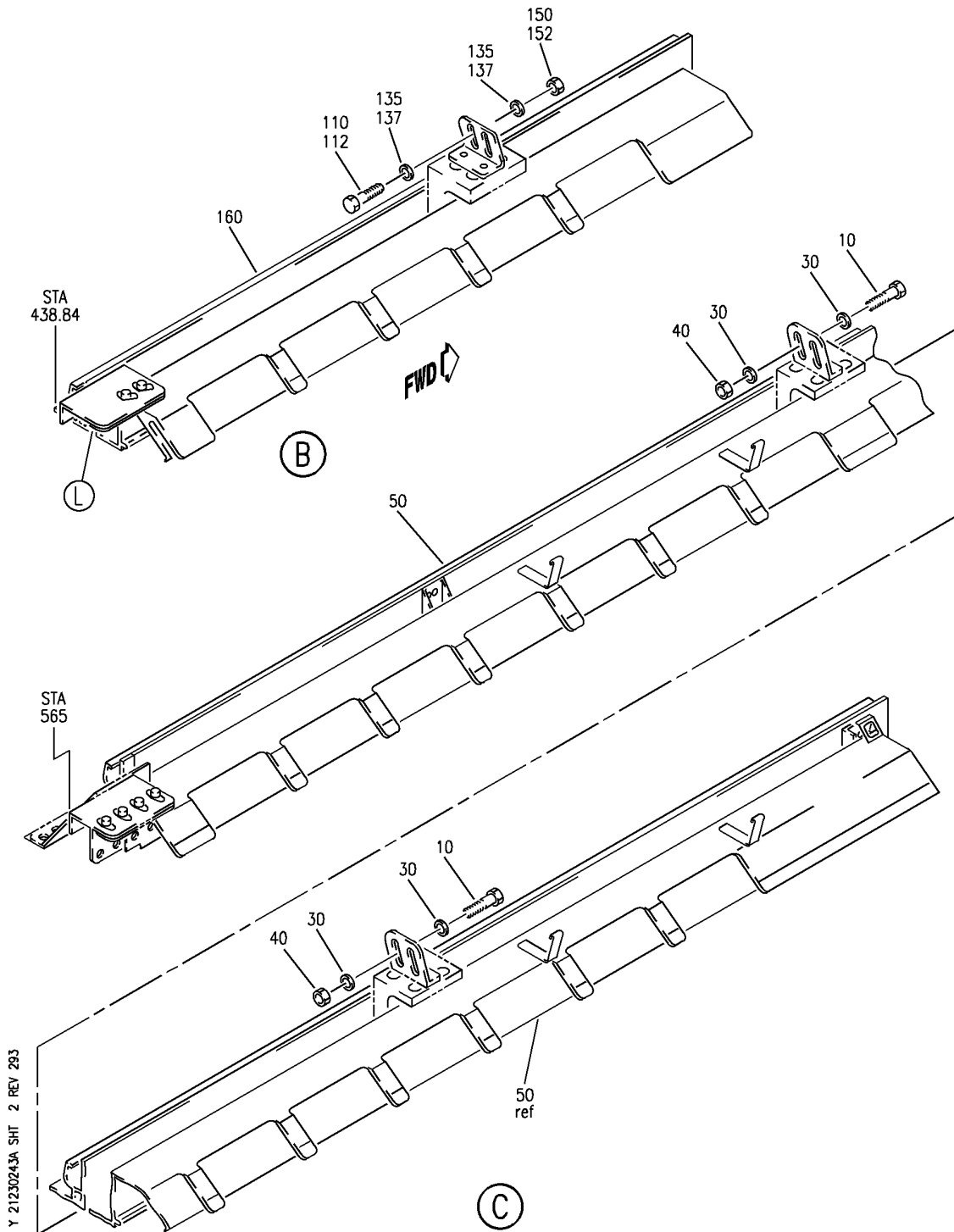
EXTRUSION INSTL
FIGURE 43A (SHEET 1)

21-23-02-43A

BRI
JAN 20/09

21-23-02-43A
PAGE 0

BOEING
757
PARTS CATALOG (MAINTENANCE)



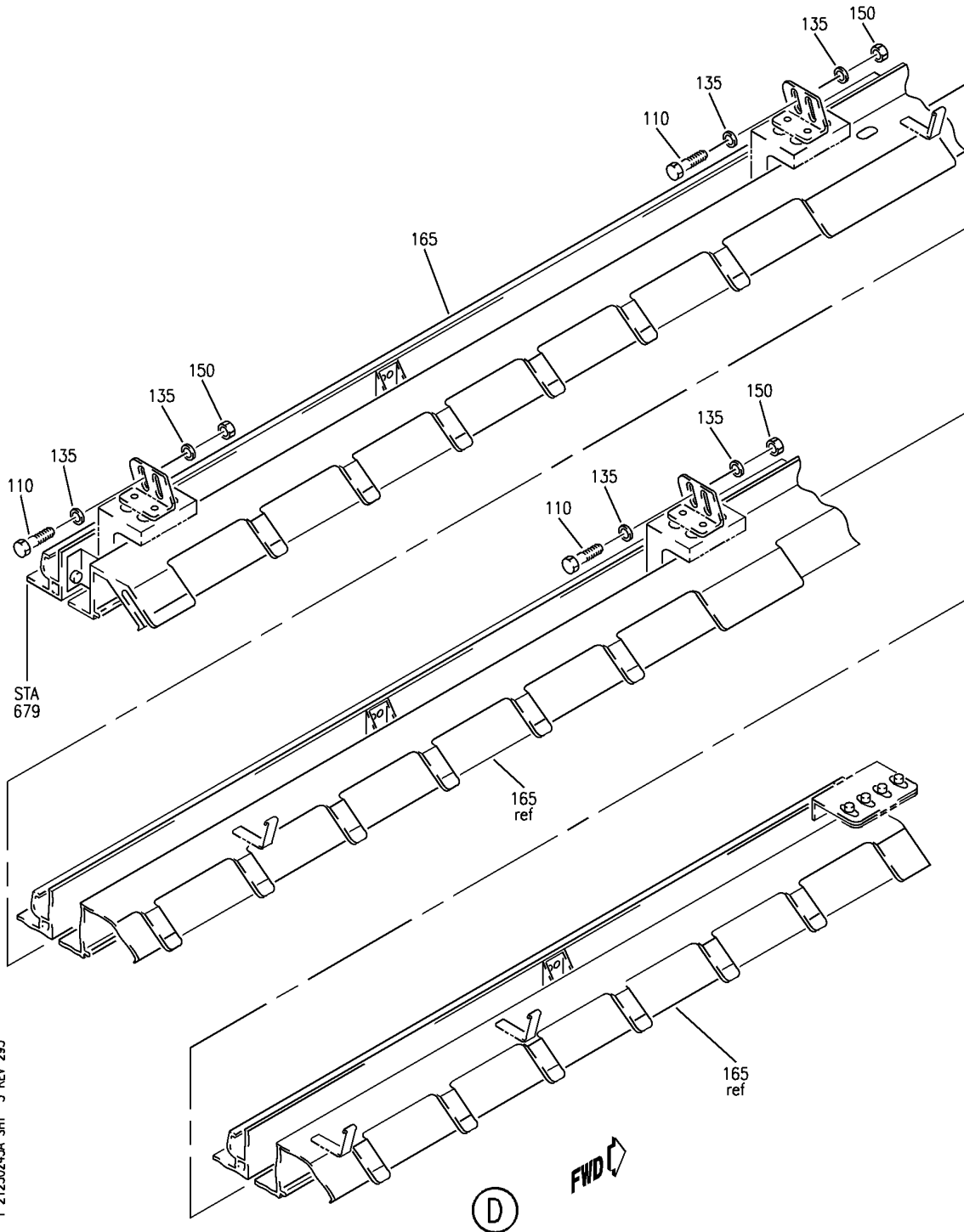
EXTRUSION INSTL
FIGURE 43A (SHEET 2)

21-23-02-43A

BRI
JAN 20/09

21-23-02-43A
PAGE 0A

BOEING
757
PARTS CATALOG (MAINTENANCE)



Y 21230243A SH1 3 REV 295

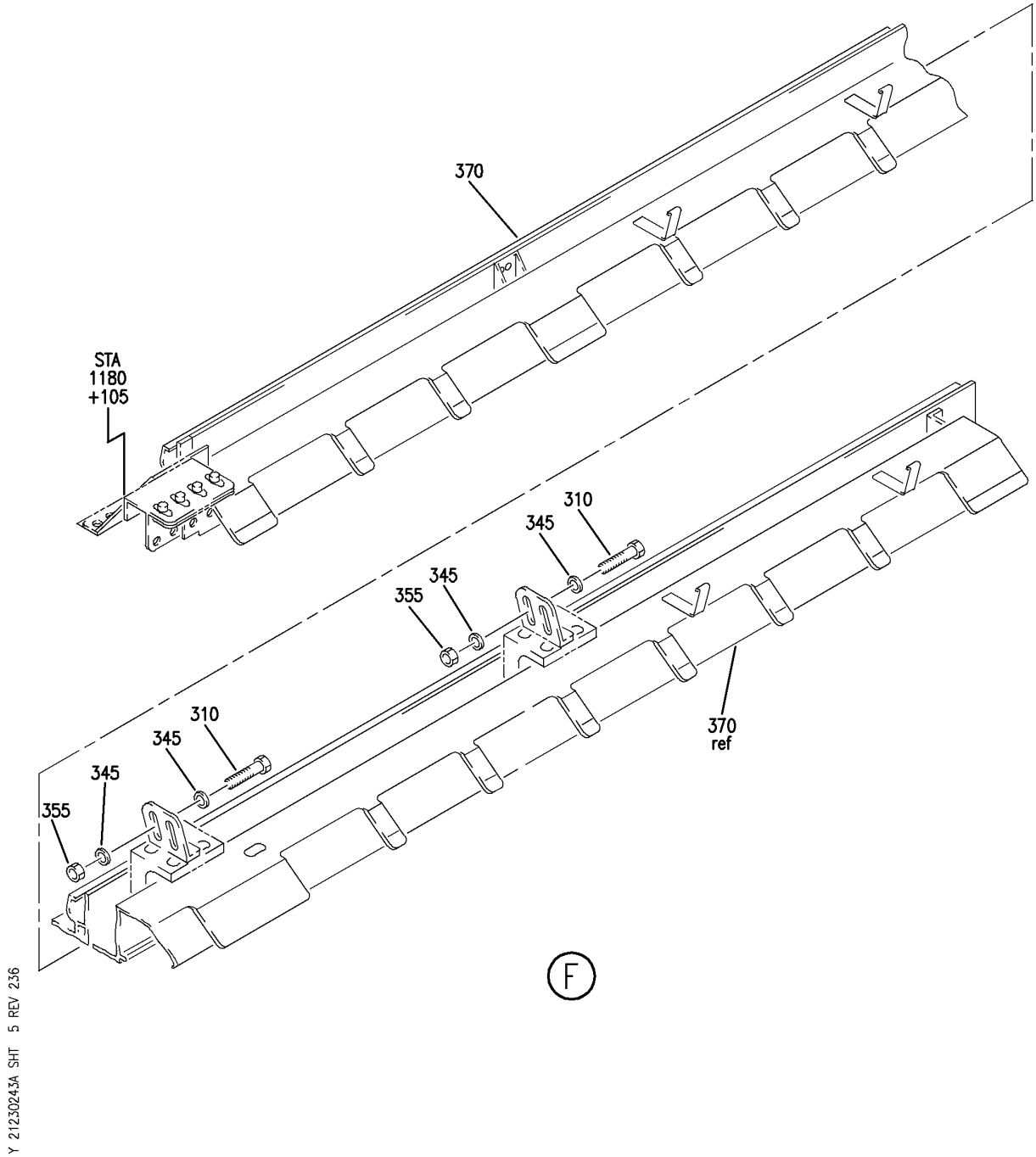
EXTRUSION INSTL
FIGURE 43A (SHEET 3)

21-23-02-43A

BRI
JAN 20/09

21-23-02-43A
PAGE 0B

BOEING
757
PARTS CATALOG (MAINTENANCE)



Y 21230243A SHT 5 REV 236

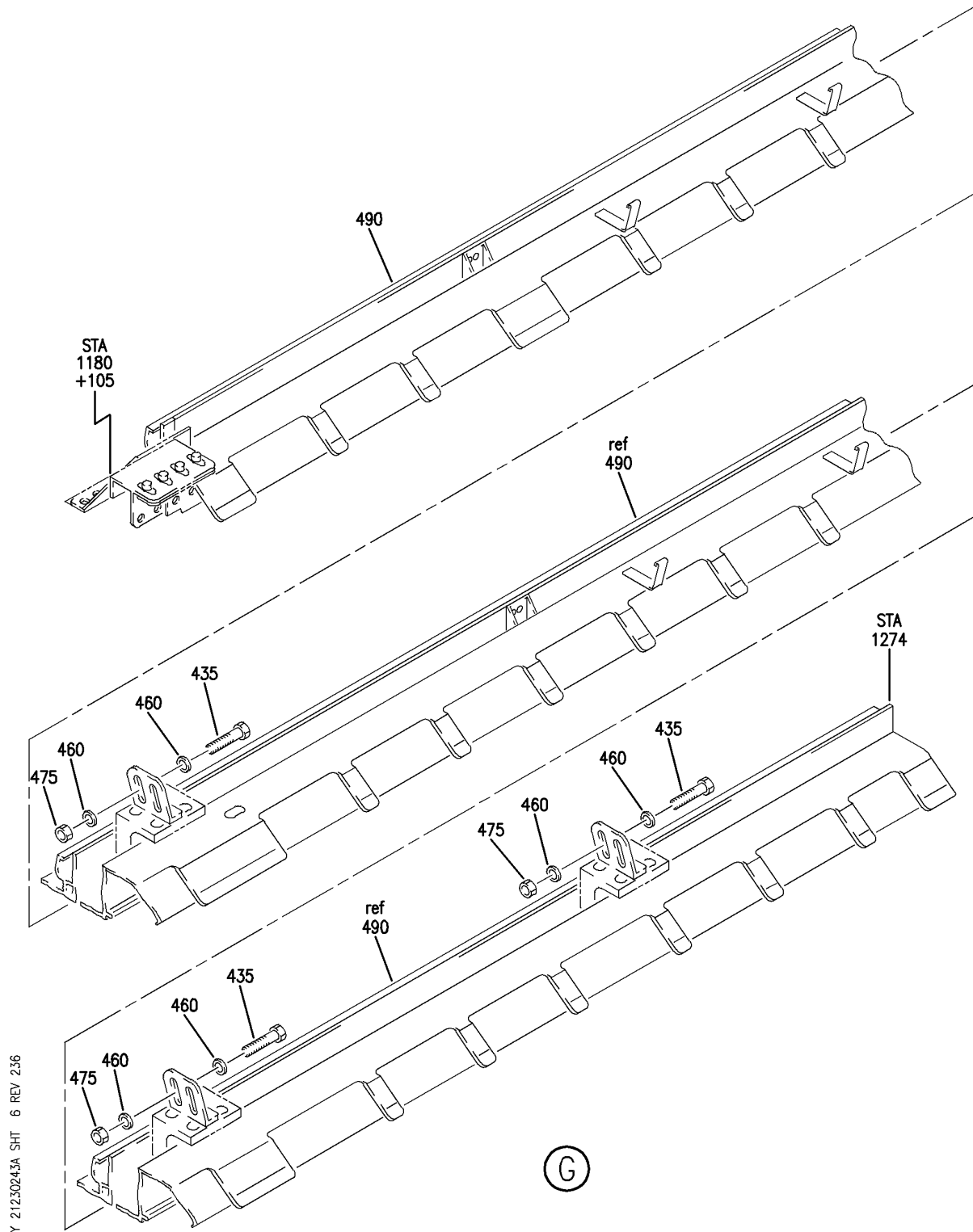
EXTRUSION INSTL
FIGURE 43A (SHEET 5)

21-23-02-43A

BRI
JAN 20/09

21-23-02-43A
PAGE 0D

BOEING
757
PARTS CATALOG (MAINTENANCE)



Y 21230243A SHT 6 REV 236

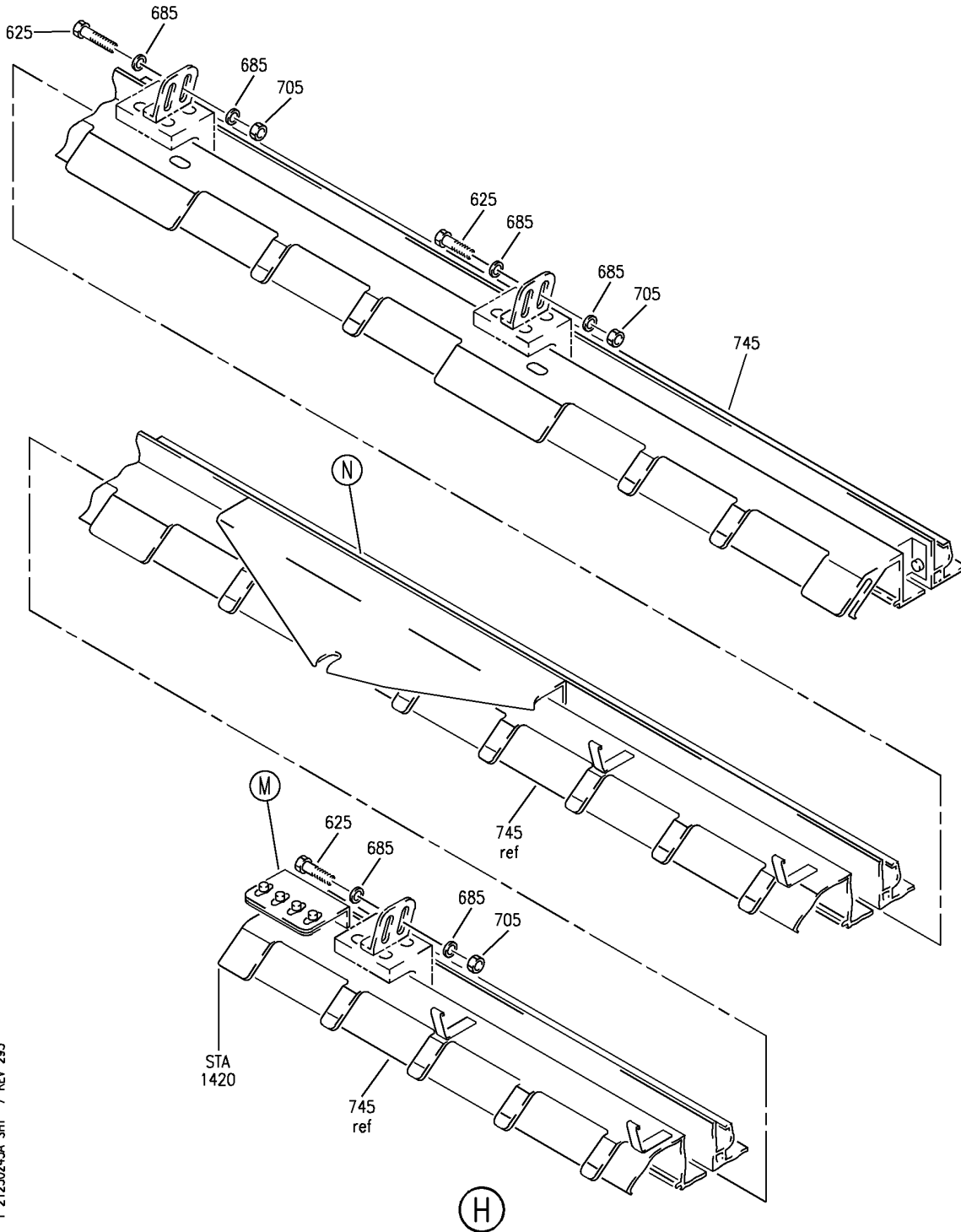
EXTRUSION INSTL
FIGURE 43A (SHEET 6)

21-23-02-43A

BRI
JAN 20/09

21-23-02-43A
PAGE 0E


BOEING
 757
PARTS CATALOG (MAINTENANCE)

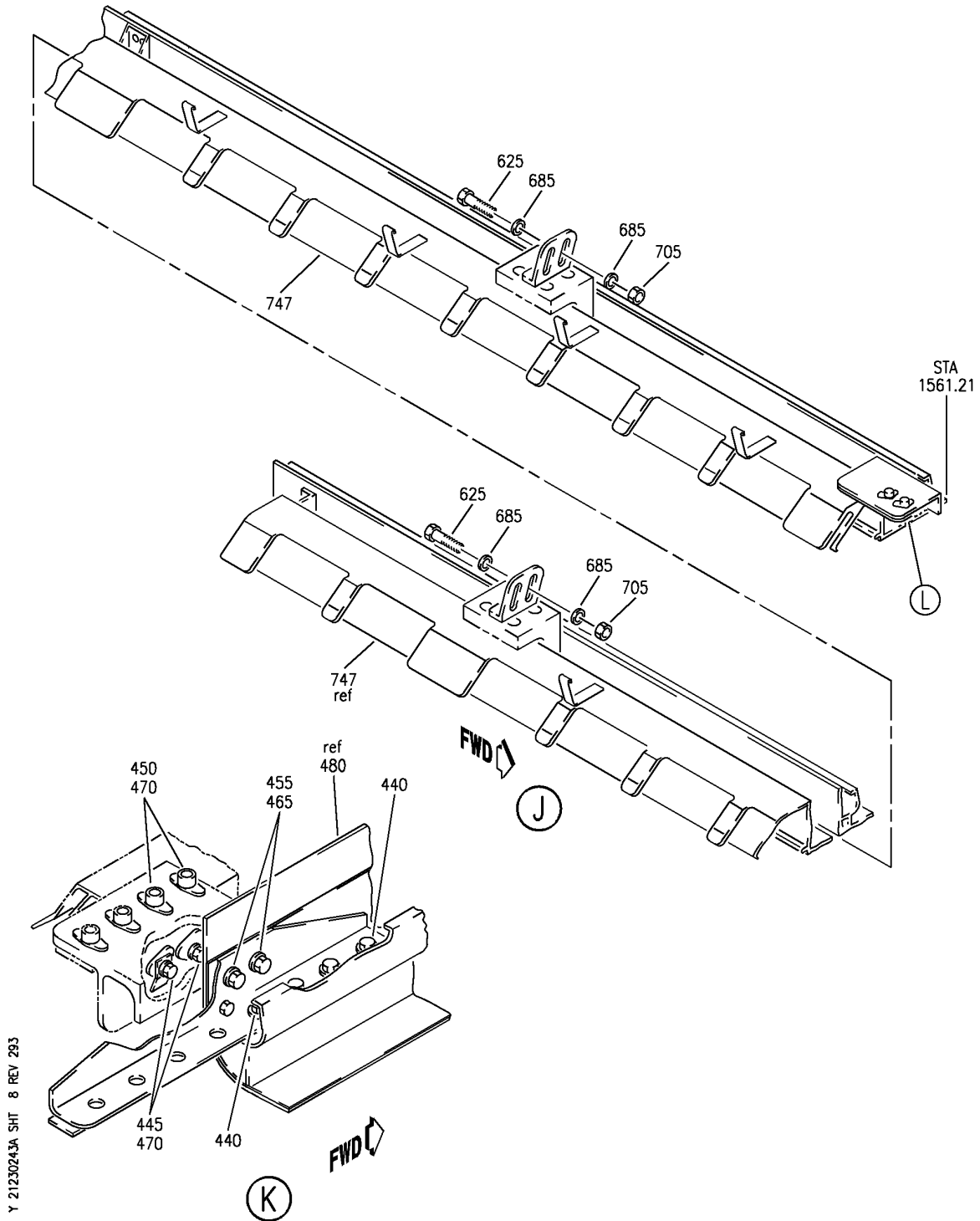


Y 21230243A SHT 7 REV 293

EXTRUSION INSTL
 FIGURE 43A (SHEET 7)

21-23-02-43A

BOEING
757
PARTS CATALOG (MAINTENANCE)



Y 21230243A SHIT 8 REV 293

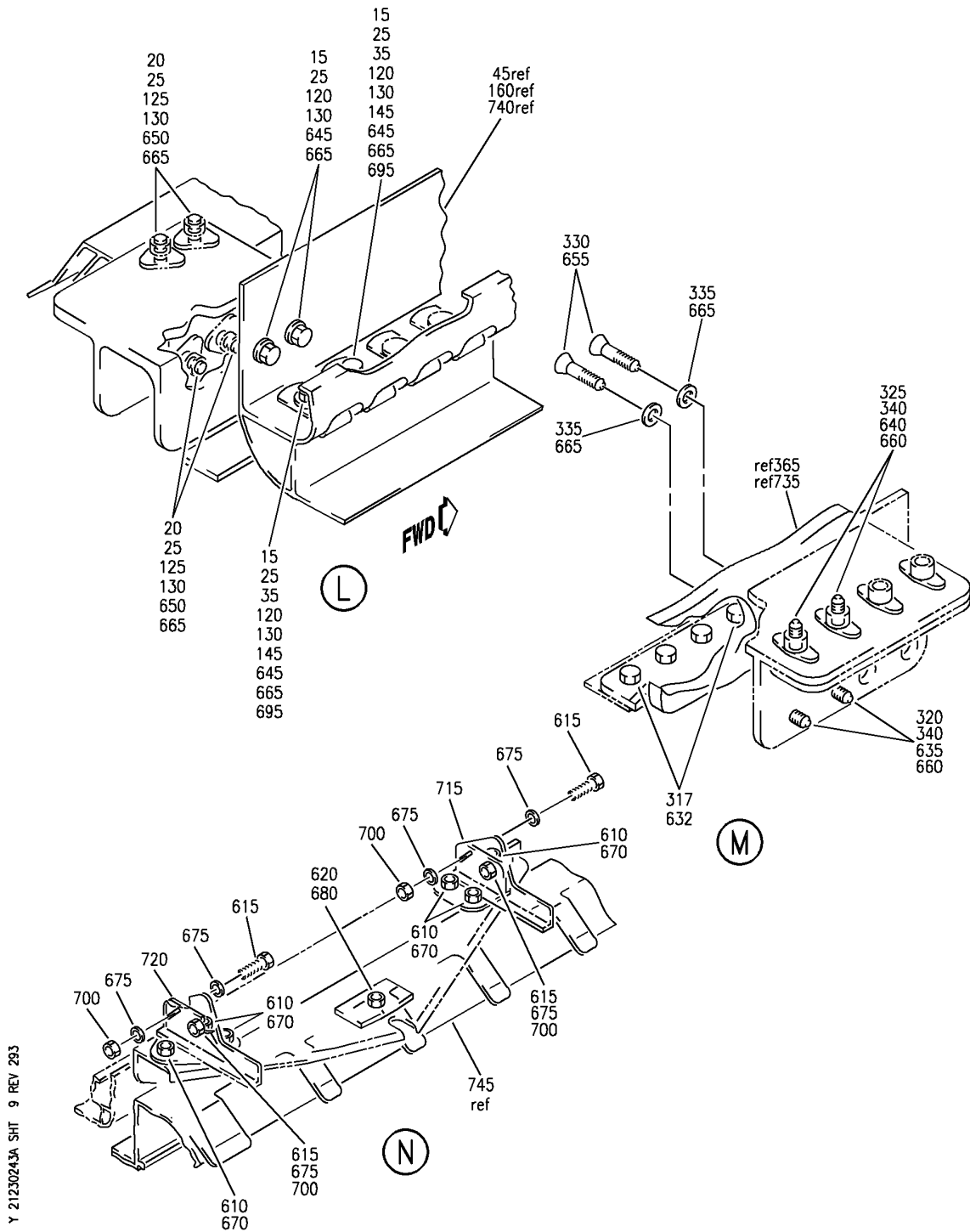
EXTRUSION INSTL
FIGURE 43A (SHEET 8)

21-23-02-43A

BRI
JAN 20/09

21-23-02-43A
PAGE 0G


BOEING
 757
PARTS CATALOG (MAINTENANCE)



Y 21230243A SHT 9 REV 293

EXTRUSION INSTL
FIGURE 43A (SHEET 9)

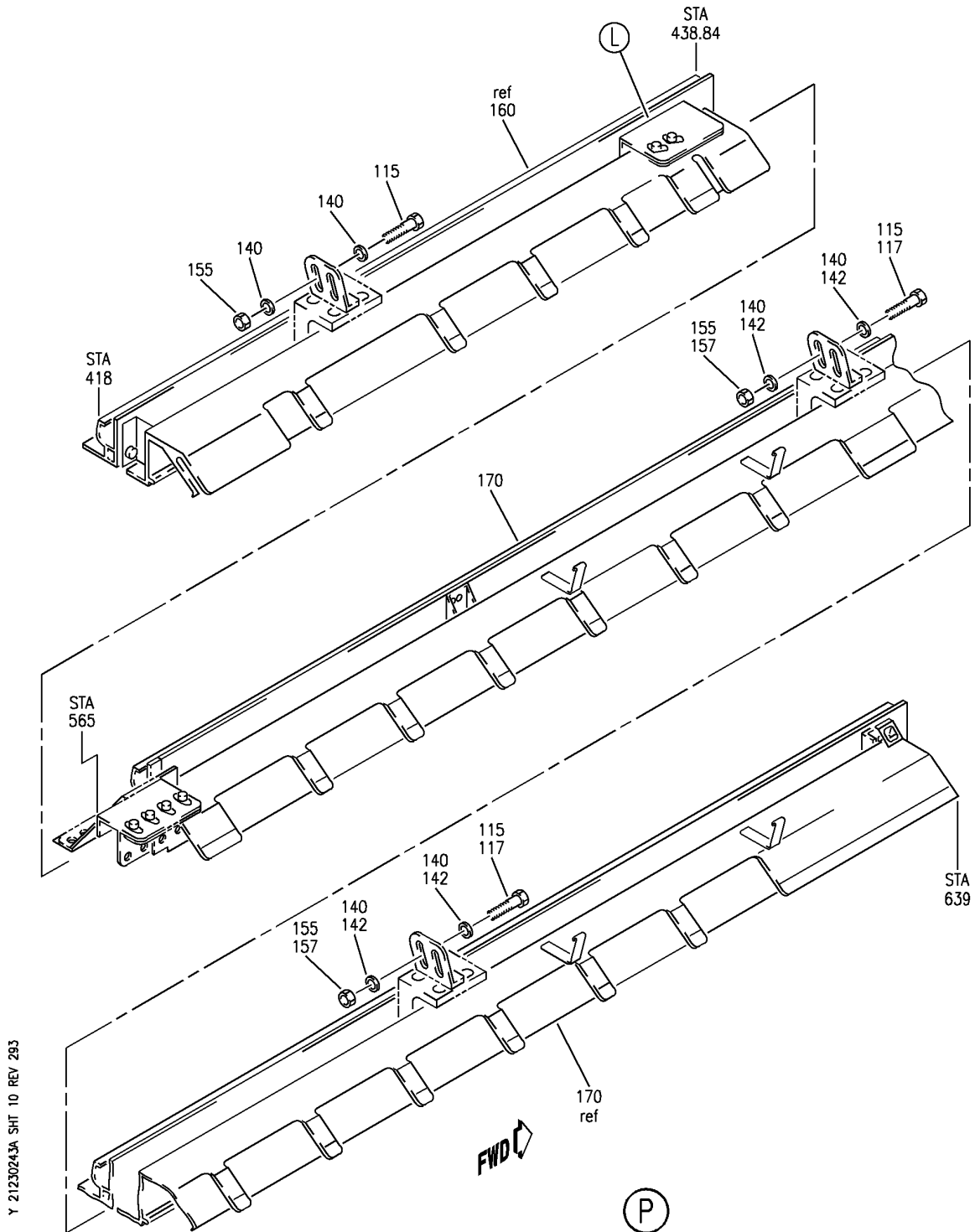
21-23-02-43A

BRI
JAN 20/09

21-23-02-43A
PAGE 0H

BOEING PROPRIETARY - Copyright © - Unpublished Work - See title page for details.

BOEING
757
PARTS CATALOG (MAINTENANCE)



Y 21230243A SHT 10 REV 293

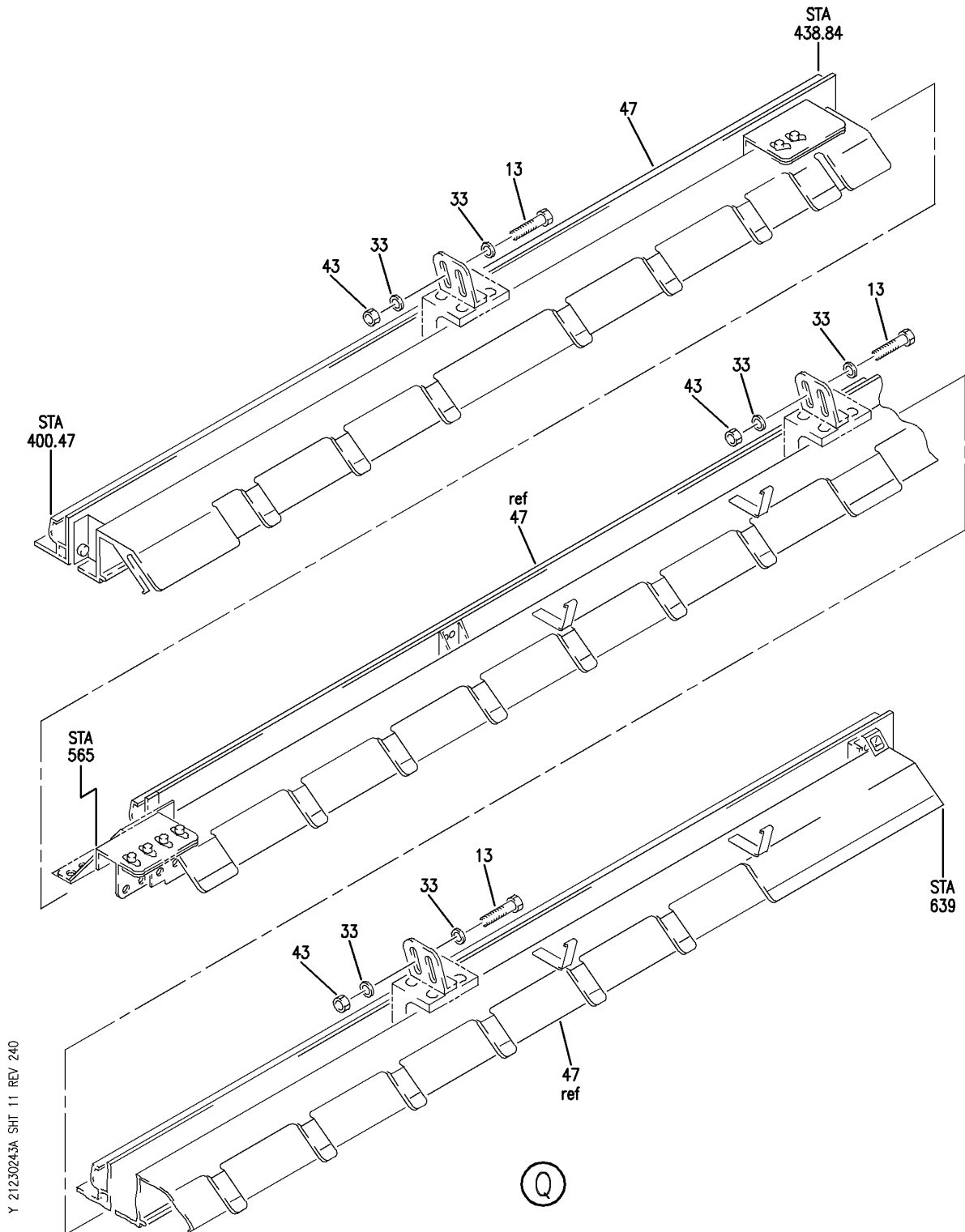
EXTRUSION INSTL
FIGURE 43A (SHEET 10)

21-23-02-43A

BRI
JAN 20/09

21-23-02-43A
PAGE 01

BOEING
757
PARTS CATALOG (MAINTENANCE)



Y 21230243A SHT 11 REV 240

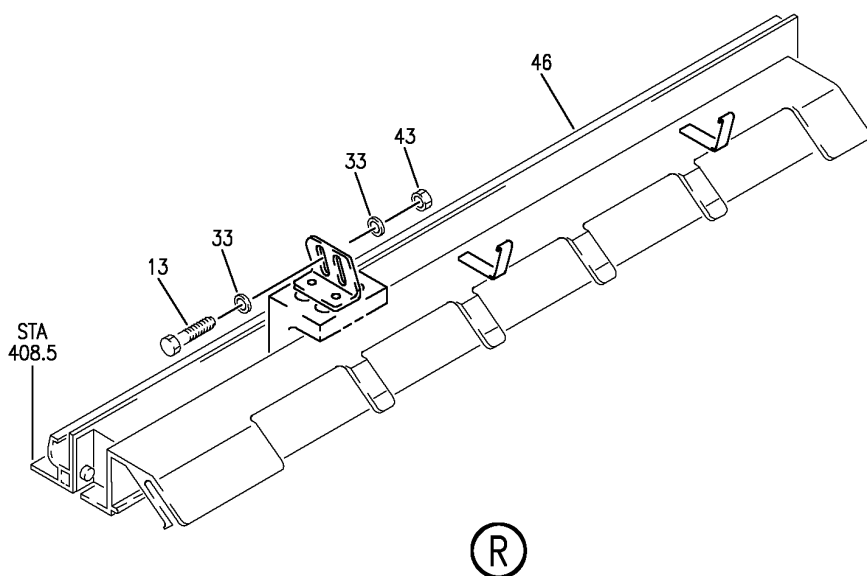
EXTRUSION INSTL
FIGURE 43A (SHEET 11)

21-23-02-43A

BRI
JAN 20/09

21-23-02-43A
PAGE 0J

BOEING
757
PARTS CATALOG (MAINTENANCE)



Y 21230243A SHT 12 REV 255

EXTRUSION INSTL
FIGURE 43A (SHEET 12)

21-23-02-43A

BRI
JAN 20/09

21-23-02-43A
PAGE 0K



757

PARTS CATALOG (MAINTENANCE)

| FIG ITEM | PART NUMBER | 1 2 3 4 5 6 7 | NOMENCLATURE | EFFECT FROM TO | UNITS PER ASSY |
|----------|---------------|---------------|---|------------------|----------------|
| 43A | | | | | |
| - 605 | MODREF16121 | | EXTRUSION INSTL EXTRUSION INSTL- MODULE NUMBER: 412N3001-3803B REV A POSITION DATA: AFT RH | 103106 103103 | 1 |
| - 605 | MODREF29729 | | EXTRUSION INSTL- MODULE NUMBER: 412N3001-3803B REV B POSITION DATA: AFT RH | 104106 | 1 |
| 610 | BACB30NM3K4 | | .BOLT | 103106 | 6 |
| 615 | BACB30NM3K5 | | .BOLT | 103106 | 4 |
| 620 | BACB30NR6K5 | | .BOLT- OPTIONAL PART: NAS6606-5 | 103106 | 1 |
| 620 | NAS6606-5 | | .BOLT- OPTIONAL PART: BACB30NR6K5 | 103106 | 1 |
| 625 | BACB30NR4K5 | | .BOLT | 103106 | 10 |
| 633 | BACB30LU2-2 | | .BOLT | 103106 | 4 |
| 635 | BACS12ER08K8 | | .SCREW- OPTIONAL PART: NAS514P832-8 | 103106 | 2 |
| 635 | NAS514P832-8 | | .SCREW- OPTIONAL PART: BACS12ER08K8 | 103106 | 2 |
| 640 | BACS12ER08K9 | | .SCREW | 103106 | 2 |
| 645 | BACS12GU08K7 | | .SCREW- OPTIONAL PART: NAS1801-08-7 | 103106 | 4 |
| 645 | NAS1801-08-7 | | .SCREW- OPTIONAL PART: BACS12GU08K7 | 103106 | 4 |
| 650 | BACS12GU08K8 | | .SCREW- OPTIONAL PART: NAS1801-08-8 | 103106 | 4 |
| 650 | NAS1801-08-8 | | .SCREW- OPTIONAL PART: BACS12GU08K8 | 103106 | 4 |
| 655 | BACS12GU08K9 | | .SCREW | 103106 | 2 |
| 660 | BACW10DM5P | | .WASHER | 103106 | 4 |
| 665 | NAS1149DN816J | | .WASHER | 103106 | 10 |
| 670 | NAS1149D0332J | | .WASHER | 103106 | 6 |
| 675 | NAS1149D0363J | | .WASHER | 103106 | 8 |
| 680 | NAS1149D0616L | | .WASHER | 103106 | 1 |
| 685 | NAS1149E0463P | | .WASHER | 103106 | 20 |

MISSING ITEM NUMBERS NOT APPLICABLE

- ITEM NOT ILLUSTRATED

21-23-02-43A

21-23-02
FIG. 43A
PAGE 1
JAN 20/09

BRI



757

PARTS CATALOG (MAINTENANCE)

| FIG ITEM | PART NUMBER | 1 2 3 4 5 6 7 | NOMENCLATURE | EFFECT FROM TO | UNITS PER ASSY |
|------------|----------------|---------------|---|----------------|----------------|
| 43A 695 | 130008 | .NUT | SUPPLIER CODE: V60119 SPECIFICATION NUMBER: BACN10FX84 OPTIONAL PART: RM52LHA4972-6-8 V72962 SL211-08-1 V97393 A11330-6-82 V72962 A4972-6-82 V72962 | 103106 | 2 |
| 700 | PLH53CD | .NUT | SUPPLIER CODE: VF0224 SPECIFICATION NUMBER: BACN10YR3CD OPTIONAL PART: H52732-3CD V15653 | 103106 | 4 |
| 705 | PLH54CD | .NUT | SUPPLIER CODE: VF0224 SPECIFICATION NUMBER: BACN10YR4CD OPTIONAL PART: H52732-4CD V15653 | 103106 | 10 |
| 725 | 412N2004-90 | .BRACKET | | 103106 | 1 |
| 730 | 412N2004-91 | .BRACKET | | 103106 | 1 |
| 745 | 412N3103-3024E | .OUTLET ASSY- | FOR DETAILS SEE: 21-23-02-45H | 103106 | 1 |
| 747 | 412N3103-3028B | .OUTLET ASSY- | FOR DETAILS SEE: 21-23-02-45H | 103106 | 1 |

MISSING ITEM NUMBERS NOT APPLICABLE

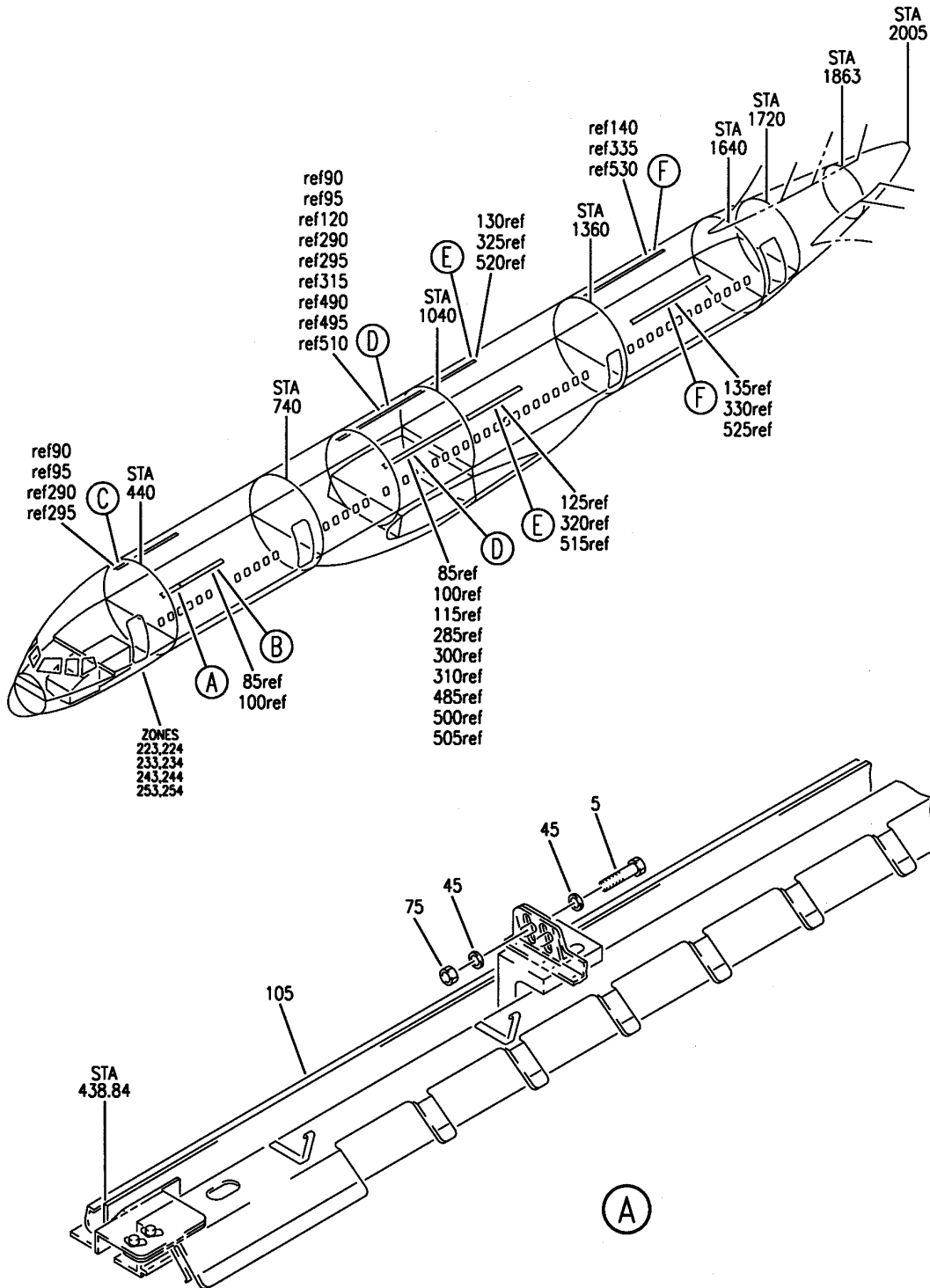
- ITEM NOT ILLUSTRATED

21-23-02-43A

21-23-02
FIG. 43A
PAGE 2
JAN 20/09

BRI

BOEING
757
PARTS CATALOG (MAINTENANCE)



Y 21230243C SHT 1 REV 211

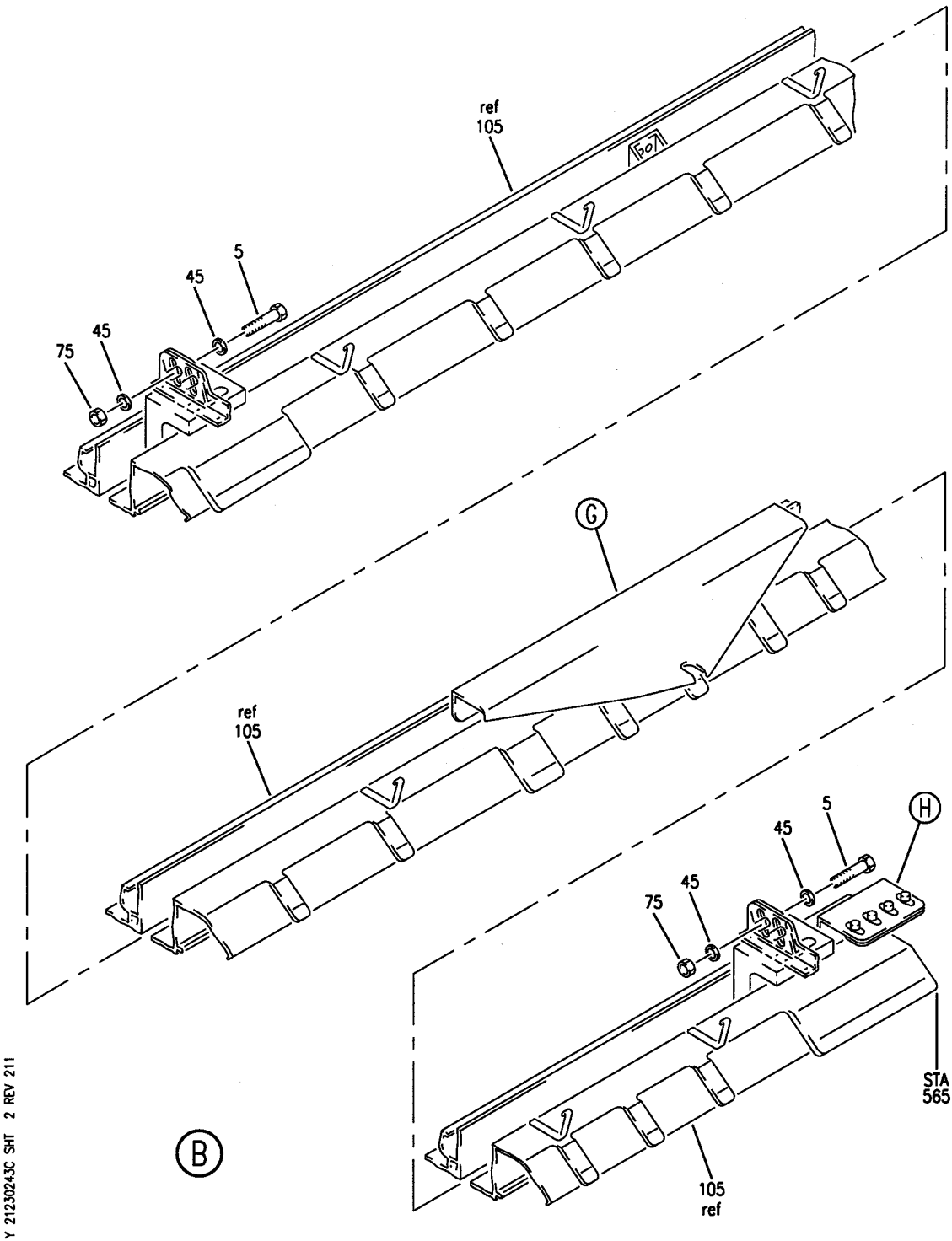
EXTRUSION INSTL-AIR CONDITIONING OUTLET SIDEWALL (NON VARIABLE)
FIGURE 43C (SHEET 1)

21-23-02-43C

BRI
MAY 28/07

21-23-02-43C
PAGE 0

BOEING
757
PARTS CATALOG (MAINTENANCE)



Y 21230243C SHT 2 REV 211

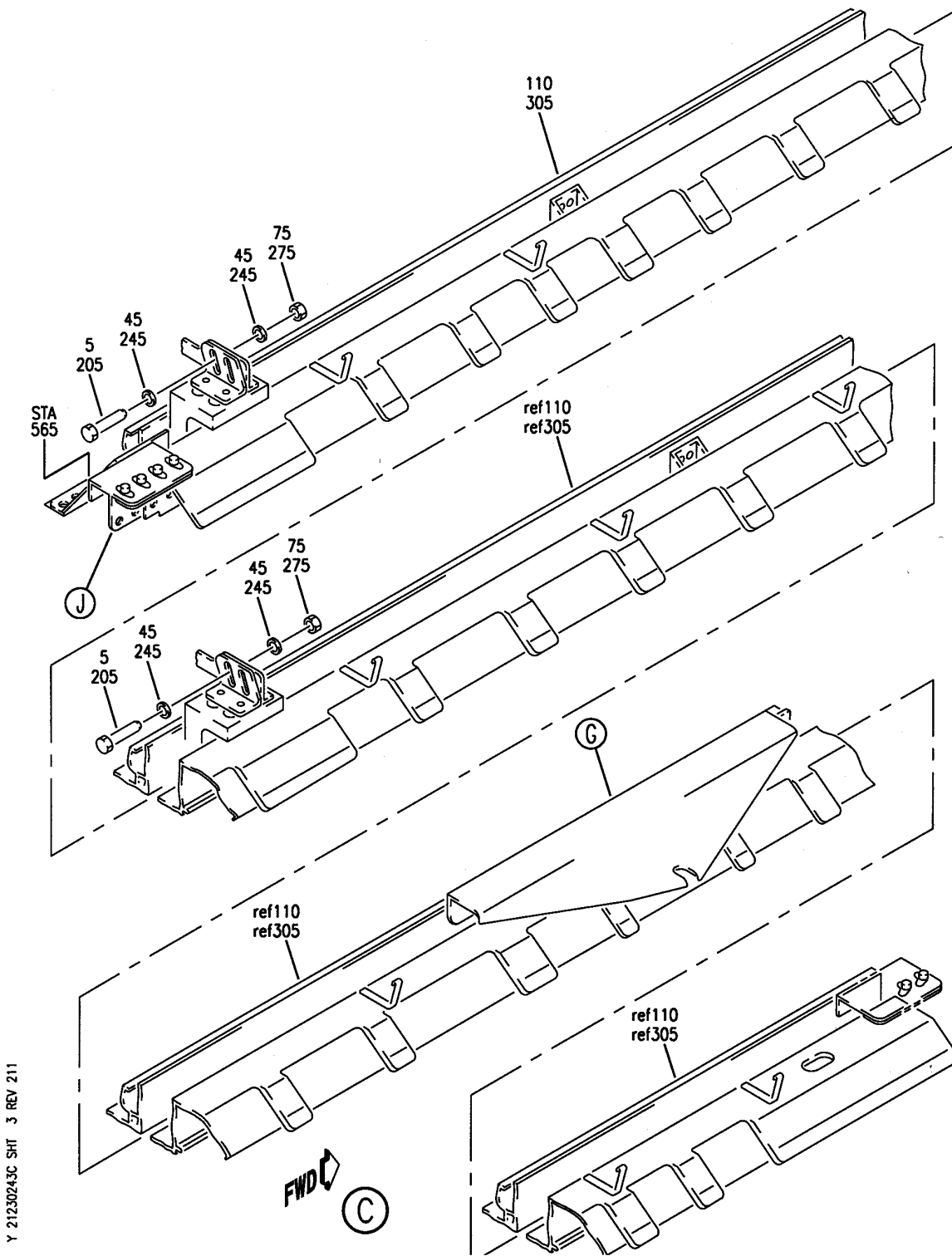
EXTRUSION INSTL-AIR CONDITIONING OUTLET SIDEWALL (NON VARIABLE)
FIGURE 43C (SHEET 2)

BRI
MAY 28/07

21-23-02-43C

21-23-02-43C
PAGE 0A

BOEING
757
PARTS CATALOG (MAINTENANCE)



Y 21230243C SHT 3 REV 211

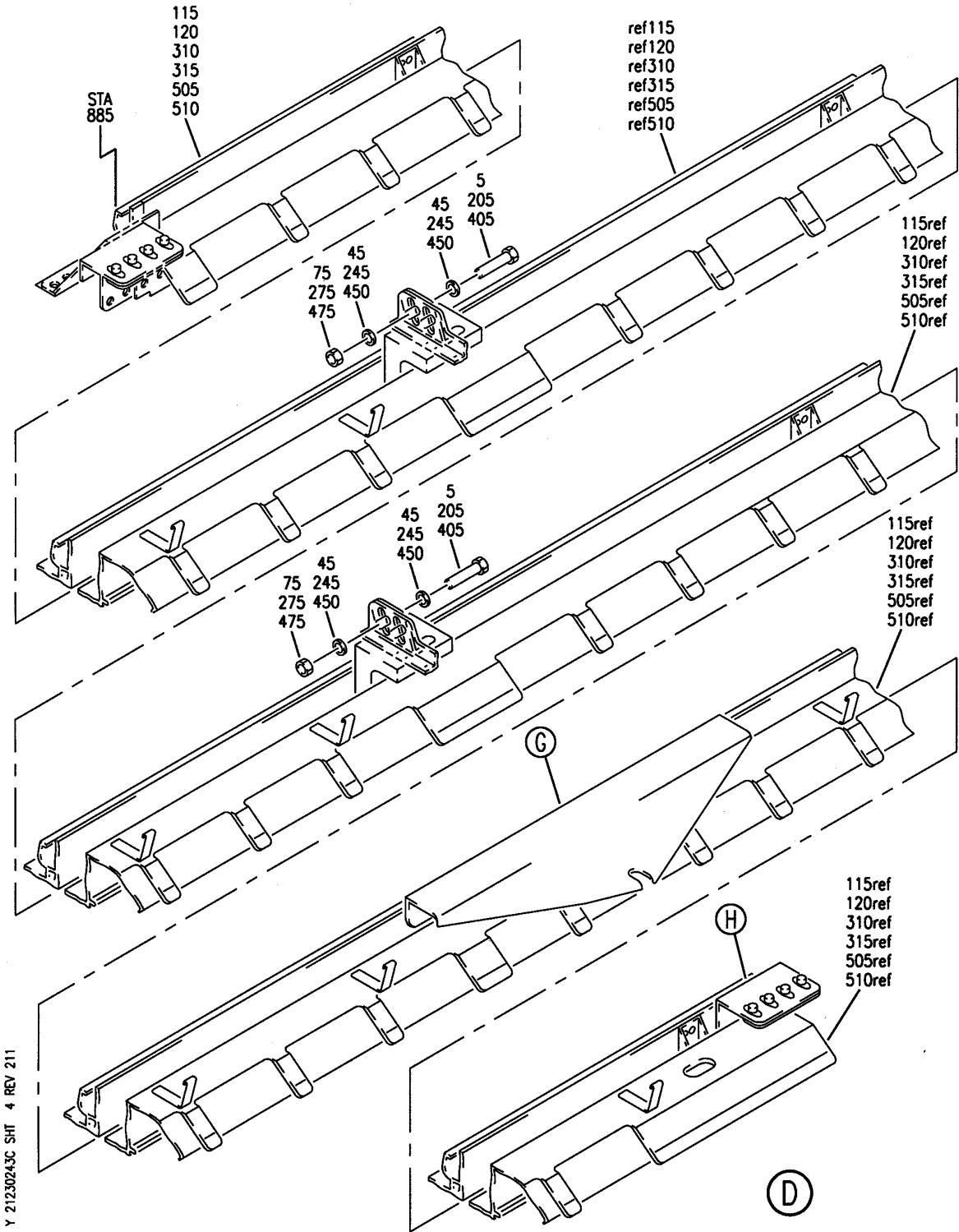
EXTRUSION INSTL-AIR CONDITIONING OUTLET SIDEWALL (NON VARIABLE)
FIGURE 43C (SHEET 3)

21-23-02-43C

BRI
MAY 28/07

21-23-02-43C
PAGE 0B

BOEING
757
PARTS CATALOG (MAINTENANCE)



Y 21230243C SHT 4 REV 211

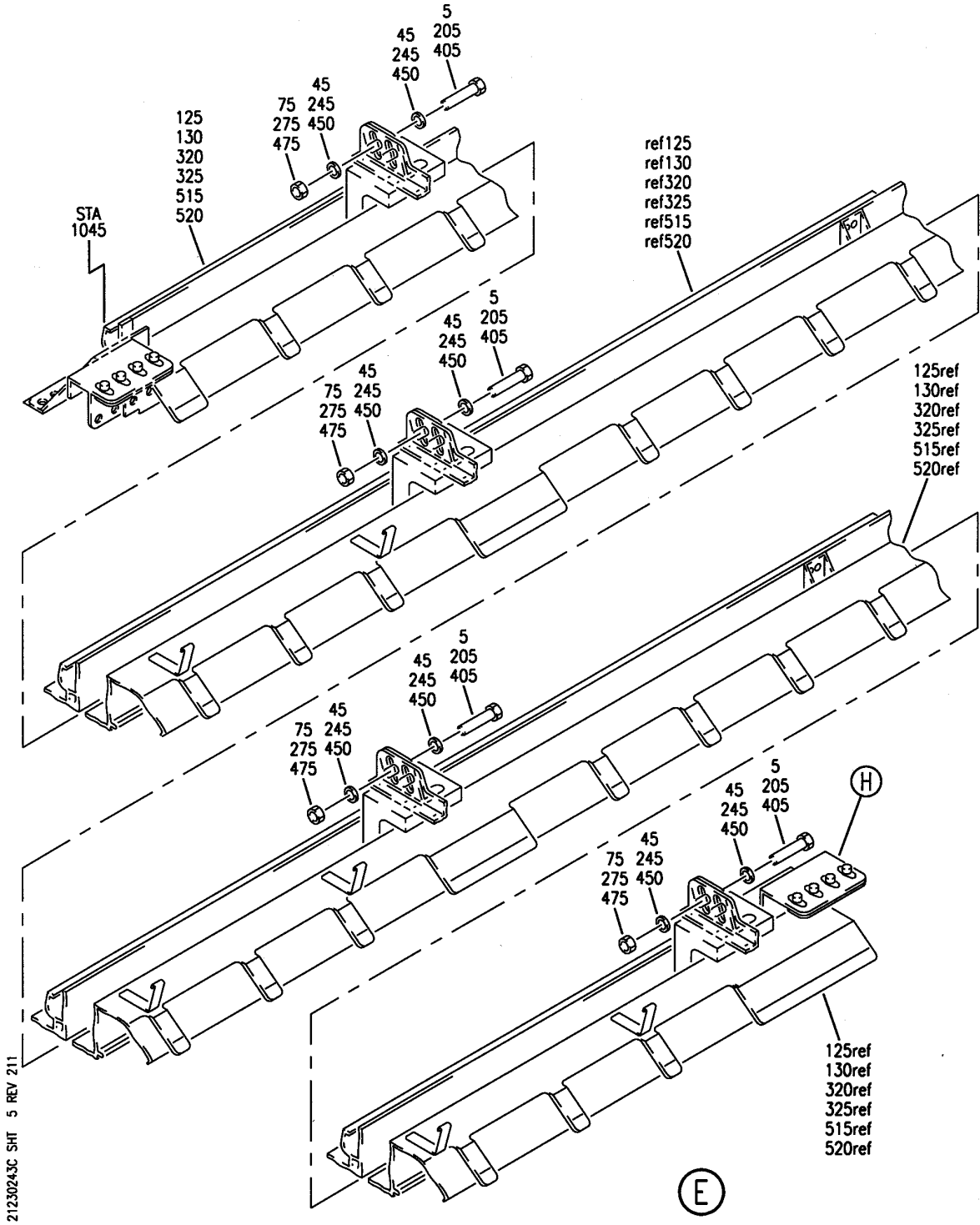
EXTRUSION INSTL-AIR CONDITIONING OUTLET SIDEWALL (NON VARIABLE)
FIGURE 43C (SHEET 4)

21-23-02-43C

BRI
MAY 28/07

21-23-02-43C
PAGE 0C

BOEING
757
PARTS CATALOG (MAINTENANCE)



Y 21230243C SHT 5 REV 211

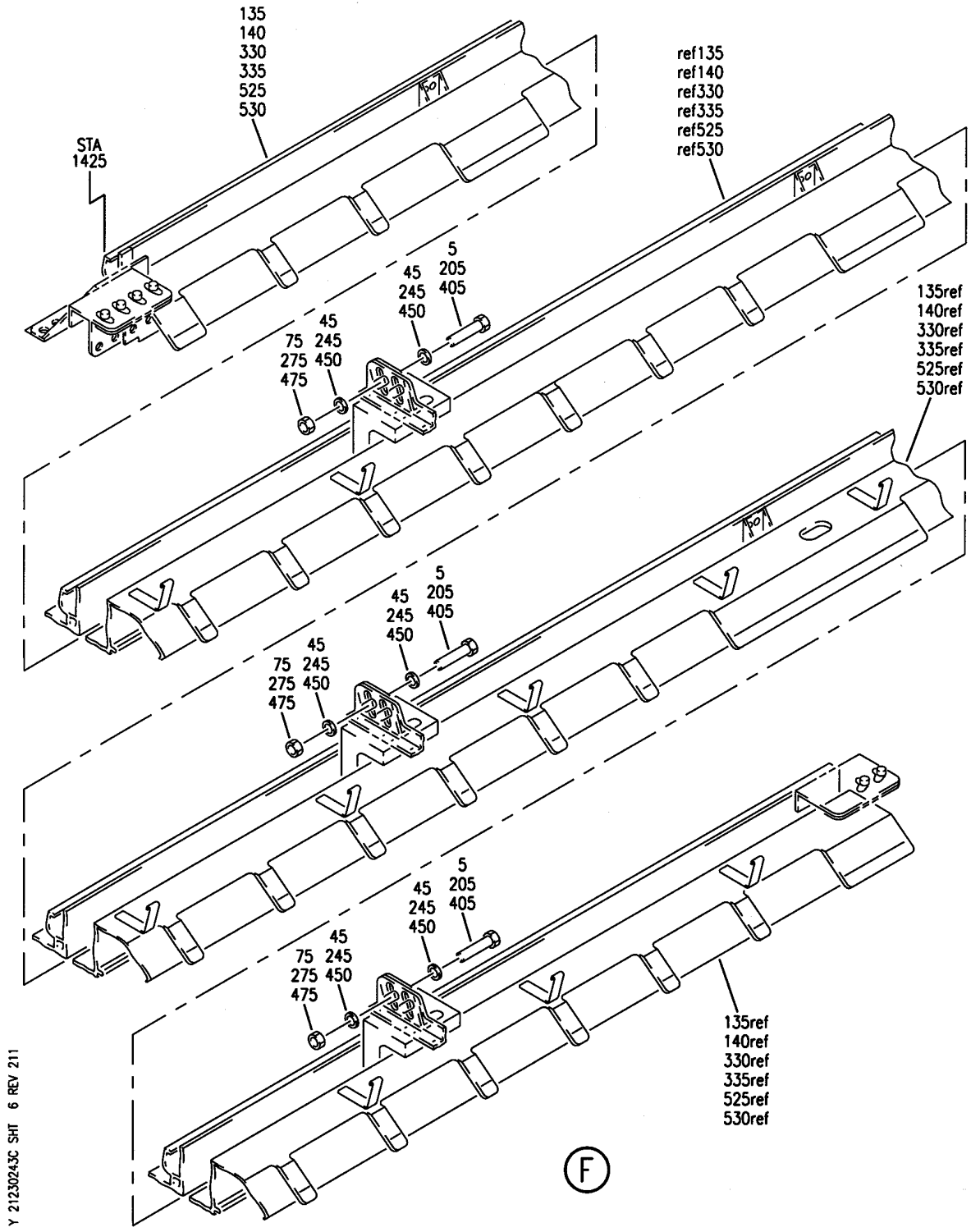
EXTRUSION INSTL-AIR CONDITIONING OUTLET SIDEWALL (NON VARIABLE)
FIGURE 43C (SHEET 5)

21-23-02-43C

BRI
MAY 28/07

21-23-02-43C
PAGE 0D

BOEING
757
PARTS CATALOG (MAINTENANCE)



Y 212302-43C SHT 6 REV 211

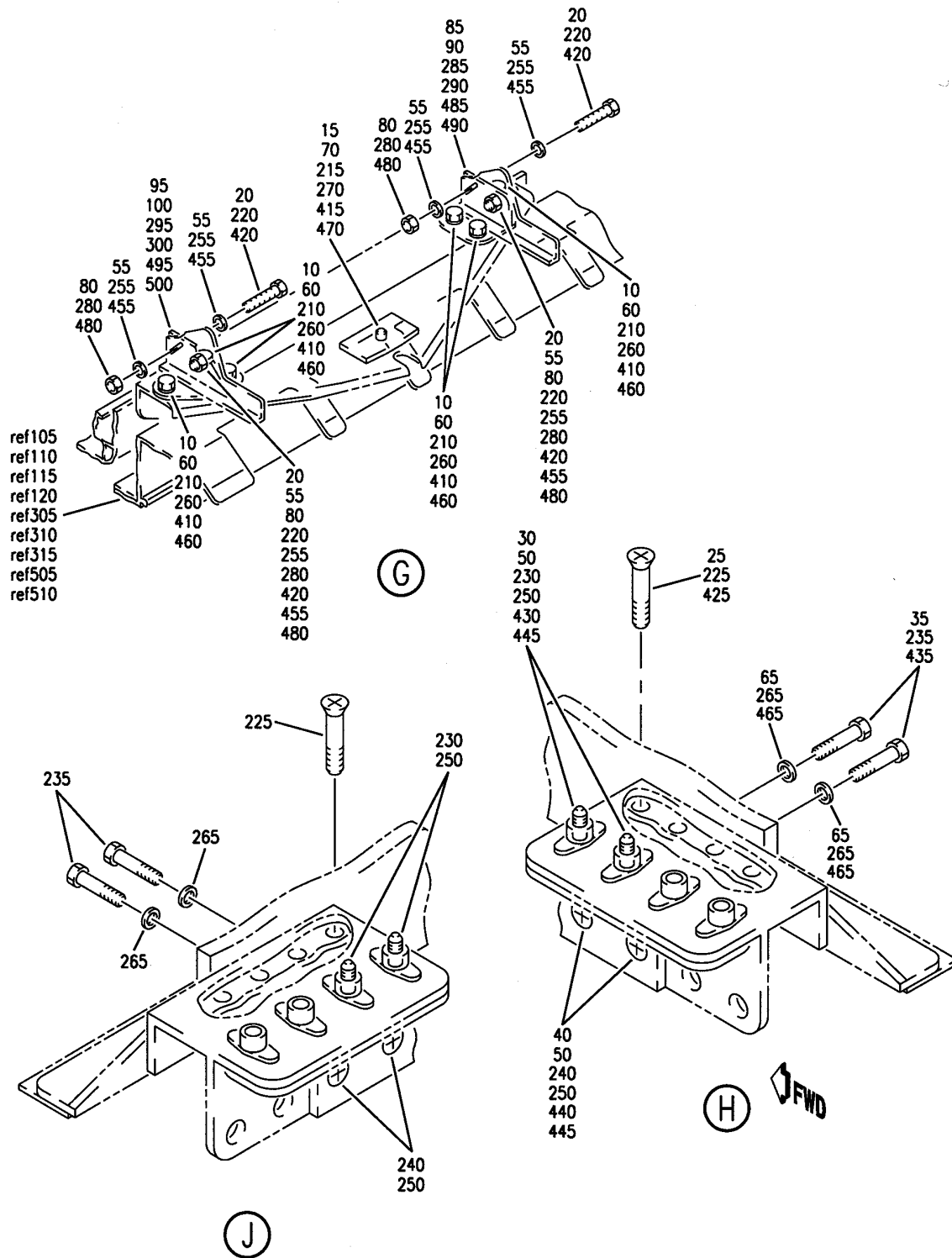
EXTRUSION INSTL-AIR CONDITIONING OUTLET SIDEWALL (NON VARIABLE)
FIGURE 43C (SHEET 6)

21-23-02-43C

BRI
MAY 28/07

21-23-02-43C
PAGE 0E

BOEING
757
PARTS CATALOG (MAINTENANCE)



Y 21230243C SHT 7 REV 211

EXTRUSION INSTL-AIR CONDITIONING OUTLET SIDEWALL (NON VARIABLE)
FIGURE 43C (SHEET 7)

21-23-02-43C

BRI
MAY 28/07

21-23-02-43C
PAGE OF

BOEING PROPRIETARY - Copyright © - Unpublished Work - See title page for details.



757

PARTS CATALOG (MAINTENANCE)

| FIG ITEM | PART NUMBER | 1 2 3 4 5 6 7 | NOMENCLATURE | EFFECT FROM TO | UNITS PER ASSY |
|----------|-----------------|---------------|--|--|----------------|
| 43C | | | EXTRUSION INSTL-AIR CONDITIONING OUTLET SIDEWALL (NON VARIABLE) | 006102 108120 504903 950951 953999 | |
| - 1 | 412N3001-602 | | EXTRUSION INSTL-AIR CONDITIONING OUTLET SIDEWALL FOR NHA SEE: 25-20-00-01G | 006100 950951 953999 | RF |
| - 1 | 412N3001-6000SP | | EXTRUSION INSTL-AIR CONDITIONING OUTLET SIDEWALL FOR NHA SEE: 25-20-00-07G | 101102 108120 | RF |
| 5 | BACB30NR4K5 | | .BOLT | 006102 108120 950951 953999 | 46 |
| 10 | BACB30NR3K4 | | .BOLT | 006102 108120 950951 953999 | 24 |
| 15 | BACB30NR6K5 | | .BOLT- OPTIONAL PART: NAS6606-5 | 006102 108120 950951 953999 | 4 |
| 15 | NAS6606-5 | | .BOLT- OPTIONAL PART: BACB30NR6K5 | 006102 108120 950951 953999 | 4 |
| 20 | BACB30NR3K5 | | .BOLT | 006102 108120 950951 953999 | 16 |
| 25 | BACB30LU2-2 | | .BOLT | 006102 108120 950951 953999 | 24 |
| 30 | BACS12ER08K8 | | .SCREW- OPTIONAL PART: NAS514P832-8 | 006102 108120 950951 953999 | 12 |
| 30 | NAS514P832-8 | | .SCREW- OPTIONAL PART: BACS12ER08K8 | 006102 108120 950951 953999 | 12 |

MISSING ITEM NUMBERS NOT APPLICABLE

- ITEM NOT ILLUSTRATED

21-23-02-43C

21-23-02
FIG. 43C
PAGE 1
JAN 20/09

BRI



757

PARTS CATALOG (MAINTENANCE)

| FIG ITEM | PART NUMBER | 1 2 3 4 5 6 7 | NOMENCLATURE | EFFECT FROM TO | UNITS PER ASSY |
|----------|---------------|---------------|--------------------------------|--------------------------------------|----------------|
| 43C | | | | | |
| 35 | BACS12GU08K7 | .SCREW- | OPTIONAL PART: NAS1801-08-7 | 006102 108120 950951 953999 | 12 |
| 35 | NAS1801-08-7 | .SCREW- | OPTIONAL PART: BACS12GU08K7 | 006102 108120 950951 953999 | 12 |
| 40 | BACS12ER08K7 | .SCREW- | OPTIONAL PART: NAS514P832-7 | 006102 108120 950951 953999 | 12 |
| 40 | NAS514P832-7 | .SCREW- | OPTIONAL PART: BACS12ER08K7 | 006102 108120 950951 953999 | 12 |
| 45 | BACW10P11AL | .WASHER | | 006100 950951 953999 | 92 |
| 45 | NAS1149E0463P | .WASHER | | 101102 108120 | 92 |
| 50 | BACW10DM5P | .WASHER | | 006102 108120 950951 953999 | 24 |
| 55 | BACW10P43AL | .WASHER | | 006100 950951 953999 | 32 |
| 55 | NAS1149D0363J | .WASHER | | 101102 108120 | 32 |
| 60 | NAS1149D0332J | .WASHER | | 006102 108120 950951 953999 | 24 |
| 65 | NAS1149DN816J | .WASHER- | | 006102 108120 950951 953999 | 12 |
| 70 | NAS1149D0616J | .WASHER | | 006102 108120 950951 953999 | 4 |
| 75 | MS21042L4 | .NUT | | 006100 950951 953999 | 46 |

MISSING ITEM NUMBERS NOT APPLICABLE

- ITEM NOT ILLUSTRATED

21-23-02-43C

21-23-02
FIG. 43C
PAGE 2
JAN 20/09

BRI

BOEING PROPRIETARY - Copyright © - Unpublished Work - See title page for details.



757

PARTS CATALOG (MAINTENANCE)

| FIG ITEM | PART NUMBER | 1 2 3 4 5 6 7 | NOMENCLATURE | EFFECT FROM TO | UNITS PER ASSY |
|-----------|-----------------|---------------|--|--------------------------------------|----------------|
| 43C 75 | PLH54CD | .NUT | SUPPLIER CODE: VF0224 SPECIFICATION NUMBER: BACN10YR4CD OPTIONAL PART: H52732-4CD V15653 | 101102 108120 | 46 |
| 80 | MS21042L3 | .NUT | | 006100 950951 953999 | 16 |
| 80 | PLH53CD | .NUT | SUPPLIER CODE: VF0224 SPECIFICATION NUMBER: BACN10YR3CD OPTIONAL PART: H52732-3CD V15653 | 101102 108120 | 16 |
| 85 | 412N2004-89 | .BRACKET | | 006102 108120 950951 953999 | 2 |
| 90 | 412N2004-90 | .BRACKET | | 006102 108120 950951 953999 | 2 |
| 95 | 412N2004-91 | .BRACKET | | 006102 108120 950951 953999 | 2 |
| 100 | 412N2004-92 | .BRACKET | | 006102 108120 950951 953999 | 2 |
| 105 | 412N3103-1079SP | .OUTLET ASSY- | FOR DETAILS SEE: 21-23-02-45K | 006102 108120 950951 953999 | 1 |
| 110 | 412N3103-1080SP | .OUTLET ASSY- | FOR DETAILS SEE: 21-23-02-45K | 006102 108120 950951 953999 | 1 |
| 115 | 412N3103-1107SP | .OUTLET ASSY- | FOR DETAILS SEE: 21-23-02-45J | 006100 950951 953999 | 1 |
| 115 | 412N3103-1307SP | .OUTLET ASSY- | FOR DETAILS SEE: 21-23-02-45J | 101102 108120 | 1 |

MISSING ITEM NUMBERS NOT APPLICABLE

- ITEM NOT ILLUSTRATED

21-23-02-43C

21-23-02
FIG. 43C
PAGE 3
JAN 20/09

BRI

BOEING PROPRIETARY - Copyright © - Unpublished Work - See title page for details.

 **BOEING**
757
PARTS CATALOG (MAINTENANCE)

| FIG ITEM | PART NUMBER | 1 2 3 4 5 6 7 | NOMENCLATURE | EFFECT FROM TO | UNITS PER ASSY |
|----------|-----------------|--|----------------------------------|--------------------------------------|----------------|
| 43C | | | | | |
| 120 | 412N3103-1108SP | .OUTLET ASSY- | FOR DETAILS SEE: 21-23-02-45J | 006100 950951 953999 | 1 |
| 120 | 412N3103-1308SP | .OUTLET ASSY- | FOR DETAILS SEE: 21-23-02-45J | 101102 108120 | 1 |
| 125 | 412N3103-1109SP | .OUTLET ASSY- | FOR DETAILS SEE: 21-23-02-45J | 006102 108120 950951 953999 | 1 |
| 130 | 412N3103-1110SP | .OUTLET ASSY- | FOR DETAILS SEE: 21-23-02-45J | 006102 108120 950951 953999 | 1 |
| 135 | 412N3103-1115SP | .OUTLET ASSY- | FOR DETAILS SEE: 21-23-02-45J | 006102 108120 950951 953999 | 1 |
| 140 | 412N3103-1116SP | .OUTLET ASSY- | FOR DETAILS SEE: 21-23-02-45J | 006102 108120 950951 953999 | 1 |
| - 200 | 412N3001-6001SP | EXTRUSION INSTL-AIR CONDITIONING OUTLET SIDEWALL FOR NHA SEE: 25-20-00-07G | | 504903 | RF |
| 205 | BACB30NR4K5 | .BOLT | | 504903 | 40 |
| 210 | BACB30NR3K4 | .BOLT | | 504903 | 18 |
| 215 | BACB30NR6K5 | .BOLT- | OPTIONAL PART: NAS6606-5 | 504903 | 3 |
| 215 | NAS6606-5 | .BOLT- | OPTIONAL PART: BACB30NR6K5 | 504903 | 3 |
| 220 | BACB30NR3K5 | .BOLT | | 504903 | 12 |
| 225 | BACB30LU2-2 | .BOLT | | 504903 | 20 |
| 230 | BACS12ER08K8 | .SCREW- | OPTIONAL PART: NAS514P832-8 | 504903 | 10 |
| 230 | NAS514P832-8 | .SCREW- | OPTIONAL PART: BACS12ER08K8 | 504903 | 10 |
| 235 | BACS12GU08K7 | .SCREW- | OPTIONAL PART: NAS1801-08-7 | 504903 | 10 |
| 235 | NAS1801-08-7 | .SCREW- | OPTIONAL PART: BACS12GU08K7 | 504903 | 10 |

MISSING ITEM NUMBERS NOT APPLICABLE

- ITEM NOT ILLUSTRATED

21-23-02-43C

21-23-02
FIG. 43C
PAGE 4
JAN 20/09

BRI

BOEING PROPRIETARY - Copyright © - Unpublished Work - See title page for details.



757

PARTS CATALOG (MAINTENANCE)

| FIG ITEM | PART NUMBER | 1 2 3 4 5 6 7 | NOMENCLATURE | EFFECT FROM TO | UNITS PER ASSY |
|----------|-----------------|---------------|--|----------------|----------------|
| 43C | | | | | |
| 240 | BACS12ER08K7 | .SCREW- | | 504903 | 10 |
| | | | OPTIONAL PART: NAS514P832-7 | | |
| 240 | NAS514P832-7 | .SCREW- | | 504903 | 10 |
| | | | OPTIONAL PART: BACS12ER08K7 | | |
| 245 | NAS1149E0463P | .WASHER | | 504903 | 80 |
| 250 | BACW10DM5P | .WASHER | | 504903 | 20 |
| 255 | NAS1149D0363J | .WASHER | | 504903 | 24 |
| 260 | NAS1149D0332J | .WASHER | | 504903 | 18 |
| 265 | NAS1149DN816J | .WASHER- | | 504903 | 10 |
| 270 | NAS1149D0616J | .WASHER | | 504903 | 3 |
| 275 | PLH54CD | .NUT | | 504903 | 40 |
| | | | SUPPLIER CODE: VF0224 | | |
| | | | SPECIFICATION NUMBER: BACN10YR4CD | | |
| | | | OPTIONAL PART: H52732-4CD V15653 | | |
| 280 | MS21042L3 | .NUT | | 504903 | 12 |
| 280 | PLH53CD | .NUT | | 504903 | 12 |
| | | | SUPPLIER CODE: VF0224 | | |
| | | | SPECIFICATION NUMBER: BACN10YR3CD | | |
| | | | OPTIONAL PART: H52732-3CD V15653 | | |
| 285 | 412N2004-89 | .BRACKET | | 504903 | 1 |
| 290 | 412N2004-90 | .BRACKET | | 504903 | 2 |
| 295 | 412N2004-91 | .BRACKET | | 504903 | 2 |
| 300 | 412N2004-92 | .BRACKET | | 504903 | 1 |
| 305 | 412N3103-1080SP | .OUTLET ASSY- | | 504903 | 1 |
| | | | FOR DETAILS SEE: 21-23-02-45K | | |
| 310 | 412N3103-1307SP | .OUTLET ASSY- | | 504903 | 1 |
| | | | FOR DETAILS SEE: 21-23-02-45J | | |
| 315 | 412N3103-1308SP | .OUTLET ASSY- | | 504903 | 1 |
| | | | FOR DETAILS SEE: 21-23-02-45J | | |
| 320 | 412N3103-1109SP | .OUTLET ASSY- | | 504903 | 1 |
| | | | FOR DETAILS SEE: 21-23-02-45J | | |
| 325 | 412N3103-1110SP | .OUTLET ASSY- | | 504903 | 1 |
| | | | FOR DETAILS SEE: 21-23-02-45J | | |

MISSING ITEM NUMBERS NOT APPLICABLE

- ITEM NOT ILLUSTRATED

21-23-02-43C

21-23-02
FIG. 43C
PAGE 5
JAN 20/09

BRI

BOEING PROPRIETARY - Copyright © - Unpublished Work - See title page for details.



757

PARTS CATALOG (MAINTENANCE)

| FIG ITEM | PART NUMBER | 1 2 3 4 5 6 7 | NOMENCLATURE | EFFECT FROM TO | UNITS PER ASSY |
|------------|-----------------|---------------|---|----------------|----------------|
| 43C 330 | 412N3103-1115SP | | .OUTLET ASSY- FOR DETAILS SEE: 21-23-02-45J | 504903 | 1 |
| 335 | 412N3103-1116SP | | .OUTLET ASSY- FOR DETAILS SEE: 21-23-02-45J | 504903 | 1 |

MISSING ITEM NUMBERS NOT APPLICABLE

- ITEM NOT ILLUSTRATED

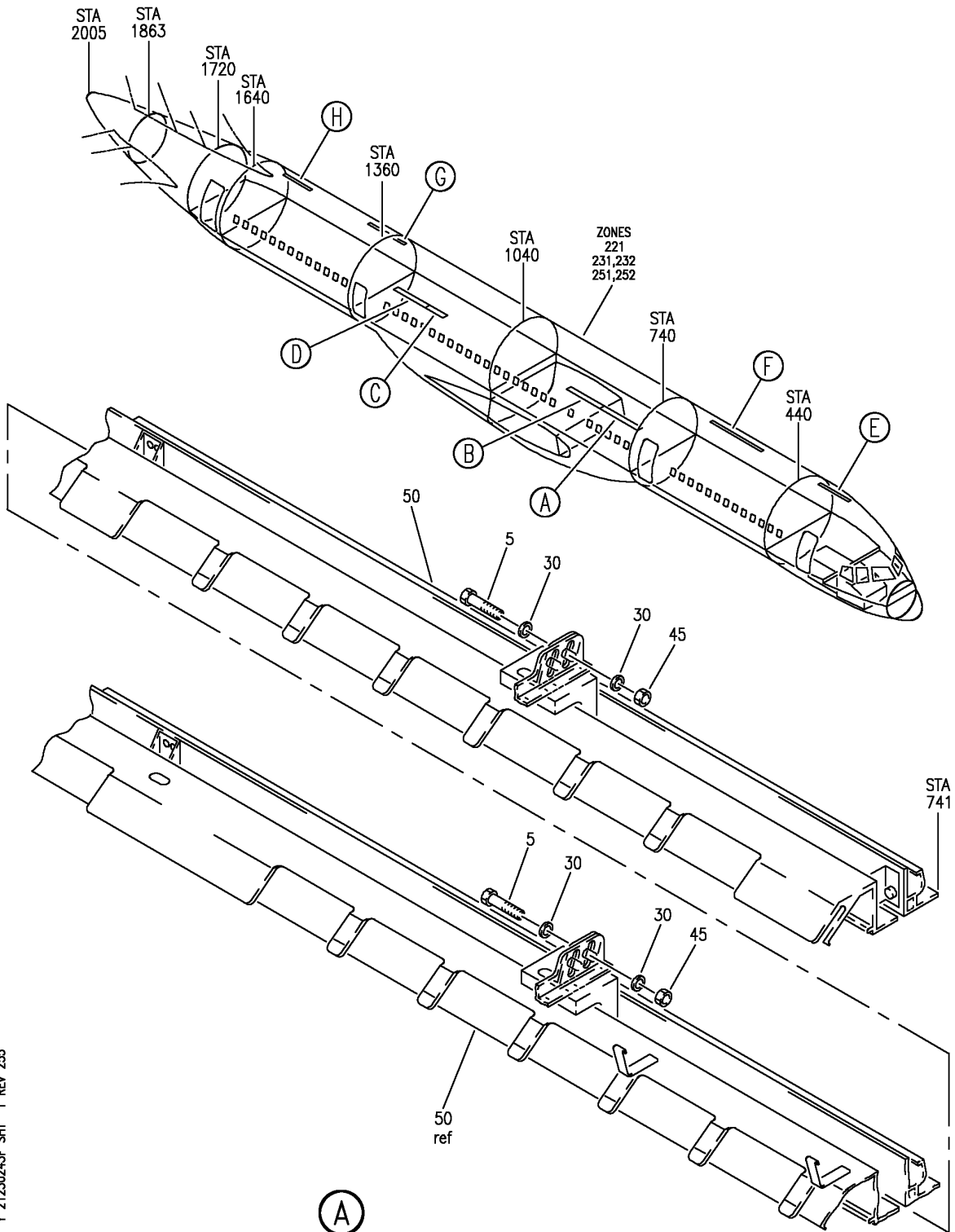
BRI

21-23-02-43C

BOEING PROPRIETARY - Copyright © - Unpublished Work - See title page for details.

21-23-02
FIG. 43C
PAGE 6
JAN 20/09

BOEING
757
PARTS CATALOG (MAINTENANCE)



Y 21230243F SHT 1 REV 255

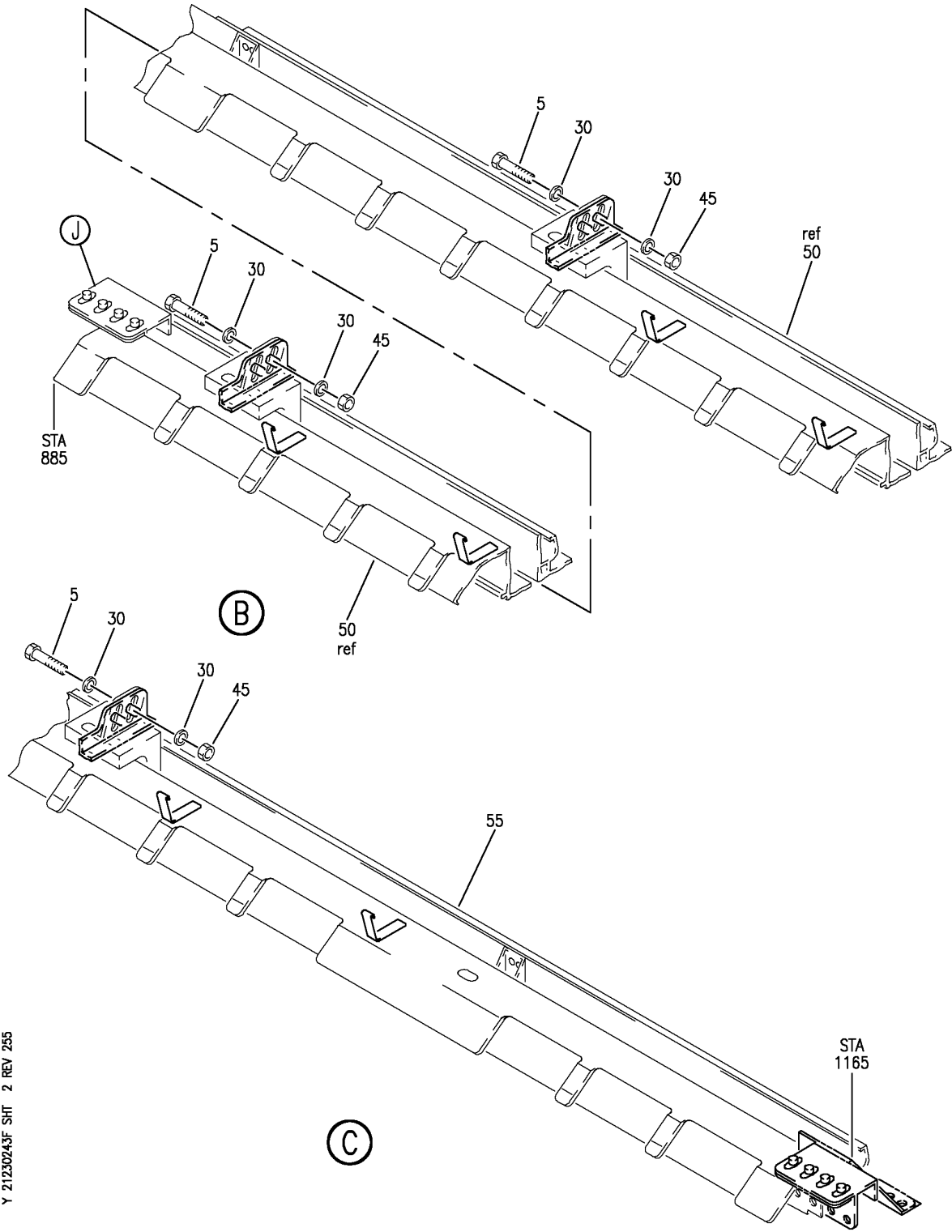
EXTRUSION INSTL
FIGURE 43F (SHEET 1)

21-23-02-43F

BRI
JAN 20/09

21-23-02-43F
PAGE 0

BOEING
757
PARTS CATALOG (MAINTENANCE)



Y 21230243F SHT 2 REV 255

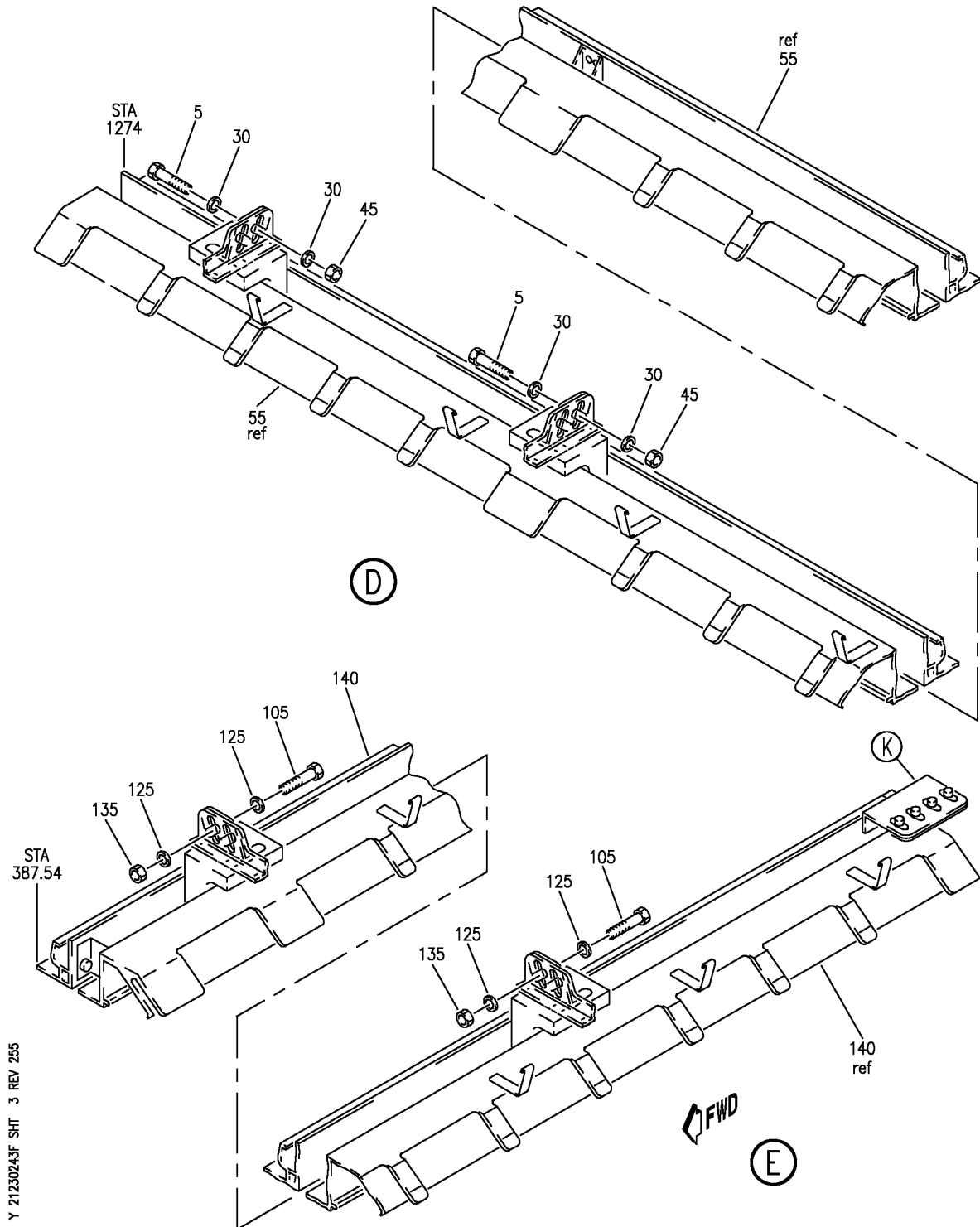
EXTRUSION INSTL
FIGURE 43F (SHEET 2)

21-23-02-43F

BRI
JAN 20/09

21-23-02-43F
PAGE 0A

BOEING
757
PARTS CATALOG (MAINTENANCE)



Y 21230243F SHIT 3 REV 255

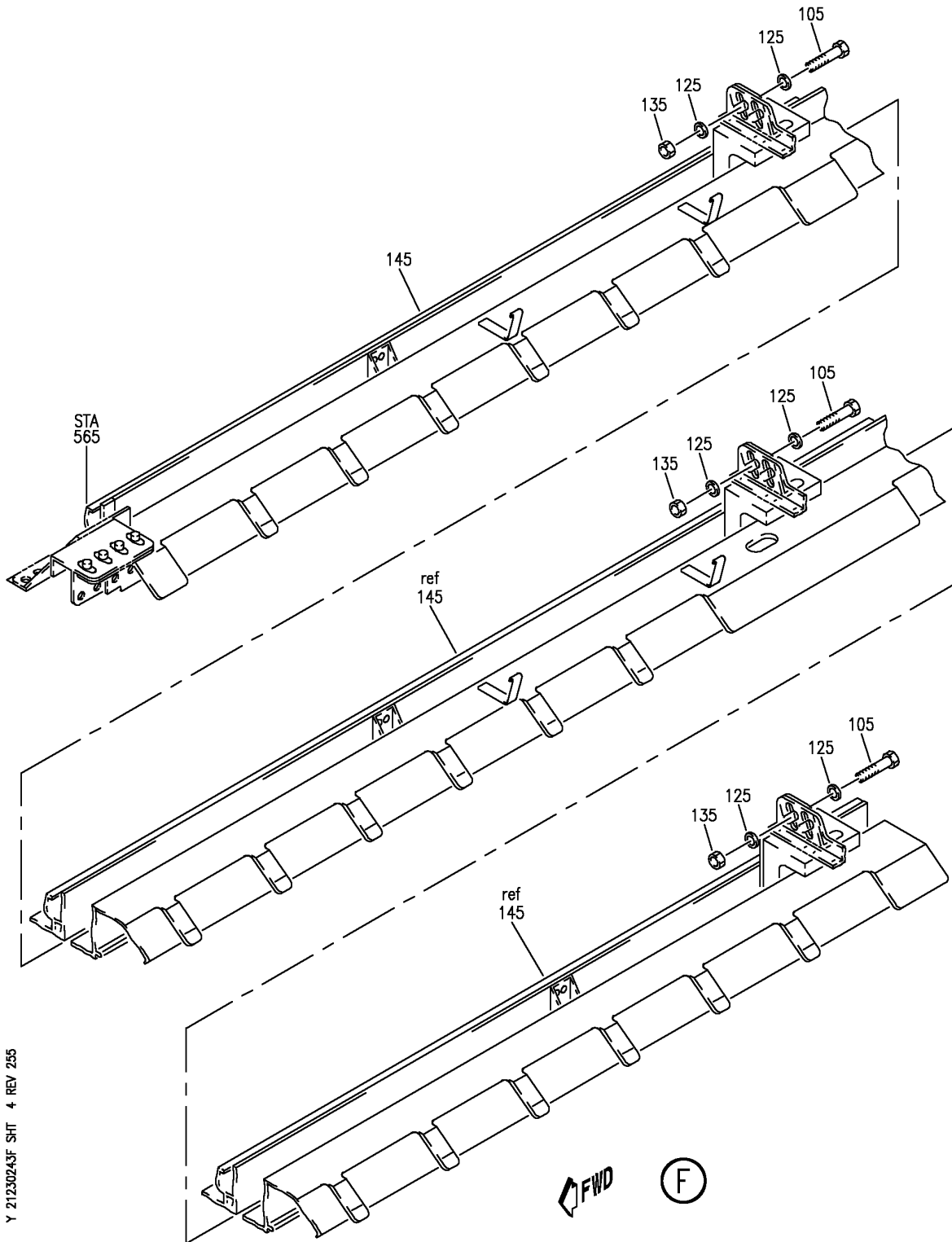
EXTRUSION INSTL
FIGURE 43F (SHEET 3)

21-23-02-43F

BRI
JAN 20/09

21-23-02-43F
PAGE 0B

BOEING
757
PARTS CATALOG (MAINTENANCE)



Y 21230243F SHT 4 REV 255

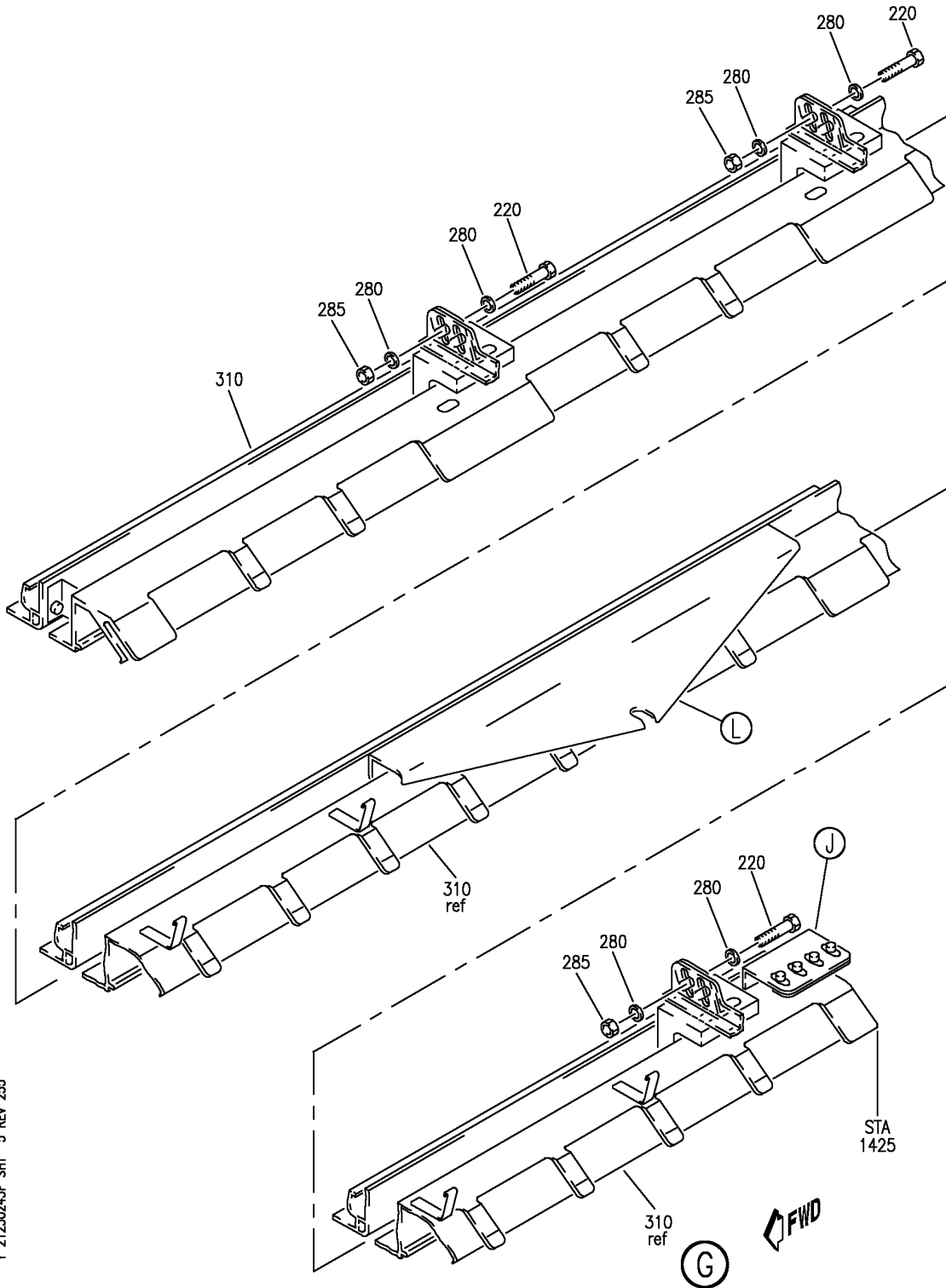
EXTRUSION INSTL
FIGURE 43F (SHEET 4)

21-23-02-43F

BRI
JAN 20/09

21-23-02-43F
PAGE 0C

BOEING
757
PARTS CATALOG (MAINTENANCE)



Y 21230243F SH1 5 REV 255

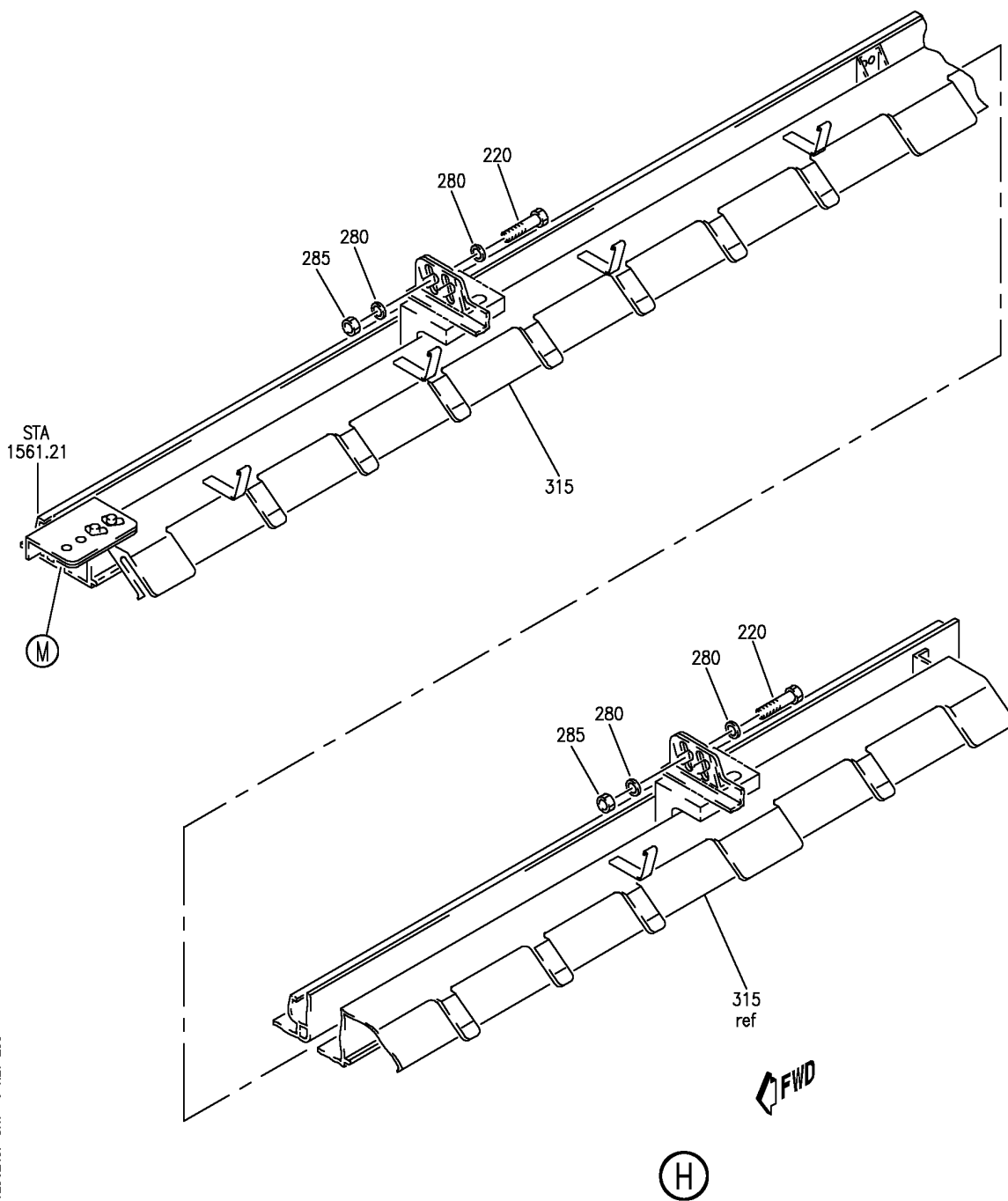
EXTRUSION INSTL
FIGURE 43F (SHEET 5)

21-23-02-43F

BRI
JAN 20/09

21-23-02-43F
PAGE 0D

BOEING
757
PARTS CATALOG (MAINTENANCE)



Y 21230243F SHT 6 REV 255

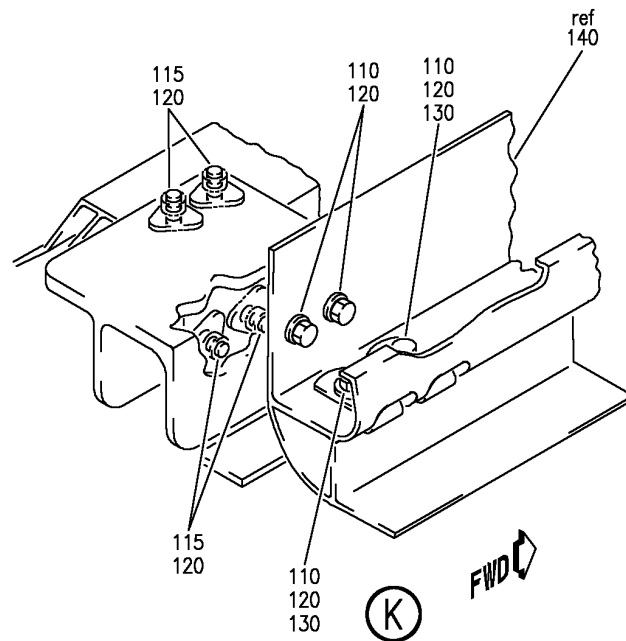
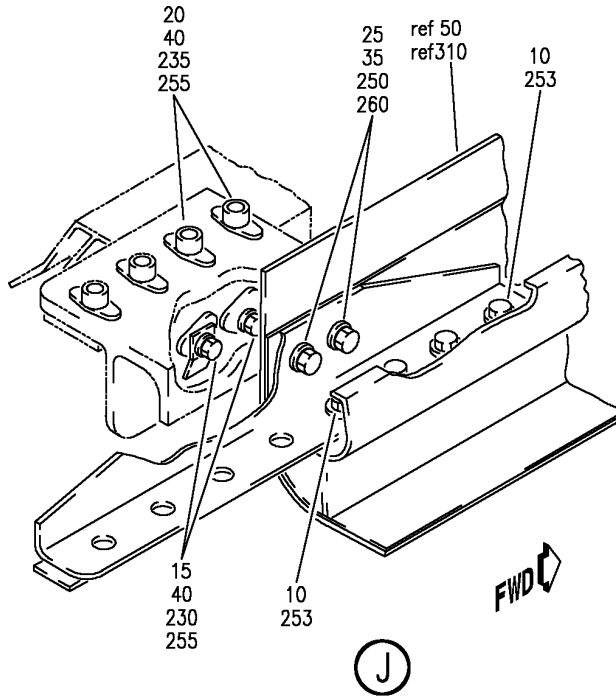
EXTRUSION INSTL
FIGURE 43F (SHEET 6)

21-23-02-43F

BRI
JAN 20/09

21-23-02-43F
PAGE 0E

BOEING
757
PARTS CATALOG (MAINTENANCE)



Y 21230243F SHT 7 REV 255

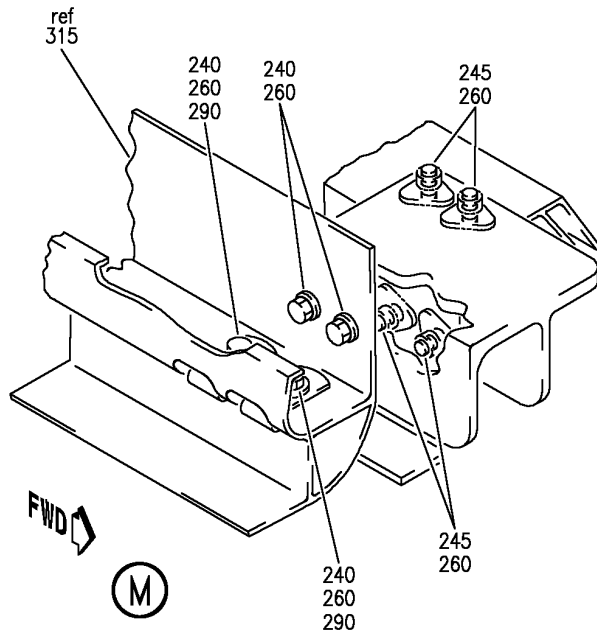
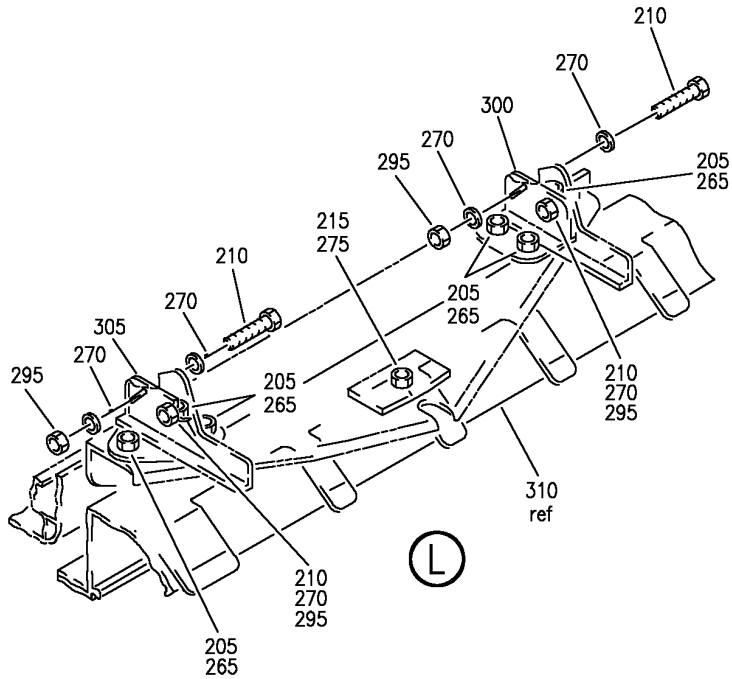
EXTRUSION INSTL
FIGURE 43F (SHEET 7)

21-23-02-43F

BRI
JAN 20/09

21-23-02-43F
PAGE OF

BOEING
757
PARTS CATALOG (MAINTENANCE)



Y 21230243F SHT 8 REV 255

EXTRUSION INSTL
FIGURE 43F (SHEET 8)

21-23-02-43F

BRI
JAN 20/09

21-23-02-43F
PAGE 08



757

PARTS CATALOG (MAINTENANCE)

| FIG ITEM | PART NUMBER | 1 2 3 4 5 6 7 | NOMENCLATURE | EFFECT FROM TO | UNITS PER ASSY |
|----------|----------------|---------------|--|------------------|----------------|
| 43F | | | | | |
| - 1 | MODREF32496 | | EXTRUSION INSTL EXTRUSION INSTL- MODULE NUMBER: 412N3001-3404B REV A POSITION DATA: RH | 103106 103106 | 1 |
| 5 | BACB30NR4K5 | .BOLT | | 103106 | 14 |
| 10 | BACB30LU2-2 | .BOLT | | 103106 | 4 |
| 15 | BACS12ER08K8 | .SCREW | | 103106 | 2 |
| 20 | BACS12ER08K9 | .SCREW | | 103106 | 2 |
| 25 | BACS12GU08K9 | .SCREW | | 103106 | 2 |
| 30 | NAS1149E0463P | .WASHER | | 103106 | 28 |
| 35 | NAS1149DN816J | .WASHER | | 103106 | 2 |
| 40 | BACW10DM5P | .WASHER | | 103106 | 4 |
| 45 | PLH54CD | .NUT | | 103106 | 14 |
| | | | SUPPLIER CODE: VF0224 SPECIFICATION NUMBER: BACN10YR4CD OPTIONAL PART: H52732-4CD V15653 | | |
| 50 | 412N3103-3052B | .OUTLET ASSY- | | 103106 | 1 |
| | | | FOR DETAILS SEE: 21-23-02-45N | | |
| 55 | 412N3103-3054B | .OUTLET ASSY- | | 103106 | 1 |
| | | | FOR DETAILS SEE: 21-23-02-45N | | |
| - 100 | MODREF32493 | | EXTRUSION INSTL- MODULE NUMBER: 412N3001-3106B REV A POSITION DATA: FWD LH | 103106 | 1 |
| 105 | BACB30NR4K5 | .BOLT | | 103106 | 10 |
| 110 | BACS12GU08K7 | .SCREW | | 103106 | 4 |
| 115 | BACS12GU08K8 | .SCREW | | 103106 | 4 |
| 120 | NAS1149DN816J | .WASHER | | 103106 | 8 |
| 125 | NAS1149E0463P | .WASHER | | 103106 | 20 |

MISSING ITEM NUMBERS NOT APPLICABLE

- ITEM NOT ILLUSTRATED

21-23-02-43F

21-23-02
FIG. 43F
PAGE 1
JAN 20/09

BRI

BOEING PROPRIETARY - Copyright © - Unpublished Work - See title page for details.

 **BOEING**
757
PARTS CATALOG (MAINTENANCE)

| FIG ITEM | PART NUMBER | 1 2 3 4 5 6 7 | NOMENCLATURE | EFFECT FROM TO | UNITS PER ASSY |
|-------------|----------------|---------------|--|----------------|----------------|
| 43 F 130 | 130008 | . | NUT SUPPLIER CODE: V60119 SPECIFICATION NUMBER: BACN10FX84 OPTIONAL PART: RM52LHA4972-6-8 V72962 SL211-08-1 V97393 A11330-6-82 V72962 A4972-6-82 V72962 | 103106 | 2 |
| 135 | PLH54CD | . | NUT SUPPLIER CODE: VF0224 SPECIFICATION NUMBER: BACN10YR4CD OPTIONAL PART: H52732-4CD V15653 | 103106 | 10 |
| 140 | 412N3103-3049B | . | OUTLET ASSY- FOR DETAILS SEE: 21-23-02-45N | 103106 | 1 |
| 145 | 412N3103-3007B | . | OUTLET ASSY- FOR DETAILS SEE: 21-23-02-45N | 103106 | 1 |
| - 200 | MODREF16117 | | EXTRUSION INSTL- MODULE NUMBER: 412N3001-3701E REV A POSITION DATA: AFT LH | 103106 | 1 |
| 205 | BACB30NM3K4 | . | BOLT | 103106 | 6 |
| 210 | BACB30NM3K5 | . | BOLT | 103106 | 4 |
| 215 | BACB30NR6K5 | . | BOLT- OPTIONAL PART: NAS6606-5 | 103106 | 1 |
| 215 | NAS6606-5 | . | BOLT- OPTIONAL PART: BACB30NR6K5 | 103106 | 1 |
| 220 | BACB30NR4K5 | . | BOLT | 103106 | 10 |
| 230 | BACS12ER08K8 | . | SCREW- OPTIONAL PART: NAS514P832-8 | 103106 | 2 |
| 230 | NAS514P832-8 | . | SCREW- OPTIONAL PART: BACS12ER08K8 | 103106 | 2 |
| 235 | BACS12ER08K9 | . | SCREW | 103106 | 2 |

MISSING ITEM NUMBERS NOT APPLICABLE

- ITEM NOT ILLUSTRATED

BRI

21-23-02-43F

BOEING PROPRIETARY - Copyright © - Unpublished Work - See title page for details.

21-23-02
FIG. 43F
PAGE 2
JAN 20/09



757

PARTS CATALOG (MAINTENANCE)

| FIG ITEM | PART NUMBER | 1 2 3 4 5 6 7 | NOMENCLATURE | EFFECT FROM TO | UNITS PER ASSY |
|----------|---------------|-----------------------|--------------|----------------|----------------|
| 43F | | | | | |
| 240 | BACS12GU08K7 | .SCREW- | | 103106 | 4 |
| | | OPTIONAL PART: | | | |
| | | NAS1801-08-7 | | | |
| 240 | NAS1801-08-7 | .SCREW- | | 103106 | 4 |
| | | OPTIONAL PART: | | | |
| | | BACS12GU08K7 | | | |
| 245 | BACS12GU08K8 | .SCREW- | | 103106 | 4 |
| | | OPTIONAL PART: | | | |
| | | NAS1801-08-8 | | | |
| 245 | NAS1801-08-8 | .SCREW- | | 103106 | 4 |
| | | OPTIONAL PART: | | | |
| | | BACS12GU08K8 | | | |
| 250 | BACS12GU08K9 | .SCREW | | 103106 | 2 |
| 253 | BACB30NN3K2 | .BOLT | | 103106 | 4 |
| 255 | BACW10DM5P | .WASHER | | 103106 | 4 |
| 260 | NAS1149DN816J | .WASHER | | 103106 | 8 |
| 265 | NAS1149D0332J | .WASHER | | 103106 | 6 |
| 270 | NAS1149D0363J | .WASHER | | 103106 | 8 |
| 275 | NAS1149D0616J | .WASHER | | 103106 | 1 |
| 280 | NAS1149E0463P | .WASHER | | 103106 | 20 |
| 285 | PLH54CD | .NUT | | 103106 | 10 |
| | | SUPPLIER CODE: | | | |
| | | VF0224 | | | |
| | | SPECIFICATION NUMBER: | | | |
| | | BACN10YR4CD | | | |
| | | OPTIONAL PART: | | | |
| | | H52732-4CD | | | |
| | | V15653 | | | |
| 290 | 130008 | .NUT | | 103106 | 2 |
| | | SUPPLIER CODE: | | | |
| | | V60119 | | | |
| | | SPECIFICATION NUMBER: | | | |
| | | BACN10FX84 | | | |
| | | OPTIONAL PART: | | | |
| | | RM52LHA4972-6-8 | | | |
| | | V72962 | | | |
| | | SL211-08-1 | | | |
| | | V97393 | | | |
| | | A11330-6-82 | | | |
| | | V72962 | | | |
| | | A4972-6-82 | | | |
| | | V72962 | | | |

MISSING ITEM NUMBERS NOT APPLICABLE

- ITEM NOT ILLUSTRATED

21-23-02-43F

21-23-02
FIG. 43F
PAGE 3
JAN 20/09

BRI

BOEING PROPRIETARY - Copyright © - Unpublished Work - See title page for details.



757

PARTS CATALOG (MAINTENANCE)

| FIG ITEM | PART NUMBER | 1 2 3 4 5 6 7 | NOMENCLATURE | EFFECT FROM TO | UNITS PER ASSY |
|-------------|----------------|---------------|--|----------------|----------------|
| 43 F 295 | PLH53CD | .NUT | SUPPLIER CODE: VF0224 SPECIFICATION NUMBER: BACN10YR3CD OPTIONAL PART: H52732-3CD V15653 | 103106 | 4 |
| 300 | 412N2004-89 | .BRACKET | | 103106 | 1 |
| 305 | 412N2004-92 | .BRACKET | | 103106 | 1 |
| 310 | 412N3103-3023E | .OUTLET ASSY- | POSITION DATA: LH SIDE FOR DETAILS SEE: 21-23-02-45H | 103106 | 1 |
| 315 | 412N3103-3027E | .OUTLET ASSY- | POSITION DATA: LH SIDE FOR DETAILS SEE: 21-23-02-45H | 103106 | 1 |

MISSING ITEM NUMBERS NOT APPLICABLE

- ITEM NOT ILLUSTRATED

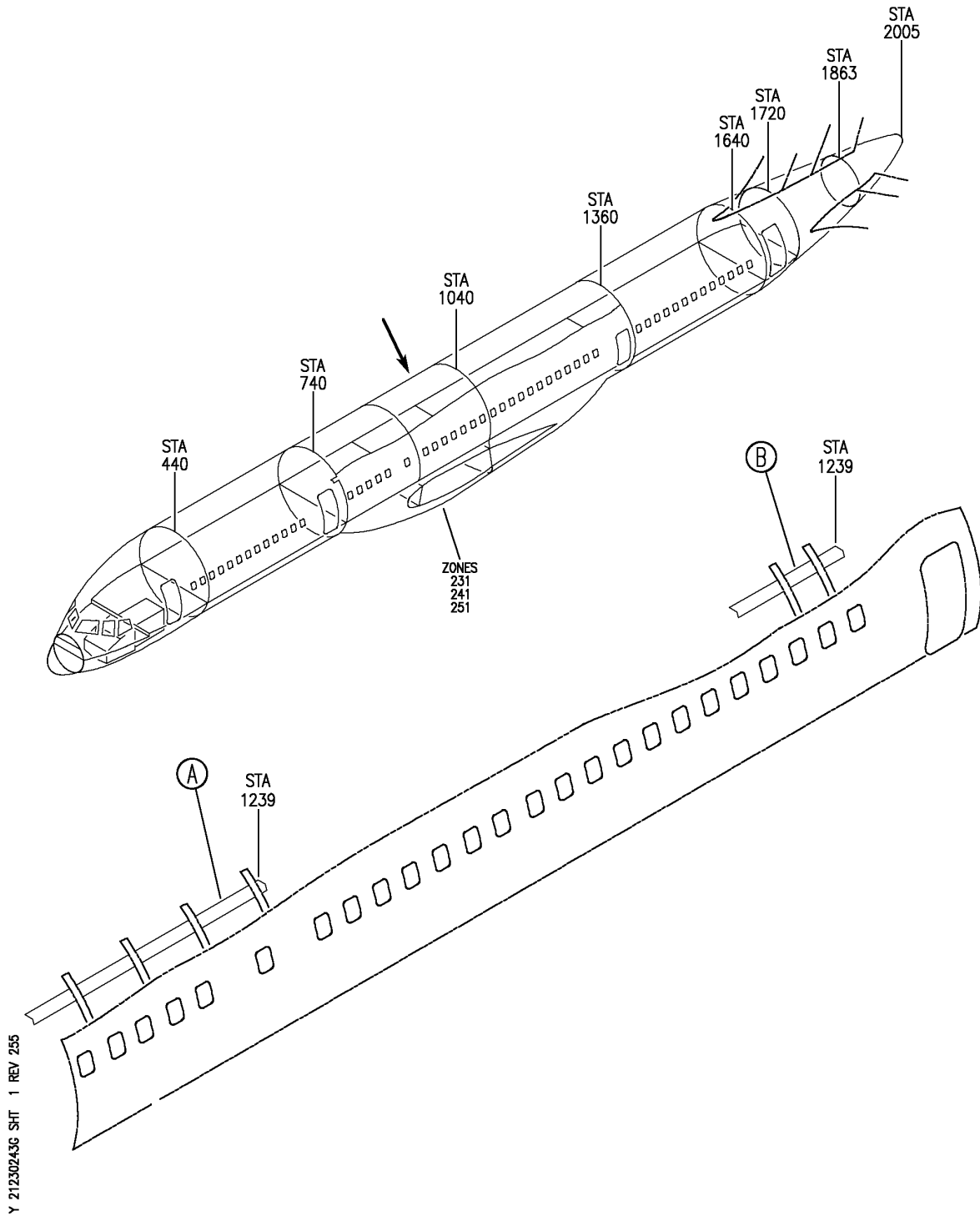
BRI

21-23-02-43F

BOEING PROPRIETARY - Copyright © - Unpublished Work - See title page for details.

21-23-02
FIG. 43F
PAGE 4
JAN 20/09

BOEING
757
PARTS CATALOG (MAINTENANCE)



Y 21230243G SHT 1 REV 255

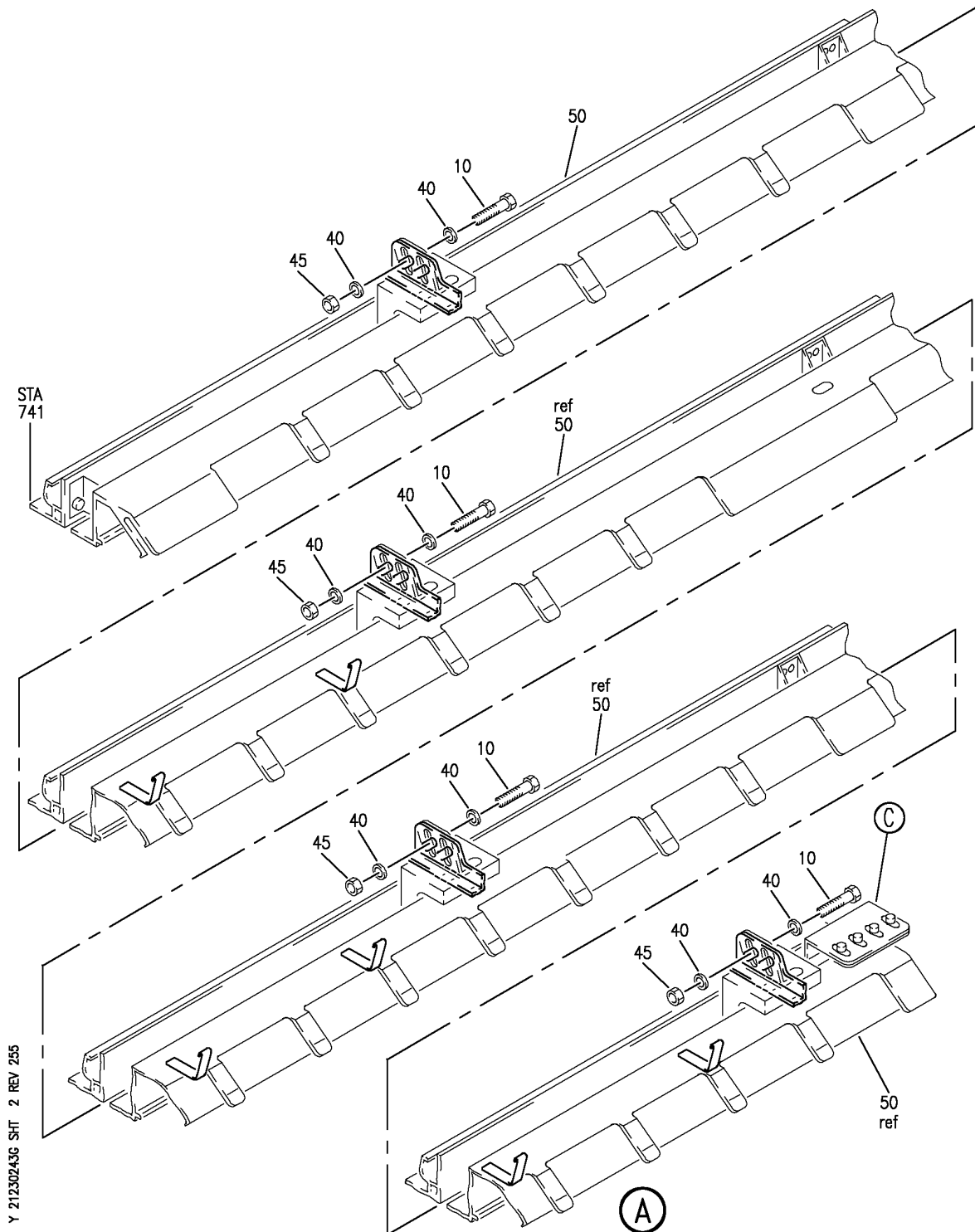
EXTRUSION INSTL-CTR LH
FIGURE 43G (SHEET 1)

21-23-02-43G

BRI
JAN 20/09

21-23-02-43G
PAGE 0

BOEING
757
PARTS CATALOG (MAINTENANCE)



Y 21230243G SHT 2 REV 255

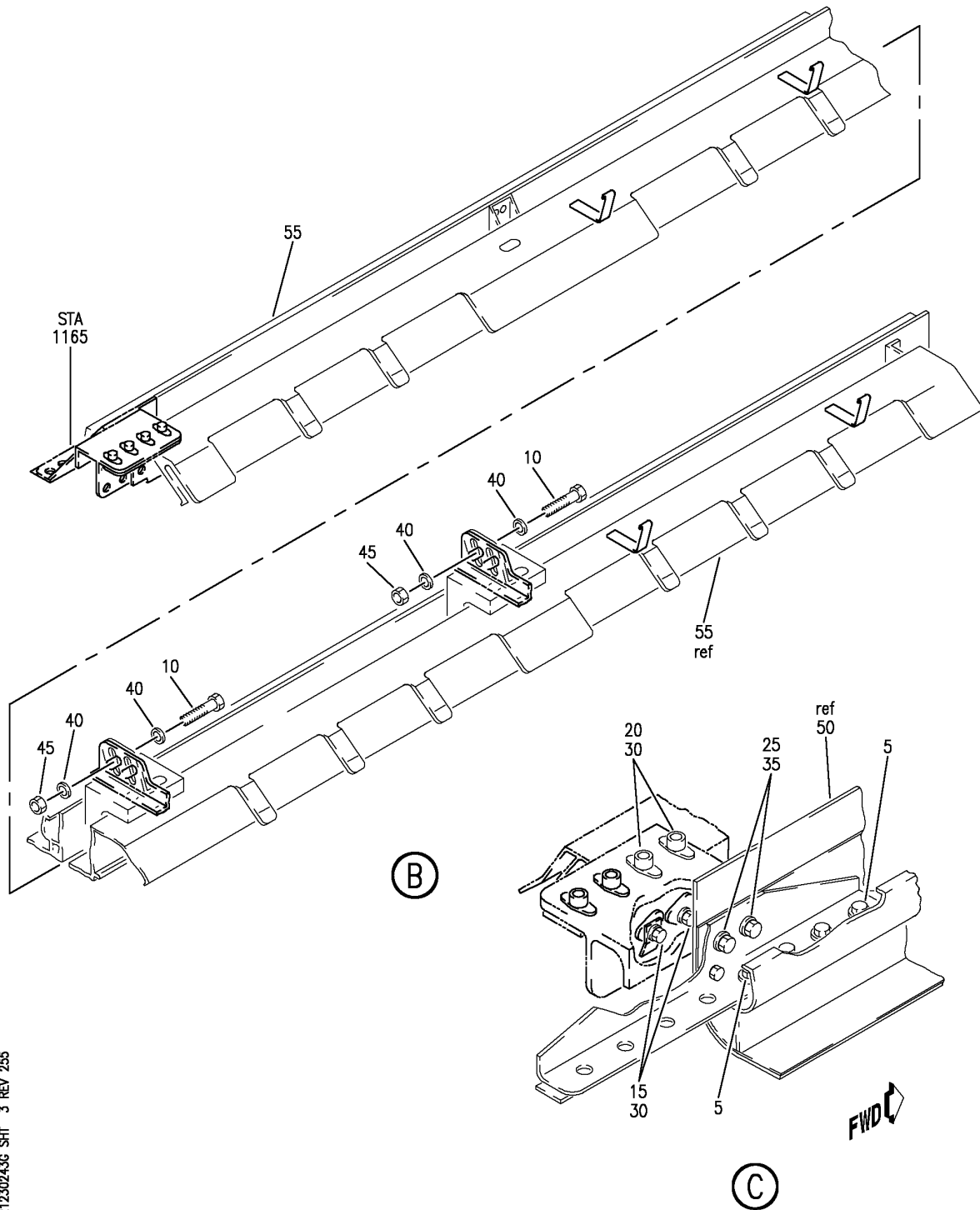
EXTRUSION INSTL-CTR LH
FIGURE 43G (SHEET 2)

21-23-02-43G

BRI
JAN 20/09

21-23-02-43G
PAGE 0A

BOEING
757
PARTS CATALOG (MAINTENANCE)



Y 21230243G SHT 3 REV 255

EXTRUSION INSTL-CTR LH
FIGURE 43G (SHEET 3)

21-23-02-43G

BRI
JAN 20/09

21-23-02-43G
PAGE 0B



757

PARTS CATALOG (MAINTENANCE)

| FIG ITEM | PART NUMBER | 1 2 3 4 5 6 7 | NOMENCLATURE | EFFECT FROM TO | UNITS PER ASSY |
|----------|----------------|---------------|--|------------------|----------------|
| 43G | | | | | |
| - 1 | MODREF32495 | | EXTRUSION INSTL-CTR LH EXTRUSION INSTL- MODULE NUMBER: 412N3001-3303B REV A POSITION DATA: CTR LH | 103106 103106 | 1 |
| 5 | BACB30LU2-2 | | .BOLT | 103106 | 4 |
| 10 | BACB30NR4K5 | | .BOLT | 103106 | 12 |
| 15 | BACS12ER08K8 | | .SCREW | 103106 | 2 |
| 20 | BACS12ER08K9 | | .SCREW | 103106 | 2 |
| 25 | BACS12GU08K9 | | .SCREW | 103106 | 2 |
| 30 | BACW10DM5P | | .WASHER | 103106 | 4 |
| 35 | NAS1149DN816J | | .WASHER | 103106 | 2 |
| 40 | NAS1149E0463P | | .WASHER | 103106 | 24 |
| 45 | PLH54CD | | .NUT | 103106 | 12 |
| | | | SUPPLIER CODE: VF0224 SPECIFICATION NUMBER: BACN10YR4CD OPTIONAL PART: H52732-4CD V15653 | | |
| 50 | 412N3103-3051B | | .OUTLET ASSY-SIDEWALL AIR CONDITIONING FOR DETAILS SEE: 21-23-02-45P | 103106 | 1 |
| 55 | 412N3103-3053B | | .OUTLET ASSY-SIDEWALL AIR CONDITIONING FOR DETAILS SEE: 21-23-02-45P | 103106 | 1 |

MISSING ITEM NUMBERS NOT APPLICABLE

- ITEM NOT ILLUSTRATED

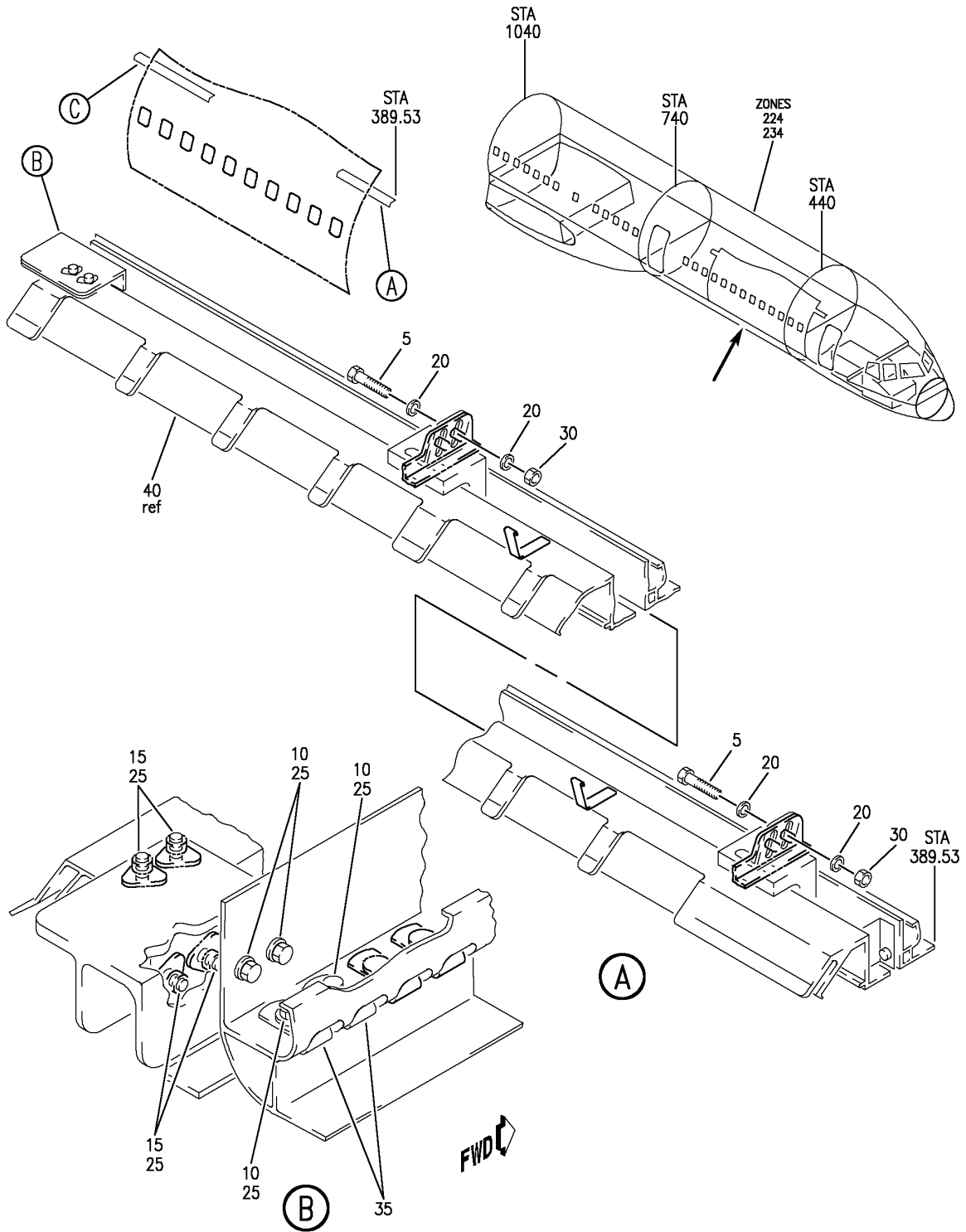
21-23-02-43G

21-23-02
FIG. 43G
PAGE 1
JAN 20/09

BRI

BOEING PROPRIETARY - Copyright © - Unpublished Work - See title page for details.

BOEING
757
PARTS CATALOG (MAINTENANCE)



Y 21230243H SHT 1 REV 255

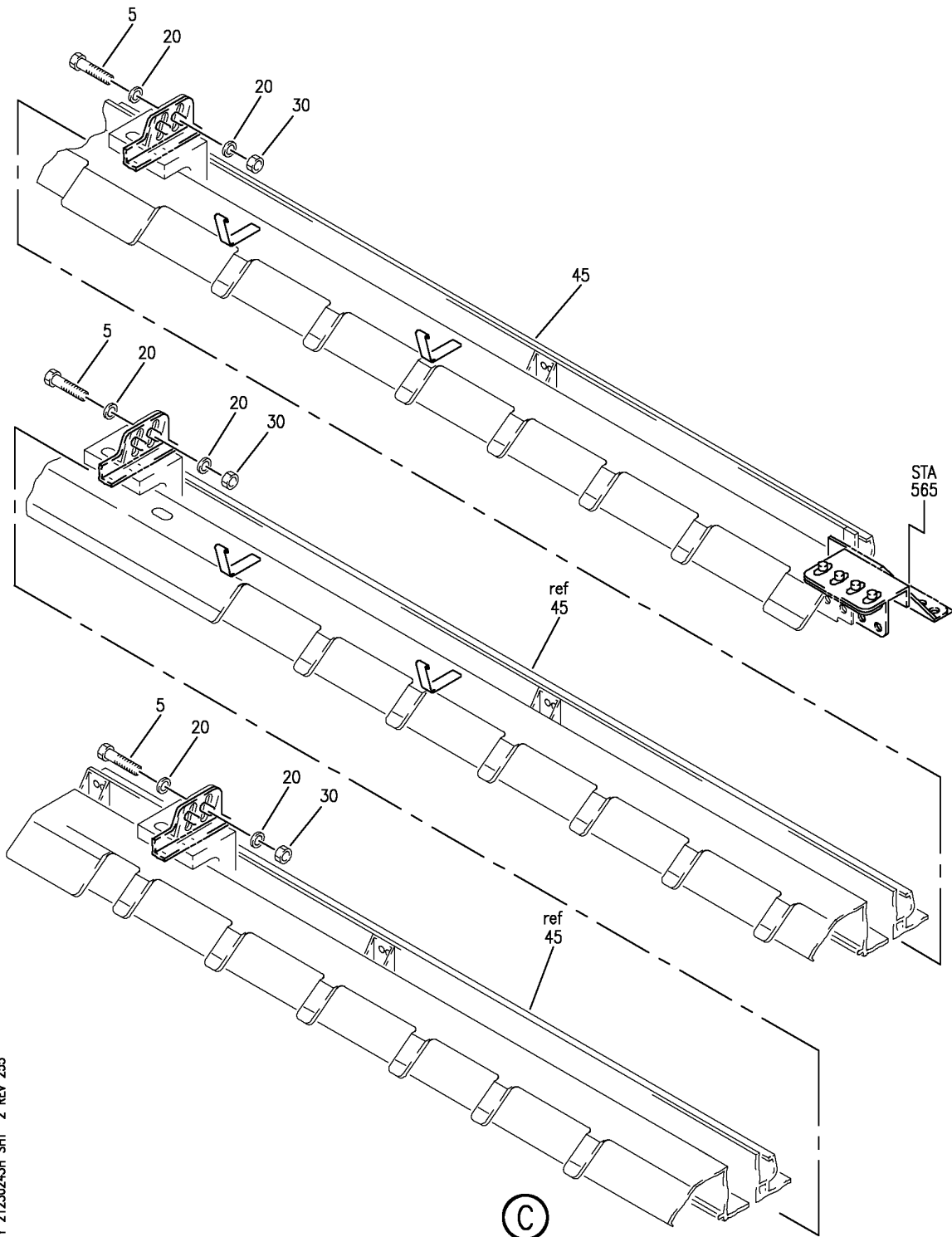
EXTRUSION INSTL-FWD RH
FIGURE 43H (SHEET 1)

21-23-02-43H

BRI
JAN 20/09

21-23-02-43H
PAGE 0

BOEING
757
PARTS CATALOG (MAINTENANCE)



Y 21230243H SHT 2 REV 255

EXTRUSION INSTL-FWD RH
FIGURE 43H (SHEET 2)

21-23-02-43H

BRI
JAN 20/09

21-23-02-43H
PAGE 0A



757

PARTS CATALOG (MAINTENANCE)

| FIG ITEM | PART NUMBER | 1 2 3 4 5 6 7 | NOMENCLATURE | EFFECT FROM TO | UNITS PER ASSY |
|----------|----------------|---------------|---|------------------|----------------|
| 43H | | | | | |
| - 1 | MODREF32494 | | EXTRUSION INSTL-FWD RH EXTRUSION INSTL- MODULE NUMBER: 412N3001-3209B REV A POSITION DATA: FWD RH | 103106 103106 | 1 |
| 5 | BACB30NR4K5 | | .BOLT | 103106 | 10 |
| 10 | BACS12GU08K7 | | .SCREW | 103106 | 4 |
| 15 | BACS12GU08K8 | | .SCREW | 103106 | 4 |
| 20 | NAS1149E0463P | | .WASHER | 103106 | 20 |
| 25 | NAS1149DN816J | | .WASHER | 103106 | 8 |
| 30 | PLH54CD | | .NUT | 103106 | 10 |
| | | | SUPPLIER CODE: VF0224 SPECIFICATION NUMBER: BACN10YR4CD OPTIONAL PART: H52732-4CD V15653 | | |
| 35 | 130008 | | .NUT SUPPLIER CODE: V60119 SPECIFICATION NUMBER: BACN10FX84 OPTIONAL PART: RM52LHA4972-6-8 V72962 SL211-08-1 V97393 A11330-6-82 V72962 A4972-6-82 V72962 | 103106 | 2 |
| 40 | 412N3103-3050B | | .OUTLET ASSY-SIDEWALL AIR CONDITIONING FOR DETAILS SEE: 21-23-02-45P | 103106 | 1 |
| 45 | 412N3103-3008E | | .OUTLET ASSY-SIDEWALL AIR CONDITIONING FOR DETAILS SEE: 21-23-02-45F | 103106 | 1 |

MISSING ITEM NUMBERS NOT APPLICABLE

- ITEM NOT ILLUSTRATED

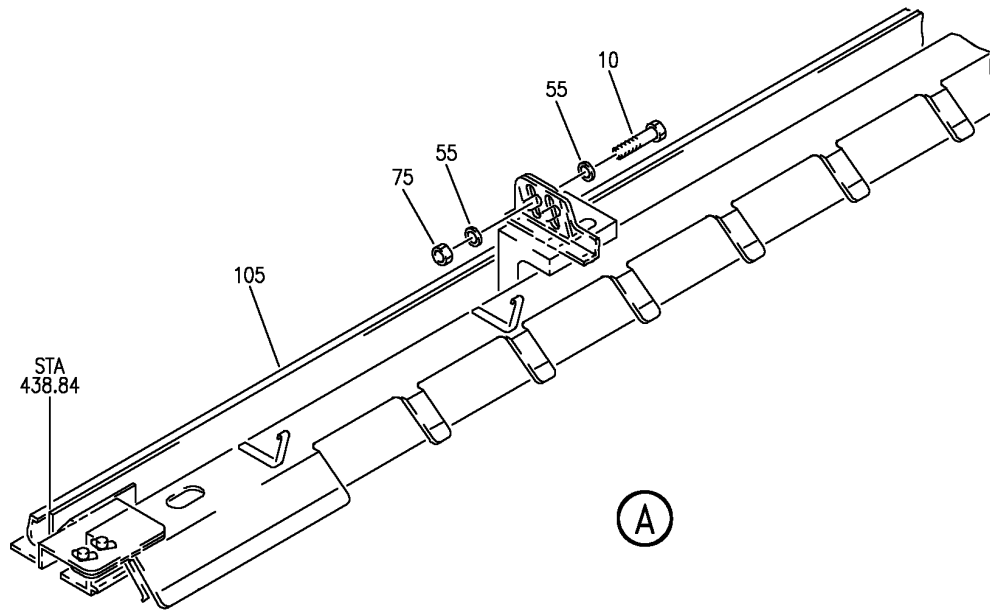
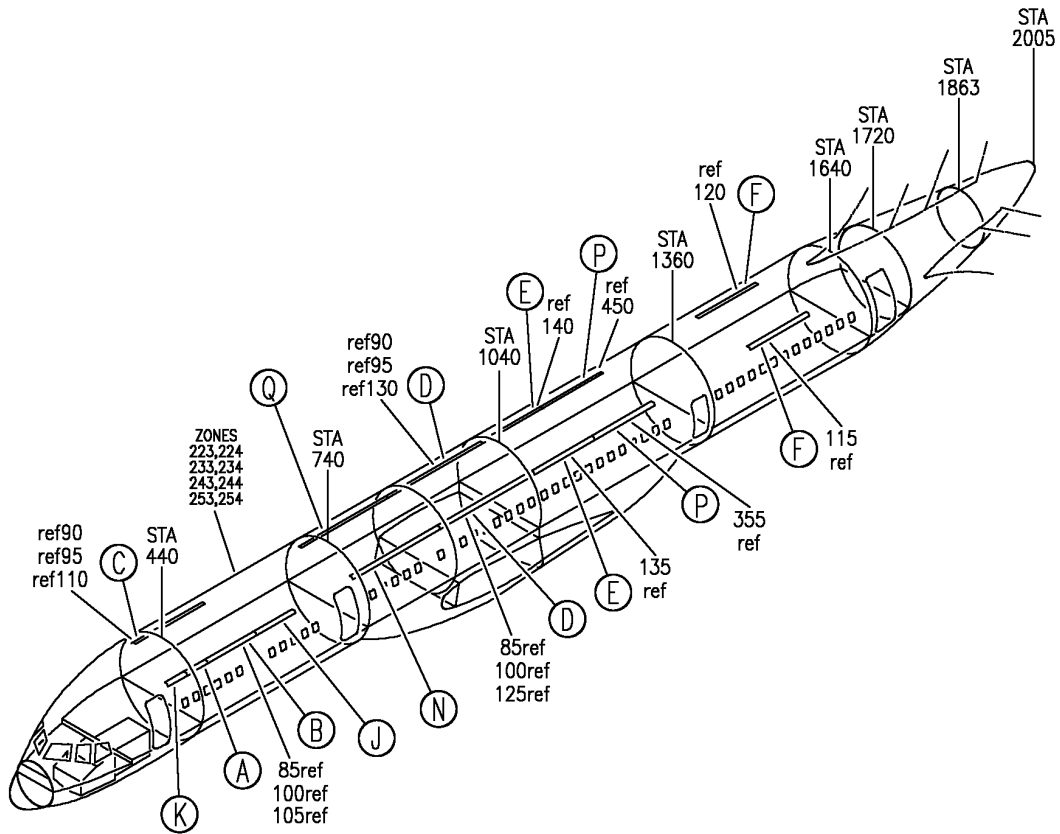
21-23-02-43H

21-23-02
FIG. 43H
PAGE 1
JAN 20/09

BRI

BOEING PROPRIETARY - Copyright © - Unpublished Work - See title page for details.

BOEING
 757
 PARTS CATALOG (MAINTENANCE)

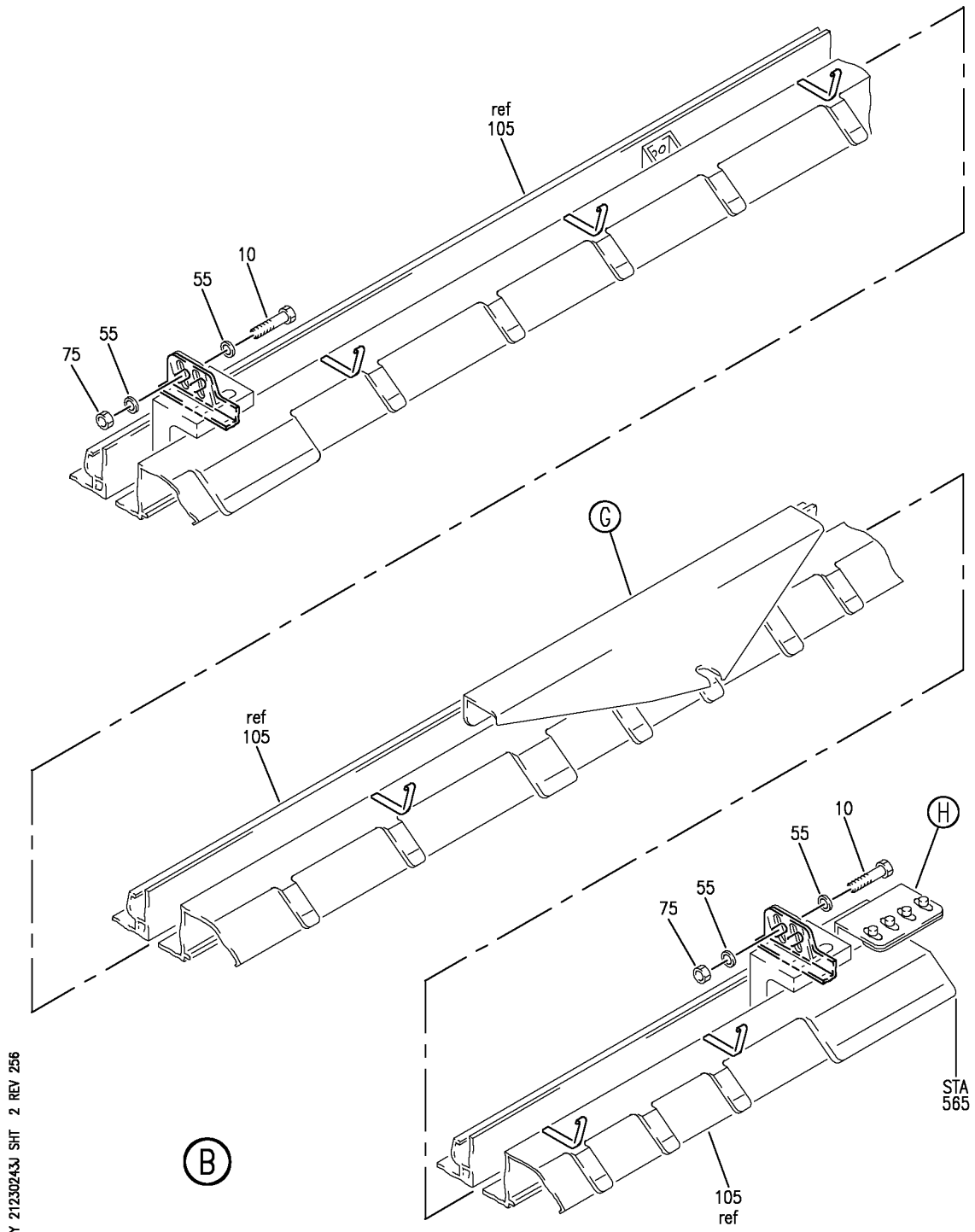


Y 21230243J SHT 1 REV 274

EXTRUSION INSTL
 FIGURE 43J (SHEET 1)

21-23-02-43J

BOEING
757
PARTS CATALOG (MAINTENANCE)



Y 21230243J SH1 2 REV 256

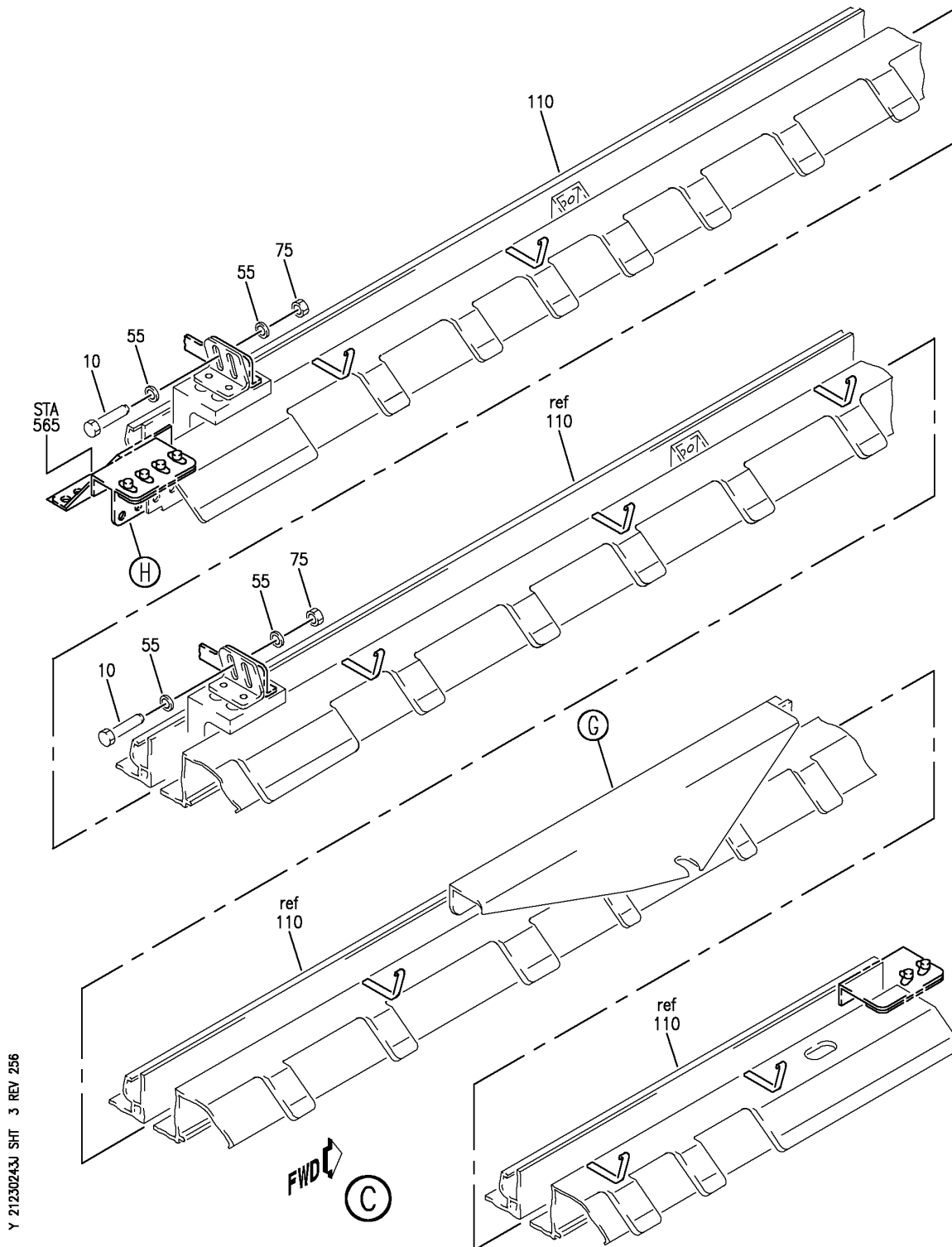
EXTRUSION INSTL
FIGURE 43J (SHEET 2)

21-23-02-43J

BRI
JAN 20/09

21-23-02-43J
PAGE 0A

BOEING
757
PARTS CATALOG (MAINTENANCE)



Y 21230243J SHT 3 REV 256

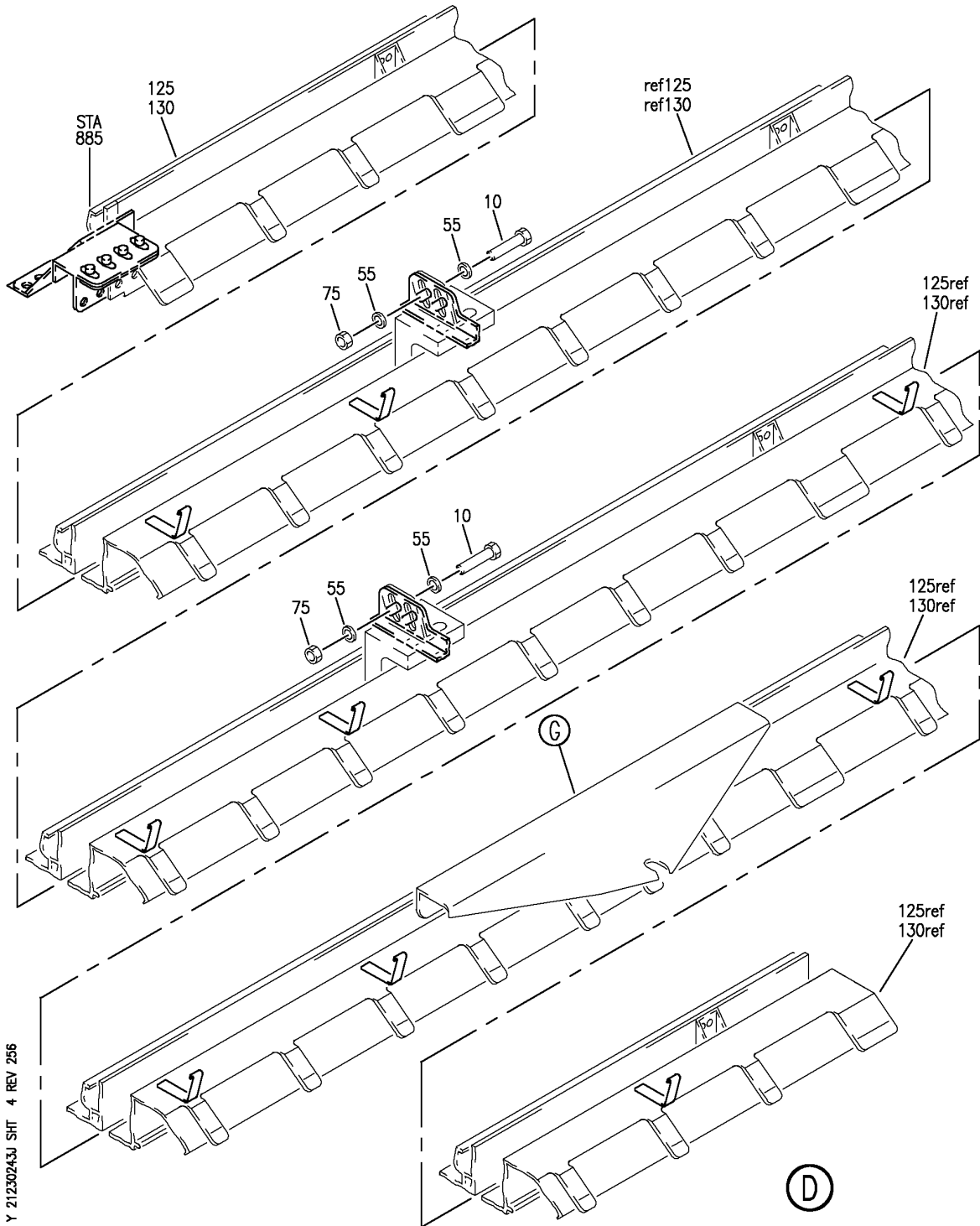
EXTRUSION INSTL
FIGURE 43J (SHEET 3)

21-23-02-43J

BRI
JAN 20/09

21-23-02-43J
PAGE 0B

BOEING
757
PARTS CATALOG (MAINTENANCE)



Y 21230243J SHIT 4 REV 256

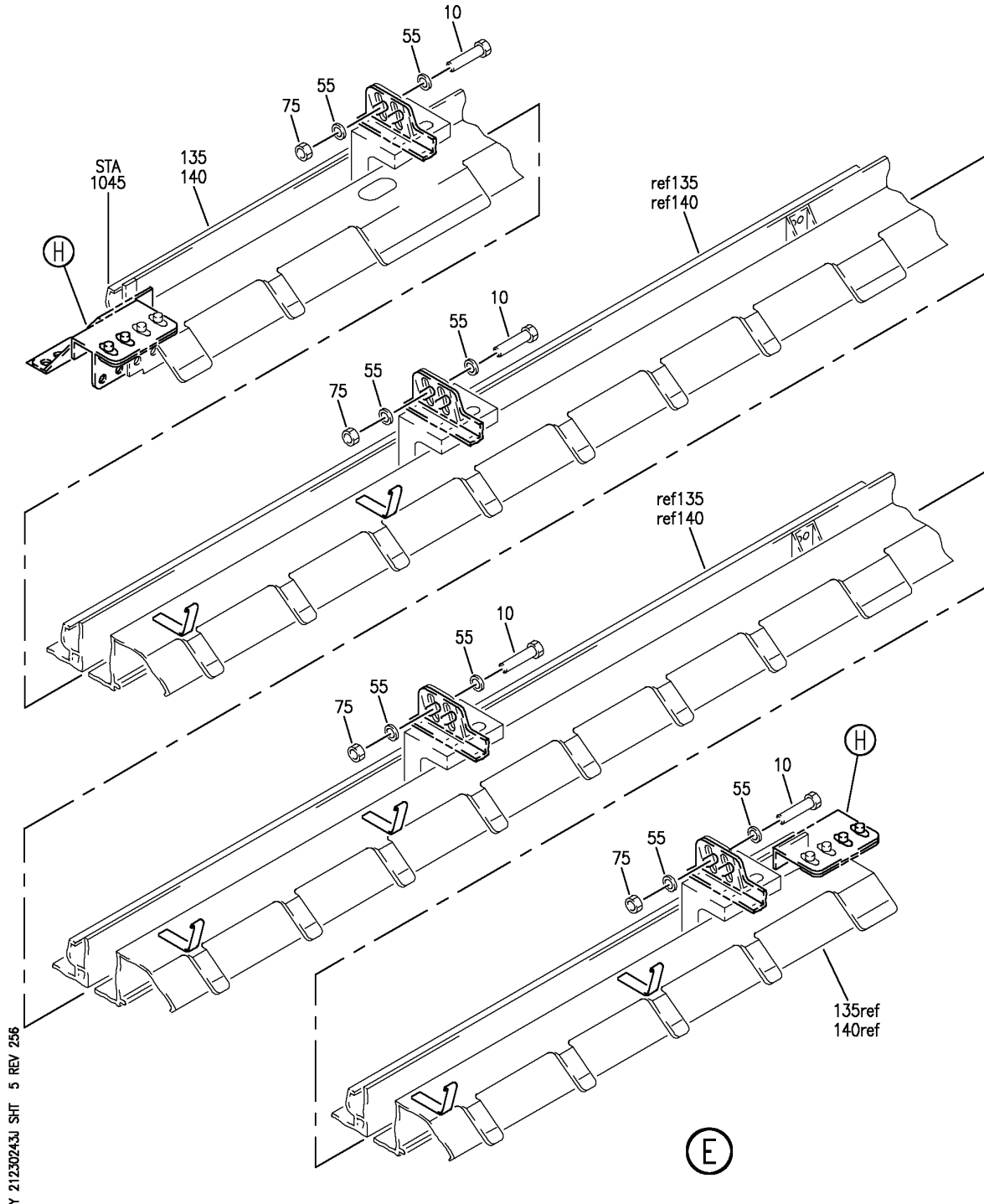
EXTRUSION INSTL
FIGURE 43J (SHEET 4)

21-23-02-43J

BRI
JAN 20/09

21-23-02-43J
PAGE 0C

BOEING
757
PARTS CATALOG (MAINTENANCE)



Y 21230243J SHIT 5 REV 256

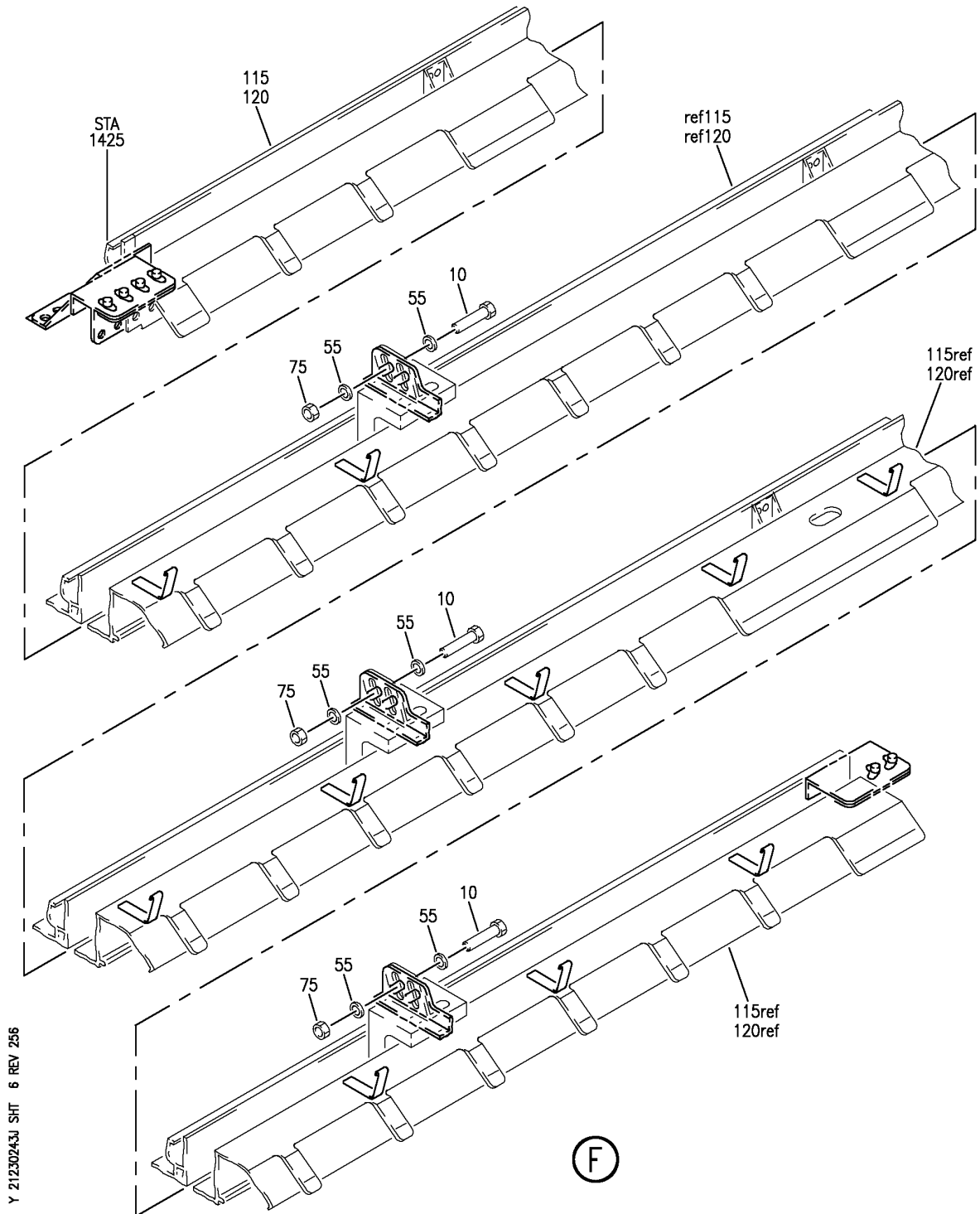
EXTRUSION INSTL
FIGURE 43J (SHEET 5)

21-23-02-43J

BRI
JAN 20/09

21-23-02-43J
PAGE 0D

BOEING
757
PARTS CATALOG (MAINTENANCE)



Y 21230243J SHT 6 REV 256

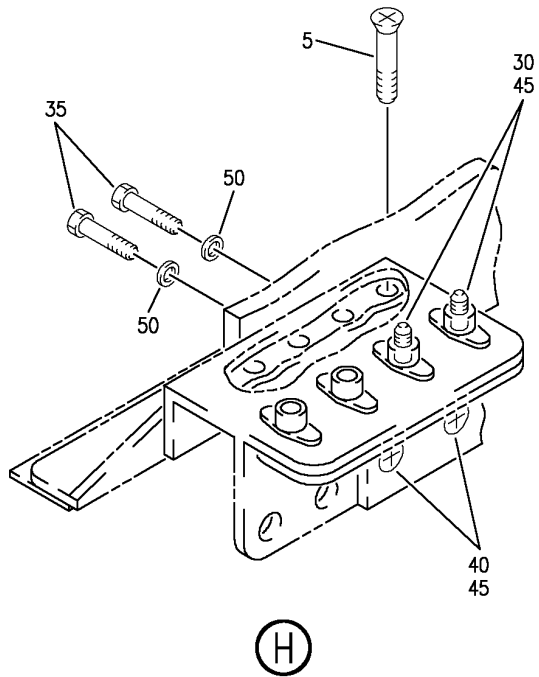
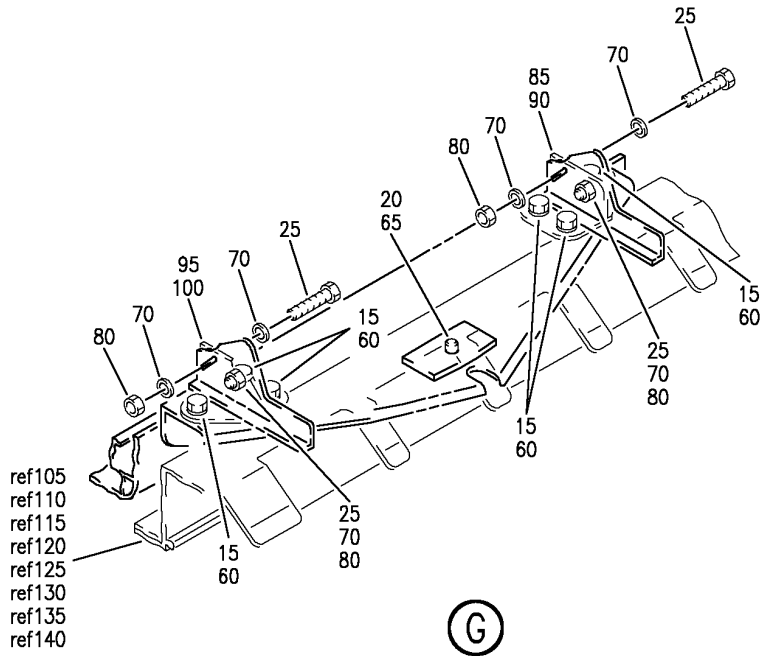
EXTRUSION INSTL
FIGURE 43J (SHEET 6)

21-23-02-43J

BRI
JAN 20/09

21-23-02-43J
PAGE 0E

BOEING
757
PARTS CATALOG (MAINTENANCE)



Y 21230243J SH7 7 REV 256

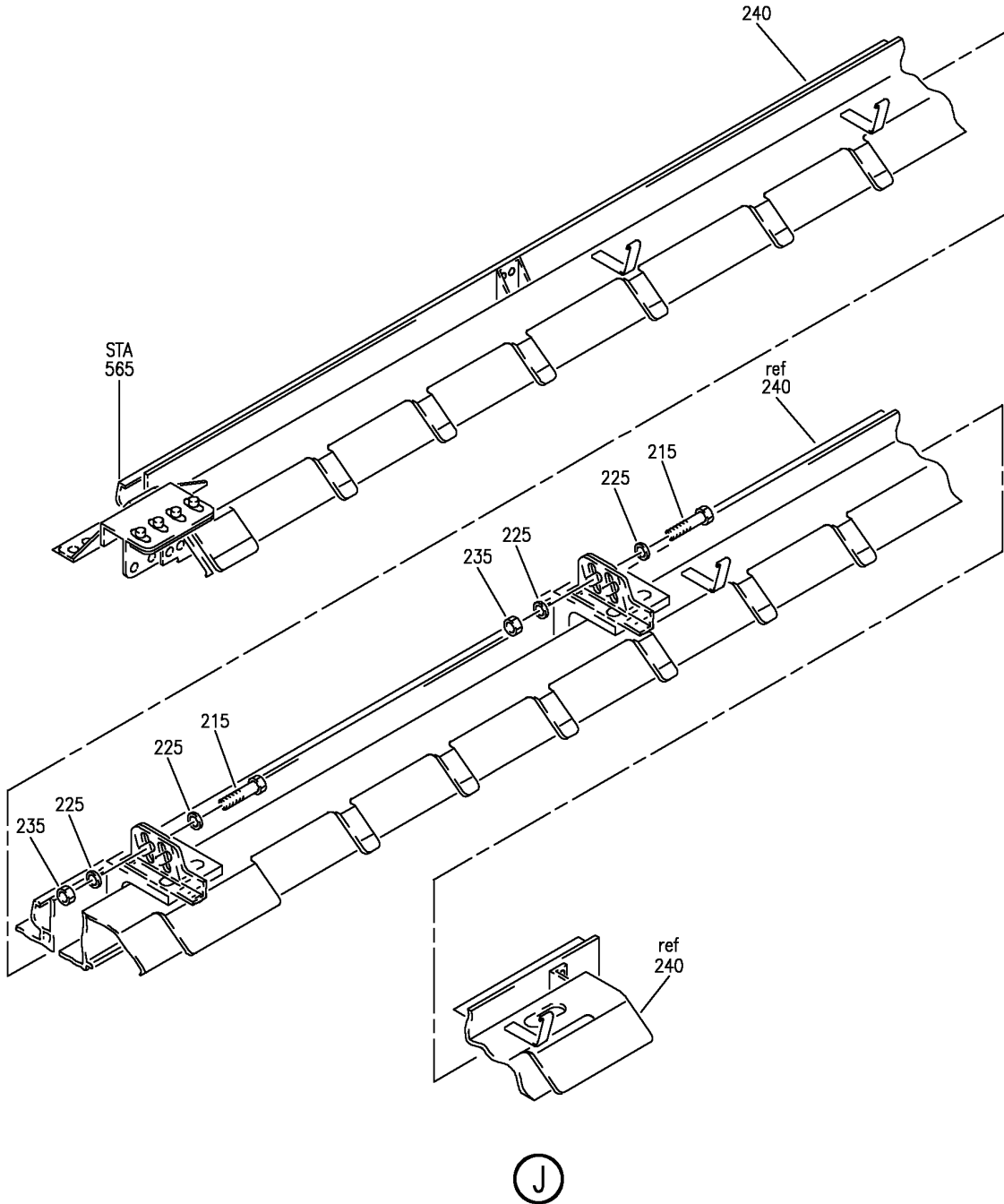
EXTRUSION INSTL
FIGURE 43J (SHEET 7)

21-23-02-43J

BRI
JAN 20/09

21-23-02-43J
PAGE OF

BOEING
757
PARTS CATALOG (MAINTENANCE)



Y 21230243J SHT 8 REV 274

J

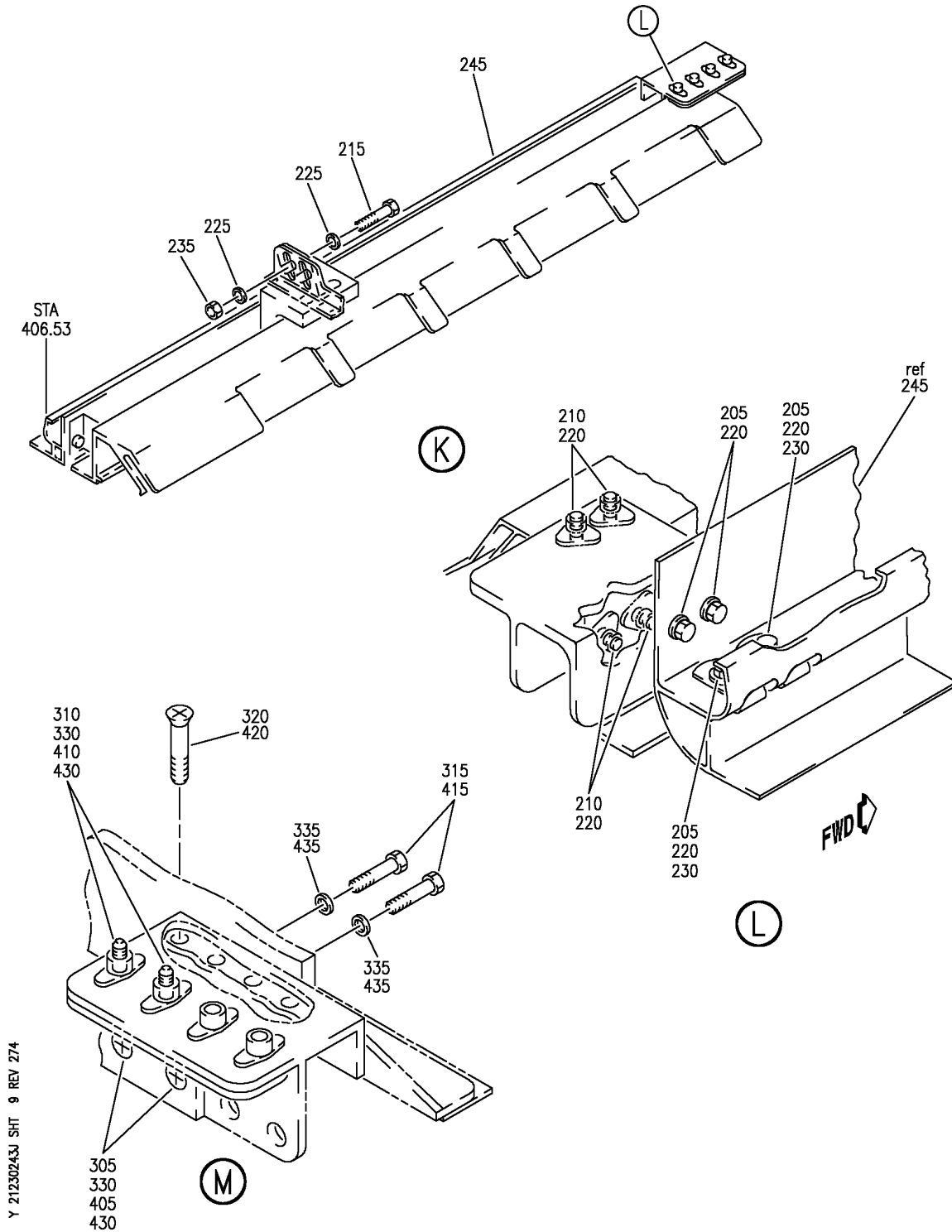
EXTRUSION INSTL
FIGURE 43J (SHEET 8)

BRI
JAN 20/09

21-23-02-43J

21-23-02-43J
PAGE 08

BOEING
757
PARTS CATALOG (MAINTENANCE)



Y 21230243J SHT 9 REV 274

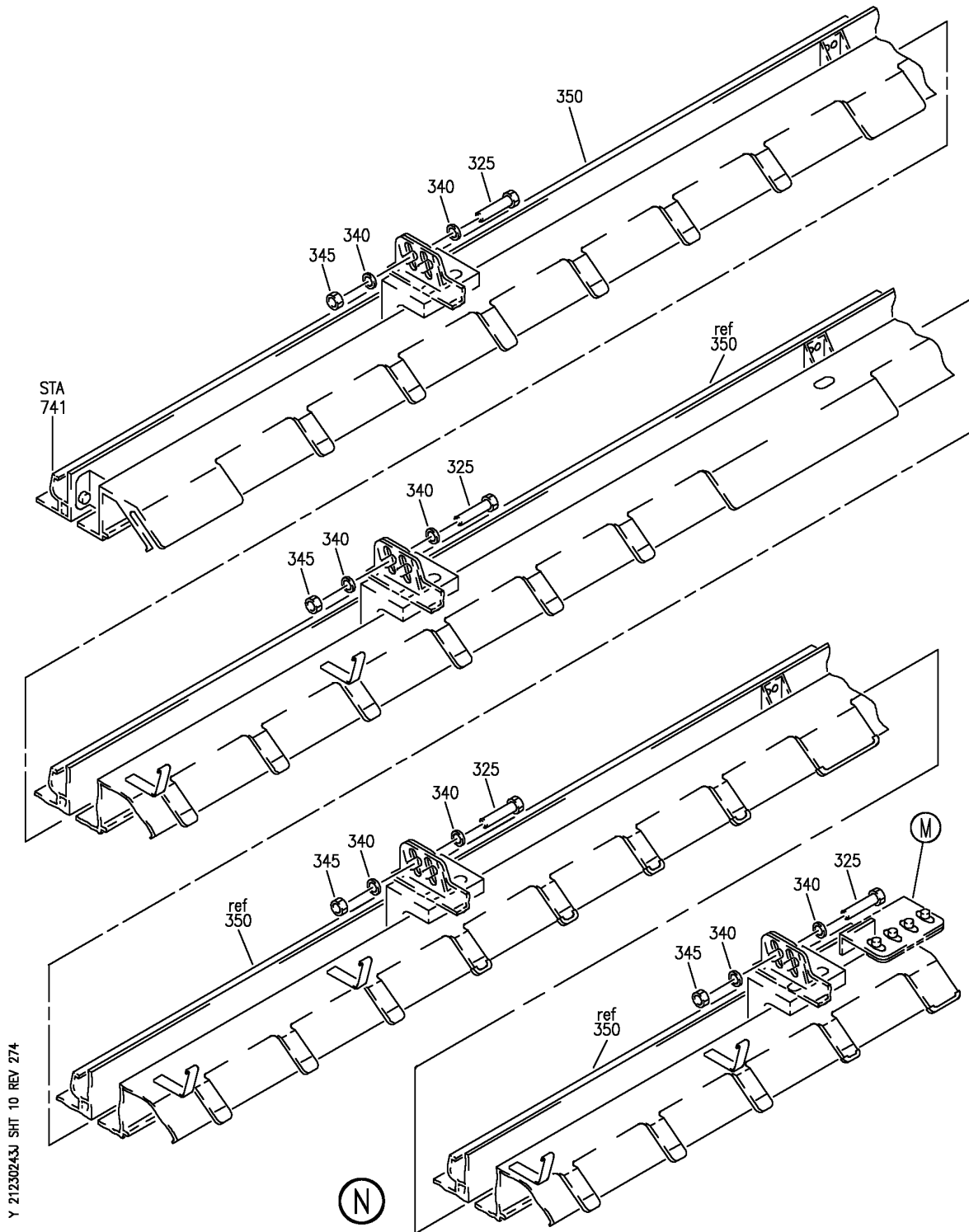
EXTRUSION INSTL
FIGURE 43J (SHEET 9)

21-23-02-43J

BRI
JAN 20/09

21-23-02-43J
PAGE 0H

BOEING
757
PARTS CATALOG (MAINTENANCE)



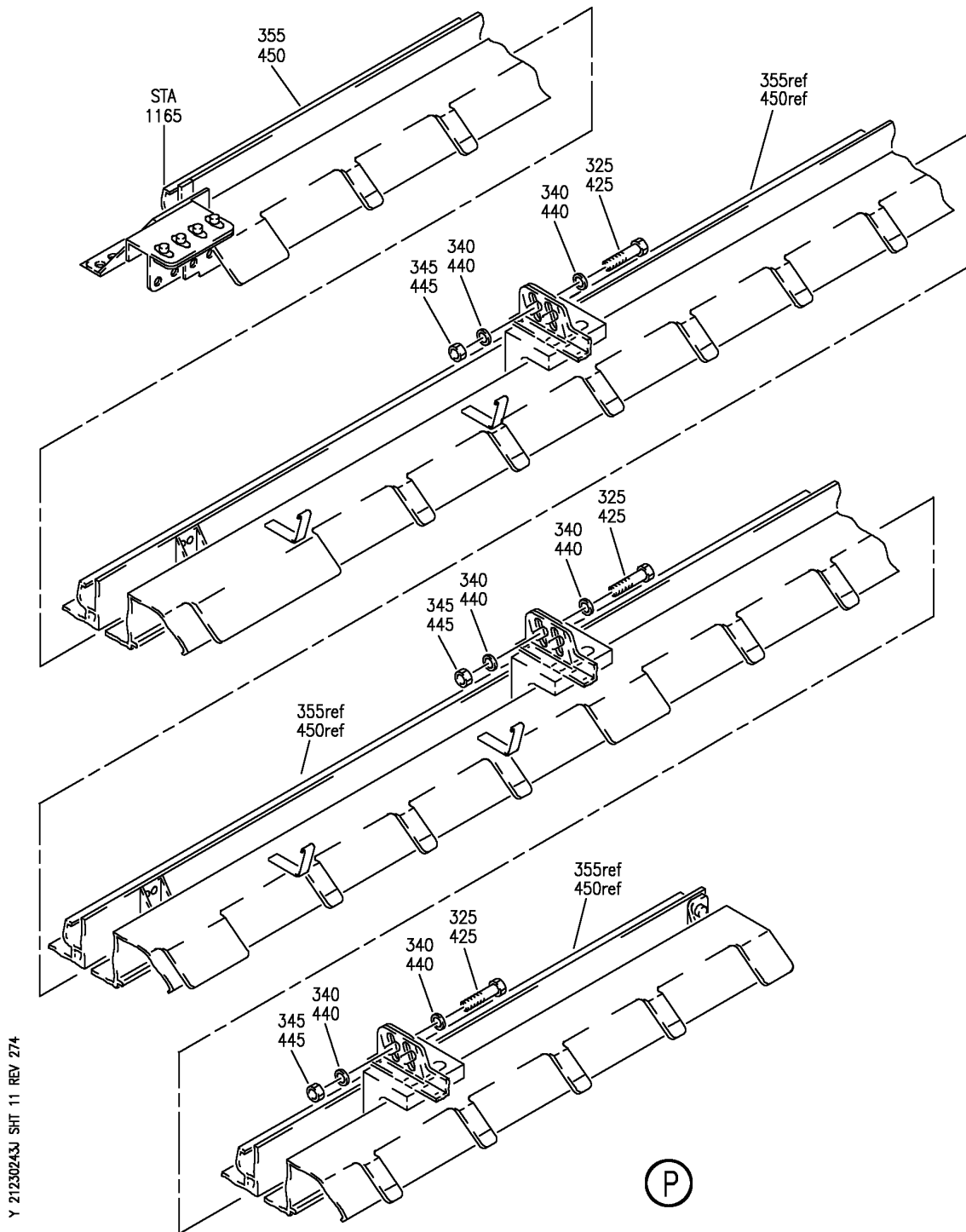
EXTRUSION INSTL
FIGURE 43J (SHEET 10)

21-23-02-43J

BRI
JAN 20/09

21-23-02-43J
PAGE 01

BOEING
757
PARTS CATALOG (MAINTENANCE)



Y 21230243J SHT 11 REV 274

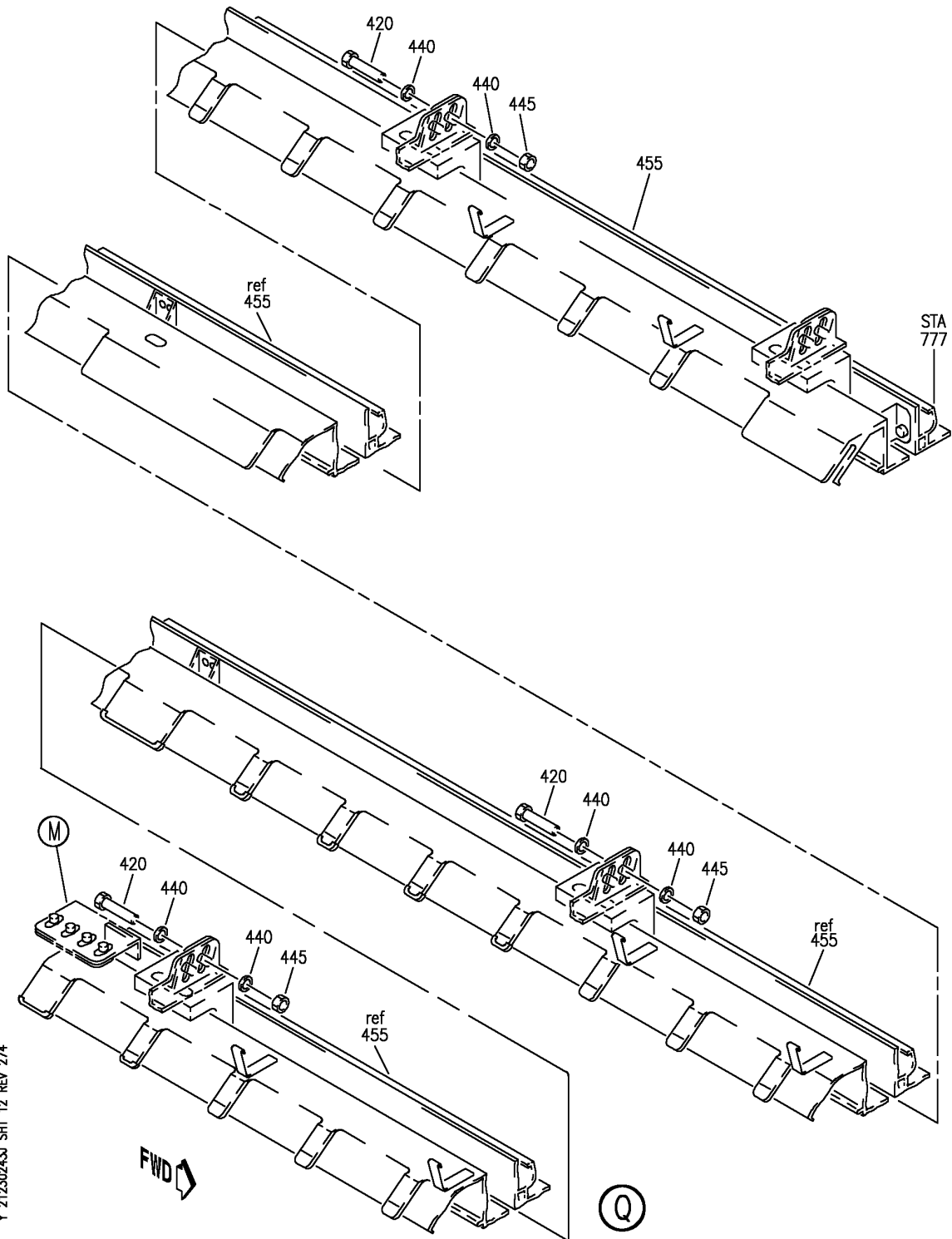
EXTRUSION INSTL
FIGURE 43J (SHEET 11)

21-23-02-43J

BRI
JAN 20/09

21-23-02-43J
PAGE 0J

BOEING
757
PARTS CATALOG (MAINTENANCE)



Y 21230243J SHT 12 REV 274

EXTRUSION INSTL
FIGURE 43J (SHEET 12)

21-23-02-43J

BRI
JAN 20/09

21-23-02-43J
PAGE OK



757

PARTS CATALOG (MAINTENANCE)

| FIG ITEM | PART NUMBER | 1 2 3 4 5 6 7 | NOMENCLATURE | EFFECT FROM TO | UNITS PER ASSY |
|----------|---------------|---------------|--|----------------|----------------|
| 43J | | | EXTRUSION INSTL | 103106 | |
| - 1 | MODREF32497 | | EXTRUSION INSTL- NON-VARIABLE MODULE NUMBER: 412N3001-6004B REV A POSITION DATA: CTR SECT. | 103106 | 1 |
| 5 | BACB30LU2-2 | | .BOLT | 103106 | 24 |
| 10 | BACB30NR4K5 | | .BOLT | 103106 | 46 |
| 15 | BACB30NM3K4 | | .BOLT | 103106 | 24 |
| 20 | BACB30NR6K5 | | .BOLT | 103106 | 4 |
| 25 | BACB30NM3K5 | | .BOLT | 103106 | 16 |
| 30 | BACS12ER08K9 | | .SCREW | 103106 | 12 |
| 35 | BACS12GU08K9 | | .SCREW- | 103106 | 12 |
| 40 | BACS12ER08K8 | | .SCREW | 103106 | 12 |
| 45 | BACW10DM5P | | .WASHER | 103106 | 24 |
| 50 | NAS1149DN816J | | .WASHER | 103106 | 12 |
| 55 | NAS1149E0463P | | .WASHER | 103106 | 92 |
| 60 | NAS1149D0332J | | .WASHER | 103106 | 24 |
| 65 | NAS1149D0616L | | .WASHER | 103106 | 4 |
| 70 | NAS1149D0363J | | .WASHER | 103106 | 32 |
| 75 | PLH54CD | | .NUT | 103106 | 46 |
| | | | SUPPLIER CODE: VF0224 SPECIFICATION NUMBER: BACN10YR4CD OPTIONAL PART: H52732-4CD V15653 | | |
| 80 | PLH53CD | | .NUT | 103106 | 16 |
| | | | SUPPLIER CODE: VF0224 SPECIFICATION NUMBER: BACN10YR3CD OPTIONAL PART: H52732-3CD V15653 | | |
| 85 | 412N2004-89 | | .BRACKET- POSITION DATA: LH | 103106 | 2 |
| 90 | 412N2004-90 | | .BRACKET- POSITION DATA: RH | 103106 | 2 |
| 95 | 412N2004-91 | | .BRACKET- POSITION DATA: RH | 103106 | 2 |
| 100 | 412N2004-92 | | .BRACKET- POSITION DATA: LH | 103106 | 2 |

MISSING ITEM NUMBERS NOT APPLICABLE

- ITEM NOT ILLUSTRATED

21-23-02-43J

21-23-02
FIG. 43J
PAGE 1
JAN 20/09

BRI

BOEING PROPRIETARY - Copyright © - Unpublished Work - See title page for details.



757

PARTS CATALOG (MAINTENANCE)

| FIG ITEM | PART NUMBER | 1 2 3 4 5 6 7 | NOMENCLATURE | EFFECT FROM TO | UNITS PER ASSY |
|------------|----------------|---------------|---|----------------|----------------|
| 43J 105 | 412N3103-3003E | | .OUTLET ASSY-SIDEWALL AIR CONDITIONING POSITION DATA: LH FOR DETAILS SEE: 21-23-02-45E | 103106 | 1 |
| 110 | 412N3103-3004E | | .OUTLET ASSY-SIDEWALL AIR CONDITIONING POSITION DATA: RH FOR DETAILS SEE: 21-23-02-45E | 103106 | 1 |
| 115 | 412N3103-3025E | | .OUTLET ASSY-SIDEWALL AIR CONDITIONING POSITION DATA: LH FOR DETAILS SEE: 21-23-02-45E | 103106 | 1 |
| 120 | 412N3103-3026E | | .OUTLET ASSY-SIDEWALL AIR CONDITIONING POSITION DATA: RH FOR DETAILS SEE: 21-23-02-45H | 103106 | 1 |
| 125 | 412N3103-3055B | | .OUTLET ASSY-SIDEWALL AIR CONDITIONING POSITION DATA: LH FOR DETAILS SEE: 21-23-02-45H | 103106 | 1 |
| 130 | 412N3103-3056B | | .OUTLET ASSY-SIDEWALL AIR CONDITIONING POSITION DATA: RH FOR DETAILS SEE: 21-23-02-45R | 103106 | 1 |
| 135 | 412N3103-3057B | | .OUTLET ASSY-SIDEWALL AIR CONDITIONING POSITION DATA: LH FOR DETAILS SEE: 21-23-02-45R | 103106 | 1 |
| 140 | 412N3103-3058B | | .OUTLET ASSY-SIDEWALL AIR CONDITIONING POSITION DATA: RH FOR DETAILS SEE: 21-23-02-45S | 103106 | 1 |

MISSING ITEM NUMBERS NOT APPLICABLE

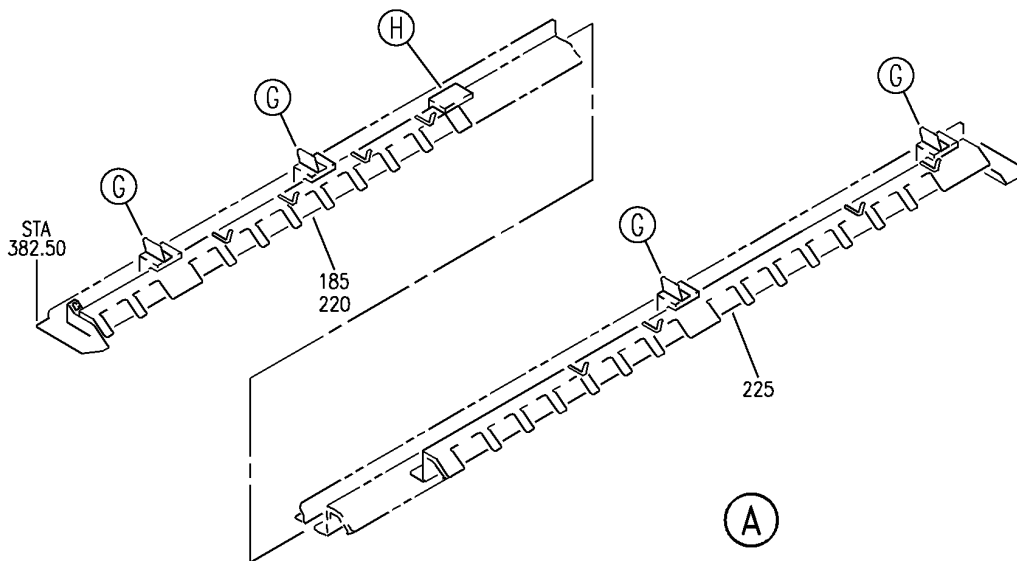
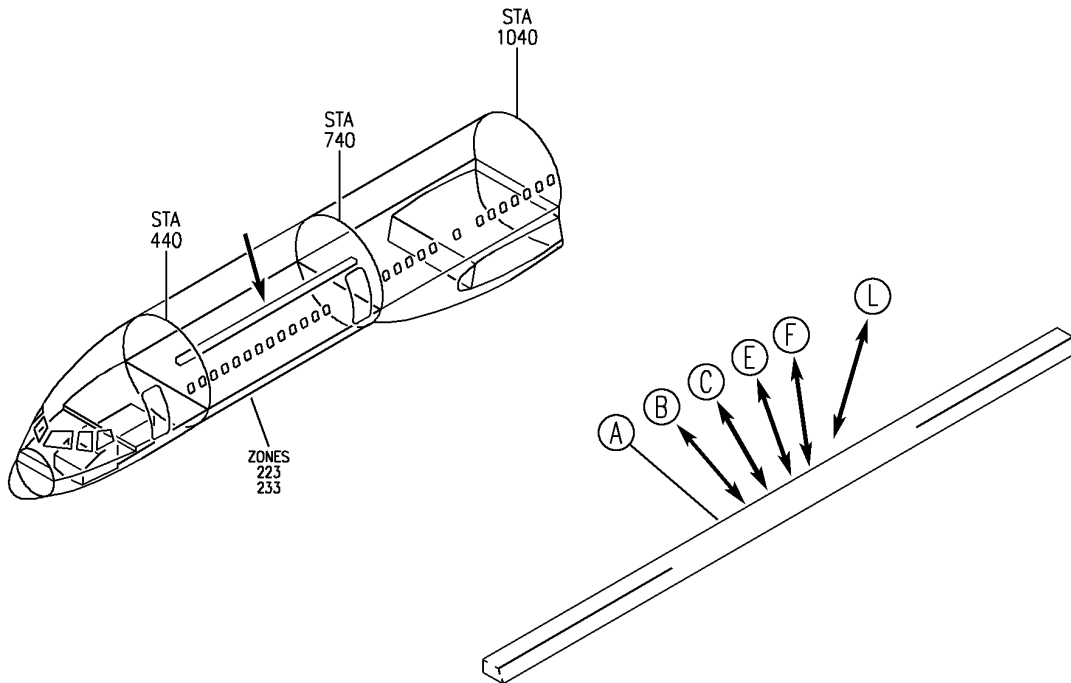
- ITEM NOT ILLUSTRATED

21-23-02-43J

21-23-02
FIG. 43J
PAGE 2
JAN 20/09

BRI

BOEING
757
PARTS CATALOG (MAINTENANCE)



Y 21230244 SH1 1 REV 293

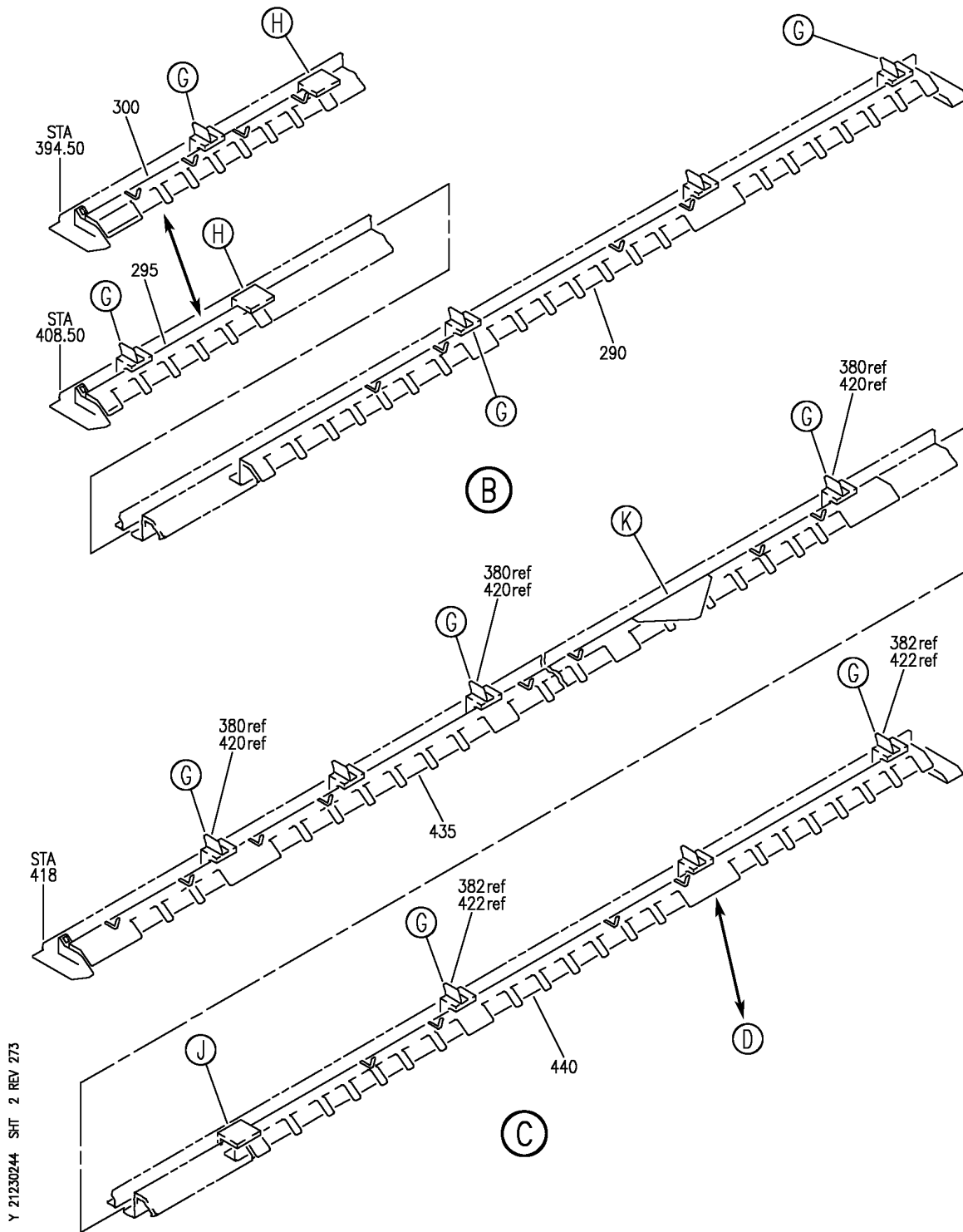
EXTRUSION INSTL
FIGURE 44 (SHEET 1)

BRI
JAN 20/08

21-23-02-44

21-23-02-44
PAGE 0

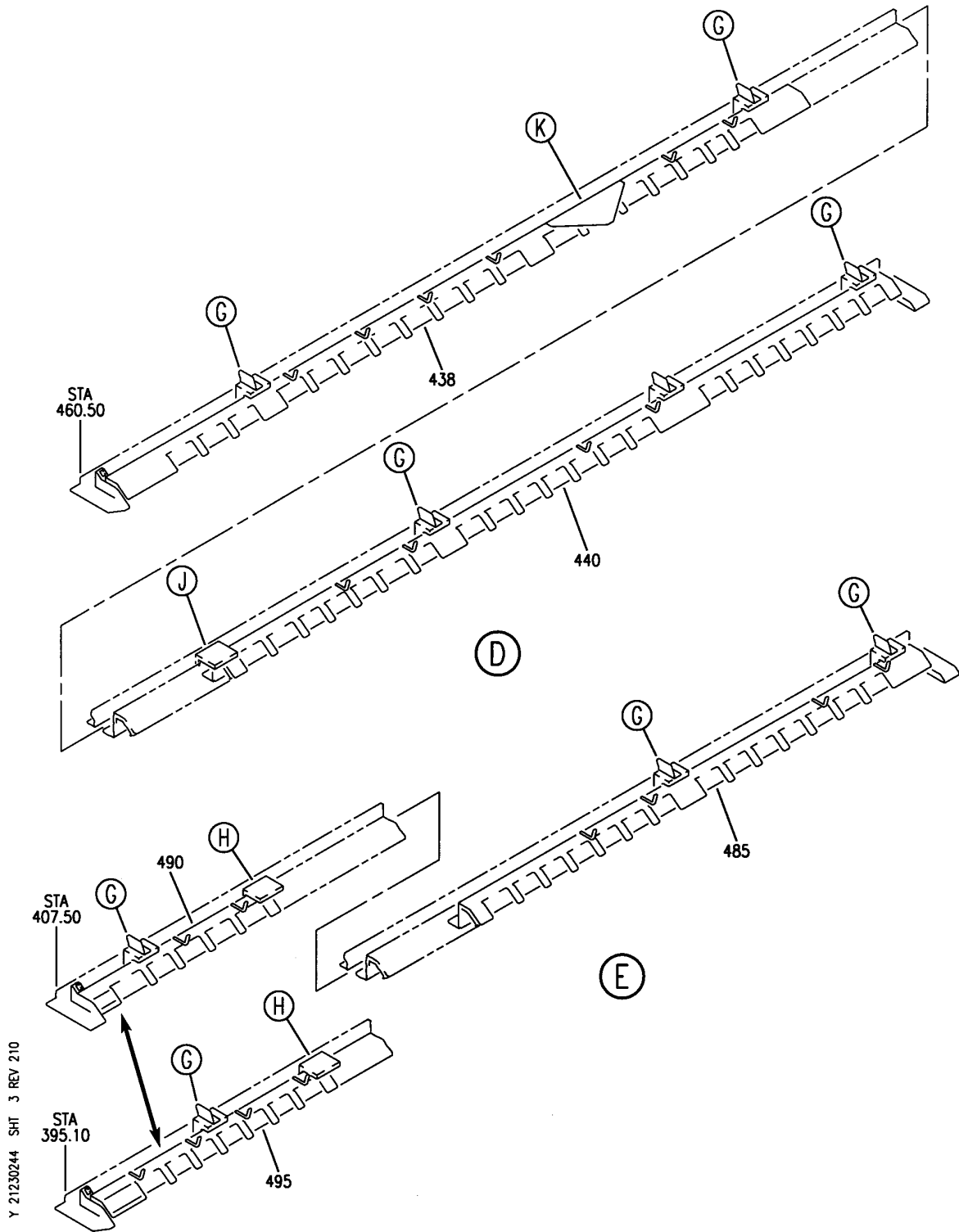
BOEING
757
PARTS CATALOG (MAINTENANCE)



EXTRUSION INSTL
FIGURE 44 (SHEET 2)

21-23-02-44

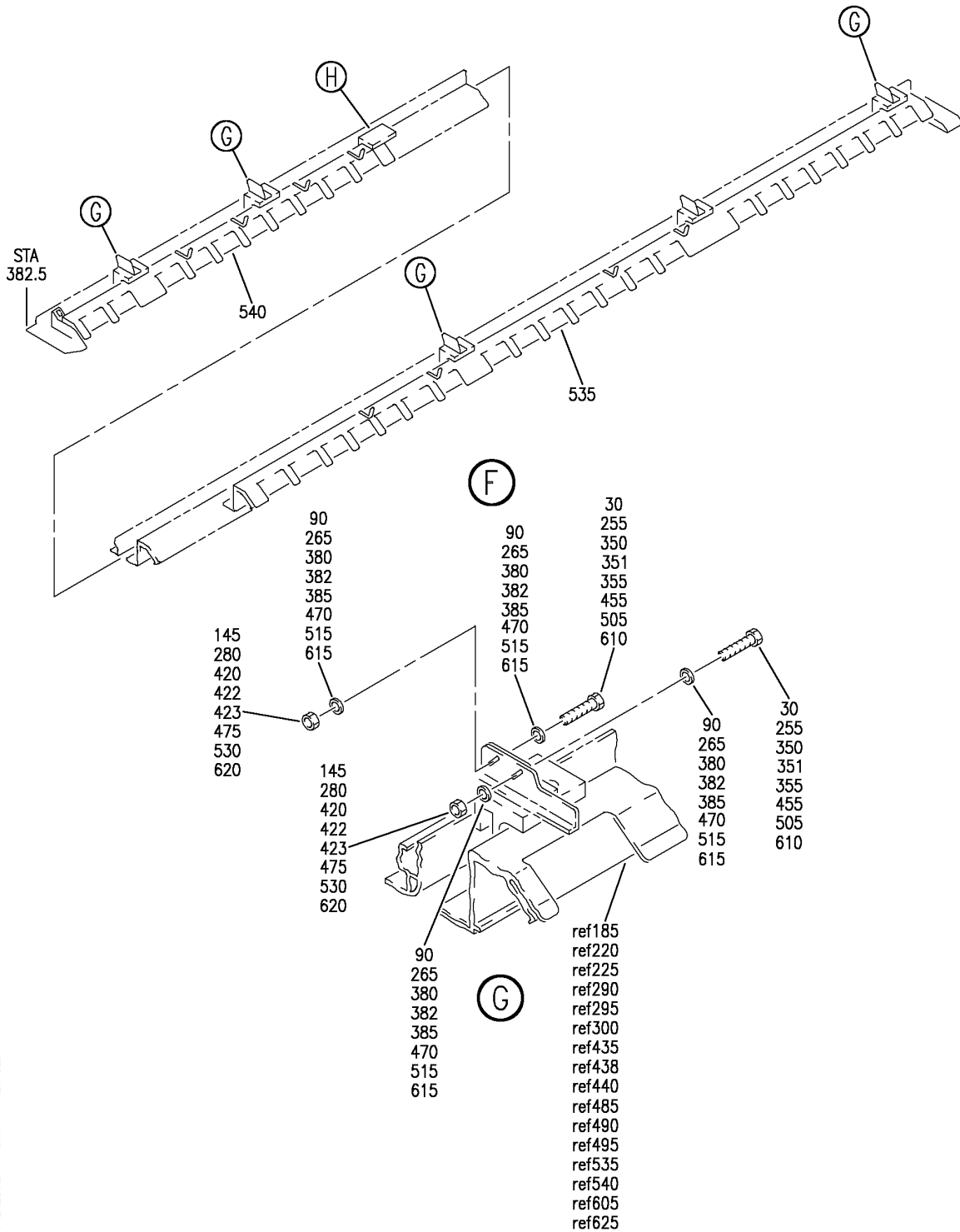
BOEING
757
PARTS CATALOG (MAINTENANCE)



EXTRUSION INSTL
FIGURE 44 (SHEET 3)

21-23-02-44


BOEING
 757
PARTS CATALOG (MAINTENANCE)



Y 21230244 SH1 4 REV 326

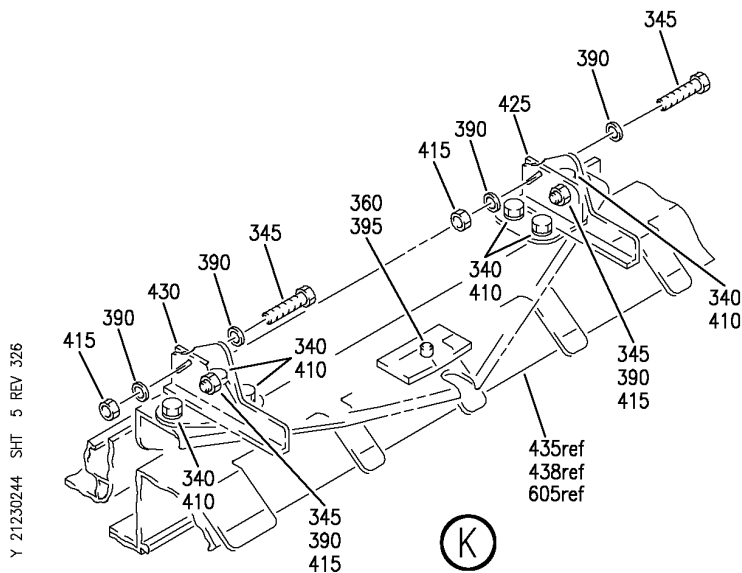
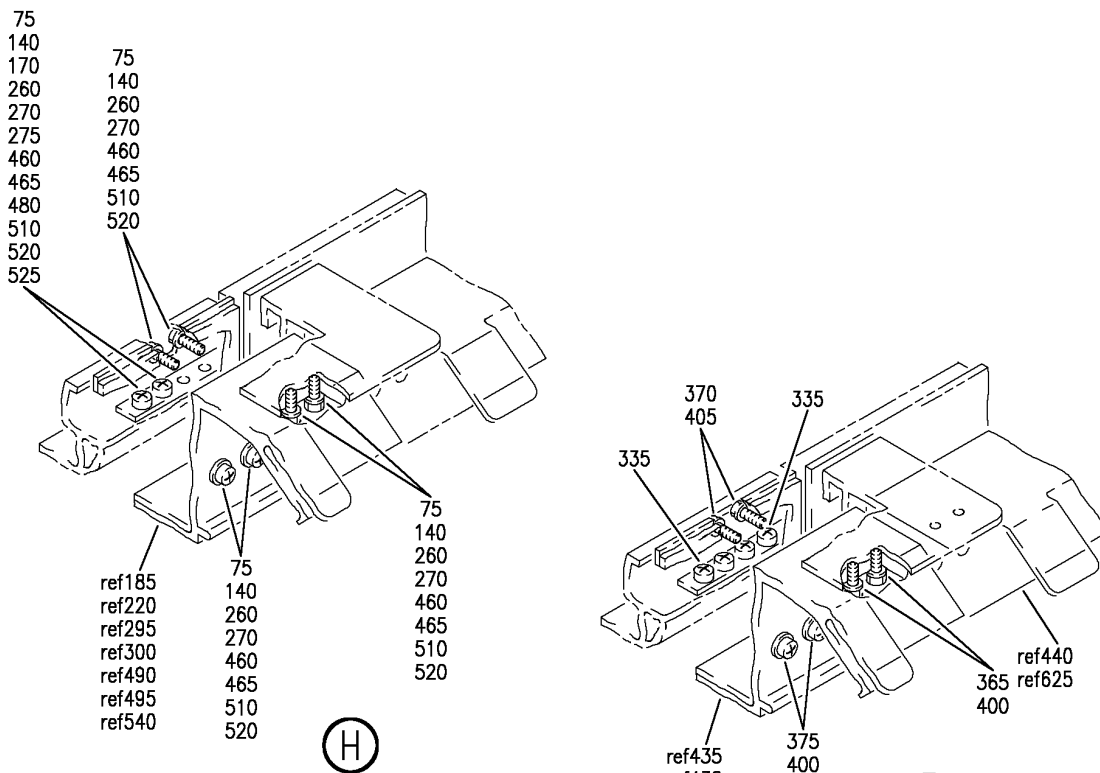
EXTRUSION INSTL
FIGURE 44 (SHEET 4)

21-23-02-44

BRI
SEP 20/08

21-23-02-44
PAGE 0C

BOEING
757
PARTS CATALOG (MAINTENANCE)

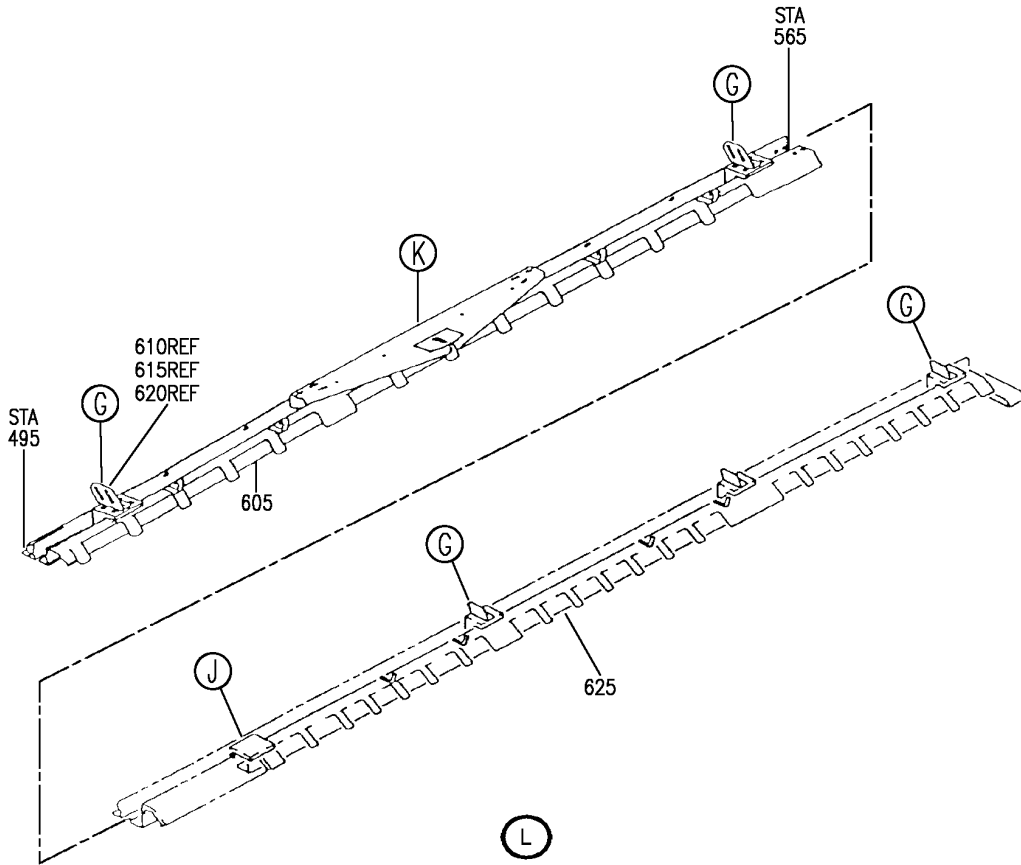


Y 21230244 SHIT 5 REV 326

EXTRUSION INSTL
FIGURE 44 (SHEET 5)

21-23-02-44

BOEING
757
PARTS CATALOG (MAINTENANCE)



Y 21230244 SH 6 REV 326

EXTRUSION INSTL
FIGURE 44 (SHEET 6)

BRI
SEP 20/08

21-23-02-44

21-23-02-44
PAGE 0E



757

PARTS CATALOG (MAINTENANCE)

| FIG ITEM | PART NUMBER | 1 2 3 4 5 6 7 | NOMENCLATURE | EFFECT FROM TO | UNITS PER ASSY |
|----------|-----------------|---------------|--|--|----------------|
| 44 | | | EXTRUSION INSTL | 006102 108120 504903 950951 953999 953999 | |
| - 1 | 412N3001-104 | | EXTRUSION INSTL- POSITION DATA: FWD L FOR NHA SEE: 21-23-02-43 | | RF |
| - 1 | 412N3001-1008SP | | EXTRUSION INSTL- POSITION DATA: FWD L FOR NHA SEE: 25-20-00-07G | 108120 | RF |
| 30 | BACB30NR4K5 | | .BOLT | 108120 953999 | 8 |
| 75 | BACS12GU08K8 | | .SCREW- OPTIONAL PART: NAS1801-08-8 | 108120 953999 | 8 |
| 75 | NAS1801-08-8 | | .SCREW- OPTIONAL PART: BACS12GU08K8 | 108120 953999 | 8 |
| 90 | BACW10P11AL | | .WASHER | 953999 | 16 |
| 90 | NAS1149E0463P | | .WASHER | 108120 | 16 |
| 140 | NAS1149DN816J | | .WASHER | 108120 | 8 |
| 140 | AN960JD8L | | .WASHER | 953999 | 8 |
| 145 | MS21042L4 | | .NUT | 953999 | 8 |
| 145 | PLH54CD | | .NUT | 108120 | 8 |
| | | | SUPPLIER CODE: VF0224 SPECIFICATION NUMBER: BACN10YR4CD OPTIONAL PART: H52732-4CD V15653 | | |

MISSING ITEM NUMBERS NOT APPLICABLE

- ITEM NOT ILLUSTRATED

21-23-02-44

21-23-02
FIG. 44
PAGE 1
JAN 20/09

BRI

 **BOEING**
757
PARTS CATALOG (MAINTENANCE)

| FIG ITEM | PART NUMBER | 1 2 3 4 5 6 7 | NOMENCLATURE | EFFECT FROM TO | UNITS PER ASSY |
|-----------|-----------------|---------------|--|------------------|----------------|
| 44 170 | 130008 | . | NUT SUPPLIER CODE: V60119 SPECIFICATION NUMBER: BACN10FX84 OPTIONAL PART: RM52LHA4972-6-8 V72962 SL211-08-1 V97393 A11330-6-82 V72962 A4972-6-82 V72962 | 108120 953999 | 2 |
| 185 | 412N3103-1210SP | . | OUTLET ASSY- FOR DETAILS SEE: 21-23-02-45 | 108120 | 1 |
| 220 | 412N3103-1119SP | . | OUTLET ASSY- FOR DETAILS SEE: 21-23-02-45 | 953999 | 1 |
| 225 | 412N3103-1073SP | . | OUTLET ASSY- FOR DETAILS SEE: 21-23-02-45 | 108120 953999 | 1 |
| - 330 | 412N3001-1014SP | | EXTRUSION INSTL- POSITION DATA: FWD L FOR NHA SEE: 25-20-00-07G | 504903 | RF |
| 335 | BACB30LU2-2 | . | BOLT | 504903 | 4 |
| 340 | BACB30NR3K4 | . | BOLT | 504903 | 6 |
| 345 | BACB30NR3K5 | . | BOLT | 504903 | 4 |
| 350 | BACB30NR4K5 | . | BOLT- | 504903 | 14 |
| 360 | BACB30NR6K5 | . | BOLT- OPTIONAL PART: NAS6606-5 | 504903 | 1 |
| 360 | NAS6606-5 | . | BOLT- OPTIONAL PART: BACB30NR6K5 | 504903 | 1 |
| 365 | BACS12ER08K8 | . | SCREW- OPTIONAL PART: NAS514P832-8 | 504903 | 2 |
| 365 | NAS514P832-8 | . | SCREW- OPTIONAL PART: BACS12ER08K8 | 504903 | 2 |
| 370 | BACS12GU08K7 | . | SCREW- OPTIONAL PART: NAS1801-08-7 | 504903 | 2 |

MISSING ITEM NUMBERS NOT APPLICABLE

- ITEM NOT ILLUSTRATED

21-23-02-44

21-23-02
FIG. 44
PAGE 2
JAN 20/09

BRI

BOEING PROPRIETARY - Copyright © - Unpublished Work - See title page for details.



757

PARTS CATALOG (MAINTENANCE)

| FIG ITEM | PART NUMBER | 1 2 3 4 5 6 7 | NOMENCLATURE | EFFECT FROM TO | UNITS PER ASSY |
|-----------|-----------------|--------------------------|--------------|----------------|----------------|
| 44 370 | NAS1801-08-7 | .SCREW- | | 504903 | 2 |
| | | OPTIONAL PART: | | | |
| | | BACS12GU08K7 | | | |
| 375 | BACS12ER08K7 | .SCREW- | | 504903 | 2 |
| | | OPTIONAL PART: | | | |
| | | NAS514P832-7 | | | |
| 375 | NAS514P832-7 | .SCREW- | | 504903 | 2 |
| | | OPTIONAL PART: | | | |
| | | BACS12ER08K7 | | | |
| 395 | NAS1149D0616L | .WASHER- | | 504903 | 1 |
| 400 | BACW10DM5P | .WASHER | | 504903 | 4 |
| 405 | NAS1149DN816J | .WASHER | | 504903 | 2 |
| 410 | NAS1149D0332J | .WASHER | | 504903 | 6 |
| 425 | 412N2004-89 | .BRACKET | | 504903 | 1 |
| 430 | 412N2004-92 | .BRACKET | | 504903 | 1 |
| 440 | 412N3103-1189SP | .OUTLET ASSY-SIDEWALL AC | | 006102 | 1 |
| | | FOR DETAILS SEE: | | | |
| | | 21-23-02-45 | | | |
| 440 | 412N3103-1287SP | .OUTLET ASSY- | | 504903 | 1 |
| | | FOR DETAILS SEE: | | | |
| | | 21-23-02-50 | | | |
| - 450 | 412N3001-109 | EXTRUSION INSTL- | | 950950 | RF |
| | | POSITION DATA: | | | |
| | | FWD L | | | |
| | | FOR NHA SEE: | | | |
| | | 21-23-02-43 | | | |
| - 450 | 412N3001-117 | EXTRUSION INSTL- | | 951951 | RF |
| | | POSITION DATA: | | | |
| | | FWD L | | | |
| | | FOR NHA SEE: | | | |
| | | 21-23-02-43 | | | |
| 455 | BACB30NR4K5 | .BOLT | | 950951 | 6 |
| 460 | BACS12GU08K8 | .SCREW- | | 950951 | 8 |
| | | OPTIONAL PART: | | | |
| | | NAS1801-08-8 | | | |
| 460 | NAS1801-08-8 | .SCREW- | | 950951 | 8 |
| | | OPTIONAL PART: | | | |
| | | BACS12GU08K8 | | | |
| 465 | NAS1149DN816J | .WASHER | | 950951 | 8 |
| 470 | BACW10P11AL | .WASHER | | 950951 | 12 |
| 475 | MS21042L4 | .NUT | | 950951 | 6 |

MISSING ITEM NUMBERS NOT APPLICABLE

- ITEM NOT ILLUSTRATED

21-23-02-44

21-23-02
FIG. 44
PAGE 3
JAN 20/09

BRI



757

PARTS CATALOG (MAINTENANCE)

| FIG ITEM | PART NUMBER | 1 2 3 4 5 6 7 | NOMENCLATURE | EFFECT FROM TO | UNITS PER ASSY |
|-----------|-----------------|---------------|--|----------------|----------------|
| 44 480 | 130008 | . | NUT SUPPLIER CODE: V60119 SPECIFICATION NUMBER: BACN10FX84 OPTIONAL PART: RM52LHA4972-6-8 V72962 SL211-08-1 V97393 A11330-6-82 V72962 A4972-6-82 V72962 | 953999 | 2 |
| 485 | 412N3103-1073SP | . | OUTLET ASSY- FOR DETAILS SEE: 21-23-02-45 | 950951 | 1 |
| 490 | 412N3103-1199SP | . | OUTLET ASSY- FOR DETAILS SEE: 21-23-02-45 | 950950 | 1 |
| 490 | 412N3103-1225SP | . | OUTLET ASSY- FOR DETAILS SEE: 21-23-02-45 | 951951 | 1 |
| - 500 | 412N3001-106 | | EXTRUSION INSTL- POSITION DATA: FWD L FOR NHA SEE: 21-23-02-43 | 006010 | RF |
| - 500 | 412N3001-118 | | EXTRUSION INSTL- POSITION DATA: FWD L FOR NHA SEE: 21-23-02-43 | 011100 | RF |
| - 500 | 412N3001-1003SP | | EXTRUSION INSTL- POSITION DATA: FWD L FOR NHA SEE: 25-20-00-07G | 101102 | RF |
| 505 | BACB30NR4K5 | . | BOLT | 006102 | 10 |
| 510 | BACS12GU08K8 | . | SCREW- OPTIONAL PART: NAS1801-08-8 | 006102 | 8 |
| 510 | NAS1801-08-8 | . | SCREW- OPTIONAL PART: BACS12GU08K8 | 006102 | 8 |
| 515 | BACW10P11AL | . | WASHER | 006100 | 20 |
| 515 | NAS1149E0463P | . | WASHER | 101102 | 20 |
| 520 | NAS1149DN816J | . | WASHER | 006102 | 8 |

MISSING ITEM NUMBERS NOT APPLICABLE

- ITEM NOT ILLUSTRATED

21-23-02-44

21-23-02
FIG. 44
PAGE 4
JAN 20/09

BRI



757

PARTS CATALOG (MAINTENANCE)

| FIG ITEM | PART NUMBER | 1 2 3 4 5 6 7 | NOMENCLATURE | EFFECT FROM TO | UNITS PER ASSY |
|-----------|-----------------|---------------|---|----------------|----------------|
| 44 525 | 130008 | .NUT | SUPPLIER CODE: V60119 SPECIFICATION NUMBER: BACN10FX84 OPTIONAL PART: RM52LHA4972-6-8 V72962 SL211-08-1 V97393 A11330-6-82 V72962 A4972-6-82 V72962 | 006102 | 2 |
| 530 | PLH54CD | .NUT | SUPPLIER CODE: VF0224 SPECIFICATION NUMBER: BACN10YR4CD OPTIONAL PART: H52732-4CD V15653 | 101102 | 10 |
| 530 | MS21042L4 | .NUT | | 006100 | 10 |
| 535 | 412N3103-1189SP | .OUTLET ASSY- | FOR DETAILS SEE: 21-23-02-45 | 006102 | 1 |
| 540 | 412N3103-1119SP | .OUTLET ASSY- | FOR DETAILS SEE: 21-23-02-45 | 006010 | 1 |
| 540 | 412N3103-1217SP | .OUTLET ASSY- | FOR DETAILS SEE: 21-23-02-45 | 011102 | 1 |

MISSING ITEM NUMBERS NOT APPLICABLE

- ITEM NOT ILLUSTRATED

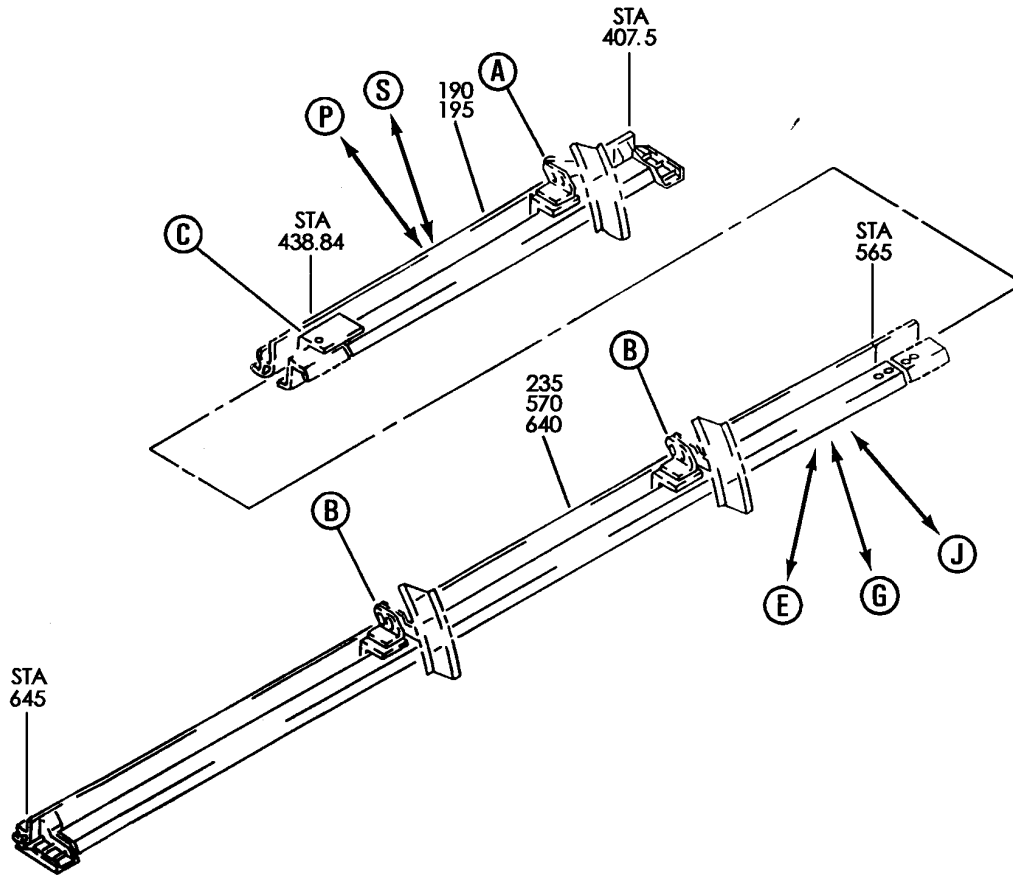
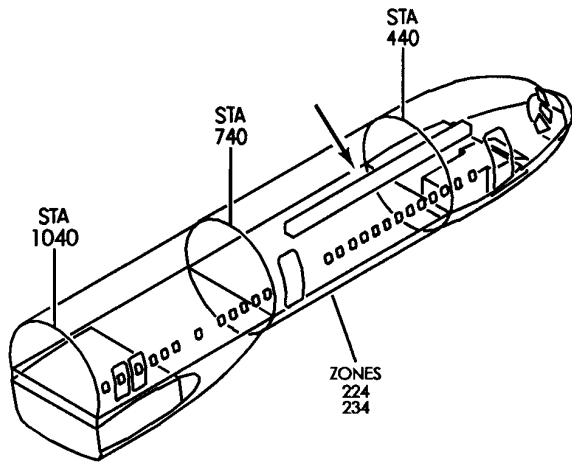
BRI

21-23-02-44

BOEING PROPRIETARY - Copyright © - Unpublished Work - See title page for details.

21-23-02
FIG. 44
PAGE 5
JAN 20/09

BOEING
757
PARTS CATALOG (MAINTENANCE)



Y 21230244A SHT 1 REV 210

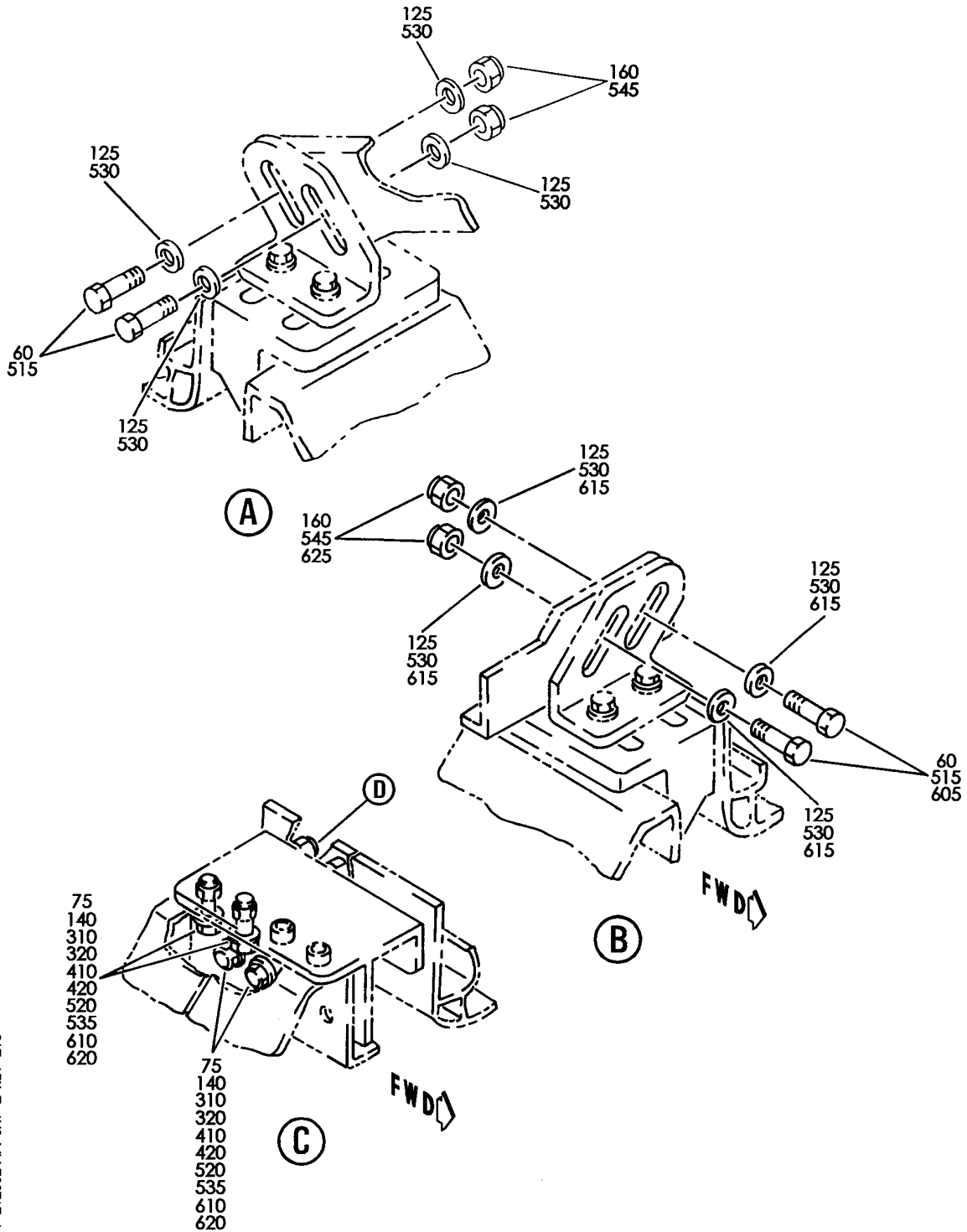
EXTRUSION INSTL
FIGURE 44A (SHEET 1)

21-23-02-44A

BRI
MAY 28/07

21-23-02-44A
PAGE 0

BOEING
757
PARTS CATALOG (MAINTENANCE)



Y 21230244A SHT 2 REV 210

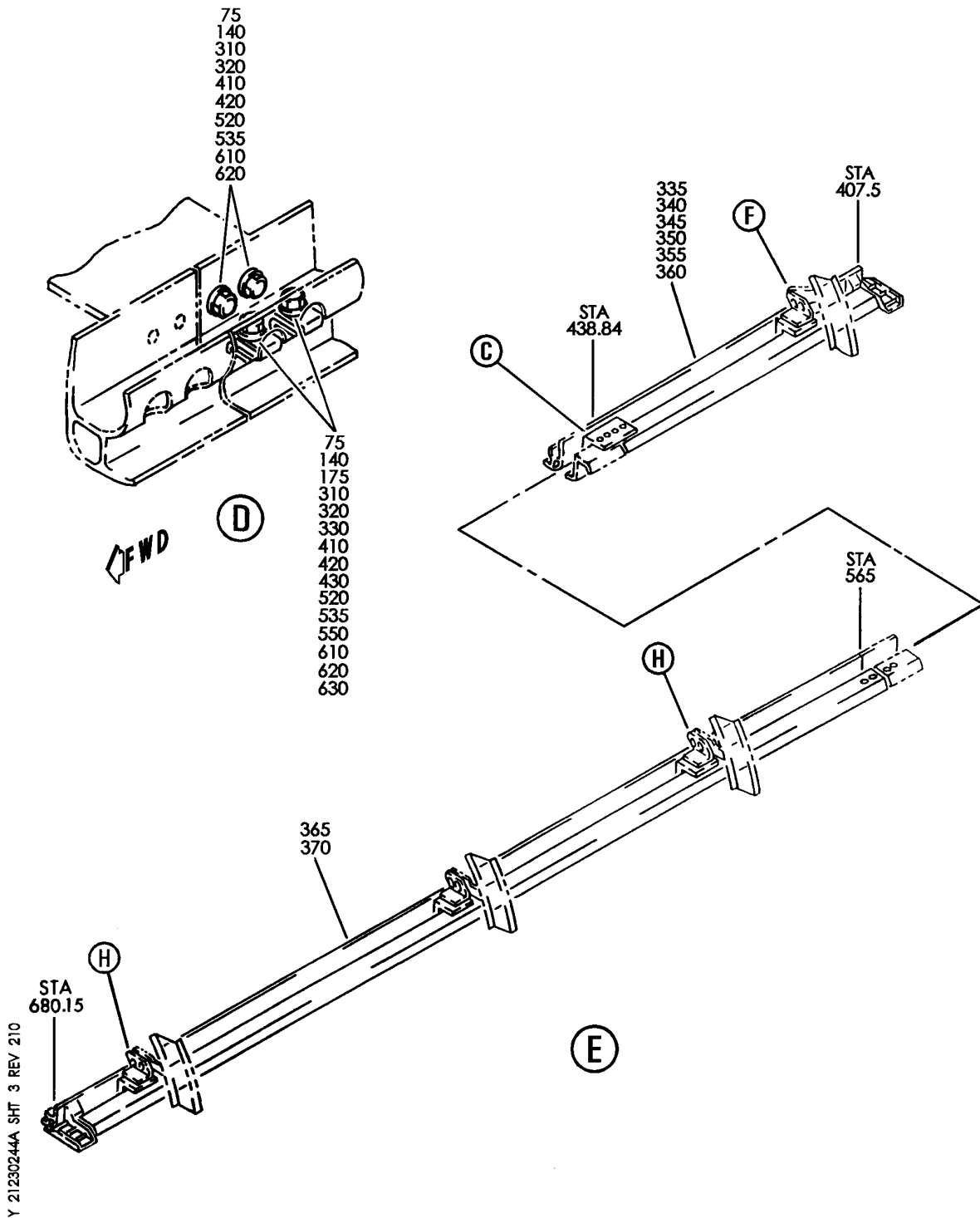
EXTRUSION INSTL
FIGURE 44A (SHEET 2)

21-23-02-44A

BRI
MAY 28/07

21-23-02-44A
PAGE 0A

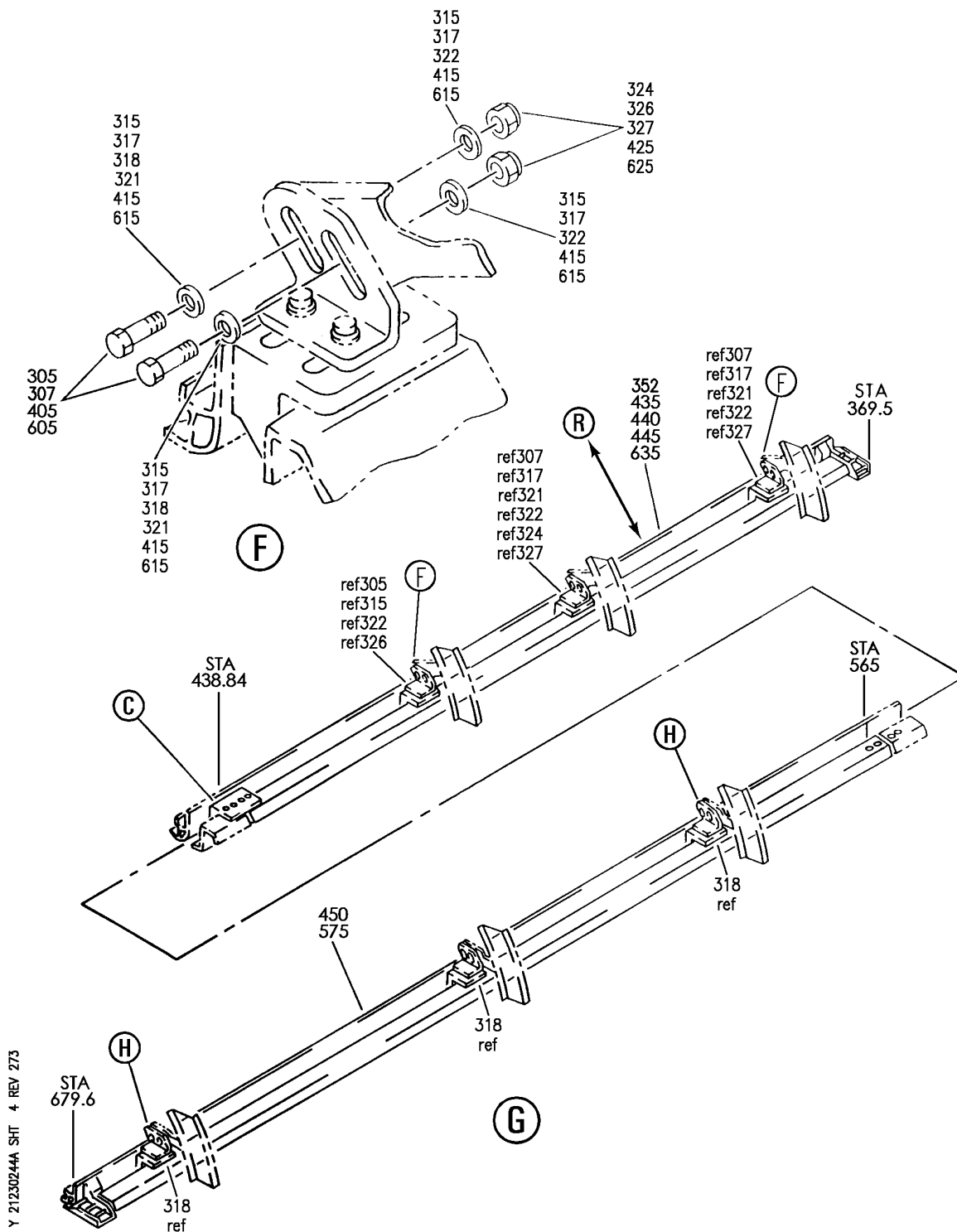
BOEING
757
PARTS CATALOG (MAINTENANCE)



EXTRUSION INSTL
FIGURE 44A (SHEET 3)

21-23-02-44A


BOEING
 757
PARTS CATALOG (MAINTENANCE)



Y 21230244A SHT 4 REV 273

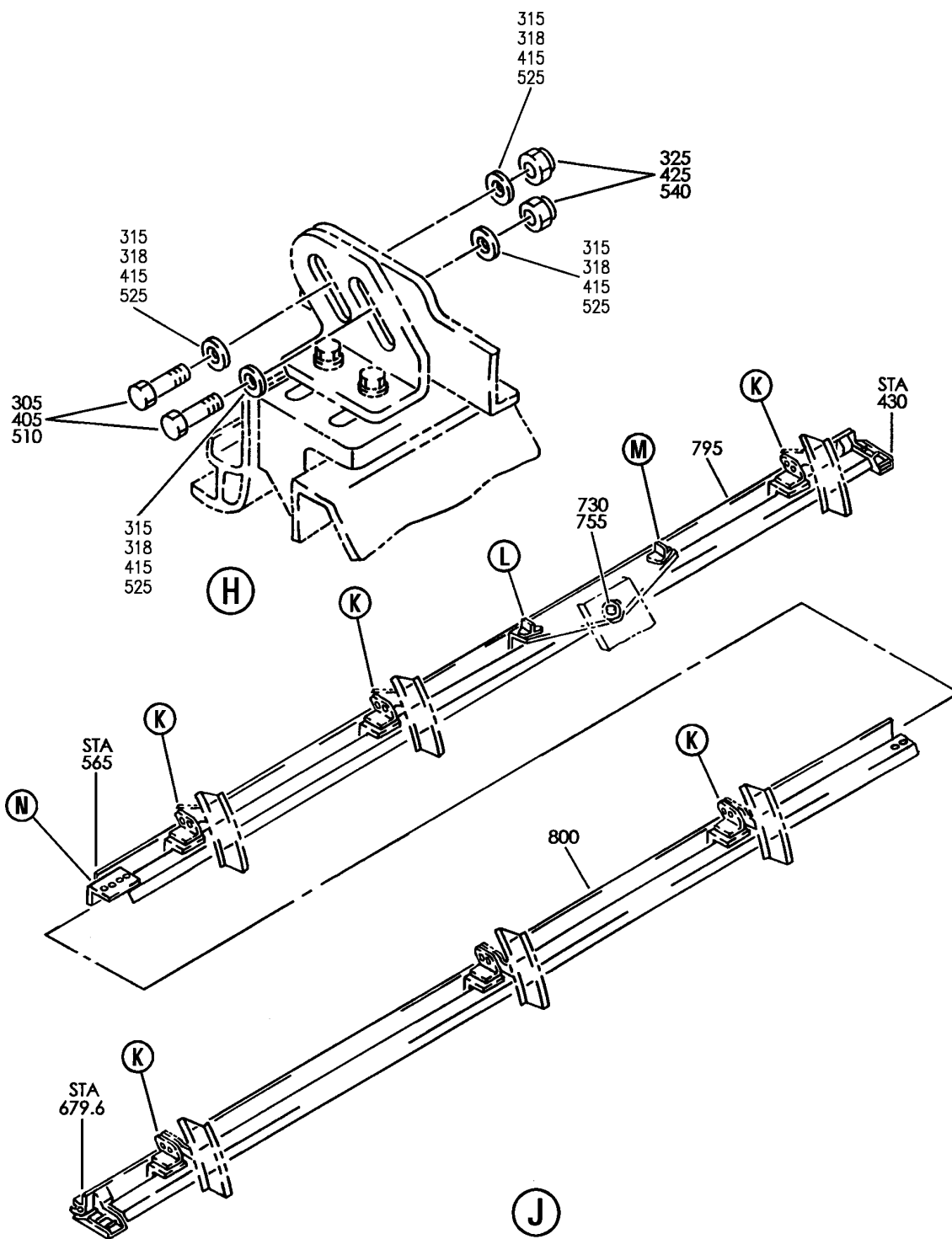
EXTRUSION INSTL
FIGURE 44A (SHEET 4)

21-23-02-44A

BRI
MAY 28/07

21-23-02-44A
PAGE 0C

BOEING
757
PARTS CATALOG (MAINTENANCE)



Y 21230244A SHT 5 REV 273

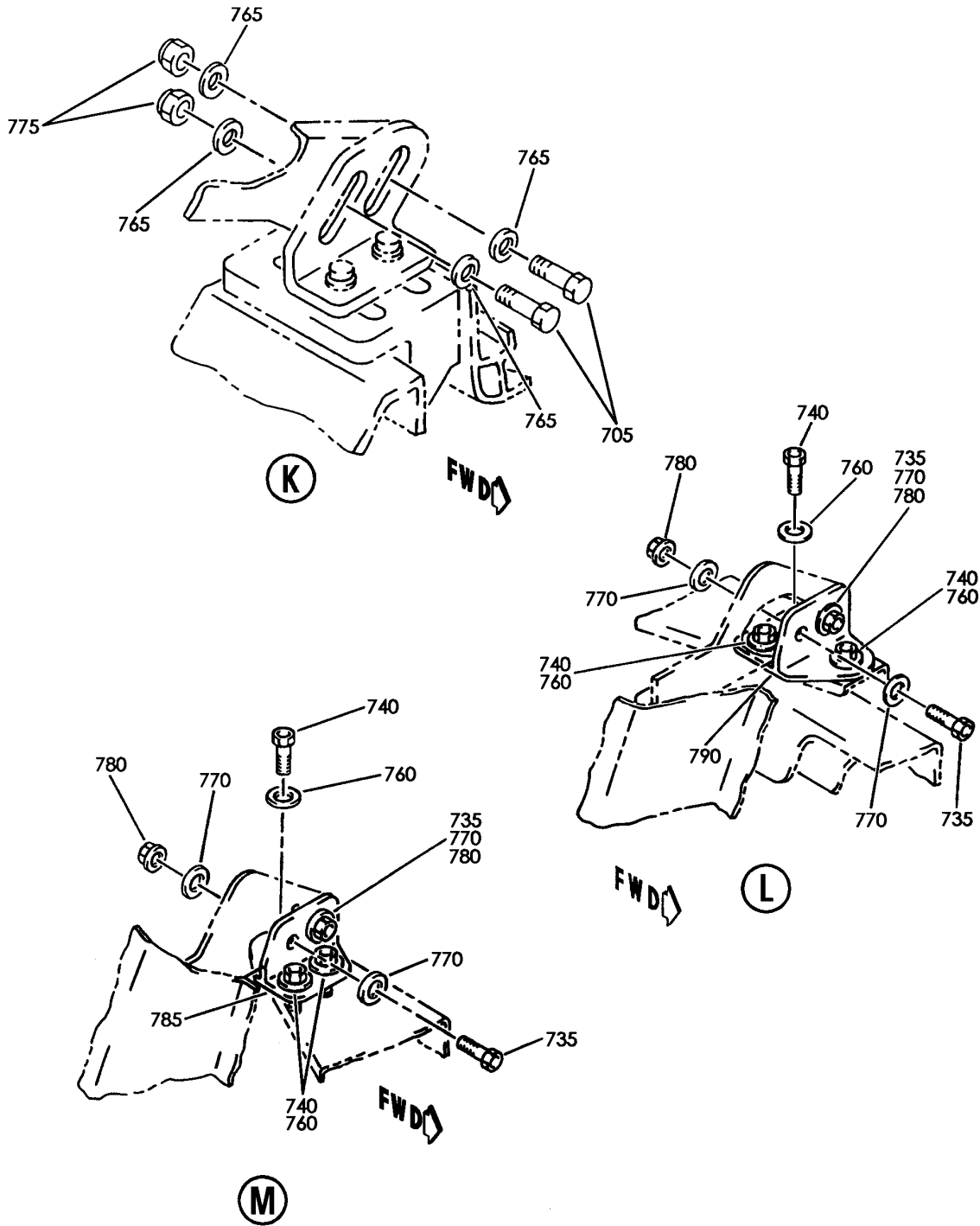
EXTRUSION INSTL
FIGURE 44A (SHEET 5)

21-23-02-44A

BRI
MAY 28/07

21-23-02-44A
PAGE 0D

BOEING
757
PARTS CATALOG (MAINTENANCE)



Y 21230244A SHT 6 REV 210

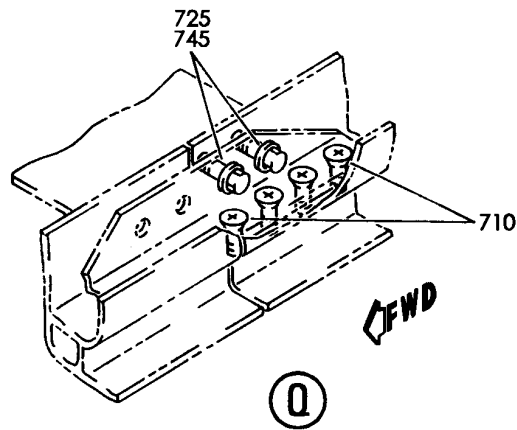
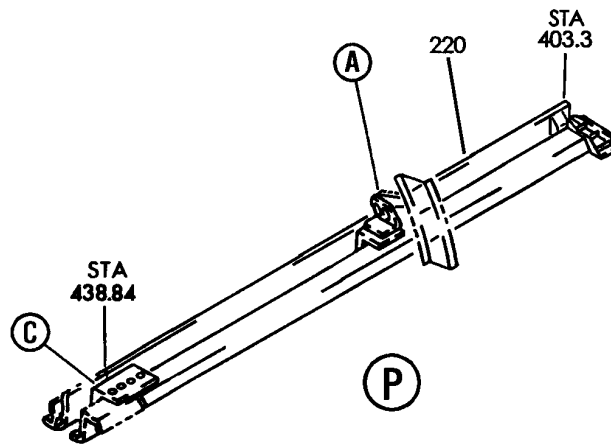
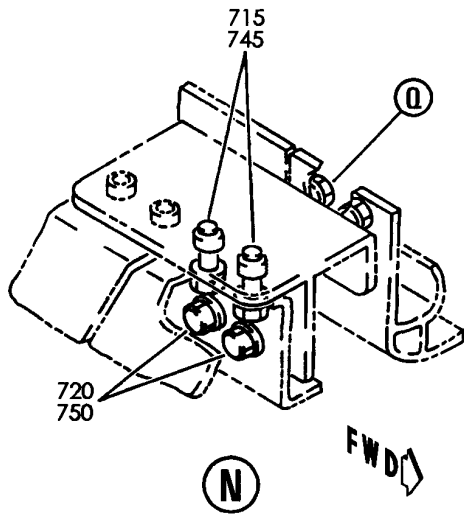
EXTRUSION INSTL
FIGURE 44A (SHEET 6)

21-23-02-44A

BRI
MAY 28/07

21-23-02-44A
PAGE 0E

BOEING
757
PARTS CATALOG (MAINTENANCE)



Y 21230244A SHT 7 REV 210

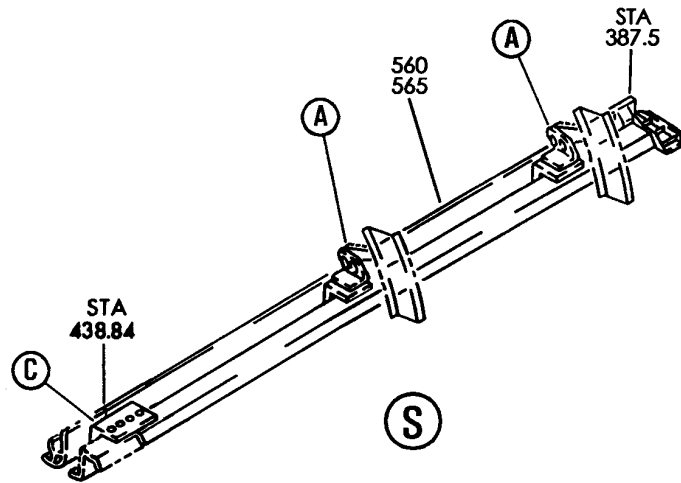
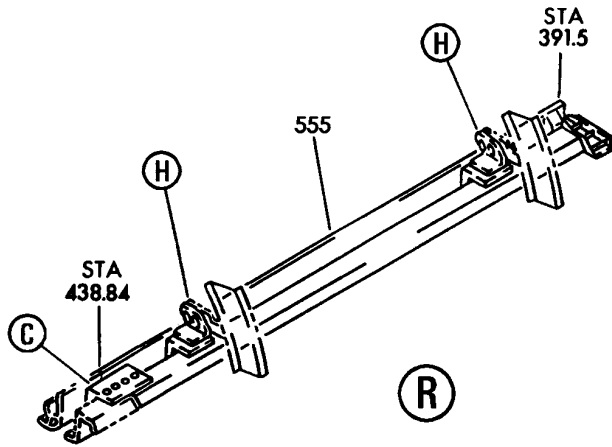
EXTRUSION INSTL
FIGURE 44A (SHEET 7)

21-23-02-44A

BRI
MAY 28/07

21-23-02-44A
PAGE OF

BOEING
757
PARTS CATALOG (MAINTENANCE)



Y 21230244A SHT 8 REV 210

EXTRUSION INSTL
FIGURE 44A (SHEET 8)

21-23-02-44A

BRI
MAY 28/07

21-23-02-44A
PAGE 08



757

PARTS CATALOG (MAINTENANCE)

| FIG ITEM | PART NUMBER | 1 2 3 4 5 6 7 | NOMENCLATURE | EFFECT FROM TO | UNITS PER ASSY |
|----------|-----------------|---------------|--|--|----------------|
| 44A | | | EXTRUSION INSTL | 006102 108120 504903 950951 953999 | |
| - 300 | 412N3001-206 | | EXTRUSION INSTL- POSITION DATA: FWD R FOR NHA SEE: 21-23-02-43 | 006010 950950 | RF |
| - 300 | 412N3001-219 | | EXTRUSION INSTL- POSITION DATA: FWD R FOR NHA SEE: 21-23-02-43 | 951951 | RF |
| - 300 | 412N3001-2002SP | | EXTRUSION INSTL- POSITION DATA: FWD R FOR NHA SEE: 25-20-00-07G | 108120 | RF |
| 305 | BACB30NR4K5 | | .BOLT | 006010 108120 950951 | 8 |
| 310 | BACS12GU08K8 | | .SCREW- OPTIONAL PART: NAS1801-08-8 | 006010 108120 950951 | 8 |
| 310 | NAS1801-08-8 | | .SCREW- OPTIONAL PART: BACS12GU08K8 | 006010 108120 950951 | 8 |
| 315 | BACW10P11AL | | .WASHER | 006010 950951 | 16 |
| 315 | NAS1149E0463P | | .WASHER | 108120 | 16 |
| 320 | NAS1149DN816J | | .WASHER | 006010 108120 950951 | 8 |
| 325 | MS21042L4 | | .NUT | 006010 950951 | 6 |
| 325 | PLH54CD | | .NUT SUPPLIER CODE: VF0224 SPECIFICATION NUMBER: BACN10YR4CD OPTIONAL PART: H52732-4CD V15653 | 108120 | 6 |
| 326 | MS21042L4 | | .NUT- | 006010 950951 | 2 |

MISSING ITEM NUMBERS NOT APPLICABLE

- ITEM NOT ILLUSTRATED

21-23-02-44A

21-23-02
FIG. 44A
PAGE 1
JAN 20/09

BRI

BOEING PROPRIETARY - Copyright © - Unpublished Work - See title page for details.



757

PARTS CATALOG (MAINTENANCE)

| FIG ITEM | PART NUMBER | 1 2 3 4 5 6 7 | NOMENCLATURE | EFFECT FROM TO | UNITS PER ASSY |
|------------|-----------------|---------------|---|----------------------------|----------------|
| 44A 326 | PLH54CD | | .NUT- SUPPLIER CODE: VF0224 SPECIFICATION NUMBER: BACN10YR4CD OPTIONAL PART: H52732-4CD V15653 | 108120 | 2 |
| 330 | 130008 | | .NUT SUPPLIER CODE: V60119 SPECIFICATION NUMBER: BACN10FX84 OPTIONAL PART: RM52LHA4972-6-8 V72962 SL211-08-1 V97393 A11330-6-82 V72962 A4972-6-82 V72962 | 006010 108120 950951 | 2 |
| 345 | 412N3103-1226SP | | .OUTLET ASSY- FOR DETAILS SEE: 21-23-02-49 | 951951 | 1 |
| 345 | 412N3103-1200SP | | .OUTLET ASSY- FOR DETAILS SEE: 21-23-02-49 | 006010 950950 | 1 |
| 350 | 412N3103-1227SP | | .OUTLET ASSY- FOR DETAILS SEE: 21-23-02-49 | 108120 | 1 |
| 365 | 412N3103-1190SP | | .OUTLET ASSY- FOR DETAILS SEE: 21-23-02-45B | 006010 108120 950951 | 1 |
| - 400 | 412N3001-204 | | EXTRUSION INSTL- POSITION DATA: FWD R FOR NHA SEE: 21-23-02-43 | 953999 | RF |
| 405 | BACB30NR4K5 | | .BOLT | 953999 | 12 |
| 410 | BACS12GU08K8 | | .SCREW- OPTIONAL PART: NAS1801-08-8 | 953999 | 8 |
| 410 | NAS1801-08-8 | | .SCREW- OPTIONAL PART: BACS12GU08K8 | 953999 | 8 |
| 415 | BACW10P11AL | | .WASHER | 953999 | 24 |
| 420 | NAS1149DN816J | | .WASHER | 953999 | 8 |
| 425 | MS21042L4 | | .NUT | 953999 | 12 |

MISSING ITEM NUMBERS NOT APPLICABLE

- ITEM NOT ILLUSTRATED

21-23-02-44A

21-23-02
FIG. 44A
PAGE 2
JAN 20/09

BRI



757

PARTS CATALOG (MAINTENANCE)

| FIG ITEM | PART NUMBER | 1 2 3 4 5 6 7 | NOMENCLATURE | EFFECT FROM TO | UNITS PER ASSY |
|------------|-----------------|---------------|--|----------------|----------------|
| 44A 430 | 130008 | . | NUT SUPPLIER CODE: V60119 SPECIFICATION NUMBER: BACN10FX84 OPTIONAL PART: RM52LHA4972-6-8 V72962 SL211-08-1 V97393 A11330-6-82 V72962 A4972-6-82 V72962 | 953999 | 2 |
| 435 | 412N3103-1120SP | . | OUTLET ASSY- FOR DETAILS SEE: 21-23-02-45B | 953999 | 1 |
| 450 | 412N3103-1190SP | . | OUTLET ASSY- FOR DETAILS SEE: 21-23-02-45B | 953999 | 1 |
| - 500 | 412N3001-222 | | EXTRUSION INSTL- POSITION DATA: FWD R FOR NHA SEE: 21-23-02-43 | 011100 | RF |
| - 500 | 412N3001-2011SP | | EXTRUSION INSTL- POSITION DATA: FWD R FOR NHA SEE: 25-20-00-07G | 101102 | RF |
| 510 | BACB30NR4K5 | . | BOLT | 011102 | 10 |
| 520 | BACS12GU08K8 | . | SCREW- OPTIONAL PART: NAS1801-08-8 | 011102 | 8 |
| 520 | NAS1801-08-8 | . | SCREW- OPTIONAL PART: BACS12GU08K8 | 011102 | 8 |
| 525 | BACW10P11AL | . | WASHER | 011100 | 20 |
| 525 | NAS1149E0463P | . | WASHER | 101102 | 20 |
| 535 | NAS1149DN816J | . | WASHER | 011102 | 8 |
| 540 | MS21042L4 | . | NUT | 011100 | 10 |
| 540 | PLH54CD | . | NUT SUPPLIER CODE: VF0224 SPECIFICATION NUMBER: BACN10YR4CD OPTIONAL PART: H52732-4CD V15653 | 101102 | 10 |

MISSING ITEM NUMBERS NOT APPLICABLE

- ITEM NOT ILLUSTRATED

21-23-02-44A

21-23-02
FIG. 44A
PAGE 3
JAN 20/09

BRI

BOEING PROPRIETARY - Copyright © - Unpublished Work - See title page for details.



757

PARTS CATALOG (MAINTENANCE)

| FIG ITEM | PART NUMBER | 1 2 3 4 5 6 7 | NOMENCLATURE | EFFECT FROM TO | UNITS PER ASSY |
|------------|-----------------|---------------|--|----------------|----------------|
| 44A 550 | 130008 | . | NUT SUPPLIER CODE: V60119 SPECIFICATION NUMBER: BACN10FX84 OPTIONAL PART: RM52LHA4972-6-8 V72962 SL211-08-1 V97393 A11330-6-82 V72962 A4972-6-82 V72962 | 011102 | 2 |
| 555 | 412N3103-1209SP | . | OUTLET ASSY- FOR DETAILS SEE: 21-23-02-50 | 011102 | 1 |
| 575 | 412N3103-1190SP | . | OUTLET ASSY- FOR DETAILS SEE: 21-23-02-45B | 011102 | 1 |
| - 600 | 412N3001-2009SP | | EXTRUSION INSTL- POSITION DATA: FWD R FOR NHA SEE: 25-20-00-07G | 504903 | RF |
| 605 | BACB30NR4K5 | . | BOLT | 504903 | 10 |
| 610 | BACS12GU08K8 | . | SCREW- OPTIONAL PART: NAS1801-08-8 | 504903 | 8 |
| 610 | NAS1801-08-8 | . | SCREW- OPTIONAL PART: BACS12GU08K8 | 504903 | 8 |
| 615 | NAS1149E0463P | . | WASHER | 504903 | 20 |
| 620 | NAS1149DN816J | . | WASHER | 504903 | 8 |
| 625 | PLH54CD | . | NUT SUPPLIER CODE: VF0224 SPECIFICATION NUMBER: BACN10YR4CD OPTIONAL PART: H52732-4CD V15653 | 504903 | 10 |

MISSING ITEM NUMBERS NOT APPLICABLE

- ITEM NOT ILLUSTRATED

21-23-02-44A

21-23-02
FIG. 44A
PAGE 4
JAN 20/09

BRI



757

PARTS CATALOG (MAINTENANCE)

| FIG ITEM | PART NUMBER | 1 2 3 4 5 6 7 | NOMENCLATURE | EFFECT FROM TO | UNITS PER ASSY |
|-------------|-----------------|---------------|--|-------------------|----------------------|
| 44A 630 | 130008 | . | NUT SUPPLIER CODE: V60119 SPECIFICATION NUMBER: BACN10FX84 OPTIONAL PART: RM52LHA4972-6-8 V72962 SL211-08-1 V97393 A11330-6-82 V72962 A4972-6-82 V72962 | 504903 | 2 |
| 635 | 412N3103-1207SP | . | OUTLET ASSY- FOR DETAILS SEE: 21-23-02-45B | 504903 | 1 |
| 640 | 412N3103-1288SP | . | OUTLET ASSY- FOR DETAILS SEE: 21-23-02-45B | 504903 | 1 |

MISSING ITEM NUMBERS NOT APPLICABLE

- ITEM NOT ILLUSTRATED

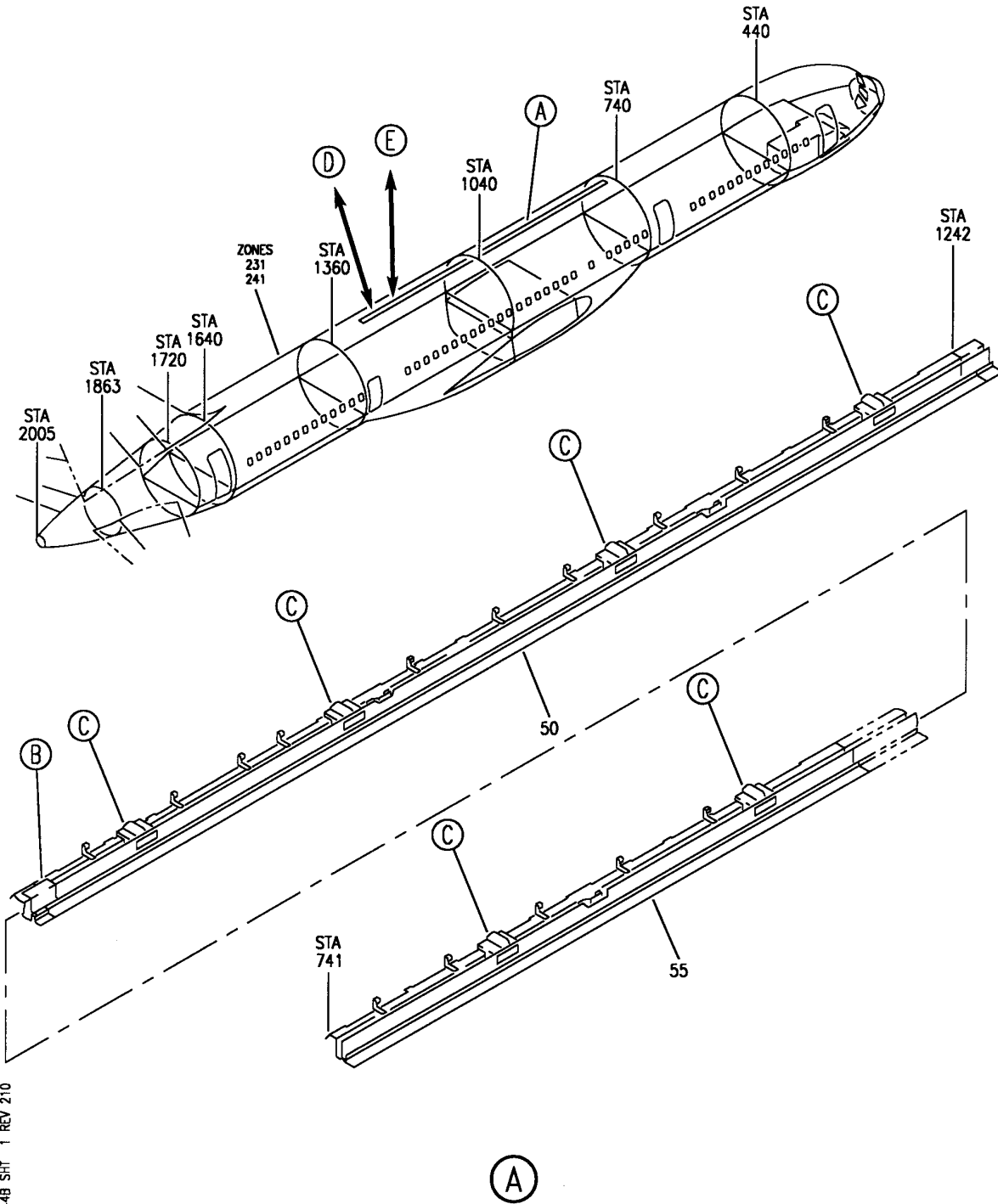
BRI

21-23-02-44A

BOEING PROPRIETARY - Copyright © - Unpublished Work - See title page for details.

21-23-02
FIG. 44A
PAGE 5
JAN 20/09

BOEING
757
PARTS CATALOG (MAINTENANCE)



Y 21230244B SHT 1 REV 210

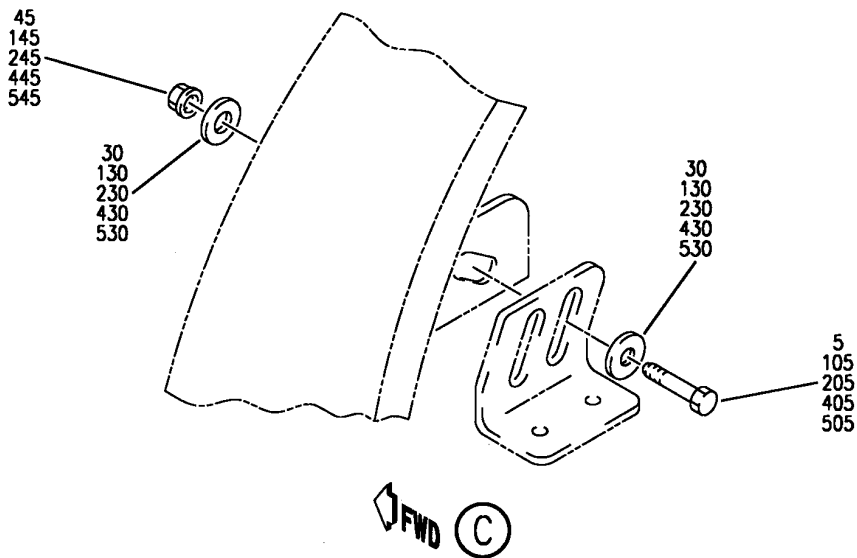
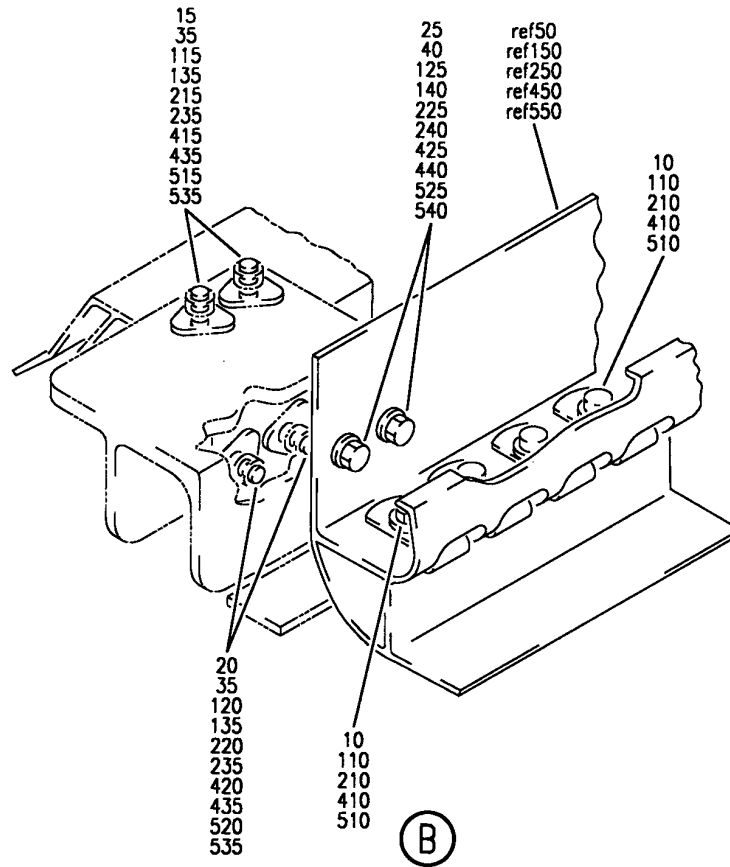
EXTRUSION INSTL-CTR L / R
FIGURE 44B (SHEET 1)

21-23-02-44B

BRI
MAY 28/07

21-23-02-44B
PAGE 0

BOEING
757
PARTS CATALOG (MAINTENANCE)



Y 21230244B SH1 2 REV 210

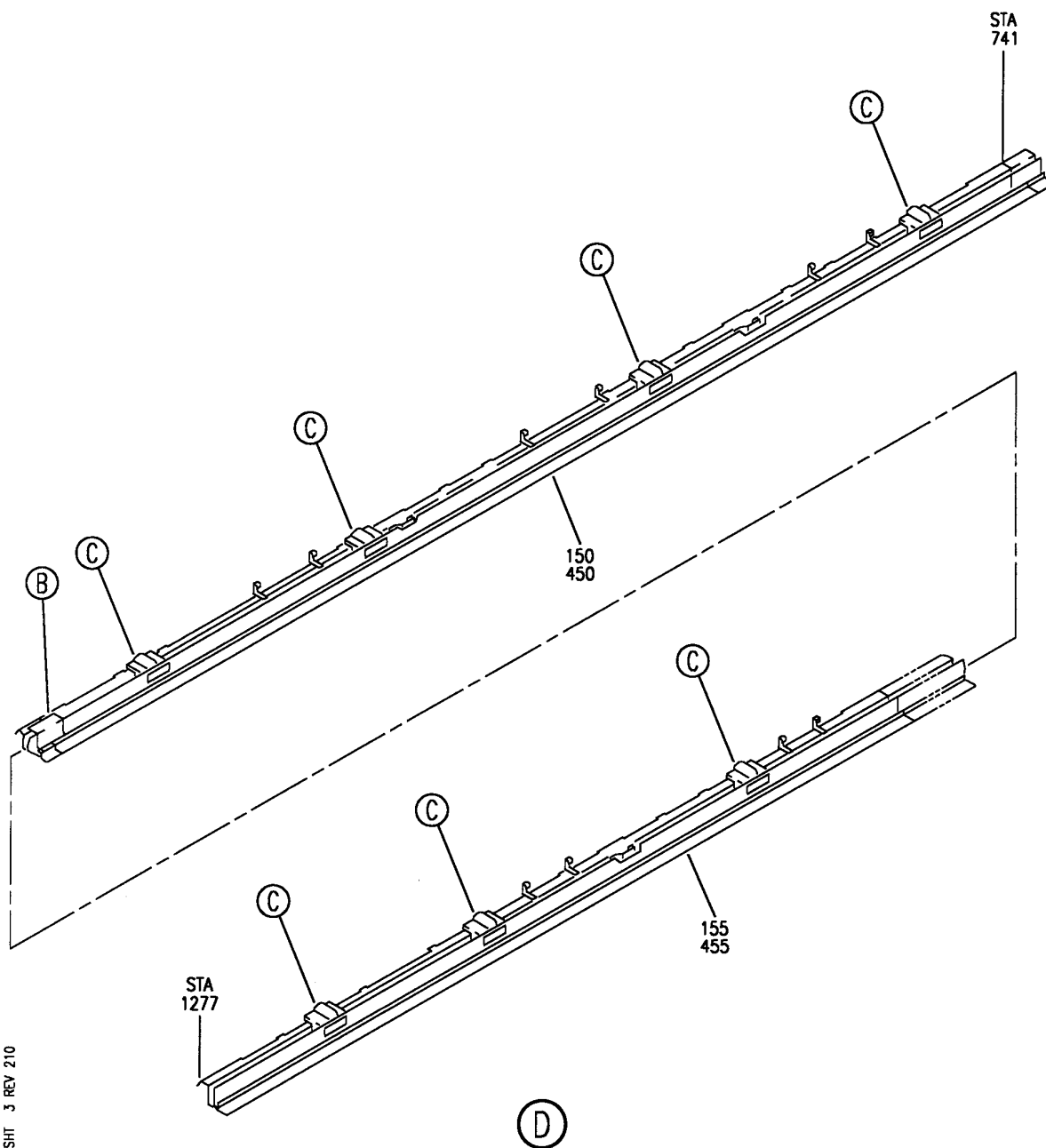
EXTRUSION INSTL-CTR L / R
FIGURE 44B (SHEET 2)

21-23-02-44B

BRI
MAY 28/07

21-23-02-44B
PAGE 0A

BOEING
757
PARTS CATALOG (MAINTENANCE)



Y 21230244B SHT 3 REV 210

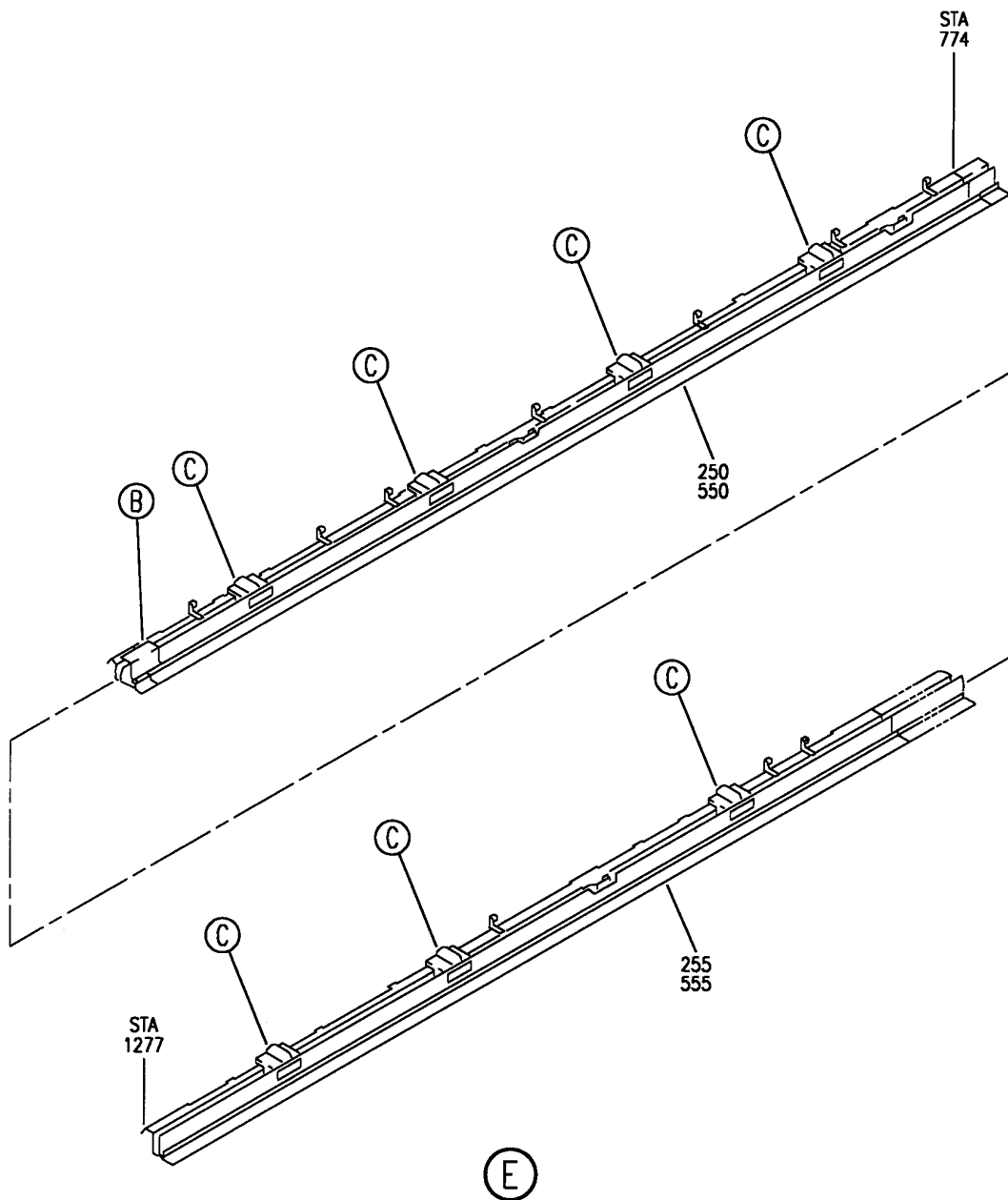
EXTRUSION INSTL-CTR L / R
FIGURE 44B (SHEET 3)

21-23-02-44B

BRI
MAY 28/07

21-23-02-44B
PAGE 0B

BOEING
757
PARTS CATALOG (MAINTENANCE)



Y 21230244B SH 4 REV 210

EXTRUSION INSTL-CTR L / R
FIGURE 44B (SHEET 4)

21-23-02-44B

BRI
MAY 28/07

21-23-02-44B
PAGE 0C



757

PARTS CATALOG (MAINTENANCE)

| FIG ITEM | PART NUMBER | 1 2 3 4 5 6 7 | NOMENCLATURE | EFFECT FROM TO | UNITS PER ASSY |
|----------|-----------------|--|---|--|----------------|
| 44B | | | EXTRUSION INSTL-CTR L / R | 006102 108120 504903 950951 953999 006100 | |
| - 1 | 412N3001-302 | | EXTRUSION INSTL- POSITION DATA: CTR L FOR NHA SEE: 21-23-02-43 | | RF |
| - 1 | 412N3001-3005SP | | EXTRUSION INSTL- POSITION DATA: CTR L FOR NHA SEE: 25-20-00-07G | 101102 | RF |
| 5 | BACB30NR4K5 | .BOLT | | 006102 | 12 |
| 10 | BACB30LU2-2 | .BOLT | | 006102 | 4 |
| 15 | BACS12ER08K8 | .SCREW- | | 006102 | 2 |
| | | OPTIONAL PART: NAS514P832-8 | | | |
| 15 | NAS514P832-8 | .SCREW- | | 006102 | 2 |
| | | OPTIONAL PART: BACS12ER08K8 | | | |
| 20 | BACS12ER08K7 | .SCREW- | | 006102 | 2 |
| | | OPTIONAL PART: NAS514P832-7 | | | |
| 20 | NAS514P832-7 | .SCREW- | | 006102 | 2 |
| | | OPTIONAL PART: BACS12ER08K7 | | | |
| 25 | BACS12GU08K7 | .SCREW- | | 006102 | 2 |
| | | OPTIONAL PART: NAS1801-08-7 | | | |
| 25 | NAS1801-08-7 | .SCREW- | | 006102 | 2 |
| | | OPTIONAL PART: BACS12GU08K7 | | | |
| 30 | BACW10P11AL | .WASHER | | 006100 | 24 |
| 30 | NAS1149E0463P | .WASHER | | 101102 | 24 |
| 35 | BACW10DM5P | .WASHER | | 006102 | 4 |
| 40 | AN960JD8L | .WASHER | | 006100 | 2 |
| 45 | MS21042L4 | .NUT | | 006100 | 12 |
| 45 | PLH54CD | .NUT | | 101102 | 12 |
| | | SUPPLIER CODE: VF0224 | | | |
| | | SPECIFICATION NUMBER: BACN10YR4CD | | | |
| | | OPTIONAL PART: H52732-4CD V15653 | | | |

MISSING ITEM NUMBERS NOT APPLICABLE

- ITEM NOT ILLUSTRATED

21-23-02-44B

21-23-02
FIG. 44B
PAGE 1
JAN 20/09

BRI



757

PARTS CATALOG (MAINTENANCE)

| FIG ITEM | PART NUMBER | 1 2 3 4 5 6 7 | NOMENCLATURE | EFFECT FROM TO | UNITS PER ASSY |
|----------|-----------------|---------------|---|----------------------------|----------------|
| 44B | | | | | |
| 50 | 412N3103-1105SP | | .OUTLET ASSY-SIDEWALL AC FOR DETAILS SEE: 21-23-02-34A | 006100 | 1 |
| 50 | 412N3103-1297SP | | .OUTLET ASSY-SIDEWALL AC FOR DETAILS SEE: 21-23-02-34A | 101102 | 1 |
| 55 | 412N3103-1156SP | | .OUTLET ASSY-SIDEWALL AC FOR DETAILS SEE: 21-23-02-34A | 006102 | 1 |
| - 100 | 412N3001-301 | | EXTRUSION INSTL- POSITION DATA: CTR L FOR NHA SEE: 21-23-02-43 | 950951 953999 | RF |
| - 100 | 412N3001-3002SP | | EXTRUSION INSTL- POSITION DATA: CTR L FOR NHA SEE: 25-20-00-07G | 108120 | RF |
| 105 | BACB30NR4K5 | | .BOLT | 108120 950951 953999 | 14 |
| 110 | BACB30LU2-2 | | .BOLT | 108120 950951 953999 | 4 |
| 115 | BACS12ER08K8 | | .SCREW- OPTIONAL PART: NAS514P832-8 | 108120 950951 953999 | 2 |
| 115 | NAS514P832-8 | | .SCREW- OPTIONAL PART: BACS12ER08K8 | 108120 950951 953999 | 2 |
| 120 | BACS12ER08K7 | | .SCREW- OPTIONAL PART: NAS514P832-7 | 108120 950951 953999 | 2 |
| 120 | NAS514P832-7 | | .SCREW- OPTIONAL PART: BACS12ER08K7 | 108120 950951 953999 | 2 |
| 125 | BACS12GU08K7 | | .SCREW- OPTIONAL PART: NAS1801-08-7 | 108120 950951 953999 | 2 |
| 125 | NAS1801-08-7 | | .SCREW- OPTIONAL PART: BACS12GU08K7 | 108120 950951 953999 | 2 |
| 130 | BACW10P11AL | | .WASHER | 950951 953999 | 28 |
| 130 | NAS1149E0463P | | .WASHER | 108120 | 28 |
| 135 | BACW10DM5P | | .WASHER | 108120 950951 953999 | 4 |

MISSING ITEM NUMBERS NOT APPLICABLE

- ITEM NOT ILLUSTRATED

21-23-02-44B

21-23-02
FIG. 44B
PAGE 2
JAN 20/09

BRI



757

PARTS CATALOG (MAINTENANCE)

| FIG ITEM | PART NUMBER | 1 2 3 4 5 6 7 | NOMENCLATURE | EFFECT FROM TO | UNITS PER ASSY |
|------------|-----------------|---------------|---|----------------------------|----------------|
| 44B 140 | NAS1149DN816J | . | WASHER | 108120 950951 953999 | 2 |
| 145 | MS21042L4 | . | NUT | 950951 953999 | 14 |
| 145 | PLH54CD | . | NUT | 108120 | 14 |
| | | | SUPPLIER CODE: VF0224 | | |
| | | | SPECIFICATION NUMBER: BACN10YR4CD | | |
| | | | OPTIONAL PART: H52732-4CD V15653 | | |
| 150 | 412N3103-1105SP | . | OUTLET ASSY-SIDEWALL AC FOR DETAILS SEE: 21-23-02-34A | 950951 953999 | 1 |
| 150 | 412N3103-1297SP | . | OUTLET ASSY-SIDEWALL AC FOR DETAILS SEE: 21-23-02-34A | 108120 | 1 |
| 155 | 412N3103-1201SP | . | OUTLET ASSY-SIDEWALL AC FOR DETAILS SEE: 21-23-02-34A | 108120 950951 953999 | 1 |
| - 200 | 412N3001-3004SP | | EXTRUSION INSTL- POSITION DATA: CTR L FOR NHA SEE: 25-20-00-07G | 504903 | RF |
| 205 | BACB30NR4K5 | . | BOLT | 504903 | 14 |
| 210 | BACB30LU2-2 | . | BOLT | 504903 | 4 |
| 215 | BACS12ER08K8 | . | SCREW- OPTIONAL PART: NAS514P832-8 | 504903 | 2 |
| 215 | NAS514P832-8 | . | SCREW- OPTIONAL PART: BACS12ER08K8 | 504903 | 2 |
| 220 | BACS12ER08K7 | . | SCREW- OPTIONAL PART: NAS514P832-7 | 504903 | 2 |
| 220 | NAS514P832-7 | . | SCREW- OPTIONAL PART: BACS12ER08K7 | 504903 | 2 |
| 225 | BACS12GU08K7 | . | SCREW- OPTIONAL PART: NAS1801-08-7 | 504903 | 2 |
| 225 | NAS1801-08-7 | . | SCREW- OPTIONAL PART: BACS12GU08K7 | 504903 | 2 |
| 230 | NAS1149E0463P | . | WASHER | 504903 | 28 |
| 235 | BACW10DM5P | . | WASHER | 504903 | 4 |

MISSING ITEM NUMBERS NOT APPLICABLE

- ITEM NOT ILLUSTRATED

21-23-02-44B

21-23-02
FIG. 44B
PAGE 3
JAN 20/09

BRI

BOEING PROPRIETARY - Copyright © - Unpublished Work - See title page for details.

 **BOEING**
757
PARTS CATALOG (MAINTENANCE)

| FIG ITEM | PART NUMBER | 1 2 3 4 5 6 7 | NOMENCLATURE | EFFECT FROM TO | UNITS PER ASSY |
|----------|-----------------|---------------|---|--------------------------------------|----------------|
| 44B | | | | | |
| 240 | NAS1149DN816J | . | WASHER | 504903 | 2 |
| 245 | PLH54CD | . | NUT | 504903 | 14 |
| | | | SUPPLIER CODE: VF0224 | | |
| | | | SPECIFICATION NUMBER: BACN10YR4CD | | |
| | | | OPTIONAL PART: H52732-4CD V15653 | | |
| 250 | 412N3103-1285SP | . | OUTLET ASSY-SIDEWALL AC FOR DETAILS SEE: 21-23-02-34A | 504903 | 1 |
| 255 | 412N3103-1201SP | . | OUTLET ASSY-SIDEWALL AC FOR DETAILS SEE: 21-23-02-34A | 504903 | 1 |
| - 400 | 412N3001-401 | | EXTRUSION INSTL- POSITION DATA: CTR R FOR NHA SEE: 21-23-02-43 | 006100 950951 953999 | RF |
| - 400 | 412N3001-4002SP | | EXTRUSION INSTL- POSITION DATA: CTR R FOR NHA SEE: 25-20-00-07G | 101102 108120 | RF |
| 405 | BACB30NR4K5 | . | BOLT | 006102 108120 950951 953999 | 14 |
| 410 | BACB30LU2-2 | . | BOLT | 006102 108120 950951 953999 | 4 |
| 415 | BACS12ER08K8 | . | SCREW- OPTIONAL PART: NAS514P832-8 | 006102 108120 950951 953999 | 2 |
| 415 | NAS514P832-8 | . | SCREW- OPTIONAL PART: BACS12ER08K8 | 006102 108120 950951 953999 | 2 |
| 420 | BACS12ER08K7 | . | SCREW- OPTIONAL PART: NAS514P832-7 | 006102 108120 950951 953999 | 2 |
| 420 | NAS514P832-7 | . | SCREW- OPTIONAL PART: BACS12ER08K7 | 006102 108120 950951 953999 | 2 |

MISSING ITEM NUMBERS NOT APPLICABLE

- ITEM NOT ILLUSTRATED

BRI

21-23-02-44B

21-23-02
FIG. 44B
PAGE 4
JAN 20/09



757

PARTS CATALOG (MAINTENANCE)

| FIG ITEM | PART NUMBER | 1 2 3 4 5 6 7 | NOMENCLATURE | EFFECT FROM TO | UNITS PER ASSY |
|------------|-----------------|------------------|--|--------------------------------------|----------------|
| 44B 425 | BACS12GU08K7 | .SCREW- | OPTIONAL PART: NAS1801-08-7 | 006102 108120 950951 953999 | 2 |
| 425 | NAS1801-08-7 | .SCREW- | OPTIONAL PART: BACS12GU08K7 | 006102 108120 950951 953999 | 2 |
| 430 | BACW10P11AL | .WASHER | | 006100 950951 953999 | 28 |
| 430 | NAS1149E0463P | .WASHER | | 101102 108120 | 28 |
| 435 | BACW10DM5P | .WASHER | | 006102 108120 950951 953999 | 4 |
| 440 | NAS1149DN816J | .WASHER | | 006102 108120 950951 953999 | 2 |
| 445 | MS21042L4 | .NUT | | 006100 950951 953999 | 14 |
| 445 | PLH54CD | .NUT | SUPPLIER CODE: VF0224 SPECIFICATION NUMBER: BACN10YR4CD OPTIONAL PART: H52732-4CD V15653 | 101102 108120 | 14 |
| 450 | 412N3103-1106SP | .OUTLET ASSY- | FOR DETAILS SEE: 21-23-02-35A | 006100 950951 953999 | 1 |
| 450 | 412N3103-1298SP | .OUTLET ASSY- | FOR DETAILS SEE: 21-23-02-35A | 101102 108120 | 1 |
| 455 | 412N3103-1202SP | .OUTLET ASSY- | FOR DETAILS SEE: 21-23-02-35A | 006102 108120 950951 953999 | 1 |
| - 500 | 412N3001-4003SP | EXTRUSION INSTL- | POSITION DATA: CTR R FOR NHA SEE: 25-20-00-07G | 504903 | RF |
| 505 | BACB30NR4K5 | .BOLT | | 504903 | 14 |
| 510 | BACB30LU2-2 | .BOLT | | 504903 | 4 |

MISSING ITEM NUMBERS NOT APPLICABLE

- ITEM NOT ILLUSTRATED

21-23-02-44B

21-23-02
FIG. 44B
PAGE 5
JAN 20/09

BRI



757

PARTS CATALOG (MAINTENANCE)

| FIG ITEM | PART NUMBER | 1 2 3 4 5 6 7 | NOMENCLATURE | EFFECT FROM TO | UNITS PER ASSY |
|----------|-----------------|---------------|--|----------------|----------------|
| 44B | | | | | |
| 515 | BACS12ER08K8 | .SCREW- | OPTIONAL PART: NAS514P832-8 | 504903 | 2 |
| 515 | NAS514P832-8 | .SCREW- | OPTIONAL PART: BACS12ER08K8 | 504903 | 2 |
| 520 | BACS12ER08K7 | .SCREW- | OPTIONAL PART: NAS514P832-7 | 504903 | 2 |
| 520 | NAS514P832-7 | .SCREW- | OPTIONAL PART: BACS12ER08K7 | 504903 | 2 |
| 525 | BACS12GU08K7 | .SCREW- | OPTIONAL PART: NAS1801-08-7 | 504903 | 2 |
| 525 | NAS1801-08-7 | .SCREW- | OPTIONAL PART: BACS12GU08K7 | 504903 | 2 |
| 530 | NAS1149E0463P | .WASHER | | 504903 | 28 |
| 535 | BACW10DM5P | .WASHER | | 504903 | 4 |
| 540 | NAS1149DN816J | .WASHER | | 504903 | 2 |
| 545 | PLH54CD | .NUT | | 504903 | 14 |
| | | | SUPPLIER CODE: VF0224 | | |
| | | | SPECIFICATION NUMBER: BACN10YR4CD | | |
| | | | OPTIONAL PART: H52732-4CD V15653 | | |
| 550 | 412N3103-1286SP | .OUTLET ASSY- | FOR DETAILS SEE: 21-23-02-35A | 504903 | 1 |
| 555 | 412N3103-1202SP | .OUTLET ASSY- | FOR DETAILS SEE: 21-23-02-35A | 504903 | 1 |

MISSING ITEM NUMBERS NOT APPLICABLE

- ITEM NOT ILLUSTRATED

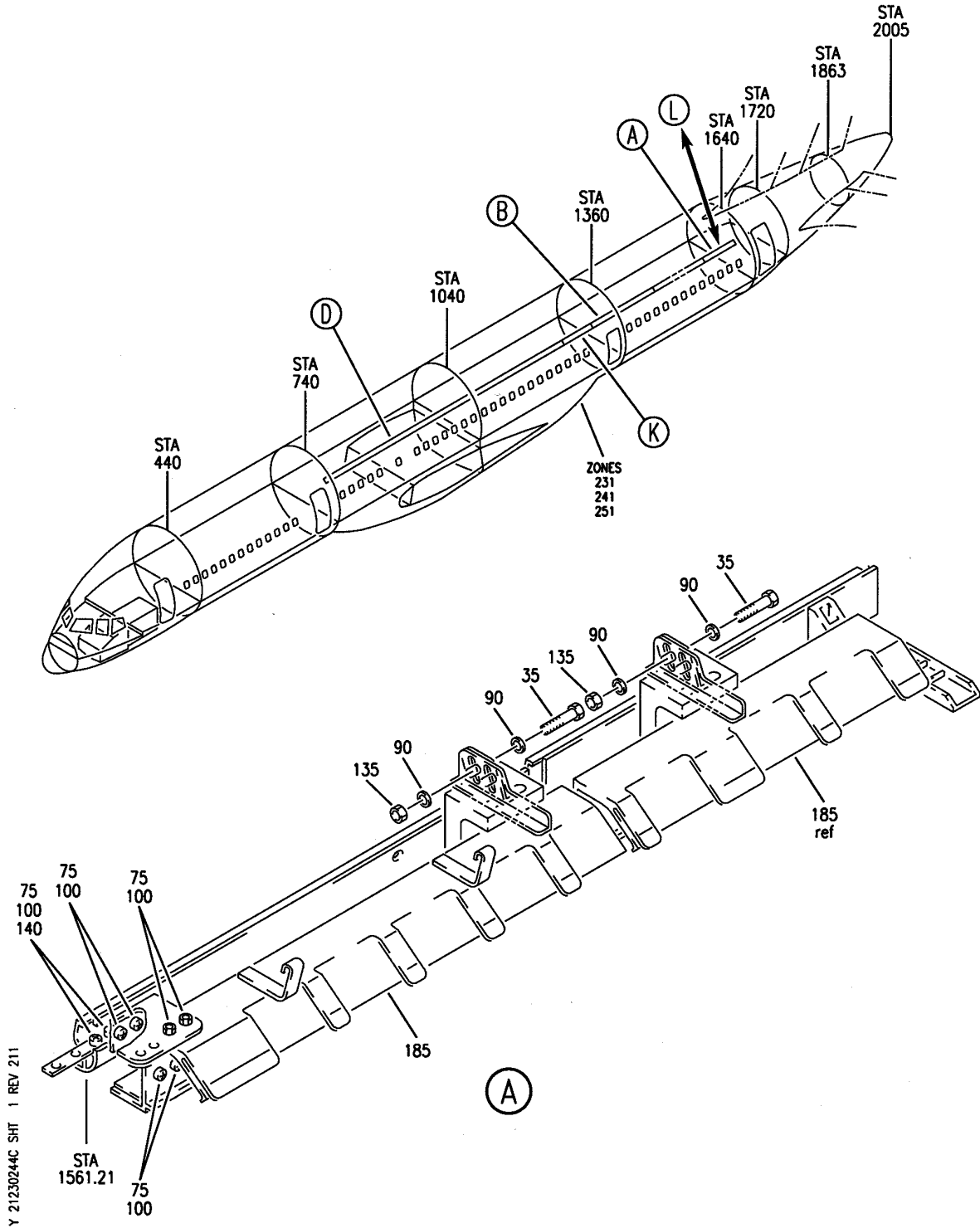
21-23-02-44B

21-23-02
FIG. 44B
PAGE 6
JAN 20/09

BRI

BOEING PROPRIETARY - Copyright © - Unpublished Work - See title page for details.

BOEING
757
PARTS CATALOG (MAINTENANCE)



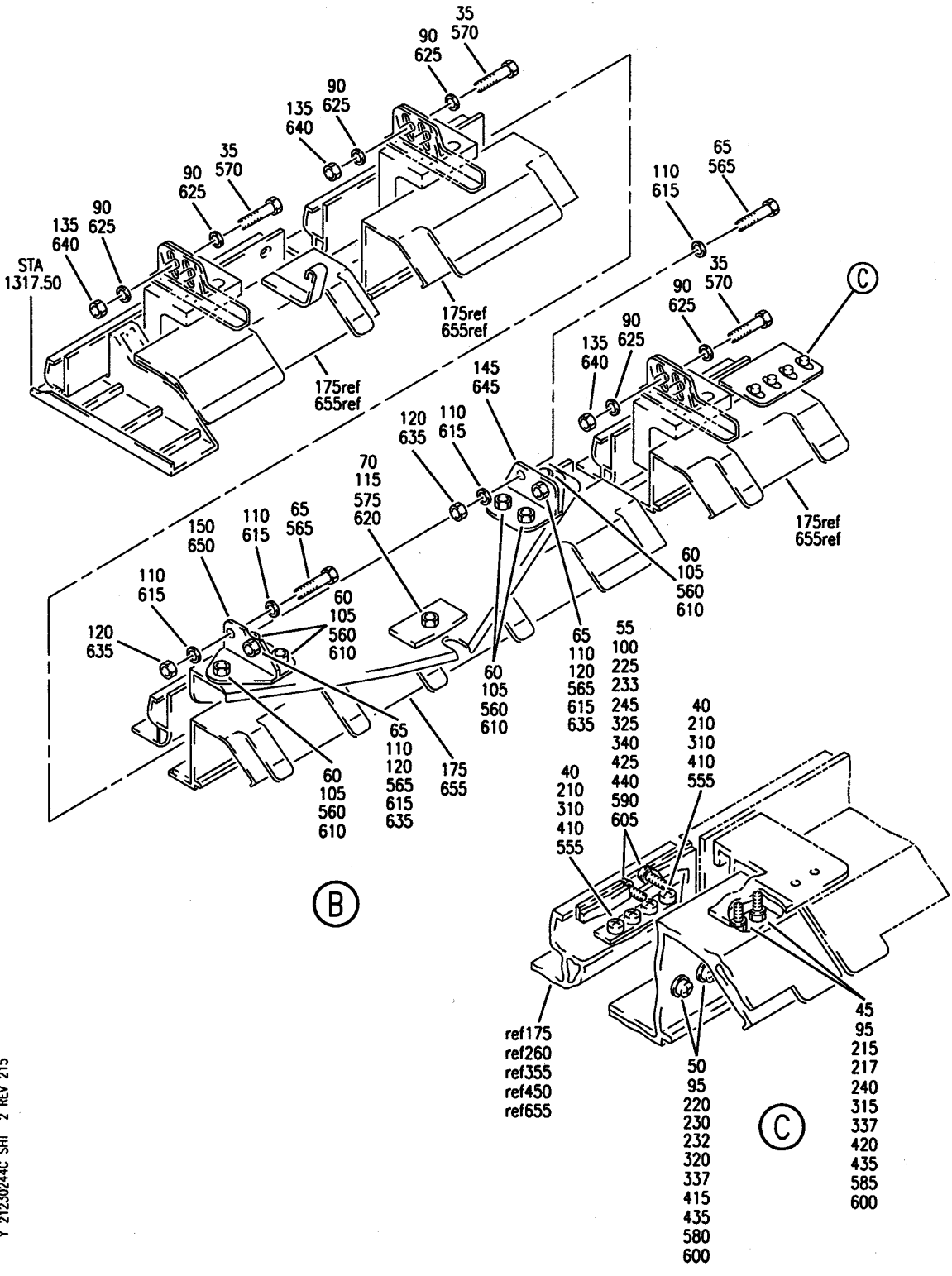
EXTRUSION INSTL-AFT LH
FIGURE 44C (SHEET 1)

21-23-02-44C

BRI
MAY 28/07

21-23-02-44C
PAGE 0

BOEING
757
PARTS CATALOG (MAINTENANCE)



Y 21230244C SHT 2 REV 215

EXTRUSION INSTL-AFT LH
FIGURE 44C (SHEET 2)

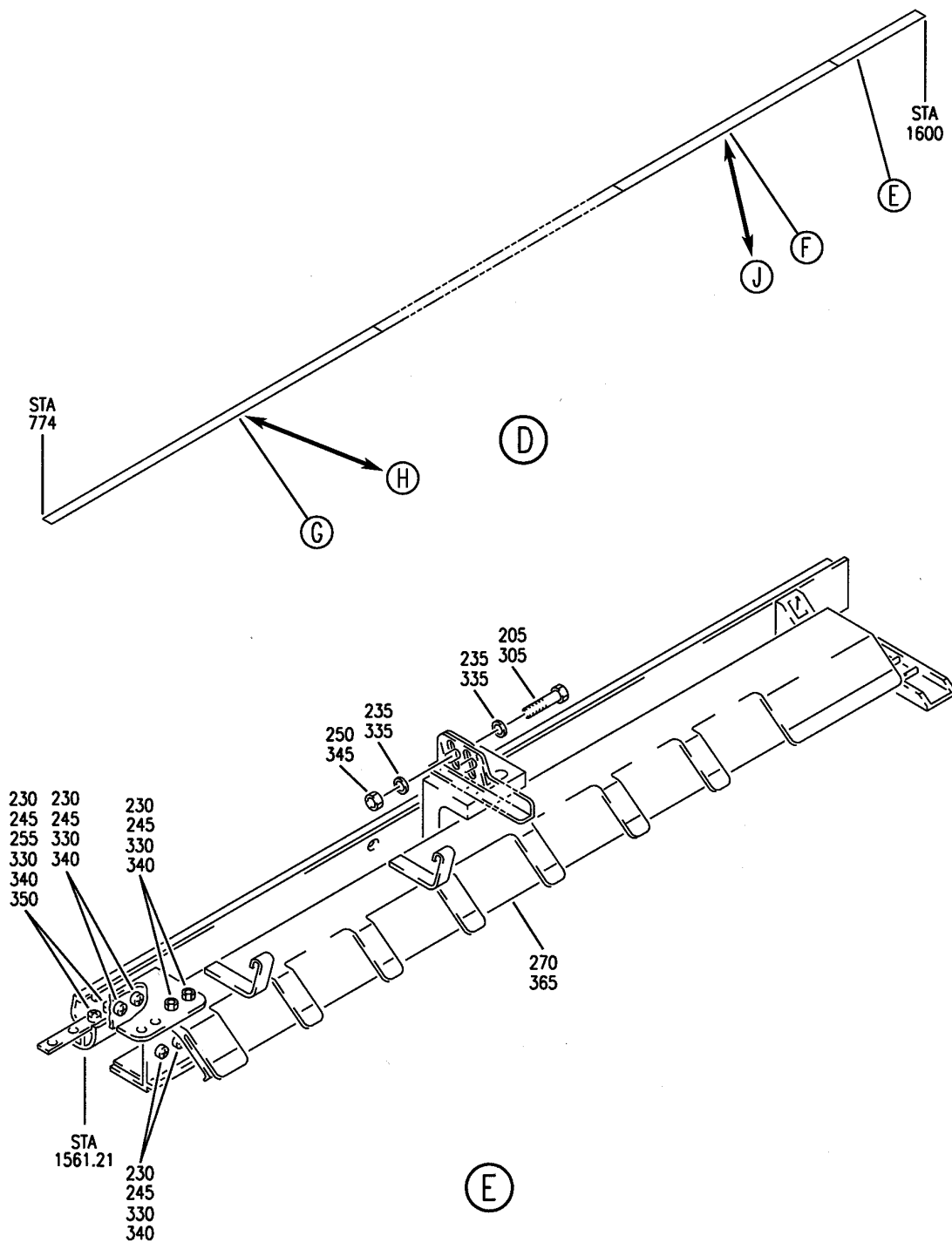
21-23-02-44C

BRI
MAY 28/07

21-23-02-44C
PAGE 0A

BOEING PROPRIETARY - Copyright © - Unpublished Work - See title page for details.

BOEING
757
PARTS CATALOG (MAINTENANCE)



Y 21230244C SHT 3 REV 211

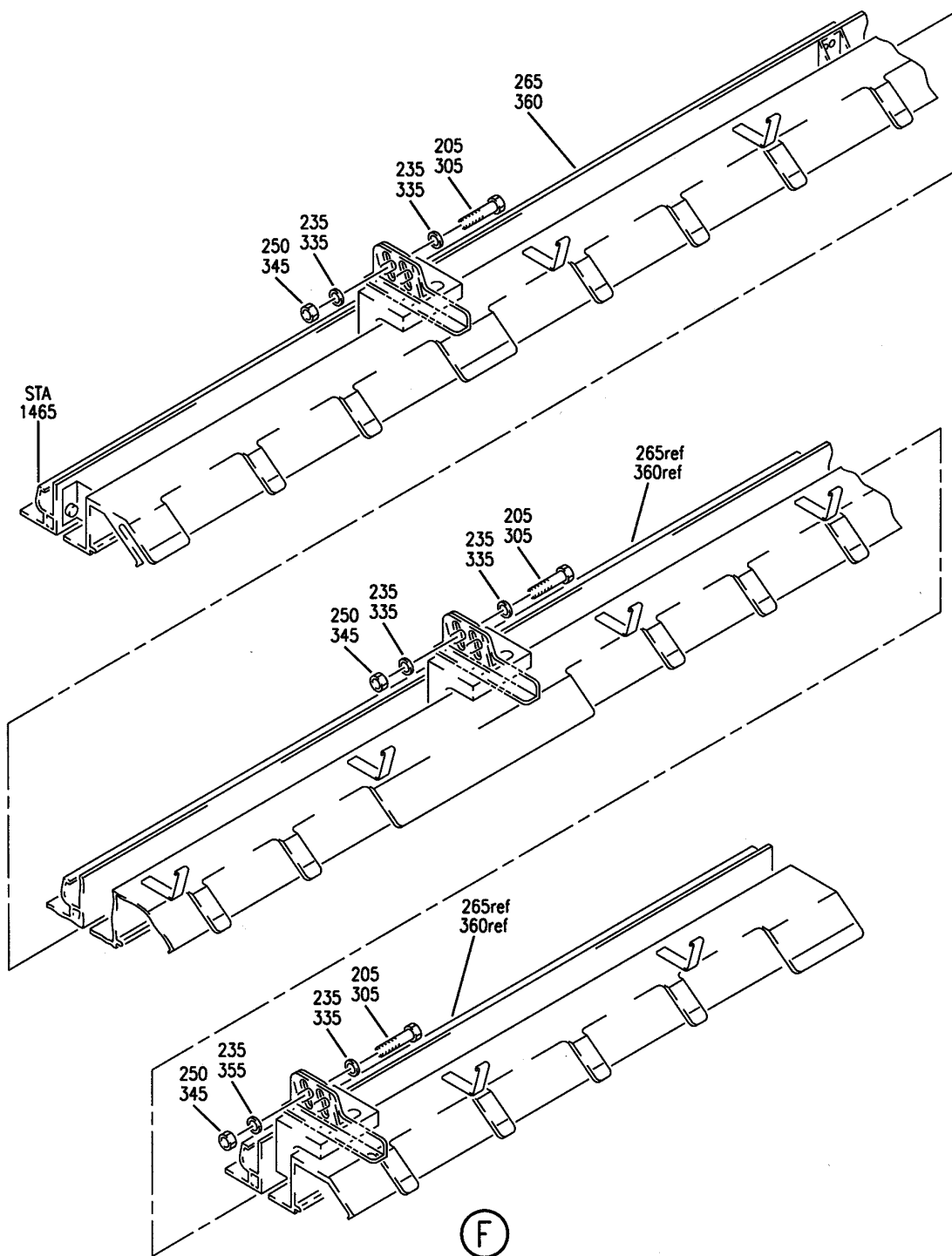
EXTRUSION INSTL-AFT LH
FIGURE 44C (SHEET 3)

BRI
MAY 28/07

21-23-02-44C

21-23-02-44C
PAGE 0B

BOEING
757
PARTS CATALOG (MAINTENANCE)



Y 21230244C SH 4 REV 211

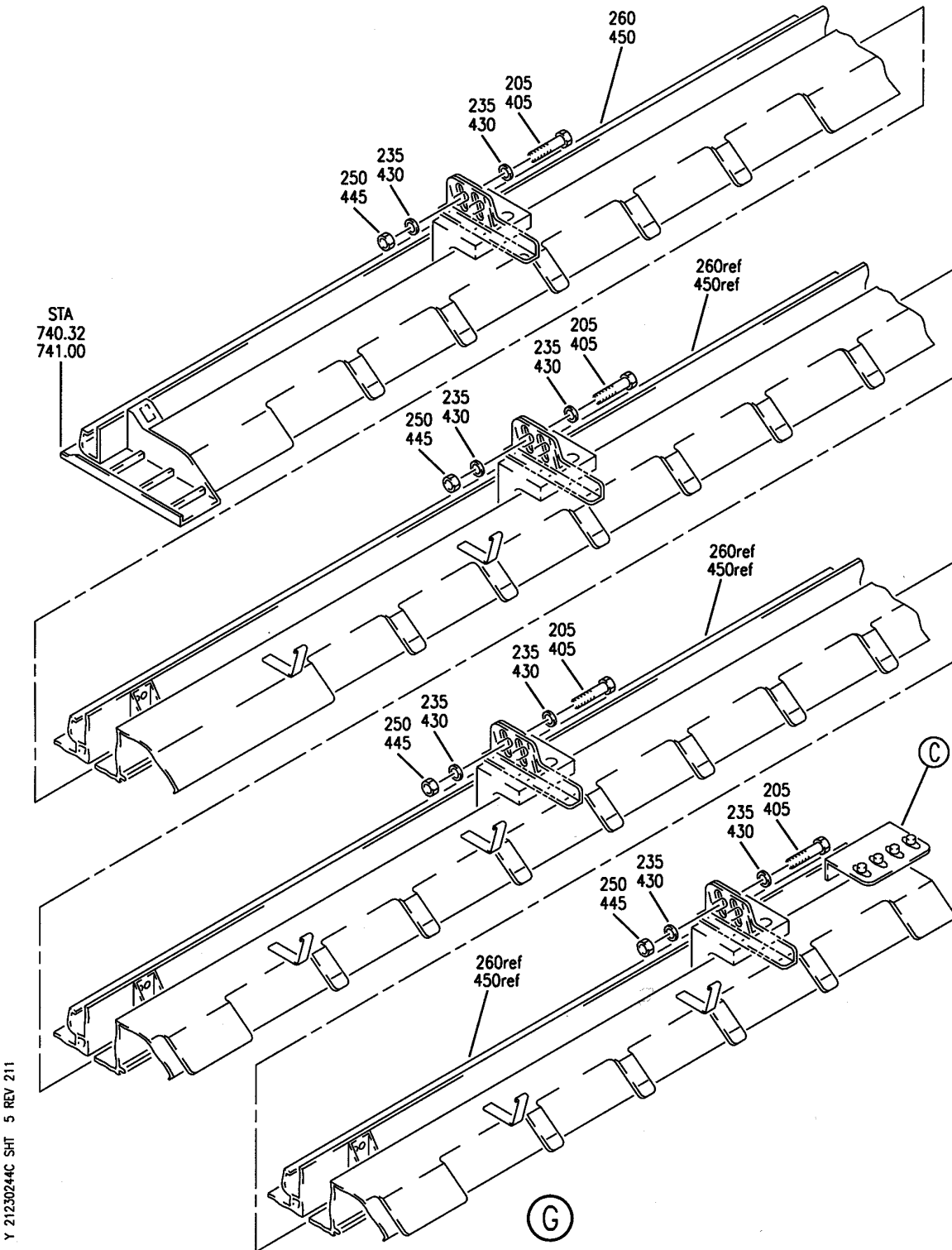
EXTRUSION INSTL-AFT LH
FIGURE 44C (SHEET 4)

21-23-02-44C

BRI
MAY 28/07

21-23-02-44C
PAGE 0C

BOEING
757
PARTS CATALOG (MAINTENANCE)



Y 2123024C SHT 5 REV 211

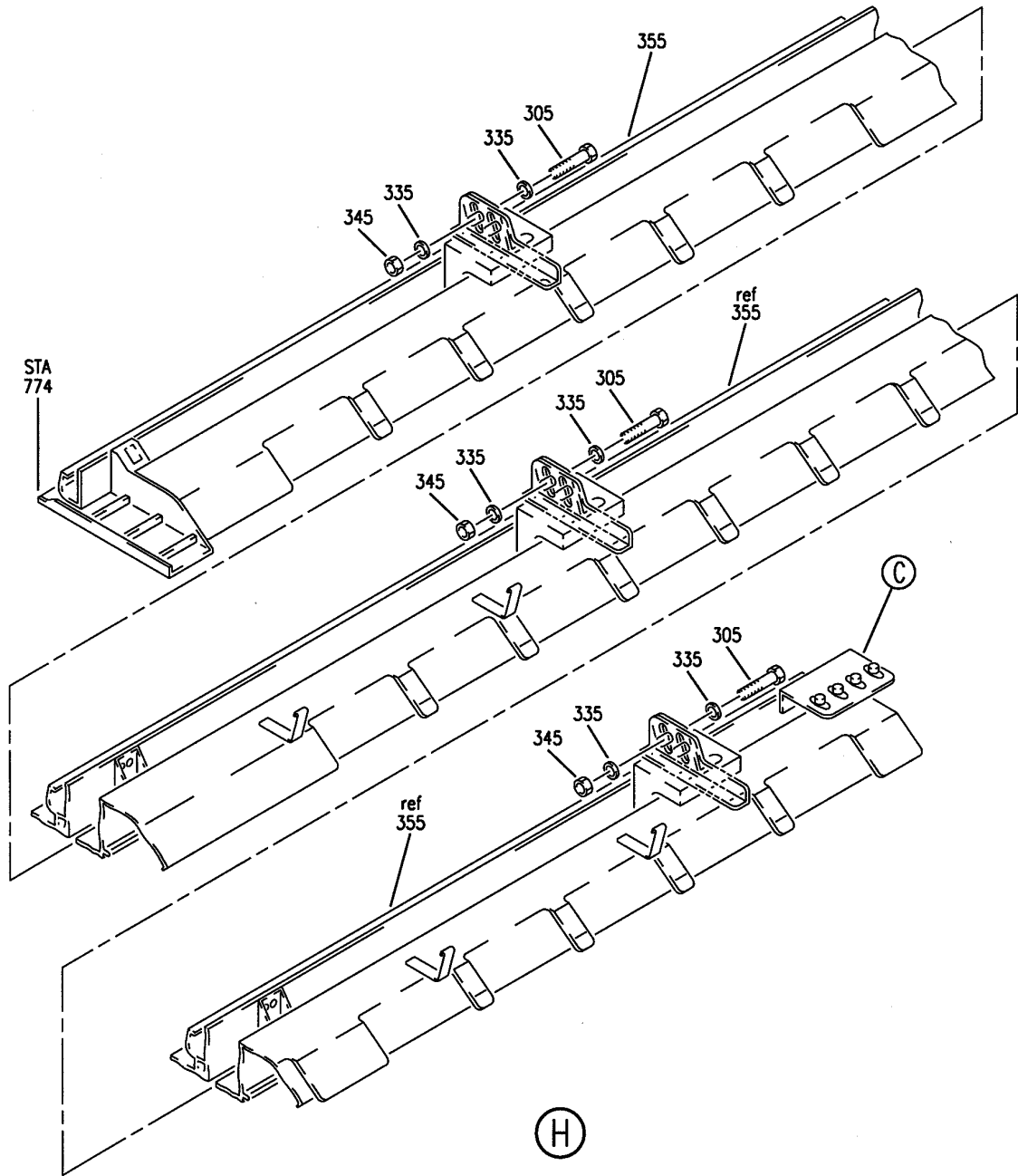
EXTRUSION INSTL-AFT LH
FIGURE 44C (SHEET 5)

21-23-02-44C

BRI
MAY 28/07

21-23-02-44C
PAGE 0D

BOEING
757
PARTS CATALOG (MAINTENANCE)



Y 21230244C SHT 6 REV 211

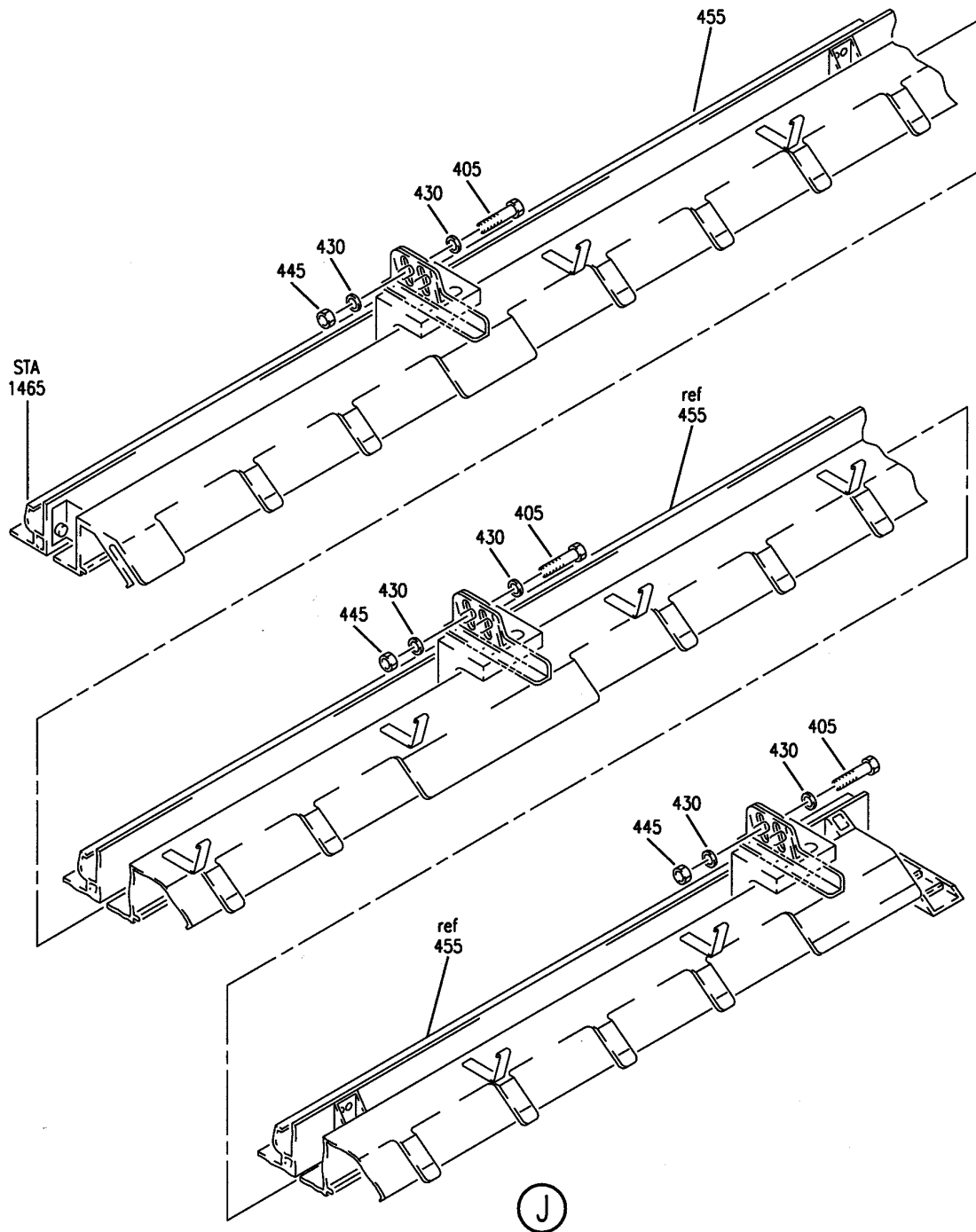
EXTRUSION INSTL-AFT LH
FIGURE 44C (SHEET 6)

21-23-02-44C

BRI
MAY 28/07

21-23-02-44C
PAGE 0E

BOEING
757
PARTS CATALOG (MAINTENANCE)



Y 21230244C SHT 7 REV 211

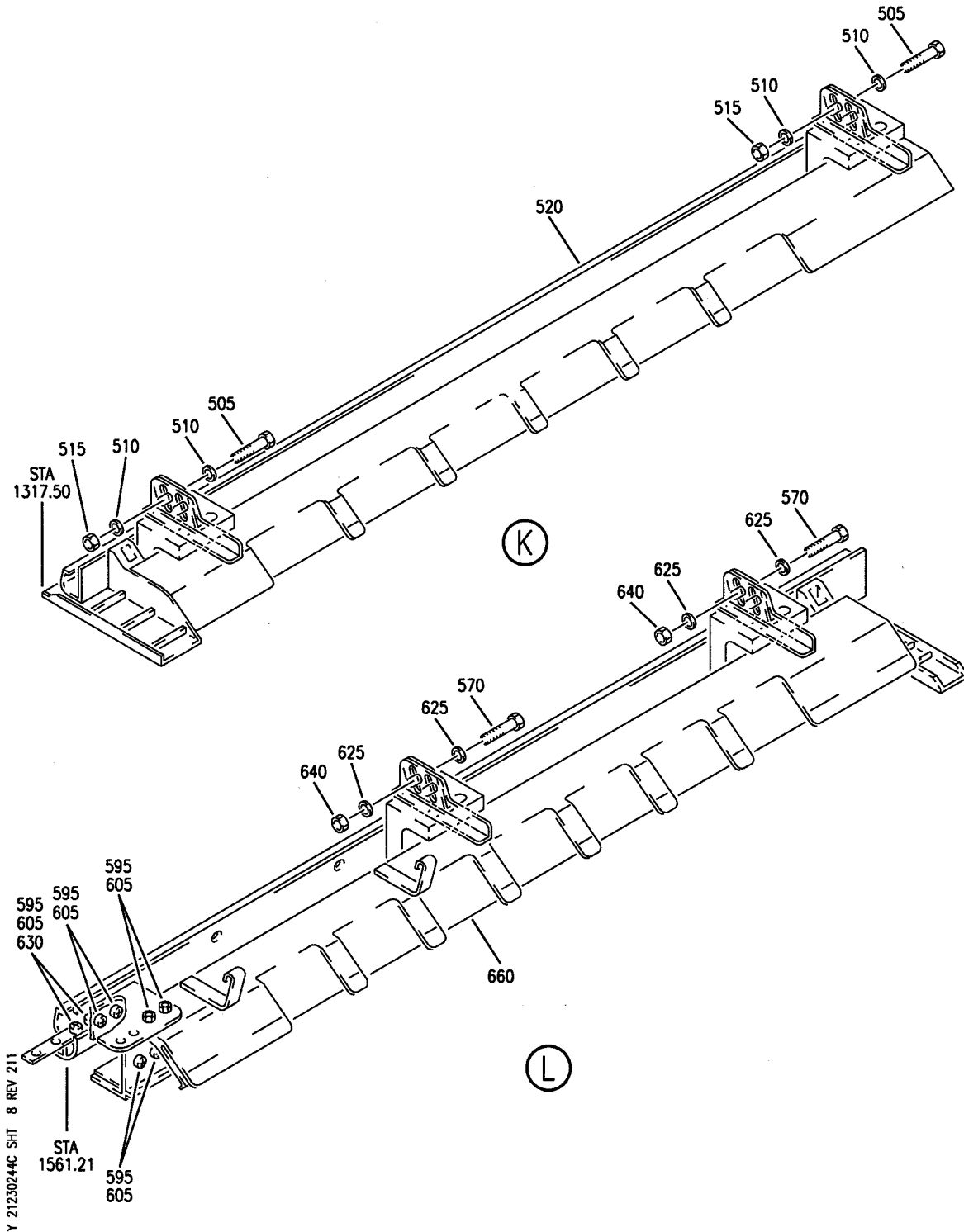
EXTRUSION INSTL-AFT LH
FIGURE 44C (SHEET 7)

21-23-02-44C

BRI
MAY 28/07

21-23-02-44C
PAGE OF

BOEING
757
PARTS CATALOG (MAINTENANCE)



EXTRUSION INSTL-AFT LH
FIGURE 44C (SHEET 8)

21-23-02-44C

BRI
MAY 28/07

21-23-02-44C
PAGE 08



757

PARTS CATALOG (MAINTENANCE)

| FIG ITEM | PART NUMBER | 1 2 3 4 5 6 7 | NOMENCLATURE | EFFECT FROM TO | UNITS PER ASSY |
|----------|-----------------|---------------|--|--|----------------|
| 44C | | | EXTRUSION INSTL-AFT LH | 006102 108120 504903 950951 953999 | |
| - 1 | 412N3001-703 | | EXTRUSION INSTL- POSITION DATA: AFT LH FOR NHA SEE: 21-23-02-43 | 006010 950950 953999 | RF |
| - 1 | 412N3001-708 | | EXTRUSION INSTL- POSITION DATA: AFT LH FOR NHA SEE: 21-23-02-43 | 951951 | RF |
| - 1 | 412N3001-711 | | EXTRUSION INSTL- POSITION DATA: AFT LH FOR NHA SEE: 21-23-02-43 | 011017 | RF |
| - 1 | 412N3001-712 | | EXTRUSION INSTL- POSITION DATA: AFT LH FOR NHA SEE: 21-23-02-43 | 018100 | RF |
| - 1 | 412N3001-7001SP | | EXTRUSION INSTL- POSITION DATA: AFT LH FOR NHA SEE: 25-20-00-07G | 101102 108120 504903 | RF |
| 35 | BACB30NR4K5 | | .BOLT | 006102 108120 504903 950951 953999 | 10 |
| 40 | BACB30LU2-2 | | .BOLT | 006102 108120 504903 950951 953999 | 4 |
| 45 | BACS12ER08K8 | | .SCREW- OPTIONAL PART: NAS514P832-8 | 006102 108120 504903 950951 953999 | 2 |

MISSING ITEM NUMBERS NOT APPLICABLE

- ITEM NOT ILLUSTRATED

21-23-02-44C

21-23-02
FIG. 44C
PAGE 1
JAN 20/09

BRI



757

PARTS CATALOG (MAINTENANCE)

| FIG ITEM | PART NUMBER | 1 2 3 4 5 6 7 | NOMENCLATURE | EFFECT FROM TO | UNITS PER ASSY |
|-----------|--------------|---------------|--------------------------------|--|----------------|
| 44C 45 | NAS514P832-8 | .SCREW- | OPTIONAL PART: BACS12ER08K8 | 006102 108120 504903 950951 953999 | 2 |
| 50 | BACS12ER08K7 | .SCREW- | OPTIONAL PART: NAS514P832-7 | 006102 108120 504903 950951 953999 | 2 |
| 50 | NAS514P832-7 | .SCREW- | OPTIONAL PART: BACS12ER08K7 | 006102 108120 504903 950951 953999 | 2 |
| 55 | BACS12GU08K7 | .SCREW- | OPTIONAL PART: NAS1801-08-7 | 006102 108120 504903 950951 953999 | 2 |
| 55 | NAS1801-08-7 | .SCREW- | OPTIONAL PART: BACS12GU08K7 | 006102 108120 504903 950951 953999 | 2 |
| 60 | BACB30NR3K4 | .BOLT | | 006102 108120 504903 950951 953999 | 6 |
| 65 | BACB30NR3K5 | .BOLT | | 006102 108120 504903 950951 953999 | 4 |
| 70 | BACB30NR6K5 | .BOLT- | OPTIONAL PART: NAS6606-5 | 006102 108120 504903 950951 953999 | 1 |
| 70 | NAS6606-5 | .BOLT- | OPTIONAL PART: BACB30NR6K5 | 006102 108120 504903 950951 953999 | 1 |

MISSING ITEM NUMBERS NOT APPLICABLE

- ITEM NOT ILLUSTRATED

21-23-02-44C

21-23-02
FIG. 44C
PAGE 2
JAN 20/09

BRI

BOEING PROPRIETARY - Copyright © - Unpublished Work - See title page for details.



757

PARTS CATALOG (MAINTENANCE)

| FIG ITEM | PART NUMBER | 1 2 3 4 5 6 7 | NOMENCLATURE | EFFECT FROM TO | UNITS PER ASSY |
|-----------|---------------|---------------|--------------------------------|--|----------------|
| 44C 75 | BACS12GU08K8 | .SCREW- | OPTIONAL PART: NAS1801-08-8 | 006102 108120 504903 950951 953999 | 8 |
| 75 | NAS1801-08-8 | .SCREW- | OPTIONAL PART: BACS12GU08K8 | 006102 108120 504903 950951 953999 | 8 |
| 90 | BACW10P11AL | .WASHER | | 006100 950951 953999 | 20 |
| 90 | NAS1149E0463P | .WASHER | | 101102 108120 504903 | 20 |
| 95 | BACW10DM5P | .WASHER | | 006102 108120 504903 950951 953999 | 4 |
| 100 | AN960JD8L | .WASHER | | 006010 950950 953999 | 10 |
| 100 | NAS1149DN816J | .WASHER | | 011102 108120 504903 951951 | 10 |
| 105 | AN960JD10L | .WASHER | | 006010 950950 953999 | 6 |
| 105 | NAS1149D0332J | .WASHER | | 011102 108120 504903 951951 | 6 |
| 110 | BACW10P43AL | .WASHER | | 006100 950951 953999 | 8 |
| 110 | NAS1149D0363J | .WASHER | | 101102 108120 504903 | 8 |
| 115 | AN960JD616L | .WASHER | | 006010 950950 953999 | 1 |
| 115 | NAS1149D0616J | .WASHER | | 011102 108120 504903 951951 | 1 |

MISSING ITEM NUMBERS NOT APPLICABLE

- ITEM NOT ILLUSTRATED

21-23-02-44C

21-23-02
FIG. 44C
PAGE 3
JAN 20/09

BRI

BOEING PROPRIETARY - Copyright © - Unpublished Work - See title page for details.



757

PARTS CATALOG (MAINTENANCE)

| FIG ITEM | PART NUMBER | 1 2 3 4 5 6 7 | NOMENCLATURE | EFFECT FROM TO | UNITS PER ASSY |
|------------|-------------|---------------|--|--|----------------|
| 44C 120 | MS21042L3 | . | NUT | 006100 950951 953999 | 4 |
| 120 | PLH53CD | . | NUT SUPPLIER CODE: VF0224 SPECIFICATION NUMBER: BACN10YR3CD OPTIONAL PART: H52732-3CD V15653 | 101102 108120 504903 | 4 |
| 135 | MS21042L4 | . | NUT | 006100 950951 953999 | 10 |
| 135 | PLH54CD | . | NUT SUPPLIER CODE: VF0224 SPECIFICATION NUMBER: BACN10YR4CD OPTIONAL PART: H52732-4CD V15653 | 101102 108120 504903 | 10 |
| 140 | 130008 | . | NUT SUPPLIER CODE: V60119 SPECIFICATION NUMBER: BACN10FX84 OPTIONAL PART: RM52LHA4972-6-8 V72962 SL211-08-1 V97393 A11330-6-82 V72962 A4972-6-82 V72962 | 006102 108120 504903 950951 953999 | 2 |
| 145 | 412N2004-89 | . | BRACKET- POSITION DATA: LH SIDE | 006102 108120 504903 950951 953999 | 1 |
| 150 | 412N2004-92 | . | BRACKET- POSITION DATA: LH SIDE | 006102 108120 504903 950951 953999 | 1 |

MISSING ITEM NUMBERS NOT APPLICABLE

- ITEM NOT ILLUSTRATED

21-23-02-44C

21-23-02
FIG. 44C
PAGE 4
JAN 20/09

BRI

BOEING PROPRIETARY - Copyright © - Unpublished Work - See title page for details.



757

PARTS CATALOG (MAINTENANCE)

| FIG ITEM | PART NUMBER | 1 2 3 4 5 6 7 | NOMENCLATURE | EFFECT FROM TO | UNITS PER ASSY |
|-------------|-----------------|---------------|---|--|----------------------|
| 44C 175 | 412N3103-1113SP | | .OUTLET ASSY-SIDEWALL AC FOR DETAILS SEE: 21-23-02-47 | 006102 108120 504903 950951 953999 | 1 |
| 185 | 412N3103-1219SP | | .OUTLET ASSY-SIDEWALL AC FOR DETAILS SEE: 21-23-02-47 | 951951 | 1 |
| 185 | 412N3103-1181SP | | .OUTLET ASSY-SIDEWALL AC FOR DETAILS SEE: 21-23-02-47 | 006010 950950 953999 | 1 |
| 185 | 412N3103-1229SP | | .OUTLET ASSY-SIDEWALL AC FOR DETAILS SEE: 21-23-02-47 | 011017 | 1 |
| 185 | 412N3103-1248SP | | .OUTLET ASSY-SIDEWALL AC FOR DETAILS SEE: 21-23-02-47 | 018102 108120 504903 | 1 |

MISSING ITEM NUMBERS NOT APPLICABLE

- ITEM NOT ILLUSTRATED

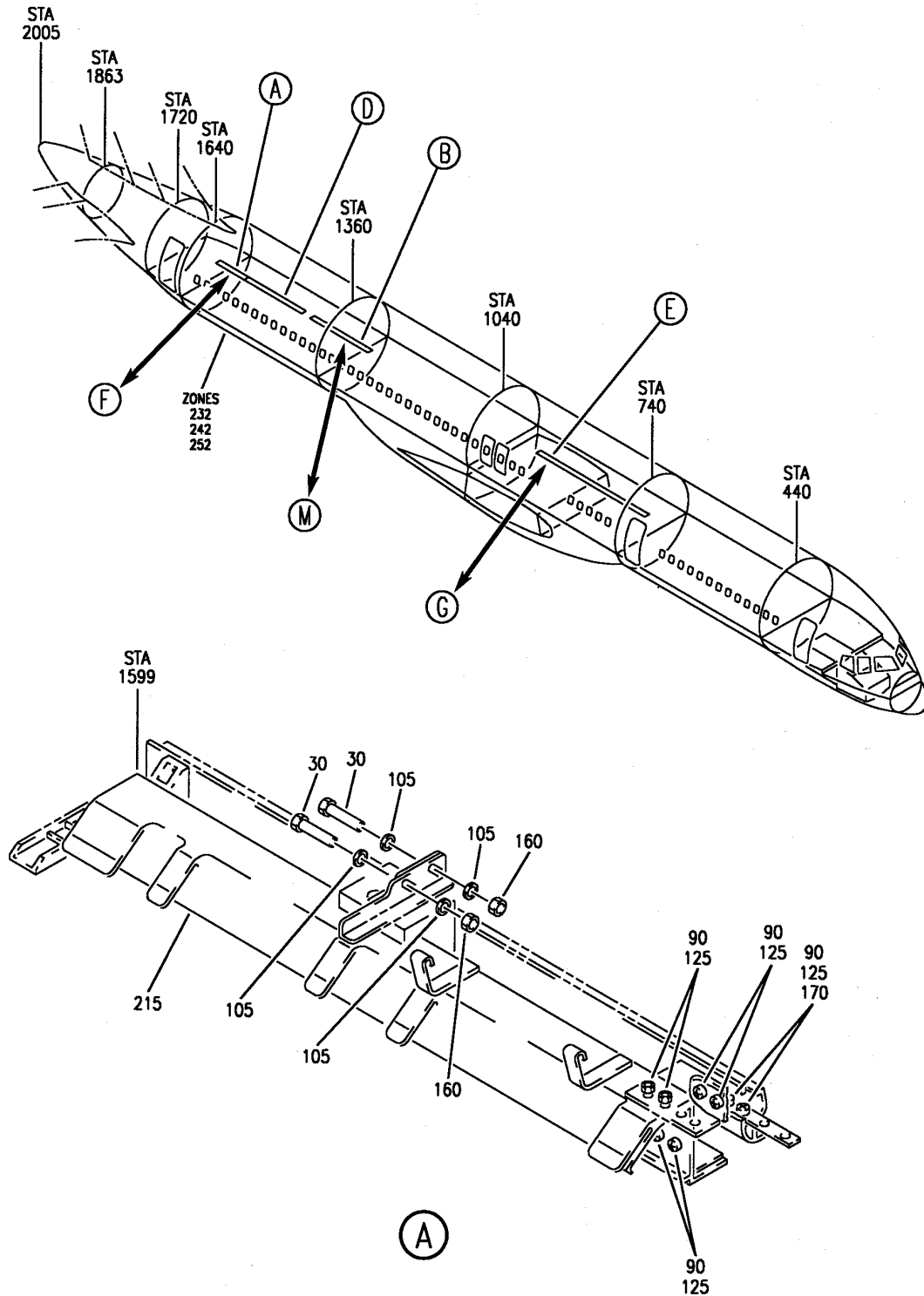
BRI

21-23-02-44C

BOEING PROPRIETARY - Copyright © - Unpublished Work - See title page for details.

21-23-02
FIG. 44C
PAGE 5
JAN 20/09

BOEING
757
PARTS CATALOG (MAINTENANCE)



Y 21230244D SHIT 1 REV 211

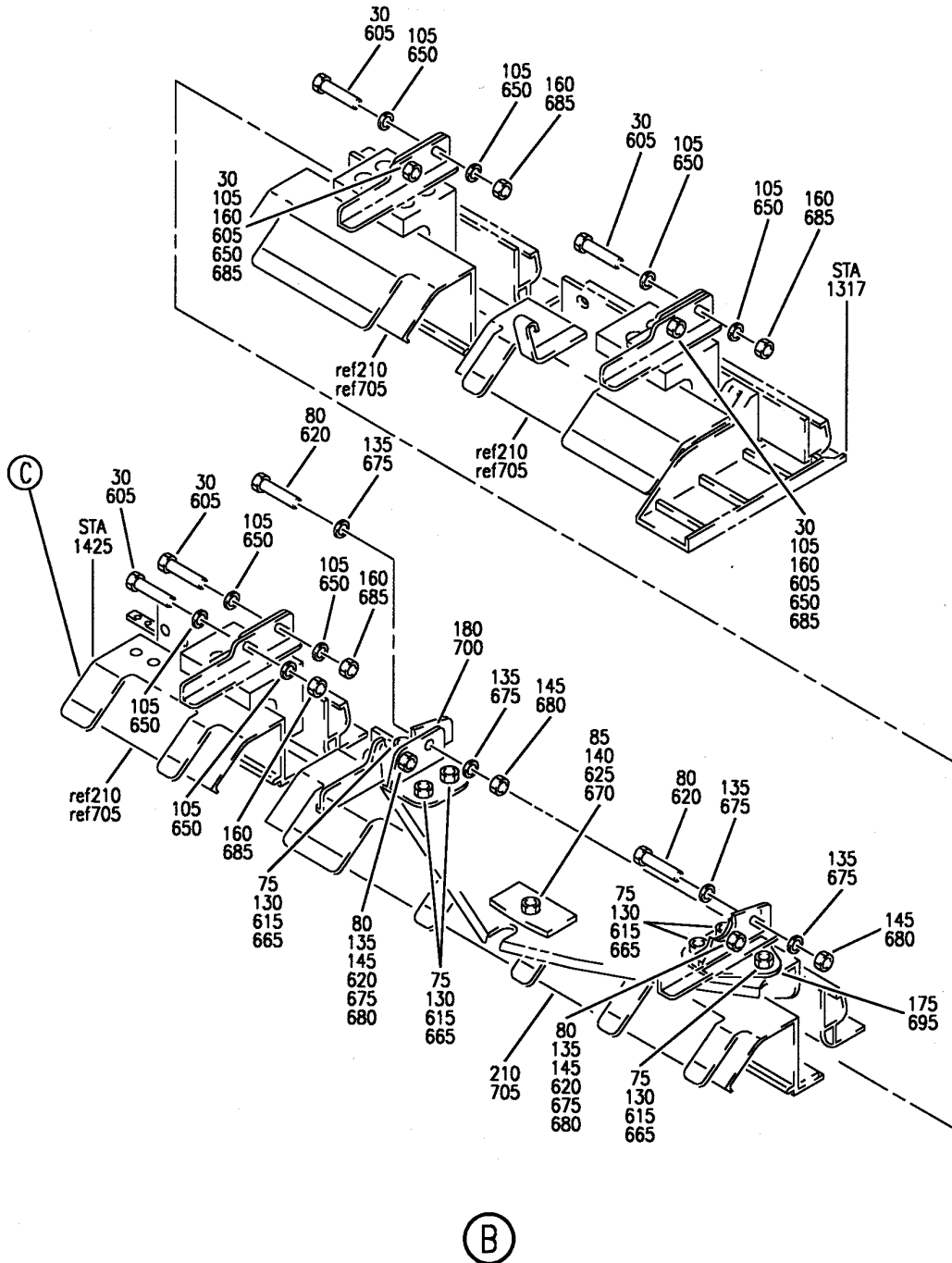
EXTRUSION INSTL-AFT R
FIGURE 44D (SHEET 1)

21-23-02-44D

BRI
MAY 28/07

21-23-02-44D
PAGE 0

BOEING
757
PARTS CATALOG (MAINTENANCE)



Y 21230244D SH1 2 REV 211

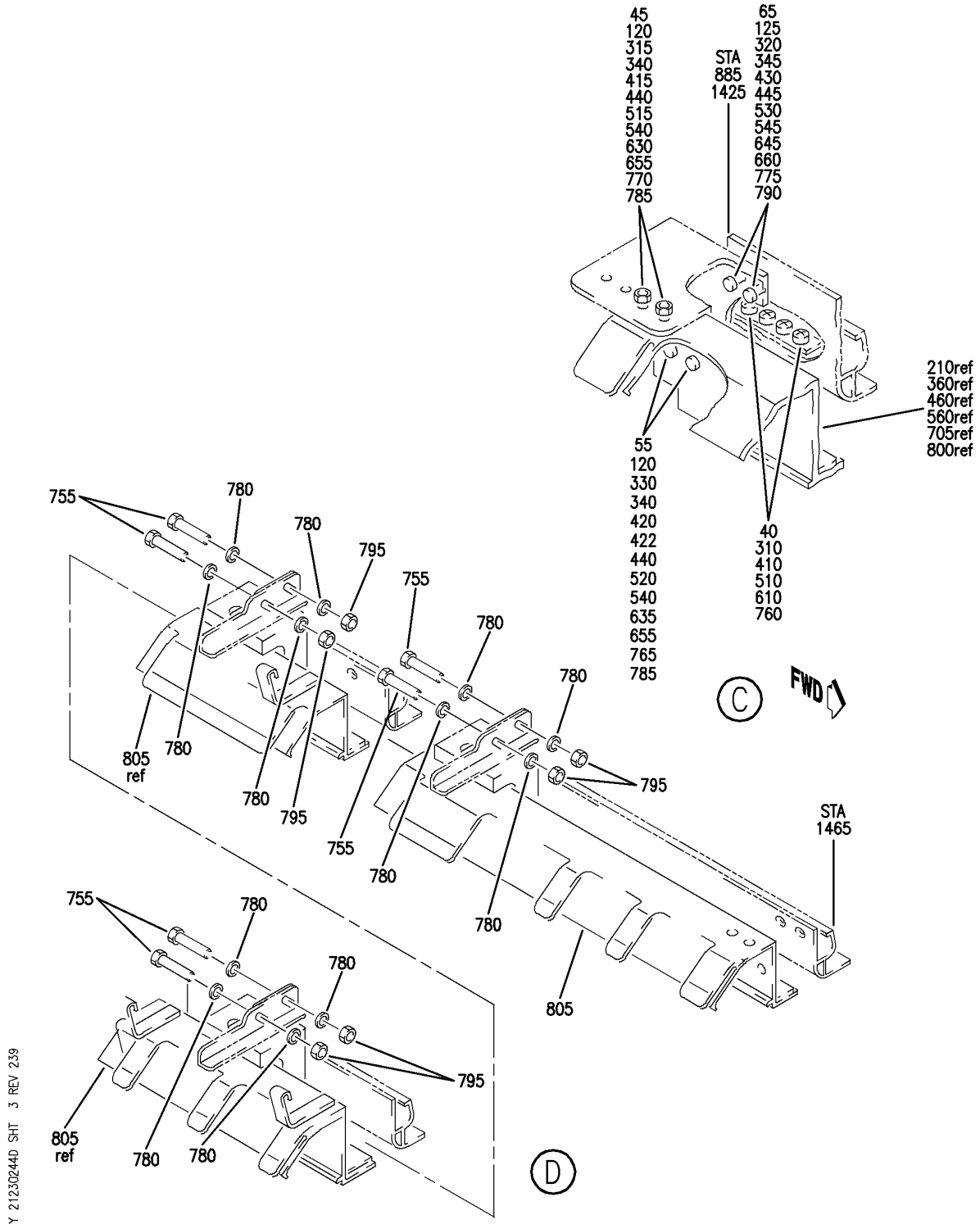
EXTRUSION INSTL-AFT R
FIGURE 44D (SHEET 2)

21-23-02-44D

BRI
MAY 28/07

21-23-02-44D
PAGE 0A

BOEING
757
PARTS CATALOG (MAINTENANCE)



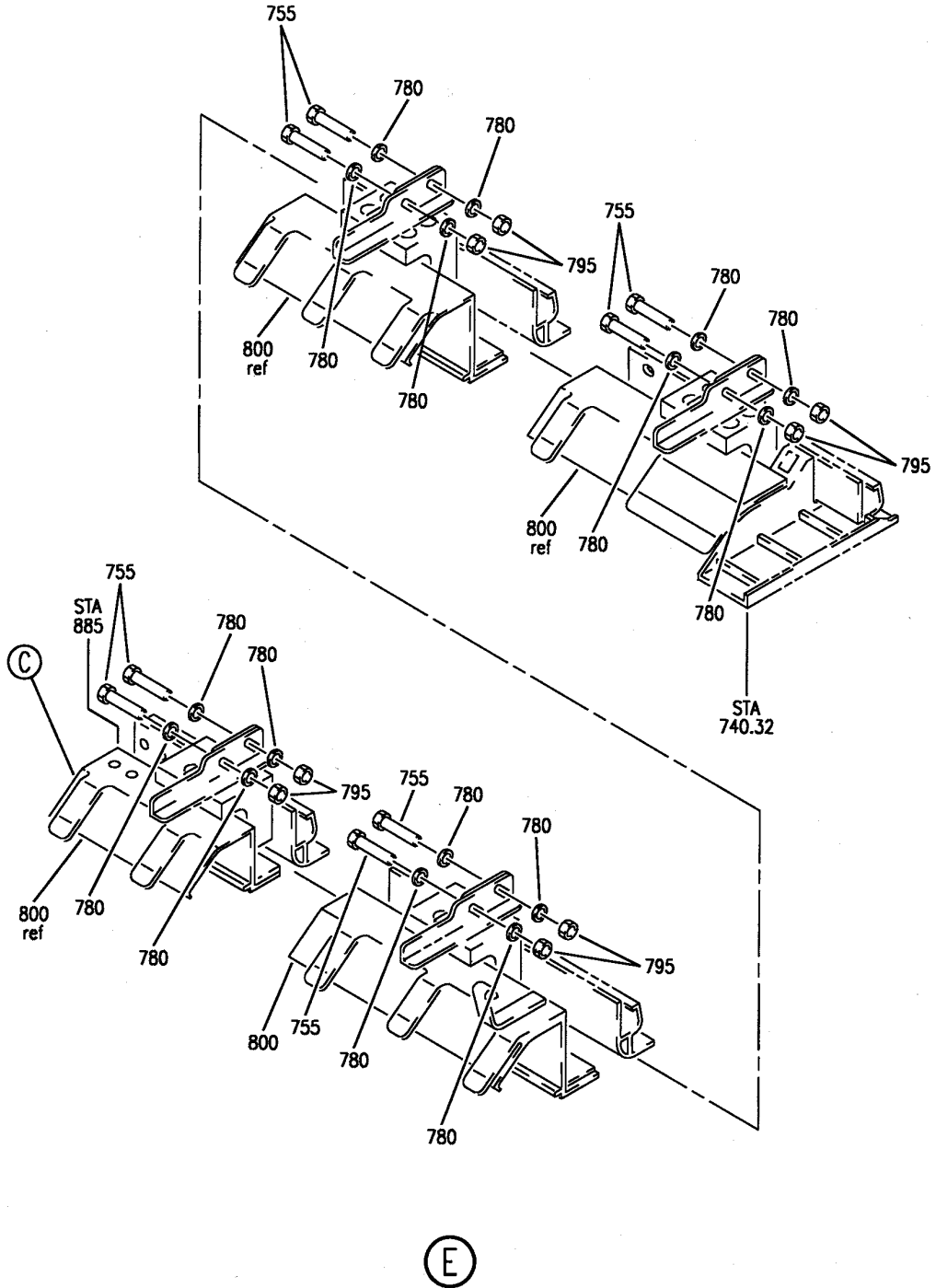
EXTRUSION INSTL-AFT R
FIGURE 44D (SHEET 3)

21-23-02-44D

BRI
MAY 28/07

21-23-02-44D
PAGE 0B

BOEING
 757
 PARTS CATALOG (MAINTENANCE)



Y 212302440 SHIT 4 REV 211

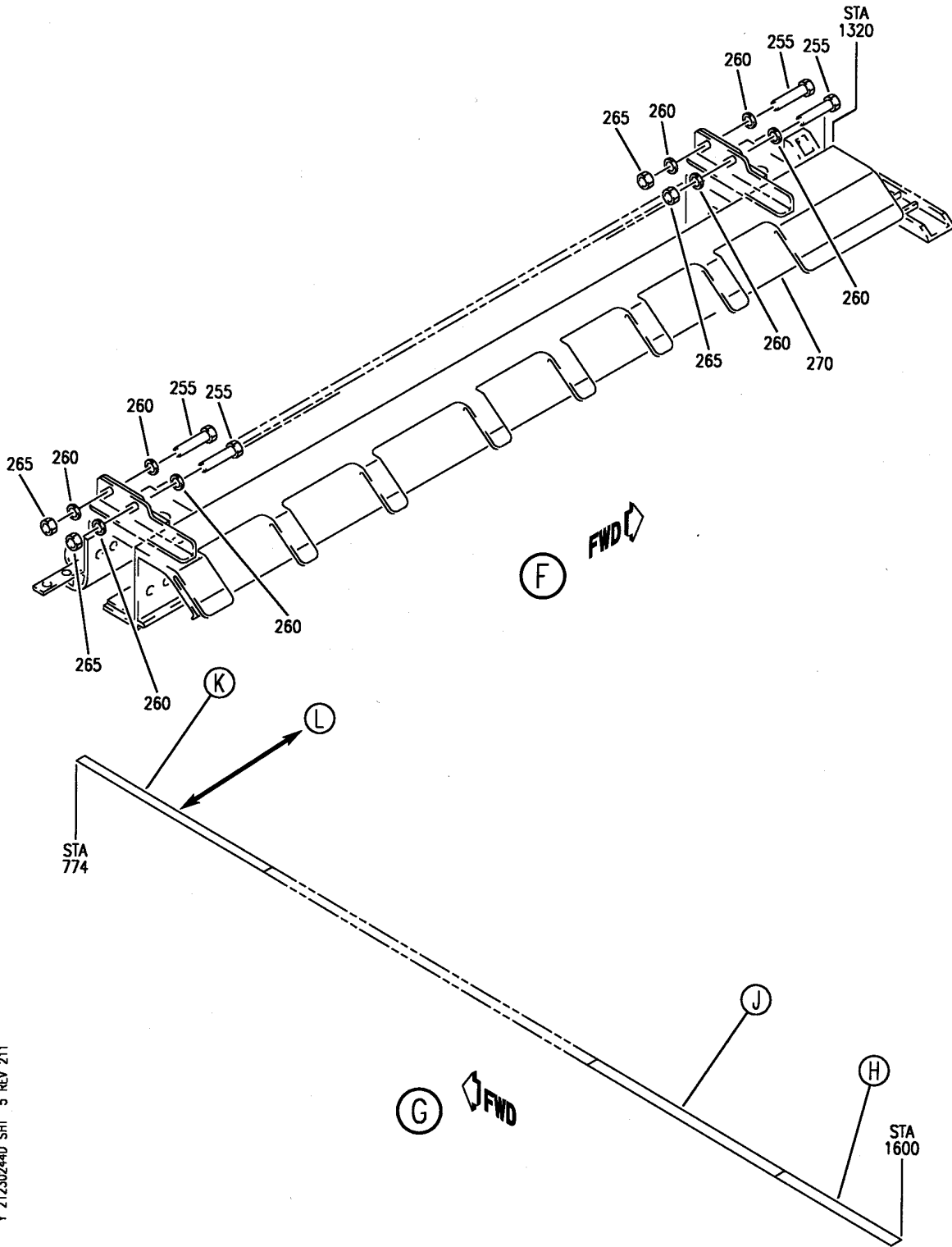
EXTRUSION INSTL-AFT R
 FIGURE 44D (SHEET 4)

21-23-02-44D

BRI
 MAY 28/07

21-23-02-44D
 PAGE 0C

BOEING
757
PARTS CATALOG (MAINTENANCE)



Y 21230244D SHT 5 REV 211

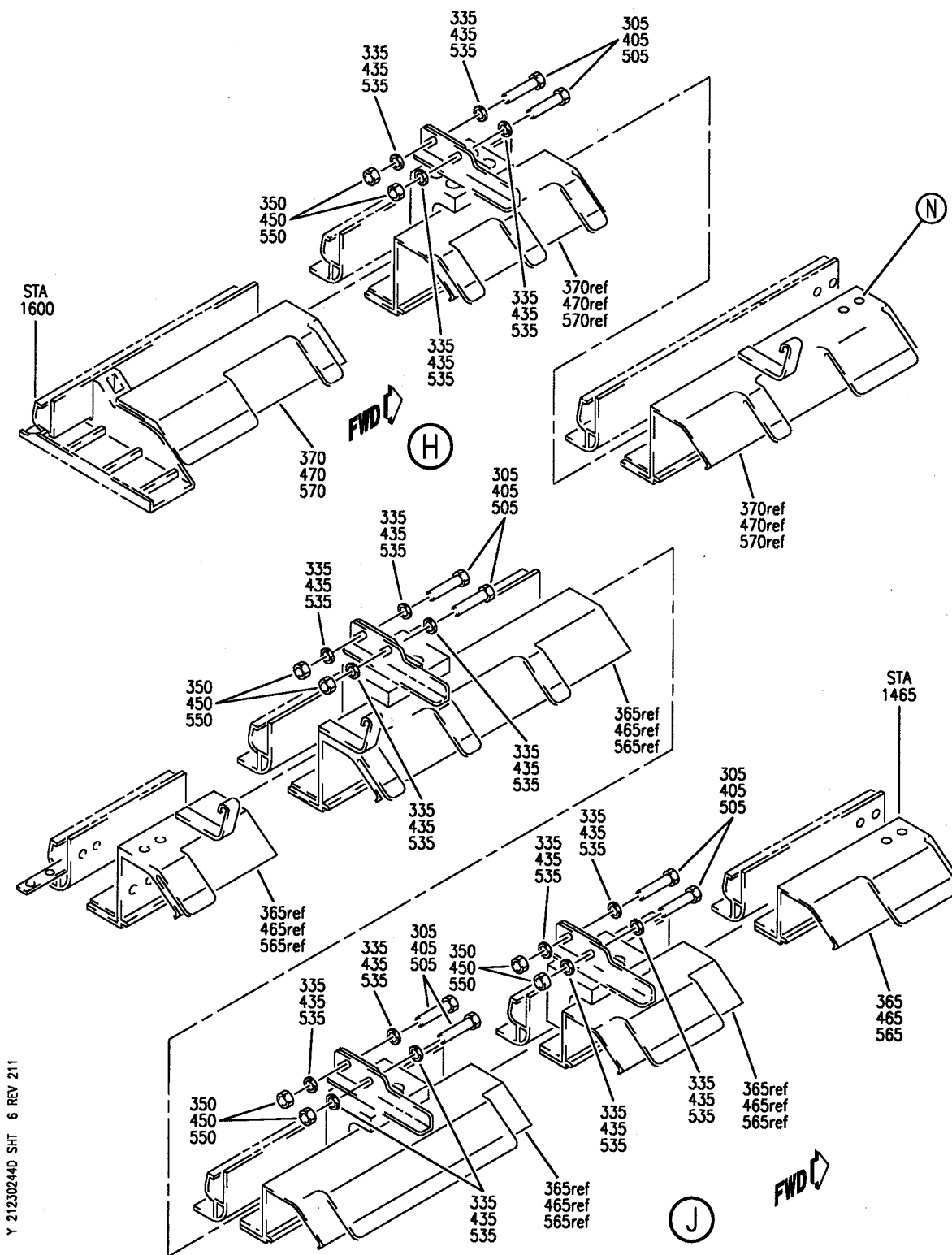
EXTRUSION INSTL-AFT R
FIGURE 44D (SHEET 5)

21-23-02-44D

BRI
MAY 28/07

21-23-02-44D
PAGE 0D

BOEING
757
PARTS CATALOG (MAINTENANCE)



Y 21230244D SHT 6 REV 211

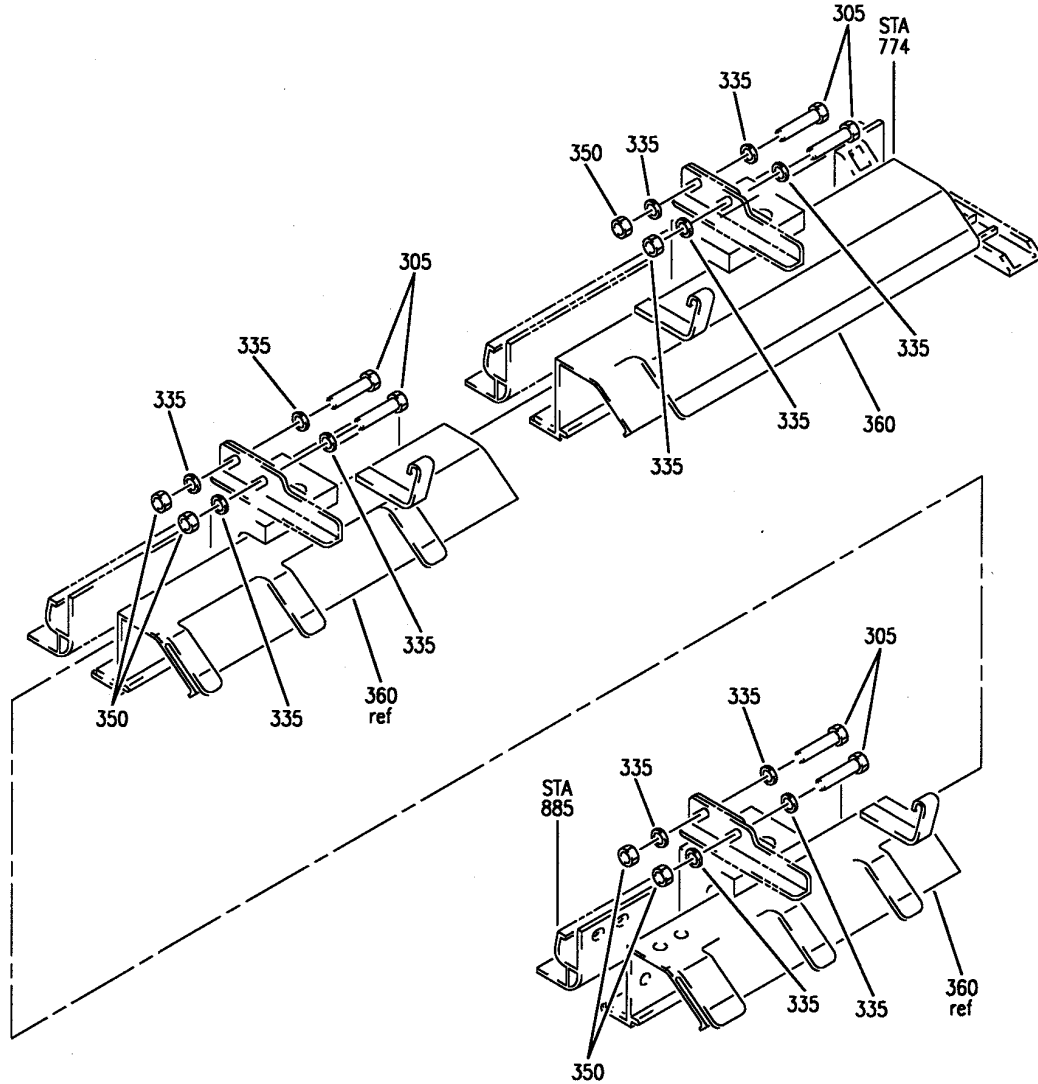
EXTRUSION INSTL-AFT R
FIGURE 44D (SHEET 6)

21-23-02-44D

BRI
MAY 28/07

21-23-02-44D
PAGE 0E

BOEING
757
PARTS CATALOG (MAINTENANCE)



Y 21230244D SHT 7 REV 211

FWD

(K)

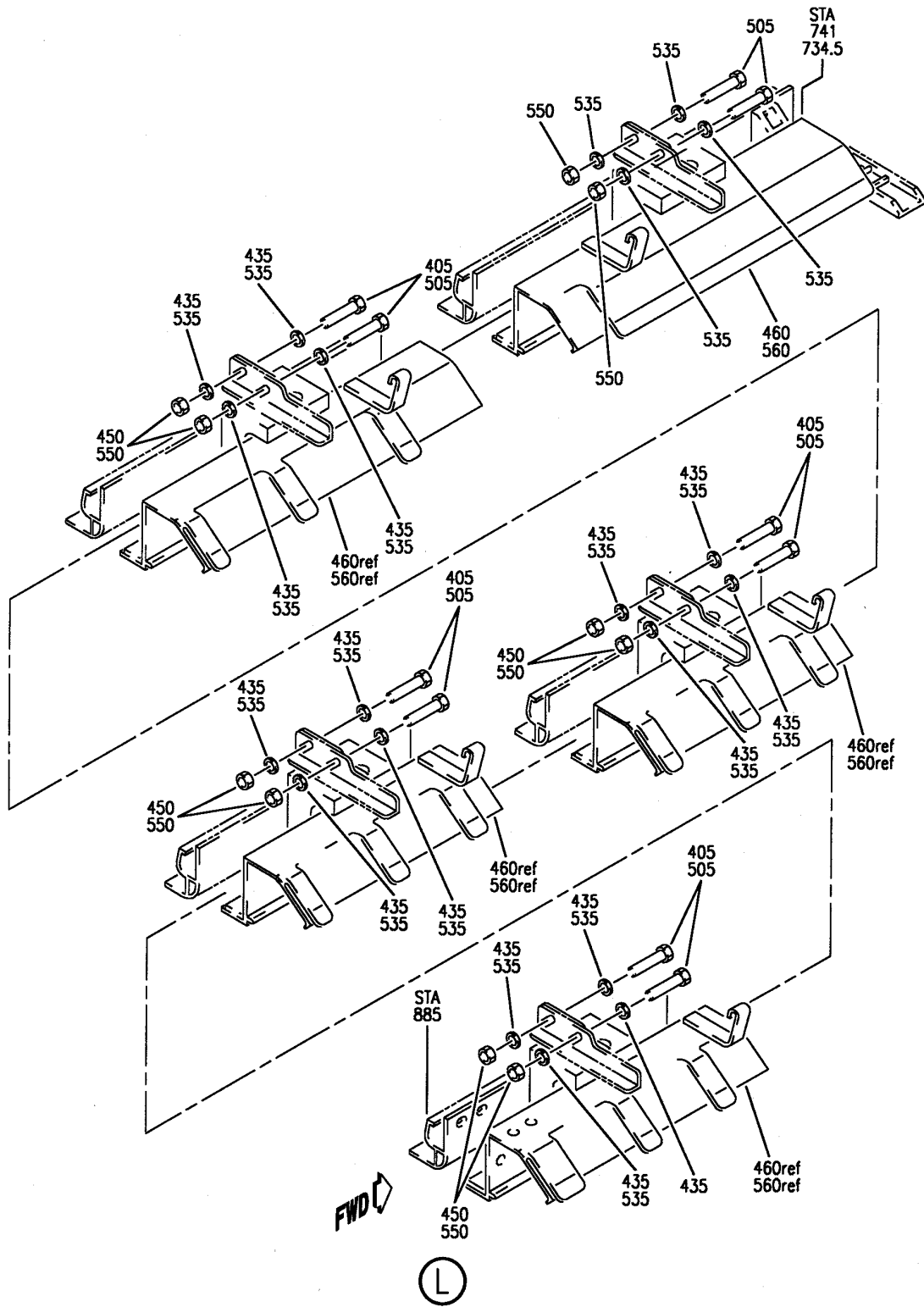
EXTRUSION INSTL-AFT R
FIGURE 44D (SHEET 7)

21-23-02-44D

BRI
MAY 28/07

21-23-02-44D
PAGE OF

BOEING
757
PARTS CATALOG (MAINTENANCE)



Y 21230244 SHT 8 REV 211

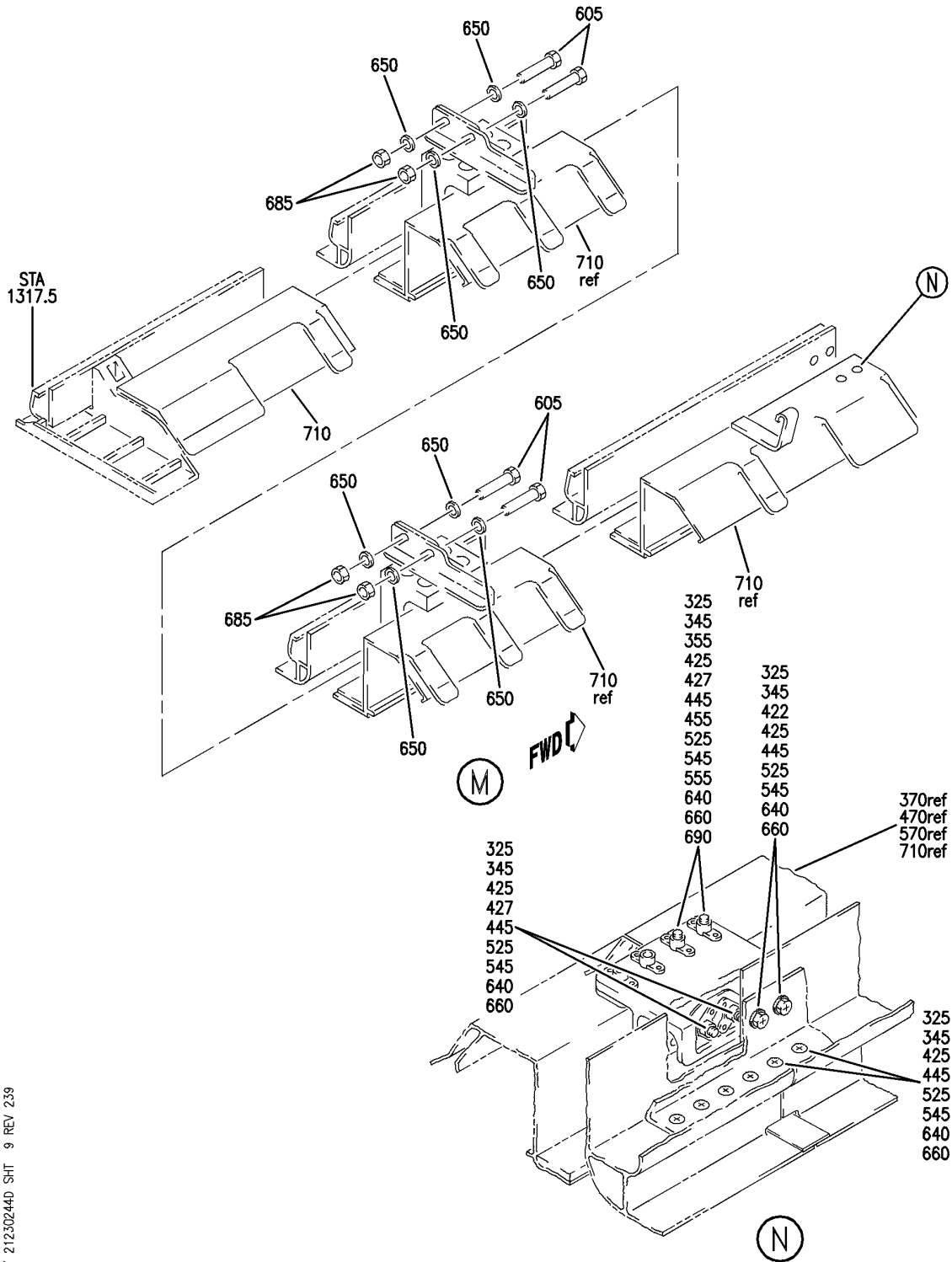
EXTRUSION INSTL-AFT R
FIGURE 44D (SHEET 8)

21-23-02-44D

BRI
MAY 28/07

21-23-02-44D
PAGE 0G

BOEING
757
PARTS CATALOG (MAINTENANCE)



Y 21230244D SHT 9 REV 239

EXTRUSION INSTL-AFT R
FIGURE 44D (SHEET 9)

21-23-02-44D

BRI
MAY 28/07

21-23-02-44D
PAGE 0H



757

PARTS CATALOG (MAINTENANCE)

| FIG ITEM | PART NUMBER | 1 2 3 4 5 6 7 | NOMENCLATURE | EFFECT FROM TO | UNITS PER ASSY |
|----------|-----------------|---------------|---|--|----------------|
| 44D | | | EXTRUSION INSTL-AFT R | 006102 108120 504903 950951 953999 | |
| - 600 | 412N3001-803 | | EXTRUSION INSTL- POSITION DATA: AFT R FOR NHA SEE: 21-23-02-43 | 006010 950950 953999 | RF |
| - 600 | 412N3001-807 | | EXTRUSION INSTL- POSITION DATA: AFT R FOR NHA SEE: 21-23-02-43 | 011017 951951 | RF |
| - 600 | 412N3001-8001SP | | EXTRUSION INSTL- POSITION DATA: AFT R FOR NHA SEE: 25-20-00-07G | 108120 | RF |
| - 600 | 412N3001-810 | | EXTRUSION INSTL- POSITION DATA: AFT R FOR NHA SEE: 21-23-02-43 | 018100 | RF |
| - 600 | 412N3001-8002SP | | EXTRUSION INSTL- POSITION DATA: AFT R FOR NHA SEE: 25-20-00-07G | 101102 504903 | RF |
| 605 | BACB30NR4K5 | | .BOLT | 006102 108120 504903 950951 953999 | 10 |
| 610 | BACB30LU2-2 | | .BOLT | 006102 108120 504903 950951 953999 | 4 |
| 615 | BACB30NR3K4 | | .BOLT | 006102 108120 504903 950951 953999 | 6 |

MISSING ITEM NUMBERS NOT APPLICABLE

- ITEM NOT ILLUSTRATED

21-23-02-44D

21-23-02
FIG. 44D
PAGE 1
JAN 20/09

BRI

BOEING PROPRIETARY - Copyright © - Unpublished Work - See title page for details.



757

PARTS CATALOG (MAINTENANCE)

| FIG ITEM | PART NUMBER | 1 2 3 4 5 6 7 | NOMENCLATURE | EFFECT FROM TO | UNITS PER ASSY |
|------------|--------------|---------------|--|--|----------------|
| 44D 620 | BACB30NR3K5 | . | BOLT | 006102 108120 504903 950951 953999 | 4 |
| 625 | BACB30NR6K5 | . | BOLT- OPTIONAL PART: NAS6606-5 | 006102 108120 504903 950951 953999 | 1 |
| 625 | NAS6606-5 | . | BOLT- OPTIONAL PART: BACB30NR6K5 | 006102 108120 504903 950951 953999 | 1 |
| 630 | BACS12ER08K8 | . | SCREW- OPTIONAL PART: NAS514P832-8 | 006102 108120 504903 950951 953999 | 4 |
| 630 | NAS514P832-8 | . | SCREW- OPTIONAL PART: BACS12ER08K8 | 006102 108120 504903 950951 953999 | 4 |
| 635 | BACS12ER08K7 | . | SCREW- OPTIONAL PART: NAS514P832-7 | 006102 108120 504903 950951 953999 | 2 |
| 635 | NAS514P832-7 | . | SCREW- OPTIONAL PART: BACS12ER08K7 | 006102 108120 504903 950951 953999 | 2 |
| 640 | BACS12GU08K8 | . | SCREW- OPTIONAL PART: NAS1801-08-8 | 006102 108120 504903 950951 953999 | 8 |
| 640 | NAS1801-08-8 | . | SCREW- OPTIONAL PART: BACS12GU08K8 | 006102 108120 504903 950951 953999 | 8 |

MISSING ITEM NUMBERS NOT APPLICABLE

- ITEM NOT ILLUSTRATED

21-23-02-44D

21-23-02
FIG. 44D
PAGE 2
JAN 20/09

BRI



757

PARTS CATALOG (MAINTENANCE)

| FIG ITEM | PART NUMBER | 1 2 3 4 5 6 7 | NOMENCLATURE | EFFECT FROM TO | UNITS PER ASSY |
|------------|---------------|---------------|--|--|----------------|
| 44D 645 | BACS12GU08K7 | . | SCREW- OPTIONAL PART: NAS1801-08-7 | 006102 108120 504903 950951 953999 | 2 |
| 645 | NAS1801-08-7 | . | SCREW- OPTIONAL PART: BACS12GU08K7 | 006102 108120 504903 950951 953999 | 2 |
| 650 | BACW10P11AL | . | WASHER | 006100 950951 953999 | 20 |
| 650 | NAS1149E0463P | . | WASHER | 101102 108120 504903 | 20 |
| 655 | BACW10DM5P | . | WASHER | 006102 108120 504903 950951 953999 | 6 |
| 660 | AN960JD8L | . | WASHER | 006010 950950 953999 | 10 |
| 660 | NAS1149DN816J | . | WASHER | 011102 108120 504903 951951 | 10 |
| 665 | AN960JD10L | . | WASHER | 006010 950950 953999 | 6 |
| 665 | NAS1149D0332J | . | WASHER | 011102 108120 504903 951951 | 6 |
| 670 | AN960JD616L | . | WASHER | 006010 950950 953999 | 1 |
| 670 | NAS1149D0616J | . | WASHER | 011102 108120 504903 951951 | 1 |
| 675 | BACW10P43AL | . | WASHER | 006100 950951 953999 | 8 |
| 675 | NAS1149D0363J | . | WASHER | 101102 108120 504903 | 8 |

MISSING ITEM NUMBERS NOT APPLICABLE

- ITEM NOT ILLUSTRATED

21-23-02-44D

21-23-02
FIG. 44D
PAGE 3
JAN 20/09

BRI

BOEING PROPRIETARY - Copyright © - Unpublished Work - See title page for details.



757

PARTS CATALOG (MAINTENANCE)

| FIG ITEM | PART NUMBER | 1 2 3 4 5 6 7 | NOMENCLATURE | EFFECT FROM TO | UNITS PER ASSY |
|------------|-------------|---------------|--|--|----------------|
| 44D 680 | MS21042L3 | . | NUT | 006100 950951 953999 | 4 |
| 680 | PLH53CD | . | NUT SUPPLIER CODE: VF0224 SPECIFICATION NUMBER: BACN10YR3CD OPTIONAL PART: H52732-3CD V15653 | 101102 108120 504903 | 4 |
| 685 | MS21042L4 | . | NUT | 006100 950951 953999 | 10 |
| 685 | PLH54CD | . | NUT SUPPLIER CODE: VF0224 SPECIFICATION NUMBER: BACN10YR4CD OPTIONAL PART: H52732-4CD V15653 | 101102 108120 504903 | 10 |
| 690 | 130008 | . | NUT SUPPLIER CODE: V60119 SPECIFICATION NUMBER: BACN10FX84 OPTIONAL PART: RM52LHA4972-6-8 V72962 SL211-08-1 V97393 A11330-6-82 V72962 A4972-6-82 V72962 | 006102 108120 504903 950951 953999 | 2 |
| 695 | 412N2004-90 | . | BRACKET- POSITION DATA: RH SIDE | 006102 108120 504903 950951 953999 | 1 |
| 700 | 412N2004-91 | . | BRACKET- POSITION DATA: RH SIDE | 006102 108120 504903 950951 953999 | 1 |

MISSING ITEM NUMBERS NOT APPLICABLE

- ITEM NOT ILLUSTRATED

21-23-02-44D

21-23-02
FIG. 44D
PAGE 4
JAN 20/09

BRI

BOEING PROPRIETARY - Copyright © - Unpublished Work - See title page for details.



757

PARTS CATALOG (MAINTENANCE)

| FIG ITEM | PART NUMBER | 1 2 3 4 5 6 7 | NOMENCLATURE | EFFECT FROM TO | UNITS PER ASSY |
|-------------|-----------------|---------------|--|--|----------------------|
| 44D 705 | 412N3103-1114SP | | .OUTLET ASSY- FOR DETAILS SEE: 21-23-02-47 | 006102 108120 504903 950951 953999 | 1 |
| 710 | 412N3103-1182SP | | .OUTLET ASSY- FOR DETAILS SEE: 21-23-02-47 | 006010 950950 953999 | 1 |
| 710 | 412N3103-1220SP | | .OUTLET ASSY- FOR DETAILS SEE: 21-23-02-47 | 011017 108120 951951 | 1 |
| 710 | 412N3103-1249SP | | .OUTLET ASSY- FOR DETAILS SEE: 21-23-02-47 | 018102 504903 | 1 |

MISSING ITEM NUMBERS NOT APPLICABLE

- ITEM NOT ILLUSTRATED

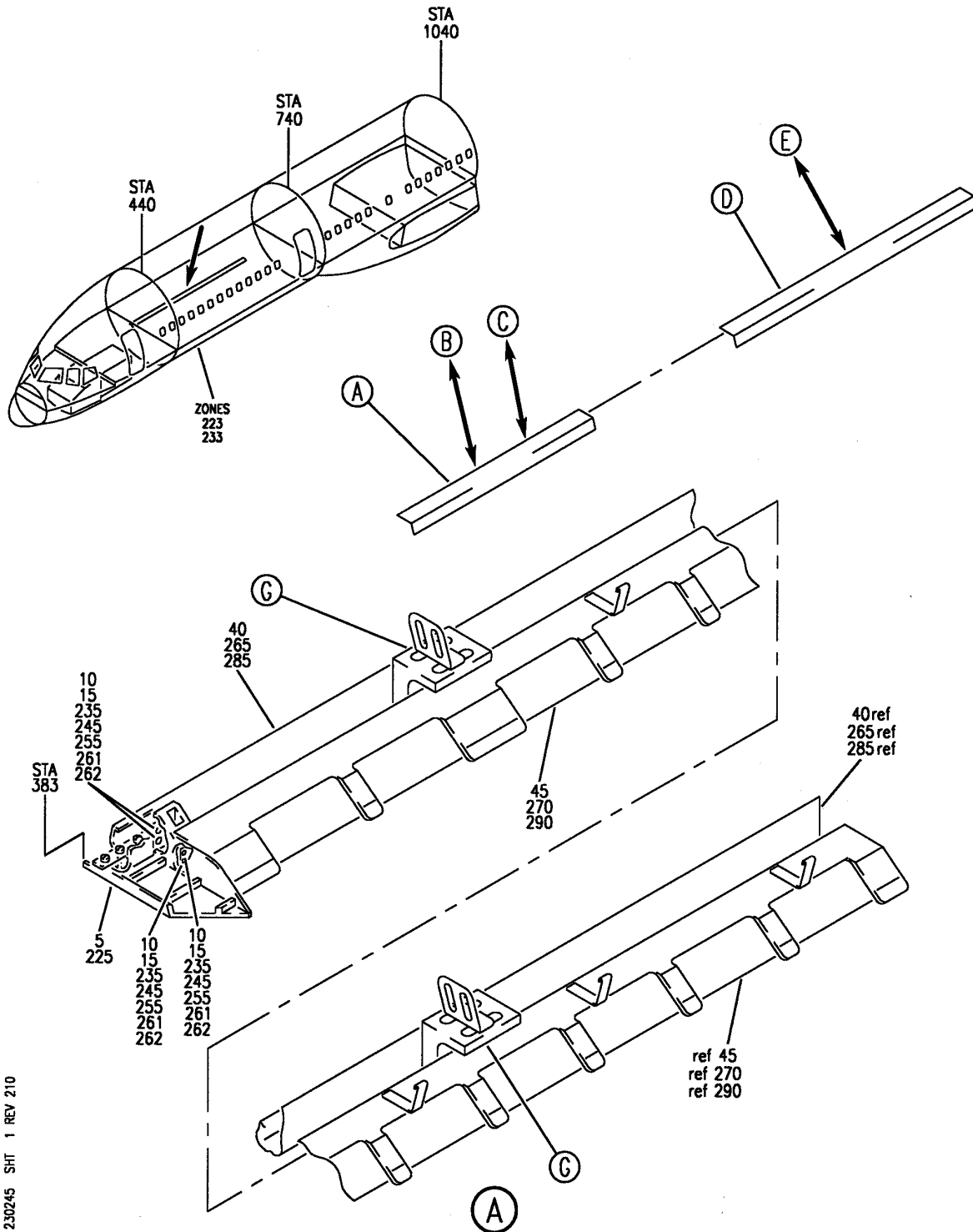
BRI

21-23-02-44D

BOEING PROPRIETARY - Copyright © - Unpublished Work - See title page for details.

21-23-02
FIG. 44D
PAGE 5
JAN 20/09

BOEING
757
PARTS CATALOG (MAINTENANCE)



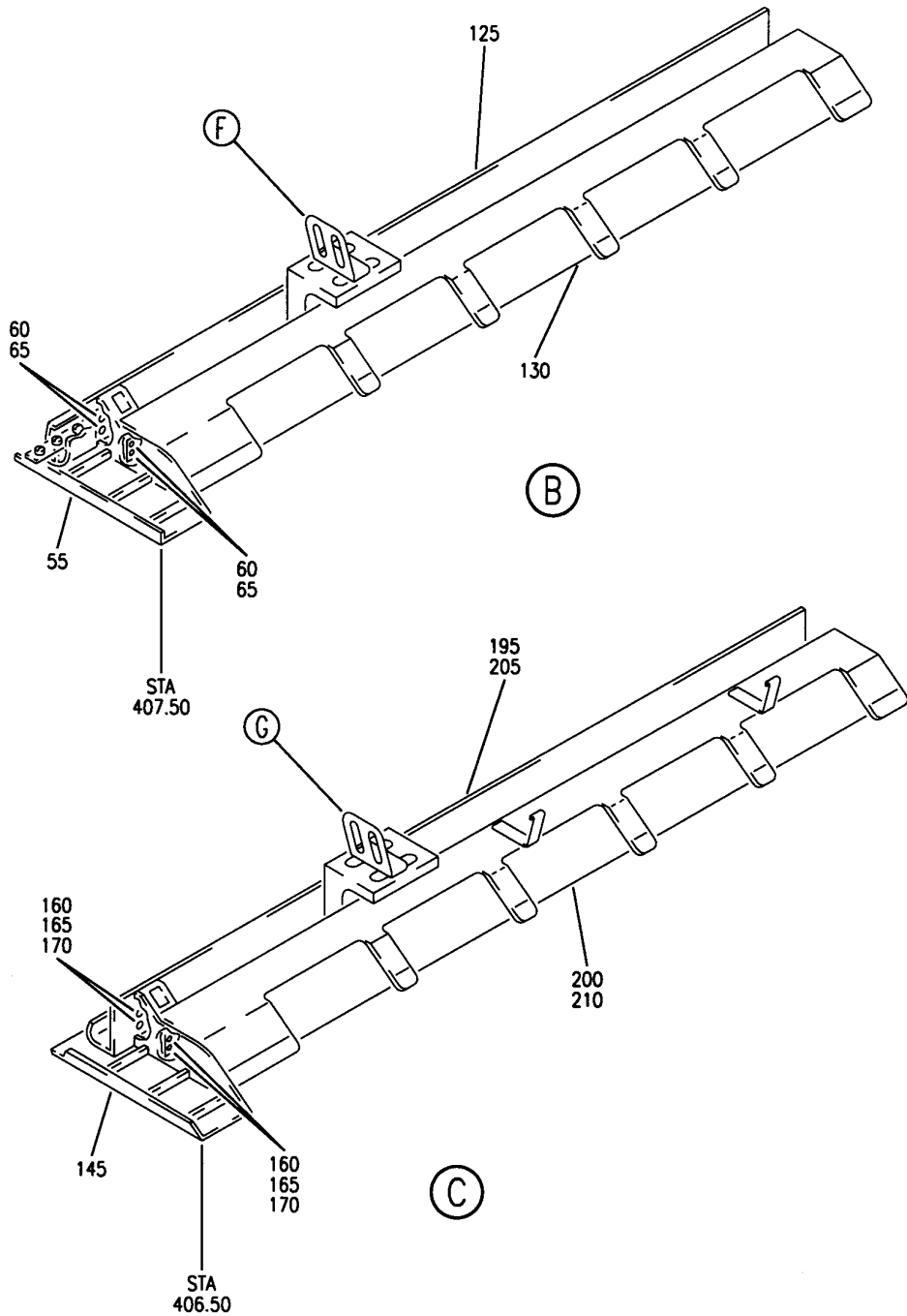
OUTLET ASSY-SIDEWALL AC LEFT SIDE
FIGURE 45 (SHEET 1)

21-23-02-45

BRI
MAY 28/07

21-23-02-45
PAGE 0

BOEING
757
PARTS CATALOG (MAINTENANCE)



Y 21230245 SHT 2 REV 205

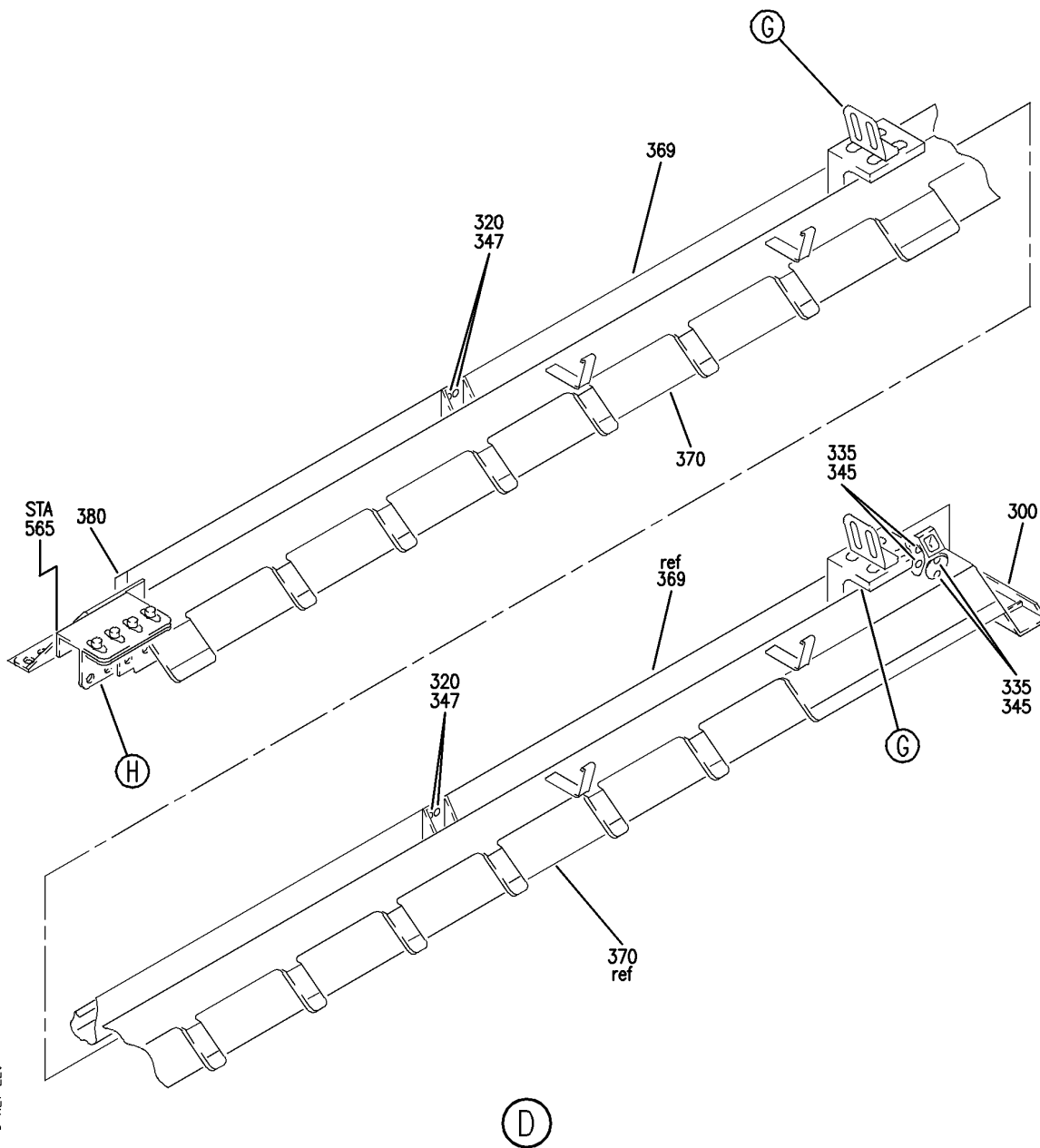
OUTLET ASSY-SIDEWALL AC LEFT SIDE
FIGURE 45 (SHEET 2)

21-23-02-45

BRI
MAY 28/07

21-23-02-45
PAGE 0A

BOEING
757
PARTS CATALOG (MAINTENANCE)



Y 21230245 SHT 3 REV 229

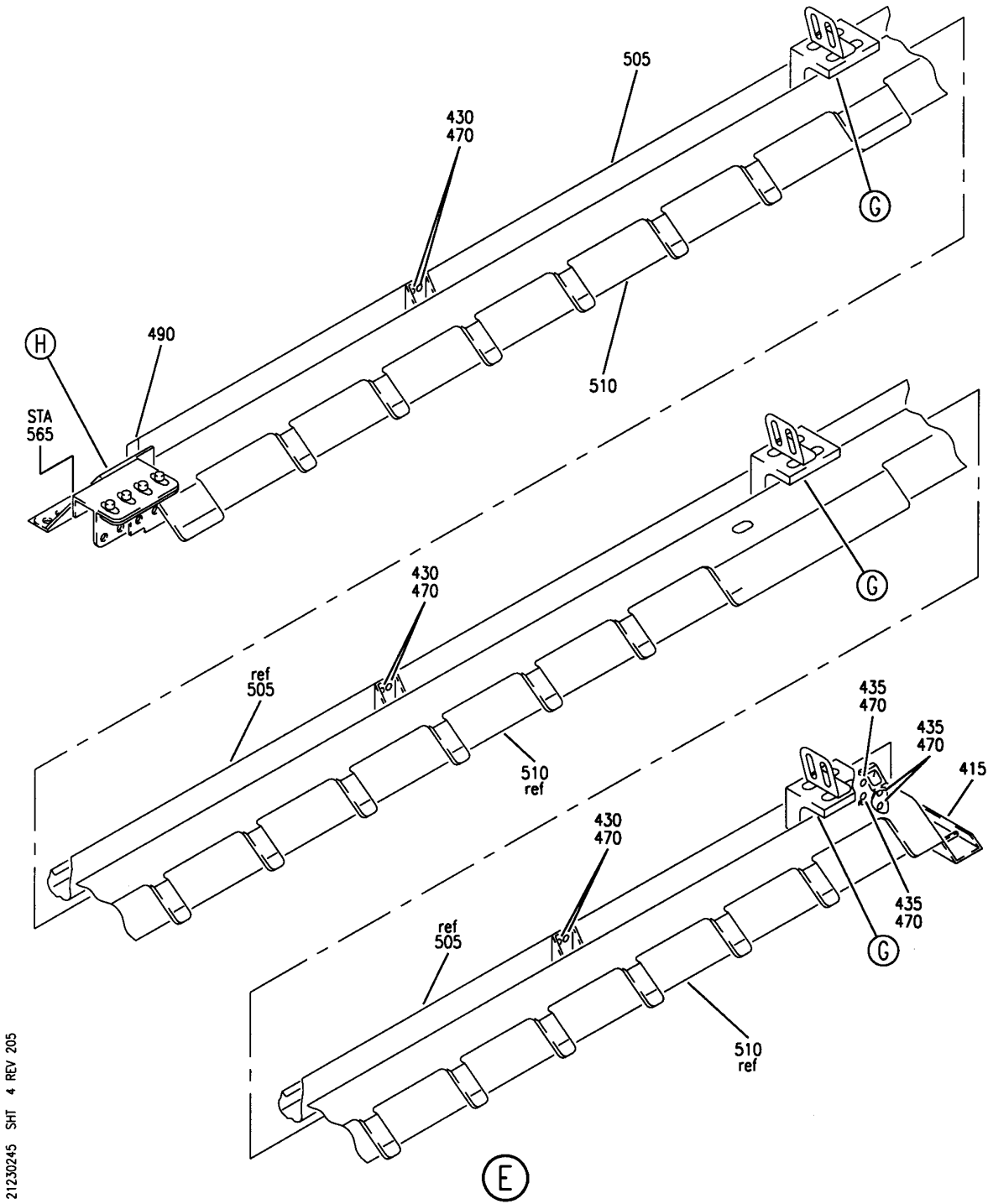
OUTLET ASSY-SIDEWALL AC LEFT SIDE
FIGURE 45 (SHEET 3)

21-23-02-45

BRI
MAY 28/07

21-23-02-45
PAGE 0B

BOEING
757
PARTS CATALOG (MAINTENANCE)



Y 21230245 SHT 4 REV 205

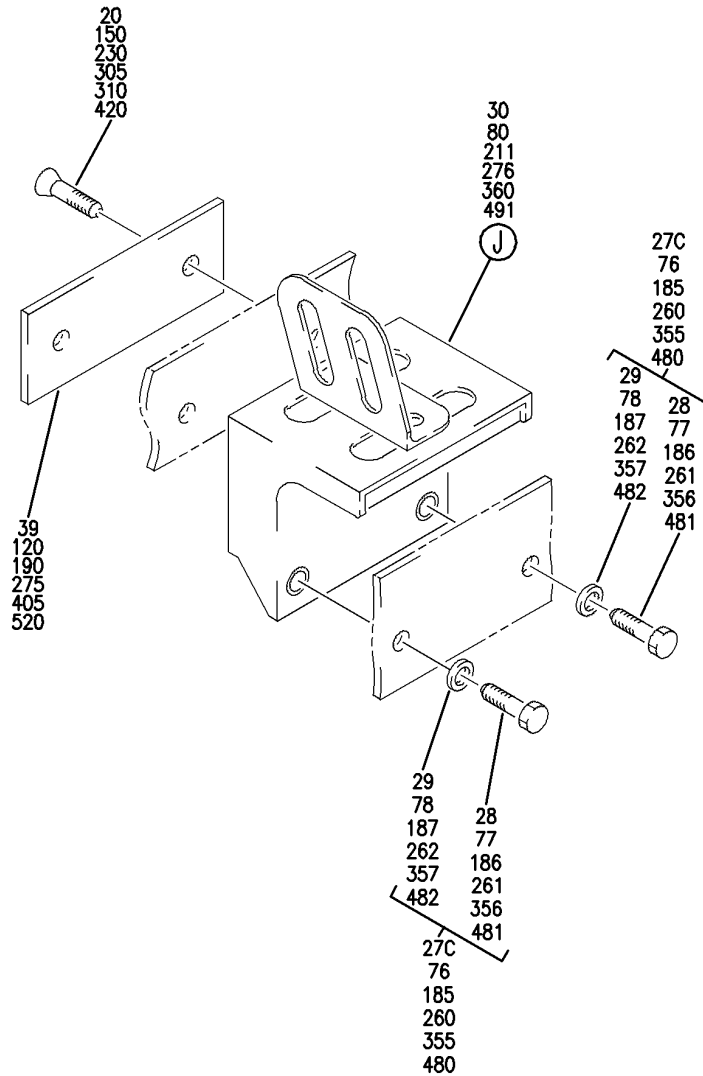
OUTLET ASSY-SIDEWALL AC LEFT SIDE
FIGURE 45 (SHEET 4)

21-23-02-45

BRI
MAY 28/07

21-23-02-45
PAGE 0C

BOEING
757
PARTS CATALOG (MAINTENANCE)



(F)

Y 21230245 SH1 5 REV 229

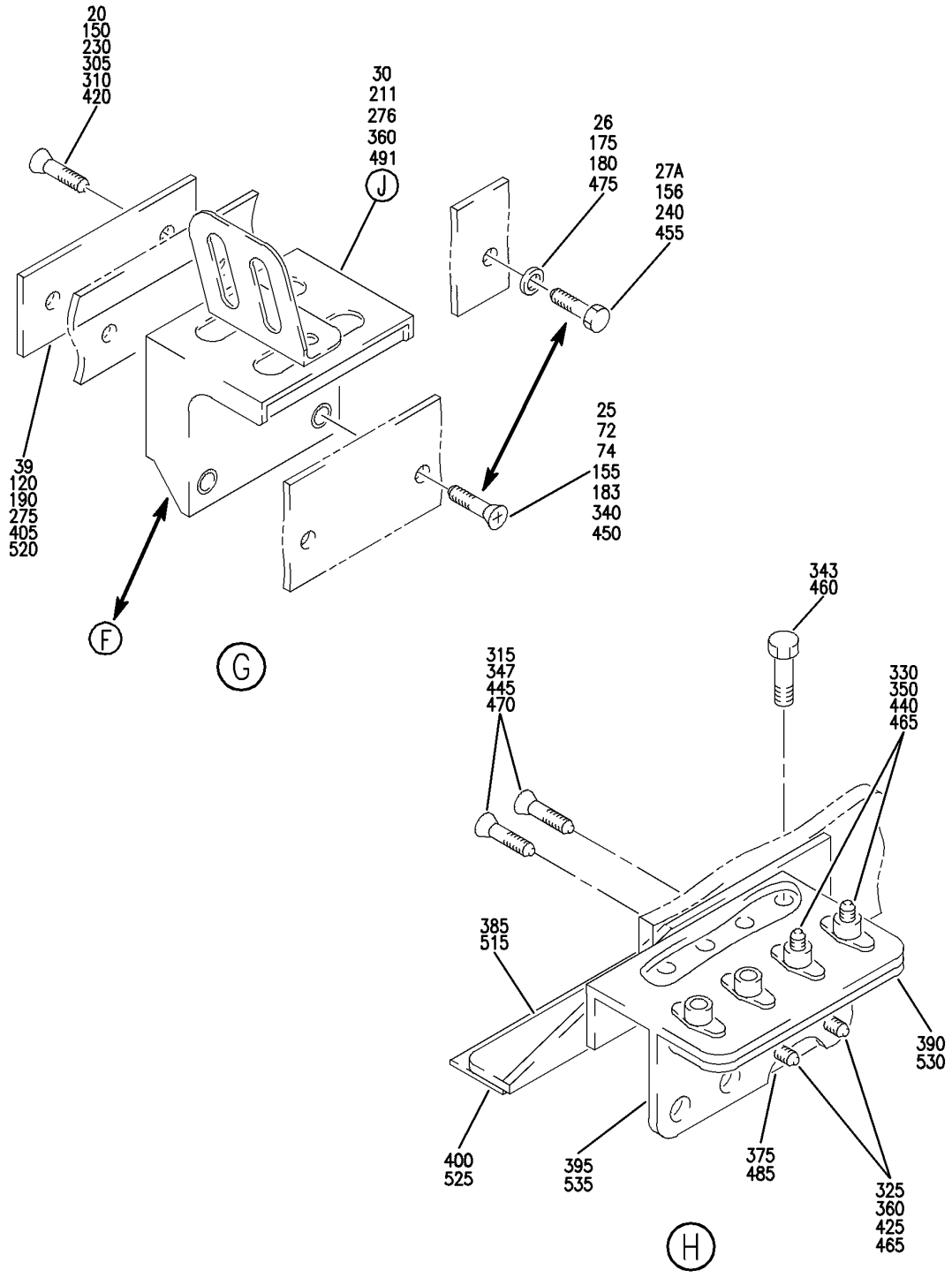
OUTLET ASSY-SIDEWALL AC LEFT SIDE
FIGURE 45 (SHEET 5)

21-23-02-45

BRI
MAY 28/07

21-23-02-45
PAGE 0D

BOEING
757
PARTS CATALOG (MAINTENANCE)



Y 21230245 SH1 6 REV 229

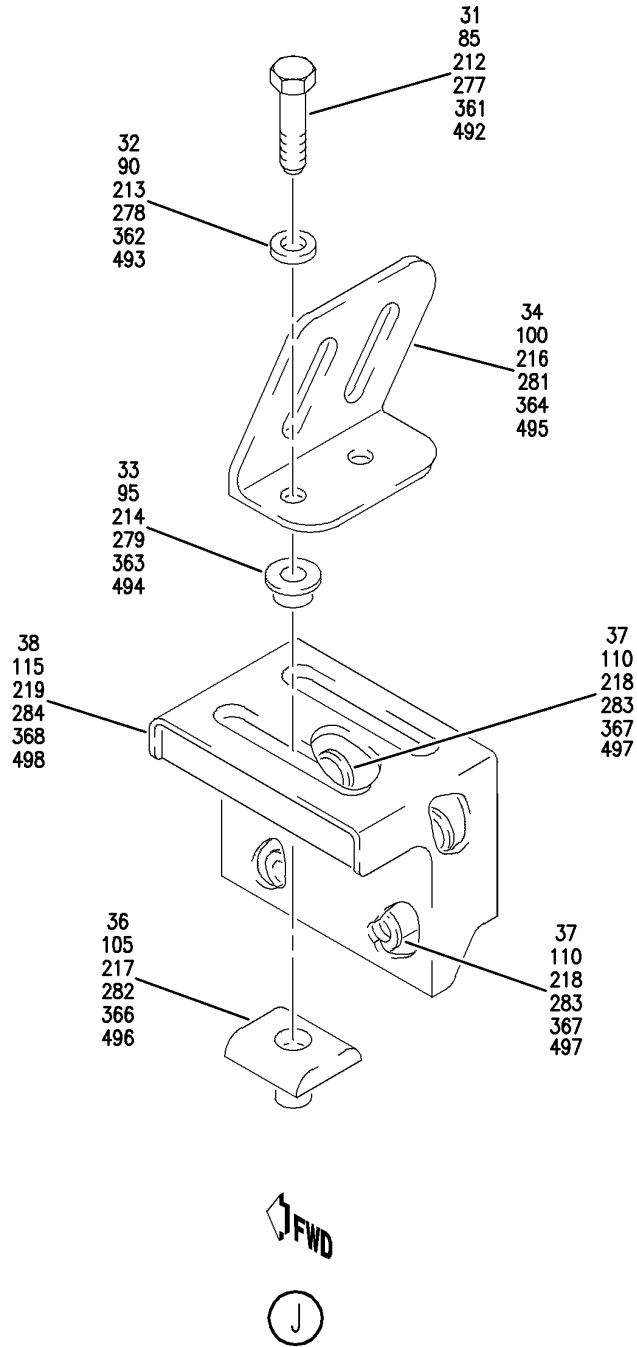
OUTLET ASSY-SIDEWALL AC LEFT SIDE
FIGURE 45 (SHEET 6)

21-23-02-45

BRI
MAY 28/07

21-23-02-45
PAGE 0E

BOEING
757
PARTS CATALOG (MAINTENANCE)



Y 21230245 SH7 7 REV 229

OUTLET ASSY-SIDEWALL AC LEFT SIDE
FIGURE 45 (SHEET 7)

21-23-02-45

BRI
MAY 28/07

21-23-02-45
PAGE OF

 **BOEING**
757
PARTS CATALOG (MAINTENANCE)

| FIG ITEM | PART NUMBER | 1 2 3 4 5 6 7 | NOMENCLATURE | EFFECT FROM TO | UNITS PER ASSY |
|----------|-----------------|---------------|--|--|----------------|
| 45 | | | OUTLET ASSY-SIDEWALL AC LEFT SIDE | 002004 006102 108120 504903 950999 108120 | |
| - 1 | 412N3103-1210SP | | OUTLET ASSY-SIDEWALL AC POSITION DATA: FWD LEFT FOR NHA SEE: 21-23-02-44 | 108120 | RF |
| 5 | 412N3104-10SP | | .CAP ASSY-END ATTACHING PARTS | 108120 | 1 |
| 10 | BACS12GU08K5 | | .SCREW- OPTIONAL PART: NAS1801-08-5 -----*----- | 108120 | 4 |
| 10 | NAS1801-08-5 | | .SCREW- OPTIONAL PART: BACS12GU08K5 ATTACHING PARTS | 108120 | 4 |
| 15 | NAS1149DN816J | | .WASHER -----*----- | 108120 | 4 |
| 20 | BACS12ER3K9 | | .SCREW- OPTIONAL PART: BACB30VF3K3 BACB30VF3K4 | 108120 | 4 |
| 20 | BACB30VF3K4 | | .BOLT- OPTIONAL PART: BACS12ER3K9 BACB30VF3K3 | 108120 | 4 |
| 20 | BACB30VF3K3 | | .BOLT- OPTIONAL PART: BACS12ER3K9 BACB30VF3K4 | 108120 | 4 |
| 27A | BACS12FA3K8 | | .SCREW- OPTIONAL PART: 412N3103-1330 | 108120 | 4 |
| 27C | 412N3103-1330 | | .SUBKIT ASSY- OPTIONAL PART: BACS12FA3K8 | 108120 | 4 |
| 28 | BACB30NT3K2 | | ..BOLT | 108120 | 1 |
| 29 | NAS1149D0316J | | ..WASHER- | 108120 | 1 |
| 30 | 412N3133-23 | | .SUPPORT ASSY | 108120 | 2 |
| 31 | BACB30NM3K5 | | ..BOLT | 108120 | 2 |
| 32 | AN960JD10LL | | ..WASHER | 108120 | 2 |
| 33 | 412N2004-55 | | ..SPACER | 108120 | 2 |
| 34 | 65C27021-459 | | ..BRACKET | 108120 | 1 |
| 36 | 65C27021-463 | | ..FILLER ASSY | 108120 | 2 |
| 37 | BACS13CJ3L080P | | ..INSERT | 108120 | 4 |

MISSING ITEM NUMBERS NOT APPLICABLE

- ITEM NOT ILLUSTRATED

21-23-02-45

21-23-02
FIG. 45
PAGE 1
JAN 20/09

BRI



757

PARTS CATALOG (MAINTENANCE)

| FIG ITEM | PART NUMBER | 1 2 3 4 5 6 7 | NOMENCLATURE | EFFECT FROM TO | UNITS PER ASSY |
|----------|-----------------|---------------|---|----------------------------|----------------|
| 45 | | | | | |
| 38 | 412N3134-1 | | . . BRACKET | 108120 | 1 |
| 39 | 65C27021-177 | | . DOUBLER | 108120 | 2 |
| 40 | 412N3136-1104SP | | . BEAM | 108120 | 1 |
| 45 | 412N3137-1435SP | | . BEAM ASSY | 108120 | 1 |
| - 140 | 412N3103-1199SP | | OUTLET ASSY-SIDEWALL AC FOR NHA SEE: 21-23-02-44 | 950950 | RF |
| - 140 | 412N3103-1225SP | | OUTLET ASSY-SIDEWALL AC FOR NHA SEE: 21-23-02-44 | 002004 006100 950999 | RF |
| 145 | 412N3104-5SP | | . CAP ASSY-END USED ON: 412N3103-1075SP 412N3103-1199SP 412N3103-1215SP 412N3103-1225SP 412N3103-1278SP | 950951 | 1 |
| 150 | BACS12ER3K9 | | . SCREW- OPTIONAL PART: BACB30VF3K3 | 950951 | 2 |
| 150 | BACB30VF3K3 | | . BOLT- OPTIONAL PART: BACS12ER3K9 | 950951 | 2 |
| 155 | BACS12FA3K8 | | . SCREW- QUALIFIED OPTIONAL DATA: BACB30NT3K2 WITH NAS1149D0316J OPTIONAL TO BACS12FA3K8 | 950950 | 2 |
| 156 | BACB30NT3K2 | | . BOLT- QUALIFIED OPTIONAL DATA: BACB30NT3K2 WITH NAS1149D0316J OPTIONAL TO BACS12FA3K8 | 950950 | 2 |
| 160 | BACS12GU08K5 | | . SCREW- OPTIONAL PART: NAS1801-08-5 | 950951 | 4 |
| 160 | NAS1801-08 | | . SCREW- OPTIONAL PART: BACS12GU08K5 | 950951 | 4 |
| 180 | NAS1149D0316J | | . WASHER- QUALIFIED OPTIONAL DATA: BACB30NT3K2 WITH NAS1149D0316J IS OPTIONAL TO BACS12FA3K8 | 950950 | 2 |
| 183 | BACS12FA3K8 | | . SCREW- OPTIONAL PART: 412N3103-1330 | 002004 006100 950999 | 2 |

MISSING ITEM NUMBERS NOT APPLICABLE

- ITEM NOT ILLUSTRATED

21-23-02-45

21-23-02
FIG. 45
PAGE 2
JAN 20/09

BRI



757

PARTS CATALOG (MAINTENANCE)

| FIG ITEM | PART NUMBER | 1 2 3 4 5 6 7 | NOMENCLATURE | EFFECT FROM TO | UNITS PER ASSY |
|----------|-----------------|---------------|--|----------------------------|----------------|
| 45 | | | | | |
| 185 | 412N3103-1330 | . | SUBKIT ASSY- OPTIONAL PART: BACS12FA3K8 | 002004 006100 950999 | 2 |
| 186 | BACB30NT3K2 | .. | BOLT | 002004 006100 950999 | 1 |
| 187 | NAS11449D0316J | .. | WASHER | 002004 006100 950999 | 1 |
| 190 | 65C27021-177 | . | DOUBLER | 950951 | 1 |
| 195 | 412N3136-1093SP | . | BEAM | 950950 | 1 |
| 195 | 412N3136-1119SP | . | BEAM | 002004 006100 950999 | 1 |
| 200 | 412N3137-1465SP | . | BEAM ASSY | 002004 006100 950999 | 1 |
| 200 | 412N3137-1413SP | . | BEAM ASSY | 950950 | 1 |
| 205 | 412N3136-1033 | . | BEAM ASSY-INBD | 951951 | 1 |
| 210 | 412N3137-1181 | . | BEAM ASSY-OUTBD | 951951 | 1 |
| 211 | 412N3133-23 | . | SUPPORT ASSY | 950951 | 1 |
| 212 | BACB30NM3K5 | .. | BOLT | 950951 | 2 |
| 213 | AN960JD10LL | .. | WASHER | 950951 | 2 |
| 214 | 412N2004-55 | .. | SPACER | 950951 | 2 |
| 216 | 65C27021-459 | .. | BRACKET | 950951 | 1 |
| 217 | 65C27021-463 | .. | FILLER ASSY | 950951 | 2 |
| 218 | BACS13CJ3L080P | .. | INSERT | 950951 | 4 |
| 219 | 412N3134-1 | .. | BRACKET | 950951 | 1 |
| - 220 | 412N3103-1119SP | | OUTLET ASSY-SIDEWALL AC FOR NHA SEE: 21-23-02-44 | 006010 953999 | RF |
| - 220 | 412N3103-1217SP | | OUTLET ASSY-SIDEWALL AC FOR NHA SEE: 21-23-02-44 | 011102 504903 | RF |
| 225 | 412N3104-10SP | . | CAP ASSY-END | 006100 504903 953999 | 1 |
| 230 | BACS12ER3K9 | . | SCREW- OPTIONAL PART: BACB30VF3K3 | 006100 504903 953999 | 4 |
| 230 | BACB30VF3K3 | . | BOLT- OPTIONAL PART: BACS12ER3K9 | 006100 504903 953999 | 4 |
| 235 | BACS12GU08K5 | . | SCREW- OPTIONAL PART: NAS1801-08-5 | 006100 504903 953999 | 4 |
| 235 | NAS1801-08-5 | . | SCREW- OPTIONAL PART: BACS12GU08K5 | 006100 504903 953999 | 4 |

MISSING ITEM NUMBERS NOT APPLICABLE

- ITEM NOT ILLUSTRATED

21-23-02-45

21-23-02
FIG. 45
PAGE 3
JAN 20/09

BRI

 **BOEING**
757
PARTS CATALOG (MAINTENANCE)

| FIG ITEM | PART NUMBER | 1 2 3 4 5 6 7 | NOMENCLATURE | EFFECT FROM TO | UNITS PER ASSY |
|----------|-----------------|---------------|--|----------------------------|----------------|
| 45 | | | | | |
| 240 | BACS12FA3K8 | . | SCREW- OPTIONAL PART: 412N3103-1330 | 006102 504903 953999 | 4 |
| 245 | AN960JD8L | . | WASHER | 006010 953999 | 4 |
| - 250 | AN960JD10LL | . | WASHER | 006010 953999 | 4 |
| 255 | NAS1149DN816J | . | WASHER | 011102 504903 | 4 |
| 260 | 412N3103-1330 | . | SUBKIT ASSY- OPTIONAL PART: BACS12GU08K5 | 011102 504903 | 4 |
| 261 | BACB30NT3K2 | .. | BOLT | 011102 504903 | 1 |
| 262 | NAS11449D0316J | .. | WASHER | 011102 504903 | 1 |
| 265 | 412N3136-249SP | . | BEAM | 006010 953999 | 1 |
| 265 | 412N3136-1111SP | . | BEAM | 011102 504903 | 1 |
| 270 | 412N3137-1235SP | . | BEAM ASSY | 006010 953999 | 1 |
| 270 | 412N3137-1449SP | . | BEAM ASSY | 011102 504903 | 1 |
| 275 | 65C27021-177 | . | DOUBLER | 006100 504903 953999 | 2 |
| 276 | 412N3133-23 | . | SUPPORT ASSY | 006100 504903 953999 | 2 |
| 277 | BACB30NM3K5 | .. | BOLT | 006100 504903 953999 | 2 |
| 278 | AN960JD10LL | .. | WASHER | 006100 504903 953999 | 2 |
| 279 | 412N2004-55 | .. | SPACER | 006100 504903 953999 | 2 |
| 281 | 65C27021-459 | .. | BRACKET | 006100 504903 953999 | 1 |
| 282 | 65C27021-463 | .. | FILLER ASSY | 006100 504903 953999 | 2 |
| 283 | BACS13CJ3L080P | .. | INSERT | 006100 504903 953999 | 4 |

MISSING ITEM NUMBERS NOT APPLICABLE

- ITEM NOT ILLUSTRATED

BRI

21-23-02-45

BOEING PROPRIETARY - Copyright © - Unpublished Work - See title page for details.

21-23-02
FIG. 45
PAGE 4
JAN 20/09

 **BOEING**
757
PARTS CATALOG (MAINTENANCE)

| FIG ITEM | PART NUMBER | 1 2 3 4 5 6 7 | NOMENCLATURE | EFFECT FROM TO | UNITS PER ASSY |
|-----------|-----------------|---------------|---|--------------------------------------|----------------|
| 45 284 | 412N3134-1 | . . | BRACKET | 006100 504903 953999 | 1 |
| 285 | 412N3136-1033 | . BEAM | ASSY-OUTBD | 006100 504903 953999 | 1 |
| 290 | 412N3136-1181 | . BEAM | ASSY-INBD | 006100 504903 953999 | 1 |
| - 295 | 412N3103-1073SP | OUTLET | ASSY-SIDEWALL AC FOR NHA SEE: 21-23-02-44 | 108120 504903 950951 953999 | RF |
| 300 | 412N3104-2SP | . CAP | ASSY-END | 108120 504903 950951 953999 | 1 |
| 305 | BACB30VF3K3 | . BOLT- | OPTIONAL PART: BACS12ER3K9 | 108120 504903 950951 953999 | 4 |
| 310 | BACS12ER3K9 | . SCREW- | OPTIONAL PART: BACB30VF3K3 | 108120 504903 950951 953999 | 4 |
| 315 | BACS12GU08K7 | . SCREW- | OPTIONAL PART: NAS1801-08-7 | 108120 504903 950951 953999 | 2 |
| 315 | NAS1801-08-7 | . SCREW- | OPTIONAL PART: BACS12GU08K7 | 108120 504903 950951 953999 | 2 |
| 320 | BACS12GU08K6 | . SCREW- | OPTIONAL PART: NAS1801-08-6 | 108120 504903 950951 953999 | 4 |
| 320 | NAS1801-08-6 | . SCREW- | OPTIONAL PART: BACS12GU08K6 | 108120 504903 950951 953999 | 4 |
| 325 | BACS12ER08K7 | . SCREW- | OPTIONAL PART: NAS514P832-7 | 108120 504903 950951 953999 | 2 |
| 325 | NAS514P832-7 | . SCREW- | OPTIONAL PART: BACS12ER08K7 | 108120 504903 950951 953999 | 2 |

MISSING ITEM NUMBERS NOT APPLICABLE

- ITEM NOT ILLUSTRATED

BRI

21-23-02-45

21-23-02
FIG. 45
PAGE 5
JAN 20/09



757

PARTS CATALOG (MAINTENANCE)

| FIG ITEM | PART NUMBER | 1 2 3 4 5 6 7 | NOMENCLATURE | EFFECT FROM TO | UNITS PER ASSY |
|----------|---------------|---------------|---------------------------------|--------------------------------------|----------------|
| 45 | | | | | |
| 330 | BACS12ER08K8 | .SCREW- | OPTIONAL PART: NAS514P832-8 | 108120 504903 950951 953999 | 2 |
| 330 | NAS514P832-8 | .SCREW- | OPTIONAL PART: BACS12ER08K8 | 108120 504903 950951 953999 | 2 |
| 335 | BACS12GU08K5 | .SCREW- | OPTIONAL PART: NAS1801-08-5 | 108120 504903 950951 953999 | 4 |
| 335 | NAS1801-08-5 | .SCREW- | OPTIONAL PART: BACS12GU08K5 | 108120 504903 950951 953999 | 4 |
| 340 | BACS12FA3K8 | .SCREW- | OPTIONAL PART: 412N3103-1329 | 108120 504903 950951 953999 | 4 |
| 343 | BACB30LU2-2 | .BOLT | | 108120 504903 950951 953999 | 4 |
| 345 | AN960JD8L | .WASHER | | 108120 504903 950951 953999 | 4 |
| 347 | NAS1149D0816J | .WASHER | | 108120 504903 950951 953999 | 6 |
| 350 | BACW10DM5P | .WASHER | | 108120 504903 950951 953999 | 4 |
| 355 | 412N3103-1329 | .SUBKIT ASSY- | OPTIONAL PART: BACS12FA3K8 | 108120 504903 950951 953999 | 4 |
| 356 | BACB30NT3K2 | ..BOLT | | 108120 504903 950951 953999 | 1 |
| 357 | AN960JD10LL | ..WASHER- | | 108120 504903 950951 953999 | 1 |

MISSING ITEM NUMBERS NOT APPLICABLE

- ITEM NOT ILLUSTRATED

21-23-02-45

21-23-02
FIG. 45
PAGE 6
JAN 20/09

BRI

BOEING PROPRIETARY - Copyright © - Unpublished Work - See title page for details.



757

PARTS CATALOG (MAINTENANCE)

| FIG ITEM | PART NUMBER | 1 2 3 4 5 6 7 | NOMENCLATURE | EFFECT FROM TO | UNITS PER ASSY |
|----------|-----------------|---------------|----------------|--------------------------------------|----------------|
| 45 | | | | | |
| 360 | 412N3133-23 | . | SUPPORT ASSY | 108120 504903 950951 953999 | 2 |
| 361 | BACB30NM3K5 | .. | BOLT | 108120 504903 950951 953999 | 2 |
| 362 | AN960JD10LL | .. | WASHER | 108120 504903 950951 953999 | 2 |
| 363 | 412N2004-55 | .. | SPACER | 108120 504903 950951 953999 | 2 |
| 364 | 65C27021-459 | .. | BRACKET | 108120 504903 950951 953999 | 1 |
| 366 | 65C27021-463 | .. | FILLER ASSY | 108120 504903 950951 953999 | 2 |
| 367 | BACS13CJ3L080P | .. | INSERT | 108120 504903 950951 953999 | 4 |
| 368 | 412N3134-1 | .. | BRACKET | 108120 504903 950951 953999 | 1 |
| 369 | 412N3136-35SP | . | BEAM | 108120 504903 950951 953999 | 1 |
| 370 | 412N3137-1149SP | . | BEAM ASSY | 108120 504903 950951 953999 | 1 |
| 375 | 412N3101-24SP | . | COVER ASSY-GAP | 108120 504903 950951 953999 | 1 |
| 380 | 412N3101-35SP | . | COVER-GAP | 108120 504903 950951 953999 | 1 |

MISSING ITEM NUMBERS NOT APPLICABLE

- ITEM NOT ILLUSTRATED

21-23-02-45

21-23-02
FIG. 45
PAGE 7
JAN 20/09

BRI

BOEING PROPRIETARY - Copyright © - Unpublished Work - See title page for details.



757

PARTS CATALOG (MAINTENANCE)

| FIG ITEM | PART NUMBER | 1 2 3 4 5 6 7 | NOMENCLATURE | EFFECT FROM TO | UNITS PER ASSY |
|-----------|-----------------|---------------|--|--------------------------------------|----------------|
| 45 385 | 65C27020-612 | . | DOUBLER | 108120 504903 950951 953999 | 1 |
| 390 | 65C27021-481 | . | FILLER | 108120 504903 950951 953999 | 1 |
| 395 | 65C27021-482 | . | FITTING ASSY | 108120 504903 950951 953999 | 1 |
| 400 | 65C27021-277 | . | DOUBLER | 108120 504903 950951 953999 | 1 |
| 405 | 65C27021-177 | . | DOUBLER | 108120 504903 950951 953999 | 2 |
| - 410 | 412N3103-1189SP | | OUTLET ASSY-SIDEWALL AC FOR NHA SEE: 21-23-02-44 | 006100 | RF |
| 415 | 412N3104-2SP | . | CAP ASSY-END | 006100 | 1 |
| 420 | BACS12ER3K9 | . | SCREW- OPTIONAL PART: BACB30VF3K3 BACB30VF3K4 | 006100 | 6 |
| 420 | BACB30VF3K3 | . | BOLT- OPTIONAL PART: BACS12ER3K9 BACB30VF3K4 | 006100 | 6 |
| 420 | BACB30VF3K4 | . | BOLT- OPTIONAL PART: BACS12ER3K9 BACB30VF3K3 | 006100 | 6 |
| 425 | BACS12ER08K7 | . | SCREW- OPTIONAL PART: NAS514P832-7 | 006100 | 2 |
| 425 | NAS514P832-7 | . | SCREW- OPTIONAL PART: BACS12ER08K7 | 006100 | 2 |
| 430 | BACS12GU08K6 | . | SCREW- OPTIONAL PART: NAS1801-08-6 | 006100 | 6 |
| 430 | NAS1801-08-6 | . | SCREW- OPTIONAL PART: BACS12GU08K6 | 006100 | 6 |

MISSING ITEM NUMBERS NOT APPLICABLE

- ITEM NOT ILLUSTRATED

21-23-02-45

21-23-02
FIG. 45
PAGE 8
JAN 20/09

BRI



757

PARTS CATALOG (MAINTENANCE)

| FIG ITEM | PART NUMBER | 1 2 3 4 5 6 7 | NOMENCLATURE | EFFECT FROM TO | UNITS PER ASSY |
|----------|-----------------|----------------------|---------------------------------|----------------|----------------|
| 45 | | | | | |
| 435 | BACS12GU08K5 | .SCREW- | OPTIONAL PART: NAS1801-08-5 | 006100 | 4 |
| 435 | NAS1801-08-5 | .SCREW- | OPTIONAL PART: BACS12GU08K5 | 006100 | 4 |
| 440 | BACS12ER08K8 | .SCREW- | OPTIONAL PART: NAS514P832-8 | 006100 | 2 |
| 440 | NAS514P832-8 | .SCREW- | OPTIONAL PART: BACS12ER08K8 | 006100 | 2 |
| 445 | BACS12GU08K7 | .SCREW- | OPTIONAL PART: NAS1801-08-7 | 006100 | 2 |
| 445 | NAS1801-08-7 | .SCREW- | OPTIONAL PART: BACS12GU08K7 | 006100 | 2 |
| 450 | BACS12FA3K8 | .SCREW- | OPTIONAL PART: 412N3103-1330 | 006100 | 6 |
| 460 | BACB30LU2-2 | .BOLT | | 006100 | 4 |
| 465 | BACW10DM5P | .WASHER | | 006100 | 4 |
| 470 | NAS1149DN816J | .WASHER | | 006100 | 12 |
| 480 | 412N3103-1330 | .SUBKIT ASSY- | OPTIONAL PART: BACS12FA3K8 | 006100 | 6 |
| 481 | BACB30NT3K2 | ..BOLT | | 006100 | 1 |
| 482 | NAS11449D0316J | ..WASHER | | 006100 | 1 |
| 485 | 412N3103-24SP | .COVER ASSY-GAP | | 006100 | 1 |
| 490 | 412N3101-35SP | .COVER-GAP | | 006100 | 1 |
| 491 | 412N3133-23 | .SUPPORT ASSY | | 006100 | 3 |
| 492 | BACB30NM3K5 | ..BOLT | | 006100 | 2 |
| 493 | AN960JD10LL | ..WASHER | | 006100 | 2 |
| 494 | 412N2004-55 | ..SPACER | | 006100 | 2 |
| 495 | 65C27021-459 | ..BRACKET | | 006100 | 1 |
| 496 | 65C27021-463 | ..FILLER ASSY | | 006100 | 2 |
| 497 | BACS13CJ3L080P | ..INSERT | | 006100 | 4 |
| 498 | 412N3134-1 | ..BRACKET | | 006100 | 1 |
| 505 | 412N3136-55SP | .BEAM | | 006100 | 1 |
| 510 | 412N3137-1393SP | .BEAM | | 006100 | 1 |
| 515 | 65C27020-612 | .DOUBLER | | 006100 | 1 |
| 520 | 65C27021-177 | .DOUBLER | | 006100 | 3 |
| 525 | 65C27021-277 | .DOUBLER | | 006100 | 1 |
| 530 | 65C27021-481 | .FILLER | | 006100 | 1 |
| 535 | 65C27021-482 | .FITTING ASSY-SPLICE | | 006100 | 1 |

MISSING ITEM NUMBERS NOT APPLICABLE

- ITEM NOT ILLUSTRATED

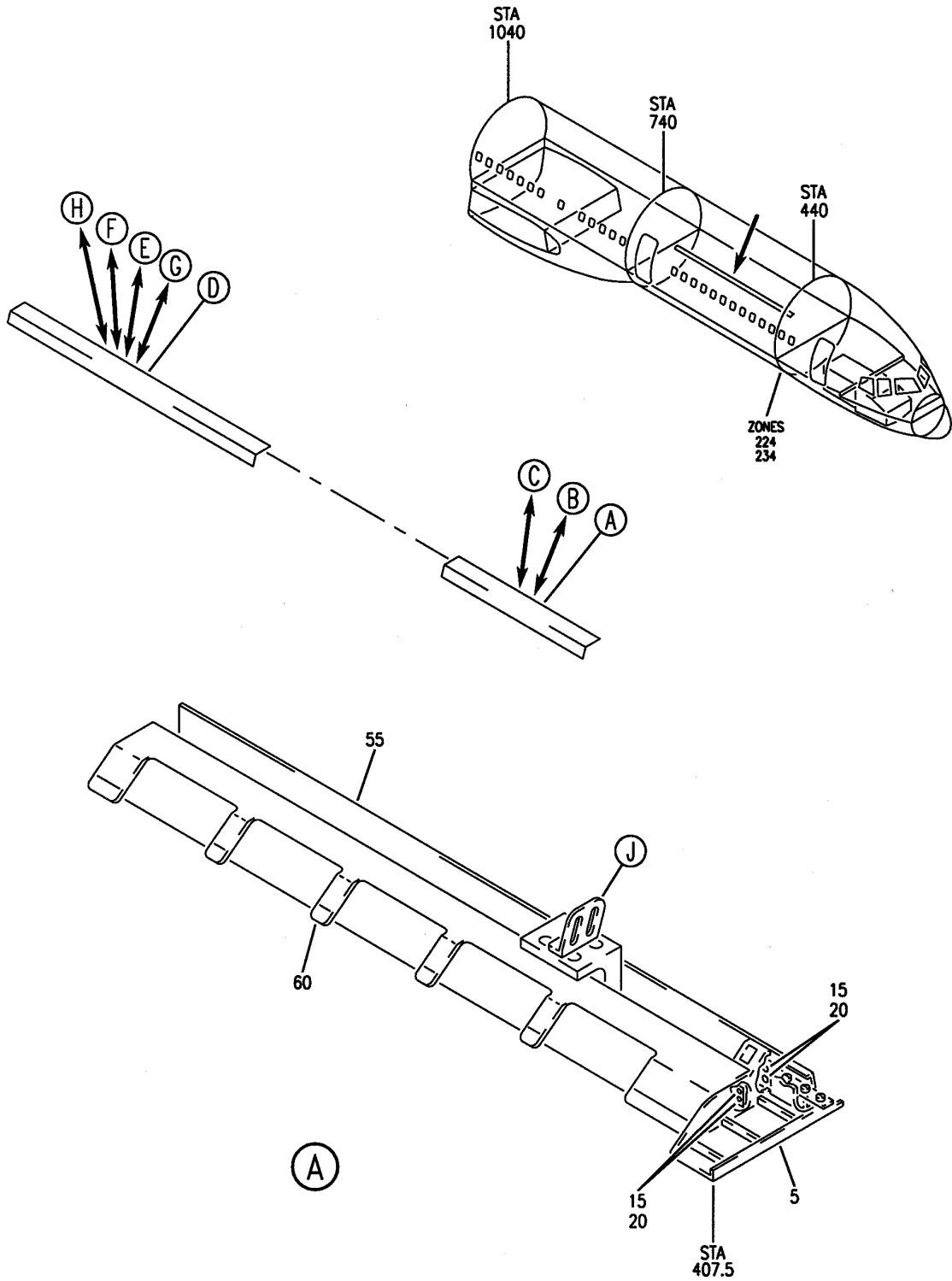
21-23-02-45

21-23-02
FIG. 45
PAGE 9
JAN 20/09

BRI

BOEING PROPRIETARY - Copyright © - Unpublished Work - See title page for details.

BOEING
757
PARTS CATALOG (MAINTENANCE)



Y 21230245B SHT 1 REV 217

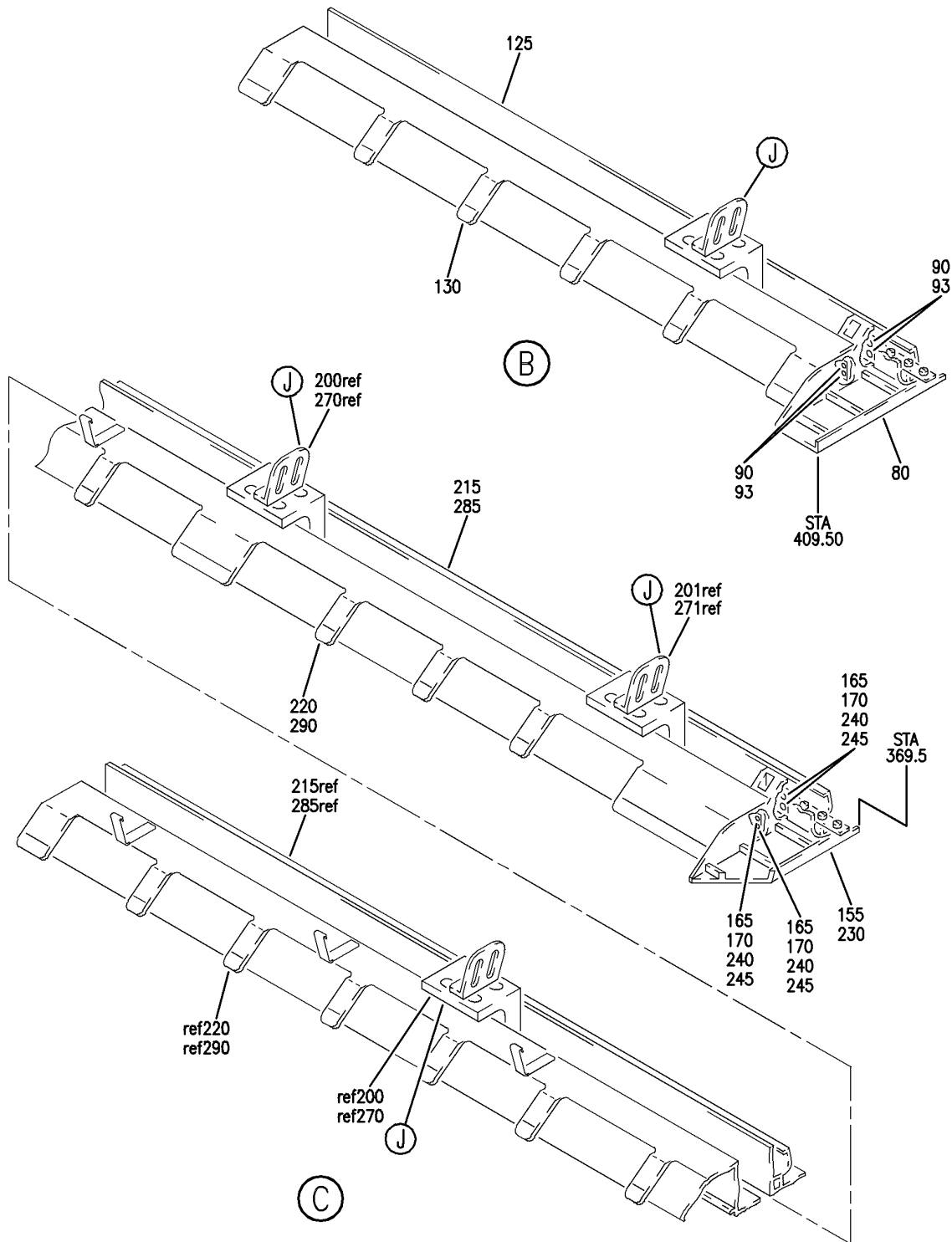
OUTLET ASSY-SIDEWALL AC RIGHT HAND
FIGURE 45B (SHEET 1)

21-23-02-45B

BRI
MAY 28/07

21-23-02-45B
PAGE 0

BOEING
757
PARTS CATALOG (MAINTENANCE)



Y 21230245B SHT 2 REV 229

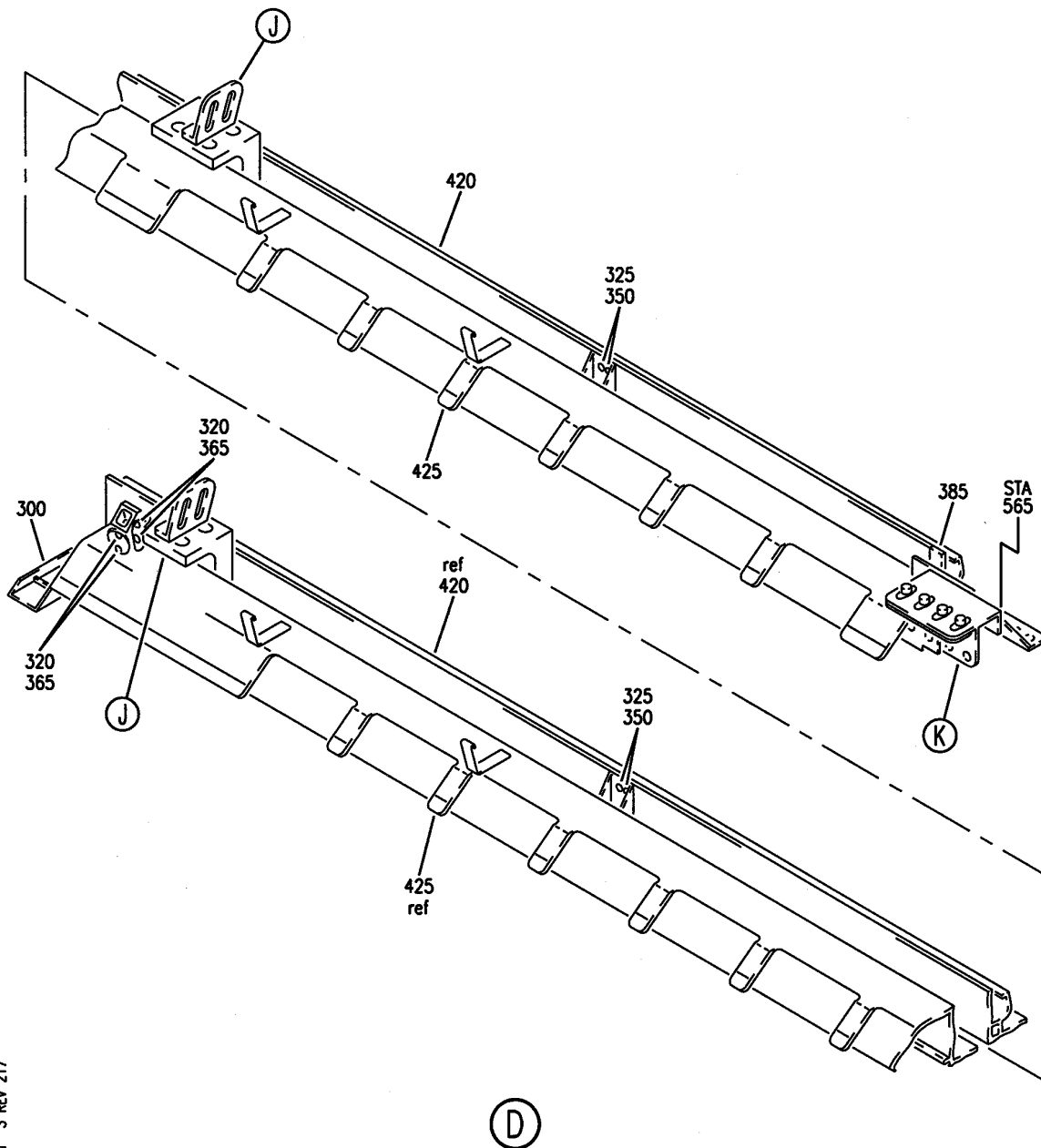
OUTLET ASSY-SIDEWALL AC RIGHT HAND
FIGURE 45B (SHEET 2)

21-23-02-45B

BRI
MAY 28/07

21-23-02-45B
PAGE 0A

BOEING
757
PARTS CATALOG (MAINTENANCE)



Y 21230245B SHT 3 REV 217

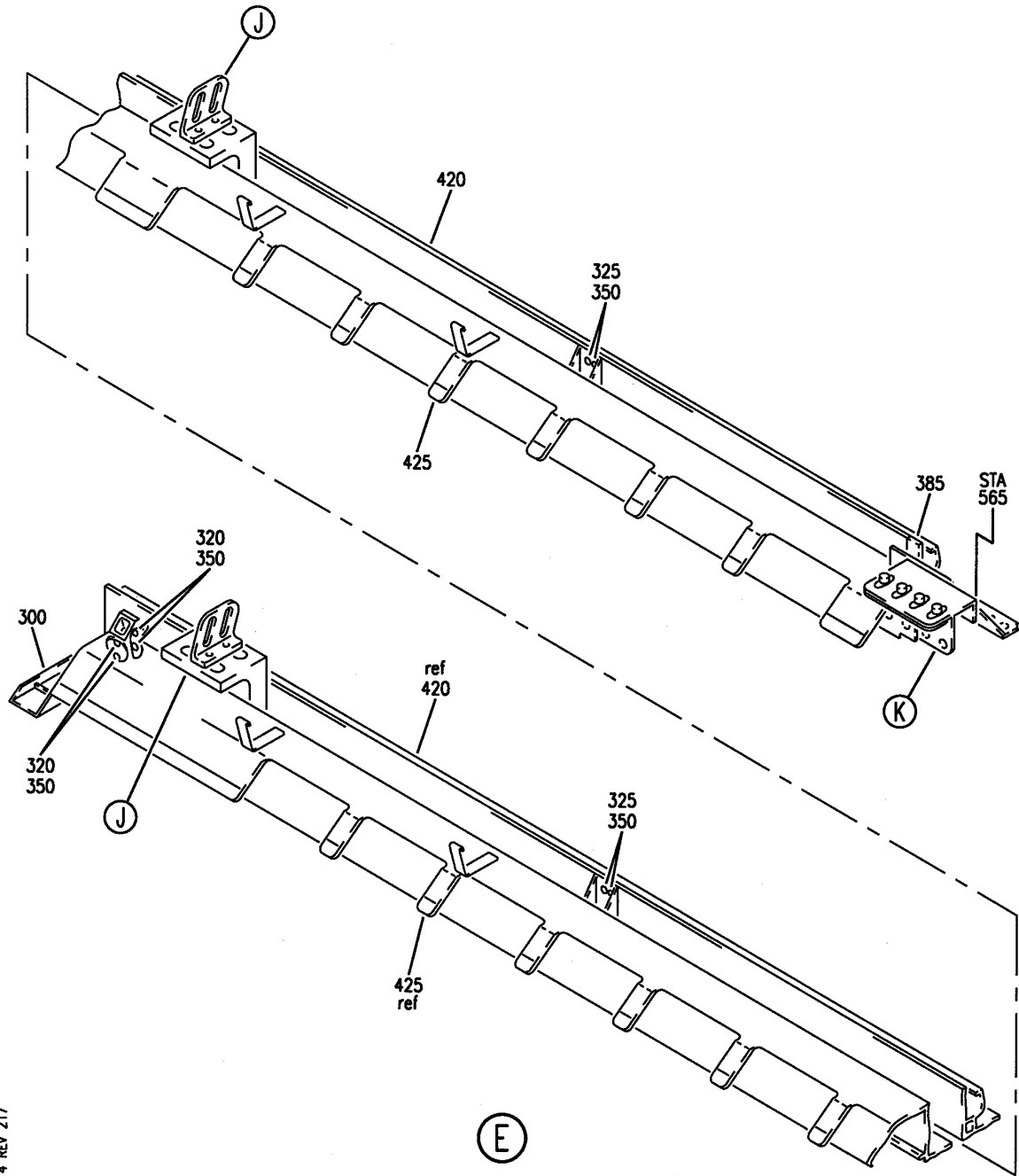
OUTLET ASSY-SIDEWALL AC RIGHT HAND
FIGURE 45B (SHEET 3)

21-23-02-45B

BRI
MAY 28/07

21-23-02-45B
PAGE 0B

BOEING
757
PARTS CATALOG (MAINTENANCE)



Y 21230245B SH1 4 REV 217

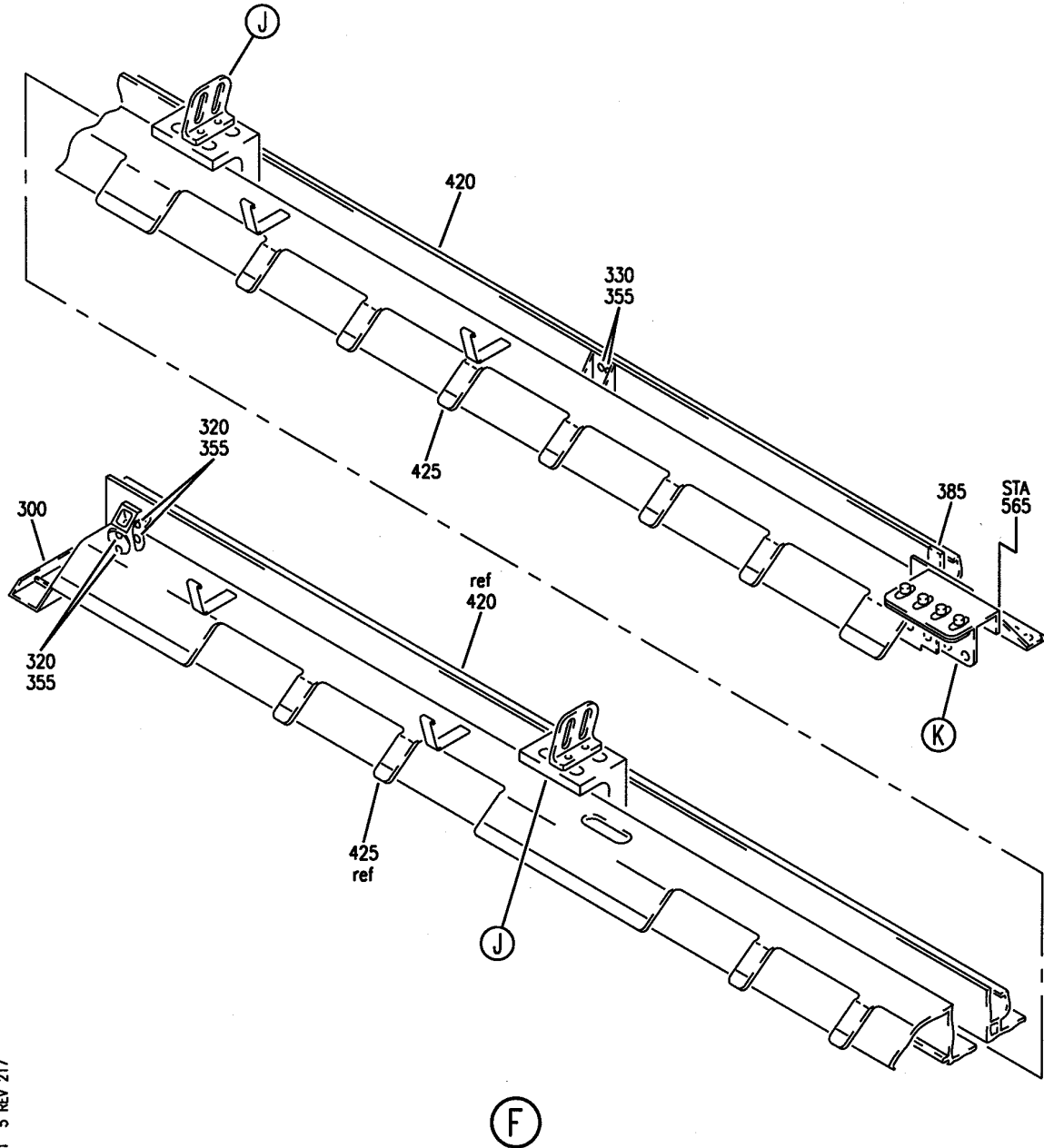
OUTLET ASSY-SIDEWALL AC RIGHT HAND
FIGURE 45B (SHEET 4)

21-23-02-45B

BRI
MAY 28/07

21-23-02-45B
PAGE 0C

BOEING
757
PARTS CATALOG (MAINTENANCE)



Y 21230245B SHT 5 REV 217

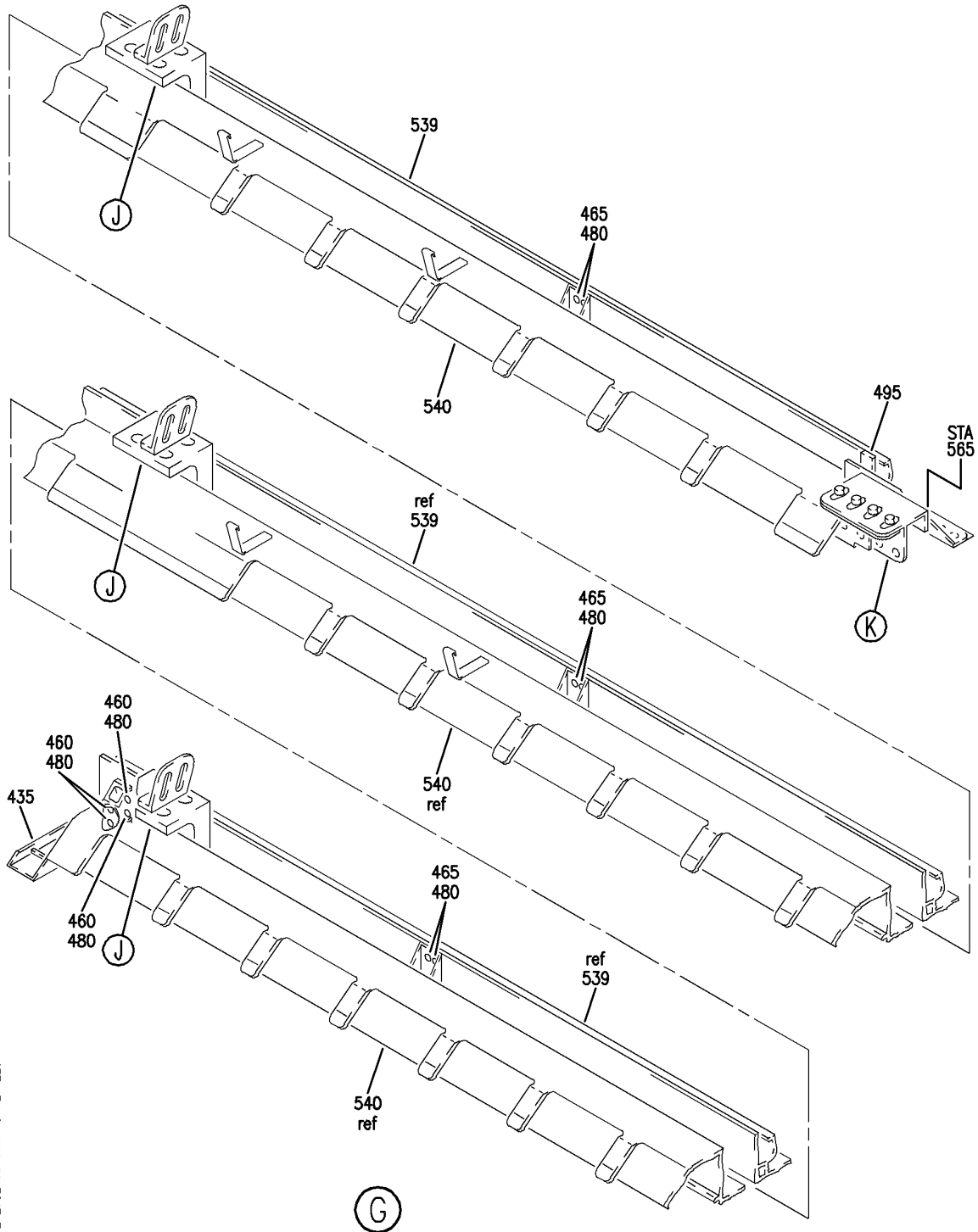
OUTLET ASSY-SIDEWALL AC RIGHT HAND
FIGURE 45B (SHEET 5)

21-23-02-45B

BRI
MAY 28/07

21-23-02-45B
PAGE 0D

BOEING
757
PARTS CATALOG (MAINTENANCE)



Y 21230245B SHT 6 REV 229

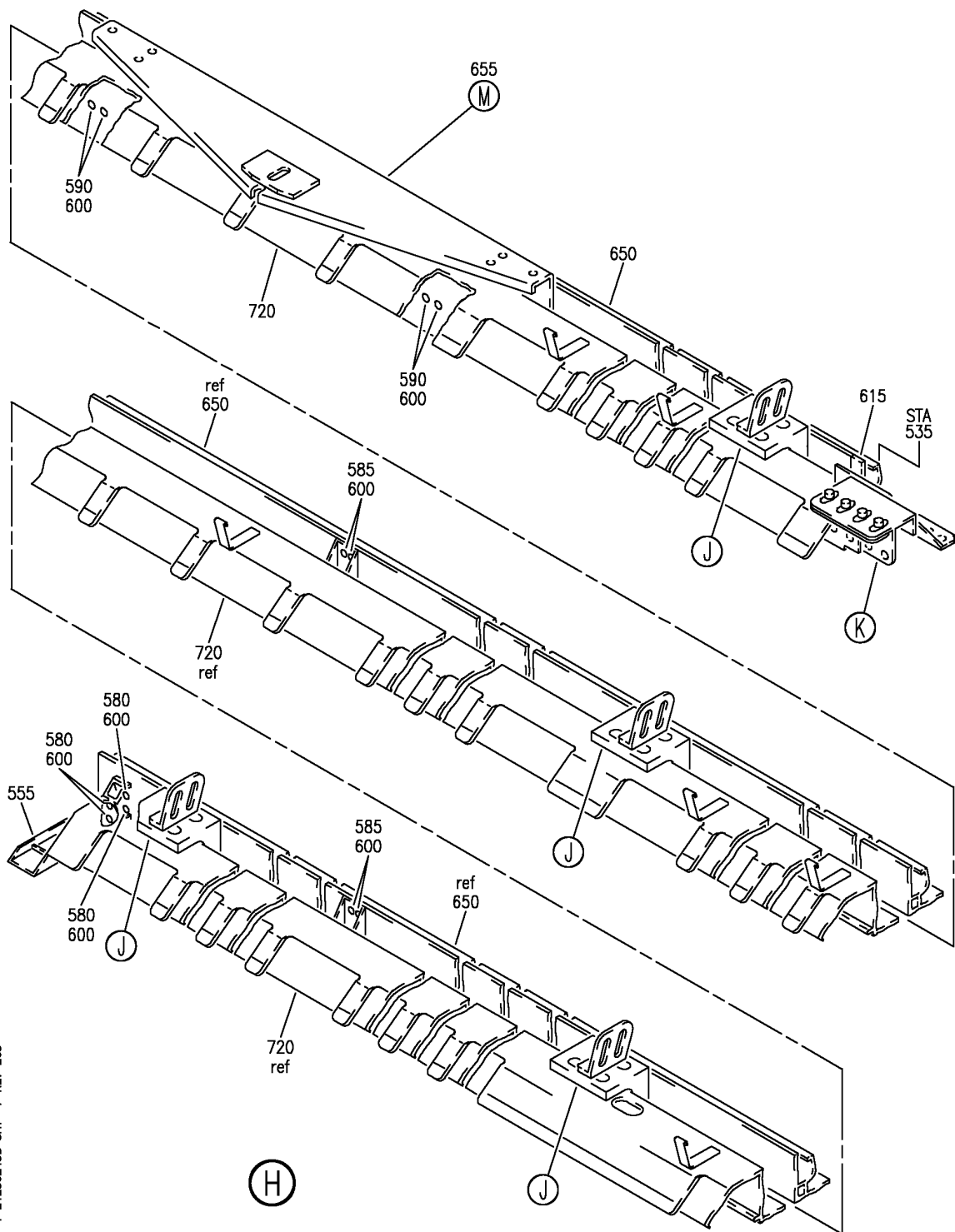
OUTLET ASSY-SIDEWALL AC RIGHT HAND
FIGURE 45B (SHEET 6)

21-23-02-45B

BRI
MAY 28/07

21-23-02-45B
PAGE 0E

BOEING
757
PARTS CATALOG (MAINTENANCE)



Y 21230245B SHT 7 REV 265

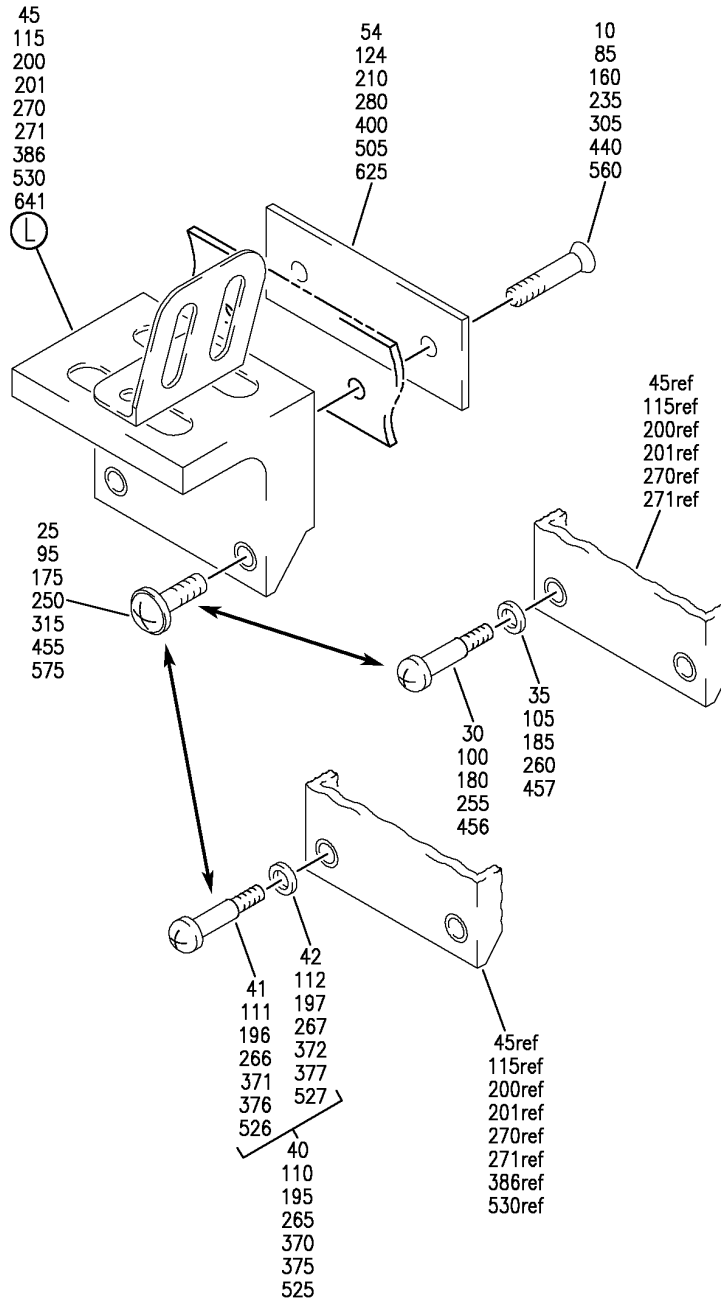
OUTLET ASSY-SIDEWALL AC RIGHT HAND
FIGURE 45B (SHEET 7)

21-23-02-45B

BRI
MAY 28/07

21-23-02-45B
PAGE OF

BOEING
757
PARTS CATALOG (MAINTENANCE)



(J)

Y 21230245B SHT 8 REV 249

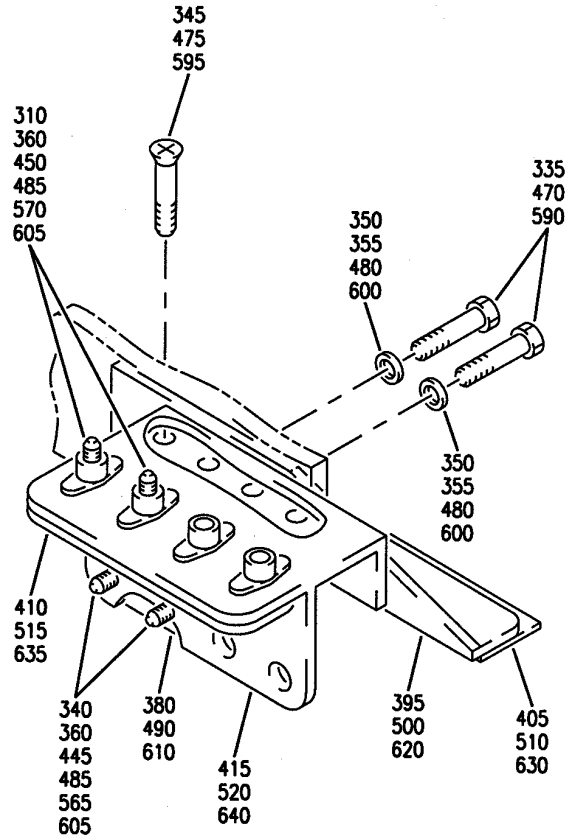
OUTLET ASSY-SIDEWALL AC RIGHT HAND
FIGURE 45B (SHEET 8)

21-23-02-45B

BRI
MAY 28/07

21-23-02-45B
PAGE 08

BOEING
757
PARTS CATALOG (MAINTENANCE)



(K)

Y 21230245B SH 9 REV 217

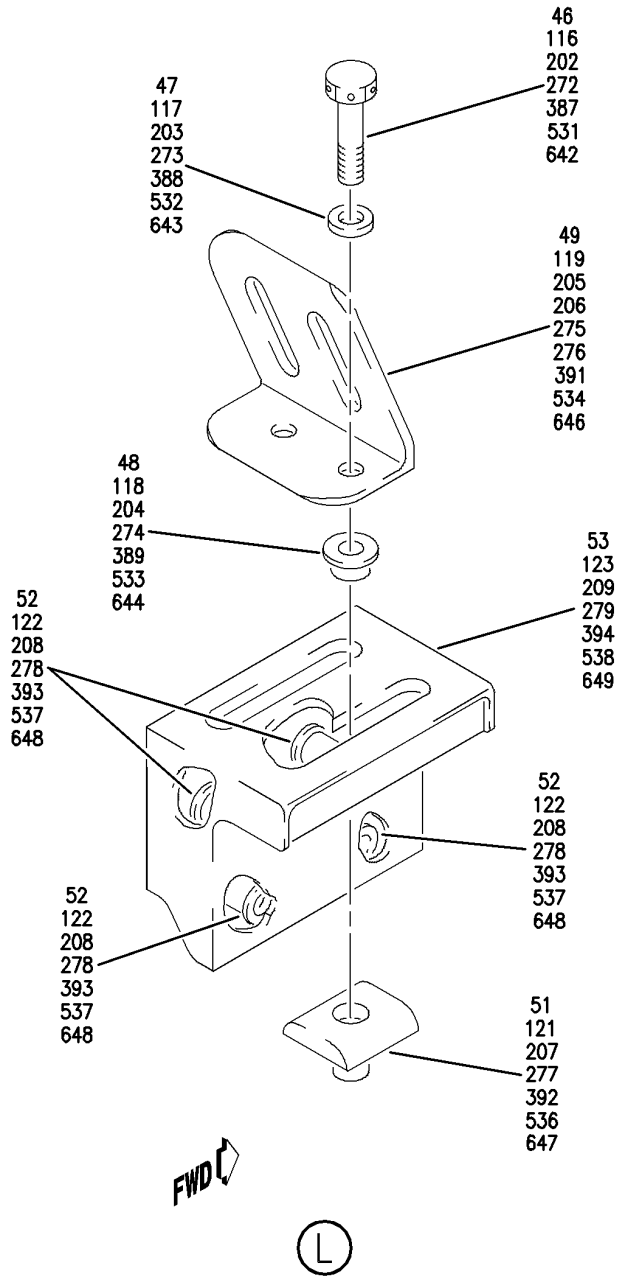
OUTLET ASSY-SIDEWALL AC RIGHT HAND
FIGURE 45B (SHEET 9)

21-23-02-45B

BRI
MAY 28/07

21-23-02-45B
PAGE 0H

BOEING
757
PARTS CATALOG (MAINTENANCE)



Y 21230245B SHT 10 REV 229

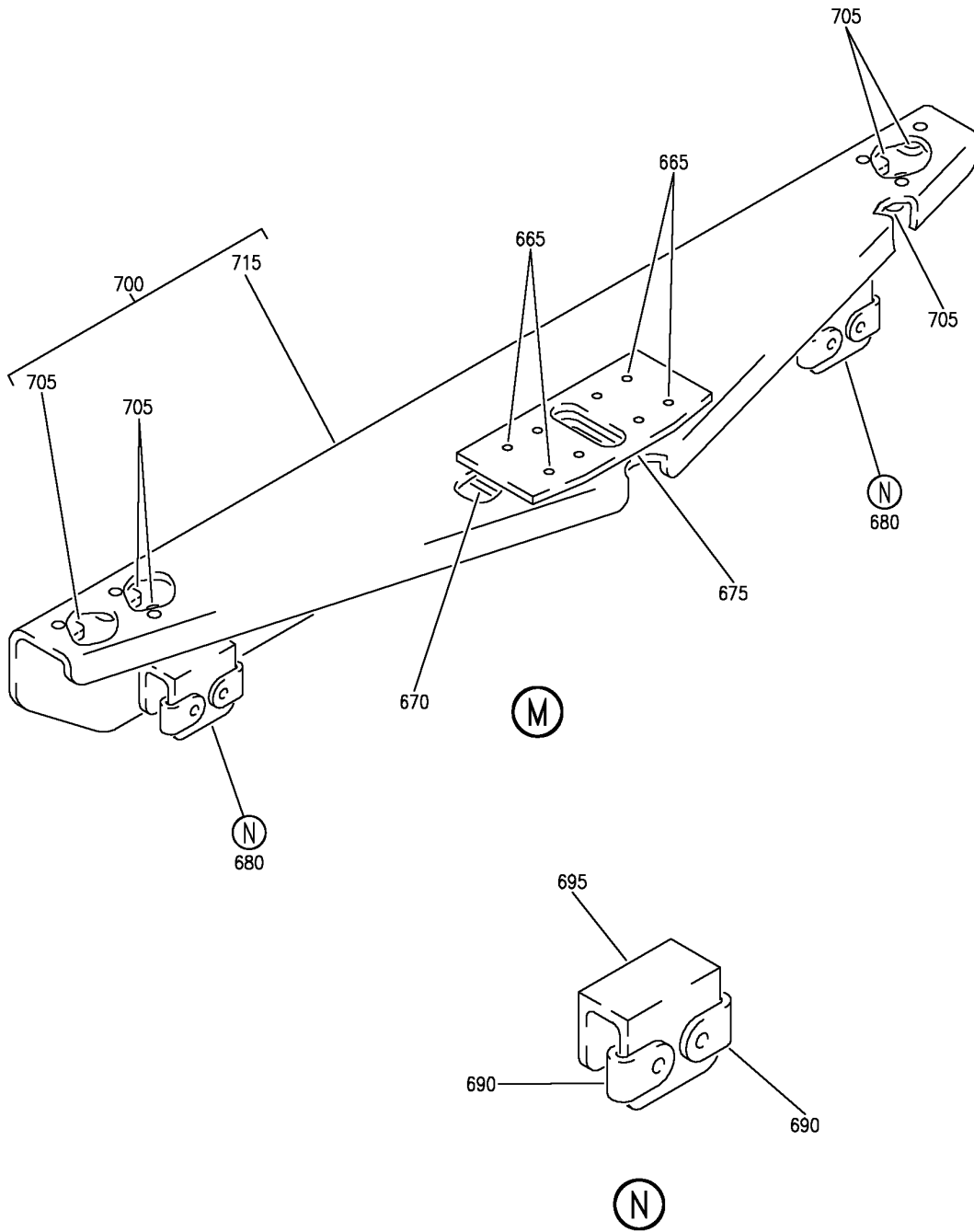
OUTLET ASSY-SIDEWALL AC RIGHT HAND
FIGURE 45B (SHEET 10)

21-23-02-45B

BRI
MAY 28/07

21-23-02-45B
PAGE 01

BOEING
757
PARTS CATALOG (MAINTENANCE)



Y 21230245B SHT 11 REV 265

OUTLET ASSY-SIDEWALL AC RIGHT HAND
FIGURE 45B (SHEET 11)

21-23-02-45B

BRI
MAY 28/07

21-23-02-45B
PAGE 0J



757

PARTS CATALOG (MAINTENANCE)

| FIG ITEM | PART NUMBER | 1 2 3 4 5 6 7 | NOMENCLATURE | EFFECT FROM TO | UNITS PER ASSY |
|----------|-----------------|---------------|--|--------------------------------------|----------------|
| 45B | | | OUTLET ASSY-SIDEWALL AC RIGHT HAND | 006102 108120 504903 950999 | |
| - 150 | 412N3103-1120SP | | OUTLET ASSY-SIDEWALL AC FOR NHA SEE: 21-23-02-44A | 952999 | RF |
| - 150 | 412N3103-1231SP | | OUTLET ASSY-SIDEWALL AC | 504903 | RF |
| 155 | 412N3104-19SP | | .CAP ASSY-END | 504903 953999 | 1 |
| 160 | BACS12ER3K9 | | .SCREW- OPTIONAL PART: BACB30VF3K3 | 504903 953999 | 6 |
| 160 | BACB30VF3K3 | | .BOLT- OPTIONAL PART: BACS12ER3K9 | 504903 953999 | 6 |
| 165 | BACS12GU08K5 | | .SCREW- OPTIONAL PART: NAS1801-08-5 | 504903 953999 | 4 |
| 165 | NAS1801-08-5 | | .SCREW- OPTIONAL PART: BACS12GU08K5 | 504903 953999 | 4 |
| 170 | NAS1149D0816J | | .WASHER | 504903 | 4 |
| 170 | AN960JD8L | | .WASHER | 952999 | 4 |
| 175 | BACS12FA3K8 | | .SCREW- OPTIONAL PART: 412N3103-1330 | 504903 | 6 |
| 175 | BACS12FA3K8 | | .SCREW- QUALIFIED OPTIONAL DATA: BACB30NT3K2 WITH AN960JD10LL OPTIONAL TO BACS12FA3K8 | 952999 | 6 |
| 180 | BACB30NT3K2 | | .BOLT- QUALIFIED OPTIONAL DATA: BACB30NT3K2 WITH AN960JD10LL OPTIONAL TO BACS12FA3K8 | 952999 | 6 |
| 185 | AN960JD10LL | | .WASHER- QUALIFIED OPTIONAL DATA: BACB30NT3K2 WITH AN960JD10LL OPTIONAL TO BACS12FA3K8 | 952999 | 6 |
| 195 | 412N3103-1330 | | .SUBKIT ASSY- OPTIONAL PART: BACS12FA3K8 | 504903 | 6 |
| 196 | BACB30NT3K2 | | ..BOLT | 504903 | 1 |
| 197 | NAS1149D0316J | | ..WASHER | 504903 | 1 |
| 200 | 412N3133-24 | | .SUPPORT ASSY | 504903 953999 | 2 |

MISSING ITEM NUMBERS NOT APPLICABLE

- ITEM NOT ILLUSTRATED

21-23-02-45B

21-23-02
FIG. 45B
PAGE 1
JAN 20/09

BRI



757

PARTS CATALOG (MAINTENANCE)

| FIG ITEM | PART NUMBER | 1 2 3 4 5 6 7 | NOMENCLATURE | EFFECT FROM TO | UNITS PER ASSY |
|----------|-----------------|---------------|---|------------------|----------------|
| 45B | | | | | |
| 201 | 412N3133-26 | . | SUPPORT ASSY | 504903 953999 | 1 |
| 202 | BACB30NM3K5 | .. | BOLT | 504903 953999 | 2 |
| 203 | AN960JD10LL | .. | WASHER | 504903 953999 | 2 |
| 204 | 412N2004-55 | .. | SPACER | 504903 953999 | 2 |
| 205 | 65C27021-460 | .. | BRACKET- USED ON: 412N3133-24 | 504903 953999 | 1 |
| 206 | 65C27021-462 | .. | BRACKET- USED ON: 412N3133-26 | 504903 953999 | 1 |
| 207 | 65C27021-463 | .. | FILLER ASSY | 504903 953999 | 2 |
| 208 | BACCS13CJ3L080P | .. | INSERT | 504903 953999 | 4 |
| 209 | 412N3134-1 | .. | BRACKET | 504903 953999 | 1 |
| 210 | 65C27021-177 | . | DOUBLER | 504903 953999 | 3 |
| 215 | 412N3136-250SP | . | BEAM | 952999 | 1 |
| 215 | 412N3136-1112SP | . | BEAM | 504903 | 1 |
| 220 | 412N3137-1237SP | . | BEAM ASSY | 952999 | 1 |
| 220 | 412N3137-1480SP | . | BEAM ASSY | 504903 | 1 |
| - 225 | 412N3103-1207SP | | OUTLET ASSY-SIDEWALL AC FOR NHA SEE: 21-23-02-44A | 504903 | RF |
| 230 | 412N3104-6SP | . | CAP ASSY-END | 504903 | 1 |
| 235 | BACCS12ER3K9 | . | SCREW- OPTIONAL PART: BACB30VF3K3 | 504903 | 6 |
| 235 | BACB30VF3K3 | . | BOLT- OPTIONAL PART: BACCS12ER3K9 | 504903 | 6 |
| 240 | BACCS12GU08K5 | . | SCREW- OPTIONAL PART: NAS1801-08-5 | 504903 | 4 |
| 240 | NAS1801-08-5 | . | SCREW- OPTIONAL PART: BACCS12GU08K5 | 504903 | 4 |
| 245 | NAS1149DN816J | . | WASHER | 504903 | 4 |
| 250 | BACCS12FA3K8 | . | SCREW- OPTIONAL PART: 412N3103-1330 | 504903 | 6 |
| 265 | 412N3103-1330 | . | SUBKIT ASSY- OPTIONAL PART: BACCS12FA3K8 | 504903 | 6 |

MISSING ITEM NUMBERS NOT APPLICABLE

- ITEM NOT ILLUSTRATED

21-23-02-45B

21-23-02
FIG. 45B
PAGE 2
JAN 20/09

BRI

 **BOEING**
757
PARTS CATALOG (MAINTENANCE)

| FIG ITEM | PART NUMBER | 1 2 3 4 5 6 7 | NOMENCLATURE | EFFECT FROM TO | UNITS PER ASSY |
|----------|-----------------|---------------|---|--|----------------|
| 45B | | | | | |
| 266 | BACB30NT3K2 | .. | BOLT | 504903 | 1 |
| 267 | NAS1149D0316J | .. | WASHER | 504903 | 1 |
| 270 | 412N3133-24 | . | SUPPORT ASSY | 504903 | 2 |
| 271 | 412N3133-26 | . | SUPPORT ASSY | 504903 | 1 |
| 272 | BACB30NM3K5 | .. | BOLT | 504903 | 2 |
| 273 | AN960JD10LL | .. | WASHER | 504903 | 2 |
| 274 | 412N2004-55 | .. | SPACER | 504903 | 2 |
| 275 | 65C27021-460 | .. | BRACKET- | 504903 | 1 |
| | | | USED ON: 412N3133-24 | | |
| 276 | 65C27021-462 | .. | BRACKET- | 504903 | 1 |
| | | | USED ON: 412N3133-26 | | |
| 277 | 65C27021-463 | .. | FILLER ASSY | 504903 | 2 |
| 278 | BACS13CJ3L080P | .. | INSERT | 504903 | 4 |
| 279 | 412N3134-1 | .. | BRACKET | 504903 | 1 |
| 280 | 65C27021-177 | . | DOUBLER | 504903 | 3 |
| 285 | 412N3136-1122SP | . | BEAM | 504903 | 1 |
| 290 | 412N3137-1471SP | . | BEAM ASSY | 504903 | 1 |
| - 295 | 412N3103-1288SP | | OUTLET ASSY-SIDEWALL AC FOR NHA SEE: 21-23-02-44A | 504903 | RF |
| 330 | BACS12GU08K6 | . | SCREW- | 504903 | 2 |
| | | | OPTIONAL PART: NAS1801-08-6 | | |
| 330 | NAS1801-08-6 | . | SCREW- | 504903 | 2 |
| | | | OPTIONAL PART: BACS12GU08K6 | | |
| 355 | NAS1149DN816J | . | WASHER | 504903 | 8 |
| 420 | 412N3136-1164SP | . | BEAM | 504903 | 1 |
| 425 | 412N3137-1586SP | . | BEAM ASSY | 504903 | 1 |
| - 430 | 412N3103-1190SP | | OUTLET ASSY-SIDEWALL AC FOR NHA SEE: 21-23-02-44A | 006102 108120 504903 950951 953999 | RF |
| 435 | 412N3104-1SP | . | CAP ASSY-END | 006102 108120 504903 950951 953999 | 1 |
| 440 | BACS12ER3K9 | . | SCREW- | 006102 108120 504903 950951 953999 | 6 |
| | | | OPTIONAL PART: BACB30VF3K3 BACB30VF3K4 | | |

MISSING ITEM NUMBERS NOT APPLICABLE

- ITEM NOT ILLUSTRATED

BRI

21-23-02-45B

BOEING PROPRIETARY - Copyright © - Unpublished Work - See title page for details.

21-23-02
FIG. 45B
PAGE 3
JAN 20/09



757

PARTS CATALOG (MAINTENANCE)

| FIG ITEM | PART NUMBER | 1 2 3 4 5 6 7 | NOMENCLATURE | EFFECT FROM TO | UNITS PER ASSY |
|------------|--------------|---------------|--|--|----------------|
| 45B 440 | BACB30VF3K3 | .BOLT- | OPTIONAL PART: BACS12ER3K9 BACB30VF3K4 | 006102 108120 504903 950951 953999 | 6 |
| 440 | BACB30VF3K4 | .BOLT- | OPTIONAL PART: BACS12ER3K9 BACB30VF3K3 | 006102 108120 504903 950951 953999 | 6 |
| 445 | BACS12ER08K7 | .SCREW- | OPTIONAL PART: NAS514P832-7 | 006102 108120 504903 950951 953999 | 2 |
| 445 | NAS514P832-7 | .SCREW- | OPTIONAL PART: BACS12ER08K7 | 006102 108120 504903 950951 953999 | 2 |
| 450 | BACS12ER08K8 | .SCREW- | OPTIONAL PART: NAS514P832-8 | 006102 108120 504903 950951 953999 | 2 |
| 450 | NAS514P832-8 | .SCREW- | OPTIONAL PART: BACS12ER08K8 | 006102 108120 504903 950951 953999 | 2 |
| 455 | BACS12FA3K8 | .SCREW- | OPTIONAL PART: 412N3103-1330 | 006102 108120 950951 953999 | 6 |
| 460 | BACS12GU08K5 | .SCREW- | OPTIONAL PART: NAS1801-08-5 | 006102 108120 504903 950951 953999 | 4 |
| 460 | NAS1801-08-5 | .SCREW- | OPTIONAL PART: BACS12GU08K5 | 006102 108120 504903 950951 953999 | 4 |
| 465 | BACS12GU08K6 | .SCREW- | OPTIONAL PART: NAS1801-08-6 | 006102 108120 504903 950951 953999 | 6 |

MISSING ITEM NUMBERS NOT APPLICABLE

- ITEM NOT ILLUSTRATED

21-23-02-45B

21-23-02
FIG. 45B
PAGE 4
JAN 20/09

BRI



757

PARTS CATALOG (MAINTENANCE)

| FIG ITEM | PART NUMBER | 1 2 3 4 5 6 7 | NOMENCLATURE | EFFECT FROM TO | UNITS PER ASSY |
|------------|---------------|---------------|--|--|----------------|
| 45B 465 | NAS1801-08-6 | . | SCREW- OPTIONAL PART: BACS12GU08K6 | 006102 108120 504903 950951 953999 | 6 |
| 470 | BACS12GU08K7 | . | SCREW- OPTIONAL PART: NAS1801-08-7 | 006102 108120 504903 950951 953999 | 2 |
| 470 | NAS1801-08-7 | . | SCREW- OPTIONAL PART: BACS12GU08K7 | 006102 108120 504903 950951 953999 | 2 |
| 475 | BACB30LU2-2 | . | BOLT | 006102 108120 504903 950951 953999 | 4 |
| 480 | NAS1149DN816J | . | WASHER | 006102 108120 504903 950951 953999 | 12 |
| 485 | BACW10DM5P | . | WASHER | 006102 108120 504903 950951 953999 | 4 |
| 490 | 412N3101-25SP | . | COVER-GAP | 006102 108120 504903 950951 953999 | 1 |
| 495 | 412N3101-36SP | . | COVER-GAP | 006102 108120 504903 950951 953999 | 1 |
| 500 | 65C27020-612 | . | DOUBLER | 006102 108120 504903 950951 953999 | 1 |

MISSING ITEM NUMBERS NOT APPLICABLE

- ITEM NOT ILLUSTRATED

21-23-02-45B

21-23-02
FIG. 45B
PAGE 5
JAN 20/09

BRI

BOEING PROPRIETARY - Copyright © - Unpublished Work - See title page for details.

 **BOEING**
757
PARTS CATALOG (MAINTENANCE)

| FIG ITEM | PART NUMBER | 1 2 3 4 5 6 7 | NOMENCLATURE | EFFECT FROM TO | UNITS PER ASSY |
|------------|---------------|---------------|---|--|----------------|
| 45B 505 | 65C27021-177 | . | DOUBLER | 006102 108120 504903 950951 953999 | 3 |
| 510 | 65C27021-277 | . | DOUBLER | 006102 108120 504903 950951 953999 | 1 |
| 515 | 65C27021-481 | . | FILLER | 006102 108120 504903 950951 953999 | 1 |
| 520 | 65C27021-483 | . | FITTING ASSY-SPLICE | 006102 108120 504903 950951 953999 | 1 |
| 525 | 412N3103-1330 | . | SUBKIT ASSY- OPTIONAL PART: BACS12FA3K8 | 006102 108120 950951 953999 | 6 |
| 526 | BACB30NT3K2 | .. | BOLT | 006102 108120 950951 953999 | 1 |
| 527 | NAS1149D0316J | .. | WASHER | 006102 108120 950951 953999 | 1 |
| 530 | 412N3133-24 | . | SUPPORT ASSY | 006102 108120 504903 950951 953999 | 3 |
| 531 | BACB30NM3K5 | .. | BOLT | 006102 108120 504903 950951 953999 | 2 |
| 532 | AN960JD10LL | .. | WASHER | 006102 108120 504903 950951 953999 | 2 |

MISSING ITEM NUMBERS NOT APPLICABLE

— ITEM NOT ILLUSTRATED

BRI

21-23-02-45B

BOEING PROPRIETARY - Copyright © - Unpublished Work - See title page for details.

21-23-02
FIG. 45B
PAGE 6
JAN 20/09



757

PARTS CATALOG (MAINTENANCE)

| FIG ITEM | PART NUMBER | 1 2 3 4 5 6 7 | NOMENCLATURE | EFFECT FROM TO | UNITS PER ASSY |
|------------|-----------------|---------------|-------------------------------|--|----------------|
| 45B 533 | 412N2004-55 | . . | SPACER | 006102 108120 504903 950951 953999 | 2 |
| 534 | 65C27021-460 | . . | BRACKET | 006102 108120 504903 950951 953999 | 1 |
| 536 | 65C27021-463 | . . | FILLER ASSY | 006102 108120 504903 950951 953999 | 2 |
| 537 | BACS13CJ3L080P | . . | INSERT | 006102 108120 504903 950951 953999 | 4 |
| 538 | 412N3134-1 | . . | BRACKET | 006102 108120 504903 950951 953999 | 1 |
| 539 | 412N3136-56SP | . . | BEAM-INBD A/C EXTRUSION | 006102 108120 504903 950951 953999 | 1 |
| 540 | 412N3137-1394SP | . . | BEAM ASSY-OUTBD A/C EXTRUSION | 006102 108120 504903 950951 953999 | 1 |

MISSING ITEM NUMBERS NOT APPLICABLE

- ITEM NOT ILLUSTRATED

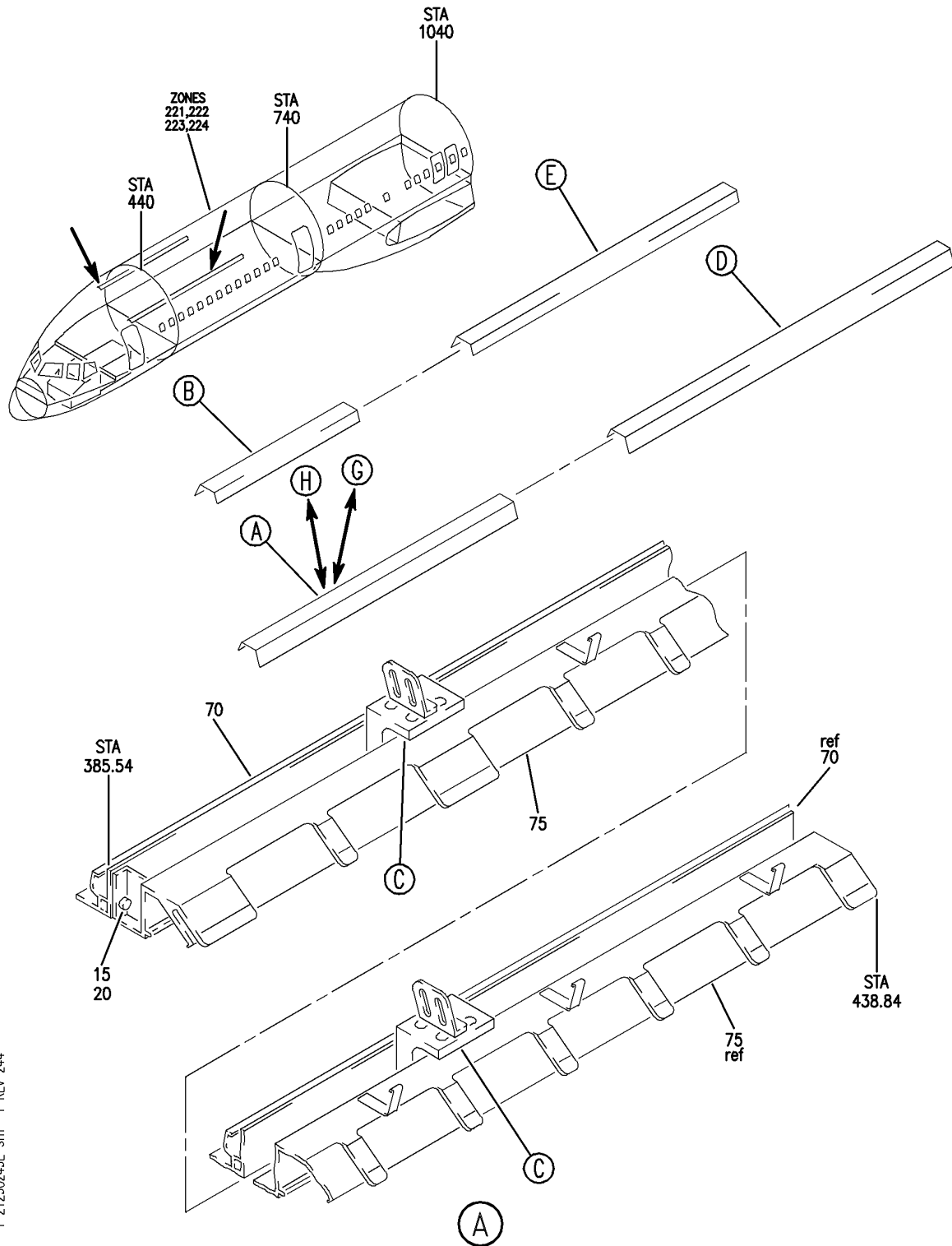
21-23-02-45B

21-23-02
FIG. 45B
PAGE 7
JAN 20/09

BRI

BOEING PROPRIETARY - Copyright © - Unpublished Work - See title page for details.

BOEING
757
PARTS CATALOG (MAINTENANCE)



Y 21230245E SHT 1 REV 244

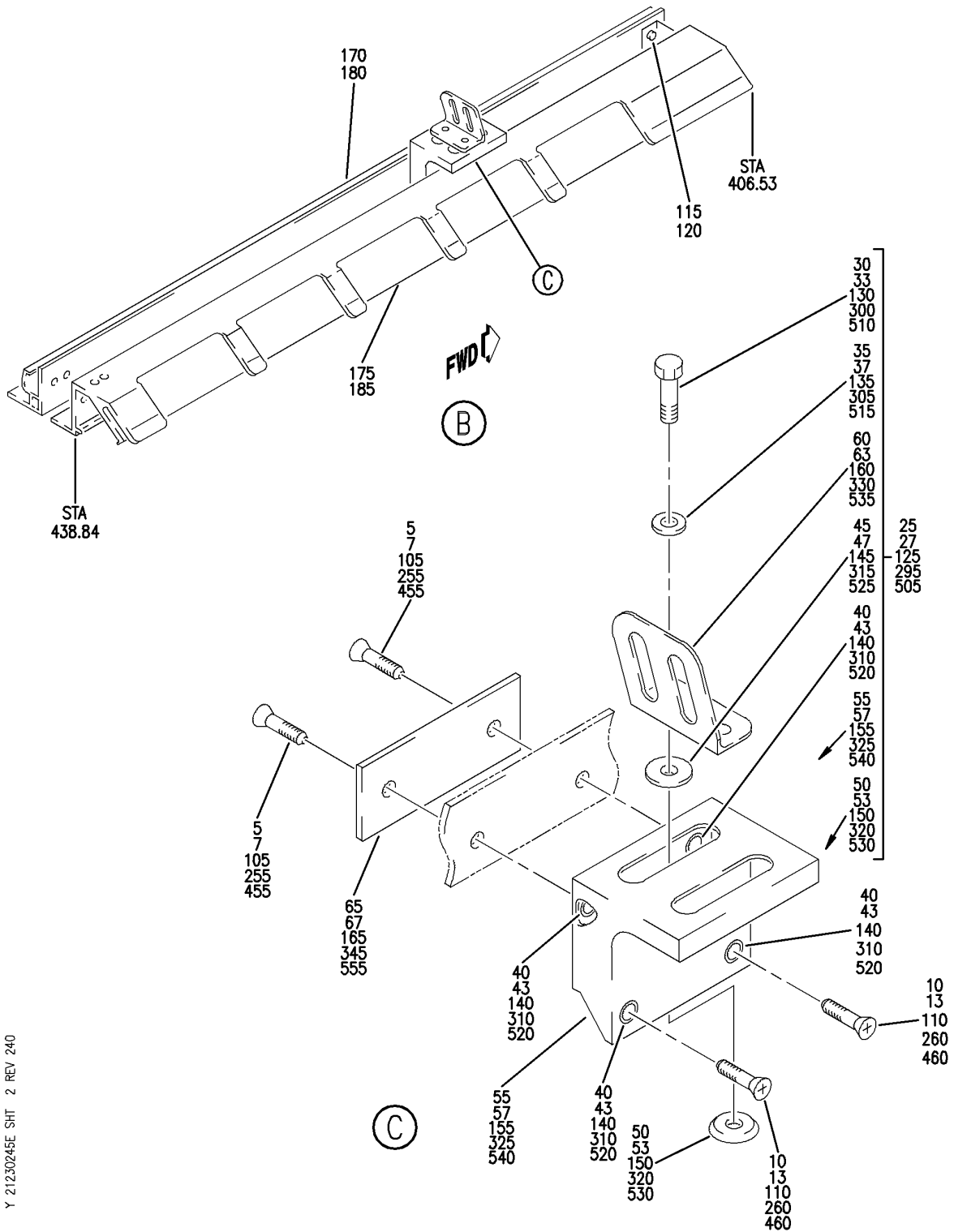
OUTLET ASSY-SIDEWALL AIR CONDITIONING
FIGURE 45E (SHEET 1)

21-23-02-45E

BRI
JAN 20/09

21-23-02-45E
PAGE 0

BOEING
757
PARTS CATALOG (MAINTENANCE)



Y 21230245E SHT 2 REV 240

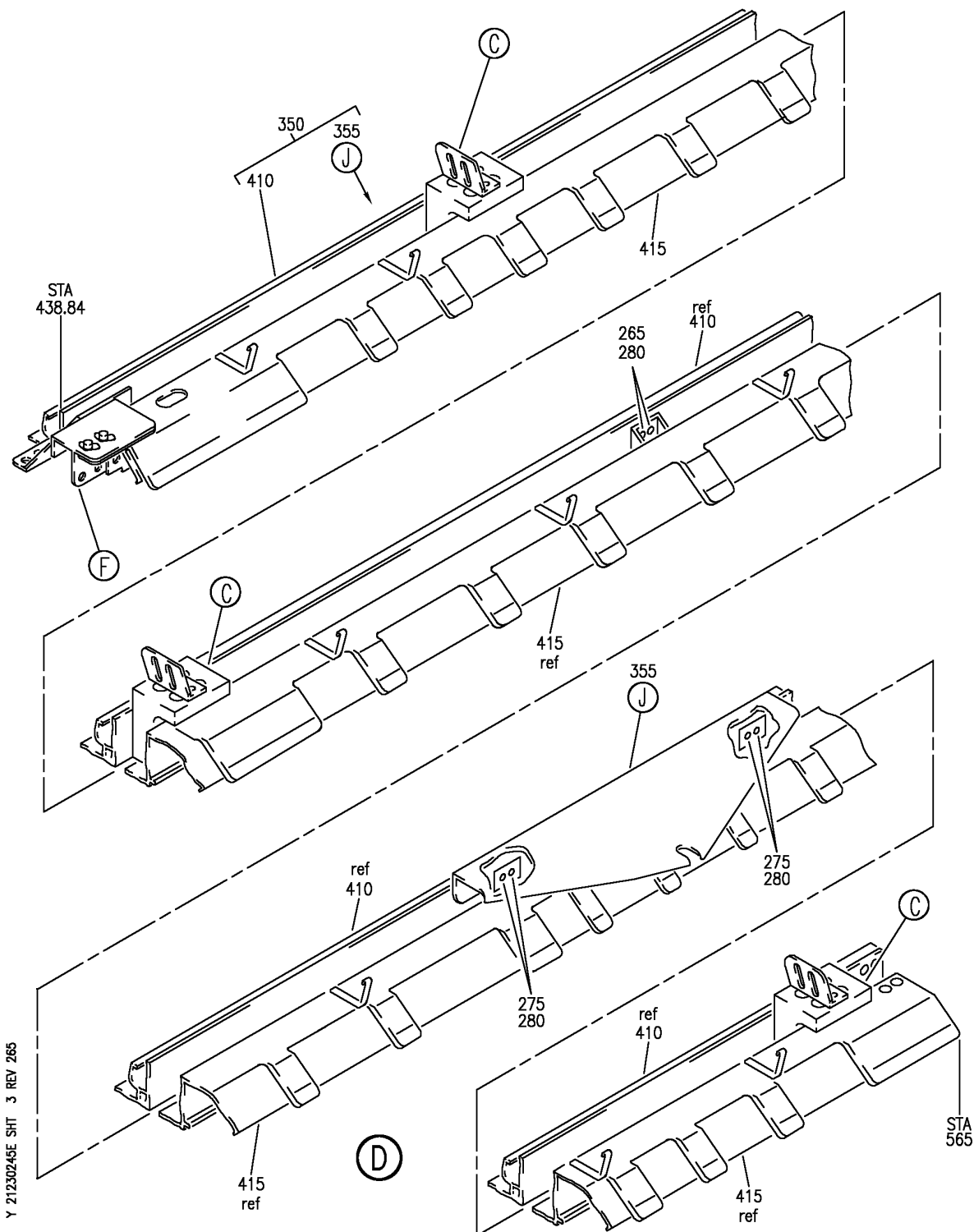
OUTLET ASSY-SIDEWALL AIR CONDITIONING
FIGURE 45E (SHEET 2)

21-23-02-45E

BRI
JAN 20/09

21-23-02-45E
PAGE 0A

BOEING
757
PARTS CATALOG (MAINTENANCE)



Y 21230245E SHT. 3 REV. 265

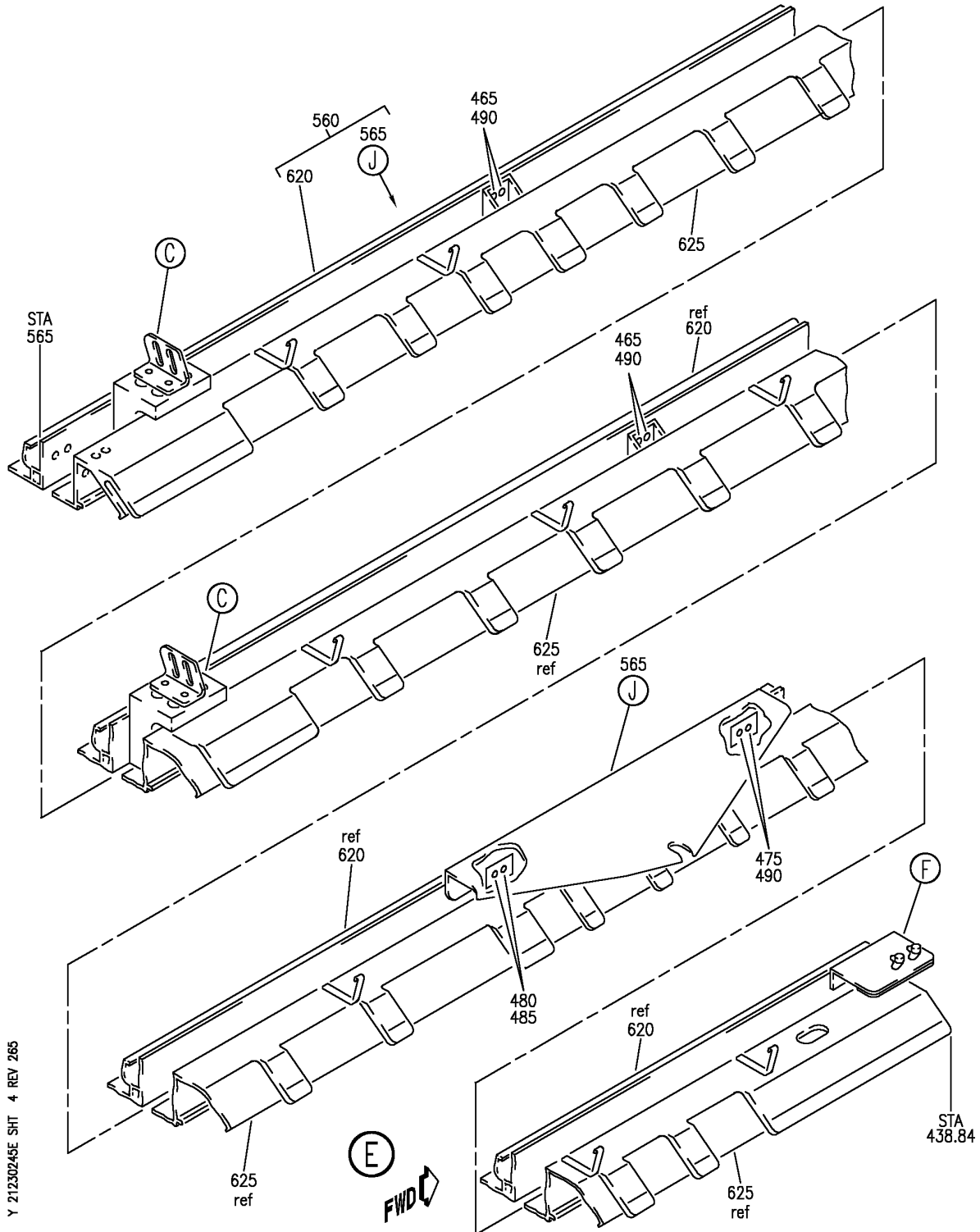
OUTLET ASSY-SIDEWALL AIR CONDITIONING
FIGURE 45E (SHEET 3)

21-23-02-45E

BRI
JAN 20/09

21-23-02-45E
PAGE 0B

BOEING
757
PARTS CATALOG (MAINTENANCE)



Y 21230245E SHT 4 REV 265

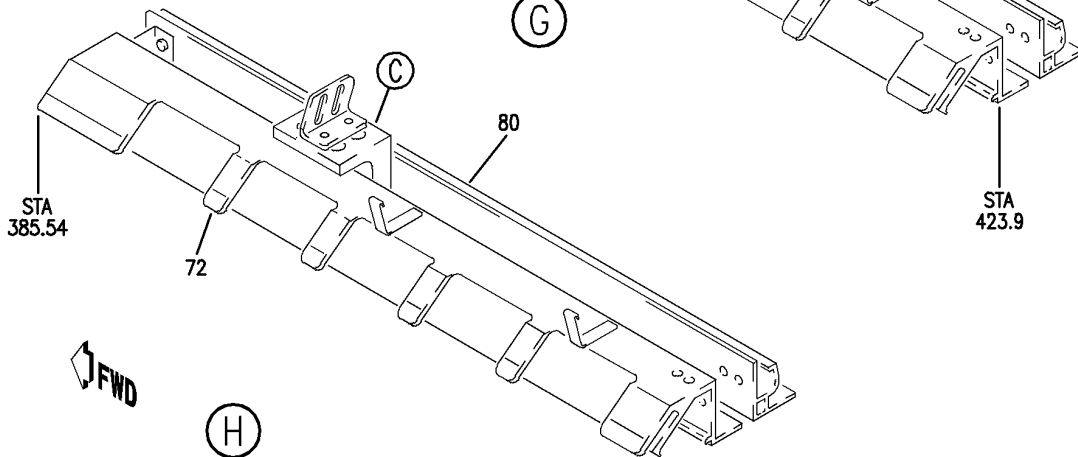
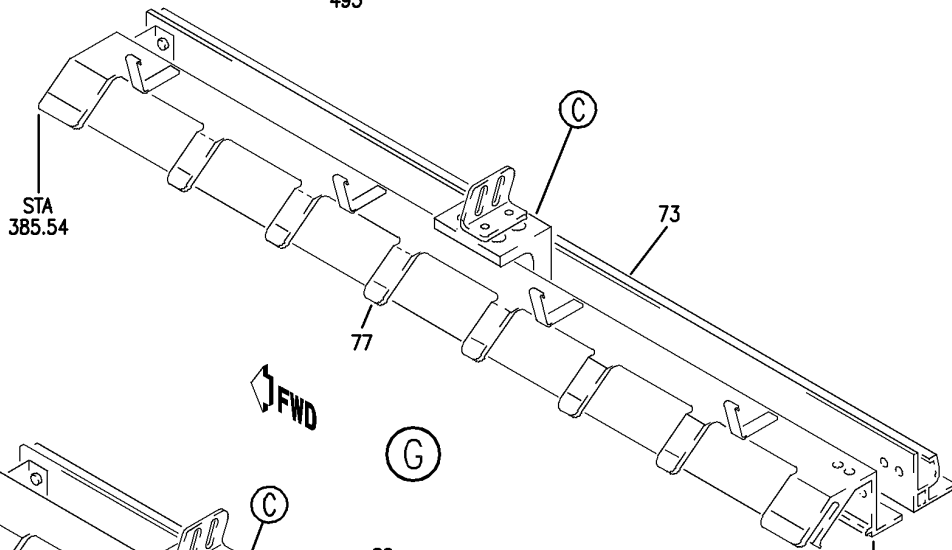
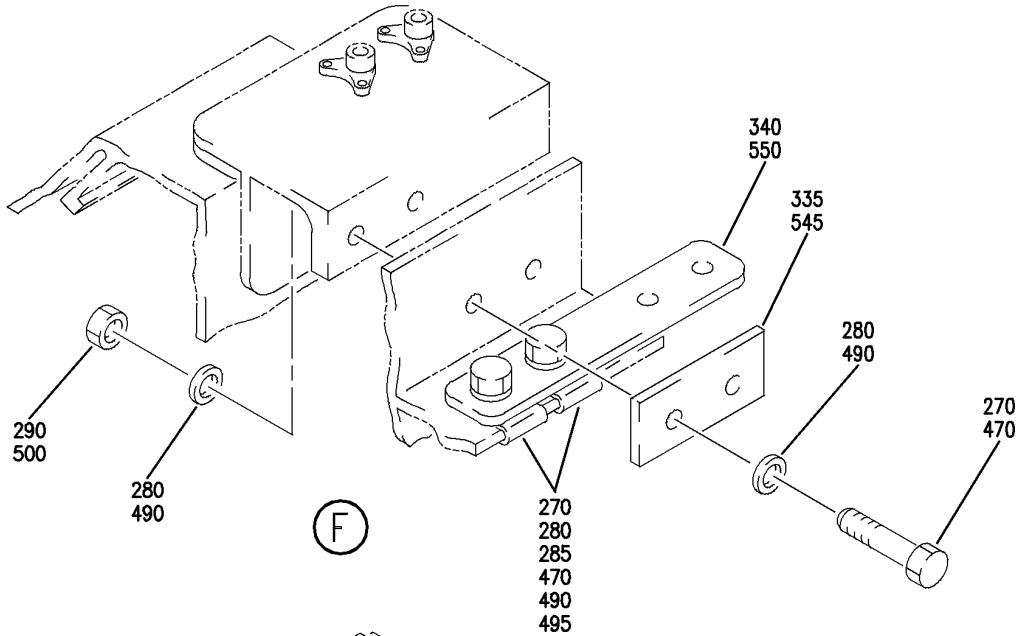
OUTLET ASSY-SIDEWALL AIR CONDITIONING
FIGURE 45E (SHEET 4)

21-23-02-45E

BRI
JAN 20/09

21-23-02-45E
PAGE 0C

BOEING
757
PARTS CATALOG (MAINTENANCE)



Y 21230245E SH1 5 REV 244

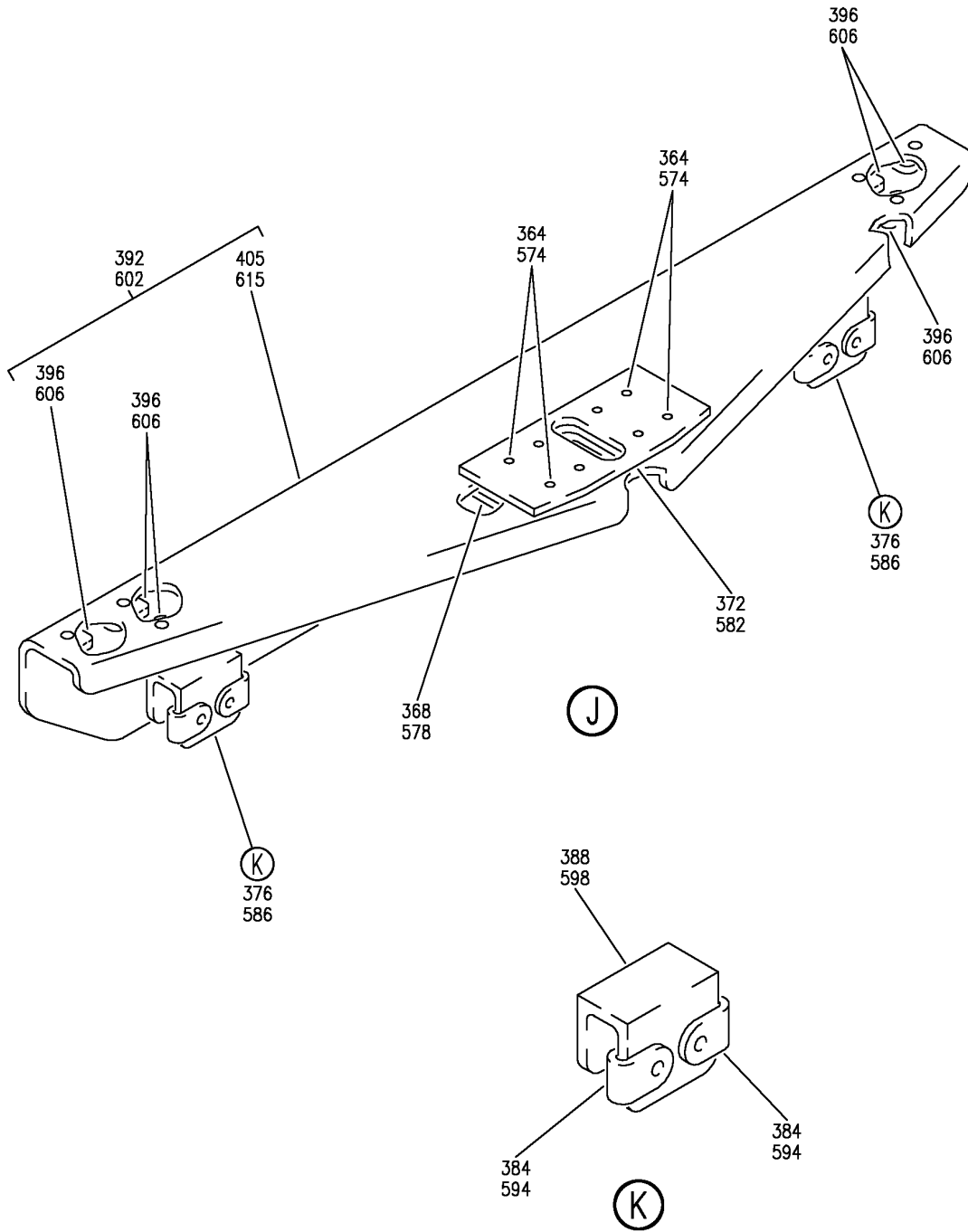
OUTLET ASSY-SIDEWALL AIR CONDITIONING
FIGURE 45E (SHEET 5)

21-23-02-45E

BRI
JAN 20/09

21-23-02-45E
PAGE 0D

BOEING
757
PARTS CATALOG (MAINTENANCE)



Y 21230245E SHT 6 REV 265

OUTLET ASSY-SIDEWALL AIR CONDITIONING
FIGURE 45E (SHEET 6)

21-23-02-45E

BRI
JAN 20/09

21-23-02-45E
PAGE 0E



757

PARTS CATALOG (MAINTENANCE)

| FIG ITEM | PART NUMBER | 1 2 3 4 5 6 7 | NOMENCLATURE | EFFECT FROM TO | UNITS PER ASSY |
|----------|----------------|---------------|---|----------------|----------------|
| 45E | | | OUTLET ASSY-SIDEWALL AIR CONDITIONING | 103106 | |
| - 250 | 412N3103-3003E | | OUTLET ASSY-SIDEWALL AIR CONDITIONING POSITION DATA: LH SIDE FOR NHA SEE: 21-23-02-43J | 103106 | RF |
| 255 | BACS12ER3K9 | .SCREW | | 103106 | 6 |
| 260 | BACS12FA3K8 | .SCREW | | 103106 | 6 |
| 265 | BACS12GU08K6 | .SCREW- | | 103106 | 2 |
| | | | OPTIONAL PART: NAS1801-08-6 | | |
| 265 | NAS1801-08-6 | .SCREW- | | 103106 | 2 |
| | | | OPTIONAL PART: BACS12GU08K6 | | |
| 270 | BACS12GU08K8 | .SCREW- | | 103106 | 4 |
| | | | OPTIONAL PART: NAS1801-08-8 | | |
| 270 | NAS1801-08-8 | .SCREW- | | 103106 | 4 |
| | | | OPTIONAL PART: BACS12GU08K8 | | |
| 275 | BACS12GU08K7 | .SCREW- | | 103106 | 4 |
| | | | OPTIONAL PART: NAS1801-08-7 | | |
| 275 | NAS1801-08-7 | .SCREW- | | 103106 | 4 |
| | | | OPTIONAL PART: BACS12GU08K7 | | |
| 280 | NAS1149DN816J | .WASHER | | 103106 | 14 |
| 285 | 130008 | .NUT | | 103106 | 2 |
| | | | SUPPLIER CODE: V60119 SPECIFICATION NUMBER: BACN10FX84 OPTIONAL PART: RM52LHA4972-6-8 V72962 SL211-08-1 V97393 A11330-6-82 V72962 A4972-6-82 V72962 | | |

MISSING ITEM NUMBERS NOT APPLICABLE

- ITEM NOT ILLUSTRATED

21-23-02-45E

21-23-02
FIG. 45E
PAGE 1
JAN 20/09

BRI



757

PARTS CATALOG (MAINTENANCE)

| FIG ITEM | PART NUMBER | 1 2 3 4 5 6 7 | NOMENCLATURE | EFFECT FROM TO | UNITS PER ASSY |
|------------|----------------|---------------|--|----------------|----------------|
| 45E 290 | PLH508CD | . | NUT SUPPLIER CODE: VF0224 SPECIFICATION NUMBER: BACN10YR08CD OPTIONAL PART: H52732-08CD V15653 | 103106 | 2 |
| 295 | 412N3133-23 | . | SUPPORT ASSY | 103106 | 3 |
| 300 | BACB30NM3K5 | .. | BOLT | 103106 | 2 |
| 305 | AN960JD10LL | .. | WASHER | 103106 | 2 |
| 310 | BACS13CJ3L080P | .. | INSERT | 103106 | 4 |
| 315 | 412N2004-55 | .. | SPACER | 103106 | 2 |
| 320 | 65C27021-463 | .. | FILLER ASSY | 103106 | 2 |
| 325 | 412N3134-1 | .. | BRACKET | 103106 | 1 |
| 330 | 65C27021-459 | .. | BRACKET | 103106 | 1 |
| 335 | 65C27021-191 | . | FILLER | 103106 | 1 |
| 340 | 65C27021-193 | . | DOUBLER | 103106 | 1 |
| 345 | 65C27021-177 | . | DOUBLER | 103106 | 3 |
| 350 | 412N3136-3003E | . | BEAM ASSY- | 103106 | 1 |
| 355 | 412N2021-64 | .. | SUPPORT ASSY-FXD ATTACHING PARTS | 103106 | 1 |
| - 360 | BACR15FT6D | .. | RIVET- SIZE DETERMINED ON INSTL. -----*----- | 103106 | 17 |
| 364 | BACR15BA6D | ... | RIVET- SIZE DETERMINED ON INSTL. | 103106 | 8 |
| 368 | 412N2003-217 | ... | DOUBLER | 103106 | 1 |
| 372 | 412N2003-196 | ... | DOUBLER | 103106 | 1 |
| 376 | 412N2004-132 | ... | BRACKET ASSY ATTACHING PARTS | 103106 | 2 |
| - 380 | NAS1399D5-3 | ... | RIVET -----*----- | 103106 | 4 |
| 384 | 130007 | | NUT SUPPLIER CODE: V60119 SPECIFICATION NUMBER: BACN10FX83 OPTIONAL PART: BRC500-8-08 V52828 SL213-08-1 V97393 A11330-8-82 V72962 A4972-8-82 V72962 A4972-8-82 V72962 | 103106 | 2 |

MISSING ITEM NUMBERS NOT APPLICABLE

- ITEM NOT ILLUSTRATED

21-23-02-45E

21-23-02
FIG. 45E
PAGE 2
JAN 20/09

BRI

BOEING PROPRIETARY - Copyright © - Unpublished Work - See title page for details.

BOEING
757
PARTS CATALOG (MAINTENANCE)

| FIG ITEM | PART NUMBER | 1 2 3 4 5 6 7 | NOMENCLATURE | EFFECT FROM TO | UNITS PER ASSY |
|----------|----------------|---------------|---|----------------|----------------|
| 45E | | | | | |
| 388 | 412N2004-133 | | BRACKET | 103106 | 1 |
| 392 | 412N2003-189 | ... | BRACKET ASSY | 103106 | 1 |
| 396 | MF53049-3 | | NUTPLATE | 103106 | 6 |
| | | | SUPPLIER CODE: V15653 | | |
| | | | SPECIFICATION NUMBER: BACN10JN3 | | |
| | | | OPTIONAL PART: BRFM20A3 | | |
| | | | V52828 | | |
| | | | MF1000-3BAC | | |
| | | | V15653 | | |
| | | | NS103218-02 | | |
| | | | V80539 | | |
| | | | RMF9201M3 | | |
| | | | V72962 | | |
| | | | VN252A02 | | |
| | | | V92215 | | |
| | | | T8124S3S | | |
| | | | V11815 | | |
| | | | ATTACHING PARTS | | |
| - 400 | BACR15BA3D | | RIVET- | 103106 | 12 |
| | | | SIZE DETERMINED ON INSTL. -----*----- | | |
| 405 | 412N2003-190 | | BRACKET | 103106 | 1 |
| 410 | 412N3136-3004E | .. | BEAM- | 103106 | 1 |
| 415 | 412N3137-3007E | . | BEAM ASSY- | 103106 | 1 |
| - 450 | 412N3103-3004E | | OUTLET ASSY-SIDEWALL AIR CONDITIONING POSITION DATA: RH SIDE FOR NHA SEE: 21-23-02-43J | 103106 | RF |
| 455 | BACS12ER3K9 | . | SCREW | 103106 | 4 |
| 460 | BACS12FA3K8 | . | SCREW | 103106 | 4 |
| 465 | BACS12GU08K6 | . | SCREW- | 103106 | 4 |
| | | | OPTIONAL PART: NAS1801-08-6 | | |
| 465 | NAS1801-08-6 | . | SCREW- | 103106 | 4 |
| | | | OPTIONAL PART: BACS12GU08K6 | | |
| 470 | BACS12GU08K8 | . | SCREW- | 103106 | 4 |
| | | | OPTIONAL PART: NAS1801-08-8 | | |
| 470 | NAS1801-08-8 | . | SCREW- | 103106 | 4 |
| | | | OPTIONAL PART: BACS12GU08K8 | | |

MISSING ITEM NUMBERS NOT APPLICABLE

- ITEM NOT ILLUSTRATED

BRI

21-23-02-45E

21-23-02
FIG. 45E
PAGE 3
JAN 20/09

BOEING PROPRIETARY - Copyright © - Unpublished Work - See title page for details.



757

PARTS CATALOG (MAINTENANCE)

| FIG ITEM | PART NUMBER | 1 2 3 4 5 6 7 | NOMENCLATURE | EFFECT FROM TO | UNITS PER ASSY |
|----------|----------------|-----------------------|--------------|----------------|----------------|
| 45E | | | | | |
| 475 | BACS12GU08K7 | .SCREW- | | 103106 | 2 |
| | | OPTIONAL PART: | | | |
| | | NAS1801-08-7 | | | |
| 475 | NAS1801-08-7 | .SCREW- | | 103106 | 2 |
| | | OPTIONAL PART: | | | |
| | | BACS12GU08K7 | | | |
| 480 | BACS12ER08K7 | .SCREW- | | 103106 | 2 |
| | | OPTIONAL PART: | | | |
| | | NAS514P832-7 | | | |
| 480 | NAS514P832-7 | .SCREW- | | 103106 | 2 |
| | | OPTIONAL PART: | | | |
| | | BACS12ER08K7 | | | |
| 485 | BACW10DM5P | .WASHER | | 103106 | 2 |
| 490 | NAS1149DN816J | .WASHER | | 103106 | 14 |
| 495 | 130008 | .NUT | | 103106 | 2 |
| | | SUPPLIER CODE: | | | |
| | | V60119 | | | |
| | | SPECIFICATION NUMBER: | | | |
| | | BACN10FX84 | | | |
| | | OPTIONAL PART: | | | |
| | | RM52LHA4972-6-8 | | | |
| | | V72962 | | | |
| | | SL211-08-1 | | | |
| | | V97393 | | | |
| | | A11330-6-82 | | | |
| | | V72962 | | | |
| | | A4972-6-82 | | | |
| | | V72962 | | | |
| 500 | PLH508CD | .NUT | | 103106 | 2 |
| | | SUPPLIER CODE: | | | |
| | | VF0224 | | | |
| | | SPECIFICATION NUMBER: | | | |
| | | BACN10YR08CD | | | |
| | | OPTIONAL PART: | | | |
| | | H52732-08CD | | | |
| | | V15653 | | | |
| 505 | 412N3133-24 | .SUPPORT ASSY | | 103106 | 2 |
| 510 | BACB30NM3K5 | ..BOLT | | 103106 | 2 |
| 515 | AN960JD10LL | ..WASHER | | 103106 | 2 |
| 520 | BACS13CJ3L080P | ..INSERT | | 103106 | 4 |
| 525 | 412N2004-55 | ..SPACER | | 103106 | 2 |
| 530 | 65C27021-463 | ..FILLER ASSY | | 103106 | 2 |
| 535 | 412N3134-1 | ..BRACKET | | 103106 | 1 |
| 540 | 65C27021-460 | ..BRACKET | | 103106 | 1 |
| 545 | 65C27021-191 | .FILLER | | 103106 | 1 |
| 550 | 65C27021-193 | .DOUBLER | | 103106 | 1 |
| 555 | 65C27021-177 | .DOUBLER | | 103106 | 2 |
| 560 | 412N3136-3005E | .BEAM ASSY- | | 103106 | 1 |
| 565 | 412N2021-64 | ..SUPPORT ASSY-FXD | | 103106 | 1 |

MISSING ITEM NUMBERS NOT APPLICABLE

- ITEM NOT ILLUSTRATED

21-23-02-45E

21-23-02
FIG. 45E
PAGE 4
JAN 20/09

BRI

BOEING PROPRIETARY - Copyright © - Unpublished Work - See title page for details.



757

PARTS CATALOG (MAINTENANCE)

| FIG ITEM | PART NUMBER | 1 2 3 4 5 6 7 | NOMENCLATURE | EFFECT FROM TO | UNITS PER ASSY |
|----------|--------------|---------------|---|----------------|----------------|
| 45E | | | ATTACHING PARTS | | |
| - 570 | BACR15FT6D | .. | RIVET- SIZE DETERMINED ON INSTL. -----*----- | 103106 | 17 |
| 574 | BACR15BA6D | ... | RIVET- SIZE DETERMINED ON INSTL. | 103106 | 8 |
| 578 | 412N2003-217 | ... | DOUBLER | 103106 | 1 |
| 582 | 412N2003-196 | ... | DOUBLER | 103106 | 1 |
| 586 | 412N2004-132 | ... | BRACKET ASSY | 103106 | 2 |
| - 590 | NAS1399D5-3 | ... | RIVET -----*----- | 103106 | 4 |
| 594 | 130007 | | NUT SUPPLIER CODE: V60119 SPECIFICATION NUMBER: BACN10FX83 OPTIONAL PART: BRC500-8-08 V52828 SL213-08-1 V97393 A11330-8-82 V72962 A4972-8-82 V72962 A4972-8-82 V72962 | 103106 | 2 |
| 598 | 412N2004-133 | | BRACKET | 103106 | 1 |
| 602 | 412N2003-189 | ... | BRACKET ASSY | 103106 | 1 |
| 606 | MF53049-3 | | NUTPLATE SUPPLIER CODE: V15653 SPECIFICATION NUMBER: BACN10JN3 OPTIONAL PART: BRFM20A3 V52828 MF1000-3BAC V15653 NS103218-02 V80539 RMF9201M3 V72962 VN252A02 V92215 T8124S3S V11815 | 103106 | 6 |

MISSING ITEM NUMBERS NOT APPLICABLE

- ITEM NOT ILLUSTRATED

21-23-02-45E

21-23-02
FIG. 45E
PAGE 5
JAN 20/09

BRI

BOEING PROPRIETARY - Copyright © - Unpublished Work - See title page for details.



757

PARTS CATALOG (MAINTENANCE)

| FIG ITEM | PART NUMBER | 1 2 3 4 5 6 7 | NOMENCLATURE | EFFECT FROM TO | UNITS PER ASSY |
|----------|----------------|---------------|--|----------------|----------------|
| 45E | | | ATTACHING PARTS | | |
| - 610 | BACR15BA3D | | RIVET- SIZE DETERMINED ON INSTL. -----*----- | 103106 | 12 |
| 615 | 412N2003-190 | | BRACKET | 103106 | 1 |
| 620 | 412N3136-3006E | .. | BEAM- | 103106 | 1 |
| 625 | 412N3137-3010E | . | BEAM ASSY- | 103106 | 1 |

MISSING ITEM NUMBERS NOT APPLICABLE

- ITEM NOT ILLUSTRATED

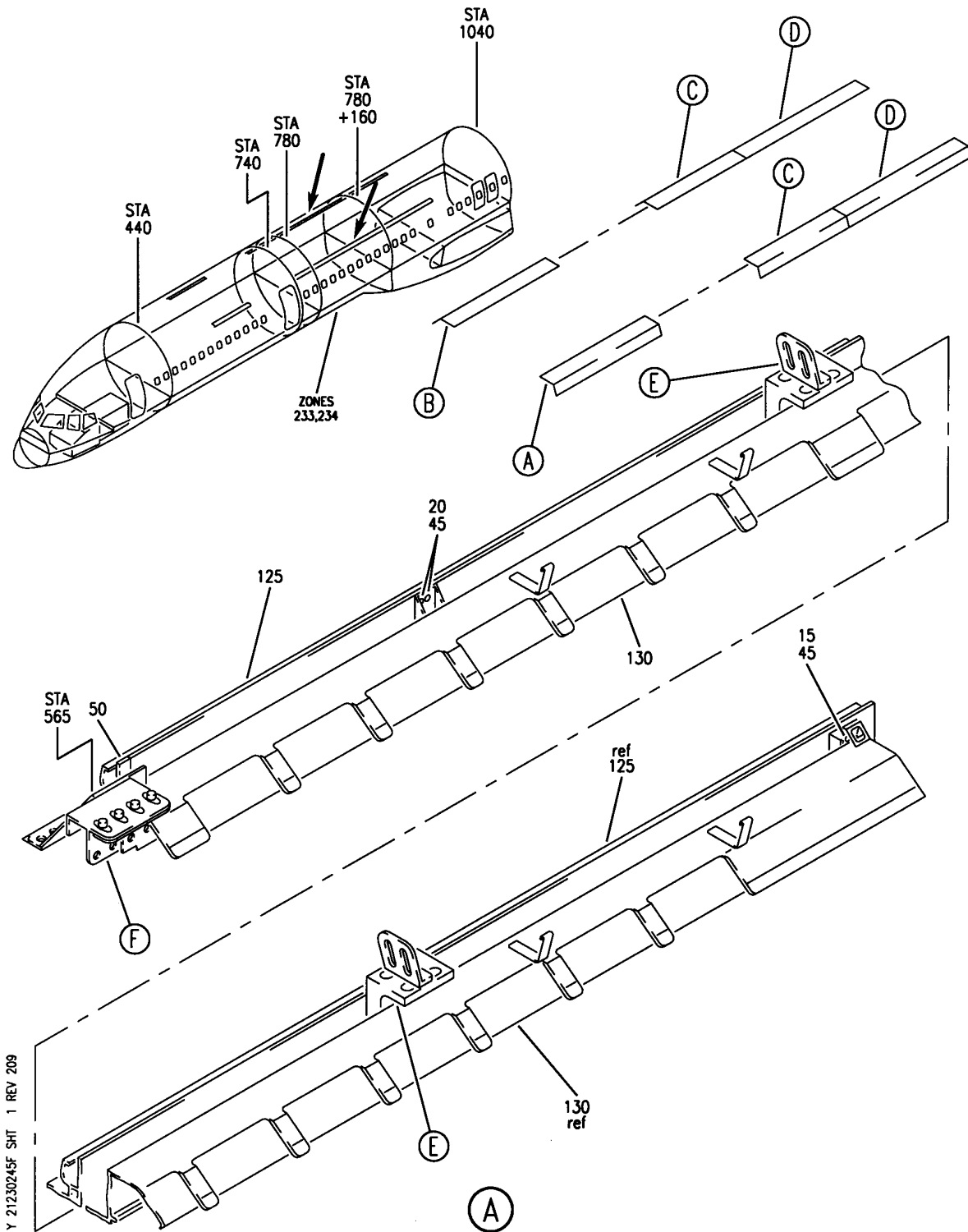
BRI

21-23-02-45E

BOEING PROPRIETARY - Copyright © - Unpublished Work - See title page for details.

21-23-02
FIG. 45E
PAGE 6
JAN 20/09

BOEING
757
PARTS CATALOG (MAINTENANCE)



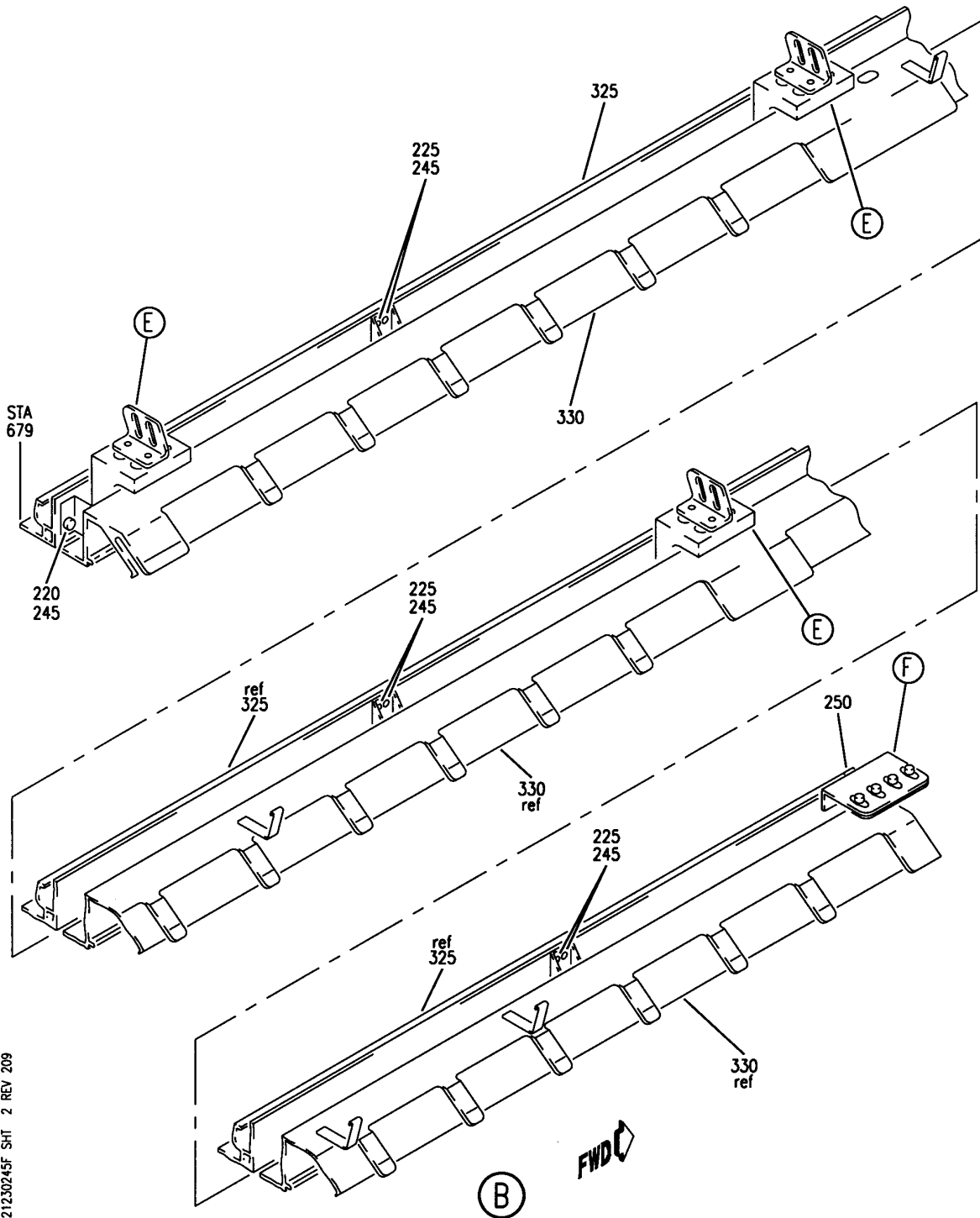
OUTLET ASSY-SIDEWALL AIR CONDITIONING
FIGURE 45F (SHEET 1)

21-23-02-45F

BRI
JAN 20/09

21-23-02-45F
PAGE 0

BOEING
757
PARTS CATALOG (MAINTENANCE)



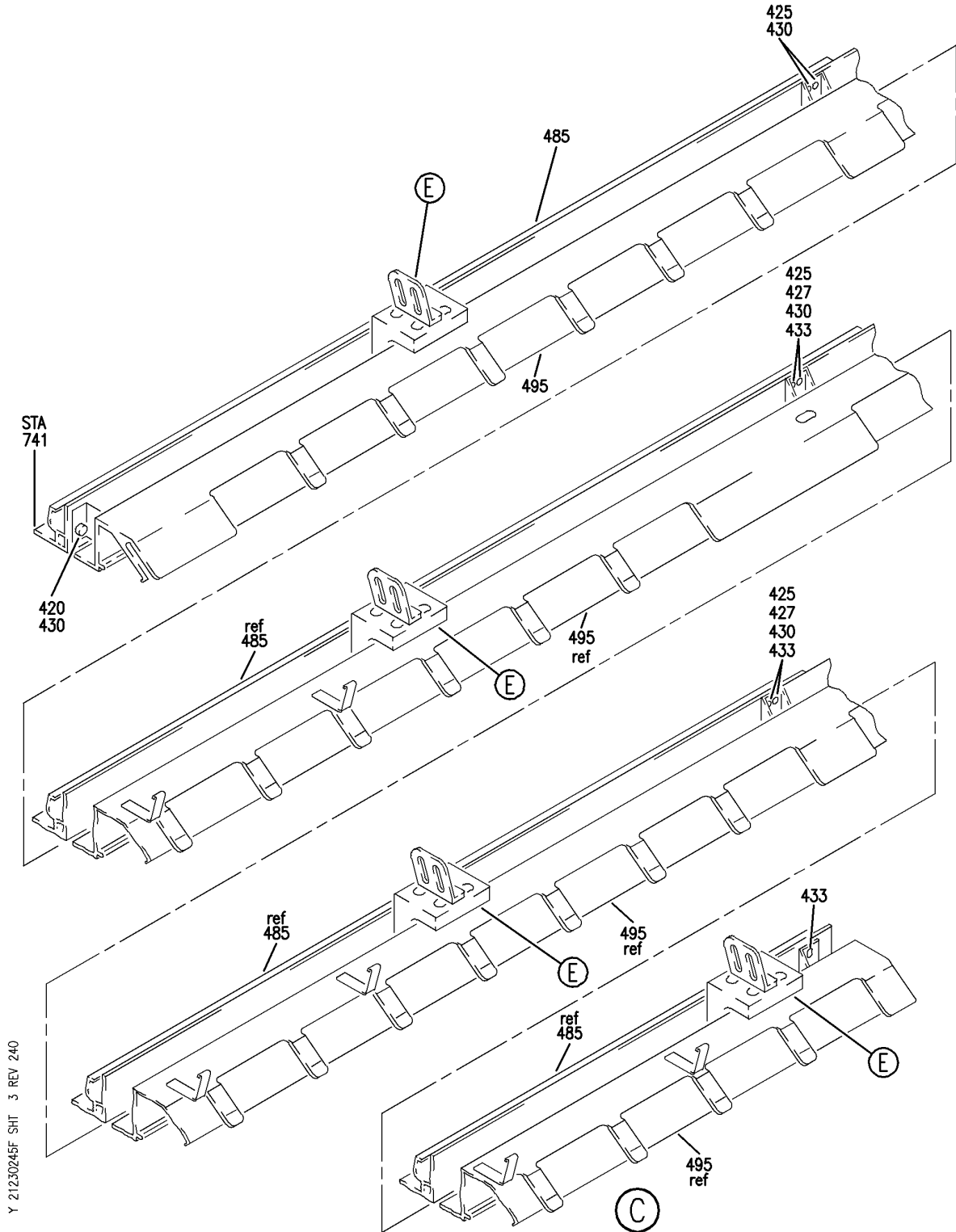
OUTLET ASSY-SIDEWALL AIR CONDITIONING
FIGURE 45F (SHEET 2)

21-23-02-45F

BRI
JAN 20/09

21-23-02-45F
PAGE 0A

BOEING
757
PARTS CATALOG (MAINTENANCE)



Y 21230245F SH1 3 REV 240

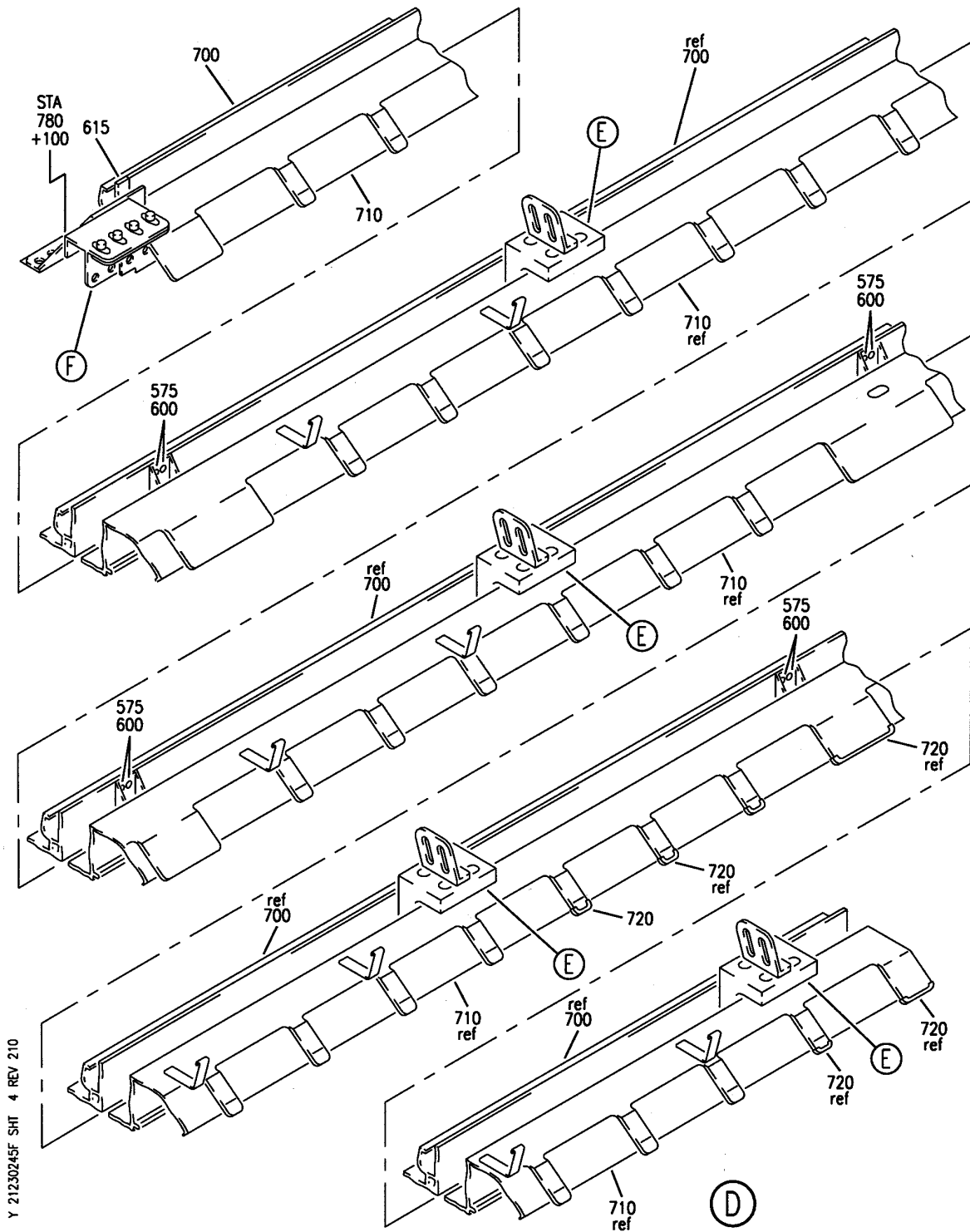
OUTLET ASSY-SIDEWALL AIR CONDITIONING
FIGURE 45F (SHEET 3)

21-23-02-45F

BRI
JAN 20/09

21-23-02-45F
PAGE 0B

BOEING
757
PARTS CATALOG (MAINTENANCE)



Y 21230245F SHT 4 REV 210

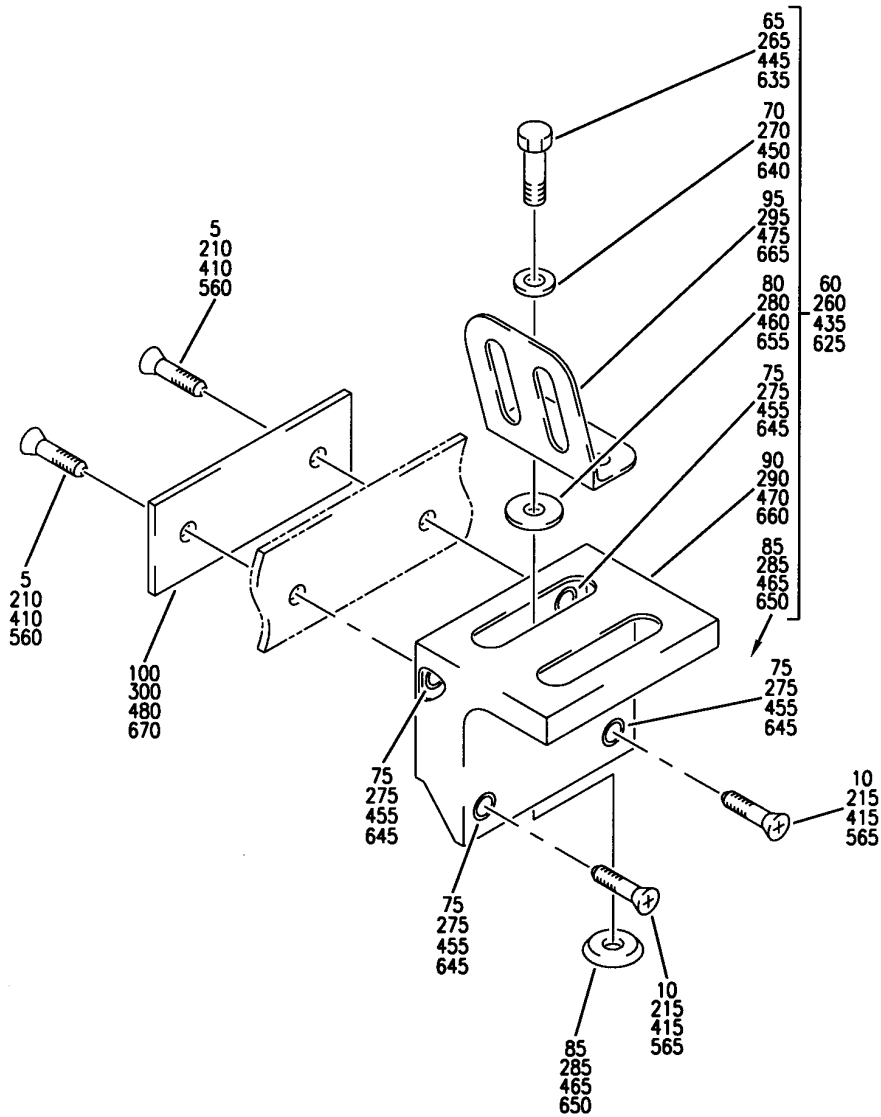
OUTLET ASSY-SIDEWALL AIR CONDITIONING
FIGURE 45F (SHEET 4)

21-23-02-45F

BRI
JAN 20/09

21-23-02-45F
PAGE 0C

BOEING
757
PARTS CATALOG (MAINTENANCE)



(E)

Y 21230245F SHT 5 REV 209

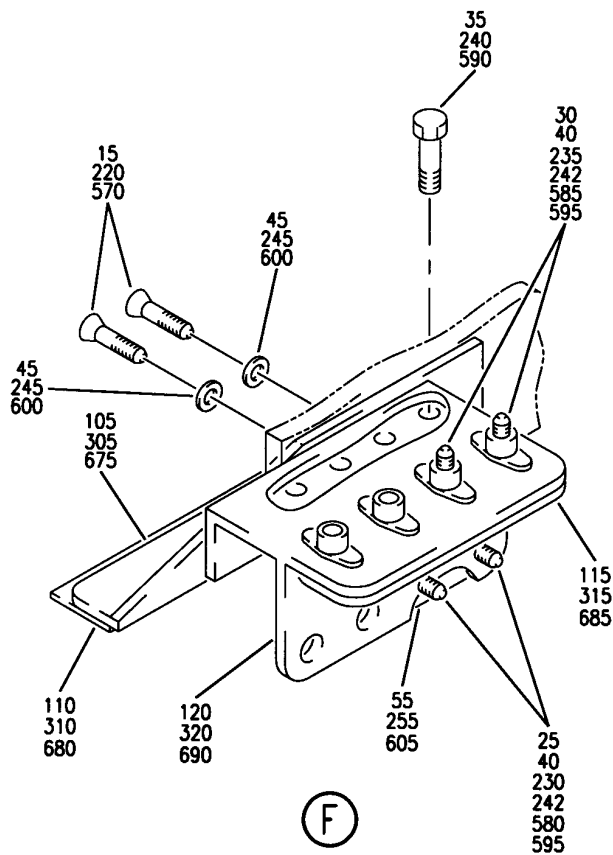
OUTLET ASSY-SIDEWALL AIR CONDITIONING
FIGURE 45F (SHEET 5)

21-23-02-45F

BRI
JAN 20/09

21-23-02-45F
PAGE 0D

BOEING
757
PARTS CATALOG (MAINTENANCE)



Y 21230245F SHT 6 REV 209

OUTLET ASSY-SIDEWALL AIR CONDITIONING
FIGURE 45F (SHEET 6)

21-23-02-45F

BRI
JAN 20/09

21-23-02-45F
PAGE 0E



757

PARTS CATALOG (MAINTENANCE)

| FIG ITEM | PART NUMBER | 1 2 3 4 5 6 7 | NOMENCLATURE | EFFECT FROM TO | UNITS PER ASSY |
|----------|----------------|---------------|--|----------------|----------------|
| 45 F | | | OUTLET ASSY-SIDEWALL AIR CONDITIONING | 103106 | |
| - 205 | 412N3103-3008E | | OUTLET ASSY-SIDEWALL AIR CONDITIONING POSITION DATA: RH FOR NHA SEE: 21-23-02-43H | 103106 | RF |
| 210 | BACS12ER3K9 | .SCREW | | 103106 | 6 |
| 215 | BACS12FA3K8 | .SCREW | | 103106 | 6 |
| 220 | BACS12GU08K7 | .SCREW- | | 103106 | 3 |
| | | | OPTIONAL PART: NAS1801-08-7 | | |
| 220 | NAS1801-08-7 | .SCREW- | | 103106 | 3 |
| | | | OPTIONAL PART: BACS12GU08K7 | | |
| 225 | BACS12GU08K6 | .SCREW- | | 103106 | 6 |
| | | | OPTIONAL PART: NAS1801-08-6 | | |
| 225 | NAS1801-08-6 | .SCREW- | | 103106 | 6 |
| | | | OPTIONAL PART: BACS12GU08K6 | | |
| 230 | BACS12ER08K7 | .SCREW- | | 103106 | 2 |
| | | | OPTIONAL PART: NAS514P832-7 | | |
| 230 | NAS514P832-7 | .SCREW- | | 103106 | 2 |
| | | | OPTIONAL PART: BACS12ER08K7 | | |
| 235 | BACS12ER08K8 | .SCREW- | | 103106 | 2 |
| | | | OPTIONAL PART: NAS514P832-8 | | |
| 235 | NAS514P832-8 | .SCREW- | | 103106 | 2 |
| | | | OPTIONAL PART: BACS12ER08K8 | | |
| 240 | BACB30LU2-2 | .BOLT | | 103106 | 4 |
| 242 | BACW10DM5P | .WASHER | | 103106 | 4 |
| 245 | NAS1149DN816J | .WASHER | | 103106 | 9 |
| 250 | 412N3101-36E | .COVER- | | 103106 | 1 |
| 255 | 412N3101-25E | .COVER ASSY- | | 103106 | 1 |
| 260 | 412N3133-24 | .SUPPORT ASSY | | 103106 | 3 |
| 265 | BACB30NM3K5 | ..BOLT | | 103106 | 2 |
| 270 | AN960JD10LL | ..WASHER | | 103106 | 2 |
| 275 | BACS13CJ3L080P | ..INSERT | | 103106 | 4 |
| 280 | 412N2004-55 | ..SPACER | | 103106 | 2 |
| 285 | 65C27021-463 | ..FILLER ASSY | | 103106 | 2 |
| 290 | 412N3134-1 | ..BRACKET | | 103106 | 1 |
| 295 | 65C27021-460 | ..BRACKET | | 103106 | 1 |
| 300 | 65C27021-177 | .DOUBLER | | 103106 | 3 |
| 305 | 65C27020-612 | .DOUBLER | | 103106 | 1 |

MISSING ITEM NUMBERS NOT APPLICABLE

- ITEM NOT ILLUSTRATED

21-23-02-45F

21-23-02
FIG. 45F
PAGE 1
JAN 20/09

BRI



757
PARTS CATALOG (MAINTENANCE)

| FIG ITEM | PART NUMBER | 1 2 3 4 5 6 7 | NOMENCLATURE | EFFECT FROM TO | UNITS PER ASSY |
|-------------|----------------|---------------|--------------|-------------------|----------------------|
| 45 F | | | | | |
| 310 | 65C27021-277 | . | DOUBLER-ASSY | 103106 | 1 |
| 315 | 65C27021-481 | . | FILLER | 103106 | 1 |
| 320 | 65C27021-483 | . | FITTING ASSY | 103106 | 1 |
| 325 | 412N3136-3010E | . | BEAM- | 103106 | 1 |
| 330 | 412N3137-3020E | . | BEAM ASSY- | 103106 | 1 |

MISSING ITEM NUMBERS NOT APPLICABLE

- ITEM NOT ILLUSTRATED

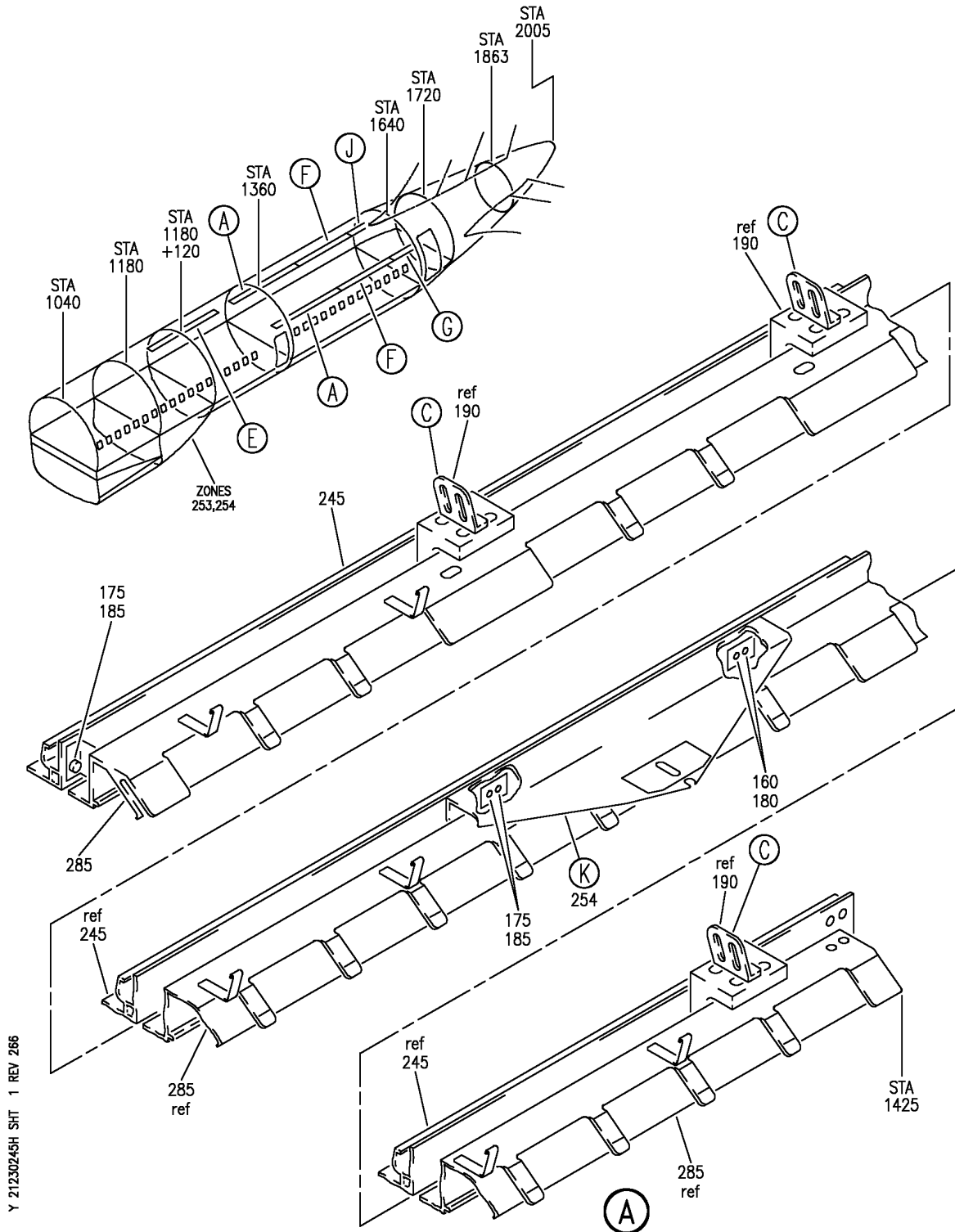
BRI

21-23-02-45F

BOEING PROPRIETARY - Copyright © - Unpublished Work - See title page for details.

21-23-02
FIG. 45F
PAGE 2
JAN 20/09

BOEING
757
PARTS CATALOG (MAINTENANCE)



Y 21230245H SHT 1 REV 266

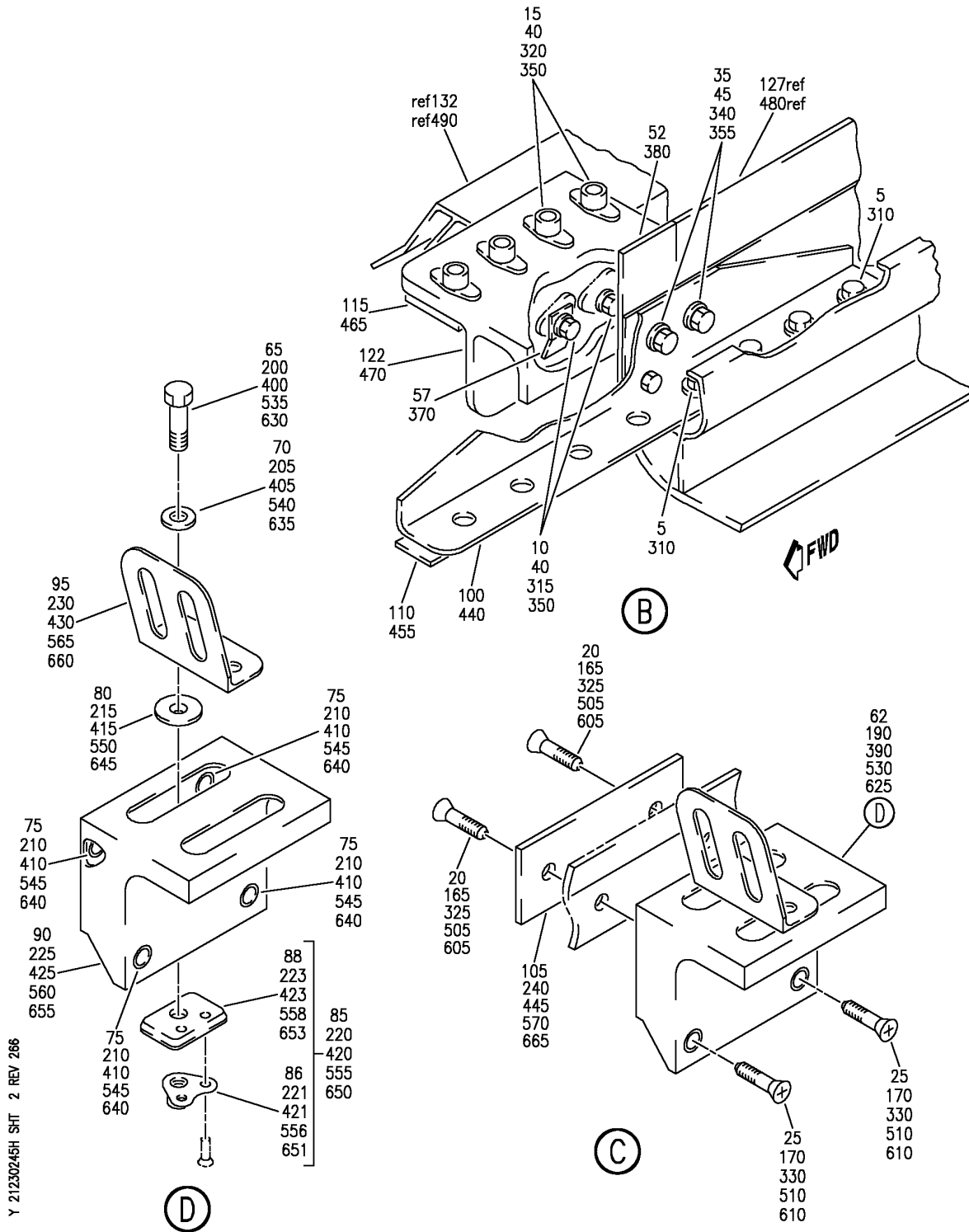
OUTLET ASSY-SIDEWALL AIR CONDITIONING
FIGURE 45H (SHEET 1)

21-23-02-45H

BRI
JAN 20/09

21-23-02-45H
PAGE 0

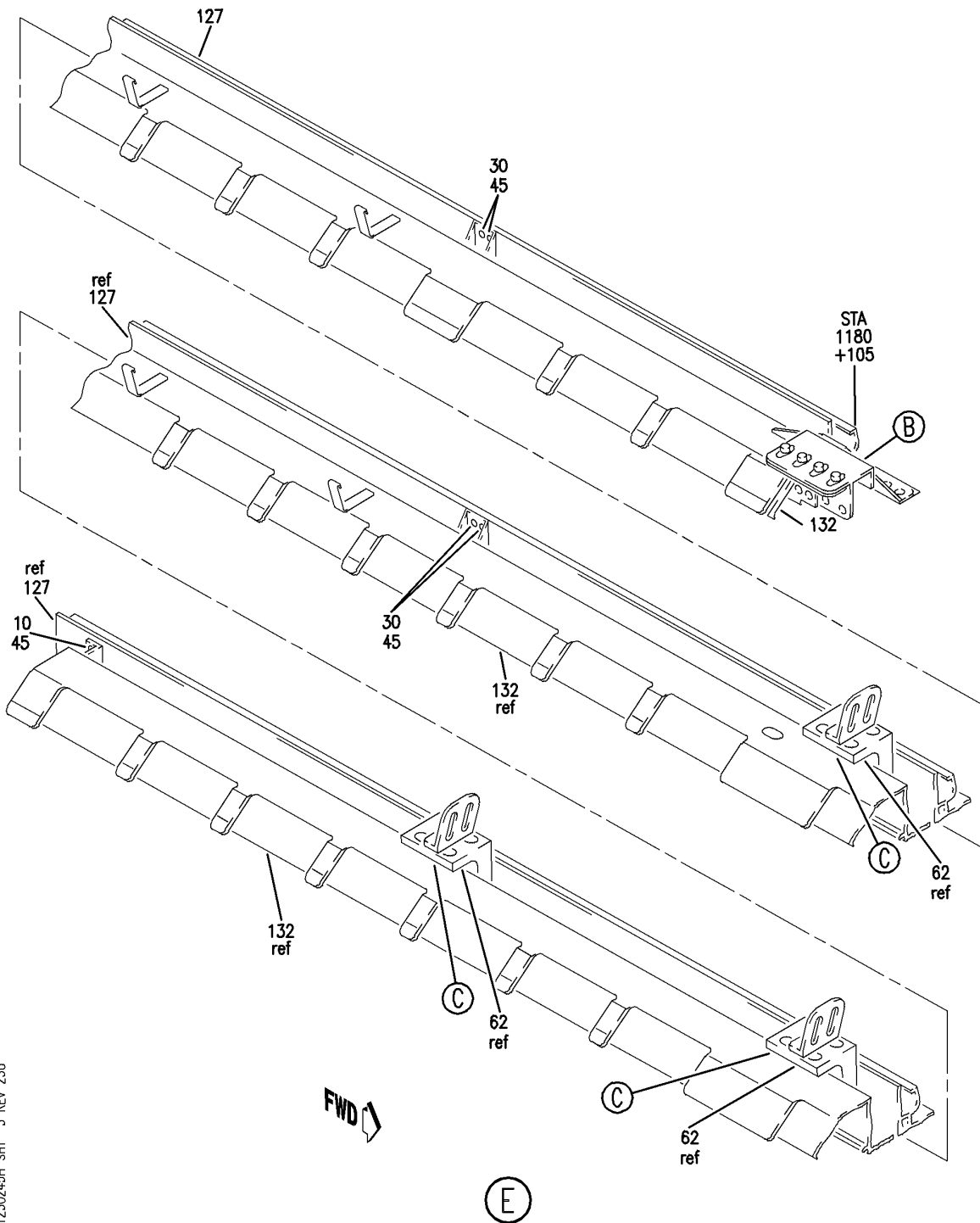
BOEING
757
PARTS CATALOG (MAINTENANCE)



OUTLET ASSY-SIDEWALL AIR CONDITIONING
FIGURE 45H (SHEET 2)

21-23-02-45H

BOEING
757
PARTS CATALOG (MAINTENANCE)



Y 21230245H SHT 3 REV 236

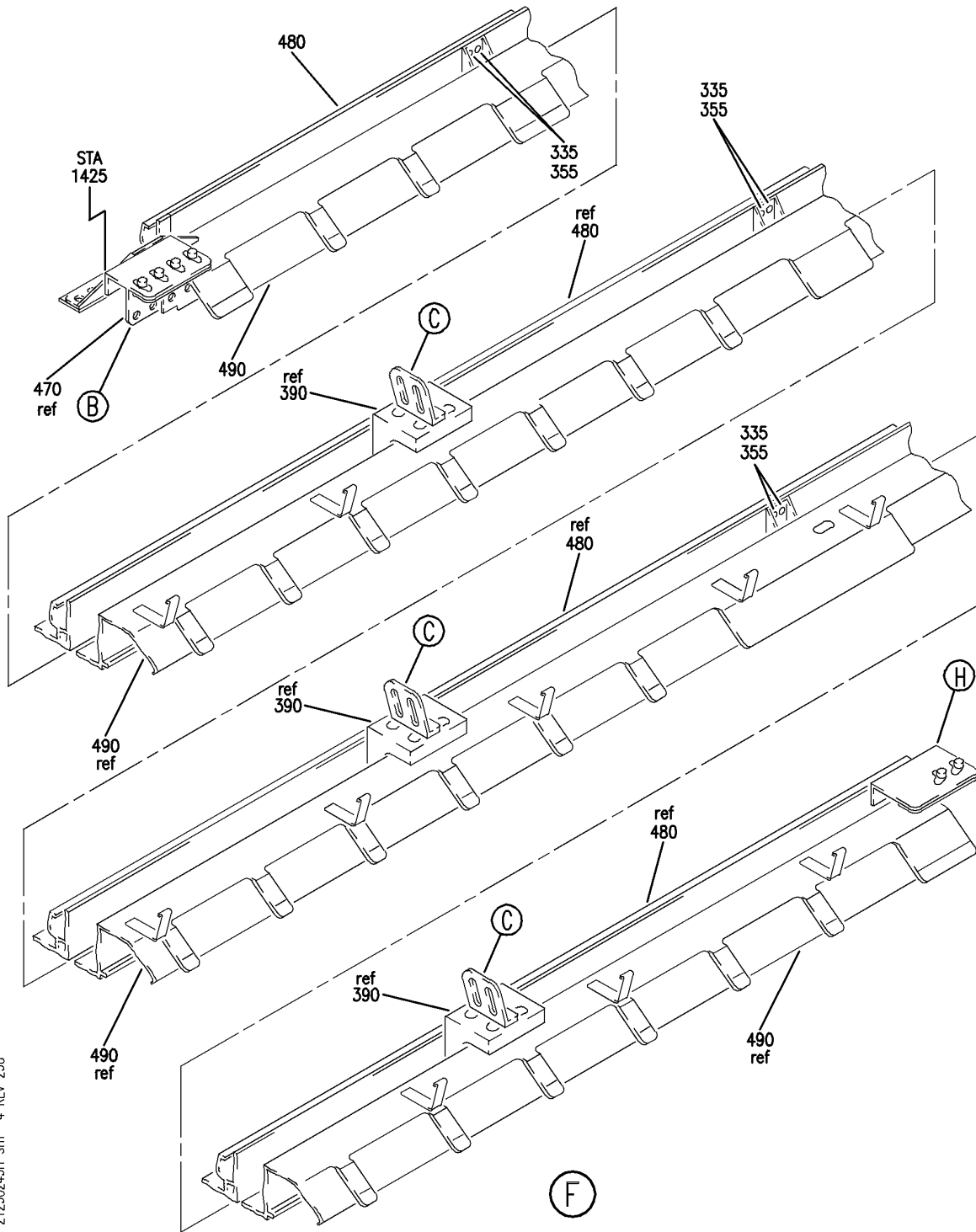
OUTLET ASSY-SIDEWALL AIR CONDITIONING
FIGURE 45H (SHEET 3)

21-23-02-45H

BRI
JAN 20/09

21-23-02-45H
PAGE 0B

BOEING
757
PARTS CATALOG (MAINTENANCE)



Y 21230245H SHT 4 REV 236

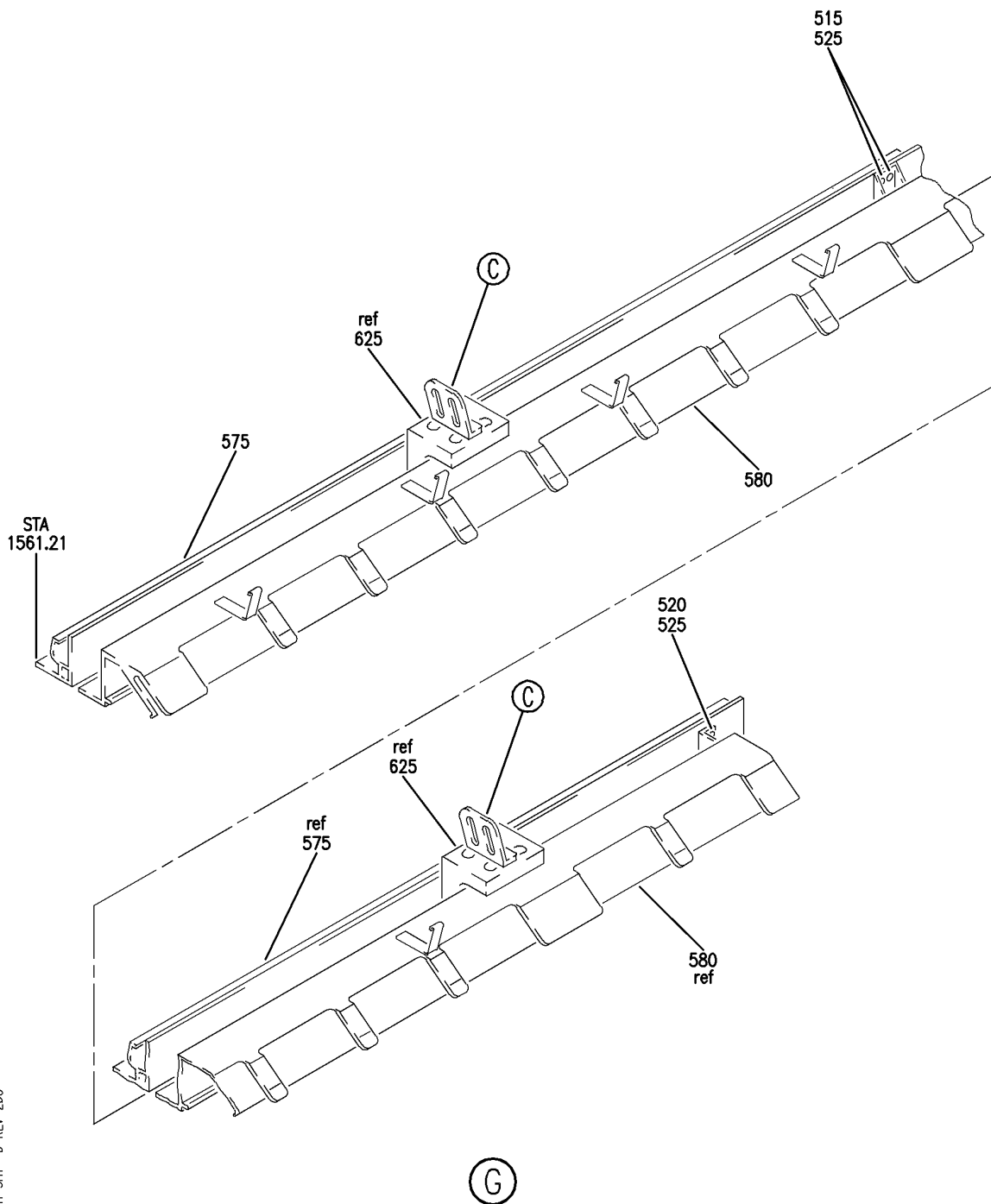
OUTLET ASSY-SIDEWALL AIR CONDITIONING
FIGURE 45H (SHEET 4)

21-23-02-45H

BRI
JAN 20/09

21-23-02-45H
PAGE 0C

BOEING
757
PARTS CATALOG (MAINTENANCE)



Y 21230245H SHT 5 REV 236

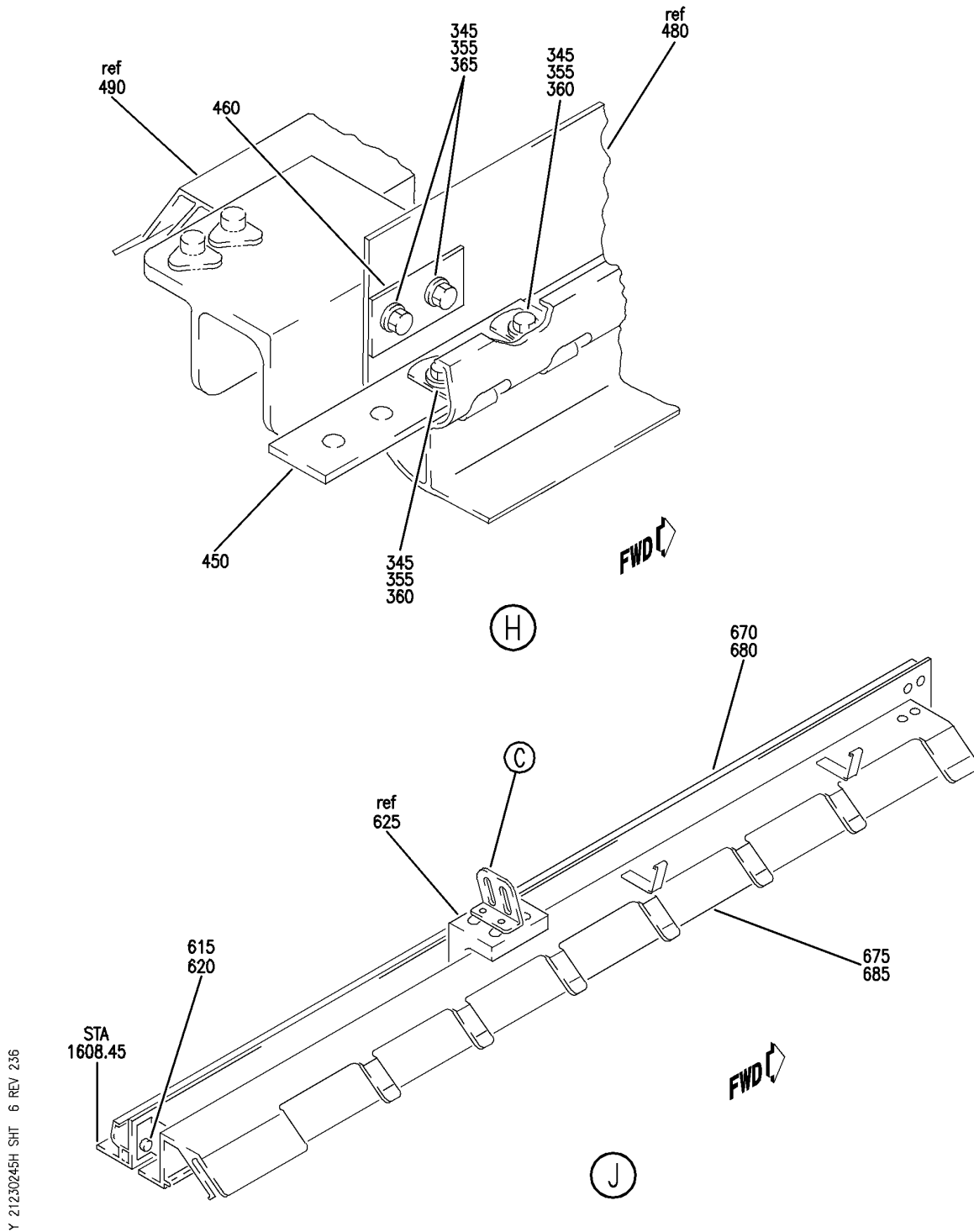
OUTLET ASSY-SIDEWALL AIR CONDITIONING
FIGURE 45H (SHEET 5)

21-23-02-45H

BRI
JAN 20/09

21-23-02-45H
PAGE 0D

BOEING
757
PARTS CATALOG (MAINTENANCE)



Y 21230245H SHT 6 REV 236

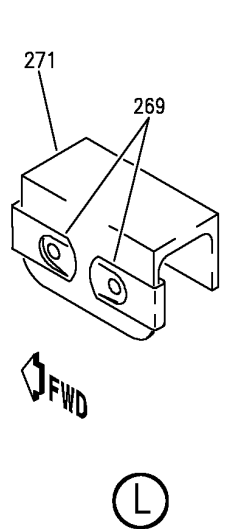
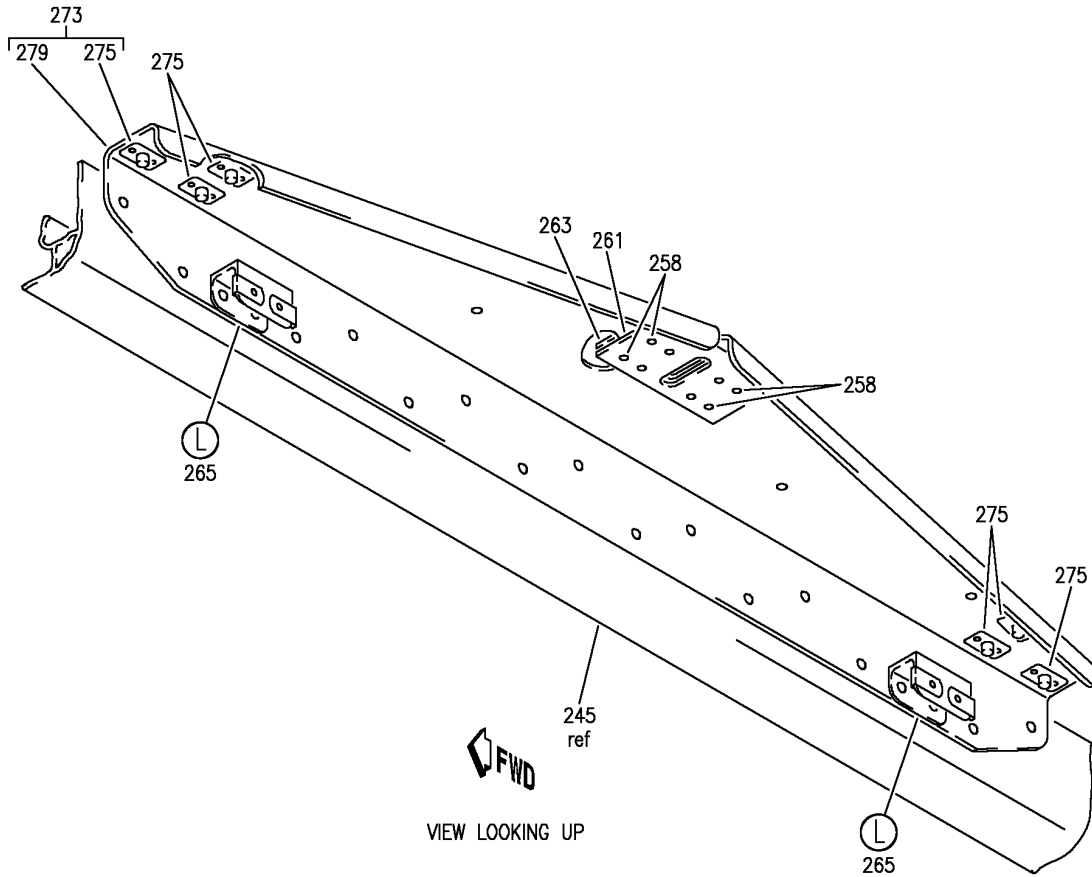
OUTLET ASSY-SIDEWALL AIR CONDITIONING
FIGURE 45H (SHEET 6)

21-23-02-45H

BRI
JAN 20/09

21-23-02-45H
PAGE 0E

BOEING
757
PARTS CATALOG (MAINTENANCE)



Y 21230245H SHT 7 REV 266

OUTLET ASSY-SIDEWALL AIR CONDITIONING
FIGURE 45H (SHEET 7)

21-23-02-45H

BRI
JAN 20/09

21-23-02-45H
PAGE OF



757

PARTS CATALOG (MAINTENANCE)

| FIG ITEM | PART NUMBER | 1 2 3 4 5 6 7 | NOMENCLATURE | EFFECT FROM TO | UNITS PER ASSY |
|----------|----------------|---------------|--|----------------|----------------|
| 45H | | | OUTLET ASSY-SIDEWALL AIR CONDITIONING | 103106 | |
| - 150 | 412N3103-3023E | | OUTLET ASSY-SIDEWALL AIR CONDITIONING POSITION DATA: LH FOR NHA SEE: 21-23-02-43F | 103106 | RF |
| - 157 | 412N3103-3024E | | OUTLET ASSY-SIDEWALL AIR CONDITIONING POSITION DATA: RH FOR NHA SEE: 21-23-02-43A | 103106 | RF |
| 160 | BACS12ER08K7 | | .SCREW- OPTIONAL PART: NAS514P832-7 | 103106 | 2 |
| 160 | NAS514P832-7 | | .SCREW- OPTIONAL PART: BACS12ER08K7 | 103106 | 2 |
| 165 | BACS12ER3K9 | | .SCREW | 103106 | 6 |
| 170 | BACS12FA3K8 | | .SCREW | 103106 | 6 |
| 175 | BACS12GU08K7 | | .SCREW- OPTIONAL PART: NAS1801-08-7 | 103106 | 3 |
| 175 | NAS1801-08-7 | | .SCREW- OPTIONAL PART: BACS12GU08K7 | 103106 | 3 |
| 180 | BACW10DM5P | | .WASHER | 103106 | 2 |
| 185 | NAS1149DN816J | | .WASHER | 103106 | 3 |
| 190 | 412N3133-23 | | .SUPPORT ASSY- POSITION DATA: LH SIDE | 103106 | 3 |
| - 195 | 412N3133-24 | | .SUPPORT ASSY- POSITION DATA: RH SIDE | 103106 | 3 |
| 200 | BACB30NM3K5 | | ..BOLT | 103106 | 2 |
| 205 | AN960JD10LL | | ..WASHER | 103106 | 2 |
| 210 | BACS13CJ3L080P | | ..INSERT | 103106 | 4 |
| 215 | 412N2004-55 | | ..SPACER | 103106 | 2 |
| 220 | 65C27021-463 | | ..FILLER ASSY | 103106 | 2 |

MISSING ITEM NUMBERS NOT APPLICABLE

- ITEM NOT ILLUSTRATED

21-23-02-45H

21-23-02
FIG. 45H
PAGE 1
JAN 20/09

BRI



757

PARTS CATALOG (MAINTENANCE)

| FIG ITEM | PART NUMBER | 1 2 3 4 5 6 7 | NOMENCLATURE | EFFECT FROM TO | UNITS PER ASSY |
|------------|----------------|---------------|--|----------------|----------------|
| 45H 221 | T8078S1032 | | ...NUTPLATE SUPPLIER CODE: V11815 SPECIFICATION NUMBER: BACN10JP3C OPTIONAL PART: MK3000-3BAC V15653 NS103199-02 V80539 RMA9205M3 V72962 VN203A1-02 V92215 BRM300A3 V52828 ATTACHING PARTS | 103106 | 1 |
| - 222 | BACR15BA3D | | ...RIVET- SIZE DETERMINED ON INSTL. -----*----- | 103106 | 2 |
| 223 | 65C27021-464 | | ...FILLER | 103106 | 1 |
| 225 | 412N3134-1 | | ..BRACKET | 103106 | 1 |
| 230 | 65C27021-459 | | ..BRACKET- POSITION DATA: LH SIDE | 103106 | 1 |
| - 235 | 65C27021-460 | | ..BRACKET- POSITION DATA: RH SIDE | 103106 | 1 |
| 240 | 65C27021-177 | | .DOUBLER | 103106 | 3 |
| 245 | 412N3136-3029E | | .BEAM ASSY- POSITION DATA: LH SIDE | 103106 | 1 |
| - 252 | 412N3136-3030E | | .BEAM ASSY- POSITION DATA: RH SIDE | 103106 | 1 |
| 254 | 412N2021-64 | | ..SUPPORT ASSY-FXD ATTACHING PARTS | 103106 | 1 |
| - 256 | BACR15FT6D | | ..RIVET- SIZE DETERMINED ON INSTL. -----*----- | 103106 | 17 |
| 258 | BACR15BA6D | | ...RIVET- SIZE DETERMINED ON INSTL. | 103106 | 8 |
| 261 | 412N2003-217 | | ...DOUBLER | 103106 | 1 |
| 263 | 412N2003-196 | | ...DOUBLER | 103106 | 1 |
| 265 | 412N2004-132 | | ...BRACKET ASSY ATTACHING PARTS | 103106 | 2 |
| - 267 | NAS1399D5-3 | | ...RIVET -----*----- | 103106 | 4 |

MISSING ITEM NUMBERS NOT APPLICABLE

- ITEM NOT ILLUSTRATED

21-23-02-45H

21-23-02
FIG. 45H
PAGE 2
JAN 20/09

BRI



757

PARTS CATALOG (MAINTENANCE)

| FIG ITEM | PART NUMBER | 1 2 3 4 5 6 7 | NOMENCLATURE | EFFECT FROM TO | UNITS PER ASSY |
|------------|----------------|---------------|---|----------------|----------------|
| 45H 269 | 130007 | | NUT SUPPLIER CODE: V60119 SPECIFICATION NUMBER: BACN10FX83 OPTIONAL PART: BRC500-8-08 V52828 SL213-08-1 V97393 A11330-8-82 V72962 A4972-8-82 V72962 A4972-8-82 V72962 | 103106 | 2 |
| 271 | 412N2004-133 | | BRACKET | 103106 | 1 |
| 273 | 412N2003-189 | ... | BRACKET ASSY | 103106 | 1 |
| 275 | MF53049-3 | | NUTPLATE SUPPLIER CODE: V15653 SPECIFICATION NUMBER: BACN10JN3 OPTIONAL PART: BRFM20A3 V52828 MF1000-3BAC V15653 NS103218-02 V80539 RMF9201M3 V72962 VN252A02 V92215 T8124S3S V11815 | 103106 | 6 |
| - 277 | BACR15BA3D | | RIVET- SIZE DETERMINED ON INSTL. -----*----- | 103106 | 12 |
| 279 | 412N2003-190 | | BRACKET | 103106 | 1 |
| 285 | 412N3137-3067E | . . . | BEAM ASSY- POSITION DATA: LH SIDE | 103106 | 1 |
| - 295 | 412N3137-3068E | . . . | BEAM ASSY- POSITION DATA: RH SIDE | 103106 | 1 |

MISSING ITEM NUMBERS NOT APPLICABLE

- ITEM NOT ILLUSTRATED

21-23-02-45H

21-23-02
FIG. 45H
PAGE 3
JAN 20/09

BRI

BOEING PROPRIETARY - Copyright © - Unpublished Work - See title page for details.



757

PARTS CATALOG (MAINTENANCE)

| FIG ITEM | PART NUMBER | 1 2 3 4 5 6 7 | NOMENCLATURE | EFFECT FROM TO | UNITS PER ASSY |
|--------------|----------------|---------------|---|----------------|----------------|
| 45H - 300 | 412N3103-3025E | | OUTLET ASSY-SIDEWALL AIR CONDITIONING POSITION DATA: LH SIDE FOR NHA SEE: 21-23-02-43J | 103106 | RF |
| - 305 | 412N3103-3026E | | OUTLET ASSY-SIDEWALL AIR CONDITIONING POSITION DATA: RH SIDE FOR NHA SEE: 21-23-02-43J | 103106 | RF |
| 310 | BACB30LU2-2 | | .BOLT | 103106 | 4 |
| 315 | BACS12ER08K7 | | .SCREW- OPTIONAL PART: NAS514P832-7 | 103106 | 2 |
| 315 | NAS514P832-7 | | .SCREW- OPTIONAL PART: BACS12ER08K7 | 103106 | 2 |
| 320 | BACS12ER08K8 | | .SCREW- OPTIONAL PART: NAS514P832-8 | 103106 | 2 |
| 320 | NAS514P832-8 | | .SCREW- OPTIONAL PART: BACS12ER08K8 | 103106 | 2 |
| 325 | BACS12ER3K9 | | .SCREW | 103106 | 6 |
| 330 | BACS12FA3K8 | | .SCREW | 103106 | 6 |
| 335 | BACS12GU08K6 | | .SCREW- OPTIONAL PART: NAS1801-08-6 | 103106 | 6 |
| 335 | NAS1801-08-6 | | .SCREW- OPTIONAL PART: BACS12GU08K6 | 103106 | 6 |
| 340 | BACS12GU08K7 | | .SCREW- OPTIONAL PART: NAS1801-08-7 | 103106 | 2 |
| 340 | NAS1801-08-7 | | .SCREW- OPTIONAL PART: BACS12GU08K7 | 103106 | 2 |
| 345 | BACS12GU08K8 | | .SCREW- OPTIONAL PART: NAS1801-08-8 | 103106 | 4 |
| 345 | NAS1801-08-8 | | .SCREW- OPTIONAL PART: BACS12GU08K8 | 103106 | 4 |
| 350 | BACW10DM5P | | .WASHER | 103106 | 4 |
| 355 | NAS1149DN816J | | .WASHER | 103106 | 16 |

MISSING ITEM NUMBERS NOT APPLICABLE

- ITEM NOT ILLUSTRATED

21-23-02-45H

21-23-02
FIG. 45H
PAGE 4
JAN 20/09

BRI

BOEING PROPRIETARY - Copyright © - Unpublished Work - See title page for details.

 **BOEING**
757
PARTS CATALOG (MAINTENANCE)

| FIG ITEM | PART NUMBER | 1 2 3 4 5 6 7 | NOMENCLATURE | EFFECT FROM TO | UNITS PER ASSY |
|------------|----------------|---------------|--|----------------|----------------|
| 45H 360 | 130008 | . | NUT SUPPLIER CODE: V60119 SPECIFICATION NUMBER: BACN10FX84 OPTIONAL PART: RM52LHA4972-6-8 V72962 SL211-08-1 V97393 A11330-6-82 V72962 A4972-6-82 V72962 | 103106 | 2 |
| 365 | MS21042L08 | . | NUT | 103106 | 2 |
| 370 | 412N3101-24E | . | COVER ASSY-GAP POSITION DATA: LH SIDE | 103106 | 1 |
| - 375 | 412N3101-25E | . | COVER ASSY-GAP POSITION DATA: RH SIDE | 103106 | 1 |
| 380 | 412N3101-35E | . | COVER-GAP POSITION DATA: LH SIDE | 103106 | 1 |
| - 385 | 412N3101-36E | . | COVER-GAP POSITION DATA: RH SIDE | 103106 | 1 |
| 390 | 412N3133-23 | . | SUPPORT ASSY- POSITION DATA: LH SIDE | 103106 | 3 |
| - 395 | 412N3133-24 | . | SUPPORT ASSY- POSITION DATA: RH SIDE | 103106 | 3 |
| 400 | BACB30NM3K5 | .. | BOLT | 103106 | 2 |
| 405 | AN960JD10LL | .. | WASHER | 103106 | 2 |
| 410 | BACS13CJ3L080P | .. | INSERT | 103106 | 4 |
| 415 | 412N2004-55 | .. | SPACER | 103106 | 2 |
| 420 | 65C27021-463 | .. | FILLER ASSY | 103106 | 2 |

MISSING ITEM NUMBERS NOT APPLICABLE

- ITEM NOT ILLUSTRATED

BRI

21-23-02-45H

BOEING PROPRIETARY - Copyright © - Unpublished Work - See title page for details.

21-23-02
FIG. 45H
PAGE 5
JAN 20/09

 **BOEING**
757
PARTS CATALOG (MAINTENANCE)

| FIG ITEM | PART NUMBER | 1 2 3 4 5 6 7 | NOMENCLATURE | EFFECT FROM TO | UNITS PER ASSY |
|------------|----------------|---------------|--|----------------|----------------|
| 45H 421 | T8078S1032 | | ...NUTPLATE SUPPLIER CODE: V11815 SPECIFICATION NUMBER: BACN10JP3C OPTIONAL PART: MK3000-3BAC V15653 NS103199-02 V80539 RMA9205M3 V72962 VN203A1-02 V92215 BRM300A3 V52828 ATTACHING PARTS | 103106 | 1 |
| - 422 | BACR15BA3D | | ...RIVET- SIZE DETERMINED ON INSTL. -----*----- | 103106 | 2 |
| 423 | 65C27021-464 | | ...FILLER | 103106 | 1 |
| 425 | 412N3134-1 | | ..BRACKET | 103106 | 1 |
| 430 | 65C27021-459 | | ..BRACKET- POSITION DATA: LH SIDE | 103106 | 1 |
| - 435 | 65C27021-460 | | ..BRACKET- POSITION DATA: RH SIDE | 103106 | 1 |
| 440 | 65C27020-612 | | .DOUBLER | 103106 | 1 |
| 445 | 65C27021-177 | | .DOUBLER | 103106 | 3 |
| 450 | 65C27021-193 | | .DOUBLER | 103106 | 1 |
| 455 | 65C27021-277 | | .DOUBLER | 103106 | 1 |
| 460 | 65C27021-191 | | .FILLER | 103106 | 1 |
| 465 | 65C27021-481 | | .FILLER | 103106 | 1 |
| 470 | 65C27021-482 | | .FITTING ASSY- POSITION DATA: LH SIDE | 103106 | 1 |
| - 475 | 65C27021-483 | | .FITTING ASSY- POSITION DATA: RH SIDE | 103106 | 1 |
| 480 | 412N3136-3033E | | .BEAM- POSITION DATA: LH SIDE | 103106 | 1 |
| - 485 | 412N3136-3034E | | .BEAM- POSITION DATA: RH SIDE | 103106 | 1 |
| 490 | 412N3137-3073E | | .BEAM ASSY- POSITION DATA: LH SIDE | 103106 | 1 |

MISSING ITEM NUMBERS NOT APPLICABLE

- ITEM NOT ILLUSTRATED

21-23-02-45H

21-23-02
FIG. 45H
PAGE 6
JAN 20/09

BRI

BOEING PROPRIETARY - Copyright © - Unpublished Work - See title page for details.



757

PARTS CATALOG (MAINTENANCE)

| FIG ITEM | PART NUMBER | 1 2 3 4 5 6 7 | NOMENCLATURE | EFFECT FROM TO | UNITS PER ASSY |
|----------|----------------|---------------|--|----------------|----------------|
| 45H | | | | | |
| - 495 | 412N3137-3074E | | .BEAM ASSY- POSITION DATA: RH SIDE | 103106 | 1 |
| - 500 | 412N3103-3027E | | OUTLET ASSY-SIDEWALL AIR CONDITIONING POSITION DATA: LH FOR NHA SEE: 21-23-02-43F | 103106 | RF |
| - 503 | 412N3103-3028B | | OUTLET ASSY-SIDEWALL AIR CONDITIONING POSITION DATA: RH FOR NHA SEE: 21-23-02-43A | 103106 | RF |
| 505 | BACS12ER3K9 | | .SCREW | 103106 | 4 |
| 510 | BACS12FA3K8 | | .SCREW | 103106 | 4 |
| 515 | BACS12GU08K6 | | .SCREW- OPTIONAL PART: NAS1801-08-6 | 103106 | 2 |
| 515 | NAS1801-08-6 | | .SCREW- OPTIONAL PART: BACS12GU08K6 | 103106 | 2 |
| 520 | BACS12GU08K7 | | .SCREW- OPTIONAL PART: NAS1801-08-7 | 103106 | 1 |
| 520 | NAS1801-08-7 | | .SCREW- OPTIONAL PART: BACS12GU08K7 | 103106 | 1 |
| 525 | NAS1149DN816J | | .WASHER | 103106 | 3 |
| 530 | 412N3133-23 | | .SUPPORT ASSY- POSITION DATA: LH SIDE | 103106 | 2 |
| - 532 | 412N3133-24 | | .SUPPORT ASSY- POSITION DATA: RH SIDE | 103106 | 2 |
| 535 | BACB30NM3K5 | | ..BOLT | 103106 | 2 |
| 540 | AN960JD10LL | | ..WASHER | 103106 | 2 |
| 545 | BACS13CJ3L080P | | ..INSERT | 103106 | 4 |
| 550 | 412N2004-55 | | ..SPACER | 103106 | 2 |
| 555 | 65C27021-463 | | ..FILLER ASSY | 103106 | 2 |

MISSING ITEM NUMBERS NOT APPLICABLE

- ITEM NOT ILLUSTRATED

21-23-02-45H

21-23-02
FIG. 45H
PAGE 7
JAN 20/09

BRI



757

PARTS CATALOG (MAINTENANCE)

| FIG ITEM | PART NUMBER | 1 2 3 4 5 6 7 | NOMENCLATURE | EFFECT FROM TO | UNITS PER ASSY |
|------------|----------------|---------------|--|----------------|----------------|
| 45H 556 | T8078S1032 | | ...NUTPLATE SUPPLIER CODE: V11815 SPECIFICATION NUMBER: BACN10JP3C OPTIONAL PART: MK3000-3BAC V15653 NS103199-02 V80539 RMA9205M3 V72962 VN203A1-02 V92215 BRM300A3 V52828 ATTACHING PARTS | 103106 | 1 |
| - 557 | BACR15BA3D | | ...RIVET- SIZE DETERMINED ON INSTL. -----*----- | 103106 | 2 |
| 558 | 65C27021-464 | | ...FILLER | 103106 | 1 |
| 560 | 412N3134-1 | | ..BRACKET | 103106 | 1 |
| 565 | 65C27021-459 | | ..BRACKET- POSITION DATA: LH SIDE | 103106 | 1 |
| - 567 | 65C27021-460 | | ..BRACKET- POSITION DATA: RH SIDE | 103106 | 1 |
| 570 | 65C27021-177 | | .DOUBLER | 103106 | 2 |
| 575 | 412N3136-3035E | | .BEAM- POSITION DATA: LH SIDE | 103106 | 1 |
| - 577 | 412N3136-3036B | | .BEAM- POSITION DATA: RH SIDE | 103106 | 1 |
| 580 | 412N3137-3079E | | .BEAM- POSITION DATA: LH SIDE | 103106 | 1 |
| - 582 | 412N3137-3080B | | .BEAM- POSITION DATA: RH SIDE | 103106 | 1 |

MISSING ITEM NUMBERS NOT APPLICABLE

- ITEM NOT ILLUSTRATED

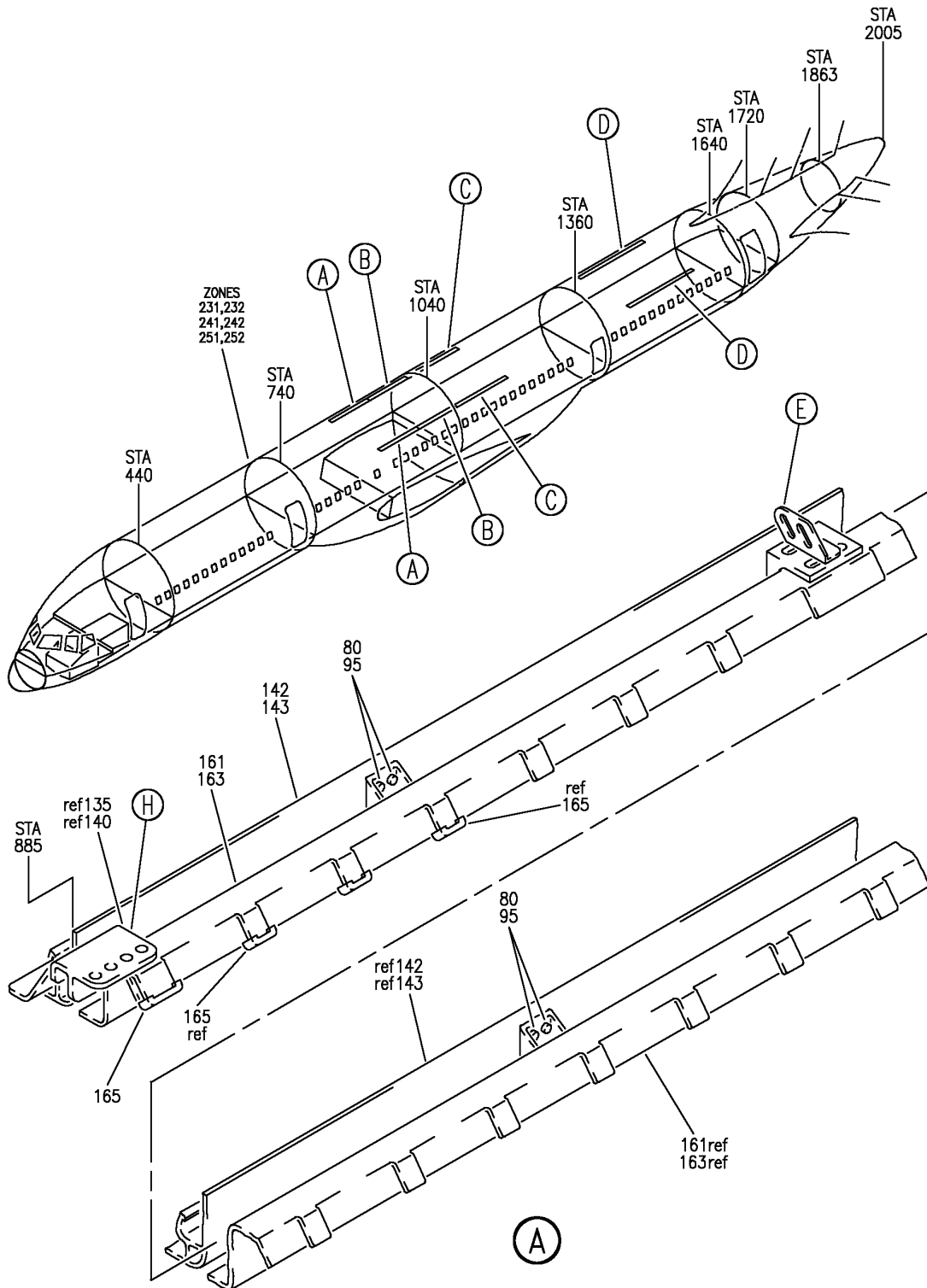
21-23-02-45H

21-23-02
FIG. 45H
PAGE 8
JAN 20/09

BRI

BOEING PROPRIETARY - Copyright © - Unpublished Work - See title page for details.

BOEING
757
PARTS CATALOG (MAINTENANCE)



Y 21230245J SHT 1 REV 266

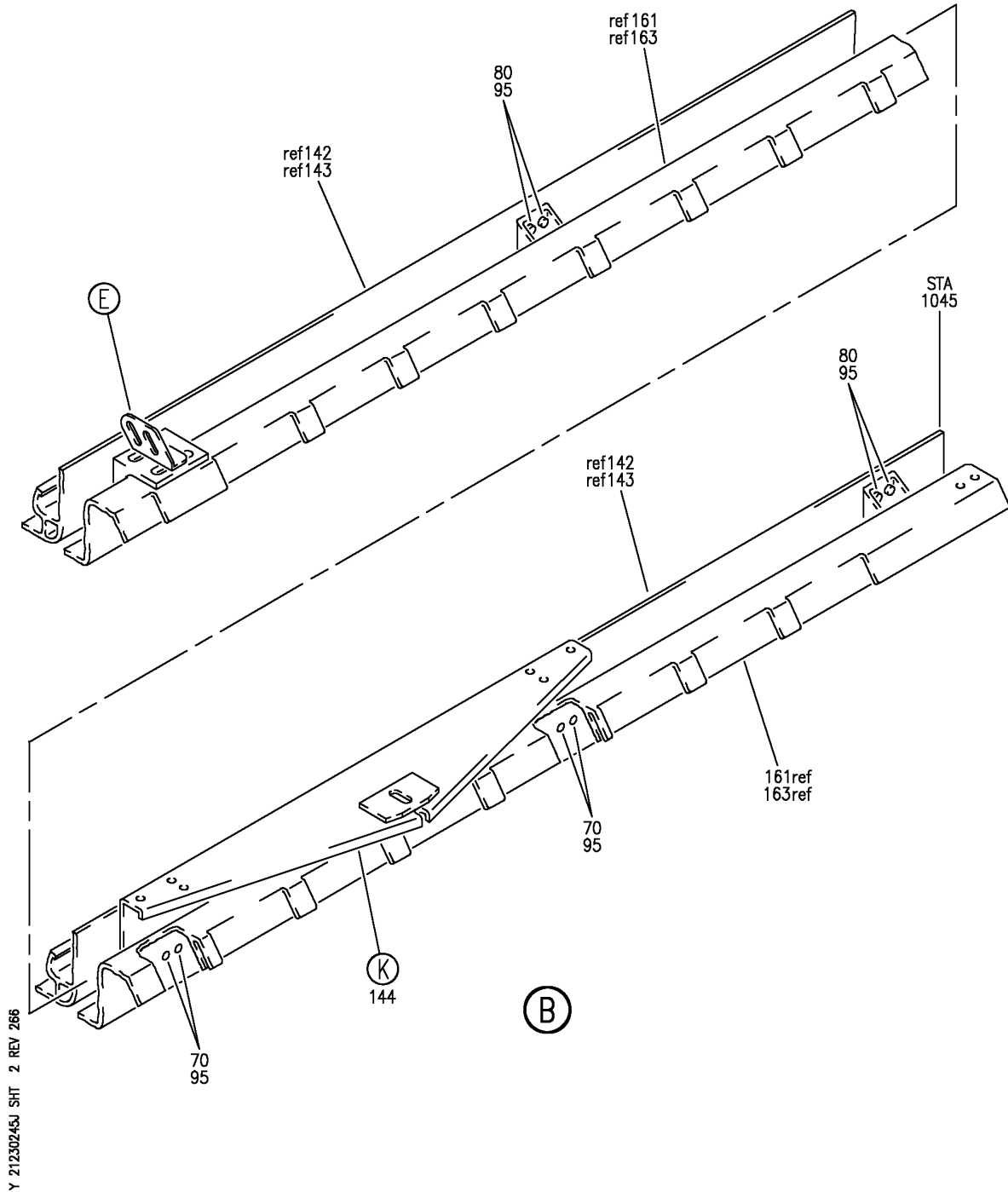
OUTLET ASSY
FIGURE 45J (SHEET 1)

21-23-02-45J

BRI
MAY 28/07

21-23-02-45J
PAGE 0

BOEING
757
PARTS CATALOG (MAINTENANCE)



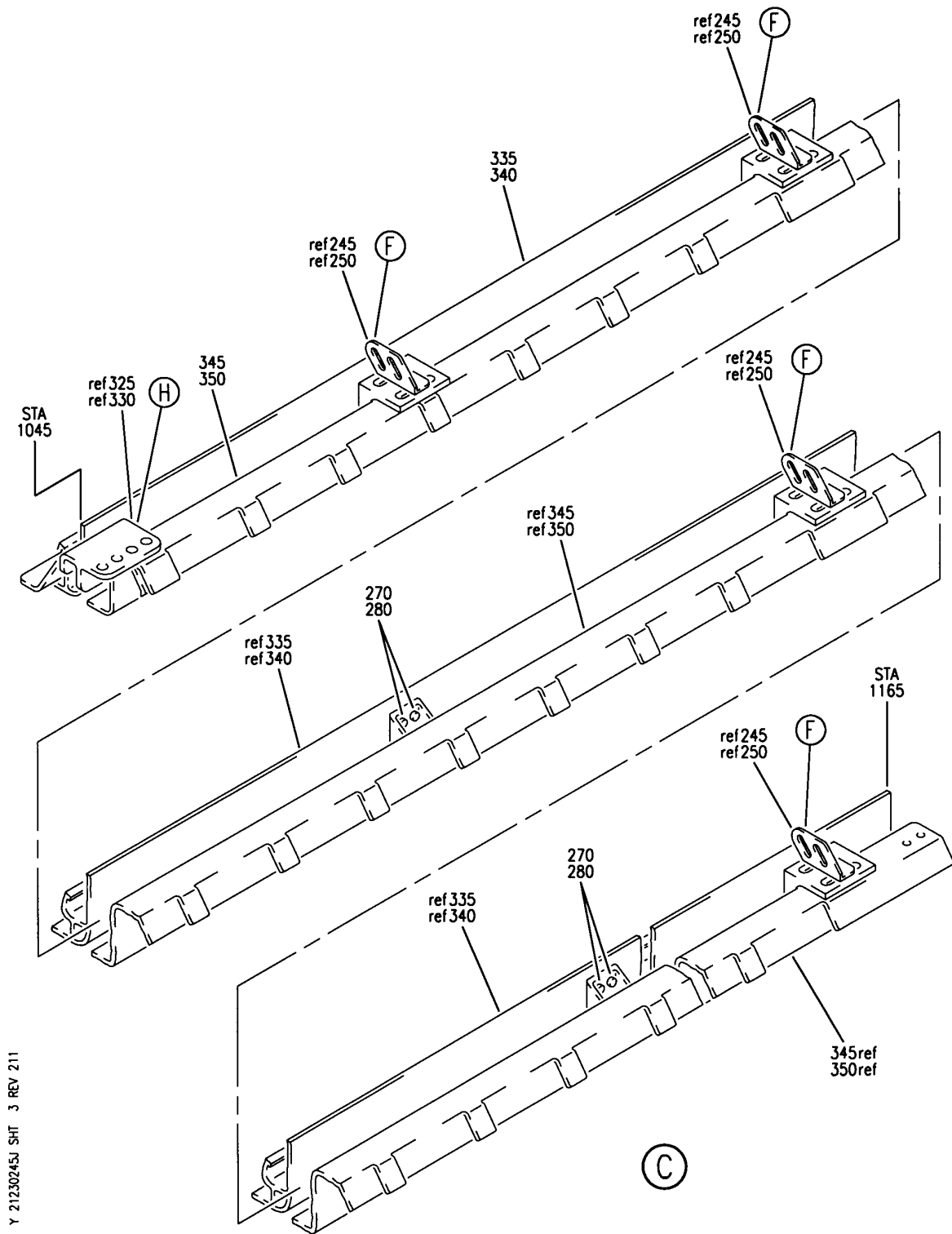
OUTLET ASSY
FIGURE 45J (SHEET 2)

21-23-02-45J

BRI
MAY 28/07

21-23-02-45J
PAGE 0A

BOEING
757
PARTS CATALOG (MAINTENANCE)



Y 21230245J SHT 3 REV 211

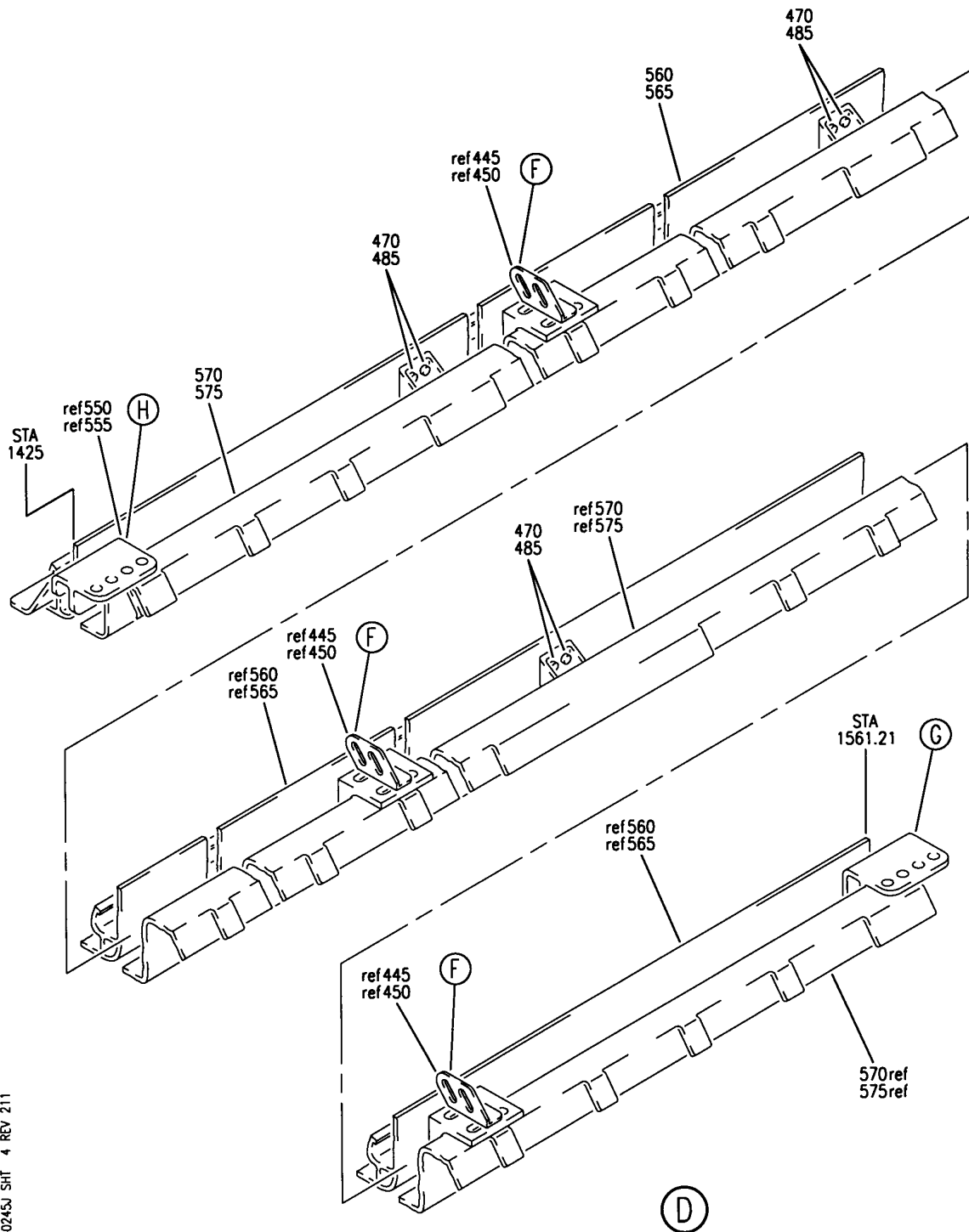
OUTLET ASSY
FIGURE 45J (SHEET 3)

21-23-02-45J

BRI
MAY 28/07

21-23-02-45J
PAGE 0B

BOEING
757
PARTS CATALOG (MAINTENANCE)



Y 21230245J SHT 4 REV 211

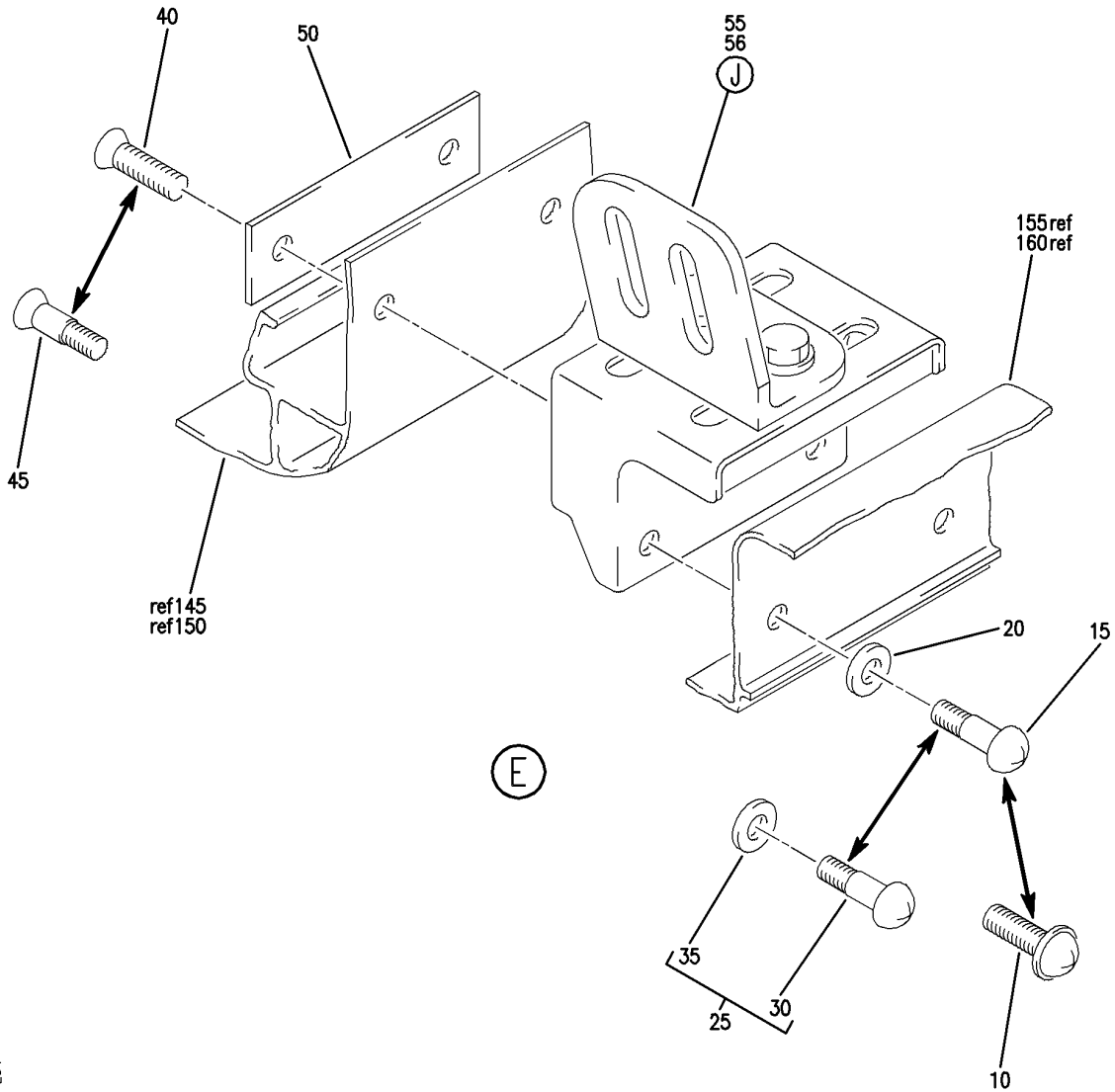
OUTLET ASSY
FIGURE 45J (SHEET 4)

21-23-02-45J

BRI
MAY 28/07

21-23-02-45J
PAGE 0C

BOEING
757
PARTS CATALOG (MAINTENANCE)



Y 21230245J SHT 5 REV 234

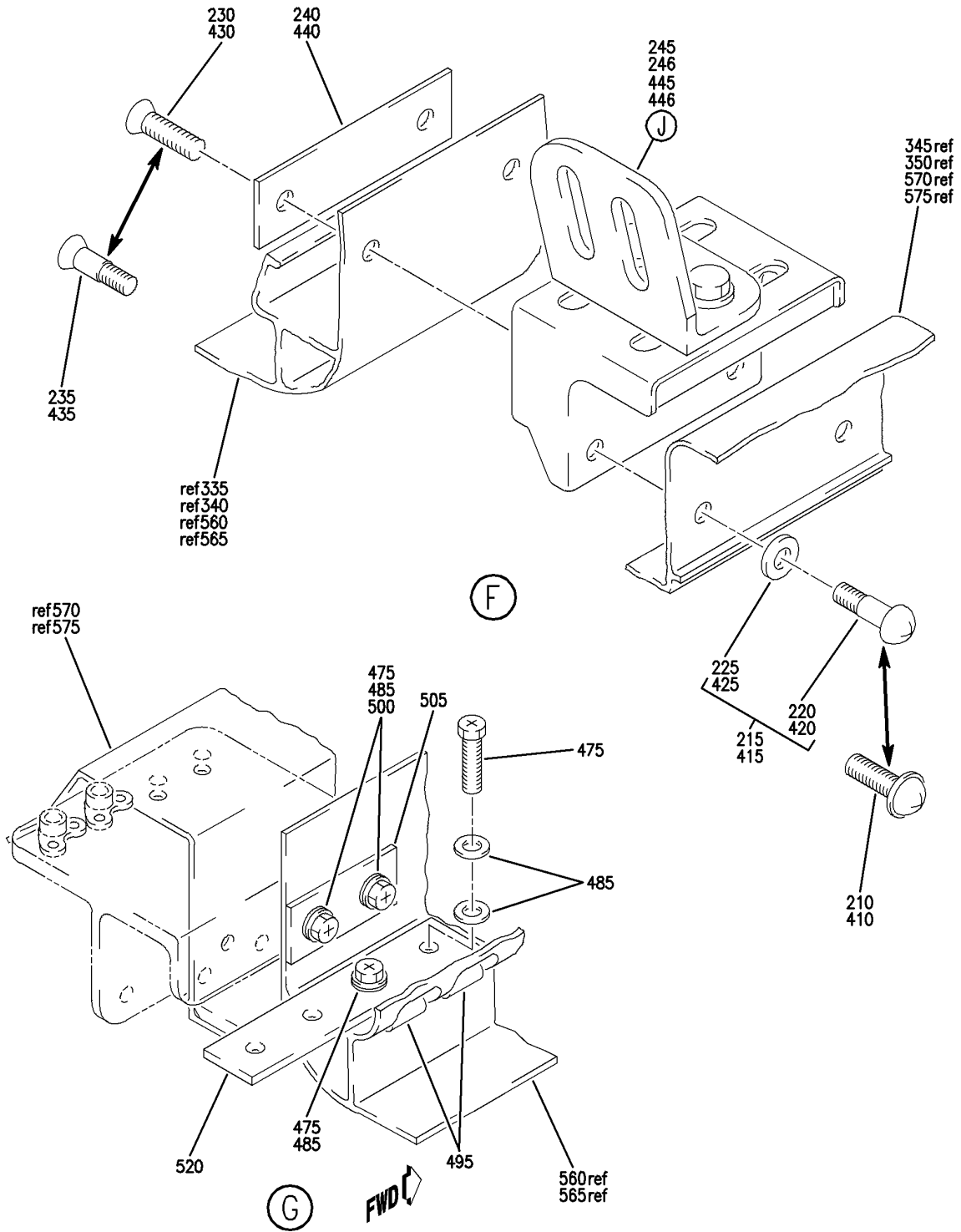
OUTLET ASSY
FIGURE 45J (SHEET 5)

21-23-02-45J

BRI
MAY 28/07

21-23-02-45J
PAGE 0D


BOEING
 757
PARTS CATALOG (MAINTENANCE)



Y 21230245J SHT 6 REV 234

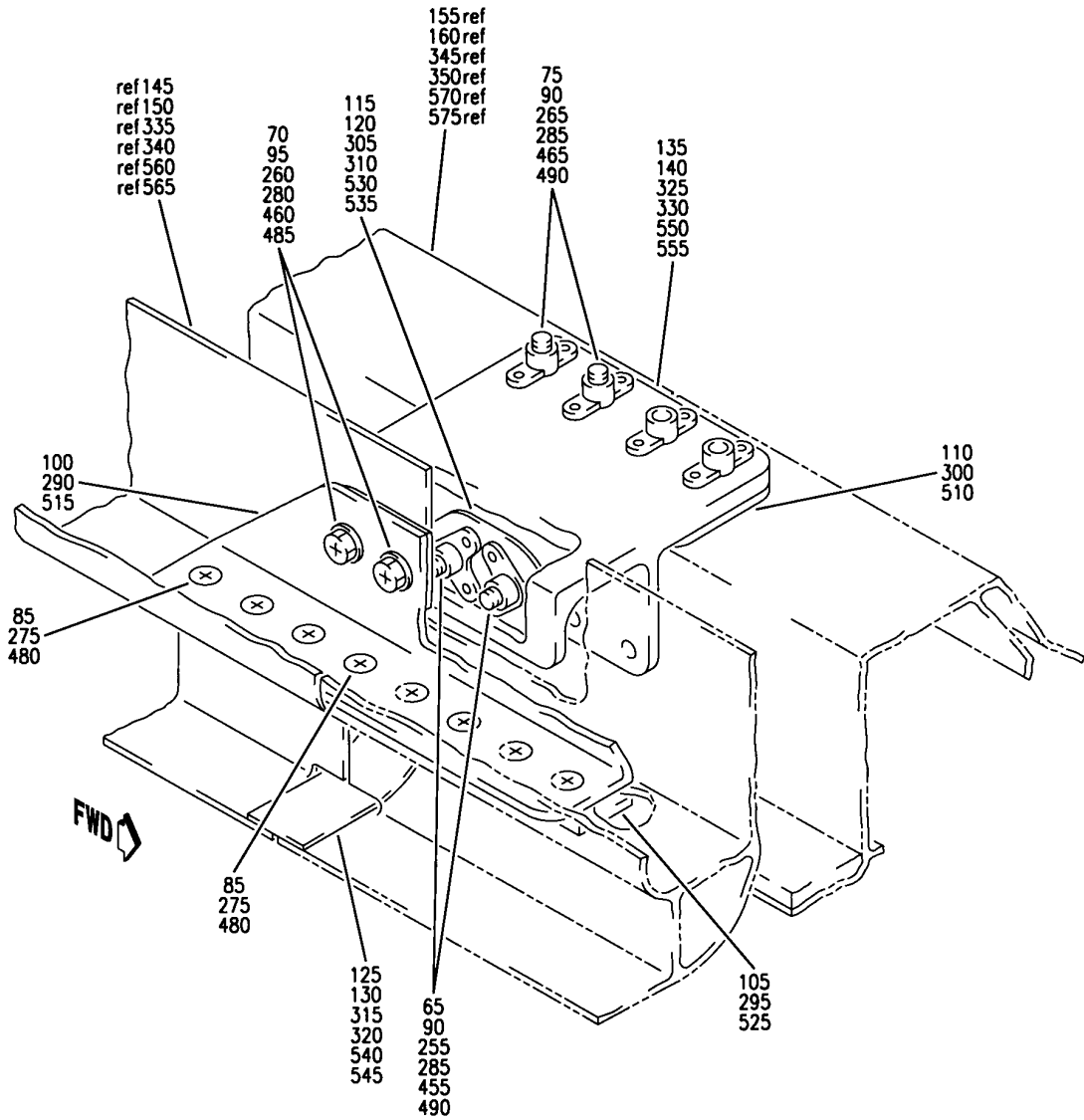
OUTLET ASSY
 FIGURE 45J (SHEET 6)

21-23-02-45J

BRI
MAY 28/07

21-23-02-45J
 PAGE 0E

BOEING
757
PARTS CATALOG (MAINTENANCE)



(H)

Y 21230245J SHT 7 REV 211

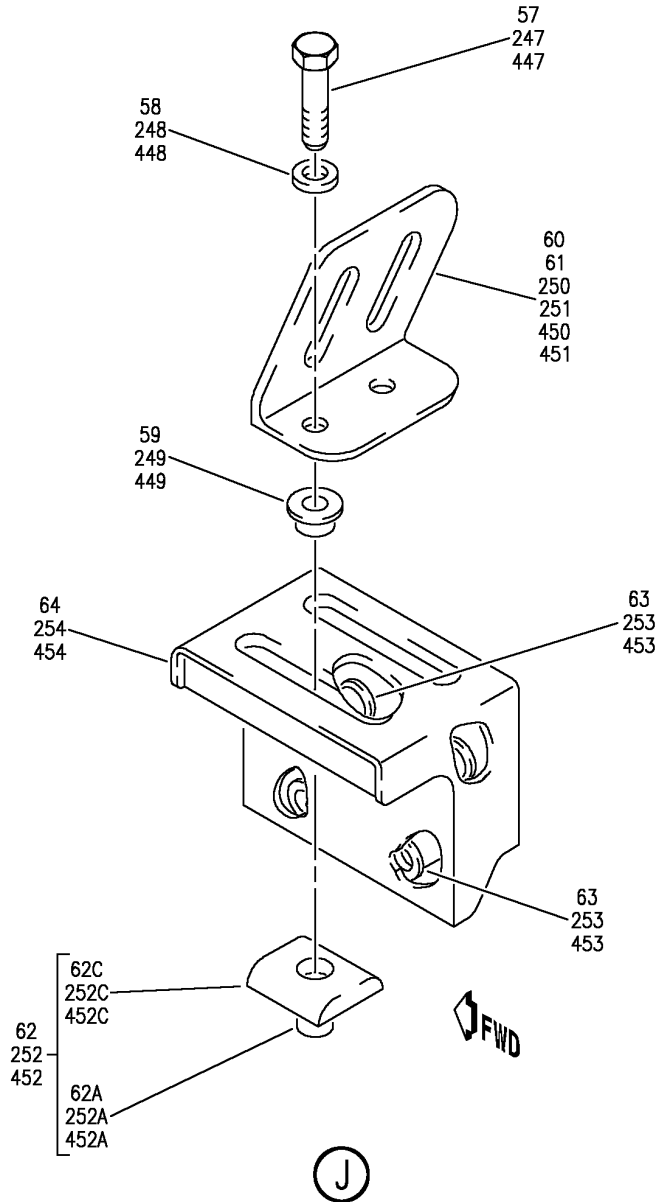
OUTLET ASSY
FIGURE 45J (SHEET 7)

21-23-02-45J

BRI
MAY 28/07

21-23-02-45J
PAGE OF

BOEING
757
PARTS CATALOG (MAINTENANCE)



Y 21230245J SHT 8 REV 266

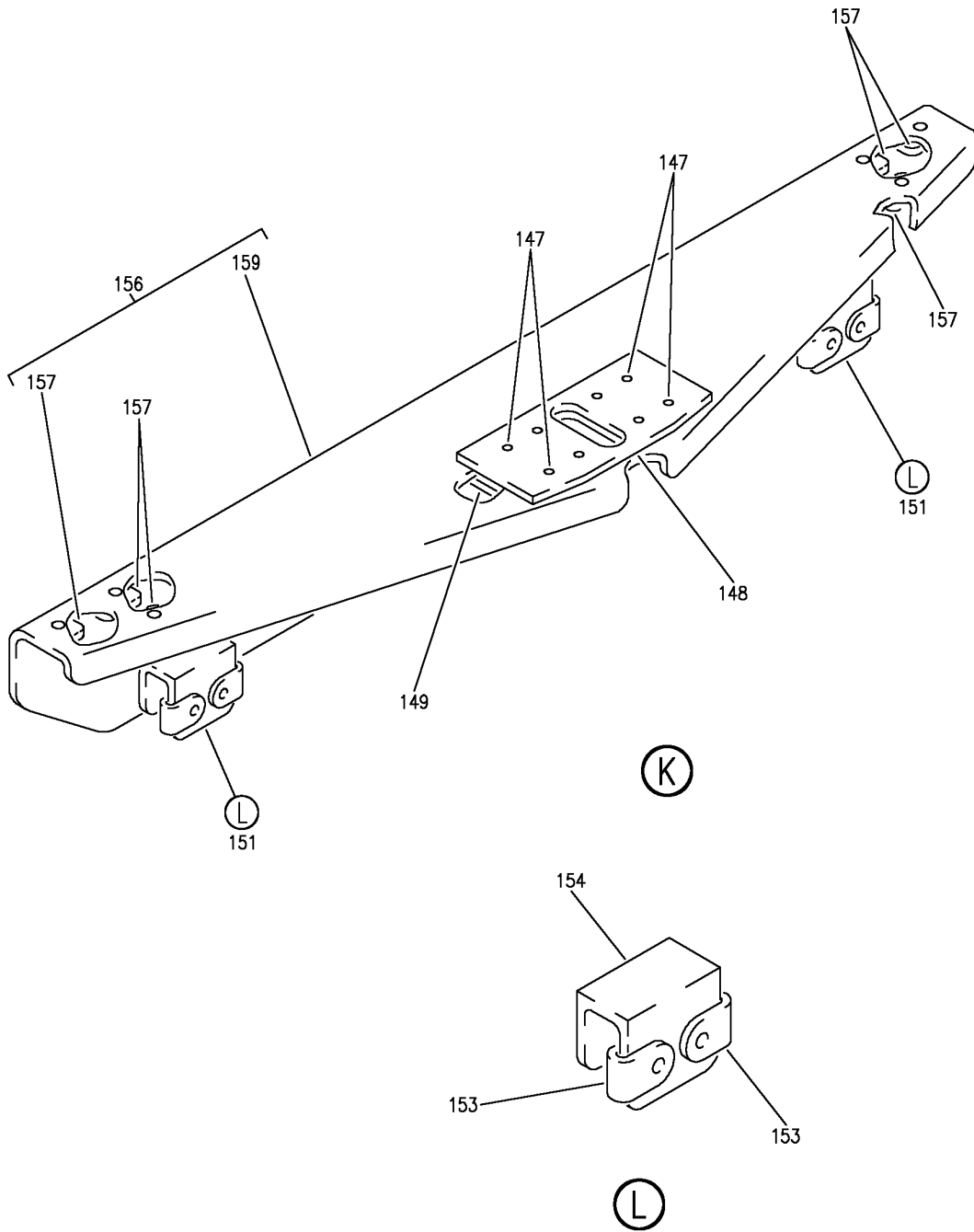
OUTLET ASSY
FIGURE 45J (SHEET 8)

21-23-02-45J

BRI
MAY 28/07

21-23-02-45J
PAGE 0G

BOEING
757
PARTS CATALOG (MAINTENANCE)



Y 21230245J SHT 9 REV 266

OUTLET ASSY
FIGURE 45J (SHEET 9)

21-23-02-45J

BRI
MAY 28/07

21-23-02-45J
PAGE 0H



757

PARTS CATALOG (MAINTENANCE)

| FIG ITEM | PART NUMBER | 1 2 3 4 5 6 7 | NOMENCLATURE | EFFECT FROM TO | UNITS PER ASSY |
|----------|-----------------|---------------|--|--|----------------|
| 45J | | | OUTLET ASSY | 006102 108120 504903 950951 953999 | |
| - 1 | 412N3103-1107SP | | OUTLET ASSY- POSITION DATA: LH FOR NHA SEE: 21-23-02-43C | 006100 950951 953999 | RF |
| - 1 | 412N3103-1307SP | | OUTLET ASSY- POSITION DATA: LH FOR NHA SEE: 21-23-02-43C | 101102 108120 504903 | RF |
| - 5 | 412N3103-1108SP | | OUTLET ASSY- POSITION DATA: RH FOR NHA SEE: 21-23-02-43C | 006100 950951 953999 | RF |
| - 5 | 412N3103-1308SP | | OUTLET ASSY- POSITION DATA: RH FOR NHA SEE: 21-23-02-43C | 101102 108120 504903 | RF |
| 10 | BACS12FA3K8 | | .SCREW- QUALIFIED OPTIONAL DATA: BACB30NT3K2 WITH AN960JD10LL OPTIONAL TO BACS12FA3K8 | 006100 950951 953999 | 4 |
| 10 | BACS12FA3K8 | | .SCREW- OPTIONAL PART: 412N3103-1329 | 101102 108120 504903 | 4 |
| 15 | BACB30NT3K2 | | .BOLT- QUALIFIED OPTIONAL DATA: BACB30NT3K2 WITH AN960JD10LL OPTIONAL TO BACS12FA3K8 | 006100 950951 953999 | 4 |
| 20 | AN960JD10LL | | .WASHER- QUALIFIED OPTIONAL DATA: BACB30NT3K2 WITH AN960JD10LL OPTIONAL TO BACS12FA3K8 | 006100 950951 953999 | 4 |
| 25 | 412N3103-1329 | | .SUBKIT ASSY- OPTIONAL PART: BACS12FA3K8 | 101102 108120 504903 | 4 |
| 30 | BACB30NT3K2 | | ..BOLT | 101102 108120 504903 | 1 |

MISSING ITEM NUMBERS NOT APPLICABLE

- ITEM NOT ILLUSTRATED

21-23-02-45J

21-23-02
FIG. 45J
PAGE 1
JAN 20/09

BRI



757

PARTS CATALOG (MAINTENANCE)

| FIG ITEM | PART NUMBER | 1 2 3 4 5 6 7 | NOMENCLATURE | EFFECT FROM TO | UNITS PER ASSY |
|----------|--------------|---------------|--|--|----------------|
| 45 J | | | | | |
| 35 | AN960JD10LL | . . | WASHER | 101102 108120 504903 | 1 |
| 40 | BACS12ER3K9 | . . | SCREW- OPTIONAL PART: BACB30VF3K3 | 006102 108120 504903 950951 953999 | 4 |
| 45 | BACB30VF3K3 | . . | BOLT- OPTIONAL PART: BACS12ER3K9 | 006102 108120 504903 950951 953999 | 4 |
| 50 | 65C27021-177 | . . | DOUBLER | 006102 108120 504903 950951 953999 | 2 |
| 55 | 412N3133-23 | . . | SUPPORT ASSY- USED ON: 412N3103-1107SP 412N3103-1307SP 412N3103-1312SP | 006102 108120 504903 950951 953999 | 2 |
| 56 | 412N3133-24 | . . | SUPPORT ASSY- USED ON: 412N3103-1108SP 412N3103-1308SP 412N3103-1313SP | 006102 108120 504903 950951 953999 | 2 |
| 57 | BACB30NM3K5 | . . | BOLT | 006102 108120 504903 950951 953999 | 2 |
| 58 | AN960JD10LL | . . | WASHER | 006102 108120 504903 950951 953999 | 2 |
| 59 | 412N2004-55 | . . | SPACER | 006102 108120 504903 950951 953999 | 2 |
| 60 | 65C27021-459 | . . | BRACKET- USED ON: 412N3133-23 | 006102 108120 504903 950951 953999 | 1 |

MISSING ITEM NUMBERS NOT APPLICABLE

- ITEM NOT ILLUSTRATED

21-23-02-45J

21-23-02
FIG. 45J
PAGE 2
JAN 20/09

BRI

BOEING PROPRIETARY - Copyright © - Unpublished Work - See title page for details.



757

PARTS CATALOG (MAINTENANCE)

| FIG ITEM | PART NUMBER | 1 2 3 4 5 6 7 | NOMENCLATURE | EFFECT FROM TO | UNITS PER ASSY |
|-----------|----------------|---------------|---|--|----------------|
| 45J 61 | 65C27021-460 | .. | BRACKET- USED ON: 412N3133-24 | 006102 108120 504903 950951 953999 | 1 |
| 62 | 65C27021-463 | .. | FILLER ASSY | 006102 108120 504903 950951 953999 | 2 |
| 62A | T8078S1032 | ... | NUTPLATE SUPPLIER CODE: V11815 SPECIFICATION NUMBER: BACN10JP3C OPTIONAL PART: MK3000-3BAC V15653 NS103199-02 V80539 RMA9205M3 V72962 VN203A1-02 V92215 BRM300A3 V52828 ATTACHING PARTS | 006102 108120 504903 950951 953999 | 1 |
| - 62B | BACR15BA3D | ... | RIVET- SIZE DETERMINED ON INSTL. | 006102 108120 504903 950951 953999 | 2 |
| 62C | 65C27021-464 |* | FILLER | 006102 108120 504903 950951 953999 | 1 |
| 63 | BACS13CJ3L080P | .. | INSERT | 006102 108120 504903 950951 953999 | 4 |
| 64 | 412N3134-1 | .. | BRACKET | 006102 108120 504903 950951 953999 | 1 |

MISSING ITEM NUMBERS NOT APPLICABLE

- ITEM NOT ILLUSTRATED

21-23-02-45J

21-23-02
FIG. 45J
PAGE 3
JAN 20/09

BRI



757

PARTS CATALOG (MAINTENANCE)

| FIG ITEM | PART NUMBER | 1 2 3 4 5 6 7 | NOMENCLATURE | EFFECT FROM TO | UNITS PER ASSY |
|----------|--------------|---------------|--------------------------------|--|----------------|
| 45 J | | | | | |
| 65 | BACS12ER08K7 | .SCREW- | OPTIONAL PART: NAS514P832-7 | 006102 108120 504903 950951 953999 | 2 |
| 65 | NAS514P832-7 | .SCREW- | OPTIONAL PART: BACS12ER08K7 | 006102 108120 504903 950951 953999 | 2 |
| 70 | BACS12GU08K7 | .SCREW- | OPTIONAL PART: NAS1801-08-7 | 006102 108120 504903 950951 953999 | 6 |
| 70 | NAS1801-08-7 | .SCREW- | OPTIONAL PART: BACS12GU08K7 | 006102 108120 504903 950951 953999 | 6 |
| 75 | BACS12ER08K8 | .SCREW- | OPTIONAL PART: NAS514P832-8 | 006102 108120 504903 950951 953999 | 2 |
| 75 | NAS514P832-8 | .SCREW- | OPTIONAL PART: BACS12ER08K8 | 006102 108120 504903 950951 953999 | 2 |
| 80 | BACS12GU08K6 | .SCREW- | OPTIONAL PART: NAS1801-08-6 | 006102 108120 504903 950951 953999 | 8 |
| 80 | NAS1801-08-6 | .SCREW- | OPTIONAL PART: BACS12GU08K6 | 006102 108120 504903 950951 953999 | 8 |
| 85 | BACB30LU2-2 | .BOLT | | 006102 108120 504903 950951 953999 | 4 |

MISSING ITEM NUMBERS NOT APPLICABLE

- ITEM NOT ILLUSTRATED

21-23-02-45J

21-23-02
FIG. 45J
PAGE 4
JAN 20/09

BRI

BOEING PROPRIETARY - Copyright © - Unpublished Work - See title page for details.



757

PARTS CATALOG (MAINTENANCE)

| FIG ITEM | PART NUMBER | 1 2 3 4 5 6 7 | NOMENCLATURE | EFFECT FROM TO | UNITS PER ASSY |
|----------|---------------|---------------|--|--|----------------|
| 45 J | | | | | |
| 90 | BACW10DM5P | . | WASHER | 006102 108120 504903 950951 953999 | 4 |
| 95 | NAS1149DN816J | . | WASHER | 006102 108120 504903 950951 953999 | 14 |
| 100 | 65C27020-612 | . | DOUBLER | 006102 108120 504903 950951 953999 | 1 |
| 105 | 65C27021-277 | . | DOUBLER | 006102 108120 504903 950951 953999 | 1 |
| 110 | 65C27021-481 | . | FILLER | 006102 108120 504903 950951 953999 | 1 |
| 115 | 412N3101-24SP | . | COVER ASSY- USED ON: 412N3103-1107SP 412N3103-1307SP 412N3103-1312SP | 006102 108120 504903 950951 953999 | 1 |
| 120 | 412N3101-25SP | . | COVER- USED ON: 412N3103-1108SP 412N3103-1308SP 412N3103-1313SP | 006102 108120 504903 950951 953999 | 1 |
| 125 | 412N3101-35SP | . | COVER- USED ON: 412N3103-1107SP 412N3103-1307SP 412N3103-1312SP | 006102 108120 504903 950951 953999 | 1 |
| 130 | 412N3101-36SP | . | COVER- USED ON: 412N3103-1108SP 412N3103-1308SP 412N3103-1313SP | 006102 108120 504903 950951 953999 | 1 |

MISSING ITEM NUMBERS NOT APPLICABLE

- ITEM NOT ILLUSTRATED

21-23-02-45J

21-23-02
FIG. 45J
PAGE 5
JAN 20/09

BRI



757

PARTS CATALOG (MAINTENANCE)

| FIG ITEM | PART NUMBER | 1 2 3 4 5 6 7 | NOMENCLATURE | EFFECT FROM TO | UNITS PER ASSY |
|-------------|-----------------|---|--------------|--|----------------|
| 45 J 135 | 65C27021-482 | .FITTING ASSY- USED ON: 412N3103-1107SP 412N3103-1307SP 412N3103-1312SP | | 006102 108120 504903 950951 953999 | 1 |
| 140 | 65C27021-483 | .FITTING ASSY- USED ON: 412N3103-1108SP 412N3103-1308SP 412N3103-1313SP | | 006102 108120 504903 950951 953999 | 1 |
| 142 | 412N3136-1037SP | .BEAM ASSY- USED ON: 412N3103-1107SP 412N3103-1307SP | | 006102 108120 504903 950951 953999 | 1 |
| 143 | 412N3136-1038SP | .BEAM ASSY- USED ON: 412N3103-1108SP 412N3103-1308SP | | 006102 108120 504903 950951 953999 | 1 |
| 144 | 412N2021-64 | ..SUPPORT ASSY-FXD | | 006102 108120 504903 950951 953999 | 1 |
| - 146 | BACR15FT6D | ATTACHING PARTS ..RIVET- SIZE DETERMINED ON INSTL. | | 006102 108120 504903 950951 953999 | 17 |
| 147 | BACR15BA6D | -----*----- ...RIVET- SIZE DETERMINED ON INSTL. | | 006102 108120 504903 950951 953999 | 8 |
| 148 | 412N2003-217 | ...DOUBLER | | 006102 108120 504903 950951 953999 | 1 |
| 149 | 412N2003-196 | ...DOUBLER | | 006102 108120 504903 950951 953999 | 1 |

MISSING ITEM NUMBERS NOT APPLICABLE

- ITEM NOT ILLUSTRATED

21-23-02-45J

21-23-02
FIG. 45J
PAGE 6
JAN 20/09

BRI

BOEING PROPRIETARY - Copyright © - Unpublished Work - See title page for details.



757

PARTS CATALOG (MAINTENANCE)

| FIG ITEM | PART NUMBER | 1 2 3 4 5 6 7 | NOMENCLATURE | EFFECT FROM TO | UNITS PER ASSY |
|-------------|--------------|----------------------|--|--|----------------|
| 45 J 151 | 412N2004-132 | ... | BRACKET ASSY | 006102 108120 504903 950951 953999 | 2 |
| - 152 | NAS1399D5-3 | ... | ATTACHING PARTS RIVET | 006102 108120 504903 950951 953999 | 4 |
| 153 | 130007 | -----*----- | NUT SUPPLIER CODE: V60119 SPECIFICATION NUMBER: BACN10FX83 OPTIONAL PART: BRC500-8-08 V52828 SL213-08-1 V97393 A11330-8-82 V72962 A4972-8-82 V72962 A4972-8-82 V72962 | 006102 108120 504903 950951 953999 | 2 |
| 154 | 412N2004-133 | | BRACKET | 006102 108120 504903 950951 953999 | 1 |
| 156 | 412N2003-189 | ... | BRACKET ASSY | 006102 108120 504903 950951 953999 | 1 |

MISSING ITEM NUMBERS NOT APPLICABLE

- ITEM NOT ILLUSTRATED

21-23-02-45J

21-23-02
FIG. 45J
PAGE 7
JAN 20/09

BRI

BOEING PROPRIETARY - Copyright © - Unpublished Work - See title page for details.



757

PARTS CATALOG (MAINTENANCE)

| FIG ITEM | PART NUMBER | 1 2 3 4 5 6 7 | NOMENCLATURE | EFFECT FROM TO | UNITS PER ASSY |
|-------------|-----------------|---------------|--|--|----------------|
| 45 J 157 | MF53049-3 | | NUTPLATE SUPPLIER CODE: V15653 SPECIFICATION NUMBER: BACN10JN3 OPTIONAL PART: BRFM20A3 V52828 MF1000-3BAC V15653 NS103218-02 V80539 RMF9201M3 V72962 VN252A02 V92215 T8124S3S V11815 ATTACHING PARTS | 006102 108120 504903 950951 953999 | 6 |
| - 158 | BACR15BA3D | | RIVET- SIZE DETERMINED ON INSTL. | 006102 108120 504903 950951 953999 | 12 |
| | | | -----*----- | | |
| 159 | 412N2003-190 | | BRACKET | 006102 108120 504903 950951 953999 | 1 |
| 161 | 412N3137-1211SP | .BEAM ASSY- | USED ON: 412N3103-1107SP | 006100 950951 953999 | 1 |
| 161 | 412N3137-1629SP | .BEAM ASSY- | USED ON: 412N3103-1307SP | 101102 108120 504903 | 1 |
| 163 | 412N3137-1212SP | .BEAM ASSY- | USED ON: 412N3103-1108SP | 006100 950951 953999 | 1 |
| 163 | 412N3137-1630SP | .BEAM ASSY- | USED ON: 412N3103-1308SP | 101102 108120 504903 | 1 |
| 165 | 412N3137-1633 | .. | GROMMET | 101102 108120 504903 | 1 |

MISSING ITEM NUMBERS NOT APPLICABLE

- ITEM NOT ILLUSTRATED

21-23-02-45J

21-23-02
FIG. 45J
PAGE 8
JAN 20/09

BRI



757

PARTS CATALOG (MAINTENANCE)

| FIG ITEM | PART NUMBER | 1 2 3 4 5 6 7 NOMENCLATURE | EFFECT FROM TO | UNITS PER ASSY |
|---------------|-----------------|--|--|----------------|
| 45 J - 200 | 412N3103-1109SP | OUTLET ASSY- POSITION DATA: LH FOR NHA SEE: 21-23-02-43C | 006102 108120 504903 950951 953999 | RF |
| - 205 | 412N3103-1110SP | OUTLET ASSY- POSITION DATA: RH FOR NHA SEE: 21-23-02-43C | 006102 108120 504903 950951 953999 | RF |
| 210 | BACS12FA3K8 | .SCREW- OPTIONAL PART: 412N3103-1329 | 006102 108120 504903 950951 953999 | 8 |
| 215 | 412N3103-1329 | .SUBKIT ASSY- OPTIONAL PART: BACS12FA3K8 | 006102 108120 504903 950951 953999 | 8 |
| 220 | BACB30NT3K2 | ..BOLT | 006102 108120 504903 950951 953999 | 1 |
| 225 | AN960JD10LL | ..WASHER | 006102 108120 504903 950951 953999 | 1 |
| 230 | BACS12ER3K9 | .SCREW- OPTIONAL PART: BACB30VF3K3 | 006102 108120 504903 950951 953999 | 8 |
| 235 | BACB30VF3K3 | .BOLT- OPTIONAL PART: BACS12ER3K9 | 006102 108120 504903 950951 953999 | 8 |
| 240 | 65C27021-177 | .DOUBLER | 006102 108120 504903 950951 953999 | 4 |

MISSING ITEM NUMBERS NOT APPLICABLE

- ITEM NOT ILLUSTRATED

21-23-02-45J

21-23-02
FIG. 45J
PAGE 9
JAN 20/09

BRI



757

PARTS CATALOG (MAINTENANCE)

| FIG ITEM | PART NUMBER | 1 2 3 4 5 6 7 | NOMENCLATURE | EFFECT FROM TO | UNITS PER ASSY |
|-------------|--------------|---------------|--|--|----------------|
| 45 J 245 | 412N3133-23 | . | SUPPORT ASSY- USED ON: 412N3103-1109SP | 006102 108120 504903 950951 953999 | 4 |
| 246 | 412N3133-24 | . | SUPPORT ASSY- USED ON: 412N3103-1110SP | 006102 108120 504903 950951 953999 | 4 |
| 247 | BACB30NM3K5 | .. | BOLT | 006102 108120 504903 950951 953999 | 2 |
| 248 | AN960JD10LL | .. | WASHER | 006102 108120 504903 950951 953999 | 2 |
| 249 | 412N2004-55 | .. | SPACER | 006102 108120 504903 950951 953999 | 2 |
| 250 | 65C27021-459 | .. | BRACKET- USED ON: 412N3133-23 | 006102 108120 504903 950951 953999 | 1 |
| 251 | 65C27021-460 | .. | BRACKET- USED ON: 412N3133-24 | 006102 108120 504903 950951 953999 | 1 |
| 252 | 65C27021-463 | .. | FILLER ASSY | 006102 108120 504903 950951 953999 | 2 |

MISSING ITEM NUMBERS NOT APPLICABLE

- ITEM NOT ILLUSTRATED

21-23-02-45J

21-23-02
FIG. 45J
PAGE 10
JAN 20/09

BRI

BOEING PROPRIETARY - Copyright © - Unpublished Work - See title page for details.



757

PARTS CATALOG (MAINTENANCE)

| FIG ITEM | PART NUMBER | 1 2 3 4 5 6 7 | NOMENCLATURE | EFFECT FROM TO | UNITS PER ASSY |
|--------------|----------------|---------------|--|--|----------------|
| 45 J 252A | T8078S1032 | | ...NUTPLATE SUPPLIER CODE: V11815 SPECIFICATION NUMBER: BACN10JP3C OPTIONAL PART: MK3000-3BAC V15653 NS103199-02 V80539 RMA9205M3 V72962 VN203A1-02 V92215 BRM300A3 V52828 ATTACHING PARTS | 006102 108120 504903 950951 953999 | 1 |
| -252B | BACR15BA3D | | ...RIVET- SIZE DETERMINED ON INSTL. | 006102 108120 504903 950951 953999 | 2 |
| | | | -----*----- | | |
| 252C | 65C27021-464 | | ... FILLER | 006102 108120 504903 950951 953999 | 1 |
| 253 | BACS13CJ3L080P | | .. INSERT | 006102 108120 504903 950951 953999 | 4 |
| 254 | 412N3134-1 | | .. BRACKET | 006102 108120 504903 950951 953999 | 1 |
| 255 | BACS12ER08K7 | | . SCREW- OPTIONAL PART: NAS514P832-7 | 006102 108120 504903 950951 953999 | 2 |
| 255 | NAS514P832-7 | | . SCREW- OPTIONAL PART: BACS12ER08K7 | 006102 108120 504903 950951 953999 | 2 |

MISSING ITEM NUMBERS NOT APPLICABLE

- ITEM NOT ILLUSTRATED

21-23-02-45J

21-23-02
FIG. 45J
PAGE 11
JAN 20/09

BRI

BOEING PROPRIETARY - Copyright © - Unpublished Work - See title page for details.



757

PARTS CATALOG (MAINTENANCE)

| FIG ITEM | PART NUMBER | 1 2 3 4 5 6 7 | NOMENCLATURE | EFFECT FROM TO | UNITS PER ASSY |
|-------------|---------------|---------------|--------------------------------|--|----------------|
| 45 J 260 | BACS12GU08K7 | . SCREW- | OPTIONAL PART: NAS1801-08-7 | 006102 108120 504903 950951 953999 | 2 |
| 260 | NAS1801-08-7 | . SCREW- | OPTIONAL PART: BACS12GU08K7 | 006102 108120 504903 950951 953999 | 2 |
| 265 | BACS12ER08K8 | . SCREW- | OPTIONAL PART: NAS514P832-8 | 006102 108120 504903 950951 953999 | 2 |
| 265 | NAS514P832-8 | . SCREW- | OPTIONAL PART: BACS12ER08K8 | 006102 108120 504903 950951 953999 | 2 |
| 270 | BACS12GU08K6 | . SCREW- | OPTIONAL PART: NAS1801-08-6 | 006102 108120 504903 950951 953999 | 4 |
| 270 | NAS1801-08-6 | . SCREW- | OPTIONAL PART: BACS12GU08K6 | 006102 108120 504903 950951 953999 | 4 |
| 275 | BACB30LU2-2 | . BOLT | | 006102 108120 504903 950951 953999 | 4 |
| 280 | NAS1149DN816J | . WASHER | | 006102 108120 504903 950951 953999 | 6 |
| 285 | BACW10DM5P | . WASHER | | 006102 108120 504903 950951 953999 | 4 |

MISSING ITEM NUMBERS NOT APPLICABLE

- ITEM NOT ILLUSTRATED

21-23-02-45J

21-23-02
FIG. 45J
PAGE 12
JAN 20/09

BRI

BOEING PROPRIETARY - Copyright © - Unpublished Work - See title page for details.



757

PARTS CATALOG (MAINTENANCE)

| FIG ITEM | PART NUMBER | 1 2 3 4 5 6 7 | NOMENCLATURE | EFFECT FROM TO | UNITS PER ASSY |
|-------------|---------------|---------------|--|--|----------------|
| 45 J 290 | 65C27020-612 | . | DOUBLER | 006102 108120 504903 950951 953999 | 1 |
| 295 | 65C27021-277 | . | DOUBLER | 006102 108120 504903 950951 953999 | 1 |
| 300 | 65C27021-481 | . | FILLER | 006102 108120 504903 950951 953999 | 1 |
| 305 | 412N3101-24SP | . | COVER ASSY- USED ON: 412N3103-1109SP | 006102 108120 504903 950951 953999 | 1 |
| 310 | 412N3101-25SP | . | COVER- USED ON: 412N3103-1110SP | 006102 108120 504903 950951 953999 | 1 |
| 315 | 412N3101-35SP | . | COVER- USED ON: 412N3103-1109SP | 006102 108120 504903 950951 953999 | 1 |
| 320 | 412N3101-36SP | . | COVER- USED ON: 412N3103-1110SP | 006102 108120 504903 950951 953999 | 1 |
| 325 | 65C27021-482 | . | FITTING ASSY- USED ON: 412N3103-1109SP | 006102 108120 504903 950951 953999 | 1 |
| 330 | 65C27021-483 | . | FITTING ASSY- USED ON: 412N3103-1110SP | 006102 108120 504903 950951 953999 | 1 |

MISSING ITEM NUMBERS NOT APPLICABLE

- ITEM NOT ILLUSTRATED

21-23-02-45J

21-23-02
FIG. 45J
PAGE 13
JAN 20/09

BRI

BOEING PROPRIETARY - Copyright © - Unpublished Work - See title page for details.



757

PARTS CATALOG (MAINTENANCE)

| FIG ITEM | PART NUMBER | 1 2 3 4 5 6 7 | NOMENCLATURE | EFFECT FROM TO | UNITS PER ASSY |
|-------------|-----------------|--|--------------|--|----------------|
| 45 J 335 | 412N3136-67SP | .BEAM- USED ON: 412N3103-1109SP | | 006102 108120 504903 950951 953999 | 1 |
| 340 | 412N3136-68SP | .BEAM- USED ON: 412N3103-1110SP | | 006102 108120 504903 950951 953999 | 1 |
| 345 | 412N3137-1215SP | .BEAM ASSY- USED ON: 412N3103-1109SP | | 006102 108120 504903 950951 953999 | 1 |
| 350 | 412N3137-1216SP | .BEAM ASSY- USED ON: 412N3103-1110SP | | 006102 108120 504903 950951 953999 | 1 |
| - 400 | 412N3103-1115SP | OUTLET ASSY- POSITION DATA: LH FOR NHA SEE: 21-23-02-43C | | 006102 108120 504903 950951 953999 | RF |
| - 405 | 412N3103-1116SP | OUTLET ASSY- POSITION DATA: RH FOR NHA SEE: 21-23-02-43C | | 006102 108120 504903 950951 953999 | RF |
| 410 | BACS12FA3K8 | .SCREW- OPTIONAL PART: 412N3103-1329 | | 006102 108120 504903 950951 953999 | 6 |
| 415 | 412N3103-1329 | .SUBKIT ASSY- OPTIONAL PART: BACS12FA3K8 | | 006102 108120 504903 950951 953999 | 6 |
| 420 | BACB30NT3K2 | ..BOLT | | 006102 108120 504903 950951 953999 | 1 |

MISSING ITEM NUMBERS NOT APPLICABLE

- ITEM NOT ILLUSTRATED

21-23-02-45J

21-23-02
FIG. 45J
PAGE 14
JAN 20/09

BRI

 **BOEING**
757
PARTS CATALOG (MAINTENANCE)

| FIG ITEM | PART NUMBER | 1 2 3 4 5 6 7 | NOMENCLATURE | EFFECT FROM TO | UNITS PER ASSY |
|-------------|--------------|---------------|--|--|----------------|
| 45 J 425 | AN960JD10LL | . . | WASHER | 006102 108120 504903 950951 953999 | 1 |
| 430 | BACS12ER3K9 | . . | SCREW- OPTIONAL PART: BACB30VF3K3 | 006102 108120 504903 950951 953999 | 6 |
| 435 | BACB30VF3K3 | . . | BOLT- OPTIONAL PART: BACS12ER3K9 | 006102 108120 504903 950951 953999 | 6 |
| 440 | 65C27021-177 | . . | DOUBLER | 006102 108120 504903 950951 953999 | 3 |
| 445 | 412N3133-23 | . . | SUPPORT ASSY- USED ON: 412N3103-1115SP | 006102 108120 504903 950951 953999 | 3 |
| 446 | 412N3133-24 | . . | SUPPORT ASSY- USED ON: 412N3103-1116SP | 006102 108120 504903 950951 953999 | 3 |
| 447 | BACB30NM3K5 | . . | BOLT | 006102 108120 504903 950951 953999 | 2 |
| 448 | AN960JD10LL | . . | WASHER | 006102 108120 504903 950951 953999 | 2 |
| 449 | 412N2004-55 | . . | SPACER | 006102 108120 504903 950951 953999 | 2 |

MISSING ITEM NUMBERS NOT APPLICABLE

— ITEM NOT ILLUSTRATED

BRI

21-23-02-45J

BOEING PROPRIETARY - Copyright © - Unpublished Work - See title page for details.

21-23-02
FIG. 45J
PAGE 15
JAN 20/09



757

PARTS CATALOG (MAINTENANCE)

| FIG ITEM | PART NUMBER | 1 2 3 4 5 6 7 | NOMENCLATURE | EFFECT FROM TO | UNITS PER ASSY |
|-------------|----------------|---------------|---|--|----------------|
| 45 J 450 | 65C27021-459 | .. | BRACKET- USED ON: 412N3133-23 | 006102 108120 504903 950951 953999 | 1 |
| 451 | 65C27021-460 | .. | BRACKET- USED ON: 412N3133-24 | 006102 108120 504903 950951 953999 | 1 |
| 452 | 65C27021-463 | .. | FILLER ASSY | 006102 108120 504903 950951 953999 | 2 |
| 452A | T8078S1032 | ... | NUTPLATE SUPPLIER CODE: V11815 SPECIFICATION NUMBER: BACN10JP3C OPTIONAL PART: MK3000-3BAC V15653 NS103199-02 V80539 RMA9205M3 V72962 VN203A1-02 V92215 BRM300A3 V52828 ATTACHING PARTS | 006102 108120 504903 950951 953999 | 1 |
| -452B | BACR15BA3D | ... | RIVET- SIZE DETERMINED ON INSTL. | 006102 108120 504903 950951 953999 | 2 |
| 452C | 65C27021-464 |* | FILLER | 006102 108120 504903 950951 953999 | 1 |
| 453 | BACS13CJ3L080P | .. | INSERT | 006102 108120 504903 950951 953999 | 4 |

MISSING ITEM NUMBERS NOT APPLICABLE

- ITEM NOT ILLUSTRATED

21-23-02-45J

21-23-02
FIG. 45J
PAGE 16
JAN 20/09

BRI

BOEING PROPRIETARY - Copyright © - Unpublished Work - See title page for details.



757

PARTS CATALOG (MAINTENANCE)

| FIG ITEM | PART NUMBER | 1 2 3 4 5 6 7 | NOMENCLATURE | EFFECT FROM TO | UNITS PER ASSY |
|-------------|--------------|---------------|--------------------------------|--|----------------|
| 45 J 454 | 412N3134-1 | . . | BRACKET | 006102 108120 504903 950951 953999 | 1 |
| 455 | BACS12ER08K7 | . SCREW- | OPTIONAL PART: NAS514P832-7 | 006102 108120 504903 950951 953999 | 2 |
| 455 | NAS514P832-7 | . SCREW- | OPTIONAL PART: BACS12ER08K7 | 006102 108120 504903 950951 953999 | 2 |
| 460 | BACS12GU08K7 | . SCREW- | OPTIONAL PART: NAS1801-08-7 | 006102 108120 504903 950951 953999 | 2 |
| 460 | NAS1801-08-7 | . SCREW- | OPTIONAL PART: BACS12GU08K7 | 006102 108120 504903 950951 953999 | 2 |
| 465 | BACS12ER08K8 | . SCREW- | OPTIONAL PART: NAS514P832-8 | 006102 108120 504903 950951 953999 | 2 |
| 465 | NAS514P832-8 | . SCREW- | OPTIONAL PART: BACS12ER08K8 | 006102 108120 504903 950951 953999 | 2 |
| 470 | BACS12GU08K6 | . SCREW- | OPTIONAL PART: NAS1801-08-6 | 006102 108120 504903 950951 953999 | 6 |
| 470 | NAS1801-08-6 | . SCREW- | OPTIONAL PART: BACS12GU08K6 | 006102 108120 504903 950951 953999 | 6 |

MISSING ITEM NUMBERS NOT APPLICABLE

- ITEM NOT ILLUSTRATED

21-23-02-45J

21-23-02
FIG. 45J
PAGE 17
JAN 20/09

BRI



757

PARTS CATALOG (MAINTENANCE)

| FIG ITEM | PART NUMBER | 1 2 3 4 5 6 7 | NOMENCLATURE | EFFECT FROM TO | UNITS PER ASSY |
|-------------|---------------|---------------|---|--|----------------|
| 45 J 475 | BACS12GU08K8 | .SCREW- | OPTIONAL PART: NAS1801-08-8 | 006102 108120 504903 950951 953999 | 4 |
| 475 | NAS1801-08-8 | .SCREW- | OPTIONAL PART: BACS12GU08K8 | 006102 108120 504903 950951 953999 | 4 |
| 480 | BACB30LU2-2 | .BOLT | | 006102 108120 504903 950951 953999 | 4 |
| 485 | NAS1149DN816J | .WASHER | | 006102 108120 504903 950951 953999 | 16 |
| 490 | BACW10DM5P | .WASHER | | 006102 108120 504903 950951 953999 | 4 |
| 495 | 130008 | .NUT | SUPPLIER CODE: V60119 SPECIFICATION NUMBER: BACN10FX84 OPTIONAL PART: RM52LHA4972-6-8 V72962 SL211-08-1 V97393 A11330-6-82 V72962 A4972-6-82 V72962 | 006102 108120 504903 950951 953999 | 2 |
| 500 | MS21042L08 | .NUT | | 006102 108120 504903 950951 953999 | 2 |
| 505 | 65C27021-191 | .FILLER | | 006102 108120 504903 950951 953999 | 1 |

MISSING ITEM NUMBERS NOT APPLICABLE

- ITEM NOT ILLUSTRATED

21-23-02-45J

21-23-02
FIG. 45J
PAGE 18
JAN 20/09

BRI

 **BOEING**
757
PARTS CATALOG (MAINTENANCE)

| FIG ITEM | PART NUMBER | 1 2 3 4 5 6 7 | NOMENCLATURE | EFFECT FROM TO | UNITS PER ASSY |
|-------------|---------------|---------------|--|--|----------------|
| 45 J 510 | 65C27021-481 | . | FILLER | 006102 108120 504903 950951 953999 | 1 |
| 515 | 65C27020-612 | . | DOUBLER | 006102 108120 504903 950951 953999 | 1 |
| 520 | 65C27021-193 | . | DOUBLER | 006102 108120 504903 950951 953999 | 1 |
| 525 | 65C27021-277 | . | DOUBLER | 006102 108120 504903 950951 953999 | 1 |
| 530 | 412N3101-24SP | . | COVER ASSY- USED ON: 412N3103-1115SP | 006102 108120 504903 950951 953999 | 1 |
| 535 | 412N3101-25SP | . | COVER- USED ON: 412N3103-1116SP | 006102 108120 504903 950951 953999 | 1 |
| 540 | 412N3101-35SP | . | COVER- USED ON: 412N3103-1115SP | 006102 108120 504903 950951 953999 | 1 |
| 545 | 412N3101-36SP | . | COVER- USED ON: 412N3103-1116SP | 006102 108120 504903 950951 953999 | 1 |
| 550 | 65C27021-482 | . | FITTING ASSY- USED ON: 412N3103-1115SP | 006102 108120 504903 950951 953999 | 1 |

MISSING ITEM NUMBERS NOT APPLICABLE

— ITEM NOT ILLUSTRATED

BRI

21-23-02-45J

BOEING PROPRIETARY - Copyright © - Unpublished Work - See title page for details.

21-23-02
FIG. 45J
PAGE 19
JAN 20/09



757

PARTS CATALOG (MAINTENANCE)

| FIG ITEM | PART NUMBER | 1 2 3 4 5 6 7 | NOMENCLATURE | EFFECT FROM TO | UNITS PER ASSY |
|-------------|-----------------|---------------|---|--|----------------|
| 45 J 555 | 65C27021-483 | | .FITTING ASSY- USED ON: 412N3103-1116SP | 006102 108120 504903 950951 953999 | 1 |
| 560 | 412N3136-1045SP | | .BEAM- USED ON: 412N3103-1115SP | 006102 108120 504903 950951 953999 | 1 |
| 565 | 412N3136-1046SP | | .BEAM- USED ON: 412N3103-1116SP | 006102 108120 504903 950951 953999 | 1 |
| 570 | 412N3137-1227SP | | .BEAM ASSY- USED ON: 412N3103-1115SP | 006102 108120 504903 950951 953999 | 1 |
| 575 | 412N3137-1228SP | | .BEAM ASSY- USED ON: 412N3103-1116SP | 006102 108120 504903 950951 953999 | 1 |

MISSING ITEM NUMBERS NOT APPLICABLE

- ITEM NOT ILLUSTRATED

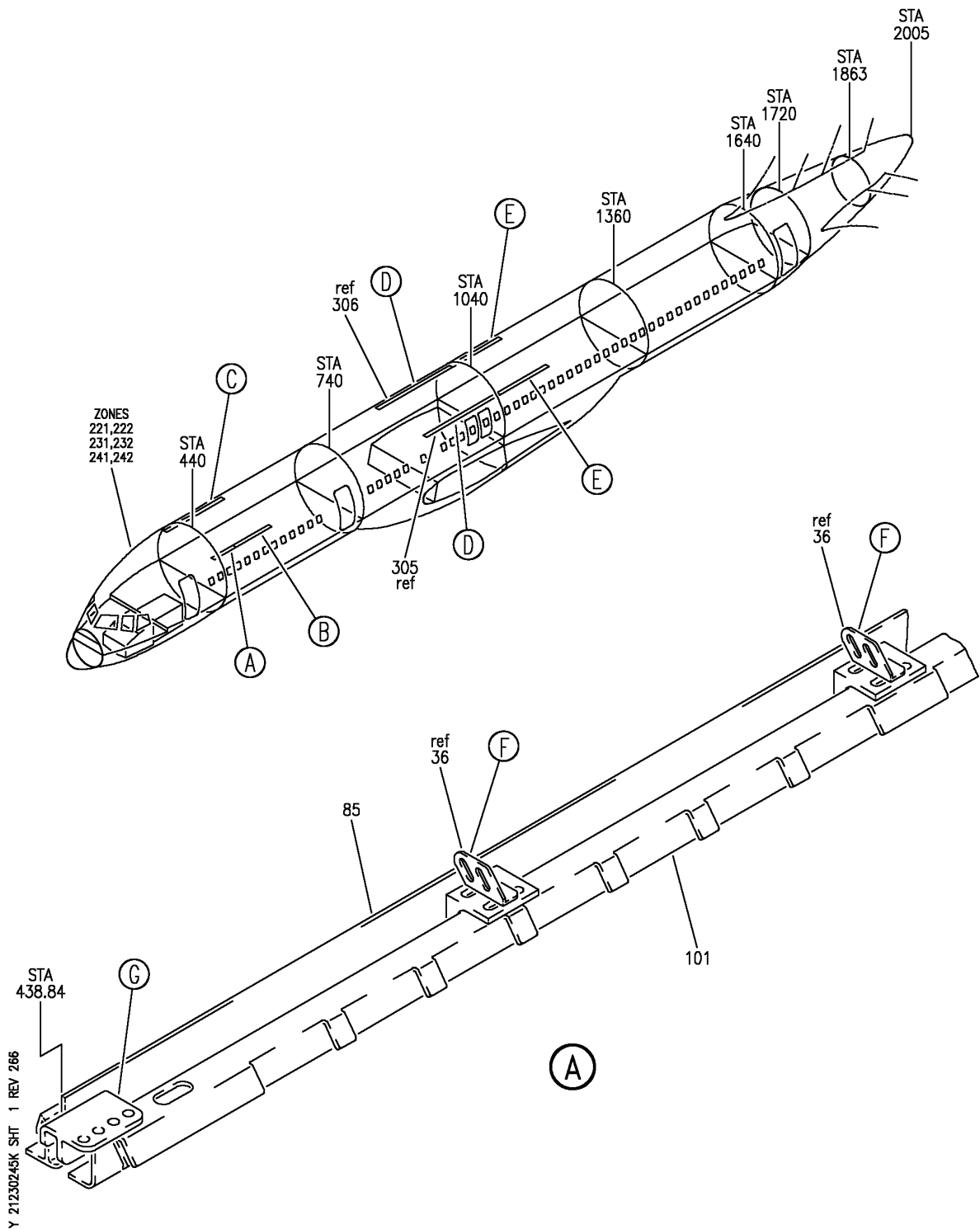
21-23-02-45J

21-23-02
FIG. 45J
PAGE 20
JAN 20/09

BRI

BOEING PROPRIETARY - Copyright © - Unpublished Work - See title page for details.

BOEING
757
PARTS CATALOG (MAINTENANCE)



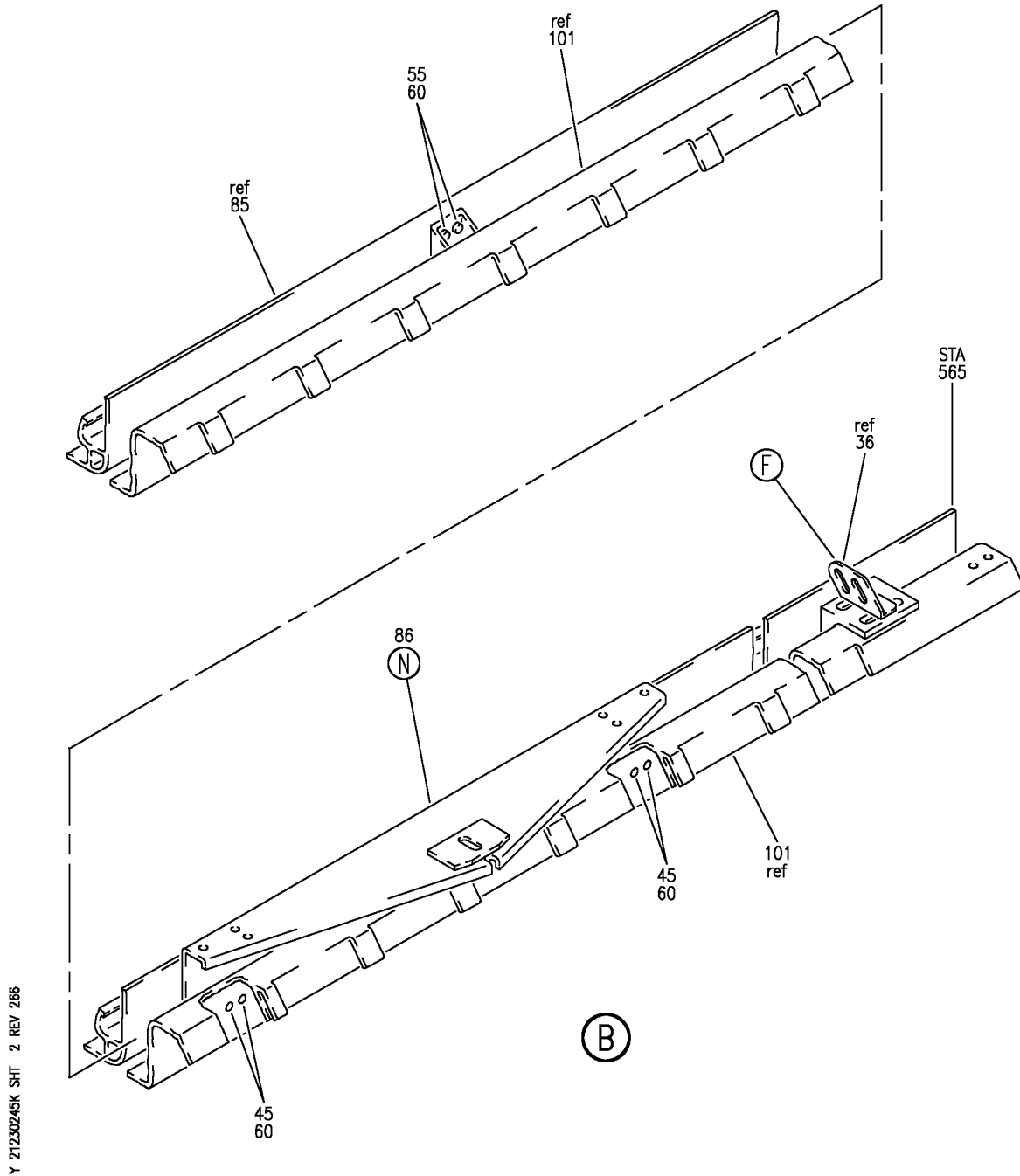
OUTLET ASSY
FIGURE 45K (SHEET 1)

21-23-02-45K

BRI
MAY 28/07

21-23-02-45K
PAGE 0

BOEING
757
PARTS CATALOG (MAINTENANCE)



Y 21230245K SHT 2 REV 266

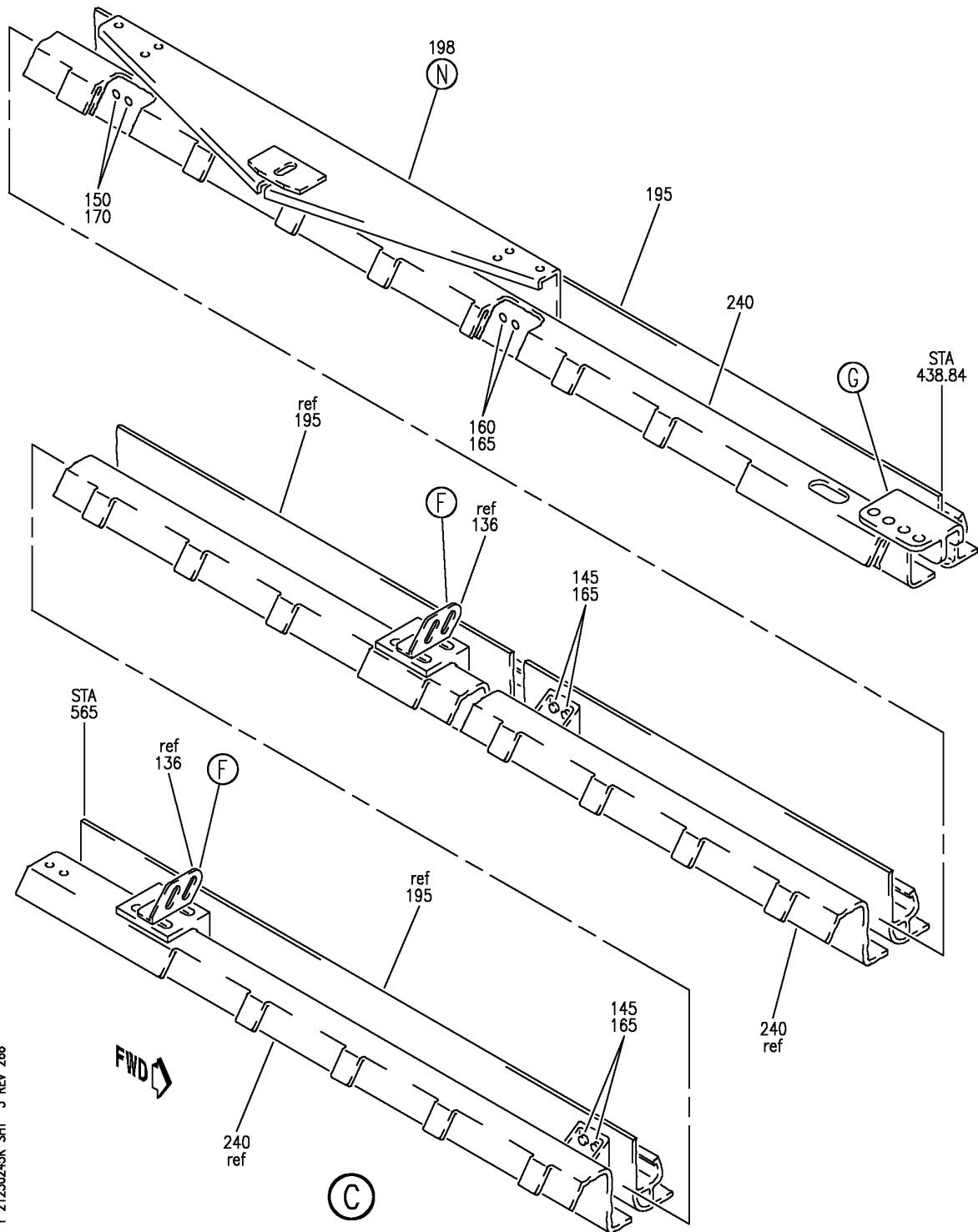
OUTLET ASSY
FIGURE 45K (SHEET 2)

21-23-02-45K

BRI
MAY 28/07

21-23-02-45K
PAGE 0A

BOEING
757
PARTS CATALOG (MAINTENANCE)



Y 21230245K SHT 3 REV 266

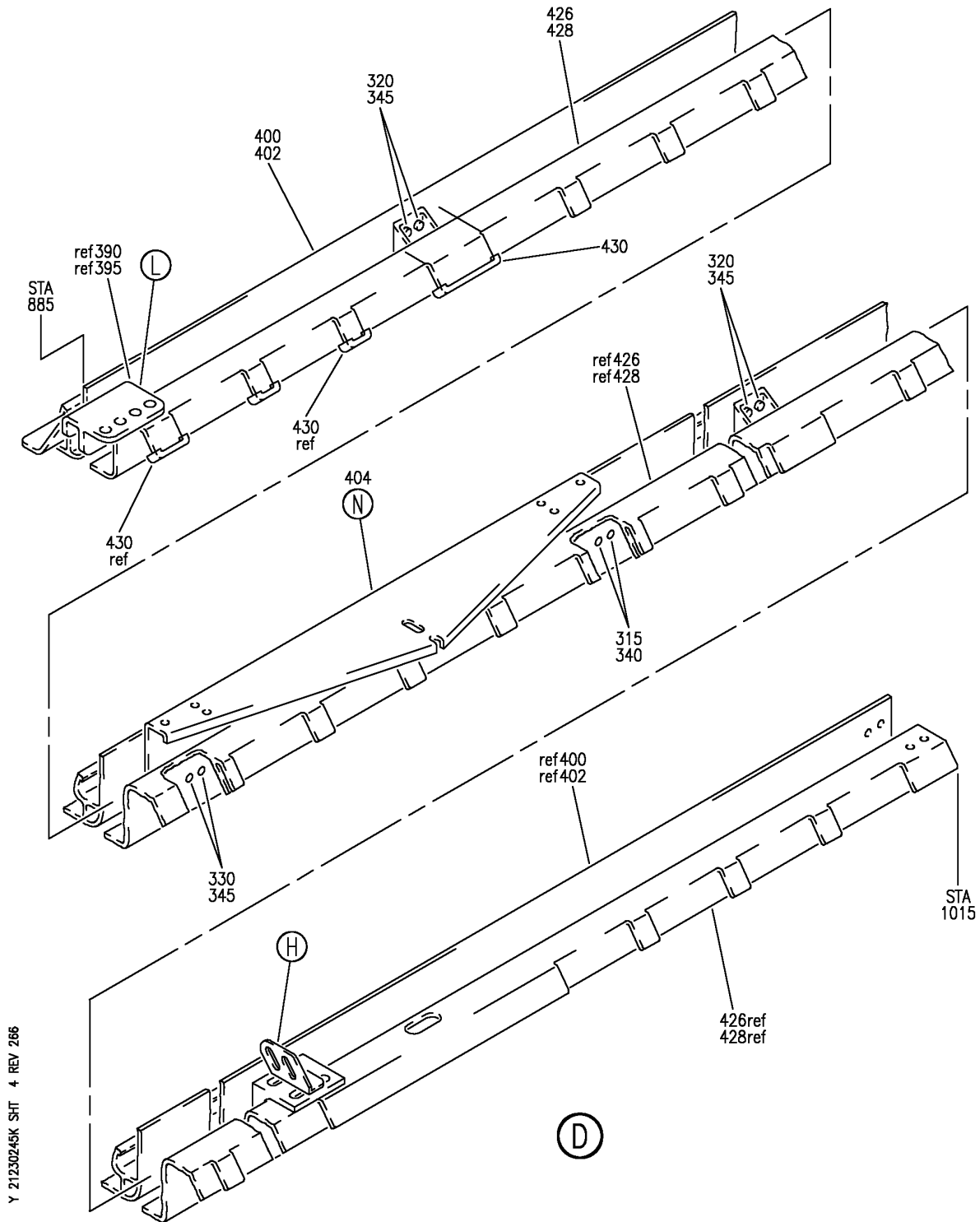
OUTLET ASSY
FIGURE 45K (SHEET 3)

21-23-02-45K

BRI
MAY 28/07

21-23-02-45K
PAGE 0B

BOEING
757
PARTS CATALOG (MAINTENANCE)



Y 21230245K SHT 4 REV 266

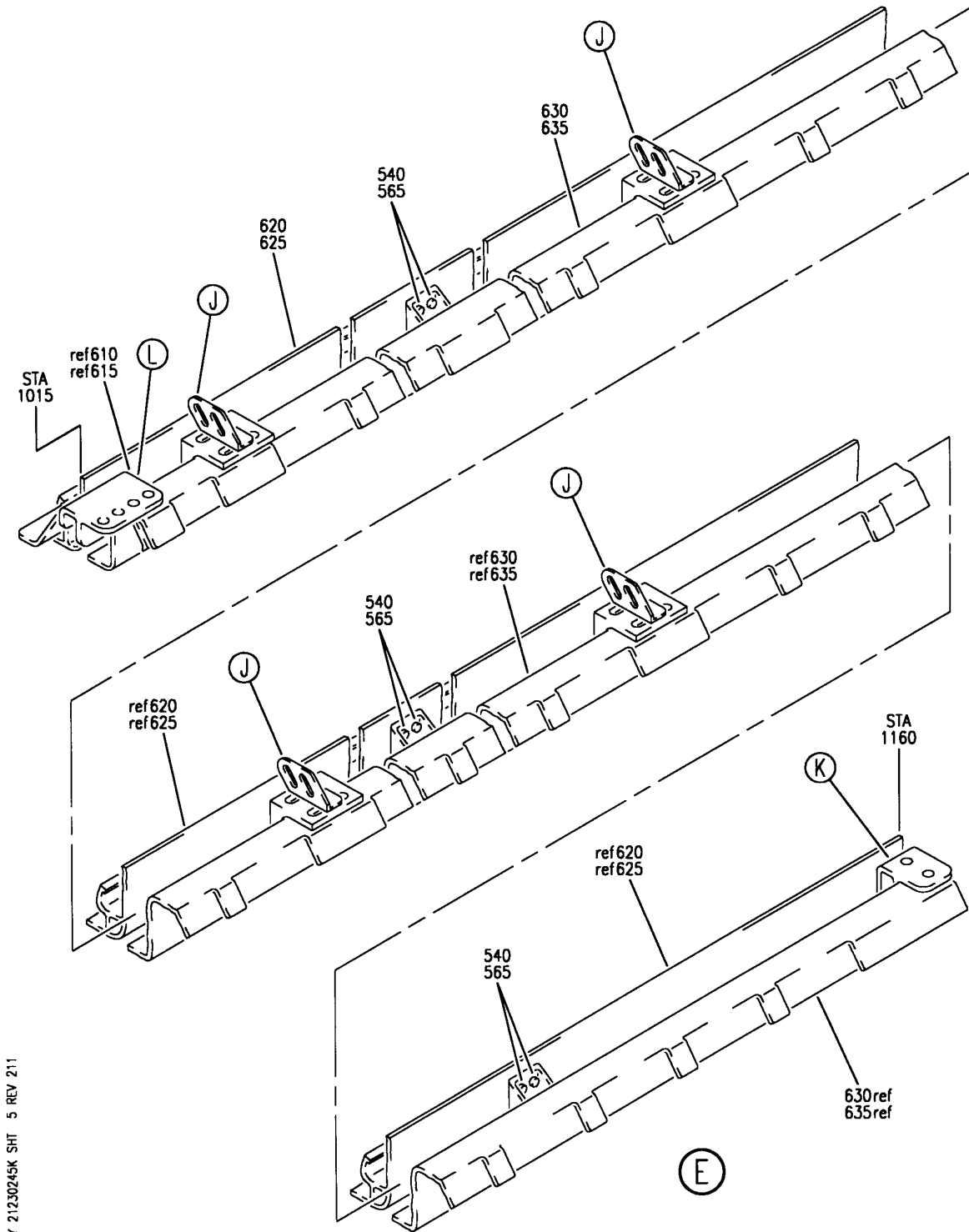
OUTLET ASSY
FIGURE 45K (SHEET 4)

21-23-02-45K

BRI
MAY 28/07

21-23-02-45K
PAGE 0C

BOEING
757
PARTS CATALOG (MAINTENANCE)



Y 21230245K SHIT 5 REV 211

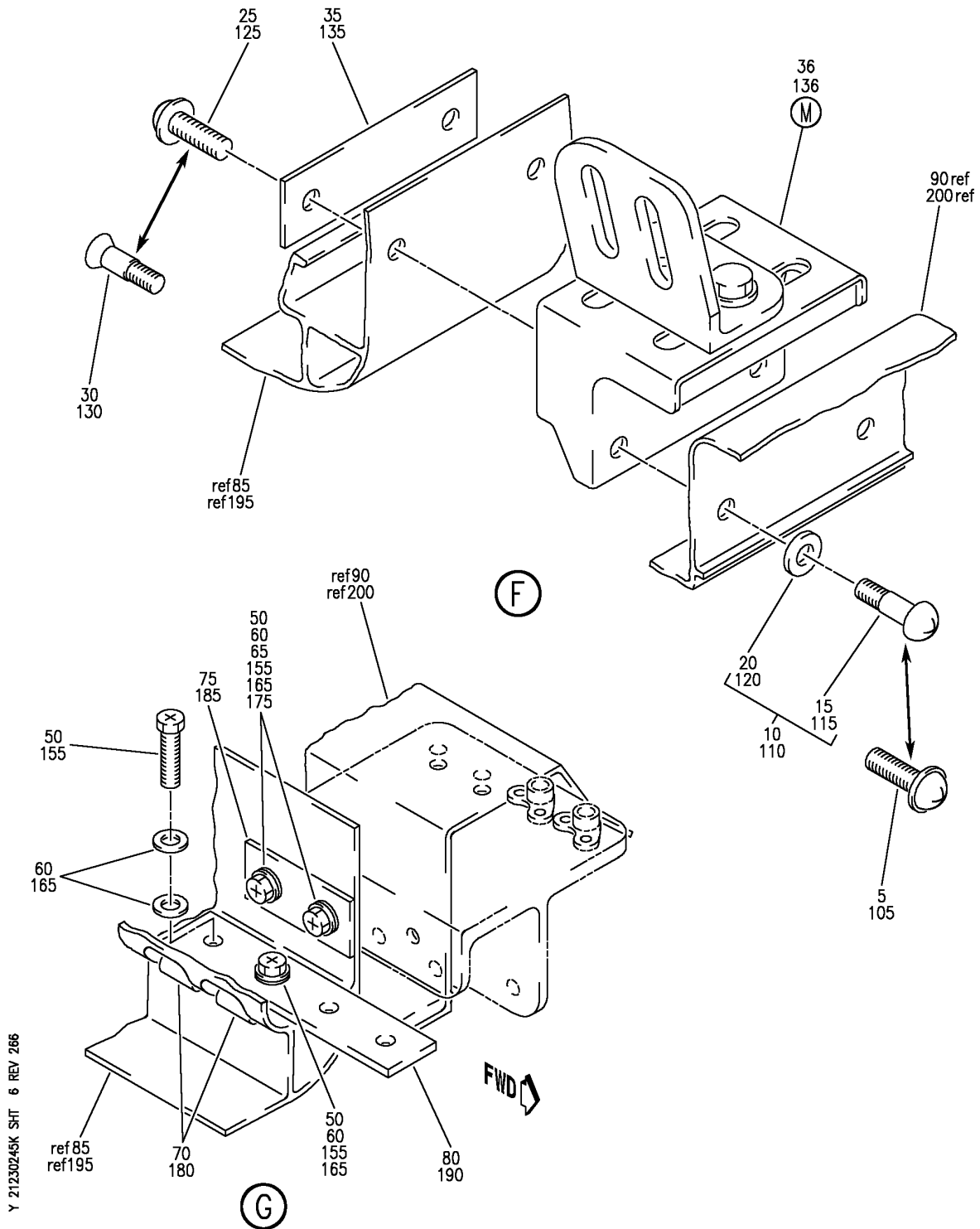
OUTLET ASSY
FIGURE 45K (SHEET 5)

21-23-02-45K

BRI
MAY 28/07

21-23-02-45K
PAGE 0D

BOEING
757
PARTS CATALOG (MAINTENANCE)



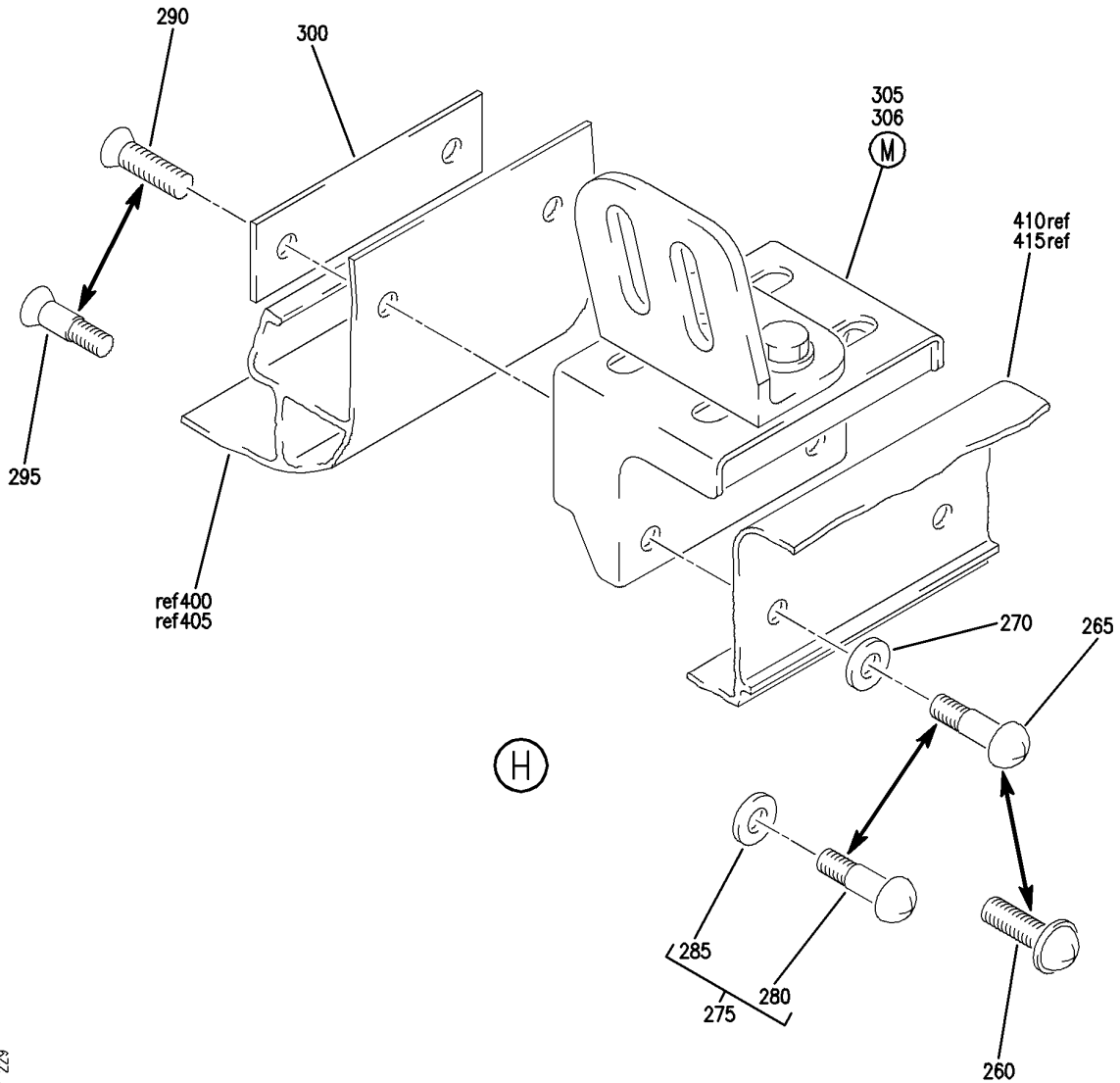
OUTLET ASSY
FIGURE 45K (SHEET 6)

21-23-02-45K

BRI
MAY 28/07

21-23-02-45K
PAGE 0E

BOEING
757
PARTS CATALOG (MAINTENANCE)



Y 21230245K SH7 7 REV 229

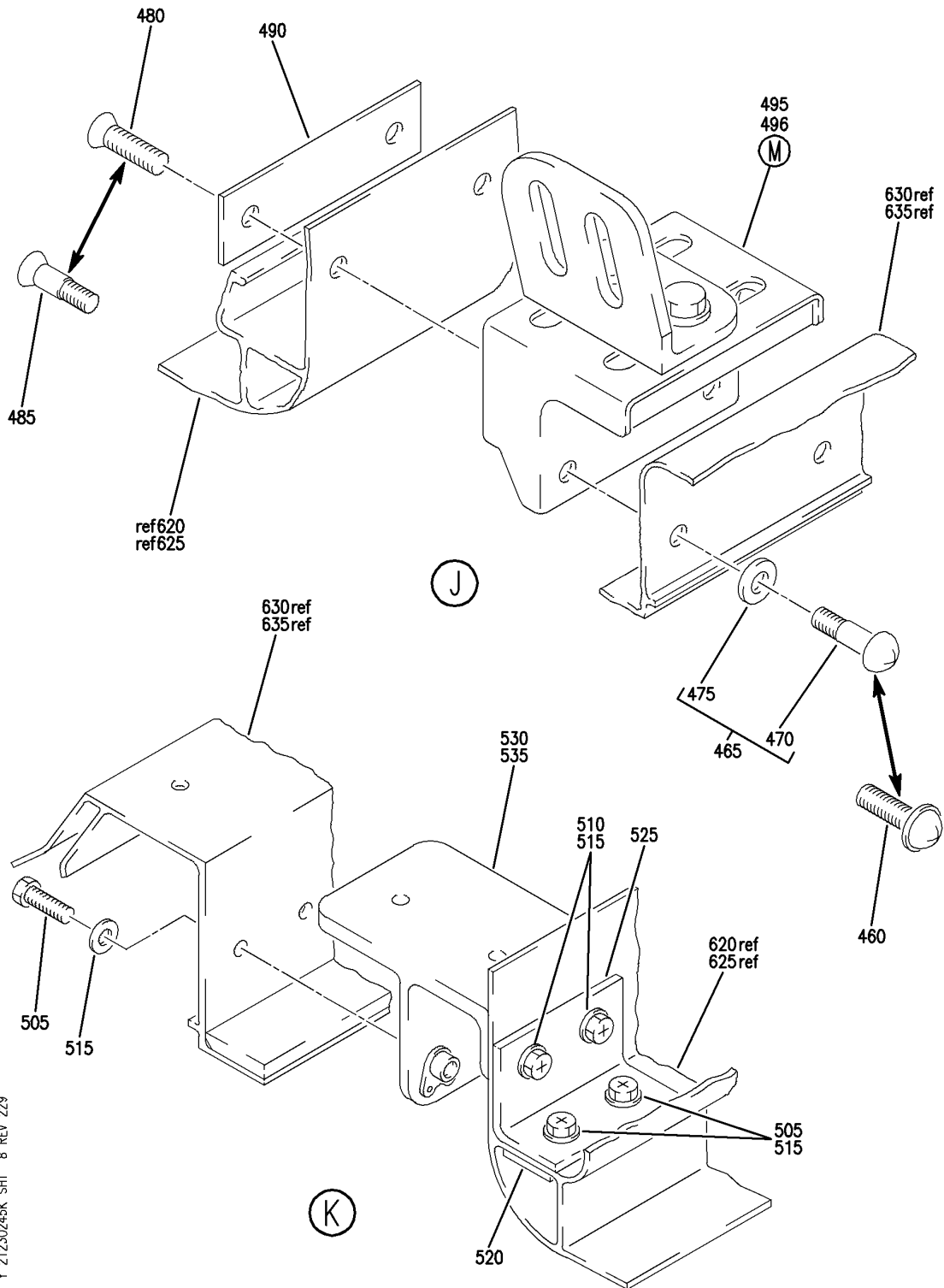
OUTLET ASSY
FIGURE 45K (SHEET 7)

21-23-02-45K

BRI
MAY 28/07

21-23-02-45K
PAGE OF

BOEING
757
PARTS CATALOG (MAINTENANCE)



Y 21230245K SHT 8 REV 229

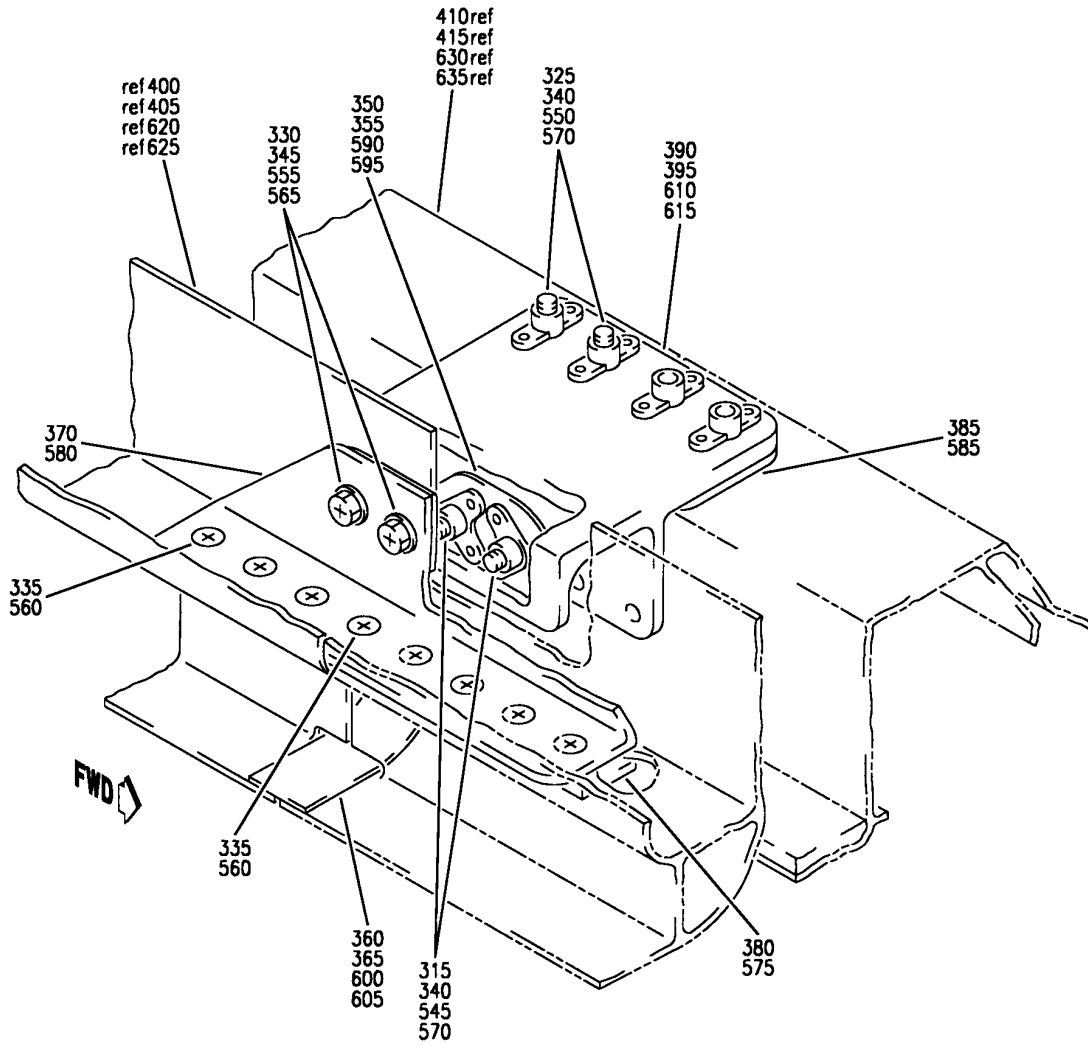
OUTLET ASSY
FIGURE 45K (SHEET 8)

21-23-02-45K

BRI
MAY 28/07

21-23-02-45K
PAGE 0G

BOEING
757
PARTS CATALOG (MAINTENANCE)



(L)

Y 21230245K SHT 9 REV 211

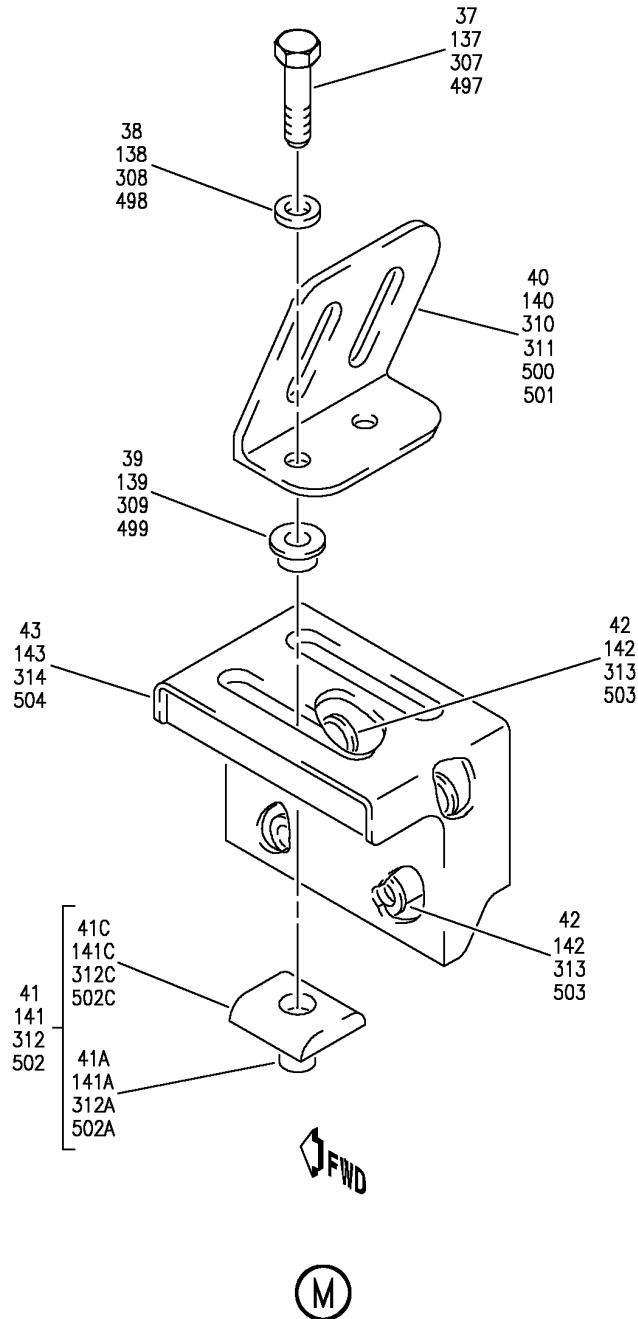
OUTLET ASSY
FIGURE 45K (SHEET 9)

21-23-02-45K

BRI
MAY 28/07

21-23-02-45K
PAGE 0H

BOEING
757
PARTS CATALOG (MAINTENANCE)



Y 21230245K SHT 10 REV 266

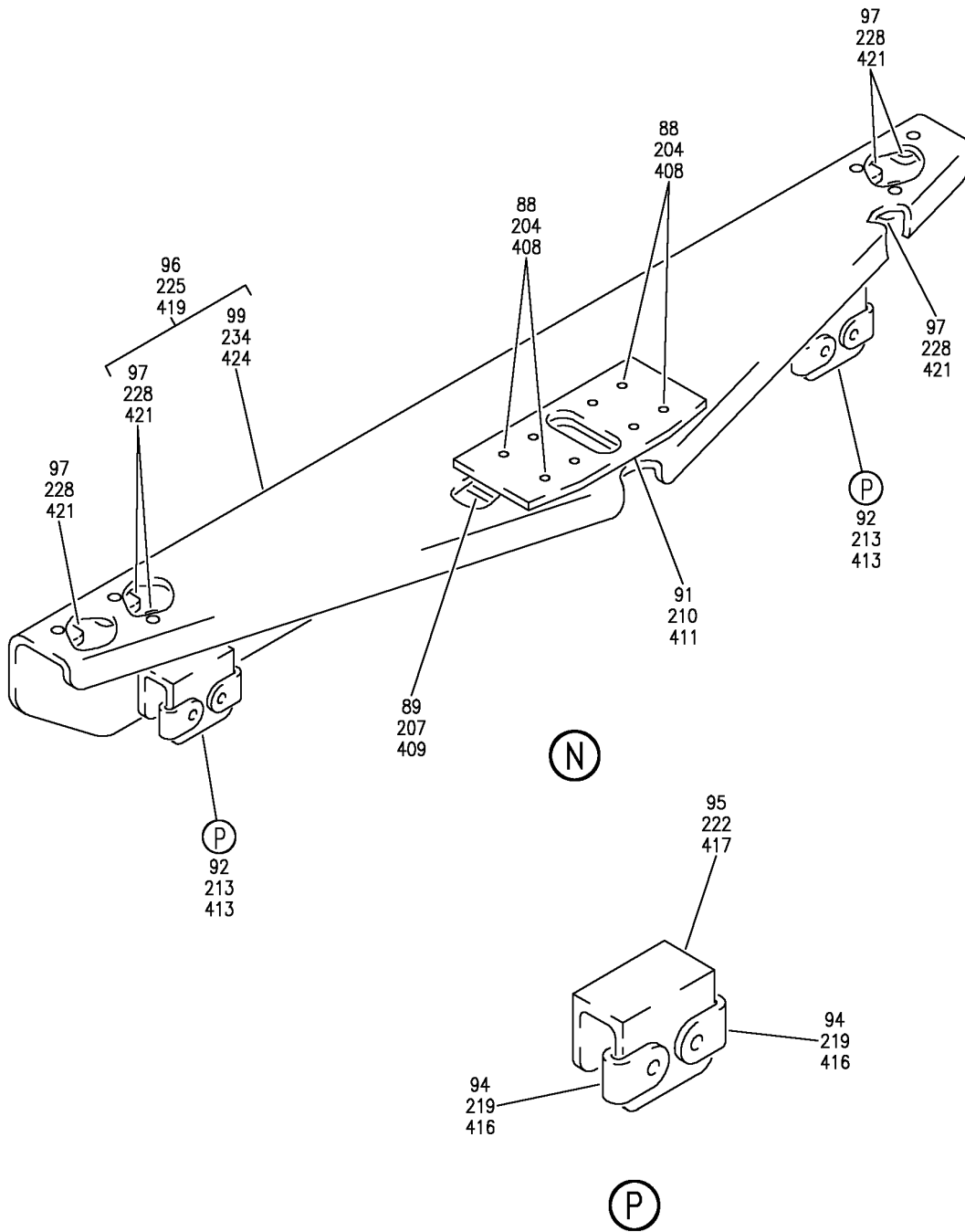
OUTLET ASSY
FIGURE 45K (SHEET 10)

21-23-02-45K

BRI
MAY 28/07

21-23-02-45K
PAGE 01

BOEING
757
PARTS CATALOG (MAINTENANCE)



Y 21230245K SHT 11 REV 266

OUTLET ASSY
FIGURE 45K (SHEET 11)

21-23-02-45K

BRI
MAY 28/07

21-23-02-45K
PAGE 0J



757

PARTS CATALOG (MAINTENANCE)

| FIG ITEM | PART NUMBER | 1 2 3 4 5 6 7 | NOMENCLATURE | EFFECT FROM TO | UNITS PER ASSY |
|----------|-----------------|---------------|--|--|----------------|
| 45K | | | OUTLET ASSY | 006102 108120 504903 950951 953999 | |
| - 1 | 412N3103-1079SP | | OUTLET ASSY- POSITION DATA: LH FOR NHA SEE: 21-23-02-43C | 006102 108120 950951 953999 | RF |
| 5 | BACS12FA3K8 | | .SCREW- OPTIONAL PART: 412N3103-1329 | 006102 108120 950951 953999 | 6 |
| 10 | 412N3103-1329 | | .SUBKIT ASSY- OPTIONAL PART: BACS12FA3K8 | 006102 108120 950951 953999 | 6 |
| 15 | BACB30NT3K2 | | ..BOLT | 006102 108120 950951 953999 | 1 |
| 20 | AN960JD10LL | | ..WASHER | 006102 108120 950951 953999 | 1 |
| 25 | BACS12FA3K9 | | .SCREW- OPTIONAL PART: BACB30VF3K3 BACB30VF3K4 | 006102 108120 950951 953999 | 6 |
| 30 | BACB30VF3K3 | | .BOLT- OPTIONAL PART: BACS12ER3K9 BACB30VF3K4 | 006102 108120 950951 953999 | 6 |
| 30 | BACB30VF3K4 | | .BOLT- OPTIONAL PART: BACS12ER3K9 BACB30VF3K3 | 006102 108120 950951 953999 | 6 |
| 35 | 65C27021-177 | | .DOUBLER | 006102 108120 950951 953999 | 3 |
| 36 | 412N3133-23 | | .SUPPORT ASSY | 006102 108120 950951 953999 | 3 |

MISSING ITEM NUMBERS NOT APPLICABLE

- ITEM NOT ILLUSTRATED

21-23-02-45K

21-23-02
FIG. 45K
PAGE 1
JAN 20/09

BRI

BOEING PROPRIETARY - Copyright © - Unpublished Work - See title page for details.

 **BOEING**
757
PARTS CATALOG (MAINTENANCE)

| FIG ITEM | PART NUMBER | 1 2 3 4 5 6 7 | NOMENCLATURE | EFFECT FROM TO | UNITS PER ASSY |
|-----------|--------------|---------------|---|--------------------------------------|----------------|
| 45K 37 | BACB30NM3K5 | .. | BOLT | 006102 108120 950951 953999 | 2 |
| 38 | AN960JD10LL | .. | WASHER | 006102 108120 950951 953999 | 2 |
| 39 | 412N2004-55 | .. | SPACER | 006102 108120 950951 953999 | 2 |
| 40 | 65C27021-459 | .. | BRACKET | 006102 108120 950951 953999 | 1 |
| 41 | 65C27021-463 | .. | FILLER ASSY | 006102 108120 950951 953999 | 2 |
| 41A | T8078S1032 | ... | NUTPLATE SUPPLIER CODE: V11815 SPECIFICATION NUMBER: BACN10JP3C OPTIONAL PART: MK3000-3BAC V15653 NS103199-02 V80539 RMA9205M3 V72962 VN203A1-02 V92215 BRM300A3 V52828 ATTACHING PARTS | 006102 108120 950951 953999 | 1 |
| - 41B | BACR15BA3D | ... | RIVET- SIZE DETERMINED ON INSTL. | 006102 108120 950951 953999 | 2 |
| 41C | 65C27021-464 | -----* | ... FILLER | 006102 108120 950951 953999 | 1 |

MISSING ITEM NUMBERS NOT APPLICABLE

- ITEM NOT ILLUSTRATED

BRI

21-23-02-45K

BOEING PROPRIETARY - Copyright © - Unpublished Work - See title page for details.

21-23-02
FIG. 45K
PAGE 2
JAN 20/09



757

PARTS CATALOG (MAINTENANCE)

| FIG ITEM | PART NUMBER | 1 2 3 4 5 6 7 | NOMENCLATURE | EFFECT FROM TO | UNITS PER ASSY |
|-----------|----------------|---------------|--------------------------------|--------------------------------------|----------------|
| 45K 42 | BACS13CJ3L080P | . . | INSERT | 006102 108120 950951 953999 | 4 |
| 43 | 412N3134-1 | . . | BRACKET | 006102 108120 950951 953999 | 1 |
| 45 | BACS12GU08K7 | . SCREW- | OPTIONAL PART: NAS1801-08-7 | 006102 108120 950951 953999 | 4 |
| 45 | NAS1801-08-7 | . SCREW- | OPTIONAL PART: BACS12GU08K7 | 006102 108120 950951 953999 | 4 |
| 50 | BACS12GU08K8 | . SCREW- | OPTIONAL PART: NAS1801-08-8 | 006102 108120 950951 953999 | 4 |
| 50 | NAS1801-08-8 | . SCREW- | OPTIONAL PART: BACS12GU08K8 | 006102 108120 950951 953999 | 4 |
| 55 | BACS12GU08K6 | . SCREW | | 006102 108120 950951 953999 | 2 |
| 60 | NAS1149DN816J | . WASHER | | 006102 108120 950951 953999 | 14 |
| 65 | MS21042L08 | . NUT | | 006102 108120 950951 953999 | 2 |

MISSING ITEM NUMBERS NOT APPLICABLE

- ITEM NOT ILLUSTRATED

21-23-02-45K

21-23-02
FIG. 45K
PAGE 3
JAN 20/09

BRI

BOEING PROPRIETARY - Copyright © - Unpublished Work - See title page for details.

 **BOEING**
757
PARTS CATALOG (MAINTENANCE)

| FIG ITEM | PART NUMBER | 1 2 3 4 5 6 7 | NOMENCLATURE | EFFECT FROM TO | UNITS PER ASSY |
|-----------|-----------------|---------------|--|--------------------------------------|----------------|
| 45K 70 | 130008 | . | NUT SUPPLIER CODE: V60119 SPECIFICATION NUMBER: BACN10FX84 OPTIONAL PART: RM52LHA4972-6-8 V72962 SL211-08-1 V97393 A11330-6-82 V72962 A4972-6-82 V72962 | 006102 108120 950951 953999 | 2 |
| 75 | 65C27021-191 | . | FILLER | 006102 108120 950951 953999 | 1 |
| 80 | 65C27021-193 | . | DOUBLER | 006102 108120 950951 953999 | 1 |
| 85 | 412N3136-1019SP | . | BEAM ASSY | 006102 108120 950951 953999 | 1 |
| 86 | 412N2021-64 | .. | SUPPORT ASSY-FXD | 006102 108120 950951 953999 | 1 |
| - 87 | BACR15FT6D | .. | ATTACHING PARTS RIVET- SIZE DETERMINED ON INSTL. | 006102 108120 950951 953999 | 17 |
| 88 | BACR15BA6D | ... | -----*----- RIVET- SIZE DETERMINED ON INSTL. | 006102 108120 950951 953999 | 8 |
| 89 | 412N2003-217 | ... | DOUBLER | 006102 108120 950951 953999 | 1 |
| 91 | 412N2003-196 | ... | DOUBLER | 006102 108120 950951 953999 | 1 |

MISSING ITEM NUMBERS NOT APPLICABLE

- ITEM NOT ILLUSTRATED

BRI

21-23-02-45K

BOEING PROPRIETARY - Copyright © - Unpublished Work - See title page for details.

21-23-02
FIG. 45K
PAGE 4
JAN 20/09



757

PARTS CATALOG (MAINTENANCE)

| FIG ITEM | PART NUMBER | 1 2 3 4 5 6 7 | NOMENCLATURE | EFFECT FROM TO | UNITS PER ASSY |
|-----------|--------------|---------------------|--|--------------------------------------|----------------|
| 45K 92 | 412N2004-132 | ... | BRACKET ASSY | 006102 108120 950951 953999 | 2 |
| - 93 | NAS1399D5-3 | ... | ATTACHING PARTS RIVET | 006102 108120 950951 953999 | 4 |
| 94 | 130007 | -----*----- | NUT SUPPLIER CODE: V60119 SPECIFICATION NUMBER: BACN10FX83 OPTIONAL PART: BRC500-8-08 V52828 SL213-08-1 V97393 A11330-8-82 V72962 A4972-8-82 V72962 A4972-8-82 V72962 | 006102 108120 950951 953999 | 2 |
| 95 | 412N2004-133 | | BRACKET | 006102 108120 950951 953999 | 1 |
| 96 | 412N2003-189 | ... | BRACKET ASSY | 006102 108120 950951 953999 | 1 |

MISSING ITEM NUMBERS NOT APPLICABLE

- ITEM NOT ILLUSTRATED

BRI

21-23-02-45K

BOEING PROPRIETARY - Copyright © - Unpublished Work - See title page for details.

21-23-02
FIG. 45K
PAGE 5
JAN 20/09



757

PARTS CATALOG (MAINTENANCE)

| FIG ITEM | PART NUMBER | 1 2 3 4 5 6 7 | NOMENCLATURE | EFFECT FROM TO | UNITS PER ASSY |
|-----------|-----------------|---------------|--|--|----------------|
| 45K 97 | MF53049-3 | | NUTPLATE SUPPLIER CODE: V15653 SPECIFICATION NUMBER: BACN10JN3 OPTIONAL PART: BRFM20A3 V52828 MF1000-3BAC V15653 NS103218-02 V80539 RMF9201M3 V72962 VN252A02 V92215 T8124S3S V11815 ATTACHING PARTS | 006102 108120 950951 953999 | 6 |
| - 98 | BACR15BA3D | | RIVET- SIZE DETERMINED ON INSTL. | 006102 108120 950951 953999 | 12 |
| 99 | 412N2003-190 | | *----- BRACKET | 006102 108120 950951 953999 | 1 |
| 101 | 412N3137-1147SP | .BEAM | ASSY | 006102 108120 950951 953999 | 1 |
| - 103 | 412N3103-1080SP | OUTLET ASSY- | POSITION DATA: RH FOR NHA SEE: 21-23-02-43C | 006102 108120 504903 950951 953999 | RF |
| 105 | BACS12FA3K8 | .SCREW- | OPTIONAL PART: 412N3103-1329 | 006102 108120 504903 950951 953999 | 4 |
| 110 | 412N3103-1329 | .SUBKIT ASSY- | OPTIONAL PART: BACS12FA3K8 | 006102 108120 504903 950951 953999 | 4 |

MISSING ITEM NUMBERS NOT APPLICABLE

- ITEM NOT ILLUSTRATED

21-23-02-45K

21-23-02
FIG. 45K
PAGE 6
JAN 20/09

BRI



757

PARTS CATALOG (MAINTENANCE)

| FIG ITEM | PART NUMBER | 1 2 3 4 5 6 7 | NOMENCLATURE | EFFECT FROM TO | UNITS PER ASSY |
|------------|--------------|---------------|--|--|----------------|
| 45K 115 | BACB30NT3K2 | . . | BOLT | 006102 108120 504903 950951 953999 | 1 |
| 120 | AN960JD10LL | . . | WASHER | 006102 108120 504903 950951 953999 | 1 |
| 125 | BACS12FA3K9 | . . | SCREW- OPTIONAL PART: BACB30VF3K3 BACB30VF3K4 | 006102 108120 504903 950951 953999 | 4 |
| 130 | BACB30VF3K3 | . . | BOLT- OPTIONAL PART: BACS12ER3K9 BACB30VF3K4 | 006102 108120 504903 950951 953999 | 4 |
| 130 | BACB30VF3K4 | . . | BOLT- OPTIONAL PART: BACS12ER3K9 BACB30VF3K3 | 006102 108120 504903 950951 953999 | 4 |
| 135 | 65C27021-177 | . . | DOUBLER | 006102 108120 504903 950951 953999 | 2 |
| 136 | 412N3133-24 | . . | SUPPORT ASSY | 006102 108120 504903 950951 953999 | 2 |
| 137 | BACB30NM3K5 | . . | BOLT | 006102 108120 504903 950951 953999 | 2 |
| 138 | AN960JD10LL | . . | WASHER | 006102 108120 504903 950951 953999 | 2 |

MISSING ITEM NUMBERS NOT APPLICABLE

- ITEM NOT ILLUSTRATED

21-23-02-45K

21-23-02
FIG. 45K
PAGE 7
JAN 20/09

BRI

BOEING PROPRIETARY - Copyright © - Unpublished Work - See title page for details.



757

PARTS CATALOG (MAINTENANCE)

| FIG ITEM | PART NUMBER | 1 2 3 4 5 6 7 | NOMENCLATURE | EFFECT FROM TO | UNITS PER ASSY |
|------------|----------------|--------------------|---|--|----------------|
| 45K 139 | 412N2004-55 | .. | SPACER | 006102 108120 504903 950951 953999 | 2 |
| 140 | 65C27021-460 | .. | BRACKET | 006102 108120 504903 950951 953999 | 1 |
| 141 | 65C27021-463 | .. | FILLER ASSY | 006102 108120 504903 950951 953999 | 2 |
| 141A | T8078S1032 | ... | NUTPLATE SUPPLIER CODE: V11815 SPECIFICATION NUMBER: BACN10JP3C OPTIONAL PART: MK3000-3BAC V15653 NS103199-02 V80539 RMA9205M3 V72962 VN203A1-02 V92215 BRM300A3 V52828 ATTACHING PARTS | 006102 108120 504903 950951 953999 | 1 |
| -141B | BACR15BA3D | ... | RIVET- SIZE DETERMINED ON INSTL. | 006102 108120 504903 950951 953999 | 2 |
| 141C | 65C27021-464 | -----*----- ... | FILLER | 006102 108120 504903 950951 953999 | 1 |
| 142 | BACS13CJ3L080P | .. | INSERT | 006102 108120 504903 950951 953999 | 4 |

MISSING ITEM NUMBERS NOT APPLICABLE

- ITEM NOT ILLUSTRATED

21-23-02-45K

21-23-02
FIG. 45K
PAGE 8
JAN 20/09

BRI

BOEING PROPRIETARY - Copyright © - Unpublished Work - See title page for details.



757

PARTS CATALOG (MAINTENANCE)

| FIG ITEM | PART NUMBER | 1 2 3 4 5 6 7 | NOMENCLATURE | EFFECT FROM TO | UNITS PER ASSY |
|------------|--------------|---------------|--------------------------------|--|----------------|
| 45K 143 | 412N3134-1 | . . | BRACKET | 006102 108120 504903 950951 953999 | 1 |
| 145 | BACS12GU08K6 | . SCREW- | OPTIONAL PART: NAS1801-08-6 | 006102 108120 504903 950951 953999 | 4 |
| 145 | NAS1801-08-6 | . SCREW- | OPTIONAL PART: BACS12GU08K6 | 006102 108120 504903 950951 953999 | 4 |
| 150 | BACS12ER08K7 | . SCREW- | OPTIONAL PART: NAS514P832-7 | 006102 108120 504903 950951 953999 | 2 |
| 150 | NAS514P832-7 | . SCREW- | OPTIONAL PART: BACS12ER08K7 | 006102 108120 504903 950951 953999 | 2 |
| 155 | BACS12GU08K8 | . SCREW- | OPTIONAL PART: NAS1801-08-8 | 006102 108120 504903 950951 953999 | 4 |
| 155 | NAS1801-08-8 | . SCREW- | OPTIONAL PART: BACS12GU08K8 | 006102 108120 504903 950951 953999 | 4 |
| 160 | BACS12GU08K7 | . SCREW- | OPTIONAL PART: NAS1801-08-7 | 006102 108120 504903 950951 953999 | 2 |
| 160 | NAS1801-08-7 | . SCREW- | OPTIONAL PART: BACS12GU08K7 | 006102 108120 504903 950951 953999 | 2 |

MISSING ITEM NUMBERS NOT APPLICABLE

- ITEM NOT ILLUSTRATED

21-23-02-45K

21-23-02
FIG. 45K
PAGE 9
JAN 20/09

BRI

BOEING PROPRIETARY - Copyright © - Unpublished Work - See title page for details.



757

PARTS CATALOG (MAINTENANCE)

| FIG ITEM | PART NUMBER | 1 2 3 4 5 6 7 | NOMENCLATURE | EFFECT FROM TO | UNITS PER ASSY |
|------------|-----------------|---------------|--|--|----------------|
| 45K 165 | NAS1149DN816J | . | WASHER | 006102 108120 504903 950951 953999 | 12 |
| 170 | BACW10DM5P | . | WASHER | 006102 108120 504903 950951 953999 | 2 |
| 175 | MS21042L08 | . | NUT | 006102 108120 504903 950951 953999 | 2 |
| 180 | 130008 | . | NUT SUPPLIER CODE: V60119 SPECIFICATION NUMBER: BACN10FX84 OPTIONAL PART: RM52LHA4972-6-8 V72962 SL211-08-1 V97393 A11330-6-82 V72962 A4972-6-82 V72962 | 006102 108120 504903 950951 953999 | 2 |
| 185 | 65C27021-191 | . | FILLER | 006102 108120 504903 950951 953999 | 1 |
| 190 | 65C27021-193 | . | DOUBLER | 006102 108120 504903 950951 953999 | 1 |
| 195 | 412N3136-1021SP | . | BEAM ASSY | 006102 108120 504903 950951 953999 | 1 |
| 198 | 412N2021-64 | .. | SUPPORT ASSY-FXD | 006102 108120 504903 950951 953999 | 1 |

MISSING ITEM NUMBERS NOT APPLICABLE

- ITEM NOT ILLUSTRATED

21-23-02-45K

21-23-02
FIG. 45K
PAGE 10
JAN 20/09

BRI

BOEING PROPRIETARY - Copyright © - Unpublished Work - See title page for details.



757

PARTS CATALOG (MAINTENANCE)

| FIG ITEM | PART NUMBER | 1 2 3 4 5 6 7 | NOMENCLATURE | EFFECT FROM TO | UNITS PER ASSY |
|----------|--------------|---------------|--|--|----------------|
| 45K | | | ATTACHING PARTS | | |
| - 201 | BACR15FT6D | | ..RIVET- SIZE DETERMINED ON INSTL. | 006102 108120 504903 950951 953999 | 17 |
| | | | -----*----- | | |
| 204 | BACR15BA6D | | ...RIVET- SIZE DETERMINED ON INSTL. | 006102 108120 504903 950951 953999 | 8 |
| 207 | 412N2003-217 | | ...DOUBLER | 006102 108120 504903 950951 953999 | 1 |
| 210 | 412N2003-196 | | ...DOUBLER | 006102 108120 504903 950951 953999 | 1 |
| 213 | 412N2004-132 | | ...BRACKET ASSY | 006102 108120 504903 950951 953999 | 2 |
| - 216 | NAS1399D5-3 | | ATTACHING PARTS ...RIVET | 006102 108120 504903 950951 953999 | 4 |
| | | | -----*----- | | |

MISSING ITEM NUMBERS NOT APPLICABLE

- ITEM NOT ILLUSTRATED

BRI

21-23-02-45K

BOEING PROPRIETARY - Copyright © - Unpublished Work - See title page for details.

21-23-02
FIG. 45K
PAGE 11
JAN 20/09



757

PARTS CATALOG (MAINTENANCE)

| FIG ITEM | PART NUMBER | 1 2 3 4 5 6 7 | NOMENCLATURE | EFFECT FROM TO | UNITS PER ASSY |
|------------|--------------|---------------|---|--|----------------|
| 45K 219 | 130007 | | NUT SUPPLIER CODE: V60119 SPECIFICATION NUMBER: BACN10FX83 OPTIONAL PART: BRC500-8-08 V52828 SL213-08-1 V97393 A11330-8-82 V72962 A4972-8-82 V72962 A4972-8-82 V72962 | 006102 108120 504903 950951 953999 | 2 |
| 222 | 412N2004-133 | | BRACKET | 006102 108120 504903 950951 953999 | 1 |
| 225 | 412N2003-189 | ... | BRACKET ASSY | 006102 108120 504903 950951 953999 | 1 |
| 228 | MF53049-3 | | NUTPLATE SUPPLIER CODE: V15653 SPECIFICATION NUMBER: BACN10JN3 OPTIONAL PART: BRFM20A3 V52828 MF1000-3BAC V15653 NS103218-02 V80539 RMF9201M3 V72962 VN252A02 V92215 T8124S3S V11815 | 006102 108120 504903 950951 953999 | 6 |

MISSING ITEM NUMBERS NOT APPLICABLE

- ITEM NOT ILLUSTRATED

21-23-02-45K

21-23-02
FIG. 45K
PAGE 12
JAN 20/09

BRI



757

PARTS CATALOG (MAINTENANCE)

| FIG ITEM | PART NUMBER | 1 2 3 4 5 6 7 | NOMENCLATURE | EFFECT FROM TO | UNITS PER ASSY |
|----------|-----------------|---------------|-------------------------------------|--|----------------|
| 45K | | | ATTACHING PARTS | | |
| - 231 | BACR15BA3D | | RIVET- SIZE DETERMINED ON INSTL. | 006102 108120 504903 950951 953999 | 12 |
| 234 | 412N2003-190 | | -----*----- BRACKET | 006102 108120 504903 950951 953999 | 1 |
| 240 | 412N3137-1158SP | . | BEAM ASSY | 006102 108120 504903 950951 953999 | 1 |

MISSING ITEM NUMBERS NOT APPLICABLE

- ITEM NOT ILLUSTRATED

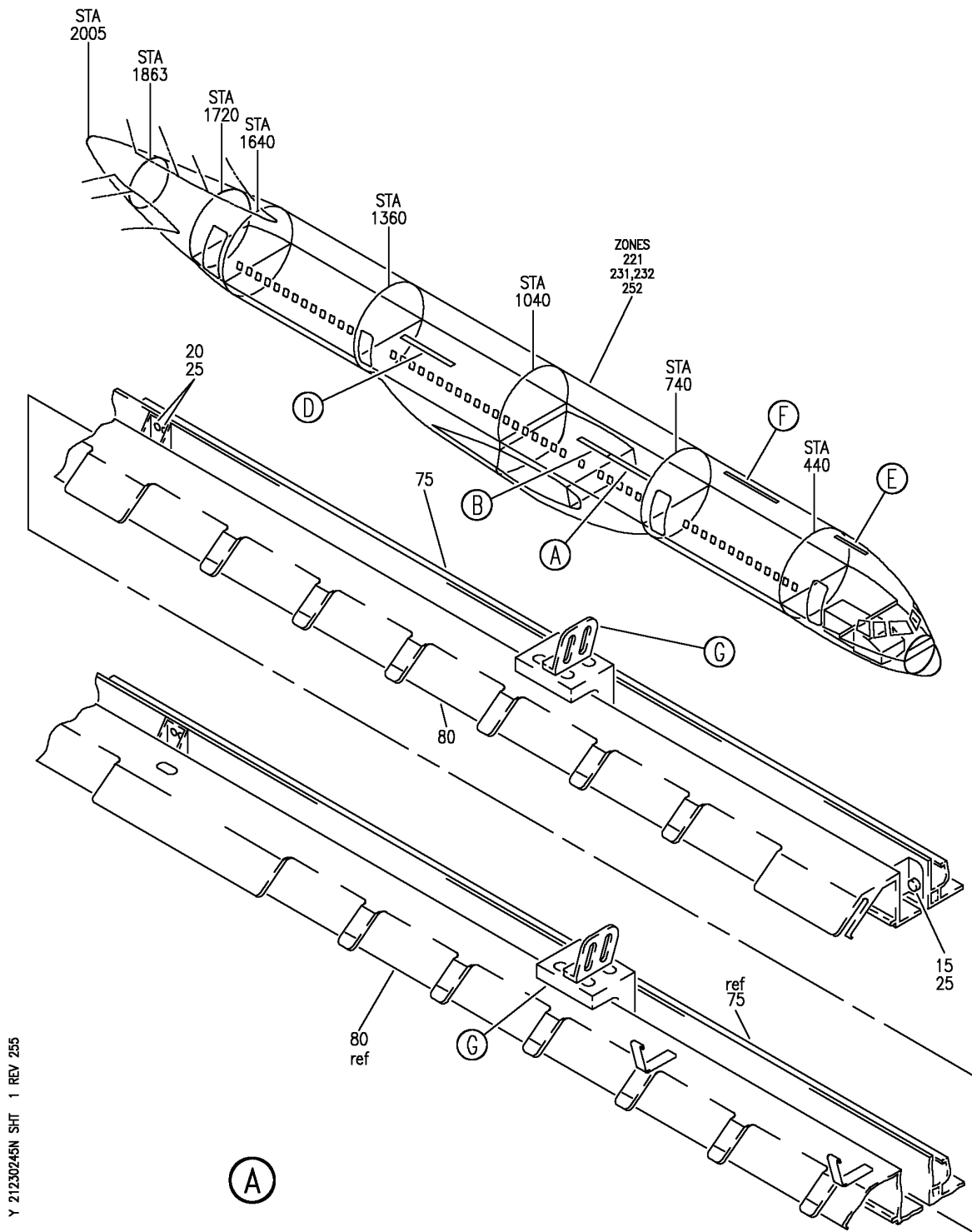
BRI

21-23-02-45K

BOEING PROPRIETARY - Copyright © - Unpublished Work - See title page for details.

21-23-02
FIG. 45K
PAGE 13
JAN 20/09

BOEING
757
PARTS CATALOG (MAINTENANCE)



Y 21230245N SHT 1 REV 255

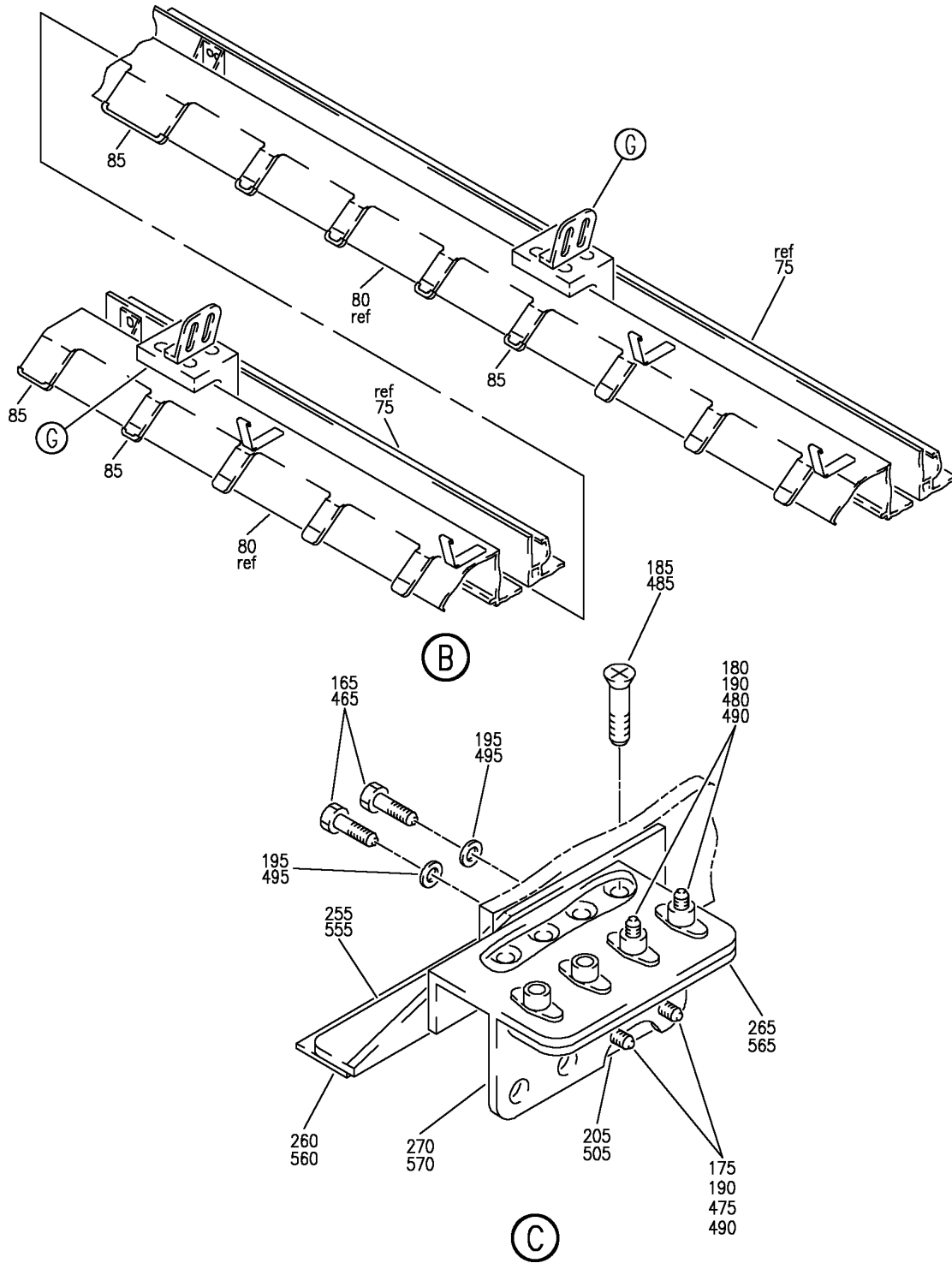
OUTLET ASSY-SIDEWALL AIR CONDITIONING
FIGURE 45N (SHEET 1)

21-23-02-45N

BRI
JAN 20/09

21-23-02-45N
PAGE 0

BOEING
757
PARTS CATALOG (MAINTENANCE)



Y 21230245N SHT 2 REV 255

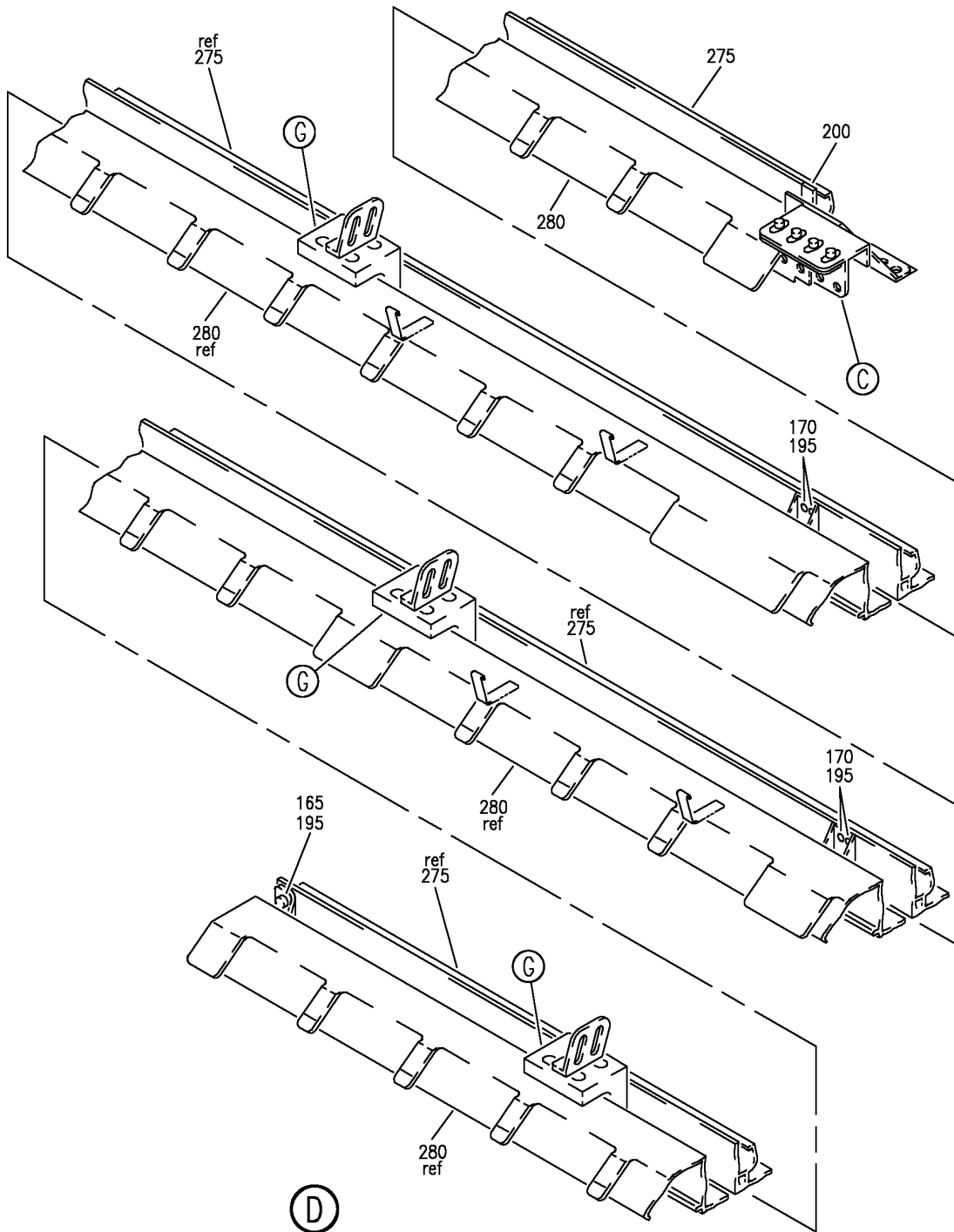
OUTLET ASSY-SIDEWALL AIR CONDITIONING
FIGURE 45N (SHEET 2)

21-23-02-45N

BRI
JAN 20/09

21-23-02-45N
PAGE 0A

BOEING
757
PARTS CATALOG (MAINTENANCE)



Y 21230245N SHT 3 REV 255

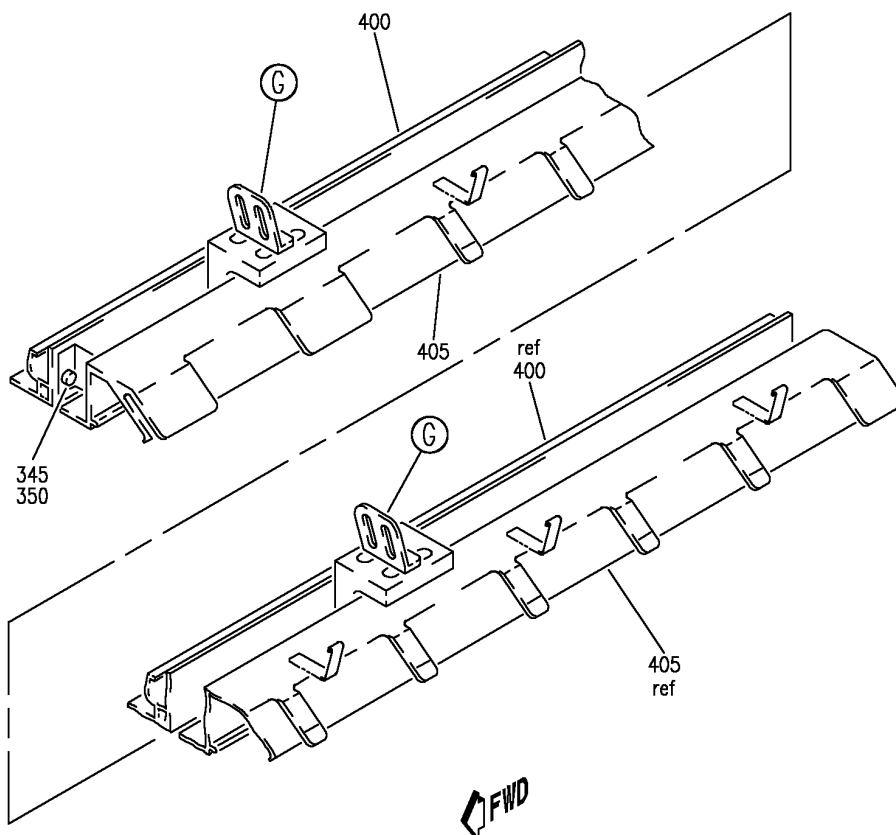
OUTLET ASSY-SIDEWALL AIR CONDITIONING
FIGURE 45N (SHEET 3)

21-23-02-45N

BRI
JAN 20/09

21-23-02-45N
PAGE 0B

BOEING
757
PARTS CATALOG (MAINTENANCE)



(E)

Y 21230245N SHT 4 REV 255

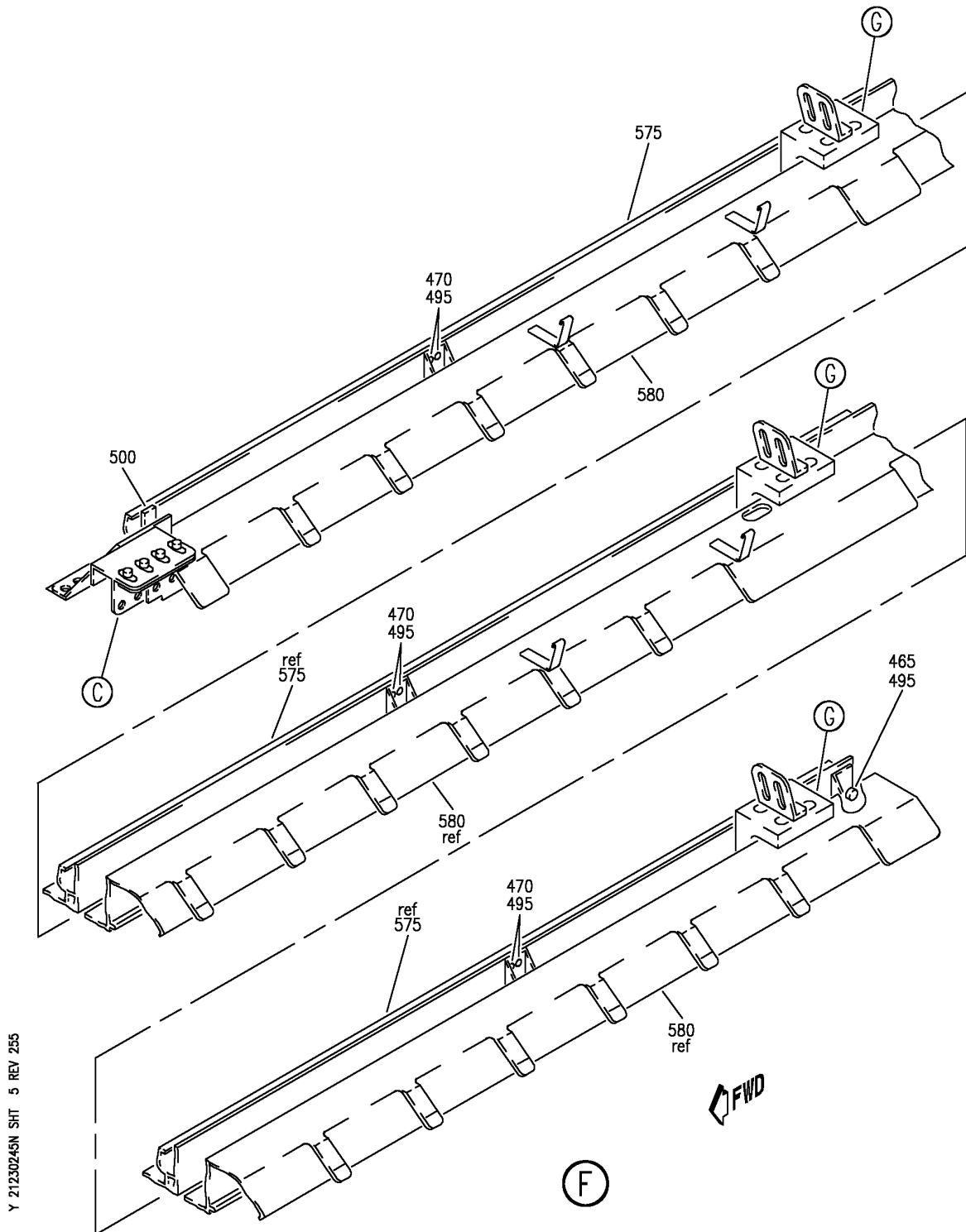
OUTLET ASSY-SIDEWALL AIR CONDITIONING
FIGURE 45N (SHEET 4)

21-23-02-45N

BRI
JAN 20/09

21-23-02-45N
PAGE 0C

BOEING
757
PARTS CATALOG (MAINTENANCE)



Y 21230245N SHT 5 REV 255

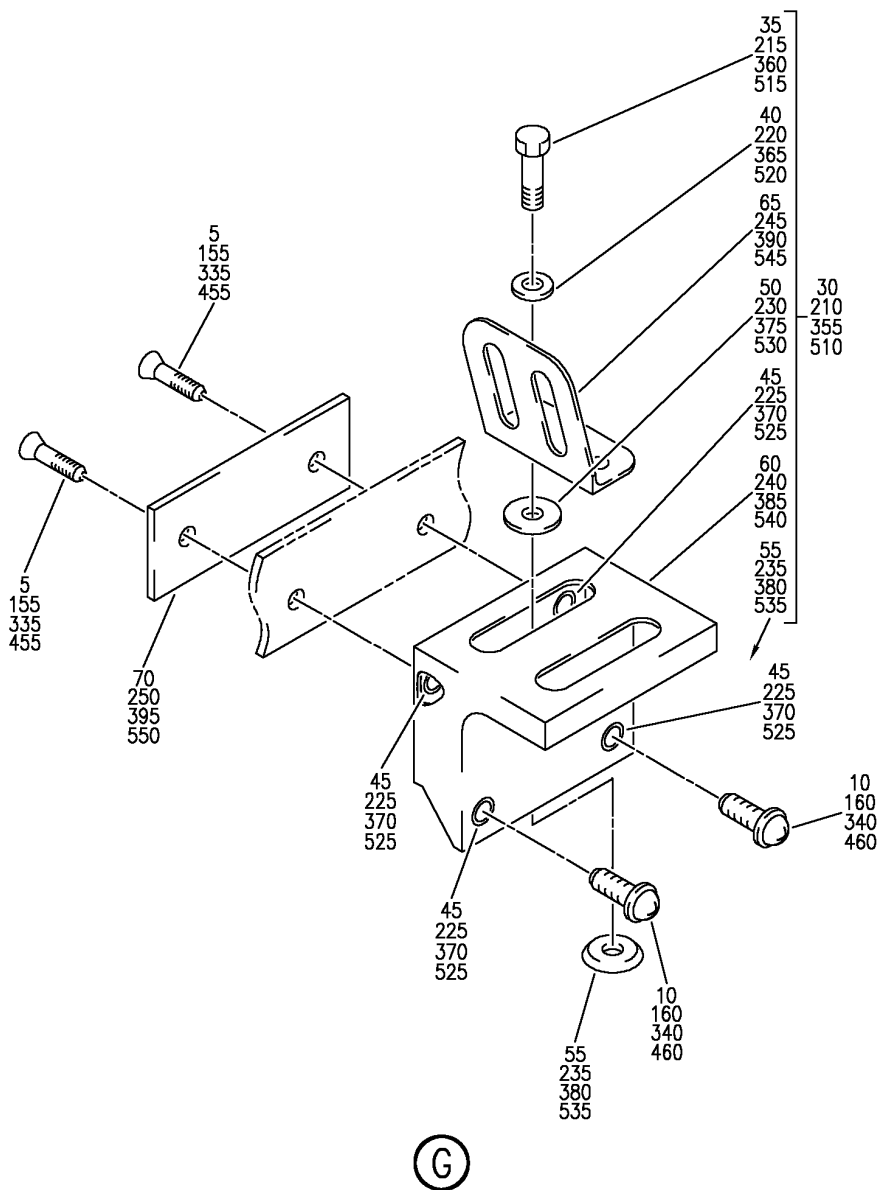
OUTLET ASSY-SIDEWALL AIR CONDITIONING
FIGURE 45N (SHEET 5)

21-23-02-45N

BRI
JAN 20/09

21-23-02-45N
PAGE 0D

BOEING
757
PARTS CATALOG (MAINTENANCE)



Y 21230245N SHT 6 REV 255

OUTLET ASSY-SIDEWALL AIR CONDITIONING
FIGURE 45N (SHEET 6)

21-23-02-45N

BRI
JAN 20/09

21-23-02-45N
PAGE 0E



757

PARTS CATALOG (MAINTENANCE)

| FIG ITEM | PART NUMBER | 1 2 3 4 5 6 7 | NOMENCLATURE | EFFECT FROM TO | UNITS PER ASSY |
|----------|----------------|---------------|--|----------------|----------------|
| 45N | | | OUTLET ASSY-SIDEWALL AIR CONDITIONING | 103106 | |
| - 1 | 412N3103-3052B | | OUTLET ASSY-SIDEWALL AIR CONDITIONING POSITION DATA: RH FOR NHA SEE: 21-23-02-43F | 103106 | RF |
| 5 | BACS12ER3K9 | . | SCREW | 103106 | 8 |
| 10 | BACS12FA3K8 | . | SCREW | 103106 | 8 |
| 15 | BACS12GU08K7 | . | SCREW | 103106 | 1 |
| 20 | BACS12GU08K6 | . | SCREW | 103106 | 2 |
| 25 | NAS1149DN816J | . | WASHER | 103106 | 3 |
| 30 | 412N3133-24 | . | SUPPORT ASSY | 103106 | 4 |
| 35 | BACB30NM3K5 | .. | BOLT | 103106 | 2 |
| 40 | AN960JD10LL | .. | WASHER | 103106 | 2 |
| 45 | BACS13CJ3L080P | .. | INSERT | 103106 | 4 |
| 50 | 412N2004-55 | .. | SPACER | 103106 | 2 |
| 55 | 65C27021-463 | .. | FILLER ASSY | 103106 | 2 |
| 60 | 412N3134-1 | .. | BRACKET | 103106 | 1 |
| 65 | 65C27021-460 | .. | BRACKET | 103106 | 1 |
| 70 | 65C27021-177 | . | DOUBLER | 103106 | 4 |
| 75 | 412N3136-3042B | . | BEAM | 103106 | 1 |
| 80 | 412N3137-3148B | . | BEAM ASSY | 103106 | 1 |
| 85 | 412N3137-1633 | .. | GROMMET | 103106 | AR |
| - 150 | 412N3103-3054B | | OUTLET ASSY-SIDEWALL AIR CONDITIONING POSITION DATA: RH FOR NHA SEE: 21-23-02-43F | 103106 | RF |
| 155 | BACS12ER3K9 | . | SCREW | 103106 | 6 |
| 160 | BACS12FA3K8 | . | SCREW | 103106 | 6 |
| 165 | BACS12GU08K7 | . | SCREW | 103106 | 3 |
| 170 | BACS12GU08K6 | . | SCREW | 103106 | 4 |
| 175 | BACS12ER08K7 | . | SCREW | 103106 | 2 |
| 180 | BACS12ER08K8 | . | SCREW | 103106 | 2 |
| 185 | BACB30LU2-2 | . | BOLT | 103106 | 4 |
| 190 | BACW10DM5P | . | WASHER | 103106 | 4 |
| 195 | NAS1149DN816J | . | WASHER | 103106 | 7 |
| 200 | 412N3101-36E | . | COVER | 103106 | 1 |
| 205 | 412N3101-25E | . | COVER ASSY | 103106 | 1 |
| 210 | 412N3133-24 | . | SUPPORT ASSY | 103106 | 3 |
| 215 | BACB30NM3K5 | .. | BOLT | 103106 | 2 |
| 220 | AN960JD10LL | .. | WASHER | 103106 | 2 |
| 225 | BACS13CJ3L080P | .. | INSERT | 103106 | 4 |
| 230 | 412N2004-55 | .. | SPACER | 103106 | 2 |
| 235 | 65C27021-463 | .. | FILLER ASSY | 103106 | 2 |
| 240 | 412N3134-1 | .. | BRACKET | 103106 | 1 |

MISSING ITEM NUMBERS NOT APPLICABLE

- ITEM NOT ILLUSTRATED

21-23-02-45N

21-23-02
FIG. 45N
PAGE 1
JAN 20/09

BRI



757

PARTS CATALOG (MAINTENANCE)

| FIG ITEM | PART NUMBER | 1 2 3 4 5 6 7 | NOMENCLATURE | EFFECT FROM TO | UNITS PER ASSY |
|----------|----------------|----------------------|--------------|----------------|----------------|
| 45N | | | | | |
| 245 | 65C27021-460 | . . | BRACKET | 103106 | 1 |
| 250 | 65C27021-177 | . DOUBLER | | 103106 | 3 |
| 255 | 65C27020-612 | . DOUBLER | | 103106 | 1 |
| 260 | 65C27021-277 | . DOUBLER-ASSY | | 103106 | 1 |
| 265 | 65C27021-481 | . FILLER | | 103106 | 1 |
| 270 | 65C27021-483 | . FITTING ASSY | | 103106 | 1 |
| 275 | 412N3136-3028E | . BEAM | | 103106 | 1 |
| 280 | 412N3137-3156B | . BEAM ASSY | | 103106 | 1 |
| - 330 | 412N3103-3049B | OUTLET ASSY-SIDEWALL | | 103106 | RF |
| | | AIR CONDITIONING | | | |
| | | POSITION DATA: | | | |
| | | LH | | | |
| | | FOR NHA SEE: | | | |
| | | 21-23-02-43F | | | |
| 335 | BACS12ER3K9 | . SCREW | | 103106 | 4 |
| 340 | BACS12FA3K8 | . SCREW | | 103106 | 4 |
| 345 | BACS12GU08K7 | . SCREW | | 103106 | 1 |
| 350 | NAS1149DN816J | . WASHER | | 103106 | 1 |
| 355 | 412N3133-23 | . SUPPORT ASSY | | 103106 | 2 |
| 360 | BACB30NM3K5 | . . BOLT | | 103106 | 2 |
| 365 | AN960JD10LL | . . WASHER | | 103106 | 2 |
| 370 | BACS13CJ3L080P | . . INSERT | | 103106 | 4 |
| 375 | 412N2004-55 | . . SPACER | | 103106 | 2 |
| 380 | 65C27021-463 | . . FILLER ASSY | | 103106 | 2 |
| 385 | 412N3134-1 | . . BRACKET | | 103106 | 1 |
| 390 | 65C27021-459 | . . BRACKET | | 103106 | 1 |
| 395 | 65C27021-177 | . DOUBLER | | 103106 | 2 |
| 400 | 412N3136-3055B | . BEAM ASSY-INBD | | 103106 | 1 |
| 405 | 412N3137-3141B | . BEAM ASSY | | 103106 | 1 |
| - 450 | 412N3103-3007B | OUTLET ASSY-SIDEWALL | | 103106 | RF |
| | | AIR CONDITIONING | | | |
| | | POSITION DATA: | | | |
| | | LH | | | |
| | | FOR NHA SEE: | | | |
| | | 21-23-02-43F | | | |
| 455 | BACS12ER3K9 | . SCREW | | 103106 | 6 |
| 460 | BACS12FA3K8 | . SCREW | | 103106 | 6 |
| 465 | BACS12GU08K7 | . SCREW | | 103106 | 3 |
| 470 | BACS12GU08K6 | . SCREW | | 103106 | 6 |
| 475 | BACS12ER08K7 | . SCREW | | 103106 | 2 |
| 480 | BACS12ER08K8 | . SCREW | | 103106 | 2 |
| 485 | BACB30LU2-2 | . BOLT | | 103106 | 4 |
| 490 | BACW10DM5P | . WASHER | | 103106 | 4 |
| 495 | NAS1149DN816J | . WASHER | | 103106 | 9 |
| 500 | 412N3101-35E | . COVER | | 103106 | 1 |
| 505 | 412N3101-24E | . COVER ASSY | | 103106 | 1 |
| 510 | 412N3133-23 | . SUPPORT ASSY | | 103106 | 3 |
| 515 | BACB30NM3K5 | . . BOLT | | 103106 | 2 |
| 520 | AN960JD10LL | . . WASHER | | 103106 | 2 |

MISSING ITEM NUMBERS NOT APPLICABLE

- ITEM NOT ILLUSTRATED

21-23-02-45N

21-23-02
FIG. 45N
PAGE 2
JAN 20/09

BRI



757

PARTS CATALOG (MAINTENANCE)

| FIG ITEM | PART NUMBER | 1 2 3 4 5 6 7 | NOMENCLATURE | EFFECT FROM TO | UNITS PER ASSY |
|-------------|----------------|---------------|--------------------------------------|-------------------|----------------------|
| 45N | | | | | |
| 525 | BACS13CJ3L080P | .. | INSERT | 103106 | 4 |
| 530 | 412N2004-55 | .. | SPACER | 103106 | 2 |
| 535 | 65C27021-463 | .. | FILLER ASSY | 103106 | 2 |
| 540 | 412N3134-1 | .. | BRACKET-SPRT | 103106 | 1 |
| 545 | 65C27021-459 | .. | BRACKET | 103106 | 1 |
| 550 | 65C27021-177 | . | DOUBLER | 103106 | 3 |
| 555 | 65C27020-612 | . | DOUBLER | 103106 | 1 |
| 560 | 65C27021-277 | . | DOUBLER | 103106 | 1 |
| 565 | 65C27021-481 | . | FILLER | 103106 | 1 |
| 570 | 65C27021-482 | . | FITTING ASSY-SPLICE | 103106 | 1 |
| 575 | 412N3136-3009B | . | BEAM-INBD AIRCOND EXTRUSION | 103106 | 1 |
| 580 | 412N3137-3019B | . | BEAM ASSY-OUTBD AIRCOND EXTRUSION | 103106 | 1 |

MISSING ITEM NUMBERS NOT APPLICABLE

- ITEM NOT ILLUSTRATED

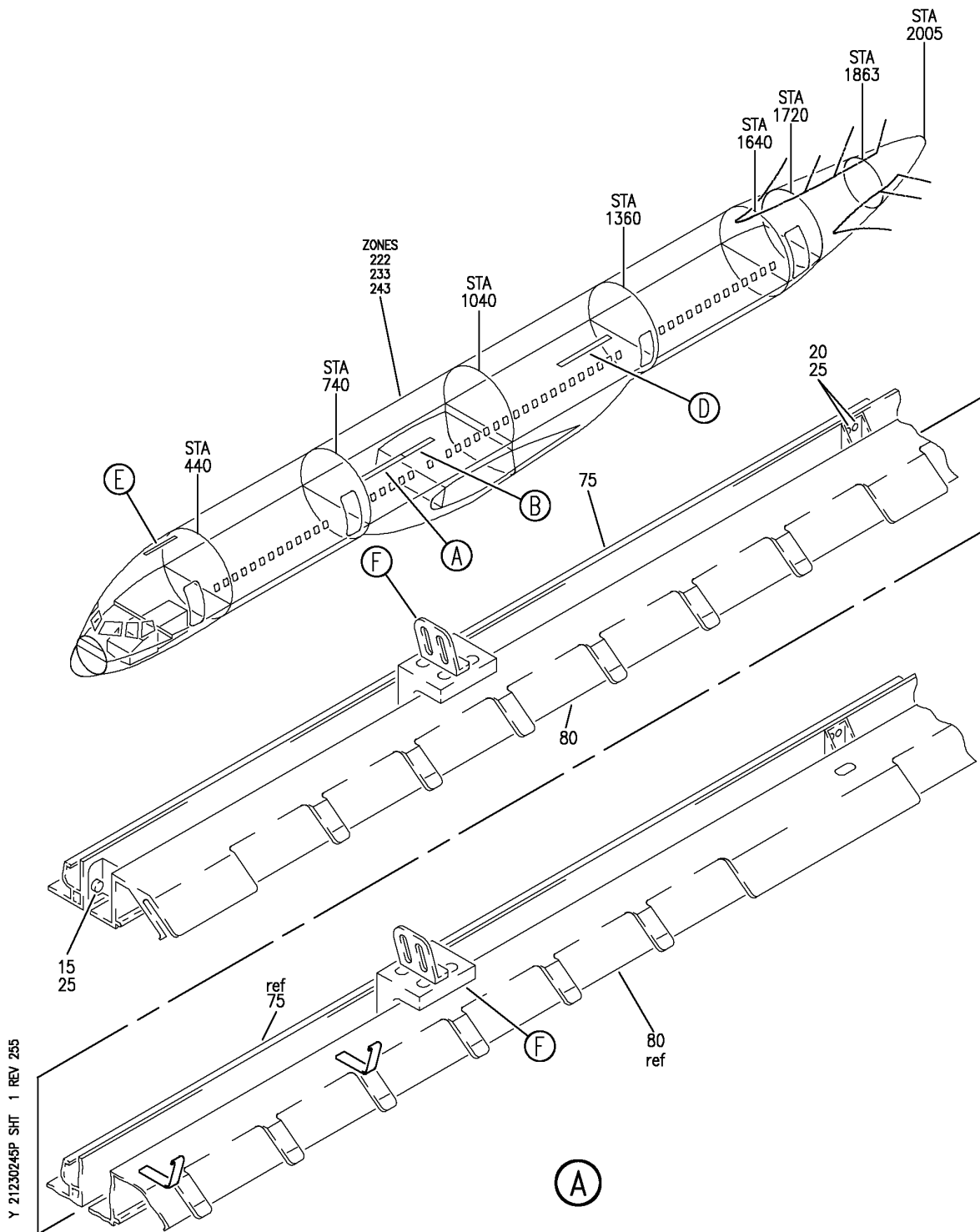
21-23-02-45N

21-23-02
FIG. 45N
PAGE 3
JAN 20/09

BRI

BOEING PROPRIETARY - Copyright © - Unpublished Work - See title page for details.

BOEING
757
PARTS CATALOG (MAINTENANCE)



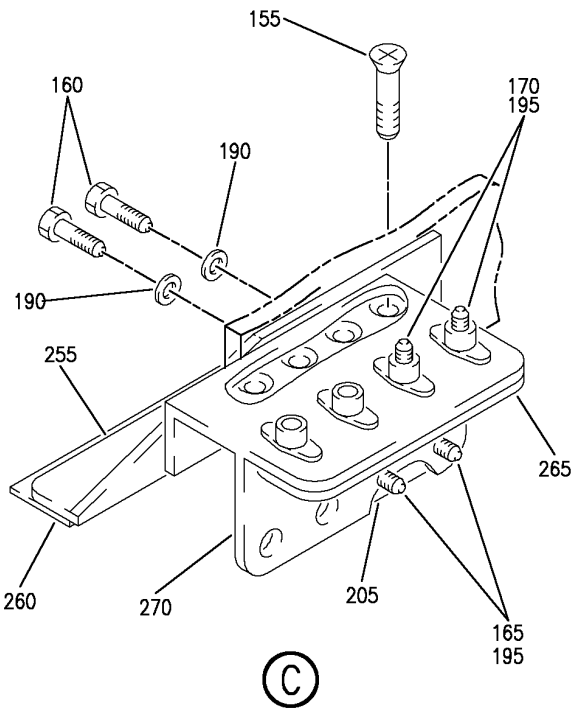
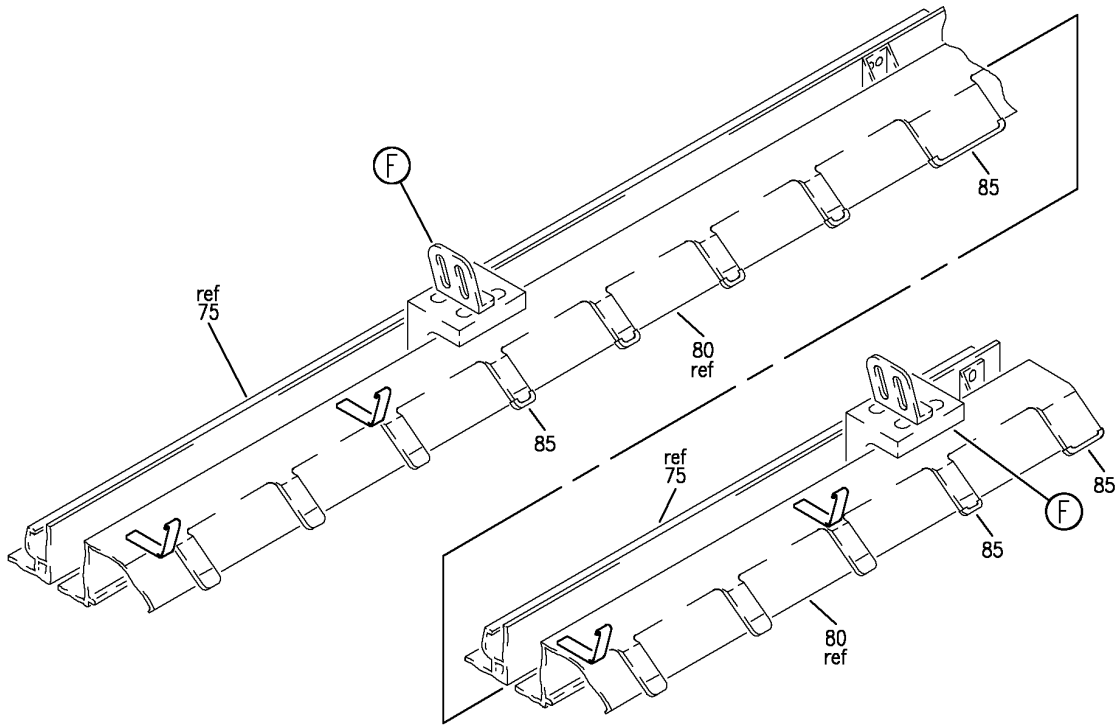
OUTLET ASSY-SIDEWALL AIR CONDITIONING
FIGURE 45P (SHEET 1)

21-23-02-45P

BRI
JAN 20/09

21-23-02-45P
PAGE 0

BOEING
757
PARTS CATALOG (MAINTENANCE)



Y 21230245P SHT 2 REV 255

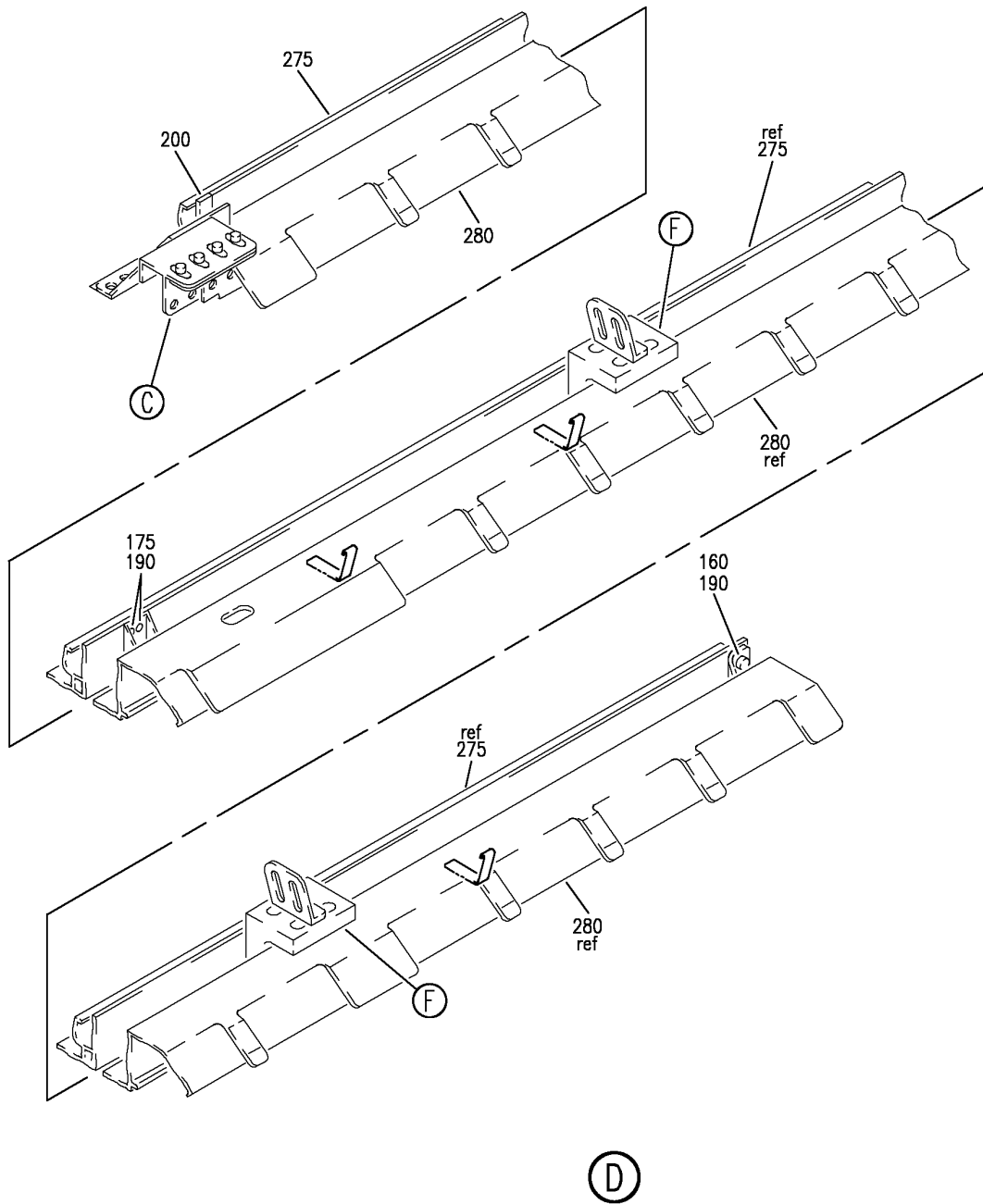
OUTLET ASSY-SIDEWALL AIR CONDITIONING
FIGURE 45P (SHEET 2)

21-23-02-45P

BRI
JAN 20/09

21-23-02-45P
PAGE 0A

BOEING
757
PARTS CATALOG (MAINTENANCE)



Y 21230245P SHT 3 REV 255

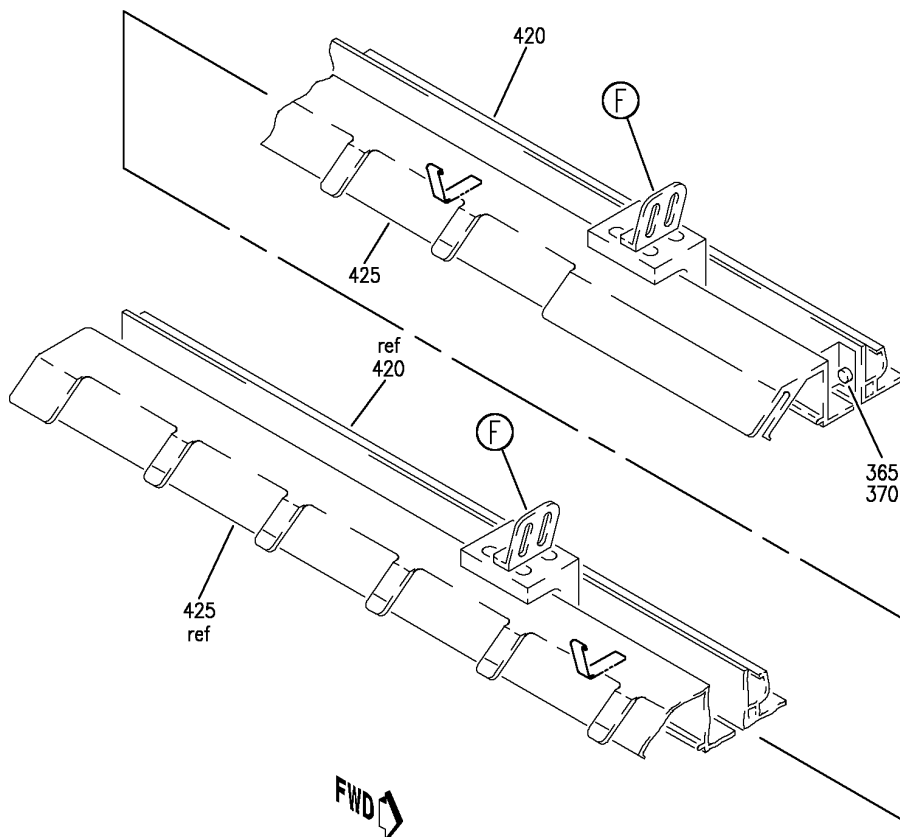
OUTLET ASSY-SIDEWALL AIR CONDITIONING
FIGURE 45P (SHEET 3)

21-23-02-45P

BRI
JAN 20/09

21-23-02-45P
PAGE 08

BOEING
757
PARTS CATALOG (MAINTENANCE)



Y 21230245P SH1 4 REV 255

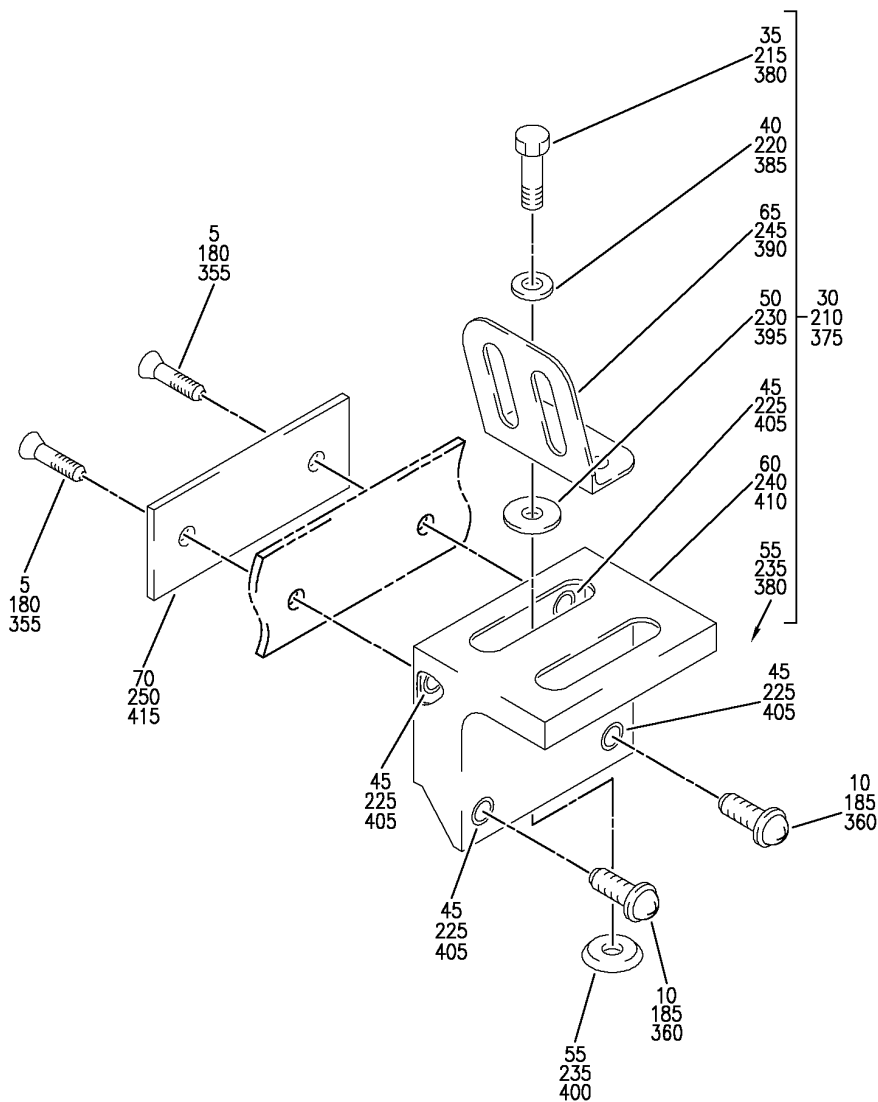
OUTLET ASSY-SIDEWALL AIR CONDITIONING
FIGURE 45P (SHEET 4)

21-23-02-45P

BRI
JAN 20/09

21-23-02-45P
PAGE 0C

BOEING
757
PARTS CATALOG (MAINTENANCE)



(F)

Y 21230245P SHT 5 REV 255

OUTLET ASSY-SIDEWALL AIR CONDITIONING
FIGURE 45P (SHEET 5)

21-23-02-45P

BRI
JAN 20/09

21-23-02-45P
PAGE 0D



757

PARTS CATALOG (MAINTENANCE)

| FIG ITEM | PART NUMBER | 1 2 3 4 5 6 7 | NOMENCLATURE | EFFECT FROM TO | UNITS PER ASSY |
|----------|----------------|---------------|--|----------------|----------------|
| 45P | | | OUTLET ASSY-SIDEWALL AIR CONDITIONING | 103106 | |
| - 1 | 412N3103-3051B | | OUTLET ASSY-SIDEWALL AIR CONDITIONING POSITION DATA: CTR LH FOR NHA SEE: 21-23-02-43G | 103106 | RF |
| 5 | BACS12ER3K9 | . | SCREW | 103106 | 8 |
| 10 | BACS12FA3K8 | . | SCREW | 103106 | 8 |
| 15 | BACS12GU08K7 | . | SCREW | 103106 | 1 |
| 20 | BACS12GU08K6 | . | SCREW | 103106 | 2 |
| 25 | NAS1149DN816J | . | WASHER | 103106 | 3 |
| 30 | 412N3133-23 | . | SUPPORT ASSY | 103106 | 4 |
| 35 | BACB30NM3K5 | .. | BOLT | 103106 | 2 |
| 40 | AN960JD10LL | .. | WASHER | 103106 | 2 |
| 45 | BACS13CJ3L080P | .. | INSERT | 103106 | 4 |
| 50 | 412N2004-55 | .. | SPACER | 103106 | 2 |
| 55 | 65C27021-463 | .. | FILLER ASSY | 103106 | 2 |
| 60 | 412N3134-1 | .. | BRACKET | 103106 | 1 |
| 65 | 65C27021-459 | .. | BRACKET | 103106 | 1 |
| 70 | 65C27021-177 | . | DOUBLER | 103106 | 4 |
| 75 | 412N3136-3041B | . | BEAM | 103106 | 1 |
| 80 | 412N3137-3147B | . | BEAM ASSY | 103106 | 1 |
| 85 | 412N3137-1633 | .. | GROMMET | 103106 | AR |
| - 150 | 412N3103-3053B | | OUTLET ASSY-SIDEWALL AIR CONDITIONING POSITION DATA: CTR LH FOR NHA SEE: 21-23-02-43G | 103106 | RF |
| 155 | BACB30LU2-2 | . | BOLT | 103106 | 4 |
| 160 | BACS12GU08K7 | . | SCREW | 103106 | 3 |
| 165 | BACS12ER08K7 | . | SCREW | 103106 | 2 |
| 170 | BACS12ER08K8 | . | SCREW | 103106 | 2 |
| 175 | BACS12GU08K6 | . | SCREW | 103106 | 2 |
| 180 | BACS12ER3K9 | . | SCREW | 103106 | 4 |
| 185 | BACS12FA3K8 | . | SCREW | 103106 | 4 |
| 190 | NAS1149DN816J | . | WASHER | 103106 | 5 |
| 195 | BACW10DM5P | . | WASHER | 103106 | 4 |
| 200 | 412N3101-35E | . | COVER | 103106 | 1 |
| 205 | 412N3101-24E | . | COVER ASSY | 103106 | 1 |
| 210 | 412N3133-23 | . | SUPPORT ASSY | 103106 | 2 |
| 215 | BACB30NM3K5 | .. | BOLT | 103106 | 2 |
| 220 | AN960JD10LL | .. | WASHER | 103106 | 2 |
| 225 | BACS13CJ3L080P | .. | INSERT | 103106 | 4 |
| 230 | 412N2004-55 | .. | SPACER | 103106 | 2 |
| 235 | 65C27021-463 | .. | FILLER ASSY | 103106 | 2 |
| 240 | 412N3134-1 | .. | BRACKET | 103106 | 1 |

MISSING ITEM NUMBERS NOT APPLICABLE

- ITEM NOT ILLUSTRATED

21-23-02-45P

21-23-02
FIG. 45P
PAGE 1
JAN 20/09

BRI



757

PARTS CATALOG (MAINTENANCE)

| FIG ITEM | PART NUMBER | 1 2 3 4 5 6 7 | NOMENCLATURE | EFFECT FROM TO | UNITS PER ASSY |
|----------|----------------|---------------|--|----------------|----------------|
| 45P | | | | | |
| 245 | 65C27021-459 | .. | BRACKET | 103106 | 1 |
| 250 | 65C27021-177 | .D | DOUBLER | 103106 | 2 |
| 255 | 65C27020-612 | .D | DOUBLER | 103106 | 1 |
| 260 | 65C27021-277 | .D | DOUBLER-ASSY | 103106 | 1 |
| 265 | 65C27021-481 | .F | FILLER | 103106 | 1 |
| 270 | 65C27021-482 | .F | FITTING ASSY | 103106 | 1 |
| 275 | 412N3136-3025E | .B | BEAM | 103106 | 1 |
| 280 | 412N3137-3153B | .B | BEAM ASSY | 103106 | 1 |
| - 350 | 412N3103-3050B | | OUTLET ASSY-SIDEWALL AIR CONDITIONING POSITION DATA: FWD RH FOR NHA SEE: 21-23-02-43H | 103106 | RF |
| 355 | BACS12ER3K9 | .S | SCREW | 103106 | 4 |
| 360 | BACS12FA3K8 | .S | SCREW | 103106 | 4 |
| 365 | BACS12GU08K7 | .S | SCREW | 103106 | 1 |
| 370 | NAS1149DN816J | .W | WASHER | 103106 | 1 |
| 375 | 412N3133-24 | .S | SUPPORT ASSY | 103106 | 2 |
| 380 | BACB30NM3K5 | ..B | BOLT- POSITION DATA: HD N.S. | 103106 | 2 |
| 385 | AN960JD10LL | ..W | WASHER | 103106 | 2 |
| 390 | 65C27021-460 | ..B | BRACKET | 103106 | 1 |
| 395 | 412N2004-55 | ..S | SPACER | 103106 | 2 |
| 400 | 65C27021-463 | ..F | FILLER ASSY-RADIUS | 103106 | 2 |
| 405 | BACS13CJ3L080P | ..I | INSERT | 103106 | 4 |
| 410 | 412N3134-1 | ..B | BRACKET-SUPPORT | 103106 | 1 |
| 415 | 65C27021-177 | .D | DOUBLER | 103106 | 2 |
| 420 | 412N3136-3056B | .B | BEAM | 103106 | 2 |
| 425 | 412N3137-3144B | .B | BEAM ASSY | 103106 | 1 |
| - 430 | 412N3137-1633 | ..G | GROMMET | 103106 | AR |

MISSING ITEM NUMBERS NOT APPLICABLE

- ITEM NOT ILLUSTRATED

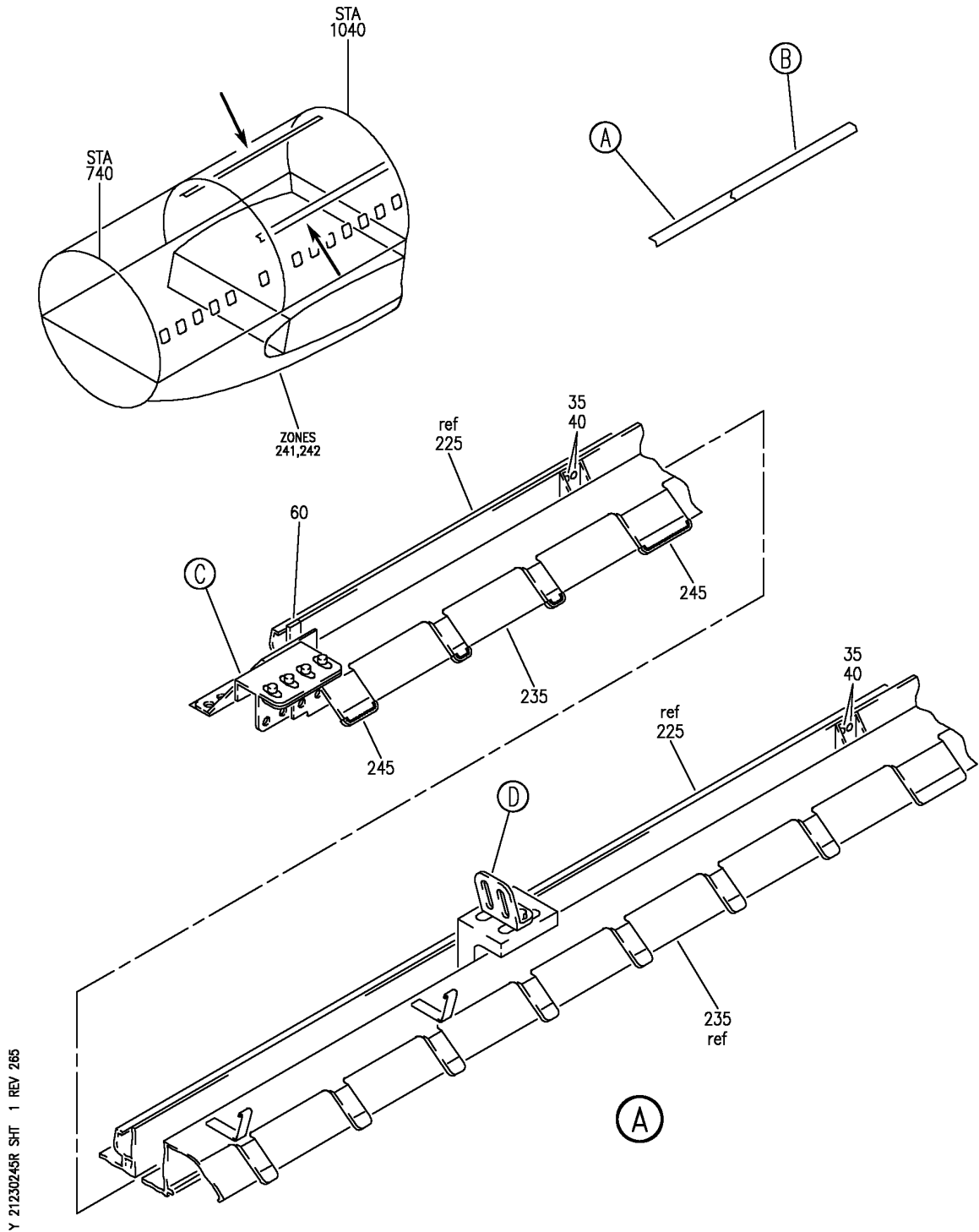
BRI

21-23-02-45P

BOEING PROPRIETARY - Copyright © - Unpublished Work - See title page for details.

21-23-02
FIG. 45P
PAGE 2
JAN 20/09

BOEING
757
PARTS CATALOG (MAINTENANCE)



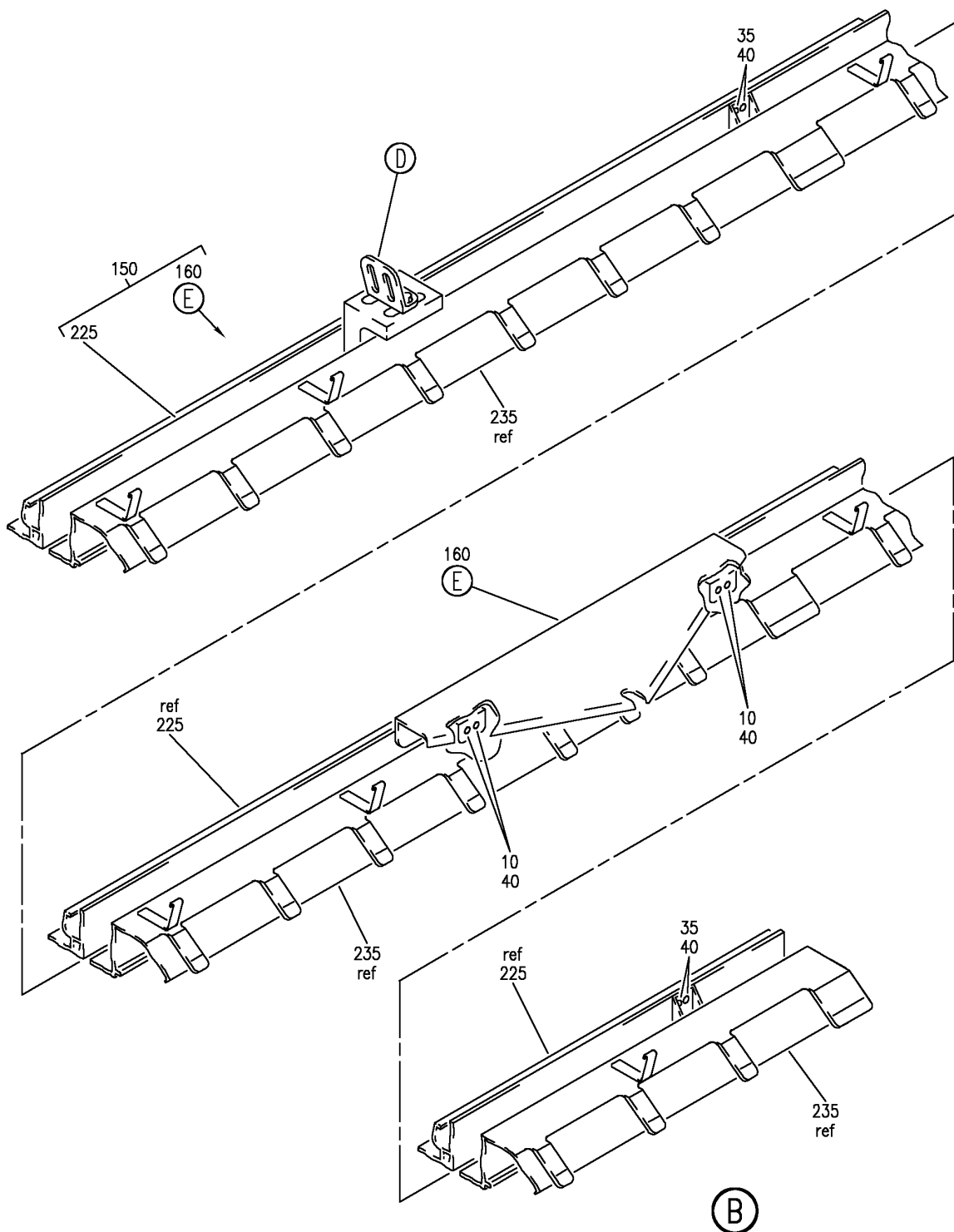
OUTLET ASSY-SIDEWALL AIR CONDITIONING
FIGURE 45R (SHEET 1)

21-23-02-45R

BRI
JAN 20/09

21-23-02-45R
PAGE 0

BOEING
757
PARTS CATALOG (MAINTENANCE)



Y 21230245R SHT 2 REV 265

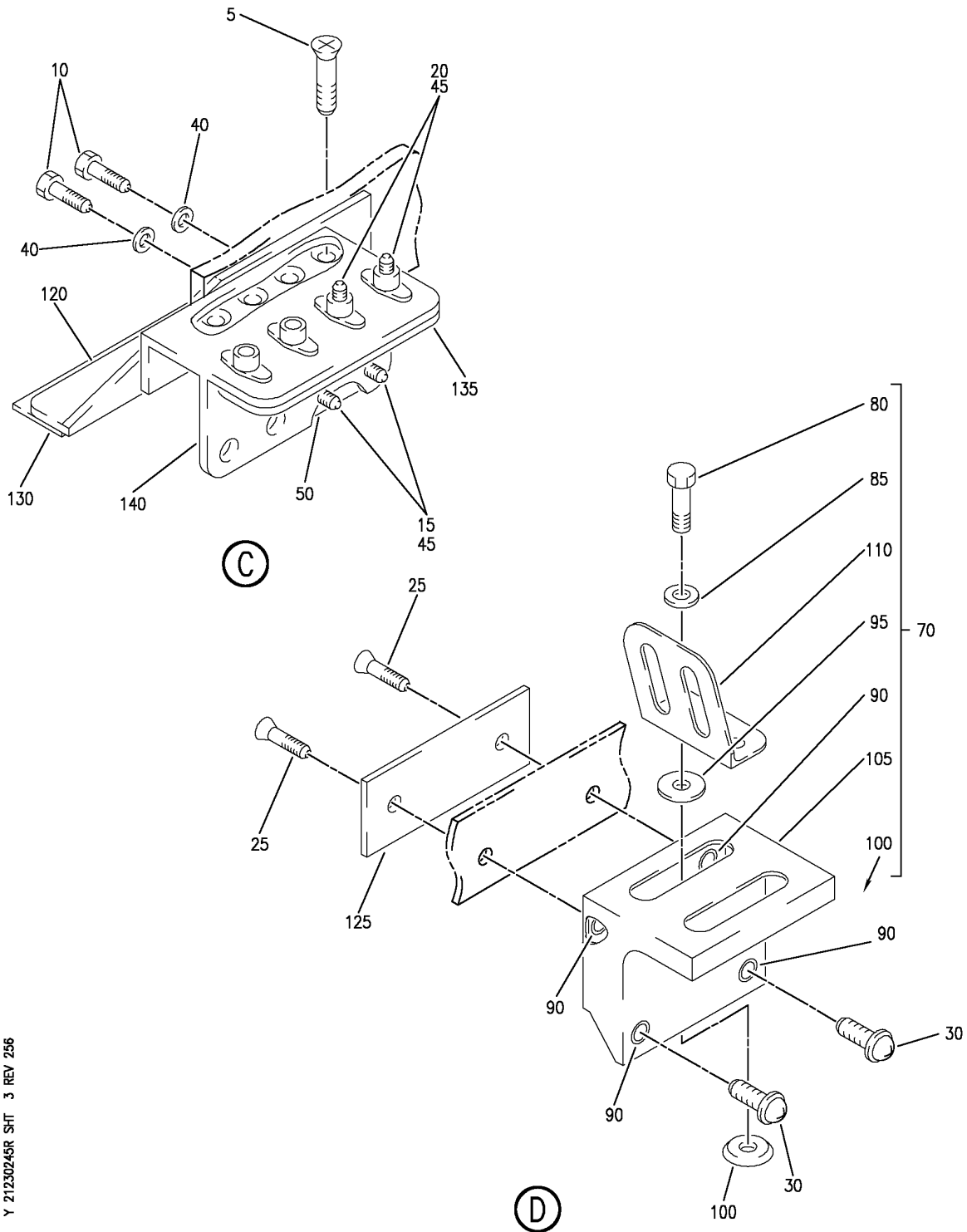
OUTLET ASSY-SIDEWALL AIR CONDITIONING
FIGURE 45R (SHEET 2)

21-23-02-45R

BRI
JAN 20/09

21-23-02-45R
PAGE 0A

BOEING
757
PARTS CATALOG (MAINTENANCE)



Y 21230245R SHT 3 REV 256

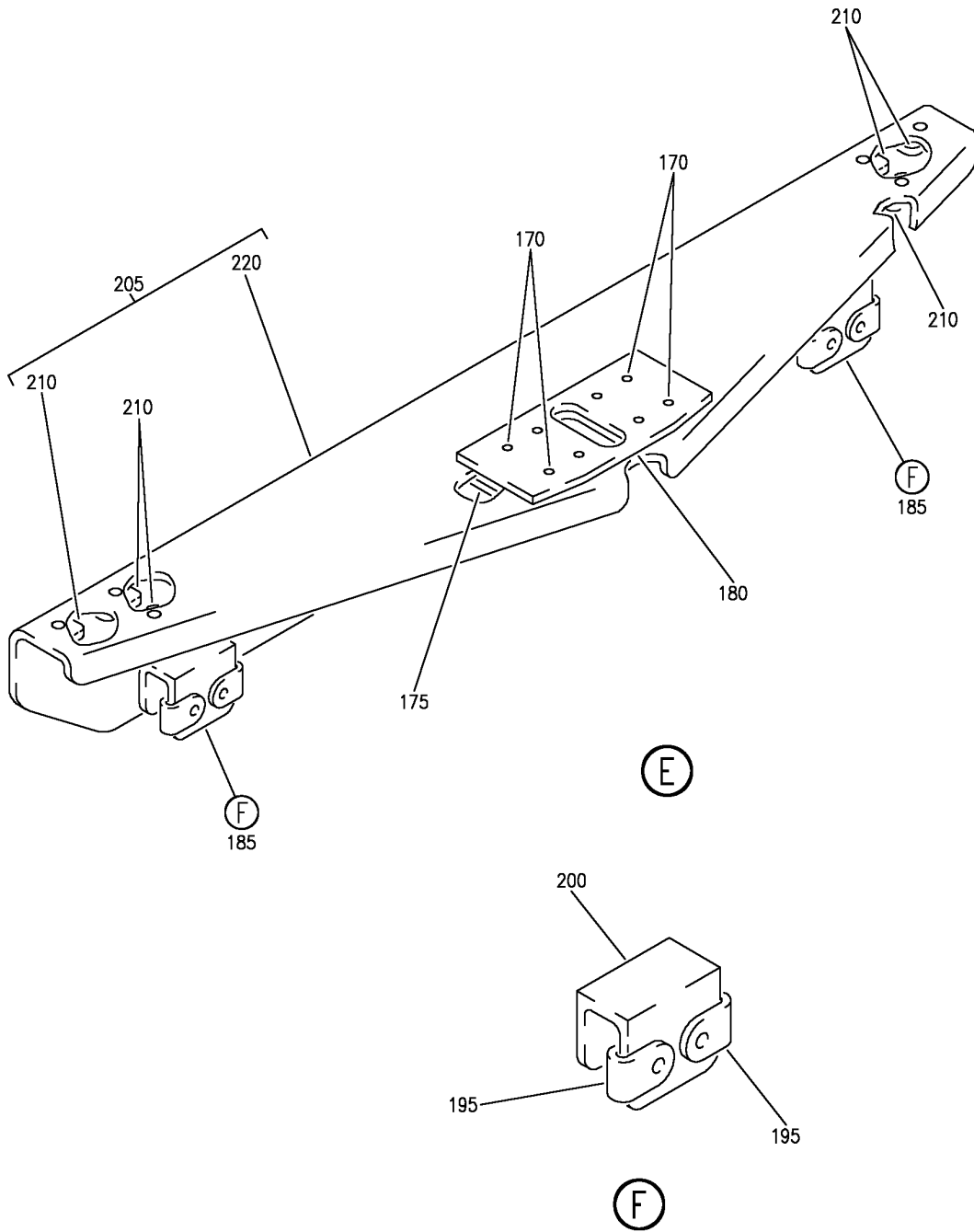
OUTLET ASSY-SIDEWALL AIR CONDITIONING
FIGURE 45R (SHEET 3)

21-23-02-45R

BRI
JAN 20/09

21-23-02-45R
PAGE 0B

BOEING
757
PARTS CATALOG (MAINTENANCE)



Y 21230245R SHT 4 REV 265

OUTLET ASSY-SIDEWALL AIR CONDITIONING
FIGURE 45R (SHEET 4)

21-23-02-45R

BRI
JAN 20/09

21-23-02-45R
PAGE 0C



757

PARTS CATALOG (MAINTENANCE)

| FIG ITEM | PART NUMBER | 1 2 3 4 5 6 7 | NOMENCLATURE | EFFECT FROM TO | UNITS PER ASSY |
|----------|----------------|--|--|----------------|----------------|
| 45R | | | OUTLET ASSY-SIDEWALL AIR CONDITIONING | 103106 | |
| - 1 | 412N3103-3055B | | OUTLET ASSY-SIDEWALL AIR CONDITIONING POSITION DATA: LH FOR NHA SEE: 21-23-02-43J | 103106 | RF |
| - 3 | 412N3103-3056B | | OUTLET ASSY-SIDEWALL AIR CONDITIONING POSITION DATA: RH FOR NHA SEE: 21-23-02-43J | 103106 | RF |
| 5 | BACB30LU2-2 | .BOLT | | 103106 | 4 |
| 10 | BACS12GU08K7 | .SCREW | | 103106 | 6 |
| 15 | BACS12ER08K7 | .SCREW | | 103106 | 2 |
| 20 | BACS12ER08K8 | .SCREW | | 103106 | 2 |
| 25 | BACS12ER3K9 | .SCREW | | 103106 | 4 |
| 30 | BACS12FA3K8 | .SCREW | | 103106 | 4 |
| 35 | BACS12GU08K6 | .SCREW | | 103106 | 8 |
| 40 | NAS1149DN816J | .WASHER | | 103106 | 14 |
| 45 | BACW10DM5P | .WASHER | | 103106 | 4 |
| 50 | 412N3101-24E | .COVER ASSY-GAP POSITION DATA: LH SIDE | | 103106 | 1 |
| - 55 | 412N3101-25E | .COVER ASSY-GAP POSITION DATA: RH SIDE | | 103106 | 1 |
| 60 | 412N3101-35E | .COVER-GAP POSITION DATA: LH SIDE | | 103106 | 1 |
| - 65 | 412N3101-36E | .COVER-GAP POSITION DATA: RH SIDE | | 103106 | 1 |
| 70 | 412N3133-23 | .SUPPORT ASSY- POSITION DATA: LH SIDE | | 103106 | 2 |
| - 75 | 412N3133-24 | .SUPPORT ASSY- POSITION DATA: RH SIDE | | 103106 | 2 |
| 80 | BACB30NM3K5 | ..BOLT | | 103106 | 2 |
| 85 | AN960JD10LL | ..WASHER | | 103106 | 2 |
| 90 | BACS13CJ3L080P | ..INSERT | | 103106 | 4 |
| 95 | 412N2004-55 | ..SPACER | | 103106 | 2 |
| 100 | 65C27021-463 | ..FILLER ASSY | | 103106 | 2 |
| 105 | 412N3134-1 | ..BRACKET | | 103106 | 1 |

MISSING ITEM NUMBERS NOT APPLICABLE

- ITEM NOT ILLUSTRATED

21-23-02-45R

21-23-02
FIG. 45R
PAGE 1
JAN 20/09

BRI



757

PARTS CATALOG (MAINTENANCE)

| FIG ITEM | PART NUMBER | 1 2 3 4 5 6 7 | NOMENCLATURE | EFFECT FROM TO | UNITS PER ASSY |
|----------|----------------|--|---------------------------------------|----------------|----------------|
| 45R | | | | | |
| 110 | 65C27021-459 | .. | BRACKET- POSITION DATA: LH SIDE | 103106 | 1 |
| - 115 | 65C27021-460 | .. | BRACKET- POSITION DATA: RH SIDE | 103106 | 1 |
| 120 | 65C27020-612 | .DOUBLER | | 103106 | 1 |
| 125 | 65C27021-177 | .DOUBLER | | 103106 | 2 |
| 130 | 65C27021-277 | .DOUBLER | | 103106 | 1 |
| 135 | 65C27021-481 | .FILLER | | 103106 | 1 |
| 140 | 65C27021-482 | .FITTING ASSY- POSITION DATA: LH SIDE | | 103106 | 1 |
| - 145 | 65C27021-483 | .FITTING ASSY- POSITION DATA: RH SIDE | | 103106 | 1 |
| 150 | 412N3136-1037E | .BEAM ASSY-EXTRUSION POSITION DATA: INBD LH SIDE | | 103106 | 1 |
| - 155 | 412N3136-1038E | .BEAM ASSY-EXTRUSION POSITION DATA: INBD RH SIDE | | 103106 | 1 |
| 160 | 412N2021-64 | ..SUPPORT ASSY-FXD ATTACHING PARTS | | 103106 | 1 |
| - 165 | BACR15FT6D | ..RIVET- -----*----- | | 103106 | 17 |
| 170 | BACR15BA6D | ...RIVET- SIZE DETERMINED ON INSTL. | | 103106 | 8 |
| 175 | 412N2003-217 | ...DOUBLER | | 103106 | 1 |
| 180 | 412N2003-196 | ...DOUBLER | | 103106 | 1 |
| 185 | 412N2004-132 | ...BRACKET ASSY ATTACHING PARTS | | 103106 | 2 |
| - 190 | NAS1399D5-3 | ...RIVET -----*----- | | 103106 | 4 |

MISSING ITEM NUMBERS NOT APPLICABLE

- ITEM NOT ILLUSTRATED

21-23-02-45R

21-23-02
FIG. 45R
PAGE 2
JAN 20/09

BRI

BOEING PROPRIETARY - Copyright © - Unpublished Work - See title page for details.



757

PARTS CATALOG (MAINTENANCE)

| FIG ITEM | PART NUMBER | 1 2 3 4 5 6 7 | NOMENCLATURE | EFFECT FROM TO | UNITS PER ASSY |
|------------|----------------|---------------|---|----------------|----------------|
| 45R 195 | 130007 | | NUT SUPPLIER CODE: V60119 SPECIFICATION NUMBER: BACN10FX83 OPTIONAL PART: BRC500-8-08 V52828 SL213-08-1 V97393 A11330-8-82 V72962 A4972-8-82 V72962 A4972-8-82 V72962 | 103106 | 2 |
| 200 | 412N2004-133 | | BRACKET | 103106 | 1 |
| 205 | 412N2003-189 | ... | BRACKET ASSY | 103106 | 1 |
| 210 | MF53049-3 | | NUTPLATE SUPPLIER CODE: V15653 SPECIFICATION NUMBER: BACN10JN3 OPTIONAL PART: BRFM20A3 V52828 MF1000-3BAC V15653 NS103218-02 V80539 RMF9201M3 V72962 VN252A02 V92215 T8124S3S V11815 | 103106 | 6 |
| - 215 | BACR15BA3D | | RIVET- ATTACHING PARTS SIZE DETERMINED ON INSTL. -----*----- | 103106 | 12 |
| 220 | 412N2003-190 | | BRACKET | 103106 | 1 |
| 225 | 412N3136-1039E | .. | BEAM- POSITION DATA: LH SIDE | 103106 | 1 |
| - 230 | 412N3136-1040E | .. | BEAM- POSITION DATA: RH SIDE | 103106 | 1 |

MISSING ITEM NUMBERS NOT APPLICABLE

- ITEM NOT ILLUSTRATED

21-23-02-45R

21-23-02
FIG. 45R
PAGE 3
JAN 20/09

BRI

BOEING PROPRIETARY - Copyright © - Unpublished Work - See title page for details.



757

PARTS CATALOG (MAINTENANCE)

| FIG ITEM | PART NUMBER | 1 2 3 4 5 6 7 | NOMENCLATURE | EFFECT FROM TO | UNITS PER ASSY |
|------------|----------------|---------------|---|----------------|----------------|
| 45R 235 | 412N3137-3159B | | .BEAM ASSY-EXTRUSION POSITION DATA: OUTBD LH SIDE | 103106 | 1 |
| - 240 | 412N3137-3160B | | .BEAM ASSY-EXTRUSION POSITION DATA: OUTBD RH SIDE | 103106 | 1 |
| 245 | 412N3137-1633 | | ..GROMMET | 103106 | AR |

MISSING ITEM NUMBERS NOT APPLICABLE

- ITEM NOT ILLUSTRATED

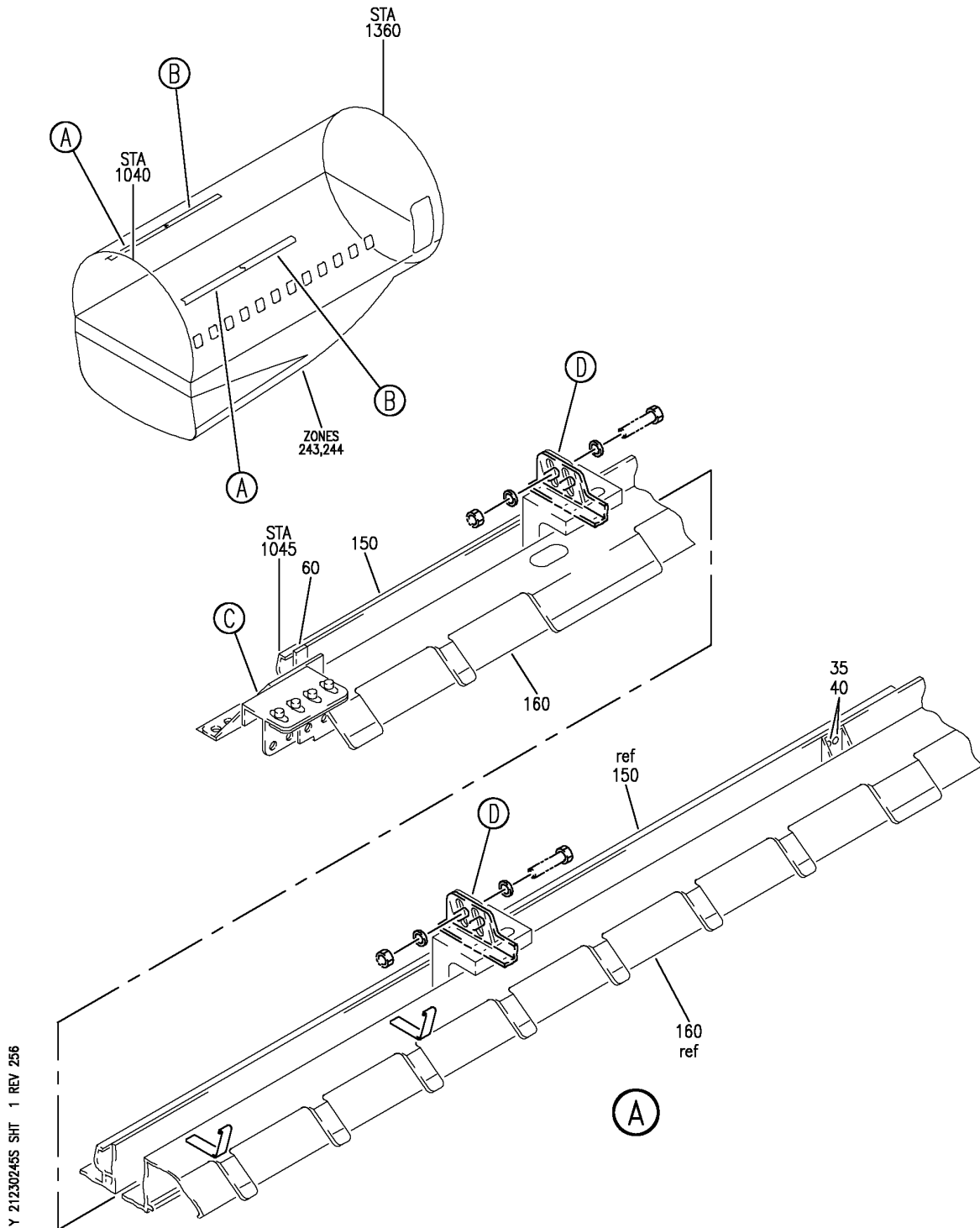
BRI

21-23-02-45R

BOEING PROPRIETARY - Copyright © - Unpublished Work - See title page for details.

21-23-02
FIG. 45R
PAGE 4
JAN 20/09

BOEING
757
PARTS CATALOG (MAINTENANCE)



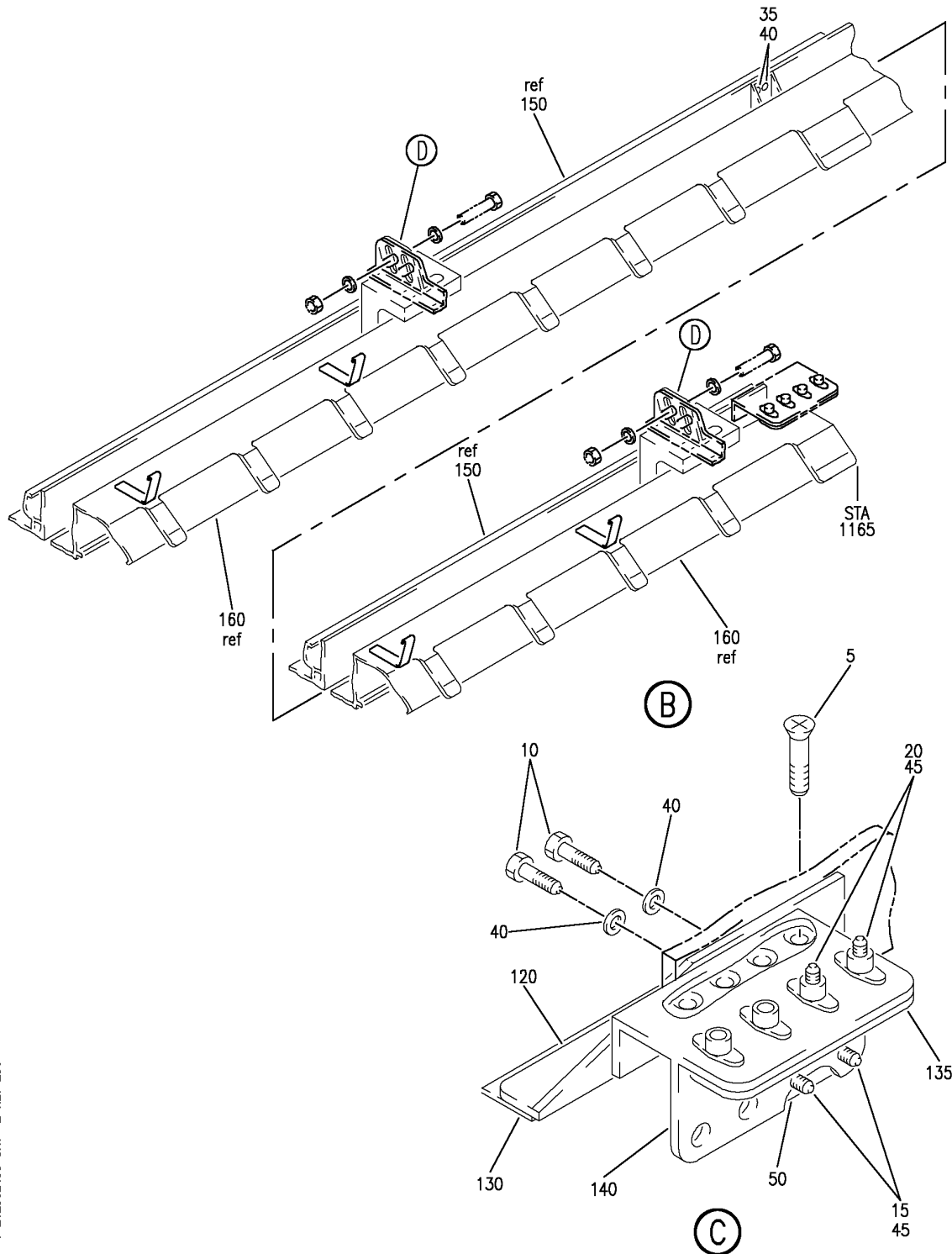
OUTLET ASSY-SIDEWALL AIR CONDITIONING
FIGURE 45S (SHEET 1)

21-23-02-45S

BRI
JAN 20/09

21-23-02-45S
PAGE 0

BOEING
757
PARTS CATALOG (MAINTENANCE)



Y 21230245S SHT 2 REV 256

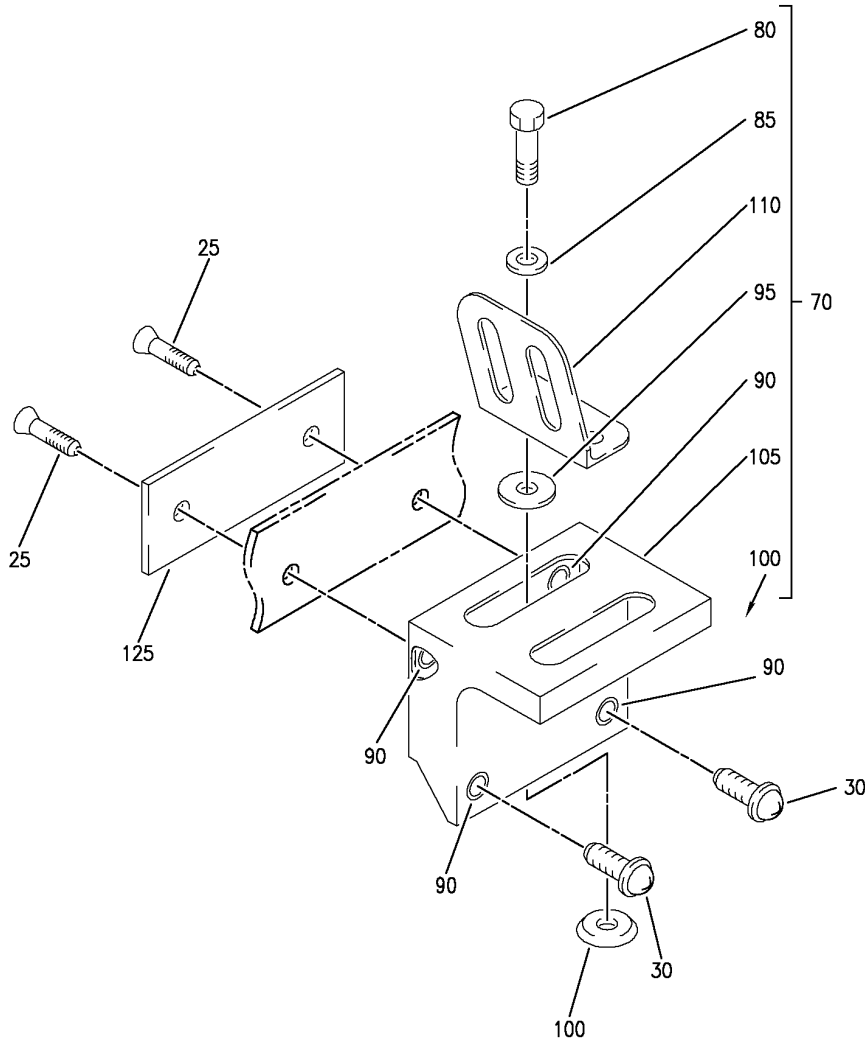
OUTLET ASSY-SIDEWALL AIR CONDITIONING
FIGURE 45S (SHEET 2)

21-23-02-45S

BRI
JAN 20/09

21-23-02-45S
PAGE 0A

BOEING
757
PARTS CATALOG (MAINTENANCE)



(D)

Y 21230245S SHT 3 REV 256

OUTLET ASSY-SIDEWALL AIR CONDITIONING
FIGURE 45S (SHEET 3)

21-23-02-45S

BRI
JAN 20/09

21-23-02-45S
PAGE 0B



757

PARTS CATALOG (MAINTENANCE)

| FIG ITEM | PART NUMBER | 1 2 3 4 5 6 7 | NOMENCLATURE | EFFECT FROM TO | UNITS PER ASSY |
|----------|----------------|---|--|----------------|----------------|
| 45S | | | OUTLET ASSY-SIDEWALL AIR CONDITIONING | 103106 | |
| - 1 | 412N3103-3057B | | OUTLET ASSY-SIDEWALL AIR CONDITIONING POSITION DATA: LH FOR NHA SEE: 21-23-02-43J | 103106 | RF |
| - 3 | 412N3103-3058B | | OUTLET ASSY-SIDEWALL AIR CONDITIONING POSITION DATA: RH FOR NHA SEE: 21-23-02-43J | 103106 | RF |
| 5 | BACB30LU2-2 | .BOLT | | 103106 | 4 |
| 10 | BACS12GU08K7 | .SCREW | | 103106 | 2 |
| 15 | BACS12ER08K7 | .SCREW | | 103106 | 2 |
| 20 | BACS12ER08K8 | .SCREW | | 103106 | 2 |
| 25 | BACS12ER3K9 | .SCREW | | 103106 | 8 |
| 30 | BACS12FA3K8 | .SCREW | | 103106 | 8 |
| 35 | BACS12GU08K6 | .SCREW | | 103106 | 4 |
| 40 | NAS1149DN816J | .WASHER | | 103106 | 6 |
| 45 | BACW10DM5P | .WASHER | | 103106 | 4 |
| 50 | 412N3101-24E | .COVER ASSY- POSITION DATA: LH SIDE | | 103106 | 1 |
| - 55 | 412N3101-25E | .COVER ASSY- POSITION DATA: RH SIDE | | 103106 | 1 |
| 60 | 412N3101-35E | .COVER-GAP POSITION DATA: LH SIDE | | 103106 | 1 |
| - 65 | 412N3101-36E | .COVER-GAP POSITION DATA: RH SIDE | | 103106 | 1 |
| 70 | 412N3133-23 | .SUPPORT ASSY- POSITION DATA: LH SIDE | | 103106 | 4 |
| - 75 | 412N3133-24 | .SUPPORT ASSY- POSITION DATA: RH SIDE | | 103106 | 4 |
| 80 | BACB30NM3K5 | ..BOLT | | 103106 | 2 |
| 85 | AN960JD10LL | ..WASHER | | 103106 | 2 |
| 90 | BACS13CJ3L080P | ..INSERT | | 103106 | 4 |
| 95 | 412N2004-55 | ..SPACER | | 103106 | 2 |
| 100 | 65C27021-463 | ..FILLER ASSY | | 103106 | 2 |
| 105 | 412N3134-1 | ..BRACKET | | 103106 | 1 |

MISSING ITEM NUMBERS NOT APPLICABLE

- ITEM NOT ILLUSTRATED

21-23-02-45S

21-23-02
FIG. 45S
PAGE 1
JAN 20/09

BRI



757

PARTS CATALOG (MAINTENANCE)

| FIG ITEM | PART NUMBER | 1 2 3 4 5 6 7 | NOMENCLATURE | EFFECT FROM TO | UNITS PER ASSY |
|------------|----------------|---------------|---|----------------|----------------|
| 45S 110 | 65C27021-459 | | ..BRACKET- POSITION DATA: LH SIDE | 103106 | 1 |
| - 115 | 65C27021-460 | | ..BRACKET- POSITION DATA: RH SIDE | 103106 | 1 |
| 120 | 65C27020-612 | | .DOUBLER | 103106 | 1 |
| 125 | 65C27021-177 | | .DOUBLER | 103106 | 4 |
| 130 | 65C27021-277 | | .DOUBLER | 103106 | 1 |
| 135 | 65C27021-481 | | .FILLER | 103106 | 1 |
| 140 | 65C27021-482 | | .FITTING ASSY- POSITION DATA: LH SIDE | 103106 | 1 |
| - 145 | 65C27021-483 | | .FITTING ASSY- POSITION DATA: RH SIDE | 103106 | 1 |
| 150 | 412N3136-67E | | .BEAM-EXTRUSION POSITION DATA: INBD LH SIDE | 103106 | 1 |
| - 155 | 412N3136-68E | | .BEAM-EXTRUSION POSITION DATA: INBD RH SIDE | 103106 | 1 |
| 160 | 412N3137-3165B | | .BEAM ASSY-EXTRUSION POSITION DATA: OUTBD LH SIDE | 103106 | 1 |
| - 165 | 412N3137-3166B | | .BEAM ASSY-EXTRUSION POSITION DATA: OUTBD RH SIDE | 103106 | 1 |

MISSING ITEM NUMBERS NOT APPLICABLE

- ITEM NOT ILLUSTRATED

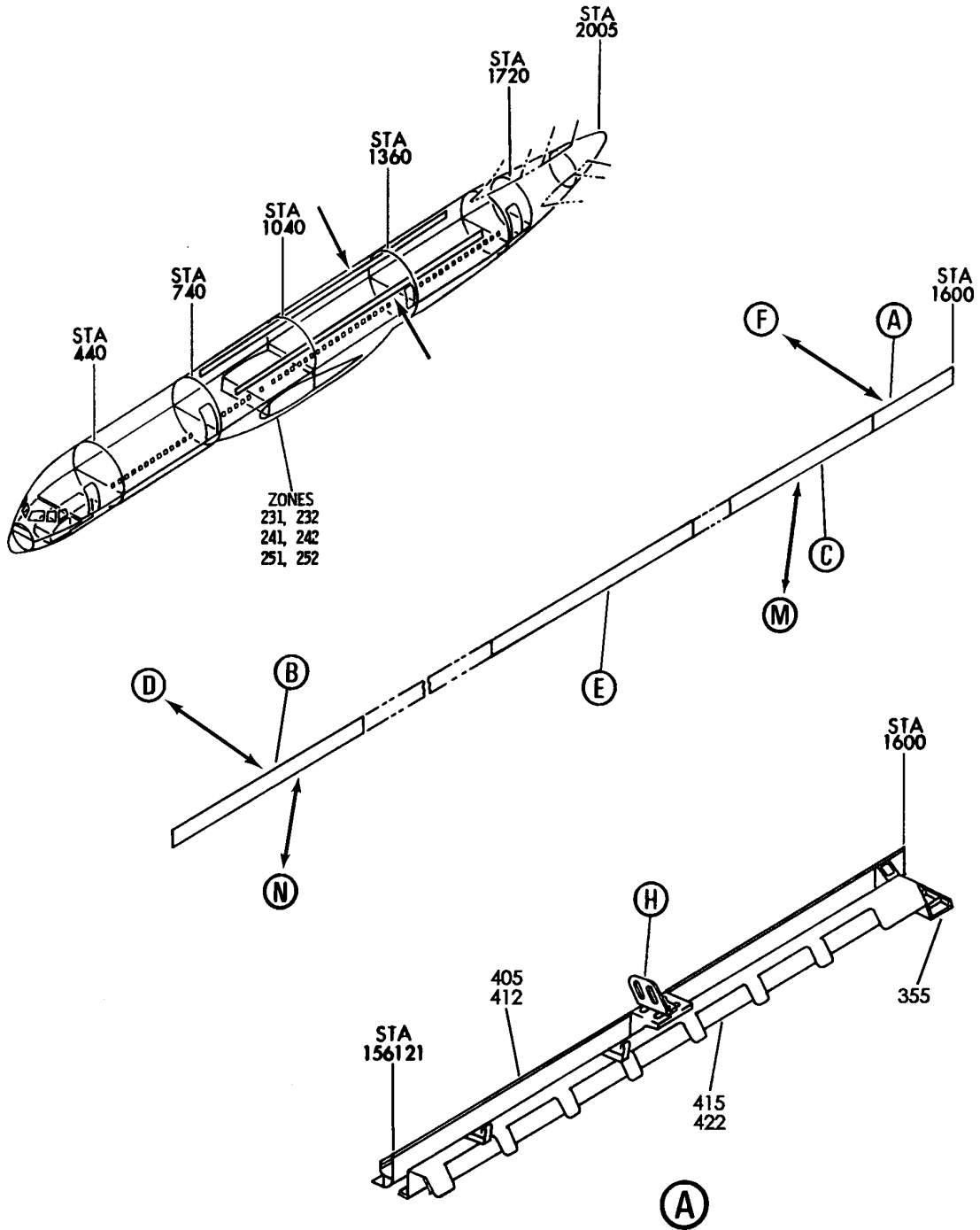
21-23-02-45S

21-23-02
FIG. 45S
PAGE 2
JAN 20/09

BRI

BOEING PROPRIETARY - Copyright © - Unpublished Work - See title page for details.

BOEING
757
PARTS CATALOG (MAINTENANCE)



Y 21230247 SHT 1 REV 210

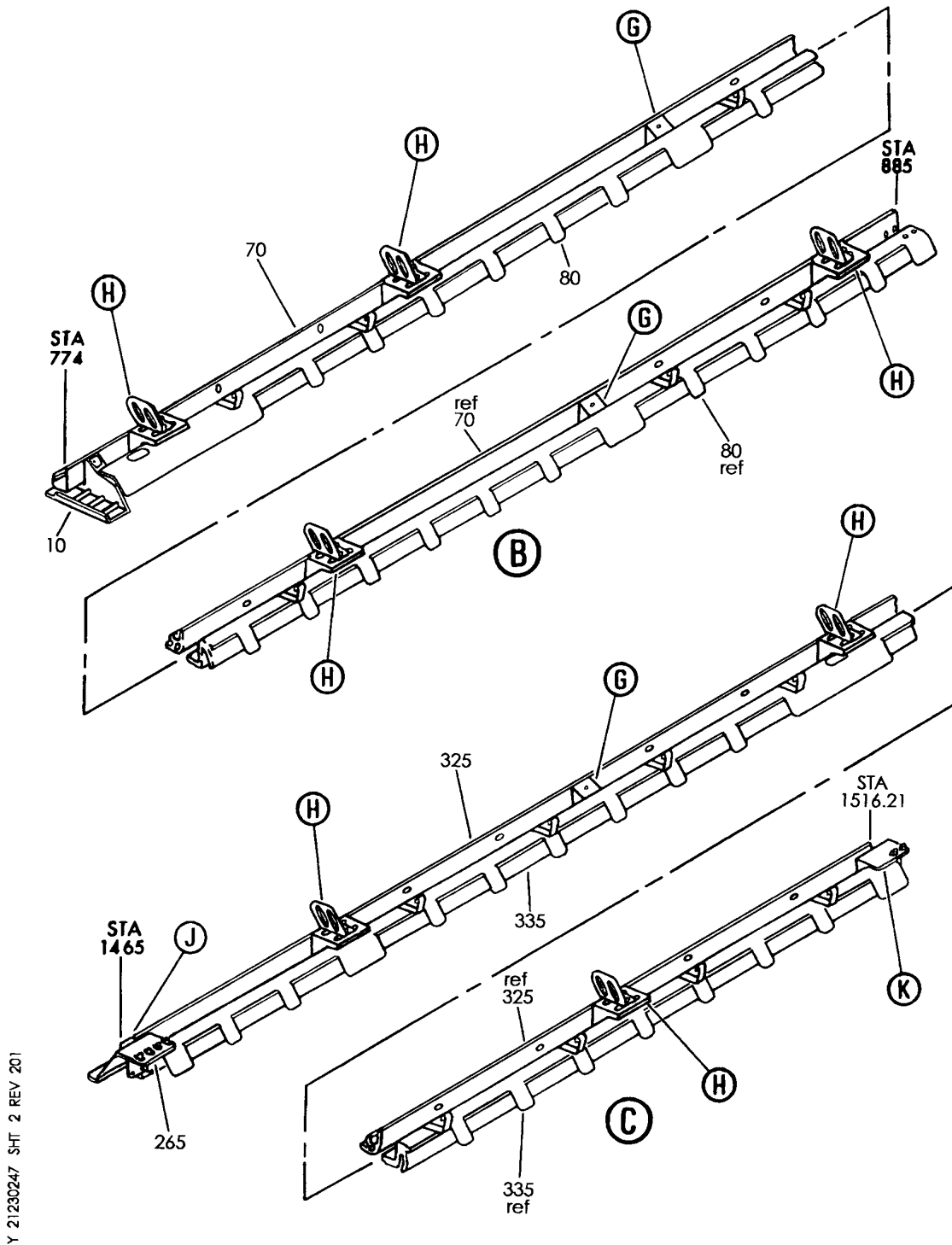
OUTLET ASSY-SIDEWALL AC
FIGURE 47 (SHEET 1)

21-23-02-47

BRI
MAY 28/07

21-23-02-47
PAGE 0

BOEING
757
PARTS CATALOG (MAINTENANCE)



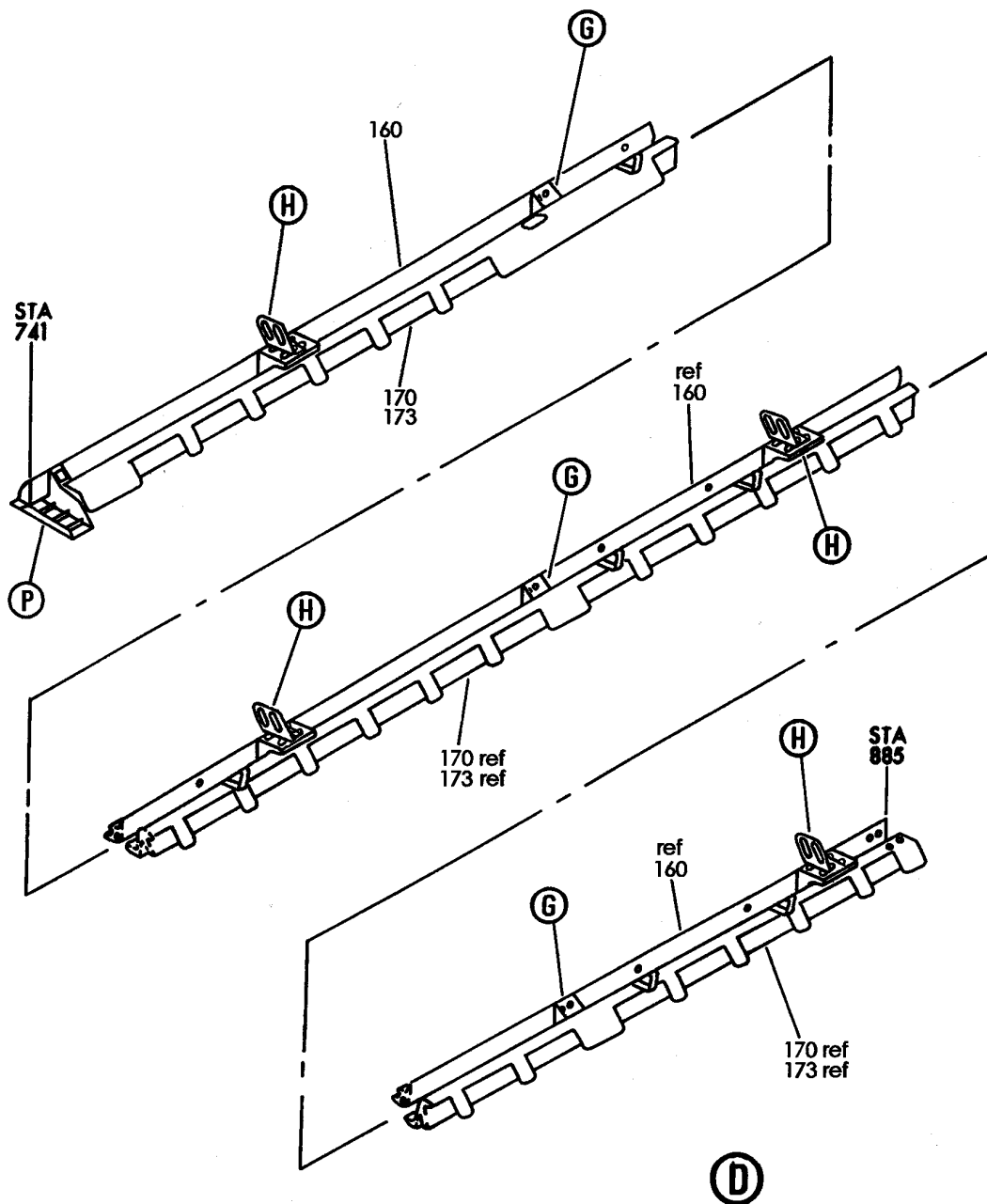
OUTLET ASSY-SIDEWALL AC
FIGURE 47 (SHEET 2)

21-23-02-47

BRI
MAY 28/07

21-23-02-47
PAGE 0A

BOEING
757
PARTS CATALOG (MAINTENANCE)



Y 21230247 SHT 3 REV 209

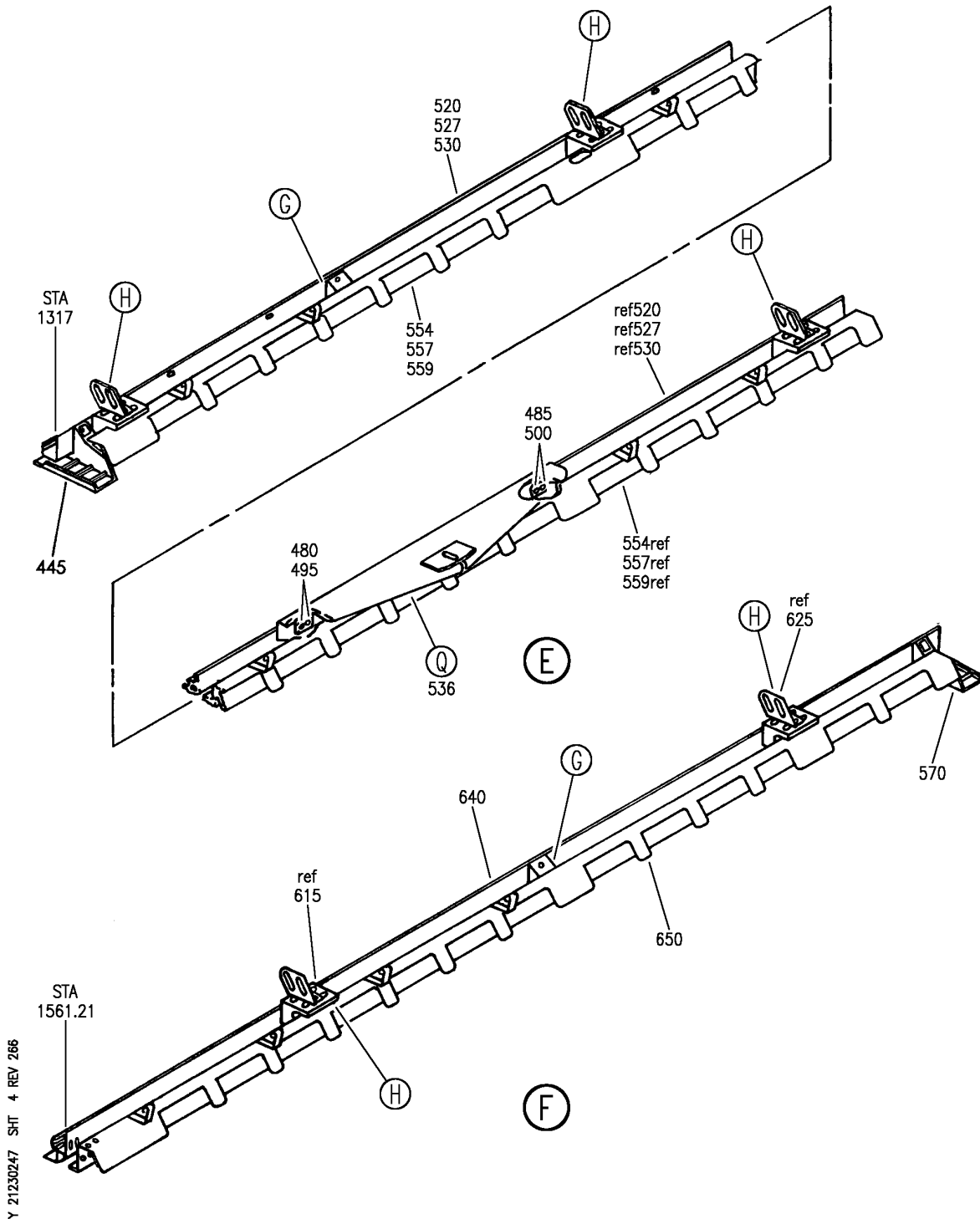
OUTLET ASSY-SIDEWALL AC
FIGURE 47 (SHEET 3)

21-23-02-47

BRI
MAY 28/07

21-23-02-47
PAGE 0B

BOEING
757
PARTS CATALOG (MAINTENANCE)



Y 21230247 SHIT 4 REV 266

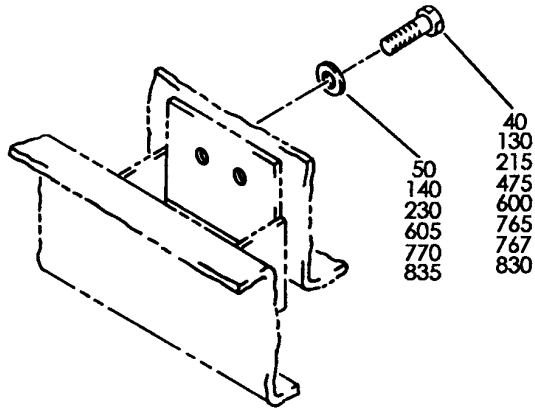
OUTLET ASSY-SIDEWALL AC
FIGURE 47 (SHEET 4)

21-23-02-47

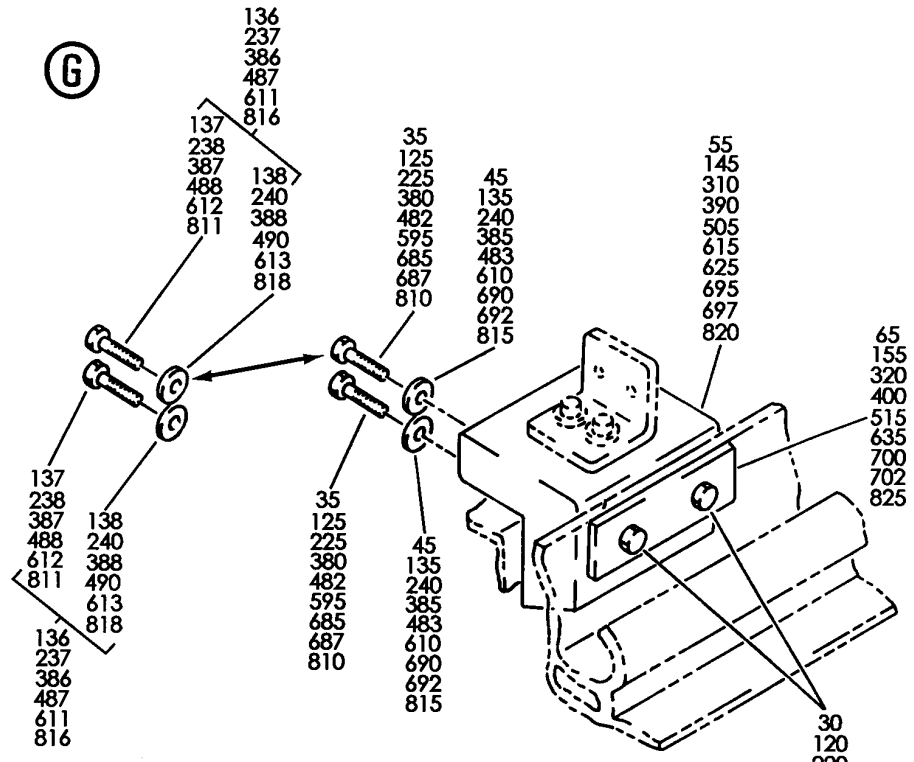
BRI
MAY 28/07

21-23-02-47
PAGE 0C

BOEING
757
PARTS CATALOG (MAINTENANCE)



◀ FWD (G)



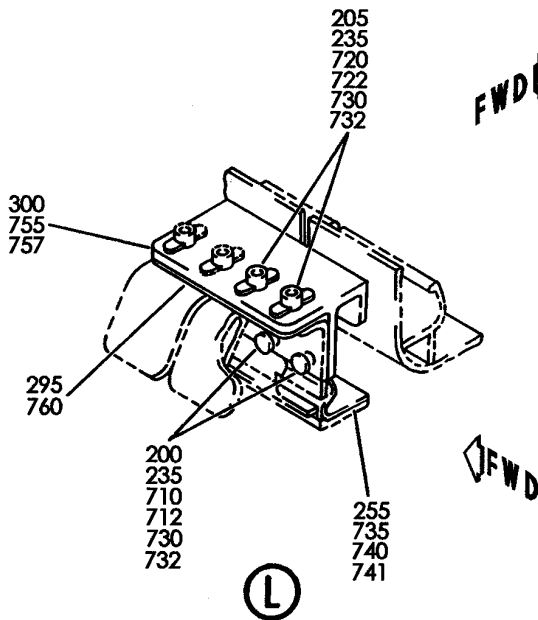
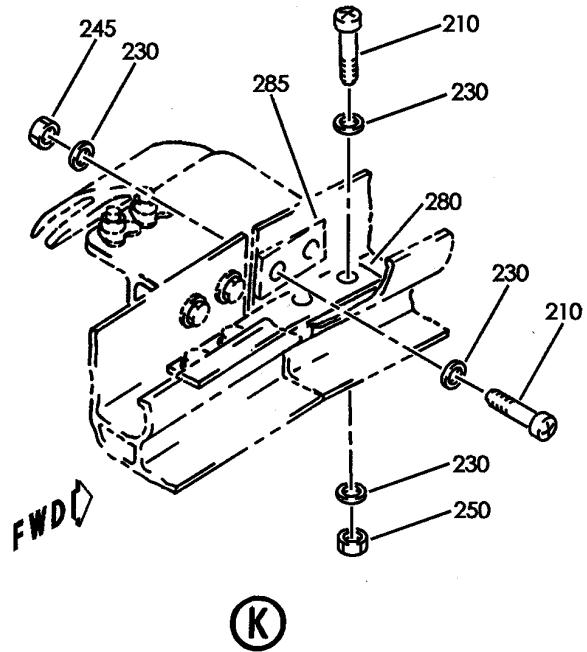
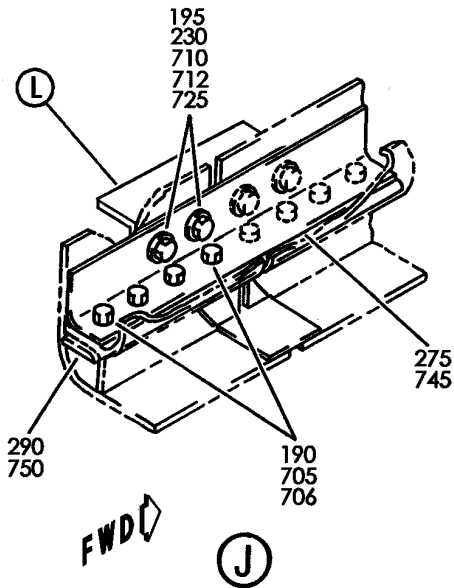
FWD ▶ (H)

Y 21230247 SH 5 REV 210

OUTLET ASSY-SIDEWALL AC
FIGURE 47 (SHEET 5)

21-23-02-47

BOEING
757
PARTS CATALOG (MAINTENANCE)



Y 21230247 SHT 6 REV 209

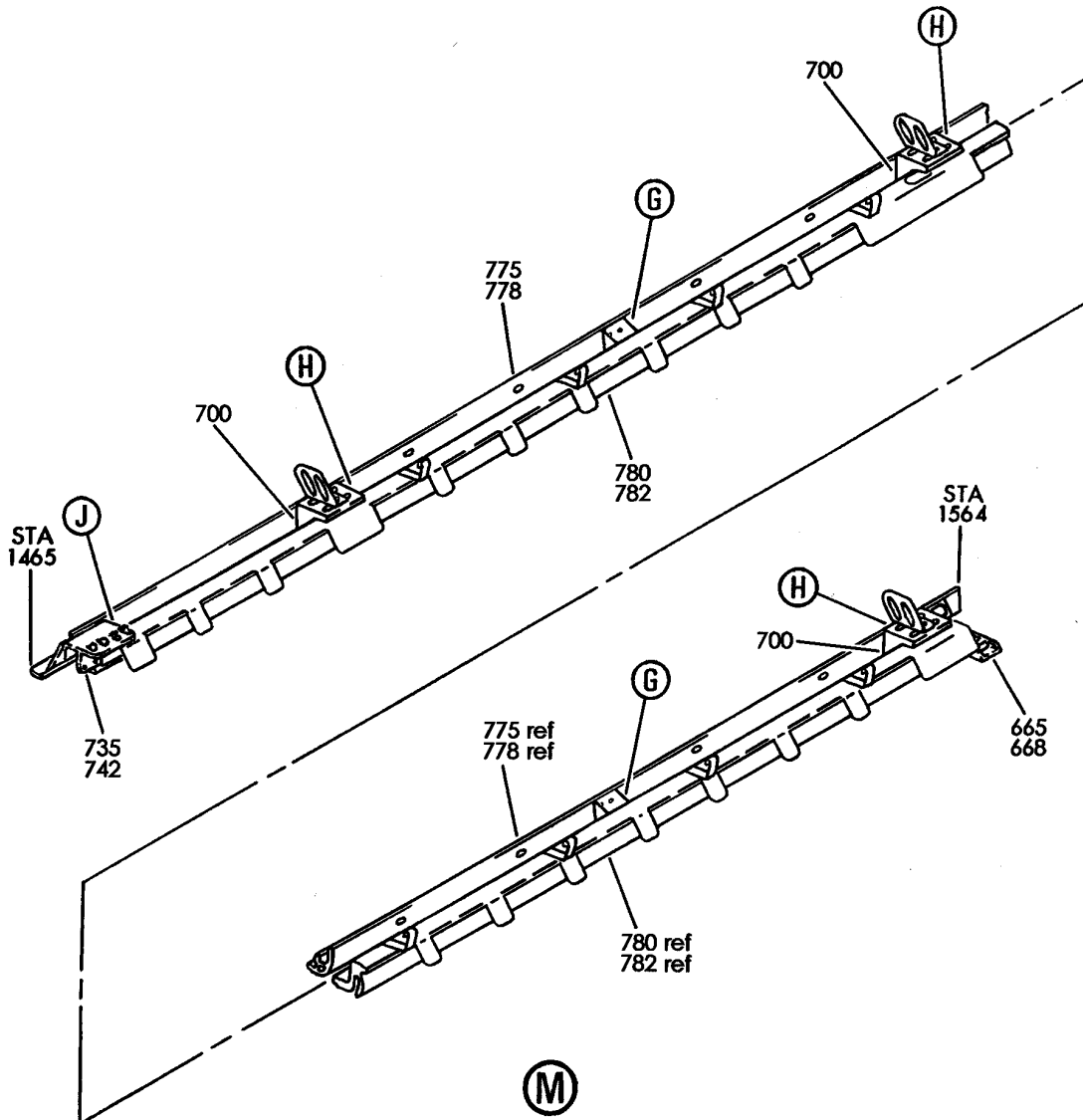
OUTLET ASSY-SIDEWALL AC
FIGURE 47 (SHEET 6)

21-23-02-47

BRI
MAY 28/07

21-23-02-47
PAGE 0E

BOEING
757
PARTS CATALOG (MAINTENANCE)



Y 21230247 SHT 7 REV 209

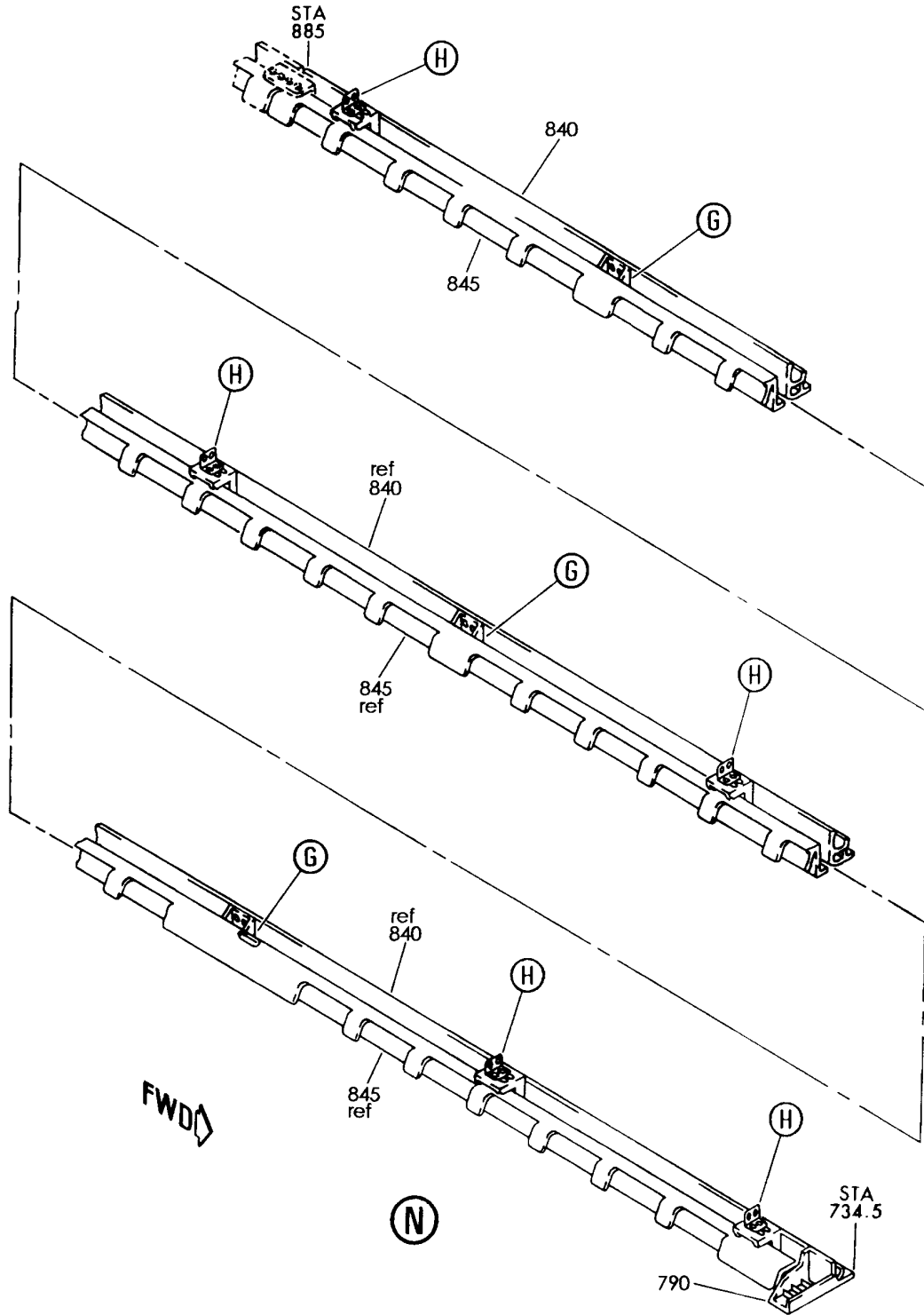
OUTLET ASSY-SIDEWALL AC
FIGURE 47 (SHEET 7)

21-23-02-47

BRI
MAY 28/07

21-23-02-47
PAGE OF

BOEING
757
PARTS CATALOG (MAINTENANCE)



Y 21230247 SHT 8 REV 201

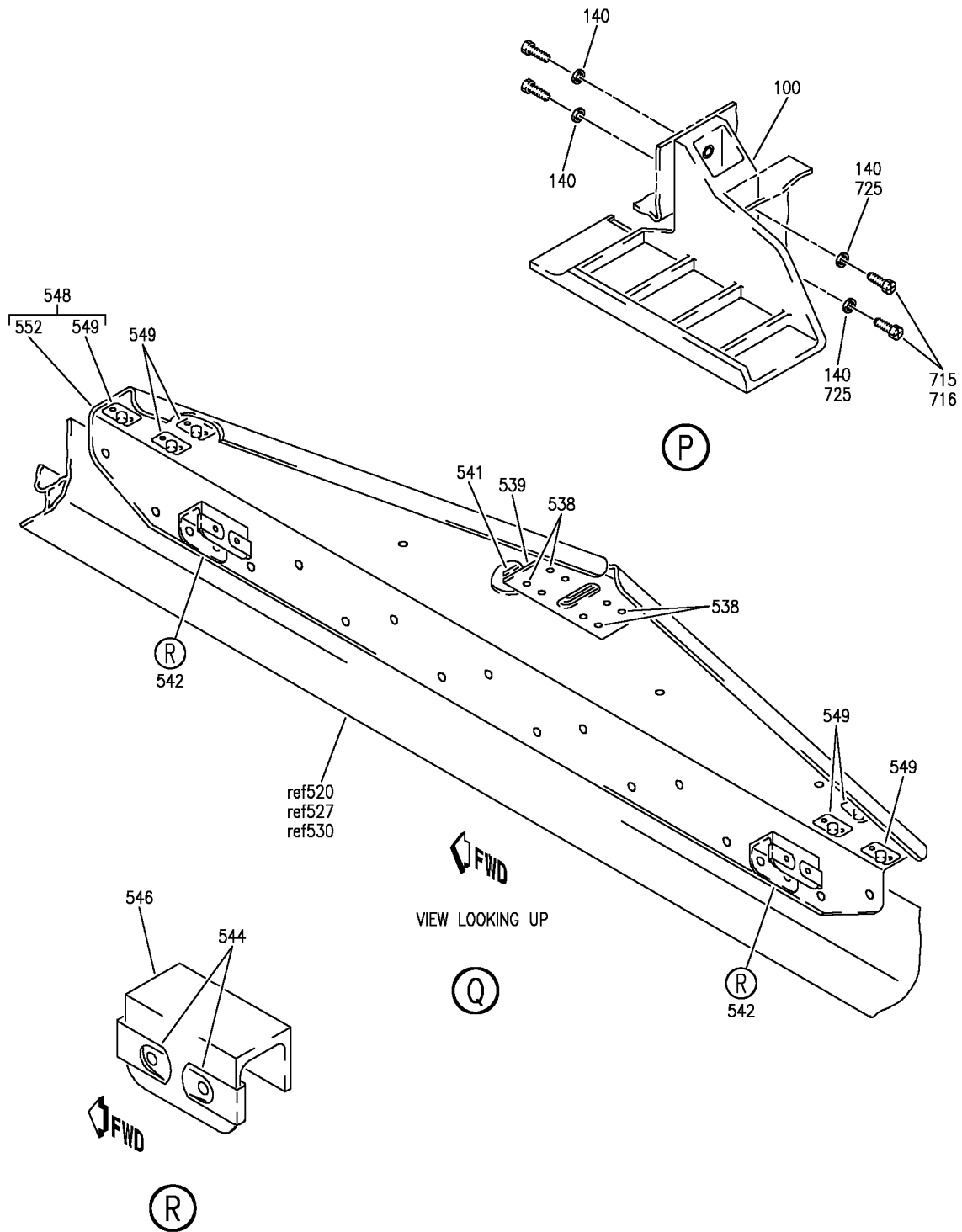
OUTLET ASSY-SIDEWALL AC
FIGURE 47 (SHEET 8)

21-23-02-47

BRI
MAY 28/07

21-23-02-47
PAGE 0G

BOEING
757
PARTS CATALOG (MAINTENANCE)



Y 21230247 SHT 9 REV 266

OUTLET ASSY-SIDEWALL AC
FIGURE 47 (SHEET 9)

21-23-02-47

BRI
MAY 28/07

21-23-02-47
PAGE 0H



757

PARTS CATALOG (MAINTENANCE)

| FIG ITEM | PART NUMBER | 1 2 3 4 5 6 7 | NOMENCLATURE | EFFECT FROM TO | UNITS PER ASSY |
|----------|-----------------|---------------|---|--|----------------|
| 47 | | | OUTLET ASSY-SIDEWALL AC | 006102 108120 504903 950951 953999 | |
| - 425 | 412N3103-1113SP | | OUTLET ASSY-SIDEWALL AC POSITION DATA: LH FOR NHA SEE: 21-23-02-44C | 006102 108120 504903 950951 953999 | RF |
| - 430 | 412N3103-1114SP | | OUTLET ASSY-SIDEWALL AC POSITION DATA: RH FOR NHA SEE: 21-23-02-44D | 006102 108120 504903 950951 953999 | RF |
| 445 | 412N3104-1SP | | .CAP ASSY-END POSITION DATA: LH SIDE | 006102 108120 504903 950951 953999 | 1 |
| - 450 | 412N3104-2SP | | .CAP ASSY-END POSITION DATA: RH SIDE | 006102 108120 504903 950951 953999 | 1 |
| - 455 | BACS12GU08K5 | | ATTACHING PARTS .SCREW- OPTIONAL PART: NAS1801-08-5 | 006102 108120 504903 950951 953999 | 4 |
| - 455 | NAS1801-08-5 | | .SCREW- OPTIONAL PART: BACS12GU08K5 | 006102 108120 504903 950951 953999 | 4 |
| - 460 | NAS1149DN816J | | .WASHER | 006102 108120 504903 950951 953999 | 4 |
| 465 | BACS12ER3K9 | | -----*----- .SCREW- OPTIONAL PART: BACB30VF3K3 | 006102 108120 504903 950951 953999 | 6 |

MISSING ITEM NUMBERS NOT APPLICABLE

- ITEM NOT ILLUSTRATED

21-23-02-47

21-23-02
FIG. 47
PAGE 1
JAN 20/09

BRI

BOEING PROPRIETARY - Copyright © - Unpublished Work - See title page for details.



757

PARTS CATALOG (MAINTENANCE)

| FIG ITEM | PART NUMBER | 1 2 3 4 5 6 7 | NOMENCLATURE | EFFECT FROM TO | UNITS PER ASSY |
|----------|---------------|---------------|--|--|----------------|
| 47 | | | ATTACHING PARTS | | |
| 465 | BACB30VF3K3 | | .BOLT- OPTIONAL PART: BACS12ER3K9 | 006102 108120 504903 950951 953999 | 6 |
| | | | -----*----- | | |
| 470 | BACS12FA3K8 | | .SCREW- OPTIONAL PART: 412N3103-1329 | 006102 108120 504903 950951 953999 | 6 |
| 475 | BACS12GU08K6 | | .SCREW- OPTIONAL PART: NAS1801-08-6 | 006102 108120 504903 950951 953999 | 2 |
| 475 | NAS1801-08-6 | | .SCREW- OPTIONAL PART: BACS12GU08K6 | 006102 108120 504903 950951 953999 | 2 |
| 480 | BACS12GU08K7 | | .SCREW- OPTIONAL PART: NAS1801-08-7 | 006102 108120 504903 950951 953999 | 2 |
| 480 | NAS1801-08-7 | | .SCREW- OPTIONAL PART: BACS12GU08K7 | 006102 108120 504903 950951 953999 | 2 |
| 485 | BACS12ER08K7 | | .SCREW- OPTIONAL PART: NAS514P832-7 | 006102 108120 504903 950951 953999 | 2 |
| 485 | NAS514P832-7 | | .SCREW- OPTIONAL PART: BACS12ER08K7 | 006102 108120 504903 950951 953999 | 2 |
| 487 | 412N3103-1329 | | .SUBKIT ASSY- OPTIONAL PART: BACS12FA3K8 | 006102 108120 504903 950951 953999 | 6 |

MISSING ITEM NUMBERS NOT APPLICABLE

- ITEM NOT ILLUSTRATED

21-23-02-47

21-23-02
FIG. 47
PAGE 2
JAN 20/09

BRI



757

PARTS CATALOG (MAINTENANCE)

| FIG ITEM | PART NUMBER | 1 2 3 4 5 6 7 | NOMENCLATURE | EFFECT FROM TO | UNITS PER ASSY |
|-----------|-----------------|---------------|--|--|----------------|
| 47 488 | BACB30NT3K2 | . . | BOLT | 006102 108120 504903 950951 953999 | 1 |
| 490 | AN960JD10LL | . . | WASHER | 006102 108120 504903 950951 953999 | 1 |
| 495 | AN960JD8L | . . | WASHER | 006102 108120 504903 950951 953999 | 4 |
| 500 | BACW10DM5P | . . | WASHER | 006102 108120 504903 950951 953999 | 2 |
| 505 | 412N3133-23 | . . | SUPPORT ASSY- POSITION DATA: LH SIDE FOR DETAILS SEE: 21-23-02-47A | 006102 108120 504903 950951 953999 | 3 |
| - 510 | 412N3133-24 | . . | SUPPORT ASSY- POSITION DATA: RH SIDE FOR DETAILS SEE: 21-23-02-47A | 006102 108120 504903 950951 953999 | 3 |
| 515 | 65C27021-177 | . . | DOUBLER | 006102 108120 504903 950951 953999 | 3 |
| 520 | 412N3136-1041SP | . . | BEAM ASSY- POSITION DATA: LH SIDE | 006102 108120 504903 950951 953999 | 1 |
| - 525 | 412N3136-1042SP | . . | BEAM ASSY- POSITION DATA: RH SIDE | 006102 108120 504903 950951 953999 | 1 |

MISSING ITEM NUMBERS NOT APPLICABLE

- ITEM NOT ILLUSTRATED

21-23-02-47

21-23-02
FIG. 47
PAGE 3
JAN 20/09

BRI



757

PARTS CATALOG (MAINTENANCE)

| FIG ITEM | PART NUMBER | 1 2 3 4 5 6 7 | NOMENCLATURE | EFFECT FROM TO | UNITS PER ASSY |
|-----------|--------------|---------------|--|--|----------------|
| 47 536 | 412N2021-64 | .. | SUPPORT ASSY-FXD | 006102 108120 504903 950951 953999 | 1 |
| - 537 | BACR15FT6D | .. | ATTACHING PARTS RIVET- SIZE DETERMINED ON INSTL. | 006102 108120 504903 950951 953999 | 17 |
| 538 | BACR15BA6D | ... -----* | RIVET- SIZE DETERMINED ON INSTL. | 006102 108120 504903 950951 953999 | 8 |
| 539 | 412N2003-217 | ... | DOUBLER | 006102 108120 504903 950951 953999 | 1 |
| 541 | 412N2003-196 | ... | DOUBLER | 006102 108120 504903 950951 953999 | 1 |
| 542 | 412N2004-132 | ... | BRACKET ASSY | 006102 108120 504903 950951 953999 | 2 |
| - 543 | NAS1399D5-3 | ... | ATTACHING PARTS RIVET -----* | 006102 108120 504903 950951 953999 | 4 |

MISSING ITEM NUMBERS NOT APPLICABLE

- ITEM NOT ILLUSTRATED

21-23-02-47

21-23-02
FIG. 47
PAGE 4
JAN 20/09

BRI



757

PARTS CATALOG (MAINTENANCE)

| FIG ITEM | PART NUMBER | 1 2 3 4 5 6 7 | NOMENCLATURE | EFFECT FROM TO | UNITS PER ASSY |
|-----------|--------------|---------------|---|--|----------------|
| 47 544 | 130007 | | NUT SUPPLIER CODE: V60119 SPECIFICATION NUMBER: BACN10FX83 OPTIONAL PART: BRC500-8-08 V52828 SL213-08-1 V97393 A11330-8-82 V72962 A4972-8-82 V72962 A4972-8-82 V72962 | 006102 108120 504903 950951 953999 | 2 |
| 546 | 412N2004-133 | | BRACKET | 006102 108120 504903 950951 953999 | 1 |
| 548 | 412N2003-189 | ... | BRACKET ASSY | 006102 108120 504903 950951 953999 | 1 |
| 549 | MF53049-3 | | NUTPLATE SUPPLIER CODE: V15653 SPECIFICATION NUMBER: BACN10JN3 OPTIONAL PART: BRFM20A3 V52828 MF1000-3BAC V15653 NS103218-02 V80539 RMF9201M3 V72962 VN252A02 V92215 T8124S3S V11815 | 006102 108120 504903 950951 953999 | 6 |

MISSING ITEM NUMBERS NOT APPLICABLE

- ITEM NOT ILLUSTRATED

BRI

21-23-02-47

21-23-02
FIG. 47
PAGE 5
JAN 20/09

 **BOEING**
757
PARTS CATALOG (MAINTENANCE)

| FIG ITEM | PART NUMBER | 1 2 3 4 5 6 7 | NOMENCLATURE | EFFECT FROM TO | UNITS PER ASSY |
|----------|-----------------|-------------------------|--|--|----------------|
| 47 | | | ATTACHING PARTS | | |
| - 551 | BACR15BA3D | | RIVET- SIZE DETERMINED ON INSTL. | 006102 108120 504903 950951 953999 | 12 |
| 552 | 412N2003-190 | | -----*----- BRACKET | 006102 108120 504903 950951 953999 | 1 |
| 554 | 412N3137-1223SP | .BEAM ASSY- | POSITION DATA: LH SIDE | 006102 108120 504903 950951 953999 | 1 |
| - 556 | 412N3137-1224SP | .BEAM ASSY- | POSITION DATA: RH SIDE | 006102 108120 504903 950951 953999 | 1 |
| - 563 | 412N3103-1219SP | OUTLET ASSY-SIDEWALL AC | POSITION DATA: LH FOR NHA SEE: 21-23-02-44C | 951951 | RF |
| - 563 | 412N3103-1181SP | OUTLET ASSY-SIDEWALL AC | POSITION DATA: LH FOR NHA SEE: 21-23-02-44C | 006010 950950 953999 | RF |
| - 563 | 412N3103-1229SP | OUTLET ASSY-SIDEWALL AC | POSITION DATA: LH FOR NHA SEE: 21-23-02-44C | 011017 | RF |
| - 563 | 412N3103-1248SP | OUTLET ASSY-SIDEWALL AC | POSITION DATA: LH FOR NHA SEE: 21-23-02-44C | 018102 108120 504903 | RF |
| - 565 | 412N3103-1220SP | OUTLET ASSY-SIDEWALL AC | POSITION DATA: RH FOR NHA SEE: 21-23-02-44D | 011017 108120 951951 | RF |

MISSING ITEM NUMBERS NOT APPLICABLE

- ITEM NOT ILLUSTRATED

BRI

21-23-02-47

21-23-02
FIG. 47
PAGE 6
JAN 20/09



757

PARTS CATALOG (MAINTENANCE)

| FIG ITEM | PART NUMBER | 1 2 3 4 5 6 7 | NOMENCLATURE | EFFECT FROM TO | UNITS PER ASSY |
|----------|-----------------|---------------|---|--|----------------|
| 47 | | | | | |
| - 565 | 412N3103-1182SP | | OUTLET ASSY-SIDEWALL AC POSITION DATA: RH FOR NHA SEE: 21-23-02-44D | 006010 950950 953999 | RF |
| - 565 | 412N3103-1249SP | | OUTLET ASSY-SIDEWALL AC POSITION DATA: RH FOR NHA SEE: 21-23-02-44D | 018102 504903 | RF |
| 570 | 412N3104-6SP | | .CAP ASSY-END POSITION DATA: LH SIDE | 006102 108120 504903 950951 953999 | 1 |
| - 575 | 412N3104-5SP | | .CAP ASSY-END POSITION DATA: RH SIDE | 006102 108120 504903 950951 953999 | 1 |
| - 580 | BACS12GU08K5 | | ATTACHING PARTS .SCREW- OPTIONAL PART: NAS1801-08-5 | 006102 108120 504903 950951 953999 | 4 |
| - 580 | NAS1801-08-5 | | .SCREW- OPTIONAL PART: BACS12GU08K5 | 006102 108120 504903 950951 953999 | 4 |
| - 585 | AN960JD8L | | .WASHER | 006010 950950 953999 | 4 |
| - 585 | NAS1149DN816J | | .WASHER | 011102 108120 504903 951951 | 4 |
| 590 | BACS12ER3K9 | | -----*----- .SCREW- OPTIONAL PART: BACB30VF3K3 | 006102 108120 504903 950951 953999 | 4 |
| 590 | BACB30VF3K3 | | .BOLT- OPTIONAL PART: BACS12ER3K9 | 006102 108120 504903 950951 953999 | 4 |

MISSING ITEM NUMBERS NOT APPLICABLE

- ITEM NOT ILLUSTRATED

21-23-02-47

21-23-02
FIG. 47
PAGE 7
JAN 20/09

BRI



757

PARTS CATALOG (MAINTENANCE)

| FIG ITEM | PART NUMBER | 1 2 3 4 5 6 7 | NOMENCLATURE | EFFECT FROM TO | UNITS PER ASSY |
|----------|---------------|---------------|--|--|----------------|
| 47 | | | | | |
| 595 | BACS12FA3K8 | . | SCREW- QUALIFIED OPTIONAL DATA: BACB30NT3K2 WITH AN960JD10LL OPT TO BACS12FA3K8 | 006010 950950 953999 | 4 |
| 595 | BACS12FA3K8 | . | SCREW- OPTIONAL PART: 412N3103-1330 | 011102 108120 504903 951951 | 4 |
| 595 | BACB30NT3K2 | . | BOLT- QUALIFIED OPTIONAL DATA: BACB30NT3K2 WITH AN960JD10LL OPT TO BACS12FA3K8 | 006010 950950 953999 | 4 |
| 600 | BACS12GU08K6 | . | SCREW- OPTIONAL PART: NAS1801-08-6 | 006102 108120 504903 950951 953999 | 2 |
| 600 | NAS1801-08-6 | . | SCREW- OPTIONAL PART: BACS12GU08K6 | 006102 108120 504903 950951 953999 | 2 |
| 605 | AN960JD8L | . | WASHER | 006010 950950 953999 | 6 |
| 605 | NAS1149DN816J | . | WASHER | 011102 108120 504903 951951 | 6 |
| 610 | AN960JD10LL | . | WASHER- QUALIFIED OPTIONAL DATA: BACB30NT3K2 WITH AN960JD10LL OPT TO BACS12FA3K8 | 006010 950950 953999 | 2 |
| 611 | 412N3103-1330 | . | SUBKIT ASSY- OPTIONAL PART: BACS12FA3K8 | 011102 108120 504903 951951 | 4 |
| 612 | BACB30NT3K2 | .. | BOLT | 011102 108120 504903 951951 | 1 |
| 613 | NAS1149D0316J | .. | WASHER | 011102 108120 504903 951951 | 1 |

MISSING ITEM NUMBERS NOT APPLICABLE

- ITEM NOT ILLUSTRATED

21-23-02-47

21-23-02
FIG. 47
PAGE 8
JAN 20/09

BRI

BOEING PROPRIETARY - Copyright © - Unpublished Work - See title page for details.



757

PARTS CATALOG (MAINTENANCE)

| FIG ITEM | PART NUMBER | 1 2 3 4 5 6 7 | NOMENCLATURE | EFFECT FROM TO | UNITS PER ASSY |
|-----------|-----------------|---------------|--|--|----------------|
| 47 615 | 412N3133-23 | . | SUPPORT ASSY- POSITION DATA: LH SIDE FOR DETAILS SEE: 21-23-02-47A | 006102 108120 504903 950951 953999 | 1 |
| - 620 | 412N3133-24 | . | SUPPORT ASSY- POSITION DATA: RH SIDE FOR DETAILS SEE: 21-23-02-47A | 006102 108120 504903 950951 953999 | 1 |
| 625 | 412N3133-25 | . | SUPPORT ASSY- POSITION DATA: LH SIDE FOR DETAILS SEE: 21-23-02-47A | 006102 108120 504903 950951 953999 | 1 |
| - 630 | 412N3133-26 | . | SUPPORT ASSY- POSITION DATA: RH SIDE FOR DETAILS SEE: 21-23-02-47A | 006102 108120 504903 950951 953999 | 1 |
| 635 | 65C27021-177 | . | DOUBLER | 006102 108120 504903 950951 953999 | 2 |
| 640 | 412N3136-1113SP | . | BEAM- POSITION DATA: LH SIDE | 951951 | 1 |
| 640 | 412N3136-1099SP | . | BEAM- POSITION DATA: LH SIDE | 006010 950950 953999 | 1 |
| 640 | 412N3136-1124SP | . | BEAM- POSITION DATA: LH SIDE | 011017 | 1 |
| 640 | 412N3136-1126SP | . | BEAM- POSITION DATA: LH SIDE USED ON: 412N3103-1248SP | 018102 108120 504903 | 1 |
| - 645 | 412N3136-1114SP | . | BEAM- POSITION DATA: RH SIDE USED ON: 412N3103-1220SP | 011017 108120 951951 | 1 |
| - 645 | 412N3136-1100SP | . | BEAM- POSITION DATA: RH SIDE | 006010 950950 953999 | 1 |

MISSING ITEM NUMBERS NOT APPLICABLE

- ITEM NOT ILLUSTRATED

21-23-02-47

21-23-02
FIG. 47
PAGE 9
JAN 20/09

BRI



757

PARTS CATALOG (MAINTENANCE)

| FIG ITEM | PART NUMBER | 1 2 3 4 5 6 7 | NOMENCLATURE | EFFECT FROM TO | UNITS PER ASSY |
|----------|-----------------|---------------|---|----------------------------|----------------|
| 47 | | | | | |
| 650 | 412N3137-1453SP | | .BEAM ASSY- POSITION DATA: LH SIDE | 951951 | 1 |
| 650 | 412N3137-1375SP | | .BEAM ASSY- POSITION DATA: LH SIDE | 006010 950950 953999 | 1 |
| 650 | 412N3137-1476SP | | .BEAM ASSY- POSITION DATA: LH SIDE | 011017 | 1 |
| 650 | 412N3137-1487SP | | .BEAM ASSY- POSITION DATA: LH SIDE | 018102 108120 504903 | 1 |
| - 655 | 412N3137-1454SP | | .BEAM ASSY- POSITION DATA: RH SIDE USED ON: 412N3103-1248SP | 011017 108120 951951 | 1 |
| - 655 | 412N3137-1376SP | | .BEAM ASSY- POSITION DATA: RH SIDE | 006010 950950 953999 | 1 |
| - 655 | 412N3137-1490SP | | .BEAM ASSY- POSITION DATA: RH SIDE | 018102 504903 | 1 |

MISSING ITEM NUMBERS NOT APPLICABLE

- ITEM NOT ILLUSTRATED

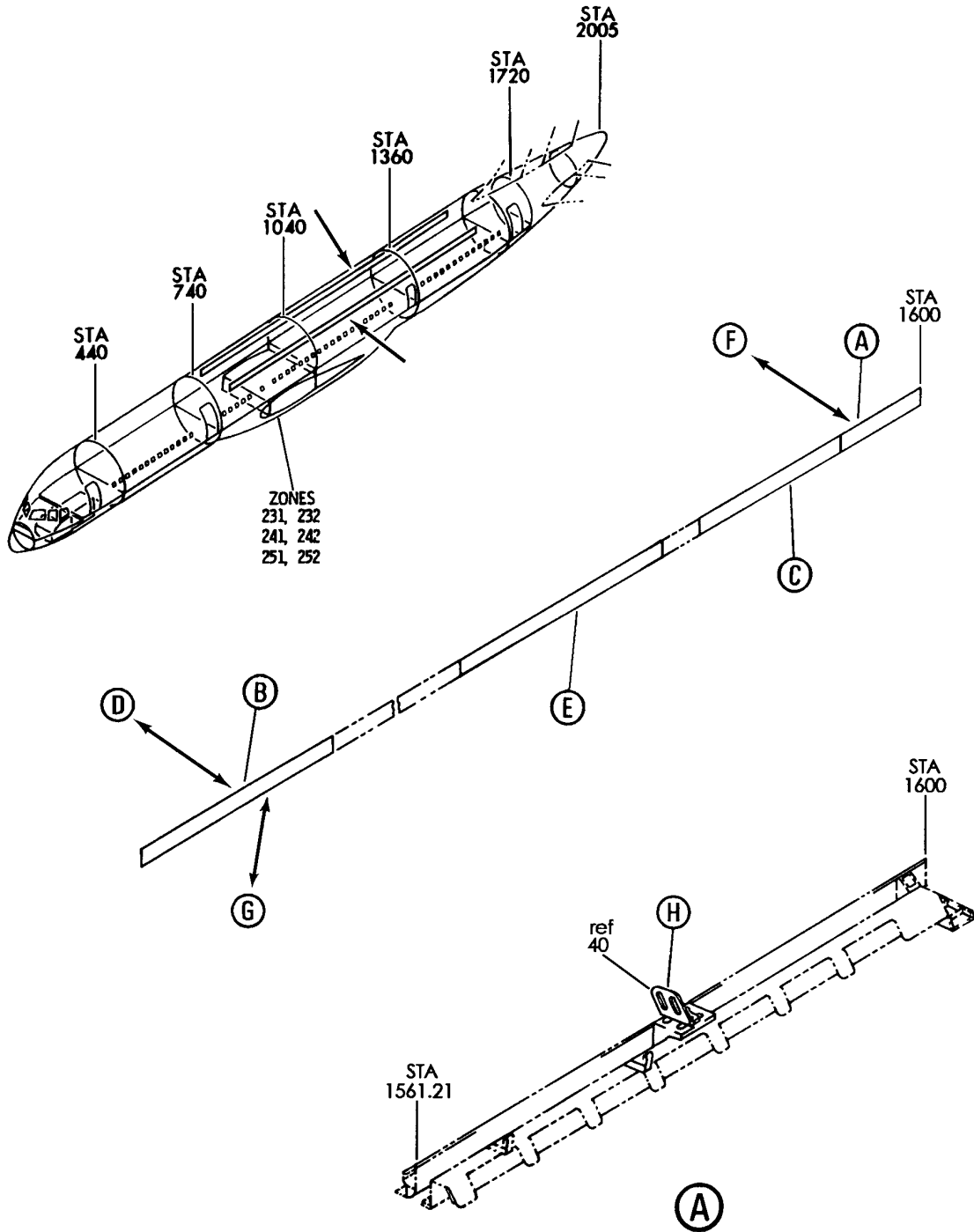
BRI

21-23-02-47

BOEING PROPRIETARY - Copyright © - Unpublished Work - See title page for details.

21-23-02
FIG. 47
PAGE 10
JAN 20/09

BOEING
757
PARTS CATALOG (MAINTENANCE)



Y 21230247A SHT 1 REV 202

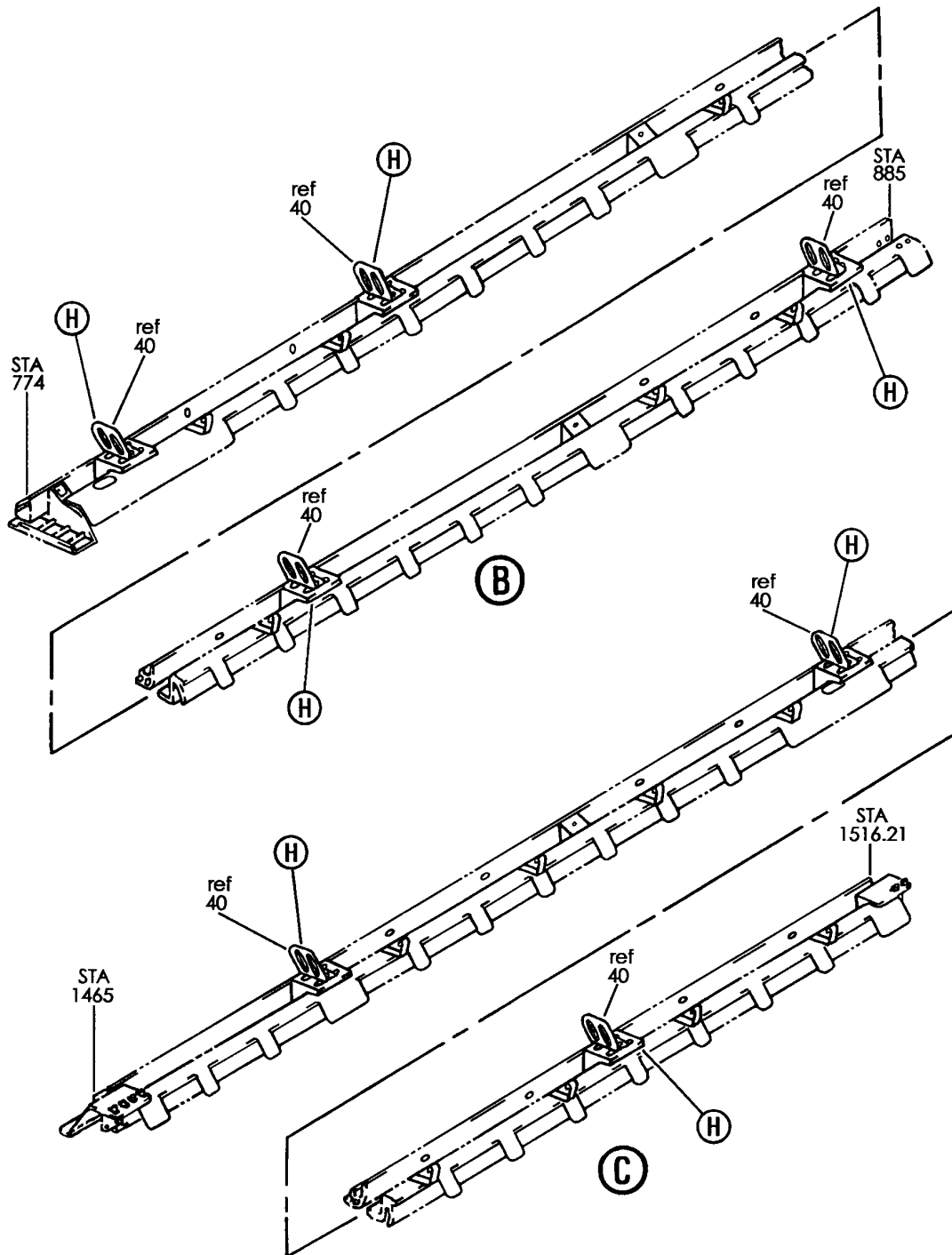
SUPPORT ASSY
FIGURE 47A (SHEET 1)

21-23-02-47A

BRI
MAY 28/07

21-23-02-47A
PAGE 0

BOEING
757
PARTS CATALOG (MAINTENANCE)



Y 21230247A SHT 2 REV 202

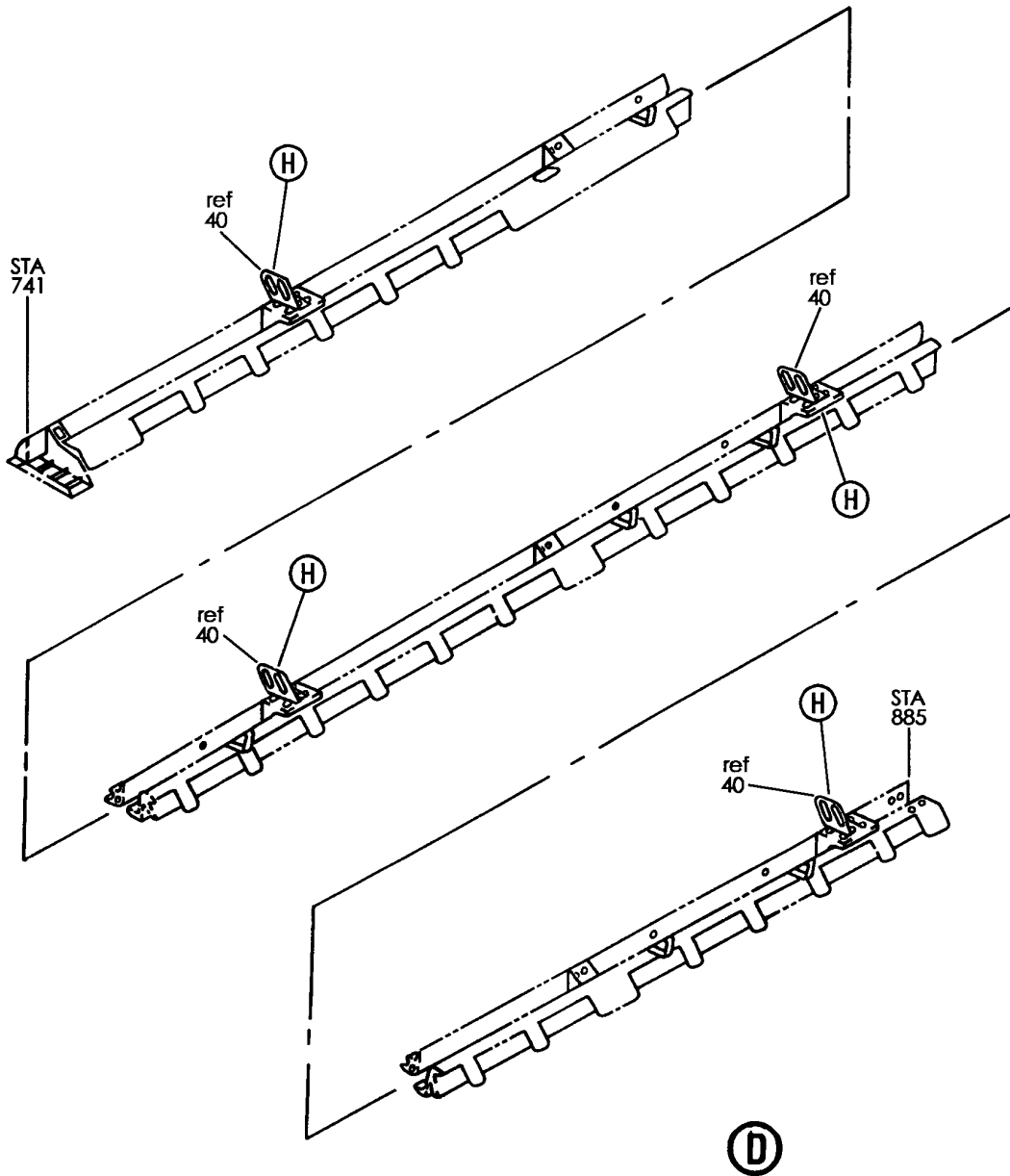
SUPPORT ASSY
FIGURE 47A (SHEET 2)

21-23-02-47A

BRI
MAY 28/07

21-23-02-47A
PAGE 0A

BOEING
757
PARTS CATALOG (MAINTENANCE)



Y 21230247A SHT 3 REV 202

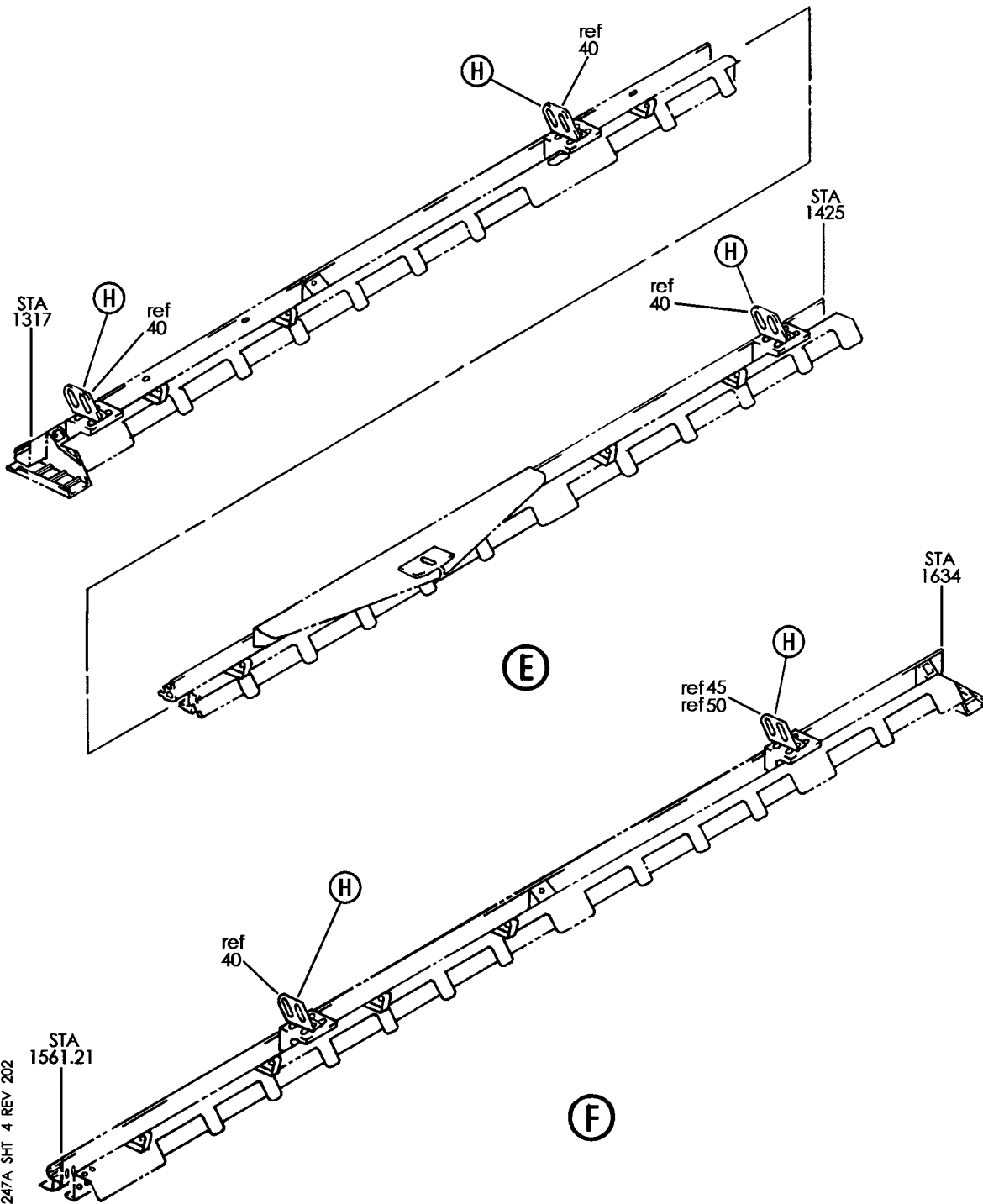
SUPPORT ASSY
FIGURE 47A (SHEET 3)

21-23-02-47A

BRI
MAY 28/07

21-23-02-47A
PAGE 0B

BOEING
757
PARTS CATALOG (MAINTENANCE)



Y 21230247A SHT 4 REV 202

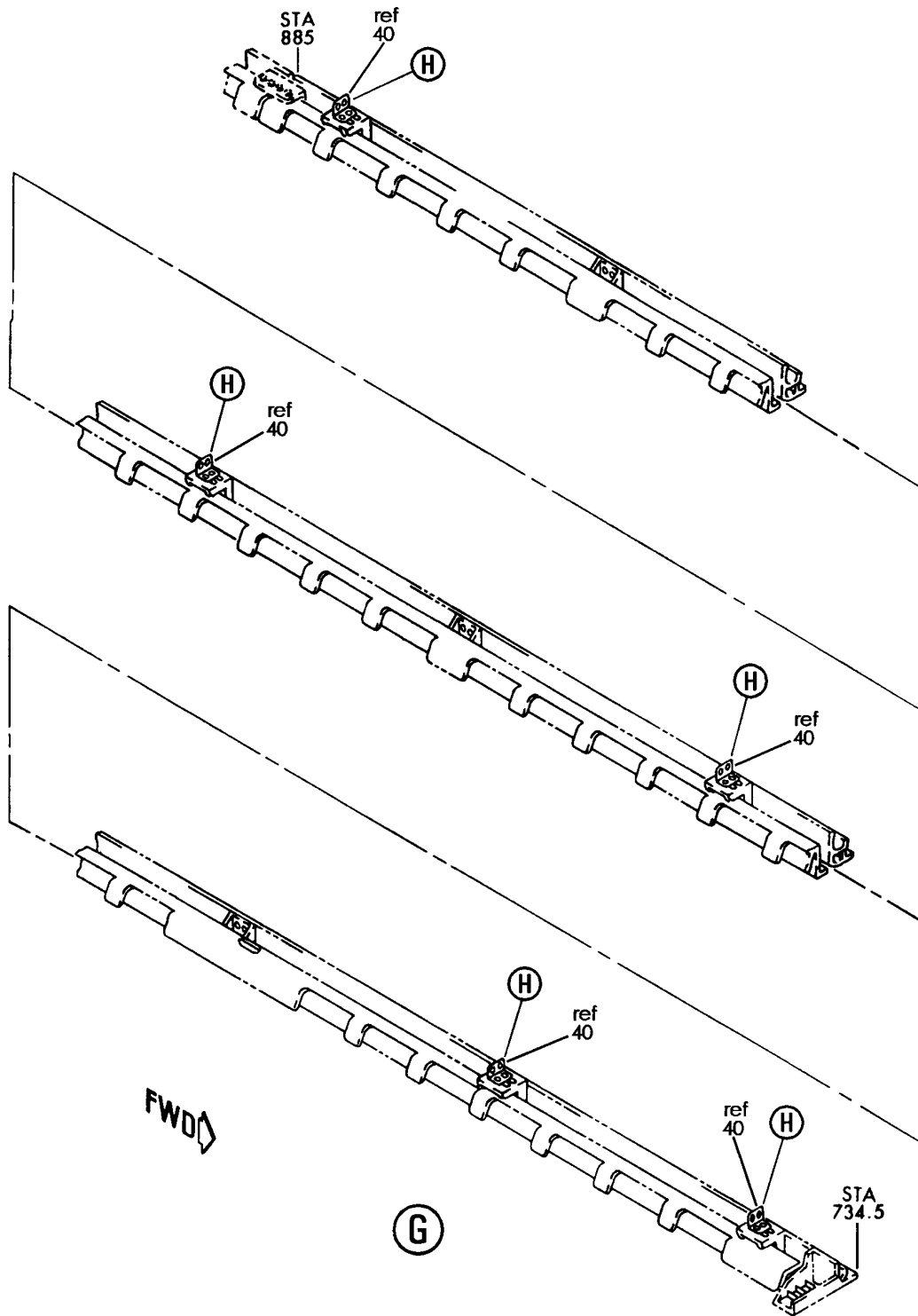
SUPPORT ASSY
FIGURE 47A (SHEET 4)

21-23-02-47A

BRI
MAY 28/07

21-23-02-47A
PAGE 0C

BOEING
757
PARTS CATALOG (MAINTENANCE)



Y 21230247A SHT 5 REV 202

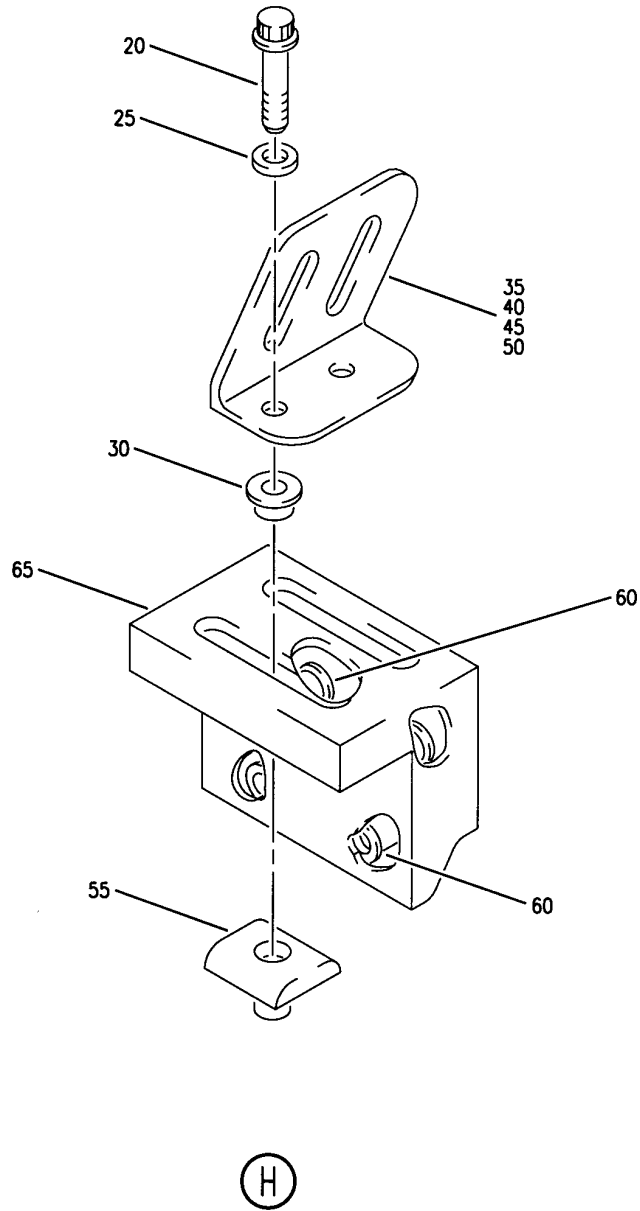
SUPPORT ASSY
FIGURE 47A (SHEET 5)

21-23-02-47A

BRI
MAY 28/07

21-23-02-47A
PAGE 0D

BOEING
757
PARTS CATALOG (MAINTENANCE)



Y 21230247A SHT 6 REV 202

SUPPORT ASSY
FIGURE 47A (SHEET 6)

21-23-02-47A

BRI
MAY 28/07

21-23-02-47A
PAGE 0E



757

PARTS CATALOG (MAINTENANCE)

| FIG ITEM | PART NUMBER | 1 2 3 4 5 6 7 | NOMENCLATURE | EFFECT FROM TO | UNITS PER ASSY |
|----------|--------------|---------------|--|--|----------------|
| 47A | | | SUPPORT ASSY | 006102 108120 504903 950951 953999 | |
| - 1 | 412N3133-23 | | SUPPORT ASSY- FOR NHA SEE: 21-23-02-47 | 006102 108120 504903 950951 953999 | RF |
| - 5 | 412N3133-24 | | SUPPORT ASSY- FOR NHA SEE: 21-23-02-47 | 006102 108120 504903 950951 953999 | RF |
| - 10 | 412N3133-25 | | SUPPORT ASSY- FOR NHA SEE: 21-23-02-47 | 006102 108120 504903 950951 953999 | RF |
| - 15 | 412N3133-26 | | SUPPORT ASSY- FOR NHA SEE: 21-23-02-47 | 006102 108120 504903 950951 953999 | RF |
| 20 | BACB30NM3K5 | | .BOLT | 006102 108120 504903 950951 953999 | 2 |
| 25 | AN960JD10LL | | .WASHER | 006102 108120 504903 950951 953999 | 2 |
| 30 | 412N2004-55 | | .SPACER | 006102 108120 504903 950951 953999 | 2 |
| 35 | 65C27021-459 | | .BRACKET- USED ON: 412N3133-23 | 006102 108120 504903 950951 953999 | 1 |

MISSING ITEM NUMBERS NOT APPLICABLE

- ITEM NOT ILLUSTRATED

21-23-02-47A

21-23-02
FIG. 47A
PAGE 1
JAN 20/09

BRI



757

PARTS CATALOG (MAINTENANCE)

| FIG ITEM | PART NUMBER | 1 2 3 4 5 6 7 | NOMENCLATURE | EFFECT FROM TO | UNITS PER ASSY |
|-----------|----------------|---------------|--------------------------------------|--|----------------|
| 47A 40 | 65C27021-460 | | .BRACKET- USED ON: 412N3133-24 | 006102 108120 504903 950951 953999 | 1 |
| 45 | 65C27021-461 | | .BRACKET- USED ON: 412N3133-25 | 006102 108120 504903 950951 953999 | 1 |
| 50 | 65C27021-462 | | .BRACKET- USED ON: 412N3133-26 | 006102 108120 504903 950951 953999 | 1 |
| 55 | 65C27021-463 | | .FILLER ASSY | 006102 108120 504903 950951 953999 | 2 |
| 60 | BACS13CJ3L080P | | .INSERT | 006102 108120 504903 950951 953999 | 4 |
| 65 | 412N3134-1 | | .BRACKET | 006102 108120 504903 950951 953999 | 1 |

MISSING ITEM NUMBERS NOT APPLICABLE

- ITEM NOT ILLUSTRATED

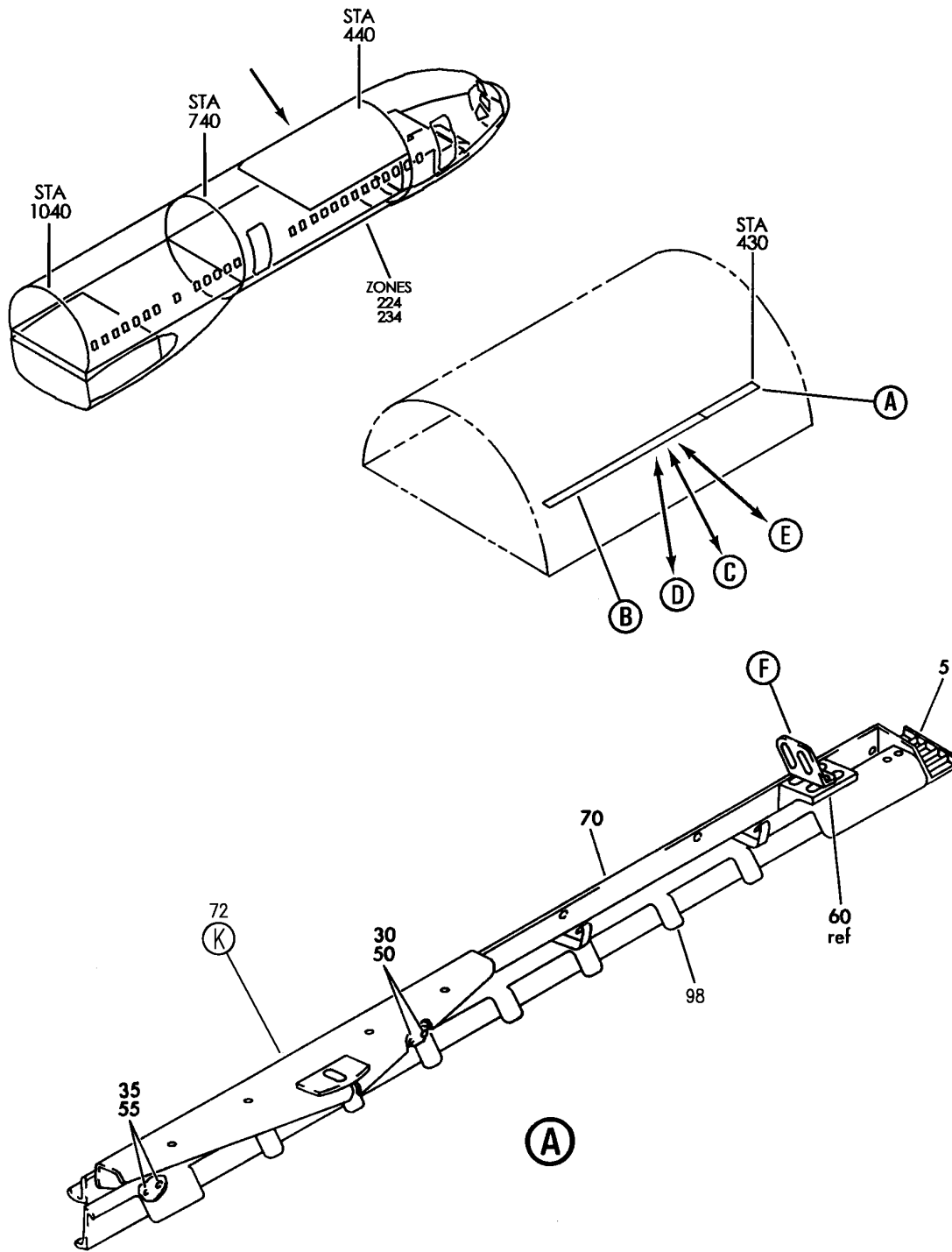
21-23-02-47A

21-23-02
FIG. 47A
PAGE 2
JAN 20/09

BRI

BOEING PROPRIETARY - Copyright © - Unpublished Work - See title page for details.

BOEING
757
PARTS CATALOG (MAINTENANCE)



Y 21230249 SH1 1 REV 266

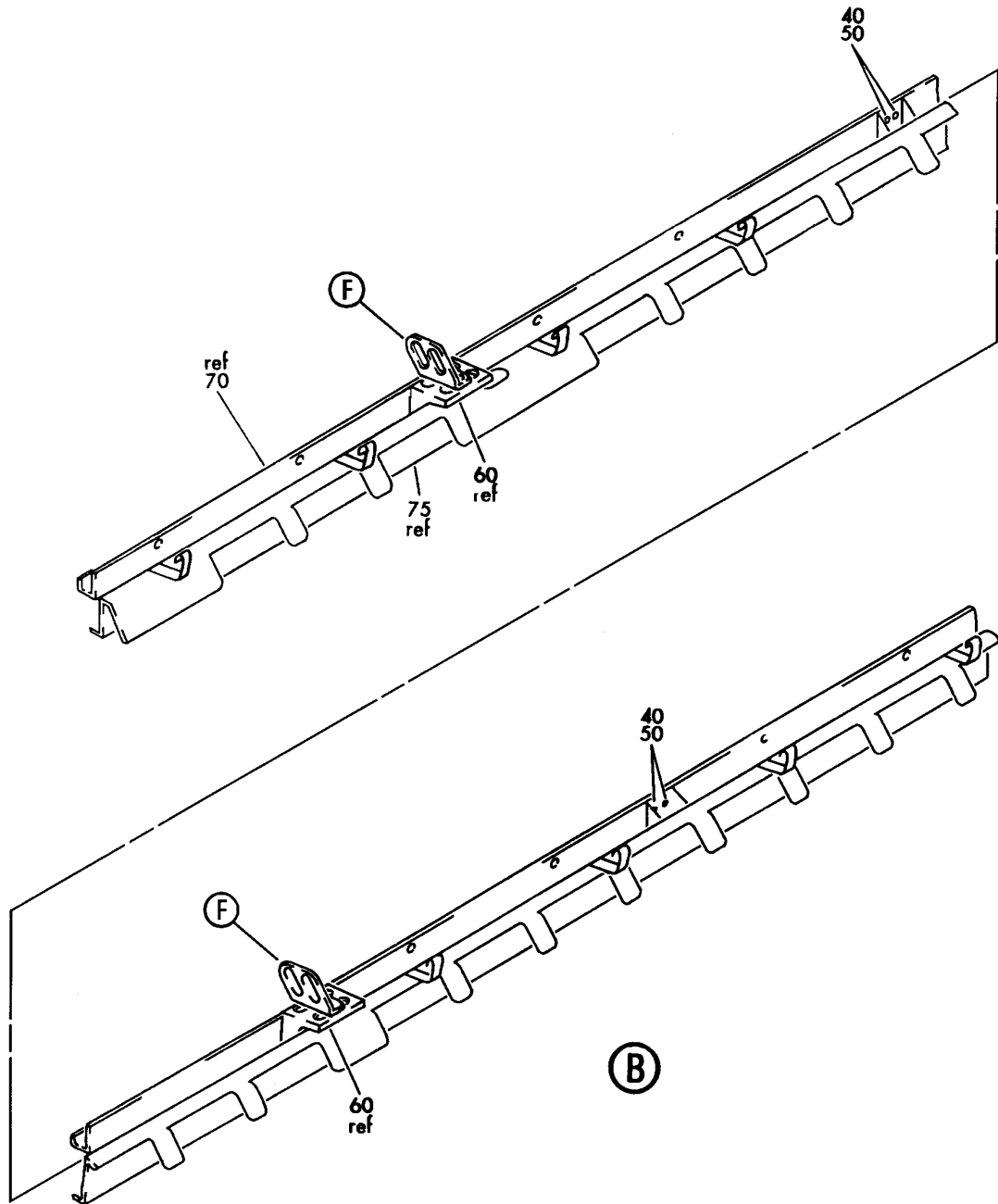
OUTLET ASSY-SIDEWALL AIR CONDITIONING
FIGURE 49 (SHEET 1)

21-23-02-49

BRI
MAY 28/07

21-23-02-49
PAGE 0

BOEING
757
PARTS CATALOG (MAINTENANCE)



Y 21230249 SHT 2 REV 210

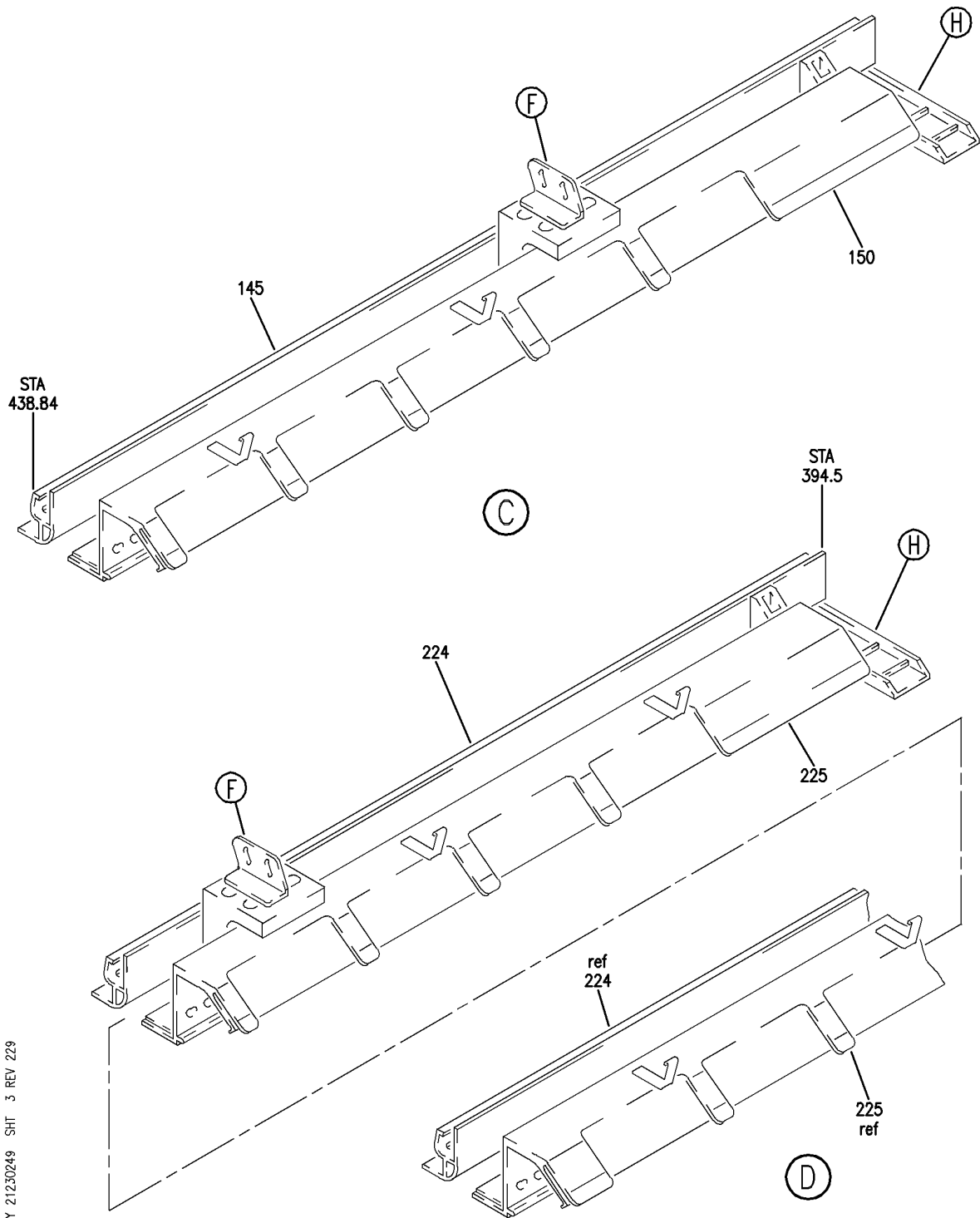
OUTLET ASSY-SIDEWALL AIR CONDITIONING
FIGURE 49 (SHEET 2)

21-23-02-49

BRI
MAY 28/07

21-23-02-49
PAGE 0A

BOEING
757
PARTS CATALOG (MAINTENANCE)



Y 21250249 SH1 3 REV 229

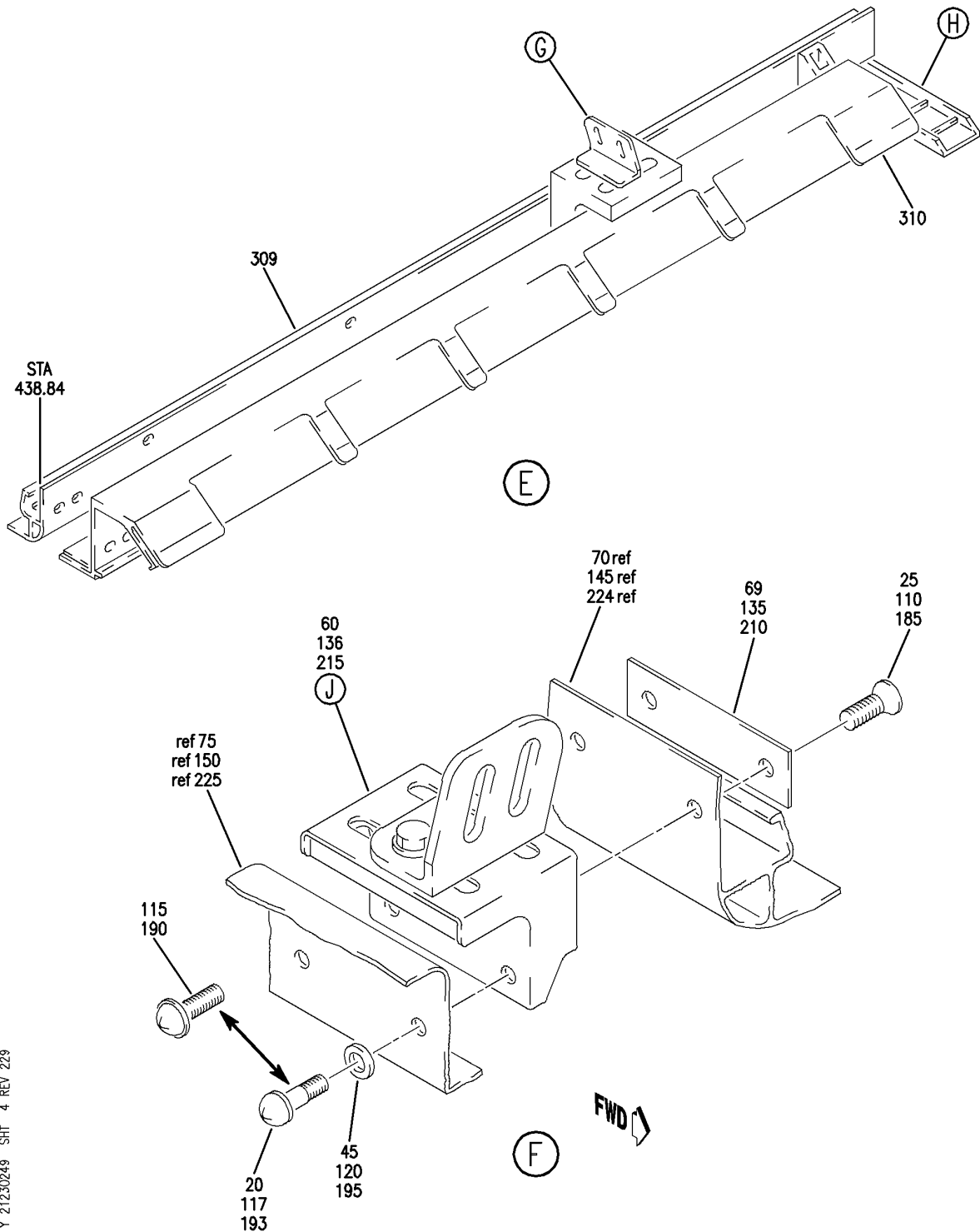
OUTLET ASSY-SIDEWALL AIR CONDITIONING
FIGURE 49 (SHEET 3)

21-23-02-49

BRI
MAY 28/07

21-23-02-49
PAGE 0B

BOEING
757
PARTS CATALOG (MAINTENANCE)



Y 21250249 SH 4 REV 229

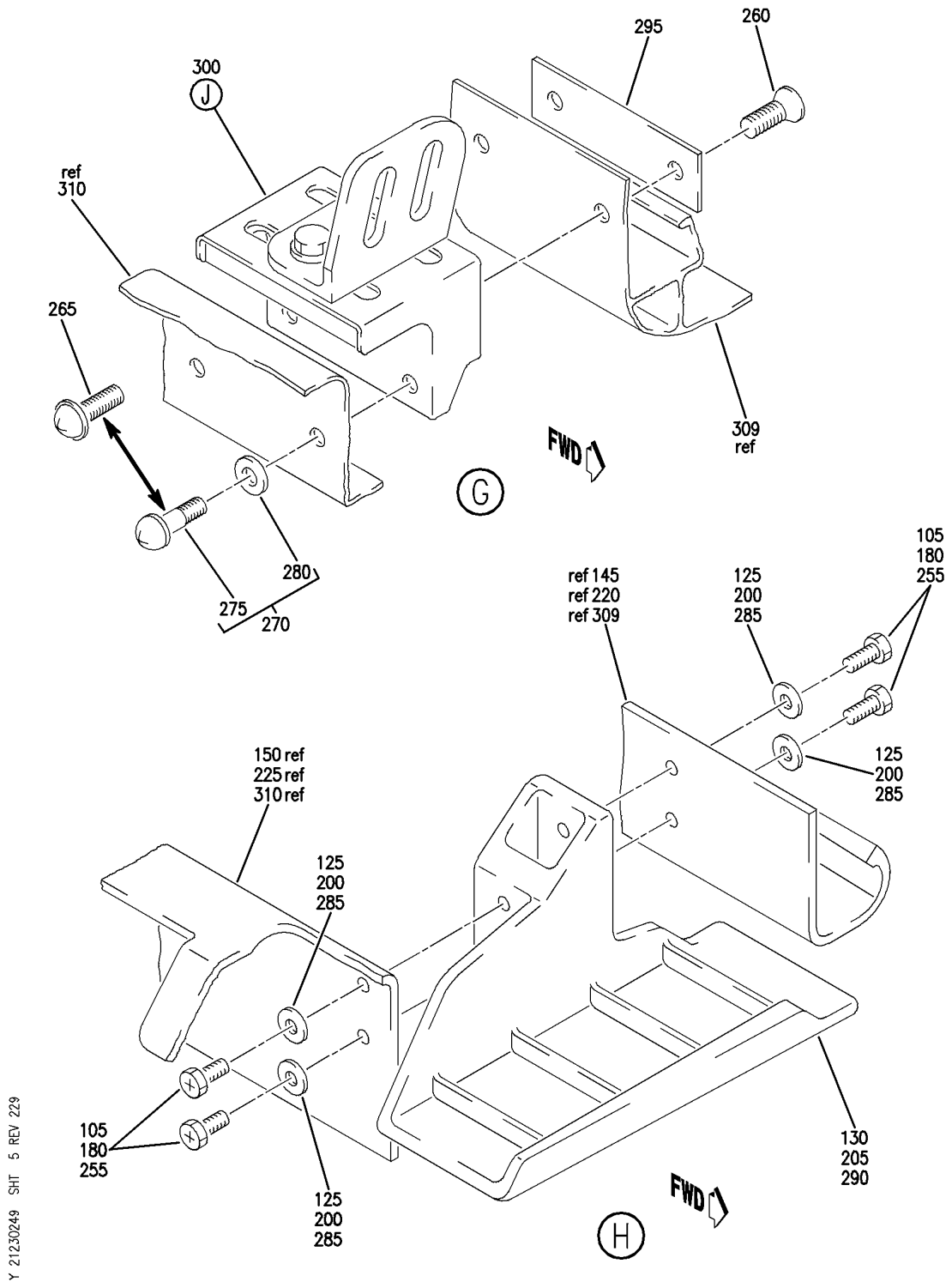
OUTLET ASSY-SIDEWALL AIR CONDITIONING
FIGURE 49 (SHEET 4)

21-23-02-49

BRI
MAY 28/07

21-23-02-49
PAGE 0C

BOEING
757
PARTS CATALOG (MAINTENANCE)



Y 21230249 SH 5 REV 229

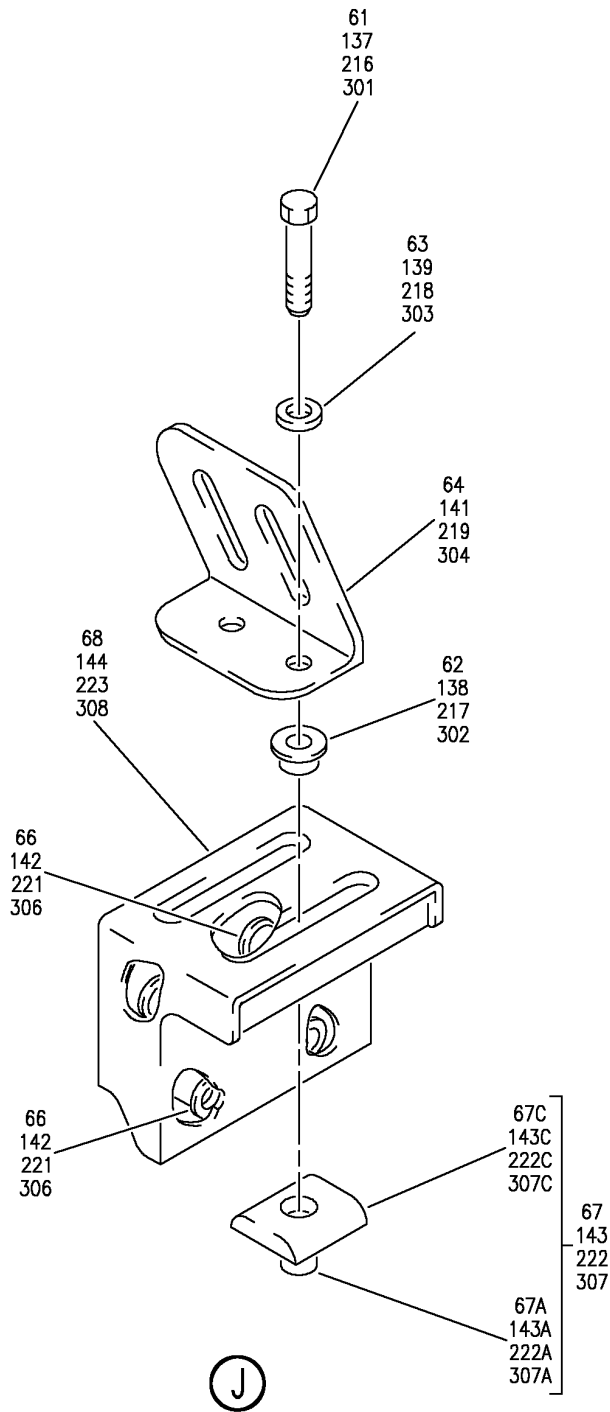
OUTLET ASSY-SIDEWALL AIR CONDITIONING
FIGURE 49 (SHEET 5)

21-23-02-49

BRI
MAY 28/07

21-23-02-49
PAGE 0D

BOEING
757
PARTS CATALOG (MAINTENANCE)



Y 21230249 SH1 6 REV 266

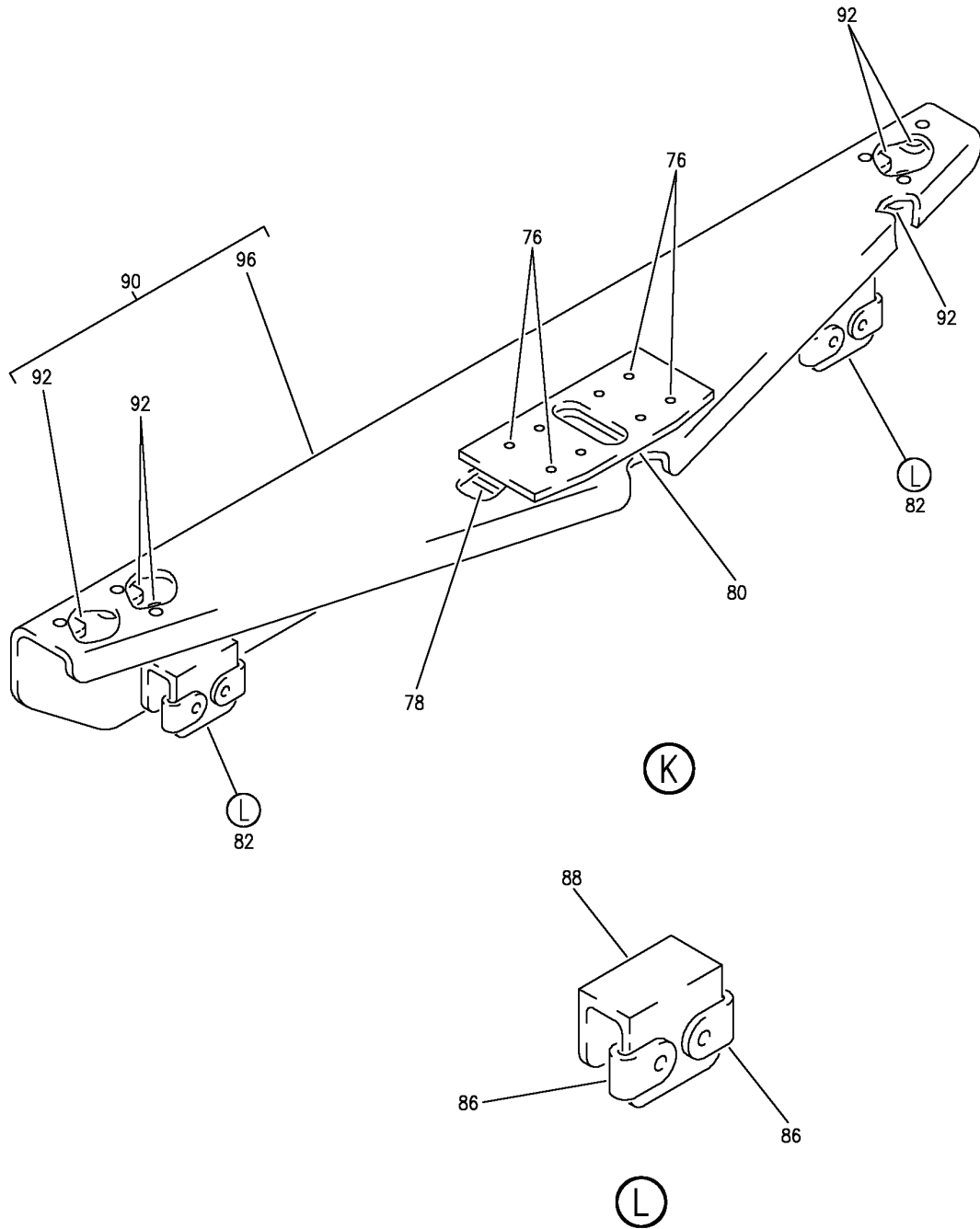
OUTLET ASSY-SIDEWALL AIR CONDITIONING
FIGURE 49 (SHEET 6)

21-23-02-49

BRI
MAY 28/07

21-23-02-49
PAGE 0E

BOEING
757
PARTS CATALOG (MAINTENANCE)



Y 21230249 SH1 7 REV 266

OUTLET ASSY-SIDEWALL AIR CONDITIONING
FIGURE 49 (SHEET 7)

21-23-02-49

BRI
MAY 28/07

21-23-02-49
PAGE OF



757

PARTS CATALOG (MAINTENANCE)

| FIG ITEM | PART NUMBER | 1 2 3 4 5 6 7 | NOMENCLATURE | EFFECT FROM TO | UNITS PER ASSY |
|----------|-----------------|---------------|---|----------------------------|----------------|
| 49 | | | OUTLET ASSY-SIDEWALL AIR CONDITIONING | 006010 108120 950951 | |
| - 100 | 412N3103-1200SP | | OUTLET ASSY-SIDEWALL AIR CONDITIONING POSITION DATA: FWD R FOR NHA SEE: 21-23-02-44A | 006010 950950 | RF |
| - 100 | 412N3103-1226SP | | OUTLET ASSY-SIDEWALL AIR CONDITIONING POSITION DATA: FWD R FOR NHA SEE: 21-23-02-44A | 951951 | RF |
| 105 | BACS12GU08K5 | .SCREW- | OPTIONAL PART: NAS1801-08-5 | 006010 950951 | 4 |
| 105 | NAS1801-08-5 | .SCREW- | OPTIONAL PART: BACS12GU08K5 | 006010 950951 | 4 |
| 110 | BACS12ER3K9 | .SCREW- | OPTIONAL PART: BACB30VF3K3 | 006010 950951 | 2 |
| 110 | BACB30VF3K3 | .BOLT- | OPTIONAL PART: BACS12ER3K9 | 006010 950951 | 2 |
| 115 | BACS12FA3K8 | .SCREW- | QUALIFIED OPTIONAL DATA: BACB30NT3K2 WITH NAS1149D0316J OPT TO BACS12FA3K8 | 006010 950951 | 2 |
| 115 | BACB30NT3K2 | .BOLT- | QUALIFIED OPTIONAL DATA: BACB30NT3K2 WITH NAS1149D0316J OPT TO BACS12FA3K8 | 006010 950951 | 2 |
| 120 | NAS1149D0316J | .WASHER- | QUALIFIED OPTIONAL DATA: BACB30NT3K2 WITH NAS1149D0316J OPT TO BACS12FA3K8 | 006010 950951 | 2 |
| 125 | NAS1149DN816J | .WASHER | | 006010 950951 | 4 |
| 130 | 412N3104-6SP | .CAP ASSY | | 006010 950951 | 1 |
| 135 | 65C27021-177 | .DOUBLER | | 006010 950951 | 1 |

MISSING ITEM NUMBERS NOT APPLICABLE

- ITEM NOT ILLUSTRATED

21-23-02-49

21-23-02
FIG. 49
PAGE 1
JAN 20/09

BRI

BOEING
757
PARTS CATALOG (MAINTENANCE)

| FIG ITEM | PART NUMBER | 1 2 3 4 5 6 7 | NOMENCLATURE | EFFECT FROM TO | UNITS PER ASSY |
|----------|-----------------|---------------|--|------------------|----------------|
| 49 | | | | | |
| 136 | 412N3133-24 | . | SUPPORT ASSY | 006010 950951 | 1 |
| 137 | BACB30NM3K5 | .. | BOLT | 006010 950951 | 2 |
| 138 | 412N2004-55 | .. | SPACER | 006010 950951 | 2 |
| 139 | AN960JD10LL | .. | WASHER | 006010 950951 | 2 |
| 141 | 65C27021-460 | .. | BRACKET | 006010 950951 | 1 |
| 142 | BACS13CJ3L080P | .. | INSERT | 006010 950951 | 4 |
| 143 | 65C27021-463 | .. | FILLER ASSY | 006010 950951 | 2 |
| 143A | T8078S1032 | ... | NUTPLATE SUPPLIER CODE: V11815 SPECIFICATION NUMBER: BACN10JP3C OPTIONAL PART: MK3000-3BAC V15653 NS103199-02 V80539 RMA9205M3 V72962 VN203A1-02 V92215 BRM300A3 V52828 | 006010 950951 | 1 |
| -143B | BACR15BA3D | ... | ATTACHING PARTS RIVET- SIZE DETERMINED ON INSTL. -----*----- | 006010 950951 | 2 |
| 143C | 65C27021-464 | ... | FILLER | 006010 950951 | 1 |
| 144 | 412N3134-1 | .. | BRACKET | 006010 950951 | 1 |
| 145 | 412N3136-1092SP | . | BEAM | 006010 950950 | 1 |
| 145 | 412N3136-1120SP | . | BEAM | 951951 | 1 |
| 150 | 412N3137-1414SP | . | BEAM ASSY | 006010 950950 | 1 |
| 150 | 412N3137-1466SP | . | BEAM ASSY | 951951 | 1 |

MISSING ITEM NUMBERS NOT APPLICABLE

- ITEM NOT ILLUSTRATED

BRI

21-23-02-49

BOEING PROPRIETARY - Copyright © - Unpublished Work - See title page for details.

21-23-02
FIG. 49
PAGE 2
JAN 20/09



757

PARTS CATALOG (MAINTENANCE)

| FIG ITEM | PART NUMBER | 1 2 3 4 5 6 7 | NOMENCLATURE | EFFECT FROM TO | UNITS PER ASSY |
|----------|-----------------|---------------|---|----------------|----------------|
| 49 | | | | | |
| - 250 | 412N3103-1227SP | | OUTLET ASSY-SIDEWALL AIR CONDITIONING POSITION DATA: FWD RIGHT FOR NHA SEE: 21-23-02-44A | 108120 | RF |
| 255 | BACS12GU08K5 | . | SCREW- OPTIONAL PART: NAS1801-08-5 | 108120 | 4 |
| 255 | NAS1801-08-5 | . | SCREW- OPTIONAL PART: BACS12GU08K5 | 108120 | 4 |
| 260 | BACS12ER3K9 | . | SCREW- OPTIONAL PART: BACB30VF3K3 | 108120 | 2 |
| 260 | BACB30VF3K3 | . | BOLT- OPTIONAL PART: BACS12ER3K9 | 108120 | 2 |
| 265 | BACS12FA3K8 | . | SCREW- OPTIONAL PART: 412N3103-1330 | 108120 | 2 |
| 270 | 412N3103-1330 | . | SUBKIT ASSY- OPTIONAL PART: BACS12FA3K8 | 108120 | 2 |
| 275 | BACB30NT3K2 | .. | BOLT | 108120 | 2 |
| 280 | NAS1149D0316J | .. | WASHER | 108120 | 2 |
| 285 | NAS1149DN816J | . | WASHER | 108120 | 4 |
| 290 | 412N3104-6SP | . | CAP ASSY | 108120 | 1 |
| 295 | 65C27021-177 | . | DOUBLER | 108120 | 1 |
| 300 | 412N3133-24 | . | SUPPORT ASSY | 108120 | 1 |
| 301 | BACB30NM3K5 | .. | BOLT | 108120 | 2 |
| 302 | 412N2004-55 | .. | SPACER | 108120 | 2 |
| 303 | AN960JD10LL | .. | WASHER | 108120 | 2 |
| 304 | 65C27021-460 | .. | BRACKET | 108120 | 1 |
| 306 | BACS13CJ3L080P | .. | INSERT | 108120 | 4 |
| 307 | 65C27021-463 | .. | FILLER ASSY | 108120 | 2 |

MISSING ITEM NUMBERS NOT APPLICABLE

- ITEM NOT ILLUSTRATED

21-23-02-49

21-23-02
FIG. 49
PAGE 3
JAN 20/09

BRI



757

PARTS CATALOG (MAINTENANCE)

| FIG ITEM | PART NUMBER | 1 2 3 4 5 6 7 | NOMENCLATURE | EFFECT FROM TO | UNITS PER ASSY |
|------------|-----------------|---------------|---|----------------|----------------|
| 49 307A | T8078S1032 | ... | NUTPLATE SUPPLIER CODE: V11815 SPECIFICATION NUMBER: BACN10JP3C OPTIONAL PART: MK3000-3BAC V15653 NS103199-02 V80539 RMA9205M3 V72962 VN203A1-02 V92215 BRM300A3 V52828 ATTACHING PARTS | 108120 | 1 |
| -307B | BACR15BA3D | ... | RIVET- SIZE DETERMINED ON INSTL. -----*----- | 108120 | 2 |
| 307C | 65C27021-464 | ... | FILLER | 108120 | 1 |
| 308 | 412N3134-1 | .. | BRACKET | 108120 | 1 |
| 309 | 412N3136-1121SP | . | BEAM | 108120 | 1 |
| 310 | 412N3137-1469SP | . | BEAM ASSY | 108120 | 1 |

MISSING ITEM NUMBERS NOT APPLICABLE

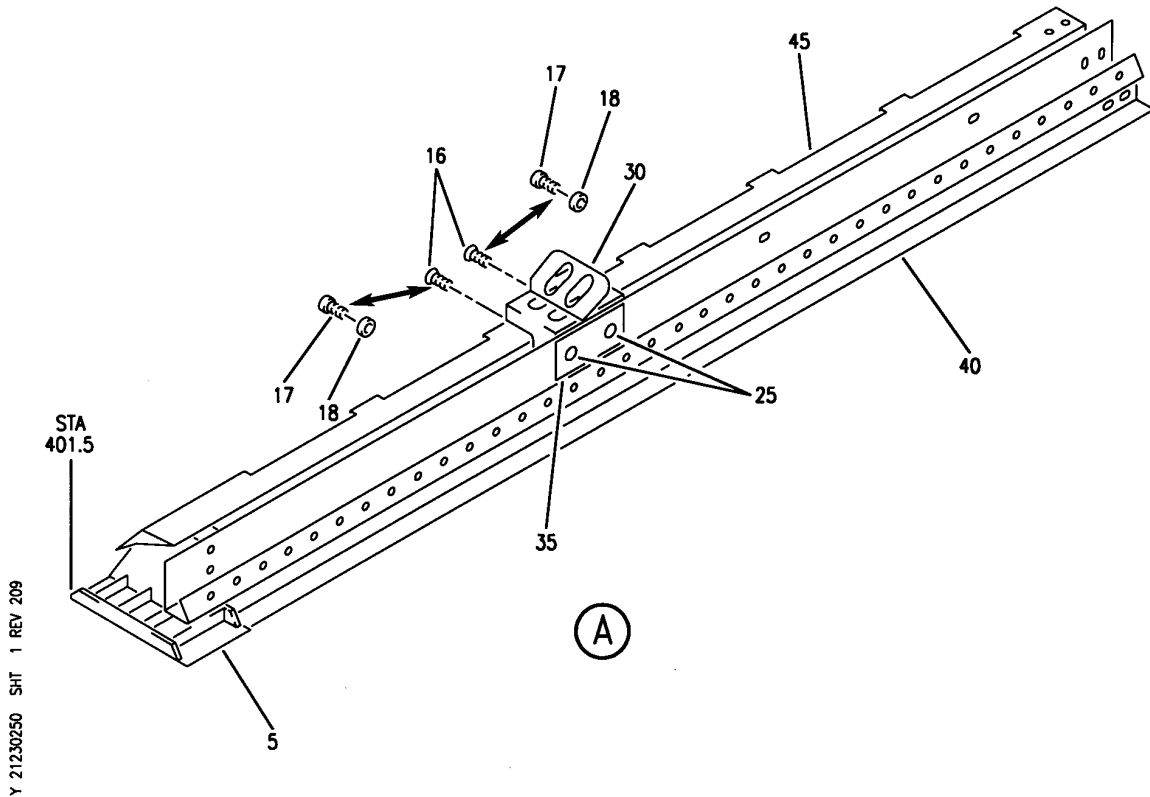
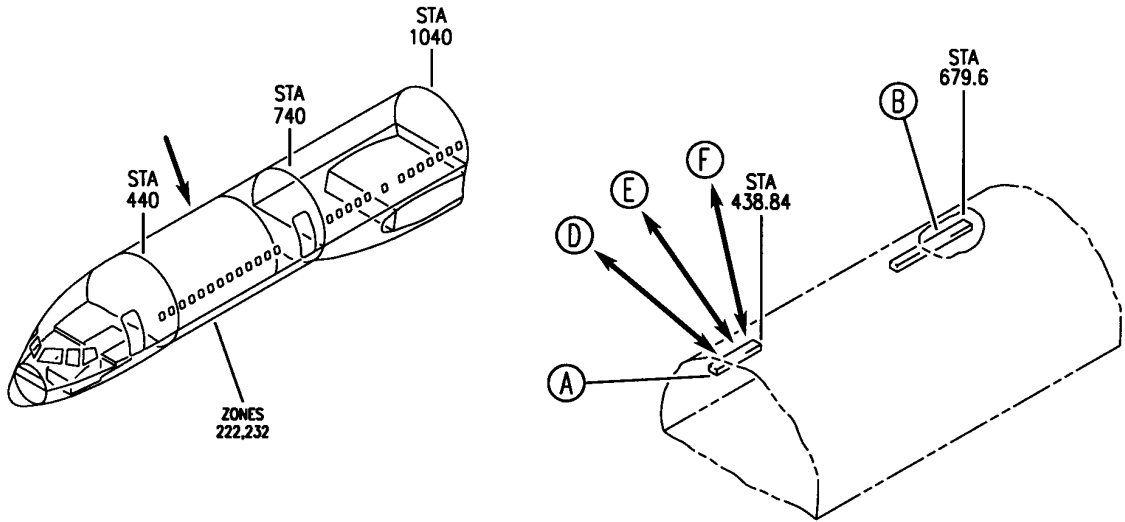
- ITEM NOT ILLUSTRATED

21-23-02-49

21-23-02
FIG. 49
PAGE 4
JAN 20/09

BRI

BOEING
757
PARTS CATALOG (MAINTENANCE)



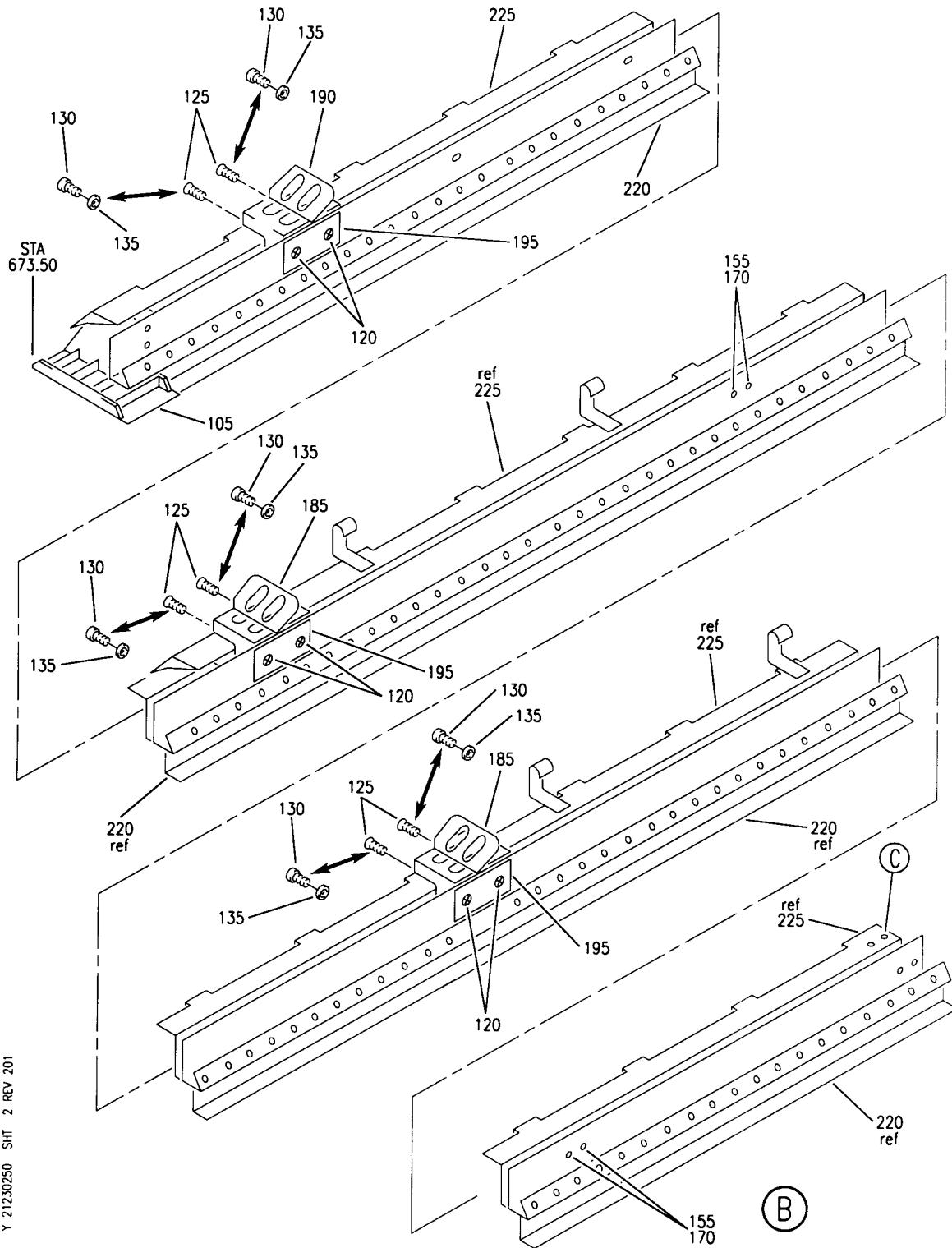
OUTLET ASSY-SIDEWALL AC
FIGURE 50 (SHEET 1)

21-23-02-50

BRI
MAY 28/07

21-23-02-50
PAGE 0

BOEING
757
PARTS CATALOG (MAINTENANCE)



Y 21230250 SH 2 REV 201

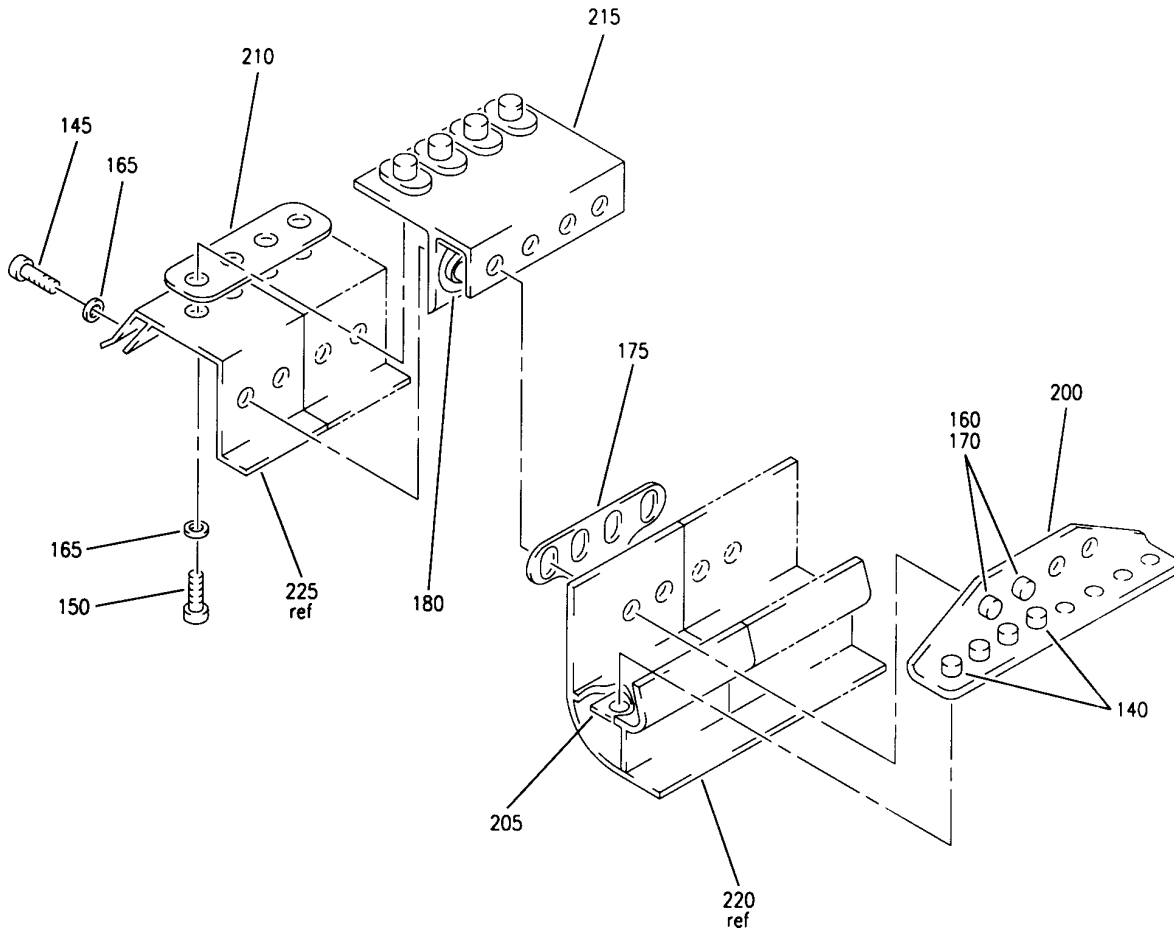
OUTLET ASSY-SIDEWALL AC
FIGURE 50 (SHEET 2)

21-23-02-50

BRI
MAY 28/07

21-23-02-50
PAGE 0A

BOEING
757
PARTS CATALOG (MAINTENANCE)



Y 21230250 SH1 3 REV 201

(C)

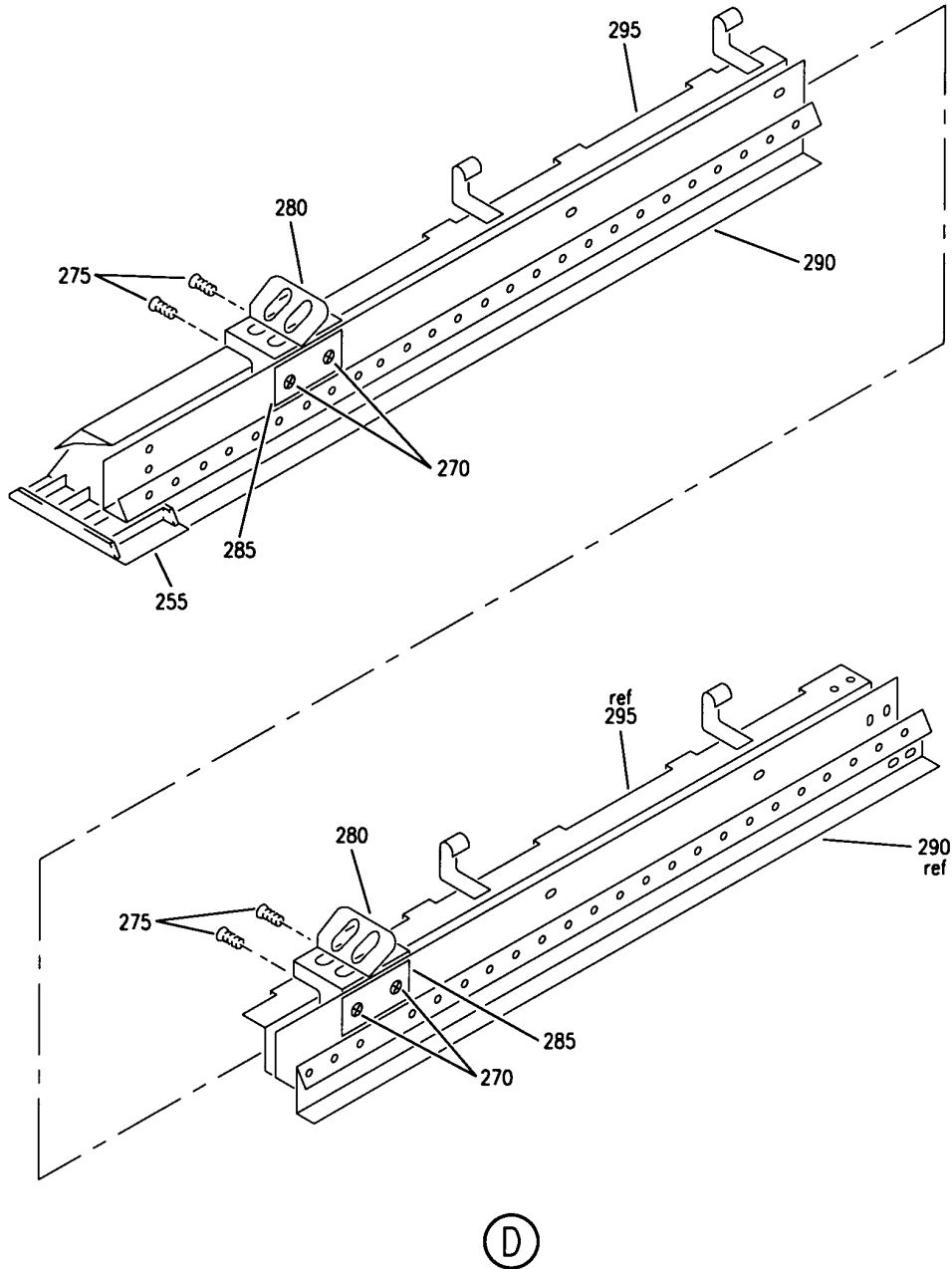
OUTLET ASSY-SIDEWALL AC
FIGURE 50 (SHEET 3)

21-23-02-50

BRI
MAY 28/07

21-23-02-50
PAGE 0B

BOEING
757
PARTS CATALOG (MAINTENANCE)



Y 21230250 SH1 4 REV 201

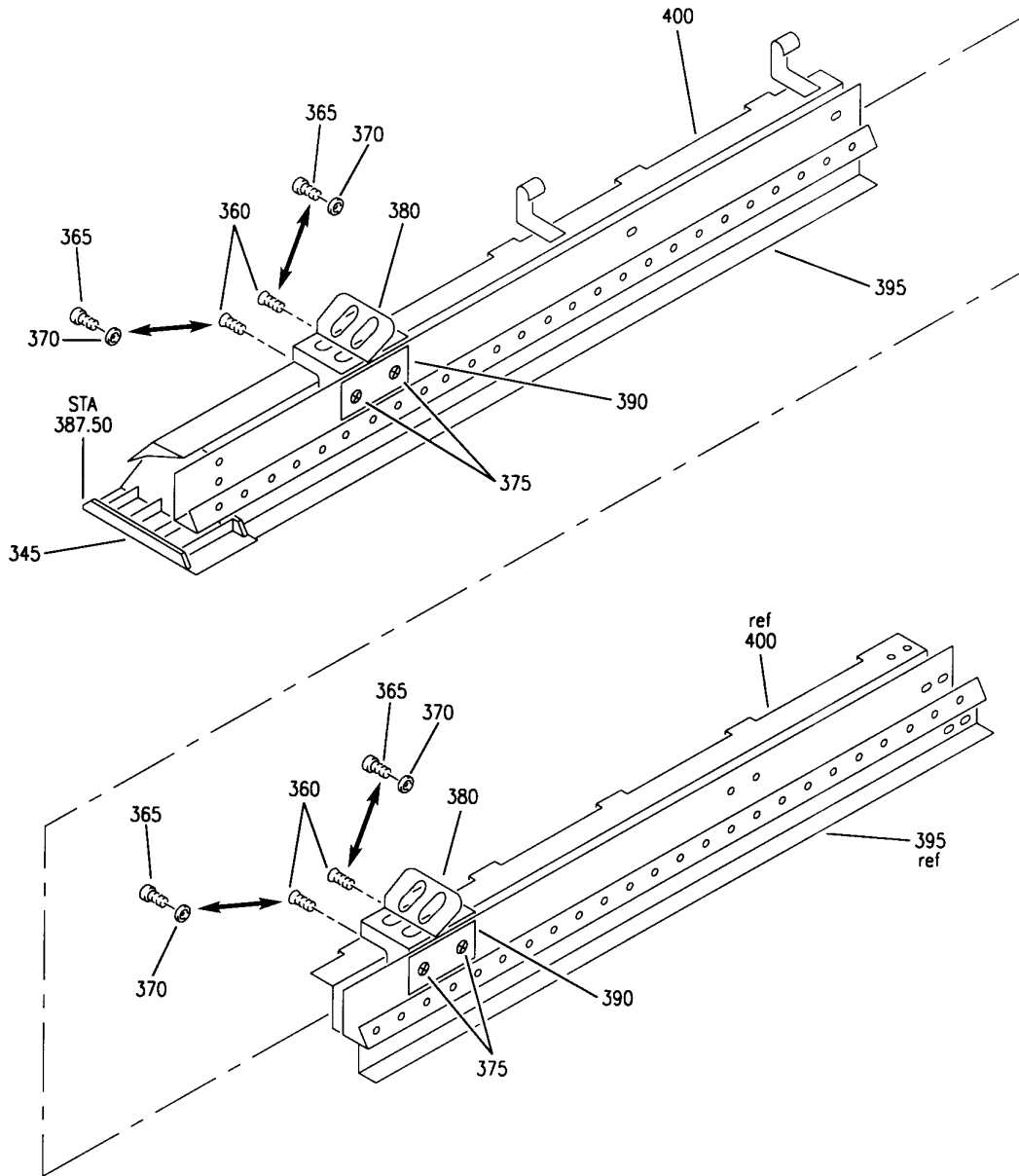
OUTLET ASSY-SIDEWALL AC
FIGURE 50 (SHEET 4)

21-23-02-50

BRI
MAY 28/07

21-23-02-50
PAGE 0C

BOEING
757
PARTS CATALOG (MAINTENANCE)



(E)

Y 21230250 SHF 5 REV 201

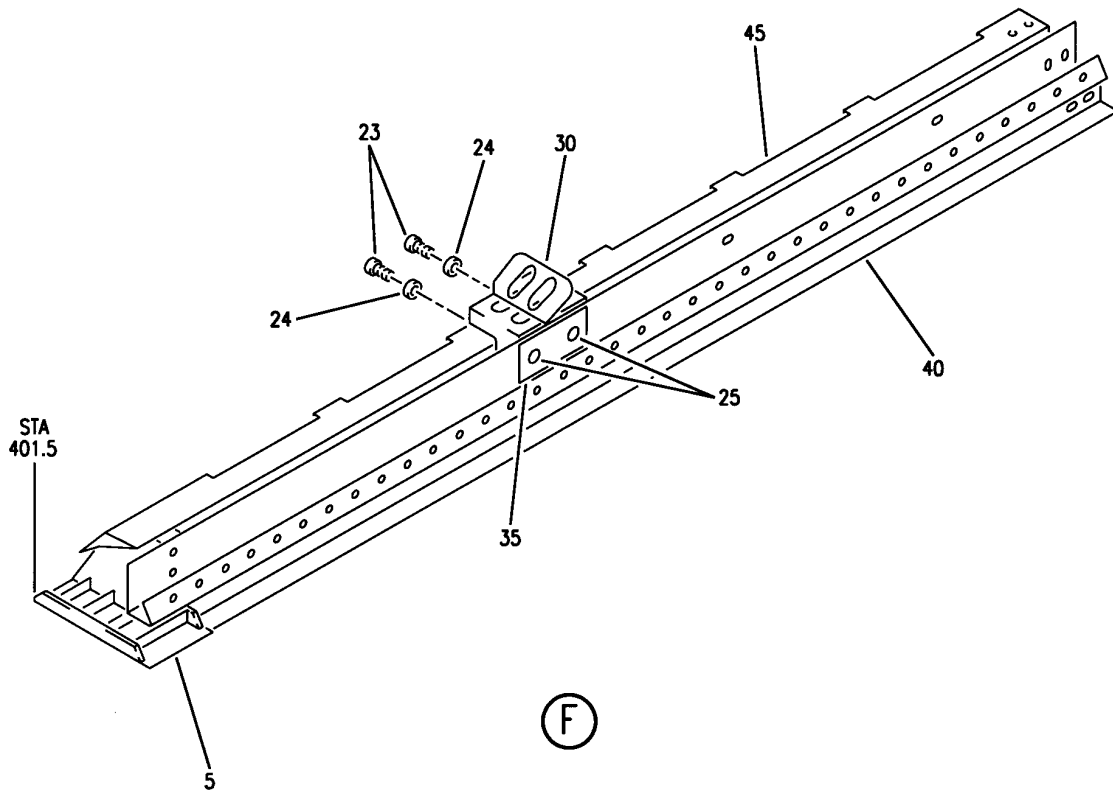
OUTLET ASSY-SIDEWALL AC
FIGURE 50 (SHEET 5)

21-23-02-50

BRI
MAY 28/07

21-23-02-50
PAGE 0D

BOEING
757
PARTS CATALOG (MAINTENANCE)



Y 21230250 SHT 6 REV 209

OUTLET ASSY-SIDEWALL AC
FIGURE 50 (SHEET 6)

BRI
MAY 28/07

21-23-02-50

21-23-02-50
PAGE 0E

 **BOEING**
757
PARTS CATALOG (MAINTENANCE)

| FIG ITEM | PART NUMBER | 1 2 3 4 5 6 7 | NOMENCLATURE | EFFECT FROM TO | UNITS PER ASSY |
|----------|-----------------|---------------|---|------------------|----------------|
| 50 | | | OUTLET ASSY-SIDEWALL AC | 011102 504903 | |
| - 100 | 412N3103-1287SP | | OUTLET ASSY-SIDEWALL AC FOR NHA SEE: 21-23-02-44 | 504903 | RF |
| 105 | 412N3104-2SP | | .CAP ASSY ATTACHING PARTS | 504903 | 1 |
| - 110 | BACS12GU08K5 | | .SCREW- OPTIONAL PART: NAS1801-08-5 | 504903 | 4 |
| - 110 | NAS1801-08-5 | | .SCREW- OPTIONAL PART: BACS12GU08K5 | 504903 | 4 |
| - 115 | NAS1149DN816J | | .WASHER -----*----- | 504903 | 4 |
| 120 | BACS12ER3K9 | | .SCREW- OPTIONAL PART: BACB30VF3K3 BACB30VF3K4 | 504903 | 6 |
| 120 | BACB30VF3K3 | | .BOLT- OPTIONAL PART: BACS12ER3K9 | 504903 | 6 |
| 120 | BACB30VF3K4 | | .BOLT- OPTIONAL PART: BACS12ER3K9 | 504903 | 6 |
| 125 | BACS12FA3K8 | | .SCREW- OPTIONAL PART: 412N3103-1330 | 504903 | 6 |
| - 127 | 412N3103-1330 | | .SUBKIT ASSY- OPTIONAL PART: BACS12FA3K8 | 504903 | 6 |
| 130 | BACB30NT3K2 | | ..BOLT | 504903 | 1 |
| 135 | NAS1149D0316J | | ..WASHER | 504903 | 1 |
| 140 | BACB30LU2-2 | | .BOLT | 504903 | 4 |
| 145 | BACS12ER08K7 | | .SCREW- OPTIONAL PART: NAS514P832-7 | 504903 | 2 |
| 145 | NAS514P832-7 | | .SCREW- OPTIONAL PART: BACS12ER08K7 | 504903 | 2 |
| 150 | BACS12ER08K8 | | .SCREW- OPTIONAL PART: NAS514P832-8 | 504903 | 2 |
| 150 | NAS514P832-8 | | .SCREW- OPTIONAL PART: BACS12ER08K8 | 504903 | 2 |
| 155 | BACS12GU08K6 | | .SCREW- OPTIONAL PART: NAS1801-08-6 | 504903 | 4 |

MISSING ITEM NUMBERS NOT APPLICABLE

- ITEM NOT ILLUSTRATED

BRI

21-23-02-50

21-23-02
FIG. 50
PAGE 1
JAN 20/09



757

PARTS CATALOG (MAINTENANCE)

| FIG ITEM | PART NUMBER | 1 2 3 4 5 6 7 | NOMENCLATURE | EFFECT FROM TO | UNITS PER ASSY |
|----------|-----------------|-------------------------|--------------|----------------|----------------|
| 50 | | | | | |
| 155 | NAS1801-08-6 | .SCREW- | | 504903 | 4 |
| | | OPTIONAL PART: | | | |
| | | BACS12GU08K7 | | | |
| 160 | BACS12GU08K7 | .SCREW- | | 504903 | 2 |
| | | OPTIONAL PART: | | | |
| | | NAS1801-08-7 | | | |
| 160 | NAS1801-08-7 | .SCREW- | | 504903 | 2 |
| | | OPTIONAL PART: | | | |
| | | BACS12GU08K7 | | | |
| 165 | BACW10DM5P | .WASHER | | 504903 | 4 |
| 170 | NAS1149DN816J | .WASHER | | 504903 | 6 |
| 175 | 412N3101-35SP | .COVER | | 504903 | 1 |
| 180 | 412N3101-24SP | .COVER ASSY | | 504903 | 1 |
| 185 | 412N3133-23 | .SUPPORT ASSY | | 504903 | 2 |
| 190 | 412N3133-25 | .SUPPORT ASSY | | 504903 | 1 |
| 195 | 65C27021-177 | .DOUBLER | | 504903 | 3 |
| 200 | 65C27020-612 | .DOUBLER | | 504903 | 1 |
| 205 | 65C27021-277 | .DOUBLER | | 504903 | 1 |
| 210 | 65C27021-481 | .FILLER | | 504903 | 1 |
| 215 | 65C27021-482 | .FITTING ASSY | | 504903 | 1 |
| 220 | 412N3136-1163SP | .BEAM | | 504903 | 1 |
| 225 | 412N3137-1583SP | .BEAM ASSY | | 504903 | 1 |
| - 250 | 412N3103-1209SP | OUTLET ASSY-SIDEWALL AC | | 011102 | RF |
| | | FOR NHA SEE: | | | |
| | | 21-23-02-44A | | | |
| 255 | 412N3104-6SP | .CAP ASSY | | 011102 | 1 |
| | | ATTACHING PARTS | | | |
| - 260 | BACS12GU08K5 | .SCREW- | | 011102 | 4 |
| | | OPTIONAL PART: | | | |
| | | NAS1801-08-5 | | | |
| - 260 | NAS1801-08-5 | .SCREW- | | 011102 | 4 |
| | | OPTIONAL PART: | | | |
| | | BACS12GU08K5 | | | |
| - 265 | NAS1149DN816J | .WASHER | | 011102 | 4 |
| | | -----*----- | | | |
| 270 | BACS12ER3K9 | .SCREW- | | 011102 | 4 |
| | | OPTIONAL PART: | | | |
| | | BACB30VF3K3 | | | |
| 270 | BACB30VF3K3 | .BOLT- | | 011102 | 4 |
| | | OPTIONAL PART: | | | |
| | | BACS12ER3K9 | | | |
| 275 | BACS12FA3K8 | .SCREW | | 011102 | 4 |
| 280 | 412N3133-24 | .SUPPORT ASSY | | 011102 | 2 |
| 285 | 65C27021-177 | .DOUBLER | | 011102 | 2 |
| 290 | 412N3136-1103SP | .BEAM | | 011102 | 1 |
| 295 | 412N3137-1431SP | .BEAM ASSY | | 011102 | 1 |

MISSING ITEM NUMBERS NOT APPLICABLE

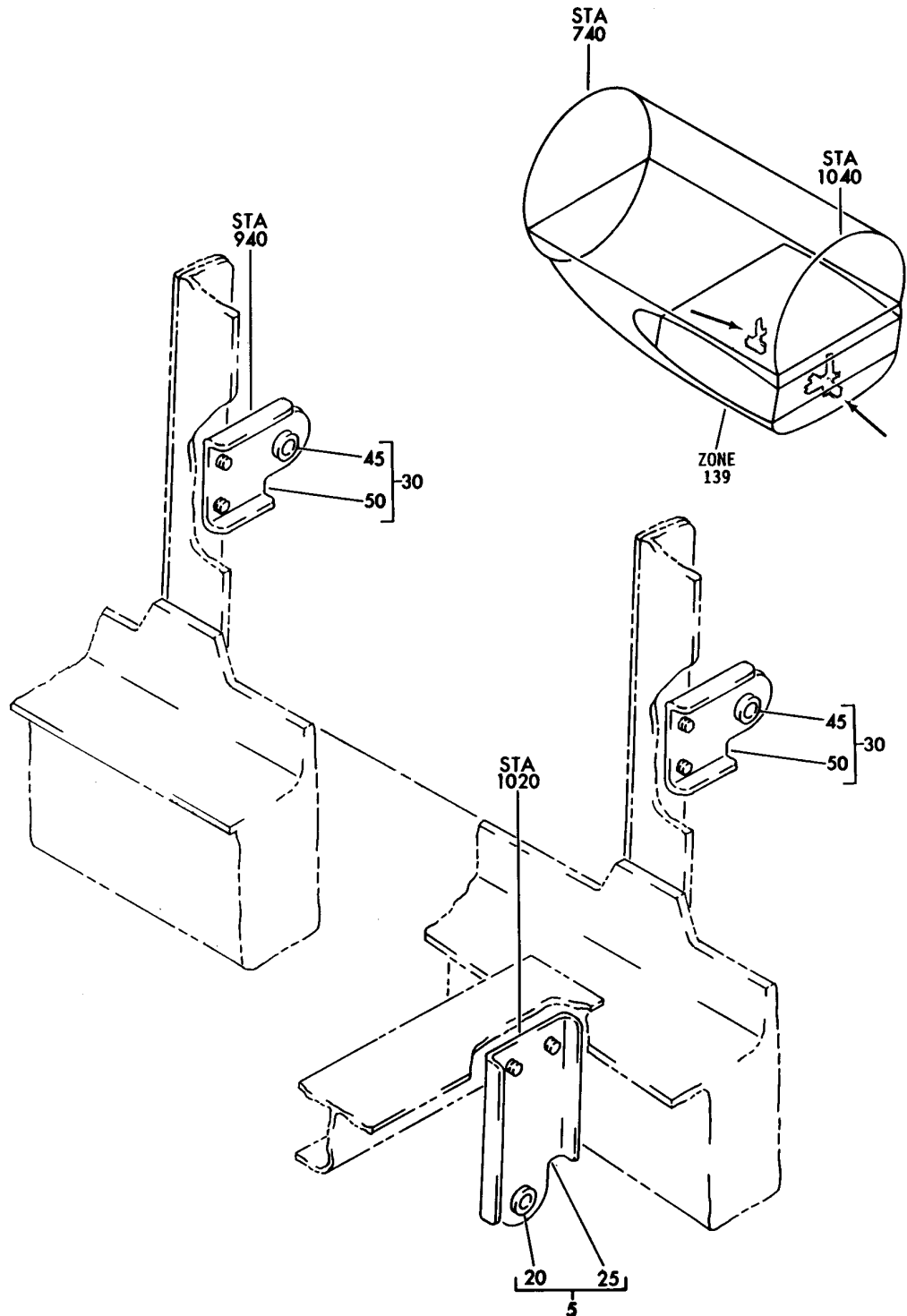
- ITEM NOT ILLUSTRATED

21-23-02-50

21-23-02
FIG. 50
PAGE 2
JAN 20/09

BRI

BOEING
757
PARTS CATALOG (MAINTENANCE)



Y 21230301 REV 190

PROVISIONS INSTL-AIR SUPPLY DUCT, WHEEL WELL
FIGURE 1

21-23-03-01

BRI
MAY 28/07

21-23-03-01
PAGE 0



757

PARTS CATALOG (MAINTENANCE)

| FIG ITEM | PART NUMBER | 1 2 3 4 5 6 7 | NOMENCLATURE | EFFECT FROM TO | UNITS PER ASSY |
|----------|---------------|---------------|-------------------------|----------------|----------------|
| 1 | | | PROVISIONS INSTL-AIR | 002004 | |
| - 1 | 212N3004-2 | | SUPPLY DUCT, WHEEL WELL | 006999 | |
| | | | PROVISION INSTL- | 002004 | RF |
| | | | | 006100 | |
| | | | | 107107 | |
| | | | | 121503 | |
| | | | | 904999 | |
| - 1 | 212N3004-6 | | PROVISION INSTL- | 101102 | RF |
| | | | FOR NHA SEE: | 108120 | |
| | | | 21-00-00-15 | 504903 | |
| - 1 | MODREF5888 | | PROVISION INSTL- | 103106 | 1 |
| | | | MODULE NUMBER: | | |
| | | | 212N3004-6 REV A | | |
| 5 | 212N3032-10 | | .BRACKET ASSY | 002004 | 1 |
| | | | | 006999 | |
| - 10 | HL22-6-3 | | ATTACHING PARTS | | |
| | | | .BOLT | 002004 | 2 |
| | | | SUPPLIER CODE: | 006999 | |
| | | | V60516 | | |
| | | | SPECIFICATION NUMBER: | | |
| | | | BACB30GZ6-3 | | |
| - 15 | HL77-6 | | .COLLAR | 002004 | 2 |
| | | | SUPPLIER CODE: | 006999 | |
| | | | V5M902 | | |
| | | | SPECIFICATION NUMBER: | | |
| | | | BACC30P6 | | |
| | | | OPTIONAL PART: | | |
| | | | HL77-6 | | |
| | | | V73197 | | |
| | | | HL77-6 | | |
| | | | V92215 | | |
| | | | 66015-6 | | |
| | | | V56878 | | |
| | | | HL77-6 | | |
| | | | V56878 | | |
| | | | -----*----- | | |
| 20 | BACB28B4-215P | | ..BUSHING | 002004 | 1 |
| | | | | 006999 | |
| 25 | 212N3032-14 | | ..BRACKET | 002004 | 1 |
| | | | | 006999 | |
| 30 | 212N3032-11 | | .BRACKET ASSY | 002004 | 2 |
| | | | | 006999 | |

MISSING ITEM NUMBERS NOT APPLICABLE

- ITEM NOT ILLUSTRATED

BRI

21-23-03-01

21-23-03
FIG. 01
PAGE 1
JAN 20/09



**757
PARTS CATALOG (MAINTENANCE)**

| FIG ITEM | PART NUMBER | 1 2 3 4 5 6 7 | NOMENCLATURE | EFFECT FROM TO | UNITS PER ASSY |
|-------------|---------------|---------------|-----------------------|-------------------|----------------------|
| 1 | | | ATTACHING PARTS | | |
| - 35 | 2LPYE6-4 | | .BOLT | 002004 | 4 |
| | | | SUPPLIER CODE: | 006999 | |
| | | | V11815 | | |
| | | | SPECIFICATION NUMBER: | | |
| | | | BACB30GP6-4 | | |
| | | | OPTIONAL PART: | | |
| | | | 2LPYE6-4 | | |
| | | | V17446 | | |
| - 40 | NAS1080D6 | | .COLLAR | 002004 | 4 |
| | | | | 006999 | |
| | | | -----* | | |
| 45 | BACB28B4-215P | | ..BUSHING | 002004 | 1 |
| | | | | 006999 | |
| 50 | 212N3032-15 | | ..BRACKET | 002004 | 1 |
| | | | | 006999 | |

MISSING ITEM NUMBERS NOT APPLICABLE

- ITEM NOT ILLUSTRATED

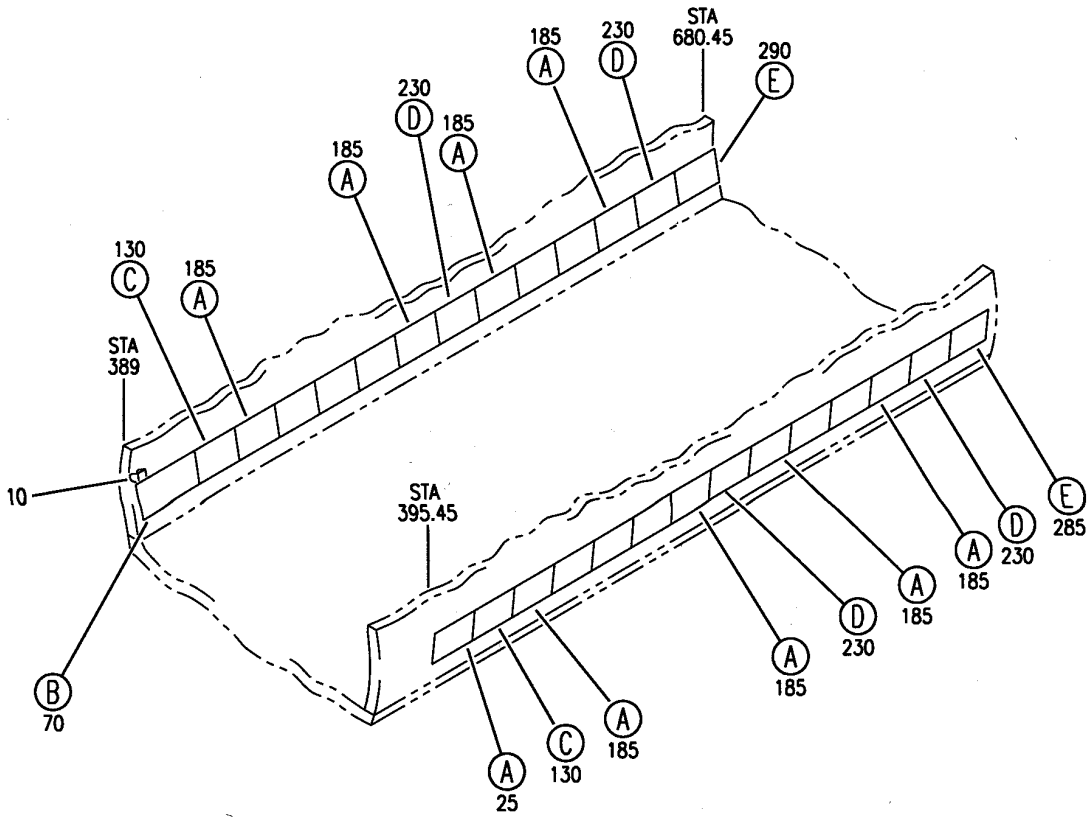
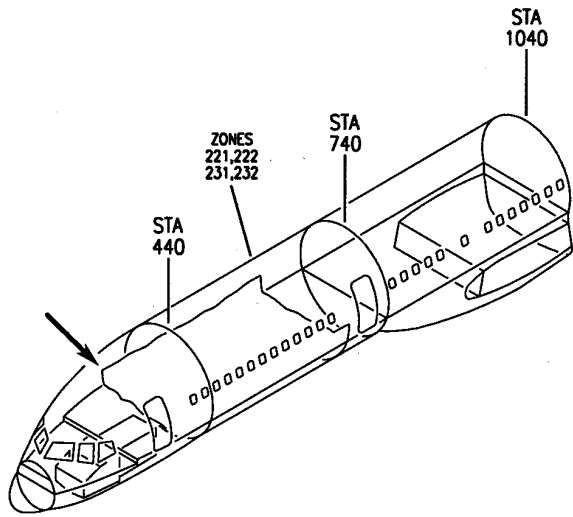
BRI

21-23-03-01

BOEING PROPRIETARY - Copyright © - Unpublished Work - See title page for details.

21-23-03
FIG. 01
PAGE 2
JAN 20/09

BOEING
757
PARTS CATALOG (MAINTENANCE)



Y 21230501 SHT 1 REV 212

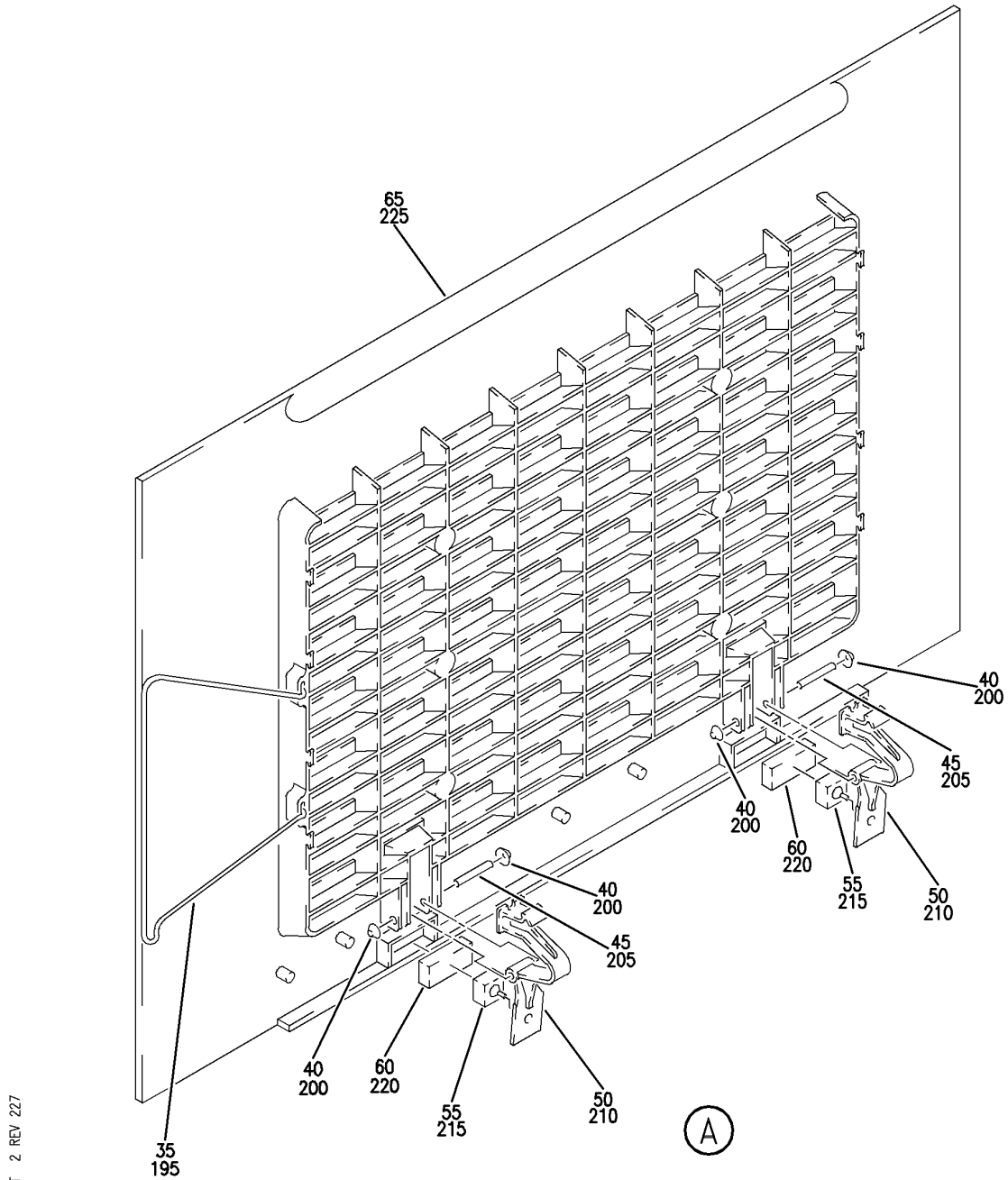
GRILLE INSTL-AIR RETURN PASS. CAB. (STA 389 TO STA 680.45)
FIGURE 1 (SHEET 1)

21-23-05-01

BRI
MAY 28/07

21-23-05-01
PAGE 0

BOEING
757
PARTS CATALOG (MAINTENANCE)



Y 21230501 SHT 2 REV 227

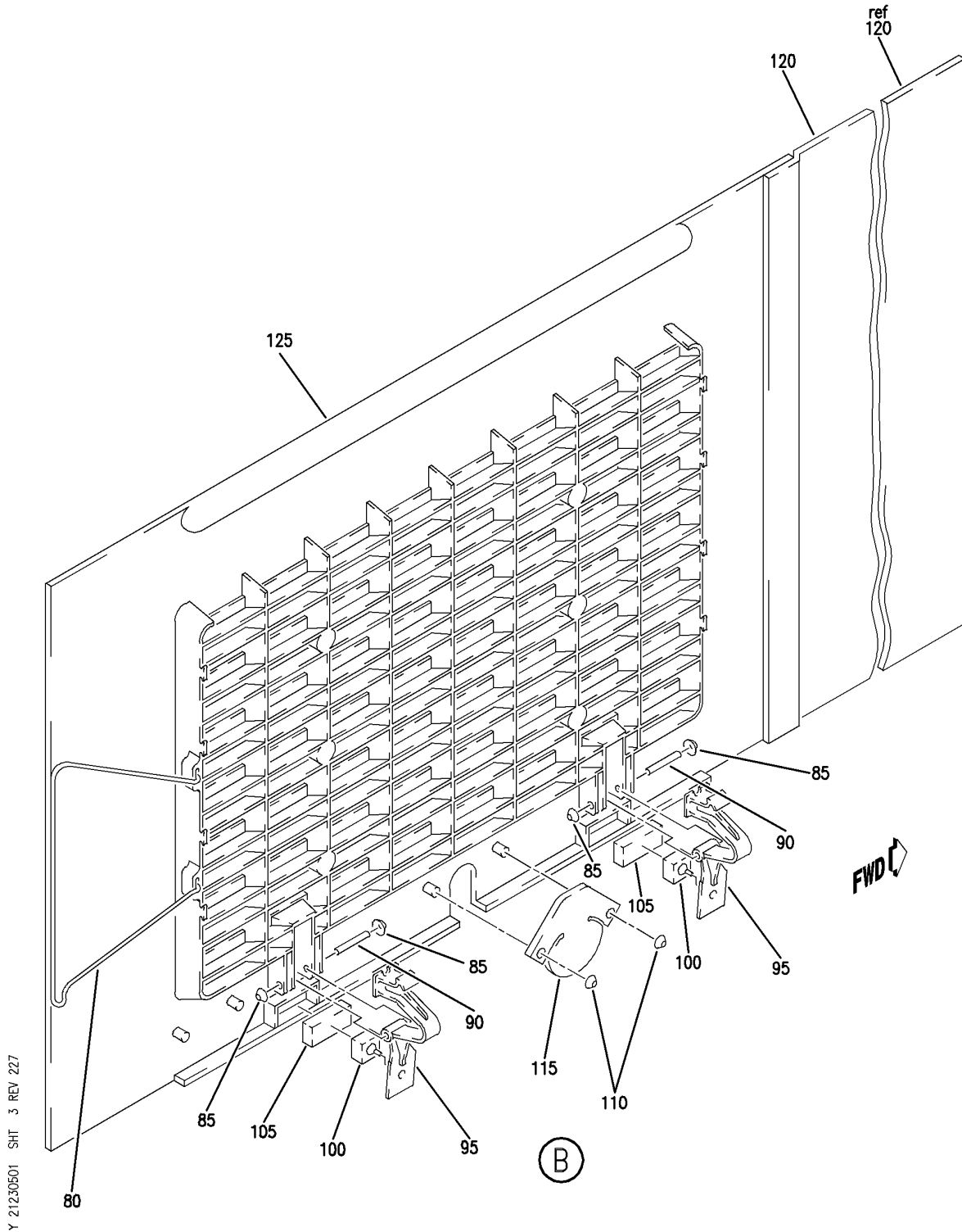
GRILLE INSTL-AIR RETURN PASS. CAB. (STA 389 TO STA 680.45)
FIGURE 1 (SHEET 2)

21-23-05-01

BRI
MAY 28/07

21-23-05-01
PAGE 0A

BOEING
757
PARTS CATALOG (MAINTENANCE)



GRILLE INSTL-AIR RETURN PASS. CAB. (STA 389 TO STA 680.45)
FIGURE 1 (SHEET 3)

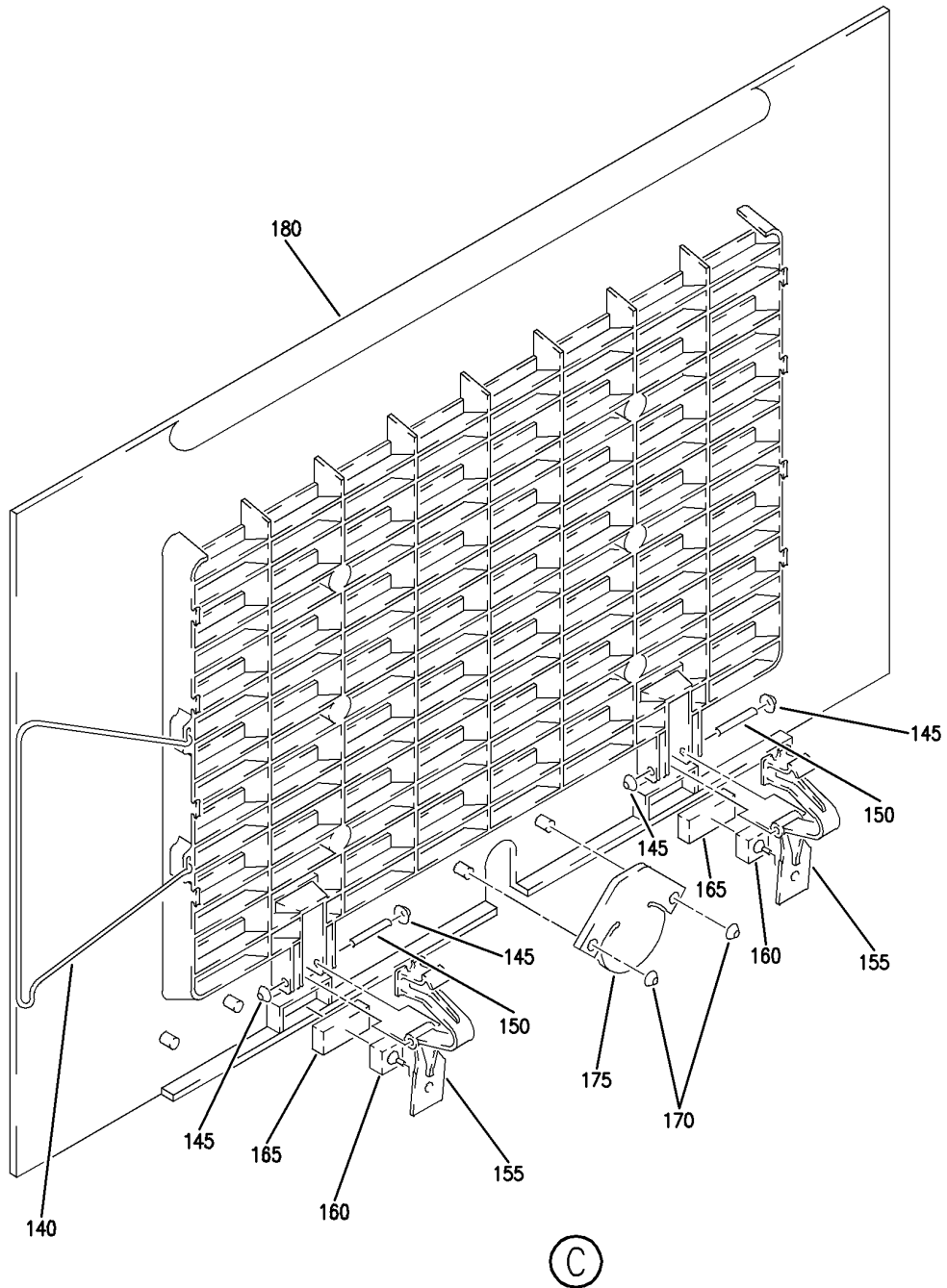
21-23-05-01

BRI
MAY 28/07

21-23-05-01
PAGE 0B

BOEING
757
PARTS CATALOG (MAINTENANCE)

Y 21230501 SHT 4 REV 227



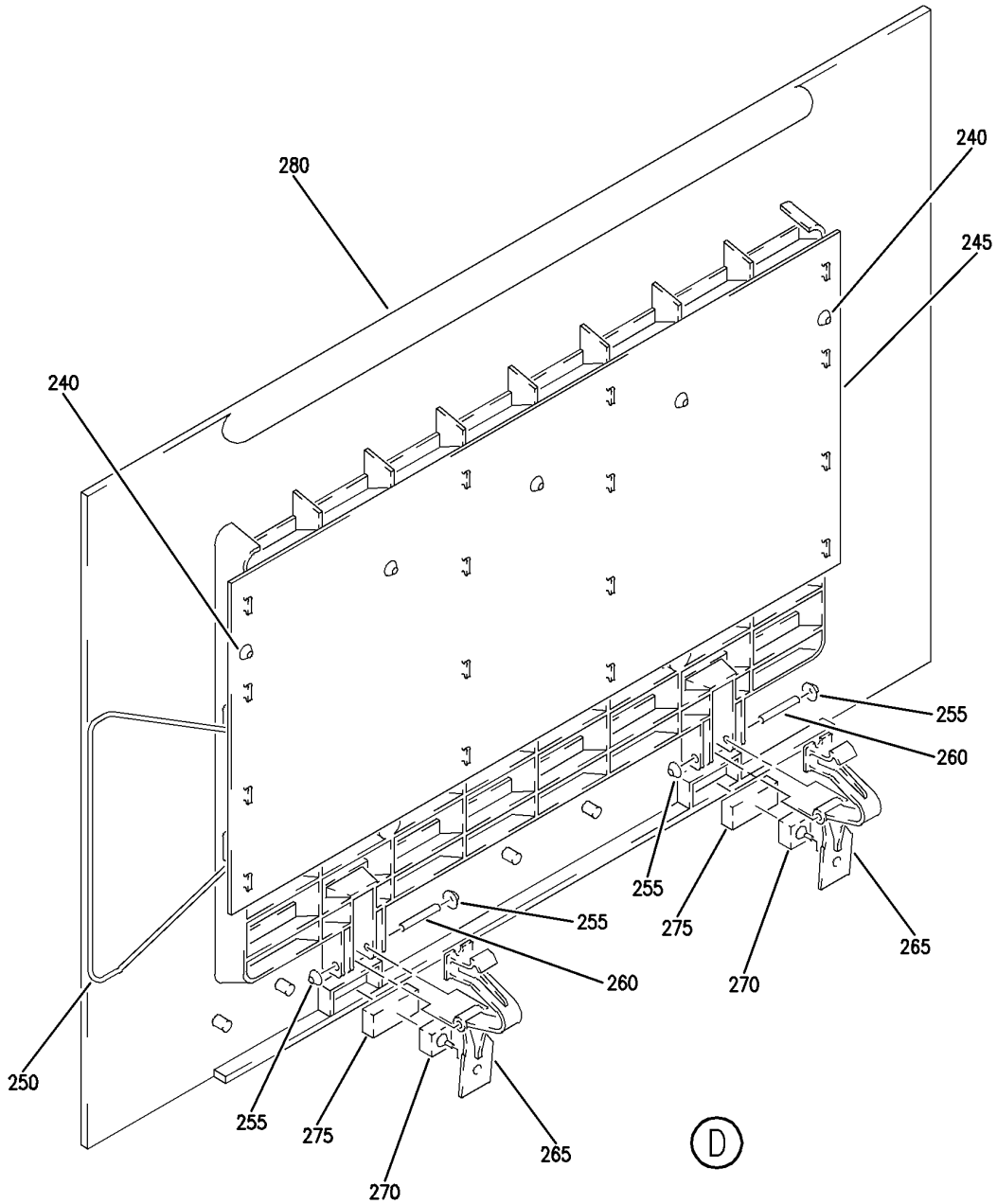
GRILLE INSTL-AIR RETURN PASS. CAB. (STA 389 TO STA 680.45)
FIGURE 1 (SHEET 4)

BRI
MAY 28/07

21-23-05-01

21-23-05-01
PAGE 0C

BOEING
757
PARTS CATALOG (MAINTENANCE)



Y 21230501 SHT 5 REV 227

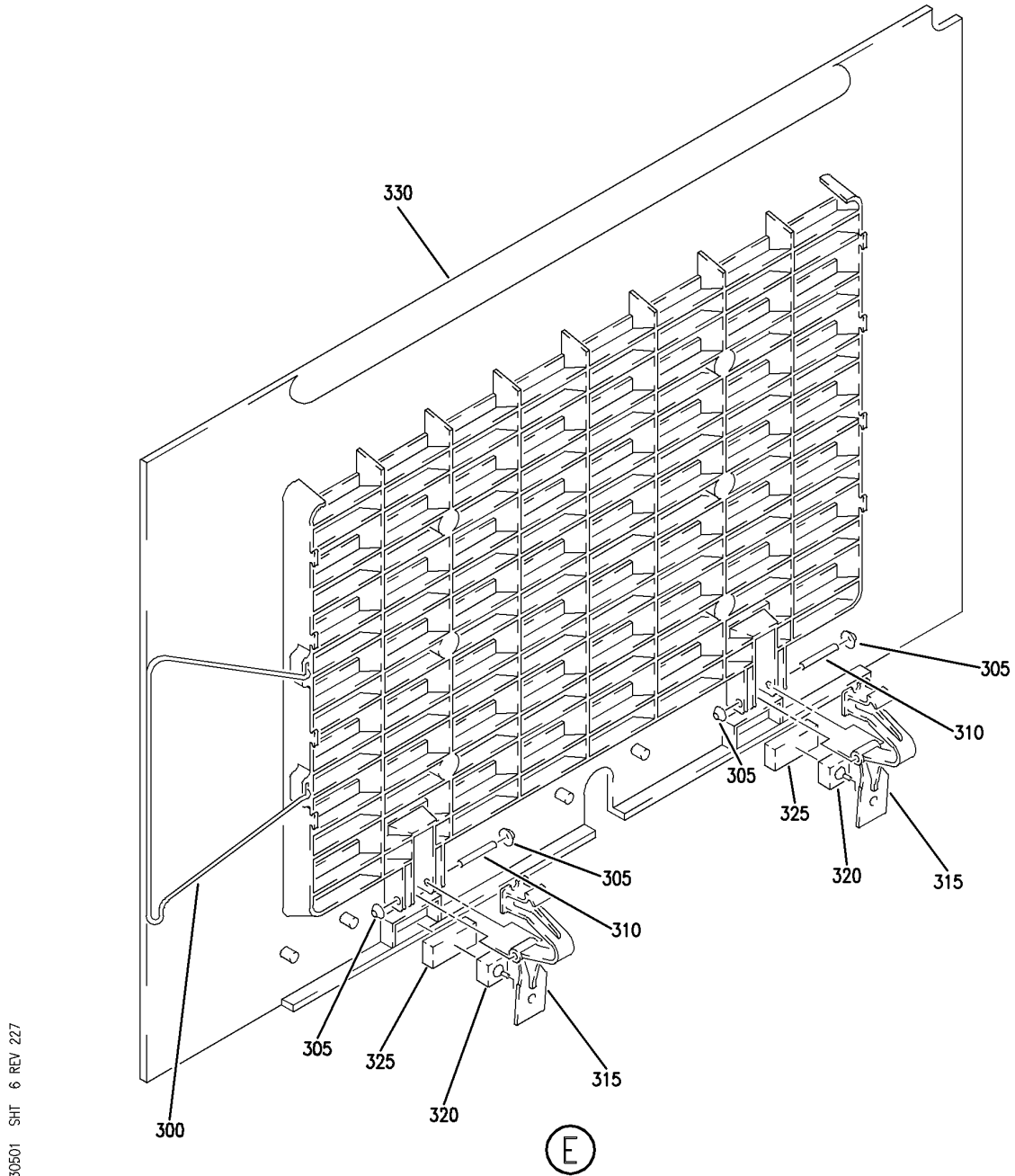
GRILLE INSTL-AIR RETURN PASS. CAB. (STA 389 TO STA 680.45)
FIGURE 1 (SHEET 5)

BRI
MAY 28/07

21-23-05-01

21-23-05-01
PAGE 0D

BOEING
757
PARTS CATALOG (MAINTENANCE)



Y 21230501 SHT 6 REV 227

GRILLE INSTL-AIR RETURN PASS. CAB. (STA 389 TO STA 680.45)
FIGURE 1 (SHEET 6)

BRI
MAY 28/07

21-23-05-01

21-23-05-01
PAGE 0E



757

PARTS CATALOG (MAINTENANCE)

| FIG ITEM | PART NUMBER | 1 2 3 4 5 6 7 | NOMENCLATURE | EFFECT FROM TO | UNITS PER ASSY |
|----------|-----------------|---------------|---|----------------|----------------|
| 1 | | | GRILLE INSTL-AIR RETURN PASS. CAB. (STA 389 TO STA 680.45) | 101102 | |
| - 1 | 411N1500-2039SP | | GRILLE INSTL-AIR RETURN PASS. CAB. POSITION DATA: STA 395.45 TO STA 680.45 LH FOR NHA/ADDITIONAL DET SEE: 25-20-00-07 | 101102 | RF |
| - 5 | 411N1500-2040SP | | GRILLE INSTL-AIR RETURN PASS. CAB. POSITION DATA: STA 389 TO STA 680.45 RH FOR NHA/ADDITIONAL DET SEE: 25-20-00-07 | 101102 | RF |
| 10 | 411N1525-1 | | .TRIM ASSY- POSITION DATA: RH SIDE | 101102 | 1 |
| 10 | 411N1525-20 | | .TRIM ASSY- POSITION DATA: RH SIDE | 101102 | 1 |
| - 15 | NAS1801-3-6 | | .SCREW | 101102 | 1 |
| - 20 | NAS1149D0316J | | .WASHER | 101102 | 1 |
| | | | -----*----- | | |
| 25 | 411N1510-4SP | | .GRILLE ASSY-22.5 IN. POSITION DATA: LH SIDE FUNCTIONAL REFERENCE: PLACARDS AND MARKINGS FOR DETAILS SEE 11-21-22-02 | 101102 | 1 |
| 35 | 411N1522-2 | | ..SPRING-RETAINER CLIP | 101102 | 1 |
| 40 | 6100-12 | | ..RETAINER- SUPPLIER CODE: V97464 | 101102 | 4 |
| 45 | 411N1522-4 | | ..PIN-HINGE OPTIONAL PART: 411N1522-5 | 101102 | 2 |
| 45 | 411N1522-5 | | ..PIN-HINGE OPTIONAL PART: 411N1522-4 | 101102 | 2 |
| 50 | 411N1521-2SP | | ..LATCH | 101102 | 2 |
| 55 | 411N1527-1 | | ..PAD | 101102 | 2 |
| 60 | 411N1527-2 | | ..PAD | 101102 | 2 |
| 65 | 411N1520-2SP | | ..GRILLE-MOLDED | 101102 | 1 |

MISSING ITEM NUMBERS NOT APPLICABLE

- ITEM NOT ILLUSTRATED

21-23-05-01

21-23-05
FIG. 01
PAGE 1
JAN 20/09

BRI



757

PARTS CATALOG (MAINTENANCE)

| FIG ITEM | PART NUMBER | 1 2 3 4 5 6 7 | NOMENCLATURE | EFFECT FROM TO | UNITS PER ASSY |
|----------|---------------|---------------|--|----------------|----------------|
| 1 | | | | | |
| 70 | 411N1510-14SP | | .GRILLE ASSY-22.5 IN. POSITION DATA: RH SIDE FUNCTIONAL REFERENCE: PLACARDS AND MARKINGS FOR DETAILS SEE 11-21-22-02 | 101102 | 1 |
| 80 | 411N1522-2 | | ..SPRING-RETAINER CLIP | 101102 | 1 |
| 85 | 6100-12 | | ..RETAINER- SUPPLIER CODE: V97464 | 101102 | 4 |
| 90 | 411N1522-4 | | ..PIN-HINGE OPTIONAL PART: 411N1522-5 | 101102 | 2 |
| 90 | 411N1522-5 | | ..PIN-HINGE OPTIONAL PART: 411N1522-4 | 101102 | 2 |
| 95 | 411N1521-2SP | | ..LATCH | 101102 | 2 |
| 100 | 411N1527-1 | | ..PAD | 101102 | 2 |
| 105 | 411N1527-2 | | ..PAD | 101102 | 2 |
| 110 | 6100-12 | | ..RETAINER- SUPPLIER CODE: V97464 | 101102 | 2 |
| 115 | 411N1527-3 | | ..PAD | 101102 | 1 |
| 120 | 411N1524-1SP | | ..EXTENSION | 101102 | 1 |
| 125 | 411N1520-2SP | | ..GRILLE-MOLDED | 101102 | 1 |
| 130 | 411N1510-47SP | | .GRILLE ASSY-22.5 IN. FUNCTIONAL REFERENCE: PLACARDS AND MARKINGS FOR DETAILS SEE 11-21-22-02 | 101102 | 1 |
| 140 | 411N1522-2 | | ..SPRING-RETAINER CLIP | 101102 | 1 |
| 145 | 6100-12 | | ..RETAINER- SUPPLIER CODE: V97464 | 101102 | 4 |
| 150 | 411N1522-4 | | ..PIN-HINGE OPTIONAL PART: 411N1522-5 | 101102 | 2 |
| 150 | 411N1522-5 | | ..PIN-HINGE OPTIONAL PART: 411N1522-4 | 101102 | 2 |
| 155 | 411N1521-2SP | | ..LATCH | 101102 | 2 |
| 160 | 411N1527-1 | | ..PAD | 101102 | 2 |
| 165 | 411N1527-2 | | ..PAD | 101102 | 2 |
| 170 | 6100-12 | | ..RETAINER- SUPPLIER CODE: V97464 | 101102 | 2 |
| 175 | 411N1527-3 | | ..PAD | 101102 | 1 |
| 180 | 411N1520-2SP | | ..GRILLE-MOLDED | 101102 | 1 |

MISSING ITEM NUMBERS NOT APPLICABLE

- ITEM NOT ILLUSTRATED

21-23-05-01

21-23-05
FIG. 01
PAGE 2
JAN 20/09

BRI



757

PARTS CATALOG (MAINTENANCE)

| FIG ITEM | PART NUMBER | 1 2 3 4 5 6 7 | NOMENCLATURE | EFFECT FROM TO | UNITS PER ASSY |
|----------|---------------|---------------|--|----------------|----------------|
| 1 | | | | | |
| 185 | 411N1510-1SP | | .GRILLE ASSY-22.5 IN. FUNCTIONAL REFERENCE: PLACARDS AND MARKINGS FOR DETAILS SEE 11-21-22-02 | 101102 | 9 |
| 195 | 411N1522-1 | | ..SPRING-RETAINER CLIP | 101102 | 1 |
| 200 | 6100-12 | | ..RETAINER- SUPPLIER CODE: V97464 | 101102 | 4 |
| 205 | 411N1522-4 | | ..PIN-HINGE OPTIONAL PART: 411N1522-5 | 101102 | 2 |
| 205 | 411N1522-5 | | ..PIN-HINGE OPTIONAL PART: 411N1522-4 | 101102 | 2 |
| 210 | 411N1521-1SP | | ..LATCH | 101102 | 2 |
| 215 | 411N1527-1 | | ..PAD | 101102 | 2 |
| 220 | 411N1527-2 | | ..PAD | 101102 | 2 |
| 225 | 411N1520-1SP | | ..GRILLE-MOLDED | 101102 | 1 |
| 230 | 411N1510-5SP | | .GRILLE ASSY-20.5 IN. FUNCTIONAL REFERENCE: PLACARDS AND MARKINGS FOR DETAILS SEE 11-21-22-02 | 101102 | 2 |
| 240 | 6100-12 | | ..RETAINER- SUPPLIER CODE: V97464 | 101102 | 5 |
| 245 | 411N1528-1 | | ..BAFFLE | 101102 | 1 |
| 250 | 411N1522-1 | | ..SPRING-RETAINER CLIP | 101102 | 1 |
| 255 | 6100-12 | | ..RETAINER- SUPPLIER CODE: V97464 | 101102 | 4 |
| 260 | 411N1522-4 | | ..PIN-HINGE OPTIONAL PART: 411N1522-5 | 101102 | 2 |
| 260 | 411N1522-5 | | ..PIN-HINGE OPTIONAL PART: 411N1522-4 | 101102 | 2 |
| 265 | 411N1521-1SP | | ..LATCH | 101102 | 2 |
| 270 | 411N1527-1 | | ..PAD | 101102 | 2 |
| 275 | 411N1527-2 | | ..PAD | 101102 | 2 |
| 280 | 411N1520-1SP | | ..GRILLE-MOLDED | 101102 | 1 |
| 285 | 411N1510-45SP | | .GRILLE ASSY-22.5 IN. POSITION DATA: LH SIDE FUNCTIONAL REFERENCE: PLACARDS AND MARKINGS FOR DETAILS SEE 11-21-22-02 | 101102 | 1 |

MISSING ITEM NUMBERS NOT APPLICABLE

- ITEM NOT ILLUSTRATED

21-23-05-01

21-23-05
FIG. 01
PAGE 3
JAN 20/09

BRI

BOEING PROPRIETARY - Copyright © - Unpublished Work - See title page for details.



757

PARTS CATALOG (MAINTENANCE)

| FIG ITEM | PART NUMBER | 1 2 3 4 5 6 7 | NOMENCLATURE | EFFECT FROM TO | UNITS PER ASSY |
|----------|---------------|---------------|--|----------------|----------------|
| 1 | | | | | |
| 290 | 411N1510-46SP | | .GRILLE ASSY-22.5 IN. POSITION DATA: RH SIDE FUNCTIONAL REFERENCE: PLACARDS AND MARKINGS FOR DETAILS SEE 11-21-22-02 | 101102 | 1 |
| 300 | 411N1522-2 | | ..SPRING-RETAINER CLIP | 101102 | 1 |
| 305 | 6100-12 | | ..RETAINER- SUPPLIER CODE: V97464 | 101102 | 4 |
| 310 | 411N1522-4 | | ..PIN-HINGE OPTIONAL PART: 411N1522-5 | 101102 | 2 |
| 310 | 411N1522-5 | | ..PIN-HINGE OPTIONAL PART: 411N1522-4 | 101102 | 2 |
| 315 | 411N1521-1SP | | ..LATCH | 101102 | 2 |
| 320 | 411N1527-1 | | ..PAD | 101102 | 2 |
| 325 | 411N1527-2 | | ..PAD | 101102 | 2 |
| 330 | 411N1520-2SP | | ..GRILLE-MOLDED | 101102 | 1 |

MISSING ITEM NUMBERS NOT APPLICABLE

- ITEM NOT ILLUSTRATED

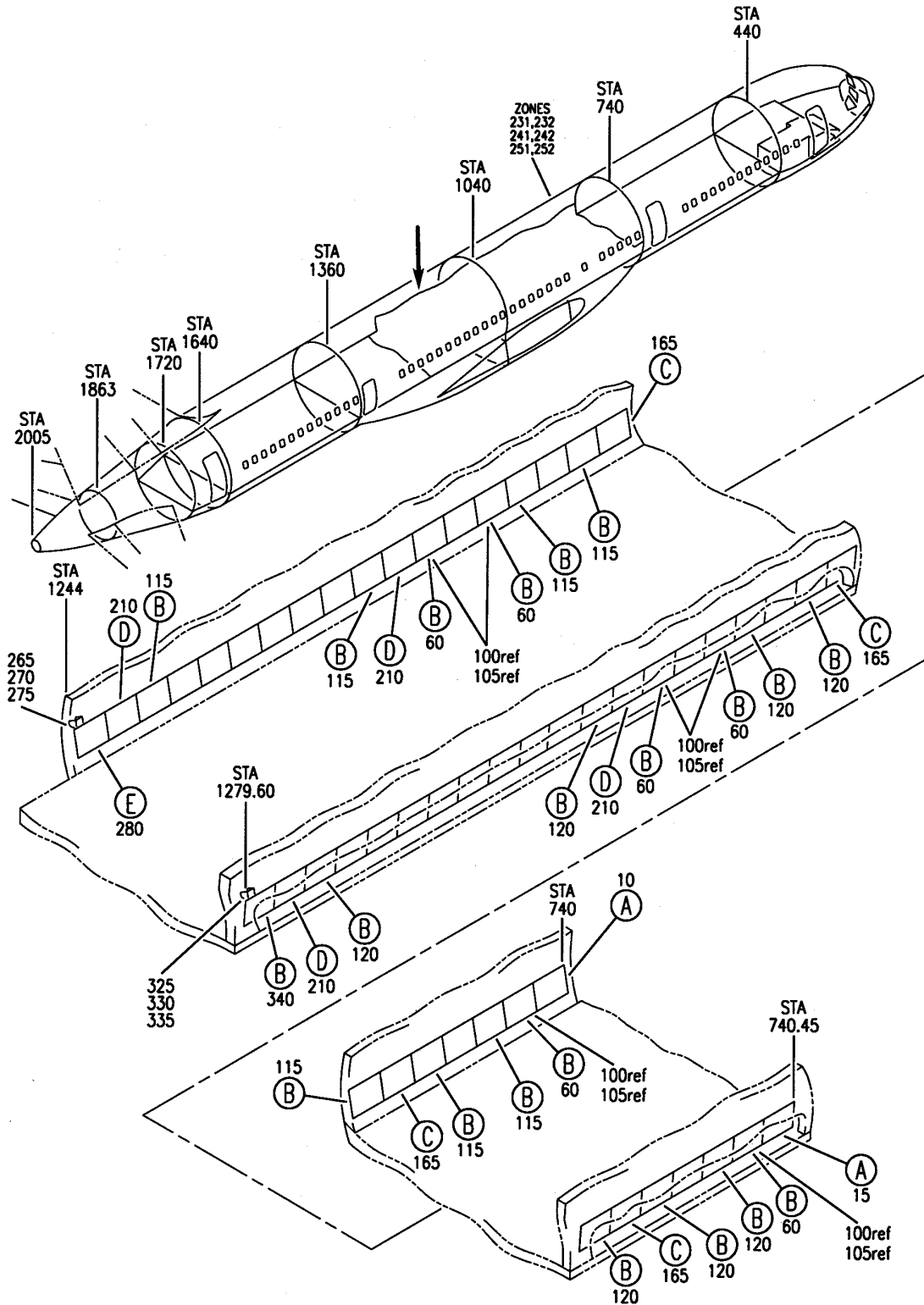
BRI

21-23-05-01

BOEING PROPRIETARY - Copyright © - Unpublished Work - See title page for details.

21-23-05
FIG. 01
PAGE 4
JAN 20/09


BOEING
 757
PARTS CATALOG (MAINTENANCE)



Y 21230501A SHT 1 REV 212

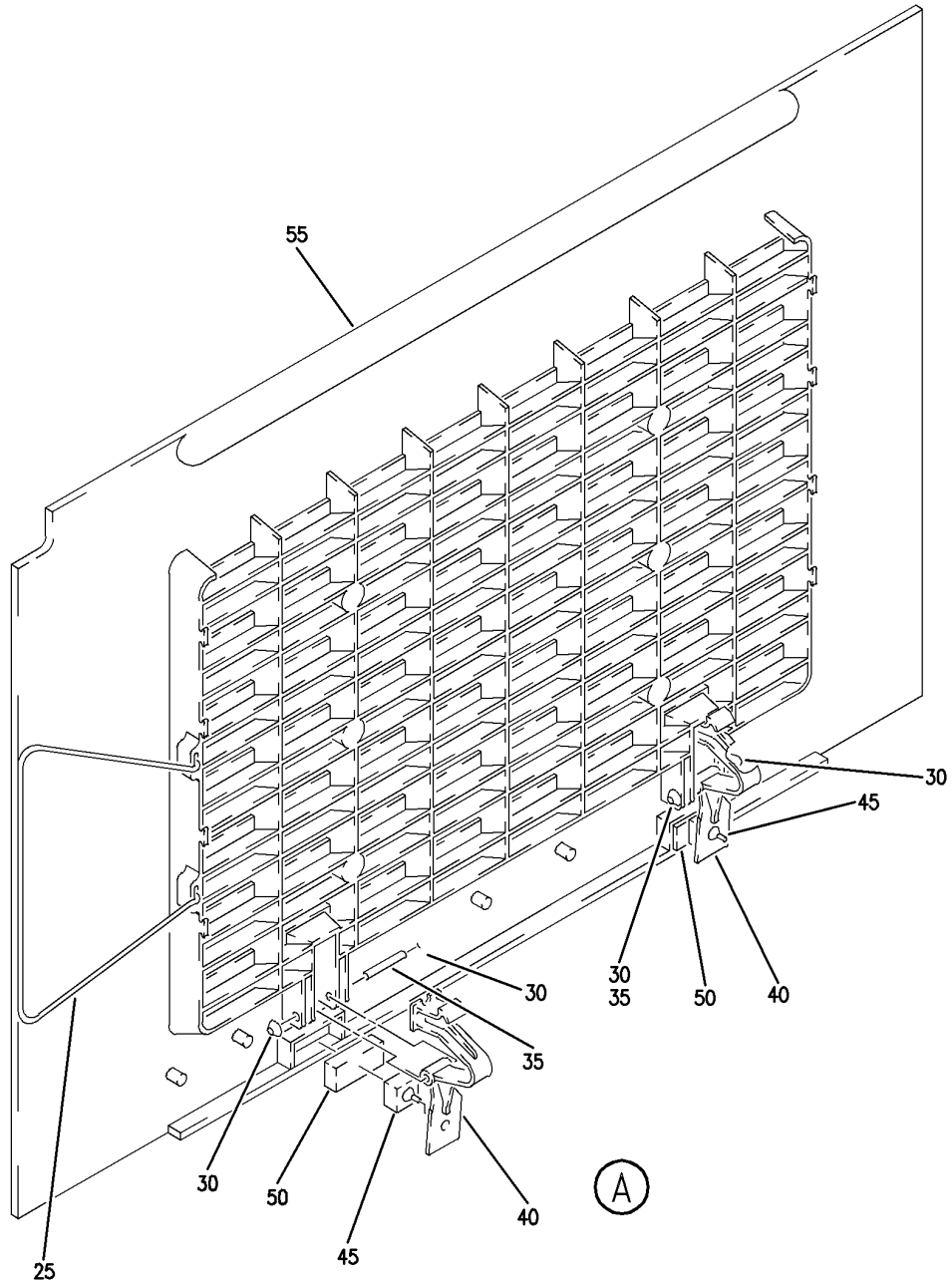
GRILLE INTSL-AIR RETURN PASS. CAB. (STA 740.00 TO STA 1279.60)
 FIGURE 1A (SHEET 1)

21-23-05-01A

BRI
MAY 28/07

21-23-05-01A
 PAGE 0

BOEING
757
PARTS CATALOG (MAINTENANCE)



Y 21230501A SHT 2 REV 227

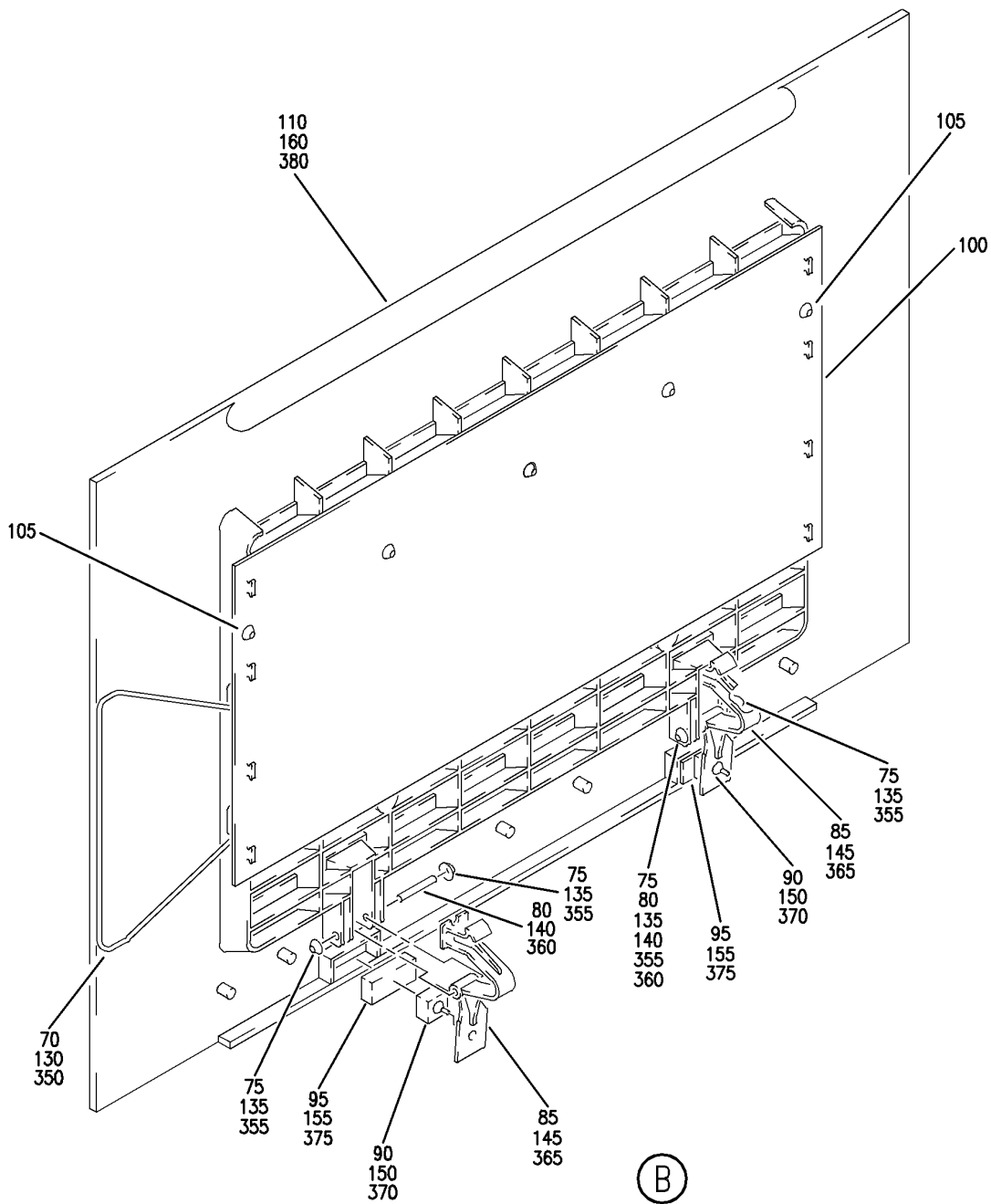
GRILLE INTSL-AIR RETURN PASS. CAB. (STA 740.00 TO STA 1279.60)
FIGURE 1A (SHEET 2)

BRI
MAY 28/07

21-23-05-01A

21-23-05-01A
PAGE 0A

BOEING
757
PARTS CATALOG (MAINTENANCE)



Y 21230501A SH1 3 REV 227

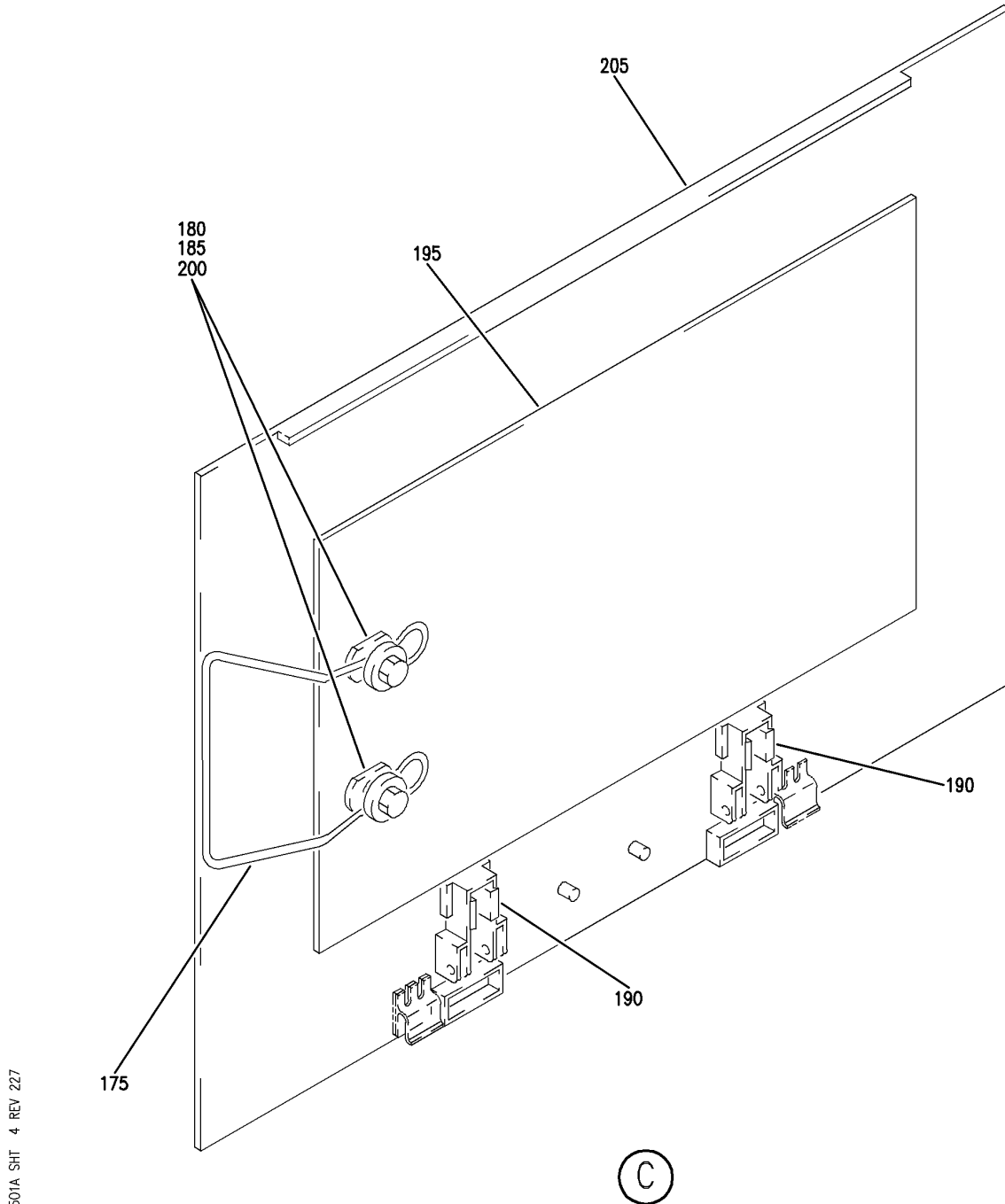
GRILLE INTSL-AIR RETURN PASS. CAB. (STA 740.00 TO STA 1279.60)
FIGURE 1A (SHEET 3)

21-23-05-01A

BRI
MAY 28/07

21-23-05-01A
PAGE 0B

BOEING
757
PARTS CATALOG (MAINTENANCE)



Y 21230501A SH1 4 REV 227

GRILLE INTSL-AIR RETURN PASS. CAB. (STA 740.00 TO STA 1279.60)
FIGURE 1A (SHEET 4)

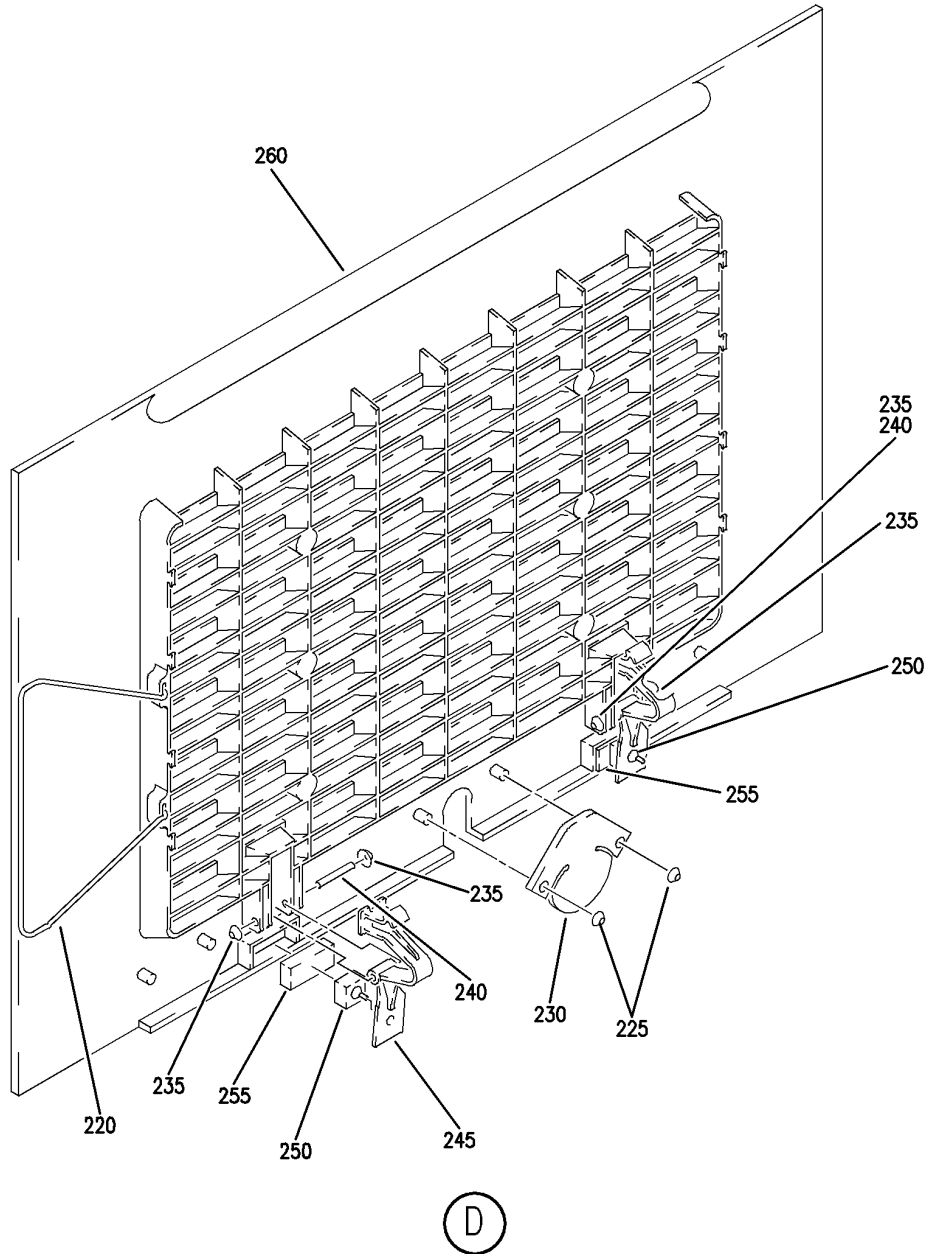
BRI
MAY 28/07

21-23-05-01A

21-23-05-01A
PAGE 0C

BOEING PROPRIETARY - Copyright © - Unpublished Work - See title page for details.

BOEING
757
PARTS CATALOG (MAINTENANCE)



Y 21230501A SH1 5 REV 227

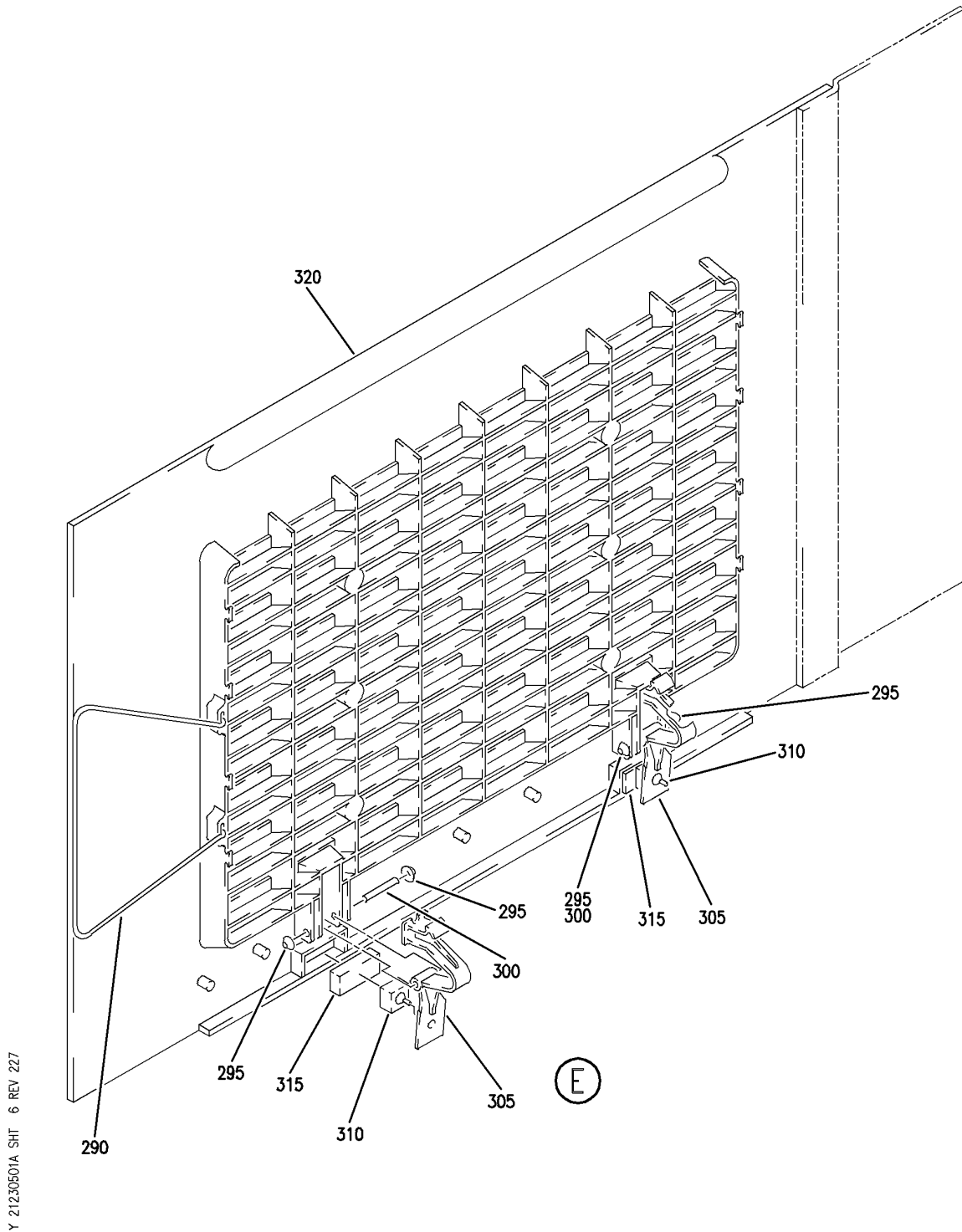
GRILLE INTSL-AIR RETURN PASS. CAB. (STA 740.00 TO STA 1279.60)
FIGURE 1A (SHEET 5)

21-23-05-01A

BRI
MAY 28/07

21-23-05-01A
PAGE 0D

BOEING
757
PARTS CATALOG (MAINTENANCE)



GRILLE INTSL-AIR RETURN PASS. CAB. (STA 740.00 TO STA 1279.60)
FIGURE 1A (SHEET 6)

BRI
MAY 28/07

21-23-05-01A

21-23-05-01A
PAGE 0E



757

PARTS CATALOG (MAINTENANCE)

| FIG ITEM | PART NUMBER | 1 2 3 4 5 6 7 | NOMENCLATURE | EFFECT FROM TO | UNITS PER ASSY |
|----------|-----------------|---------------|--|----------------|----------------|
| 1 A | | | GRILLE INTSL-AIR RETURN PASS. CAB. (STA 740.00 TO STA 1279.60) | 101102 | |
| - 1 | 411N1500-2039SP | | GRILLE INSTL-AIR RETURN PASS. CAB. POSITION DATA: STA 740.45 TO STA 1244 LH FOR NHA/ADDITIONAL DET SEE: 25-20-00-07 | 101102 | RF |
| - 5 | 411N1500-2040SP | | GRILLE INSTL-AIR RETURN PASS. CAB. POSITION DATA: STA 740 TO STA 1279.60 RH FOR NHA/ADDITIONAL DET SEE: 25-20-00-07 | 101102 | RF |
| 10 | 411N1510-46SP | | .GRILLE ASSY-22.5 IN. POSITION DATA: LH SIDE FUNCTIONAL REFERENCE: PLACARDS AND MARKINGS FOR DETAILS SEE 11-21-22-02 | 101102 | 1 |
| 15 | 411N1510-45SP | | .GRILLE ASSY-22.5 IN. POSITION DATA: RH SIDE FUNCTIONAL REFERENCE: PLACARDS AND MARKINGS FOR DETAILS SEE 11-21-22-02 | 101102 | 1 |
| 25 | 411N1522-2 | | ..SPRING-RTNR CLIP | 101102 | 1 |
| 30 | 6100-12 | | ..RETAINER-CLIP SUPPLIER CODE: V97464 | 101102 | 4 |
| 35 | 411N1522-4 | | ..PIN-HINGE OPTIONAL PART: 411N1522-5 | 101102 | 2 |
| 35 | 411N1522-5 | | ..PIN-HINGE OPTIONAL PART: 411N1522-4 | 101102 | 2 |
| 40 | 411N1521-1SP | | ..LATCH | 101102 | 2 |
| 45 | 411N1527-1 | | ..PAD | 101102 | 2 |
| 50 | 411N1527-2 | | ..PAD | 101102 | 2 |
| 55 | 411N1520-2SP | | ..GRILLE-MOLDED | 101102 | 1 |

MISSING ITEM NUMBERS NOT APPLICABLE

- ITEM NOT ILLUSTRATED

21-23-05-01A

21-23-05
FIG. 01A
PAGE 1
JAN 20/09

BRI



757

PARTS CATALOG (MAINTENANCE)

| FIG ITEM | PART NUMBER | 1 2 3 4 5 6 7 | NOMENCLATURE | EFFECT FROM TO | UNITS PER ASSY |
|----------|--------------|---------------|---|----------------|----------------|
| 1A | | | | | |
| 60 | 411N1510-5SP | . | GRILLE ASSY-20.5 FUNCTIONAL REFERENCE: PLACARDS AND MARKINGS FOR DETAILS SEE 11-21-22-02 | 101102 | 4 |
| 70 | 411N1522-1 | .. | SPRING-RTNR CLIP | 101102 | 1 |
| 75 | 6100-12 | .. | RETAINER-CLIP SUPPLIER CODE: V97464 | 101102 | 4 |
| 80 | 411N1522-4 | .. | PIN-HINGE OPTIONAL PART: 411N1522-5 | 101102 | 2 |
| 80 | 411N1522-5 | .. | PIN-HINGE OPTIONAL PART: 411N1522-4 | 101102 | 2 |
| 85 | 411N1521-1SP | .. | LATCH | 101102 | 2 |
| 90 | 411N1527-1 | .. | PAD | 101102 | 2 |
| 95 | 411N1527-2 | .. | PAD | 101102 | 2 |
| 100 | 411N1528-1 | .. | BAFFLE | 101102 | 1 |
| 105 | 6100-12 | .. | RETAINER-CLIP SUPPLIER CODE: V97464 | 101102 | 5 |
| 110 | 411N1520-1SP | .. | GRILLE-MOLDED | 101102 | 1 |
| 115 | 411N1510-1SP | . | GRILLE ASSY-20.5 IN. POSITION DATA: LH SIDE FUNCTIONAL REFERENCE: PLACARDS AND MARKINGS FOR DETAILS SEE 11-21-22-02 | 101102 | 15 |
| 120 | 411N1510-1SP | . | GRILLE ASSY-20.5 IN. POSITION DATA: RH SIDE FUNCTIONAL REFERENCE: PLACARDS AND MARKINGS FOR DETAILS SEE 11-21-22-02 | 101102 | 17 |
| 130 | 411N1522-1 | .. | SPRING-RTNR CLIP | 101102 | 1 |
| 135 | 6100-12 | .. | RETAINER-CLIP SUPPLIER CODE: V97464 | 101102 | 4 |
| 140 | 411N1522-4 | .. | PIN-HINGE OPTIONAL PART: 411N1522-5 | 101102 | 2 |
| 140 | 411N1522-5 | .. | PIN-HINGE OPTIONAL PART: 411N1522-4 | 101102 | 2 |
| 145 | 411N1521-1SP | .. | LATCH | 101102 | 2 |
| 150 | 411N1527-1 | .. | PAD | 101102 | 2 |

MISSING ITEM NUMBERS NOT APPLICABLE

- ITEM NOT ILLUSTRATED

21-23-05-01A

21-23-05
FIG. 01A
PAGE 2
JAN 20/09

BRI

BOEING PROPRIETARY - Copyright © - Unpublished Work - See title page for details.



757

PARTS CATALOG (MAINTENANCE)

| FIG ITEM | PART NUMBER | 1 2 3 4 5 6 7 | NOMENCLATURE | EFFECT FROM TO | UNITS PER ASSY |
|----------|---------------|---------------|--|----------------|----------------|
| 1A | | | | | |
| 155 | 411N1527-2 | .. | PAD | 101102 | 2 |
| 160 | 411N1520-1SP | .. | GRILLE-MOLDED | 101102 | 1 |
| 165 | 411N1510-39SP | .GRILLE | ASSY-22.5 IN. FUNCTIONAL REFERENCE: PLACARDS AND MARKINGS FOR DETAILS SEE 11-21-22-02 | 101102 | 2 |
| 175 | 411N1522-3 | .. | SPRING-RTNR CLIP ATTACHING PARTS | 101102 | 1 |
| 180 | NAS1801-3-5 | .. | SCREW | 101102 | 2 |
| 185 | BACW10P5CC | .. | WASHER -----*----- | 101102 | 2 |
| 190 | 411N1521-3SP | .. | PLUG | 101102 | 2 |
| 195 | 411N1523-2 | .. | STIFFENER ASSY | 101102 | 1 |
| 200 | BACI12S3 | ... | INSERT | 101102 | 2 |
| 205 | 411N1520-4SP | .. | GRILLE-MOLDED | 101102 | 1 |
| 210 | 411N1510-13SP | .GRILLE | ASSY-20.5 IN. POSITION DATA: LH SIDE FUNCTIONAL REFERENCE: PLACARDS AND MARKINGS FOR DETAILS SEE 11-21-22-02 | 101102 | 2 |
| 220 | 411N1522-1 | .. | SPRING-RTNR CLIP | 101102 | 1 |
| 225 | 6100-12 | .. | RETAINER-CLIP SUPPLIER CODE: V97464 | 101102 | 2 |
| 230 | 411N1527-3 | .. | PAD | 101102 | 1 |
| 235 | 6100-12 | .. | RETAINER-CLIP SUPPLIER CODE: V97464 | 101102 | 4 |
| 240 | 411N1522-4 | .. | PIN-HINGE OPTIONAL PART: 411N1522-5 | 101102 | 2 |
| 240 | 411N1522-5 | .. | PIN-HINGE OPTIONAL PART: 411N1522-4 | 101102 | 2 |
| 245 | 411N1521-2SP | .. | LATCH | 101102 | 2 |
| 250 | 411N1527-1 | .. | PAD | 101102 | 2 |
| 255 | 411N1527-2 | .. | PAD | 101102 | 2 |
| 260 | 411N1520-1SP | .. | GRILLE-MOLDED | 101102 | 1 |
| 265 | 411N1525-1 | .TRIM | ASSY- POSITION DATA: LH SIDE | 101102 | 1 |
| 265 | 411N1525-20 | .TRIM | ASSY- POSITION DATA: LH SIDE ATTACHING PARTS | 101102 | 1 |
| 270 | NAS1801-3-6 | .SCREW | | 101102 | 1 |

MISSING ITEM NUMBERS NOT APPLICABLE

- ITEM NOT ILLUSTRATED

21-23-05-01A

21-23-05
FIG. 01A
PAGE 3
JAN 20/09

BRI

BOEING PROPRIETARY - Copyright © - Unpublished Work - See title page for details.



757

PARTS CATALOG (MAINTENANCE)

| FIG ITEM | PART NUMBER | 1 2 3 4 5 6 7 | NOMENCLATURE | EFFECT FROM TO | UNITS PER ASSY |
|----------|---------------|---------------|--|----------------|----------------|
| 1A | | | | | |
| 275 | NAS1149D0316J | . | WASHER | 101102 | 1 |
| | | -----* | | | |
| 280 | 411N1510-12SP | . | GRILLE ASSY-20.5 IN. POSITION DATA: LH SIDE FUNCTIONAL REFERENCE: PLACARDS AND MARKINGS FOR DETAILS SEE 11-21-22-02 | 101102 | 1 |
| 290 | 411N1522-1 | .. | SPRING-RTNR CLIP | 101102 | 1 |
| 295 | 6100-12 | .. | RETAINER-CLIP SUPPLIER CODE: V97464 | 101102 | 4 |
| 300 | 411N1522-4 | .. | PIN-HINGE OPTIONAL PART: 411N1522-5 | 101102 | 2 |
| 300 | 411N1522-5 | .. | PIN-HINGE OPTIONAL PART: 411N1522-4 | 101102 | 2 |
| 305 | 411N1521-2SP | .. | LATCH | 101102 | 2 |
| 310 | 411N1527-1 | .. | PAD | 101102 | 2 |
| 315 | 411N1527-2 | .. | PAD | 101102 | 2 |
| 320 | 411N1520-1SP | .. | GRILLE-MOLDED | 101102 | 1 |
| 325 | 411N1525-1 | . | TRIM ASSY- POSITION DATA: RH SIDE | 101102 | 1 |
| 325 | 411N1525-20 | . | TRIM ASSY- POSITION DATA: RH SIDE ATTACHING PARTS | 101102 | 1 |
| 330 | NAS1801-3-6 | . | SCREW | 101102 | 1 |
| 335 | NAS1149D0316J | . | WASHER | 101102 | 1 |
| | | -----* | | | |
| 340 | 411N1510-1SP | . | GRILLE ASSY-20.5 IN. POSITION DATA: RH SIDE STA 1279.60 FUNCTIONAL REFERENCE: PLACARDS AND MARKINGS FOR DETAILS SEE 11-21-22-02 | 101102 | 1 |
| 350 | 411N1522-1 | .. | SPRING-RTNR CLIP | 101102 | 1 |
| 355 | 6100-12 | .. | RETAINER-CLIP SUPPLIER CODE: V97464 | 101102 | 4 |
| 360 | 411N1522-4 | .. | PIN-HINGE OPTIONAL PART: 411N1522-5 | 101102 | 2 |

MISSING ITEM NUMBERS NOT APPLICABLE

- ITEM NOT ILLUSTRATED

21-23-05-01A

21-23-05
FIG. 01A
PAGE 4
JAN 20/09

BRI

BOEING PROPRIETARY - Copyright © - Unpublished Work - See title page for details.



757

PARTS CATALOG (MAINTENANCE)

| FIG ITEM | PART NUMBER | 1 2 3 4 5 6 7 | NOMENCLATURE | EFFECT FROM TO | UNITS PER ASSY |
|-------------|--------------|---------------|---|-------------------|----------------------|
| 1 A | | | | | |
| 360 | 411N1522-5 | .. | PIN-HINGE OPTIONAL PART: 411N1522-4 | 101102 | 2 |
| 365 | 411N1521-1SP | .. | LATCH | 101102 | 2 |
| 370 | 411N1527-1 | .. | PAD | 101102 | 2 |
| 375 | 411N1527-2 | .. | PAD | 101102 | 2 |
| 380 | 411N1520-1SP | .. | GRILLE-MOLDED | 101102 | 1 |

MISSING ITEM NUMBERS NOT APPLICABLE

- ITEM NOT ILLUSTRATED

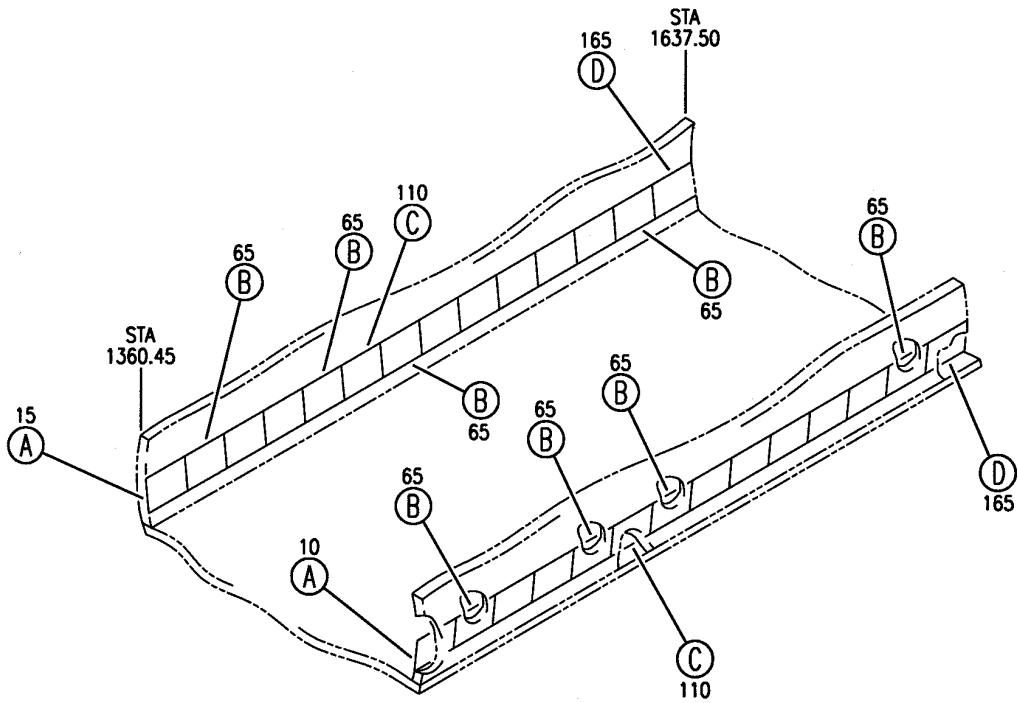
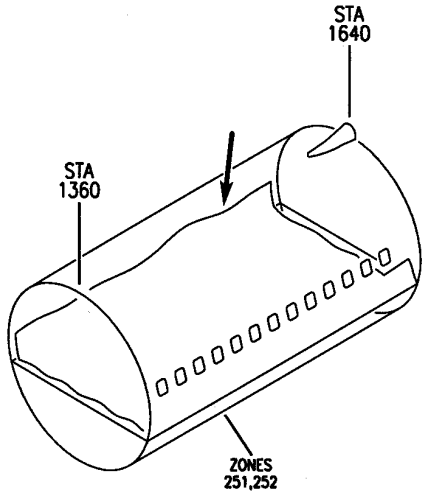
BRI

21-23-05-01A

BOEING PROPRIETARY - Copyright © - Unpublished Work - See title page for details.

21-23-05
FIG. 01A
PAGE 5
JAN 20/09

BOEING
757
PARTS CATALOG (MAINTENANCE)



Y 21230501C SHT 1 REV 212

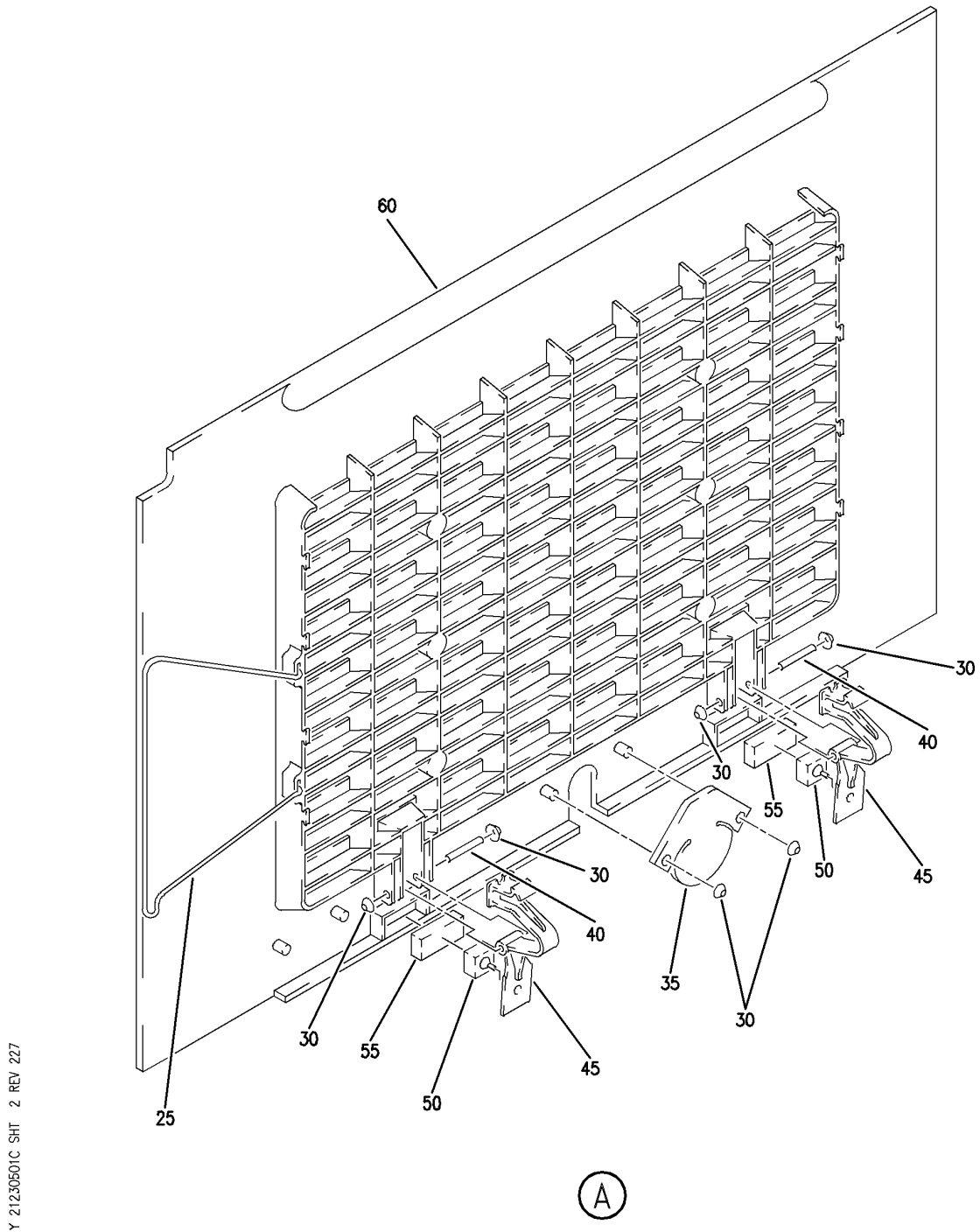
GRILLE INSTL-AIR RETURN PASS. CAB.LINES *** (STA 1360.45 TO STA 1637.50)
FIGURE 1C (SHEET 1)

BRI
MAY 28/07

21-23-05-01C

21-23-05-01C
PAGE 0

BOEING
757
PARTS CATALOG (MAINTENANCE)



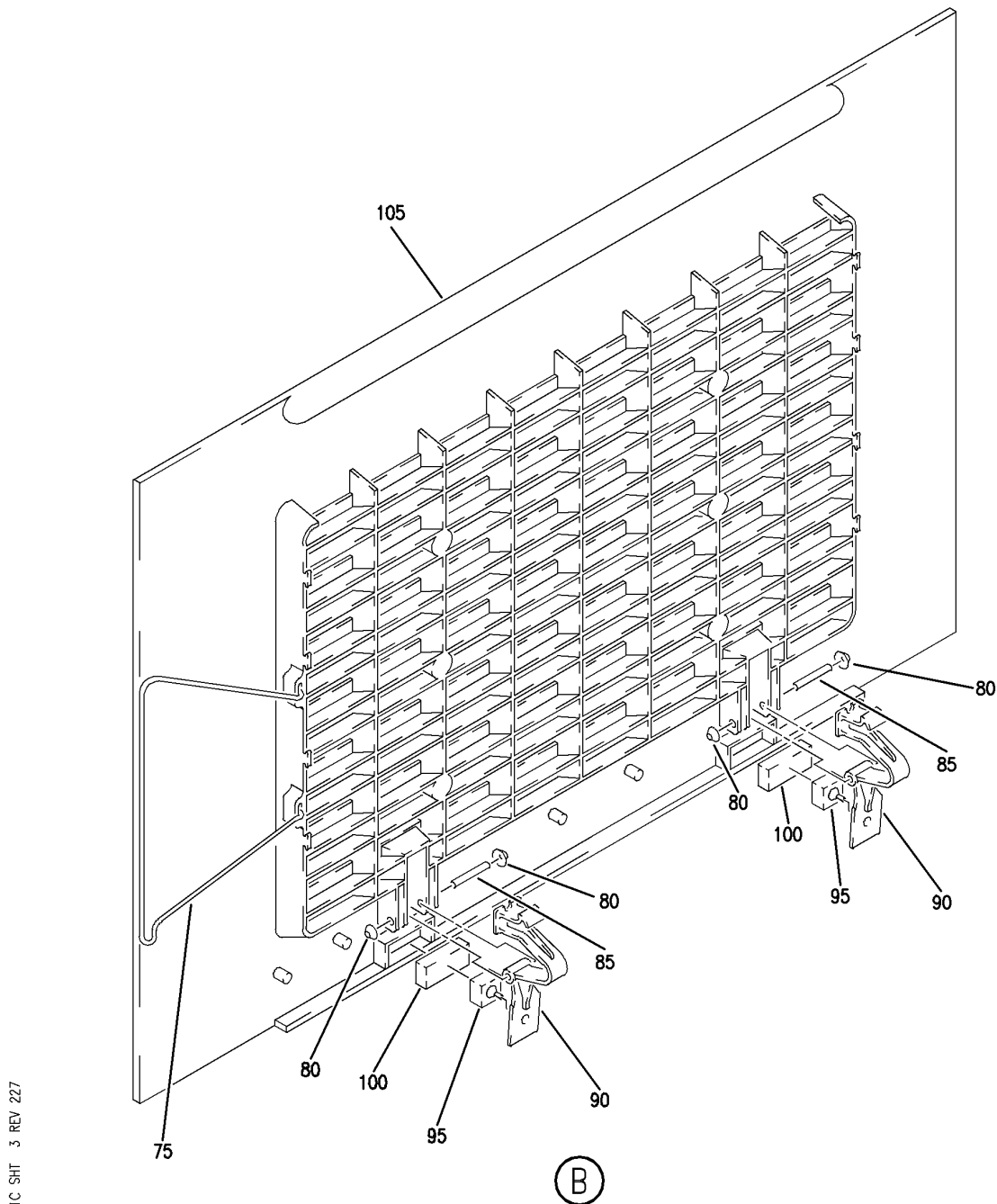
GRILLE INSTL-AIR RETURN PASS. CAB.LINES *** (STA 1360.45 TO STA 1637.50)
FIGURE 1C (SHEET 2)

BRI
MAY 28/07

21-23-05-01C

21-23-05-01C
PAGE 0A

BOEING
757
PARTS CATALOG (MAINTENANCE)



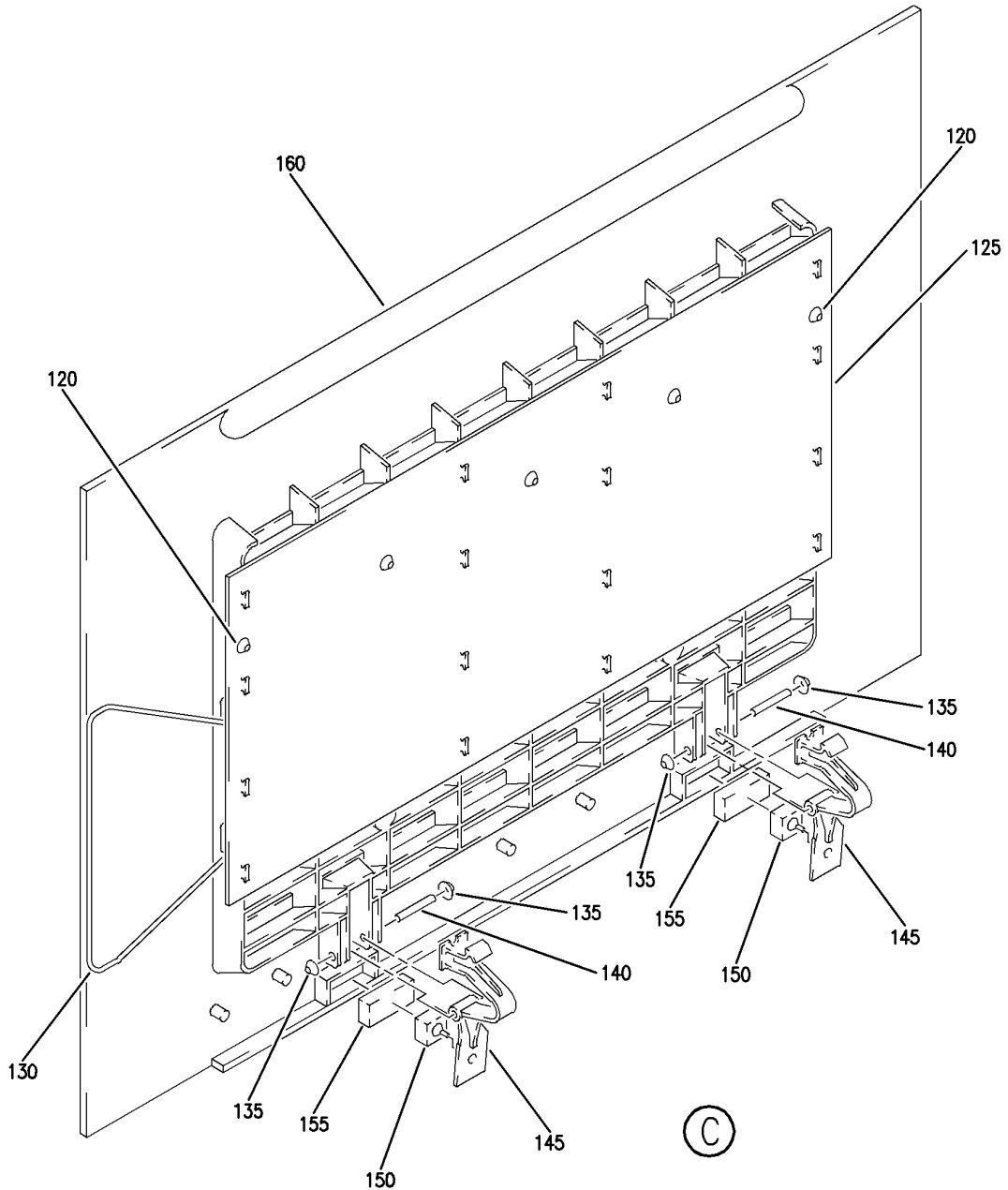
GRILLE INSTL-AIR RETURN PASS. CAB.LINES *** (STA 1360.45 TO STA 1637.50)
FIGURE 1C (SHEET 3)

BRI
MAY 28/07

21-23-05-01C

21-23-05-01C
PAGE 0B

BOEING
757
PARTS CATALOG (MAINTENANCE)



Y 21230501C SHT 4 REV 2Z7

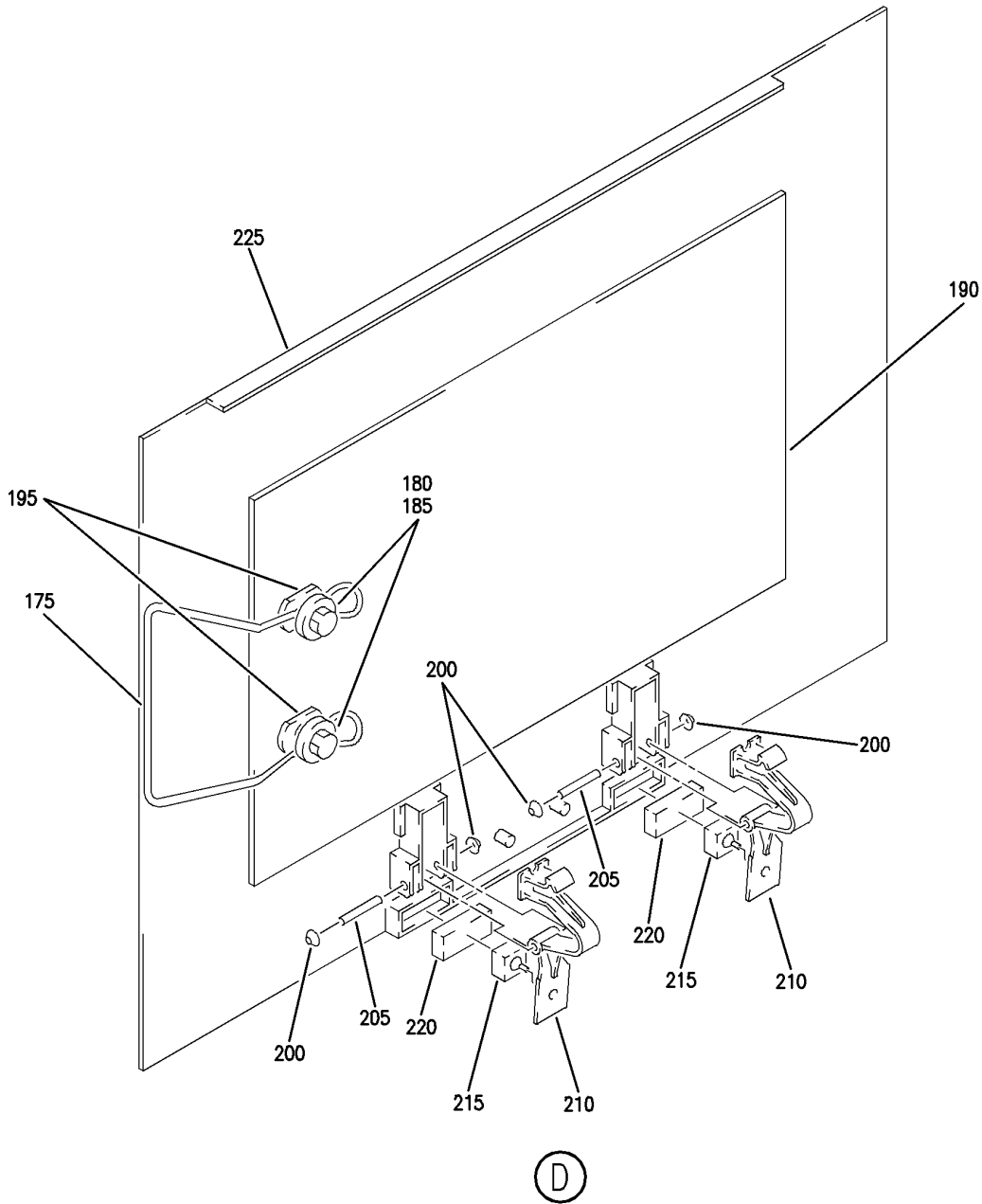
GRILLE INSTL-AIR RETURN PASS. CAB.LINES *** (STA 1360.45 TO STA 1637.50)
FIGURE 1C (SHEET 4)

BRI
MAY 28/07

21-23-05-01C

21-23-05-01C
PAGE 0C

BOEING
757
PARTS CATALOG (MAINTENANCE)



Y 21230501C SHT 5 REV 227

GRILLE INSTL-AIR RETURN PASS. CAB.LINES *** (STA 1360.45 TO STA 1637.50)
FIGURE 1C (SHEET 5)

BRI
MAY 28/07

21-23-05-01C

21-23-05-01C
PAGE 0D



757

PARTS CATALOG (MAINTENANCE)

| FIG ITEM | PART NUMBER | 1 2 3 4 5 6 7 | NOMENCLATURE | EFFECT FROM TO | UNITS PER ASSY |
|----------|-----------------|---------------|--|----------------|----------------|
| 1C | | | GRILLE INSTL-AIR RETURN PASS. CAB.LINES *** (STA 1360.45 TO STA 1637.50) | 101102 | |
| - 1 | 411N1500-2039SP | | GRILLE INSTL-AIR RETURN PASS. CAB. POSITION DATA: STA 1360.45 TO STA 1637.50 LH FOR NHA/ADDITIONAL DET SEE: 25-20-00-07 | 101102 | RF |
| - 5 | 411N1500-2040SP | | GRILLE INSTL-AIR RETURN PASS. CAB. POSITION DATA: STA 1360.45 TO STA 1637.50 RH FOR NHA/ADDITIONAL DET SEE: 25-20-00-07 | 101102 | RF |
| 10 | 411N1510-44SP | | .GRILLE ASSY-22.5 IN. POSITION DATA: LH SIDE FUNCTIONAL REFERENCE: PLACARDS AND MARKINGS FOR DETAILS SEE 11-21-22-02 | 101102 | 1 |
| 15 | 411N1510-43SP | | .GRILLE ASSY-22.5 IN. POSITION DATA: RH SIDE FUNCTIONAL REFERENCE: PLACARDS AND MARKINGS FOR DETAILS SEE 11-21-22-02 | 101102 | 1 |
| 25 | 411N1522-2 | | ..SPRING-RTNR CLIP | 101102 | 1 |
| 30 | 6100-12 | | ..RETAINER-CLIP SUPPLIER CODE: V97464 | 101102 | 6 |
| 35 | 411N1527-3 | | ..PAD | 101102 | 1 |
| 40 | 411N1522-4 | | ..PIN-HINGE OPTIONAL PART: 411N1522-5 | 101102 | 2 |
| 40 | 411N1522-5 | | ..PIN-HINGE OPTIONAL PART: 411N1522-4 | 101102 | 2 |
| 45 | 411N1521-1SP | | ..LATCH | 101102 | 2 |
| 50 | 411N1527-1 | | ..PAD | 101102 | 2 |
| 55 | 411N1527-2 | | ..PAD | 101102 | 2 |
| 60 | 411N1520-2SP | | ..GRILLE-MOLDED | 101102 | 1 |

MISSING ITEM NUMBERS NOT APPLICABLE

- ITEM NOT ILLUSTRATED

21-23-05-01C

21-23-05
FIG. 01C
PAGE 1
JAN 20/09

BRI



757

PARTS CATALOG (MAINTENANCE)

| FIG ITEM | PART NUMBER | 1 2 3 4 5 6 7 | NOMENCLATURE | EFFECT FROM TO | UNITS PER ASSY |
|----------|---------------|---------------|---|----------------|----------------|
| 1C | | | | | |
| 65 | 411N1510-1SP | | .GRILLE ASSY-20.5 IN. FUNCTIONAL REFERENCE: PLACARDS AND MARKINGS FOR DETAILS SEE 11-21-22-02 | 101102 | 11 |
| 75 | 411N1522-1 | | ..SPRING-RETAINER CLIP | 101102 | 1 |
| 80 | 6100-12 | | ..RETAINER- SUPPLIER CODE: V97464 | 101102 | 4 |
| 85 | 411N1522-4 | | ..PIN-HINGE OPTIONAL PART: 411N1522-5 | 101102 | 2 |
| 85 | 411N1522-5 | | ..PIN-HINGE OPTIONAL PART: 411N1522-4 | 101102 | 2 |
| 90 | 411N1521-1SP | | ..LATCH | 101102 | 2 |
| 95 | 411N1527-1 | | ..PAD | 101102 | 2 |
| 100 | 411N1527-2 | | ..PAD | 101102 | 2 |
| 105 | 411N1520-1SP | | ..GRILLE-MOLDED | 101102 | 1 |
| 110 | 411N1510-5SP | | .GRILLE ASSY-20.5 IN. FUNCTIONAL REFERENCE: PLACARDS AND MARKINGS FOR DETAILS SEE 11-21-22-02 | 101102 | 1 |
| 120 | 6100-12 | | ..RETAINER- SUPPLIER CODE: V97464 | 101102 | 5 |
| 125 | 411N1528-1 | | ..BAFFLE | 101102 | 1 |
| - 130 | 411N1522-1 | | ..SPRING-RETAINER CLIP | 101102 | 1 |
| 135 | 6100-12 | | ..RETAINER- SUPPLIER CODE: V97464 | 101102 | 4 |
| 140 | 411N1522-4 | | ..PIN-HINGE OPTIONAL PART: 411N1522-5 | 101102 | 2 |
| 140 | 411N1522-5 | | ..PIN-HINGE OPTIONAL PART: 411N1522-4 | 101102 | 2 |
| 145 | 411N1521-1SP | | ..LATCH | 101102 | 2 |
| 150 | 411N1527-1 | | ..PAD | 101102 | 2 |
| 155 | 411N1527-2 | | ..PAD | 101102 | 2 |
| 160 | 411N1520-1SP | | ..GRILLE-MOLDED | 101102 | 1 |
| 165 | 411N1510-28SP | | .GRILLE ASSY-20.5 IN. FUNCTIONAL REFERENCE: PLACARDS AND MARKINGS FOR DETAILS SEE 11-21-22-02 | 101102 | 1 |
| 175 | 411N1522-3 | | ..SPRING-RETAINER CLIP | 101102 | 1 |

MISSING ITEM NUMBERS NOT APPLICABLE

- ITEM NOT ILLUSTRATED

21-23-05-01C

21-23-05
FIG. 01C
PAGE 2
JAN 20/09

BRI

BOEING PROPRIETARY - Copyright © - Unpublished Work - See title page for details.

BOEING
757
PARTS CATALOG (MAINTENANCE)

| FIG ITEM | PART NUMBER | 1 2 3 4 5 6 7 | NOMENCLATURE | EFFECT FROM TO | UNITS PER ASSY |
|-------------|--------------|---------------|-----------------|-------------------|----------------------|
| 1C | | | ATTACHING PARTS | | |
| 180 | NAS1801-3-5 | .. | SCREW | 101102 | 2 |
| 185 | BACW10P5CC | .. | WASHER | 101102 | 2 |
| | | | -----*----- | | |
| 190 | 411N1523-3 | .. | STIFFENER ASSY | 101102 | 1 |
| 195 | BACI12S3 | ... | INSERT | 101102 | 2 |
| 200 | 6100-12 | .. | RETAINER- | 101102 | 4 |
| | | | SUPPLIER CODE: | | |
| | | | V97464 | | |
| 205 | 411N1522-4 | .. | PIN-HINGE | 101102 | 2 |
| | | | OPTIONAL PART: | | |
| | | | 411N1522-5 | | |
| 205 | 411N1522-5 | .. | PIN-HINGE | 101102 | 2 |
| | | | OPTIONAL PART: | | |
| | | | 411N1522-4 | | |
| 210 | 411N1521-2SP | .. | LATCH | 101102 | 2 |
| 215 | 411N1527-1 | .. | PAD | 101102 | 2 |
| 220 | 411N1527-2 | .. | PAD | 101102 | 2 |
| 225 | 411N1520-5SP | .. | GRILLE-MOLDED | 101102 | 1 |

MISSING ITEM NUMBERS NOT APPLICABLE

— ITEM NOT ILLUSTRATED

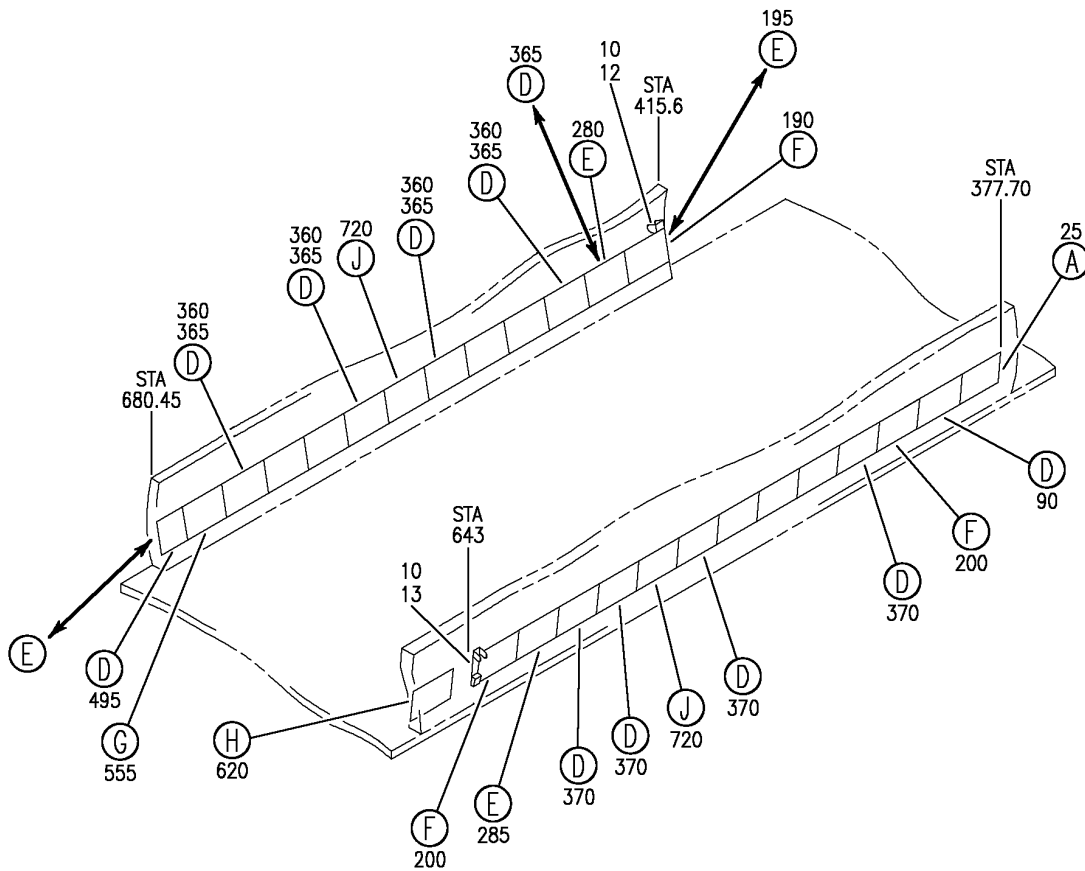
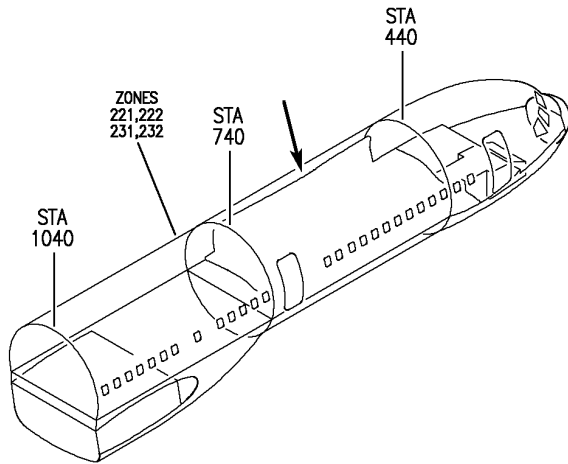
BRI

21-23-05-01C

BOEING PROPRIETARY - Copyright © - Unpublished Work - See title page for details.

21-23-05
FIG. 01C
PAGE 3
JAN 20/09


BOEING
 757
PARTS CATALOG (MAINTENANCE)



Y 21230505 SH1 1 REV 307

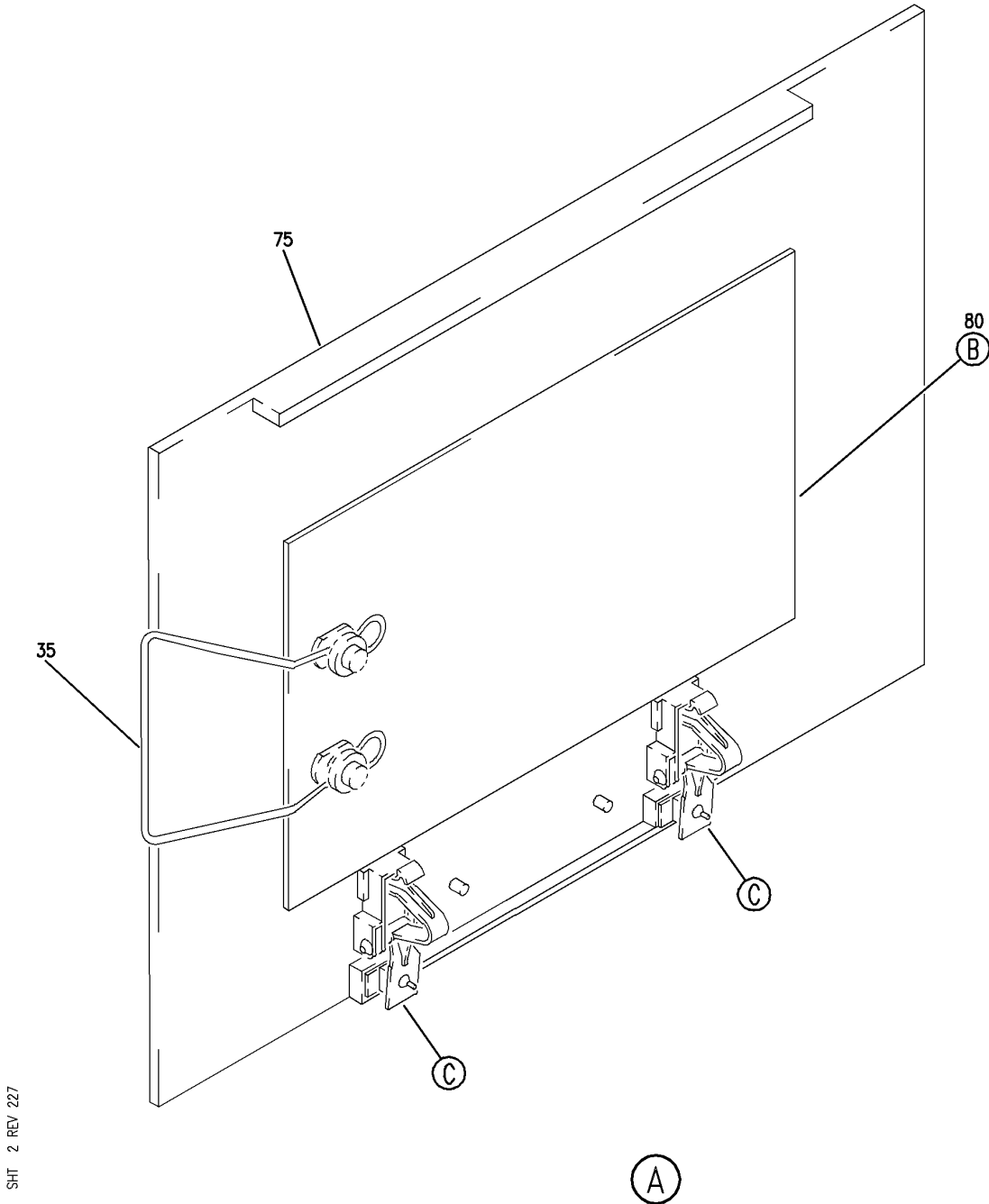
GRILLE INSTL-AIR RETURN PASS. CAB. (STA 377.70 TO STA 680.45)
 FIGURE 5 (SHEET 1)

21-23-05-05

BRI
 JAN 20/09

21-23-05-05
 PAGE 0

BOEING
757
PARTS CATALOG (MAINTENANCE)



Y 21230505 SH1 2 REV 227

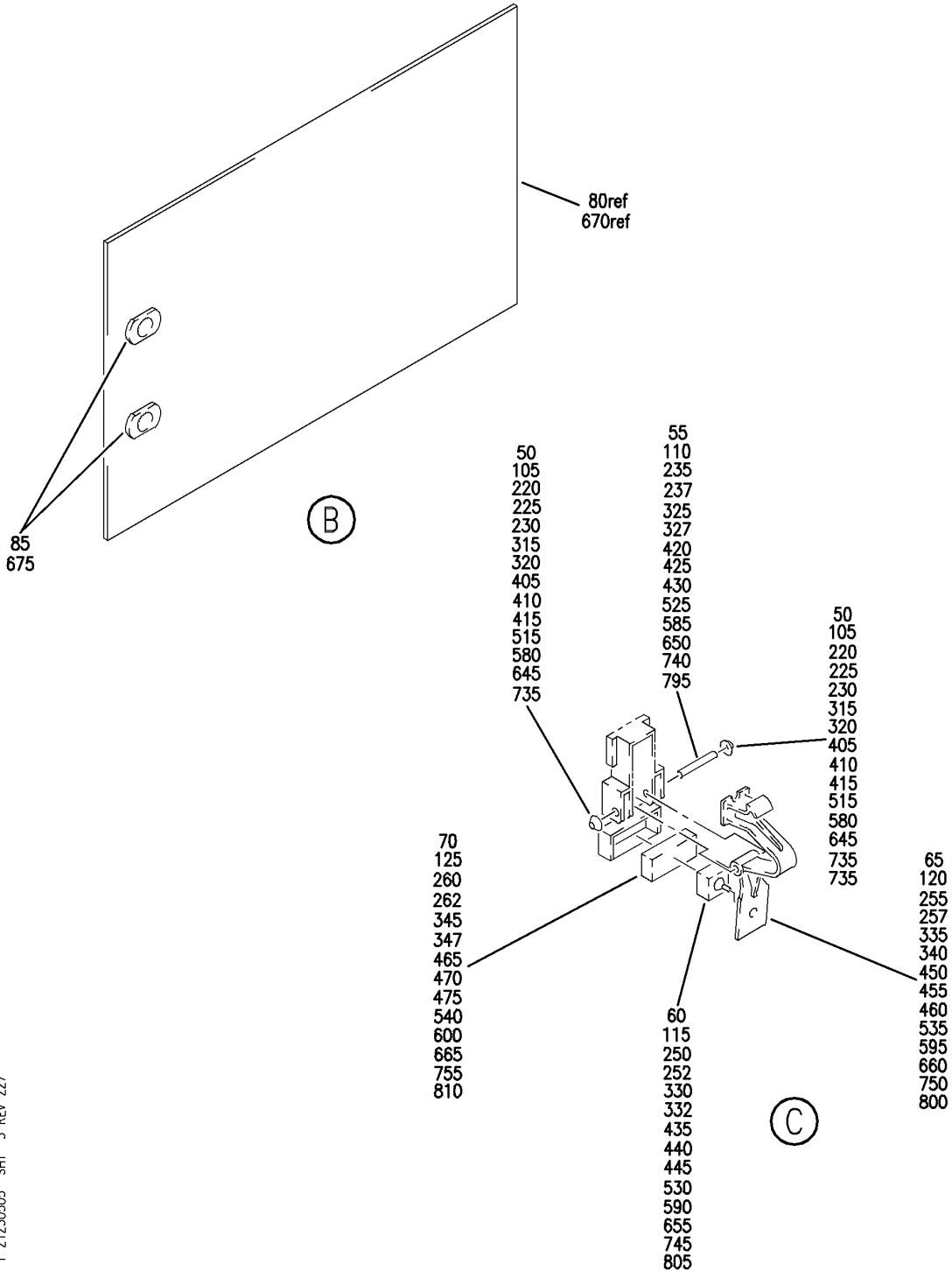
GRILLE INSTL-AIR RETURN PASS. CAB. (STA 377.70 TO STA 680.45)
FIGURE 5 (SHEET 2)

BRI
JAN 20/09

21-23-05-05

21-23-05-05
PAGE 0A

BOEING
757
PARTS CATALOG (MAINTENANCE)



Y 21230505 SH1 3 REV 227

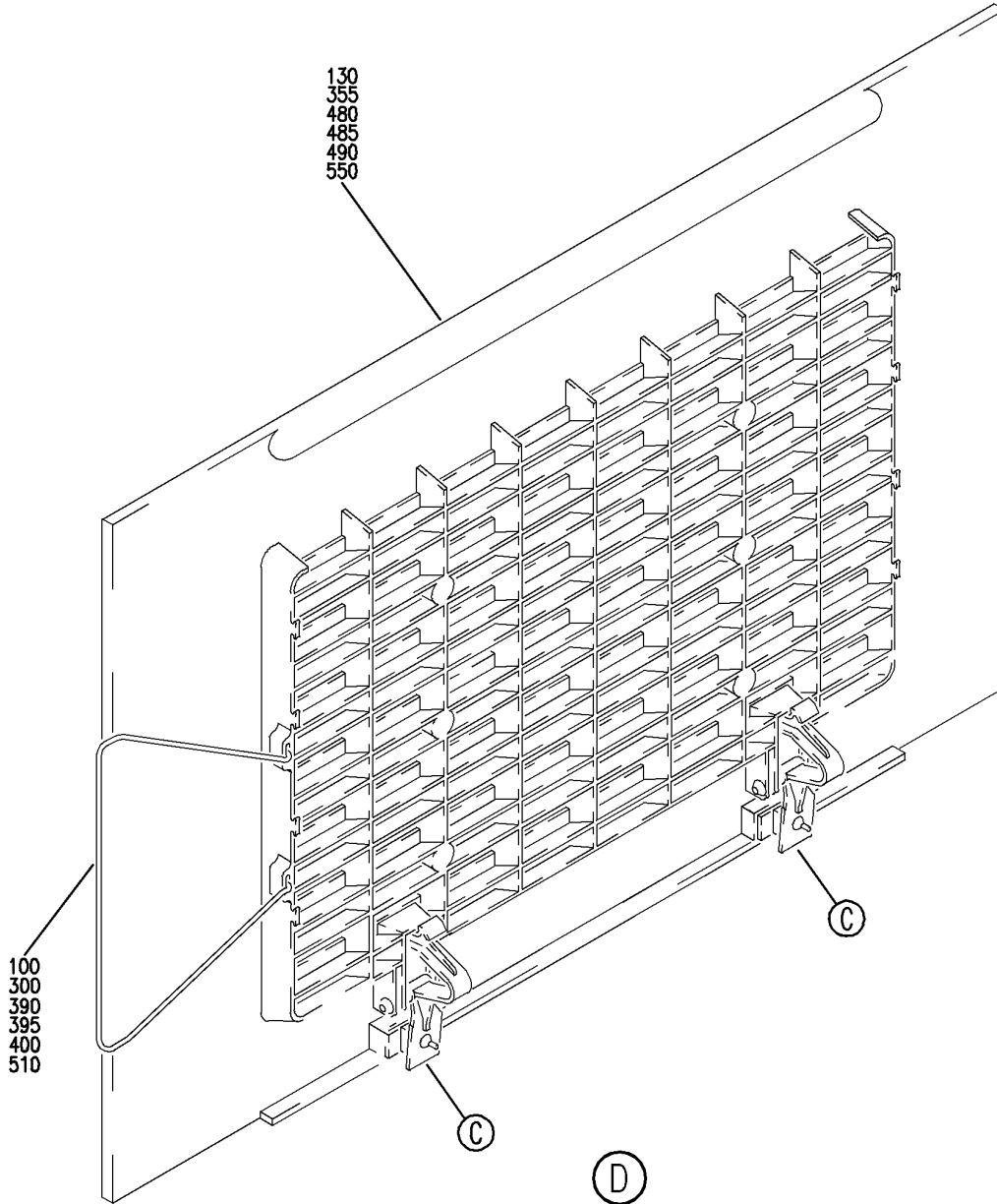
GRILLE INSTL-AIR RETURN PASS. CAB. (STA 377.70 TO STA 680.45)
FIGURE 5 (SHEET 3)

21-23-05-05

BRI
JAN 20/09

21-23-05-05
PAGE 0B

BOEING
757
PARTS CATALOG (MAINTENANCE)



Y 21230505 SH1 4 REV 227

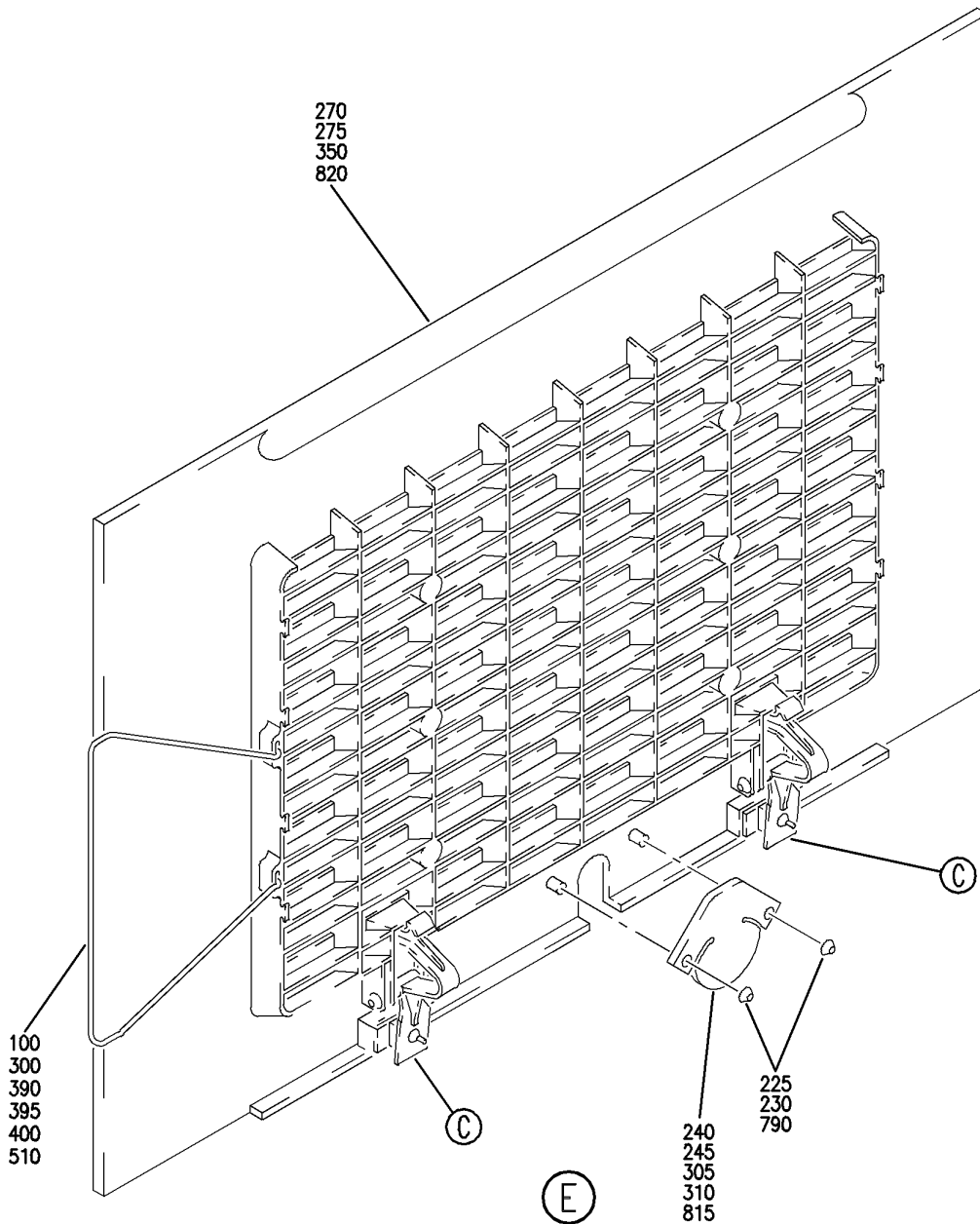
GRILLE INSTL-AIR RETURN PASS. CAB. (STA 377.70 TO STA 680.45)
FIGURE 5 (SHEET 4)

21-23-05-05

BRI
JAN 20/09

21-23-05-05
PAGE 0C

BOEING
757
PARTS CATALOG (MAINTENANCE)



Y 21230505 SH1 5 REV 227

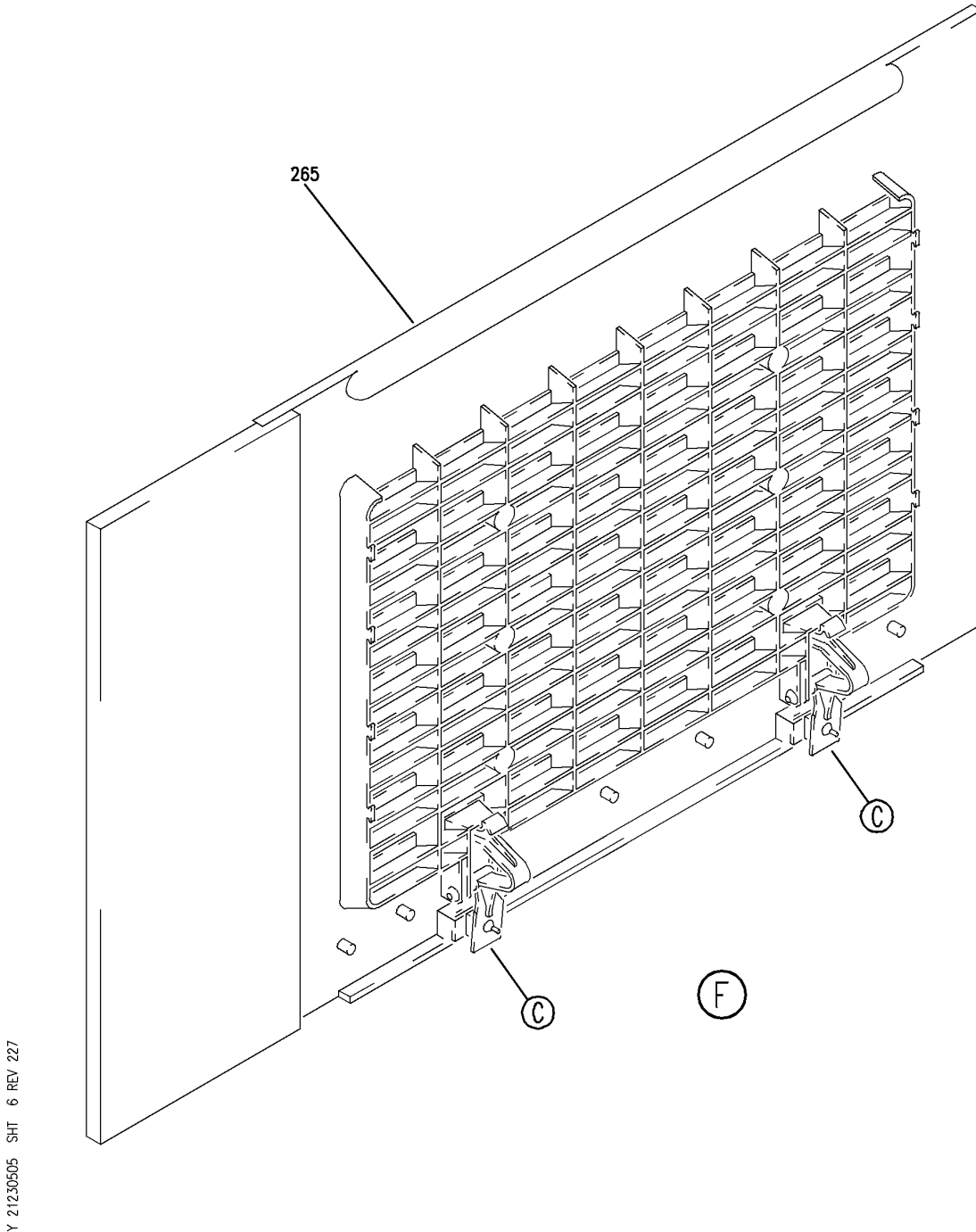
GRILLE INSTL-AIR RETURN PASS. CAB. (STA 377.70 TO STA 680.45)
FIGURE 5 (SHEET 5)

BRI
JAN 20/09

21-23-05-05

21-23-05-05
PAGE 0D

BOEING
757
PARTS CATALOG (MAINTENANCE)



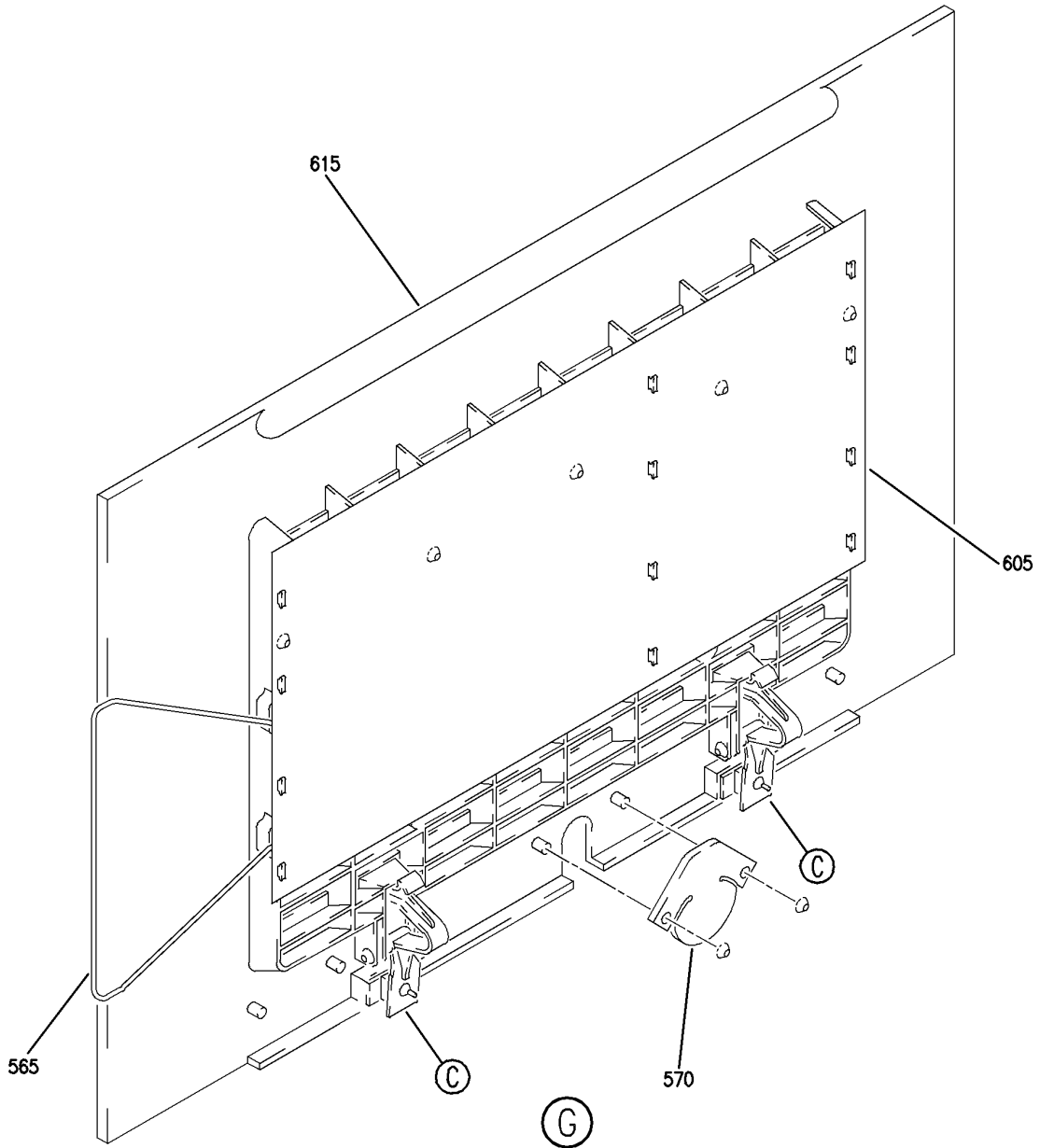
GRILLE INSTL-AIR RETURN PASS. CAB. (STA 377.70 TO STA 680.45)
FIGURE 5 (SHEET 6)

BRI
JAN 20/09

21-23-05-05

21-23-05-05
PAGE 0E

BOEING
757
PARTS CATALOG (MAINTENANCE)



Y 21230505 SH7 7 REV 227

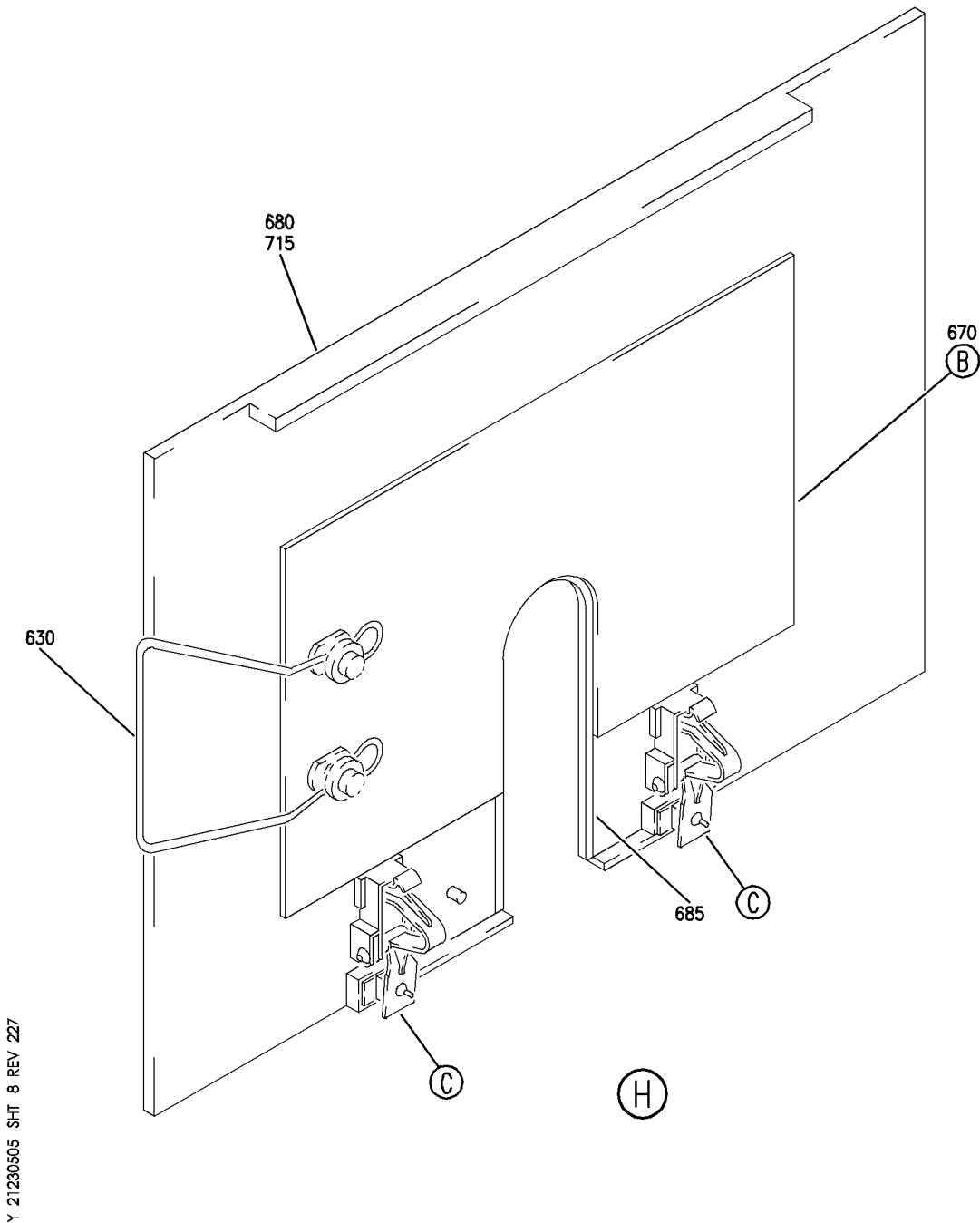
GRILLE INSTL-AIR RETURN PASS. CAB. (STA 377.70 TO STA 680.45)
FIGURE 5 (SHEET 7)

BRI
JAN 20/09

21-23-05-05

21-23-05-05
PAGE OF

BOEING
757
PARTS CATALOG (MAINTENANCE)



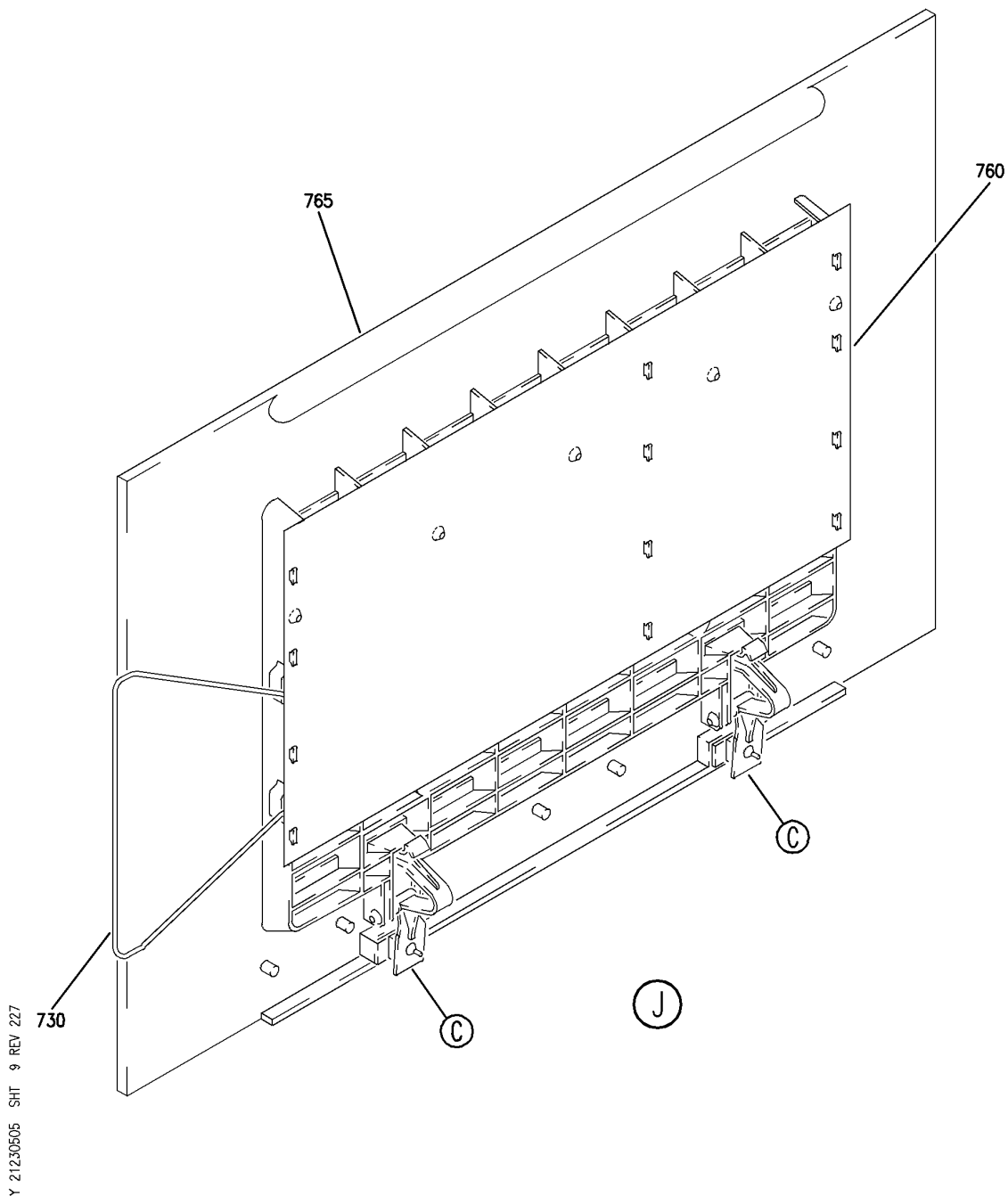
GRILLE INSTL-AIR RETURN PASS. CAB. (STA 377.70 TO STA 680.45)
FIGURE 5 (SHEET 8)

BRI
JAN 20/09

21-23-05-05

21-23-05-05
PAGE 06

BOEING
757
PARTS CATALOG (MAINTENANCE)



GRILLE INSTL-AIR RETURN PASS. CAB. (STA 377.70 TO STA 680.45)
FIGURE 5 (SHEET 9)

BRI
JAN 20/09

21-23-05-05

21-23-05-05
PAGE 0H



757

PARTS CATALOG (MAINTENANCE)

| FIG ITEM | PART NUMBER | 1 2 3 4 5 6 7 | NOMENCLATURE | EFFECT FROM TO | UNITS PER ASSY |
|----------|-----------------|---------------|---|------------------|----------------|
| 5 | | | GRILLE INSTL-AIR RETURN PASS. CAB. (STA 377.70 TO STA 680.45) | 504903 | |
| - 1 | 411N1500-2329SP | | GRILLE INSTL-AIR RETURN PASS. CAB. POSITION DATA: STA 415.60 TO STA 680.45 LH FOR NHA/ADDITIONAL DET SEE: 25-20-00-07 | 504903 | RF |
| - 5 | 411N1500-2328SP | | GRILLE INSTL-AIR RETURN PASS. CAB. POSITION DATA: STA 377.70 TO STA 680.00 RH FOR NHA/ADDITIONAL DET SEE: 25-20-00-07 | 504903 | RF |
| 10 | 411N1525-1 | | .TRIM ASSY- | 504504 506506 | 1 |
| 10 | 411N1525-20 | | .TRIM ASSY- | 504504 506506 | 1 |
| 12 | 411N1525-1 | | .TRIM ASSY- | 505505 507903 | 1 |
| 12 | 411N1525-20 | | .TRIM ASSY- | 505505 507903 | 1 |
| - 15 | NAS1801-3-6 | | ATTACHING PARTS .SCREW | 504504 506506 | 1 |
| - 15 | NAS1801-3-6 | | .SCREW | 505505 507903 | 1 |
| - 20 | NAS1149D0316J | | .WASHER | 504504 506506 | 1 |
| - 20 | NAS1149D0316J | | .WASHER | 505505 507903 | 1 |
| 25 | 411N1510-29SP | | -----*----- .GRILLE ASSY-20.5 IN. POSITION DATA: RH SIDE FUNCTIONAL REFERENCE: PLACARDS AND MARKINGS FOR DETAILS SEE 11-21-22-02 | 504903 | 1 |
| 35 | 411N1522-3 | | ..SPRING-RTNR CLIP ATTACHING PARTS | 504903 | 1 |
| - 40 | NAS1801-3-5 | | ..SCREW | 504903 | 2 |
| - 45 | BACW10P5CC | | ..WASHER -----*----- | 504903 | 2 |

MISSING ITEM NUMBERS NOT APPLICABLE

- ITEM NOT ILLUSTRATED

21-23-05-05

21-23-05
FIG. 05
PAGE 1
JAN 20/09

BRI



757

PARTS CATALOG (MAINTENANCE)

| FIG ITEM | PART NUMBER | 1 2 3 4 5 6 7 | NOMENCLATURE | EFFECT FROM TO | UNITS PER ASSY |
|----------|---------------|---------------|---|----------------|----------------|
| 5 | | | | | |
| 50 | 6100-12 | .. | RETAINER-CLIP SUPPLIER CODE: V97464 | 504903 | 4 |
| 55 | 411N1522-4 | .. | PIN-HINGE OPTIONAL PART: 411N1522-5 | 504903 | 2 |
| 55 | 411N1522-5 | .. | PIN-HINGE OPTIONAL PART: 411N1522-4 | 504903 | 2 |
| 60 | 411N1527-1 | .. | PAD | 504903 | 2 |
| 65 | 411N1521-2SP | .. | LATCH | 504903 | 2 |
| 70 | 411N1527-2 | .. | PAD | 504903 | 2 |
| 75 | 411N1520-6SP | .. | GRILLE-MOLDED | 504903 | 1 |
| 80 | 411N1523-4 | .. | STIFFENER ASSY | 504903 | 1 |
| 85 | BACI12S3 | ... | INSERT | 504903 | 2 |
| 90 | 411N1510-4SP | . | GRILLE ASSY-22.5 IN. POSITION DATA: RH SIDE FUNCTIONAL REFERENCE: PLACARDS AND MARKINGS FOR DETAILS SEE 11-21-22-02 | 504903 | 1 |
| 100 | 411N1522-2 | .. | SPRING | 504903 | 1 |
| 105 | 6100-12 | .. | RETAINER-CLIP SUPPLIER CODE: V97464 | 504903 | 4 |
| 110 | 411N1522-4 | .. | PIN-HINGE OPTIONAL PART: 411N1522-5 | 504903 | 2 |
| 110 | 411N1522-5 | .. | PIN-HINGE OPTIONAL PART: 411N1522-4 | 504903 | 2 |
| 115 | 411N1527-1 | .. | PAD | 504903 | 2 |
| 120 | 411N1521-2SP | .. | LATCH | 504903 | 2 |
| 125 | 411N1527-2 | .. | PAD | 504903 | 2 |
| 130 | 411N1520-2SP | .. | GRILLE-MOLDED | 504903 | 1 |
| 195 | 411N1510-47SP | . | GRILLE ASSY-20.5 IN. POSITION DATA: LH SIDE FUNCTIONAL REFERENCE: PLACARDS AND MARKINGS FOR DETAILS SEE 11-21-22-02 | 504903 | 1 |

MISSING ITEM NUMBERS NOT APPLICABLE

- ITEM NOT ILLUSTRATED

21-23-05-05

21-23-05
FIG. 05
PAGE 2
JAN 20/09

BRI

BOEING PROPRIETARY - Copyright © - Unpublished Work - See title page for details.

 **BOEING**
757
PARTS CATALOG (MAINTENANCE)

| FIG ITEM | PART NUMBER | 1 2 3 4 5 6 7 | NOMENCLATURE | EFFECT FROM TO | UNITS PER ASSY |
|----------|---------------|---------------|--|----------------|----------------|
| 5 | | | | | |
| 200 | 411N1510-47SP | | .GRILLE ASSY-20.5 IN. POSITION DATA: RH SIDE FUNCTIONAL REFERENCE: PLACARDS AND MARKINGS FOR DETAILS SEE 11-21-22-02 | 504903 | 2 |
| 210 | 411N1522-2 | | ..SPRING-RTNR CLIP POSITION DATA: LH SIDE | 504903 | 1 |
| 215 | 411N1522-2 | | ..SPRING-RTNR CLIP POSITION DATA: RH SIDE | 504903 | 1 |
| 225 | 6100-12 | | ..RETAINER-CLIP SUPPLIER CODE: V97464 POSITION DATA: LH SIDE | 504903 | 6 |
| 230 | 6100-12 | | ..RETAINER-CLIP SUPPLIER CODE: V97464 POSITION DATA: RH SIDE | 504903 | 6 |
| 235 | 411N1522-4 | | ..PIN-HINGE POSITION DATA: RH SIDE OPTIONAL PART: 411N1522-5 | 504903 | 2 |
| 235 | 411N1522-5 | | ..PIN-HINGE POSITION DATA: RH SIDE OPTIONAL PART: 411N1522-4 | 504903 | 2 |
| 237 | 411N1522-4 | | ..PIN-HINGE POSITION DATA: LH SIDE OPTIONAL PART: 411N1522-5 | 504903 | 2 |
| 237 | 411N1522-5 | | ..PIN-HINGE POSITION DATA: LH SIDE OPTIONAL PART: 411N1522-4 | 504903 | 2 |
| 240 | 411N1527-3 | | ..PAD- POSITION DATA: LH SIDE | 504903 | 1 |
| 245 | 411N1527-3 | | ..PAD- POSITION DATA: RH SIDE | 504903 | 1 |

MISSING ITEM NUMBERS NOT APPLICABLE

— ITEM NOT ILLUSTRATED

BRI

21-23-05-05

21-23-05
FIG. 05
PAGE 3
JAN 20/09



757

PARTS CATALOG (MAINTENANCE)

| FIG ITEM | PART NUMBER | 1 2 3 4 5 6 7 | NOMENCLATURE | EFFECT FROM TO | UNITS PER ASSY |
|----------|---------------|---------------|---|----------------|----------------|
| 5 | | | | | |
| 250 | 411N1527-1 | .. | PAD- POSITION DATA: RH SIDE | 504903 | 2 |
| 252 | 411N1527-1 | .. | PAD- POSITION DATA: LH SIDE | 504903 | 2 |
| 255 | 411N1521-2SP | .. | LATCH- POSITION DATA: RH SIDE | 504903 | 2 |
| 257 | 411N1521-2SP | .. | LATCH- POSITION DATA: LH SIDE | 504903 | 2 |
| 260 | 411N1527-2 | .. | PAD- POSITION DATA: RH SIDE | 504903 | 2 |
| 262 | 411N1527-2 | .. | PAD- POSITION DATA: LH SIDE | 504903 | 2 |
| 270 | 411N1520-2SP | .. | GRILLE-MOLDED POSITION DATA: LH SIDE | 504903 | 1 |
| 275 | 411N1520-2SP | .. | GRILLE-MOLDED POSITION DATA: RH SIDE | 504903 | 1 |
| 280 | 411N1510-13SP | . | GRILLE ASSY-20.5 IN. POSITION DATA: LH SIDE FUNCTIONAL REFERENCE: PLACARDS AND MARKINGS FOR DETAILS SEE 11-21-22-02 | 504903 | 1 |
| 285 | 411N1510-3SP | . | GRILLE ASSY-20.5 IN. POSITION DATA: RH SIDE FUNCTIONAL REFERENCE: PLACARDS AND MARKINGS FOR DETAILS SEE 11-21-22-02 | 504903 | 1 |
| 295 | 411N1522-1 | .. | SPRING-RTNR CLIP POSITION DATA: LH SIDE | 504903 | 1 |
| 300 | 411N1522-2 | .. | SPRING-RTNR CLIP POSITION DATA: RH SIDE | 504903 | 1 |
| 305 | 411N1527-3 | .. | PAD- POSITION DATA: LH SIDE | 504903 | 1 |

MISSING ITEM NUMBERS NOT APPLICABLE

- ITEM NOT ILLUSTRATED

21-23-05-05

21-23-05
FIG. 05
PAGE 4
JAN 20/09

BRI

BOEING PROPRIETARY - Copyright © - Unpublished Work - See title page for details.



757

PARTS CATALOG (MAINTENANCE)

| FIG ITEM | PART NUMBER | 1 2 3 4 5 6 7 | NOMENCLATURE | EFFECT FROM TO | UNITS PER ASSY |
|----------|--------------|---------------|--|----------------|----------------|
| 5 | | | | | |
| 310 | 411N1527-3 | .. | PAD- POSITION DATA: RH SIDE | 504903 | 1 |
| 315 | 6100-12 | .. | RETAINER-CLIP SUPPLIER CODE: V97464 POSITION DATA: LH SIDE | 504903 | 6 |
| 320 | 6100-12 | .. | RETAINER-CLIP SUPPLIER CODE: V97464 POSITION DATA: RH SIDE | 504903 | 4 |
| 325 | 411N1522-4 | .. | PIN-HINGE POSITION DATA: RH SIDE OPTIONAL PART: 411N1522-5 | 504903 | 2 |
| 325 | 411N1522-5 | .. | PIN-HINGE POSITION DATA: RH SIDE OPTIONAL PART: 411N1522-4 | 504903 | 2 |
| 327 | 411N1522-4 | .. | PIN-HINGE POSITION DATA: LH SIDE OPTIONAL PART: 411N1522-5 | 504903 | 2 |
| 327 | 411N1522-5 | .. | PIN-HINGE POSITION DATA: LH SIDE OPTIONAL PART: 411N1522-4 | 504903 | 2 |
| 330 | 411N1527-1 | .. | PAD- POSITION DATA: RH SIDE | 504903 | 2 |
| 332 | 411N1527-1 | .. | PAD- POSITION DATA: LH SIDE | 504903 | 2 |
| 335 | 411N1521-2SP | .. | LATCH- POSITION DATA: LH SIDE | 504903 | 2 |
| 340 | 411N1521-1SP | .. | LATCH- POSITION DATA: RH SIDE | 504903 | 2 |
| 345 | 411N1527-2 | .. | PAD- POSITION DATA: RH SIDE | 504903 | 2 |

MISSING ITEM NUMBERS NOT APPLICABLE

- ITEM NOT ILLUSTRATED

21-23-05-05

21-23-05
FIG. 05
PAGE 5
JAN 20/09

BRI

BOEING PROPRIETARY - Copyright © - Unpublished Work - See title page for details.



757

PARTS CATALOG (MAINTENANCE)

| FIG ITEM | PART NUMBER | 1 2 3 4 5 6 7 | NOMENCLATURE | EFFECT FROM TO | UNITS PER ASSY |
|----------|--------------|---------------|--|----------------|----------------|
| 5 | | | | | |
| 347 | 411N1527-2 | .. | PAD- POSITION DATA: LH SIDE | 504903 | 2 |
| 350 | 411N1520-1SP | .. | GRILLE-MOLDED POSITION DATA: LH SIDE | 504903 | 1 |
| 355 | 411N1520-2SP | .. | GRILLE-MOLDED POSITION DATA: RH SIDE | 504903 | 1 |
| 360 | 411N1510-1SP | . | GRILLE ASSY-20.5 IN. USED ON: 411N1500-2027 411N1500-2329SP 411N1500-2049C FUNCTIONAL REFERENCE: PLACARDS AND MARKINGS FOR DETAILS SEE 11-21-22-02 | 504903 | 8 |
| 370 | 411N1510-1SP | . | GRILLE ASSY-20.5 IN. POSITION DATA: RH SIDE FUNCTIONAL REFERENCE: PLACARDS AND MARKINGS FOR DETAILS SEE 11-21-22-02 | 504903 | 7 |
| 390 | 411N1522-1 | .. | SPRING-RTNR CLIP POSITION DATA: LH SIDE | 504903 | 1 |
| 400 | 411N1522-1 | .. | SPRING-RTNR CLIP POSITION DATA: LH SIDE | 504903 | 1 |
| 405 | 6100-12 | .. | RETAINER-CLIP SUPPLIER CODE: V97464 POSITION DATA: LH SIDE | 504903 | 4 |
| 410 | 6100-12 | .. | RETAINER-CLIP SUPPLIER CODE: V97464 POSITION DATA: RH SIDE | 504903 | 4 |
| 420 | 411N1522-4 | .. | PIN-HINGE POSITION DATA: LH SIDE OPTIONAL PART: 411N1522-5 | 504903 | 2 |

MISSING ITEM NUMBERS NOT APPLICABLE

- ITEM NOT ILLUSTRATED

21-23-05-05

21-23-05
FIG. 05
PAGE 6
JAN 20/09

BRI

BOEING PROPRIETARY - Copyright © - Unpublished Work - See title page for details.



757

PARTS CATALOG (MAINTENANCE)

| FIG ITEM | PART NUMBER | 1 2 3 4 5 6 7 | NOMENCLATURE | EFFECT FROM TO | UNITS PER ASSY |
|----------|---------------|---------------|---|----------------|----------------|
| 5 | | | | | |
| 420 | 411N1522-5 | .. | PIN-HINGE POSITION DATA: LH SIDE OPTIONAL PART: 411N1522-4 | 504903 | 2 |
| 430 | 411N1522-4 | .. | PIN-HINGE POSITION DATA: RH SIDE OPTIONAL PART: 411N1522-5 | 504903 | 2 |
| 430 | 411N1522-5 | .. | PIN-HINGE POSITION DATA: RH SIDE OPTIONAL PART: 411N1522-4 | 504903 | 2 |
| 435 | 411N1527-1 | .. | PAD- POSITION DATA: LH SIDE | 504903 | 2 |
| 445 | 411N1527-1 | .. | PAD- POSITION DATA: RH SIDE | 504903 | 2 |
| 450 | 411N1521-1SP | .. | LATCH- POSITION DATA: LH SIDE | 504903 | 2 |
| 460 | 411N1521-1SP | .. | LATCH- POSITION DATA: RH SIDE | 504903 | 2 |
| 465 | 411N1527-2 | .. | PAD- POSITION DATA: LH SIDE | 504903 | 2 |
| 475 | 411N1527-2 | .. | PAD- POSITION DATA: RH SIDE | 504903 | 2 |
| 480 | 411N1520-1SP | .. | GRILLE-MOLDED POSITION DATA: LH SIDE | 504903 | 1 |
| 490 | 411N1520-1SP | .. | GRILLE-MOLDED POSITION DATA: RH SIDE | 504903 | 1 |
| 555 | 411N1510-18SP | . | GRILLE ASSY-20.5 POSITION DATA: LH SIDE FUNCTIONAL REFERENCE: PLACARDS AND MARKINGS FOR DETAILS SEE 11-21-22-02 | 504903 | 1 |
| 565 | 411N1522-1 | .. | SPRING-RTNR CLIP | 504903 | 1 |
| 570 | 411N1527-3 | .. | PAD | 504903 | 1 |

MISSING ITEM NUMBERS NOT APPLICABLE

- ITEM NOT ILLUSTRATED

21-23-05-05

21-23-05
FIG. 05
PAGE 7
JAN 20/09

BRI

BOEING PROPRIETARY - Copyright © - Unpublished Work - See title page for details.



757

PARTS CATALOG (MAINTENANCE)

| FIG ITEM | PART NUMBER | 1 2 3 4 5 6 7 | NOMENCLATURE | EFFECT FROM TO | UNITS PER ASSY |
|----------|---------------|---------------|--|----------------|----------------|
| 5 | | | ATTACHING PARTS | | |
| - 575 | 6100-12 | | ..RETAINER-CLIP SUPPLIER CODE: V97464 -----*----- | 504903 | 2 |
| 580 | 6100-12 | | ..RETAINER-CLIP SUPPLIER CODE: V97464 | 504903 | 4 |
| 585 | 411N1522-4 | | ..PIN-HINGE OPTIONAL PART: 411N1522-5 | 504903 | 2 |
| 585 | 411N1522-5 | | ..PIN-HINGE OPTIONAL PART: 411N1522-4 | 504903 | 2 |
| 590 | 411N1527-1 | | ..PAD | 504903 | 2 |
| 595 | 411N1521-2SP | | ..LATCH | 504903 | 2 |
| 600 | 411N1527-2 | | ..PAD | 504903 | 2 |
| 605 | 411N1528-1 | | ..BAFFLE | 504903 | 1 |
| - 610 | 6100-12 | | ATTACHING PARTS ..RETAINER-CLIP SUPPLIER CODE: V97464 -----*----- | 504903 | 5 |
| 615 | 411N1520-1SP | | ..GRILLE-MOLDED | 504903 | 1 |
| 620 | 411N1510-58SP | | .GRILLE ASSY-20.5 IN. POSITION DATA: RH SIDE FUNCTIONAL REFERENCE: PLACARDS AND MARKINGS FOR DETAILS SEE 11-21-22-02 | 504903 | 1 |
| 630 | 411N1522-3 | | ..SPRING-RTNR CLIP ATTACHING PARTS | 504903 | 1 |
| - 635 | NAS1801-3-5 | | ..SCREW | 504903 | 2 |
| - 640 | BACW10P5CC | | ..WASHER | 504903 | 2 |
| 645 | 6100-12 | | ..RETAINER-CLIP SUPPLIER CODE: V97464 -----*----- | 504903 | 4 |
| 650 | 411N1522-4 | | ..PIN-HINGE OPTIONAL PART: 411N1522-5 | 504903 | 2 |
| 650 | 411N1522-5 | | ..PIN-HINGE OPTIONAL PART: 411N1522-4 | 504903 | 2 |
| 655 | 411N1527-1 | | ..PAD | 504903 | 2 |
| 660 | 411N1521-2SP | | ..LATCH | 504903 | 2 |
| 665 | 411N1527-2 | | ..PAD | 504903 | 2 |
| 670 | 411N1523-3 | | ..STIFFENER ASSY | 504903 | 1 |

MISSING ITEM NUMBERS NOT APPLICABLE

- ITEM NOT ILLUSTRATED

21-23-05-05

21-23-05
FIG. 05
PAGE 8
JAN 20/09

BRI



757

PARTS CATALOG (MAINTENANCE)

| FIG ITEM | PART NUMBER | 1 2 3 4 5 6 7 | NOMENCLATURE | EFFECT FROM TO | UNITS PER ASSY |
|----------|-----------------|-----------------------|---|----------------|----------------|
| 5 | | | | | |
| 675 | BACI12S3 | ... | INSERT | 504903 | 2 |
| 680 | 411N1520-5SP | .. | GRILLE-MOLDED | 504903 | 1 |
| 685 | BACG20ZNO01540B | .. | GROMMET | 504903 | 1 |
| 720 | 411N1510-5SP | .GRILLE ASSY-20.5 | | 504903 | 1 |
| | | | FUNCTIONAL REFERENCE: PLACARDS AND MARKINGS FOR DETAILS SEE 11-21-22-02 | | |
| 730 | 411N1522-1 | .. | SPRING-RTNR CLIP | 504903 | 1 |
| 735 | 6100-12 | .. | RETAINER-CLIP | 504903 | 4 |
| | | | SUPPLIER CODE: V97464 | | |
| 740 | 411N1522-4 | .. | PIN-HINGE | 504903 | 2 |
| | | | OPTIONAL PART: 411N1522-5 | | |
| 740 | 411N1522-5 | .. | PIN-HINGE | 504903 | 2 |
| | | | OPTIONAL PART: 411N1522-4 | | |
| 745 | 411N1527-1 | .. | PAD | 504903 | 2 |
| 750 | 411N1521-1SP | .. | LATCH | 504903 | 2 |
| 755 | 411N1527-2 | .. | PAD | 504903 | 2 |
| 760 | 411N1528-1 | .. | BAFFLE | 504903 | 1 |
| 765 | 411N1520-1SP | .. | GRILLE-MOLDED | 504903 | 1 |
| - 775 | 411N1510-43SP | .GRILLE ASSY-22.5 IN. | | 504903 | 1 |
| | | | POSITION DATA: LH SIDE FUNCTIONAL REFERENCE: PLACARDS AND MARKINGS FOR DETAILS SEE 11-21-22-02 | | |
| 785 | 411N1522-2 | .. | SPRING-RTNR CLIP | 504903 | 1 |
| 790 | 6100-12 | .. | RETAINER-CLIP | 504903 | 6 |
| | | | SUPPLIER CODE: V97464 | | |
| 795 | 411N1522-4 | .. | PIN-HINGE | 504903 | 1 |
| | | | OPTIONAL PART: 411N1522-5 | | |
| 795 | 411N1522-5 | .. | PIN-HINGE | 504903 | 1 |
| | | | OPTIONAL PART: 411N1522-4 | | |
| 800 | 411N1521-1 | .. | LATCH | 504903 | 1 |
| 805 | 411N1527-1 | .. | PAD | 504903 | 1 |
| 810 | 411N1527-2 | .. | PAD | 504903 | 1 |
| 815 | 411N1527-3 | .. | PAD | 504903 | 1 |
| 820 | 411N1520-2 | .. | GRILLE-MOLDED | 504903 | 1 |

MISSING ITEM NUMBERS NOT APPLICABLE

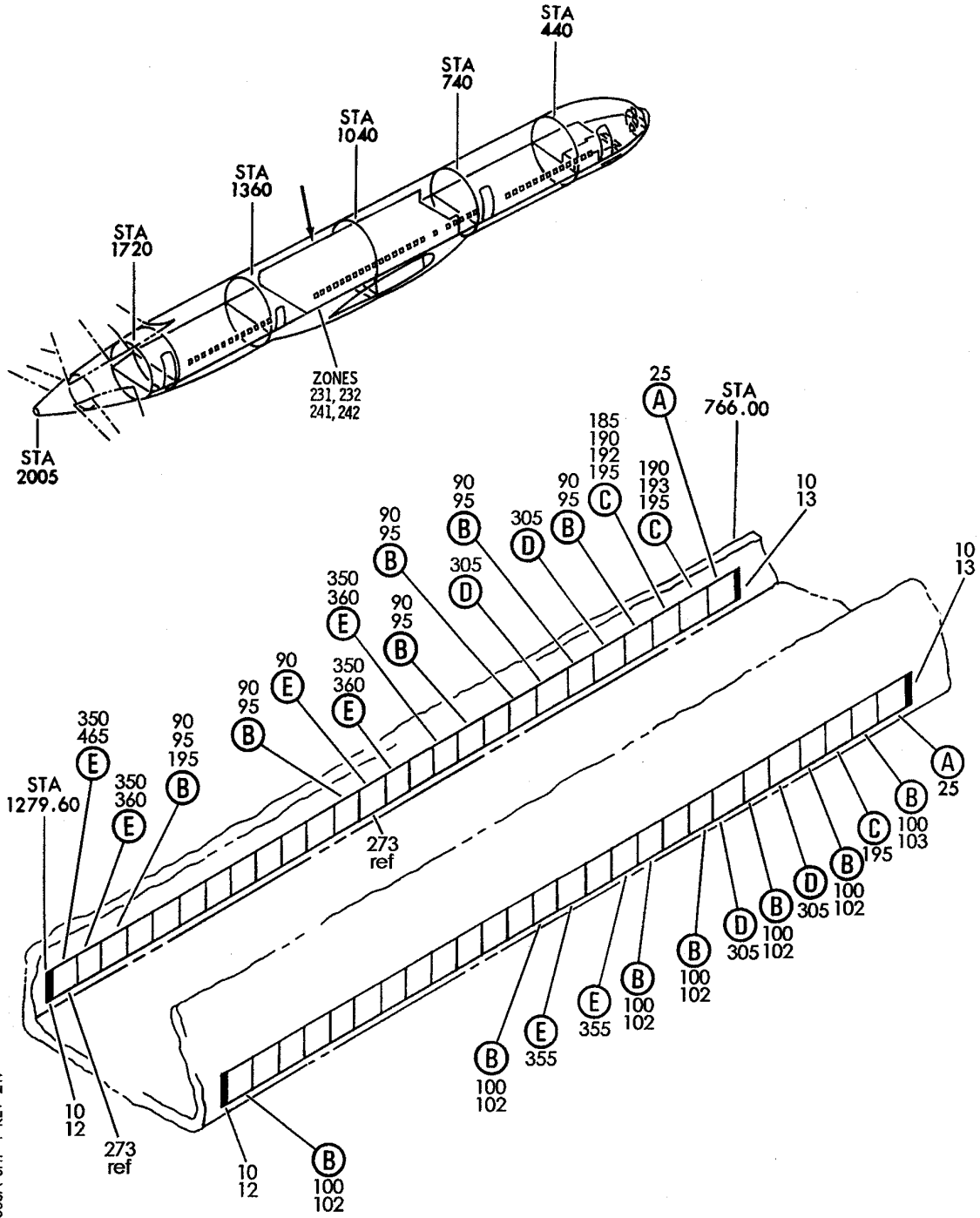
- ITEM NOT ILLUSTRATED

21-23-05-05

21-23-05
FIG. 05
PAGE 9
JAN 20/09

BRI

BOEING
757
PARTS CATALOG (MAINTENANCE)



Y 21230505A SHT 1 REV 217

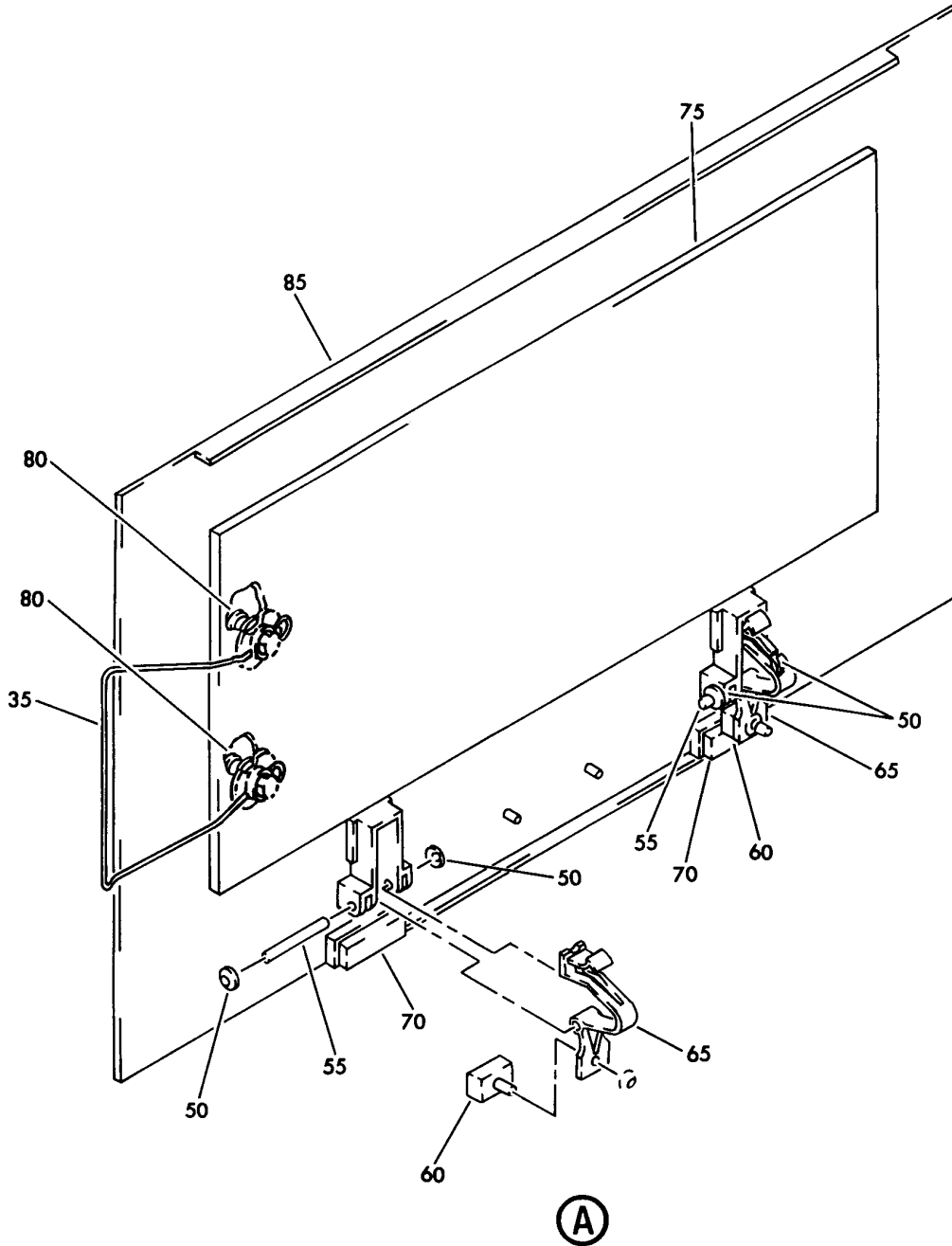
GRILLE INSTL-AIR RETURN PASS. CAB. (STA 766.00 TO STA 1279.60)
FIGURE 5A (SHEET 1)

21-23-05-05A

BRI
JAN 20/09

21-23-05-05A
PAGE 0

BOEING
757
PARTS CATALOG (MAINTENANCE)



Y 21230505A SHT 2 REV 227

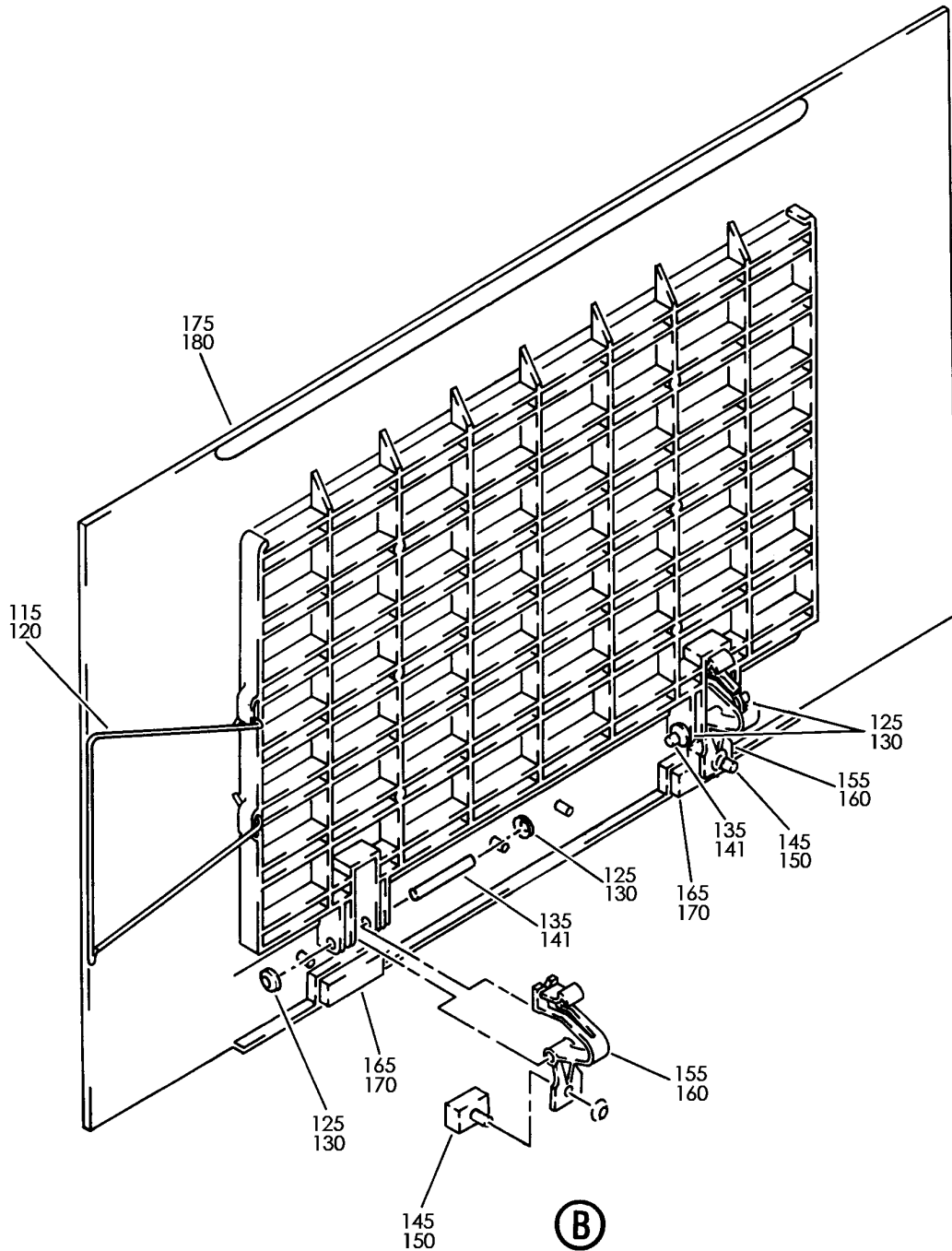
GRILLE INSTL-AIR RETURN PASS. CAB. (STA 766.00 TO STA 1279.60)
FIGURE 5A (SHEET 2)

BRI
JAN 20/09

21-23-05-05A

21-23-05-05A
PAGE 0A

BOEING
757
PARTS CATALOG (MAINTENANCE)



Y 21230505A SHT 3 REV 227

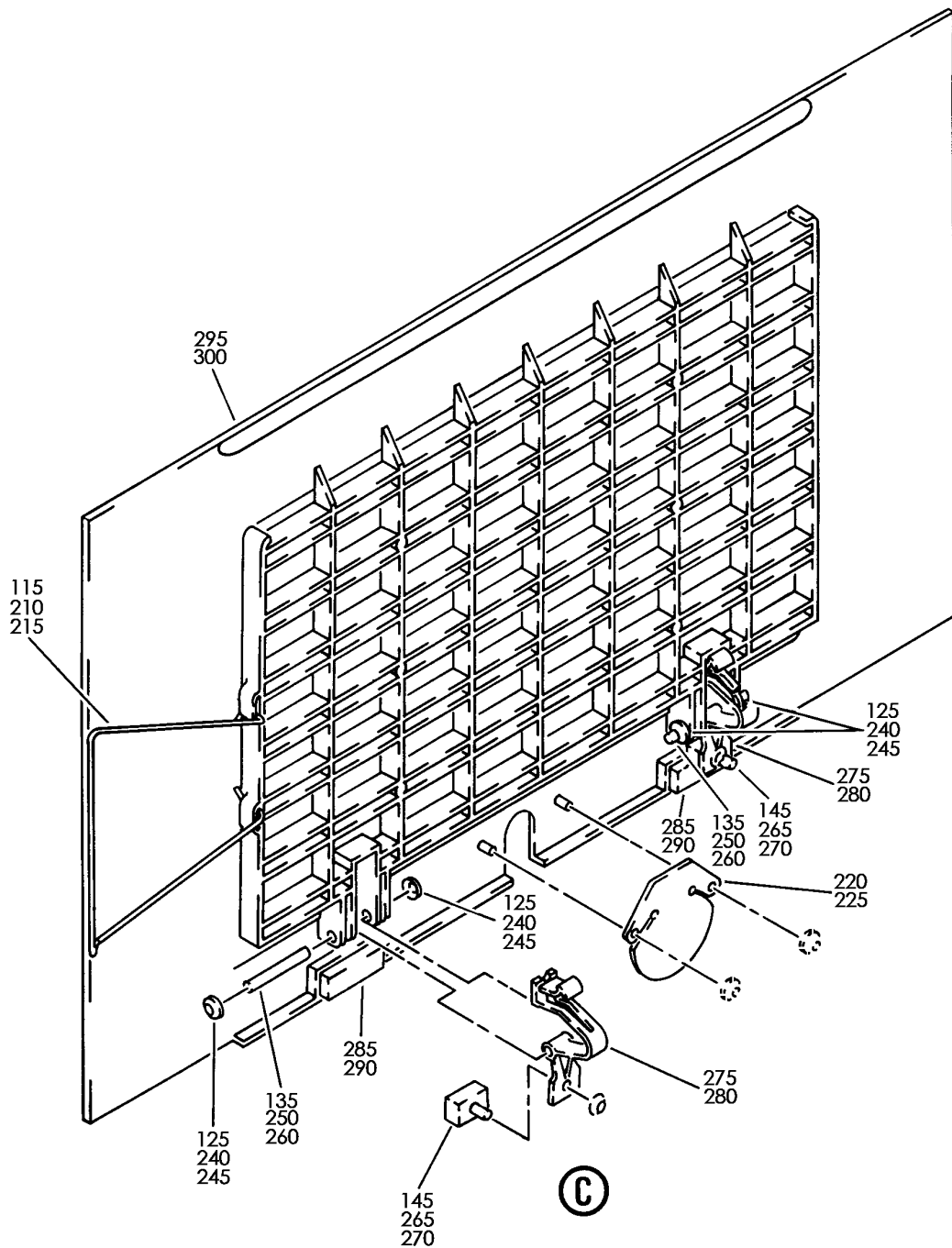
GRILLE INSTL-AIR RETURN PASS. CAB. (STA 766.00 TO STA 1279.60)
FIGURE 5A (SHEET 3)

21-23-05-05A

BRI
JAN 20/09

21-23-05-05A
PAGE 0B

BOEING
757
PARTS CATALOG (MAINTENANCE)



Y 21230505A SHT 4 REV 227

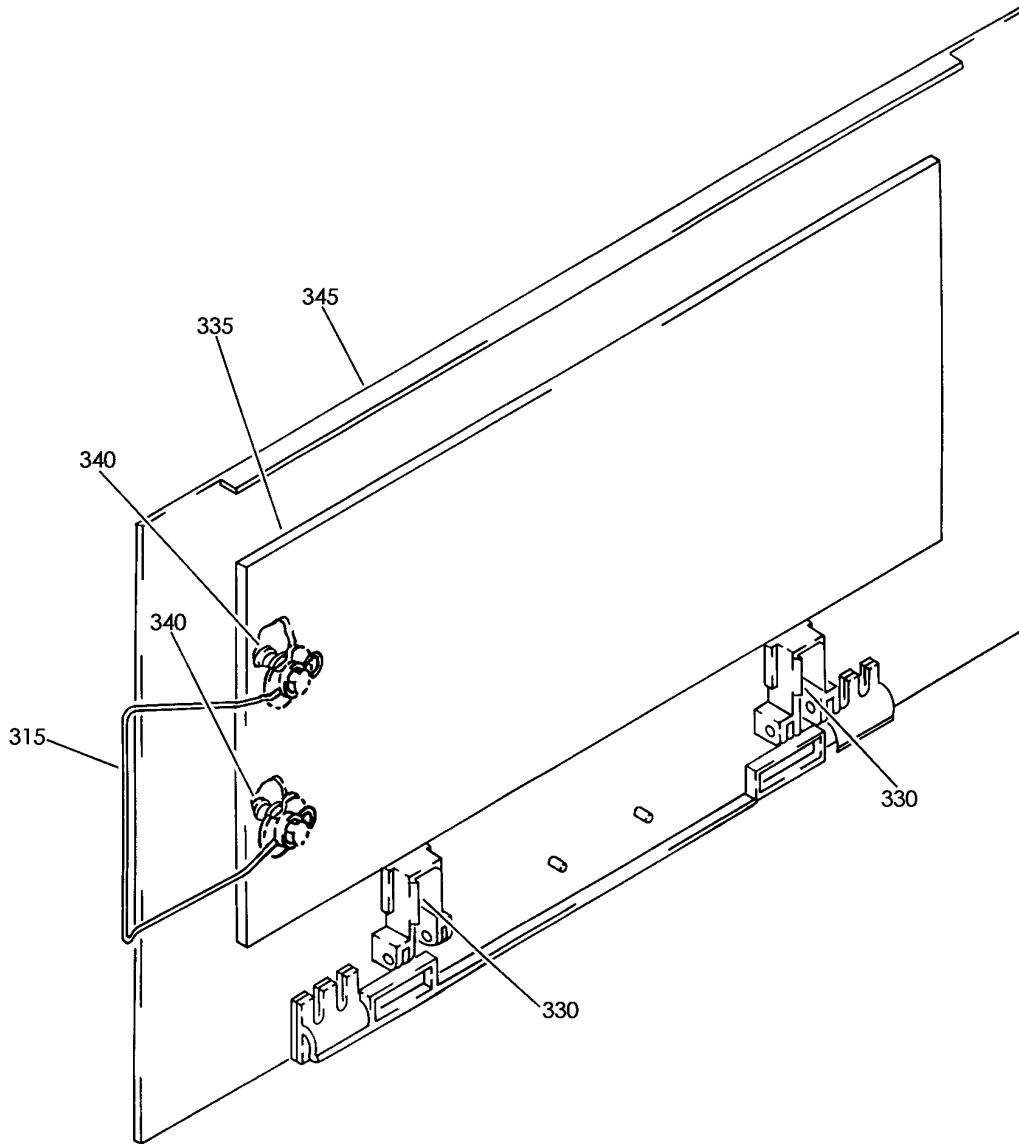
GRILLE INSTL-AIR RETURN PASS. CAB. (STA 766.00 TO STA 1279.60)
FIGURE 5A (SHEET 4)

21-23-05-05A

BRI
JAN 20/09

21-23-05-05A
PAGE 0C

BOEING
757
PARTS CATALOG (MAINTENANCE)



Y 21230505A SHT 5 REV 227

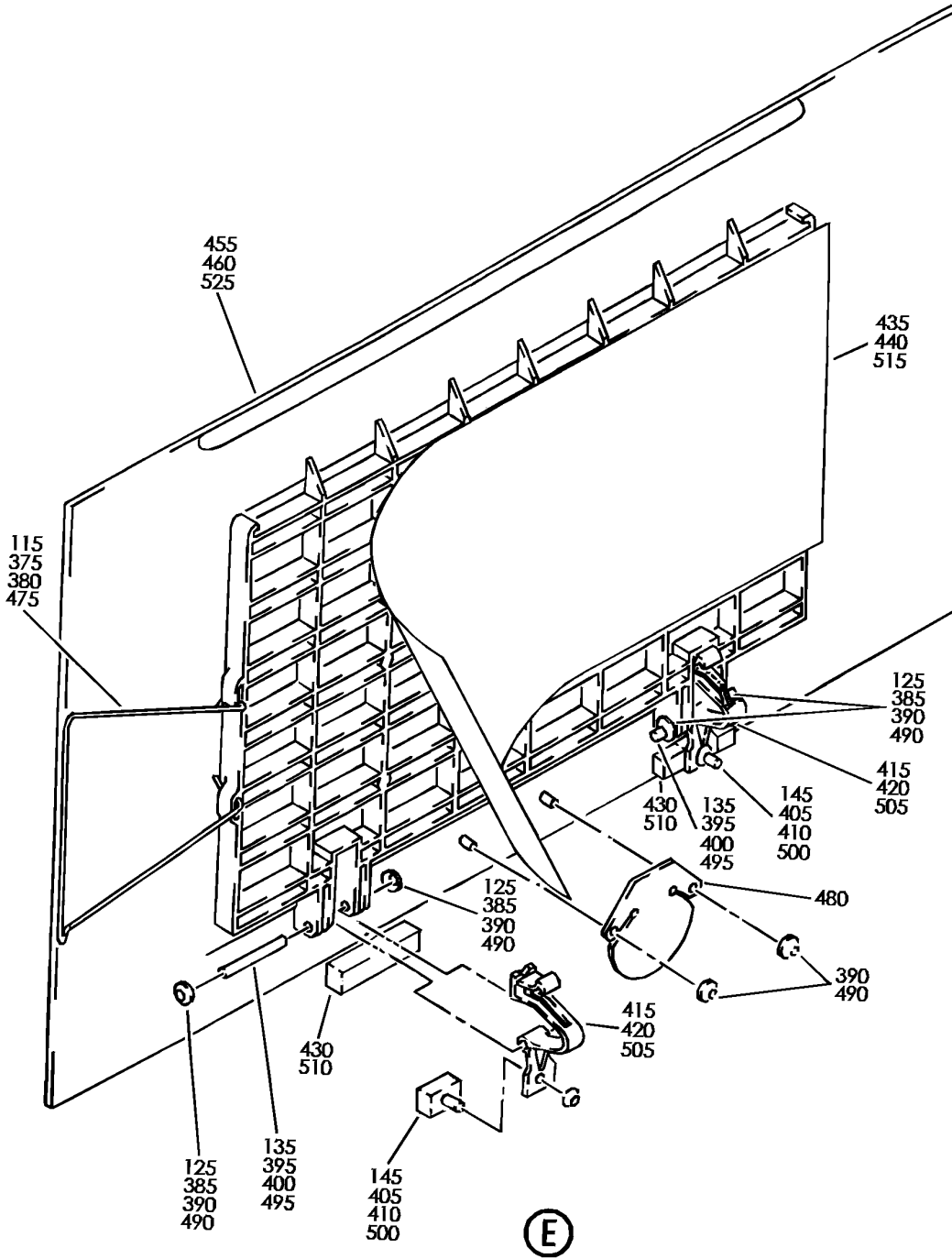
GRILLE INSTL-AIR RETURN PASS. CAB. (STA 766.00 TO STA 1279.60)
FIGURE 5A (SHEET 5)

BRI
JAN 20/09

21-23-05-05A

21-23-05-05A
PAGE 0D

BOEING
757
PARTS CATALOG (MAINTENANCE)



Y 21230505A SHT 6 REV 227

GRILLE INSTL-AIR RETURN PASS. CAB. (STA 766.00 TO STA 1279.60)
FIGURE 5A (SHEET 6)

21-23-05-05A

BRI
JAN 20/09

21-23-05-05A
PAGE 0E

BOEING
757
PARTS CATALOG (MAINTENANCE)

| FIG ITEM | PART NUMBER | 1 2 3 4 5 6 7 | NOMENCLATURE | EFFECT FROM TO | UNITS PER ASSY |
|----------|-----------------|---------------|---|------------------|----------------|
| 5A | | | GRILLE INSTL-AIR RETURN PASS. CAB. (STA 766.00 TO STA 1279.60) | 504903 | |
| - 1 | 411N1500-2329SP | | GRILLE INSTL-AIR RETURN PASS. CAB. POSITION DATA: STA 766.00 TO STA 1279.6 LH FOR NHA/ADDITIONAL DET SEE: 25-20-00-07 | 504903 | RF |
| - 5 | 411N1500-2328SP | | GRILLE INSTL-AIR RETURN PASS. CAB. (STA 766.00 POSITION DATA: STA 766.00 TO STA 1279.6 RH FOR NHA/ADDITIONAL DET SEE: 25-20-00-07 | 504903 | RF |
| 10 | 411N1525-1 | | .TRIM ASSY- | 504504 506506 | 2 |
| 10 | 411N1525-20 | | .TRIM ASSY- | 504504 506506 | 2 |
| 12 | 411N1525-1 | | .TRIM ASSY- | 505505 507903 | 1 |
| 12 | 411N1525-20 | | .TRIM ASSY- | 505505 507903 | 1 |
| - 15 | NAS1801-3-6 | | ATTACHING PARTS .SCREW | 504504 506506 | 2 |
| - 16 | NAS1801-3-6 | | .SCREW | 505505 507903 | 1 |
| - 20 | NAS1149D0316J | | .WASHER | 504504 506506 | 2 |
| - 21 | NAS1149D0316J | | .WASHER | 505505 507903 | 1 |
| 25 | 411N1510-31SP | | -----*----- .GRILLE ASSY-14.5 IN. FUNCTIONAL REFERENCE: PLACARDS AND MARKINGS FOR DETAILS SEE 11-21-22-02 | 504504 506506 | 1 |
| 35 | 411N1522-3 | | ..SPRING-RTNR CLIP | 504504 506506 | 1 |
| - 40 | NAS1801-3-5 | | ATTACHING PARTS ..SCREW | 504504 506506 | 2 |
| - 45 | BACW10P5CC | | ..WASHER -----*----- | 504504 506506 | 2 |

MISSING ITEM NUMBERS NOT APPLICABLE

- ITEM NOT ILLUSTRATED

BRI

21-23-05-05A

BOEING PROPRIETARY - Copyright © - Unpublished Work - See title page for details.

21-23-05
FIG. 05A
PAGE 1
JAN 20/09



757

PARTS CATALOG (MAINTENANCE)

| FIG ITEM | PART NUMBER | 1 2 3 4 5 6 7 | NOMENCLATURE | EFFECT FROM TO | UNITS PER ASSY |
|----------|--------------|---------------|---|------------------|----------------|
| 5A | | | | | |
| 50 | 6100-12 | .. | RETAINER-CLIP SUPPLIER CODE: V97464 | 504504 506506 | 4 |
| 55 | 411N1522-4 | .. | PIN-HINGE OPTIONAL PART: 411N1522-5 | 504504 506506 | 2 |
| 55 | 411N1522-5 | .. | PIN-HINGE OPTIONAL PART: 411N1522-4 | 504504 506506 | 2 |
| 60 | 411N1527-1 | .. | PAD | 504504 506506 | 2 |
| 65 | 411N1521-2SP | .. | LATCH | 504504 506506 | 2 |
| 70 | 411N1527-2 | .. | PAD | 504504 506506 | 2 |
| 75 | 411N1523-6 | .. | STIFFENER ASSY | 504504 506506 | 1 |
| 80 | BACI12S3 | ... | INSERT | 504504 506506 | 2 |
| 85 | 411N1520-8SP | .. | GRILLE-MOLDED | 504504 506506 | 1 |
| 95 | 411N1510-1SP | . | GRILLE ASSY-20.5 IN. POSITION DATA: LH SIDE FUNCTIONAL REFERENCE: PLACARDS AND MARKINGS FOR DETAILS SEE 11-21-22-02 | 504903 | 15 |
| 100 | 411N1510-1SP | . | GRILLE ASSY-20.5 IN. POSITION DATA: RH SIDE USED ON: 411N1500-2028 411N1500-2328SP FUNCTIONAL REFERENCE: PLACARDS AND MARKINGS FOR DETAILS SEE 11-21-22-02 | 504504 506506 | 19 |
| 102 | 411N1510-1SP | . | GRILLE ASSY-20.5 IN. POSITION DATA: RH SIDE USED ON: 411N1500-2028 411N1500-2328SP FUNCTIONAL REFERENCE: PLACARDS AND MARKINGS FOR DETAILS SEE 11-21-22-02 | 505505 507903 | 18 |

MISSING ITEM NUMBERS NOT APPLICABLE

- ITEM NOT ILLUSTRATED

21-23-05-05A

21-23-05
FIG. 05A
PAGE 2
JAN 20/09

BRI

BOEING PROPRIETARY - Copyright © - Unpublished Work - See title page for details.



757

PARTS CATALOG (MAINTENANCE)

| FIG ITEM | PART NUMBER | 1 2 3 4 5 6 7 | NOMENCLATURE | EFFECT FROM TO | UNITS PER ASSY |
|----------|-------------|---------------|--|------------------|----------------|
| 5A | | | | | |
| 115 | 411N1522-1 | .. | SPRING-RTNR CLIP POSITION DATA: LH SIDE | 504903 | 1 |
| 120 | 411N1522-1 | .. | SPRING-RTNR CLIP POSITION DATA: RH SIDE | 504504 506506 | 1 |
| 120 | 411N1522-1 | .. | SPRING-RTNR CLIP POSITION DATA: RH SIDE | 505505 507903 | 1 |
| 125 | 6100-12 | .. | RETAINER-CLIP SUPPLIER CODE: V97464 POSITION DATA: LH SIDE | 504903 | 4 |
| 130 | 6100-12 | .. | RETAINER-CLIP SUPPLIER CODE: V97464 POSITION DATA: RH SIDE | 504504 506506 | 4 |
| 130 | 6100-12 | .. | RETAINER-CLIP SUPPLIER CODE: V97464 POSITION DATA: RH SIDE | 505505 507903 | 4 |
| 135 | 411N1522-4 | .. | PIN-HINGE POSITION DATA: LH SIDE OPTIONAL PART: 411N1522-5 | 504903 | 2 |
| 135 | 411N1522-5 | .. | PIN-HINGE POSITION DATA: LH SIDE OPTIONAL PART: 411N1522-4 | 504903 | 2 |
| 141 | 411N1522-4 | .. | PIN-HINGE POSITION DATA: RH SIDE OPTIONAL PART: 411N1522-5 | 504504 506506 | 2 |
| 141 | 411N1522-5 | .. | PIN-HINGE POSITION DATA: RH SIDE OPTIONAL PART: 411N1522-4 | 504504 506506 | 2 |
| 141 | 411N1522-4 | .. | PIN-HINGE POSITION DATA: RH SIDE OPTIONAL PART: 411N1522-5 | 505505 507903 | 2 |

MISSING ITEM NUMBERS NOT APPLICABLE

- ITEM NOT ILLUSTRATED

21-23-05-05A

21-23-05
FIG. 05A
PAGE 3
JAN 20/09

BRI

BOEING PROPRIETARY - Copyright © - Unpublished Work - See title page for details.



757

PARTS CATALOG (MAINTENANCE)

| FIG ITEM | PART NUMBER | 1 2 3 4 5 6 7 | NOMENCLATURE | EFFECT FROM TO | UNITS PER ASSY |
|----------|---------------|---------------|---|------------------|----------------|
| 5A | | | | | |
| 141 | 411N1522-5 | .. | PIN-HINGE POSITION DATA: RH SIDE OPTIONAL PART: 411N1522-4 | 505505 507903 | 2 |
| 145 | 411N1527-1 | .. | PAD- POSITION DATA: LH SIDE | 504903 | 2 |
| 150 | 411N1527-1 | .. | PAD- POSITION DATA: RH SIDE | 504504 506506 | 2 |
| 150 | 411N1527-1 | .. | PAD- POSITION DATA: RH SIDE | 505505 507903 | 2 |
| 155 | 411N1521-1SP | .. | LATCH- POSITION DATA: LH SIDE | 504903 | 2 |
| 160 | 411N1521-1SP | .. | LATCH | 504504 506506 | 2 |
| 160 | 411N1521-1SP | .. | LATCH | 505505 507903 | 2 |
| 165 | 411N1527-2 | .. | PAD- POSITION DATA: LH SIDE | 504903 | 2 |
| 170 | 411N1527-2 | .. | PAD- POSITION DATA: RH SIDE | 504504 506506 | 2 |
| 170 | 411N1527-2 | .. | PAD- POSITION DATA: RH SIDE | 505505 507903 | 2 |
| 175 | 411N1520-1SP | .. | GRILLE-MOLDED POSITION DATA: LH SIDE | 504903 | 1 |
| 180 | 411N1520-1SP | .. | GRILLE-MOLDED POSITION DATA: RH SIDE | 504504 506506 | 1 |
| 180 | 411N1520-1SP | .. | GRILLE-MOLDED POSITION DATA: RH SIDE | 505505 507903 | 1 |
| 190 | 411N1510-13SP | . | GRILLE ASSY-20.5 IN. POSITION DATA: LH SIDE FUNCTIONAL REFERENCE: PLACARDS AND MARKINGS FOR DETAILS SEE 11-21-22-02 | 504504 506506 | 2 |

MISSING ITEM NUMBERS NOT APPLICABLE

- ITEM NOT ILLUSTRATED

BRI

21-23-05-05A

BOEING PROPRIETARY - Copyright © - Unpublished Work - See title page for details.

21-23-05
FIG. 05A
PAGE 4
JAN 20/09



757

PARTS CATALOG (MAINTENANCE)

| FIG ITEM | PART NUMBER | 1 2 3 4 5 6 7 | NOMENCLATURE | EFFECT FROM TO | UNITS PER ASSY |
|-----------|---------------|---------------|---|------------------|----------------|
| 5A 192 | 411N1510-13SP | . | GRILLE ASSY-20.5 IN. POSITION DATA: LH SIDE USED ON: 411N1500-2329SP FUNCTIONAL REFERENCE: PLACARDS AND MARKINGS FOR DETAILS SEE 11-21-22-02 | 505505 507903 | 1 |
| 195 | 411N1510-13SP | . | GRILLE ASSY-20.5 IN. POSITION DATA: RH SIDE USED ON: 411N1500-2028 411N1500-2328SP FUNCTIONAL REFERENCE: PLACARDS AND MARKINGS FOR DETAILS SEE 11-21-22-02 | 504903 | 1 |
| 210 | 411N1522-1 | .. | SPRING-RTNR CLIP POSITION DATA: LH SIDE | 504504 506506 | 1 |
| 210 | 411N1522-1 | .. | SPRING-RTNR CLIP POSITION DATA: LH SIDE | 505505 507903 | 1 |
| 215 | 411N1522-1 | .. | SPRING-RTNR CLIP POSITION DATA: RH SIDE | 504903 | 1 |
| 220 | 411N1527-3 | .. | PAD- POSITION DATA: LH SIDE | 504504 506506 | 1 |
| 220 | 411N1527-3 | .. | PAD- POSITION DATA: LH SIDE | 505505 507903 | 1 |
| 225 | 411N1527-3 | .. | PAD- POSITION DATA: RH SIDE | 504903 | 1 |
| - 230 | 6100-12 | .. | RETAINER-CLIP ATTACHING PARTS SUPPLIER CODE: V97464 POSITION DATA: RH SIDE | 504504 506506 | 2 |
| - 230 | 6100-12 | .. | RETAINER-CLIP SUPPLIER CODE: V97464 POSITION DATA: RH SIDE | 505505 507903 | 2 |

MISSING ITEM NUMBERS NOT APPLICABLE

- ITEM NOT ILLUSTRATED

21-23-05-05A

21-23-05
FIG. 05A
PAGE 5
JAN 20/09

BRI



757

PARTS CATALOG (MAINTENANCE)

| FIG ITEM | PART NUMBER | 1 2 3 4 5 6 7 | NOMENCLATURE | EFFECT FROM TO | UNITS PER ASSY |
|-------------|-------------|---------------|---|------------------|----------------|
| 5A - 235 | 6100-12 | | ..RETAINER-CLIP SUPPLIER CODE: V97464 POSITION DATA: RH SIDE -----*----- | 504903 | 2 |
| 240 | 6100-12 | | ..RETAINER-CLIP SUPPLIER CODE: V97464 POSITION DATA: RH SIDE | 504504 506506 | 4 |
| 240 | 6100-12 | | ..RETAINER-CLIP SUPPLIER CODE: V97464 POSITION DATA: RH SIDE | 505505 507903 | 4 |
| 245 | 6100-12 | | ..RETAINER-CLIP SUPPLIER CODE: V97464 POSITION DATA: RH SIDE | 504903 | 4 |
| 250 | 411N1522-4 | | ..PIN-HINGE OPTIONAL PART: 411N1522-5 | 504504 506506 | 2 |
| 250 | 411N1522-5 | | ..PIN-HINGE OPTIONAL PART: 411N1522-4 | 504504 506506 | 2 |
| 250 | 411N1522-4 | | ..PIN-HINGE OPTIONAL PART: 411N1522-5 | 505505 507903 | 2 |
| 250 | 411N1522-5 | | ..PIN-HINGE OPTIONAL PART: 411N1522-4 | 505505 507903 | 2 |
| 260 | 411N1522-4 | | ..PIN-HINGE POSITION DATA: RH SIDE OPTIONAL PART: 411N1522-5 | 504903 | 2 |
| 260 | 411N1522-5 | | ..PIN-HINGE POSITION DATA: RH SIDE OPTIONAL PART: 411N1522-4 | 504903 | 2 |
| 265 | 411N1527-1 | | ..PAD- POSITION DATA: LH SIDE | 504504 506506 | 2 |
| 265 | 411N1527-1 | | ..PAD- POSITION DATA: LH SIDE | 505505 507903 | 2 |

MISSING ITEM NUMBERS NOT APPLICABLE

- ITEM NOT ILLUSTRATED

21-23-05-05A

21-23-05
FIG. 05A
PAGE 6
JAN 20/09

BRI

BOEING PROPRIETARY - Copyright © - Unpublished Work - See title page for details.



757

PARTS CATALOG (MAINTENANCE)

| FIG ITEM | PART NUMBER | 1 2 3 4 5 6 7 | NOMENCLATURE | EFFECT FROM TO | UNITS PER ASSY |
|----------|---------------|---------------|--|------------------|----------------|
| 5A | | | | | |
| 270 | 411N1527-1 | .. | PAD- POSITION DATA: RH SIDE | 504903 | 2 |
| 275 | 411N1521-2SP | .. | LATCH- POSITION DATA: LH SIDE | 504504 506506 | 2 |
| 275 | 411N1521-2SP | .. | LATCH- POSITION DATA: LH SIDE | 505505 507903 | 2 |
| 280 | 411N1521-2SP | .. | LATCH- POSITION DATA: RH SIDE | 504903 | 2 |
| 285 | 411N1527-2 | .. | PAD- POSITION DATA: LH SIDE | 504504 506506 | 2 |
| 285 | 411N1527-2 | .. | PAD- POSITION DATA: LH SIDE | 505505 507903 | 2 |
| 290 | 411N1527-2 | .. | PAD- POSITION DATA: RH SIDE | 504903 | 2 |
| 295 | 411N1520-1SP | .. | GRILLE-MOLDED POSITION DATA: LH SIDE | 504504 506506 | 1 |
| 295 | 411N1520-1SP | .. | GRILLE-MOLDED POSITION DATA: LH SIDE | 505505 507903 | 1 |
| 300 | 411N1520-1SP | .. | GRILLE-MOLDED POSITION DATA: RH SIDE | 504903 | 1 |
| 305 | 411N1510-39SP | . | GRILLE ASSY-22.5 IN. FUNCTIONAL REFERENCE: PLACARDS AND MARKINGS FOR DETAILS SEE 11-21-22-02 | 504903 | 2 |
| 315 | 411N1522-3 | .. | SPRING-RTNR CLIP ATTACHING PARTS | 504903 | 1 |
| - 320 | NAS1801-3-5 | .. | SCREW | 504903 | 2 |
| - 325 | BACW10P5CC | .. | WASHER -----*----- | 504903 | 2 |
| 330 | 411N1521-3SP | .. | PLUG | 504903 | 2 |
| 335 | 411N1523-2 | .. | STIFFENER ASSY | 504903 | 1 |
| 340 | BACI12S3 | ... | INSERT | 504903 | 2 |
| 345 | 411N1520-4SP | .. | GRILLE-MOLDED | 504903 | 1 |

MISSING ITEM NUMBERS NOT APPLICABLE

- ITEM NOT ILLUSTRATED

21-23-05-05A

21-23-05
FIG. 05A
PAGE 7
JAN 20/09

BRI

BOEING PROPRIETARY - Copyright © - Unpublished Work - See title page for details.



757

PARTS CATALOG (MAINTENANCE)

| FIG ITEM | PART NUMBER | 1 2 3 4 5 6 7 | NOMENCLATURE | EFFECT FROM TO | UNITS PER ASSY |
|-----------|--------------|---------------|---|----------------|----------------|
| 5A 355 | 411N1510-5SP | . | GRILLE ASSY-20.5 POSITION DATA: RH SIDE USED ON: 411N1500-2028 411N1500-2328SP FUNCTIONAL REFERENCE: PLACARDS AND MARKINGS FOR DETAILS SEE 11-21-22-02 | 504903 | 3 |
| 360 | 411N1510-5SP | . | GRILLE ASSY-20.5 POSITION DATA: LH SIDE FUNCTIONAL REFERENCE: PLACARDS AND MARKINGS FOR DETAILS SEE 11-21-22-02 | 504903 | 4 |
| 375 | 411N1522-1 | .. | SPRING-RTNR CLIP POSITION DATA: RH SIDE | 504903 | 1 |
| 380 | 411N1522-1 | .. | SPRING-RTNR CLIP POSITION DATA: LH SIDE | 504903 | 1 |
| 385 | 6100-12 | .. | RETAINER-CLIP SUPPLIER CODE: V97464 POSITION DATA: LH SIDE | 504903 | 4 |
| 390 | 6100-12 | .. | RETAINER-CLIP SUPPLIER CODE: V97464 POSITION DATA: LH SIDE | 504903 | 4 |
| 395 | 411N1522-4 | .. | PIN-HINGE POSITION DATA: RH SIDE OPTIONAL PART: 411N1522-5 | 504903 | 2 |
| 395 | 411N1522-5 | .. | PIN-HINGE POSITION DATA: RH SIDE OPTIONAL PART: 411N1522-4 | 504903 | 2 |
| 400 | 411N1522-4 | .. | PIN-HINGE POSITION DATA: LH SIDE OPTIONAL PART: 411N1522-5 | 504903 | 2 |

MISSING ITEM NUMBERS NOT APPLICABLE

- ITEM NOT ILLUSTRATED

21-23-05-05A

21-23-05
FIG. 05A
PAGE 8
JAN 20/09

BRI

BOEING PROPRIETARY - Copyright © - Unpublished Work - See title page for details.



757

PARTS CATALOG (MAINTENANCE)

| FIG ITEM | PART NUMBER | 1 2 3 4 5 6 7 | NOMENCLATURE | EFFECT FROM TO | UNITS PER ASSY |
|----------|--------------|---------------|---|----------------|----------------|
| 5A | | | | | |
| 400 | 411N1522-5 | .. | PIN-HINGE POSITION DATA: LH SIDE OPTIONAL PART: 411N1522-4 | 504903 | 2 |
| 405 | 411N1527-1 | .. | PAD- POSITION DATA: RH SIDE | 504903 | 2 |
| 410 | 411N1527-1 | .. | PAD- POSITION DATA: LH SIDE | 504903 | 2 |
| 415 | 411N1521-1SP | .. | LATCH- POSITION DATA: RH SIDE | 504903 | 2 |
| 420 | 411N1521-1SP | .. | LATCH- POSITION DATA: LH SIDE | 504903 | 2 |
| 425 | 411N1527-2 | .. | PAD- POSITION DATA: RH SIDE | 504903 | 2 |
| 430 | 411N1527-2 | .. | PAD- POSITION DATA: LH SIDE | 504903 | 2 |
| 435 | 411N1528-1 | .. | BAFFLE- POSITION DATA: RH SIDE | 504903 | 1 |
| 440 | 411N1528-1 | .. | BAFFLE- POSITION DATA: LH SIDE | 504903 | 1 |
| - 445 | 6100-12 | .. | ATTACHING PARTS RETAINER-CLIP SUPPLIER CODE: V97464 POSITION DATA: LH SIDE | 504903 | 5 |
| - 450 | 6100-12 | .. | RETAINER-CLIP SUPPLIER CODE: V97464 POSITION DATA: LH SIDE | 504903 | 5 |
| 455 | 411N1520-1SP | .. | GRILLE-MOLDED POSITION DATA: RH SIDE | 504903 | 1 |
| 460 | 411N1520-1SP | .. | GRILLE-MOLDED POSITION DATA: LH SIDE | 504903 | 1 |

MISSING ITEM NUMBERS NOT APPLICABLE

- ITEM NOT ILLUSTRATED

21-23-05-05A

21-23-05
FIG. 05A
PAGE 9
JAN 20/09

BRI

BOEING PROPRIETARY - Copyright © - Unpublished Work - See title page for details.



757

PARTS CATALOG (MAINTENANCE)

| FIG ITEM | PART NUMBER | 1 2 3 4 5 6 7 | NOMENCLATURE | EFFECT FROM TO | UNITS PER ASSY |
|-----------|---------------|---------------|---|----------------|----------------|
| 5A 465 | 411N1510-18SP | . | GRILLE ASSY-20.5 POSITION DATA: LH SIDE FUNCTIONAL REFERENCE: PLACARDS AND MARKINGS FOR DETAILS SEE 11-21-22-02 | 504903 | 2 |
| 475 | 411N1522-1 | .. | SPRING-RTNR CLIP | 504903 | 1 |
| 480 | 411N1527-3 | .. | PAD | 504903 | 1 |
| 485 | 6100-12 | .. | RETAINER-CLIP SUPPLIER CODE: V97464 | 504903 | 2 |
| 490 | 6100-12 | .. | RETAINER-CLIP SUPPLIER CODE: V97464 | 504903 | 4 |
| 495 | 411N1522-4 | .. | PIN-HINGE OPTIONAL PART: 411N1522-5 | 504903 | 2 |
| 495 | 411N1522-5 | .. | PIN-HINGE OPTIONAL PART: 411N1522-4 | 504903 | 2 |
| 500 | 411N1527-1 | .. | PAD | 504903 | 2 |
| 505 | 411N1521-2SP | .. | LATCH | 504903 | 2 |
| 510 | 411N1527-2 | .. | PAD | 504903 | 2 |
| 515 | 411N1528-1 | .. | BAFFLE | 504903 | 1 |
| 520 | 6100-12 | .. | RETAINER-CLIP SUPPLIER CODE: V97464 | 504903 | 5 |
| 525 | 411N1520-1SP | .. | GRILLE-MOLDED | 504903 | 1 |

MISSING ITEM NUMBERS NOT APPLICABLE

- ITEM NOT ILLUSTRATED

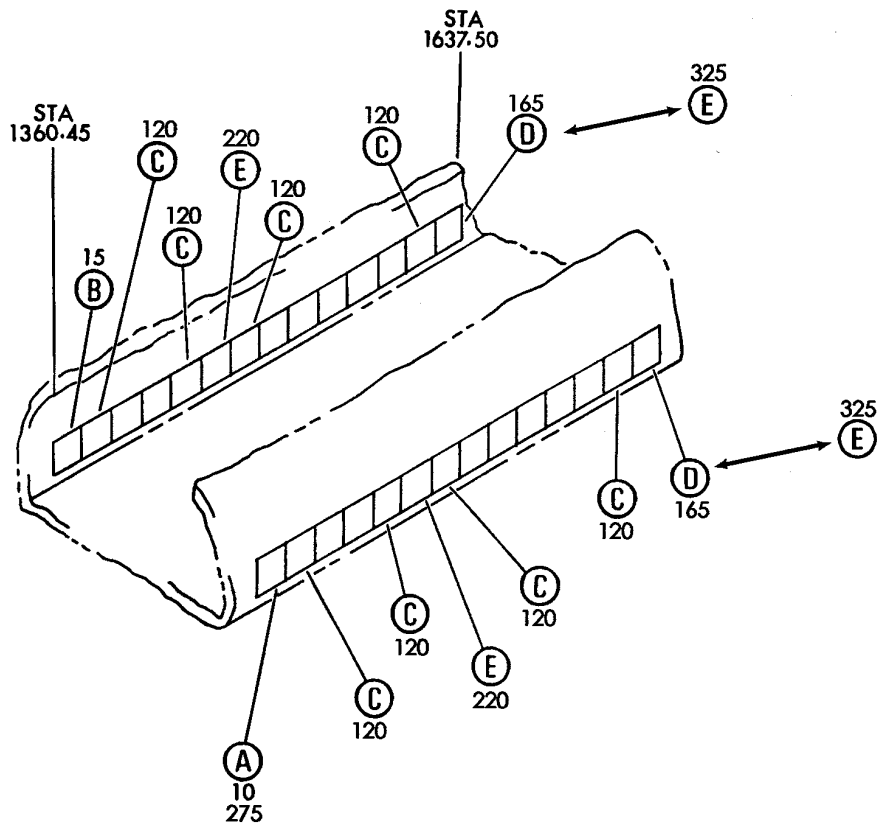
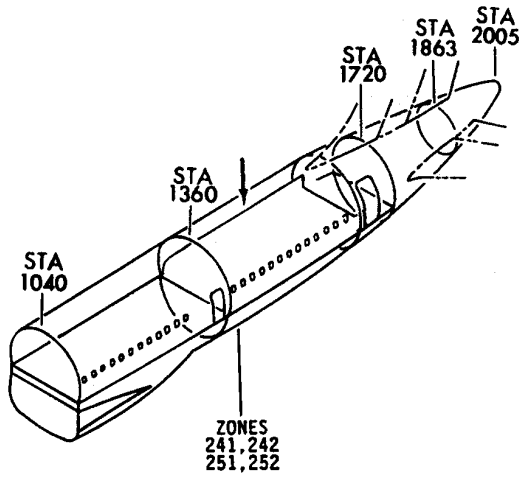
21-23-05-05A

21-23-05
FIG. 05A
PAGE 10
JAN 20/09

BRI

BOEING PROPRIETARY - Copyright © - Unpublished Work - See title page for details.

BOEING
757
PARTS CATALOG (MAINTENANCE)



Y 21-23-05-05B SH 1 REV 212

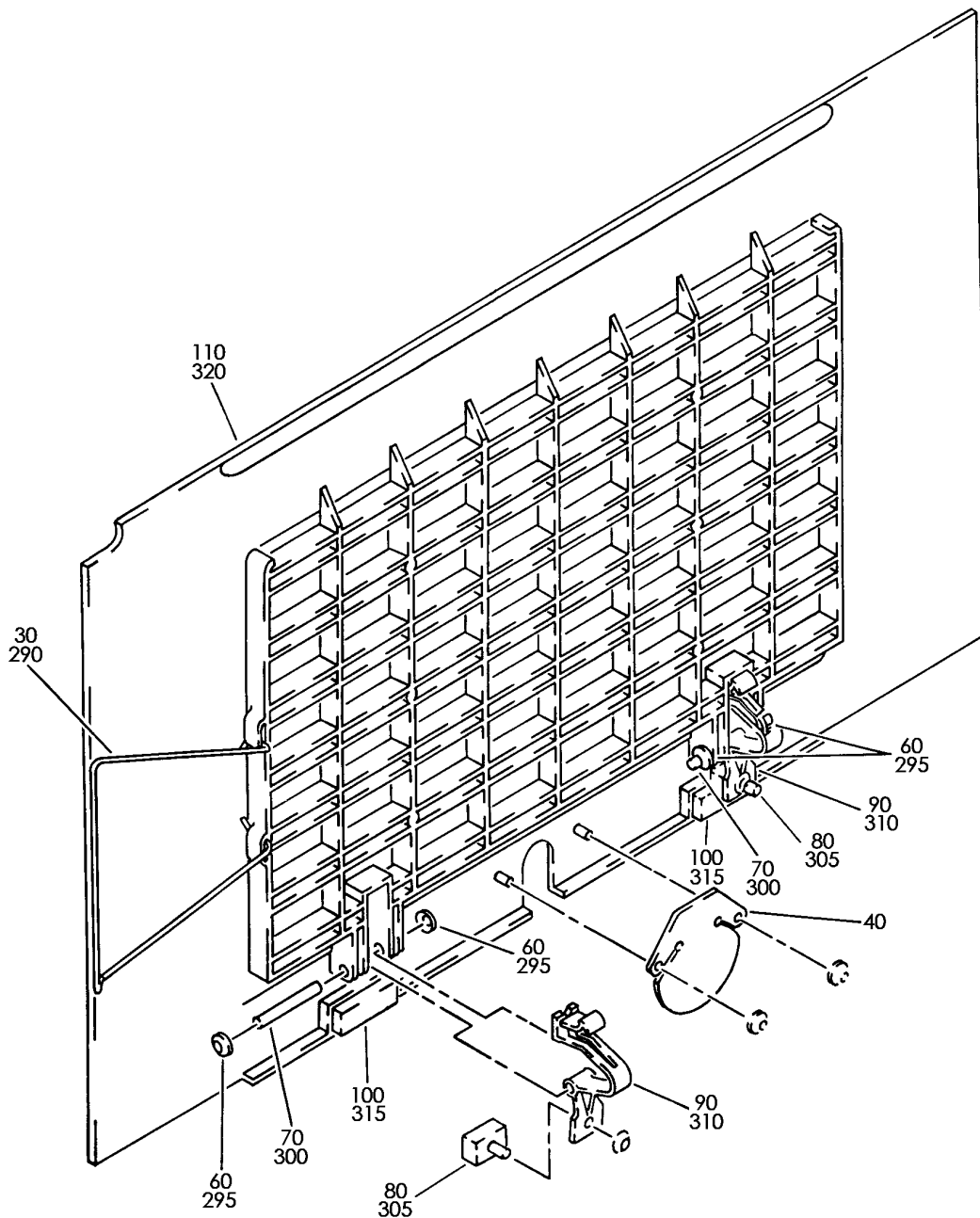
GRILLE INSTL-AIR RETURN PASS. CAB. (STA 1360.45 TO STA 1638.00)
FIGURE 5B (SHEET 1)

21-23-05-05B

BRI
JAN 20/09

21-23-05-05B
PAGE 0

BOEING
757
PARTS CATALOG (MAINTENANCE)



Y 21230505B SHT 2 REV 227

(A)

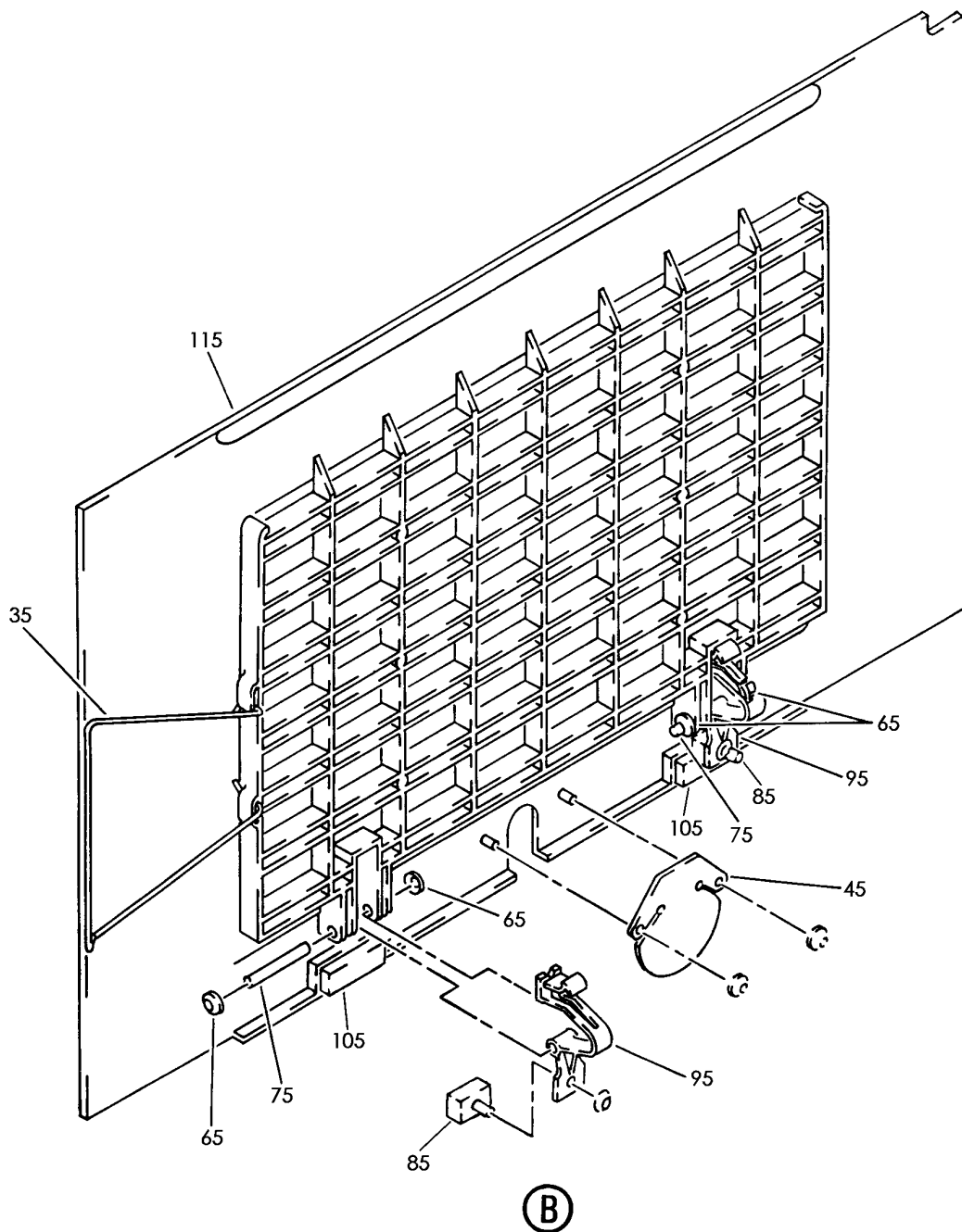
GRILLE INSTL-AIR RETURN PASS. CAB. (STA 1360.45 TO STA 1638.00)
FIGURE 5B (SHEET 2)

BRI
JAN 20/09

21-23-05-05B

21-23-05-05B
PAGE 0A

BOEING
757
PARTS CATALOG (MAINTENANCE)



Y 21230505B SHT 3 REV 227

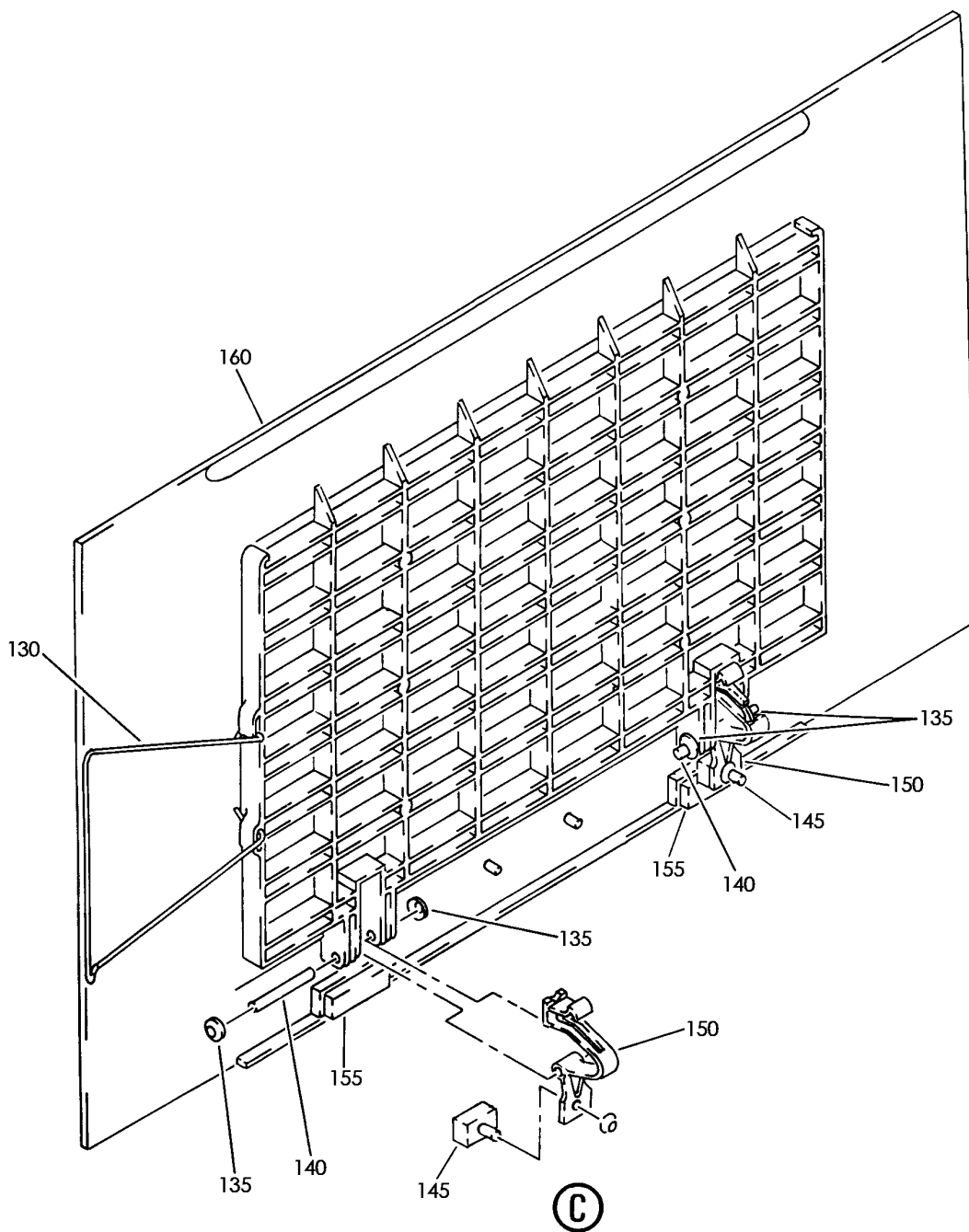
GRILLE INSTL-AIR RETURN PASS. CAB. (STA 1360.45 TO STA 1638.00)
FIGURE 5B (SHEET 3)

21-23-05-05B

BRI
JAN 20/09

21-23-05-05B
PAGE 0B

BOEING
757
PARTS CATALOG (MAINTENANCE)



Y 21230505B SHT 4 REV 227

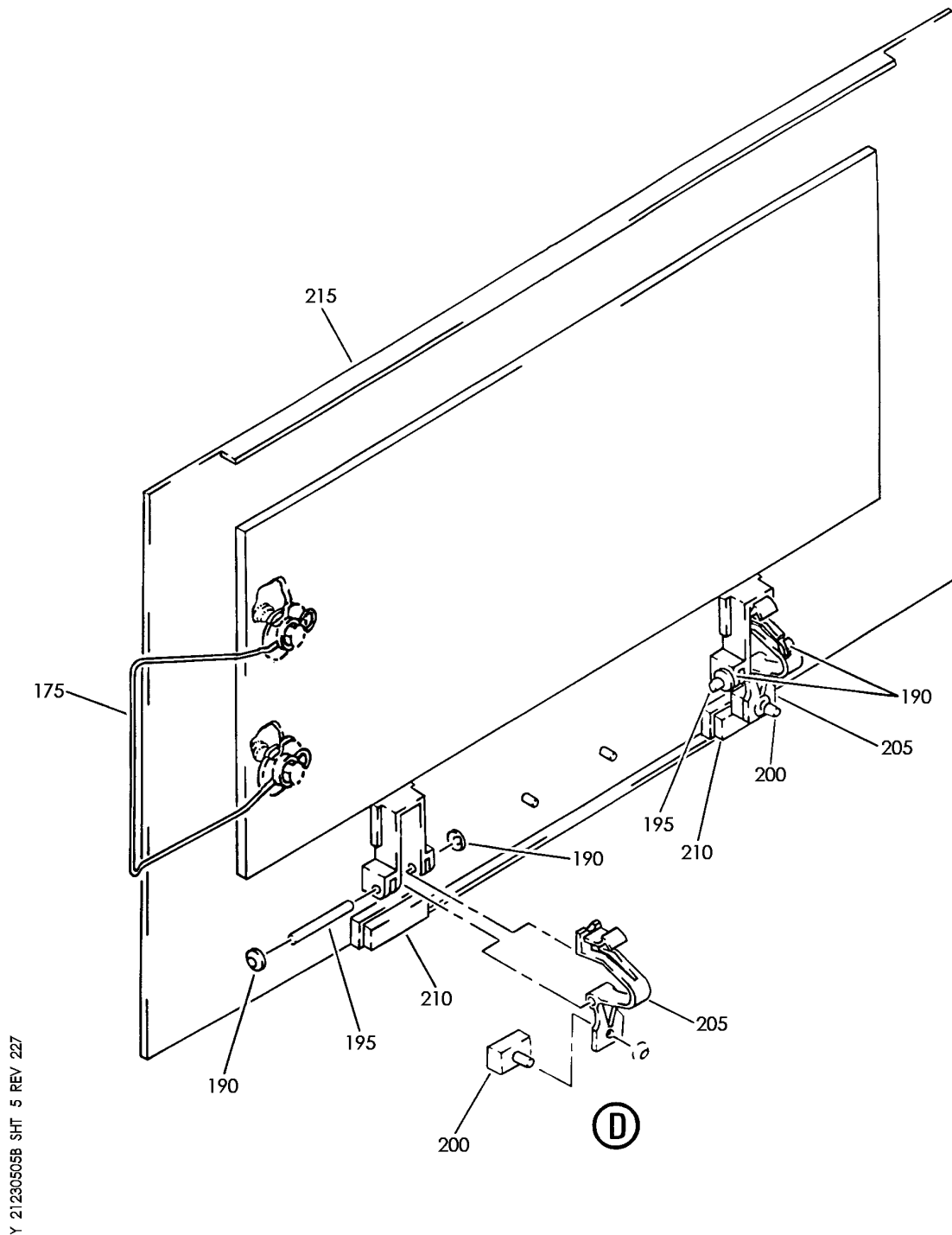
GRILLE INSTL-AIR RETURN PASS. CAB. (STA 1360.45 TO STA 1638.00)
FIGURE 5B (SHEET 4)

21-23-05-05B

BRI
JAN 20/09

21-23-05-05B
PAGE 0C

BOEING
757
PARTS CATALOG (MAINTENANCE)



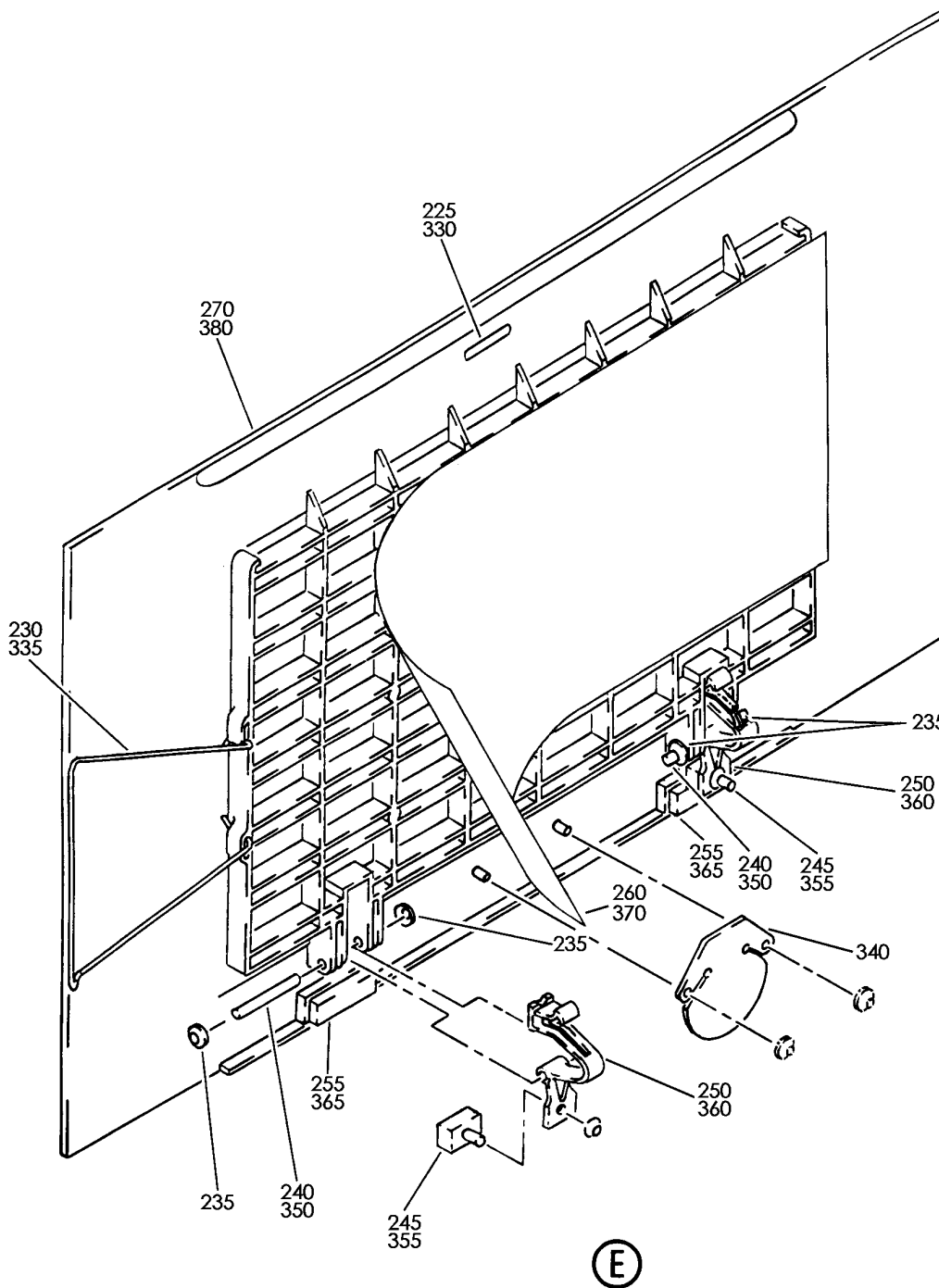
GRILLE INSTL-AIR RETURN PASS. CAB. (STA 1360.45 TO STA 1638.00)
FIGURE 5B (SHEET 5)

21-23-05-05B

BRI
JAN 20/09

21-23-05-05B
PAGE 0D

BOEING
757
PARTS CATALOG (MAINTENANCE)



Y 21230505B SHT 6 REV 227

GRILLE INSTL-AIR RETURN PASS. CAB. (STA 1360.45 TO STA 1638.00)
FIGURE 5B (SHEET 6)

21-23-05-05B

BRI
JAN 20/09

21-23-05-05B
PAGE 0E



757

PARTS CATALOG (MAINTENANCE)

| FIG ITEM | PART NUMBER | 1 2 3 4 5 6 7 | NOMENCLATURE | EFFECT FROM TO | UNITS PER ASSY |
|----------|-----------------|---------------|--|----------------|----------------|
| 5B | | | GRILLE INSTL-AIR RETURN PASS. CAB. (STA 1360.45 TO STA 1638.00) | 504903 | |
| - 1 | 411N1500-2329SP | | GRILLE INSTL-AIR RETURN PASS. CAB. POSITION DATA: STA 1360.45 TO STA 1638.00 LH FOR NHA/ADDITIONAL DET SEE: 25-20-00-07 | 504903 | RF |
| - 5 | 411N1500-2328SP | | GRILLE INSTL-AIR RETURN PASS. CAB. POSITION DATA: STA 1360.45 TO STA 1637.50 RH FOR NHA/ADDITIONAL DET SEE: 25-20-00-07 | 504903 | RF |
| 10 | 411N1510-44SP | | .GRILLE ASSY-22.5 IN. POSITION DATA: LH SIDE FUNCTIONAL REFERENCE: PLACARDS AND MARKINGS FOR DETAILS SEE 11-21-22-02 | 504903 | 1 |
| 15 | 411N1510-43SP | | .GRILLE ASSY-22.5 IN. POSITION DATA: RH SIDE FUNCTIONAL REFERENCE: PLACARDS AND MARKINGS FOR DETAILS SEE 11-21-22-02 | 504903 | 1 |
| 30 | 411N1522-2 | | ..SPRING-RTNR CLIP POSITION DATA: LH SIDE | 504903 | 1 |
| 35 | 411N1522-2 | | ..SPRING-RTNR CLIP POSITION DATA: RH SIDE | 504903 | 1 |
| 40 | 411N1527-3 | | ..PAD- POSITION DATA: LH SIDE | 504903 | 1 |
| 45 | 411N1527-3 | | ..PAD- POSITION DATA: RH SIDE | 504903 | 1 |

MISSING ITEM NUMBERS NOT APPLICABLE

- ITEM NOT ILLUSTRATED

21-23-05-05B

21-23-05
FIG. 05B
PAGE 1
JAN 20/09

BRI



757

PARTS CATALOG (MAINTENANCE)

| FIG ITEM | PART NUMBER | 1 2 3 4 5 6 7 | NOMENCLATURE | EFFECT FROM TO | UNITS PER ASSY |
|----------|-------------|---------------|--|----------------|----------------|
| 5B | | | ATTACHING PARTS | | |
| - 50 | 6100-12 | | ..RETAINER-CLIP SUPPLIER CODE: V97464 POSITION DATA: LH SIDE | 504903 | 2 |
| - 55 | 6100-12 | | ..RETAINER-CLIP SUPPLIER CODE: V97464 POSITION DATA: RH SIDE | 504903 | 2 |
| | | | -----*----- | | |
| 60 | 6100-12 | | ..RETAINER-CLIP SUPPLIER CODE: V97464 POSITION DATA: LH SIDE | 504903 | 4 |
| 65 | 6100-12 | | ..RETAINER-CLIP SUPPLIER CODE: V97464 POSITION DATA: RH SIDE | 504903 | 4 |
| 70 | 411N1522-4 | | ..PIN-HINGE POSITION DATA: LH SIDE OPTIONAL PART: 411N1522-5 | 504903 | 2 |
| 70 | 411N1522-5 | | ..PIN-HINGE POSITION DATA: LH SIDE OPTIONAL PART: 411N1522-4 | 504903 | 2 |
| 75 | 411N1522-4 | | ..PIN-HINGE POSITION DATA: RH SIDE OPTIONAL PART: 411N1522-5 | 504903 | 2 |
| 75 | 411N1522-5 | | ..PIN-HINGE POSITION DATA: RH SIDE OPTIONAL PART: 411N1522-4 | 504903 | 2 |
| 80 | 411N1527-1 | | ..PAD- POSITION DATA: LH SIDE | 504903 | 2 |
| 85 | 411N1527-1 | | ..PAD- POSITION DATA: RH SIDE | 504903 | 2 |

MISSING ITEM NUMBERS NOT APPLICABLE

- ITEM NOT ILLUSTRATED

21-23-05-05B

21-23-05
FIG. 05B
PAGE 2
JAN 20/09

BRI

BOEING PROPRIETARY - Copyright © - Unpublished Work - See title page for details.

 **BOEING**
757
PARTS CATALOG (MAINTENANCE)

| FIG ITEM | PART NUMBER | 1 2 3 4 5 6 7 | NOMENCLATURE | EFFECT FROM TO | UNITS PER ASSY |
|----------|--------------|---------------|--|----------------|----------------|
| 5B | | | | | |
| 90 | 411N1521-1SP | .. | LATCH- POSITION DATA: LH SIDE | 504903 | 2 |
| 95 | 411N1521-1SP | .. | LATCH- POSITION DATA: RH SIDE | 504903 | 2 |
| 100 | 411N1527-2 | .. | PAD- POSITION DATA: LH SIDE | 504903 | 2 |
| 105 | 411N1527-2 | .. | PAD- POSITION DATA: RH SIDE | 504903 | 2 |
| 110 | 411N1520-2SP | .. | GRILLE-MOLDED POSITION DATA: LH SIDE | 504903 | 1 |
| 115 | 411N1520-2SP | .. | GRILLE-MOLDED POSITION DATA: RH SIDE | 504903 | 1 |
| 120 | 411N1510-1SP | . | GRILLE ASSY-20.5 FUNCTIONAL REFERENCE: PLACARDS AND MARKINGS FOR DETAILS SEE 11-21-22-02 | 504903 | 11 |
| 130 | 411N1522-1 | .. | SPRING-RTNR CLIP | 504903 | 1 |
| 135 | 6100-12 | .. | RETAINER-CLIP SUPPLIER CODE: V97464 | 504903 | 4 |
| 145 | 411N1527-1 | .. | PAD | 504903 | 2 |
| 150 | 411N1521-1SP | .. | LATCH | 504903 | 2 |
| 155 | 411N1527-2 | .. | PAD | 504903 | 2 |
| 160 | 411N1520-1SP | .. | GRILLE-MOLDED | 504903 | 1 |
| 220 | 411N1510-5SP | . | GRILLE ASSY-20.5 FUNCTIONAL REFERENCE: PLACARDS AND MARKINGS FOR DETAILS SEE 11-21-22-02 | 504903 | 1 |
| 230 | 411N1522-1 | .. | SPRING-RTNR CLIP | 504903 | 1 |
| 235 | 6100-12 | .. | RETAINER-CLIP SUPPLIER CODE: V97464 | 504903 | 4 |
| 245 | 411N1527-1 | .. | PAD | 504903 | 2 |
| 250 | 411N1521-1SP | .. | LATCH | 504903 | 2 |
| 255 | 411N1527-2 | .. | PAD | 504903 | 2 |
| 260 | 411N1528-1 | .. | BAFFLE ATTACHING PARTS | 504903 | 1 |
| - 265 | 6100-12 | .. | RETAINER-CLIP SUPPLIER CODE: V97464 -----*----- | 504903 | 5 |

MISSING ITEM NUMBERS NOT APPLICABLE

- ITEM NOT ILLUSTRATED

BRI

21-23-05-05B

BOEING PROPRIETARY - Copyright © - Unpublished Work - See title page for details.

21-23-05
FIG. 05B
PAGE 3
JAN 20/09



757

PARTS CATALOG (MAINTENANCE)

| FIG ITEM | PART NUMBER | 1 2 3 4 5 6 7 | NOMENCLATURE | EFFECT FROM TO | UNITS PER ASSY |
|----------|---------------|-------------------|---|----------------|----------------|
| 5B | | | | | |
| 270 | 411N1520-1SP | .. | GRILLE-MOLDED | 504903 | 1 |
| 325 | 411N1510-18SP | .GRILLE ASSY-20.5 | | 504903 | 1 |
| | | | POSITION DATA: LH SIDE FUNCTIONAL REFERENCE: PLACARDS AND MARKINGS FOR DETAILS SEE 11-21-22-02 | | |
| 335 | 411N1522-1 | .. | SPRING-RTNR CLIP | 504903 | 1 |
| 340 | 411N1527-3 | .. | PAD | 504903 | 1 |
| | | | ATTACHING PARTS | | |
| - 345 | 6100-12 | .. | RETAINER-CLIP | 504903 | 2 |
| | | | SUPPLIER CODE: V97464 -----*----- | | |
| 355 | 411N1527-1 | .. | PAD | 504903 | 2 |
| 360 | 411N1521-2SP | .. | LATCH | 504903 | 2 |
| 365 | 411N1527-2 | .. | PAD | 504903 | 2 |
| 370 | 411N1528-1 | .. | BAFFLE | 504903 | 1 |
| | | | ATTACHING PARTS | | |
| - 375 | 6100-12 | .. | RETAINER-CLIP | 504903 | 5 |
| | | | SUPPLIER CODE: V97464 -----*----- | | |
| 380 | 411N1520-1SP | .. | GRILLE-MOLDED | 504903 | 1 |

MISSING ITEM NUMBERS NOT APPLICABLE

- ITEM NOT ILLUSTRATED

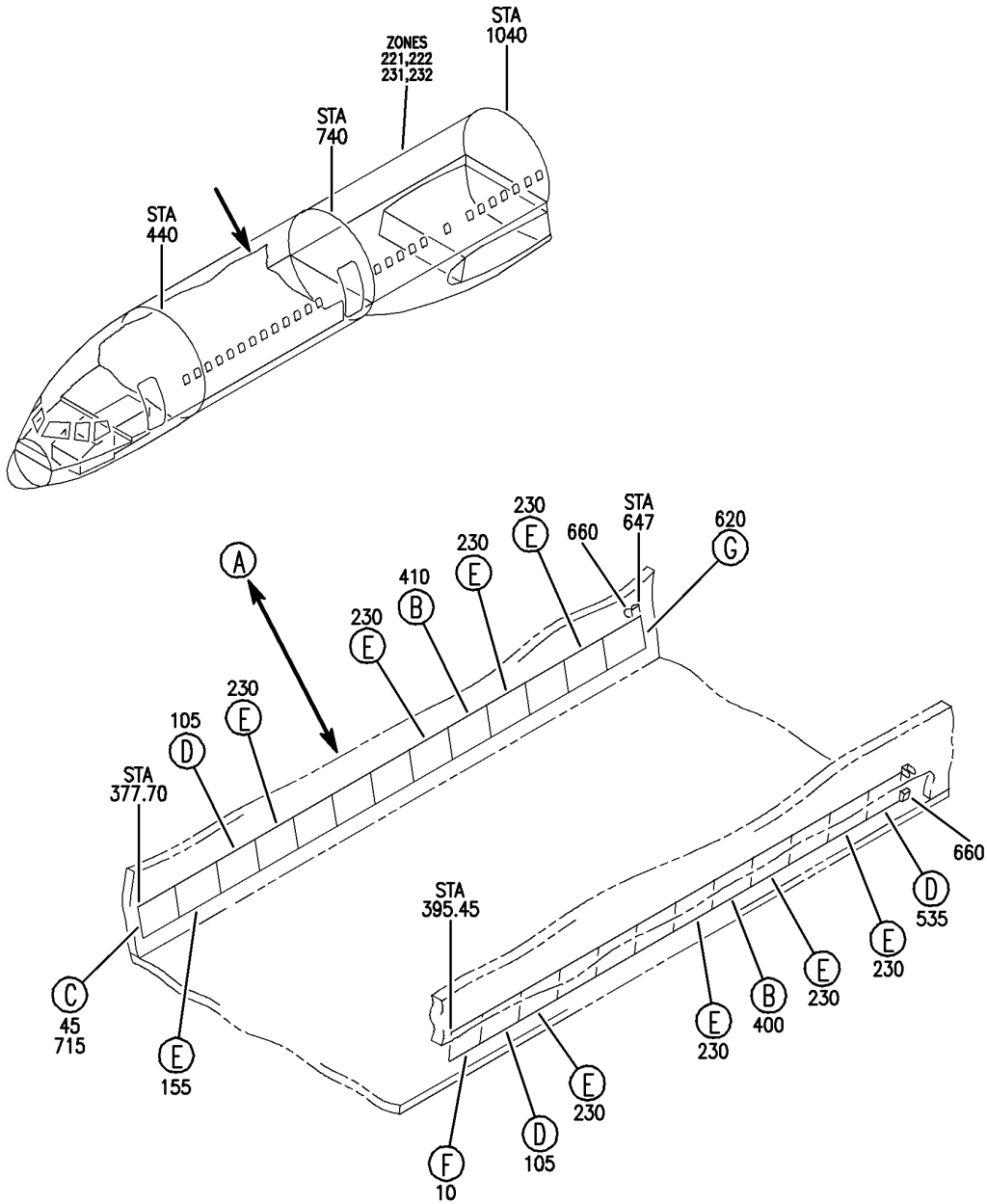
BRI

21-23-05-05B

BOEING PROPRIETARY - Copyright © - Unpublished Work - See title page for details.

21-23-05
FIG. 05B
PAGE 4
JAN 20/09

BOEING
757
PARTS CATALOG (MAINTENANCE)



Y 21230518C SHT 1 REV 229

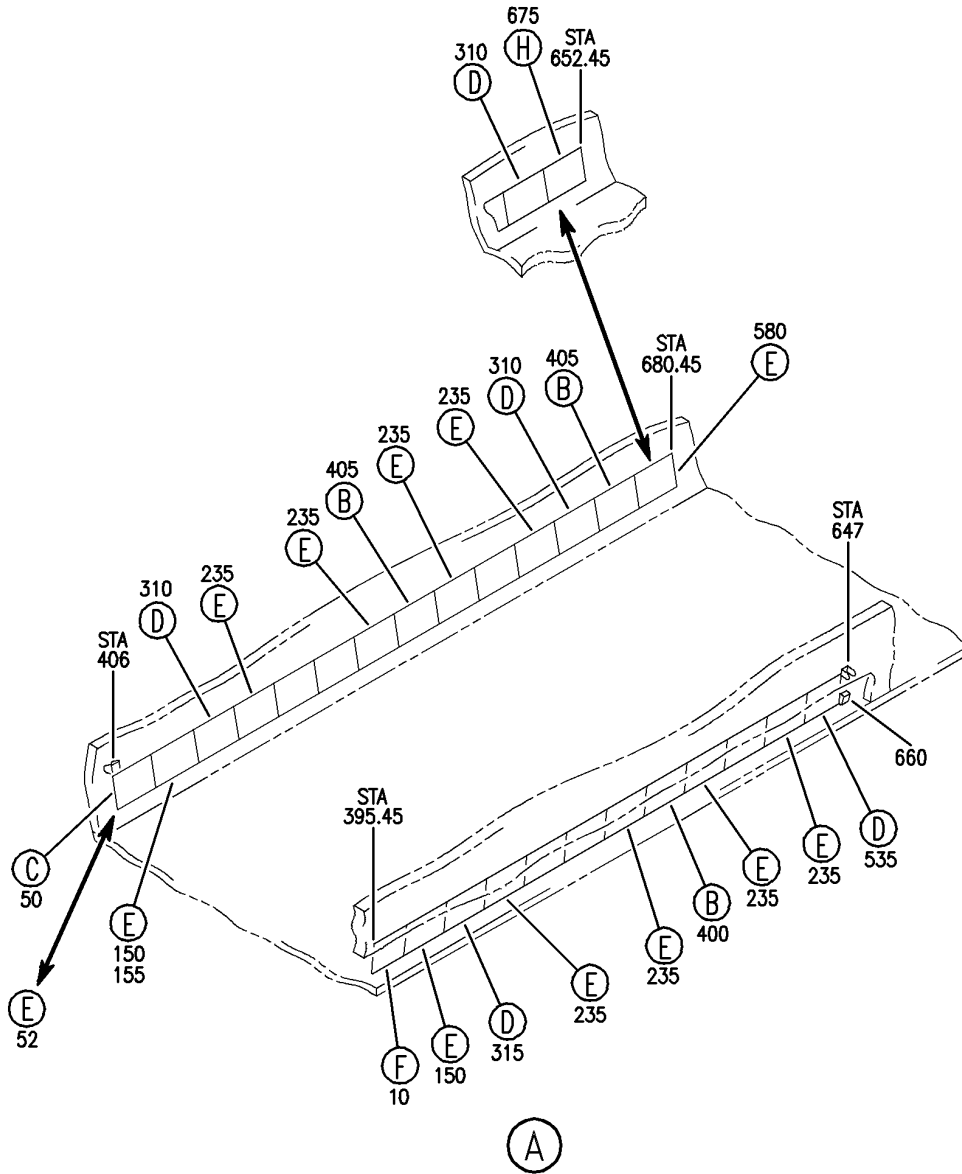
GRILLE INSTL-AIR RETURN PASS. CAB. STA 377.70 TO 680.45
FIGURE 18C (SHEET 1)

21-23-05-18C

BRI
JAN 20/09

21-23-05-18C
PAGE 0

BOEING
 757
 PARTS CATALOG (MAINTENANCE)



Y 21230518C SH1 2 REV 229

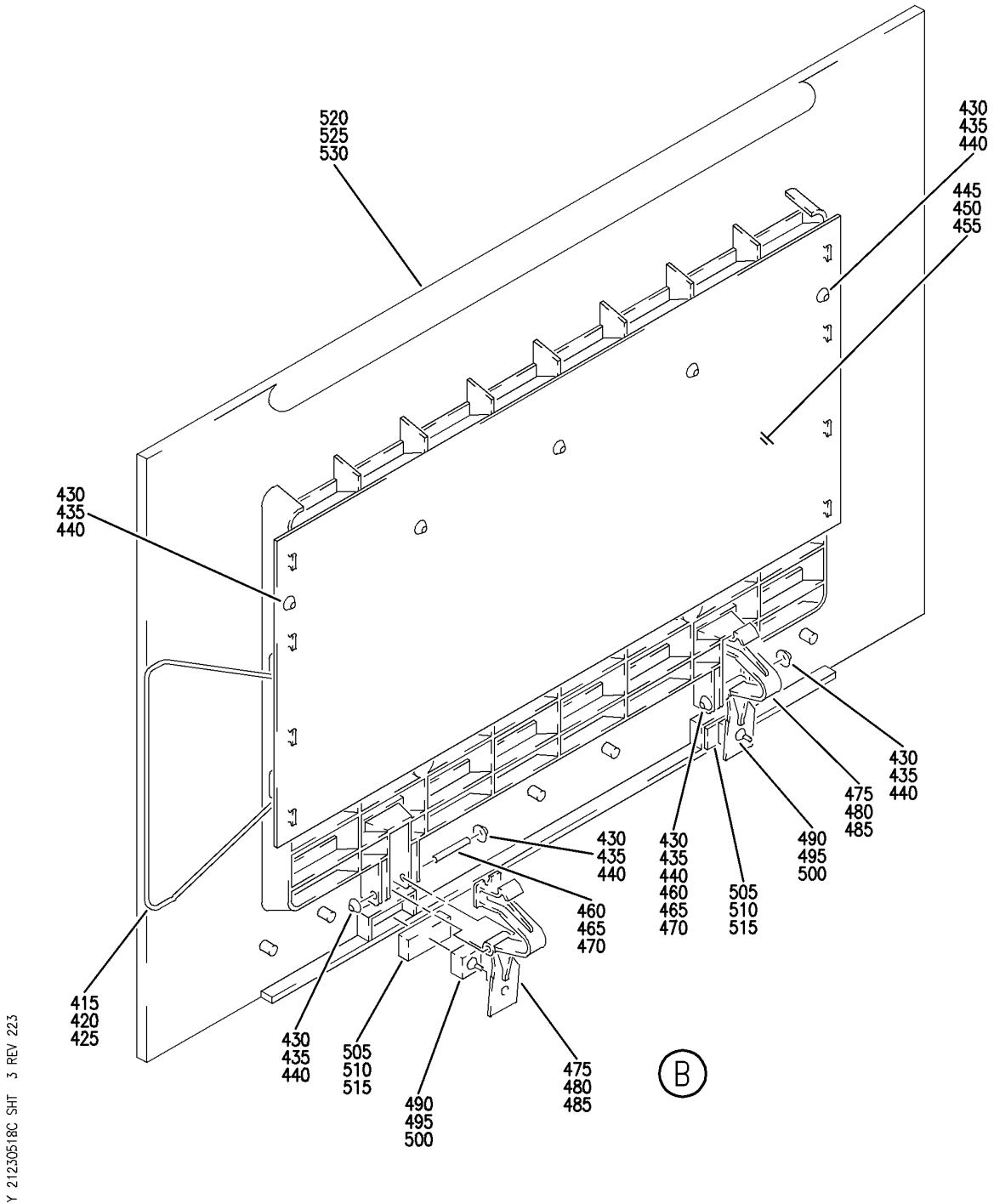
GRILLE INSTL-AIR RETURN PASS. CAB. STA 377.70 TO 680.45
 FIGURE 18C (SHEET 2)

21-23-05-18C

BRI
 JAN 20/09

21-23-05-18C
 PAGE 0A

BOEING
757
PARTS CATALOG (MAINTENANCE)



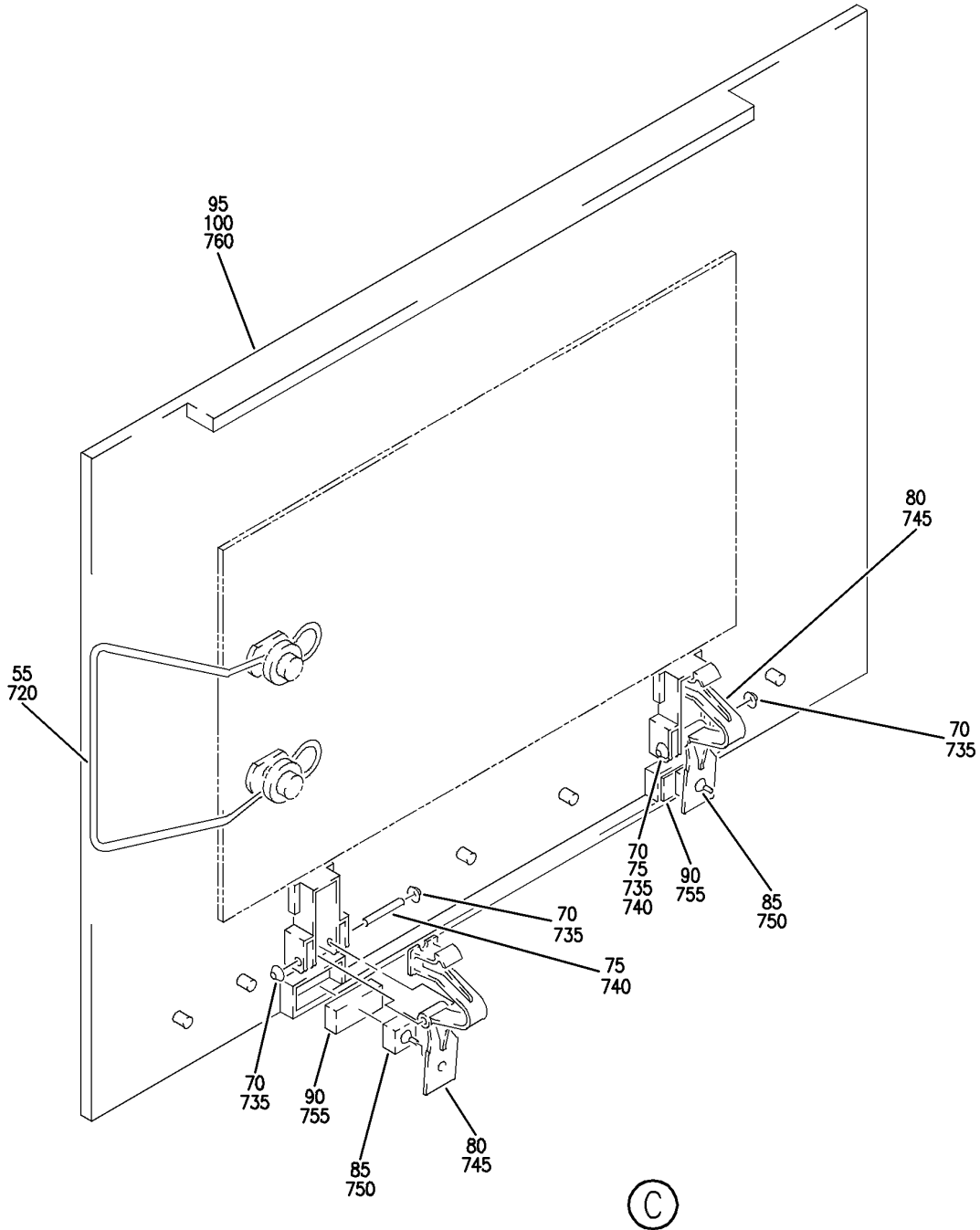
GRILLE INSTL-AIR RETURN PASS. CAB. STA 377.70 TO 680.45
FIGURE 18C (SHEET 3)

BRI
JAN 20/09

21-23-05-18C

21-23-05-18C
PAGE 0B

BOEING
757
PARTS CATALOG (MAINTENANCE)



Y 21230518C SHT 4 REV 229

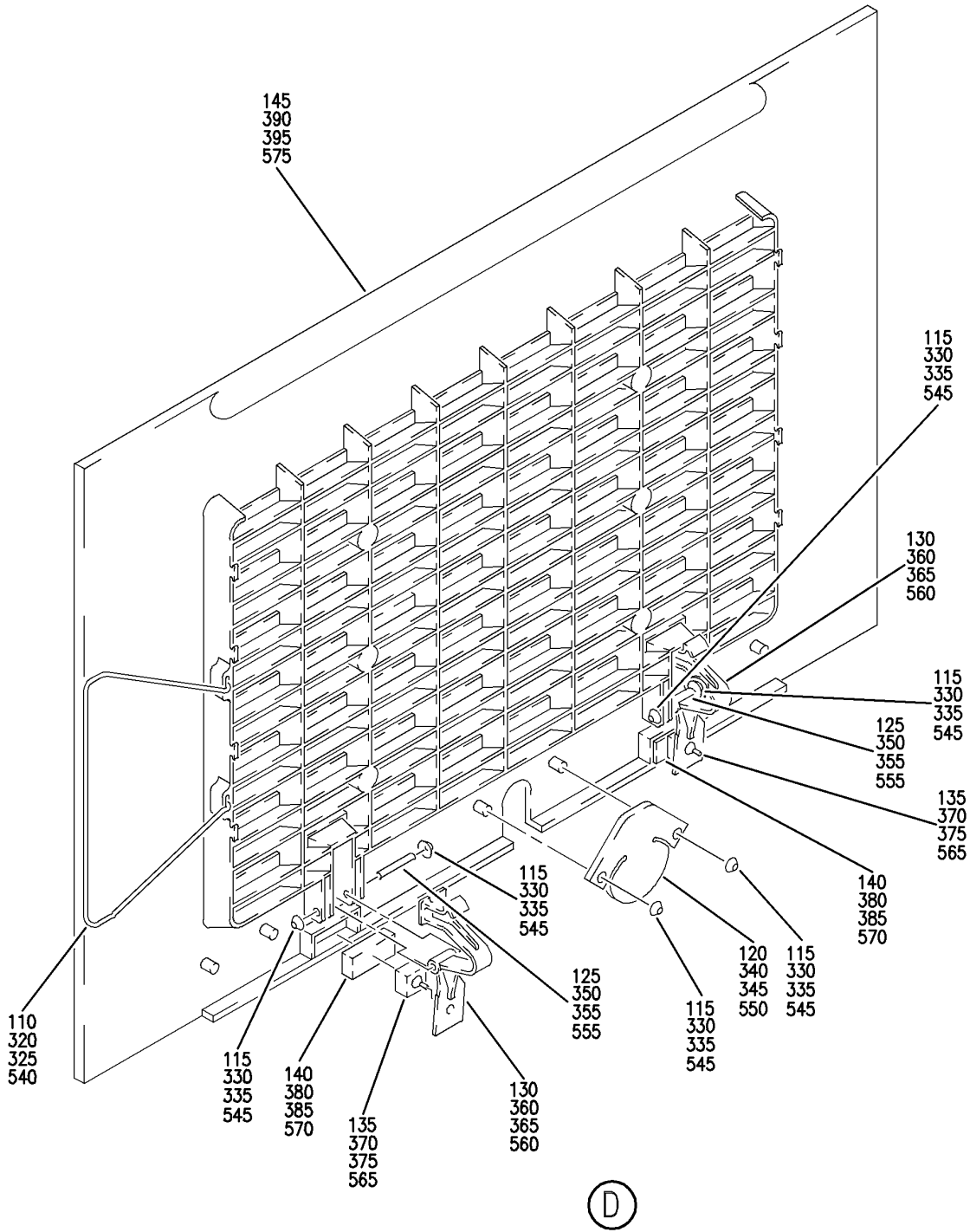
GRILLE INSTL-AIR RETURN PASS. CAB. STA 377.70 TO 680.45
FIGURE 18C (SHEET 4)

21-23-05-18C

BRI
JAN 20/09

21-23-05-18C
PAGE 0C

BOEING
757
PARTS CATALOG (MAINTENANCE)



Y 21230518C SHIT 5 REV 225

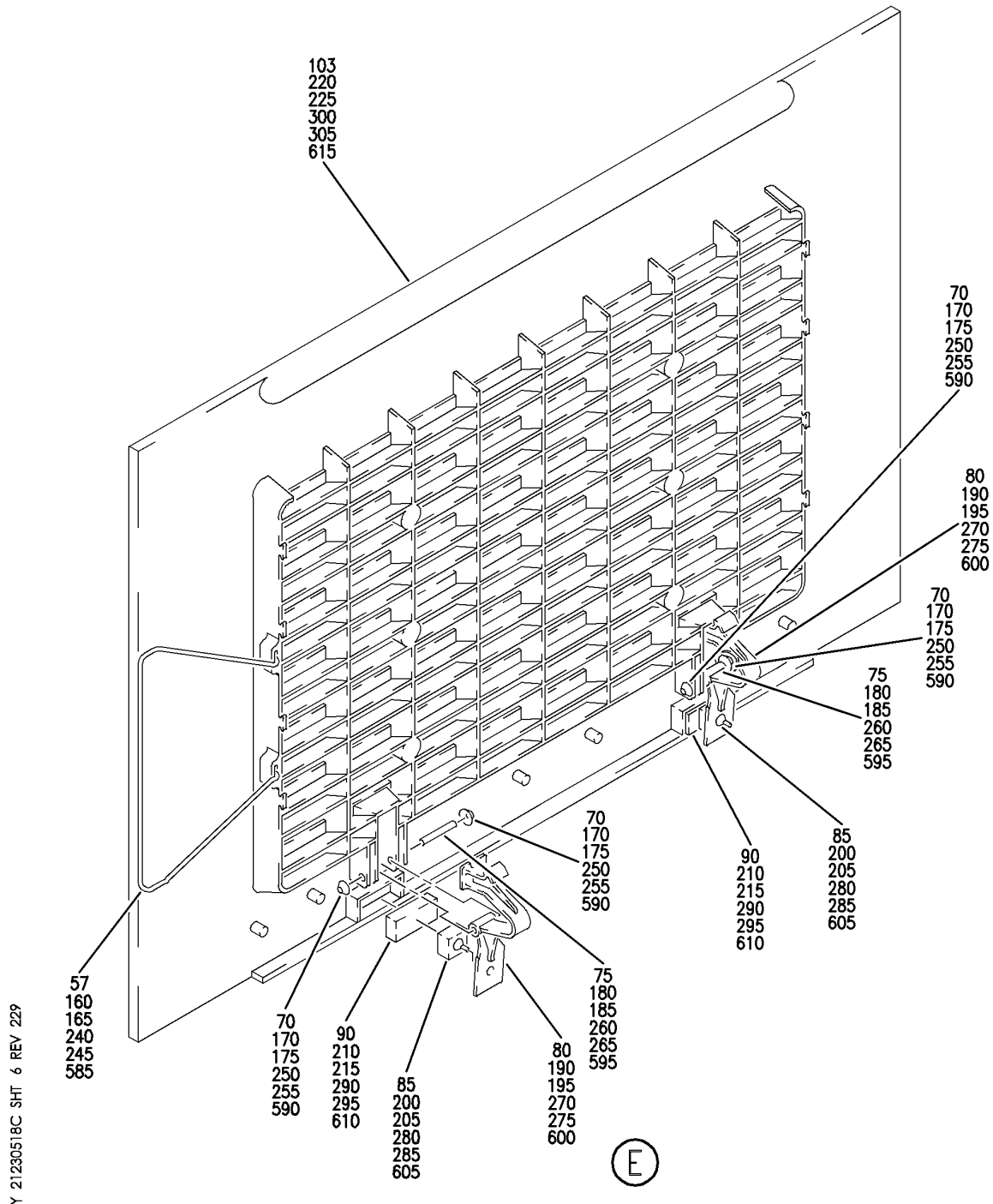
GRILLE INSTL-AIR RETURN PASS. CAB. STA 377.70 TO 680.45
FIGURE 18C (SHEET 5)

21-23-05-18C

BRI
JAN 20/09

21-23-05-18C
PAGE 0D

BOEING
757
PARTS CATALOG (MAINTENANCE)



Y 21230518C SH1 6 REV 229

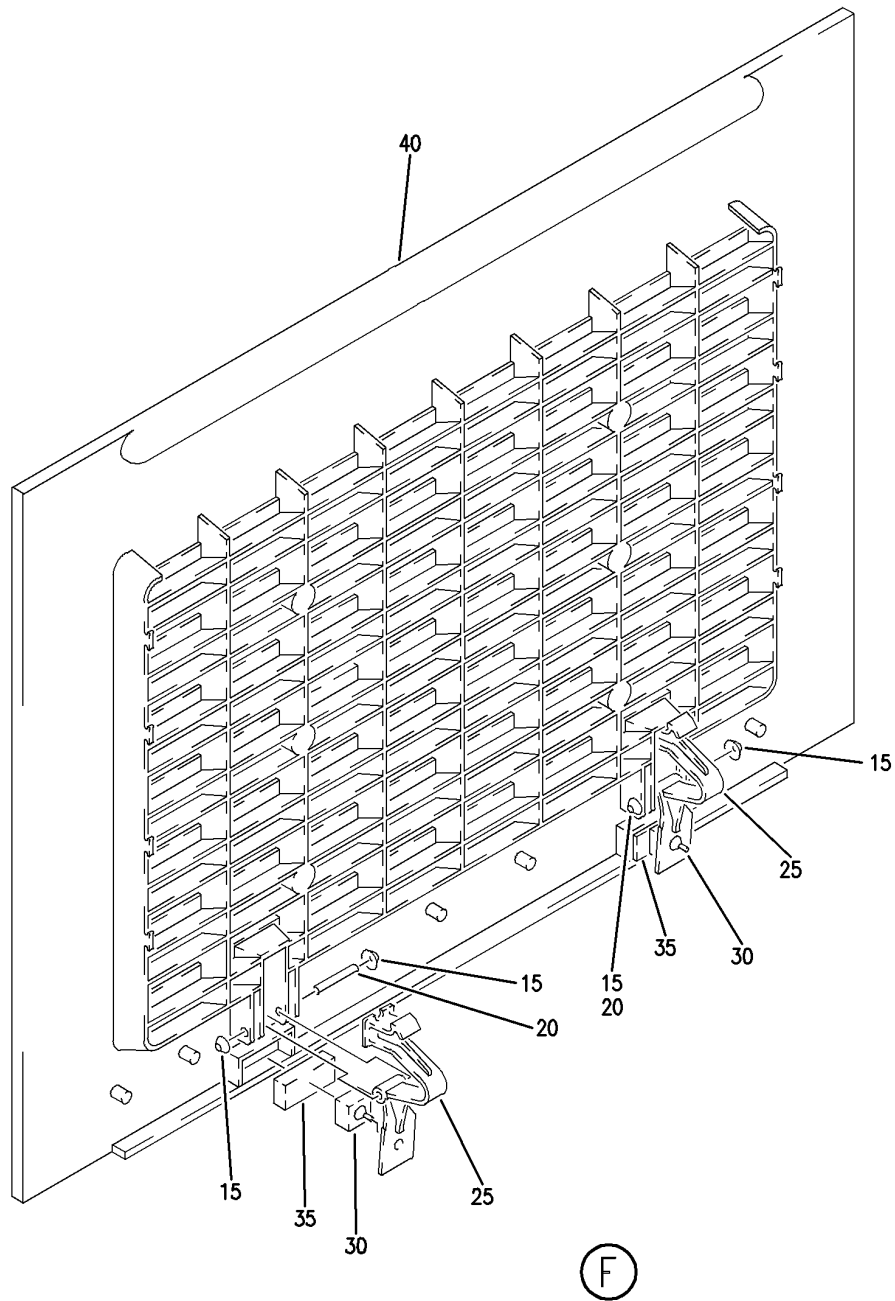
GRILLE INSTL-AIR RETURN PASS. CAB. STA 377.70 TO 680.45
FIGURE 18C (SHEET 6)

21-23-05-18C

BRI
JAN 20/09

21-23-05-18C
PAGE 0E

BOEING
757
PARTS CATALOG (MAINTENANCE)



Y 21230518C SHT 7 REV 225

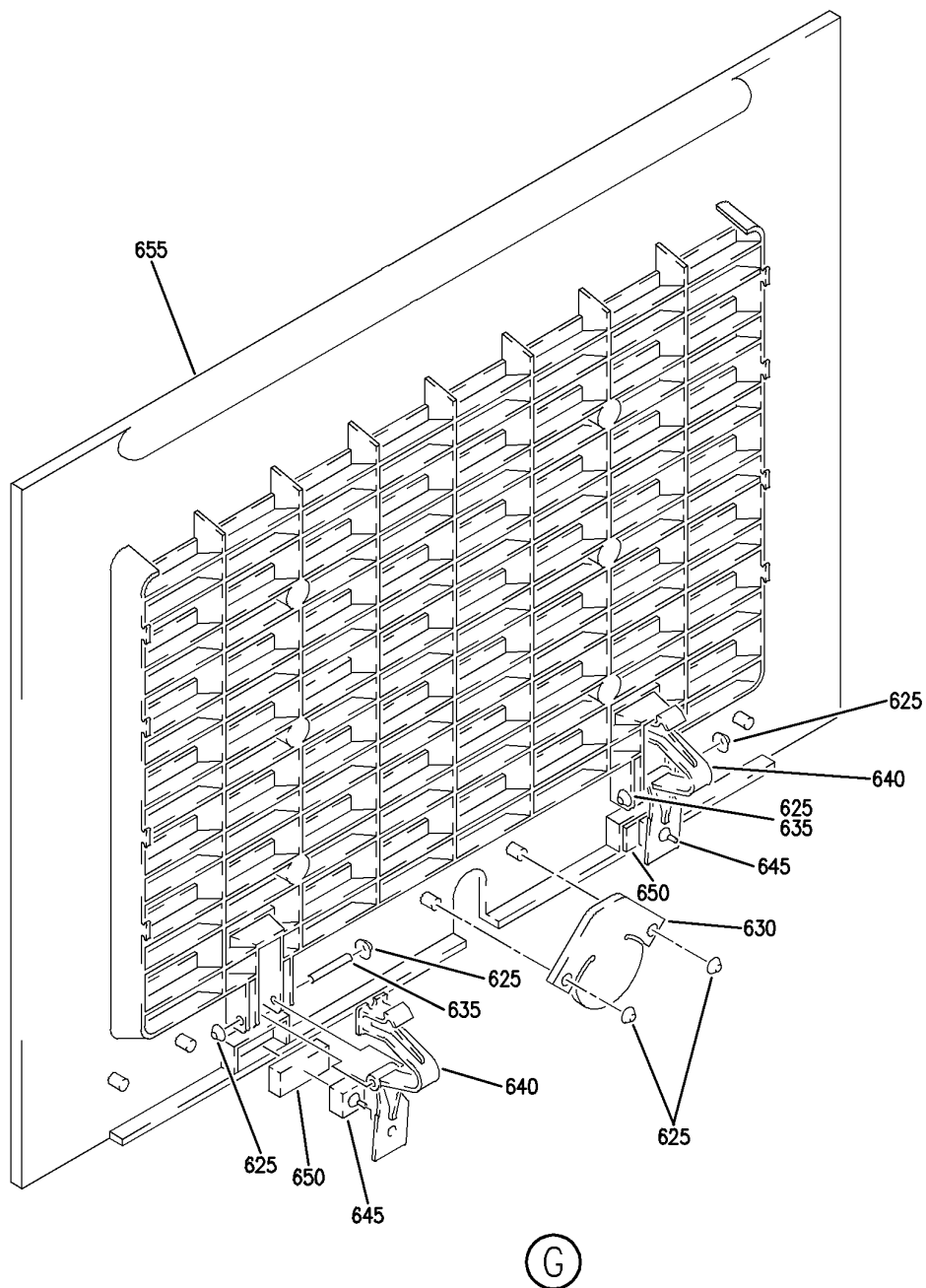
GRILLE INSTL-AIR RETURN PASS. CAB. STA 377.70 TO 680.45
FIGURE 18C (SHEET 7)

BRI
JAN 20/09

21-23-05-18C

21-23-05-18C
PAGE OF

BOEING
757
PARTS CATALOG (MAINTENANCE)



Y 21230518C SHT 8 REV 225

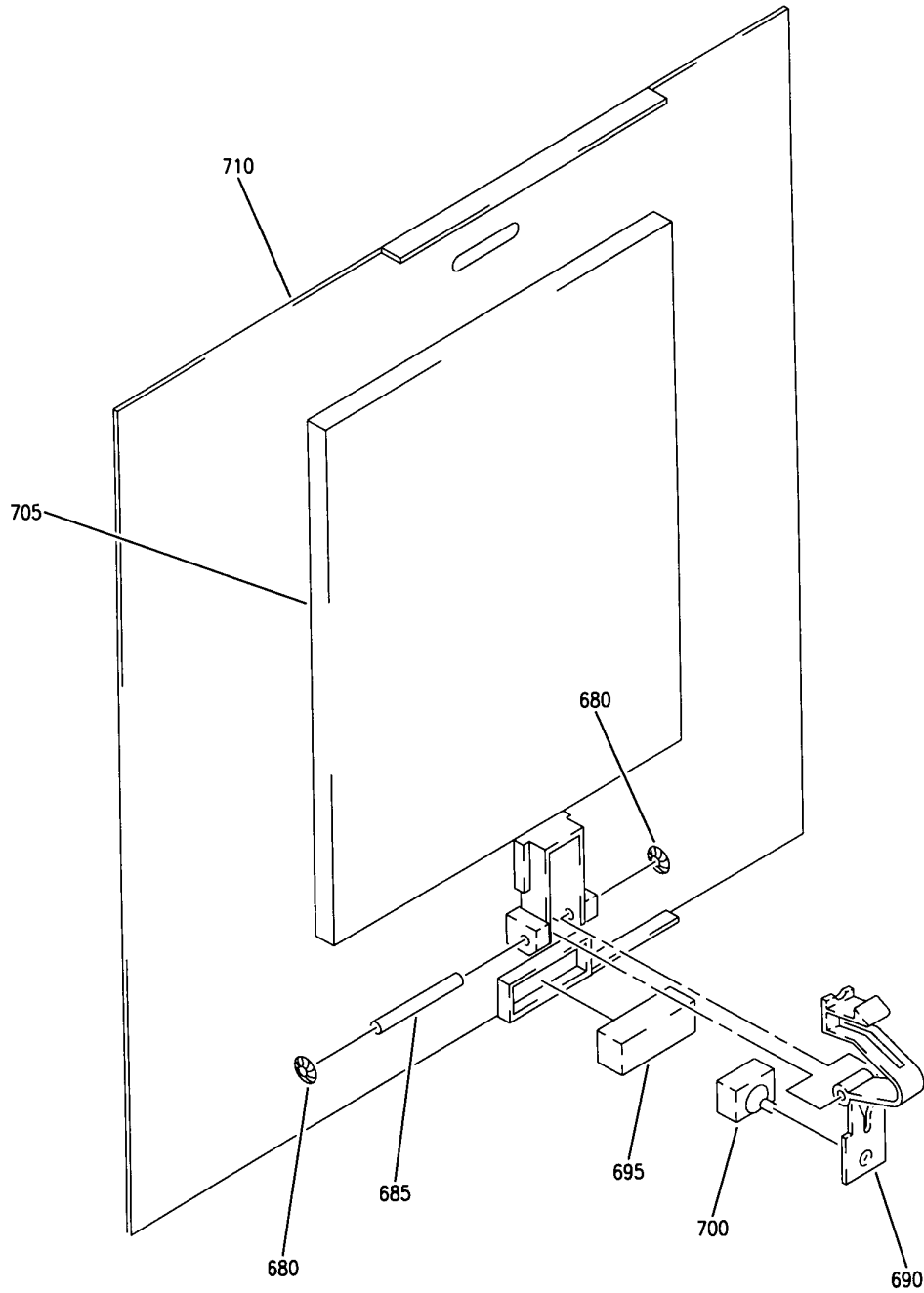
GRILLE INSTL-AIR RETURN PASS. CAB. STA 377.70 TO 680.45
FIGURE 18C (SHEET 8)

21-23-05-18C

BRI
JAN 20/09

21-23-05-18C
PAGE 08

BOEING
757
PARTS CATALOG (MAINTENANCE)



Y 21230518C SHT 9 REV 229



GRILLE INSTL-AIR RETURN PASS. CAB. STA 377.70 TO 680.45
FIGURE 18C (SHEET 9)

BRI
JAN 20/09

21-23-05-18C

21-23-05-18C
PAGE 0H



757

PARTS CATALOG (MAINTENANCE)

| FIG ITEM | PART NUMBER | 1 2 3 4 5 6 7 | NOMENCLATURE | EFFECT FROM TO | UNITS PER ASSY |
|----------|-----------------|---------------|--|----------------|----------------|
| 18C | | | GRILLE INSTL-AIR RETURN PASS. CAB. STA 377.70 TO 680.45 | 108120 | |
| - 1 | 411N1500-2047SP | | GRILLE INSTL-AIR RETURN PASS. CAB. POSITION DATA: STA 395.45 TO 647.00 LH FOR NHA/ADDITIONAL DET SEE: 25-20-00-07 | 108120 | RF |
| - 5 | 411N1500-2050B | | GRILLE INSTL-AIR RETURN PASS. CAB. POSITION DATA: STA 406.00 TO 652.45 RH FOR NHA/ADDITIONAL DET SEE: 25-20-00-07 | 108120 | RF |
| 10 | 411N1510-11SP | | .GRILLE ASSY-20.5 IN. PNL WITH LONG LATCH AND 4 IN. EXTENSION AT CLIP SIDE POSITION DATA: LH SIDE FUNCTIONAL REFERENCE: PLACARDS AND MARKINGS FOR DETAILS SEE 11-21-22-02 | 108120 | 1 |
| 15 | 6100-12 | | ..RETAINER-CLIP SUPPLIER CODE: V97464 | 108120 | 4 |
| 20 | 411N1522-4 | | ..PIN-HINGE OPTIONAL PART: 411N1522-5 | 108120 | 2 |
| 20 | 411N1522-5 | | ..PIN-HINGE OPTIONAL PART: 411N1522-4 | 108120 | 2 |
| 25 | 411N1521-2SP | | ..LATCH | 108120 | 2 |
| 30 | 411N1527-1 | | ..PAD | 108120 | 2 |
| 35 | 411N1527-2 | | ..PAD | 108120 | 2 |
| 40 | 411N1520-1SP | | ..GRILLE-MOLDED | 108120 | 1 |
| 50 | 411N1510-49SP | | .GRILLE ASSY-12.5 IN. BLANK PNL WITH LONG LATCH POSITION DATA: RH SIDE FUNCTIONAL REFERENCE: PLACARDS AND MARKINGS FOR DETAILS SEE 11-21-22-02 | 108120 | 1 |

MISSING ITEM NUMBERS NOT APPLICABLE

- ITEM NOT ILLUSTRATED

21-23-05-18C

21-23-05
FIG. 18C
PAGE 1
JAN 20/09

BRI

BOEING PROPRIETARY - Copyright © - Unpublished Work - See title page for details.



757

PARTS CATALOG (MAINTENANCE)

| FIG ITEM | PART NUMBER | 1 2 3 4 5 6 7 | NOMENCLATURE | EFFECT FROM TO | UNITS PER ASSY |
|----------|---------------|---------------|---|----------------|----------------|
| 18C | | | | | |
| 55 | 411N1522-3 | .. | SPRING-RTNR CLIP ATTACHING PARTS | 108120 | 2 |
| - 60 | NAS1801-3-5 | .. | SCREW | 108120 | 4 |
| - 65 | BACW10P5CC | .. | WASHER | 108120 | 4 |
| | | | -----*----- | | |
| 70 | 6100-12 | .. | RETAINER-CLIP SUPPLIER CODE: V97464 | 108120 | 12 |
| 75 | 411N1522-4 | .. | PIN-HINGE OPTIONAL PART: 411N1522-5 | 108120 | 6 |
| 75 | 411N1522-5 | .. | PIN-HINGE OPTIONAL PART: 411N1522-4 | 108120 | 6 |
| 80 | 411N1521-2SP | .. | LATCH | 108120 | 6 |
| 85 | 411N1527-1 | .. | PAD | 108120 | 6 |
| 90 | 411N1527-2 | .. | PAD | 108120 | 6 |
| 100 | 411N1520-9SP | .. | GRILLE-MOLDED | 108120 | 1 |
| 105 | 411N1510-47SP | . | GRILLE ASSY-22.5 IN. PNL WITH LONG LATCH AND IFE AT CENTER POSITION DATA: LH SIDE FUNCTIONAL REFERENCE: PLACARDS AND MARKINGS FOR DETAILS SEE 11-21-22-02 | 108120 | 1 |
| 110 | 411N1522-2 | .. | SPRING-RTNR CLIP POSITION DATA: LH SIDE | 108120 | 1 |
| 115 | 6100-12 | .. | RETAINER-CLIP SUPPLIER CODE: V97464 POSITION DATA: LH SIDE | 108120 | 6 |
| 120 | 411N1527-3 | .. | PAD- POSITION DATA: LH SIDE | 108120 | 1 |
| 125 | 411N1522-4 | .. | PIN-HINGE POSITION DATA: LH SIDE OPTIONAL PART: 411N1522-5 | 108120 | 2 |
| 125 | 411N1522-5 | .. | PIN-HINGE POSITION DATA: LH SIDE OPTIONAL PART: 411N1522-4 | 108120 | 2 |

MISSING ITEM NUMBERS NOT APPLICABLE

- ITEM NOT ILLUSTRATED

21-23-05-18C

21-23-05
FIG. 18C
PAGE 2
JAN 20/09

BRI

BOEING PROPRIETARY - Copyright © - Unpublished Work - See title page for details.



757

PARTS CATALOG (MAINTENANCE)

| FIG ITEM | PART NUMBER | 1 2 3 4 5 6 7 | NOMENCLATURE | EFFECT FROM TO | UNITS PER ASSY |
|------------|--------------|---------------|--|----------------|----------------|
| 18C 130 | 411N1521-2SP | .. | LATCH- POSITION DATA: LH SIDE | 108120 | 2 |
| 135 | 411N1527-1 | .. | PAD- POSITION DATA: LH SIDE | 108120 | 2 |
| 140 | 411N1527-2 | .. | PAD- POSITION DATA: LH SIDE | 108120 | 2 |
| 145 | 411N1520-2SP | .. | GRILLE-MOLDED POSITION DATA: LH SIDE | 108120 | 1 |
| 155 | 411N1510-4SP | . | GRILLE ASSY-22.5 IN. PNL WITH LONG LATCH POSITION DATA: RH SIDE FUNCTIONAL REFERENCE: PLACARDS AND MARKINGS FOR DETAILS SEE 11-21-22-02 | 108120 | 1 |
| 165 | 411N1522-2 | .. | SPRING-RTNR CLIP POSITION DATA: RH SIDE | 108120 | 1 |
| 175 | 6100-12 | .. | RETAINER-CLIP SUPPLIER CODE: V97464 POSITION DATA: RH SIDE | 108120 | 4 |
| 185 | 411N1522-4 | .. | PIN-HINGE POSITION DATA: RH SIDE OPTIONAL PART: 411N1522-5 | 108120 | 2 |
| 185 | 411N1522-5 | .. | PIN-HINGE POSITION DATA: RH SIDE OPTIONAL PART: 411N1522-4 | 108120 | 2 |
| 195 | 411N1521-2SP | .. | LATCH- POSITION DATA: RH SIDE | 108120 | 2 |
| 205 | 411N1527-1 | .. | PAD- POSITION DATA: RH SIDE | 108120 | 2 |
| 215 | 411N1527-2 | .. | PAD- POSITION DATA: RH SIDE | 108120 | 2 |

MISSING ITEM NUMBERS NOT APPLICABLE

- ITEM NOT ILLUSTRATED

21-23-05-18C

21-23-05
FIG. 18C
PAGE 3
JAN 20/09

BRI

BOEING PROPRIETARY - Copyright © - Unpublished Work - See title page for details.



757

PARTS CATALOG (MAINTENANCE)

| FIG ITEM | PART NUMBER | 1 2 3 4 5 6 7 | NOMENCLATURE | EFFECT FROM TO | UNITS PER ASSY |
|------------|--------------|--|--|----------------|----------------|
| 18C 225 | 411N1520-2SP | .. | GRILLE-MOLDED POSITION DATA: RH SIDE | 108120 | 1 |
| 230 | 411N1510-1SP | .GRILLE ASSY-20.5 IN. PNL WITH SHORT LATCH POSITION DATA: LH SIDE FUNCTIONAL REFERENCE: PLACARDS AND MARKINGS FOR DETAILS SEE 11-21-22-02 | | 108120 | 8 |
| 235 | 411N1510-1SP | .GRILLE ASSY-20.5 IN. PNL WITH SHORT LATCH POSITION DATA: RH SIDE FUNCTIONAL REFERENCE: PLACARDS AND MARKINGS FOR DETAILS SEE 11-21-22-02 | | 108120 | 7 |
| 240 | 411N1522-1 | .. | SPRING-RTNR CLIP POSITION DATA: LH SIDE | 108120 | 1 |
| 245 | 411N1522-1 | .. | SPRING-RTNR CLIP POSITION DATA: RH SIDE | 108120 | 1 |
| 250 | 6100-12 | .. | RETAINER-CLIP SUPPLIER CODE: V97464 POSITION DATA: LH SIDE | 108120 | 4 |
| 255 | 6100-12 | .. | RETAINER-CLIP SUPPLIER CODE: V97464 POSITION DATA: RH SIDE | 108120 | 4 |
| 260 | 411N1522-4 | .. | PIN-HINGE POSITION DATA: LH SIDE OPTIONAL PART: 411N1522-5 | 108120 | 2 |
| 260 | 411N1522-5 | .. | PIN-HINGE POSITION DATA: LH SIDE OPTIONAL PART: 411N1522-4 | 108120 | 2 |

MISSING ITEM NUMBERS NOT APPLICABLE

- ITEM NOT ILLUSTRATED

21-23-05-18C

21-23-05
FIG. 18C
PAGE 4
JAN 20/09

BRI

BOEING PROPRIETARY - Copyright © - Unpublished Work - See title page for details.



757

PARTS CATALOG (MAINTENANCE)

| FIG ITEM | PART NUMBER | 1 2 3 4 5 6 7 | NOMENCLATURE | EFFECT FROM TO | UNITS PER ASSY |
|------------|---------------|---------------|---|----------------|----------------|
| 18C 265 | 411N1522-4 | .. | PIN-HINGE POSITION DATA: RH SIDE OPTIONAL PART: 411N1522-5 | 108120 | 2 |
| 265 | 411N1522-5 | .. | PIN-HINGE POSITION DATA: RH SIDE OPTIONAL PART: 411N1522-4 | 108120 | 2 |
| 270 | 411N1521-1SP | .. | LATCH- POSITION DATA: LH SIDE | 108120 | 2 |
| 275 | 411N1521-1SP | .. | LATCH- POSITION DATA: LH SIDE | 108120 | 2 |
| 280 | 411N1527-1 | .. | PAD- POSITION DATA: LH SIDE | 108120 | 2 |
| 285 | 411N1527-1 | .. | PAD- POSITION DATA: RH SIDE | 108120 | 2 |
| 290 | 411N1527-2 | .. | PAD- POSITION DATA: LH SIDE | 108120 | 2 |
| 295 | 411N1527-2 | .. | PAD- POSITION DATA: RH SIDE | 108120 | 2 |
| 300 | 411N1520-1SP | .. | GRILLE-MOLDED POSITION DATA: LH SIDE | 108120 | 1 |
| 305 | 411N1520-1SP | .. | GRILLE-MOLDED POSITION DATA: RH SIDE | 108120 | 1 |
| 310 | 411N1510-13SP | . | GRILLE ASSY-20.5 IN. PNL WITH LONG LATCH AND IFE AT CENTER POSITION DATA: RH SIDE FUNCTIONAL REFERENCE: PLACARDS AND MARKINGS FOR DETAILS SEE 11-21-22-02 | 108120 | 2 |
| 320 | 411N1522-1 | .. | SPRING-RTNR CLIP POSITION DATA: RH SIDE | 108120 | 1 |

MISSING ITEM NUMBERS NOT APPLICABLE

- ITEM NOT ILLUSTRATED

21-23-05-18C

21-23-05
FIG. 18C
PAGE 5
JAN 20/09

BRI

BOEING PROPRIETARY - Copyright © - Unpublished Work - See title page for details.



757

PARTS CATALOG (MAINTENANCE)

| FIG ITEM | PART NUMBER | 1 2 3 4 5 6 7 | NOMENCLATURE | EFFECT FROM TO | UNITS PER ASSY |
|-------------|--------------|---------------|--|-------------------|----------------------|
| 18C 330 | 6100-12 | | ..RETAINER-CLIP SUPPLIER CODE: V97464 POSITION DATA: RH SIDE | 108120 | 6 |
| 340 | 411N1527-3 | | ..PAD- POSITION DATA: RH SIDE | 108120 | 1 |
| 350 | 411N1522-4 | | ..PIN-HINGE POSITION DATA: RH SIDE OPTIONAL PART: 411N1522-5 | 108120 | 2 |
| 350 | 411N1522-5 | | ..PIN-HINGE POSITION DATA: RH SIDE OPTIONAL PART: 411N1522-4 | 108120 | 2 |
| 360 | 411N1521-2SP | | ..LATCH- POSITION DATA: RH SIDE | 108120 | 2 |
| 370 | 411N1527-1 | | ..PAD- POSITION DATA: RH SIDE | 108120 | 2 |
| 380 | 411N1527-2 | | ..PAD- POSITION DATA: RH SIDE | 108120 | 2 |
| 390 | 411N1520-1SP | | ..GRILLE-MOLDED POSITION DATA: RH SIDE | 108120 | 1 |
| 400 | 411N1510-5SP | | .GRILLE ASSY-20.5 IN. PNL WITH SHORT LATCH AND BAFFLE FUNCTIONAL REFERENCE: PLACARDS AND MARKINGS FOR DETAILS SEE 11-21-22-02 | 108120 | 1 |
| 405 | 411N1510-5SP | | .GRILLE ASSY-20.5 IN. PNL WITH SHORT LATCH AND BAFFLE POSITION DATA: RH SIDE FUNCTIONAL REFERENCE: PLACARDS AND MARKINGS FOR DETAILS SEE 11-21-22-02 | 108120 | 2 |

MISSING ITEM NUMBERS NOT APPLICABLE

- ITEM NOT ILLUSTRATED

21-23-05-18C

21-23-05
FIG. 18C
PAGE 6
JAN 20/09

BRI

BOEING PROPRIETARY - Copyright © - Unpublished Work - See title page for details.



757

PARTS CATALOG (MAINTENANCE)

| FIG ITEM | PART NUMBER | 1 2 3 4 5 6 7 | NOMENCLATURE | EFFECT FROM TO | UNITS PER ASSY |
|------------|--------------|---------------|--|----------------|----------------|
| 18C 410 | 411N1510-5SP | | .GRILLE ASSY-20.5 IN. PNL WITH SHORT LATCH AND BAFFLE POSITION DATA: LH SIDE FUNCTIONAL REFERENCE: PLACARDS AND MARKINGS FOR DETAILS SEE 11-21-22-02 | 108120 | 1 |
| 415 | 411N1522-1 | | ..SPRING-RTNR CLIP | 108120 | 1 |
| 420 | 411N1522-1 | | ..SPRING-RTNR CLIP POSITION DATA: RH SIDE | 108120 | 1 |
| 425 | 411N1522-1 | | ..SPRING-RTNR CLIP POSITION DATA: LH SIDE | 108120 | 1 |
| 430 | 6100-12 | | ..RETAINER-CLIP SUPPLIER CODE: V97464 | 108120 | 9 |
| 435 | 6100-12 | | ..RETAINER-CLIP SUPPLIER CODE: V97464 POSITION DATA: RH SIDE | 108120 | 9 |
| 440 | 6100-12 | | ..RETAINER-CLIP SUPPLIER CODE: V97464 POSITION DATA: LH SIDE | 108120 | 9 |
| 445 | 411N1528-1 | | ..BAFFLE | 108120 | 1 |
| 450 | 411N1528-1 | | ..BAFFLE- POSITION DATA: RH SIDE | 108120 | 1 |
| 455 | 411N1528-1 | | ..BAFFLE- POSITION DATA: LH SIDE | 108120 | 1 |
| 460 | 411N1522-4 | | ..PIN-HINGE OPTIONAL PART: 411N1522-5 | 108120 | 2 |
| 460 | 411N1522-5 | | ..PIN-HINGE OPTIONAL PART: 411N1522-4 | 108120 | 2 |
| 465 | 411N1522-4 | | ..PIN-HINGE POSITION DATA: RH SIDE OPTIONAL PART: 411N1522-5 | 108120 | 2 |

MISSING ITEM NUMBERS NOT APPLICABLE

- ITEM NOT ILLUSTRATED

21-23-05-18C

21-23-05
FIG. 18C
PAGE 7
JAN 20/09

BRI

BOEING PROPRIETARY - Copyright © - Unpublished Work - See title page for details.



757

PARTS CATALOG (MAINTENANCE)

| FIG ITEM | PART NUMBER | 1 2 3 4 5 6 7 | NOMENCLATURE | EFFECT FROM TO | UNITS PER ASSY |
|------------|--------------|---------------|--|----------------|----------------|
| 18C 465 | 411N1522-5 | .. | PIN-HINGE POSITION DATA: RH SIDE OPTIONAL PART: 411N1522-4 | 108120 | 2 |
| 470 | 411N1522-4 | .. | PIN-HINGE POSITION DATA: LH SIDE OPTIONAL PART: 411N1522-5 | 108120 | 2 |
| 470 | 411N1522-5 | .. | PIN-HINGE POSITION DATA: LH SIDE OPTIONAL PART: 411N1522-4 | 108120 | 2 |
| 475 | 411N1521-1SP | .. | LATCH | 108120 | 2 |
| 480 | 411N1521-1SP | .. | LATCH- POSITION DATA: RH SIDE | 108120 | 2 |
| 485 | 411N1521-1SP | .. | LATCH- POSITION DATA: LH SIDE | 108120 | 2 |
| 490 | 411N1527-1 | .. | PAD | 108120 | 2 |
| 495 | 411N1527-1 | .. | PAD- POSITION DATA: RH SIDE | 108120 | 2 |
| 500 | 411N1527-1 | .. | PAD- POSITION DATA: LH SIDE | 108120 | 2 |
| 505 | 411N1527-2 | .. | PAD | 108120 | 2 |
| 510 | 411N1527-2 | .. | PAD- POSITION DATA: RH SIDE | 108120 | 2 |
| 515 | 411N1527-2 | .. | PAD- POSITION DATA: LH SIDE | 108120 | 2 |
| 520 | 411N1520-1SP | .. | GRILLE-MOLDED | 108120 | 1 |
| 525 | 411N1520-1SP | .. | GRILLE-MOLDED POSITION DATA: RH SIDE | 108120 | 1 |
| 530 | 411N1520-1SP | .. | GRILLE-MOLDED POSITION DATA: LH SIDE | 108120 | 1 |

MISSING ITEM NUMBERS NOT APPLICABLE

- ITEM NOT ILLUSTRATED

21-23-05-18C

21-23-05
FIG. 18C
PAGE 8
JAN 20/09

BRI

BOEING PROPRIETARY - Copyright © - Unpublished Work - See title page for details.

 **BOEING**
757
PARTS CATALOG (MAINTENANCE)

| FIG ITEM | PART NUMBER | 1 2 3 4 5 6 7 | NOMENCLATURE | EFFECT FROM TO | UNITS PER ASSY |
|-------------|---------------|---------------|---|-------------------|----------------------|
| 18C 535 | 411N1510-10SP | | .GRILLE ASSY-20.5 IN. PNL WITH 8 IN. EXTENSION AT OPP CLIP AND IFE CUTOUT AT CENTER POSITION DATA: LH SIDE FUNCTIONAL REFERENCE: PLACARDS AND MARKINGS FOR DETAILS SEE 11-21-22-02 | 108120 | 1 |
| 540 | 411N1522-1 | | ..SPRING-RTNR CLIP | 108120 | 1 |
| 545 | 6100-12 | | ..RETAINER-CLIP SUPPLIER CODE: V97464 | 108120 | 6 |
| 550 | 411N1527-3 | | ..PAD | 108120 | 1 |
| 555 | 411N1522-4 | | ..PIN-HINGE OPTIONAL PART: 411N1522-5 | 108120 | 2 |
| 555 | 411N1522-5 | | ..PIN-HINGE OPTIONAL PART: 411N1522-4 | 108120 | 2 |
| 560 | 411N1521-2SP | | ..LATCH | 108120 | 2 |
| 565 | 411N1527-1 | | ..PAD | 108120 | 2 |
| 570 | 411N1527-2 | | ..PAD | 108120 | 2 |
| 575 | 411N1520-1SP | | ..GRILLE-MOLDED | 108120 | 1 |
| 580 | 411N1510-46SP | | .GRILLE ASSY-22.5 IN. PNL WITH SHORT LATCH AND NOTCH AT CLIP SIDE POSITION DATA: RH SIDE FUNCTIONAL REFERENCE: PLACARDS AND MARKINGS FOR DETAILS SEE 11-21-22-02 | 108120 | 1 |
| 585 | 411N1522-2 | | ..SPRING-RTNR CLIP | 108120 | 1 |
| 590 | 6100-12 | | ..RETAINER-CLIP SUPPLIER CODE: V97464 | 108120 | 4 |
| 595 | 411N1522-4 | | ..PIN-HINGE OPTIONAL PART: 411N1522-5 | 108120 | 2 |
| 595 | 411N1522-5 | | ..PIN-HINGE OPTIONAL PART: 411N1522-4 | 108120 | 2 |
| 600 | 411N1521-1SP | | ..LATCH | 108120 | 2 |
| 605 | 411N1527-1 | | ..PAD | 108120 | 2 |
| 610 | 411N1527-2 | | ..PAD | 108120 | 2 |
| 615 | 411N1520-2SP | | ..GRILLE-MOLDED | 108120 | 1 |
| 660 | 411N1525-1 | | .TRIM ASSY- | 108120 | 1 |

MISSING ITEM NUMBERS NOT APPLICABLE

— ITEM NOT ILLUSTRATED

BRI

21-23-05-18C

BOEING PROPRIETARY - Copyright © - Unpublished Work - See title page for details.

21-23-05
FIG. 18C
PAGE 9
JAN 20/09

 **BOEING**
757
PARTS CATALOG (MAINTENANCE)

| FIG ITEM | PART NUMBER | 1 2 3 4 5 6 7 | NOMENCLATURE | EFFECT FROM TO | UNITS PER ASSY |
|-------------|---------------|---------------|---|-------------------|----------------------|
| 18C 660 | 411N1525-20 | | .TRIM ASSY- ATTACHING PARTS | 108120 | 1 |
| - 665 | NAS1801-3-6 | | .SCREW | 108120 | 1 |
| - 670 | NAS1149D0316J | | .WASHER | 108120 | 1 |
| | | | -----*----- | | |
| 675 | 411N1510-32SP | | .GRILLE ASSY-12.5 IN. BLANK PNL, LONG LATCH POSITION DATA: RH SIDE FUNCTIONAL REFERENCE: PLACARDS AND MARKINGS FOR DETAILS SEE 11-21-22-02 | 108120 | 1 |
| 680 | 6100-12 | | ..RETAINER-CLIP SUPPLIER CODE: V97464 | 108120 | 2 |
| 685 | 411N1522-4 | | ..PIN-HINGE OPTIONAL PART: 411N1522-5 | 108120 | 1 |
| 685 | 411N1522-5 | | ..PIN-HINGE OPTIONAL PART: 411N1522-4 | 108120 | 1 |
| 690 | 411N1521-2SP | | ..LATCH | 108120 | 1 |
| 695 | 411N1527-2 | | ..PAD | 108120 | 1 |
| 700 | 411N1527-1 | | ..PAD | 108120 | 1 |
| 705 | 411N1523-8 | | ..STIFFENER ASSY | 108120 | 1 |
| 710 | 411N1520-13SP | | ..GRILLE-MOLDED | 108120 | 1 |

MISSING ITEM NUMBERS NOT APPLICABLE

- ITEM NOT ILLUSTRATED

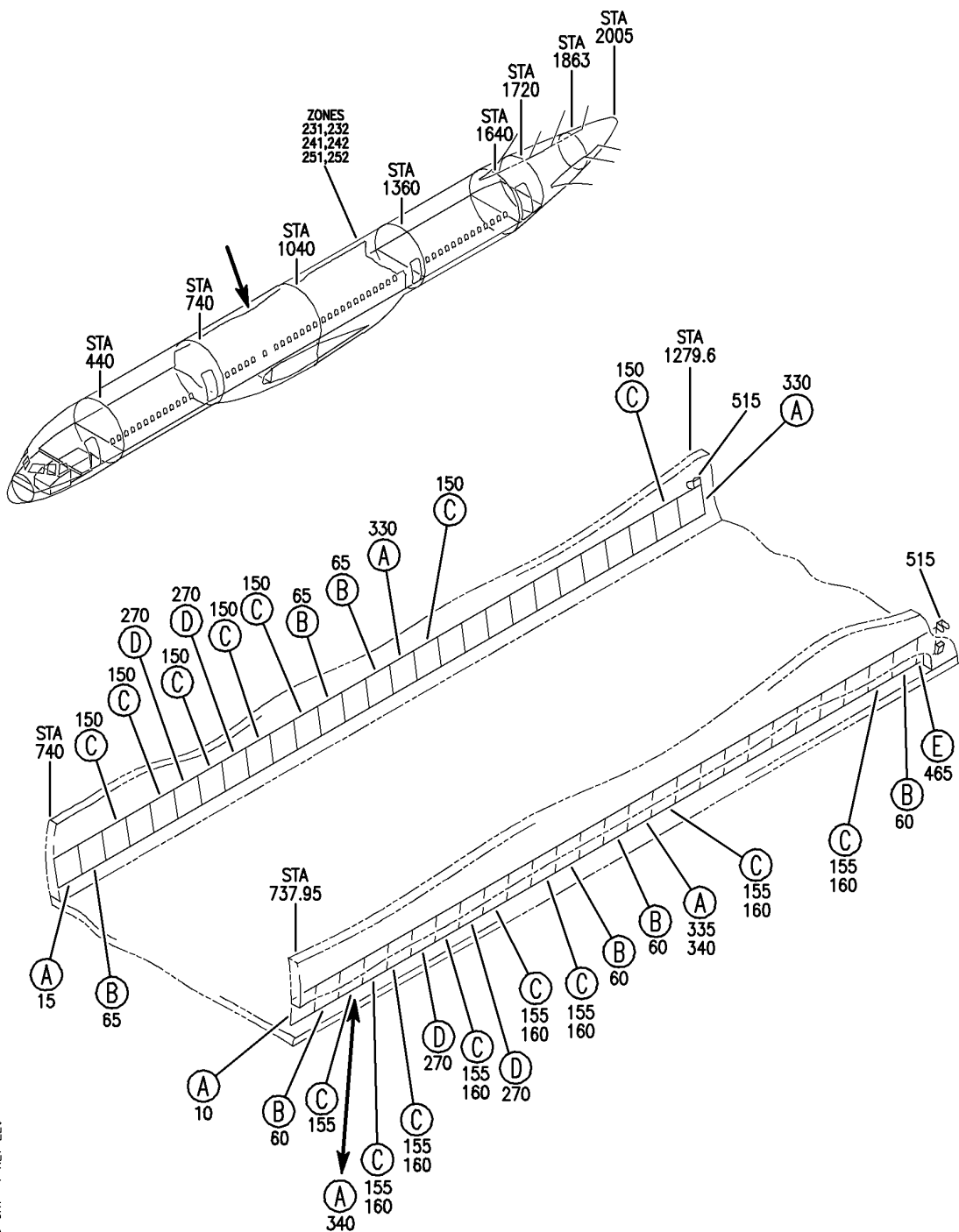
BRI

21-23-05-18C

BOEING PROPRIETARY - Copyright © - Unpublished Work - See title page for details.

21-23-05
FIG. 18C
PAGE 10
JAN 20/09


BOEING
 757
PARTS CATALOG (MAINTENANCE)



Y 21230518D SHT 1 REV 229

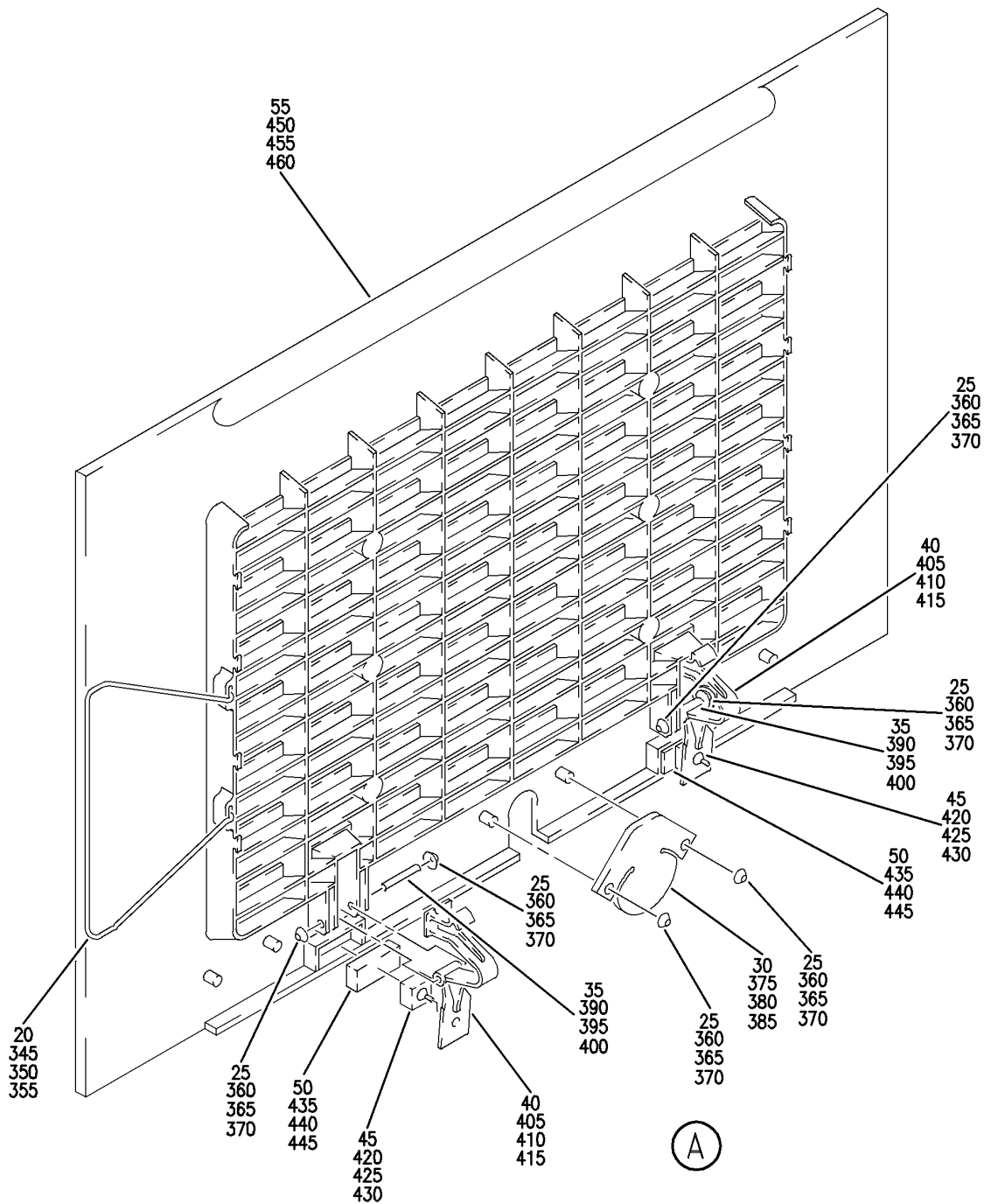
GRILLE INSTL-AIR RETURN PASS. CAB. STA 737.95 TO 1279.60
 FIGURE 18D (SHEET 1)

21-23-05-18D

BRI
 JAN 20/09

21-23-05-18D
 PAGE 0

BOEING
757
PARTS CATALOG (MAINTENANCE)



Y 21230518D SHT 2 REV 223

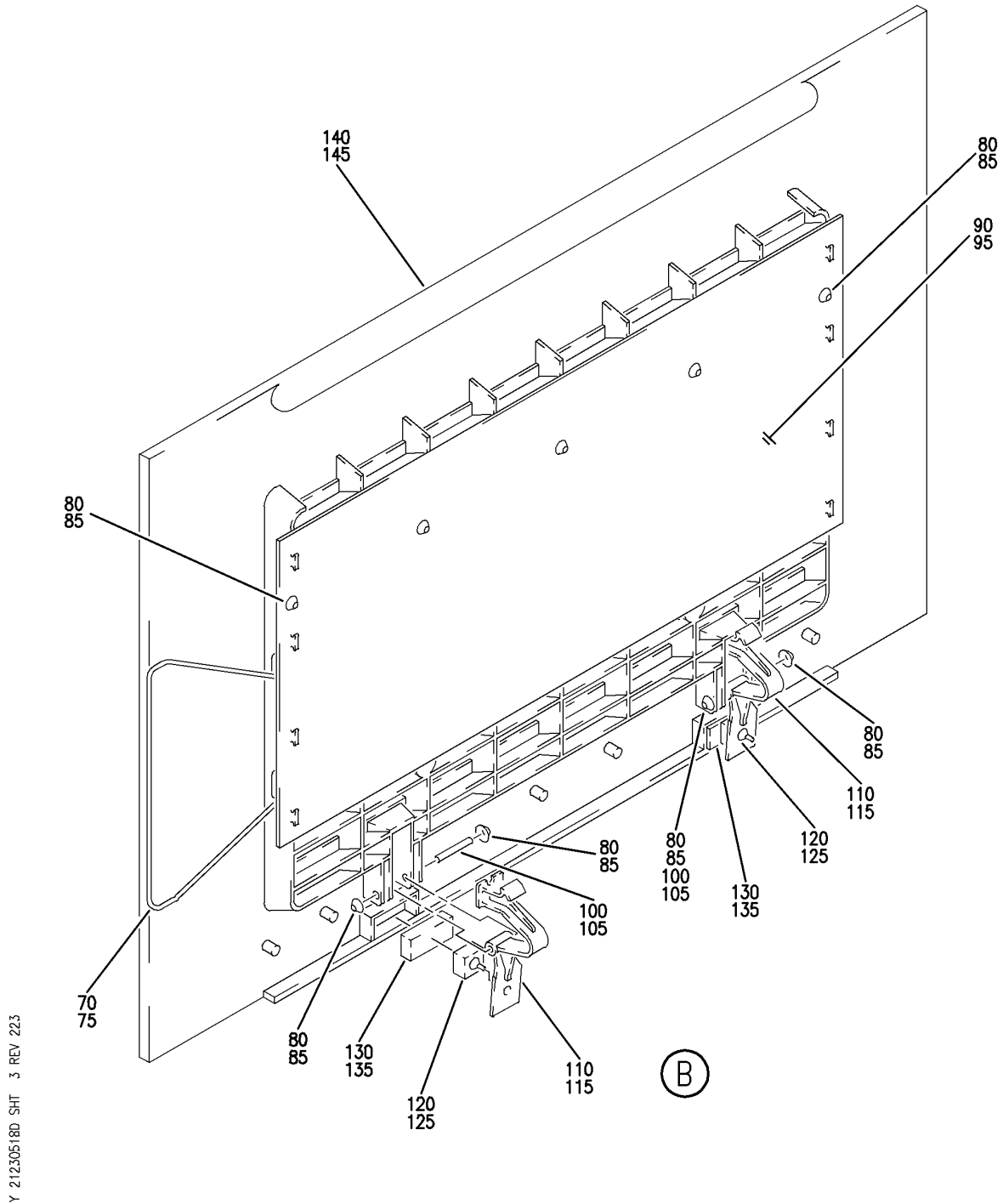
GRILLE INSTL-AIR RETURN PASS. CAB. STA 737.95 TO 1279.60
FIGURE 18D (SHEET 2)

21-23-05-18D

BRI
JAN 20/09

21-23-05-18D
PAGE 0A

BOEING
757
PARTS CATALOG (MAINTENANCE)



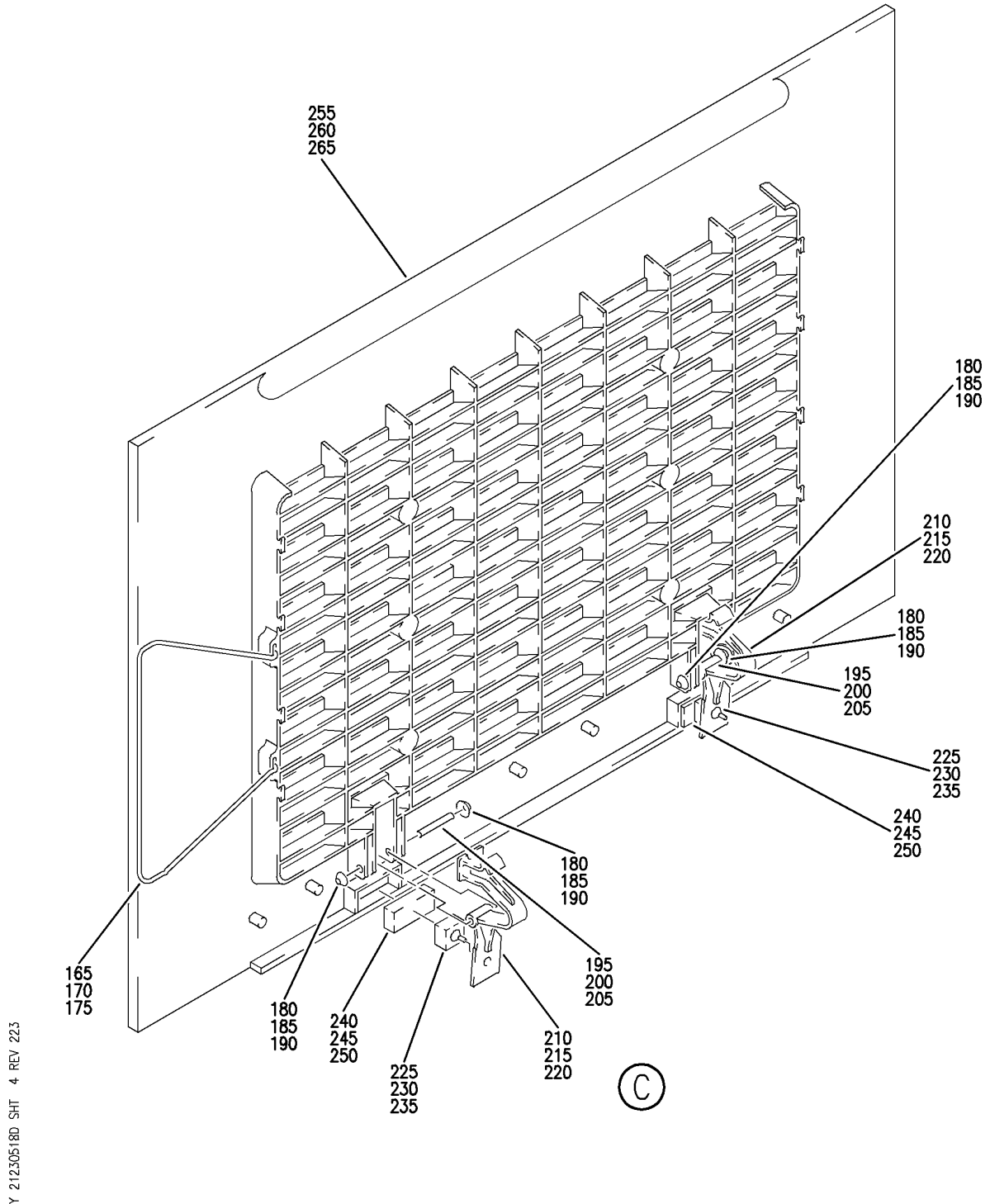
GRILLE INSTL-AIR RETURN PASS. CAB. STA 737.95 TO 1279.60
FIGURE 18D (SHEET 3)

21-23-05-18D

BRI
JAN 20/09

21-23-05-18D
PAGE 0B

BOEING
757
PARTS CATALOG (MAINTENANCE)



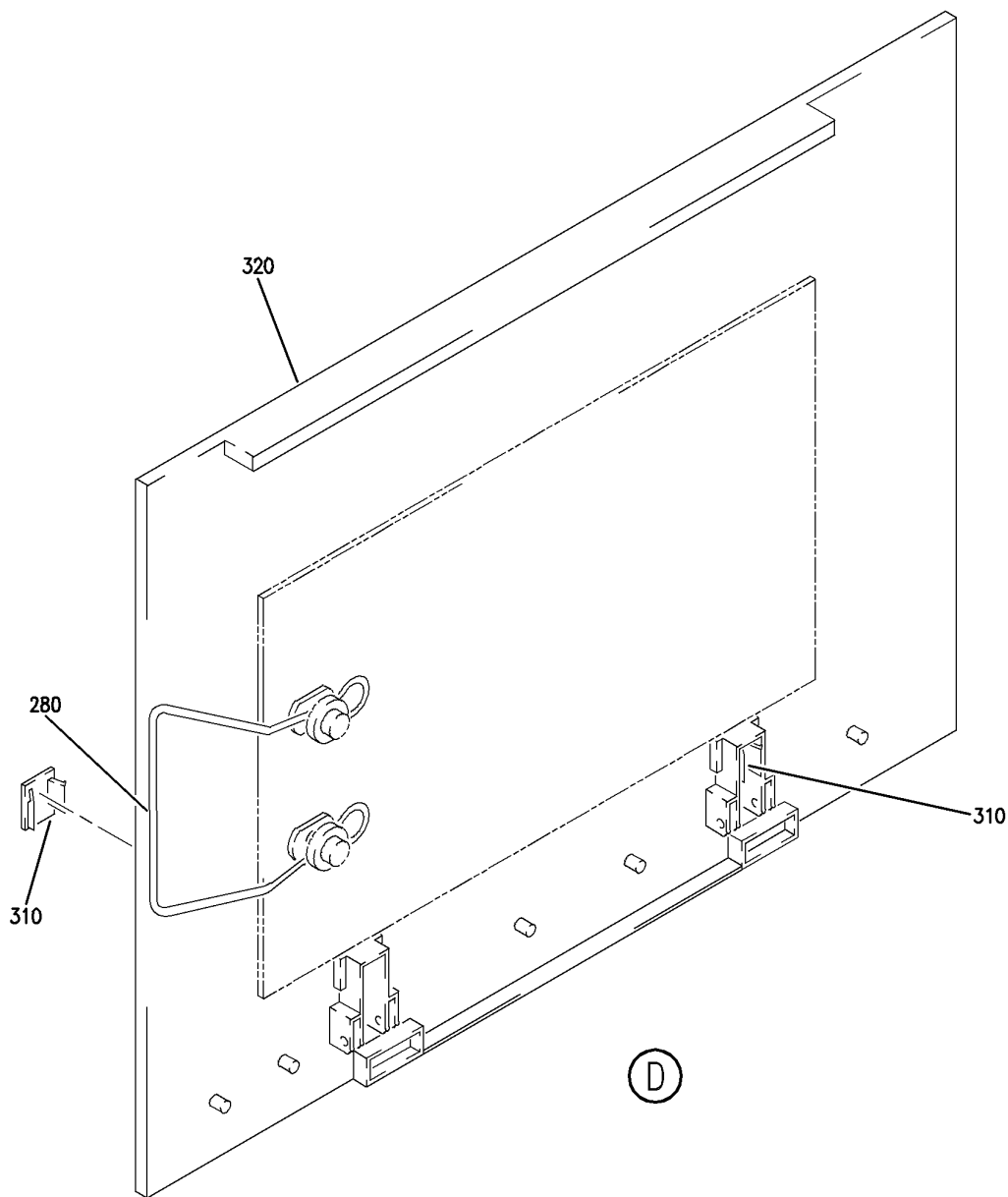
GRILLE INSTL-AIR RETURN PASS. CAB. STA 737.95 TO 1279.60
FIGURE 18D (SHEET 4)

21-23-05-18D

BRI
JAN 20/09

21-23-05-18D
PAGE 0C

BOEING
757
PARTS CATALOG (MAINTENANCE)



Y 21230518D SHT 5 REV 229

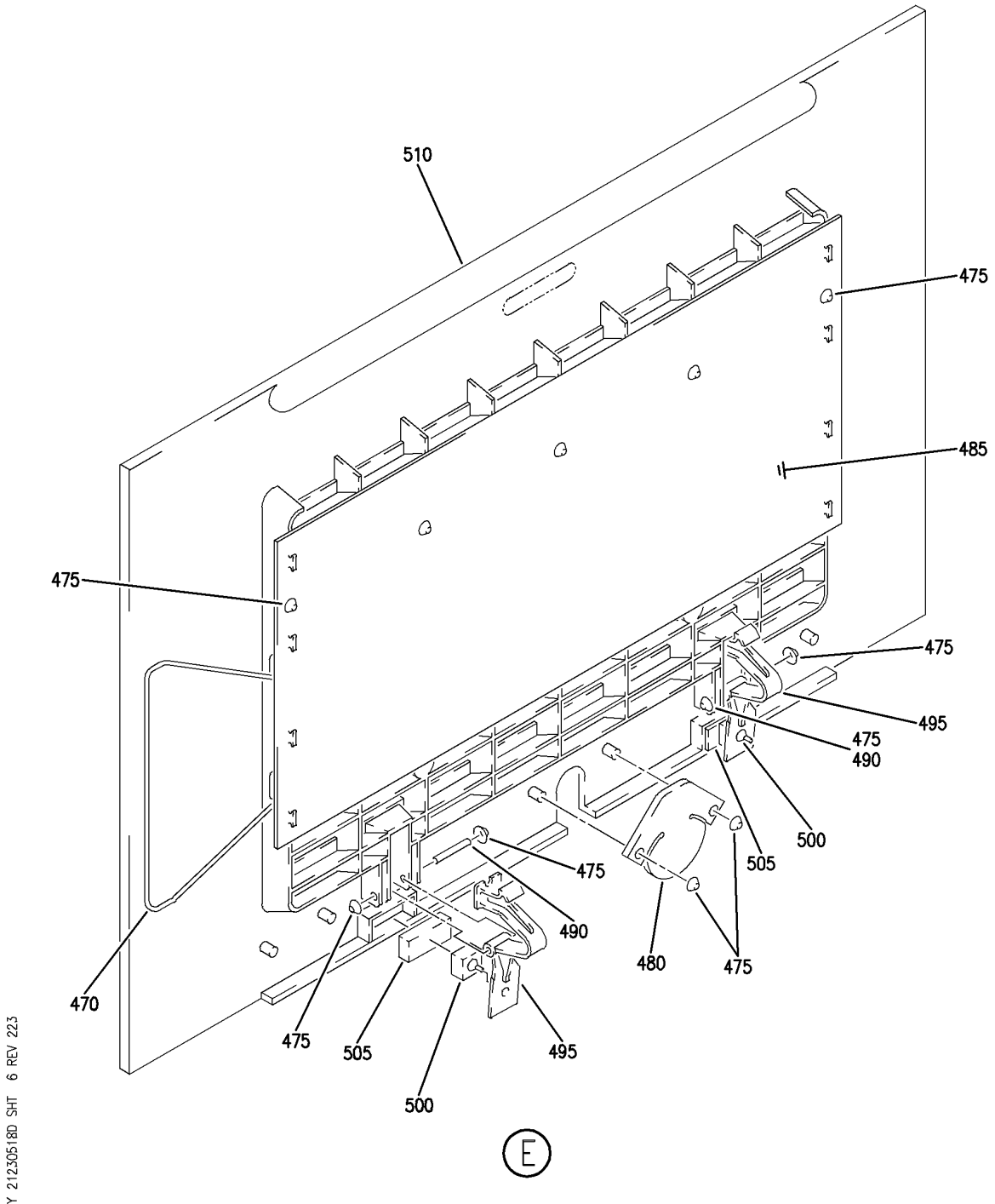
GRILLE INSTL-AIR RETURN PASS. CAB. STA 737.95 TO 1279.60
FIGURE 18D (SHEET 5)

21-23-05-18D

BRI
JAN 20/09

21-23-05-18D
PAGE 0D

BOEING
757
PARTS CATALOG (MAINTENANCE)



GRILLE INSTL-AIR RETURN PASS. CAB. STA 737.95 TO 1279.60
FIGURE 18D (SHEET 6)

21-23-05-18D

BRI
JAN 20/09

21-23-05-18D
PAGE 0E



757

PARTS CATALOG (MAINTENANCE)

| FIG ITEM | PART NUMBER | 1 2 3 4 5 6 7 | NOMENCLATURE | EFFECT FROM TO | UNITS PER ASSY |
|----------|-----------------|---------------|---|----------------|----------------|
| 18D | | | GRILLE INSTL-AIR RETURN PASS. CAB. STA 737.95 TO 1279.60 | 108120 | |
| - 1 | 411N1500-2047SP | | GRILLE INSTL-AIR RETURN PASS. CAB. POSITION DATA: STA 737.95 TO 1279.60 LH FOR NHA/ADDITIONAL DET SEE: 25-20-00-07 | 108120 | RF |
| - 5 | 411N1500-2050B | | GRILLE INSTL-AIR RETURN PASS. CAB. POSITION DATA: STA 740.00 TO 1279.60 RH FOR NHA/ADDITIONAL DET SEE: 25-20-00-07 | 108120 | RF |
| 10 | 411N1510-44SP | | .GRILLE ASSY-22.5 IN. PNL WITH SHORT LATCH AND IFE AT CENTER AND NOTCH AT CLIP SIDE POSITION DATA: LH SIDE FUNCTIONAL REFERENCE: PLACARDS AND MARKINGS FOR DETAILS SEE 11-21-22-02 | 108120 | 1 |
| 15 | 411N1510-43SP | | .GRILLE ASSY-22.5 IN. PNL WITH SHORT LATCH AND IFE AT CENTER AND NOTCH AT OPP CLIP SIDE POSITION DATA: RH SIDE FUNCTIONAL REFERENCE: PLACARDS AND MARKINGS FOR DETAILS SEE 11-21-22-02 | 108120 | 1 |
| 20 | 411N1522-2 | | ..SPRING-RTNR CLIP | 108120 | 1 |
| 25 | 6100-12 | | ..RETAINER-CLIP SUPPLIER CODE: V97464 | 108120 | 6 |
| 30 | 411N1527-3 | | ..PAD | 108120 | 1 |
| 35 | 411N1522-4 | | ..PIN-HINGE OPTIONAL PART: 411N1522-5 | 108120 | 2 |
| 35 | 411N1522-5 | | ..PIN-HINGE OPTIONAL PART: 411N1522-4 | 108120 | 2 |
| 40 | 411N1521-1SP | | ..LATCH | 108120 | 2 |

MISSING ITEM NUMBERS NOT APPLICABLE

- ITEM NOT ILLUSTRATED

21-23-05-18D

21-23-05
FIG. 18D
PAGE 1
JAN 20/09

BRI



757

PARTS CATALOG (MAINTENANCE)

| FIG ITEM | PART NUMBER | 1 2 3 4 5 6 7 | NOMENCLATURE | EFFECT FROM TO | UNITS PER ASSY |
|----------|--------------|--|--|----------------|----------------|
| 18D | | | | | |
| 45 | 411N1527-1 | .. | PAD | 108120 | 2 |
| 50 | 411N1527-2 | .. | PAD | 108120 | 2 |
| 55 | 411N1520-2SP | .. | GRILLE-MOLDED | 108120 | 1 |
| 60 | 411N1510-5SP | .GRILLE ASSY-20.5 IN. PNL WITH SHORT LATCH AND BAFFLE POSITION DATA: LH SIDE FUNCTIONAL REFERENCE: PLACARDS AND MARKINGS FOR DETAILS SEE 11-21-22-02 | | 108120 | 5 |
| 65 | 411N1510-5SP | .GRILLE ASSY-20.5 IN. PNL WITH SHORT LATCH AND BAFFLE POSITION DATA: RH SIDE FUNCTIONAL REFERENCE: PLACARDS AND MARKINGS FOR DETAILS SEE 11-21-22-02 | | 108120 | 4 |
| 70 | 411N1522-1 | .. | SPRING-RTNR CLIP POSITION DATA: LH SIDE | 108120 | 1 |
| 75 | 411N1522-1 | .. | SPRING-RTNR CLIP POSITION DATA: RH SIDE | 108120 | 1 |
| 80 | 6100-12 | .. | RETAINER-CLIP SUPPLIER CODE: V97464 POSITION DATA: LH SIDE | 108120 | 9 |
| 85 | 6100-12 | .. | RETAINER-CLIP SUPPLIER CODE: V97464 POSITION DATA: RH SIDE | 108120 | 9 |
| 90 | 411N1528-1 | .. | BAFFLE- POSITION DATA: LH SIDE | 108120 | 1 |
| 95 | 411N1528-1 | .. | BAFFLE- POSITION DATA: RH SIDE | 108120 | 1 |
| 100 | 411N1522-4 | .. | PIN-HINGE POSITION DATA: LH SIDE OPTIONAL PART: 411N1522-5 | 108120 | 2 |

MISSING ITEM NUMBERS NOT APPLICABLE

- ITEM NOT ILLUSTRATED

21-23-05-18D

21-23-05
FIG. 18D
PAGE 2
JAN 20/09

BRI

BOEING PROPRIETARY - Copyright © - Unpublished Work - See title page for details.



757

PARTS CATALOG (MAINTENANCE)

| FIG ITEM | PART NUMBER | 1 2 3 4 5 6 7 | NOMENCLATURE | EFFECT FROM TO | UNITS PER ASSY |
|------------|--------------|---------------|---|----------------|----------------|
| 18D 100 | 411N1522-5 | .. | PIN-HINGE POSITION DATA: LH SIDE OPTIONAL PART: 411N1522-4 | 108120 | 2 |
| 105 | 411N1522-4 | .. | PIN-HINGE POSITION DATA: RH SIDE OPTIONAL PART: 411N1522-5 | 108120 | 2 |
| 105 | 411N1522-5 | .. | PIN-HINGE POSITION DATA: RH SIDE OPTIONAL PART: 411N1522-4 | 108120 | 2 |
| 110 | 411N1521-1SP | .. | LATCH- POSITION DATA: LH SIDE | 108120 | 2 |
| 115 | 411N1521-1SP | .. | LATCH- POSITION DATA: RH SIDE | 108120 | 2 |
| 120 | 411N1527-1 | .. | PAD- POSITION DATA: LH SIDE | 108120 | 2 |
| 125 | 411N1527-1 | .. | PAD- POSITION DATA: RH SIDE | 108120 | 2 |
| 130 | 411N1527-2 | .. | PAD- POSITION DATA: LH SIDE | 108120 | 2 |
| 135 | 411N1527-2 | .. | PAD- POSITION DATA: RH SIDE | 108120 | 2 |
| 140 | 411N1520-1SP | .. | GRILLE-MOLDED POSITION DATA: LH SIDE | 108120 | 1 |
| 145 | 411N1520-1SP | .. | GRILLE-MOLDED POSITION DATA: RH SIDE | 108120 | 1 |
| 150 | 411N1510-1SP | . | GRILLE ASSY-20.5 IN. PNL WITH SHORT LATCH POSITION DATA: RH SIDE FUNCTIONAL REFERENCE: PLACARDS AND MARKINGS FOR DETAILS SEE 11-21-22-02 | 108120 | 18 |

MISSING ITEM NUMBERS NOT APPLICABLE

- ITEM NOT ILLUSTRATED

21-23-05-18D

21-23-05
FIG. 18D
PAGE 3
JAN 20/09

BRI

BOEING PROPRIETARY - Copyright © - Unpublished Work - See title page for details.



757

PARTS CATALOG (MAINTENANCE)

| FIG ITEM | PART NUMBER | 1 2 3 4 5 6 7 | NOMENCLATURE | EFFECT FROM TO | UNITS PER ASSY |
|------------|--------------|---------------|--|----------------|----------------|
| 18D 160 | 411N1510-1SP | | .GRILLE ASSY-20.5 IN. PNL WITH SHORT LATCH POSITION DATA: LH SIDE FUNCTIONAL REFERENCE: PLACARDS AND MARKINGS FOR DETAILS SEE 11-21-22-02 | 108120 | 16 |
| 165 | 411N1522-1 | | ..SPRING-RTNR CLIP POSITION DATA: RH SIDE | 108120 | 1 |
| 175 | 411N1522-1 | | ..SPRING-RTNR CLIP POSITION DATA: LH SIDE | 108120 | 1 |
| 180 | 6100-12 | | ..RETAINER-CLIP SUPPLIER CODE: V97464 POSITION DATA: RH SIDE | 108120 | 4 |
| 190 | 6100-12 | | ..RETAINER-CLIP SUPPLIER CODE: V97464 POSITION DATA: LH SIDE | 108120 | 4 |
| 195 | 411N1522-4 | | ..PIN-HINGE POSITION DATA: RH SIDE OPTIONAL PART: 411N1522-5 | 108120 | 2 |
| 195 | 411N1522-5 | | ..PIN-HINGE POSITION DATA: RH SIDE OPTIONAL PART: 411N1522-4 | 108120 | 2 |
| 205 | 411N1522-4 | | ..PIN-HINGE POSITION DATA: LH SIDE OPTIONAL PART: 411N1522-5 | 108120 | 2 |
| 205 | 411N1522-5 | | ..PIN-HINGE POSITION DATA: LH SIDE OPTIONAL PART: 411N1522-4 | 108120 | 2 |
| 210 | 411N1521-1SP | | ..LATCH- POSITION DATA: RH SIDE | 108120 | 2 |

MISSING ITEM NUMBERS NOT APPLICABLE

- ITEM NOT ILLUSTRATED

21-23-05-18D

21-23-05
FIG. 18D
PAGE 4
JAN 20/09

BRI

BOEING PROPRIETARY - Copyright © - Unpublished Work - See title page for details.

 **BOEING**
757
PARTS CATALOG (MAINTENANCE)

| FIG ITEM | PART NUMBER | 1 2 3 4 5 6 7 | NOMENCLATURE | EFFECT FROM TO | UNITS PER ASSY |
|-------------|---------------|---------------|---|-------------------|----------------------|
| 18D 220 | 411N1521-1SP | .. | LATCH- POSITION DATA: LH SIDE | 108120 | 2 |
| 225 | 411N1527-1 | .. | PAD- POSITION DATA: RH SIDE | 108120 | 2 |
| 235 | 411N1527-1 | .. | PAD- POSITION DATA: LH SIDE | 108120 | 2 |
| 240 | 411N1527-2 | .. | PAD- POSITION DATA: RH SIDE | 108120 | 2 |
| 250 | 411N1527-2 | .. | PAD- POSITION DATA: LH SIDE | 108120 | 2 |
| 255 | 411N1520-1SP | .. | GRILLE-MOLDED POSITION DATA: RH SIDE | 108120 | 1 |
| 265 | 411N1520-1SP | .. | GRILLE-MOLDED POSITION DATA: LH SIDE | 108120 | 1 |
| 270 | 411N1510-39SP | . | GRILLE ASSY-22.5 IN. BLANK PNL WITH PLUG AND SNAP-ON LATCH FUNCTIONAL REFERENCE: PLACARDS AND MARKINGS FOR DETAILS SEE 11-21-22-02 | 108120 | 2 |
| 280 | 411N1522-3 | .. | SPRING-RTNR CLIP ATTACHING PARTS | 108120 | 1 |
| - 290 | NAS1801-3-5 | .. | SCREW | 108120 | 2 |
| - 300 | BACW10P5CC | .. | WASHER -----*----- | 108120 | 2 |
| 310 | 411N1521-3SP | .. | PLUG | 108120 | 1 |
| 320 | 411N1520-4SP | .. | GRILLE-MOLDED | 108120 | 1 |
| 330 | 411N1510-13SP | . | GRILLE ASSY-20.5 IN. PNL WITH LONG LATCH AND IFE AT CENTER POSITION DATA: RH SIDE FUNCTIONAL REFERENCE: PLACARDS AND MARKINGS FOR DETAILS SEE 11-21-22-02 | 108120 | 2 |

MISSING ITEM NUMBERS NOT APPLICABLE

- ITEM NOT ILLUSTRATED

BRI

21-23-05-18D

BOEING PROPRIETARY - Copyright © - Unpublished Work - See title page for details.

21-23-05
FIG. 18D
PAGE 5
JAN 20/09

 **BOEING**
757
PARTS CATALOG (MAINTENANCE)

| FIG ITEM | PART NUMBER | 1 2 3 4 5 6 7 | NOMENCLATURE | EFFECT FROM TO | UNITS PER ASSY |
|-------------|---------------|---------------|--|-------------------|----------------------|
| 18D 340 | 411N1510-13SP | | .GRILLE ASSY-20.5 IN. PNL WITH LONG LATCH AND IFE AT CENTER POSITION DATA: LH SIDE FUNCTIONAL REFERENCE: PLACARDS AND MARKINGS FOR DETAILS SEE 11-21-22-02 | 108120 | 2 |
| 345 | 411N1522-1 | | ..SPRING-RTNR CLIP POSITION DATA: RH SIDE | 108120 | 1 |
| 355 | 411N1522-1 | | ..SPRING-RTNR CLIP POSITION DATA: LH SIDE | 108120 | 1 |
| 360 | 6100-12 | | ..RETAINER-CLIP SUPPLIER CODE: V97464 POSITION DATA: RH SIDE | 108120 | 6 |
| 370 | 6100-12 | | ..RETAINER-CLIP SUPPLIER CODE: V97464 POSITION DATA: LH SIDE | 108120 | 6 |
| 375 | 411N1527-3 | | ..PAD- POSITION DATA: RH SIDE | 108120 | 1 |
| 385 | 411N1527-3 | | ..PAD- POSITION DATA: LH SIDE | 108120 | 1 |
| 390 | 411N1522-4 | | ..PIN-HINGE POSITION DATA: RH SIDE OPTIONAL PART: 411N1522-5 | 108120 | 2 |
| 390 | 411N1522-5 | | ..PIN-HINGE POSITION DATA: RH SIDE OPTIONAL PART: 411N1522-4 | 108120 | 2 |
| 400 | 411N1522-4 | | ..PIN-HINGE POSITION DATA: LH SIDE OPTIONAL PART: 411N1522-5 | 108120 | 2 |

MISSING ITEM NUMBERS NOT APPLICABLE

— ITEM NOT ILLUSTRATED

BRI

21-23-05-18D

BOEING PROPRIETARY - Copyright © - Unpublished Work - See title page for details.

21-23-05
FIG. 18D
PAGE 6
JAN 20/09



757

PARTS CATALOG (MAINTENANCE)

| FIG ITEM | PART NUMBER | 1 2 3 4 5 6 7 | NOMENCLATURE | EFFECT FROM TO | UNITS PER ASSY |
|------------|---------------|---------------|--|----------------|----------------|
| 18D 400 | 411N1522-5 | .. | PIN-HINGE POSITION DATA: LH SIDE OPTIONAL PART: 411N1522-4 | 108120 | 2 |
| 405 | 411N1521-2SP | .. | LATCH- POSITION DATA: RH SIDE | 108120 | 2 |
| 415 | 411N1521-2SP | .. | LATCH- POSITION DATA: LH SIDE | 108120 | 2 |
| 420 | 411N1527-1 | .. | PAD- POSITION DATA: RH SIDE | 108120 | 2 |
| 430 | 411N1527-1 | .. | PAD- POSITION DATA: LH SIDE | 108120 | 2 |
| 435 | 411N1527-2 | .. | PAD- POSITION DATA: RH SIDE | 108120 | 2 |
| 445 | 411N1527-2 | .. | PAD- POSITION DATA: LH SIDE | 108120 | 2 |
| 450 | 411N1520-1SP | .. | GRILLE-MOLDED POSITION DATA: RH SIDE | 108120 | 1 |
| 460 | 411N1520-1SP | .. | GRILLE-MOLDED POSITION DATA: LH SIDE | 108120 | 1 |
| 465 | 411N1510-18SP | . | GRILLE ASSY-20.5 IN. PNL WITH IFE AT CENTER AND BAFFLE WITH LONG LATCH POSITION DATA: LH SIDE FUNCTIONAL REFERENCE: PLACARDS AND MARKINGS FOR DETAILS SEE 11-21-22-02 | 108120 | 1 |
| 470 | 411N1522-1 | .. | SPRING-RTNR CLIP | 108120 | 1 |
| 475 | 6100-12 | .. | RETAINER-CLIP SUPPLIER CODE: V97464 | 108120 | 11 |
| 480 | 411N1527-3 | .. | PAD | 108120 | 1 |
| 485 | 411N1528-1 | .. | BAFFLE | 108120 | 1 |
| 490 | 411N1522-4 | .. | PIN-HINGE OPTIONAL PART: 411N1522-5 | 108120 | 2 |

MISSING ITEM NUMBERS NOT APPLICABLE

- ITEM NOT ILLUSTRATED

21-23-05-18D

21-23-05
FIG. 18D
PAGE 7
JAN 20/09

BRI

BOEING PROPRIETARY - Copyright © - Unpublished Work - See title page for details.



757

PARTS CATALOG (MAINTENANCE)

| FIG ITEM | PART NUMBER | 1 2 3 4 5 6 7 | NOMENCLATURE | EFFECT FROM TO | UNITS PER ASSY |
|----------|---------------|---------------|---|----------------|----------------|
| 18D | | | | | |
| 490 | 411N1522-5 | .. | PIN-HINGE OPTIONAL PART: 411N1522-4 | 108120 | 2 |
| 495 | 411N1521-2SP | .. | LATCH | 108120 | 2 |
| 500 | 411N1527-1 | .. | PAD | 108120 | 2 |
| 505 | 411N1527-2 | .. | PAD | 108120 | 2 |
| 510 | 411N1520-1SP | .. | GRILLE-MOLDED | 108120 | 1 |
| 515 | 411N1525-1 | . | TRIM ASSY- | 108120 | 1 |
| 515 | 411N1525-20 | . | TRIM ASSY- | 108120 | 1 |
| - 520 | NAS1801-3-6 | . | SCREW | 108120 | 1 |
| - 525 | NAS1149D0316J | . | WASHER | 108120 | 1 |
| | | | -----*----- | | |

MISSING ITEM NUMBERS NOT APPLICABLE

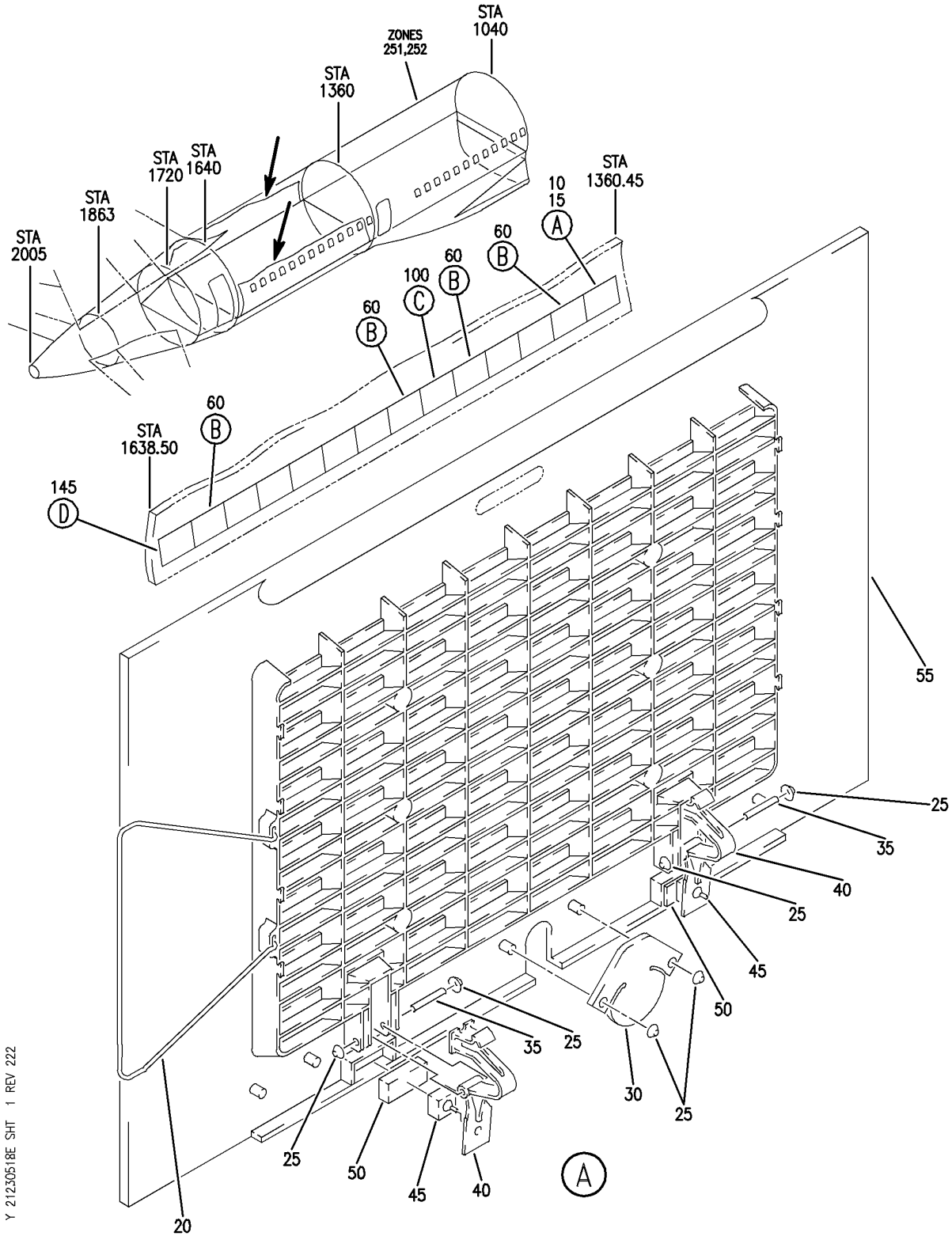
- ITEM NOT ILLUSTRATED

21-23-05-18D

21-23-05
FIG. 18D
PAGE 8
JAN 20/09

BRI

BOEING
757
PARTS CATALOG (MAINTENANCE)



Y 21230518E SHT 1 REV 222

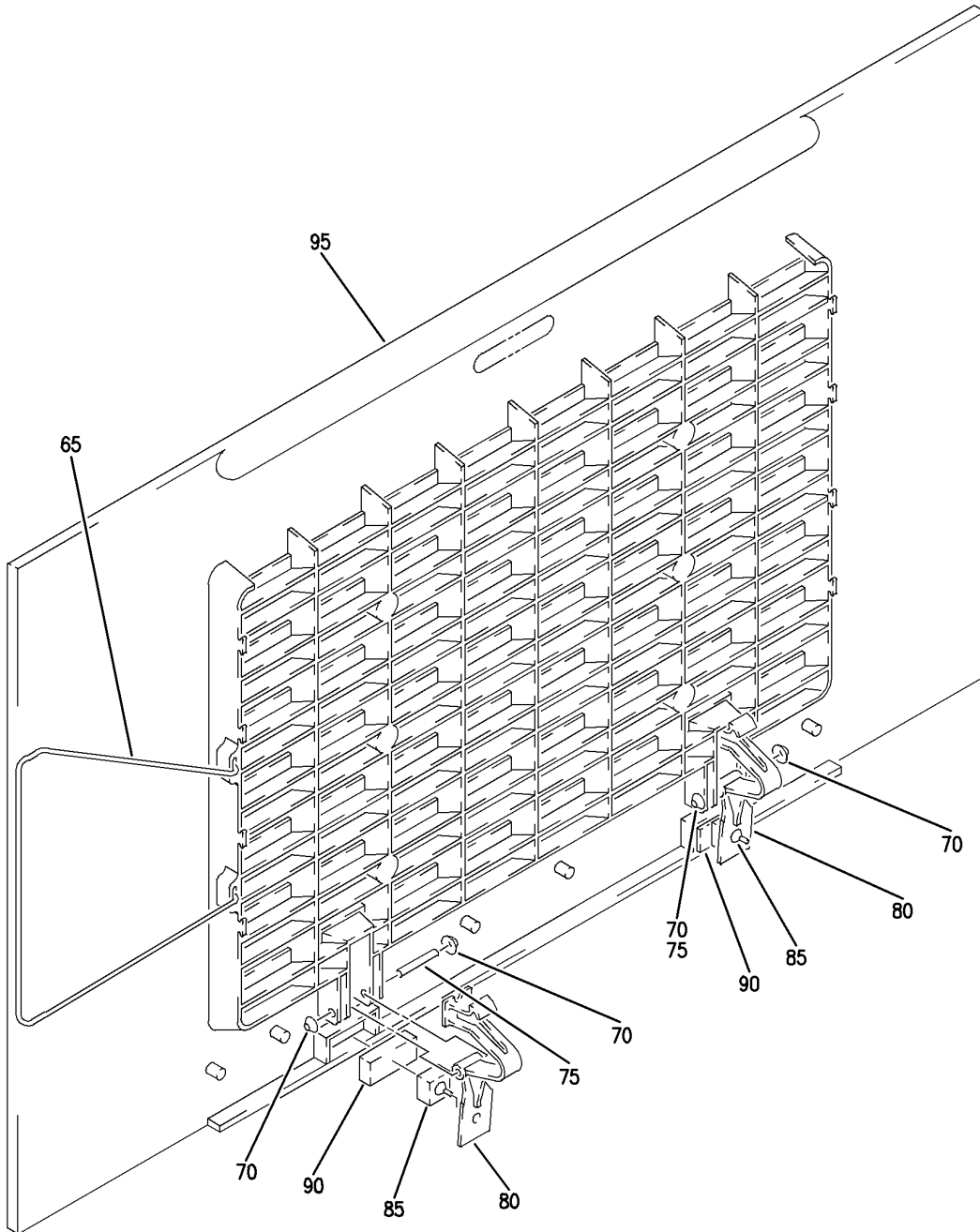
GRILLE INSTL-AIR RETURN PASS. CAB. STA 1360.45 TO 1637.50
FIGURE 18E (SHEET 1)

21-23-05-18E

BRI
JAN 20/09

21-23-05-18E
PAGE 0

BOEING
757
PARTS CATALOG (MAINTENANCE)



Y 21230518E SHT 2 REV 222

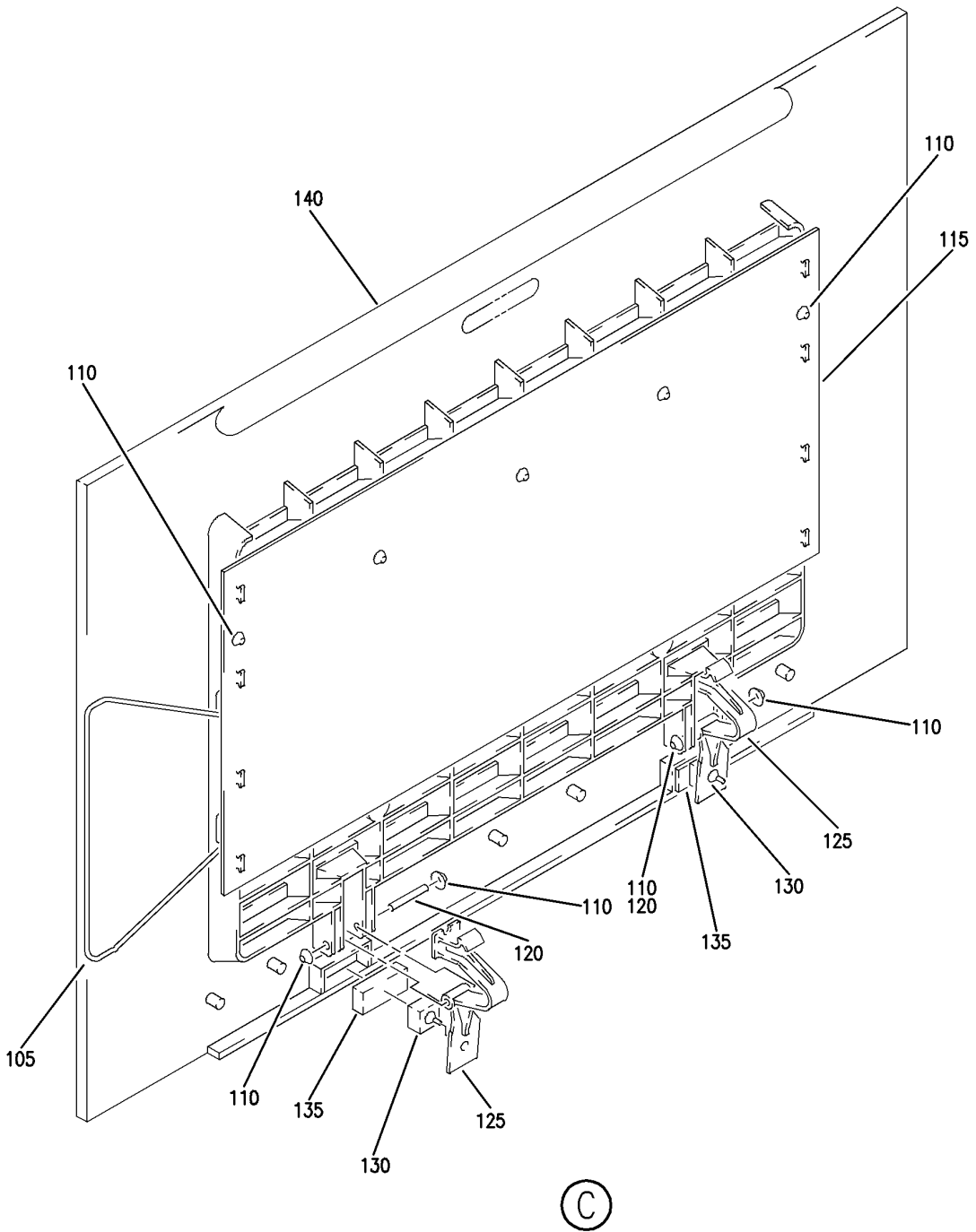
GRILLE INSTL-AIR RETURN PASS. CAB. STA 1360.45 TO 1637.50
FIGURE 18E (SHEET 2)

BRI
JAN 20/09

21-23-05-18E

21-23-05-18E
PAGE 0A

BOEING
757
PARTS CATALOG (MAINTENANCE)



Y 21230518E SHT 3 REV 222

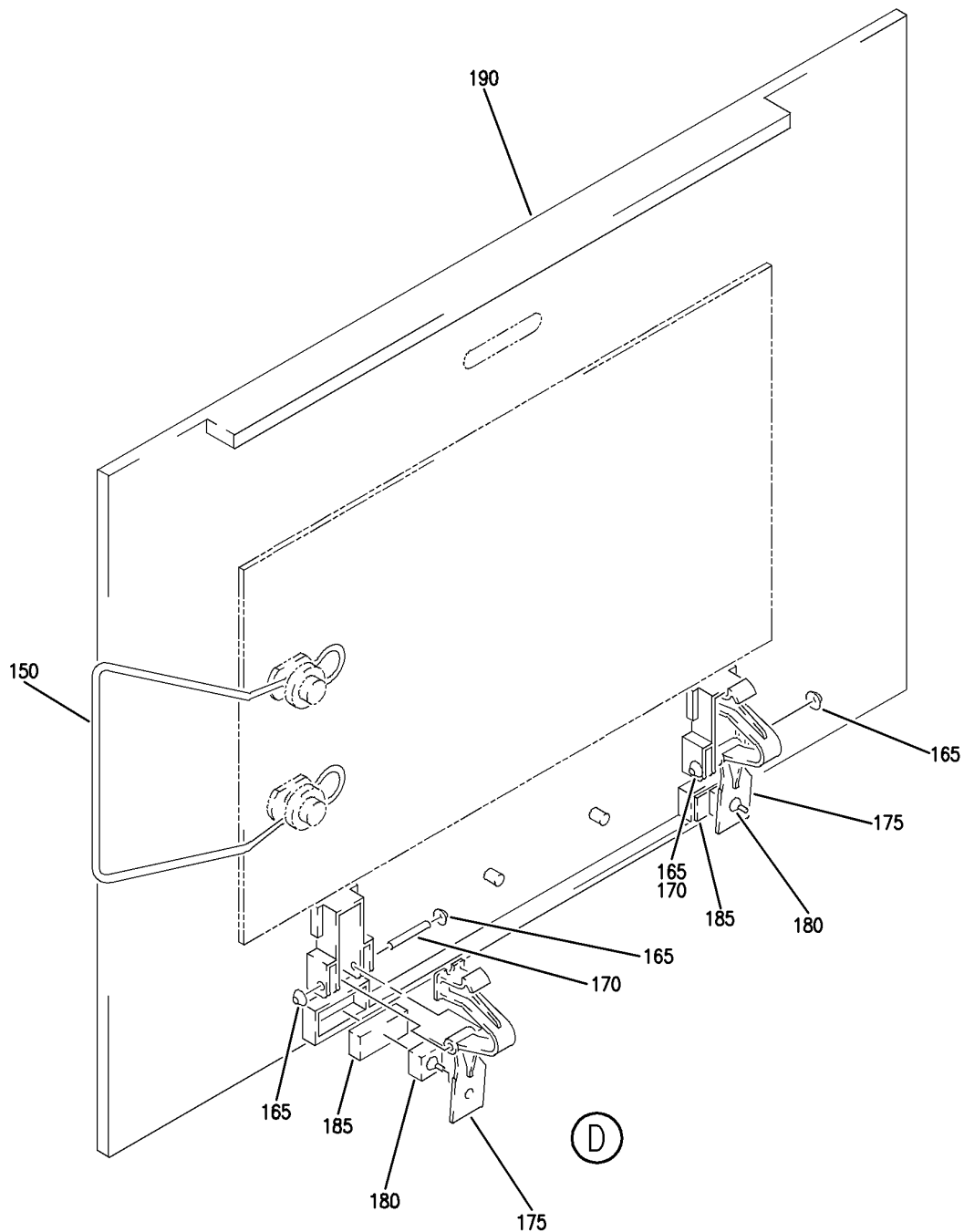
GRILLE INSTL-AIR RETURN PASS. CAB. STA 1360.45 TO 1637.50
FIGURE 18E (SHEET 3)

21-23-05-18E

BRI
JAN 20/09

21-23-05-18E
PAGE 0B

BOEING
757
PARTS CATALOG (MAINTENANCE)



Y 21230518E SHT 4 REV 222

GRILLE INSTL-AIR RETURN PASS. CAB. STA 1360.45 TO 1637.50
FIGURE 18E (SHEET 4)

21-23-05-18E

BRI
JAN 20/09

21-23-05-18E
PAGE 0C



757

PARTS CATALOG (MAINTENANCE)

| FIG ITEM | PART NUMBER | 1 2 3 4 5 6 7 | NOMENCLATURE | EFFECT FROM TO | UNITS PER ASSY |
|----------|-----------------|---------------|---|----------------|----------------|
| 18E | | | GRILLE INSTL-AIR RETURN PASS. CAB. STA 1360.45 TO 1637.50 | 108120 | |
| - 1 | 411N1500-2047SP | | GRILLE INSTL-AIR RETURN PASS. CAB. POSITION DATA: STA 1360.45 TO 1637.50 LH FOR NHA/ADDITIONAL DET SEE: 25-20-00-07 | 108120 | RF |
| - 5 | 411N1500-2050B | | GRILLE INSTL-AIR RETURN PASS. CAB. POSITION DATA: STA 1360.45 TO 1637.50 RH FOR NHA/ADDITIONAL DET SEE: 25-20-00-07 | 108120 | RF |
| 10 | 411N1510-44SP | | .GRILLE ASSY-22.5 IN. PNL WITH SHORT LATCH AND IFE AT CENTER AND NOTCH AT CLIP SIDE POSITION DATA: LH SIDE FUNCTIONAL REFERENCE: PLACARDS AND MARKINGS FOR DETAILS SEE 11-21-22-02 | 108120 | 1 |
| 15 | 411N1510-43SP | | .GRILLE ASSY-22.5 IN. PNL WITH SHORT LATCH AND IFE AT CENTER AND NOTCH AT OPP CLIP SIDE POSITION DATA: RH SIDE FUNCTIONAL REFERENCE: PLACARDS AND MARKINGS FOR DETAILS SEE 11-21-22-02 | 108120 | 1 |
| 20 | 411N1522-2 | | ..SPRING-RTNR CLIP | 108120 | 1 |
| 25 | 6100-12 | | ..RETAINER-CLIP SUPPLIER CODE: V97464 | 108120 | 6 |
| 30 | 411N1527-3 | | ..PAD | 108120 | 1 |
| 35 | 411N1522-4 | | ..PIN-HINGE OPTIONAL PART: 411N1522-5 | 108120 | 2 |
| 35 | 411N1522-5 | | ..PIN-HINGE OPTIONAL PART: 411N1522-4 | 108120 | 2 |
| 40 | 411N1521-1SP | | ..LATCH | 108120 | 2 |

MISSING ITEM NUMBERS NOT APPLICABLE

- ITEM NOT ILLUSTRATED

21-23-05-18E

21-23-05
FIG. 18E
PAGE 1
JAN 20/09

BRI

BOEING PROPRIETARY - Copyright © - Unpublished Work - See title page for details.



757

PARTS CATALOG (MAINTENANCE)

| FIG ITEM | PART NUMBER | 1 2 3 4 5 6 7 | NOMENCLATURE | EFFECT FROM TO | UNITS PER ASSY |
|----------|--------------|---|---|----------------|----------------|
| 18E | | | | | |
| 45 | 411N1527-1 | .. | PAD | 108120 | 2 |
| 50 | 411N1527-2 | .. | PAD | 108120 | 2 |
| 55 | 411N1520-2SP | .. | GRILLE-MOLDED | 108120 | 1 |
| 60 | 411N1510-1SP | .GRILLE ASSY-20.5 IN. PNL WITH SHORT LATCH FUNCTIONAL REFERENCE: PLACARDS AND MARKINGS FOR DETAILS SEE 11-21-22-02 | | 108120 | 11 |
| 65 | 411N1522-1 | .. | SPRING-RTNR CLIP | 108120 | 1 |
| 70 | 6100-12 | .. | RETAINER-CLIP SUPPLIER CODE: V97464 | 108120 | 4 |
| 75 | 411N1522-4 | .. | PIN-HINGE OPTIONAL PART: 411N1522-5 | 108120 | 2 |
| 75 | 411N1522-5 | .. | PIN-HINGE OPTIONAL PART: 411N1522-4 | 108120 | 2 |
| 80 | 411N1521-1SP | .. | LATCH | 108120 | 2 |
| 85 | 411N1527-1 | .. | PAD | 108120 | 2 |
| 90 | 411N1527-2 | .. | PAD | 108120 | 2 |
| 95 | 411N1520-1SP | .. | GRILLE-MOLDED | 108120 | 1 |
| 100 | 411N1510-5SP | .GRILLE ASSY-20.5 IN. PNL WITH SHORT LATCH AND BAFFLE FUNCTIONAL REFERENCE: PLACARDS AND MARKINGS FOR DETAILS SEE 11-21-22-02 | | 108120 | 1 |
| 105 | 411N1522-1 | .. | SPRING-RTNR CLIP | 108120 | 1 |
| 110 | 6100-12 | .. | RETAINER-CLIP SUPPLIER CODE: V97464 | 108120 | 9 |
| 115 | 411N1528-1 | .. | BAFFLE | 108120 | 1 |
| 120 | 411N1522-4 | .. | PIN-HINGE OPTIONAL PART: 411N1522-5 | 108120 | 2 |
| 120 | 411N1522-5 | .. | PIN-HINGE OPTIONAL PART: 411N1522-4 | 108120 | 2 |
| 125 | 411N1521-1SP | .. | LATCH | 108120 | 2 |
| 130 | 411N1527-1 | .. | PAD | 108120 | 2 |
| 135 | 411N1527-2 | .. | PAD | 108120 | 2 |
| 140 | 411N1520-1SP | .. | GRILLE-MOLDED | 108120 | 1 |

MISSING ITEM NUMBERS NOT APPLICABLE

- ITEM NOT ILLUSTRATED

21-23-05-18E

21-23-05
FIG. 18E
PAGE 2
JAN 20/09

BRI

BOEING PROPRIETARY - Copyright © - Unpublished Work - See title page for details.



757

PARTS CATALOG (MAINTENANCE)

| FIG ITEM | PART NUMBER | 1 2 3 4 5 6 7 | NOMENCLATURE | EFFECT FROM TO | UNITS PER ASSY |
|------------|---------------|---------------|--|----------------|----------------|
| 18E 145 | 411N1510-29SP | . | GRILLE ASSY-18.5 IN. BLANK PNL WITH LONG LATCH FUNCTIONAL REFERENCE: PLACARDS AND MARKINGS FOR DETAILS SEE 11-21-22-02 | 108120 | 1 |
| 150 | 411N1522-3 | .. | SPRING-RTNR CLIP ATTACHING PARTS | 108120 | 1 |
| - 155 | NAS1801-3-5 | .. | SCREW | 108120 | 2 |
| - 160 | BACW10P5CC | .. | WASHER | 108120 | 2 |
| | | | -----*----- | | |
| 165 | 6100-12 | .. | RETAINER-CLIP SUPPLIER CODE: V97464 | 108120 | 4 |
| 170 | 411N1522-4 | .. | PIN-HINGE OPTIONAL PART: 411N1522-5 | 108120 | 2 |
| 170 | 411N1522-5 | .. | PIN-HINGE OPTIONAL PART: 411N1522-4 | 108120 | 2 |
| 175 | 411N1521-2SP | .. | LATCH | 108120 | 2 |
| 180 | 411N1527-1 | .. | PAD | 108120 | 2 |
| 185 | 411N1527-2 | .. | PAD | 108120 | 2 |
| 190 | 411N1520-6SP | .. | GRILLE-MOLDED | 108120 | 1 |

MISSING ITEM NUMBERS NOT APPLICABLE

- ITEM NOT ILLUSTRATED

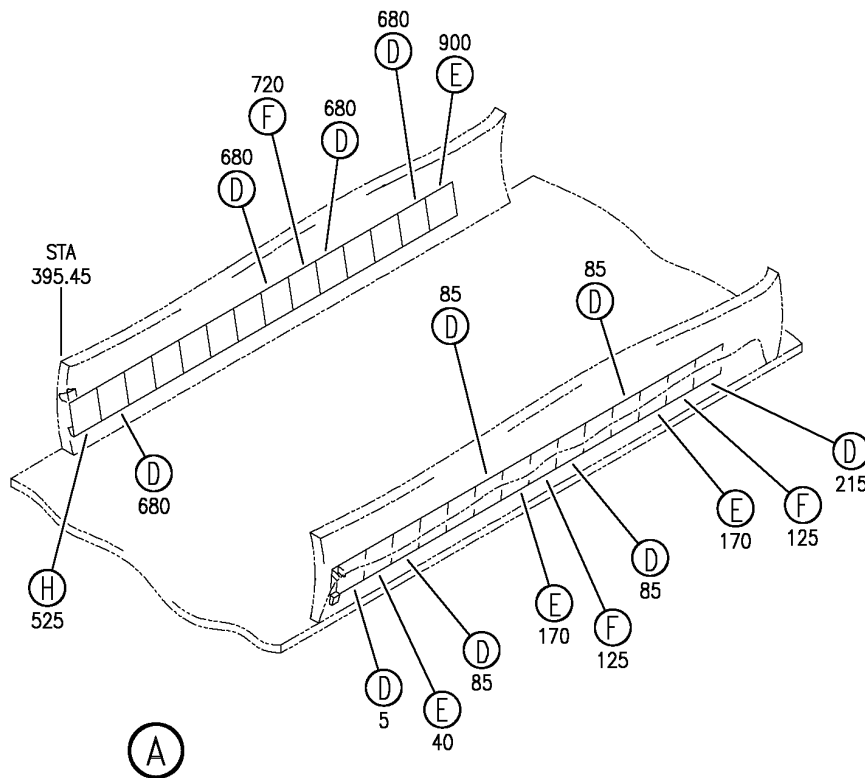
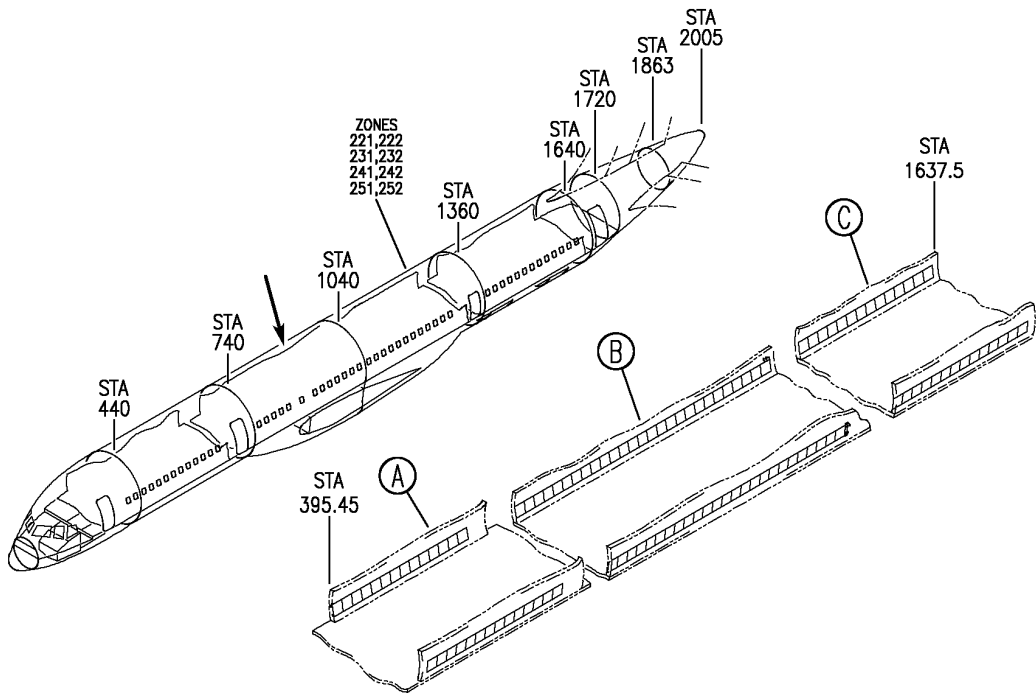
21-23-05-18E

21-23-05
FIG. 18E
PAGE 3
JAN 20/09

BRI

BOEING PROPRIETARY - Copyright © - Unpublished Work - See title page for details.

BOEING
757
PARTS CATALOG (MAINTENANCE)



Y 21230525A SHT 1 REV 257

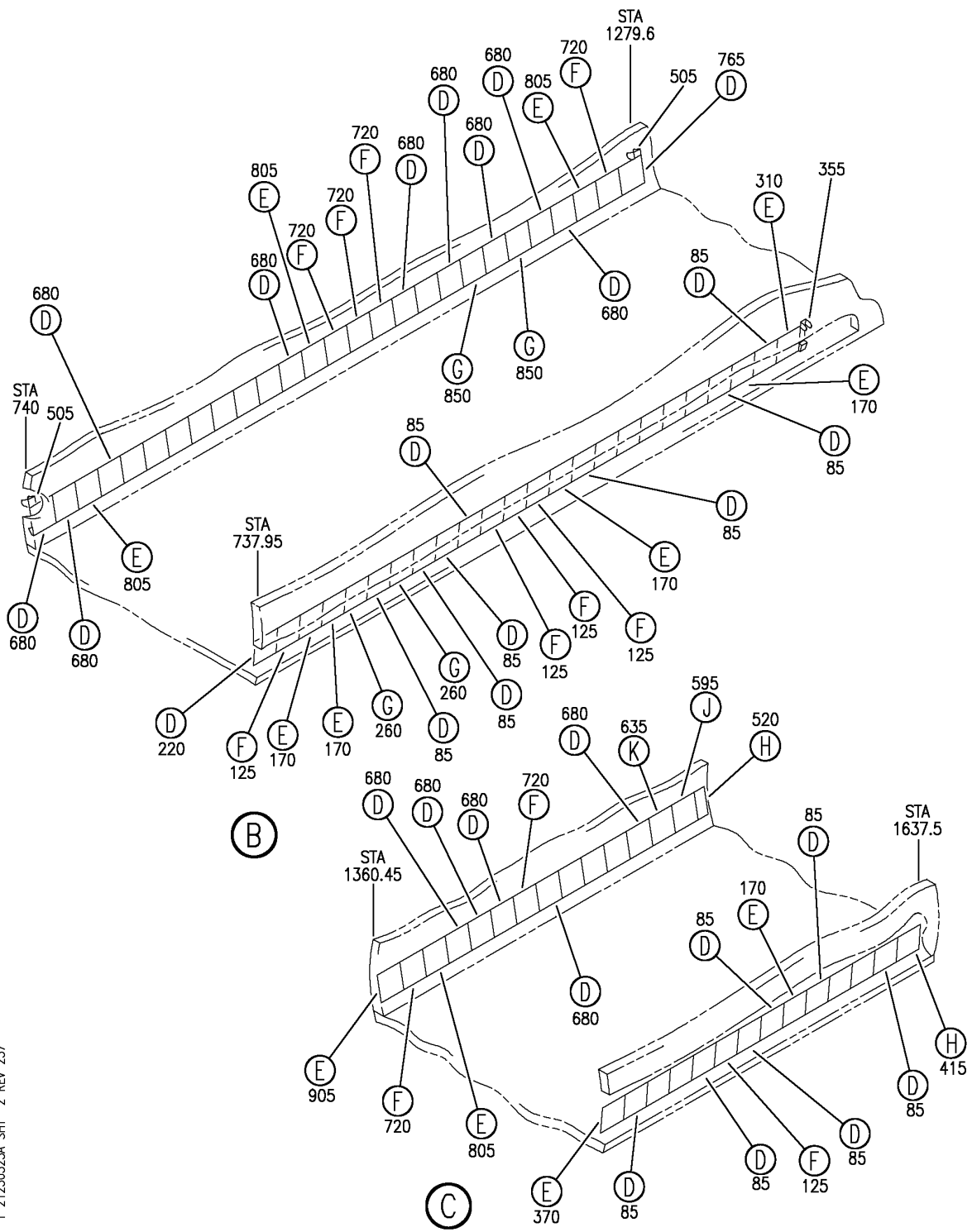
GRILLE INSTL-757-200 4 DOOR AIR RETURN PASS. CAB.
FIGURE 25A (SHEET 1)

21-23-05-25A

BRI
JAN 20/09

21-23-05-25A
PAGE 0

BOEING
757
PARTS CATALOG (MAINTENANCE)



Y 21230525A SH1 2 REV 257

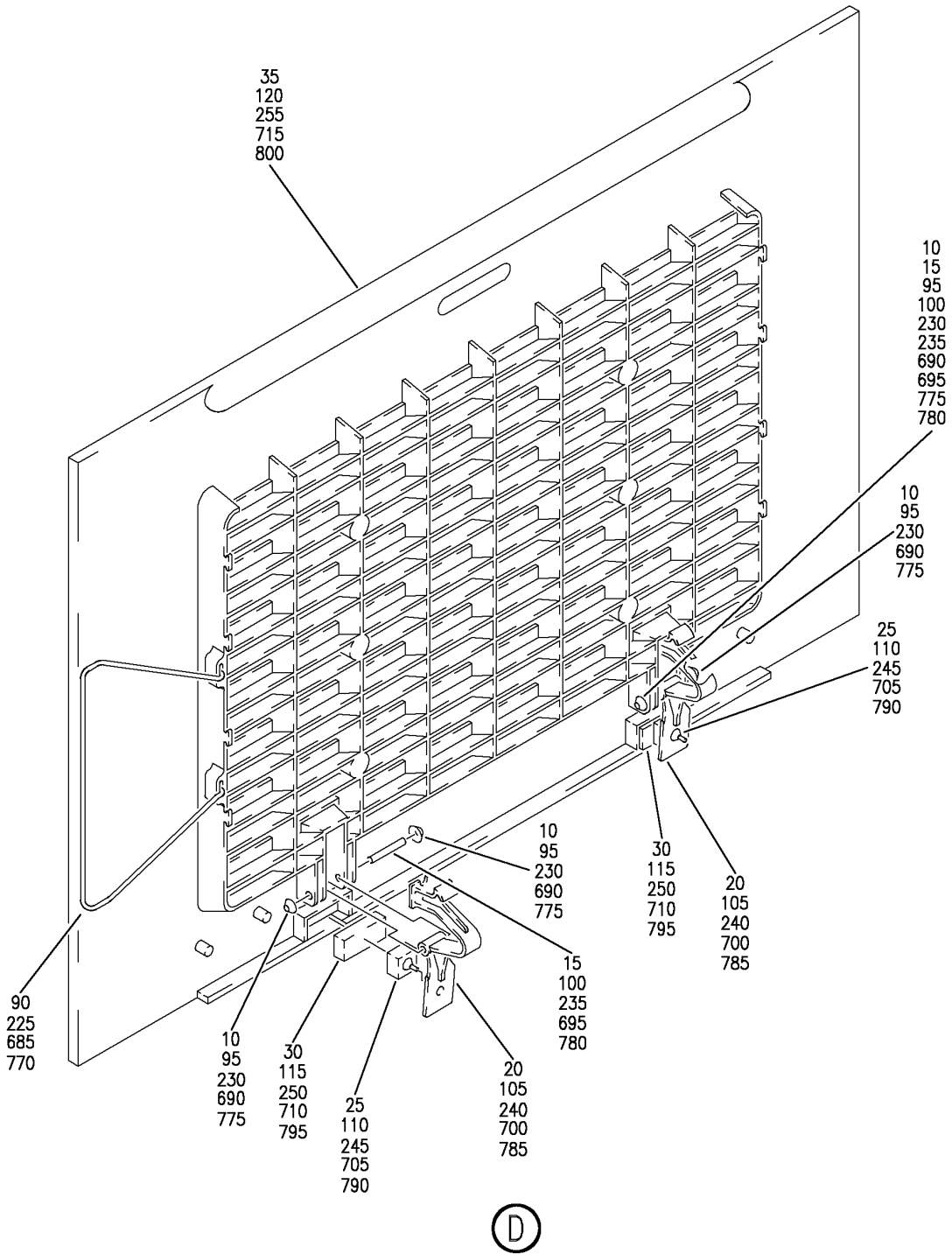
GRILLE INSTL-757-200 4 DOOR AIR RETURN PASS. CAB.
FIGURE 25A (SHEET 2)

21-23-05-25A

BRI
JAN 20/09

21-23-05-25A
PAGE 0A

BOEING
757
PARTS CATALOG (MAINTENANCE)



Y 21230525A SHT. 3 REV. 257

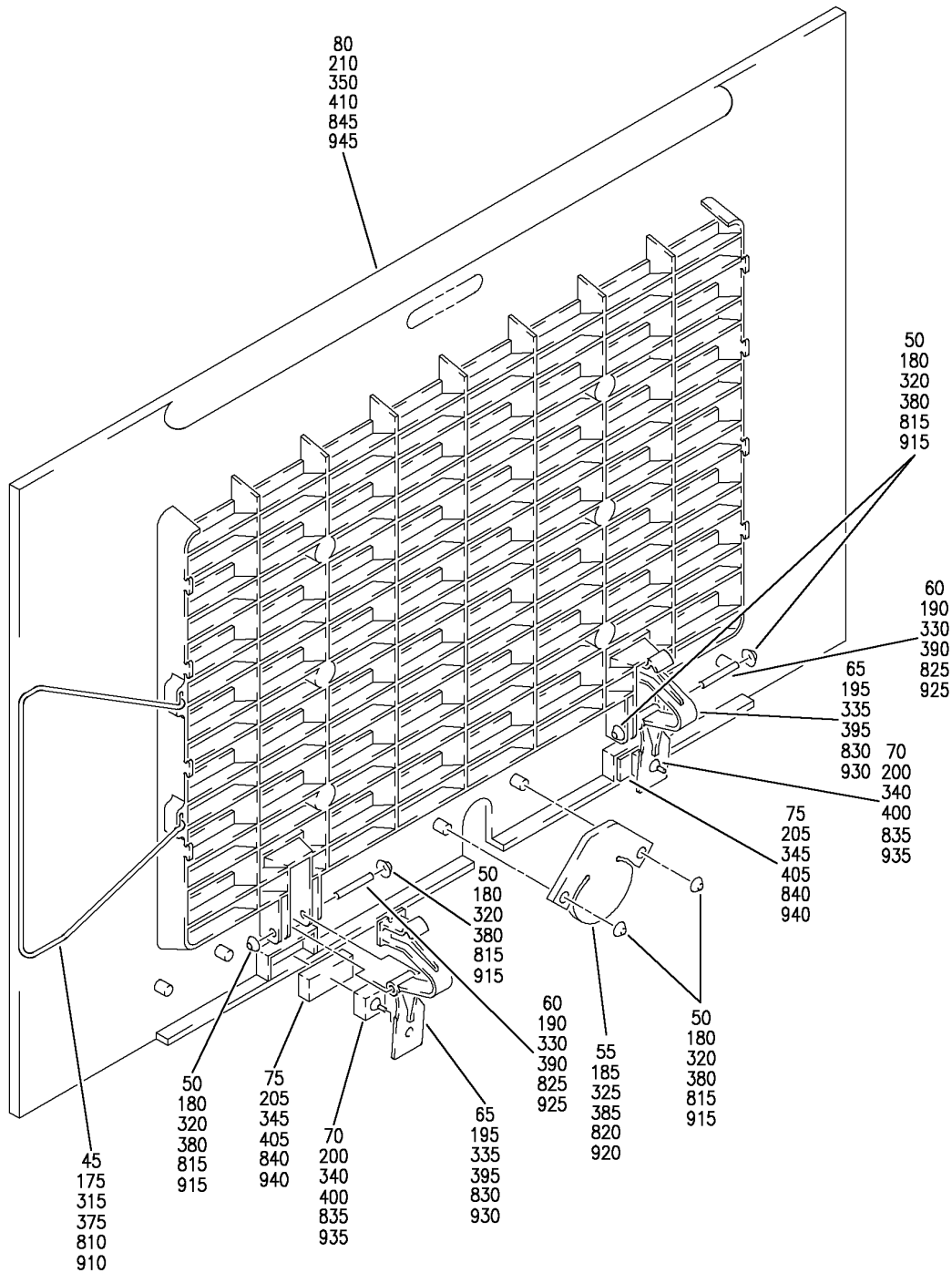
GRILLE INSTL-757-200 4 DOOR AIR RETURN PASS. CAB.
FIGURE 25A (SHEET 3)

21-23-05-25A

BRI
JAN 20/09

21-23-05-25A
PAGE 0B

BOEING
757
PARTS CATALOG (MAINTENANCE)



Y 21230525A SHT 4 REV 257

(E)

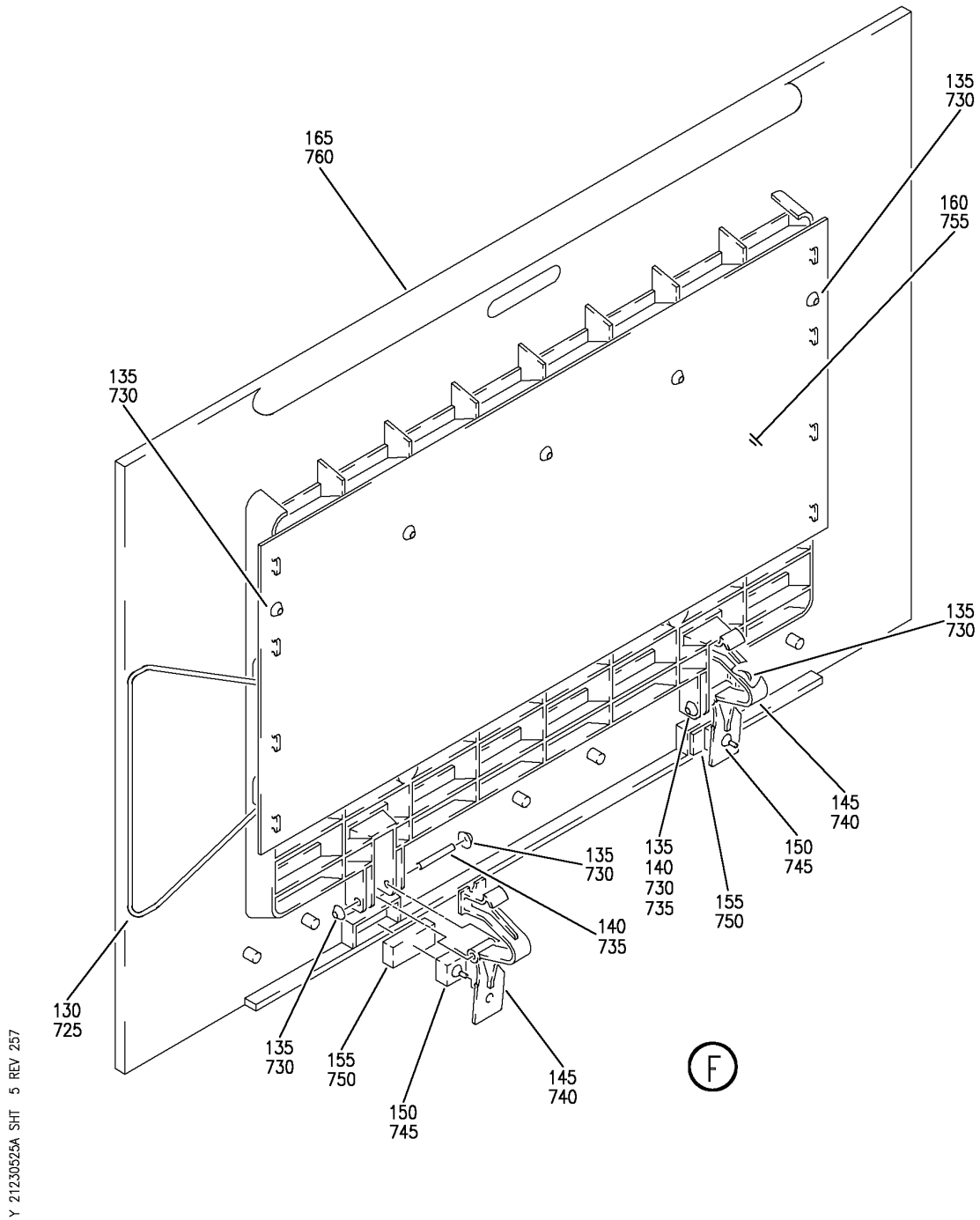
GRILLE INSTL-757-200 4 DOOR AIR RETURN PASS. CAB.
FIGURE 25A (SHEET 4)

21-23-05-25A

BRI
JAN 20/09

21-23-05-25A
PAGE 0C

BOEING
757
PARTS CATALOG (MAINTENANCE)



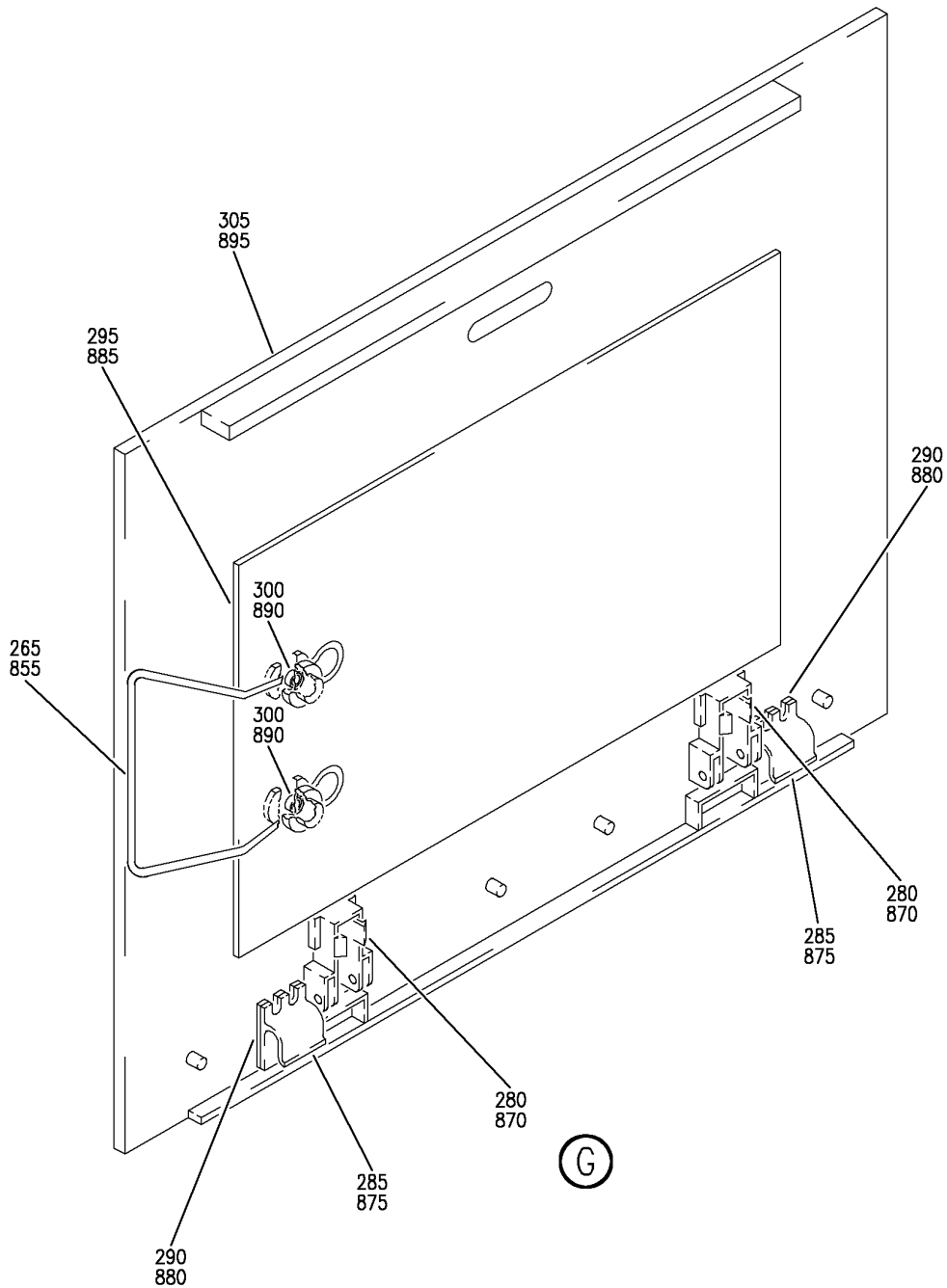
GRILLE INSTL-757-200 4 DOOR AIR RETURN PASS. CAB.
FIGURE 25A (SHEET 5)

21-23-05-25A

BRI
JAN 20/09

21-23-05-25A
PAGE 0D

BOEING
757
PARTS CATALOG (MAINTENANCE)



Y 21230525A SHIT 6 REV 257

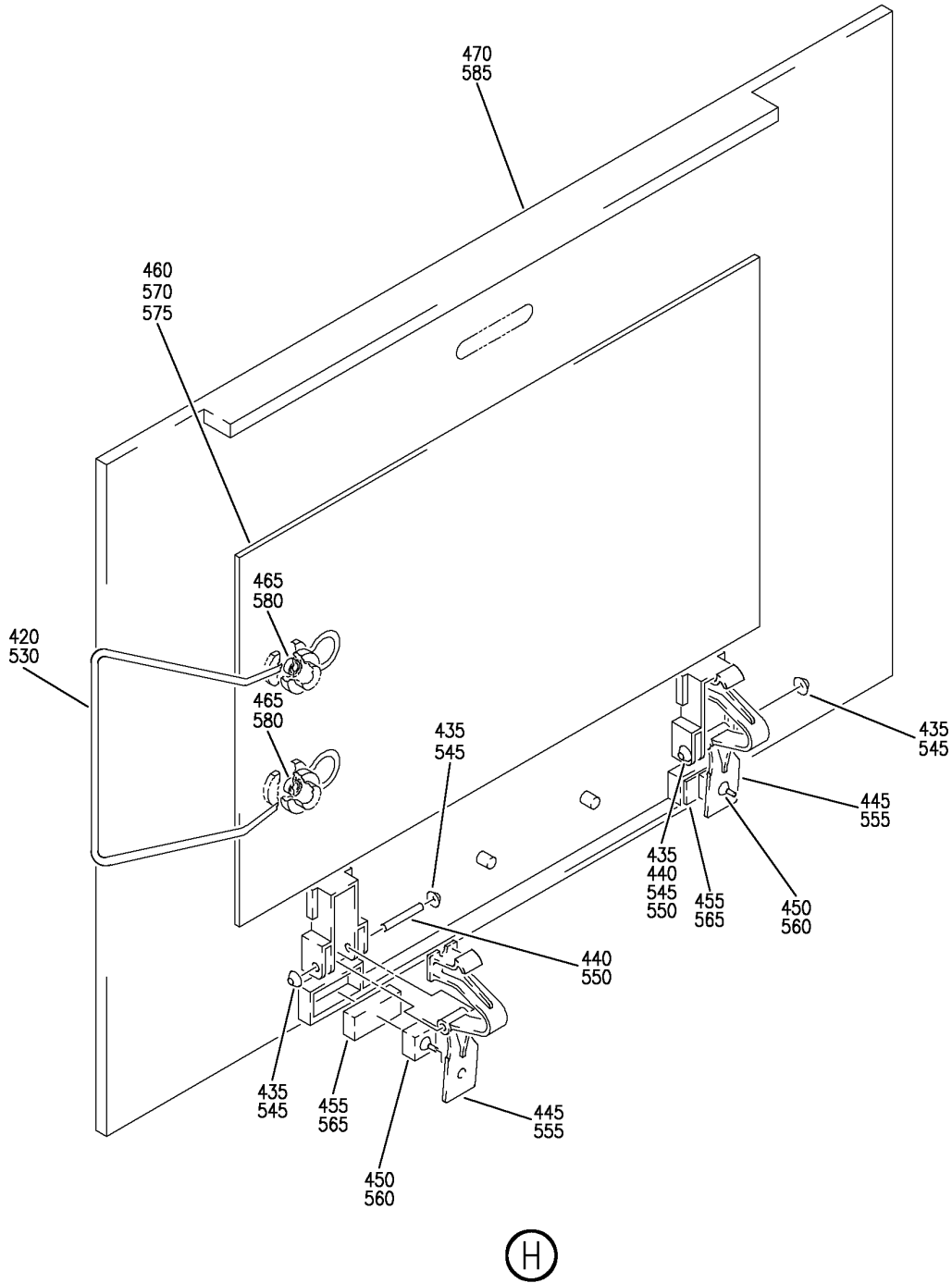
GRILLE INSTL-757-200 4 DOOR AIR RETURN PASS. CAB.
FIGURE 25A (SHEET 6)

21-23-05-25A

BRI
JAN 20/09

21-23-05-25A
PAGE 0E

BOEING
757
PARTS CATALOG (MAINTENANCE)



Y 21230525A SH1 7 REV 257

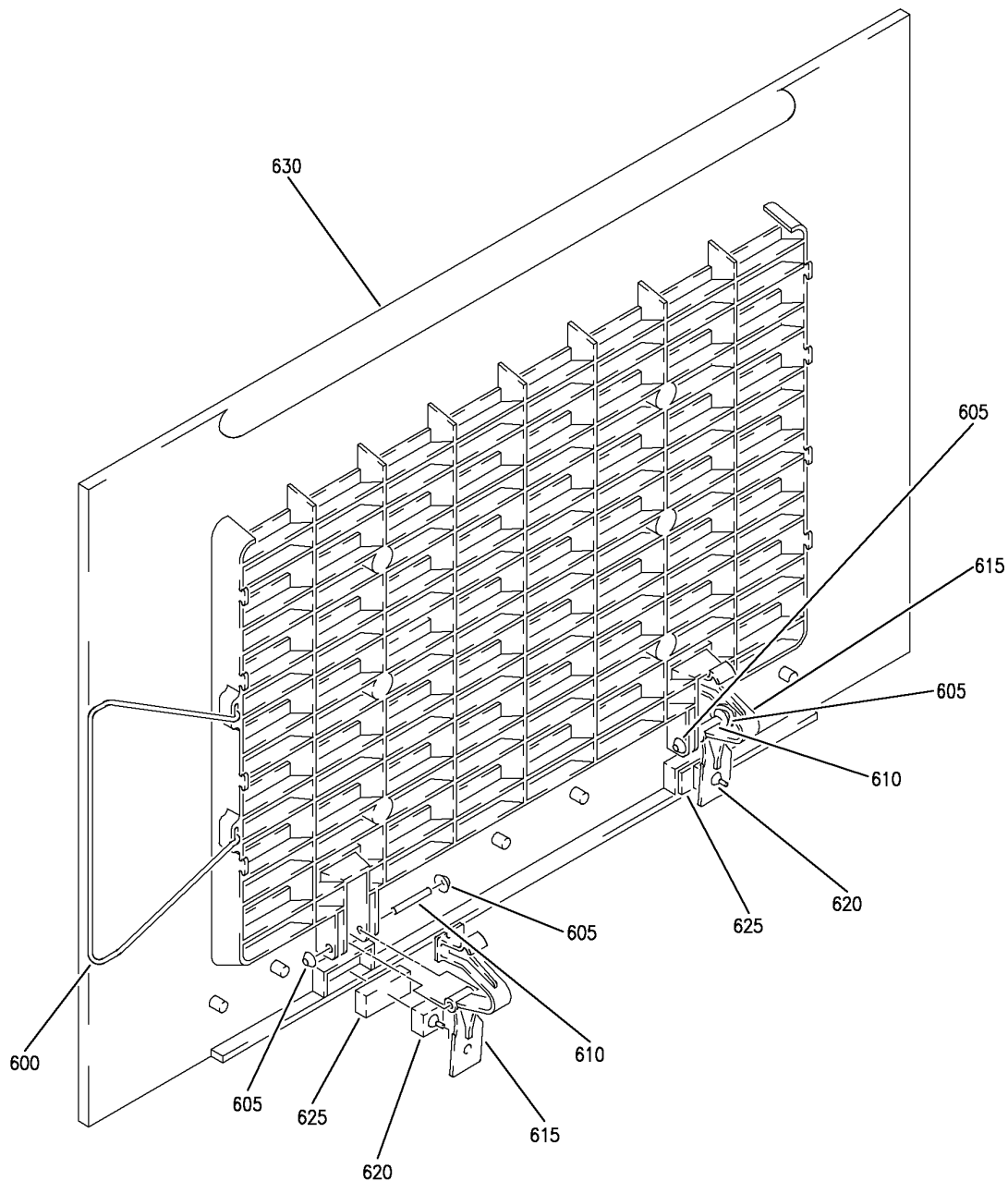
GRILLE INSTL-757-200 4 DOOR AIR RETURN PASS. CAB.
FIGURE 25A (SHEET 7)

21-23-05-25A

BRI
JAN 20/09

21-23-05-25A
PAGE OF

BOEING
757
PARTS CATALOG (MAINTENANCE)



Y 21230525A SHT 8 REV 257

J

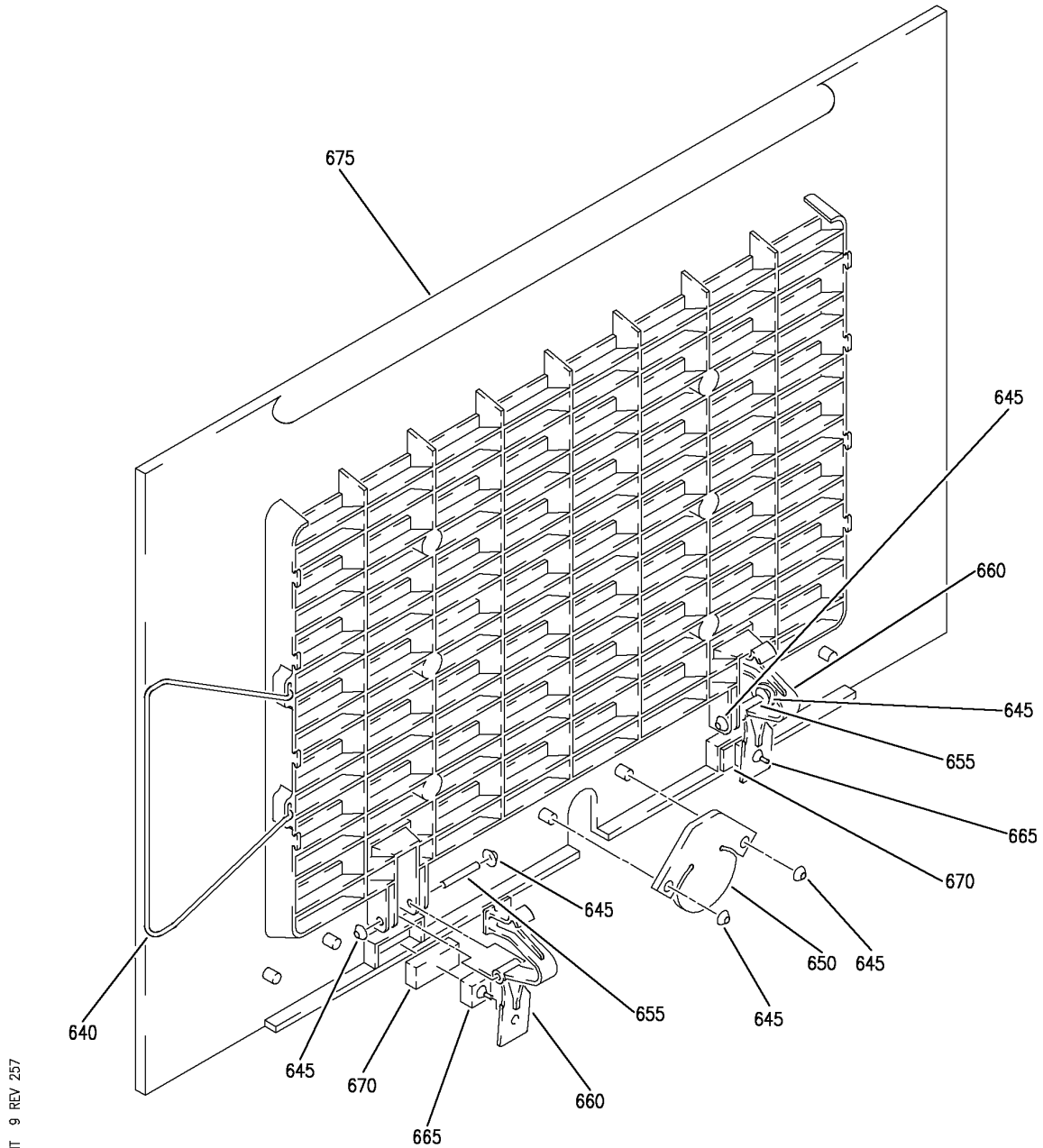
GRILLE INSTL-757-200 4 DOOR AIR RETURN PASS. CAB.
FIGURE 25A (SHEET 8)

21-23-05-25A

BRI
JAN 20/09

21-23-05-25A
PAGE 08

BOEING
757
PARTS CATALOG (MAINTENANCE)



Y 21230525A SHT 9 REV 257

(K)

GRILLE INSTL-757-200 4 DOOR AIR RETURN PASS. CAB.
FIGURE 25A (SHEET 9)

21-23-05-25A

BRI
JAN 20/09

21-23-05-25A
PAGE 0H



757

PARTS CATALOG (MAINTENANCE)

| FIG ITEM | PART NUMBER | 1 2 3 4 5 6 7 | NOMENCLATURE | EFFECT FROM TO | UNITS PER ASSY |
|----------|--------------|---------------|---|----------------|----------------|
| 25A | | | GRILLE INSTL-757-200 4 DOOR AIR RETURN PASS. CAB. | 103106 | |
| - 1 | MODREF33332 | | GRILLE INSTL-AIR RETURN PASS. CAB. MODULE NUMBER: 411N1500-2333B REV A POSITION DATA: STA 395.45 TO 1640.45 L SIDE | 103106 | 1 |
| 5 | 411N1510-11B | | .GRILLE ASSY-20.5 IN. PNL WITH LONG LATCH, 4 IN. EXTENSION FUNCTIONAL REFERENCE: PLACARDS AND MARKINGS FOR DETAILS SEE 11-21-22-02B | 103106 | 1 |
| 10 | 6100-12 | | ..RETAINER- SUPPLIER CODE: V97464 | 103106 | 4 |
| 15 | 411N1522-4 | | ..PIN-HINGE OPTIONAL PART: 411N1522-5 | 103106 | 2 |
| 15 | 411N1522-5 | | ..PIN-HINGE OPTIONAL PART: 411N1522-4 | 103106 | 2 |
| 20 | 411N1521-2B | | ..LATCH | 103106 | 2 |
| 25 | 411N1527-1 | | ..PAD | 103106 | 2 |
| 30 | 411N1527-2 | | ..PAD | 103106 | 2 |
| 35 | 411N1520-1B | | ..GRILLE-MOLDED | 103106 | 1 |
| 40 | 411N1510-47B | | .GRILLE ASSY-22.5 IN. PNL LONG LATCH, IFE (CENTER) FUNCTIONAL REFERENCE: PLACARDS AND MARKINGS FOR DETAILS SEE 11-21-22-02B | 103106 | 1 |
| 45 | 411N1522-2 | | ..SPRING-RTNR CLIP | 103106 | 1 |
| 50 | 6100-12 | | ..RETAINER-CLIP SUPPLIER CODE: V97464 | 103106 | 6 |
| 55 | 411N1527-3 | | ..PAD | 103106 | 1 |
| 60 | 411N1522-4 | | ..PIN-HINGE OPTIONAL PART: 411N1522-5 | 103106 | 2 |
| 60 | 411N1522-5 | | ..PIN-HINGE OPTIONAL PART: 411N1522-4 | 103106 | 2 |
| 65 | 411N1521-2B | | ..LATCH | 103106 | 2 |
| 70 | 411N1527-1 | | ..PAD | 103106 | 2 |

MISSING ITEM NUMBERS NOT APPLICABLE

- ITEM NOT ILLUSTRATED

21-23-05-25A

21-23-05
FIG. 25A
PAGE 1
JAN 20/09

BRI



757

PARTS CATALOG (MAINTENANCE)

| FIG ITEM | PART NUMBER | 1 2 3 4 5 6 7 | NOMENCLATURE | EFFECT FROM TO | UNITS PER ASSY |
|----------|-------------|--|---|----------------|----------------|
| 25A | | | | | |
| 75 | 411N1527-2 | .. | PAD | 103106 | 2 |
| 80 | 411N1520-2B | .. | GRILLE-MOLDED | 103106 | 1 |
| 85 | 411N1510-1B | .GRILLE ASSY-20.5 IN. PNL WITH SHORT LATCH FUNCTIONAL REFERENCE: PLACARDS AND MARKINGS FOR DETAILS SEE 11-21-22-02B | | 103106 | 29 |
| 90 | 411N1522-1 | .. | SPRING-RTNR CLIP | 103106 | 1 |
| 95 | 6100-12 | .. | RETAINER-CLIP SUPPLIER CODE: V97464 | 103106 | 4 |
| 100 | 411N1522-4 | .. | PIN-HINGE OPTIONAL PART: 411N1522-5 | 103106 | 2 |
| 100 | 411N1522-5 | .. | PIN-HINGE OPTIONAL PART: 411N1522-4 | 103106 | 2 |
| 105 | 411N1521-1B | .. | LATCH | 103106 | 2 |
| 110 | 411N1527-1 | .. | PAD | 103106 | 2 |
| 115 | 411N1527-2 | .. | PAD | 103106 | 2 |
| 120 | 411N1520-1B | .. | GRILLE-MOLDED | 103106 | 1 |
| 125 | 411N1510-5B | .GRILLE ASSY-20.5 IN. PNL WITH SHORT LATCH AND BAFFLE FUNCTIONAL REFERENCE: PLACARDS AND MARKINGS FOR DETAILS SEE 11-21-22-02B | | 103106 | 7 |
| 130 | 411N1522-1 | .. | SPRING-RTNR CLIP | 103106 | 1 |
| 135 | 6100-12 | .. | RETAINER-CLIP SUPPLIER CODE: V97464 | 103106 | 9 |
| 140 | 411N1522-4 | .. | PIN-HINGE OPTIONAL PART: 411N1522-5 | 103106 | 2 |
| 140 | 411N1522-5 | .. | PIN-HINGE OPTIONAL PART: 411N1522-4 | 103106 | 2 |
| 145 | 411N1521-1B | .. | LATCH | 103106 | 2 |
| 150 | 411N1527-1 | .. | PAD | 103106 | 2 |
| 155 | 411N1527-2 | .. | PAD | 103106 | 2 |
| 160 | 411N1528-1 | .. | BAFFLE | 103106 | 1 |
| 165 | 411N1520-1B | .. | GRILLE-MOLDED | 103106 | 1 |

MISSING ITEM NUMBERS NOT APPLICABLE

- ITEM NOT ILLUSTRATED

21-23-05-25A

21-23-05
FIG. 25A
PAGE 2
JAN 20/09

BRI

BOEING PROPRIETARY - Copyright © - Unpublished Work - See title page for details.



757

PARTS CATALOG (MAINTENANCE)

| FIG ITEM | PART NUMBER | 1 2 3 4 5 6 7 | NOMENCLATURE | EFFECT FROM TO | UNITS PER ASSY |
|------------|--------------|---------------|---|----------------|----------------|
| 25A 170 | 411N1510-13B | | .GRILLE ASSY-20.5 IN. PNL WITH LONG LATCH IFE (CENTER) FUNCTIONAL REFERENCE: PLACARDS AND MARKINGS FOR DETAILS SEE 11-21-22-02B | 103106 | 8 |
| 175 | 411N1522-1 | | ..SPRING-RTNR CLIP | 103106 | 1 |
| 180 | 6100-12 | | ..RETAINER-CLIP SUPPLIER CODE: V97464 | 103106 | 6 |
| 185 | 411N1527-3 | | ..PAD | 103106 | 1 |
| 190 | 411N1522-4 | | ..PIN-HINGE OPTIONAL PART: 411N1522-5 | 103106 | 2 |
| 190 | 411N1522-5 | | ..PIN-HINGE OPTIONAL PART: 411N1522-4 | 103106 | 2 |
| 195 | 411N1521-2B | | ..LATCH | 103106 | 2 |
| 200 | 411N1527-1 | | ..PAD | 103106 | 2 |
| 205 | 411N1527-2 | | ..PAD | 103106 | 2 |
| 210 | 411N1520-1B | | ..GRILLE-MOLDED | 103106 | 1 |
| 215 | 411N1510-45B | | .GRILLE ASSY-22.5 IN. PNL WITH SHORT LATCH, (OPP CLIP) NOTCH, IFE CTR FUNCTIONAL REFERENCE: PLACARDS AND MARKINGS FOR DETAILS SEE 11-21-22-02B | 103106 | 1 |
| 220 | 411N1510-46B | | .GRILLE ASSY-22.5 IN. PNL WITH SHORT LATCH, (CLIP SIDE) NOTCH FUNCTIONAL REFERENCE: PLACARDS AND MARKINGS FOR DETAILS SEE 11-21-22-02B | 103106 | 1 |
| 225 | 411N1522-2 | | ..SPRING-RTNR CLIP | 103106 | 1 |
| 230 | 6100-12 | | ..RETAINER-CLIP SUPPLIER CODE: V97464 | 103106 | 4 |
| 235 | 411N1522-4 | | ..PIN-HINGE OPTIONAL PART: 411N1522-5 | 103106 | 2 |
| 235 | 411N1522-5 | | ..PIN-HINGE OPTIONAL PART: 411N1522-4 | 103106 | 2 |
| 240 | 411N1521-1B | | ..LATCH | 103106 | 2 |
| 245 | 411N1527-1 | | ..PAD | 103106 | 2 |

MISSING ITEM NUMBERS NOT APPLICABLE

- ITEM NOT ILLUSTRATED

21-23-05-25A

21-23-05
FIG. 25A
PAGE 3
JAN 20/09

BRI

BOEING PROPRIETARY - Copyright © - Unpublished Work - See title page for details.



757

PARTS CATALOG (MAINTENANCE)

| FIG ITEM | PART NUMBER | 1 2 3 4 5 6 7 | NOMENCLATURE | EFFECT FROM TO | UNITS PER ASSY |
|----------|---------------|---|---|----------------|----------------|
| 25A | | | | | |
| 250 | 411N1527-2 | .. | PAD | 103106 | 2 |
| 255 | 411N1520-2B | .. | GRILLE-MOLDED | 103106 | 1 |
| 260 | 411N1510-39B | .GRILLE ASSY-22.5 IN. BLANK PNL., PLUG AND SNAP-ON LATCH | | 103106 | 2 |
| | | | FUNCTIONAL REFERENCE: PLACARDS AND MARKINGS FOR DETAILS SEE 11-21-22-02B | | |
| 265 | 411N1522-3 | .. | SPRING-RTNR CLIP ATTACHING PARTS | 103106 | 1 |
| - 270 | NAS1801-3-5 | .. | SCREW | 103106 | 2 |
| - 275 | BACW10P5CC | .. | WASHER | 103106 | 2 |
| | | | -----*----- | | |
| 280 | 411N1521-3B | .. | PLUG | 103106 | 2 |
| 285 | 411N1407-4 | .. | CLIP | 103106 | 2 |
| 290 | 411N1407-7 | .. | SPACER | 103106 | 2 |
| 295 | 411N1523-2 | .. | STIFFENER ASSY-17.50 IN. | 103106 | 1 |
| 300 | BACI12S3 | ... | INSERT | 103106 | 2 |
| 305 | 411N1520-4B | .. | GRILLE-MOLDED | 103106 | 1 |
| 310 | 411N1510-68B | .GRILLE ASSY-20.5 IN. PNL WITH LONG LATCH, 4 IN. EXTENSION (OPP CLIP), IFE (CENTER) | | 103106 | 1 |
| | | | FUNCTIONAL REFERENCE: PLACARDS AND MARKINGS FOR DETAILS SEE 11-21-22-02B | | |
| 315 | 411N1522-1 | .. | SPRING-RTNR CLIP | 103106 | 1 |
| 320 | 6100-12 | .. | RETAINER-CLIP SUPPLIER CODE: V97464 | 103106 | 6 |
| 325 | 411N1527-3 | .. | PAD | 103106 | 1 |
| 330 | 411N1522-4 | .. | PIN-HINGE | 103106 | 2 |
| 335 | 411N1521-2B | .. | LATCH | 103106 | 2 |
| 340 | 411N1527-1 | .. | PAD | 103106 | 2 |
| 345 | 411N1527-2 | .. | PAD | 103106 | 2 |
| 350 | 411N1520-1B | .. | GRILLE-MOLDED | 103106 | 1 |
| 355 | 411N1525-20 | .TRIM ASSY- | | 103106 | 1 |
| 355 | 411N1525-1 | .TRIM ASSY- | | 103106 | 1 |
| | | | ATTACHING PARTS | | |
| - 360 | NAS1801-3-6 | .SCREW | | 103106 | 1 |
| - 365 | NAS1149D0316J | .WASHER | | 103106 | 1 |
| | | | -----*----- | | |

MISSING ITEM NUMBERS NOT APPLICABLE

- ITEM NOT ILLUSTRATED

21-23-05-25A

21-23-05
FIG. 25A
PAGE 4
JAN 20/09

BRI

BOEING PROPRIETARY - Copyright © - Unpublished Work - See title page for details.



757

PARTS CATALOG (MAINTENANCE)

| FIG ITEM | PART NUMBER | 1 2 3 4 5 6 7 | NOMENCLATURE | EFFECT FROM TO | UNITS PER ASSY |
|------------|--------------|---------------|--|----------------|----------------|
| 25A 370 | 411N1510-44B | | .GRILLE ASSY-22.5 IN. PNL WITH SHORT LATCH, IFE CTR, (CLIP SIDE) NOTCH FUNCTIONAL REFERENCE: PLACARDS AND MARKINGS FOR DETAILS SEE 11-21-22-02B | 103106 | 1 |
| 375 | 411N1522-2 | | ..SPRING-RTNR CLIP | 103106 | 1 |
| 380 | 6100-12 | | ..RETAINER-CLIP SUPPLIER CODE: V97464 | 103106 | 6 |
| 385 | 411N1527-3 | | ..PAD | 103106 | 1 |
| 390 | 411N1522-4 | | ..PIN-HINGE OPTIONAL PART: 411N1522-5 | 103106 | 2 |
| 390 | 411N1522-5 | | ..PIN-HINGE OPTIONAL PART: 411N1522-4 | 103106 | 2 |
| 395 | 411N1521-1B | | ..LATCH | 103106 | 2 |
| 400 | 411N1527-1 | | ..PAD | 103106 | 2 |
| 405 | 411N1527-2 | | ..PAD | 103106 | 2 |
| 410 | 411N1520-2B | | ..GRILLE-MOLDED | 103106 | 1 |
| 415 | 411N1510-29B | | .GRILLE ASSY-18.5 IN. BLANK PNL, LONG LATCH FUNCTIONAL REFERENCE: PLACARDS AND MARKINGS FOR DETAILS SEE 11-21-22-02B | 103106 | 1 |
| 420 | 411N1522-3 | | ..SPRING-RTNR CLIP ATTACHING PARTS | 103106 | 1 |
| - 425 | NAS1801-3-5 | | ..SCREW | 103106 | 2 |
| - 430 | BACW10P5CC | | ..WASHER -----*----- | 103106 | 2 |
| 435 | 6100-12 | | ..RETAINER-CLIP SUPPLIER CODE: V97464 | 103106 | 4 |
| 440 | 411N1522-4 | | ..PIN-HINGE OPTIONAL PART: 411N1522-5 | 103106 | 2 |
| 440 | 411N1522-5 | | ..PIN-HINGE OPTIONAL PART: 411N1522-4 | 103106 | 2 |
| 445 | 411N1521-2B | | ..LATCH | 103106 | 2 |
| 450 | 411N1527-1 | | ..PAD | 103106 | 2 |
| 455 | 411N1527-2 | | ..PAD | 103106 | 2 |
| 460 | 411N1523-4 | | ..STIFFENER ASSY-13.50 IN | 103106 | 1 |
| 465 | BACI12S3 | | ...INSERT | 103106 | 2 |
| 470 | 411N1520-6B | | ..GRILLE-MOLDED | 103106 | 1 |

MISSING ITEM NUMBERS NOT APPLICABLE

- ITEM NOT ILLUSTRATED

21-23-05-25A

21-23-05
FIG. 25A
PAGE 5
JAN 20/09

BRI

BOEING
757
PARTS CATALOG (MAINTENANCE)

| FIG ITEM | PART NUMBER | 1 2 3 4 5 6 7 | NOMENCLATURE | EFFECT FROM TO | UNITS PER ASSY |
|--------------|---------------|---------------|---|----------------|----------------|
| 25A - 500 | MODREF33333 | | GRILLE INSTL-AIR RETURN PASS. CAB. MODULE NUMBER: 411N1500-2334B REV A POSITION DATA: STA 384.00 TO 1637.50 R SIDE | 103106 | 1 |
| 505 | 411N1525-20 | | .TRIM ASSY- | 103106 | 2 |
| 505 | 411N1525-1 | | .TRIM ASSY- | 103106 | 2 |
| - 510 | NAS1801-3-6 | | ATTACHING PARTS .SCREW | 103106 | 2 |
| - 515 | NAS1149D0316J | | .WASHER | 103106 | 2 |
| | | | -----*----- | | |
| 520 | 411N1510-49B | | .GRILLE ASSY-12.5 IN. BLANK PNL WITH LONG LATCHES FUNCTIONAL REFERENCE: PLACARDS AND MARKINGS FOR DETAILS SEE 11-21-22-02B | 103106 | 1 |
| 525 | 411N1510-29B | | .GRILLE ASSY-18.5 IN. BLANK PNL, LONG LATCH FUNCTIONAL REFERENCE: PLACARDS AND MARKINGS FOR DETAILS SEE 11-21-22-02B | 103106 | 1 |
| 530 | 411N1522-3 | | ..SPRING-RTNR CLIP ATTACHING PARTS | 103106 | 1 |
| - 535 | NAS1801-3-5 | | ..SCREW | 103106 | 2 |
| | | | -----*----- | | |
| 545 | 6100-12 | | ..RETAINER-CLIP SUPPLIER CODE: V97464 | 103106 | 4 |
| 550 | 411N1522-4 | | ..PIN-HINGE OPTIONAL PART: 411N1522-5 | 103106 | 2 |
| 550 | 411N1522-5 | | ..PIN-HINGE OPTIONAL PART: 411N1522-4 | 103106 | 2 |
| 555 | 411N1521-2B | | ..LATCH | 103106 | 2 |
| 560 | 411N1527-1 | | ..PAD | 103106 | 2 |
| 565 | 411N1527-2 | | ..PAD | 103106 | 2 |
| 570 | 411N1523-7 | | ..STIFFENER ASSY-7.5 IN USED ON: 411N1510-49B | 103106 | 1 |
| 575 | 411N1523-4 | | ..STIFFENER ASSY-13.50 IN. USED ON: 411N1510-29B | 103106 | 1 |
| 580 | BACI12S3 | | ...INSERT | 103106 | 2 |

MISSING ITEM NUMBERS NOT APPLICABLE

- ITEM NOT ILLUSTRATED

BRI

21-23-05-25A

BOEING PROPRIETARY - Copyright © - Unpublished Work - See title page for details.

21-23-05
FIG. 25A
PAGE 6
JAN 20/09



757

PARTS CATALOG (MAINTENANCE)

| FIG ITEM | PART NUMBER | 1 2 3 4 5 6 7 | NOMENCLATURE | EFFECT FROM TO | UNITS PER ASSY |
|------------|--------------|--|---|----------------|----------------|
| 25A 585 | 411N1520-9B | .. | GRILLE-MOLDED USED ON: 411N1510-49B | 103106 | 1 |
| 590 | 411N1520-6B | .. | GRILLE-MOLDED USED ON: 411N1510-29B | 103106 | 1 |
| 595 | 411N1510-4B | .GRILLE ASSY-22.5 IN. PNL WITH LONG LATCH FUNCTIONAL REFERENCE: PLACARDS AND MARKINGS FOR DETAILS SEE 11-21-22-02B | | 103106 | 1 |
| 600 | 411N1522-2 | .. | SPRING-RETAINER CLIP | 103106 | 1 |
| 605 | 6100-12 | .. | RETAINER- SUPPLIER CODE: V97464 | 103106 | 4 |
| 610 | 411N1522-4 | .. | PIN-HINGE OPTIONAL PART: 411N1522-5 | 103106 | 2 |
| 610 | 411N1522-5 | .. | PIN-HINGE OPTIONAL PART: 411N1522-4 | 103106 | 2 |
| 615 | 411N1521-2B | .. | LATCH | 103106 | 2 |
| 620 | 411N1527-1 | .. | PAD | 103106 | 2 |
| 625 | 411N1527-2 | .. | PAD | 103106 | 2 |
| 630 | 411N1520-2B | .. | GRILLE-MOLDED | 103106 | 1 |
| 635 | 411N1510-47B | .GRILLE ASSY-22.5 IN. PNL, LONG LATCH, IFE (CENTER) FUNCTIONAL REFERENCE: PLACARDS AND MARKINGS FOR DETAILS SEE 11-21-22-02B | | 103106 | 1 |
| 640 | 411N1522-2 | .. | SPRING-RTNR CLIP | 103106 | 1 |
| 645 | 6100-12 | .. | RETAINER-CLIP SUPPLIER CODE: V97464 | 103106 | 6 |
| 650 | 411N1527-3 | .. | PAD | 103106 | 1 |
| 655 | 411N1522-4 | .. | PIN-HINGE OPTIONAL PART: 411N1522-5 | 103106 | 2 |
| 655 | 411N1522-5 | .. | PIN-HINGE OPTIONAL PART: 411N1522-4 | 103106 | 2 |
| 660 | 411N1521-2B | .. | LATCH | 103106 | 2 |
| 665 | 411N1527-1 | .. | PAD | 103106 | 2 |
| 670 | 411N1527-2 | .. | PAD | 103106 | 2 |
| 675 | 411N1520-2B | .. | GRILLE-MOLDED | 103106 | 1 |

MISSING ITEM NUMBERS NOT APPLICABLE

- ITEM NOT ILLUSTRATED

21-23-05-25A

21-23-05
FIG. 25A
PAGE 7
JAN 20/09

BRI

BOEING PROPRIETARY - Copyright © - Unpublished Work - See title page for details.



757

PARTS CATALOG (MAINTENANCE)

| FIG ITEM | PART NUMBER | 1 2 3 4 5 6 7 | NOMENCLATURE | EFFECT FROM TO | UNITS PER ASSY |
|------------|--------------|---------------|---|----------------|----------------|
| 25A 680 | 411N1510-1B | | .GRILLE ASSY-20.5 IN. PNL WITH SHORT LATCH FUNCTIONAL REFERENCE: PLACARDS AND MARKINGS FOR DETAILS SEE 11-21-22-02B | 103106 | 36 |
| 685 | 411N1522-1 | | ..SPRING-RTNR CLIP | 103106 | 1 |
| 690 | 6100-12 | | ..RETAINER-CLIP SUPPLIER CODE: V97464 | 103106 | 4 |
| 695 | 411N1522-4 | | ..PIN-HINGE OPTIONAL PART: 411N1522-5 | 103106 | 2 |
| 695 | 411N1522-5 | | ..PIN-HINGE OPTIONAL PART: 411N1522-4 | 103106 | 2 |
| 700 | 411N1521-1B | | ..LATCH | 103106 | 2 |
| 705 | 411N1527-1 | | ..PAD | 103106 | 2 |
| 710 | 411N1527-2 | | ..PAD | 103106 | 2 |
| 715 | 411N1520-1B | | ..GRILLE-MOLDED | 103106 | 1 |
| 720 | 411N1510-5B | | .GRILLE ASSY-20.5 IN. PNL WITH SHORT LATCH AND BAFFLE FUNCTIONAL REFERENCE: PLACARDS AND MARKINGS FOR DETAILS SEE 11-21-22-02B | 103106 | 7 |
| 725 | 411N1522-1 | | ..SPRING-RTNR CLIP | 103106 | 1 |
| 730 | 6100-12 | | ..RETAINER-CLIP SUPPLIER CODE: V97464 | 103106 | 9 |
| 735 | 411N1522-4 | | ..PIN-HINGE OPTIONAL PART: 411N1522-5 | 103106 | 2 |
| 735 | 411N1522-5 | | ..PIN-HINGE OPTIONAL PART: 411N1522-4 | 103106 | 2 |
| 740 | 411N1521-1B | | ..LATCH | 103106 | 2 |
| 745 | 411N1527-1 | | ..PAD | 103106 | 2 |
| 750 | 411N1527-2 | | ..PAD | 103106 | 2 |
| 755 | 411N1528-1 | | ..BAFFLE | 103106 | 1 |
| 760 | 411N1520-1B | | ..GRILLE-MOLDED | 103106 | 1 |
| 765 | 411N1510-45B | | .GRILLE ASSY-22.5 IN. PNL WITH SHORT LATCH, (OPP CLIP) NOTCH FUNCTIONAL REFERENCE: PLACARDS AND MARKINGS FOR DETAILS SEE 11-21-22-02B | 103106 | 1 |

MISSING ITEM NUMBERS NOT APPLICABLE

- ITEM NOT ILLUSTRATED

21-23-05-25A

21-23-05
FIG. 25A
PAGE 8
JAN 20/09

BRI

BOEING PROPRIETARY - Copyright © - Unpublished Work - See title page for details.



757

PARTS CATALOG (MAINTENANCE)

| FIG ITEM | PART NUMBER | 1 2 3 4 5 6 7 | NOMENCLATURE | EFFECT FROM TO | UNITS PER ASSY |
|----------|--------------|---------------|---|----------------|----------------|
| 25A | | | | | |
| 770 | 411N1522-2 | .. | SPRING-RTNR CLIP | 103106 | 1 |
| 775 | 6100-12 | .. | RETAINER-CLIP SUPPLIER CODE: V97464 | 103106 | 4 |
| 780 | 411N1522-4 | .. | PIN-HINGE OPTIONAL PART: 411N1522-5 | 103106 | 2 |
| 780 | 411N1522-5 | .. | PIN-HINGE OPTIONAL PART: 411N1522-4 | 103106 | 2 |
| 785 | 411N1521-1B | .. | LATCH | 103106 | 2 |
| 790 | 411N1527-1 | .. | PAD | 103106 | 2 |
| 795 | 411N1527-2 | .. | PAD | 103106 | 2 |
| 800 | 411N1520-2B | .. | GRILLE-MOLDED | 103106 | 1 |
| 805 | 411N1510-13B | . | GRILLE ASSY-20.5 IN. PNL WITH LONG LATCH IFE (CENTER) FUNCTIONAL REFERENCE: PLACARDS AND MARKINGS FOR DETAILS SEE 11-21-22-02B | 103106 | 4 |
| 810 | 411N1522-1 | .. | SPRING-RTNR CLIP | 103106 | 1 |
| 815 | 6100-12 | .. | RETAINER-CLIP SUPPLIER CODE: V97464 | 103106 | 6 |
| 820 | 411N1527-3 | .. | PAD | 103106 | 1 |
| 825 | 411N1522-4 | .. | PIN-HINGE OPTIONAL PART: 411N1522-5 | 103106 | 2 |
| 825 | 411N1522-5 | .. | PIN-HINGE OPTIONAL PART: 411N1522-4 | 103106 | 2 |
| 830 | 411N1521-2B | .. | LATCH | 103106 | 2 |
| 835 | 411N1527-1 | .. | PAD | 103106 | 2 |
| 840 | 411N1527-2 | .. | PAD | 103106 | 2 |
| 845 | 411N1520-1B | .. | GRILLE-MOLDED | 103106 | 1 |
| 850 | 411N1510-39B | . | GRILLE ASSY-22.5 IN. BLANK PNL, PLUG AND SNAP-ON LATCH FUNCTIONAL REFERENCE: PLACARDS AND MARKINGS FOR DETAILS SEE 11-21-22-02B | 103106 | 2 |
| 855 | 411N1522-3 | .. | SPRING-RTNR CLIP ATTACHING PARTS | 103106 | 1 |
| - 860 | NAS1801-3-5 | .. | SCREW | 103106 | 2 |
| - 865 | BACW10P5CC | .. | WASHER -----* | 103106 | 2 |
| 870 | 411N1521-3B | .. | PLUG | 103106 | 2 |

MISSING ITEM NUMBERS NOT APPLICABLE

- ITEM NOT ILLUSTRATED

21-23-05-25A

21-23-05
FIG. 25A
PAGE 9
JAN 20/09

BRI

BOEING PROPRIETARY - Copyright © - Unpublished Work - See title page for details.

 **BOEING**
757
PARTS CATALOG (MAINTENANCE)

| FIG ITEM | PART NUMBER | 1 2 3 4 5 6 7 | NOMENCLATURE | EFFECT FROM TO | UNITS PER ASSY |
|----------|--------------|---------------|---|----------------|----------------|
| 25A | | | | | |
| 875 | 411N1407-4 | .. | CLIP | 103106 | 2 |
| 880 | 411N1407-7 | .. | SPACER | 103106 | 2 |
| 885 | 411N1523-2 | .. | STIFFENER ASSY-17.50 IN. | 103106 | 1 |
| 890 | BACI12S3 | ... | INSERT | 103106 | 2 |
| 895 | 411N1520-4B | .. | GRILLE-MOLDED | 103106 | 1 |
| 900 | 411N1510-43B | . | GRILLE ASSY-22.5 IN. PNL WITH SHORT LATCH, IFE CTR, (OPP CLIP) NOTCH FUNCTIONAL REFERENCE: PLACARDS AND MARKINGS FOR DETAILS SEE 11-21-22-02B | 103106 | 1 |
| 905 | 411N1510-44B | . | GRILLE ASSY-22.5 IN. PNL WITH SHORT LATCH, IFE CTR, (CLIP SIDE) NOTCH FUNCTIONAL REFERENCE: PLACARDS AND MARKINGS FOR DETAILS SEE 11-21-22-02B | 103106 | 1 |
| 910 | 411N1522-2 | .. | SPRING-RTNR CLIP | 103106 | 1 |
| 915 | 6100-12 | .. | RETAINER-CLIP SUPPLIER CODE: V97464 | 103106 | 6 |
| 920 | 411N1527-3 | .. | PAD | 103106 | 1 |
| 925 | 411N1522-4 | .. | PIN-HINGE OPTIONAL PART: 411N1522-5 | 103106 | 2 |
| 925 | 411N1522-5 | .. | PIN-HINGE OPTIONAL PART: 411N1522-4 | 103106 | 2 |
| 930 | 411N1521-1B | .. | LATCH | 103106 | 2 |
| 935 | 411N1527-1 | .. | PAD | 103106 | 2 |
| 940 | 411N1527-2 | .. | PAD | 103106 | 2 |
| 945 | 411N1520-2B | .. | GRILLE-MOLDED | 103106 | 1 |

MISSING ITEM NUMBERS NOT APPLICABLE

— ITEM NOT ILLUSTRATED

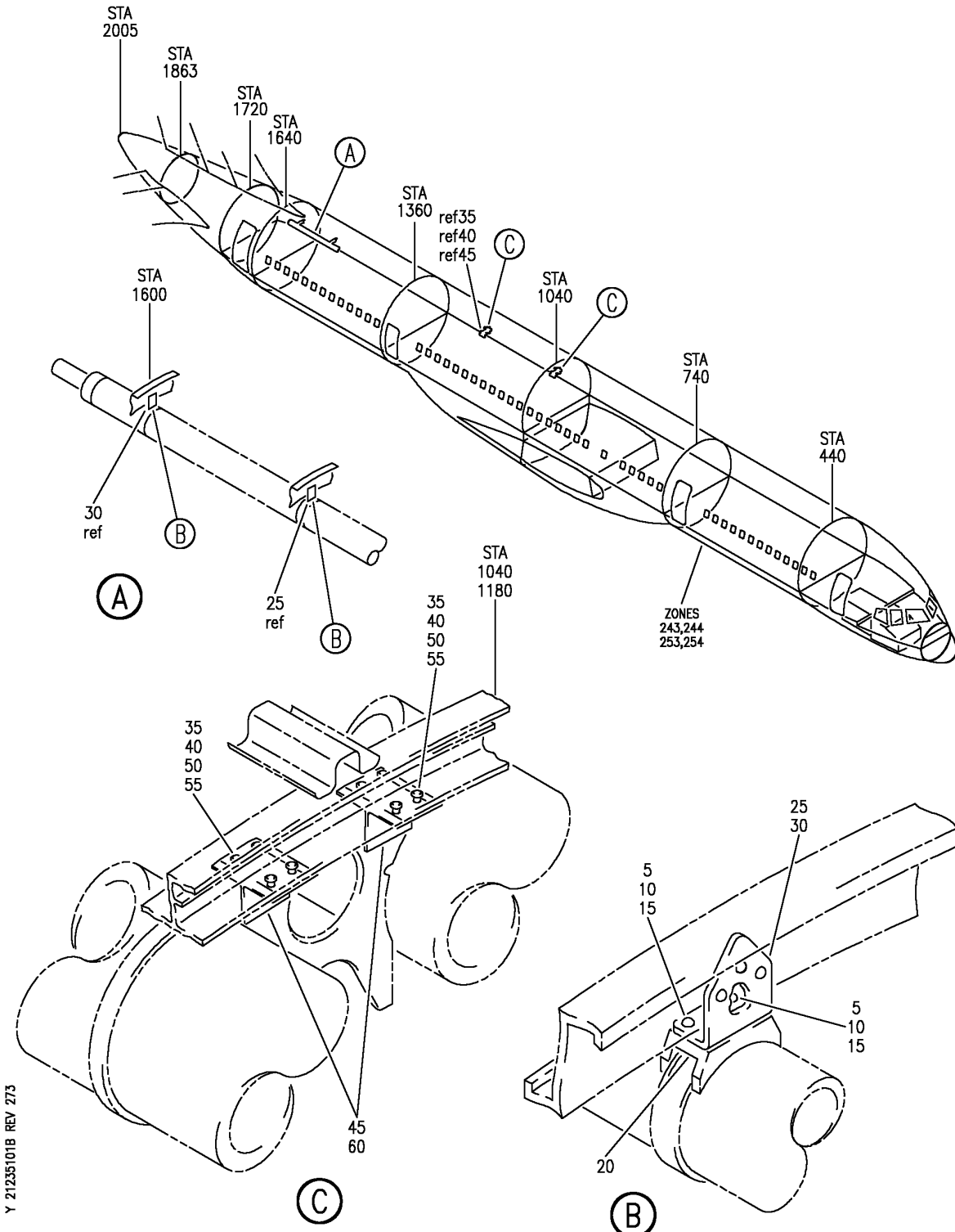
BRI

21-23-05-25A

BOEING PROPRIETARY - Copyright © - Unpublished Work - See title page for details.

21-23-05
FIG. 25A
PAGE 10
JAN 20/09

BOEING
757
PARTS CATALOG (MAINTENANCE)



Y 21235101B REV 273

PROVISION INSTL-OVERHEAD AIR DISTR SYS
FIGURE 1B

21-23-51-01B

BRI
JAN 20/09

21-23-51-01B
PAGE 0



757

PARTS CATALOG (MAINTENANCE)

| FIG ITEM | PART NUMBER | 1 2 3 4 5 6 7 | NOMENCLATURE | EFFECT FROM TO | UNITS PER ASSY |
|----------|----------------|---------------|---|----------------|----------------|
| 1B | | | PROVISION INSTL-OVERHEAD | 103106 | |
| - 1 | MODREF6280 | | AIR DISTR SYS PROVISIONS INSTL-OVHD | 103106 | 1 |
| | | | AIR DISTR SYS | | |
| | | | MODULE NUMBER: 214N2024-25 REV A | | |
| 5 | BACS12GU3K7 | | .SCREW | 103106 | 4 |
| 10 | NAS11149D0332J | | .WASHER | 103106 | 4 |
| 15 | PLH53CD | | .NUT | 103106 | 4 |
| | | | SUPPLIER CODE: VF0224 | | |
| | | | SPECIFICATION NUMBER: BACN10YR3CD | | |
| | | | OPTIONAL PART: H52732-3CD V15653 | | |
| 20 | 214T3424-6 | | .SUPPORT | 103106 | 2 |
| 25 | 214N2170-3 | | .BRACKET | 103106 | 1 |
| 30 | 214N2170-5 | | .BRACKET | 103106 | 1 |
| 50 | HL1012AZ8-5 | | .BOLT | 103106 | 16 |
| | | | SUPPLIER CODE: VOPTK6 | | |
| | | | SPECIFICATION NUMBER: BACB30NX8K5 | | |
| | | | OPTIONAL PART: HL12VAZ8-5 V73197 HL12VAZ8-5 V92215 HL12VAZ8-5 V97928 L802-8K5 V06725 HL12VAZ8-5 V56878 HL1012AZ8-5 V06725 HL1012AZ8-5 V06950 HL1012AZ8-5 V17446 HL1012AZ8-5 V56878 HL1012AZ8-5 V60516 HL1012AZ8-5 V73197 HL1012AZ8-5 V97928 | | |

MISSING ITEM NUMBERS NOT APPLICABLE

- ITEM NOT ILLUSTRATED

21-23-51-01B

21-23-51
FIG. 01B
PAGE 1
JAN 20/09

BRI

BOEING PROPRIETARY - Copyright © - Unpublished Work - See title page for details.



757

PARTS CATALOG (MAINTENANCE)

| FIG ITEM | PART NUMBER | 1 2 3 4 5 6 7 | NOMENCLATURE | EFFECT FROM TO | UNITS PER ASSY |
|-------------|-------------|---------------|--|-------------------|----------------------|
| 1B 55 | HL1187-8 | | .COLLAR SUPPLIER CODE: V5M902 SPECIFICATION NUMBER: BACC30X8 OPTIONAL PART: HL87-8 V92215 HL87-8 V73197 HL1187-8 V56878 HL1187-8 V92215 HL87-8 V56878 HL1187-8 V73197 | 103106 | 16 |
| 60 | 214N2170-23 | | .BRACKET | 103106 | 4 |

MISSING ITEM NUMBERS NOT APPLICABLE

- ITEM NOT ILLUSTRATED

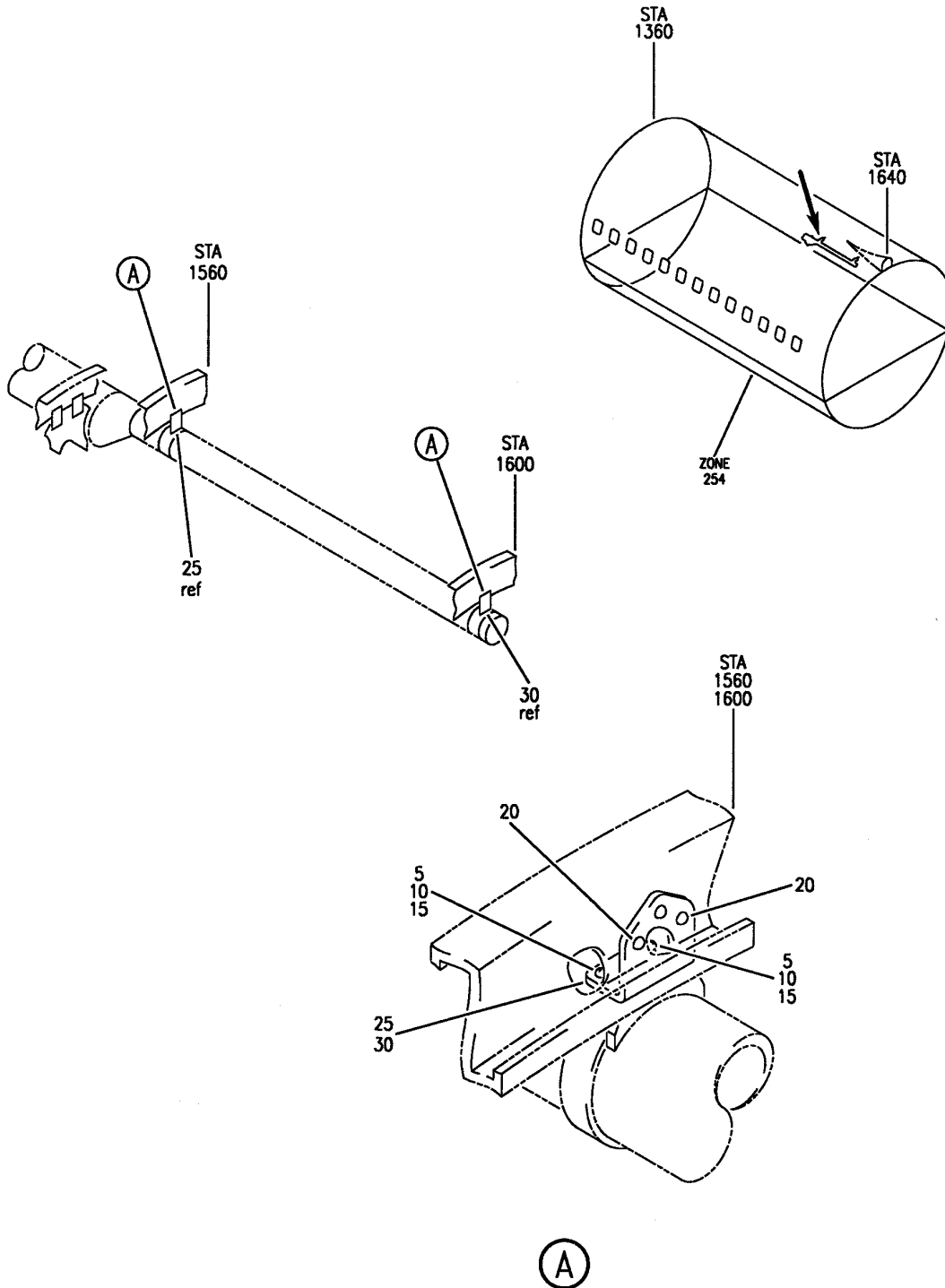
BRI

21-23-51-01B

BOEING PROPRIETARY - Copyright © - Unpublished Work - See title page for details.

21-23-51
FIG. 01B
PAGE 2
JAN 20/09

BOEING
757
PARTS CATALOG (MAINTENANCE)



Y 21235102 REV 217

PROVISIONS INSTL-OVERHEAD AIR DISTR SYS
FIGURE 2

21-23-51-02

BRI
JAN 20/09

21-23-51-02
PAGE 0



757

PARTS CATALOG (MAINTENANCE)

| FIG ITEM | PART NUMBER | 1 2 3 4 5 6 7 | NOMENCLATURE | EFFECT FROM TO | UNITS PER ASSY |
|-------------|---------------|---------------|--|-------------------|----------------------|
| 2 | | | PROVISIONS INSTL-OVERHEAD AIR DISTR SYS | 103106 | |
| - 1 | 214N2024-22 | | PROVISIONS INSTL-OVERHEAD AIR DISTR SYS | 103106 | RF |
| 5 | BACS12GU3K7 | | .SCREW | 103106 | 4 |
| 10 | NAS1149D0332J | | .WASHER | 103106 | 4 |
| 15 | PLH53CD | | .NUT | 103106 | 4 |
| | | | SUPPLIER CODE: VF0224 | | |
| | | | SPECIFICATION NUMBER: BACN10YR3CD | | |
| | | | OPTIONAL PART: H52732-3CD V15653 | | |
| 20 | BACR15FT5D | | .RIVET- SIZE DETERMINED ON INSTL. | 103106 | 6 |
| 25 | 214N2170-3 | | .BRACKET | 103106 | 1 |
| 30 | 214N2170-5 | | .BRACKET | 103106 | 1 |

MISSING ITEM NUMBERS NOT APPLICABLE

- ITEM NOT ILLUSTRATED

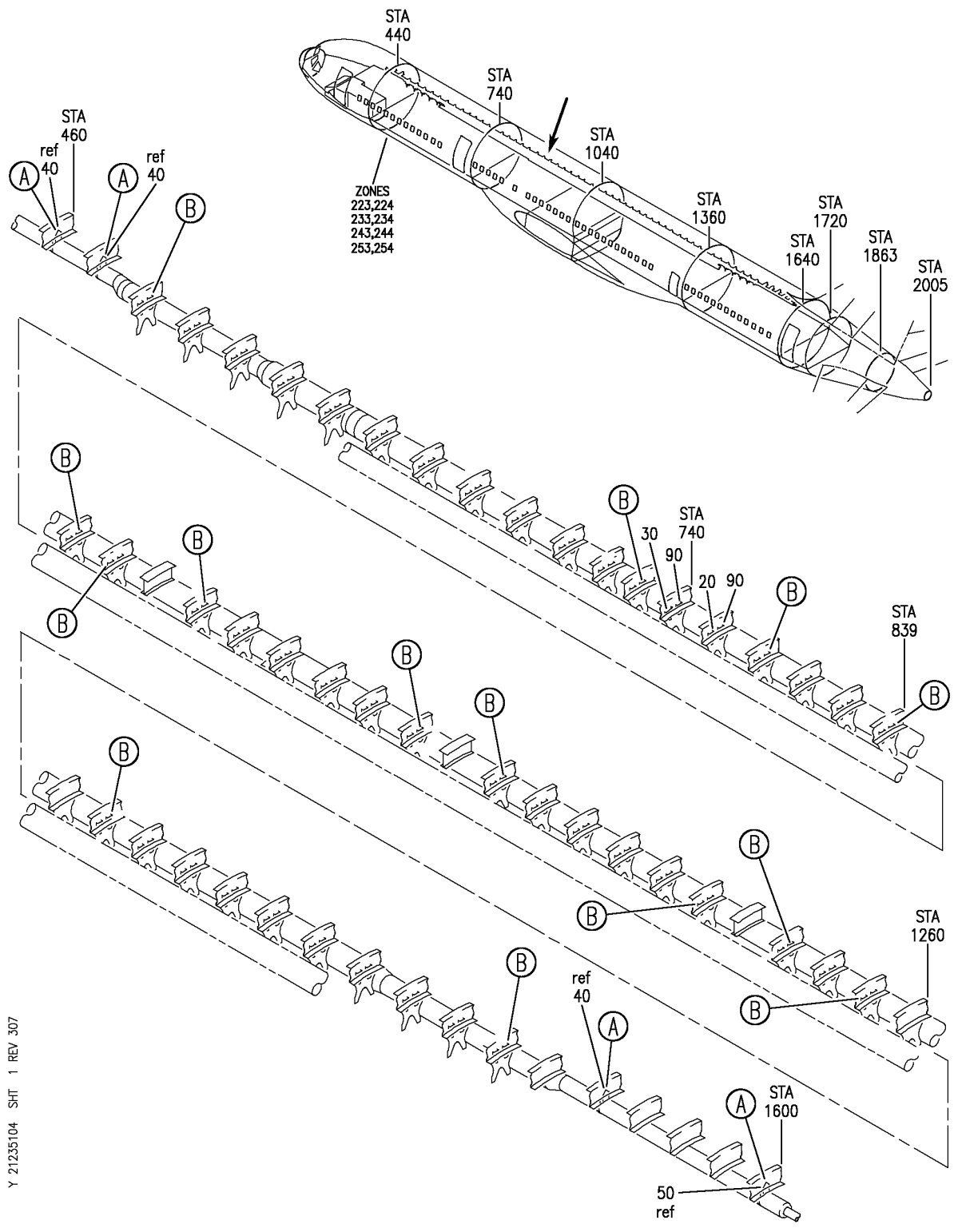
BRI

21-23-51-02

BOEING PROPRIETARY - Copyright © - Unpublished Work - See title page for details.

21-23-51
FIG. 02
PAGE 1
JAN 20/09

BOEING
 757
 PARTS CATALOG (MAINTENANCE)



Y 21235104 SHT 1 REV 307

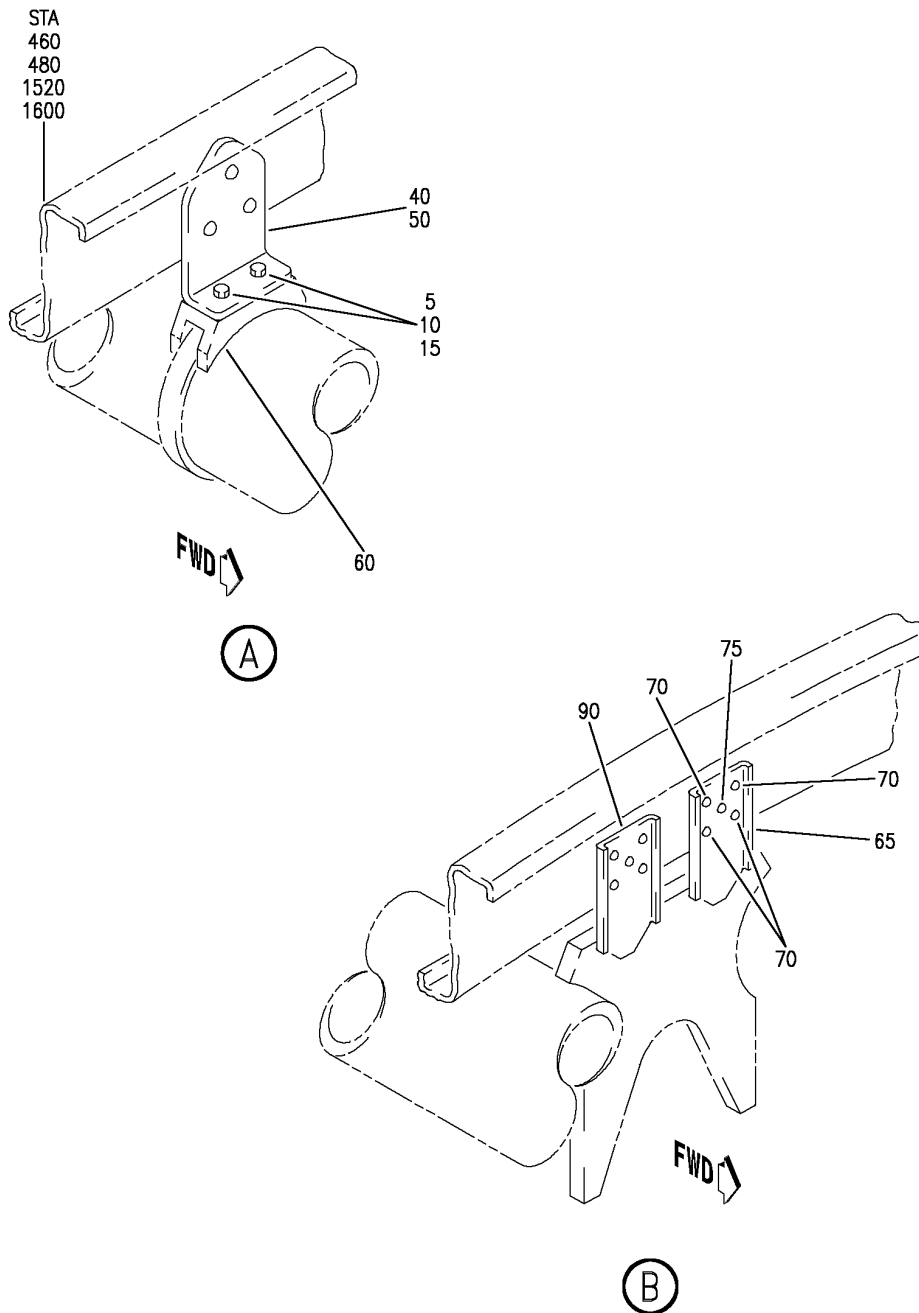
PROVISIONS INSTL-OVHD AIR DISTR SYS
 FIGURE 4 (SHEET 1)

21-23-51-04

BRI
 JAN 20/09

21-23-51-04
 PAGE 0

BOEING
757
PARTS CATALOG (MAINTENANCE)



Y 21235104 SH1 2 REV 307

PROVISIONS INSTL-OVHD AIR DISTR SYS
FIGURE 4 (SHEET 2)

21-23-51-04

BRI
JAN 20/09

21-23-51-04
PAGE 0A



757

PARTS CATALOG (MAINTENANCE)

| FIG ITEM | PART NUMBER | 1 2 3 4 5 6 7 | NOMENCLATURE | EFFECT FROM TO | UNITS PER ASSY |
|----------|---------------|---------------|--|----------------|----------------|
| 4 | | | PROVISIONS INSTL-OVHD | 108120 | |
| - 1 | 214N2024-9 | | AIR DISTR SYS PROVISIONS INSTL-OVHD AIR DISTR SYS FOR NHA SEE: 21-00-00-12 | 108120 | RF |
| 5 | BACS12GU3K7 | | .SCREW | 108120 | 8 |
| 10 | NAS1149D0332J | | .WASHER | 108120 | 8 |
| 15 | PLH53CD | | .NUT | 108120 | 8 |
| | | | SUPPLIER CODE: VF0224 SPECIFICATION NUMBER: BACN10YR3CD OPTIONAL PART: H52732-3CD V15653 | | |
| 20 | 214N2170-1 | | .BRACKET ATTACHING PARTS | 108120 | 1 |
| - 25 | BACR15FT6D | | .RIVET- SIZE DETERMINED ON INSTL. -----*----- | 108120 | 2 |
| 30 | 214N2170-2 | | .BRACKET ATTACHING PARTS | 108120 | 1 |
| - 35 | BACR15FT6D | | .RIVET- SIZE DETERMINED ON INSTL. -----*----- | 108120 | 3 |
| 40 | 214N2170-3 | | .BRACKET ATTACHING PARTS | 108120 | 3 |
| - 45 | BACR15FT5D | | .RIVET- SIZE DETERMINED ON INSTL. -----*----- | 108120 | 9 |
| 50 | 214N2170-5 | | .BRACKET ATTACHING PARTS | 108120 | 1 |
| - 55 | BACR15FT5D | | .RIVET- SIZE DETERMINED ON INSTL. -----*----- | 108120 | 3 |
| 60 | 214T3424-6 | | .SUPPORT | 108120 | 4 |
| 65 | 65C36909-2 | | .BRACKET-DUCT SPRT ATTACHING PARTS | 108120 | 43 |
| 70 | BACR15FT6D | | .RIVET- SIZE DETERMINED ON INSTL. | 108120 | 172 |
| 75 | BACR15FT9AD | | .RIVET- SIZE DETERMINED ON INSTL. -----*----- | 108120 | 43 |
| 90 | 214N2161-1 | | .BRACKET-DUCT SPRT ATTACHING PARTS | 108120 | 45 |
| - 95 | BACR15FT6D | | .RIVET- SIZE DETERMINED ON INSTL. -----*----- | 108120 | 225 |

MISSING ITEM NUMBERS NOT APPLICABLE

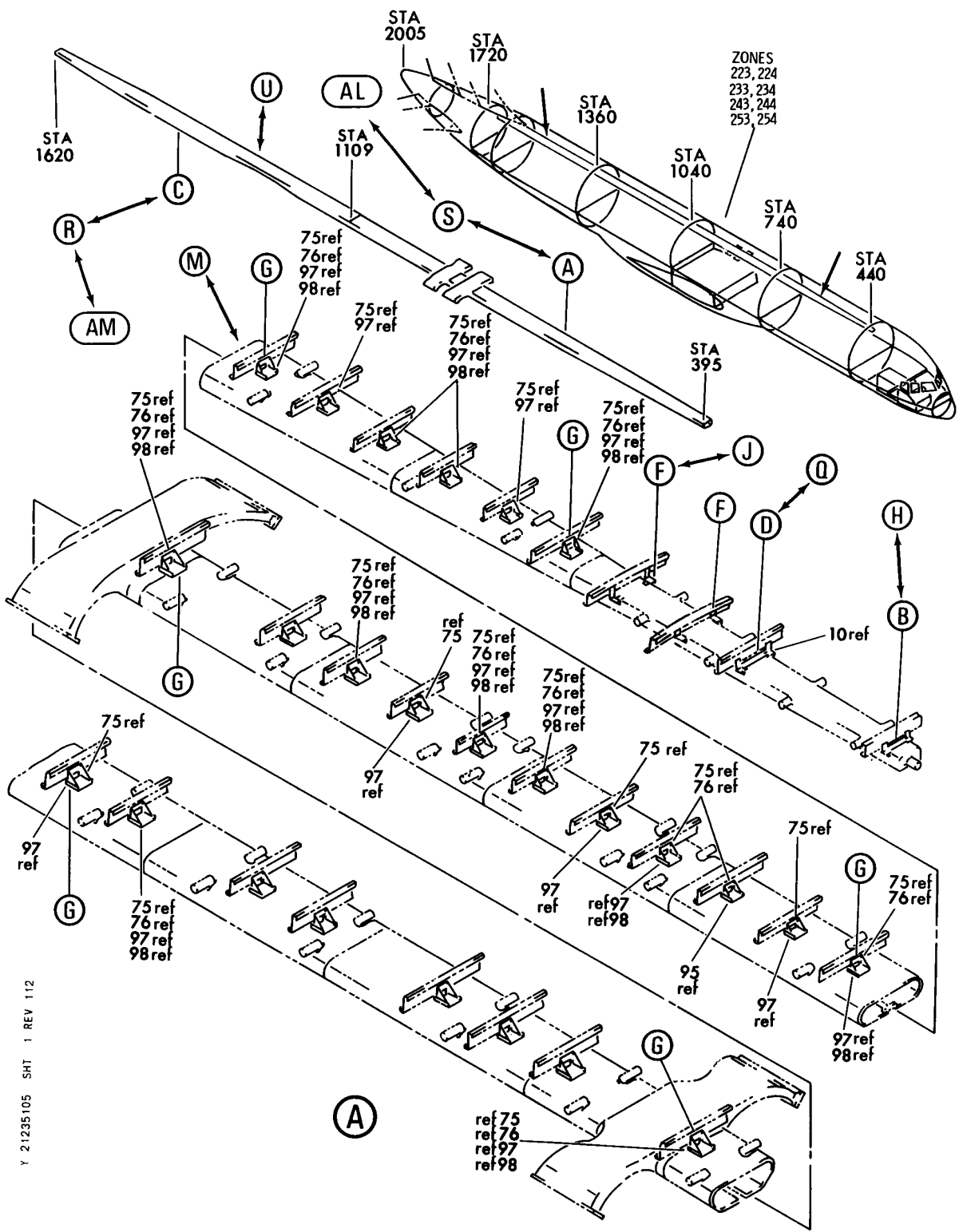
- ITEM NOT ILLUSTRATED

21-23-51-04

21-23-51
FIG. 04
PAGE 1
JAN 20/09

BRI

BOEING
757
PARTS CATALOG (MAINTENANCE)



Y 21235105 SHT 1 REV 112

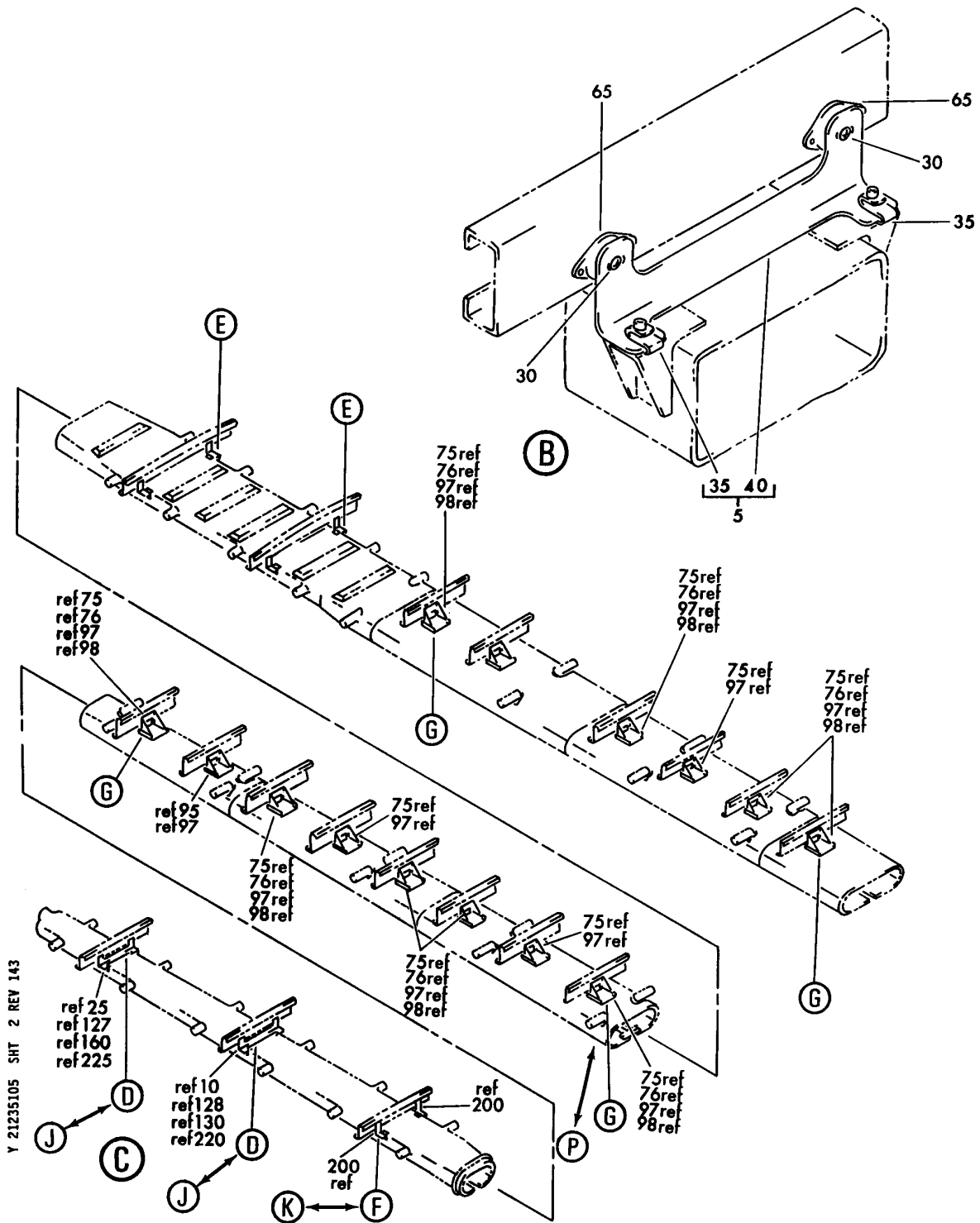
PROVISIONS INSTL-AIR DISTR SYS OVERHEAD DUCT SPRT
FIGURE 5 (SHEET 1)

21-23-51-05

BRI
JAN 20/09

21-23-51-05
PAGE 0

BOEING
757
PARTS CATALOG (MAINTENANCE)



Y 21235105 SHT 2 REV 143

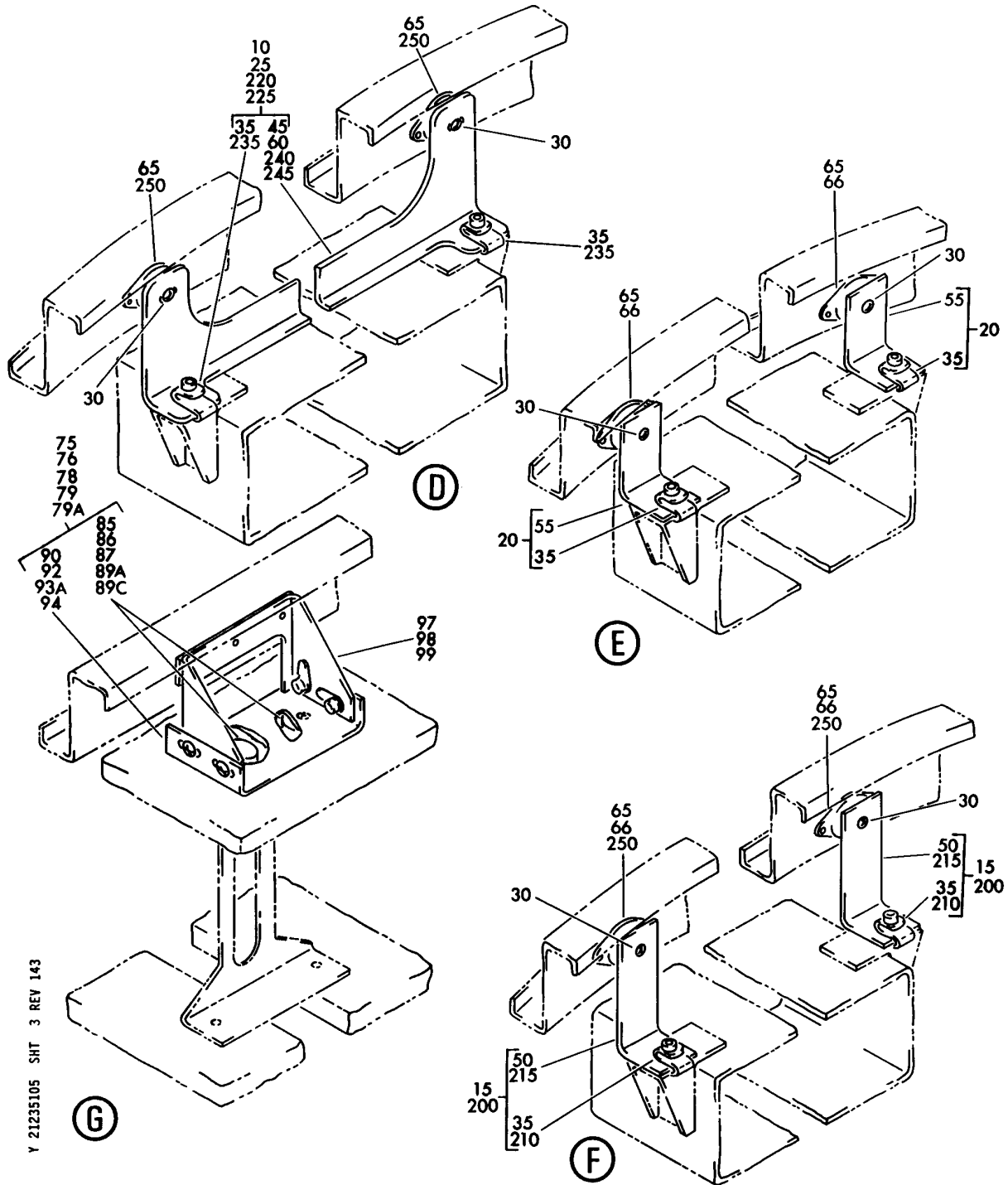
PROVISIONS INSTL-AIR DISTR SYS OVERHEAD DUCT SPRT
FIGURE 5 (SHEET 2)

21-23-51-05

BRI
JAN 20/09

21-23-51-05
PAGE 0A

BOEING
757
PARTS CATALOG (MAINTENANCE)



Y 21235105 SHT 3 REV 143

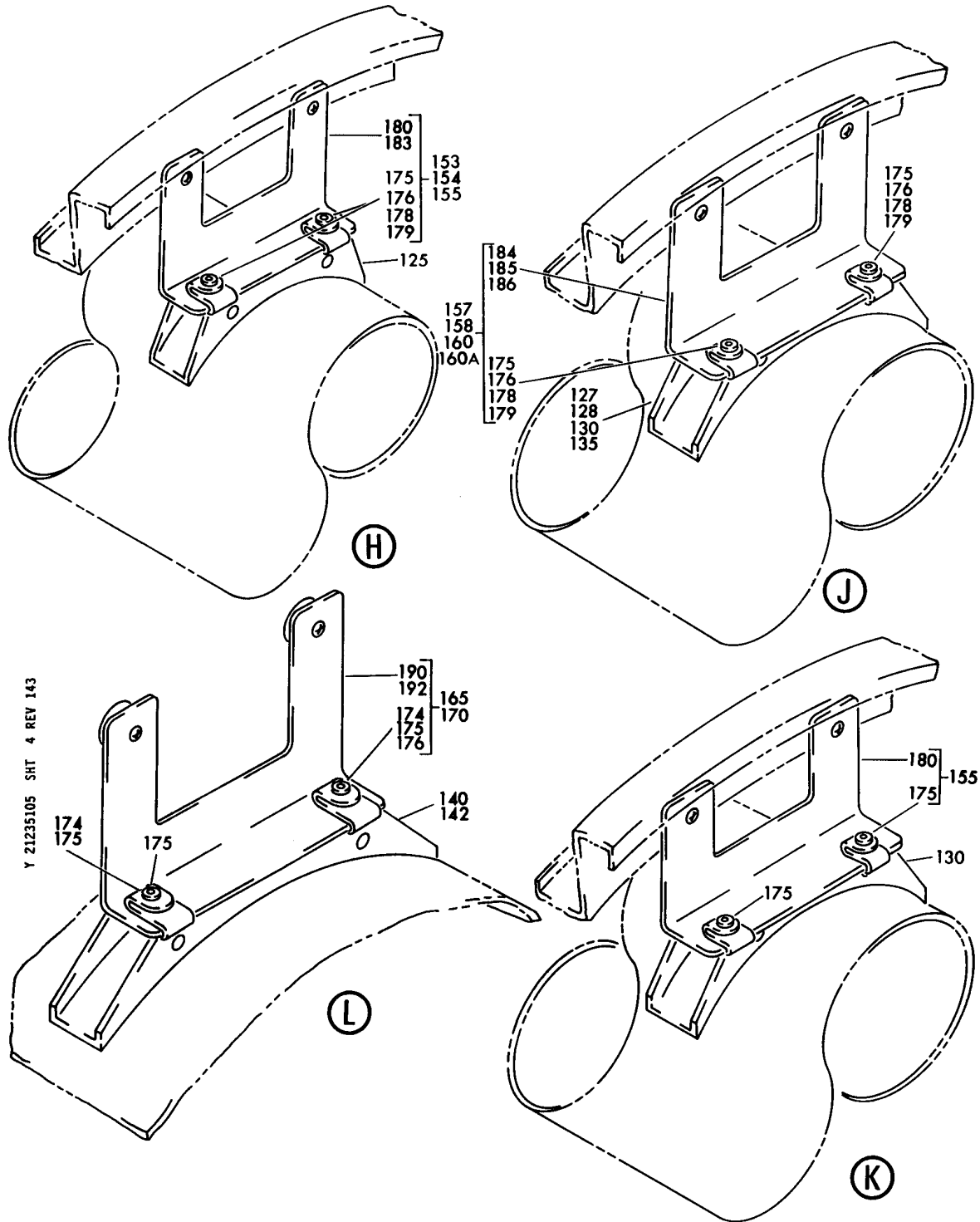
PROVISIONS INSTL-AIR DISTR SYS OVERHEAD DUCT SPRT
FIGURE 5 (SHEET 3)

21-23-51-05

BRI
JAN 20/09

21-23-51-05
PAGE 0B

BOEING
757
PARTS CATALOG (MAINTENANCE)



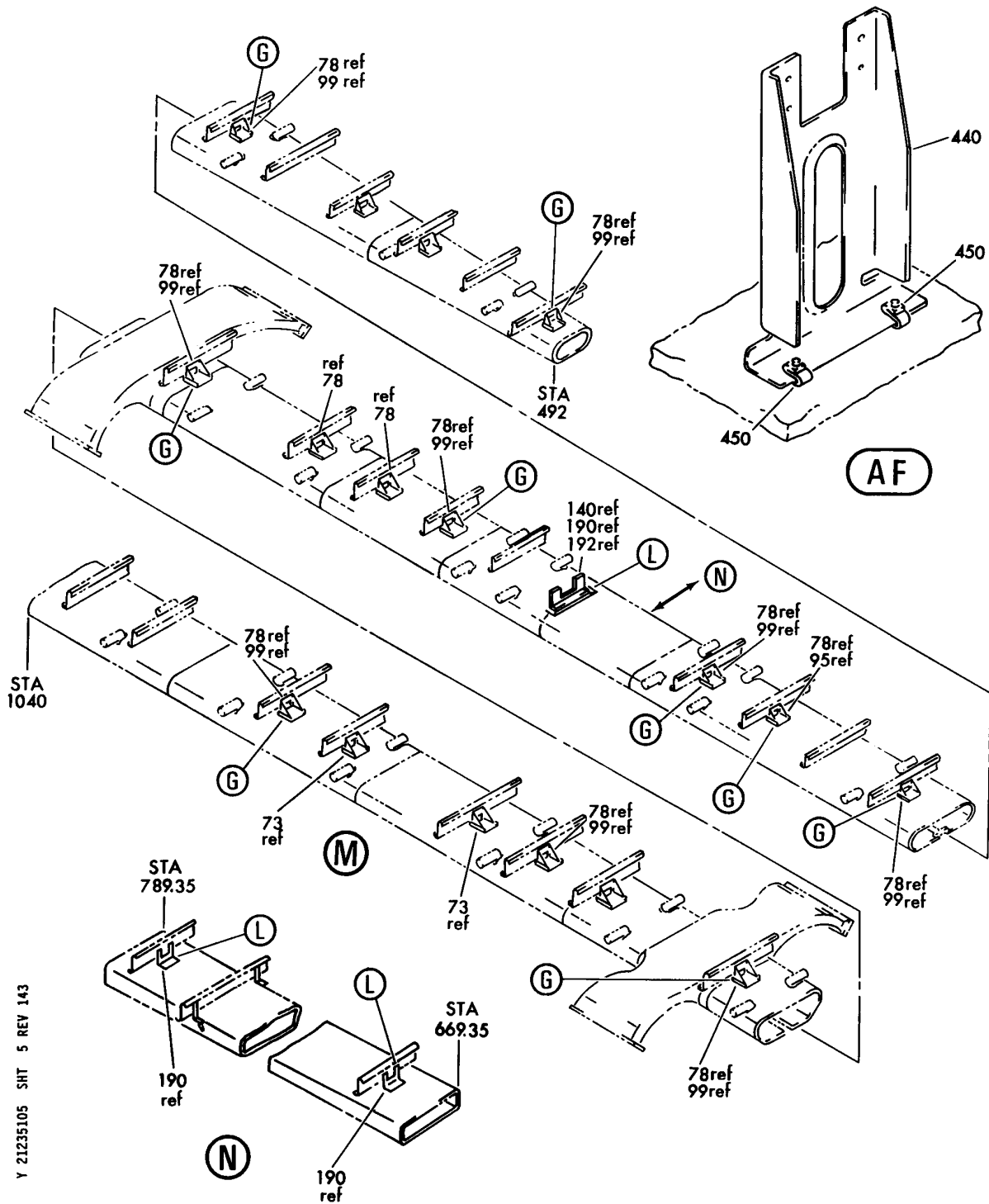
PROVISIONS INSTL-AIR DISTR SYS OVERHEAD DUCT SPRT
FIGURE 5 (SHEET 4)

21-23-51-05

BRI
JAN 20/09

21-23-51-05
PAGE 0C

BOEING
757
PARTS CATALOG (MAINTENANCE)



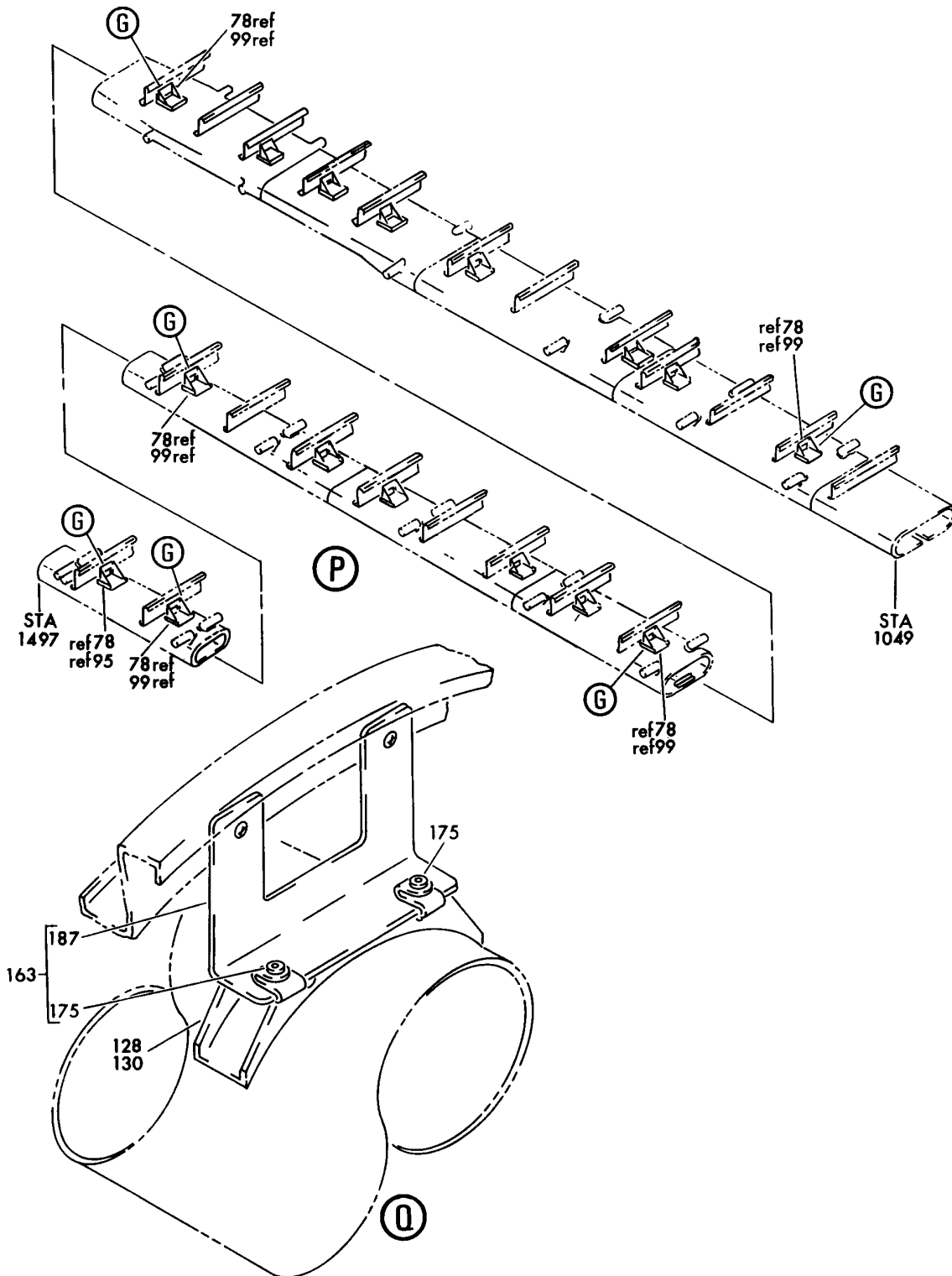
PROVISIONS INSTL-AIR DISTR SYS OVERHEAD DUCT SPRT
FIGURE 5 (SHEET 5)

21-23-51-05

BRI
JAN 20/09

21-23-51-05
PAGE 0D

BOEING
757
PARTS CATALOG (MAINTENANCE)



Y 21235105 SHT 6 REV 143

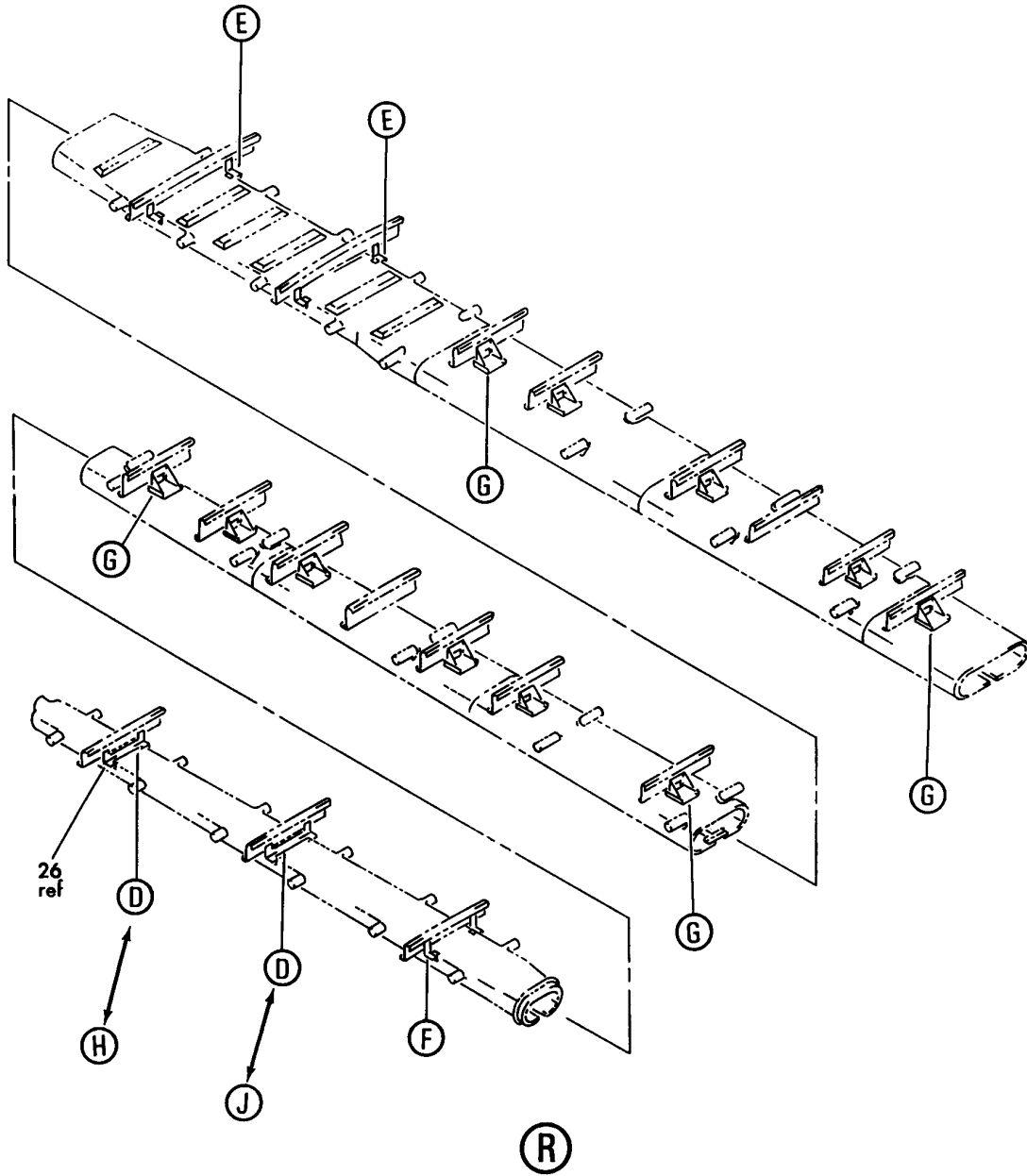
PROVISIONS INSTL-AIR DISTR SYS OVERHEAD DUCT SPRT
FIGURE 5 (SHEET 6)

21-23-51-05

BRI
JAN 20/09

21-23-51-05
PAGE 0E

BOEING
757
PARTS CATALOG (MAINTENANCE)



Y 21235105 SHT 7 REV 143

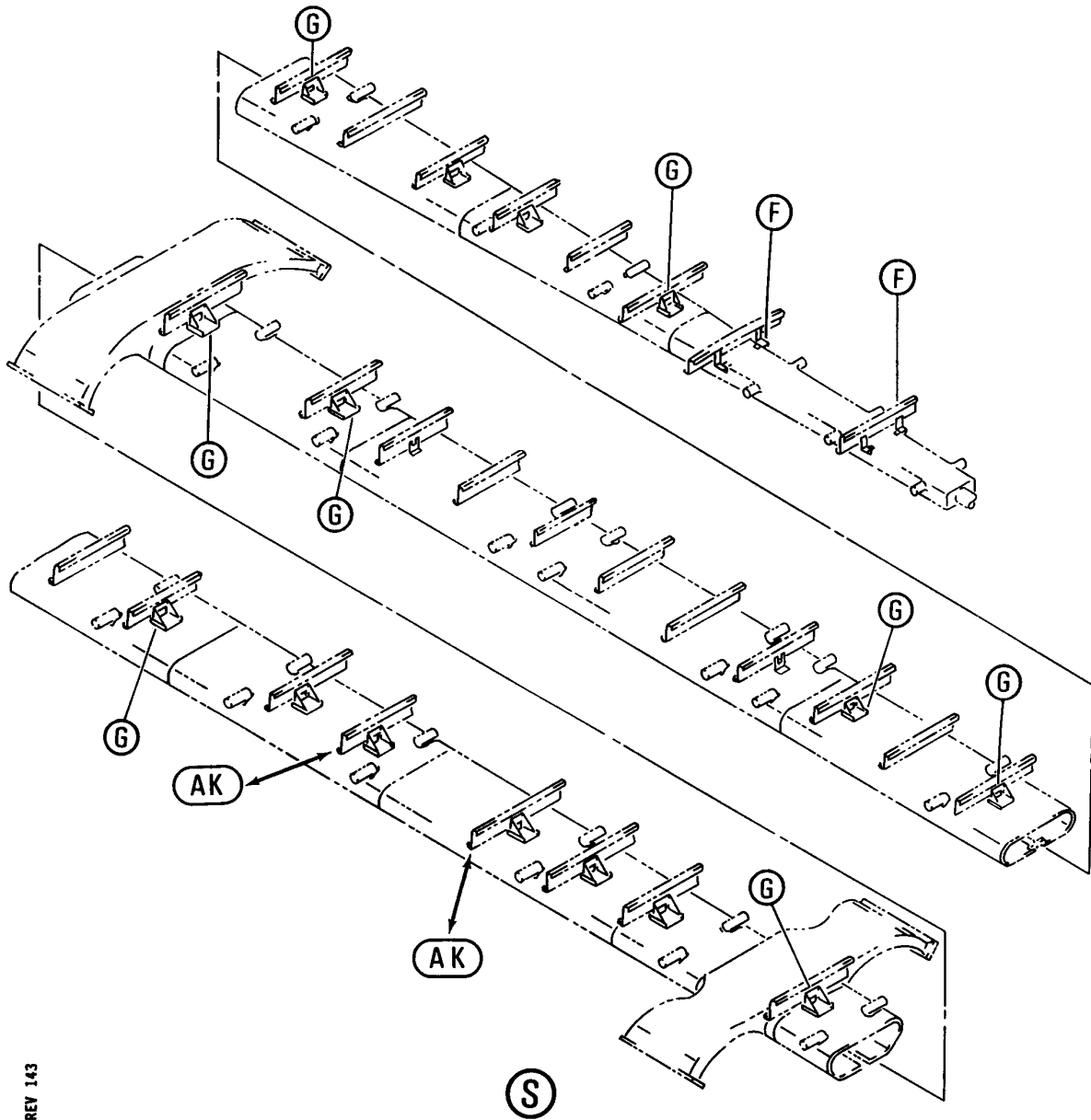
PROVISIONS INSTL-AIR DISTR SYS OVERHEAD DUCT SPRT
FIGURE 5 (SHEET 7)

21-23-51-05

BRI
JAN 20/09

21-23-51-05
PAGE OF

BOEING
757
PARTS CATALOG (MAINTENANCE)



Y 21235105 SHT 8 REV 143

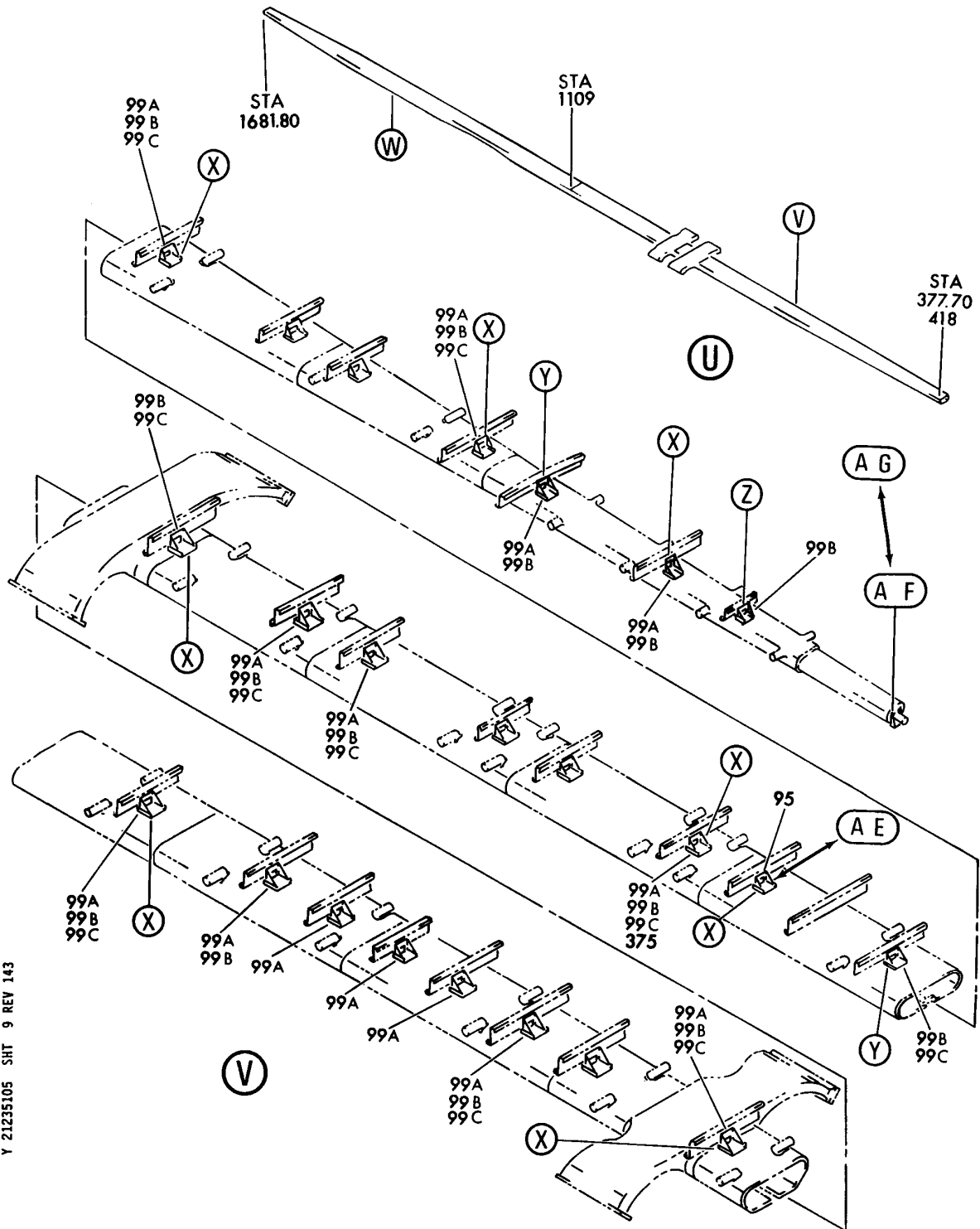
PROVISIONS INSTL-AIR DISTR SYS OVERHEAD DUCT SPRT
FIGURE 5 (SHEET 8)

21-23-51-05

BRI
JAN 20/09

21-23-51-05
PAGE 0G


BOEING
 757
PARTS CATALOG (MAINTENANCE)



Y 21235105 SHT 9 REV 143

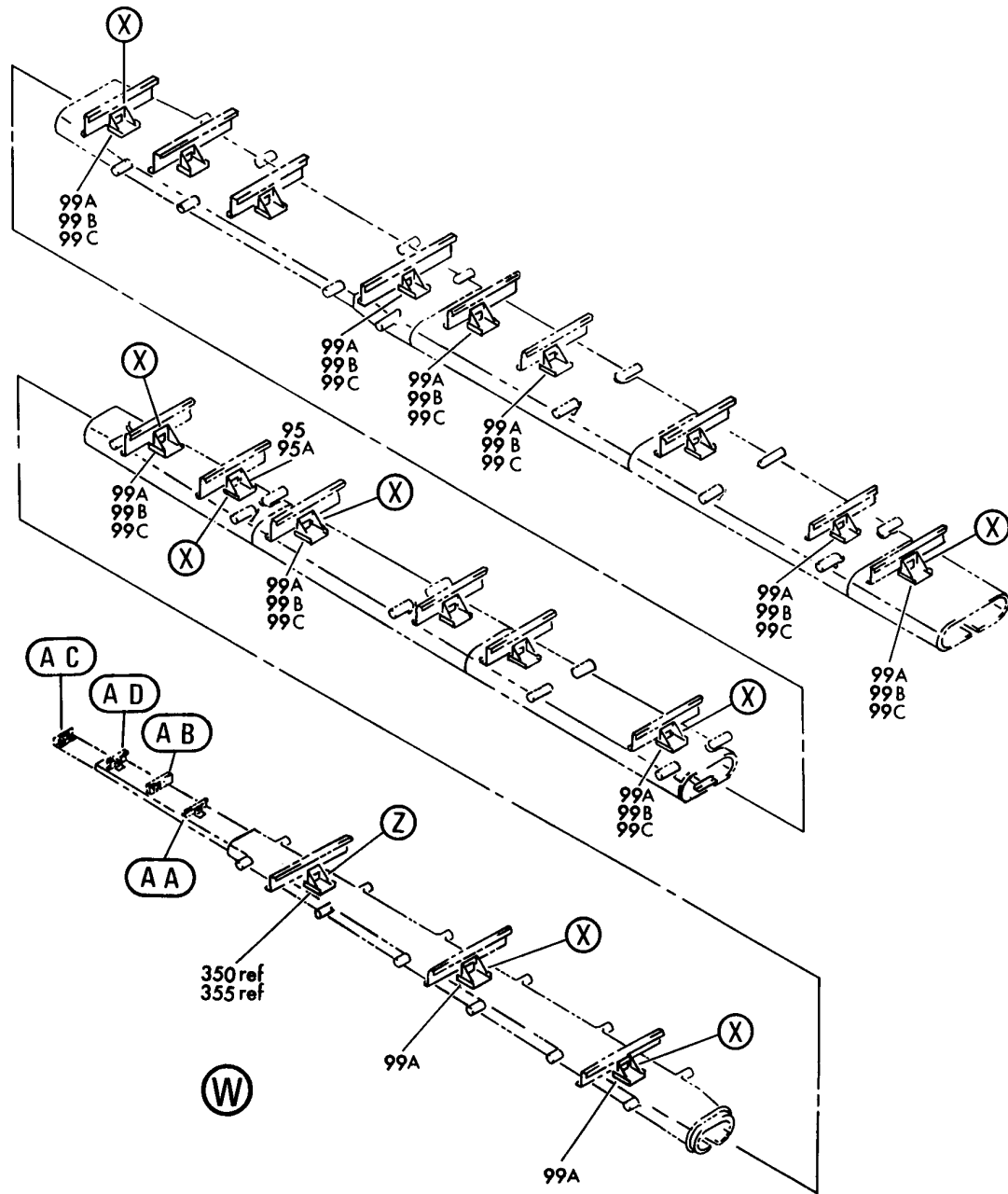
PROVISIONS INSTL-AIR DISTR SYS OVERHEAD DUCT SPRT
 FIGURE 5 (SHEET 9)

21-23-51-05

BRI
JAN 20/09

21-23-51-05
 PAGE 0H

BOEING
757
PARTS CATALOG (MAINTENANCE)



Y 21235105 SHT 10 REV 143

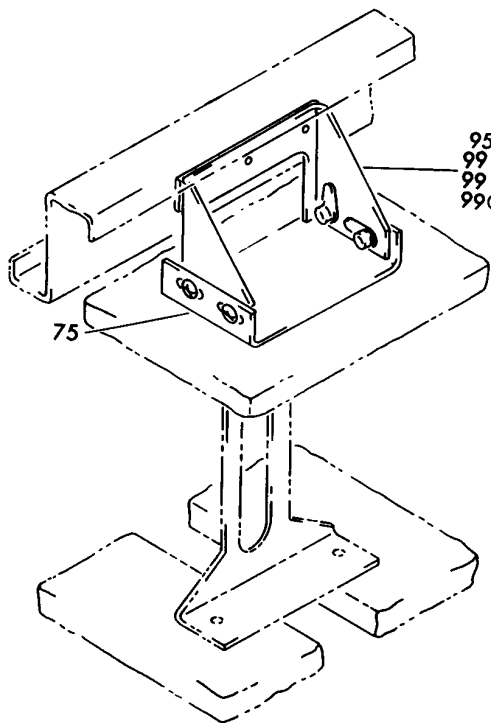
PROVISIONS INSTL-AIR DISTR SYS OVERHEAD DUCT SPRT
FIGURE 5 (SHEET 10)

21-23-51-05

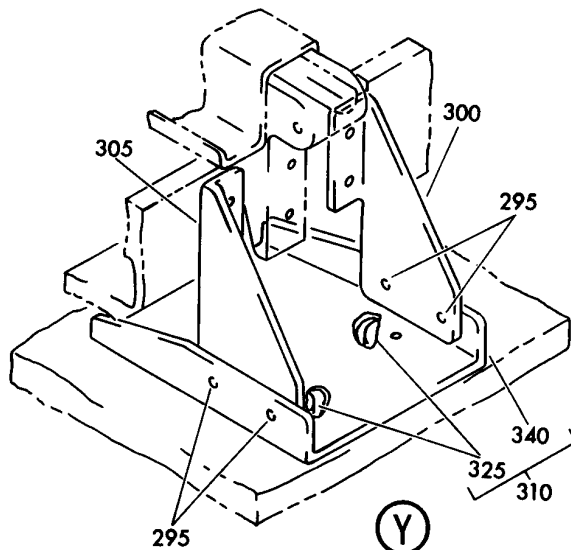
BRI
JAN 20/09

21-23-51-05
PAGE 01

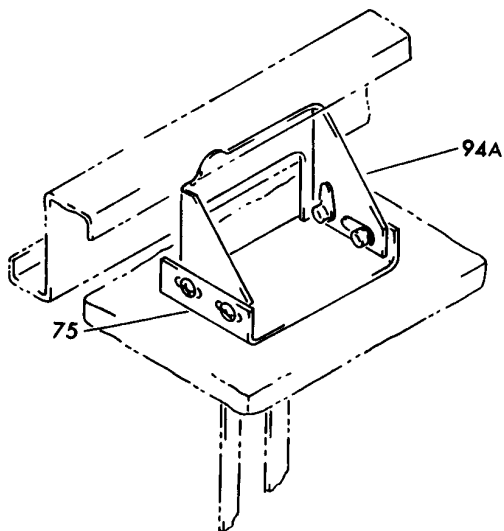
BOEING
757
PARTS CATALOG (MAINTENANCE)



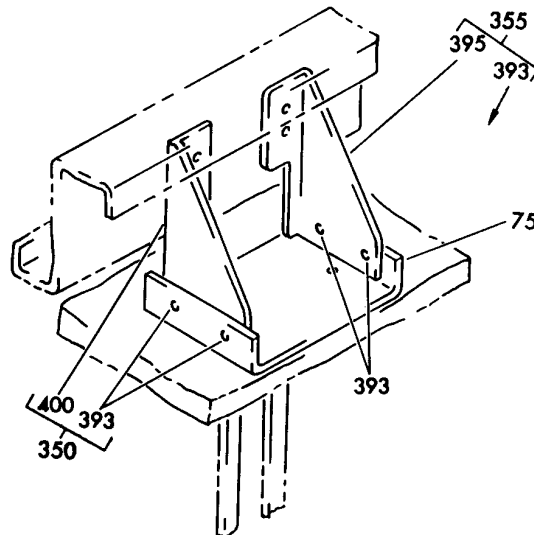
(X)



(Y)



(AE)



(Z)

Y 21235105 SHT 11 REV 143

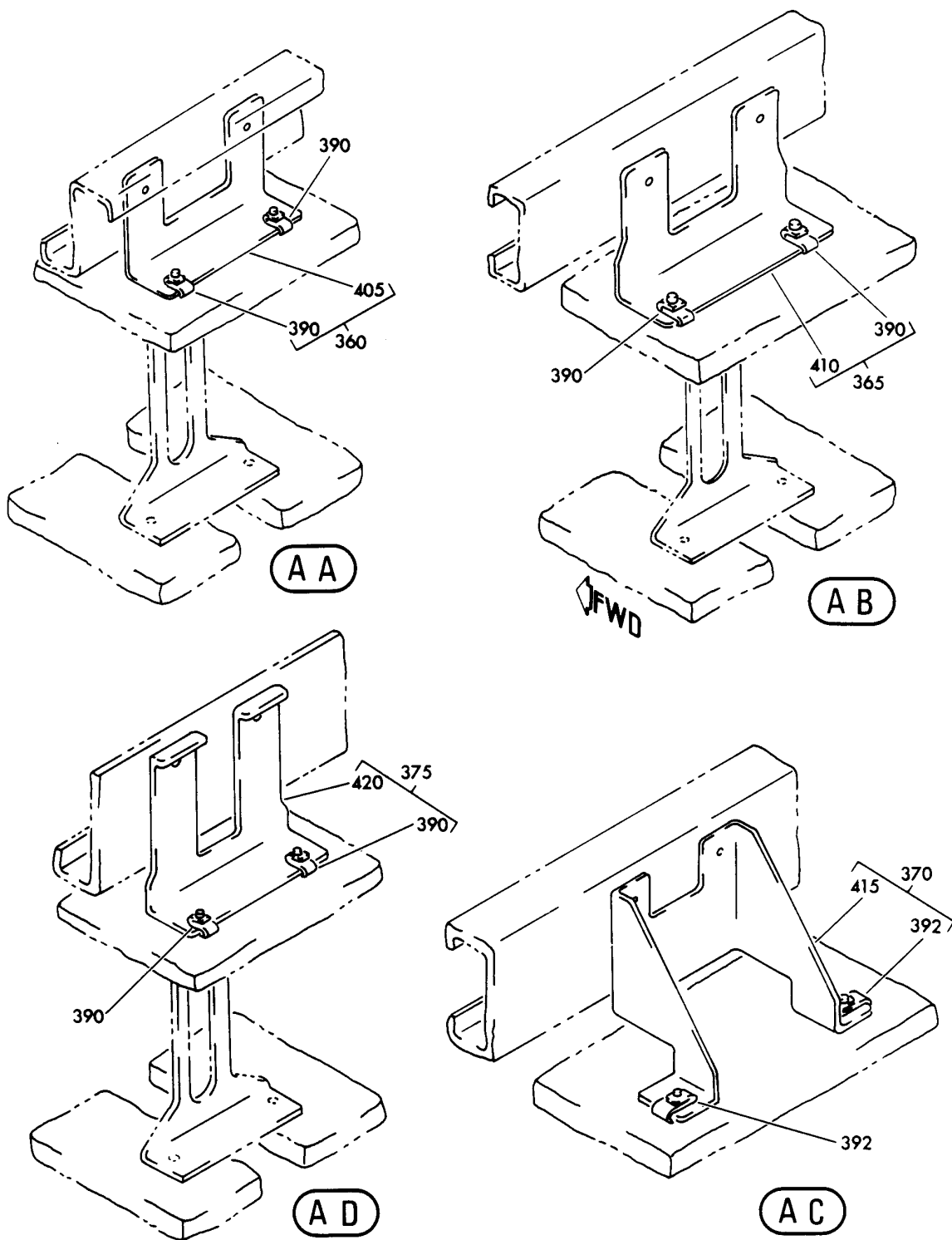
PROVISIONS INSTL-AIR DISTR SYS OVERHEAD DUCT SPRT
FIGURE 5 (SHEET 11)

21-23-51-05

BRI
JAN 20/09

21-23-51-05
PAGE 0J

BOEING
757
PARTS CATALOG (MAINTENANCE)



Y 21235105 SHT 12 REV 083

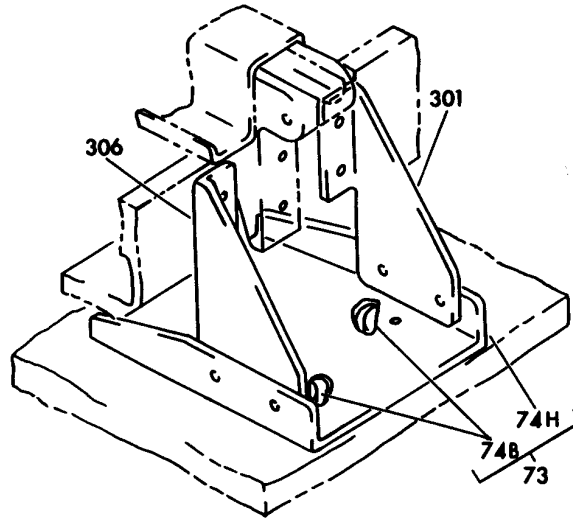
PROVISIONS INSTL-AIR DISTR SYS OVERHEAD DUCT SPRT
FIGURE 5 (SHEET 12)

21-23-51-05

BRI
JAN 20/09

21-23-51-05
PAGE OK

BOEING
757
PARTS CATALOG (MAINTENANCE)



AK

Y 21235105 SHT 13 REV 128

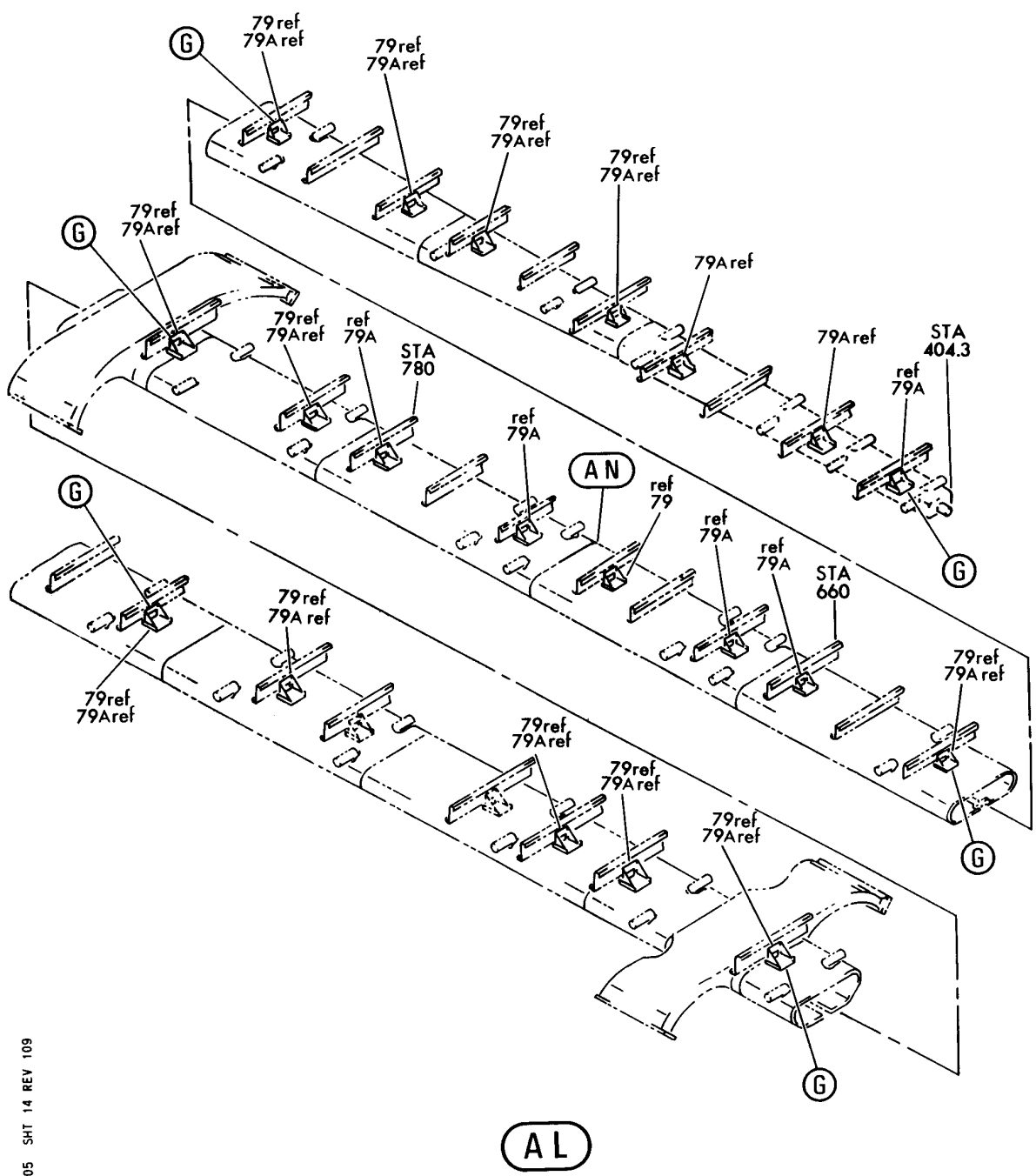
PROVISIONS INSTL-AIR DISTR SYS OVERHEAD DUCT SPRT
FIGURE 5 (SHEET 13)

21-23-51-05

BRI
JAN 20/09

21-23-51-05
PAGE 01

BOEING
757
PARTS CATALOG (MAINTENANCE)



Y 21235105 SHT 14 REV 109

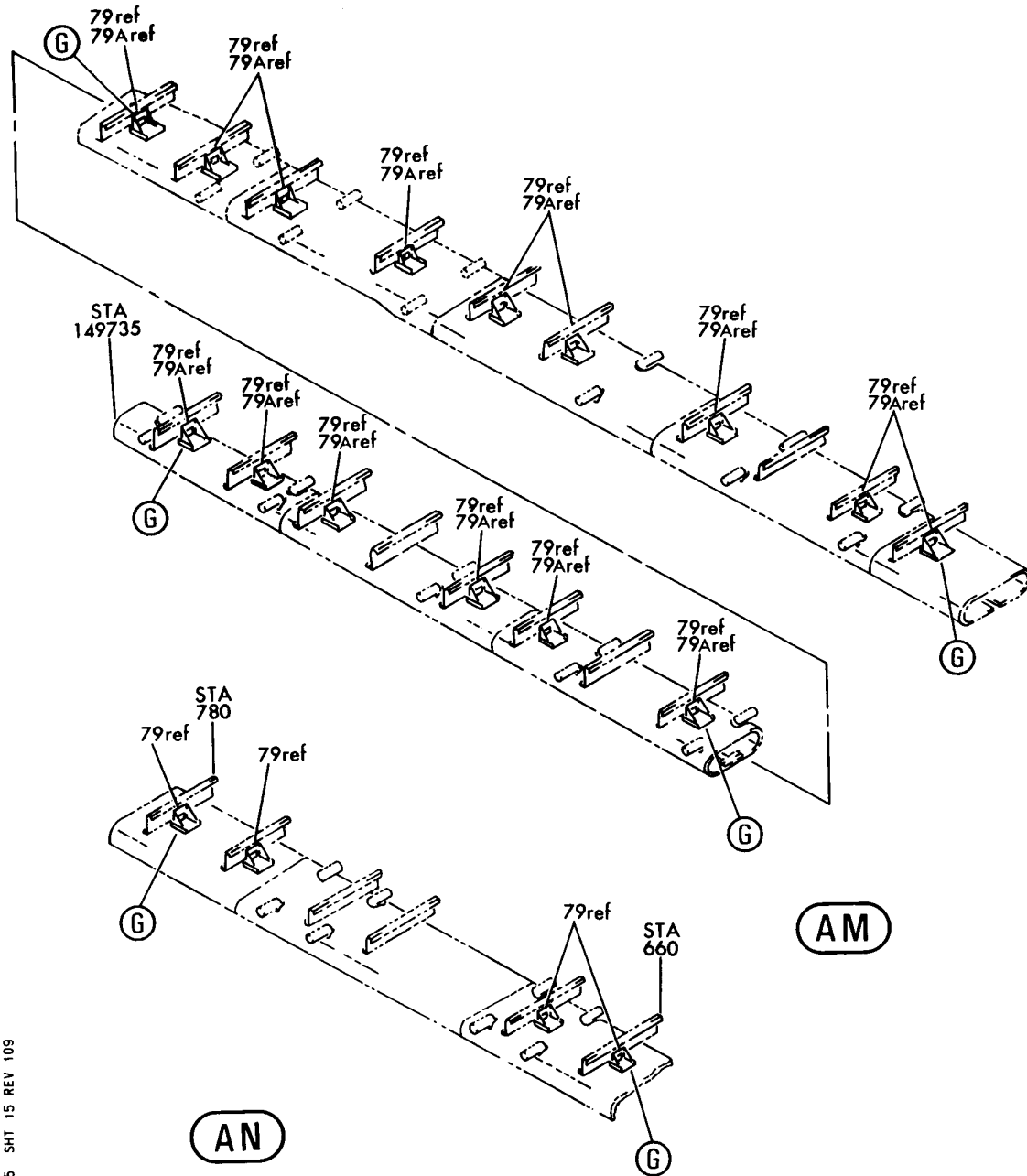
PROVISIONS INSTL-AIR DISTR SYS OVERHEAD DUCT SPRT
FIGURE 5 (SHEET 14)

21-23-51-05

BRI
JAN 20/09

21-23-51-05
PAGE 0M

BOEING
757
PARTS CATALOG (MAINTENANCE)



Y 21235105 SHT 15 REV 109

PROVISIONS INSTL-AIR DISTR SYS OVERHEAD DUCT SPRT
FIGURE 5 (SHEET 15)

21-23-51-05

BRI
JAN 20/09

21-23-51-05
PAGE ON

 **BOEING**
757
PARTS CATALOG (MAINTENANCE)

| FIG ITEM | PART NUMBER | 1 2 3 4 5 6 7 | NOMENCLATURE | EFFECT FROM TO | UNITS PER ASSY |
|----------|-------------|---------------|---|------------------|----------------|
| 5 | | | PROVISIONS INSTL-AIR DISTR SYS OVERHEAD DUCT SPRT | 107107 950951 | |
| - 1 | 214N2007-2 | | PROVISIONS INSTL-AIR DISTR SYS OVERHEAD DUCT SPRT VARIABLE DRAWING REF: 214N2007-3 FOR NHA SEE: 21-00-00-01 | 107107 950951 | RF |
| 5 | 214N2136-1 | | .BRACKET ASSY- | 107107 | 1 |
| 10 | 214N2136-3 | | .BRACKET ASSY- | 107107 | 2 |
| 15 | 214N2114-1 | | .BRACKET ASSY- | 107107 | 4 |
| 20 | 214N2114-2 | | .BRACKET ASSY- | 107107 | 4 |
| 25 | 214N2136-2 | | .BRACKET ASSY- | 107107 | 1 |
| 30 | BACS12FA3K7 | | ATTACHING PARTS .SCREW- | 107107 | 16 |
| 35 | BRC500-8-3 | | -----*----- . . NUT SUPPLIER CODE: V52828 SPECIFICATION NUMBER: BACN10FX21 OPTIONAL PART: F49322-3-21 V15653 SL240-3-1 V97393 130061 V60119 A11330-8-3 V72962 | 107107 | AR |
| 40 | 214N2136-4 | | . . BRACKET- USED ON: 214N2136-1 | 107107 | 1 |
| 45 | 214N2136-6 | | . . BRACKET- USED ON: 214N2136-3 | 107107 | 1 |
| 50 | 214N2114-3 | | . . BRACKET- USED ON: 214N2114-1 | 107107 | 1 |
| 55 | 214N2114-4 | | . . BRACKET- USED ON: 214N2114-2 | 107107 | 1 |
| 60 | 214N2136-5 | | . . BRACKET- USED ON: 214N2136-2 | 107107 | 1 |

MISSING ITEM NUMBERS NOT APPLICABLE

- ITEM NOT ILLUSTRATED

BRI

21-23-51-05

BOEING PROPRIETARY - Copyright © - Unpublished Work - See title page for details.

21-23-51
FIG. 05
PAGE 1
JAN 20/09

 **BOEING**
757
PARTS CATALOG (MAINTENANCE)

| FIG ITEM | PART NUMBER | 1 2 3 4 5 6 7 | NOMENCLATURE | EFFECT FROM TO | UNITS PER ASSY |
|----------|-------------|---------------|--|------------------|----------------|
| 5 | | | | | |
| 65 | DE820 | | .MOUNT-ISOLATOR SUPPLIER CODE: V71985 SPECIFICATION NUMBER: S411T100-107 OPTIONAL PART: DE786 V71985 ATTACHING PARTS | 107107 | 16 |
| - 70 | BACR15BB3D | | .RIVET- SIZE DETERMINED ON INSTL. -----*----- | 107107 | 32 |
| 76 | 66-13869-5 | | .BRACKET ASSY ATTACHING PARTS | 107107 950951 | 30 |
| - 81 | BACS12FA3K7 | | .SCREW -----*----- | 107107 950951 | 120 |
| 86 | SL8113-3 | | ..SHOCKMOUNT-ISOLATOR SUPPLIER CODE: V97393 SPECIFICATION NUMBER: S411T100-901 OPTIONAL PART: DE819 V71985 | 107107 950951 | 2 |
| 91 | 66-13869-2 | | ..BRACKET | 107107 950951 | 1 |
| 95 | 214N2113-1 | | .BRACKET ASSY | 107107 950951 | 2 |
| 98 | 214N2113-3 | | .BRACKET ASSY ATTACHING PARTS | 107107 950951 | 28 |
| - 101 | BACR15BB6D | | .RIVET- SIZE DETERMINED ON INSTL. -----*----- | 107107 950951 | 90 |
| 125 | 214T3424-20 | | .SUPPORT- | 107107 950951 | 1 |
| 128 | 214T3424-7 | | .SUPPORT | 107107 950951 | 2 |
| 135 | 214T3424-21 | | .SUPPORT- ATTACHING PARTS | 107107 950951 | 1 |
| -137A | BACS12FA3K8 | | .SCREW -----*----- | 107107 950951 | 8 |
| 186 | 214N2148-6 | | ..BRACKET- USED ON: 214N2148-2 | 107107 950951 | 1 |

MISSING ITEM NUMBERS NOT APPLICABLE

- ITEM NOT ILLUSTRATED

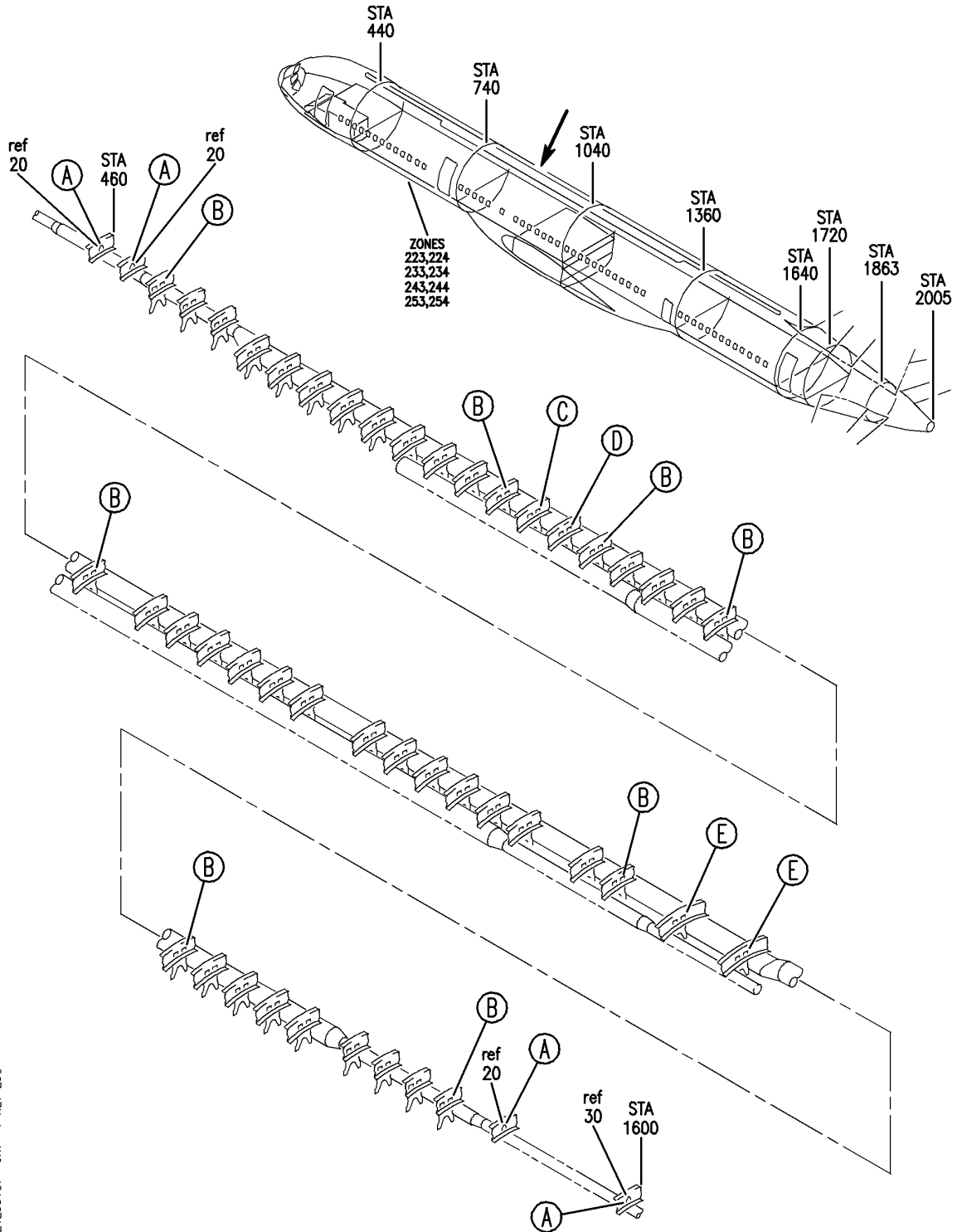
BRI

21-23-51-05

BOEING PROPRIETARY - Copyright © - Unpublished Work - See title page for details.

21-23-51
FIG. 05
PAGE 2
JAN 20/09

BOEING
757
PARTS CATALOG (MAINTENANCE)



Y 21235107 SHT 1 REV 230

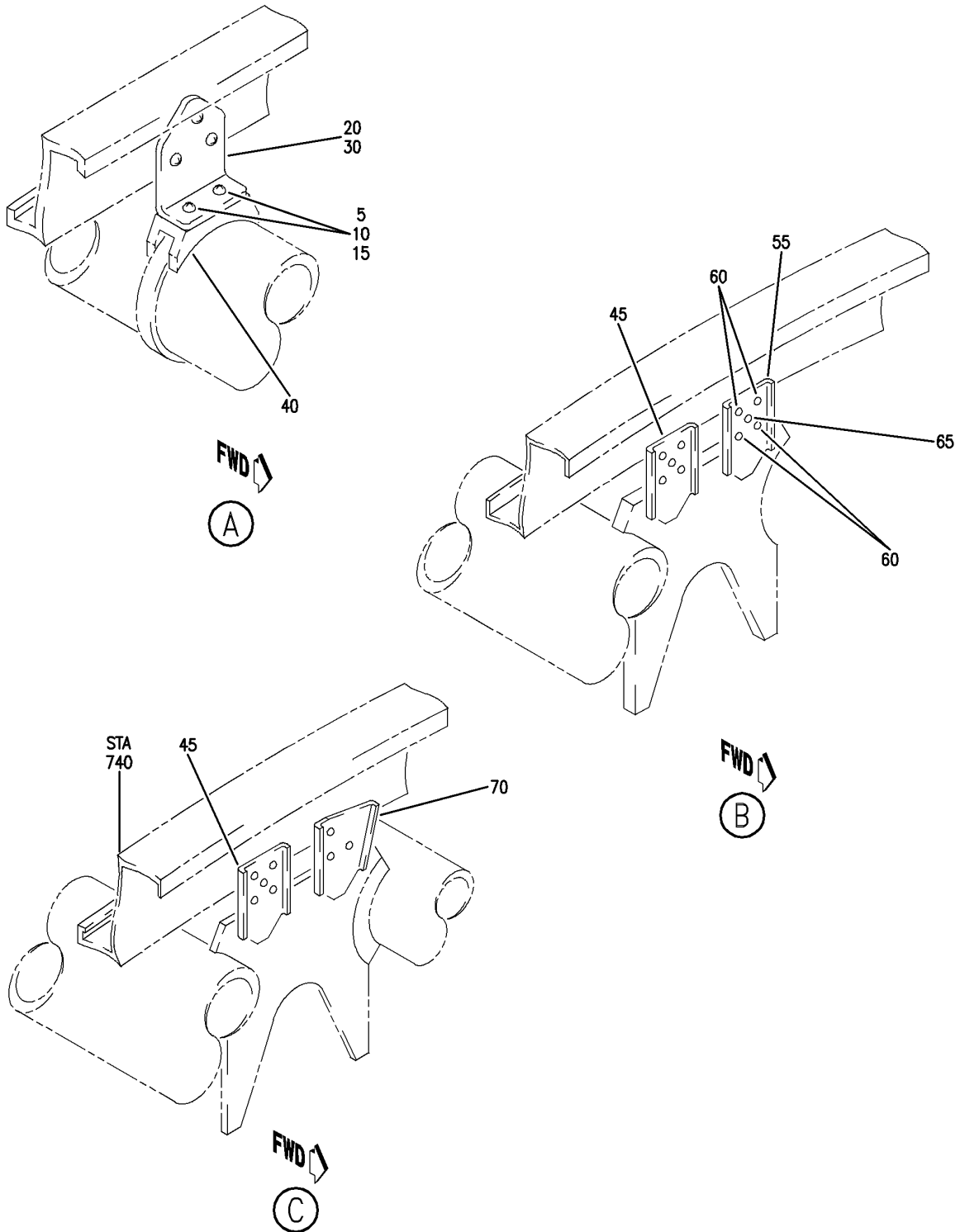
PROVISIONS INSTL-OVHD AIR DISTR SYS
FIGURE 7 (SHEET 1)

21-23-51-07

BRI
MAY 28/07

21-23-51-07
PAGE 0

BOEING
757
PARTS CATALOG (MAINTENANCE)



Y 21235107 SHT 2 REV 230

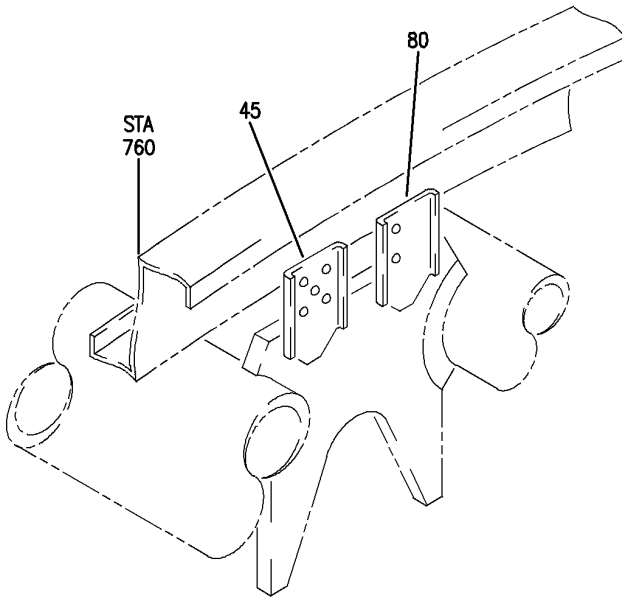
PROVISIONS INSTL-OVHD AIR DISTR SYS
FIGURE 7 (SHEET 2)

21-23-51-07

BRI
MAY 28/07

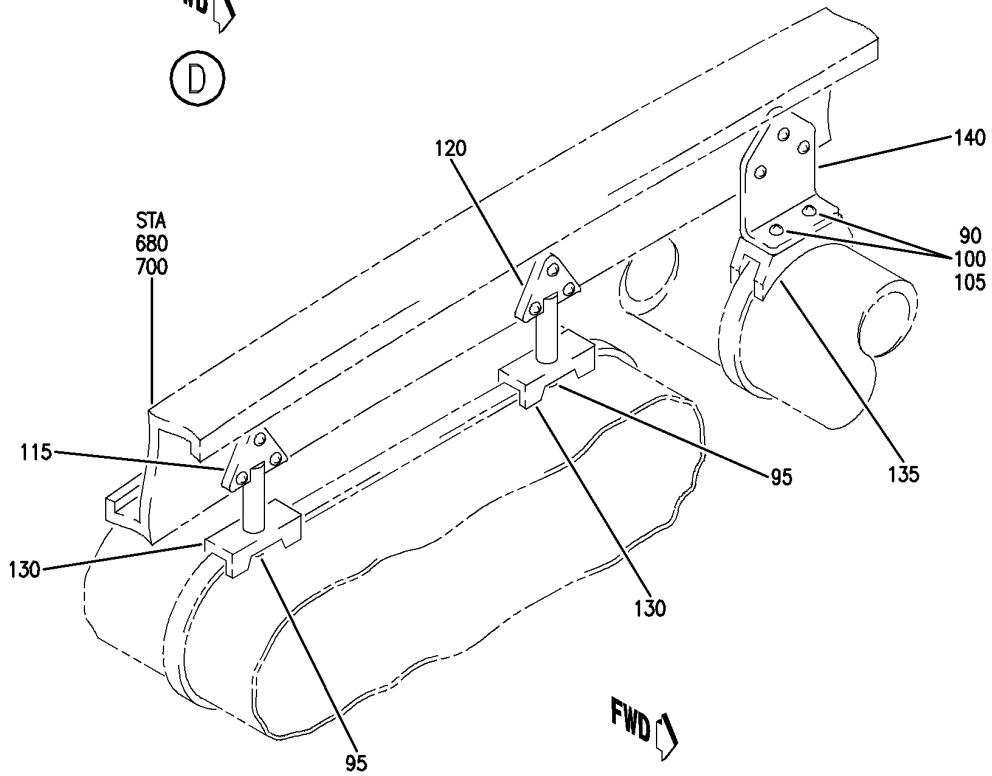
21-23-51-07
PAGE 0A

BOEING
757
PARTS CATALOG (MAINTENANCE)



FWD ↗

(D)



FWD ↗

(E)

Y 21235107 SHT 3 REV 230

PROVISIONS INSTL-OVHD AIR DISTR SYS
FIGURE 7 (SHEET 3)

21-23-51-07

BRI
MAY 28/07

21-23-51-07
PAGE 0B



757

PARTS CATALOG (MAINTENANCE)

| FIG ITEM | PART NUMBER | 1 2 3 4 5 6 7 | NOMENCLATURE | EFFECT FROM TO | UNITS PER ASSY |
|----------|---------------|---------------|--|------------------|----------------|
| 7 | | | PROVISIONS INSTL-OVHD AIR DISTR SYS | 011102 504903 | |
| - 1 | 214N2024-5 | | PROVISIONS INSTL-OVHD AIR DISTR SYS FOR NHA SEE: 21-00-00-01 21-00-00-12 21-00-00-15 | 011102 504903 | RF |
| 5 | BACS12GU3K7 | | .SCREW | 011102 504903 | 8 |
| 10 | NAS1149D0332J | | .WASHER | 011102 504903 | 8 |
| 15 | PLH53CD | | .NUT SUPPLIER CODE: VF0224 SPECIFICATION NUMBER: BACN10YR3CD OPTIONAL PART: H52732-3CD V15653 | 011102 504903 | 8 |
| 20 | 214N2170-3 | | .BRACKET | 011102 504903 | 3 |
| - 25 | BACR15FT5D | | ATTACHING PARTS .RIVET- SIZE DETERMINED ON INSTL. -----*----- | 011102 504903 | 9 |
| 30 | 214N2170-5 | | .BRACKET | 011102 504903 | 1 |
| - 35 | BACR15FT5D | | ATTACHING PARTS .RIVET- SIZE DETERMINED ON INSTL. -----*----- | 011102 504903 | 3 |
| 40 | 214T3424-6 | | .SUPPORT | 011102 504903 | 4 |
| 45 | 214N2161-1 | | .BRACKET-DUCT SPRT | 011102 504903 | 43 |
| - 50 | BACR15FT6D | | ATTACHING PARTS .RIVET- SIZE DETERMINED ON INSTL. -----*----- | 011102 504903 | 215 |
| 55 | 65C36909-2 | | .BRACKET-DUCT SPRT | 011102 504903 | 41 |
| 60 | BACR15FT6D | | ATTACHING PARTS .RIVET- SIZE DETERMINED ON INSTL. | 011102 504903 | 164 |
| 65 | BACR15FT9AD | | .RIVET- SIZE DETERMINED ON INSTL. -----*----- | 011102 504903 | 41 |

MISSING ITEM NUMBERS NOT APPLICABLE

- ITEM NOT ILLUSTRATED

21-23-51-07

21-23-51
FIG. 07
PAGE 1
JAN 20/09

BRI

 **BOEING**
757
PARTS CATALOG (MAINTENANCE)

| FIG ITEM | PART NUMBER | 1 2 3 4 5 6 7 | NOMENCLATURE | EFFECT FROM TO | UNITS PER ASSY |
|----------|-------------------|---------------|---|------------------|----------------|
| 7 | 70 214N2170-2 | . | BRACKET | 011102 504903 | 1 |
| - | 75 BACR15FT6D | . | ATTACHING PARTS RIVET- SIZE DETERMINED ON INSTL. -----*----- | 011102 504903 | 3 |
| | 80 214N2170-1 | . | BRACKET | 011102 504903 | 1 |
| - | 85 BACR15FT6D | . | ATTACHING PARTS RIVET- SIZE DETERMINED ON INSTL. -----*----- | 011102 504903 | 2 |
| | 90 BACS12GU3K7 | . | SCREW | 011102 504903 | 4 |
| | 95 BACS12GU3K9 | . | SCREW | 011102 504903 | 4 |
| | 100 NAS1149D0332J | . | WASHER | 011102 504903 | 4 |
| | 105 PLH53CD | . | NUT SUPPLIER CODE: VF0224 SPECIFICATION NUMBER: BACN10YR3CD OPTIONAL PART: H52732-3CD V15653 | 011102 504903 | 4 |
| | 110 BACR15FT9AD | . | RIVET- SIZE DETERMINED ON INSTL. | 011102 504903 | 2 |
| | 115 WSI333-8 | . | NUTPLATE SUPPLIER CODE: V04169 SPECIFICATION NUMBER: BACN10TM3-8 | 011102 504903 | 2 |
| | 120 WSI333-10 | . | NUTPLATE SUPPLIER CODE: V04169 SPECIFICATION NUMBER: BACN10TM3-10 | 011102 504903 | 2 |
| - | 125 BACR15FT5D | . | ATTACHING PARTS RIVET- SIZE DETERMINED ON INSTL. -----*----- | 011102 504903 | 12 |
| | 130 TM3S10 | . | PLATE SUPPLIER CODE: V06383 SPECIFICATION NUMBER: STBP19M12 | 011102 504903 | 4 |
| | 135 214T3424-6 | . | SUPPORT | 011102 504903 | 2 |

MISSING ITEM NUMBERS NOT APPLICABLE

- ITEM NOT ILLUSTRATED

BRI

21-23-51-07

21-23-51
FIG. 07
PAGE 2
JAN 20/09



**757
PARTS CATALOG (MAINTENANCE)**

| FIG ITEM | PART NUMBER | 1 2 3 4 5 6 7 | NOMENCLATURE | EFFECT FROM TO | UNITS PER ASSY |
|-------------|-------------|---------------|--|-------------------|----------------------|
| 7 140 | 214N2170-3 | | .BRACKET | 011102 504903 | 2 |
| - 145 | BACR15FT5D | | ATTACHING PARTS .RIVET- SIZE DETERMINED ON INSTL. -----*----- | 011102 504903 | 6 |

MISSING ITEM NUMBERS NOT APPLICABLE

- ITEM NOT ILLUSTRATED

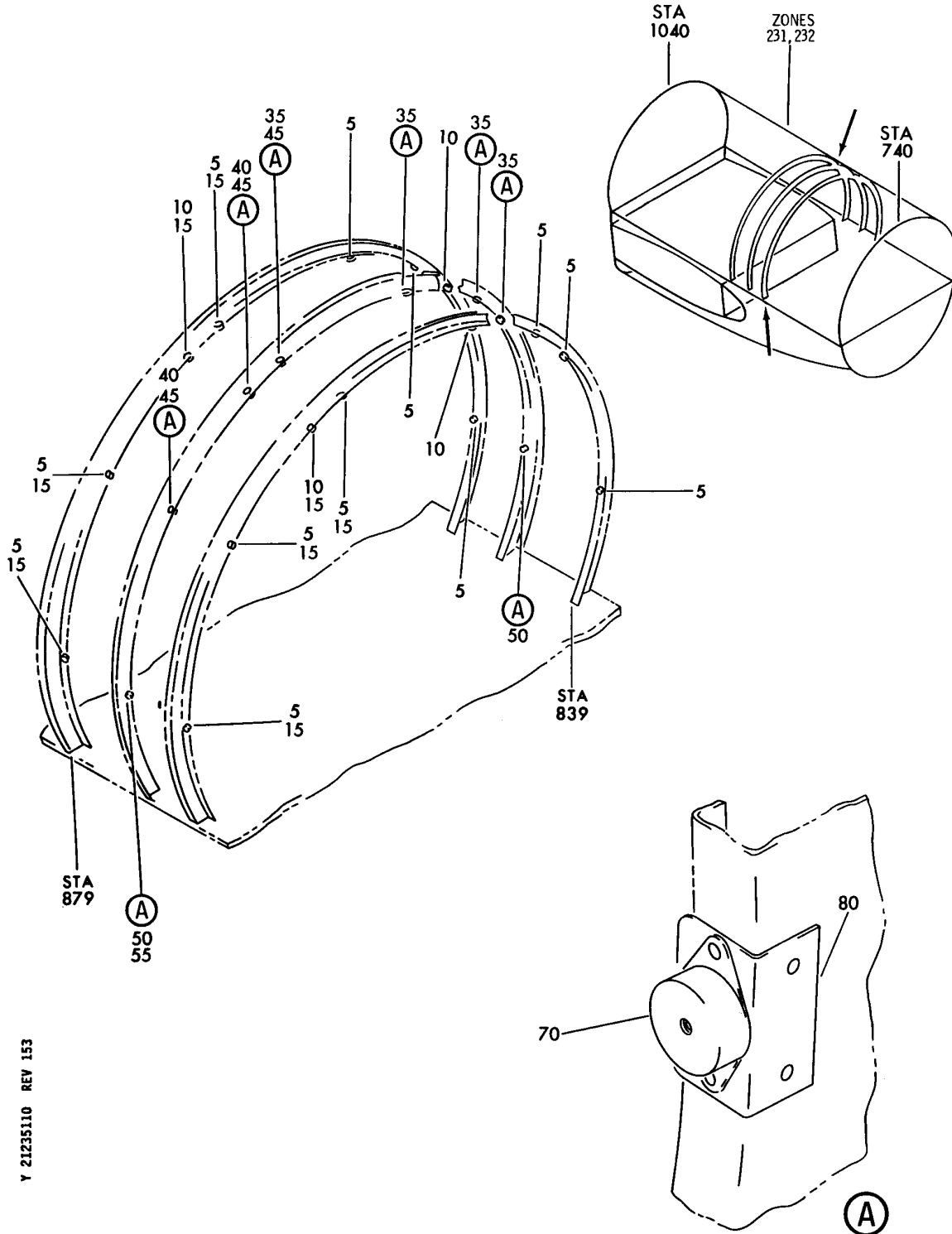
BRI

21-23-51-07

BOEING PROPRIETARY - Copyright © - Unpublished Work - See title page for details.

21-23-51
FIG. 07
PAGE 3
JAN 20/09

BOEING
757
PARTS CATALOG (MAINTENANCE)



Y 2123510 REV 153

PROVISIONS INSTL-AIR DISTR SYS SIDEWALL RISER SPRT
FIGURE 10

21-23-51-10

BRI
MAY 28/07

21-23-51-10
PAGE 0

 **BOEING**
757
PARTS CATALOG (MAINTENANCE)

| FIG ITEM | PART NUMBER | 1 2 3 4 5 6 7 | NOMENCLATURE | EFFECT FROM TO | UNITS PER ASSY |
|----------|-------------|---------------|---|--|----------------|
| 10 | | | PROVISIONS INSTL-AIR DISTR SYS SIDEWALL RISER SPRT | 002004 006100 107107 121503 904999 | |
| - 1 | 214N2008-1 | | PROVISIONS INSTL-AIR DISTR SYS SIDEWALL RISER SPRT FOR NHA SEE: 21-00-00-01 | 002004 006100 107107 121503 904999 | RF |
| 5 | DE820 | | .MOUNT-ISOLATOR SUPPLIER CODE: V71985 SPECIFICATION NUMBER: S411T100-107 OPTIONAL PART: DE786 V71985 | 002004 006100 107107 121503 904999 | 12 |
| 10 | DE820 | | .MOUNT-ISOLATOR SUPPLIER CODE: V71985 SPECIFICATION NUMBER: S411T100-107 OPTIONAL PART: DE786 V71985 | 002004 006100 107107 121503 904999 | 4 |
| - 20 | BACR15BB3D | | ATTACHING PARTS .RIVET- SIZE DETERMINED ON INSTL. | 002004 006100 107107 121503 904999 | 24 |
| - 25 | BACR15BB3D | | .RIVET- SIZE DETERMINED ON INSTL. | 002004 006100 107107 121503 904999 | 8 |
| 35 | 214N2132-1 | | -----*----- .BRACKET ASSY- | 002004 006100 107107 121503 904999 | 4 |
| 40 | 214N2132-1 | | .BRACKET ASSY | 002004 006100 107107 121503 904999 | 2 |

MISSING ITEM NUMBERS NOT APPLICABLE

- ITEM NOT ILLUSTRATED

BRI

21-23-51-10

BOEING PROPRIETARY - Copyright © - Unpublished Work - See title page for details.

21-23-51
FIG. 10
PAGE 1
JAN 20/09



757

PARTS CATALOG (MAINTENANCE)

| FIG ITEM | PART NUMBER | 1 2 3 4 5 6 7 | NOMENCLATURE | EFFECT FROM TO | UNITS PER ASSY |
|----------|---------------|---------------|--|--|----------------|
| 10 | | | | | |
| 50 | 214N2132-8200 | | .BRACKET ASSY- | 002004 006100 107107 121503 904999 | 2 |
| - 60 | BACR15BB3D | | ATTACHING PARTS .RIVET- SIZE DETERMINED ON INSTL. | 002004 006100 107107 121503 904999 | 16 |
| 70 | DE820 | | -----*----- ..MOUNT-ISOLATOR SUPPLIER CODE: V71985 SPECIFICATION NUMBER: S411T100-107 OPTIONAL PART: DE786 V71985 ATTACHING PARTS | 002004 006100 107107 121503 904999 | 1 |
| - 75 | BACR15BB3D | | ..RIVET- SIZE DETERMINED ON INSTL. | 002004 006100 107107 121503 904999 | 2 |
| 80 | 214N2132-2 | | -----*----- ..BRACKET- USED ON: 214N2132-1 | 002004 006100 107107 121503 904999 | 1 |
| 80 | 214N2132-8201 | | ..BRACKET- USED ON: 214N2132-8200 | 002004 006100 107107 121503 904999 | 1 |

MISSING ITEM NUMBERS NOT APPLICABLE

- ITEM NOT ILLUSTRATED

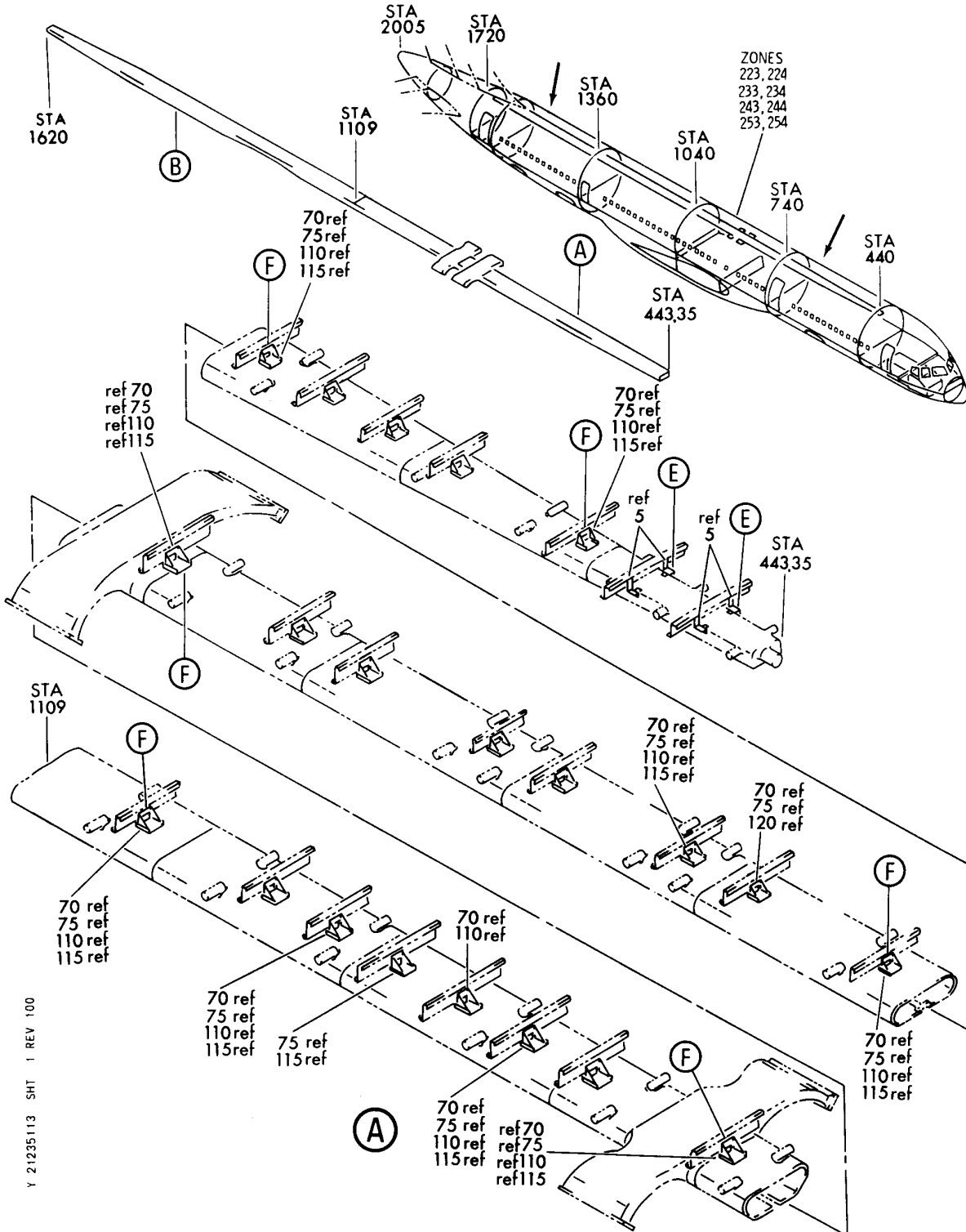
BRI

21-23-51-10

BOEING PROPRIETARY - Copyright © - Unpublished Work - See title page for details.

21-23-51
FIG. 10
PAGE 2
JAN 20/09

BOEING
757
PARTS CATALOG (MAINTENANCE)



Y 21235113 SHT 1 REV 100

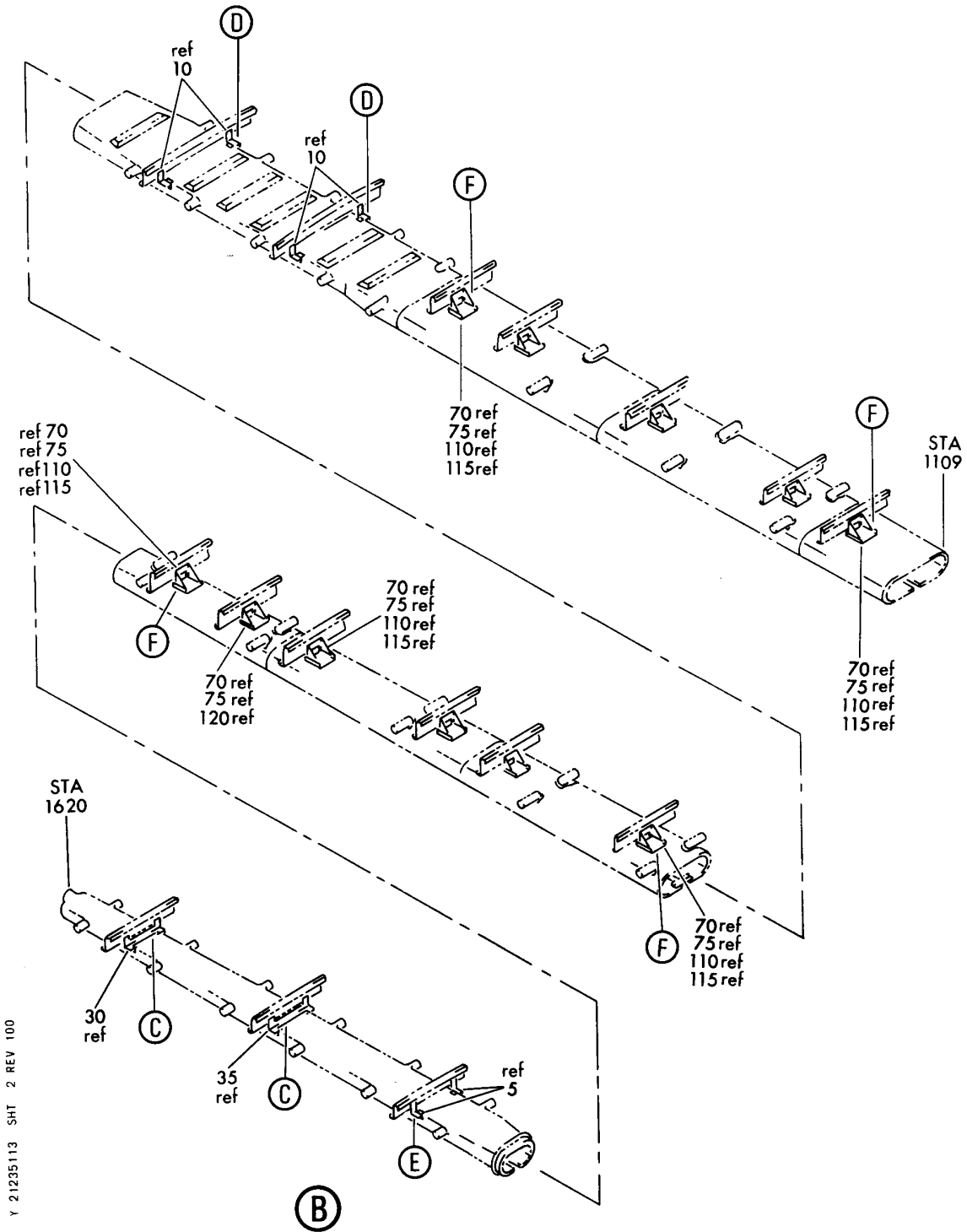
PROVISIONS INSTL-AIR DISTR SYS OVERHEAD DUCT SPRT
FIGURE 13 (SHEET 1)

21-23-51-13

BRI
MAY 28/07

21-23-51-13
PAGE 0

BOEING
757
PARTS CATALOG (MAINTENANCE)



Y 21235113 SHT 2 REV 100

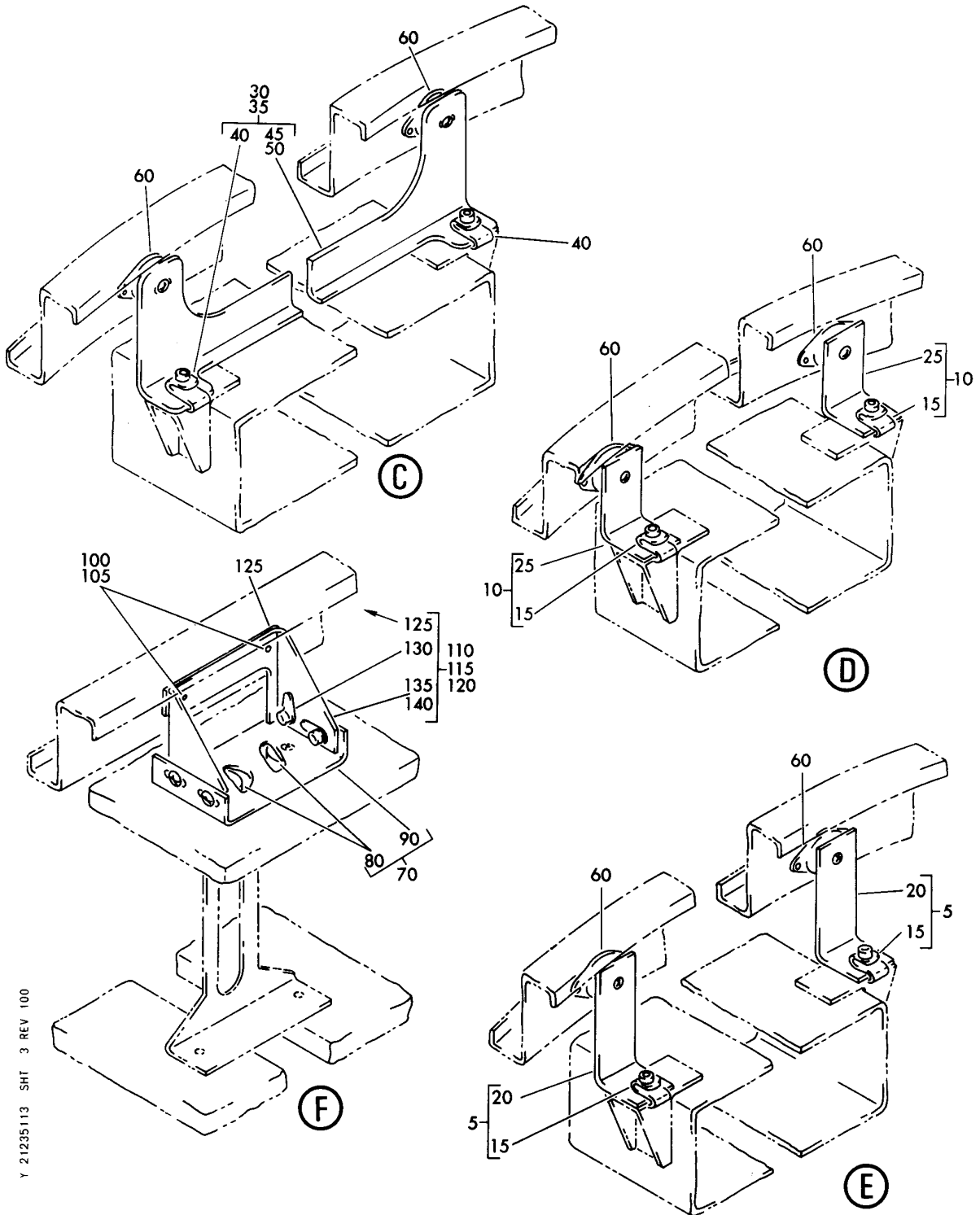
PROVISIONS INSTL-AIR DISTR SYS OVERHEAD DUCT SPRT
FIGURE 13 (SHEET 2)

21-23-51-13

BRI
MAY 28/07

21-23-51-13
PAGE 0A

BOEING
757
PARTS CATALOG (MAINTENANCE)



Y 21235113 SHT 3 REV 100

PROVISIONS INSTL-AIR DISTR SYS OVERHEAD DUCT SPRT
FIGURE 13 (SHEET 3)

21-23-51-13

BRI
MAY 28/07

21-23-51-13
PAGE 0B



757

PARTS CATALOG (MAINTENANCE)

| FIG ITEM | PART NUMBER | 1 2 3 4 5 6 7 | NOMENCLATURE | EFFECT FROM TO | UNITS PER ASSY |
|----------|-------------|---------------|---|------------------|----------------|
| 13 | | | PROVISIONS INSTL-AIR DISTR SYS OVERHEAD DUCT SPRT | 121503 904949 | |
| - 1 | 214N2007-2 | | PROVISIONS INSTL-AIR DISTR SYS OVERHEAD DUCT SPRT VARIABLE DRAWING REF: 214N2007-20 FOR NHA SEE: 21-00-00-01 | 121503 904949 | RF |
| 5 | 214N2114-1 | | .BRACKET ASSY | 121503 904949 | 6 |
| 10 | 214N2114-2 | | .BRACKET ASSY | 121503 904949 | 4 |
| - 13 | BACS12FA3K6 | | ATTACHING PARTS .SCREW | 121503 904949 | 10 |
| 15 | BRC500-8-3 | | -----*----- .NUT-CLIP SUPPLIER CODE: V52828 SPECIFICATION NUMBER: BACN10FX21 OPTIONAL PART: F49322-3-21 V15653 SL240-3-1 V97393 130061 V60119 A11330-8-3 V72962 | 121503 904949 | 1 |
| 20 | 214N2114-3 | | ..BRACKET- USED ON: 214N2114-1 | 121503 904949 | 1 |
| 25 | 214N2114-4 | | ..BRACKET- USED ON: 214N2114-2 | 121503 904949 | 1 |
| 30 | 214N2136-2 | | .BRACKET ASSY | 121503 904949 | 1 |
| 35 | 214N2136-3 | | .BRACKET ASSY | 121503 904949 | 1 |
| - 37 | BACS12FA3K6 | | ATTACHING PARTS .SCREW -----*----- | 121503 904949 | 4 |

MISSING ITEM NUMBERS NOT APPLICABLE

- ITEM NOT ILLUSTRATED

21-23-51-13

21-23-51
FIG. 13
PAGE 1
JAN 20/09

BRI



757

PARTS CATALOG (MAINTENANCE)

| FIG ITEM | PART NUMBER | 1 2 3 4 5 6 7 | NOMENCLATURE | EFFECT FROM TO | UNITS PER ASSY |
|----------|-------------|-----------------|--|------------------|----------------|
| 13 | | | | | |
| 40 | BRC500-8-3 | .. | NUT SUPPLIER CODE: V52828 SPECIFICATION NUMBER: BACN10FX21 OPTIONAL PART: F49322-3-21 V15653 SL240-3-1 V97393 130061 V60119 A11330-8-3 V72962 | 121503 904949 | 2 |
| 45 | 214N2136-5 | .. | BRACKET- USED ON: 214N2136-2 | 121503 904949 | 1 |
| 50 | 214N2136-6 | .. | BRACKET- USED ON: 214N2136-3 | 121503 904949 | 1 |
| 60 | DE820 | .MOUNT-ISOLATOR | SUPPLIER CODE: V71985 SPECIFICATION NUMBER: S411T100-107 OPTIONAL PART: DE786 V71985 ATTACHING PARTS | 121503 904949 | 14 |
| - 65 | BACR15BB3D | .RIVET- | SIZE DETERMINED ON INSTL. -----*----- | 121503 904949 | 28 |
| 75 | 66-13869-5 | .BRACKET ASSY | ATTACHING PARTS | 121503 904949 | 31 |
| - 77 | BACS12FA3K7 | .SCREW | -----*----- | 121503 904949 | 124 |
| 80 | SL8113-3 | .. | SHOCKMOUNT-ISOLATOR SUPPLIER CODE: V97393 SPECIFICATION NUMBER: S411T100-901 OPTIONAL PART: DE819 V71985 | 121503 904949 | 2 |

MISSING ITEM NUMBERS NOT APPLICABLE

- ITEM NOT ILLUSTRATED

21-23-51-13

21-23-51
FIG. 13
PAGE 2
JAN 20/09

BRI



757

PARTS CATALOG (MAINTENANCE)

| FIG ITEM | PART NUMBER | 1 2 3 4 5 6 7 | NOMENCLATURE | EFFECT FROM TO | UNITS PER ASSY |
|----------|-------------|---------------|---|------------------|----------------|
| 13 | | | ATTACHING PARTS | | |
| - 85 | BACR15BB4A | | ..RIVET- SIZE DETERMINED ON INSTL. -----*----- | 121503 904949 | 4 |
| 90 | 66-13869-2 | | ..BRACKET | 121503 904949 | 1 |
| 105 | BACR15BB6D | | .RIVET- SIZE DETERMINED ON INSTL. | 121503 904949 | 66 |
| 115 | 214N2113-3 | | .BRACKET ASSY | 121503 904949 | 29 |
| 120 | 214N2113-1 | | .BRACKET ASSY | 121503 904949 | 2 |
| 125 | 66-14204-1 | | ..INSULATOR | 121503 904949 | 1 |
| 130 | 130069 | | ..NUT-CLIP SUPPLIER CODE: V60119 SPECIFICATION NUMBER: BACN10FX16 OPTIONAL PART: A11330-6-3 V72962 A4972-6-02 V72962 A4972-6-02 V72962 | 121503 904949 | AR |
| 135 | 214N2113-4 | | ..BRACKET- USED ON: 214N2113-3 | 121503 904949 | 1 |
| 140 | 214N2113-2 | | ..BRACKET- USED ON: 214N2113-1 | 121503 904949 | 1 |

MISSING ITEM NUMBERS NOT APPLICABLE

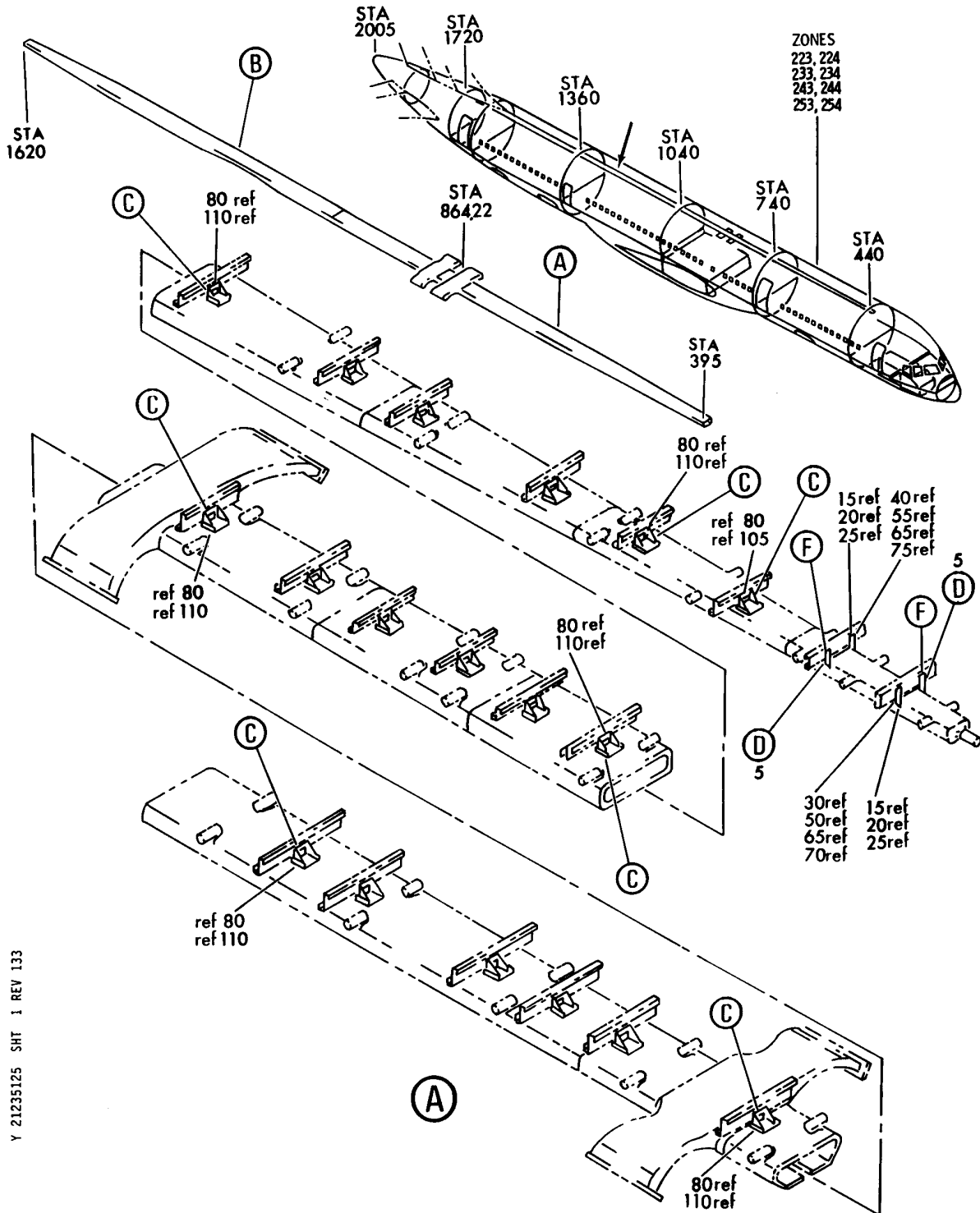
- ITEM NOT ILLUSTRATED

BRI

21-23-51-13

21-23-51
FIG. 13
PAGE 3
JAN 20/09

BOEING
757
PARTS CATALOG (MAINTENANCE)



Y 21235125 SH1 1 REV 133

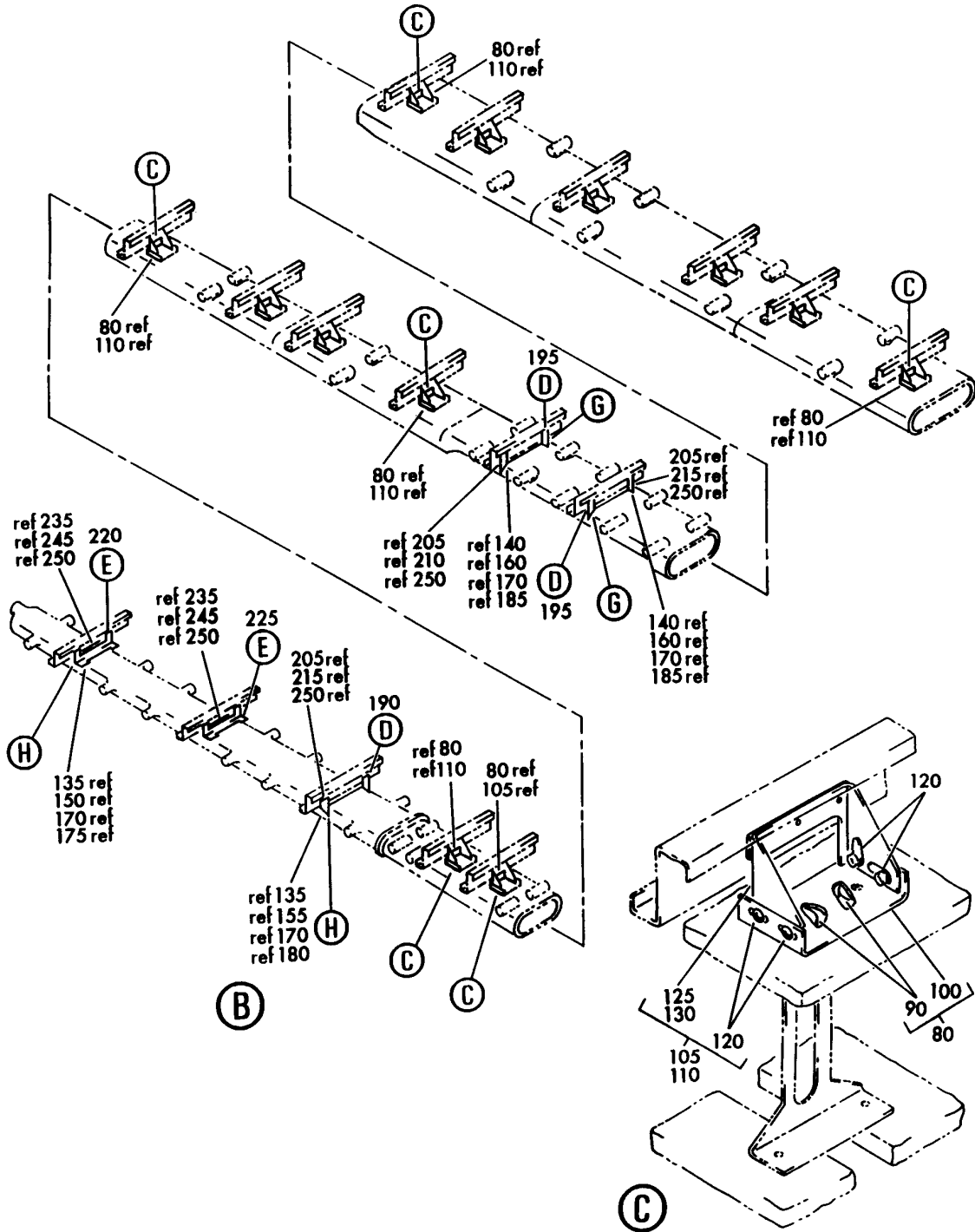
PROVISIONS INSTL-AIR DISTR SYS OVERHEAD DUCT SPRT
FIGURE 25 (SHEET 1)

21-23-51-25

BRI
JAN 20/08

21-23-51-25
PAGE 0

BOEING
757
PARTS CATALOG (MAINTENANCE)



Y 21235125 SH1 2 REV 128

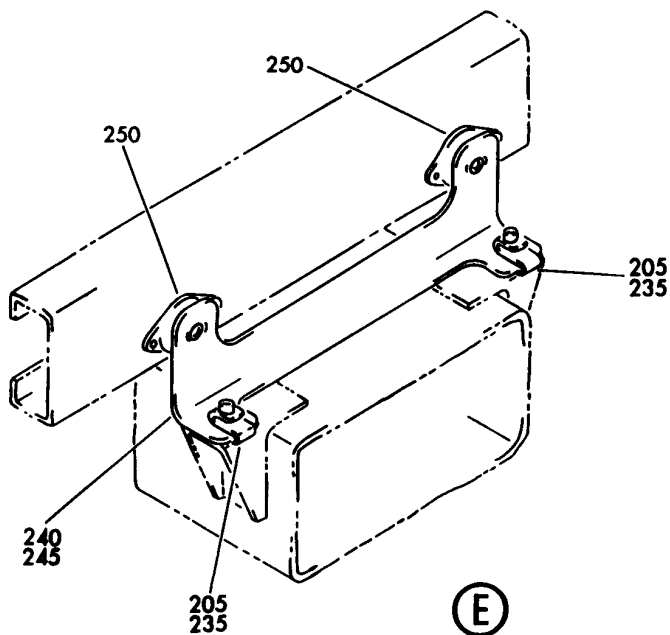
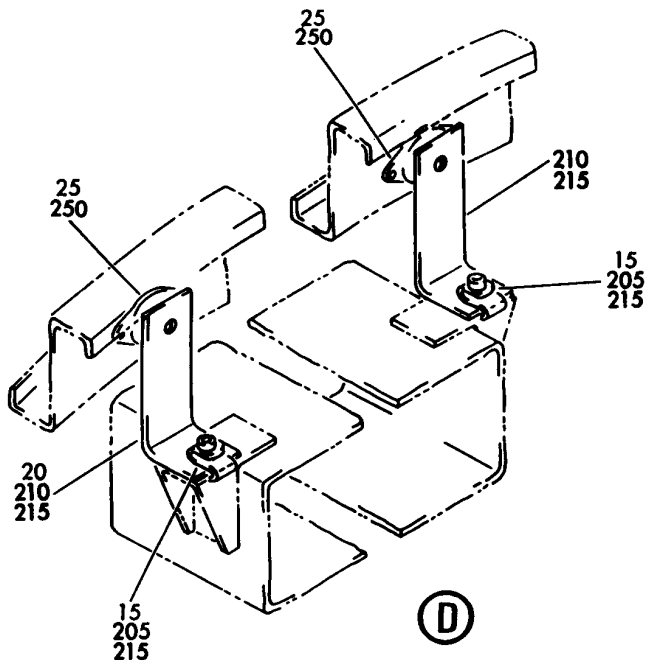
PROVISIONS INSTL-AIR DISTR SYS OVERHEAD DUCT SPRT
FIGURE 25 (SHEET 2)

21-23-51-25

BRI
JAN 20/08

21-23-51-25
PAGE 0A

BOEING
757
PARTS CATALOG (MAINTENANCE)



Y 21235125 SHT 3 REV 12B

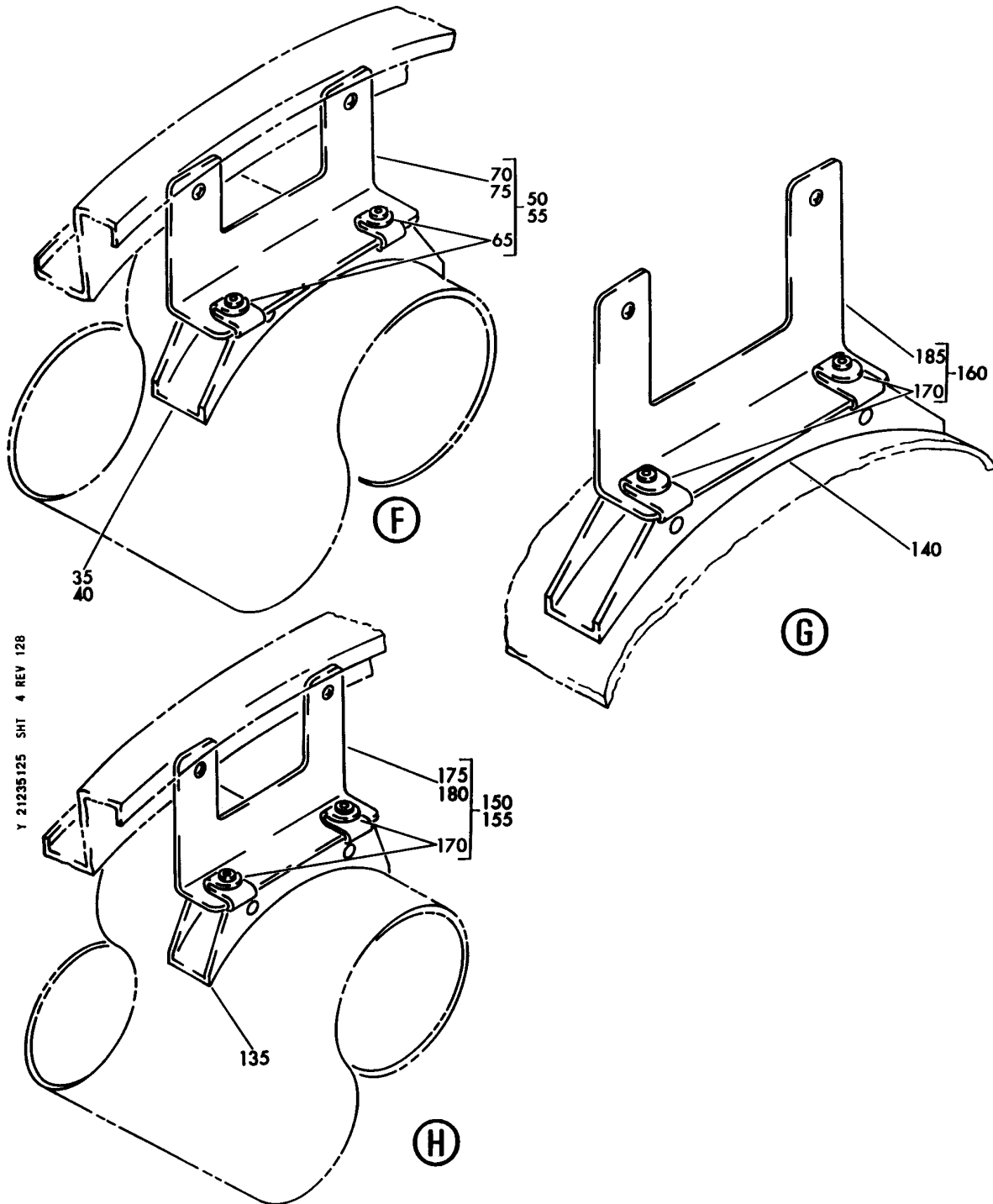
PROVISIONS INSTL-AIR DISTR SYS OVERHEAD DUCT SPRT
FIGURE 25 (SHEET 3)

21-23-51-25

BRI
JAN 20/08

21-23-51-25
PAGE 0B

BOEING
757
PARTS CATALOG (MAINTENANCE)



Y 21235125 SHT 4 REV 128

PROVISIONS INSTL-AIR DISTR SYS OVERHEAD DUCT SPRT
FIGURE 25 (SHEET 4)

21-23-51-25

BRI
JAN 20/08

21-23-51-25
PAGE 0C



757

PARTS CATALOG (MAINTENANCE)

| FIG ITEM | PART NUMBER | 1 2 3 4 5 6 7 | NOMENCLATURE | EFFECT FROM TO | UNITS PER ASSY |
|----------|-------------|---------------|--|------------------|----------------|
| 25 | | | PROVISIONS INSTL-AIR DISTR SYS OVERHEAD DUCT SPRT | 002004 952952 | |
| 35 | 214T3424-20 | | .SUPPORT | 002004 952952 | 1 |
| 40 | 214T3424-21 | | .SUPPORT | 002004 952952 | 1 |
| - 45 | BACS12FA3K8 | | ATTACHING PARTS .SCREW | 002004 952952 | 4 |
| | | | -----*----- | | |
| 50 | 214N2148-1 | | .BRACKET ASSY | 002004 952952 | 1 |
| 55 | 214N2148-2 | | .BRACKET ASSY | 002004 952952 | 1 |
| - 60 | BACR15BB6D | | ATTACHING PARTS .RIVET- | 002004 952952 | 4 |
| | | | SIZE DETERMINED ON INSTL. | | |
| | | | -----*----- | | |
| 65 | BRC500-8-3 | | ..NUT | 002004 952952 | 2 |
| | | | SUPPLIER CODE: V52828 | | |
| | | | SPECIFICATION NUMBER: BACN10FX21 | | |
| | | | OPTIONAL PART: F49322-3-21 | | |
| | | | V15653 | | |
| | | | SL240-3-1 | | |
| | | | V97393 | | |
| | | | 130061 | | |
| | | | V60119 | | |
| | | | A11330-8-3 | | |
| | | | V72962 | | |
| 70 | 214N2148-5 | | ..BRACKET- | 002004 952952 | 1 |
| | | | USED ON: 214N2148-1 | | |
| 75 | 214N2148-6 | | ..BRACKET- | 002004 952952 | 1 |
| | | | USED ON: 214N2148-2 | | |
| 190 | 214N2114-1 | | .BRACKET ASSY | 002004 952952 | 2 |
| 195 | 214N2114-2 | | .BRACKET ASSY | 002004 952952 | 4 |
| - 200 | BACS12FA3K7 | | ATTACHING PARTS .SCREW | 002004 952952 | 6 |
| | | | -----*----- | | |

MISSING ITEM NUMBERS NOT APPLICABLE

- ITEM NOT ILLUSTRATED

21-23-51-25

21-23-51
FIG. 25
PAGE 1
JAN 20/09

BRI



757

PARTS CATALOG (MAINTENANCE)

| FIG ITEM | PART NUMBER | 1 2 3 4 5 6 7 | NOMENCLATURE | EFFECT FROM TO | UNITS PER ASSY |
|-----------|-------------|---------------|---|------------------|----------------|
| 25 205 | BRC500-8-3 | .. | NUT SUPPLIER CODE: V52828 SPECIFICATION NUMBER: BACN10FX21 OPTIONAL PART: F49322-3-21 V15653 SL240-3-1 V97393 130061 V60119 A11330-8-3 V72962 | 002004 952952 | 1 |
| 210 | 214N2114-3 | .. | BRACKET- USED ON: 214N2114-1 | 002004 952952 | 1 |
| 215 | 214N2114-4 | .. | BRACKET- USED ON: 214N2114-2 | 002004 952952 | 1 |
| 220 | 214N2136-2 | . | BRACKET ASSY | 002004 952952 | 1 |
| 225 | 214N2136-3 | . | BRACKET ASSY | 002004 952952 | 1 |
| - 230 | BACS12FA3K6 | . | ATTACHING PARTS SCREW | 002004 952952 | 4 |
| 235 | BRC500-8-3 | .. | -----*----- NUT SUPPLIER CODE: V52828 SPECIFICATION NUMBER: BACN10FX21 OPTIONAL PART: F49322-3-21 V15653 SL240-3-1 V97393 130061 V60119 A11330-8-3 V72962 | 002004 952952 | 2 |
| 240 | 214N2136-5 | .. | BRACKET- USED ON: 214N2136-2 | 002004 952952 | 1 |
| 245 | 214N2136-6 | .. | BRACKET- USED ON: 214N2136-3 | 002004 952952 | 1 |

MISSING ITEM NUMBERS NOT APPLICABLE

- ITEM NOT ILLUSTRATED

21-23-51-25

21-23-51
FIG. 25
PAGE 2
JAN 20/09

BRI



**757
PARTS CATALOG (MAINTENANCE)**

| FIG ITEM | PART NUMBER | 1 2 3 4 5 6 7 | NOMENCLATURE | EFFECT FROM TO | UNITS PER ASSY |
|-------------|-------------|---------------|--|-------------------|----------------------|
| 25 250 | DE820 | | .MOUNT- SUPPLIER CODE: V71985 SPECIFICATION NUMBER: S411T100-107 OPTIONAL PART: DE786 V71985 ATTACHING PARTS | 002004 952952 | 10 |
| - 255 | BACR15BB3D | | .RIVET- SIZE DETERMINED ON INSTL. -----*----- | 002004 952952 | 10 |

MISSING ITEM NUMBERS NOT APPLICABLE

- ITEM NOT ILLUSTRATED

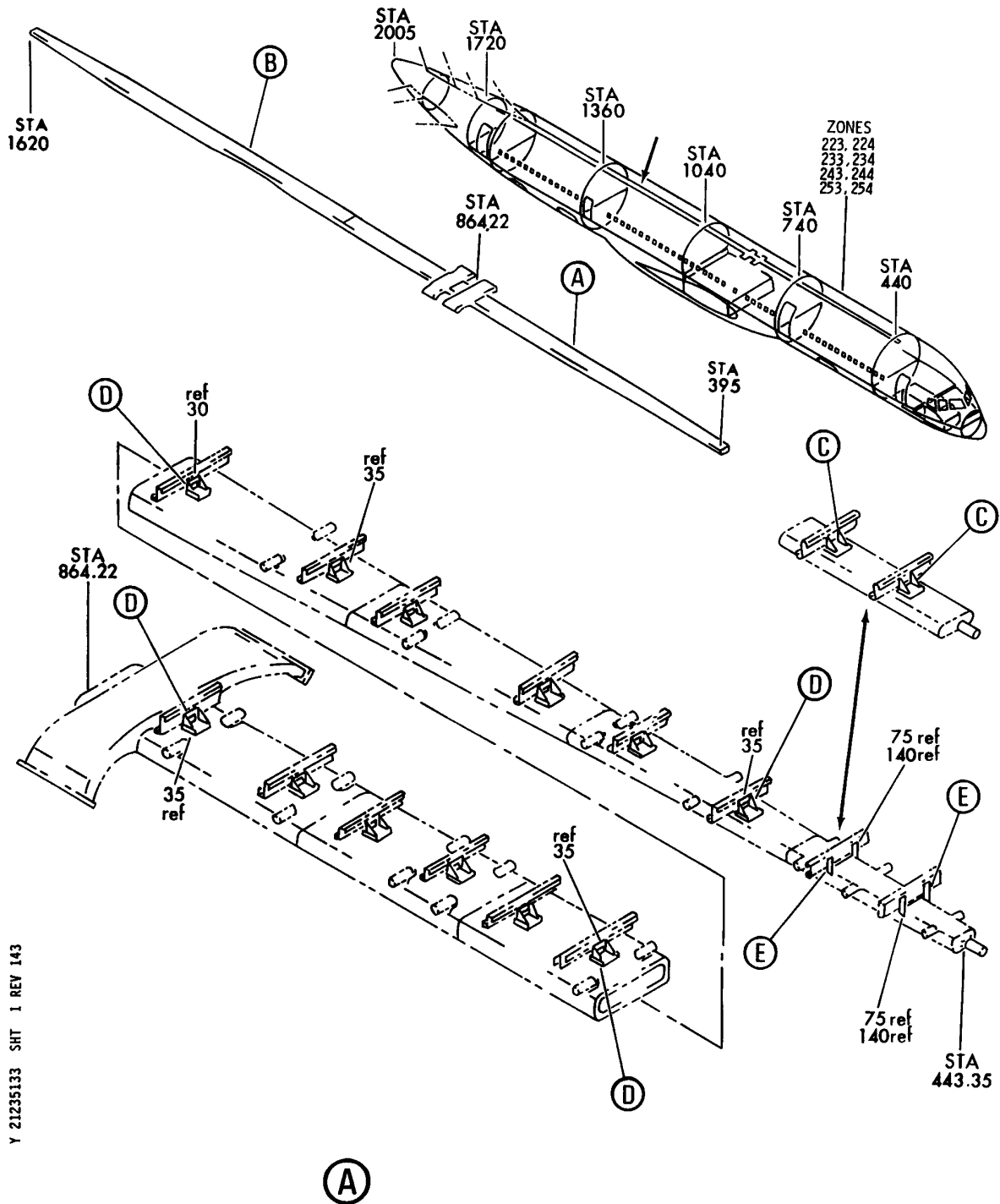
BRI

21-23-51-25

BOEING PROPRIETARY - Copyright © - Unpublished Work - See title page for details.

21-23-51
FIG. 25
PAGE 3
JAN 20/09


BOEING
 757
PARTS CATALOG (MAINTENANCE)



Y 21235133 SHT 1 REV 143

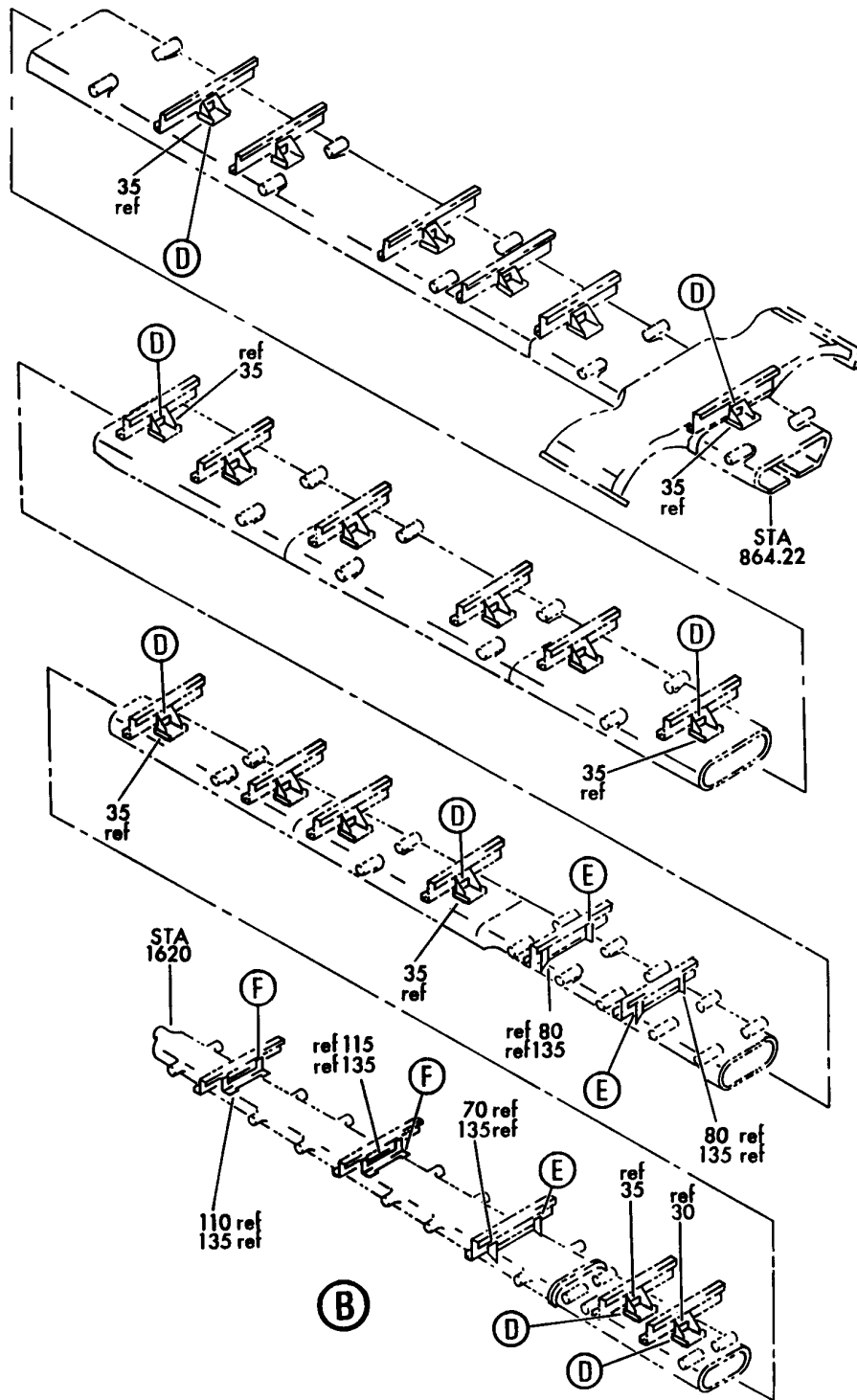
PROVISIONS INSTL-AIR DISTR SYS OVERHEAD DUCT SPRT
 FIGURE 33 (SHEET 1)

21-23-51-33

BRI
 MAY 28/07

21-23-51-33
 PAGE 0

BOEING
757
PARTS CATALOG (MAINTENANCE)



Y 21235133 SH1 2 REV 143

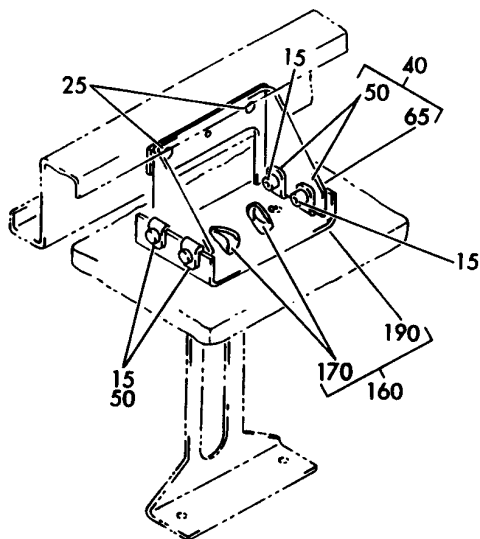
PROVISIONS INSTL-AIR DISTR SYS OVERHEAD DUCT SPRT
FIGURE 33 (SHEET 2)

21-23-51-33

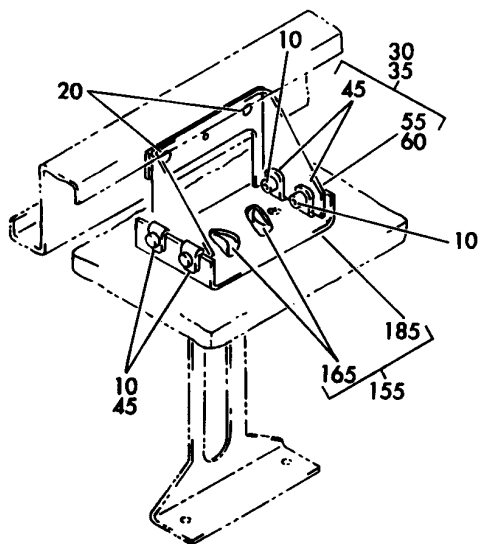
BRI
MAY 28/07

21-23-51-33
PAGE 0A

BOEING
757
PARTS CATALOG (MAINTENANCE)



(C)



(D)

Y 21235133 SHT 3 REV 143

PROVISIONS INSTL-AIR DISTR SYS OVERHEAD DUCT SPRT
FIGURE 33 (SHEET 3)

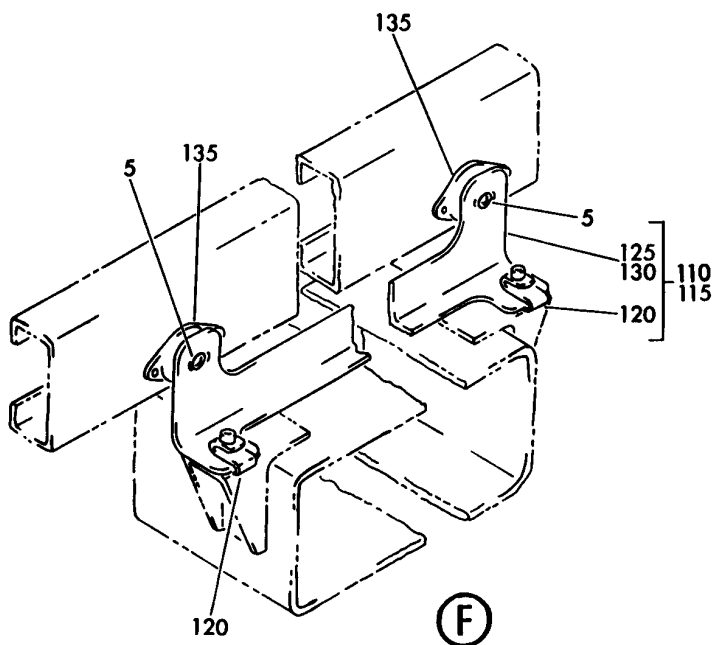
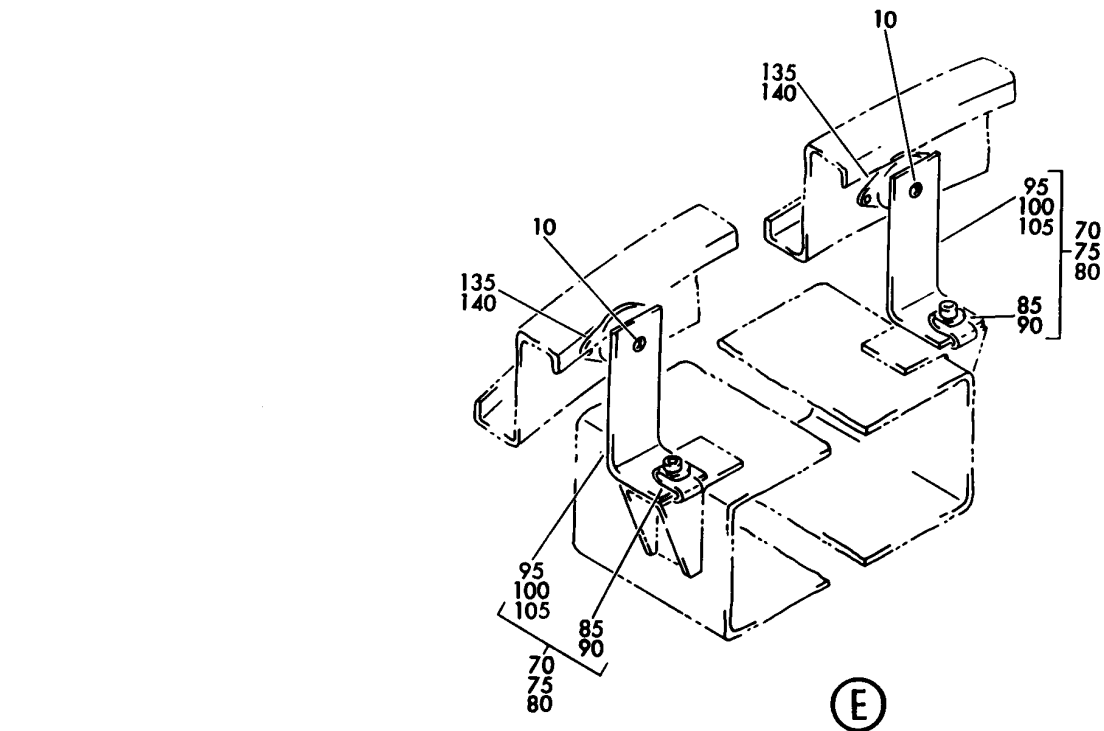
21-23-51-33

BRI
MAY 28/07

21-23-51-33
PAGE 0B

BOEING
757
PARTS CATALOG (MAINTENANCE)

Y 21235133 SHT 4 REV 143



PROVISIONS INSTL-AIR DISTR SYS OVERHEAD DUCT SPRT
FIGURE 33 (SHEET 4)

21-23-51-33

BRI
MAY 28/07

21-23-51-33
PAGE 0C



757

PARTS CATALOG (MAINTENANCE)

| FIG ITEM | PART NUMBER | 1 2 3 4 5 6 7 | NOMENCLATURE | EFFECT FROM TO | UNITS PER ASSY |
|----------|-------------|---------------|--|----------------------------|----------------|
| 33 | | | PROVISIONS INSTL-AIR DISTR SYS OVERHEAD DUCT SPRT | 002004 006100 950999 | |
| - 1 | 214N2007-2 | | PROVISIONS INSTL-AIR DISTR SYS OVERHEAD DUCT SPRT VARIABLE DRAWING REF: 214N2007-32 FOR NHA SEE: 21-00-00-01 | 002004 006100 952999 | RF |
| - 1 | 214N2007-34 | | PROVISIONS INSTL-AIR DISTR SYS OVERHEAD DUCT SPRT VARIABLE DRAWING REF: 214N2007-51 FOR NHA SEE: 21-00-00-01 | 006010 950951 953999 | RF |
| 5 | BACS12FA3K6 | | .SCREW | 002004 006100 952999 | 4 |
| 10 | BACS12FA3K7 | | .SCREW | 002004 006100 952999 | 130 |
| 20 | BACR15BB6D | | .RIVET- SIZE DETERMINED ON INSTL. | 002004 006100 952999 | 60 |
| 30 | 214N2113-1 | | .BRACKET ASSY | 002004 006100 952999 | 2 |
| 35 | 214N2113-3 | | .BRACKET ASSY | 002004 006100 952999 | 28 |
| 45 | 130069 | | ..NUT SUPPLIER CODE: V60119 SPECIFICATION NUMBER: BACN10FX16 OPTIONAL PART: A11330-6-3 V72962 A4972-6-02 V72962 A4972-6-02 V72962 | 002004 006100 952999 | 4 |
| 55 | 214N2113-2 | | ..BRACKET- USED ON: 214N2113-1 | 002004 006100 952999 | 1 |
| 60 | 214N2113-4 | | ..BRACKET- USED ON: 214N2113-3 | 002004 006100 952999 | 1 |

MISSING ITEM NUMBERS NOT APPLICABLE

- ITEM NOT ILLUSTRATED

21-23-51-33

21-23-51
FIG. 33
PAGE 1
JAN 20/09

BRI

 **BOEING**
757
PARTS CATALOG (MAINTENANCE)

| FIG ITEM | PART NUMBER | 1 2 3 4 5 6 7 | NOMENCLATURE | EFFECT FROM TO | UNITS PER ASSY |
|----------|-------------|---------------|--|----------------------------|----------------|
| 33 | | | | | |
| 70 | 214N2114-1 | . | BRACKET ASSY | 002004 006100 952999 | 2 |
| 75 | 214N2114-1 | . | BRACKET ASSY | 002004 006010 950999 | 4 |
| 80 | 214N2114-2 | . | BRACKET ASSY | 002004 006100 952999 | 4 |
| 85 | BRC500-8-3 | .. | NUT SUPPLIER CODE: V52828 SPECIFICATION NUMBER: BACN10FX21 OPTIONAL PART: F49322-3-21 V15653 SL240-3-1 V97393 130061 V60119 A11330-8-3 V72962 | 002004 006100 952999 | 1 |
| 90 | BRC500-8-3 | .. | NUT SUPPLIER CODE: V52828 SPECIFICATION NUMBER: BACN10FX21 OPTIONAL PART: F49322-3-21 V15653 SL240-3-1 V97393 130061 V60119 A11330-8-3 V72962 | 002004 006010 950999 | 1 |
| 95 | 214N2114-3 | .. | BRACKET- USED ON: 214N2114-1 | 002004 006100 952999 | 1 |
| 100 | 214N2114-3 | .. | BRACKET- USED ON: 214N2114-1 | 002004 006010 950999 | 1 |
| 105 | 214N2114-4 | .. | BRACKET- USED ON: 214N2114-2 | 002004 006100 952999 | 1 |
| 110 | 214N2136-2 | . | BRACKET ASSY | 002004 006100 952999 | 1 |

MISSING ITEM NUMBERS NOT APPLICABLE

— ITEM NOT ILLUSTRATED

BRI

21-23-51-33

21-23-51
FIG. 33
PAGE 2
JAN 20/09



757

PARTS CATALOG (MAINTENANCE)

| FIG ITEM | PART NUMBER | 1 2 3 4 5 6 7 | NOMENCLATURE | EFFECT FROM TO | UNITS PER ASSY |
|----------|-------------|---------------|--|----------------------------|----------------|
| 33 | | | | | |
| 115 | 214N2136-3 | . | BRACKET ASSY | 002004 006100 952999 | 1 |
| 120 | BRC500-8-3 | .. | NUT SUPPLIER CODE: V52828 SPECIFICATION NUMBER: BACN10FX21 OPTIONAL PART: F49322-3-21 V15653 SL240-3-1 V97393 130061 V60119 A11330-8-3 V72962 | 002004 006100 952999 | 2 |
| 125 | 214N2136-5 | .. | BRACKET- USED ON: 214N2136-2 | 002004 006100 952999 | 1 |
| 130 | 214N2136-6 | .. | BRACKET- USED ON: 214N2136-3 | 002004 006100 952999 | 1 |
| 135 | DE820 | . | MOUNT- SUPPLIER CODE: V71985 SPECIFICATION NUMBER: S411T100-107 OPTIONAL PART: DE786 V71985 | 002004 006100 952999 | 10 |
| 140 | DE820 | . | MOUNT- SUPPLIER CODE: V71985 SPECIFICATION NUMBER: S411T100-107 OPTIONAL PART: DE786 V71985 | 002004 006010 950999 | 4 |
| - 145 | BACR15BB3D | . | ATTACHING PARTS RIVET- SIZE DETERMINED ON INSTL. | 002004 006100 952999 | 20 |
| - 150 | BACR15BB3D | . | RIVET- SIZE DETERMINED ON INSTL. | 002004 006010 950999 | 8 |
| | | | -----*----- | | |

MISSING ITEM NUMBERS NOT APPLICABLE

- ITEM NOT ILLUSTRATED

21-23-51-33

21-23-51
FIG. 33
PAGE 3
JAN 20/09

BRI

BOEING PROPRIETARY - Copyright © - Unpublished Work - See title page for details.

 **BOEING**
757
PARTS CATALOG (MAINTENANCE)

| FIG ITEM | PART NUMBER | 1 2 3 4 5 6 7 | NOMENCLATURE | EFFECT FROM TO | UNITS PER ASSY |
|-------------|-------------|---------------|--|----------------------------|----------------------|
| 33 | | | | | |
| 155 | 66-13869-5 | . | BRACKET ASSY | 002004 006100 952999 | 30 |
| 165 | SL8113-3 | .. | SHOCKMOUNT-ISOLATOR SUPPLIER CODE: V97393 SPECIFICATION NUMBER: S411T100-901 OPTIONAL PART: DE819 V71985 ATTACHING PARTS | 002004 006100 952999 | 2 |
| - 175 | BACR15BB4A | .. | RIVET- SIZE DETERMINED ON INSTL. -----*----- | 002004 006100 952999 | 4 |
| 185 | 66-13869-2 | .. | BRACKET | 002004 006100 952999 | 1 |
| 190 | 66-13869-2 | .. | BRACKET | 002004 006100 952999 | 1 |

MISSING ITEM NUMBERS NOT APPLICABLE

- ITEM NOT ILLUSTRATED

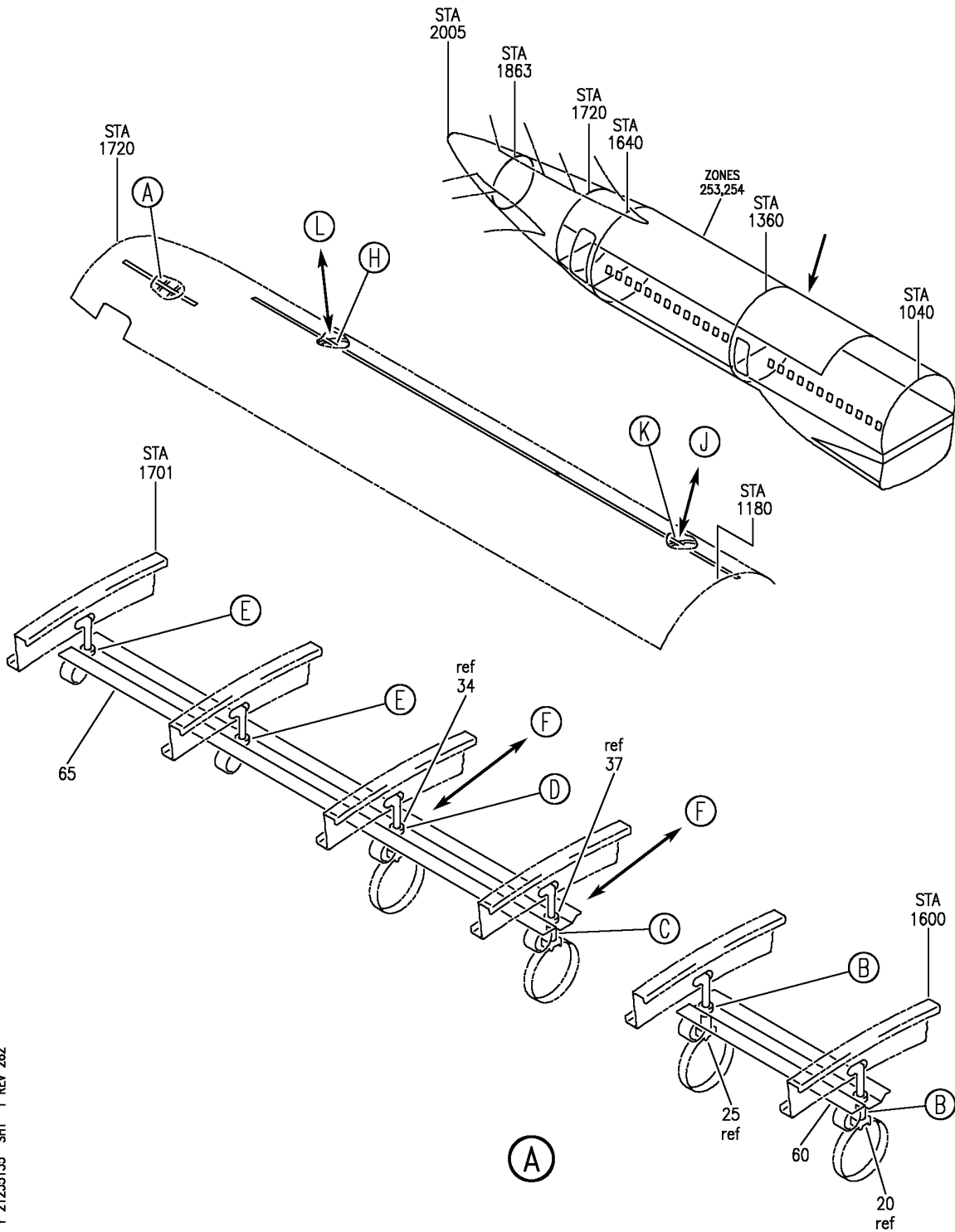
BRI

21-23-51-33

BOEING PROPRIETARY - Copyright © - Unpublished Work - See title page for details.

21-23-51
FIG. 33
PAGE 4
JAN 20/09

BOEING
757
PARTS CATALOG (MAINTENANCE)



Y 21235135 SHT 1 REV 262

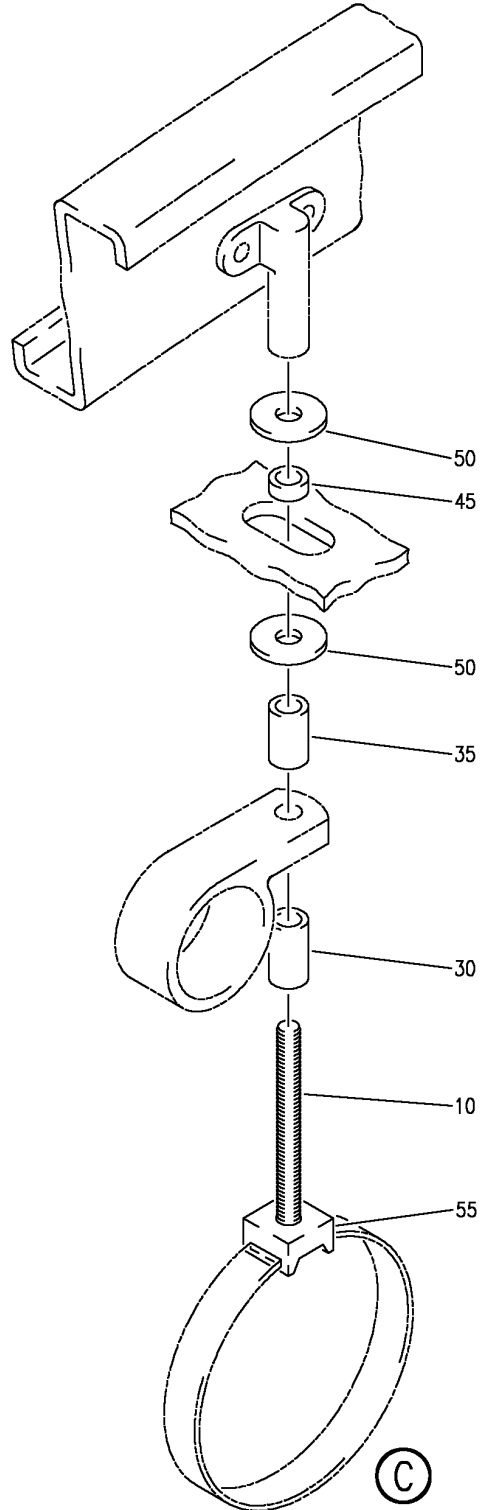
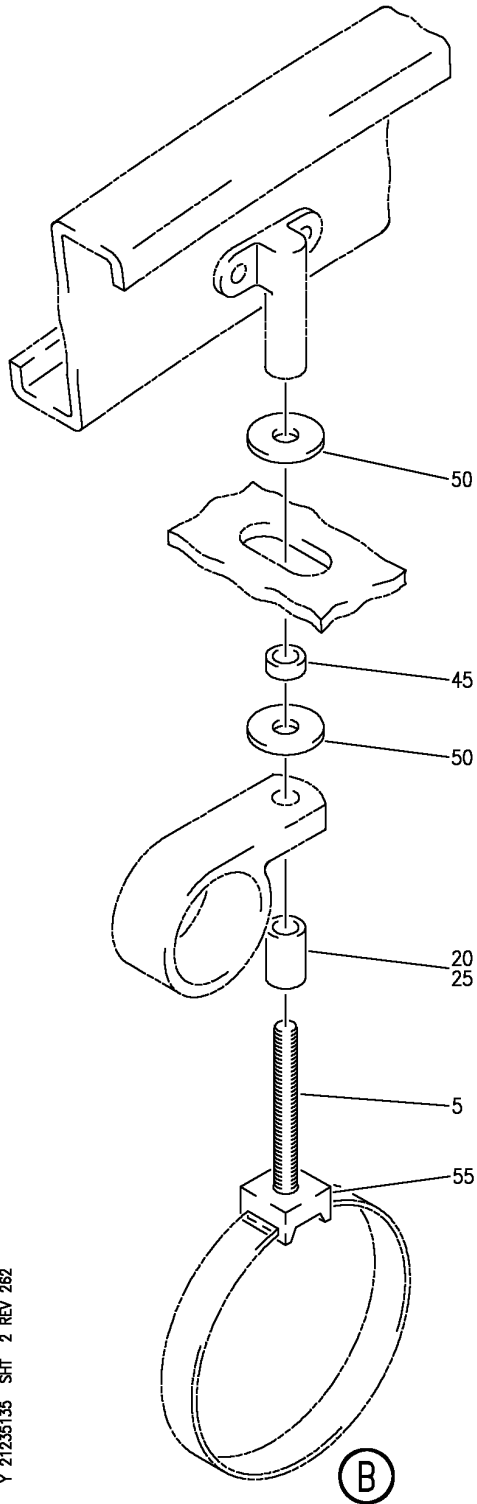
SHROUD INSTL-APU P/F
FIGURE 35 (SHEET 1)

21-23-51-35

BRI
JAN 20/09

21-23-51-35
PAGE 0

BOEING
757
PARTS CATALOG (MAINTENANCE)



Y 21235135 SHT 2 REV 262

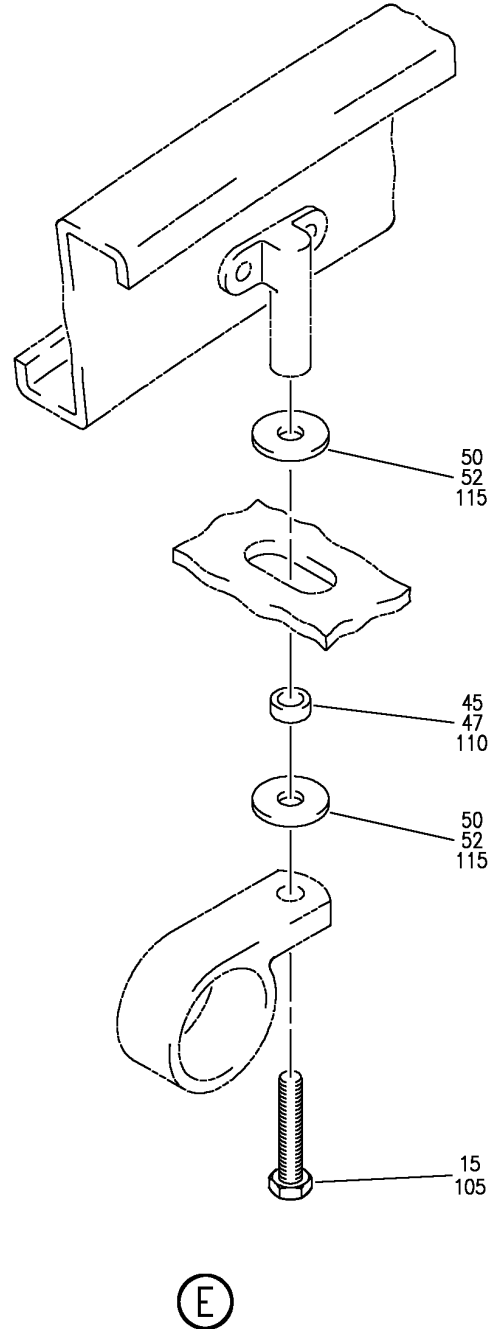
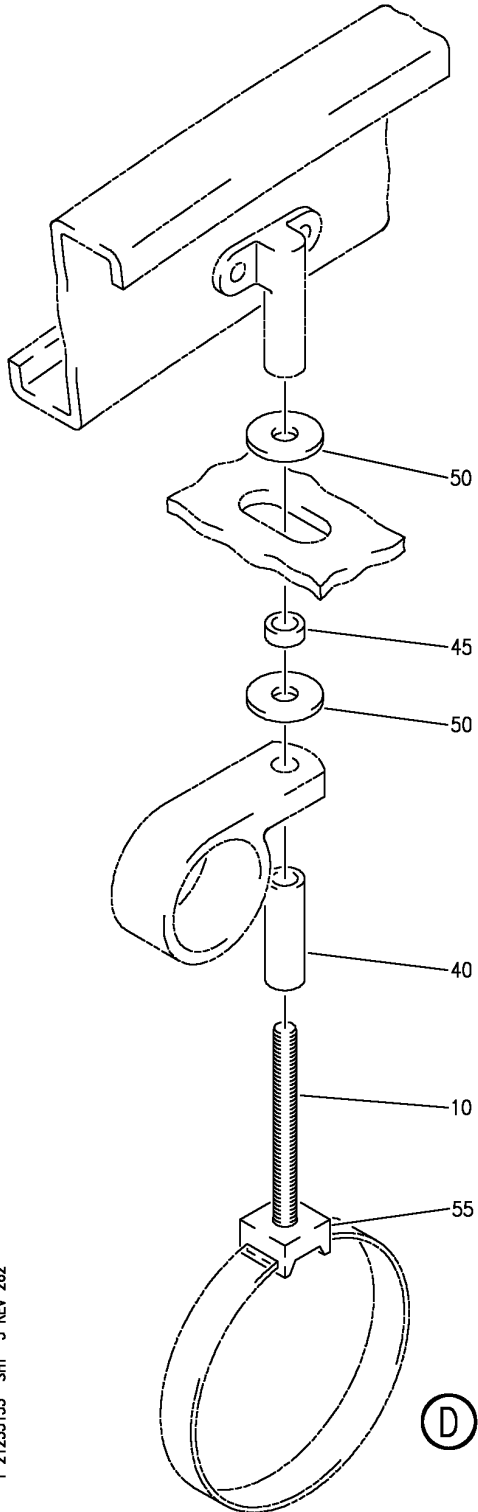
SHROUD INSTL-APU P/F
FIGURE 35 (SHEET 2)

21-23-51-35

BRI
JAN 20/09

21-23-51-35
PAGE 0A

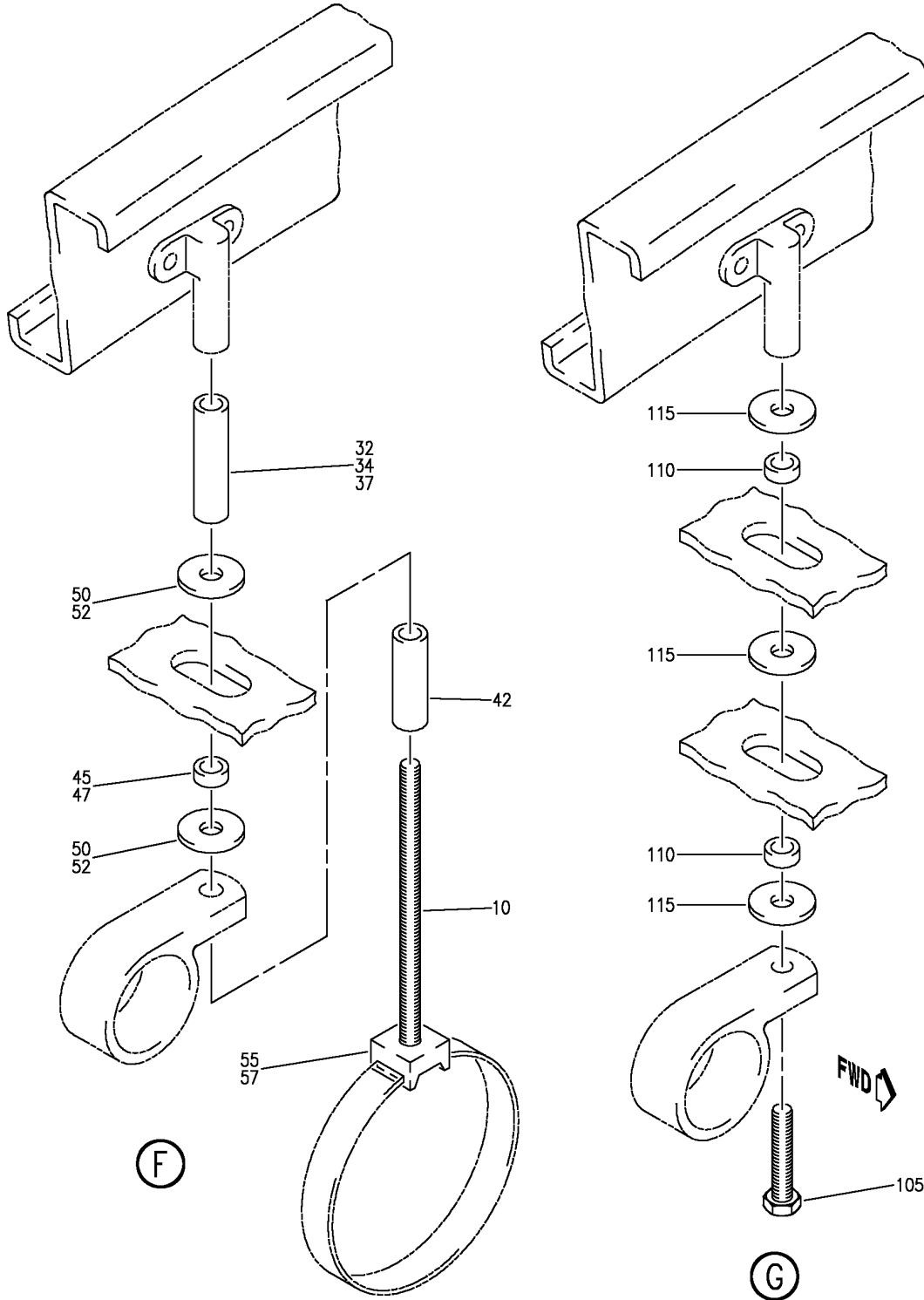
BOEING
757
PARTS CATALOG (MAINTENANCE)



SHROUD INSTL-APU P/F
FIGURE 35 (SHEET 3)

21-23-51-35

BOEING
757
PARTS CATALOG (MAINTENANCE)



Y 21235135 SHT 4 REV 262

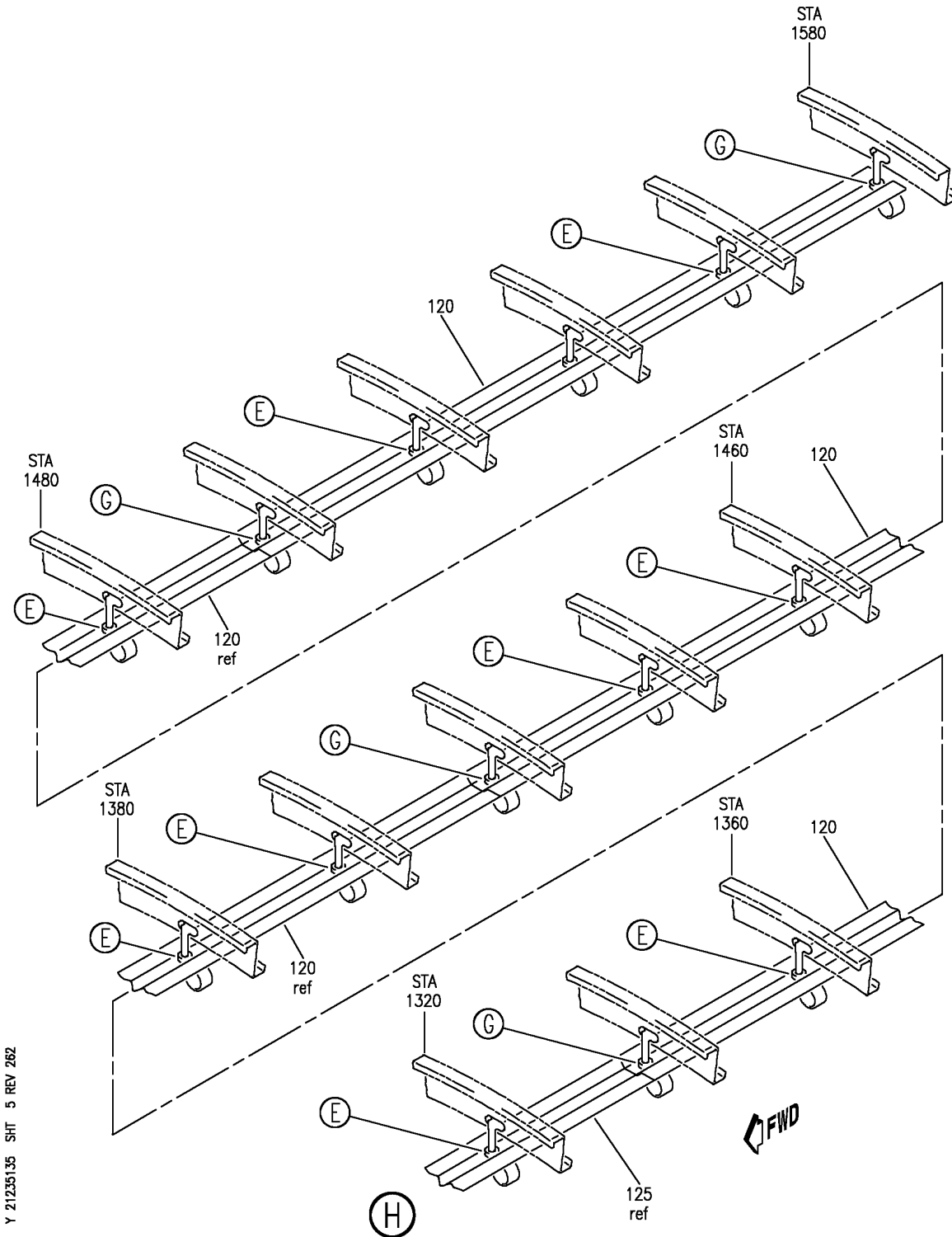
SHROUD INSTL-APU P/F
FIGURE 35 (SHEET 4)

21-23-51-35

BRI
JAN 20/09

21-23-51-35
PAGE 0C

BOEING
757
PARTS CATALOG (MAINTENANCE)



Y 21235135 SHT 5 REV 262

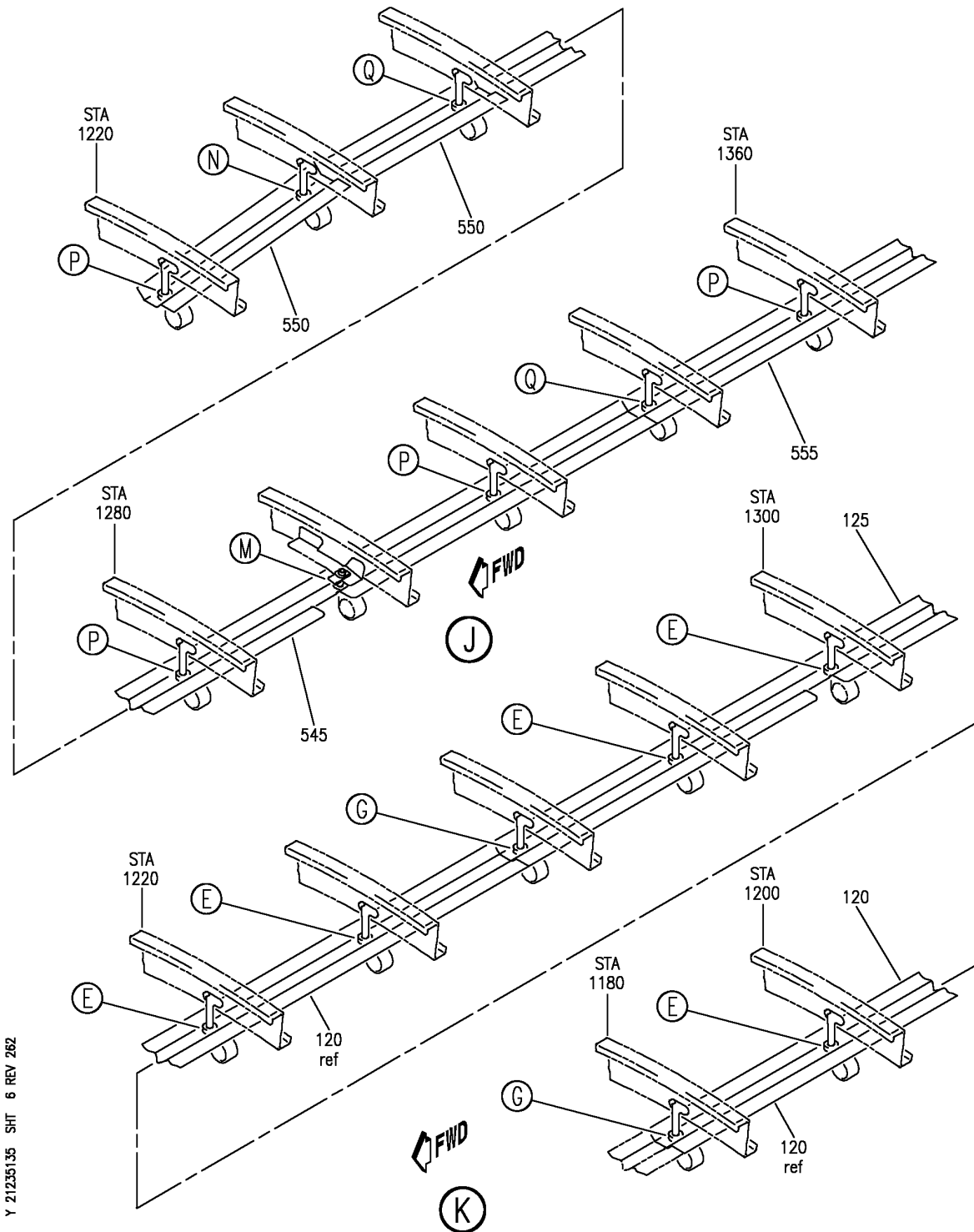
SHROUD INSTL-APU P/F
FIGURE 35 (SHEET 5)

21-23-51-35

BRI
JAN 20/09

21-23-51-35
PAGE 0D

BOEING
757
PARTS CATALOG (MAINTENANCE)



Y 21235135 SHT 6 REV 262

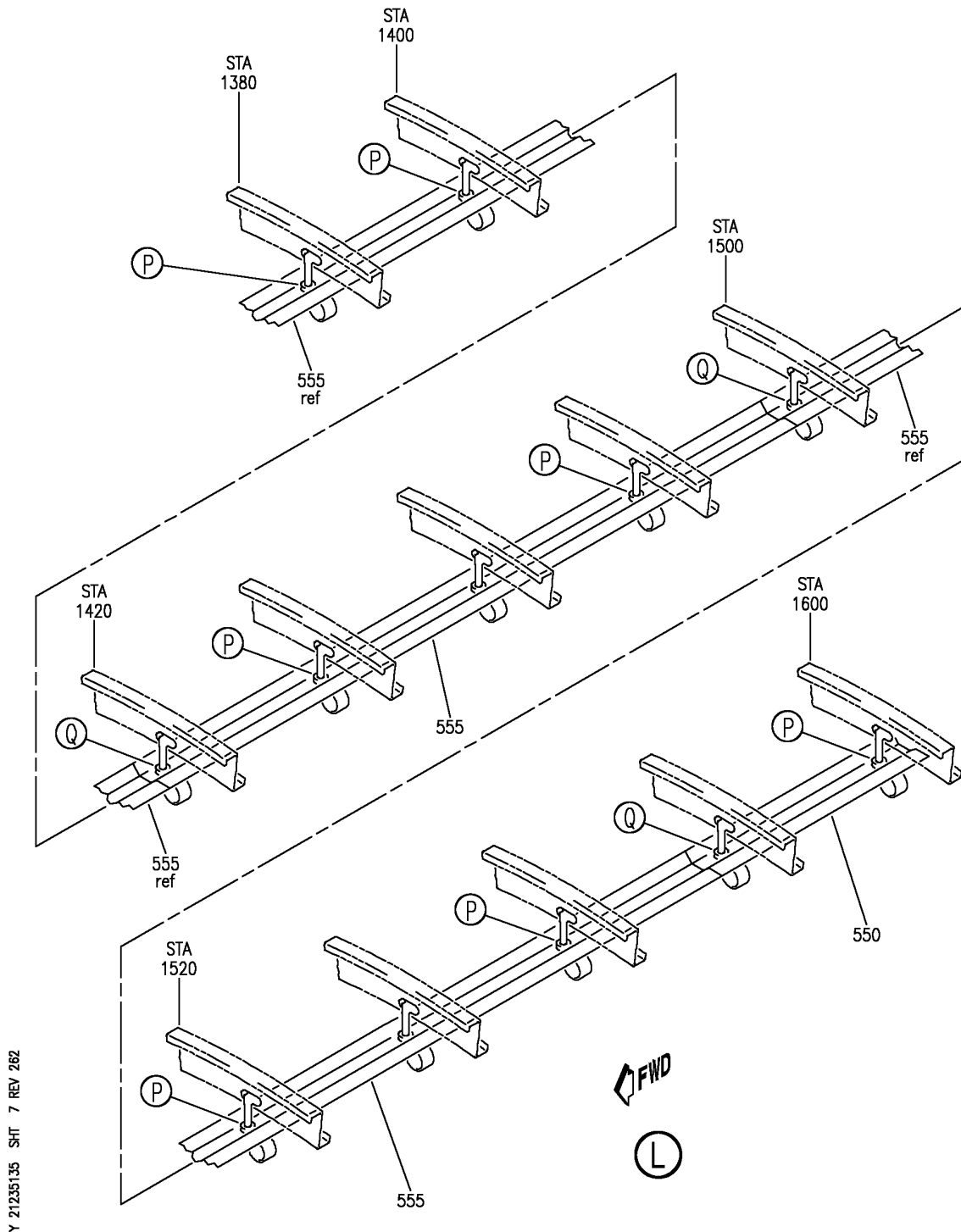
SHROUD INSTL-APU P/F
FIGURE 35 (SHEET 6)

21-23-51-35

BRI
JAN 20/09

21-23-51-35
PAGE 0E

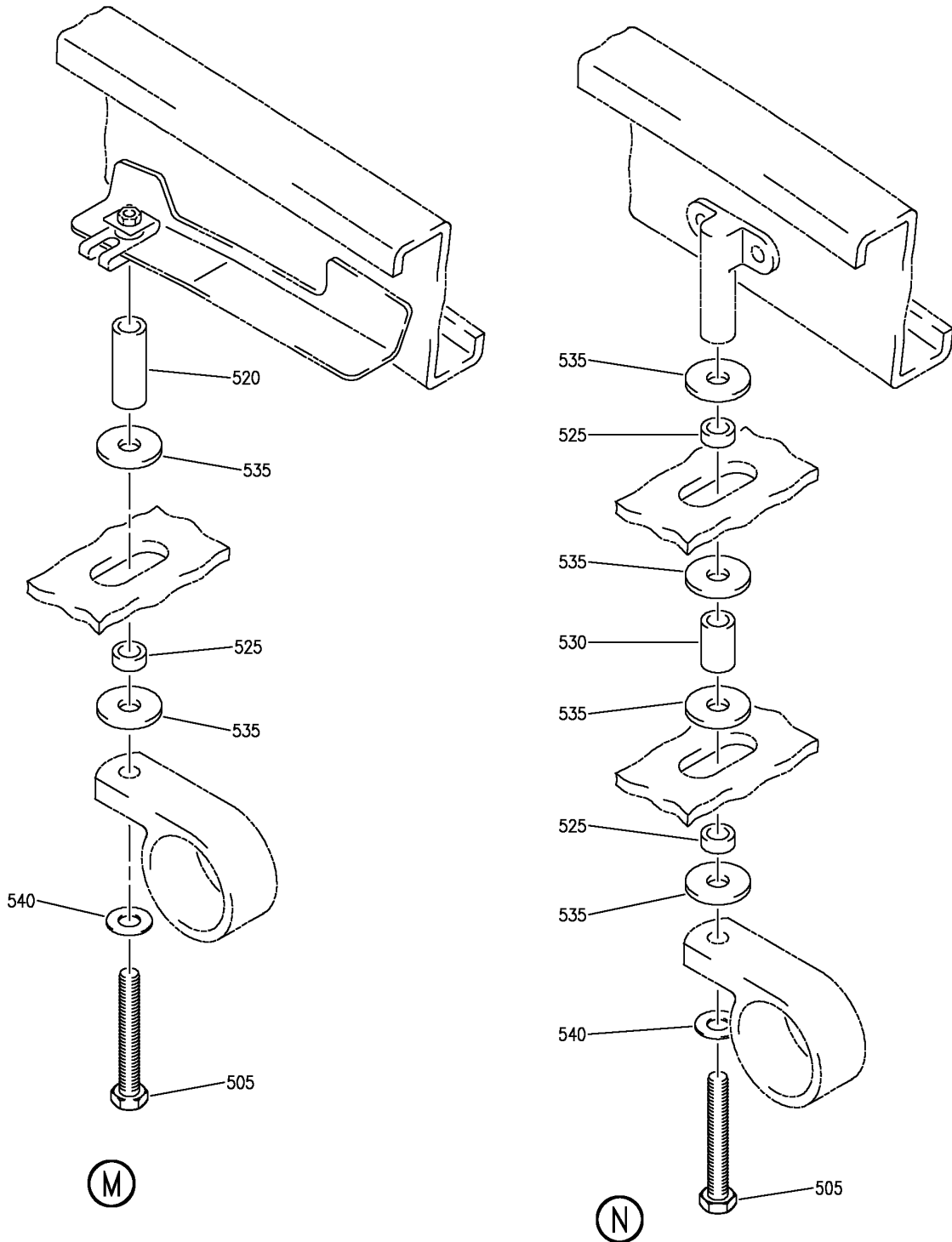
BOEING
757
PARTS CATALOG (MAINTENANCE)



SHROUD INSTL-APU P/F
FIGURE 35 (SHEET 7)

21-23-51-35

BOEING
757
PARTS CATALOG (MAINTENANCE)



Y 21235135 SHIT 8 REV 262

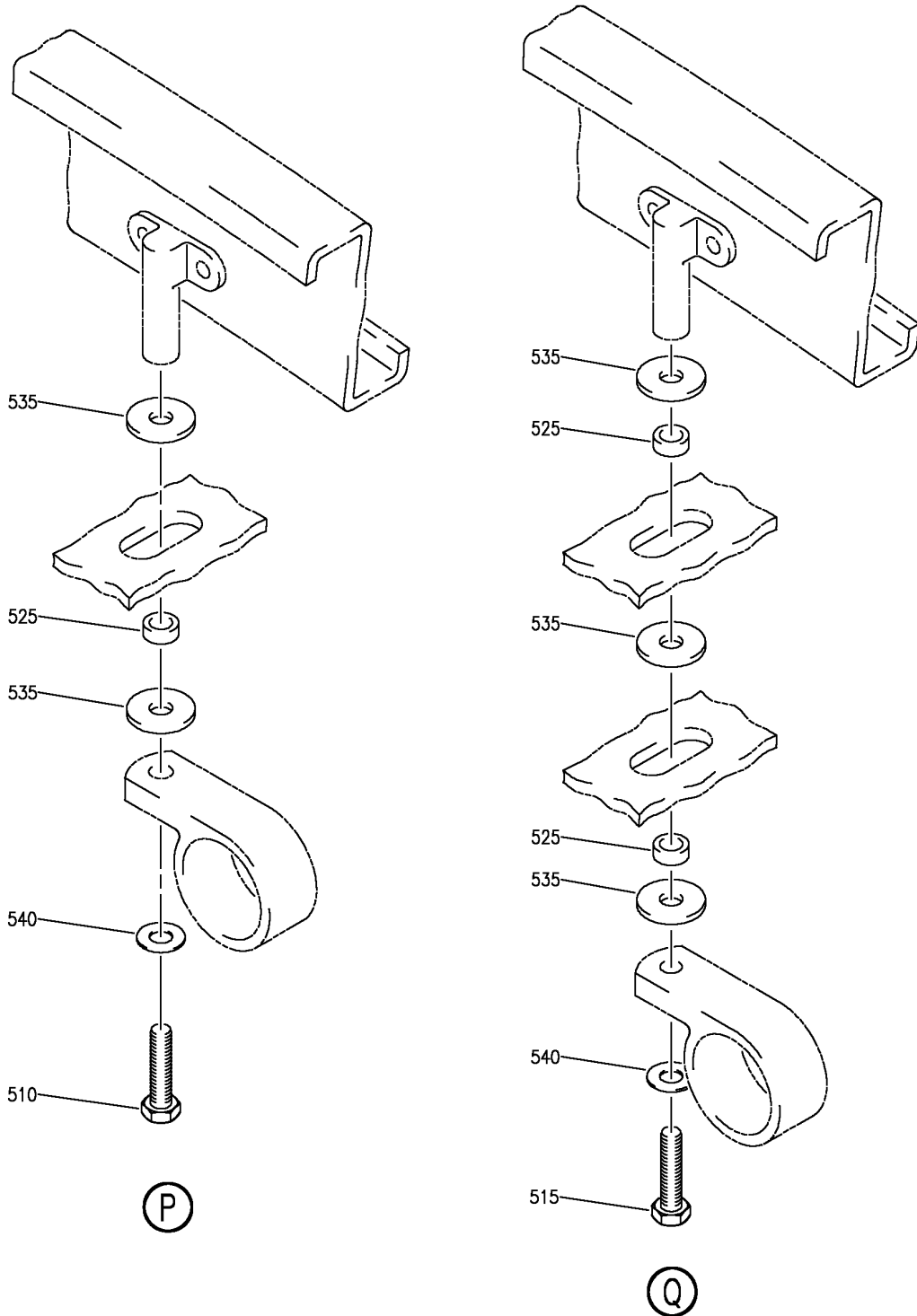
SHROUD INSTL-APU P/F
FIGURE 35 (SHEET 8)

21-23-51-35

BRI
JAN 20/09

21-23-51-35
PAGE 06

BOEING
757
PARTS CATALOG (MAINTENANCE)



Y 21235135 SHT 9 REV 262

SHROUD INSTL-APU P/F
FIGURE 35 (SHEET 9)

21-23-51-35

BRI
JAN 20/09

21-23-51-35
PAGE 0H



757

PARTS CATALOG (MAINTENANCE)

| FIG ITEM | PART NUMBER | 1 2 3 4 5 6 7 | NOMENCLATURE | EFFECT FROM TO | UNITS PER ASSY |
|----------|---------------|---------------|--|------------------|----------------|
| 35 | | | SHROUD INSTL-APU P/F | 103106 | |
| - 1 | 287N4695-4 | | SHROUD INSTL-APU P/F POSITION DATA: RH FOR NHA SEE: 24-00-60-20C | 108120 108120 | RF |
| - 1 | MODREF30877 | | SHROUD INSTL-APU P/F MODULE NUMBER: 287N4695-10 REV B POSITION DATA: STA 1640 THRU STA 1700 RH SIDE | 103106 | 1 |
| 5 | BACS12GU3K27 | | .SCREW | 103106 108120 | 2 |
| 10 | BACS12GU3K52 | | .SCREW | 103106 108120 | 2 |
| 15 | BACS12GU3K16 | | .SCREW- | 103106 108120 | 2 |
| 20 | NAS42DD6-45FC | | .SPACER | 103106 108120 | 1 |
| 25 | NAS42DD6-32FC | | .SPACER | 103106 108120 | 1 |
| 30 | NAS42DD6-37FC | | .SPACER | 108120 | 1 |
| 32 | NAS42DD6-80FC | | .SPACER | 103106 | 2 |
| 34 | NAS42DD3-80FC | | .WASHER | 108120 | 1 |
| 37 | NAS42DD6-80FC | | .SPACER | 108120 | 1 |
| 40 | NAS42DD6-64FC | | .SPACER | 108120 | 1 |
| 42 | NAS42DD6-64FC | | .SPACER | 103106 | 2 |
| 45 | NAS43DD3-8FC | | .SPACER- | 103106 108120 | 6 |
| 50 | BACW10P43AL | | .WASHER | 103106 108120 | 12 |
| 55 | TM3S10 | | .PLATE-MTG SUPPLIER CODE: V06383 SPECIFICATION NUMBER: STBP19M12 | 103106 108120 | 4 |
| 60 | 287N4095-4 | | .BRACKET ASSY-SPRT | 103106 108120 | 1 |
| 65 | 287N4095-8 | | .BRACKET ASSY-SPRT | 103106 108120 | 1 |
| - 100 | 287N4695-1 | | SHROUD INSTL-APU P/F POSITION DATA: LH SIDE FOR NHA SEE: 24-00-60-20C | 108120 | RF |
| 105 | BACS12GU3K16 | | .SCREW | 108120 | 21 |
| 110 | NAS43DD3-8FC | | .SPACER | 108120 | 27 |

MISSING ITEM NUMBERS NOT APPLICABLE

- ITEM NOT ILLUSTRATED

21-23-51-35

21-23-51
FIG. 35
PAGE 1
JAN 20/09

BRI



757

PARTS CATALOG (MAINTENANCE)

| FIG ITEM | PART NUMBER | 1 2 3 4 5 6 7 | NOMENCLATURE | EFFECT FROM TO | UNITS PER ASSY |
|----------|---------------|---------------|----------------------|----------------|----------------|
| 35 | | | | | |
| 115 | BACW10P43AL | . | WASHER | 108120 | 42 |
| 120 | 287N4095-6 | . | BRACKET ASSY-SPRT | 108120 | 4 |
| 125 | 287N4095-9 | . | BRACKET ASSY-SPRT | 108120 | 1 |
| - 500 | MODREF34008 | | SHROUD INSTL-WIRE | 106106 | 1 |
| | | | APU P/F SHROUD | | |
| | | | MODULE NUMBER: | | |
| | | | 287N4695-6 REV C | | |
| | | | POSITION DATA: | | |
| | | | STA 1220 TO STA 1600 | | |
| 505 | BACS12GU3K22 | . | SCREW | 106106 | 2 |
| 510 | BACS12GU3K13 | . | SCREW | 106106 | 13 |
| 515 | BACS12GU3K16 | . | SCREW | 106106 | 5 |
| 520 | NAS42DD3-55FC | . | SPACER | 106106 | 1 |
| 525 | NAS42DD3-8FC | . | SPACER | 106106 | 26 |
| 530 | NAS42DD3-32FC | . | SPACER | 106106 | 1 |
| 535 | BACW10P43AL | . | WASHER | 106106 | 47 |
| 540 | NAS1149D0316H | . | WASHER | 106106 | 20 |
| 545 | 287N4095-9 | . | BRACKET ASSY | 106106 | 1 |
| 550 | 287N4095-4 | . | BRACKET ASSY | 106106 | 3 |
| 555 | 287N4095-6 | . | BRACKET ASSY | 106106 | 3 |

MISSING ITEM NUMBERS NOT APPLICABLE

- ITEM NOT ILLUSTRATED

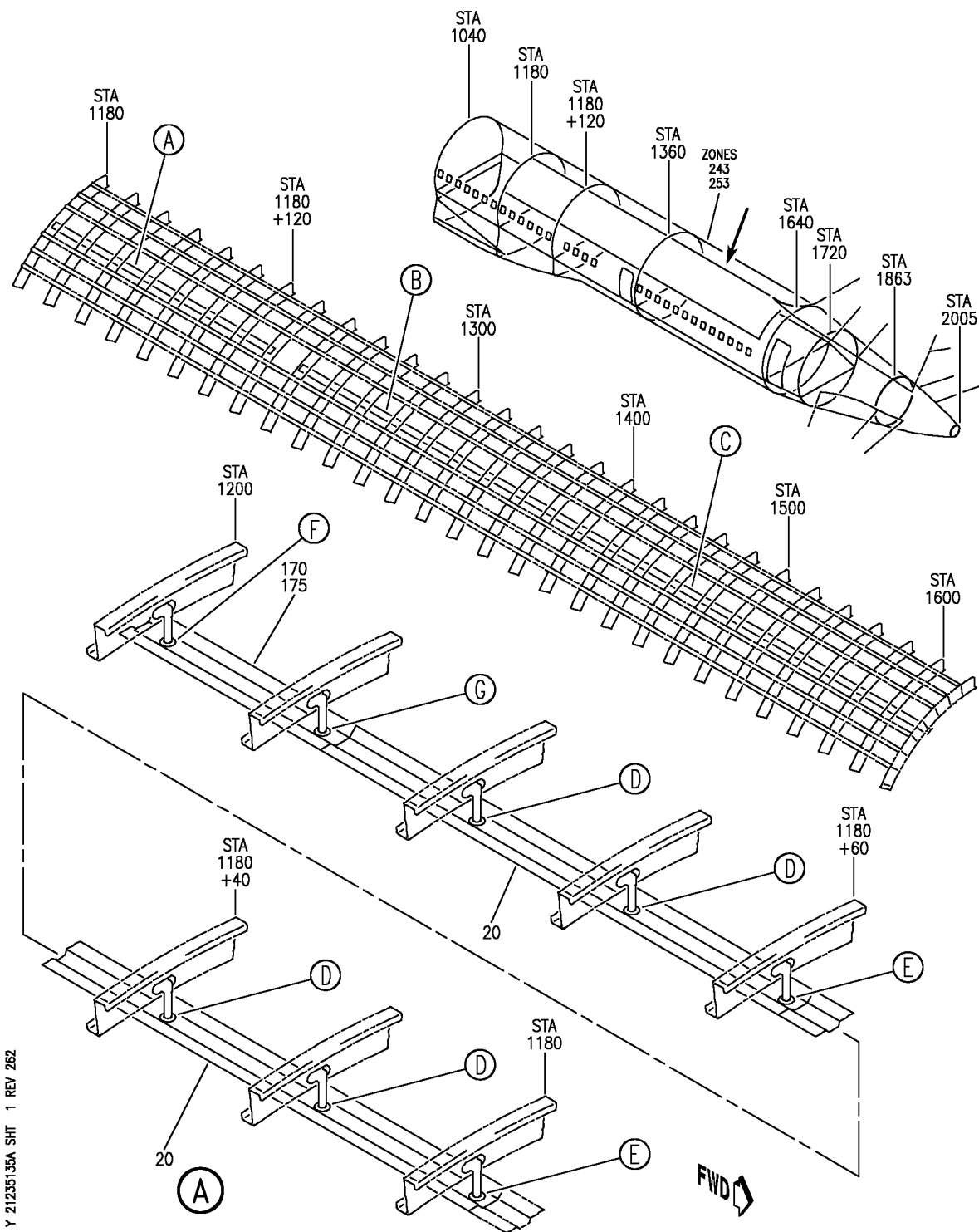
BRI

21-23-51-35

BOEING PROPRIETARY - Copyright © - Unpublished Work - See title page for details.

21-23-51
FIG. 35
PAGE 2
JAN 20/09

BOEING
757
PARTS CATALOG (MAINTENANCE)



Y 21235135A SHT 1 REV 262

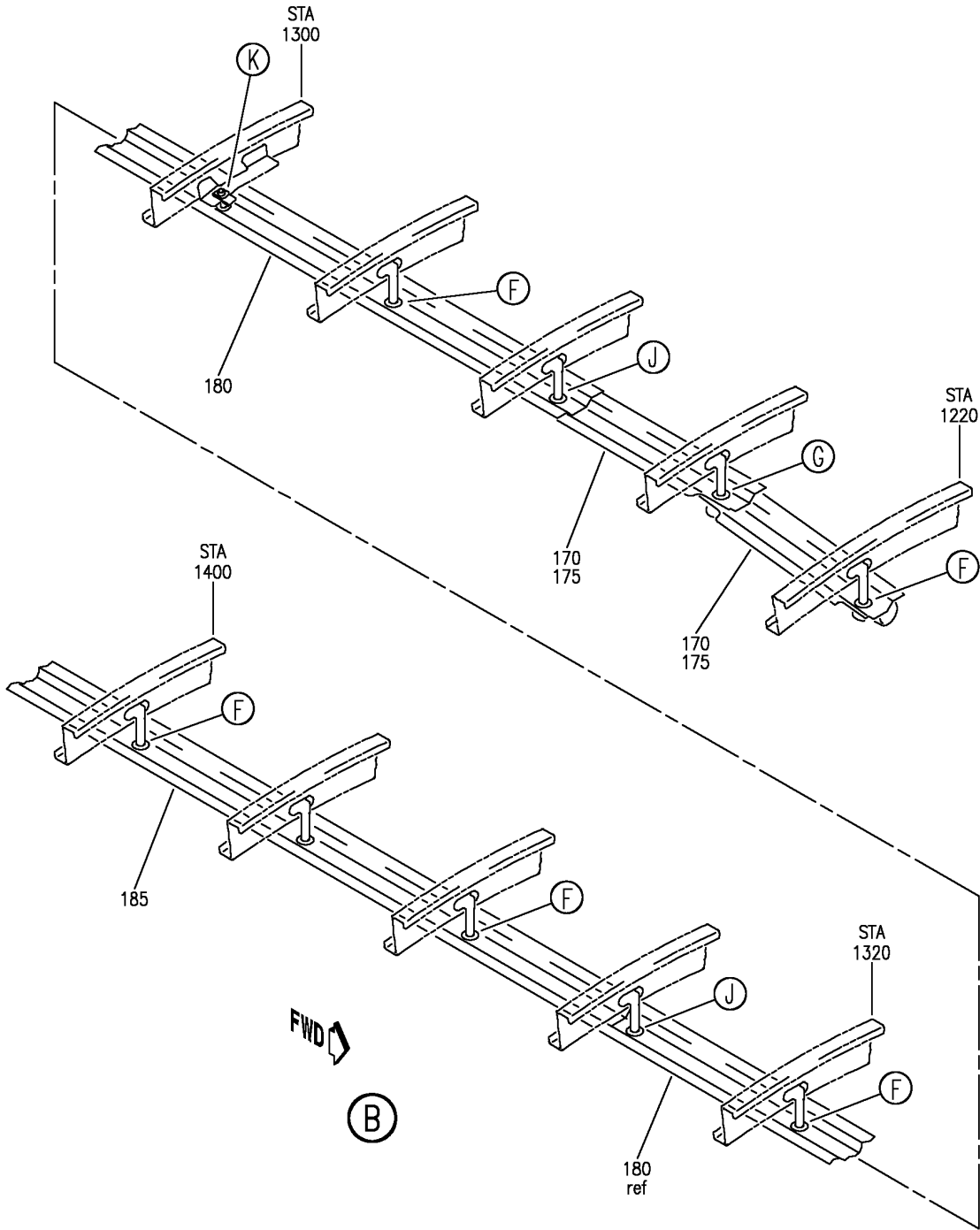
SHROUD INSTL-APU P/F
FIGURE 35A (SHEET 1)

21-23-51-35A

BRI
JAN 20/09

21-23-51-35A
PAGE 0

BOEING
757
PARTS CATALOG (MAINTENANCE)



Y 21235135A SHT 2 REV 262

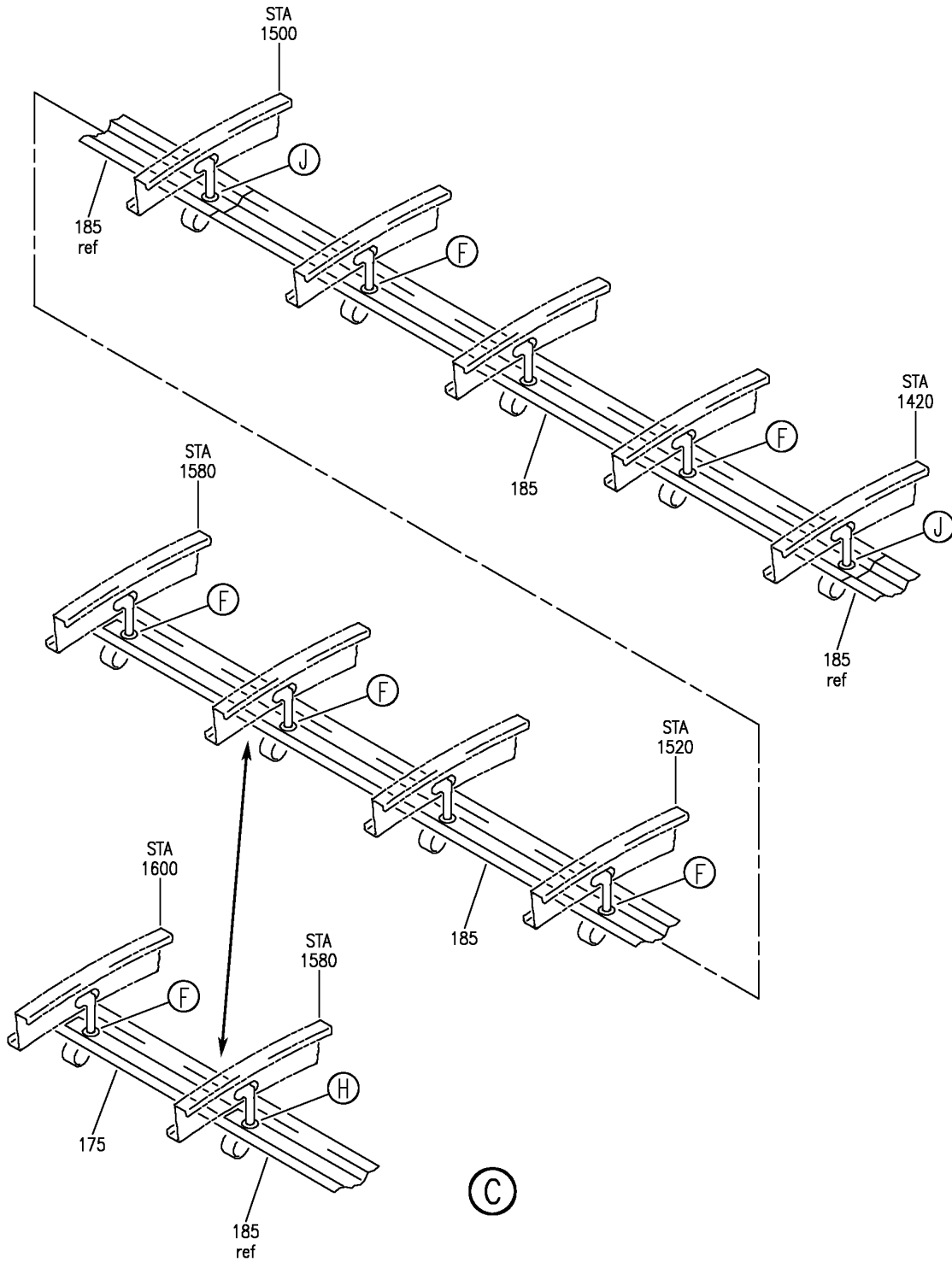
SHROUD INSTL-APU P/F
FIGURE 35A (SHEET 2)

21-23-51-35A

BRI
JAN 20/09

21-23-51-35A
PAGE 0A

BOEING
757
PARTS CATALOG (MAINTENANCE)



Y 21235135A SHT. 3 REV. 262

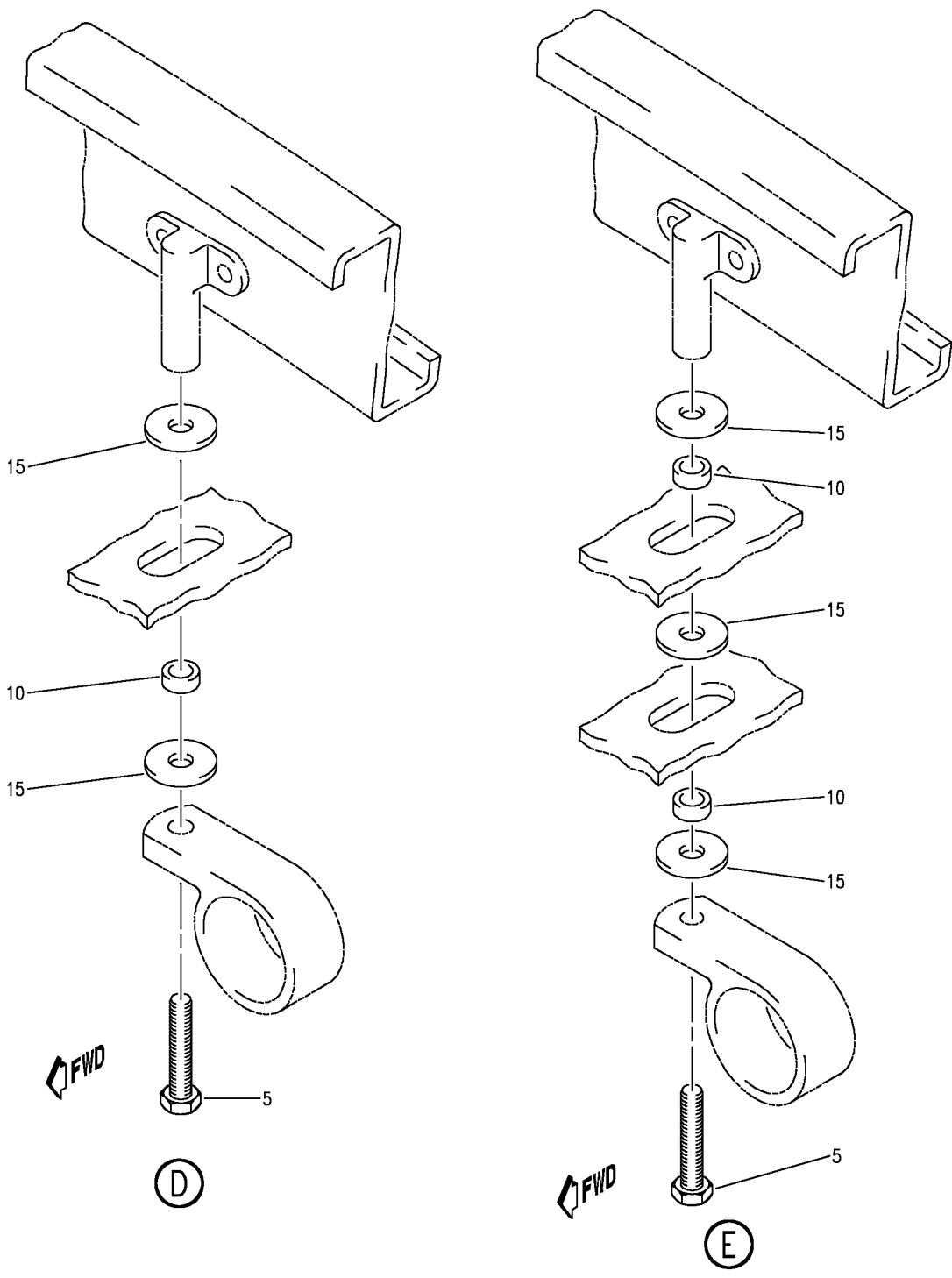
SHROUD INSTL-APU P/F
FIGURE 35A (SHEET 3)

21-23-51-35A

BRI
JAN 20/09

21-23-51-35A
PAGE 0B

BOEING
757
PARTS CATALOG (MAINTENANCE)



Y 21235135A SHT 4 REV 262

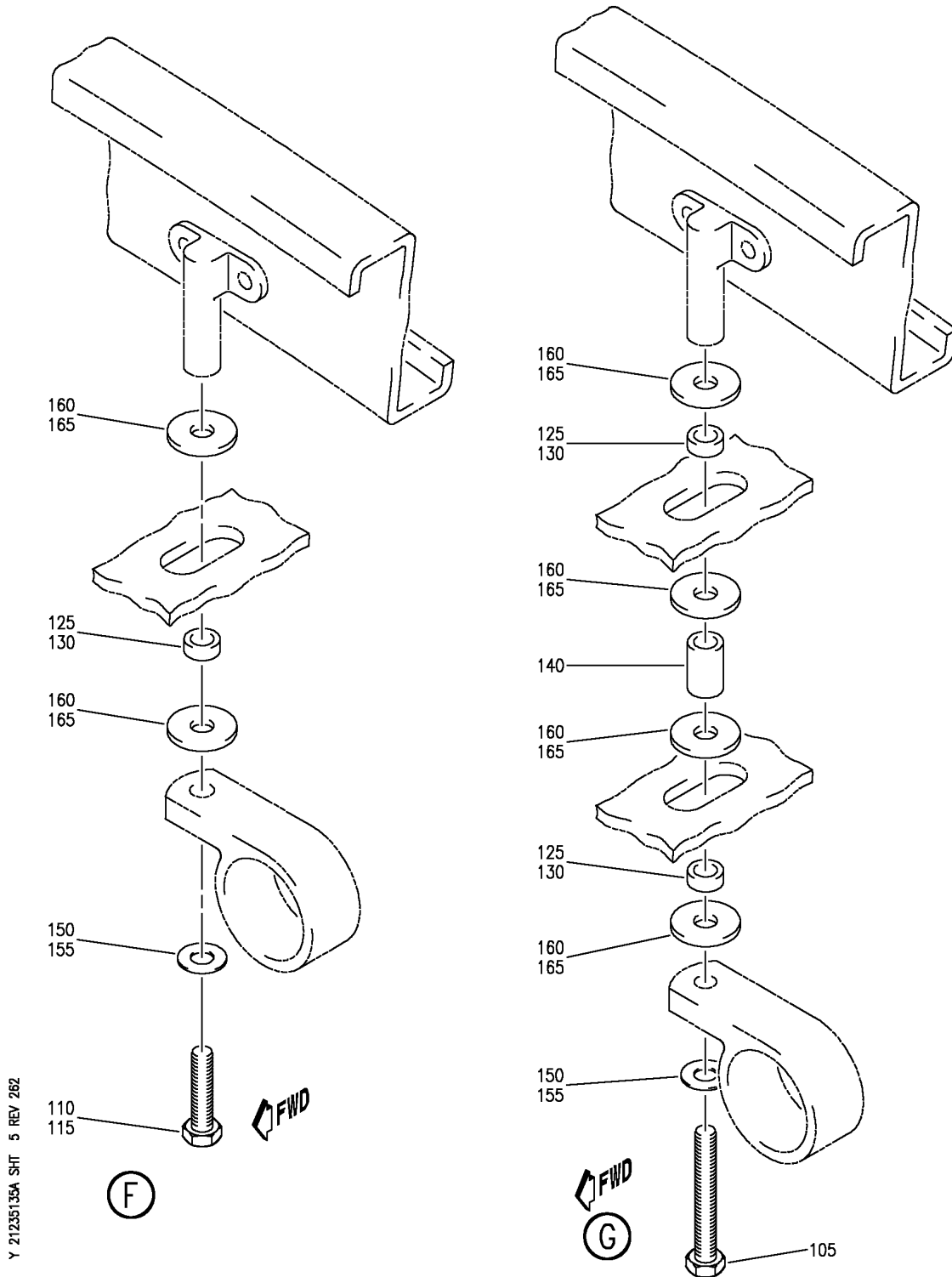
SHROUD INSTL-APU P/F
FIGURE 35A (SHEET 4)

21-23-51-35A

BRI
JAN 20/09

21-23-51-35A
PAGE 0C

BOEING
757
PARTS CATALOG (MAINTENANCE)



Y 21235135A SHT 5 REV 262

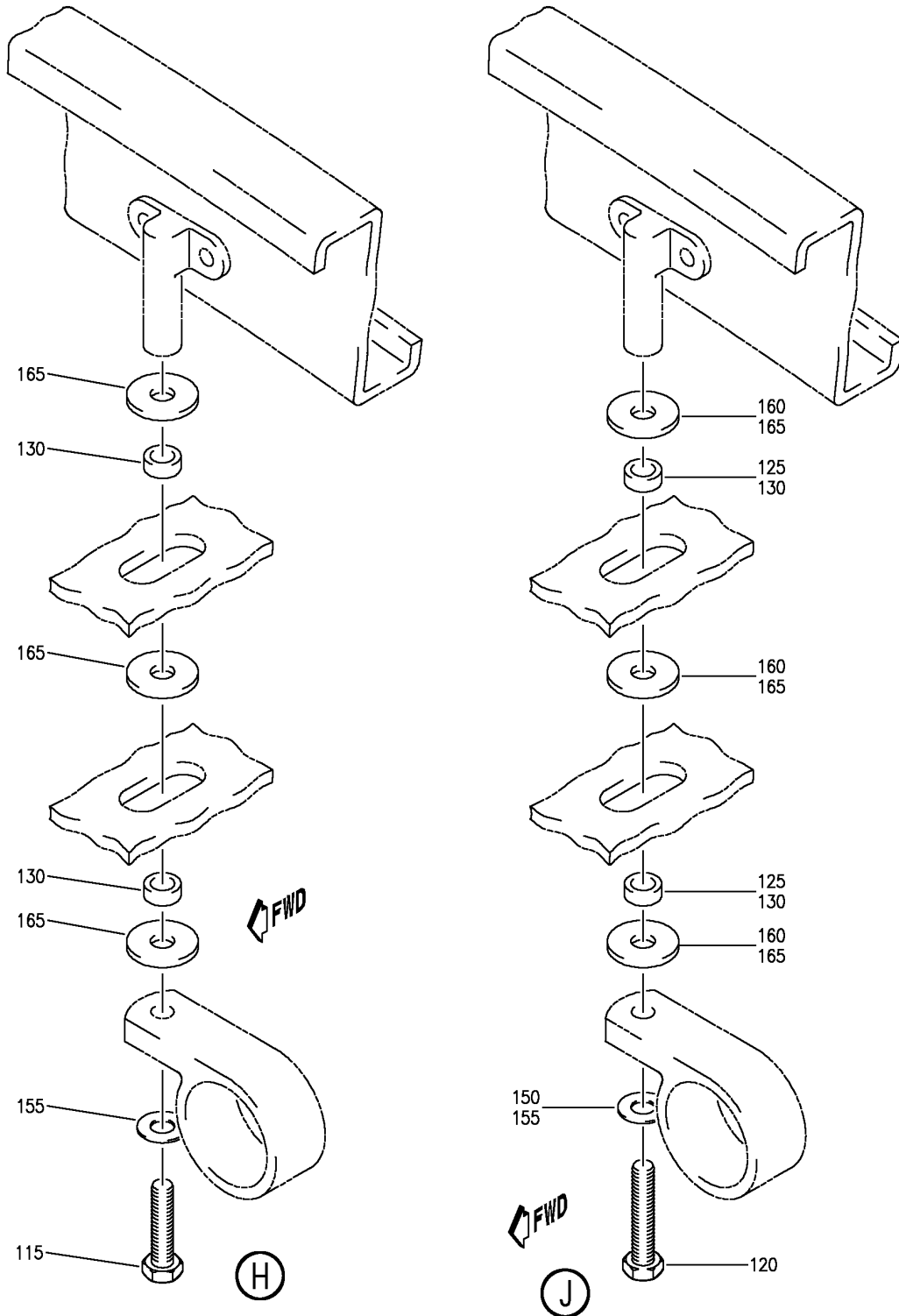
SHROUD INSTL-APU P/F
FIGURE 35A (SHEET 5)

21-23-51-35A

BRI
JAN 20/09

21-23-51-35A
PAGE 0D

BOEING
757
PARTS CATALOG (MAINTENANCE)



Y 21235135A SHT 6 REV 262

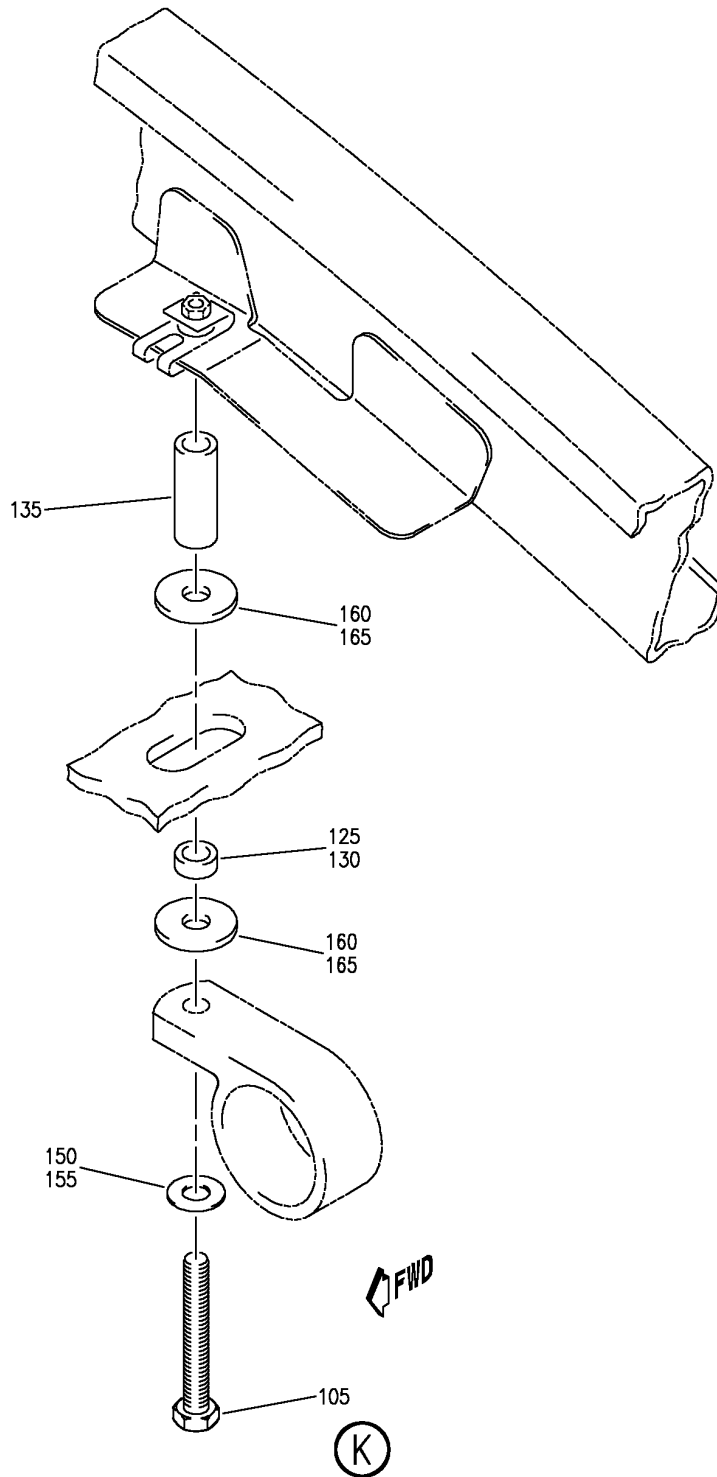
SHROUD INSTL-APU P/F
FIGURE 35A (SHEET 6)

21-23-51-35A

BRI
JAN 20/09

21-23-51-35A
PAGE 0E

BOEING
757
PARTS CATALOG (MAINTENANCE)



Y 21235135A SHIT 7 REV 262

SHROUD INSTL-APU P/F
FIGURE 35A (SHEET 7)

21-23-51-35A

BRI
JAN 20/09

21-23-51-35A
PAGE OF



757

PARTS CATALOG (MAINTENANCE)

| FIG ITEM | PART NUMBER | 1 2 3 4 5 6 7 | NOMENCLATURE | EFFECT FROM TO | UNITS PER ASSY |
|----------|---------------|---------------|---|------------------|----------------|
| 35A | | | | | |
| - 100 | MODREF30878 | | SHROUD INSTL-APU P/F SHROUD INSTL-APU P/F MODULE NUMBER: 287N4695-6 REV B POSITION DATA: STA 1180.00+120 TO STA 1600.00 | 103105 103105 | 1 |
| 105 | BACS12GU3K22 | . | SCREW | 103105 | 3 |
| 115 | BACS12GU3K13 | . | SCREW | 103105 | 15 |
| 120 | BACS12GU3K16 | . | SCREW | 103105 | 4 |
| 130 | NAS43DD3-8FC | . | SPACER | 103105 | 29 |
| 135 | NAS42DD3-55FC | . | SPACER | 103105 | 1 |
| 140 | NAS43DD3-32FC | . | SPACER | 103105 | 2 |
| 155 | NAS1149D0316H | . | WASHER | 103105 | 22 |
| 165 | BACW10P43AL | . | WASHER | 103105 | 53 |
| 175 | 287N4095-4 | . | BRACKET ASSY-SPRT | 103105 | 4 |
| 180 | 287N4095-9 | . | BRACKET ASSY-SPRT | 103105 | 1 |
| 185 | 287N4095-6 | . | BRACKET ASSY-SPRT | 103105 | 3 |

MISSING ITEM NUMBERS NOT APPLICABLE

- ITEM NOT ILLUSTRATED

21-23-51-35A

21-23-51
FIG. 35A
PAGE 1
JAN 20/09

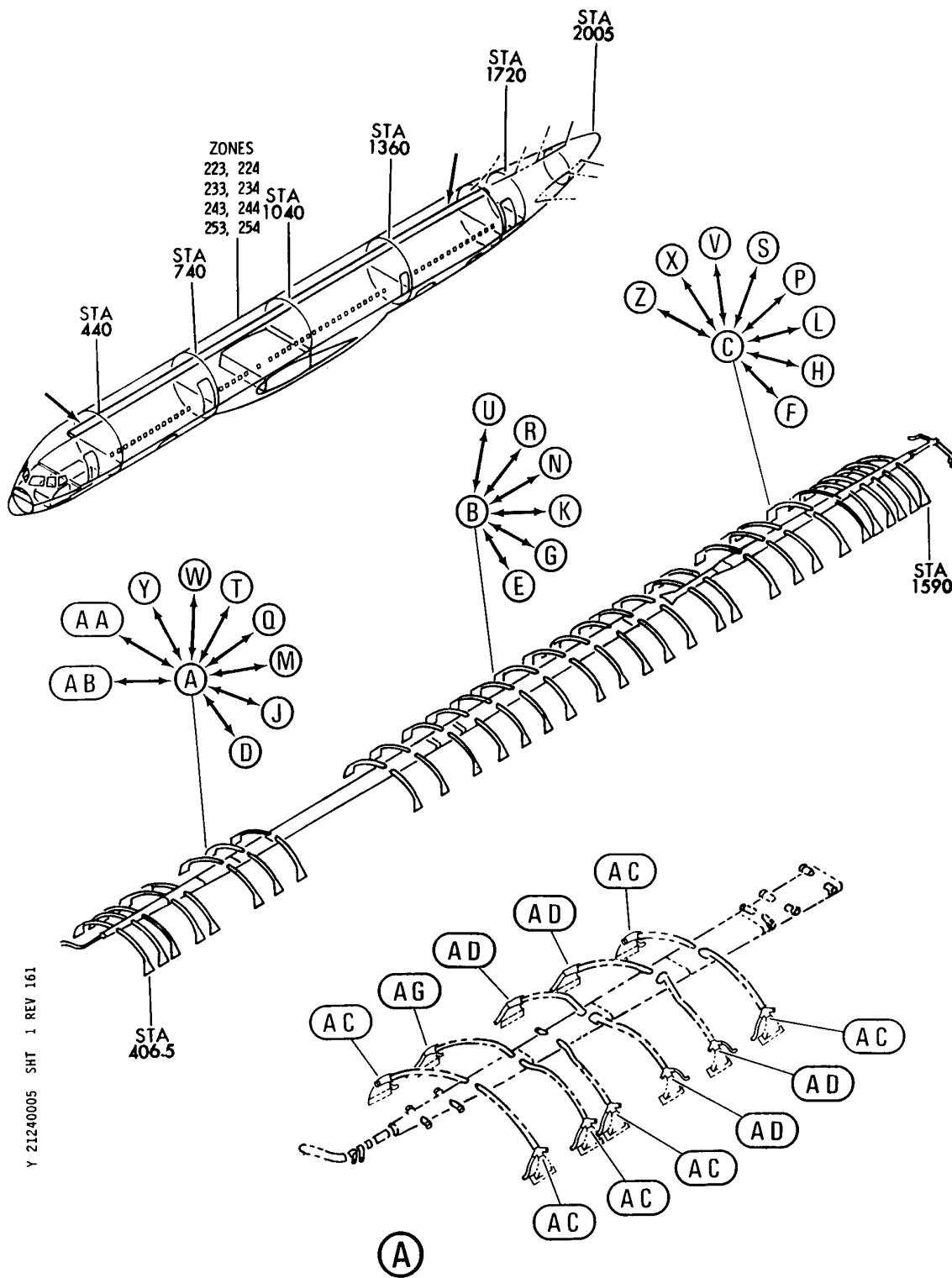
BRI

GASPER AIR DISTRIBUTION

BRI
MAY 28/07

21-24-00
SECTION TITLE
PAGE 1

BOEING
757
PARTS CATALOG (MAINTENANCE)



Y 21240005 SHT 1 REV 161

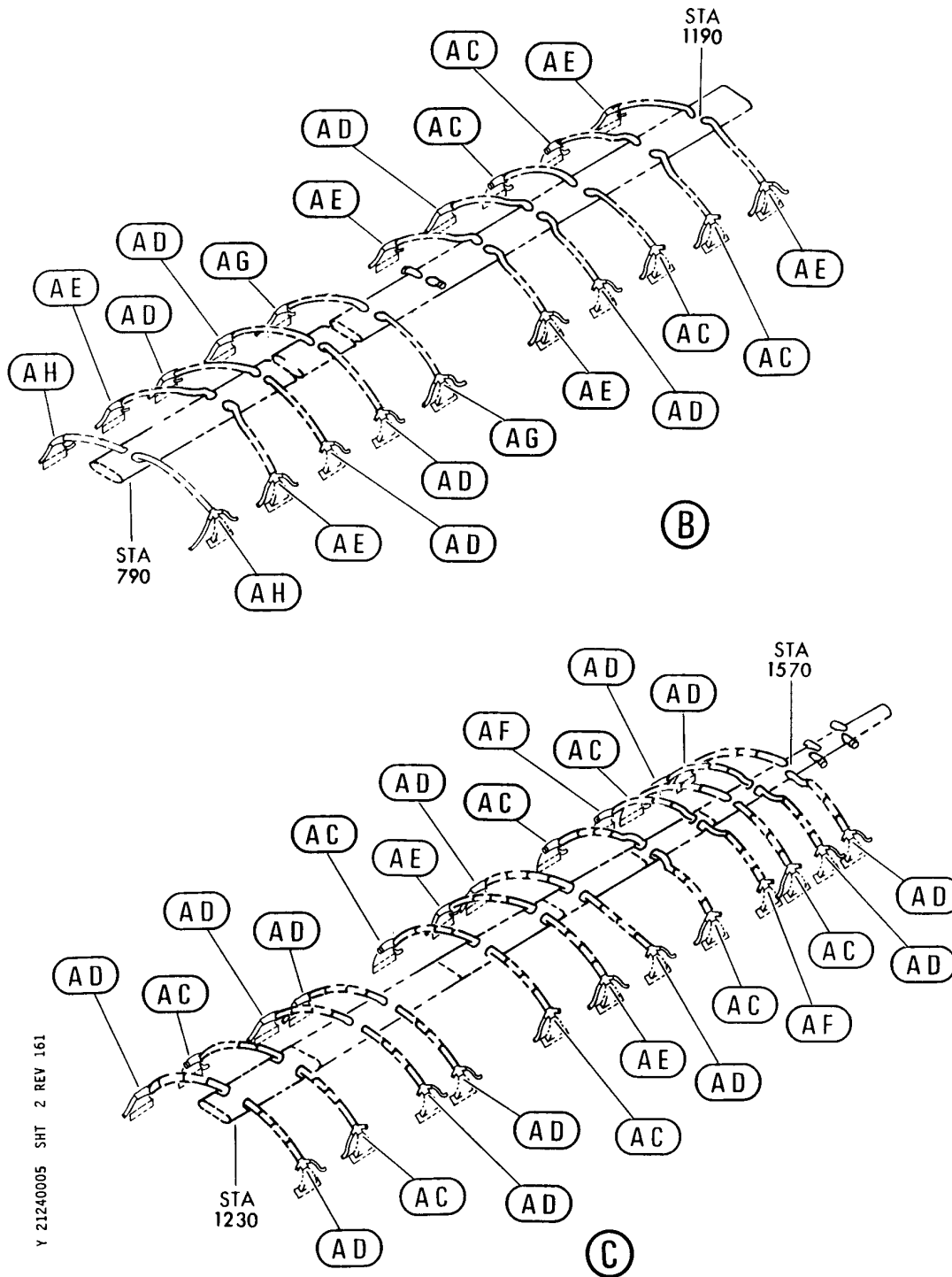
HOSE INSTL-GASPER
FIGURE 5 (SHEET 1)

21-24-00-05

BRI
JAN 20/09

21-24-00-05
PAGE 0

BOEING
757
PARTS CATALOG (MAINTENANCE)

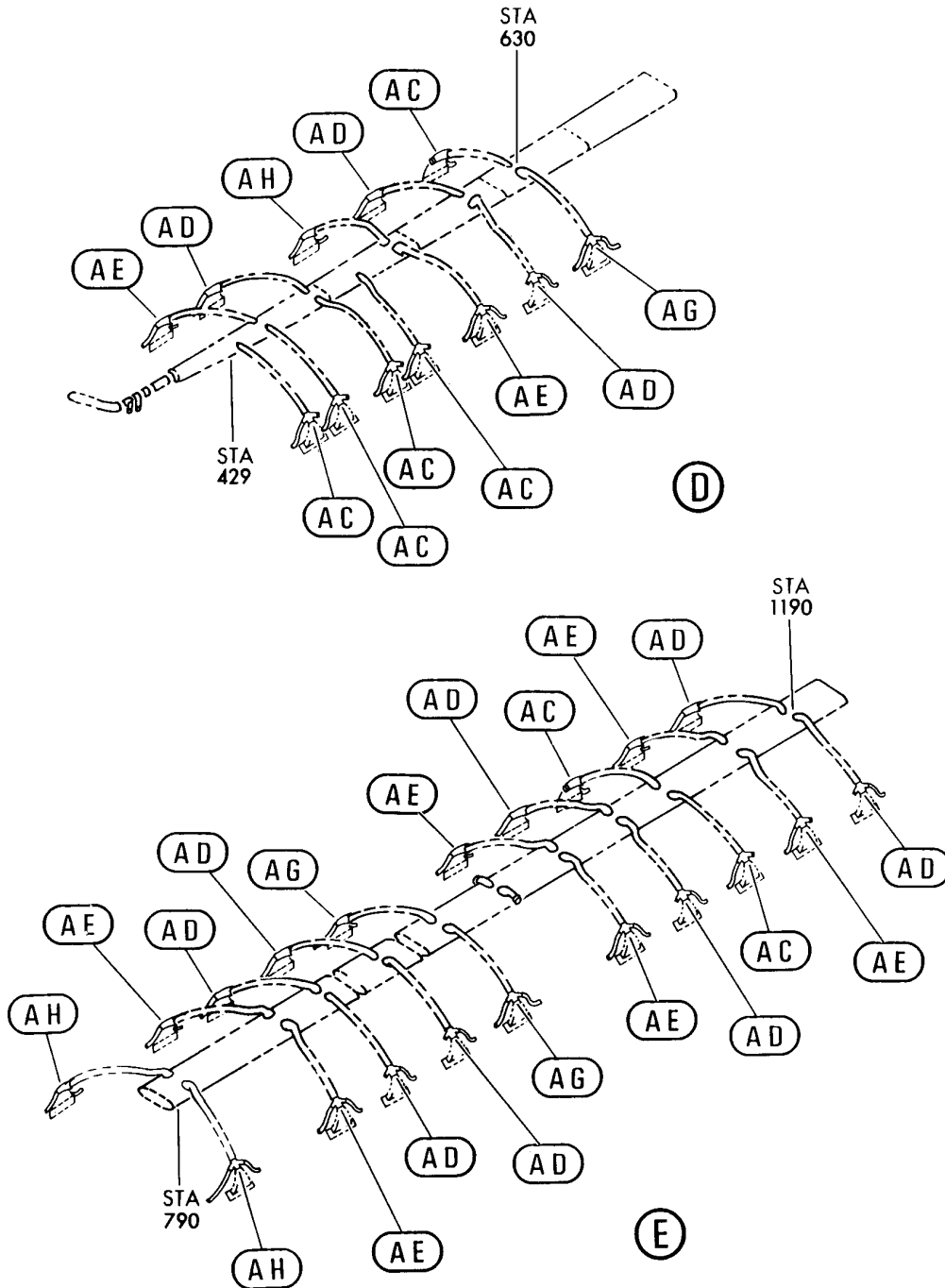


Y 21240005 SHT 2 REV 161

HOSE INSTL-GASPER
FIGURE 5 (SHEET 2)

21-24-00-05

BOEING
757
PARTS CATALOG (MAINTENANCE)



Y 21240005 SHT 3 REV 161

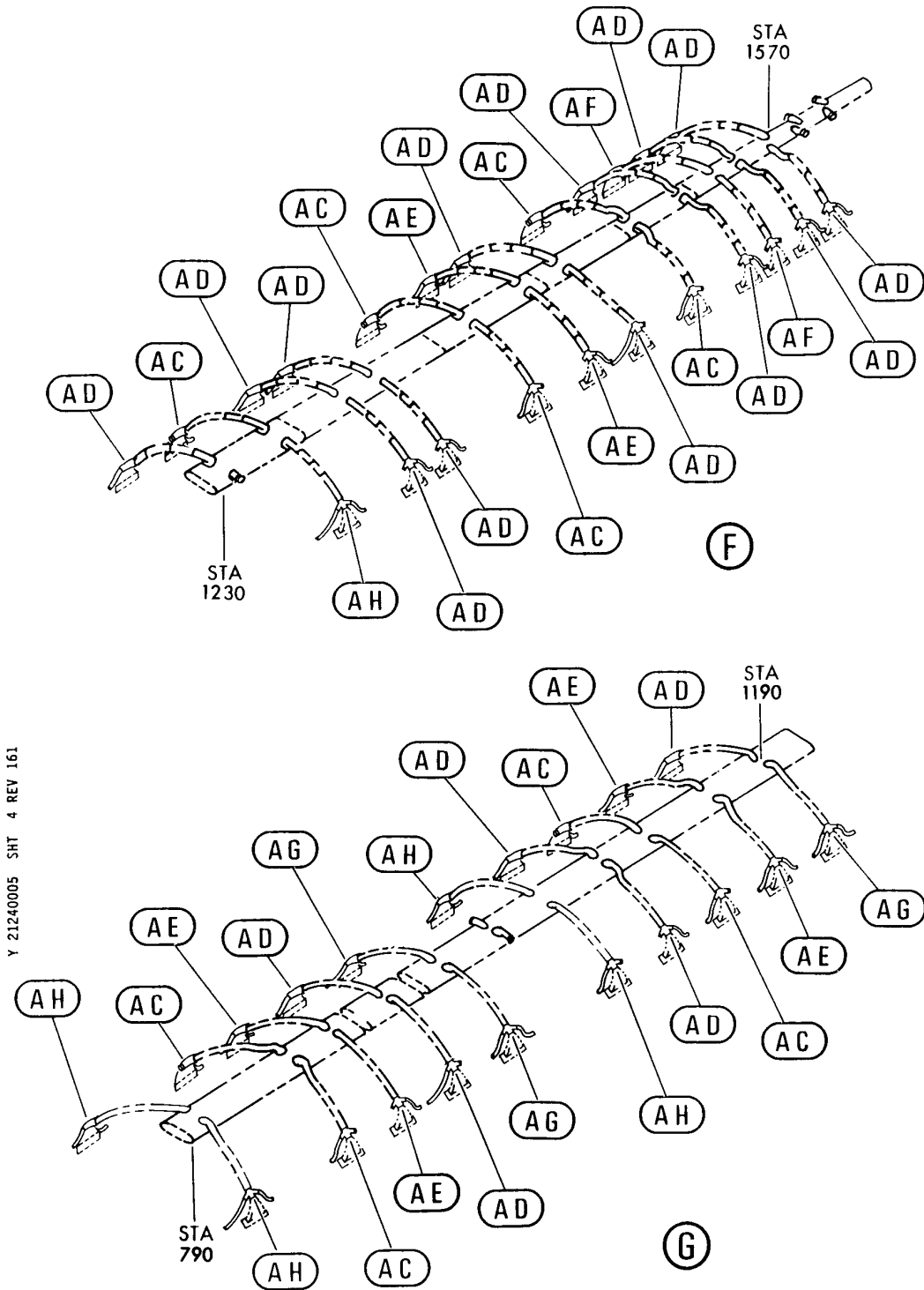
HOSE INSTL-GASPER
FIGURE 5 (SHEET 3)

21-24-00-05

BRI
JAN 20/09

21-24-00-05
PAGE 0B

BOEING
757
PARTS CATALOG (MAINTENANCE)

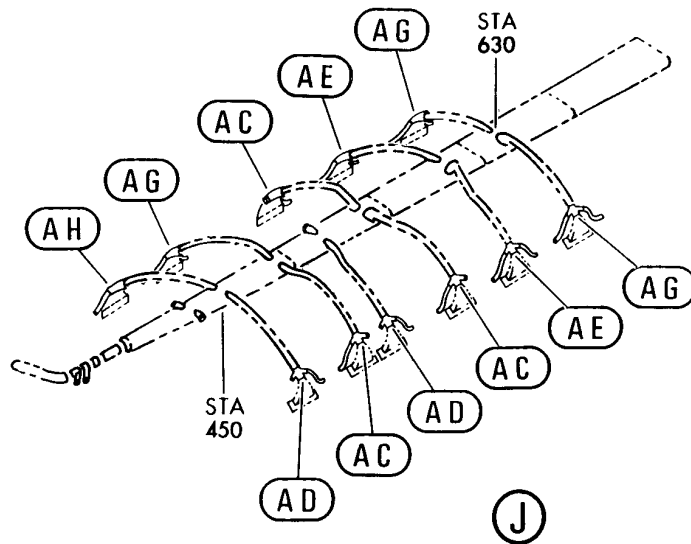
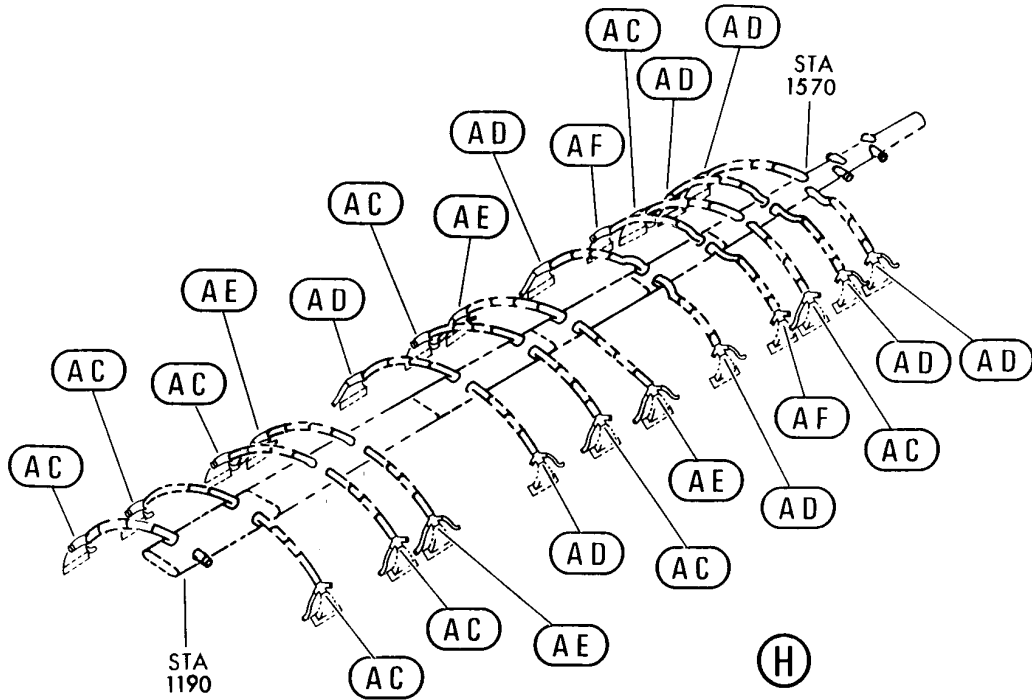


Y 21240005 SHT 4 REV 161

HOSE INSTL-GASPER
FIGURE 5 (SHEET 4)

21-24-00-05

BOEING
757
PARTS CATALOG (MAINTENANCE)



Y 21240005 SHT 5 REV 161

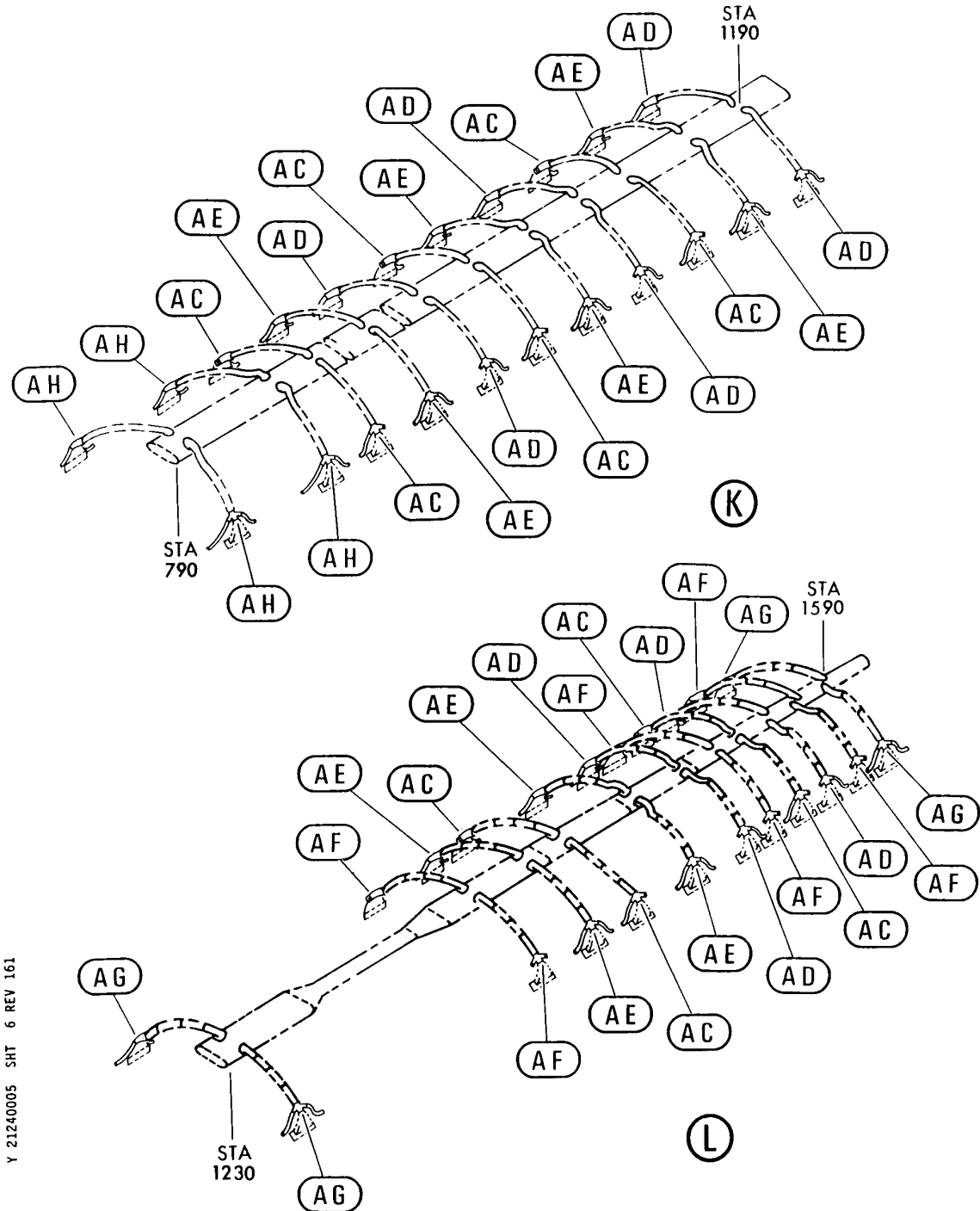
HOSE INSTL-GASPER
FIGURE 5 (SHEET 5)

21-24-00-05

BRI
JAN 20/09

21-24-00-05
PAGE 0D

BOEING
757
PARTS CATALOG (MAINTENANCE)



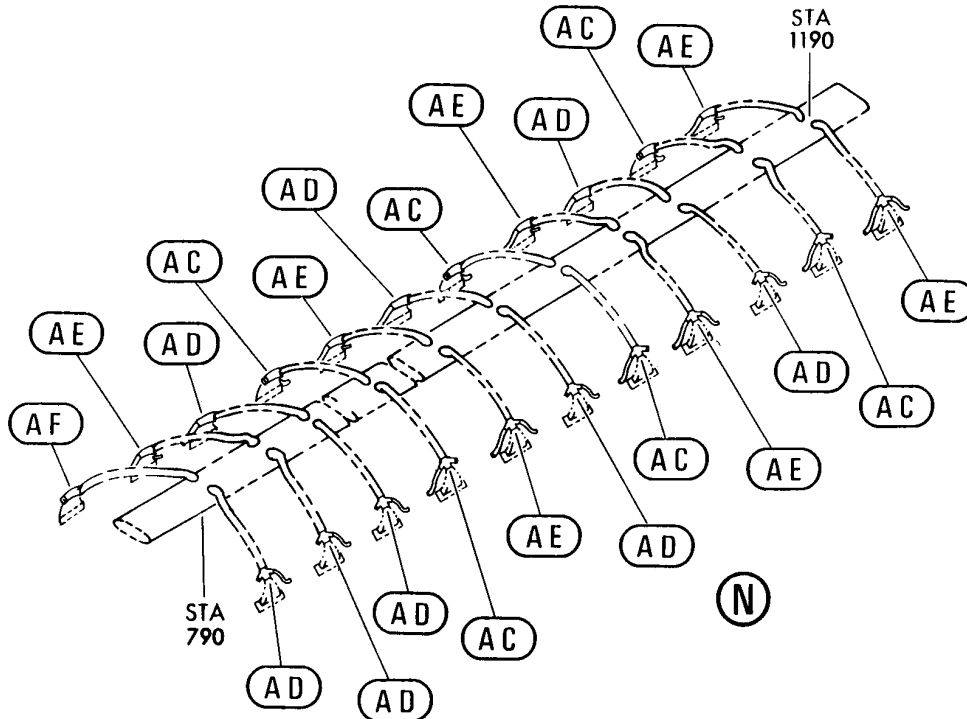
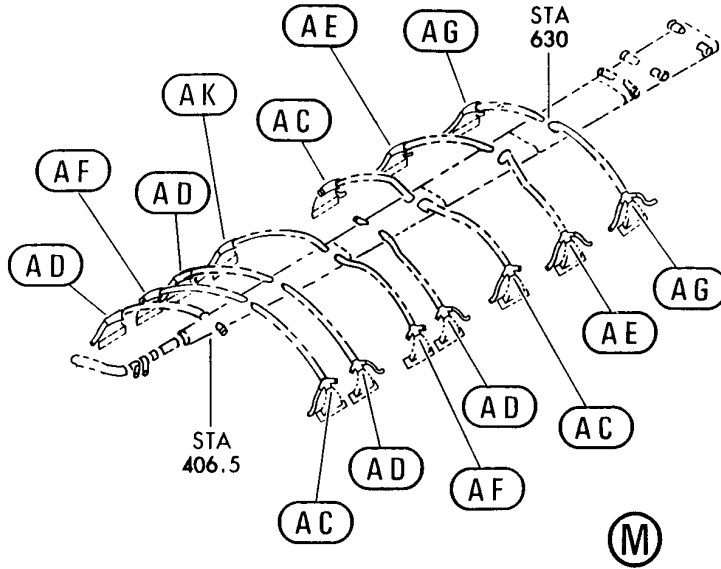
HOSE INSTL-GASPER
FIGURE 5 (SHEET 6)

21-24-00-05

BRI
JAN 20/09

21-24-00-05
PAGE 0E

BOEING
757
PARTS CATALOG (MAINTENANCE)

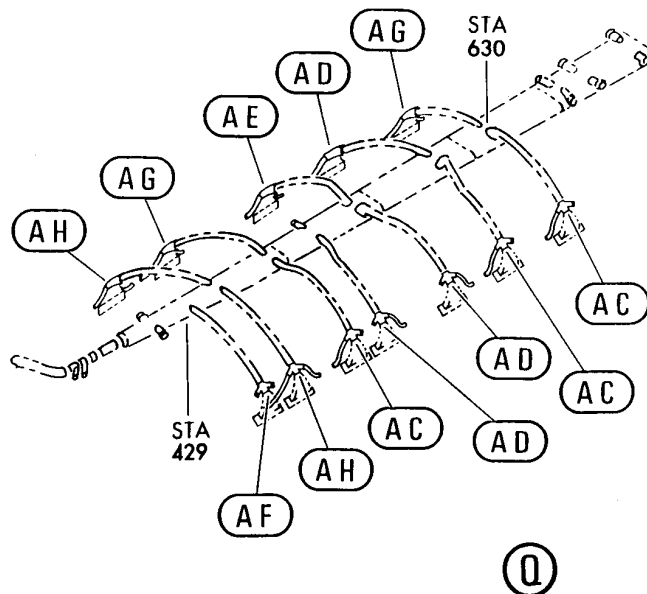
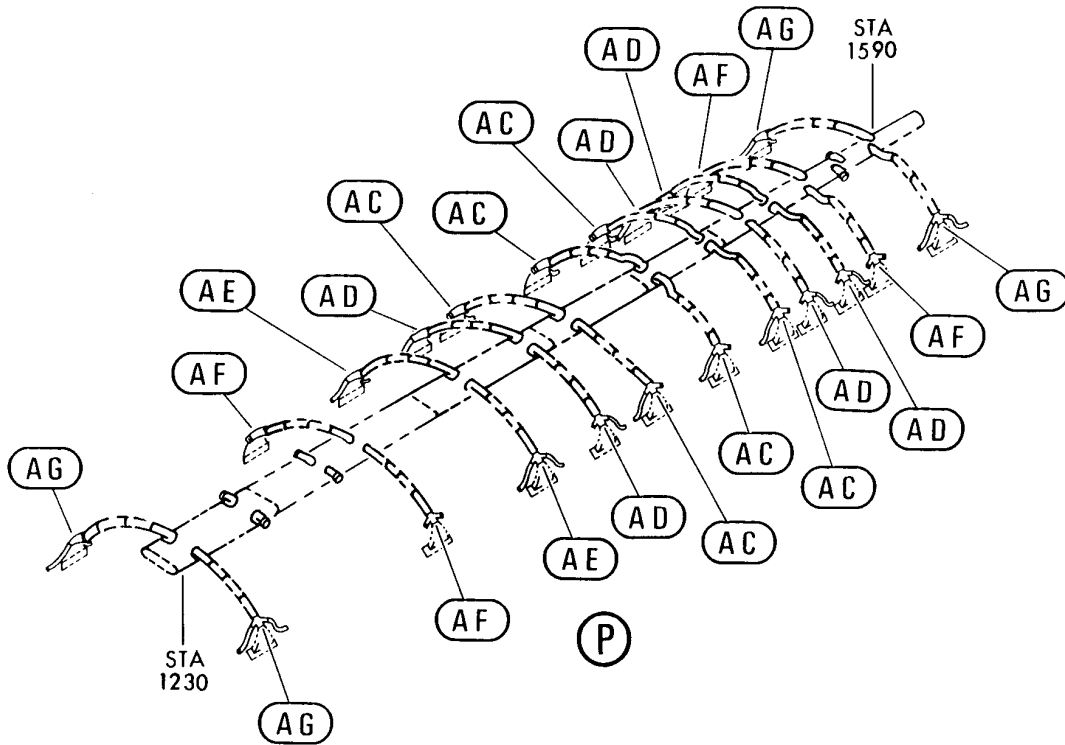


Y 21240005 SHT 7 REV 161

HOSE INSTL-GASPER
FIGURE 5 (SHEET 7)

21-24-00-05

BOEING
757
PARTS CATALOG (MAINTENANCE)



Y 21240005 SHT 8 REV 161

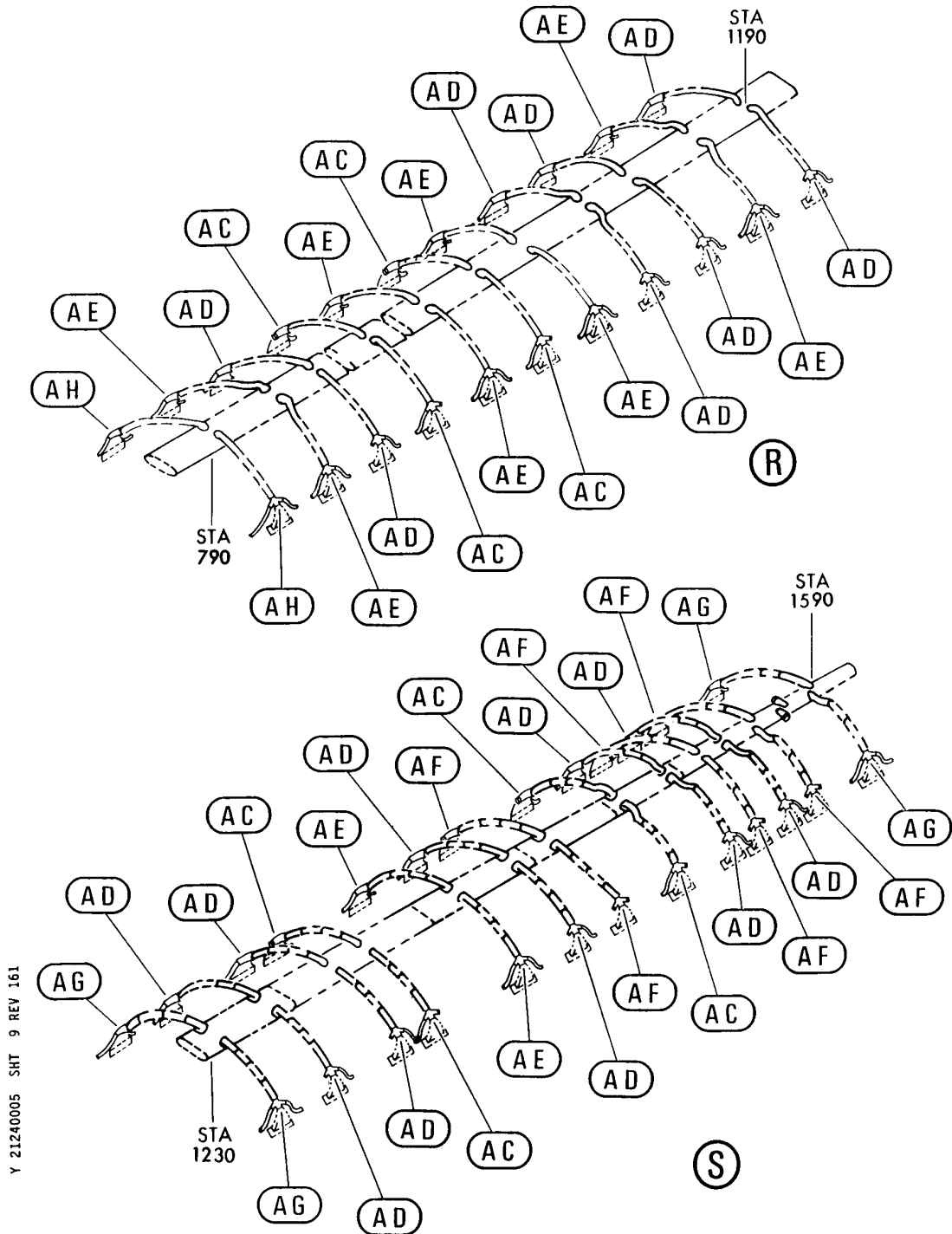
HOSE INSTL-GASPER
FIGURE 5 (SHEET 8)

21-24-00-05

BRI
JAN 20/09

21-24-00-05
PAGE 0G

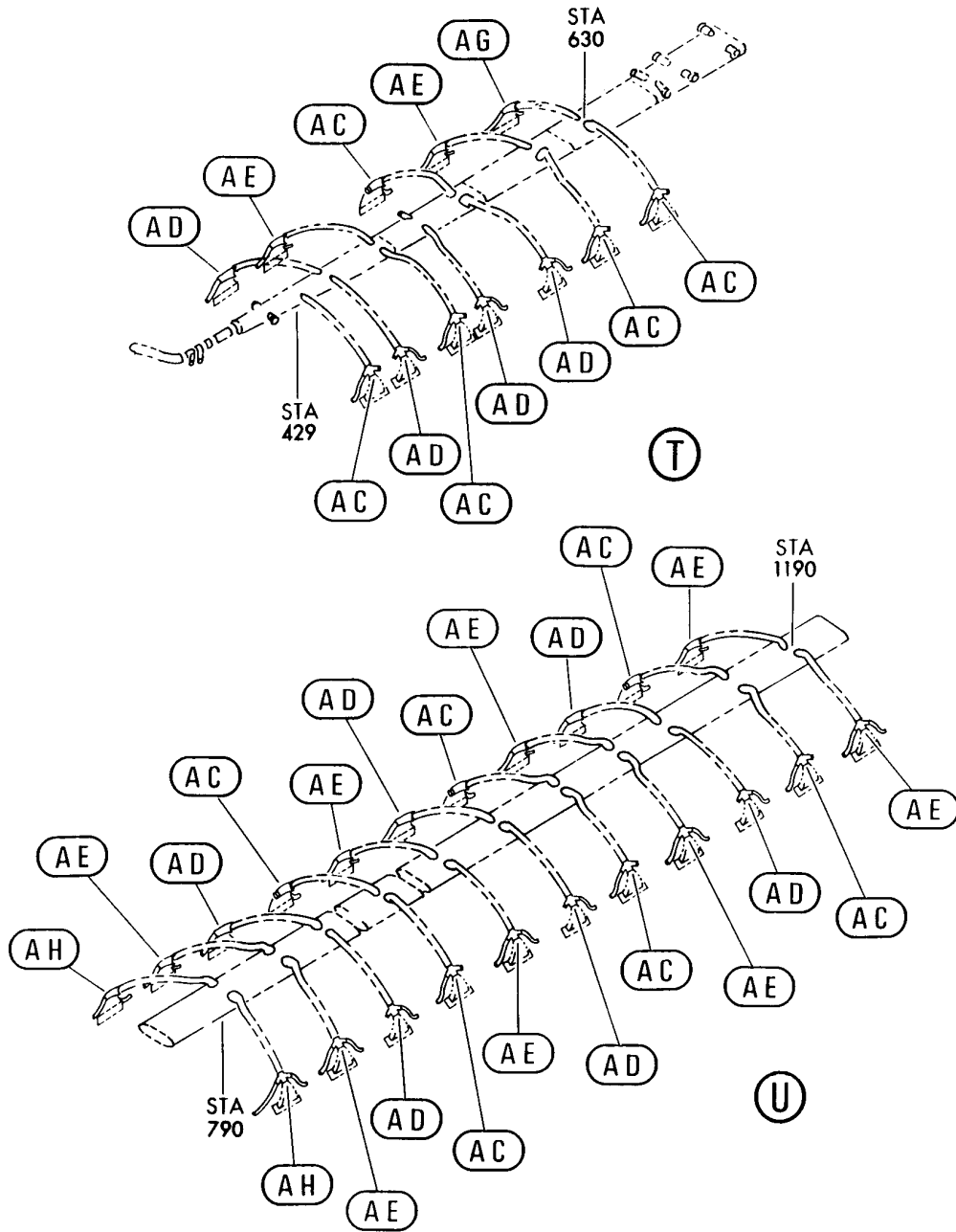
BOEING
757
PARTS CATALOG (MAINTENANCE)



HOSE INSTL-GASPER
FIGURE 5 (SHEET 9)

21-24-00-05

BOEING
757
PARTS CATALOG (MAINTENANCE)



Y 21240005 SHT 10 REV 161

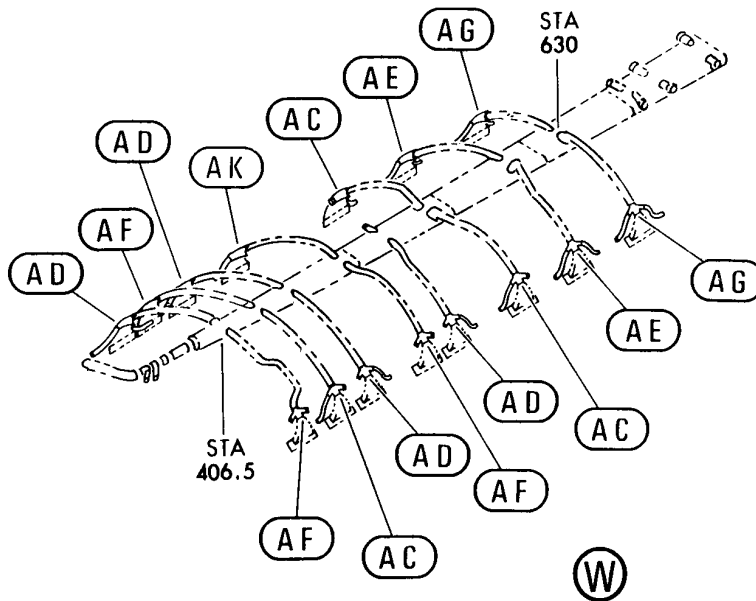
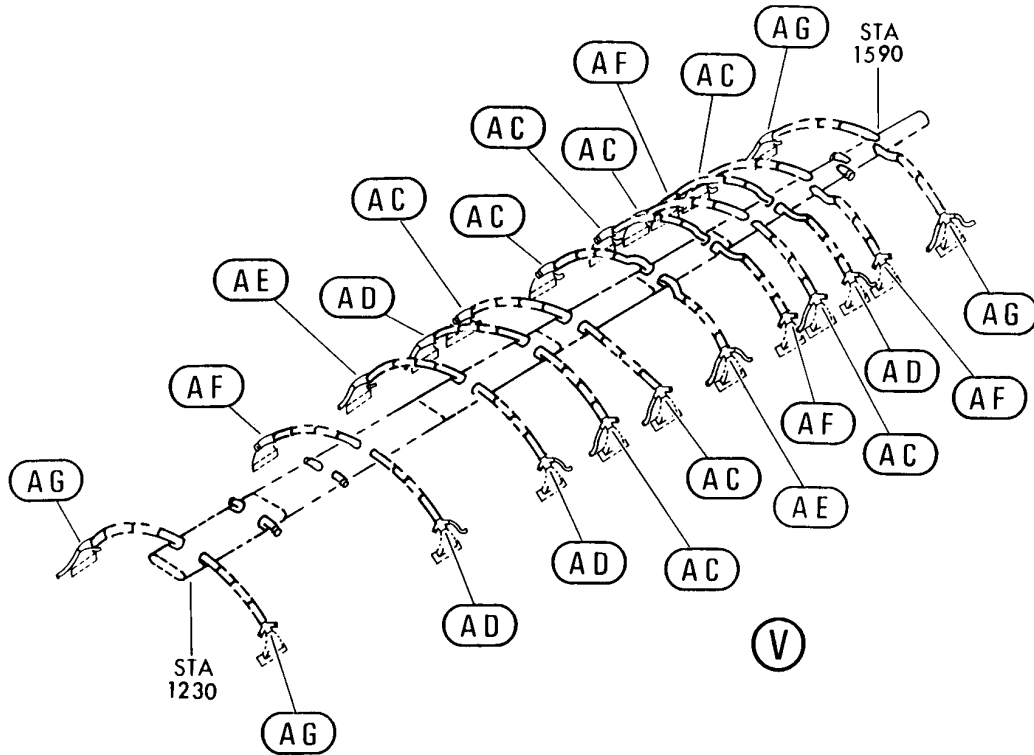
HOSE INSTL-GASPER
FIGURE 5 (SHEET 10)

21-24-00-05

BRI
JAN 20/09

21-24-00-05
PAGE 01

BOEING
757
PARTS CATALOG (MAINTENANCE)

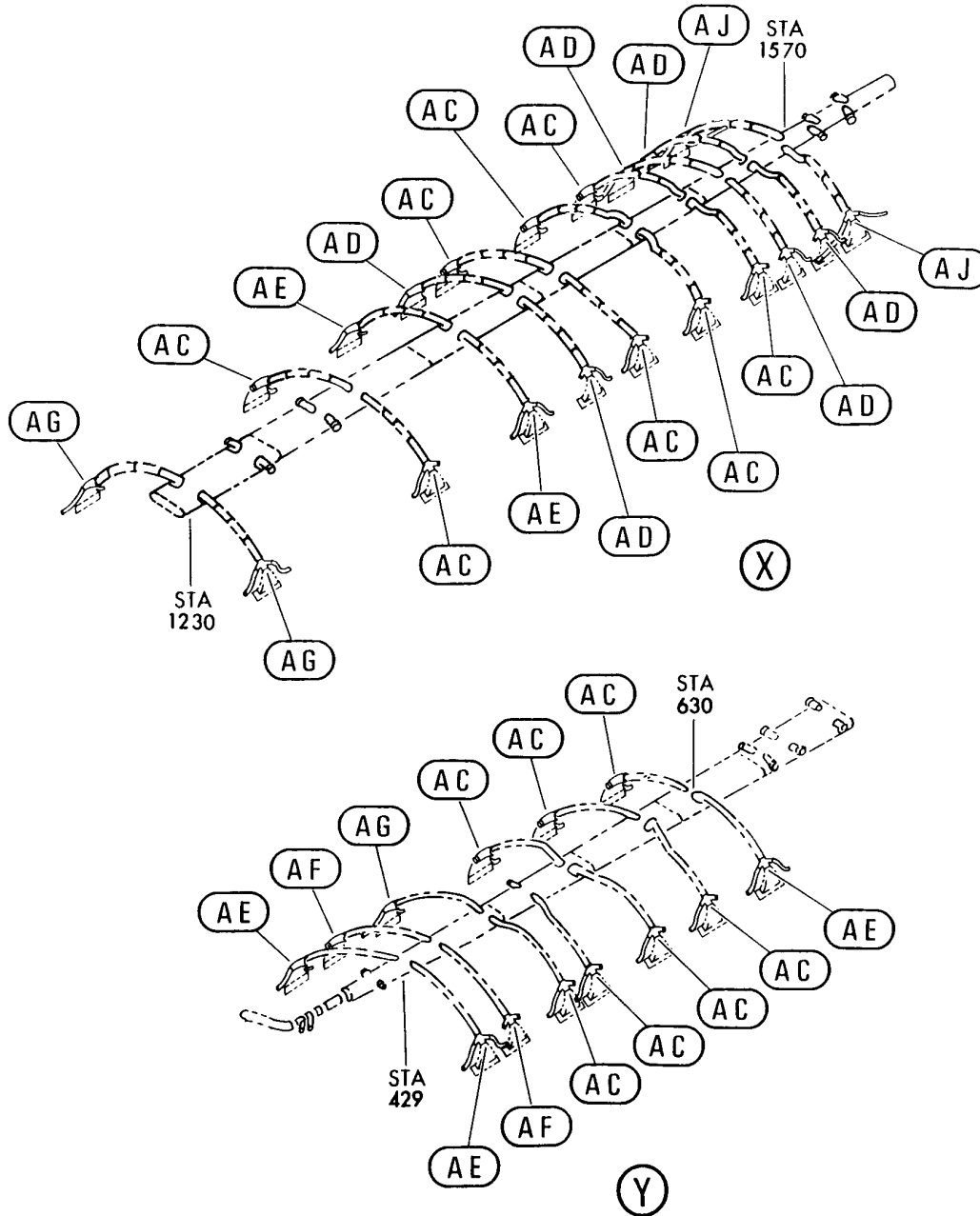


Y 21240005 SHT 11 REV 161

HOSE INSTL-GASPER
FIGURE 5 (SHEET 11)

21-24-00-05

BOEING
757
PARTS CATALOG (MAINTENANCE)



Y 21240005 SHT 12 REV 161

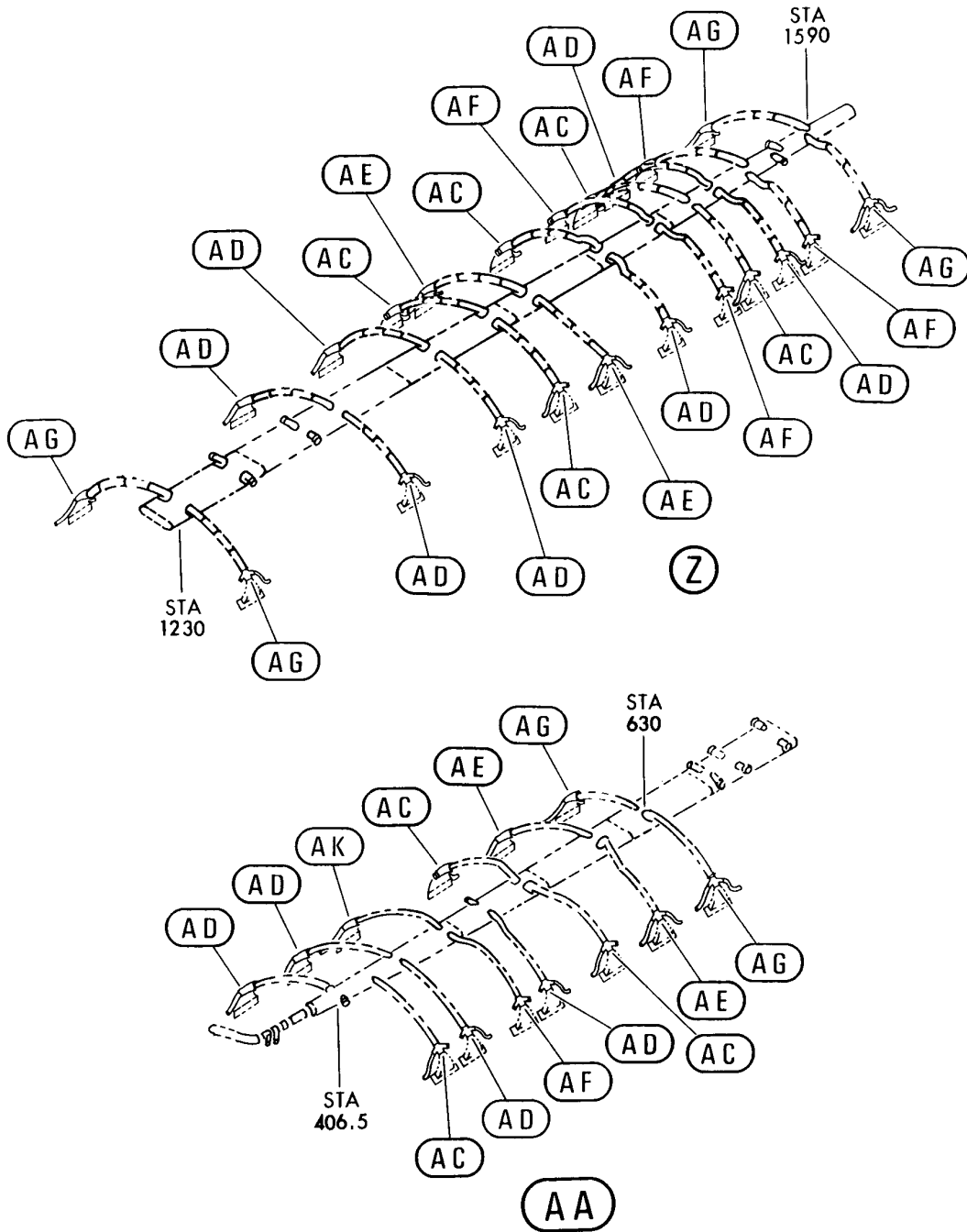
HOSE INSTL-GASPER
FIGURE 5 (SHEET 12)

21-24-00-05

BRI
JAN 20/09

21-24-00-05
PAGE OK

BOEING
757
PARTS CATALOG (MAINTENANCE)



Y 21240005 SHT 13 REV 161

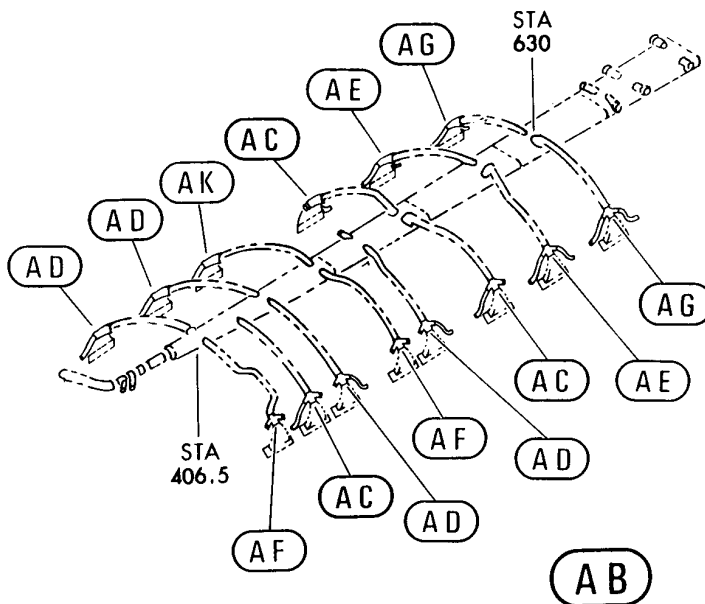
HOSE INSTL-GASPER
FIGURE 5 (SHEET 13)

21-24-00-05

BRI
JAN 20/09

21-24-00-05
PAGE 01

BOEING
757
PARTS CATALOG (MAINTENANCE)



Y 21240005 SHT 14 REV 161

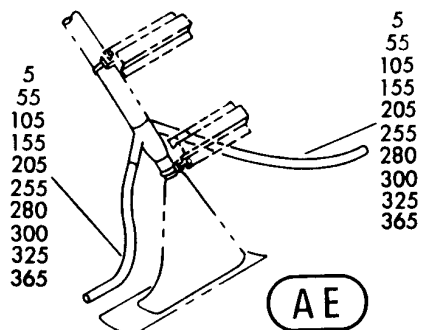
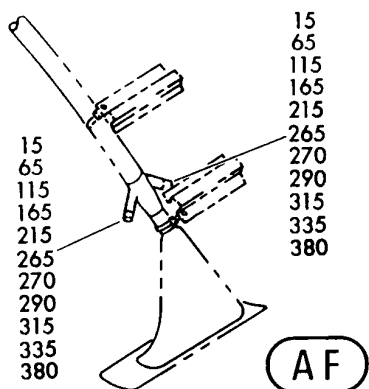
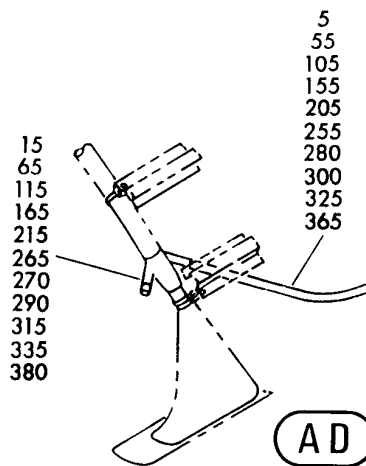
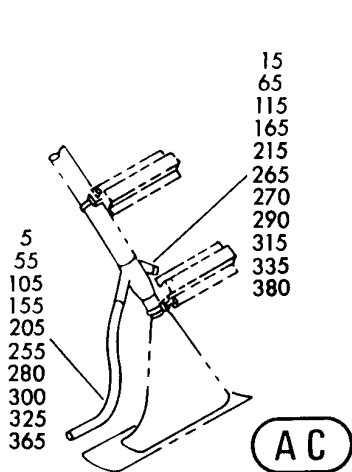
HOSE INSTL-GASPER
FIGURE 5 (SHEET 14)

21-24-00-05

BRI
JAN 20/09

21-24-00-05
PAGE 0M

BOEING
757
PARTS CATALOG (MAINTENANCE)

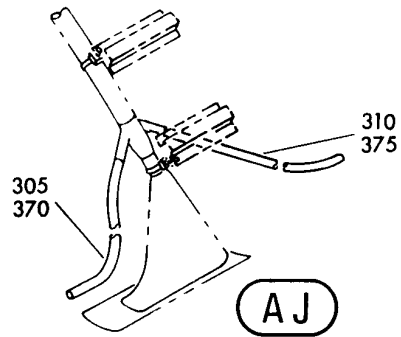
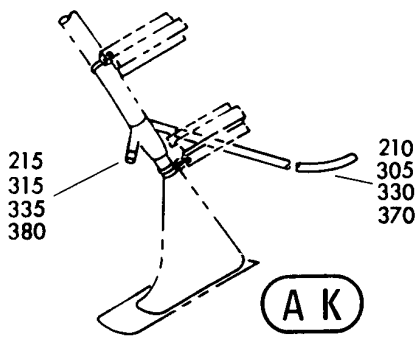
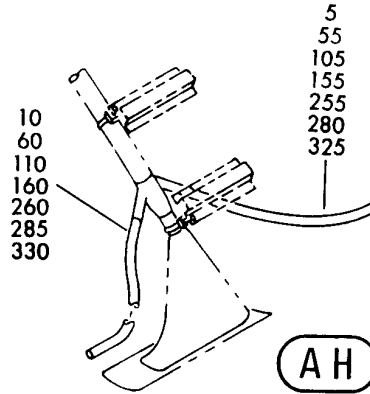
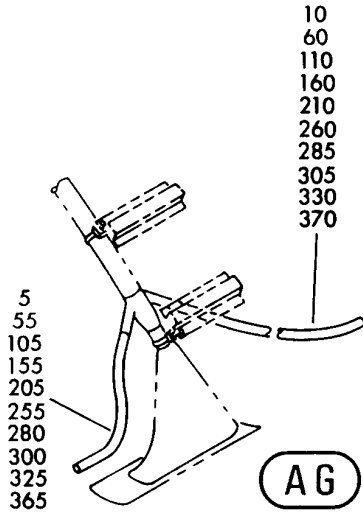


Y 21240005 SHT 15 REV 307

HOSE INSTL-GASPER
FIGURE 5 (SHEET 15)

21-24-00-05

BOEING
757
PARTS CATALOG (MAINTENANCE)



Y 21240005 SH1 16 REV 307

HOSE INSTL-GASPER
FIGURE 5 (SHEET 16)

21-24-00-05

BRI
JAN 20/09

21-24-00-05
PAGE 00



757

PARTS CATALOG (MAINTENANCE)

| FIG ITEM | PART NUMBER | 1 2 3 4 5 6 7 | NOMENCLATURE | EFFECT FROM TO | UNITS PER ASSY |
|----------|--------------|---------------|---|----------------|----------------|
| 5 | | | HOSE INSTL-GASPER | 952999 | |
| - 250 | 65C31493-112 | | HOSE INSTL-GASPER POSITION DATA: STA 429 TO 1570 FOR NHA SEE: 21-00-00-04 | 952999 | RF |
| 255 | BACD40P3A120 | | .DUCT-FLEX | 952999 | 62 |
| 260 | BACD40P3A280 | | .DUCT-FLEX | 952999 | 10 |
| 265 | 750-16 | | .CAP-END SUPPLIER CODE: V15819 OPTIONAL PART: 12-1000 V25205 | 952952 | 38 |
| 265 | 12-1000 | | .CAP-END SUPPLIER CODE: V25205 OPTIONAL PART: 750-16 V15819 | 952952 | 38 |
| 270 | 750-16 | | .CAP-END SUPPLIER CODE: V15819 OPTIONAL PART: 12-1000 V25205 | 953999 | 40 |
| 270 | 12-1000 | | .CAP-END SUPPLIER CODE: V25205 OPTIONAL PART: 750-16 V15819 | 953999 | 40 |

MISSING ITEM NUMBERS NOT APPLICABLE

- ITEM NOT ILLUSTRATED

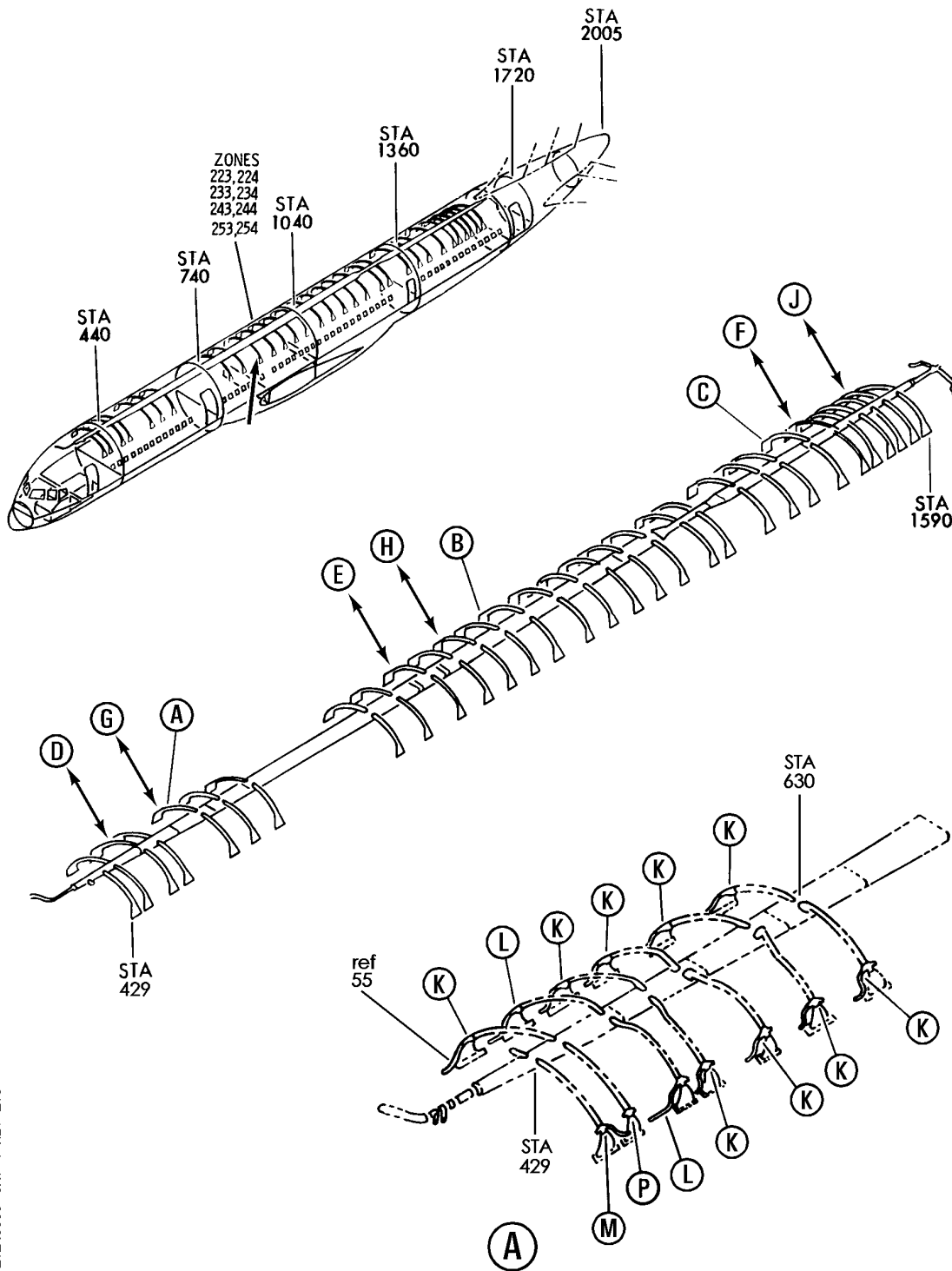
BRI

21-24-00-05

BOEING PROPRIETARY - Copyright © - Unpublished Work - See title page for details.

21-24-00
FIG. 05
PAGE 1
JAN 20/09

BOEING
757
PARTS CATALOG (MAINTENANCE)



Y 21240006 SHT 1 REV 218

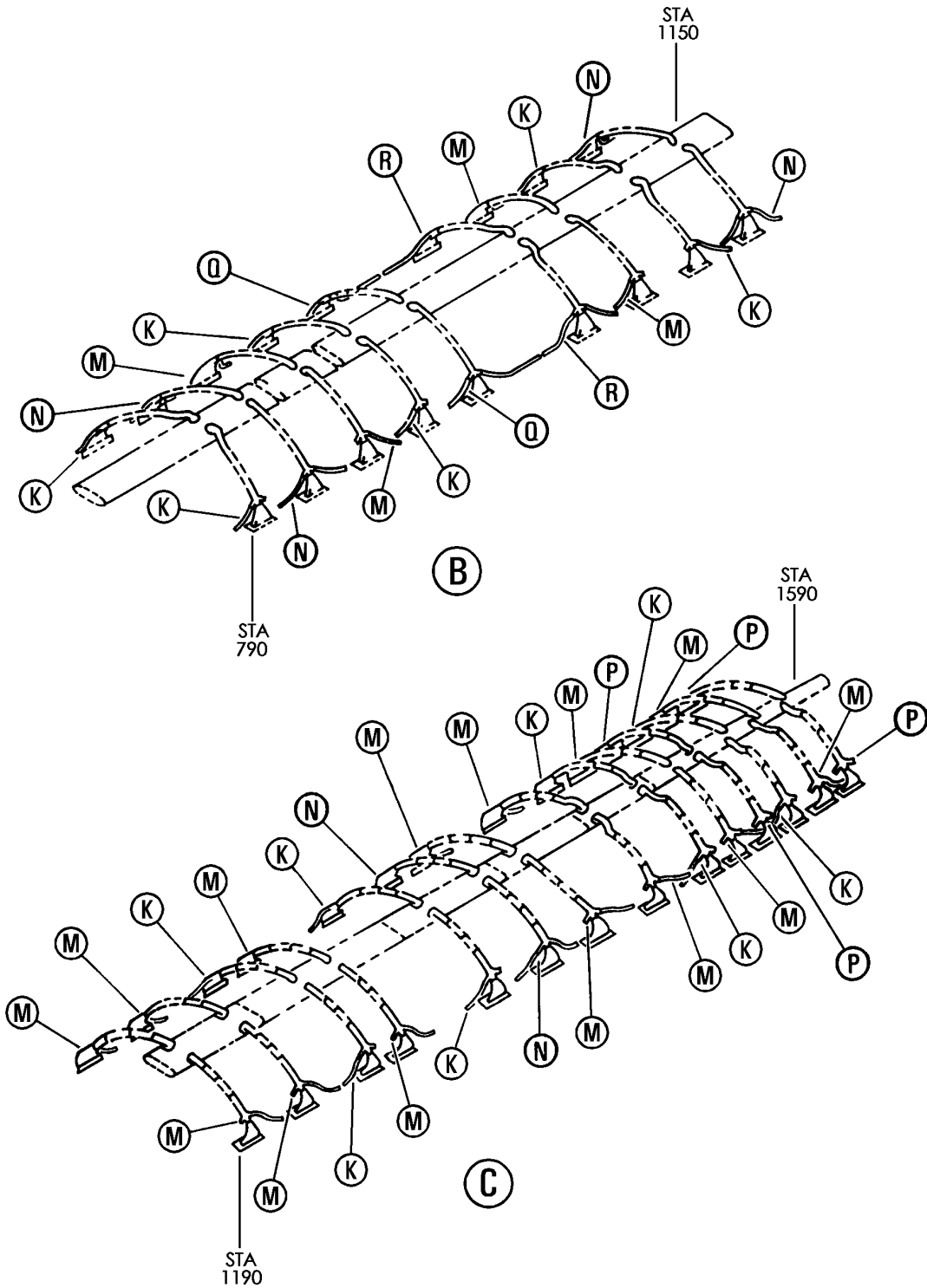
HOSE INSTL-GASPER STA 429 TO 1590
FIGURE 6 (SHEET 1)

21-24-00-06

BRI
JAN 20/09

21-24-00-06
PAGE 0

BOEING
757
PARTS CATALOG (MAINTENANCE)



Y 21240006 SHT 2 REV 218

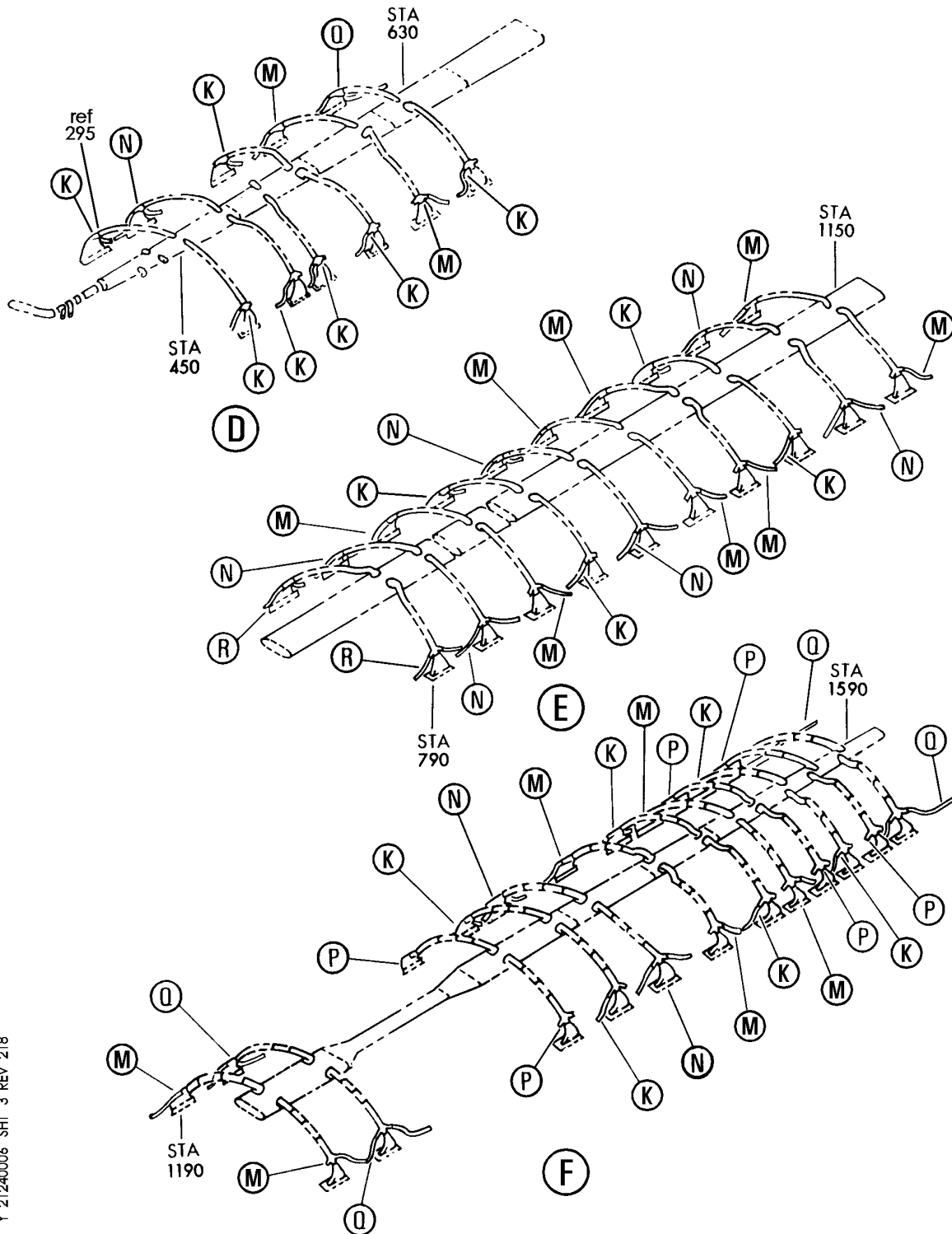
HOSE INSTL-GASPER STA 429 TO 1590
FIGURE 6 (SHEET 2)

21-24-00-06

BRI
JAN 20/09

21-24-00-06
PAGE 0A

BOEING
757
PARTS CATALOG (MAINTENANCE)



Y 21240006 SHT 3 REV 218

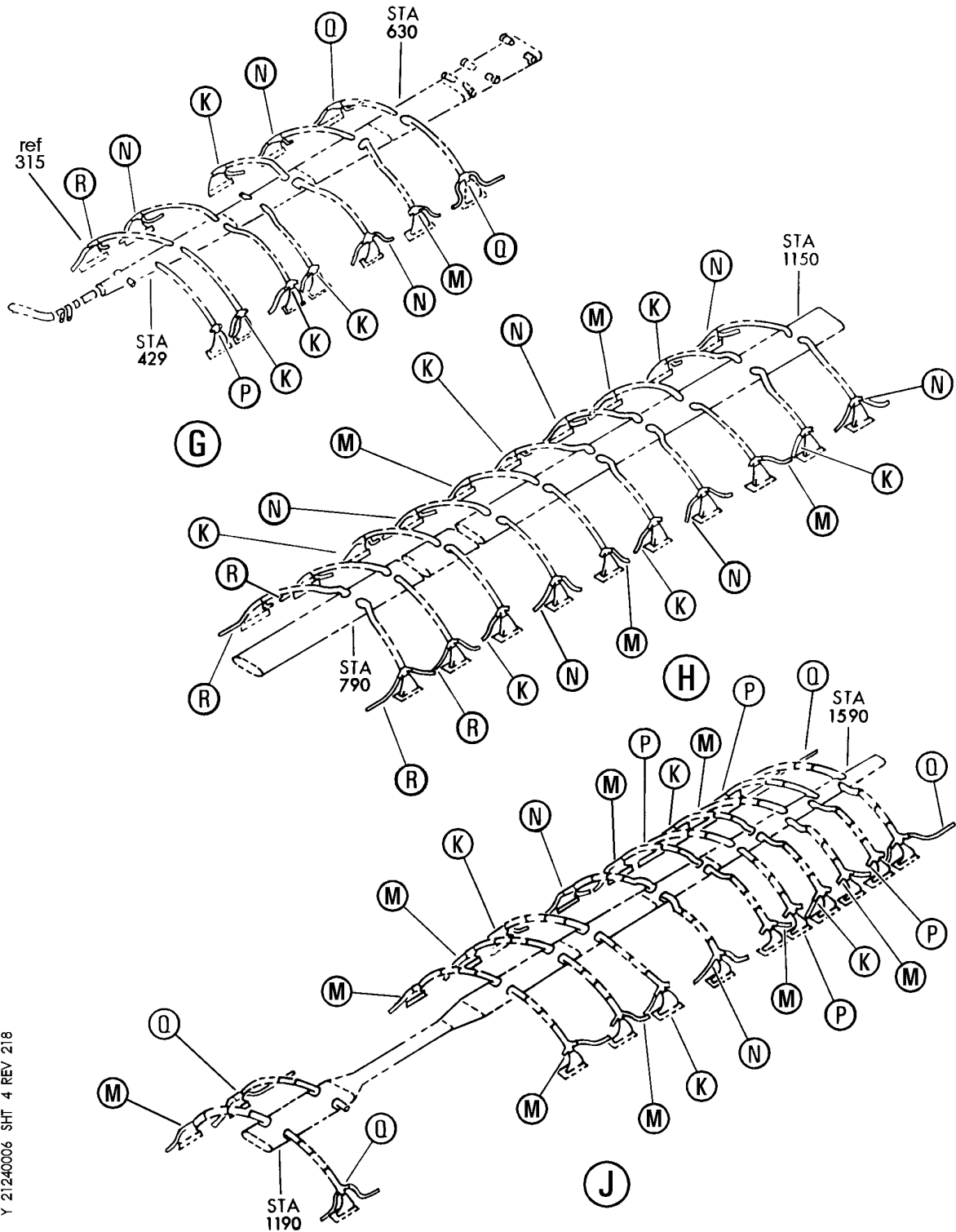
HOSE INSTL-GASPER STA 429 TO 1590
FIGURE 6 (SHEET 3)

21-24-00-06

BRI
JAN 20/09

21-24-00-06
PAGE 0B

BOEING
757
PARTS CATALOG (MAINTENANCE)



Y 21240006 SHT 4 REV 218

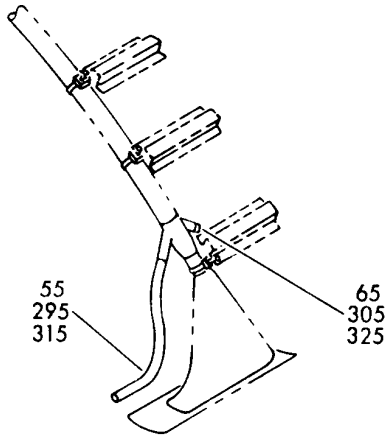
HOSE INSTL-GASPER STA 429 TO 1590
FIGURE 6 (SHEET 4)

21-24-00-06

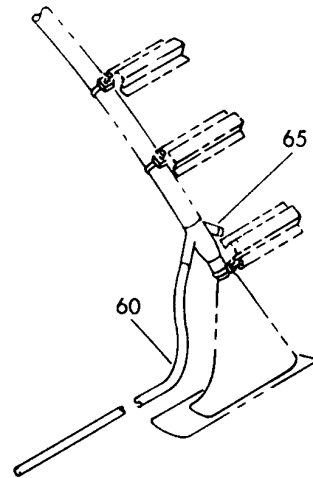
BRI
JAN 20/09

21-24-00-06
PAGE 0C

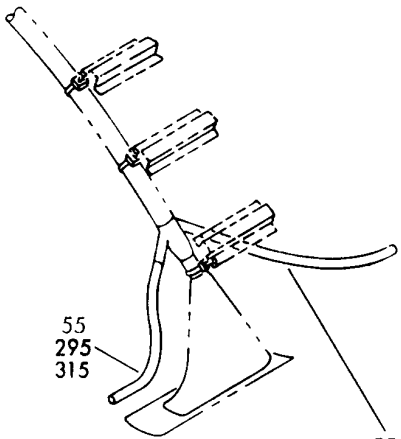
BOEING
757
PARTS CATALOG (MAINTENANCE)



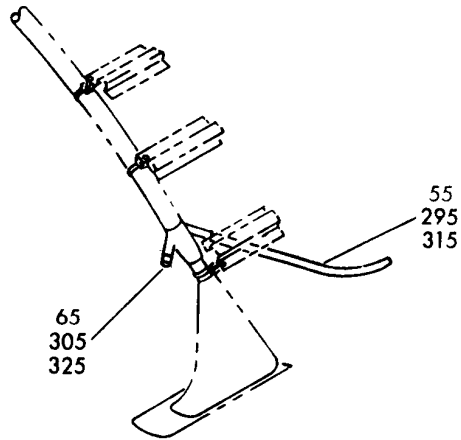
(K)



(L)



(N)



(M)

Y 21240006 SHT 5 REV 218

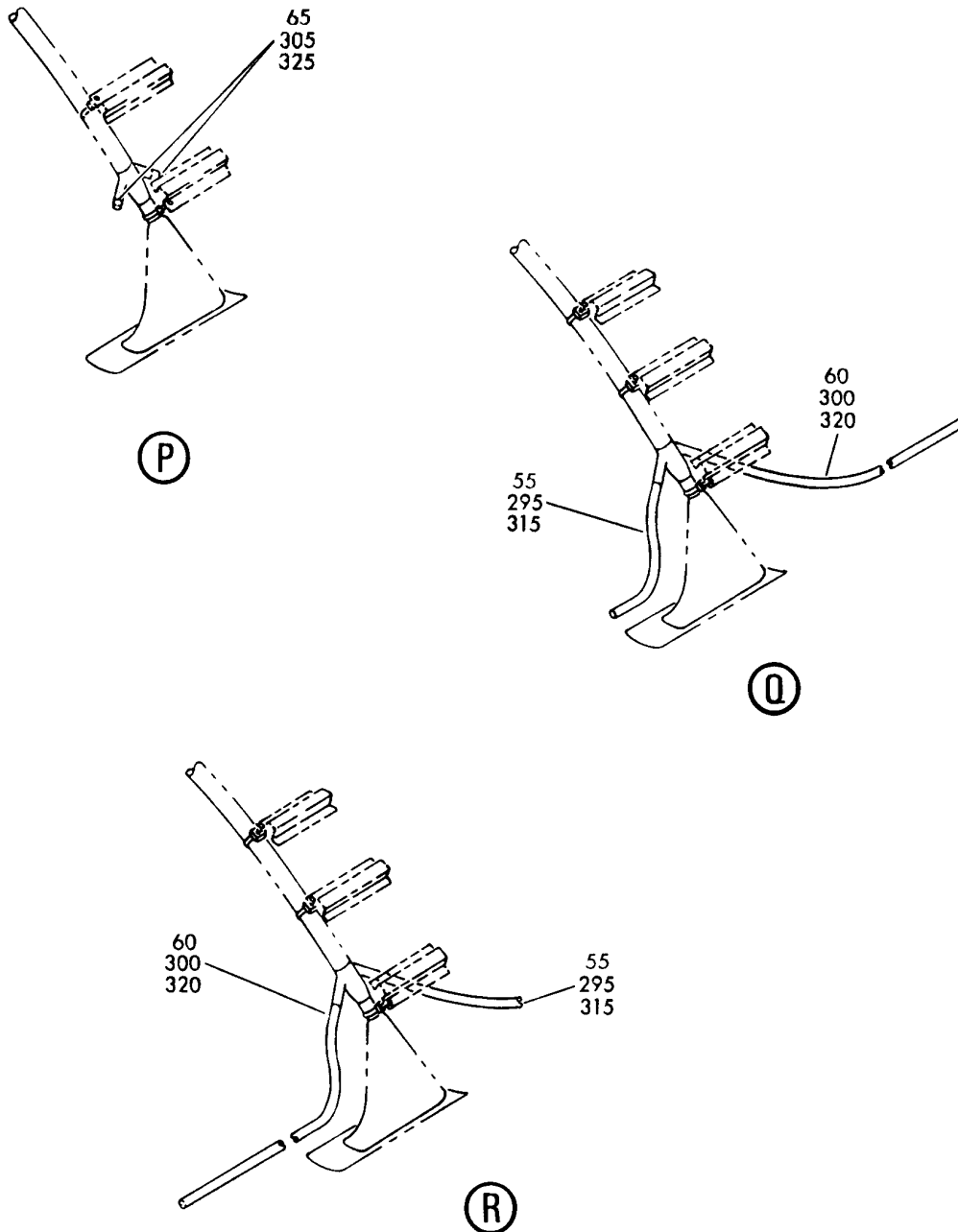
HOSE INSTL-GASPER STA 429 TO 1590
FIGURE 6 (SHEET 5)

21-24-00-06

BRI
JAN 20/09

21-24-00-06
PAGE 0D

BOEING
757
PARTS CATALOG (MAINTENANCE)



Y 21240006 SHT 6 REV 218

HOSE INSTL-GASPER STA 429 TO 1590
FIGURE 6 (SHEET 6)

21-24-00-06

BRI
JAN 20/09

21-24-00-06
PAGE 0E



757

PARTS CATALOG (MAINTENANCE)

| FIG ITEM | PART NUMBER | 1 2 3 4 5 6 7 | NOMENCLATURE | EFFECT FROM TO | UNITS PER ASSY |
|----------|--------------|---------------|---|----------------|----------------|
| 6 | | | HOSE INSTL-GASPER STA 429 TO 1590 | 950951 | |
| - 290 | 65C31493-150 | | HOSE INSTL-GASPER POSITION DATA: STA 429 TO 1590 FOR NHA SEE: 21-00-00-04 | 950951 | RF |
| 295 | BACD40P3A120 | | .DUCT-FLEX | 950951 | 58 |
| 300 | BACD40P3A280 | | .DUCT-FLEX | 950951 | 7 |
| 305 | 750-16 | | .CAP-END SUPPLIER CODE: V15819 OPTIONAL PART: 12-1000 V25205 | 950951 | 45 |
| 305 | 12-1000 | | .CAP-END SUPPLIER CODE: V25205 OPTIONAL PART: 750-16 V15819 | 950951 | 45 |

MISSING ITEM NUMBERS NOT APPLICABLE

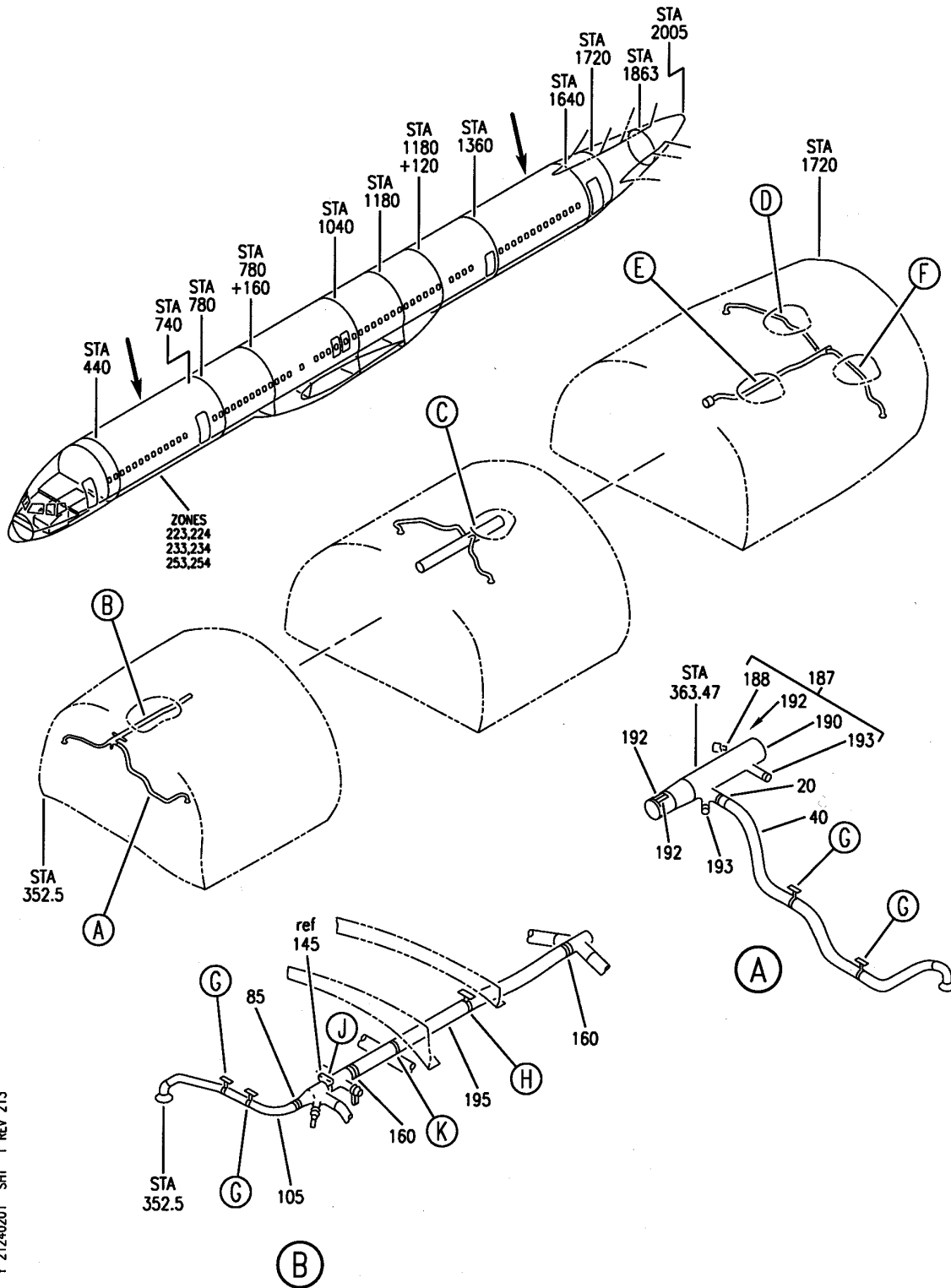
- ITEM NOT ILLUSTRATED

21-24-00-06

21-24-00
FIG. 06
PAGE 1
JAN 20/09

BRI

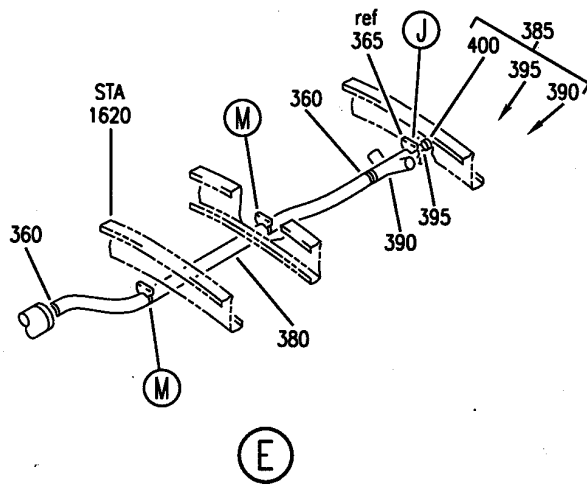
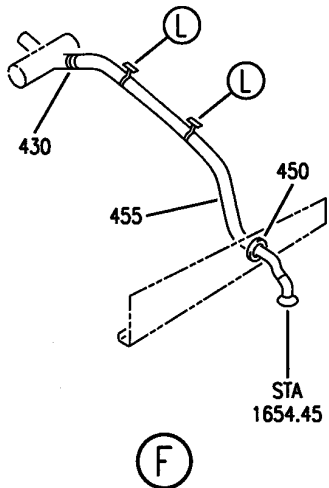
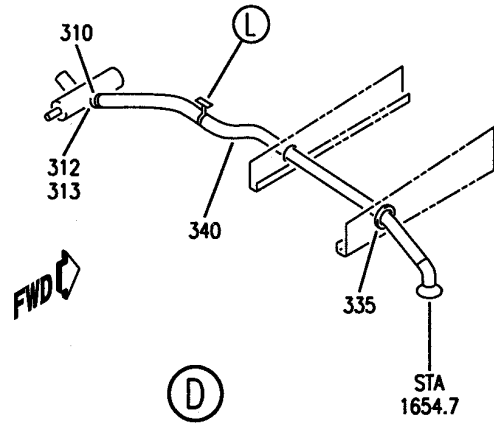
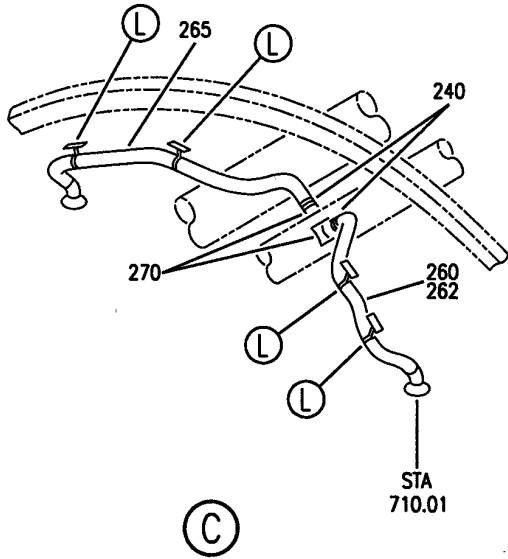
BOEING
757
PARTS CATALOG (MAINTENANCE)



DUCT INSTL-GASPER GALLEY AIR
FIGURE 1 (SHEET 1)

21-24-02-01


BOEING
 757
PARTS CATALOG (MAINTENANCE)



Y 21240201 SHT 2 REV 218

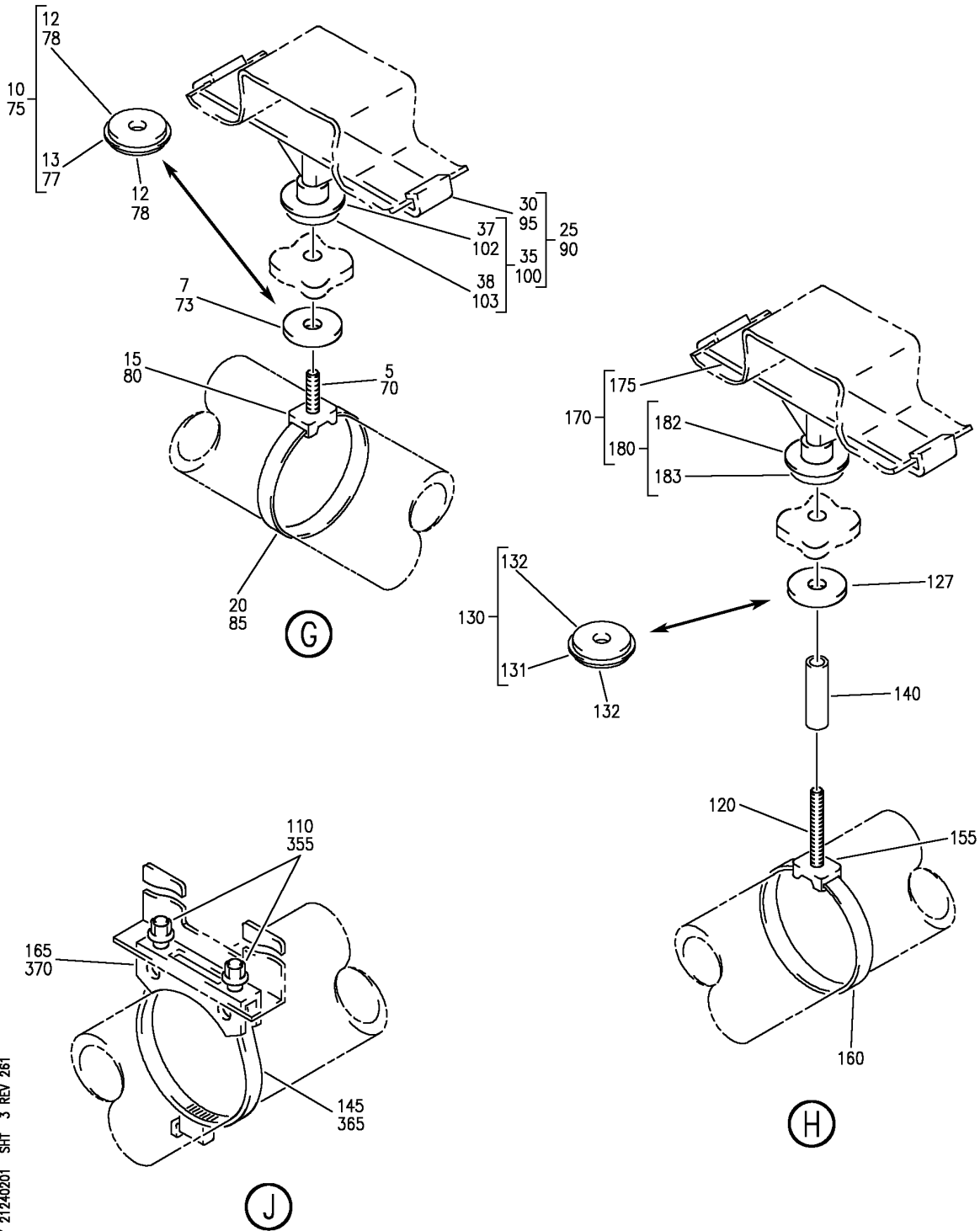
DUCT INSTL-GASPER GALLEY AIR
 FIGURE 1 (SHEET 2)

21-24-02-01

BRI
JAN 20/09

21-24-02-01
 PAGE 0A

BOEING
757
PARTS CATALOG (MAINTENANCE)



Y 21240201 SHT 3 REV 261

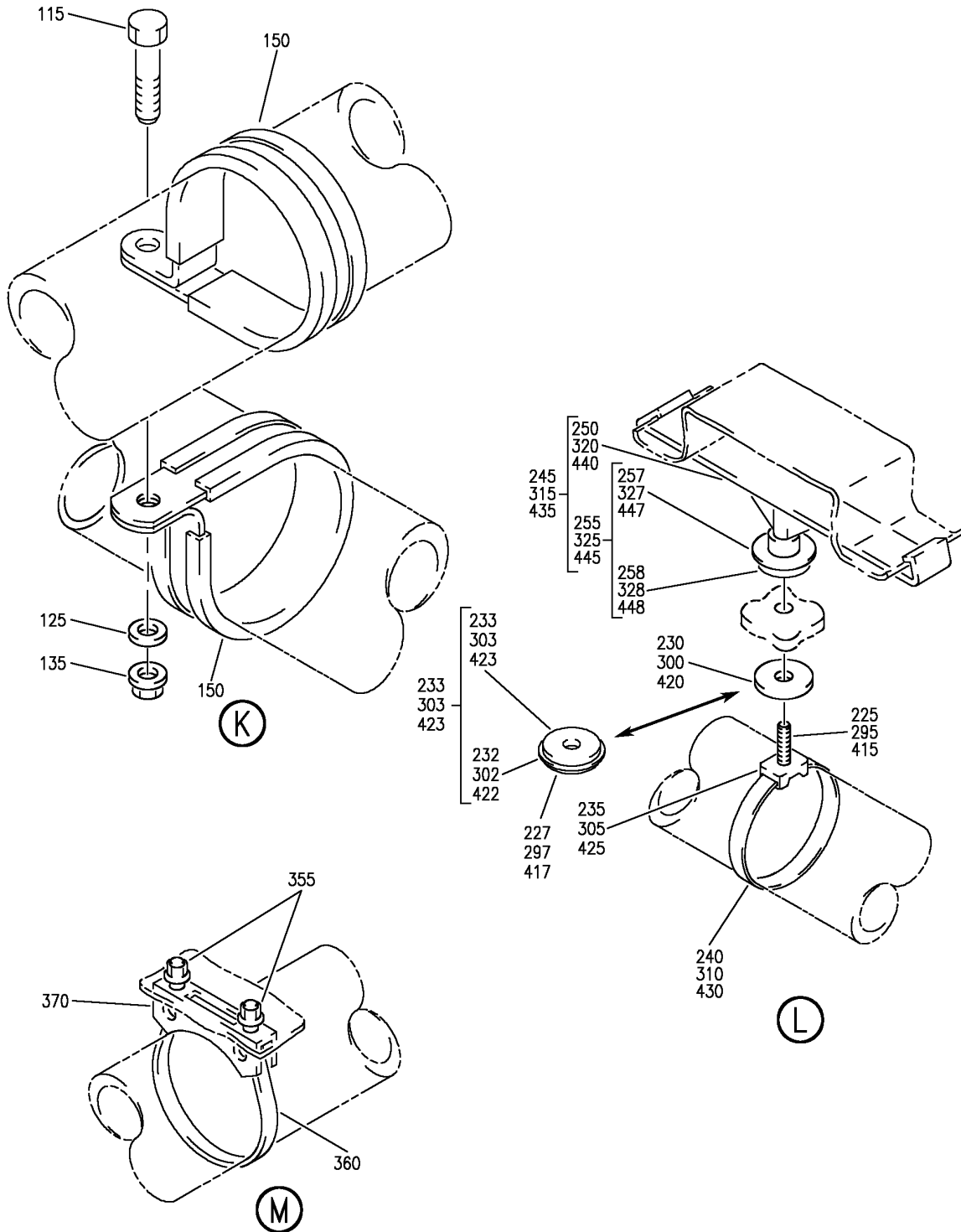
DUCT INSTL-GASPER GALLEY AIR
FIGURE 1 (SHEET 3)

21-24-02-01

BRI
JAN 20/09

21-24-02-01
PAGE 0B

BOEING
757
PARTS CATALOG (MAINTENANCE)



Y 21240201 SHT 4 REV 261

DUCT INSTL-GASPER GALLEY AIR
FIGURE 1 (SHEET 4)

21-24-02-01

BRI
JAN 20/09

21-24-02-01
PAGE 0C



757

PARTS CATALOG (MAINTENANCE)

| FIG ITEM | PART NUMBER | 1 2 3 4 5 6 7 | NOMENCLATURE | EFFECT FROM TO | UNITS PER ASSY |
|----------|-----------------|---------------|---|----------------|----------------|
| 1 | | | DUCT INSTL-GASPER GALLEY AIR | 103106 | |
| - 1 | MODREF6265 | | PROVISIONS INSTL-GASPER GALLEY AIR MODULE NUMBER: 214N2011-100 REV A | 103106 | 1 |
| 5 | BACS12GU3K10 | | .SCREW | 103106 | 2 |
| 7 | BACW10DZ3 | | .WASHER- OPTIONAL PART: 411N4026-12 | 103106 | 2 |
| 10 | 411N4026-12 | | .WASHER ASSY- OPTIONAL PART: BACW10DZ3 | 103106 | 2 |
| 12 | 411N4026-13 | | ..WASHER | 103106 | 1 |
| 13 | 411N4026-7 | | ..TAPE | 103106 | 2 |
| 15 | TM3S10 | | .PLATE SUPPLIER CODE: V06383 SPECIFICATION NUMBER: STBP19M12 | 103106 | 2 |
| 20 | SLT10LHC6 | | .STRAP- SUPPLIER CODE: V06383 | 103106 | 3 |
| 25 | 214N5054-11 | | .SUPPORT ASSY- | 103106 | 2 |
| 30 | 2055155-5B | | ..CLIP-STGR SUPPLIER CODE: V04169 | 103106 | 1 |
| R 35 | 411N4026-2 | | ..CAP ASSY- | 103106 | 1 |
| R 35 | 411N4026-10 | | ..CAP ASSY- | 103106 | 1 |
| 37 | 411N4026-11 | | ...CAP- USED ON: 411N4026-10 | 103106 | 1 |
| 37 | 411N4026-5 | | ...CAP- USED ON: 411N4026-2 | 103106 | 1 |
| 38 | 411N4026-7 | | ...TAPE | 103106 | 1 |
| 40 | AS1591-06-0400A | | .DUCT | 103106 | 1 |
| - 65 | MODREF6266 | | DUCT INSTL-GASPER GALLEY AIR MODULE NUMBER: 214N2011-111 REV A | 103106 | 1 |
| 70 | BACS12GU3K10 | | .SCREW | 103106 | 2 |
| 73 | BACW10DZ3 | | .WASHER- OPTIONAL PART: 411N4026-12 | 103106 | 2 |
| 75 | 411N4026-12 | | .WASHER ASSY- OPTIONAL PART: BACW10DZ3 | 103106 | 2 |
| 77 | 411N4026-13 | | ..WASHER | 103106 | 1 |

MISSING ITEM NUMBERS NOT APPLICABLE

- ITEM NOT ILLUSTRATED

21-24-02-01

21-24-02
FIG. 01
PAGE 1
MAY 20/09

BRI



757

PARTS CATALOG (MAINTENANCE)

| FIG ITEM | PART NUMBER | 1 2 3 4 5 6 7 | NOMENCLATURE | EFFECT FROM TO | UNITS PER ASSY |
|----------|-----------------|---------------|--|----------------|----------------|
| 1 | | | | | |
| 78 | 411N4026-7 | | ..TAPE | 103106 | 2 |
| 80 | TM3S10 | | .PLATE | 103106 | 2 |
| | | | SUPPLIER CODE: V06383 | | |
| | | | SPECIFICATION NUMBER: STBP19M12 | | |
| 85 | SLT10LHC6 | | .STRAP- | 103106 | 3 |
| | | | SUPPLIER CODE: V06383 | | |
| 90 | 214N5054-11 | | .SUPPORT ASSY | 103106 | 2 |
| 95 | 2055155-5B | | ..CLIP-STGR | 103106 | 1 |
| | | | SUPPLIER CODE: V04169 | | |
| R 100 | 411N4026-2 | | ..CAP ASSY- | 103106 | 1 |
| R 100 | 411N4026-10 | | ..CAP ASSY- | 103106 | 1 |
| 102 | 411N4026-11 | | ...CAP- | 103106 | 1 |
| | | | USED ON: 411N4026-10 | | |
| 102 | 411N4026-5 | | ...CAP- | 103106 | 1 |
| | | | USED ON: 411N4026-2 | | |
| 103 | 411N4026-7 | | ...TAPE | 103106 | 1 |
| 105 | AS1591-06-0390A | | .DUCT | 103106 | 1 |
| 110 | BACS12FA3K7 | | .SCREW | 103106 | 2 |
| 115 | BACS12FA3K14 | | .SCREW | 103106 | 1 |
| 120 | NAS514P1032-26P | | .SCREW | 103106 | 1 |
| 125 | NAS1149D0332J | | .WASHER | 103106 | 1 |
| 127 | BACW10DZ3 | | .WASHER- | 103106 | 1 |
| | | | OPTIONAL PART: 411N4026-12 | | |
| 130 | 411N4026-12 | | .WASHER ASSY- | 103106 | 1 |
| | | | OPTIONAL PART: BACW10DZ3 | | |
| 131 | 411N4026-13 | | ..WASHER | 103106 | 1 |
| 132 | 411N4026-7 | | ..TAPE | 103106 | 2 |
| 135 | PLH53CD | | .NUT | 103106 | 1 |
| | | | SUPPLIER CODE: VF0224 | | |
| | | | SPECIFICATION NUMBER: BACN10YR3CD | | |
| | | | OPTIONAL PART: H52732-3CD V15653 | | |
| R 140 | NAS43DD3-67FC | | .SPACER | 103106 | 1 |
| 145 | NAS1922-0225-1 | | .CLAMP | 103106 | 1 |
| 150 | MS21919WDG32 | | .CLAMP | 103106 | 1 |

MISSING ITEM NUMBERS NOT APPLICABLE

- ITEM NOT ILLUSTRATED

21-24-02-01

21-24-02
FIG. 01
PAGE 2
MAY 20/09

BRI



757

PARTS CATALOG (MAINTENANCE)

| FIG ITEM | PART NUMBER | 1 2 3 4 5 6 7 | NOMENCLATURE | EFFECT FROM TO | UNITS PER ASSY |
|----------|-------------|-----------------|--|----------------|----------------|
| 1 | | | | | |
| 155 | TM3S10 | | .PLATE SUPPLIER CODE: V06383 SPECIFICATION NUMBER: STBP19M12 | 103106 | 1 |
| 160 | SLT10LHC6 | | .STRAP- SUPPLIER CODE: V06383 | 103106 | 3 |
| 165 | 214T3424-2 | | .SUPPORT- | 103106 | 1 |
| 170 | 214N5054-11 | | .SUPPORT ASSY | 103106 | 1 |
| 175 | 2055155-5B | | ..CLIP-STGR SUPPLIER CODE: V04169 | 103106 | 1 |
| R | 180 | 411N4026-2 | ..CAP ASSY- | 103106 | 1 |
| R | 180 | 411N4026-10 | ..CAP ASSY- | 103106 | 1 |
| | 182 | 411N4026-11 | ...CAP- USED ON: 411N4026-10 | 103106 | 1 |
| | 182 | 411N4026-5 | ...CAP- USED ON: 411N4026-2 | 103106 | 1 |
| | 183 | 411N4026-7 | ...TAPE | 103106 | 1 |
| | 187 | 214N2103-16 | .DUCT ASSY-TEE | 103106 | 1 |
| | 188 | BAC27EEL7032 | ..DECAL | 103106 | 1 |
| | 190 | 214N2103-13 | ..DUCT | 103106 | 1 |
| | 192 | 214T3436-1585 | ..ORIFICE ASSY | 103106 | 2 |
| | 193 | 12-1000 | ..CAP- SUPPLIER CODE: V25205 | 103106 | 2 |
| | 195 | AS1591-08-0440A | .DUCT | 103106 | 1 |
| - | 220 | MODREF6267 | DUCT INSTL-GASPER GALLEY AIR MODULE NUMBER: 214N2011-203 REV A | 103106 | 1 |
| | 225 | BACS12GU3K10 | .SCREW | 103106 | 4 |
| | 227 | BACW10DZ3 | .WASHER- OPTIONAL PART: 411N4026-12 | 103106 | 4 |
| | 230 | 411N4026-12 | .WASHER ASSY- OPTIONAL PART: BACW10DZ3 | 103106 | 4 |
| | 232 | 411N4026-13 | ..WASHER | 103106 | 1 |
| | 233 | 411N4026-7 | ..TAPE | 103106 | 2 |
| | 235 | TM3S10 | .PLATE SUPPLIER CODE: V06383 SPECIFICATION NUMBER: STBP19M12 | 103106 | 4 |

MISSING ITEM NUMBERS NOT APPLICABLE

- ITEM NOT ILLUSTRATED

21-24-02-01

21-24-02
FIG. 01
PAGE 3
MAY 20/09

BRI



757

PARTS CATALOG (MAINTENANCE)

| FIG ITEM | PART NUMBER | 1 2 3 4 5 6 7 | NOMENCLATURE | EFFECT FROM TO | UNITS PER ASSY |
|----------|-------------|-----------------|--|----------------|----------------|
| 1 | | | | | |
| 240 | SLT10LHC6 | | .STRAP- SUPPLIER CODE: V06383 | 103106 | 6 |
| 245 | 214N5054-14 | | .SUPPORT ASSY | 103106 | 4 |
| 250 | 2055155-5C | | ..CLIP-STGR SUPPLIER CODE: V04169 | 103106 | 1 |
| R | 255 | 411N4026-2 | ..CAP ASSY- | 103106 | 1 |
| R | 255 | 411N4026-10 | ..CAP ASSY- | 103106 | 1 |
| | 257 | 411N4026-11 | ...CAP- USED ON: 411N4026-10 | 103106 | 1 |
| | 257 | 411N4026-5 | ...CAP- USED ON: 411N4026-2 | 103106 | 1 |
| | 258 | 411N4026-7 | ...TAPE | 103106 | 1 |
| R | 262 | AS1591-06-0350A | .HOSE- SUPPLIER CODE: V81343 | 103106 | 1 |
| R | 265 | AS1591-06-0470A | .DUCT | 103106 | 1 |
| R | 270 | 214T3436-1585 | .ORIFICE ASSY | 103106 | 2 |
| - | 290 | MODREF6268 | DUCT INSTL-GASPER GALLEY AIR MODULE NUMBER: 214N2011-401 REV A | 103106 | 1 |
| | 295 | BACS12GU3K10 | .SCREW | 103106 | 1 |
| | 297 | BACW10DZ3 | .WASHER- OPTIONAL PART: 411N4026-12 | 103106 | 1 |
| | 300 | 411N4026-12 | .WASHER ASSY- OPTIONAL PART: BACW10DZ3 | 103106 | 1 |
| | 302 | 411N4026-13 | ..WASHER | 103106 | 1 |
| | 303 | 411N4026-7 | ..TAPE | 103106 | 2 |
| | 305 | TM3S10 | .PLATE SUPPLIER CODE: V06383 SPECIFICATION NUMBER: STBP19M12 | 103106 | 1 |
| | 310 | SLT10LHC6 | .STRAP- SUPPLIER CODE: V06383 | 103106 | 2 |
| | 315 | 214N5054-14 | .SUPPORT ASSY | 103106 | 1 |
| | 320 | 2055155-5C | ..CLIP-STGR SUPPLIER CODE: V04169 | 103106 | 1 |
| R | 325 | 411N4026-2 | ..CAP ASSY- | 103106 | 1 |
| R | 325 | 411N4026-10 | ..CAP ASSY- | 103106 | 1 |

MISSING ITEM NUMBERS NOT APPLICABLE

- ITEM NOT ILLUSTRATED

21-24-02-01

21-24-02
FIG. 01
PAGE 4
MAY 20/09

BRI



757

PARTS CATALOG (MAINTENANCE)

| FIG ITEM | PART NUMBER | 1 2 3 4 5 6 7 | NOMENCLATURE | EFFECT FROM TO | UNITS PER ASSY |
|----------|-----------------|---------------|---|----------------|----------------|
| 1 | | | | | |
| 327 | 411N4026-11 | ... | CAP- USED ON: 411N4026-10 | 103106 | 1 |
| 327 | 411N4026-5 | ... | CAP- USED ON: 411N4026-2 | 103106 | 1 |
| 328 | 411N4026-7 | ... | TAPE | 103106 | 1 |
| 335 | BACG20AD815 | . | GROMMET | 103106 | 1 |
| 340 | AS1591-06-0350A | . | HOSE- SUPPLIER CODE: V81343 | 103106 | 1 |
| - 350 | MODREF6270 | | DUCT INSTL-GASPER GALLEY AIR MODULE NUMBER: 214N2011-431 REV A | 103106 | 1 |
| 355 | BACS12FA3K7 | . | SCREW | 103106 | 6 |
| 360 | SLT10LHC6 | . | STRAP- SUPPLIER CODE: V06383 | 103106 | 4 |
| 365 | 32 | . | CLAMP- SUPPLIER CODE: V7Z588 SPECIFICATION NUMBER: STBC10GG66-82 OPTIONAL PART: WWD66-82H V66295 | 103106 | 1 |
| 370 | 214T3424-2 | . | SUPPORT | 103106 | 3 |
| 380 | AS1591-08-0520A | . | DUCT | 103106 | 1 |
| 385 | 214N2103-17 | . | DUCT | 103106 | 1 |
| 390 | 214N2103-14 | .. | DUCT | 103106 | 1 |
| 395 | PLT4SM | .. | STRAP SUPPLIER CODE: V06383 SPECIFICATION NUMBER: BACS38K2 OPTIONAL PART: T05LO V53421 | 103106 | 1 |
| 400 | 12-1000 | .. | CAP- SUPPLIER CODE: V25205 | 103106 | 1 |
| - 410 | MODREF6269 | | DUCT INSTL-GASPER GALLEY AIR MODULE NUMBER: 214N2011-421 REV A | 103106 | 1 |
| 415 | BACS12GU3K10 | . | SCREW | 103106 | 2 |

MISSING ITEM NUMBERS NOT APPLICABLE

- ITEM NOT ILLUSTRATED

BRI

21-24-02-01

21-24-02
FIG. 01
PAGE 5
MAY 20/09

 **BOEING**
757
PARTS CATALOG (MAINTENANCE)

| FIG ITEM | PART NUMBER | 1 2 3 4 5 6 7 | NOMENCLATURE | EFFECT FROM TO | UNITS PER ASSY |
|-------------|-------------|-----------------|--|-------------------|----------------------|
| 1 | | | | | |
| 417 | BACW10DZ3 | | .WASHER- OPTIONAL PART: 411N4026-12 | 103106 | 2 |
| 420 | 411N4026-12 | | .WASHER ASSY- OPTIONAL PART: BACW10DZ3 | 103106 | 2 |
| 422 | 411N4026-13 | | ..WASHER | 103106 | 1 |
| 423 | 411N4026-7 | | ..TAPE | 103106 | 2 |
| 425 | TM3S10 | | .PLATE SUPPLIER CODE: V06383 SPECIFICATION NUMBER: STBP19M12 | 103106 | 2 |
| 430 | SLT10LHC6 | | .STRAP- SUPPLIER CODE: V06383 | 103106 | 3 |
| 435 | 214N5054-14 | | .SUPPORT ASSY | 103106 | 2 |
| 440 | 2055155-5C | | ..CLIP-STGR SUPPLIER CODE: V04169 | 103106 | 1 |
| R | 445 | 411N4026-2 | ..CAP ASSY- | 103106 | 1 |
| R | 445 | 411N4026-10 | ..CAP ASSY- | 103106 | 1 |
| | 447 | 411N4026-11 | ...CAP- USED ON: 411N4026-10 | 103106 | 1 |
| | 447 | 411N4026-5 | ...CAP- USED ON: 411N4026-2 | 103106 | 1 |
| | 448 | 411N4026-7 | ...TAPE | 103106 | 1 |
| | 450 | BACG20AD815 | .GROMMET | 103106 | 1 |
| | 455 | AS1591-06-0320A | .DUCT | 103106 | 1 |

MISSING ITEM NUMBERS NOT APPLICABLE

— ITEM NOT ILLUSTRATED

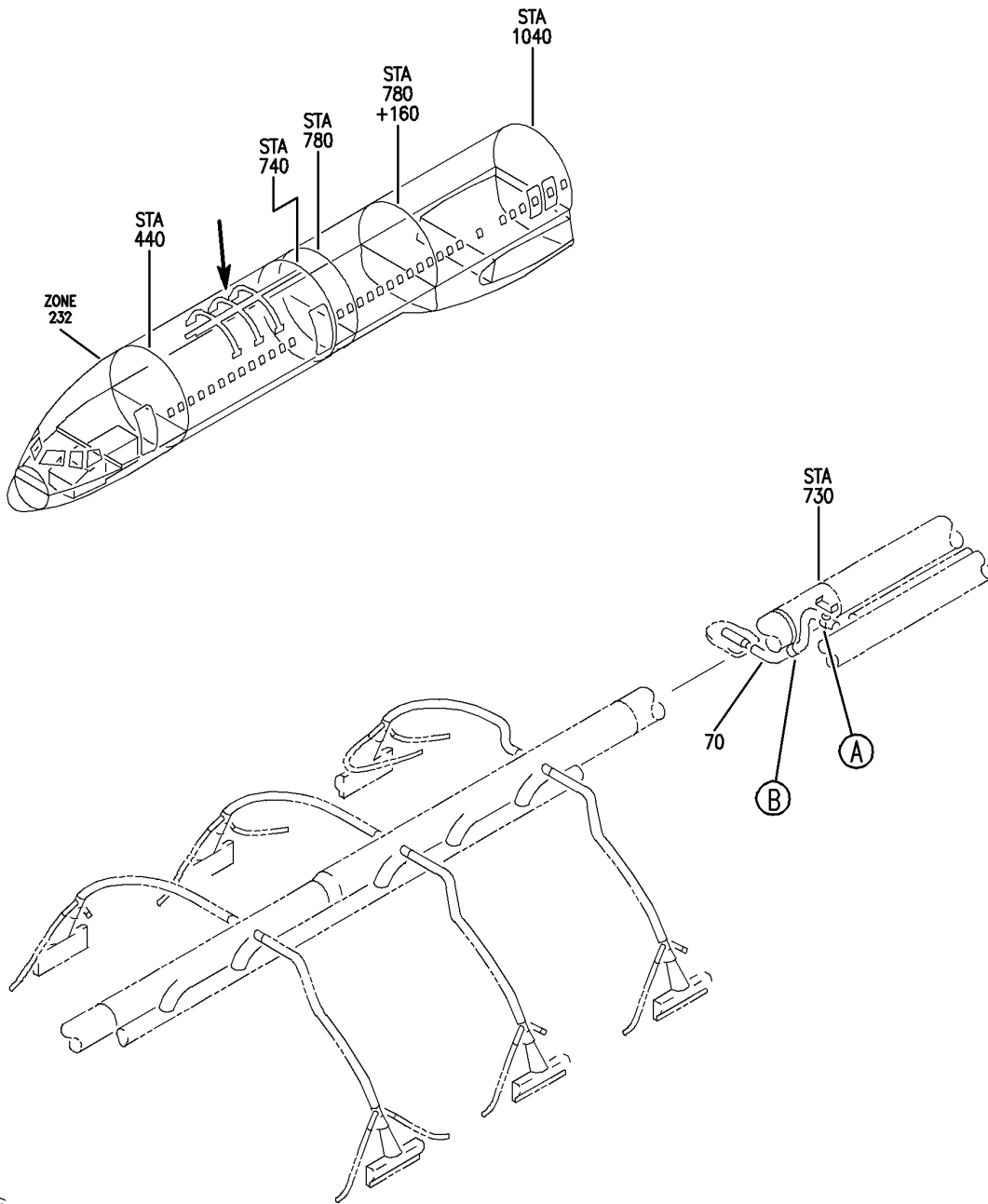
BRI

21-24-02-01

BOEING PROPRIETARY - Copyright © - Unpublished Work - See title page for details.

21-24-02
FIG. 01
PAGE 6
MAY 20/09

BOEING
757
PARTS CATALOG (MAINTENANCE)



Y 21240210 SHT 1 REV 237

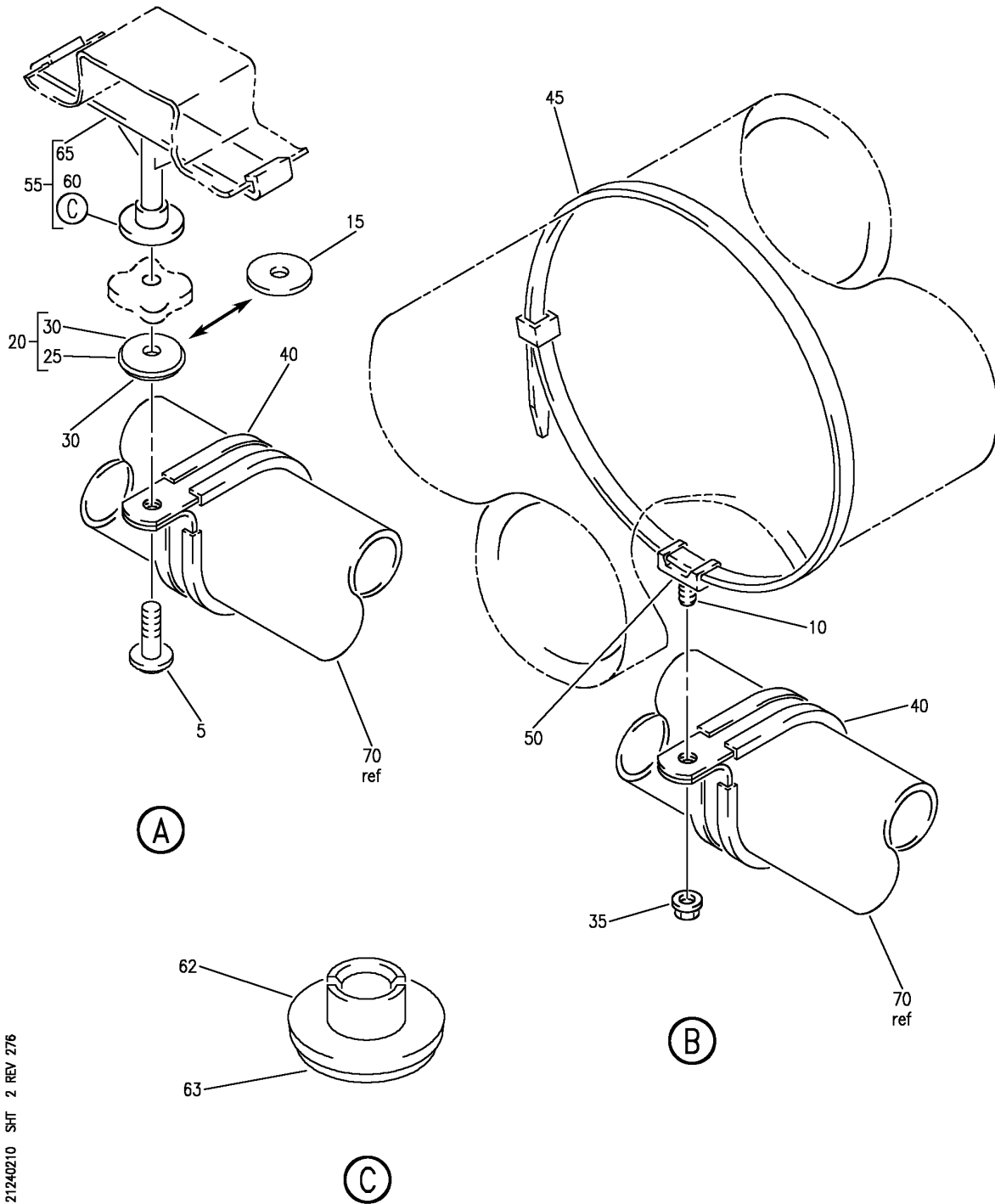
HOSE INSTL-GASPER
FIGURE 10 (SHEET 1)

21-24-02-10

BRI
JAN 20/09

21-24-02-10
PAGE 0

BOEING
757
PARTS CATALOG (MAINTENANCE)



Y 21240210 SHT 2 REV 276

HOSE INSTL-GASPER
FIGURE 10 (SHEET 2)

21-24-02-10

BRI
JAN 20/09

21-24-02-10
PAGE 0A



757

PARTS CATALOG (MAINTENANCE)

| FIG ITEM | PART NUMBER | 1 2 3 4 5 6 7 | NOMENCLATURE | EFFECT FROM TO | UNITS PER ASSY |
|----------|--------------|---------------|--|----------------|----------------|
| 10 | | | HOSE INSTL-GASPER | 106106 | |
| - 1 | MODREF5222 | | HOSE INSTL- MODULE NUMBER: 214N4002-201 REV A POSITION DATA: FWD RH SIDE | 106106 | 1 |
| 5 | BACS12FA3K12 | | .SCREW | 106106 | 1 |
| 10 | BACS12GU3K10 | | .SCREW | 106106 | 1 |
| 15 | BACW10DZ3 | | .WASHER- | 106106 | 1 |
| 25 | 411N4026-13 | | ..WASHER | 106106 | 1 |
| 30 | 411N4026-7 | | ..TAPE-FOAM | 106106 | 2 |
| 35 | MS21042L3 | | .NUT | 106106 | 1 |
| 40 | BACC10DK19 | | .CLAMP | 106106 | 2 |
| 45 | T012LO | | .STRAP SUPPLIER CODE: V53421 SPECIFICATION NUMBER: BACS38K6 | 106106 | 1 |
| 50 | TM3S10 | | .PLATE-MTG SUPPLIER CODE: V06383 SPECIFICATION NUMBER: STBP19M12 | 106106 | 1 |
| 55 | 214N5054-14 | | .SUPPORT ASSY | 106106 | 1 |
| 60 | 411N4026-2 | | ..CAP ASSY- OPTIONAL PART: 411N4026-10 | 106106 | 1 |
| 60 | 411N4026-10 | | ..CAP ASSY- OPTIONAL PART: 411N4026-2 | 106106 | 1 |
| 62 | 411N4026-5 | | ...CAP- USED ON: 411N4026-2 | 106106 | 1 |
| 62 | 411N4026-11 | | ...CAP- USED ON: 411N4026-10 | 106106 | 1 |
| 63 | 411N4026-7 | | ...TAPE | 106106 | 1 |
| 65 | 2055155-5C | | ..CLIP- SUPPLIER CODE: V04169 | 106106 | 1 |
| 70 | BACD40P3A420 | | .DUCT-FLEX | 106106 | 1 |

MISSING ITEM NUMBERS NOT APPLICABLE

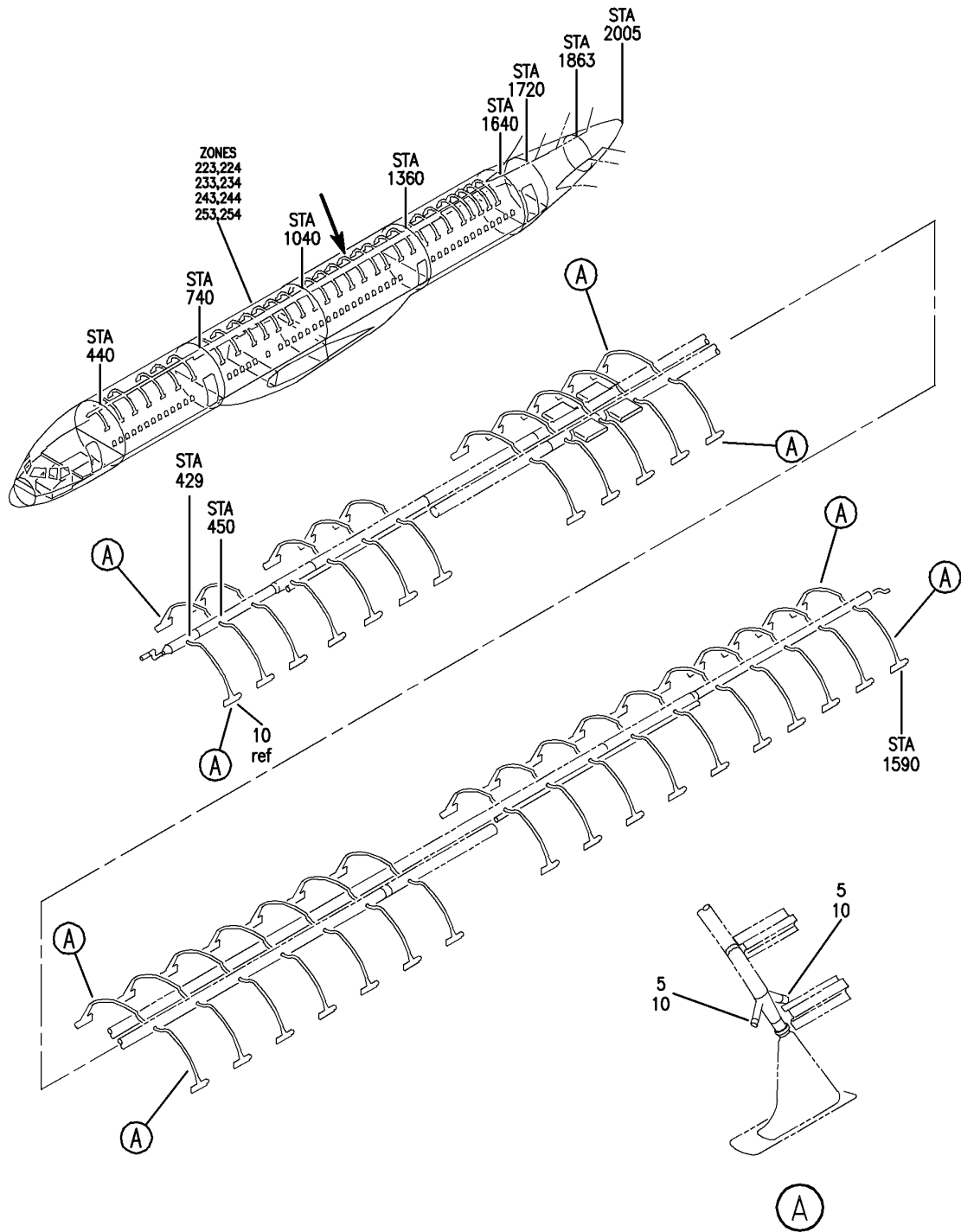
- ITEM NOT ILLUSTRATED

BRI

21-24-02-10

21-24-02
FIG. 10
PAGE 1
JAN 20/09

BOEING
757
PARTS CATALOG (MAINTENANCE)



Y 21240210C REV 237

HOSE INSTL-GASPER
FIGURE 10C

21-24-02-10C

BRI
MAY 28/07

21-24-02-10C
PAGE 0



757

PARTS CATALOG (MAINTENANCE)

| FIG ITEM | PART NUMBER | 1 2 3 4 5 6 7 | NOMENCLATURE | EFFECT FROM TO | UNITS PER ASSY |
|----------|-------------|---------------|--|------------------|----------------|
| 10C | | | | | |
| - 1 | 214N4002-11 | | HOSE INSTL-GASPER HOSE INSTL- POSITION DATA: STA 429 TO 1590 FOR NHA SEE: 21-00-00-15 | 101102 101102 | RF |
| 5 | 12-1000 | | .CAP-END SUPPLIER CODE: V25205 | 101102 | 110 |
| 10 | 12-1000 | | .CAP-END SUPPLIER CODE: V25205 | 101102 | 2 |

MISSING ITEM NUMBERS NOT APPLICABLE

- ITEM NOT ILLUSTRATED

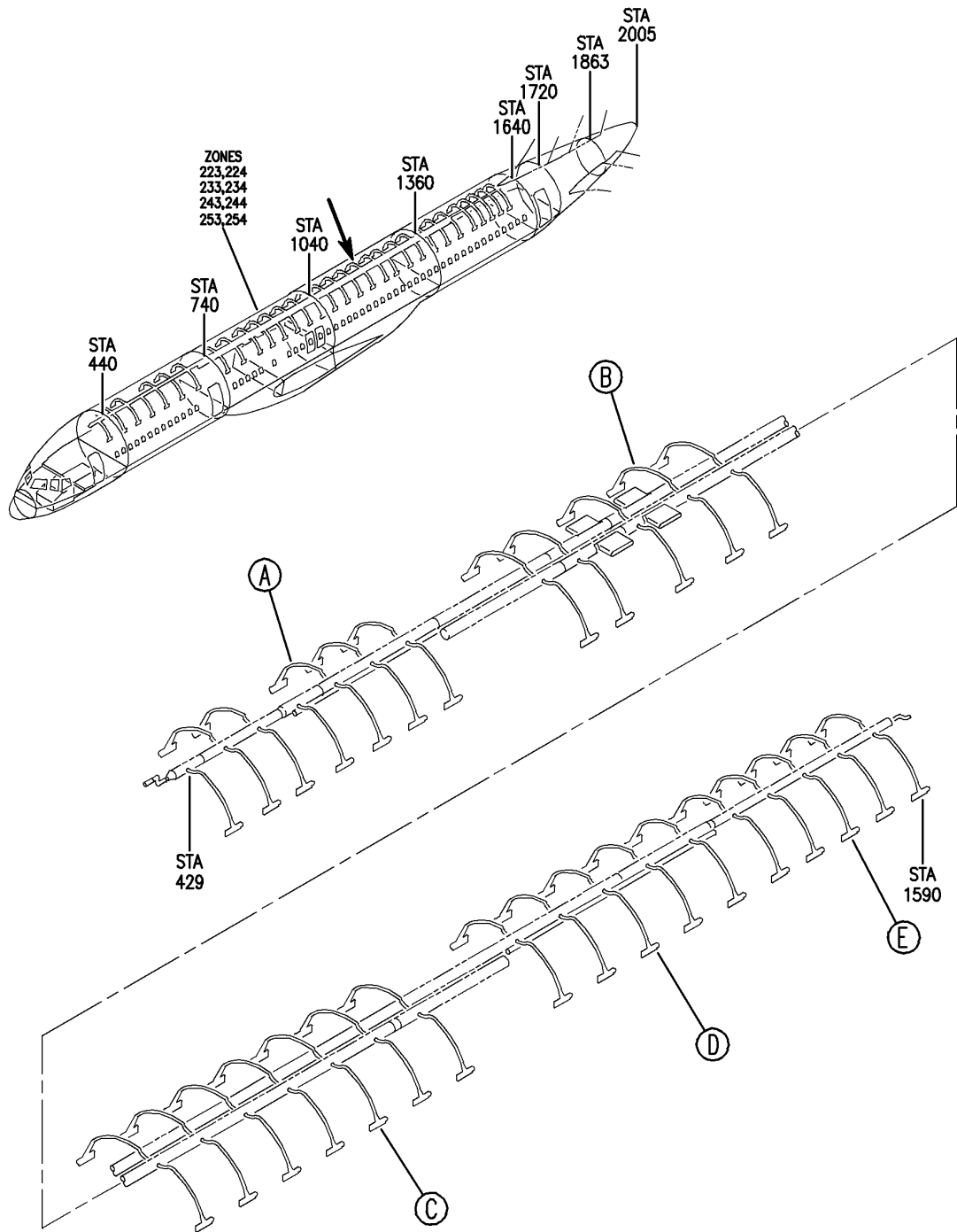
BRI

21-24-02-10C

BOEING PROPRIETARY - Copyright © - Unpublished Work - See title page for details.

21-24-02
FIG. 10C
PAGE 1
JAN 20/09

BOEING
757
PARTS CATALOG (MAINTENANCE)



Y 21240210U SHT 1 REV 237

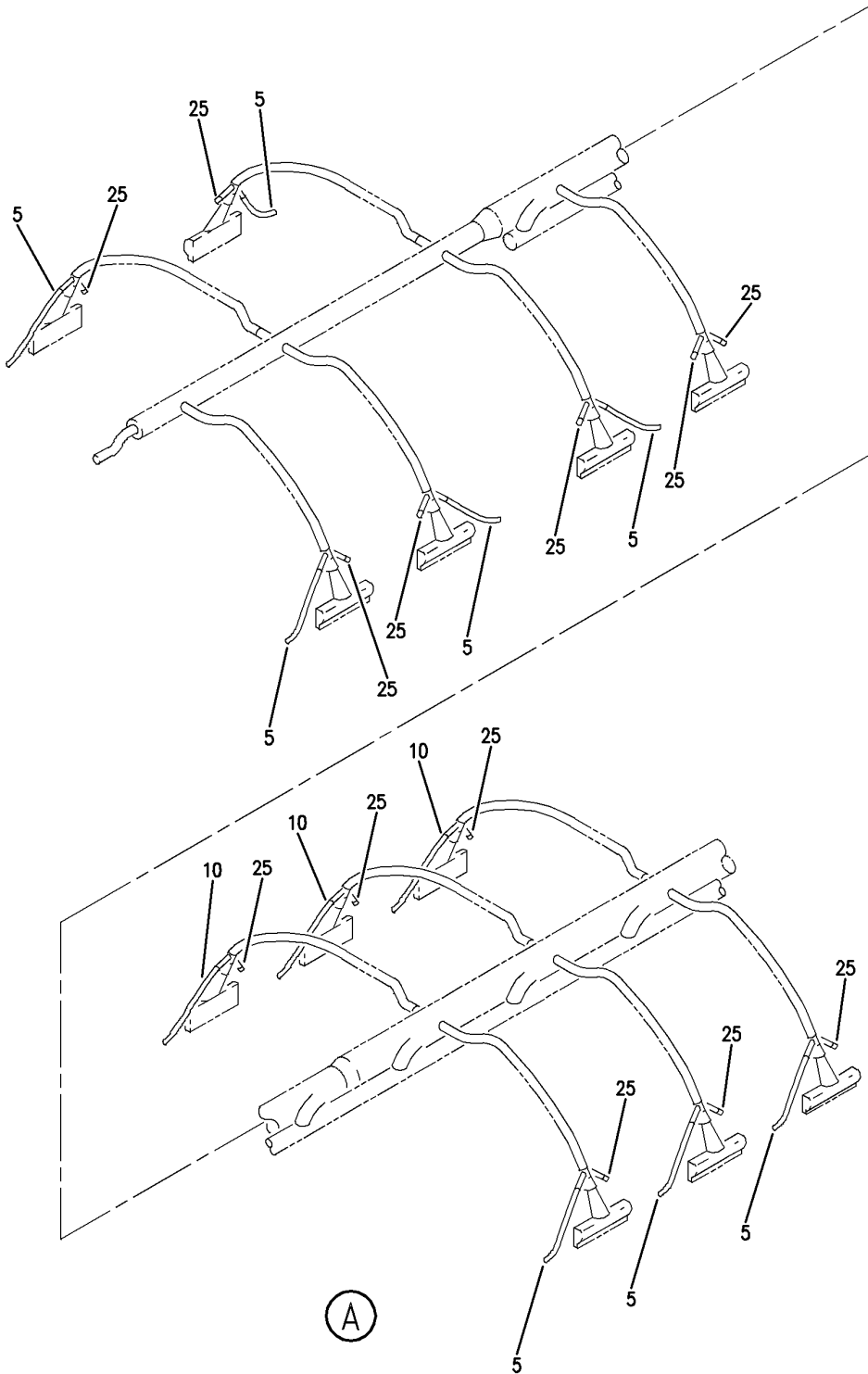
HOSE INSTL-GASPER
FIGURE 10U (SHEET 1)

21-24-02-10U

BRI
JAN 20/09

21-24-02-10U
PAGE 0

BOEING
757
PARTS CATALOG (MAINTENANCE)



Y 21240210U SHT 2 REV 237

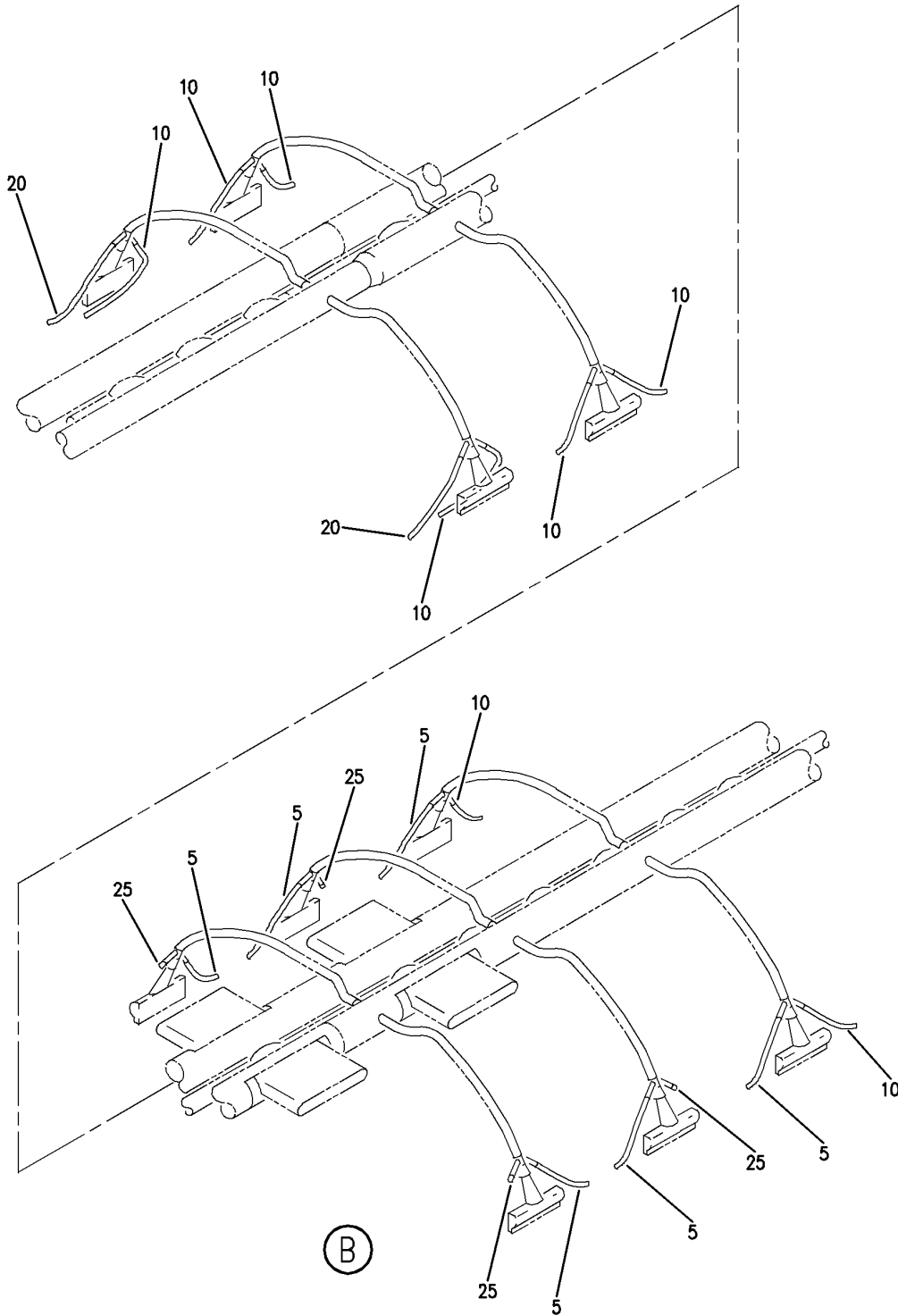
HOSE INSTL-GASPER
FIGURE 10U (SHEET 2)

21-24-02-10U

BRI
JAN 20/09

21-24-02-10U
PAGE 0A

BOEING
757
PARTS CATALOG (MAINTENANCE)



Y 21240210U SHT 3 REV 237

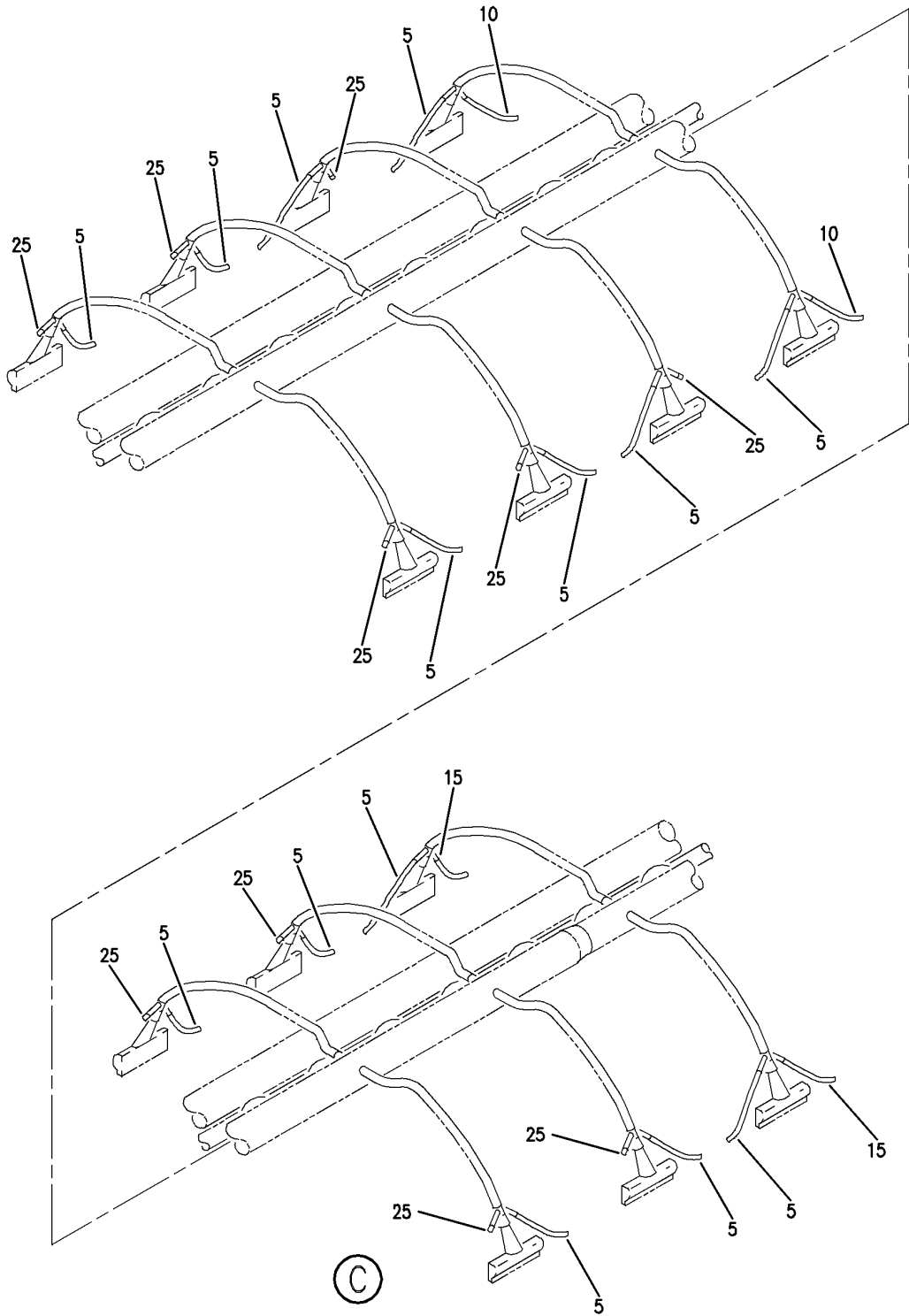
HOSE INSTL-GASPER
FIGURE 10U (SHEET 3)

21-24-02-10U

BRI
JAN 20/09

21-24-02-10U
PAGE 0B

BOEING
757
PARTS CATALOG (MAINTENANCE)



Y 21240210U SHT 4 REV 237

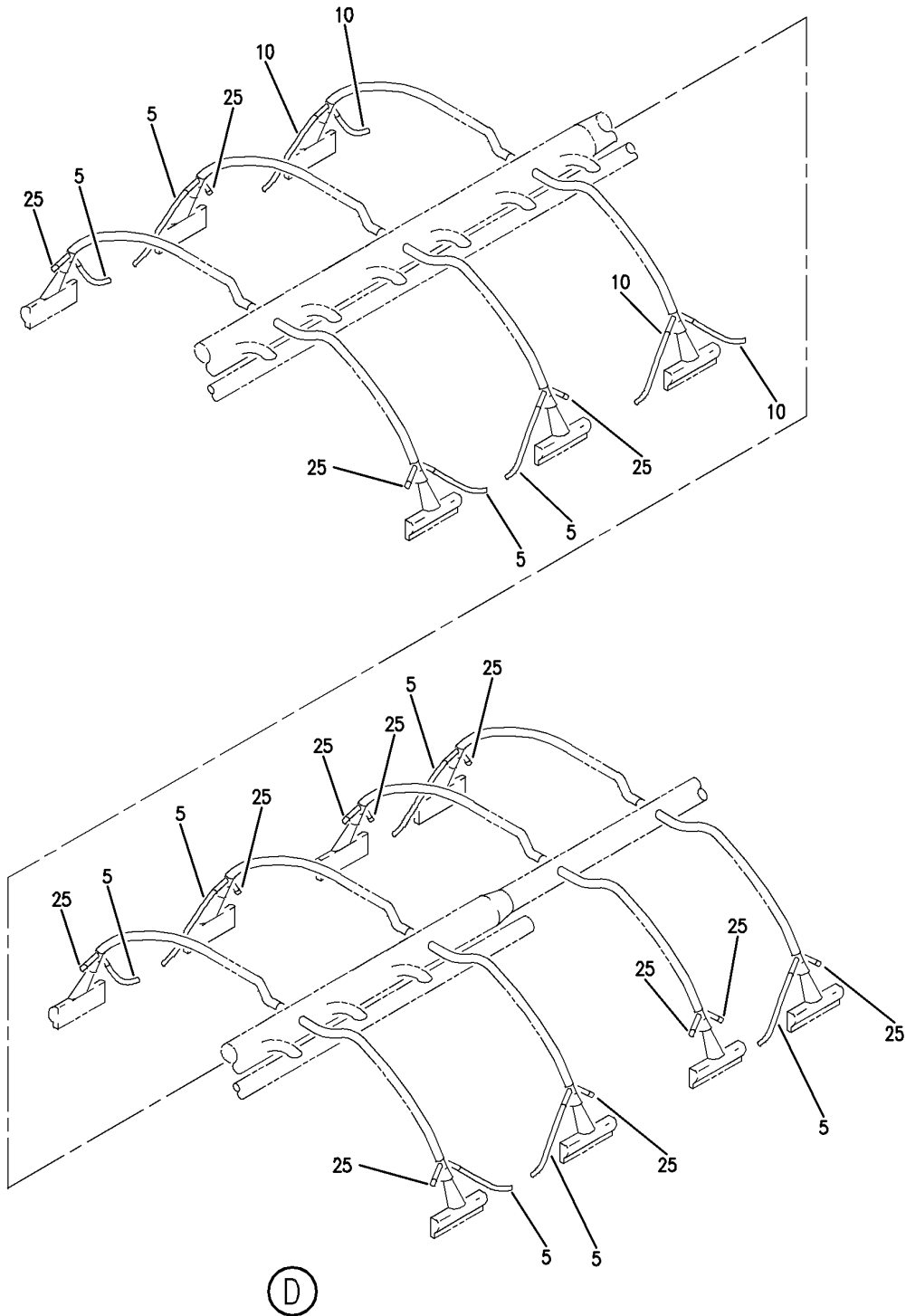
HOSE INSTL-GASPER
FIGURE 10U (SHEET 4)

21-24-02-10U

BRI
JAN 20/09

21-24-02-10U
PAGE 0C

BOEING
757
PARTS CATALOG (MAINTENANCE)



Y 21240210U SHT 5 REV 237

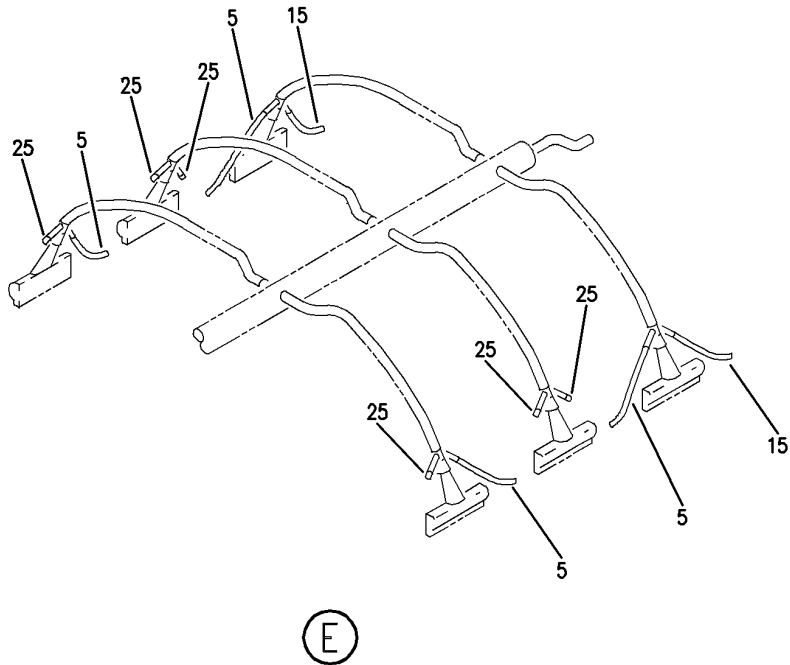
HOSE INSTL-GASPER
FIGURE 10U (SHEET 5)

21-24-02-10U

BRI
JAN 20/09

21-24-02-10U
PAGE 0D

BOEING
757
PARTS CATALOG (MAINTENANCE)



Y 21240210U SHT 6 REV 237

HOSE INSTL-GASPER
FIGURE 10U (SHEET 6)

21-24-02-10U

BRI
JAN 20/09

21-24-02-10U
PAGE 0E



757

PARTS CATALOG (MAINTENANCE)

| FIG ITEM | PART NUMBER | 1 2 3 4 5 6 7 | NOMENCLATURE | EFFECT FROM TO | UNITS PER ASSY |
|----------|--------------|---------------|--|------------------|----------------|
| 10U | | | | | |
| - 1 | 214N4002-27 | | HOSE INSTL-GASPER HOSE INSTL-GASPER POSITION DATA: STA 429 TO 1590 FOR NHA SEE: 21-00-00-12 | 108120 108120 | RF |
| 5 | BACD40P3A120 | | .DUCT-FLEX | 108120 | 42 |
| 10 | BACD40P3A180 | | .DUCT-FLEX | 108120 | 17 |
| 15 | BACD40P3A280 | | .DUCT-FLEX | 108120 | 4 |
| 20 | BACD40P3A450 | | .DUCT-FLEX | 108120 | 2 |
| 25 | 12-1000 | | .CAP-END SUPPLIER CODE: V25205 | 108120 | 47 |

MISSING ITEM NUMBERS NOT APPLICABLE

- ITEM NOT ILLUSTRATED

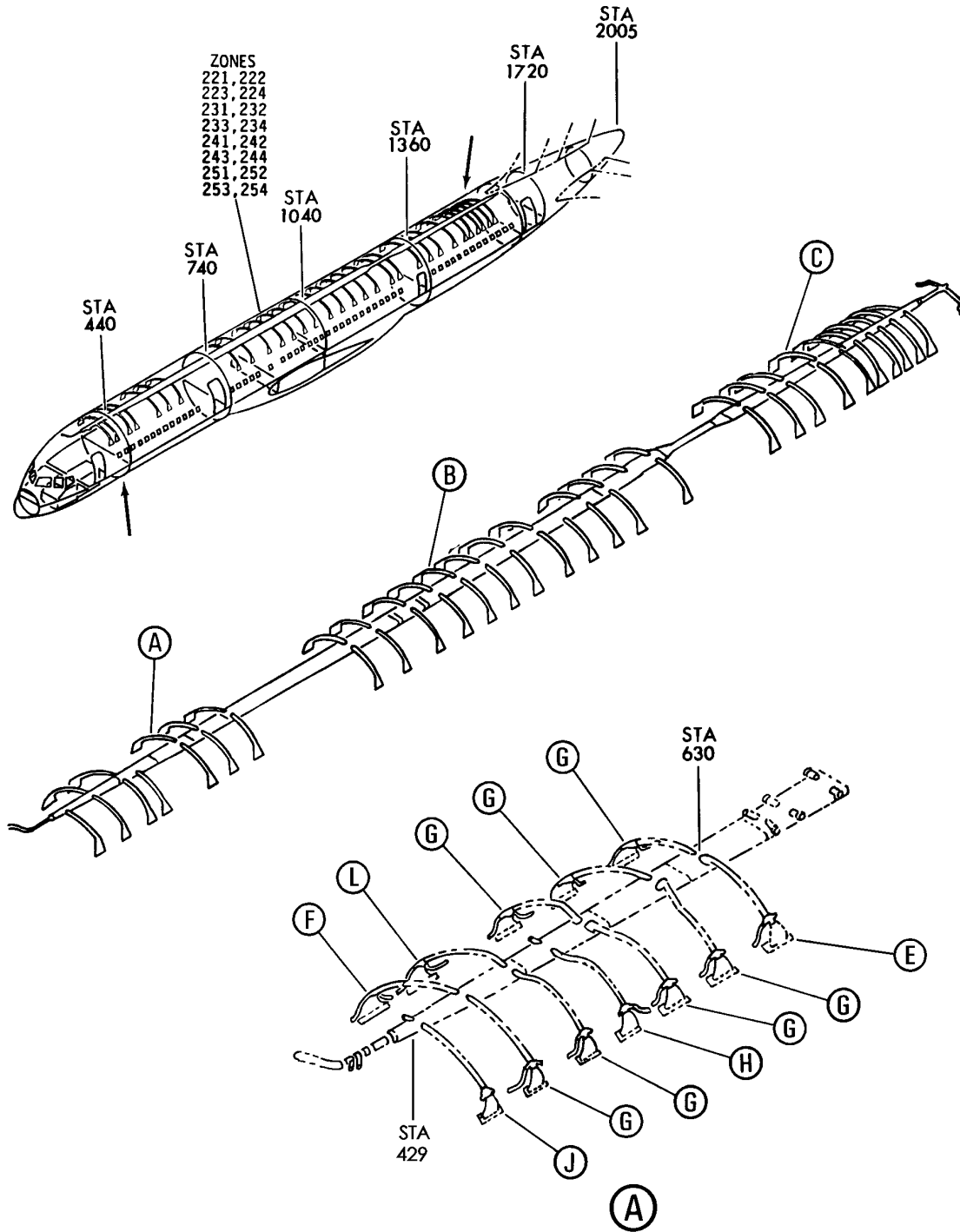
BRI

21-24-02-10U

BOEING PROPRIETARY - Copyright © - Unpublished Work - See title page for details.

21-24-02
FIG. 10U
PAGE 1
JAN 20/09

BOEING
757
PARTS CATALOG (MAINTENANCE)



Y 21240211L SHT 1 REV 237

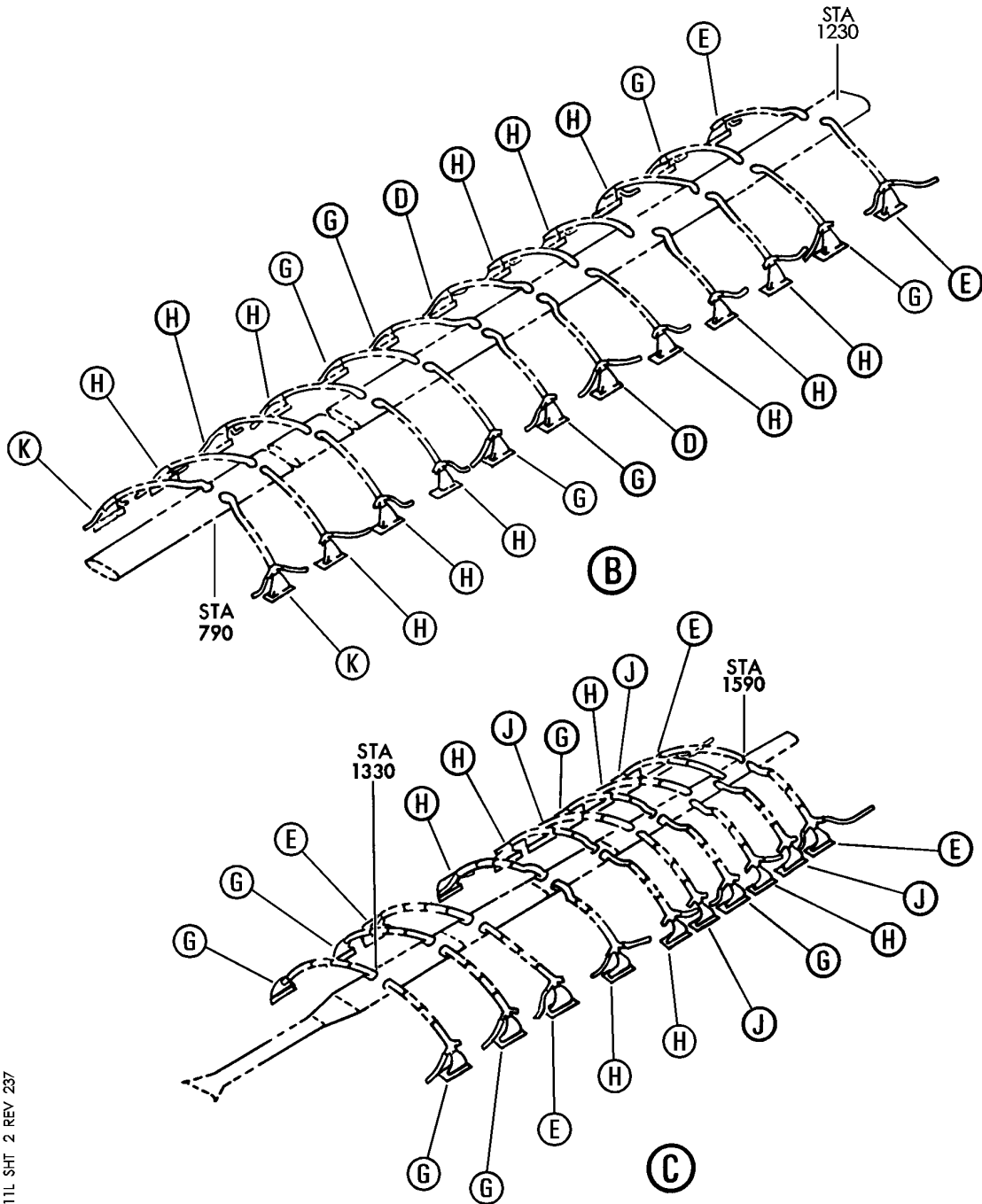
HOSE INSTL-GASPER
FIGURE 11L (SHEET 1)

21-24-02-11L

BRI
JAN 20/09

21-24-02-11L
PAGE 0

BOEING
757
PARTS CATALOG (MAINTENANCE)



Y 21240211L SHT 2 REV 237

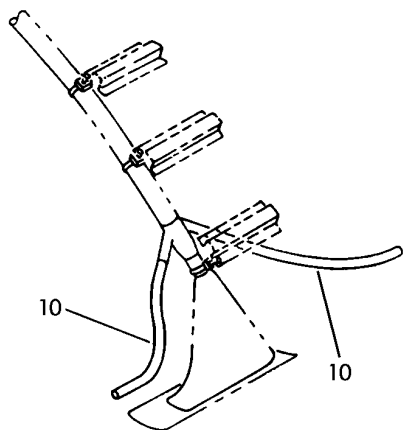
HOSE INSTL-GASPER
FIGURE 11L (SHEET 2)

21-24-02-11L

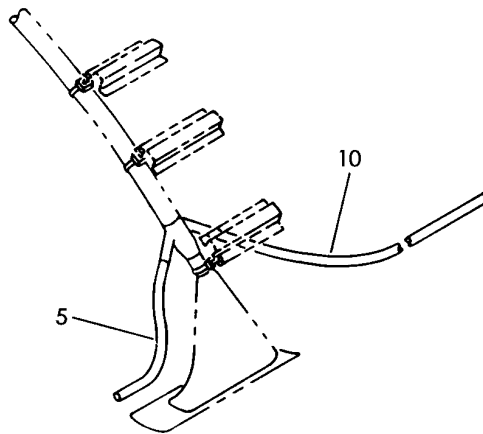
BRI
JAN 20/09

21-24-02-11L
PAGE 0A

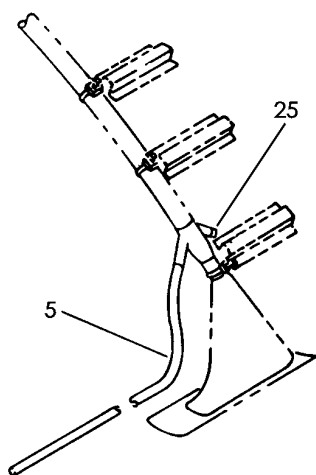
BOEING
757
PARTS CATALOG (MAINTENANCE)



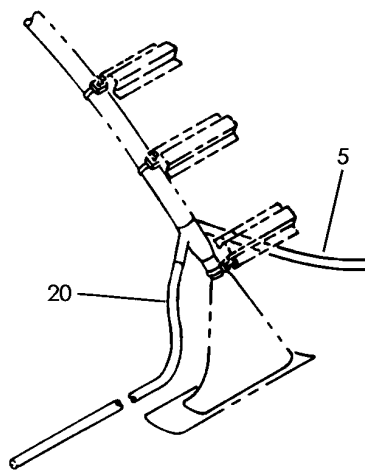
(D)



(E)



(G)



(F)

Y 21240211L SHT 3 REV 237

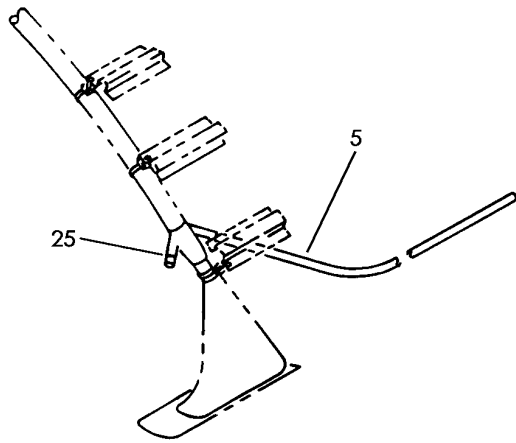
HOSE INSTL-GASPER
FIGURE 11L (SHEET 3)

21-24-02-11L

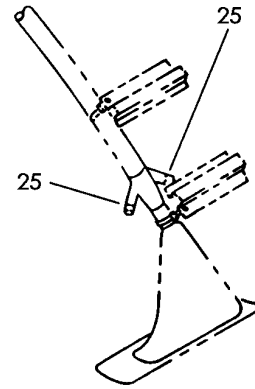
BRI
JAN 20/09

21-24-02-11L
PAGE 0B

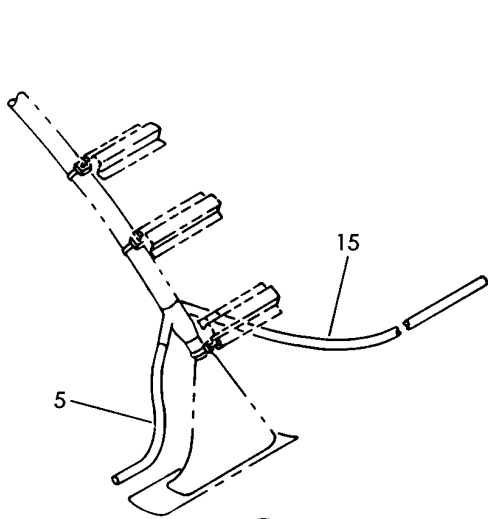
BOEING
757
PARTS CATALOG (MAINTENANCE)



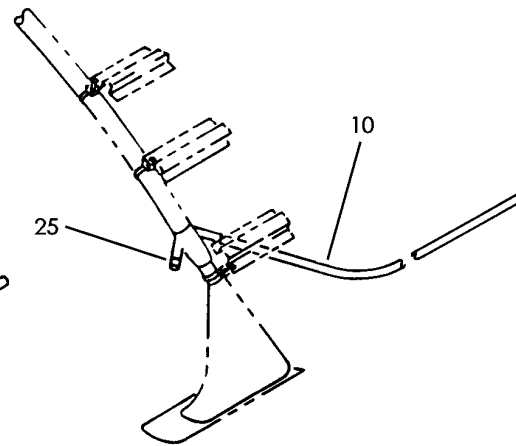
(H)



(J)



(L)



(K)

Y 21240211L SHT 4 REV 237

HOSE INSTL-GASPER
FIGURE 11L (SHEET 4)

21-24-02-11L

BRI
JAN 20/09

21-24-02-11L
PAGE 0C



757

PARTS CATALOG (MAINTENANCE)

| FIG ITEM | PART NUMBER | 1 2 3 4 5 6 7 | NOMENCLATURE | EFFECT FROM TO | UNITS PER ASSY |
|----------|--------------|---------------|--|------------------|----------------|
| 11L | | | | | |
| - 1 | 214N4002-5 | | HOSE INSTL-GASPER HOSE INSTL-GASPER POSITION DATA: STA 429 TO 1590 FOR NHA SEE: 21-00-00-12 | 504903 504903 | RF |
| 5 | BACD40P3A120 | | .DUCT-FLEX | 504903 | 47 |
| 10 | BACD40P3A180 | | .DUCT-FLEX | 504903 | 13 |
| 15 | BACD40P3A280 | | .DUCT-FLEX | 504903 | 1 |
| 20 | BACD40P3A450 | | .DUCT-FLEX | 504903 | 1 |
| 25 | 12-1000 | | .CAP-END SUPPLIER CODE: V25205 | 504903 | 50 |

MISSING ITEM NUMBERS NOT APPLICABLE

- ITEM NOT ILLUSTRATED

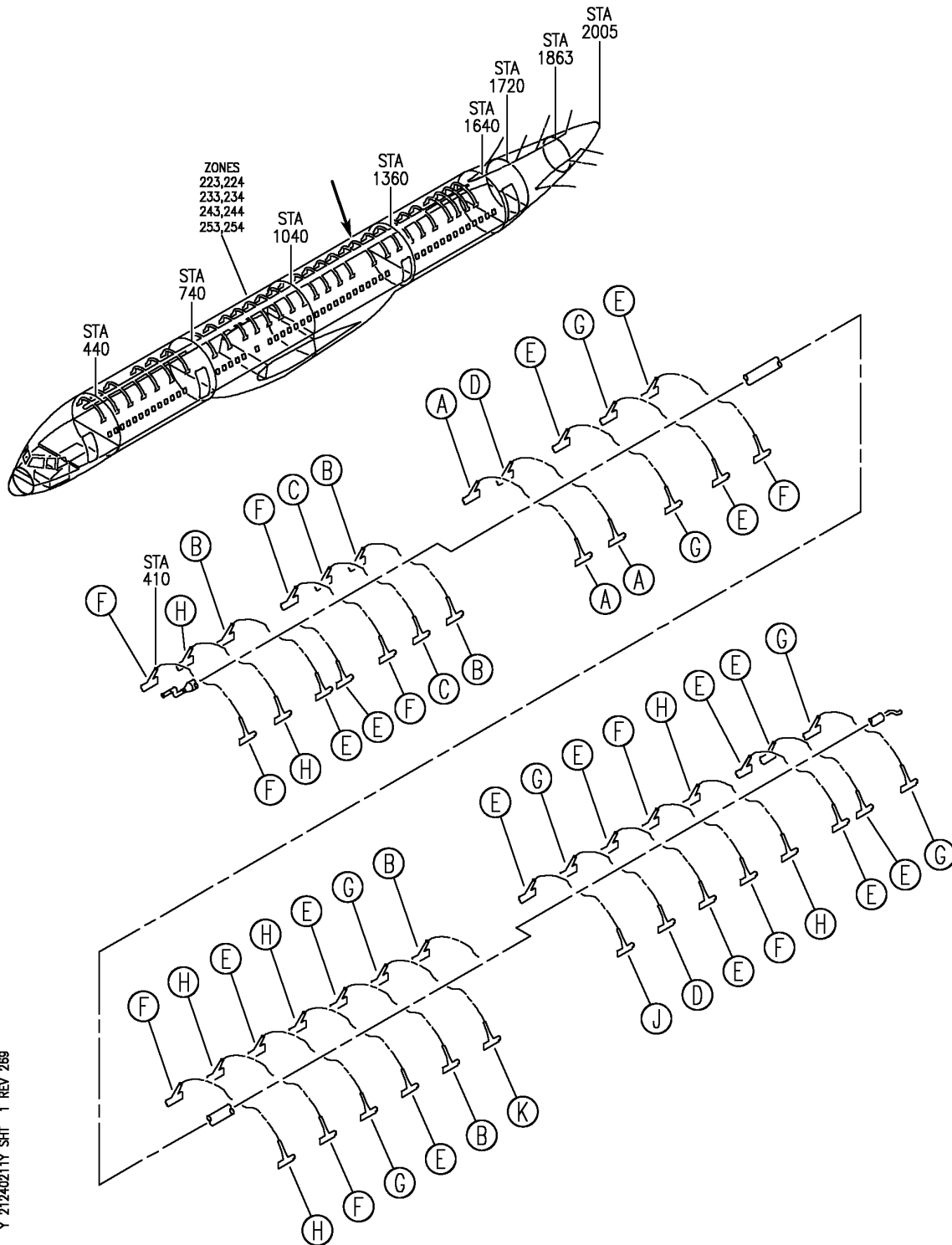
BRI

21-24-02-11L

BOEING PROPRIETARY - Copyright © - Unpublished Work - See title page for details.

21-24-02
FIG. 11L
PAGE 1
JAN 20/09

BOEING
757
PARTS CATALOG (MAINTENANCE)



Y 21240211Y SHT 1 REV 269

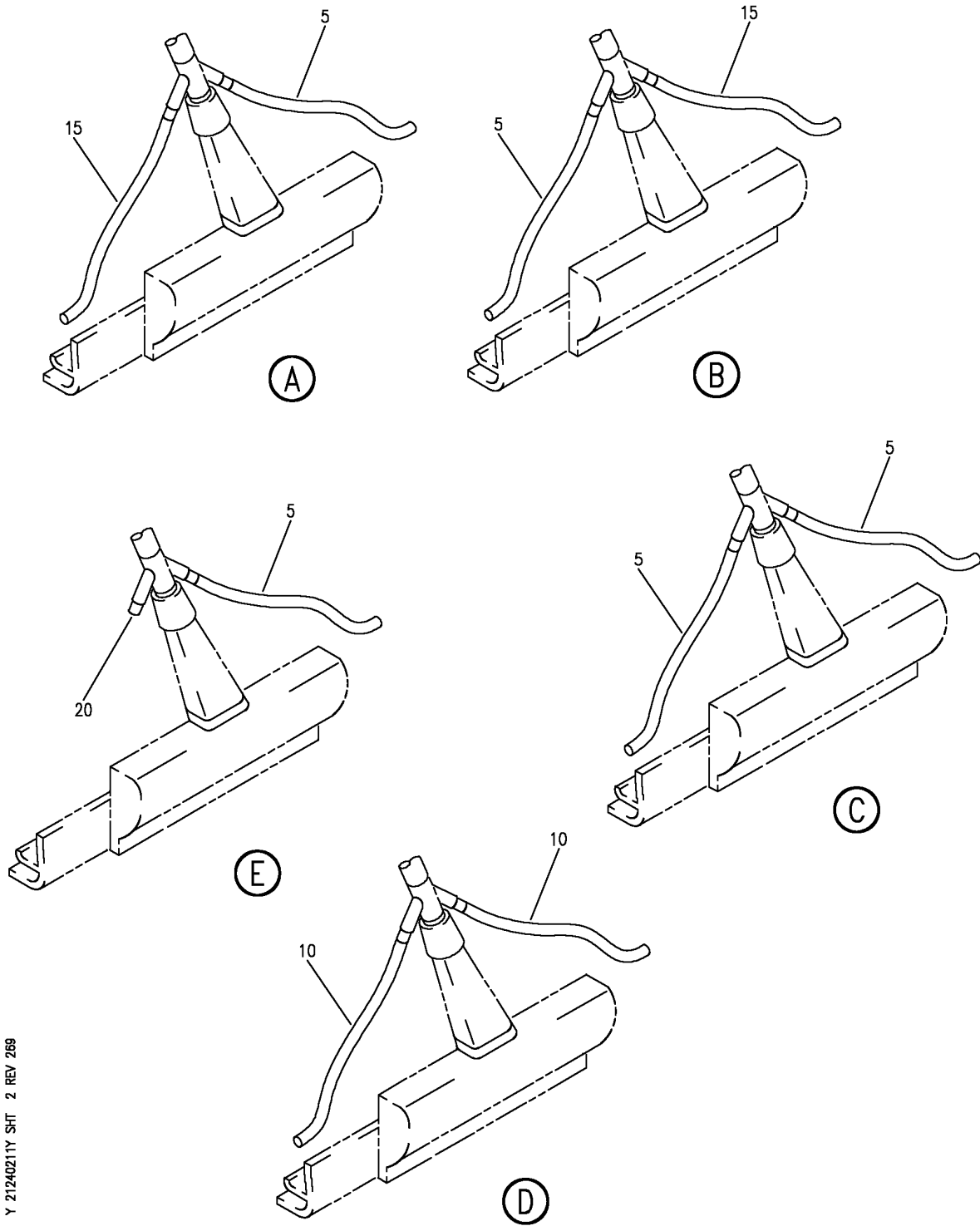
HOSE INSTL-GASPER
FIGURE 11Y (SHEET 1)

21-24-02-11Y

BRI
JAN 20/09

21-24-02-11Y
PAGE 0

BOEING
757
PARTS CATALOG (MAINTENANCE)



Y 21240211Y SHT. 2 REV 269

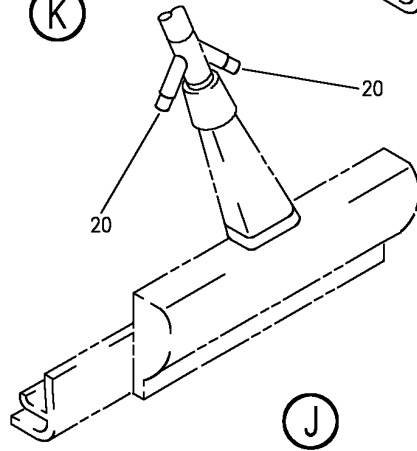
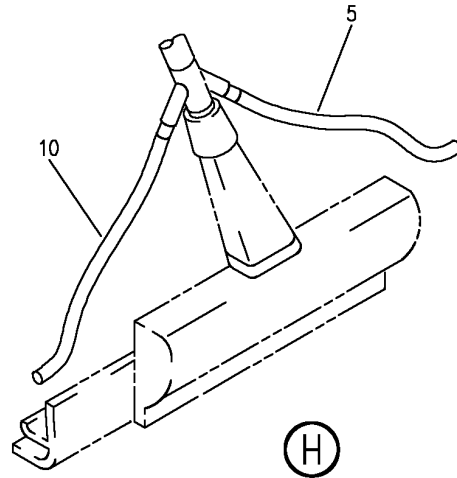
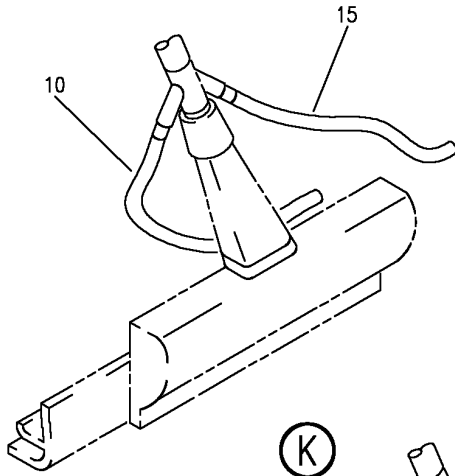
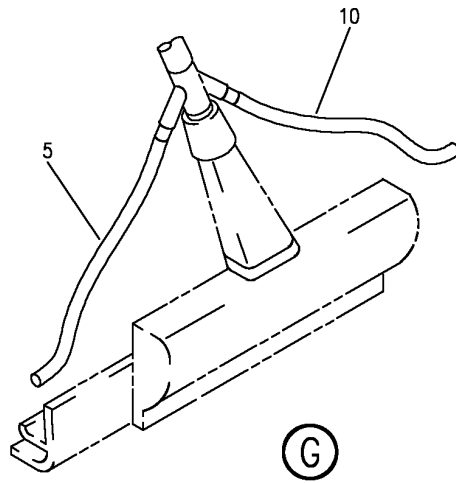
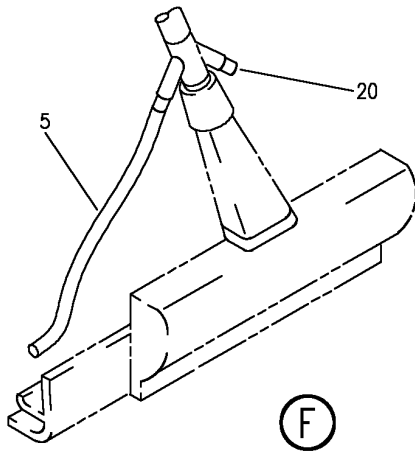
HOSE INSTL-GASPER
FIGURE 11Y (SHEET 2)

21-24-02-11Y

BRI
JAN 20/09

21-24-02-11Y
PAGE 0A

BOEING
757
PARTS CATALOG (MAINTENANCE)



Y 21240211Y SHT. 3 REV. 269

HOSE INSTL-GASPER
FIGURE 11Y (SHEET 3)

21-24-02-11Y

BRI
JAN 20/09

21-24-02-11Y
PAGE 0B



757

PARTS CATALOG (MAINTENANCE)

| FIG ITEM | PART NUMBER | 1 2 3 4 5 6 7 | NOMENCLATURE | EFFECT FROM TO | UNITS PER ASSY |
|----------|--------------|---------------|---|------------------|----------------|
| 11Y | | | | | |
| - 1 | MODREF70963 | | HOSE INSTL-GASPER HOSE INSTL-GASPER MODULE NUMBER: 214N4002-314 REV B POSITION DATA: STA 410 TO 1590 | 103106 103106 | 1 |
| 5 | BACD40P3A120 | | .DUCT-FLEX | 103106 | 50 |
| 10 | BACD40P3A180 | | .DUCT-FLEX | 103106 | 19 |
| 15 | BACD40P3A280 | | .DUCT-FLEX | 103106 | 9 |
| 20 | 12-1000 | | .CAP-END SUPPLIER CODE: V25205 | 103106 | 26 |

MISSING ITEM NUMBERS NOT APPLICABLE

- ITEM NOT ILLUSTRATED

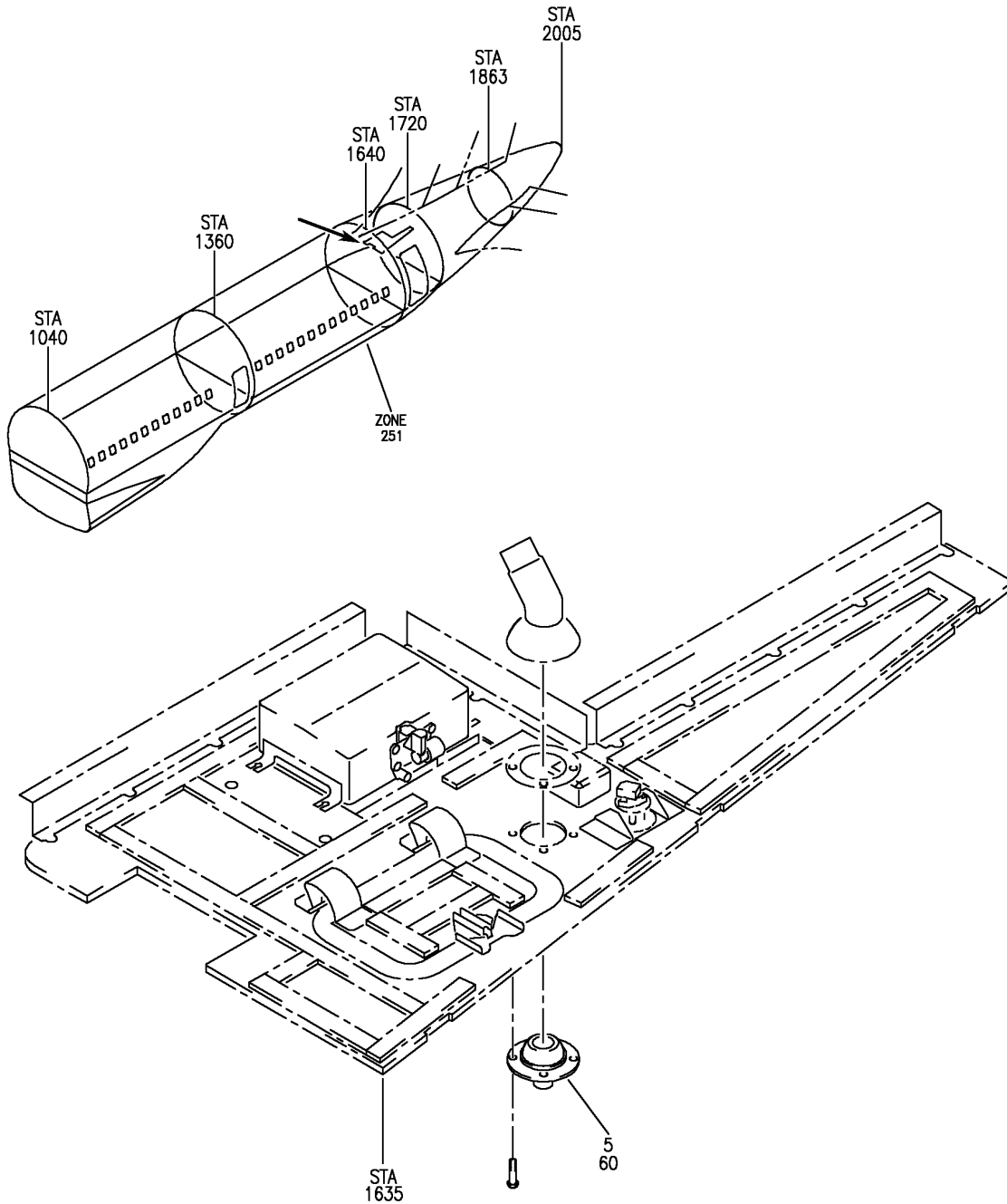
BRI

21-24-02-11Y

BOEING PROPRIETARY - Copyright © - Unpublished Work - See title page for details.

21-24-02
FIG. 11Y
PAGE 1
JAN 20/09

BOEING
757
PARTS CATALOG (MAINTENANCE)



Y 21240301A REV 259

CEILING ASSY-ENTRY DOOR 4 LOWERED (GASPER AIR OUTLET VALVE ONLY)
FIGURE 1A

BRI
JAN 20/09

21-24-03-01A

21-24-03-01A
PAGE 0



757

PARTS CATALOG (MAINTENANCE)

| FIG ITEM | PART NUMBER | 1 2 3 4 5 6 7 | NOMENCLATURE | EFFECT FROM TO | UNITS PER ASSY |
|----------|--------------|---------------|--|----------------|----------------|
| 1 A | | | CEILING ASSY-ENTRY DOOR 4 LOWERED (GASPER AIR OUTLET VALVE ONLY) | 103106 | |
| - 1 | 411N3920-15B | | CEILING ASSY-ENTRY DOOR 4 LOWERED (GASPER AIR OUTLET VALVE ONLY) POSITION DATA: L FOR NHA/OTHER SYS DET SEE: 25-22-02-70D | 103106 | RF |
| 5 | 1292-3 | | .GASPER ASSY- SUPPLIER CODE: VOACHO SPECIFICATION NUMBER: S214W001-3B | 103106 | 1 |
| - 50 | 411N3920-36B | | CEILING ASSY-ENTRY DOOR 4 LOWERED (GASPER AIR OUTLET VALVE ONLY) POSITION DATA: RH FOR NHA/OTHER SYS DET SEE: 25-22-02-70D | 103106 | RF |
| 60 | 1292-3 | | .GASPER ASSY- SUPPLIER CODE: VOACHO SPECIFICATION NUMBER: S214W001-3B | 103106 | 1 |

MISSING ITEM NUMBERS NOT APPLICABLE

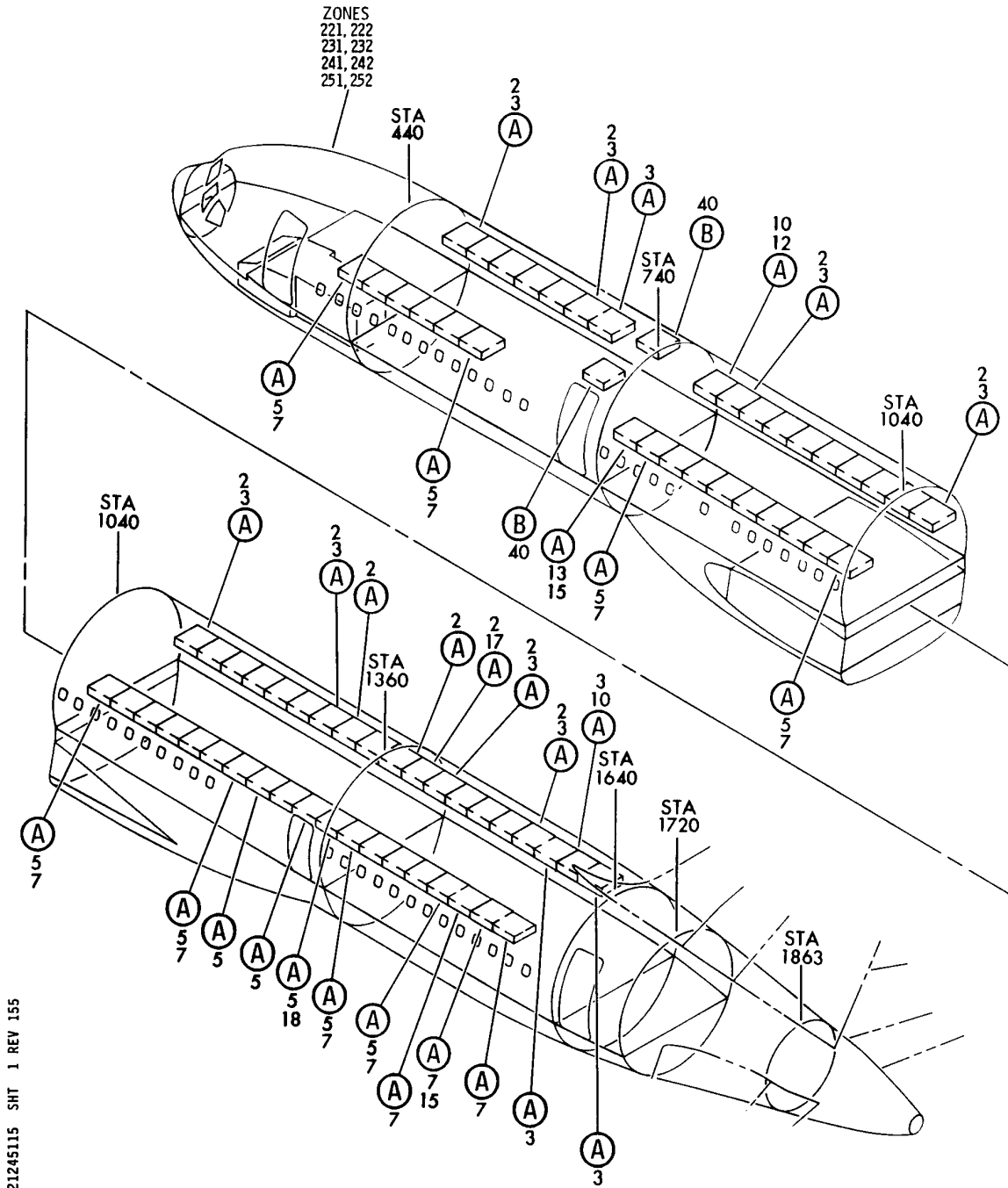
- ITEM NOT ILLUSTRATED

21-24-03-01A

21-24-03
FIG. 01A
PAGE 1
JAN 20/09

BRI

BOEING
757
PARTS CATALOG (MAINTENANCE)



Y 21245115 SHT 1 REV 155

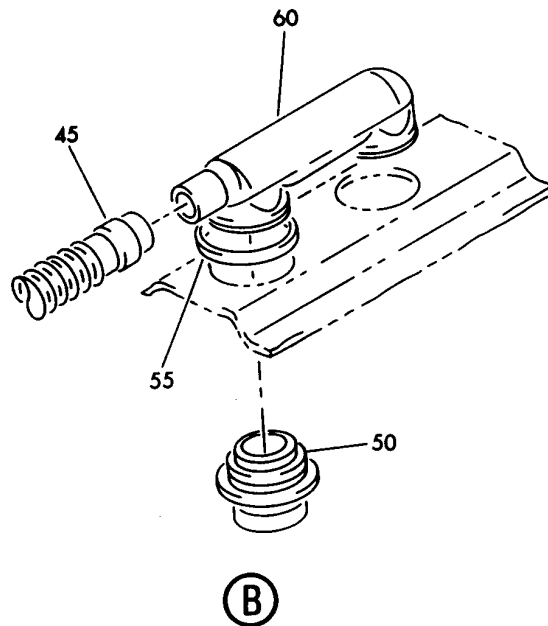
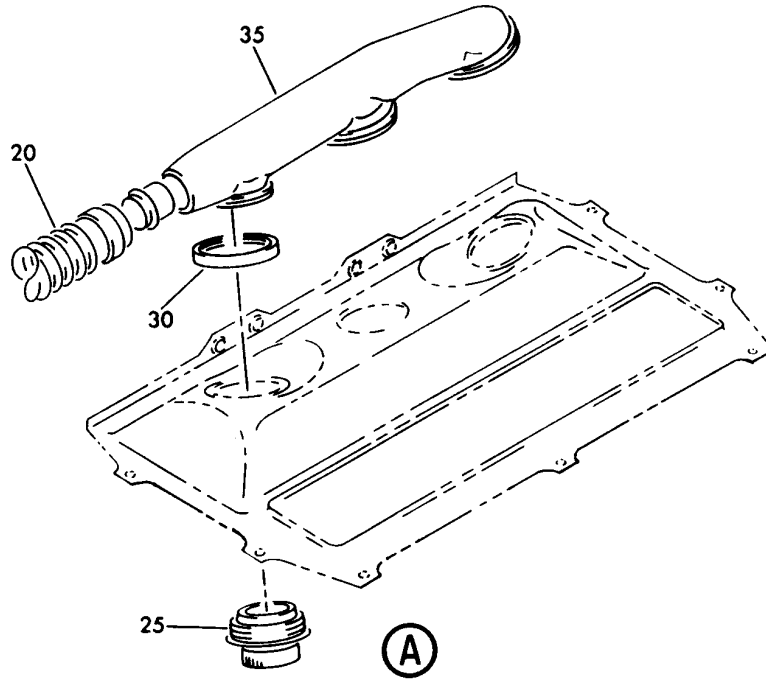
SERVICE UNIT ASSY-UNDERBIN AND OVERDOOR PASS. (AIR CONDITIONING ONLY)
FIGURE 15 (SHEET 1)

21-24-51-15

BRI
JAN 20/09

21-24-51-15
PAGE 0

BOEING
757
PARTS CATALOG (MAINTENANCE)



Y 21245115 SHT 2 REV 110

SERVICE UNIT ASSY-UNDERBIN AND OVERDOOR PASS. (AIR CONDITIONING ONLY)
FIGURE 15 (SHEET 2)

21-24-51-15

BRI
JAN 20/09

21-24-51-15
PAGE 0A



757

PARTS CATALOG (MAINTENANCE)

| FIG ITEM | PART NUMBER | 1 2 3 4 5 6 7 | NOMENCLATURE | EFFECT FROM TO | UNITS PER ASSY |
|----------|----------------|---------------|--|----------------|----------------|
| 15 | | | SERVICE UNIT ASSY-UNDERBIN AND OVERDOOR PASS. (AIR CONDITIONING ONLY) | 950951 | |
| - 1 | 417N3001-159 | | SERVICE UNIT INSTL-PASS. (AIR CONDITIONING ONLY) FOR NHA/OTHER SYS DET SEE: 25-20-00-20A | 950951 | RF |
| 3 | 417N3100-424SP | | .SERVICE UNIT ASSY-PASS. POSITION DATA: UNDERBIN ELECTRICAL EQUIP NUMBER: M03012 COMPONENT MAINT MANUAL REF: 25-23-34 | 950951 | RF |
| 7 | 417N3100-415SP | | .SERVICE UNIT ASSY-PASS. POSITION DATA: UNDERBIN ELECTRICAL EQUIP NUMBER: M03012 COMPONENT MAINT MANUAL REF: 25-23-34 | 950951 | RF |
| 12 | 417N3100-538SP | | .SERVICE UNIT ASSY-PASS. POSITION DATA: UNDERBIN ELECTRICAL EQUIP NUMBER: M03012 COMPONENT MAINT MANUAL REF: 25-23-36 QUALIFIED I/W DATA: I/W EXCEPT N/I FOR NCO01-NC010 | 950951 | RF |
| 13 | 417N3100-537SP | | .SERVICE UNIT ASSY-PASS. POSITION DATA: UNDERBIN ELECTRICAL EQUIP NUMBER: M03012 COMPONENT MAINT MANUAL REF: 25-23-36 QUALIFIED I/W DATA: I/W EXCEPT N/I FOR NCO01NC010 | 950951 | RF |
| 17 | 417N3100-596SP | | .SERVICE UNIT ASSY-PASS. POSITION DATA: UNDERBIN ELECTRICAL EQUIP NUMBER: M03012 COMPONENT MAINT MANUAL REF: 25-23-34 | 950951 | RF |

MISSING ITEM NUMBERS NOT APPLICABLE

- ITEM NOT ILLUSTRATED

BRI

21-24-51-15

21-24-51
FIG. 15
PAGE 1
JAN 20/09



757

PARTS CATALOG (MAINTENANCE)

| FIG ITEM | PART NUMBER | 1 2 3 4 5 6 7 | NOMENCLATURE | EFFECT FROM TO | UNITS PER ASSY |
|----------|-----------------------------|--|--------------|------------------|----------------|
| 15 18 | 417N3100-595SP | .SERVICE UNIT ASSY-PASS. POSITION DATA: UNDERBIN ELECTRICAL EQUIP NUMBER: M03012 COMPONENT MAINT MANUAL REF: 25-23-34 | | 950951 | RF |
| 20 25 | BACD40P3A120 3740-4 | ..DUCT ..OUTLET-AIR SUPPLIER CODE: VOACH0 SPECIFICATION NUMBER: 10-60141-23S OPTIONAL PART: 750801-002 V28406 | | 950951 950951 | 1 3 |
| 30 | PLT2MM | ..STRAP- SUPPLIER CODE: V06383 | | 950951 | 3 |
| 35 40 | 417N3103-1 417N3200-62SP | ..MANIFOLD ASSY-GASPER AIR .SERVICE UNIT ASSY-PASS. POSITION DATA: OVERDOOR ELECTRICAL EQUIP NUMBER: M10363 COMPONENT MAINT MANUAL REF: 35-21-04 | | 950951 950951 | 1 RF |
| 45 50 | BACD40P3A400 750801-005 | ..DUCT ..OUTLET-AIR SUPPLIER CODE: V28406 SPECIFICATION NUMBER: 10-60141-19B OPTIONAL PART: L20646-2K V17744 OPTIONAL PART: 750801-002 V28406 | | 950951 950951 | 1 2 |
| 50 | 3740-4 | ..OUTLET-AIR SUPPLIER CODE: VOACH0 SPECIFICATION NUMBER: 10-60141-23S OPTIONAL PART: 750801-002 V28406 | | 950951 | 2 |

MISSING ITEM NUMBERS NOT APPLICABLE

- ITEM NOT ILLUSTRATED

21-24-51-15

21-24-51
FIG. 15
PAGE 2
JAN 20/09

BRI



757

PARTS CATALOG (MAINTENANCE)

| FIG ITEM | PART NUMBER | 1 2 3 4 5 6 7 | NOMENCLATURE | EFFECT FROM TO | UNITS PER ASSY |
|-------------|-------------|---------------|---------------------------------------|-------------------|----------------------|
| 15 | | | | | |
| 55 | PLT2MM | | .. STRAP- SUPPLIER CODE: V06383 | 950951 | 2 |
| 60 | 417N3103-2 | | .. MANIFOLD ASSY-GASPER AIR | 950951 | 1 |

MISSING ITEM NUMBERS NOT APPLICABLE

- ITEM NOT ILLUSTRATED

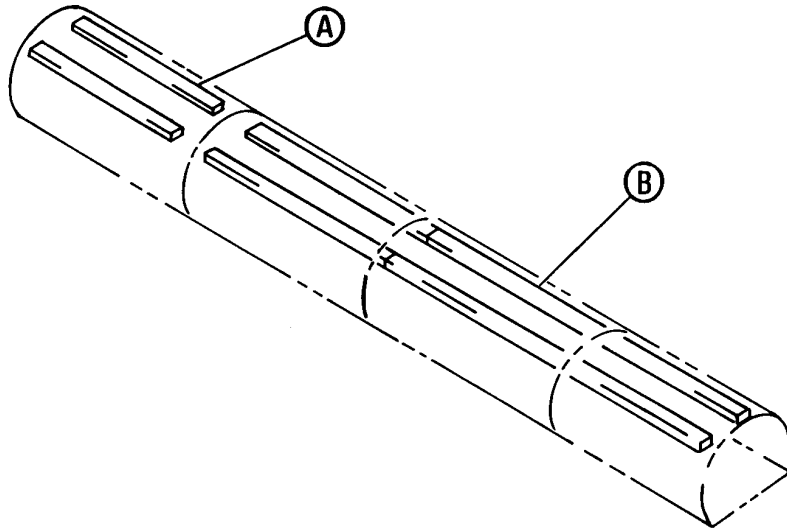
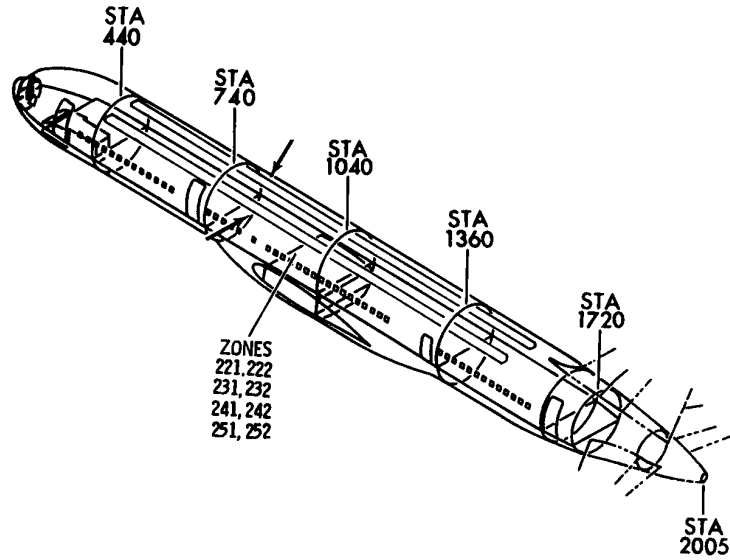
BRI

21-24-51-15

BOEING PROPRIETARY - Copyright © - Unpublished Work - See title page for details.

21-24-51
FIG. 15
PAGE 3
JAN 20/09

BOEING
757
PARTS CATALOG (MAINTENANCE)



Y 21245119 SHT 1 REV 141

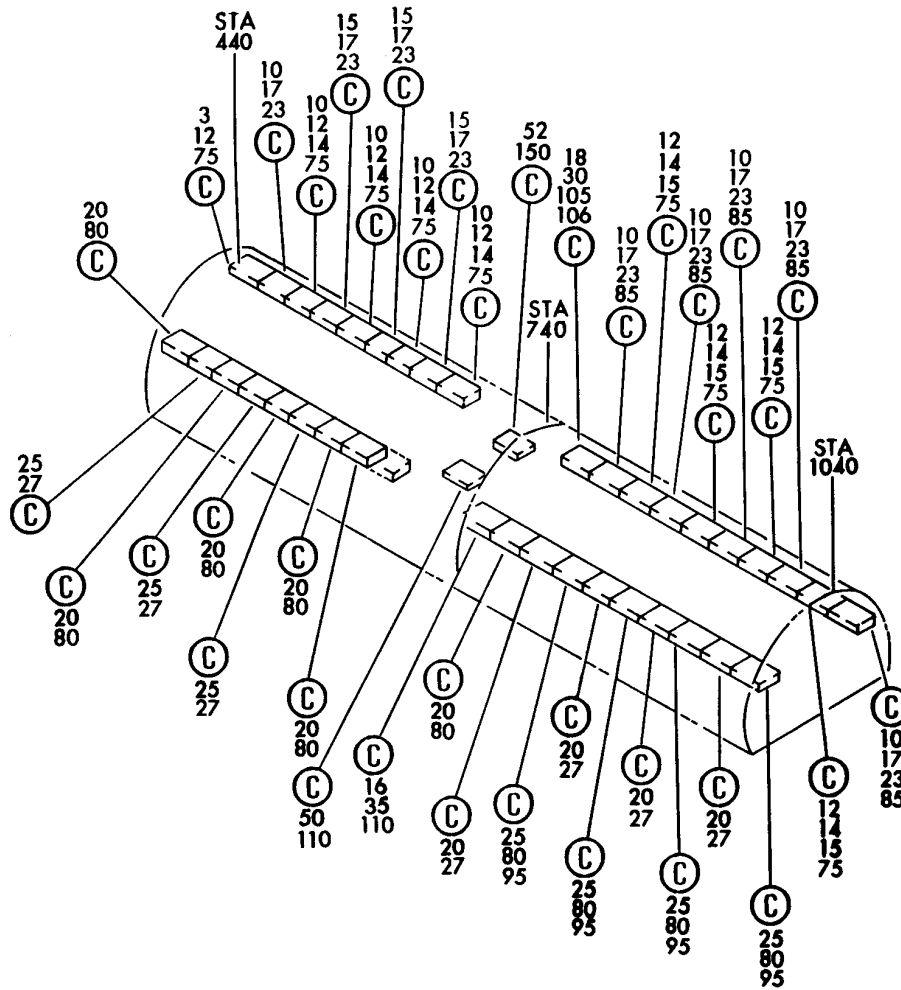
SERVICE UNIT INSTL-UNDERBIN AND OVERDOOR PASS. (AIR CONDITIONING ONLY)
FIGURE 19 (SHEET 1)

21-24-51-19

BRI
JAN 20/09

21-24-51-19
PAGE 0


BOEING
 757
PARTS CATALOG (MAINTENANCE)



A

Y 21245119 SHT 2 REV 156

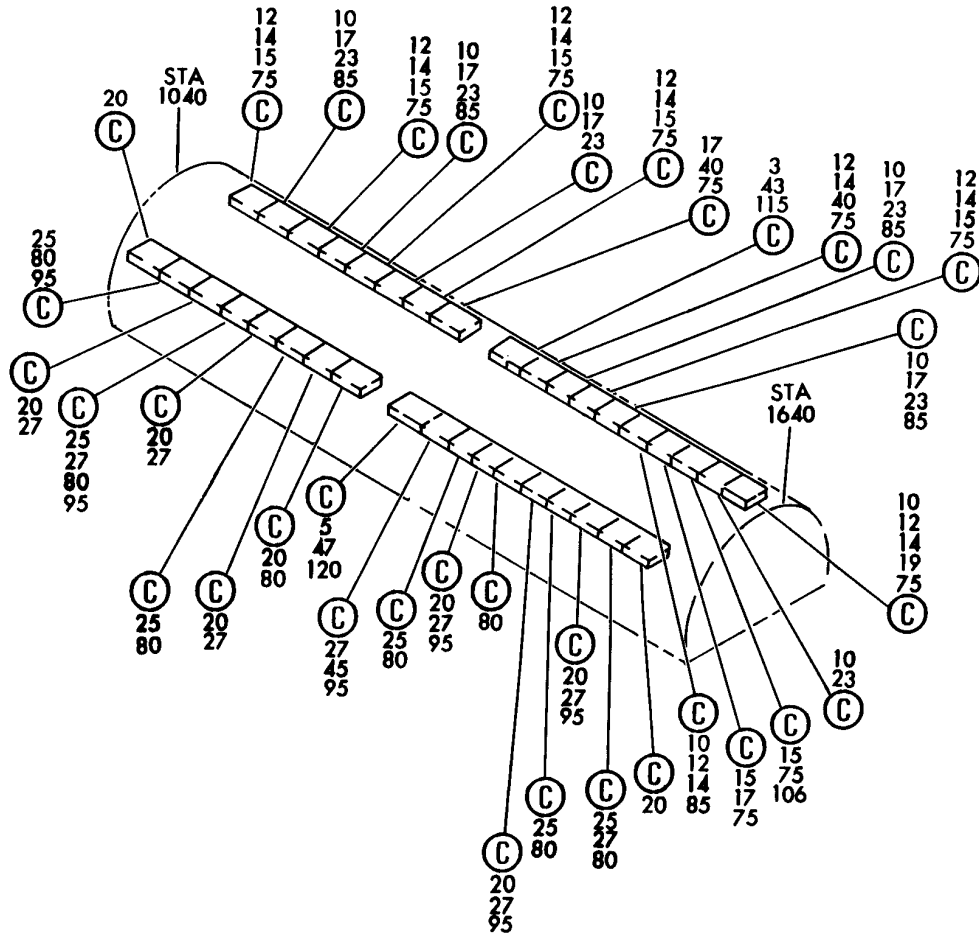
SERVICE UNIT INSTL-UNDERBIN AND OVERDOOR PASS. (AIR CONDITIONING ONLY)
 FIGURE 19 (SHEET 2)

21-24-51-19

BRI
 JAN 20/09

21-24-51-19
 PAGE 0A

BOEING
757
PARTS CATALOG (MAINTENANCE)



(B)

Y 21245119 SHT 3 REV 141

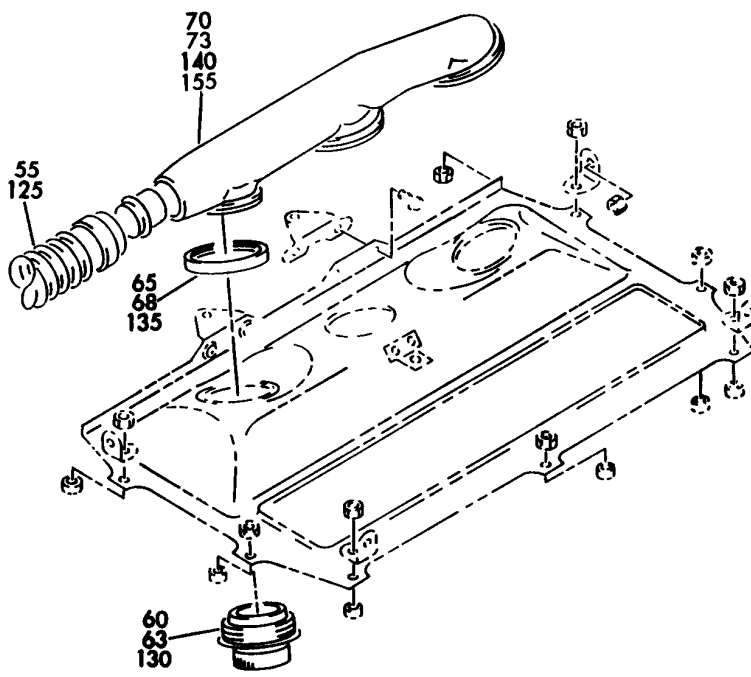
SERVICE UNIT INSTL-UNDERBIN AND OVERDOOR PASS. (AIR CONDITIONING ONLY)
FIGURE 19 (SHEET 3)

21-24-51-19

BRI
JAN 20/09

21-24-51-19
PAGE 0B

BOEING
757
PARTS CATALOG (MAINTENANCE)



Ⓒ

Y 21245119 SHT 4 REV 156

SERVICE UNIT INSTL-UNDERBIN AND OVERDOOR PASS. (AIR CONDITIONING ONLY)
FIGURE 19 (SHEET 4)

21-24-51-19

BRI
JAN 20/09

21-24-51-19
PAGE 0C



757

PARTS CATALOG (MAINTENANCE)

| FIG ITEM | PART NUMBER | 1 2 3 4 5 6 7 | NOMENCLATURE | EFFECT FROM TO | UNITS PER ASSY |
|----------|----------------|---------------|---|----------------|----------------|
| 19 | | | SERVICE UNIT INSTL-UNDERBIN AND OVERDOOR PASS. (AIR CONDITIONING ONLY) | 952952 | |
| - 1 | 417N3001-132 | | SERVICE UNIT INSTL-PASS (AIR CONDITIONING ONLY) FOR NHA/OTHER SYS DET SEE: 25-20-00-20A | 952952 | RF |
| 12 | 417N3100-426SP | | .SERVICE UNIT ASSY-UNDERBIN PASS. (AIR CONDITIONING ONLY) COMPONENT MAINT MANUAL REF: 25-23-34 | 952952 | RF |
| 17 | 417N3100-428SP | | .SERVICE UNIT ASSY-UNDERBIN PASS. (AIR CONDITIONING ONLY) COMPONENT MAINT MANUAL REF: 25-23-34 | 952952 | RF |
| 17 | 417N3100-296SP | | .SERVICE UNIT ASSY-UNDERBIN PASS. (AIR CONDITIONING ONLY) COMPONENT MAINT MANUAL REF: 25-23-34 | 952952 | RF |
| 19 | 417N3100-506SP | | .SERVICE UNIT ASSY-UNDERBIN PASS. PARTIAL, RIGHT SID COMPONENT MAINT MANUAL REF: 25-23-37 | 952952 | RF |
| 23 | 417N3100-419SP | | .SERVICE UNIT ASSY-UNDERBIN PASS. (AIR CONDITIONING ONLY) COMPONENT MAINT MANUAL REF: 25-23-34 | 952952 | RF |
| 27 | 417N3100-421SP | | .SERVICE UNIT ASSY-UNDERBIN PASS. (AIR CONDITIONING ONLY) COMPONENT MAINT MANUAL REF: 25-23-34 | 952952 | RF |
| 43 | 417N3100-596SP | | .SERVICE UNIT ASSY-UNDERBIN PASS. (AIR CONDITIONING ONLY) COMPONENT MAINT MANUAL REF: 25-23-34 | 952952 | RF |
| 47 | 417N3100-595SP | | .SERVICE UNIT ASSY-UNDERBIN PASS. (AIR CONDITIONING ONLY) COMPONENT MAINT MANUAL REF: 25-23-34 | 952952 | RF |
| 55 | BACD40P3A120 | | ..DUCT | 952952 | 1 |

MISSING ITEM NUMBERS NOT APPLICABLE

- ITEM NOT ILLUSTRATED

BRI

21-24-51-19

21-24-51
FIG. 19
PAGE 1
JAN 20/09



757

PARTS CATALOG (MAINTENANCE)

| FIG ITEM | PART NUMBER | 1 2 3 4 5 6 7 | NOMENCLATURE | EFFECT FROM TO | UNITS PER ASSY |
|----------|----------------|---------------|--|----------------|----------------|
| 19 | | | | | |
| 60 | 3740-4 | | ..OUTLET-AIR SUPPLIER CODE: VOACH0 SPECIFICATION NUMBER: 10-60141-23S OPTIONAL PART: 750801-002 V28406 | 952952 | 3 |
| 65 | PLT2MM | | ..STRAP- SUPPLIER CODE: V06383 | 952952 | 3 |
| 70 | 417N3103-1 | | ..MANIFOLD ASSY-GASPER AIR | 952952 | 1 |
| 106 | 417N3100-538SP | | .SERVICE UNIT ASSY-UNDERBIN COMPONENT MAINT MANUAL REF: 25-23-36 QUALIFIED I/W DATA: I/W EXCEPT N/I FOR NC001-NC010 | 952952 | RF |
| 110 | 417N3100-537SP | | .SERVICE UNIT ASSY-UNDERBIN COMPONENT MAINT MANUAL REF: 25-23-36 QUALIFIED I/W DATA: I/W EXCEPT N/I FOR NC001NC010 | 952952 | RF |
| 125 | BACD40P3A120 | | ..DUCT | 952952 | 1 |
| 130 | 3740-4 | | ..OUTLET-AIR SUPPLIER CODE: VOACH0 SPECIFICATION NUMBER: 10-60141-23S OPTIONAL PART: 750801-002 V28406 | 952952 | 3 |
| 135 | PLT2MM | | ..STRAP- SUPPLIER CODE: V06383 | 952952 | 3 |
| 140 | 417N3103-1 | | ..MANIFOLD ASSY-GASPER AIR | 952952 | 1 |
| 145 | 417N3200-62SP | | .SERVICE UNIT ASSY-OVERDOOR | 952952 | RF |
| 155 | 417N3103-2 | | ..MANIFOLD ASSY-GASPER AIR | 952952 | 1 |

MISSING ITEM NUMBERS NOT APPLICABLE

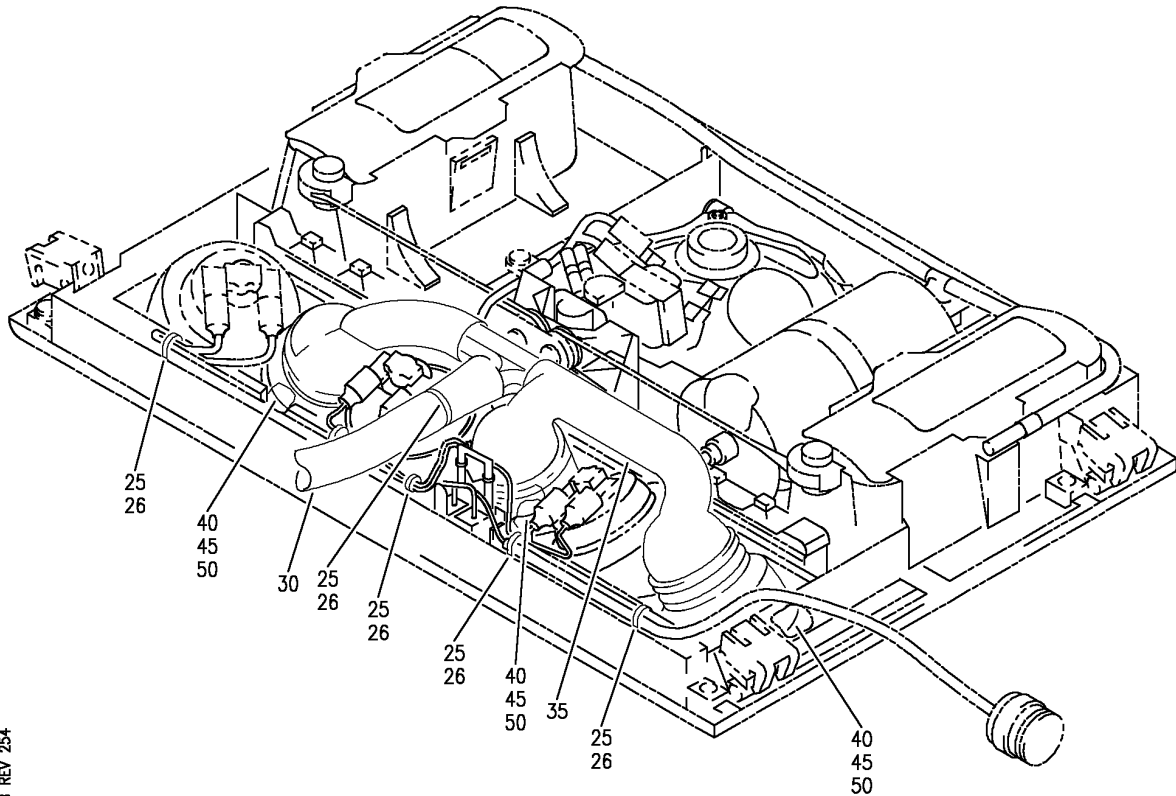
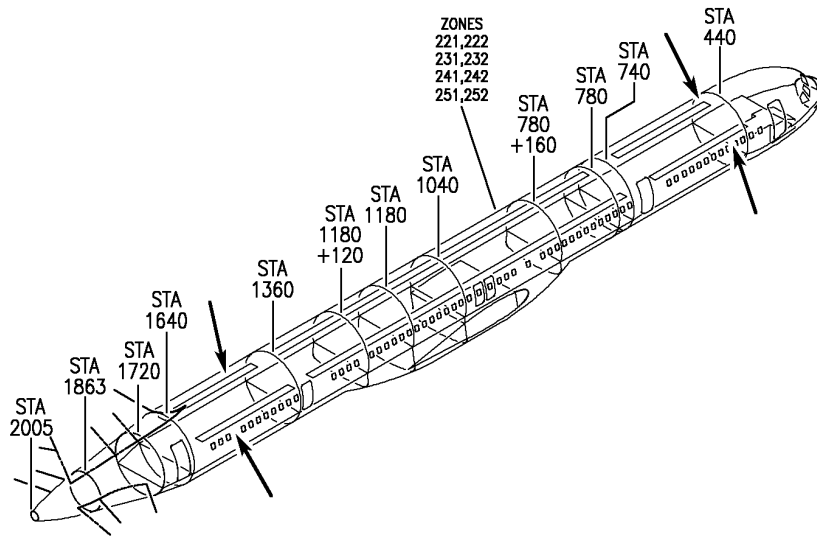
- ITEM NOT ILLUSTRATED

BRI

21-24-51-19

21-24-51
FIG. 19
PAGE 2
JAN 20/09

BOEING
757
PARTS CATALOG (MAINTENANCE)



Y 21245131B REV 254

SERVICE UNIT ASSY-PASS. (AIR CONDITIONING ONLY)
FIGURE 31B

21-24-51-31B

BRI
JAN 20/09

21-24-51-31B
PAGE 0



757

PARTS CATALOG (MAINTENANCE)

| FIG ITEM | PART NUMBER | 1 2 3 4 5 6 7 | NOMENCLATURE | EFFECT FROM TO | UNITS PER ASSY |
|----------|---------------|---------------|---|------------------|----------------|
| 31B | | | SERVICE UNIT ASSY-PASS. (AIR CONDITIONING ONLY) | 103106 108120 | |
| - 1 | 417N3011-401W | | SERVICE UNIT ASSY-PASS. WITH SPKR AND GASPER (AIR CONDITIONING ONLY) POSITION DATA: LH ELECTRICAL EQUIP NUMBER: M10973 COMPONENT MAINT MANUAL REF: 25-23-38 FOR NHA/OTHER SYS DET SEE: 25-23-01-34A 25-23-01-76A | 108120 | RF |
| - 1 | 417N3011-401B | | SERVICE UNIT ASSY-PASS. WITH 2K SPKR AND GASPER (AIR CONDITIONING ONLY) POSITION DATA: LH ELECTRICAL EQUIP NUMBER: M10973 FOR NHA/OTHER SYS DET SEE: 25-23-01-52B | 103106 | RF |
| - 10 | 417N3011-413M | | SERVICE UNIT ASSY-PASS. NO SPKR WITH GASPER (AIR CONDITIONING ONLY) POSITION DATA: LH ELECTRICAL EQUIP NUMBER: M10973 COMPONENT MAINT MANUAL REF: 25-23-38 FOR NHA/OTHER SYS DET SEE: 25-23-01-34A 25-23-01-76A | 108120 | RF |
| - 10 | 417N3011-413B | | SERVICE UNIT ASSY-PASS. NO SPKR WITH GASPER (AIR CONDITIONING ONLY) POSITION DATA: LH ELECTRICAL EQUIP NUMBER: M10973 FOR NHA/OTHER SYS DET SEE: 25-23-01-52B | 103106 | RF |

MISSING ITEM NUMBERS NOT APPLICABLE

- ITEM NOT ILLUSTRATED

21-24-51-31B

21-24-51
FIG. 31B
PAGE 1
JAN 20/09

BRI



757

PARTS CATALOG (MAINTENANCE)

| FIG ITEM | PART NUMBER | 1 2 3 4 5 6 7 | NOMENCLATURE | EFFECT FROM TO | UNITS PER ASSY |
|-------------|---------------|---------------|---|----------------|----------------|
| 31B - 10 | 417N3011-713B | | SERVICE UNIT ASSY-PASS. NO SPKR WITH GASPER (AIR CONDITIONING ONLY) POSITION DATA: LH ELECTRICAL EQUIP NUMBER: M10973 FOR NHA/OTHER SYS DET SEE: 25-23-01-34A 25-23-01-76A | 108120 | RF |
| - 20 | 417N3011-421D | | SERVICE UNIT ASSY-PASS. WITH SPKR AND GASPER (AIR CONDITIONING ONLY) POSITION DATA: LH ELECTRICAL EQUIP NUMBER: M10983 COMPONENT MAINT MANUAL REF: 25-23-38 FOR NHA/OTHER SYS DET SEE: 25-23-01-34A 25-23-01-76A | 108120 | RF |
| - 20 | 417N3011-421B | | SERVICE UNIT ASSY-PASS. WITH 2K SPKR, MUTING RELAY AND GASPER (AIR CONDITIONING ONLY) ELECTRICAL EQUIP NUMBER: M10983 FOR NHA/OTHER SYS DET SEE: 25-23-01-52B | 103106 | RF |
| 25 | PLT2MM2 | | .STRAP- SUPPLIER CODE: V06383 OPTIONAL PART: PLT2MM V06383 | 108120 | AR |
| 25 | PLT2MM | | .STRAP- SUPPLIER CODE: V06383 OPTIONAL PART: PLT2MM2 V06383 | 108120 | AR |
| 25 | PLT2MM2 | | .STRAP- SUPPLIER CODE: V06383 OPTIONAL PART: PLT2MM V06383 | 103106 | AR |

MISSING ITEM NUMBERS NOT APPLICABLE

- ITEM NOT ILLUSTRATED

21-24-51-31B

21-24-51
FIG. 31B
PAGE 2
JAN 20/09

BRI



757

PARTS CATALOG (MAINTENANCE)

| FIG ITEM | PART NUMBER | 1 2 3 4 5 6 7 | NOMENCLATURE | EFFECT FROM TO | UNITS PER ASSY |
|-----------|--------------|----------------|--|----------------|----------------|
| 31B 25 | PLT2MM | . STRAP- | SUPPLIER CODE: V06383 OPTIONAL PART: PLT2MM2 V06383 | 103106 | AR |
| 30 | BACD40P3A160 | .HOSE | | 108120 | 1 |
| 30 | BACD40P3A160 | .HOSE | | 103106 | 1 |
| 35 | 417N3103-3 | .MANIFOLD ASSY | | 108120 | 1 |
| 35 | 417N3103-3 | .MANIFOLD ASSY | | 103106 | 1 |
| 40 | 3740-8 | .OUTLET-AIR | SUPPLIER CODE: VOACHO SPECIFICATION NUMBER: 10-60141-26B OPTIONAL PART: 3740-3 VOACHO USED ON: 417N3011-401W | 108120 | 3 |
| 40 | 3740-3 | .OUTLET-AIR | SUPPLIER CODE: VOACHO SPECIFICATION NUMBER: 10-60141-23U OPTIONAL PART: 3740-8 VOACHO USED ON: 417N3011-401W | 108120 | 3 |
| 40 | 3740-8 | .OUTLET-AIR | SUPPLIER CODE: VOACHO SPECIFICATION NUMBER: 10-60141-26B USED ON: 417N3011-413M 417N3011-421D | 108120 | 3 |
| 45 | 3740-3 | .OUTLET-AIR | SUPPLIER CODE: VOACHO SPECIFICATION NUMBER: 10-60141-23U USED ON: 417N3011-413M 417N3011-421D | 108120 | 3 |

MISSING ITEM NUMBERS NOT APPLICABLE

- ITEM NOT ILLUSTRATED

21-24-51-31B

21-24-51
FIG. 31B
PAGE 3
JAN 20/09

BRI

BOEING PROPRIETARY - Copyright © - Unpublished Work - See title page for details.



757

PARTS CATALOG (MAINTENANCE)

| FIG ITEM | PART NUMBER | 1 2 3 4 5 6 7 | NOMENCLATURE | EFFECT FROM TO | UNITS PER ASSY |
|-------------|-------------|---------------|--|-------------------|----------------------|
| 31B 50 | 3740-11 | | .OUTLET-AIR SUPPLIER CODE: VOACH0 SPECIFICATION NUMBER: 10-60141-26E | 103106 | 3 |

MISSING ITEM NUMBERS NOT APPLICABLE

- ITEM NOT ILLUSTRATED

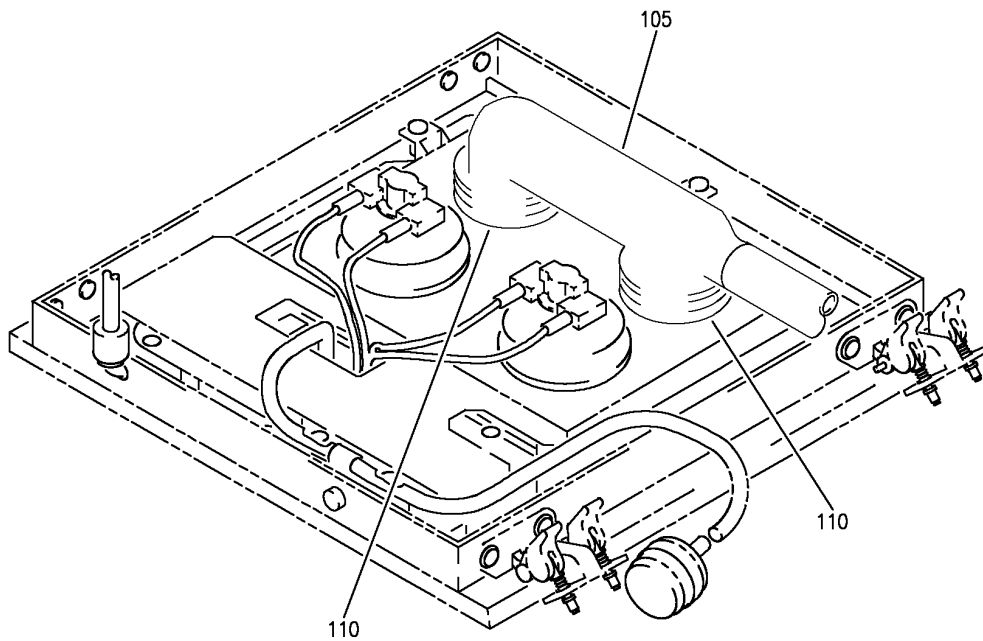
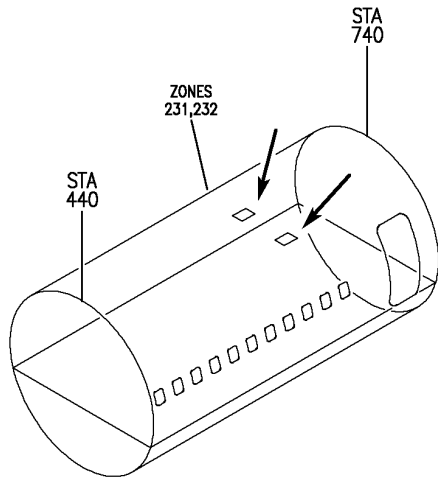
BRI

21-24-51-31B

BOEING PROPRIETARY - Copyright © - Unpublished Work - See title page for details.

21-24-51
FIG. 31B
PAGE 4
JAN 20/09

BOEING
757
PARTS CATALOG (MAINTENANCE)



Y 21245131C REV 250

SERVICE UNIT ASSY-PASS. (INDIVIDUAL GASPER AIR DISTRIBUTION ONLY)
FIGURE 31C

21-24-51-31C

BRI
JAN 20/09

21-24-51-31C
PAGE 0



757

PARTS CATALOG (MAINTENANCE)

| FIG ITEM | PART NUMBER | 1 2 3 4 5 6 7 | NOMENCLATURE | EFFECT FROM TO | UNITS PER ASSY |
|----------|---------------|---------------|---|----------------|----------------|
| 31C | | | SERVICE UNIT ASSY-PASS. (INDIVIDUAL GASPER AIR DISTRIBUTION ONLY) | 103106 | |
| - 100 | 417N3051-170B | | SERVICE UNIT ASSY-PASS. LOWERED CEILING, LIGHT GASPER, BOTH SIDES (INDIVIDUAL GASPER AIR DISTRIBUTION ONLY) ELECTRICAL EQUIP NUMBER: M11047 FOR NHA/OTHER SYS DET SEE: 25-22-02-40S | 103106 | RF |
| 105 | 417N3103-2 | | .MANIFOLD ASSY-GASPER | 103106 | 1 |
| 110 | 3740-11 | | .OUTLET-AIR SUPPLIER CODE: VOACH0 SPECIFICATION NUMBER: 10-60141-26E | 103106 | 2 |

MISSING ITEM NUMBERS NOT APPLICABLE

- ITEM NOT ILLUSTRATED

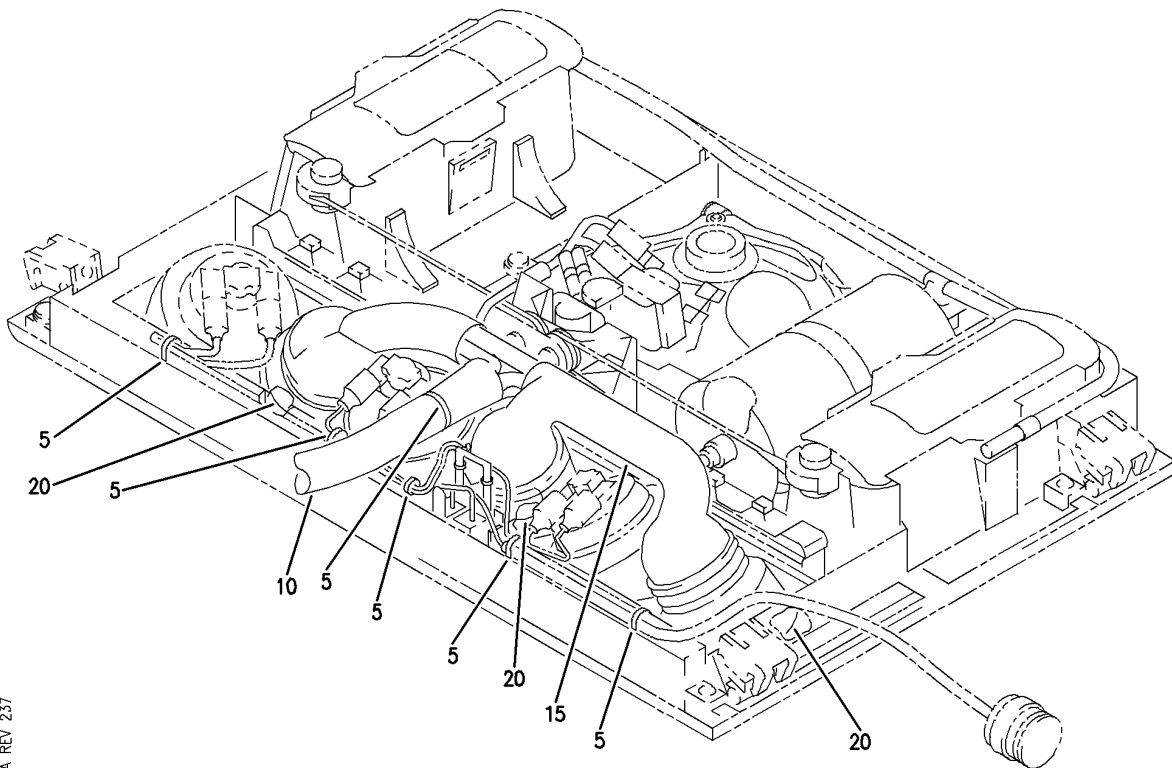
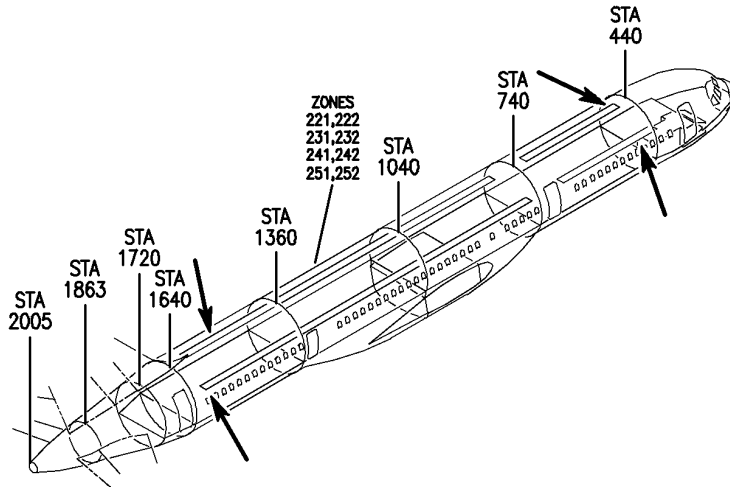
BRI

21-24-51-31C

BOEING PROPRIETARY - Copyright © - Unpublished Work - See title page for details.

21-24-51
FIG. 31C
PAGE 1
JAN 20/09

BOEING
757
PARTS CATALOG (MAINTENANCE)



Y 21245134A REV 237

SERVICE UNIT ASSY-PASS. (INDIVIDUAL GASPER AIR DISTRIBUTION ONLY)
FIGURE 34A

21-24-51-34A

BRI
JAN 20/09

21-24-51-34A
PAGE 0



757

PARTS CATALOG (MAINTENANCE)

| FIG ITEM | PART NUMBER | 1 2 3 4 5 6 7 | NOMENCLATURE | EFFECT FROM TO | UNITS PER ASSY |
|----------|---------------|---------------|--|------------------|----------------|
| 34A | | | SERVICE UNIT ASSY-PASS. (INDIVIDUAL GASPER AIR DISTRIBUTION ONLY) | 103106 108120 | |
| - 1 | 417N3011-422C | | SERVICE UNIT ASSY-PASS. WITH SPKR AND GASPER (INDIVIDUAL GASPER AIR DISTRIBUTION ONLY) ELECTRICAL EQUIP NUMBER: M10983 COMPONENT MAINT MANUAL REF: 25-23-38 FOR NHA/OTHER SYS DET SEE: 25-23-01-34A 25-23-01-76A | 108120 | RF |
| - 1 | 417N3011-422B | | SERVICE UNIT ASSY-PASS. WITH 2K SPKR, MUTING RELAY AND GASPER (INDIVIDUAL GASPER AIR DISTRIBUTION ONLY) ELECTRICAL EQUIP NUMBER: M10983 COMPONENT MAINT MANUAL REF: 25-23-38 FOR NHA/OTHER SYS DET SEE: 25-23-01-52B | 103106 | RF |
| 5 | PLT2MM2 | | .STRAP- SUPPLIER CODE: V06383 OPTIONAL PART: PLT2MM V06383 | 108120 | AR |
| 5 | PLT2MM | | .STRAP- SUPPLIER CODE: V06383 OPTIONAL PART: PLT2MM2 V06383 | 108120 | AR |
| 5 | PLT2MM2 | | .STRAP- SUPPLIER CODE: V06383 | 103104 | AR |
| 5 | PLT2MM2 | | .STRAP- SUPPLIER CODE: V06383 | 105106 | AR |
| 5 | PLT2MM | | .STRAP- SUPPLIER CODE: V06383 | 103104 | AR |
| 5 | PLT2MM | | .STRAP- SUPPLIER CODE: V06383 | 105106 | AR |

MISSING ITEM NUMBERS NOT APPLICABLE

- ITEM NOT ILLUSTRATED

21-24-51-34A

21-24-51
FIG. 34A
PAGE 1
JAN 20/09

BRI



757

PARTS CATALOG (MAINTENANCE)

| FIG ITEM | PART NUMBER | 1 2 3 4 5 6 7 | NOMENCLATURE | EFFECT FROM TO | UNITS PER ASSY |
|----------|--------------|---------------|---|----------------|----------------|
| 34A | | | | | |
| 10 | BACD40P3A160 | . | HOSE | 108120 | 1 |
| 10 | BACD40P3A160 | . | HOSE | 103104 | 1 |
| 10 | BACD40P3A160 | . | HOSE | 105106 | 1 |
| 15 | 417N3103-3 | . | MANIFOLD ASSY | 108120 | 1 |
| 15 | 417N3103-3 | . | MANIFOLD ASSY | 103104 | 1 |
| 15 | 417N3103-3 | . | MANIFOLD ASSY | 105106 | 1 |
| 20 | 3740-8 | . | OUTLET-AIR SUPPLIER CODE: VOACHO SPECIFICATION NUMBER: 10-60141-26B | 108120 | 3 |
| 20 | 3740-11 | . | OUTLET-AIR SUPPLIER CODE: VOACHO SPECIFICATION NUMBER: 10-60141-26E | 103104 | 3 |
| 20 | 3740-11 | . | OUTLET-AIR SUPPLIER CODE: VOACHO SPECIFICATION NUMBER: 10-60141-26E | 105106 | 3 |
| 20 | 3740-3 | . | OUTLET-AIR SUPPLIER CODE: VOACHO SPECIFICATION NUMBER: 10-60141-23U | 108120 | 3 |

MISSING ITEM NUMBERS NOT APPLICABLE

- ITEM NOT ILLUSTRATED

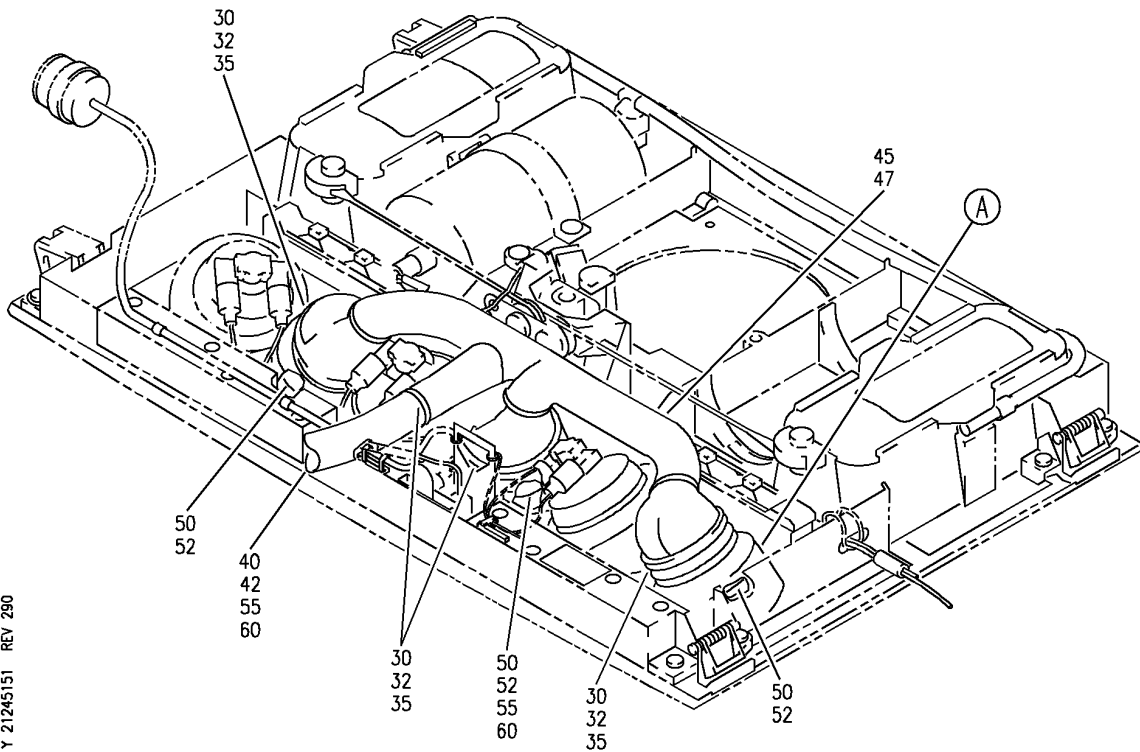
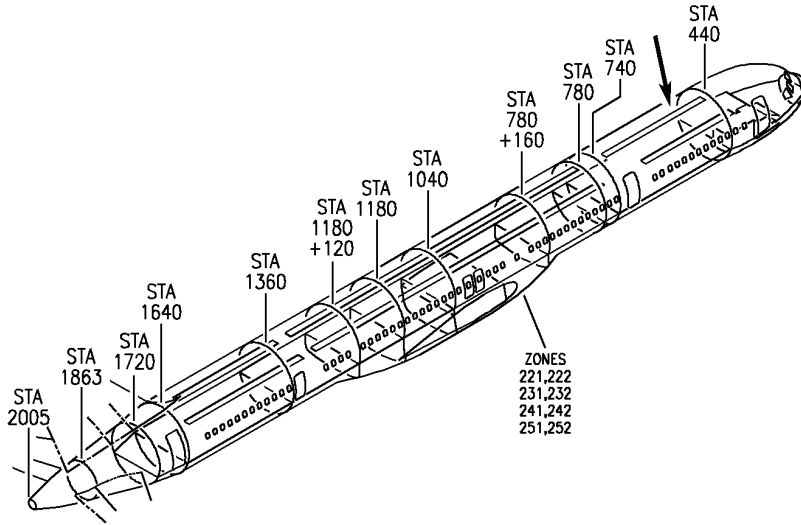
BRI

21-24-51-34A

BOEING PROPRIETARY - Copyright © - Unpublished Work - See title page for details.

21-24-51
FIG. 34A
PAGE 2
JAN 20/09

BOEING
757
PARTS CATALOG (MAINTENANCE)



Y 21245151 REV 290

SERVICE UNIT ASSY-PASS. (AIR CONDITIONING ONLY)
FIGURE 51

21-24-51-51

BRI
JAN 20/09

21-24-51-51
PAGE 0



757

PARTS CATALOG (MAINTENANCE)

| FIG ITEM | PART NUMBER | 1 2 3 4 5 6 7 | NOMENCLATURE | EFFECT FROM TO | UNITS PER ASSY |
|----------|----------------|---------------|---|------------------|----------------|
| 51 | | | SERVICE UNIT ASSY-PASS. (AIR CONDITIONING ONLY) | 103106 108120 | |
| - 5 | 417N3011-202SP | | SERVICE UNIT ASSY-PASS. WITH SPKR AND GASPER (AIR CONDITIONING ONLY) POSITION DATA: RH ELECTRICAL EQUIP NUMBER: M10973 COMPONENT MAINT MANUAL REF: 25-23-38 FOR NHA/OTHER SYS DET SEE: 25-23-01-52B | 103106 | RF |
| - 5 | 417N3011-402SP | | SERVICE UNIT ASSY-PASS. WITH SPKR AND GASPER (AIR CONDITIONING ONLY) POSITION DATA: RH ELECTRICAL EQUIP NUMBER: M10973 COMPONENT MAINT MANUAL REF: 25-23-38 FOR NHA/OTHER SYS DET SEE: 25-23-01-34A 25-23-01-52B 25-23-01-76A | 103106 108120 | RF |
| - 15 | 417N3011-214SP | | SERVICE UNIT ASSY-PASS. NO SPKR WITH GASPER (AIR CONDITIONING ONLY) POSITION DATA: RH ELECTRICAL EQUIP NUMBER: M10973 COMPONENT MAINT MANUAL REF: 25-23-38 FOR NHA/OTHER SYS DET SEE: 25-23-01-52B | 103106 | RF |

MISSING ITEM NUMBERS NOT APPLICABLE

- ITEM NOT ILLUSTRATED

21-24-51-51

21-24-51
FIG. 51
PAGE 1
JAN 20/09

BRI



757

PARTS CATALOG (MAINTENANCE)

| FIG ITEM | PART NUMBER | 1 2 3 4 5 6 7 | NOMENCLATURE | EFFECT FROM TO | UNITS PER ASSY |
|------------|----------------|---------------|--|------------------|----------------|
| 51 - 15 | 417N3011-414SP | | SERVICE UNIT ASSY-PASS. NO SPKR WITH GASPER (AIR CONDITIONING ONLY) POSITION DATA: RH ELECTRICAL EQUIP NUMBER: M10973 COMPONENT MAINT MANUAL REF: 25-23-38 FOR NHA/OTHER SYS DET SEE: 25-23-01-34A 25-23-01-52B 25-23-01-76A | 103106 108120 | RF |
| 30 | PLT2MM2 | | .STRAP- SUPPLIER CODE: V06383 OPTIONAL PART: PLT2MM V06383 | 108120 | 4 |
| 30 | PLT2MM | | .STRAP- SUPPLIER CODE: V06383 OPTIONAL PART: PLT2MM2 V06383 | 108120 | 4 |
| 35 | PLT2MM2 | | .STRAP- SUPPLIER CODE: V06383 OPTIONAL PART: PLT2MM V06383 | 105106 | 4 |
| 35 | PLT2MM | | .STRAP- SUPPLIER CODE: V06383 OPTIONAL PART: PLT2MM2 V06383 | 105106 | 4 |
| 35 | PLT2MM2 | | .STRAP- SUPPLIER CODE: V06383 OPTIONAL PART: PLT2MM V06383 | 103104 | 4 |
| 35 | PLT2MM | | .STRAP- SUPPLIER CODE: V06383 OPTIONAL PART: PLT2MM2 V06383 | 103104 | 4 |

MISSING ITEM NUMBERS NOT APPLICABLE

- ITEM NOT ILLUSTRATED

21-24-51-51

21-24-51
FIG. 51
PAGE 2
JAN 20/09

BRI



757

PARTS CATALOG (MAINTENANCE)

| FIG ITEM | PART NUMBER | 1 2 3 4 5 6 7 | NOMENCLATURE | EFFECT FROM TO | UNITS PER ASSY |
|----------|---------------|-----------------------|--------------|----------------|----------------|
| 51 | | | | | |
| 40 | BACD40P3A160 | .HOSE | | 108120 | 1 |
| 40 | BACD40P3A160 | .HOSE | | 105106 | 1 |
| 40 | BACD40P3A160 | .HOSE | | 103104 | 1 |
| 45 | 417N3103-3 | .MANIFOLD ASSY | | 108120 | 1 |
| 45 | 417N3103-3 | .MANIFOLD ASSY | | 105106 | 1 |
| 45 | 417N3103-3 | .MANIFOLD ASSY | | 103104 | 1 |
| 50 | 10-60141-23SP | .OUTLET-AIR | | 105106 | 3 |
| | | OPTIONAL PART: | | | |
| | | 3740-11 | | | |
| | | VOACHO | | | |
| | | USED ON: | | | |
| | | 417N3011-202SP | | | |
| | | 417N3011-214SP | | | |
| | | 417N3011-314SP | | | |
| 50 | 3740-11 | .OUTLET-AIR | | 105106 | 3 |
| | | SUPPLIER CODE: | | | |
| | | VOACHO | | | |
| | | SPECIFICATION NUMBER: | | | |
| | | 10-60141-26E | | | |
| | | OPTIONAL PART: | | | |
| | | 10-60141-23SP | | | |
| | | USED ON: | | | |
| | | 417N3011-202SP | | | |
| | | 417N3011-214SP | | | |
| | | 417N3011-314SP | | | |
| 50 | 10-60141-23SP | .OUTLET-AIR | | 103104 | 3 |
| | | OPTIONAL PART: | | | |
| | | 3740-11 | | | |
| | | VOACHO | | | |
| | | USED ON: | | | |
| | | 417N3011-202SP | | | |
| | | 417N3011-214SP | | | |
| | | 417N3011-314SP | | | |
| 50 | 3740-11 | .OUTLET-AIR | | 103104 | 3 |
| | | SUPPLIER CODE: | | | |
| | | VOACHO | | | |
| | | SPECIFICATION NUMBER: | | | |
| | | 10-60141-26E | | | |
| | | OPTIONAL PART: | | | |
| | | 10-60141-23SP | | | |
| | | USED ON: | | | |
| | | 417N3011-202SP | | | |
| | | 417N3011-214SP | | | |
| | | 417N3011-314SP | | | |

MISSING ITEM NUMBERS NOT APPLICABLE

- ITEM NOT ILLUSTRATED

BRI

21-24-51-51

21-24-51
FIG. 51
PAGE 3
JAN 20/09



757

PARTS CATALOG (MAINTENANCE)

| FIG ITEM | PART NUMBER | 1 2 3 4 5 6 7 | NOMENCLATURE | EFFECT FROM TO | UNITS PER ASSY |
|----------|-------------|---------------|---|----------------|----------------|
| 51 | | | | | |
| 55 | 3740-11 | . | OUTLET-AIR SUPPLIER CODE: VOACHO SPECIFICATION NUMBER: 10-60141-26E USED ON: 417N3011-402SP 417N3011-414SP | 105106 | 3 |
| 55 | 3740-11 | . | OUTLET-AIR SUPPLIER CODE: VOACHO SPECIFICATION NUMBER: 10-60141-26E USED ON: 417N3011-402SP 417N3011-414SP | 103104 | 3 |
| 55 | 3740-3 | . | OUTLET-AIR SUPPLIER CODE: VOACHO SPECIFICATION NUMBER: 10-60141-23U OPTIONAL PART: 3740-8 VOACHO USED ON: 417N3011-402SP | 108120 | 3 |
| 55 | 3740-8 | . | OUTLET-AIR SUPPLIER CODE: VOACHO SPECIFICATION NUMBER: 10-60141-26B OPTIONAL PART: 3740-3 VOACHO USED ON: 417N3011-402SP | 108120 | 3 |
| 60 | 3740-8 | . | OUTLET-AIR SUPPLIER CODE: VOACHO SPECIFICATION NUMBER: 10-60141-26B USED ON: 417N3011-414SP | 108120 | 3 |

MISSING ITEM NUMBERS NOT APPLICABLE

- ITEM NOT ILLUSTRATED

21-24-51-51

21-24-51
FIG. 51
PAGE 4
JAN 20/09

BRI



757

PARTS CATALOG (MAINTENANCE)

| FIG ITEM | PART NUMBER | 1 2 3 4 5 6 7 | NOMENCLATURE | EFFECT FROM TO | UNITS PER ASSY |
|-------------|-------------|---------------|--|-------------------|----------------------|
| 51 60 | 3740-3 | | .OUTLET-AIR SUPPLIER CODE: VOACH0 SPECIFICATION NUMBER: 10-60141-23U USED ON: 417N3011-414SP | 108120 | 3 |

MISSING ITEM NUMBERS NOT APPLICABLE

- ITEM NOT ILLUSTRATED

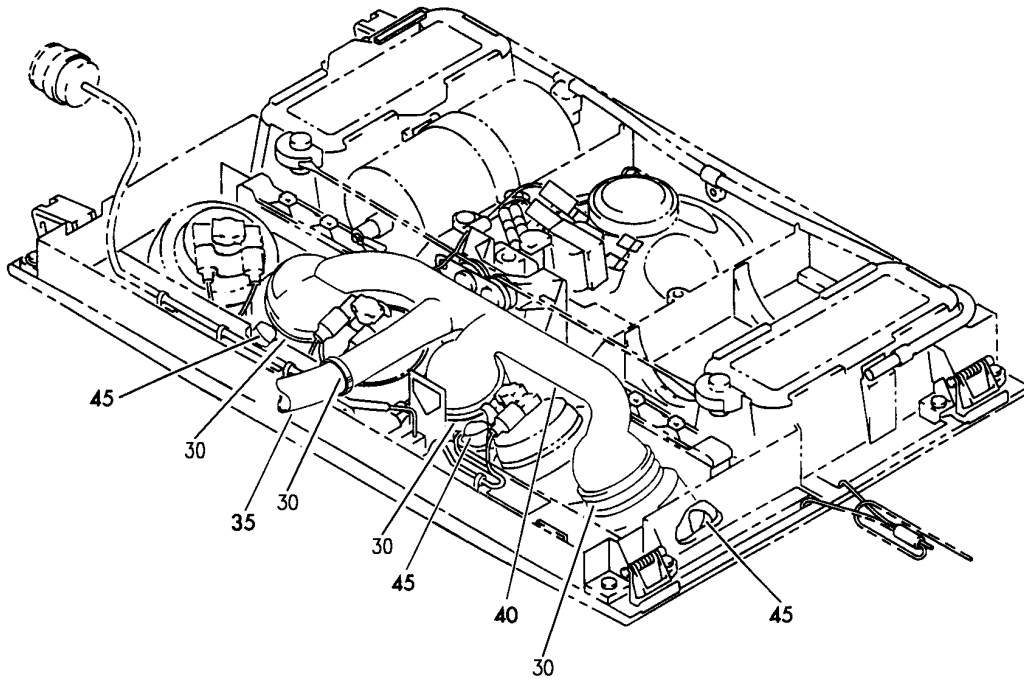
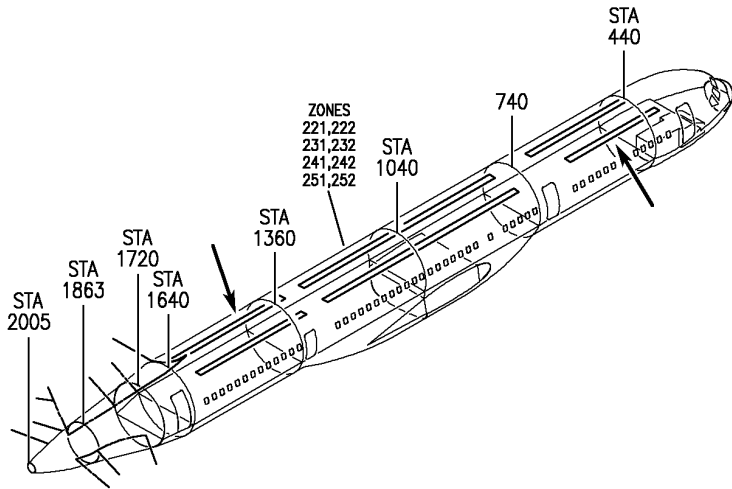
BRI

21-24-51-51

BOEING PROPRIETARY - Copyright © - Unpublished Work - See title page for details.

21-24-51
FIG. 51
PAGE 5
JAN 20/09

BOEING
757
PARTS CATALOG (MAINTENANCE)



Y 21245164D REV 252

SERVICE UNIT ASSY-PASS. (INDIVIDUAL (GASPER) AIR DISTRIBUTION ONLY)
FIGURE 64D

BRI
JAN 20/09

21-24-51-64D

21-24-51-64D
PAGE 0



757

PARTS CATALOG (MAINTENANCE)

| FIG ITEM | PART NUMBER | 1 2 3 4 5 6 7 | NOMENCLATURE | EFFECT FROM TO | UNITS PER ASSY |
|----------|---------------|---------------|---|----------------|----------------|
| 64D | | | SERVICE UNIT ASSY-PASS. (INDIVIDUAL (GASPER) AIR DISTRIBUTION ONLY) | 504903 | |
| - 1 | 417N3011-363B | | SERVICE UNIT ASSY-PASS. WITH SPKR AND GASPER 22 MIN. OXY (INDIVIDUAL (GASPER) AIR DISTRIBUTION ONLY) POSITION DATA: LH ELECTRICAL EQUIP NUMBER: M10979 COMPONENT MAINT MANUAL REF: 25-23-38 FOR NHA/OTHER SYS DET SEE: 25-23-01-50B | 504903 | RF |
| - 3 | 417N3011-364B | | SERVICE UNIT ASSY-PASS. WITH SPKR AND GASPER 22 MIN. OXY (INDIVIDUAL (GASPER) AIR DISTRIBUTION ONLY) POSITION DATA: RH ELECTRICAL EQUIP NUMBER: M10979 COMPONENT MAINT MANUAL REF: 25-23-38 FOR NHA/OTHER SYS DET SEE: 25-23-01-50B | 504903 | RF |
| - 5 | 417N3011-365B | | SERVICE UNIT ASSY-PASS. NO SPKR WITH GASPER 22 MIN. OXY (INDIVIDUAL (GASPER) AIR DISTRIBUTION ONLY) POSITION DATA: LH ELECTRICAL EQUIP NUMBER: M10979 COMPONENT MAINT MANUAL REF: 25-23-38 FOR NHA/OTHER SYS DET SEE: 25-23-01-50B | 504903 | RF |

MISSING ITEM NUMBERS NOT APPLICABLE

- ITEM NOT ILLUSTRATED

21-24-51-64D

21-24-51
FIG. 64D
PAGE 1
JAN 20/09

BRI



757

PARTS CATALOG (MAINTENANCE)

| FIG ITEM | PART NUMBER | 1 2 3 4 5 6 7 | NOMENCLATURE | EFFECT FROM TO | UNITS PER ASSY |
|------------|---------------|---------------|--|----------------|----------------|
| 64D - 7 | 417N3011-366B | | SERVICE UNIT ASSY-PASS. NO SPKR WITH GASPER 22 MIN. OXY (INDIVIDUAL (GASPER) AIR DISTRIBUTION ONLY) POSITION DATA: RH ELECTRICAL EQUIP NUMBER: M10979 COMPONENT MAINT MANUAL REF: 25-23-38 FOR NHA/OTHER SYS DET SEE: 25-23-01-50B | 504903 | RF |
| 30 | PLT2MM2 | . | STRAP- SUPPLIER CODE: V06383 OPTIONAL PART: PLT2MM V06383 | 504903 | 4 |
| 30 | PLT2MM | . | STRAP- SUPPLIER CODE: V06383 OPTIONAL PART: PLT2MM2 V06383 | 504903 | 4 |
| 35 | BACD40P3A160 | . | HOSE | 504903 | 1 |
| 40 | 417N3103-3 | . | MANIFOLD ASSY | 504903 | 1 |
| 45 | 3740-3 | . | OUTLET-AIR SUPPLIER CODE: VOACHO SPECIFICATION NUMBER: 10-60141-23U OPTIONAL PART: 3740-8 VOACHO | 504903 | 3 |
| 45 | 3740-8 | . | OUTLET-AIR SUPPLIER CODE: VOACHO SPECIFICATION NUMBER: 10-60141-26B OPTIONAL PART: 3740-3 VOACHO | 504903 | 3 |

MISSING ITEM NUMBERS NOT APPLICABLE

- ITEM NOT ILLUSTRATED

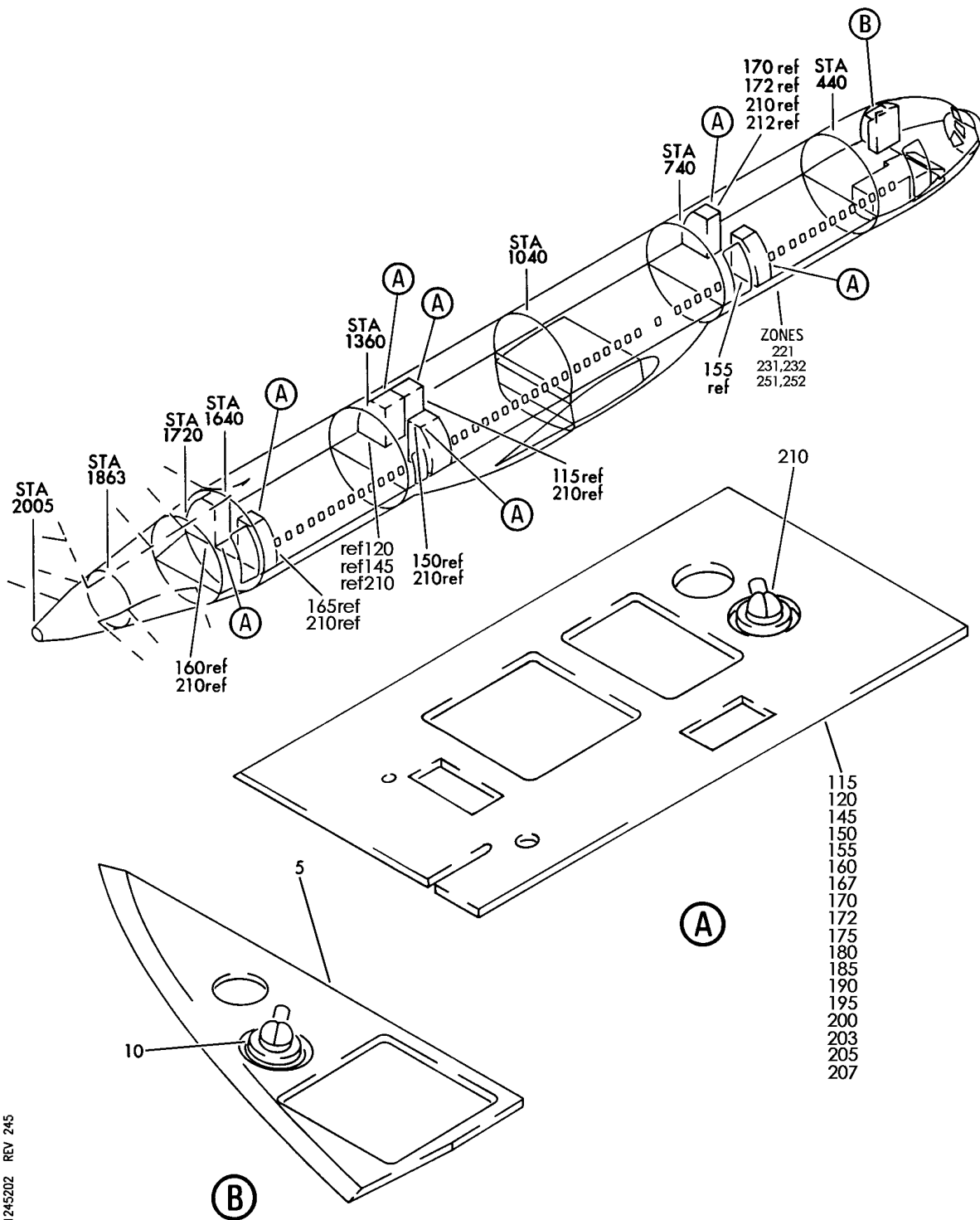
BRI

21-24-51-64D

BOEING PROPRIETARY - Copyright © - Unpublished Work - See title page for details.

21-24-51
FIG. 64D
PAGE 2
JAN 20/09

BOEING
757
PARTS CATALOG (MAINTENANCE)



Y 21245202 REV 245

CEILING ASSY-SEG 150 LAV (AIR CONDITIONING ONLY)
FIGURE 2

21-24-52-02

BRI
MAY 28/07

21-24-52-02
PAGE 0



757

PARTS CATALOG (MAINTENANCE)

| FIG ITEM | PART NUMBER | 1 2 3 4 5 6 7 | NOMENCLATURE | EFFECT FROM TO | UNITS PER ASSY |
|----------|----------------|---------------|--|------------------|----------------|
| 2 | | | CEILING ASSY-SEG 150 LAV (AIR CONDITIONING ONLY) | 101102 504903 | |
| - 1 | D75D15020-111 | | CEILING ASSY-SEG 150, LAV A (AIR CONDITIONING ONLY) SUPPLIER CODE: VS5825 FOR NHA/OTHER SYS DET SEE: 25-41-01-46A | 101102 | RF |
| - 1 | D75D15072-111 | | CEILING ASSY-SEG 150, LAV A (AIR CONDITIONING ONLY) SUPPLIER CODE: VS5825 FOR NHA/OTHER SYS DET SEE: 25-41-01-12 | 504903 | RF |
| 5 | D75A45014-111A | | .PANEL ASSY- SUPPLIER CODE: VS5825 | 101102 504903 | RF |
| 5 | D75A45014-111A | | .PANEL ASSY- SUPPLIER CODE: VS5825 | 504903 | RF |
| 10 | 1938-13 | | ..OUTLET-AIR SUPPLIER CODE: VOACH0 SPECIFICATION NUMBER: 60B40058-13 | 101102 504903 | 1 |
| - 100 | D75D15033-111 | | CEILING ASSY-SEG 150, LAV B (AIR CONDITIONING ONLY) SUPPLIER CODE: VS5825 FOR NHA/OTHER SYS DET SEE: 25-41-03-52C | 101102 | RF |
| - 105 | D75D15034-111 | | CEILING ASSY-SEG 150, LAV C (AIR CONDITIONING ONLY) SUPPLIER CODE: VS5825 FOR NHA/OTHER SYS DET SEE: 25-41-03-50H | 101102 | RF |
| - 105 | D75D15074-111 | | CEILING ASSY-SEG 150, LAV C (AIR CONDITIONING ONLY) SUPPLIER CODE: VS5825 FOR NHA/OTHER SYS DET SEE: 25-41-03-50A | 504903 | RF |
| - 110 | D75D15035-111 | | CEILING ASSY-SEG 150, LAV D (AIR CONDITIONING ONLY) SUPPLIER CODE: VS5825 FOR NHA/OTHER SYS DET SEE: 25-41-03-51H | 101102 | RF |

MISSING ITEM NUMBERS NOT APPLICABLE

- ITEM NOT ILLUSTRATED

21-24-52-02

21-24-52
FIG. 02
PAGE 1
JAN 20/09

BRI



757

PARTS CATALOG (MAINTENANCE)

| FIG ITEM | PART NUMBER | 1 2 3 4 5 6 7 | NOMENCLATURE | EFFECT FROM TO | UNITS PER ASSY |
|----------|----------------|---------------|--|----------------|----------------|
| 2 | | | | | |
| - 110 | D75D15073-111 | | CEILING ASSY-SEG 150, LAV D (AIR CONDITIONING ONLY) SUPPLIER CODE: VS5825 FOR NHA/OTHER SYS DET SEE: 25-41-03-51A | 504903 | RF |
| - 113 | D75D15075-111 | | CEILING ASSY-SEG 150, LAV F (AIR CONDITIONING ONLY) SUPPLIER CODE: VS5825 FOR NHA/OTHER SYS DET SEE: 25-41-01-12B | 504903 | RF |
| 115 | D75D37024-111A | | .CEILING ASSY-LAV B SUPPLIER CODE: VS5825 | 101102 | RF |
| - 120 | D75D37025-111A | | .CEILING ASSY-LAV C SUPPLIER CODE: VS5825 | 101102 | RF |
| - 120 | D75D37060-111A | | .CEILING ASSY-LAV C SUPPLIER CODE: VS5825 | 504903 | RF |
| - 125 | D75D37026-111A | | .CEILING ASSY-LAV D SUPPLIER CODE: VS5825 | 101102 | RF |
| 150 | D75D37059-111A | | .CEILING ASSY-LAV D SUPPLIER CODE: VS5825 | 504903 | RF |
| 172 | D75D37061-111A | | .CEILING ASSY-LAV F SUPPLIER CODE: VS5825 | 504903 | RF |
| 175 | D75A45027-111A | | ..PANEL ASSY-LAV B SUPPLIER CODE: VS5825 | 101102 | RF |
| 180 | D75A45028-111A | | ..PANEL ASSY-LAV C SUPPLIER CODE: VS5825 | 101102 | RF |
| 180 | D75A45056-111A | | ..PANEL ASSY-LAV C SUPPLIER CODE: VS5825 | 504903 | RF |
| 185 | D75A45026-111A | | ..PANEL ASSY-LAV D SUPPLIER CODE: VS5825 | 101102 | RF |
| 185 | D75A45055-111A | | ..PANEL ASSY-LAV D SUPPLIER CODE: VS5825 | 504903 | RF |
| 207 | D75A45057-111A | | ..PANEL ASSY-LAV F SUPPLIER CODE: VS5825 | 504903 | RF |

MISSING ITEM NUMBERS NOT APPLICABLE

- ITEM NOT ILLUSTRATED

21-24-52-02

21-24-52
FIG. 02
PAGE 2
JAN 20/09

BRI



757

PARTS CATALOG (MAINTENANCE)

| FIG ITEM | PART NUMBER | 1 2 3 4 5 6 7 | NOMENCLATURE | EFFECT FROM TO | UNITS PER ASSY |
|-------------|-------------|---------------|---|-------------------|----------------------|
| 2 210 | 1938-13 | | ...OUTLET-AIR SUPPLIER CODE: VOACH0 SPECIFICATION NUMBER: 60B40058-13 | 101102 504903 | 1 |

MISSING ITEM NUMBERS NOT APPLICABLE

- ITEM NOT ILLUSTRATED

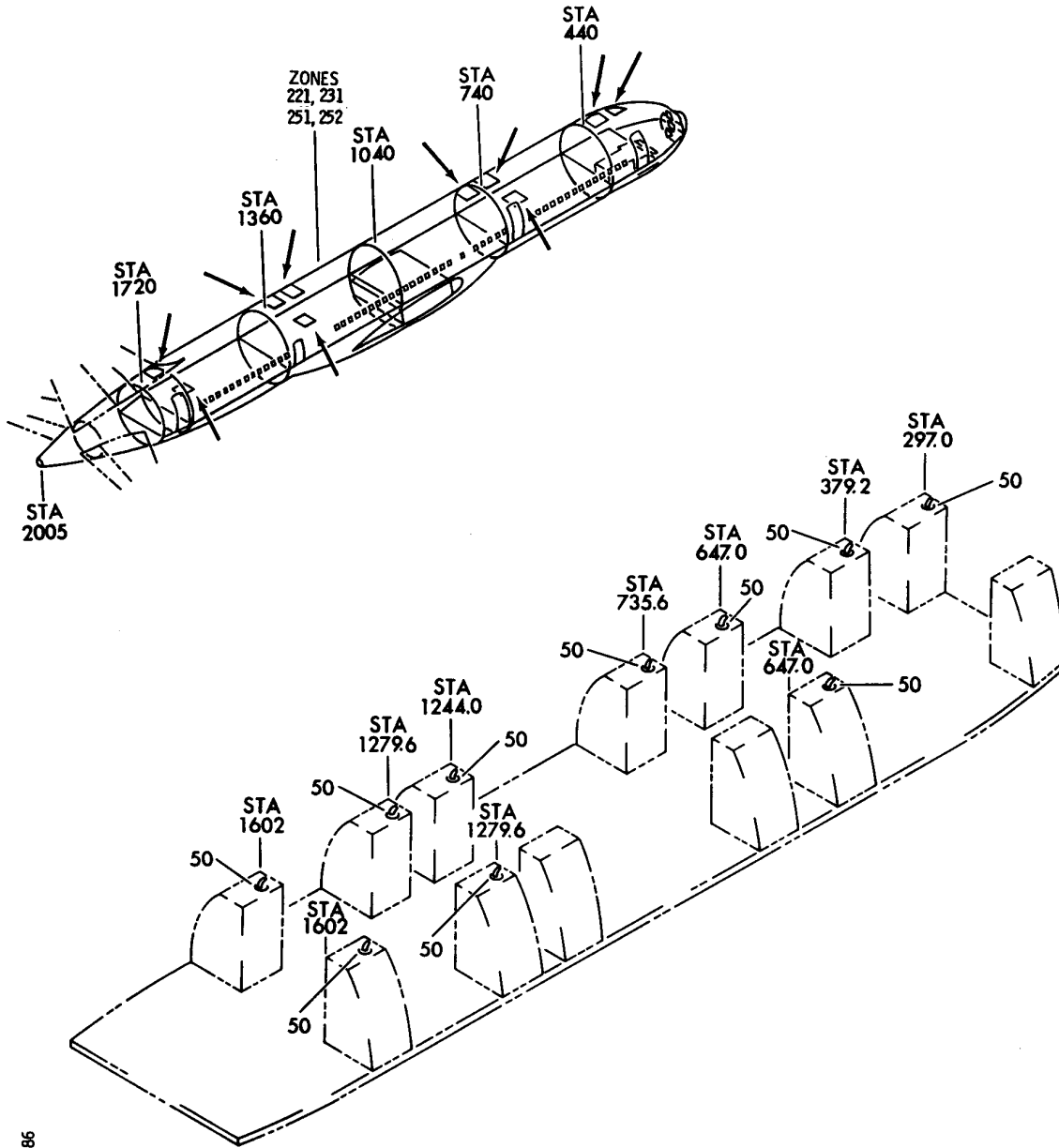
BRI

21-24-52-02

BOEING PROPRIETARY - Copyright © - Unpublished Work - See title page for details.

21-24-52
FIG. 02
PAGE 3
JAN 20/09

BOEING
757
PARTS CATALOG (MAINTENANCE)



Y 21245202A REV 186

CEILING ASSY (AIR CONDITIONING ONLY)
FIGURE 2A

21-24-52-02A

BRI
MAY 28/07

21-24-52-02A
PAGE 0



757

PARTS CATALOG (MAINTENANCE)

| FIG ITEM | PART NUMBER | 1 2 3 4 5 6 7 | NOMENCLATURE | EFFECT FROM TO | UNITS PER ASSY |
|----------|----------------|---------------|--|--------------------------------------|----------------|
| 2A | | | CEILING ASSY (AIR CONDITIONING ONLY) | 002004 006100 107107 950951 | |
| - 1 | 0A112-0008-1 | | CEILING ASSY-LAV A WORK STA (AIR CONDITIONING ONLY) SUPPLIER CODE: VS5825 FOR NHA/OTHER SYS DET SEE: 25-41-01-06B 25-41-01-06E | 107107 950951 | RF |
| - 1 | 0A112-0008-31 | | CEILING ASSY-LAV A (AIR CONDITIONING ONLY) SUPPLIER CODE: VS5825 CONFIG CHG DATA FROM A CMM: SUPSD BY 0A112-0008-61 FOR NHA/OTHER SYS DET SEE: 25-41-01-06F | 002004 006100 | RF |
| - 1 | 0A112-0008-61 | | CEILING ASSY-LAV A (AIR CONDITIONING ONLY) SUPPLIER CODE: VS5825 CONFIG CHG DATA FROM A CMM: SUPERSEDES 0A112-0008-31 FOR NHA/OTHER SYS DET SEE: 25-41-01-06F | 002004 006100 | RF |
| - 5 | 0A122-0009-271 | | CEILING ASSY-LAV S (AIR CONDITIONING ONLY) SUPPLIER CODE: VS5825 FOR NHA/OTHER SYS DET SEE: 25-41-03-08A | 950951 | RF |
| - 10 | 0A122-0009-352 | | CEILING ASSY-LAV C (AIR CONDITIONING ONLY) SUPPLIER CODE: VS5825 FOR NHA/OTHER SYS DET SEE: 25-41-04-27 | 950951 | RF |
| - 10 | 0A122-0009-352 | | CEILING ASSY-LAV C (AIR CONDITIONING ONLY) SUPPLIER CODE: VS5825 FOR NHA/OTHER SYS DET SEE: 25-41-04-28 | 002004 006100 | RF |

MISSING ITEM NUMBERS NOT APPLICABLE

- ITEM NOT ILLUSTRATED

21-24-52-02A

21-24-52
FIG. 02A
PAGE 1
JAN 20/09

BRI



757

PARTS CATALOG (MAINTENANCE)

| FIG ITEM | PART NUMBER | 1 2 3 4 5 6 7 | NOMENCLATURE | EFFECT FROM TO | UNITS PER ASSY |
|------------|----------------|---------------|--|--------------------------------------|----------------|
| 2A - 10 | 0A122-0009-102 | | CEILING ASSY-LAV C (AIR CONDITIONING ONLY) SUPPLIER CODE: VS5825 FOR NHA/OTHER SYS DET SEE: 25-41-03-50B | 107107 | RF |
| - 15 | 0A122-0009-231 | | CEILING ASSY-LAV D (AIR CONDITIONING ONLY) SUPPLIER CODE: VS5825 CONFIG CHG DATA FROM A CMM: SUPERSEDES 0A122-0009-31 FOR NHA/OTHER SYS DET SEE: 25-41-04-43 | 950951 | RF |
| - 15 | 0A122-0009-231 | | CEILING ASSY-LAV D (AIR CONDITIONING ONLY) SUPPLIER CODE: VS5825 FOR NHA/OTHER SYS DET SEE: 25-41-04-44 | 002004 006100 | RF |
| - 15 | 0A122-0009-111 | | CEILING ASSY-LAV D (AIR CONDITIONING ONLY) SUPPLIER CODE: VS5825 CONFIG CHG DATA FROM A CMM: SUPERSEDES 0A122-0009-31 FOR NHA/OTHER SYS DET SEE: 25-41-03-51B | 107107 | RF |
| - 20 | 0A122-0009-341 | | CEILING ASSY-LAV B (AIR CONDITIONING ONLY) SUPPLIER CODE: VS5825 FOR NHA/OTHER SYS DET SEE: 25-41-04-21 | 002004 006100 | RF |
| - 25 | 0A122-0009-131 | | CEILING ASSY-LAV F (AIR CONDITIONING ONLY) SUPPLIER CODE: VS5825 FOR NHA/OTHER SYS DET SEE: 25-41-01-09E | 107107 | RF |
| 50 | 1938-13 | | .OUTLET-AIR SUPPLIER CODE: VOACH0 SPECIFICATION NUMBER: 60B40058-13 | 002004 006100 107107 950951 | 1 |

MISSING ITEM NUMBERS NOT APPLICABLE

- ITEM NOT ILLUSTRATED

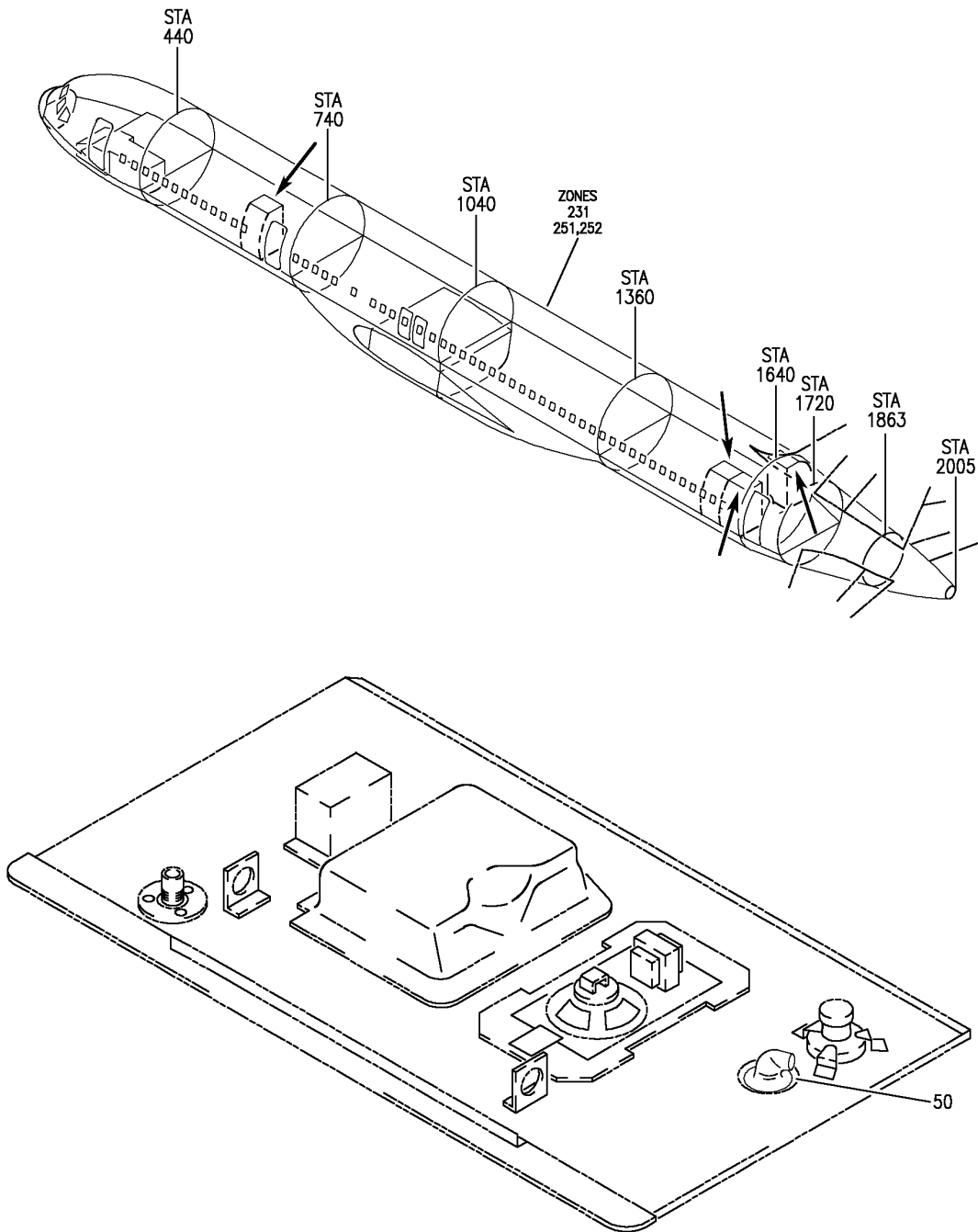
21-24-52-02A

21-24-52
FIG. 02A
PAGE 2
JAN 20/09

BRI

BOEING PROPRIETARY - Copyright © - Unpublished Work - See title page for details.

BOEING
757
PARTS CATALOG (MAINTENANCE)



Y 21245202C REV 263

CEILING ASSY-LAV (AIR CONDITIONING ONLY)
FIGURE 2C

21-24-52-02C

BRI
JAN 20/09

21-24-52-02C
PAGE 0



757

PARTS CATALOG (MAINTENANCE)

| FIG ITEM | PART NUMBER | 1 2 3 4 5 6 7 | NOMENCLATURE | EFFECT FROM TO | UNITS PER ASSY |
|----------|----------------|---------------|---|----------------|----------------|
| 2C | | | CEILING ASSY-LAV (AIR CONDITIONING ONLY) | 952999 | |
| - 1 | 0A122-0009-271 | | CEILING ASSY-LAV S (AIR CONDITIONING ONLY) SUPPLIER CODE: VS5825 FOR NHA/OTHER SYS DET SEE: 25-41-03-08C | 952999 | RF |
| - 5 | 0A122-0009-151 | | CEILING ASSY-LAV J (AIR CONDITIONING ONLY) SUPPLIER CODE: VS5825 | 952999 | RF |
| - 10 | 0A152-0075-32 | | CEILING ASSY-LAV K (AIR CONDITIONING ONLY) SUPPLIER CODE: VS5825 | 952999 | RF |
| - 20 | 0A122-0009-222 | | CEILING ASSY-LAV C (AIR CONDITIONING ONLY) SUPPLIER CODE: VS5825 FOR NHA/OTHER SYS DET SEE: 25-41-04-60 | 952999 | RF |
| - 25 | 0A122-0009-231 | | CEILING ASSY-LAV D (AIR CONDITIONING ONLY) SUPPLIER CODE: VS5825 FOR NHA/OTHER SYS DET SEE: 25-41-04-57 | 952999 | RF |
| 50 | 1938-13 | | .OUTLET-AIR SUPPLIER CODE: VOACH0 SPECIFICATION NUMBER: 60B40058-13 | 952999 | 1 |

MISSING ITEM NUMBERS NOT APPLICABLE

- ITEM NOT ILLUSTRATED

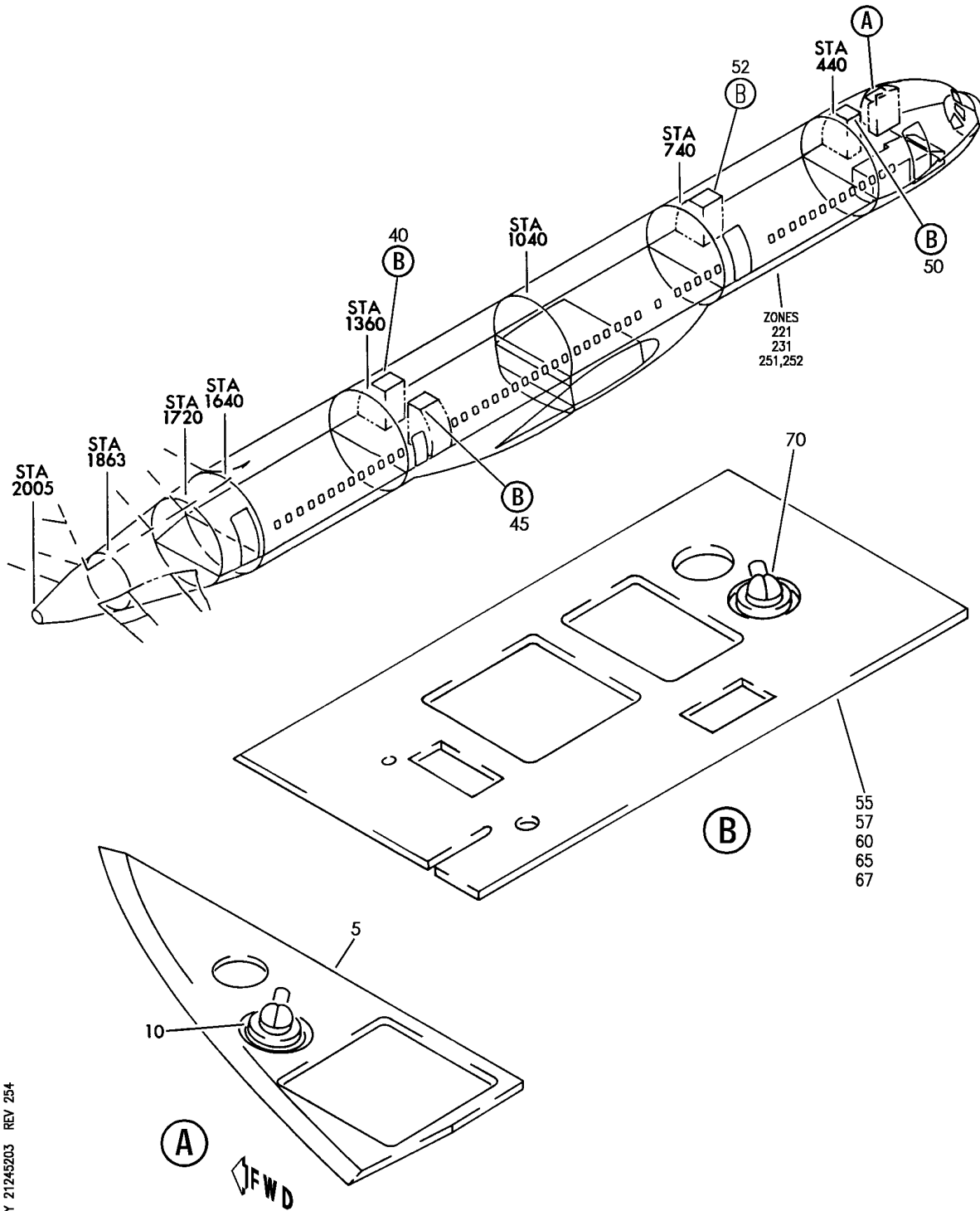
BRI

21-24-52-02C

BOEING PROPRIETARY - Copyright © - Unpublished Work - See title page for details.

21-24-52
FIG. 02C
PAGE 1
JAN 20/09

BOEING
757
PARTS CATALOG (MAINTENANCE)



Y 21245203 REV 254

CEILING ASSY-SEG 150 LAV (AIR CONDITIONING ONLY)
FIGURE 3

21-24-52-03

BRI
JAN 20/09

21-24-52-03
PAGE 0



757

PARTS CATALOG (MAINTENANCE)

| FIG ITEM | PART NUMBER | 1 2 3 4 5 6 7 | NOMENCLATURE | EFFECT FROM TO | UNITS PER ASSY |
|----------|----------------|---------------|---|----------------|----------------|
| 3 | | | CEILING ASSY-SEG 150 LAV (AIR CONDITIONING ONLY) | 108120 | |
| - 1 | D75D15028-111 | | CEILING ASSY-SEG 150 LAV A (AIR CONDITIONING ONLY) SUPPLIER CODE: VS5825 FOR NHA/OTHER SYS DET SEE: 25-41-01-06Q | 108120 | RF |
| 5 | D75A45025-111A | | .PANEL ASSY- SUPPLIER CODE: VS5825 | 108120 | RF |
| 10 | 1938-13 | | ..OUTLET-GASPER AIR SUPPLIER CODE: VOACH0 SPECIFICATION NUMBER: 60B40058-13 | 108120 | 1 |
| - 25 | D75D15042-111 | | CEILING ASSY-SEG 150 LAV D (AIR CONDITIONING ONLY) SUPPLIER CODE: VS5825 FOR NHA/OTHER SYS DET SEE: 25-41-03-51M | 108120 | RF |
| - 30 | D75D15103-111 | | CEILING ASSY-SEG 150 LAV S (AIR CONDITIONING ONLY) SUPPLIER CODE: VS5825 FOR NHA/OTHER SYS DET SEE: 25-41-03-08Q | 108120 | RF |
| 40 | D75D37054-111B | | .CEILING ASSY-LAV C SUPPLIER CODE: VS5825 | 108120 | RF |
| 45 | D75D37033-111A | | .CEILING ASSY-LAV D SUPPLIER CODE: VS5825 | 108120 | RF |
| 52 | D75D37082-111A | | .CEILING ASSY-LAV S SUPPLIER CODE: VS5825 | 108120 | RF |
| 55 | D75A45047-111A | | ..PANEL ASSY-LAV C SUPPLIER CODE: VS5825 | 108120 | RF |
| 60 | D75A45026-111A | | ..PANEL ASSY-LAV D SUPPLIER CODE: VS5825 | 108120 | RF |

MISSING ITEM NUMBERS NOT APPLICABLE

- ITEM NOT ILLUSTRATED

21-24-52-03

21-24-52
FIG. 03
PAGE 1
JAN 20/09

BRI



757

PARTS CATALOG (MAINTENANCE)

| FIG ITEM | PART NUMBER | 1 2 3 4 5 6 7 | NOMENCLATURE | EFFECT FROM TO | UNITS PER ASSY |
|-------------|----------------|---------------|--|-------------------|----------------------|
| 3 | | | | | |
| 67 | D75A45030-111A | .. | PANEL ASSY-LAV S SUPPLIER CODE: VS5825 | 108120 | RF |
| 70 | 1938-13 | ... | OUTLET-AIR SUPPLIER CODE: VOACH0 SPECIFICATION NUMBER: 60B40058-13 | 108120 | 1 |

MISSING ITEM NUMBERS NOT APPLICABLE

- ITEM NOT ILLUSTRATED

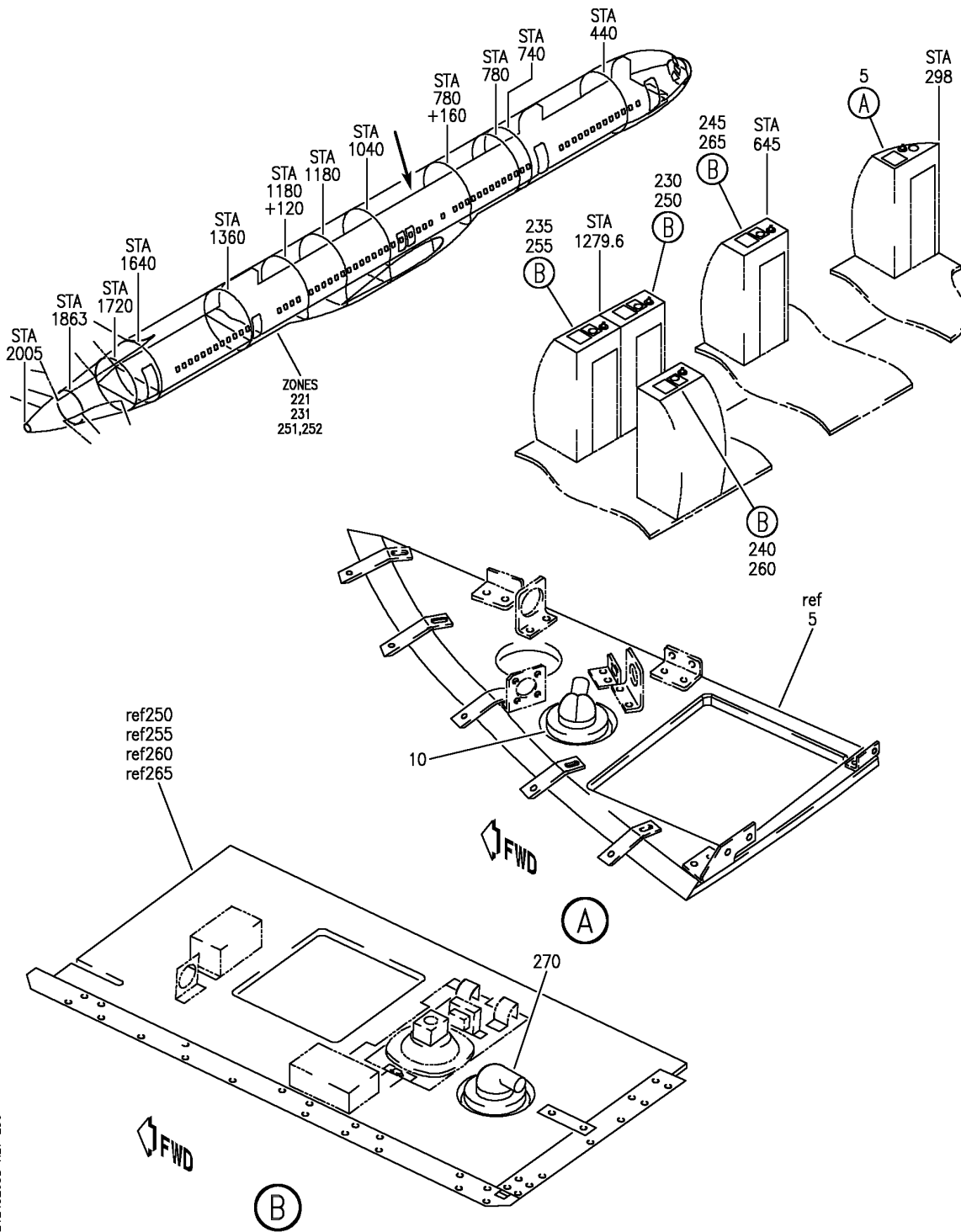
BRI

21-24-52-03

BOEING PROPRIETARY - Copyright © - Unpublished Work - See title page for details.

21-24-52
FIG. 03
PAGE 2
JAN 20/09

BOEING
757
PARTS CATALOG (MAINTENANCE)



Y 21245205B REV 256

CEILING ASSY-SEG 150 LAV (AIR CONDITIONING ONLY)
FIGURE 5B

21-24-52-05B

BRI
JAN 20/09

21-24-52-05B
PAGE 0



757

PARTS CATALOG (MAINTENANCE)

| FIG ITEM | PART NUMBER | 1 2 3 4 5 6 7 | NOMENCLATURE | EFFECT FROM TO | UNITS PER ASSY |
|----------|----------------|---------------|---|----------------|----------------|
| 5B | | | CEILING ASSY-SEG 150 LAV (AIR CONDITIONING ONLY) | 103106 | |
| - 1 | D71D15014-111A | | CEILING ASSY-SEG 150 LAV A (AIR CONDITIONING ONLY) SUPPLIER CODE: VS5825 FOR NHA/OTHER SYS DET SEE: 25-41-01-40E | 103106 | RF |
| 5 | D71A45009-111A | | .PANEL ASSY- SUPPLIER CODE: VS5825 | 103106 | 1 |
| 10 | 1938-13 | | ..OUTLET- SUPPLIER CODE: VOACH0 SPECIFICATION NUMBER: 60B40058-13 | 103106 | 1 |
| - 200 | D71D15036-111A | | CEILING ASSY-SEG 150 LAV B (AIR CONDITIONING ONLY) SUPPLIER CODE: VS5825 FOR NHA/OTHER SYS DET SEE: 25-41-03-52F | 103106 | RF |
| - 205 | D71D15040-111A | | CEILING ASSY-SEG 150 LAV C (AIR CONDITIONING ONLY) SUPPLIER CODE: VS5825 FOR NHA/OTHER SYS DET SEE: 25-41-03-50Q | 103106 | RF |
| - 210 | D71D15038-111A | | CEILING ASSY-SEG 150 LAV D (AIR CONDITIONING ONLY) SUPPLIER CODE: VS5825 FOR NHA/OTHER SYS DET SEE: 25-41-03-51R | 103106 | RF |
| - 215 | D71D15039-111A | | CEILING ASSY-SEG 150 LAV P (AIR CONDITIONING ONLY) SUPPLIER CODE: VS5825 | 103106 | RF |
| 230 | D71D37028-111A | | .CEILING ASSY-LAV B SUPPLIER CODE: VS5825 USED ON: D71D15036-111A | 103106 | 1 |
| 235 | D71D37032-111A | | .CEILING ASSY-LAV C SUPPLIER CODE: VS5825 USED ON: D71D15040-111A | 103106 | 1 |

MISSING ITEM NUMBERS NOT APPLICABLE

- ITEM NOT ILLUSTRATED

21-24-52-05B

21-24-52
FIG. 05B
PAGE 1
JAN 20/09

BRI

BOEING PROPRIETARY - Copyright © - Unpublished Work - See title page for details.



757

PARTS CATALOG (MAINTENANCE)

| FIG ITEM | PART NUMBER | 1 2 3 4 5 6 7 | NOMENCLATURE | EFFECT FROM TO | UNITS PER ASSY |
|-----------|----------------|---------------|--|----------------|----------------|
| 5B 240 | D71D37030-111A | . | CEILING ASSY-LAV D SUPPLIER CODE: VS5825 USED ON: D71D15038-111A | 103106 | 1 |
| 245 | D71D37031-111A | . | CEILING ASSY-LAV P SUPPLIER CODE: VS5825 USED ON: D71D15039-111A | 103106 | 1 |
| 250 | D71A45016-111A | .. | PANEL ASSY-LAV B SUPPLIER CODE: VS5825 USED ON: D71D37028-111A | 103106 | 1 |
| 255 | D71A45018-111A | .. | PANEL ASSY-LAV C SUPPLIER CODE: VS5825 USED ON: D71D37029-111A | 103106 | 1 |
| 260 | D71A45017-111A | .. | PANEL ASSY-LAV D SUPPLIER CODE: VS5825 USED ON: D71D37030-111A | 103106 | 1 |
| 265 | D71A45017-111A | .. | PANEL ASSY-LAV P SUPPLIER CODE: VS5825 USED ON: D71D37031-111A | 103106 | 1 |
| 270 | 1938-13 | ... | OUTLET- SUPPLIER CODE: VOACH0 SPECIFICATION NUMBER: 60B40058-13 | 103106 | 1 |

MISSING ITEM NUMBERS NOT APPLICABLE

- ITEM NOT ILLUSTRATED

21-24-52-05B

21-24-52
FIG. 05B
PAGE 2
JAN 20/09

BRI

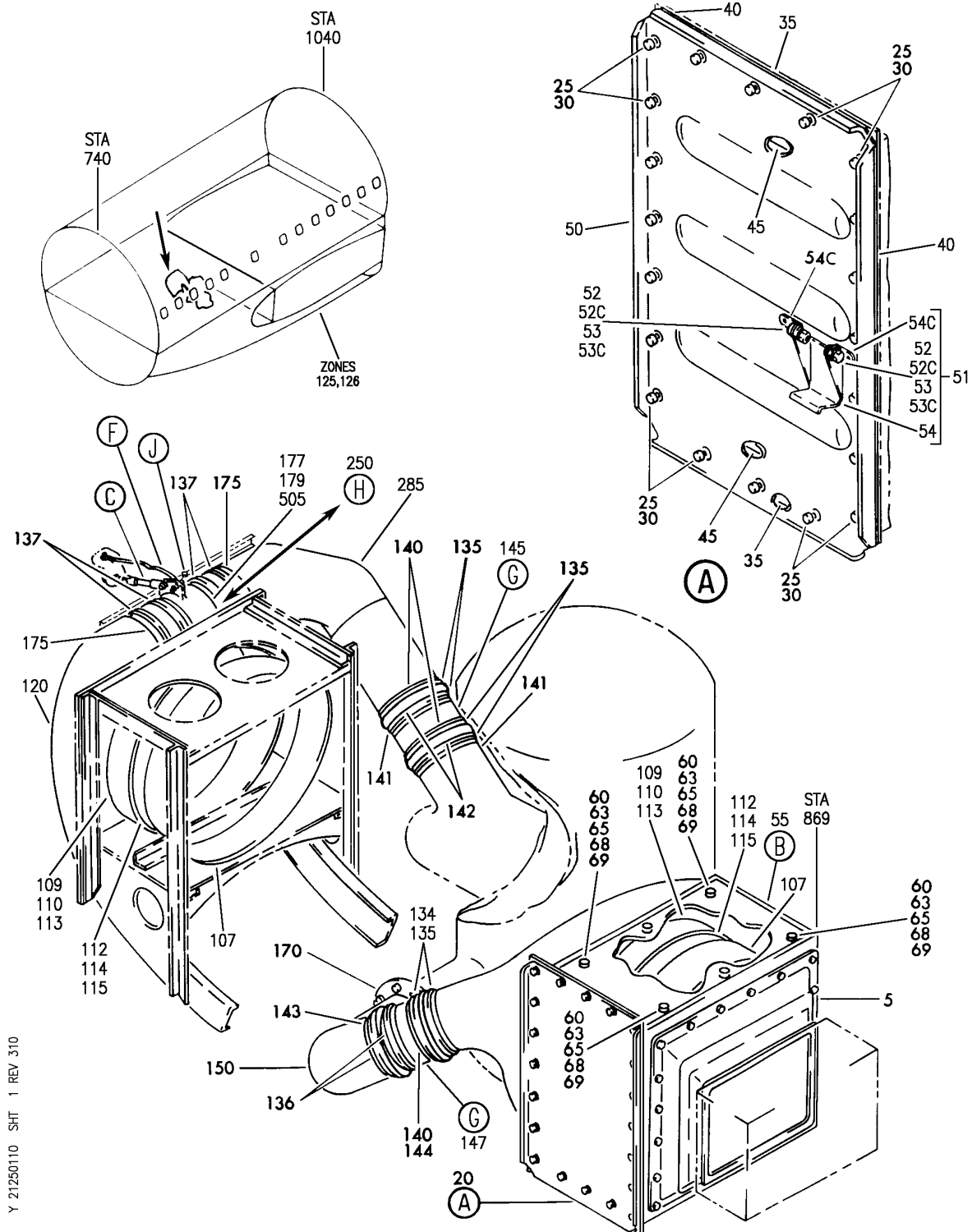
BOEING PROPRIETARY - Copyright © - Unpublished Work - See title page for details.

CABIN AIR RECIRCULATION SYSTEM

BRI
MAY 28/07

21-25-00
SECTION TITLE
PAGE 1

BOEING
757
PARTS CATALOG (MAINTENANCE)



Y 21250110 SHT 1 REV 310

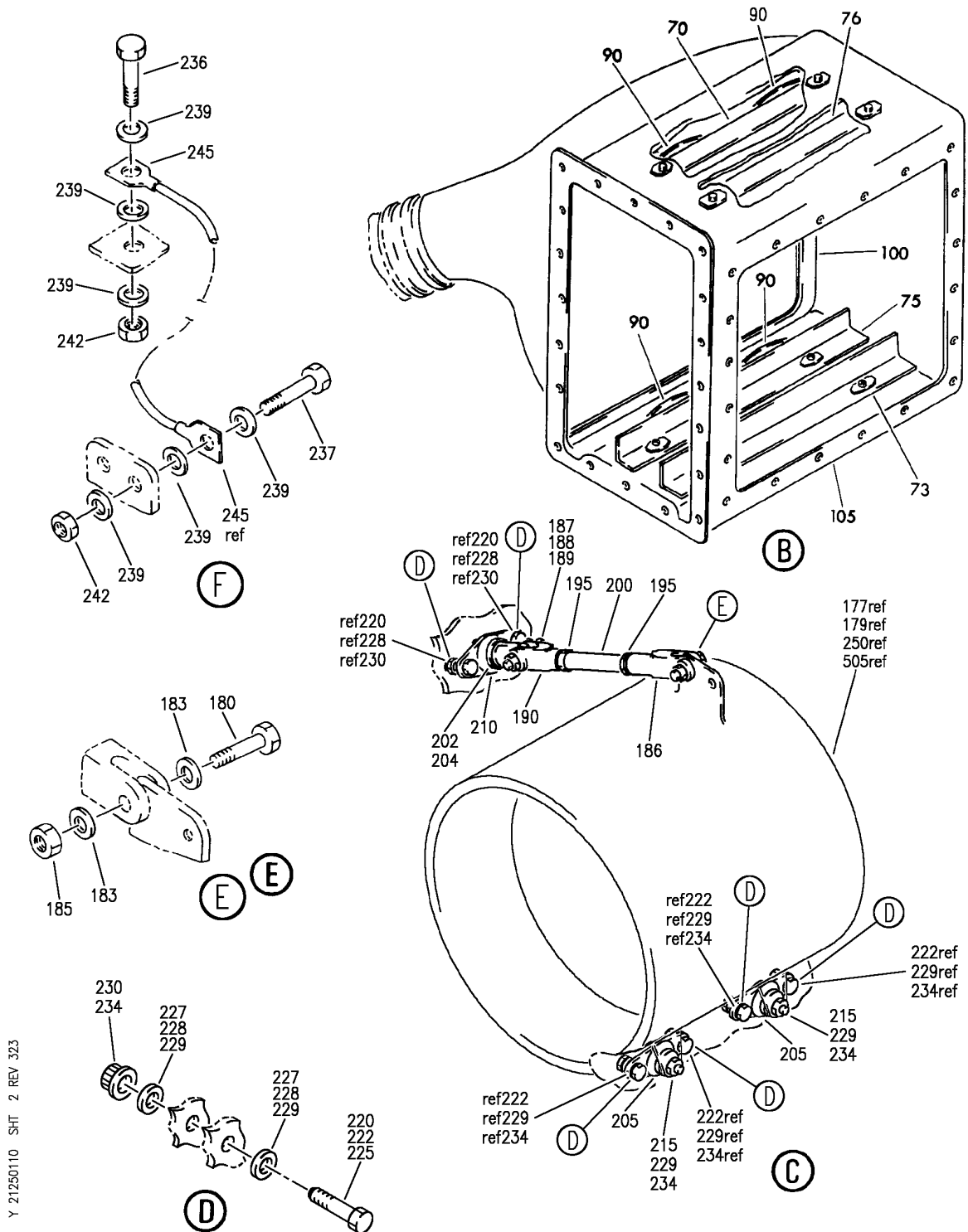
EQUIPMENT INSTL-MIX BAY CAB. AIR RECIRCULATE
FIGURE 10 (SHEET 1)

21-25-01-10

BRI
MAY 28/07

21-25-01-10
PAGE 0

BOEING
757
PARTS CATALOG (MAINTENANCE)



Y 21250110 SH1 2 REV 323

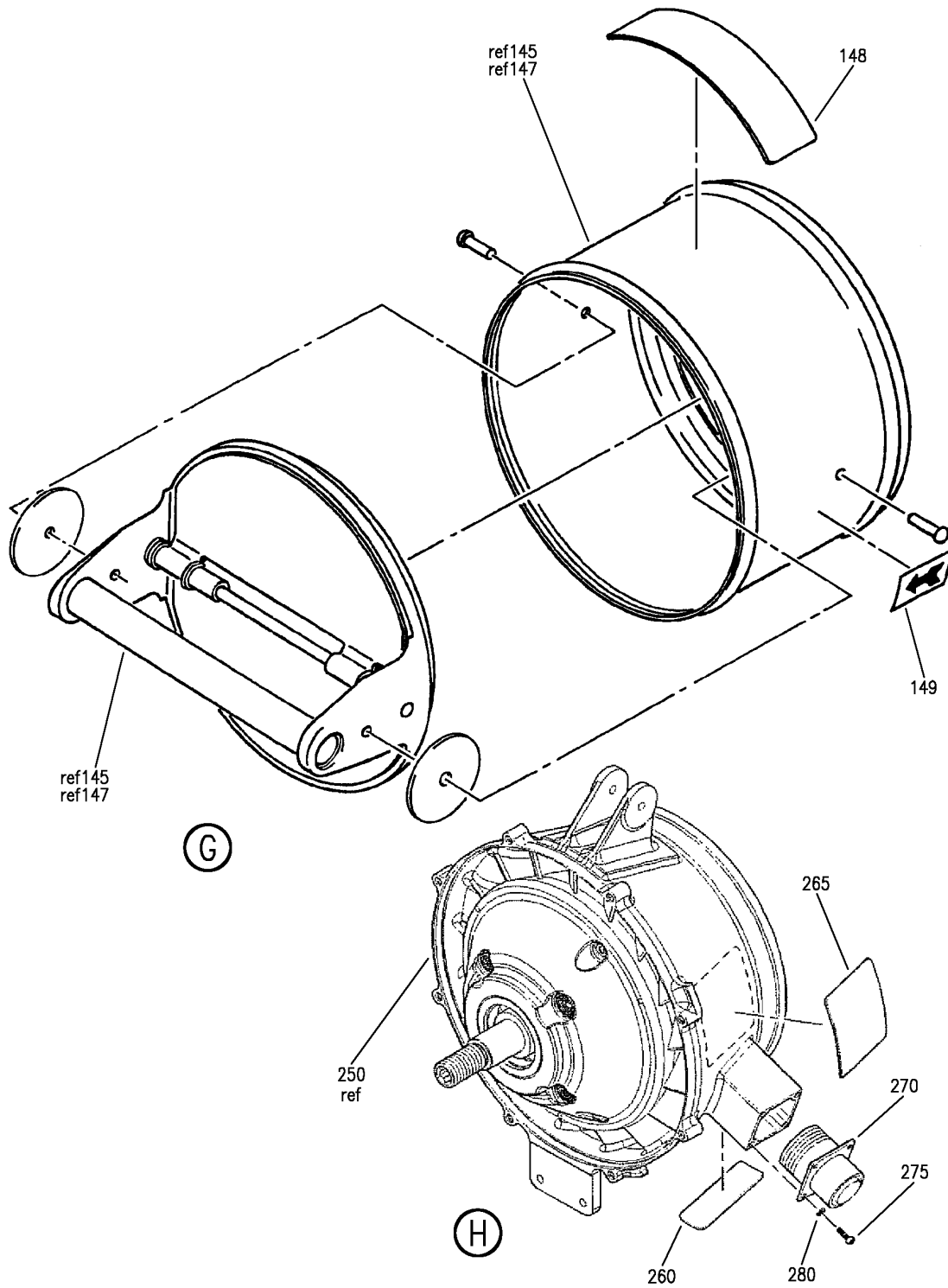
EQUIPMENT INSTL-MIX BAY CAB. AIR RECIRCULATE
FIGURE 10 (SHEET 2)

21-25-01-10

BRI
MAY 20/08

21-25-01-10
PAGE 0A

BOEING
757
PARTS CATALOG (MAINTENANCE)



Y 21250110 SHT 3 REV 295

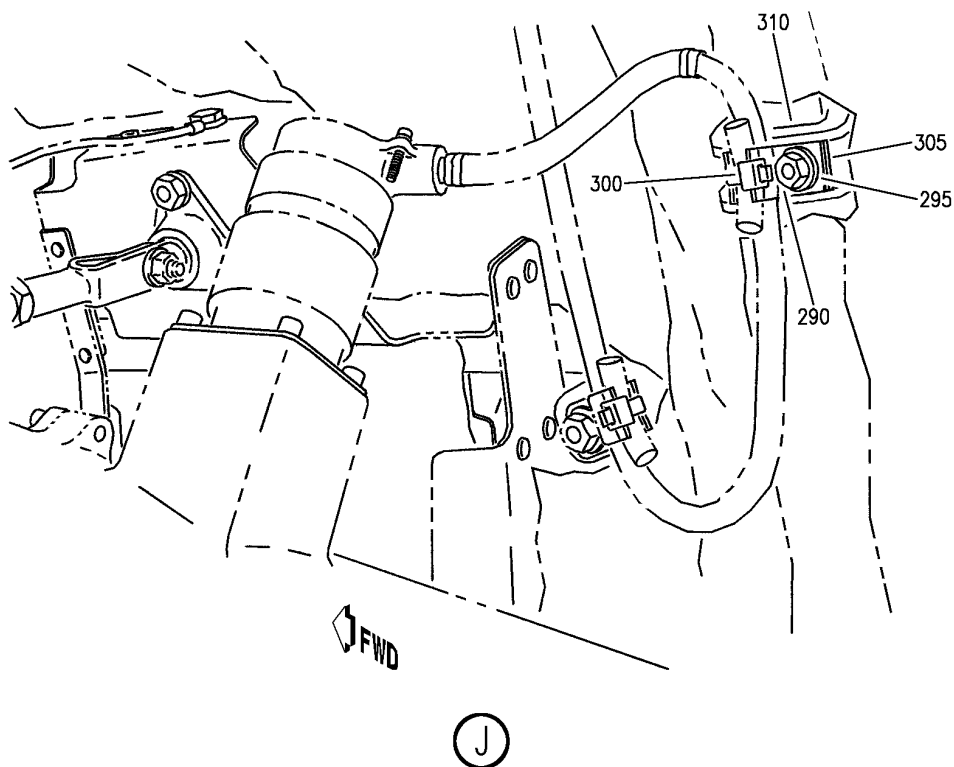
EQUIPMENT INSTL-MIX BAY CAB. AIR RECIRCULATE
FIGURE 10 (SHEET 3)

21-25-01-10

BRI
MAY 28/07

21-25-01-10
PAGE 0B

BOEING
757
PARTS CATALOG (MAINTENANCE)



Y 21250110 SH1 4 REV 310

EQUIPMENT INSTL-MIX BAY CAB. AIR RECIRCULATE
FIGURE 10 (SHEET 4)

21-25-01-10

BRI
MAY 28/07

21-25-01-10
PAGE 0C



757

PARTS CATALOG (MAINTENANCE)

| FIG ITEM | PART NUMBER | 1 2 3 4 5 6 7 | NOMENCLATURE | EFFECT FROM TO | UNITS PER ASSY |
|----------|--------------|---------------|---|--|----------------|
| 10 | | | EQUIPMENT INSTL-MIX BAY CAB. AIR RECIRCULATE | 002004 006100 107107 121503 904999 | |
| - 1 | 214N5001-7 | | EQUIPMENT INSTL-MIX BAY CAB. AIR RECIRCULATE FOR NHA SEE: 21-00-00-01 | 002004 006100 107107 121503 904999 | RF |
| 3 | BAC27NEC0060 | | .MARKER-ALUMINUM FOIL- PLACARD CONTENT: RIGHT RECIRC FAN B14-D2590 | 002004 006100 107107 121503 904999 | 1 |
| 20 | 214N5018-1 | | .COVER ASSY-FILTER | 002004 006100 107107 121503 904999 | 1 |
| 25 | BACS21Y6R | | ..STUD ASSY | 002004 006100 107107 121503 904999 | 20 |
| 30 | 1127700 | | ..WASHER SUPPLIER CODE: V60119 SPECIFICATION NUMBER: BACW10X4 OPTIONAL PART: 2600LW V71286 | 002004 006100 107107 121503 904999 | 20 |
| 35 | 214N5018-4 | | ..GASKET | 002004 006100 107107 121503 904999 | 2 |
| 40 | 214N5018-3 | | ..GASKET | 002004 006100 107107 121503 904999 | 2 |
| 45 | 214N5018-5 | | ..GASKET | 002004 006100 107107 121503 904999 | 2 |

MISSING ITEM NUMBERS NOT APPLICABLE

- ITEM NOT ILLUSTRATED

BRI

21-25-01-10

21-25-01
FIG. 10
PAGE 1
JAN 20/09

BOEING
757
PARTS CATALOG (MAINTENANCE)

| FIG ITEM | PART NUMBER | 1 2 3 4 5 6 7 | NOMENCLATURE | EFFECT FROM TO | UNITS PER ASSY |
|----------|-------------|--|--------------|--|----------------|
| 10 | | | | | |
| 50 | 214N5018-2 | .. | COVER- | 002004 006100 107107 121503 904999 | 1 |
| 55 | 214N5010-19 | .HOUSING ASSY-FILTER POSITION DATA: LH | | 107107 904949 | 1 |
| 55 | 214N5010-21 | .HOUSING ASSY-FILTER VARIABLE POSITION DATA: LH | | 002004 006100 121503 950999 | 1 |
| 60 | BACB30NM3K5 | .ATTACHING PARTS .BOLT | | 002004 006100 107107 121503 904999 | 6 |
| 63 | NAS43DD3-8 | .SPACER | | 002004 006100 107107 121503 904999 | 6 |
| 68 | BACW10P44AL | .WASHER | | 002004 006100 107107 121503 904999 | 6 |
| 69 | BACW10P205L | .WASHER | | 002004 006100 107107 121503 904999 | 6 |
| 70 | 214N5010-10 | -----*----- ..RETAINER ASSY | | 002004 006100 107107 121503 904999 | 1 |
| 75 | 214N5010-11 | ..RETAINER ASSY | | 002004 006100 107107 121503 904999 | 1 |
| - 78 | BACS12GU3K7 | .ATTACHING PARTS ..SCREW | | 002004 006100 121503 950999 | 4 |

R
R
R
R
R
R
R
R
R

- ITEM NOT ILLUSTRATED

MISSING ITEM NUMBERS NOT APPLICABLE

21-25-01-10

21-25-01
FIG. 10
PAGE 2
MAY 20/09

BRI

BOEING
757
PARTS CATALOG (MAINTENANCE)

| FIG ITEM | PART NUMBER | 1 2 3 4 5 6 7 | NOMENCLATURE | EFFECT FROM TO | UNITS PER ASSY |
|--------------------------------------|-------------|---------------|--|--|----------------|
| 10 | | | | | |
| - 80 | BACS12CK3-4 | .. | SCREW | 002004 006100 107107 121503 904999 | 4 |
| - 85 | AN960D10 | .. | WASHER | 002004 006100 107107 121503 904999 | 4 |
| | | | -----*----- | | |
| R R R R R R R R | 90 | ... | SPRING- | 002004 006100 107107 121503 904999 | 2 |
| | 90 | ... | SPRING- | 002004 006100 107107 121503 904999 | 2 |
| - 95 | BACR15FT4D | ... | RIVET- SIZE DETERMINED ON INSTL. | 002004 006100 107107 121503 904999 | 4 |
| | | | -----*----- | | |
| | 100 | .. | GASKET | 002004 006100 107107 121503 904999 | 1 |
| R R R R R | 105 | .. | HOUSING | 002004 006100 107107 121503 904999 | 1 |
| | 109 | . | FILTER-HEPA SUPPLIER CODE: V18265 SPECIFICATION NUMBER: S210N701-46 MISCELLANEOUS DATA: HEPA-LIKE FILTER 99.9 PERCENT EFFICIENCY POST AIRLINE MOD: TP98-6-8 VALP | 950951 | 2 |

MISSING ITEM NUMBERS NOT APPLICABLE

- ITEM NOT ILLUSTRATED

BRI

21-25-01-10

BOEING PROPRIETARY - Copyright © - Unpublished Work - See title page for details.

21-25-01
FIG. 10
PAGE 3
MAY 20/09



757

PARTS CATALOG (MAINTENANCE)

| FIG ITEM | PART NUMBER | 1 2 3 4 5 6 7 | NOMENCLATURE | EFFECT FROM TO | UNITS PER ASSY |
|-----------|-------------|---------------|--|--------------------------------------|----------------|
| 10 110 | AB0469658 | | .HIGH EFFICIENCY FILTER- SUPPLIER CODE: V18265 SPECIFICATION NUMBER: S210N701-21 QUALIFIED I/W DATA: P199753(S161N300-1) CAN REPLACE OR BE REPLACED BY AB0470044 (S210N701-20) TOGETHER WITH AB0469658 (S210N701-21). OPTIONAL PART: 469658 V55799 | 107107 121503 904949 952999 | 2 |
| 110 | 469658 | | .HIGH EFFICIENCY FILTER- SUPPLIER CODE: V55799 SPECIFICATION NUMBER: S210N701-21 OPTIONAL PART: AB0469658 V18265 | 107107 121503 904949 952999 | 2 |
| 112 | 470044 | | .PRE FILTER- SUPPLIER CODE: V55799 SPECIFICATION NUMBER: S210N701-20 OPTIONAL PART: AB0470044 V18265 | 107107 121503 904949 952999 | 2 |
| 112 | AB0470044 | | .PRE FILTER ASSY- SUPPLIER CODE: V18265 SPECIFICATION NUMBER: S210N701-20 QUALIFIED I/W DATA: P199753(S161N300-1) CAN REPLACE OR BE REPLACED BY AB0470044 (S210N701-20) TOGETHER WITH AB0469658 (S210N701-21). OPTIONAL PART: 470044 V55799 | 107107 121503 904949 952999 | 2 |

MISSING ITEM NUMBERS NOT APPLICABLE

- ITEM NOT ILLUSTRATED

BRI

21-25-01-10

21-25-01
FIG. 10
PAGE 4
JAN 20/09



757

PARTS CATALOG (MAINTENANCE)

| FIG ITEM | PART NUMBER | 1 2 3 4 5 6 7 | NOMENCLATURE | EFFECT FROM TO | UNITS PER ASSY |
|-----------|-------------|---------------|--|--|----------------|
| 10 113 | P199753 | | . FILTER- SUPPLIER CODE: V18265 SPECIFICATION NUMBER: S161N300-1 QUALIFIED I/W DATA: P199753(S161N300-1) CAN REPLACE OR BE REPLACED BY AB0470044 (S210N701-20) TOGETHER WITH AB0469658 (S210N701-21). POST SERVICE LETTER: 21-054 | 002004 006100 | 2 |
| 120 | 214N5013-3 | | .HEADER-FILTER EXIT | 002004 006100 107107 121503 904999 | 1 |
| 120 | 214N5013-4 | | .HEADER-FILTER EXIT | 002004 006100 107107 121503 904999 | 1 |
| - 125 | BACB30NM3K5 | | ATTACHING PARTS .BOLT | 002004 006100 107107 121503 904999 | 12 |
| - 130 | AN960D10 | | .WASHER | 002004 006100 107107 121503 904999 | 12 |

MISSING ITEM NUMBERS NOT APPLICABLE

- ITEM NOT ILLUSTRATED

BRI

21-25-01-10

BOEING PROPRIETARY - Copyright © - Unpublished Work - See title page for details.

21-25-01
FIG. 10
PAGE 5
JAN 20/09



757

PARTS CATALOG (MAINTENANCE)

| FIG ITEM | PART NUMBER | 1 2 3 4 5 6 7 | NOMENCLATURE | EFFECT FROM TO | UNITS PER ASSY |
|-------------|-------------|---------------|---|--|----------------|
| 10 - 133 | BRH10A3 | | .NUT SUPPLIER CODE: V52828 SPECIFICATION NUMBER: BACN10JC3 OPTIONAL PART: H10-3BAC V15653 NS202101-02 V80539 RMLH9075-3W V72962 VN303A02 V92215 96-02 V80539 T6S1032J V11815 | 002004 006100 107107 121503 904999 | 12 |
| 134 | 120 | | -----*----- .CLAMP- SUPPLIER CODE: V7Z588 SPECIFICATION NUMBER: STBC10GG256 OPTIONAL PART: WWD256H V66295 STBC10GG234 | 002004 006100 107107 121503 904999 | 2 |
| 134 | STBC10GG234 | | .CLAMP- OPTIONAL PART: STBC10GG256 | 002004 006100 107107 121503 904999 | 2 |
| 137 | 104 | | .CLAMP- SUPPLIER CODE: V7Z588 SPECIFICATION NUMBER: STBC10GG224 OPTIONAL PART: WWD224H V66295 STBC10GG210 | 002004 006100 107107 121503 904999 | 4 |

MISSING ITEM NUMBERS NOT APPLICABLE

- ITEM NOT ILLUSTRATED

BRI

21-25-01-10

21-25-01
FIG. 10
PAGE 6
JAN 20/09

BOEING
757
PARTS CATALOG (MAINTENANCE)

| FIG ITEM | PART NUMBER | 1 2 3 4 5 6 7 | NOMENCLATURE | EFFECT FROM TO | UNITS PER ASSY |
|---|------------------|---------------|---|--|----------------|
| 10 137 | 96 | | .CLAMP- SUPPLIER CODE: V7Z588 SPECIFICATION NUMBER: STBC10GG210 OPTIONAL PART: WWD210H V66295 STBC10GG224 | 002004 006100 107107 121503 904999 | 4 |
| R R R R R R R R R | 141 504-700 | | .SLEEVE-CHANNEL BAND SUPPLIER CODE: V00624 | 002004 006100 107107 121503 904999 | 2 |
| | 141 SS4-700A | | .SLEEVE- SUPPLIER CODE: V94581 SPECIFICATION NUMBER: BACS13N700A OPTIONAL PART: 42737-700A V98625 | 002004 006100 107107 121503 904999 | 2 |
| | 142 631-700SH | | .COUPLING- SUPPLIER CODE: V00624 | 002004 006100 107107 121503 904999 | 2 |
| | 144 AS1506-28D32 | | .SLEEVE- | 002004 006100 107107 121503 904999 | 1 |
| | 145 3202096-2 | | .VALVE-CHK SUPPLIER CODE: V59364 SPECIFICATION NUMBER: S210T130-31 COMPONENT MAINT MANUAL REF: 21-25-01 | 002004 006100 107107 121503 904999 | 1 |
| | 148 S8846M1P2A | | ..PLATE-IDENT SUPPLIER CODE: V59364 CONFIG CHG DATA FROM A CMM: REPLD BY S3006-1 | 002004 006100 107107 121503 904999 | 1 |

MISSING ITEM NUMBERS NOT APPLICABLE

— ITEM NOT ILLUSTRATED

BRI

21-25-01-10

BOEING PROPRIETARY - Copyright © - Unpublished Work - See title page for details.

21-25-01
FIG. 10
PAGE 7
MAY 20/09



757

PARTS CATALOG (MAINTENANCE)

| FIG ITEM | PART NUMBER | 1 2 3 4 5 6 7 | NOMENCLATURE | EFFECT FROM TO | UNITS PER ASSY |
|-----------|--------------|---------------|--|--|----------------|
| 10 148 | S3006-1 | | .. PLATE-IDENT SUPPLIER CODE: V59364 SB DATA FROM A CMM: PRE VAL1130 CONFIG CHG DATA FROM A CMM: REPLACES S8846M1P2A | 002004 006100 107107 121503 904999 | 1 |
| 148 | S3034-2 | | .. PLATE-IDENT SUPPLIER CODE: V59364 SB DATA FROM A CMM: POST VAL1130 | 002004 006100 107107 121503 904999 | 1 |
| 149 | S8188M2 | | .. PLATE-AIRFLOW IND SUPPLIER CODE: V59364 | 002004 006100 107107 121503 904999 | 2 |
| 175 | BACD40R26A33 | | . DUCT-SLEEVE | 002004 006100 107107 121503 904999 | 2 |
| 180 | BACB30NM3K11 | | . BOLT SUPPLIER CODE: V06710 SPECIFICATION NUMBER: BACB30NM3K11 | 002004 006100 107107 121503 904999 | 1 |
| 183 | AN960PD10L | | . WASHER- | 002004 006100 107107 121503 904999 | 2 |
| 185 | NAS1804-3 | | . NUT- | 002004 006100 107107 121503 904999 | 1 |

R
R
R
R
R

MISSING ITEM NUMBERS NOT APPLICABLE

- ITEM NOT ILLUSTRATED

21-25-01-10

21-25-01
FIG. 10
PAGE 8
MAY 20/09

BRI



757

PARTS CATALOG (MAINTENANCE)

| FIG ITEM | PART NUMBER | 1 2 3 4 5 6 7 | NOMENCLATURE | EFFECT FROM TO | UNITS PER ASSY |
|-----------|-------------|---------------|--|--|----------------|
| 10 186 | REP3NFS428 | | .BEARING SUPPLIER CODE: V73134 SPECIFICATION NUMBER: BACB10AE1 OPTIONAL PART: REP3NFS428 V21335 REP3NE9171 V21335 REP3NE9171B V21335 REP3N4 V38443 HHREB3N1 V38443 ABR3F1G VS0352 ABR3F107 VS0352 REB3FB4-12 V92563 DBF3-4B1-501 V73134 DBF3-4B1-501 V77896 REP3F4-1J V73134 ABR3F1B V15860 | 002004 006100 107107 121503 904999 | 1 |
| 187 | BACB30NM3K5 | | .BOLT | 002004 006100 107107 121503 904999 | 1 |
| 188 | AN960PD10L | | .WASHER | 002004 006100 107107 121503 904999 | 1 |
| 189 | NAS1804-3 | | .NUT | 002004 006100 107107 121503 904999 | 1 |

MISSING ITEM NUMBERS NOT APPLICABLE

- ITEM NOT ILLUSTRATED

BRI

21-25-01-10

BOEING PROPRIETARY - Copyright © - Unpublished Work - See title page for details.

21-25-01
FIG. 10
PAGE 9
JAN 20/09



757

PARTS CATALOG (MAINTENANCE)

| FIG ITEM | PART NUMBER | 1 2 3 4 5 6 7 | NOMENCLATURE | EFFECT FROM TO | UNITS PER ASSY |
|----------|--------------|---------------|---|--|----------------|
| 10 | | | | | |
| 190 | MS27975-4 | . | CLEVIS | 002004 006100 107107 121503 904999 | 1 |
| 195 | NAS1423-4 | . | NUT | 002004 006100 107107 121503 904999 | 2 |
| 200 | NAS354-4-400 | . | ROD | 002004 006100 107107 121503 904999 | 1 |
| 202 | AN42B10 | . | BOLT | 002004 006100 107107 121503 904999 | 1 |
| 204 | NAS1804-3 | . | NUT | 002004 006100 107107 121503 904999 | 1 |
| 205 | 93696-1 | . | ISOLATOR- SUPPLIER CODE: V13636 QUALIFIED I/W DATA: PN 27748-1 CAN REPLACE BUT NOT BE REPLACED BY PN 93696-1 FOR 757 AND 767 ONLY. OPTIONAL PART: WTROP6S1 V71985 | 002004 006100 107107 121503 904999 | 2 |
| 205 | WTROP6S1 | . | ISOLATOR- SUPPLIER CODE: V71985 OPTIONAL PART: 93696-1 V13636 | 002004 006100 107107 121503 904999 | 2 |
| 205 | WTROP6S | . | ISOLATOR- SUPPLIER CODE: V71985 | 002004 006100 107107 121503 904999 | 2 |

R
R
R
R
R

MISSING ITEM NUMBERS NOT APPLICABLE

- ITEM NOT ILLUSTRATED

21-25-01-10

21-25-01
FIG. 10
PAGE 10
MAY 20/09

BRI



757

PARTS CATALOG (MAINTENANCE)

| FIG ITEM | PART NUMBER | 1 2 3 4 5 6 7 | NOMENCLATURE | EFFECT FROM TO | UNITS PER ASSY |
|----------|--------------|---------------|---|--|----------------|
| 10 | | | | | |
| 210 | 93696-1 | | . ISOLATOR- SUPPLIER CODE: V13636 OPTIONAL PART: WTROP6S1 V71985 | 002004 006100 107107 121503 904999 | 1 |
| 210 | WTROP6S1 | | . ISOLATOR- SUPPLIER CODE: V71985 OPTIONAL PART: 93696-1 V13636 | 002004 006100 107107 121503 904999 | 1 |
| 210 | WTROP6S | | . ISOLATOR- SUPPLIER CODE: V71985 | 002004 006100 107107 121503 904999 | 1 |
| 215 | BACB30NM3K18 | | ATTACHING PARTS .BOLT | 002004 006100 107107 121503 904999 | 2 |
| 220 | BACB30NM3K3 | | .BOLT | 002004 006100 107107 121503 904999 | 2 |
| 222 | BACB30NM3K3 | | .BOLT- | 002004 006100 107107 121503 904999 | 4 |
| 228 | AN960PD10L | | .WASHER | 002004 006100 107107 121503 904999 | 4 |
| 229 | AN960PD10L | | .WASHER- | 002004 006100 107107 121503 904999 | 12 |
| 230 | NAS1804-3 | | .NUT | 002004 006100 107107 121503 904999 | 2 |

MISSING ITEM NUMBERS NOT APPLICABLE

- ITEM NOT ILLUSTRATED

BRI

21-25-01-10

21-25-01
FIG. 10
PAGE 11
MAY 20/09



757

PARTS CATALOG (MAINTENANCE)

| FIG ITEM | PART NUMBER | 1 2 3 4 5 6 7 | NOMENCLATURE | EFFECT FROM TO | UNITS PER ASSY |
|-----------|-------------|---------------|--|--|----------------|
| 10 234 | NAS1804-3 | . | NUT- | 002004 006100 107107 121503 904999 | 6 |
| 236 | BACB30NM3K2 | -----* | .BOLT | 002004 006100 107107 121503 904999 | 1 |
| 237 | BACB30NM3K5 | . | BOLT | 002004 006100 107107 121503 904999 | 1 |
| 239 | AN960JD10L | . | WASHER | 002004 006100 107107 121503 904999 | 6 |
| 245 | 740A20-10 | . | JUMPER ASSY- SUPPLIER CODE: V91812 SPECIFICATION NUMBER: BACJ40A20-10 OPTIONAL PART: TJEJ40A20-10 V33483 RBEJ20-10 V1GK47 | 002004 006100 107107 121503 904999 | 1 |

MISSING ITEM NUMBERS NOT APPLICABLE

- ITEM NOT ILLUSTRATED

BRI

21-25-01-10

BOEING PROPRIETARY - Copyright © - Unpublished Work - See title page for details.

21-25-01
FIG. 10
PAGE 12
MAY 20/09



757

PARTS CATALOG (MAINTENANCE)

| FIG ITEM | PART NUMBER | 1 2 3 4 5 6 7 | NOMENCLATURE | EFFECT FROM TO | UNITS PER ASSY |
|-------------|-------------|---------------|---|--|----------------------|
| 10 250 | 606772-3 | | . FAN ASSY-RECIRCULATION AIR SUPPLIER CODE: V70210 POSITION DATA: RIGHT SPECIFICATION NUMBER: S210T130-618 ELECTRICAL EQUIP NUMBER: B00014 COMPONENT MAINT MANUAL REF: 21-25-04 OPTIONAL PART: 606772-6 V70210 606772-7 V70210 FOR DETAILS SEE: 21-25-01-50 | 002004 006100 107107 121503 904999 | 1 |
| 250 | 606772-6 | | . FAN ASSY-RECIRCULATION AIR SUPPLIER CODE: V70210 POSITION DATA: RIGHT SPECIFICATION NUMBER: S210T130-618 COMPONENT MAINT MANUAL REF: 21-25-04 OPTIONAL PART: 606772-3 V70210 606772-7 V70210 FOR DETAILS SEE: 21-25-01-50 | 002004 006100 107107 121503 904999 | 1 |

MISSING ITEM NUMBERS NOT APPLICABLE

- ITEM NOT ILLUSTRATED

BRI

21-25-01-10

BOEING PROPRIETARY - Copyright © - Unpublished Work - See title page for details.

21-25-01
FIG. 10
PAGE 13
MAY 20/09



757

PARTS CATALOG (MAINTENANCE)

| FIG ITEM | PART NUMBER | 1 2 3 4 5 6 7 | NOMENCLATURE | EFFECT FROM TO | UNITS PER ASSY |
|-------------|---------------|---------------|--|--|----------------------|
| 10 250 | 606772-7 | | .FAN ASSY-RECIRCULATION AIR SUPPLIER CODE: V70210 POSITION DATA: RIGHT SPECIFICATION NUMBER: S210T130-618 COMPONENT MAINT MANUAL REF: 21-25-04 OPTIONAL PART: 606772-3 V70210 606772-6 V70210 FOR DETAILS SEE: 21-25-01-50 | 002004 006100 107107 121503 904999 | 1 |
| 285 | 214N5014-7 | | .DUCT-FILTER | 002004 006100 107107 121503 904999 | 1 |
| - 500 | 286N4104-002 | | WIRE BUNDLE ASSY- | 107107 121503 904949 | RF |
| - 500 | 286N4104-003 | | WIRE BUNDLE ASSY- | 002004 006100 950999 | RF |
| 505 | BACC45FT18B8S | | .CONNECTOR- ELECTRICAL EQUIP NUMBER: D02590 WIRING DIAGRAM REF: 212521 | 002004 006100 107107 121503 904999 | 1 |

MISSING ITEM NUMBERS NOT APPLICABLE

- ITEM NOT ILLUSTRATED

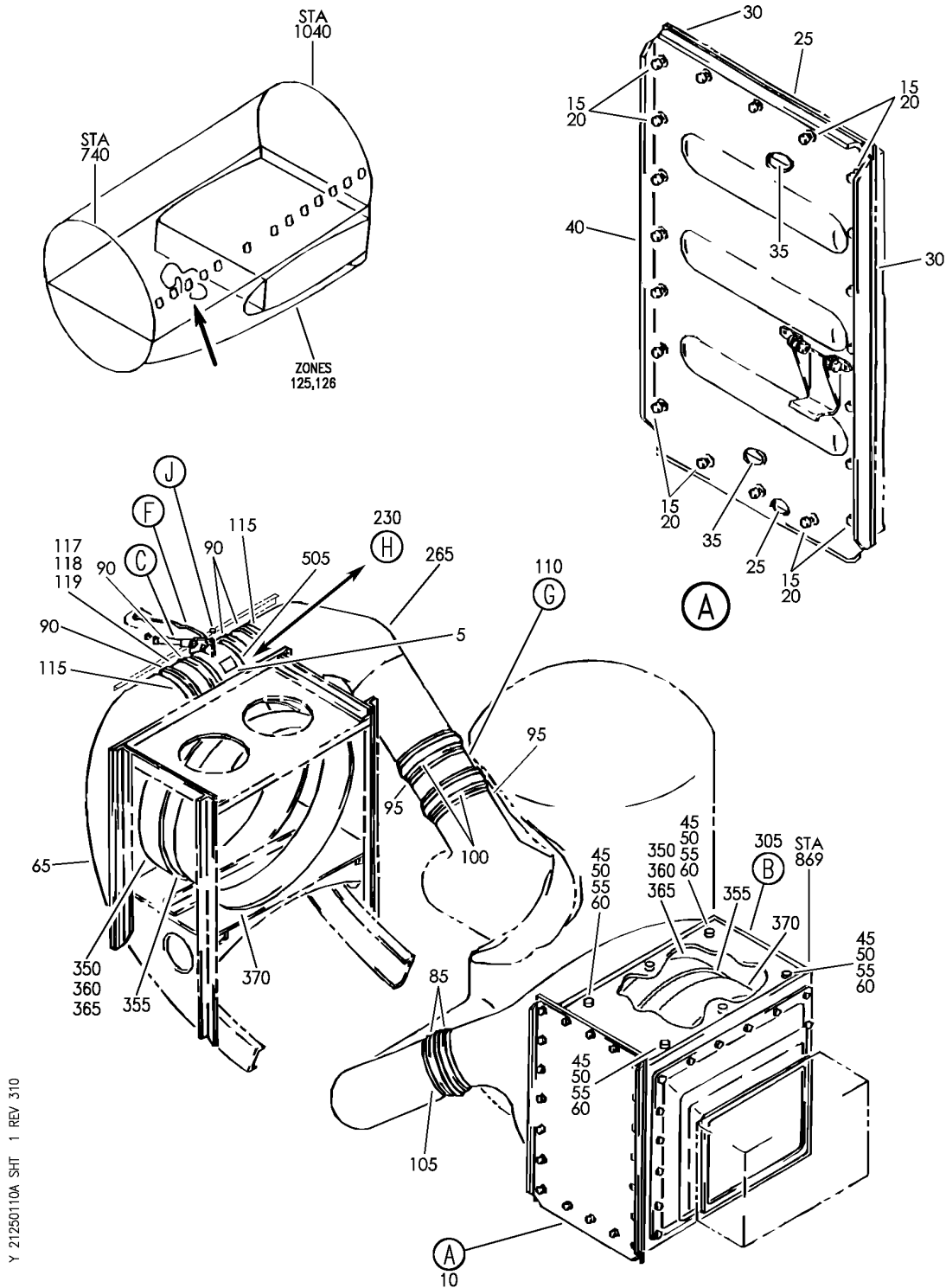
BRI

21-25-01-10

BOEING PROPRIETARY - Copyright © - Unpublished Work - See title page for details.

21-25-01
FIG. 10
PAGE 14
MAY 20/09

BOEING
757
PARTS CATALOG (MAINTENANCE)



Y 21250110A SHT 1 REV 310

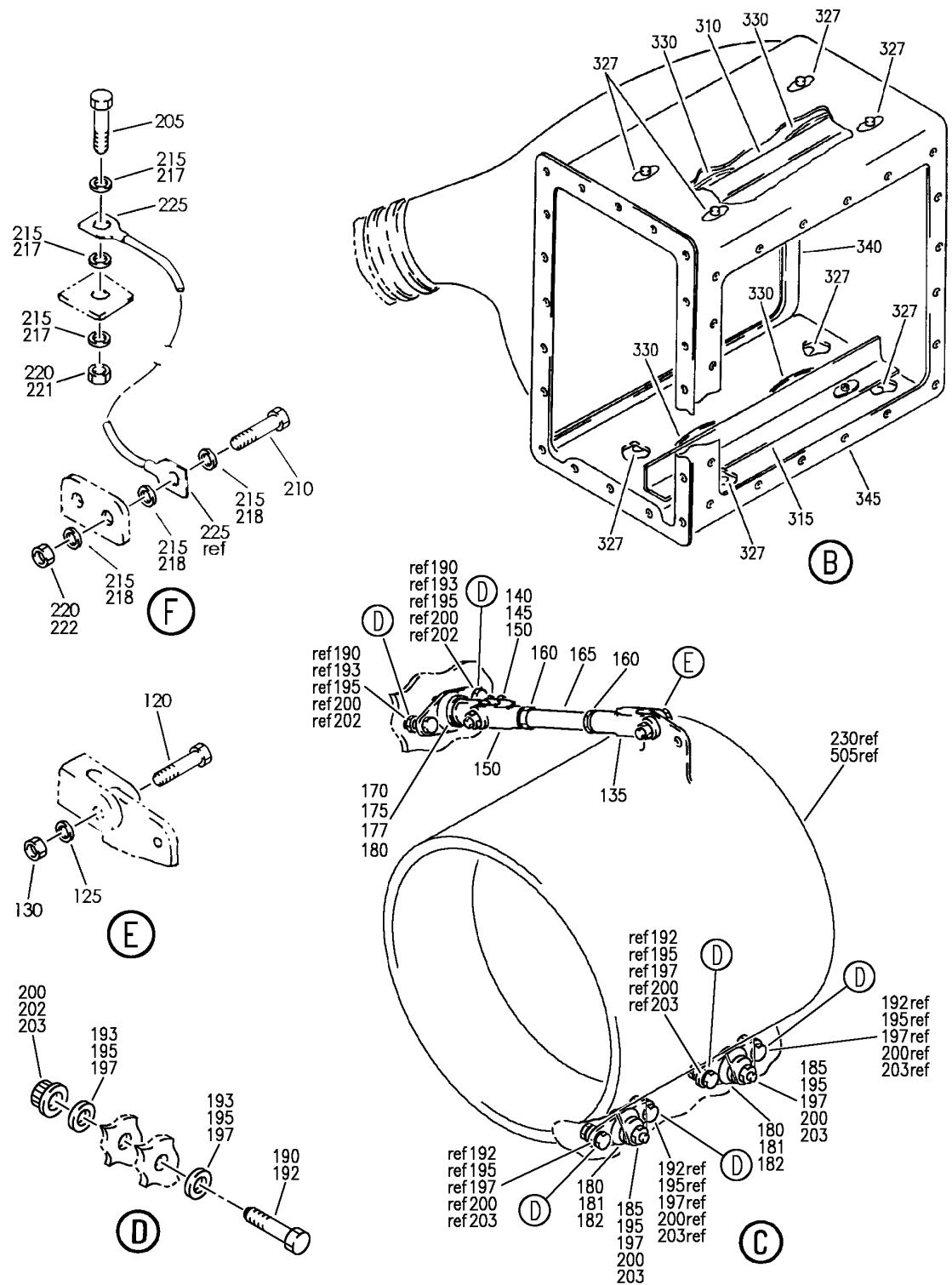
EQUIPMENT INSTL-MIX BAY CAB. AIR RECIRCULATE
FIGURE 10A (SHEET 1)

21-25-01-10A

BRI
MAY 28/07

21-25-01-10A
PAGE 0

BOEING
757
PARTS CATALOG (MAINTENANCE)



Y 21250110A SHT. 2 REV. 322

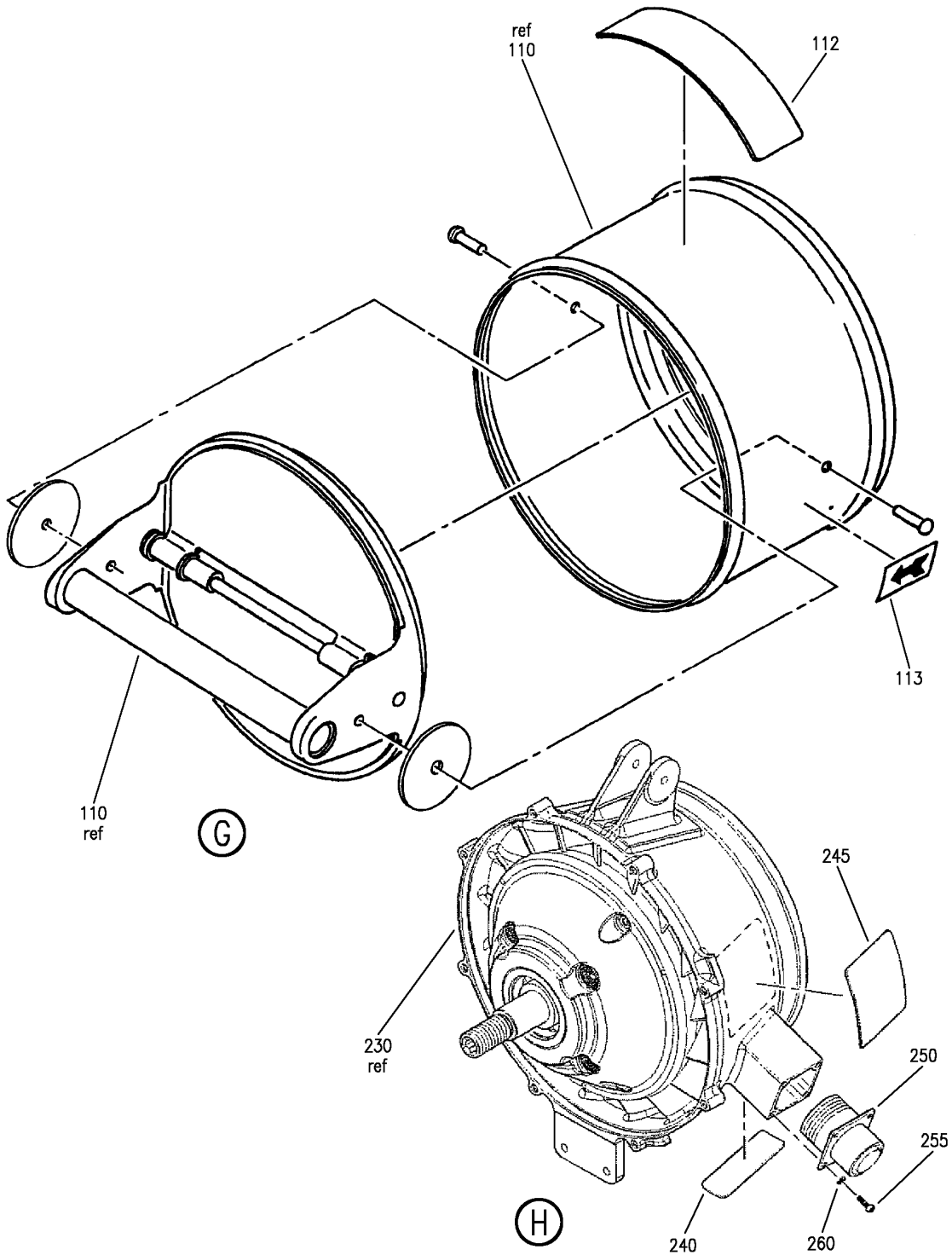
EQUIPMENT INSTL-MIX BAY CAB. AIR RECIRCULATE
FIGURE 10A (SHEET 2)

21-25-01-10A

BRI
MAY 20/08

21-25-01-10A
PAGE 0A

BOEING
757
PARTS CATALOG (MAINTENANCE)



Y 21250110A SHT. 3 REV. 205

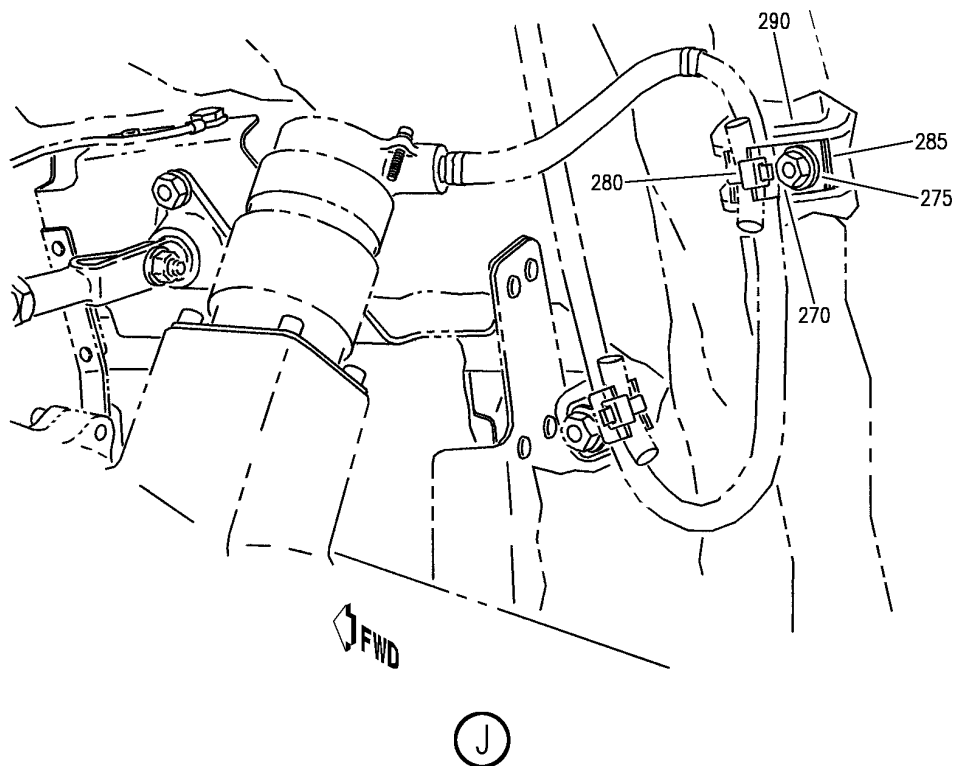
EQUIPMENT INSTL-MIX BAY CAB. AIR RECIRCULATE
FIGURE 10A (SHEET 3)

21-25-01-10A

BRI
MAY 28/07

21-25-01-10A
PAGE 0B

BOEING
757
PARTS CATALOG (MAINTENANCE)



Y 21250110A SHT 4 REV 310

EQUIPMENT INSTL-MIX BAY CAB. AIR RECIRCULATE
FIGURE 10A (SHEET 4)

21-25-01-10A

BRI
MAY 28/07

21-25-01-10A
PAGE 0C



757

PARTS CATALOG (MAINTENANCE)

| FIG ITEM | PART NUMBER | 1 2 3 4 5 6 7 | NOMENCLATURE | EFFECT FROM TO | UNITS PER ASSY |
|----------|---------------|---------------|---|----------------------------|----------------|
| 10A | | | EQUIPMENT INSTL-MIX BAY CAB. AIR RECIRCULATE | 101106 108120 504903 | |
| - 1 | 214N5001-14 | | EQUIPMENT INSTL-MIX BAY CAB. AIR RECIRCULATE FOR NHA SEE: 21-00-00-15 | 101102 108120 504903 | RF |
| - 1 | MODREF5324 | | EQUIPMENT INSTL-MIX BAY CAB. AIR RECIRCULATE MODULE NUMBER: 214N5001-19 REV A | 103106 | 1 |
| 5 | BAC27NEC0060 | | .MARKER-ALUMINUM FOIL- PLACARD CONTENT: RIGHT RECIRC FAN B14-D2590 | 101106 108120 504903 | 1 |
| 10 | 214N5018-1 | | .COVER ASSY-FILTER | 101106 108120 504903 | 1 |
| 15 | BACS21Y6R | | ..STUD ASSY | 101106 108120 504903 | 20 |
| 20 | 1127700 | | ..WASHER SUPPLIER CODE: V60119 SPECIFICATION NUMBER: BACW10X4 OPTIONAL PART: 2600LW V71286 | 101106 108120 504903 | 20 |
| 25 | 214N5018-4 | | ..GASKET | 101106 108120 504903 | 2 |
| 30 | 214N5018-3 | | ..GASKET | 101106 108120 504903 | 2 |
| 35 | 214N5018-5 | | ..GASKET | 101106 108120 504903 | 2 |
| 40 | 214N5018-2 | | ..COVER | 101106 108120 504903 | 1 |
| 45 | BACB30NM3K5 | | .BOLT | 101106 108120 504903 | 6 |
| 50 | NAS1149D0363H | | .WASHER | 101106 108120 504903 | 6 |

MISSING ITEM NUMBERS NOT APPLICABLE

- ITEM NOT ILLUSTRATED

21-25-01-10A

21-25-01
FIG. 10A
PAGE 1
JAN 20/09

BRI

BOEING PROPRIETARY - Copyright © - Unpublished Work - See title page for details.



757

PARTS CATALOG (MAINTENANCE)

| FIG ITEM | PART NUMBER | 1 2 3 4 5 6 7 | NOMENCLATURE | EFFECT FROM TO | UNITS PER ASSY |
|----------|---------------|---------------|--|----------------------------|----------------|
| 10A | | | | | |
| 55 | BACW10P44AL | . | WASHER | 101106 108120 504903 | 6 |
| 60 | BACW10P205L | . | WASHER | 101106 108120 504903 | 6 |
| 65 | 214N5013-4 | . | HEADER-FILTER EXIT | 101106 108120 504903 | 1 |
| - 70 | BACB30NM3K5 | . | ATTACHING PARTS BOLT | 101106 108120 504903 | 12 |
| - 75 | NAS1149D0363H | . | WASHER | 101106 108120 504903 | 12 |
| - 80 | BRH10C3D | . | NUT SUPPLIER CODE: V52828 SPECIFICATION NUMBER: BACN10JC3CD OPTIONAL PART: T6C1032JCD V11815 NS202486-02 V80539 102LH9075-3W V72962 H51650-3BAC V15653 -----*----- | 101106 108120 504903 | 12 |
| 85 | STBC10GG234 | . | CLAMP- OPTIONAL PART: STBC10GG256 | 101106 108120 504903 | 2 |
| 85 | 120 | . | CLAMP- SUPPLIER CODE: V7Z588 SPECIFICATION NUMBER: STBC10GG256 OPTIONAL PART: WWD256H V66295 STBC10GG234 | 101106 108120 504903 | 2 |

MISSING ITEM NUMBERS NOT APPLICABLE

- ITEM NOT ILLUSTRATED

21-25-01-10A

21-25-01
FIG. 10A
PAGE 2
JAN 20/09

BRI



757

PARTS CATALOG (MAINTENANCE)

| FIG ITEM | PART NUMBER | 1 2 3 4 5 6 7 | NOMENCLATURE | EFFECT FROM TO | UNITS PER ASSY |
|---|-------------|---------------|---|----------------------------|----------------|
| 10A 90 | 96 | | .CLAMP- SUPPLIER CODE: V7Z588 SPECIFICATION NUMBER: STBC10GG210 OPTIONAL PART: WWD210H V66295 STBC10GG224 | 101106 108120 504903 | 4 |
| 90 | 104 | | .CLAMP- SUPPLIER CODE: V7Z588 SPECIFICATION NUMBER: STBC10GG224 OPTIONAL PART: WWD224H V66295 STBC10GG210 | 101106 108120 504903 | 4 |
| R R R R R R R R R | 95 | 504-700 | .SLEEVE-CHANNEL BAND SUPPLIER CODE: V00624 | 101106 108120 504903 | 2 |
| | 95 | SS4-700A | .SLEEVE- SUPPLIER CODE: V94581 SPECIFICATION NUMBER: BACS13N700A OPTIONAL PART: 42737-700A V98625 | 101106 108120 504903 | 2 |
| | 100 | 631-700SH | .COUPLING- SUPPLIER CODE: V00624 | 101106 108120 504903 | 2 |
| | 105 | AS1506-28D32 | .SLEEVE | 101106 108120 504903 | 1 |
| | 110 | 3202096-2 | .VALVE-CHK SUPPLIER CODE: V59364 SPECIFICATION NUMBER: S210T130-31 COMPONENT MAINT MANUAL REF: 21-25-01 | 101106 108120 504903 | 1 |
| | 112 | S8846M1P2A | ..PLATE-IDENT SUPPLIER CODE: V59364 CONFIG CHG DATA FROM A CMM: REPLD BY S3006-1 | 101106 108120 504903 | 1 |

MISSING ITEM NUMBERS NOT APPLICABLE

- ITEM NOT ILLUSTRATED

21-25-01-10A

21-25-01
FIG. 10A
PAGE 3
MAY 20/09

BRI



757

PARTS CATALOG (MAINTENANCE)

| FIG ITEM | PART NUMBER | 1 2 3 4 5 6 7 | NOMENCLATURE | EFFECT FROM TO | UNITS PER ASSY |
|------------|---------------|---------------|---|----------------------------|----------------|
| 10A 112 | S3006-1 | | ..PLATE-IDENT SUPPLIER CODE: V59364 SB DATA FROM A CMM: PRE VAL1130 CONFIG CHG DATA FROM A CMM: REPLACES S8846M1P2A | 101106 108120 504903 | 1 |
| 112 | S3034-2 | | ..PLATE-IDENT SUPPLIER CODE: V59364 SB DATA FROM A CMM: POST VAL1130 | 101106 108120 504903 | 1 |
| 113 | S8188M2 | | ..PLATE-AIRFLOW IND SUPPLIER CODE: V59364 | 101106 108120 504903 | 2 |
| 115 | BACD40R26A33 | | .DUCT-SLEEVE | 101106 108120 504903 | 2 |
| 118 | 214T3436-1937 | | .ORIFICE ASSY- | 103106 | 1 |
| 119 | 214T3436-1938 | | ..ORIFICE | 103106 | 1 |
| 120 | BACB30NM3K11 | | .BOLT SUPPLIER CODE: V06710 SPECIFICATION NUMBER: BACB30NM3K11 | 101106 108120 504903 | 1 |
| 125 | NAS1149D0332J | | .WASHER | 101106 108120 504903 | 1 |
| 130 | NAS1804-3 | | .NUT- | 101106 108120 504903 | 1 |

R
R
R

MISSING ITEM NUMBERS NOT APPLICABLE

- ITEM NOT ILLUSTRATED

21-25-01-10A

21-25-01
FIG. 10A
PAGE 4
MAY 20/09

BRI



757

PARTS CATALOG (MAINTENANCE)

| FIG ITEM | PART NUMBER | 1 2 3 4 5 6 7 | NOMENCLATURE | EFFECT FROM TO | UNITS PER ASSY |
|------------|--------------|---------------|---|----------------------------|----------------|
| 10A 135 | REPB3NFS428 | . | BEARING SUPPLIER CODE: V73134 SPECIFICATION NUMBER: BACB10AE1 OPTIONAL PART: REPB3NFS428 V21335 REPB3NE9171 V21335 REPB3NE9171B V21335 REPB3N4 V38443 HHREB3N1 V38443 ABR3F1G VS0352 ABR3F107 VS0352 REB3FB4-12 V92563 DBF3-4B1-501 V73134 DBF3-4B1-501 V77896 REP3F4-1J V73134 ABR3F1B V15860 | 101106 108120 504903 | 1 |
| 140 | BACB30NM3K5 | . | BOLT | 101106 108120 504903 | 1 |
| 145 | AN960PD10L | . | WASHER | 101106 108120 504903 | 1 |
| 150 | NAS1804-3 | . | NUT | 101106 108120 504903 | 1 |
| 155 | MS27975-4 | . | CLEVIS | 101106 108120 504903 | 1 |
| 160 | NAS1423-4 | . | NUT | 101106 108120 504903 | 2 |
| 165 | NAS354-4-400 | . | ROD | 101106 108120 504903 | 1 |

MISSING ITEM NUMBERS NOT APPLICABLE

- ITEM NOT ILLUSTRATED

21-25-01-10A

21-25-01
FIG. 10A
PAGE 5
JAN 20/09

BRI

BOEING PROPRIETARY - Copyright © - Unpublished Work - See title page for details.

BOEING
757
PARTS CATALOG (MAINTENANCE)

| FIG ITEM | PART NUMBER | 1 2 3 4 5 6 7 | NOMENCLATURE | EFFECT FROM TO | UNITS PER ASSY |
|------------|--------------|---|--------------|----------------------------|----------------|
| 10A 170 | AN42B10 | .BOLT | | 101106 108120 504903 | 1 |
| 175 | NAS1804-3 | .NUT | | 101106 108120 504903 | 1 |
| 180 | 93696-1 | .ISOLATOR- SUPPLIER CODE: V13636 OPTIONAL PART: WTROP6S1 V71985 | | 101102 108120 504903 | 3 |
| 180 | WTROP6S1 | .ISOLATOR- SUPPLIER CODE: V71985 OPTIONAL PART: 93696-1 V13636 | | 101102 108120 504903 | 3 |
| 180 | WTROP6S | .ISOLATOR- SUPPLIER CODE: V71985 | | 101102 108120 504903 | 3 |
| 182 | 27748-1 | .ISOLATOR- SUPPLIER CODE: V13636 QUALIFIED I/W DATA: PN 27748-1 CAN REPLACE BUT NOT BE REPLACED BY PN 93696-1 FOR 757 AND 767 ONLY. ATTACHING PARTS | | 103106 | 3 |
| 185 | BACB30NM3K18 | .BOLT | | 101106 108120 504903 | 2 |
| 190 | BACB30NM3K3 | .BOLT | | 101106 108120 504903 | 2 |
| 192 | BACB30NM3K3 | .BOLT- | | 101102 108120 504903 | 4 |
| 192 | BACB30NM3K2 | .BOLT- | | 103106 | 4 |
| 195 | AN960PD10L | .WASHER | | 101106 108120 504903 | 16 |
| 200 | NAS1804-3 | .NUT | | 101106 108120 504903 | 8 |
| | | -----*----- | | | |

MISSING ITEM NUMBERS NOT APPLICABLE

— ITEM NOT ILLUSTRATED

BRI

21-25-01-10A

BOEING PROPRIETARY - Copyright © - Unpublished Work - See title page for details.

21-25-01
FIG. 10A
PAGE 6
MAY 20/09



757

PARTS CATALOG (MAINTENANCE)

| FIG ITEM | PART NUMBER | 1 2 3 4 5 6 7 | NOMENCLATURE | EFFECT FROM TO | UNITS PER ASSY |
|------------|-------------|---------------|--|----------------------------|----------------|
| 10A 205 | BACB30NM3K2 | . | BOLT | 101106 108120 504903 | 1 |
| 210 | BACB30NM3K5 | . | BOLT | 101106 108120 504903 | 1 |
| 215 | AN960JD10L | . | WASHER | 101106 108120 504903 | 6 |
| 220 | BRH10A3 | . | NUT SUPPLIER CODE: V52828 SPECIFICATION NUMBER: BACN10JC3 OPTIONAL PART: H10-3BAC V15653 NS202101-02 V80539 RMLH9075-3W V72962 VN303A02 V92215 96-02 V80539 T6S1032J V11815 | 101106 108120 504903 | 2 |
| 225 | 740A20-10 | . | JUMPER ASSY SUPPLIER CODE: V91812 SPECIFICATION NUMBER: BACJ40A20-10 OPTIONAL PART: TJEJ40A20-10 V33483 RBEJ20-10 V1GK47 | 101106 108120 504903 | 1 |

MISSING ITEM NUMBERS NOT APPLICABLE

- ITEM NOT ILLUSTRATED

BRI

21-25-01-10A

BOEING PROPRIETARY - Copyright © - Unpublished Work - See title page for details.

21-25-01
FIG. 10A
PAGE 7
MAY 20/09



757

PARTS CATALOG (MAINTENANCE)

| FIG ITEM | PART NUMBER | 1 2 3 4 5 6 7 | NOMENCLATURE | EFFECT FROM TO | UNITS PER ASSY |
|------------|-------------|---------------|---|----------------------------|----------------|
| 10A 230 | 606772-3 | | . FAN ASSY-AIR RECIRCULATION SUPPLIER CODE: V70210 SPECIFICATION NUMBER: S210T130-618 ELECTRICAL EQUIP NUMBER: B00014 COMPONENT MAINT MANUAL REF: 21-25-04 OPTIONAL PART: 606772-6 V70210 606772-7 V70210 FOR DETAILS SEE: 21-25-01-50 | 101102 108120 504903 | 1 |
| 230 | 606772-6 | | . FAN ASSY- SUPPLIER CODE: V70210 SPECIFICATION NUMBER: S210T130-618 COMPONENT MAINT MANUAL REF: 21-25-04 OPTIONAL PART: 606772-3 V70210 606772-7 V70210 FOR DETAILS SEE: 21-25-01-50 | 101102 108120 504903 | 1 |
| 230 | 645507-2 | | . FAN- SUPPLIER CODE: V70210 FUNCTIONAL DESCRIPTION: PROVIDES AIR CIRCULATION IN VARIOUS ENVIRONMENTAL CONTROL APPLICATIONS. SPECIFICATION NUMBER: S210W003-9 ELECTRICAL EQUIP NUMBER: B00014 COMPONENT MAINT MANUAL REF: 21-26-26 | 103106 | 1 |

MISSING ITEM NUMBERS NOT APPLICABLE

- ITEM NOT ILLUSTRATED

21-25-01-10A

21-25-01
FIG. 10A
PAGE 8
JAN 20/09

BRI



757

PARTS CATALOG (MAINTENANCE)

| FIG ITEM | PART NUMBER | 1 2 3 4 5 6 7 | NOMENCLATURE | EFFECT FROM TO | UNITS PER ASSY |
|------------|--------------|---------------|---|----------------------------|----------------|
| 10A 230 | 606772-7 | | .FAN ASSY- SUPPLIER CODE: V70210 SPECIFICATION NUMBER: S210T130-618 COMPONENT MAINT MANUAL REF: 21-25-04 OPTIONAL PART: 606772-3 V70210 606772-6 V70210 FOR DETAILS SEE: 21-25-01-50 | 101102 108120 504903 | 1 |
| 240 | 2356951-1 | | ..PLATE-IDENT SUPPLIER CODE: V70210 | 103106 | 1 |
| 245 | 2356914-1 | | ..LABEL-SCHEM SUPPLIER CODE: V70210 | 103106 | 1 |
| 250 | 606668-1 | | ..CONNECTOR- SUPPLIER CODE: V70210 ATTACHING PARTS | 103106 | 1 |
| 255 | NAS1352N04-6 | | ..SCREW | 103106 | 4 |
| 260 | NAS620C4 | | ..WASHER -----*----- | 103106 | 4 |
| 265 | 214N5014-7 | | .DUCT-FILTER | 101102 108120 504903 | 1 |
| 265 | 214N5014-9 | | .DUCT-FILTER | 103106 | 1 |
| - 300 | 214N5001-15 | | EQUIPMENT INSTL-MIX BAY CAB. AIR RECIRCULATE FOR NHA SEE: 21-00-00-12 21-00-00-15 | 101102 108120 504903 | RF |
| - 300 | MODREF21375 | | EQUIPMENT INSTL-MIX BAY CAB. AIR RECIRCULATE MODULE NUMBER: 214N5001-21 REV A | 103106 | 1 |
| 305 | 214N5010-21 | | .HOUSING ASSY-FILTER POSITION DATA: LH | 101106 108120 504903 | 1 |
| - 306 | BACB30NM3K5 | | ATTACHING PARTS .BOLT | 101106 108120 504903 | 6 |

MISSING ITEM NUMBERS NOT APPLICABLE

- ITEM NOT ILLUSTRATED

21-25-01-10A

21-25-01
FIG. 10A
PAGE 9
JAN 20/09

BRI



757

PARTS CATALOG (MAINTENANCE)

| FIG ITEM | PART NUMBER | 1 2 3 4 5 6 7 | NOMENCLATURE | EFFECT FROM TO | UNITS PER ASSY |
|----------|---------------|---------------|--|----------------------------|----------------|
| 10A | | | | | |
| - 307 | NAS1149D0363H | . | WASHER | 101106 108120 504903 | 6 |
| - 308 | BACW10P44AL | . | WASHER | 101106 108120 504903 | 6 |
| - 309 | BACW10P205L | . | WASHER | 101106 108120 504903 | 6 |
| | | -----* | | | |
| 310 | 214N5010-10 | .. | RETAINER ASSY | 101106 108120 504903 | 1 |
| 315 | 214N5010-11 | .. | RETAINER ASSY | 101106 108120 504903 | 1 |
| | | | ATTACHING PARTS | | |
| - 320 | BACS12GU3K7 | .. | SCREW | 101106 108120 504903 | 4 |
| - 325 | AN960D10 | .. | WASHER | 101106 108120 504903 | 4 |
| | | -----* | | | |
| 327 | NS103227H02 | .. | NUTPLATE SUPPLIER CODE: V80539 SPECIFICATION NUMBER: BACN10KA3BS OPTIONAL PART: T8099S1032SK1 V11815 ATTACHING PARTS | 101106 108120 504903 | 8 |
| - 328 | BACR15DR3 | .. | RIVET- SIZE DETERMINED ON INSTL. | 101106 108120 504903 | 16 |
| | | -----* | | | |
| R | 330 | ... | SPRING- | 101106 108120 504903 | 2 |
| R | | | | | |
| R | 330 | ... | SPRING- | 101106 108120 504903 | 2 |
| R | | | | | |
| R | | | ATTACHING PARTS | | |
| - 335 | BACR15FT4D | ... | RIVET- SIZE DETERMINED ON INSTL. | 101106 108120 504903 | 4 |
| | | -----* | | | |

MISSING ITEM NUMBERS NOT APPLICABLE

- ITEM NOT ILLUSTRATED

21-25-01-10A

21-25-01
FIG. 10A
PAGE 10
MAY 20/09

BRI



757

PARTS CATALOG (MAINTENANCE)

| FIG ITEM | PART NUMBER | 1 2 3 4 5 6 7 | NOMENCLATURE | EFFECT FROM TO | UNITS PER ASSY |
|------------|-------------|--|--------------|----------------------------|----------------|
| 10A 340 | 214N5010-7 | . . | GASKET | 101106 108120 | 1 |
| 345 | 214N5010-18 | . . | HOUSING | 504903 101106 108120 | 1 |
| 355 | 469658 | . HIGH EFFICIENCY FILTER- SUPPLIER CODE: V55799 SPECIFICATION NUMBER: S210N701-21 OPTIONAL PART: AB0469658 V18265 PRE AIRLINE MOD: SR157645304 VBRI | | 108120 504903 | 2 |
| 355 | AB0469658 | . HIGH EFFICIENCY FILTER- SUPPLIER CODE: V18265 SPECIFICATION NUMBER: S210N701-21 QUALIFIED I/W DATA: P199753(S161N300-1) CAN REPLACE OR BE REPLACED BY AB0470044 (S210N701-20) TOGETHER WITH AB0469658 (S210N701-21). OPTIONAL PART: 469658 V55799 PRE AIRLINE MOD: SR157645304 VBRI | | 108120 504903 | 2 |

MISSING ITEM NUMBERS NOT APPLICABLE

- ITEM NOT ILLUSTRATED

BRI

21-25-01-10A

BOEING PROPRIETARY - Copyright © - Unpublished Work - See title page for details.

21-25-01
FIG. 10A
PAGE 11
JAN 20/09



757

PARTS CATALOG (MAINTENANCE)

| FIG ITEM | PART NUMBER | 1 2 3 4 5 6 7 | NOMENCLATURE | EFFECT FROM TO | UNITS PER ASSY |
|------------|-------------|---------------|---|------------------|----------------|
| 10A 360 | P199753 | | . FILTER- SUPPLIER CODE: V18265 SPECIFICATION NUMBER: S161N300-1 QUALIFIED I/W DATA: P199753(S161N300-1) CAN REPLACE OR BE REPLACED BY AB0470044 (S210N701-20) TOGETHER WITH AB0469658 (S210N701-21). POST SERVICE LETTER: 21-054 PRE AIRLINE MOD: SR157645304 VBRI | 101106 | 2 |
| 365 | CD01068F2 | | . FILTER- SUPPLIER CODE: V18350 POST AIRLINE MOD: SR157645304 VBRI | 504903 | 2 |
| 370 | 470044 | | .PRE FILTER- SUPPLIER CODE: V55799 SPECIFICATION NUMBER: S210N701-20 OPTIONAL PART: AB0470044 V18265 PRE AIRLINE MOD: SR157645304 VBRI | 108120 504903 | 2 |

MISSING ITEM NUMBERS NOT APPLICABLE

- ITEM NOT ILLUSTRATED

21-25-01-10A

21-25-01
FIG. 10A
PAGE 12
JAN 20/09

BRI



757

PARTS CATALOG (MAINTENANCE)

| FIG ITEM | PART NUMBER | 1 2 3 4 5 6 7 | NOMENCLATURE | EFFECT FROM TO | UNITS PER ASSY |
|------------|---------------|---------------|--|----------------------------|----------------|
| 10A 370 | AB0470044 | | .PRE FILTER ASSY- SUPPLIER CODE: V18265 SPECIFICATION NUMBER: S210N701-20 QUALIFIED I/W DATA: P199753(S161N300-1) CAN REPLACE OR BE REPLACED BY AB0470044 (S210N701-20) TOGETHER WITH AB0469658 (S210N701-21). OPTIONAL PART: 470044 V55799 PRE AIRLINE MOD: VCAL SR157645304 VBRI | 108120 504903 | 2 |
| R - 500 | 286N4104-003 | | WIRE BUNDLE ASSY | 504903 | RF |
| R - 500 | 286N4104-301 | | WIRE BUNDLE ASSY | 108120 | RF |
| - 501 | 286N4104-330 | | WIRE BUNDLE ASSY | 101102 | RF |
| 505 | BACC45FT18B8S | | .CONNECTOR- ELECTRICAL EQUIP NUMBER: D02590 WIRING DIAGRAM REF: 212521 | 101102 108120 504903 | 1 |

MISSING ITEM NUMBERS NOT APPLICABLE

- ITEM NOT ILLUSTRATED

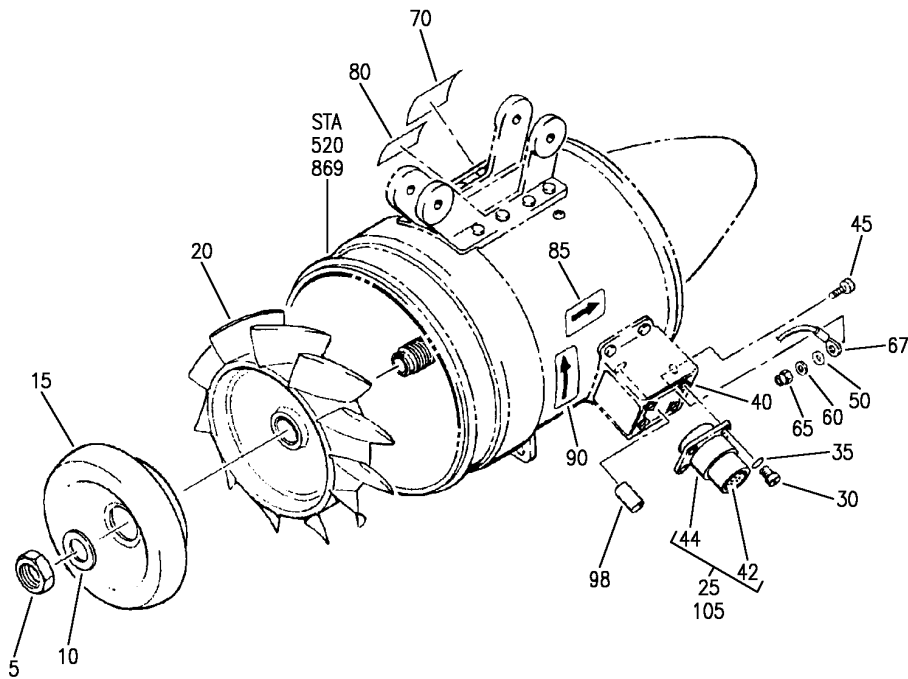
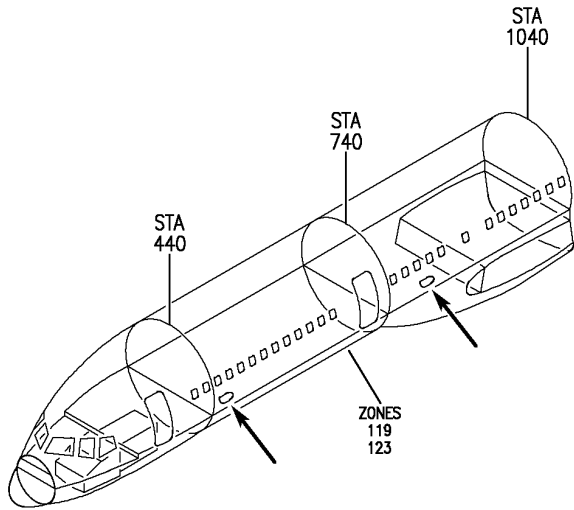
BRI

21-25-01-10A

BOEING PROPRIETARY - Copyright © - Unpublished Work - See title page for details.

21-25-01
FIG. 10A
PAGE 13
MAY 20/09

BOEING
757
PARTS CATALOG (MAINTENANCE)



Y 21250150 REV 262

FAN INSTL-CABIN AIR RECIRCULATION
FIGURE 50

21-25-01-50

BRI
MAY 28/07

21-25-01-50
PAGE 0



757

PARTS CATALOG (MAINTENANCE)

| FIG ITEM | PART NUMBER | 1 2 3 4 5 6 7 | NOMENCLATURE | EFFECT FROM TO | UNITS PER ASSY |
|----------|-------------|---------------|---|----------------------------|----------------|
| 50 | | | FAN INSTL-CABIN AIR RECIRCULATION | 002004 006102 107999 | |
| - 1 | 606772-3 | | FAN ASSY-CAB. AIR RECIRCULATION SERIES # 1 AND 2 SUPPLIER CODE: V70210 SPECIFICATION NUMBER: S210T130-618 ELECTRICAL EQUIP NUMBER: B00014 COMPONENT MAINT MANUAL REF: 21-25-04 OPTIONAL PART: 606772-6 V70210 606772-7 V70210 FOR NHA SEE: 21-25-01-10 21-25-01-10A | 002004 006102 107999 | RF |
| - 1 | 606772-6 | | FAN ASSY-CAB. AIR RECIRCULATION SUPPLIER CODE: V70210 SPECIFICATION NUMBER: S210T130-618 ELECTRICAL EQUIP NUMBER: B00014 COMPONENT MAINT MANUAL REF: 21-25-04 OPTIONAL PART: 606772-3 V70210 606772-7 V70210 FOR NHA SEE: 21-25-01-10 21-25-01-10A | 002004 006102 107999 | RF |

MISSING ITEM NUMBERS NOT APPLICABLE

- ITEM NOT ILLUSTRATED

21-25-01-50

21-25-01
FIG. 50
PAGE 1
JAN 20/09

BRI



757

PARTS CATALOG (MAINTENANCE)

| FIG ITEM | PART NUMBER | 1 2 3 4 5 6 7 | NOMENCLATURE | EFFECT FROM TO | UNITS PER ASSY |
|----------|-------------|---------------|---|----------------------------|----------------|
| 50 | | | | | |
| - 1 | 606772-7 | | FAN ASSY-CAB. AIR RECIRCULATION SUPPLIER CODE: V70210 SPECIFICATION NUMBER: S210T130-618 ELECTRICAL EQUIP NUMBER: B00014 COMPONENT MAINT MANUAL REF: 21-25-04 OPTIONAL PART: 606772-3 V70210 606772-6 V70210 FOR NHA SEE: 21-25-01-10 21-25-01-10A | 002004 006102 107999 | RF |
| 5 | AN316-12R | | .NUT- USED ON: 606772-3 606772-6 | 002004 006102 107999 | 1 |
| 5 | AN316-10R | | .NUT- USED ON: 606772-7 | 002004 006102 107999 | 1 |
| 10 | S8164-6 | | .WASHER- SUPPLIER CODE: V70210 USED ON: 606772-3 606772-6 606772-7 | 002004 006102 107999 | 1 |
| 15 | 606628-1 | | .FAIRING-IMPELLER SUPPLIER CODE: V70210 USED ON: 606772-3 606772-6 | 002004 006102 107999 | 1 |
| 20 | 606626-5 | | .IMPELLER- SUPPLIER CODE: V70210 USED ON: 606772-2 USED ON: 606772-3 606772-6 POST SERVICE BULLETIN: 606772-21-2414 V93570 | 002004 006102 107999 | 1 |

MISSING ITEM NUMBERS NOT APPLICABLE

- ITEM NOT ILLUSTRATED

21-25-01-50

21-25-01
FIG. 50
PAGE 2
JAN 20/09

BRI



757

PARTS CATALOG (MAINTENANCE)

| FIG ITEM | PART NUMBER | 1 2 3 4 5 6 7 | NOMENCLATURE | EFFECT FROM TO | UNITS PER ASSY |
|----------|---------------|---------------|--|----------------------------|----------------|
| 50 | | | | | |
| 20 | 2206422-1 | | .IMPELLER- SUPPLIER CODE: V70210 USED ON: 606772-7 | 002004 006102 107999 | 1 |
| 25 | 606668-1 | | .CONNECTOR- SUPPLIER CODE: V70210 USED ON: 606772-3 606772-6 606772-7 | 002004 006102 107999 | 1 |
| 30 | NAS1352-04-6P | | ATTACHING PARTS .SCREW- CONFIG CHG DATA FROM A CMM: REPLD BY NAS1352N04-6 USED ON: 606772-3 606772-6 606772-7 | 002004 006102 107999 | 4 |
| 30 | NAS1352N04-6 | | .SCREW- CONFIG CHG DATA FROM A CMM: REPLS NAS1352-04-6P USED ON: 606772-3 606772-6 606772-7 | 002004 006102 107999 | 4 |
| 35 | AN960-4 | | .WASHER- CONFIG CHG DATA FROM A CMM: REPLD BY NAS1149CN432R USED ON: 606772-3 606772-6 | 002004 006102 107999 | 4 |
| 35 | NAS1149CN432R | | .WASHER- CONFIG CHG DATA FROM A CMM: REPLS AN960-4 USED ON: 606772-3 606772-6 | 002004 006102 107999 | 4 |
| 35 | NAS1149CN432R | | .WASHER- USED ON: 606772-7 | 002004 006102 107999 | 4 |

MISSING ITEM NUMBERS NOT APPLICABLE

- ITEM NOT ILLUSTRATED

21-25-01-50

21-25-01
FIG. 50
PAGE 3
JAN 20/09

BRI



757

PARTS CATALOG (MAINTENANCE)

| FIG ITEM | PART NUMBER | 1 2 3 4 5 6 7 | NOMENCLATURE | EFFECT FROM TO | UNITS PER ASSY |
|----------|--------------|---------------|---|----------------------------|----------------|
| 50 40 | 293162 | | .NUT-SELF LOCKING SUPPLIER CODE: V60119 MISCELLANEOUS DATA: HONEYWELL SPEC NO 525-067-9008 USED ON: 606772-3 606772-6 606772-7 | 002004 006102 107999 | 4 |
| 42 | ZZL4012-36LT | | -----*----- ..CONTACT-ELECT SUPPLIER CODE: V49367 MISCELLANEOUS DATA: HONEYWELL SPEC NO 224-045-9001 OPTIONAL PART: 417-1212-903 V55104 LMR12Z15F74 V09922 48-1827-02 V02660 USED ON: 606772-3 606772-6 606772-7 | 002004 006102 107999 | 8 |
| 42 | 417-1212-903 | | ..CONTACT-ELECT SUPPLIER CODE: V55104 MISCELLANEOUS DATA: HONEYWELL SPEC NO 224-045-9001 OPTIONAL PART: ZZL4012-36LT V49367 LMR12Z15F74 V09922 48-1827-02 V02660 USED ON: 606772-3 606772-6 606772-7 | 002004 006102 107999 | 8 |

MISSING ITEM NUMBERS NOT APPLICABLE

- ITEM NOT ILLUSTRATED

21-25-01-50

21-25-01
FIG. 50
PAGE 4
JAN 20/09

BRI



757

PARTS CATALOG (MAINTENANCE)

| FIG ITEM | PART NUMBER | 1 2 3 4 5 6 7 | NOMENCLATURE | EFFECT FROM TO | UNITS PER ASSY |
|----------|-------------|---------------|---|----------------------------|----------------|
| 50 | | | | | |
| 42 | 48-1827-02 | | .. CONTACT-ELECT SUPPLIER CODE: V02660 MISCELLANEOUS DATA: HONEYWELL SPEC NO 224-045-9001 OPTIONAL PART: ZZL4012-36LT V49367 417-1212-903 V55104 LMR12Z15F74 V09922 USED ON: 606772-3 606772-6 606772-7 | 002004 006102 107999 | 8 |
| 42 | LMR12Z15F74 | | .. CONTACT-ELECT SUPPLIER CODE: V09922 MISCELLANEOUS DATA: HONEYWELL SPEC NO 224-045-9001 OPTIONAL PART: ZZL4012-36LT V49367 417-1212-903 V55104 48-1827-02 V02660 USED ON: 606772-3 606772-6 606772-7 | 002004 006102 107999 | 8 |
| 44 | BCREF48143 | | .. CONNECTOR- SUPPLIER CODE: V96906 OVERLENGTH PART NUMBER: MS24264R18B8PNNOPINS MISCELLANEOUS DATA: HONEYWELL SPEC NO 223-280-9004 USED ON: 606772-3 606772-6 606772-7 | 002004 006102 107999 | 1 |

MISSING ITEM NUMBERS NOT APPLICABLE

- ITEM NOT ILLUSTRATED

BRI

21-25-01-50

BOEING PROPRIETARY - Copyright © - Unpublished Work - See title page for details.

21-25-01
FIG. 50
PAGE 5
JAN 20/09



757

PARTS CATALOG (MAINTENANCE)

| FIG ITEM | PART NUMBER | 1 2 3 4 5 6 7 | NOMENCLATURE | EFFECT FROM TO | UNITS PER ASSY |
|----------|---------------|---------------|---|----------------------------|----------------|
| 50 | | | | | |
| 45 | MS35207-263 | | .SCREW- USED ON: 606772-3 606772-6 606772-7 | 002004 006102 107999 | 1 |
| 50 | AN960-10L | | .WASHER- CONFIG CHG DATA FROM A CMM: REPLD BY NAS1149C0332R USED ON: 606772-3 606772-6 | 002004 006102 107999 | 1 |
| 50 | NAS1149C0332R | | .WASHER- CONFIG CHG DATA FROM A CMM: REPLS AN960-10L USED ON: 606772-3 606772-6 | 002004 006102 107999 | 1 |
| 50 | NAS1149C0332R | | .WASHER- USED ON: 606772-7 | 002004 006102 107999 | 1 |
| 60 | MS35333-39 | | .WASHER- USED ON: 606772-3 606772-6 606772-7 | 002004 006102 107999 | 1 |
| 65 | MS21044N3 | | .NUT- CONFIG CHG DATA FROM A CMM: REPLD BY MS21043-3 USED ON: 606772-3 606772-6 | 002004 006102 107999 | 1 |
| 65 | MS21043-3 | | .NUT- CONFIG CHG DATA FROM A CMM: REPLS MS21044N3 USED ON: 606772-3 606772-6 | 002004 006102 107999 | 1 |
| 65 | MS21043-3 | | .NUT- USED ON: 606772-7 | 002004 006102 107999 | 1 |
| 67 | MS25036-108 | | .LUG- USED ON: 606772-3 606772-6 606772-7 | 002004 006102 107999 | 1 |

MISSING ITEM NUMBERS NOT APPLICABLE

- ITEM NOT ILLUSTRATED

21-25-01-50

21-25-01
FIG. 50
PAGE 6
JAN 20/09

BRI

BOEING PROPRIETARY - Copyright © - Unpublished Work - See title page for details.



757

PARTS CATALOG (MAINTENANCE)

| FIG ITEM | PART NUMBER | 1 2 3 4 5 6 7 | NOMENCLATURE | EFFECT FROM TO | UNITS PER ASSY |
|----------|-------------|---------------|---|----------------------------|----------------|
| 50 | | | | | |
| 70 | 606799-3 | | .PLATE-IDENT SERIES 1 SUPPLIER CODE: V70210 OPTIONAL PART: 606799-4 V70210 USED ON: 606772-3 | 002004 006102 107999 | 1 |
| 70 | 2805164-1 | | .PLATE-IDENT SERIES 1 SUPPLIER CODE: V70210 USED ON: 606772-6 | 002004 006102 107999 | 1 |
| 70 | 2805177-1 | | .PLATE-IDENT SERIES 1 SUPPLIER CODE: V70210 USED ON: 606772-7 | 002004 006102 107999 | 1 |
| - 75 | 606799-4 | | .PLATE-IDENT SERIES 2 SUPPLIER CODE: V70210 OPTIONAL PART: 606799-3 V70210 USED ON: 606772-3 | 002004 006102 107999 | 1 |
| 80 | 606658-1 | | .DECAL- SUPPLIER CODE: V70210 USED ON: 606772-3 606772-6 606772-7 | 002004 006102 107999 | 1 |
| 85 | S8188M7 | | .PLATE-INST SUPPLIER CODE: V70210 CONFIG CHG DATA FROM A CMM: REPLD BY S8188MP7 USED ON: 606772-3 | 002004 006102 107999 | 2 |
| 85 | S8188MP7 | | .PLATE-INST SUPPLIER CODE: V70210 CONFIG CHG DATA FROM A CMM: REPLS S8188M7 USED ON: 606772-3 | 002004 006102 107999 | 2 |

MISSING ITEM NUMBERS NOT APPLICABLE

- ITEM NOT ILLUSTRATED

21-25-01-50

21-25-01
FIG. 50
PAGE 7
JAN 20/09

BRI



757

PARTS CATALOG (MAINTENANCE)

| FIG ITEM | PART NUMBER | 1 2 3 4 5 6 7 | NOMENCLATURE | EFFECT FROM TO | UNITS PER ASSY |
|----------|-----------------|---------------|---|----------------------------|----------------|
| 50 | | | | | |
| 85 | S8188MP7 | | .PLATE-INST SUPPLIER CODE: V70210 USED ON: 606772-6 606772-7 | 002004 006102 107999 | 2 |
| 90 | S8302M2 | | .DECAL- SUPPLIER CODE: V70210 CONFIG CHG DATA FROM A CMM: REPLD BY S8302MP2 USED ON: 606772-3 | 002004 006102 107999 | 1 |
| 90 | S8302MP2 | | .DECAL- SUPPLIER CODE: V70210 CONFIG CHG DATA FROM A CMM: REPLS S8302M2 USED ON: 606772-3 | 002004 006102 107999 | 1 |
| 90 | S8302MP2 | | .DECAL- SUPPLIER CODE: V70210 CONFIG CHG DATA FROM A CMM: REPLS S8302M2 USED ON: 606772-6 606772-7 | 002004 006102 107999 | 1 |
| - 95 | S8128C12-35-40A | | .SPACER- SUPPLIER CODE: V70210 CONFIG CHG DATA FROM A CMM: REPL BY S8128C12-35-31A | 002004 006102 107999 | 1 |
| 98 | S8128C12-35-31A | | .SPACER- SUPPLIER CODE: V70210 CONFIG CHG DATA FROM A CMM: REPLACES S8128C12-35-40A | 002004 006102 107999 | 1 |

MISSING ITEM NUMBERS NOT APPLICABLE

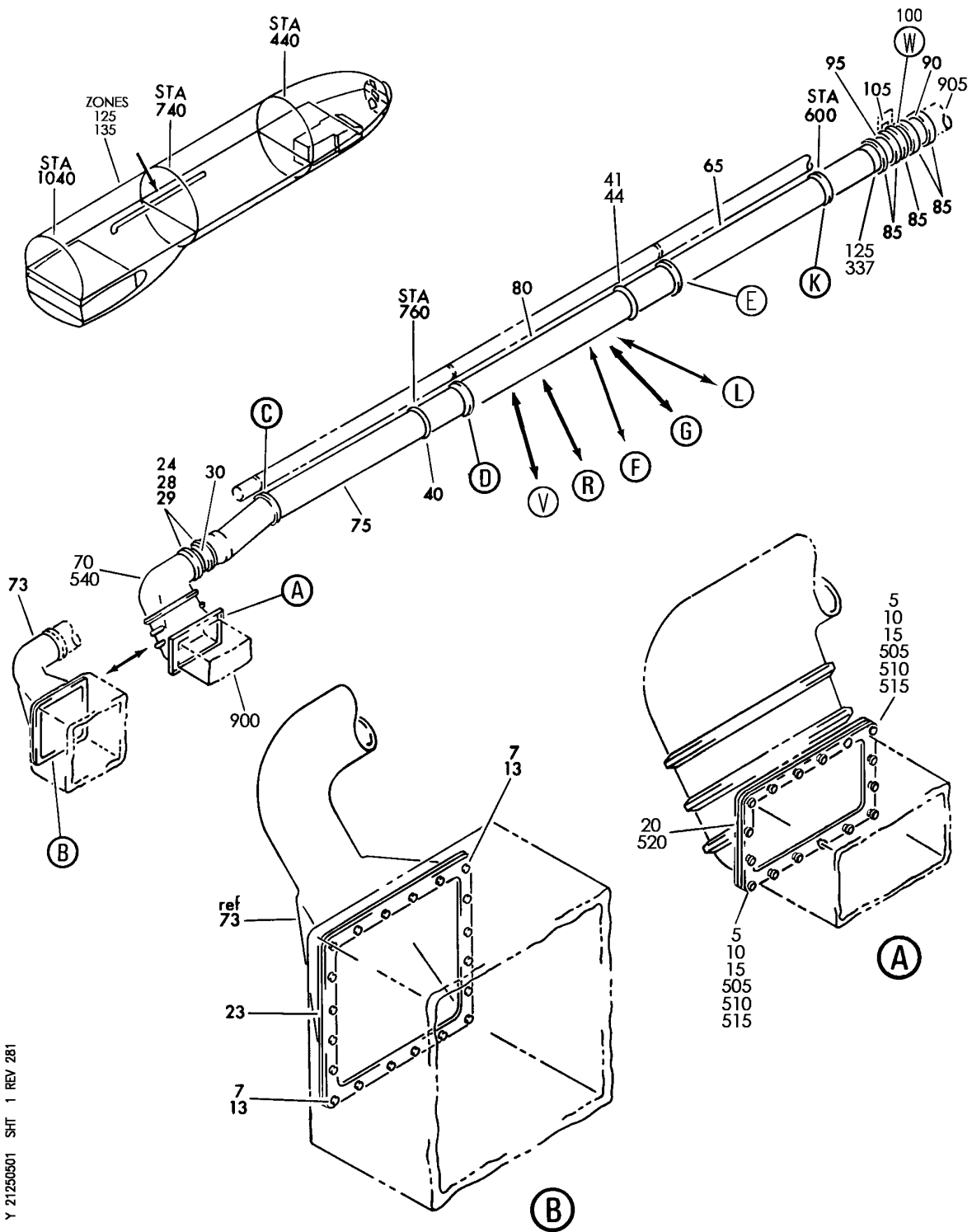
- ITEM NOT ILLUSTRATED

21-25-01-50

21-25-01
FIG. 50
PAGE 8
JAN 20/09

BRI


BOEING
 757
PARTS CATALOG (MAINTENANCE)



Y 21250501 SHT 1 REV 281

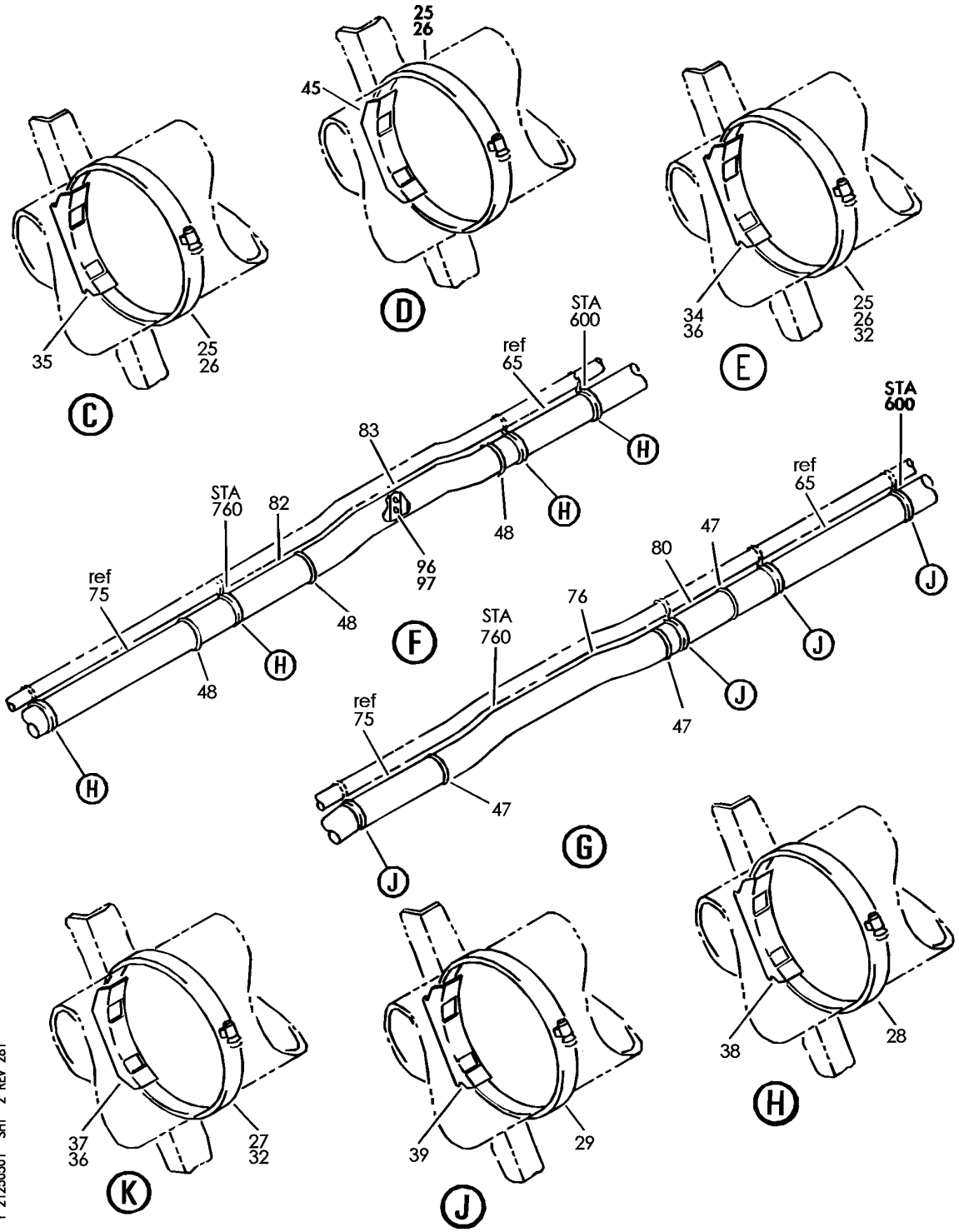
DUCT INSTL-CAB. AIR RECIRCULATION
 FIGURE 1 (SHEET 1)

21-25-05-01

BRI
MAY 28/07

21-25-05-01
 PAGE 0

BOEING
757
PARTS CATALOG (MAINTENANCE)



Y 21250501 SHT 2 REV 281

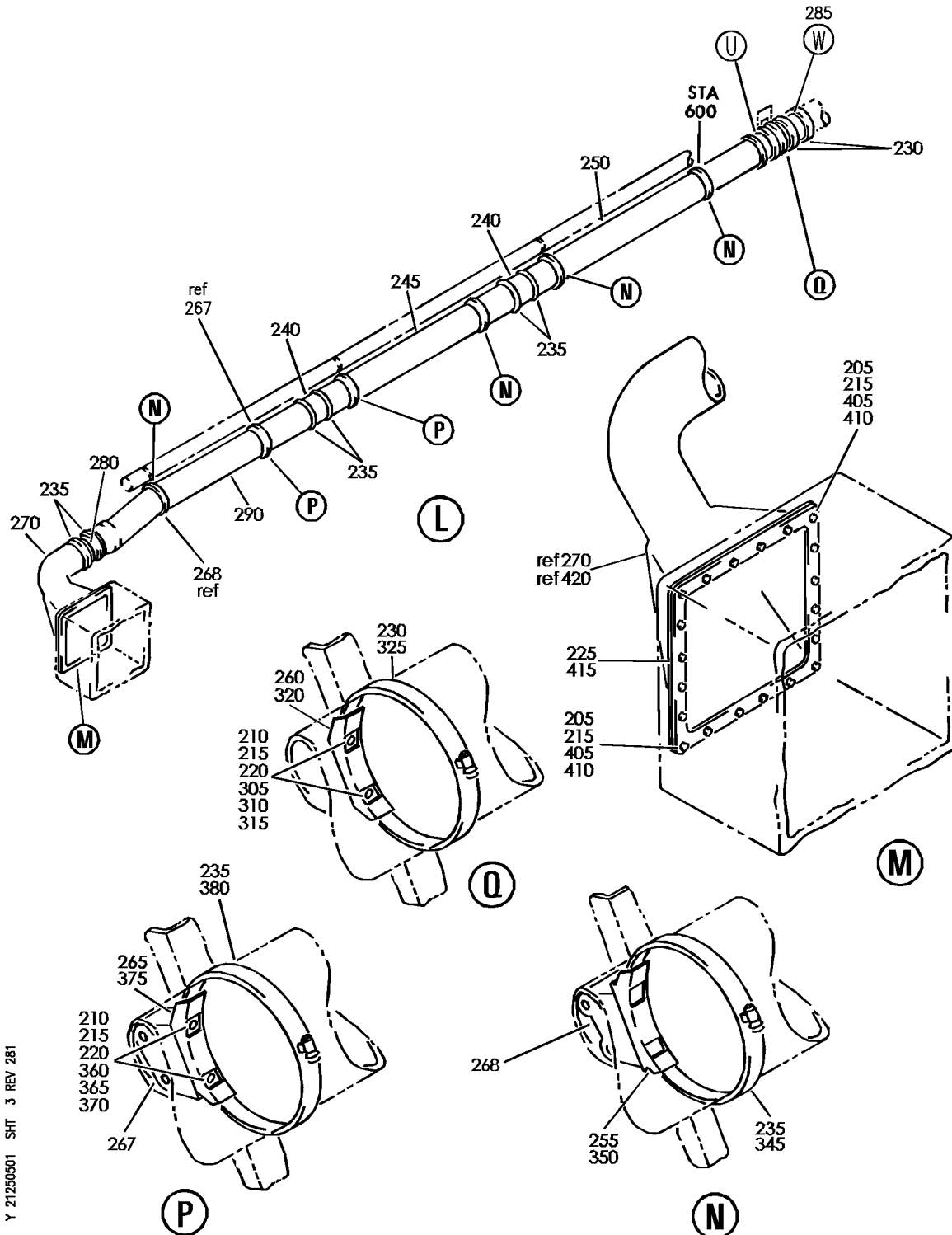
DUCT INSTL-CAB. AIR RECIRCULATION
FIGURE 1 (SHEET 2)

21-25-05-01

BRI
MAY 28/07

21-25-05-01
PAGE 0A

BOEING
757
PARTS CATALOG (MAINTENANCE)



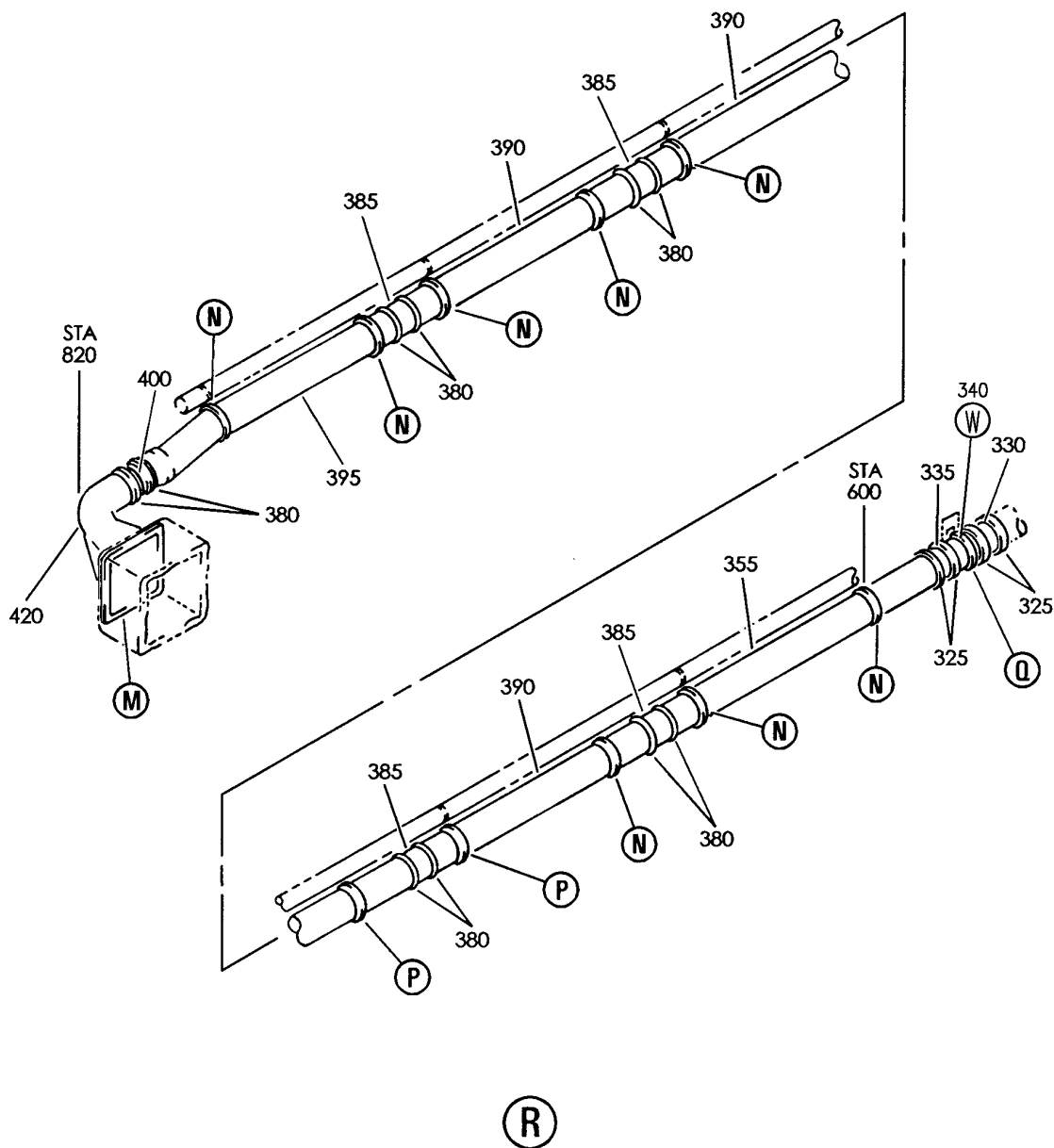
DUCT INSTL-CAB. AIR RECIRCULATION
FIGURE 1 (SHEET 3)

21-25-05-01

BRI
MAY 28/07

21-25-05-01
PAGE 0B

BOEING
757
PARTS CATALOG (MAINTENANCE)



Y 21250501 SH1 4 REV 281

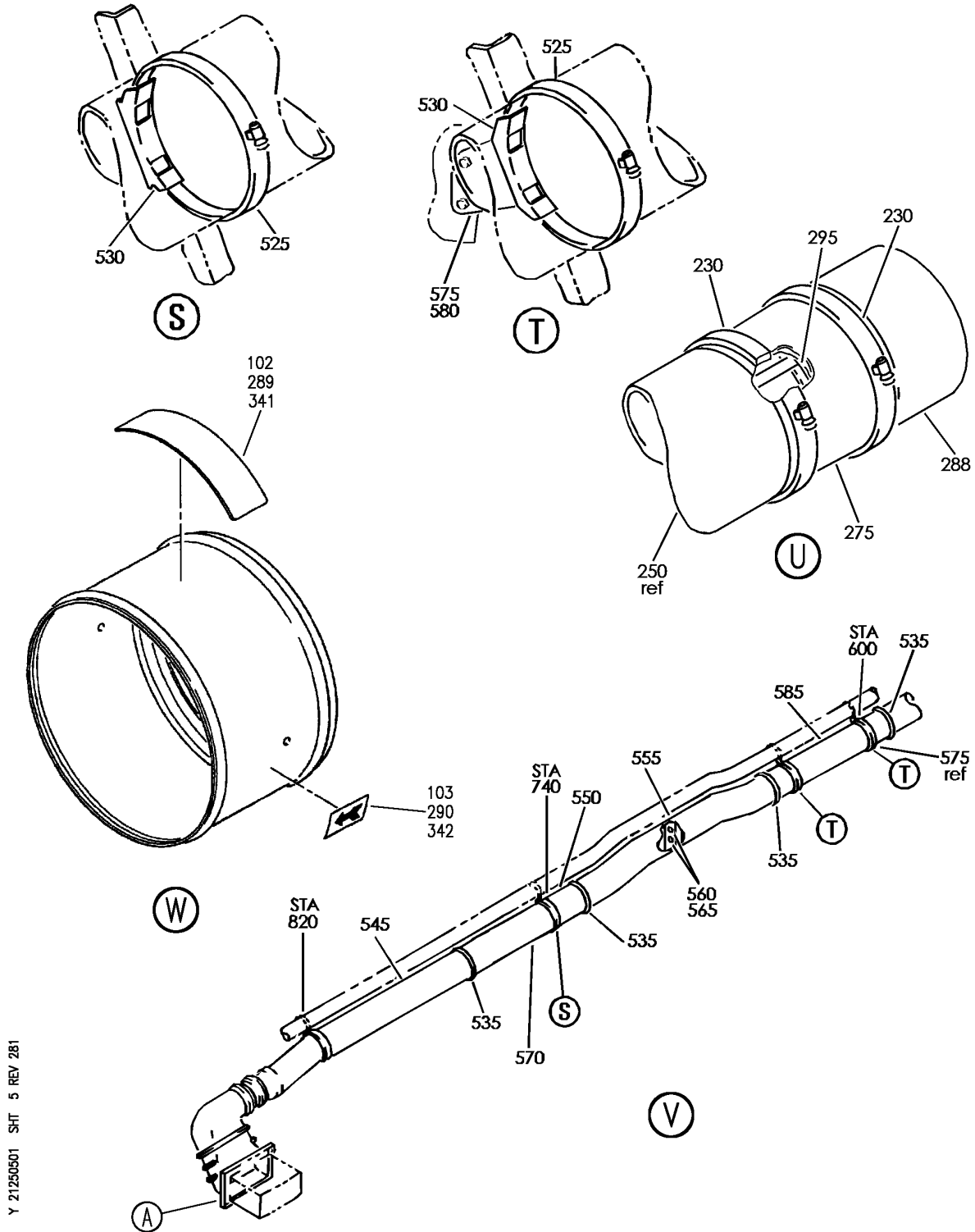
DUCT INSTL-CAB. AIR RECIRCULATION
FIGURE 1 (SHEET 4)

21-25-05-01

BRI
MAY 28/07

21-25-05-01
PAGE 0C

BOEING
757
PARTS CATALOG (MAINTENANCE)



Y 21250501 SHT 5 REV 281

DUCT INSTL-CAB. AIR RECIRCULATION
FIGURE 1 (SHEET 5)

21-25-05-01

BRI
MAY 28/07

21-25-05-01
PAGE 0D

BOEING
757
PARTS CATALOG (MAINTENANCE)

| FIG ITEM | PART NUMBER | 1 2 3 4 5 6 7 | NOMENCLATURE | EFFECT FROM TO | UNITS PER ASSY |
|----------|---------------|---------------|--|--|----------------|
| 1 | | | DUCT INSTL-CAB. AIR RECIRCULATION | 002004 006999 | |
| - 1 | 214N5006-3 | | DUCT INSTL-CAB. AIR RECIRCULATION FOR NHA SEE: 21-00-00-01 | 950999 | RF |
| - 1 | 214N5006-4 | | DUCT INSTL-CAB. AIR RECIRCULATION FOR NHA SEE: 21-00-00-01 | 002004 006100 107107 121503 904951 | RF |
| - 2 | 214N5006-14 | | DUCT INSTL-CAB. AIR RECIRCULATION FOR NHA SEE: 21-00-00-12 | 108120 | RF |
| 7 | BACB30NM3K7 | | .BOLT- | 002004 006100 107503 904999 | 20 |
| 13 | AN960KD10 | | .WASHER- | 002004 006100 107503 904999 | 20 |
| 13 | AN960JD10 | | .WASHER- | 002004 006100 107503 904999 | 20 |
| 13 | NAS1149D0363J | | .WASHER | 108120 | 20 |
| 23 | 214N5053-1 | | .GASKET- | 002004 006100 107503 904999 | 1 |
| 24 | 128 | | .CLAMP- SUPPLIER CODE: V7Z588 SPECIFICATION NUMBER: STBC10GG274 OPTIONAL PART: WWD274H V66295 | 002004 006100 107503 904949 952999 | 2 |
| 25 | 128 | | .CLAMP- SUPPLIER CODE: V7Z588 SPECIFICATION NUMBER: STBC10GG274 OPTIONAL PART: WWD274H V66295 | 002004 006100 107503 904949 952999 | 3 |

MISSING ITEM NUMBERS NOT APPLICABLE

- ITEM NOT ILLUSTRATED

BRI

21-25-05-01

21-25-05
FIG. 01
PAGE 1
JAN 20/09

BOEING
757
PARTS CATALOG (MAINTENANCE)

| FIG ITEM | PART NUMBER | 1 2 3 4 5 6 7 | NOMENCLATURE | EFFECT FROM TO | UNITS PER ASSY |
|----------|----------------|---------------|--|--------------------------------------|----------------|
| 1 | | | | | |
| 27 | 128 | | .CLAMP- SUPPLIER CODE: V7Z588 SPECIFICATION NUMBER: STBC10GG274 OPTIONAL PART: WWD274H V66295 | 002004 006100 107503 904949 | 1 |
| 28 | 128 | | .CLAMP SUPPLIER CODE: V7Z588 SPECIFICATION NUMBER: STBC10GG274 OPTIONAL PART: WWD274H V66295 | 108120 950999 | 6 |
| 30 | AS1505-32B0052 | | .HOSE-FLEXIBLE | 002004 006100 107503 904999 | 1 |
| 34 | 214N1051-11 | | .SUPPORT- | 002004 006100 107503 904949 | 1 |
| 35 | 214N1051-11 | | .SUPPORT | 002004 006100 107503 904949 | 1 |
| 37 | 214N1051-11 | | .SUPPORT | 002004 006100 107503 904949 | 1 |
| 38 | 214N1051-11 | | .SUPPORT | 108120 950999 | 4 |
| 40 | 15J02-800 | | .CLAMP ASSY- SUPPLIER CODE: V89513 OPTIONAL PART: NH135008-0800 V98625 32317AA800 V94581 | 002004 006100 107503 904949 | 1 |

R
R
R
R
R
R
R

MISSING ITEM NUMBERS NOT APPLICABLE

- ITEM NOT ILLUSTRATED

BRI

21-25-05-01

21-25-05
FIG. 01
PAGE 2
MAY 20/09



757

PARTS CATALOG (MAINTENANCE)

| FIG ITEM | PART NUMBER | 1 2 3 4 5 6 7 | NOMENCLATURE | EFFECT FROM TO | UNITS PER ASSY |
|----------|---------------|---------------|---|--------------------------------------|----------------|
| 1 | | | | | |
| 40 | NH135008-0800 | | .CLAMP- SUPPLIER CODE: V00624 OPTIONAL PART: 15J02-800 V89513 32317AA800 V94581 | 002004 006100 107503 904949 | 1 |
| 40 | 32317AA800 | | .COUPLING- SUPPLIER CODE: V94581 OPTIONAL PART: 15J02-800 V89513 NH135008-0800 V98625 | 002004 006100 107503 904949 | 1 |
| 41 | 15J02-800 | | .CLAMP ASSY- SUPPLIER CODE: V89513 OPTIONAL PART: NH135008-0800 V98625 32317AA800 V94581 | 002004 006100 107503 904949 | 1 |
| 41 | NH135008-0800 | | .CLAMP- SUPPLIER CODE: V00624 OPTIONAL PART: 15J02-800 V89513 32317AA800 V94581 | 002004 006100 107503 904949 | 1 |
| 41 | 32317AA800 | | .COUPLING- SUPPLIER CODE: V94581 OPTIONAL PART: 15J02-800 V89513 NH135008-0800 V98625 | 002004 006100 107503 904949 | 1 |
| 45 | 214T3424-12 | | .SUPPORT-DUCT | 002004 006100 107503 904949 | 1 |

MISSING ITEM NUMBERS NOT APPLICABLE

- ITEM NOT ILLUSTRATED

21-25-05-01

21-25-05
FIG. 01
PAGE 3
JAN 20/09

BRI

BOEING PROPRIETARY - Copyright © - Unpublished Work - See title page for details.



757

PARTS CATALOG (MAINTENANCE)

| FIG ITEM | PART NUMBER | 1 2 3 4 5 6 7 | NOMENCLATURE | EFFECT FROM TO | UNITS PER ASSY |
|----------|---------------|---------------|--|--------------------------------------|----------------|
| 1 | | | | | |
| 48 | 15J02-800 | | .CLAMP ASSY- SUPPLIER CODE: V89513 OPTIONAL PART: NH135008-0800 V98625 32317AA800 V94581 | 108120 950999 | 3 |
| 48 | NH135008-0800 | | .CLAMP- SUPPLIER CODE: V00624 OPTIONAL PART: 15J02-800 V89513 | 108120 950999 | 3 |
| 48 | 32317AA800 | | .COUPLING- SUPPLIER CODE: V94581 OPTIONAL PART: 15J02-800 V89513 | 108120 950999 | 3 |
| - 50 | BACS12FA3K7 | | ATTACHING PARTS .SCREW | 002004 006100 107503 904949 | 2 |
| - 55 | AN960KD10 | | .WASHER | 002004 006100 107503 904949 | 2 |
| - 60 | BRH10C3D | | .NUT SUPPLIER CODE: V52828 SPECIFICATION NUMBER: BACN10JC3CD OPTIONAL PART: T6C1032JCD V11815 NS202486-02 V80539 102LH9075-3W V72962 H51650-3BAC V15653 | 002004 006100 107503 904949 | 2 |
| 65 | 214N5041-1 | | -----*----- .DUCT ASSY- | 002004 006100 107503 904949 | 1 |

MISSING ITEM NUMBERS NOT APPLICABLE

- ITEM NOT ILLUSTRATED

BRI

21-25-05-01

21-25-05
FIG. 01
PAGE 4
JAN 20/09



757

PARTS CATALOG (MAINTENANCE)

| FIG ITEM | PART NUMBER | 1 2 3 4 5 6 7 | NOMENCLATURE | EFFECT FROM TO | UNITS PER ASSY |
|----------|-------------|---------------|---|--|----------------|
| R R | 1 65 | 214N5051-1 | .DUCT ASSY- | 002004 006100 107503 904949 | 1 |
| | 65 | 214N5027-1 | .DUCT ASSY | 108120 950999 | 1 |
| | 73 | 214N5052-1 | .DUCT ASSY-HEADER | 002004 006100 107503 904999 | 1 |
| | 75 | 214N5042-1 | .DUCT ASSY- | 002004 006100 107503 904949 952999 | 1 |
| | 75 | 214N5042-3 | .DUCT ASSY- | 002004 006100 107503 904999 | 1 |
| | 75 | 214N5042-5 | .DUCT ASSY- | 002004 006100 107503 904999 | 1 |
| | 80 | 214N5041-1 | .DUCT ASSY- | 002004 006100 107503 904949 | 1 |
| | 80 | 214N5041-3 | .DUCT ASSY- | 002004 006100 107503 904949 | 1 |
| | 80 | 214N5041-5 | .DUCT ASSY- | 002004 006100 107503 904949 | 1 |
| | 82 | 214N5029-1 | .DUCT ASSY | 108120 950999 | 1 |
| | 83 | 214N5028-1 | .DUCT ASSY- | 950951 | 1 |
| | 83 | 214N5028-8 | .DUCT ASSY- | 950951 | 1 |
| | 83 | 214N5028-9 | .DUCT ASSY | 108120 953999 | 1 |
| | 85 | 120 | .CLAMP SUPPLIER CODE: V7Z588 SPECIFICATION NUMBER: STBC10GG256 OPTIONAL PART: WWD256H V66295 | 002004 006100 107503 904999 | 5 |

MISSING ITEM NUMBERS NOT APPLICABLE

- ITEM NOT ILLUSTRATED

21-25-05-01

21-25-05
FIG. 01
PAGE 5
MAY 20/09

BRI

 **BOEING**
757
PARTS CATALOG (MAINTENANCE)

| FIG ITEM | PART NUMBER | 1 2 3 4 5 6 7 | NOMENCLATURE | EFFECT FROM TO | UNITS PER ASSY |
|----------|-------------------|---------------|--|--------------------------------------|----------------|
| 1 | 90 AS1506-28D32 | . | SLEEVE- | 002004 006100 107503 904999 | 1 |
| | 95 AS1505-28B0040 | . | HOSE-FLEXIBLE | 002004 006100 107503 904999 | 1 |
| | 96 BACS12FA3K7 | . | SCREW | 108120 | 2 |
| | 97 NAS1149D0363J | . | WASHER | 108120 | 2 |
| | 100 3202096-2 | . | VALVE-CHK | 002004 | 1 |
| | | | SUPPLIER CODE: V59364 | 006100 107503 | |
| | | | SPECIFICATION NUMBER: S210T130-31 | 904999 | |
| | | | COMPONENT MAINT MANUAL REF: 21-25-01 | | |
| | 102 S8846M192A | .. | PLATE-IDENT | 002004 | 1 |
| | | | SUPPLIER CODE: V59364 | 006100 107503 | |
| | | | CONFIG CHG DATA FROM A CMM: REPLD BY S3006-1 | 904999 | |
| | 102 S3006-1 | .. | PLATE-IDENT | 002004 | 1 |
| | | | SUPPLIER CODE: V59364 | 006100 107503 | |
| | | | SB DATA FROM A CMM: PRE SPB VAL1130 | 904999 | |
| | | | CONFIG CHG DATA FROM A CMM: REPLACES S8846M1P2A | | |
| | 102 S3034-2 | .. | PLATE-IDENT | 002004 | 1 |
| | | | SUPPLIER CODE: V59364 | 006100 107503 | |
| | | | SB DATA FROM A CMM: POST SPB VAL1130 | 904999 | |
| | 103 S8188M2 | .. | PLATE-AIRFLOW IND | 002004 | 1 |
| | | | SUPPLIER CODE: V59364 | 006100 107503 | |
| | | | | 904999 | |
| | 105 214T3424-10 | . | SUPPORT- | 002004 | 1 |
| | | | | 006100 107503 904999 | |
| | | | ATTACHING PARTS | | |
| - | 110 BACS12FA3K7 | . | SCREW | 002004 | 2 |
| | | | | 006100 107503 904999 | |

MISSING ITEM NUMBERS NOT APPLICABLE

- ITEM NOT ILLUSTRATED

BRI

21-25-05-01

21-25-05
FIG. 01
PAGE 6
JAN 20/09

 **BOEING**
757
PARTS CATALOG (MAINTENANCE)

| FIG ITEM | PART NUMBER | 1 2 3 4 5 6 7 | NOMENCLATURE | EFFECT FROM TO | UNITS PER ASSY |
|----------|---------------|---------------|--|--|----------------|
| 1 | | | | | |
| - 115 | AN960KD10 | . | WASHER- | 002004 006100 107107 121503 904999 | 2 |
| - 115 | AN960JD10 | . | WASHER- | 002004 006100 107107 121503 904999 | 2 |
| - 115 | NAS1149D0363J | . | WASHER | 108120 | 2 |
| - 120 | BRH10C3D | . | NUT | 002004 | 2 |
| | | | SUPPLIER CODE: V52828 | 006100 | |
| | | | SPECIFICATION NUMBER: BACN10JC3CD | 107503 | |
| | | | OPTIONAL PART: T6C1032JCD | 904999 | |
| | | | V11815 | | |
| | | | NS202486-02 | | |
| | | | V80539 | | |
| | | | 102LH9075-3W | | |
| | | | V72962 | | |
| | | | H51650-3BAC | | |
| | | | V15653 | | |
| | | | -----*----- | | |
| - 200 | 214N5006-15 | | DUCT INSTL-CAB. AIR RECIRCULATION | 101102 504903 | RF |
| | | | FOR NHA SEE: 21-00-00-12 21-00-00-14 | | |
| - 200 | MODREF5334 | | DUCT INSTL-CAB. AIR RECIRCULATION | 103106 | 1 |
| | | | MODULE NUMBER: 214N5006-20 REV A | | |
| 205 | BACB30NM3K7 | . | BOLT | 101106 504903 | 20 |
| 210 | BACS12FA3K7 | . | SCREW | 101106 504903 | 6 |
| 215 | NAS1149D0363J | . | WASHER | 101106 504903 | 26 |

MISSING ITEM NUMBERS NOT APPLICABLE

- ITEM NOT ILLUSTRATED

BRI

21-25-05-01

21-25-05
FIG. 01
PAGE 7
JAN 20/09

 **BOEING**
757
PARTS CATALOG (MAINTENANCE)

| FIG ITEM | PART NUMBER | 1 2 3 4 5 6 7 | NOMENCLATURE | EFFECT FROM TO | UNITS PER ASSY |
|----------|----------------|---------------|---|------------------|----------------|
| 1 220 | BRH10C3D | . | NUT SUPPLIER CODE: V52828 SPECIFICATION NUMBER: BACN10JC3CD OPTIONAL PART: T6C1032JCD V11815 NS202486-02 V80539 102LH9075-3W V72962 H51650-3BAC V15653 | 101106 504903 | 6 |
| 225 | 214N5053-1 | . | GASKET | 101106 504903 | 1 |
| 230 | NAS1922-0700-1 | . | CLAMP- | 101106 504903 | 5 |
| 230 | NAS1922-0700-3 | . | CLAMP- | 101106 504903 | 5 |
| 235 | NAS1922-0825-1 | . | CLAMP | 101106 504903 | 12 |
| 240 | AS1506-32D32 | . | SLEEVE | 101106 504903 | 2 |
| 245 | 202W1100-26 | . | DUCT | 101106 504903 | 1 |
| 250 | 214N5051-3 | . | DUCT | 101106 504903 | 1 |
| 255 | 214N1051-11 | . | SUPPORT-DUCT | 101106 504903 | 4 |
| 260 | 214T3424-10 | . | SUPPORT | 101106 504903 | 1 |
| 265 | 214T3424-12 | . | SUPPORT-DUCT | 101106 504903 | 2 |
| 267 | 214N5046-2 | . | BRACKET | 101106 504903 | 1 |
| 268 | 214N5047-4 | . | BRACKET | 101106 504903 | 1 |
| 270 | 214N5052-1 | . | DUCT ASSY-HEADER | 101106 504903 | 1 |
| 275 | AS1505-28B0040 | . | HOSE-FLEXIBLE | 101106 504903 | 1 |
| 280 | AS1505-32B0052 | . | HOSE-FLEXIBLE | 101106 504903 | 1 |
| 285 | AS1506-28D32 | . | SLEEVE | 101106 504903 | 1 |

R
R
R
R

MISSING ITEM NUMBERS NOT APPLICABLE

- ITEM NOT ILLUSTRATED

BRI

21-25-05-01

21-25-05
FIG. 01
PAGE 8
MAY 20/09



757

PARTS CATALOG (MAINTENANCE)

| FIG ITEM | PART NUMBER | 1 2 3 4 5 6 7 | NOMENCLATURE | EFFECT FROM TO | UNITS PER ASSY |
|------------|---------------|---------------|--|--|----------------|
| 1 288 | 3202096-2 | | . VALVE-CHECK SUPPLIER CODE: V59364 SPECIFICATION NUMBER: S210T130-31 COMPONENT MAINT MANUAL REF: 21-25-01 | 101106 504903 | 1 |
| 289 | S8846M1P2A | | .. PLATE-IDENT SUPPLIER CODE: V59364 CONFIG CHG DATA FROM A CMM: REPLD BY S3006-1 | 101106 504903 | 1 |
| 289 | S3006-1 | | .. PLATE-IDENT SUPPLIER CODE: V59364 SB DATA FROM A CMM: PRE SPB VAL1130 CONFIG CHG DATA FROM A CMM: REPLACES S8846M1P2A | 101106 504903 | 1 |
| 289 | S3034-2 | | .. PLATE-IDENT SUPPLIER CODE: V59364 SB DATA FROM A CMM: POST SPB VAL1130 | 101106 504903 | 1 |
| 290 | S8188M2 | | .. PLATE-AIRFLOW IND SUPPLIER CODE: V59364 | 101106 504903 | 1 |
| 293 | 214N5042-7 | | . DUCT | 101106 504903 | 1 |
| 295 905 | 214T3436-1512 | | . ORIFICE ASSY ILLUSTRATION REFERENCE: HEAT SINK AND DETECTOR INSTL-ELECTRICAL/ ELECTRONIC COMPT AIR EXH (AIR CONDITIONING ONLY) 21-58-06-05 | 103106 002004 006101 103503 506999 | 1 RF |

MISSING ITEM NUMBERS NOT APPLICABLE

- ITEM NOT ILLUSTRATED

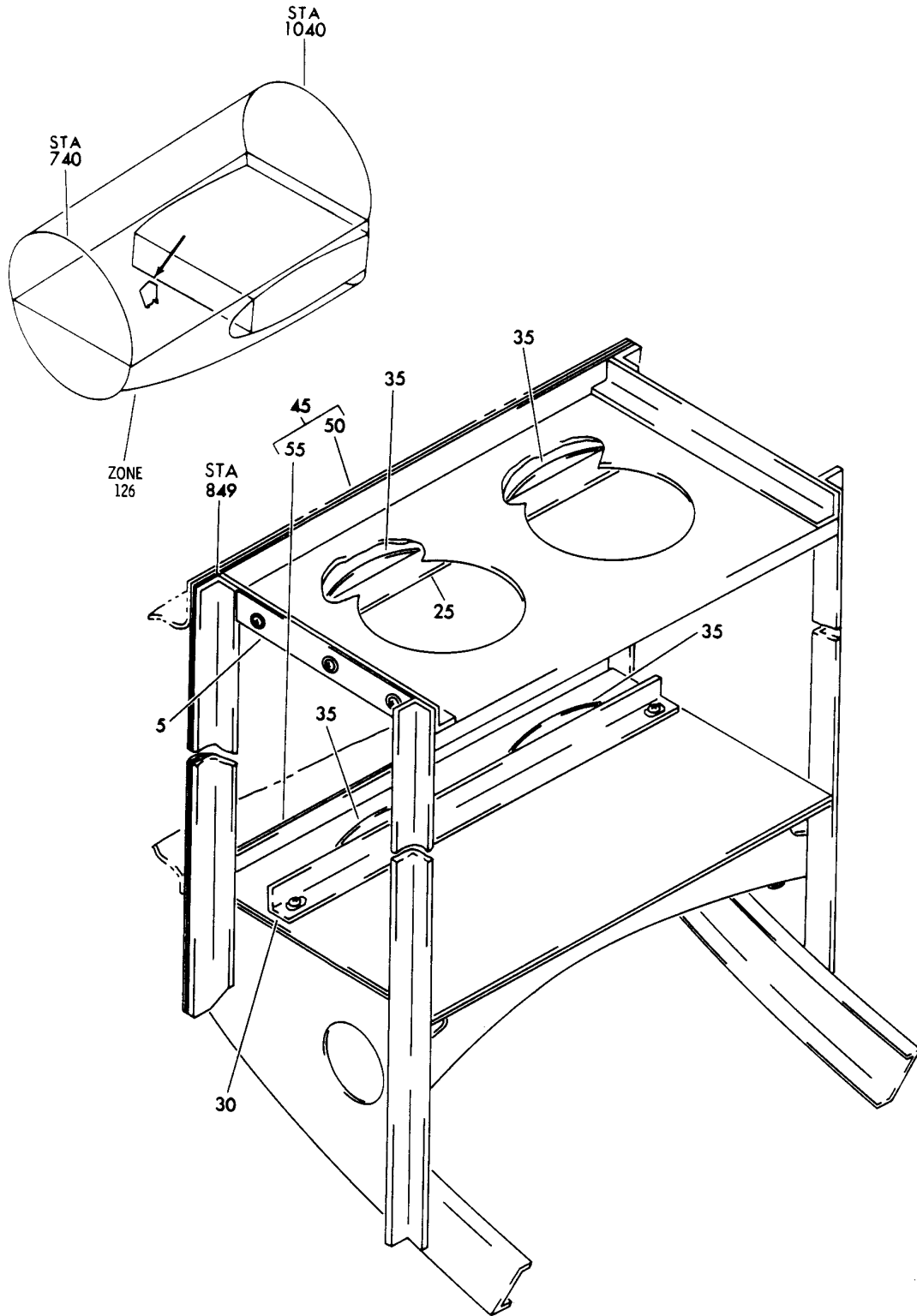
BRI

21-25-05-01

BOEING PROPRIETARY - Copyright © - Unpublished Work - See title page for details.

21-25-05
FIG. 01
PAGE 9
JAN 20/09

BOEING
757
PARTS CATALOG (MAINTENANCE)



Y 21255101 SH1 1 REV 001

SUPPORT INSTL-MIX BAY RECIRCULATE AIR RH FILTER

FIGURE 1

21-25-51-01

BRI
MAY 28/07

21-25-51-01
PAGE 0



757

PARTS CATALOG (MAINTENANCE)

| FIG ITEM | PART NUMBER | 1 2 3 4 5 6 7 | NOMENCLATURE | EFFECT FROM TO | UNITS PER ASSY |
|----------|-------------|---------------|--|--|----------------|
| 1 | | | SUPPORT INSTL-MIX BAY RECIRCULATE AIR RH FILTER | 002004 006100 107107 121503 904999 | |
| - 1 | 214N5020-1 | | SUPPORT INSTL-MIX BAY RECIRCULATE AIR FILTER POSITION DATA: RH FOR NHA SEE: 21-00-00-01 | 002004 006100 107107 121503 904999 | RF |
| 5 | 214N5020-5 | | .RETAINER- | 107107 | 1 |
| 5 | 214N5020-44 | | .RETAINER- | 904949 | 1 |
| 5 | 214N5020-70 | | .RETAINER- | 002004 006100 121503 950999 | 1 |
| 10 | BACS12CK3-7 | | ATTACHING PARTS .SCREW- | 002004 006100 107107 121503 904999 | 3 |
| 15 | AN960D10 | | .WASHER | 002004 006100 107107 121503 904999 | 3 |
| 20 | BACN10JQ32 | | .NUT | 002004 006100 107107 121503 904999 | 3 |
| 25 | 214N5020-45 | | -----*----- .RETAINER ASSY- | 002004 006100 121503 904999 | 1 |
| 25 | 214N5020-33 | | .RETAINER ASSY- | 107107 | 1 |
| 30 | 214N5020-47 | | .RETAINER ASSY- | 002004 006100 121503 904999 | 1 |
| 30 | 214N5020-34 | | .RETAINER ASSY- | 107107 | 1 |
| 35 | 214T5408-1 | | ..SPRING- OPTIONAL PART: 214T5408-3 | 002004 006100 107107 121503 904999 | 2 |

MISSING ITEM NUMBERS NOT APPLICABLE

- ITEM NOT ILLUSTRATED

21-25-51-01

21-25-51
FIG. 01
PAGE 1
JAN 20/09

BRI



757

PARTS CATALOG (MAINTENANCE)

| FIG ITEM | PART NUMBER | 1 2 3 4 5 6 7 | NOMENCLATURE | EFFECT FROM TO | UNITS PER ASSY |
|----------|----------------|---------------|---|--|----------------|
| 1 | 35 214T5408-3 | | .. SPRING- OPTIONAL PART: 214T5408-1 | 002004 006100 107107 121503 904999 | 2 |
| - | 40 BACR15FT4D | | ATTACHING PARTS .. RIVET- SIZE DETERMINED ON INSTL. | 002004 006100 107107 121503 904999 | 4 |
| | | | -----*----- | | |
| | 45 214N5020-40 | | . SUPPORT ASSY- | 107107 | 1 |
| | 45 214N5020-49 | | . SUPPORT ASSY- | 904949 | 1 |
| | 45 214N5020-69 | | . SUPPORT ASSY- | 002004 121503 952952 | 1 |
| | 45 214N5020-75 | | . SUPPORT ASSY- | 006100 950951 953999 | 1 |
| | 50 214N5020-11 | | .. GASKET | 002004 006100 107107 121503 904999 | 1 |
| | 55 214N5020-12 | | .. GASKET | 002004 006100 107107 121503 904999 | 1 |

MISSING ITEM NUMBERS NOT APPLICABLE

- ITEM NOT ILLUSTRATED

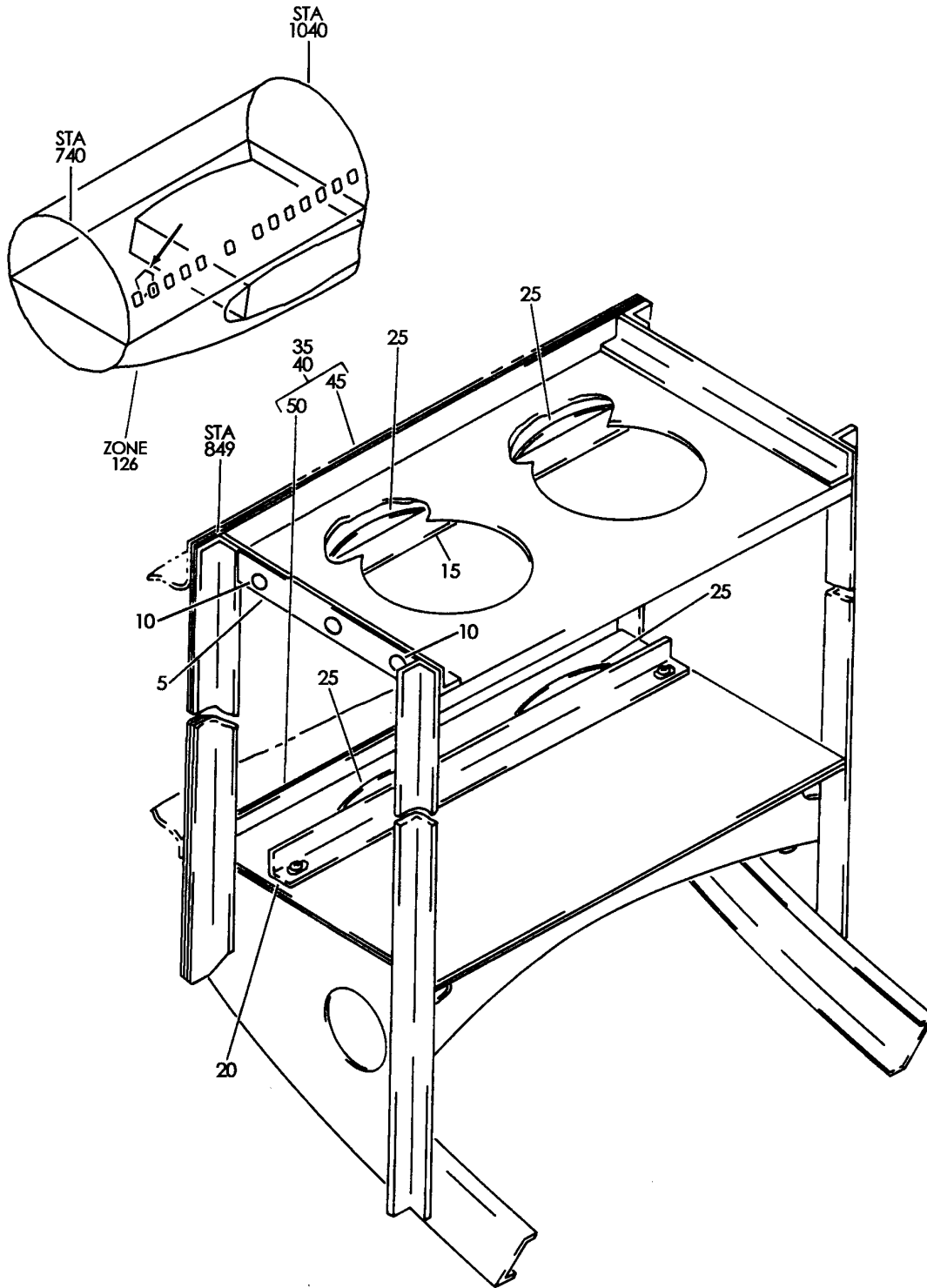
BRI

21-25-51-01

BOEING PROPRIETARY - Copyright © - Unpublished Work - See title page for details.

21-25-51
FIG. 01
PAGE 2
JAN 20/09

BOEING
757
PARTS CATALOG (MAINTENANCE)



Y 21255102 REV 183

SUPPORT INSTL-MIX BAY RECIRCULATE AIR RH FILTER
FIGURE 2

21-25-51-02

BRI
MAY 28/07

21-25-51-02
PAGE 0



757

PARTS CATALOG (MAINTENANCE)

| FIG ITEM | PART NUMBER | 1 2 3 4 5 6 7 | NOMENCLATURE | EFFECT FROM TO | UNITS PER ASSY |
|----------|-------------|---------------|---|----------------------------|----------------|
| 2 | | | SUPPORT INSTL-MIX BAY RECIRCULATE AIR RH FILTER | 101106 108120 504903 | |
| - 1 | 214N5020-79 | | SUPPORT INSTL-MIX BAY RECIRCULATE AIR FILTER POSITION DATA: RH FOR NHA SEE: 21-00-00-12 21-00-00-15 | 101102 108120 504903 | RF |
| - 1 | MODREF5414 | | SUPPORT INSTL-MIX BAY RECIRCULATE AIR FILTER MODULE NUMBER: 214N5020-79 REV A POSITION DATA: RH | 103106 | 1 |
| 5 | 214N5020-70 | | .RETAINER | 101106 108120 504903 | 1 |
| 10 | BACS12CK3-7 | | ATTACHING PARTS .SCREW | 101106 108120 504903 | 3 |
| 15 | 214N5020-45 | | -----*----- .RETAINER ASSY | 101106 108120 504903 | 1 |
| 20 | 214N5020-47 | | .RETAINER ASSY | 101106 108120 504903 | 1 |
| 25 | 214T5408-1 | | ..SPRING- OPTIONAL PART: 214T5408-3 | 101106 108120 504903 | 2 |
| 25 | 214T5408-3 | | ..SPRING- OPTIONAL PART: 214T5408-1 | 101106 108120 504903 | 2 |
| - 30 | BACR15FT4D | | ATTACHING PARTS ..RIVET- SIZE DETERMINED ON INSTL. | 101106 108120 504903 | 4 |
| 35 | 214N5020-75 | | -----*----- .SUPPORT ASSY | 101106 108120 504903 | 1 |
| 45 | 214N5020-11 | | ..GASKET | 101106 108120 504903 | 1 |

MISSING ITEM NUMBERS NOT APPLICABLE

- ITEM NOT ILLUSTRATED

21-25-51-02

21-25-51
FIG. 02
PAGE 1
JAN 20/09

BRI

BOEING PROPRIETARY - Copyright © - Unpublished Work - See title page for details.



757

PARTS CATALOG (MAINTENANCE)

| FIG ITEM | PART NUMBER | 1 2 3 4 5 6 7 | NOMENCLATURE | EFFECT FROM TO | UNITS PER ASSY |
|-------------|-------------|---------------|--------------|----------------------------|----------------------|
| 2 50 | 214N5020-12 | . . | GASKET | 101106 108120 504903 | 1 |

MISSING ITEM NUMBERS NOT APPLICABLE

- ITEM NOT ILLUSTRATED

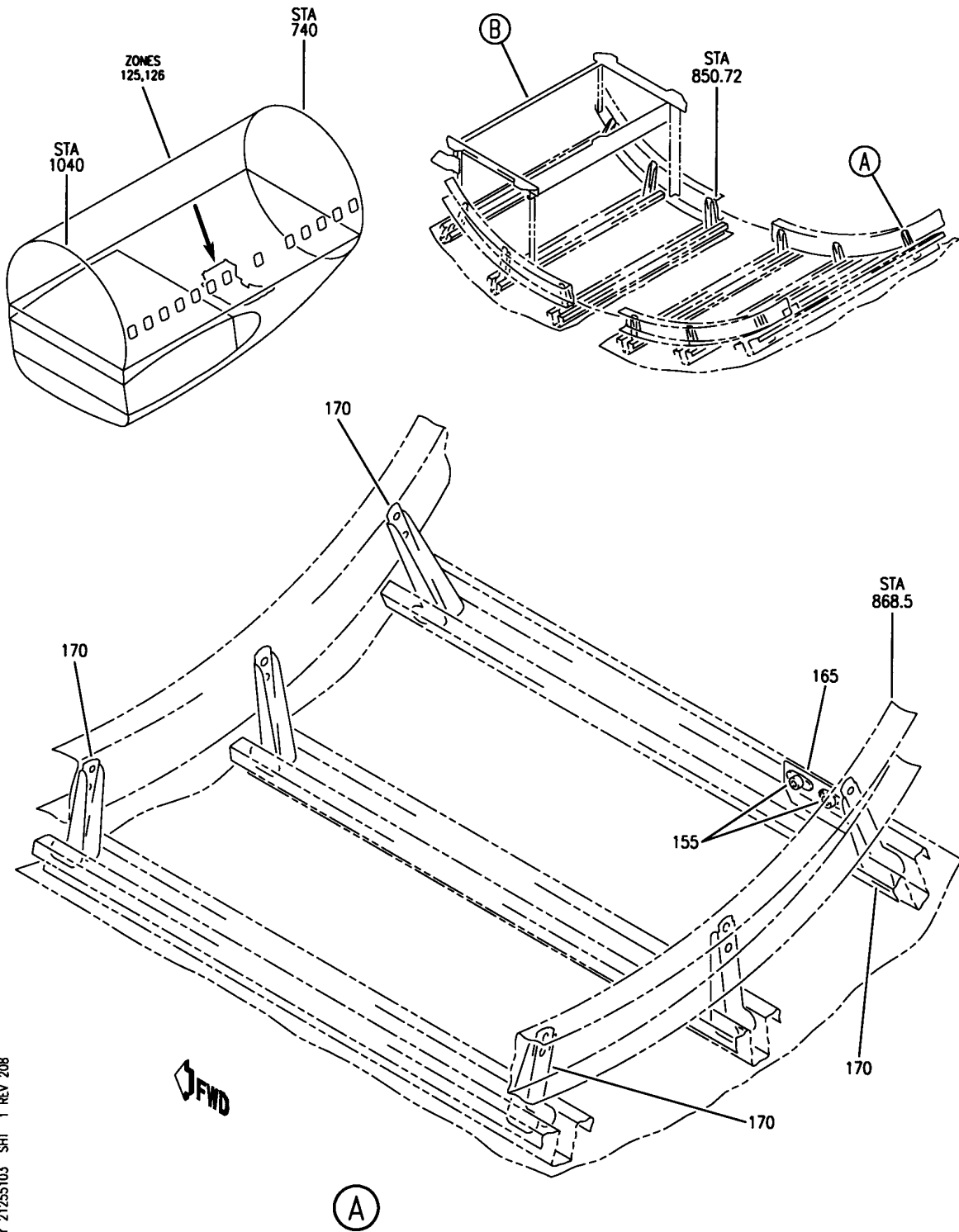
BRI

21-25-51-02

BOEING PROPRIETARY - Copyright © - Unpublished Work - See title page for details.

21-25-51
FIG. 02
PAGE 2
JAN 20/09

BOEING
757
PARTS CATALOG (MAINTENANCE)



Y 21255103 SHT 1 REV 208

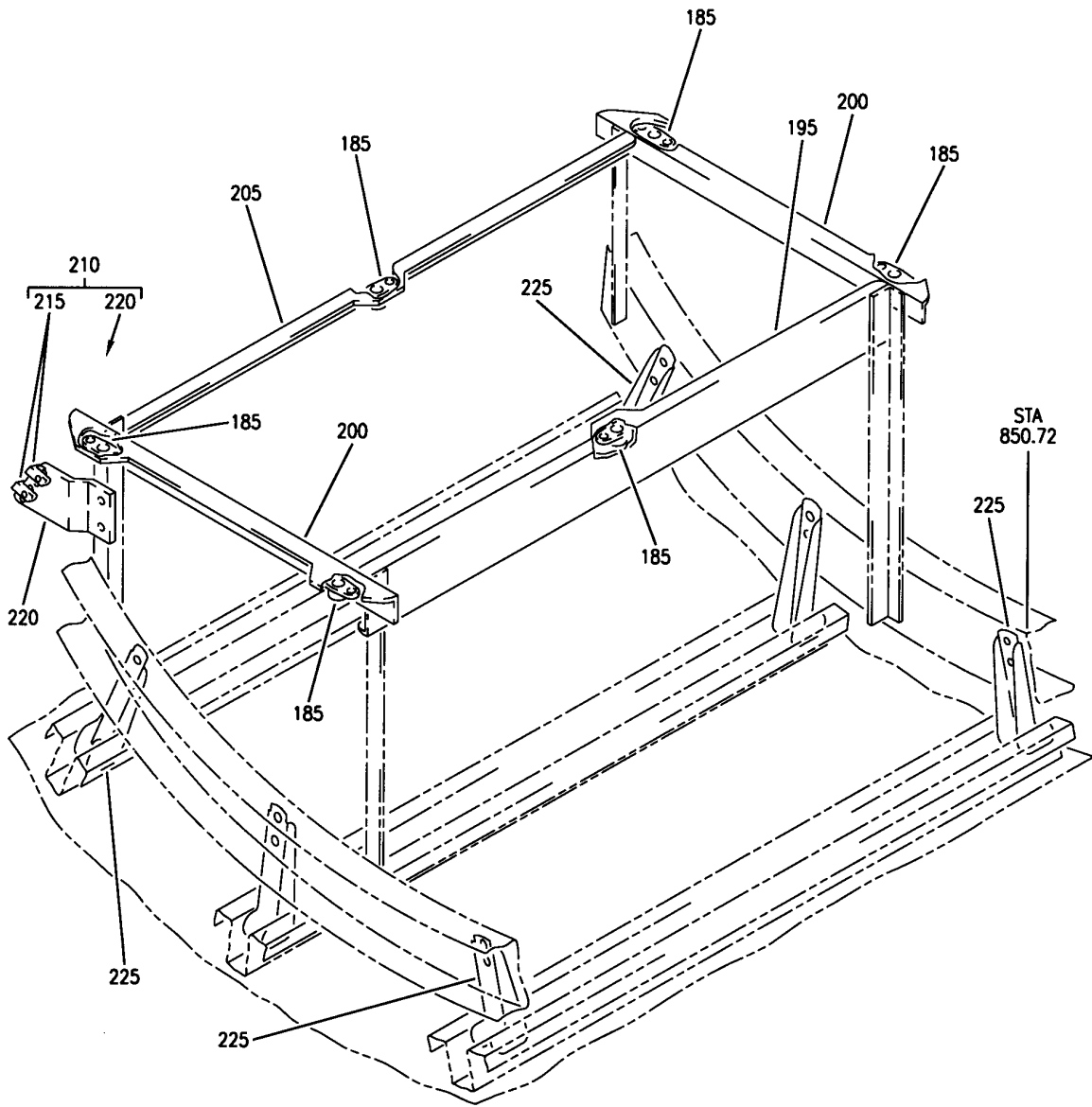
SKIN PANEL AND SUPPORT INSTL
FIGURE 3 (SHEET 1)

21-25-51-03

BRI
MAY 28/07

21-25-51-03
PAGE 0

BOEING
757
PARTS CATALOG (MAINTENANCE)



(B)

Y 21255103 SHT 2 REV 208

SKIN PANEL AND SUPPORT INSTL
FIGURE 3 (SHEET 2)

21-25-51-03

BRI
MAY 28/07

21-25-51-03
PAGE 0A



757

PARTS CATALOG (MAINTENANCE)

| FIG ITEM | PART NUMBER | 1 2 3 4 5 6 7 | NOMENCLATURE | EFFECT FROM TO | UNITS PER ASSY |
|----------|--------------|---------------|---|--|----------------|
| 3 | | | SKIN PANEL AND SUPPORT INSTL | 002004 006999 | |
| - 150 | 214N5002-2 | | SUPPORT INSTL-FILTER POSITION DATA: RH | 101102 108120 504903 | RF |
| - 151 | 214N5002-2 | | FOR NHA SEE: 21-00-00-15 SUPPORT INSTL-FILTER POSITION DATA: RH | 002004 006100 107107 121503 904999 | 1 |
| - 151 | MODREF5327 | | SUPPORT INSTL-FILTER MODULE NUMBER: 214N5002-2 REV A POSITION DATA: RH | 103106 | 1 |
| 155 | F171-3 | | .NUTPLATE SUPPLIER CODE: V72962 SPECIFICATION NUMBER: BACN10JB3 OPTIONAL PART: 43600-02 V80539 BRF210A3 V52828 BRF270A3 V52828 | 002004 006999 | 2 |
| - 160 | BACR15BA3D | | ATTACHING PARTS .RIVET- SIZE DETERMINED ON INSTL. -----*----- | 002004 006999 | 4 |
| 165 | 214N5002-4 | | .CLIP | 002004 006999 | 1 |
| 170 | 140N2001-80 | | .CLIP- OPTIONAL PART: 140N2001-107 | 002004 006999 | 6 |
| 170 | 140N2001-107 | | ..CLIP- OPTIONAL PART: 140N2001-80 | 002004 006999 | 6 |
| - 175 | BACR15BB6D | | ATTACHING PARTS .RIVET- SIZE DETERMINED ON INSTL. -----*----- | 002004 006999 | 4 |
| - 180 | 214N5002-26 | | SUPPORT INSTL-FILTER FOR NHA SEE: 21-00-00-15 | 101102 108120 504903 | RF |

MISSING ITEM NUMBERS NOT APPLICABLE

- ITEM NOT ILLUSTRATED

21-25-51-03

21-25-51
FIG. 03
PAGE 1
JAN 20/09

BRI



757

PARTS CATALOG (MAINTENANCE)

| FIG ITEM | PART NUMBER | 1 2 3 4 5 6 7 | NOMENCLATURE | EFFECT FROM TO | UNITS PER ASSY |
|----------|-------------|---------------|--|----------------------------|----------------|
| 3 | | | | | |
| - 180 | MODREF5328 | | SUPPORT INSTL-FILTER MODULE NUMBER: 214N5002-26 REV A | 103106 | 1 |
| 185 | F171-3 | | .NUTPLATE SUPPLIER CODE: V72962 SPECIFICATION NUMBER: BACN10JB3 OPTIONAL PART: 43600-02 V80539 BRF210A3 V52828 BRF270A3 V52828 | 101106 108120 504903 | 6 |
| - 190 | BACR15BA3D | | ATTACHING PARTS .RIVET- SIZE DETERMINED ON INSTL. | 101106 108120 504903 | 12 |
| 195 | 214N5002-22 | | -----*----- .CHANNEL | 101106 108120 504903 | 1 |
| 200 | 214N5002-23 | | .ANGLE | 101106 108120 504903 | 2 |
| 205 | 214N5002-24 | | .ANGLE | 101106 108120 504903 | 1 |
| 210 | 213N2332-1 | | .BRACKET ASSY | 101106 108120 504903 | 1 |
| 215 | BRC500-8-3 | | ..NUT SUPPLIER CODE: V52828 SPECIFICATION NUMBER: BACN10FX21 OPTIONAL PART: F49322-3-21 V15653 SL240-3-1 V97393 130061 V60119 A11330-8-3 V72962 | 101106 108120 504903 | 2 |
| 220 | 213N2332-2 | | ..BRACKET | 101106 108120 504903 | 1 |

MISSING ITEM NUMBERS NOT APPLICABLE

- ITEM NOT ILLUSTRATED

21-25-51-03

21-25-51
FIG. 03
PAGE 2
JAN 20/09

BRI



757

PARTS CATALOG (MAINTENANCE)

| FIG ITEM | PART NUMBER | 1 2 3 4 5 6 7 | NOMENCLATURE | EFFECT FROM TO | UNITS PER ASSY |
|-------------|--------------|---------------|---------------------------|-------------------|----------------------|
| 3 | | | | | |
| 225 | 140N2001-80 | . | CLIP- | 101106 | 6 |
| | | | OPTIONAL PART: | 108120 | |
| | | | 140N2001-107 | 504903 | |
| 225 | 140N2001-107 | . | CLIP- | 101106 | 6 |
| | | | OPTIONAL PART: | 108120 | |
| | | | 140N2001-80 | 504903 | |
| | | | ATTACHING PARTS | | |
| - 230 | BACR15BB6D | . | RIVET- | 101106 | 12 |
| | | | SIZE DETERMINED ON INSTL. | 108120 | |
| | | | | 504903 | |
| | | | -----*----- | | |

MISSING ITEM NUMBERS NOT APPLICABLE

- ITEM NOT ILLUSTRATED

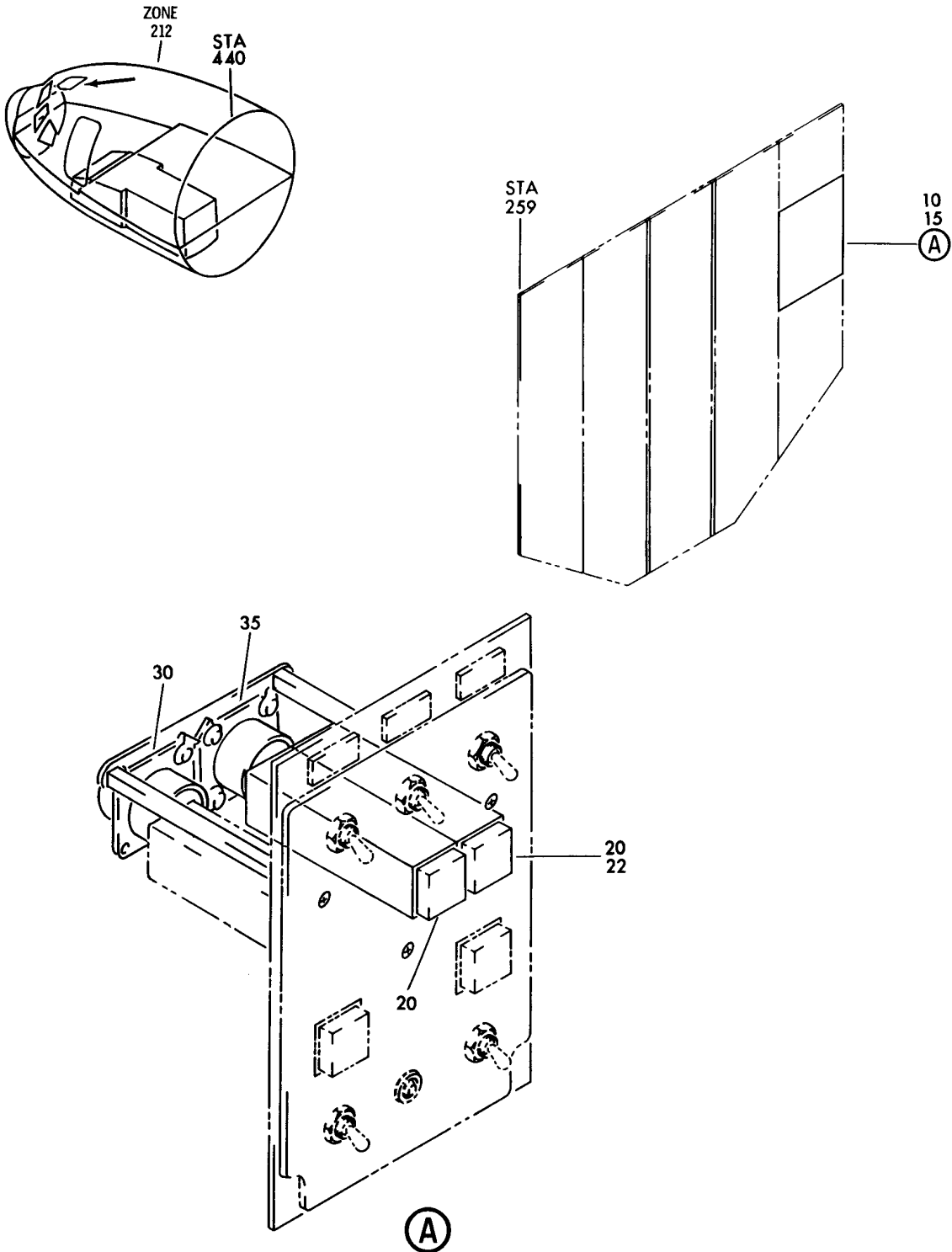
BRI

21-25-51-03

BOEING PROPRIETARY - Copyright © - Unpublished Work - See title page for details.

21-25-51
FIG. 03
PAGE 3
JAN 20/09

BOEING
757
PARTS CATALOG (MAINTENANCE)



Y 21255501 REV 264

PANEL INSTL-P5 OVHD (RECIRCULATION SYSTEM ONLY)
FIGURE 1

21-25-55-01

BRI
MAY 28/07

21-25-55-01
PAGE 0



757

PARTS CATALOG (MAINTENANCE)

| FIG ITEM | PART NUMBER | 1 2 3 4 5 6 7 | NOMENCLATURE | EFFECT FROM TO | UNITS PER ASSY |
|----------|-------------|---------------|--|--|----------------|
| 1 | | | PANEL INSTL-P5 OVHD (RECIRCULATION SYSTEM ONLY) | 002004 006010 107107 121503 904999 | RF |
| - 5 | 233N3101-1 | | PANEL INSTL-P5 OVHD (RECIRCULATION SYSTEM ONLY) VARIABLE DRAWING REF: 233N3101-5005 233N3101-5025 233N3101-5041 233N3101-5042 233N3101-5045 FOR NHA/OTHER SYS DET SEE: 25-10-00-05A | 002004 006010 107107 121503 904999 | RF |
| 15 | 233N3217-11 | | .PANEL ASSY-AIR CONDITIONING CONT SUPPLIER CODE: V89954 ELECTRICAL EQUIP NUMBER: M10193 COMPONENT MAINT MANUAL REF: 21-51-71 QUALIFIED I/W DATA: 233N3217-8 -11 -15 -16 -17 ARE ALL INTERCHANGEABLE EXCEPT SUBJECT TO CUSTOMER 233N3217-8 -11 -15 -16 -17 ARE ALL INTERCHANGEABLE EXCEPT SUBJECT TO CUSTOMER PREFERENCE | 107107 | RF |

MISSING ITEM NUMBERS NOT APPLICABLE

- ITEM NOT ILLUSTRATED

BRI

21-25-55-01

21-25-55
FIG. 01
PAGE 1
JAN 20/09



757

PARTS CATALOG (MAINTENANCE)

| FIG ITEM | PART NUMBER | 1 2 3 4 5 6 7 | NOMENCLATURE | EFFECT FROM TO | UNITS PER ASSY |
|----------|-------------|---------------|---|----------------------------|----------------|
| 1 15 | 233N3217-15 | | .PANEL ASSY-AIR CONDITIONING CONT SUPPLIER CODE: V89954 ELECTRICAL EQUIP NUMBER: M10193 COMPONENT MAINT MANUAL REF: 21-51-71 QUALIFIED I/W DATA: 233N3217-8 -11 -15 -16 -17 ARE ALL INTERCHANGEABLE EXCEPT SUBJECT TO CUSTOMER PREFERENCE THE 233N3217-300 PANEL ASSY IS I/W THE 233N317-15 PANEL ASSY T/W THE S233T100-6014 LIGHTPLATE AND (2) BP248-127 KNOBS AND (3) BP260-113 KNOBS | 002004 006010 950999 | RF |
| 15 | 233N3217-17 | | .PANEL ASSY-AIR CONDITIONING CONT SUPPLIER CODE: V89954 ELECTRICAL EQUIP NUMBER: M10193 COMPONENT MAINT MANUAL REF: 21-51-71 QUALIFIED I/W DATA: 233N3217-8 -11 -15 -17 ARE ALL INTERCHANGEABLE EXCEPT SUBJECT TO CUSTOMER PREFERENCE | 121503 904949 | RF |

MISSING ITEM NUMBERS NOT APPLICABLE

- ITEM NOT ILLUSTRATED

BRI

21-25-55-01

BOEING PROPRIETARY - Copyright © - Unpublished Work - See title page for details.

21-25-55
FIG. 01
PAGE 2
JAN 20/09



757

PARTS CATALOG (MAINTENANCE)

| FIG ITEM | PART NUMBER | 1 2 3 4 5 6 7 | NOMENCLATURE | EFFECT FROM TO | UNITS PER ASSY |
|----------|---------------|---------------|---|--|----------------|
| 1 | 20 BCREFA0505 | | ..SWITCH ASSY-LIGHTED PUSH BUTTON IND ON/INOP SUPPLIER CODE: V81590 OVERLENGTH PART NUMBER: 433-673-1001-1016 SPECIFICATION NUMBER: S231T290-1016 MISCELLANEOUS DATA: WHEN REPLACING THE PUSHBUTTON SWITCH ASSY OR THE MASTER MODULE WITHIN, VERIFY THAT A CONFIG D MASTER MODULE P/N 13206-001 IS INSTALLED IN LIEU OF ANY EARLIER CONFIGURATION MASTER MODULES. FOR DETAILS SEE: 33-13-00-16 | 107107 | 2 |
| | 20 BCREFA0505 | | ..SWITCH ASSY-LIGHTED PUSH BUTTON IND ON/INOP SUPPLIER CODE: V81590 OVERLENGTH PART NUMBER: 433-673-1004-4016 SPECIFICATION NUMBER: S231T290-4016 MISCELLANEOUS DATA: WHEN REPLACING THE PUSHBUTTON SWITCH ASSY OR THE MASTER MODULE WITHIN, VERIFY THAT A CONFIG D MASTER MODULE P/N 13206-001 IS INSTALLED IN LIEU OF ANY EARLIER CONFIGURATION MASTER MODULES. OPTIONAL PART: 851-35100-5016 V96182 FOR DETAILS SEE: 33-13-00-46 | 002004 006010 107107 121503 904999 | 2 |

MISSING ITEM NUMBERS NOT APPLICABLE

- ITEM NOT ILLUSTRATED

BRI

21-25-55-01

BOEING PROPRIETARY - Copyright © - Unpublished Work - See title page for details.

21-25-55
FIG. 01
PAGE 3
JAN 20/09



757

PARTS CATALOG (MAINTENANCE)

| FIG ITEM | PART NUMBER | 1 2 3 4 5 6 7 | NOMENCLATURE | EFFECT FROM TO | UNITS PER ASSY |
|----------|--------------------|---------------|---|--|----------------|
| 1 | 20 851-30768-3016 | | ..SWITCH ASSY-LIGHTED PUSH BUTTON IND ON/INOP SUPPLIER CODE: V96182 SPECIFICATION NUMBER: S231T290-3016 OPTIONAL PART: 851-35100-5016 V96182 FOR DETAILS SEE: 33-13-00-36 | 002004 006010 107107 121503 904999 | 2 |
| | 20 851-35100-5016 | | ..SWITCH ASSY-LIGHTED PUSH BUTTON IND SUPPLIER CODE: V96182 SPECIFICATION NUMBER: S231T290-5016 OPTIONAL PART: 851-30768-3016 V96182 BCREFA0505 V81590 4336731004-4216 V81590 | 002004 006010 107107 121503 904999 | 2 |
| | 20 851-30768-2016 | | ..SWITCH ASSY-LIGHTED PUSH BUTTON IND SUPPLIER CODE: V96182 SPECIFICATION NUMBER: S231T290-2016 FOR DETAILS SEE: 33-13-00-26 | 002004 006010 107107 121503 904999 | 2 |
| | 20 4336731004-4216 | | ..SWITCH ASSY-LIGHTED PUSH BUTTON IND SUPPLIER CODE: V81590 SPECIFICATION NUMBER: S231T290-4216 | 002004 006010 107107 121503 904999 | 2 |
| | 30 R071722-55P10 | | ..CONNECTOR- SUPPLIER CODE: V41118 SPECIFICATION NUMBER: BCREF1823 OVERLENGTH PART NUMBER: BACC45FN22-55P10 | 002004 006010 107107 121503 904999 | 1 |

MISSING ITEM NUMBERS NOT APPLICABLE

- ITEM NOT ILLUSTRATED

21-25-55-01

21-25-55
FIG. 01
PAGE 4
JAN 20/09

BRI



757

PARTS CATALOG (MAINTENANCE)

| FIG ITEM | PART NUMBER | 1 2 3 4 5 6 7 | NOMENCLATURE | EFFECT FROM TO | UNITS PER ASSY |
|-------------|--------------------|---------------|------------------------------------|--|----------------------|
| 1 | 35 BACC45FN22-55P9 | | .. CONNECTOR | 002004 006010 107107 121503 904999 | 1 |
| - 40 | NAS1801-04-5 | | ATTACHING PARTS .. SCREW- | 002004 006010 | 6 |
| | | | OPTIONAL PART: BACS12HN04-5 | 950999 | |
| - 40 | BACS12HN04-5 | | .. SCREW- | 002004 | 6 |
| | | | OPTIONAL PART: NAS1801-04-5 | 006010 107107 121503 904999 | |
| - 45 | K19798-04 | | .. NUT | 002004 | 6 |
| | | | SUPPLIER CODE: V15653 | 006010 107107 | |
| | | | SPECIFICATION NUMBER: BACN10NW1 | 121503 | |
| | | | OPTIONAL PART: RMA4812-160-40 | 904999 | |
| | | | V72962 | | |
| | | | 293162 | | |
| | | | V60119 | | |
| | | | -----*----- | | |

MISSING ITEM NUMBERS NOT APPLICABLE

- ITEM NOT ILLUSTRATED

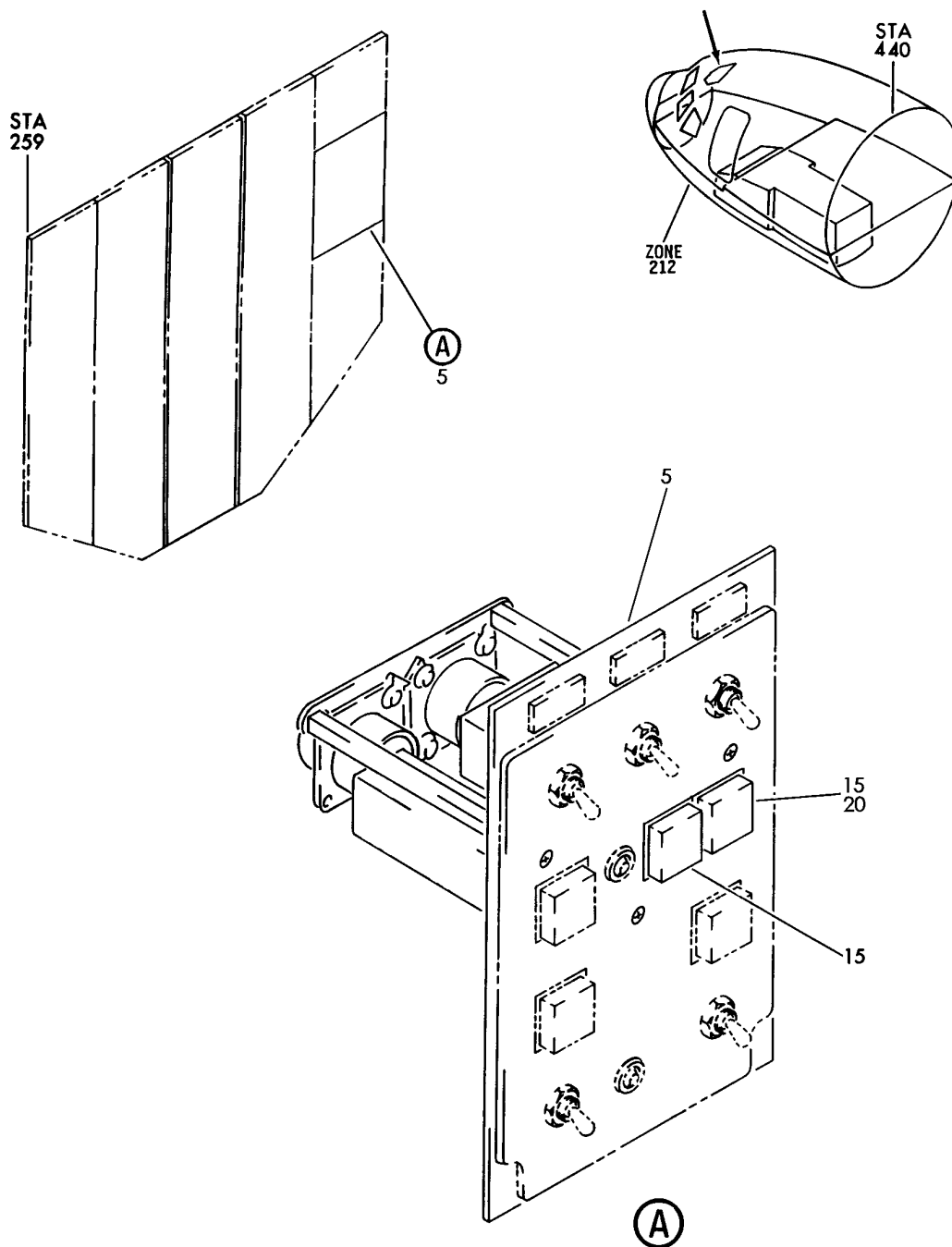
BRI

21-25-55-01

BOEING PROPRIETARY - Copyright © - Unpublished Work - See title page for details.

21-25-55
FIG. 01
PAGE 5
JAN 20/09

BOEING
757
PARTS CATALOG (MAINTENANCE)



Y 21255502 REV 264

PANEL INSTL-P5 OVHD (CABIN AIR RECIRCULATION SYSTEM ONLY)
FIGURE 2

21-25-55-02

BRI
MAY 28/07

21-25-55-02
PAGE 0



757

PARTS CATALOG (MAINTENANCE)

| FIG ITEM | PART NUMBER | 1 2 3 4 5 6 7 | NOMENCLATURE | EFFECT FROM TO | UNITS PER ASSY |
|----------|--------------|---------------|--|----------------|----------------|
| 2 | | | PANEL INSTL-P5 OVHD (CABIN AIR RECIRCULATION SYSTEM ONLY) | 011100 | RF |
| - 1 | 233N3101-1 | | PANEL INSTL-OVHD (CABIN AIR RECIRCULATION SYSTEM ONLY) VARIABLE DRAWING REF: 233N3101-5142 FOR NHA/OTHER SYS DET SEE: 25-10-00-05A | 011100 | RF |
| 5 | 233N3217-300 | | .PANEL ASSY-AIR CONDITIONING CONT SUPPLIER CODE: V89954 ELECTRICAL EQUIP NUMBER: M10193 COMPONENT MAINT MANUAL REF: 21-51-71 QUALIFIED I/W DATA: THE 233N3217-300 PANEL ASSY IS I/W THE 233N3217-15 PANEL ASSY T/W THE S233T100-6014 LIGHTPLATE AND (2) BP248-127 KNOBS AND (3) BP260-113 KNOBS | 011100 | RF |
| - 10 | 233N3217-15 | | ..PANEL ASSY- SUPPLIER CODE: V89954 COMPONENT MAINT MANUAL REF: 21-51-71 QUALIFIED I/W DATA: THE 233N3217-300 PANEL ASSY IS I/W THE 233N317-15 PANEL ASSY T/W THE S233T100-6014 LIGHTPLATE AND (2) BP248-127 KNOBS AND (3) BP260-113 KNOBS | 011100 | RF |

MISSING ITEM NUMBERS NOT APPLICABLE

- ITEM NOT ILLUSTRATED

BRI

21-25-55-02

21-25-55
FIG. 02
PAGE 1
JAN 20/09



757

PARTS CATALOG (MAINTENANCE)

| FIG ITEM | PART NUMBER | 1 2 3 4 5 6 7 | NOMENCLATURE | EFFECT FROM TO | UNITS PER ASSY |
|----------|----------------|---------------|--|----------------|----------------|
| 2 | | | | | |
| 15 | BCREFA0505 | | ...SWITCH ASSY-LIGHTED PUSH BUTTON IND SUPPLIER CODE: V81590 OVERLENGTH PART NUMBER: 433-673-1004-4016 SPECIFICATION NUMBER: S231T290-4016 MISCELLANEOUS DATA: WHEN REPLACING THE PUSHBUTTON SWITCH ASSY OR THE MASTER MODULE WITHIN, VERIFY THAT A CONFIG D MASTER MODULE P/N 13206-001 IS INSTALLED IN LIEU OF ANY EARLIER CONFIGURATION MASTER MODULES. FOR DETAILS SEE: 33-13-00-46 | 011100 | 2 |
| 15 | 851-30768-3016 | | ...SWITCH ASSY-LIGHTED PUSH BUTTON IND ON/INOP SUPPLIER CODE: V96182 SPECIFICATION NUMBER: S231T290-3016 FOR DETAILS SEE: 33-13-00-36 | 011100 | 2 |
| 15 | 851-35100-5016 | | ...SWITCH ASSY-LIGHTED PUSH BUTTON IND SUPPLIER CODE: V96182 SPECIFICATION NUMBER: S231T290-5016 OPTIONAL PART: 4336731004-4216 V81590 | 011100 | 2 |
| 15 | 851-30768-2016 | | ...SWITCH ASSY-LIGHTED PUSH BUTTON IND ON/INOP SUPPLIER CODE: V96182 SPECIFICATION NUMBER: S231T290-2016 FOR DETAILS SEE: 33-13-00-26 | 011100 | 2 |

MISSING ITEM NUMBERS NOT APPLICABLE

- ITEM NOT ILLUSTRATED

BRI

21-25-55-02

BOEING PROPRIETARY - Copyright © - Unpublished Work - See title page for details.

21-25-55
FIG. 02
PAGE 2
JAN 20/09



757

PARTS CATALOG (MAINTENANCE)

| FIG ITEM | PART NUMBER | 1 2 3 4 5 6 7 | NOMENCLATURE | EFFECT FROM TO | UNITS PER ASSY |
|----------|-----------------|---------------|---|----------------|----------------|
| 2 15 | 4336731004-4216 | | ...SWITCH ASSY-LIGHTED PUSH BUTTON IND SUPPLIER CODE: V81590 SPECIFICATION NUMBER: S231T290-4216 OPTIONAL PART: 851-35100-5016 V96182 | 011100 | 2 |
| 25 | 800-000121-1 | | ...CONNECTOR- SUPPLIER CODE: V05617 | 011100 | 1 |

MISSING ITEM NUMBERS NOT APPLICABLE

- ITEM NOT ILLUSTRATED

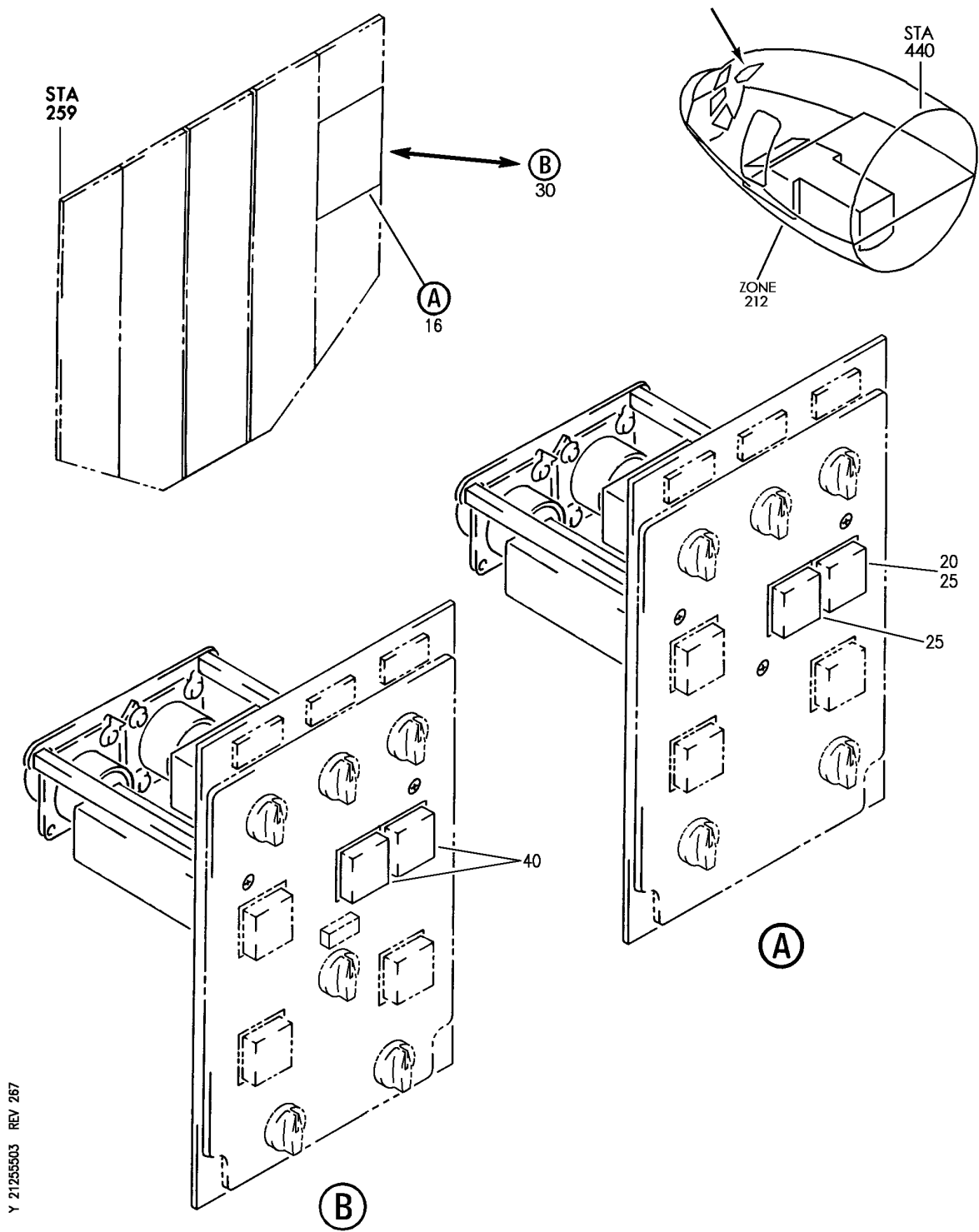
BRI

21-25-55-02

BOEING PROPRIETARY - Copyright © - Unpublished Work - See title page for details.

21-25-55
FIG. 02
PAGE 3
JAN 20/09

BOEING
757
PARTS CATALOG (MAINTENANCE)



Y 21255503 REV 267

PANEL INSTL-P5 OVHD (CABIN AIR RECIRCULATION SYSTEM ONLY)
FIGURE 3

21-25-55-03

BRI
MAY 28/07

21-25-55-03
PAGE 0



757

PARTS CATALOG (MAINTENANCE)

| FIG ITEM | PART NUMBER | 1 2 3 4 5 6 7 | NOMENCLATURE | EFFECT FROM TO | UNITS PER ASSY |
|----------|--------------|---------------|--|----------------------------|----------------|
| 3 | | | PANEL INSTL-P5 OVHD (CABIN AIR RECIRCULATION SYSTEM ONLY) | 101106 108120 504903 | RF |
| - 3 | 233N3103-132 | | PANEL INSTL-P5 OVHD (CABIN AIR RECIRCULATION SYSTEM ONLY) FOR NHA/OTHER SYS DET SEE: 25-10-00-15E | 101102 | RF |
| - 3 | 233N3103-136 | | PANEL INSTL-P5 OVHD (CABIN AIR RECIRCULATION SYSTEM ONLY) FOR NHA/OTHER SYS DET SEE: 25-10-00-15E | 504903 | RF |
| - 6 | 233N3103-59 | | PANEL INSTL-P5 OVHD (CABIN AIR RECIRCULATION SYSTEM ONLY) FOR NHA/OTHER SYS DET SEE: 25-10-00-15E | 108120 | RF |
| - 10 | MODREF33760 | | PANEL INSTL-P5 OVHD (CABIN AIR RECIRCULATION SYSTEM ONLY) MODULE NUMBER: 233N3103-351 REV C FOR OTHER SYS DETAILS SEE: 11-31-10-12 21-31-01-02 21-33-51-03 21-51-54-03 21-58-19-10 21-58-51-03 21-61-04-03 21-65-51-01 22-21-01-04 22-24-51-02 23-24-01-01 23-32-00-11 23-42-02-02 23-71-05-02 24-11-52-05 24-22-01-03 24-31-01-10 24-31-03-09 24-33-04-01 24-41-51-04 24-51-62-01 26-18-51-04 27-21-53-02 27-41-55-01 27-61-51-03 | 103103 | 1 |

MISSING ITEM NUMBERS NOT APPLICABLE

- ITEM NOT ILLUSTRATED

21-25-55-03

21-25-55
FIG. 03
PAGE 1
JAN 20/09

BRI



757

PARTS CATALOG (MAINTENANCE)

| FIG ITEM | PART NUMBER | 1 2 3 4 5 6 7 NOMENCLATURE | EFFECT FROM TO | UNITS PER ASSY |
|-------------|-------------|---|-------------------|----------------------|
| 3 | | 27-62-52-02 28-22-51-02 28-41-04-01 28-41-51-03 29-11-02-03 29-11-05-04 29-11-52-07 29-21-54-03 29-31-00-01 29-32-51-03 29-33-52-03 30-11-51-03 30-21-51-03 30-31-51-02 30-32-51-01 30-33-51-02 30-41-51-03 30-42-51-03 31-12-11-91 31-12-11-91 A 32-42-52-03 33-11-03-03 33-11-51-17 33-13-01-65 33-13-02-03 33-16-51-03 33-24-51-02 33-41-52-04 33-42-01-04 33-42-02-04 33-42-52-04 33-43-51-04 33-44-51-05 33-45-53-03 33-51-08-05 34-21-02-01 35-21-51-04 36-11-04-01 36-21-00-01 36-21-02-05 36-22-51-03 49-41-00-02 49-52-00-01 49-70-00-01 52-51-51-03 52-71-51-02 73-21-52-02 74-31-51-05 75-32-00-01 | | |

MISSING ITEM NUMBERS NOT APPLICABLE

- ITEM NOT ILLUSTRATED

BR I

21-25-55-03

21-25-55
FIG. 03
PAGE 2
JAN 20/09



757

PARTS CATALOG (MAINTENANCE)

| FIG ITEM | PART NUMBER | 1 2 3 4 5 6 7 | NOMENCLATURE | EFFECT FROM TO | UNITS PER ASSY |
|-------------------------------------|-------------|---------------|--|----------------|----------------|
| 3 | | | | | |
| - 10 | MODREF34038 | | 80-11-09-02 PANEL INSTL-P5 OVHD (CABIN AIR RECIRCULATION SYSTEM ONLY) MODULE NUMBER: 233N3103-351 REV D FOR OTHER SYS DETAILS SEE: 11-31-10-12 21-31-01-02 21-33-51-03 21-51-54-03 21-58-19-10 21-58-51-03 21-61-04-03 21-65-51-01 22-21-01-04 22-24-51-02 23-24-01-01 23-32-00-11 23-42-02-02 23-71-05-02 24-11-52-05 24-22-01-03 24-31-01-10 24-31-03-09 24-33-04-01 24-41-51-04 24-51-62-01 26-18-51-04 27-21-53-02 27-41-55-01 27-61-51-03 27-62-52-02 28-22-51-02 28-41-04-01 28-41-51-03 29-11-02-03 29-11-05-04 29-11-52-07 29-21-54-03 29-31-00-01 29-32-51-03 29-33-52-03 30-11-51-03 30-21-51-03 30-31-51-02 30-32-51-01 30-33-51-02 30-41-51-03 | 104105 | 1 |
| MISSING ITEM NUMBERS NOT APPLICABLE | | | | | |

- ITEM NOT ILLUSTRATED

21-25-55-03

21-25-55
 FIG. 03
 PAGE 3
 JAN 20/09

BRI



757

PARTS CATALOG (MAINTENANCE)

| FIG ITEM | PART NUMBER | 1 2 3 4 5 6 7 | NOMENCLATURE | EFFECT FROM TO | UNITS PER ASSY |
|-------------------------------------|--------------|---------------|--|----------------|----------------|
| 3 | | | 30-42-51-03 31-12-11-91 31-12-11-91A 32-42-52-03 33-11-03-03 33-11-51-17 33-13-01-65 33-13-02-03 33-16-51-03 33-24-51-02 33-41-52-04 33-42-01-04 33-42-02-04 33-42-52-04 33-43-51-04 33-44-51-05 33-45-53-03 33-51-08-05 34-21-02-01 35-21-51-04 36-11-04-01 36-21-00-01 36-21-02-05 36-22-51-03 49-41-00-02 49-52-00-01 49-70-00-01 52-51-51-03 52-71-51-02 73-21-52-02 74-31-51-05 75-32-00-01 80-11-09-02 | | |
| - 10 | MODREF170180 | | PANEL INSTL-P5 OVHD (CABIN AIR RECIRCULATION SYSTEM ONLY) MODULE NUMBER: 233N3103-353 REV B FOR OTHER SYS DETAILS SEE: 11-31-10-12 21-31-01-02 21-33-51-03 21-51-54-03 21-58-19-10 21-58-51-03 21-61-04-03 21-65-51-01 22-21-01-04 22-24-51-02 | 106106 | 1 |
| MISSING ITEM NUMBERS NOT APPLICABLE | | | | | |

- ITEM NOT ILLUSTRATED

BRI

21-25-55-03

BOEING PROPRIETARY - Copyright © - Unpublished Work - See title page for details.

21-25-55
 FIG. 03
 PAGE 4
 JAN 20/09



757

PARTS CATALOG (MAINTENANCE)

| FIG ITEM | PART NUMBER | 1 2 3 4 5 6 7 | NOMENCLATURE | EFFECT FROM TO | UNITS PER ASSY |
|----------|-------------|---------------|---|----------------|----------------|
| 3 | | | 23-24-01-01 23-32-00-11 23-42-02-02 23-71-05-02 24-11-52-05 24-22-01-03 24-31-01-10 24-31-03-09 24-33-04-01 24-41-51-04 24-51-62-01 26-18-51-04 27-21-53-02 27-41-55-01 27-61-51-03 27-62-52-02 28-22-51-02 28-41-04-01 28-41-51-03 29-11-02-03 29-11-05-04 29-11-52-07 29-21-54-03 29-31-00-01 29-32-51-03 29-33-52-03 30-11-51-03 30-21-51-03 30-31-51-02 30-32-51-01 30-33-51-02 30-41-51-03 30-42-51-03 31-12-11-84 31-12-11-84 A 32-42-52-03 33-11-03-03 33-11-51-17 33-13-01-65 33-13-02-03 33-16-51-03 33-24-51-02 33-41-52-04 33-42-01-04 33-42-02-04 33-42-52-04 33-43-51-04 33-44-51-05 33-45-53-03 | | |

MISSING ITEM NUMBERS NOT APPLICABLE

- ITEM NOT ILLUSTRATED

BRI

21-25-55-03

BOEING PROPRIETARY - Copyright © - Unpublished Work - See title page for details.

21-25-55
FIG. 03
PAGE 5
JAN 20/09



757

PARTS CATALOG (MAINTENANCE)

| FIG ITEM | PART NUMBER | 1 2 3 4 5 6 7 | NOMENCLATURE | EFFECT FROM TO | UNITS PER ASSY |
|----------|--------------|---------------|---|----------------------------|----------------|
| 3 | | | 33-51-08-05 34-21-02-01 35-21-51-04 36-11-04-01 36-21-00-01 36-21-02-05 36-22-51-03 49-41-00-02 49-52-00-01 49-70-00-01 52-51-51-03 52-71-51-02 73-21-52-02 74-31-51-05 75-32-00-01 80-11-09-02 | | |
| 16 | 233N3217-300 | . | PANEL ASSY-AIR CONDITIONING CONT SUPPLIER CODE: V89954 ELECTRICAL EQUIP NUMBER: M10193 COMPONENT MAINT MANUAL REF: 21-51-71 QUALIFIED I/W DATA: THE 233N3217-300 PANEL ASSY IS I/W THE 233N3217-15 PANEL ASSY T/W THE S233T100-6014 LIGHTPLATE AND (2) BP248-127 KNOBS AND (3) BP260-113 KNOBS | 101106 108120 504903 | RF |
| - 23 | 233N3217-15 | .. | PANEL ASSY- SUPPLIER CODE: V89954 COMPONENT MAINT MANUAL REF: 21-51-71 QUALIFIED I/W DATA: THE 233N3217-300 PANEL ASSY IS I/W THE 233N3217-15 PANEL ASSY T/W THE S233T100-6014 LIGHTPLATE AND (2) BP248-127 KNOBS AND (3) BP260-113 KNOBS | 101106 108120 504903 | RF |

MISSING ITEM NUMBERS NOT APPLICABLE

- ITEM NOT ILLUSTRATED

BRI

21-25-55-03

21-25-55
 FIG. 03
 PAGE 6
 JAN 20/09



757

PARTS CATALOG (MAINTENANCE)

| FIG ITEM | PART NUMBER | 1 2 3 4 5 6 7 | NOMENCLATURE | EFFECT FROM TO | UNITS PER ASSY |
|----------|----------------|---------------|--|----------------------------|----------------|
| 3 | | | | | |
| 25 | BCREFA0505 | | ...SWITCH ASSY-LIGHTED PUSH BUTTON IND SUPPLIER CODE: V81590 OVERLENGTH PART NUMBER: 433-673-1004-4016 SPECIFICATION NUMBER: S231T290-4016 MISCELLANEOUS DATA: WHEN REPLACING THE PUSHBUTTON SWITCH ASSY OR THE MASTER MODULE WITHIN, VERIFY THAT A CONFIG D MASTER MODULE P/N 13206-001 IS INSTALLED IN LIEU OF ANY EARLIER CONFIGURATION MASTER MODULES. FOR DETAILS SEE: 33-13-00-46 | 101106 108120 504903 | 2 |
| 25 | 851-30768-3016 | | ...SWITCH ASSY-LIGHTED PUSH BUTTON IND ON/INOP SUPPLIER CODE: V96182 SPECIFICATION NUMBER: S231T290-3016 FOR DETAILS SEE: 33-13-00-36 | 101106 108120 504903 | 2 |
| 25 | 851-35100-5016 | | ...SWITCH ASSY-LIGHTED PUSH BUTTON IND SUPPLIER CODE: V96182 SPECIFICATION NUMBER: S231T290-5016 OPTIONAL PART: 4336731004-4216 V81590 | 101106 108120 504903 | 2 |
| 25 | 851-30768-2016 | | ...SWITCH ASSY-LIGHTED PUSH BUTTON IND SUPPLIER CODE: V96182 SPECIFICATION NUMBER: S231T290-2016 FOR DETAILS SEE: 33-13-00-26 | 101106 108120 504903 | 2 |

MISSING ITEM NUMBERS NOT APPLICABLE

- ITEM NOT ILLUSTRATED

21-25-55-03

21-25-55
FIG. 03
PAGE 7
JAN 20/09

BRI



757

PARTS CATALOG (MAINTENANCE)

| FIG ITEM | PART NUMBER | 1 2 3 4 5 6 7 | NOMENCLATURE | EFFECT FROM TO | UNITS PER ASSY |
|-------------|-----------------|---------------|---|----------------------------|----------------------|
| 3 25 | 4336731004-4216 | | ...SWITCH ASSY-LIGHTED PUSH BUTTON IND SUPPLIER CODE: V81590 SPECIFICATION NUMBER: S231T290-4216 OPTIONAL PART: 851-35100-5016 V96182 | 101106 108120 504903 | 2 |

MISSING ITEM NUMBERS NOT APPLICABLE

- ITEM NOT ILLUSTRATED

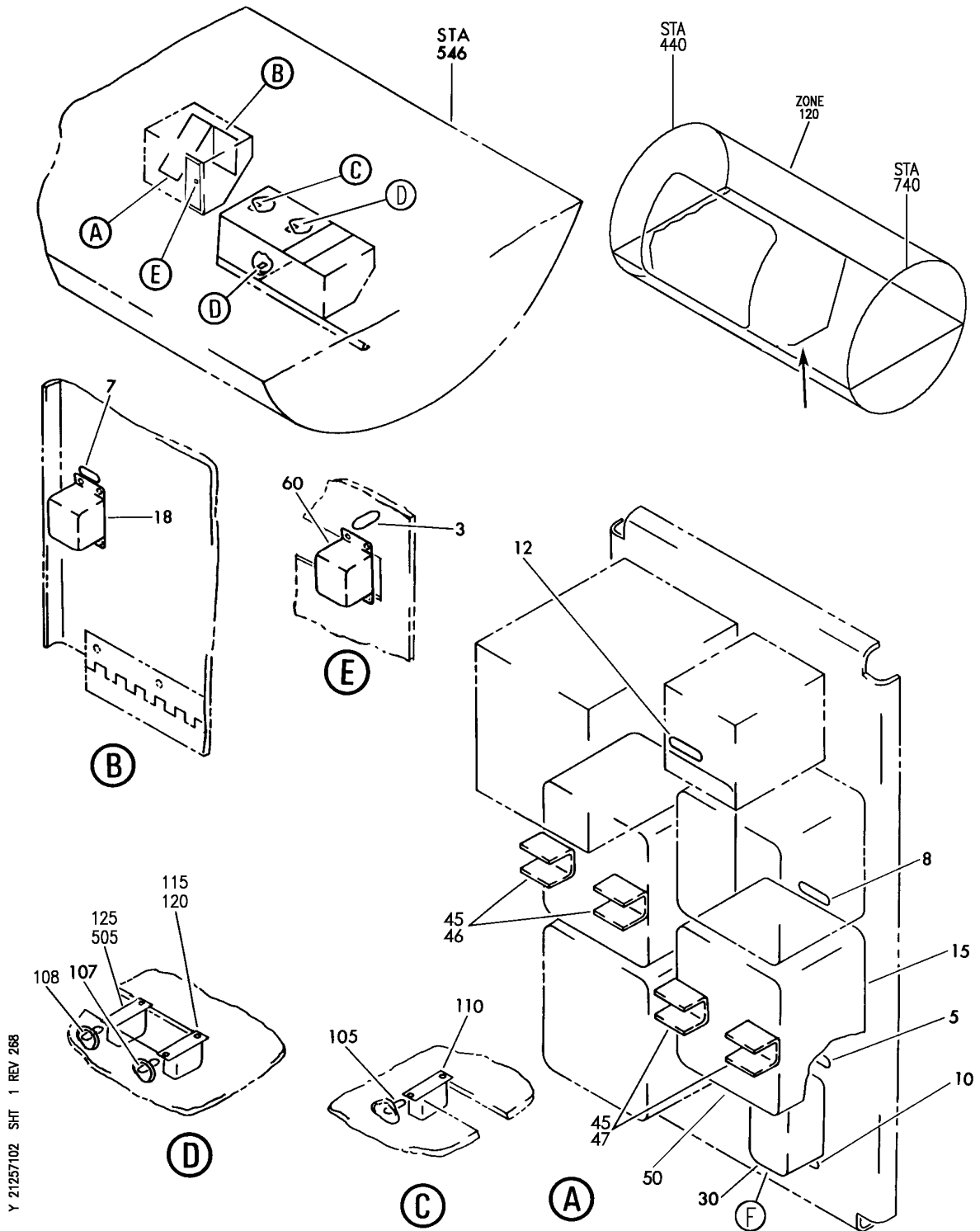
BRI

21-25-55-03

BOEING PROPRIETARY - Copyright © - Unpublished Work - See title page for details.

21-25-55
FIG. 03
PAGE 8
JAN 20/09

BOEING
757
PARTS CATALOG (MAINTENANCE)



Y 21257102 SHT 1 REV 268

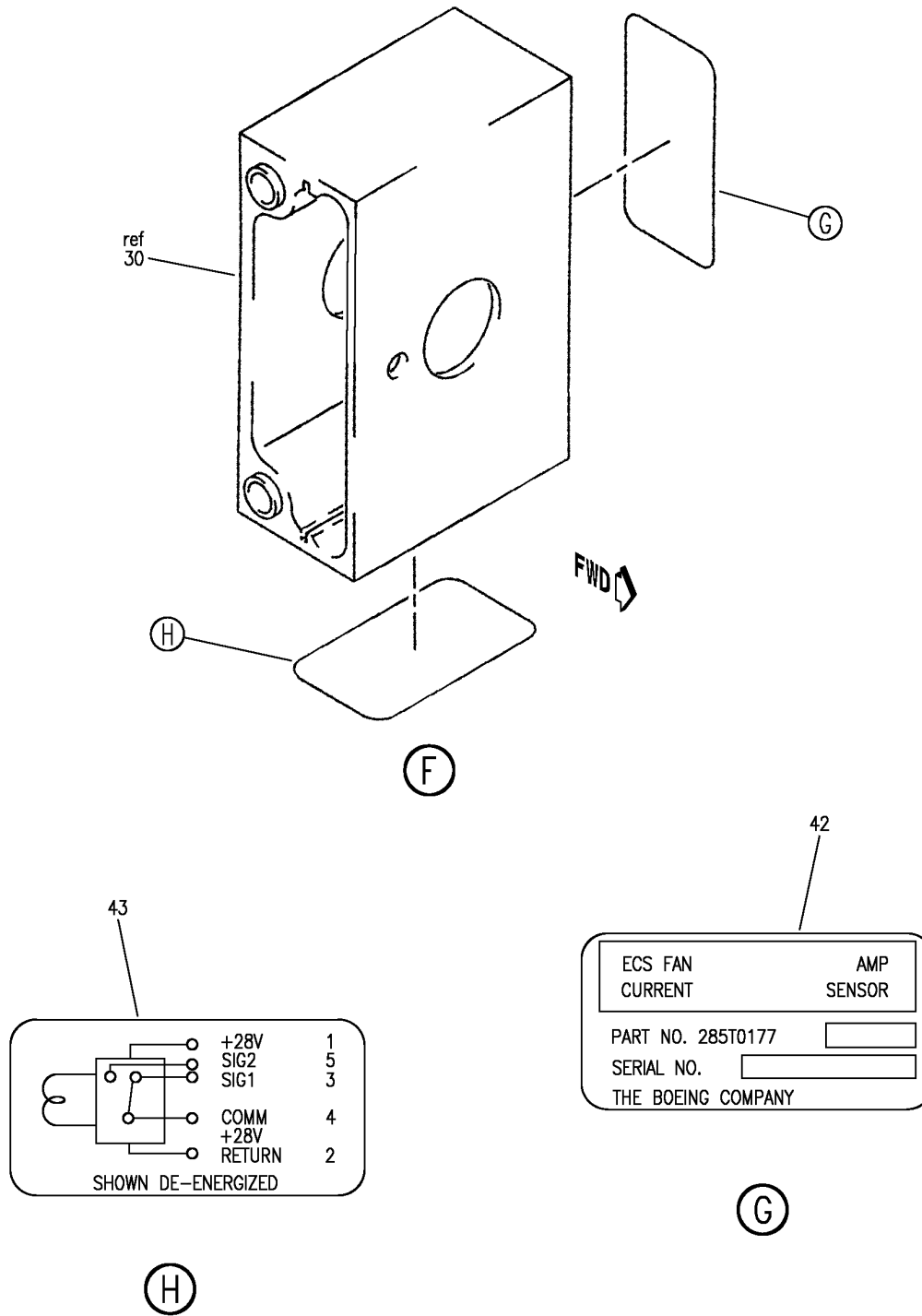
PANEL ASSY-P36 AND P37 MISC RELAY (RECIRCULATION SYSTEM ONLY)
FIGURE 2 (SHEET 1)

21-25-71-02

BRI
MAY 28/07

21-25-71-02
PAGE 0

BOEING
757
PARTS CATALOG (MAINTENANCE)



Y 21257102 SH1 2 REV 268

PANEL ASSY-P36 AND P37 MISC RELAY (RECIRCULATION SYSTEM ONLY)
FIGURE 2 (SHEET 2)

21-25-71-02

BRI
MAY 28/07

21-25-71-02
PAGE 0A



757

PARTS CATALOG (MAINTENANCE)

| FIG ITEM | PART NUMBER | 1 2 3 4 5 6 7 | NOMENCLATURE | EFFECT FROM TO | UNITS PER ASSY |
|-------------|--------------|---------------|---|--|----------------|
| 2 | | | PANEL ASSY-P36 AND P37 MISC RELAY (RECIRCULATION SYSTEM ONLY) | 002004 006100 107107 121503 904999 | |
| - 1 | 284N1127-1 | | PANEL ASSY-P37 MISC RELAY (RECIRCULATION SYSTEM ONLY) POSITION DATA: R VARIABLE DRAWING REF: 284N1127-5028 284N1127-5039 284N1127-5063 284N1127-5064 284N1127-5068 REWORKED BY SB: 33-0039 34-0200 REWORKED BY ALERT SB: 27A0130 FOR NHA/OTHER SYS DET SEE: 31-01-37-01B | 002004 006100 107107 121503 904999 | RF |
| 8 | BAC27TEX0348 | | .DECAL- PLACARD CONTENT: K416 | 002004 006100 107107 121503 904999 | 1 |
| 15 | 9123-8072 | | .RELAY- SUPPLIER CODE: V58657 ELECTRICAL EQUIP NUMBER: K00416 | 002004 006100 107107 121503 904999 | 1 |
| - 16 | NAS603-6P | | ATTACHING PARTS .SCREW- | 002004 006100 107107 121503 904999 | 4 |
| -----*----- | | | | | |

MISSING ITEM NUMBERS NOT APPLICABLE

- ITEM NOT ILLUSTRATED

BRI

21-25-71-02

21-25-71
FIG. 02
PAGE 1
JAN 20/09



757

PARTS CATALOG (MAINTENANCE)

| FIG ITEM | PART NUMBER | 1 2 3 4 5 6 7 | NOMENCLATURE | EFFECT FROM TO | UNITS PER ASSY |
|------------|--------------|---------------|--|--|----------------|
| 2 - 100 | 284N1125-1 | | PANEL ASSY-P36 MISC RELAY L (RECIRCULATION SYSTEM ONLY) VARIABLE DRAWING REF: 284N1125-5023 284N1125-5030 284N1125-5049 284N1125-5050 284N1125-5054 REWORKED BY SB: 34-0200 REWORKED BY ALERT SB: 27A0130 FOR NHA/OTHER SYS DET SEE: 31-01-36-01B | 002004 006100 107107 121503 904999 | RF |
| 105 | BAC27NEX1754 | | .DECAL- PLACARD CONTENT: K10497 | 002004 006100 107107 121503 904999 | 1 |
| 107 | BAC27NEX2483 | | .DECAL- PLACARD CONTENT: K10167 | 002004 006100 950999 | 1 |
| 110 | W260F4AM11 | | .RELAY- SUPPLIER CODE: VF0219 SPECIFICATION NUMBER: BACR13CD2 OPTIONAL PART: BR16S233 V09026 EE4AA005 V35344 3SAV1338A2 V01526 HFW1206K03 V58614 HFW1204K01 V71482 ELECTRICAL EQUIP NUMBER: K10497 | 002004 006100 107107 121503 904999 | 1 |
| 115 | JAD9F007 | | .RELAY- SUPPLIER CODE: V58657 SPECIFICATION NUMBER: BACR13CJ2 ELECTRICAL EQUIP NUMBER: K10167 | 002004 006100 950999 | 1 |

MISSING ITEM NUMBERS NOT APPLICABLE

- ITEM NOT ILLUSTRATED

21-25-71-02

21-25-71
FIG. 02
PAGE 2
JAN 20/09

BRI



757

PARTS CATALOG (MAINTENANCE)

| FIG ITEM | PART NUMBER | 1 2 3 4 5 6 7 | NOMENCLATURE | EFFECT FROM TO | UNITS PER ASSY |
|----------|--------------|---------------|--|--|----------------|
| 2 | | | | | |
| - 500 | 286N1260-005 | | WIRE BUNDLE ASSY- REWORKED BY SB: 34-0200 REWORKED BY ALERT SB: 27A0130 | 002004 006100 950999 | RF |
| - 500 | 286N1260-002 | | WIRE BUNDLE ASSY- REWORKED BY ALERT SB: 27A0130 | 121503 904949 | RF |
| - 500 | 286N1260-003 | | WIRE BUNDLE ASSY- REWORKED BY ALERT SB: 27A0130 | 107107 | RF |
| 510 | RSE120026 | | . SOCKET- SUPPLIER CODE: V58982 SPECIFICATION NUMBER: BACS16AG1 OPTIONAL PART: 451120-026 V58982 ELECTRICAL EQUIP NUMBER: D05501 WIRING DIAGRAM REF: 212511 | 002004 006100 107107 121503 904999 | 1 |
| 515 | RSF116208 | | . SOCKET- SUPPLIER CODE: V58982 SPECIFICATION NUMBER: BACS16X3A OPTIONAL PART: 102-005-1 V09922 000300-1541 V05574 ELECTRICAL EQUIP NUMBER: D02596 WIRING DIAGRAM REF: 212511 | 002004 006100 950999 | 1 |

MISSING ITEM NUMBERS NOT APPLICABLE

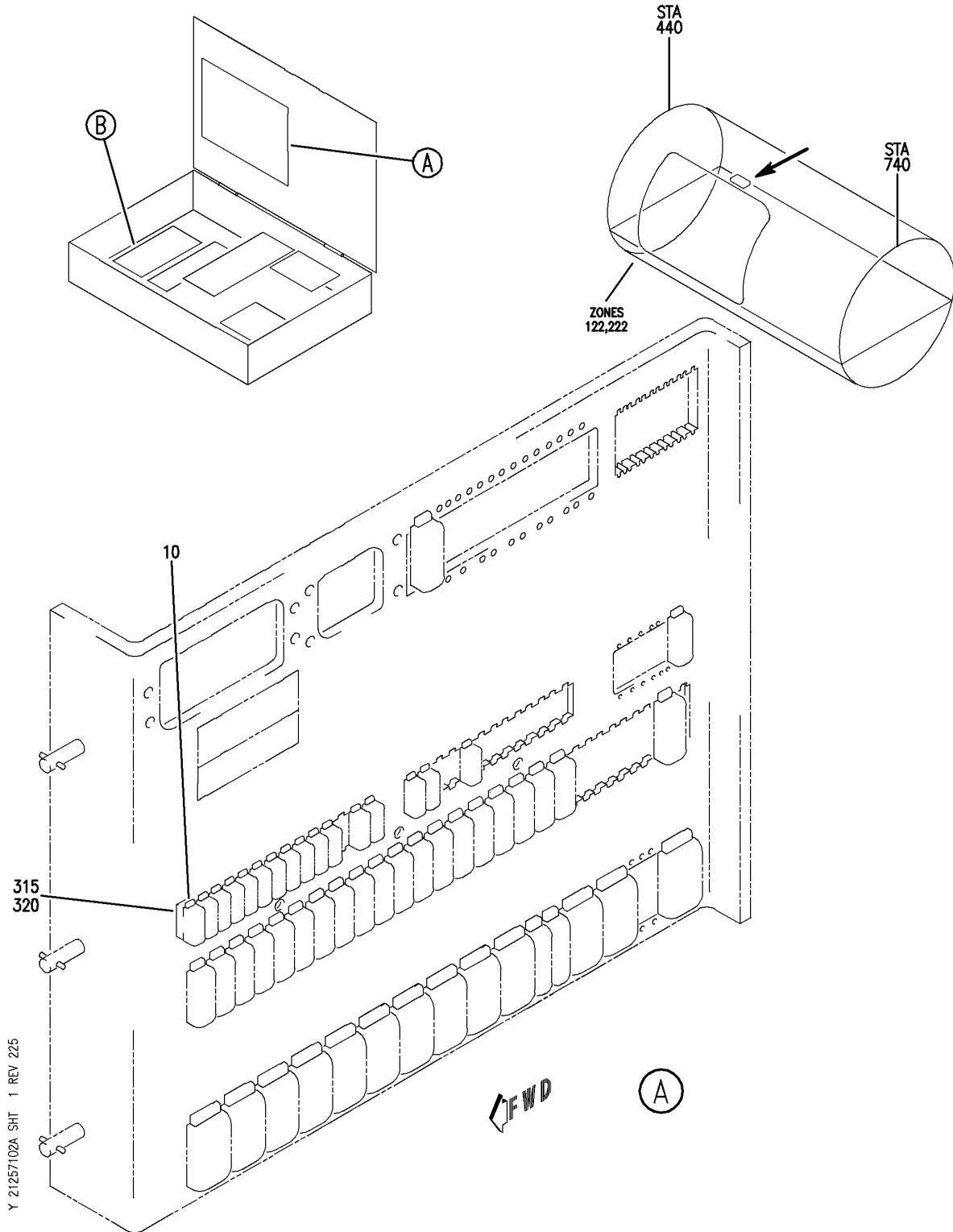
- ITEM NOT ILLUSTRATED

BRI

21-25-71-02

21-25-71
FIG. 02
PAGE 3
JAN 20/09

BOEING
757
PARTS CATALOG (MAINTENANCE)



Y 21257102A SH1 1 REV 225

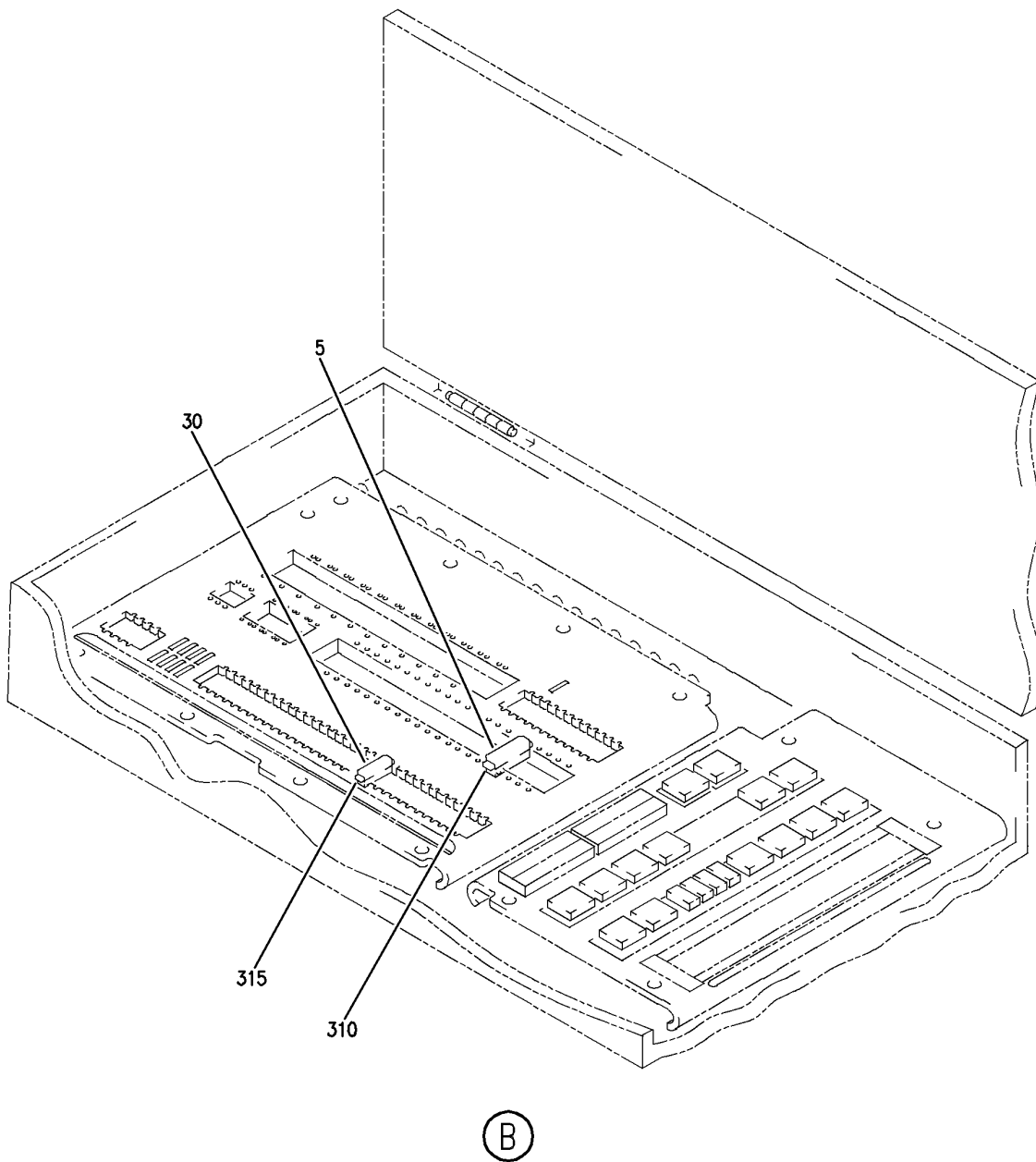
OPTION PACKAGE ASSY-P36 MISC RELAY LH (RECIRCULATION SYSTEM ONLY)
FIGURE 2A (SHEET 1)

21-25-71-02A

BRI
MAY 28/07

21-25-71-02A
PAGE 0

BOEING
757
PARTS CATALOG (MAINTENANCE)



Y 21257102A SHT 2 REV 225

OPTION PACKAGE ASSY-P36 MISC RELAY LH (RECIRCULATION SYSTEM ONLY)
FIGURE 2A (SHEET 2)

21-25-71-02A

BRI
MAY 28/07

21-25-71-02A
PAGE 0A



757

PARTS CATALOG (MAINTENANCE)

| FIG ITEM | PART NUMBER | 1 2 3 4 5 6 7 | NOMENCLATURE | EFFECT FROM TO | UNITS PER ASSY |
|----------|---------------|---------------|---|------------------|----------------|
| 2A | | | OPTION PACKAGE ASSY-P36 MISC RELAY LH (RECIRCULATION SYSTEM ONLY) | 101102 504903 | |
| - 3 | 284N1125-1018 | | OPTION PACKAGE ASSY-P36 MISC RELAY (RECIRCULATION SYSTEM ONLY) POSITION DATA: LH REWORKED BY ALERT SB: 27A0130 FOR NHA/OTHER SYS DET SEE: 31-01-36-05 | 101102 504903 | RF |
| 5 | JAD9F007 | | .RELAY- SUPPLIER CODE: V58657 SPECIFICATION NUMBER: BACR13CJ2 ELECTRICAL EQUIP NUMBER: K10167 | 101102 504903 | 1 |
| 10 | W260F4AM11 | | .RELAY- SUPPLIER CODE: VF0219 SPECIFICATION NUMBER: BACR13CD2 OPTIONAL PART: BR16S233 V09026 EE4AA005 V35344 3SAV1338A2 V01526 HFW1206K03 V58614 HFW1204K01 V71482 ELECTRICAL EQUIP NUMBER: K10497 | 101102 504903 | 1 |
| - 301 | 286N1260-358 | | WIRE BUNDLE ASSY- REWORKED BY ALERT SB: 27A0130 | 101102 | RF |
| - 301 | 286N1260-364 | | WIRE BUNDLE ASSY- REWORKED BY ALERT SB: 27A0130 | 504903 | RF |

MISSING ITEM NUMBERS NOT APPLICABLE

- ITEM NOT ILLUSTRATED

21-25-71-02A

21-25-71
FIG. 02A
PAGE 1
JAN 20/09

BRI



757

PARTS CATALOG (MAINTENANCE)

| FIG ITEM | PART NUMBER | 1 2 3 4 5 6 7 | NOMENCLATURE | EFFECT FROM TO | UNITS PER ASSY |
|-------------|-------------|---------------|---|-------------------|----------------------|
| 2A 310 | RSF116208 | | .SOCKET- SUPPLIER CODE: V58982 SPECIFICATION NUMBER: BACS16X3A OPTIONAL PART: 102-005-1 V09922 000300-1541 V05574 ELECTRICAL EQUIP NUMBER: D02596 WIRING DIAGRAM REF: 212511 | 101102 504903 | 1 |
| 320 | RSE120026 | | .SOCKET- SUPPLIER CODE: V58982 SPECIFICATION NUMBER: BACS16AG1 OPTIONAL PART: 451120-026 V58982 ELECTRICAL EQUIP NUMBER: D05501 WIRING DIAGRAM REF: 212511 | 101102 504903 | 1 |

MISSING ITEM NUMBERS NOT APPLICABLE

- ITEM NOT ILLUSTRATED

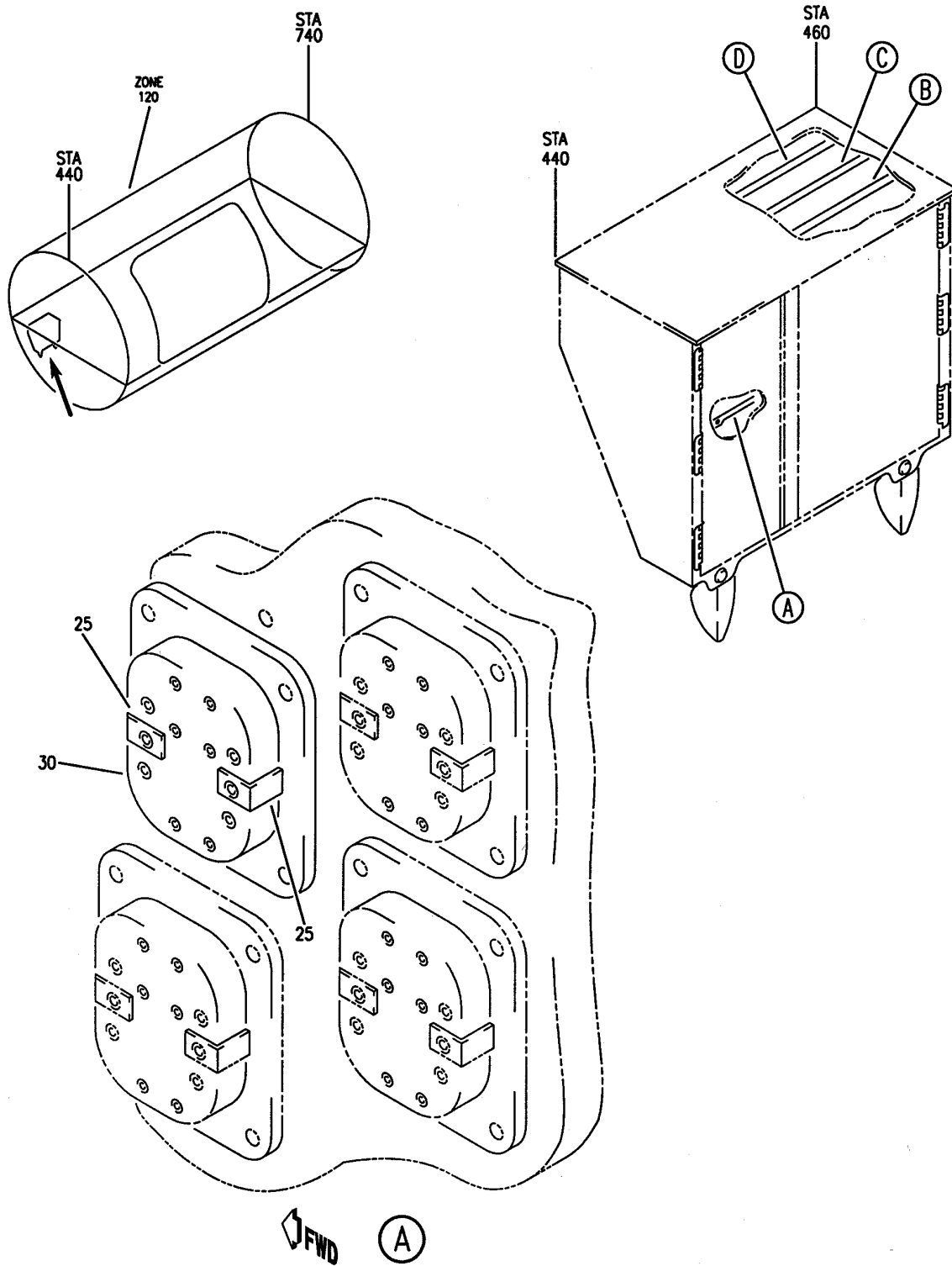
BRI

21-25-71-02A

BOEING PROPRIETARY - Copyright © - Unpublished Work - See title page for details.

21-25-71
FIG. 02A
PAGE 2
JAN 20/09

BOEING
757
PARTS CATALOG (MAINTENANCE)



Y 21257102B SHT 1 REV 219

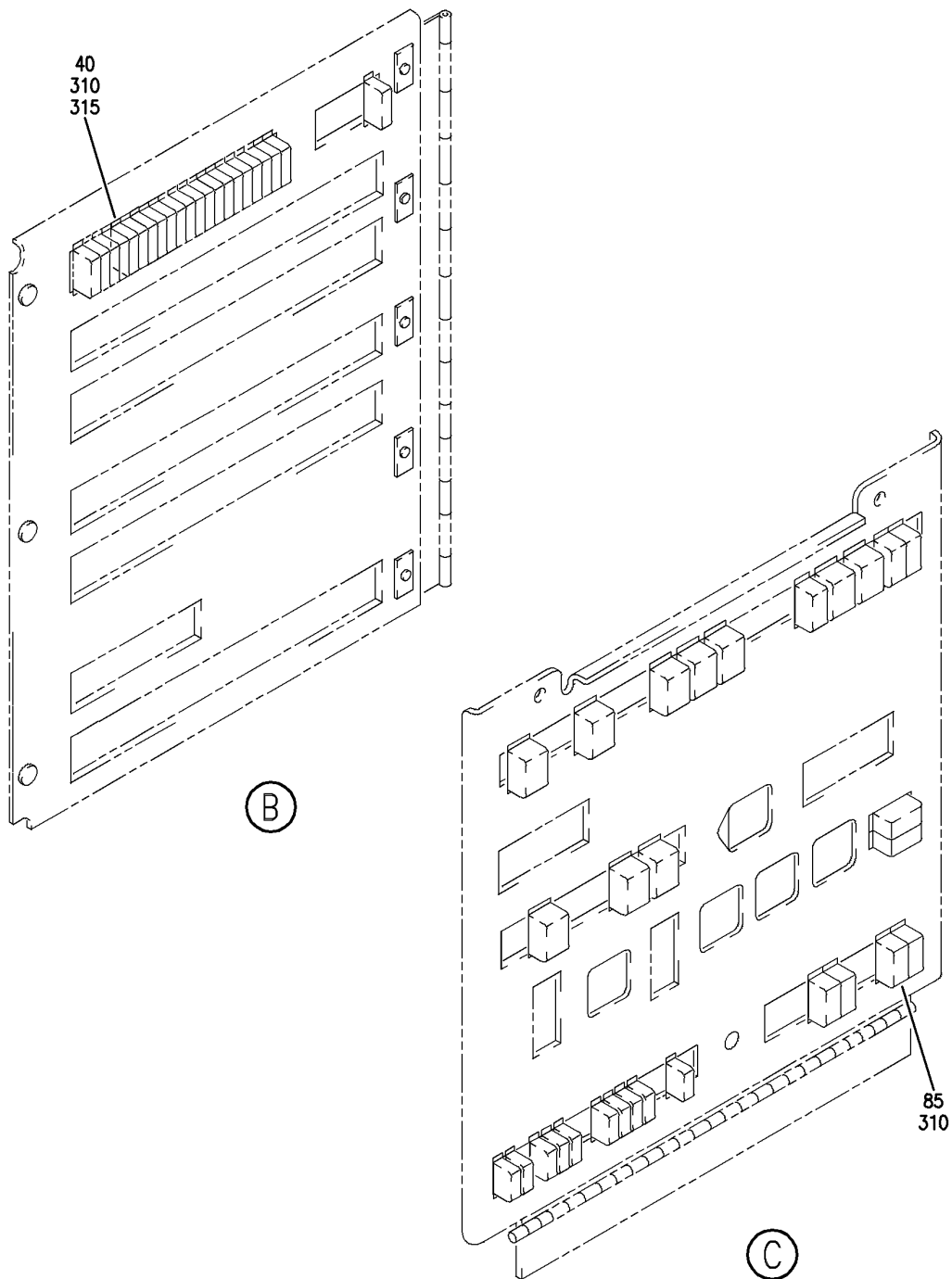
PACKAGE ASSY-OPTION P37 MISC RELAY (RECIRCULATION SYSTEM ONLY)
FIGURE 2B (SHEET 1)

21-25-71-02B

BRI
MAY 28/07

21-25-71-02B
PAGE 0

BOEING
757
PARTS CATALOG (MAINTENANCE)



Y 21257102B SHT 2 REV 226

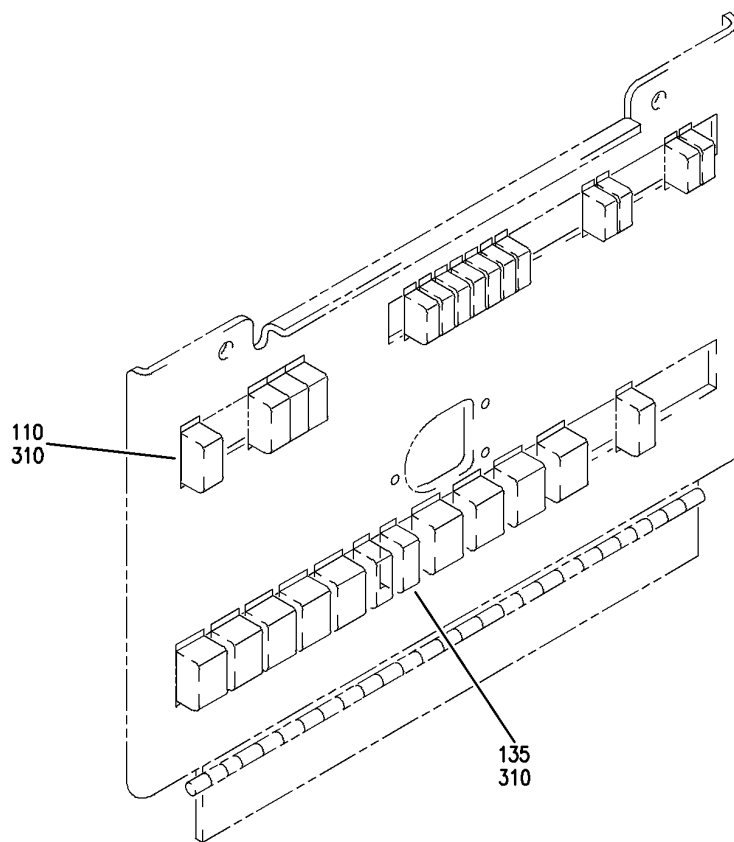
PACKAGE ASSY-OPTION P37 MISC RELAY (RECIRCULATION SYSTEM ONLY)
FIGURE 2B (SHEET 2)

21-25-71-02B

BRI
MAY 28/07

21-25-71-02B
PAGE 0A

BOEING
757
PARTS CATALOG (MAINTENANCE)



(D)

Y 21257102B SHT 3 REV 226

PACKAGE ASSY-OPTION P37 MISC RELAY (RECIRCULATION SYSTEM ONLY)
FIGURE 2B (SHEET 3)

21-25-71-02B

BRI
MAY 28/07

21-25-71-02B
PAGE 0B



757

PARTS CATALOG (MAINTENANCE)

| FIG ITEM | PART NUMBER | 1 2 3 4 5 6 7 | NOMENCLATURE | EFFECT FROM TO | UNITS PER ASSY |
|----------|---------------|---------------|--|------------------|----------------|
| 2B | | | PACKAGE ASSY-OPTION P37 MISC RELAY (RECIRCULATION SYSTEM ONLY) | 101102 504903 | |
| - 1 | 284N1127-1043 | | PACKAGE ASSY-OPTION P 37 MISC RELAY (RECIRCULATION SYSTEM ONLY) MISCELLANEOUS DATA: 757-200 MINOR MODEL REWORKED BY ALERT SB: 27A0130 FOR NHA/OTHER SYS DET SEE: 31-01-37-02 | 101102 504903 | RF |
| 25 | 66-22661-1 | | .BARRIER-RELAY TERM. | 101102 504903 | 2 |
| 30 | 9123-8072 | | .RELAY- SUPPLIER CODE: V58657 ELECTRICAL EQUIP NUMBER: K00416 | 101102 504903 | 1 |
| - 35 | NAS603-6P | | ATTACHING PARTS .SCREW | 101102 504903 | 4 |
| 40 | W260F4AM11 | | -----*----- .RELAY- SUPPLIER CODE: VF0219 SPECIFICATION NUMBER: BACR13CD2 OPTIONAL PART: BR16S233 V09026 EE4AA005 V35344 3SAV1338A2 V01526 HFW1206K03 V58614 HFW1204K01 V71482 ELECTRICAL EQUIP NUMBER: K10432 | 101102 504903 | 1 |
| - 300 | 286N1270-336 | | WIRE BUNDLE ASSY- REWORKED BY ALERT SB: 34A0222 27A0130 | 504903 | RF |

MISSING ITEM NUMBERS NOT APPLICABLE

- ITEM NOT ILLUSTRATED

21-25-71-02B

21-25-71
FIG. 02B
PAGE 1
JAN 20/09

BRI



757

PARTS CATALOG (MAINTENANCE)

| FIG ITEM | PART NUMBER | 1 2 3 4 5 6 7 | NOMENCLATURE | EFFECT FROM TO | UNITS PER ASSY |
|-------------|--------------|---------------|--|-------------------|----------------------|
| 2B - 301 | 286N1270-361 | | WIRE BUNDLE ASSY- REWORKED BY ALERT SB: 34A0222 27A0130 | 101101 | RF |
| - 301 | 286N1270-399 | | WIRE BUNDLE ASSY- REWORKED BY ALERT SB: 34A0222 27A0130 | 102102 | RF |
| 315 | RSE120026 | | . SOCKET- SUPPLIER CODE: V58982 SPECIFICATION NUMBER: BACS16AG1 OPTIONAL PART: 451120-026 V58982 ELECTRICAL EQUIP NUMBER: D05188 WIRING DIAGRAM REF: 212531 | 101102 504903 | 1 |

MISSING ITEM NUMBERS NOT APPLICABLE

- ITEM NOT ILLUSTRATED

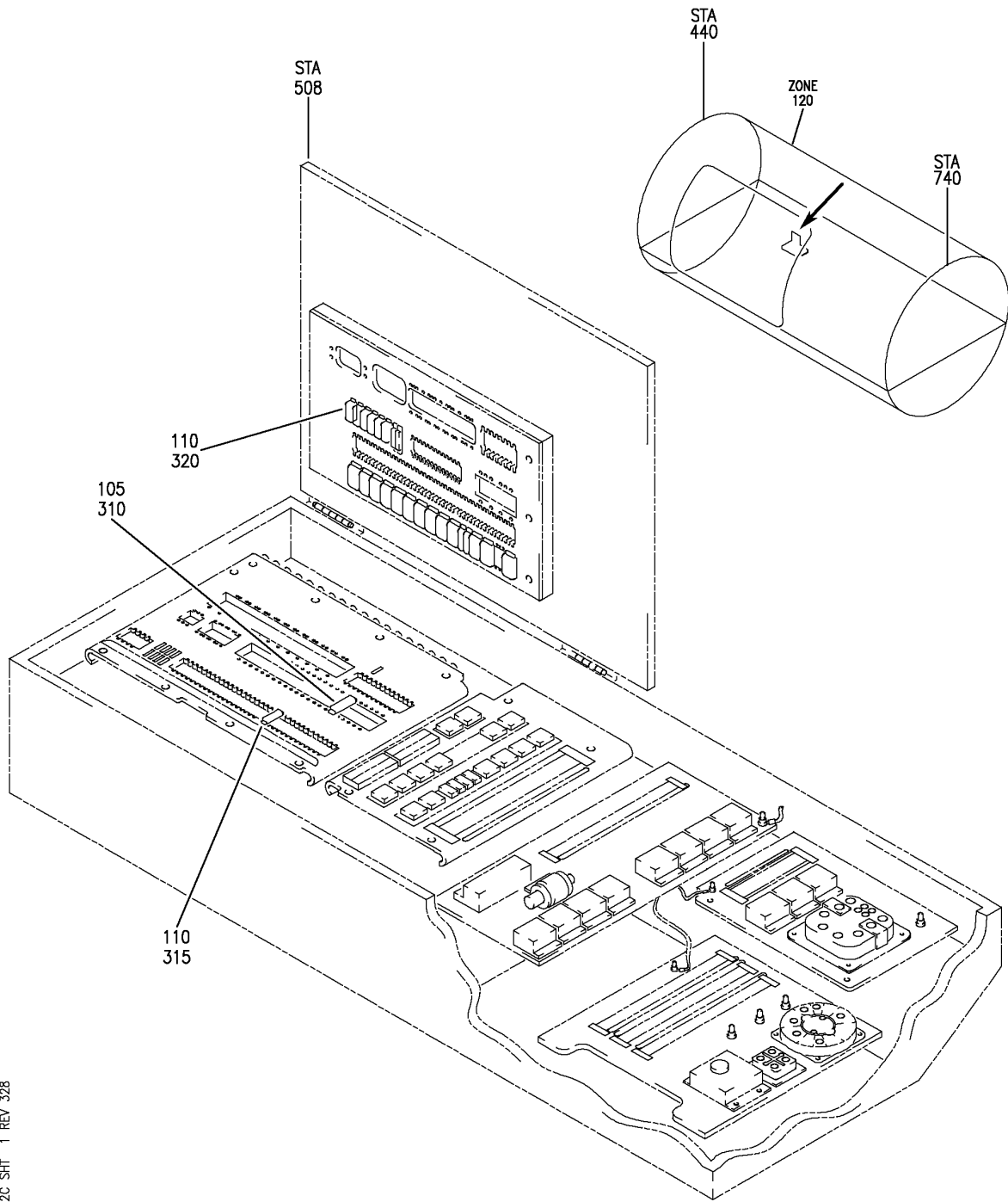
BRI

21-25-71-02B

BOEING PROPRIETARY - Copyright © - Unpublished Work - See title page for details.

21-25-71
FIG. 02B
PAGE 2
JAN 20/09

BOEING
757
PARTS CATALOG (MAINTENANCE)



Y 21257102C SHT 1 REV 328

PANEL INSTL-P36 L MISC RELAY (CABIN AIR RECIRCULATION SYSTEM ONLY)
FIGURE 2C

21-25-71-02C

BRI
JAN 20/09

21-25-71-02C
PAGE 0



757

PARTS CATALOG (MAINTENANCE)

| FIG ITEM | PART NUMBER | 1 2 3 4 5 6 7 | NOMENCLATURE | EFFECT FROM TO | UNITS PER ASSY |
|----------|-------------|---------------|---|------------------|----------------|
| 2C | | | PANEL INSTL-P36 L MISC RELAY (CABIN AIR RECIRCULATION SYSTEM ONLY) | 103106 108120 | |
| - 3 | 284N1125-94 | | PANEL INSTL-P36 L MISC RELAY (CABIN AIR RECIRCULATION SYSTEM ONLY) FOR NHA/OTHER SYS DET SEE: 24-00-58-05C | 108120 | RF |

MISSING ITEM NUMBERS NOT APPLICABLE

- ITEM NOT ILLUSTRATED

BRI

21-25-71-02C

BOEING PROPRIETARY - Copyright © - Unpublished Work - See title page for details.

21-25-71
FIG. 02C
PAGE 1
JAN 20/09



757

PARTS CATALOG (MAINTENANCE)

| FIG ITEM | PART NUMBER | 1 2 3 4 5 6 7 | NOMENCLATURE | EFFECT FROM TO | UNITS PER ASSY |
|-------------|-------------|---------------|---|-------------------|----------------------|
| 2C - 7 | MODREF31944 | | PANEL INSTL-P36 L MISC RELAY (CABIN AIR RECIRCULATION SYSTEM ONLY) MODULE NUMBER: 284N1125-123 REV A FOR OTHER SYS DETAILS SEE: 11-36-08-03C 21-33-71-02C 21-51-56-01C 21-58-71-02C 23-12-00-05 23-31-54-01C 23-34-52-01C 24-21-51-01A 26-15-71-02C 26-16-71-01C 26-22-71-01C 27-48-52-03C 27-51-71-03C 27-58-71-02C 27-62-71-03C 29-11-71-03C 29-21-71-01C 30-21-71-03C 30-34-51-01C 31-01-36-01 32-09-02-03C 32-35-71-01C 32-42-71-02C 32-44-71-02C 32-61-71-02C 34-12-71-02C 34-21-71-02C 34-22-52-01C 34-61-52-01C 36-11-71-02C 73-21-55-01C 74-31-71-02C 76-11-71-02C 77-12-71-01C 78-34-71-02C 78-36-71-02C 80-11-71-02C | 103106 | 1 |

MISSING ITEM NUMBERS NOT APPLICABLE

- ITEM NOT ILLUSTRATED

21-25-71-02C

21-25-71
FIG. 02C
PAGE 2
JAN 20/09

BRI



757

PARTS CATALOG (MAINTENANCE)

| FIG ITEM | PART NUMBER | 1 2 3 4 5 6 7 | NOMENCLATURE | EFFECT FROM TO | UNITS PER ASSY |
|-----------|--------------|---------------|---|------------------|----------------|
| 2C 105 | JAD9F007 | | .RELAY- SUPPLIER CODE: V58657 SPECIFICATION NUMBER: BACR13CJ2 ELECTRICAL EQUIP NUMBER: K10167 | 103106 108120 | 1 |
| 110 | W260F4AM11 | | .RELAY- SUPPLIER CODE: VF0219 SPECIFICATION NUMBER: BACR13CD2 OPTIONAL PART: BR16S233 V09026 EE4AA005 V35344 3SAV1338A2 V01526 HFW1206K03 V58614 HFW1204K01 V71482 ELECTRICAL EQUIP NUMBER: K10497 K10443 | 103106 108120 | 2 |
| - 300 | 286N1260-357 | | WIRE BUNDLE ASSY | 108120 | 1 |
| - 302 | 286N1260-601 | | WIRE BUNDLE ASSY | 103106 | 1 |
| 310 | RSF116208 | | .SOCKET- SUPPLIER CODE: V58982 SPECIFICATION NUMBER: BACS16X3A OPTIONAL PART: 102-005-1 V09922 000300-1541 V05574 ELECTRICAL EQUIP NUMBER: D02596 WIRING DIAGRAM REF: 212511 | 103106 108120 | 1 |

MISSING ITEM NUMBERS NOT APPLICABLE

- ITEM NOT ILLUSTRATED

21-25-71-02C

21-25-71
FIG. 02C
PAGE 3
JAN 20/09

BRI



757

PARTS CATALOG (MAINTENANCE)

| FIG ITEM | PART NUMBER | 1 2 3 4 5 6 7 | NOMENCLATURE | EFFECT FROM TO | UNITS PER ASSY |
|-----------|-------------|---------------|---|------------------|----------------|
| 2C 315 | RSE120026 | | .SOCKET- SUPPLIER CODE: V58982 SPECIFICATION NUMBER: BACS16AG1 OPTIONAL PART: 451120-026 V58982 ELECTRICAL EQUIP NUMBER: D05192 WIRING DIAGRAM REF: 212511 | 103106 108120 | 1 |
| 320 | RSE120026 | | .SOCKET- SUPPLIER CODE: V58982 SPECIFICATION NUMBER: BACS16AG1 OPTIONAL PART: 451120-026 V58982 ELECTRICAL EQUIP NUMBER: D05501 WIRING DIAGRAM REF: 212511 | 103106 108120 | 1 |

MISSING ITEM NUMBERS NOT APPLICABLE

- ITEM NOT ILLUSTRATED

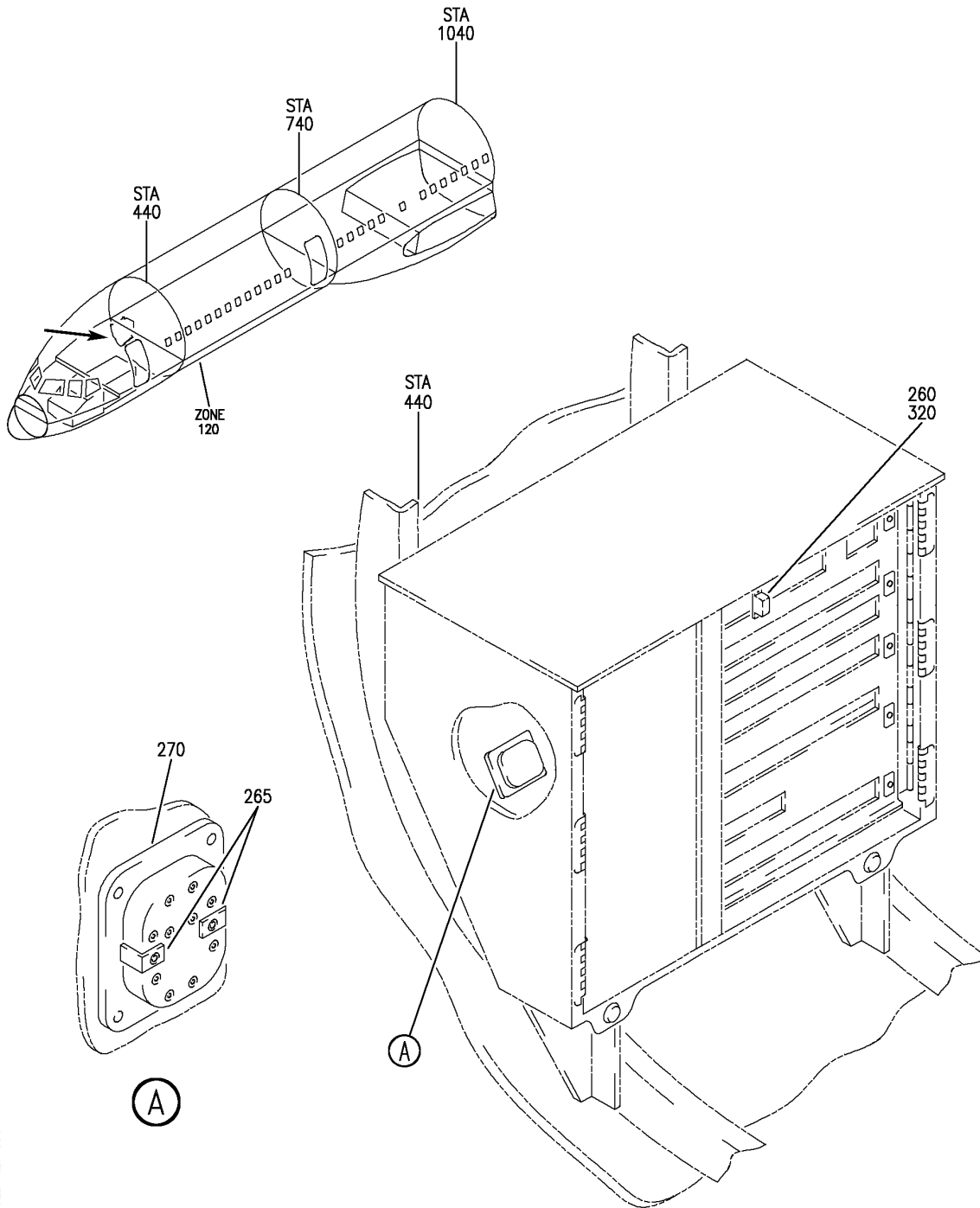
BRI

21-25-71-02C

BOEING PROPRIETARY - Copyright © - Unpublished Work - See title page for details.

21-25-71
FIG. 02C
PAGE 4
JAN 20/09

BOEING
757
PARTS CATALOG (MAINTENANCE)



Y 21257102D REV 330

PANEL INSTL-P37 R MISC RELAY (CABIN AIR RECIRCULATION SYSTEM ONLY)
FIGURE 2D

21-25-71-02D

BRI
JAN 20/09

21-25-71-02D
PAGE 0



757

PARTS CATALOG (MAINTENANCE)

| FIG ITEM | PART NUMBER | 1 2 3 4 5 6 7 | NOMENCLATURE | EFFECT FROM TO | UNITS PER ASSY |
|-------------|-------------|---------------|---|-------------------|----------------------|
| 2D | | | PANEL INSTL-P37 R MISC RELAY (CABIN AIR RECIRCULATION SYSTEM ONLY) | 103106 108120 | |

MISSING ITEM NUMBERS NOT APPLICABLE

- ITEM NOT ILLUSTRATED

BRI

21-25-71-02D

BOEING PROPRIETARY - Copyright © - Unpublished Work - See title page for details.

21-25-71
FIG. 02D
PAGE 1
JAN 20/09



757

PARTS CATALOG (MAINTENANCE)

| FIG ITEM | PART NUMBER | 1 2 3 4 5 6 7 | NOMENCLATURE | EFFECT FROM TO | UNITS PER ASSY |
|-----------|--------------|---------------|--|----------------|----------------|
| 2D - 1 | MODREF185037 | | PANEL INSTL-P37 R MISC RELAY (CABIN AIR RECIRCULATION SYSTEM ONLY) MODULE NUMBER: 284N1127-169 REV D FOR OTHER SYS DETAILS SEE: 11-36-12-02A 21-44-71-02D 21-45-31-01D 21-51-55-01D 21-58-71-02D 21-61-71-02D 23-31-51-05 24-21-51-05 24-51-01-02 24-51-02-03 24-51-58-02D 27-62-71-03D 28-22-71-03D 29-21-71-01D 30-11-71-02D 30-21-71-03D 30-31-71-02D 30-32-71-02D 30-33-71-02D 30-34-51-01D 31-01-37-10 31-31-71-02D 32-09-02-04D 32-42-71-02D 32-61-71-02D 33-43-55-01D 33-51-71-01D 34-12-71-02D 34-25-50-01D 34-61-52-01D 35-21-71-02D 36-11-71-02D 38-15-71-02D 73-21-55-01D 74-31-71-02D 76-11-71-02D 77-12-71-01D 78-34-71-02D 78-36-71-02D 80-11-71-02D | 106106 | 1 |

MISSING ITEM NUMBERS NOT APPLICABLE

- ITEM NOT ILLUSTRATED

BRI

21-25-71-02D

BOEING PROPRIETARY - Copyright © - Unpublished Work - See title page for details.

21-25-71
FIG. 02D
PAGE 2
JAN 20/09



757

PARTS CATALOG (MAINTENANCE)

| FIG ITEM | PART NUMBER | 1 2 3 4 5 6 7 | NOMENCLATURE | EFFECT FROM TO | UNITS PER ASSY |
|-----------|--------------|---------------|---|----------------|----------------|
| 2D - 3 | 284N1127-118 | | PANEL INSTL-P37 R MISC RELAY (CABIN AIR RECIRCULATION SYSTEM ONLY) FOR NHA/OTHER SYS DET SEE: 24-00-58-05C | 108108 | RF |
| - 4 | 284N1127-139 | | PANEL INSTL-P37 R MISC RELAY (CABIN AIR RECIRCULATION SYSTEM ONLY) FOR NHA/OTHER SYS DET SEE: 24-00-58-05C | 109120 | RF |

MISSING ITEM NUMBERS NOT APPLICABLE

- ITEM NOT ILLUSTRATED

BRI

21-25-71-02D

BOEING PROPRIETARY - Copyright © - Unpublished Work - See title page for details.

21-25-71
FIG. 02D
PAGE 3
JAN 20/09



757

PARTS CATALOG (MAINTENANCE)

| FIG ITEM | PART NUMBER | 1 2 3 4 5 6 7 | NOMENCLATURE | EFFECT FROM TO | UNITS PER ASSY |
|-----------|-------------|---------------|--|----------------|----------------|
| 2D - 8 | MODREF31945 | | PANEL INSTL-P37 R MISC RELAY (CABIN AIR RECIRCULATION SYSTEM ONLY) MODULE NUMBER: 284N1127-169 REV B FOR OTHER SYS DETAILS SEE: 11-36-12-02A 21-44-71-02D 21-45-31-01D 21-51-55-01D 21-58-71-02D 21-61-71-02D 23-31-51-05 24-21-51-05 24-51-01-02 24-51-02-03 24-51-58-02D 27-62-71-03D 28-22-71-03D 29-21-71-01D 30-11-71-02D 30-21-71-03D 30-31-71-02D 30-32-71-02D 30-33-71-02D 30-34-51-01D 31-01-37-10 31-31-71-02D 32-09-02-04D 32-42-71-02D 32-61-71-02D 33-43-55-01D 33-51-71-01D 34-12-71-02D 34-25-50-01D 34-61-52-01D 35-21-71-02D 36-11-71-02D 38-15-71-02D 73-21-55-01D 74-31-71-02D 76-11-71-02D 77-12-71-01D 78-34-71-02D 78-36-71-02D 80-11-71-02D | 103103 | 1 |

MISSING ITEM NUMBERS NOT APPLICABLE

- ITEM NOT ILLUSTRATED

BRI

21-25-71-02D

BOEING PROPRIETARY - Copyright © - Unpublished Work - See title page for details.

21-25-71
FIG. 02D
PAGE 4
JAN 20/09



757

PARTS CATALOG (MAINTENANCE)

| FIG ITEM | PART NUMBER | 1 2 3 4 5 6 7 | NOMENCLATURE | EFFECT FROM TO | UNITS PER ASSY |
|-----------|-------------|---------------|--|----------------|----------------|
| 2D - 9 | MODREF34305 | | PANEL INSTL-P37 R MISC RELAY (CABIN AIR RECIRCULATION SYSTEM ONLY) MODULE NUMBER: 284N1127-169 REV C FOR OTHER SYS DETAILS SEE: 11-36-12-02A 21-44-71-02D 21-45-31-01D 21-51-55-01D 21-58-71-02D 21-61-71-02D 23-31-51-05 24-21-51-05 24-51-01-02 24-51-02-03 24-51-58-02D 27-62-71-03D 28-22-71-03D 29-21-71-01D 30-11-71-02D 30-21-71-03D 30-31-71-02D 30-32-71-02D 30-33-71-02D 30-34-51-01D 31-01-37-10 31-31-71-02D 32-09-02-04D 32-42-71-02D 32-61-71-02D 33-43-55-01D 33-51-71-01D 34-12-71-02D 34-25-50-01D 34-61-52-01D 35-21-71-02D 36-11-71-02D 38-15-71-02D 73-21-55-01D 74-31-71-02D 76-11-71-02D 77-12-71-01D 78-34-71-02D 78-36-71-02D 80-11-71-02D | 104105 | 1 |

MISSING ITEM NUMBERS NOT APPLICABLE

- ITEM NOT ILLUSTRATED

BRI

21-25-71-02D

BOEING PROPRIETARY - Copyright © - Unpublished Work - See title page for details.

21-25-71
 FIG. 02D
 PAGE 5
 JAN 20/09



757

PARTS CATALOG (MAINTENANCE)

| FIG ITEM | PART NUMBER | 1 2 3 4 5 6 7 | NOMENCLATURE | EFFECT FROM TO | UNITS PER ASSY |
|-----------|--------------|---------------|---|------------------|----------------|
| 2D 260 | W260F4AM11 | | .RELAY- SUPPLIER CODE: VF0219 SPECIFICATION NUMBER: BACR13CD2 OPTIONAL PART: BR16S233 V09026 EE4AA005 V35344 3SAV1338A2 V01526 HFW1206K03 V58614 HFW1204K01 V71482 ELECTRICAL EQUIP NUMBER: K10432 | 103106 108120 | 1 |
| 265 | 66-22661-1 | | .BARRIER-RELAY TERM. | 103106 108120 | 2 |
| 270 | 9123-8072 | | .RELAY- SUPPLIER CODE: V58657 ELECTRICAL EQUIP NUMBER: K00416 | 103106 108120 | 1 |
| - 275 | NAS603-6P | | .SCREW- | 108120 | 4 |
| - 275 | BACS12CK3-6 | | .SCREW- | 103106 | 4 |
| - 300 | 286N1270-360 | | -----*----- WIRE BUNDLE ASSY- REWORKED BY ALERT SB: 34A022 | 108120 | 1 |
| - 302 | 286N1270-602 | | WIRE BUNDLE ASSY | 103106 | 1 |
| 320 | RSE120026 | | .SOCKET- SUPPLIER CODE: V58982 SPECIFICATION NUMBER: BACS16AG1 OPTIONAL PART: 451120-026 V58982 ELECTRICAL EQUIP NUMBER: D05188 WIRING DIAGRAM REF: 212511 215811 245811 | 103106 108120 | 1 |

MISSING ITEM NUMBERS NOT APPLICABLE

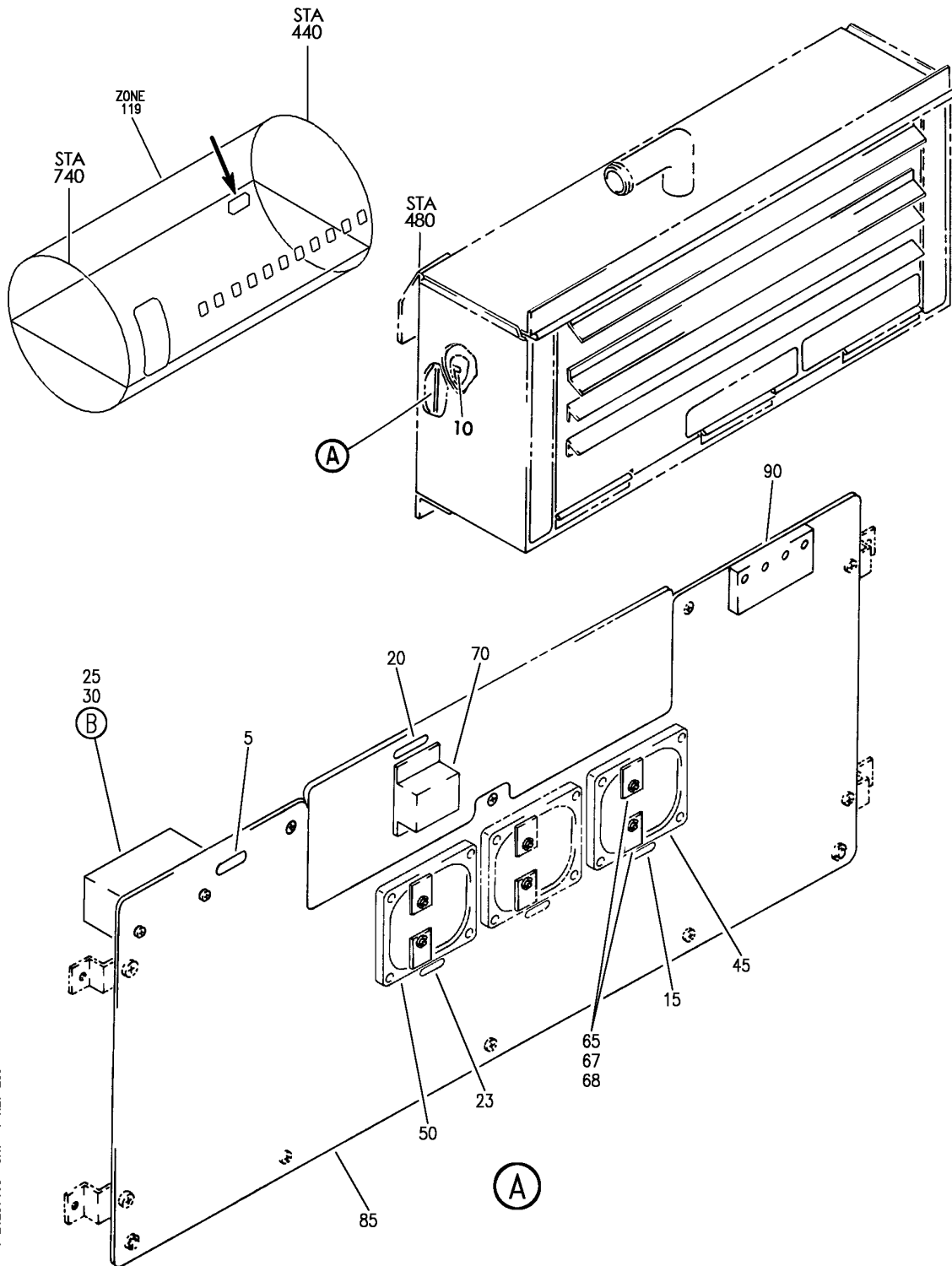
- ITEM NOT ILLUSTRATED

21-25-71-02D

21-25-71
FIG. 02D
PAGE 6
JAN 20/09

BRI

BOEING
757
PARTS CATALOG (MAINTENANCE)



Y 21257103 SHT 1 REV 289

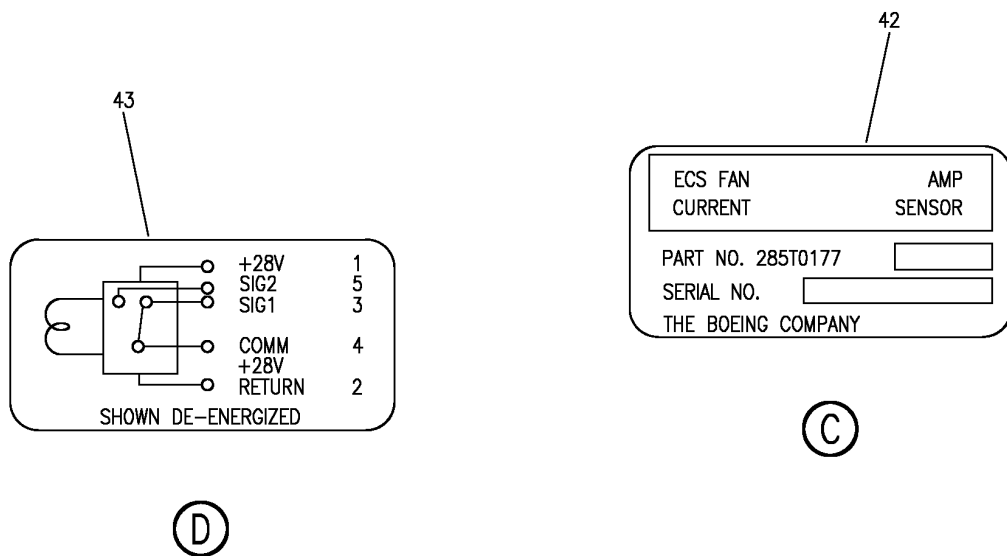
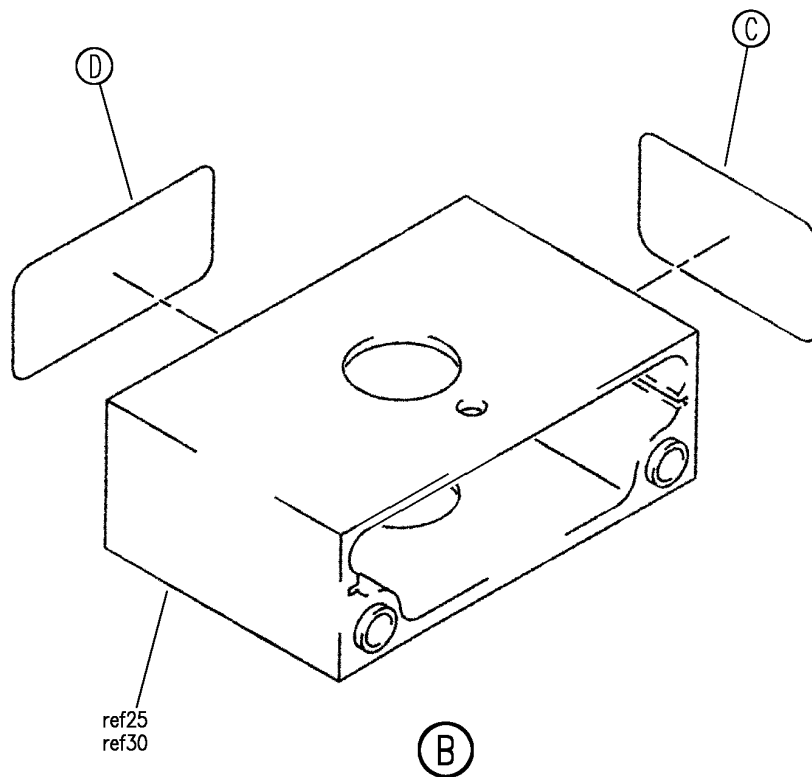
PANEL ASSY-P70 MISC RELAY (RECIRCULATION SYSTEM ONLY)
FIGURE 3 (SHEET 1)

21-25-71-03

BRI
MAY 28/07

21-25-71-03
PAGE 0

BOEING
757
PARTS CATALOG (MAINTENANCE)



Y 21257103 SH1 2 REV 268

PANEL ASSY-P70 MISC RELAY (RECIRCULATION SYSTEM ONLY)
FIGURE 3 (SHEET 2)

21-25-71-03

BRI
MAY 28/07

21-25-71-03
PAGE 0A



757

PARTS CATALOG (MAINTENANCE)

| FIG ITEM | PART NUMBER | 1 2 3 4 5 6 7 | NOMENCLATURE | EFFECT FROM TO | UNITS PER ASSY |
|----------|--------------|---------------|---|--|----------------|
| 3 | | | PANEL ASSY-P70 MISC RELAY (RECIRCULATION SYSTEM ONLY) | 002004 006100 107107 121503 904999 | |
| - 1 | 284N1129-1 | | PANEL ASSY-P70 MISC RELAY (RECIRCULATION SYSTEM ONLY) VARIABLE DRAWING REF: 284N1129-5012 284N1129-5021 284N1129-5035 284N1129-5049 284N1129-5054 FOR NHA/OTHER SYS DET SEE: 53-33-00-02 | 002004 006100 107107 121503 904999 | RF |
| 15 | BAC27TEX0140 | | .DECAL- PLACARD CONTENT: K415 | 002004 006100 107107 121503 904999 | 1 |
| 45 | 9123-8072 | | .RELAY- SUPPLIER CODE: V58657 ELECTRICAL EQUIP NUMBER: K00415 ATTACHING PARTS | 002004 006100 107107 121503 904999 | 1 |
| - 55 | NAS603-7 | | .SCREW- | 002004 006100 107107 121503 904999 | 4 |
| - 55 | NAS603-7P | | .SCREW- | 002004 006100 107107 121503 904999 | 4 |
| - 60 | AN960D10L | | .WASHER- | 002004 006100 107107 121503 904999 | 4 |
| 65 | 66-22661-2 | | -----*----- .BARRIER-RELAY TERM. OPTIONAL PART: 69-71501-1 | 002004 006100 107107 121503 904999 | 2 |

MISSING ITEM NUMBERS NOT APPLICABLE

- ITEM NOT ILLUSTRATED

BRI

21-25-71-03

21-25-71
FIG. 03
PAGE 1
JAN 20/09



757

PARTS CATALOG (MAINTENANCE)

| FIG ITEM | PART NUMBER | 1 2 3 4 5 6 7 | NOMENCLATURE | EFFECT FROM TO | UNITS PER ASSY |
|-------------|-----------------|---------------|--|--|----------------------|
| 3 | 67 69-71501-1 | | .BARRIER-RELAY TERM. OPTIONAL PART: 66-22661-2 | 002004 006100 107107 121503 904999 | 2 |
| | 68 001-1908-000 | | ..BARRIER- SUPPLIER CODE: V58657 | 002004 006100 107107 121503 904999 | 1 |

MISSING ITEM NUMBERS NOT APPLICABLE

- ITEM NOT ILLUSTRATED

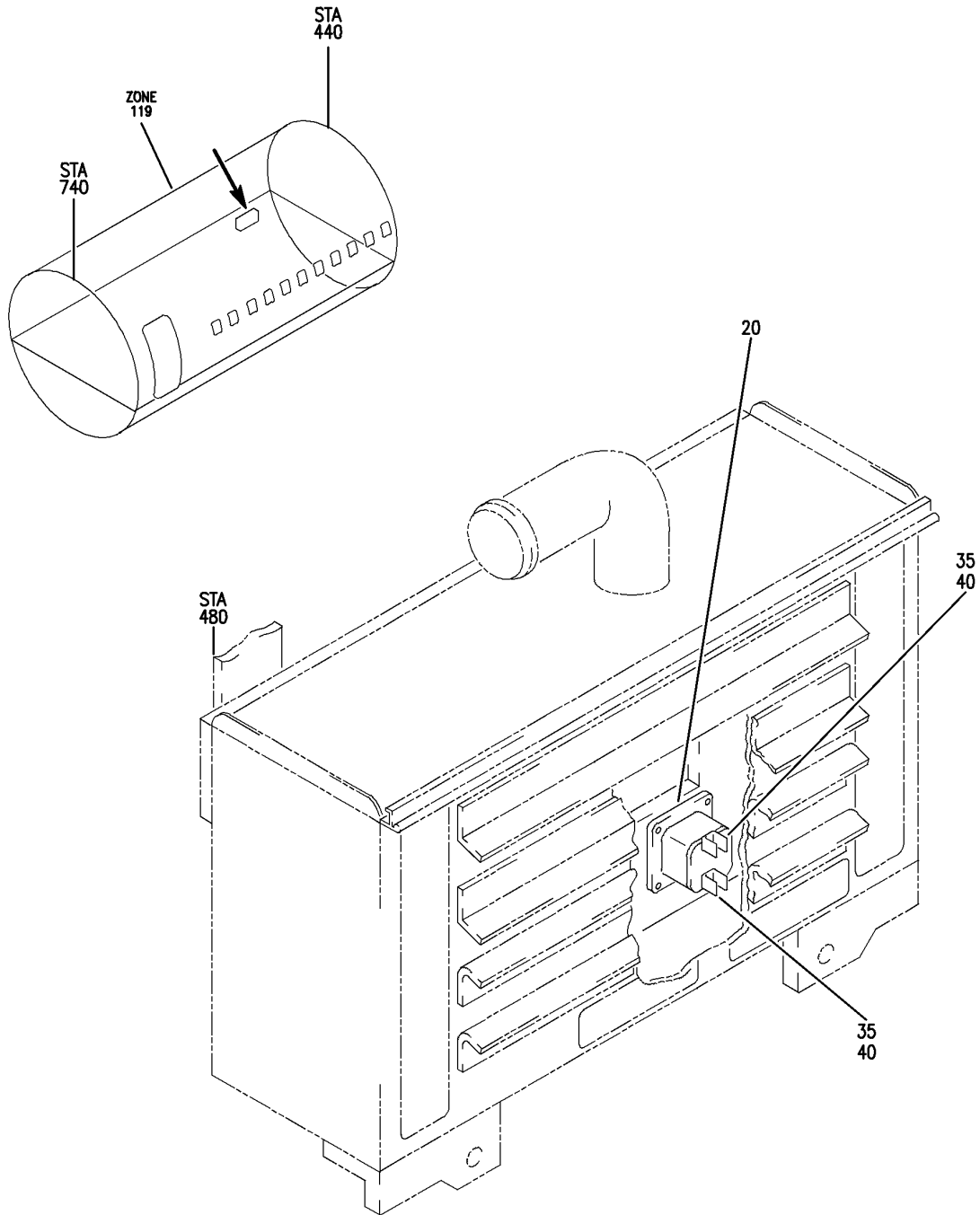
BRI

21-25-71-03

BOEING PROPRIETARY - Copyright © - Unpublished Work - See title page for details.

21-25-71
FIG. 03
PAGE 2
JAN 20/09

BOEING
757
PARTS CATALOG (MAINTENANCE)



Y 21257103A REV 244

PACKAGE ASSY-OPTION P70 MISC RELAY (RECIRCULATION SYSTEM ONLY)
FIGURE 3A

21-25-71-03A

BRI
MAY 28/07

21-25-71-03A
PAGE 0



757

PARTS CATALOG (MAINTENANCE)

| FIG ITEM | PART NUMBER | 1 2 3 4 5 6 7 | NOMENCLATURE | EFFECT FROM TO | UNITS PER ASSY |
|----------|---------------|---------------|---|------------------|----------------|
| 3A | | | PACKAGE ASSY-OPTION P70 MISC RELAY (RECIRCULATION SYSTEM ONLY) | 101102 504903 | |
| - 1 | 284N1129-1001 | | PACKAGE ASSY-OPTION P70 MISC RELAY (RECIRCULATION SYSTEM ONLY) FOR NHA/OTHER SYS DET SEE: 31-01-70-01 | 101102 504903 | RF |
| 20 | 9123-8072 | | .RELAY- SUPPLIER CODE: V58657 ELECTRICAL EQUIP NUMBER: K00415 ATTACHING PARTS | 101102 504903 | 1 |
| - 25 | NAS603-7P | | .SCREW | 101102 504903 | 4 |
| - 30 | NAS1149D0316H | | .WASHER | 101102 504903 | 4 |
| 35 | 69-71501-1 | | -----*----- .BARRIER-RELAY TERM. | 101102 504903 | 2 |
| 40 | 001-1908-000 | | ..BARRIER- SUPPLIER CODE: V58657 | 101102 504903 | 1 |

MISSING ITEM NUMBERS NOT APPLICABLE

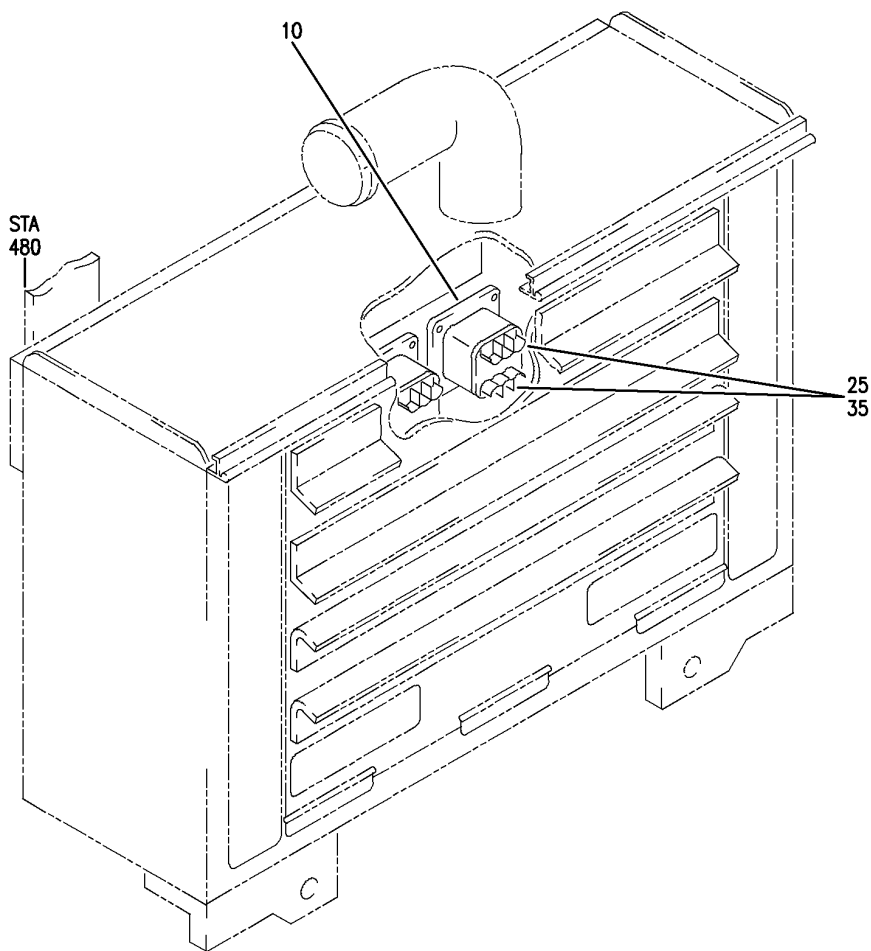
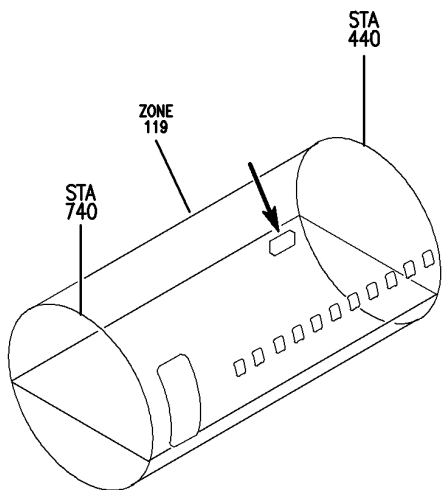
- ITEM NOT ILLUSTRATED

21-25-71-03A

21-25-71
FIG. 03A
PAGE 1
JAN 20/09

BRI

BOEING
757
PARTS CATALOG (MAINTENANCE)



Y 21257103C REV 244

PANEL INSTL-P70 MISC RELAY (CABIN AIR RECIRCULATION SYSTEM ONLY)
FIGURE 3C

21-25-71-03C

BRI
JAN 20/09

21-25-71-03C
PAGE 0



757

PARTS CATALOG (MAINTENANCE)

| FIG ITEM | PART NUMBER | 1 2 3 4 5 6 7 | NOMENCLATURE | EFFECT FROM TO | UNITS PER ASSY |
|----------|--------------|---------------|---|------------------|----------------|
| 3C | | | PANEL INSTL-P70 MISC RELAY (CABIN AIR RECIRCULATION SYSTEM ONLY) | 103106 108120 | |
| - 2 | 284N1129-423 | | PANEL INSTL-P70 MISC RELAY (CABIN AIR RECIRCULATION SYSTEM ONLY) | 108120 | RF |
| - 5 | MODREF31428 | | FOR NHA/OTHER SYS DET SEE: 24-00-58-05C | | |
| - 5 | MODREF31428 | | PANEL INSTL-P70 MISC RELAY (CABIN AIR RECIRCULATION SYSTEM ONLY) | 103105 | 1 |
| | | | MODULE NUMBER: 284N1129-438 REV A | | |
| | | | FOR OTHER SYS DETAILS SEE: 11-36-10-01B 21-43-71-02B 21-44-71-03B 21-45-61-01 23-32-55-03B 24-51-02-07 24-51-04-01 24-51-60-04 24-53-71-04B 27-51-71-04B 28-25-71-04B 31-01-70-05 33-45-51-02B | | |
| - 5 | MODREF170991 | | PANEL INSTL-P70 MISC RELAY (CABIN AIR RECIRCULATION SYSTEM ONLY) | 106106 | 1 |
| | | | MODULE NUMBER: 284N1129-438 REV C | | |
| | | | FOR OTHER SYS DETAILS SEE: 11-36-10-01B 21-43-71-02B 21-44-71-03B 21-45-61-01 23-32-55-03B 24-51-02-07 24-51-04-01 24-51-60-04 24-53-71-04B 27-51-71-04B 28-25-71-04B 31-01-70-05 33-45-51-02B | | |

MISSING ITEM NUMBERS NOT APPLICABLE

- ITEM NOT ILLUSTRATED

21-25-71-03C

21-25-71
FIG. 03C
PAGE 1
JAN 20/09

BRI



757

PARTS CATALOG (MAINTENANCE)

| FIG ITEM | PART NUMBER | 1 2 3 4 5 6 7 | NOMENCLATURE | EFFECT FROM TO | UNITS PER ASSY |
|----------|---------------|---------------|--|------------------|----------------|
| 3C | | | | | |
| 10 | 9123-8072 | | .RELAY- SUPPLIER CODE: V58657 ELECTRICAL EQUIP NUMBER: K00415 ATTACHING PARTS | 103106 108120 | 1 |
| - 15 | NAS603-7P | | .SCREW- | 108120 | 4 |
| - 15 | BACS12CK3-7 | | .SCREW- | 103106 | 4 |
| - 20 | NAS1149D0316H | | .WASHER | 103106 108120 | 4 |
| | | | -----*----- | | |
| 25 | 69-71501-1 | | .BARRIER-RELAY TERM. | 103106 108120 | 2 |
| 35 | 001-1908-000 | | ..BARRIER- SUPPLIER CODE: V58657 | 103106 108120 | 1 |

MISSING ITEM NUMBERS NOT APPLICABLE

- ITEM NOT ILLUSTRATED

BRI

21-25-71-03C

BOEING PROPRIETARY - Copyright © - Unpublished Work - See title page for details.

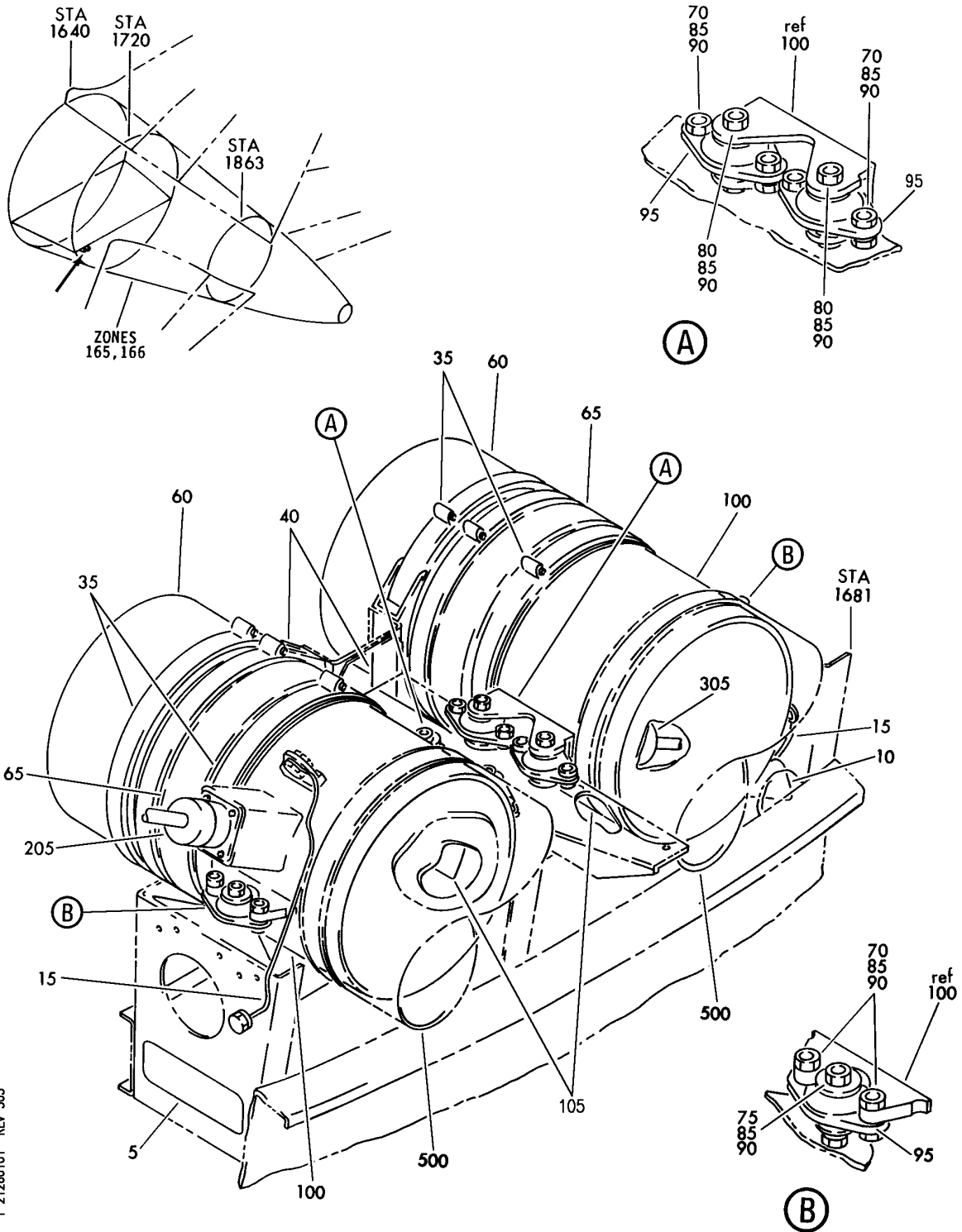
21-25-71
FIG. 03C
PAGE 2
JAN 20/09

VENTILATION SYSTEM

BRI
MAY 28/07

21-26-00
SECTION TITLE
PAGE 1

BOEING
757
PARTS CATALOG (MAINTENANCE)



Y 21260101 REV 303

FAN INSTL-SECT. 46 VENT SYS
FIGURE 1

21-26-01-01

BRI
MAY 28/07

21-26-01-01
PAGE 0



757

PARTS CATALOG (MAINTENANCE)

| FIG ITEM | PART NUMBER | 1 2 3 4 5 6 7 | NOMENCLATURE | EFFECT FROM TO | UNITS PER ASSY |
|-------------|-------------|---------------|--|--|----------------------|
| 1 | | | FAN INSTL-SECT. 46 VENT SYS | 002004 107107 121503 904949 952952 | |
| - 1 | 214N3006-1 | | FAN INSTL-VENT SYS POSITION DATA: SECT. 46 FOR NHA SEE: 21-00-00-01 | 002004 107107 121503 904949 952952 | RF |
| 15 | 740A20-10 | | .JUMPER ASSY SUPPLIER CODE: V91812 SPECIFICATION NUMBER: BACJ40A20-10 OPTIONAL PART: TJEJ40A20-10 V33483 RBEJ20-10 V1GK47 | 002004 107107 121503 904949 952952 | 2 |
| - 20 | NAS1801-3-8 | | ATTACHING PARTS .SCREW | 002004 107107 121503 904949 952952 | 4 |
| - 25 | AN960D10L | | .WASHER | 002004 107107 121503 904949 952952 | 12 |

MISSING ITEM NUMBERS NOT APPLICABLE

- ITEM NOT ILLUSTRATED

BRI

21-26-01-01

21-26-01
FIG. 01
PAGE 1
JAN 20/09

 **BOEING**
757
PARTS CATALOG (MAINTENANCE)

| FIG ITEM | PART NUMBER | 1 2 3 4 5 6 7 | NOMENCLATURE | EFFECT FROM TO | UNITS PER ASSY |
|-------------------------------|-------------|---------------|---|--|----------------|
| 1 - 30 | BRH10A3 | | .NUT SUPPLIER CODE: V52828 SPECIFICATION NUMBER: BACN10JC3 OPTIONAL PART: H10-3BAC V15653 NS202101-02 V80539 RMLH9075-3W V72962 VN303A02 V92215 96-02 V80539 T6S1032J V11815 | 002004 107107 121503 904949 952952 | 4 |
| 35 | 88 | | -----*----- .CLAMP- SUPPLIER CODE: V7Z588 SPECIFICATION NUMBER: STBC10GG192 OPTIONAL PART: WWD192H V66295 STBC10GG178 | 002004 107107 121503 904949 952952 | 6 |
| 35 | 80 | | .CLAMP- SUPPLIER CODE: V7Z588 SPECIFICATION NUMBER: STBC10GG178 OPTIONAL PART: WWD178H V66295 STBC10GG192 | 002004 107107 121503 904949 952952 | 6 |
| 40 | 214T3424-21 | | .SUPPORT-DUCT | 002004 107107 121503 904949 952952 | 2 |
| R R R R R - 45 | BACS12FA3K6 | | ATTACHING PARTS .SCREW | 002004 107107 121503 904949 952952 | 4 |

MISSING ITEM NUMBERS NOT APPLICABLE

- ITEM NOT ILLUSTRATED

BRI

21-26-01-01

BOEING PROPRIETARY - Copyright © - Unpublished Work - See title page for details.

21-26-01
FIG. 01
PAGE 2
MAY 20/09

BOEING
757
PARTS CATALOG (MAINTENANCE)

| FIG ITEM | PART NUMBER | 1 2 3 4 5 6 7 | NOMENCLATURE | EFFECT FROM TO | UNITS PER ASSY |
|----------|--------------|---------------|---|--|----------------|
| 1 | | | | | |
| - 50 | AN960KD10L | . | WASHER | 002004 107107 121503 904949 952952 | 4 |
| - 55 | BRH10C3D | . | NUT SUPPLIER CODE: V52828 SPECIFICATION NUMBER: BACN10JC3D OPTIONAL PART: T6C1032JCD V11815 NS202486-02 V80539 102LH9075-3W V72962 H51650-3BAC V15653 -----*----- | 002004 107107 121503 904949 952952 | 4 |
| 60 | 2790546-102 | . | VALVE-AIR CHK SUPPLIER CODE: V92003 SPECIFICATION NUMBER: S210N701-26 | 002004 107107 121503 904949 952952 | 2 |
| 65 | AS1506-22D22 | . | HOSE | 002004 107107 121503 904949 952952 | 2 |
| 70 | BACB30NM3K5 | . | BOLT | 002004 107107 121503 904949 952952 | 12 |
| 75 | BACB30NM3K13 | . | BOLT | 002004 107107 121503 904949 952952 | 2 |
| 80 | BACB30NM3K19 | . | BOLT | 002004 107107 121503 904949 952952 | 4 |

R
R
R
R
R

MISSING ITEM NUMBERS NOT APPLICABLE

- ITEM NOT ILLUSTRATED

BRI

21-26-01-01

21-26-01
FIG. 01
PAGE 3
MAY 20/09



757

PARTS CATALOG (MAINTENANCE)

| FIG ITEM | PART NUMBER | 1 2 3 4 5 6 7 | NOMENCLATURE | EFFECT FROM TO | UNITS PER ASSY |
|----------|---------------|---------------|---|--|----------------|
| 1 | 85 AN960KD10L | . | WASHER | 002004 107107 121503 904949 952952 | 18 |
| | 90 BRH10C3D | . | NUT SUPPLIER CODE: V52828 SPECIFICATION NUMBER: BACN10JC3CD OPTIONAL PART: T6C1032JCD V11815 NS202486-02 V80539 102LH9075-3W V72962 H51650-3BAC V15653 | 002004 107107 121503 904949 952952 | 18 |
| | 95 93696-1 | . | ISOLATOR- SUPPLIER CODE: V13636 OPTIONAL PART: WTROP6S1 V71985 | 002004 107107 121503 904949 952952 | 6 |
| | 95 WTROP6S1 | . | ISOLATOR- SUPPLIER CODE: V71985 OPTIONAL PART: 93696-1 V13636 | 002004 107107 121503 904949 952952 | 6 |
| | 95 WTROP6S | . | ISOLATOR- SUPPLIER CODE: V71985 | 002004 107107 121503 904949 952952 | 6 |

R
R
R
R
R

MISSING ITEM NUMBERS NOT APPLICABLE

- ITEM NOT ILLUSTRATED

21-26-01-01

21-26-01
FIG. 01
PAGE 4
MAY 20/09

BRI



757

PARTS CATALOG (MAINTENANCE)

| FIG ITEM | PART NUMBER | 1 2 3 4 5 6 7 | NOMENCLATURE | EFFECT FROM TO | UNITS PER ASSY |
|----------|-------------|---------------|---|--|----------------|
| 1 100 | 731378 | . | FAN- SUPPLIER CODE: V45153 SPECIFICATION NUMBER: S210N701-10 ELECTRICAL EQUIP NUMBER: B00015 B00016 COMPONENT MAINT MANUAL REF: 21-43-01 OPTIONAL PART: 731378A V45153 731378B V45153 | 002004 107107 121503 904949 952952 | 2 |
| 100 | 731378B | . | FAN- SUPPLIER CODE: V45153 SPECIFICATION NUMBER: S210N701-39 ELECTRICAL EQUIP NUMBER: B00015 B00016 COMPONENT MAINT MANUAL REF: 21-43-01 OPTIONAL PART: 731378A V45153 OPTIONAL PART: 731378 V45153 731378A V45153 | 002004 107107 121503 904949 952952 | 2 |

MISSING ITEM NUMBERS NOT APPLICABLE

- ITEM NOT ILLUSTRATED

BRI

21-26-01-01

BOEING PROPRIETARY - Copyright © - Unpublished Work - See title page for details.

21-26-01
FIG. 01
PAGE 5
MAY 20/09



757

PARTS CATALOG (MAINTENANCE)

| FIG ITEM | PART NUMBER | 1 2 3 4 5 6 7 | NOMENCLATURE | EFFECT FROM TO | UNITS PER ASSY |
|----------|---------------|---------------|--|--|----------------|
| 1 100 | 731378A | . | FAN- SUPPLIER CODE: V45153 FUNCTIONAL DESCRIPTION: THE AXIAL FLOW FANS INSTALLED ON EACH AIR- CRAFT SERVES EITHER OF TWO PURPOSES: PROVIDE HEAT TO THE CARGO COM- PARTMENTS AND VENTILA- TION OF THE GALLEYS AND LAVATORIES. SPECIFICATION NUMBER: S210N701-39 ELECTRICAL EQUIP NUMBER: B00015 B00016 COMPONENT MAINT MANUAL REF: 21-43-01 OPTIONAL PART: 731378B V45153 OPTIONAL PART: 731378 V45153 731378B V45153 | 002004 107107 121503 904949 952952 | 2 |
| 105 | 731521 | .. | PLATE-IDENT SUPPLIER CODE: V45153 | 002004 107107 121503 904949 952952 | 1 |
| 105 | 4100562 | .. | PLATE-IDENT SUPPLIER CODE: V45153 | 002004 107107 121503 904949 952952 | 1 |
| - 200 | 286N2634-002 | | WIRE BUNDLE ASSY | 002004 107107 121503 904949 952952 | RF |
| 205 | BACC45FT14A7S | . | CONNECTOR- ELECTRICAL EQUIP NUMBER: D02360 WIRING DIAGRAM REF: 215821 | 002004 107107 121503 904949 952952 | 1 |
| - 300 | 286N2632-012 | | WIRE BUNDLE ASSY- | 107107 | RF |

MISSING ITEM NUMBERS NOT APPLICABLE

- ITEM NOT ILLUSTRATED

BRI

21-26-01-01

21-26-01
FIG. 01
PAGE 6
MAY 20/09



757

PARTS CATALOG (MAINTENANCE)

| FIG ITEM | PART NUMBER | 1 2 3 4 5 6 7 | NOMENCLATURE | EFFECT FROM TO | UNITS PER ASSY |
|-------------|---------------|---------------|--|--|----------------------|
| 1 | | | | | |
| - 300 | 286N2632-013 | | WIRE BUNDLE ASSY | 121503 904949 | RF |
| - 301 | 286N2632-021 | | WIRE BUNDLE ASSY- | 002004 952952 | RF |
| 305 | BACC45FT14A7S | | .CONNECTOR- ELECTRICAL EQUIP NUMBER: D02358 WIRING DIAGRAM REF: 215821 | 002004 107107 121503 904949 952952 | 1 |

MISSING ITEM NUMBERS NOT APPLICABLE

- ITEM NOT ILLUSTRATED

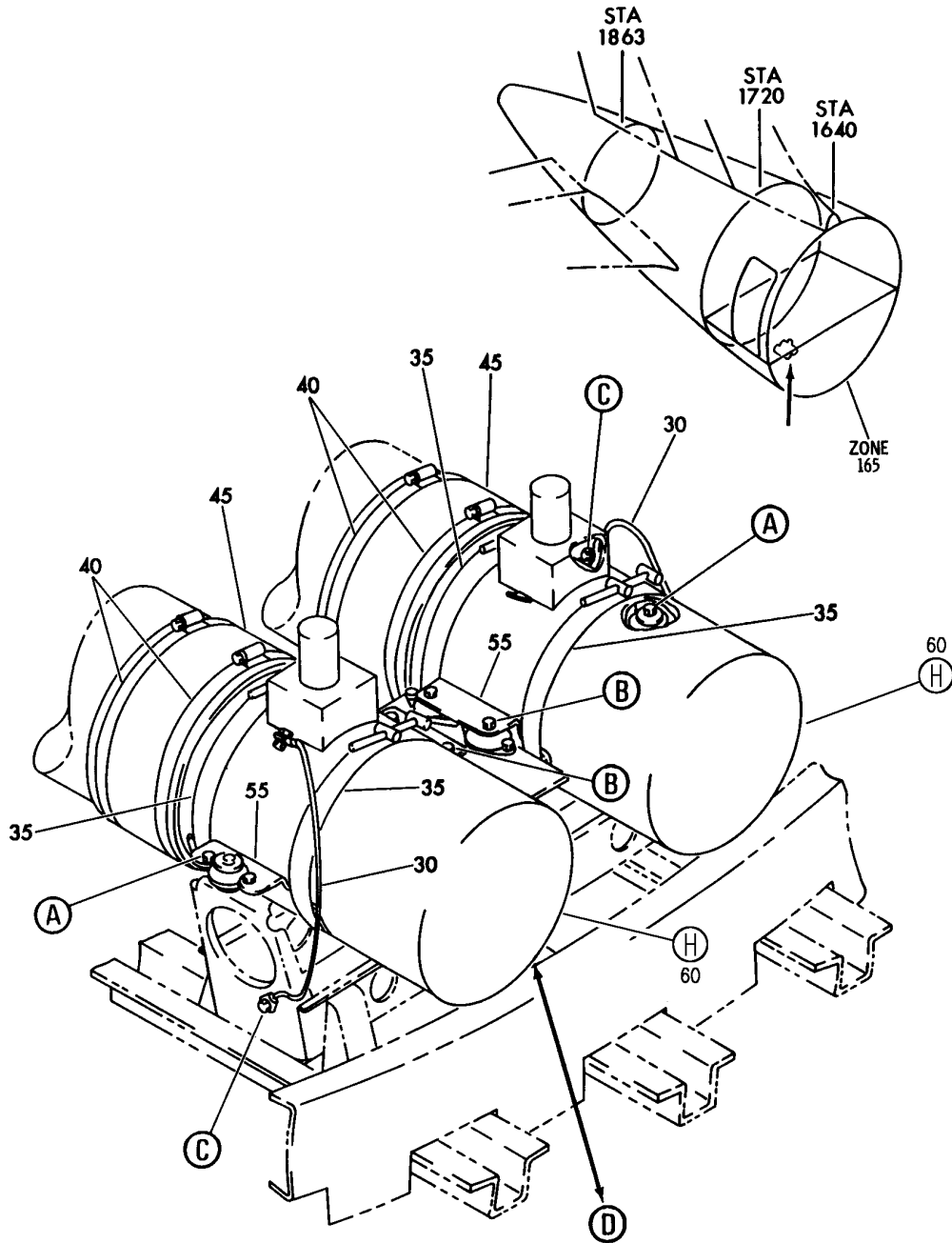
BRI

21-26-01-01

BOEING PROPRIETARY - Copyright © - Unpublished Work - See title page for details.

21-26-01
FIG. 01
PAGE 7
MAY 20/09

BOEING
757
PARTS CATALOG (MAINTENANCE)



Y 21260104 SH1 1 REV 269

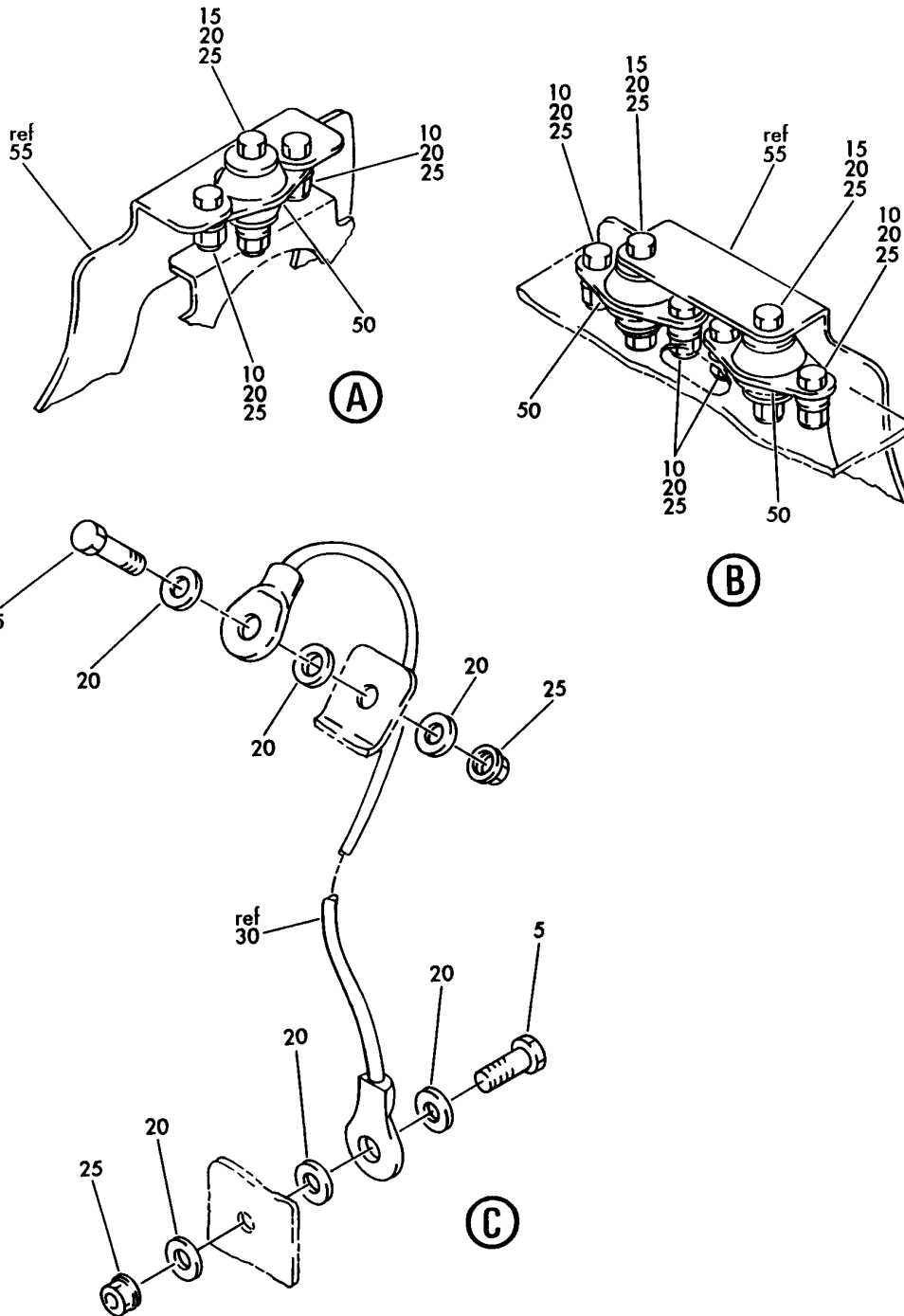
FAN INSTL- LAV/GALLEY VENT
FIGURE 4 (SHEET 1)

21-26-01-04

BRI
MAY 28/07

21-26-01-04
PAGE 0

BOEING
757
PARTS CATALOG (MAINTENANCE)



Y 21260104 SHT 2 REV 134

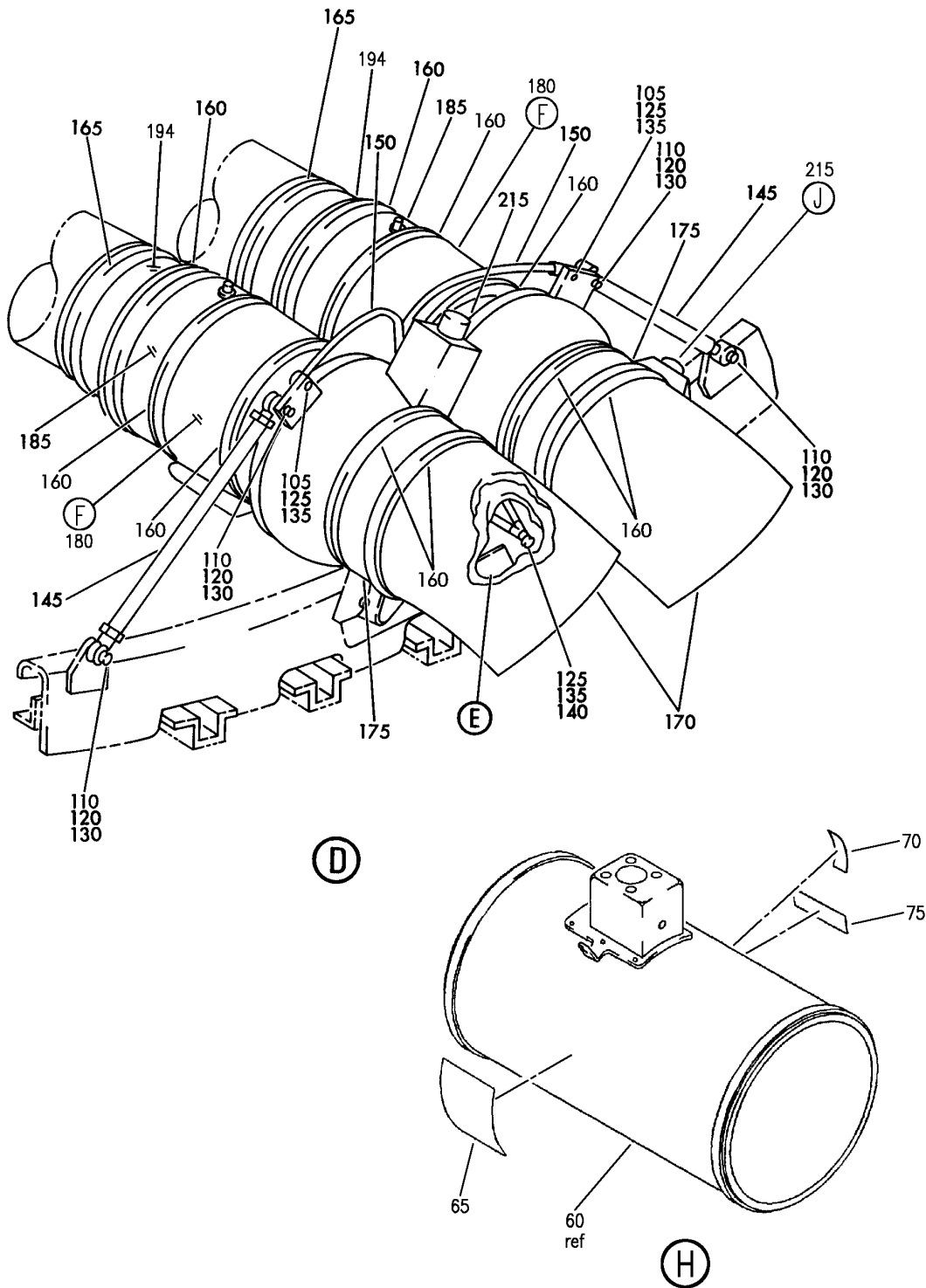
FAN INSTL- LAV/GALLEY VENT
FIGURE 4 (SHEET 2)

21-26-01-04

BRI
MAY 28/07

21-26-01-04
PAGE 0A

BOEING
757
PARTS CATALOG (MAINTENANCE)



Y 21260104 SHT 3 REV 295

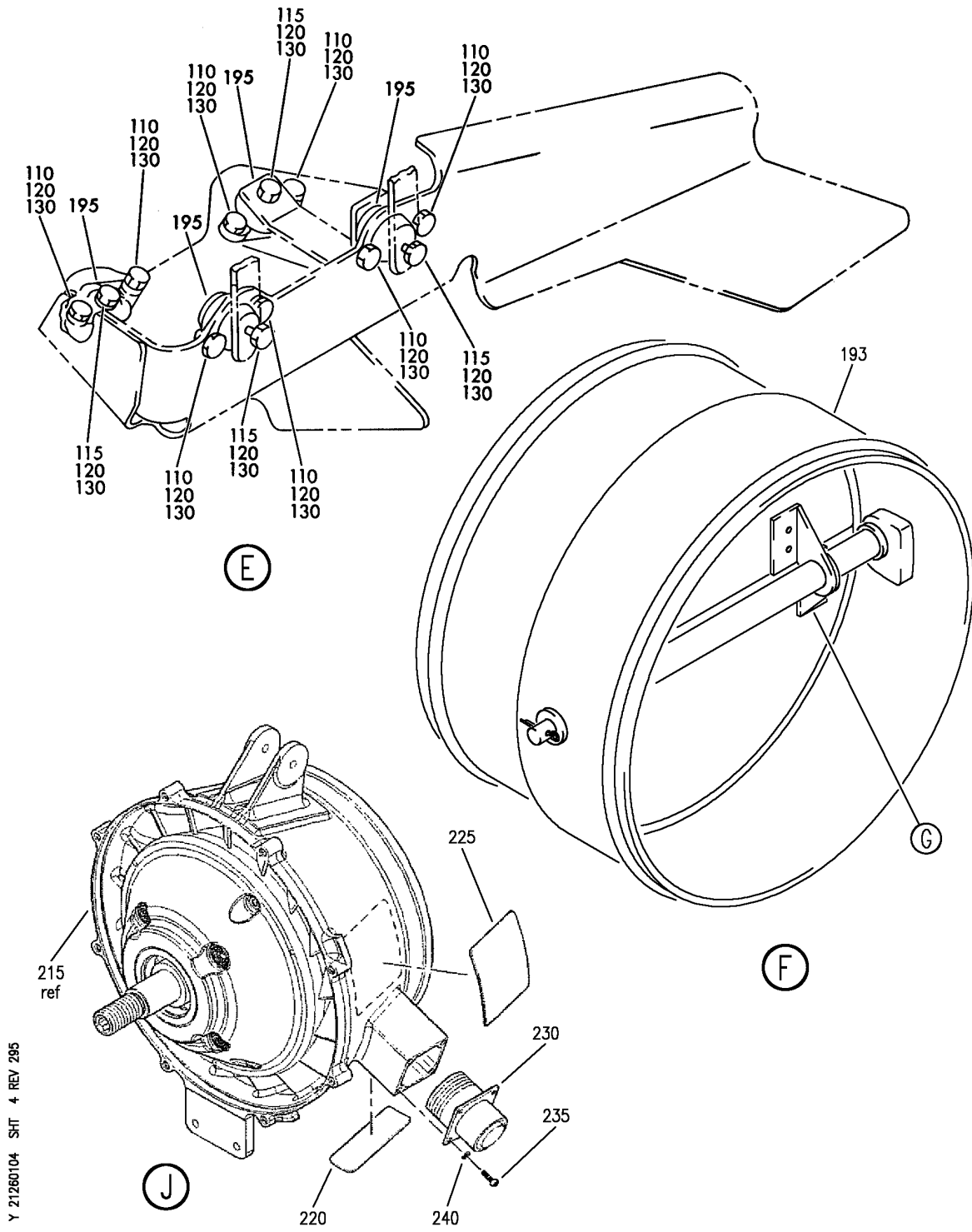
FAN INSTL- LAV/GALLEY VENT
FIGURE 4 (SHEET 3)

21-26-01-04

BRI
MAY 28/07

21-26-01-04
PAGE 0B

BOEING
757
PARTS CATALOG (MAINTENANCE)



Y 21260104 SHT 4 REV 295

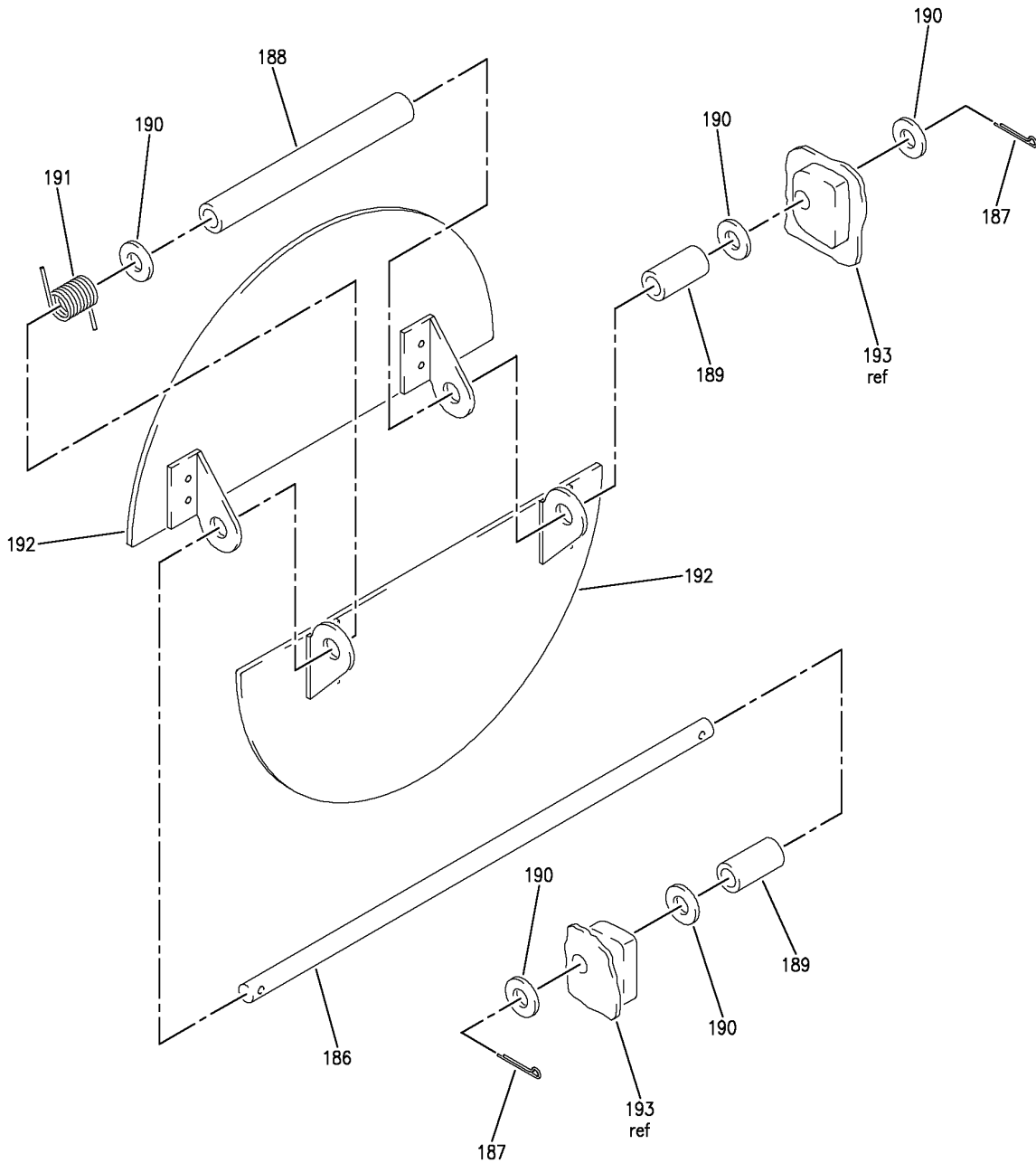
FAN INSTL- LAV/GALLEY VENT
FIGURE 4 (SHEET 4)

21-26-01-04

BRI
MAY 28/07

21-26-01-04
PAGE 0C

BOEING
757
PARTS CATALOG (MAINTENANCE)



Y 21260104 SHT 5 REV 245

(G)

FAN INSTL- LAV/GALLEY VENT
FIGURE 4 (SHEET 5)

BRI
MAY 28/07

21-26-01-04

21-26-01-04
PAGE 0D



757

PARTS CATALOG (MAINTENANCE)

| FIG ITEM | PART NUMBER | 1 2 3 4 5 6 7 | NOMENCLATURE | EFFECT FROM TO | UNITS PER ASSY |
|----------|---------------|---------------|---|--|----------------|
| 4 | | | FAN INSTL- LAV/GALLEY VENT | 006106 108120 504903 950951 953999 | |
| - 1 | 214N3009-2 | | FAN INSTL-LAV/GALLEY VENT FOR NHA SEE: 21-00-00-01 | 006100 950951 953999 | RF |
| - 1 | 214N3009-3 | | FAN INSTL-LAV/GALLEY VENT FOR NHA SEE: 21-00-00-15 | 101102 108120 504903 | RF |
| - 1 | MODREF24102 | | FAN INSTL-LAV/GALLEY VENT MODULE NUMBER: 214N3009-3 REV B | 103106 | 1 |
| 5 | NAS1801-3-6 | | .SCREW | 006106 108120 504903 950951 953999 | 4 |
| 10 | NAS1801-3-7 | | .SCREW | 006106 108120 504903 950951 953999 | 12 |
| 15 | NAS1801-3-18 | | .SCREW | 006106 108120 504903 950951 953999 | 6 |
| 20 | AN960D10L | | .WASHER | 006100 950951 953999 | 30 |
| 20 | NAS1149D0316H | | .WASHER | 101106 108120 504903 | 30 |
| 25 | MS21042L3 | | .NUT | 006106 108120 504903 950951 953999 | 22 |

MISSING ITEM NUMBERS NOT APPLICABLE

- ITEM NOT ILLUSTRATED

21-26-01-04

21-26-01
FIG. 04
PAGE 1
JAN 20/09

BRI

 **BOEING**
757
PARTS CATALOG (MAINTENANCE)

| FIG ITEM | PART NUMBER | 1 2 3 4 5 6 7 | NOMENCLATURE | EFFECT FROM TO | UNITS PER ASSY |
|----------|-------------|----------------|---|--|----------------|
| 4 | | | | | |
| 30 | 740A20-12 | . | JUMPER ASSY SUPPLIER CODE: V91812 SPECIFICATION NUMBER: BACJ40A20-12 OPTIONAL PART: TJEJ40A20-12 V33483 RBEJ20-12 V1GK47 | 006106 108120 504903 950951 953999 | 2 |
| R | 35 | BACC10BN550LM | .CLAMP | 006106 108120 504903 950951 953999 | 4 |
| R | 40 | NAS1922-0575-1 | .CLAMP- | 006106 108120 504903 950951 953999 | 4 |
| R | 40 | NAS1922-0575-3 | .CLAMP- | 006106 108120 504903 950951 953999 | 4 |
| R | 45 | BACD40R22A33 | .DUCT | 006106 108120 504903 950951 953999 | 2 |
| R | 50 | 93696-1 | .ISOLATOR- SUPPLIER CODE: V13636 OPTIONAL PART: WTROP6S1 V71985 | 006106 108120 504903 950951 953999 | 6 |
| R | 50 | WTROP6S1 | .ISOLATOR- SUPPLIER CODE: V71985 OPTIONAL PART: 93696-1 V13636 | 006106 108120 504903 950951 953999 | 6 |
| R | 50 | WTROP6S | .ISOLATOR- SUPPLIER CODE: V71985 | 006106 108120 504903 950951 953999 | 6 |

MISSING ITEM NUMBERS NOT APPLICABLE

— ITEM NOT ILLUSTRATED

BRI

21-26-01-04

BOEING PROPRIETARY - Copyright © - Unpublished Work - See title page for details.

21-26-01
FIG. 04
PAGE 2
MAY 20/09



757

PARTS CATALOG (MAINTENANCE)

| FIG ITEM | PART NUMBER | 1 2 3 4 5 6 7 | NOMENCLATURE | EFFECT FROM TO | UNITS PER ASSY |
|----------|-------------|---------------|---|--|----------------|
| 4 55 | 214N3101-3 | . | BRACKET | 006106 108120 504903 950951 953999 | 2 |
| 60 | 4101054A | . | FAN ASSY- SUPPLIER CODE: V45153 FUNCTIONAL DESCRIPTION: PROVIDES E.E. COOLING AIR SPECIFICATION NUMBER: S210N701-38 OPTIONAL PART: 4101054 V45153 | 006106 108120 504903 950951 953999 | 2 |
| 60 | 4101054 | . | FAN ASSY- SUPPLIER CODE: V45153 FUNCTIONAL DESCRIPTION: PROVIDES E.E. COOLING AIR USED TO CIRCULATE VENTILATING AIR TO THE FORWARD AND AFT GALLEYS AND LAVATORIES BY DIRECTING THE EXHAUST AIR OVERBORD THROUGH THE CABIN PRESSURIZATION AND FLOW VALVES. SPECIFICATION NUMBER: S210N701-38 COMPONENT MAINT MANUAL REF: 21-20-04 OPTIONAL PART: 4101054A V45153 | 006106 108120 504903 950951 953999 | 2 |
| 65 | 4100562 | .. | PLATE- CIRCUIT DIAGRAM AND ID SUPPLIER CODE: V45153 | 006106 108120 504903 950951 953999 | 1 |
| 70 | X10055 | .. | PLATE-INSTRUCTION ROTATION SUPPLIER CODE: V45153 | 006106 108120 504903 950951 953999 | 1 |

MISSING ITEM NUMBERS NOT APPLICABLE

- ITEM NOT ILLUSTRATED

BRI

21-26-01-04

21-26-01
FIG. 04
PAGE 3
MAY 20/09



757

PARTS CATALOG (MAINTENANCE)

| FIG ITEM | PART NUMBER | 1 2 3 4 5 6 7 | NOMENCLATURE | EFFECT FROM TO | UNITS PER ASSY |
|-------------|-------------|---------------|---|--|----------------------|
| 4 75 | X10056 | | . . PLATE-INSTRUCTION AIR FLOW SUPPLIER CODE: V45153 | 006106 108120 504903 950951 953999 | 1 |

MISSING ITEM NUMBERS NOT APPLICABLE

- ITEM NOT ILLUSTRATED

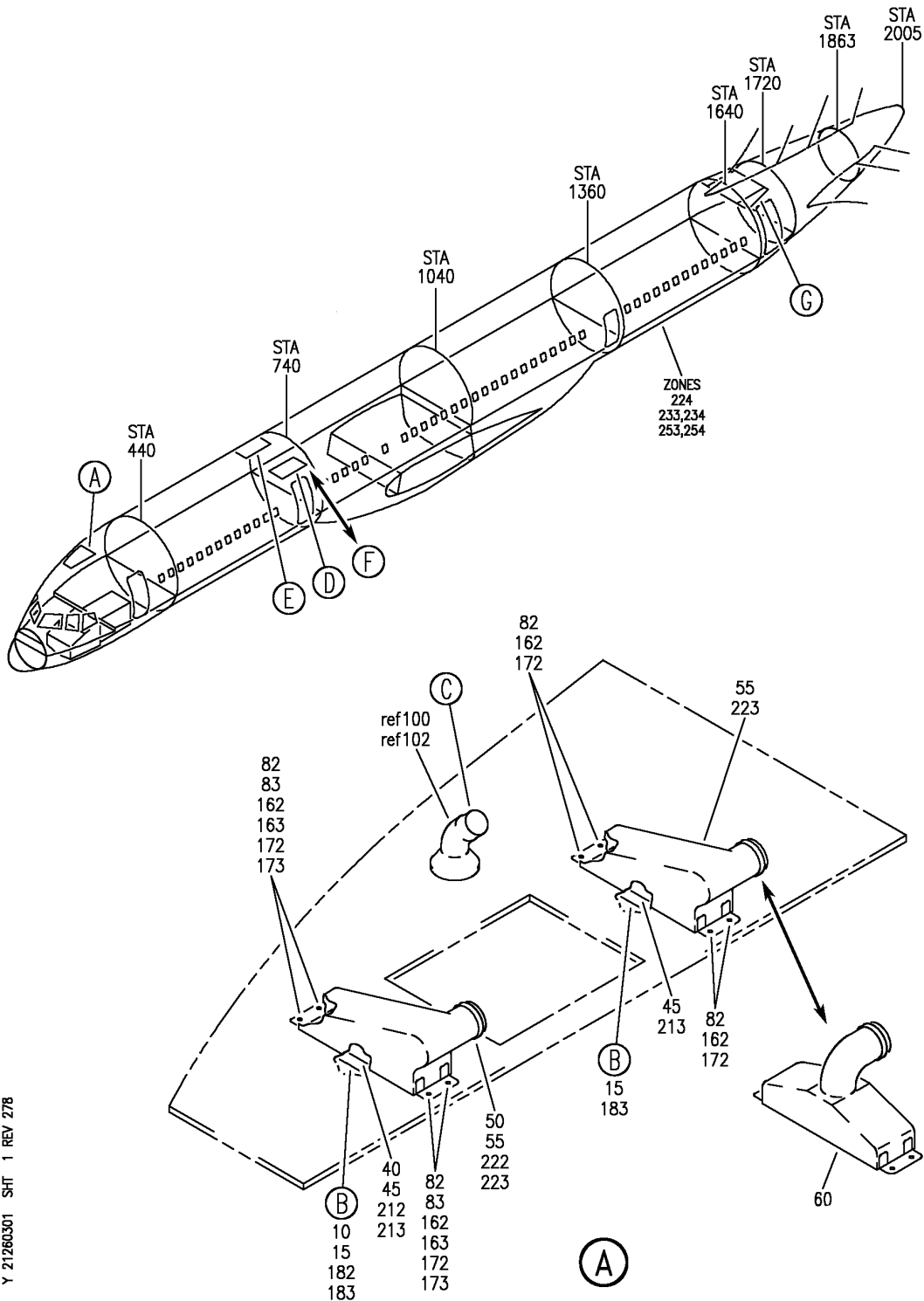
BRI

21-26-01-04

BOEING PROPRIETARY - Copyright © - Unpublished Work - See title page for details.

21-26-01
FIG. 04
PAGE 4
MAY 20/09

BOEING
757
PARTS CATALOG (MAINTENANCE)



Y 21260301 SH1 1 REV 27B

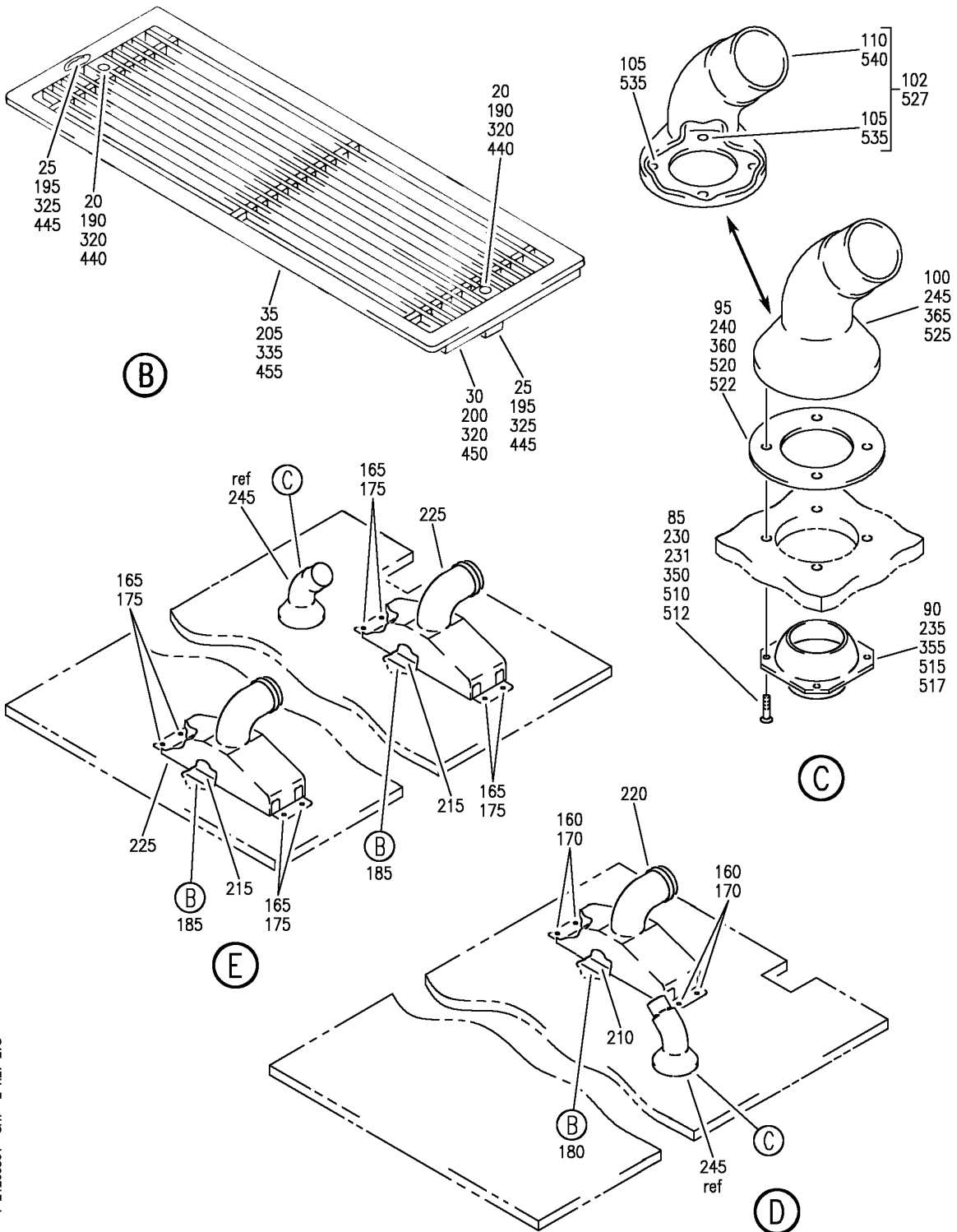
PANEL AND CEILING ASSY-ACOUSTICAL, FLAT AND NON ACOUSTICAL (AIR CONDITIONING ONLY)
FIGURE 1 (SHEET 1)

21-26-03-01

BRI
MAY 28/07

21-26-03-01
PAGE 0

BOEING
757
PARTS CATALOG (MAINTENANCE)



Y 21260301 SH1 2 REV 278

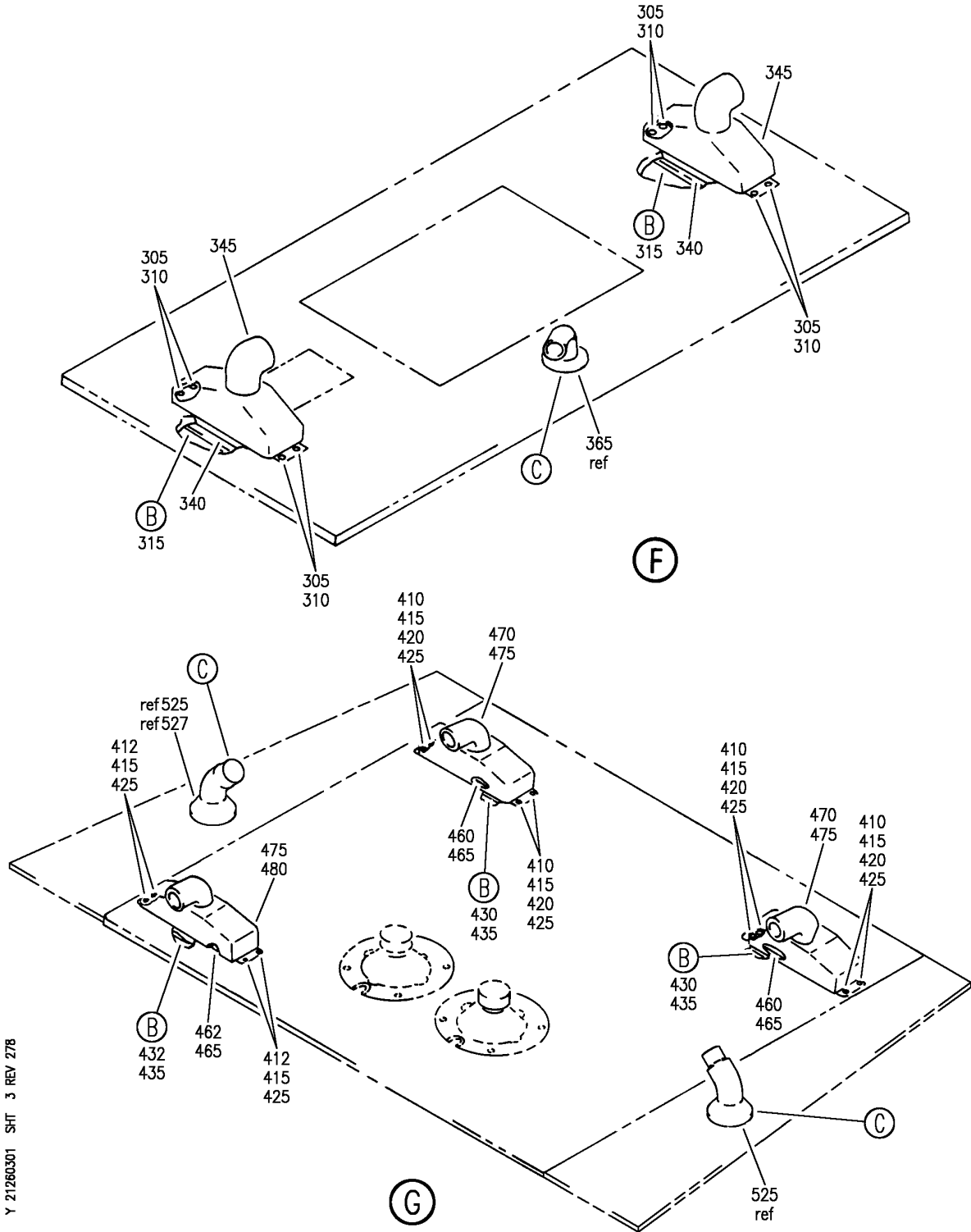
PANEL AND CEILING ASSY-ACOUSTICAL, FLAT AND NON ACOUSTICAL (AIR CONDITIONING ONLY)
FIGURE 1 (SHEET 2)

21-26-03-01

BRI
MAY 28/07

21-26-03-01
PAGE 0A

BOEING
757
PARTS CATALOG (MAINTENANCE)



Y 21260301 SH1 3 REV 27B

PANEL AND CEILING ASSY-ACOUSTICAL, FLAT AND NON ACOUSTICAL (AIR CONDITIONING ONLY)
FIGURE 1 (SHEET 3)

21-26-03-01

BRI
MAY 28/07

21-26-03-01
PAGE 0B



757

PARTS CATALOG (MAINTENANCE)

| FIG ITEM | PART NUMBER | 1 2 3 4 5 6 7 | NOMENCLATURE | EFFECT FROM TO | UNITS PER ASSY |
|----------|----------------|---------------|--|--------------------------------------|----------------|
| 1 | | | PANEL AND CEILING ASSY- ACOUSTICAL, FLAT AND NON ACOUSTICAL (AIR CONDITIONING ONLY) | 002004 006102 107503 904999 | |
| - 1 | 411N3210-130SP | | PANEL ASSY-ACOUSTICAL (AIR CONDITIONING ONLY) FOR NHA/OTHER SYS DET SEE: 25-22-02-29 | 107107 | RF |
| - 2 | 411N3260-153SP | | PANEL ASSY-ACOUSTICAL (AIR CONDITIONING ONLY) FOR NHA/OTHER SYS DET SEE: 25-22-02-19 | 121503 904949 | RF |
| 10 | 411N3215-1SP | | .GRILL ASSY-GALLEY VENT | 107107 121503 904949 | 1 |
| 20 | 09-11-304-11 | | ..SCREW ASSY- SUPPLIER CODE: V94222 | 107107 121503 904949 | 2 |
| 25 | 09-49-101-12 | | ..RETAINER- SUPPLIER CODE: V94222 | 107107 121503 904949 | 2 |
| 30 | 214N3061-2SP | | ..RETAINER- | 107107 121503 904949 | 1 |
| 35 | 411N3213-1SP | | ..GRILL- | 107107 121503 904949 | 1 |
| 40 | 411N3210-90 | | .FILTER-MEDIA TUBING MATERIAL: FIBERGLASS SHEET AG105 OPTIONAL FRONTLINE BLUE TYPE FG DRY FILTER MEDIA 2.00 IN TH 10.50 IN 3.40 IN | 107107 121503 904949 | 1 |
| 50 | 214N3023-1 | | .PLENUM ASSY- | 107107 121503 904949 | 1 |
| - 65 | BACS12FA3K5 | | ATTACHING PARTS .SCREW | 107107 121503 904949 | 4 |
| - 75 | AN960KD10L | | .WASHER- | 107107 | 4 |
| - 75 | AN960JD10LL | | .WASHER- | 107107 121503 904949 | 4 |
| 83 | SL618-3A | | -----*----- .INSERT- SUPPLIER CODE: V97393 | 107107 | 4 |

MISSING ITEM NUMBERS NOT APPLICABLE

- ITEM NOT ILLUSTRATED

21-26-03-01

21-26-03
FIG. 01
PAGE 1
JAN 20/09

BRI



757

PARTS CATALOG (MAINTENANCE)

| FIG ITEM | PART NUMBER | 1 2 3 4 5 6 7 | NOMENCLATURE | EFFECT FROM TO | UNITS PER ASSY |
|----------|----------------|---------------|---|----------------------------|----------------|
| 1 | | | | | |
| 85 | NAS514P832-14 | . | SCREW | 107107 121503 904949 | 4 |
| 90 | 2470-01 | . | VALVE ASSY-AIR SUPPLIER CODE: V83564 | 107107 121503 904949 | 1 |
| 90 | 2470-1 | . | VALVE ASSY-AIR SUPPLIER CODE: V59579 | 107107 121503 904949 | 1 |
| 95 | 214N2121-1 | . | GASKET-GALLEY VENT | 107107 121503 904949 | 1 |
| 100 | 214N2119-1 | . | PLENUM ASSY | 107107 | 1 |
| 100 | 214N2119-3 | . | PLENUM ASSY- | 121503 904949 | 1 |
| 100 | 214N2119-4 | . | PLENUM ASSY- | 121503 904949 | 1 |
| - 150 | 411N3260-159SP | | PANEL ASSY-FLAT (AIR CONDITIONING ONLY) FOR NHA/OTHER SYS DET SEE: 25-22-02-19E 25-22-02-52 | 002004 006010 | RF |
| 162 | NAS1801-3-5 | . | SCREW- | 002004 006010 | 8 |
| 172 | AN960JD10LL | . | WASHER- | 002004 006010 | 8 |
| 183 | 411N3215-1SP | . | GRILL ASSY | 002004 006010 | 2 |
| 190 | 09-11-304-11 | .. | SCREW ASSY- SUPPLIER CODE: V94222 | 002004 006010 | 2 |
| 195 | 09-49-101-12 | .. | RETAINER- SUPPLIER CODE: V94222 | 002004 006010 | 2 |
| 200 | 214N3061-2SP | .. | RETAINER- | 002004 006010 | 1 |
| 205 | 411N3213-1SP | .. | GRILL | 002004 006010 | 1 |
| 210 | 411N3210-90 | . | FILTER-MEDIA TUBING MATERIAL: FIBERGLASS SHEET AG105 OPTIONAL FRONTLINE BLUE TYPE FG DRY FILTER MEDIA 2.00 IN TH 10.50 IN 3.40 IN USED ON: 415N7002-6SP | 107107 | 1 |

MISSING ITEM NUMBERS NOT APPLICABLE

- ITEM NOT ILLUSTRATED

21-26-03-01

21-26-03
FIG. 01
PAGE 2
JAN 20/09

BRI



757

PARTS CATALOG (MAINTENANCE)

| FIG ITEM | PART NUMBER | 1 2 3 4 5 6 7 | NOMENCLATURE | EFFECT FROM TO | UNITS PER ASSY |
|----------|----------------|---------------|---|----------------------------|----------------|
| 1 | | | | | |
| 213 | 411N3210-90 | . | FILTER-MEDIA TUBING MATERIAL: FIBERGLASS SHEET AG105 OPTIONAL FRONTLINE BLUE TYPE FG DRY FILTER MEDIA 2.00 IN TH 10.50 IN 3.40 IN | 002004 006010 | 2 |
| 223 | 214N3023-1 | . | PLENUM ASSY | 002004 006010 | 2 |
| 231 | NAS514P832-14 | . | SCREW | 002004 006010 | 4 |
| 235 | 2470-01 | . | VALVE ASSY-AIR SUPPLIER CODE: V83564 | 002004 006010 | 1 |
| 235 | 2470-1 | . | VALVE ASSY-AIR SUPPLIER CODE: V59579 | 002004 006010 | 1 |
| 240 | 214N2121-1 | . | GASKET | 002004 006010 | 1 |
| 245 | 214N2119-3 | . | PLENUM ASSY- | 002004 006010 | 1 |
| 245 | 214N2119-4 | . | PLENUM ASSY- | 002004 006010 | 1 |
| - 400 | 411N3210-159SP | | PANEL ASSY-ACOUSTICAL (AIR CONDITIONING ONLY) FOR NHA/OTHER SYS DET SEE: 25-22-02-27 | 107107 | RF |
| 410 | BACS12FA3K5 | . | SCREW- | 107107 121503 904949 | 8 |
| 420 | AN960KD10L | . | WASHER- | 107107 | 8 |
| 420 | AN960JD10LL | . | WASHER- | 107107 | 8 |
| 430 | 411N3215-1SP | . | GRILL ASSY | 107107 | 2 |
| 440 | 09-11-304-11 | .. | SCREW ASSY- SUPPLIER CODE: V94222 | 107107 | 2 |
| 445 | 09-49-101-12 | .. | RETAINER- SUPPLIER CODE: V94222 | 107107 | 2 |
| 450 | 214N3061-2SP | .. | RETAINER- | 107107 | 1 |
| 455 | 411N3213-1SP | .. | GRILL- | 107107 | 1 |
| 460 | 411N3210-90 | . | FILTER-MEDIA TUBING MATERIAL: FIBERGLASS SHEET AG105 OPTIONAL FRONTLINE BLUE TYPE FG DRY FILTER MEDIA 2.00 IN TH 10.50 IN 3.40 IN | 107107 | 2 |
| 470 | 214N3054-1 | . | PLENUM ASSY | 107107 | 2 |

MISSING ITEM NUMBERS NOT APPLICABLE

- ITEM NOT ILLUSTRATED

21-26-03-01

21-26-03
FIG. 01
PAGE 3
JAN 20/09

BRI



757

PARTS CATALOG (MAINTENANCE)

| FIG ITEM | PART NUMBER | 1 2 3 4 5 6 7 | NOMENCLATURE | EFFECT FROM TO | UNITS PER ASSY |
|----------|----------------|---------------|--|--|----------------|
| 1 | | | | | |
| - 500 | 411N3210-89SP | | PANEL ASSY-ACOUSTICAL (AIR CONDITIONING ONLY) FOR NHA/OTHER SYS DET SEE: 25-22-02-27 | 107107 | RF |
| - 500 | 411N3264-33SP | | PANEL ASSY-FLAT (AIR CONDITIONING ONLY) FOR NHA/OTHER SYS DET SEE: 25-22-02-03E | 108120 | RF |
| - 500 | 411N3264-85SP | | PANEL ASSY-FLAT (AIR CONDITIONING ONLY) FOR NHA/OTHER SYS DET SEE: 25-22-02-18A 25-22-02-24 | 121503 904949 | RF |
| - 500 | 411N3264-65SP | | PANEL ASSY-FLAT (AIR CONDITIONING ONLY) FOR NHA/OTHER SYS DET SEE: 25-22-02-03B 25-22-02-03C 25-22-02-18J 25-22-02-95A | 002004 006102 950999 | RF |
| - 505 | 411N3210-104SP | | PANEL ASSY-ACOUSTICAL (AIR CONDITIONING ONLY) FOR NHA/OTHER SYS DET SEE: 25-22-02-27 | 107107 | RF |
| - 505 | 411N3264-30SP | | PANEL ASSY-FLAT (AIR CONDITIONING ONLY) FOR NHA/OTHER SYS DET SEE: 25-22-02-03E | 108120 | RF |
| - 505 | 411N3264-74SP | | PANEL ASSY-FLAT (AIR CONDITIONING ONLY) FOR NHA/OTHER SYS DET SEE: 25-22-02-18A 25-22-02-24 | 121503 904949 | RF |
| - 505 | 411N3264-66SP | | PANEL ASSY-FLAT (AIR CONDITIONING ONLY) FOR NHA/OTHER SYS DET SEE: 25-22-02-03B 25-22-02-03C 25-22-02-18J 25-22-02-95A | 002004 006102 950999 | RF |
| 510 | NAS514P832-14 | | .SCREW- | 002004 006100 107503 904949 952999 | 4 |
| 510 | NAS514P832-14 | | .SCREW | 002004 006100 108120 950999 | 4 |

MISSING ITEM NUMBERS NOT APPLICABLE

- ITEM NOT ILLUSTRATED

BRI

21-26-03-01

BOEING PROPRIETARY - Copyright © - Unpublished Work - See title page for details.

21-26-03
FIG. 01
PAGE 4
JAN 20/09



757

PARTS CATALOG (MAINTENANCE)

| FIG ITEM | PART NUMBER | 1 2 3 4 5 6 7 | NOMENCLATURE | EFFECT FROM TO | UNITS PER ASSY |
|----------|-------------|---------------|---|--------------------------------------|----------------|
| 1 | | | | | |
| 515 | 2470-01 | | .VALVE ASSY-AIR SUPPLIER CODE: V83564 | 002004 006102 107503 904999 | 1 |
| 515 | 2470-1 | | .VALVE ASSY-AIR SUPPLIER CODE: V59579 | 002004 006102 107503 904999 | 1 |
| 520 | 214N2121-1 | | .GASKET-GALLEY VENT | 002004 006102 107503 904999 | 1 |
| 525 | 214N2119-3 | | .PLENUM ASSY- | 002004 006100 107503 904999 | 1 |
| 525 | 214N2119-4 | | .PLENUM ASSY- | 002004 006100 107503 904999 | 1 |
| 527 | 214N2119-4 | | .PLENUM ASSY- | 108120 | 1 |
| 527 | 214N2119-3 | | .PLENUM ASSY- | 108120 | 1 |
| 535 | 6035L2BR312 | | .. INSERT- SUPPLIER CODE: VU1611 | 108120 | 4 |
| 540 | 214N2119-5 | | .. PLENUM- USED ON: 214N2119-4 | 108120 | 1 |

MISSING ITEM NUMBERS NOT APPLICABLE

- ITEM NOT ILLUSTRATED

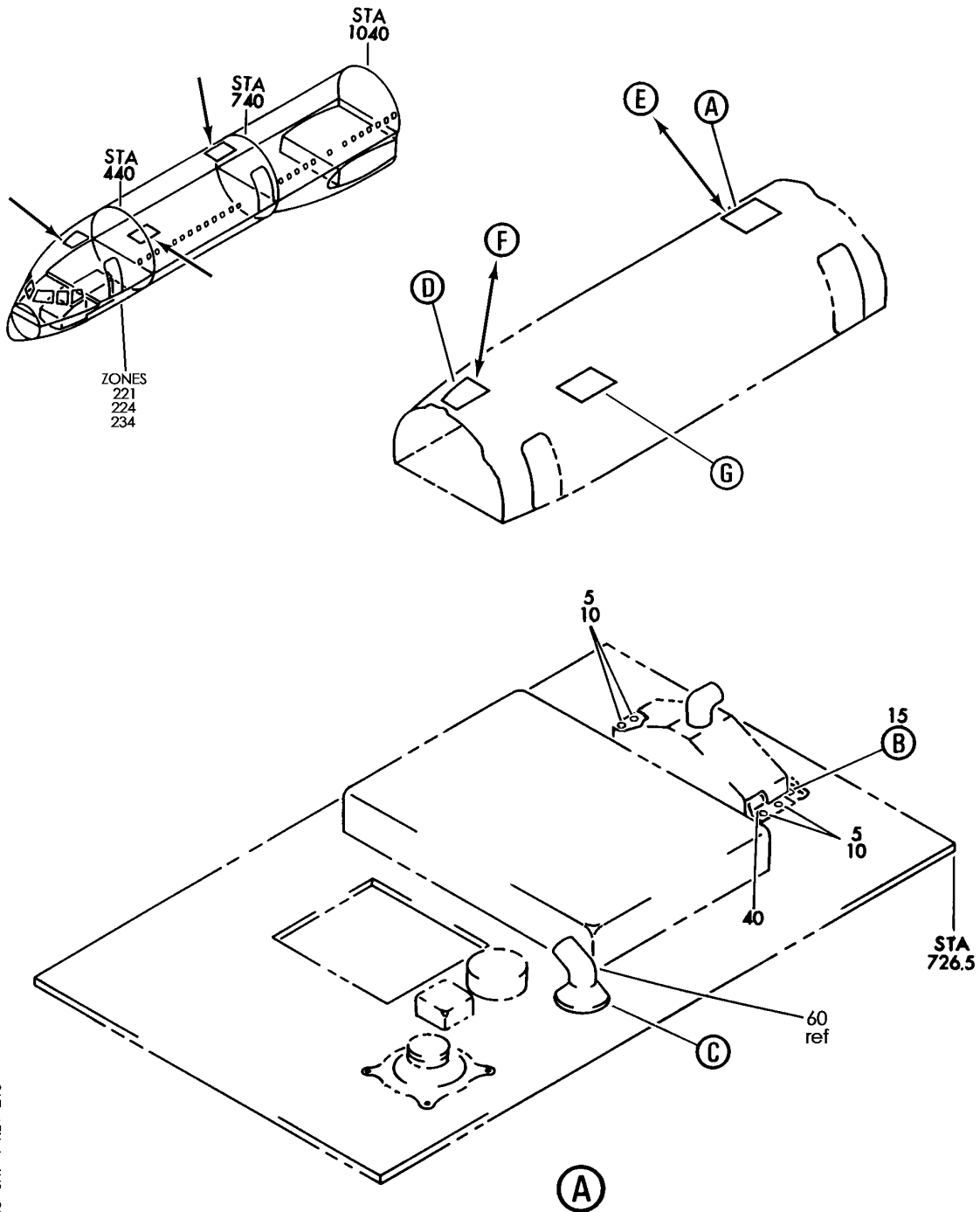
BRI

21-26-03-01

BOEING PROPRIETARY - Copyright © - Unpublished Work - See title page for details.

21-26-03
FIG. 01
PAGE 5
JAN 20/09

BOEING
757
PARTS CATALOG (MAINTENANCE)



Y 21260303 SHT 1 REV 216

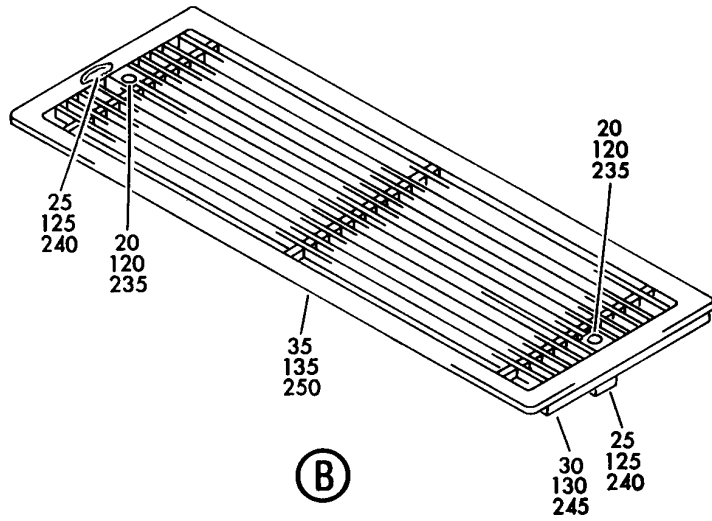
PANEL ASSY-FLAT (AIR CONDITIONING ONLY)
FIGURE 3 (SHEET 1)

21-26-03-03

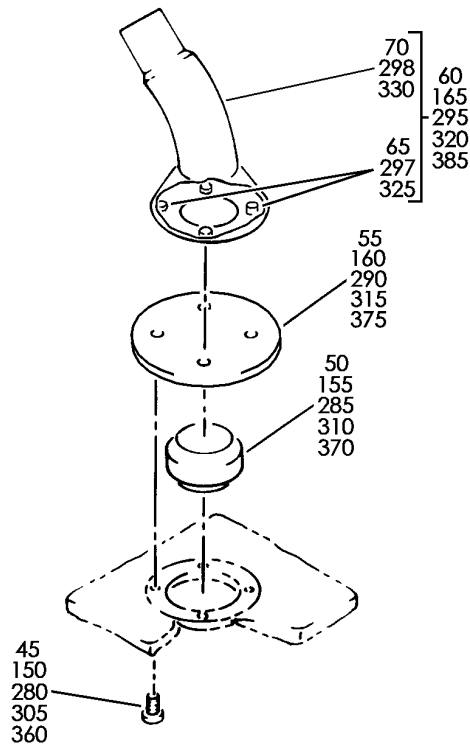
BRI
MAY 28/07

21-26-03-03
PAGE 0

BOEING
757
PARTS CATALOG (MAINTENANCE)



(B)



(C)

Y 21260303 SHT 2 REV 222

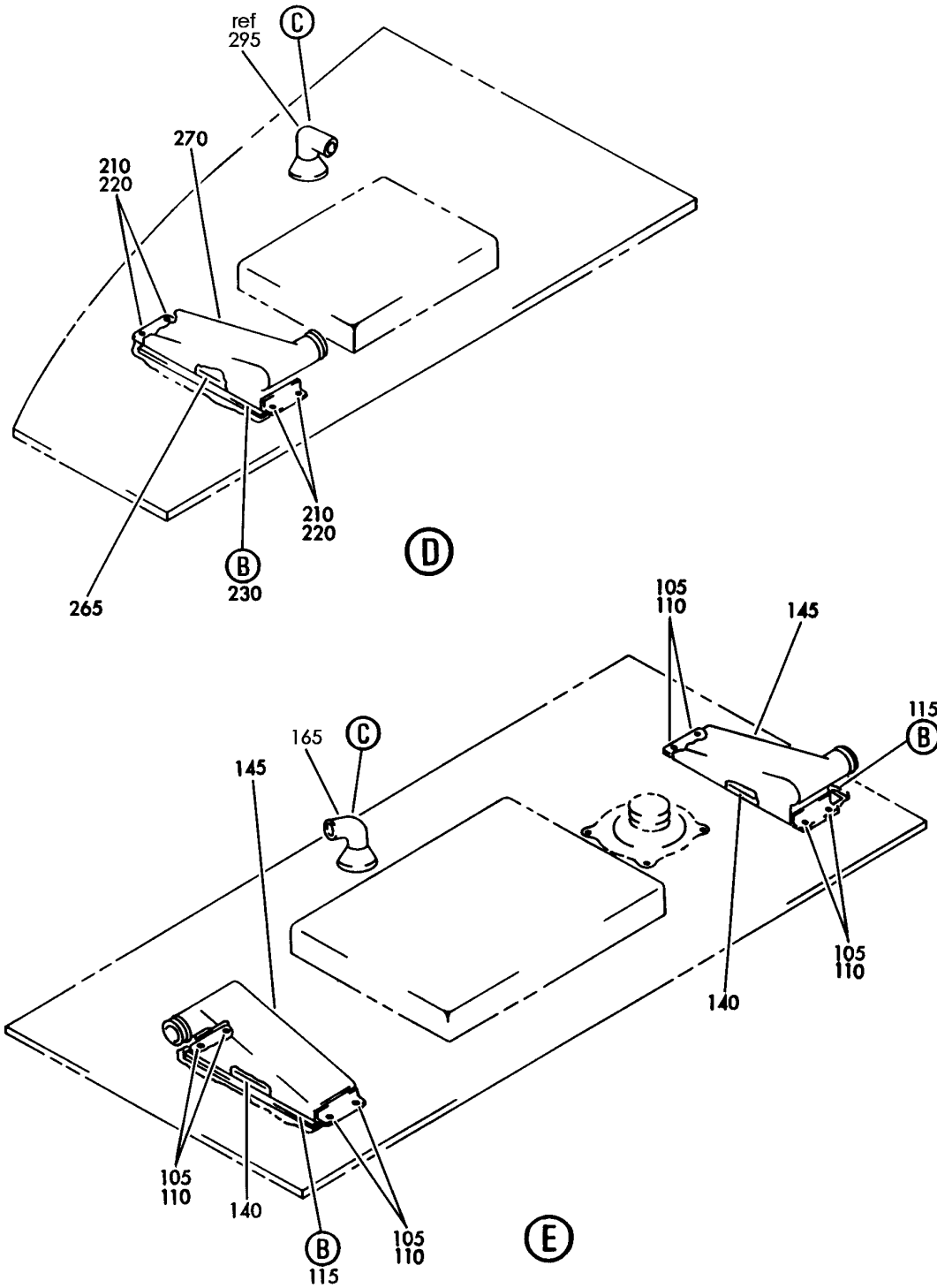
PANEL ASSY-FLAT (AIR CONDITIONING ONLY)
FIGURE 3 (SHEET 2)

21-26-03-03

BRI
MAY 28/07

21-26-03-03
PAGE 0A

BOEING
757
PARTS CATALOG (MAINTENANCE)



Y 21260303 SHT 3 REV 216

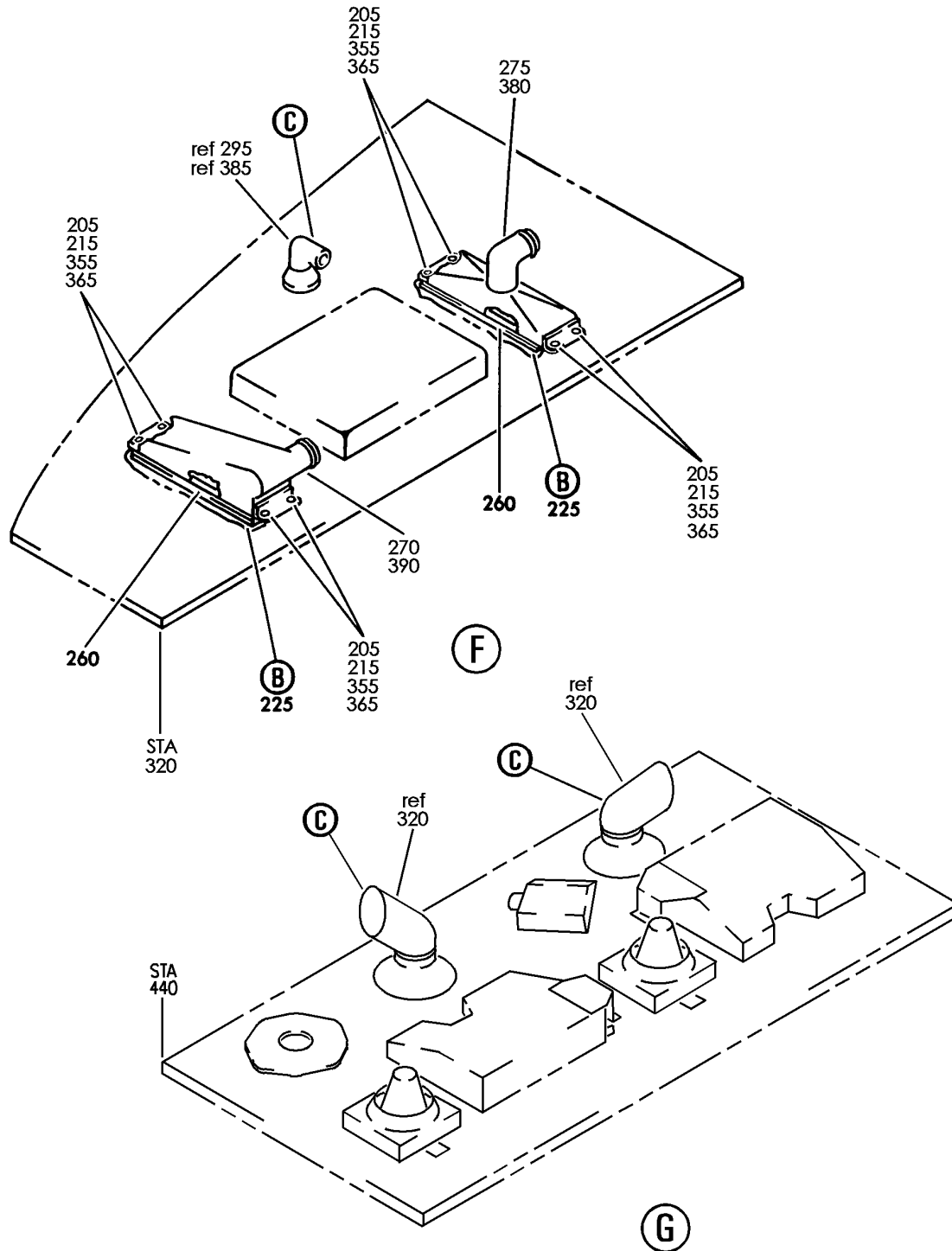
PANEL ASSY-FLAT (AIR CONDITIONING ONLY)
FIGURE 3 (SHEET 3)

21-26-03-03

BRI
MAY 28/07

21-26-03-03
PAGE 0B

BOEING
757
PARTS CATALOG (MAINTENANCE)



Y 21260303 SHT 4 REV 222

PANEL ASSY-FLAT (AIR CONDITIONING ONLY)
FIGURE 3 (SHEET 4)

21-26-03-03

BRI
MAY 28/07

21-26-03-03
PAGE 0C



757

PARTS CATALOG (MAINTENANCE)

| FIG ITEM | PART NUMBER | 1 2 3 4 5 6 7 | NOMENCLATURE | EFFECT FROM TO | UNITS PER ASSY |
|----------|----------------|---------------|--|----------------------------|----------------|
| 3 | | | PANEL ASSY-FLAT (AIR CONDITIONING ONLY) | 011102 108120 950999 | |
| - 200 | 411N3260-237SP | | PANEL ASSY-FLAT (AIR CONDITIONING ONLY) FOR NHA/OTHER SYS DET SEE: 25-22-02-58B | 952999 | RF |
| - 200 | 411N3260-283SP | | PANEL ASSY-FLAT (AIR CONDITIONING ONLY) FOR NHA/OTHER SYS DET SEE: 25-22-02-11A | 950951 | RF |
| - 200 | 411N3260-363SP | | PANEL ASSY-FLAT (AIR CONDITIONING ONLY) FOR NHA/OTHER SYS DET SEE: 25-22-02-19E | 011102 | RF |
| 205 | BACS12GU3K4 | | .SCREW- | 011102 | 8 |
| 210 | BACS12FA3K5 | | .SCREW- | 952999 | 4 |
| 215 | NAS1149D0316J | | .WASHER- | 011102 | 8 |
| 220 | AN960JD10LL | | .WASHER | 952999 | 4 |
| 225 | 411N3215-1SP | | .GRILL ASSY- | 011102 | 2 |
| 230 | 411N3215-1SP | | .GRILL ASSY | 952999 | 1 |
| 235 | 09-11-304-11 | | ..SCREW ASSY- SUPPLIER CODE: V94222 | 011102 | 2 |
| 235 | 09-11-304-11 | | ..SCREW ASSY- SUPPLIER CODE: V94222 | 952999 | 2 |
| 240 | 09-49-101-12 | | ..RETAINER- SUPPLIER CODE: V94222 | 011102 | 2 |
| 240 | 09-49-101-12 | | ..RETAINER- SUPPLIER CODE: V94222 | 952999 | 2 |
| 245 | 214N3061-2SP | | ..RETAINER- | 011102 | 1 |
| 245 | 214N3061-2SP | | ..RETAINER | 952999 | 1 |
| 250 | 411N3213-1SP | | ..GRILL- | 011102 | 1 |
| 250 | 411N3213-1SP | | ..GRILL | 952999 | 1 |
| 260 | 411N3210-90 | | .FILTER- TUBING MATERIAL: FIBERGLASS SHEET AG105 OPTIONAL FRONTLINE BLUE TYPE FG DRY FILTER MEDIA 2.00 IN TH 10.50 IN 3.40 IN. | 011102 950951 | 2 |

MISSING ITEM NUMBERS NOT APPLICABLE

- ITEM NOT ILLUSTRATED

21-26-03-03

21-26-03
FIG. 03
PAGE 1
JAN 20/09

BRI

BOEING PROPRIETARY - Copyright © - Unpublished Work - See title page for details.



757

PARTS CATALOG (MAINTENANCE)

| FIG ITEM | PART NUMBER | 1 2 3 4 5 6 7 | NOMENCLATURE | EFFECT FROM TO | UNITS PER ASSY |
|----------|----------------|---------------|--|------------------|----------------|
| 3 | | | | | |
| 265 | 411N3210-90 | | .FILTER- TUBING MATERIAL: FIBERGLASS SHEET AG105 OPTIONAL FRONTLINE BLUE TYPE FG DRY FILTER MEDIA 2.00 IN TH 10.50 IN 3.40 IN. | 952999 | 1 |
| 270 | 214N3023-1 | | .PLENUM ASSY | 011102 952999 | 1 |
| 275 | 214N3054-1 | | .PLENUM ASSY | 011102 | 1 |
| 280 | NAS514P832-14 | | .SCREW | 011102 952999 | 4 |
| 285 | 2470-01 | | .VALVE ASSY-AIR SUPPLIER CODE: V83564 | 011102 952999 | 1 |
| 285 | 2470-1 | | .VALVE ASSY-AIR SUPPLIER CODE: V59579 | 011102 952999 | 1 |
| 290 | 214N2121-1 | | .GASKET-GALLEY VENT | 011102 952999 | 1 |
| 295 | 214N2119-3 | | .PLENUM ASSY- | 011102 952999 | 1 |
| 295 | 214N2119-4 | | .PLENUM ASSY- | 011102 952999 | 1 |
| 297 | 6035L2BR312 | | ..INSERT- SUPPLIER CODE: VU1611 USED ON: 214N2119-4 | 011102 952999 | 4 |
| 298 | 214N2119-5 | | ..PLENUM- USED ON: 214N2119-4 | 011102 952999 | 1 |
| - 350 | 411N3260-328SP | | PANEL ASSY-FLAT AIR CONDITIONING ONLY FOR NHA/OTHER SYS DET SEE: 25-22-02-11B | 108120 | RF |
| 355 | BACS12GU3K5 | | .SCREW | 108120 | 8 |
| 360 | NAS514P832-14 | | .SCREW | 108120 | 4 |
| 365 | AN960JD10LL | | .WASHER | 108120 | 8 |
| 370 | 2470-01 | | .VALVE ASSY-AIR SUPPLIER CODE: V83564 | 108120 | 1 |
| 370 | 2470-1 | | .VALVE ASSY-AIR SUPPLIER CODE: V59579 | 108120 | 1 |
| 375 | 214N2121-1 | | .GASKET | 108120 | 1 |
| 380 | 214N3054-1 | | .PLENUM ASSY | 108120 | 1 |
| 385 | 214N2119-3 | | .PLENUM ASSY- | 108120 | 1 |
| 385 | 214N2119-4 | | .PLENUM ASSY- | 108120 | 1 |

MISSING ITEM NUMBERS NOT APPLICABLE

- ITEM NOT ILLUSTRATED

21-26-03-03

21-26-03
FIG. 03
PAGE 2
JAN 20/09

BRI



757

PARTS CATALOG (MAINTENANCE)

| FIG ITEM | PART NUMBER | 1 2 3 4 5 6 7 | NOMENCLATURE | EFFECT FROM TO | UNITS PER ASSY |
|-------------|-------------|---------------|--------------|-------------------|----------------------|
| 3 390 | 214N3023-1 | . | PLENUM ASSY | 108120 | 1 |

MISSING ITEM NUMBERS NOT APPLICABLE

- ITEM NOT ILLUSTRATED

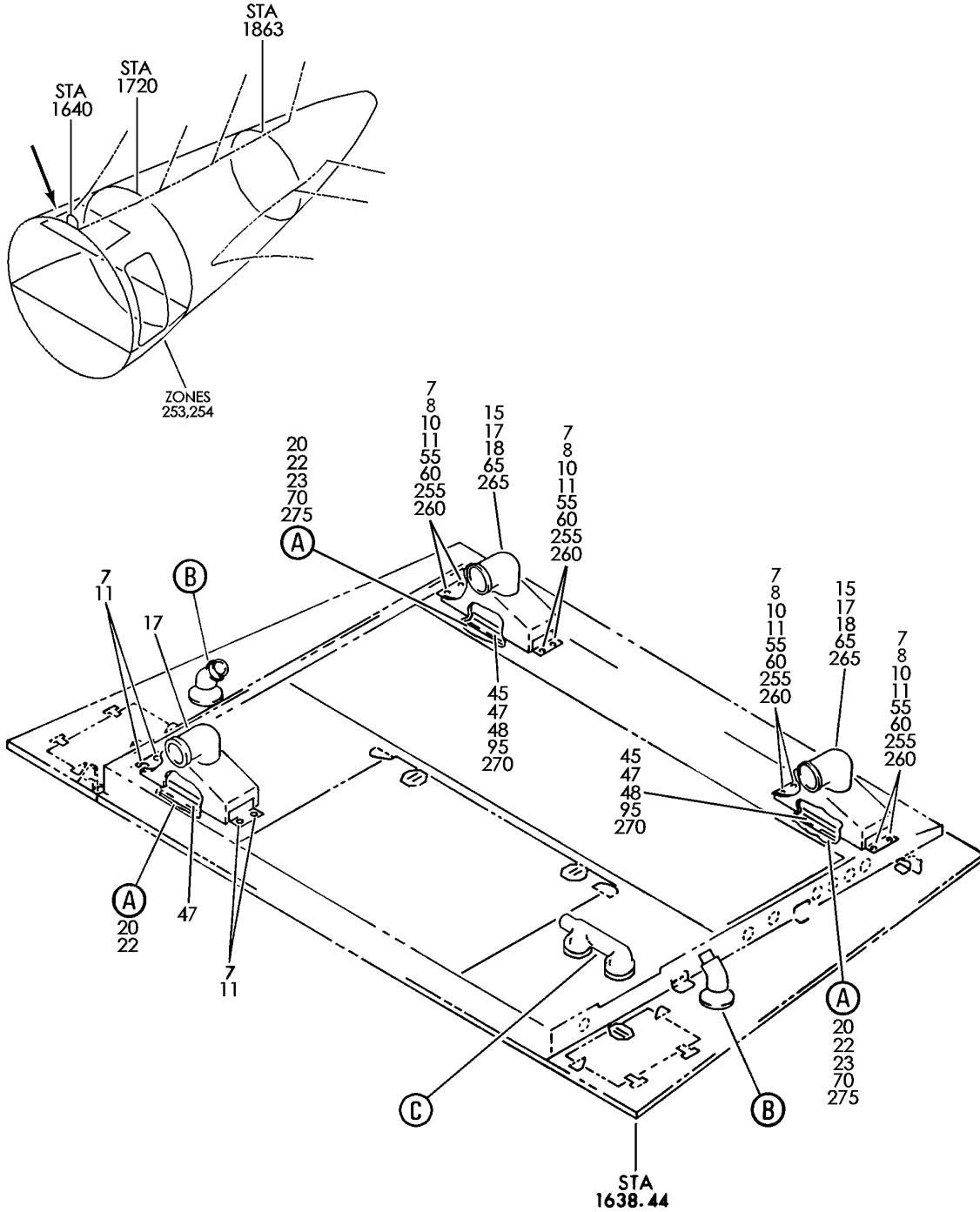
BRI

21-26-03-03

BOEING PROPRIETARY - Copyright © - Unpublished Work - See title page for details.

21-26-03
FIG. 03
PAGE 3
JAN 20/09

BOEING
757
PARTS CATALOG (MAINTENANCE)



Y 21260305 SH1 1 REV 242

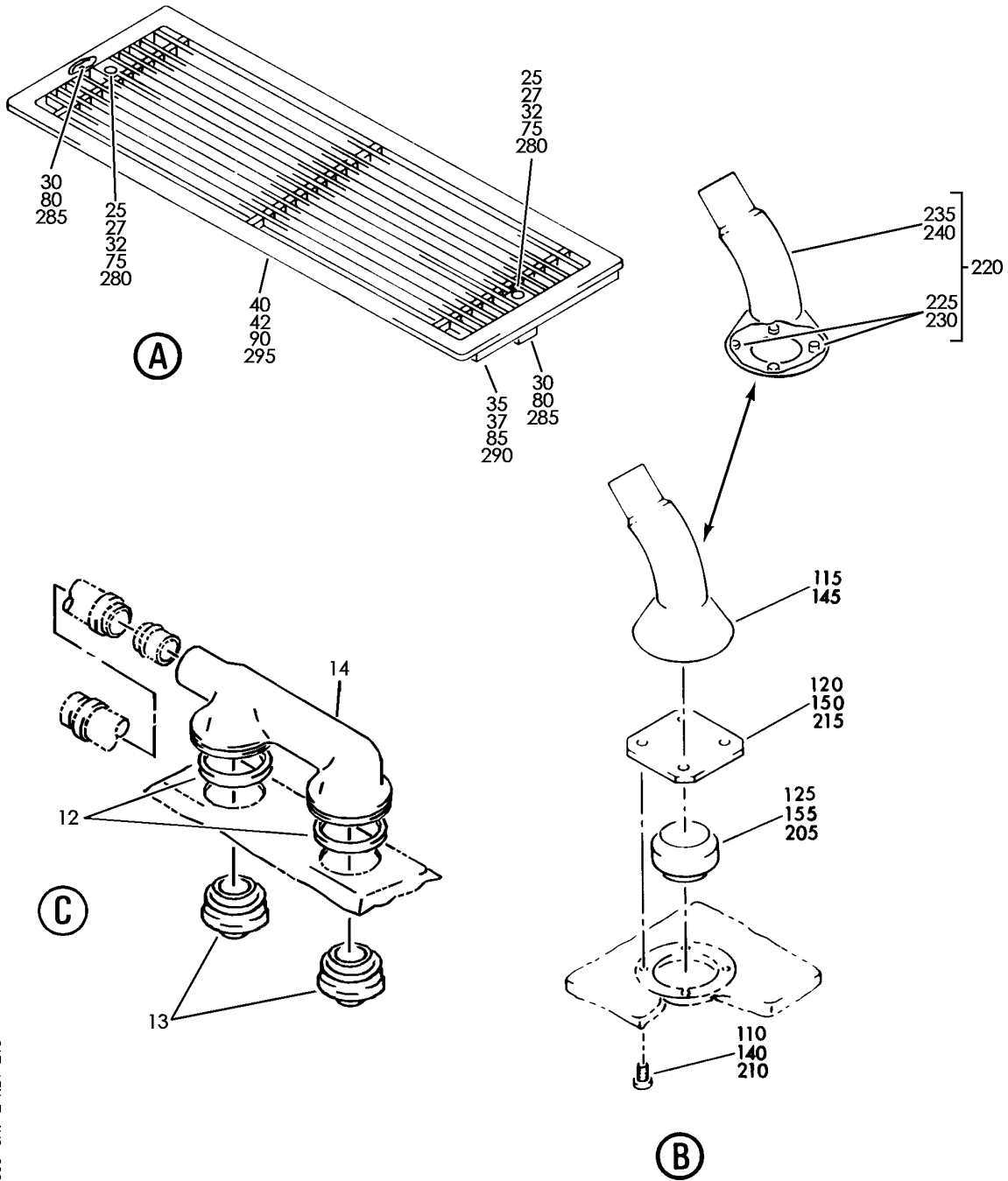
PANEL ASSY-AFT CLG (AIR CONDITIONING ONLY)
FIGURE 5 (SHEET 1)

21-26-03-05

BRI
MAY 28/07

21-26-03-05
PAGE 0

BOEING
757
PARTS CATALOG (MAINTENANCE)



Y 21260305 SHT 2 REV 216

PANEL ASSY-AFT CLG (AIR CONDITIONING ONLY)
FIGURE 5 (SHEET 2)

21-26-03-05

BRI
MAY 28/07

21-26-03-05
PAGE 0A



757

PARTS CATALOG (MAINTENANCE)

| FIG ITEM | PART NUMBER | 1 2 3 4 5 6 7 | NOMENCLATURE | EFFECT FROM TO | UNITS PER ASSY |
|----------|----------------|---------------|---|------------------|----------------|
| 5 | | | PANEL ASSY-AFT CLG (AIR CONDITIONING ONLY) | 101102 108999 | |
| - 1 | 411N3264-96SP | | PANEL ASSY-CLG (AIR CONDITIONING ONLY) POSITION DATA: AFT FOR NHA/OTHER SYS DET SEE: 25-22-02-24 | 904949 | RF |
| - 2 | 411N3264-149SP | | PANEL ASSY-CLG (AIR CONDITIONING ONLY) POSITION DATA: AFT FOR NHA/OTHER SYS DET SEE: 25-22-02-18J | 950951 | RF |
| - 2 | 411N3264-157SP | | PANEL ASSY-CLG (AIR CONDITIONING ONLY) POSITION DATA: AFT FOR NHA/OTHER SYS DET SEE: 25-22-02-03B 25-22-02-95A | 952999 | RF |
| - 3 | 411N3264-173SP | | PANEL ASSY-CLG (AIR CONDITIONING ONLY) POSITION DATA: AFT FOR NHA/OTHER SYS DET SEE: 25-22-02-18A | 121503 | RF |
| - 4 | 411N3264-251SP | | PANEL ASSY-CLG (AIR CONDITIONING ONLY) POSITION DATA: AFT FOR NHA/OTHER SYS DET SEE: 25-22-02-18G | 504903 | RF |
| - 4 | 411N3264-261SP | | PANEL ASSY-FLAT (AIR CONDITIONING ONLY) FOR NHA/OTHER SYS DET SEE: 25-22-02-03B | 101102 | RF |
| - 5 | 411N3264-288B | | PANEL ASSY-CLG (AIR CONDITIONING ONLY) POSITION DATA: AFT FOR NHA/OTHER SYS DET SEE: 25-22-02-03E | 108120 | RF |
| 7 | BACS12GU3K4 | | .SCREW | 952999 | 12 |
| 8 | NAS1801-3-5 | | .SCREW | 121503 904949 | 8 |

MISSING ITEM NUMBERS NOT APPLICABLE

- ITEM NOT ILLUSTRATED

21-26-03-05

21-26-03
FIG. 05
PAGE 1
JAN 20/09

BRI



757

PARTS CATALOG (MAINTENANCE)

| FIG ITEM | PART NUMBER | 1 2 3 4 5 6 7 | NOMENCLATURE | EFFECT FROM TO | UNITS PER ASSY |
|----------|---------------|---------------|---|--------------------------------------|----------------|
| 5 | | | | | |
| 8 | BACS12GU3K5 | . | SCREW | 101102 108120 504903 950999 | 8 |
| 10 | AN960JD10LL | . | WASHER- | 121503 904949 952999 | 8 |
| 10 | NAS1149D0316J | . | WASHER- | 101102 108120 950951 | 8 |
| 15 | 214N3054-1 | . | PLENUM ASSY | 108503 904999 | 2 |
| 20 | 411N3215-1SP | . | GRILL ASSY- | 101102 108999 | 2 |
| 20 | 411N3215-1E | . | GRILL ASSY- | 108120 | 2 |
| 25 | 09-11-304-11 | .. | SCREW ASSY- SUPPLIER CODE: V94222 | 108503 904999 | 2 |
| 30 | 09-49-101-12 | .. | RETAINER- SUPPLIER CODE: V94222 | 108503 904999 | 2 |
| 35 | 214N3061-2SP | .. | RETAINER- | 101102 108999 | 1 |
| 35 | 214N3061-2E | .. | RETAINER- | 108120 | 1 |
| 40 | 411N3213-1SP | .. | GRILL- | 101102 108999 | 1 |
| 40 | 411N3213-1E | .. | GRILL- | 108120 | 1 |
| 45 | 411N3210-90 | . | FILTER- TUBING MATERIAL: FIBERGLASS SHEET AG105 OPTIONAL FRONTLINE BLUE TYPE FG DRY FILTER MEDIA 2.00 IN TH 10.50 IN 3.40 IN. | 101102 108999 | 2 |

MISSING ITEM NUMBERS NOT APPLICABLE

- ITEM NOT ILLUSTRATED

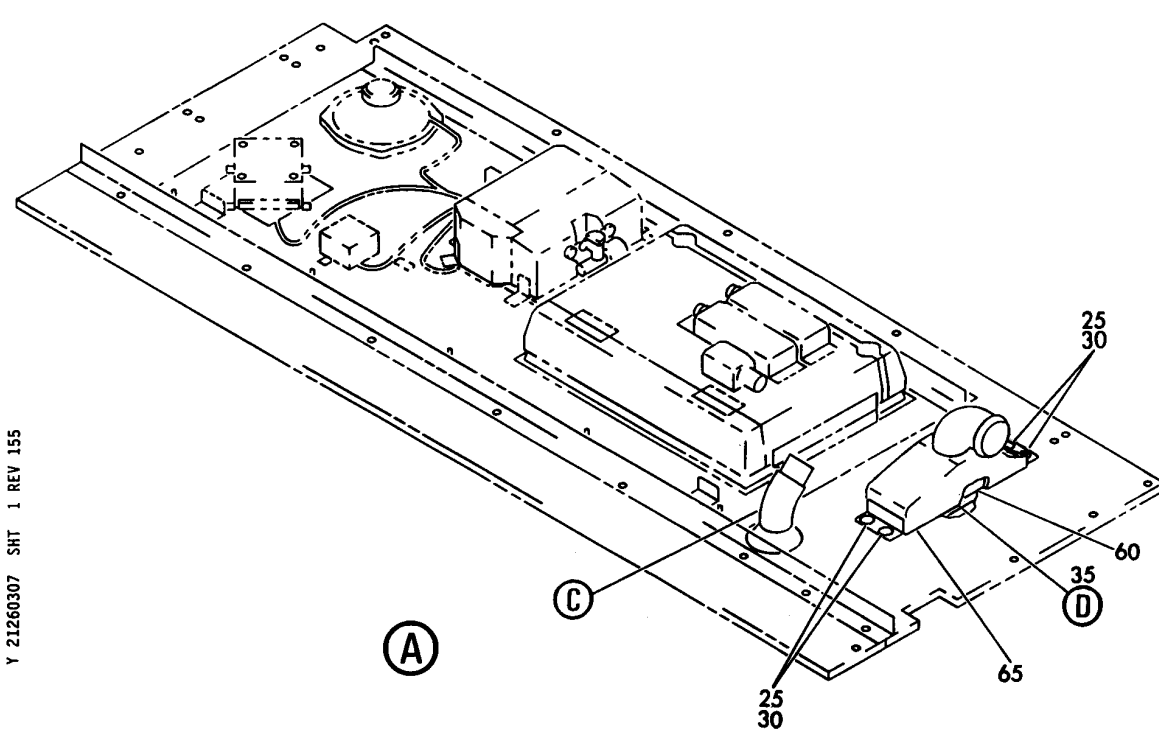
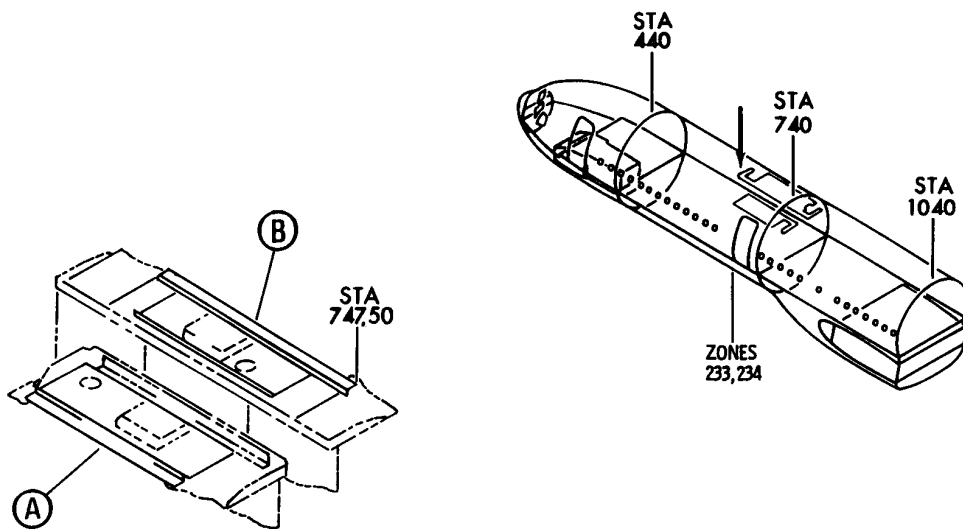
BRI

21-26-03-05

BOEING PROPRIETARY - Copyright © - Unpublished Work - See title page for details.

21-26-03
FIG. 05
PAGE 2
JAN 20/09

BOEING
757
PARTS CATALOG (MAINTENANCE)



Y 21260307 SHT 1 REV 155

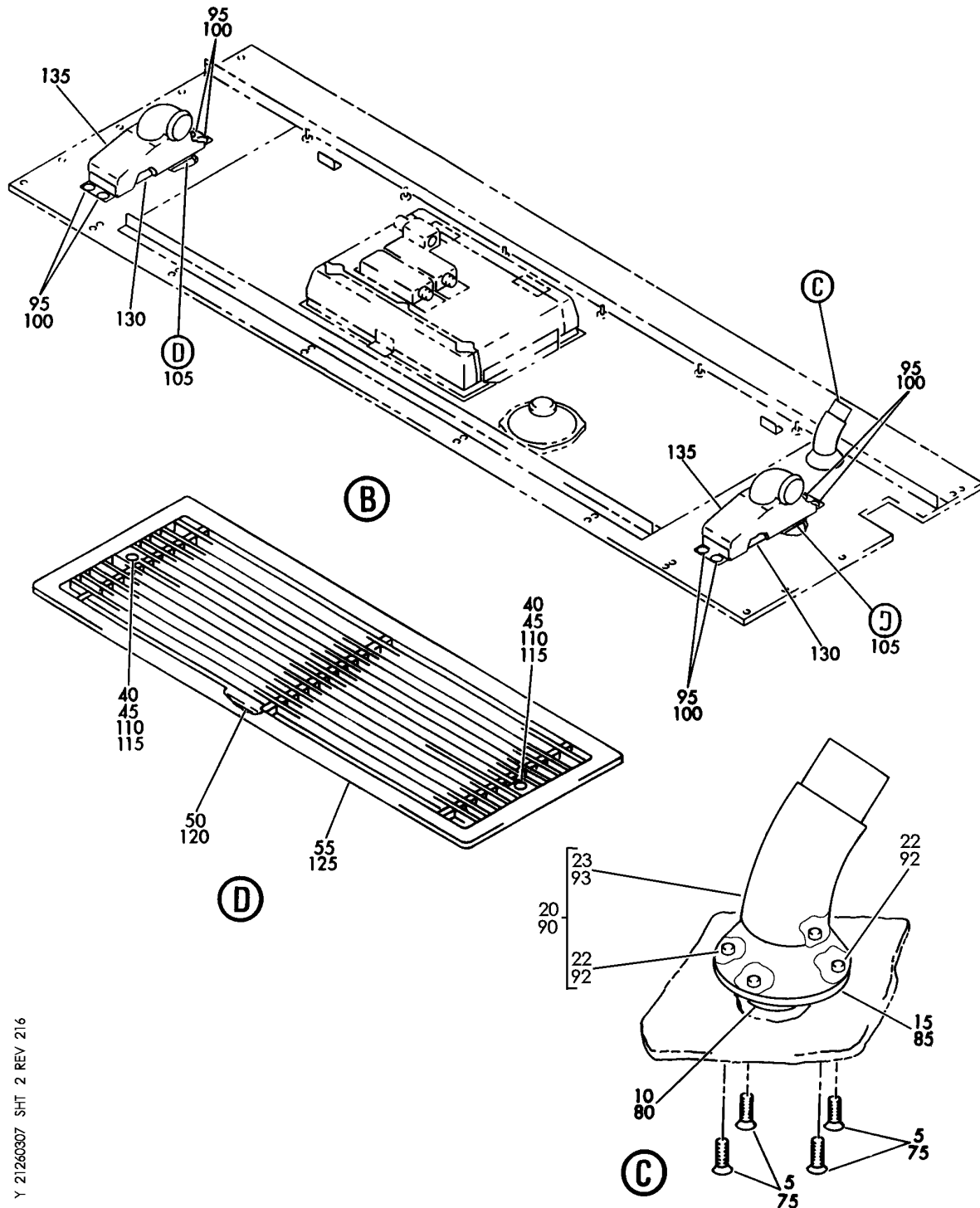
PANEL ASSY-DOOR NO. 2 FLAT (AIR CONDITIONING ONLY) (FLYAWAY)
FIGURE 7 (SHEET 1)

21-26-03-07

BRI
JAN 20/09

21-26-03-07
PAGE 0

BOEING
757
PARTS CATALOG (MAINTENANCE)



Y 21260307 SHT 2 REV 216

PANEL ASSY-DOOR NO. 2 FLAT (AIR CONDITIONING ONLY) (FLYAWAY)
FIGURE 7 (SHEET 2)

21-26-03-07

BRI
JAN 20/09

21-26-03-07
PAGE 0A



757

PARTS CATALOG (MAINTENANCE)

| FIG ITEM | PART NUMBER | 1 2 3 4 5 6 7 | NOMENCLATURE | EFFECT FROM TO | UNITS PER ASSY |
|----------|----------------|---------------|---|------------------|----------------|
| 7 | | | PANEL ASSY-DOOR NO. 2 FLAT (AIR CONDITIONING ONLY) (FLYAWAY) | 504504 506506 | |
| - 1 | 411N3262-187SP | | PANEL ASSY-DOOR NO. 2 FLAT (AIR CONDITIONING ONLY) FOR NHA/OTHER SYS DET SEE: 25-22-02-50B | 504504 506506 | RF |
| 5 | BACS12ER08K18 | | .SCREW | 504504 506506 | 4 |
| 10 | 2470-01 | | .VALVE ASSY-AIR SUPPLIER CODE: V83564 | 504504 506506 | 1 |
| 10 | 2470-1 | | .VALVE ASSY-AIR SUPPLIER CODE: V59579 | 504504 506506 | 1 |
| 15 | 214N2121-1 | | .GASKET-GALLEY VENT | 504504 506506 | 1 |
| 20 | 214N2119-3 | | .PLENUM ASSY- | 504504 506506 | 1 |
| 20 | 214N2119-4 | | .PLENUM ASSY- | 504504 506506 | 1 |
| 22 | 6035L2BR312 | | ..INSERT- SUPPLIER CODE: VU1611 USED ON: 214N2119-4 | 504504 506506 | 4 |
| 23 | 214N2119-5 | | ..PLENUM- USED ON: 214N2119-4 | 504504 506506 | 1 |
| 25 | BACS12GU3K6 | | .SCREW | 504504 506506 | 4 |
| 30 | NAS1149D0332J | | .WASHER | 504504 506506 | 4 |
| 35 | 411N3215-1SP | | .GRILL ASSY | 504504 506506 | 1 |
| 40 | 09-11-304-11 | | ..SCREW ASSY- SUPPLIER CODE: V94222 | 504504 506506 | 2 |
| 45 | 09-49-101-12 | | ..RETAINER- SUPPLIER CODE: V94222 | 504504 506506 | 2 |
| 50 | 214N3061-2SP | | ..RETAINER | 504504 506506 | 1 |
| 55 | 411N3213-1SP | | ..GRILL | 504504 506506 | 1 |

MISSING ITEM NUMBERS NOT APPLICABLE

- ITEM NOT ILLUSTRATED

21-26-03-07

21-26-03
FIG. 07
PAGE 1
JAN 20/09

BRI



757

PARTS CATALOG (MAINTENANCE)

| FIG ITEM | PART NUMBER | 1 2 3 4 5 6 7 | NOMENCLATURE | EFFECT FROM TO | UNITS PER ASSY |
|----------|----------------|---|---|------------------|----------------|
| 7 | | | | | |
| 60 | 411N3210-90 | . FILTER- | TUBING MATERIAL: FIBERGLASS SHEET AG105 OPTIONAL FRONTLINE BLUE TYPE FG DRY FILTER MEDIA 2.00 IN TH 10.50 IN 3.40 IN | 504504 506506 | 1 |
| 65 | 214N3054-1 | . PLENUM ASSY | | 504504 506506 | 1 |
| - 70 | 411N3262-186SP | PANEL ASSY-DOOR NO. 2 FLAT (AIR CONDITIONING ONLY) FOR NHA/OTHER SYS DET SEE: 25-22-02-50B | | 504504 506506 | RF |
| 75 | BACS12ER08K18 | . SCREW | | 504504 506506 | 4 |
| 80 | 2470-01 | . VALVE ASSY-AIR SUPPLIER CODE: V83564 | | 504504 506506 | 1 |
| 80 | 2470-1 | . VALVE ASSY-AIR SUPPLIER CODE: V59579 | | 504504 506506 | 1 |
| 85 | 214N2121-1 | . GASKET-GALLEY VENT | | 504504 506506 | 1 |
| 90 | 214N2119-3 | . PLENUM ASSY- | | 504504 506506 | 1 |
| 90 | 214N2119-4 | . PLENUM ASSY- | | 504504 506506 | 1 |
| 92 | 6035L2BR312 | .. INSERT- SUPPLIER CODE: VU1611 USED ON: 214N2119-4 | | 504504 506506 | 4 |
| 93 | 214N2119-5 | .. PLENUM- USED ON: 214N2119-4 | | 504504 506506 | 1 |
| 95 | BACS12GU3K6 | . SCREW | | 504504 506506 | 8 |
| 100 | NAS1149D0332J | . WASHER | | 504504 506506 | 8 |
| 105 | 411N3215-1SP | . GRILL ASSY | | 504504 506506 | 2 |
| 110 | 09-11-304-11 | .. SCREW ASSY- SUPPLIER CODE: V94222 | | 504504 506506 | 2 |
| 115 | 09-49-101-12 | .. RETAINER- SUPPLIER CODE: V94222 | | 504504 506506 | 2 |
| 120 | 214N3061-2SP | .. RETAINER | | 504504 506506 | 1 |

MISSING ITEM NUMBERS NOT APPLICABLE

- ITEM NOT ILLUSTRATED

21-26-03-07

21-26-03
FIG. 07
PAGE 2
JAN 20/09

BRI



757

PARTS CATALOG (MAINTENANCE)

| FIG ITEM | PART NUMBER | 1 2 3 4 5 6 7 | NOMENCLATURE | EFFECT FROM TO | UNITS PER ASSY |
|----------|--------------|---------------|--|------------------|----------------|
| 7 | | | | | |
| 125 | 411N3213-1SP | . | . GRILL | 504504 506506 | 1 |
| 130 | 411N3210-90 | . | . FILTER- TUBING MATERIAL: FIBERGLASS SHEET AG105 OPTIONAL FRONTLINE BLUE TYPE FG DRY FILTER MEDIA 2.00 IN TH 10.50 IN 3.40 IN | 504504 506506 | 2 |
| 135 | 214N3054-1 | . | . PLENUM ASSY | 504504 506506 | 2 |

MISSING ITEM NUMBERS NOT APPLICABLE

- ITEM NOT ILLUSTRATED

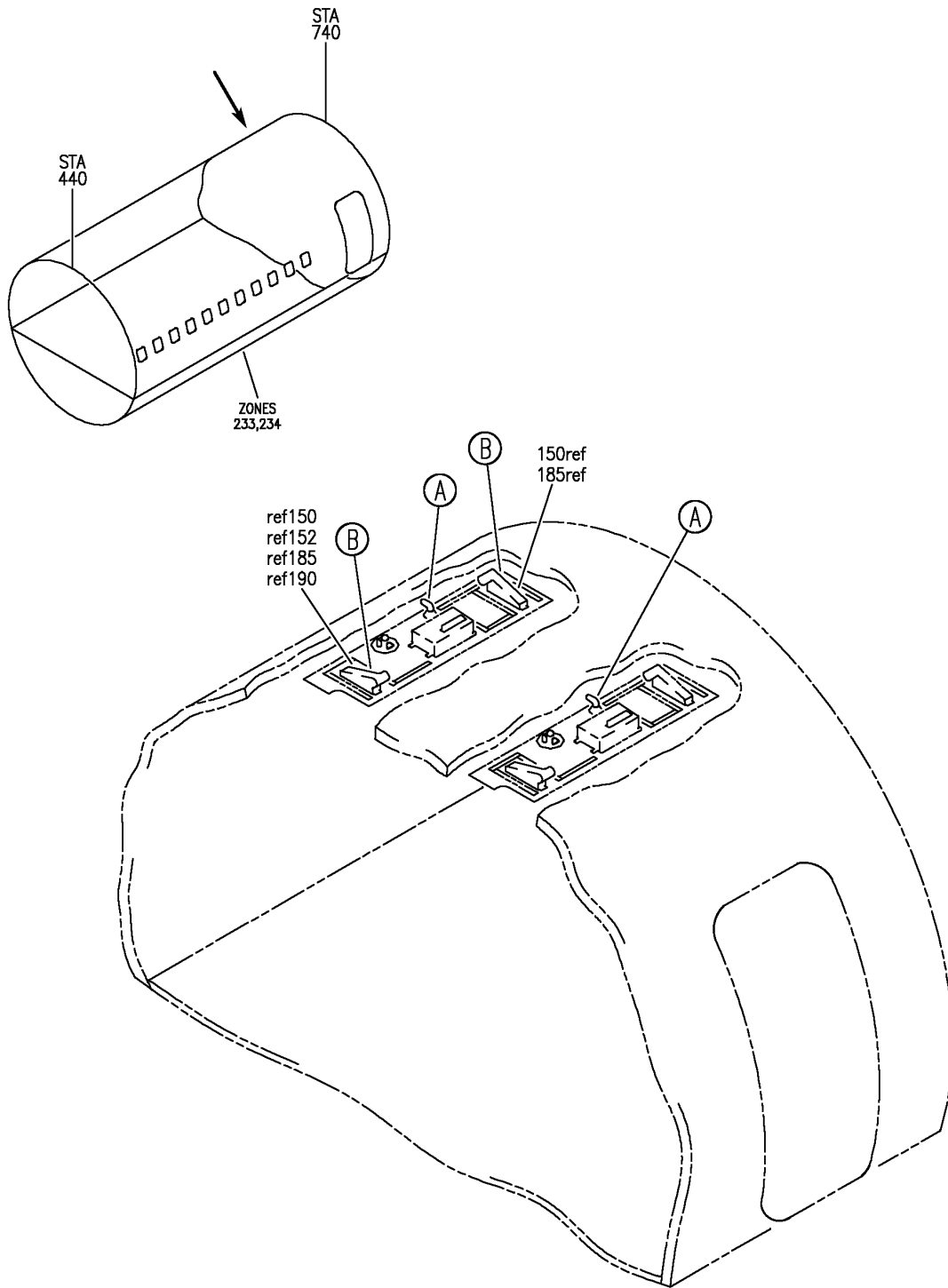
BRI

21-26-03-07

BOEING PROPRIETARY - Copyright © - Unpublished Work - See title page for details.

21-26-03
FIG. 07
PAGE 3
JAN 20/09

BOEING
757
PARTS CATALOG (MAINTENANCE)



Y 21260310 SH1 1 REV 275

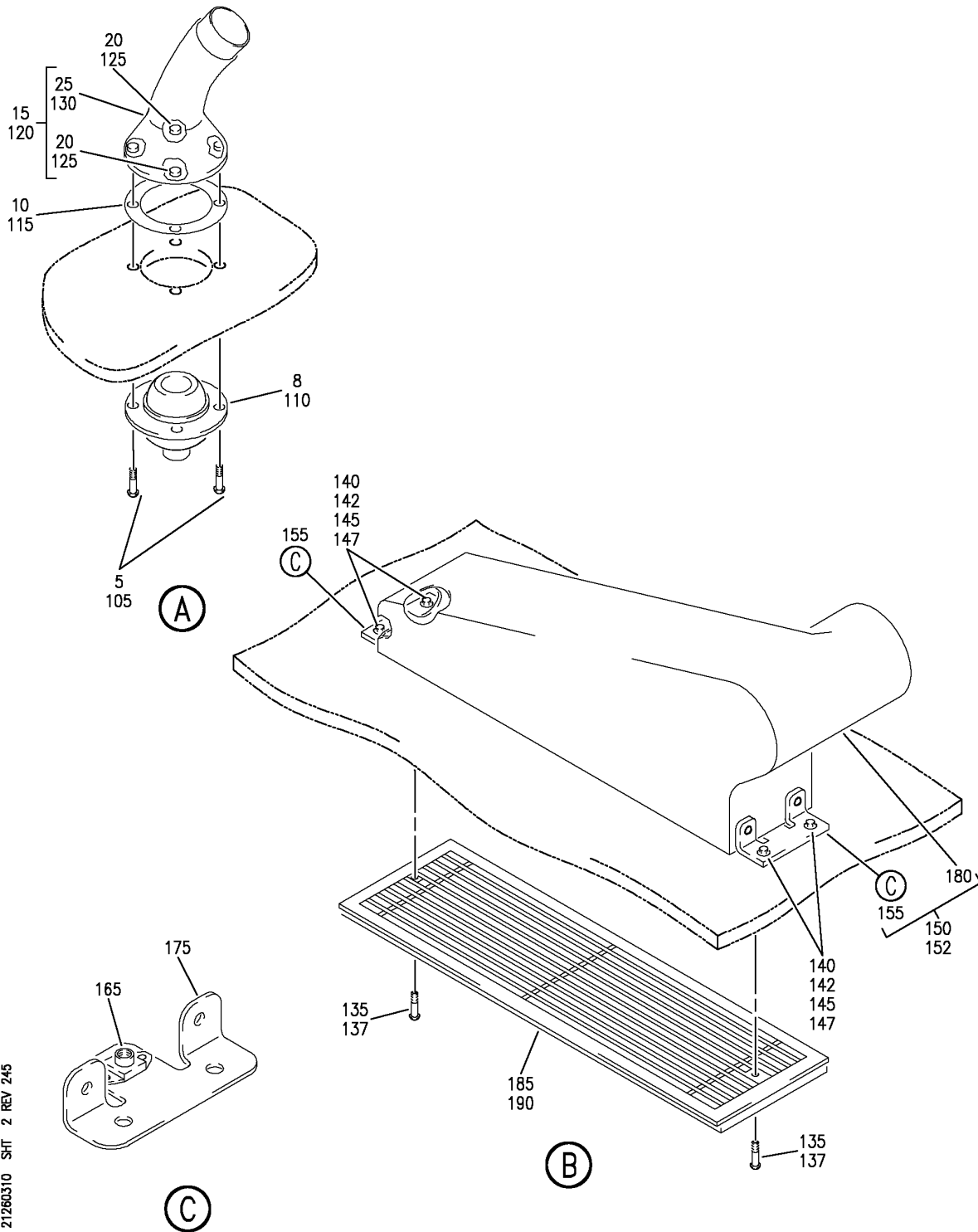
CEILING ASSY-DOOR 2 ENTRY (AIR CONDITIONING ONLY)
FIGURE 10 (SHEET 1)

21-26-03-10

BRI
JAN 20/09

21-26-03-10
PAGE 0

BOEING
757
PARTS CATALOG (MAINTENANCE)



Y 21260310 SHT 2 REV 245

CEILING ASSY-DOOR 2 ENTRY (AIR CONDITIONING ONLY)
FIGURE 10 (SHEET 2)

21-26-03-10

BRI
JAN 20/09

21-26-03-10
PAGE 0A



757

PARTS CATALOG (MAINTENANCE)

| FIG ITEM | PART NUMBER | 1 2 3 4 5 6 7 | NOMENCLATURE | EFFECT FROM TO | UNITS PER ASSY |
|----------|---------------|---------------|---|----------------|----------------|
| 10 | | | CEILING ASSY-DOOR 2 ENTRY (AIR CONDITIONING ONLY) | 103106 | |
| - 3 | 411N3620-73B | | CEILING ASSY-DOOR 2 ENTRY (AIR CONDITIONING ONLY) | 103106 | RF |
| | | | POSITION DATA: INBD LH FOR NHA/OTHER SYS DET SEE: 25-22-02-40S | | |
| - 4 | 411N3620-74B | | CEILING ASSY-DOOR 2 ENTRY (AIR CONDITIONING ONLY) | 103106 | RF |
| | | | POSITION DATA: INBD RH FOR NHA/OTHER SYS DET SEE: 25-22-02-40S | | |
| 5 | NAS514P832-12 | | .SCREW | 103106 | 4 |
| 8 | 1292-3 | | .GASPER ASSY- SUPPLIER CODE: VOACH0 SPECIFICATION NUMBER: S214W001-3B | 103106 | 1 |
| 10 | 214N2121-1 | | .GASKET | 103106 | 1 |
| 15 | 214N2119-4 | | .PLENUM ASSY | 103106 | 1 |
| 20 | 6035L2BR312 | | ..INSERT- SUPPLIER CODE: VU1611 | 103106 | 4 |
| 25 | 214N2119-5 | | ..PLENUM | 103106 | 1 |

MISSING ITEM NUMBERS NOT APPLICABLE

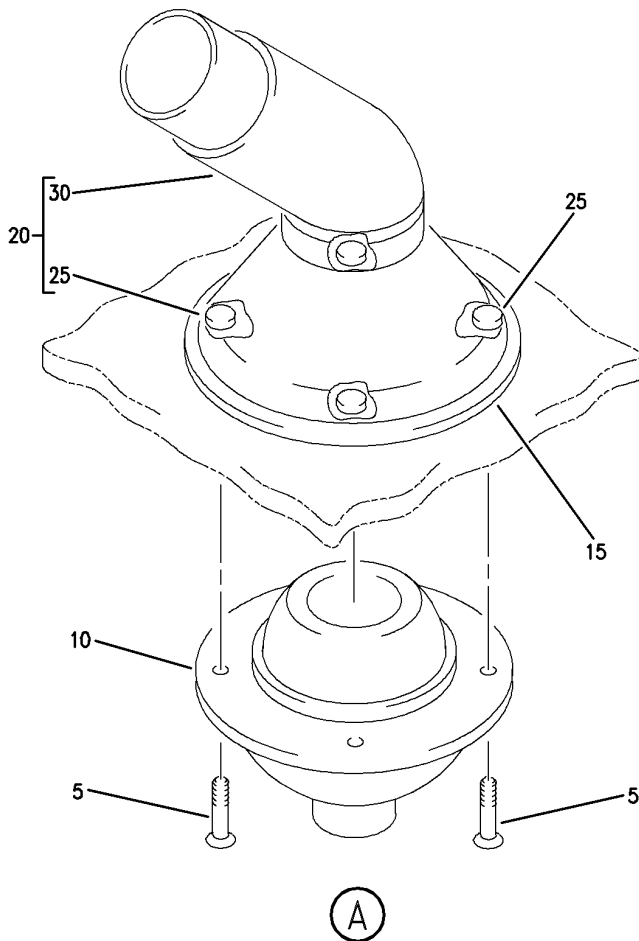
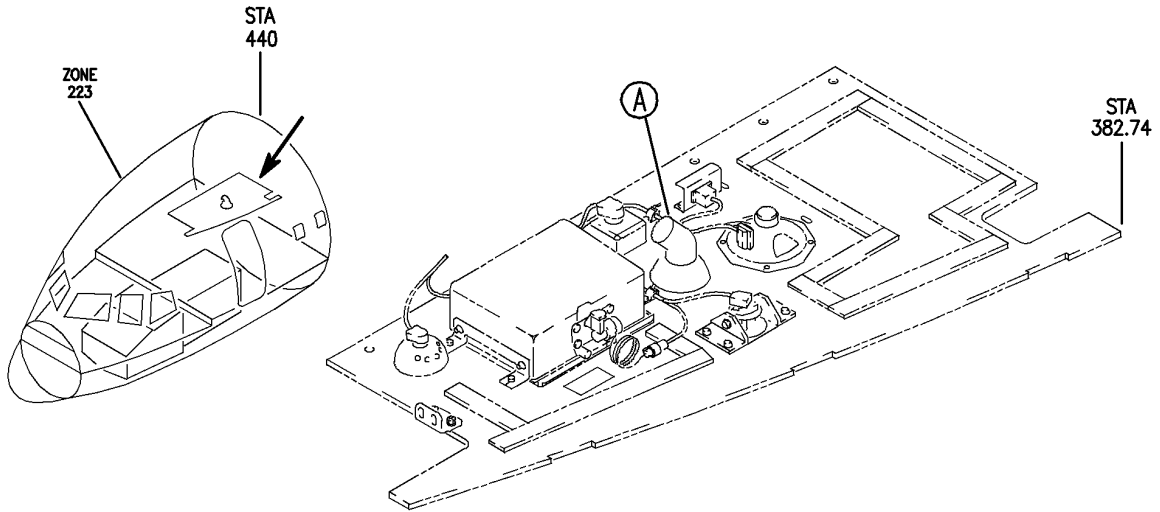
- ITEM NOT ILLUSTRATED

BRI

21-26-03-10

21-26-03
FIG. 10
PAGE 1
JAN 20/09

BOEING
757
PARTS CATALOG (MAINTENANCE)



Y 21260320 REV 243

CEILING ASSY-DOOR 1 ENTRY (AIR CONDITIONING ONLY)
FIGURE 20

21-26-03-20

BRI
JAN 20/09

21-26-03-20
PAGE 0



757

PARTS CATALOG (MAINTENANCE)

| FIG ITEM | PART NUMBER | 1 2 3 4 5 6 7 | NOMENCLATURE | EFFECT FROM TO | UNITS PER ASSY |
|----------|---------------|---------------|--|----------------|----------------|
| 20 | | | CEILING ASSY-DOOR 1 ENTRY (AIR CONDITIONING ONLY) | 103106 | |
| - 1 | 411N3520-13B | | CEILING ASSY-DOOR 1 ENTRY (AIR CONDITIONING ONLY) FOR NHA/OTHER SYS DET SEE: 25-22-02-69L | 103106 | RF |
| - 3 | 411N3520-29B | | CEILING ASSY-DOOR 1 ENTRY (AIR CONDITIONING ONLY) FOR NHA/OTHER SYS DET SEE: 25-22-02-69C | 103106 | RF |
| 5 | NAS514P832-12 | | .SCREW | 103106 | 4 |
| 10 | 1292-3 | | .GASPER ASSY- SUPPLIER CODE: VOACH0 SPECIFICATION NUMBER: S214W001-3B | 103106 | 1 |
| 15 | 214N2121-1 | | .GASKET | 103106 | 1 |
| 20 | 214N2119-4 | | .PLENUM ASSY | 103106 | 1 |
| 25 | 6035L2BR312 | | ..INSERT- SUPPLIER CODE: VU1611 | 103106 | 4 |
| 30 | 214N2119-5 | | ..PLENUM | 103106 | 1 |

MISSING ITEM NUMBERS NOT APPLICABLE

- ITEM NOT ILLUSTRATED

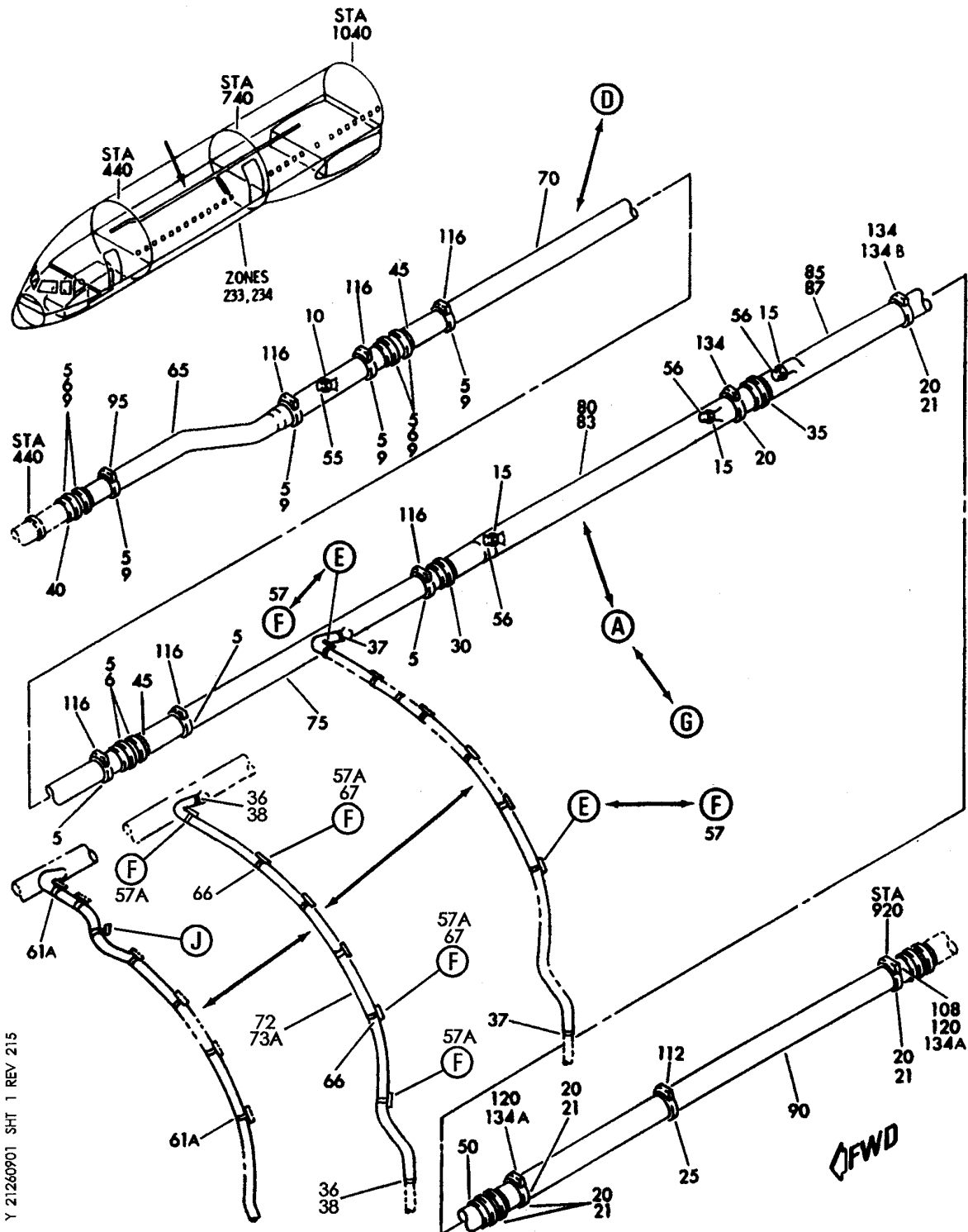
BRI

21-26-03-20

BOEING PROPRIETARY - Copyright © - Unpublished Work - See title page for details.

21-26-03
FIG. 20
PAGE 1
JAN 20/09


BOEING
 757
 PARTS CATALOG (MAINTENANCE)



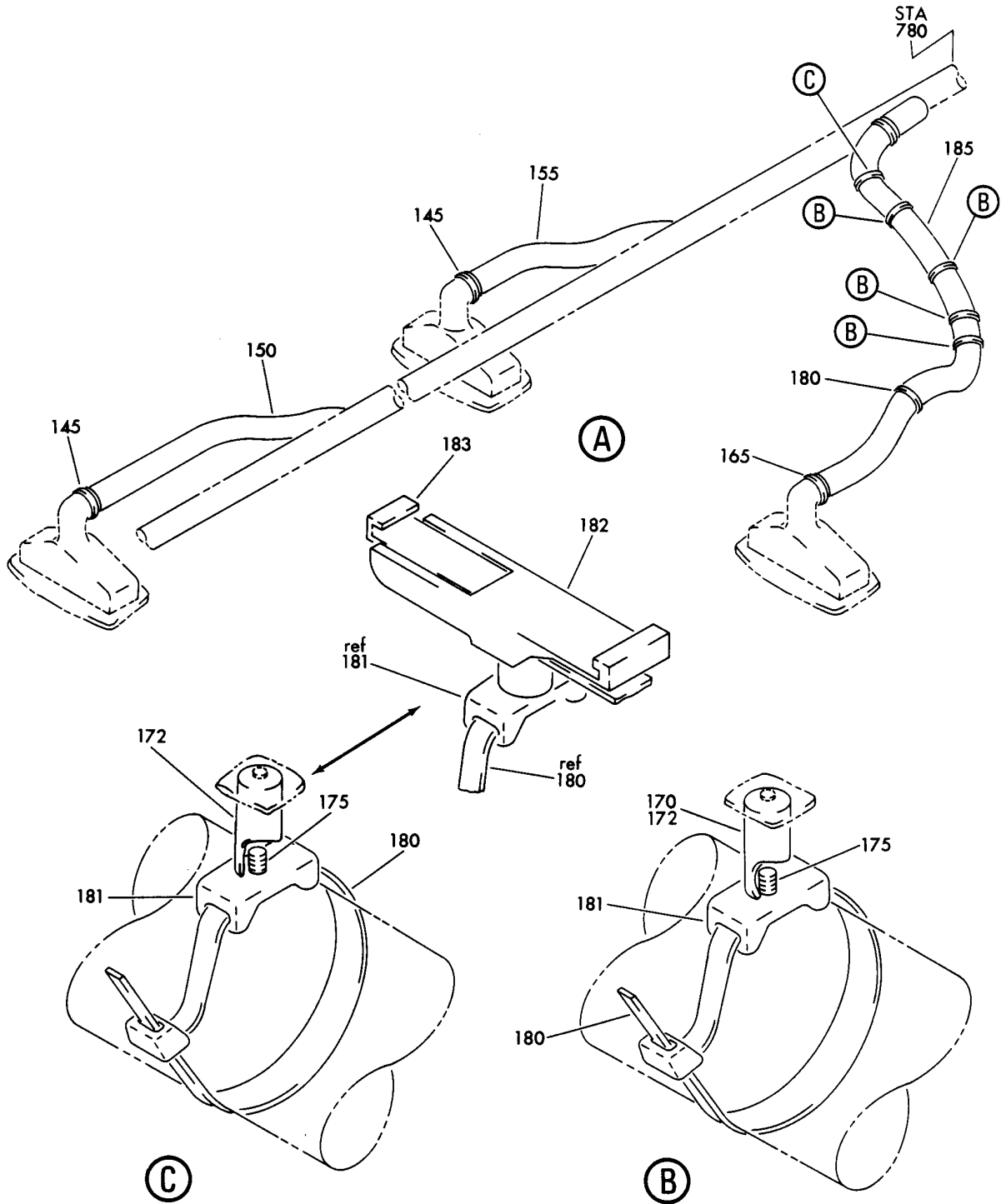
DUCT INSTL-SECT. 43 LAV/GALLEY VENT SYSTEM
 FIGURE 1 (SHEET 1)

21-26-09-01

BRI
 MAY 28/07

21-26-09-01
 PAGE 0

BOEING
757
PARTS CATALOG (MAINTENANCE)



Y 21260901 SH1 2 REV 072

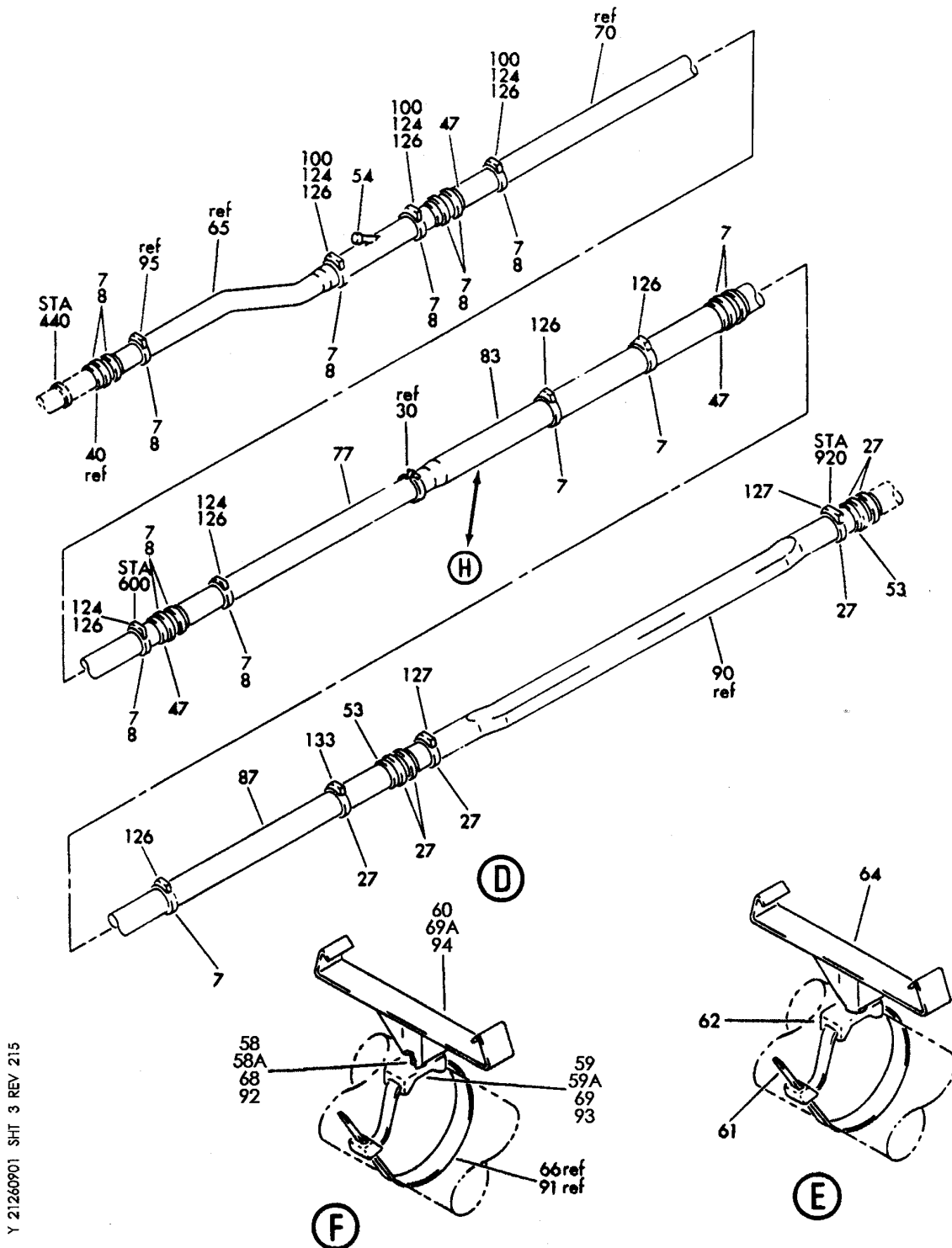
DUCT INSTL-SECT. 43 LAV/GALLEY VENT SYSTEM
FIGURE 1 (SHEET 2)

21-26-09-01

BRI
MAY 28/07

21-26-09-01
PAGE 0A

BOEING
757
PARTS CATALOG (MAINTENANCE)



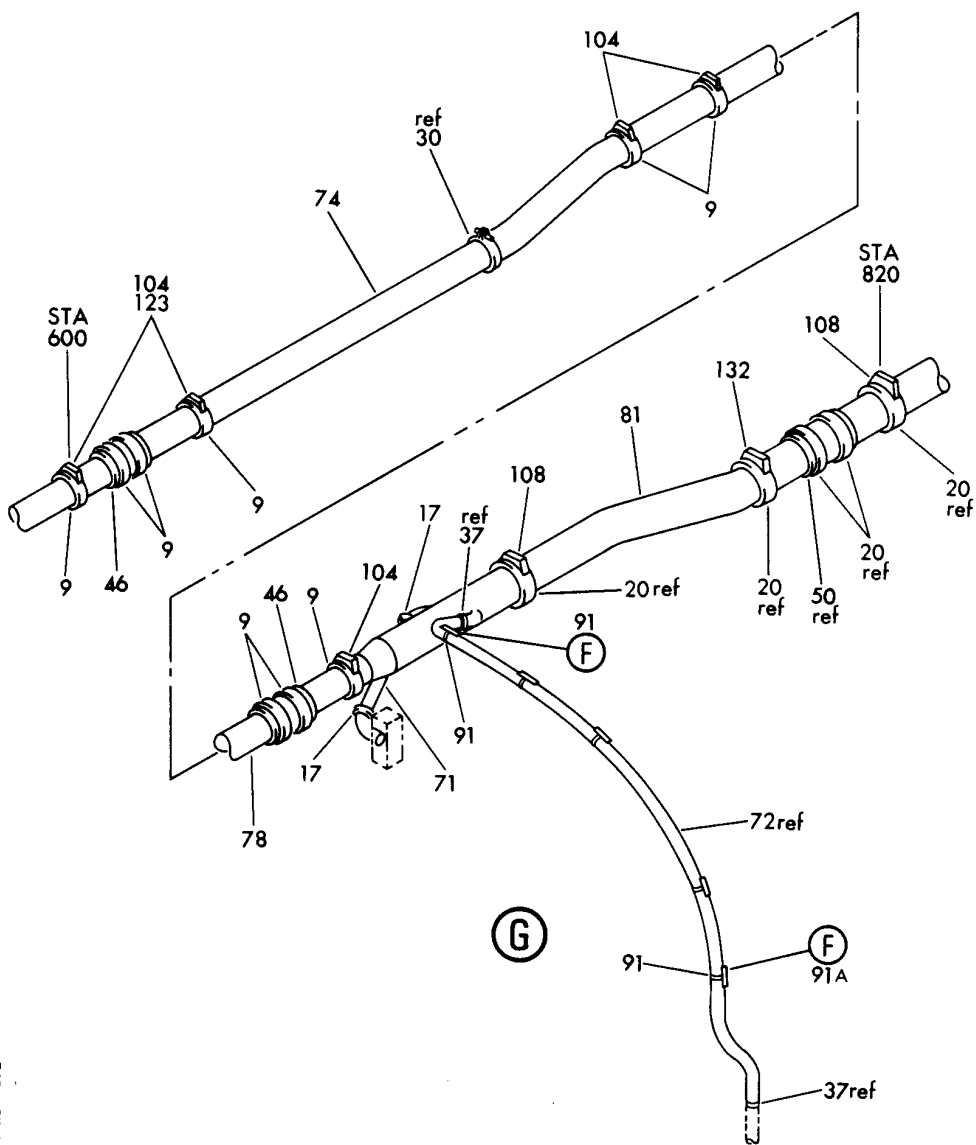
DUCT INSTL-SECT. 43 LAV/GALLEY VENT SYSTEM
FIGURE 1 (SHEET 3)

21-26-09-01

BRI
MAY 28/07

21-26-09-01
PAGE 0B

BOEING
757
PARTS CATALOG (MAINTENANCE)



Y 21260901 SHT 4 REV 072

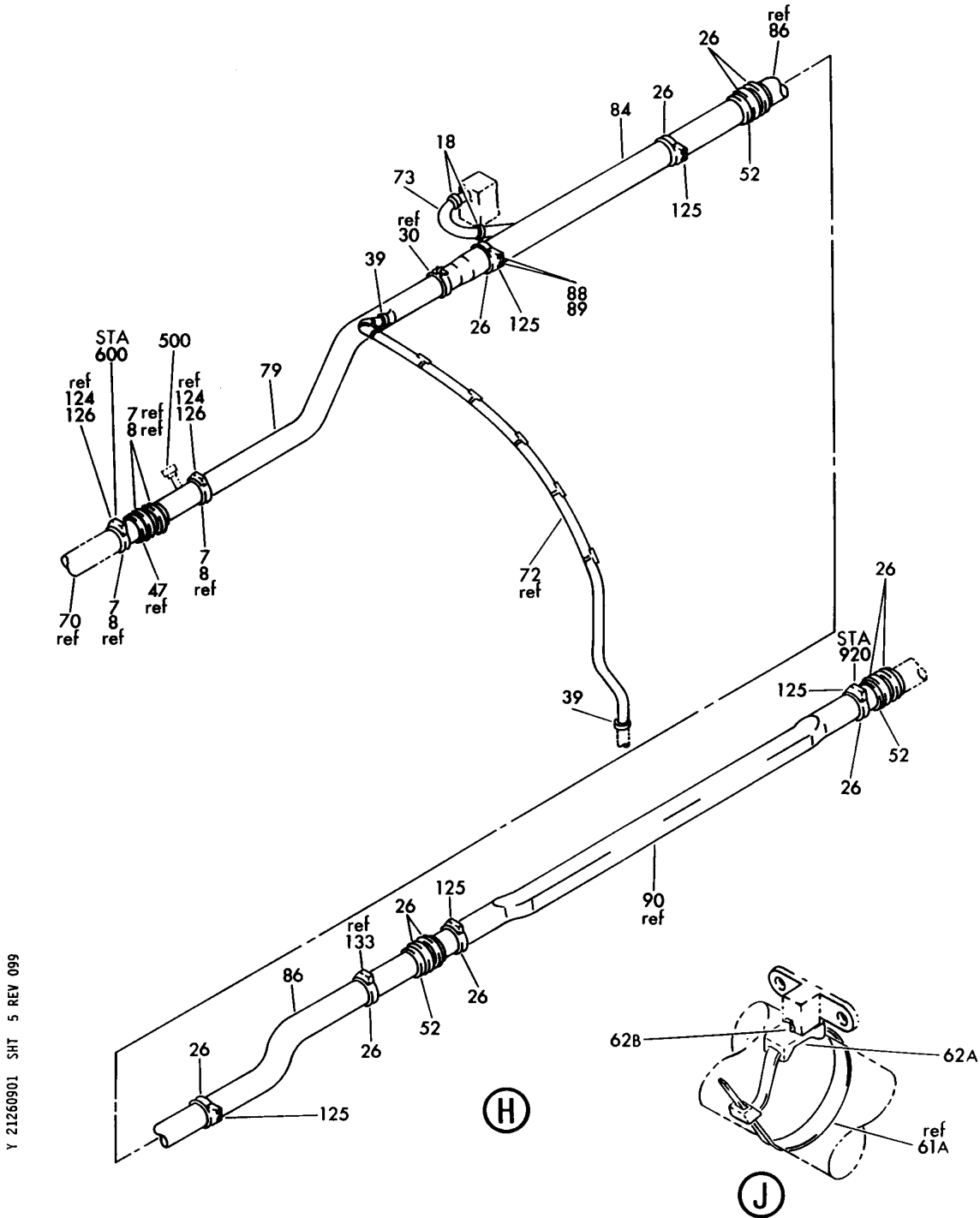
DUCT INSTL-SECT. 43 LAV/GALLEY VENT SYSTEM
FIGURE 1 (SHEET 4)

21-26-09-01

BRI
MAY 28/07

21-26-09-01
PAGE 0C

BOEING
 757
 PARTS CATALOG (MAINTENANCE)



DUCT INSTL-SECT. 43 LAV/GALLEY VENT SYSTEM
 FIGURE 1 (SHEET 5)

21-26-09-01

BRI
 MAY 28/07

21-26-09-01
 PAGE 0D



757

PARTS CATALOG (MAINTENANCE)

| FIG ITEM | PART NUMBER | 1 2 3 4 5 6 7 | NOMENCLATURE | EFFECT FROM TO | UNITS PER ASSY |
|----------|-------------|---------------|---|--|----------------|
| 1 | | | DUCT INSTL-SECT. 43 LAV/GALLEY VENT SYSTEM | 002004 006100 107107 121503 904949 | |
| - 1 | 214N3003-11 | | DUCT INSTL-LAV/GALLEY VENT SYS POSITION DATA: SECT. 43 VARIABLE DRAWING REF: 214N3003-2 214N3003-3 214N3003-4 214N3003-5 FOR NHA SEE: 21-00-00-01 | 107107 121503 904949 | RF |
| - 1 | 214N3003-16 | | DUCT INSTL-LAV/GALLEY VENT SYS POSITION DATA: SECT. 43 FOR NHA SEE: 21-00-00-01 | 002004 006010 | RF |
| 5 | 48 | | .CLAMP- SUPPLIER CODE: V7Z588 SPECIFICATION NUMBER: STBC10GG98-114 OPTIONAL PART: WWD98-114 V66295 | 002004 006010 107107 121503 904949 | 13 |
| 10 | 28 | | .CLAMP SUPPLIER CODE: V7Z588 SPECIFICATION NUMBER: STBC10GG58-66 OPTIONAL PART: WWD58-66H V66295 | 107107 121503 904949 | 1 |
| 15 | 32 | | .CLAMP SUPPLIER CODE: V7Z588 SPECIFICATION NUMBER: STBC10GG66-82 OPTIONAL PART: WWD66-82H V66295 | 107107 121503 904949 | 3 |

MISSING ITEM NUMBERS NOT APPLICABLE

- ITEM NOT ILLUSTRATED

21-26-09-01

21-26-09
FIG. 01
PAGE 1
JAN 20/09

BRI



757

PARTS CATALOG (MAINTENANCE)

| FIG ITEM | PART NUMBER | 1 2 3 4 5 6 7 | NOMENCLATURE | EFFECT FROM TO | UNITS PER ASSY |
|----------|---------------|---------------|--|--|----------------|
| 1 20 | 56 | | .CLAMP- SUPPLIER CODE: V7Z588 SPECIFICATION NUMBER: STBC10GG128 OPTIONAL PART: WWD128H V66295 | 002004 006010 107107 121503 904949 | 6 |
| 25 | 64 | | .CLAMP- SUPPLIER CODE: V7Z588 SPECIFICATION NUMBER: STBC10GG146 OPTIONAL PART: WWD146H V66295 | 002004 006010 107107 121503 904949 | 1 |
| 30 | 15J02-300 | | .CLAMP ASSY- SUPPLIER CODE: V89513 OPTIONAL PART: 32317AA300 V94581 NH135008-0300 V00624 | 002004 006010 107107 121503 904949 | 1 |
| 30 | 32317AA300 | | .COUPLING- SUPPLIER CODE: V94581 OPTIONAL PART: 15J02-300 V89513 | 002004 006010 107107 121503 904949 | 1 |
| 30 | NH135008-0300 | | .CLAMP ASSY- SUPPLIER CODE: V00624 OPTIONAL PART: 15J02-300 V89513 | 002004 006010 107107 121503 904949 | 1 |
| 35 | 15J02-350 | | .CLAMP- SUPPLIER CODE: V89513 OPTIONAL PART: 32317AA350 V94581 NH135008-0350 V98625 | 002004 006010 107107 121503 904949 | 1 |

MISSING ITEM NUMBERS NOT APPLICABLE

- ITEM NOT ILLUSTRATED

21-26-09-01

21-26-09
FIG. 01
PAGE 2
JAN 20/09

BRI



757

PARTS CATALOG (MAINTENANCE)

| FIG ITEM | PART NUMBER | 1 2 3 4 5 6 7 | NOMENCLATURE | EFFECT FROM TO | UNITS PER ASSY |
|----------|----------------|---------------|---------------------------------------|--|----------------|
| 1 | | | | | |
| 35 | 32317AA350 | .CLAMP- | SUPPLIER CODE: V94581 | 002004 006010 107107 | 1 |
| | | | OPTIONAL PART: 15J02-350 V89513 | 121503 904949 | |
| 35 | NH135008-0350 | .CLAMP- | SUPPLIER CODE: V00624 | 002004 006010 107107 | 1 |
| | | | OPTIONAL PART: 15J02-350 V89513 | 121503 904949 | |
| 40 | AS1506-11D50 | .HOSE- | | 107107 121503 904949 | 1 |
| 40 | AS1504-11B0070 | .HOSE- | | 002004 006100 | 1 |
| 45 | AS1506-12D50 | .HOSE | | 002004 006010 107107 121503 904949 | 2 |
| 50 | AS1506-14D50 | .HOSE- | | 002004 006010 107107 121503 904949 | 1 |
| 55 | BE539-10 | .CAP-END | SUPPLIER CODE: V05399 | 107107 121503 904949 | 1 |
| 56 | BE539-14 | .CAP-END | SUPPLIER CODE: V05399 | 107107 121503 904949 | 3 |
| | | | OPTIONAL PART: BE540-4 V05399 | | |
| 56 | BE540-4 | .CAP-END | SUPPLIER CODE: V05399 | 107107 121503 904949 | 3 |
| | | | OPTIONAL PART: BE539-14 V05399 | | |
| 65 | 214N3026-1 | .DUCT- | | 107107 121503 904949 | 1 |
| 65 | 214N3026-2 | .DUCT- | | 002004 006010 | 1 |
| 66 | MS3367-2-9 | .STRAP | | 002004 006010 | 4 |

MISSING ITEM NUMBERS NOT APPLICABLE

- ITEM NOT ILLUSTRATED

21-26-09-01

21-26-09
FIG. 01
PAGE 3
JAN 20/09

BRI

 **BOEING**
757
PARTS CATALOG (MAINTENANCE)

| FIG ITEM | PART NUMBER | 1 2 3 4 5 6 7 | NOMENCLATURE | EFFECT FROM TO | UNITS PER ASSY |
|----------|-------------|---------------|--|--|----------------|
| 1 | | | | | |
| 67 | 214N5054-3 | . | SUPPORT ASSY | 002004 006010 | 4 |
| 68 | BACS12ER3K6 | .. | SCREW | 002004 006010 | 1 |
| 69 | TM2S8 | .. | PLATE SUPPLIER CODE: V06383 SPECIFICATION NUMBER: STBP19M9 | 002004 006010 | 1 |
| 69A | 2055155-10B | .. | CLIP- SUPPLIER CODE: V04169 | 002004 006010 | 1 |
| 70 | 214N3025-9 | . | DUCT- | 002004 006010 107107 121503 904949 | 1 |
| 75 | 214N3025-4 | . | DUCT ASSY- | 002004 006010 107107 121503 904949 | 1 |
| 80 | 214N3025-3 | . | DUCT ASSY- | 107107 121503 904949 | 1 |
| 80 | 214N3025-14 | . | DUCT ASSY- | 002004 006010 | 1 |
| 85 | 214N3025-2 | . | DUCT ASSY- | 107107 121503 904949 | 1 |
| 85 | 214N3025-13 | . | DUCT ASSY- | 002004 006010 | 1 |
| 90 | 214N3025-1 | . | DUCT- | 002004 006010 107107 121503 904949 | 1 |
| 95 | 214T3424-22 | . | SUPPORT | 002004 006010 107107 121503 904949 | 1 |
| - 96 | BACS12FA3K7 | . | ATTACHING PARTS SCREW | 002004 006010 107107 121503 904949 | 2 |

MISSING ITEM NUMBERS NOT APPLICABLE

- ITEM NOT ILLUSTRATED

BRI

21-26-09-01

BOEING PROPRIETARY - Copyright © - Unpublished Work - See title page for details.

21-26-09
FIG. 01
PAGE 4
JAN 20/09

 **BOEING**
757
PARTS CATALOG (MAINTENANCE)

| FIG ITEM | PART NUMBER | 1 2 3 4 5 6 7 | NOMENCLATURE | EFFECT FROM TO | UNITS PER ASSY |
|-------------|--------------|---------------|--|--|----------------------|
| 1 | | | | | |
| - 97 | AN960JD10L | . | WASHER- | 002004 006010 107107 121503 904949 | 2 |
| - 97 | AN960PD10L | . | WASHER- | 002004 006010 107107 121503 904949 | 2 |
| - 97 | AN960KD10L | . | WASHER- | 002004 006010 107107 121503 904949 | 2 |
| - 98 | BRH10A3 | . | NUT- SUPPLIER CODE: V52828 SPECIFICATION NUMBER: BACN10JC3 OPTIONAL PART: H10-3BAC V15653 NS202101-02 V80539 RMLH9075-3W V72962 VN303A02 V92215 96-02 V80539 T6S1032J V11815 -----*----- | 002004 006010 107107 121503 904949 | 2 |
| 112 | 214T3424-7 | . | SUPPORT | 002004 006010 107107 121503 904949 | 1 |
| - 113 | BACS12FA3K11 | . | ATTACHING PARTS SCREW- OPTIONAL PART: BACS12FA3K16 | 002004 006010 107107 121503 904949 | 2 |

MISSING ITEM NUMBERS NOT APPLICABLE

- ITEM NOT ILLUSTRATED

BRI

21-26-09-01

BOEING PROPRIETARY - Copyright © - Unpublished Work - See title page for details.

21-26-09
FIG. 01
PAGE 5
JAN 20/09



757

PARTS CATALOG (MAINTENANCE)

| FIG ITEM | PART NUMBER | 1 2 3 4 5 6 7 | NOMENCLATURE | EFFECT FROM TO | UNITS PER ASSY |
|----------|--------------|---------------|---|--|----------------|
| 1 | | | | | |
| - 113 | BACS12FA3K16 | | .SCREW- OPTIONAL PART: BACS12FA3K11 | 002004 006010 107107 121503 904949 | 2 |
| - 114 | AN960PD10L | | .WASHER- | 002004 006010 107107 121503 904949 | 2 |
| - 114 | AN960JD10L | | .WASHER- | 002004 006010 107107 121503 904949 | 2 |
| - 115 | BRH10A3 | | .NUT- SUPPLIER CODE: V52828 SPECIFICATION NUMBER: BACN10JC3 OPTIONAL PART: H10-3BAC V15653 NS202101-02 V80539 RMLH9075-3W V72962 VN303A02 V92215 96-02 V80539 T6S1032J V11815 -----*----- | 002004 006010 107107 121503 904949 | 2 |
| 116 | 214T3424-4 | | .SUPPORT | 002004 006010 107107 121503 904949 | 6 |
| - 117 | BACS12FA3K7 | | ATTACHING PARTS .SCREW | 002004 006010 107107 121503 904949 | 12 |

MISSING ITEM NUMBERS NOT APPLICABLE

- ITEM NOT ILLUSTRATED

21-26-09-01

21-26-09
FIG. 01
PAGE 6
JAN 20/09

BRI

 **BOEING**
757
PARTS CATALOG (MAINTENANCE)

| FIG ITEM | PART NUMBER | 1 2 3 4 5 6 7 | NOMENCLATURE | EFFECT FROM TO | UNITS PER ASSY |
|----------|--------------|---------------|--|--|----------------|
| 1 | | | | | |
| - 118 | AN960JD10L | . | WASHER- | 002004 006010 107107 121503 904949 | 12 |
| - 118 | AN960PD10L | . | WASHER- | 002004 006010 107107 121503 904949 | 12 |
| - 118 | AN960KD10L | . | WASHER- | 002004 006010 107107 121503 904949 | 12 |
| - 119 | BRH10A3 | . | NUT- SUPPLIER CODE: V52828 SPECIFICATION NUMBER: BACN10JC3 OPTIONAL PART: H10-3BAC V15653 NS202101-02 V80539 RMLH9075-3W V72962 VN303A02 V92215 96-02 V80539 T6S1032J V11815 -----*----- | 002004 006010 107107 121503 904949 | 12 |
| 120 | 214T3424-5 | . | SUPPORT | 002004 006010 107107 121503 904949 | 2 |
| - 121 | BACS12FA3K16 | . | ATTACHING PARTS SCREW- OPTIONAL PART: BACS12FA3K11 | 002004 006010 107107 121503 904949 | 4 |

MISSING ITEM NUMBERS NOT APPLICABLE

- ITEM NOT ILLUSTRATED

BRI

21-26-09-01

BOEING PROPRIETARY - Copyright © - Unpublished Work - See title page for details.

21-26-09
FIG. 01
PAGE 7
JAN 20/09



757

PARTS CATALOG (MAINTENANCE)

| FIG ITEM | PART NUMBER | 1 2 3 4 5 6 7 | NOMENCLATURE | EFFECT FROM TO | UNITS PER ASSY |
|----------|--------------|---------------|--|--|----------------|
| 1 | | | | | |
| - 121 | BACS12FA3K11 | | . SCREW- OPTIONAL PART: BACS12FA3K16 | 002004 006010 107107 121503 904949 | 4 |
| - 122 | AN960PD10L | | . WASHER | 002004 006010 107107 121503 904949 | 4 |
| - 123 | BRH10C3D | | . NUT- SUPPLIER CODE: V52828 SPECIFICATION NUMBER: BACN10JC3CD OPTIONAL PART: T6C1032JCD V11815 NS202486-02 V80539 102LH9075-3W V72962 H51650-3BAC V15653 | 002004 006010 107107 121503 904949 | 4 |
| 134 | 214N1051-5 | | -----*----- . SUPPORT- | 002004 006010 107107 121503 904949 | 2 |

MISSING ITEM NUMBERS NOT APPLICABLE

- ITEM NOT ILLUSTRATED

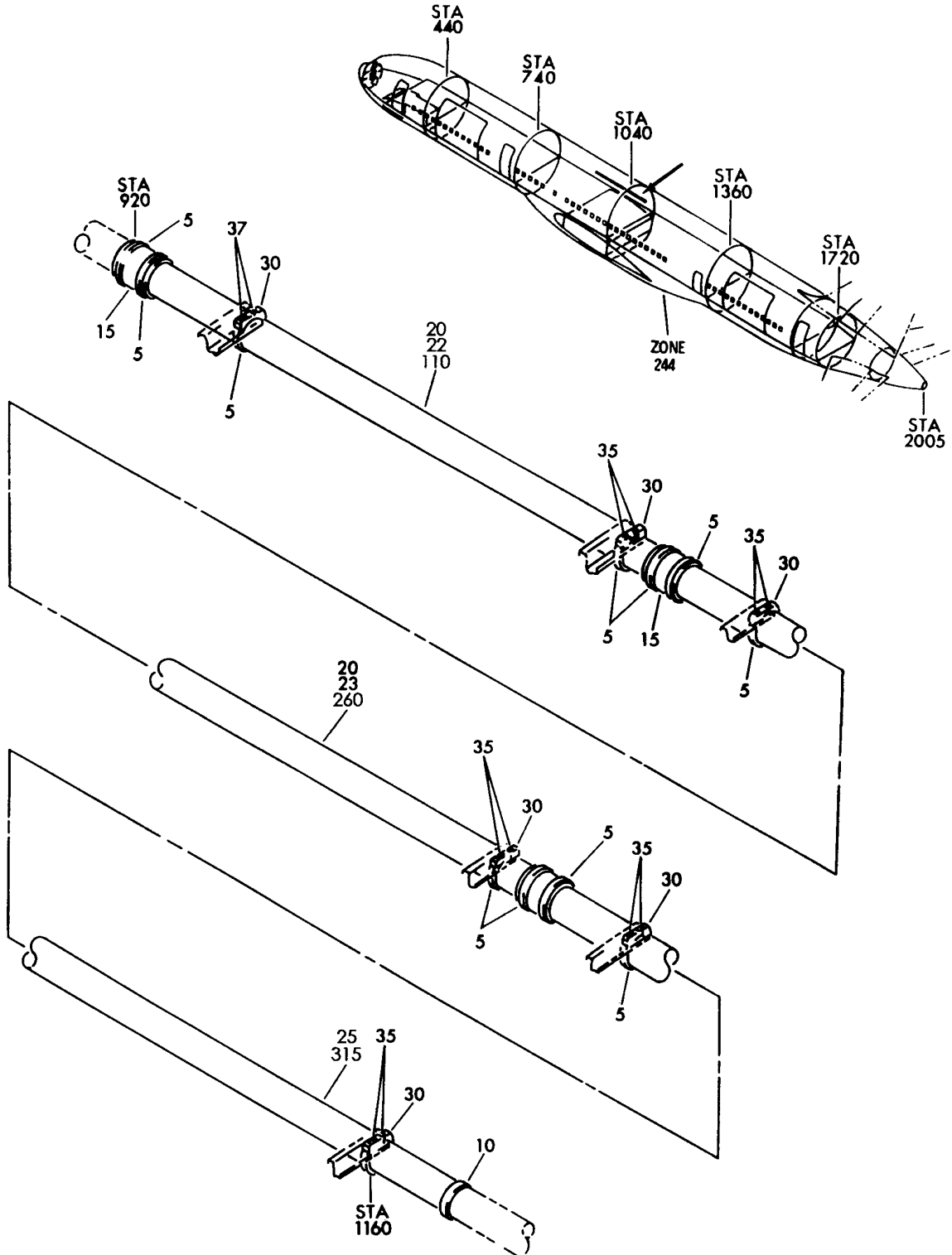
BRI

21-26-09-01

BOEING PROPRIETARY - Copyright © - Unpublished Work - See title page for details.

21-26-09
FIG. 01
PAGE 8
JAN 20/09

BOEING
757
PARTS CATALOG (MAINTENANCE)



Y 21260902 REV 198

DUCT INSTL-SECT. 44 LAV/GALLEY VENT SYS
FIGURE 2

21-26-09-02

BRI
MAY 28/07

21-26-09-02
PAGE 0



757

PARTS CATALOG (MAINTENANCE)

| FIG ITEM | PART NUMBER | 1 2 3 4 5 6 7 | NOMENCLATURE | EFFECT FROM TO | UNITS PER ASSY |
|----------|----------------|---------------|---|--|----------------|
| 2 | | | DUCT INSTL-SECT. 44 LAV/GALLEY VENT SYS | 002004 006102 107999 | |
| - 1 | 214N3004-1 | | DUCT INSTL-LAV/GALLEY VENT SYS POSITION DATA: SECT. 44 | 002004 006100 107107 121503 904999 | RF |
| - 1 | 214N3004-4 | | DUCT INSTL-LAV/GALLEY VENT SYS POSITION DATA: SECT. 44 FOR NHA SEE: 21-00-00-12 21-00-00-15 | 101102 108120 504903 | RF |
| 5 | 56 | | .CLAMP SUPPLIER CODE: V7Z588 SPECIFICATION NUMBER: STBC10GG128 OPTIONAL PART: WWD128H V66295 | 002004 006100 107107 121503 904999 | 12 |
| 5 | NAS1922-0350-3 | | .CLAMP | 101102 108120 504903 | 12 |
| 10 | 15J02-350 | | .CLAMP- SUPPLIER CODE: V89513 OPTIONAL PART: 32317AA350 V94581 NH135008-0350 V98625 | 002004 006100 107107 121503 904999 | 1 |
| 10 | 32317AA350 | | .CLAMP- SUPPLIER CODE: V94581 OPTIONAL PART: 15J02-350 V89513 | 002004 006100 107107 121503 904999 | 1 |
| 10 | NH135008-0350 | | .CLAMP- SUPPLIER CODE: V00624 OPTIONAL PART: 15J02-350 V89513 | 002004 006100 107107 121503 904999 | 1 |

R
R
R
R
R
R
R
R

MISSING ITEM NUMBERS NOT APPLICABLE

- ITEM NOT ILLUSTRATED

21-26-09-02

21-26-09
FIG. 02
PAGE 1
MAY 20/09

BRI



757

PARTS CATALOG (MAINTENANCE)

| FIG ITEM | PART NUMBER | 1 2 3 4 5 6 7 | NOMENCLATURE | EFFECT FROM TO | UNITS PER ASSY |
|----------|---------------|---------------|--|--|----------------|
| 2 | | | | | |
| 10 | NH135008-0350 | . | COUPLING SUPPLIER CODE: V00624 SPECIFICATION NUMBER: BACC10HX350 | 101102 108120 504903 | 1 |
| 15 | AS1506-14D50 | . | HOSE- OPTIONAL PART: AS1506-14D60 | 002004 006100 107107 121503 904999 | 3 |
| 15 | AS1506-14D60 | . | HOSE- OPTIONAL PART: AS1506-14D50 | 002004 006102 107999 | 3 |
| 20 | 214N3033-1 | . | DUCT- | 002004 006102 107120 504999 | 2 |
| R 20 | 214N3033-6 | . | DUCT | 121503 | 2 |
| 25 | 214N3033-2 | . | DUCT ASSY- | 002004 006102 107120 504999 | 1 |
| R 25 | 214N3033-4 | . | DUCT ASSY | 121503 | 1 |
| 30 | 214T3424-5 | . | SUPPORT-DUCT | 002004 006102 107999 | 6 |
| 35 | BACS12FA3K7 | . | ATTACHING PARTS SCREW | 002004 006102 107999 | 10 |
| 37 | BACS12FA3K11 | . | SCREW- OPTIONAL PART: BACS12FA3K16 | 002004 006102 107999 | 2 |
| 37 | BACS12FA3K16 | . | SCREW- OPTIONAL PART: BACS12FA3K11 | 002004 006100 107107 121503 904999 | 2 |
| - 40 | AN960PD10L | . | WASHER | 002004 006100 107107 121503 904999 | 12 |
| - 42 | NAS1149D0332J | . | WASHER | 101102 108120 504903 | 12 |
| - 43 | NAS42DD6-16 | . | SPACER | 101102 108120 504903 | 4 |

MISSING ITEM NUMBERS NOT APPLICABLE

- ITEM NOT ILLUSTRATED

21-26-09-02

21-26-09
FIG. 02
PAGE 2
MAY 20/09

BRI



757

PARTS CATALOG (MAINTENANCE)

| FIG ITEM | PART NUMBER | 1 2 3 4 5 6 7 | NOMENCLATURE | EFFECT FROM TO | UNITS PER ASSY |
|-----------|-------------|---------------|---|--|----------------|
| 2 - 45 | BRH10A3 | .NUT | SUPPLIER CODE: V52828 SPECIFICATION NUMBER: BACN10JC3 OPTIONAL PART: H10-3BAC V15653 NS202101-02 V80539 RMLH9075-3W V72962 VN303A02 V92215 96-02 V80539 T6S1032J V11815 | 002004 006100 107107 121503 904999 | 12 |
| - 50 | BRH10C3D | .NUT | SUPPLIER CODE: V52828 SPECIFICATION NUMBER: BACN10JC3CD OPTIONAL PART: T6C1032JCD V11815 NS202486-02 V80539 102LH9075-3W V72962 H51650-3BAC V15653 -----*----- | 101102 108120 504903 | 12 |

MISSING ITEM NUMBERS NOT APPLICABLE

- ITEM NOT ILLUSTRATED

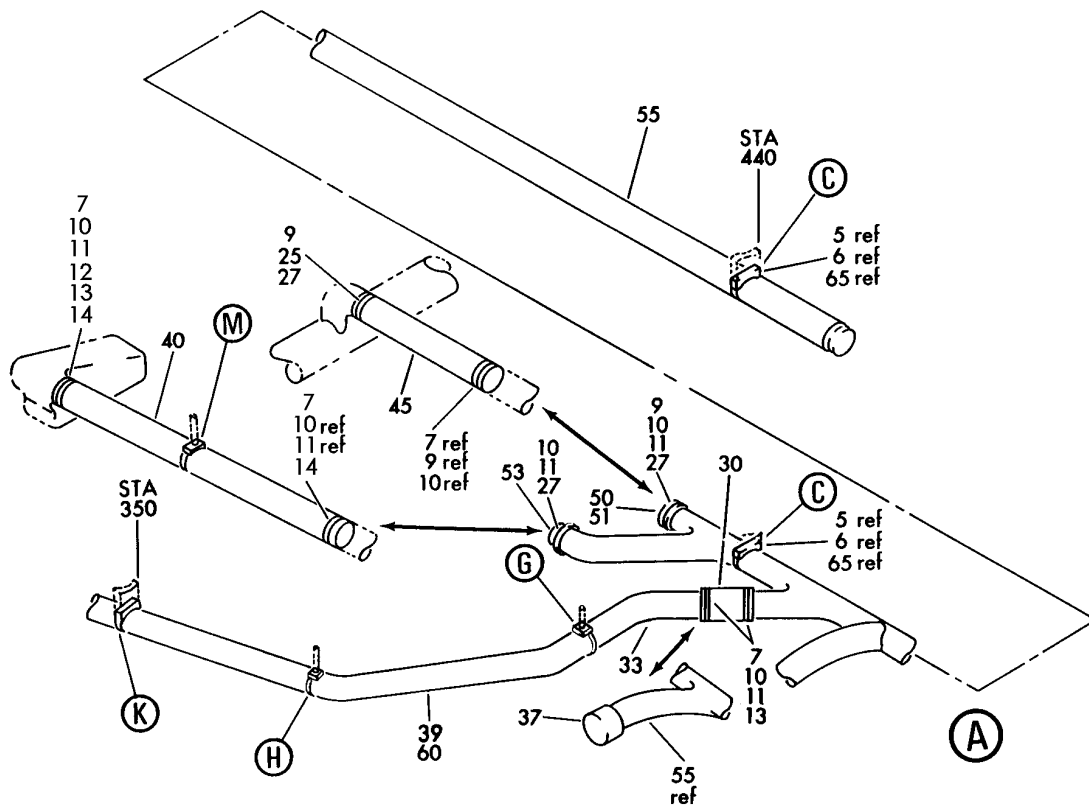
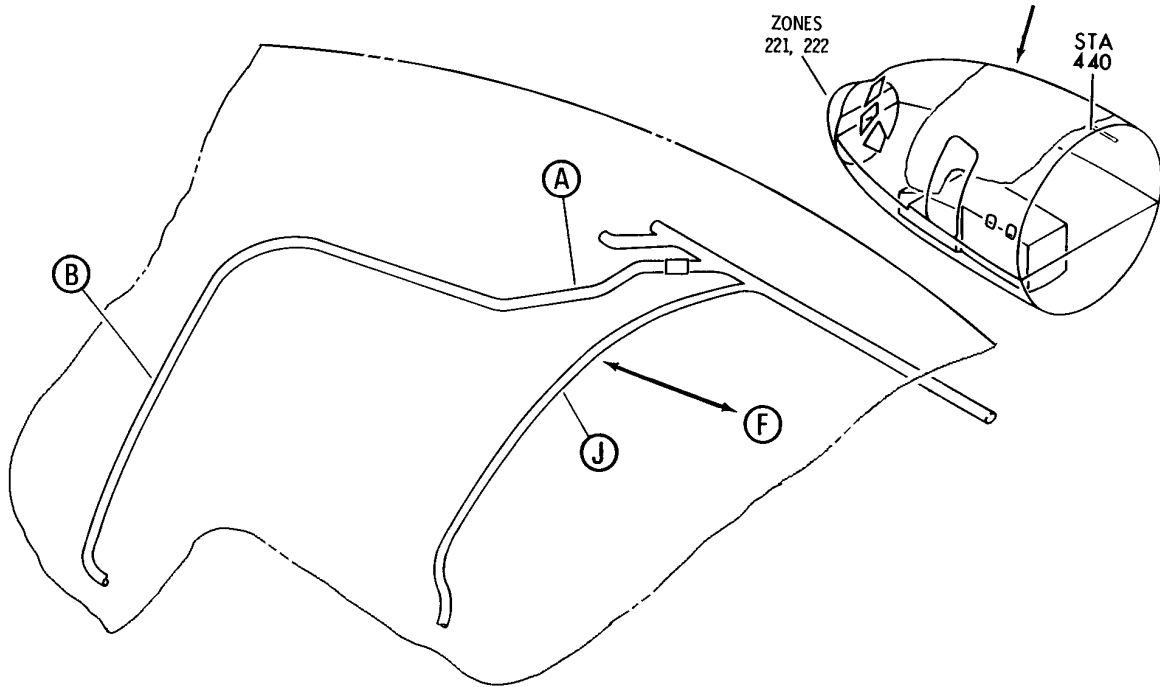
BRI

21-26-09-02

BOEING PROPRIETARY - Copyright © - Unpublished Work - See title page for details.

21-26-09
FIG. 02
PAGE 3
JAN 20/09

BOEING
757
PARTS CATALOG (MAINTENANCE)



Y 21260903 SHT 1 REV 239

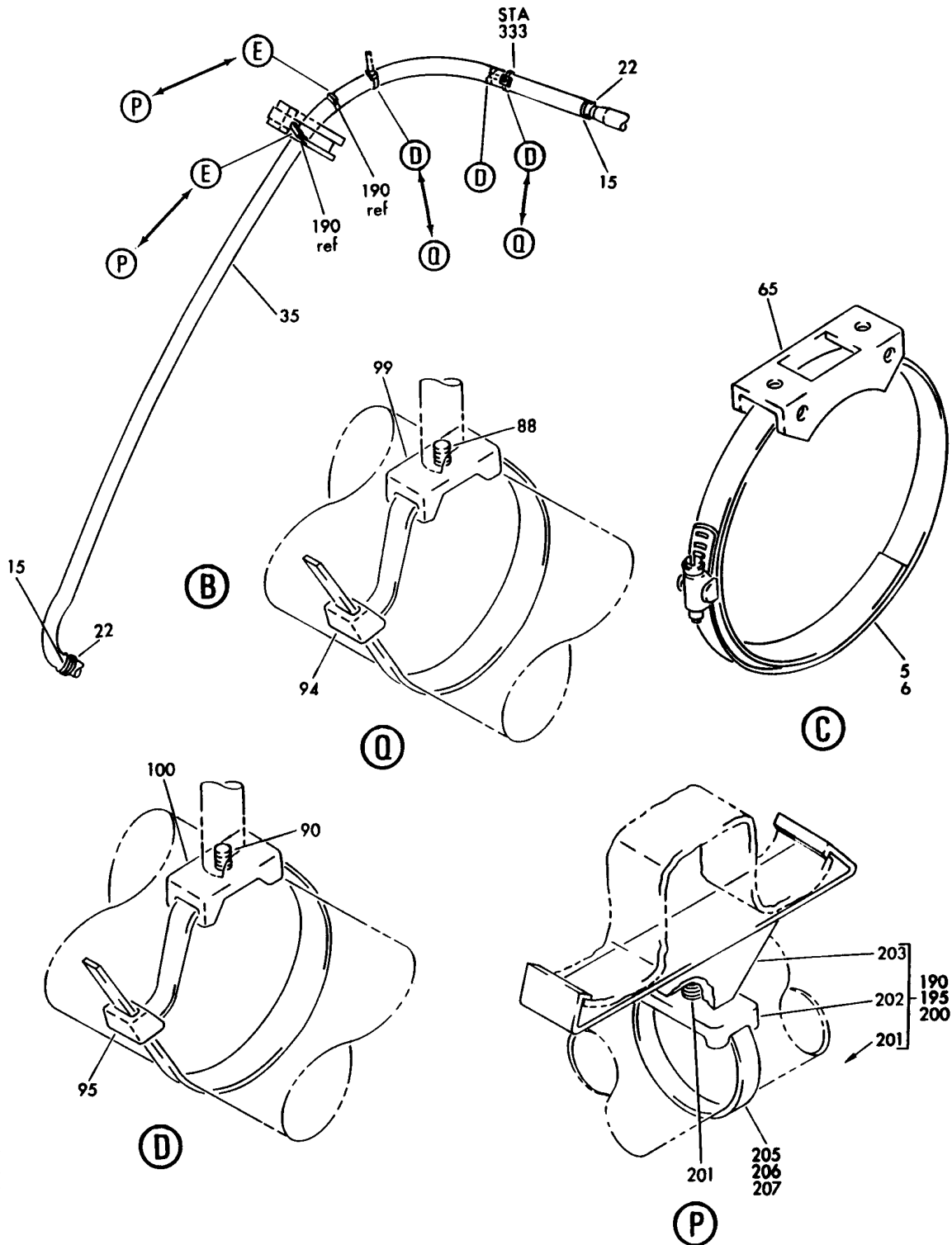
DUCT INSTL-SECT. 41 LAV/ GALLEY VENT SYS
FIGURE 3 (SHEET 1)

21-26-09-03

BRI
MAY 28/07

21-26-09-03
PAGE 0

BOEING
757
PARTS CATALOG (MAINTENANCE)



Y 21260903 SHT 2 REV 239

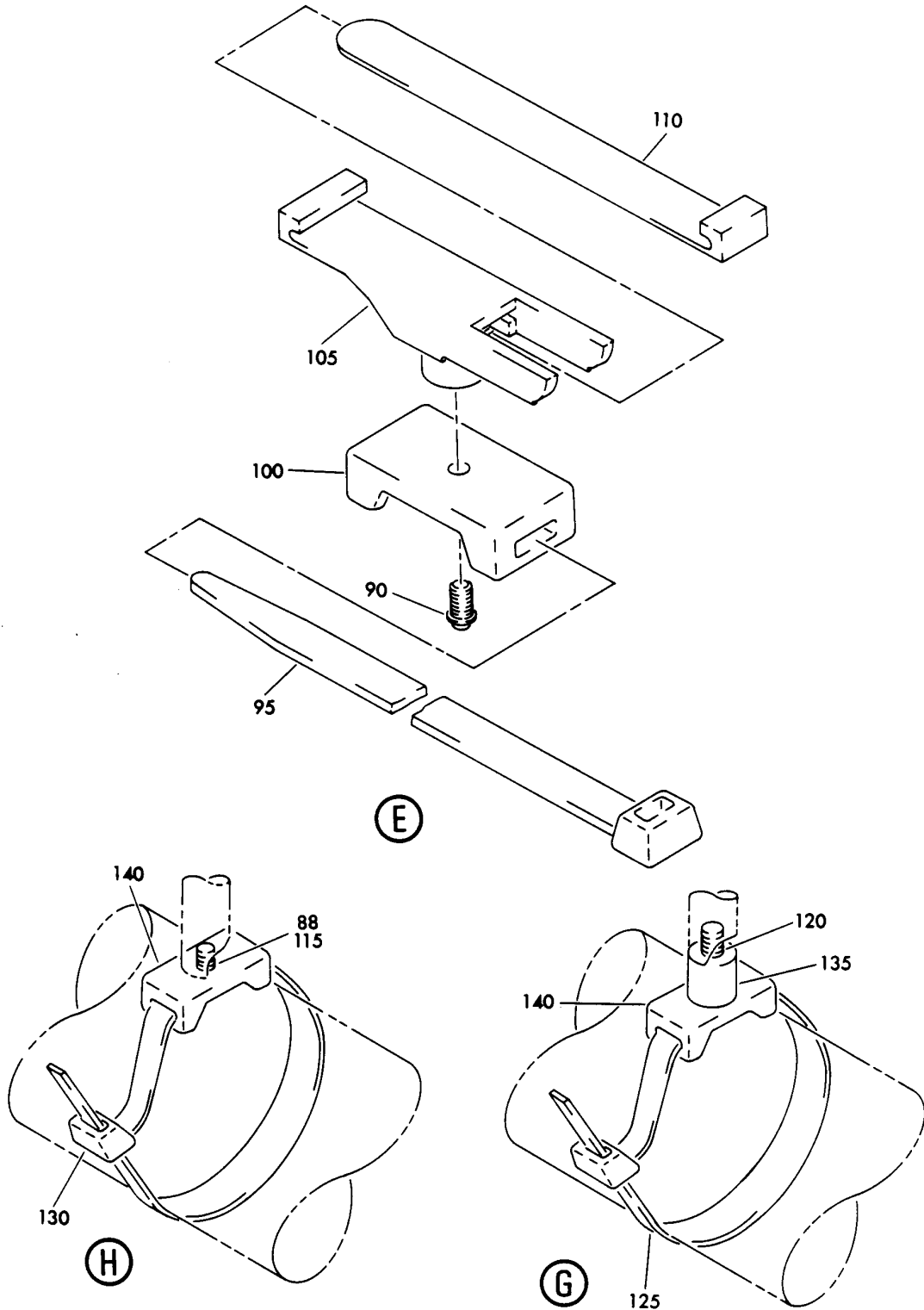
DUCT INSTL-SECT. 41 LAV/ GALLEY VENT SYS
FIGURE 3 (SHEET 2)

21-26-09-03

BRI
MAY 28/07

21-26-09-03
PAGE 0A

BOEING
757
PARTS CATALOG (MAINTENANCE)



Y 21260903 SHT 3 REV 091

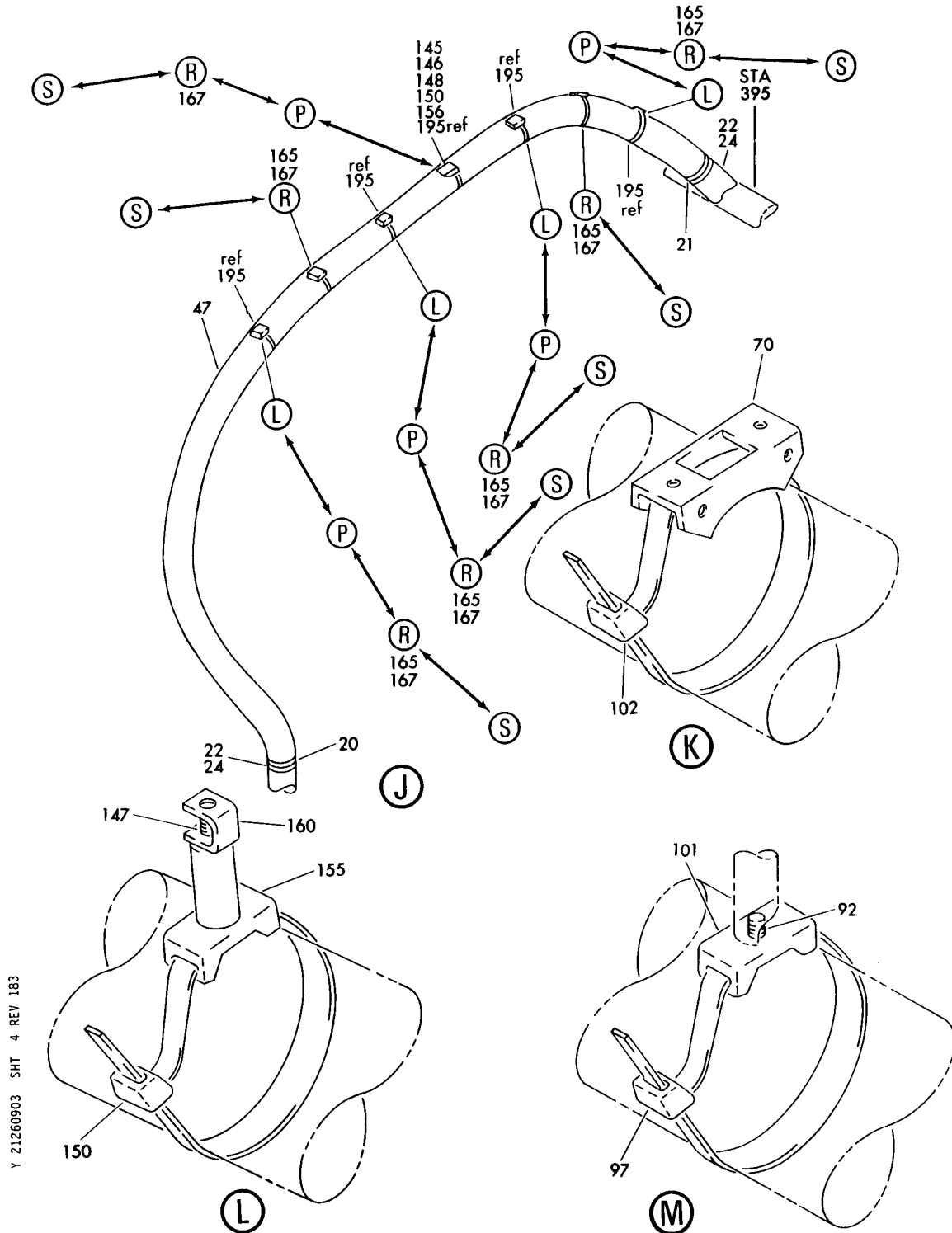
DUCT INSTL-SECT. 41 LAV/ GALLEY VENT SYS
FIGURE 3 (SHEET 3)

21-26-09-03

BRI
MAY 28/07

21-26-09-03
PAGE 0B


BOEING
 757
PARTS CATALOG (MAINTENANCE)



Y 21260903 SHT 4 REV 183

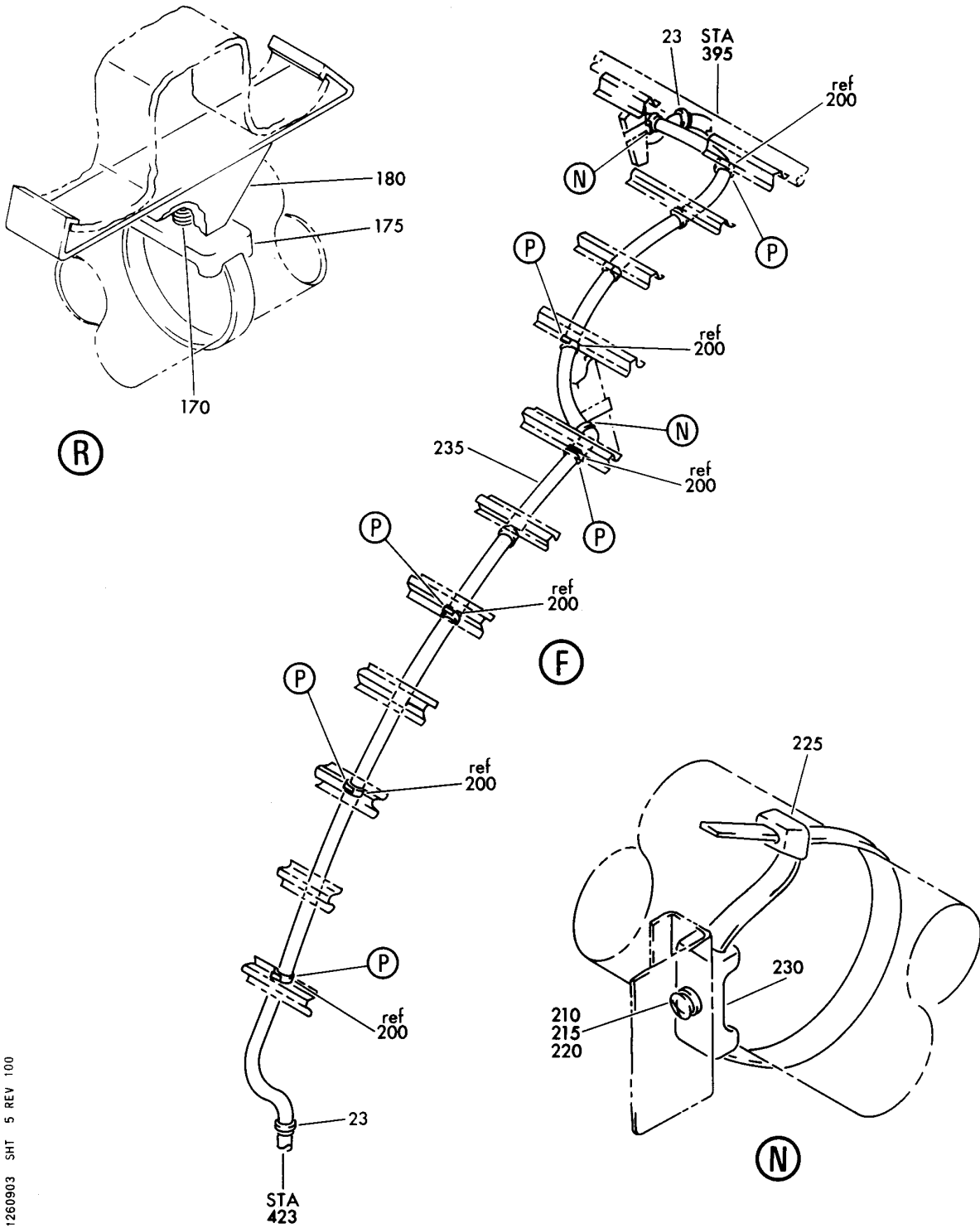
DUCT INSTL-SECT. 41 LAV/ GALLEY VENT SYS
 FIGURE 3 (SHEET 4)

21-26-09-03

BRI
 MAY 28/07

21-26-09-03
 PAGE 0C

BOEING
757
PARTS CATALOG (MAINTENANCE)



Y 21260903 SHT 5 REV 100

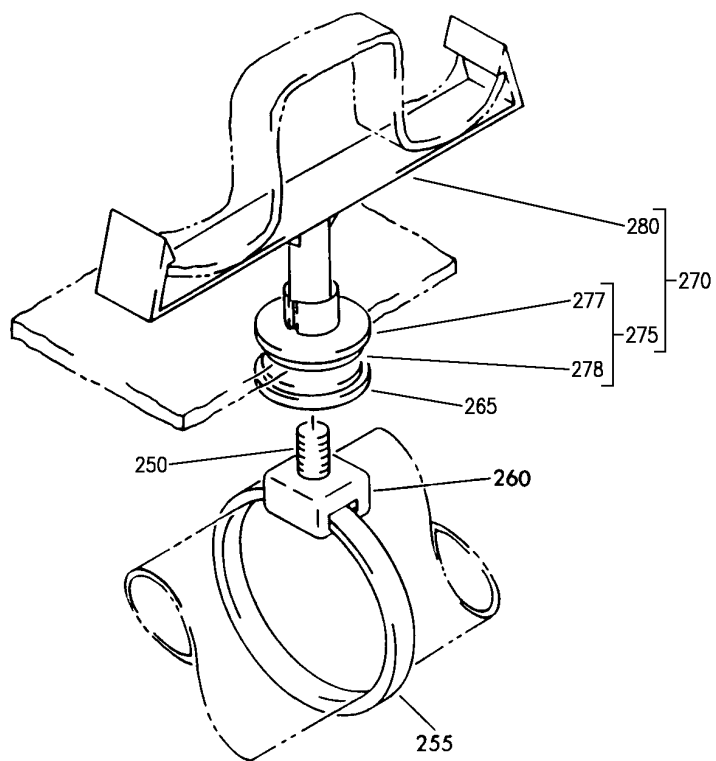
DUCT INSTL-SECT. 41 LAV/ GALLEY VENT SYS
FIGURE 3 (SHEET 5)

21-26-09-03

BRI
MAY 28/07

21-26-09-03
PAGE 0D

BOEING
757
PARTS CATALOG (MAINTENANCE)



(S)

Y 21260903 SH1 6 REV 299

DUCT INSTL-SECT. 41 LAV/ GALLEY VENT SYS
FIGURE 3 (SHEET 6)

21-26-09-03

BRI
MAY 28/07

21-26-09-03
PAGE 0E



757

PARTS CATALOG (MAINTENANCE)

| FIG ITEM | PART NUMBER | 1 2 3 4 5 6 7 | NOMENCLATURE | EFFECT FROM TO | UNITS PER ASSY |
|----------|----------------|---------------|---|--|----------------|
| 3 | | | DUCT INSTL-SECT. 41 LAV/ GALLEY VENT SYS | 002004 006017 107107 121503 904999 | |
| - 1 | 214N3002-6 | | DUCT INSTL-LAV/GALLEY VENT SYS POSITION DATA: SECT. 41 VARIABLE DRAWING REF: 214N3002-2 214N3002-4 FOR NHA SEE: 21-00-00-01 | 107107 | RF |
| - 1 | 214N3002-10 | | DUCT INSTL-LAV/GALLEY VENT SYS POSITION DATA: SECT. 41 FOR NHA SEE: 21-00-00-01 | 952999 | RF |
| - 1 | 214N3002-11 | | DUCT INSTL-LAV/GALLEY VENT SYS POSITION DATA: SECT. 41 FOR NHA SEE: 21-00-00-01 | 950951 | RF |
| - 1 | 214N3002-7 | | DUCT INSTL-LAV/GALLEY VENT SYS POSITION DATA: SECT. 41 FOR NHA SEE: 21-00-00-01 | 107107 | RF |
| - 1 | 214N3002-23 | | DUCT INSTL-LAV/GALLEY VENT SYS POSITION DATA: SECT. 41 FOR NHA SEE: 21-00-00-01 | 121503 904949 | RF |
| 5 | NAS1922-0275-1 | | .CLAMP- | 121503 904949 | 2 |
| 5 | 48 | | .CLAMP- SUPPLIER CODE: V7Z588 SPECIFICATION NUMBER: STBC10GG98-114 OPTIONAL PART: WWD98-114 V66295 | 107107 950999 | 2 |

MISSING ITEM NUMBERS NOT APPLICABLE

- ITEM NOT ILLUSTRATED

21-26-09-03

21-26-09
FIG. 03
PAGE 1
JAN 20/09

BRI



757

PARTS CATALOG (MAINTENANCE)

| FIG ITEM | PART NUMBER | 1 2 3 4 5 6 7 | NOMENCLATURE | EFFECT FROM TO | UNITS PER ASSY |
|----------|----------------|---|--------------|------------------|----------------|
| 3 | | | | | |
| 7 | NAS1922-0225-1 | .CLAMP- | | 121503 904949 | 4 |
| 9 | NAS1922-0225-1 | .CLAMP- POST RAPID REVISION: RR92003-19 | | 121503 904949 | 2 |
| 10 | 32 | .CLAMP SUPPLIER CODE: V7Z588 SPECIFICATION NUMBER: STBC10GG66-82 OPTIONAL PART: WWD66-82H V66295 | | 107107 | 4 |
| 11 | 32 | .CLAMP- SUPPLIER CODE: V7Z588 SPECIFICATION NUMBER: STBC10GG66-82 OPTIONAL PART: WWD66-82H V66295 QUALIFIED OPTIONAL DATA: (BE539-14 TOGETHER WITH STBC10GG66-82 OPT TO 36-1000 OR 2.250-16) | | 950999 | 5 |
| 12 | 32 | .CLAMP- SUPPLIER CODE: V7Z588 SPECIFICATION NUMBER: STBC10GG66-82 OPTIONAL PART: WWD66-82H V66295 | | 107107 | 1 |
| 13 | 32 | .CLAMP SUPPLIER CODE: V7Z588 SPECIFICATION NUMBER: STBC10GG66-82 OPTIONAL PART: WWD66-82H V66295 | | 952999 | 3 |
| 15 | 20 | .CLAMP- SUPPLIER CODE: V7Z588 SPECIFICATION NUMBER: STBC10GG48-58 OPTIONAL PART: WWD48-58H V66295 | | 107107 950999 | 2 |

MISSING ITEM NUMBERS NOT APPLICABLE

- ITEM NOT ILLUSTRATED

21-26-09-03

21-26-09
FIG. 03
PAGE 2
JAN 20/09

BRI



757

PARTS CATALOG (MAINTENANCE)

| FIG ITEM | PART NUMBER | 1 2 3 4 5 6 7 | NOMENCLATURE | EFFECT FROM TO | UNITS PER ASSY |
|----------|-------------|----------------|--|----------------------------|----------------|
| 3 | 20 | 20 | .CLAMP SUPPLIER CODE: V7Z588 SPECIFICATION NUMBER: STBC10GG48-58 OPTIONAL PART: WWD48-58H V66295 | 107107 | 1 |
| | 21 | 20 | .CLAMP- SUPPLIER CODE: V7Z588 SPECIFICATION NUMBER: STBC10GG48-58 OPTIONAL PART: WWD48-58H V66295 USED ON: 214N3002-6 | 107107 | 1 |
| | 22 | NAS1922-0150-1 | .CLAMP- | 121503 904949 | 4 |
| | 25 | 32 | .CLAMP- SUPPLIER CODE: V7Z588 SPECIFICATION NUMBER: STBC10GG66-82 OPTIONAL PART: WWD66-82H V66295 | 950951 | 1 |
| | 30 | AS1506-08D40 | .HOSE- | 107107 121503 904999 | 1 |
| | 35 | BOE2061-0002 | .HOSE- SUPPLIER CODE: V16632 | 121503 904999 | 1 |
| | 35 | BOE2061-0005 | .HOSE- SUPPLIER CODE: V16632 | 121503 904999 | 1 |
| | 40 | AS1504-09B0312 | .HOSE- | 107107 121503 904999 | 1 |
| | 45 | AS1504-09B0132 | .HOSE- | 121503 904951 | 1 |
| | 47 | BOE2061-0003 | .HOSE- SUPPLIER CODE: V16632 | 107107 121503 904949 | 1 |

MISSING ITEM NUMBERS NOT APPLICABLE

- ITEM NOT ILLUSTRATED

21-26-09-03

21-26-09
FIG. 03
PAGE 3
JAN 20/09

BRI



757

PARTS CATALOG (MAINTENANCE)

| FIG ITEM | PART NUMBER | 1 2 3 4 5 6 7 | NOMENCLATURE | EFFECT FROM TO | UNITS PER ASSY |
|----------|-------------|---------------|--|------------------|----------------|
| 3 | | | | | |
| 50 | BE539-14 | . | CAP-END SUPPLIER CODE: V05399 QUALIFIED OPTIONAL DATA: (BE539-14 TOGETHER WITH STBC10GG66-82 OPT TO 36-1000 OR 2250-16) | 107107 952999 | 1 |
| 50 | 2250-16 | . | CAP-END SUPPLIER CODE: V15819 QUALIFIED OPTIONAL DATA: (BE539-14 TOGETHER WITH STBC10GG66-82 OPT TO 36-1000 OR 2250-16) OPTIONAL PART: 36-1000 V25205 | 107107 952999 | 1 |
| 50 | 36-1000 | . | CAP-END SUPPLIER CODE: V25205 QUALIFIED OPTIONAL DATA: (BE539-14 TOGETHER WITH STBC10GG66-82 OPT TO 36-1000 OR 2250-16) OPTIONAL PART: 2250-16 V15819 | 107107 952999 | 1 |
| 50 | 2250-16 | . | CAP-END SUPPLIER CODE: V15819 POST RAPID REVISION: RR92003-19 | 904949 | 1 |
| 51 | 2250-16 | . | CAP-END SUPPLIER CODE: V15819 OPTIONAL PART: 36-1000 V25205 | 952999 | 1 |
| 51 | 36-1000 | . | CAP-END SUPPLIER CODE: V25205 OPTIONAL PART: 2250-16 V15819 | 952999 | 1 |
| 55 | 214N3021-1 | . | DUCT- | 950999 | 1 |
| 55 | 214N3021-3 | . | DUCT- | 950999 | 1 |
| 55 | 214N3021-2 | . | DUCT- | 107107 | 1 |
| 55 | 214N3021-4 | . | DUCT- | 121503 904951 | 1 |

MISSING ITEM NUMBERS NOT APPLICABLE

- ITEM NOT ILLUSTRATED

21-26-09-03

21-26-09
FIG. 03
PAGE 4
JAN 20/09

BRI



757

PARTS CATALOG (MAINTENANCE)

| FIG ITEM | PART NUMBER | 1 2 3 4 5 6 7 | NOMENCLATURE | EFFECT FROM TO | UNITS PER ASSY |
|----------|-------------|---------------|------------------------------------|----------------------------|----------------|
| 3 | | | | | |
| 60 | 214N3022-1 | . | DUCT ASSY- | 107107 | 1 |
| 60 | 214N3022-4 | . | DUCT ASSY- | 121503 904999 | 1 |
| 65 | 214T3424-22 | . | SUPPORT | 107107 121503 904999 | 2 |
| 70 | 214T3424-2 | . | SUPPORT-DUCT | 107107 121503 904999 | 1 |
| | | | ATTACHING PARTS | | |
| - 75 | BACS12FA3K7 | . | SCREW | 107107 121503 904999 | 6 |
| - 77 | BACS12FA3K7 | . | SCREW | 107107 121503 904999 | 4 |
| - 80 | AN960PD10L | . | WASHER- | 107107 950999 | 6 |
| - 80 | AN960KD10L | . | WASHER- | 107107 950999 | 6 |
| - 80 | AN960JD10L | . | WASHER- | 107107 121503 904999 | 6 |
| - 82 | AN960PD10L | . | WASHER | 107107 121503 904999 | 4 |
| - 85 | BRH10A3 | . | NUT | 107107 121503 904999 | 6 |
| | | | SUPPLIER CODE: V52828 | | |
| | | | SPECIFICATION NUMBER: BACN10JC3 | | |
| | | | OPTIONAL PART: H10-3BAC | | |
| | | | V15653 | | |
| | | | NS202101-02 | | |
| | | | V80539 | | |
| | | | RMLH9075-3W | | |
| | | | V72962 | | |
| | | | VN303A02 | | |
| | | | V92215 | | |
| | | | 96-02 | | |
| | | | V80539 | | |
| | | | T6S1032J | | |
| | | | V11815 | | |

MISSING ITEM NUMBERS NOT APPLICABLE

- ITEM NOT ILLUSTRATED

BRI

21-26-09-03

21-26-09
FIG. 03
PAGE 5
JAN 20/09



757

PARTS CATALOG (MAINTENANCE)

| FIG ITEM | PART NUMBER | 1 2 3 4 5 6 7 | NOMENCLATURE | EFFECT FROM TO | UNITS PER ASSY |
|-----------|-------------|---------------|--|--------------------------------------|----------------|
| 3 - 87 | BRH10A3 | | .NUT SUPPLIER CODE: V52828 SPECIFICATION NUMBER: BACN10JC3 OPTIONAL PART: H10-3BAC V15653 NS202101-02 V80539 RMLH9075-3W V72962 VN303A02 V92215 96-02 V80539 T6S1032J V11815 -----*----- | 107107 121503 904999 | 4 |
| 89 | BACS12ER3K6 | | .SCREW- | 121503 904949 | 5 |
| 90 | BACS12FA3K6 | | .SCREW- | 002004 006017 107107 950999 | 5 |
| 92 | BACS12FA3K6 | | .SCREW- | 107107 950999 | 1 |
| 92 | BACS12ER3K6 | | .SCREW- | 121503 904949 | 1 |
| 94 | MS3367-1-9 | | .STRAP | 121503 904949 | 2 |
| 95 | MS3367-1-9 | | .STRAP- | 002004 006017 107107 950999 | 5 |
| 97 | MS3367-2-9 | | .STRAP- | 107107 121503 904999 | 1 |
| 99 | TM2S8 | | .PLATE SUPPLIER CODE: V06383 SPECIFICATION NUMBER: STBP19M9 | 121503 904949 | 2 |
| 100 | TM3S10 | | .PLATE- SUPPLIER CODE: V06383 SPECIFICATION NUMBER: STBP19M12 | 002004 006017 107107 950999 | 5 |

MISSING ITEM NUMBERS NOT APPLICABLE

- ITEM NOT ILLUSTRATED

21-26-09-03

21-26-09
FIG. 03
PAGE 6
JAN 20/09

BRI



757

PARTS CATALOG (MAINTENANCE)

| FIG ITEM | PART NUMBER | 1 2 3 4 5 6 7 | NOMENCLATURE | EFFECT FROM TO | UNITS PER ASSY |
|----------|--------------|---------------|---|--------------------------------------|----------------|
| 3 | | | | | |
| 101 | TM3S10 | | .PLATE- SUPPLIER CODE: V06383 SPECIFICATION NUMBER: STBP19M12 | 107107 950999 | 1 |
| 101 | TM2S8 | | .PLATE- SUPPLIER CODE: V06383 SPECIFICATION NUMBER: STBP19M9 | 121503 904949 | 1 |
| 102 | MS3367-3-9 | | .STRAP- | 107107 121503 904999 | 1 |
| 105 | 69-64155-1 | | .SUPPORT- | 107107 121503 904999 | 2 |
| 110 | 69-64155-2 | | .SUPPORT- | 107107 121503 904999 | 2 |
| 115 | BACS12ER3K6 | | .SCREW- | 121503 904949 | 1 |
| 115 | BACS12FA3K6 | | .SCREW- | 952999 | 1 |
| 120 | BACS12FA3K14 | | .SCREW- | 107107 121503 904999 | 1 |
| 125 | MS3367-2-9 | | .STRAP- | 107107 121503 904999 | 1 |
| 130 | MS3367-1-9 | | .STRAP- | 002004 006017 107107 950999 | 1 |
| 130 | MS3367-2-9 | | .STRAP- | 121503 904949 | 1 |
| 135 | NAS43DD3-30 | | .SPACER- | 107107 121503 904999 | 1 |
| 140 | TM2S8 | | .PLATE- SUPPLIER CODE: V06383 SPECIFICATION NUMBER: STBP19M9 | 107107 121503 904999 | 2 |
| 140 | TM3S10 | | .PLATE- SUPPLIER CODE: V06383 SPECIFICATION NUMBER: STBP19M12 | 002004 006017 107107 950999 | 2 |
| 145 | 69-64155-1 | | .SUPPORT | 107107 | 1 |
| 146 | 69-64159-2 | | .SUPPORT | 107107 | 1 |

MISSING ITEM NUMBERS NOT APPLICABLE

- ITEM NOT ILLUSTRATED

21-26-09-03

21-26-09
FIG. 03
PAGE 7
JAN 20/09

BRI



757

PARTS CATALOG (MAINTENANCE)

| FIG ITEM | PART NUMBER | 1 2 3 4 5 6 7 | NOMENCLATURE | EFFECT FROM TO | UNITS PER ASSY |
|----------|-------------|---------------|--|----------------|----------------|
| 3 147 | BACS12FA3K7 | | .SCREW- QUALIFIED OPTIONAL DATA: (294243-16C TOGETHER WITH STBP19M12 AND BACS12FA3K7 OPTIONAL TO 214N5054-3) USED ON: 214N3002-7 | 107107 | 6 |
| 148 | BACS12FA3K7 | | .SCREW- USED ON: 214N3002-7 | 107107 | 1 |
| 150 | MS3367-1-9 | | .STRAP- USED ON: 214N3002-7 | 107107 | 7 |
| 155 | TM3S10 | | .PLATE- SUPPLIER CODE: V06383 SPECIFICATION NUMBER: STBP19M12 QUALIFIED OPTIONAL DATA: (29243-16C TOGETHER WITH STBP19M12 AND BACS12FA3K7 OPTIONAL TO 214N5054-3) USED ON: 214N3002-7 | 107107 | 6 |
| 156 | TM3S10 | | .PLATE- SUPPLIER CODE: V06383 SPECIFICATION NUMBER: STBP19M12 USED ON: 214N3002-7 | 107107 | 1 |
| 160 | 294243-16C | | .CLIP- SUPPLIER CODE: V76530 QUALIFIED OPTIONAL DATA: (294243-16C TOGETHER WITH STBP19M12 AND BACS12FA3K7 OPTIONAL TO 214N5054-3) USED ON: 214N3002-7 | 107107 | 6 |
| 165 | 214N5054-3 | | .SUPPORT ASSY- USED ON: 214N3002-7 | 107107 | 6 |
| 170 | BACS12ER3K6 | | ..SCREW- USED ON: 214N3002-7 | 107107 | 1 |

MISSING ITEM NUMBERS NOT APPLICABLE

- ITEM NOT ILLUSTRATED

21-26-09-03

21-26-09
FIG. 03
PAGE 8
JAN 20/09

BRI

BOEING PROPRIETARY - Copyright © - Unpublished Work - See title page for details.



757

PARTS CATALOG (MAINTENANCE)

| FIG ITEM | PART NUMBER | 1 2 3 4 5 6 7 | NOMENCLATURE | EFFECT FROM TO | UNITS PER ASSY |
|----------|-------------|---------------|--|------------------|----------------|
| 3 | | | | | |
| 175 | TM2S8 | | .. PLATE- SUPPLIER CODE: V06383 SPECIFICATION NUMBER: STBP19M9 USED ON: 214N3002-7 | 107107 | 1 |
| 180 | 2055155-10B | | .. CLIP- SUPPLIER CODE: V04169 USED ON: 214N3002-7 | 107107 | 1 |
| 190 | 214N5054-4 | | . SUPPORT ASSY- | 121503 904949 | 2 |
| 195 | 214N5054-4 | | . SUPPORT ASSY- | 121503 904949 | 7 |
| 201 | BACS12ER3K6 | | .. SCREW | 121503 904949 | 1 |
| 201 | BACS12ER3K6 | | .. SCREW | 121503 904949 | 1 |
| 202 | TM2S8 | | .. PLATE SUPPLIER CODE: V06383 SPECIFICATION NUMBER: STBP19M9 | 121503 904949 | 1 |
| 202 | TM2S8 | | .. PLATE SUPPLIER CODE: V06383 SPECIFICATION NUMBER: STBP19M9 | 121503 904949 | 1 |
| 203 | 2055155-5B | | .. CLIP- SUPPLIER CODE: V04169 | 121503 904949 | 1 |
| 203 | 2055155-5B | | .. CLIP- SUPPLIER CODE: V04169 | 121503 904949 | 1 |
| 206 | MS3367-1-9 | | . STRAP | 121503 904949 | 7 |
| 207 | MS3367-1-9 | | . STRAP | 121503 904949 | 2 |

MISSING ITEM NUMBERS NOT APPLICABLE

- ITEM NOT ILLUSTRATED

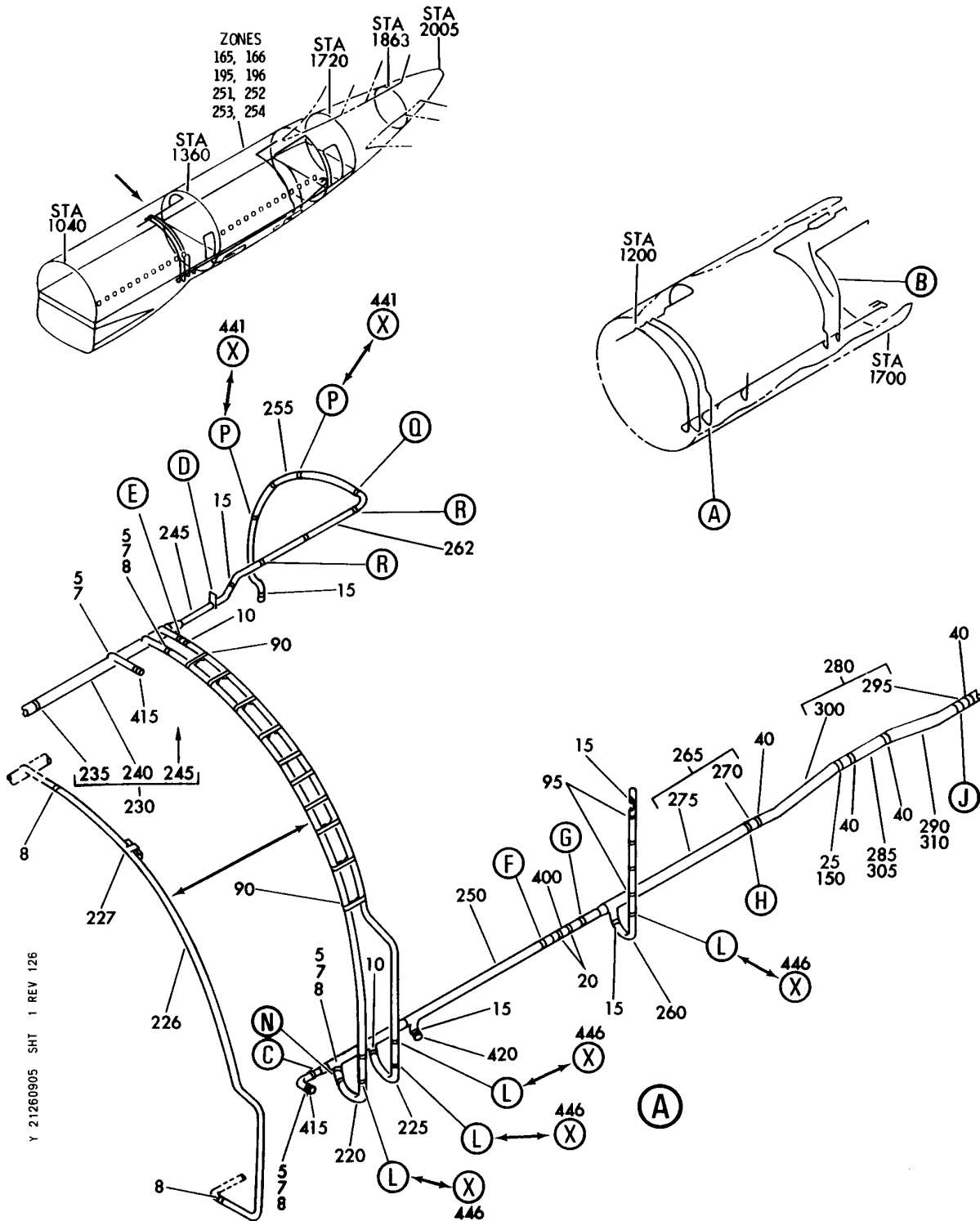
21-26-09-03

21-26-09
FIG. 03
PAGE 9
JAN 20/09

BRI

BOEING PROPRIETARY - Copyright © - Unpublished Work - See title page for details.


BOEING
 757
PARTS CATALOG (MAINTENANCE)



Y 21260905 SHT 1 REV 126

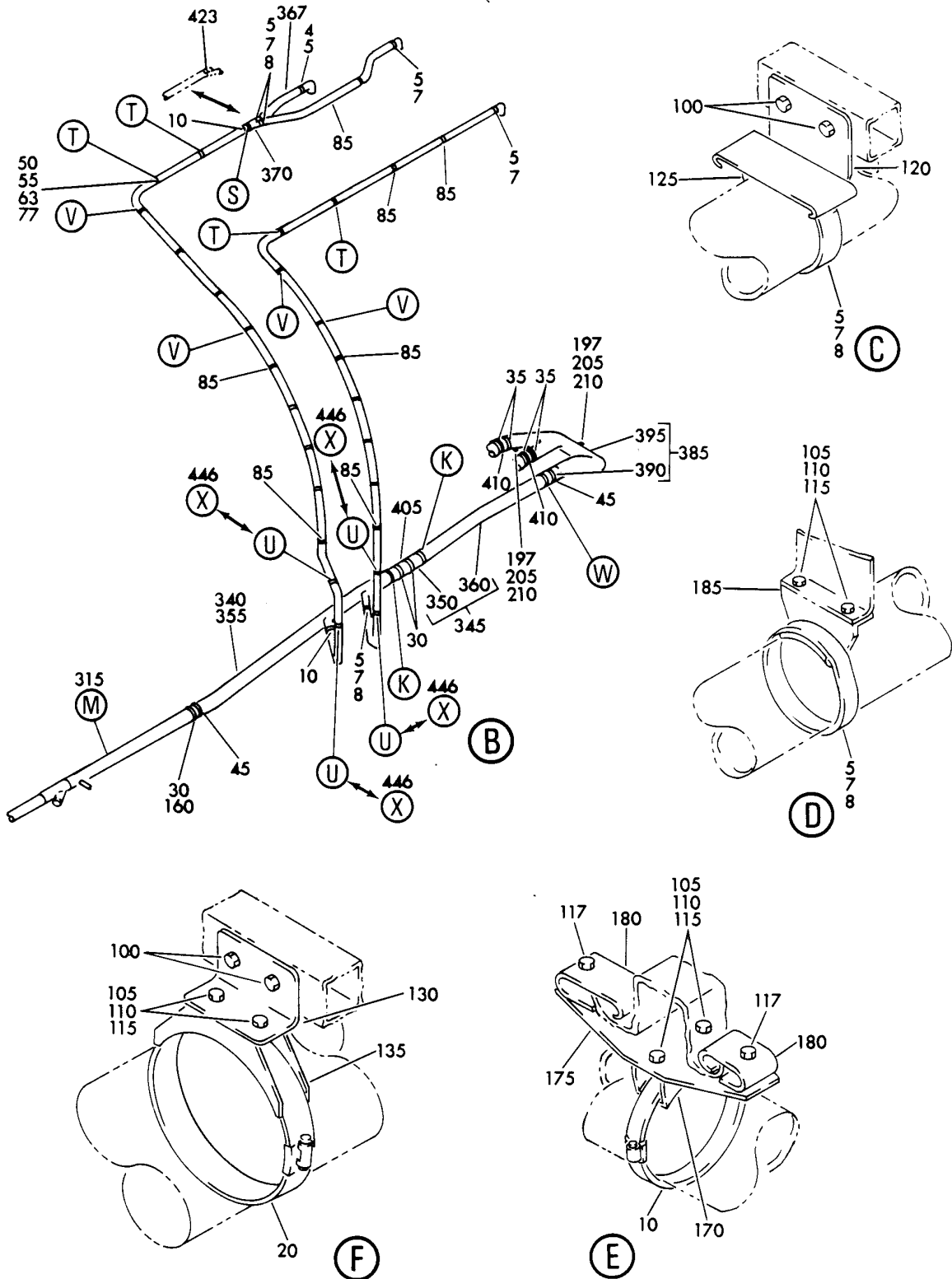
DUCT INSTL-SECT. 46 LAV/ GALLEY VENT SYS
 FIGURE 5 (SHEET 1)

BRI
MAY 28/07

21-26-09-05

21-26-09-05
 PAGE 0

BOEING
757
PARTS CATALOG (MAINTENANCE)



Y 21260905 SHT 2 REV 050

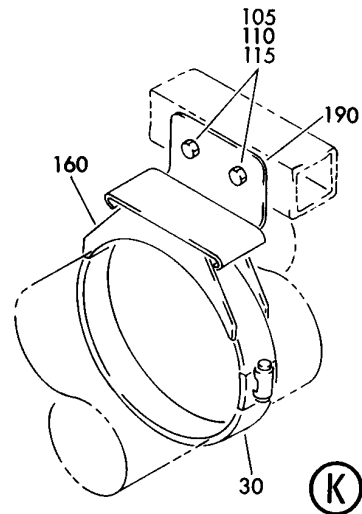
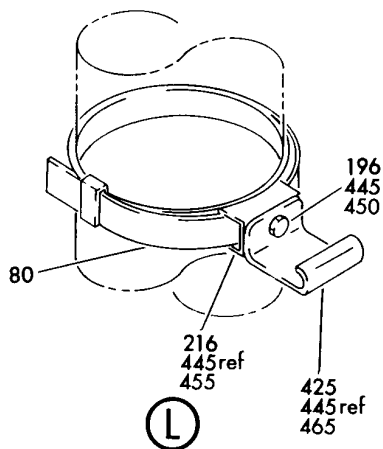
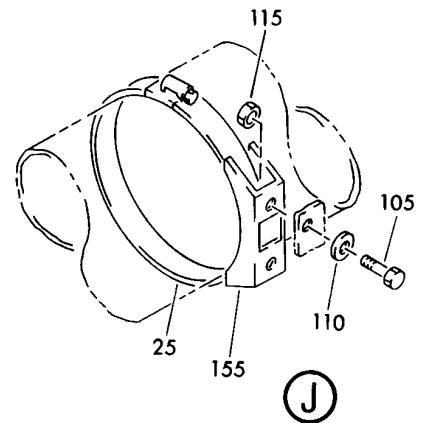
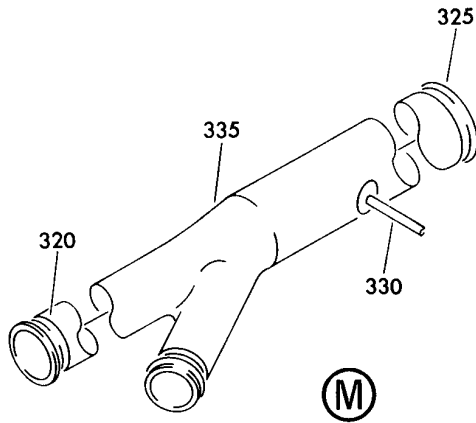
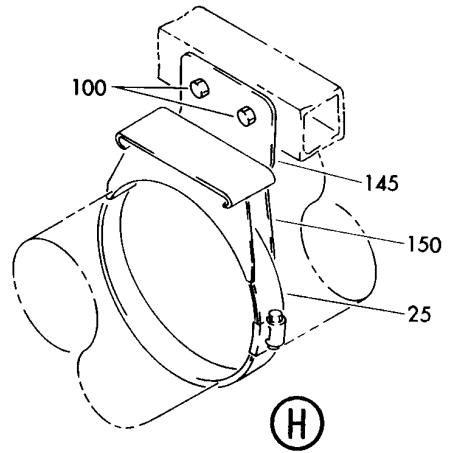
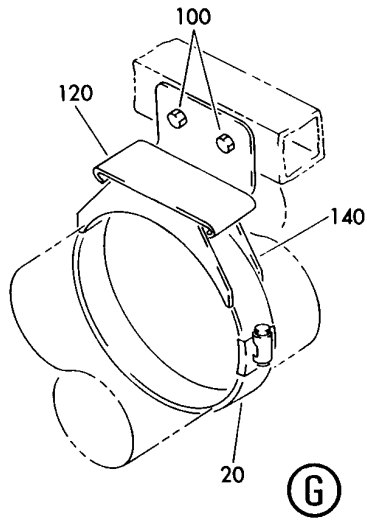
DUCT INSTL-SECT. 46 LAV/ GALLEY VENT SYS
FIGURE 5 (SHEET 2)

21-26-09-05

BRI
MAY 28/07

21-26-09-05
PAGE 0A

BOEING
757
PARTS CATALOG (MAINTENANCE)



Y 21260905 SHT 3 REV 193

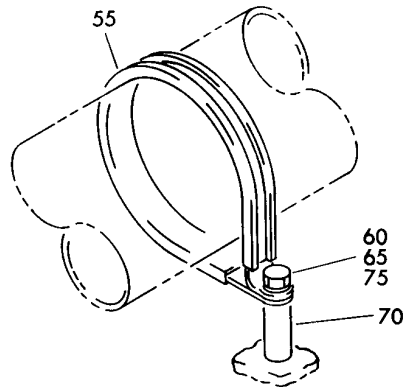
DUCT INSTL-SECT. 46 LAV/ GALLEY VENT SYS
FIGURE 5 (SHEET 3)

21-26-09-05

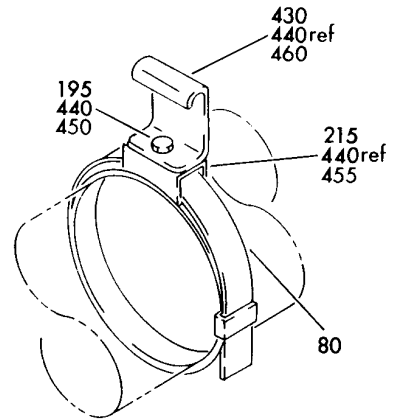
BRI
MAY 28/07

21-26-09-05
PAGE 0B

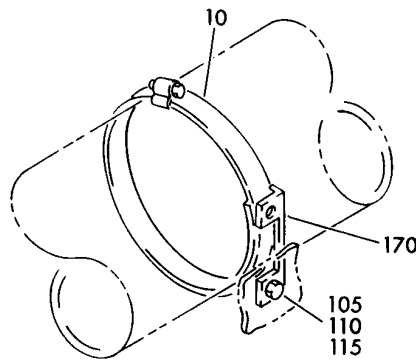
BOEING
757
PARTS CATALOG (MAINTENANCE)



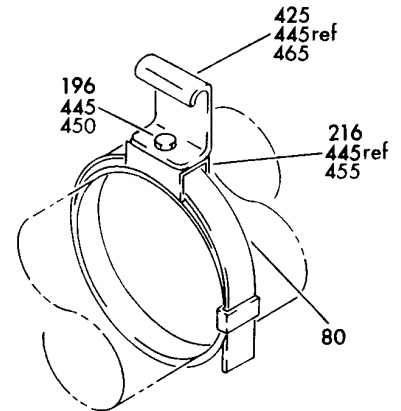
(N)



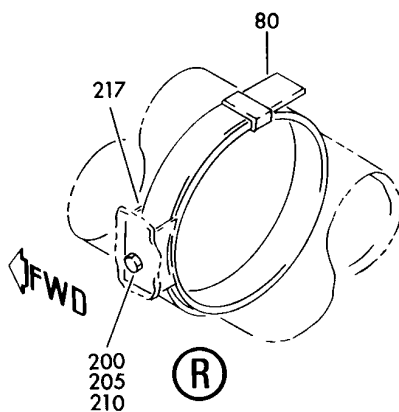
(P)



(S)



(Q)



(R)

Y 21260905 SHT 4 REV 193

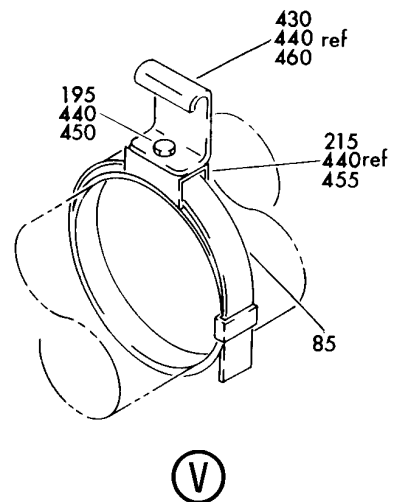
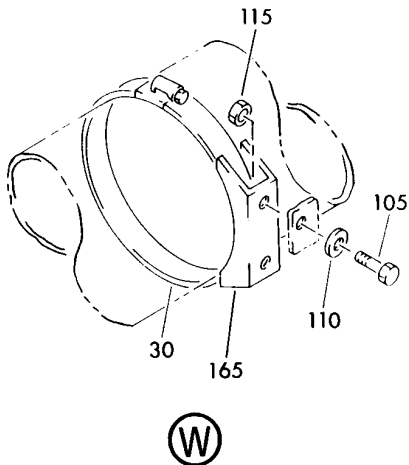
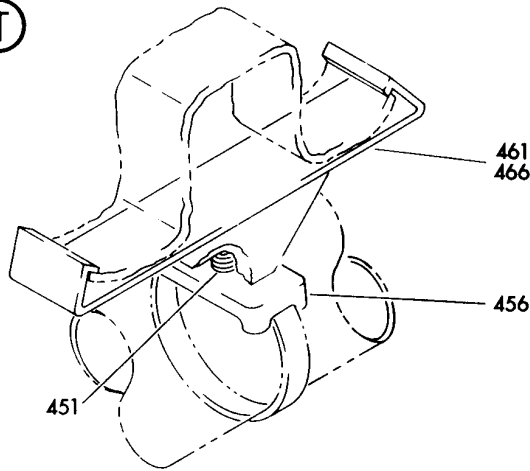
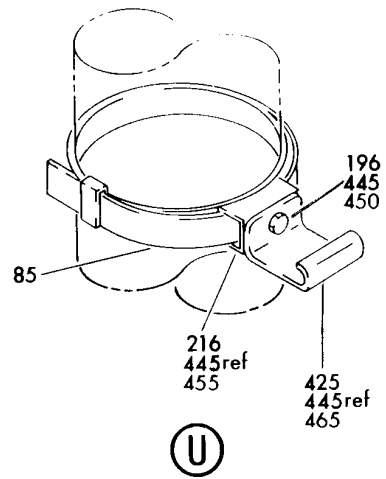
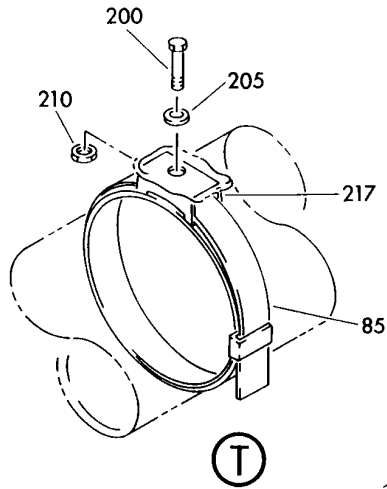
DUCT INSTL-SECT. 46 LAV/ GALLEY VENT SYS
FIGURE 5 (SHEET 4)

21-26-09-05

BRI
MAY 28/07

21-26-09-05
PAGE 0C

BOEING
757
PARTS CATALOG (MAINTENANCE)



Y 21260905 SHT 5 REV 193

DUCT INSTL-SECT. 46 LAV/ GALLEY VENT SYS
FIGURE 5 (SHEET 5)

21-26-09-05

BRI
MAY 28/07

21-26-09-05
PAGE 0D



757

PARTS CATALOG (MAINTENANCE)

| FIG ITEM | PART NUMBER | 1 2 3 4 5 6 7 | NOMENCLATURE | EFFECT FROM TO | UNITS PER ASSY |
|----------|-------------|---------------|---|----------------|----------------|
| 5 | | | DUCT INSTL-SECT. 46 LAV/ GALLEY VENT SYS | 002004 | |
| - 1 | 214N3005-47 | | DUCT INSTL-LAV/GALLEY VENT SYS POSITION DATA: SECT. 46 FOR NHA SEE: 21-00-00-01 | 002004 | RF |
| 8 | 32 | | .CLAMP SUPPLIER CODE: V7Z588 SPECIFICATION NUMBER: STBC10GG66-82 OPTIONAL PART: WWD66-82H V66295 | 002004 | 10 |
| 10 | 36 | | .CLAMP SUPPLIER CODE: V7Z588 SPECIFICATION NUMBER: STBC10GG74-91 OPTIONAL PART: WWD74-91H V66295 | 002004 | 6 |
| 15 | 20 | | .CLAMP SUPPLIER CODE: V7Z588 SPECIFICATION NUMBER: STBC10GG48-58 OPTIONAL PART: WWD48-58H V66295 | 002004 | 5 |
| 20 | 56 | | .CLAMP SUPPLIER CODE: V7Z588 SPECIFICATION NUMBER: STBC10GG128 OPTIONAL PART: WWD128H V66295 | 002004 | 4 |
| 25 | 64 | | .CLAMP SUPPLIER CODE: V7Z588 SPECIFICATION NUMBER: STBC10GG146 OPTIONAL PART: WWD146H V66295 | 002004 | 3 |

MISSING ITEM NUMBERS NOT APPLICABLE

- ITEM NOT ILLUSTRATED

BRI

21-26-09-05

BOEING PROPRIETARY - Copyright © - Unpublished Work - See title page for details.

21-26-09
FIG. 05
PAGE 1
JAN 20/09



757

PARTS CATALOG (MAINTENANCE)

| FIG ITEM | PART NUMBER | 1 2 3 4 5 6 7 | NOMENCLATURE | EFFECT FROM TO | UNITS PER ASSY |
|----------|---------------|---------------|---|----------------|----------------|
| 5 30 | 80 | | .CLAMP SUPPLIER CODE: V7Z588 SPECIFICATION NUMBER: STBC10GG178 OPTIONAL PART: WWD178H V66295 | 002004 | 6 |
| 35 | 88 | | .CLAMP SUPPLIER CODE: V7Z588 SPECIFICATION NUMBER: STBC10GG192 OPTIONAL PART: WWD192H V66295 | 002004 | 4 |
| 40 | 15J02-400 | | .CLAMP ASSY- SUPPLIER CODE: V89513 OPTIONAL PART: 32317AA400 V94581 NH135008-0400 V00624 | 002004 | 4 |
| 40 | 32317AA400 | | .COUPLING- SUPPLIER CODE: V94581 OPTIONAL PART: 15J02-400 V89513 NH135008-0400 V00624 | 002004 | 4 |
| 40 | NH135008-0400 | | .COUPLING- SUPPLIER CODE: V00624 OPTIONAL PART: 15J02-400 V89513 32317AA400 V94581 | 002004 | 4 |
| 45 | 15J02-500 | | .CLAMP- SUPPLIER CODE: V89513 OPTIONAL PART: 32317AA500 V94581 NH135008-0500 V98625 | 002004 | 2 |

MISSING ITEM NUMBERS NOT APPLICABLE

- ITEM NOT ILLUSTRATED

BRI

21-26-09-05

21-26-09
FIG. 05
PAGE 2
JAN 20/09



757

PARTS CATALOG (MAINTENANCE)

| FIG ITEM | PART NUMBER | 1 2 3 4 5 6 7 | NOMENCLATURE | EFFECT FROM TO | UNITS PER ASSY |
|----------|---------------|---------------|--|----------------|----------------|
| 5 | | | | | |
| 45 | 32317AA500 | .CLAMP- | SUPPLIER CODE: V94581 OPTIONAL PART: 15J02-500 V89513 NH135008-0500 V98625 | 002004 | 2 |
| 45 | NH135008-0500 | .CLAMP- | SUPPLIER CODE: V00624 OPTIONAL PART: 15J02-500 V89513 32317AA500 V94581 | 002004 | 2 |
| 50 | JM44LC13WS21R | .CLAMP | SUPPLIER CODE: V22175 SPECIFICATION NUMBER: BACC10GE21 OPTIONAL PART: TA12C32WS21 V84971 509S21 V83930 S714WH21 V18076 | 002004 | 1 |
| 55 | JM44LC13WS34R | .CLAMP | SUPPLIER CODE: V22175 SPECIFICATION NUMBER: BACC10GE34 OPTIONAL PART: TA12C32WS34 V84971 509S34 V83930 S714WH34 V18076 | 002004 | 2 |
| 60 | BACS12FA3K26 | .SCREW | ATTACHING PARTS | 002004 | 1 |
| 63 | NAS1801-3-12 | .SCREW | | 002004 | 1 |
| 65 | AN960KD10L | .WASHER | | 002004 | 1 |
| 70 | NAS43DD3-64 | .SPACER | | 002004 | 1 |

MISSING ITEM NUMBERS NOT APPLICABLE

- ITEM NOT ILLUSTRATED

21-26-09-05

21-26-09
FIG. 05
PAGE 3
JAN 20/09

BRI



**757
PARTS CATALOG (MAINTENANCE)**

| FIG ITEM | PART NUMBER | 1 2 3 4 5 6 7 | NOMENCLATURE | EFFECT FROM TO | UNITS PER ASSY |
|----------|---------------|---------------|---|----------------|----------------|
| 5 | | | | | |
| 75 | BRH10C3D | .NUT | SUPPLIER CODE: V52828 SPECIFICATION NUMBER: BACN10JC3CD OPTIONAL PART: T6C1032JCD V11815 NS202486-02 V80539 102LH9075-3W V72962 H51650-3BAC V15653 | 002004 | 1 |
| 77 | BRH10A3 | .NUT- | SUPPLIER CODE: V52828 SPECIFICATION NUMBER: BACN10JC3 OPTIONAL PART: H10-3BAC V15653 NS202101-02 V80539 RMLH9075-3W V72962 VN303A02 V92215 96-02 V80539 T6S1032J V11815 | 002004 | 1 |
| 80 | MS3367-1-9 | .STRAP | | 002004 | AR |
| 85 | MS3367-2-9 | .STRAP | | 002004 | AR |
| 100 | BACB30UY6-150 | .BOLT- | SUPPLIER CODE: V98524 SPECIFICATION NUMBER: BACB30UY6-150 | 002004 | 8 |
| 105 | BACS12FA3K7 | .SCREW | | 002004 | 16 |
| 110 | AN960KD10L | .WASHER | | 002004 | 16 |

MISSING ITEM NUMBERS NOT APPLICABLE

— ITEM NOT ILLUSTRATED

BRI

21-26-09-05

BOEING PROPRIETARY - Copyright © - Unpublished Work - See title page for details.

21-26-09
FIG. 05
PAGE 4
JAN 20/09



757

PARTS CATALOG (MAINTENANCE)

| FIG ITEM | PART NUMBER | 1 2 3 4 5 6 7 | NOMENCLATURE | EFFECT FROM TO | UNITS PER ASSY |
|----------|--------------|---------------|--|----------------|----------------|
| 5 115 | BRH10A3 | . | NUT SUPPLIER CODE: V52828 SPECIFICATION NUMBER: BACN10JC3 OPTIONAL PART: H10-3BAC V15653 NS202101-02 V80539 RMLH9075-3W V72962 VN303A02 V92215 96-02 V80539 T6S1032J V11815 | 002004 | 16 |
| 117 | BACS12FA3K12 | . | SCREW | 002004 | 2 |
| 120 | 214N3065-2 | . | BRACKET | 002004 | 2 |
| 125 | 214N1051-2 | . | SUPPORT | 002004 | 1 |
| 130 | 214N3067-6 | . | BRACKET | 002004 | 1 |
| 135 | 214T3424-5 | . | SUPPORT | 002004 | 1 |
| 140 | 214N1051-5 | . | SUPPORT | 002004 | 1 |
| 145 | 214N3065-1 | . | BRACKET | 002004 | 1 |
| 150 | 214N1051-6 | . | SUPPORT | 002004 | 2 |
| 155 | 214T3424-6 | . | SUPPORT | 002004 | 1 |
| 160 | 214N1051-8 | . | SUPPORT | 002004 | 3 |
| 165 | 214T3424-7 | . | SUPPORT | 002004 | 1 |
| 170 | 214T3424-3 | . | SUPPORT | 002004 | 2 |
| 175 | 214N3067-1 | . | BRACKET | 002004 | 1 |
| 180 | 293255 | . | BRACKET- SUPPLIER CODE: V60119 | 002004 | 2 |
| 185 | 214T3424-2 | . | SUPPORT | 002004 | 1 |
| 190 | 214N3065-6 | . | BRACKET | 002004 | 2 |
| 197 | BACS12FA3K8 | . | SCREW | 002004 | 2 |
| 200 | BACS12ER3K8 | . | SCREW | 002004 | 7 |
| 205 | AN960KD10L | . | WASHER | 002004 | 9 |

MISSING ITEM NUMBERS NOT APPLICABLE

- ITEM NOT ILLUSTRATED

BRI

21-26-09-05

BOEING PROPRIETARY - Copyright © - Unpublished Work - See title page for details.

21-26-09
FIG. 05
PAGE 5
JAN 20/09



757

PARTS CATALOG (MAINTENANCE)

| FIG ITEM | PART NUMBER | 1 2 3 4 5 6 7 | NOMENCLATURE | EFFECT FROM TO | UNITS PER ASSY |
|----------|----------------|----------------|---|----------------|----------------|
| 5 210 | BRH10A3 | .NUT | SUPPLIER CODE: V52828 SPECIFICATION NUMBER: BACN10JC3 OPTIONAL PART: H10-3BAC V15653 NS202101-02 V80539 RMLH9075-3W V72962 VN303A02 V92215 96-02 V80539 T6S1032J V11815 | 002004 | 9 |
| 217 | TM2S8 | .PLATE | SUPPLIER CODE: V06383 SPECIFICATION NUMBER: STBP19M9 | 002004 | 7 |
| 220 | AS1504-08B1770 | .HOSE | | 002004 | 1 |
| 225 | AS1504-10B1770 | .HOSE | | 002004 | 1 |
| 226 | AS1504-08B1740 | .HOSE | | 002004 | 1 |
| 227 | MS3367-2-9 | .STRAP | | 002004 | 1 |
| 230 | 214N3046-1 | .DUCT ASSY | | 002004 | 1 |
| 235 | 15J03-350 | .. FLANGE- | SUPPLIER CODE: V89513 OPTIONAL PART: 214N3046-5 | 002004 | 1 |
| 235 | 214N3046-5 | ..KIT ASSY-SUB | OPTIONAL PART: 15J03-350 V89513 | 002004 | 1 |
| - 237 | 2904AM350 | ... FLANGE- | SUPPLIER CODE: V94581 USED ON: 214N3046-5 | 002004 | 1 |
| - 238 | NK130004-0350 | ... FLANGE- | SUPPLIER CODE: V98625 USED ON: 214N3046-5 | 002004 | 1 |
| 240 | 214N3046-2 | ..DUCT | | 002004 | 1 |
| 245 | 214N3046-3 | ..DUCT | | 002004 | 1 |

MISSING ITEM NUMBERS NOT APPLICABLE

- ITEM NOT ILLUSTRATED

21-26-09-05

21-26-09
FIG. 05
PAGE 6
JAN 20/09

BRI



757

PARTS CATALOG (MAINTENANCE)

| FIG ITEM | PART NUMBER | 1 2 3 4 5 6 7 | NOMENCLATURE | EFFECT FROM TO | UNITS PER ASSY |
|----------|---------------|----------------|--------------|----------------|----------------|
| 5 | | | | | |
| 250 | 214N3045-2 | .DUCT | | 002004 | 1 |
| 255 | BOE2061-0004 | .HOSE- | | 002004 | 1 |
| | | SUPPLIER CODE: | | | |
| | | V16632 | | | |
| 260 | BOE2061-0001 | .HOSE- | | 002004 | 1 |
| | | SUPPLIER CODE: | | | |
| | | V16632 | | | |
| 262 | BOE2061-0001 | .HOSE- | | 002004 | 1 |
| | | SUPPLIER CODE: | | | |
| | | V16632 | | | |
| 265 | 214N3045-1 | .DUCT ASSY | | 002004 | 1 |
| 270 | 15J03-400 | .. FLANGE- | | 002004 | 1 |
| | | SUPPLIER CODE: | | | |
| | | V89513 | | | |
| | | OPTIONAL PART: | | | |
| | | 2904AM400 | | | |
| | | V94581 | | | |
| | | NK130004-0400 | | | |
| | | V98625 | | | |
| 270 | 2904AM400 | .. FLANGE- | | 002004 | 1 |
| | | SUPPLIER CODE: | | | |
| | | V94581 | | | |
| | | OPTIONAL PART: | | | |
| | | 15J03-400 | | | |
| | | V89513 | | | |
| | | NK130004-0400 | | | |
| | | V98625 | | | |
| 270 | NK130004-0400 | .. FLANGE- | | 002004 | 1 |
| | | SUPPLIER CODE: | | | |
| | | V98625 | | | |
| | | OPTIONAL PART: | | | |
| | | 15J03-400 | | | |
| | | V89513 | | | |
| | | 2904AM400 | | | |
| | | V94581 | | | |
| 275 | 214N3045-3 | .. DUCT | | 002004 | 1 |
| 280 | 214N3051-1 | .DUCT ASSY | | 002004 | 1 |
| 285 | 214N3051-2 | .DUCT ASSY | | 002004 | 1 |
| 290 | 214N3051-3 | .DUCT ASSY | | 002004 | 1 |
| 295 | 15J03-400 | .. FLANGE- | | 002004 | 2 |
| | | SUPPLIER CODE: | | | |
| | | V89513 | | | |
| | | OPTIONAL PART: | | | |
| | | 2904AM400 | | | |
| | | V94581 | | | |
| | | NK130004-0400 | | | |
| | | V98625 | | | |

MISSING ITEM NUMBERS NOT APPLICABLE

- ITEM NOT ILLUSTRATED

BRI

21-26-09-05

BOEING PROPRIETARY - Copyright © - Unpublished Work - See title page for details.

21-26-09
FIG. 05
PAGE 7
JAN 20/09



757

PARTS CATALOG (MAINTENANCE)

| FIG ITEM | PART NUMBER | 1 2 3 4 5 6 7 | NOMENCLATURE | EFFECT FROM TO | UNITS PER ASSY |
|----------|---------------|---------------|--|----------------|----------------|
| 5 295 | 2904AM400 | | .. FLANGE- SUPPLIER CODE: V94581 OPTIONAL PART: 15J03-400 V89513 NK130004-0400 V98625 | 002004 | 2 |
| 295 | NK130004-0400 | | .. FLANGE- SUPPLIER CODE: V98625 OPTIONAL PART: 15J03-400 V89513 2904AM400 V94581 | 002004 | 2 |
| 300 | 214N3051-4 | | .. DUCT- USED ON: 214N3051-1 | 002004 | 1 |
| 305 | 214N3051-5 | | .. DUCT- USED ON: 214N3051-2 | 002004 | 1 |
| 310 | 214N3051-6 | | .. DUCT- USED ON: 214N3051-3 | 002004 | 1 |
| 320 | 15J03-400 | | .. FLANGE- SUPPLIER CODE: V89513 OPTIONAL PART: 2904AM400 V94581 NK130004-0400 V98625 | 002004 | 1 |
| 320 | 2904AM400 | | .. FLANGE- SUPPLIER CODE: V94581 OPTIONAL PART: 15J03-400 V89513 NK130004-0400 V98625 | 002004 | 1 |
| 320 | NK130004-0400 | | .. FLANGE- SUPPLIER CODE: V98625 OPTIONAL PART: 15J03-400 V89513 2904AM400 V94581 | 002004 | 1 |

MISSING ITEM NUMBERS NOT APPLICABLE

- ITEM NOT ILLUSTRATED

21-26-09-05

21-26-09
FIG. 05
PAGE 8
JAN 20/09

BRI



757

PARTS CATALOG (MAINTENANCE)

| FIG ITEM | PART NUMBER | 1 2 3 4 5 6 7 | NOMENCLATURE | EFFECT FROM TO | UNITS PER ASSY |
|----------|----------------|---------------|---|----------------|----------------|
| 5 325 | 15J03-500 | .. | FLANGE- SUPPLIER CODE: V89513 OPTIONAL PART: 2904AM500 V94581 NK130004-0500 V98625 | 002004 | 1 |
| 325 | 2904AM500 | .. | FLANGE- SUPPLIER CODE: V94581 OPTIONAL PART: 15J03-500 V89513 NK130004-0500 V98625 | 002004 | 1 |
| 325 | NK130004-0500 | .. | FLANGE- SUPPLIER CODE: V98625 OPTIONAL PART: 15J03-500 V89513 2904AM500 V94581 | 002004 | 1 |
| 350 | 15J03-500 | .. | FLANGE- SUPPLIER CODE: V89513 OPTIONAL PART: 2904AM500 V94581 NK130004-0500 V98625 | 002004 | 1 |
| 350 | 2904AM500 | .. | FLANGE- SUPPLIER CODE: V94581 OPTIONAL PART: 15J03-500 V89513 NK130004-0500 V98625 | 002004 | 1 |
| 350 | NK130004-0500 | .. | FLANGE- SUPPLIER CODE: V98625 OPTIONAL PART: 15J03-500 V89513 2904AM500 V94581 | 002004 | 1 |
| 365 | AS1504-09B0512 | . | HOSE | 002004 | 1 |

MISSING ITEM NUMBERS NOT APPLICABLE

- ITEM NOT ILLUSTRATED

21-26-09-05

21-26-09
FIG. 05
PAGE 9
JAN 20/09

BRI

BOEING PROPRIETARY - Copyright © - Unpublished Work - See title page for details.



757

PARTS CATALOG (MAINTENANCE)

| FIG ITEM | PART NUMBER | 1 2 3 4 5 6 7 | NOMENCLATURE | EFFECT FROM TO | UNITS PER ASSY |
|----------|----------------|---------------|-----------------------------|----------------|----------------|
| 5 | | | | | |
| 370 | 214N3047-1 | . | DUCT | 002004 | 1 |
| 375 | AS1504-10B2240 | . | HOSE | 002004 | 1 |
| 380 | AS1504-09B2310 | . | HOSE | 002004 | 1 |
| 385 | 214N3042-1 | . | DUCT ASSY | 002004 | 1 |
| 390 | 15J03-500 | .. | FLANGE- | 002004 | 1 |
| | | | SUPPLIER CODE: V89513 | | |
| | | | OPTIONAL PART: 2904AM500 | | |
| | | | V94581 | | |
| | | | NK130004-0500 | | |
| | | | V98625 | | |
| 390 | 2904AM500 | .. | FLANGE- | 002004 | 1 |
| | | | SUPPLIER CODE: V94581 | | |
| | | | OPTIONAL PART: 15J03-500 | | |
| | | | V89513 | | |
| | | | NK130004-0500 | | |
| | | | V98625 | | |
| 390 | NK130004-0500 | .. | FLANGE- | 002004 | 1 |
| | | | SUPPLIER CODE: V98625 | | |
| | | | OPTIONAL PART: 15J03-500 | | |
| | | | V89513 | | |
| | | | 2904AM500 | | |
| | | | V94581 | | |
| 395 | 214N3042-2 | .. | DUCT | 002004 | 1 |
| 400 | AS1506-14D50 | . | HOSE | 002004 | 1 |
| 405 | AS1506-20D50 | . | HOSE | 002004 | 1 |
| 410 | AS1506-22D30 | . | HOSE | 002004 | 2 |
| 423 | 2250-16 | . | CAP-END | 002004 | 1 |
| | | | SUPPLIER CODE: V15819 | | |
| | | | OPTIONAL PART: 36-1000 | | |
| | | | V25205 | | |
| 423 | 36-1000 | . | CAP-END | 002004 | 1 |
| | | | SUPPLIER CODE: V25205 | | |
| | | | OPTIONAL PART: 2250-16 | | |
| | | | V15819 | | |
| 441 | 214N5054-1 | . | SUPPORT ASSY | 002004 | 3 |
| 446 | 214N5054-3 | . | SUPPORT ASSY | 002004 | 8 |
| 451 | BACS12ER3K6 | .. | SCREW | 002004 | 1 |

MISSING ITEM NUMBERS NOT APPLICABLE

- ITEM NOT ILLUSTRATED

21-26-09-05

21-26-09
FIG. 05
PAGE 10
JAN 20/09

BRI



757

PARTS CATALOG (MAINTENANCE)

| FIG ITEM | PART NUMBER | 1 2 3 4 5 6 7 | NOMENCLATURE | EFFECT FROM TO | UNITS PER ASSY |
|-------------|-------------|---------------|---|-------------------|----------------------|
| 5 456 | TM2S8 | | .. PLATE SUPPLIER CODE: V06383 SPECIFICATION NUMBER: STBP19M9 | 002004 | 1 |
| 461 | 2055155-10C | | .. CLIP-STGR SUPPLIER CODE: V04169 USED ON: 214N5054-1 | 002004 | 1 |

MISSING ITEM NUMBERS NOT APPLICABLE

- ITEM NOT ILLUSTRATED

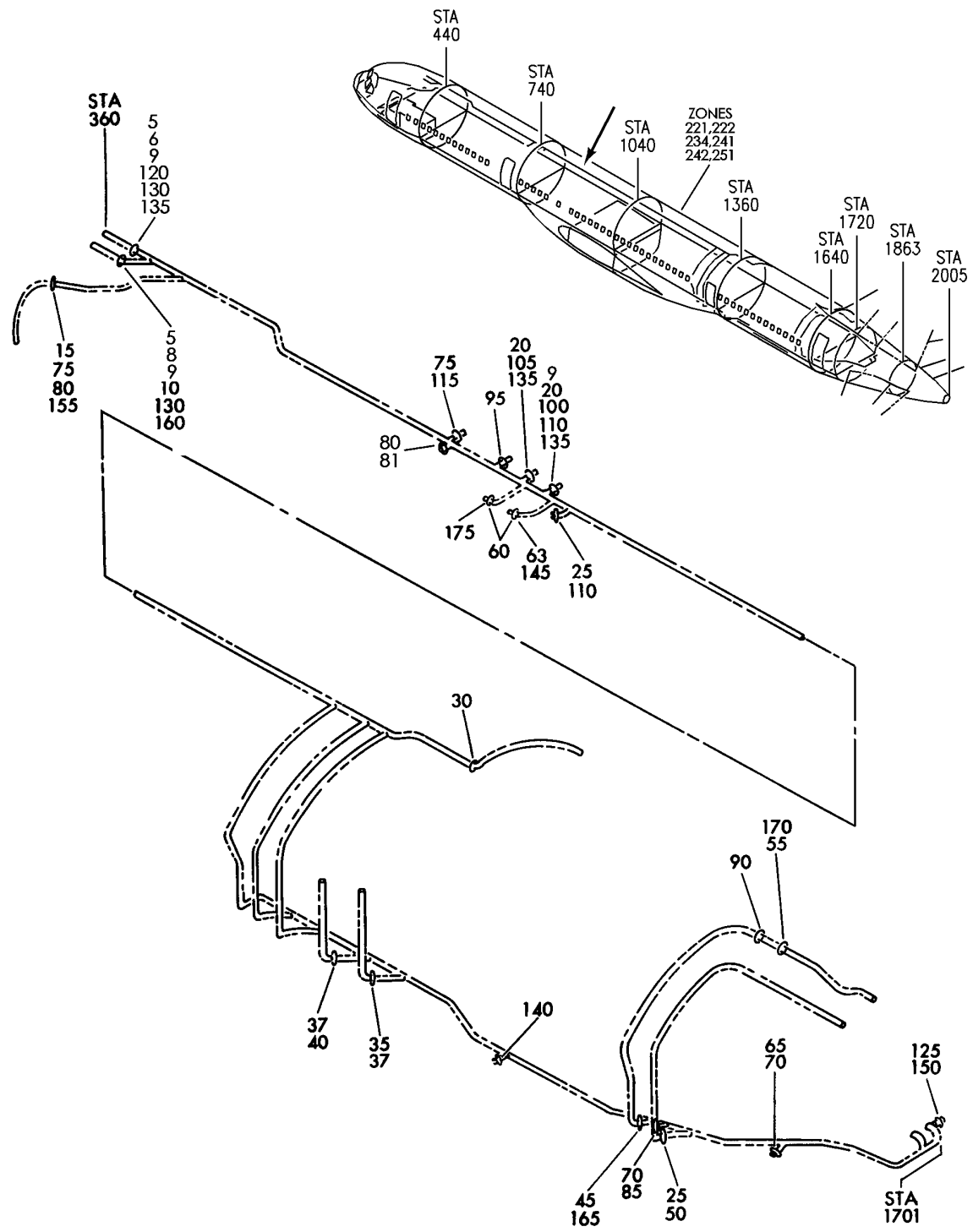
BRI

21-26-09-05

BOEING PROPRIETARY - Copyright © - Unpublished Work - See title page for details.

21-26-09
FIG. 05
PAGE 11
JAN 20/09

BOEING
757
PARTS CATALOG (MAINTENANCE)



Y 21260906 REV 244

ORIFICE INSTL-LAV/GALLEY VENT SYS
FIGURE 6

21-26-09-06

BRI
MAY 28/07

21-26-09-06
PAGE 0



757

PARTS CATALOG (MAINTENANCE)

| FIG ITEM | PART NUMBER | 1 2 3 4 5 6 7 | NOMENCLATURE | EFFECT FROM TO | UNITS PER ASSY |
|----------|--------------|---------------|---|--------------------------------------|----------------|
| 6 | | | ORIFICE INSTL-LAV/GALLEY VENT SYS | 002004 107107 904949 952952 | |
| - 1 | 214N3007-6 | | ORIFICE INSTL-LAV/GALLEY VENT SYS FOR NHA SEE: 21-00-00-01 | 107107 | RF |
| - 2 | 214N3007-23 | | ORIFICE INSTL-LAV/GALLEY VENT SYS FOR NHA SEE: 21-00-00-01 | 904949 | RF |
| - 2 | 214N3007-30 | | ORIFICE INSTL-LAV/GALLEY VENT SYS FOR NHA SEE: 21-00-00-01 | 952952 | RF |
| - 2 | 214N3007-33 | | ORIFICE INSTL-LAV/GALLEY VENT SYS FOR NHA SEE: 21-00-00-01 | 002004 | RF |
| 10 | 214T3436-197 | | .ORIFICE ASSY- | 107107 | 1 |
| 15 | 214T3436-188 | | .ORIFICE ASSY- | 002004 107107 | 1 |
| 30 | 214T3436-131 | | .ORIFICE ASSY- | 107107 | 1 |
| 30 | 214T3436-47 | | .ORIFICE ASSY- | 002004 904949 952952 | 1 |
| 35 | 214T3436-10 | | .ORIFICE ASSY- | 107107 | 1 |
| 35 | 214T3436-47 | | .ORIFICE ASSY- | 002004 952952 | 1 |
| 40 | 214T3436-10 | | .ORIFICE ASSY- | 904949 | 1 |
| 45 | 214T3436-80 | | .ORIFICE ASSY- | 107107 | 1 |
| 45 | 214T3436-113 | | .ORIFICE ASSY- | 904949 | 1 |
| 45 | 214T3436-212 | | .ORIFICE ASSY | 952952 | 1 |
| 50 | 214T3436-194 | | .ORIFICE ASSY | 107107 904949 | 1 |
| 50 | 214T3436-245 | | .ORIFICE ASSY- | 952952 | 1 |
| 130 | 214T3436-863 | | .ORIFICE ASSY- | 002004 | 2 |

MISSING ITEM NUMBERS NOT APPLICABLE

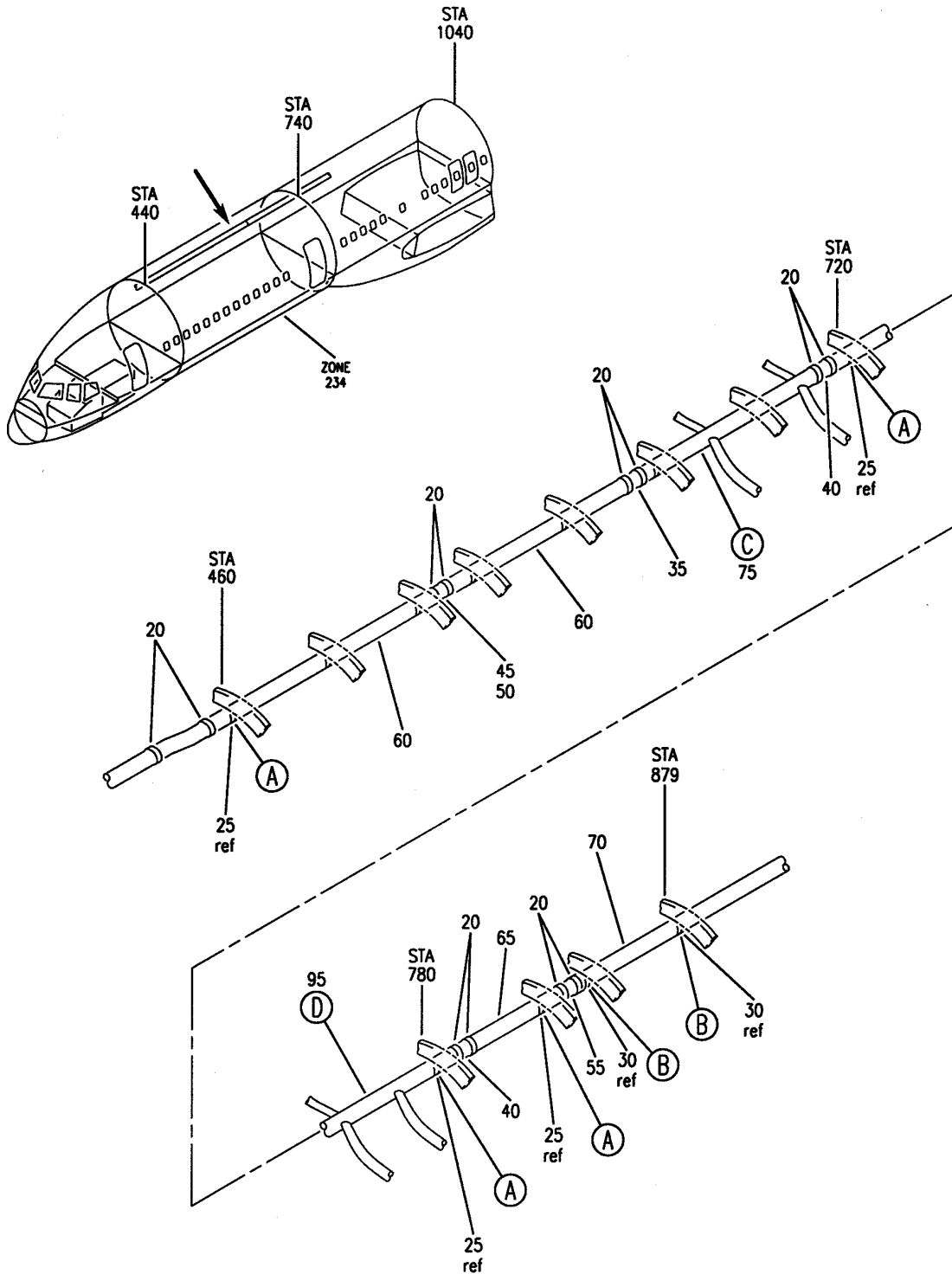
- ITEM NOT ILLUSTRATED

BRI

21-26-09-06

21-26-09
FIG. 06
PAGE 1
JAN 20/09

BOEING
757
PARTS CATALOG (MAINTENANCE)



Y 21260908A SHT 1 REV 219

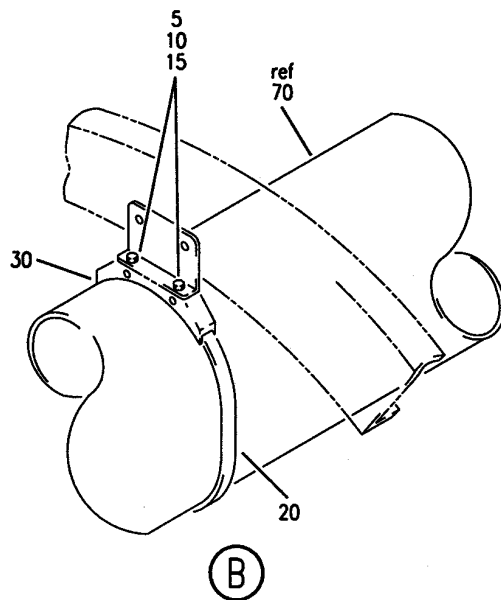
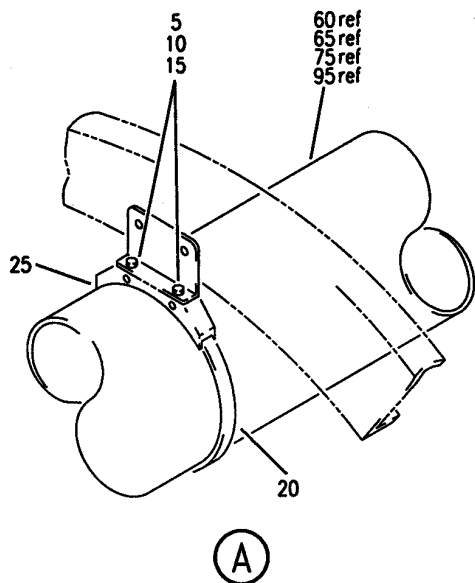
DUCT INSTL- SECT.43 LAV/GALLEY VENT SYS
FIGURE 8A (SHEET 1)

21-26-09-08A

BRI
JAN 20/09

21-26-09-08A
PAGE 0

BOEING
757
PARTS CATALOG (MAINTENANCE)



Y 21260908A SHT 2 REV 219

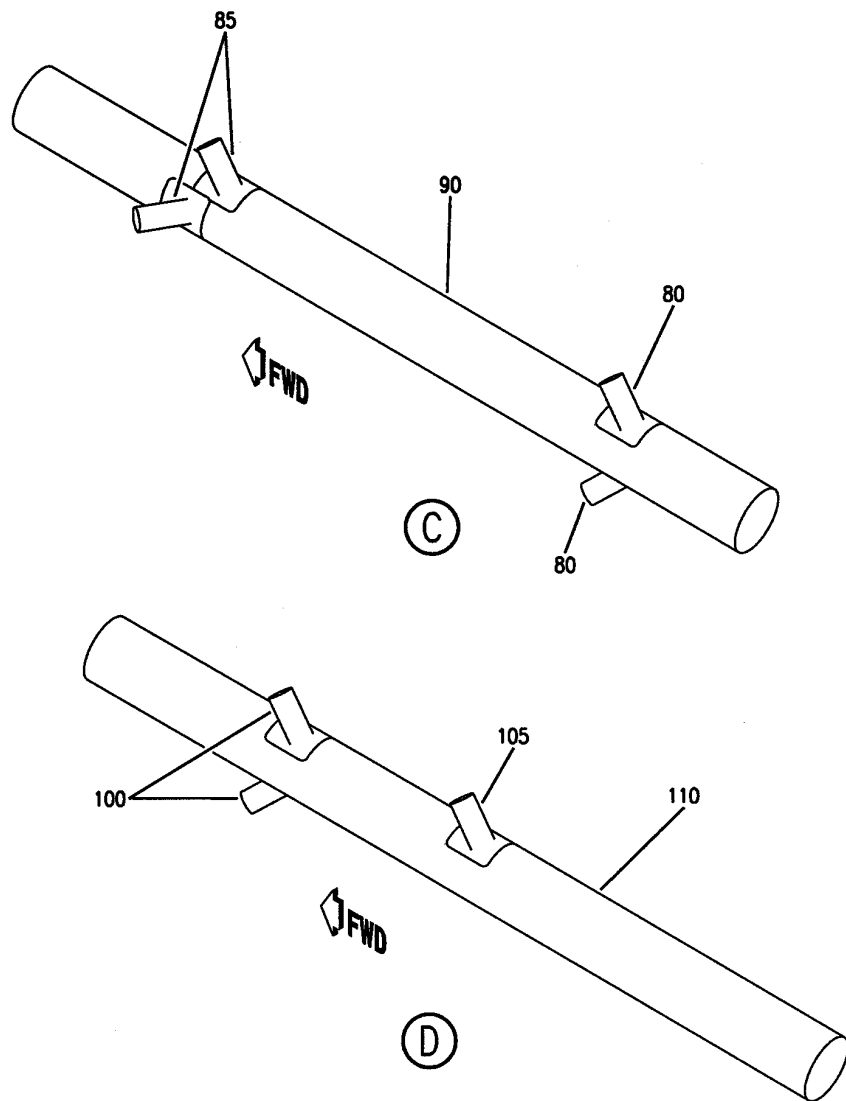
DUCT INSTL- SECT.43 LAV/GALLEY VENT SYS
FIGURE 8A (SHEET 2)

21-26-09-08A

BRI
JAN 20/09

21-26-09-08A
PAGE 0A

BOEING
757
PARTS CATALOG (MAINTENANCE)



Y 21260908A SHT 3 REV 219

DUCT INSTL- SECT.43 LAV/GALLEY VENT SYS
FIGURE 8A (SHEET 3)

21-26-09-08A

BRI
JAN 20/09

21-26-09-08A
PAGE 0B

 **BOEING**
757
PARTS CATALOG (MAINTENANCE)

| FIG ITEM | PART NUMBER | 1 2 3 4 5 6 7 | NOMENCLATURE | EFFECT FROM TO | UNITS PER ASSY |
|----------|-----------------|---------------|--|----------------|----------------|
| 8A | | | DUCT INSTL- SECT.43 | 103106 | |
| - 1 | MODREF5011 | | LAV/GALLEY VENT SYS DUCT INSTL-LAV/GALLEY VENT SYS MODULE NUMBER: 214N3092-3 REV A POSITION DATA: SECT. 43 | 103105 | 1 |
| - 1 | MODREF187588 | | DUCT INSTL-LAV/GALLEY VENT SYS MODULE NUMBER: 214N3092-3 REV B POSITION DATA: SECT. 43 | 106106 | 1 |
| 5 | BACS12GU3K7 | | .SCREW | 103106 | 24 |
| 10 | NAS1149D0316H | | .WASHER | 103106 | 24 |
| 15 | MS21042L3 | | .NUT | 103106 | 24 |
| 20 | SLT8LHC6 | | .STRAP- SUPPLIER CODE: V06383 OPTIONAL PART: SLT10LHC6 V06383 | 103106 | 24 |
| 20 | SLT10LHC6 | | .STRAP- SUPPLIER CODE: V06383 OPTIONAL PART: SLT8LHC6 V06383 | 103106 | 24 |
| 25 | 214T3424-5 | | .SUPPORT | 103106 | 10 |
| 30 | 214T3424-6 | | .SUPPORT | 103106 | 2 |
| 35 | BOE2363-1416 | | .SLEEVE- SUPPLIER CODE: V16632 | 103106 | 1 |
| 40 | AS1506-16D40 | | .SLEEVE | 103106 | 2 |
| 45 | BOE2022-14A0220 | | .HOSE-FLEX SUPPLIER CODE: V16632 SPECIFICATION NUMBER: AS1544-14A0220 | 103106 | 1 |
| 50 | AS1506-14D40 | | .HOSE | 103106 | 1 |
| 55 | AS1544-16A0132 | | .HOSE-FLEX | 103106 | 1 |
| 60 | 202W1100-50 | | .DUCT | 103106 | 2 |
| 65 | 214N3400-3 | | .DUCT | 103106 | 1 |
| 70 | 202W1100-52 | | .DUCT | 103106 | 1 |
| 75 | 214N3103-1 | | .DUCT ASSY | 103106 | 1 |
| 80 | 214T3488-113 | | ..SPUD | 103106 | 2 |
| 85 | 214T3488-229 | | ..SPUD | 103106 | 2 |
| 90 | 214N3400-1 | | ..DUCT | 103106 | 1 |

MISSING ITEM NUMBERS NOT APPLICABLE

- ITEM NOT ILLUSTRATED

BRI

21-26-09-08A

BOEING PROPRIETARY - Copyright © - Unpublished Work - See title page for details.

21-26-09
FIG. 08A
PAGE 1
JAN 20/09



757

PARTS CATALOG (MAINTENANCE)

| FIG ITEM | PART NUMBER | 1 2 3 4 5 6 7 | NOMENCLATURE | EFFECT FROM TO | UNITS PER ASSY |
|-------------|--------------|---------------|--------------|-------------------|----------------------|
| 8 A | | | | | |
| 95 | 214N3103-2 | . | DUCT ASSY | 103106 | 1 |
| 100 | 214T3488-113 | .. | SPUD | 103106 | 2 |
| 105 | 214T3488-229 | .. | SPUD | 103106 | 1 |
| 110 | 214N3400-1 | .. | DUCT | 103106 | 1 |

MISSING ITEM NUMBERS NOT APPLICABLE

- ITEM NOT ILLUSTRATED

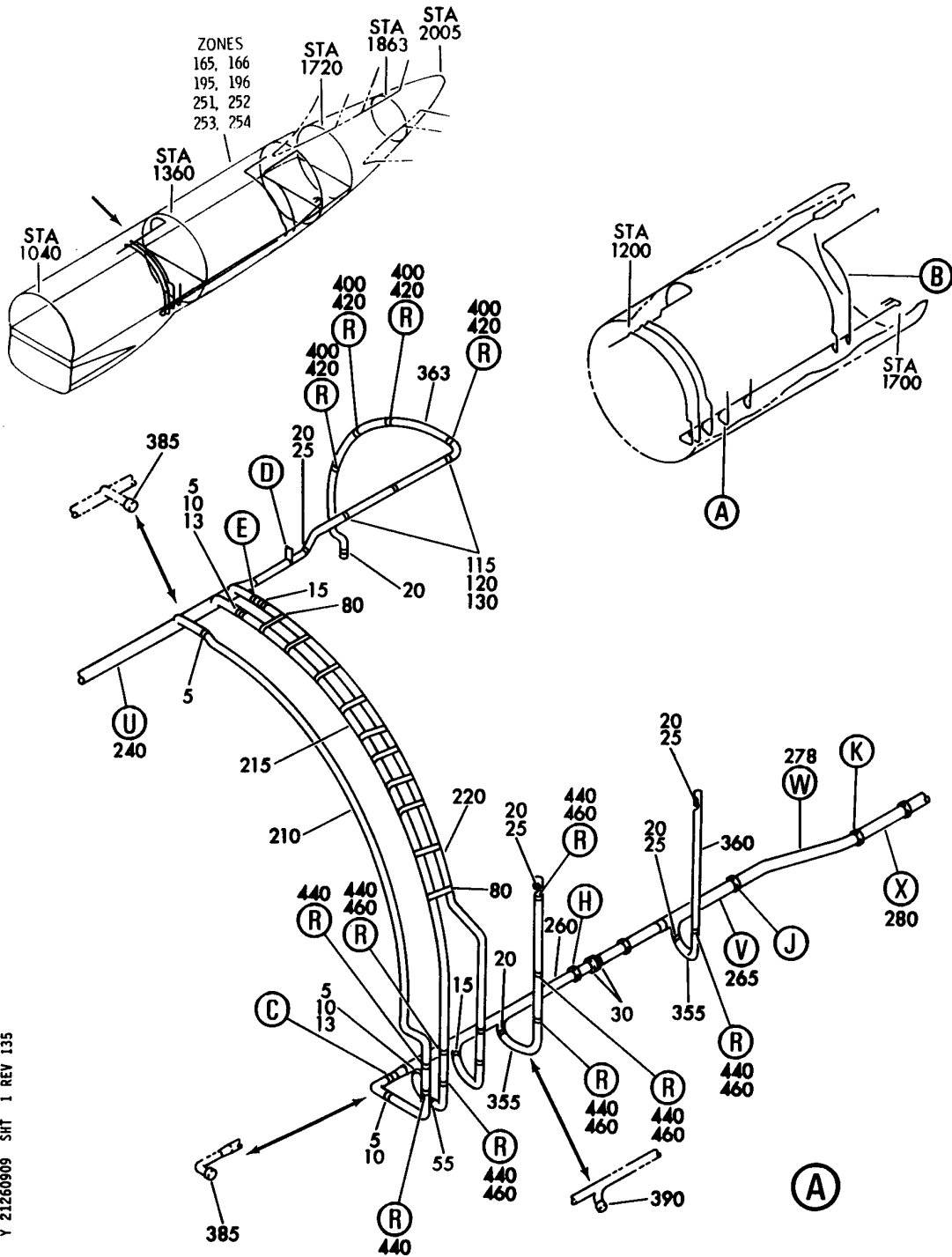
BRI

21-26-09-08A

BOEING PROPRIETARY - Copyright © - Unpublished Work - See title page for details.

21-26-09
FIG. 08A
PAGE 2
JAN 20/09


BOEING
 757
PARTS CATALOG (MAINTENANCE)



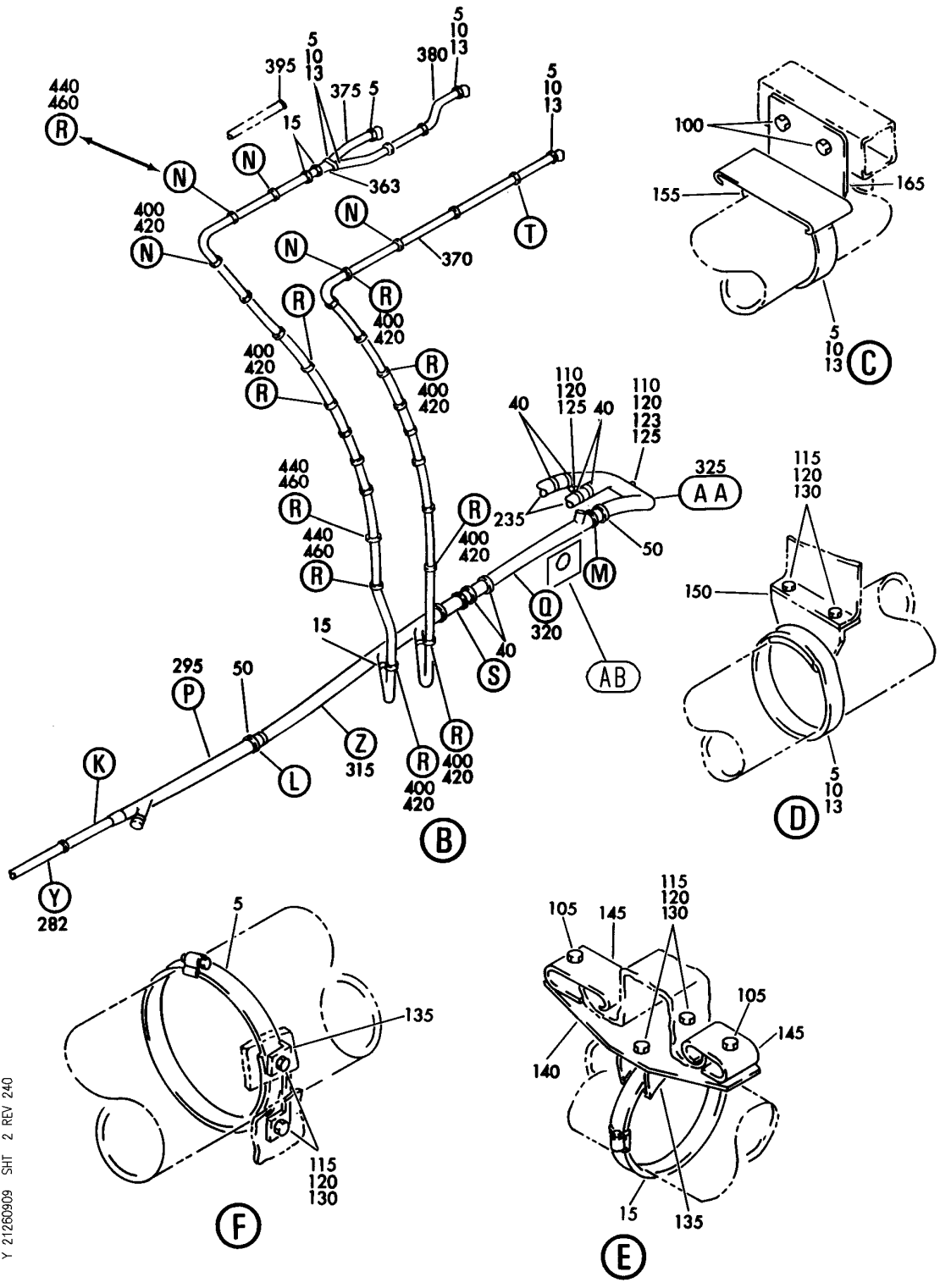
DUCT INSTL-SECT. 46 LAV/ GALLEY VENT SYS
 FIGURE 9 (SHEET 1)

21-26-09-09

BRI
 MAY 28/07

21-26-09-09
 PAGE 0

BOEING
757
PARTS CATALOG (MAINTENANCE)



Y 21260909 SHT 2 REV 240

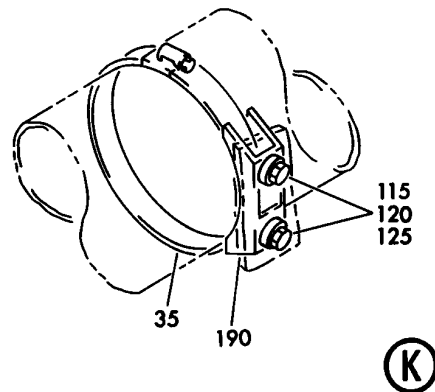
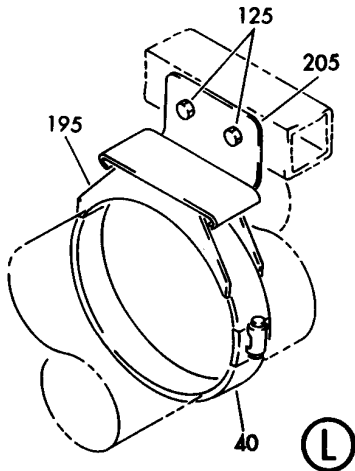
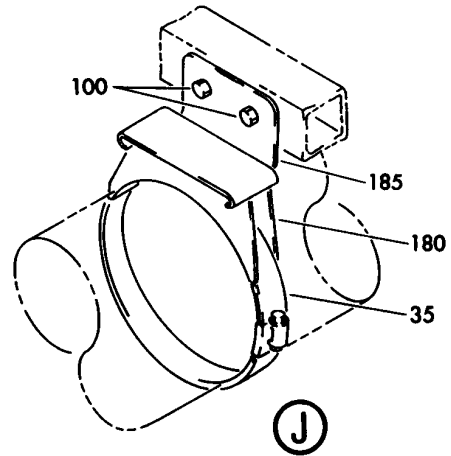
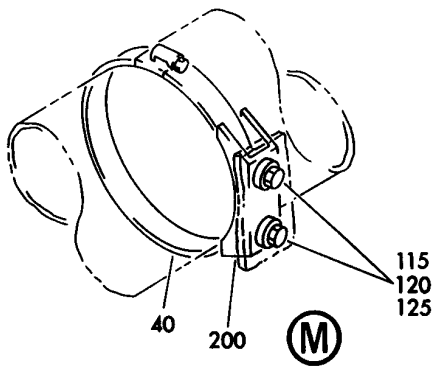
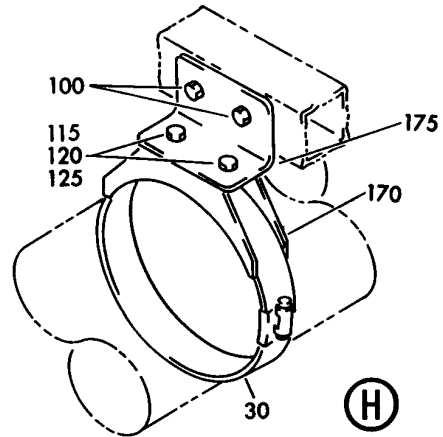
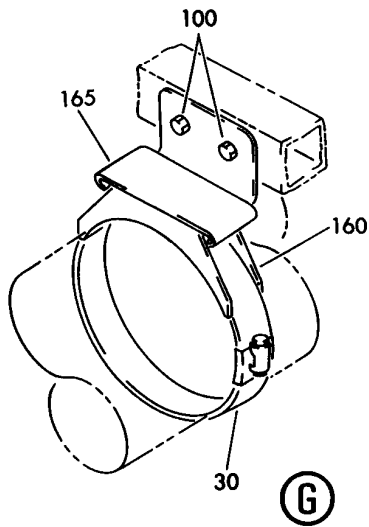
DUCT INSTL-SECT. 46 LAV/ GALLEY VENT SYS
FIGURE 9 (SHEET 2)

21-26-09-09

BRI
MAY 28/07

21-26-09-09
PAGE 0A

BOEING
757
PARTS CATALOG (MAINTENANCE)



Y 21260909 SHT 3 REV 135

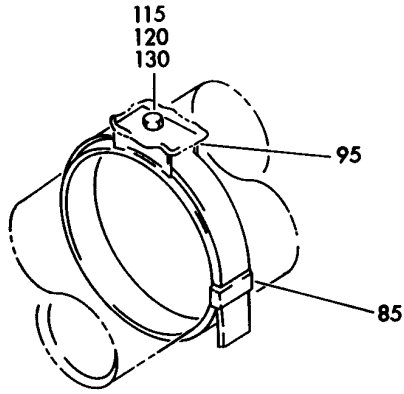
DUCT INSTL-SECT. 46 LAV/ GALLEY VENT SYS
FIGURE 9 (SHEET 3)

21-26-09-09

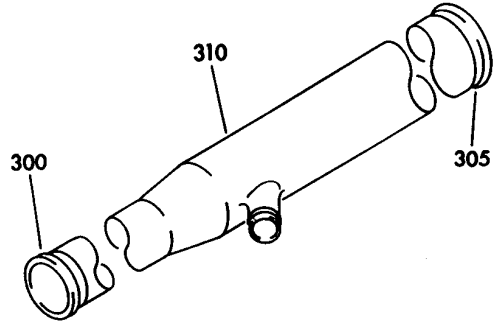
BRI
MAY 28/07

21-26-09-09
PAGE 0B

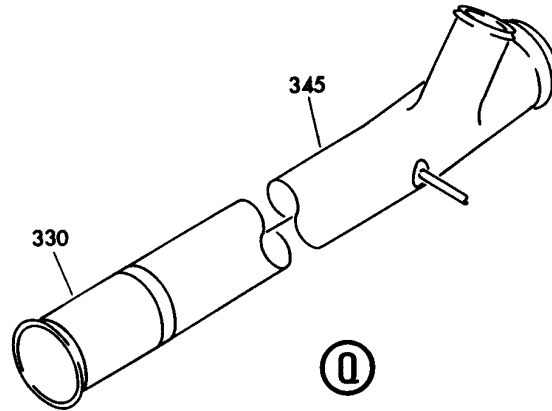
BOEING
757
PARTS CATALOG (MAINTENANCE)



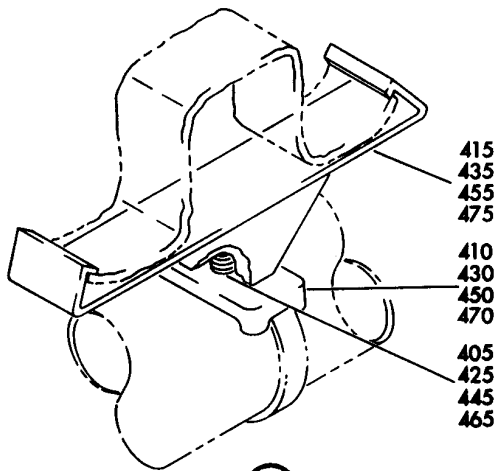
(N)



(P)



(Q)



(R)

Y 21260909 SHT 4 REV 135

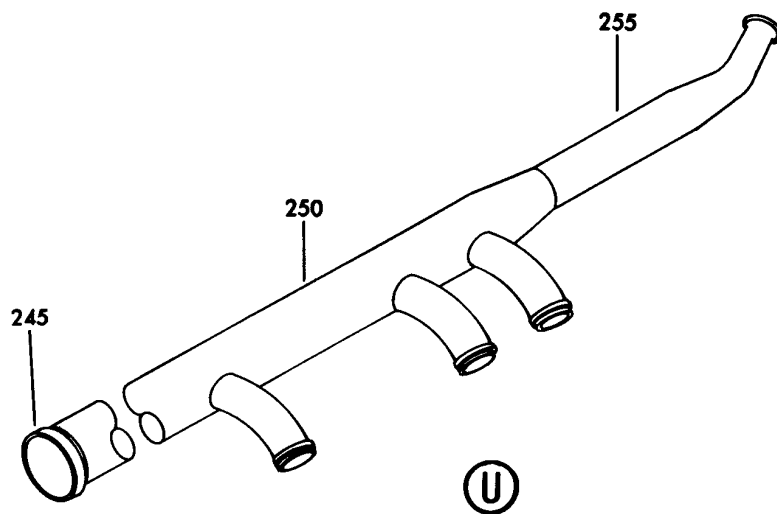
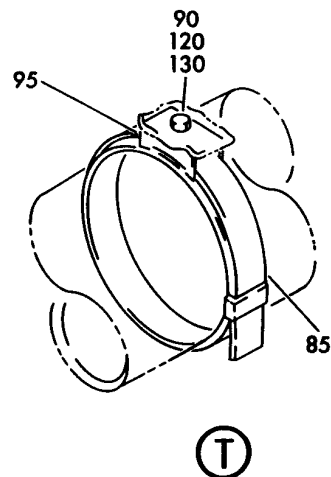
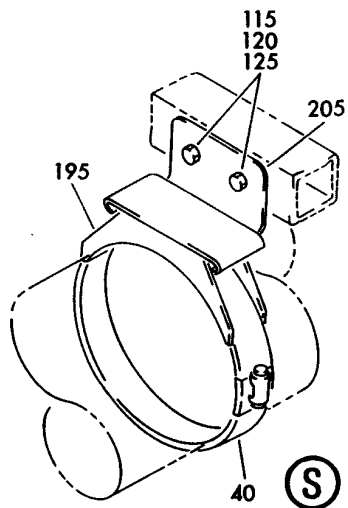
DUCT INSTL-SECT. 46 LAV/ GALLEY VENT SYS
FIGURE 9 (SHEET 4)

21-26-09-09

BRI
MAY 28/07

21-26-09-09
PAGE 0C

BOEING
757
PARTS CATALOG (MAINTENANCE)



Y 21260909 SH1 5 REV 135

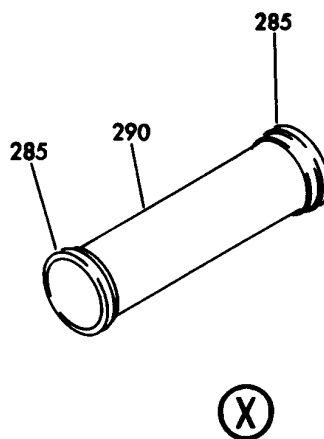
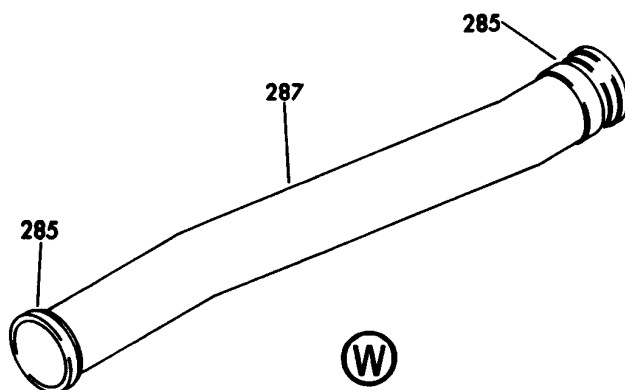
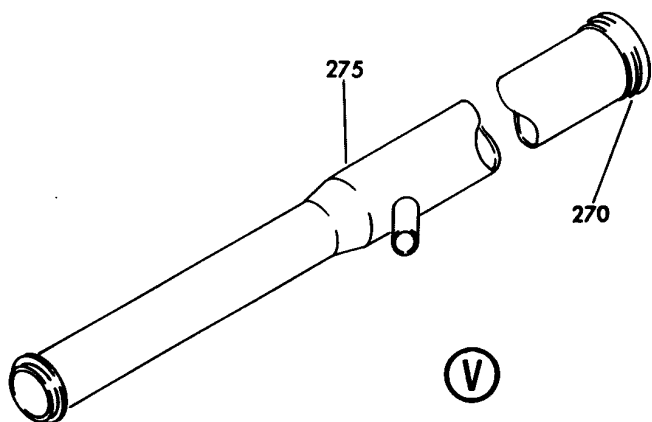
DUCT INSTL-SECT. 46 LAV/ GALLEY VENT SYS
FIGURE 9 (SHEET 5)

BRI
MAY 28/07

21-26-09-09

21-26-09-09
PAGE 0D

BOEING
757
PARTS CATALOG (MAINTENANCE)



Y 21260909 SHT 6 REV 135

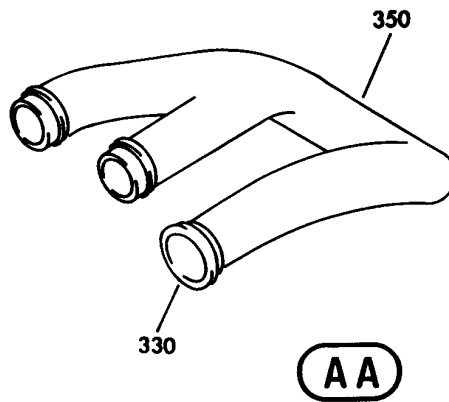
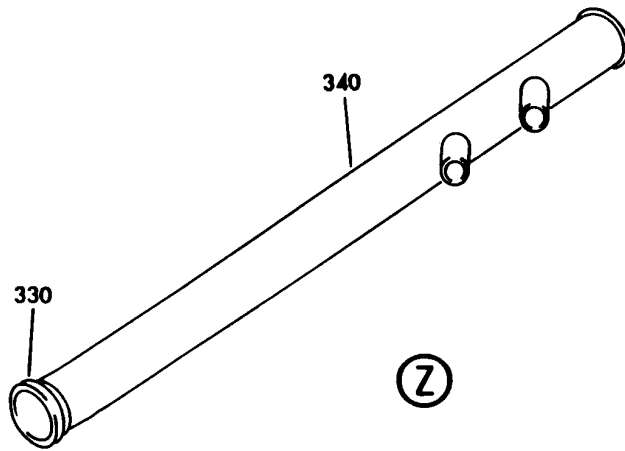
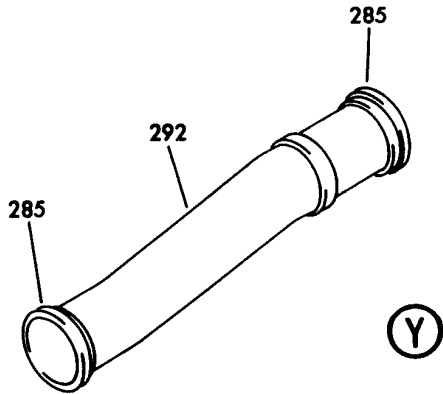
DUCT INSTL-SECT. 46 LAV/ GALLEY VENT SYS
FIGURE 9 (SHEET 6)

21-26-09-09

BRI
MAY 28/07

21-26-09-09
PAGE 0E

BOEING
757
PARTS CATALOG (MAINTENANCE)



Y 21260909 SHT 7 REV 135

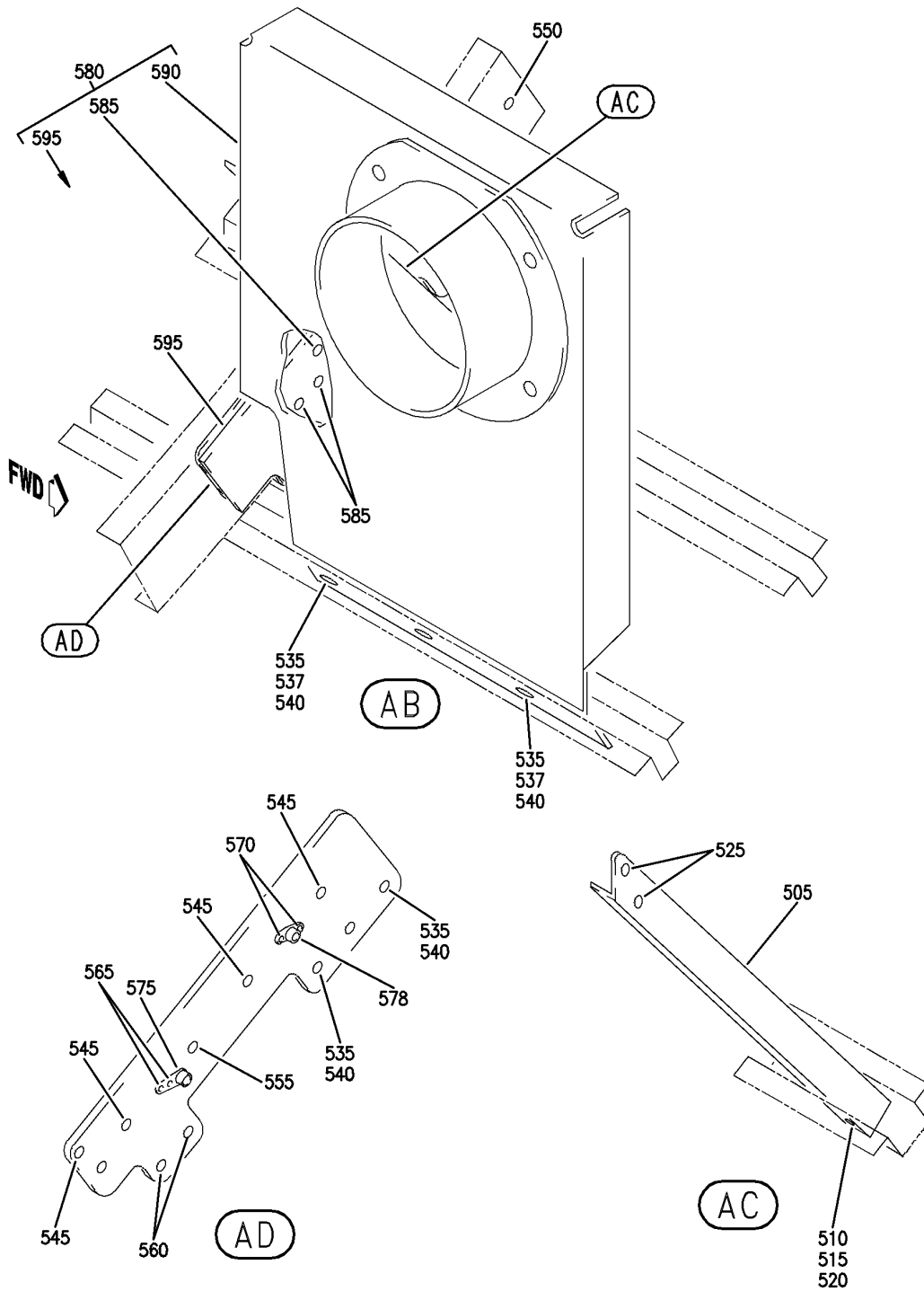
DUCT INSTL-SECT. 46 LAV/ GALLEY VENT SYS
FIGURE 9 (SHEET 7)

21-26-09-09

BRI
MAY 28/07

21-26-09-09
PAGE OF

BOEING
757
PARTS CATALOG (MAINTENANCE)



Y 21260909 SH1 8 REV 240

DUCT INSTL-SECT. 46 LAV/ GALLEY VENT SYS
FIGURE 9 (SHEET 8)

21-26-09-09

BRI
MAY 28/07

21-26-09-09
PAGE 0G



757

PARTS CATALOG (MAINTENANCE)

| FIG ITEM | PART NUMBER | 1 2 3 4 5 6 7 | NOMENCLATURE | EFFECT FROM TO | UNITS PER ASSY |
|----------|----------------------|---------------|---|--------------------------------------|----------------|
| 9 | | | DUCT INSTL-SECT. 46 LAV/ GALLEY VENT SYS | 107107 121503 904949 952999 | |
| - 1 | 214N3005-37 | | DUCT INSTL-LAV/GALLEY VENT SYS POSITION DATA: SECT. 46 FOR NHA SEE: 21-00-00-01 | 107107 | RF |
| - 1 | 214N3005-41 | | DUCT INSTL-LAV/GALLEY VENT SYS POSITION DATA: SECT. 46 FOR NHA SEE: 21-00-00-01 | 121503 904949 | RF |
| - 1 | 214N3005-45 | | DUCT INSTL-LAV/GALLEY VENT SYS POSITION DATA: SECT. 46 FOR NHA SEE: 21-00-00-01 | 952999 | RF |
| 5 10 | NAS1922-0200-1 32 | | .CLAMP- .CLAMP- SUPPLIER CODE: V7Z588 SPECIFICATION NUMBER: STBC10GG66-82 OPTIONAL PART: WWD66-82H V66295 NAS1922-0200-1 | 952999 107107 121503 904949 | 12 11 |
| 10 | NAS1922-0200-1 | | .CLAMP- OPTIONAL PART: STBC10GG66-82 | 107107 121503 904949 | 11 |
| 15 | 36 | | .CLAMP- SUPPLIER CODE: V7Z588 SPECIFICATION NUMBER: STBC10GG74-91 OPTIONAL PART: WWD74-91H V66295 NAS1922-0225-1 | 107107 121503 904949 | 6 |
| 15 | NAS1922-0225-1 | | .CLAMP- OPTIONAL PART: STBC10GG74-91 | 107107 121503 904949 | 6 |
| 20 | NAS1922-0150-1 | | .CLAMP- | 952999 952999 | 6 |

MISSING ITEM NUMBERS NOT APPLICABLE

- ITEM NOT ILLUSTRATED

21-26-09-09

21-26-09
FIG. 09
PAGE 1
JAN 20/09

BRI



757

PARTS CATALOG (MAINTENANCE)

| FIG ITEM | PART NUMBER | 1 2 3 4 5 6 7 | NOMENCLATURE | EFFECT FROM TO | UNITS PER ASSY |
|----------|-------------------|---------------|--|--------------------------------------|----------------|
| 9 | 25 20 | | .CLAMP- SUPPLIER CODE: V7Z588 SPECIFICATION NUMBER: STBC10GG48-58 OPTIONAL PART: WWD48-58H V66295 NAS1922-0150-1 | 107107 121503 904949 | 5 |
| | 25 NAS1922-0150-1 | | .CLAMP- OPTIONAL PART: STBC10GG48-58 | 107107 121503 904949 | 5 |
| | 30 56 | | .CLAMP- SUPPLIER CODE: V7Z588 SPECIFICATION NUMBER: STBC10GG128 OPTIONAL PART: WWD128H V66295 NAS1922-0350-1 | 107107 121503 904949 | 4 |
| | 30 NAS1922-0350-1 | | .CLAMP- OPTIONAL PART: STBC10GG128 | 107107 121503 904949 952999 | 4 |
| | 35 64 | | .CLAMP- SUPPLIER CODE: V7Z588 SPECIFICATION NUMBER: STBC10GG146 OPTIONAL PART: WWD146H V66295 NAS1922-0400-1 | 107107 121503 904949 | 2 |
| | 35 NAS1922-0400-1 | | .CLAMP- OPTIONAL PART: STBC10GG146 | 107107 121503 904949 952999 | 2 |
| | 40 80 | | .CLAMP- SUPPLIER CODE: V7Z588 SPECIFICATION NUMBER: STBC10GG178 OPTIONAL PART: WWD178H V66295 NAS1922-0525-1 | 107107 121503 904949 | 10 |

MISSING ITEM NUMBERS NOT APPLICABLE

- ITEM NOT ILLUSTRATED

BRI

21-26-09-09

21-26-09
FIG. 09
PAGE 2
JAN 20/09



757

PARTS CATALOG (MAINTENANCE)

| FIG ITEM | PART NUMBER | 1 2 3 4 5 6 7 | NOMENCLATURE | EFFECT FROM TO | UNITS PER ASSY | |
|------------------|-------------------------------------|----------------|---|--------------------------------------|----------------|--|
| R R R R | 9 40 | NAS1922-0525-1 | .CLAMP- OPTIONAL PART: STBC10GG178 | 107107 121503 904949 952999 | 10 | |
| | 40 | NAS1922-0525-3 | .CLAMP- | 107107 121503 904949 952999 | 10 | |
| | 45 | 15J02-400 | .CLAMP ASSY- SUPPLIER CODE: V89513 OPTIONAL PART: 32317AA400 V94581 NH135008-0400 V00624 | 107107 121503 904949 952999 | 4 | |
| | 45 | 32317AA400 | .COUPLING- SUPPLIER CODE: V94581 OPTIONAL PART: 15J02-400 V89513 NH135008-0400 V00624 | 107107 121503 904949 952999 | 4 | |
| | 45 | NH135008-0400 | .COUPLING- SUPPLIER CODE: V00624 OPTIONAL PART: 15J02-400 V89513 32317AA400 V94581 | 107107 121503 904949 952999 | 4 | |
| | 50 | 15J02-500 | .CLAMP- SUPPLIER CODE: V89513 OPTIONAL PART: 32317AA500 V94581 NH135008-0500 V98625 | 107107 121503 904949 952999 | 2 | |
| | 50 | 32317AA500 | .CLAMP- SUPPLIER CODE: V94581 OPTIONAL PART: 15J02-500 V89513 NH135008-0500 V98625 | 107107 121503 904949 952999 | 2 | |
| | MISSING ITEM NUMBERS NOT APPLICABLE | | | | | |

- ITEM NOT ILLUSTRATED

21-26-09-09

21-26-09
FIG. 09
PAGE 3
MAY 20/09

BRI



757

PARTS CATALOG (MAINTENANCE)

| FIG ITEM | PART NUMBER | 1 2 3 4 5 6 7 | NOMENCLATURE | EFFECT FROM TO | UNITS PER ASSY |
|----------|---------------|---------------|---|--------------------------------------|----------------|
| 9 | | | | | |
| 50 | NH135008-0500 | .CLAMP- | SUPPLIER CODE: V00624 OPTIONAL PART: 15J02-500 V89513 32317AA500 V94581 | 107107 121503 904949 952999 | 2 |
| 55 | JM44LC13WS34R | .CLAMP | SUPPLIER CODE: V22175 SPECIFICATION NUMBER: BACC10GE34 OPTIONAL PART: TA12C32WS34 V84971 509S34 V83930 S714WH34 V18076 ATTACHING PARTS | 107107 121503 904949 952999 | 1 |
| - 60 | BACS12FA3K26 | .SCREW | | 107107 121503 904949 952999 | 1 |
| - 65 | AN960KD10L | .WASHER | | 107107 121503 904949 952999 | 1 |
| - 70 | NAS43DD3-64 | .SPACER | | 107107 121503 904949 952999 | 1 |
| - 75 | BRH10C3D | .NUT | SUPPLIER CODE: V52828 SPECIFICATION NUMBER: BACN10JC3CD OPTIONAL PART: T6C1032JCD V11815 NS202486-02 V80539 102LH9075-3W V72962 H51650-3BAC V15653 -----*----- | 107107 121503 904949 952999 | 1 |

MISSING ITEM NUMBERS NOT APPLICABLE

- ITEM NOT ILLUSTRATED

21-26-09-09

21-26-09
FIG. 09
PAGE 4
JAN 20/09

BRI

 **BOEING**
757
PARTS CATALOG (MAINTENANCE)

| FIG ITEM | PART NUMBER | 1 2 3 4 5 6 7 | NOMENCLATURE | EFFECT FROM TO | UNITS PER ASSY |
|----------|-------------|---------------|--|--------------------------------------|----------------|
| 9 | 80 | MS3367-6-9 | . STRAP | 107107 121503 904949 952999 | 10 |
| | 85 | MS3367-2-9 | . STRAP | 107107 952999 | 1 |
| | 90 | BACS12FA3K6 | . SCREW | 107107 121503 904949 952999 | 1 |
| | 95 | TM3S10 | . PLATE SUPPLIER CODE: V06383 SPECIFICATION NUMBER: STBP19M12 | 121503 904949 | 4 |
| | 100 | BACB30UY6-150 | . BOLT SUPPLIER CODE: V98524 SPECIFICATION NUMBER: BACB30UY6-150 | 107107 121503 904949 952999 | 8 |
| | 105 | BACS12FA3K12 | . SCREW | 107107 121503 904949 952999 | 2 |
| | 110 | BACS12FA3K8 | . SCREW | 107107 121503 904949 952999 | 2 |
| | 115 | BACS12FA3K7 | . SCREW | 107107 121503 904949 952999 | 23 |
| | 120 | AN960KD10L | . WASHER | 107107 121503 904949 952999 | 26 |
| | 123 | AN960KD10 | . WASHER | 107107 121503 904949 952999 | 1 |

R
R
R
R

MISSING ITEM NUMBERS NOT APPLICABLE

- ITEM NOT ILLUSTRATED

BRI

21-26-09-09

21-26-09
FIG. 09
PAGE 5
MAY 20/09



757

PARTS CATALOG (MAINTENANCE)

| FIG ITEM | PART NUMBER | 1 2 3 4 5 6 7 | NOMENCLATURE | EFFECT FROM TO | UNITS PER ASSY |
|----------|-------------|---------------------------------------|---|--------------------------------------|----------------|
| 9 125 | BRH10C3D | .NUT | SUPPLIER CODE: V52828 SPECIFICATION NUMBER: BACN10JC3CD OPTIONAL PART: T6C1032JCD V11815 NS202486-02 V80539 102LH9075-3W V72962 H51650-3BAC V15653 | 107107 121503 904949 952999 | 15 |
| 130 | BRH10A3 | .NUT | SUPPLIER CODE: V52828 SPECIFICATION NUMBER: BACN10JC3 OPTIONAL PART: H10-3BAC V15653 NS202101-02 V80539 RMLH9075-3W V72962 VN303A02 V92215 96-02 V80539 T6S1032J V11815 | 107107 121503 904949 952999 | 6 |
| 135 | 214T3424-3 | .SUPPORT | | 107107 121503 904949 952999 | 2 |
| 140 | 214N3067-1 | .BRACKET | | 107107 121503 904949 952999 | 1 |
| 145 | 293255 | .BRACKET- SUPPLIER CODE: V60119 | | 107107 121503 904949 952999 | 2 |
| 150 | 214T3424-2 | .SUPPORT | | 107107 121503 904949 952999 | 1 |

MISSING ITEM NUMBERS NOT APPLICABLE

- ITEM NOT ILLUSTRATED

21-26-09-09

21-26-09
FIG. 09
PAGE 6
JAN 20/09

BRI



757

PARTS CATALOG (MAINTENANCE)

| FIG ITEM | PART NUMBER | 1 2 3 4 5 6 7 | NOMENCLATURE | EFFECT FROM TO | UNITS PER ASSY |
|----------|----------------|---------------|--------------|--------------------------------------|----------------|
| 9 | | | | | |
| 155 | 214N1051-2 | . | SUPPORT | 107107 121503 904949 952999 | 1 |
| 160 | 214N1051-5 | . | SUPPORT | 107107 121503 904949 952999 | 1 |
| 165 | 214N3065-2 | . | BRACKET | 107107 121503 904949 952999 | 2 |
| 170 | 214T3424-5 | . | SUPPORT | 107107 121503 904949 952999 | 1 |
| 175 | 214N3067-6 | . | BRACKET | 107107 121503 904949 952999 | 1 |
| 180 | 214N1051-6 | . | SUPPORT | 107107 121503 904949 952999 | 1 |
| 185 | 214N3065-1 | . | BRACKET | 107107 121503 904949 952999 | 1 |
| 190 | 214T3424-6 | . | SUPPORT | 107107 121503 904949 952999 | 1 |
| 195 | 214N1051-8 | . | SUPPORT | 107107 121503 904949 952999 | 3 |
| 200 | 214T3424-7 | . | SUPPORT | 107107 121503 904949 952999 | 1 |
| 205 | 214N3065-6 | . | BRACKET | 107107 121503 904949 952999 | 2 |
| 210 | AS1504-08B1740 | . | HOSE | 121503 904949 952999 | 1 |

MISSING ITEM NUMBERS NOT APPLICABLE

- ITEM NOT ILLUSTRATED

BRI

21-26-09-09

21-26-09
FIG. 09
PAGE 7
JAN 20/09



757

PARTS CATALOG (MAINTENANCE)

| FIG ITEM | PART NUMBER | 1 2 3 4 5 6 7 | NOMENCLATURE | EFFECT FROM TO | UNITS PER ASSY |
|----------|----------------|---------------|---|--------------------------------------|----------------|
| 9 | | | | | |
| 215 | AS1504-08B1770 | . | HOSE | 107107 121503 904949 952999 | 1 |
| 220 | AS1504-10B1770 | . | HOSE | 107107 121503 904949 952999 | 1 |
| 225 | AS1506-14D50 | . | HOSE | 107107 121503 904949 952999 | 1 |
| 230 | AS1506-20D50 | . | HOSE | 107107 121503 904949 952999 | 1 |
| 235 | AS1506-22D30 | . | HOSE | 107107 121503 904949 952999 | 2 |
| 240 | 214N3046-1 | . | DUCT ASSY | 107107 121503 904949 952999 | 1 |
| 245 | 15J03-350 | .. | FLANGE- SUPPLIER CODE: V89513 OPTIONAL PART: 214N3046-5 | 107107 121503 904949 952999 | 1 |
| 245 | 214N3046-5 | .. | KIT ASSY-SUB OPTIONAL PART: 15J03-350 V89513 | 107107 121503 904949 952999 | 1 |
| - 247 | 2904AM350 | ... | FLANGE- SUPPLIER CODE: V94581 USED ON: 214N3046-5 | 107107 121503 904949 952999 | 1 |
| - 248 | NK130004-0350 | ... | FLANGE- SUPPLIER CODE: V98625 USED ON: 214N3046-5 | 107107 121503 904949 952999 | 1 |
| 250 | 214N3046-2 | .. | DUCT | 107107 121503 904949 952999 | 1 |

MISSING ITEM NUMBERS NOT APPLICABLE

- ITEM NOT ILLUSTRATED

21-26-09-09

21-26-09
FIG. 09
PAGE 8
JAN 20/09

BRI



**757
PARTS CATALOG (MAINTENANCE)**

| FIG ITEM | PART NUMBER | 1 2 3 4 5 6 7 | NOMENCLATURE | EFFECT FROM TO | UNITS PER ASSY |
|-------------|---------------|---------------|---|--------------------------------------|----------------------|
| 9 | | | | | |
| 255 | 214N3046-3 | . . | DUCT | 107107 121503 904949 952999 | 1 |
| 260 | 214N3045-2 | . . | DUCT | 107107 121503 904949 952999 | 1 |
| 265 | 214N3045-1 | . . | DUCT ASSY | 107107 121503 904949 952999 | 1 |
| 270 | 15J03-400 | . . | FLANGE- SUPPLIER CODE: V89513 OPTIONAL PART: 2904AM400 V94581 NK130004-0400 V98625 | 107107 121503 904949 952999 | 1 |
| 270 | 2904AM400 | . . | FLANGE- SUPPLIER CODE: V94581 OPTIONAL PART: 15J03-400 V89513 NK130004-0400 V98625 | 107107 121503 904949 952999 | 1 |
| 270 | NK130004-0400 | . . | FLANGE- SUPPLIER CODE: V98625 OPTIONAL PART: 15J03-400 V89513 2904AM400 V94581 | 107107 121503 904949 952999 | 1 |
| 275 | 214N3045-3 | . . | DUCT | 107107 121503 904949 952999 | 1 |
| 278 | 214N3051-1 | . . | DUCT ASSY | 107107 121503 904949 952999 | 1 |
| 280 | 214N3051-2 | . . | DUCT ASSY | 107107 121503 904949 952999 | 1 |

MISSING ITEM NUMBERS NOT APPLICABLE

— ITEM NOT ILLUSTRATED

21-26-09-09

21-26-09
FIG. 09
PAGE 9
JAN 20/09

BRI

BOEING PROPRIETARY - Copyright © - Unpublished Work - See title page for details.



757

PARTS CATALOG (MAINTENANCE)

| FIG ITEM | PART NUMBER | 1 2 3 4 5 6 7 | NOMENCLATURE | EFFECT FROM TO | UNITS PER ASSY |
|----------|---------------|---------------|--|--------------------------------------|----------------|
| 9 | | | | | |
| 282 | 214N3051-3 | .DUCT | ASSY | 107107 121503 904949 952999 | 1 |
| 285 | 15J03-400 | ..FLANGE- | SUPPLIER CODE: V89513 OPTIONAL PART: 2904AM400 V94581 NK130004-0400 V98625 | 107107 121503 904949 952999 | 2 |
| 285 | 2904AM400 | ..FLANGE- | SUPPLIER CODE: V94581 OPTIONAL PART: 15J03-400 V89513 NK130004-0400 V98625 | 107107 121503 904949 952999 | 2 |
| 285 | NK130004-0400 | ..FLANGE- | SUPPLIER CODE: V98625 OPTIONAL PART: 15J03-400 V89513 2904AM400 V94581 | 107107 121503 904949 952999 | 2 |
| 287 | 214N3051-4 | ..DUCT- | USED ON: 214N3051-1 | 107107 121503 904949 952999 | 1 |
| 290 | 214N3051-5 | ..DUCT- | USED ON: 214N3051-2 | 107107 121503 904949 952999 | 1 |
| 292 | 214N3051-6 | ..DUCT- | USED ON: 214N3051-3 | 107107 121503 904949 952999 | 1 |
| 295 | 214N3044-1 | .DUCT | ASSY | 107107 121503 904949 952999 | 1 |

MISSING ITEM NUMBERS NOT APPLICABLE

- ITEM NOT ILLUSTRATED

21-26-09-09

21-26-09
FIG. 09
PAGE 10
JAN 20/09

BRI

BOEING PROPRIETARY - Copyright © - Unpublished Work - See title page for details.



757

PARTS CATALOG (MAINTENANCE)

| FIG ITEM | PART NUMBER | 1 2 3 4 5 6 7 | NOMENCLATURE | EFFECT FROM TO | UNITS PER ASSY |
|----------|---------------|---------------|---|--------------------------------------|----------------|
| 9 | | | | | |
| 300 | 15J03-400 | .. | FLANGE- SUPPLIER CODE: V89513 OPTIONAL PART: 2904AM400 V94581 NK130004-0400 V98625 | 107107 121503 904949 952999 | 1 |
| 300 | 2904AM400 | .. | FLANGE- SUPPLIER CODE: V94581 OPTIONAL PART: 15J03-400 V89513 | 107107 121503 904949 952999 | 1 |
| 300 | NK130004-0400 | .. | FLANGE- SUPPLIER CODE: V98625 OPTIONAL PART: 15J03-400 V89513 | 107107 121503 904949 952999 | 1 |
| 305 | 15J03-500 | .. | FLANGE- SUPPLIER CODE: V89513 OPTIONAL PART: 2904AM500 V94581 NK130004-0500 V98625 | 107107 121503 904949 952999 | 1 |
| 305 | 2904AM500 | .. | FLANGE- SUPPLIER CODE: V94581 V94581 OPTIONAL PART: 15J03-500 V89513 | 107107 121503 904949 952999 | 1 |
| 305 | NK130004-0500 | .. | FLANGE- SUPPLIER CODE: V98625 OPTIONAL PART: 15J03-500 V89513 | 107107 121503 904949 952999 | 1 |
| 310 | 214N3044-3 | .. | DUCT | 107107 121503 904949 952999 | 1 |
| 315 | 214N3043-2 | . | DUCT ASSY | 107107 121503 904949 952999 | 1 |

MISSING ITEM NUMBERS NOT APPLICABLE

- ITEM NOT ILLUSTRATED

21-26-09-09

21-26-09
FIG. 09
PAGE 11
JAN 20/09

BRI

BOEING PROPRIETARY - Copyright © - Unpublished Work - See title page for details.



757

PARTS CATALOG (MAINTENANCE)

| FIG ITEM | PART NUMBER | 1 2 3 4 5 6 7 | NOMENCLATURE | EFFECT FROM TO | UNITS PER ASSY |
|----------|---------------|---------------|---|--------------------------------------|----------------|
| 9 | | | | | |
| 320 | 214N3049-3 | . | DUCT ASSY | 121503 904949 | 1 |
| 325 | 214N3042-1 | . | DUCT ASSY | 107107 121503 904949 952999 | 1 |
| 330 | 15J03-500 | .. | FLANGE- SUPPLIER CODE: V89513 OPTIONAL PART: 2904AM500 V94581 NK130004-0500 V98625 | 107107 121503 904949 952999 | 1 |
| 330 | 2904AM500 | .. | FLANGE- SUPPLIER CODE: V94581 OPTIONAL PART: 15J03-500 V89513 NK130004-0500 V98625 | 107107 121503 904949 952999 | 1 |
| 330 | NK130004-0500 | .. | FLANGE- SUPPLIER CODE: V98625 OPTIONAL PART: 15J03-500 V89513 2904AM500 V94581 | 107107 121503 904949 952999 | 1 |
| 340 | 214N3043-4 | .. | DUCT- USED ON: 214N3043-2 | 107107 121503 904949 952999 | 1 |
| 345 | 214N3049-4 | .. | DUCT- USED ON: 214N3049-3 | 121503 904949 | 1 |
| 350 | 214N3042-2 | .. | DUCT- USED ON: 214N3042-1 | 107107 121503 904949 952999 | 1 |
| 355 | BOE2061-0001 | . | HOSE- SUPPLIER CODE: V16632 | 107107 121503 904949 | 2 |
| 363 | BOE2061-0004 | . | HOSE- SUPPLIER CODE: V16632 | 107107 121503 904949 952999 | 1 |

MISSING ITEM NUMBERS NOT APPLICABLE

- ITEM NOT ILLUSTRATED

21-26-09-09

21-26-09
FIG. 09
PAGE 12
JAN 20/09

BRI



757

PARTS CATALOG (MAINTENANCE)

| FIG ITEM | PART NUMBER | 1 2 3 4 5 6 7 | NOMENCLATURE | EFFECT FROM TO | UNITS PER ASSY |
|----------|----------------|---|--------------|--------------------------------------|----------------|
| 9 | | | | | |
| 365 | AS1504-10B2240 | .HOSE | | 107107 121503 904949 952999 | 1 |
| 370 | AS1504-09B2310 | .HOSE | | 107107 121503 904949 952999 | 1 |
| 375 | AS1504-09B0180 | .HOSE | | 952999 | 1 |
| 380 | AS1504-09B0512 | .HOSE | | 107107 121503 904949 952999 | 1 |
| 383 | 214N3047-1 | .DUCT | | 107107 121503 904949 952999 | 1 |
| 385 | 2000-16 | .CAP-END SUPPLIER CODE: V15819 OPTIONAL PART: 32-1000 V25205 | | 107107 121503 904949 | 2 |
| 385 | 32-1000 | .CAP-END SUPPLIER CODE: V25205 OPTIONAL PART: 2000-16 V15819 | | 107107 121503 904949 | 2 |
| 390 | 1500-16 | .CAP-END SUPPLIER CODE: V15819 OPTIONAL PART: 24-1000 V25205 | | 107107 121503 904949 | 1 |
| 390 | 24-1000 | .CAP-END SUPPLIER CODE: V25205 OPTIONAL PART: 1500-16 V15819 | | 107107 121503 904949 | 1 |
| 395 | 2250-16 | .CAP-END SUPPLIER CODE: V15819 OPTIONAL PART: 36-1000 V25205 | | 107107 121503 904949 | 1 |

MISSING ITEM NUMBERS NOT APPLICABLE

- ITEM NOT ILLUSTRATED

BRI

21-26-09-09

21-26-09
FIG. 09
PAGE 13
JAN 20/09



757

PARTS CATALOG (MAINTENANCE)

| FIG ITEM | PART NUMBER | 1 2 3 4 5 6 7 | NOMENCLATURE | EFFECT FROM TO | UNITS PER ASSY |
|----------|-------------|---------------|--|----------------------------|----------------|
| 9 | | | | | |
| 395 | 36-1000 | . | CAP-END SUPPLIER CODE: V25205 OPTIONAL PART: 2250-16 V15819 | 107107 121503 904949 | 1 |
| 400 | 214N5054-1 | . | SUPPORT ASSY | 107107 952999 | 10 |
| 405 | BACS12ER3K6 | .. | SCREW | 107107 952999 | 1 |
| 410 | TM2S8 | .. | PLATE SUPPLIER CODE: V06383 SPECIFICATION NUMBER: STBP19M9 | 107107 952999 | 1 |
| 415 | 2055155-10C | .. | CLIP-STGR SUPPLIER CODE: V04169 | 107107 952999 | 1 |
| 420 | 214N5054-1 | . | SUPPORT ASSY | 121503 904949 | 12 |
| 425 | BACS12ER3K6 | .. | SCREW | 121503 904949 | 1 |
| 430 | TM2S8 | .. | PLATE SUPPLIER CODE: V06383 SPECIFICATION NUMBER: STBP19M9 | 121503 904949 | 1 |
| 435 | 2055155-10C | .. | CLIP-STGR SUPPLIER CODE: V04169 | 121503 904949 | 1 |
| 440 | 214N5054-3 | . | SUPPORT ASSY | 952999 | 11 |
| 445 | BACS12ER3K6 | .. | SCREW | 952999 | 1 |
| 450 | TM2S8 | .. | PLATE SUPPLIER CODE: V06383 SPECIFICATION NUMBER: STBP19M9 | 952999 | 1 |
| 455 | 2055155-10B | .. | CLIP-STGR SUPPLIER CODE: V04169 | 952999 | 1 |
| 460 | 214N5054-3 | . | SUPPORT ASSY | 107107 | 9 |
| 465 | BACS12ER3K6 | .. | SCREW | 107107 | 1 |
| 470 | TM2S8 | .. | PLATE SUPPLIER CODE: V06383 SPECIFICATION NUMBER: STBP19M9 | 107107 | 1 |

MISSING ITEM NUMBERS NOT APPLICABLE

- ITEM NOT ILLUSTRATED

21-26-09-09

21-26-09
FIG. 09
PAGE 14
JAN 20/09

BRI

BOEING PROPRIETARY - Copyright © - Unpublished Work - See title page for details.



757

PARTS CATALOG (MAINTENANCE)

| FIG ITEM | PART NUMBER | 1 2 3 4 5 6 7 | NOMENCLATURE | EFFECT FROM TO | UNITS PER ASSY |
|-------------|-------------|---------------|--|-------------------|----------------------|
| 9 475 | 2055155-10B | | . . CLIP-STGR SUPPLIER CODE : V04169 | 107107 | 1 |

MISSING ITEM NUMBERS NOT APPLICABLE

- ITEM NOT ILLUSTRATED

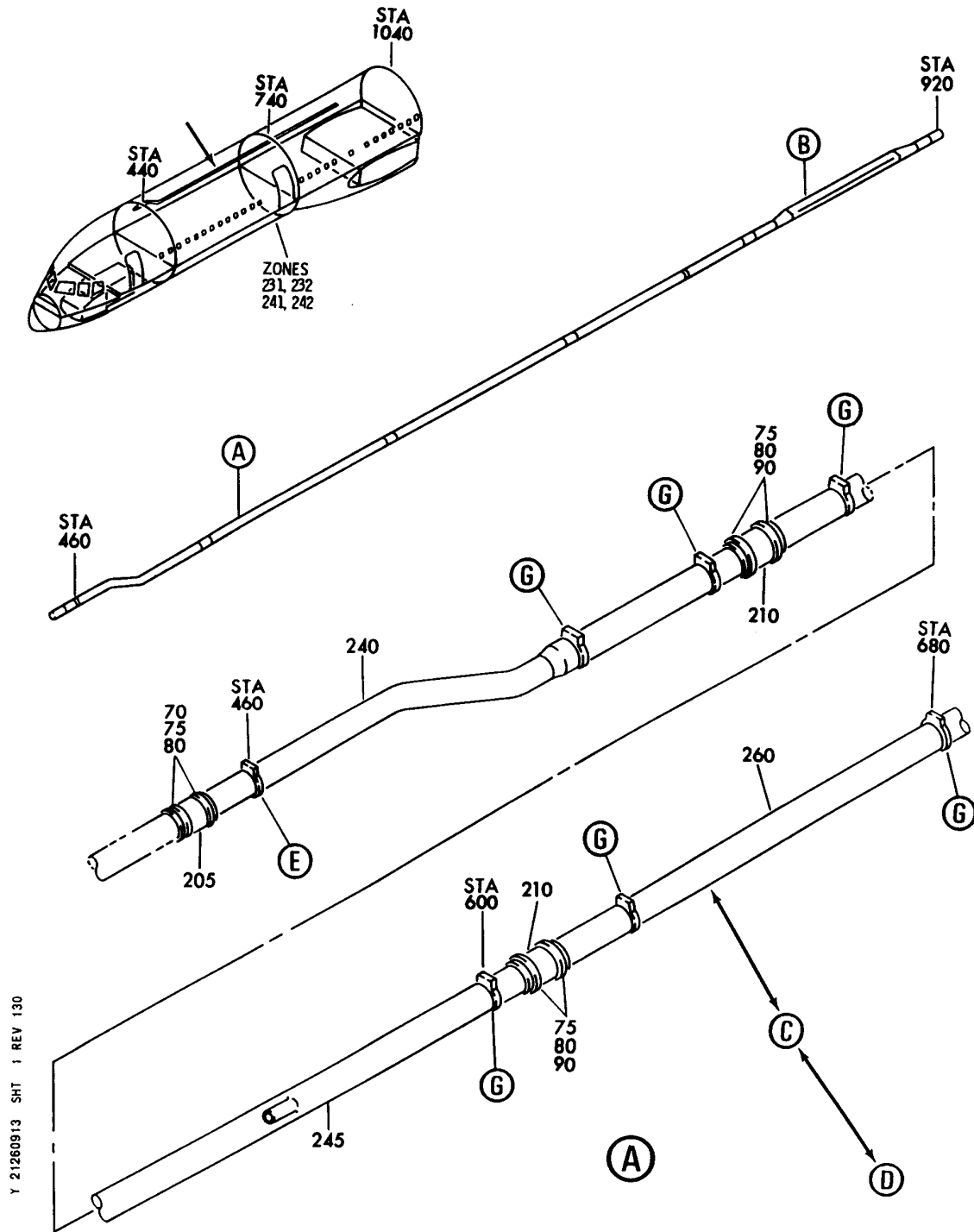
BRI

21-26-09-09

BOEING PROPRIETARY - Copyright © - Unpublished Work - See title page for details.

21-26-09
FIG. 09
PAGE 15
JAN 20/09

BOEING
757
PARTS CATALOG (MAINTENANCE)



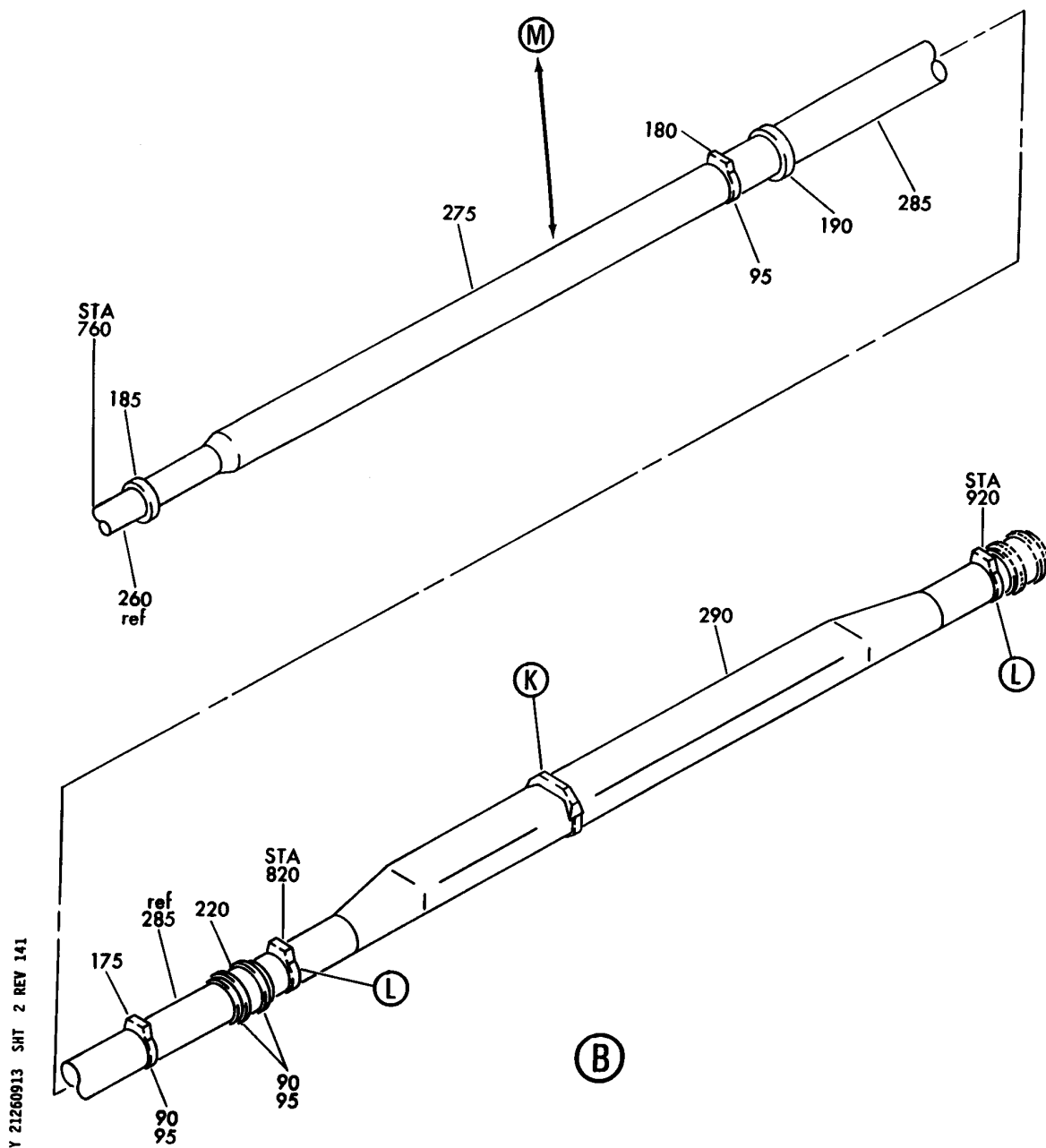
DUCT INSTL-SECT. 43 LAV/GALLEY VENT SYSTEM
FIGURE 13 (SHEET 1)

21-26-09-13

BRI
JAN 20/09

21-26-09-13
PAGE 0

BOEING
757
PARTS CATALOG (MAINTENANCE)



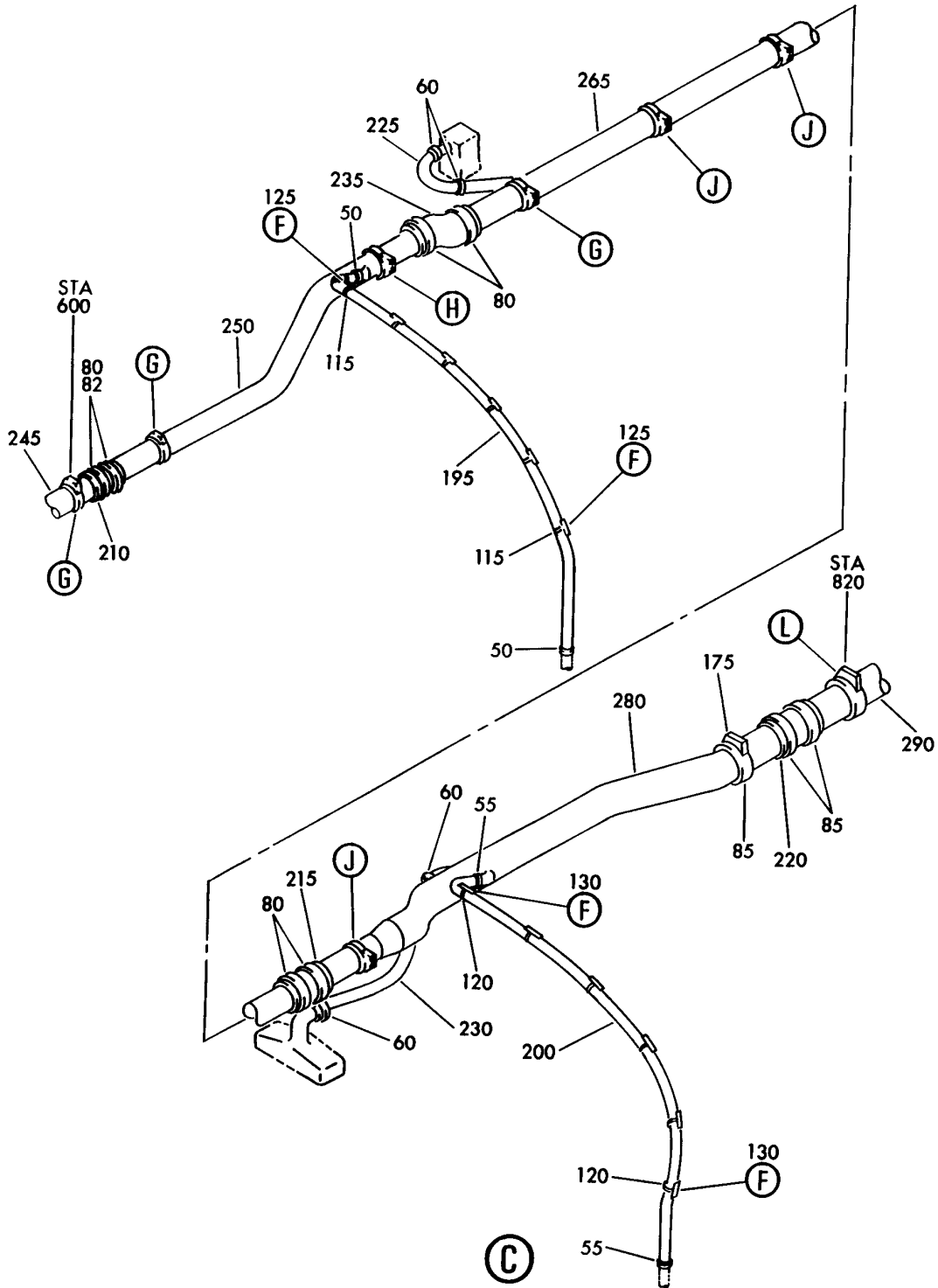
DUCT INSTL-SECT. 43 LAV/GALLEY VENT SYSTEM
FIGURE 13 (SHEET 2)

21-26-09-13

BRI
JAN 20/09

21-26-09-13
PAGE 0A

BOEING
757
PARTS CATALOG (MAINTENANCE)



Y 21260913 SHT 3 REV 141

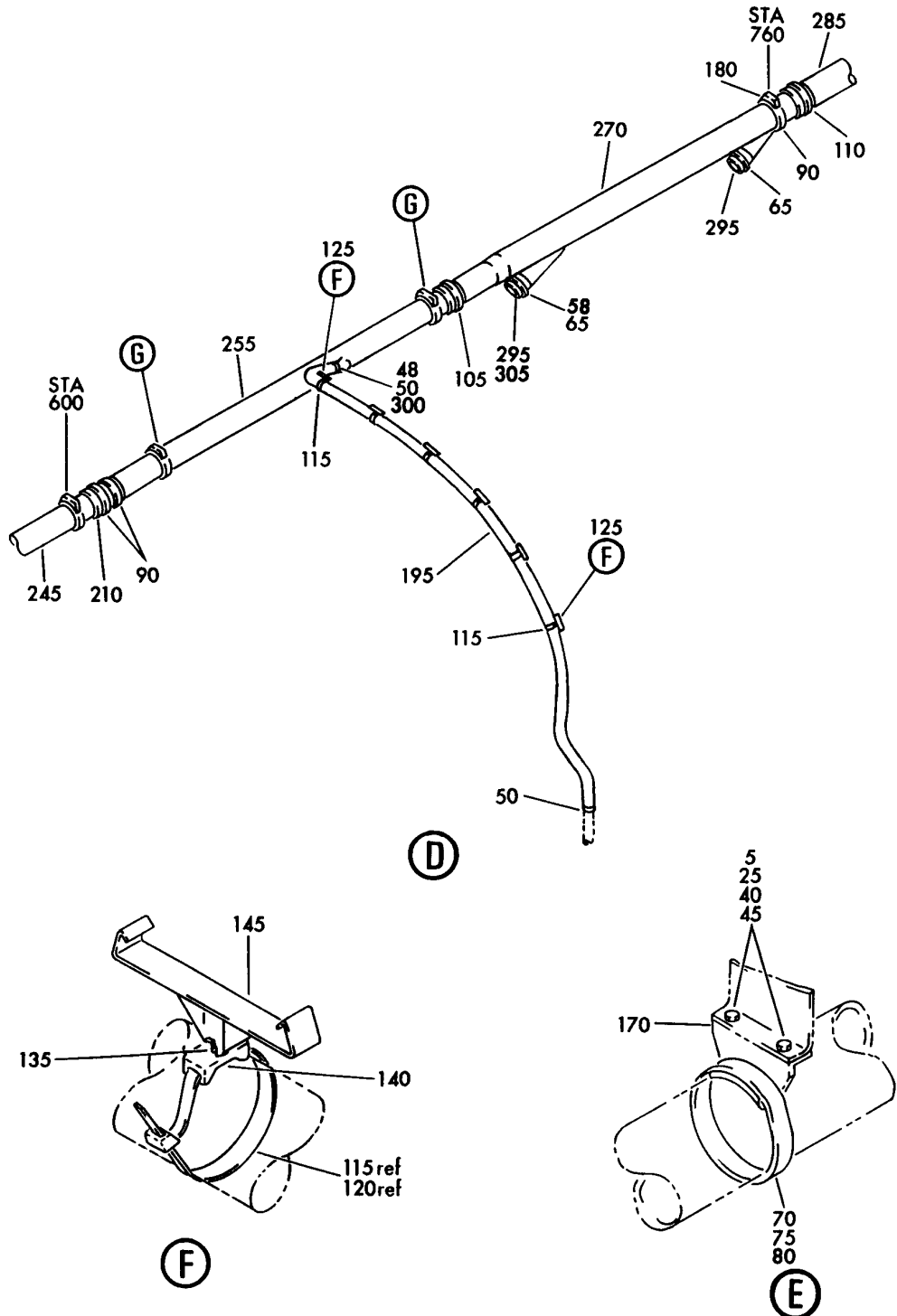
DUCT INSTL-SECT. 43 LAV/GALLEY VENT SYSTEM
FIGURE 13 (SHEET 3)

21-26-09-13

BRI
JAN 20/09

21-26-09-13
PAGE 0B

BOEING
757
PARTS CATALOG (MAINTENANCE)



Y 21260913 SHT 4 REV 141

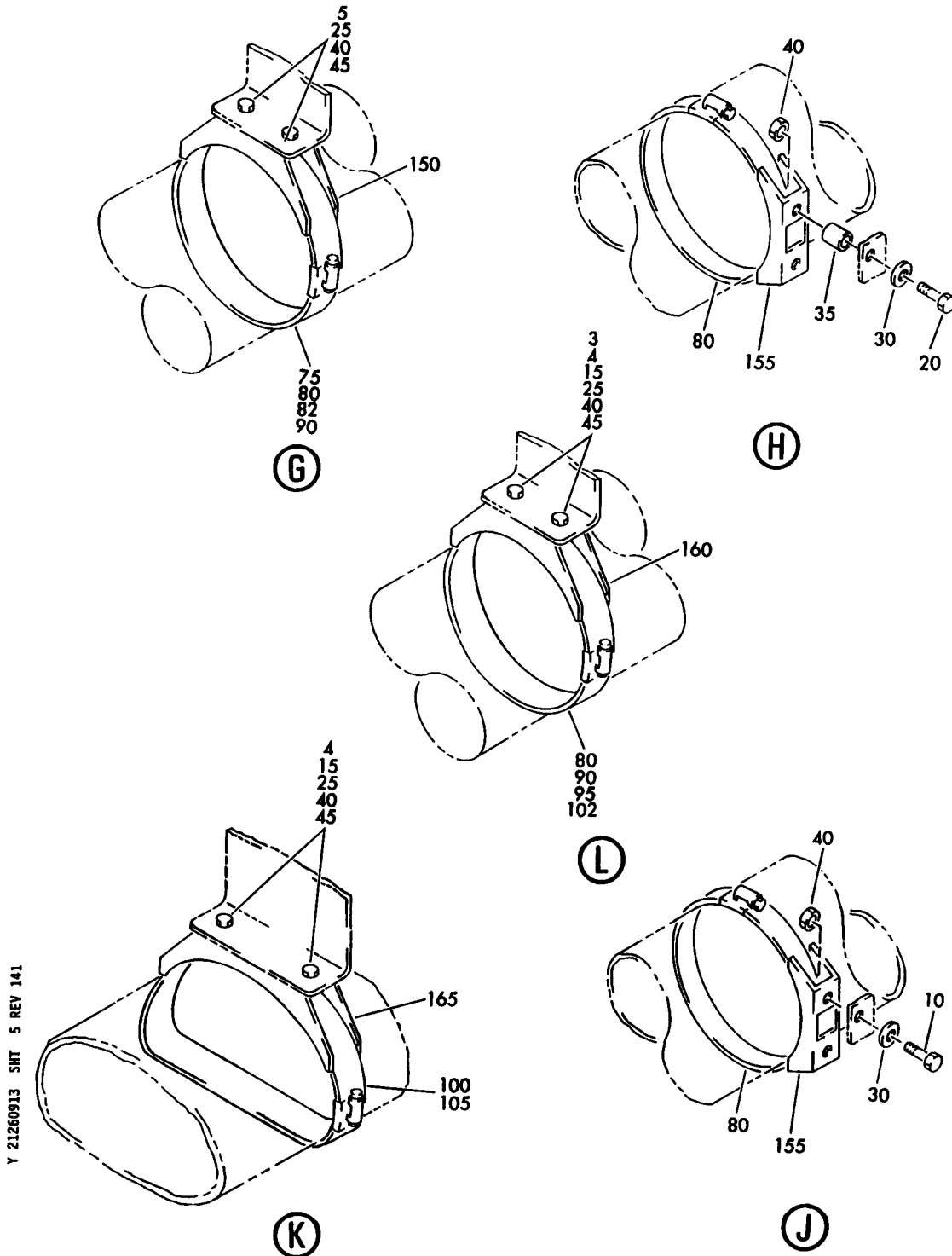
DUCT INSTL-SECT. 43 LAV/GALLEY VENT SYSTEM
FIGURE 13 (SHEET 4)

21-26-09-13

BRI
JAN 20/09

21-26-09-13
PAGE 0C

BOEING
757
PARTS CATALOG (MAINTENANCE)



Y 21260913 SHT 5 REV 141

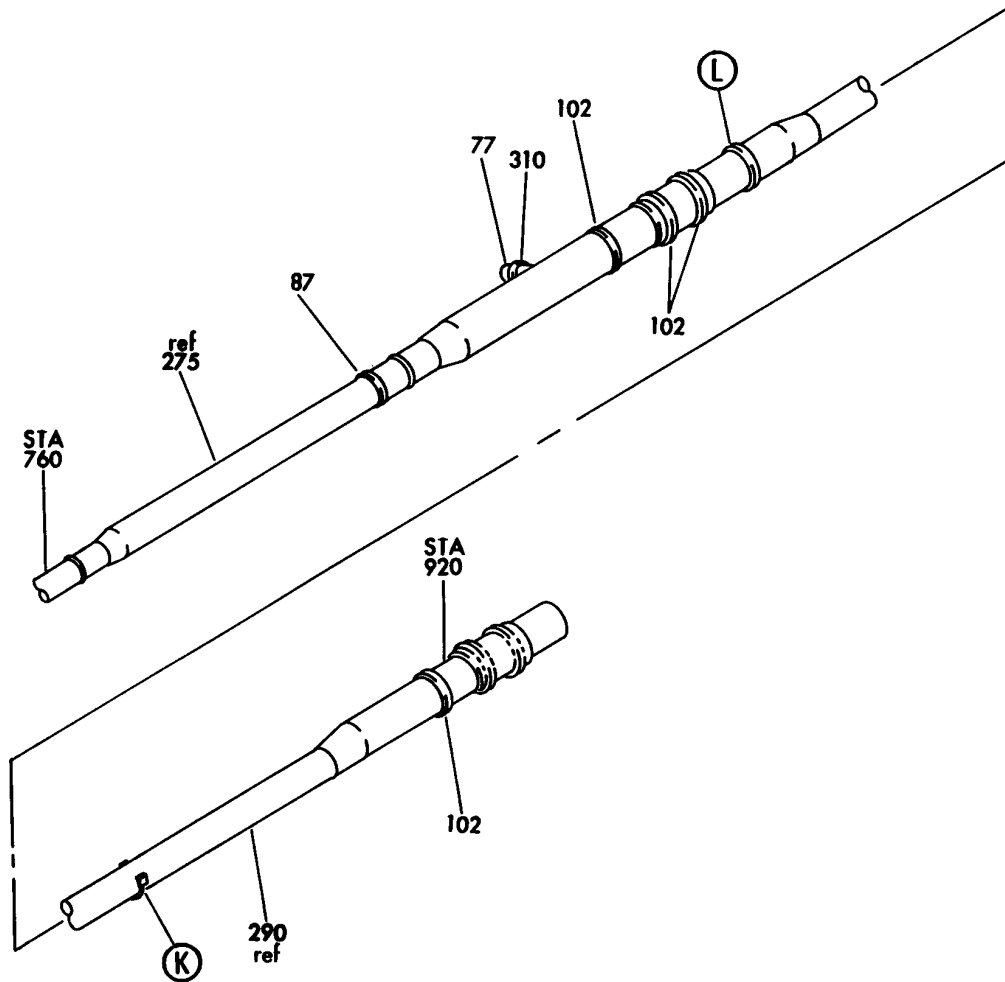
DUCT INSTL-SECT. 43 LAV/GALLEY VENT SYSTEM
FIGURE 13 (SHEET 5)

21-26-09-13

BRI
JAN 20/09

21-26-09-13
PAGE 0D

BOEING
757
PARTS CATALOG (MAINTENANCE)



(M)

Y 21260913 SHT 6 REV 141

DUCT INSTL-SECT. 43 LAV/GALLEY VENT SYSTEM
FIGURE 13 (SHEET 6)

21-26-09-13

BRI
JAN 20/09

21-26-09-13
PAGE 0E



757

PARTS CATALOG (MAINTENANCE)

| FIG ITEM | PART NUMBER | 1 2 3 4 5 6 7 | NOMENCLATURE | EFFECT FROM TO | UNITS PER ASSY |
|----------|----------------|---------------|---|----------------|----------------|
| 13 | | | DUCT INSTL-SECT. 43 LAV/GALLEY VENT SYSTEM | 950999 | |
| - 1 | 214N3003-26 | | DUCT INSTL-LAV/GALLEY VENT SYS POSITION DATA: SECT. 43 FOR NHA SEE: 21-00-00-01 | 952999 | RF |
| - 1 | 214N3003-31 | | DUCT INSTL-LAV/GALLEY VENT SYS POSITION DATA: SECT. 43 FOR NHA SEE: 21-00-00-01 | 950951 | RF |
| 5 | BACS12FA3K7 | | .SCREW | 950999 | 14 |
| 15 | BACS12FA3K11 | | .SCREW- OPTIONAL PART: BACS12FA3K16 | 950999 | 6 |
| 15 | BACS12FA3K16 | | .SCREW- OPTIONAL PART: BACS12FA3K11 | 950951 | 6 |
| 25 | AN960PD10L | | .WASHER- | 950999 | 20 |
| 25 | AN960JD10L | | .WASHER- | 950999 | 20 |
| 45 | BRH10A3 | | .NUT | 950999 | 20 |
| | | | SUPPLIER CODE: V52828 SPECIFICATION NUMBER: BACN10JC3 OPTIONAL PART: H10-3BAC V15653 NS202101-02 V80539 RMLH9075-3W V72962 VN303A02 V92215 96-02 V80539 T6S1032J V11815 | | |
| 50 | NAS1922-0150-1 | | .CLAMP- OPTIONAL PART: STBC10GG48-58 | 950999 | 2 |

MISSING ITEM NUMBERS NOT APPLICABLE

- ITEM NOT ILLUSTRATED

BRI

21-26-09-13

21-26-09
FIG. 13
PAGE 1
JAN 20/09



**757
PARTS CATALOG (MAINTENANCE)**

| FIG ITEM | PART NUMBER | 1 2 3 4 5 6 7 | NOMENCLATURE | EFFECT FROM TO | UNITS PER ASSY |
|----------|----------------|---------------|---|----------------|----------------|
| 13 50 | 20 | | .CLAMP- SUPPLIER CODE: V7Z588 SPECIFICATION NUMBER: STBC10GG48-58 OPTIONAL PART: WWD48-58H V66295 NAS1922-0150-1 | 950951 | 2 |
| 65 | NAS1922-0225-1 | | .CLAMP | 952999 | 2 |
| 70 | NAS1922-0275-1 | | .CLAMP | 952999 | 3 |
| 82 | NAS1922-0275-1 | | .CLAMP- OPTIONAL PART: STBC10GG98-114 | 950951 | 3 |
| 82 | 48 | | .CLAMP- SUPPLIER CODE: V7Z588 SPECIFICATION NUMBER: STBC10GG98-114 OPTIONAL PART: WWD98-114 V66295 NAS1922-0275-1 | 950951 | 3 |
| 90 | NAS1922-0350-1 | | .CLAMP | 950999 | 16 |
| 95 | NAS1922-0350-1 | | .CLAMP | 950951 | 6 |
| 100 | NAS1922-0400-1 | | .CLAMP- OPTIONAL PART: STBC10GG146 | 950999 | 1 |
| 100 | 64 | | .CLAMP- SUPPLIER CODE: V7Z588 SPECIFICATION NUMBER: STBC10GG146 OPTIONAL PART: WWD146H V66295 NAS1922-0400-1 | 950951 | 1 |
| 105 | 15J02-300 | | .CLAMP ASSY- SUPPLIER CODE: V89513 OPTIONAL PART: 32317AA300 V94581 NH135008-0300 V00624 | 952999 | 1 |

MISSING ITEM NUMBERS NOT APPLICABLE

— ITEM NOT ILLUSTRATED

21-26-09-13

21-26-09
FIG. 13
PAGE 2
JAN 20/09

BRI



757

PARTS CATALOG (MAINTENANCE)

| FIG ITEM | PART NUMBER | 1 2 3 4 5 6 7 | NOMENCLATURE | EFFECT FROM TO | UNITS PER ASSY |
|-----------|---------------|---------------|--|----------------|----------------|
| 13 105 | 32317AA300 | | .COUPLING- SUPPLIER CODE: V94581 OPTIONAL PART: 15J02-300 V89513 | 952999 | 1 |
| 105 | NH135008-0300 | | .CLAMP ASSY- SUPPLIER CODE: V00624 OPTIONAL PART: 15J02-300 V89513 | 952999 | 1 |
| 110 | 15J02-350 | | .CLAMP- SUPPLIER CODE: V89513 OPTIONAL PART: 32317AA350 V94581 NH135008-0350 V98625 | 952999 | 1 |
| 110 | 32317AA350 | | .CLAMP- SUPPLIER CODE: V94581 OPTIONAL PART: 15J02-350 V89513 | 952999 | 1 |
| 110 | NH135008-0350 | | .CLAMP- SUPPLIER CODE: V00624 OPTIONAL PART: 15J02-350 V89513 | 952999 | 1 |
| 115 | MS3367-2-9 | | .STRAP | 950999 | 6 |
| 115 | PLT4SM | | .STRAP SUPPLIER CODE: V06383 SPECIFICATION NUMBER: BACS38K2 OPTIONAL PART: T05L0 V53421 | 950951 | 6 |
| 125 | 214N5054-3 | | .SUPPORT ASSY | 950999 | 6 |
| 135 | BACS12ER3K6 | | ..SCREW | 950999 | 1 |
| 140 | TM2S8 | | ..PLATE SUPPLIER CODE: V06383 SPECIFICATION NUMBER: STBP19M9 | 950999 | 1 |

MISSING ITEM NUMBERS NOT APPLICABLE

- ITEM NOT ILLUSTRATED

21-26-09-13

21-26-09
FIG. 13
PAGE 3
JAN 20/09

BRI



757

PARTS CATALOG (MAINTENANCE)

| FIG ITEM | PART NUMBER | 1 2 3 4 5 6 7 | NOMENCLATURE | EFFECT FROM TO | UNITS PER ASSY |
|----------|---------------|---------------|---|----------------|----------------|
| 13 | | | | | |
| 145 | 2055155-10B | | ..CLIP- SUPPLIER CODE: V04169 | 950999 | 1 |
| 150 | 214T3424-4 | | .SUPPORT | 950999 | 6 |
| 160 | 214T3424-5 | | .SUPPORT | 950999 | 2 |
| 165 | 214T3424-7 | | .SUPPORT | 950999 | 1 |
| 170 | 214T3424-22 | | .SUPPORT | 950999 | 1 |
| 175 | 214N1051-5 | | .SUPPORT | 950999 | 1 |
| 180 | 214N1051-5 | | .SUPPORT | 950999 | 1 |
| 185 | NH135008-0300 | | .COUPLING SUPPLIER CODE: V00624 SPECIFICATION NUMBER: BACC10HX300 | 950951 | 1 |
| 190 | NH135008-0350 | | .COUPLING SUPPLIER CODE: V00624 SPECIFICATION NUMBER: BACC10HX350 | 950951 | 1 |
| 195 | BOE2061-0003 | | .HOSE- SUPPLIER CODE: V16632 | 950999 | 1 |
| 205 | AS1506-11D50 | | .HOSE | 950999 | 1 |
| 210 | AS1506-12D50 | | .HOSE | 950999 | 2 |
| 220 | AS1506-14D50 | | .HOSE | 950999 | 1 |
| 240 | 214N3026-2 | | .DUCT | 950999 | 1 |
| 245 | 214N3025-9 | | .DUCT | 950999 | 1 |
| 255 | 214N3025-12 | | .DUCT ASSY | 952999 | 1 |
| 260 | 214N3025-12 | | .DUCT ASSY- | 950951 | 1 |
| 270 | 214N3025-3 | | .DUCT ASSY | 952999 | 1 |
| 275 | 214N3025-14 | | .DUCT ASSY | 950951 | 1 |
| 285 | 214N3025-13 | | .DUCT ASSY- | 950999 | 1 |
| 290 | 214N3025-1 | | .DUCT | 950999 | 1 |
| 295 | 2250-24 | | .CAP-END SUPPLIER CODE: V15819 | 952999 | 2 |
| 295 | 36-1500 | | .CAP-END SUPPLIER CODE: V25205 | 952999 | 2 |
| 310 | 48-1250 | | .CAP-END SUPPLIER CODE: V25205 | 950999 | 1 |

MISSING ITEM NUMBERS NOT APPLICABLE

- ITEM NOT ILLUSTRATED

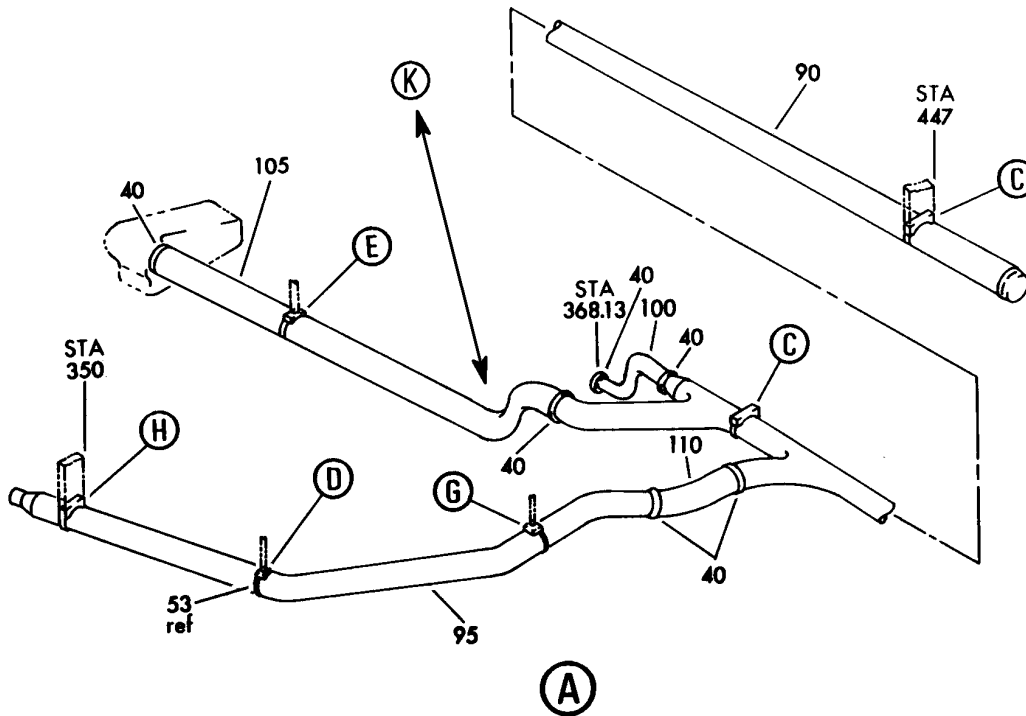
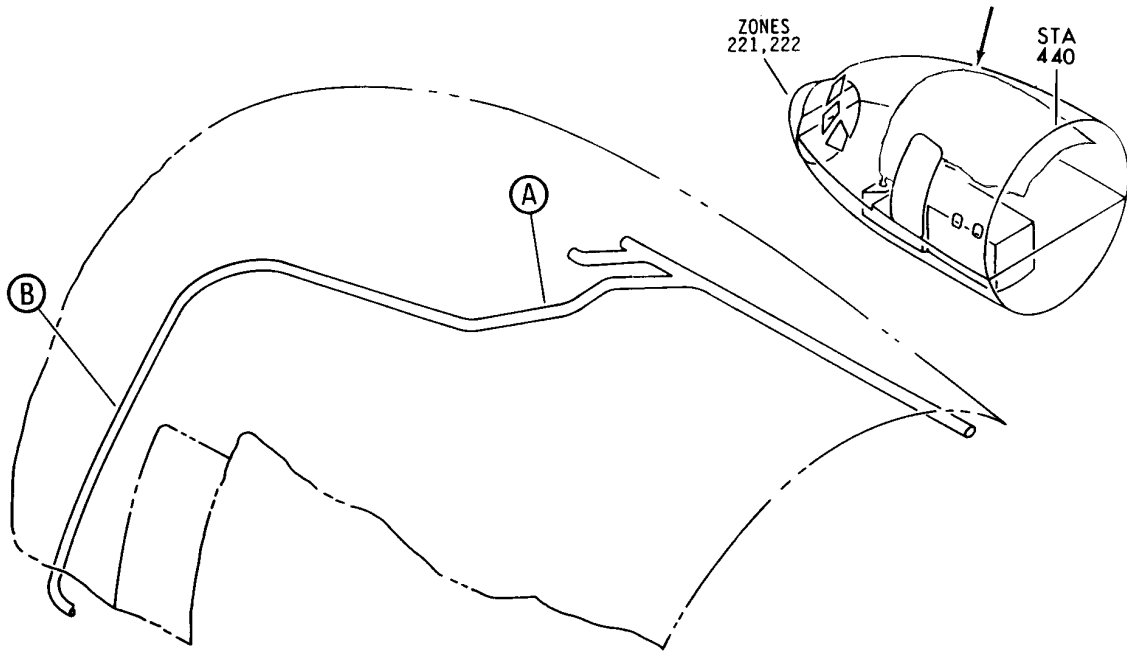
21-26-09-13

21-26-09
FIG. 13
PAGE 4
JAN 20/09

BRI

BOEING PROPRIETARY - Copyright © - Unpublished Work - See title page for details.

BOEING
757
PARTS CATALOG (MAINTENANCE)



Y 21260914 SHT 1 REV 231

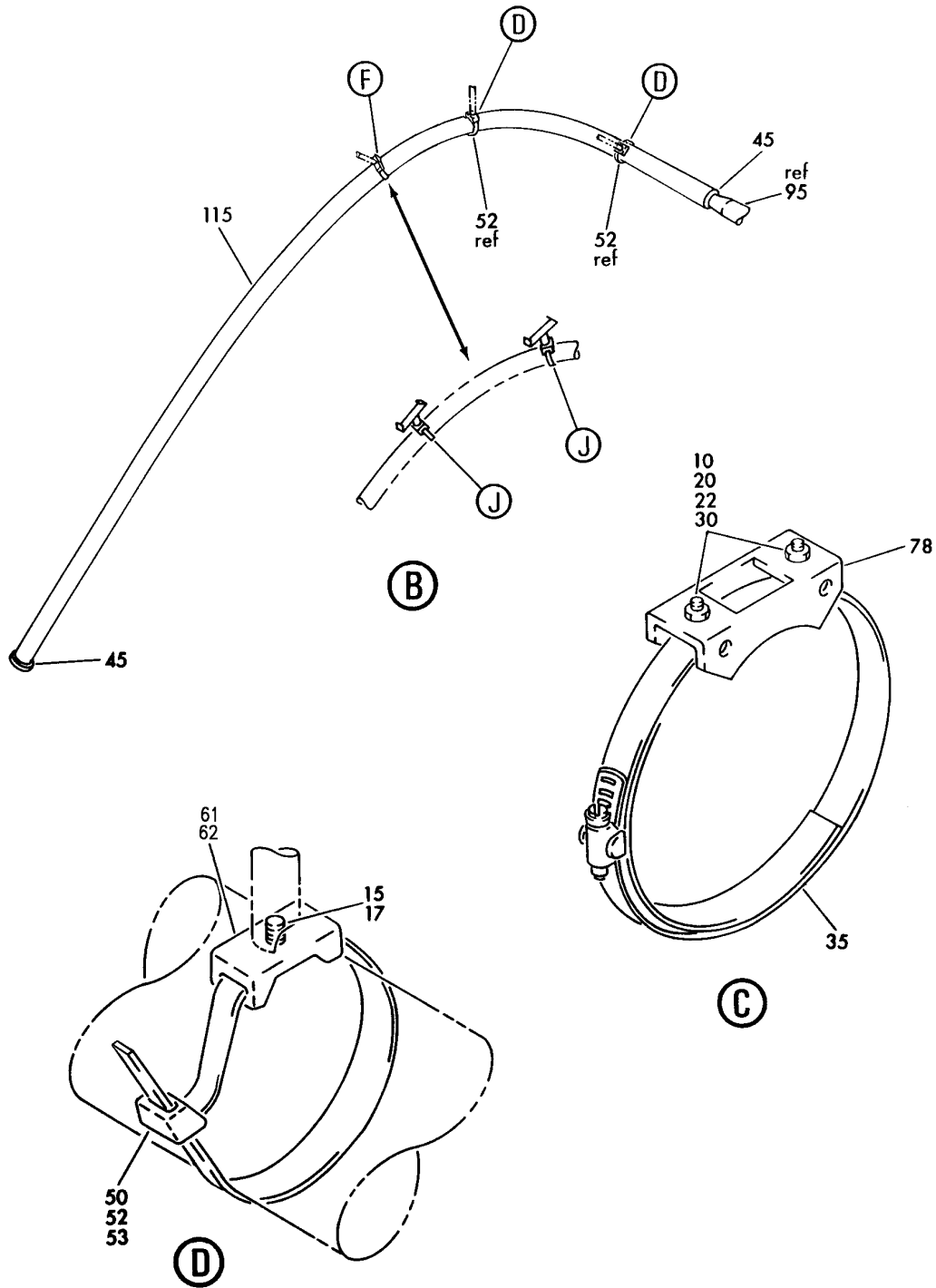
DUCT INSTL-LAV/GALLEY VENT SYS
FIGURE 14 (SHEET 1)

BRI
MAY 28/07

21-26-09-14

21-26-09-14
PAGE 0

BOEING
757
PARTS CATALOG (MAINTENANCE)



Y 21260914 SH1 2 REV 299

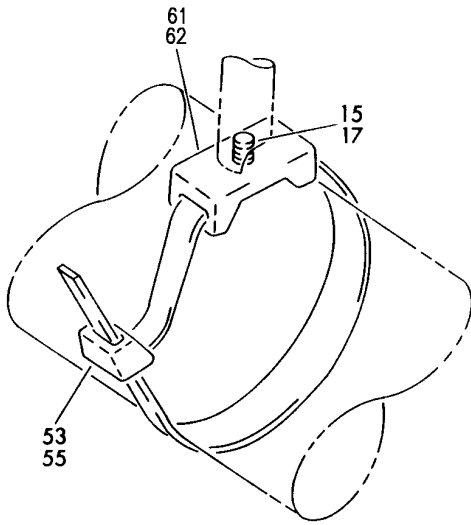
DUCT INSTL-LAV/GALLEY VENT SYS
FIGURE 14 (SHEET 2)

BRI
MAY 28/07

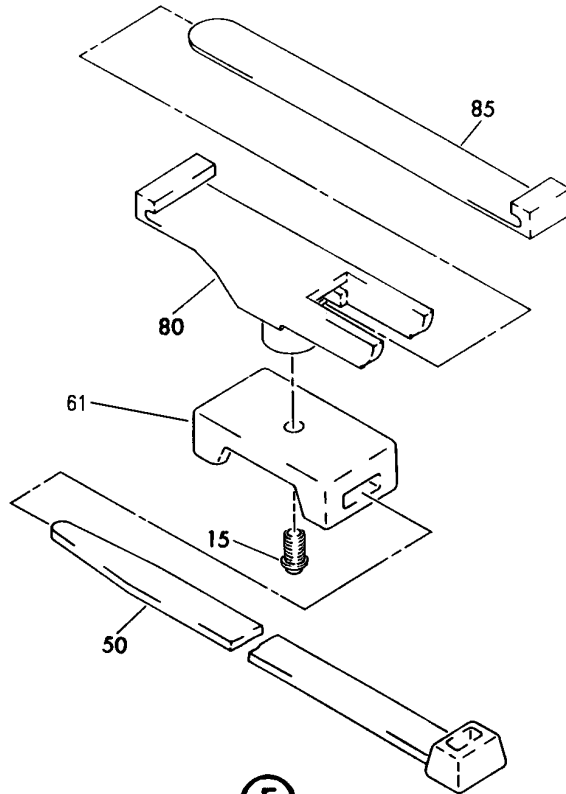
21-26-09-14

21-26-09-14
PAGE 0A

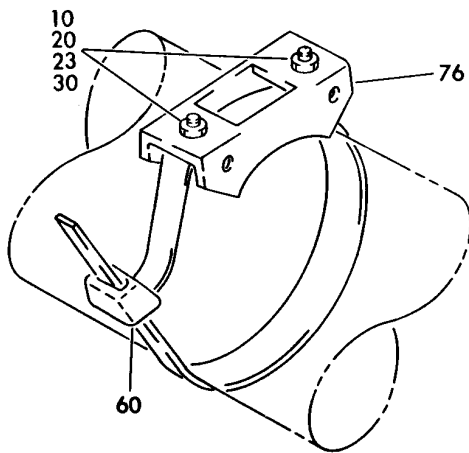
BOEING
757
PARTS CATALOG (MAINTENANCE)



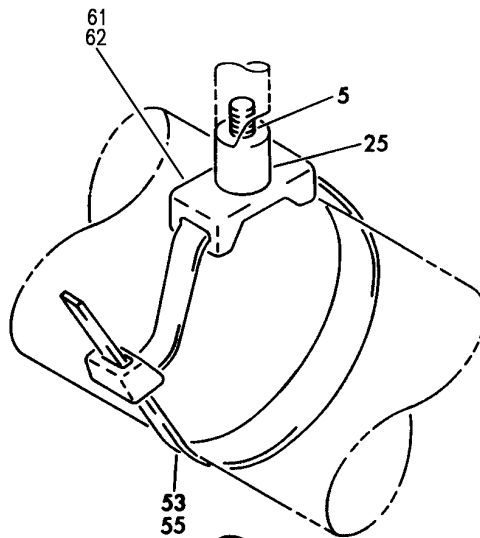
(E)



(F)



(H)

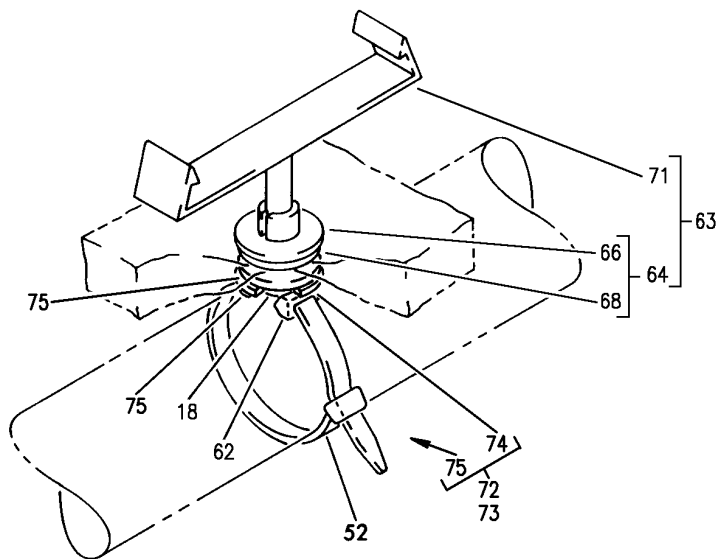


(G)

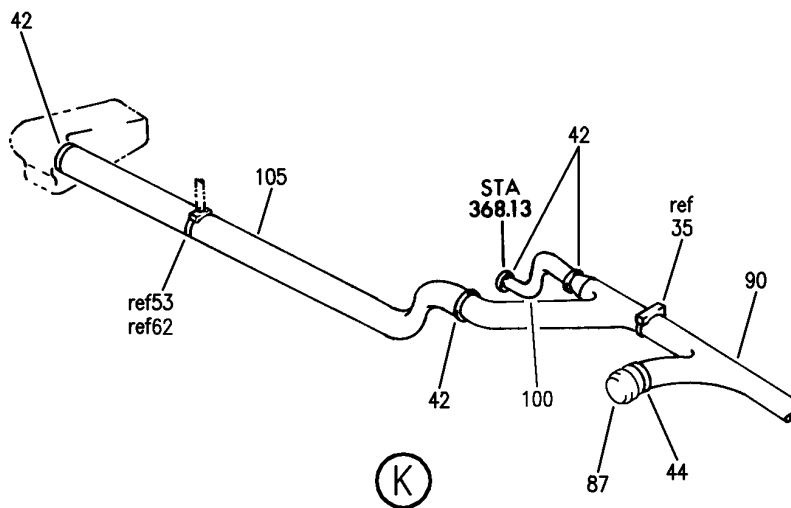
Y 21260914 SH1 3 REV 299

DUCT INSTL-LAV/GALLEY VENT SYS
FIGURE 14 (SHEET 3)

BOEING
757
PARTS CATALOG (MAINTENANCE)



(J)



(K)

Y 21260914 SH1 4 REV 299

DUCT INSTL-LAV/GALLEY VENT SYS
FIGURE 14 (SHEET 4)

BRI
MAY 28/07

21-26-09-14

21-26-09-14
PAGE 0C



757

PARTS CATALOG (MAINTENANCE)

| FIG ITEM | PART NUMBER | 1 2 3 4 5 6 7 | NOMENCLATURE | EFFECT FROM TO | UNITS PER ASSY |
|----------|---------------|---------------|---|----------------------------|----------------|
| 14 | | | DUCT INSTL-LAV/GALLEY VENT SYS | 002004 006102 108120 | |
| - 1 | 214N3002-25 | | DUCT INSTL-LAV/GALLEY VENT SYS POSITION DATA: SECT. 41 FOR NHA SEE: 21-00-00-01 | 002004 006017 | RF |
| - 1 | 214N3002-34 | | DUCT INSTL-LAV/GALLEY VENT SYS POSITION DATA: SECT. 41 FOR NHA SEE: 21-00-00-01 21-00-00-15 | 018102 | RF |
| - 1 | 214N3002-38 | | DUCT INSTL-LAV/GALLEY VENT SYS POSITION DATA: SECT. 41 FOR NHA SEE: 21-00-00-12 | 108120 | RF |
| 5 | BACS12FA3K14 | | .SCREW | 002004 006102 108120 | 1 |
| 10 | BACS12FA3K7 | | .SCREW | 002004 006102 108120 | 6 |
| 15 | BACS12FA3K6 | | .SCREW- | 002004 006017 | 5 |
| 17 | BACS12ER3K6 | | .SCREW- | 018102 108120 | 4 |
| 18 | BACS12ER3K8 | | .SCREW- | 018102 108120 | 2 |
| 20 | AN960PD10L | | .WASHER- | 002004 006017 | 6 |
| 22 | NAS1149D0332J | | .WASHER- | 018102 108120 | 4 |
| 23 | AN960JD10L | | .WASHER- | 018102 108120 | 2 |
| 25 | NAS43DD3-30 | | .SPACER- | 002004 006017 | 1 |
| 25 | NAS43DD3-30N | | .SPACER- | 002004 006017 | 1 |

MISSING ITEM NUMBERS NOT APPLICABLE

- ITEM NOT ILLUSTRATED

BRI

21-26-09-14

21-26-09
FIG. 14
PAGE 1
JAN 20/09



757

PARTS CATALOG (MAINTENANCE)

| FIG ITEM | PART NUMBER | 1 2 3 4 5 6 7 | NOMENCLATURE | EFFECT FROM TO | UNITS PER ASSY |
|----------|----------------|---------------|---|------------------|----------------|
| 14 30 | BRH10A3 | .NUT- | SUPPLIER CODE: V52828 SPECIFICATION NUMBER: BACN10JC3 OPTIONAL PART: H10-3BAC V15653 NS202101-02 V80539 RMLH9075-3W V72962 VN303A02 V92215 96-02 V80539 T6S1032J V11815 | 002004 006017 | 6 |
| 30 | PLH53CD | .NUT- | SUPPLIER CODE: VF0224 SPECIFICATION NUMBER: BACN10YR3CD OPTIONAL PART: H52732-3CD V15653 | 018102 108120 | 6 |
| 35 48 | | .CLAMP- | SUPPLIER CODE: V7Z588 SPECIFICATION NUMBER: STBC10GG98-114 OPTIONAL PART: WWD98-114 V66295 | 002004 006017 | 2 |
| 35 | NAS1922-0275-3 | .CLAMP- | | 018102 108120 | 2 |
| 40 32 | | .CLAMP- | SUPPLIER CODE: V7Z588 SPECIFICATION NUMBER: STBC10GG66-82 OPTIONAL PART: WWD66-82H V66295 | 002004 006017 | 6 |
| 40 | NAS1922-0225-3 | .CLAMP- | | 018102 108120 | 6 |

MISSING ITEM NUMBERS NOT APPLICABLE

- ITEM NOT ILLUSTRATED

21-26-09-14

21-26-09
FIG. 14
PAGE 2
JAN 20/09

BRI



757

PARTS CATALOG (MAINTENANCE)

| FIG ITEM | PART NUMBER | 1 2 3 4 5 6 7 | NOMENCLATURE | EFFECT FROM TO | UNITS PER ASSY |
|----------|----------------|---------------|--|----------------------------|----------------|
| 14 | | | | | |
| 45 | 20 | | .CLAMP- SUPPLIER CODE: V7Z588 SPECIFICATION NUMBER: STBC10GG48-58 OPTIONAL PART: WWD48-58H V66295 | 002004 006017 | 2 |
| 45 | NAS1922-0150-3 | | .CLAMP- | 002004 006102 108120 | 2 |
| 50 | MS3367-1-9 | | .STRAP- | 002004 006017 | 4 |
| 52 | T05R0 | | .STRAP- SUPPLIER CODE: V53421 SPECIFICATION NUMBER: BACS38K1 OPTIONAL PART: PLT2SM V06383 | 018102 108120 | 4 |
| 53 | PLT4SM | | .STRAP- SUPPLIER CODE: V06383 SPECIFICATION NUMBER: BACS38K2 OPTIONAL PART: T05L0 V53421 | 018102 108120 | 3 |
| 55 | MS3367-2-9 | | .STRAP- | 002004 006017 | 2 |
| 60 | MS3367-3-9 | | .STRAP- | 002004 006017 | 1 |
| 60 | PLT4HTL | | .STRAP- SUPPLIER CODE: V06383 SPECIFICATION NUMBER: BACS38K3 OPTIONAL PART: T012R0 V53421 | 018102 108120 | 1 |
| 61 | TM3S10 | | .MOUNT- SUPPLIER CODE: V06383 SPECIFICATION NUMBER: STBP19M12 | 002004 006017 | 6 |

MISSING ITEM NUMBERS NOT APPLICABLE

- ITEM NOT ILLUSTRATED

21-26-09-14

21-26-09
FIG. 14
PAGE 3
JAN 20/09

BRI



757

PARTS CATALOG (MAINTENANCE)

| FIG ITEM | PART NUMBER | 1 2 3 4 5 6 7 | NOMENCLATURE | EFFECT FROM TO | UNITS PER ASSY |
|----------|-------------|---------------|--|----------------------------|----------------|
| 14 | | | | | |
| 62 | TM2S8 | | .PLATE- SUPPLIER CODE: V06383 SPECIFICATION NUMBER: STBP19M9 | 002004 006102 108120 | 7 |
| 63 | 214N5054-11 | | .SUPPORT ASSY- OPTIONAL PART: 214N3002-41 | 018102 108120 | 2 |
| 63 | 214N3002-41 | | .KIT ASSY-SUB OPTIONAL PART: 214N5054-11 | 018102 | 2 |
| 64 | 411N4026-2 | | ..CAP ASSY- OPTIONAL PART: 411N4026-10 USED ON: 214N5054-11 | 018102 108120 | 1 |
| 64 | 411N4026-10 | | ..CAP ASSY- OPTIONAL PART: 411N4026-2 USED ON: 214N5054-11 | 018102 108120 | 1 |
| 64 | 411N4026-2 | | ..CAP ASSY- USED ON: 214N3002-41 | 018102 | 1 |
| 66 | 411N4026-5 | | ...CAP- USED ON: 411N4026-2 | 018102 108120 | 1 |
| 66 | 411N4026-11 | | ...CAP- USED ON: 411N4026-10 | 018102 108120 | 1 |
| 68 | 411N4026-7 | | ...TAPE | 018102 108120 | 1 |
| 71 | 2055155-5B | | ..CLIP- SUPPLIER CODE: V04169 | 018102 | 1 |
| 71 | 2055155-5B | | ..CLIP- SUPPLIER CODE: V04169 | 018102 108120 | 1 |
| 72 | BACW10DZ3 | | .WASHER- OPTIONAL PART: 411N4026-12 | 018102 108120 | 2 |
| 73 | 411N4026-12 | | .WASHER ASSY- OPTIONAL PART: BACW10DZ3 | 018102 108120 | 2 |
| 74 | 411N4026-13 | | ..WASHER- USED ON: 411N4026-12 | 018102 108120 | 1 |

MISSING ITEM NUMBERS NOT APPLICABLE

- ITEM NOT ILLUSTRATED

21-26-09-14

21-26-09
FIG. 14
PAGE 4
JAN 20/09

BRI

 **BOEING**
757
PARTS CATALOG (MAINTENANCE)

| FIG ITEM | PART NUMBER | 1 2 3 4 5 6 7 | NOMENCLATURE | EFFECT FROM TO | UNITS PER ASSY |
|----------|----------------|---------------|--|----------------------------|----------------|
| 14 | | | | | |
| 75 | 411N4026-7 | . . | TAPE- USED ON: 411N4026-12 | 018102 108120 | 2 |
| 76 | 214T3424-2 | . | SUPPORT- | 002004 006102 108120 | 1 |
| 78 | 214T3424-22 | . | SUPPORT- | 002004 006102 108120 | 2 |
| 80 | 69-64155-1 | . | SUPPORT- | 002004 006017 | 1 |
| 80 | S38J1 | . | SUPPORT- SUPPLIER CODE: V59237 SPECIFICATION NUMBER: BACS38J1 OPTIONAL PART: 30187-2 V26835 | 002004 006017 | 1 |
| 85 | 69-64155-2 | . | SUPPORT | 002004 006017 | 1 |
| 90 | 214N3021-3 | . | DUCT | 002004 006102 108120 | 1 |
| 95 | 214N3022-12 | . | DUCT | 002004 006102 108120 | 1 |
| 100 | AS1504-09B0132 | . | HOSE- | 002004 006011 | 1 |
| 100 | AS1504-09B0080 | . | HOSE- | 012102 108120 | 1 |
| 105 | AS1504-09B0312 | . | HOSE- | 002004 006102 | 1 |
| 105 | AS1504-09B0323 | . | HOSE- | 108120 | 1 |
| 110 | AS1504-08B0070 | . | HOSE | 002004 006102 | 1 |
| 110 | AS1504-08B0080 | . | HOSE- | 108120 | 1 |
| 115 | BOE2061-0005 | . | HOSE- SUPPLIER CODE: V16632 | 002004 006102 108120 | 1 |

R
R
R
R
R
R
R
R
R

MISSING ITEM NUMBERS NOT APPLICABLE

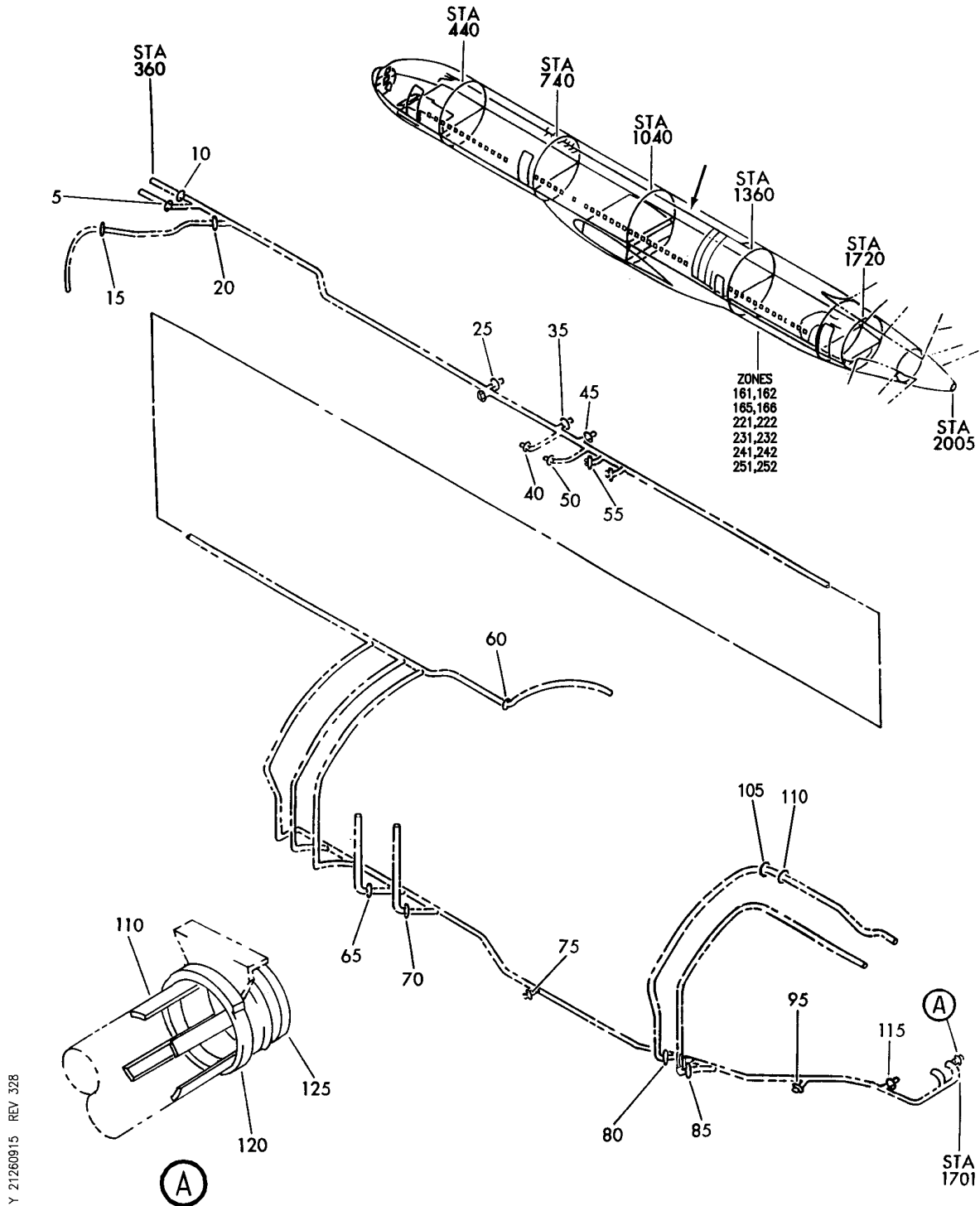
- ITEM NOT ILLUSTRATED

BRI

21-26-09-14

21-26-09
FIG. 14
PAGE 5
MAY 20/09

BOEING
757
PARTS CATALOG (MAINTENANCE)



Y 21260915 REV 328

ORIFICE INSTL-LAV/GALLEY VENT SYS
FIGURE 15

21-26-09-15

BRI
JAN 20/09

21-26-09-15
PAGE 0



757

PARTS CATALOG (MAINTENANCE)

| FIG ITEM | PART NUMBER | 1 2 3 4 5 6 7 | NOMENCLATURE | EFFECT FROM TO | UNITS PER ASSY |
|----------|----------------|---------------|---|----------------|----------------|
| 15 | | | ORIFICE INSTL-LAV/GALLEY VENT SYS | 121903 | |
| - 1 | 214N3007-34 | | ORIFICE INSTL-LAV/GALLEY VENT SYS FOR NHA SEE: 21-00-00-01 | 121503 | RF |
| - 1 | 214N3007-50 | | ORIFICE INSTL-LAV/GALLEY VENT SYS FOR NHA SEE: 21-00-00-12 | 504903 | RF |
| 5 | 214T3436-860 | | .ORIFICE ASSY- | 121503 | 1 |
| 10 | 214T3436-860 | | .ORIFICE ASSY | 121503 | 1 |
| 15 | 214T3436-203 | | .ORIFICE ASSY | 121503 | 1 |
| 20 | 214T3436-20 | | .ORIFICE ASSY | 121503 | 1 |
| 20 | 214T3436-203 | | .ORIFICE ASSY | 504903 | 1 |
| 35 | 214T3436-1504 | | .ORIFICE ASSY- | 504903 | 1 |
| 45 | 214T3436-1504 | | .ORIFICE ASSY- | 504903 | 1 |
| 50 | 214T3436-194 | | .ORIFICE ASSY | 504903 | 1 |
| 60 | 214T3436-53 | | .ORIFICE ASSY- | 121503 | 1 |
| 60 | 214T3436-10 | | .ORIFICE ASSY- | 504903 | 1 |
| 70 | 214T3436-53 | | .ORIFICE ASSY | 121503 | 1 |
| 70 | 214T3436-10 | | .ORIFICE ASSY | 504903 | 1 |
| 80 | 214T3436-89 | | .ORIFICE ASSY- | 121503 | 1 |
| 80 | 214T3436-86 | | .ORIFICE ASSY- | 504903 | 1 |
| 85 | 214T3436-194 | | .ORIFICE ASSY | 121903 | 1 |
| 115 | 214T3436-1367 | | .ORIFICE ASSY- | 504903 | 1 |
| 120 | NAS1922-0275-1 | | .CLAMP | 504903 | 1 |
| 125 | 2500-16 | | .CAP-END | 504903 | 1 |
| | | | SUPPLIER CODE: V15819 | | |
| | | | OPTIONAL PART: 40-1000 V25205 40-1250 V25205 | | |
| 125 | 40-1000 | | .CAP-END SUPPLIER CODE: V25205 OPTIONAL PART: 2500-16 V15819 | 504903 | 1 |
| 125 | 40-1250 | | .CAP-END SUPPLIER CODE: V25205 OPTIONAL PART: 2500-16 V15819 | 504903 | 1 |

MISSING ITEM NUMBERS NOT APPLICABLE

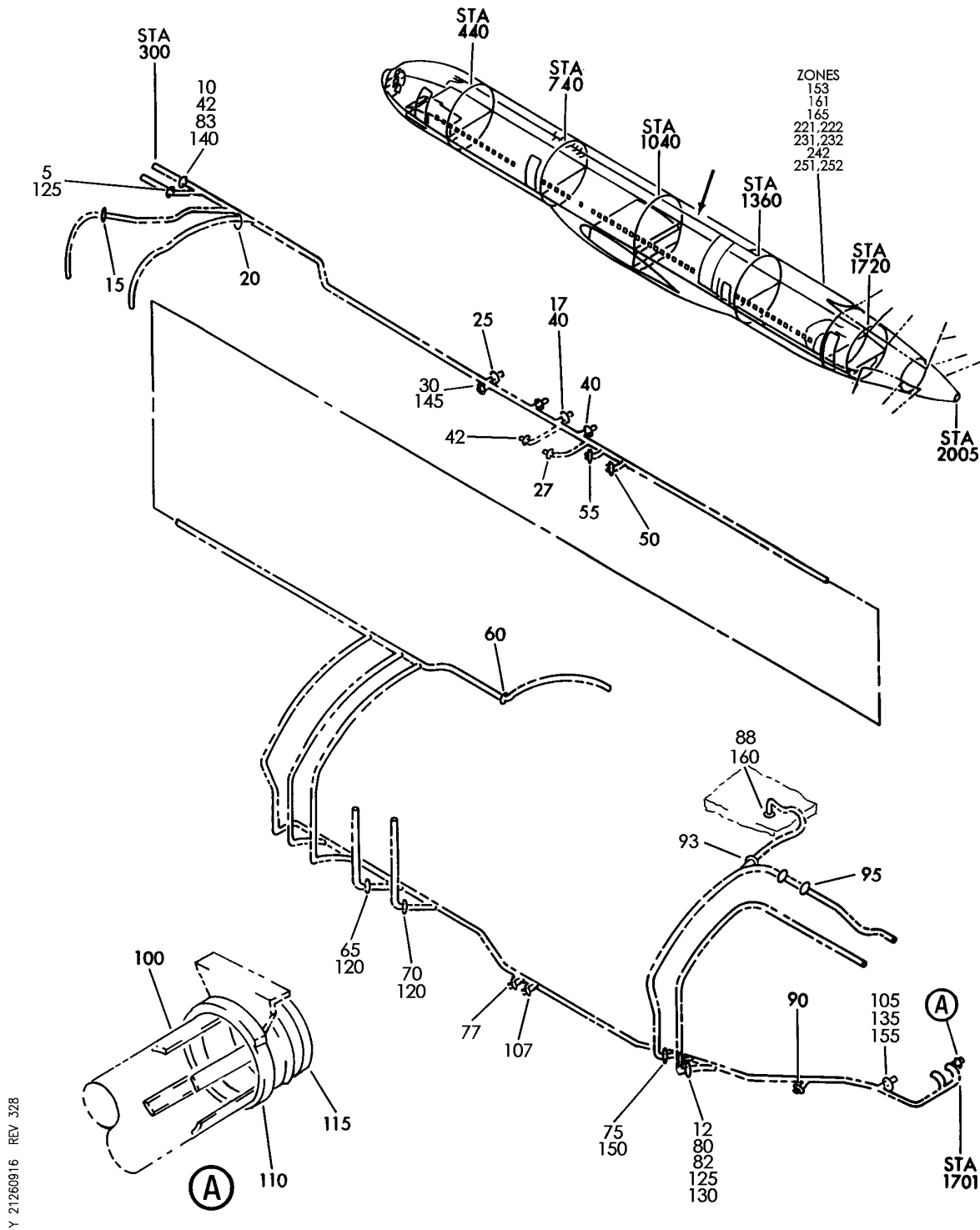
- ITEM NOT ILLUSTRATED

BRI

21-26-09-15

21-26-09
FIG. 15
PAGE 1
JAN 20/09

BOEING
757
PARTS CATALOG (MAINTENANCE)



Y 21260916 REV 328

ORIFICE INSTL-LAV/GALLEY VENT SYS
FIGURE 16

21-26-09-16

BRI
JAN 20/09

21-26-09-16
PAGE 0



757

PARTS CATALOG (MAINTENANCE)

| FIG ITEM | PART NUMBER | 1 2 3 4 5 6 7 | NOMENCLATURE | EFFECT FROM TO | UNITS PER ASSY |
|----------|----------------|---------------|---|--------------------------------------|----------------|
| 16 | | | ORIFICE INSTL-LAV/GALLEY VENT SYS | 006010 101102 108120 953999 | |
| - 1 | 214N3007-58 | | ORIFICE INSTL-LAV/GALLEY VENT SYS FOR NHA SEE: 21-00-00-01 | 953999 | RF |
| - 1 | 214N3007-61 | | ORIFICE INSTL-LAV/GALLEY VENT SYS FOR NHA SEE: 21-00-00-01 | 006010 | RF |
| - 2 | 214N3007-108 | | ORIFICE INSTL-LAV/GALLEY VENT SYS FOR NHA SEE: 21-00-00-12 | 108120 | RF |
| 5 | 214T3436-161 | | .ORIFICE ASSY- | 006010 | 1 |
| 5 | 214T3436-194 | | .ORIFICE ASSY- | 108120 | 1 |
| 5 | 214T3436-860 | | .ORIFICE ASSY- | 953999 | 1 |
| 10 | 214T3436-1504 | | .ORIFICE ASSY- | 006010 | 1 |
| 10 | 214T3436-245 | | .ORIFICE ASSY- | 108120 | 1 |
| 15 | 214T3436-10 | | .ORIFICE ASSY- | 006010 | 1 |
| 15 | 214T3436-47 | | .ORIFICE ASSY- | 953999 | 1 |
| 30 | 214T3436-10 | | .ORIFICE ASSY | 953999 | 1 |
| 60 | 214T3436-10 | | .ORIFICE ASSY- | 006010 | 1 |
| | | | | 953999 | |
| 60 | 214T3436-185 | | .ORIFICE ASSY | 006010 | 1 |
| | | | | 101102 | |
| | | | | 953999 | |
| 65 | 214T3436-278 | | .ORIFICE ASSY- | 006010 | 1 |
| 70 | 214T3436-53 | | .ORIFICE ASSY- | 006010 | 1 |
| | | | | 953999 | |
| 70 | 214T3436-467 | | .ORIFICE ASSY- | 108120 | 1 |
| 75 | 214T3436-113 | | .ORIFICE ASSY- | 006010 | 1 |
| | | | | 953999 | |
| 75 | 214T3436-348 | | .ORIFICE ASSY- | 108120 | 1 |
| 80 | 214T3436-161 | | .ORIFICE ASSY- | 006010 | 1 |
| | | | | 953999 | |
| 80 | 214T3436-209 | | .ORIFICE ASSY- | 006010 | 1 |
| 80 | 214T3436-1090 | | .ORIFICE ASSY- | 108120 | 1 |
| 105 | 214T3436-1367 | | .ORIFICE ASSY- | 006010 | 1 |
| | | | | 953999 | |
| 105 | 214T3436-1087 | | .ORIFICE ASSY- | 108120 | 1 |
| 110 | NAS1922-0275-1 | | .CLAMP- | 006010 | 1 |
| | | | | 101102 | |
| | | | | 953999 | |

MISSING ITEM NUMBERS NOT APPLICABLE

- ITEM NOT ILLUSTRATED

21-26-09-16

21-26-09
FIG. 16
PAGE 1
JAN 20/09

BRI



757

PARTS CATALOG (MAINTENANCE)

| FIG ITEM | PART NUMBER | 1 2 3 4 5 6 7 | NOMENCLATURE | EFFECT FROM TO | UNITS PER ASSY |
|-----------|-------------|--|--------------|------------------|----------------|
| 16 115 | 2500-16 | .CAP-END SUPPLIER CODE: V15819 OPTIONAL PART: 40-1000 V25205 40-1250 V25205 | | 953999 | 1 |
| 115 | 40-1000 | .CAP-END SUPPLIER CODE: V25205 OPTIONAL PART: 2500-16 V15819 | | 953999 | 1 |
| 115 | 40-1250 | .CAP-END SUPPLIER CODE: V25205 | | 006010 108120 | 1 |

MISSING ITEM NUMBERS NOT APPLICABLE

- ITEM NOT ILLUSTRATED

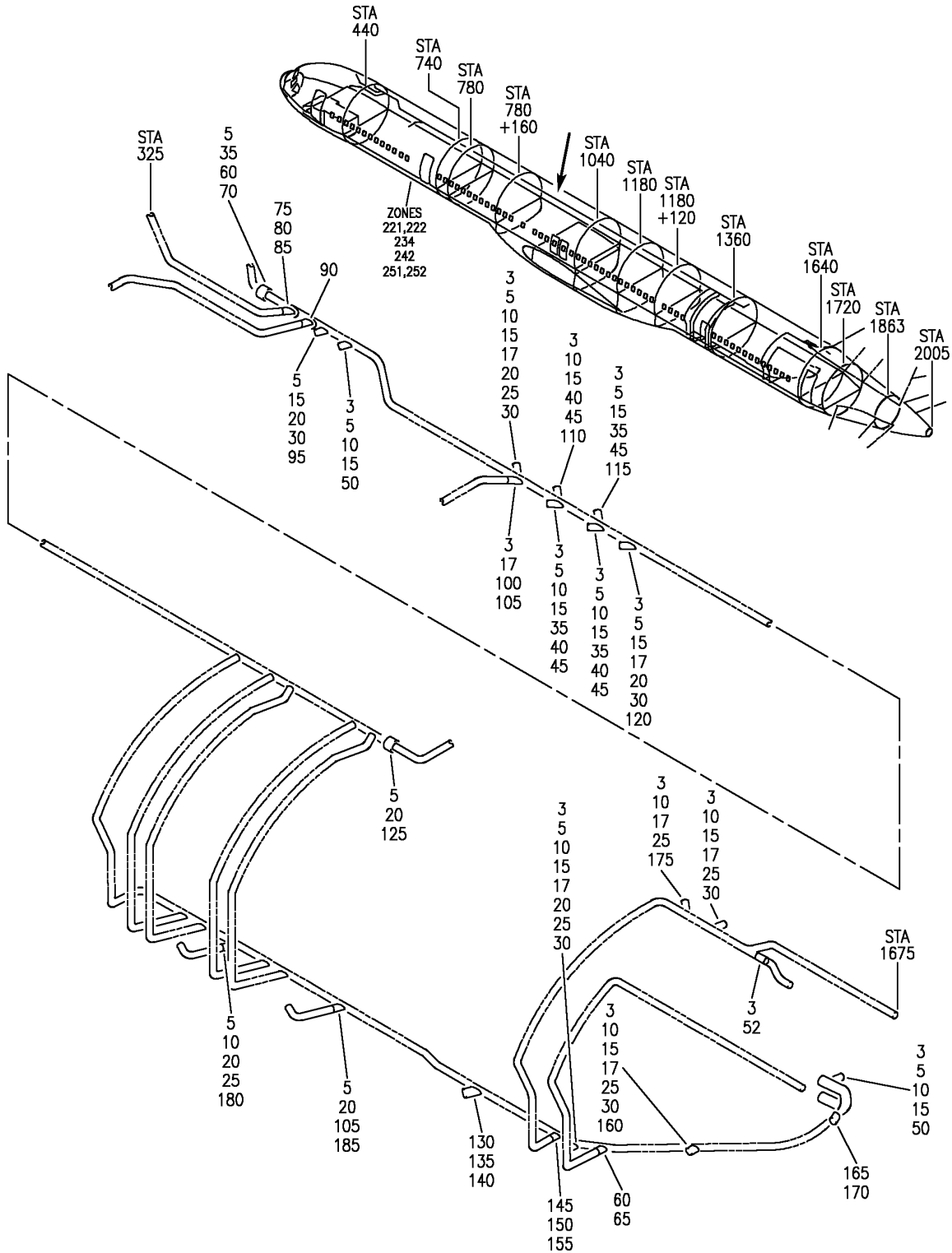
BRI

21-26-09-16

BOEING PROPRIETARY - Copyright © - Unpublished Work - See title page for details.

21-26-09
FIG. 16
PAGE 2
JAN 20/09

BOEING
757
PARTS CATALOG (MAINTENANCE)



Y 21260916C REV 266

ORIFICE INSTL-LAV/GALLEY VENT SYS
FIGURE 16C

21-26-09-16C

BRI
JAN 20/09

21-26-09-16C
PAGE 0



757

PARTS CATALOG (MAINTENANCE)

| FIG ITEM | PART NUMBER | 1 2 3 4 5 6 7 | NOMENCLATURE | EFFECT FROM TO | UNITS PER ASSY |
|----------|--------------|---------------|--|----------------|----------------|
| 16C | | | ORIFICE INSTL-LAV/GALLEY VENT SYS | 103106 | |
| - 1 | MODREF33104 | | ORIFICE INSTL-LAV/GALLEY VENT SYS | 103106 | 1 |
| | | | MODULE NUMBER: 214N3097-13 REV A | | |
| 3 | SLT10LHC6 | | .STRAP- | 103106 | 14 |
| | | | SUPPLIER CODE: V06383 | | |
| 17 | BE539-2 | | .CAP- | 103106 | 7 |
| | | | SUPPLIER CODE: V05399 | | |
| | | | POSITION DATA: STA 655.36 STA 657.32 STA 747.10 STA 1575.81 STA 1580.75 STA 1603.95 STA 1614.27 | | |
| 45 | BE539-14 | | .CAP- | 103106 | 4 |
| | | | SUPPLIER CODE: V05399 | | |
| | | | POSITION DATA: STA 695.93 STA 697.95 STA 727.53 STA 730.53 | | |
| 50 | BE539-7 | | .CAP- | 103106 | 2 |
| | | | SUPPLIER CODE: V05399 | | |
| | | | POSITION DATA: STA 402.97 STA 1675.10 | | |
| 52 | BE539-7 | | .CAP- | 103106 | 1 |
| | | | SUPPLIER CODE: V05399 | | |
| | | | POSITION DATA: STA 1626.40 | | |
| 65 | 214T3436-161 | | .ORIFICE ASSY- | 103106 | 1 |
| | | | POSITION DATA: STA 1587.17 | | |
| 70 | 214T3436-197 | | .ORIFICE ASSY- | 103106 | 1 |
| | | | POSITION DATA: STA 372.51 | | |
| 85 | 214T3436-245 | | .ORIFICE ASSY- | 103106 | 1 |
| | | | POSITION DATA: STA 377.94 | | |

MISSING ITEM NUMBERS NOT APPLICABLE

- ITEM NOT ILLUSTRATED

21-26-09-16C

21-26-09
FIG. 16C
PAGE 1
JAN 20/09

BRI

BOEING PROPRIETARY - Copyright © - Unpublished Work - See title page for details.



757

PARTS CATALOG (MAINTENANCE)

| FIG ITEM | PART NUMBER | 1 2 3 4 5 6 7 | NOMENCLATURE | EFFECT FROM TO | UNITS PER ASSY |
|-----------|-------------|---------------|---|----------------|----------------|
| 16C 95 | 214T3436-47 | | .ORIFICE ASSY- POSITION DATA: STA 390.57 | 103106 | 1 |
| 125 | 214T3436-47 | | .ORIFICE ASSY- POSITION DATA: STA 1266.40 | 103106 | 1 |
| 155 | 214T3436-86 | | .ORIFICE ASSY- POSITION DATA: STA 1575.07 | 103106 | 1 |
| 170 | 214T3436-62 | | .ORIFICE ASSY- POSITION DATA: STA 1664.54 | 103106 | 1 |
| 180 | 214T3436-10 | | .ORIFICE ASSY- POSITION DATA: STA 1256.03 | 103106 | 1 |
| 185 | 214T3436-53 | | .ORIFICE ASSY- POSITION DATA: STA 1311.54 | 103106 | 1 |

MISSING ITEM NUMBERS NOT APPLICABLE

- ITEM NOT ILLUSTRATED

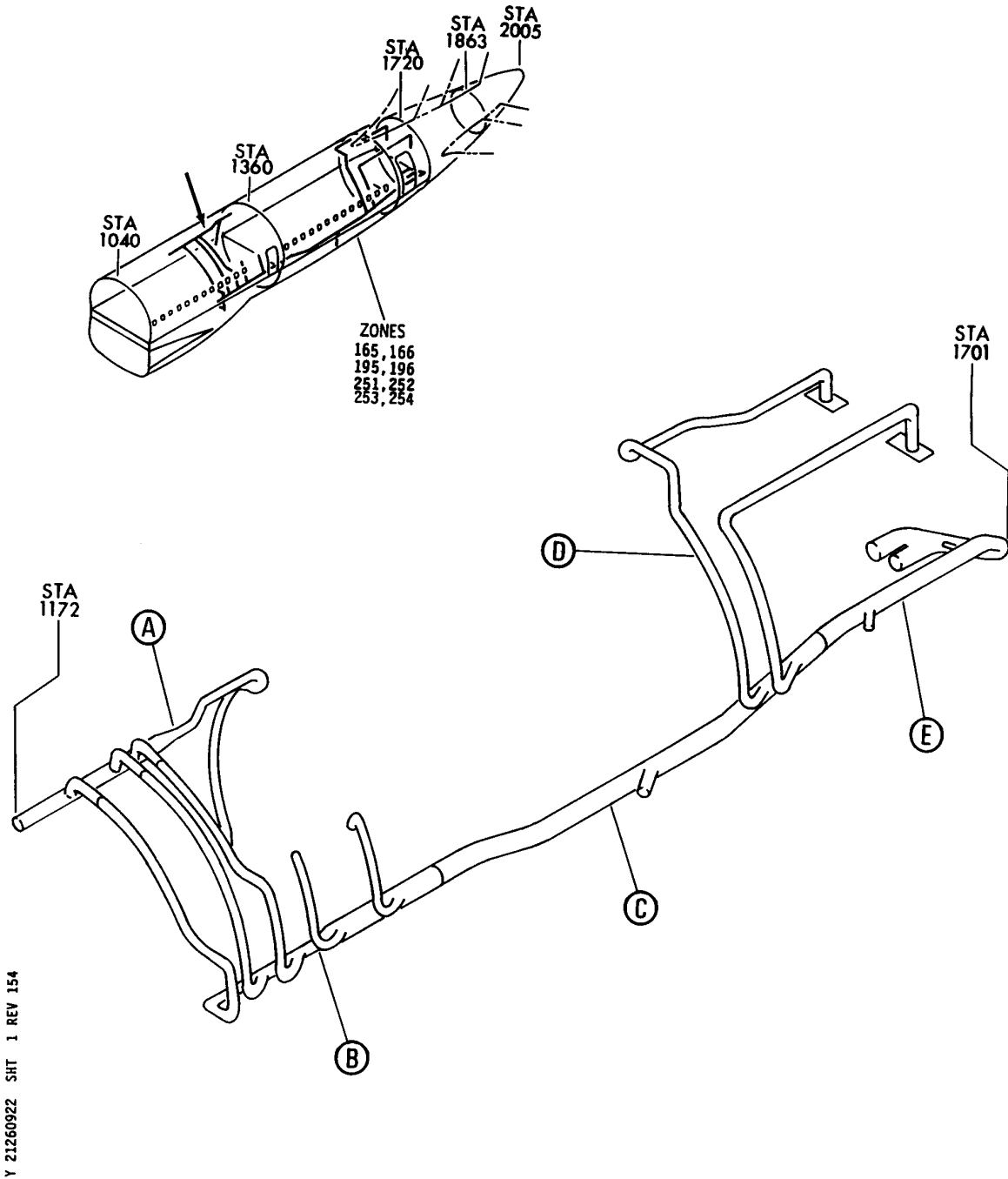
BRI

21-26-09-16C

BOEING PROPRIETARY - Copyright © - Unpublished Work - See title page for details.

21-26-09
FIG. 16C
PAGE 2
JAN 20/09

BOEING
757
PARTS CATALOG (MAINTENANCE)



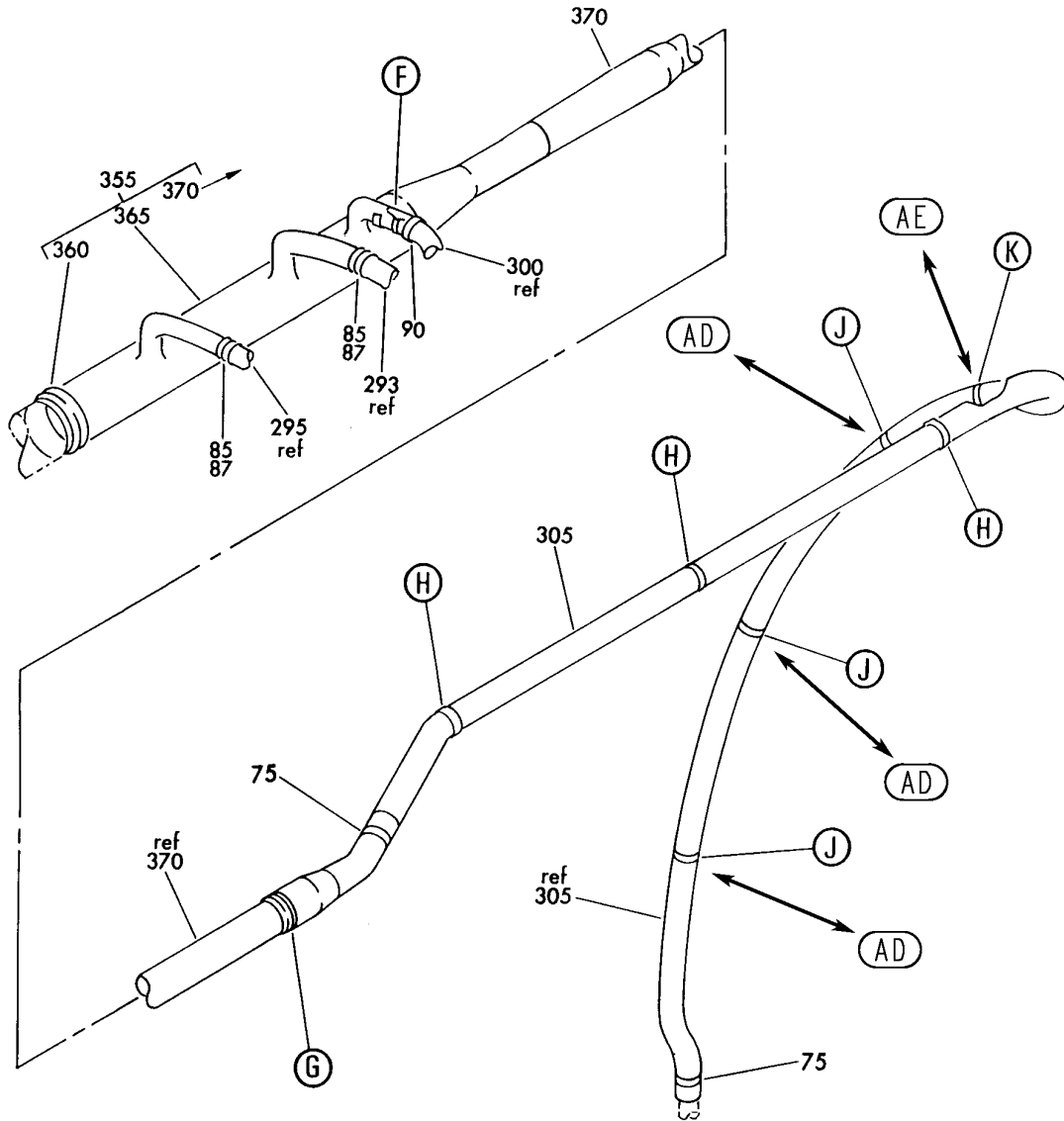
DUCT INSTL-SECT.46 LAV/ GALLEY VENT SYS
FIGURE 22 (SHEET 1)

21-26-09-22

BRI
MAY 28/07

21-26-09-22
PAGE 0

BOEING
757
PARTS CATALOG (MAINTENANCE)



Y 21260922 SHIT 2 REV 299

(A)

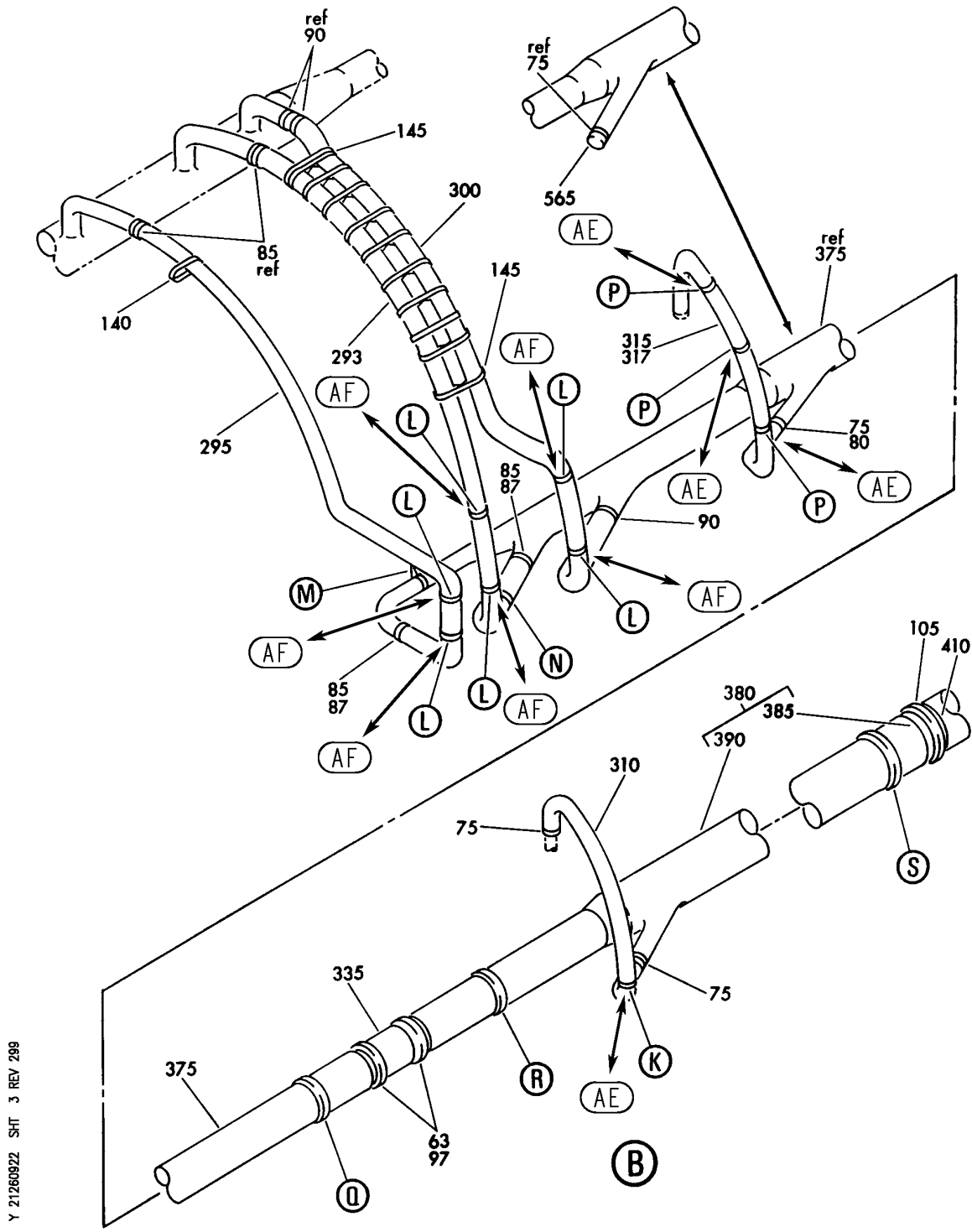
DUCT INSTL-SECT.46 LAV/ GALLEY VENT SYS
FIGURE 22 (SHEET 2)

21-26-09-22

BRI
MAY 28/07

21-26-09-22
PAGE 0A

BOEING
757
PARTS CATALOG (MAINTENANCE)



Y 21260922 SH-T 3 REV 299

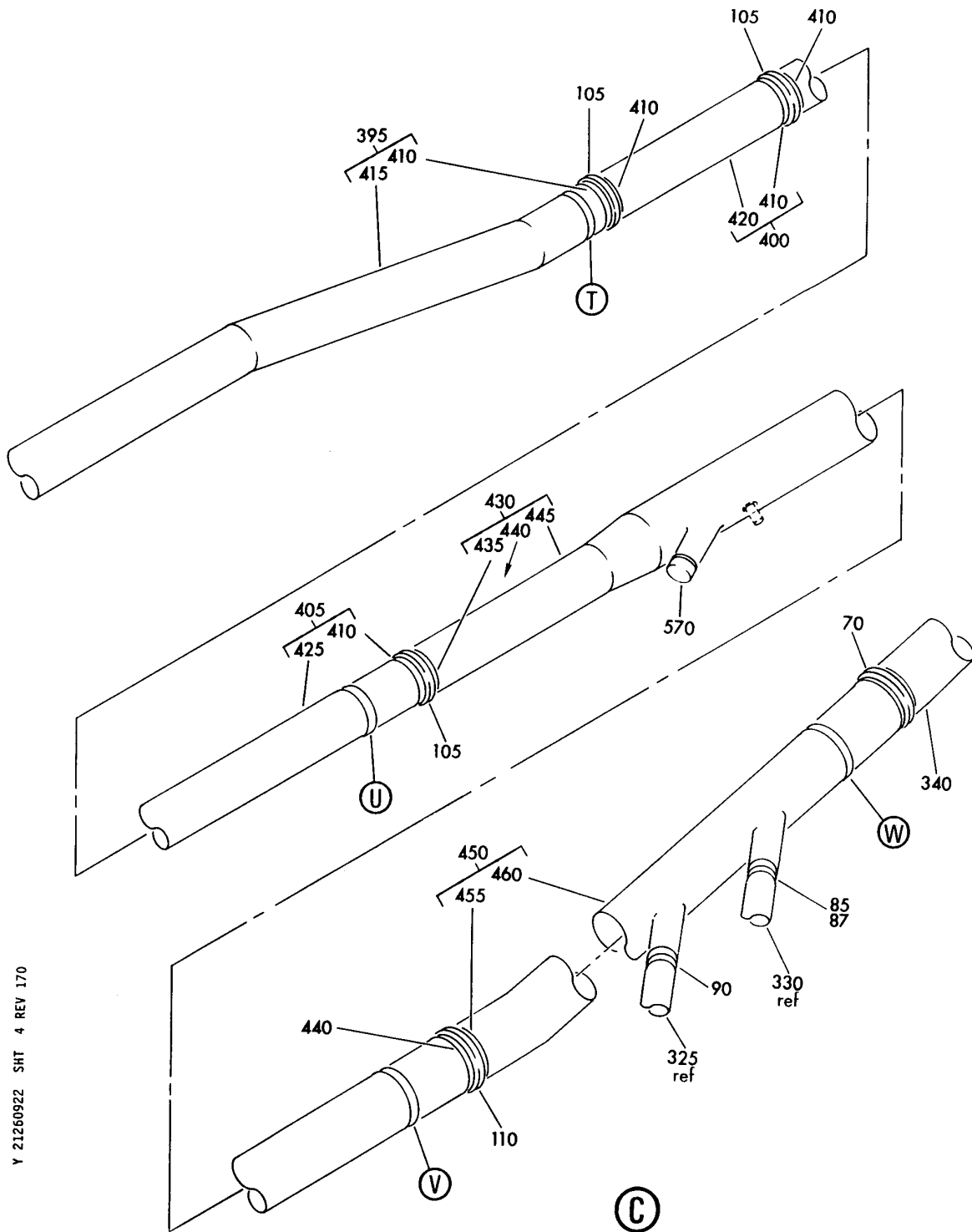
DUCT INSTL-SECT.46 LAV/ GALLEY VENT SYS
FIGURE 22 (SHEET 3)

21-26-09-22

BRI
MAY 28/07

21-26-09-22
PAGE 0B

BOEING
757
PARTS CATALOG (MAINTENANCE)



Y 21260922 SHT 4 REV 170

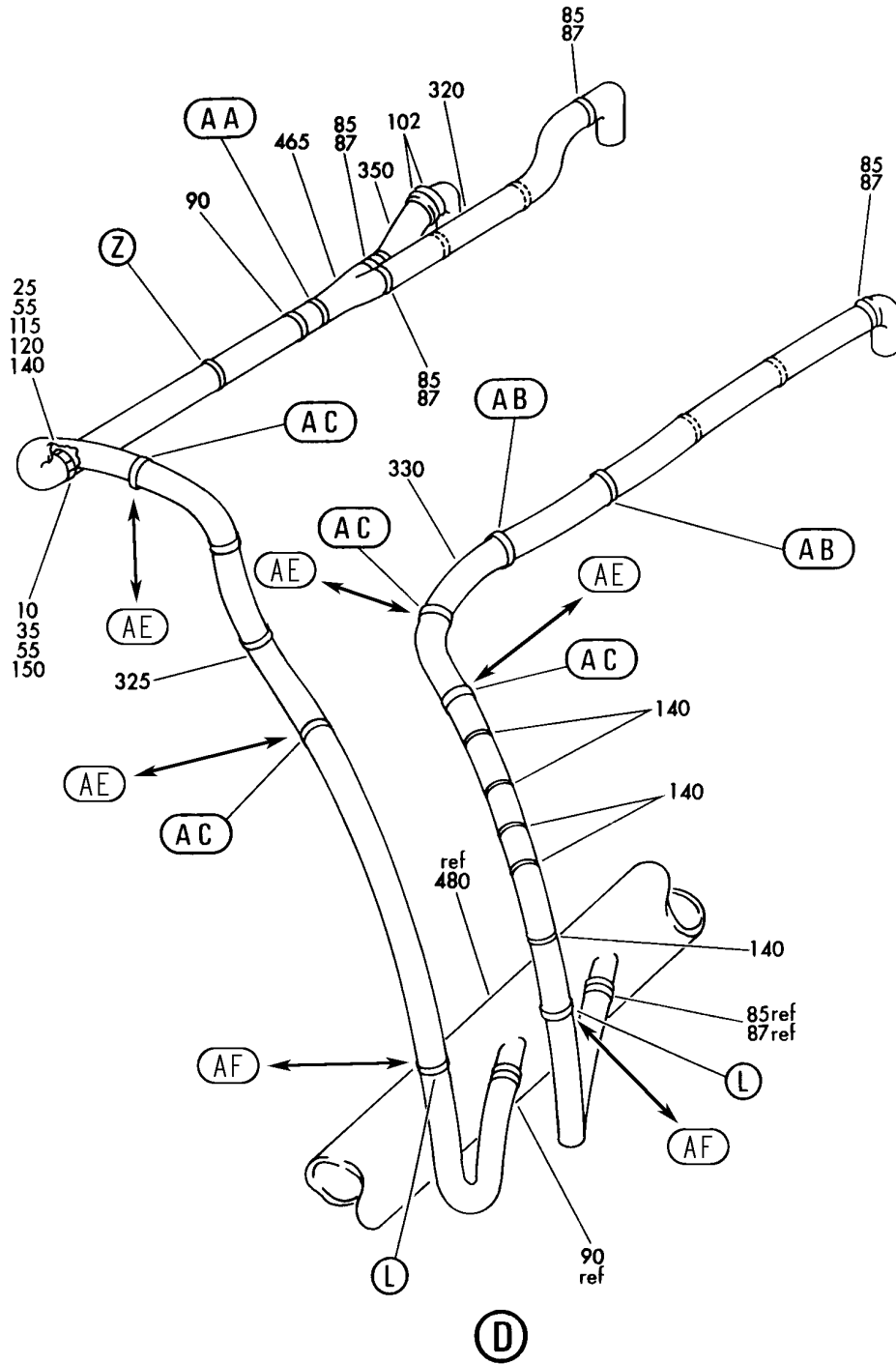
DUCT INSTL-SECT.46 LAV/ GALLEY VENT SYS
FIGURE 22 (SHEET 4)

21-26-09-22

BRI
MAY 28/07

21-26-09-22
PAGE 0C

BOEING
757
PARTS CATALOG (MAINTENANCE)



Y 21260922 SHIT 5 REV 299

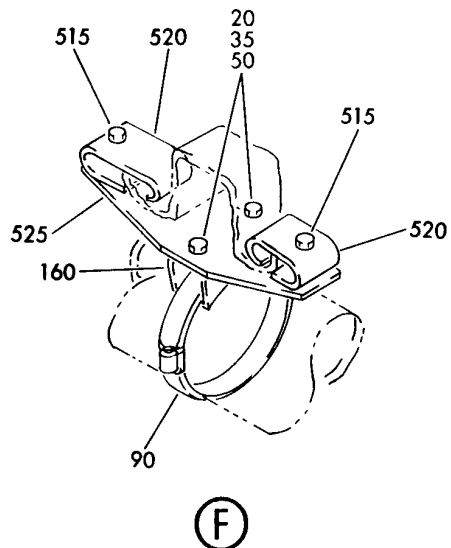
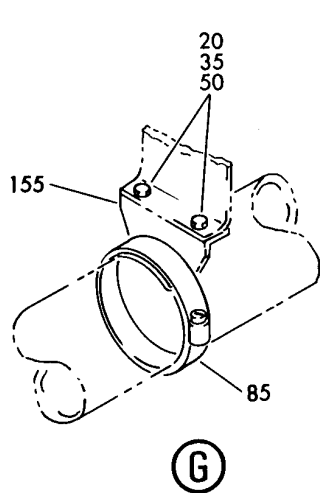
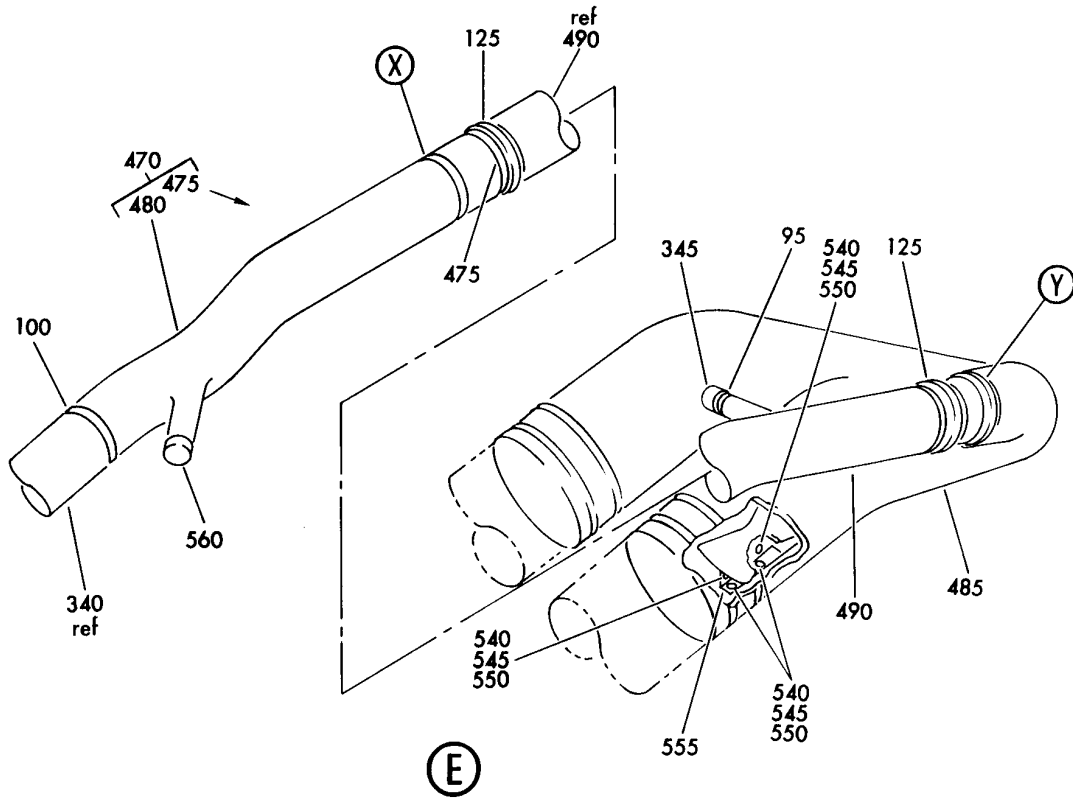
DUCT INSTL-SECT.46 LAV/ GALLEY VENT SYS
FIGURE 22 (SHEET 5)

21-26-09-22

BRI
MAY 28/07

21-26-09-22
PAGE 0D

BOEING
757
PARTS CATALOG (MAINTENANCE)



Y 21260922 SHT 6 REV 170

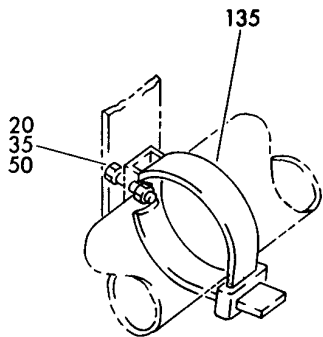
DUCT INSTL-SECT.46 LAV/ GALLEY VENT SYS
FIGURE 22 (SHEET 6)

21-26-09-22

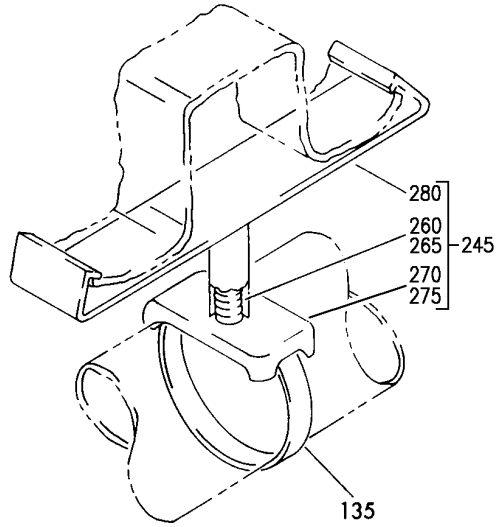
BRI
MAY 28/07

21-26-09-22
PAGE 0E

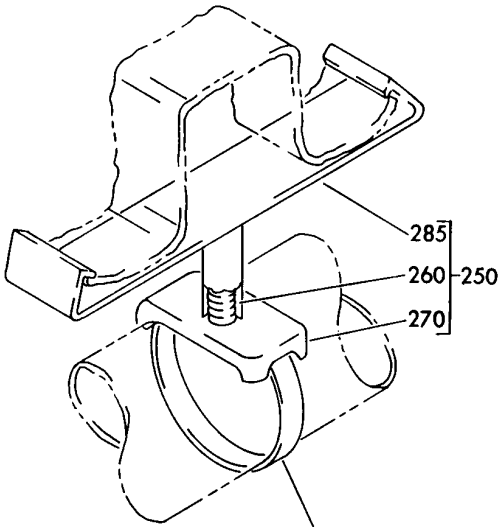
BOEING
757
PARTS CATALOG (MAINTENANCE)



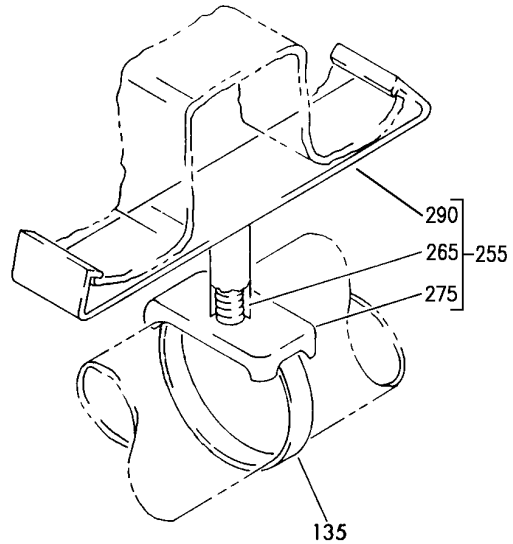
(H)



(J)



(L)



(K)

Y 21260922 SH1 7 REV 299

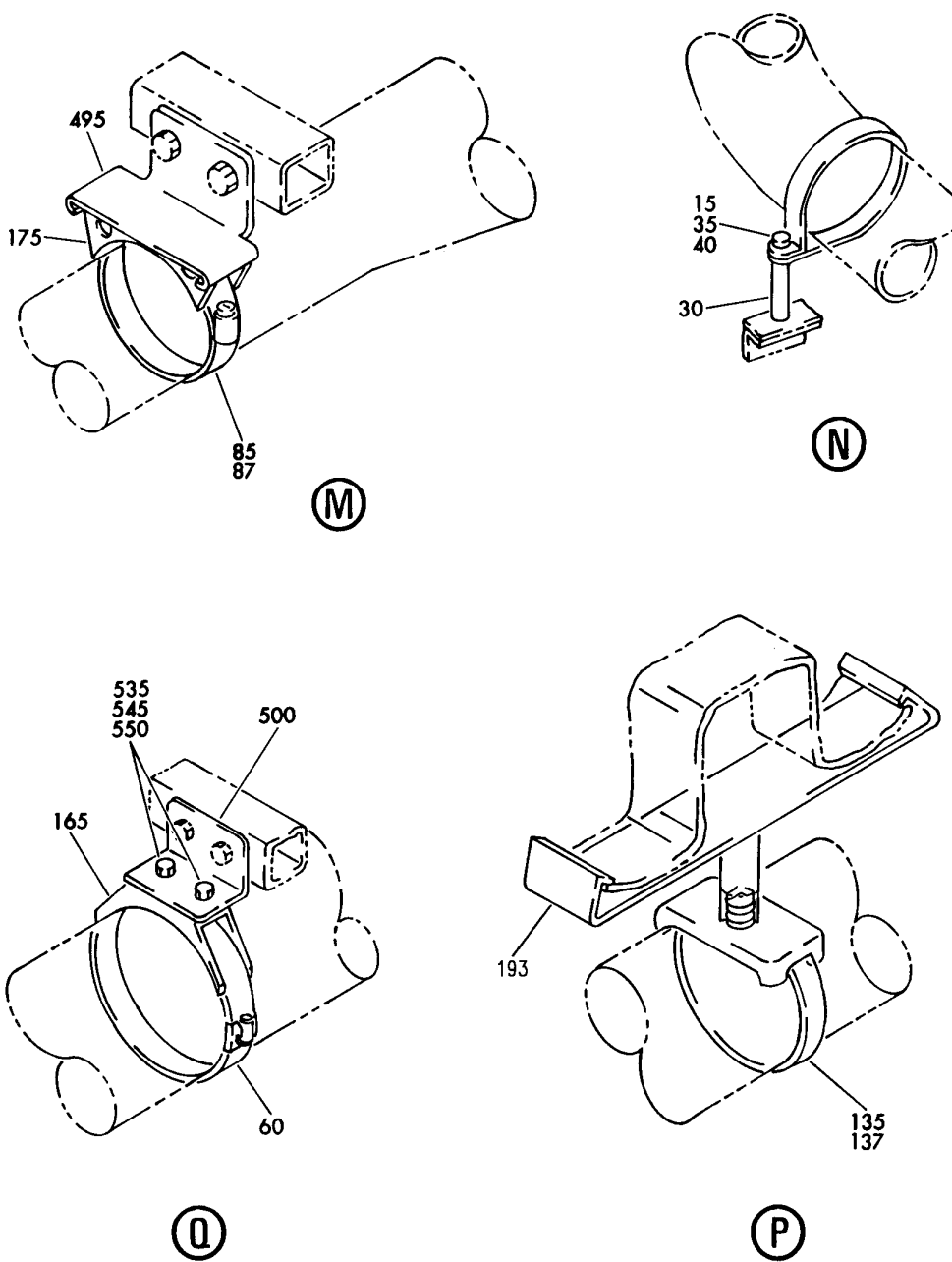
DUCT INSTL-SECT.46 LAV/ GALLEY VENT SYS
FIGURE 22 (SHEET 7)

21-26-09-22

BRI
MAY 28/07

21-26-09-22
PAGE OF

BOEING
757
PARTS CATALOG (MAINTENANCE)



Y 21260922 SH1 8 REV 299

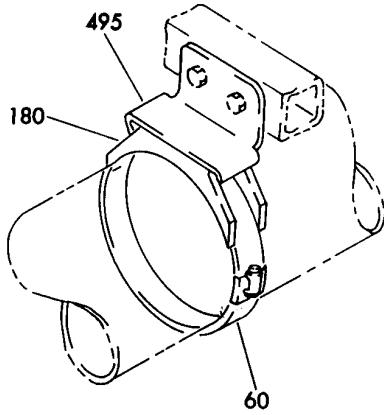
DUCT INSTL-SECT.46 LAV/ GALLEY VENT SYS
FIGURE 22 (SHEET 8)

BRI
MAY 28/07

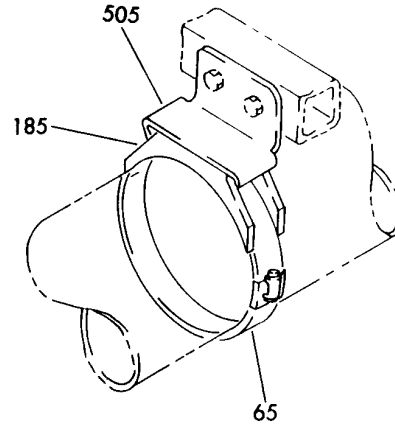
21-26-09-22

21-26-09-22
PAGE 0G

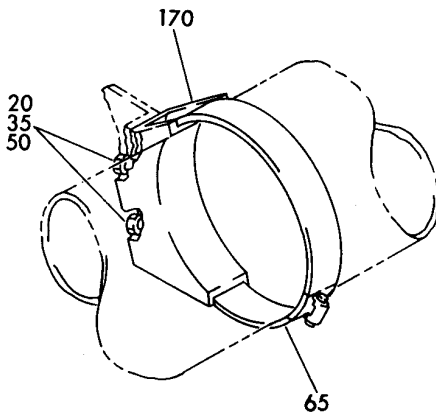
BOEING
757
PARTS CATALOG (MAINTENANCE)



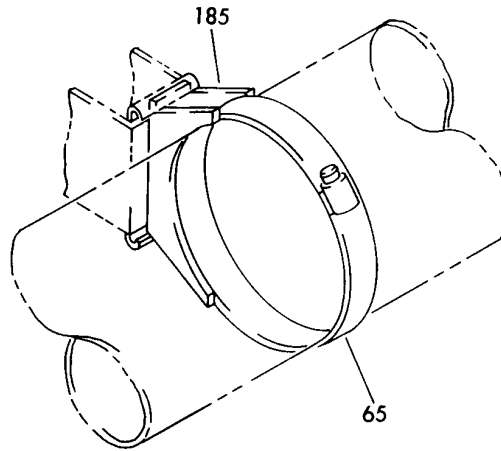
(R)



(S)



(U)



(T)

Y 21260922 SHT 9 REV 170

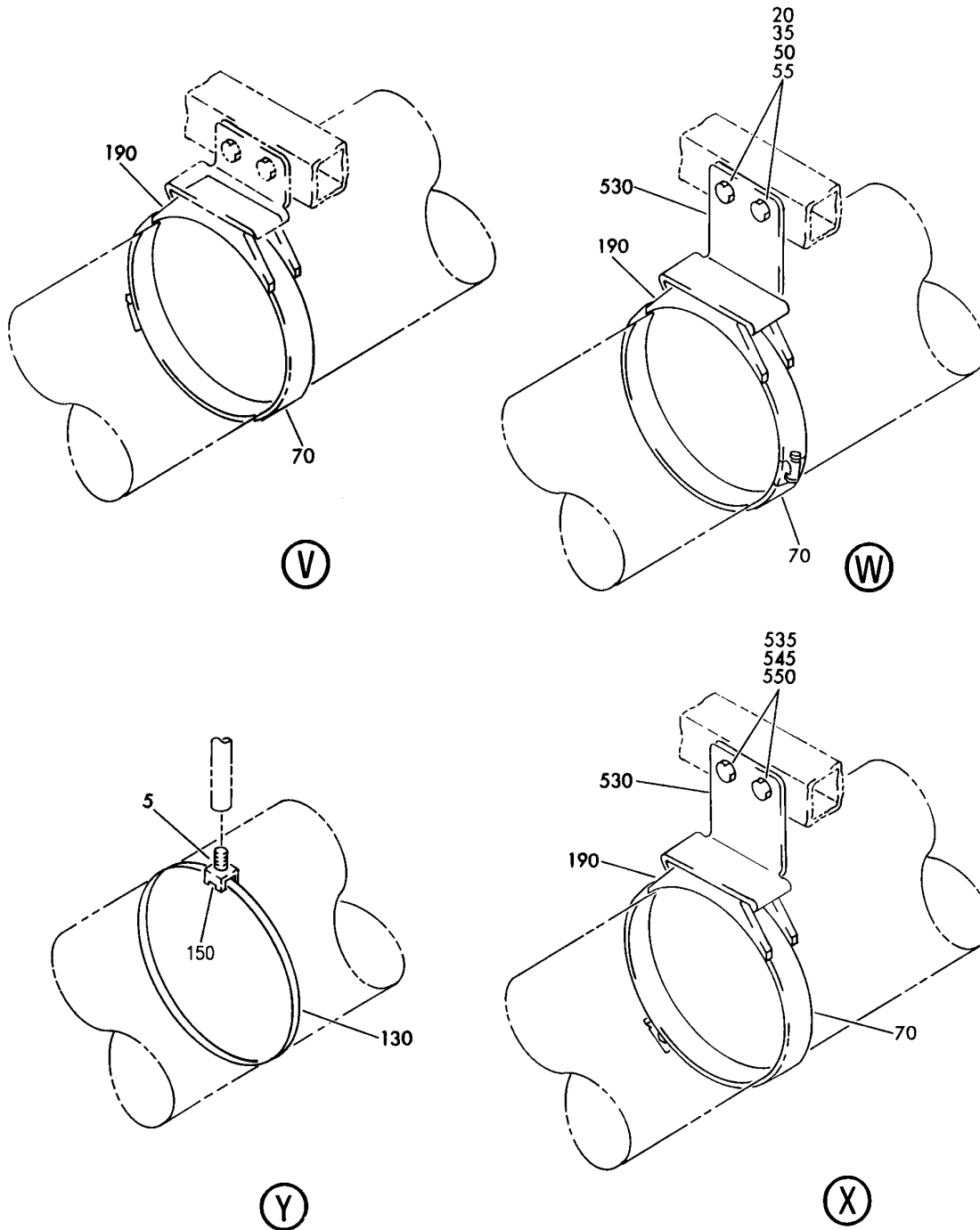
DUCT INSTL-SECT.46 LAV/ GALLEY VENT SYS
FIGURE 22 (SHEET 9)

21-26-09-22

BRI
MAY 28/07

21-26-09-22
PAGE 0H

BOEING
757
PARTS CATALOG (MAINTENANCE)



Y 21260922 SH1 10 REV 299

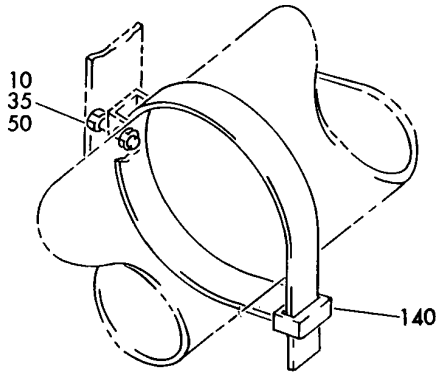
DUCT INSTL-SECT.46 LAV/ GALLEY VENT SYS
FIGURE 22 (SHEET 10)

BRI
MAY 28/07

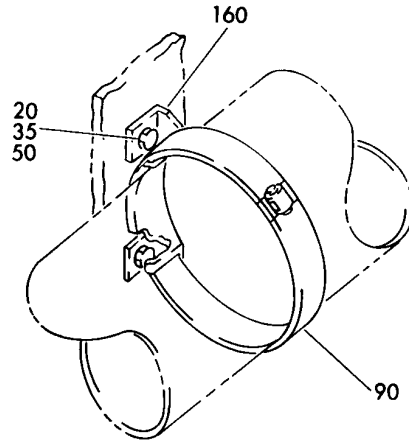
21-26-09-22

21-26-09-22
PAGE 01

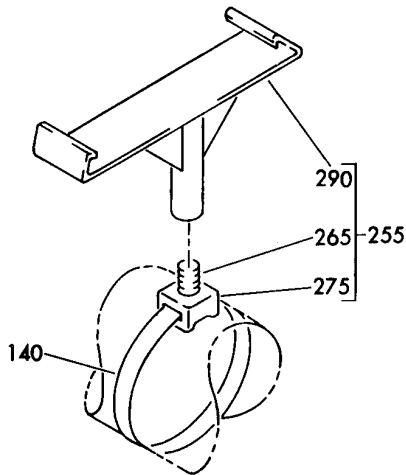
BOEING
757
PARTS CATALOG (MAINTENANCE)



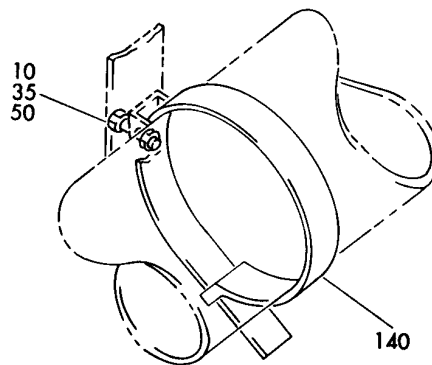
(Z)



(AA)



(AC)



(AB)

Y 21260922 SH11 REV 299

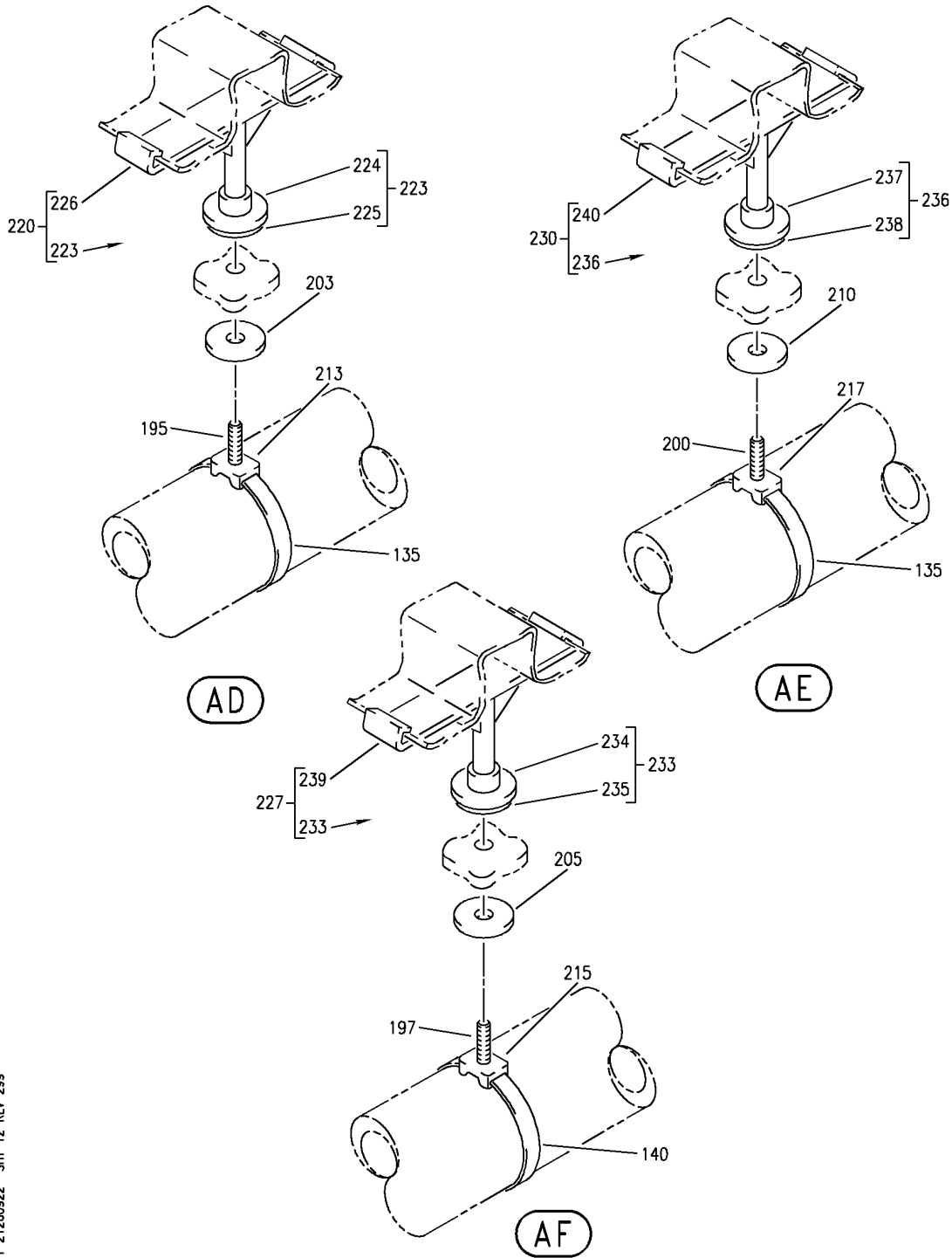
DUCT INSTL-SECT.46 LAV/ GALLEY VENT SYS
FIGURE 22 (SHEET 11)

21-26-09-22

BRI
MAY 28/07

21-26-09-22
PAGE 0J

BOEING
757
PARTS CATALOG (MAINTENANCE)



Y 21260922 SHT 12 REV 299

DUCT INSTL-SECT.46 LAV/ GALLEY VENT SYS
FIGURE 22 (SHEET 12)

BRI
MAY 28/07

21-26-09-22

21-26-09-22
PAGE OK



757

PARTS CATALOG (MAINTENANCE)

| FIG ITEM | PART NUMBER | 1 2 3 4 5 6 7 | NOMENCLATURE | EFFECT FROM TO | UNITS PER ASSY |
|----------|--------------|---------------|--|------------------|----------------|
| 22 | | | | | |
| - 1 | 214N3005-52 | | DUCT INSTL-SECT.46 LAV/ GALLEY VENT SYS | 006100 950951 | RF |
| - 1 | 214N3005-58 | | DUCT INSTL-LAV/GALLEY VENT SYS POSITION DATA: SECT. 46 FOR NHA SEE: 21-00-00-01 | 006100 | RF |
| 5 | BACS12ER3K7 | | .SCREW | 006100 950951 | 1 |
| 10 | BACS12ER3K8 | | .SCREW | 006100 950951 | 4 |
| 15 | BACS12FA3K26 | | .SCREW | 006100 950951 | 1 |
| 20 | BACS12FA3K7 | | .SCREW | 006100 950951 | 15 |
| 25 | NAS1801-3-12 | | .SCREW | 006100 950951 | 1 |
| 30 | NAS43DD3-64 | | .SPACER | 006100 950951 | 1 |
| 35 | AN960KD10L | | .WASHER | 006100 950951 | 19 |
| 40 | BRH10C3D | | .NUT SUPPLIER CODE: V52828 SPECIFICATION NUMBER: BACN10JC3CD OPTIONAL PART: T6C1032JCD V11815 NS202486-02 V80539 102LH9075-3W V72962 H51650-3BAC V15653 | 006100 950951 | 3 |

MISSING ITEM NUMBERS NOT APPLICABLE

- ITEM NOT ILLUSTRATED

21-26-09-22

21-26-09
FIG. 22
PAGE 1
JAN 20/09

BRI



757

PARTS CATALOG (MAINTENANCE)

| FIG ITEM | PART NUMBER | 1 2 3 4 5 6 7 | NOMENCLATURE | EFFECT FROM TO | UNITS PER ASSY |
|----------|-------------|---------------|---|------------------|----------------|
| 22 45 | BRH10C3D | .NUT | SUPPLIER CODE: V52828 SPECIFICATION NUMBER: BACN10JC3CD OPTIONAL PART: T6C1032JCD V11815 NS202486-02 V80539 102LH9075-3W V72962 H51650-3BAC V15653 | 006100 | 2 |
| 50 | BRH10A3 | .NUT | SUPPLIER CODE: V52828 SPECIFICATION NUMBER: BACN10JC3 OPTIONAL PART: H10-3BAC V15653 NS202101-02 V80539 RMLH9075-3W V72962 VN303A02 V92215 96-02 V80539 T6S1032J V11815 | 006100 950951 | 7 |

MISSING ITEM NUMBERS NOT APPLICABLE

- ITEM NOT ILLUSTRATED

BRI

21-26-09-22

BOEING PROPRIETARY - Copyright © - Unpublished Work - See title page for details.

21-26-09
FIG. 22
PAGE 2
JAN 20/09



757

PARTS CATALOG (MAINTENANCE)

| FIG ITEM | PART NUMBER | 1 2 3 4 5 6 7 | NOMENCLATURE | EFFECT FROM TO | UNITS PER ASSY |
|----------|-------------|---------------|--|------------------|----------------|
| 22 55 | BRH10A3 | . | NUT SUPPLIER CODE: V52828 SPECIFICATION NUMBER: BACN10JC3 OPTIONAL PART: H10-3BAC V15653 NS202101-02 V80539 RMLH9075-3W V72962 VN303A02 V92215 96-02 V80539 T6S1032J V11815 | 950951 | 2 |
| 60 | 56 | . | CLAMP SUPPLIER CODE: V7Z588 SPECIFICATION NUMBER: STBC10GG128 OPTIONAL PART: WWD128H V66295 | 006100 950951 | 2 |
| 63 | 56 | . | CLAMP SUPPLIER CODE: V7Z588 SPECIFICATION NUMBER: STBC10GG128 OPTIONAL PART: WWD128H V66295 | 950951 | 2 |
| 65 | 64 | . | CLAMP SUPPLIER CODE: V7Z588 SPECIFICATION NUMBER: STBC10GG146 OPTIONAL PART: WWD146H V66295 | 006100 950951 | 3 |

MISSING ITEM NUMBERS NOT APPLICABLE

- ITEM NOT ILLUSTRATED

BRI

21-26-09-22

BOEING PROPRIETARY - Copyright © - Unpublished Work - See title page for details.

21-26-09
FIG. 22
PAGE 3
JAN 20/09



757

PARTS CATALOG (MAINTENANCE)

| FIG ITEM | PART NUMBER | 1 2 3 4 5 6 7 | NOMENCLATURE | EFFECT FROM TO | UNITS PER ASSY |
|----------|----------------|---------------|---|------------------|----------------|
| 22 70 | 80 | .CLAMP | SUPPLIER CODE: V7Z588 SPECIFICATION NUMBER: STBC10GG178 OPTIONAL PART: WWD178H V66295 | 006100 950951 | 4 |
| 75 | 20 | .CLAMP | SUPPLIER CODE: V7Z588 SPECIFICATION NUMBER: STBC10GG48-58 OPTIONAL PART: WWD48-58H V66295 | 006100 950951 | 5 |
| 85 | 32 | .CLAMP | SUPPLIER CODE: V7Z588 SPECIFICATION NUMBER: STBC10GG66-82 OPTIONAL PART: WWD66-82H V66295 | 006100 950951 | 11 |
| 90 | 36 | .CLAMP | SUPPLIER CODE: V7Z588 SPECIFICATION NUMBER: STBC10GG74-91 OPTIONAL PART: WWD74-91H V66295 | 006100 950951 | 5 |
| 95 | NAS1922-0350-1 | .CLAMP | | 006100 950951 | 1 |
| 97 | NAS1922-0350-1 | .CLAMP | | 006100 | 2 |
| 100 | NAS1922-0525-1 | .CLAMP- | | 006100 950951 | 1 |
| 100 | NAS1922-0525-3 | .CLAMP- | | 006100 950951 | 1 |
| 105 | 15J02-400 | .CLAMP ASSY- | SUPPLIER CODE: V89513 OPTIONAL PART: 32317AA400 V94581 NH135008-0400 V98625 | 006100 950951 | 4 |

MISSING ITEM NUMBERS NOT APPLICABLE

- ITEM NOT ILLUSTRATED

R
R
R
R

21-26-09-22

21-26-09
FIG. 22
PAGE 4
MAY 20/09

BRI



757

PARTS CATALOG (MAINTENANCE)

| FIG ITEM | PART NUMBER | 1 2 3 4 5 6 7 | NOMENCLATURE | EFFECT FROM TO | UNITS PER ASSY |
|-----------|---------------|---------------|---|------------------|----------------|
| 22 105 | 32317AA400 | | . COUPLING- SUPPLIER CODE: V94581 OPTIONAL PART: 15J02-400 V89513 NH135008-0400 V98625 | 006100 950951 | 4 |
| 105 | NH135008-0400 | | . COUPLING- SUPPLIER CODE: V00624 OPTIONAL PART: 15J02-400 V89513 32317AA400 V94581 | 006100 950951 | 4 |
| 110 | 15J02-500 | | . CLAMP- SUPPLIER CODE: V89513 OPTIONAL PART: 32317AA500 V94581 NH135008-0500 V98625 | 006100 950951 | 1 |
| 110 | 32317AA500 | | . CLAMP- SUPPLIER CODE: V94581 OPTIONAL PART: 15J02-500 V89513 NH135008-0500 V98625 | 006100 950951 | 1 |
| 110 | NH135008-0500 | | . CLAMP- SUPPLIER CODE: V00624 OPTIONAL PART: 15J02-500 V89513 32317AA500 V94581 | 006100 950951 | 1 |

MISSING ITEM NUMBERS NOT APPLICABLE

- ITEM NOT ILLUSTRATED

BRI

21-26-09-22

BOEING PROPRIETARY - Copyright © - Unpublished Work - See title page for details.

21-26-09
FIG. 22
PAGE 5
JAN 20/09



757

PARTS CATALOG (MAINTENANCE)

| FIG ITEM | PART NUMBER | 1 2 3 4 5 6 7 | NOMENCLATURE | EFFECT FROM TO | UNITS PER ASSY |
|-----------|---------------|---------------|--|------------------|----------------|
| 22 115 | JM44LC13WS21R | .CLAMP | SUPPLIER CODE: V22175 SPECIFICATION NUMBER: BACC10GE21 OPTIONAL PART: TA12C32WS21 V84971 509S21 V83930 S714WH21 V18076 | 006100 950951 | 1 |
| 120 | JM44LC13WS34R | .CLAMP | SUPPLIER CODE: V22175 SPECIFICATION NUMBER: BACC10GE34 OPTIONAL PART: TA12C32WS34 V84971 509S34 V83930 S714WH34 V18076 | 006100 950951 | 1 |
| 125 | NH135008-0500 | .COUPLING | SUPPLIER CODE: V00624 SPECIFICATION NUMBER: BACC10HX500 | 006100 950951 | 2 |
| 130 | T012L0 | .STRAP | SUPPLIER CODE: V53421 SPECIFICATION NUMBER: BACS38K6 | 006100 950951 | 1 |
| 135 | MS3367-1-9 | .STRAP | | 006100 950951 | AR |
| 140 | MS3367-2-9 | .STRAP | | 006100 950951 | AR |
| 145 | MS3367-6-9 | .STRAP | | 006100 950951 | 10 |
| 150 | TM2S8 | .PLATE | SUPPLIER CODE: V06383 SPECIFICATION NUMBER: STBP19M9 | 006100 950951 | 2 |
| 155 | 214T3424-2 | .SUPPORT | | 006100 950951 | 1 |
| 160 | 214T3424-3 | .SUPPORT | | 006100 950951 | 2 |

MISSING ITEM NUMBERS NOT APPLICABLE

- ITEM NOT ILLUSTRATED

21-26-09-22

21-26-09
FIG. 22
PAGE 6
JAN 20/09

BRI



757

PARTS CATALOG (MAINTENANCE)

| FIG ITEM | PART NUMBER | 1 2 3 4 5 6 7 | NOMENCLATURE | EFFECT FROM TO | UNITS PER ASSY |
|----------|--------------|---------------|--|------------------|----------------|
| 22 | | | | | |
| 165 | 214T3424-5 | . | SUPPORT | 006100 950951 | 1 |
| 170 | 214T3424-6 | . | SUPPORT | 006100 950951 | 1 |
| 175 | 214N1051-2 | . | SUPPORT | 006100 950951 | 1 |
| 180 | 214N1051-5 | . | SUPPORT | 006100 950951 | 1 |
| 185 | 214N1051-6 | . | SUPPORT | 006100 950951 | 2 |
| 190 | 214N1051-8 | . | SUPPORT | 006100 950951 | 3 |
| 195 | BACS12GP3L10 | . | SCREW- QUALIFIED OPTIONAL DATA: 214N5054-1 IS OPTIONAL TO 214N5054-15 TOGETHER WITH 411N4026-12, STBP19M9 AND BACS12GP3L10 | 006100 950951 | 3 |
| 197 | BACS12GP3L10 | . | SCREW- QUALIFIED OPTIONAL DATA: 214N5054-3 IS OPTIONAL TO 214N5054-12 TOGETHER WITH 411N4026-12, STBP19M9 AND BACS12GP3L10 | 950951 | 8 |
| 200 | BACS12GP3L10 | . | SCREW- QUALIFIED OPTIONAL DATA: 214N5054-3 IS OPTIONAL TO 214N5054-12 TOGETHER WITH 411N4026-12, STBP19M9 AND BACS12GP3L10 | 006100 | 11 |
| 203 | 411N4026-12 | . | WASHER ASSY- QUALIFIED OPTIONAL DATA: 214N5054-1 IS OPTIONAL TO 214N5054-15 TOGETHER WITH 411N4026-12, STBP19M9 AND BACS12GP3L10 | 006100 950951 | 3 |
| 205 | 411N4026-12 | . | WASHER ASSY- QUALIFIED OPTIONAL DATA: 214N5054-3 IS OPTIONAL TO 214N5054-12 TOGETHER WITH 411N4026-12, STBP19M9 AND BACS12GP3L10 | 950951 | 8 |

MISSING ITEM NUMBERS NOT APPLICABLE

- ITEM NOT ILLUSTRATED

21-26-09-22

21-26-09
FIG. 22
PAGE 7
JAN 20/09

BRI

BOEING PROPRIETARY - Copyright © - Unpublished Work - See title page for details.



757

PARTS CATALOG (MAINTENANCE)

| FIG ITEM | PART NUMBER | 1 2 3 4 5 6 7 | NOMENCLATURE | EFFECT FROM TO | UNITS PER ASSY |
|-----------|-------------|---------------|--|------------------|----------------|
| 22 210 | 411N4026-12 | | .WASHER ASSY- QUALIFIED OPTIONAL DATA: 214N5054-3 IS OPTIONAL TO 214N5054-12 TOGETHER WITH 411N4026-12, STBP19M9 AND BACS12GP3L10 | 006100 | 11 |
| 213 | TM2S8 | | .PLATE- SUPPLIER CODE: V06383 SPECIFICATION NUMBER: STBP19M9 QUALIFIED OPTIONAL DATA: 214N5054-1 IS OPTIONAL TO 214N5054-15 TOGETHER WITH 411N4026-12, STBP19M9 AND BACS12GP3L10 | 006100 950951 | 3 |
| 215 | TM2S8 | | .PLATE- SUPPLIER CODE: V06383 SPECIFICATION NUMBER: STBP19M9 QUALIFIED OPTIONAL DATA: 214N5054-3 IS OPTIONAL TO 214N5054-12 TOGETHER WITH 411N4026-12, STBP19M9 AND BACS12GP3L10 | 950951 | 8 |
| 217 | TM2S8 | | .PLATE- SUPPLIER CODE: V06383 SPECIFICATION NUMBER: STBP19M9 QUALIFIED OPTIONAL DATA: 214N5054-3 IS OPTIONAL TO 214N5054-12 TOGETHER WITH 411N4026-12, STBP19M9 AND BACS12GP3L10 | 006100 | 11 |
| 220 | 214N5054-15 | | .SUPPORT ASSY- QUALIFIED OPTIONAL DATA: 214N5054-1 IS OPTIONAL TO 214N5054-15 TOGETHER WITH 411N4026-12, STBP19M9 AND BACS12GP3L10 | 006100 950951 | 3 |
| 223 | 411N4026-10 | | ..CAP ASSY- | 006100 950951 | 1 |

MISSING ITEM NUMBERS NOT APPLICABLE

- ITEM NOT ILLUSTRATED

21-26-09-22

21-26-09
FIG. 22
PAGE 8
MAY 20/09

BRI



757

PARTS CATALOG (MAINTENANCE)

| FIG ITEM | PART NUMBER | 1 2 3 4 5 6 7 | NOMENCLATURE | EFFECT FROM TO | UNITS PER ASSY |
|----------|-------------|---------------|---|------------------|----------------|
| 22 | | | | | |
| R 223 | 411N4026-2 | .. | CAP ASSY- | 006100 950951 | 1 |
| R 224 | 411N4026-5 | ... | CAP- USED ON: 411N4026-2 | 006100 950951 | 1 |
| 224 | 411N4026-11 | ... | CAP- USED ON: 411N4026-10 | 006100 950951 | 1 |
| 225 | 411N4026-7 | ... | TAPE | 006100 950951 | 1 |
| 226 | 2055155-10C | .. | CLIP- SUPPLIER CODE: V04169 USED ON: 214N5054-15 | 006100 950951 | 1 |
| 227 | 214N5054-12 | . | SUPPORT ASSY- QUALIFIED OPTIONAL DATA: 214N5054-3 IS OPTIONAL TO 214N5054-12 TOGETHER WITH 411N4026-12, STBP19M9 AND BACS12GP3L10 | 950951 | 8 |
| 230 | 214N5054-12 | . | SUPPORT ASSY- QUALIFIED OPTIONAL DATA: 214N5054-3 IS OPTIONAL TO 214N5054-12 TOGETHER WITH 411N4026-12, STBP19M9 AND BACS12GP3L10 | 006100 | 11 |
| R 233 | 411N4026-10 | .. | CAP ASSY- | 950951 | 1 |
| R 233 | 411N4026-2 | .. | CAP ASSY- | 950951 | 1 |
| 234 | 411N4026-5 | ... | CAP- USED ON: 411N4026-2 | 950951 | 1 |
| 234 | 411N4026-11 | ... | CAP- USED ON: 411N4026-10 | 950951 | 1 |
| 235 | 411N4026-7 | ... | TAPE | 950951 | 1 |
| R 236 | 411N4026-10 | .. | CAP ASSY- | 006100 | 1 |
| R 236 | 411N4026-2 | .. | CAP ASSY- | 006100 | 1 |
| 237 | 411N4026-5 | ... | CAP- USED ON: 411N4026-2 | 006100 | 1 |
| 237 | 411N4026-11 | ... | CAP- USED ON: 411N4026-10 | 006100 | 1 |
| 238 | 411N4026-7 | ... | TAPE | 006100 | 1 |

MISSING ITEM NUMBERS NOT APPLICABLE

- ITEM NOT ILLUSTRATED

21-26-09-22

21-26-09
FIG. 22
PAGE 9
MAY 20/09

BRI



757

PARTS CATALOG (MAINTENANCE)

| FIG ITEM | PART NUMBER | 1 2 3 4 5 6 7 | NOMENCLATURE | EFFECT FROM TO | UNITS PER ASSY |
|-----------|-------------|----------------|--|------------------|----------------|
| 22 239 | 2055155-10B | .. | CLIP- SUPPLIER CODE: V04169 USED ON: 214N5054-12 | 950951 | 1 |
| 240 | 2055155-10B | .. | CLIP- SUPPLIER CODE: V04169 USED ON: 214N5054-12 | 006100 | 1 |
| 245 | 214N5054-1 | .SUPPORT ASSY- | QUALIFIED OPTIONAL DATA: 214N5054-1 IS OPTIONAL TO 214N5054-15 TOGETHER WITH 411N4026-12, STBP19M9 AND BACS12GP3L10 | 006100 950951 | 3 |
| 250 | 214N5054-3 | .SUPPORT ASSY- | QUALIFIED OPTIONAL DATA: 214N5054-3 IS OPTIONAL TO 214N5054-12 TOGETHER WITH 411N4026-12, STBP19M9 AND BACS12GP3L10 | 950951 | 8 |
| 255 | 214N5054-3 | .SUPPORT ASSY- | QUALIFIED OPTIONAL DATA: 214N5054-3 IS OPTIONAL TO 214N5054-12 TOGETHER WITH 411N4026-12, STBP19M9 AND BACS12GP3L10 | 006100 | 11 |
| 260 | BACS12ER3K6 | .. | SCREW | 950951 | 1 |
| 265 | BACS12ER3K6 | .. | SCREW | 006100 | 1 |
| 270 | TM2S8 | .. | PLATE SUPPLIER CODE: V06383 SPECIFICATION NUMBER: STBP19M9 | 950951 | 1 |
| 275 | TM2S8 | .. | PLATE SUPPLIER CODE: V06383 SPECIFICATION NUMBER: STBP19M9 | 006100 | 1 |
| 280 | 2055155-10C | .. | CLIP-STGR SUPPLIER CODE: V04169 USED ON: 214N5054-1 | 006100 950951 | 1 |

MISSING ITEM NUMBERS NOT APPLICABLE

- ITEM NOT ILLUSTRATED

21-26-09-22

21-26-09
FIG. 22
PAGE 10
MAY 20/09

BRI



757

PARTS CATALOG (MAINTENANCE)

| FIG ITEM | PART NUMBER | 1 2 3 4 5 6 7 | NOMENCLATURE | EFFECT FROM TO | UNITS PER ASSY |
|----------|----------------|---------------|---|------------------|----------------|
| 22 | | | | | |
| 285 | 2055155-10B | .. | CLIP-STGR SUPPLIER CODE: V04169 USED ON: 214N5054-3 | 950951 | 1 |
| 290 | 2055155-10B | .. | CLIP-STGR SUPPLIER CODE: V04169 USED ON: 214N5054-3 | 006100 | 1 |
| 293 | AS1504-08B1770 | .HOSE | | 006100 950951 | 1 |
| 295 | AS1504-08B1740 | .HOSE | | 006100 950951 | 1 |
| 300 | AS1504-10B1770 | .HOSE | | 006100 950951 | 1 |
| 305 | BOE2061-0004 | .HOSE- | SUPPLIER CODE: V16632 | 006100 950951 | 1 |
| 310 | BOE2061-0001 | .HOSE- | SUPPLIER CODE: V16632 | 006100 950951 | 1 |
| 315 | BOE2061-0001 | .HOSE- | SUPPLIER CODE: V16632 | 006100 | 1 |
| 320 | AS1504-09B0512 | .HOSE | | 006100 950951 | 1 |
| 325 | AS1504-10B2240 | .HOSE | | 006100 950951 | 1 |
| 330 | AS1504-09B2310 | .HOSE | | 006100 950951 | 1 |
| 335 | AS1506-14D50 | .HOSE | | 006100 950951 | 1 |
| 340 | AS1506-20D50 | .HOSE | | 006100 950951 | 1 |
| 345 | AS1506-14D30 | .HOSE | | 006100 950951 | 1 |
| 355 | 214N3046-1 | .DUCT ASSY | | 006100 950951 | 1 |
| 360 | 15J03-350 | .. | FLANGE- SUPPLIER CODE: V89513 OPTIONAL PART: 214N3046-5 | 006100 950951 | 1 |
| 360 | 214N3046-5 | .. | KIT ASSY-SUB OPTIONAL PART: 15J03-350 V89513 | 006100 950951 | 1 |

MISSING ITEM NUMBERS NOT APPLICABLE

- ITEM NOT ILLUSTRATED

BRI

21-26-09-22

21-26-09
FIG. 22
PAGE 11
MAY 20/09



757

PARTS CATALOG (MAINTENANCE)

| FIG ITEM | PART NUMBER | 1 2 3 4 5 6 7 | NOMENCLATURE | EFFECT FROM TO | UNITS PER ASSY |
|----------|---------------|---------------|---|------------------|----------------|
| 22 | | | | | |
| - 362 | 2904AM350 | ... | FLANGE- SUPPLIER CODE: V94581 USED ON: 214N3046-5 | 006100 950951 | 1 |
| - 364 | NK130004-0350 | ... | FLANGE- SUPPLIER CODE: V98625 USED ON: 214N3046-5 | 006100 950951 | 1 |
| 365 | 214N3046-2 | .. | DUCT | 006100 950951 | 1 |
| 370 | 214N3046-3 | .. | DUCT | 006100 950951 | 1 |
| 375 | 214N3045-2 | . | DUCT | 006100 950951 | 1 |
| 380 | 214N3045-1 | . | DUCT ASSY | 006100 950951 | 1 |
| 385 | 15J03-400 | .. | FLANGE- SUPPLIER CODE: V89513 OPTIONAL PART: 2904AM400 V94581 NK130004-0400 V98625 | 006100 950951 | 1 |
| 385 | 2904AM400 | .. | FLANGE- SUPPLIER CODE: V94581 OPTIONAL PART: 15J03-400 V89513 NK130004-0400 V98625 | 006100 950951 | 1 |
| 385 | NK130004-0400 | .. | FLANGE- SUPPLIER CODE: V98625 OPTIONAL PART: 15J03-400 V89513 2904AM400 V94581 | 006100 950951 | 1 |
| 390 | 214N3045-3 | .. | DUCT | 006100 950951 | 1 |
| 395 | 214N3051-1 | . | DUCT ASSY | 006100 950951 | 1 |
| 400 | 214N3051-2 | . | DUCT ASSY | 006100 950951 | 1 |

MISSING ITEM NUMBERS NOT APPLICABLE

- ITEM NOT ILLUSTRATED

BRI

21-26-09-22

21-26-09
FIG. 22
PAGE 12
MAY 20/09



757

PARTS CATALOG (MAINTENANCE)

| FIG ITEM | PART NUMBER | 1 2 3 4 5 6 7 | NOMENCLATURE | EFFECT FROM TO | UNITS PER ASSY |
|----------|---------------|---------------|---|------------------|----------------|
| 22 | | | | | |
| 405 | 214N3051-3 | . | DUCT ASSY | 006100 950951 | 1 |
| 410 | 15J03-400 | .. | FLANGE- SUPPLIER CODE: V89513 OPTIONAL PART: 2904AM400 V94581 NK130004-0400 V98625 | 006100 950951 | 2 |
| 410 | 2904AM400 | .. | FLANGE- SUPPLIER CODE: V94581 OPTIONAL PART: 15J03-400 V89513 NK130004-0400 V98625 | 006100 950951 | 2 |
| 410 | NK130004-0400 | .. | FLANGE- SUPPLIER CODE: V98625 OPTIONAL PART: 15J03-400 V89513 2904AM400 V94581 | 006100 950951 | 2 |
| 415 | 214N3051-4 | .. | DUCT- USED ON: 214N3051-1 | 006100 950951 | 1 |
| 420 | 214N3051-5 | .. | DUCT- USED ON: 214N3051-2 | 006100 950951 | 1 |
| 425 | 214N3051-6 | .. | DUCT- USED ON: 214N3051-3 | 006100 950951 | 1 |
| 430 | 214N3044-1 | . | DUCT ASSY | 006100 950951 | 1 |
| 435 | 15J03-400 | .. | FLANGE- SUPPLIER CODE: V89513 OPTIONAL PART: 2904AM400 V94581 NK130004-0400 V98625 | 006100 950951 | 1 |

MISSING ITEM NUMBERS NOT APPLICABLE

- ITEM NOT ILLUSTRATED

BRI

21-26-09-22

21-26-09
FIG. 22
PAGE 13
MAY 20/09



757

PARTS CATALOG (MAINTENANCE)

| FIG ITEM | PART NUMBER | 1 2 3 4 5 6 7 | NOMENCLATURE | EFFECT FROM TO | UNITS PER ASSY |
|-----------|---------------|---------------|---|------------------|----------------|
| 22 435 | 2904AM400 | .. | FLANGE- SUPPLIER CODE: V94581 OPTIONAL PART: 15J03-400 V89513 | 006100 950951 | 1 |
| 435 | NK130004-0400 | .. | FLANGE- SUPPLIER CODE: V98625 OPTIONAL PART: 15J03-400 V89513 | 006100 950951 | 1 |
| 440 | 15J03-500 | .. | FLANGE- SUPPLIER CODE: V89513 OPTIONAL PART: 2904AM500 V94581 NK130004-0500 V98625 | 006100 950951 | 1 |
| 440 | 2904AM500 | .. | FLANGE- SUPPLIER CODE: V94581 OPTIONAL PART: 15J03-500 V89513 | 006100 950951 | 1 |
| 440 | NK130004-0500 | .. | FLANGE- SUPPLIER CODE: V98625 OPTIONAL PART: 15J03-500 V89513 | 006100 950951 | 1 |
| 445 | 214N3044-3 | .. | DUCT | 006100 950951 | 1 |
| 450 | 214N3043-2 | . | DUCT ASSY | 006100 950951 | 1 |
| 455 | 15J03-500 | .. | FLANGE- SUPPLIER CODE: V89513 OPTIONAL PART: 2904AM500 V94581 NK130004-0500 V98625 | 006100 950951 | 1 |

MISSING ITEM NUMBERS NOT APPLICABLE

- ITEM NOT ILLUSTRATED

21-26-09-22

21-26-09
FIG. 22
PAGE 14
MAY 20/09

BRI



757

PARTS CATALOG (MAINTENANCE)

| FIG ITEM | PART NUMBER | 1 2 3 4 5 6 7 | NOMENCLATURE | EFFECT FROM TO | UNITS PER ASSY |
|-----------|---------------|---------------|---|------------------|----------------|
| 22 455 | 2904AM500 | .. | FLANGE- SUPPLIER CODE: V94581 OPTIONAL PART: 15J03-500 V89513 | 006100 950951 | 1 |
| 455 | NK130004-0500 | .. | FLANGE- SUPPLIER CODE: V98625 OPTIONAL PART: 15J03-500 V89513 | 006100 950951 | 1 |
| 460 | 214N3043-4 | .. | DUCT | 006100 950951 | 1 |
| 465 | 214N3047-1 | . | DUCT | 006100 950951 | 1 |
| 470 | 214N3079-3 | . | DUCT ASSY | 006100 950951 | 1 |
| 475 | 15J03-500 | .. | FLANGE- SUPPLIER CODE: V89513 OPTIONAL PART: 2904AM500 V94581 NK130004-0500 V98625 | 006100 950951 | 1 |
| 475 | 2904AM500 | .. | FLANGE- SUPPLIER CODE: V94581 OPTIONAL PART: 15J03-500 V89513 NK130004-0500 V98625 | 006100 950951 | 1 |
| 475 | NK130004-0500 | .. | FLANGE- SUPPLIER CODE: V98625 OPTIONAL PART: 15J03-500 V89513 2904AM500 V94581 | 006100 950951 | 1 |
| 480 | 214N3079-4 | .. | DUCT | 006100 950951 | 1 |
| 485 | 214N3019-1 | . | DUCT ASSY | 006100 950951 | 1 |
| 490 | 214N3019-2 | . | DUCT ASSY | 006100 950951 | 1 |

MISSING ITEM NUMBERS NOT APPLICABLE

- ITEM NOT ILLUSTRATED

21-26-09-22

21-26-09
FIG. 22
PAGE 15
MAY 20/09

BRI



757

PARTS CATALOG (MAINTENANCE)

| FIG ITEM | PART NUMBER | 1 2 3 4 5 6 7 | NOMENCLATURE | EFFECT FROM TO | UNITS PER ASSY |
|----------|---------------|---------------|---|------------------|----------------|
| 22 | | | | | |
| 495 | 214N3065-2 | .BRACKET | | 006100 950951 | 2 |
| 500 | 214N3067-6 | .BRACKET | | 006100 950951 | 1 |
| 505 | 214N3065-1 | .BRACKET | | 006100 950951 | 1 |
| - 510 | BACB30UY6-150 | .BOLT | ATTACHING PARTS SUPPLIER CODE: V98524 SPECIFICATION NUMBER: BACB30UY6-150 -----*----- | 006100 950951 | 8 |
| 515 | BACS12FA3K12 | .SCREW | | 006100 950951 | 2 |
| 520 | 293255 | .BRACKET- | SUPPLIER CODE: V60119 | 006100 950951 | 2 |
| 525 | 214N3067-1 | .BRACKET | | 006100 950951 | 1 |
| 530 | 214N3065-6 | .BRACKET | | 006100 950951 | 2 |
| 535 | BACS12FA3K7 | .SCREW | ATTACHING PARTS | 006100 950951 | 2 |
| 540 | NAS1801-3-7 | .SCREW | | 006100 950951 | 4 |
| 545 | AN960KD10L | .WASHER | | 006100 950951 | 6 |
| 550 | BRH10C3D | .NUT | SUPPLIER CODE: V52828 SPECIFICATION NUMBER: BACN10JC3CD OPTIONAL PART: T6C1032JCD V11815 NS202486-02 V80539 102LH9075-3W V72962 H51650-3BAC V15653 -----*----- | 006100 950951 | 6 |
| 555 | 214N3072-1 | .BRACKET | | 006100 950951 | 1 |

MISSING ITEM NUMBERS NOT APPLICABLE

- ITEM NOT ILLUSTRATED

BRI

21-26-09-22

21-26-09
FIG. 22
PAGE 16
MAY 20/09



757

PARTS CATALOG (MAINTENANCE)

| FIG ITEM | PART NUMBER | 1 2 3 4 5 6 7 | NOMENCLATURE | EFFECT FROM TO | UNITS PER ASSY |
|-----------|----------------|--|--------------|------------------|----------------|
| 22 560 | 1500-16 | .CAP-END SUPPLIER CODE: V15819 OPTIONAL PART: 24-1000 V25205 | | 006100 950951 | 1 |
| 560 | 24-1000 | .CAP-END SUPPLIER CODE: V25205 OPTIONAL PART: 15-1600 V15819 | | 006100 950951 | 1 |
| 565 | 15-1600 | .CAP-END SUPPLIER CODE: V15819 OPTIONAL PART: 24-1000 V25205 | | 950951 | 1 |
| 565 | 24-1000 | .CAP-END SUPPLIER CODE: V25205 OPTIONAL PART: 15-1600 V15819 | | 950951 | 1 |
| 570 | 2250-16 | .CAP-END SUPPLIER CODE: V15819 OPTIONAL PART: 36-1000 V25205 | | 006100 950951 | 1 |
| 570 | 36-1000 | .CAP-END SUPPLIER CODE: V25205 OPTIONAL PART: 2250-16 V15819 | | 006100 950951 | 1 |
| - 600 | 5R2140648-2 | .DUCT INSTL-EXTENSION SUPPLIER CODE: V8B250 POST AIRLINE MOD: 2196R118 V8B250 | | 950951 | 1 |
| - 601 | NAS1922-575-01 | .CLAMP | | 950951 | 4 |

MISSING ITEM NUMBERS NOT APPLICABLE

- ITEM NOT ILLUSTRATED

BRI

21-26-09-22

21-26-09
FIG. 22
PAGE 17
MAY 20/09



757

PARTS CATALOG (MAINTENANCE)

| FIG ITEM | PART NUMBER | 1 2 3 4 5 6 7 | NOMENCLATURE | EFFECT FROM TO | UNITS PER ASSY |
|-------------|--------------|---------------|---|----------------|----------------|
| 22 - 602 | 88 | | .CLAMP SUPPLIER CODE: V7Z588 SPECIFICATION NUMBER: STBC10GG192 OPTIONAL PART: WWD192H V66295 | 950951 | 3 |
| - 603 | 5R2130632-2 | | .DUCT- SUPPLIER CODE: V8B250 | 950951 | 1 |
| - 604 | BACD40R22A33 | | .DUCT | 950951 | 2 |

MISSING ITEM NUMBERS NOT APPLICABLE

- ITEM NOT ILLUSTRATED

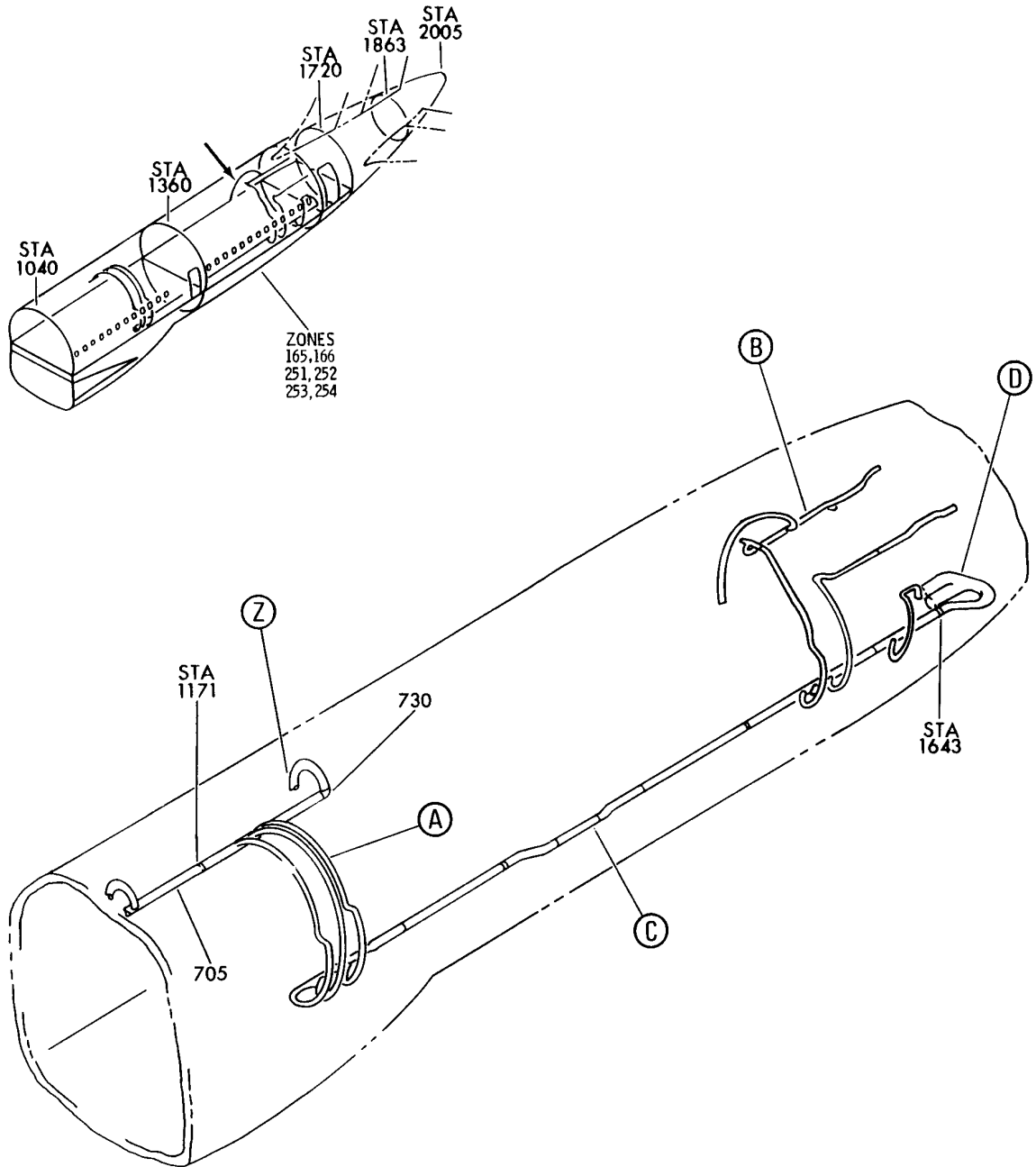
BRI

21-26-09-22

BOEING PROPRIETARY - Copyright © - Unpublished Work - See title page for details.

21-26-09
FIG. 22
PAGE 18
MAY 20/09

BOEING
757
PARTS CATALOG (MAINTENANCE)



Y 21260925 SHT 1 REV 193

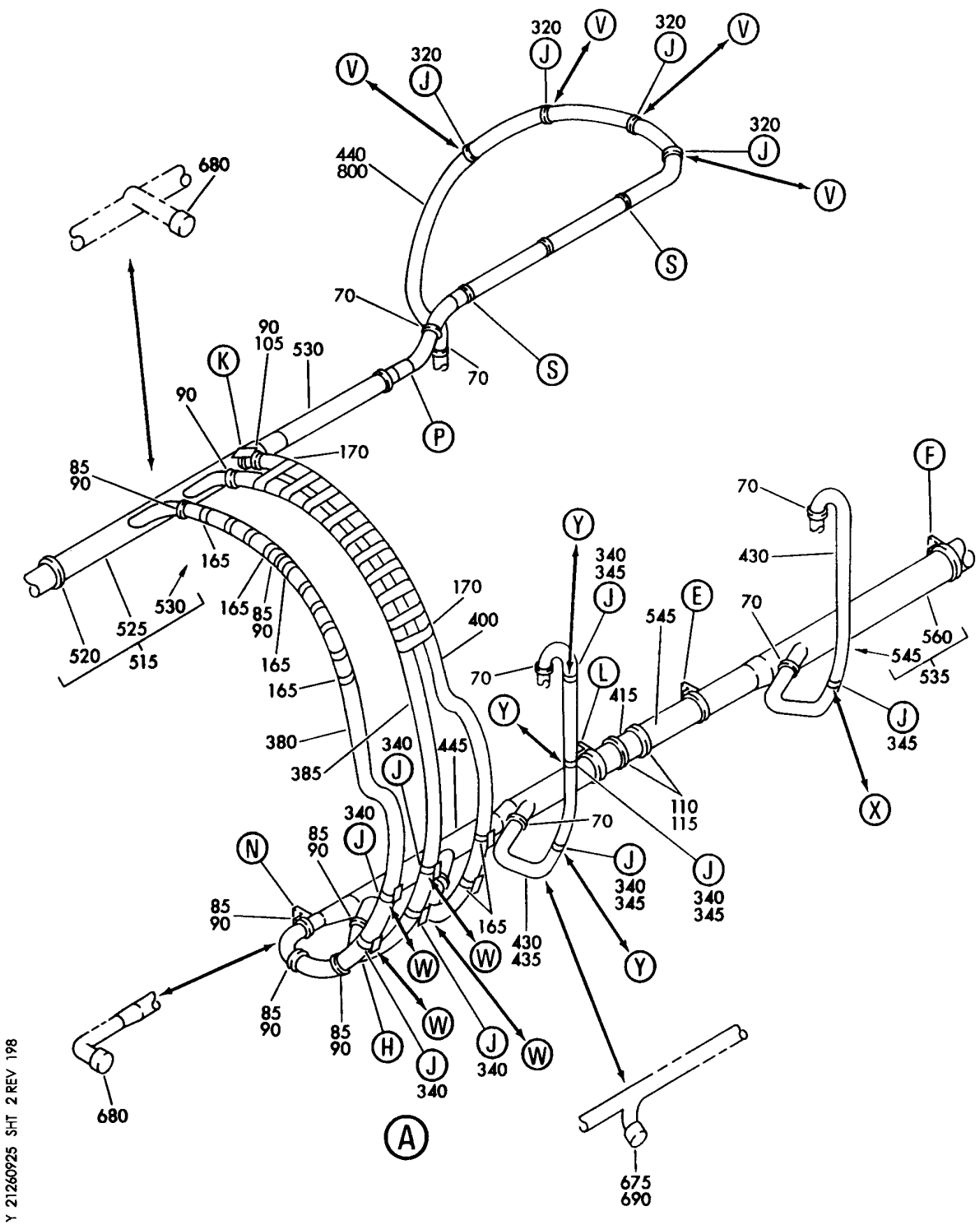
DUCT INSTL-SECT. 46 LAV/ GALLEY VENT SYS
FIGURE 25 (SHEET 1)

21-26-09-25

BRI
JAN 20/09

21-26-09-25
PAGE 0

BOEING
757
PARTS CATALOG (MAINTENANCE)



Y 21260925 SHT 2 REV 198

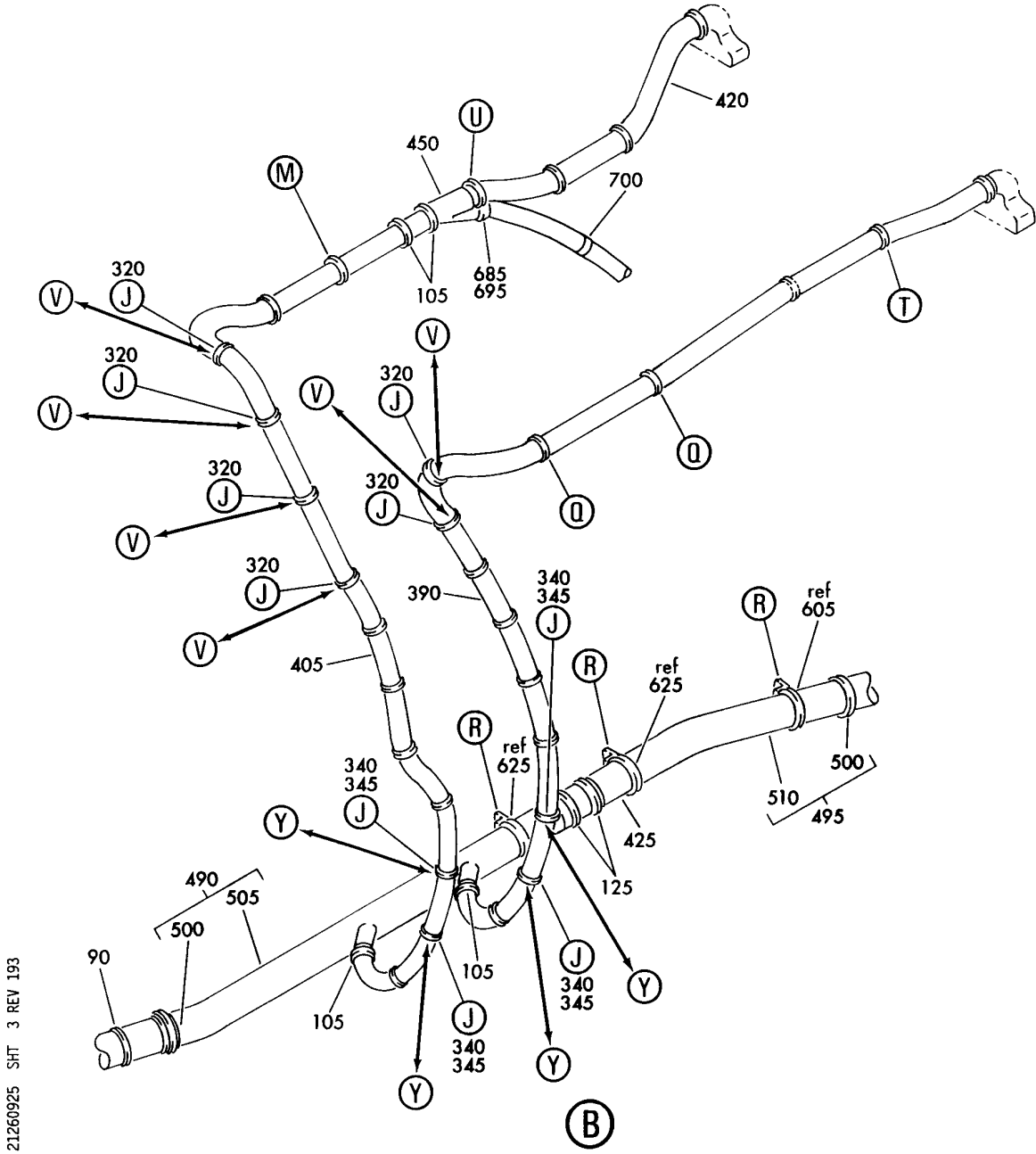
DUCT INSTL-SECT. 46 LAV/ GALLEY VENT SYS
FIGURE 25 (SHEET 2)

21-26-09-25

BRI
JAN 20/09

21-26-09-25
PAGE 0A

BOEING
757
PARTS CATALOG (MAINTENANCE)



Y 21260925 SHT 3 REV 193

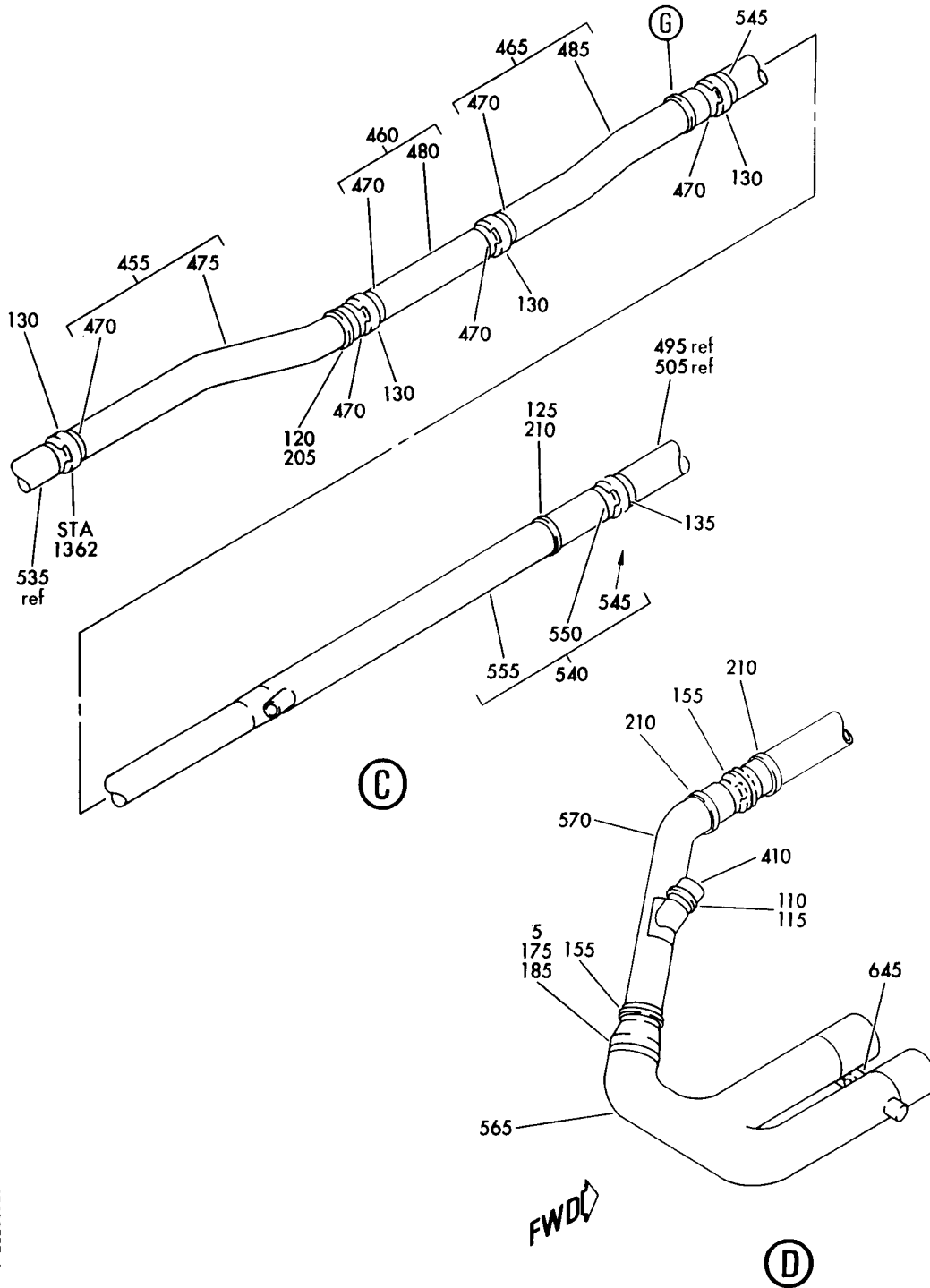
DUCT INSTL-SECT. 46 LAV/ GALLEY VENT SYS
FIGURE 25 (SHEET 3)

21-26-09-25

BRI
JAN 20/09

21-26-09-25
PAGE 0B

BOEING
757
PARTS CATALOG (MAINTENANCE)



Y 21260925 SHT 4 REV 171

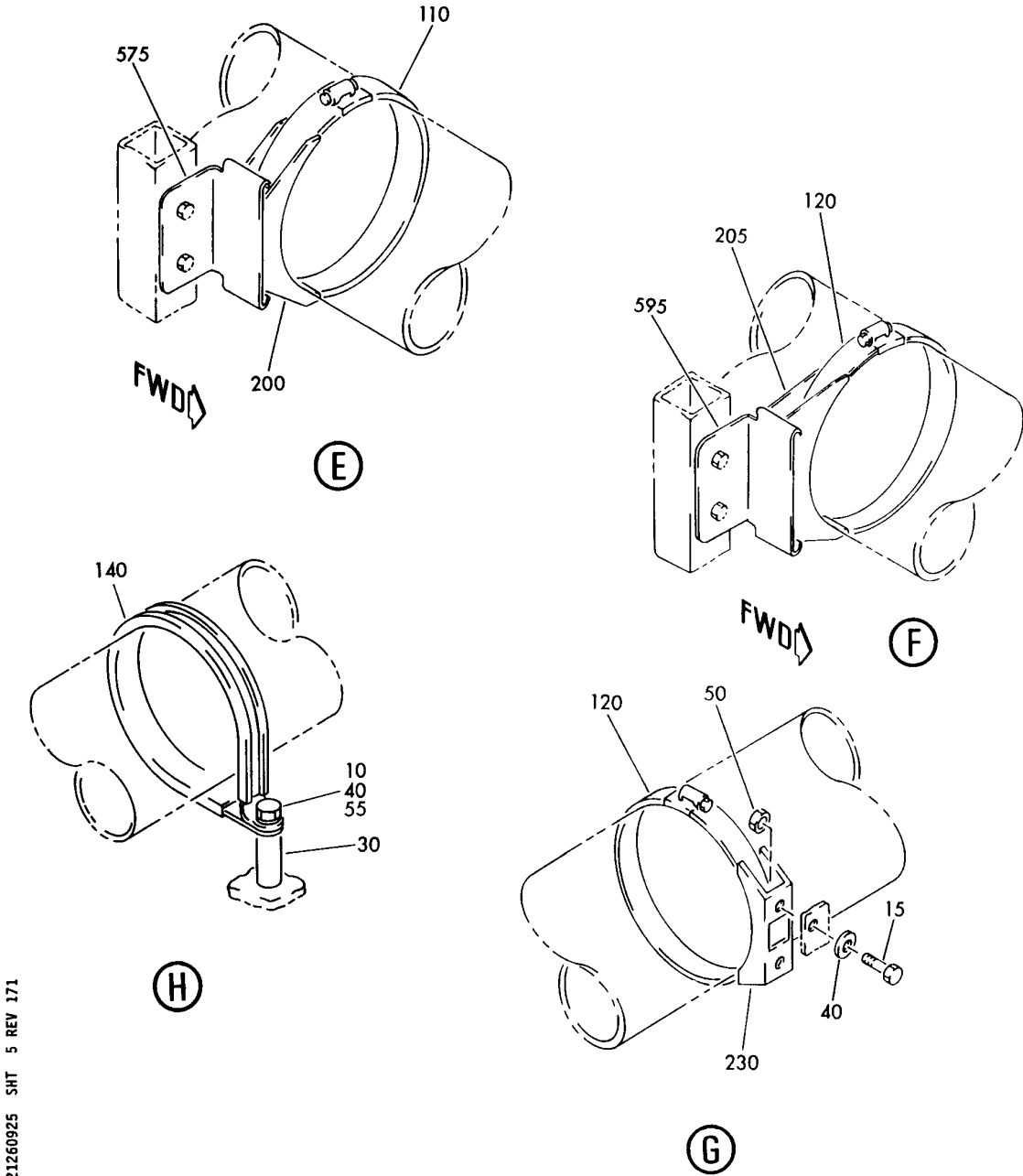
DUCT INSTL-SECT. 46 LAV/ GALLEY VENT SYS
FIGURE 25 (SHEET 4)

21-26-09-25

BRI
JAN 20/09

21-26-09-25
PAGE 0C

BOEING
757
PARTS CATALOG (MAINTENANCE)



Y 21260925 SHT 5 REV 171

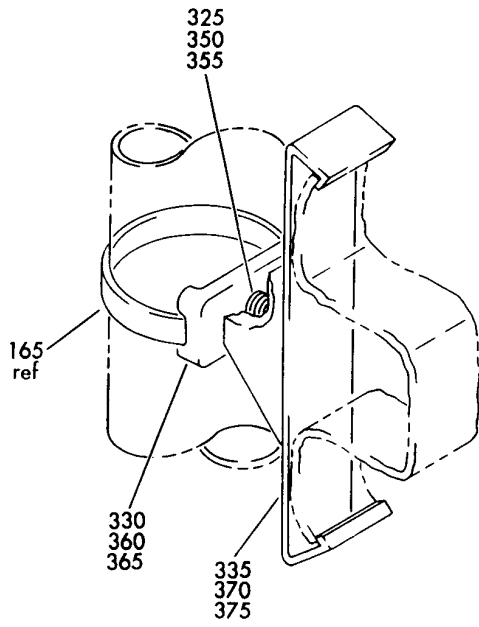
DUCT INSTL-SECT. 46 LAV/ GALLEY VENT SYS
FIGURE 25 (SHEET 5)

21-26-09-25

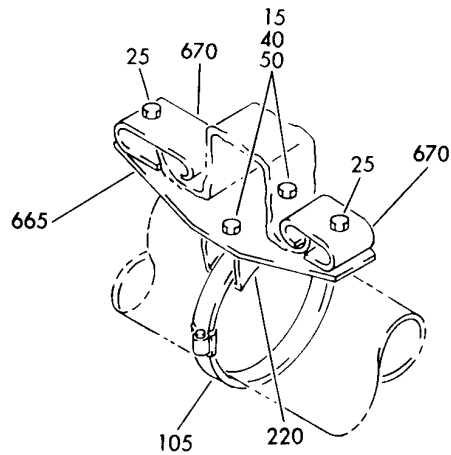
BRI
JAN 20/09

21-26-09-25
PAGE 0D

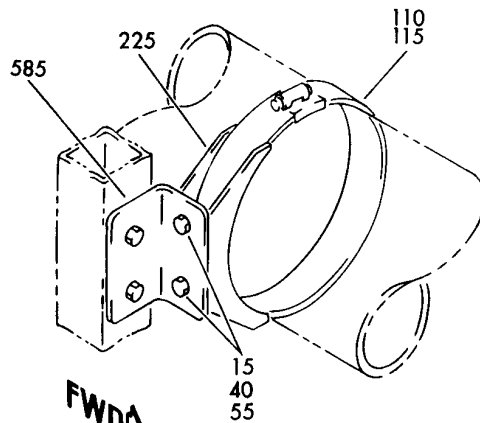
BOEING
757
PARTS CATALOG (MAINTENANCE)



(J)



(K)



(L)

Y 21260925 SHT 6 REV 171

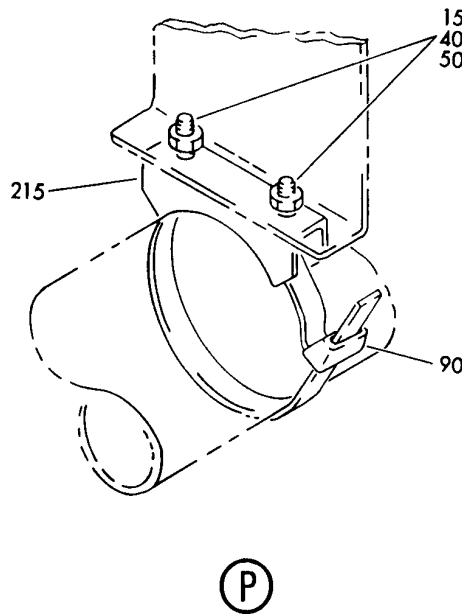
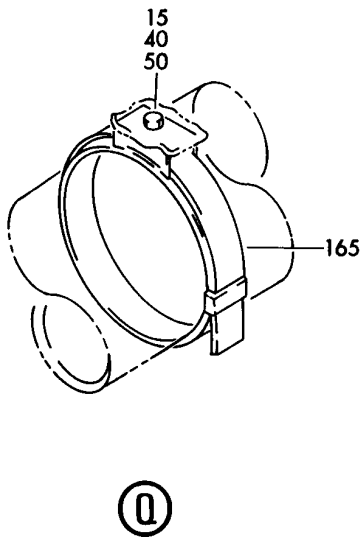
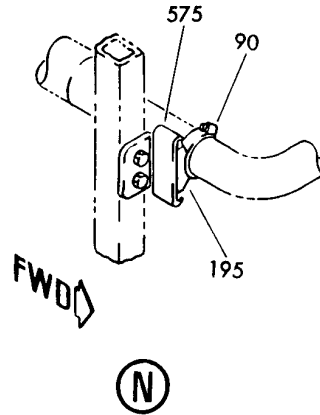
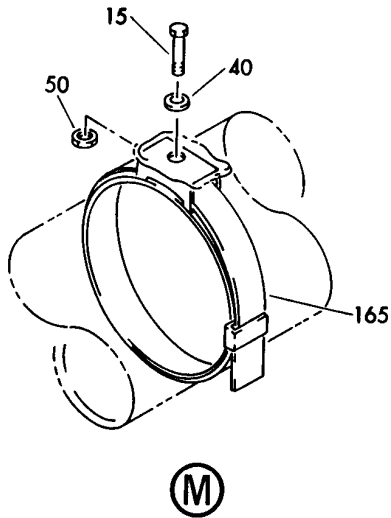
DUCT INSTL-SECT. 46 LAV/ GALLEY VENT SYS
FIGURE 25 (SHEET 6)

21-26-09-25

BRI
JAN 20/09

21-26-09-25
PAGE 0E

BOEING
757
PARTS CATALOG (MAINTENANCE)



Y 21260925 SHT 7 REV 171

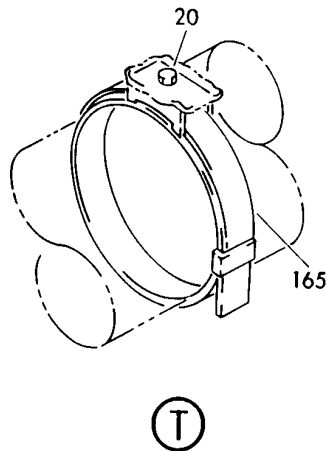
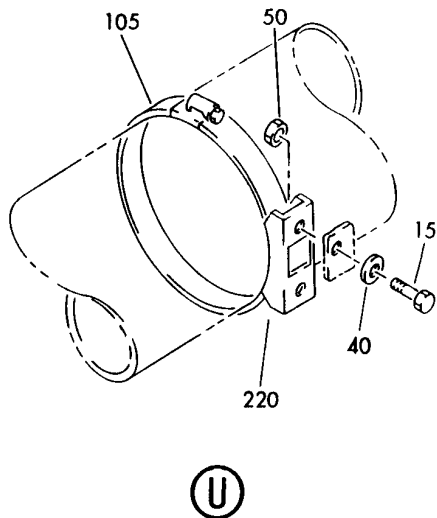
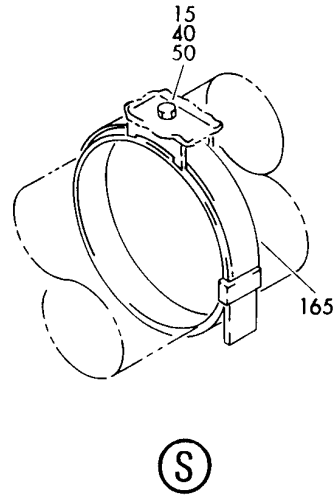
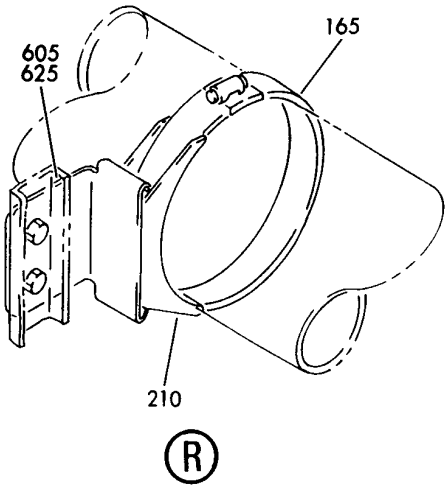
DUCT INSTL-SECT. 46 LAV/ GALLEY VENT SYS
FIGURE 25 (SHEET 7)

21-26-09-25

BRI
JAN 20/09

21-26-09-25
PAGE OF

BOEING
757
PARTS CATALOG (MAINTENANCE)



Y 21260925 SHT 8 REV 171

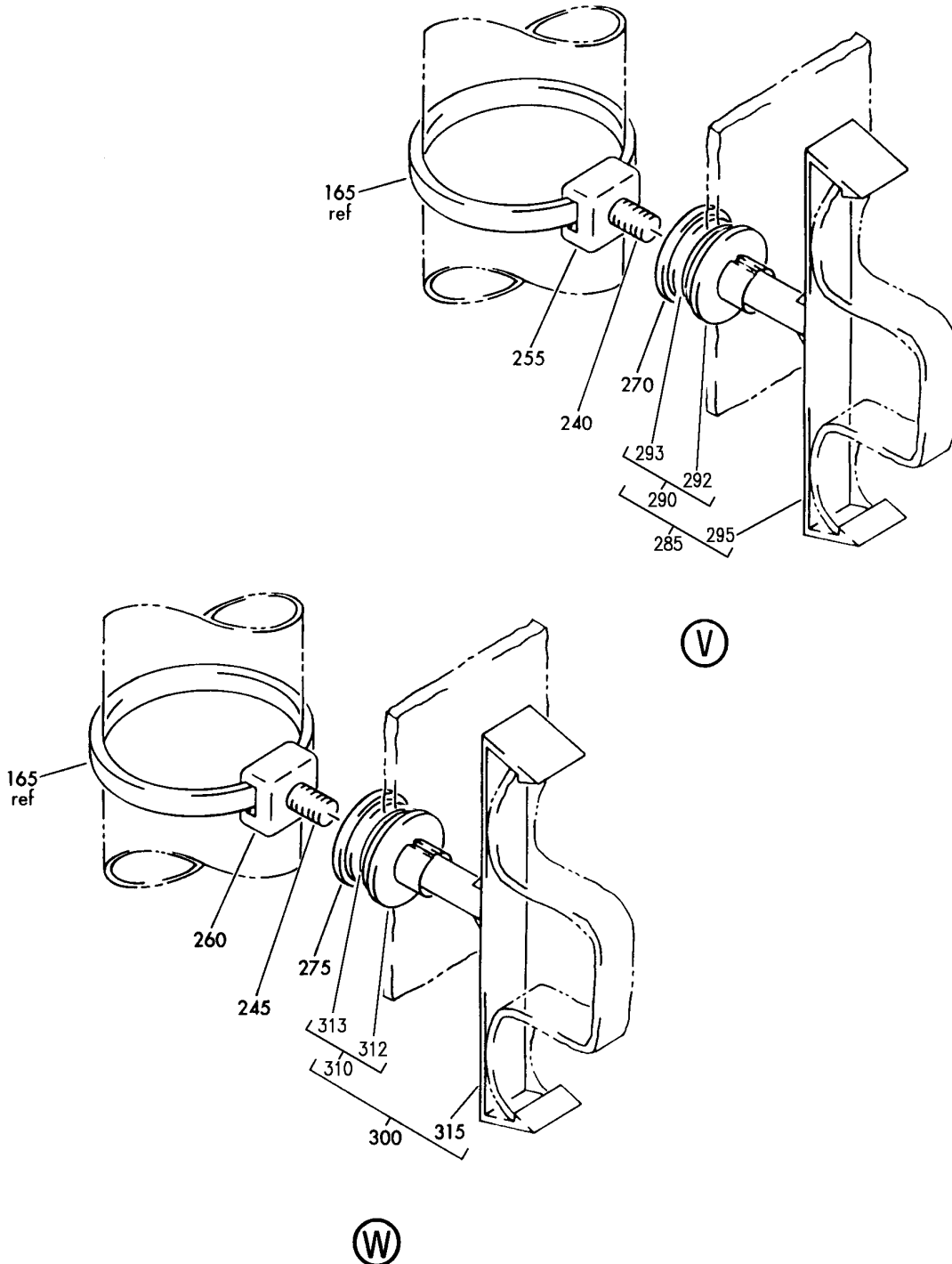
DUCT INSTL-SECT. 46 LAV/ GALLEY VENT SYS
FIGURE 25 (SHEET 8)

21-26-09-25

BRI
JAN 20/09

21-26-09-25
PAGE 0G

BOEING
757
PARTS CATALOG (MAINTENANCE)



Y 21260925 SH1 9 REV 299

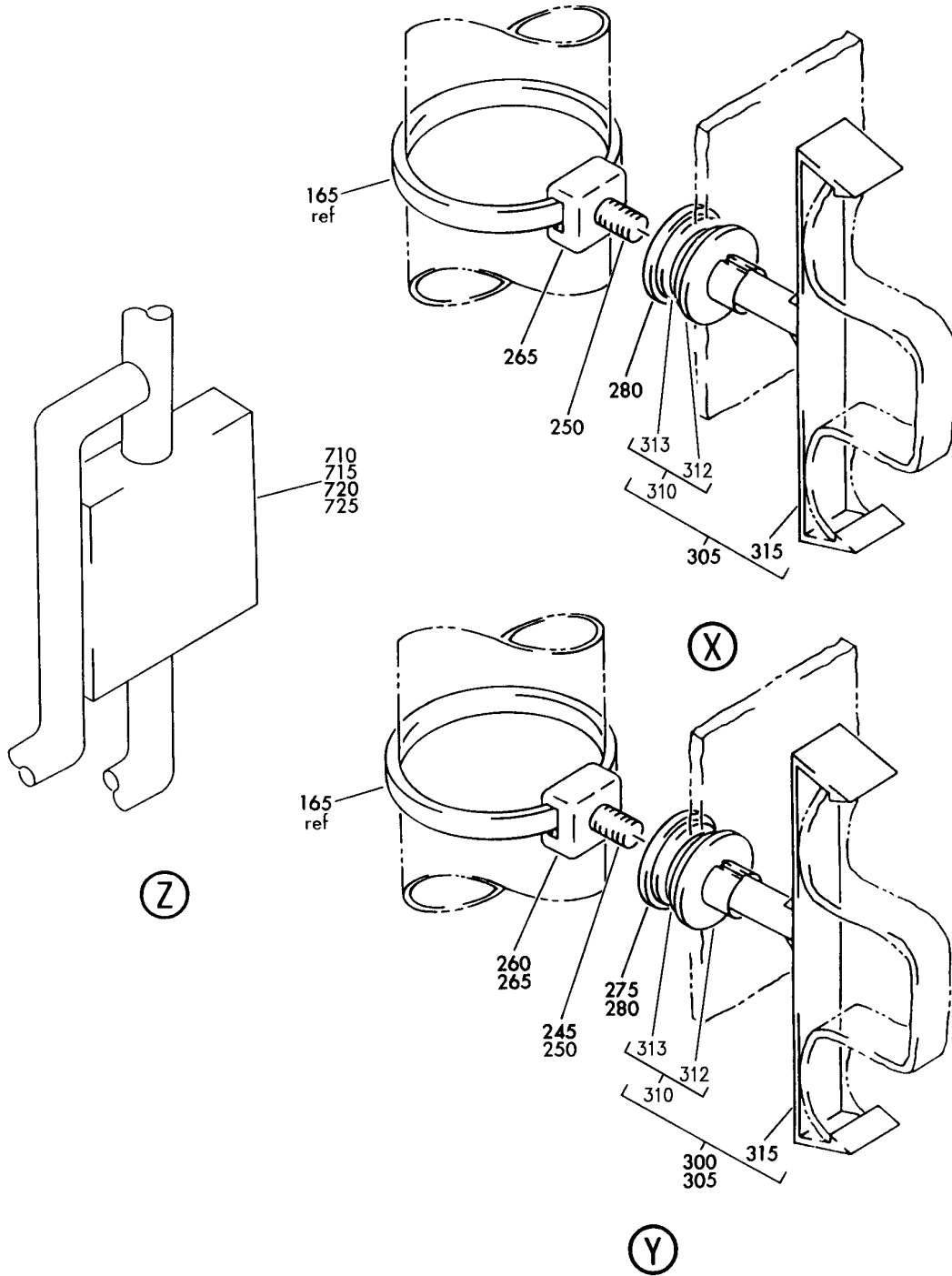
DUCT INSTL-SECT. 46 LAV/ GALLEY VENT SYS
FIGURE 25 (SHEET 9)

21-26-09-25

BRI
JAN 20/09

21-26-09-25
PAGE 0H

BOEING
757
PARTS CATALOG (MAINTENANCE)



Y 21260925 SH1 10 REV 299

DUCT INSTL-SECT. 46 LAV/ GALLEY VENT SYS
FIGURE 25 (SHEET 10)

21-26-09-25

BRI
JAN 20/09

21-26-09-25
PAGE 01

BOEING
757
PARTS CATALOG (MAINTENANCE)

| FIG ITEM | PART NUMBER | 1 2 3 4 5 6 7 | NOMENCLATURE | EFFECT FROM TO | UNITS PER ASSY |
|----------|---------------|---------------|---|----------------|----------------|
| 25 | | | DUCT INSTL-SECT. 46 LAV/ GALLEY VENT SYS | 953999 | |
| - 1 | 214N3005-56 | | DUCT INSTL-LAV/GALLEY VENT SYS POSITION DATA: SECT. 46 FOR NHA SEE: 21-00-00-01 | 953999 | RF |
| | 5 BACS12ER3K7 | | .SCREW ATTACHING PARTS | 953999 | 1 |
| - 10 | BACS12FA3K26 | | .SCREW -----*----- | 953999 | 1 |
| 15 | BACS12FA3K7 | | .SCREW | 953999 | 16 |
| 20 | BACS12FA3K6 | | .SCREW | 953999 | 1 |
| 25 | BACS12FA3K12 | | .SCREW | 953999 | 2 |
| 30 | NAS43DD3-64 | | .SPACER | 953999 | 1 |
| 40 | AN960KD10L | | .WASHER | 953999 | 17 |
| 50 | BRH10A3 | | .NUT SUPPLIER CODE: V52828 SPECIFICATION NUMBER: BACN10JC3 OPTIONAL PART: H10-3BAC V15653 NS202101-02 V80539 RMLH9075-3W V72962 VN303A02 V92215 96-02 V80539 T6S1032J V11815 | 953999 | 14 |
| 55 | BRH10C3D | | .NUT SUPPLIER CODE: V52828 SPECIFICATION NUMBER: BACN10JC3CD OPTIONAL PART: T6C1032JCD V11815 NS202486-02 V80539 102LH9075-3W V72962 H51650-3BAC V15653 | 953999 | 3 |

MISSING ITEM NUMBERS NOT APPLICABLE

- ITEM NOT ILLUSTRATED

BRI

21-26-09-25

21-26-09
FIG. 25
PAGE 1
JAN 20/09



757

PARTS CATALOG (MAINTENANCE)

| FIG ITEM | PART NUMBER | 1 2 3 4 5 6 7 | NOMENCLATURE | EFFECT FROM TO | UNITS PER ASSY |
|----------|----------------|----------------|--------------|----------------|----------------|
| 25 | | | | | |
| 75 | NAS1922-0150-1 | .CLAMP | | 953999 | 6 |
| 85 | NAS1922-0200-1 | .CLAMP | | 953999 | 6 |
| 100 | NAS1922-0225-1 | .CLAMP | | 953999 | 10 |
| 115 | NAS1922-0350-1 | .CLAMP | | 953999 | 4 |
| 120 | NAS1922-0400-1 | .CLAMP- | | 953999 | 3 |
| 125 | NAS1922-0525-1 | .CLAMP- | | 953999 | 4 |
| 125 | NAS1922-0525-3 | .CLAMP- | | 953999 | 4 |
| 130 | NH135008-0400 | .COUPLING- | | 953999 | 4 |
| | | SUPPLIER CODE: | | | |
| | | V00624 | | | |
| | | OPTIONAL PART: | | | |
| | | 15J02-400 | | | |
| | | V89513 | | | |
| | | 32317AA400 | | | |
| | | V94581 | | | |
| 130 | 15J02-400 | .CLAMP ASSY- | | 953999 | 4 |
| | | SUPPLIER CODE: | | | |
| | | V89513 | | | |
| | | OPTIONAL PART: | | | |
| | | 32317AA400 | | | |
| | | V94581 | | | |
| | | NH135008-0400 | | | |
| | | V00624 | | | |
| 130 | 32317AA400 | .COUPLING- | | 953999 | 4 |
| | | SUPPLIER CODE: | | | |
| | | V94581 | | | |
| | | OPTIONAL PART: | | | |
| | | 15J02-400 | | | |
| | | V89513 | | | |
| | | NH135008-0400 | | | |
| | | V00624 | | | |
| 135 | NH135008-0500 | .CLAMP- | | 953999 | 1 |
| | | SUPPLIER CODE: | | | |
| | | V00624 | | | |
| | | OPTIONAL PART: | | | |
| | | 15J02-500 | | | |
| | | V89513 | | | |
| | | 32317AA500 | | | |
| | | V94581 | | | |
| 135 | 15J02-500 | .CLAMP- | | 953999 | 1 |
| | | SUPPLIER CODE: | | | |
| | | V89513 | | | |
| | | OPTIONAL PART: | | | |
| | | 32317AA500 | | | |
| | | V94581 | | | |
| | | NH135008-0500 | | | |
| | | V98625 | | | |

MISSING ITEM NUMBERS NOT APPLICABLE

- ITEM NOT ILLUSTRATED

21-26-09-25

21-26-09
FIG. 25
PAGE 2
MAY 20/09

BRI



757

PARTS CATALOG (MAINTENANCE)

| FIG ITEM | PART NUMBER | 1 2 3 4 5 6 7 | NOMENCLATURE | EFFECT FROM TO | UNITS PER ASSY |
|-----------|---------------|---------------|--|----------------|----------------|
| 25 135 | 32317AA500 | | .CLAMP- SUPPLIER CODE: V94581 OPTIONAL PART: 15J02-500 V89513 NH135008-0500 V98625 | 953999 | 1 |
| 140 | JM44LC13WS34R | | .CLAMP SUPPLIER CODE: V22175 SPECIFICATION NUMBER: BACC10GE34 OPTIONAL PART: TA12C32WS34 V84971 509S34 V83930 S714WH34 V18076 | 953999 | 1 |
| 155 | NH135008-0500 | | .COUPLING SUPPLIER CODE: V00624 SPECIFICATION NUMBER: BACC10HX500 | 953999 | 2 |
| 165 | MS3367-2-9 | | .STRAP | 953999 | AR |
| 170 | MS3367-6-9 | | .STRAP | 953999 | 10 |
| 175 | T012L0 | | .STRAP SUPPLIER CODE: V53421 SPECIFICATION NUMBER: BACS38K6 | 953999 | 1 |
| 185 | TM2S8 | | .PLATE SUPPLIER CODE: V06383 SPECIFICATION NUMBER: STBP19M9 | 953999 | 1 |
| 195 | 214N1051-2 | | .SUPPORT | 953999 | 1 |
| 200 | 214N1051-5 | | .SUPPORT | 953999 | 1 |
| 205 | 214N1051-6 | | .SUPPORT | 953999 | 2 |
| 210 | 214N1051-8 | | .SUPPORT | 953999 | 4 |
| 215 | 214T3424-2 | | .SUPPORT | 953999 | 1 |
| 220 | 214T3424-3 | | .SUPPORT | 953999 | 2 |
| 225 | 214T3424-5 | | .SUPPORT | 953999 | 1 |
| 230 | 214T3424-6 | | .SUPPORT | 953999 | 1 |

MISSING ITEM NUMBERS NOT APPLICABLE

- ITEM NOT ILLUSTRATED

21-26-09-25

21-26-09
FIG. 25
PAGE 3
JAN 20/09

BRI



757

PARTS CATALOG (MAINTENANCE)

| FIG ITEM | PART NUMBER | 1 2 3 4 5 6 7 | NOMENCLATURE | EFFECT FROM TO | UNITS PER ASSY |
|-----------|--------------|---------------|---|----------------|----------------|
| 25 240 | BACS12GP3L10 | .SCREW- | QUALIFIED OPTIONAL DATA: 214N5054-1 IS OPTIONAL TO 214N5054-15 TOGETHER WITH 411N4026-12, STBP19M9 AND BACS12GP3L10 | 953999 | 10 |
| 250 | BACS12GP3L10 | .SCREW- | QUALIFIED OPTIONAL DATA: 214N5054-3 IS OPTIONAL TO 214N5054-12 TOGETHER WITH 411N4026-12, STBP19M9 AND BACS12GP3L10 | 953999 | 8 |
| 255 | TM2S8 | .PLATE- | SUPPLIER CODE: V06383 SPECIFICATION NUMBER: STBP19M9 QUALIFIED OPTIONAL DATA: 214N5054-1 IS OPTIONAL TO 214N5054-15 TOGETHER WITH 411N4026-12, STBP19M9 AND BACS12GP3L10 | 953999 | 10 |
| 265 | TM2S8 | .PLATE- | SUPPLIER CODE: V06383 SPECIFICATION NUMBER: STBP19M9 QUALIFIED OPTIONAL DATA: 214N5054-3 IS OPTIONAL TO 214N5054-12 TOGETHER WITH 411N4026-12, STBP19M9 AND BACS12GP3L10 | 953999 | 8 |
| 270 | 411N4026-12 | .WASHER ASSY- | QUALIFIED OPTIONAL DATA: 214N5054-1 IS OPTIONAL TO 214N5054-15 TOGETHER WITH 411N4026-12, STBP19M9 AND BACS12GP3L10 | 953999 | 10 |

MISSING ITEM NUMBERS NOT APPLICABLE

- ITEM NOT ILLUSTRATED

BRI

21-26-09-25

21-26-09
FIG. 25
PAGE 4
JAN 20/09



757

PARTS CATALOG (MAINTENANCE)

| FIG ITEM | PART NUMBER | 1 2 3 4 5 6 7 | NOMENCLATURE | EFFECT FROM TO | UNITS PER ASSY |
|---------------|-------------|---------------|--|----------------|----------------|
| 25 280 | 411N4026-12 | | .WASHER ASSY- QUALIFIED OPTIONAL DATA: 214N5054-3 IS OPTIONAL TO 214N5054-12 TOGETHER WITH 411N4026-12, STBP19M9 AND BACS12GP3L10 | 953999 | 8 |
| 285 | 214N5054-15 | | .SUPPORT ASSY- QUALIFIED OPTIONAL DATA: 214N5054-1 IS OPTIONAL TO 214N5054-15 TOGETHER WITH 411N4026-12, STBP19M9 AND BACS12GP3L10 | 953999 | 10 |
| R R 290 | 411N4026-10 | | ..CAP ASSY- | 953999 | 1 |
| 290 | 411N4026-2 | | ..CAP ASSY- | 953999 | 1 |
| 292 | 411N4026-5 | | ...CAP- USED ON: 411N4026-2 | 953999 | 1 |
| 292 | 411N4026-11 | | ...CAP- USED ON: 411N4026-10 | 953999 | 1 |
| 293 | 411N4026-7 | | ...TAPE | 953999 | 1 |
| 295 | 2055155-10C | | ..CLIP- SUPPLIER CODE: V04169 USED ON: 214N5054-15 | 953999 | 1 |
| 305 | 214N5054-12 | | .SUPPORT ASSY- QUALIFIED OPTIONAL DATA: 214N5054-3 IS OPTIONAL TO 214N5054-12 TOGETHER WITH 411N4026-12, STBP19M9 AND BACS12GP3L10 | 953999 | 8 |
| R R 310 | 411N4026-10 | | ..CAP ASSY- | 953999 | 1 |
| 310 | 411N4026-2 | | ..CAP ASSY- | 953999 | 1 |
| 312 | 411N4026-5 | | ...CAP- USED ON: 411N4026-2 | 953999 | 1 |
| 312 | 411N4026-11 | | ...CAP- USED ON: 411N4026-10 | 953999 | 1 |
| 313 | 411N4026-7 | | ...TAPE | 953999 | 1 |
| 315 | 2055155-10B | | ..CLIP- SUPPLIER CODE: V04169 USED ON: 214N5054-12 | 953999 | 1 |

MISSING ITEM NUMBERS NOT APPLICABLE

- ITEM NOT ILLUSTRATED

21-26-09-25

21-26-09
FIG. 25
PAGE 5
MAY 20/09

BRI



757

PARTS CATALOG (MAINTENANCE)

| FIG ITEM | PART NUMBER | 1 2 3 4 5 6 7 | NOMENCLATURE | EFFECT FROM TO | UNITS PER ASSY |
|-----------|----------------|----------------|--|----------------|----------------|
| 25 320 | 214N5054-1 | .SUPPORT ASSY- | QUALIFIED OPTIONAL DATA: 214N5054-1 IS OPTIONAL TO 214N5054-15 TOGETHER WITH 411N4026-12, STBP19M9 AND BACS12GP3L10 | 953999 | 10 |
| 325 | BACS12ER3K6 | ..SCREW | | 953999 | 1 |
| 330 | TM2S8 | ..PLATE | SUPPLIER CODE: V06383 SPECIFICATION NUMBER: STBP19M9 | 953999 | 1 |
| 335 | 2055155-10C | ..CLIP-STGR | SUPPLIER CODE: V04169 | 953999 | 1 |
| 345 | 214N5054-3 | .SUPPORT ASSY- | QUALIFIED OPTIONAL DATA: 214N5054-3 IS OPTIONAL TO 214N5054-12 TOGETHER WITH 411N4026-12, STBP19M9 AND BACS12GP3L10 | 953999 | 8 |
| 355 | BACS12ER3K6 | ..SCREW | | 953999 | 1 |
| 365 | TM2S8 | ..PLATE | SUPPLIER CODE: V06383 SPECIFICATION NUMBER: STBP19M9 | 953999 | 1 |
| 375 | 2055155-10B | ..CLIP-STGR | SUPPLIER CODE: V04169 | 953999 | 1 |
| 380 | AS1504-08B1740 | .HOSE | | 953999 | 1 |
| 385 | AS1504-08B1770 | .HOSE | | 953999 | 1 |
| 390 | AS1504-09B2310 | .HOSE | | 953999 | 1 |
| 400 | AS1504-10B1770 | .HOSE | | 953999 | 1 |
| 405 | AS1504-10B2240 | .HOSE | | 953999 | 1 |
| 410 | AS1506-14D30 | .HOSE | | 953999 | 1 |
| 415 | AS1506-14D50 | .HOSE | | 953999 | 1 |
| 420 | AS1504-09B0512 | .HOSE | | 953999 | 1 |
| 425 | AS1506-20D50 | .HOSE | | 953999 | 1 |
| 435 | BOE2061-0001 | .HOSE- | SUPPLIER CODE: V16632 | 953999 | 1 |
| 440 | BOE2061-0004 | .HOSE- | SUPPLIER CODE: V16632 | 953999 | 1 |
| 445 | 214N3045-2 | .DUCT | | 953999 | 1 |
| 450 | 214N3047-1 | .DUCT | | 953999 | 1 |

MISSING ITEM NUMBERS NOT APPLICABLE

- ITEM NOT ILLUSTRATED

21-26-09-25

21-26-09
FIG. 25
PAGE 6
MAY 20/09

BRI



757

PARTS CATALOG (MAINTENANCE)

| FIG ITEM | PART NUMBER | 1 2 3 4 5 6 7 | NOMENCLATURE | EFFECT FROM TO | UNITS PER ASSY |
|----------|---------------|---------------|--|----------------|----------------|
| 25 | | | | | |
| 455 | 214N3051-1 | .DUCT | ASSY | 953999 | 1 |
| 460 | 214N3051-2 | .DUCT | ASSY | 953999 | 1 |
| 465 | 214N3051-3 | .DUCT | ASSY | 953999 | 1 |
| 470 | 15J03-400 | ..FLANGE- | | 953999 | 2 |
| | | | SUPPLIER CODE: V89513 | | |
| | | | OPTIONAL PART: 2904AM400 V94581 NK130004-0400 V98625 | | |
| 470 | 2904AM400 | ..FLANGE- | | 953999 | 2 |
| | | | SUPPLIER CODE: V94581 | | |
| | | | OPTIONAL PART: 15J03-400 V89513 NK130004-0400 V98625 | | |
| 470 | NK130004-0400 | ..FLANGE- | | 953999 | 2 |
| | | | SUPPLIER CODE: V98625 | | |
| | | | OPTIONAL PART: 15J03-400 V89513 2904AM400 V94581 | | |
| 475 | 214N3051-4 | ..DUCT- | | 953999 | 1 |
| | | | USED ON: 214N3051-2 | | |
| 480 | 214N3051-5 | ..DUCT- | | 953999 | 1 |
| | | | USED ON: 214N3051-2 | | |
| 485 | 214N3051-6 | ..DUCT- | | 953999 | 1 |
| | | | USED ON: 214N3051-3 | | |
| 490 | 214N3043-2 | .DUCT | ASSY | 953999 | 1 |
| 495 | 214N3079-3 | .DUCT | ASSY | 953999 | 1 |
| 500 | 15J03-500 | ..FLANGE- | | 953999 | 1 |
| | | | SUPPLIER CODE: V89513 | | |
| | | | OPTIONAL PART: 2904AM500 V94581 NK130004-0500 V98625 | | |

MISSING ITEM NUMBERS NOT APPLICABLE

- ITEM NOT ILLUSTRATED

21-26-09-25

21-26-09
FIG. 25
PAGE 7
MAY 20/09

BRI

BOEING PROPRIETARY - Copyright © - Unpublished Work - See title page for details.



757

PARTS CATALOG (MAINTENANCE)

| FIG ITEM | PART NUMBER | 1 2 3 4 5 6 7 | NOMENCLATURE | EFFECT FROM TO | UNITS PER ASSY |
|-----------|---------------|---------------|---|----------------|----------------|
| 25 500 | 2904AM500 | .. | FLANGE- SUPPLIER CODE: V94581 OPTIONAL PART: 15J03-500 V89513 NK130004-0500 V98625 | 953999 | 1 |
| 500 | NK130004-0500 | .. | FLANGE- SUPPLIER CODE: V98625 OPTIONAL PART: 15J03-500 V89513 2904AM500 V94581 | 953999 | 1 |
| 505 | 214N3043-4 | .. | DUCT- USED ON: 214N3043-2 | 953999 | 1 |
| 510 | 214N3079-4 | .. | DUCT- USED ON: 214N3079-3 | 953999 | 1 |
| 515 | 214N3046-1 | . | DUCT ASSY | 953999 | 1 |
| 520 | 15J03-350 | .. | FLANGE- SUPPLIER CODE: V89513 OPTIONAL PART: 214N3046-5 | 953999 | 1 |
| 520 | 214N3046-5 | .. | KIT ASSY-SUB OPTIONAL PART: 15J03-350 V89513 | 953999 | 1 |
| - 522 | 2904AM350 | ... | FLANGE- SUPPLIER CODE: V94581 USED ON: 214N3046-5 | 953999 | 1 |
| - 523 | NK130004-0350 | ... | FLANGE- SUPPLIER CODE: V98625 USED ON: 214N3046-5 | 953999 | 1 |
| 525 | 214N3046-2 | .. | DUCT | 953999 | 1 |
| 530 | 214N3046-3 | .. | DUCT | 953999 | 1 |
| 535 | 214N3045-1 | . | DUCT ASSY | 953999 | 1 |
| 540 | 214N3044-1 | . | DUCT ASSY | 953999 | 1 |

MISSING ITEM NUMBERS NOT APPLICABLE

- ITEM NOT ILLUSTRATED

21-26-09-25

21-26-09
FIG. 25
PAGE 8
MAY 20/09

BRI



757

PARTS CATALOG (MAINTENANCE)

| FIG ITEM | PART NUMBER | 1 2 3 4 5 6 7 | NOMENCLATURE | EFFECT FROM TO | UNITS PER ASSY |
|-----------|---------------|---------------|---|----------------|----------------|
| 25 545 | 15J03-400 | .. | FLANGE- SUPPLIER CODE: V89513 OPTIONAL PART: 2904AM400 V94581 NK130004-0400 V98625 | 953999 | 1 |
| 545 | 2904AM400 | .. | FLANGE- SUPPLIER CODE: V94581 OPTIONAL PART: 15J03-400 V89513 | 953999 | 1 |
| 545 | NK130004-0400 | .. | FLANGE- SUPPLIER CODE: V98625 OPTIONAL PART: 15J03-400 V89513 | 953999 | 1 |
| 550 | 15J03-500 | .. | FLANGE- SUPPLIER CODE: V89513 OPTIONAL PART: 2904AM500 V94581 NK130004-0500 V98625 USED ON: 214N3044-1 | 953999 | 1 |
| 550 | 2904AM500 | .. | FLANGE- SUPPLIER CODE: V94581 OPTIONAL PART: 15J03-500 V89513 USED ON: 214N3044-1 | 953999 | 1 |
| 550 | NK130004-0500 | .. | FLANGE- SUPPLIER CODE: V98625 OPTIONAL PART: 15J03-500 V89513 USED ON: 214N3044-1 | 953999 | 1 |
| 555 | 214N3044-3 | .. | DUCT- USED ON: 214N3044-1 | 953999 | 1 |

MISSING ITEM NUMBERS NOT APPLICABLE

- ITEM NOT ILLUSTRATED

21-26-09-25

21-26-09
FIG. 25
PAGE 9
MAY 20/09

BRI

BOEING PROPRIETARY - Copyright © - Unpublished Work - See title page for details.



757

PARTS CATALOG (MAINTENANCE)

| FIG ITEM | PART NUMBER | 1 2 3 4 5 6 7 | NOMENCLATURE | EFFECT FROM TO | UNITS PER ASSY |
|-----------|---------------|---------------|--|----------------|----------------|
| 25 560 | 214N3045-3 | . . | DUCT- USED ON: 214N3045-1 | 953999 | 1 |
| 565 | 214N3019-1 | . DUCT ASSY | | 953999 | 1 |
| 570 | 214N3019-2 | . DUCT ASSY | | 953999 | 1 |
| 575 | 214N3065-2 | . BRACKET | | 953999 | 2 |
| | | | ATTACHING PARTS | | |
| - 580 | BACB30UY6-150 | . BOLT | | 953999 | 4 |
| | | | SUPPLIER CODE: V98524 | | |
| | | | SPECIFICATION NUMBER: BACB30UY6-150 | | |
| | | | -----*----- | | |
| 585 | 214N3067-6 | . BRACKET | | 953999 | 1 |
| | | | ATTACHING PARTS | | |
| - 590 | BACB30UY6-150 | . BOLT | | 953999 | 2 |
| | | | SUPPLIER CODE: V98524 | | |
| | | | SPECIFICATION NUMBER: BACB30UY6-150 | | |
| | | | -----*----- | | |
| 595 | 214N3065-1 | . BRACKET | | 953999 | 1 |
| | | | ATTACHING PARTS | | |
| - 600 | BACB30UY6-150 | . BOLT | | 953999 | 2 |
| | | | SUPPLIER CODE: V98524 | | |
| | | | SPECIFICATION NUMBER: BACB30UY6-150 | | |
| | | | -----*----- | | |
| 605 | 214N3065-6 | . BRACKET | | 953999 | 1 |
| | | | ATTACHING PARTS | | |
| - 610 | NAS1801-3-7 | . SCREW | | 953999 | 2 |
| - 615 | AN960KD10L | . WASHER | | 953999 | 2 |
| - 620 | BRH10C3D | . NUT | | 953999 | 2 |
| | | | SUPPLIER CODE: V52828 | | |
| | | | SPECIFICATION NUMBER: BACN10JC3CD | | |
| | | | OPTIONAL PART: T6C1032JCD | | |
| | | | V11815 | | |
| | | | NS202486-02 | | |
| | | | V80539 | | |
| | | | 102LH9075-3W | | |
| | | | V72962 | | |
| | | | H51650-3BAC | | |
| | | | V15653 | | |
| | | | -----*----- | | |
| 625 | 214N3065-6 | . BRACKET | | 953999 | 2 |

MISSING ITEM NUMBERS NOT APPLICABLE

- ITEM NOT ILLUSTRATED

21-26-09-25

21-26-09
FIG. 25
PAGE 10
MAY 20/09

BRI



**757
PARTS CATALOG (MAINTENANCE)**

| FIG ITEM | PART NUMBER | 1 2 3 4 5 6 7 | NOMENCLATURE | EFFECT FROM TO | UNITS PER ASSY |
|----------|-------------|---------------|--------------------------------------|----------------|----------------|
| 25 | | | ATTACHING PARTS | | |
| - 630 | BACS12FA3K7 | . | SCREW | 953999 | 4 |
| - 635 | AN960KD10L | . | WASHER | 953999 | 4 |
| - 640 | BRH10C3D | . | NUT | 953999 | 4 |
| | | | SUPPLIER CODE: V52828 | | |
| | | | SPECIFICATION NUMBER: BACN10JC3CD | | |
| | | | OPTIONAL PART: T6C1032JCD | | |
| | | | V11815 | | |
| | | | NS202486-02 | | |
| | | | V80539 | | |
| | | | 102LH9075-3W | | |
| | | | V72962 | | |
| | | | H51650-3BAC | | |
| | | | V15653 | | |
| | | | -----*----- | | |
| 645 | 214N3072-1 | . | BRACKET | 953999 | 1 |
| | | | ATTACHING PARTS | | |
| - 650 | NAS1801-3-7 | . | SCREW | 953999 | 2 |
| - 655 | AN960KD10L | . | WASHER | 953999 | 2 |
| - 660 | BRH10C3D | . | NUT | 953999 | 2 |
| | | | SUPPLIER CODE: V52828 | | |
| | | | SPECIFICATION NUMBER: BACN10JC3CD | | |
| | | | OPTIONAL PART: T6C1032JCD | | |
| | | | V11815 | | |
| | | | NS202486-02 | | |
| | | | V80539 | | |
| | | | 102LH9075-3W | | |
| | | | V72962 | | |
| | | | H51650-3BAC | | |
| | | | V15653 | | |
| | | | -----*----- | | |
| 665 | 214N3067-1 | . | BRACKET | 953999 | 1 |
| 670 | 293255 | . | BRACKET- | 953999 | 2 |
| | | | SUPPLIER CODE: V60119 | | |
| 675 | 1500-16 | . | CAP-END | 953999 | 1 |
| | | | SUPPLIER CODE: V15819 | | |
| | | | OPTIONAL PART: 24-1000 | | |
| | | | V25205 | | |

MISSING ITEM NUMBERS NOT APPLICABLE

- ITEM NOT ILLUSTRATED

BRI

21-26-09-25

BOEING PROPRIETARY - Copyright © - Unpublished Work - See title page for details.

21-26-09
FIG. 25
PAGE 11
MAY 20/09



757

PARTS CATALOG (MAINTENANCE)

| FIG ITEM | PART NUMBER | 1 2 3 4 5 6 7 | NOMENCLATURE | EFFECT FROM TO | UNITS PER ASSY |
|-----------|-------------|---------------|---|----------------|----------------|
| 25 675 | 24-1000 | .CAP-END | SUPPLIER CODE: V25205 OPTIONAL PART: 1500-16 V15819 | 953999 | 1 |
| 690 | 1500-24 | .CAP-END | SUPPLIER CODE: V15819 OPTIONAL PART: 24-1500 V25205 | 953999 | 1 |
| 690 | 24-1500 | .CAP-END | SUPPLIER CODE: V25205 OPTIONAL PART: 1500-24 V15819 | 953999 | 1 |
| 695 | 2250-24 | .CAP-END | SUPPLIER CODE: V15819 OPTIONAL PART: 36-1500 V25205 | 953999 | 1 |
| 695 | 36-1500 | .CAP-END | SUPPLIER CODE: V25205 OPTIONAL PART: 2250-24 V15819 | 953999 | 1 |

MISSING ITEM NUMBERS NOT APPLICABLE

- ITEM NOT ILLUSTRATED

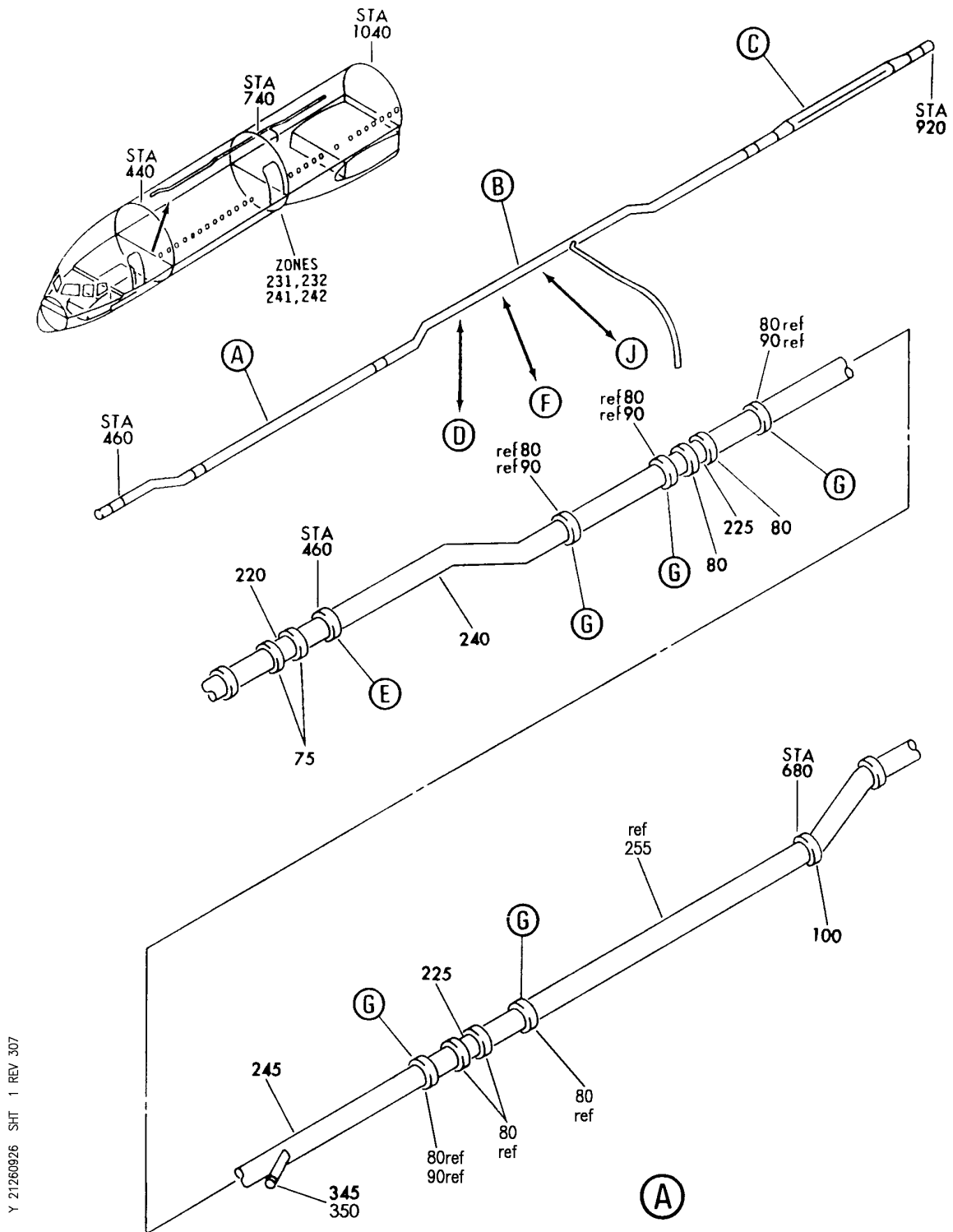
BRI

21-26-09-25

BOEING PROPRIETARY - Copyright © - Unpublished Work - See title page for details.

21-26-09
FIG. 25
PAGE 12
MAY 20/09


BOEING
 757
PARTS CATALOG (MAINTENANCE)



Y 21260926 SH1 1 REV 307

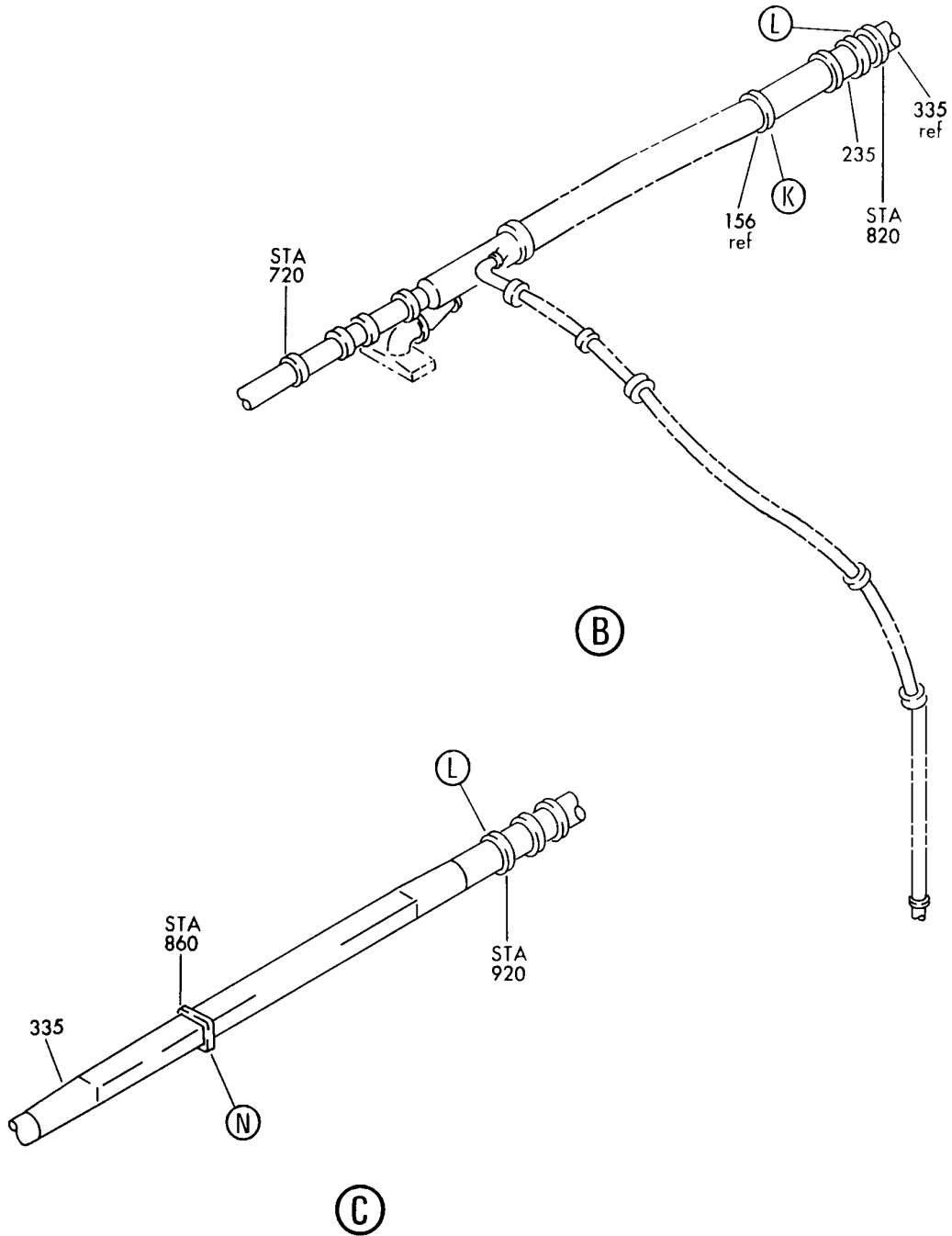
DUCT INSTL-SECT. 43 LAV/GALLEY VENT SYSTEM
 FIGURE 26 (SHEET 1)

21-26-09-26

BRI
JAN 20/09

21-26-09-26
 PAGE 0

BOEING
757
PARTS CATALOG (MAINTENANCE)



Y 21260926 SH1 2 REV 307

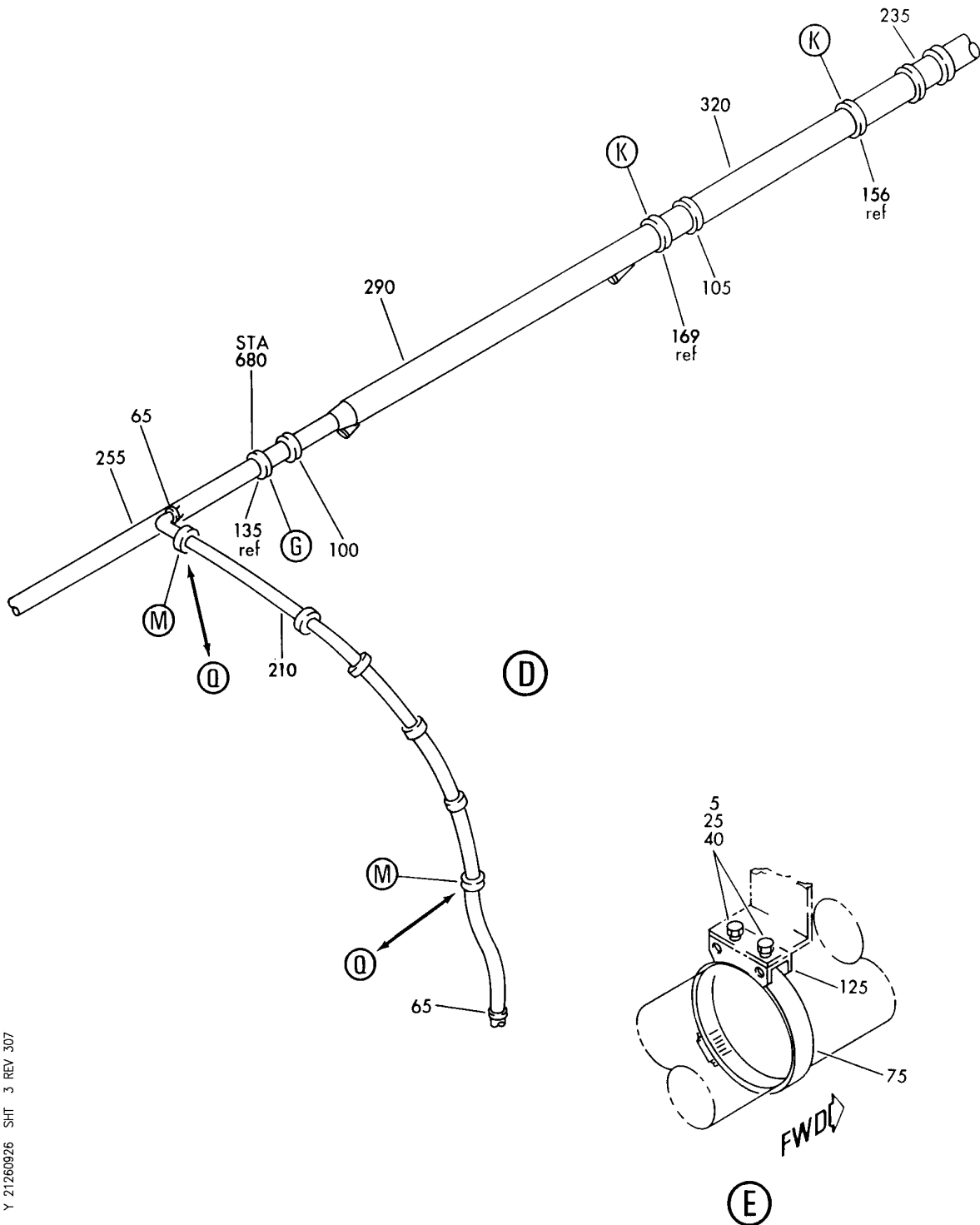
DUCT INSTL-SECT. 43 LAV/GALLEY VENT SYSTEM
FIGURE 26 (SHEET 2)

21-26-09-26

BRI
JAN 20/09

21-26-09-26
PAGE 0A

BOEING
757
PARTS CATALOG (MAINTENANCE)



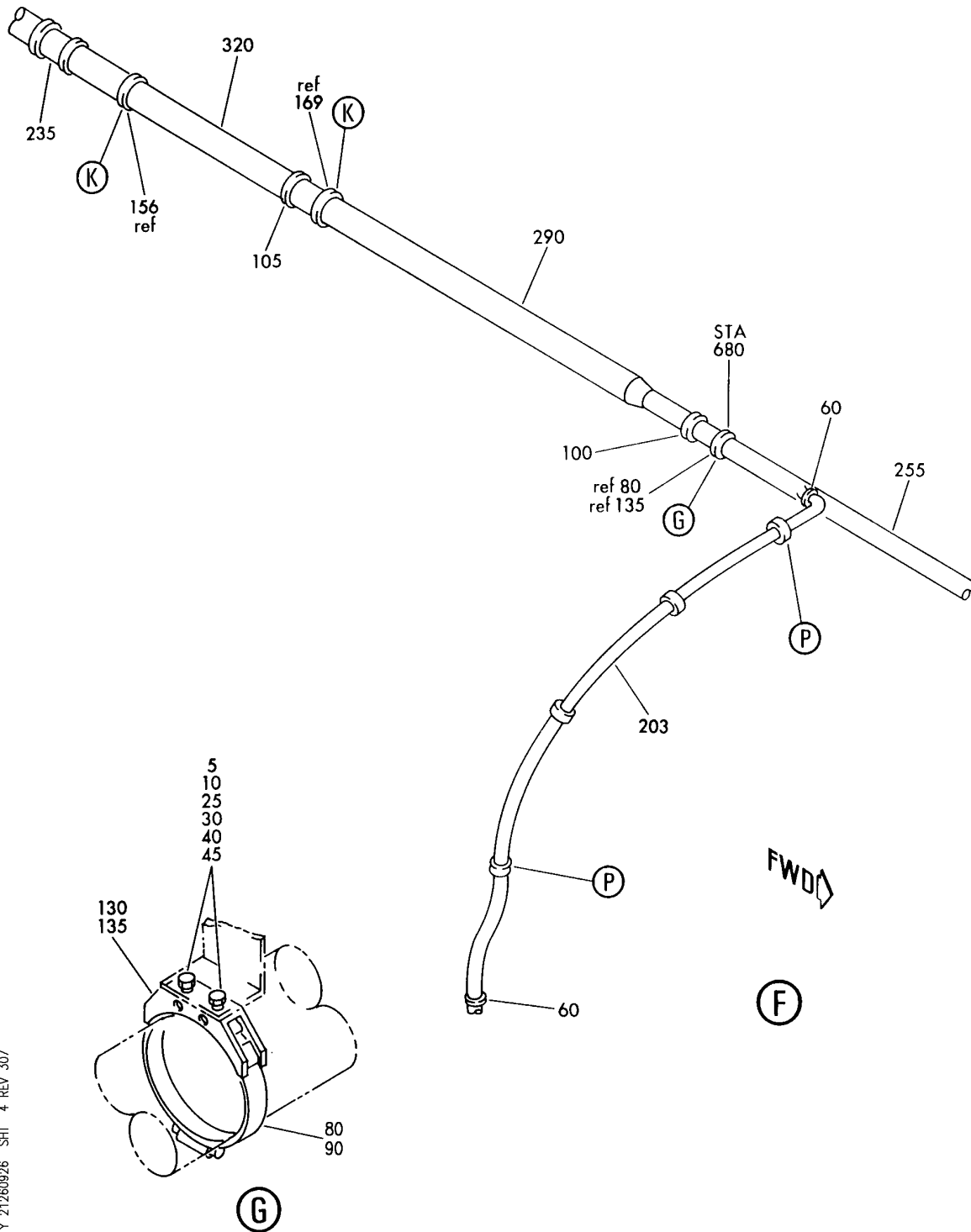
DUCT INSTL-SECT. 43 LAV/GALLEY VENT SYSTEM
FIGURE 26 (SHEET 3)

21-26-09-26

BRI
JAN 20/09

21-26-09-26
PAGE 0B


BOEING
 757
PARTS CATALOG (MAINTENANCE)



Y 21260926 SH1 4 REV 307

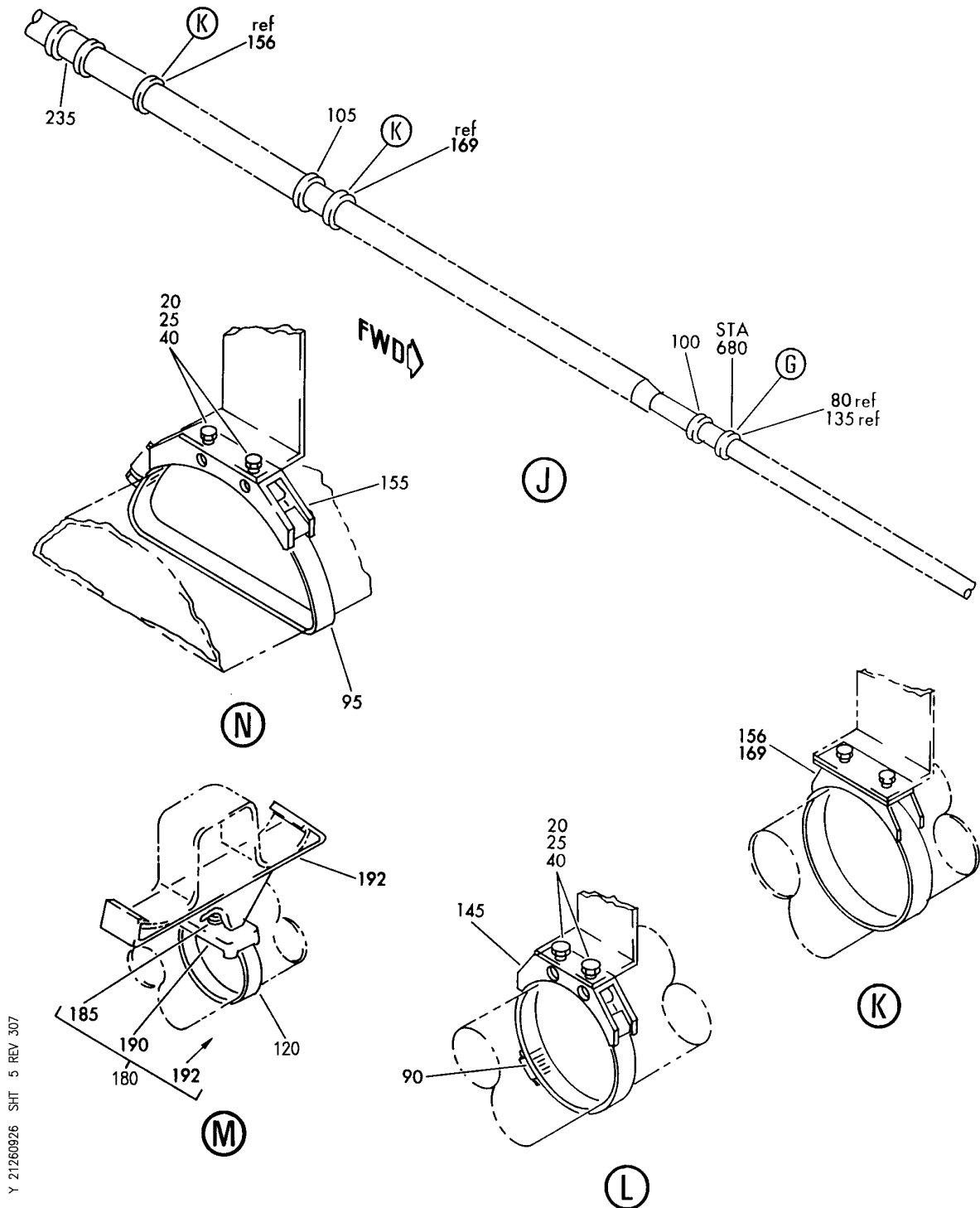
DUCT INSTL-SECT. 43 LAV/GALLEY VENT SYSTEM
 FIGURE 26 (SHEET 4)

21-26-09-26

BRI
 JAN 20/09

21-26-09-26
 PAGE 0C

BOEING
757
PARTS CATALOG (MAINTENANCE)



Y 21260926 SHT 5 REV 307

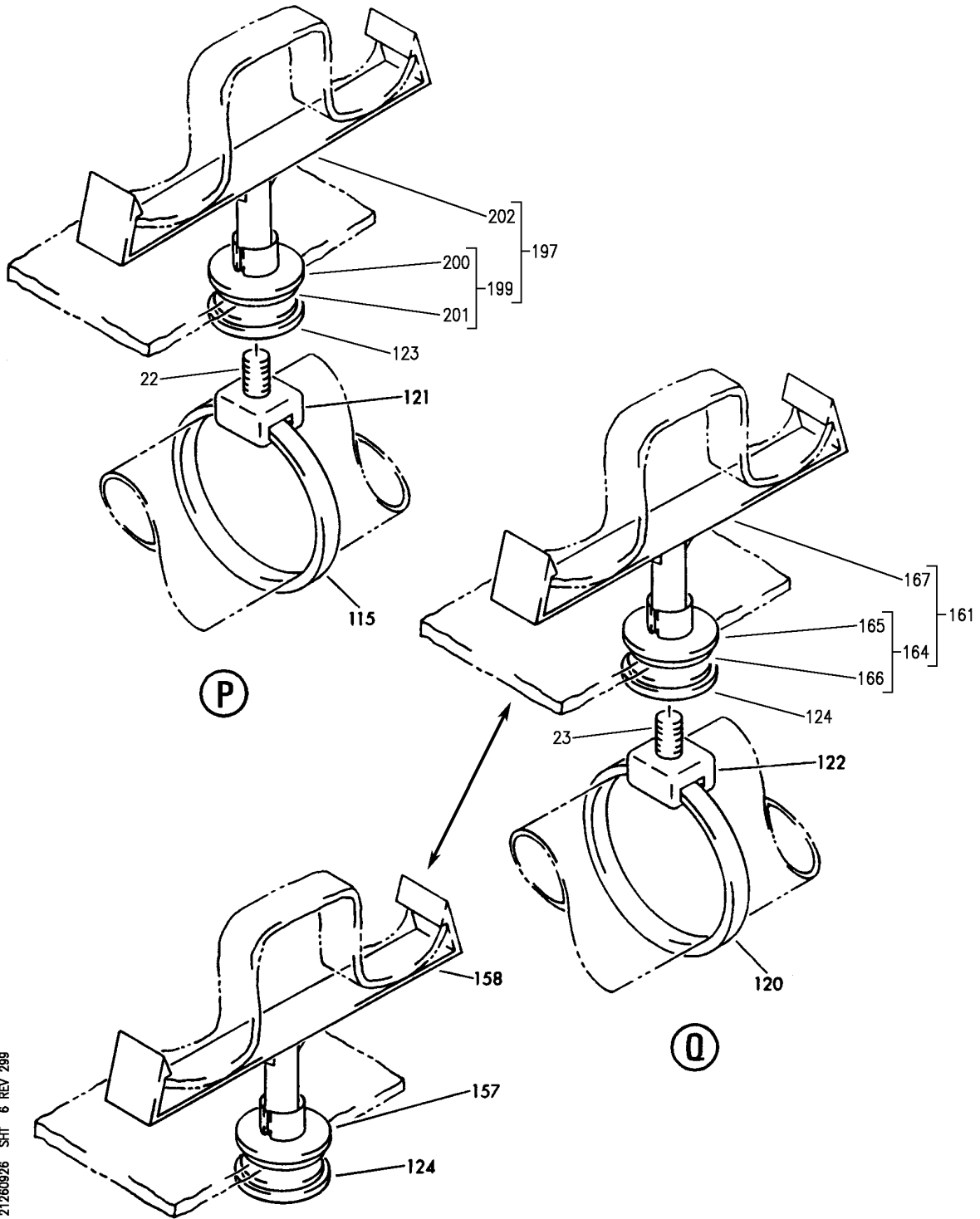
DUCT INSTL-SECT. 43 LAV/GALLEY VENT SYSTEM
FIGURE 26 (SHEET 5)

21-26-09-26

BRI
JAN 20/09

21-26-09-26
PAGE 0D

BOEING
757
PARTS CATALOG (MAINTENANCE)



Y 21260926 SHIT 6 REV 299

DUCT INSTL-SECT. 43 LAV/GALLEY VENT SYSTEM
FIGURE 26 (SHEET 6)

21-26-09-26

BRI
JAN 20/09

21-26-09-26
PAGE 0E



757

PARTS CATALOG (MAINTENANCE)

| FIG ITEM | PART NUMBER | 1 2 3 4 5 6 7 | NOMENCLATURE | EFFECT FROM TO | UNITS PER ASSY |
|----------|---------------|---------------|---|----------------|----------------|
| 26 | | | DUCT INSTL-SECT. 43 | 108120 | |
| - 1 | 214N3003-69 | | LAV/GALLEY VENT SYSTEM DUCT INSTL- LAV/GALLEY VENT SYS POSITION DATA: SECT. 43 FOR NHA SEE: 21-00-00-12 | 108120 | RF |
| 5 | BACS12FA3K7 | | .SCREW | 108120 | 12 |
| 10 | BACS12FA3K7 | | .SCREW | 108120 | 2 |
| 20 | BACS12FA3K11 | | .SCREW- OPTIONAL PART: BACS12FA3K16 | 108120 | 6 |
| 20 | BACS12FA3K16 | | .SCREW- OPTIONAL PART: BACS12FA3K11 | 108120 | 6 |
| 23 | BACS12GP3L10 | | .SCREW | 108120 | 6 |
| 25 | NAS1149D0332J | | .WASHER- | 108120 | 18 |
| 30 | NAS1149D0332J | | .WASHER- | 108120 | 2 |
| 40 | BRH10A3 | | .NUT SUPPLIER CODE: V52828 SPECIFICATION NUMBER: BACN10JC3 OPTIONAL PART: H10-3BAC V15653 NS202101-02 V80539 RMLH9075-3W V72962 VN303A02 V92215 96-02 V80539 T6S1032J V11815 | 108120 | 18 |

MISSING ITEM NUMBERS NOT APPLICABLE

- ITEM NOT ILLUSTRATED

21-26-09-26

21-26-09
FIG. 26
PAGE 1
JAN 20/09

BRI



757

PARTS CATALOG (MAINTENANCE)

| FIG ITEM | PART NUMBER | 1 2 3 4 5 6 7 | NOMENCLATURE | EFFECT FROM TO | UNITS PER ASSY |
|----------|----------------|---------------|---|----------------|----------------|
| 26 45 | BRH10A3 | .NUT | SUPPLIER CODE: V52828 SPECIFICATION NUMBER: BACN10JC3 OPTIONAL PART: H10-3BAC V15653 NS202101-02 V80539 RMLH9075-3W V72962 VN303A02 V92215 96-02 V80539 T6S1032J V11815 | 108120 | 2 |
| 65 | NAS1922-0150-3 | .CLAMP- | | 108120 | 2 |
| 75 | NAS1922-0275-3 | .CLAMP- | | 108120 | 3 |
| 80 | NAS1922-0350-3 | .CLAMP- | | 108120 | 10 |
| 90 | NAS1922-0350-3 | .CLAMP- | | 108120 | 6 |
| 95 | NAS1922-0400-3 | .CLAMP- | | 108120 | 1 |
| 100 | NH135008-0300 | .COUPLING | SUPPLIER CODE: V00624 SPECIFICATION NUMBER: BACC10HX300 | 108120 | 1 |
| 105 | NH135008-0350 | .COUPLING | SUPPLIER CODE: V00624 SPECIFICATION NUMBER: BACC10HX350 | 108120 | 1 |
| 120 | PLT4SM | .STRAP- | SUPPLIER CODE: V06383 SPECIFICATION NUMBER: BACS38K2 OPTIONAL PART: T05L0 V53421 SLT8LHC6 V06383 | 108120 | 6 |
| 120 | SLT8LHC6 | .STRAP- | SUPPLIER CODE: V06383 OPTIONAL PART: BACS38K2 | 108120 | 6 |

MISSING ITEM NUMBERS NOT APPLICABLE

- ITEM NOT ILLUSTRATED

21-26-09-26

21-26-09
FIG. 26
PAGE 2
JAN 20/09

BRI



757

PARTS CATALOG (MAINTENANCE)

| FIG ITEM | PART NUMBER | 1 2 3 4 5 6 7 | NOMENCLATURE | EFFECT FROM TO | UNITS PER ASSY |
|----------|--------------|---------------|---|----------------|----------------|
| 26 | | | | | |
| 122 | TM2S8 | | .PLATE SUPPLIER CODE: V06383 SPECIFICATION NUMBER: STBP19M9 | 108120 | 6 |
| 124 | 411N4026-12 | | .WASHER ASSY- OPTIONAL PART: BACW10DZ3 | 108120 | 6 |
| 124 | BACW10DZ3 | | .WASHER- OPTIONAL PART: 411N4026-12 | 108120 | 6 |
| 125 | 214T3424-22 | | .SUPPORT | 108120 | 1 |
| 130 | 214T3424-4 | | .SUPPORT | 108120 | 5 |
| 135 | 214T3424-4 | | .SUPPORT | 108120 | 1 |
| 145 | 214T3424-5 | | .SUPPORT | 108120 | 2 |
| 155 | 214T3424-7 | | .SUPPORT | 108120 | 1 |
| 156 | 214N1051-5 | | .SUPPORT | 108120 | 1 |
| 161 | 214N5054-11 | | .SUPPORT ASSY | 108120 | 6 |
| 164 | 411N4026-2 | | ..CAP ASSY- OPTIONAL PART: 411N4026-10 | 108120 | 1 |
| 164 | 411N4026-10 | | ..CAP ASSY- OPTIONAL PART: 411N4026-2 | 108120 | 1 |
| 165 | 411N4026-5 | | ...CAP- USED ON: 411N4026-2 | 108120 | 1 |
| 165 | 411N4026-11 | | ...CAP- USED ON: 411N4026-10 | 108120 | 1 |
| 166 | 411N4026-7 | | ...TAPE | 108120 | 1 |
| 167 | 2055155-5B | | ..CLIP- SUPPLIER CODE: V04169 | 108120 | 1 |
| 169 | 214N1051-5 | | .SUPPORT | 108120 | 1 |
| 210 | BOE2061-0003 | | .HOSE- SUPPLIER CODE: V16632 | 108120 | 1 |
| 220 | AS1506-11D50 | | .HOSE | 108120 | 1 |
| 225 | AS1506-12D50 | | .HOSE | 108120 | 2 |
| 235 | AS1506-14D50 | | .HOSE | 108120 | 1 |
| 240 | 214N3026-2 | | .DUCT- | 108120 | 1 |
| 245 | 214N3025-9 | | .DUCT | 108120 | 1 |
| 255 | 214N3025-12 | | .DUCT ASSY- | 108120 | 1 |

MISSING ITEM NUMBERS NOT APPLICABLE

- ITEM NOT ILLUSTRATED

21-26-09-26

21-26-09
FIG. 26
PAGE 3
JAN 20/09

BRI

BOEING PROPRIETARY - Copyright © - Unpublished Work - See title page for details.



757

PARTS CATALOG (MAINTENANCE)

| FIG ITEM | PART NUMBER | 1 2 3 4 5 6 7 | NOMENCLATURE | EFFECT FROM TO | UNITS PER ASSY |
|----------|---------------|---------------|---|----------------|----------------|
| 26 | | | | | |
| - 260 | 15J03-300 | .. | FLANGE- SUPPLIER CODE: V89513 OPTIONAL PART: NK130004-0300 V98625 2904AM300 V94581 | 108120 | 1 |
| - 260 | 2904AM300 | .. | FLANGE- SUPPLIER CODE: V94581 OPTIONAL PART: 15J03-300 V89513 | 108120 | 1 |
| - 260 | NK130004-0300 | .. | FLANGE- SUPPLIER CODE: V98625 OPTIONAL PART: 15J03-300 V89513 | 108120 | 1 |
| - 262 | 214N3025-16 | .. | DUCT | 108120 | 1 |
| 290 | 214N3025-14 | . | DUCT ASSY | 108120 | 1 |
| - 300 | 15J03-300 | .. | FLANGE- SUPPLIER CODE: V89513 OPTIONAL PART: NK130004-0300 V98625 2904AM300 V94581 | 108120 | 1 |
| - 300 | 2904AM300 | .. | FLANGE- SUPPLIER CODE: V94581 OPTIONAL PART: 15J03-300 V89513 | 108120 | 1 |
| - 300 | NK130004-0300 | .. | FLANGE- SUPPLIER CODE: V98625 OPTIONAL PART: 15J03-300 V89513 | 108120 | 1 |

MISSING ITEM NUMBERS NOT APPLICABLE

- ITEM NOT ILLUSTRATED

BRI

21-26-09-26

21-26-09
FIG. 26
PAGE 4
JAN 20/09



757

PARTS CATALOG (MAINTENANCE)

| FIG ITEM | PART NUMBER | 1 2 3 4 5 6 7 | NOMENCLATURE | EFFECT FROM TO | UNITS PER ASSY |
|----------|---------------|---------------|---|----------------|----------------|
| 26 | | | | | |
| - 305 | 15J03-350 | .. | FLANGE- SUPPLIER CODE: V89513 OPTIONAL PART: NK130004-0300 V98625 2904AM300 V94581 | 108120 | 1 |
| - 305 | 2904AM350 | .. | FLANGE- SUPPLIER CODE: V94581 OPTIONAL PART: 15J03-350 V89513 | 108120 | 1 |
| - 305 | NK130004-0350 | .. | FLANGE- SUPPLIER CODE: V98625 OPTIONAL PART: 15J03-350 V89513 | 108120 | 1 |
| - 307 | 214N3025-15 | .. | DUCT | 108120 | 1 |
| 320 | 214N3025-13 | . | DUCT ASSY | 108120 | 1 |
| - 325 | 2904AM350 | .. | FLANGE- SUPPLIER CODE: V94581 OPTIONAL PART: 15J03-350 V89513 | 108120 | 1 |
| - 325 | NK130004-0350 | .. | FLANGE- SUPPLIER CODE: V98625 OPTIONAL PART: 15J03-350 V89513 | 108120 | 1 |
| - 325 | 15J03-350 | .. | FLANGE- SUPPLIER CODE: V89513 OPTIONAL PART: NK130004-0350 V98625 2904AM350 V94581 | 108120 | 1 |
| - 327 | 214N3025-17 | .. | DUCT | 108120 | 1 |
| 335 | 214N3025-1 | . | DUCT | 108120 | 1 |

MISSING ITEM NUMBERS NOT APPLICABLE

- ITEM NOT ILLUSTRATED

21-26-09-26

21-26-09
FIG. 26
PAGE 5
JAN 20/09

BRI



757

PARTS CATALOG (MAINTENANCE)

| FIG ITEM | PART NUMBER | 1 2 3 4 5 6 7 | NOMENCLATURE | EFFECT FROM TO | UNITS PER ASSY |
|-----------|-------------|---|--------------|----------------|----------------|
| 26 345 | 32-1000 | .CAP-END SUPPLIER CODE: V25205 OPTIONAL PART: 2000-16 V15819 | | 108120 | 1 |
| 345 | 2000-16 | .CAP-END SUPPLIER CODE: V15819 OPTIONAL PART: 32-1000 V25205 | | 108120 | 1 |
| 350 | 32-1250 | .CAP-END SUPPLIER CODE: V25205 OPTIONAL PART: 2000-16 V15819 | | 108120 | 1 |
| 350 | 2000-16 | .CAP-END SUPPLIER CODE: V15819 OPTIONAL PART: 32-1250 V25205 | | 108120 | 1 |

MISSING ITEM NUMBERS NOT APPLICABLE

- ITEM NOT ILLUSTRATED

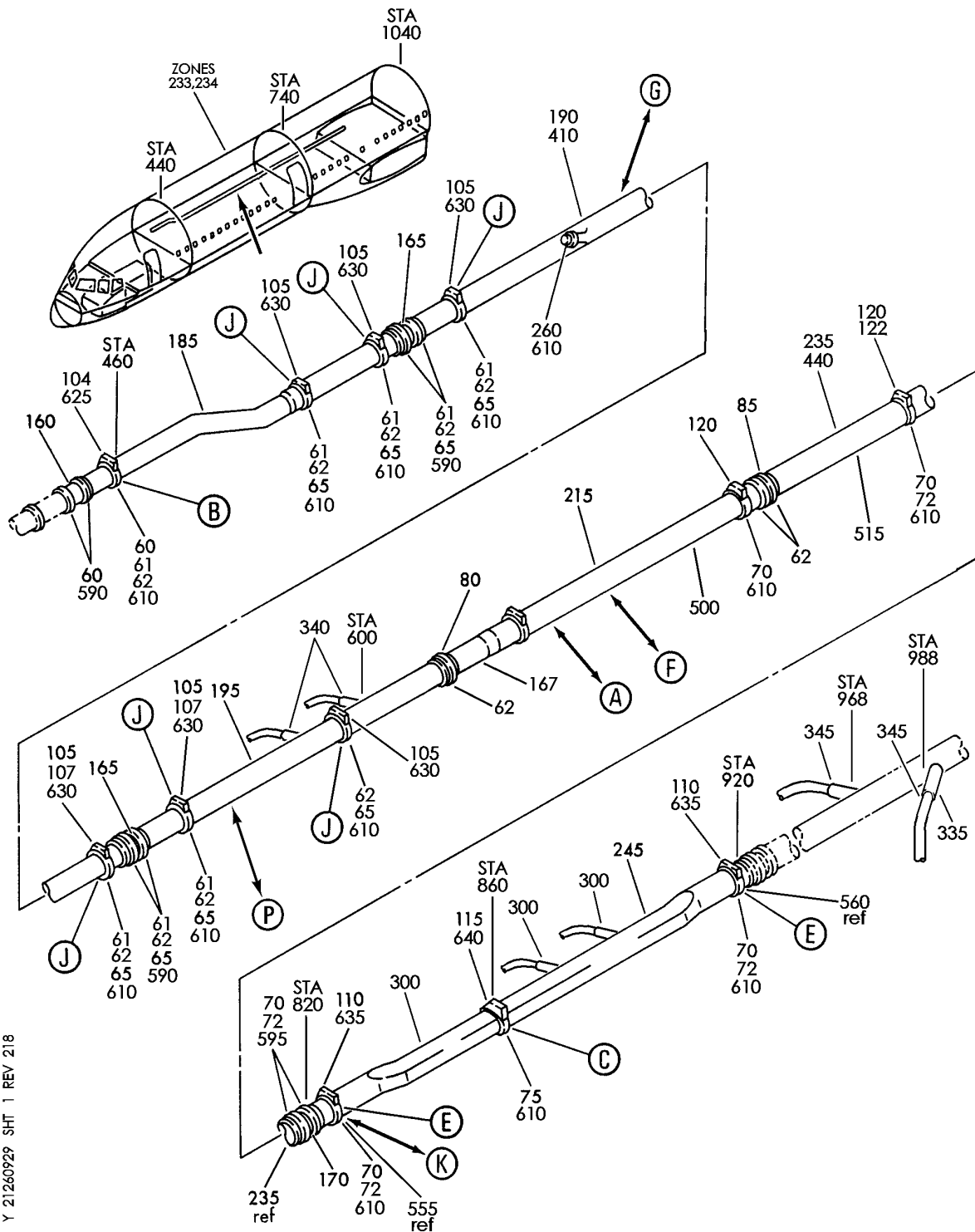
BRI

21-26-09-26

BOEING PROPRIETARY - Copyright © - Unpublished Work - See title page for details.

21-26-09
FIG. 26
PAGE 6
JAN 20/09


BOEING
 757
PARTS CATALOG (MAINTENANCE)



Y 21260929 SHT 1 REV 218

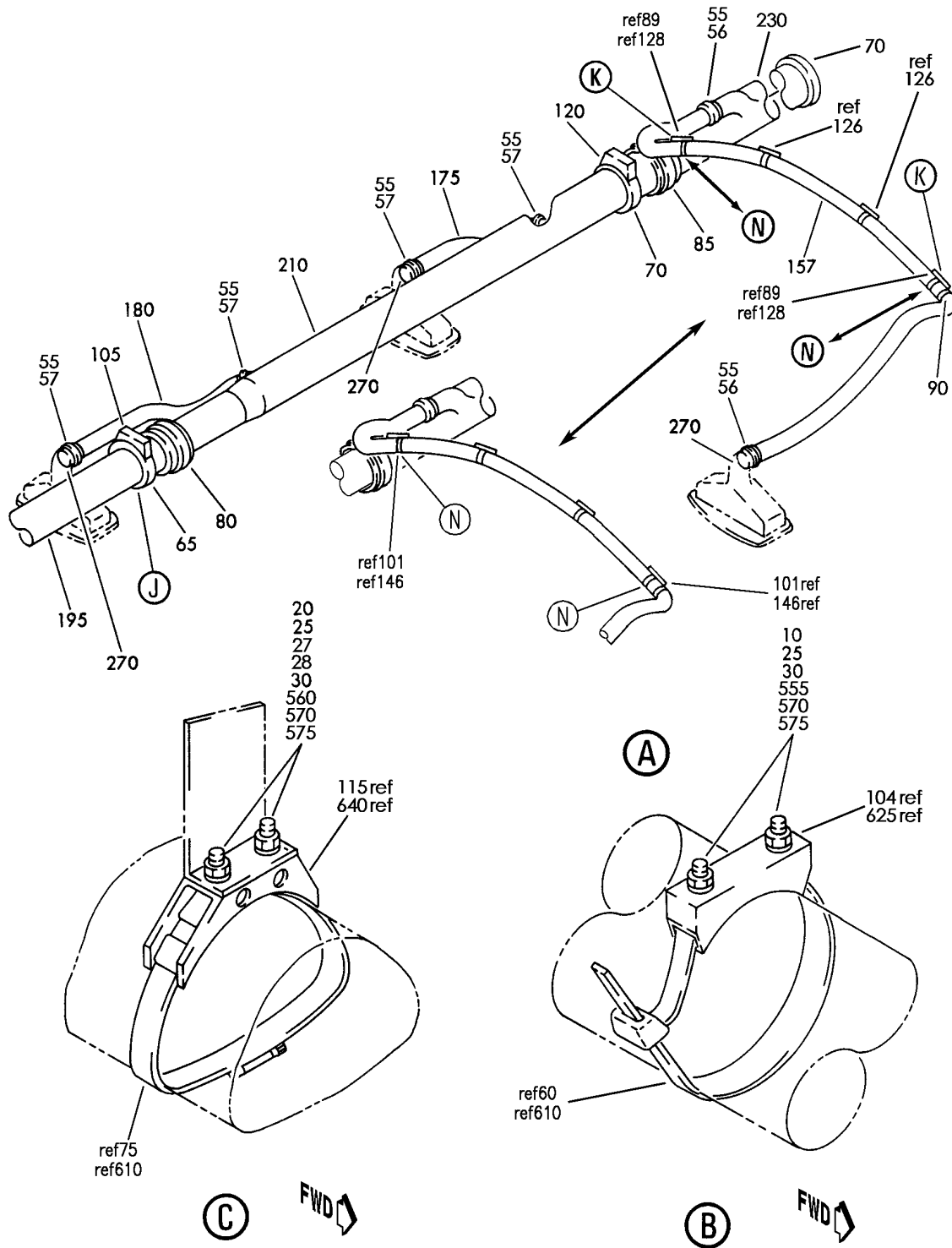
DUCT INSTL-SECT. 43 LAV/GALLEY VENT SYSTEM
 FIGURE 29 (SHEET 1)

21-26-09-29

BRI
MAY 28/07

21-26-09-29
 PAGE 0

BOEING
757
PARTS CATALOG (MAINTENANCE)



Y 21260929 SH1 2 REV 299

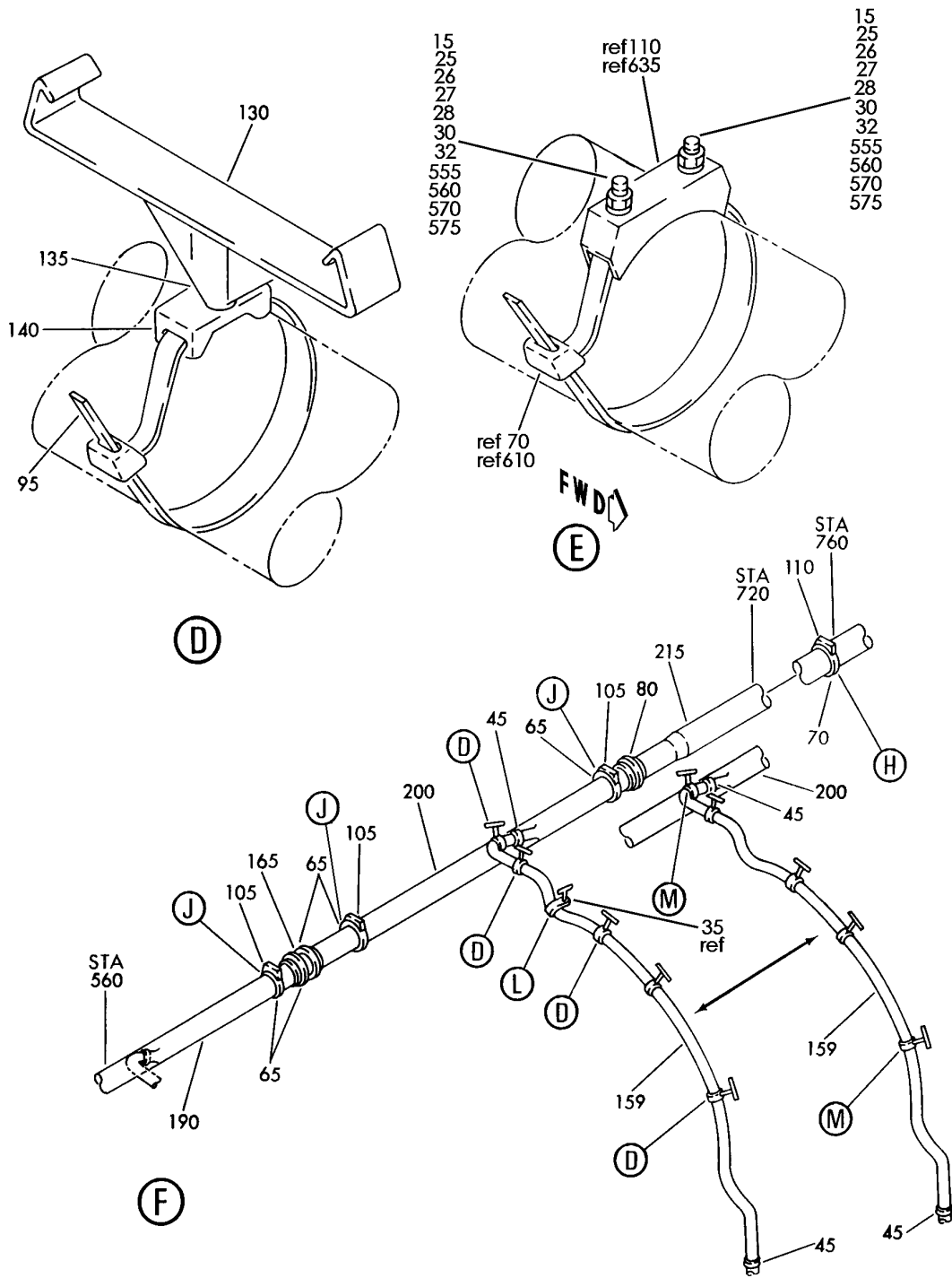
DUCT INSTL-SECT. 43 LAV/GALLEY VENT SYSTEM
FIGURE 29 (SHEET 2)

21-26-09-29

BRI
MAY 28/07

21-26-09-29
PAGE 0A

BOEING
757
PARTS CATALOG (MAINTENANCE)



Y 21260929 SHT 3 REV 218

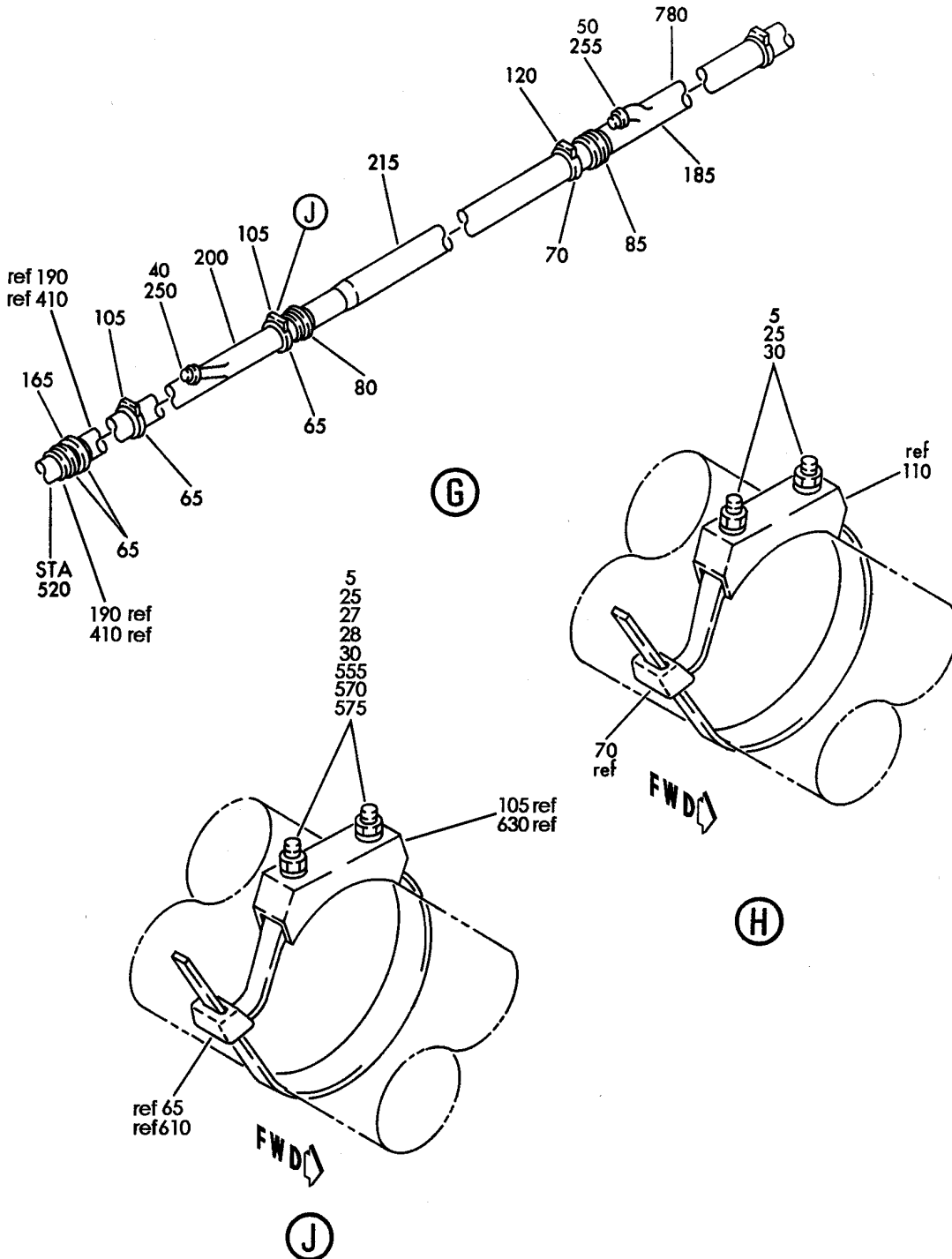
DUCT INSTL-SECT. 43 LAV/GALLEY VENT SYSTEM
FIGURE 29 (SHEET 3)

21-26-09-29

BRI
MAY 28/07

21-26-09-29
PAGE 0B


BOEING
 757
PARTS CATALOG (MAINTENANCE)



Y 21260929 SHT 4 REV 213

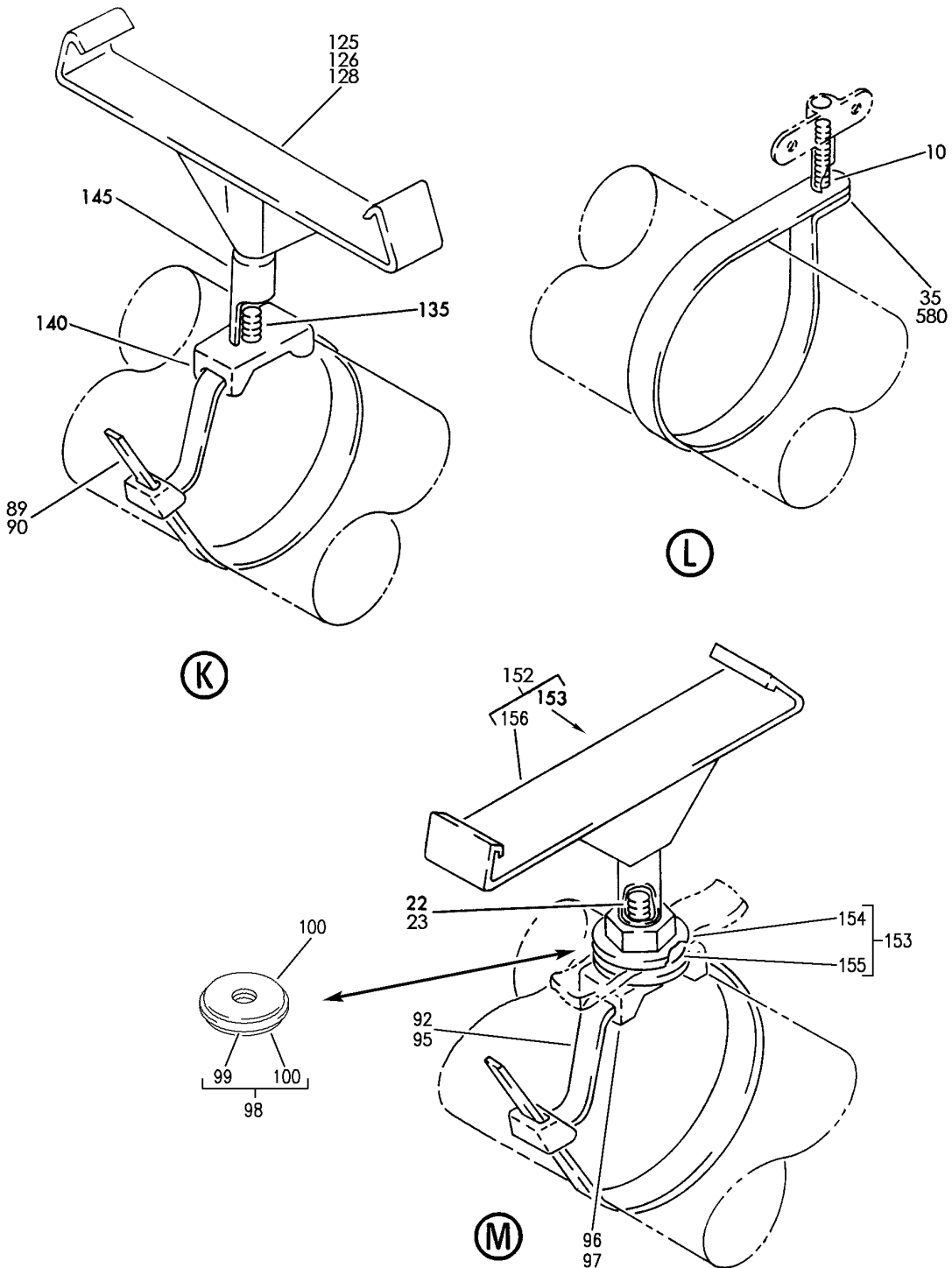
DUCT INSTL-SECT. 43 LAV/GALLEY VENT SYSTEM
 FIGURE 29 (SHEET 4)

21-26-09-29

BRI
 MAY 28/07

21-26-09-29
 PAGE 0C

BOEING
757
PARTS CATALOG (MAINTENANCE)



Y 21260929 SH1 5 REV 299

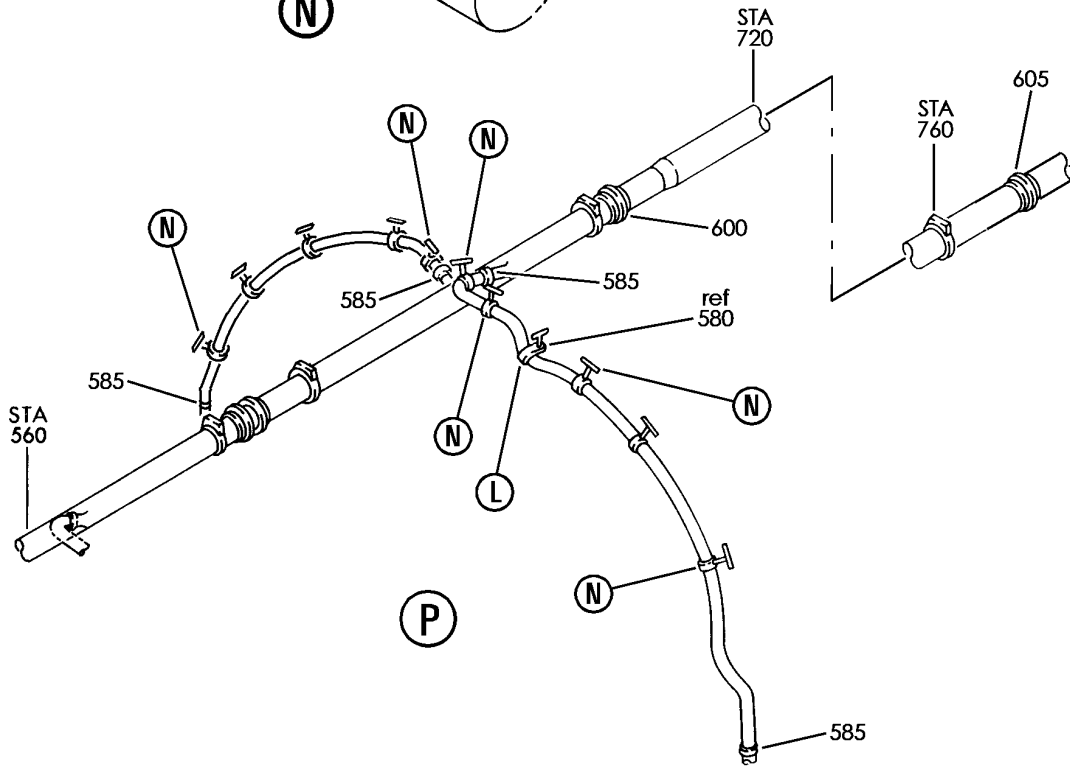
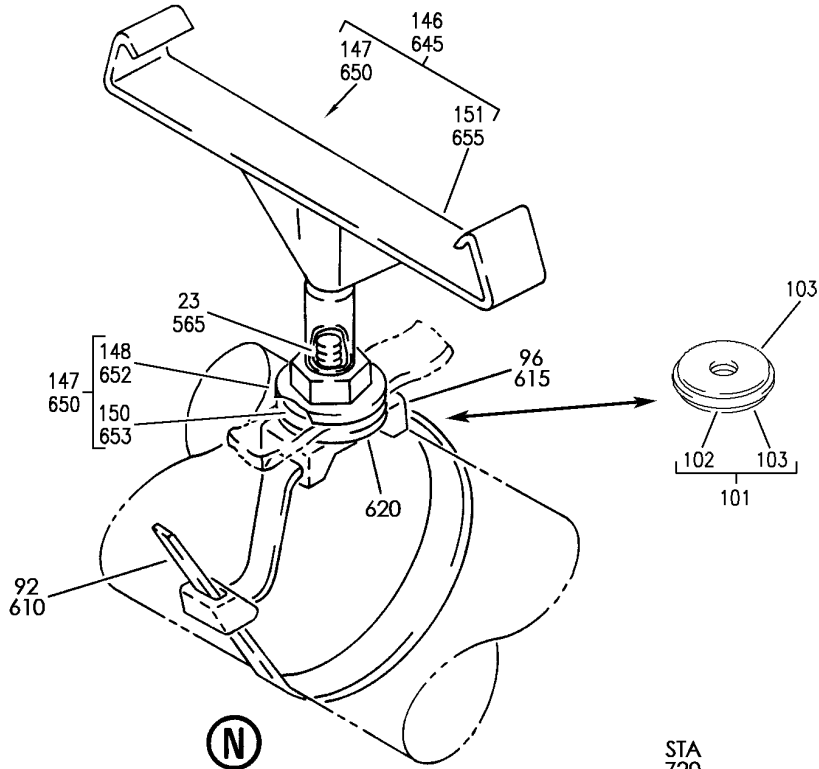
DUCT INSTL-SECT. 43 LAV/GALLEY VENT SYSTEM
FIGURE 29 (SHEET 5)

21-26-09-29

BRI
MAY 28/07

21-26-09-29
PAGE 0D

BOEING
757
PARTS CATALOG (MAINTENANCE)



Y 21260929 SH-T 6 REV 299

DUCT INSTL-SECT. 43 LAV/GALLEY VENT SYSTEM
FIGURE 29 (SHEET 6)

21-26-09-29

BRI
MAY 28/07

21-26-09-29
PAGE 0E



757

PARTS CATALOG (MAINTENANCE)

| FIG ITEM | PART NUMBER | 1 2 3 4 5 6 7 | NOMENCLATURE | EFFECT FROM TO | UNITS PER ASSY |
|----------|---------------|---------------|--|------------------|----------------|
| 29 | | | DUCT INSTL-SECT. 43 LAV/GALLEY VENT SYSTEM | 011100 504903 | |
| - 1 | 214N3003-37 | | DUCT INSTL-LAV/GALLEY VENT SYS POSITION DATA: SECT. 43 FOR NHA SEE: 21-00-00-01 | 011100 | RF |
| - 1 | 214N3003-44 | | DUCT INSTL-LAV/GALLEY VENT SYS POSITION DATA: SECT. 43 FOR NHA SEE: 21-00-00-12 | 504903 | RF |
| 5 | BACS12FA3K7 | | .SCREW | 011100 504903 | 14 |
| 12 | BACS12FA3K7 | | .SCREW | 011100 | 2 |
| 15 | BACS12FA3K11 | | .SCREW- OPTIONAL PART: BACS12FA3K16 | 504903 011100 | 4 |
| 15 | BACS12FA3K16 | | .SCREW- OPTIONAL PART: BACS12FA3K11 | 011100 504903 | 4 |
| 20 | BACS12FA3K11 | | .SCREW- OPTIONAL PART: BACS12FA3K16 | 011100 504903 | 2 |
| 20 | BACS12FA3K16 | | .SCREW- OPTIONAL PART: BACS12FA3K11 | 011100 504903 | 2 |
| 25 | AN960JD10L | | .WASHER- | 011100 | 20 |
| 25 | NAS1149D0332J | | .WASHER- | 504903 504903 | 20 |

MISSING ITEM NUMBERS NOT APPLICABLE

- ITEM NOT ILLUSTRATED

21-26-09-29

21-26-09
FIG. 29
PAGE 1
JAN 20/09

BRI

 **BOEING**
757
PARTS CATALOG (MAINTENANCE)

| FIG ITEM | PART NUMBER | 1 2 3 4 5 6 7 | NOMENCLATURE | EFFECT FROM TO | UNITS PER ASSY |
|----------|----------------|---------------|---|------------------|----------------|
| 29 | | | | | |
| 30 | BRH10A3 | .NUT- | SUPPLIER CODE: V52828 SPECIFICATION NUMBER: BACN10JC3 OPTIONAL PART: H10-3BAC V15653 NS202101-02 V80539 RMLH9075-3W V72962 VN303A02 V92215 96-02 V80539 T6S1032J V11815 | 011100 504903 | 20 |
| 50 | NAS1922-0225-1 | .CLAMP | | 504903 | 1 |
| 55 | NAS1922-0225-1 | .CLAMP- | | 504504 506506 | 6 |
| 56 | NAS1922-0225-1 | .CLAMP | | 505505 507903 | 2 |
| 60 | NAS1922-0275-3 | .CLAMP | | 011100 504903 | 3 |
| 62 | NAS1922-0275-3 | .CLAMP | | 504903 | 14 |
| 65 | NAS1922-0275-3 | .CLAMP- | | 011100 504903 | 10 |
| 70 | NAS1922-0350-1 | .CLAMP- | | 011100 504903 | 6 |
| 75 | NAS1922-0400-3 | .CLAMP | | 011100 504903 | 1 |
| 80 | NH135008-0300 | .COUPLING | SUPPLIER CODE: V00624 SPECIFICATION NUMBER: BACC10HX300 | 011100 504903 | 1 |
| 85 | NH135008-0350 | .COUPLING | SUPPLIER CODE: V00624 SPECIFICATION NUMBER: BACC10HX350 | 011100 504903 | 1 |

MISSING ITEM NUMBERS NOT APPLICABLE

— ITEM NOT ILLUSTRATED

BRI

21-26-09-29

BOEING PROPRIETARY - Copyright © - Unpublished Work - See title page for details.

21-26-09
FIG. 29
PAGE 2
JAN 20/09



757

PARTS CATALOG (MAINTENANCE)

| FIG ITEM | PART NUMBER | 1 2 3 4 5 6 7 | NOMENCLATURE | EFFECT FROM TO | UNITS PER ASSY |
|----------|-------------|---------------|--|------------------|----------------|
| 29 | | | | | |
| 90 | PLT4SM | .STRAP- | SUPPLIER CODE: V06383 SPECIFICATION NUMBER: BACS38K2 OPTIONAL PART: T05L0 V53421 SLT8LHC6 V06383 | 504903 | 5 |
| 90 | SLT8LHC6 | .STRAP- | SUPPLIER CODE: V06383 OPTIONAL PART: BACS38K2 | 504903 | 5 |
| 104 | 214T3424-22 | .SUPPORT | | 011100 504903 | 1 |
| 105 | 214T3424-4 | .SUPPORT | | 011100 504903 | 6 |
| 110 | 214T3424-5 | .SUPPORT | | 011100 504903 | 2 |
| 115 | 214T3424-7 | .SUPPORT | | 011100 504903 | 1 |
| 120 | 214N1051-5 | .SUPPORT | | 011100 504903 | 2 |
| 125 | 214N5054-1 | .SUPPORT ASSY | | 504504 506506 | 4 |
| 126 | 214N5054-1 | .SUPPORT ASSY | | 505505 507903 | 2 |
| 135 | BACS12ER3K6 | ..SCREW | | 504504 506506 | 1 |
| 135 | BACS12ER3K6 | ..SCREW | | 505505 507903 | 1 |
| 140 | TM2S8 | ..PLATE | SUPPLIER CODE: V06383 SPECIFICATION NUMBER: STBP19M9 | 504504 506506 | 1 |
| 140 | TM2S8 | ..PLATE | SUPPLIER CODE: V06383 SPECIFICATION NUMBER: STBP19M9 | 505505 507903 | 1 |
| 145 | 2055155-10C | ..CLIP- | SUPPLIER CODE: V04169 | 504504 506506 | 1 |
| 145 | 2055155-10C | ..CLIP- | SUPPLIER CODE: V04169 | 505505 507903 | 1 |

MISSING ITEM NUMBERS NOT APPLICABLE

- ITEM NOT ILLUSTRATED

21-26-09-29

21-26-09
FIG. 29
PAGE 3
JAN 20/09

BRI



757

PARTS CATALOG (MAINTENANCE)

| FIG ITEM | PART NUMBER | 1 2 3 4 5 6 7 | NOMENCLATURE | EFFECT FROM TO | UNITS PER ASSY |
|-----------|----------------|---------------|--|------------------|----------------|
| 29 157 | BOE2058-0002 | .HOSE- | SUPPLIER CODE: V16632 OPTIONAL PART: 713501-1 V70628 | 504504 506506 | 1 |
| 157 | 713501-1 | .HOSE- | SUPPLIER CODE: V70628 OPTIONAL PART: BOE2058-0002 V16632 | 504504 506506 | 1 |
| 160 | AS1506-11D50 | .HOSE- | | 011011 504903 | 1 |
| 160 | AS1504-11B0070 | .HOSE- | | 012100 | 1 |
| 165 | AS1506-12D50 | .HOSE | | 011100 504903 | 2 |
| 170 | AS1506-14D50 | .HOSE | | 011100 504903 | 1 |
| 175 | AS1504-09B0160 | .HOSE- | | 504504 506506 | 1 |
| 180 | AS1504-09B0330 | .HOSE- | | 504504 506506 | 1 |
| 185 | 214N3026-2 | .DUCT | | 011100 504903 | 1 |
| 190 | 214N3025-9 | .DUCT- | | 011100 504903 | 1 |
| 195 | 214N3025-4 | .DUCT ASSY | | 011100 504903 | 1 |
| 210 | 214N3025-3 | .DUCT ASSY | | 504903 | 1 |
| 215 | 214N3025-14 | .DUCT ASSY | | 011100 | 1 |
| 230 | 214N3025-2 | .DUCT ASSY | | 504903 | 1 |
| 235 | 214N3025-13 | .DUCT ASSY | | 011100 | 1 |
| 245 | 214N3025-1 | .DUCT | | 011100 504903 | 1 |
| 260 | 32-1000 | .CAP-END | SUPPLIER CODE: V25205 | 504903 | 1 |

MISSING ITEM NUMBERS NOT APPLICABLE

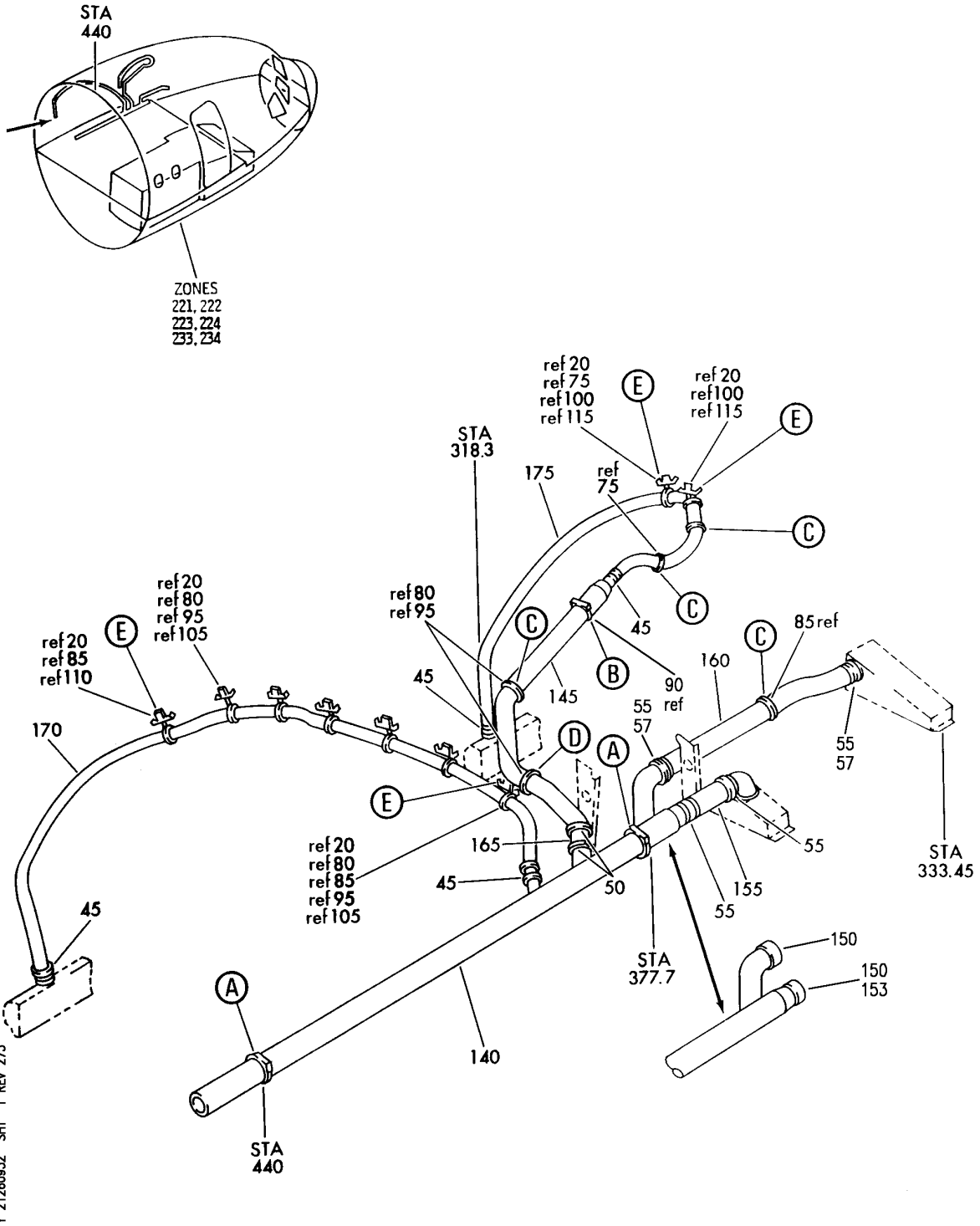
- ITEM NOT ILLUSTRATED

BRI

21-26-09-29

21-26-09
FIG. 29
PAGE 4
JAN 20/09

BOEING
757
PARTS CATALOG (MAINTENANCE)



Y 21260932 SH1 1 REV 273

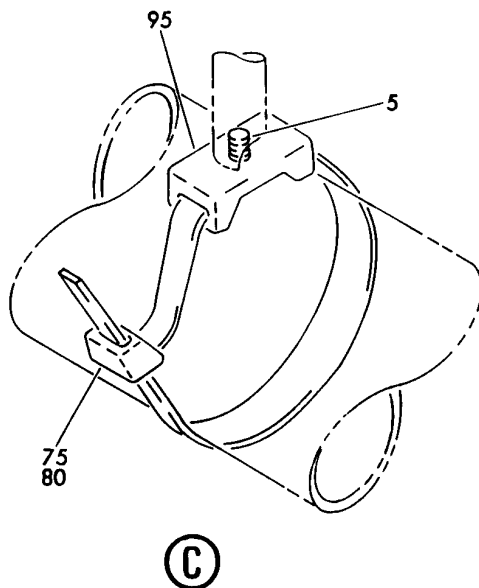
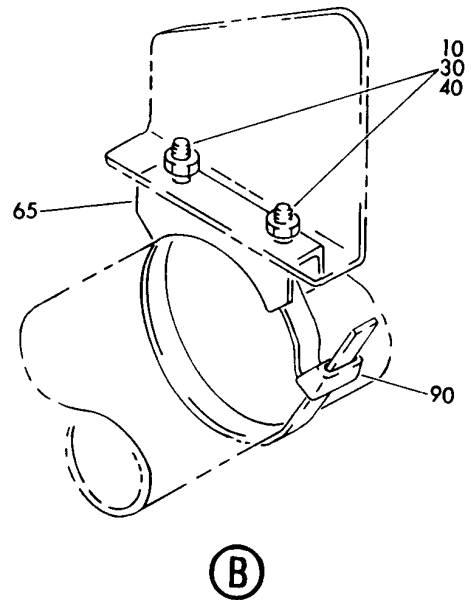
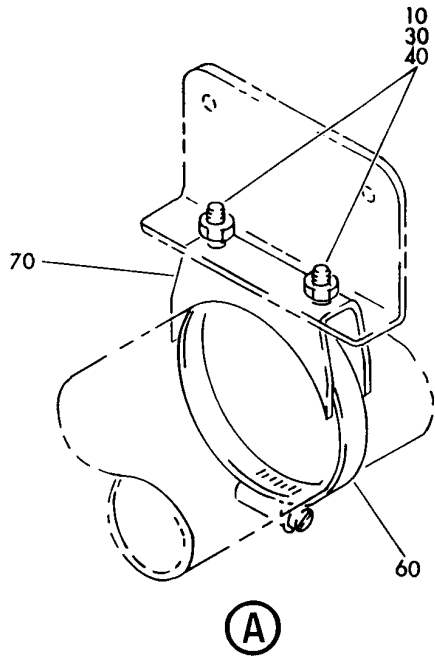
DUCT INSTL-SECT. 41 LAV/ GALLEY VENT SYS
FIGURE 32 (SHEET 1)

21-26-09-32

BRI
JAN 20/09

21-26-09-32
PAGE 0

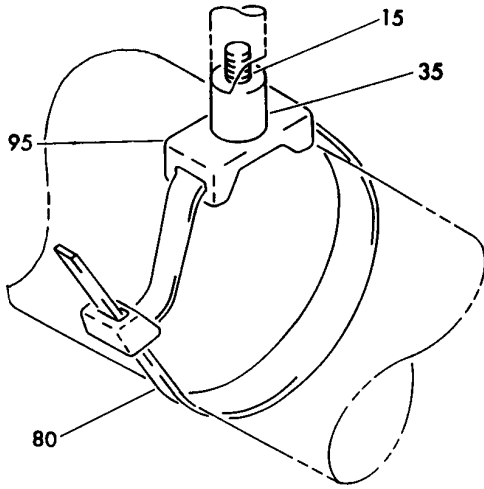
BOEING
757
PARTS CATALOG (MAINTENANCE)



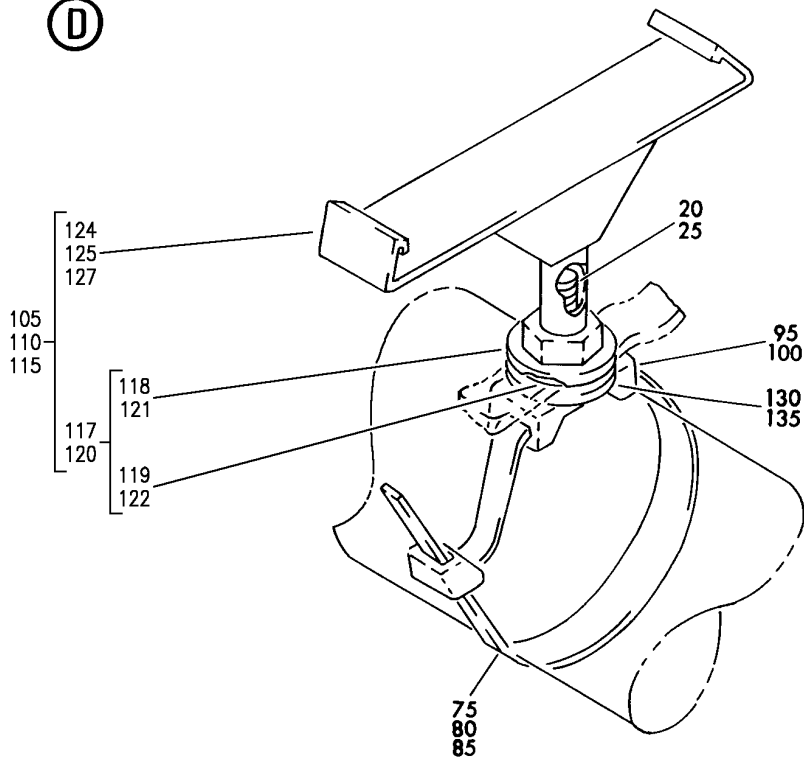
Y 21260932 SHT 2 REV 157

DUCT INSTL-SECT. 41 LAV/ GALLEY VENT SYS
FIGURE 32 (SHEET 2)

BOEING
757
PARTS CATALOG (MAINTENANCE)



(D)



(E)

Y 21260932 SH1 3 REV 299

DUCT INSTL-SECT. 41 LAV/ GALLEY VENT SYS
FIGURE 32 (SHEET 3)

BRI
JAN 20/09

21-26-09-32

21-26-09-32
PAGE 08



757

PARTS CATALOG (MAINTENANCE)

| FIG ITEM | PART NUMBER | 1 2 3 4 5 6 7 | NOMENCLATURE | EFFECT FROM TO | UNITS PER ASSY |
|----------|----------------|---------------|--|----------------|----------------|
| 32 | | | DUCT INSTL-SECT. 41 LAV/ GALLEY VENT SYS | 504903 | |
| - 1 | 214N3002-31 | | DUCT INSTL-LAV/GALLEY VENT SYS POSITION DATA: SECT. 41 FOR NHA SEE: 21-00-00-12 | 504903 | RF |
| 5 | BACS12ER3K6 | .SCREW | | 504903 | 4 |
| 10 | BACS12FA3K7 | .SCREW | | 504903 | 6 |
| 15 | BACS12FA3K14 | .SCREW | | 504903 | 1 |
| 20 | BACS12ER3K8 | .SCREW- | | 504903 | 8 |
| | | | OPTIONAL PART: BACS12GP3K8 | | |
| 20 | BACS12GP3K8 | .SCREW- | | 504903 | 8 |
| | | | OPTIONAL PART: BACS12ER3K8 | | |
| 30 | NAS1149D0332J | .WASHER | | 504903 | 6 |
| 35 | NAS43DD3-30N | .SPACER | | 504903 | 1 |
| 40 | PLH53CD | .NUT | | 504903 | 6 |
| | | | SUPPLIER CODE: VF0224 SPECIFICATION NUMBER: BACN10YR3CD OPTIONAL PART: H52732-3CD V15653 | | |
| 45 | NAS1922-0150-3 | .CLAMP | | 504903 | 4 |
| 50 | NAS1922-0225-3 | .CLAMP | | 504903 | 2 |
| 60 | NAS1922-0275-3 | .CLAMP | | 504903 | 2 |
| 65 | 214T3424-2 | .SUPPORT | | 504903 | 1 |
| 70 | 214T3424-22 | .SUPPORT | | 504903 | 2 |
| 75 | T05R0 | .STRAP | | 504903 | 4 |
| | | | SUPPLIER CODE: V53421 SPECIFICATION NUMBER: BACS38K1 OPTIONAL PART: PLT2SM V06383 | | |
| 80 | PLT4SM | .STRAP | | 504903 | 8 |
| | | | SUPPLIER CODE: V06383 SPECIFICATION NUMBER: BACS38K2 OPTIONAL PART: T05L0 V53421 | | |

MISSING ITEM NUMBERS NOT APPLICABLE

- ITEM NOT ILLUSTRATED

21-26-09-32

21-26-09
FIG. 32
PAGE 1
JAN 20/09

BRI



757

PARTS CATALOG (MAINTENANCE)

| FIG ITEM | PART NUMBER | 1 2 3 4 5 6 7 | NOMENCLATURE | EFFECT FROM TO | UNITS PER ASSY |
|----------|-------------|---------------|--|----------------|----------------|
| 32 | | | | | |
| 90 | PLT4HTL | . | STRAP SUPPLIER CODE: V06383 SPECIFICATION NUMBER: BACS38K3 OPTIONAL PART: T012R0 V53421 | 504903 | 1 |
| 95 | TM2S8 | . | PLATE SUPPLIER CODE: V06383 SPECIFICATION NUMBER: STBP19M9 | 504903 | 12 |
| 105 | 214N5054-12 | . | SUPPORT ASSY | 504903 | 6 |
| 115 | 214N5054-11 | . | SUPPORT ASSY | 504903 | 2 |
| 117 | 411N4026-2 | .. | CAP ASSY- OPTIONAL PART: 411N4026-10 | 504903 | 1 |
| 117 | 411N4026-10 | .. | CAP ASSY- OPTIONAL PART: 411N4026-2 | 504903 | 1 |
| 118 | 411N4026-5 | ... | CAP- USED ON: 411N4026-2 | 504903 | 1 |
| 118 | 411N4026-11 | ... | CAP- USED ON: 411N4026-10 | 504903 | 1 |
| 119 | 411N4026-7 | ... | TAPE | 504903 | 1 |
| 124 | 2055155-10B | .. | CLIP- SUPPLIER CODE: V04169 | 504903 | 1 |
| 127 | 2055155-5B | .. | CLIP- SUPPLIER CODE: V04169 | 504903 | 1 |
| 130 | BACW10DZ3 | . | WASHER- OPTIONAL PART: 411N4026-12 | 504903 | 8 |
| 130 | 411N4026-12 | . | WASHER ASSY- OPTIONAL PART: BACW10DZ3 | 504903 | 8 |
| 140 | 214N3021-3 | . | DUCT | 504903 | 1 |
| 145 | 214N3022-4 | . | DUCT ASSY | 504903 | 1 |
| 150 | 2250-16 | . | CAP- SUPPLIER CODE: V15819 OPTIONAL PART: 36-1000 V25205 | 504903 | 2 |

MISSING ITEM NUMBERS NOT APPLICABLE

- ITEM NOT ILLUSTRATED

21-26-09-32

21-26-09
FIG. 32
PAGE 2
JAN 20/09

BRI



757

PARTS CATALOG (MAINTENANCE)

| FIG ITEM | PART NUMBER | 1 2 3 4 5 6 7 | NOMENCLATURE | EFFECT FROM TO | UNITS PER ASSY |
|-----------|--------------|---------------|--|----------------|----------------|
| 32 150 | 36-1000 | | .CAP- SUPPLIER CODE: V25205 OPTIONAL PART: 2250-16 V15819 | 504903 | 2 |
| 165 | AS1506-08D40 | | .HOSE | 504903 | 1 |
| 170 | BOE2061-0003 | | .HOSE- SUPPLIER CODE: V16632 | 504903 | 1 |
| 175 | BOE2061-0005 | | .HOSE- SUPPLIER CODE: V16632 | 504903 | 1 |

MISSING ITEM NUMBERS NOT APPLICABLE

- ITEM NOT ILLUSTRATED

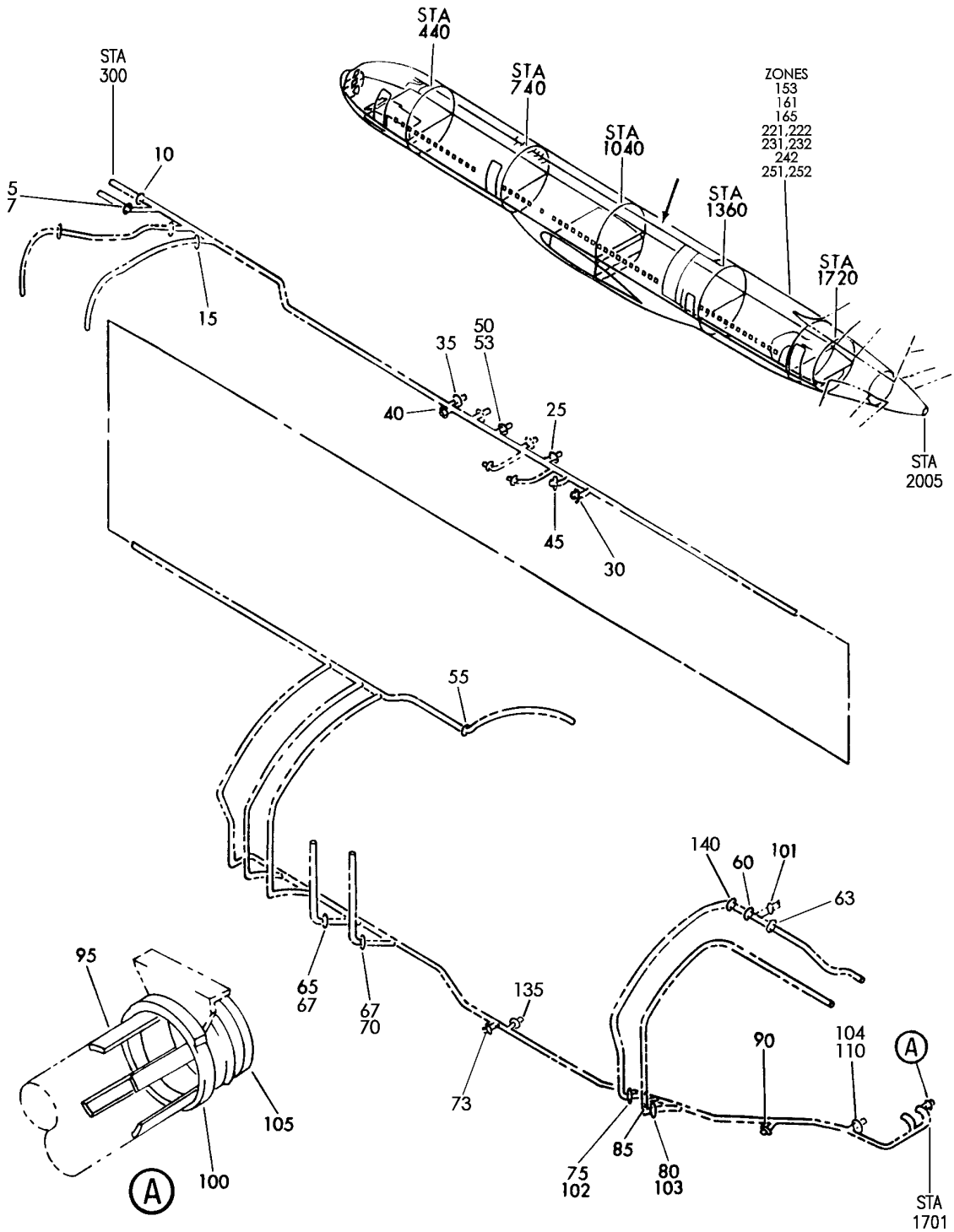
BRI

21-26-09-32

BOEING PROPRIETARY - Copyright © - Unpublished Work - See title page for details.

21-26-09
FIG. 32
PAGE 3
JAN 20/09

BOEING
757
PARTS CATALOG (MAINTENANCE)



Y 21260939 REV 308

ORIFICE INSTL-LAV/GALLEY VENT SYS
FIGURE 39

21-26-09-39

BRI
MAY 28/07

21-26-09-39
PAGE 0



757

PARTS CATALOG (MAINTENANCE)

| FIG ITEM | PART NUMBER | 1 2 3 4 5 6 7 | NOMENCLATURE | EFFECT FROM TO | UNITS PER ASSY |
|----------|----------------|---------------|--|------------------|----------------|
| 39 | | | ORIFICE INSTL-LAV/GALLEY VENT SYS | 011102 950951 | |
| - 1 | 214N3007-86 | | ORIFICE INSTL-LAV/GALLEY VENT SYS | 011015 | RF |
| | | | FOR NHA SEE: 21-00-00-01 | | |
| - 1 | 214N3007-90 | | ORIFICE INSTL-LAV/GALLEY VENT SYS | 950951 | RF |
| | | | FOR NHA SEE: 21-00-00-01 | | |
| - 2 | 214N3007-96 | | ORIFICE INSTL-LAV/GALLEY VENT SYS | 016102 | RF |
| | | | FOR NHA SEE: 21-00-00-01 21-00-00-15 | | |
| 5 | 214T3436-161 | | .ORIFICE ASSY- | 011102 950951 | 1 |
| 10 | 214T3436-161 | | .ORIFICE ASSY | 011102 950951 | 1 |
| 40 | 214T3436-10 | | .ORIFICE ASSY | 950951 | 1 |
| 55 | 214T3436-10 | | .ORIFICE ASSY | 011102 950951 | 1 |
| 65 | 214T3436-278 | | .ORIFICE ASSY | 011102 | 1 |
| 70 | 214T3436-53 | | .ORIFICE ASSY | 011102 950951 | 1 |
| 75 | 214T3436-113 | | .ORIFICE ASSY | 011102 950951 | 1 |
| 80 | 214T3436-194 | | .ORIFICE ASSY | 011015 950951 | 1 |
| 80 | 214T3436-1591 | | .ORIFICE ASSY | 016102 | 1 |
| 100 | NAS1922-0275-1 | | .CLAMP | 016102 950951 | 1 |
| 105 | 2500-16 | | .CAP-END | 011102 950951 | 1 |
| | | | SUPPLIER CODE: V15819 | | |
| | | | OPTIONAL PART: 40-1000 V25205 | | |
| 105 | 40-1000 | | .CAP-END | 011102 950951 | 1 |
| | | | SUPPLIER CODE: V25205 | | |
| | | | OPTIONAL PART: 2500-16 V15819 | | |
| 110 | 214T3436-1367 | | .ORIFICE ASSY | 011102 950951 | 1 |

MISSING ITEM NUMBERS NOT APPLICABLE

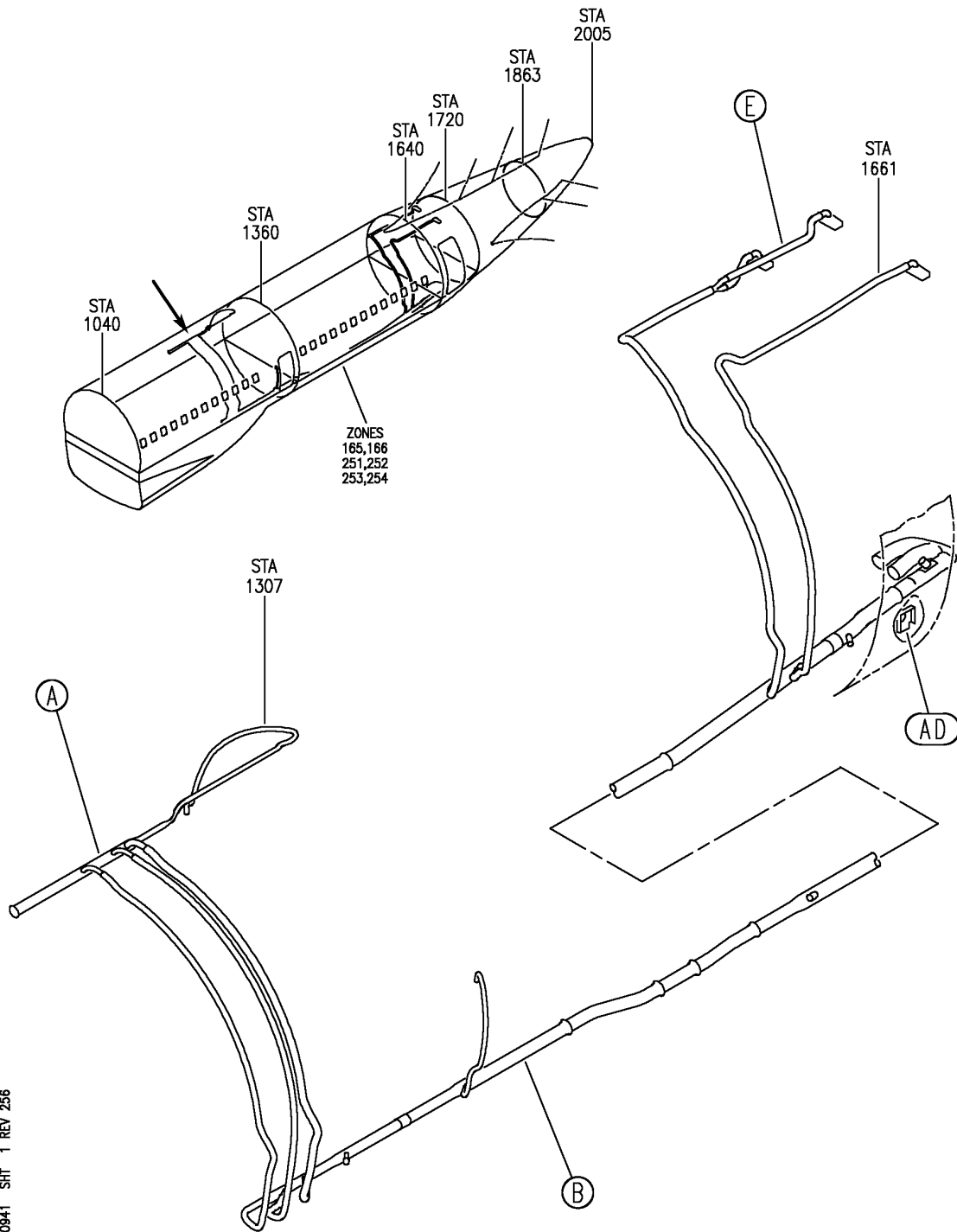
- ITEM NOT ILLUSTRATED

21-26-09-39

21-26-09
FIG. 39
PAGE 1
JAN 20/09

BRI

BOEING
757
PARTS CATALOG (MAINTENANCE)



Y 21260941 SHT 1 REV 256

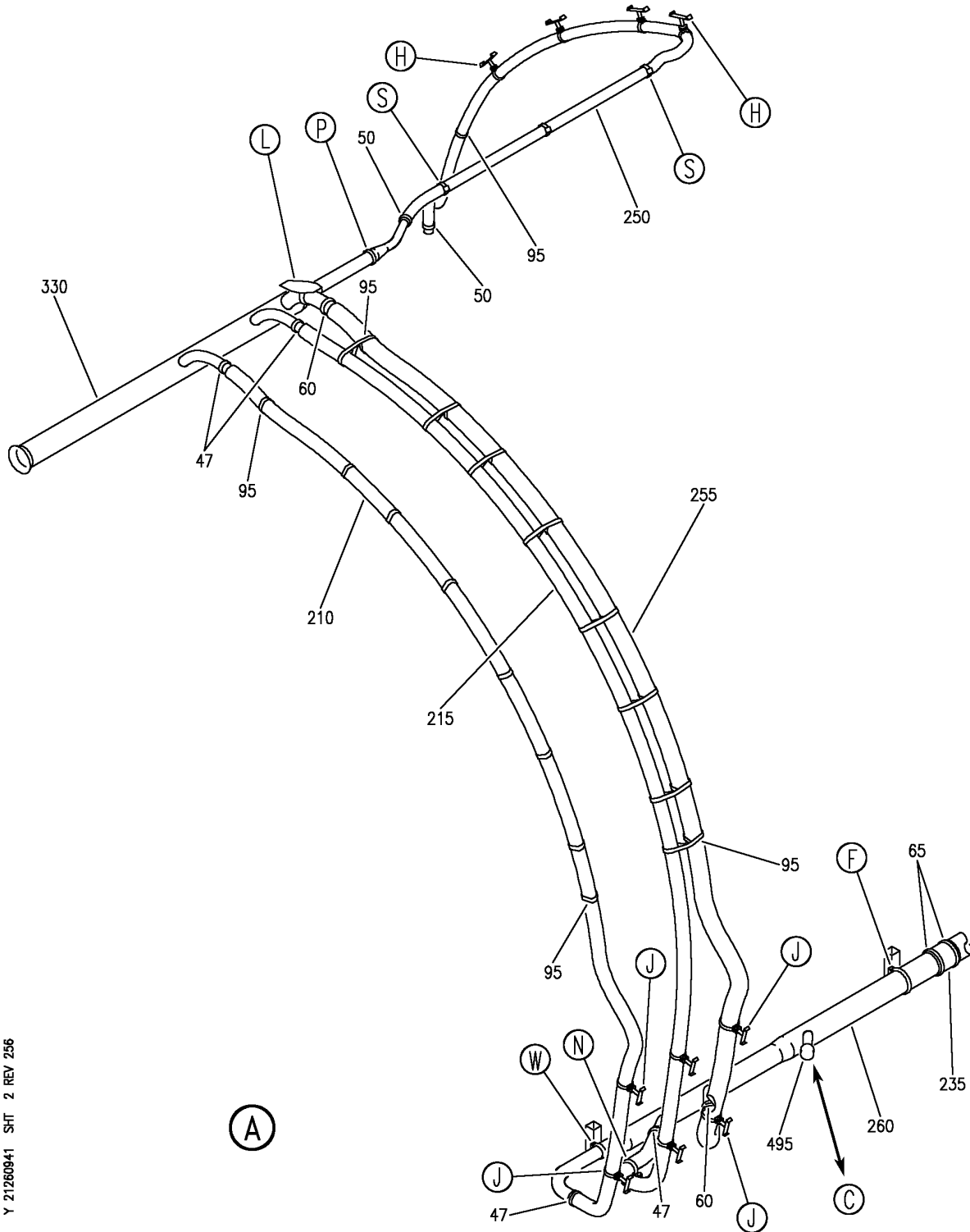
DUCT INSTL-SECT. 46 LAV/ GALLEY VENT SYS
FIGURE 41 (SHEET 1)

21-26-09-41

BRI
MAY 28/07

21-26-09-41
PAGE 0

BOEING
757
PARTS CATALOG (MAINTENANCE)



Y 21260941 SH1 2 REV 256

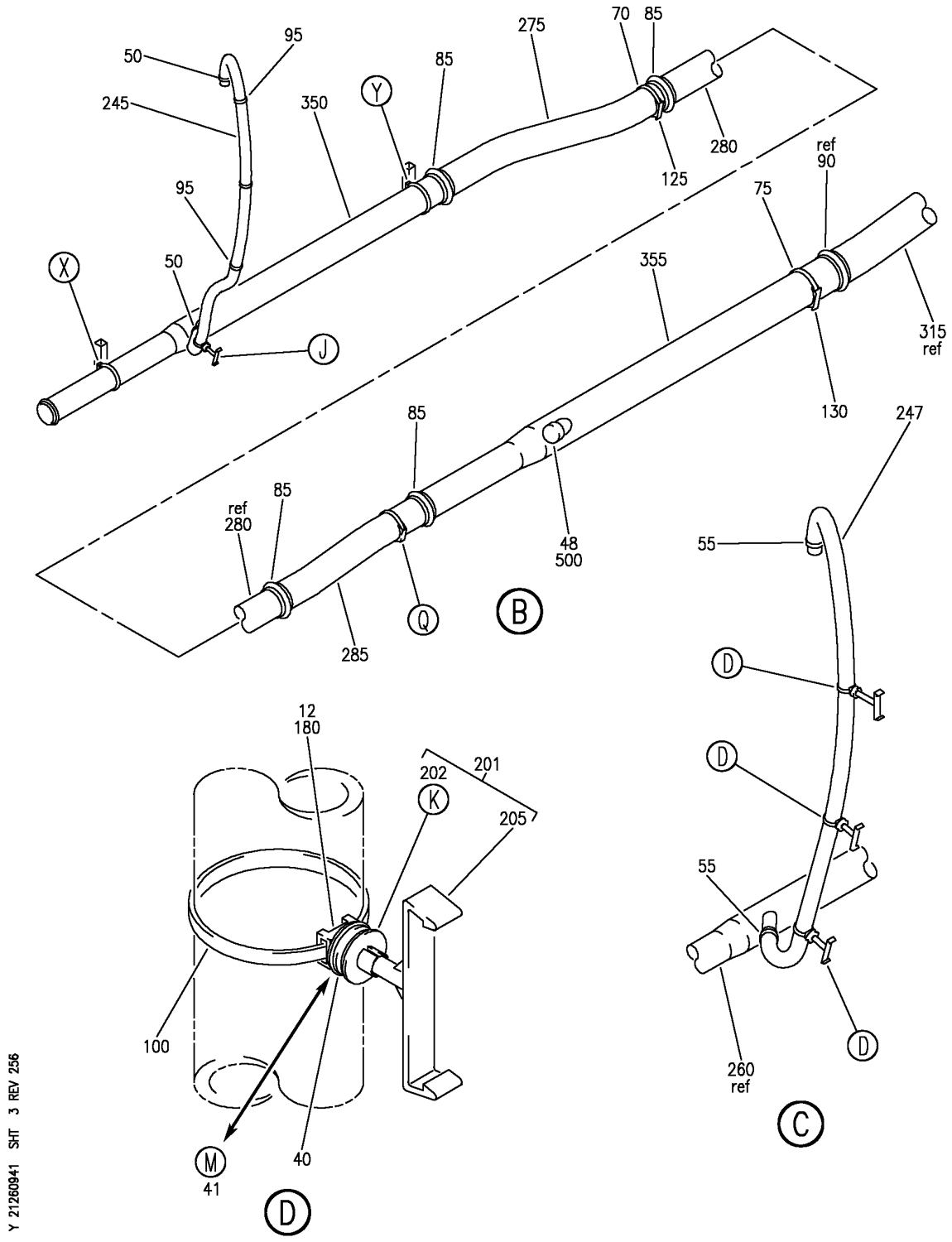
DUCT INSTL-SECT. 46 LAV/ GALLEY VENT SYS
FIGURE 41 (SHEET 2)

21-26-09-41

BRI
MAY 28/07

21-26-09-41
PAGE 0A

BOEING
757
PARTS CATALOG (MAINTENANCE)



Y 21260941 SH1 3 REV 256

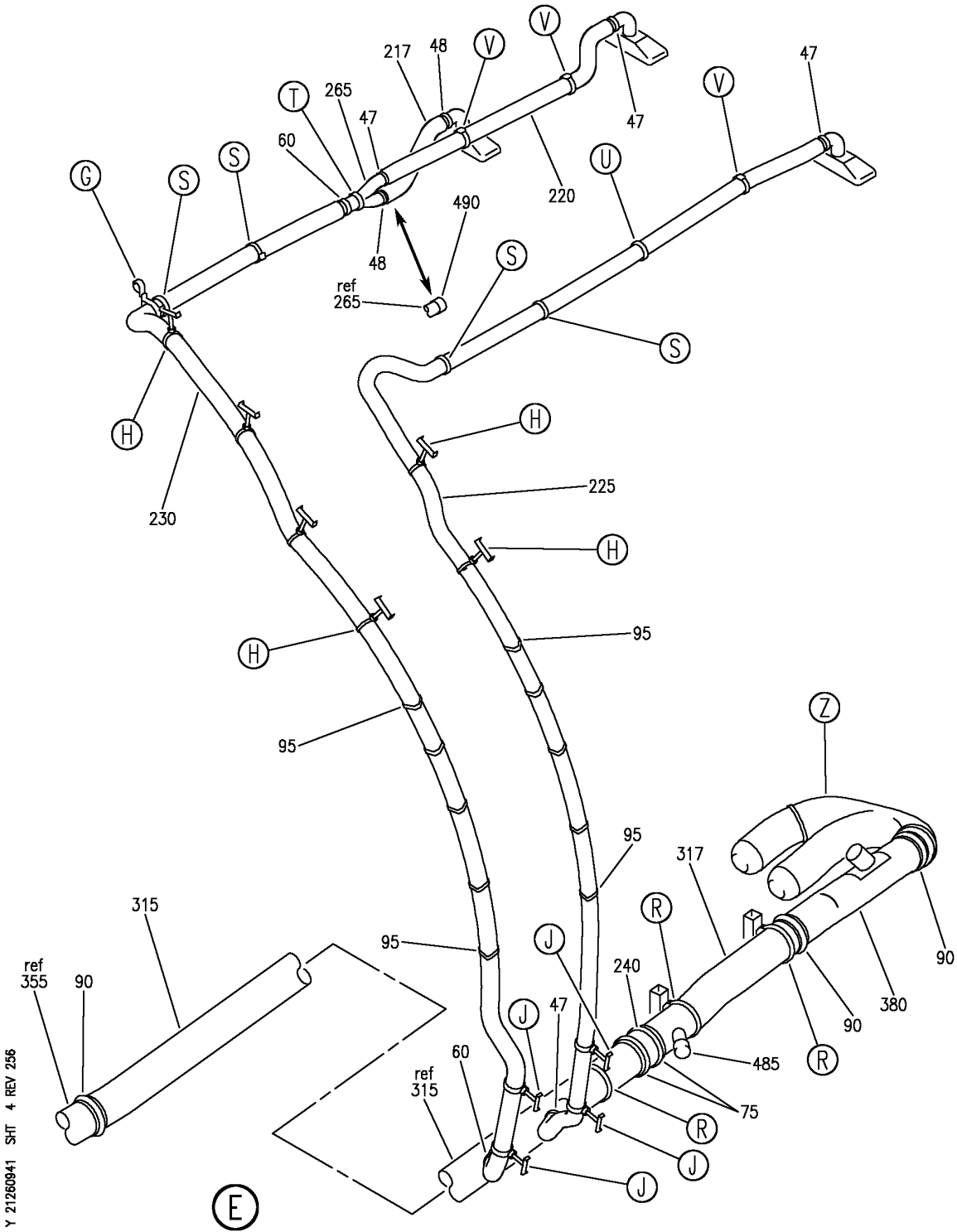
DUCT INSTL-SECT. 46 LAV/ GALLEY VENT SYS
FIGURE 41 (SHEET 3)

21-26-09-41

BRI
MAY 28/07

21-26-09-41
PAGE 0B

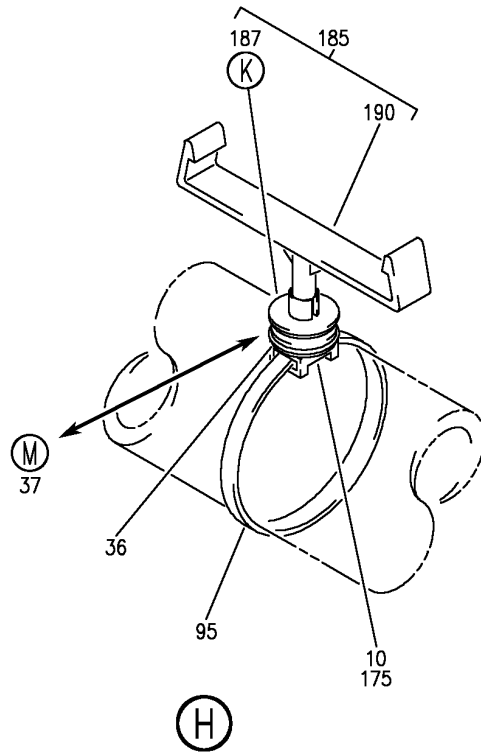
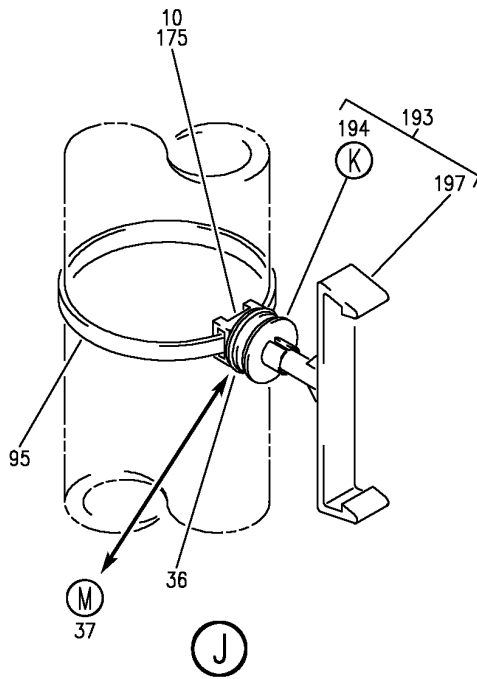
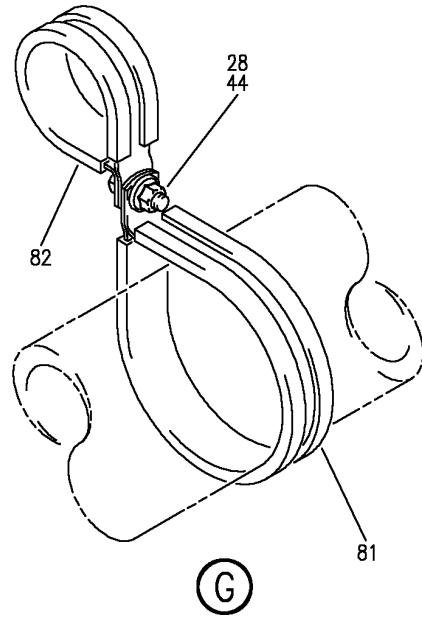
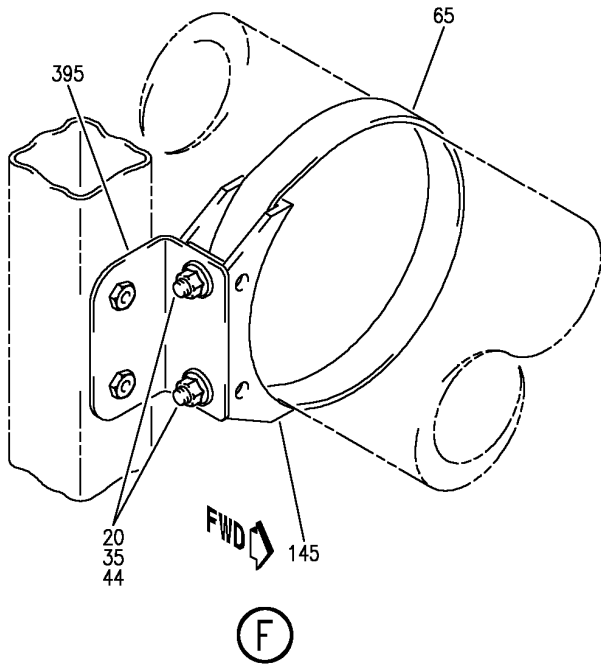
BOEING
757
PARTS CATALOG (MAINTENANCE)



DUCT INSTL-SECT. 46 LAV/ GALLEY VENT SYS
FIGURE 41 (SHEET 4)

21-26-09-41

BOEING
757
PARTS CATALOG (MAINTENANCE)



Y 21260941 SH-5 REV 256

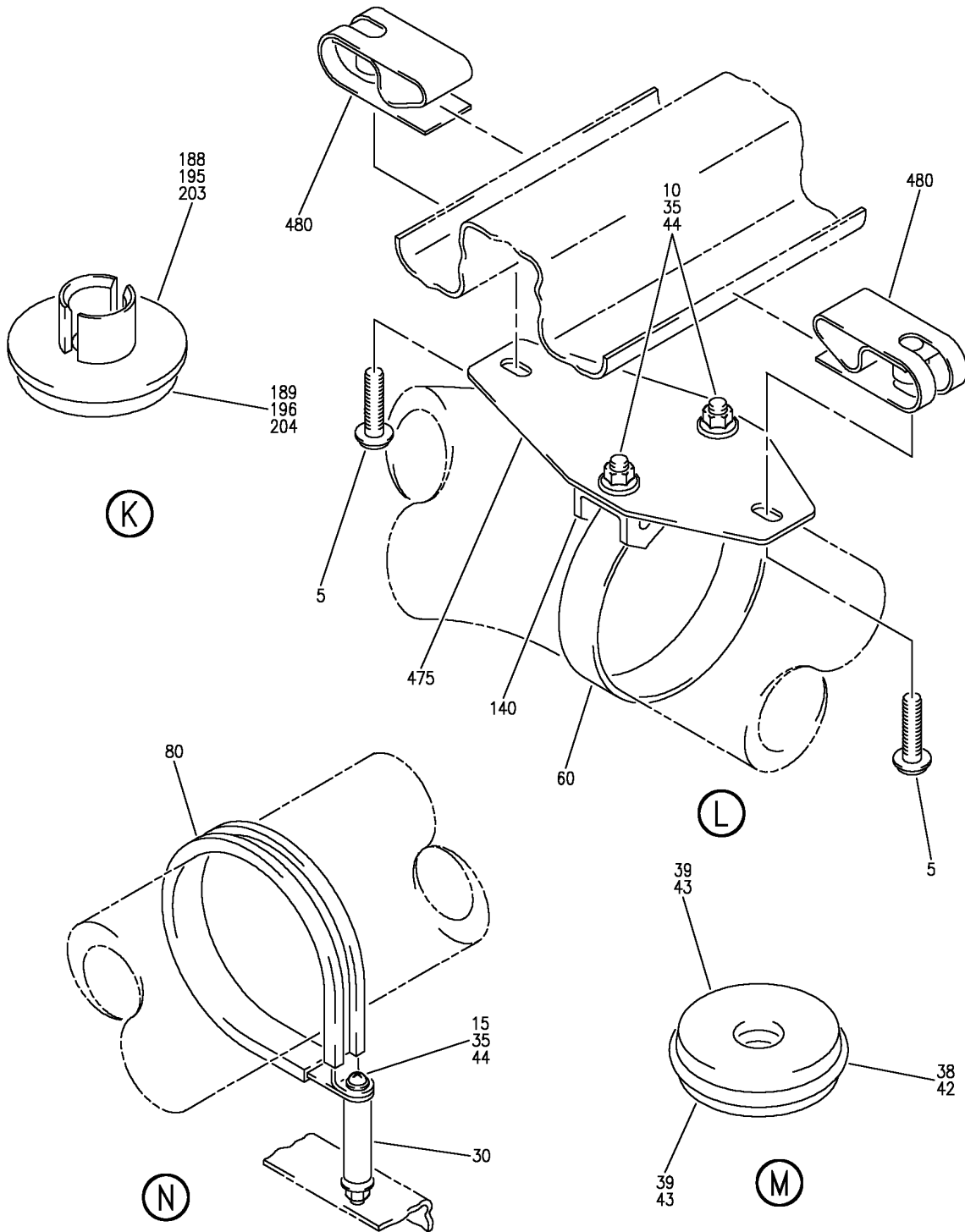
DUCT INSTL-SECT. 46 LAV/ GALLEY VENT SYS
FIGURE 41 (SHEET 5)

BRI
MAY 28/07

21-26-09-41

21-26-09-41
PAGE 0D

BOEING
757
PARTS CATALOG (MAINTENANCE)



Y 21260941 SH1 6 REV 256

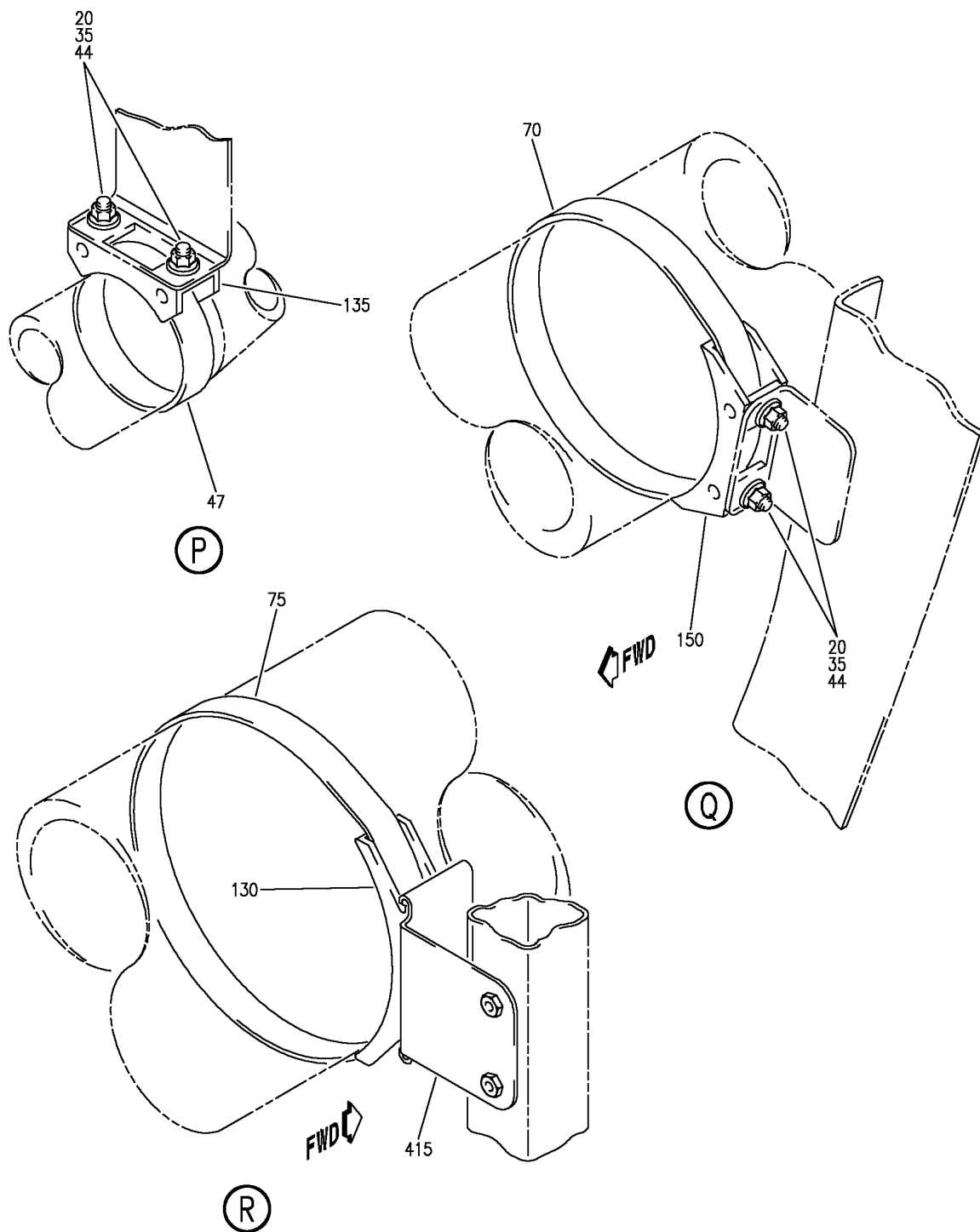
DUCT INSTL-SECT. 46 LAV/ GALLEY VENT SYS
FIGURE 41 (SHEET 6)

21-26-09-41

BRI
MAY 28/07

21-26-09-41
PAGE 0E

BOEING
757
PARTS CATALOG (MAINTENANCE)



Y 21260941 SH1 7 REV 256

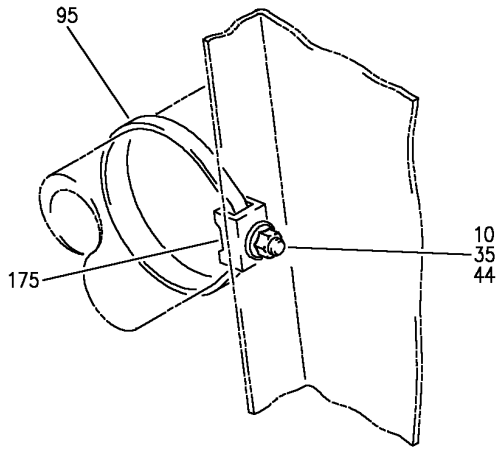
DUCT INSTL-SECT. 46 LAV/ GALLEY VENT SYS
FIGURE 41 (SHEET 7)

21-26-09-41

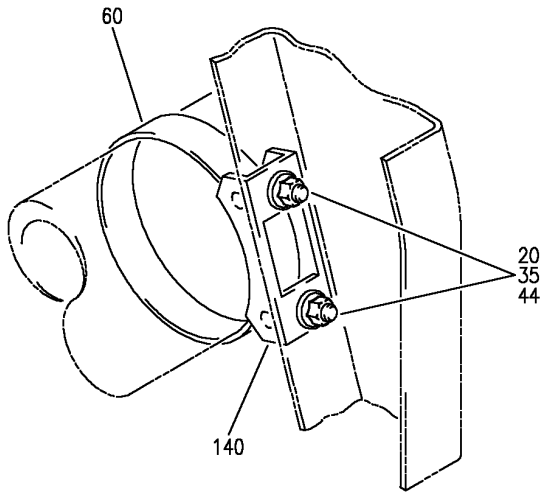
BRI
MAY 28/07

21-26-09-41
PAGE OF

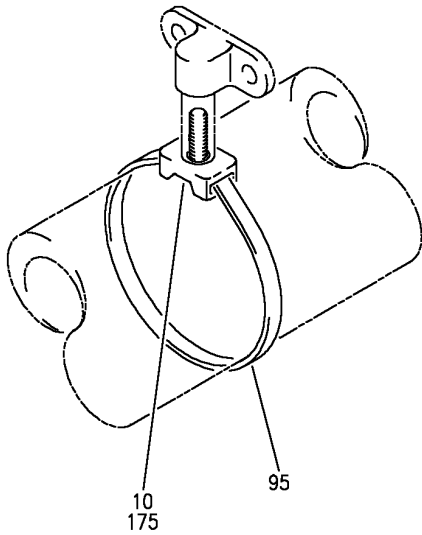
BOEING
757
PARTS CATALOG (MAINTENANCE)



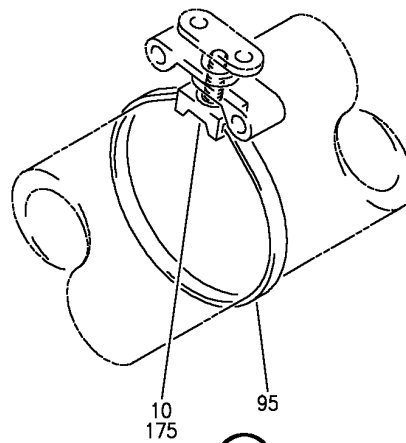
(S)



(T)



(V)



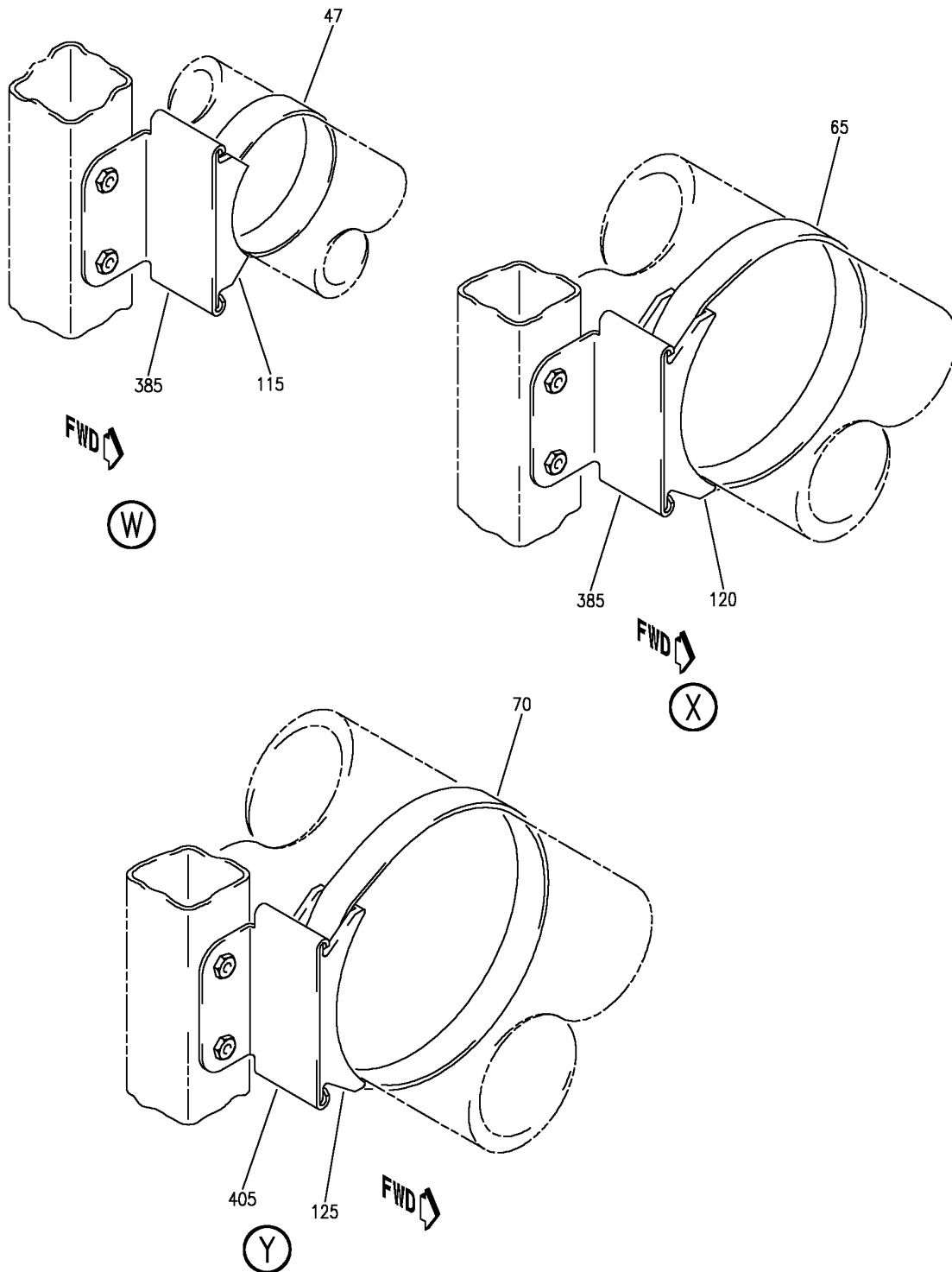
(U)

Y 21260941 SHIT 8 REV 256

DUCT INSTL-SECT. 46 LAV/ GALLEY VENT SYS
FIGURE 41 (SHEET 8)

21-26-09-41

BOEING
757
PARTS CATALOG (MAINTENANCE)



Y 21260941 SH1 9 REV 256

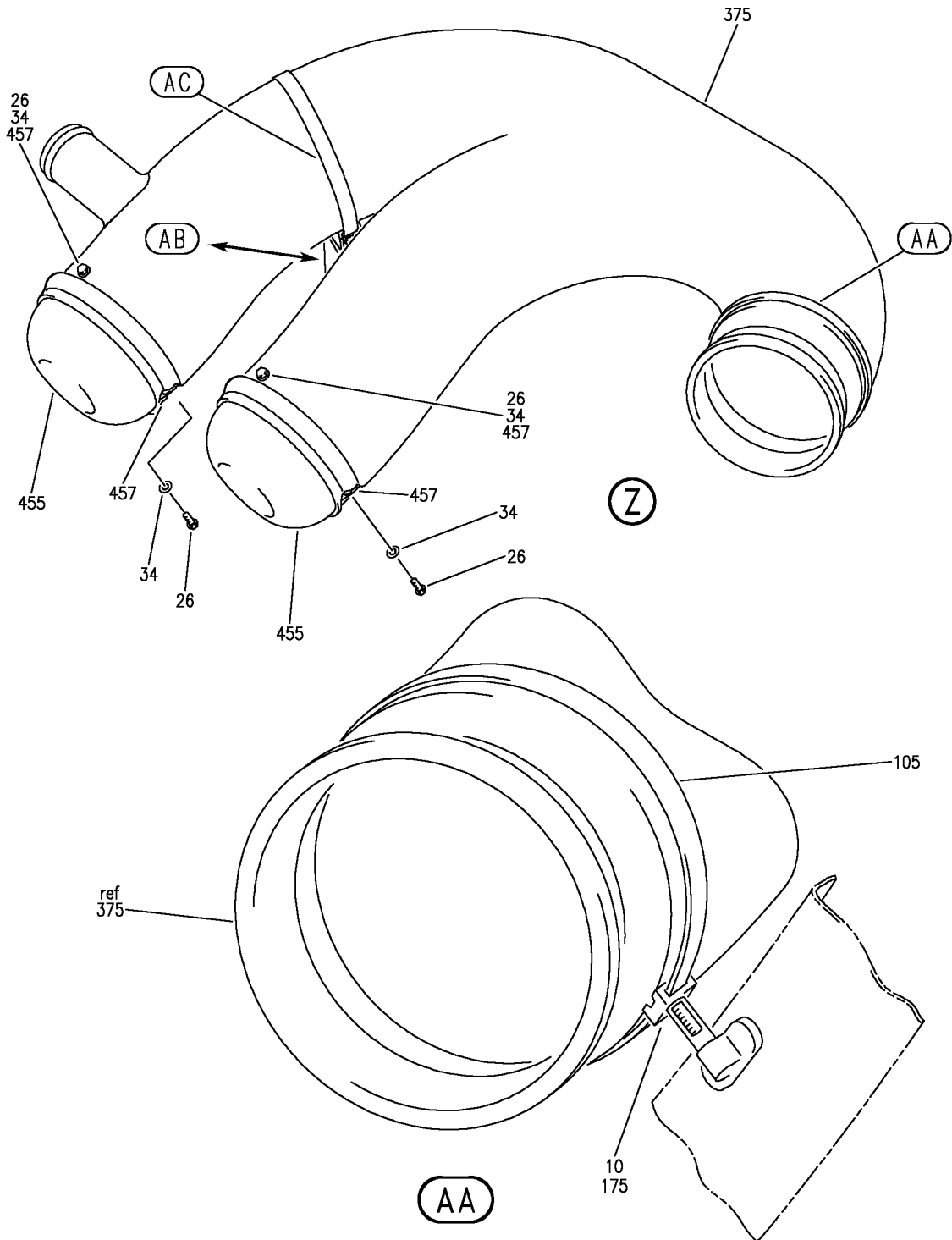
DUCT INSTL-SECT. 46 LAV/ GALLEY VENT SYS
FIGURE 41 (SHEET 9)

21-26-09-41

BRI
MAY 28/07

21-26-09-41
PAGE 0H

BOEING
757
PARTS CATALOG (MAINTENANCE)



Y 21260941 SH1 10 REV 256

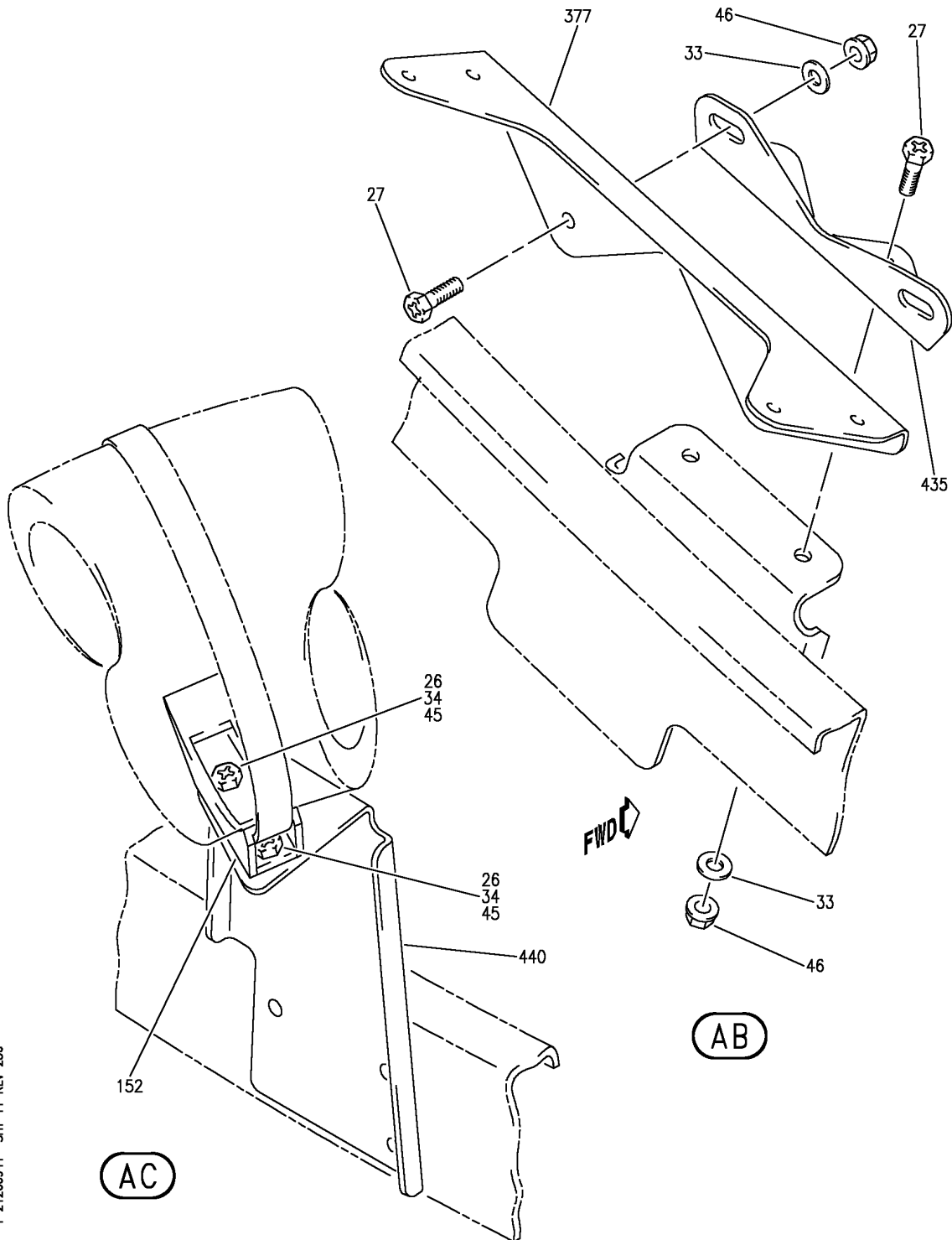
DUCT INSTL-SECT. 46 LAV/ GALLEY VENT SYS
FIGURE 41 (SHEET 10)

21-26-09-41

BRI
MAY 28/07

21-26-09-41
PAGE 01

BOEING
757
PARTS CATALOG (MAINTENANCE)



Y 21260941 SH11 REV 256

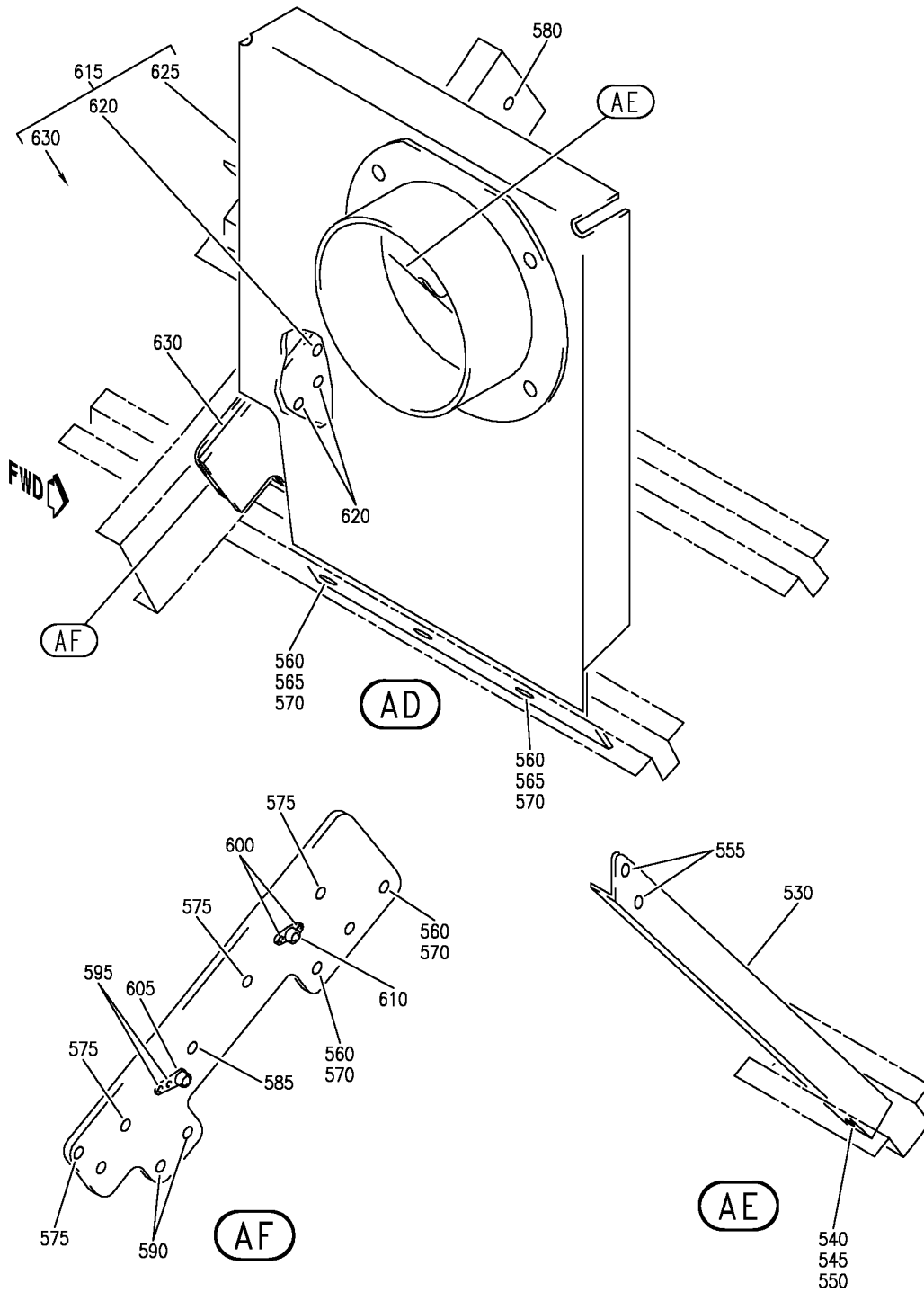
DUCT INSTL-SECT. 46 LAV/ GALLEY VENT SYS
FIGURE 41 (SHEET 11)

21-26-09-41

BRI
MAY 28/07

21-26-09-41
PAGE 0J

BOEING
757
PARTS CATALOG (MAINTENANCE)



Y 21260941 SH1 12 REV 256

DUCT INSTL-SECT. 46 LAV/ GALLEY VENT SYS
FIGURE 41 (SHEET 12)

21-26-09-41

BRI
MAY 28/07

21-26-09-41
PAGE OK



757

PARTS CATALOG (MAINTENANCE)

| FIG ITEM | PART NUMBER | 1 2 3 4 5 6 7 | NOMENCLATURE | EFFECT FROM TO | UNITS PER ASSY |
|----------|---------------|---------------|--|----------------------------|----------------|
| 41 | | | DUCT INSTL-SECT. 46 LAV/ GALLEY VENT SYS | 101102 108120 504903 | |
| - 1 | 214N3005-62 | | DUCT INSTL-LAV/GALLEY VENT SYS POSITION DATA: SECT. 46 FOR NHA SEE: 21-00-00-12 | 108120 504903 | RF |
| - 1 | 214N3005-63 | | DUCT INSTL-LAV/GALLEY VENT SYS POSITION DATA: SECT. 46 FOR NHA SEE: 21-00-00-15 | 101102 | RF |
| 5 | BACS12FA3K12 | | .SCREW | 101102 108120 504903 | 2 |
| 10 | BACS12CK3-8 | | .SCREW- | 101102 108120 504903 | 35 |
| 12 | BACS12CK3-8 | | .SCREW | 101102 | 3 |
| 15 | BACS12FA3K26 | | .SCREW | 101102 108120 504903 | 1 |
| 20 | BACS12FA3K7 | | .SCREW | 101102 108120 504903 | 8 |
| 27 | BACS12GU3K7 | | .SCREW | 101102 108120 504903 | 4 |
| 28 | BACS12GU3K12 | | .SCREW | 101102 108120 504903 | 1 |
| 30 | NAS43DD3-64 | | .SPACER | 101102 108120 504903 | 1 |
| 33 | NAS1149D0316J | | .WASHER | 101102 108120 504903 | 4 |
| 35 | NAS1149D0316J | | .WASHER- | 101102 108120 504903 | 18 |
| 36 | BACW10DZ3 | | .WASHER- OPTIONAL PART: 411N4026-12 | 101102 108120 504903 | 21 |
| 37 | 411N4026-12 | | .WASHER ASSY- OPTIONAL PART: BACW10DZ3 | 101102 108120 504903 | 21 |

MISSING ITEM NUMBERS NOT APPLICABLE

- ITEM NOT ILLUSTRATED

21-26-09-41

21-26-09
FIG. 41
PAGE 1
JAN 20/09

BRI



757

PARTS CATALOG (MAINTENANCE)

| FIG ITEM | PART NUMBER | 1 2 3 4 5 6 7 | NOMENCLATURE | EFFECT FROM TO | UNITS PER ASSY |
|----------|----------------|----------------|--|----------------------------|----------------|
| 41 | | | | | |
| 38 | 411N4026-13 | . . | WASHER | 101102 108120 504903 | 1 |
| 39 | 411N4026-7 | . . | TAPE | 101102 108120 504903 | 2 |
| 40 | BACW10DZ3 | . WASHER- | | 101102 | 3 |
| | | | OPTIONAL PART: 411N4026-12 | | |
| 41 | 411N4026-12 | . WASHER ASSY- | | 101102 | 3 |
| | | | OPTIONAL PART: BACW10DZ3 | | |
| 42 | 411N4026-13 | . . | WASHER | 101102 | 1 |
| 43 | 411N4026-7 | . . | TAPE | 101102 | 2 |
| 44 | PLH53CD | . NUT | | 101102 | 19 |
| | | | SUPPLIER CODE: VF0224 | 108120 | |
| | | | SPECIFICATION NUMBER: BACN10YR3CD | 504903 | |
| | | | OPTIONAL PART: H52732-3CD V15653 | | |
| 46 | PLH53CD | . NUT | | 101102 | 4 |
| | | | SUPPLIER CODE: VF0224 | 108120 | |
| | | | SPECIFICATION NUMBER: BACN10YR3CD | 504903 | |
| | | | OPTIONAL PART: H52732-3CD V15653 | | |
| 47 | NAS1922-0200-3 | . CLAMP | | 101102 | 10 |
| | | | | 108120 | |
| | | | | 504903 | |
| 50 | NAS1922-0150-3 | . CLAMP | | 101102 | 4 |
| | | | | 108120 | |
| | | | | 504903 | |
| 55 | NAS1922-0150-3 | . CLAMP | | 101102 | 2 |
| 60 | NAS1922-0225-3 | . CLAMP | | 101102 | 6 |
| | | | | 108120 | |
| | | | | 504903 | |
| 65 | NAS1922-0350-3 | . CLAMP | | 101102 | 4 |
| | | | | 108120 | |
| | | | | 504903 | |
| 70 | NAS1922-0400-3 | . CLAMP | | 101102 | 3 |
| | | | | 108120 | |
| | | | | 504903 | |
| 75 | NAS1922-0525-3 | . CLAMP | | 101102 | 6 |
| | | | | 108120 | |
| | | | | 504903 | |

MISSING ITEM NUMBERS NOT APPLICABLE

- ITEM NOT ILLUSTRATED

BRI

21-26-09-41

21-26-09
FIG. 41
PAGE 2
JAN 20/09



757

PARTS CATALOG (MAINTENANCE)

| FIG ITEM | PART NUMBER | 1 2 3 4 5 6 7 | NOMENCLATURE | EFFECT FROM TO | UNITS PER ASSY |
|----------|---------------|---------------|--|----------------------------|----------------|
| 41 80 | JM44LC13WS34R | .CLAMP | SUPPLIER CODE: V22175 SPECIFICATION NUMBER: BACC10GE34 OPTIONAL PART: TA12C32WS34 V84971 509S34 V83930 S714WH34 V18076 | 101102 108120 504903 | 1 |
| 81 | JM44LC13WS40R | .CLAMP | SUPPLIER CODE: V22175 SPECIFICATION NUMBER: BACC10GE40 OPTIONAL PART: S369WH40 V18076 TA12C32WS40 V84971 509S40 V83930 | 101102 108120 504903 | 1 |
| 82 | JM44LC13WS21R | .CLAMP | SUPPLIER CODE: V22175 SPECIFICATION NUMBER: BACC10GE21 OPTIONAL PART: TA12C32WS21 V84971 509S21 V83930 S714WH21 V18076 | 101102 108120 504903 | 1 |
| 85 | NH135008-0400 | .COUPLING | SUPPLIER CODE: V00624 SPECIFICATION NUMBER: BACC10HX400 | 101102 108120 504903 | 4 |
| 90 | NH135008-0500 | .COUPLING | SUPPLIER CODE: V00624 SPECIFICATION NUMBER: BACC10HX500 | 101102 108120 504903 | 3 |

MISSING ITEM NUMBERS NOT APPLICABLE

- ITEM NOT ILLUSTRATED

21-26-09-41

21-26-09
FIG. 41
PAGE 3
JAN 20/09

BRI



757

PARTS CATALOG (MAINTENANCE)

| FIG ITEM | PART NUMBER | 1 2 3 4 5 6 7 | NOMENCLATURE | EFFECT FROM TO | UNITS PER ASSY |
|----------|-------------|---------------|-----------------------------------|----------------------------|----------------|
| 41 | | | | | |
| 95 | PLT4SM | .STRAP | SUPPLIER CODE: V06383 | 101102 108120 504903 | 62 |
| | | | SPECIFICATION NUMBER: BACS38K2 | | |
| | | | OPTIONAL PART: T05LO V53421 | | |
| 100 | PLT4SM | .STRAP | SUPPLIER CODE: V06383 | 101102 | 3 |
| | | | SPECIFICATION NUMBER: BACS38K2 | | |
| | | | OPTIONAL PART: T05LO V53421 | | |
| 105 | T012LO | .STRAP | SUPPLIER CODE: V53421 | 101102 108120 504903 | 1 |
| | | | SPECIFICATION NUMBER: BACS38K6 | | |
| 115 | 214N1051-2 | .SUPPORT | | 101102 108120 504903 | 1 |
| 120 | 214N1051-5 | .SUPPORT | | 101102 108120 504903 | 1 |
| 125 | 214N1051-6 | .SUPPORT | | 101102 108120 504903 | 2 |
| 130 | 214N1051-8 | .SUPPORT | | 101102 108120 504903 | 4 |
| 135 | 214T3424-2 | .SUPPORT | | 101102 108120 504903 | 1 |
| 140 | 214T3424-3 | .SUPPORT | | 101102 108120 504903 | 2 |
| 145 | 214T3424-5 | .SUPPORT | | 101102 108120 504903 | 1 |
| 150 | 214T3424-6 | .SUPPORT | | 101102 108120 504903 | 1 |

MISSING ITEM NUMBERS NOT APPLICABLE

- ITEM NOT ILLUSTRATED

BRI

21-26-09-41

BOEING PROPRIETARY - Copyright © - Unpublished Work - See title page for details.

21-26-09
FIG. 41
PAGE 4
JAN 20/09



757

PARTS CATALOG (MAINTENANCE)

| FIG ITEM | PART NUMBER | 1 2 3 4 5 6 7 | NOMENCLATURE | EFFECT FROM TO | UNITS PER ASSY |
|-----------|-------------|---------------|---|----------------------------|----------------|
| 41 175 | TM3S10 | | .PLATE- SUPPLIER CODE: V06383 SPECIFICATION NUMBER: STBP19M12 | 101102 108120 504903 | 33 |
| 180 | TM3S10 | | .PLATE- SUPPLIER CODE: V06383 SPECIFICATION NUMBER: STBP19M12 | 101102 | 3 |
| 185 | 214N5054-15 | | .SUPPORT ASSY | 101102 108120 504903 | 10 |
| 187 | 411N4026-10 | | ..CAP ASSY- OPTIONAL PART: 411N4026-2 | 101102 108120 504903 | 1 |
| 187 | 411N4026-2 | | ..CAP ASSY- OPTIONAL PART: 411N4026-10 | 101102 108120 504903 | 1 |
| 188 | 411N4026-5 | | ...CAP- USED ON: 411N4026-2 | 101102 108120 504903 | 1 |
| 188 | 411N4026-11 | | ...CAP- USED ON: 411N4026-10 | 101102 108120 504903 | 1 |
| 189 | 411N4026-7 | | ...TAPE | 101102 108120 504903 | 1 |
| 190 | 2055155-10C | | ..CLIP- SUPPLIER CODE: V04169 | 101102 108120 504903 | 1 |
| 193 | 214N5054-12 | | .SUPPORT ASSY | 101102 108120 504903 | 11 |
| 194 | 411N4026-10 | | ..CAP ASSY- OPTIONAL PART: 411N4026-2 | 101102 108120 504903 | 1 |
| 194 | 411N4026-2 | | ..CAP ASSY- OPTIONAL PART: 411N4026-10 | 101102 108120 504903 | 1 |
| 195 | 411N4026-5 | | ...CAP- USED ON: 411N4026-2 | 101102 108120 504903 | 1 |
| 195 | 411N4026-11 | | ...CAP- USED ON: 411N4026-10 | 101102 108120 504903 | 1 |
| 196 | 411N4026-7 | | ...TAPE | 101102 108120 504903 | 1 |

MISSING ITEM NUMBERS NOT APPLICABLE

- ITEM NOT ILLUSTRATED

21-26-09-41

21-26-09
FIG. 41
PAGE 5
JAN 20/09

BRI



757

PARTS CATALOG (MAINTENANCE)

| FIG ITEM | PART NUMBER | 1 2 3 4 5 6 7 | NOMENCLATURE | EFFECT FROM TO | UNITS PER ASSY |
|----------|----------------|---------------|--|----------------------------|----------------|
| 41 | | | | | |
| 197 | 2055155-10B | .. | CLIP- SUPPLIER CODE: V04169 | 101102 108120 504903 | 1 |
| 201 | 214N5054-12 | . | SUPPORT ASSY | 101102 | 3 |
| 202 | 411N4026-10 | .. | CAP ASSY- OPTIONAL PART: 411N4026-2 | 101102 | 1 |
| 202 | 411N4026-2 | .. | CAP ASSY- OPTIONAL PART: 411N4026-10 | 101102 | 1 |
| 203 | 411N4026-5 | ... | CAP- USED ON: 411N4026-2 | 101102 | 1 |
| 203 | 411N4026-11 | ... | CAP- USED ON: 411N4026-10 | 101102 | 1 |
| 204 | 411N4026-7 | ... | TAPE | 101102 | 1 |
| 205 | 2055155-10B | .. | CLIP- SUPPLIER CODE: V04169 USED ON: 214N5054-12 | 101102 | 1 |
| 210 | AS1504-08B1740 | . | HOSE | 101102 108120 504903 | 1 |
| 215 | AS1504-08B1770 | . | HOSE | 101102 108120 504903 | 1 |
| 220 | AS1504-09B0512 | . | HOSE | 101102 108120 504903 | 1 |
| 225 | AS1504-09B2310 | . | HOSE | 101102 108120 504903 | 1 |
| 230 | AS1504-10B2240 | . | HOSE | 101102 108120 504903 | 1 |
| 235 | AS1506-14D50 | . | HOSE | 101102 108120 504903 | 1 |
| 240 | AS1506-20D50 | . | HOSE | 101102 108120 504903 | 1 |
| 245 | BOE2061-0001 | . | HOSE- SUPPLIER CODE: V16632 | 101102 108120 504903 | 1 |
| 247 | BOE2061-0001 | . | HOSE- SUPPLIER CODE: V16632 | 101102 | 1 |

MISSING ITEM NUMBERS NOT APPLICABLE

- ITEM NOT ILLUSTRATED

21-26-09-41

21-26-09
FIG. 41
PAGE 6
JAN 20/09

BRI



757

PARTS CATALOG (MAINTENANCE)

| FIG ITEM | PART NUMBER | 1 2 3 4 5 6 7 | NOMENCLATURE | EFFECT FROM TO | UNITS PER ASSY |
|----------|----------------|-----------------------------|----------------|----------------|----------------|
| 41 | | | | | |
| 250 | BOE2061-0004 | .HOSE- | SUPPLIER CODE: | 101102 | 1 |
| | | | V16632 | 108120 | |
| | | | | 504903 | |
| 255 | AS1504-10B1770 | .HOSE | | 101102 | 1 |
| | | | | 108120 | |
| | | | | 504903 | |
| 260 | 214N3045-2 | .DUCT | | 101102 | 1 |
| | | | | 108120 | |
| | | | | 504903 | |
| 265 | 214N3047-1 | .DUCT | | 101102 | 1 |
| | | | | 108120 | |
| | | | | 504903 | |
| 275 | 214N3051-1 | .DUCT ASSY | | 101102 | 1 |
| | | | | 108120 | |
| | | | | 504903 | |
| 280 | 214N3051-2 | .DUCT ASSY | | 101102 | 1 |
| | | | | 108120 | |
| | | | | 504903 | |
| 285 | 214N3051-3 | .DUCT ASSY | | 101102 | 1 |
| | | | | 108120 | |
| | | | | 504903 | |
| 315 | 214N3043-2 | .DUCT ASSY | | 101102 | 1 |
| | | | | 108120 | |
| | | | | 504903 | |
| 317 | 214N3079-3 | .DUCT ASSY | | 101102 | 1 |
| | | | | 108120 | |
| | | | | 504903 | |
| 330 | 214N3046-1 | .DUCT ASSY | | 101102 | 1 |
| | | | | 108120 | |
| | | | | 504903 | |
| 350 | 214N3045-1 | .DUCT ASSY | | 101102 | 1 |
| | | | | 108120 | |
| | | | | 504903 | |
| 355 | 214N3044-1 | .DUCT ASSY | | 101102 | 1 |
| | | | | 108120 | |
| | | | | 504903 | |
| 375 | 214N3019-1 | .DUCT ASSY | | 101102 | 1 |
| | | | | 108120 | |
| | | | | 504903 | |
| 377 | 214N3072-2 | ..BRACKET | | 101102 | 1 |
| | | | | 108120 | |
| | | | | 504903 | |
| - 378 | AN960-10L | ATTACHING PARTS ..WASHER | | 101102 | 4 |
| | | | | 108120 | |
| | | | | 504903 | |

MISSING ITEM NUMBERS NOT APPLICABLE

- ITEM NOT ILLUSTRATED

BRI

21-26-09-41

21-26-09
FIG. 41
PAGE 7
JAN 20/09



757

PARTS CATALOG (MAINTENANCE)

| FIG ITEM | PART NUMBER | 1 2 3 4 5 6 7 | NOMENCLATURE | EFFECT FROM TO | UNITS PER ASSY |
|----------|---------------|---------------|---|----------------------------|----------------|
| 41 | | | | | |
| - 379 | BACR15BB6A | | ..RIVET- SIZE DETERMINED ON INSTL. | 101102 108120 504903 | 4 |
| | | | -----*----- | | |
| 380 | 214N3019-2 | | .DUCT ASSY | 101102 108120 504903 | 1 |
| 385 | 214N3065-2 | | .BRACKET | 101102 108120 504903 | 2 |
| | | | ATTACHING PARTS | | |
| - 390 | MBF2011T6-150 | | .BOLT- SUPPLIER CODE: V98524 SPECIFICATION NUMBER: BACB30VL6T150 OPTIONAL PART: MBF2011T6-150 V5M902 | 101102 108120 504903 | 4 |
| | | | -----*----- | | |
| 395 | 214N3067-6 | | .BRACKET | 101102 108120 504903 | 1 |
| | | | ATTACHING PARTS | | |
| - 400 | MBF2011T6-150 | | .BOLT- SUPPLIER CODE: V98524 SPECIFICATION NUMBER: BACB30VL6T150 OPTIONAL PART: MBF2011T6-150 V5M902 | 101102 108120 504903 | 2 |
| | | | -----*----- | | |
| 405 | 214N3065-1 | | .BRACKET | 101102 108120 504903 | 1 |
| | | | ATTACHING PARTS | | |
| - 410 | MBF2011T6-150 | | .BOLT- SUPPLIER CODE: V98524 SPECIFICATION NUMBER: BACB30VL6T150 OPTIONAL PART: MBF2011T6-150 V5M902 | 101102 108120 504903 | 2 |
| | | | -----*----- | | |
| 415 | 214N3065-6 | | .BRACKET | 101102 108120 504903 | 3 |

MISSING ITEM NUMBERS NOT APPLICABLE

- ITEM NOT ILLUSTRATED

21-26-09-41

21-26-09
FIG. 41
PAGE 8
JAN 20/09

BRI



757

PARTS CATALOG (MAINTENANCE)

| FIG ITEM | PART NUMBER | 1 2 3 4 5 6 7 | NOMENCLATURE | EFFECT FROM TO | UNITS PER ASSY |
|----------|---------------|---------------|--|----------------------------|----------------|
| 41 | | | ATTACHING PARTS | | |
| - 420 | MBF2011T6-150 | | .BOLT- SUPPLIER CODE: V98524 SPECIFICATION NUMBER: BACB30VL6T150 OPTIONAL PART: MBF2011T6-150 V5M902 -----*----- | 101102 108120 504903 | 6 |
| 435 | 214N3072-1 | | .BRACKET | 101102 108120 504903 | 1 |
| 475 | 214N3067-1 | | .BRACKET | 101102 108120 504903 | 1 |
| 480 | 293255 | | .BRACKET- SUPPLIER CODE: V60119 | 101102 108120 504903 | 2 |
| 485 | 1500-16 | | .CAP-END SUPPLIER CODE: V15819 | 101102 108120 504903 | 1 |
| 490 | 2250-16 | | .CAP-END SUPPLIER CODE: V15819 OPTIONAL PART: 36-1500 V25205 | 101102 108120 504903 | 1 |
| 490 | 36-1500 | | .CAP-END SUPPLIER CODE: V25205 OPTIONAL PART: 2250-16 V15819 | 101102 108120 504903 | 1 |
| 495 | 1500-16 | | .CAP-END SUPPLIER CODE: V15819 | 108120 504903 | 1 |

MISSING ITEM NUMBERS NOT APPLICABLE

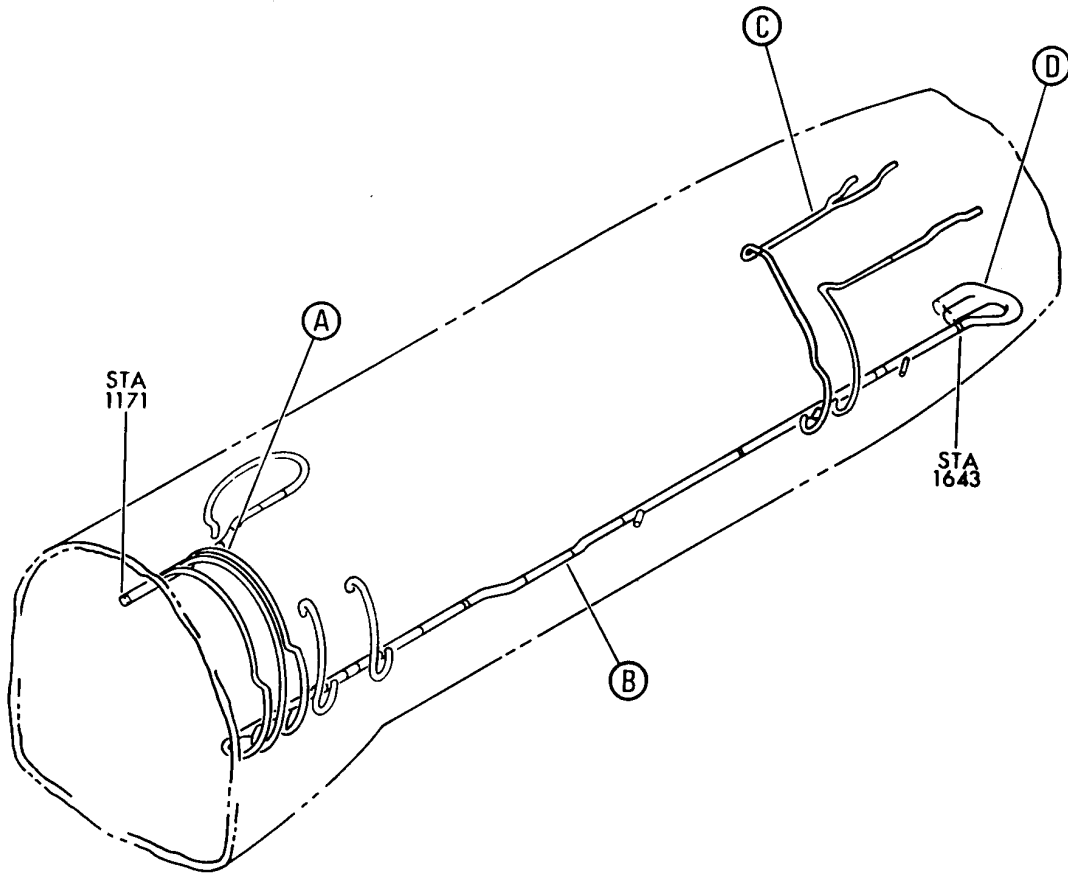
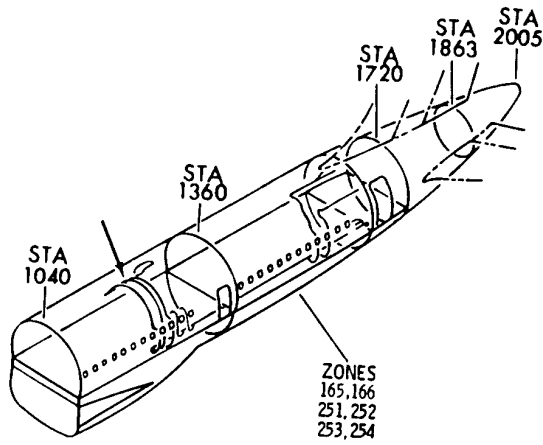
- ITEM NOT ILLUSTRATED

BRI

21-26-09-41

21-26-09
FIG. 41
PAGE 9
JAN 20/09

BOEING
757
PARTS CATALOG (MAINTENANCE)



Y 21260942 SHT 1 REV 185

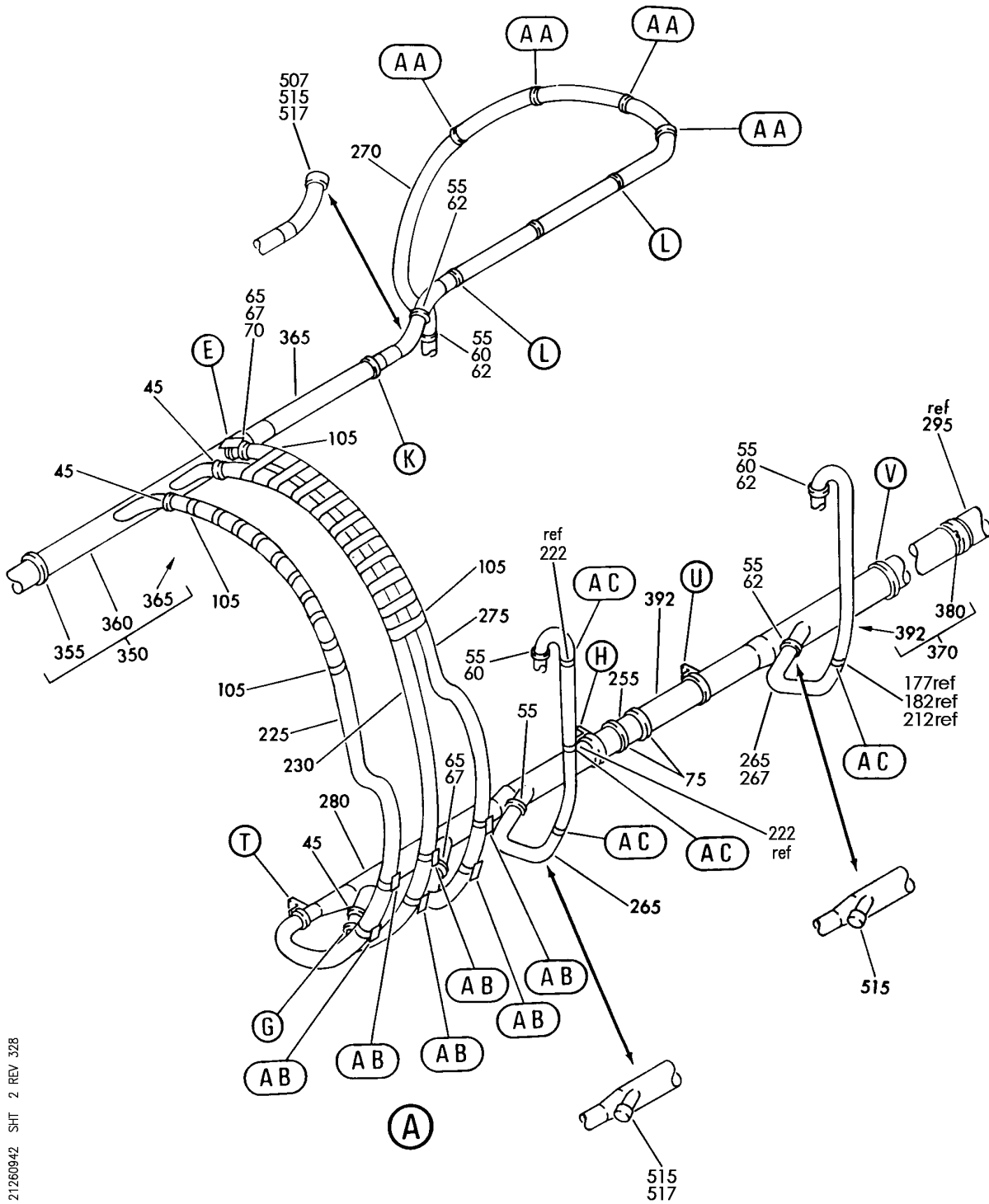
DUCT INSTL-SECT. 46 LAV/ GALLEY VENT SYS
FIGURE 42 (SHEET 1)

21-26-09-42

BRI
JAN 20/08

21-26-09-42
PAGE 0


BOEING
 757
PARTS CATALOG (MAINTENANCE)



Y 21260942 SH1 2 REV 328

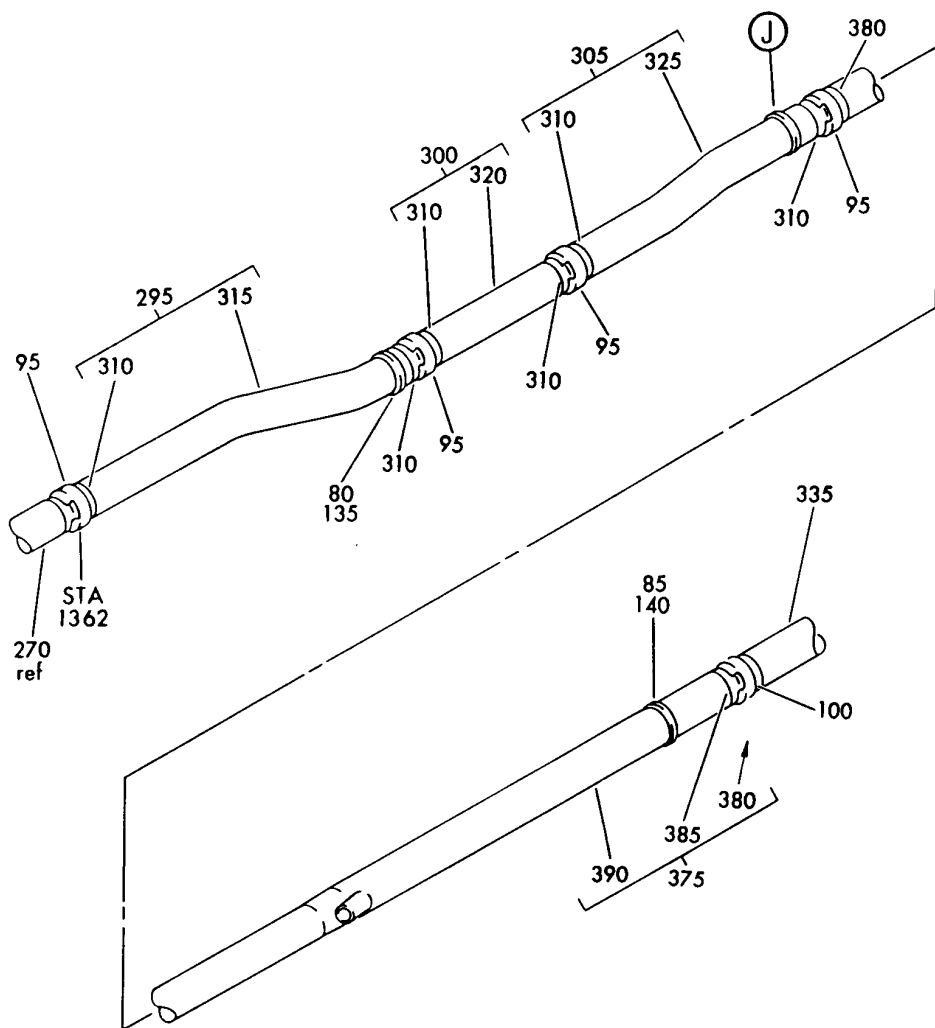
DUCT INSTL-SECT. 46 LAV/ GALLEY VENT SYS
 FIGURE 42 (SHEET 2)

21-26-09-42

BRI
JAN 20/09

21-26-09-42
 PAGE 0A

BOEING
757
PARTS CATALOG (MAINTENANCE)



(B)

Y 21260942 SHT 3 REV 185

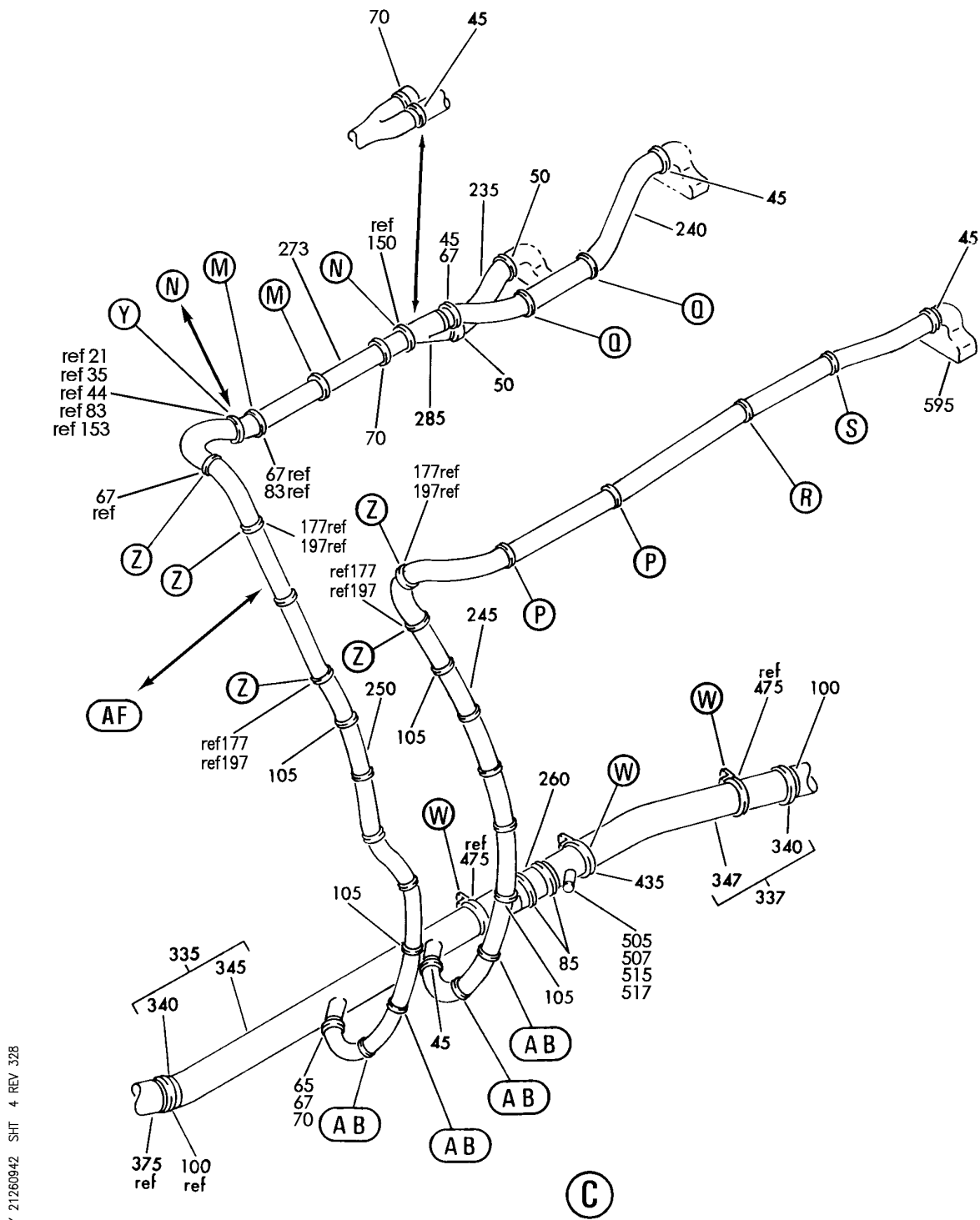
DUCT INSTL-SECT. 46 LAV/ GALLEY VENT SYS
FIGURE 42 (SHEET 3)

21-26-09-42

BRI
JAN 20/08

21-26-09-42
PAGE 0B

BOEING
757
PARTS CATALOG (MAINTENANCE)



Y 21260942 SH1 4 REV 328

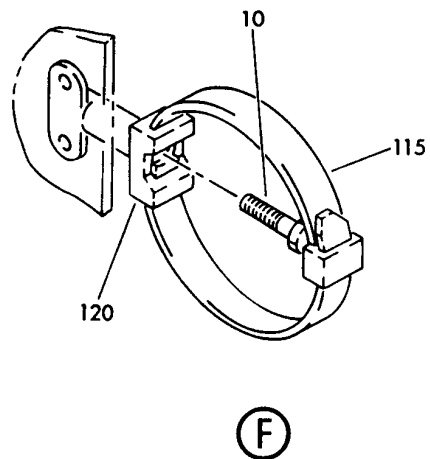
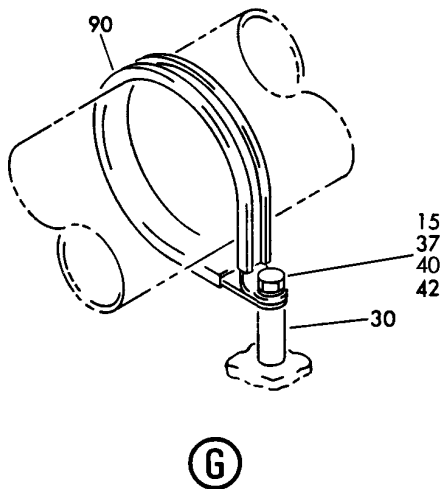
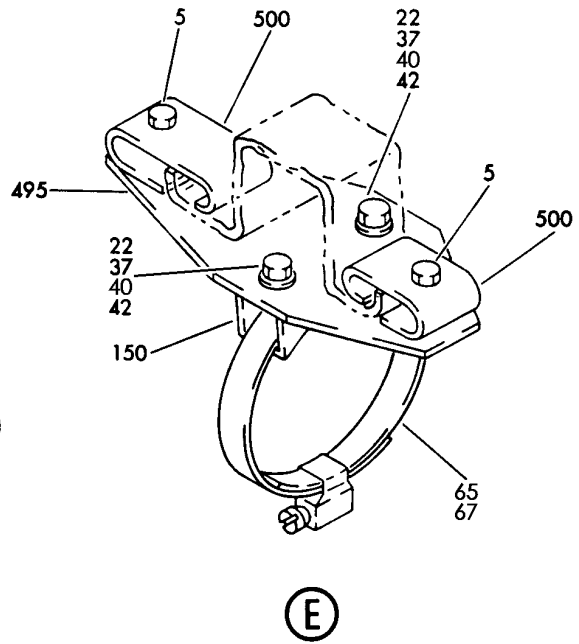
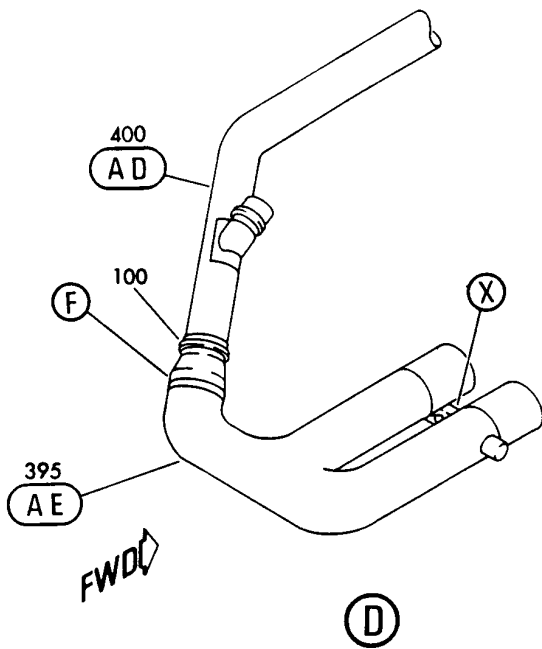
DUCT INSTL-SECT. 46 LAV/ GALLEY VENT SYS
FIGURE 42 (SHEET 4)

21-26-09-42

BRI
JAN 20/09

21-26-09-42
PAGE 0C

BOEING
757
PARTS CATALOG (MAINTENANCE)



Y 21260942 SHIT 5 REV 229

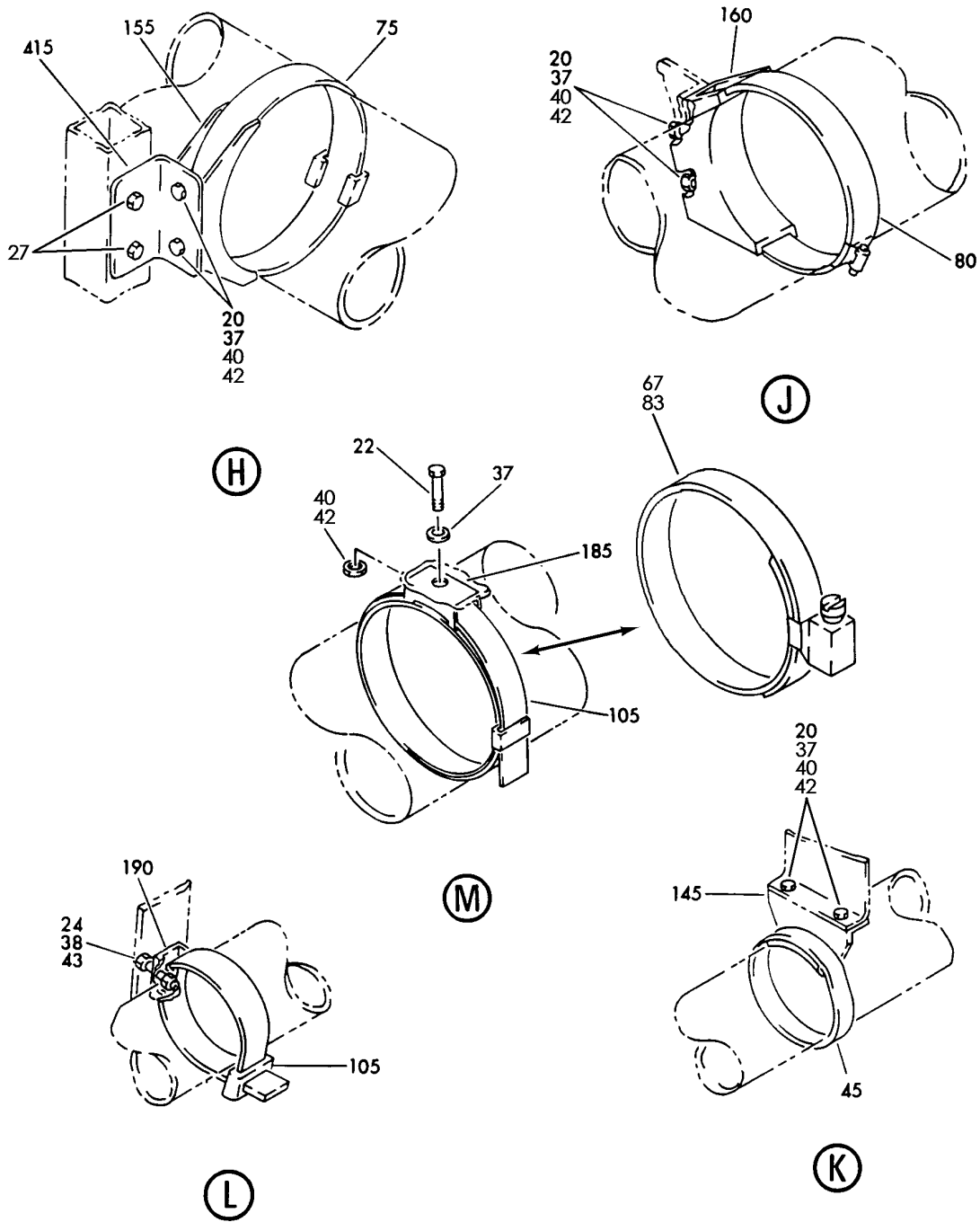
DUCT INSTL-SECT. 46 LAV/ GALLEY VENT SYS
FIGURE 42 (SHEET 5)

BRI
JAN 20/08

21-26-09-42

21-26-09-42
PAGE 0D

BOEING
757
PARTS CATALOG (MAINTENANCE)



Y 21260942 SHT 6 REV 229

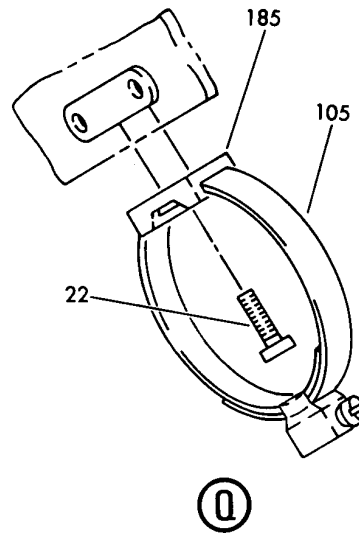
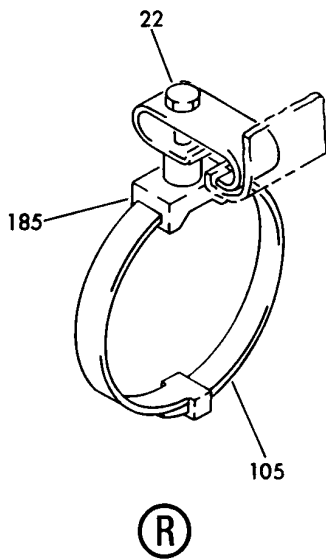
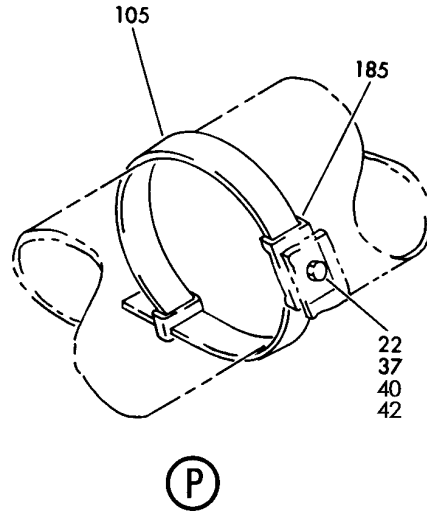
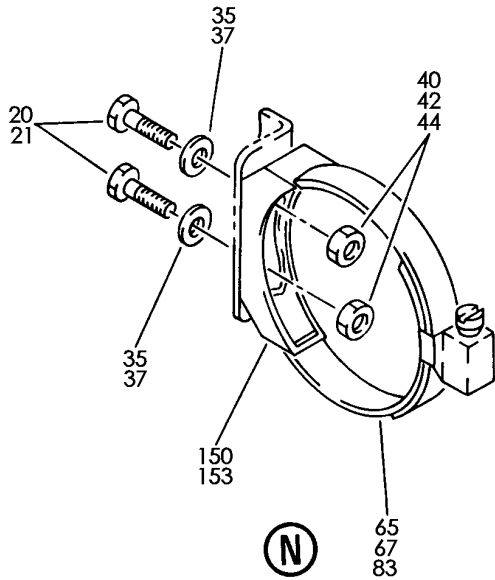
DUCT INSTL-SECT. 46 LAV/ GALLEY VENT SYS
FIGURE 42 (SHEET 6)

21-26-09-42

BRI
JAN 20/08

21-26-09-42
PAGE 0E

BOEING
757
PARTS CATALOG (MAINTENANCE)

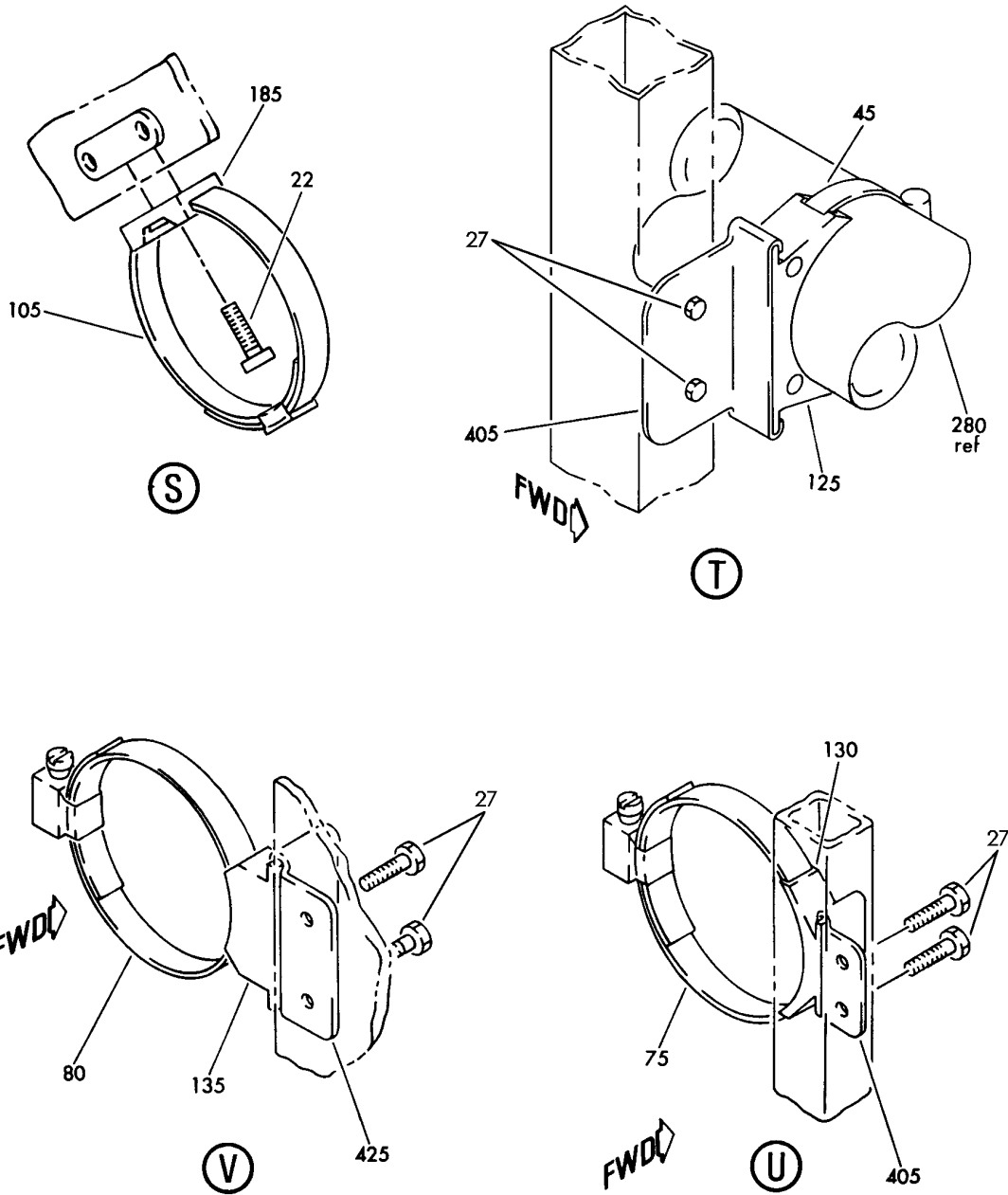


Y 21260942 SH7 7 REV 328

DUCT INSTL-SECT. 46 LAV/ GALLEY VENT SYS
FIGURE 42 (SHEET 7)

21-26-09-42

BOEING
757
PARTS CATALOG (MAINTENANCE)



Y 21260942 SH1 8 REV 221

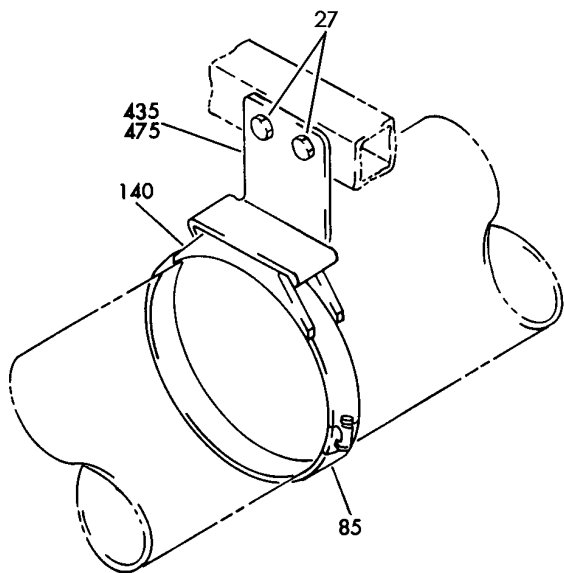
DUCT INSTL-SECT. 46 LAV/ GALLEY VENT SYS
FIGURE 42 (SHEET 8)

21-26-09-42

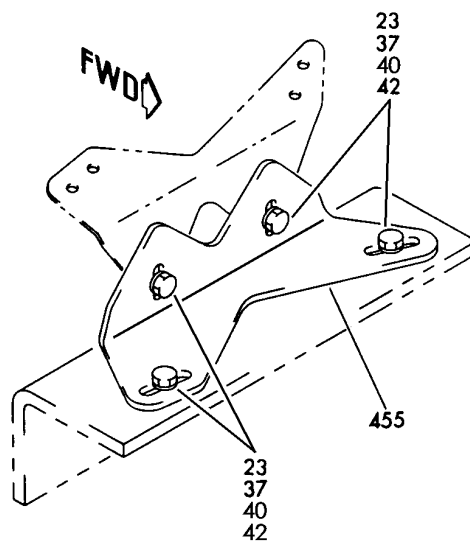
BRI
JAN 20/08

21-26-09-42
PAGE 08

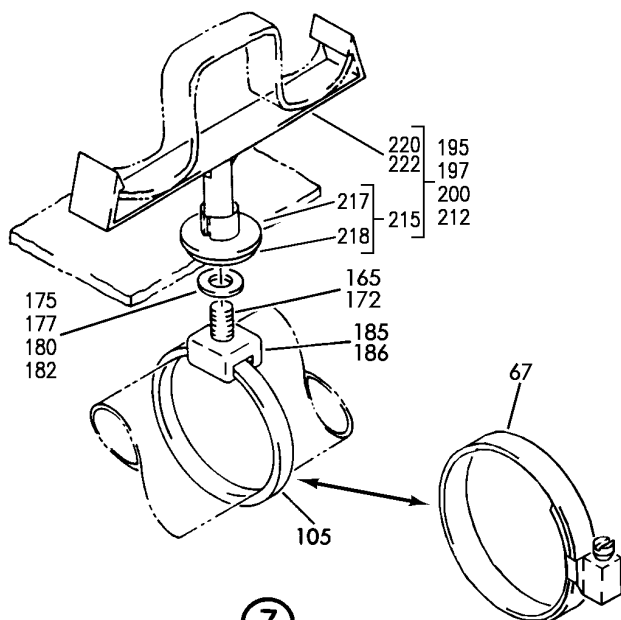
BOEING
757
PARTS CATALOG (MAINTENANCE)



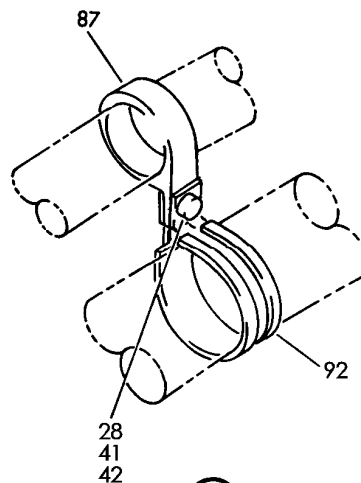
(W)



(X)



(Z)



(Y)

Y 21260942 SH1 9 REV 328

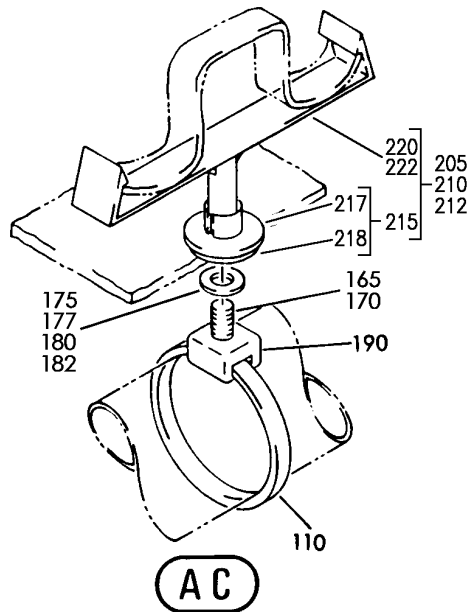
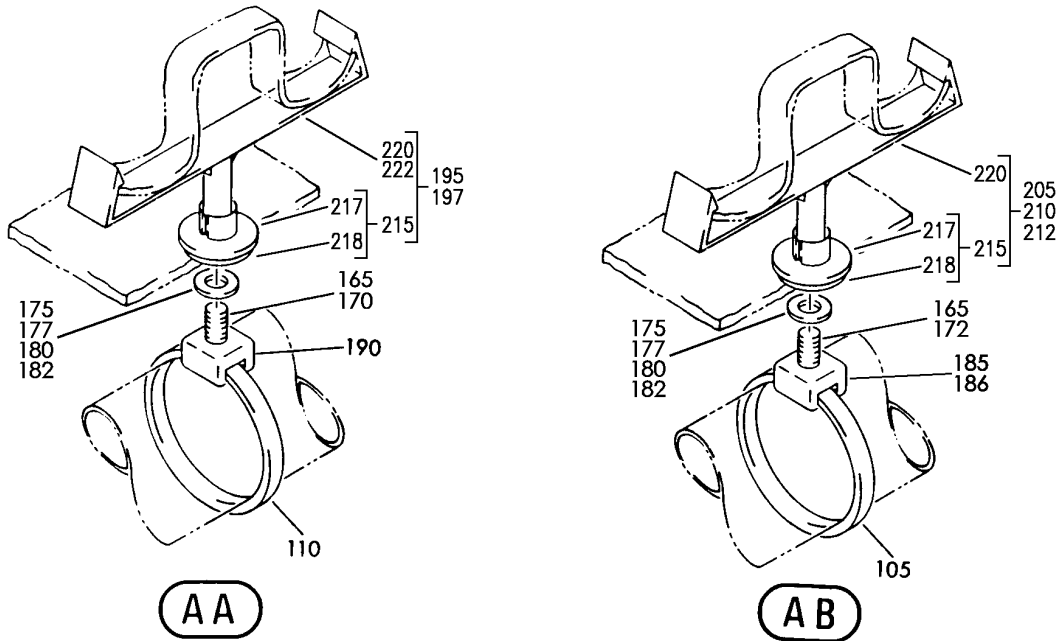
DUCT INSTL-SECT. 46 LAV/ GALLEY VENT SYS
FIGURE 42 (SHEET 9)

21-26-09-42

BRI
JAN 20/09

21-26-09-42
PAGE 0H

BOEING
757
PARTS CATALOG (MAINTENANCE)



Y 21260942 SH1 10 REV 328

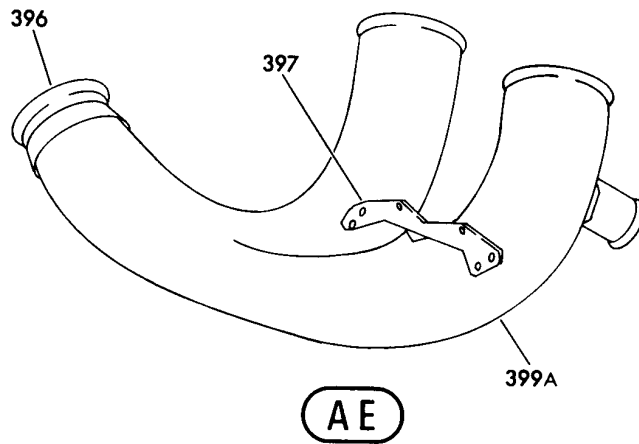
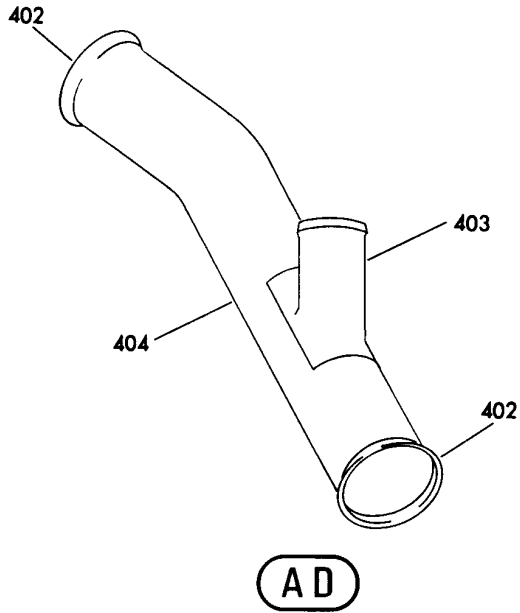
DUCT INSTL-SECT. 46 LAV/ GALLEY VENT SYS
FIGURE 42 (SHEET 10)

21-26-09-42

BRI
JAN 20/09

21-26-09-42
PAGE 01

BOEING
757
PARTS CATALOG (MAINTENANCE)



Y 21260942 SHT 11 REV 192

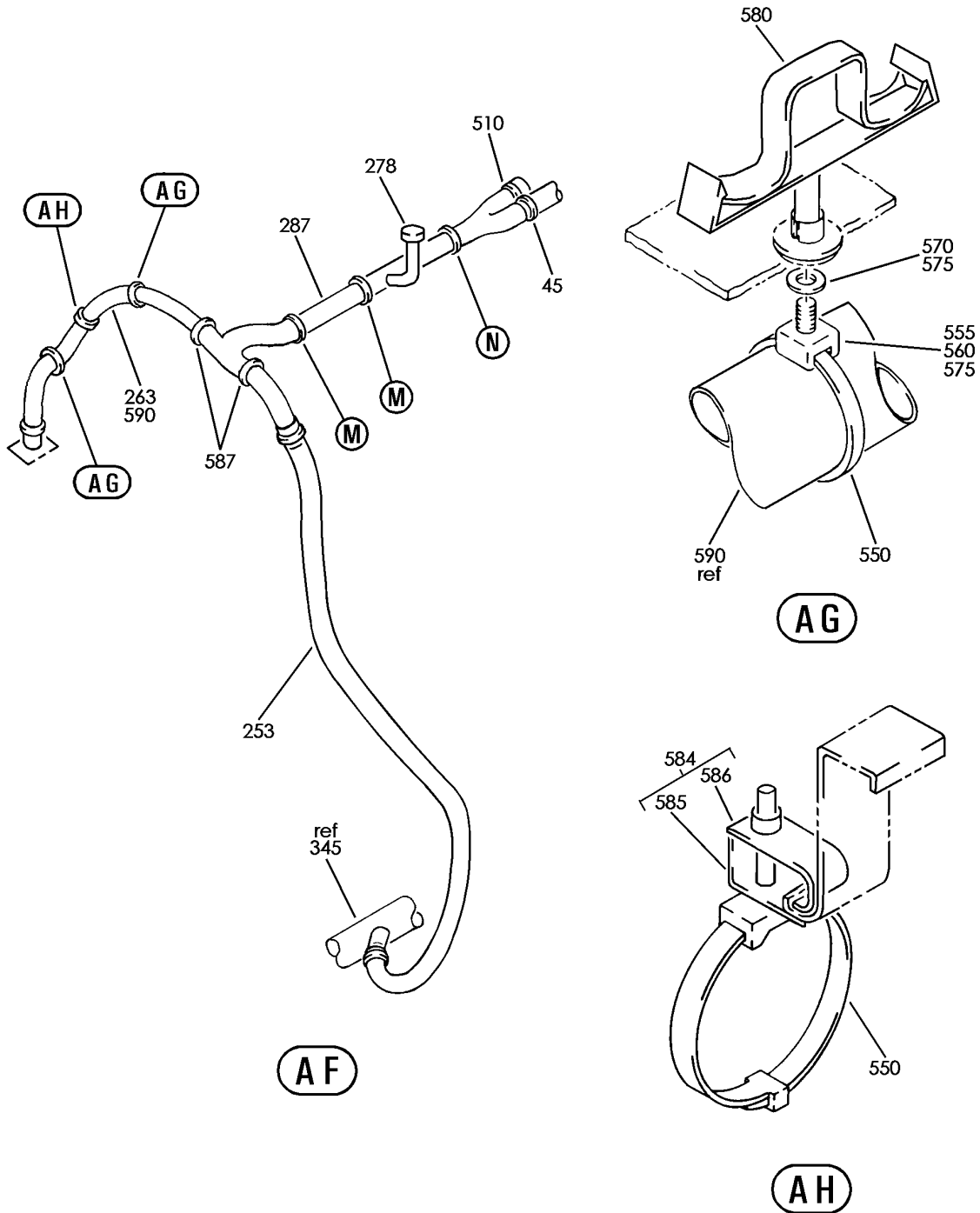
DUCT INSTL-SECT. 46 LAV/ GALLEY VENT SYS
FIGURE 42 (SHEET 11)

BRI
JAN 20/08

21-26-09-42

21-26-09-42
PAGE 0J

BOEING
757
PARTS CATALOG (MAINTENANCE)



Y 21260942 SHT 12 REV 22P

DUCT INSTL-SECT. 46 LAV/ GALLEY VENT SYS
FIGURE 42 (SHEET 12)

21-26-09-42

BRI
JAN 20/08

21-26-09-42
PAGE 0K



757

PARTS CATALOG (MAINTENANCE)

| FIG ITEM | PART NUMBER | 1 2 3 4 5 6 7 | NOMENCLATURE | EFFECT FROM TO | UNITS PER ASSY |
|----------|----------------|---------------|---|----------------|----------------|
| 42 | | | DUCT INSTL-SECT. 46 LAV/ GALLEY VENT SYS | 101102 | |
| 5 | BACS12FA3K12 | | .SCREW | 101102 | 2 |
| 10 | BACS12CK3-8 | | .SCREW- | 101102 | 1 |
| 15 | BACS12FA3K26 | | .SCREW | 101102 | 1 |
| 20 | BACS12FA3K7 | | .SCREW | 101102 | 20 |
| 22 | BACS12CK3-8 | | .SCREW | 101102 | 17 |
| 23 | BACS12GU3K7 | | .SCREW | 101102 | 4 |
| 24 | BACS12CK3-8 | | .SCREW | 101102 | 3 |
| 25 | BACS12FA3K6 | | .SCREW | 101102 | 1 |
| 27 | MBF2011T6-150 | | .BOLT | 101102 | 14 |
| | | | SUPPLIER CODE: V98524 | | |
| | | | SPECIFICATION NUMBER: BACB30VL6T150 | | |
| | | | OPTIONAL PART: MBF2011T6-150 | | |
| | | | V5M902 | | |
| 28 | MBF2011T6-150 | | .BOLT | 101102 | 1 |
| | | | SUPPLIER CODE: V98524 | | |
| | | | SPECIFICATION NUMBER: BACB30VL6T150 | | |
| | | | OPTIONAL PART: MBF2011T6-150 | | |
| | | | V5M902 | | |
| 29 | BACS12GU3K7 | | .SCREW | 101102 | 54 |
| 30 | NAS43DD3-64 | | .SPACER | 101102 | 1 |
| 37 | NAS1149D0316J | | .WASHER | 101102 | 18 |
| 38 | NAS1149D0316J | | .WASHER | 101102 | 3 |
| 42 | PLH53CD | | .NUT | 101102 | 20 |
| | | | SUPPLIER CODE: VF0224 | | |
| | | | SPECIFICATION NUMBER: BACN10YR3CD | | |
| | | | OPTIONAL PART: H52732-3CD | | |
| | | | V15653 | | |
| 43 | PLH53CD | | .NUT | 101102 | 3 |
| | | | SUPPLIER CODE: VF0224 | | |
| | | | SPECIFICATION NUMBER: BACN10YR3CD | | |
| | | | OPTIONAL PART: H52732-3CD | | |
| | | | V15653 | | |
| 45 | NAS1922-0200-3 | | .CLAMP | 101102 | 9 |
| 65 | NAS1922-0225-3 | | .CLAMP | 101102 | 5 |
| 75 | NAS1922-0350-3 | | .CLAMP | 101102 | 4 |

MISSING ITEM NUMBERS NOT APPLICABLE

- ITEM NOT ILLUSTRATED

21-26-09-42

21-26-09
FIG. 42
PAGE 1
JAN 20/09

BRI



757

PARTS CATALOG (MAINTENANCE)

| FIG ITEM | PART NUMBER | 1 2 3 4 5 6 7 | NOMENCLATURE | EFFECT FROM TO | UNITS PER ASSY |
|----------|----------------|---------------|--|----------------|----------------|
| 42 | | | | | |
| 80 | NAS1922-0400-3 | .CLAMP | | 101102 | 3 |
| 85 | NAS1922-0525-3 | .CLAMP | | 101102 | 6 |
| 87 | JM44LC13WS21R | .CLAMP- | | 101102 | 1 |
| | | | SUPPLIER CODE: V22175 SPECIFICATION NUMBER: BACC10GE21 OPTIONAL PART: TA12C32WS21 V84971 509S21 V83930 S714WH21 V18076 | | |
| 90 | JM44LC13WS34R | .CLAMP | | 101102 | 1 |
| | | | SUPPLIER CODE: V22175 SPECIFICATION NUMBER: BACC10GE34 OPTIONAL PART: TA12C32WS34 V84971 509S34 V83930 S714WH34 V18076 | | |
| 92 | JM44LC13WS40R | .CLAMP- | | 101102 | 1 |
| | | | SUPPLIER CODE: V22175 SPECIFICATION NUMBER: BACC10GE40 OPTIONAL PART: S369WH40 V18076 TA12C32WS40 V84971 509S40 V83930 | | |
| 95 | NH135008-0400 | .COUPLING | | 101102 | 4 |
| | | | SUPPLIER CODE: V00624 SPECIFICATION NUMBER: BACC10HX400 | | |
| 100 | NH135008-0500 | .COUPLING | | 101102 | 3 |
| | | | SUPPLIER CODE: V00624 SPECIFICATION NUMBER: BACC10HX500 | | |

MISSING ITEM NUMBERS NOT APPLICABLE

- ITEM NOT ILLUSTRATED

21-26-09-42

21-26-09
FIG. 42
PAGE 2
JAN 20/09

BRI

BOEING PROPRIETARY - Copyright © - Unpublished Work - See title page for details.



757

PARTS CATALOG (MAINTENANCE)

| FIG ITEM | PART NUMBER | 1 2 3 4 5 6 7 | NOMENCLATURE | EFFECT FROM TO | UNITS PER ASSY |
|-----------|--------------|---------------|--|----------------|----------------|
| 42 105 | PLT4SM | .STRAP | SUPPLIER CODE: V06383 SPECIFICATION NUMBER: BACS38K2 OPTIONAL PART: T05LO V53421 | 101102 | 54 |
| 110 | PLT4SM | .STRAP | SUPPLIER CODE: V06383 SPECIFICATION NUMBER: BACS38K2 OPTIONAL PART: T05LO V53421 | 101102 | 8 |
| 115 | T012LO | .STRAP | SUPPLIER CODE: V53421 SPECIFICATION NUMBER: BACS38K6 | 101102 | 1 |
| 120 | TM2S8 | .PLATE | SUPPLIER CODE: V06383 SPECIFICATION NUMBER: STBP19M9 | 101102 | 1 |
| 125 | 214N1051-2 | .SUPPORT | | 101102 | 1 |
| 130 | 214N1051-5 | .SUPPORT | | 101102 | 1 |
| 135 | 214N1051-6 | .SUPPORT | | 101102 | 2 |
| 140 | 214N1051-8 | .SUPPORT | | 101102 | 4 |
| 145 | 214T3424-2 | .SUPPORT | | 101102 | 1 |
| 150 | 214T3424-3 | .SUPPORT | | 101102 | 2 |
| 155 | 214T3424-5 | .SUPPORT | | 101102 | 1 |
| 160 | 214T3424-6 | .SUPPORT | | 101102 | 1 |
| 165 | BACS12GP3L10 | .SCREW- | | 101102 | 24 |
| 165 | BACS12CK3-8 | .SCREW- | | 101102 | 24 |
| 170 | BACS12GP3L10 | .SCREW- | | 101102 | 8 |
| 170 | BACS12CK8-8 | .SCREW- | | 101102 | 8 |
| 185 | TM2S8 | .PLATE- | SUPPLIER CODE: V06383 SPECIFICATION NUMBER: STBP19M9 | 101102 | 24 |
| 186 | TM3S10 | .PLATE- | SUPPLIER CODE: V06383 SPECIFICATION NUMBER: STBP19M12 | 101102 | 16 |

MISSING ITEM NUMBERS NOT APPLICABLE

- ITEM NOT ILLUSTRATED

21-26-09-42

21-26-09
FIG. 42
PAGE 3
JAN 20/09

BRI



757

PARTS CATALOG (MAINTENANCE)

| FIG ITEM | PART NUMBER | 1 2 3 4 5 6 7 | NOMENCLATURE | EFFECT FROM TO | UNITS PER ASSY |
|------------|----------------------------|---------------|---|------------------|----------------|
| 42 190 | TM3S10 | | .PLATE- SUPPLIER CODE: V06383 SPECIFICATION NUMBER: STBP19M12 | 101102 | 8 |
| 195 220 | 214N5054-15 2055155-10C | | .SUPPORT ASSY ..CLIP- SUPPLIER CODE: V04169 USED ON: 214N5054-15 | 101102 101102 | 10 1 |
| 225 | AS1504-08B1740 | | .HOSE | 101102 | 1 |
| 230 | AS1504-08B1770 | | .HOSE | 101102 | 1 |
| 240 | AS1504-09B0512 | | .HOSE | 101102 | 1 |
| 245 | AS1504-09B2310 | | .HOSE | 101102 | 1 |
| 250 | AS1504-10B2240 | | .HOSE- | 101102 | 1 |
| 255 | AS1506-14D50 | | .HOSE | 101102 | 1 |
| 260 | AS1506-20D50 | | .HOSE | 101102 | 1 |
| 270 | BOE2061-0004 | | .HOSE- SUPPLIER CODE: V16632 | 101102 | 1 |
| 275 | AS1504-10B1770 | | .HOSE | 101102 | 1 |
| 280 | 214N3045-2 | | .DUCT | 101102 | 1 |
| 285 | 214N3047-1 | | .DUCT- | 101102 | 1 |
| 295 | 214N3051-1 | | .DUCT ASSY | 101102 | 1 |
| 300 | 214N3051-2 | | .DUCT ASSY | 101102 | 1 |
| 305 | 214N3051-3 | | .DUCT ASSY | 101102 | 1 |
| 310 | NK130004-0400 | | ..FLANGE- SUPPLIER CODE: V98625 OPTIONAL PART: 15J03-400 V89513 2904AM400 V94581 | 101102 | 2 |
| 310 | 15J03-400 | | ..FLANGE- SUPPLIER CODE: V89513 OPTIONAL PART: 2904AM400 V94581 NK130004-0400 V98625 | 101102 | 2 |

MISSING ITEM NUMBERS NOT APPLICABLE

- ITEM NOT ILLUSTRATED

BRI

21-26-09-42

BOEING PROPRIETARY - Copyright © - Unpublished Work - See title page for details.

21-26-09
FIG. 42
PAGE 4
JAN 20/09



757

PARTS CATALOG (MAINTENANCE)

| FIG ITEM | PART NUMBER | 1 2 3 4 5 6 7 | NOMENCLATURE | EFFECT FROM TO | UNITS PER ASSY |
|-----------|---------------|---------------|---|----------------|----------------|
| 42 310 | 2904AM400 | .. | FLANGE- SUPPLIER CODE: V94581 OPTIONAL PART: 15J03-400 V89513 NK130004-0400 V98625 | 101102 | 2 |
| 315 | 214N3051-4 | .. | DUCT- USED ON: 214N3051-1 | 101102 | 1 |
| 320 | 214N3051-5 | .. | DUCT- USED ON: 214N3051-2 | 101102 | 1 |
| 325 | 214N3051-6 | .. | DUCT- USED ON: 214N3051-3 | 101102 | 1 |
| 335 | 214N3043-2 | . | DUCT ASSY | 101102 | 1 |
| 337 | 214N3079-3 | . | DUCT ASSY | 101102 | 1 |
| 340 | NK130004-0500 | .. | FLANGE- SUPPLIER CODE: V98625 OPTIONAL PART: 15J03-500 V89513 2904AM500 V94581 | 101102 | 1 |
| 340 | 15J03-500 | .. | FLANGE- SUPPLIER CODE: V89513 OPTIONAL PART: 2904AM500 V94581 NK130004-0500 V98625 | 101102 | 1 |
| 340 | 2904AM500 | .. | FLANGE- SUPPLIER CODE: V94581 OPTIONAL PART: 15J03-500 V89513 NK130004-0500 V98625 | 101102 | 1 |
| 345 | 214N3043-4 | .. | DUCT | 101102 | 1 |
| 347 | 214N3079-4 | .. | DUCT | 101102 | 1 |
| 350 | 214N3046-1 | . | DUCT ASSY | 101102 | 1 |

MISSING ITEM NUMBERS NOT APPLICABLE

- ITEM NOT ILLUSTRATED

21-26-09-42

21-26-09
FIG. 42
PAGE 5
JAN 20/09

BRI



757

PARTS CATALOG (MAINTENANCE)

| FIG ITEM | PART NUMBER | 1 2 3 4 5 6 7 | NOMENCLATURE | EFFECT FROM TO | UNITS PER ASSY |
|-----------|---------------|---------------|---|----------------|----------------|
| 42 355 | 15J03-350 | .. | FLANGE- SUPPLIER CODE: V89513 OPTIONAL PART: 214N3046-5 | 101102 | 1 |
| 355 | 214N3046-5 | .. | KIT ASSY-SUB OPTIONAL PART: 15J03-350 V89513 | 101102 | 1 |
| - 357 | 2904AM350 | ... | FLANGE- SUPPLIER CODE: V94581 USED ON: 214N3046-5 | 101102 | 1 |
| - 358 | NK130004-0350 | ... | FLANGE- SUPPLIER CODE: V98625 USED ON: 214N3046-5 | 101102 | 1 |
| 360 | 214N3046-2 | .. | DUCT | 101102 | 1 |
| 365 | 214N3046-3 | .. | DUCT | 101102 | 1 |
| 370 | 214N3045-1 | . | DUCT ASSY | 101102 | 1 |
| 380 | 15J03-400 | .. | FLANGE- SUPPLIER CODE: V89513 OPTIONAL PART: 2904AM400 V94581 NK130004-0400 V98625 | 101102 | 1 |
| 380 | 2904AM400 | .. | FLANGE- SUPPLIER CODE: V94581 OPTIONAL PART: 15J03-400 V89513 NK130004-0400 V98625 | 101102 | 1 |
| 380 | NK130004-0400 | .. | FLANGE- SUPPLIER CODE: V98625 OPTIONAL PART: 15J03-400 V89513 2904AM400 V94581 | 101102 | 1 |

MISSING ITEM NUMBERS NOT APPLICABLE

- ITEM NOT ILLUSTRATED

BRI

21-26-09-42

BOEING PROPRIETARY - Copyright © - Unpublished Work - See title page for details.

21-26-09
FIG. 42
PAGE 6
JAN 20/09



757

PARTS CATALOG (MAINTENANCE)

| FIG ITEM | PART NUMBER | 1 2 3 4 5 6 7 | NOMENCLATURE | EFFECT FROM TO | UNITS PER ASSY |
|-----------|---------------|---------------|---|----------------|----------------|
| 42 385 | 15J03-500 | .. | FLANGE- SUPPLIER CODE: V89513 OPTIONAL PART: 2904AM500 V94581 NK130004-0500 V98625 USED ON: 214N3044-1 | 101102 | 1 |
| 385 | 2904AM500 | .. | FLANGE- SUPPLIER CODE: V94581 OPTIONAL PART: 15J03-500 V89513 NK130004-0500 V98625 USED ON: 214N3044-1 | 101102 | 1 |
| 385 | NK130004-0500 | .. | FLANGE- SUPPLIER CODE: V98625 OPTIONAL PART: 15J03-500 V89513 2904AM500 V94581 USED ON: 214N3044-1 | 101102 | 1 |
| 392 | 214N3045-3 | .. | DUCT- USED ON: 214N3045-1 | 101102 | 1 |
| 395 | 214N3019-1 | . | DUCT ASSY | 101102 | 1 |
| 396 | NK130004-0500 | .. | FLANGE SUPPLIER CODE: V8W928 SPECIFICATION NUMBER: BACF22BC500 OPTIONAL PART: NK130004-0500 V00624 | 101102 | 1 |
| 397 | 214N3072-2 | .. | BRACKET ATTACHING PARTS | 101102 | 1 |
| - 398 | AN960-10L | .. | WASHER | 101102 | 4 |
| - 399 | BACR15BB6A | .. | RIVET- SIZE DETERMINED ON INSTL. -----*----- | 101102 | 4 |
| 399A | 214N3019-3 | .. | DUCT | 101102 | 1 |

MISSING ITEM NUMBERS NOT APPLICABLE

- ITEM NOT ILLUSTRATED

21-26-09-42

21-26-09
FIG. 42
PAGE 7
JAN 20/09

BRI

BOEING PROPRIETARY - Copyright © - Unpublished Work - See title page for details.



757

PARTS CATALOG (MAINTENANCE)

| FIG ITEM | PART NUMBER | 1 2 3 4 5 6 7 | NOMENCLATURE | EFFECT FROM TO | UNITS PER ASSY |
|----------|---------------|---------------|--|----------------|----------------|
| 42 | | | | | |
| 400 | 214N3019-2 | .DUCT | ASSY | 101102 | 1 |
| 402 | NK130004-0500 | ..FLANGE | | 101102 | 2 |
| | | | SUPPLIER CODE: V8W928 | | |
| | | | SPECIFICATION NUMBER: BACF22BC500 | | |
| | | | OPTIONAL PART: NK130004-0500 | | |
| | | | V00624 | | |
| 403 | 214T3488-51 | ..SPUD | | 101102 | 1 |
| 404 | 214N3019-3 | ..DUCT | | 101102 | 1 |
| 405 | 214N3065-2 | .BRACKET | | 101102 | 2 |
| | | | ATTACHING PARTS | | |
| - 410 | MBF2011T6-150 | .BOLT- | | 101102 | 4 |
| | | | SUPPLIER CODE: V98524 | | |
| | | | SPECIFICATION NUMBER: BACB30VL6T150 | | |
| | | | OPTIONAL PART: MBF2011T6-150 | | |
| | | | V5M902 | | |
| | | | -----*----- | | |
| 415 | 214N3067-6 | .BRACKET | | 101102 | 1 |
| | | | ATTACHING PARTS | | |
| - 420 | MBF2011T6-150 | .BOLT- | | 101102 | 2 |
| | | | SUPPLIER CODE: V98524 | | |
| | | | SPECIFICATION NUMBER: BACB30VL6T150 | | |
| | | | OPTIONAL PART: MBF2011T6-150 | | |
| | | | V5M902 | | |
| | | | -----*----- | | |
| 425 | 214N3065-1 | .BRACKET | | 101102 | 1 |
| | | | ATTACHING PARTS | | |
| - 430 | MBF2011T6-150 | .BOLT- | | 101102 | 2 |
| | | | SUPPLIER CODE: V98524 | | |
| | | | SPECIFICATION NUMBER: BACB30VL6T150 | | |
| | | | OPTIONAL PART: MBF2011T6-150 | | |
| | | | V5M902 | | |
| | | | -----*----- | | |
| 435 | 214N3065-6 | .BRACKET | | 101102 | 1 |

MISSING ITEM NUMBERS NOT APPLICABLE

- ITEM NOT ILLUSTRATED

BRI

21-26-09-42

21-26-09
FIG. 42
PAGE 8
JAN 20/09

BOEING
757
PARTS CATALOG (MAINTENANCE)

| FIG ITEM | PART NUMBER | 1 2 3 4 5 6 7 | NOMENCLATURE | EFFECT FROM TO | UNITS PER ASSY |
|----------|---------------|---------------|---|----------------|----------------|
| 42 | | | ATTACHING PARTS | | |
| - 440 | MBF2011T6-150 | | .BOLT- SUPPLIER CODE: V98524 SPECIFICATION NUMBER: BACB30VL6T150 OPTIONAL PART: MBF2011T6-150 V5M902 -----*----- | 101102 | 2 |
| 455 | 214N3072-1 | | .BRACKET ATTACHING PARTS | 101102 | 1 |
| - 460 | NAS1801-3-7 | | .SCREW | 101102 | 2 |
| - 465 | AN960KD10L | | .WASHER | 101102 | 2 |
| - 470 | BRH10C3D | | .NUT SUPPLIER CODE: V52828 SPECIFICATION NUMBER: BACN10JC3CD OPTIONAL PART: T6C1032JCD V11815 NS202486-02 V80539 102LH9075-3W V72962 H51650-3BAC V15653 -----*----- | 101102 | 2 |
| 475 | 214N3065-6 | | .BRACKET ATTACHING PARTS | 101102 | 2 |
| - 480 | BACS12FA3K7 | | .SCREW | 101102 | 4 |
| - 485 | AN960KD10L | | .WASHER | 101102 | 4 |
| - 490 | BRH10C3D | | .NUT SUPPLIER CODE: V52828 SPECIFICATION NUMBER: BACN10JC3CD OPTIONAL PART: T6C1032JCD V11815 NS202486-02 V80539 102LH9075-3W V72962 H51650-3BAC V15653 -----*----- | 101102 | 4 |
| 495 | 214N3067-1 | | .BRACKET | 101102 | 1 |

MISSING ITEM NUMBERS NOT APPLICABLE

- ITEM NOT ILLUSTRATED

BRI

21-26-09-42

BOEING PROPRIETARY - Copyright © - Unpublished Work - See title page for details.

21-26-09
FIG. 42
PAGE 9
JAN 20/09



757

PARTS CATALOG (MAINTENANCE)

| FIG ITEM | PART NUMBER | 1 2 3 4 5 6 7 | NOMENCLATURE | EFFECT FROM TO | UNITS PER ASSY |
|-------------|-------------|---------------|---------------------------------------|-------------------|----------------------|
| 42 500 | 293255 | | .BRACKET- SUPPLIER CODE: V60119 | 101102 | 2 |

MISSING ITEM NUMBERS NOT APPLICABLE

- ITEM NOT ILLUSTRATED

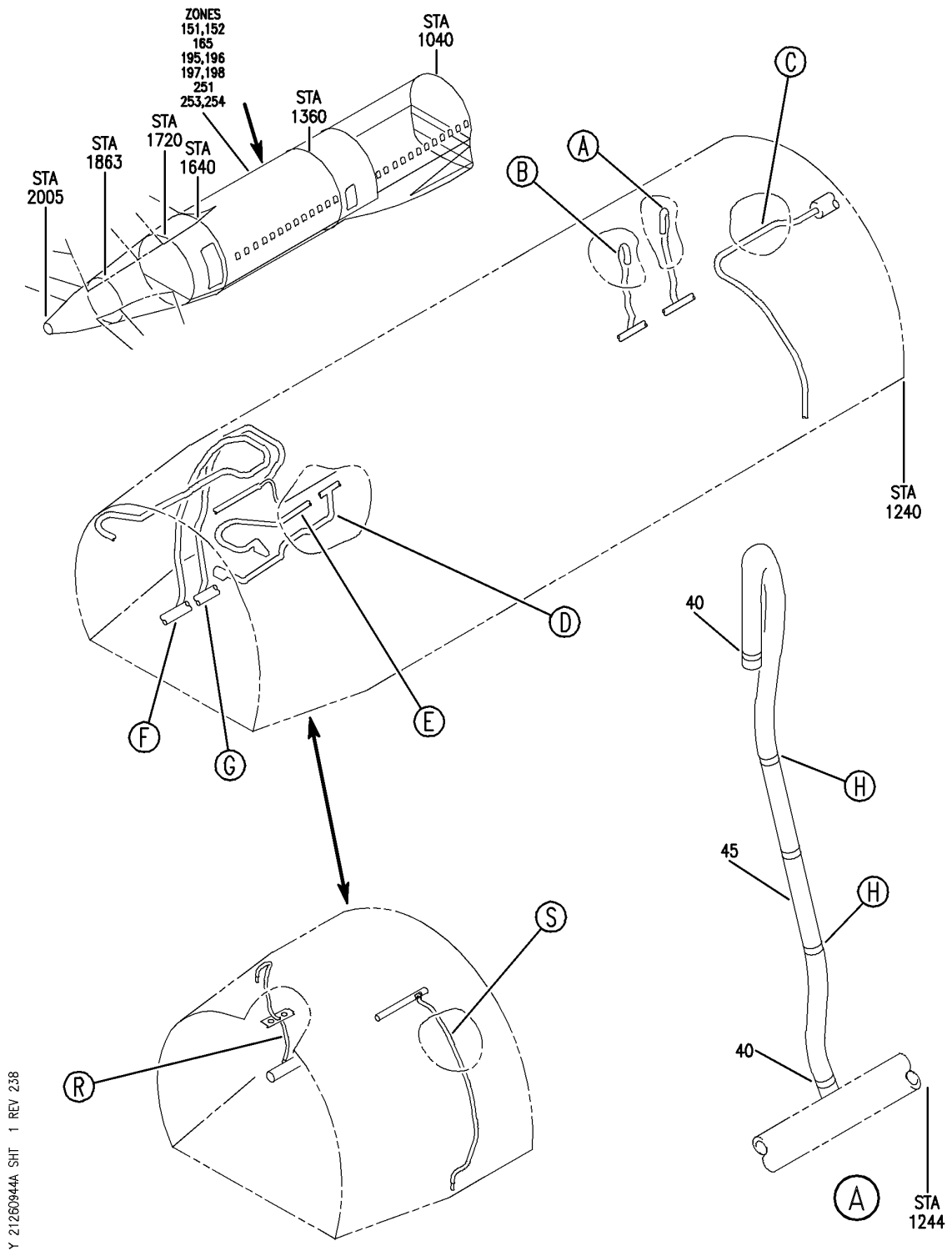
BRI

21-26-09-42

BOEING PROPRIETARY - Copyright © - Unpublished Work - See title page for details.

21-26-09
FIG. 42
PAGE 10
JAN 20/09

BOEING
757
PARTS CATALOG (MAINTENANCE)



Y 21260944A SHT 1 REV 238

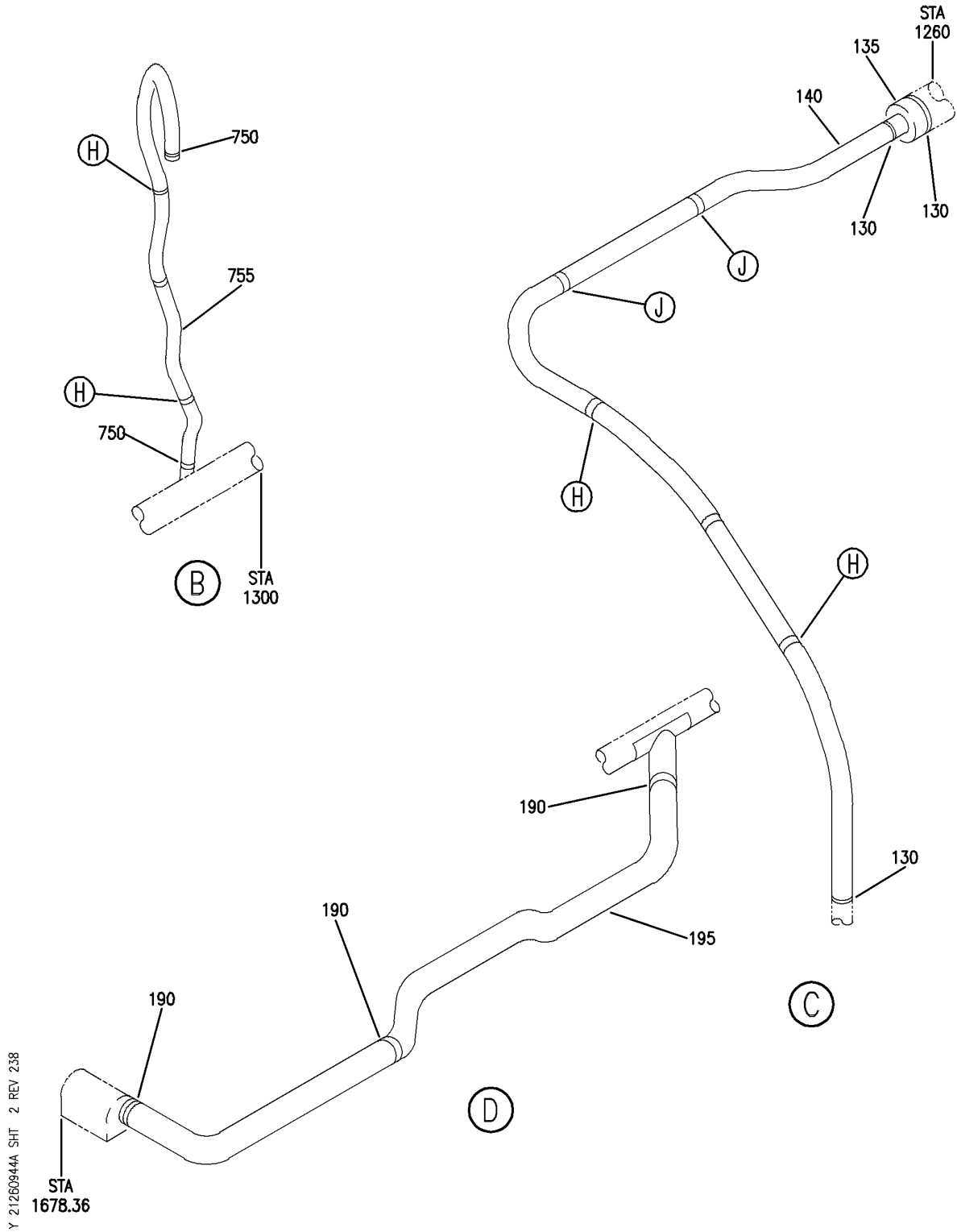
DUCT INSTL-LAV/GALLEY VENT SYSTEM, SECTION 46
FIGURE 44A (SHEET 1)

21-26-09-44A

BRI
JAN 20/09

21-26-09-44A
PAGE 0

BOEING
757
PARTS CATALOG (MAINTENANCE)



Y 21260944A SHT 2 REV 238

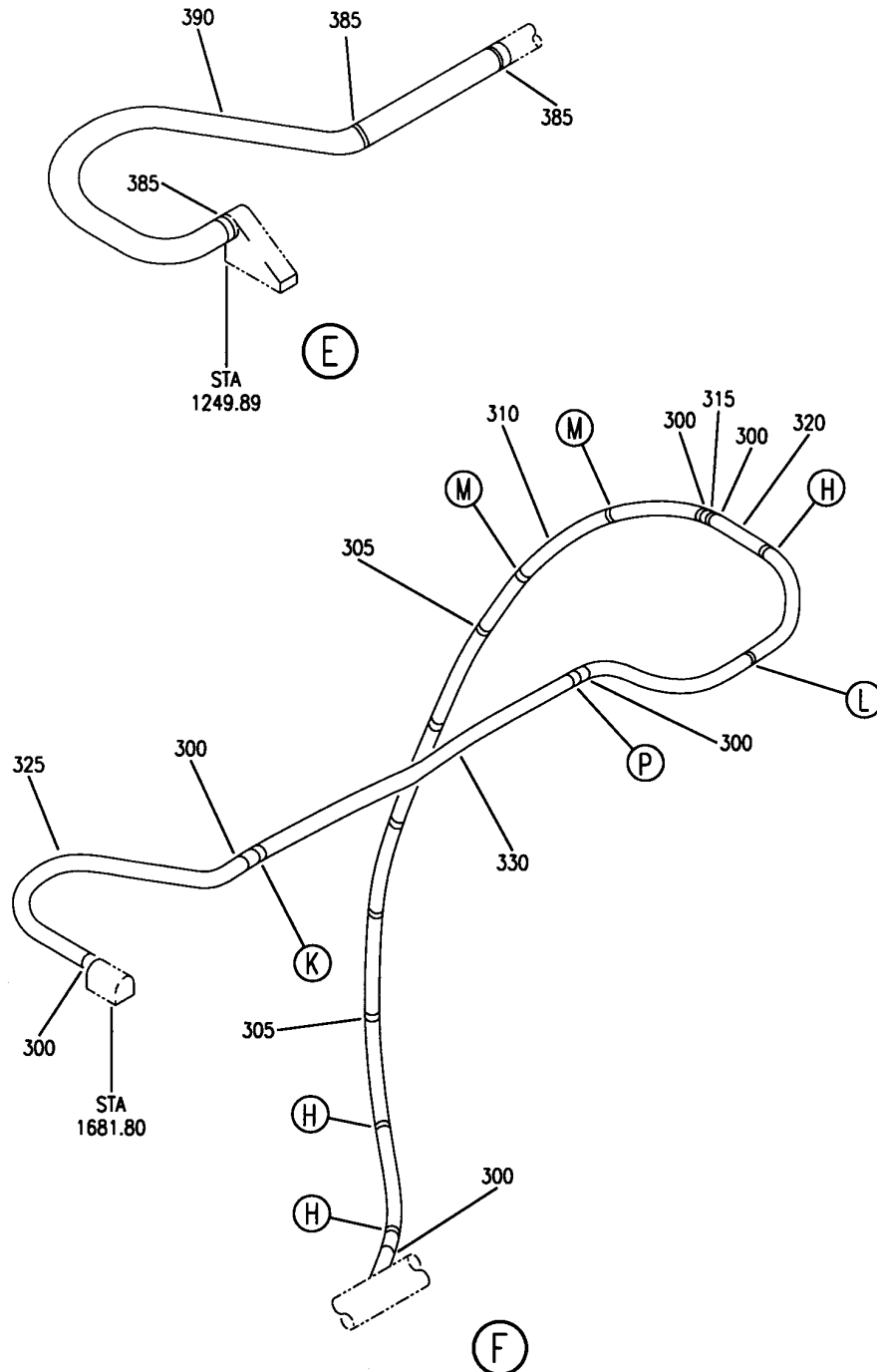
DUCT INSTL-LAV/GALLEY VENT SYSTEM, SECTION 46
FIGURE 44A (SHEET 2)

BRI
JAN 20/09

21-26-09-44A

21-26-09-44A
PAGE 0A

BOEING
757
PARTS CATALOG (MAINTENANCE)



Y 21260944A SHT 3 REV 207

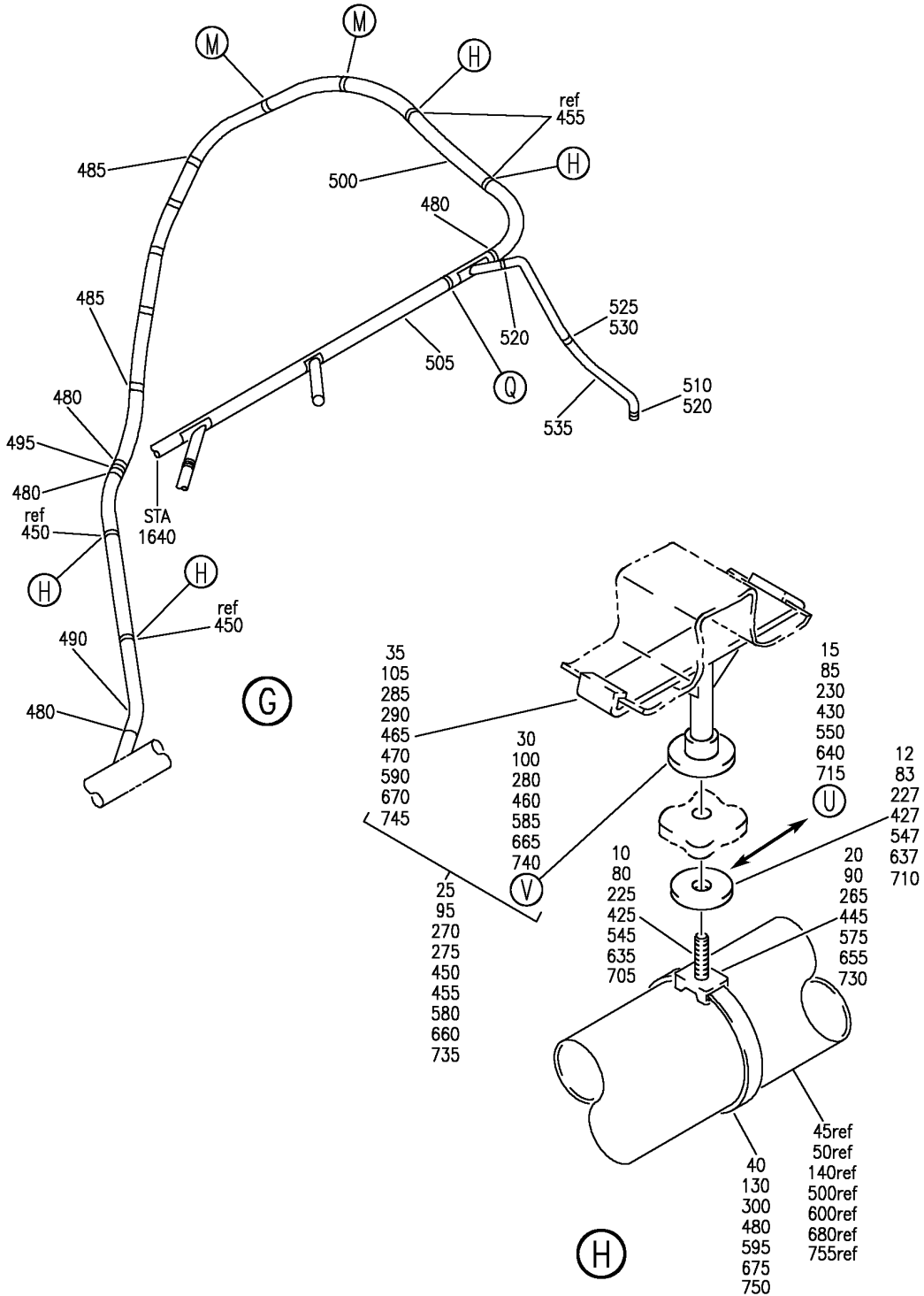
DUCT INSTL-LAV/GALLEY VENT SYSTEM, SECTION 46
FIGURE 44A (SHEET 3)

21-26-09-44A

BRI
JAN 20/09

21-26-09-44A
PAGE 0B


BOEING
 757
PARTS CATALOG (MAINTENANCE)



Y 21260944A SH 4 REV 263

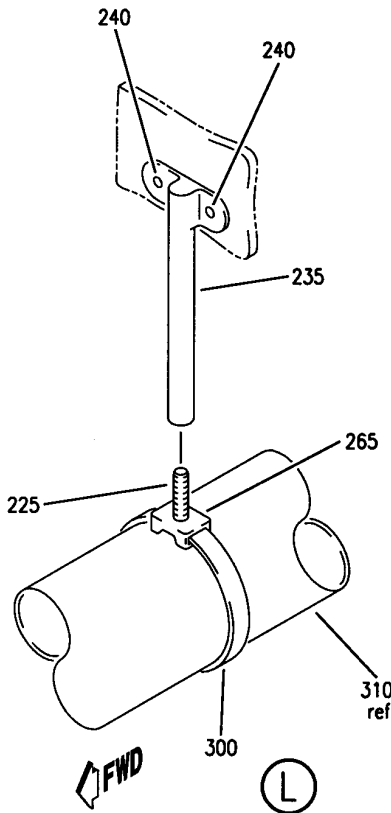
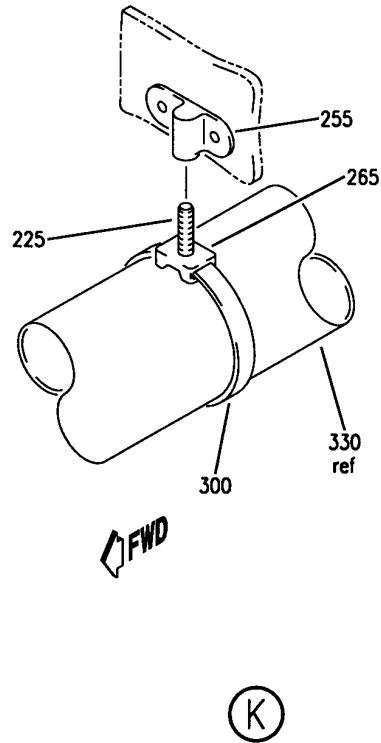
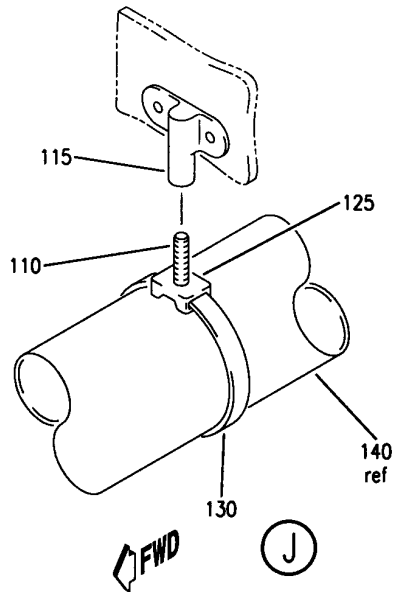
DUCT INSTL-LAV/GALLEY VENT SYSTEM, SECTION 46
 FIGURE 44A (SHEET 4)

21-26-09-44A

BRI
 JAN 20/09

21-26-09-44A
 PAGE 0C

BOEING
757
PARTS CATALOG (MAINTENANCE)



Y 21260944A SHT 5 REV 207

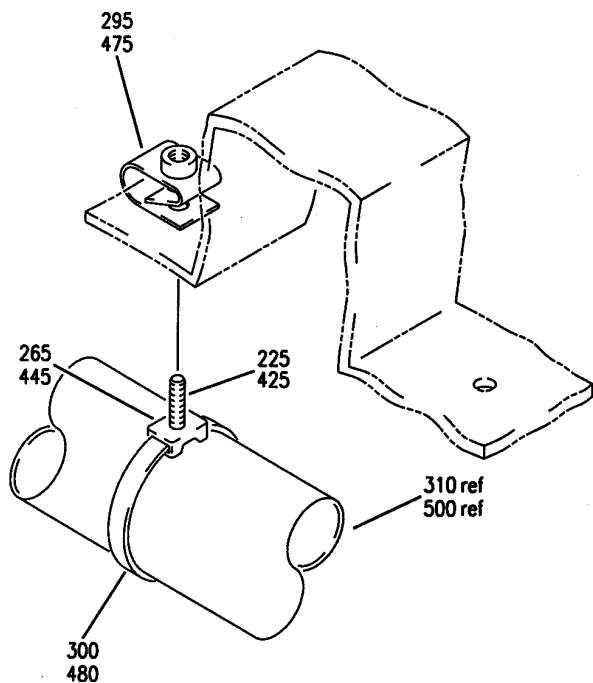
DUCT INSTL-LAV/GALLEY VENT SYSTEM, SECTION 46
FIGURE 44A (SHEET 5)

21-26-09-44A

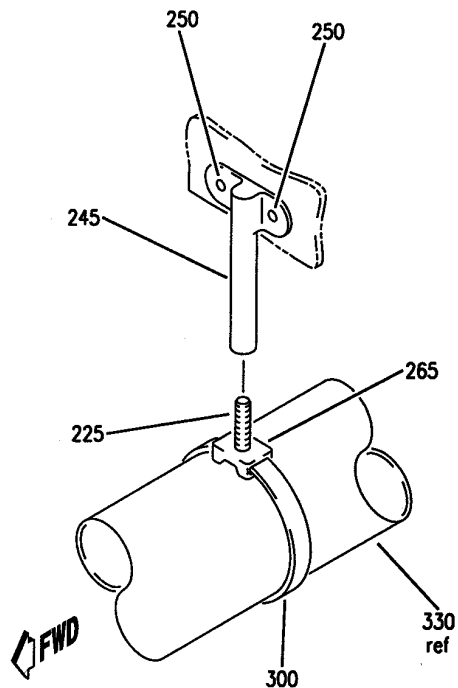
BRI
JAN 20/09

21-26-09-44A
PAGE 0D

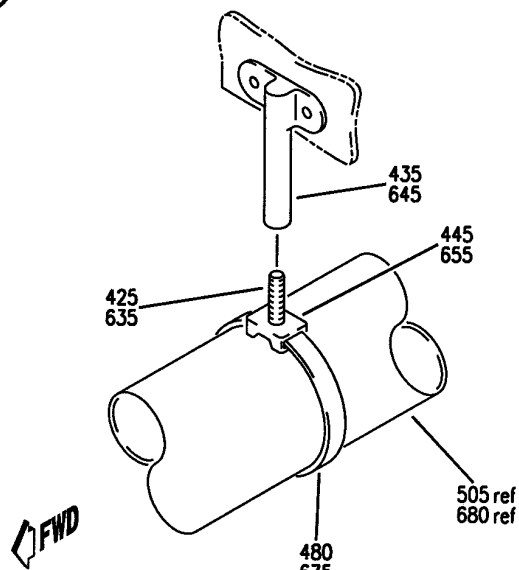
BOEING
757
PARTS CATALOG (MAINTENANCE)



(M)



(P)



(Q)

Y 21260944A SHIT 6 REV 220

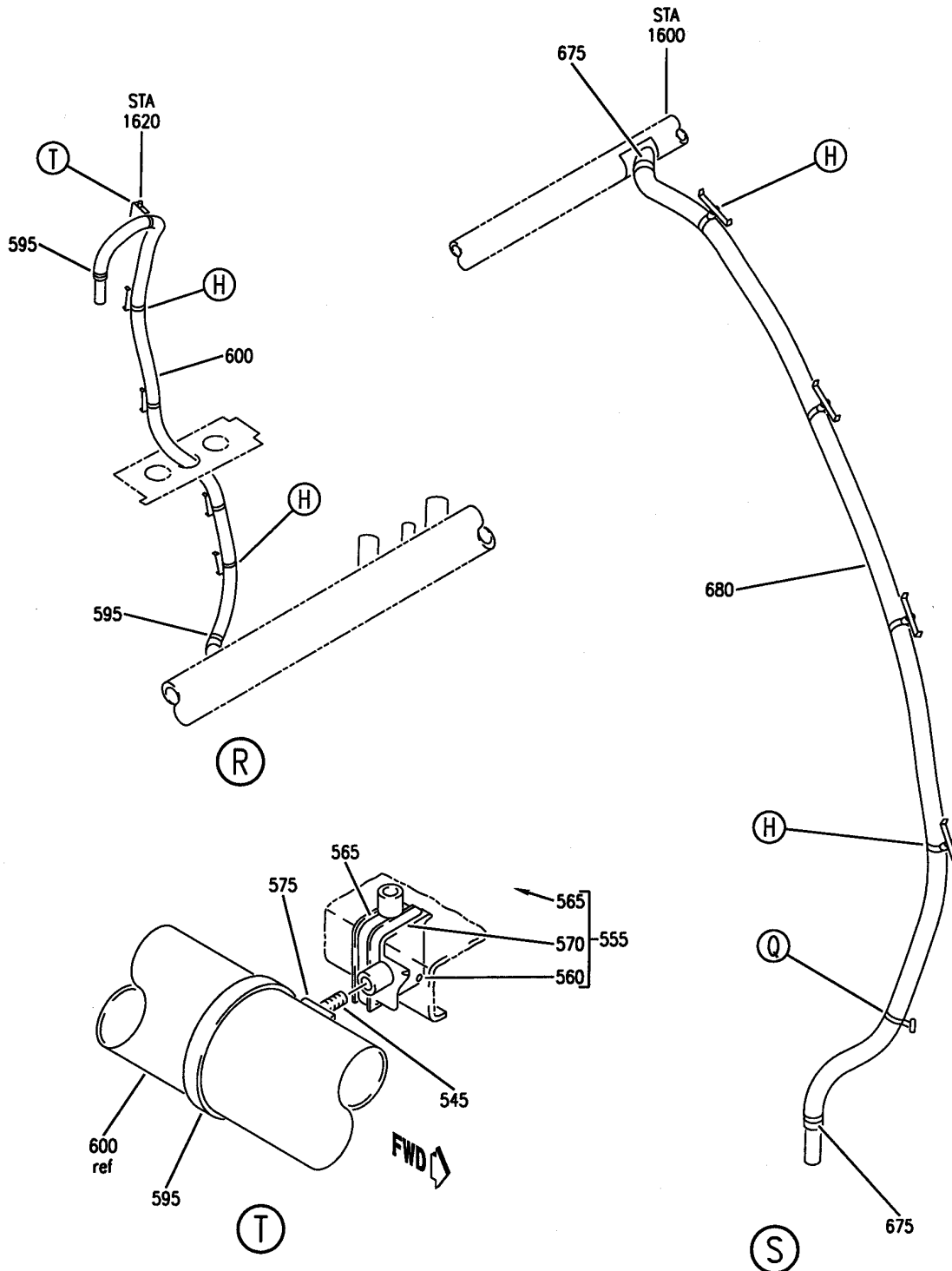
DUCT INSTL-LAV/GALLEY VENT SYSTEM, SECTION 46
FIGURE 44A (SHEET 6)

21-26-09-44A

BRI
JAN 20/09

21-26-09-44A
PAGE 0E

BOEING
757
PARTS CATALOG (MAINTENANCE)



Y 21260944A SHT 7 REV 220

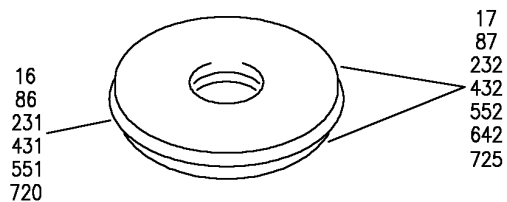
DUCT INSTL-LAV/GALLEY VENT SYSTEM, SECTION 46
FIGURE 44A (SHEET 7)

21-26-09-44A

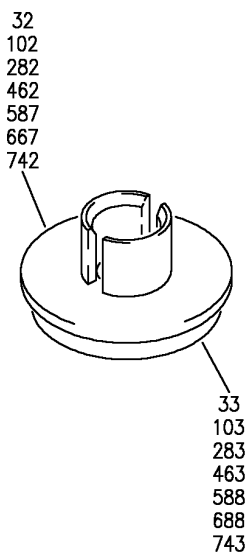
BRI
JAN 20/09

21-26-09-44A
PAGE OF

BOEING
757
PARTS CATALOG (MAINTENANCE)



U



V

Y 21260944A SHT 8 REV 263

DUCT INSTL-LAV/GALLEY VENT SYSTEM, SECTION 46
FIGURE 44A (SHEET 8)

21-26-09-44A

BRI
JAN 20/09

21-26-09-44A
PAGE 08

 **BOEING**
757
PARTS CATALOG (MAINTENANCE)

| FIG ITEM | PART NUMBER | 1 2 3 4 5 6 7 | NOMENCLATURE | EFFECT FROM TO | UNITS PER ASSY |
|----------|-------------|---------------|---|----------------|----------------|
| 44A | | | DUCT INSTL-LAV/GALLEY VENT SYSTEM, SECTION 46 | 103106 | |
| - 1 | MODREF5099 | | DUCT INSTL-LAV/GALLEY VENT SYSTEM AND LAV B MODULE NUMBER: 214N3094-2 REV A POSITION DATA: SECTION 46 | 103106 | 1 |
| 10 | BACS12GU3K8 | | .SCREW | 103106 | 3 |
| 12 | BACW10DZ3 | | .WASHER- OPTIONAL PART: 411N4026-12 | 103106 | 3 |
| 15 | 411N4026-12 | | .WASHER ASSY- OPTIONAL PART: BACW10DZ3 | 103106 | 3 |
| 16 | 411N4026-13 | | ..WASHER | 103106 | 1 |
| 17 | 411N4026-7 | | ..TAPE-FOAM | 103106 | 2 |
| 20 | TM3S10 | | .PLATE SUPPLIER CODE: V06383 SPECIFICATION NUMBER: STBP19M12 | 103106 | 3 |
| 25 | 214N5054-12 | | .SUPPORT ASSY | 103106 | 3 |
| 30 | 411N4026-10 | | ..CAP ASSY- OPTIONAL PART: 411N4026-2 | 103106 | 1 |
| 30 | 411N4026-2 | | ..CAP ASSY- OPTIONAL PART: 411N4026-10 | 103106 | 1 |
| 32 | 411N4026-11 | | ...CAP- USED ON: 411N4026-10 | 103106 | 1 |
| 32 | 411N4026-5 | | ...CAP- USED ON: 411N4026-2 | 103106 | 1 |
| 33 | 411N4026-7 | | ...TAPE | 103106 | 1 |
| 35 | 2055155-10B | | ..CLIP- SUPPLIER CODE: V04169 | 103106 | 1 |
| 40 | SLT8LHC6 | | .STRAP- SUPPLIER CODE: V06383 OPTIONAL PART: SLT10LHC6 V06383 | 103106 | 5 |

MISSING ITEM NUMBERS NOT APPLICABLE

- ITEM NOT ILLUSTRATED

BRI

21-26-09-44A

BOEING PROPRIETARY - Copyright © - Unpublished Work - See title page for details.

21-26-09
FIG. 44A
PAGE 1
JAN 20/09



757

PARTS CATALOG (MAINTENANCE)

| FIG ITEM | PART NUMBER | 1 2 3 4 5 6 7 | NOMENCLATURE | EFFECT FROM TO | UNITS PER ASSY |
|-----------|-------------|---------------|---|----------------|----------------|
| 44A 40 | SLT10LHC6 | . | STRAP- SUPPLIER CODE: V06383 OPTIONAL PART: SLT8LHC6 V06383 | 103106 | 5 |
| 45 | BCREF133760 | . | HOSE- OVERLENGTH PART NUMBER: BACD40V0605-0762 | 103106 | 1 |
| - 75 | MODREF5101 | DUCT | INSTL-LAV/GALLEY VENT SYSTEM AND LAV D MODULE NUMBER: 214N3094-4 REV A POSITION DATA: SECTION 46 | 103106 | 1 |
| 80 | BACS12GU3K8 | . | SCREW | 103106 | 3 |
| 83 | BACW10DZ3 | . | WASHER- OPTIONAL PART: 411N4026-12 | 103106 | 3 |
| 85 | 411N4026-12 | . | WASHER ASSY- OPTIONAL PART: BACW10DZ3 | 103106 | 3 |
| 86 | 411N4026-13 | .. | WASHER | 103106 | 1 |
| 87 | 411N4026-7 | .. | TAPE-FOAM | 103106 | 2 |
| 90 | TM3S10 | . | PLATE SUPPLIER CODE: V06383 SPECIFICATION NUMBER: STBP19M12 | 103106 | 3 |
| 95 | 214N5054-14 | . | SUPPORT ASSY | 103106 | 3 |
| 100 | 411N4026-10 | .. | CAP ASSY- OPTIONAL PART: 411N4026-2 | 103106 | 1 |
| 100 | 411N4026-2 | .. | CAP ASSY- OPTIONAL PART: 411N4026-10 | 103106 | 1 |
| 102 | 411N4026-11 | ... | CAP- USED ON: 411N4026-10 | 103106 | 1 |
| 102 | 411N4026-5 | ... | CAP- USED ON: 411N4026-2 | 103106 | 1 |
| 103 | 411N4026-7 | ... | TAPE | 103106 | 1 |
| 105 | 2055155-10C | .. | CLIP- SUPPLIER CODE: V04169 | 103106 | 1 |
| 110 | BACS12GU3K8 | . | SCREW | 103106 | 2 |

MISSING ITEM NUMBERS NOT APPLICABLE

- ITEM NOT ILLUSTRATED

21-26-09-44A

21-26-09
FIG. 44A
PAGE 2
JAN 20/09

BRI

BOEING PROPRIETARY - Copyright © - Unpublished Work - See title page for details.



757

PARTS CATALOG (MAINTENANCE)

| FIG ITEM | PART NUMBER | 1 2 3 4 5 6 7 | NOMENCLATURE | EFFECT FROM TO | UNITS PER ASSY |
|------------|--------------|---------------|---|----------------|----------------|
| 44A 115 | BACN10GH3A10 | . | NUTPLATE SUPPLIER CODE: V04169 SPECIFICATION NUMBER: BACN10GH3A10 ATTACHING PARTS | 103106 | 2 |
| - 120 | BACR15BB4A | . | RIVET- SIZE DETERMINED ON INSTL. -----*----- | 103106 | 4 |
| 125 | TM3S10 | . | PLATE SUPPLIER CODE: V06383 SPECIFICATION NUMBER: STBP19M12 | 103106 | 2 |
| 130 | SLT8LHC6 | . | STRAP- SUPPLIER CODE: V06383 OPTIONAL PART: SLT10LHC6 V06383 | 103106 | 8 |
| 130 | SLT10LHC6 | . | STRAP- SUPPLIER CODE: V06383 OPTIONAL PART: SLT8LHC6 V06383 | 103106 | 8 |
| 135 | BOE2368-1232 | . | CAP-REDUCER SUPPLIER CODE: V16632 | 103106 | 1 |
| 140 | BCREF133762 | . | HOSE- OVERLENGTH PART NUMBER: BACD40V0605-1272 | 103106 | 1 |
| - 165 | MODREF5102 | | DUCT INSTL-LAV/GALLEY VENT SYSTEM AND GALLEY 4B MODULE NUMBER: 214N3094-5 REV A POSITION DATA: SECTION 46 RH | 103106 | 1 |
| 190 | SLT8LHC6 | . | STRAP- SUPPLIER CODE: V06383 OPTIONAL PART: SLT10LHC6 V06383 | 103106 | 3 |

MISSING ITEM NUMBERS NOT APPLICABLE

- ITEM NOT ILLUSTRATED

21-26-09-44A

21-26-09
FIG. 44A
PAGE 3
JAN 20/09

BRI

BOEING PROPRIETARY - Copyright © - Unpublished Work - See title page for details.

BOEING
757
PARTS CATALOG (MAINTENANCE)

| FIG ITEM | PART NUMBER | 1 2 3 4 5 6 7 | NOMENCLATURE | EFFECT FROM TO | UNITS PER ASSY |
|------------|-----------------|---------------|---|----------------|----------------|
| 44A 190 | SLT10LHC6 | . | STRAP- SUPPLIER CODE: V06383 OPTIONAL PART: SLT8LHC6 V06383 | 103106 | 3 |
| 195 | BOE2022-09A0710 | . | HOSE- SUPPLIER CODE: V16632 SPECIFICATION NUMBER: AS1544-09A0710 | 103106 | 1 |
| - 220 | MODREF34541 | | DUCT INSTL-LAV/GALLEY VENT SYSTEM AND GALLEY 4B MODULE NUMBER: 214N3094-6 REV B POSITION DATA: SECTION 46 LH | 103106 | 1 |
| 225 | BACS12GU3K8 | . | SCREW | 103106 | 8 |
| 227 | BACW10DZ3 | . | WASHER- OPTIONAL PART: 411N4026-12 | 103106 | 3 |
| 230 | 411N4026-12 | . | WASHER ASSY- OPTIONAL PART: BACW10DZ3 | 103106 | 3 |
| 231 | 411N4026-13 | .. | WASHER | 103106 | 1 |
| 232 | 411N4026-7 | .. | TAPE-FOAM | 103106 | 2 |
| 235 | BACN10GH3A30 | . | STANDOFF ATTACHING PARTS | 103106 | 1 |
| 240 | BACR15BB4A | . | RIVET- SIZE DETERMINED ON INSTL. -----*----- | 103106 | 2 |
| 245 | BACN10GH3A24 | . | STANDOFF ATTACHING PARTS | 103106 | 1 |
| 250 | BACR15BB4A | . | RIVET- SIZE DETERMINED ON INSTL. -----*----- | 103106 | 2 |
| 255 | BACN10GH3A4 | . | NUTPLATE ATTACHING PARTS | 103106 | 1 |
| - 260 | BACR15BB4A | . | RIVET- SIZE DETERMINED ON INSTL. -----*----- | 103106 | 2 |
| 265 | TM3S10 | . | PLATE SUPPLIER CODE: V06383 SPECIFICATION NUMBER: STBP19M12 | 103106 | 8 |
| 270 | 214N5054-11 | . | SUPPORT ASSY | 103106 | 2 |
| 275 | 214N5054-14 | . | SUPPORT ASSY | 103106 | 1 |

MISSING ITEM NUMBERS NOT APPLICABLE

- ITEM NOT ILLUSTRATED

21-26-09-44A

21-26-09
FIG. 44A
PAGE 4
JAN 20/09

BRI

BOEING PROPRIETARY - Copyright © - Unpublished Work - See title page for details.



757

PARTS CATALOG (MAINTENANCE)

| FIG ITEM | PART NUMBER | 1 2 3 4 5 6 7 | NOMENCLATURE | EFFECT FROM TO | UNITS PER ASSY |
|------------|-------------|---------------|---|----------------|----------------|
| 44A 280 | 411N4026-10 | .. | CAP ASSY- OPTIONAL PART: 411N4026-2 | 103106 | 1 |
| 280 | 411N4026-2 | .. | CAP ASSY- OPTIONAL PART: 411N4026-10 | 103106 | 1 |
| 282 | 411N4026-11 | ... | CAP- USED ON: 411N4026-10 | 103106 | 1 |
| 282 | 411N4026-5 | ... | CAP- USED ON: 411N4026-2 | 103106 | 1 |
| 283 | 411N4026-7 | ... | TAPE | 103106 | 1 |
| 285 | 2055155-5B | .. | CLIP- SUPPLIER CODE: V04169 USED ON: 214N5054-11 | 103106 | 1 |
| 290 | 2055155-5C | .. | CLIP- SUPPLIER CODE: V04169 USED ON: 214N5054-14 | 103106 | 1 |
| 295 | 293255 | . | BRACKET- SUPPLIER CODE: V60119 | 103106 | 2 |
| 300 | SLT8LHC6 | . | STRAP- SUPPLIER CODE: V06383 OPTIONAL PART: SLT10LHC6 V06383 | 103106 | 14 |
| 300 | SLT10LHC6 | . | STRAP- SUPPLIER CODE: V06383 OPTIONAL PART: SLT8LHC6 V06383 | 103106 | 14 |
| 305 | SLT10LHC6 | . | STRAP- SUPPLIER CODE: V06383 OPTIONAL PART: SLT8LHC6 V06383 | 103106 | 5 |

MISSING ITEM NUMBERS NOT APPLICABLE

- ITEM NOT ILLUSTRATED

21-26-09-44A

21-26-09
FIG. 44A
PAGE 5
JAN 20/09

BRI

BOEING PROPRIETARY - Copyright © - Unpublished Work - See title page for details.



757

PARTS CATALOG (MAINTENANCE)

| FIG ITEM | PART NUMBER | 1 2 3 4 5 6 7 | NOMENCLATURE | EFFECT FROM TO | UNITS PER ASSY |
|------------|-----------------|---------------|---|----------------|----------------|
| 44A 305 | SLT8LHC6 | . | STRAP- SUPPLIER CODE: V06383 OPTIONAL PART: SLT10LHC6 V06383 | 103106 | 5 |
| 310 | BOE2022-09A1440 | . | HOSE SUPPLIER CODE: V16632 SPECIFICATION NUMBER: AS1544-09A1440 | 103106 | 1 |
| 315 | 69B43325-40 | . | CONNECTOR | 103106 | 1 |
| 320 | BOE2022-09A0530 | . | HOSE SUPPLIER CODE: V16632 SPECIFICATION NUMBER: AS1544-09A0530 | 103106 | 1 |
| 325 | BOE2022-09A0313 | . | HOSE- SUPPLIER CODE: V16632 SPECIFICATION NUMBER: AS1544-09A0313 OPTIONAL PART: AS1544-09A0320 | 103106 | 1 |
| 325 | BOE2022-09A0320 | . | HOSE- SUPPLIER CODE: V16632 SPECIFICATION NUMBER: AS1544-09A0320 OPTIONAL PART: AS1544-09A0313 | 103106 | 1 |
| 330 | 214N3022-15 | . | DUCT ASSY | 103106 | 1 |
| - 420 | MODREF5105 | | DUCT INSTL-LAV/GALLEY VENT SYSTEM AND SUPPLY FOR G4BR,G4A,LL AND LM MODULE NUMBER: 214N3094-8 REV A POSITION DATA: SECTION 46 | 103106 | 1 |
| 425 | BACS12GU3K8 | . | SCREW | 103106 | 7 |
| 427 | BACW10DZ3 | . | WASHER- OPTIONAL PART: 411N4026-12 | 103106 | 4 |
| 430 | 411N4026-12 | . | WASHER ASSY- OPTIONAL PART: BACW10DZ3 | 103106 | 4 |
| 431 | 411N4026-13 | .. | WASHER | 103106 | 1 |
| 432 | 411N4026-7 | .. | TAPE-FOAM | 103106 | 2 |
| 435 | BACN10GH3A20 | . | NUT | 103106 | 1 |

MISSING ITEM NUMBERS NOT APPLICABLE

- ITEM NOT ILLUSTRATED

21-26-09-44A

21-26-09
FIG. 44A
PAGE 6
JAN 20/09

BRI

BOEING PROPRIETARY - Copyright © - Unpublished Work - See title page for details.

 **BOEING**
757
PARTS CATALOG (MAINTENANCE)

| FIG ITEM | PART NUMBER | 1 2 3 4 5 6 7 | NOMENCLATURE | EFFECT FROM TO | UNITS PER ASSY |
|----------|-------------|---------------|--|----------------|----------------|
| 44A | | | ATTACHING PARTS | | |
| - 440 | BACR15BB4A | | .RIVET- SIZE DETERMINED ON INSTL. -----*----- | 103106 | 6 |
| 445 | TM3S10 | | .PLATE SUPPLIER CODE: V06383 SPECIFICATION NUMBER: STBP19M12 | 103106 | 7 |
| 450 | 214N5054-11 | | .SUPPORT ASSY | 103106 | 2 |
| 455 | 214N5054-14 | | .SUPPORT ASSY | 103106 | 2 |
| 460 | 411N4026-10 | | ..CAP ASSY- OPTIONAL PART: 411N4026-2 | 103106 | 1 |
| 460 | 411N4026-2 | | ..CAP ASSY- OPTIONAL PART: 411N4026-10 | 103106 | 1 |
| 462 | 411N4026-11 | | ...CAP- USED ON: 411N4026-10 | 103106 | 1 |
| 462 | 411N4026-5 | | ...CAP- USED ON: 411N4026-2 | 103106 | 1 |
| 463 | 411N4026-7 | | ...TAPE | 103106 | 1 |
| 465 | 2055155-5B | | ..CLIP- SUPPLIER CODE: V04169 USED ON: 214N5054-11 | 103106 | 1 |
| 470 | 2055155-5C | | ..CLIP- SUPPLIER CODE: V04169 USED ON: 214N5054-14 | 103106 | 1 |
| 475 | 293255 | | .BRACKET- SUPPLIER CODE: V60119 | 103106 | 2 |
| 480 | SLT8LHC6 | | .STRAP- SUPPLIER CODE: V06383 OPTIONAL PART: SLT10LHC6 V06383 | 103106 | 13 |
| 480 | SLT10LHC6 | | .STRAP- SUPPLIER CODE: V06383 OPTIONAL PART: SLT8LHC6 V06383 | 103106 | 13 |

MISSING ITEM NUMBERS NOT APPLICABLE

- ITEM NOT ILLUSTRATED

21-26-09-44A

21-26-09
FIG. 44A
PAGE 7
JAN 20/09

BRI

BOEING PROPRIETARY - Copyright © - Unpublished Work - See title page for details.



757

PARTS CATALOG (MAINTENANCE)

| FIG ITEM | PART NUMBER | 1 2 3 4 5 6 7 | NOMENCLATURE | EFFECT FROM TO | UNITS PER ASSY |
|------------|-----------------|--|---|----------------|----------------|
| 44A 485 | SLT10LHC6 | .STRAP- | SUPPLIER CODE: V06383 | 103106 | 5 |
| 490 | BOE2022-10A0510 | .HOSE | SUPPLIER CODE: V16632 SPECIFICATION NUMBER: AS1544-10A0510 | 103106 | 1 |
| 495 | 69B43325-7 | .CONNECTOR | | 103106 | 1 |
| 500 | BOE2022-10A1440 | .HOSE | SUPPLIER CODE: V16632 SPECIFICATION NUMBER: AS1544-10A1440 | 103106 | 1 |
| 505 | 214N3102-14 | .DUCT ASSY | | 103106 | 1 |
| - 700 | MODREF5100 | DUCT INSTL-LAV/GALLEY VENT SYSTEM AND LAV C MODULE NUMBER: 214N3094-3 REV A POSITION DATA: SECTION 46 | | 103106 | 1 |
| 705 | BACS12GU3K8 | .SCREW | | 103106 | 1 |
| 710 | BACW10DZ3 | .WASHER- | OPTIONAL PART: 411N4026-12 | 103106 | 1 |
| 715 | 411N4026-12 | .WASHER ASSY- | OPTIONAL PART: BACW10DZ3 | 103106 | 1 |
| 720 | 411N4026-13 | ..WASHER | | 103106 | 1 |
| 725 | 411N4026-7 | ..TAPE-FOAM | | 103106 | 2 |
| 730 | TM3S10 | .PLATE | SUPPLIER CODE: V06383 SPECIFICATION NUMBER: STBP19M12 | 103106 | 1 |
| 735 | 214N5054-12 | .SUPPORT ASSY | | 103106 | 1 |
| 740 | 411N4026-10 | ..CAP ASSY- | OPTIONAL PART: 411N4026-2 | 103106 | 1 |
| 740 | 411N4026-2 | ..CAP ASSY- | OPTIONAL PART: 411N4026-10 | 103106 | 1 |
| 742 | 411N4026-11 | ...CAP- | USED ON: 411N4026-10 | 103106 | 1 |
| 742 | 411N4026-5 | ...CAP- | USED ON: 411N4026-2 | 103106 | 1 |
| 743 | 411N4026-7 | ...TAPE | | 103106 | 1 |

MISSING ITEM NUMBERS NOT APPLICABLE

- ITEM NOT ILLUSTRATED

21-26-09-44A

21-26-09
FIG. 44A
PAGE 8
JAN 20/09

BRI

BOEING PROPRIETARY - Copyright © - Unpublished Work - See title page for details.



757

PARTS CATALOG (MAINTENANCE)

| FIG ITEM | PART NUMBER | 1 2 3 4 5 6 7 | NOMENCLATURE | EFFECT FROM TO | UNITS PER ASSY |
|------------|-------------|---------------|---|----------------|----------------|
| 44A 745 | 2055155-10B | . . | CLIP- SUPPLIER CODE: V04169 | 103106 | 1 |
| 750 | SLT8LHC6 | . STRAP- | SUPPLIER CODE: V06383 OPTIONAL PART: SLT10LHC6 V06383 | 103106 | 3 |
| 750 | SLT10LHC6 | . STRAP- | SUPPLIER CODE: V06383 OPTIONAL PART: SLT8LHC6 V06383 | 103106 | 3 |
| 755 | BCREF133761 | . HOSE- | OVERLENGTH PART NUMBER: BACD40V0605-0780 | 103106 | 1 |

MISSING ITEM NUMBERS NOT APPLICABLE

- ITEM NOT ILLUSTRATED

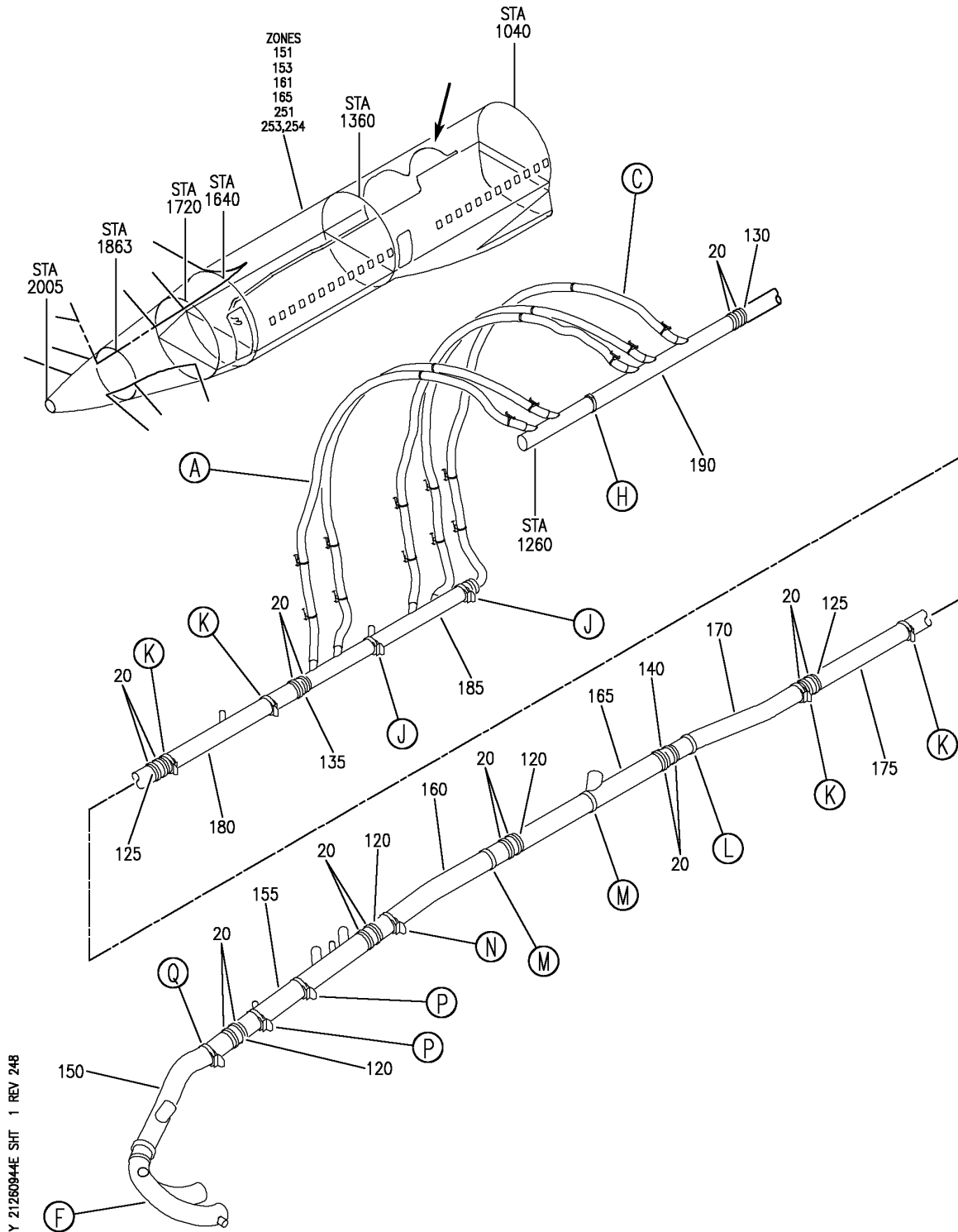
21-26-09-44A

21-26-09
FIG. 44A
PAGE 9
JAN 20/09

BRI

BOEING PROPRIETARY - Copyright © - Unpublished Work - See title page for details.

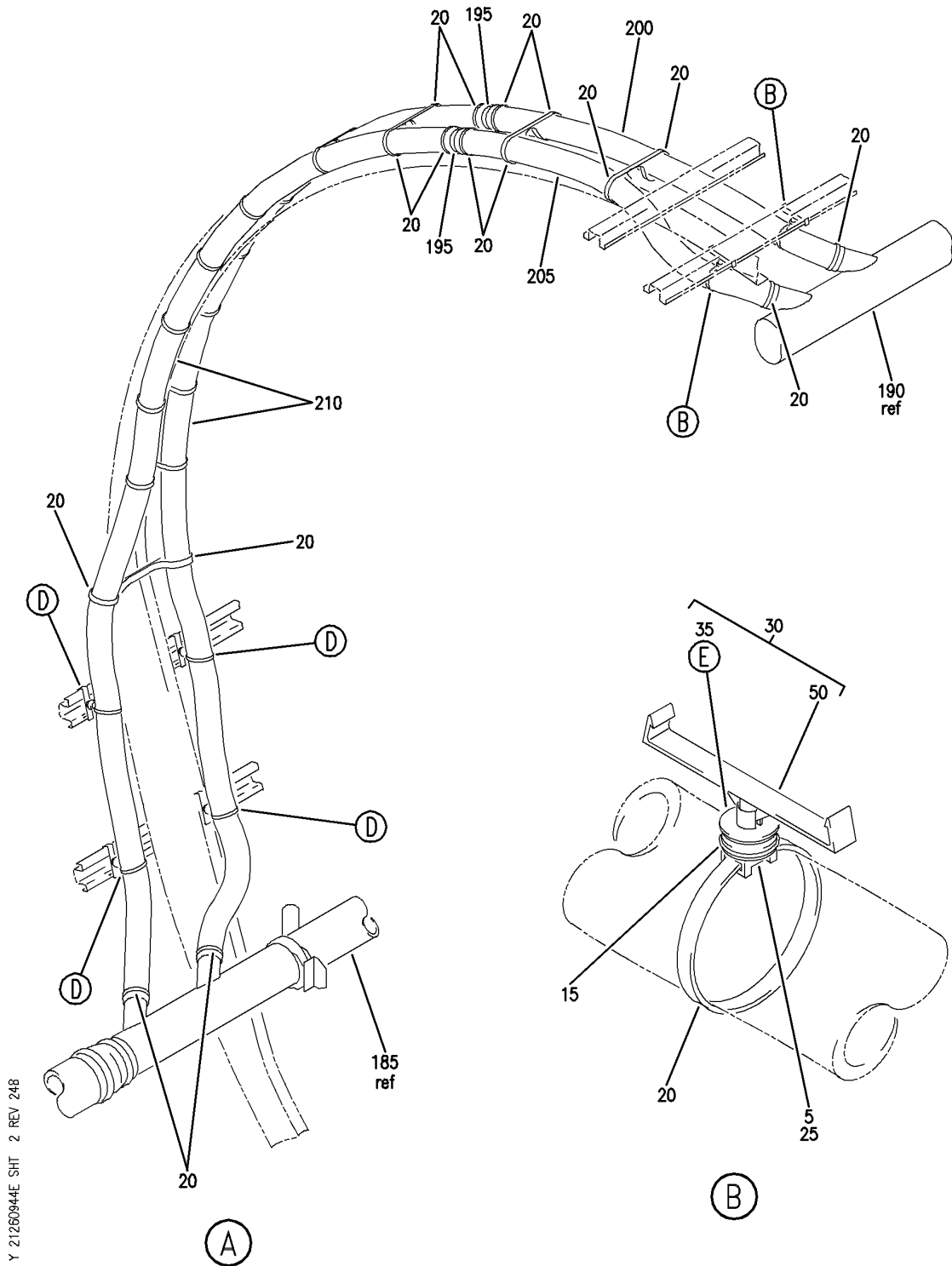

BOEING
 757
PARTS CATALOG (MAINTENANCE)



DUCT INSTL-LAV/GALLEY VENT SYSTEM, SECT. 46
 FIGURE 44E (SHEET 1)

21-26-09-44E

BOEING
757
PARTS CATALOG (MAINTENANCE)



Y 21260944E SHT 2 REV 248

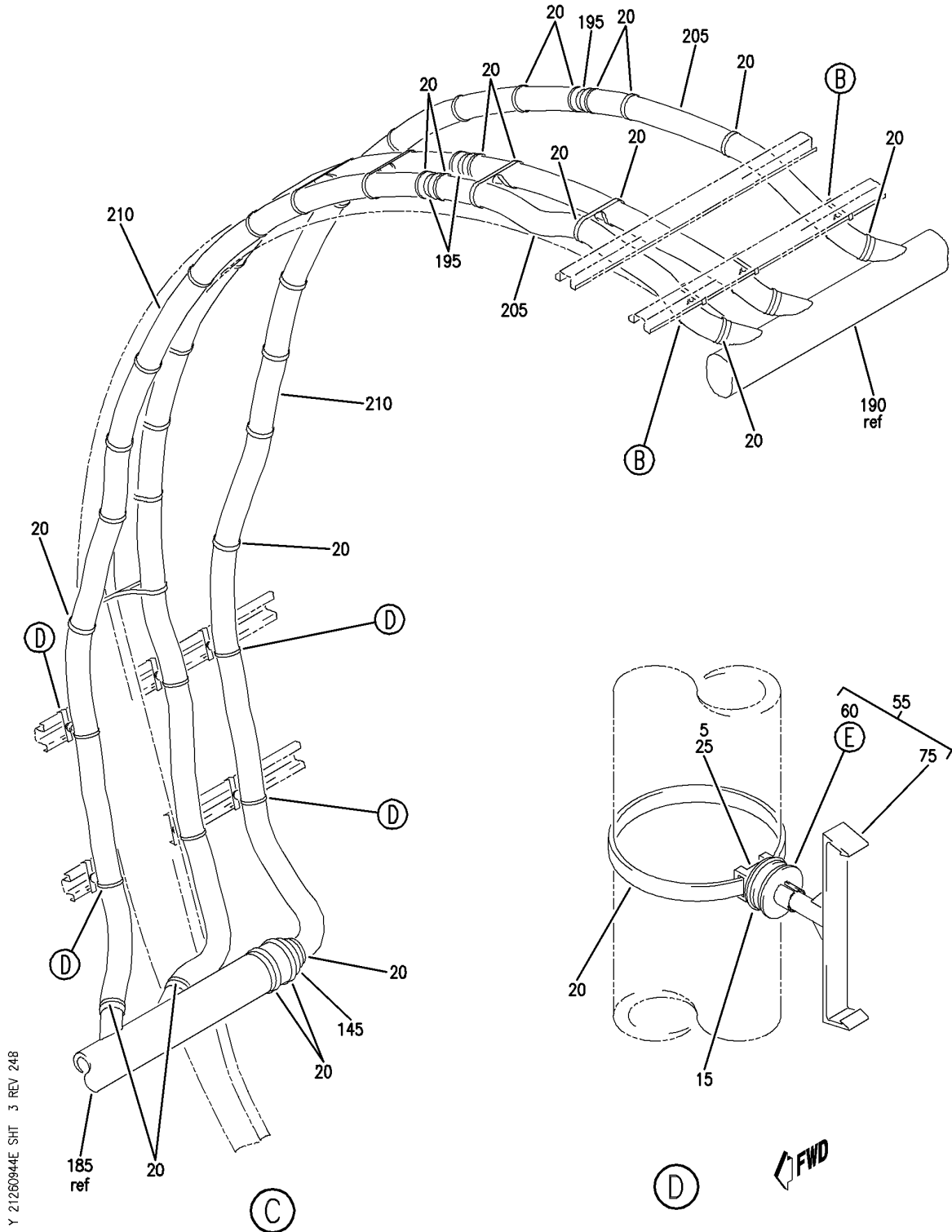
DUCT INSTL-LAV/GALLEY VENT SYSTEM, SECT. 46
FIGURE 44E (SHEET 2)

BRI
JAN 20/09

21-26-09-44E

21-26-09-44E
PAGE 0A

BOEING
757
PARTS CATALOG (MAINTENANCE)



Y 21260944E SHT 3 REV 248

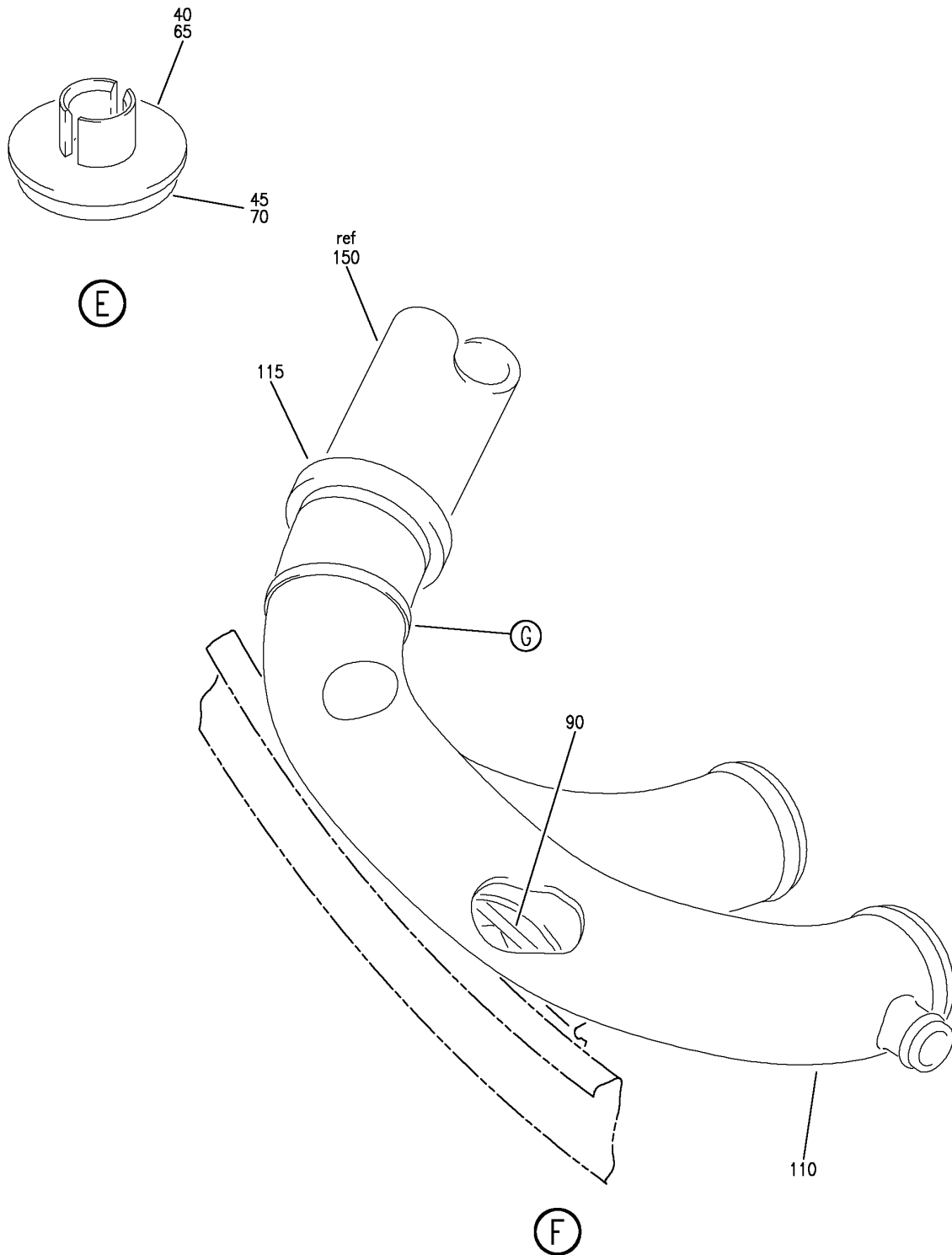
DUCT INSTL-LAV/GALLEY VENT SYSTEM, SECT. 46
FIGURE 44E (SHEET 3)

21-26-09-44E

BRI
JAN 20/09

21-26-09-44E
PAGE 0B

BOEING
757
PARTS CATALOG (MAINTENANCE)



Y 2126094E SHT 4 REV 248

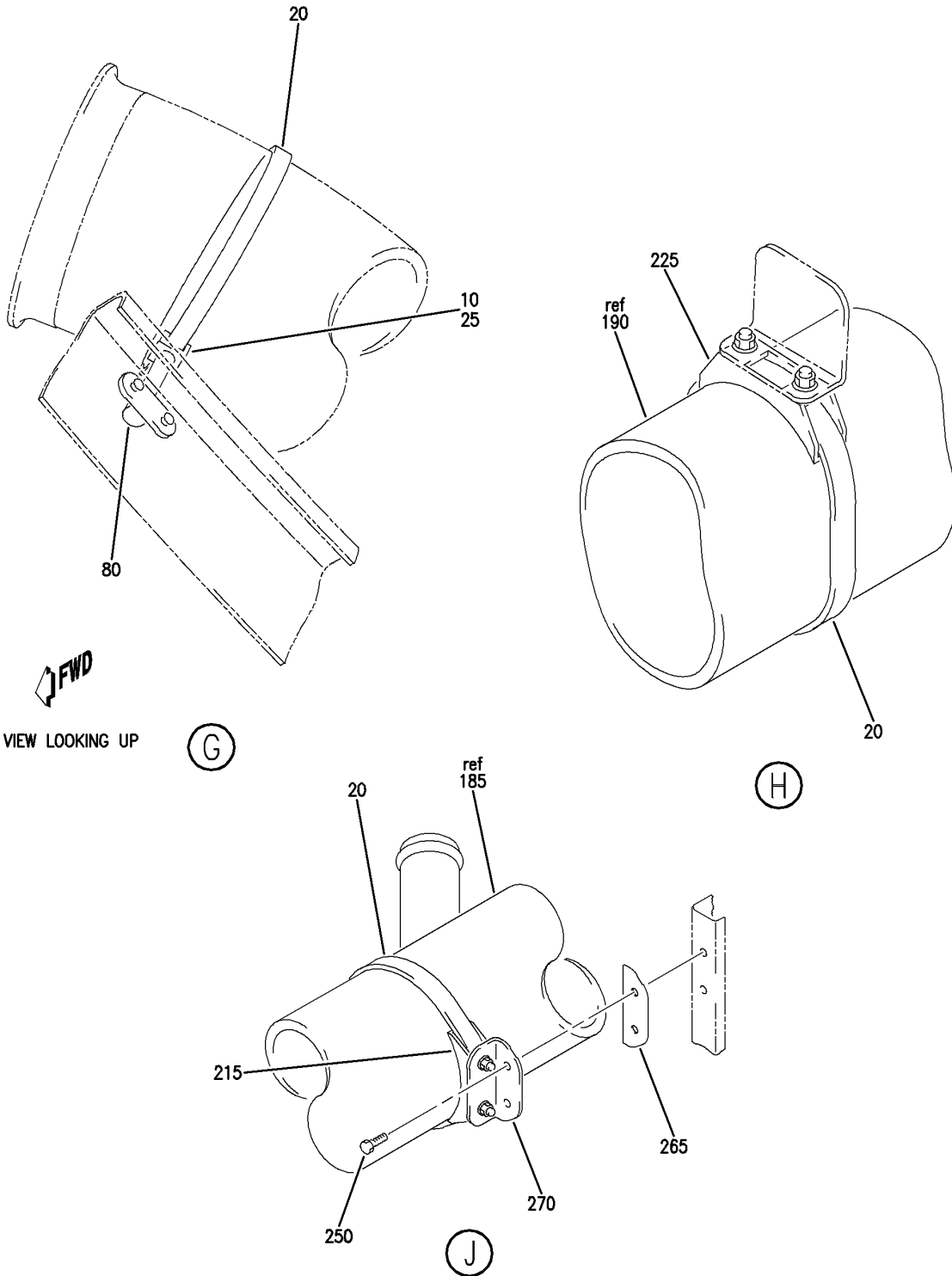
DUCT INSTL-LAV/GALLEY VENT SYSTEM, SECT. 46
FIGURE 44E (SHEET 4)

21-26-09-44E

BRI
JAN 20/09

21-26-09-44E
PAGE 0C

BOEING
757
PARTS CATALOG (MAINTENANCE)



Y 21260944E SHT 5 REV 248

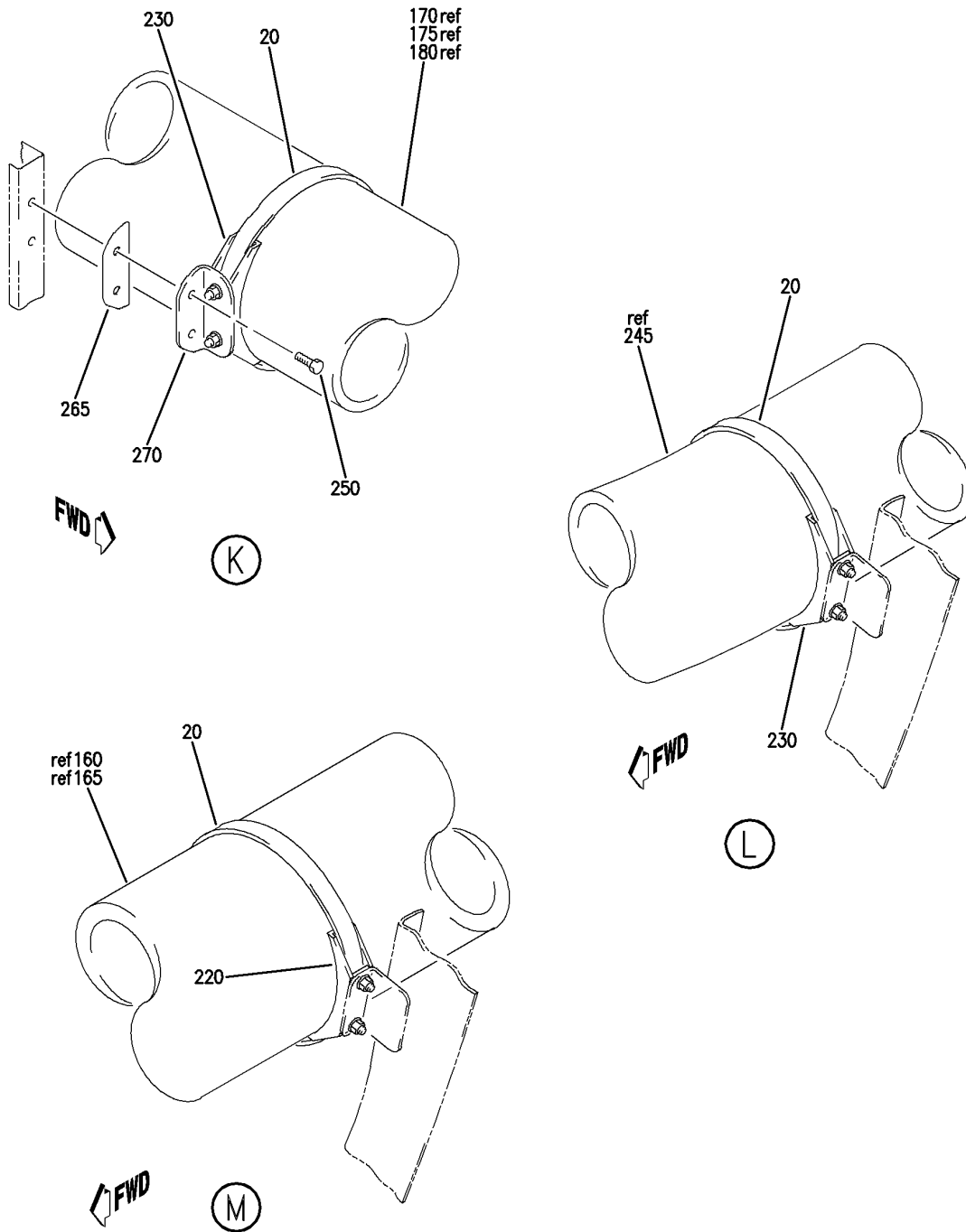
DUCT INSTL-LAV/GALLEY VENT SYSTEM, SECT. 46
FIGURE 44E (SHEET 5)

21-26-09-44E

BRI
JAN 20/09

21-26-09-44E
PAGE 0D

BOEING
757
PARTS CATALOG (MAINTENANCE)



Y 21260944E SHT 6 REV 248

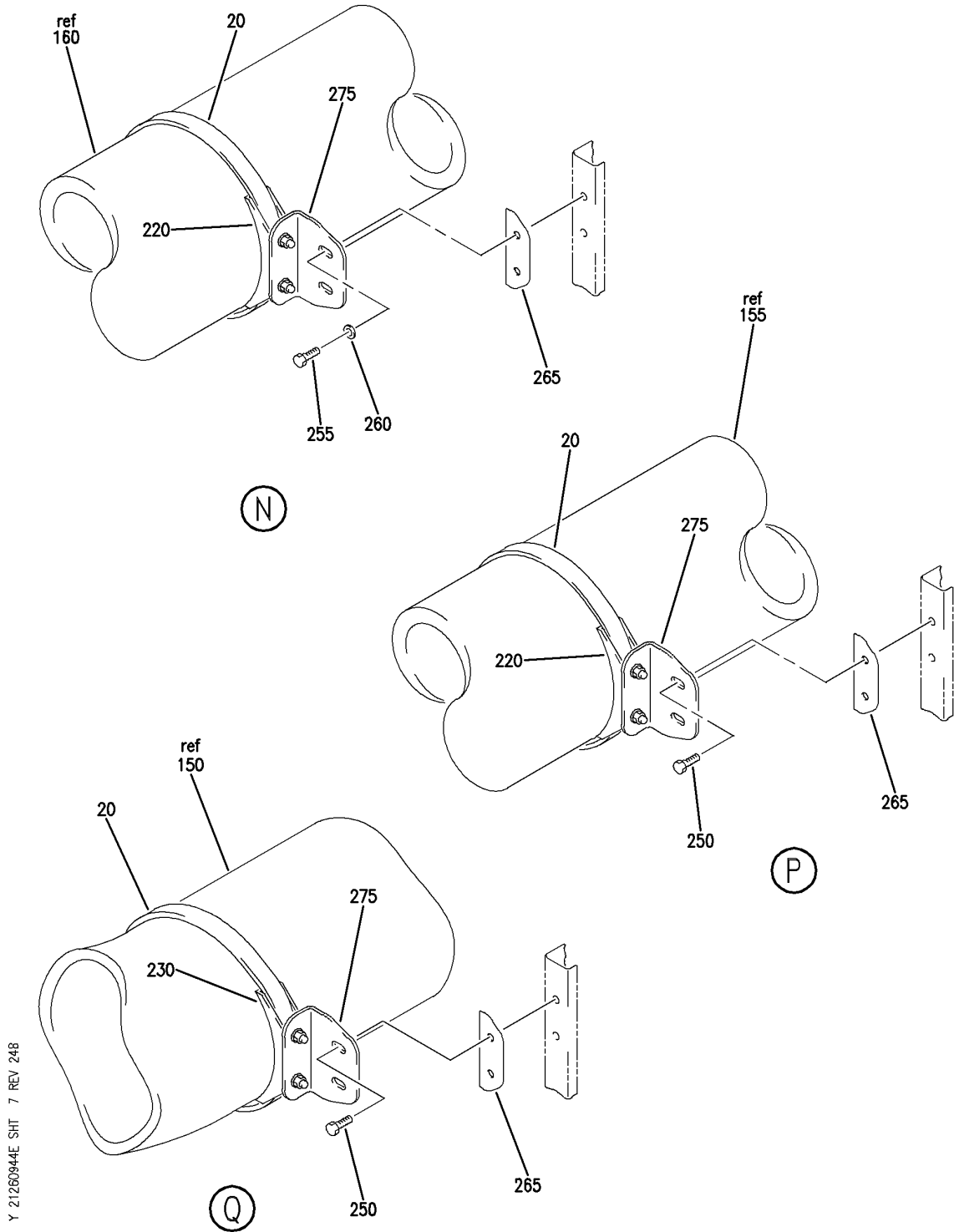
DUCT INSTL-LAV/GALLEY VENT SYSTEM, SECT. 46
FIGURE 44E (SHEET 6)

21-26-09-44E

BRI
JAN 20/09

21-26-09-44E
PAGE 0E

BOEING
757
PARTS CATALOG (MAINTENANCE)



Y 21260944E SHT 7 REV 248

DUCT INSTL-LAV/GALLEY VENT SYSTEM, SECT. 46
FIGURE 44E (SHEET 7)

21-26-09-44E

BRI
JAN 20/09

21-26-09-44E
PAGE OF



757

PARTS CATALOG (MAINTENANCE)

| FIG ITEM | PART NUMBER | 1 2 3 4 5 6 7 | NOMENCLATURE | EFFECT FROM TO | UNITS PER ASSY |
|----------|-------------|---------------|---|----------------|----------------|
| 44E | | | DUCT INSTL-LAV/GALLEY VENT SYSTEM, SECT. 46 | 103106 | |
| - 1 | 214N3094-16 | | DUCT INSTL-LAV/GALLEY VENT SYSTEM POSITION DATA: SECT. 46 | 103106 | 1 |
| 5 | BACS12GU3K8 | | .SCREW | 103106 | 15 |
| 10 | BACS12ER3K8 | | .SCREW | 103106 | 1 |
| 15 | BACW10DZ3 | | .WASHER | 103106 | 15 |
| 20 | T012LO | | .STRAP | 103106 | 118 |
| | | | SUPPLIER CODE: V53421 | | |
| | | | SPECIFICATION NUMBER: BACS38K6 | | |
| 25 | TM3S10 | | .PLATE-MTG SUPPLIER CODE: V06383 | 103106 | 16 |
| | | | SPECIFICATION NUMBER: STBP19M12 | | |
| 30 | 214N5054-14 | | .SUPPORT ASSY | 103106 | 5 |
| 35 | 411N4026-10 | | ..CAP ASSY- OPTIONAL PART: 411N4026-2 | 103106 | 1 |
| 35 | 411N4026-2 | | ..CAP ASSY- OPTIONAL PART: 411N4026-10 | 103106 | 1 |
| 40 | 411N4026-11 | | ...CAP- USED ON: 411N4026-10 | 103106 | 1 |
| 40 | 411N4026-5 | | ...CAP- USED ON: 411N4026-2 | 103106 | 1 |
| 45 | 411N4026-7 | | ...TAPE | 103106 | 1 |
| 50 | 2055155-5C | | ..CLIP-STGR SUPPLIER CODE: V04169 | 103106 | 1 |
| 55 | 214N5054-12 | | .SUPPORT ASSY | 103106 | 10 |
| 60 | 411N4026-10 | | ..CAP ASSY- OPTIONAL PART: 411N4026-2 | 103106 | 1 |
| 60 | 411N4026-2 | | ..CAP ASSY- OPTIONAL PART: 411N4026-10 | 103106 | 1 |
| 65 | 411N4026-11 | | ...CAP- USED ON: 411N4026-10 | 103106 | 1 |
| 65 | 411N4026-5 | | ...CAP- USED ON: 411N4026-2 | 103106 | 1 |

MISSING ITEM NUMBERS NOT APPLICABLE

- ITEM NOT ILLUSTRATED

21-26-09-44E

21-26-09
FIG. 44E
PAGE 1
JAN 20/09

BRI

BOEING PROPRIETARY - Copyright © - Unpublished Work - See title page for details.



757

PARTS CATALOG (MAINTENANCE)

| FIG ITEM | PART NUMBER | 1 2 3 4 5 6 7 | NOMENCLATURE | EFFECT FROM TO | UNITS PER ASSY |
|----------|---------------|---------------|---|----------------|----------------|
| 44E | | | | | |
| 70 | 411N4026-7 | ... | TAPE | 103106 | 1 |
| 75 | 2055155-10B | .. | CLIP-STGR SUPPLIER CODE: V04169 | 103106 | 1 |
| 80 | BACN10GH3A10 | . | NUTPLATE SUPPLIER CODE: V04169 SPECIFICATION NUMBER: BACN10GH3A10 | 103106 | 1 |
| - 85 | BACR15BB4D | . | RIVET- SIZE DETERMINED ON INSTL. -----*----- | 103106 | 2 |
| 90 | 214N3072-1 | . | BRACKET ATTACHING PARTS | 103106 | 1 |
| - 95 | BACS12GU3K7 | . | SCREW | 103106 | 4 |
| - 100 | NAS1149D0316H | . | WASHER | 103106 | 4 |
| - 105 | MS21042L3 | . | NUT -----*----- | 103106 | 4 |
| 110 | 214N3019-8 | . | DUCT ASSY | 103106 | 1 |
| 115 | NH135008-0550 | . | COUPLING SUPPLIER CODE: V00624 SPECIFICATION NUMBER: BACC10HX550 | 103106 | 1 |
| 120 | AS1506-22D40 | . | SLEEVE | 103106 | 3 |
| 125 | AS1506-20D40 | . | SLEEVE | 103106 | 2 |
| 130 | AS1506-16D40 | . | SLEEVE | 103106 | 1 |
| 135 | BOE2363-1820 | . | SLEEVE-TRANSITION SUPPLIER CODE: V16632 | 103106 | 1 |
| 140 | BOE2363-2022 | . | SLEEVE-TRANSITION SUPPLIER CODE: V16632 | 103106 | 1 |
| 145 | BOE2368-1636 | . | CAP-REDUCER SUPPLIER CODE: V16632 | 103106 | 1 |
| 150 | 214N3102-15 | . | DUCT ASSY | 103106 | 1 |
| 155 | 214N3102-11 | . | DUCT ASSY | 103106 | 1 |
| 160 | 214N3102-10 | . | DUCT ASSY | 103106 | 1 |
| 165 | 214N3102-9 | . | DUCT ASSY | 103106 | 1 |
| 170 | 214N3102-8 | . | DUCT ASSY | 103106 | 1 |
| 175 | 214U6113-4 | . | DUCT | 103106 | 1 |
| 180 | 214N3102-7 | . | DUCT ASSY | 103106 | 1 |
| 185 | 214N3102-6 | . | DUCT ASSY | 103106 | 1 |
| 190 | 214N3103-4 | . | DUCT ASSY | 103106 | 1 |
| 195 | 69B43325-3 | . | CONNECTOR | 103106 | 5 |

MISSING ITEM NUMBERS NOT APPLICABLE

- ITEM NOT ILLUSTRATED

21-26-09-44E

21-26-09
FIG. 44E
PAGE 2
JAN 20/09

BRI

 **BOEING**
757
PARTS CATALOG (MAINTENANCE)

| FIG ITEM | PART NUMBER | 1 2 3 4 5 6 7 | NOMENCLATURE | EFFECT FROM TO | UNITS PER ASSY |
|-------------|-----------------|---------------|---|----------------|----------------|
| 44 E 200 | BOE2022-08A0390 | . | FLEX HOSE SUPPLIER CODE: V16632 SPECIFICATION NUMBER: AS1544-08A0390 | 103106 | 1 |
| 205 | BOE2022-08A0420 | . | HOSE SUPPLIER CODE: V16632 SPECIFICATION NUMBER: AS1544-08A0420 | 103106 | 4 |
| 210 | BOE2022-08A1440 | . | HOSE SUPPLIER CODE: V16632 SPECIFICATION NUMBER: AS1544-08A1440 | 103106 | 5 |
| 215 | 214T3424-20 | . | SUPPORT | 103106 | 2 |
| 220 | 214T3424-21 | . | SUPPORT | 103106 | 5 |
| 225 | 214T3424-5 | . | SUPPORT | 103106 | 1 |
| 230 | 214T3424-7 | . | SUPPORT | 103106 | 6 |
| | | | ATTACHING PARTS | | |
| - 235 | BACS12GU3K7 | . | SCREW | 103106 | 28 |
| - 240 | NAS1149D0316H | . | WASHER | 103106 | 28 |
| - 245 | MS21042L3 | . | NUT | 103106 | 28 |
| | | | -----*----- | | |
| 250 | MBF2011T6-150 | . | BOLT SUPPLIER CODE: V98524 SPECIFICATION NUMBER: BACB30VL6T150 OPTIONAL PART: MBF2011T6-150 V5M902 | 103106 | 18 |
| 255 | BACS12GU3K6 | . | SCREW | 103106 | 2 |
| 260 | NAS1149D0316H | . | WASHER | 103106 | 2 |
| 265 | 214N3064-15 | . | FILLER | 103106 | 10 |
| 270 | 214N3064-12 | . | BRACKET | 103106 | 6 |
| 275 | 214N3064-13 | . | BRACKET | 103106 | 4 |

MISSING ITEM NUMBERS NOT APPLICABLE

- ITEM NOT ILLUSTRATED

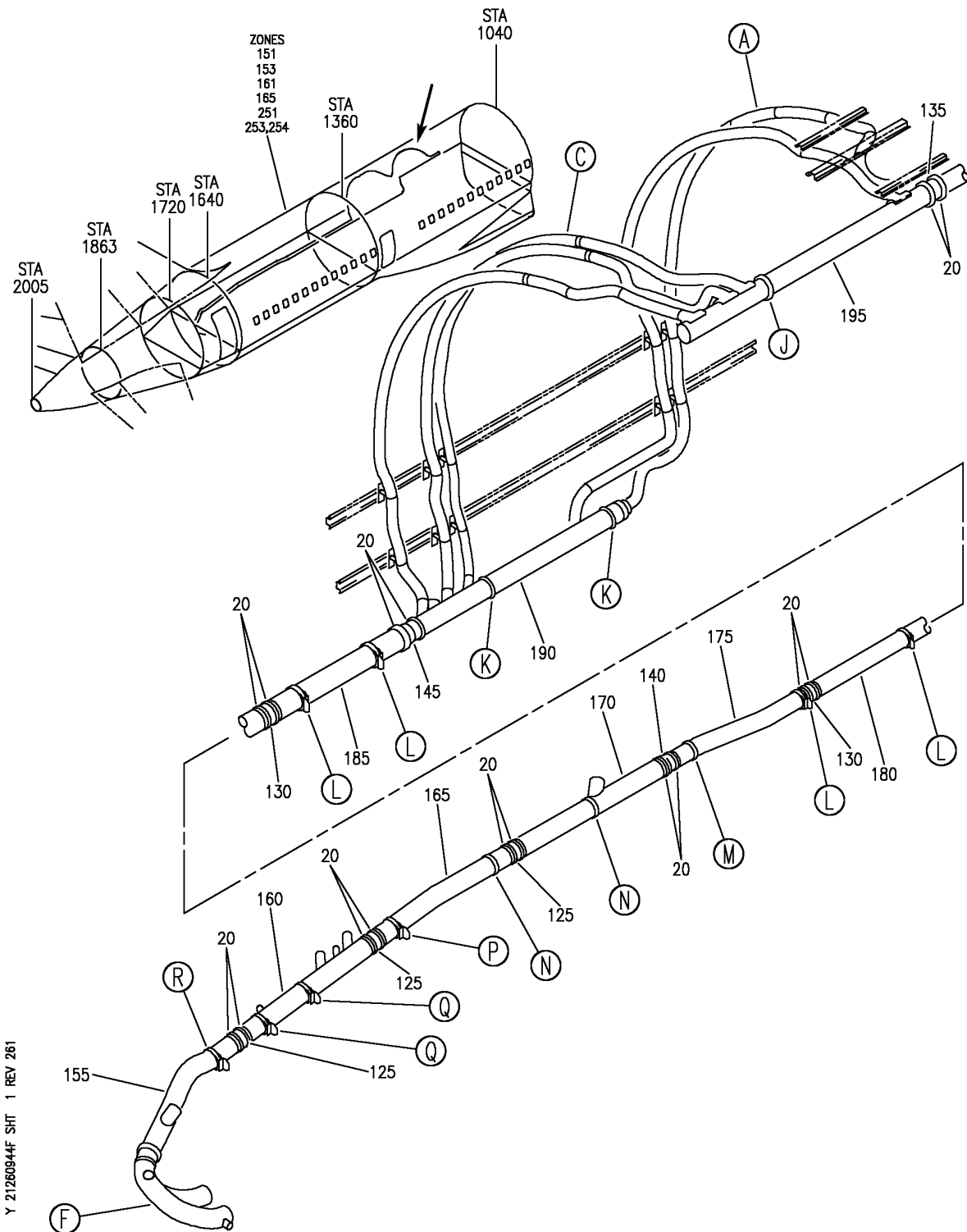
BRI

21-26-09-44E

BOEING PROPRIETARY - Copyright © - Unpublished Work - See title page for details.

21-26-09
FIG. 44E
PAGE 3
JAN 20/09

BOEING
757
PARTS CATALOG (MAINTENANCE)



Y 21260944F SHT 1 REV 261

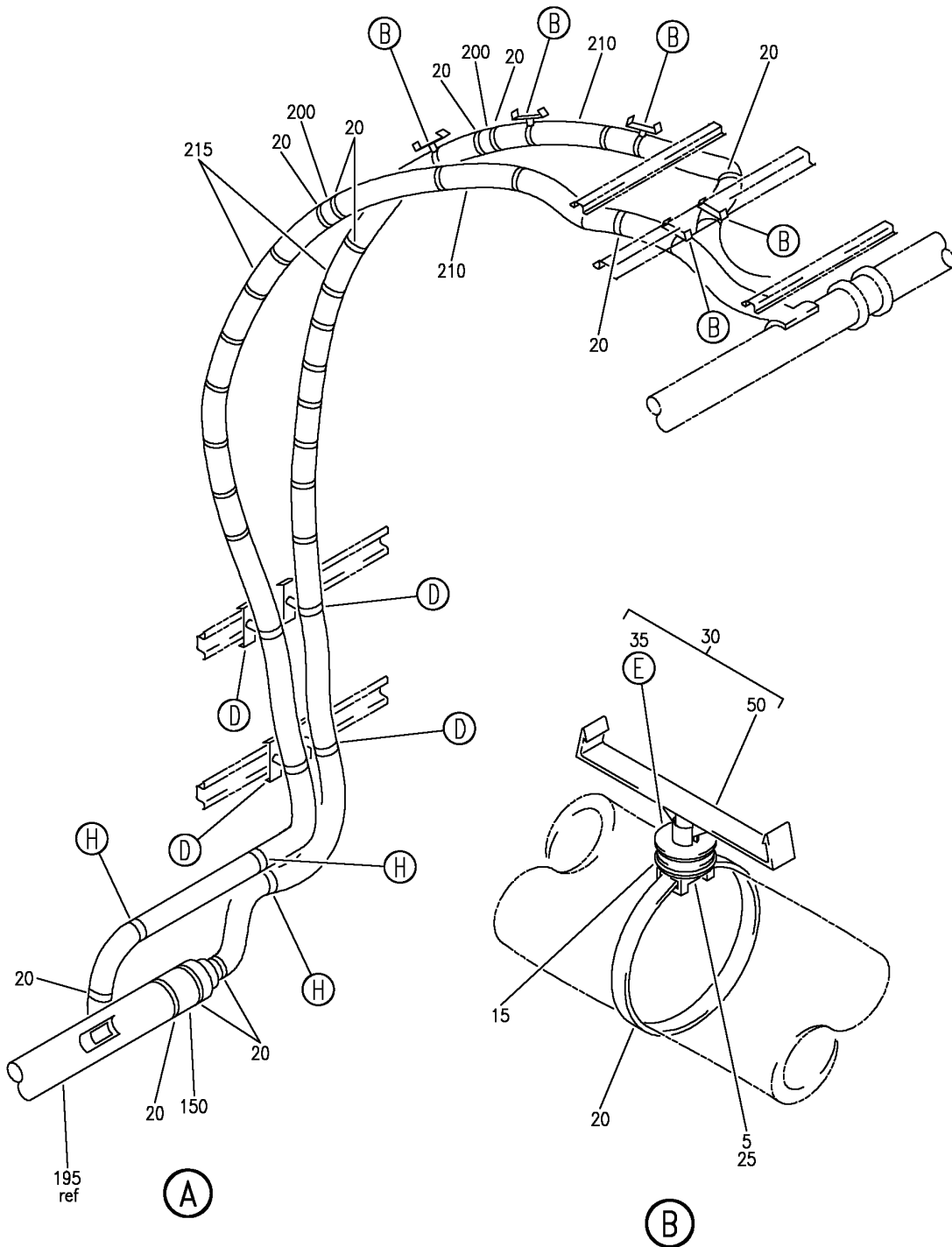
DUCT INSTL-LAV/GALLEY VENT SYSTEM, SECT. 46
FIGURE 44F (SHEET 1)

21-26-09-44F

BRI
JAN 20/09

21-26-09-44F
PAGE 0

BOEING
 757
 PARTS CATALOG (MAINTENANCE)



Y 21260944F SH1 2 REV 261

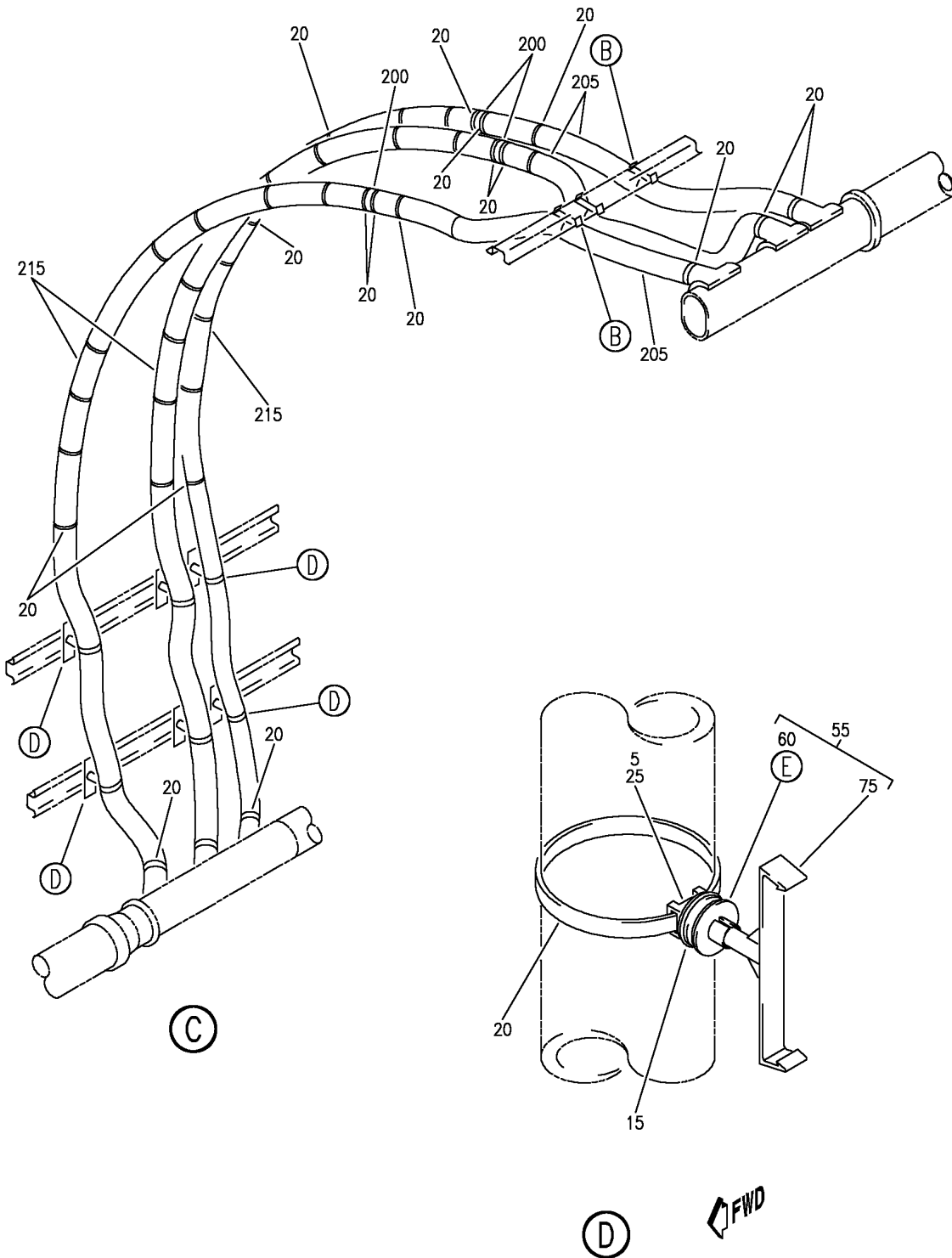
DUCT INSTL-LAV/GALLEY VENT SYSTEM, SECT. 46
 FIGURE 44F (SHEET 2)

21-26-09-44F

BRI
 JAN 20/09

21-26-09-44F
 PAGE 0A

BOEING
757
PARTS CATALOG (MAINTENANCE)



Y 21260944F SHT. 3 REV. 261

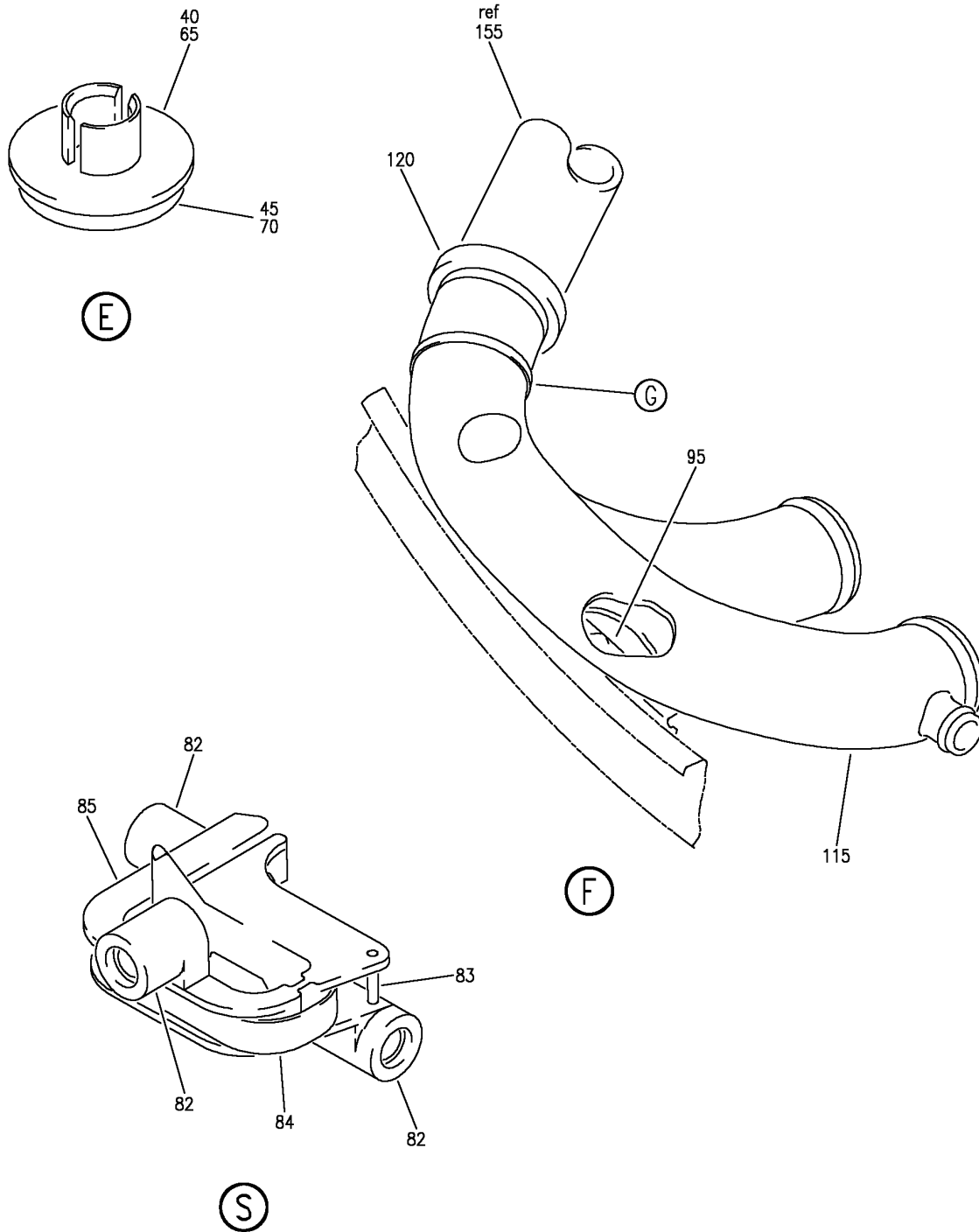
DUCT INSTL-LAV/GALLEY VENT SYSTEM, SECT. 46
FIGURE 44F (SHEET 3)

21-26-09-44F

BRI
JAN 20/09

21-26-09-44F
PAGE 0B

BOEING
757
PARTS CATALOG (MAINTENANCE)



Y 21260944F SHT 4 REV 263

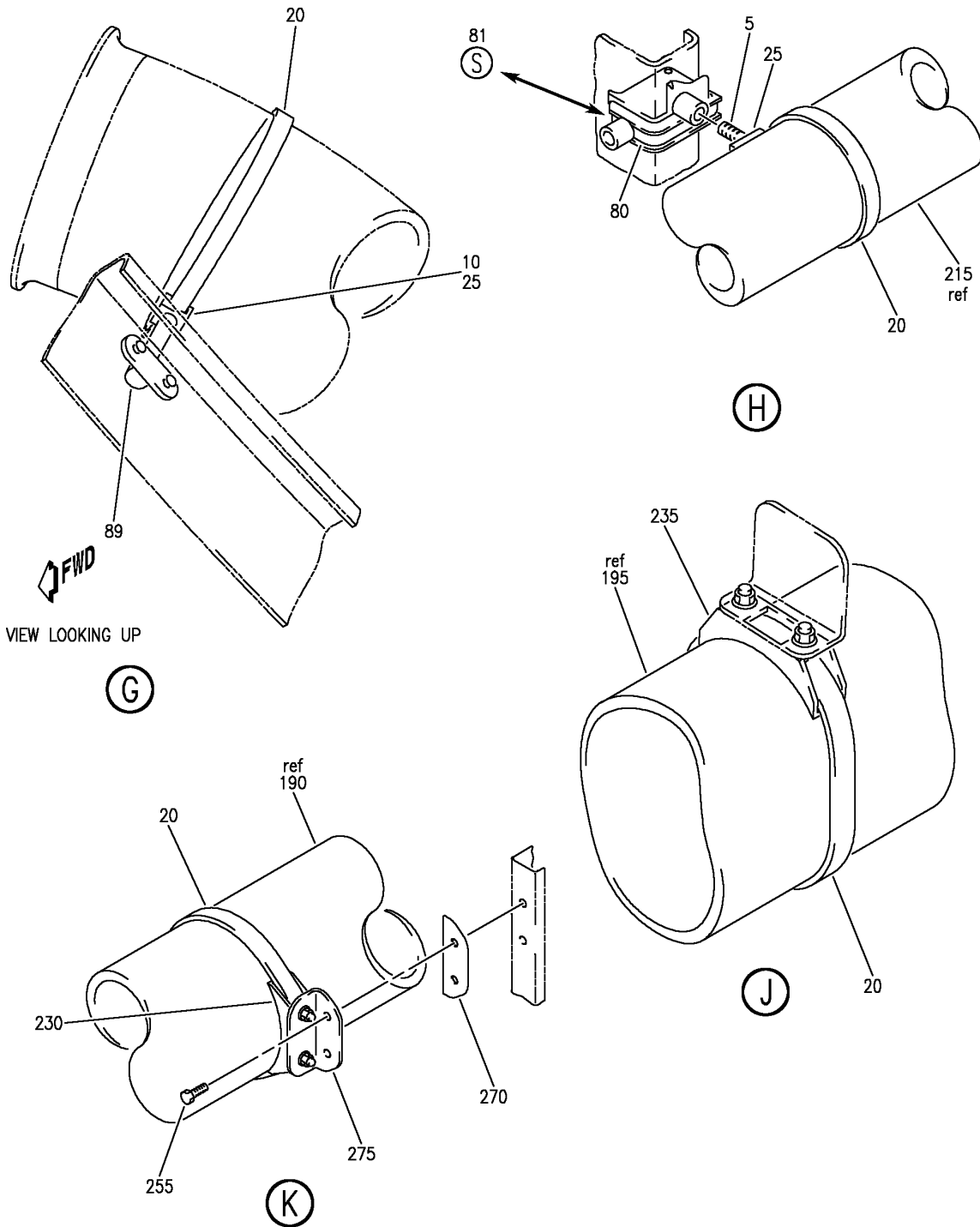
DUCT INSTL-LAV/GALLEY VENT SYSTEM, SECT. 46
FIGURE 44F (SHEET 4)

21-26-09-44F

BRI
JAN 20/09

21-26-09-44F
PAGE 0C

BOEING
757
PARTS CATALOG (MAINTENANCE)



Y 21260944F SHT 5 REV 263

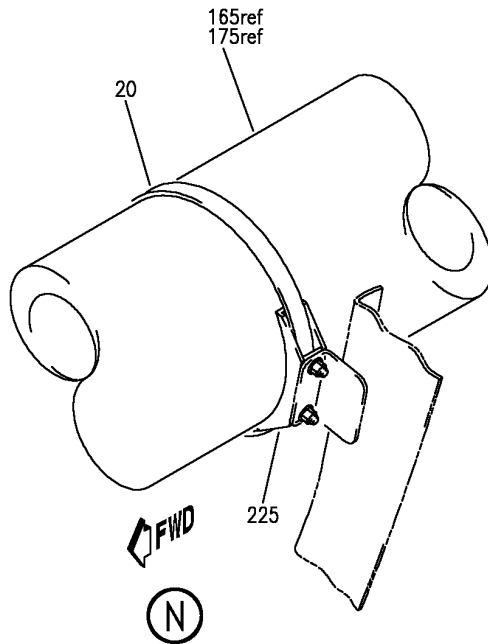
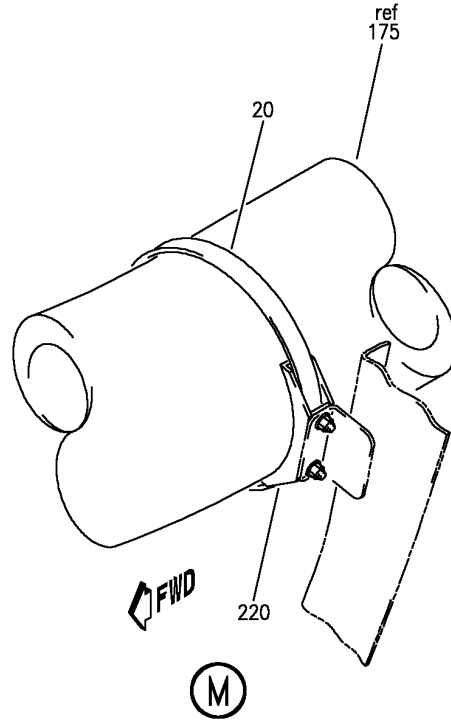
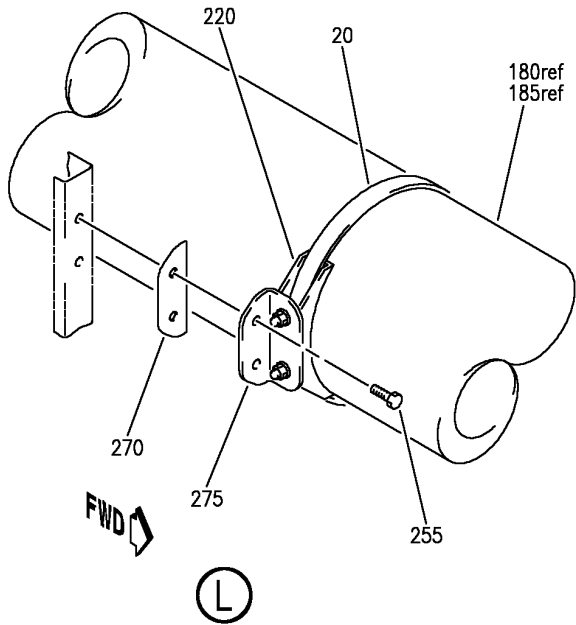
DUCT INSTL-LAV/GALLEY VENT SYSTEM, SECT. 46
FIGURE 44F (SHEET 5)

21-26-09-44F

BRI
JAN 20/09

21-26-09-44F
PAGE 0D

BOEING
757
PARTS CATALOG (MAINTENANCE)



Y 21260944F SH1 6 REV 261

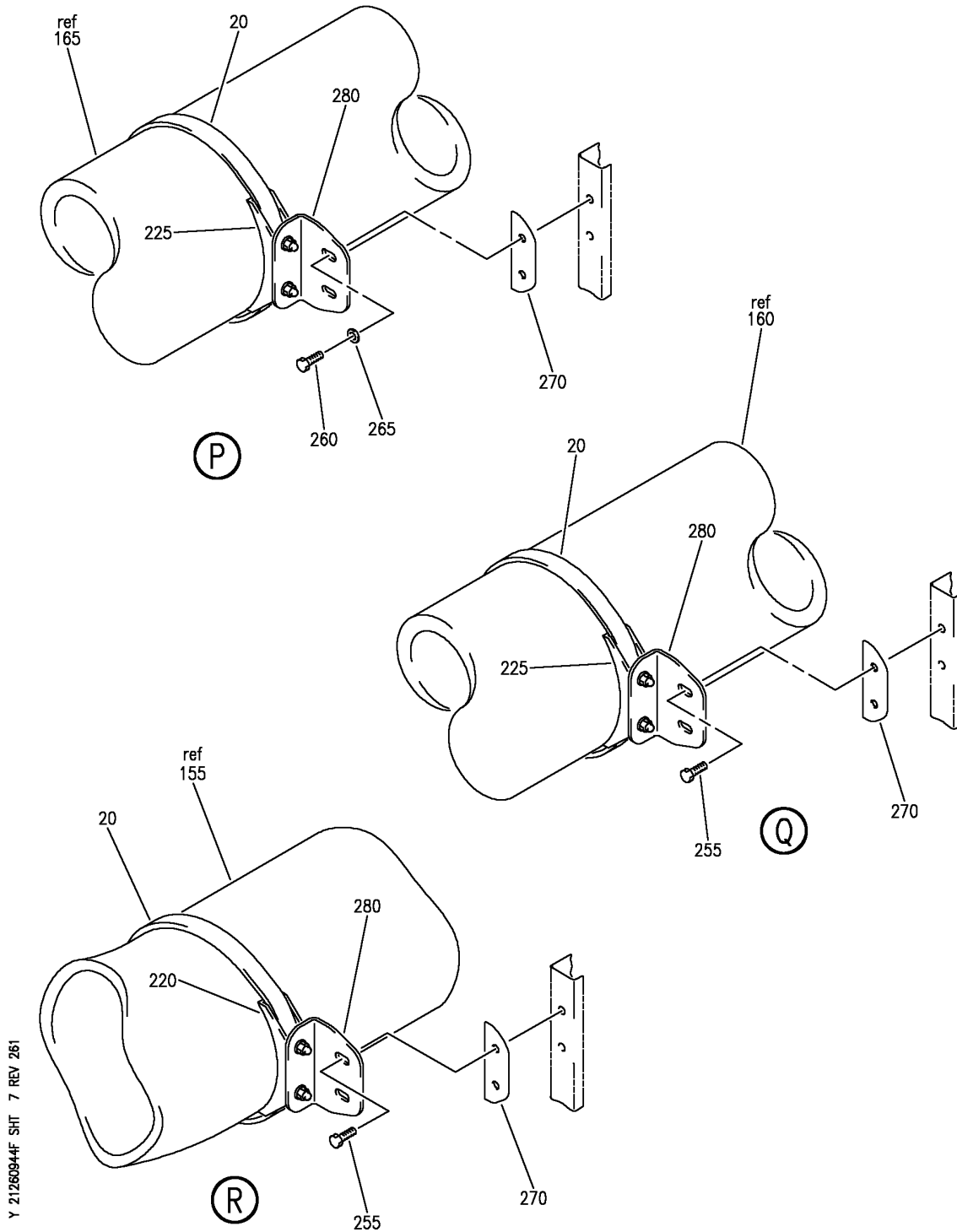
DUCT INSTL-LAV/GALLEY VENT SYSTEM, SECT. 46
FIGURE 44F (SHEET 6)

21-26-09-44F

BRI
JAN 20/09

21-26-09-44F
PAGE 0E

BOEING
757
PARTS CATALOG (MAINTENANCE)



Y 21260944F SHT 7 REV 261

DUCT INSTL-LAV/GALLEY VENT SYSTEM, SECT. 46
FIGURE 44F (SHEET 7)

21-26-09-44F

BRI
JAN 20/09

21-26-09-44F
PAGE OF

 **BOEING**
757
PARTS CATALOG (MAINTENANCE)

| FIG ITEM | PART NUMBER | 1 2 3 4 5 6 7 | NOMENCLATURE | EFFECT FROM TO | UNITS PER ASSY |
|----------|-------------|---------------|--|----------------|----------------|
| 44F | | | DUCT INSTL-LAV/GALLEY VENT SYSTEM, SECT. 46 | 103106 | |
| - 1 | MODREF32544 | | DUCT INSTL-LAV/GALLEY VENT SYSTEM MODULE NUMBER: 214N3094-18 REV A | 103103 | 1 |
| - 1 | MODREF99832 | | DUCT INSTL-LAV/GALLEY VENT SYSTEM MODULE NUMBER: 214N3094-18 REV B | 104106 | 1 |
| 5 | BACS12GU3K8 | | .SCREW | 103106 | 21 |
| 10 | BACS12ER3K8 | | .SCREW | 103106 | 1 |
| 15 | BACW10DZ3 | | .WASHER | 103106 | 18 |
| 20 | T012LO | | .STRAP SUPPLIER CODE: V53421 SPECIFICATION NUMBER: BACS38K6 | 103106 | 119 |
| 25 | TM3S10 | | .PLATE-MTG SUPPLIER CODE: V06383 SPECIFICATION NUMBER: STBP19M12 | 103106 | 22 |
| 30 | 214N5054-14 | | .SUPPORT ASSY | 103106 | 8 |
| 35 | 411N4026-10 | | ..CAP ASSY- OPTIONAL PART: 411N4026-2 | 103106 | 1 |
| 35 | 411N4026-2 | | ..CAP ASSY- OPTIONAL PART: 411N4026-10 | 103106 | 1 |
| 40 | 411N4026-11 | | ...CAP- USED ON: 411N4026-10 | 103106 | 1 |
| 40 | 411N4026-5 | | ...CAP- USED ON: 411N4026-2 | 103106 | 1 |
| 45 | 411N4026-7 | | ...TAPE | 103106 | 1 |
| 50 | 2055155-5C | | ..CLIP-STGR SUPPLIER CODE: V04169 | 103106 | 1 |
| 55 | 214N5054-12 | | .SUPPORT ASSY | 103106 | 10 |
| 60 | 411N4026-10 | | ..CAP ASSY- OPTIONAL PART: 411N4026-2 | 103106 | 1 |
| 60 | 411N4026-2 | | ..CAP ASSY- OPTIONAL PART: 411N4026-10 | 103106 | 1 |

MISSING ITEM NUMBERS NOT APPLICABLE

- ITEM NOT ILLUSTRATED

BRI

21-26-09-44F

BOEING PROPRIETARY - Copyright © - Unpublished Work - See title page for details.

21-26-09
FIG. 44F
PAGE 1
JAN 20/09

BOEING
757
PARTS CATALOG (MAINTENANCE)

| FIG ITEM | PART NUMBER | 1 2 3 4 5 6 7 | NOMENCLATURE | EFFECT FROM TO | UNITS PER ASSY |
|----------|---------------|---------------|---|----------------|----------------|
| 44F | | | | | |
| 65 | 411N4026-11 | ... | CAP- USED ON: 411N4026-10 | 103106 | 1 |
| 65 | 411N4026-5 | ... | CAP- USED ON: 411N4026-2 | 103106 | 1 |
| 70 | 411N4026-7 | ... | TAPE | 103106 | 1 |
| 75 | 2055155-10B | .. | CLIP-STGR SUPPLIER CODE: V04169 | 103106 | 1 |
| 80 | 411A4902-8 | . | SPRING | 103103 | 3 |
| 81 | 411A4902-7 | . | CLIP ASSY | 104106 | 3 |
| 82 | H02030-2L | .. | INSERT- SUPPLIER CODE: V1101B | 104106 | 3 |
| 83 | MS16562-194 | .. | PIN | 104106 | 1 |
| 84 | 411A4902-8 | .. | SPRING | 104106 | 1 |
| 85 | 411A4902-4 | .. | CLIP | 104106 | 1 |
| 89 | BACN10GH3A10 | . | NUTPLATE SUPPLIER CODE: V04169 SPECIFICATION NUMBER: BACN10GH3A10 | 103106 | 1 |
| - 90 | BACR15BB4D | . | RIVET- SIZE DETERMINED ON INSTL. -----*----- | 103106 | 2 |
| 95 | 214N3072-1 | . | BRACKET ATTACHING PARTS | 103106 | 1 |
| - 100 | BACS12GU3K7 | . | SCREW | 103106 | 4 |
| - 105 | NAS1149D0316H | . | WASHER | 103106 | 4 |
| - 110 | MS21042L3 | . | NUT -----*----- | 103106 | 4 |
| 115 | 214N3019-8 | . | DUCT ASSY | 103106 | 1 |
| 120 | NH135008-0550 | . | COUPLING SUPPLIER CODE: V00624 SPECIFICATION NUMBER: BACC10HX550 | 103106 | 1 |
| 125 | AS1506-22D40 | . | SLEEVE | 103106 | 3 |
| 130 | AS1506-20D40 | . | SLEEVE | 103106 | 2 |
| 135 | AS1506-16D40 | . | SLEEVE | 103106 | 1 |
| 140 | BOE2363-2022 | . | SLEEVE-TRANSITION SUPPLIER CODE: V16632 | 103106 | 1 |
| 145 | BOE2363-1820 | . | SLEEVE-TRANSITION SUPPLIER CODE: V16632 | 103106 | 1 |

MISSING ITEM NUMBERS NOT APPLICABLE

- ITEM NOT ILLUSTRATED

21-26-09-44F

21-26-09
FIG. 44F
PAGE 2
JAN 20/09

BRI

BOEING PROPRIETARY - Copyright © - Unpublished Work - See title page for details.

 **BOEING**
757
PARTS CATALOG (MAINTENANCE)

| FIG ITEM | PART NUMBER | 1 2 3 4 5 6 7 | NOMENCLATURE | EFFECT FROM TO | UNITS PER ASSY |
|----------|-----------------|---------------|---|----------------|----------------|
| 44 F | | | | | |
| 150 | BOE2368-1636 | . | CAP-REDUCER SUPPLIER CODE: V16632 | 103106 | 1 |
| 155 | 214N3102-15 | . | DUCT ASSY | 103106 | 1 |
| 160 | 214N3102-11 | . | DUCT ASSY | 103106 | 1 |
| 165 | 214N3102-10 | . | DUCT ASSY | 103106 | 1 |
| 170 | 214N3102-9 | . | DUCT ASSY | 103106 | 1 |
| 175 | 214N3102-8 | . | DUCT ASSY | 103106 | 1 |
| 180 | 214U6113-4 | . | DUCT | 103106 | 1 |
| 185 | 214N3102-7 | . | DUCT ASSY | 103106 | 1 |
| 190 | 214N3102-21 | . | DUCT ASSY | 103106 | 1 |
| 195 | 214N3103-7 | . | DUCT ASSY | 103106 | 1 |
| 200 | 69B43325-3 | . | CONNECTOR | 103106 | 5 |
| 205 | BOE2022-08A0420 | . | HOSE SUPPLIER CODE: V16632 SPECIFICATION NUMBER: AS1544-08A0420 | 103106 | 3 |
| 210 | BOE2022-08A0690 | . | HOSE SUPPLIER CODE: V16632 SPECIFICATION NUMBER: AS1544-08A0690 | 103106 | 2 |
| 215 | BOE2022-08A1440 | . | HOSE SUPPLIER CODE: V16632 SPECIFICATION NUMBER: AS1544-08A1440 | 103106 | 5 |
| 220 | 214T3424-7 | . | SUPPORT | 103106 | 6 |
| 225 | 214T3424-21 | . | SUPPORT | 103106 | 5 |
| 230 | 214T3424-20 | . | SUPPORT | 103106 | 2 |
| 235 | 214T3424-5 | . | SUPPORT | 103106 | 1 |
| | | | ATTACHING PARTS | | |
| - 240 | BACS12GU3K7 | . | SCREW | 103106 | 28 |
| - 245 | NAS1149D0316H | . | WASHER | 103106 | 28 |
| - 250 | MS21042L3 | . | NUT | 103106 | 28 |
| | | | -----*----- | | |
| 255 | MBF2011T6-150 | . | BOLT SUPPLIER CODE: V98524 SPECIFICATION NUMBER: BACB30VL6T150 OPTIONAL PART: MBF2011T6-150 V5M902 | 103106 | 18 |
| 260 | BACS12GU3K6 | . | SCREW | 103106 | 2 |
| 265 | NAS1149D0316H | . | WASHER | 103106 | 2 |
| 270 | 214N3064-15 | . | FILLER | 103106 | 10 |
| 275 | 214N3064-12 | . | BRACKET | 103106 | 6 |

MISSING ITEM NUMBERS NOT APPLICABLE

- ITEM NOT ILLUSTRATED

BRI

21-26-09-44F

BOEING PROPRIETARY - Copyright © - Unpublished Work - See title page for details.

21-26-09
FIG. 44F
PAGE 3
JAN 20/09



757
PARTS CATALOG (MAINTENANCE)

| FIG ITEM | PART NUMBER | 1 2 3 4 5 6 7 | NOMENCLATURE | EFFECT FROM TO | UNITS PER ASSY |
|-------------|-------------|---------------|--------------|-------------------|----------------------|
| 44F 280 | 214N3064-13 | . | BRACKET | 103106 | 4 |

MISSING ITEM NUMBERS NOT APPLICABLE

- ITEM NOT ILLUSTRATED

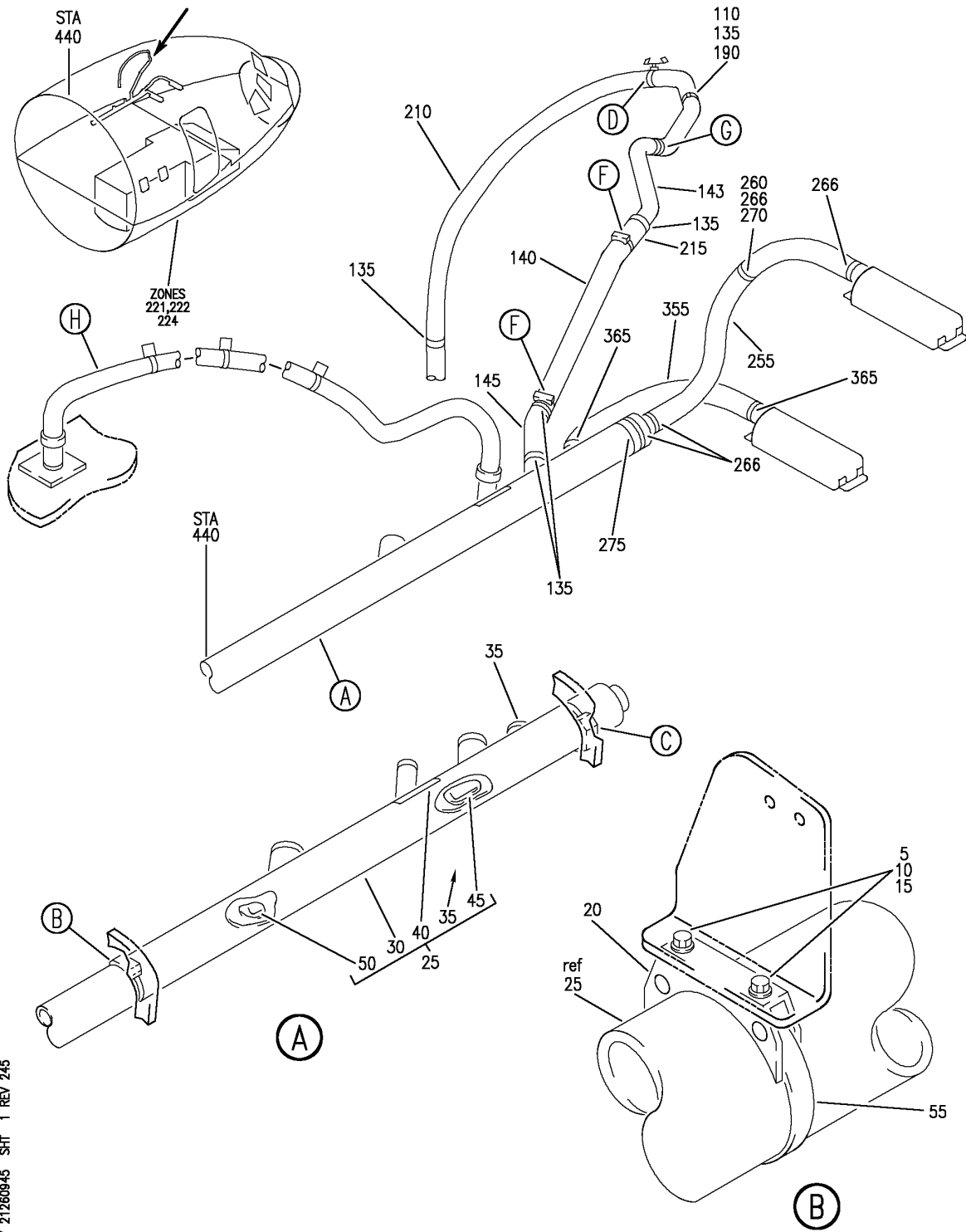
BRI

21-26-09-44F

BOEING PROPRIETARY - Copyright © - Unpublished Work - See title page for details.

21-26-09
FIG. 44F
PAGE 4
JAN 20/09


BOEING
 757
PARTS CATALOG (MAINTENANCE)



Y 21260945 SHT 1 REV 245

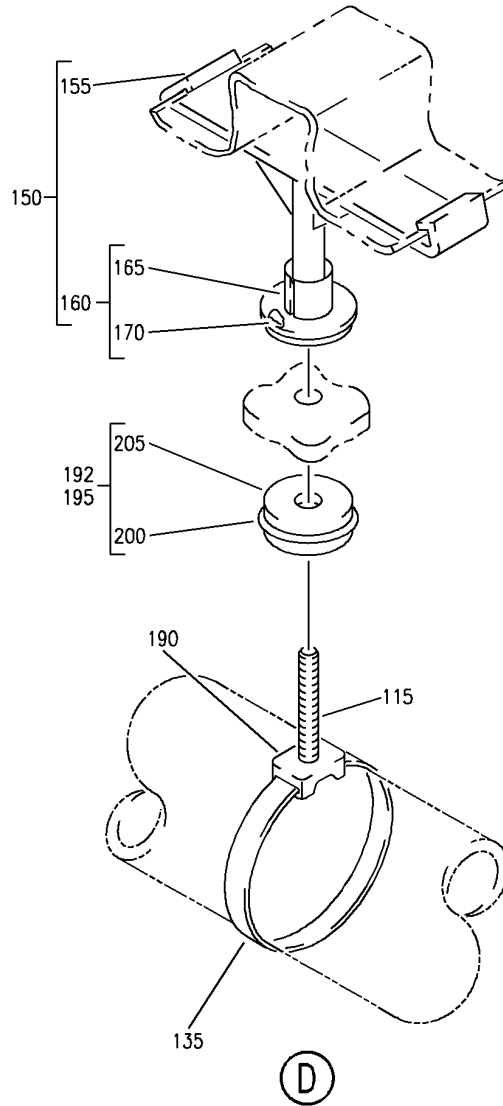
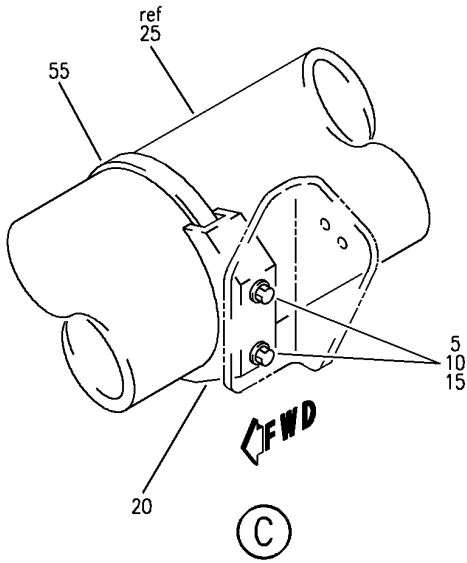
DUCT INSTL-LAV/GALLEY VENT SYSTEM, SECT 41
 FIGURE 45 (SHEET 1)

21-26-09-45

BRI
 JAN 20/09

21-26-09-45
 PAGE 0

BOEING
757
PARTS CATALOG (MAINTENANCE)



Y 21260945 SH1 2 REV 299

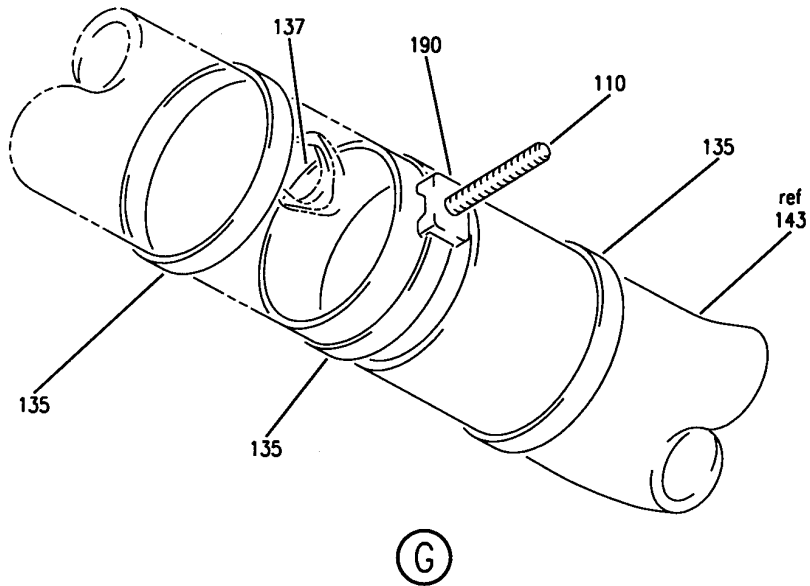
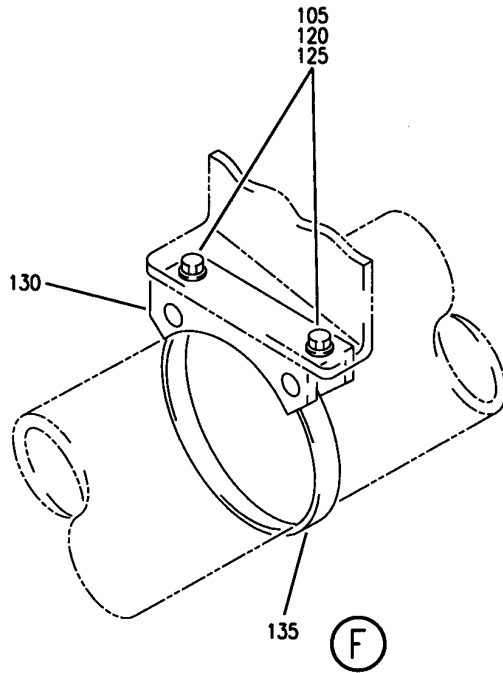
DUCT INSTL-LAV/GALLEY VENT SYSTEM, SECT 41
FIGURE 45 (SHEET 2)

21-26-09-45

BRI
JAN 20/09

21-26-09-45
PAGE 0A

BOEING
757
PARTS CATALOG (MAINTENANCE)



Y 21260945 SHT 3 REV 204

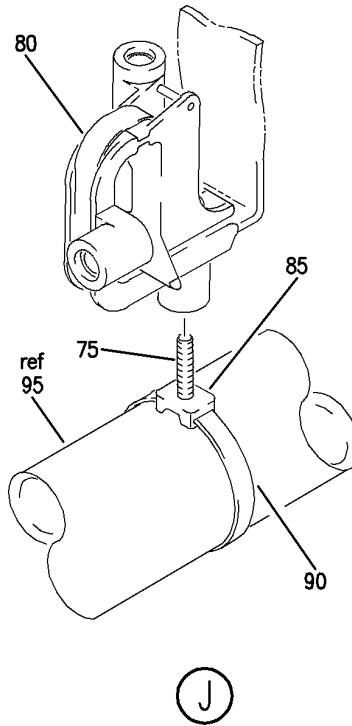
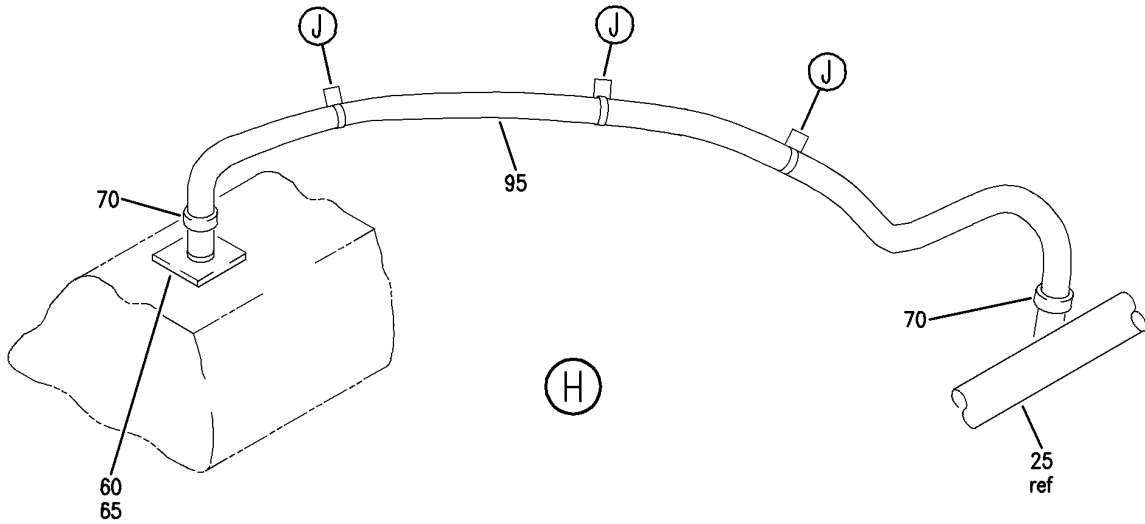
DUCT INSTL-LAV/GALLEY VENT SYSTEM, SECT 41
FIGURE 45 (SHEET 3)

21-26-09-45

BRI
JAN 20/09

21-26-09-45
PAGE 0B

BOEING
757
PARTS CATALOG (MAINTENANCE)



Y 21260945 SHT 4 REV 224

DUCT INSTL-LAV/GALLEY VENT SYSTEM, SECT 41
FIGURE 45 (SHEET 4)

21-26-09-45

BRI
JAN 20/09

21-26-09-45
PAGE 0C



757

PARTS CATALOG (MAINTENANCE)

| FIG ITEM | PART NUMBER | 1 2 3 4 5 6 7 | NOMENCLATURE | EFFECT FROM TO | UNITS PER ASSY |
|----------|---------------|---------------|---|----------------|----------------|
| 45 | | | DUCT INSTL-LAV/GALLEY VENT SYSTEM, SECT 41 | 103106 | |
| - 1 | MODREF5005 | | DUCT INSTL-LAV/GALLEY VENT SYSTEM MODULE NUMBER: 214N3091-1 REV A POSITION DATA: SECTION 41 | 103106 | 1 |
| 5 | BACS12GU3K7 | . | SCREW | 103106 | 4 |
| 10 | NAS1149D0316H | . | WASHER | 103106 | 4 |
| 15 | MS21042L3 | . | NUT | 103106 | 4 |
| 20 | 214T3424-5 | . | SUPPORT | 103106 | 2 |
| 25 | 214N3102-17 | . | DUCT ASSY- | 103106 | 1 |
| 30 | 202W1100-53 | .. | DUCT | 103106 | 1 |
| 35 | 214T3488-113 | .. | SPUD | 103106 | 1 |
| 40 | 214T3488-131 | .. | SPUD- | 103106 | 1 |
| 45 | 214T3488-40 | .. | SPUD | 103106 | 1 |
| 50 | 214T3488-43 | .. | SPUD | 103106 | 1 |
| 55 | SLT10LHC6 | . | STRAP- SUPPLIER CODE: V06383 OPTIONAL PART: SLT8LHC6 V06383 | 103106 | 2 |
| 55 | SLT8LHC6 | . | STRAP- SUPPLIER CODE: V06383 OPTIONAL PART: SLT10LHC6 V06383 | 103106 | 2 |
| - 100 | MODREF5006 | | DUCT INSTL-LAV/GALLEY VENT SYSTEM MODULE NUMBER: 214N3091-2 REV A POSITION DATA: SECTION 41 | 103106 | 1 |
| 105 | BACS12GU3K7 | . | SCREW | 103106 | 4 |
| 110 | BACS12GU3K6 | . | SCREW | 103106 | 2 |
| 115 | BACS12GU3K8 | . | SCREW | 103106 | 1 |
| 120 | NAS1149D0316H | . | WASHER | 103106 | 4 |
| 125 | MS21042L3 | . | NUT | 103106 | 4 |
| 130 | 214T3424-2 | . | SUPPORT | 103106 | 2 |
| 135 | SLT8LHC6 | . | STRAP- SUPPLIER CODE: V06383 OPTIONAL PART: SLT10LHC6 V06383 | 103106 | 11 |

MISSING ITEM NUMBERS NOT APPLICABLE

- ITEM NOT ILLUSTRATED

21-26-09-45

21-26-09
FIG. 45
PAGE 1
JAN 20/09

BRI

BOEING PROPRIETARY - Copyright © - Unpublished Work - See title page for details.

 **BOEING**
757
PARTS CATALOG (MAINTENANCE)

| FIG ITEM | PART NUMBER | 1 2 3 4 5 6 7 | NOMENCLATURE | EFFECT FROM TO | UNITS PER ASSY |
|----------|-----------------|---------------|--|----------------|----------------|
| 45 | | | | | |
| 135 | SLT10LHC6 | | .STRAP- SUPPLIER CODE: V06383 OPTIONAL PART: SLT8LHC6 V06383 | 103106 | 11 |
| 137 | 69B43325-13 | | .CONNECTOR | 103106 | 1 |
| 140 | 214N3022-16 | | .DUCT- | 103106 | 1 |
| 143 | BOE2027-06D0180 | | .HOSE SUPPLIER CODE: V16632 SPECIFICATION NUMBER: AS1503-06D0180 | 103106 | 1 |
| 145 | AS1544-08A0110 | | .HOSE-FLEX | 103106 | 1 |
| 150 | 214N5054-11 | | .SUPPORT ASSY | 103106 | 1 |
| 155 | 2055155-5B | | ..CLIP-STGR SUPPLIER CODE: V04169 | 103106 | 1 |
| 160 | 411N4026-2 | | ..CAP ASSY- OPTIONAL PART: 411N4026-10 | 103106 | 1 |
| 160 | 411N4026-10 | | ..CAP ASSY- OPTIONAL PART: 411N4026-2 | 103106 | 1 |
| 165 | 411N4026-5 | | ...CAP- USED ON: 411N4026-2 | 103106 | 1 |
| 165 | 411N4026-11 | | ...CAP- USED ON: 411N4026-10 | 103106 | 1 |
| 170 | 411N4026-7 | | ...TAPE-FOAM | 103106 | 1 |
| 190 | TM3S10 | | .PLATE SUPPLIER CODE: V06383 SPECIFICATION NUMBER: STBP19M12 | 103106 | 3 |
| 192 | BACW10DZ3 | | .WASHER- OPTIONAL PART: 411N4026-12 | 103106 | 1 |
| 195 | 411N4026-12 | | .WASHER ASSY- OPTIONAL PART: BACW10DZ3 | 103106 | 1 |
| 200 | 411N4026-13 | | ..WASHER | 103106 | 1 |
| 205 | 411N4026-7 | | ..TAPE-FOAM | 103106 | 2 |
| 210 | BCREF133649 | | .HOSE-TRANSITION OVERLENGTH PART NUMBER: BACD40V0605-0850 | 103106 | 1 |

MISSING ITEM NUMBERS NOT APPLICABLE

— ITEM NOT ILLUSTRATED

BRI

21-26-09-45

21-26-09
FIG. 45
PAGE 2
JAN 20/09



757

PARTS CATALOG (MAINTENANCE)

| FIG ITEM | PART NUMBER | 1 2 3 4 5 6 7 | NOMENCLATURE | EFFECT FROM TO | UNITS PER ASSY |
|----------|----------------|---------------|--|----------------|----------------|
| 45 | | | | | |
| 215 | BOE2368-1216 | | .HOSE- SUPPLIER CODE: V16632 | 103106 | 1 |
| - 250 | MODREF5007 | | DUCT INSTL-LAV/GALLEY VENT SYSTEM MODULE NUMBER: 214N3091-3 REV A POSITION DATA: SECTION 41 | 103106 | 1 |
| 255 | AS1544-09A0410 | | .HOSE-FLEX | 103106 | 1 |
| 260 | BACS12GU3K6 | | .SCREW | 103106 | 1 |
| 266 | SLT8LHC6 | | .STRAP- SUPPLIER CODE: V06383 OPTIONAL PART: SLT10LHC6 V06383 | 103106 | 4 |
| 266 | SLT10LHC6 | | .STRAP- SUPPLIER CODE: V06383 OPTIONAL PART: SLT8LHC6 V06383 | 103106 | 4 |
| 270 | TM3S10 | | .PLATE SUPPLIER CODE: V06383 SPECIFICATION NUMBER: STBP19M12 | 103106 | 1 |
| 275 | BOE2368-1828 | | .CONNECTOR-TRANSITION SUPPLIER CODE: V16632 | 103106 | 1 |
| - 350 | MODREF5008 | | DUCT INSTL-LAV/GALLEY VENT SYSTEM MODULE NUMBER: 214N3091-4 REV A POSITION DATA: SECTION 41 | 103106 | 1 |
| 355 | AS1544-09A0250 | | .HOSE-FLEX | 103106 | 1 |
| 365 | SLT8LHC6 | | .STRAP- SUPPLIER CODE: V06383 OPTIONAL PART: SLT10LHC6 V06383 | 103106 | 2 |

MISSING ITEM NUMBERS NOT APPLICABLE

- ITEM NOT ILLUSTRATED

21-26-09-45

21-26-09
FIG. 45
PAGE 3
JAN 20/09

BRI

BOEING PROPRIETARY - Copyright © - Unpublished Work - See title page for details.



757

PARTS CATALOG (MAINTENANCE)

| FIG ITEM | PART NUMBER | 1 2 3 4 5 6 7 | NOMENCLATURE | EFFECT FROM TO | UNITS PER ASSY |
|-------------|-------------|---------------|--|-------------------|----------------------|
| 45 365 | SLT10LHC6 | | . STRAP- SUPPLIER CODE: V06383 OPTIONAL PART: SLT8LHC6 V06383 | 103106 | 2 |

MISSING ITEM NUMBERS NOT APPLICABLE

- ITEM NOT ILLUSTRATED

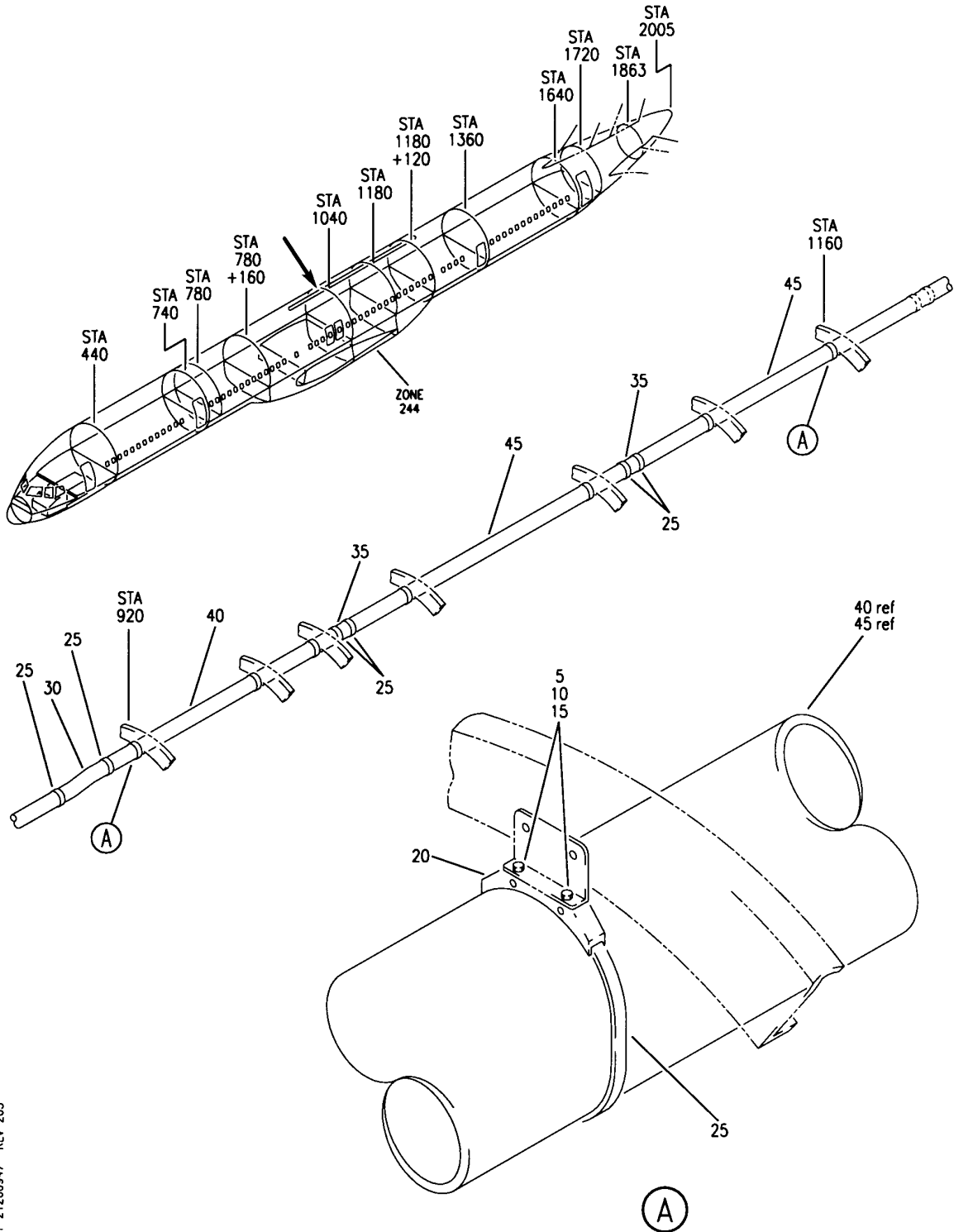
BRI

21-26-09-45

BOEING PROPRIETARY - Copyright © - Unpublished Work - See title page for details.

21-26-09
FIG. 45
PAGE 4
JAN 20/09

BOEING
757
PARTS CATALOG (MAINTENANCE)



Y 21260947 REV 203

DUCT INSTL-SECTION 44 LAV/GALLEY VENT SYS
FIGURE 47

21-26-09-47

BRI
JAN 20/09

21-26-09-47
PAGE 0



757

PARTS CATALOG (MAINTENANCE)

| FIG ITEM | PART NUMBER | 1 2 3 4 5 6 7 | NOMENCLATURE | EFFECT FROM TO | UNITS PER ASSY |
|----------|----------------|---------------|---|----------------|----------------|
| 47 | | | DUCT INSTL-SECTION 44 LAV/GALLEY VENT SYS | 103106 | |
| - 1 | MODREF5016 | | DUCT INSTL-LAV/GALLEY VENT SYS MODULE NUMBER: 214N3093-1 REV A POSITION DATA: SECTION 44 | 103106 | 1 |
| 5 | BACS12GU3K7 | | .SCREW | 103106 | 14 |
| 10 | NAS1149D0316H | | .WASHER | 103106 | 14 |
| 15 | MS21042L3 | | .NUT | 103106 | 14 |
| 20 | 214T3424-5 | | .SUPPORT | 103106 | 7 |
| 25 | SLT8LHC6 | | .STRAP- SUPPLIER CODE: V06383 OPTIONAL PART: SLT10LHC6 V06383 | 103106 | 13 |
| 25 | SLT10LHC6 | | .STRAP- SUPPLIER CODE: V06383 OPTIONAL PART: SLT8LHC6 V06383 | 103106 | 13 |
| 30 | AS1544-16A0132 | | .HOSE- | 103106 | 1 |
| 35 | AS1506-16D40 | | .SLEEVE | 103106 | 2 |
| 40 | 214N3400-1 | | .DUCT | 103106 | 1 |
| 45 | 214N3400-2 | | .DUCT | 103106 | 2 |

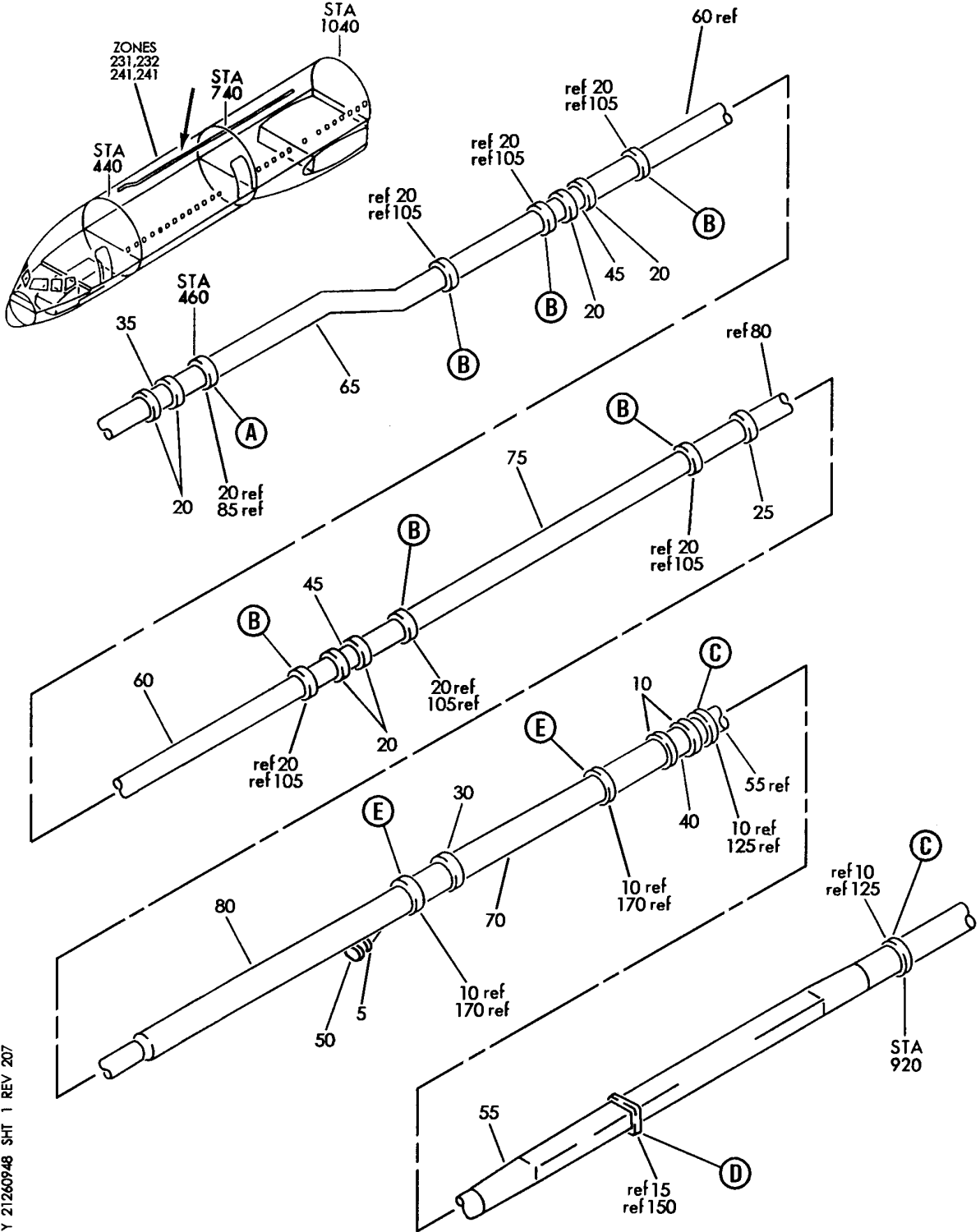
MISSING ITEM NUMBERS NOT APPLICABLE

- ITEM NOT ILLUSTRATED

21-26-09-47

21-26-09
FIG. 47
PAGE 1
JAN 20/09

BRI

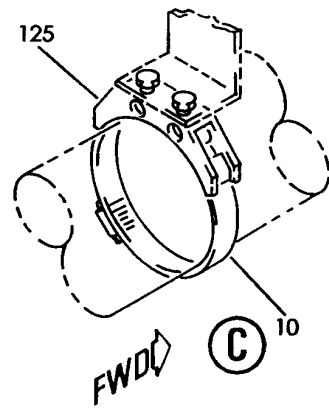
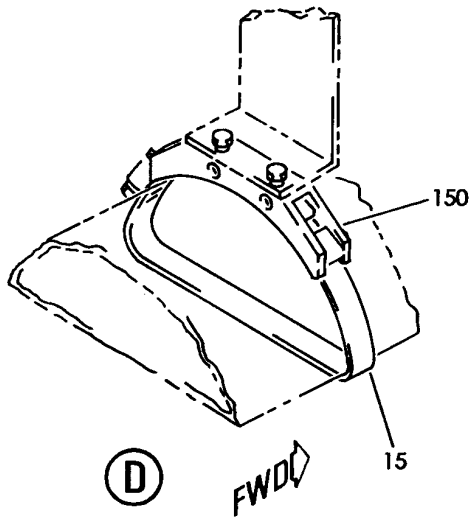
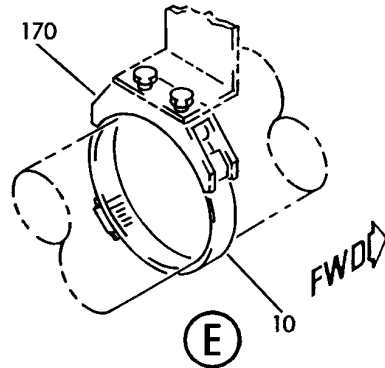
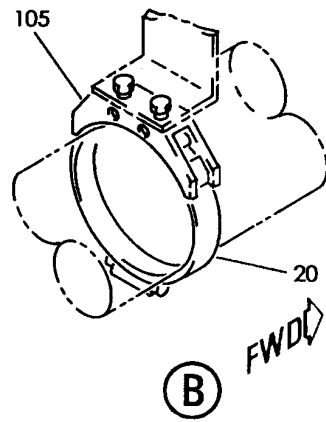
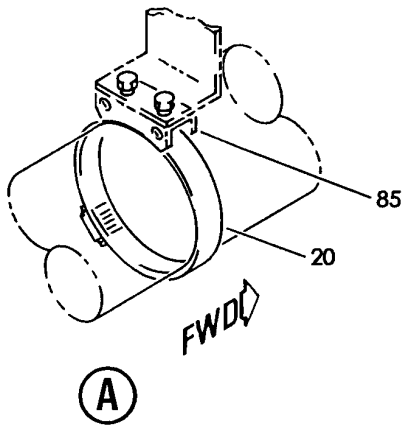


Y 21260948 SHT 1 REV 207

DUCT INSTL-SECTION 43 LAV/GALLEY VENT SYS
FIGURE 48 (SHEET 1)

21-26-09-48

BOEING
757
PARTS CATALOG (MAINTENANCE)



Y 21260948 SHT 2 REV 207

DUCT INSTL-SECTION 43 LAV/GALLEY VENT SYS
FIGURE 48 (SHEET 2)

BRI
MAY 28/07

21-26-09-48

21-26-09-48
PAGE 0A



757

PARTS CATALOG (MAINTENANCE)

| FIG ITEM | PART NUMBER | 1 2 3 4 5 6 7 | NOMENCLATURE | EFFECT FROM TO | UNITS PER ASSY |
|----------|----------------|---------------|---|----------------|----------------|
| 48 | | | DUCT INSTL-SECTION 43 | 101102 | |
| - 1 | 214N3003-253 | | LAV/GALLEY VENT SYS DUCT INSTL-LAV/GALLEY VENT SYS | 101102 | RF |
| | | | POSITION DATA: SECTION 43 FOR NHA SEE: 21-00-00-15 | | |
| 5 | PLT4SM | | .STRAP | 101102 | 1 |
| | | | SUPPLIER CODE: V06383 | | |
| | | | SPECIFICATION NUMBER: BACS38K2 | | |
| | | | OPTIONAL PART: T05LO V53421 | | |
| 10 | NAS1922-0350-3 | | .CLAMP | 101102 | 6 |
| 15 | NAS1922-0400-3 | | .CLAMP | 101102 | 1 |
| 20 | NAS1922-0275-3 | | .CLAMP | 101102 | 13 |
| 25 | NH135008-0300 | | .COUPLING | 101102 | 1 |
| | | | SUPPLIER CODE: V00624 | | |
| | | | SPECIFICATION NUMBER: BACC10HX300 | | |
| 30 | NH135008-0350 | | .COUPLING | 101102 | 1 |
| | | | SUPPLIER CODE: V00624 | | |
| | | | SPECIFICATION NUMBER: BACC10HX350 | | |
| 35 | AS1504-11B0050 | | .HOSE- | 101102 | 1 |
| | | | OPTIONAL PART: AS1504-11B0060 | | |
| 35 | AS1504-11B0060 | | .HOSE- | 101102 | 1 |
| | | | OPTIONAL PART: AS1504-11B0050 | | |
| 40 | AS1506-14D50 | | .HOSE | 101102 | 1 |
| 45 | AS1506-12D50 | | .HOSE | 101102 | 2 |
| 50 | BOE2221-0004 | | .CAP- | 101102 | 1 |
| | | | SUPPLIER CODE: V16632 | | |
| 55 | 214N3025-1 | | .DUCT | 101102 | 1 |
| 60 | 214N3025-5 | | .DUCT | 101102 | 1 |
| 65 | 214N3026-2 | | .DUCT | 101102 | 1 |
| 70 | 214N3025-13 | | .DUCT ASSY | 101102 | 1 |
| 75 | 214N3025-4 | | .DUCT ASSY | 101102 | 1 |
| 80 | 214N3025-42 | | .DUCT ASSY | 101102 | 1 |
| 85 | 214T3424-22 | | .SUPPORT | 101102 | 1 |
| | | | ATTACHING PARTS | | |
| - 90 | BACS12FA3K7 | | .SCREW | 101102 | 2 |

MISSING ITEM NUMBERS NOT APPLICABLE

- ITEM NOT ILLUSTRATED

21-26-09-48

21-26-09
FIG. 48
PAGE 1
JAN 20/09

BRI



757

PARTS CATALOG (MAINTENANCE)

| FIG ITEM | PART NUMBER | 1 2 3 4 5 6 7 | NOMENCLATURE | EFFECT FROM TO | UNITS PER ASSY |
|----------|---------------|---------------|--------------------------------------|----------------|----------------|
| 48 | | | | | |
| - 95 | NAS1149D0332J | . | WASHER | 101102 | 2 |
| - 100 | BRH10C3D | . | NUT- | 101102 | 2 |
| | | | SUPPLIER CODE: V52828 | | |
| | | | SPECIFICATION NUMBER: BACN10JC3CD | | |
| | | | OPTIONAL PART: T6C1032JCD | | |
| | | | V11815 | | |
| | | | NS202486-02 | | |
| | | | V80539 | | |
| | | | 102LH9075-3W | | |
| | | | V72962 | | |
| | | | H51650-3BAC | | |
| | | | V15653 | | |
| | | | -----*----- | | |
| 105 | 214T3424-4 | . | SUPPORT | 101102 | 6 |
| | | | ATTACHING PARTS | | |
| - 110 | BACS12FA3K7 | . | SCREW | 101102 | 12 |
| - 115 | NAS1149D0332J | . | WASHER | 101102 | 12 |
| - 120 | BACN10JC3D | . | NUT | 101102 | 12 |
| | | | -----*----- | | |
| 125 | 214T3424-5 | . | SUPPORT | 101102 | 2 |
| | | | ATTACHING PARTS | | |
| 130 | BACS12FA3K11 | . | SCREW | 101102 | 2 |
| 135 | BACS12FA3K7 | . | SCREW | 101102 | 2 |
| 140 | NAS1149D0332J | . | WASHER | 101102 | 2 |
| 145 | BRH10C3D | . | NUT- | 101102 | 2 |
| | | | SUPPLIER CODE: V52828 | | |
| | | | SPECIFICATION NUMBER: BACN10JC3CD | | |
| | | | OPTIONAL PART: T6C1032JCD | | |
| | | | V11815 | | |
| | | | NS202486-02 | | |
| | | | V80539 | | |
| | | | 102LH9075-3W | | |
| | | | V72962 | | |
| | | | H51650-3BAC | | |
| | | | V15653 | | |
| | | | -----*----- | | |
| 150 | 214T3424-7 | . | SUPPORT | 101102 | 1 |
| | | | ATTACHING PARTS | | |
| - 155 | BACS12FA3K11 | . | SCREW | 101102 | 2 |
| - 160 | NAS1149D0332J | . | WASHER | 101102 | 2 |

MISSING ITEM NUMBERS NOT APPLICABLE

- ITEM NOT ILLUSTRATED

21-26-09-48

21-26-09
FIG. 48
PAGE 2
JAN 20/09

BRI



757

PARTS CATALOG (MAINTENANCE)

| FIG ITEM | PART NUMBER | 1 2 3 4 5 6 7 | NOMENCLATURE | EFFECT FROM TO | UNITS PER ASSY |
|-------------|-------------|---------------|--|-------------------|----------------------|
| 48 - 165 | BRH10C3D | | .NUT- SUPPLIER CODE: V52828 SPECIFICATION NUMBER: BACN10JC3CD OPTIONAL PART: T6C1032JCD V11815 NS202486-02 V80539 102LH9075-3W V72962 H51650-3BAC V15653 -----*----- | 101102 | 2 |
| 170 | 214N1051-5 | | .SUPPORT | 101102 | 2 |

MISSING ITEM NUMBERS NOT APPLICABLE

- ITEM NOT ILLUSTRATED

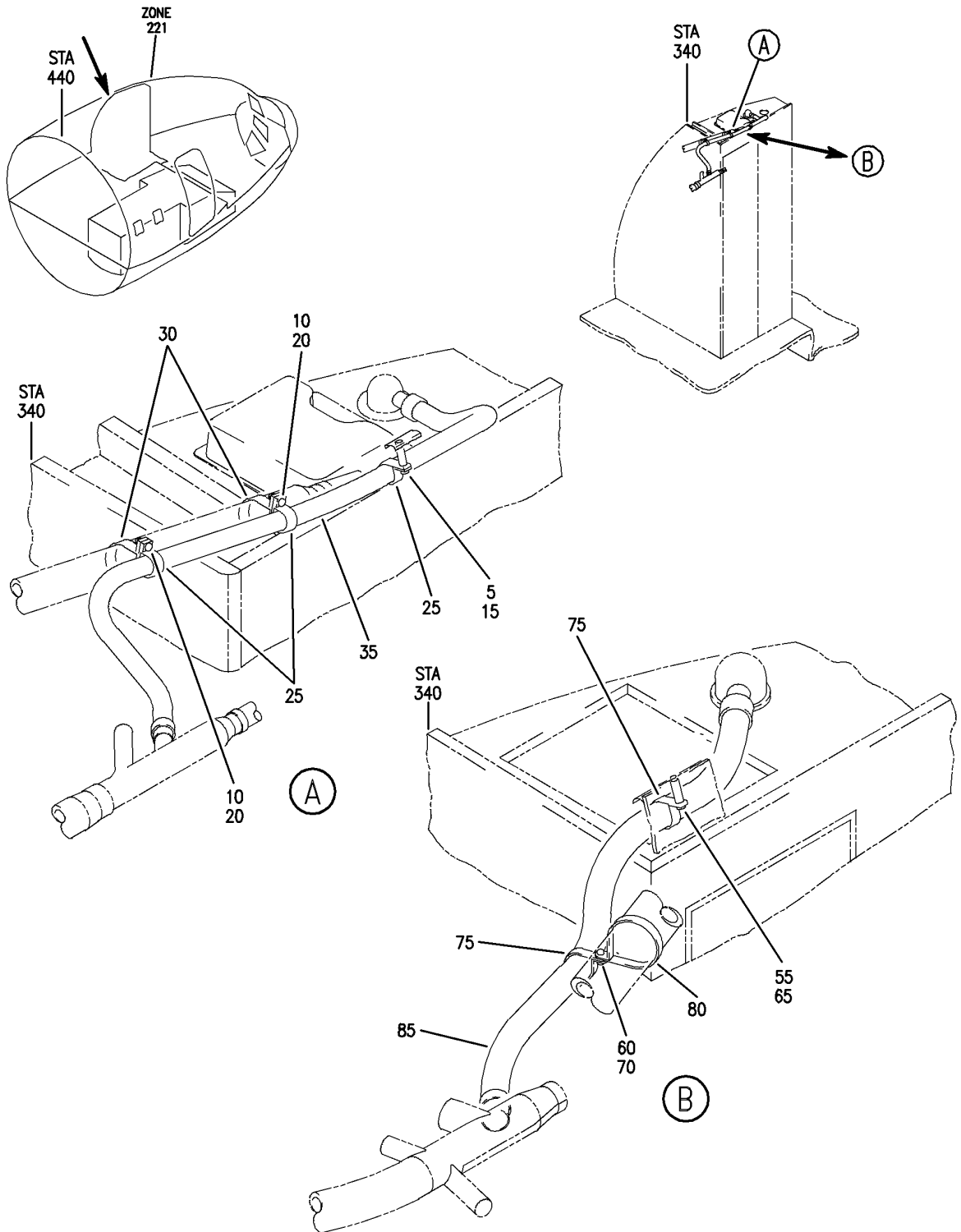
BRI

21-26-09-48

BOEING PROPRIETARY - Copyright © - Unpublished Work - See title page for details.

21-26-09
FIG. 48
PAGE 3
JAN 20/09

BOEING
757
PARTS CATALOG (MAINTENANCE)



Y 21260961 REV 235

DUCT INSTL-LAV A SUPPLEMENTAL INDIVIDUAL AIR
FIGURE 61

21-26-09-61

BRI
MAY 28/07

21-26-09-61
PAGE 0



757

PARTS CATALOG (MAINTENANCE)

| FIG ITEM | PART NUMBER | 1 2 3 4 5 6 7 | NOMENCLATURE | EFFECT FROM TO | UNITS PER ASSY |
|----------|----------------|---------------|---|--------------------------------------|----------------|
| 61 | | | DUCT INSTL-LAV A SUPPLEMENTAL INDIVIDUAL AIR | 002004 006106 108903 950999 | |
| - 1 | 214N4001-3 | | DUCT INSTL-LAV A SUPPLEMENTAL INDIVIDUAL AIR POSITION DATA: STA 297 THRU 340 LH FOR NHA SEE: 21-00-00-01 21-00-00-15 | 002004 006102 108903 950999 | RF |
| 5 | BACS12FA3K32 | | .SCREW | 002004 006102 108903 950999 | 1 |
| 10 | BACS12FA3K10 | | .SCREW | 002004 006102 108903 950999 | 2 |
| 15 | NAS43DD3-92 | | .SPACER | 002004 006102 108903 950999 | 1 |
| 20 | MS21042L3 | | .NUT | 002004 006102 108903 950999 | 2 |
| 25 | BACC10DK14 | | .CLAMP | 002004 006102 108903 950999 | 3 |
| 30 | MS21919WDG32 | | .CLAMP | 002004 006102 108903 950999 | 2 |
| 35 | AS1504-03B0560 | | .HOSE-FLEX | 002004 006102 108903 950999 | 1 |
| - 50 | MODREF5207 | | DUCT INSTL-LAV A SUPPLEMENTAL INDIVIDUAL AIR MODULE NUMBER: 214N4001-38 REV A POSITION DATA: STA 297 THRU 340 LH | 103106 | 1 |
| 55 | BACS12FA3K32 | | .SCREW | 103106 | 1 |
| 60 | BACS12FA3K10 | | .SCREW | 103106 | 1 |

MISSING ITEM NUMBERS NOT APPLICABLE

- ITEM NOT ILLUSTRATED

21-26-09-61

21-26-09
FIG. 61
PAGE 1
JAN 20/09

BRI



757

PARTS CATALOG (MAINTENANCE)

| FIG ITEM | PART NUMBER | 1 2 3 4 5 6 7 | NOMENCLATURE | EFFECT FROM TO | UNITS PER ASSY |
|-------------|----------------|---------------|--------------|-------------------|----------------------|
| 61 | | | | | |
| 65 | NAS43DD3-92FC | . | SPACER | 103106 | 1 |
| 70 | MS21042L3 | . | NUT | 103106 | 1 |
| 75 | BACC10DK14 | . | CLAMP | 103106 | 2 |
| 80 | MS21919WDG32 | . | CLAMP | 103106 | 1 |
| 85 | AS1504-03B0560 | . | HOSE-FLEX | 103106 | 1 |

MISSING ITEM NUMBERS NOT APPLICABLE

- ITEM NOT ILLUSTRATED

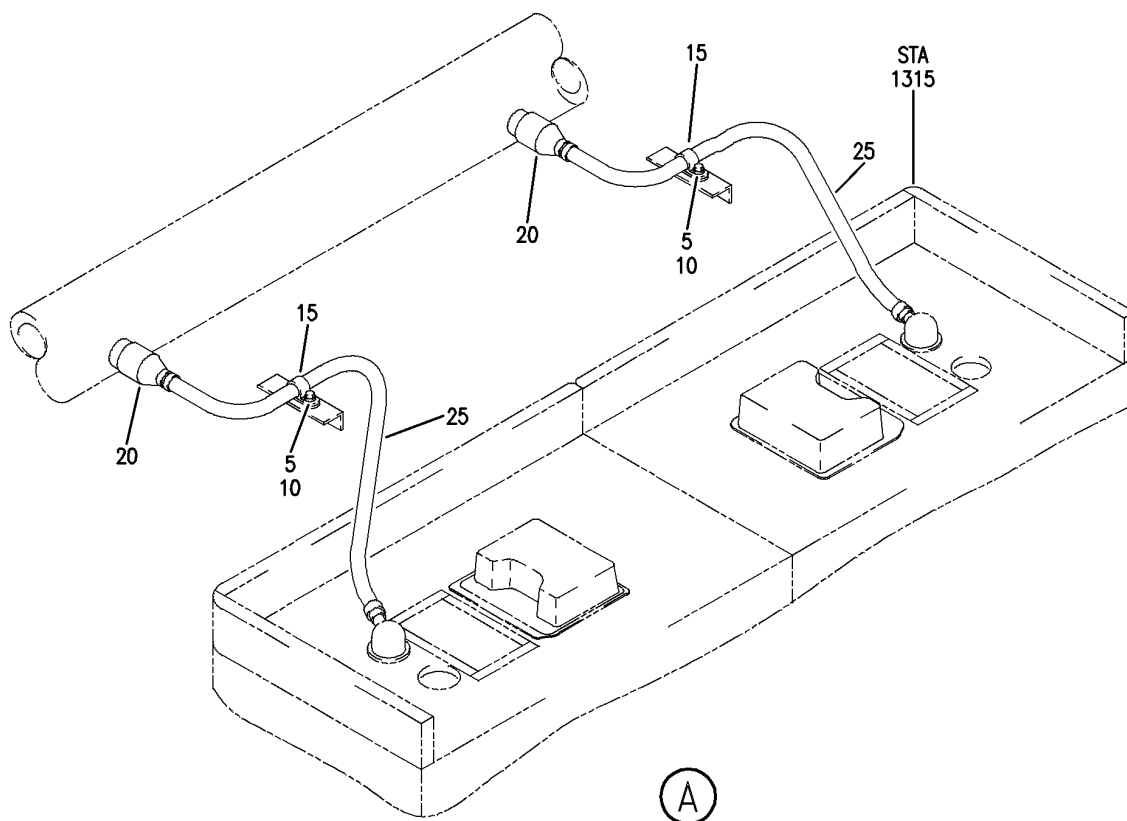
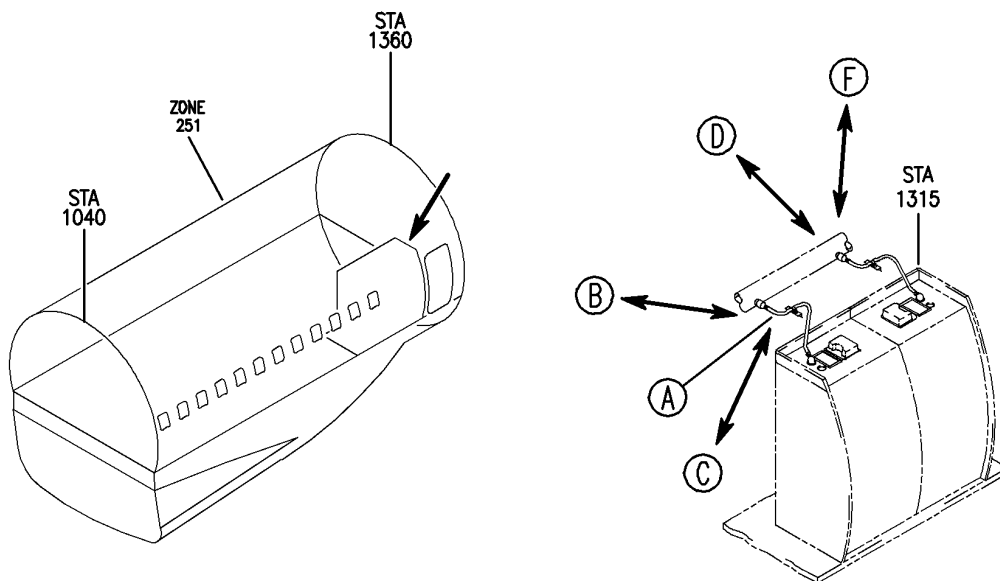
BRI

21-26-09-61

BOEING PROPRIETARY - Copyright © - Unpublished Work - See title page for details.

21-26-09
FIG. 61
PAGE 2
JAN 20/09

BOEING
757
PARTS CATALOG (MAINTENANCE)



Y 21260961A SHT 1 REV 235

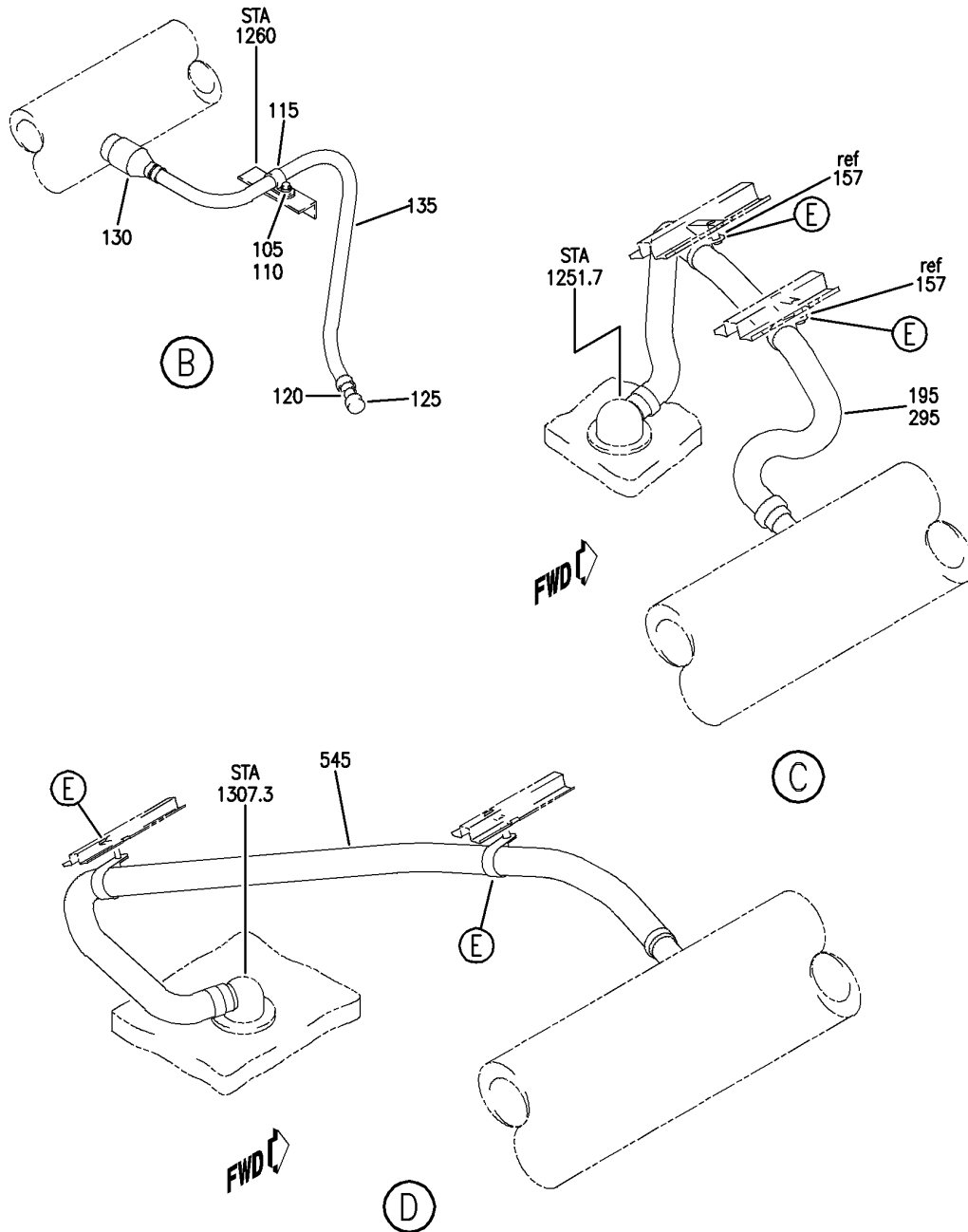
DUCT INSTL-LAV B AND C SUPPLEMENTAL INDIVIDUAL AIR
FIGURE 61A (SHEET 1)

21-26-09-61A

BRI
MAY 28/07

21-26-09-61A
PAGE 0

BOEING
757
PARTS CATALOG (MAINTENANCE)



Y 21260961A SH1 2 REV 247

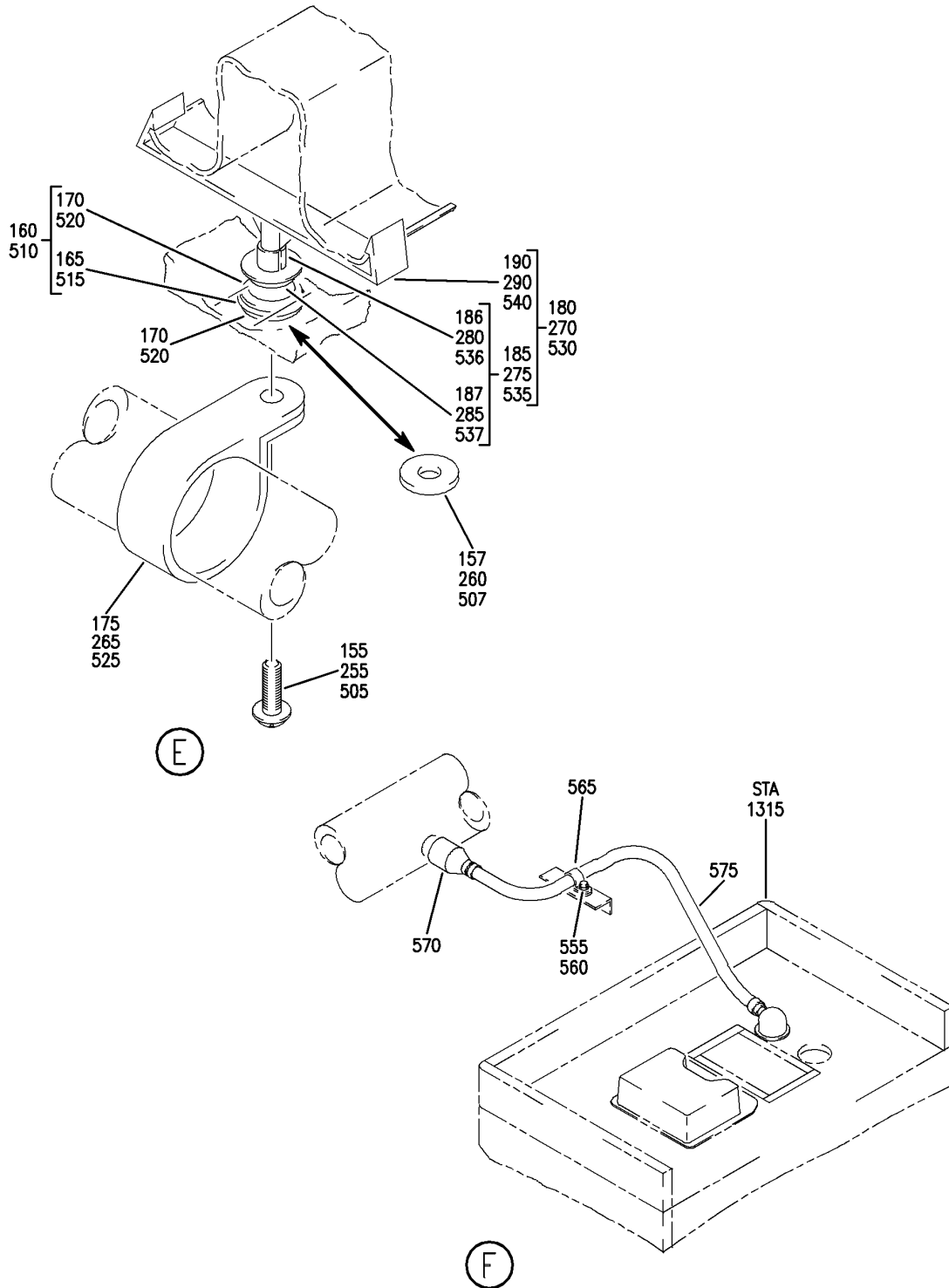
DUCT INSTL-LAV B AND C SUPPLEMENTAL INDIVIDUAL AIR
FIGURE 61A (SHEET 2)

21-26-09-61A

BRI
MAY 28/07

21-26-09-61A
PAGE 0A

BOEING
757
PARTS CATALOG (MAINTENANCE)



Y 21260961A SH1 3 REV 247

DUCT INSTL-LAV B AND C SUPPLEMENTAL INDIVIDUAL AIR
FIGURE 61A (SHEET 3)

21-26-09-61A

BRI
MAY 28/07

21-26-09-61A
PAGE 0B



757

PARTS CATALOG (MAINTENANCE)

| FIG ITEM | PART NUMBER | 1 2 3 4 5 6 7 | NOMENCLATURE | EFFECT FROM TO | UNITS PER ASSY |
|----------|--------------|---------------|--|--------------------------------------|----------------|
| 61A | | | DUCT INSTL-LAV B AND C SUPPLEMENTAL INDIVIDUAL AIR | 002004 006106 108903 950999 | |
| - 1 | 214N4001-2 | | DUCT INSTL-LAV B AND C SUPPLEMENTAL INDIVIDUAL AIR POSITION DATA: STA 1244 THRU 1315 LH FOR NHA SEE: 21-00-00-01 | 002004 006100 | RF |
| - 1 | 214N4001-25 | | DUCT INSTL-LAV B AND C SUPPLEMENTAL INDIVIDUAL AIR POSITION DATA: STA 1244 THRU 1315 LH FOR NHA SEE: 21-00-00-15 | 101102 | RF |
| 5 | BACS12FA3K8 | | .SCREW | 002004 006102 | 2 |
| 10 | MS21042L3 | | .NUT | 002004 006102 | 2 |
| 15 | BACC10DK18 | | .CLAMP | 002004 006102 | 2 |
| 20 | 417N3062-1 | | .REDUCER | 002004 006017 | 2 |
| 20 | 417N3062-2 | | .REDUCER | 018102 | 2 |
| 25 | BACD40P3A280 | | .DUCT-FLEX | 002004 006102 | 2 |
| - 100 | 214N4001-13 | | DUCT INSTL-LAV B SUPPLEMENTAL INDIVIDUAL AIR POSITION DATA: STA 1244 THRU 1279.4 LH FOR NHA SEE: 21-00-00-01 | 952999 | RF |
| 105 | BACS12FA3K8 | | .SCREW | 952999 | 1 |
| 110 | MS21042L3 | | .NUT | 952999 | 1 |
| 115 | BACC10DK18 | | .CLAMP | 952999 | 1 |
| 120 | 12-1000 | | .CAP-END SUPPLIER CODE: V25205 | 952999 | 1 |
| 125 | 417N3063-3 | | .CONNECTOR | 952999 | 1 |
| 130 | 417N3062-1 | | .REDUCER | 952999 | 1 |
| 135 | BACD40P3A280 | | .DUCT-FLEX | 952999 | 1 |

MISSING ITEM NUMBERS NOT APPLICABLE

- ITEM NOT ILLUSTRATED

21-26-09-61A

21-26-09
FIG. 61A
PAGE 1
JAN 20/09

BRI



757

PARTS CATALOG (MAINTENANCE)

| FIG ITEM | PART NUMBER | 1 2 3 4 5 6 7 | NOMENCLATURE | EFFECT FROM TO | UNITS PER ASSY |
|--------------|--------------|--|--|----------------|----------------|
| 61A - 250 | MODREF19283 | | DUCT INSTL-LAV B SUPPLEMENTAL INDIVIDUAL AIR MODULE NUMBER: 214N4001-55 REV A POSITION DATA: STA 1244 THRU 1279.4 LH | 103106 | 1 |
| 255 | BACS12FA3K12 | .SCREW | | 103106 | 2 |
| 260 | BACW10DZ3 | .WASHER | | 103106 | 2 |
| 265 | BACC10DK19 | .CLAMP | | 103106 | 2 |
| 270 | 214N5054-14 | .SUPPORT ASSY | | 103106 | 2 |
| 275 | 411N4026-2 | ..CAP ASSY- | | 103106 | 1 |
| | | OPTIONAL PART: 411N4026-10 | | | |
| 275 | 411N4026-10 | ..CAP ASSY- | | 103106 | 1 |
| | | OPTIONAL PART: 411N4026-2 | | | |
| 280 | 411N4026-5 | ...CAP- | | 103106 | 1 |
| | | USED ON: 411N4026-2 | | | |
| 280 | 411N4026-11 | ...CAP- | | 103106 | 1 |
| | | USED ON: 411N4026-10 | | | |
| 285 | 411N4026-7 | ...TAPE | | 103106 | 1 |
| 290 | 2055155-5C | ..CLIP-STRINGER | | 103106 | 1 |
| | | SUPPLIER CODE: V04169 | | | |
| 295 | BACD40P3A450 | .DUCT | | 103106 | 1 |
| - 500 | MODREF5214 | DUCT INSTL-LAV C SUPPLEMENTAL INDIVIDUAL AIR MODULE NUMBER: 214N4001-49 REV A POSITION DATA: STA 1279.6 THRU 1315 LH | | 103106 | 1 |
| 505 | BACS12FA3K12 | .SCREW | | 103106 | 2 |
| 507 | BACW10DZ3 | .WASHER- | | 103106 | 2 |
| | | OPTIONAL PART: 411N4026-12 | | | |
| 510 | 411N4026-12 | .WASHER ASSY- | | 103106 | 2 |
| | | OPTIONAL PART: BACW10DZ3 | | | |
| 515 | 411N4026-13 | ..WASHER | | 103106 | 1 |
| 520 | 411N4026-7 | ..TAPE-FOAM | | 103106 | 2 |
| 525 | BACC10DK19 | .CLAMP | | 103106 | 2 |
| 530 | 214N5054-14 | .SUPPORT ASSY | | 103106 | 2 |
| 535 | 411N4026-10 | ..CAP ASSY- | | 103106 | 1 |
| | | OPTIONAL PART: 411N4026-2 | | | |

MISSING ITEM NUMBERS NOT APPLICABLE

- ITEM NOT ILLUSTRATED

21-26-09-61A

21-26-09
FIG. 61A
PAGE 2
JAN 20/09

BRI

BOEING PROPRIETARY - Copyright © - Unpublished Work - See title page for details.



757

PARTS CATALOG (MAINTENANCE)

| FIG ITEM | PART NUMBER | 1 2 3 4 5 6 7 | NOMENCLATURE | EFFECT FROM TO | UNITS PER ASSY |
|------------|--------------|---------------|--|------------------|----------------|
| 61A 535 | 411N4026-2 | .. | CAP ASSY- OPTIONAL PART: 411N4026-10 | 103106 | 1 |
| 536 | 411N4026-5 | ... | CAP- USED ON: 411N4026-2 | 103106 | 1 |
| 536 | 411N4026-11 | ... | CAP- USED ON: 411N4026-10 | 103106 | 1 |
| 537 | 411N4026-7 | ... | TAPE | 103106 | 1 |
| 540 | 2055155-5C | .. | CLIP-STRINGER SUPPLIER CODE: V04169 | 103106 | 1 |
| 545 | BACD40P3A400 | . | DUCT | 103106 | 1 |
| - 550 | 214N4001-1 | | DUCT INSTL-LAV C SUPPLEMENTAL INDIVIDUAL AIR POSITION DATA: STA 1279.6 THRU 1315 LH FOR NHA SEE: 21-00-00-01 | 121503 950999 | RF |
| - 550 | 214N4001-24 | | DUCT INSTL-LAV C SUPPLEMENTAL INDIVIDUAL AIR POSITION DATA: STA 1279.6 THRU 1315 LH FOR NHA SEE: 21-00-00-12 | 108120 504903 | RF |
| 555 | BACS12FA3K8 | . | SCREW | 108903 950999 | 1 |
| 560 | MS21042L3 | . | NUT | 108903 950999 | 1 |
| 565 | BACC10DK18 | . | CLAMP | 108903 950999 | 1 |
| 570 | 417N3062-1 | . | REDUCER | 121503 950999 | 1 |
| 570 | 417N3062-2 | . | REDUCER | 108120 504903 | 1 |
| 575 | BACD40P3A280 | . | DUCT-FLEX | 108903 950999 | 1 |

MISSING ITEM NUMBERS NOT APPLICABLE

- ITEM NOT ILLUSTRATED

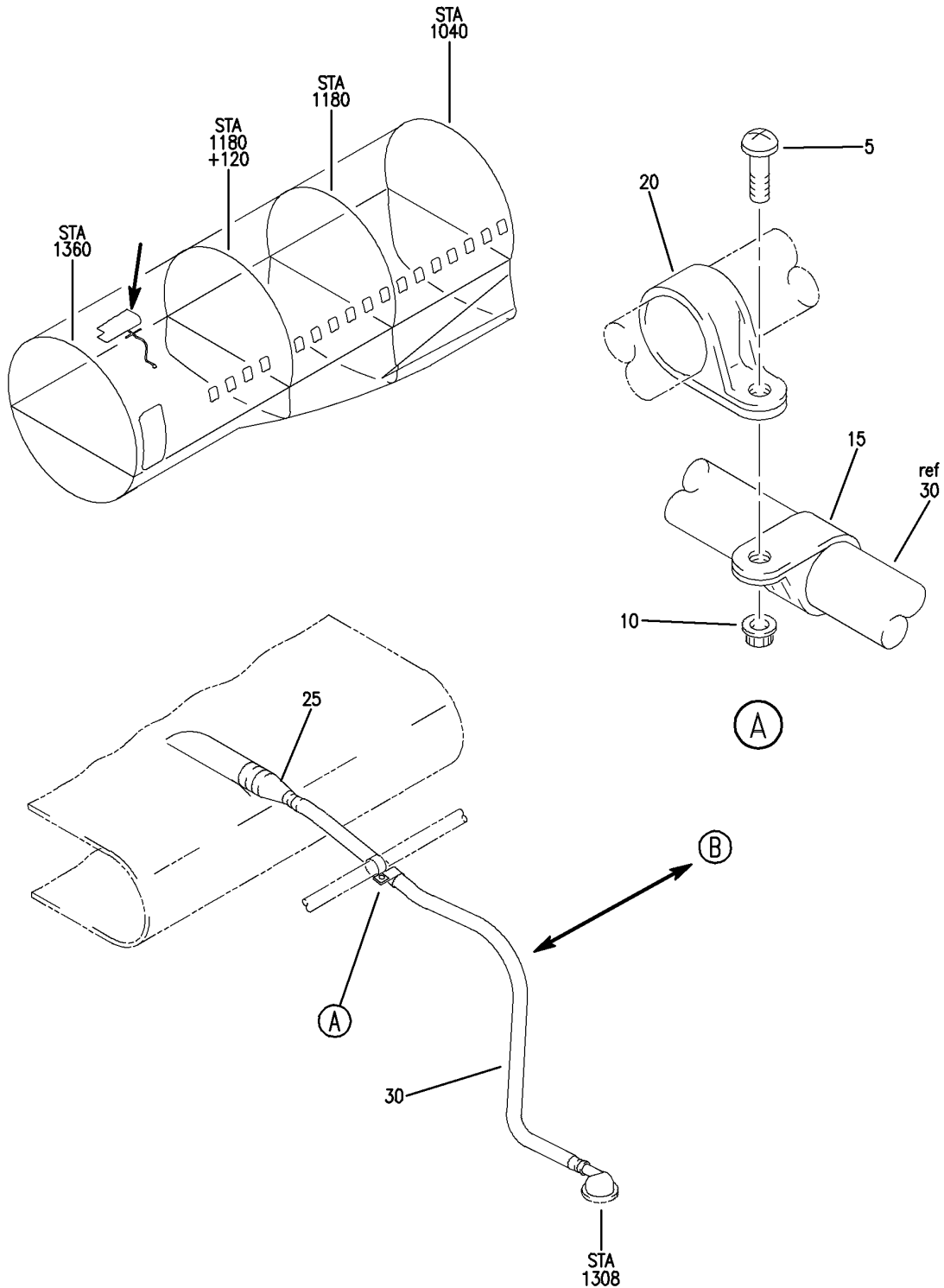
21-26-09-61A

21-26-09
FIG. 61A
PAGE 3
JAN 20/09

BRI

BOEING PROPRIETARY - Copyright © - Unpublished Work - See title page for details.

BOEING
757
PARTS CATALOG (MAINTENANCE)



Y 21260961B SHT 1 REV 235

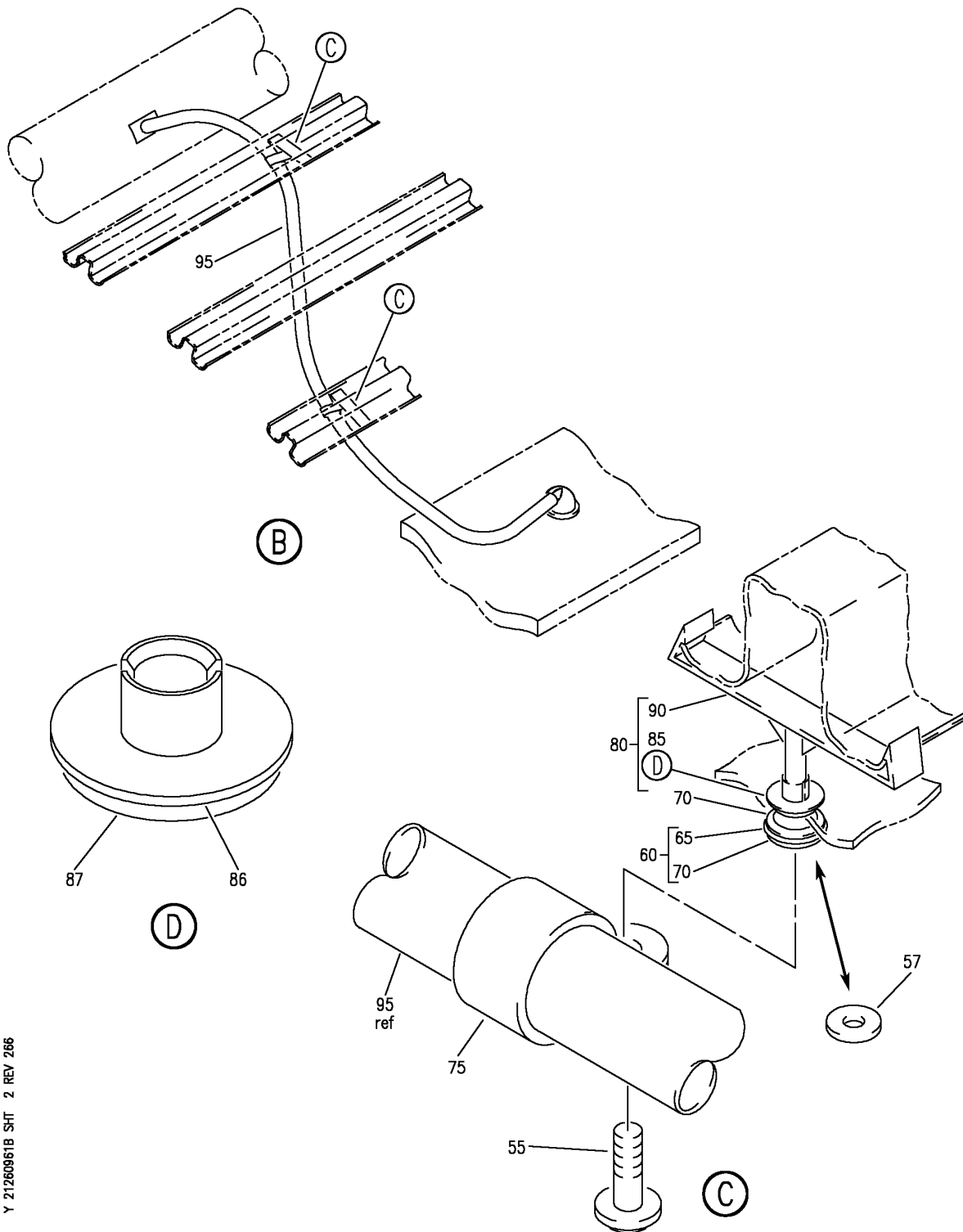
DUCT INSTL-LAV D SUPPLEMENTAL INDIVIDUAL AIR
FIGURE 61B (SHEET 1)

21-26-09-61B

BRI
MAY 28/07

21-26-09-61B
PAGE 0

BOEING
757
PARTS CATALOG (MAINTENANCE)



Y 21260961B SHT 2 REV 266

DUCT INSTL-LAV D SUPPLEMENTAL INDIVIDUAL AIR
FIGURE 61B (SHEET 2)

21-26-09-61B

BRI
MAY 28/07

21-26-09-61B
PAGE 0A



757

PARTS CATALOG (MAINTENANCE)

| FIG ITEM | PART NUMBER | 1 2 3 4 5 6 7 | NOMENCLATURE | EFFECT FROM TO | UNITS PER ASSY |
|----------|--------------|---------------|--|--------------------------------------|----------------|
| 61B | | | DUCT INSTL-LAV D SUPPLEMENTAL INDIVIDUAL AIR | 002004 006106 108903 950999 | |
| - 1 | 214N4001-4 | | DUCT INSTL-LAV D SUPPLEMENTAL INDIVIDUAL AIR POSITION DATA: STA 1279.6 THRU 1315 RH FOR NHA SEE: 21-00-00-01 | 002004 006100 121503 950999 | RF |
| - 1 | 214N4001-26 | | DUCT INSTL-LAV D SUPPLEMENTAL INDIVIDUAL AIR POSITION DATA: STA 1279.6 THRU 1315 RH FOR NHA SEE: 21-00-00-12 | 101102 108120 504903 | RF |
| 5 | BACS12FA3K14 | | .SCREW | 002004 006102 108903 950999 | 1 |
| 10 | MS21042L3 | | .NUT | 002004 006102 108903 950999 | 1 |
| 15 | BACC10DK18 | | .CLAMP | 002004 006102 108903 950999 | 1 |
| 20 | BACC10DK20 | | .CLAMP | 002004 006102 108903 950999 | 1 |
| 25 | 417N3062-1 | | .REDUCER | 002004 006017 121503 950999 | 1 |
| 25 | 417N3062-2 | | .REDUCER | 018102 108120 504903 | 1 |
| 30 | BACD40P3A280 | | .DUCT-FLEX | 002004 006102 108903 950999 | 1 |

MISSING ITEM NUMBERS NOT APPLICABLE

- ITEM NOT ILLUSTRATED

21-26-09-61B

21-26-09
FIG. 61B
PAGE 1
JAN 20/09

BRI

BOEING PROPRIETARY - Copyright © - Unpublished Work - See title page for details.



757

PARTS CATALOG (MAINTENANCE)

| FIG ITEM | PART NUMBER | 1 2 3 4 5 6 7 | NOMENCLATURE | EFFECT FROM TO | UNITS PER ASSY |
|-------------|--------------|---------------|--|----------------|----------------|
| 61B - 50 | MODREF5215 | | DUCT INSTL-LAV D SUPPLEMENTAL INDIVIDUAL AIR MODULE NUMBER: 214N4001-50 REV A POSITION DATA: STA 1279.6 THRU 1315 RH | 103106 | 1 |
| 55 | BACS12FA3K12 | | .SCREW | 103106 | 2 |
| 57 | BACW10DZ3 | | .WASHER- OPTIONAL PART: 411N4026-12 | 103106 | 2 |
| 60 | 411N4026-12 | | .WASHER ASSY- OPTIONAL PART: BACW10DZ3 | 103106 | 2 |
| 65 | 411N4026-13 | | ..WASHER | 103106 | 1 |
| 70 | 411N4026-7 | | ..TAPE-FOAM | 103106 | 2 |
| 75 | BACC10DK19 | | .CLAMP | 103106 | 2 |
| 80 | 214N5054-14 | | .SUPPORT ASSY | 103106 | 2 |
| 85 | 411N4026-10 | | ..CAP ASSY- OPTIONAL PART: 411N4026-2 | 103106 | 1 |
| 85 | 411N4026-2 | | ..CAP ASSY- OPTIONAL PART: 411N4026-10 | 103106 | 1 |
| 86 | 411N4026-5 | | ...CAP- USED ON: 411N4026-2 | 103106 | 1 |
| 86 | 411N4026-11 | | ...CAP- USED ON: 411N4026-10 | 103106 | 1 |
| 87 | 411N4026-7 | | ...TAPE | 103106 | 1 |
| 90 | 2055155-5C | | ..CLIP-STRINGER SUPPLIER CODE: V04169 | 103106 | 1 |
| 95 | BACD40P3A500 | | .HOSE-FLEX | 103106 | 1 |

MISSING ITEM NUMBERS NOT APPLICABLE

- ITEM NOT ILLUSTRATED

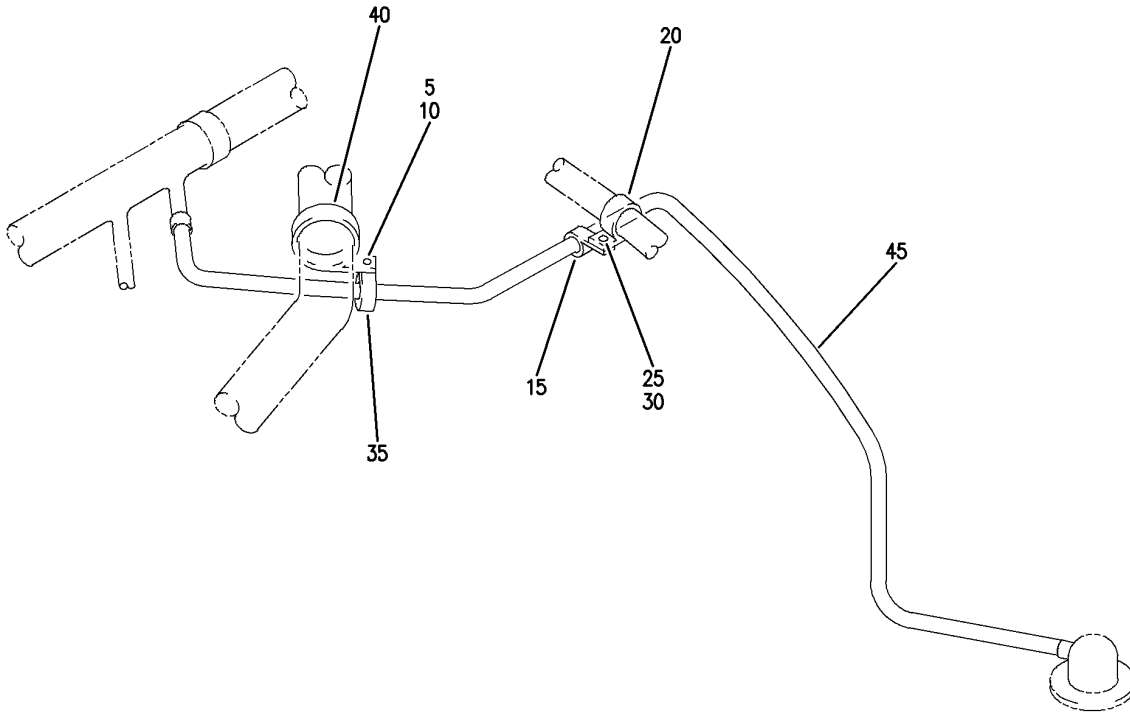
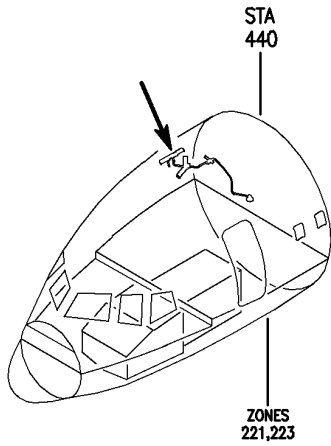
21-26-09-61B

21-26-09
FIG. 61B
PAGE 2
JAN 20/09

BRI

BOEING PROPRIETARY - Copyright © - Unpublished Work - See title page for details.

BOEING
757
PARTS CATALOG (MAINTENANCE)



Y 21260961C REV 235

DUCT INSTL-LAV F SUPPLEMENTAL INDIVIDUAL AIR
FIGURE 61C

21-26-09-61C

BRI
JAN 20/09

21-26-09-61C
PAGE 0



757

PARTS CATALOG (MAINTENANCE)

| FIG ITEM | PART NUMBER | 1 2 3 4 5 6 7 | NOMENCLATURE | EFFECT FROM TO | UNITS PER ASSY |
|----------|-------------------|---------------|---|----------------|----------------|
| 61C | | | DUCT INSTL-LAV F SUPPLEMENTAL INDIVIDUAL AIR | 121903 | |
| - 1 | 214N4001-7 | | DUCT INSTL-LAV F SUPPLEMENTAL INDIVIDUAL AIR POSITION DATA: STA 379.2 THRU 415.6 RH FOR NHA SEE: 21-00-00-01 21-00-00-12 | 121903 | RF |
| | 5 BACS12FA3K8 | | .SCREW | 121903 | 1 |
| | 10 MS21042L3 | | .NUT | 121903 | 1 |
| | 15 BACC10DK14 | | .CLAMP | 121903 | 1 |
| | 20 BACC10DK20 | | .CLAMP | 121903 | 1 |
| | 25 BACS12FA3K8 | | .SCREW | 121903 | 1 |
| | 30 MS21042L3 | | .NUT | 121903 | 1 |
| | 35 BACC10DK14 | | .CLAMP | 121903 | 1 |
| | 40 MS21919WDG32 | | .CLAMP | 121903 | 1 |
| | 45 AS1504-03B0460 | | .HOSE | 121903 | 1 |

MISSING ITEM NUMBERS NOT APPLICABLE

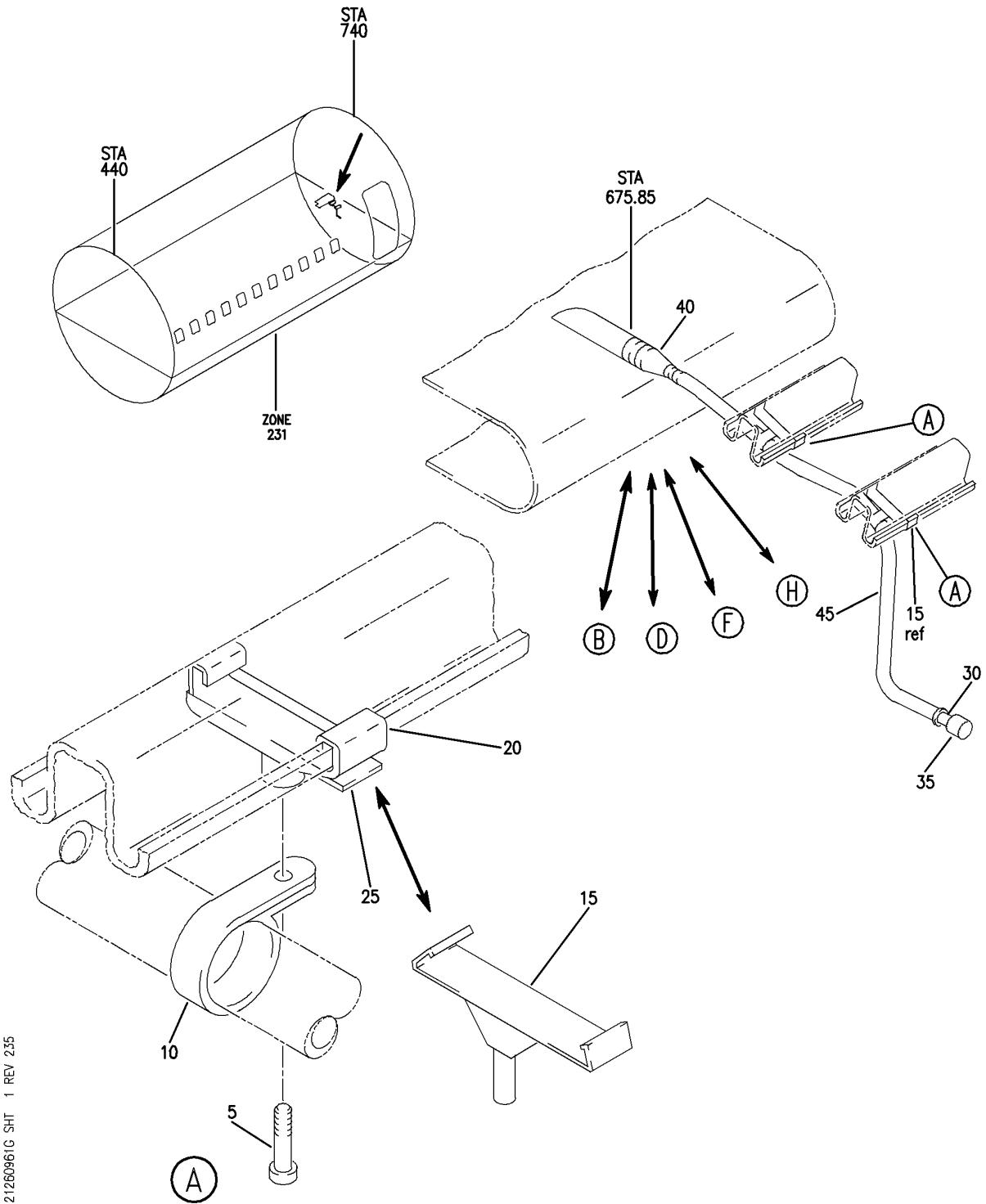
- ITEM NOT ILLUSTRATED

21-26-09-61C

21-26-09
FIG. 61C
PAGE 1
JAN 20/09

BRI

BOEING
757
PARTS CATALOG (MAINTENANCE)



Y 21260961G SHT 1 REV 235

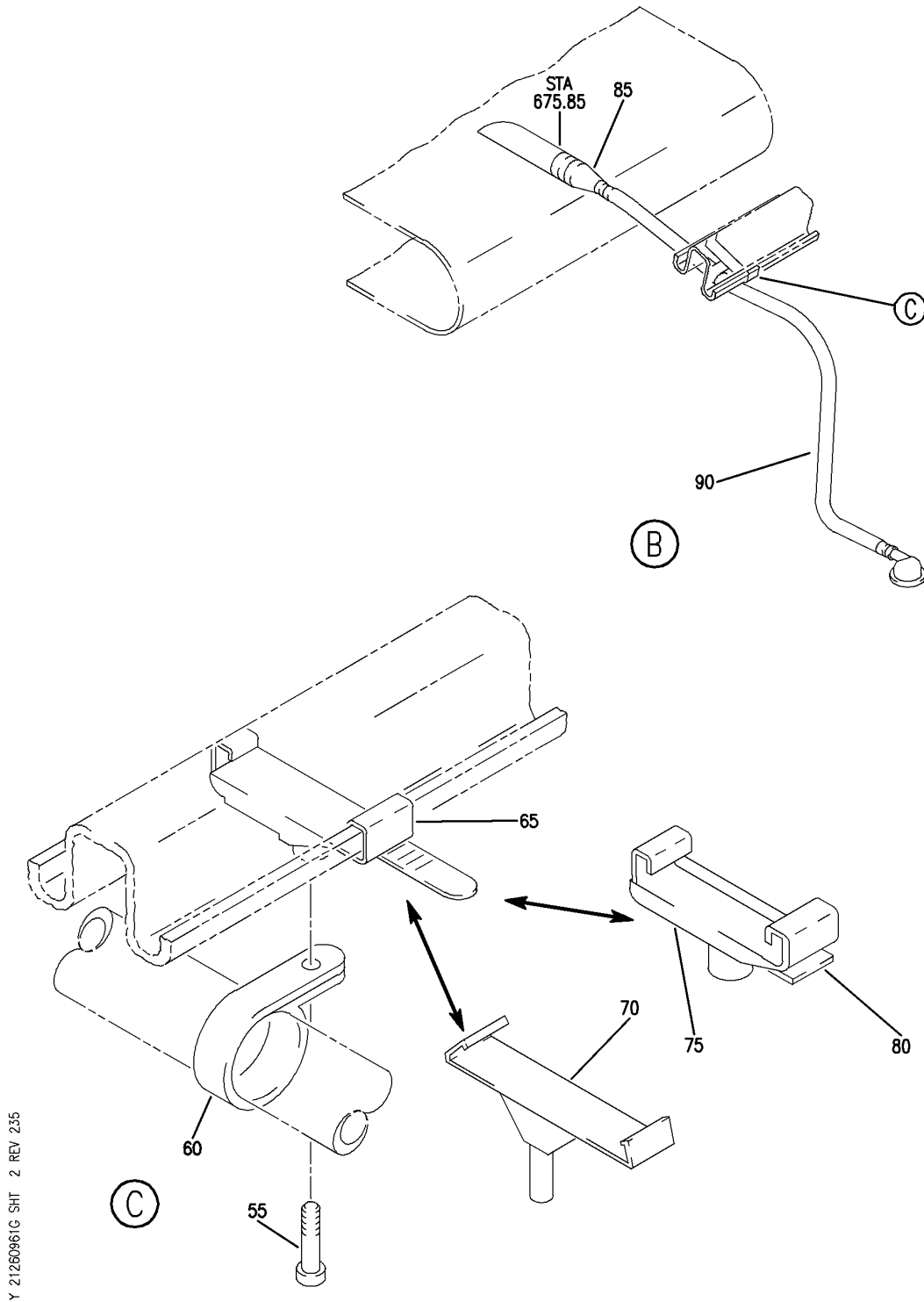
DUCT INSTL-LAV S SUPPLEMENTAL INDIVIDUAL AIR
FIGURE 61G (SHEET 1)

21-26-09-61G

BRI
JAN 20/09

21-26-09-61G
PAGE 0

BOEING
757
PARTS CATALOG (MAINTENANCE)



Y 21260961G SHT 2 REV 235

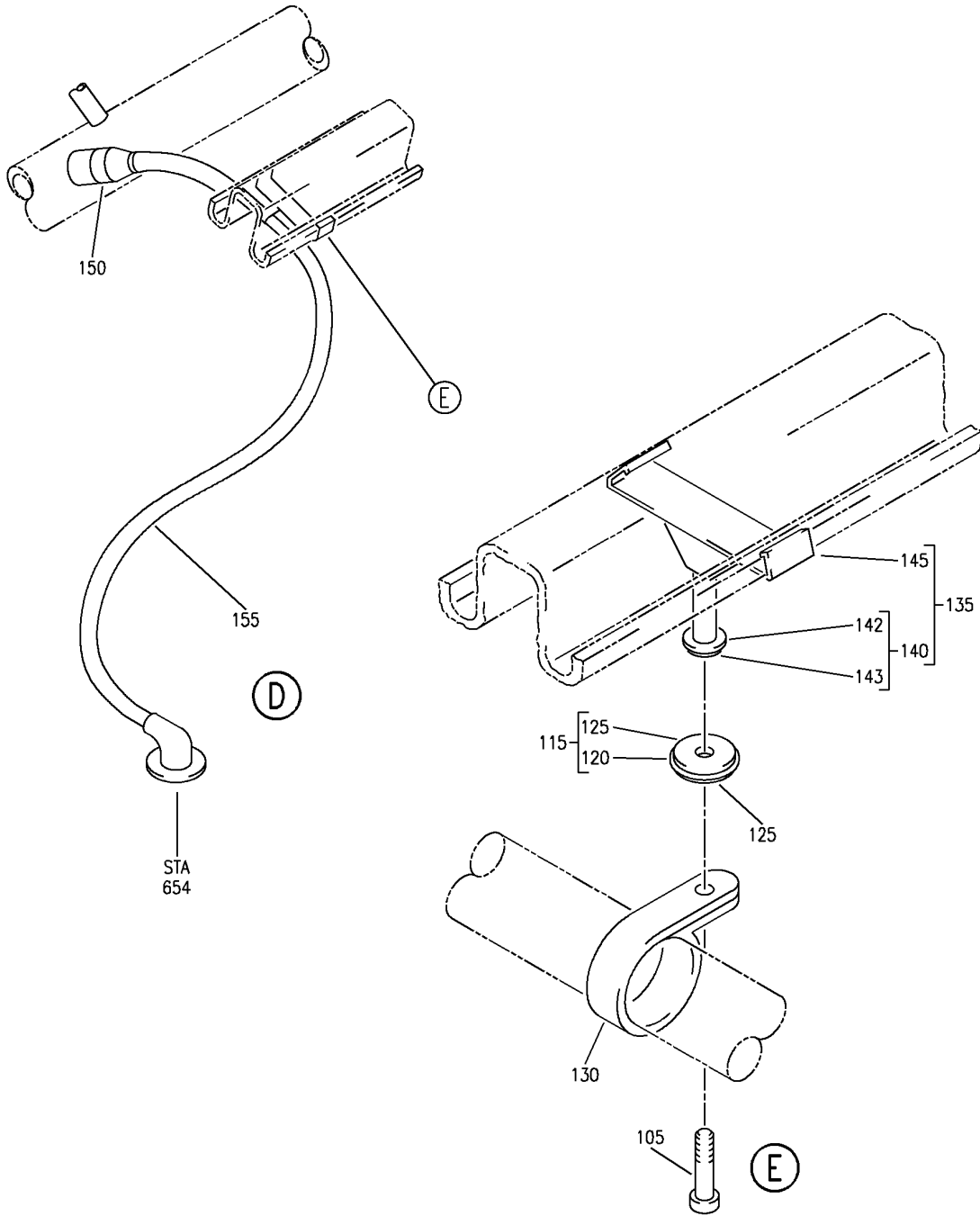
DUCT INSTL-LAV S SUPPLEMENTAL INDIVIDUAL AIR
FIGURE 61G (SHEET 2)

21-26-09-61G

BRI
JAN 20/09

21-26-09-61G
PAGE 0A

BOEING
757
PARTS CATALOG (MAINTENANCE)



Y 21260961G SHT 3 REV 299

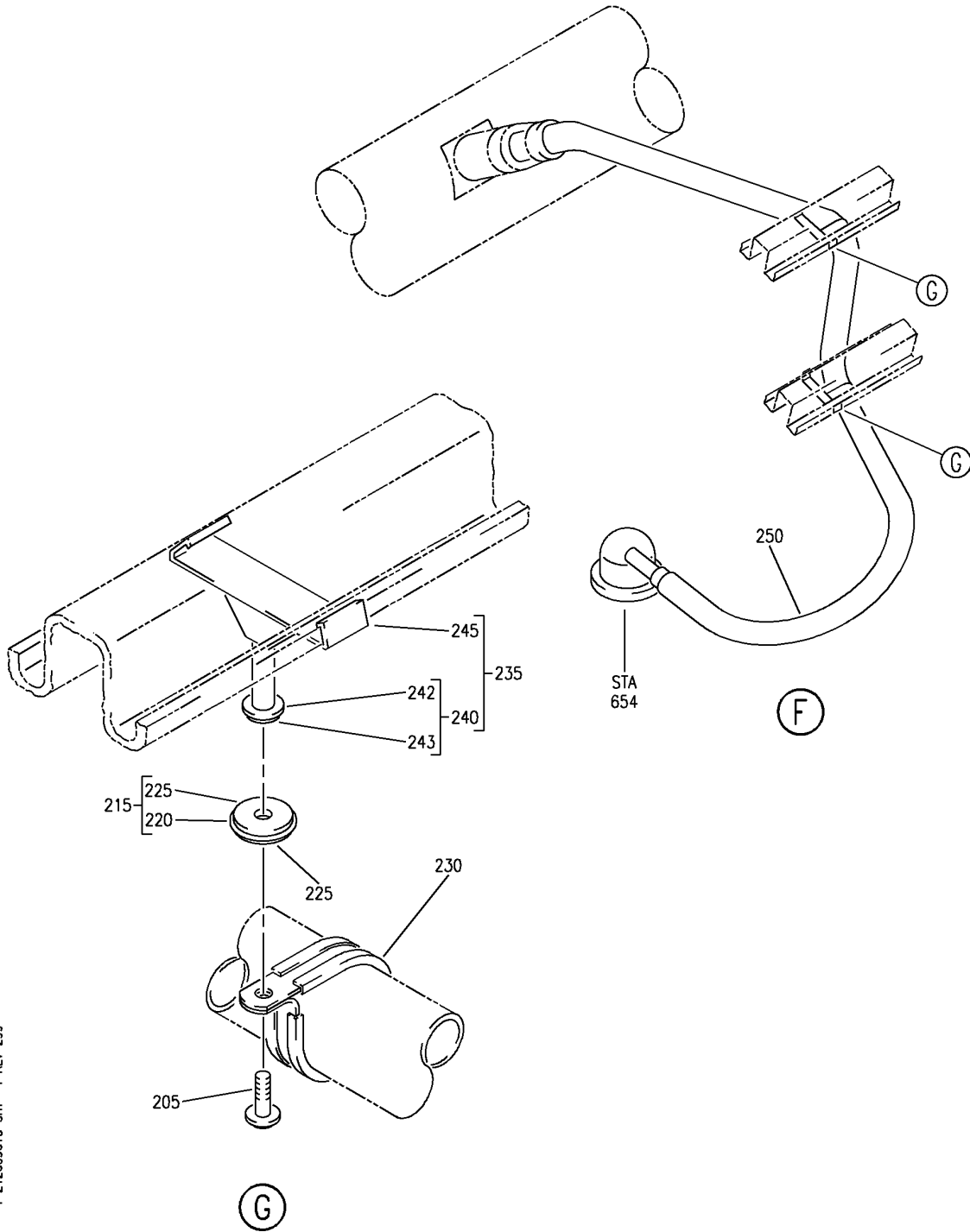
DUCT INSTL-LAV S SUPPLEMENTAL INDIVIDUAL AIR
FIGURE 61G (SHEET 3)

21-26-09-61G

BRI
JAN 20/09

21-26-09-61G
PAGE 0B

BOEING
757
PARTS CATALOG (MAINTENANCE)



Y 21260961G SHT 4 REV 299

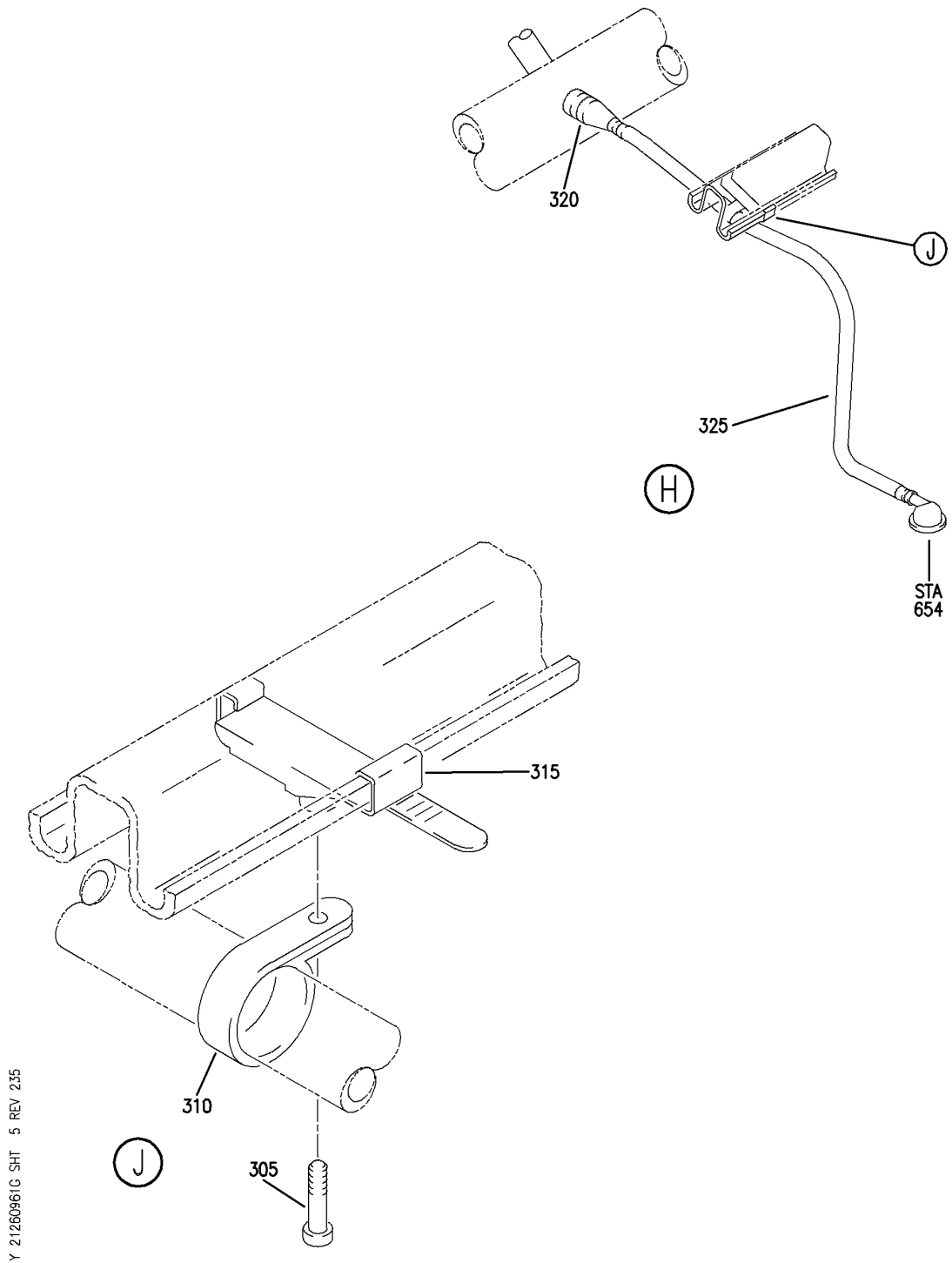
DUCT INSTL-LAV S SUPPLEMENTAL INDIVIDUAL AIR
FIGURE 61G (SHEET 4)

21-26-09-61G

BRI
JAN 20/09

21-26-09-61G
PAGE 0C

BOEING
757
PARTS CATALOG (MAINTENANCE)



Y 21260961G SHT 5 REV 235

DUCT INSTL-LAV S SUPPLEMENTAL INDIVIDUAL AIR
FIGURE 61G (SHEET 5)

BRI
JAN 20/09

21-26-09-61G

21-26-09-61G
PAGE 0D



757

PARTS CATALOG (MAINTENANCE)

| FIG ITEM | PART NUMBER | 1 2 3 4 5 6 7 | NOMENCLATURE | EFFECT FROM TO | UNITS PER ASSY |
|----------|-------------|---------------|--|------------------|----------------|
| 61G | | | DUCT INSTL-LAV S SUPPLEMENTAL INDIVIDUAL AIR | 108120 950999 | |
| - 50 | 214N4001-33 | | DUCT INSTL-LAV S SUPPLEMENTAL INDIVIDUAL AIR POSITION DATA: STA 647 THRU 682.9 LH FOR NHA SEE: 21-00-00-12 | 108120 | RF |
| - 50 | 214N4001-8 | | DUCT INSTL-LAV S SUPPLEMENTAL INDIVIDUAL AIR POSITION DATA: STA 647 THRU 682.9 LH FOR NHA SEE: 21-00-00-01 | 950999 | RF |
| 55 | BACS12FA3K8 | | .SCREW | 108120 950999 | 1 |
| 60 | BACC10DK18 | | .CLAMP | 108120 950999 | 1 |
| 65 | BACS38P5 | | .SUPPORT- OPTIONAL PART: 2055155-10C V04169 | 108120 | 1 |
| 70 | 2055155-10C | | .CLIP-STGR SUPPLIER CODE: V04169 QUALIFIED OPTIONAL DATA: (2055155-10C OPTIONAL TO BACS38J1 TOGETHER WITH BACS38J2) OPTIONAL PART: BACS38P5 | 108120 950999 | 1 |
| 75 | S38J1 | | .SUPPORT- SUPPLIER CODE: V59237 SPECIFICATION NUMBER: BACS38J1 OPTIONAL PART: 30187-2 V26835 QUALIFIED OPTIONAL DATA: (2055155-10C OPTIONAL TO BACS38J1 TOGETHER WITH BACS38J2) | 950999 | 1 |

MISSING ITEM NUMBERS NOT APPLICABLE

- ITEM NOT ILLUSTRATED

21-26-09-61G

21-26-09
FIG. 61G
PAGE 1
JAN 20/09

BRI

BOEING PROPRIETARY - Copyright © - Unpublished Work - See title page for details.



757

PARTS CATALOG (MAINTENANCE)

| FIG ITEM | PART NUMBER | 1 2 3 4 5 6 7 | NOMENCLATURE | EFFECT FROM TO | UNITS PER ASSY |
|-------------|--------------|---------------|--|-------------------|----------------------|
| 61G 80 | S38J2 | . | SUPPORT-STRAP SUPPLIER CODE: V59237 SPECIFICATION NUMBER: BACS38J2 OPTIONAL PART: 30187-3 V26835 QUALIFIED OPTIONAL DATA: (2055155-10C OPTIONAL TO BACS38J1 TOGETHER WITH BACS38J2) | 950999 | 1 |
| 85 | 417N3062-1 | . | REDUCER | 108120 950999 | 1 |
| 90 | BACD40P3A280 | . | DUCT-FLEX | 108120 950999 | 1 |

MISSING ITEM NUMBERS NOT APPLICABLE

- ITEM NOT ILLUSTRATED

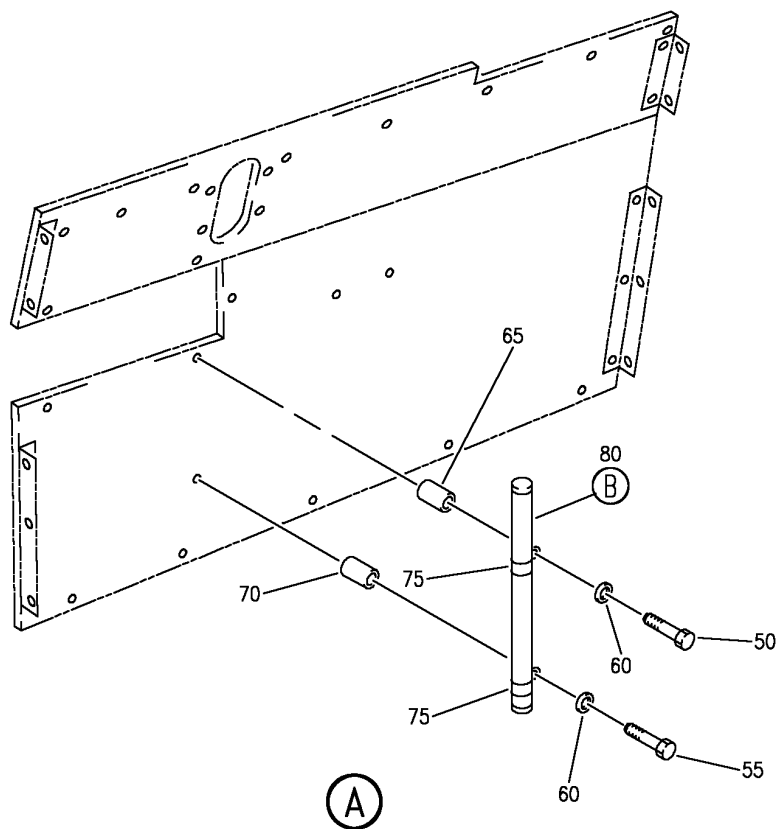
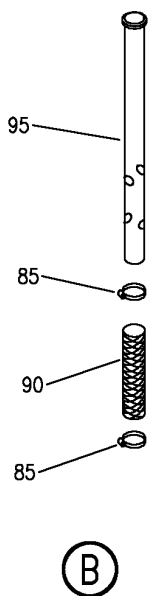
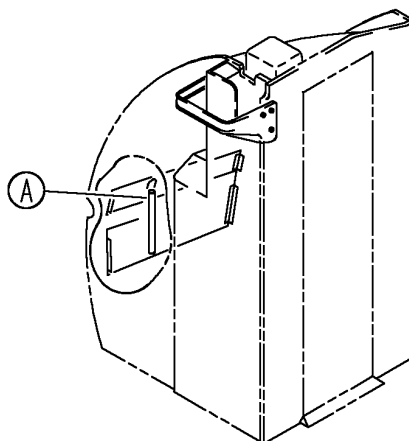
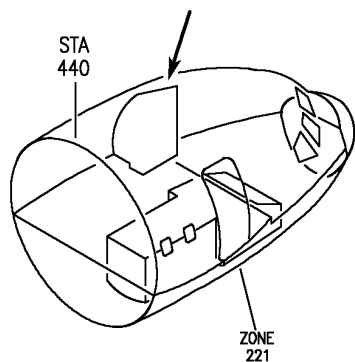
BRI

21-26-09-61G

BOEING PROPRIETARY - Copyright © - Unpublished Work - See title page for details.

21-26-09
FIG. 61G
PAGE 2
JAN 20/09

BOEING
757
PARTS CATALOG (MAINTENANCE)



Y 21260980A REV 271

PANEL ASSY-LINING AND OUTBD, SEG 120, LAV A, (AIR CONDITIONING ONLY)
FIGURE 80A

BRI
JAN 20/09

21-26-09-80A

21-26-09-80A
PAGE 0



757

PARTS CATALOG (MAINTENANCE)

| FIG ITEM | PART NUMBER | 1 2 3 4 5 6 7 | NOMENCLATURE | EFFECT FROM TO | UNITS PER ASSY |
|----------|----------------|---------------|---|----------------|----------------|
| 80A | | | PANEL ASSY-LINING AND OUTBD, SEG 120, LAV A, (AIR CONDITIONING ONLY) | 103106 | |
| - 1 | D71D12010-111C | | PANEL ASSY-LINING AND OUTBD, SEG 120, LAV A (AIR CONDITIONING ONLY) SUPPLIER CODE: VS5825 FOR NHA/OTHER SYS DET SEE: 25-41-01-40E | 103106 | RF |
| 50 | NAS1801-3-15 | . | SCREW | 103106 | 1 |
| 55 | NAS1801-3-22 | . | SCREW | 103106 | 1 |
| 60 | NAS1149D0332K | . | WASHER | 103106 | 2 |
| 65 | D71D70288-111 | . | SPACER- SUPPLIER CODE: VS5825 | 103106 | 1 |
| 70 | D71D70289-111 | . | SPACER- SUPPLIER CODE: VS5825 | 103106 | 1 |
| 75 | BACC10DK20 | . | CLAMP | 103106 | 2 |
| 80 | D71D30277-111 | . | DUCT-VENTILATION SUPPLIER CODE: VS5825 | 103106 | 1 |
| 85 | NAS1922-0125-1 | .. | CLAMP | 103106 | 2 |
| 90 | D71D30277-003 | .. | SCREEN- SUPPLIER CODE: VS5825 | 103106 | 1 |
| 95 | D71D30278-111 | .. | TUBE- SUPPLIER CODE: VS5825 | 103106 | 1 |

MISSING ITEM NUMBERS NOT APPLICABLE

- ITEM NOT ILLUSTRATED

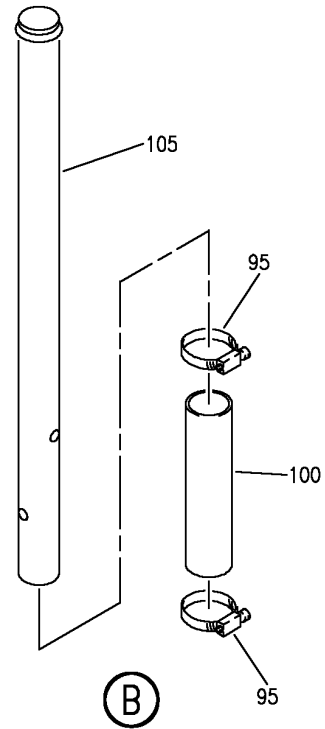
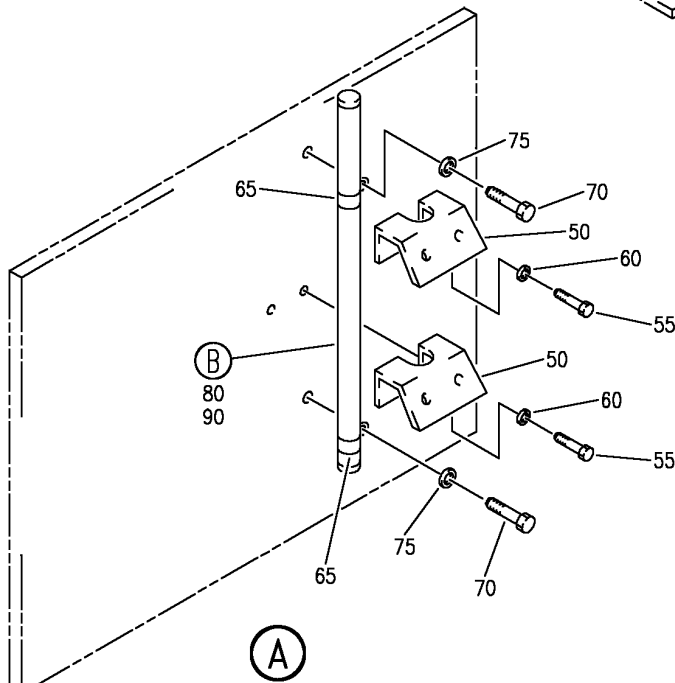
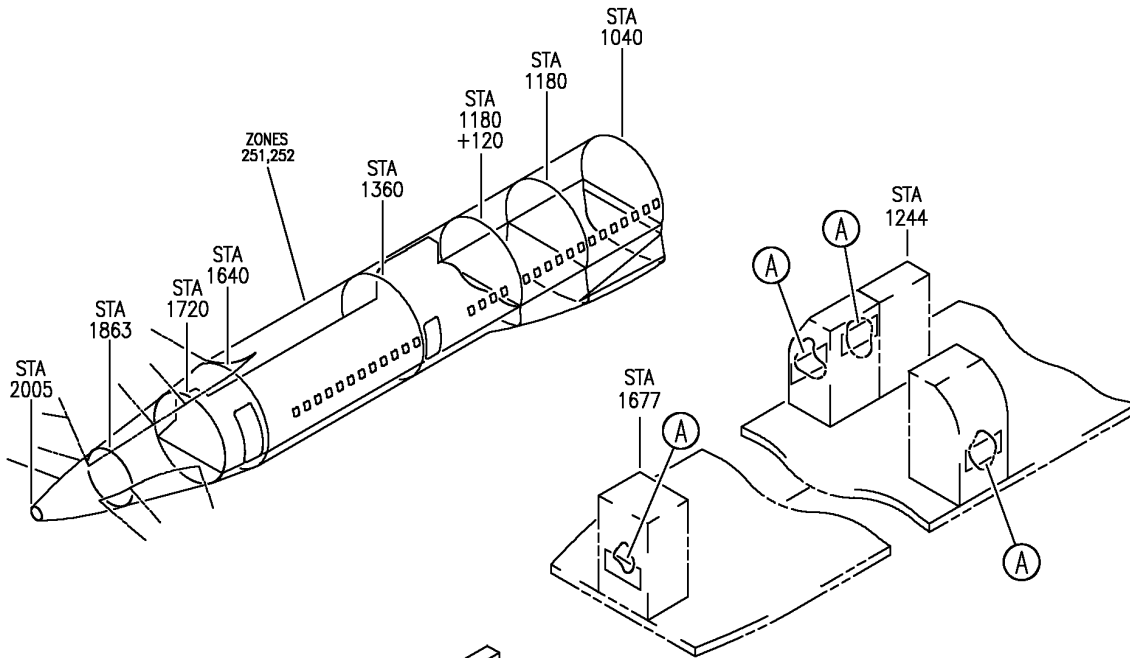
21-26-09-80A

21-26-09
FIG. 80A
PAGE 1
JAN 20/09

BRI

BOEING PROPRIETARY - Copyright © - Unpublished Work - See title page for details.


BOEING
 757
PARTS CATALOG (MAINTENANCE)



Y 21260981A REV 273

PANEL ASSY-LINING AND OUTBD LAV SEG 120, LAV (AIR CONDITIONING ONLY)
 FIGURE 81A

BRI
JAN 20/09

21-26-09-81A

21-26-09-81A
 PAGE 0



757

PARTS CATALOG (MAINTENANCE)

| FIG ITEM | PART NUMBER | 1 2 3 4 5 6 7 | NOMENCLATURE | EFFECT FROM TO | UNITS PER ASSY |
|----------|----------------|---------------|--|----------------|----------------|
| 81A | | | PANEL ASSY-LINING AND OUTBD LAV SEG 120, LAV (AIR CONDITIONING ONLY) | 103106 | |
| - 1 | D71D12014-111A | | PANEL ASSY-LINING AND OUTBD SEG 120 LAV B (AIR CONDITIONING ONLY) SUPPLIER CODE: VS5825 FOR NHA/OTHER SYS DET SEE: 25-41-03-52F | 103106 | RF |
| - 5 | D71D12015-211A | | PANEL ASSY-LINING AND OUTBD SEG 120, LAV C (AIR CONDITIONING ONLY) SUPPLIER CODE: VS5825 FOR NHA/OTHER SYS DET SEE: 25-41-03-50Q | 103106 | RF |
| - 10 | D71D12016-111A | | PANEL ASSY-LINING OUTBD SEG 120, LAV D (AIR CONDITIONING ONLY) SUPPLIER CODE: VS5825 FOR NHA/OTHER SYS DET SEE: 25-41-03-51R | 103106 | RF |
| 50 | D71D70186-111 | | .SUPPORT- SUPPLIER CODE: VS5825 ATTACHING PARTS | 103106 | 2 |
| 55 | NAS1801-3-5 | | .SCREW | 103106 | 4 |
| 60 | NAS1149D0332K | | .WASHER -----*----- | 103106 | 4 |
| 65 | BACC10DK20 | | .CLAMP ATTACHING PARTS | 103106 | 2 |
| 70 | NAS1801-3-6 | | .SCREW | 103106 | 2 |
| 75 | NAS1149D0332K | | .WASHER -----*----- | 103106 | 2 |
| 80 | D71D30277-111 | | .DUCT-LAV B, D AND P SUPPLIER CODE: VS5825 | 103106 | 1 |

MISSING ITEM NUMBERS NOT APPLICABLE

- ITEM NOT ILLUSTRATED

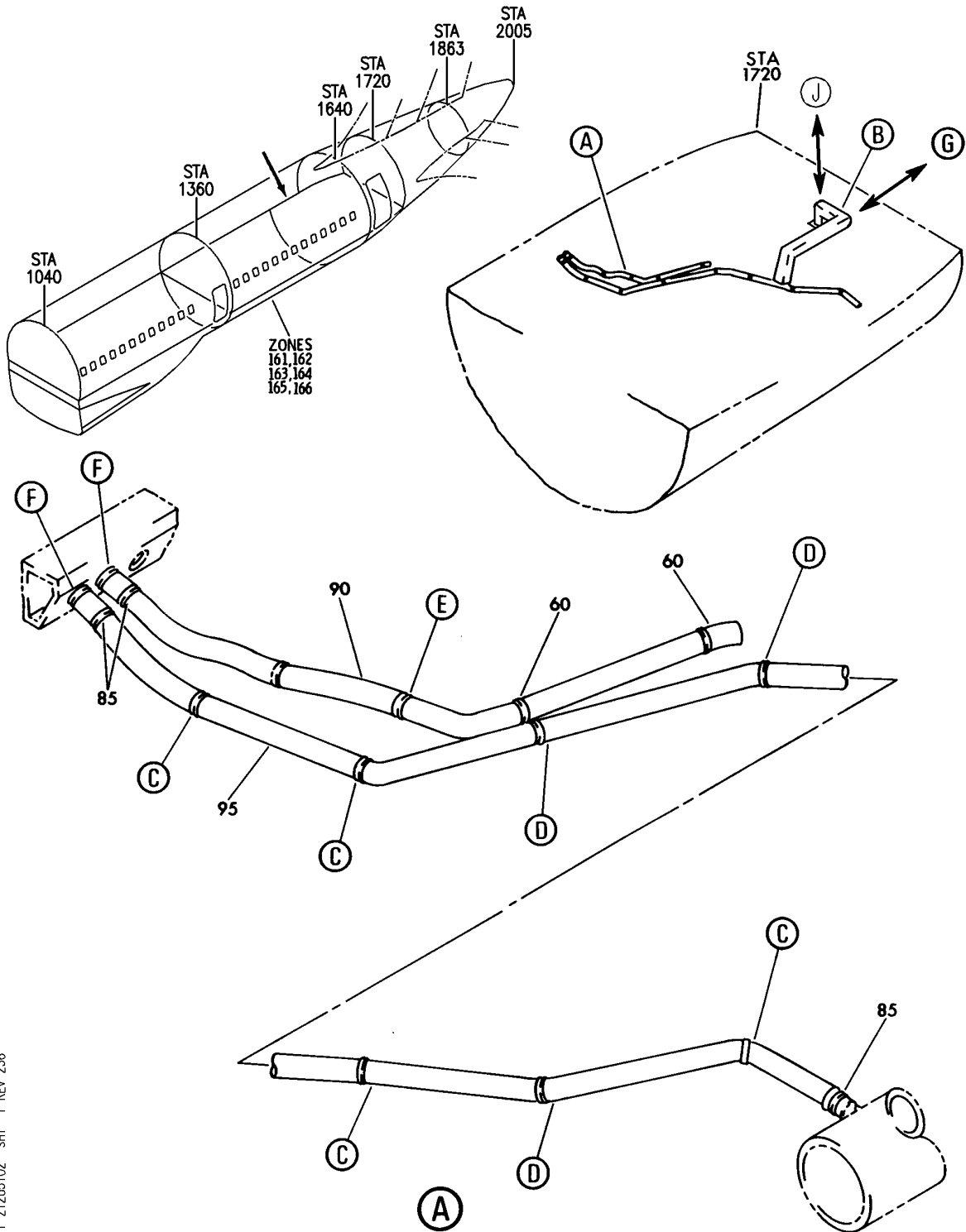
21-26-09-81A

21-26-09
FIG. 81A
PAGE 1
JAN 20/09

BRI

BOEING PROPRIETARY - Copyright © - Unpublished Work - See title page for details.

BOEING
757
PARTS CATALOG (MAINTENANCE)



Y 21265102 SHT 1 REV 236

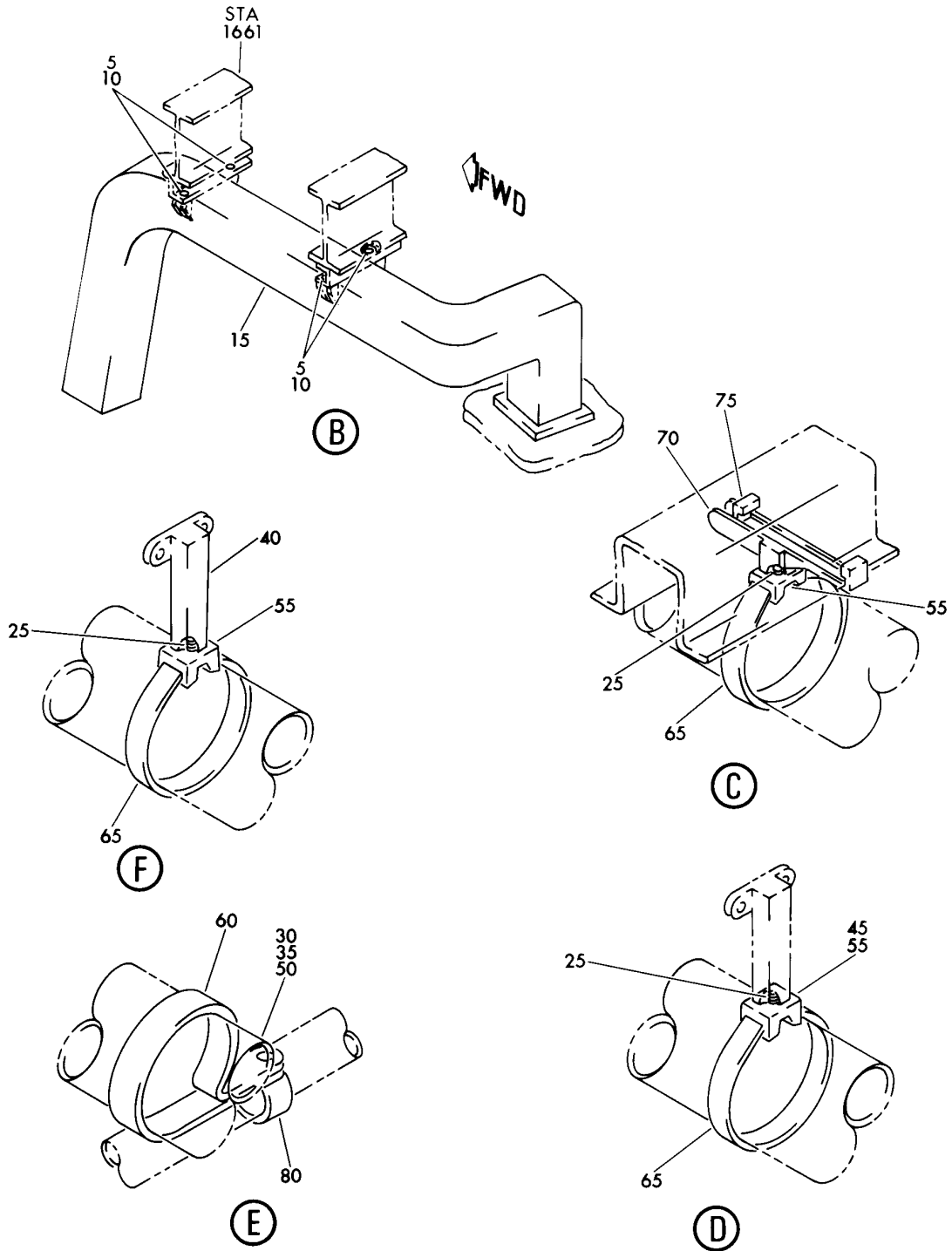
DUCT INSTL-G4A AND G4B CHILLER COND EXH
FIGURE 2 (SHEET 1)

21-26-51-02

BRI
MAY 28/07

21-26-51-02
PAGE 0

BOEING
757
PARTS CATALOG (MAINTENANCE)



Y 21265102 SHT 2 REV 097

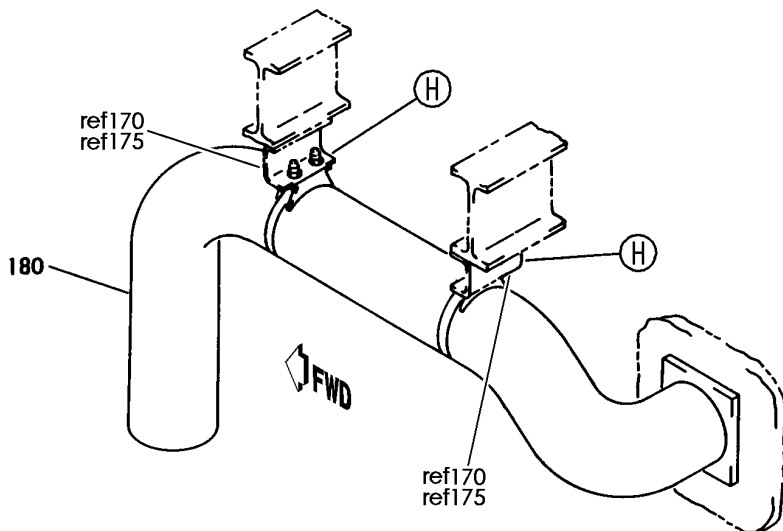
DUCT INSTL-G4A AND G4B CHILLER COND EXH
FIGURE 2 (SHEET 2)

21-26-51-02

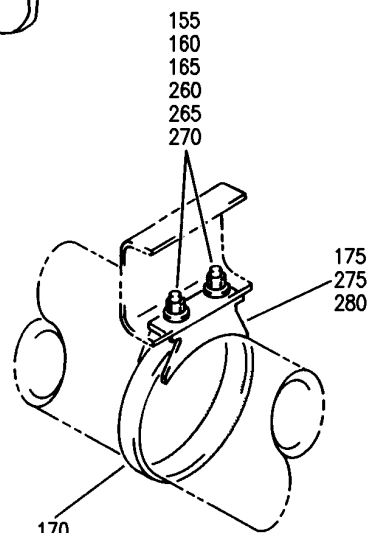
BRI
MAY 28/07

21-26-51-02
PAGE 0A

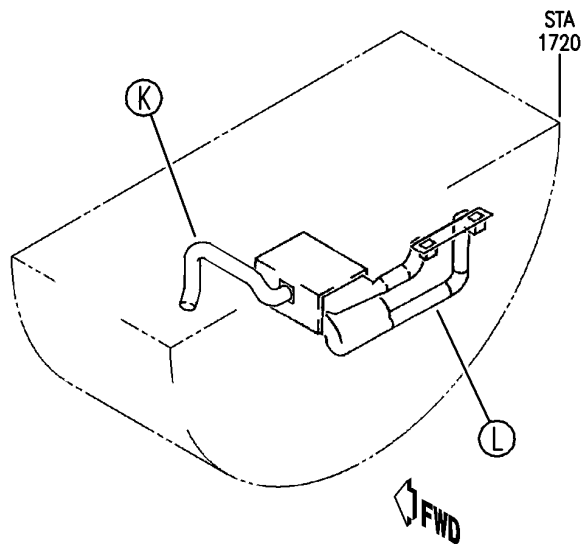
BOEING
757
PARTS CATALOG (MAINTENANCE)



(G)



(H)



(J)

Y 21265102 SHT 3 REV 244

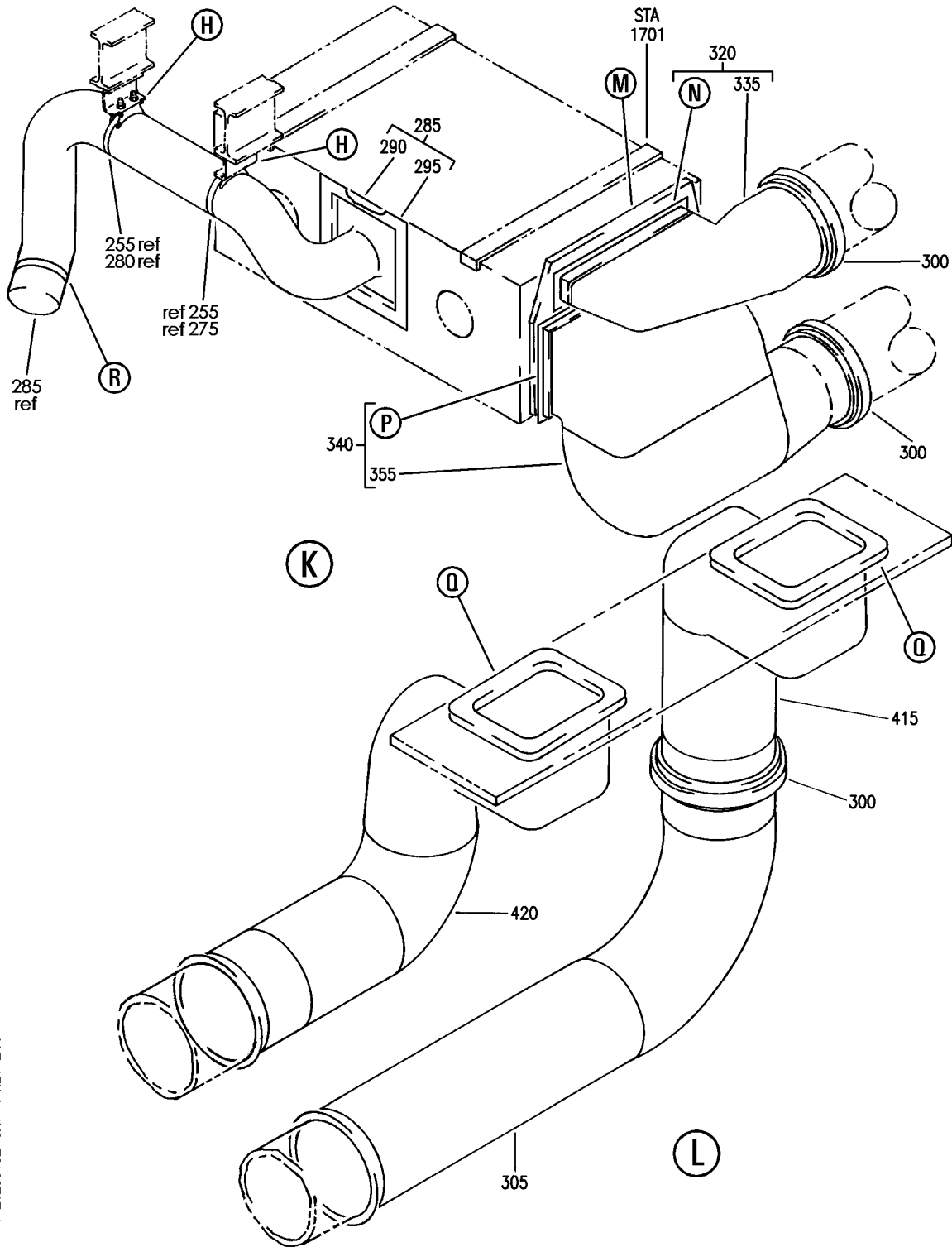
DUCT INSTL-G4A AND G4B CHILLER COND EXH
FIGURE 2 (SHEET 3)

21-26-51-02

BRI
MAY 28/07

21-26-51-02
PAGE 0B

BOEING
757
PARTS CATALOG (MAINTENANCE)



Y 21265102 SHT 4 REV 244

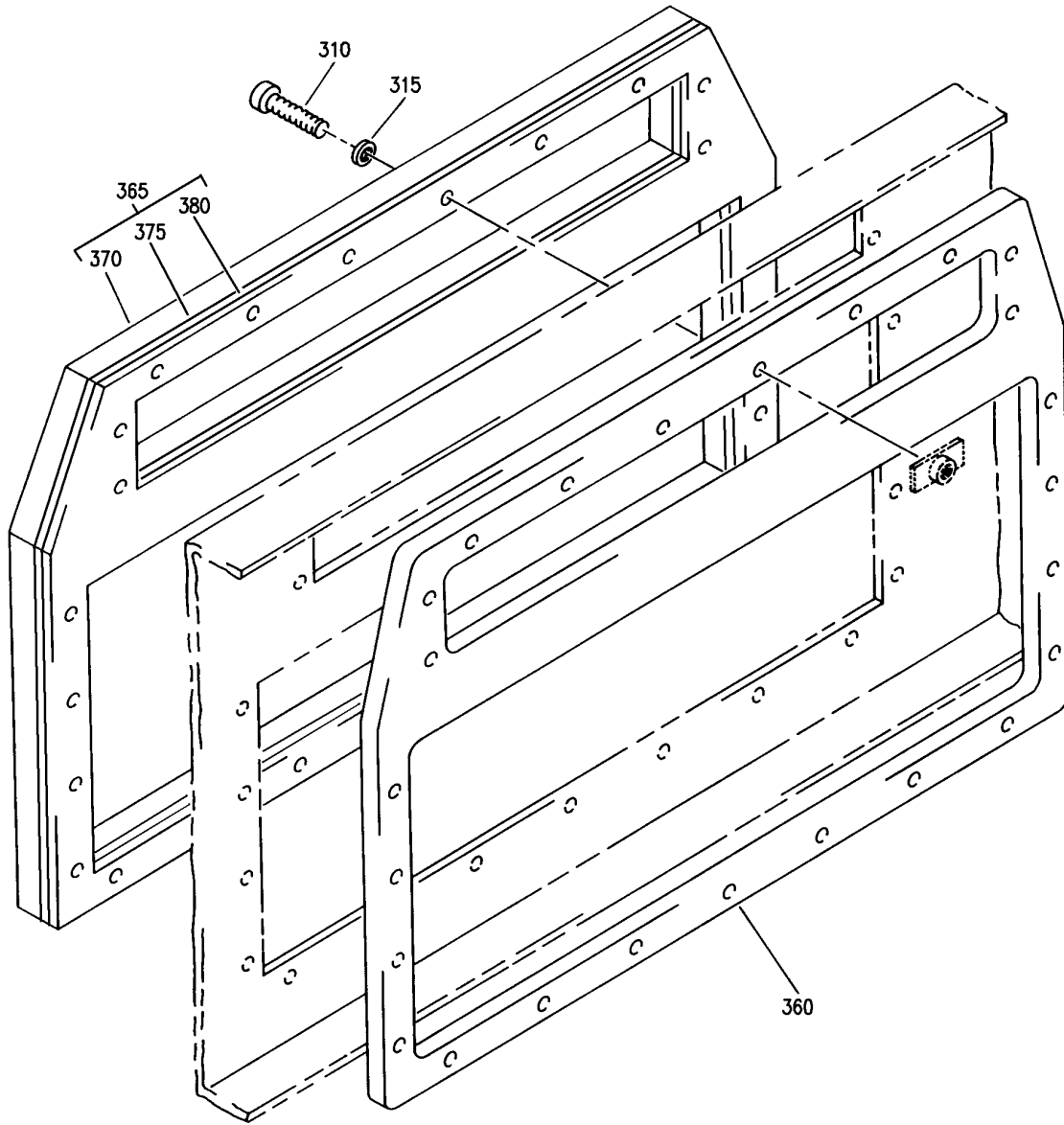
DUCT INSTL-G4A AND G4B CHILLER COND EXH
FIGURE 2 (SHEET 4)

21-26-51-02

BRI
MAY 28/07

21-26-51-02
PAGE 0C

BOEING
757
PARTS CATALOG (MAINTENANCE)



(M)

Y 21265102 SHT 5 REV 236

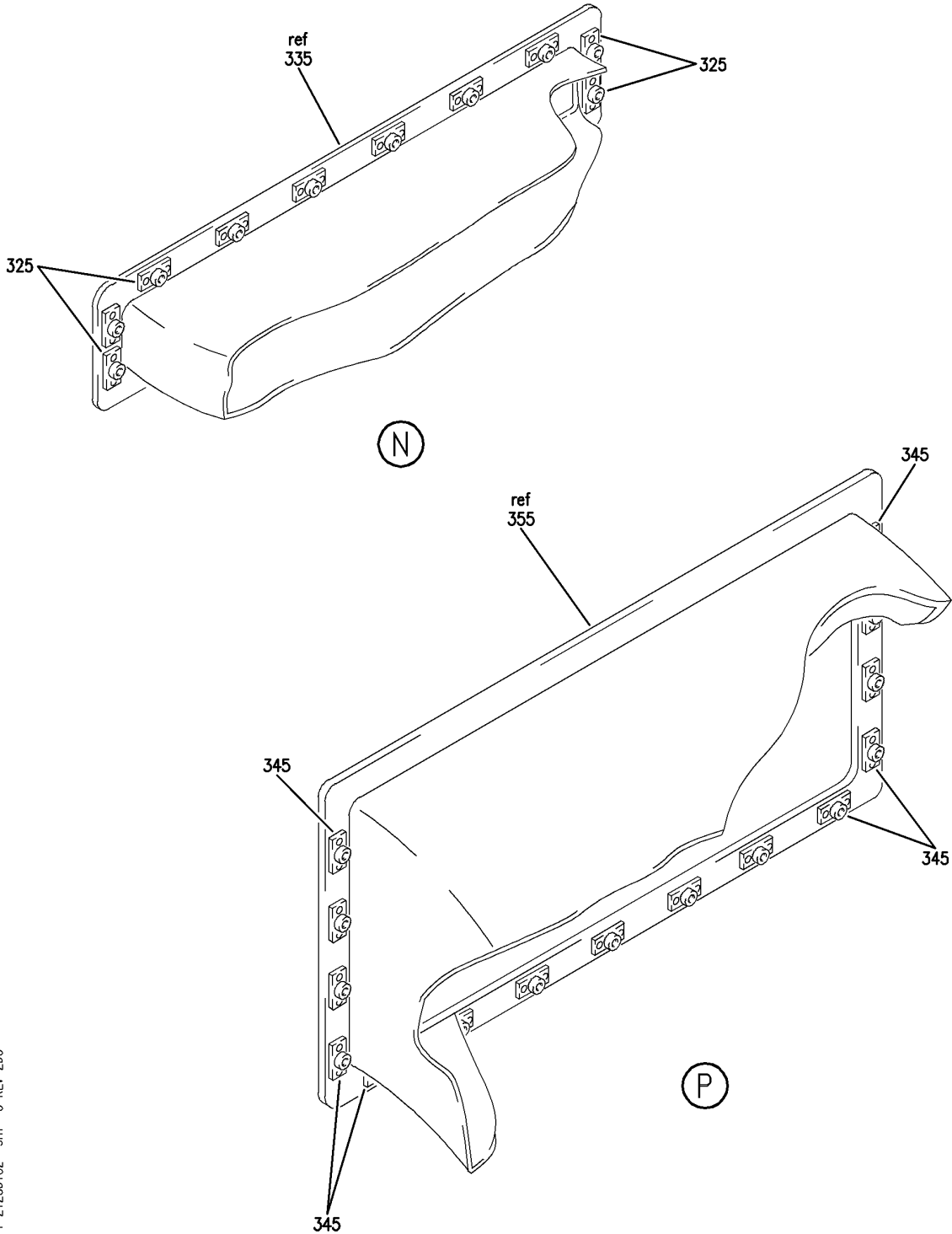
DUCT INSTL-G4A AND G4B CHILLER COND EXH
FIGURE 2 (SHEET 5)

21-26-51-02

BRI
MAY 28/07

21-26-51-02
PAGE 0D

BOEING
757
PARTS CATALOG (MAINTENANCE)



Y 21265102 SHT 6 REV 236

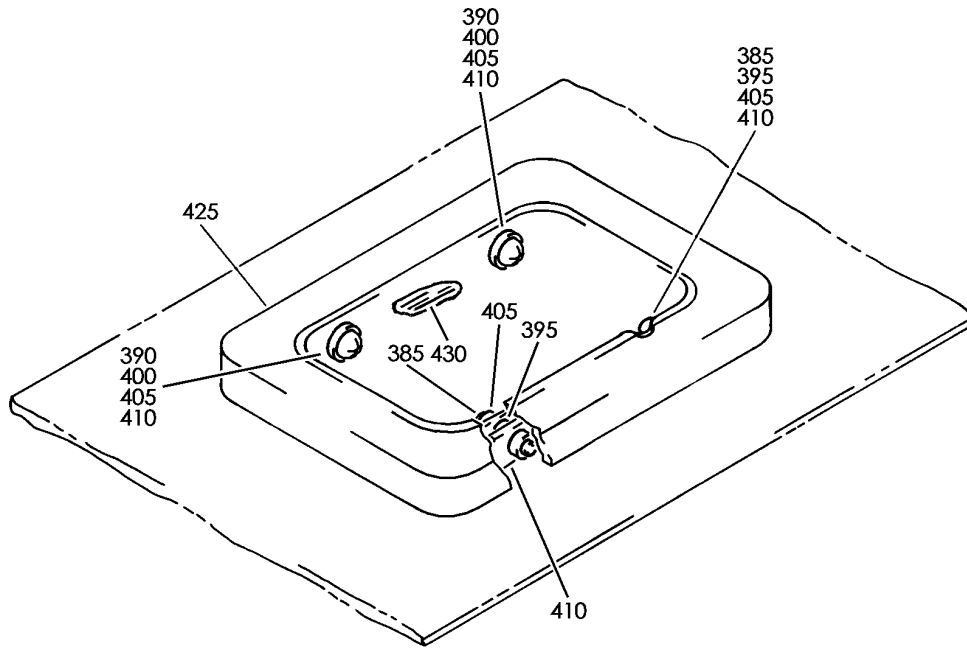
DUCT INSTL-G4A AND G4B CHILLER COND EXH
FIGURE 2 (SHEET 6)

BRI
MAY 28/07

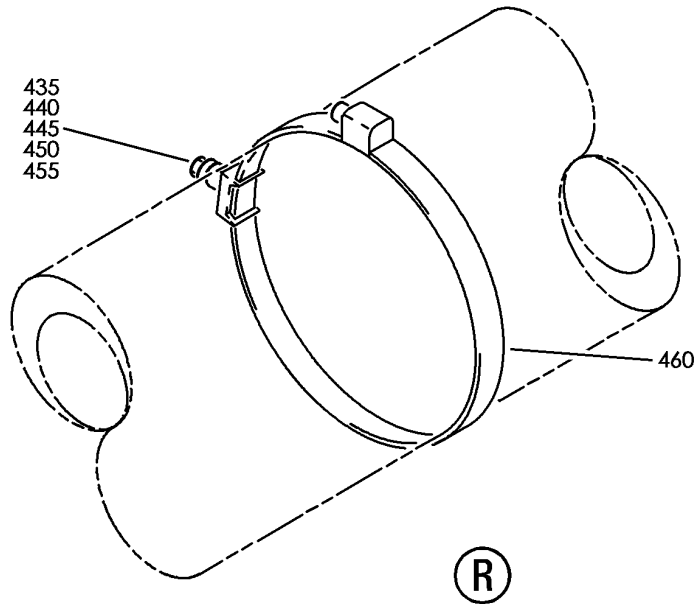
21-26-51-02

21-26-51-02
PAGE 0E

BOEING
757
PARTS CATALOG (MAINTENANCE)



Q



R

Y 21265102 SHT 7 REV 244

DUCT INSTL-G4A AND G4B CHILLER COND EXH
FIGURE 2 (SHEET 7)

21-26-51-02

BRI
MAY 28/07

21-26-51-02
PAGE OF



757

PARTS CATALOG (MAINTENANCE)

| FIG ITEM | PART NUMBER | 1 2 3 4 5 6 7 | NOMENCLATURE | EFFECT FROM TO | UNITS PER ASSY |
|----------|----------------|---------------|--|----------------------------|----------------|
| 2 | | | DUCT INSTL-G4A AND G4B CHILLER COND EXH | 002004 006100 103106 | |
| - 150 | 214N6004-3 | | DUCT INSTL-G4B CHILLER COND EXH FOR NHA SEE: 21-00-00-01 | 002004 006100 | RF |
| 155 | NAS6704-3 | | .BOLT | 002004 006100 | 4 |
| 160 | AN960JD416 | | .WASHER | 002004 006100 | 4 |
| 165 | MS21042L4 | | .NUT | 002004 006100 | 4 |
| 170 | NAS1922-0575-1 | | .CLAMP- | 002004 006100 | 2 |
| 170 | NAS1922-0575-3 | | .CLAMP- | 002004 006100 | 2 |
| 175 | 214N1051-9 | | .SUPPORT-DUCT | 002004 006100 | 2 |
| 180 | 214N6101-4 | | .DUCT ASSY | 002004 006100 | 1 |
| - 250 | MODREF19288 | | DUCT INSTL-G4A AND G4B CHILLER COND EXH MODULE NUMBER: 214N6004-6 REV A | 103106 | 1 |
| 255 | SLT10LHC6 | | .STRAP- SUPPLIER CODE: V06383 | 103106 | 2 |
| 260 | BACS12HN3-8 | | .SCREW | 103106 | 4 |
| 265 | NAS1149D0332J | | .WASHER | 103106 | 4 |
| 270 | PLH53CD | | .NUT SUPPLIER CODE: VF0224 SPECIFICATION NUMBER: BACN10YR3CD OPTIONAL PART: H52732-3CD V15653 | 103106 | 4 |
| 275 | 214T3424-7 | | .SUPPORT | 103106 | 1 |
| 280 | 214T3424-21 | | .SUPPORT | 103106 | 1 |
| 285 | 214N6101-7 | | .DUCT ASSY | 103106 | 1 |
| 290 | 214N6101-6 | | ..SEAL | 103106 | 1 |
| 295 | 214N6101-8 | | ..DUCT | 103106 | 1 |
| 300 | NH135008-0700 | | .CLAMP SUPPLIER CODE: V00624 SPECIFICATION NUMBER: BACC10HX700 | 103106 | 3 |
| 305 | 415N1005-41 | | .DUCT ASSY | 103106 | 1 |

MISSING ITEM NUMBERS NOT APPLICABLE

- ITEM NOT ILLUSTRATED

21-26-51-02

21-26-51
FIG. 02
PAGE 1
MAY 20/09

BRI



757

PARTS CATALOG (MAINTENANCE)

| FIG ITEM | PART NUMBER | 1 2 3 4 5 6 7 | NOMENCLATURE | EFFECT FROM TO | UNITS PER ASSY |
|----------|---------------|---------------|-------------------------------------|----------------|----------------|
| 2 | | | | | |
| 310 | BACS12CK06-10 | . | SCREW | 103106 | 25 |
| 315 | NAS1149FN616P | . | WASHER | 103106 | 25 |
| 320 | 415N1005-31 | . | DUCT ASSY-AFT | 103106 | 1 |
| 325 | MF53049-06 | .. | NUTPLATE | 103106 | 10 |
| | | | SUPPLIER CODE: V15653 | | |
| | | | SPECIFICATION NUMBER: BACN10JN06 | | |
| | | | OPTIONAL PART: MF1000-06BAC | | |
| | | | V15653 | | |
| | | | NS103218-62 | | |
| | | | V80539 | | |
| | | | RMF9201M62 | | |
| | | | V72962 | | |
| | | | VN252A62L | | |
| | | | V92215 | | |
| | | | T8124S06S | | |
| | | | V11815 | | |
| | | | BRFM20A06L | | |
| | | | V52828 | | |
| | | | ATTACHING PARTS | | |
| - 330 | BACR15BA3D | .. | RIVET- | 103106 | 20 |
| | | | SIZE DETERMINED ON INSTL. | | |
| | | | -----*----- | | |
| 335 | 415N1005-16 | .. | DUCT | 103106 | 1 |
| 340 | 415N1005-32 | . | DUCT ASSY-AFT | 103106 | 1 |
| 345 | MF53049-06 | .. | NUTPLATE | 103106 | 15 |
| | | | SUPPLIER CODE: V15653 | | |
| | | | SPECIFICATION NUMBER: BACN10JN06 | | |
| | | | OPTIONAL PART: MF1000-06BAC | | |
| | | | V15653 | | |
| | | | NS103218-62 | | |
| | | | V80539 | | |
| | | | RMF9201M62 | | |
| | | | V72962 | | |
| | | | VN252A62L | | |
| | | | V92215 | | |
| | | | T8124S06S | | |
| | | | V11815 | | |
| | | | BRFM20A06L | | |
| | | | V52828 | | |
| | | | ATTACHING PARTS | | |
| - 350 | BACR15BA3D | .. | RIVET- | 103106 | 30 |
| | | | SIZE DETERMINED ON INSTL. | | |
| | | | -----*----- | | |

MISSING ITEM NUMBERS NOT APPLICABLE

- ITEM NOT ILLUSTRATED

21-26-51-02

21-26-51
FIG. 02
PAGE 2
MAY 20/09

BRI



757

PARTS CATALOG (MAINTENANCE)

| FIG ITEM | PART NUMBER | 1 2 3 4 5 6 7 | NOMENCLATURE | EFFECT FROM TO | UNITS PER ASSY |
|----------|----------------|-----------------|--|----------------|----------------|
| 2 | | | | | |
| 355 | 415N1005-20 | . . | DUCT | 103106 | 1 |
| 360 | 415N1006-24 | . SEAL | | 103106 | 1 |
| 365 | 415N1006-23 | . SEAL ASSY | | 103106 | 1 |
| 370 | 415N1006-20 | . . SEAL | | 103106 | 1 |
| 375 | 415N1006-21 | . . SPACER | | 103106 | 1 |
| 380 | 415N1006-22 | . . SEAL | | 103106 | 1 |
| 385 | BACS12CK3-10 | . SCREW | | 103106 | 4 |
| 390 | BACS12CK3-13 | . SCREW | | 103106 | 4 |
| 395 | NAS43DD3-10FC | . SPACER | | 103106 | 4 |
| 400 | NAS43DD3-22FC | . SPACER | | 103106 | 4 |
| 405 | NAS1149F0332P | . WASHER | | 103106 | 8 |
| 410 | BRC600-8-3 | . NUT | | 103106 | 8 |
| | | | SUPPLIER CODE: V52828 | | |
| | | | SPECIFICATION NUMBER: BACN10YD1 | | |
| | | | OPTIONAL PART: 130120 V60119 | | |
| 415 | 415N1005-33 | . DUCT ASSY-AFT | | 103106 | 1 |
| 420 | 415N1005-38 | . DUCT ASSY-AFT | | 103106 | 1 |
| 425 | 415N1006-25 | . SEAL | | 103106 | 2 |
| 430 | BACG20ZA002500 | . SEAL | | 103106 | 2 |
| 435 | BACS12GU3K7 | . SCREW | | 103106 | 1 |
| 440 | NAS43DD3-22FC | . SPACER | | 103106 | 1 |
| 445 | NAS1149D0316J | . WASHER | | 103106 | 1 |
| 450 | TM3S10 | . PLATE | | 103106 | 1 |
| | | | SUPPLIER CODE: V06383 | | |
| | | | SPECIFICATION NUMBER: STBP19M12 | | |
| 455 | PLH53CD | . NUT | | 103106 | 1 |
| | | | SUPPLIER CODE: VF0224 | | |
| | | | SPECIFICATION NUMBER: BACN10YR3CD | | |
| | | | OPTIONAL PART: H52732-3CD V15653 | | |
| 460 | NAS1922-0575-3 | . CLAMP | | 103106 | 1 |

MISSING ITEM NUMBERS NOT APPLICABLE

- ITEM NOT ILLUSTRATED

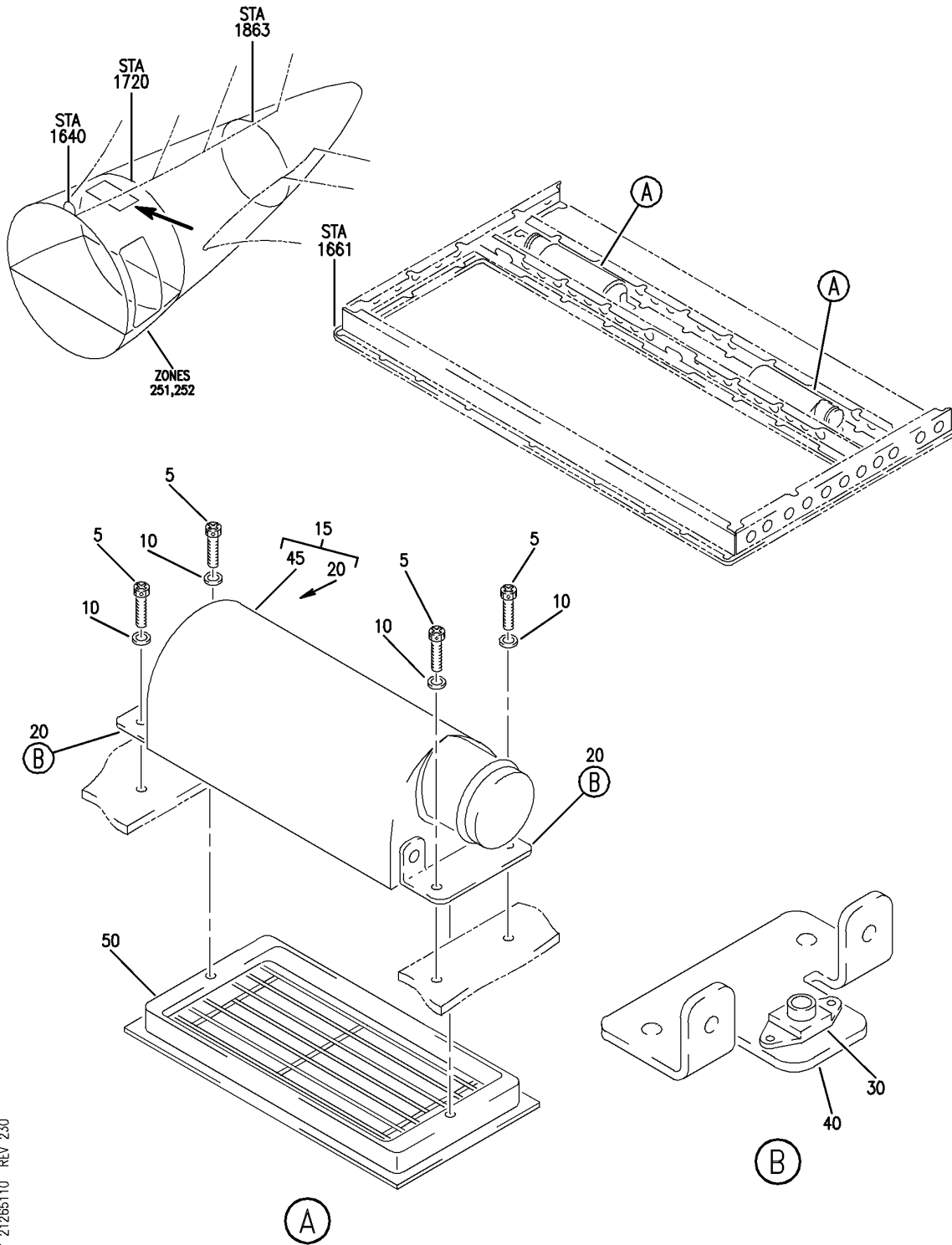
BRI

21-26-51-02

BOEING PROPRIETARY - Copyright © - Unpublished Work - See title page for details.

21-26-51
FIG. 02
PAGE 3
MAY 20/09

BOEING
757
PARTS CATALOG (MAINTENANCE)



Y 21265110 REV 250

CEILING ASSY-ENTRY DOOR 4 LOWERED (AIR CONDITIONING ONLY)
FIGURE 10

21-26-51-10

BRI
JAN 20/09

21-26-51-10
PAGE 0

BOEING
757
PARTS CATALOG (MAINTENANCE)

| FIG ITEM | PART NUMBER | 1 2 3 4 5 6 7 | NOMENCLATURE | EFFECT FROM TO | UNITS PER ASSY |
|----------|------------------|---------------|--|----------------|----------------|
| 10 | | | CEILING ASSY-ENTRY DOOR 4 LOWERED (AIR CONDITIONING ONLY) | 103106 | |
| - 1 | 411N3920-18B | | CEILING ASSY-ENTRY DOOR 4 LOWERED (AIR CONDITIONING ONLY) FOR NHA/OTHER SYS DET SEE: 25-22-02-70A | 103106 | RF |
| | 5 BACS12GU3K5 | | .SCREW | 103106 | 8 |
| | 10 NAS1149D0332J | | .WASHER | 103106 | 8 |
| | 15 214N3023-4 | | .PLENUM ASSY | 103106 | 2 |
| | 20 214N3027-3 | | ..BRACKET ASSY | 103106 | 2 |
| | | | ATTACHING PARTS | | |
| - 25 | BACR15BB5AC | | ..RIVET- | 103106 | 8 |
| | | | SIZE DETERMINED ON INSTL. -----*----- | | |
| 30 | BRF200C3D | | ...NUTPLATE | 103106 | 1 |
| | | | SUPPLIER CODE: V52828 | | |
| | | | SPECIFICATION NUMBER: BACN10JR3CFD | | |
| | | | OPTIONAL PART: K51602-3BAC | | |
| | | | V15653 | | |
| | | | NS202476-02 | | |
| | | | V80539 | | |
| | | | 102F9201-3 | | |
| | | | V72962 | | |
| | | | T8092C1032CD | | |
| | | | V11815 | | |
| | | | ATTACHING PARTS | | |
| - 35 | BACR15BB5ADC | | ...RIVET- | 103106 | 8 |
| | | | SIZE DETERMINED ON INSTL. -----*----- | | |
| 40 | 214N3027-2 | | ...BRACKET | 103106 | 1 |
| 45 | 214N3060-4 | | ..HOUSING- | 103106 | 1 |
| | | | SUPPLIER CODE: V89954 | | |
| 50 | 411N3213-1 | | .GRILL | 103106 | 2 |
| | | | ATTACHING PARTS | | |
| - 55 | S10F8TPKS23BG | | .SCREW- | 103106 | 4 |
| | | | SUPPLIER CODE: V12324 -----*----- | | |

MISSING ITEM NUMBERS NOT APPLICABLE

- ITEM NOT ILLUSTRATED

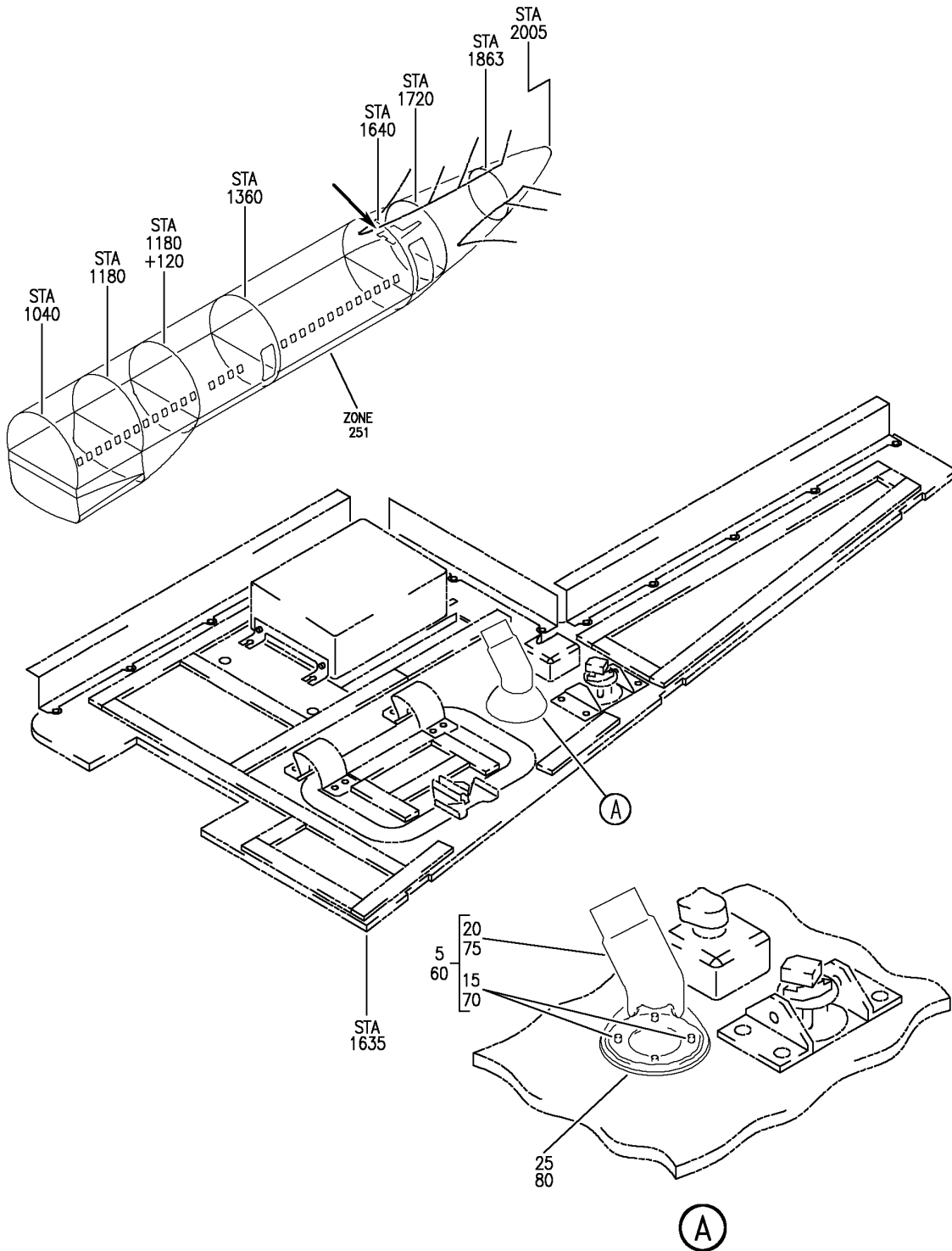
BRI

21-26-51-10

BOEING PROPRIETARY - Copyright © - Unpublished Work - See title page for details.

21-26-51
FIG. 10
PAGE 1
JAN 20/09

BOEING
757
PARTS CATALOG (MAINTENANCE)



Y 21265111 REV 259

CEILING ASSY-ENTRY DOOR 4 LOWERED (VENTILATION ONLY)
FIGURE 11

21-26-51-11

BRI
JAN 20/09

21-26-51-11
PAGE 0



757

PARTS CATALOG (MAINTENANCE)

| FIG ITEM | PART NUMBER | 1 2 3 4 5 6 7 | NOMENCLATURE | EFFECT FROM TO | UNITS PER ASSY |
|----------|---------------|---------------|--|----------------|----------------|
| 11 | | | CEILING ASSY-ENTRY DOOR 4 LOWERED (VENTILATION ONLY) | 103106 | |
| - 1 | 411N3920-15B | | CEILING ASSY-ENTRY DOOR 4 LOWERED (VENTILATION ONLY) POSITION DATA: L FOR NHA/OTHER SYS DET SEE: 25-22-02-70D | 103106 | RF |
| 5 | 214N2119-4 | | .PLENUM ASSY ATTACHING PARTS | 103106 | 1 |
| - 10 | NAS514P832-12 | | .SCREW -----*----- | 103106 | 4 |
| 15 | 6035L2BR312 | | ..INSERT- SUPPLIER CODE: VU1611 | 103106 | 4 |
| 20 | 214N2119-5 | | ..PLENUM | 103106 | 1 |
| 25 | 214N2121-1 | | .GASKET | 103106 | 1 |
| - 50 | 411N3920-36B | | CEILING ASSY-ENTRY DOOR 4 LOWERED (VENTILATION ONLY) POSITION DATA: RH FOR NHA/OTHER SYS DET SEE: 25-22-02-70D | 103106 | RF |
| 60 | 214N2119-4 | | .PLENUM ASSY ATTACHING PARTS | 103106 | 1 |
| - 65 | NAS514P832-12 | | .SCREW -----*----- | 103106 | 4 |
| 70 | 6035L2BR312 | | ..INSERT- SUPPLIER CODE: VU1611 | 103106 | 4 |
| 75 | 214N2119-5 | | ..PLENUM | 103106 | 1 |
| 80 | 214N2121-1 | | .GASKET | 103106 | 1 |

MISSING ITEM NUMBERS NOT APPLICABLE

- ITEM NOT ILLUSTRATED

BRI

21-26-51-11

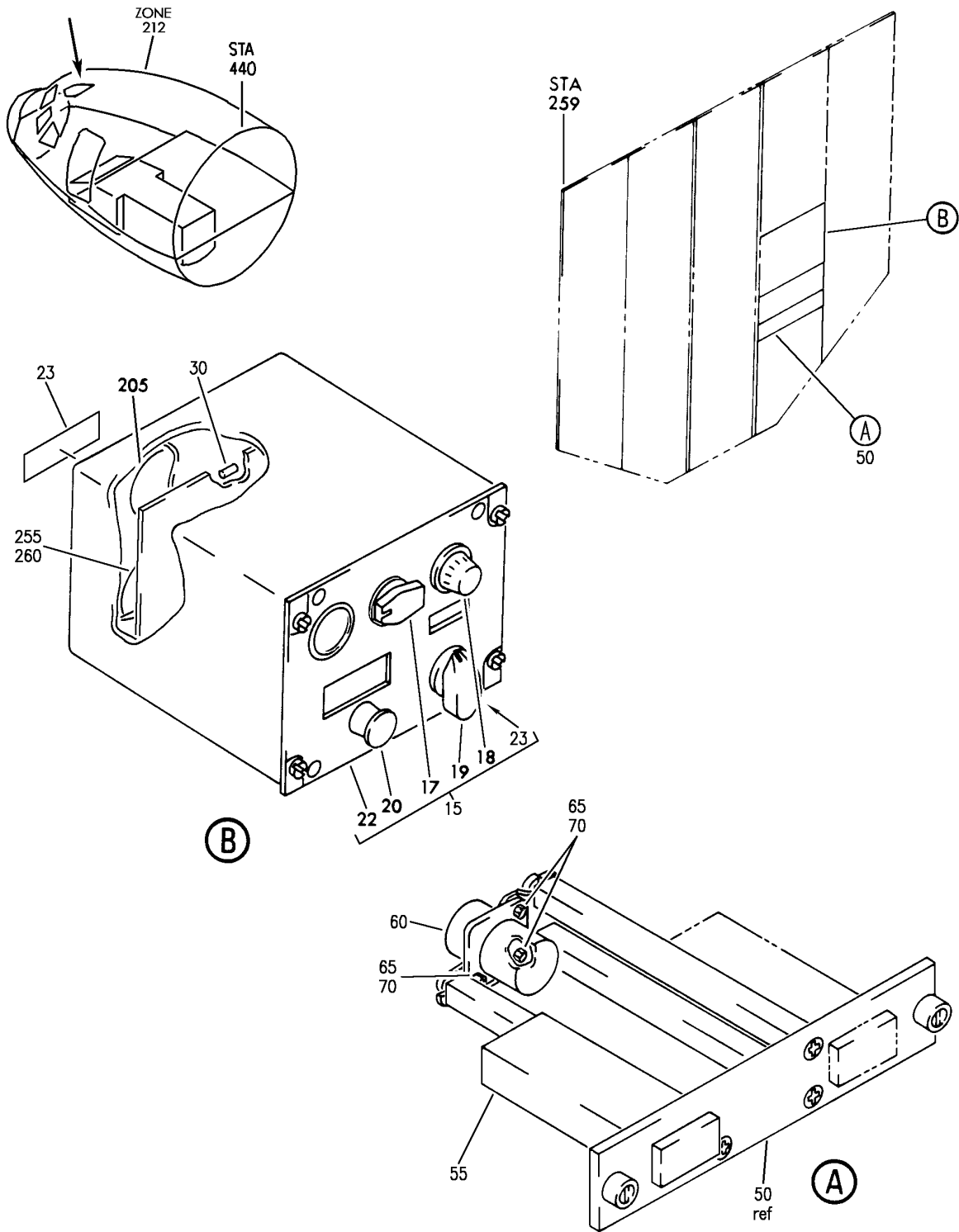
21-26-51
FIG. 11
PAGE 1
JAN 20/09

CABIN PRESSURE CONTROL SYSTEM

BRI
MAY 28/07

21-31-00
SECTION TITLE
PAGE 1

BOEING
757
PARTS CATALOG (MAINTENANCE)



Y 21310101 REV 284

PANEL INSTL-P5 OVHD (PRESSURIZATION CONTROL SYSTEM ONLY)

FIGURE 1

21-31-01-01

BRI
MAY 28/07

21-31-01-01
PAGE 0



757

PARTS CATALOG (MAINTENANCE)

| FIG ITEM | PART NUMBER | 1 2 3 4 5 6 7 | NOMENCLATURE | EFFECT FROM TO | UNITS PER ASSY |
|----------|-------------|---------------|---|--|----------------|
| 1 | | | PANEL INSTL-P5 OVHD (PRESSURIZATION CONTROL SYSTEM ONLY) | 002004 006100 107107 121503 904999 | |
| - 5 | 233N3101-1 | | PANEL INSTL-P5 OVHD (PRESSURIZATION CONTROL SYSTEM ONLY) VARIABLE DRAWING REF: 233N3101-5005 233N3101-5025 233N3101-5041 233N3101-5042 233N3101-5045 233N3101-5142 FOR NHA/OTHER SYS DET SEE: 25-10-00-05A | 002004 006100 107107 121503 904999 | RF |
| 15 | 130502-4 | | .PANEL ASSY-CAB. PRESSURE SELECTOR SUPPLIER CODE: V64547 SPECIFICATION NUMBER: S210T160-42 SB DATA FROM A CMM: POST 21-2376 PRE 21-2487 ELECTRICAL EQUIP NUMBER: M00013 COMPONENT MAINT MANUAL REF: 21-31-50 OPTIONAL PART: 130502-5 V64547 | 002004 006100 107107 121503 904999 | 1 |
| 15 | 130502-5 | | .PANEL ASSY-CAB. PRESSURE SELECTOR (SERIES 1-5) SUPPLIER CODE: V64547 SPECIFICATION NUMBER: S210T160-52 SB DATA FROM A CMM: PRE 21-2433 PRE 21-2524 POST 21-2581 ELECTRICAL EQUIP NUMBER: M00013 COMPONENT MAINT MANUAL REF: 21-31-50 | 002004 006100 107107 121503 904999 | 1 |

MISSING ITEM NUMBERS NOT APPLICABLE

- ITEM NOT ILLUSTRATED

BRI

21-31-01-01

21-31-01
FIG. 01
PAGE 1
JAN 20/09



757

PARTS CATALOG (MAINTENANCE)

| FIG ITEM | PART NUMBER | 1 2 3 4 5 6 7 | NOMENCLATURE | EFFECT FROM TO | UNITS PER ASSY |
|----------|--------------|---------------|--|--|----------------|
| 1 | 15 130502-6 | | .PANEL ASSY-CAB. PRESSURE SELECTOR (SERIES 1-5) SUPPLIER CODE: V64547 SPECIFICATION NUMBER: S210T160-62 SB DATA FROM A CMM: POST 21-2433 POST 21-2487 R0 POST 21-2487 R1 PRE 21-2591 ELECTRICAL EQUIP NUMBER: M00013 COMPONENT MAINT MANUAL REF: 21-31-50 | 002004 006100 107107 121503 904999 | 1 |
| | 15 130502-7 | | .PANEL ASSY-CAB. PRESSURE SELECTOR (SERIES 1-2) SUPPLIER CODE: V64547 FUNCTIONAL DESCRIPTION: SELECTOR CONTAINS CONTROLS AND CIRCUITRY NECESSARY FOR AUTOMATIC OR MANUAL PRESSURE SELECTION SPECIFICATION NUMBER: S210T160-72 SB DATA FROM A CMM: POST 21-2591 ELECTRICAL EQUIP NUMBER: M00013 COMPONENT MAINT MANUAL REF: 21-31-50 | 002004 006100 107107 121503 904999 | 1 |
| | 17 BP260-101 | | ..KNOB-INCLUDES SETSCREW PN MS18064-7 SUPPLIER CODE: V81590 SB DATA FROM A CMM: PRE 21-2591 CONFIG CHG DATA FROM A CMM: REPLD BY 452-013-9001 MISCELLANEOUS DATA: HONEYWELL PART NO. 452-013-9001 USED ON: 130502-4 130502-5 130502-6 | 002004 006100 107107 121503 904999 | 1 |

MISSING ITEM NUMBERS NOT APPLICABLE

- ITEM NOT ILLUSTRATED

21-31-01-01

21-31-01
FIG. 01
PAGE 2
JAN 20/09

BRI



757

PARTS CATALOG (MAINTENANCE)

| FIG ITEM | PART NUMBER | 1 2 3 4 5 6 7 | NOMENCLATURE | EFFECT FROM TO | UNITS PER ASSY |
|----------|-----------------|---------------|---|--|----------------|
| 1 | 17 BP260-113 | | ..KNOB-INCLUDES SETSCREW PN MS18064-7 (SERIES 1) SUPPLIER CODE: V81590 SB DATA FROM A CMM: POST 21-2591 CONFIG CHG DATA FROM A CMM: REPLD BY 452-013-9101 MISCELLANEOUS DATA: HONEYWELL PART NO. 452-013-9101 USED ON: 130502-7 | 002004 006100 107107 121503 904999 | 1 |
| | 17 452-013-9001 | | ..KNOB-INCLUDES SETSCREW PN MS18064-7 SUPPLIER CODE: V64547 CONFIG CHG DATA FROM A CMM: REPLACES BP260-101 USED ON: 130502-4 130502-5 130502-6 | 002004 006100 107107 121503 904999 | 1 |
| | 17 452-013-9101 | | ..KNOB-INCLUDES SETSCREW PN MS18064-7 (SERIES 1) SUPPLIER CODE: V64547 CONFIG CHG DATA FROM A CMM: REPLACES BP260-113 USED ON: 130502-7 | 002004 006100 107107 121503 904999 | 1 |
| | 17 452-013-9101 | | ..KNOB-INCLUDES SETSCREW PN MS18064-7 (SERIES 2) SUPPLIER CODE: V64547 USED ON: 130502-7 | 002004 006100 107107 121503 904999 | 1 |

MISSING ITEM NUMBERS NOT APPLICABLE

- ITEM NOT ILLUSTRATED

21-31-01-01

21-31-01
FIG. 01
PAGE 3
JAN 20/09

BRI



757

PARTS CATALOG (MAINTENANCE)

| FIG ITEM | PART NUMBER | 1 2 3 4 5 6 7 | NOMENCLATURE | EFFECT FROM TO | UNITS PER ASSY |
|----------|--------------|---------------|---|--|----------------|
| 1 | | | | | |
| 18 | RD381-103 | | ..KNOB-INCLUDES SETSCREW PN MS18064-5 SUPPLIER CODE: V81590 SB DATA FROM A CMM: PRE 21-2591 CONFIG CHG DATA FROM A CMM: REPLD BY 452-015-9001 MISCELLANEOUS DATA: HONEYWELL PART NO. 452-015-9001 USED ON: 130502-4 130502-5 130502-6 | 002004 006100 107107 121503 904999 | 1 |
| 18 | RD381-104 | | ..KNOB-INCLUDES SETSCREW PN MS18031-7 (SERIES 1) SUPPLIER CODE: V81590 SB DATA FROM A CMM: POST 21-2591 CONFIG CHG DATA FROM A CMM: REPLD BY 452-015-9101 MISCELLANEOUS DATA: HONEYWELL PART NO. 452-015-9101 USED ON: | 002004 006100 107107 121503 904999 | 1 |
| 18 | 452-015-9001 | | ..KNOB-INCLUDES SETSCREW PN MS18064-5 SUPPLIER CODE: V64547 CONFIG CHG DATA FROM A CMM: REPLACES RD381-103 USED ON: 130502-4 130502-5 130502-6 | 002004 006100 107107 121503 904999 | 1 |
| 18 | 452-015-9101 | | ..KNOB-INCLUDES SETSCREW PN MS18064-5 (SERIES 1) SUPPLIER CODE: V64547 CONFIG CHG DATA FROM A CMM: REPLACES RD381-104 USED ON: 130502-7 | 002004 006100 107107 121503 904999 | 1 |

MISSING ITEM NUMBERS NOT APPLICABLE

- ITEM NOT ILLUSTRATED

21-31-01-01

21-31-01
FIG. 01
PAGE 4
JAN 20/09

BRI



757

PARTS CATALOG (MAINTENANCE)

| FIG ITEM | PART NUMBER | 1 2 3 4 5 6 7 | NOMENCLATURE | EFFECT FROM TO | UNITS PER ASSY |
|----------|-----------------|---------------|--|--|----------------|
| 1 | 18 RD381-103 | | ..KNOB-INCLUDES SETSCREW PN MS18064-5 SUPPLIER CODE: V81590 SB DATA FROM A CMM: PRE 21-2591 MISCELLANEOUS DATA: HONEYWELL PART NO. 452-015-9001 USED ON: 130502-7 | 002004 006100 107107 121503 904999 | 1 |
| | 18 452-015-9101 | | ..KNOB-INCLUDES SETSCREW PN MS18064-5 (SERIES 2) SUPPLIER CODE: V64547 USED ON: 130502-7 | 002004 006100 107107 121503 904999 | 1 |
| | 19 BP248-110 | | ..KNOB-INCLUDES SETSCREW PN MS18064-7 SUPPLIER CODE: V81590 SPECIFICATION NUMBER: 452-016-9001 SB DATA FROM A CMM: PRE 21-2591 CONFIG CHG DATA FROM A CMM: REPLD BY 452-016-9001 MISCELLANEOUS DATA: HONEYWELL PART NO. 452-016-9001 USED ON: 130502-4 130502-5 130502-6 | 002004 006100 107107 121503 904999 | 1 |
| | 19 BP248-127 | | ..KNOB-INCLUDES SETSCREW PN MS18064-7 (SERIES 1) SUPPLIER CODE: V81590 SB DATA FROM A CMM: POST 21-2591 CONFIG CHG DATA FROM A CMM: REPLD BY 452-016-9101 MISCELLANEOUS DATA: HONEYWELL PART NO. 452-016-9101 USED ON: 130502-7 | 002004 006100 107107 121503 904999 | 1 |

MISSING ITEM NUMBERS NOT APPLICABLE

- ITEM NOT ILLUSTRATED

21-31-01-01

21-31-01
FIG. 01
PAGE 5
JAN 20/09

BRI



757

PARTS CATALOG (MAINTENANCE)

| FIG ITEM | PART NUMBER | 1 2 3 4 5 6 7 | NOMENCLATURE | EFFECT FROM TO | UNITS PER ASSY |
|----------|--------------|---------------|--|--|----------------|
| 1 | | | | | |
| 19 | 452-016-9001 | | ..KNOB-INCLUDES SETSCREW PN MS18064-7 SUPPLIER CODE: V64547 CONFIG CHG DATA FROM A CMM: REPLACES BP248-110 USED ON: 130502-4 130502-5 130502-6 | 002004 006100 107107 121503 904999 | 1 |
| 19 | 452-016-9101 | | ..KNOB-INCLUDES SETSCREW PN MS18064-7 (SERIES 1) SUPPLIER CODE: V64547 CONFIG CHG DATA FROM A CMM: REPLACES BP248-127 USED ON: 130502-7 | 002004 006100 107107 121503 904999 | 1 |
| 19 | 452-016-9101 | | ..KNOB-INCLUDES SETSCREW PN MS18064-7 (SERIES 2) SUPPLIER CODE: V64547 USED ON: 130502-7 | 002004 006100 107107 121503 904999 | 1 |
| 20 | GP265-102 | | ..KNOB-INCLUDES SETSCREW PN MS18064-5 (SERIES 1) SUPPLIER CODE: V81590 SB DATA FROM A CMM: PRE 21-2487 CONFIG CHG DATA FROM A CMM: REPLD BY 452-014-9001 MISCELLANEOUS DATA: HONEYWELL PART NO. 452-014-9001 USED ON: 130502-4 | 002004 006100 107107 121503 904999 | 1 |

MISSING ITEM NUMBERS NOT APPLICABLE

- ITEM NOT ILLUSTRATED

21-31-01-01

21-31-01
FIG. 01
PAGE 6
JAN 20/09

BRI



757

PARTS CATALOG (MAINTENANCE)

| FIG ITEM | PART NUMBER | 1 2 3 4 5 6 7 | NOMENCLATURE | EFFECT FROM TO | UNITS PER ASSY |
|----------|--------------|---------------|--|--|----------------|
| 1 20 | RD240-110 | | ..KNOB-INCLUDES SETSCREW PN MS18064-5 (SERIES 3-5) SUPPLIER CODE: V81590 SB DATA FROM A CMM: POST 21-2487 CONFIG CHG DATA FROM A CMM: REPLD BY 452-019-9001 MISCELLANEOUS DATA: HONEYWELL PART NO. 452-019-9001 USED ON: 130502-6 USED ON: 130502-5 | 002004 006100 107107 121503 904999 | 1 |
| 20 | 452-014-9001 | | ..KNOB-INCLUDES SETSCREW PN MS18064-5 (SERIES 1) SUPPLIER CODE: V64547 CONFIG CHG DATA FROM A CMM: REPLACES GP265-102 USED ON: 130502-4 | 002004 006100 107107 121503 904999 | 1 |
| 20 | 452-019-9001 | | ..KNOB-INCLUDES SETSCREW PN MS18064-5 (SERIES 1-3) SUPPLIER CODE: V64547 CONFIG CHG DATA FROM A CMM: REPLACES RD240-110 USED ON: 130502-6 | 002004 006100 107107 121503 904999 | 1 |
| 20 | RD240-110 | | ..KNOB-INCLUDES SETSCREW PN MS18064-5 SUPPLIER CODE: V81590 SB DATA FROM A CMM: POST 21-2487 MISCELLANEOUS DATA: HONEYWELL PART NO. 452-019-9001 USED ON: 130502-6 130502-5 | 002004 006100 107107 121503 904999 | 1 |

MISSING ITEM NUMBERS NOT APPLICABLE

- ITEM NOT ILLUSTRATED

BRI

21-31-01-01

21-31-01
FIG. 01
PAGE 7
JAN 20/09



757

PARTS CATALOG (MAINTENANCE)

| FIG ITEM | PART NUMBER | 1 2 3 4 5 6 7 | NOMENCLATURE | EFFECT FROM TO | UNITS PER ASSY |
|----------|-----------------|---------------|--|--|----------------|
| 1 | 20 452-019-9001 | | .. KNOB-INCLUDES SETSCREW PN MS18064-5 SUPPLIER CODE: V64547 USED ON: 130502-7 | 002004 006100 107107 121503 904999 | 1 |
| | 22 805789-1 | | .. PANEL-SELECTOR LIGHTING (SERIES 1) SUPPLIER CODE: V70210 SB DATA FROM A CMM: PRE 21-2487 USED ON: 130502-4 | 002004 006100 107107 121503 904999 | 1 |
| | 22 941952-1 | | .. PANEL-SELECTOR LIGHTING SUPPLIER CODE: V70210 SB DATA FROM A CMM: PRE 21-2433 USED ON: 130502-4 | 002004 006100 107107 121503 904999 | 1 |
| | 22 942067-1 | | .. PANEL-SELECTOR LIGHTING SUPPLIER CODE: V64547 SB DATA FROM A CMM: POST 21-2433 POST 21-2487 PRE 21-2591 USED ON: 130502-6 | 002004 006100 107107 121503 904999 | 1 |
| | 22 4201649-2 | | .. PANEL-SELECTOR LIGHTING (SERIES 1-2) SUPPLIER CODE: V64547 SB DATA FROM A CMM: POST 21-2591 USED ON: 130502-7 | 002004 006100 107107 121503 904999 | 1 |
| | 23 941809-4 | | .. PLATE-IDENT (SERIES 1) SUPPLIER CODE: V64547 SB DATA FROM A CMM: POST 21-2376 PRE 21-2487 USED ON: 130502-4 | 002004 006100 107107 121503 904999 | 1 |

MISSING ITEM NUMBERS NOT APPLICABLE

- ITEM NOT ILLUSTRATED

21-31-01-01

21-31-01
FIG. 01
PAGE 8
JAN 20/09

BRI



757

PARTS CATALOG (MAINTENANCE)

| FIG ITEM | PART NUMBER | 1 2 3 4 5 6 7 | NOMENCLATURE | EFFECT FROM TO | UNITS PER ASSY |
|----------|--------------|---------------|---|--|----------------|
| 1 | 23 941809-5 | | ..PLATE-IDENT (SERIES 1) SUPPLIER CODE: V64547 SB DATA FROM A CMM: PRE 21-2433 PRE 21-2463 CONFIG CHG DATA FROM A CMM: SUPSD BY 2122457-1 USED ON: 130502-5 | 002004 006100 107107 121503 904999 | 1 |
| | 23 2122457-1 | | ..PLATE-IDENT (SERIES 1) SUPPLIER CODE: V64547 SB DATA FROM A CMM: PRE 21-2524 PRE 21-2563 CONFIG CHG DATA FROM A CMM: SUPERSEDES 941809-5 USED ON: 130502-5 | 002004 006100 107107 121503 904999 | 1 |
| | 23 2122457-3 | | ..PLATE-IDENT (SERIES 2) SUPPLIER CODE: V64547 SB DATA FROM A CMM: PRE 21-2524 POST 21-2463 USED ON: 130502-5 | 002004 006100 107107 121503 904999 | 1 |
| | 23 2122457-2 | | ..PLATE-IDENT (SERIES 1) SUPPLIER CODE: V64547 SB DATA FROM A CMM: PRE 21-2524 PRE 21-2463 CONFIG CHG DATA FROM A CMM: SUPSDS 941809-6 USED ON: 130502-6 | 002004 006100 107107 121503 904999 | 1 |
| | 23 2122457-4 | | ..PLATE-IDENT (SERIES 2) SUPPLIER CODE: V64547 SB DATA FROM A CMM: PRE 21-2524 POST 21-2463 POST 21-2487 RO USED ON: 130502-6 | 002004 006100 107107 121503 904999 | 1 |

MISSING ITEM NUMBERS NOT APPLICABLE

- ITEM NOT ILLUSTRATED

21-31-01-01

21-31-01
FIG. 01
PAGE 9
JAN 20/09

BRI



757

PARTS CATALOG (MAINTENANCE)

| FIG ITEM | PART NUMBER | 1 2 3 4 5 6 7 | NOMENCLATURE | EFFECT FROM TO | UNITS PER ASSY |
|----------|-------------|---------------|--|--|----------------|
| 1 | | | | | |
| 23 | 2122457-5 | | ..PLATE-IDENT (SERIES 3) SUPPLIER CODE: V64547 SB DATA FROM A CMM: PRE 21-2581 POST 21-2524 USED ON: 130502-5 | 002004 006100 107107 121503 904999 | 1 |
| 23 | 2122457-8 | | ..PLATE-IDENT (SERIES 4) SUPPLIER CODE: V64547 SB DATA FROM A CMM: POST 21-2581 PRE 21-2600 USED ON: 130502-5 | 002004 006100 107107 121503 904999 | 1 |
| 23 | 2122457-10 | | ..PLATE-IDENT (SERIES 5) SUPPLIER CODE: V64547 SB DATA FROM A CMM: POST 21-2600 USED ON: 130502-5 | 002004 006100 107107 121503 904999 | 1 |
| 23 | 2122457-6 | | ..PLATE-IDENT (SERIES 3) SUPPLIER CODE: V64547 SB DATA FROM A CMM: POST 21-2487 R1 POST 21-2487 R2 POST 21-2524 PRE 21-2581 USED ON: 130502-6 | 002004 006100 107107 121503 904999 | 1 |
| 23 | 2122457-9 | | ..PLATE-IDENT (SERIES 4) SUPPLIER CODE: V64547 SB DATA FROM A CMM: POST 21-2581 PRE 21-2600 USED ON: 130502-6 | 002004 006100 107107 121503 904999 | 1 |
| 23 | 2122457-11 | | ..PLATE-IDENT (SERIES 5) SUPPLIER CODE: V64547 SB DATA FROM A CMM: PRE 21-2591 POST 21-2600 USED ON: 130502-6 | 002004 006100 107107 121503 904999 | 1 |

MISSING ITEM NUMBERS NOT APPLICABLE

- ITEM NOT ILLUSTRATED

21-31-01-01

21-31-01
FIG. 01
PAGE 10
JAN 20/09

BRI



757

PARTS CATALOG (MAINTENANCE)

| FIG ITEM | PART NUMBER | 1 2 3 4 5 6 7 | NOMENCLATURE | EFFECT FROM TO | UNITS PER ASSY |
|----------|--------------|---------------|---|--|----------------|
| 1 | 23 2122457-7 | | ..PLATE-IDENT (SERIES 1) SUPPLIER CODE: V64547 SB DATA FROM A CMM: POST 21-2591 USED ON: 130502-7 | 002004 006100 107107 121503 904999 | 1 |
| - | 24 S9597M3W | | ..LABEL- SUPPLIER CODE: V64547 | 002004 006100 107107 121503 904999 | 1 |
| - | 25 2108317-1 | | ..WIRING ASSY-PRINTED SUPPLIER CODE: V64547 OPTIONAL PART: 2108317-2 V64547 2108317-3 V64547 | 002004 006100 107107 121503 904999 | 1 |
| - | 25 2108317-2 | | ..WIRING ASSY-PRINTED SUPPLIER CODE: V64547 OPTIONAL PART: 2108317-1 V64547 2108317-3 V64547 | 002004 006100 107107 121503 904999 | 1 |
| - | 25 2108317-3 | | ..WIRING ASSY-PRINTED SUPPLIER CODE: V64547 OPTIONAL PART: 2108317-1 V64547 2108317-2 V64547 | 002004 006100 107107 121503 904999 | 1 |
| | 30 276-250 | | ...FUSE- F1 SUPPLIER CODE: V75915 CONFIG CHG DATA FROM A CMM: REPLD BY FM04A125V1-4A MISCELLANEOUS DATA: HONEYWELL PART ON. 345-0525-9007 | 002004 006100 107107 121503 904999 | 1 |

MISSING ITEM NUMBERS NOT APPLICABLE

- ITEM NOT ILLUSTRATED

BRI

21-31-01-01

21-31-01
FIG. 01
PAGE 11
JAN 20/09



757

PARTS CATALOG (MAINTENANCE)

| FIG ITEM | PART NUMBER | 1 2 3 4 5 6 7 | NOMENCLATURE | EFFECT FROM TO | UNITS PER ASSY |
|----------|----------------|---------------|--|--|----------------|
| 1 30 | 252-250 | ... | FUSE- F1 SUPPLIER CODE: V75915 CONFIG CHG DATA FROM A CMM: REPLD BY FM04A125V1-4A MISCELLANEOUS DATA: HONEYWELL PART ON. 345-0525-9007 OPTIONAL PART: 276-250 V75915 GLX1-4 V71400 | 002004 006100 107107 121503 904999 | 1 |
| 30 | GLX1-4 | ... | FUSE- F1 SUPPLIER CODE: V71400 CONFIG CHG DATA FROM A CMM: REPLD BY FM04A125V1-4A MISCELLANEOUS DATA: HONEYWELL PART ON. 345-0525-9007 OPTIONAL PART: 276-250 V75915 252-250 V75915 | 002004 006100 107107 121503 904999 | 1 |
| 30 | FM04A125V1-4A | ... | FUSE- SUPPLIER CODE: V09310 CONFIG CHG DATA FROM A CMM: REPLACES 276-250 REPLACES 252-250 REPLACES GLX1-4 | 002004 006100 107107 121503 904999 | 1 |
| - 200 | 286N2066-006 | | WIRE BUNDLE ASSY- | 121503 904949 | RF |
| - 200 | 286N2066-007 | | WIRE BUNDLE ASSY | 107107 | RF |
| - 200 | 286N2066-008 | | WIRE BUNDLE ASSY- | 002004 006100 950999 | RF |
| 205 | BACC45FT18A31S | . | CONNECTOR- ELECTRICAL EQUIP NUMBER: D02344 WIRING DIAGRAM REF: 213121 | 002004 006100 107107 121503 904999 | 1 |
| - 250 | 286N2078-003 | | WIRE BUNDLE ASSY- | 121503 904949 | RF |
| - 250 | 286N2078-004 | | WIRE BUNDLE ASSY | 107107 | RF |

MISSING ITEM NUMBERS NOT APPLICABLE

- ITEM NOT ILLUSTRATED

21-31-01-01

21-31-01
FIG. 01
PAGE 12
JAN 20/09

BRI



757

PARTS CATALOG (MAINTENANCE)

| FIG ITEM | PART NUMBER | 1 2 3 4 5 6 7 | NOMENCLATURE | EFFECT FROM TO | UNITS PER ASSY |
|-------------|----------------|---------------|--|--|----------------------|
| 1 | | | | | |
| - 250 | 286N2078-005 | | WIRE BUNDLE ASSY- | 002004 006100 950999 | RF |
| 255 | BACC45FT12A12S | | .CONNECTOR- ELECTRICAL EQUIP NUMBER: D02346 WIRING DIAGRAM REF: 213131 231215 293311 | 002004 006100 107107 121503 904999 | 1 |

MISSING ITEM NUMBERS NOT APPLICABLE

- ITEM NOT ILLUSTRATED

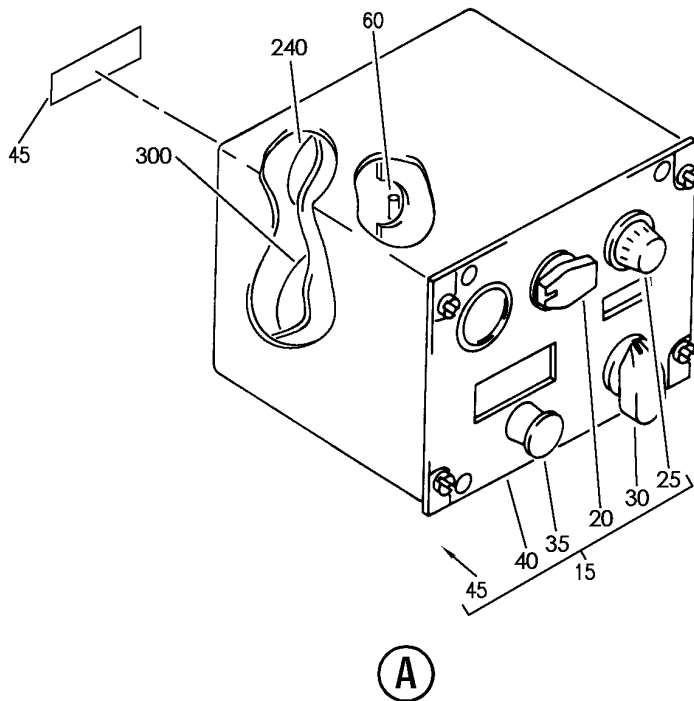
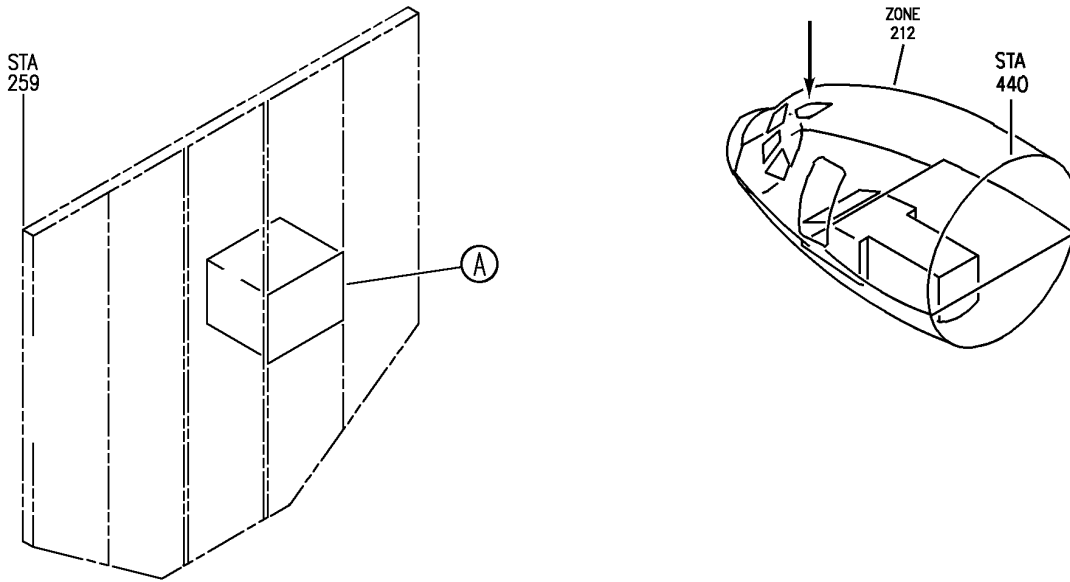
BRI

21-31-01-01

BOEING PROPRIETARY - Copyright © - Unpublished Work - See title page for details.

21-31-01
FIG. 01
PAGE 13
JAN 20/09

BOEING
757
PARTS CATALOG (MAINTENANCE)



Y 21310102 REV 284

PANEL INSTL-P5 OVHD (PRESSURIZATION CONTROL SYSTEM ONLY)
FIGURE 2

21-31-01-02

BRI
MAY 28/07

21-31-01-02
PAGE 0



757

PARTS CATALOG (MAINTENANCE)

| FIG ITEM | PART NUMBER | 1 2 3 4 5 6 7 | NOMENCLATURE | EFFECT FROM TO | UNITS PER ASSY |
|----------|--------------|---------------|--|----------------------------|----------------|
| 2 | | | PANEL INSTL-P5 OVHD (PRESSURIZATION CONTROL SYSTEM ONLY) | 101106 108120 504903 | |
| - 2 | 233N3103-132 | | PANEL INSTL-P5 OVHD (PRESSURIZATION CONTROL SYSTEM ONLY) FOR NHA/OTHER SYS DET SEE: 25-10-00-15E | 101102 | RF |
| - 2 | 233N3103-136 | | PANEL INSTL-P5 OVHD (PRESSURIZATION CONTROL SYSTEM ONLY) FOR NHA/OTHER SYS DET SEE: 25-10-00-15E | 504903 | RF |
| - 6 | 233N3103-59 | | PANEL INSTL-P5 OVHD (PRESSURIZATION CONTROL SYSTEM ONLY) FOR NHA/OTHER SYS DET SEE: 25-10-00-15E | 108120 | RF |
| - 10 | MODREF33760 | | PANEL INSTL-P5 OVHD (PRESSURIZATION CONTROL SYSTEM ONLY) MODULE NUMBER: 233N3103-351 REV C FOR OTHER SYS DETAILS SEE: 11-31-10-12 21-25-55-03 21-33-51-03 21-51-54-03 21-58-19-10 21-58-51-03 21-61-04-03 21-65-51-01 22-21-01-04 22-24-51-02 23-24-01-01 23-32-00-11 23-42-02-02 23-71-05-02 24-11-52-05 24-22-01-03 24-31-01-10 24-31-03-09 24-33-04-01 24-41-51-04 24-51-62-01 26-18-51-04 27-21-53-02 27-41-55-01 27-61-51-03 | 103103 | 1 |

MISSING ITEM NUMBERS NOT APPLICABLE

- ITEM NOT ILLUSTRATED

BRI

21-31-01-02

21-31-01
FIG. 02
PAGE 1
JAN 20/09



757

PARTS CATALOG (MAINTENANCE)

| FIG ITEM | PART NUMBER | 1 2 3 4 5 6 7 | NOMENCLATURE | EFFECT FROM TO | UNITS PER ASSY |
|----------|-------------|---------------|---|----------------|----------------|
| 2 | | | 27-62-52-02 28-22-51-02 28-41-04-01 28-41-51-03 29-11-02-03 29-11-05-04 29-11-52-07 29-21-54-03 29-31-00-01 29-32-51-03 29-33-52-03 30-11-51-03 30-21-51-03 30-31-51-02 30-32-51-01 30-33-51-02 30-41-51-03 30-42-51-03 31-12-11-91 31-12-11-91 A 32-42-52-03 33-11-03-03 33-11-51-17 33-13-01-65 33-13-02-03 33-16-51-03 33-24-51-02 33-41-52-04 33-42-01-04 33-42-02-04 33-42-52-04 33-43-51-04 33-44-51-05 33-45-53-03 33-51-08-05 34-21-02-01 35-21-51-04 36-11-04-01 36-21-00-01 36-21-02-05 36-22-51-03 49-41-00-02 49-52-00-01 49-70-00-01 52-51-51-03 52-71-51-02 73-21-52-02 74-31-51-05 75-32-00-01 | | |

MISSING ITEM NUMBERS NOT APPLICABLE

- ITEM NOT ILLUSTRATED

BRI

21-31-01-02

BOEING PROPRIETARY - Copyright © - Unpublished Work - See title page for details.

21-31-01
FIG. 02
PAGE 2
JAN 20/09



757

PARTS CATALOG (MAINTENANCE)

| FIG ITEM | PART NUMBER | 1 2 3 4 5 6 7 | NOMENCLATURE | EFFECT FROM TO | UNITS PER ASSY |
|-------------------------------------|-------------|---------------|---|----------------|----------------|
| 2 | | | | | |
| - 10 | MODREF34038 | | 80-11-09-02 PANEL INSTL-P5 OVHD (PRESSURIZATION CONTROL SYSTEM ONLY) MODULE NUMBER: 233N3103-351 REV D FOR OTHER SYS DETAILS SEE: 11-31-10-12 21-25-55-03 21-33-51-03 21-51-54-03 21-58-19-10 21-58-51-03 21-61-04-03 21-65-51-01 22-21-01-04 22-24-51-02 23-24-01-01 23-32-00-11 23-42-02-02 23-71-05-02 24-11-52-05 24-22-01-03 24-31-01-10 24-31-03-09 24-33-04-01 24-41-51-04 24-51-62-01 26-18-51-04 27-21-53-02 27-41-55-01 27-61-51-03 27-62-52-02 28-22-51-02 28-41-04-01 28-41-51-03 29-11-02-03 29-11-05-04 29-11-52-07 29-21-54-03 29-31-00-01 29-32-51-03 29-33-52-03 30-11-51-03 30-21-51-03 30-31-51-02 30-32-51-01 30-33-51-02 30-41-51-03 | 104105 | 1 |
| MISSING ITEM NUMBERS NOT APPLICABLE | | | | | |

- ITEM NOT ILLUSTRATED

21-31-01-02

21-31-01
FIG. 02
PAGE 3
JAN 20/09

BRI

 **BOEING**
757
PARTS CATALOG (MAINTENANCE)

| FIG ITEM | PART NUMBER | 1 2 3 4 5 6 7 | NOMENCLATURE | EFFECT FROM TO | UNITS PER ASSY |
|-------------------------------------|-------------|---------------|--|-------------------|----------------------|
| 2 | | | 30-42-51-03 31-12-11-91 31-12-11-91A 32-42-52-03 33-11-03-03 33-11-51-17 33-13-01-65 33-13-02-03 33-16-51-03 33-24-51-02 33-41-52-04 33-42-01-04 33-42-02-04 33-42-52-04 33-43-51-04 33-44-51-05 33-45-53-03 33-51-08-05 34-21-02-01 35-21-51-04 36-11-04-01 36-21-00-01 36-21-02-05 36-22-51-03 49-41-00-02 49-52-00-01 49-70-00-01 52-51-51-03 52-71-51-02 73-21-52-02 74-31-51-05 75-32-00-01 80-11-09-02 | | |
| - | 10 | MODREF170180 | PANEL INSTL-P5 OVHD (PRESSURIZATION CONTROL SYSTEM ONLY) MODULE NUMBER: 233N3103-353 REV B FOR OTHER SYS DETAILS SEE: 11-31-10-12 21-25-55-03 21-33-51-03 21-51-54-03 21-58-19-10 21-58-51-03 21-61-04-03 21-65-51-01 22-21-01-04 22-24-51-02 | 106106 | 1 |
| MISSING ITEM NUMBERS NOT APPLICABLE | | | | | |

- ITEM NOT ILLUSTRATED

BRI

21-31-01-02

BOEING PROPRIETARY - Copyright © - Unpublished Work - See title page for details.

21-31-01
FIG. 02
PAGE 4
JAN 20/09



757

PARTS CATALOG (MAINTENANCE)

| FIG ITEM | PART NUMBER | 1 2 3 4 5 6 7 | NOMENCLATURE | EFFECT FROM TO | UNITS PER ASSY |
|-------------------------------------|-------------|---------------|---|-------------------|----------------------|
| 2 | | | 23-24-01-01 23-32-00-11 23-42-02-02 23-71-05-02 24-11-52-05 24-22-01-03 24-31-01-10 24-31-03-09 24-33-04-01 24-41-51-04 24-51-62-01 26-18-51-04 27-21-53-02 27-41-55-01 27-61-51-03 27-62-52-02 28-22-51-02 28-41-04-01 28-41-51-03 29-11-02-03 29-11-05-04 29-11-52-07 29-21-54-03 29-31-00-01 29-32-51-03 29-33-52-03 30-11-51-03 30-21-51-03 30-31-51-02 30-32-51-01 30-33-51-02 30-41-51-03 30-42-51-03 31-12-11-84 31-12-11-84 A 32-42-52-03 33-11-03-03 33-11-51-17 33-13-01-65 33-13-02-03 33-16-51-03 33-24-51-02 33-41-52-04 33-42-01-04 33-42-02-04 33-42-52-04 33-43-51-04 33-44-51-05 33-45-53-03 | | |
| MISSING ITEM NUMBERS NOT APPLICABLE | | | | | |

- ITEM NOT ILLUSTRATED

BRI

21-31-01-02

BOEING PROPRIETARY - Copyright © - Unpublished Work - See title page for details.

21-31-01
FIG. 02
PAGE 5
JAN 20/09

 **BOEING**
757
PARTS CATALOG (MAINTENANCE)

| FIG ITEM | PART NUMBER | 1 2 3 4 5 6 7 | NOMENCLATURE | EFFECT FROM TO | UNITS PER ASSY |
|----------|-------------|---------------|--|----------------------------|----------------|
| 2 | | | 33-51-08-05 34-21-02-01 35-21-51-04 36-11-04-01 36-21-00-01 36-21-02-05 36-22-51-03 49-41-00-02 49-52-00-01 49-70-00-01 52-51-51-03 52-71-51-02 73-21-52-02 74-31-51-05 75-32-00-01 80-11-09-02 | | |
| 15 | 130502-7 | | .PANEL ASSY-CAB. PRESSURE SELECTOR (SERIES 1-2) SUPPLIER CODE: V64547 FUNCTIONAL DESCRIPTION: SELECTOR CONTAINS CONTROLS AND CIRCUITRY NECESSARY FOR AUTOMATIC OR MANUAL PRESSURE SELECTION SPECIFICATION NUMBER: S210T160-72 SB DATA FROM A CMM: POST 21-2591 ELECTRICAL EQUIP NUMBER: M00013 COMPONENT MAINT MANUAL REF: 21-31-50 | 101106 108120 504903 | 1 |
| 15 | 130502-6 | | .PANEL ASSY-CAB. PRESSURE SELECTOR (SERIES 1-5) SUPPLIER CODE: V64547 SPECIFICATION NUMBER: S210T160-62 SB DATA FROM A CMM: PRE 21-2591 POST 21-2487 R0 POST 21-2487 R1 POST 21-2433 ELECTRICAL EQUIP NUMBER: M00013 COMPONENT MAINT MANUAL REF: 21-31-50 | 101106 108120 504903 | 1 |

MISSING ITEM NUMBERS NOT APPLICABLE

— ITEM NOT ILLUSTRATED

BRI

21-31-01-02

BOEING PROPRIETARY - Copyright © - Unpublished Work - See title page for details.

21-31-01
FIG. 02
PAGE 6
JAN 20/09



757

PARTS CATALOG (MAINTENANCE)

| FIG ITEM | PART NUMBER | 1 2 3 4 5 6 7 | NOMENCLATURE | EFFECT FROM TO | UNITS PER ASSY |
|----------|--------------|---------------|---|----------------------------|----------------|
| 2 | 15 130502-5 | | .PANEL ASSY-CAB. PRESSURE SELECTOR (SERIES 1-2) SUPPLIER CODE: V64547 SPECIFICATION NUMBER: S210T160-52 SB DATA FROM A CMM: PRE 21-2433 POST 21-2581 PRE 21-2524 ELECTRICAL EQUIP NUMBER: M00013 COMPONENT MAINT MANUAL REF: 21-31-50 | 101106 108120 504903 | 1 |
| | 15 130502-4 | | .PANEL ASSY-CAB. PRESSURE SELECTOR SUPPLIER CODE: V64547 SPECIFICATION NUMBER: S210T160-42 SB DATA FROM A CMM: PRE 21-2487 POST 21-2376 ELECTRICAL EQUIP NUMBER: M00013 COMPONENT MAINT MANUAL REF: 21-31-50 | 101106 108120 504903 | 1 |
| | 20 BP260-101 | | ..KNOB-INCLUDES SETSCREW PN MS18064-7 SUPPLIER CODE: V81590 SB DATA FROM A CMM: PRE 21-2591 CONFIG CHG DATA FROM A CMM: REPLD BY 452-013-9001 MISCELLANEOUS DATA: HONEYWELL PART NO. 452-013-9001 USED ON: 130502-6 130502-5 130502-4 | 101106 108120 504903 | 1 |

MISSING ITEM NUMBERS NOT APPLICABLE

- ITEM NOT ILLUSTRATED

BRI

21-31-01-02

BOEING PROPRIETARY - Copyright © - Unpublished Work - See title page for details.

21-31-01
FIG. 02
PAGE 7
JAN 20/09



757

PARTS CATALOG (MAINTENANCE)

| FIG ITEM | PART NUMBER | 1 2 3 4 5 6 7 | NOMENCLATURE | EFFECT FROM TO | UNITS PER ASSY |
|----------|--------------|---------------|---|----------------------------|----------------|
| 2 | | | | | |
| 20 | BP260-113 | | ..KNOB-INCLUDES SETSCREW PN MS18064-7 (SERIES 1) SUPPLIER CODE: V81590 SB DATA FROM A CMM: POST 21-2591 CONFIG CHG DATA FROM A CMM: REPLD BY 452-013-9101 MISCELLANEOUS DATA: HONEYWELL PART NO. 452-013-9101 USED ON: 130502-7 | 101106 108120 504903 | 1 |
| 20 | 452-013-9001 | | ..KNOB-INCLUDES SETSCREW PN MS18064-7 SUPPLIER CODE: V64547 CONFIG CHG DATA FROM A CMM: REPLACES BP260-101 USED ON: 130502-4 130502-5 130502-6 | 101106 108120 504903 | 1 |
| 20 | 452-013-9101 | | ..KNOB-INCLUDES SETSCREW PN MS18064-7 (SERIES 1) SUPPLIER CODE: V64547 CONFIG CHG DATA FROM A CMM: REPLACES BP260-113 USED ON: 130502-7 | 101106 108120 504903 | 1 |
| 20 | 452-013-9101 | | ..KNOB-INCLUDES SETSCREW PN MS18064-7 (SERIES 2) SUPPLIER CODE: V64547 USED ON: 130502-7 | 101106 108120 504903 | 1 |

MISSING ITEM NUMBERS NOT APPLICABLE

- ITEM NOT ILLUSTRATED

BRI

21-31-01-02

BOEING PROPRIETARY - Copyright © - Unpublished Work - See title page for details.

21-31-01
FIG. 02
PAGE 8
JAN 20/09



757

PARTS CATALOG (MAINTENANCE)

| FIG ITEM | PART NUMBER | 1 2 3 4 5 6 7 | NOMENCLATURE | EFFECT FROM TO | UNITS PER ASSY |
|----------|--------------|---------------|---|----------------------------|----------------|
| 2 25 | RD381-103 | | ..KNOB-INCLUDES SETSCREW PN MS18064-5 SUPPLIER CODE: V81590 SB DATA FROM A CMM: PRE 21-2591 CONFIG CHG DATA FROM A CMM: REPLD BY 452-015-9001 MISCELLANEOUS DATA: HONEYWELL PART NO. 452-015-9001 USED ON: 130502-4 130502-5 130502-6 | 101106 108120 504903 | 1 |
| 25 | RD381-104 | | ..KNOB-INCLUDES SETSCREW PN MS18064-5 (SERIES 1) SUPPLIER CODE: V81590 SB DATA FROM A CMM: POST 21-2591 CONFIG CHG DATA FROM A CMM: REPLD BY 452-015-9101 MISCELLANEOUS DATA: HONEYWELL PART NO. 452-015-9101 USED ON: 130502-7 | 101106 108120 504903 | 1 |
| 25 | 452-015-9001 | | ..KNOB-INCLUDES SETSCREW PN MS18064-5 SUPPLIER CODE: V64547 CONFIG CHG DATA FROM A CMM: REPLACES RD381-103 USED ON: 130502-4 130502-5 130502-6 | 101106 108120 504903 | 1 |
| 25 | 452-015-9101 | | ..KNOB-INCLUDES SETSCREW PN MS18064-5 (SERIES 1) SUPPLIER CODE: V64547 CONFIG CHG DATA FROM A CMM: REPLACES RD381-104 USED ON: 130502-7 | 101106 108120 504903 | 1 |

MISSING ITEM NUMBERS NOT APPLICABLE

- ITEM NOT ILLUSTRATED

21-31-01-02

21-31-01
FIG. 02
PAGE 9
JAN 20/09

BRI



757

PARTS CATALOG (MAINTENANCE)

| FIG ITEM | PART NUMBER | 1 2 3 4 5 6 7 | NOMENCLATURE | EFFECT FROM TO | UNITS PER ASSY |
|----------|-----------------|---------------|---|----------------------------|----------------|
| 2 | 25 RD381-103 | | .. KNOB-INCLUDES SETSCREW PN MS18064-5 SUPPLIER CODE: V81590 SB DATA FROM A CMM: PRE 21-2591 MISCELLANEOUS DATA: HONEYWELL PART NO. 452-015-9001 USED ON: 130502-7 | 101106 108120 504903 | 1 |
| | 25 452-015-9101 | | .. KNOB-INCLUDES SETSCREW PN MS18064-5 (SERIES 2) SUPPLIER CODE: V64547 USED ON: 130502-7 | 101106 108120 504903 | 1 |
| | 30 BP248-110 | | .. KNOB-INCLUDES SETSCREW PN MS18064-7 SUPPLIER CODE: V81590 SPECIFICATION NUMBER: 452-016-9001 SB DATA FROM A CMM: PRE 21-2591 CONFIG CHG DATA FROM A CMM: REPLD BY 452-016-9001 MISCELLANEOUS DATA: HONEYWELL PART NO. 452-016-9001 USED ON: 130502-6 130502-5 130502-4 | 101106 108120 504903 | 1 |
| | 30 BP248-127 | | .. KNOB-INCLUDES SETSCREW PN MS18064-7 (SERIES 1) SUPPLIER CODE: V81590 SB DATA FROM A CMM: POST 21-2591 CONFIG CHG DATA FROM A CMM: REPLD BY 452-016-9101 MISCELLANEOUS DATA: HONEYWELL PART NO. 452-016-9101 USED ON: 130502-7 | 101106 108120 504903 | 1 |

MISSING ITEM NUMBERS NOT APPLICABLE

- ITEM NOT ILLUSTRATED

BRI

21-31-01-02

BOEING PROPRIETARY - Copyright © - Unpublished Work - See title page for details.

21-31-01
FIG. 02
PAGE 10
JAN 20/09



757

PARTS CATALOG (MAINTENANCE)

| FIG ITEM | PART NUMBER | 1 2 3 4 5 6 7 | NOMENCLATURE | EFFECT FROM TO | UNITS PER ASSY |
|----------|--------------|---------------|---|----------------------------|----------------|
| 2 | | | | | |
| 30 | 452-016-9001 | .. | KNOB-INCLUDES SETSCREW PN MS18064-7 SUPPLIER CODE: V64547 CONFIG CHG DATA FROM A CMM: REPLACES BP248-110 USED ON: 130502-4 130502-5 130502-6 | 101106 108120 504903 | 1 |
| 30 | 452-016-9101 | .. | KNOB-INCLUDES SETSCREW PN MS18064-7 (SERIES 1) SUPPLIER CODE: V64547 CONFIG CHG DATA FROM A CMM: REPLACES BP248-127 USED ON: 130502-7 | 101106 108120 504903 | 1 |
| 30 | 452-016-9101 | .. | KNOB-INCLUDES SETSCREW PN MS18064-7 (SERIES 2) SUPPLIER CODE: V64547 USED ON: 130502-7 | 101106 108120 504903 | 1 |
| 35 | RD240-110 | .. | KNOB-INCLUDES SETSCREW PN MS18064-5 SUPPLIER CODE: V81590 SB DATA FROM A CMM: POST 21-2487 MISCELLANEOUS DATA: HONEYWELL PART NO. 452-019-9001 USED ON: 130502-6 130502-5 | 101106 108120 504903 | 1 |
| 35 | GP265-102 | .. | KNOB-INCLUDES SETSCREW PN MS18064-5 SUPPLIER CODE: V81590 SB DATA FROM A CMM: PRE 21-2487 CONFIG CHG DATA FROM A CMM: REPLD BY 452-014-9001 MISCELLANEOUS DATA: HONEYWELL PART NO. 452-014-9001 USED ON: 130502-4 | 101106 108120 504903 | 1 |

MISSING ITEM NUMBERS NOT APPLICABLE

- ITEM NOT ILLUSTRATED

21-31-01-02

21-31-01
 FIG. 02
 PAGE 11
 JAN 20/09

BRI



757

PARTS CATALOG (MAINTENANCE)

| FIG ITEM | PART NUMBER | 1 2 3 4 5 6 7 | NOMENCLATURE | EFFECT FROM TO | UNITS PER ASSY |
|----------|--------------|---------------|---|----------------------------|----------------|
| 2 | | | | | |
| 35 | 452-014-9001 | | .. KNOB-INCLUDES SETSCREW PN MS18064-5 SUPPLIER CODE: V64547 CONFIG CHG DATA FROM A CMM: REPLACES GP265-102 USED ON: 130502-4 | 101106 108120 504903 | 1 |
| 35 | 452-019-9001 | | .. KNOB-INCLUDES SETSCREW PN MS18064-5 (SERIES 3-5) SUPPLIER CODE: V64547 CONFIG CHG DATA FROM A CMM: REPLACES RD240-110 USED ON: 130502-6 | 101106 108120 504903 | 1 |
| 35 | RD240-110 | | .. KNOB-INCLUDES SETSCREW PN MS18064-5 SUPPLIER CODE: V81590 SB DATA FROM A CMM: POST 21-2487 CONFIG CHG DATA FROM A CMM: REPLD BY 452-019-9001 MISCELLANEOUS DATA: HONEYWELL PART NO. 452-019-9001 USED ON: 130502-6 | 101106 108120 504903 | 1 |
| 35 | 452-019-9001 | | .. KNOB-INCLUDES SETSCREW PN MS18064-5 SUPPLIER CODE: V64547 USED ON: 130502-7 | 101106 108120 504903 | 1 |
| 40 | 942067-1 | | .. PANEL-SELECTOR LIGHTING SUPPLIER CODE: V64547 SB DATA FROM A CMM: POST 21-2433 POST 21-2487 PRE 21-2591 USED ON: 130502-6 | 101106 108120 504903 | 1 |

MISSING ITEM NUMBERS NOT APPLICABLE

- ITEM NOT ILLUSTRATED

BRI

21-31-01-02

BOEING PROPRIETARY - Copyright © - Unpublished Work - See title page for details.

21-31-01
FIG. 02
PAGE 12
JAN 20/09



757

PARTS CATALOG (MAINTENANCE)

| FIG ITEM | PART NUMBER | 1 2 3 4 5 6 7 | NOMENCLATURE | EFFECT FROM TO | UNITS PER ASSY |
|----------|-------------|---------------|--|----------------------------|----------------|
| 2 | | | | | |
| 40 | 4201649-2 | | .. PANEL-SELECTOR LIGHTING SUPPLIER CODE: V64547 SB DATA FROM A CMM: POST 21-2591 USED ON: 130502-7 | 101106 108120 504903 | 1 |
| 40 | 805789-1 | | .. PANEL-SELECTOR LIGHTING SUPPLIER CODE: V70210 SB DATA FROM A CMM: PRE 21-2487 USED ON: 130502-4 | 101106 108120 504903 | 1 |
| 40 | 941952-1 | | .. PANEL-SELECTOR LIGHTING SUPPLIER CODE: V70210 SB DATA FROM A CMM: PRE 21-2433 USED ON: 130502-5 | 101106 108120 504903 | 1 |
| 45 | 941809-4 | | .. PLATE-IDENT (SERIES 1) SUPPLIER CODE: V64547 SB DATA FROM A CMM: POST 21-2376 PRE 21-2487 USED ON: 130502-4 | 101106 108120 504903 | 1 |
| 45 | 941809-5 | | .. PLATE-IDENT (SERIES 1) SUPPLIER CODE: V64547 SB DATA FROM A CMM: PRE 21-2433 PRE 21-2463 CONFIG CHG DATA FROM A CMM: SUPSD BY 2122457-1 USED ON: 130502-5 | 101106 108120 504903 | 1 |
| 45 | 2122457-1 | | .. PLATE-IDENT (SERIES 1) SUPPLIER CODE: V64547 SB DATA FROM A CMM: PRE 21-2524 PRE 21-2563 CONFIG CHG DATA FROM A CMM: SUPERSEDES 941809-5 USED ON: 130502-5 | 101106 108120 504903 | 1 |

MISSING ITEM NUMBERS NOT APPLICABLE

- ITEM NOT ILLUSTRATED

21-31-01-02

21-31-01
FIG. 02
PAGE 13
JAN 20/09

BRI



757

PARTS CATALOG (MAINTENANCE)

| FIG ITEM | PART NUMBER | 1 2 3 4 5 6 7 | NOMENCLATURE | EFFECT FROM TO | UNITS PER ASSY |
|----------|-------------|---------------|---|----------------------------|----------------|
| 2 | | | | | |
| 45 | 2122457-3 | | ..PLATE-IDENT (SERIES 2) SUPPLIER CODE: V64547 SB DATA FROM A CMM: PRE 21-2524 POST 21-2463 USED ON: 130502-5 | 101106 108120 504903 | 1 |
| 45 | 2122457-2 | | ..PLATE-IDENT (SERIES 1) SUPPLIER CODE: V64547 SB DATA FROM A CMM: PRE 21-2524 PRE 21-2463 CONFIG CHG DATA FROM A CMM: SUPSDS 941809-6 USED ON: 130502-6 | 101106 108120 504903 | 1 |
| 45 | 2122457-4 | | ..PLATE-IDENT (SERIES 2) SUPPLIER CODE: V64547 SB DATA FROM A CMM: PRE 21-2524 POST 21-2463 POST 21-2487 RO USED ON: 130502-6 | 101106 108120 504903 | 1 |
| 45 | 2122457-5 | | ..PLATE-IDENT (SERIES 3) SUPPLIER CODE: V64547 SB DATA FROM A CMM: PRE 21-2581 POST 21-2524 USED ON: 130502-5 | 101106 108120 504903 | 1 |
| 45 | 2122457-8 | | ..PLATE-IDENT (SERIES 4) SUPPLIER CODE: V64547 SB DATA FROM A CMM: POST 21-2581 PRE 21-2600 USED ON: 130502-5 | 101106 108120 504903 | 1 |

MISSING ITEM NUMBERS NOT APPLICABLE

- ITEM NOT ILLUSTRATED

BRI

21-31-01-02

21-31-01
FIG. 02
PAGE 14
JAN 20/09



757

PARTS CATALOG (MAINTENANCE)

| FIG ITEM | PART NUMBER | 1 2 3 4 5 6 7 | NOMENCLATURE | EFFECT FROM TO | UNITS PER ASSY |
|----------|-------------|---------------|--|----------------------------|----------------|
| 2 | | | | | |
| 45 | 2122457-10 | | ..PLATE-IDENT (SERIES 5) SUPPLIER CODE: V64547 SB DATA FROM A CMM: POST 21-2600 USED ON: 130502-5 | 101106 108120 504903 | 1 |
| 45 | 2122457-6 | | ..PLATE-IDENT (SERIES 3) SUPPLIER CODE: V64547 SB DATA FROM A CMM: POST 21-2487 R1 POST 21-2487 R2 POST 21-2524 PRE 21-2581 USED ON: 130502-6 | 101106 108120 504903 | 1 |
| 45 | 2122457-9 | | ..PLATE-IDENT (SERIES 4) SUPPLIER CODE: V64547 SB DATA FROM A CMM: POST 21-2581 PRE 21-2600 USED ON: 130502-6 | 101106 108120 504903 | 1 |
| 45 | 2122457-11 | | ..PLATE-IDENT (SERIES 5) SUPPLIER CODE: V64547 SB DATA FROM A CMM: PRE 21-2591 POST 21-2600 USED ON: 130502-6 | 101106 108120 504903 | 1 |
| 45 | 2122457-7 | | ..PLATE-IDENT (SERIES 1) SUPPLIER CODE: V64547 SB DATA FROM A CMM: POST 21-2591 USED ON: 130502-7 | 101106 108120 504903 | 1 |
| - 50 | S9597M3W | | ..LABEL- SUPPLIER CODE: V64547 | 101106 108120 504903 | 1 |

MISSING ITEM NUMBERS NOT APPLICABLE

- ITEM NOT ILLUSTRATED

21-31-01-02

21-31-01
FIG. 02
PAGE 15
JAN 20/09

BRI



757

PARTS CATALOG (MAINTENANCE)

| FIG ITEM | PART NUMBER | 1 2 3 4 5 6 7 | NOMENCLATURE | EFFECT FROM TO | UNITS PER ASSY |
|----------|-------------|---------------|---|----------------------------|----------------|
| 2 | | | | | |
| - 55 | 2108317-1 | | ..WIRING ASSY-PRINTED SUPPLIER CODE: V64547 OPTIONAL PART: 2108317-2 V64547 2108317-3 V64547 | 101106 108120 504903 | 1 |
| - 55 | 2108317-2 | | ..WIRING ASSY-PRINTED SUPPLIER CODE: V64547 OPTIONAL PART: 2108317-1 V64547 2108317-3 V64547 | 101106 108120 504903 | 1 |
| - 55 | 2108317-3 | | ..WIRING ASSY-PRINTED SUPPLIER CODE: V64547 OPTIONAL PART: 2108317-1 V64547 2108317-2 V64547 | 101106 108120 504903 | 1 |
| 60 | 276-250 | | ... FUSE- F1 SUPPLIER CODE: V75915 CONFIG CHG DATA FROM A CMM: REPLD BY FM04A125V1-4A MISCELLANEOUS DATA: HONEYWELL PART ON. 345-0525-9007 | 101106 108120 504903 | 1 |
| 60 | 252-250 | | ... FUSE- F1 SUPPLIER CODE: V75915 CONFIG CHG DATA FROM A CMM: REPLD BY FM04A125V1-4A MISCELLANEOUS DATA: HONEYWELL PART ON. 345-0525-9007 OPTIONAL PART: 276-250 V75915 GLX1-4 V71400 | 101106 108120 504903 | 1 |

MISSING ITEM NUMBERS NOT APPLICABLE

- ITEM NOT ILLUSTRATED

21-31-01-02

21-31-01
FIG. 02
PAGE 16
JAN 20/09

BRI



757

PARTS CATALOG (MAINTENANCE)

| FIG ITEM | PART NUMBER | 1 2 3 4 5 6 7 | NOMENCLATURE | EFFECT FROM TO | UNITS PER ASSY |
|----------|----------------|---------------|--|----------------------------|----------------|
| 2 | | | | | |
| 60 | GLX1-4 | | ... FUSE- F1 SUPPLIER CODE: V71400 CONFIG CHG DATA FROM A CMM: REPLD BY FM04A125V1-4A MISCELLANEOUS DATA: HONEYWELL PART ON. 345-0525-9007 OPTIONAL PART: 276-250 V75915 252-250 V75915 | 101106 108120 504903 | 1 |
| 60 | FM04A125V1-4A | | ... FUSE- SUPPLIER CODE: V09310 CONFIG CHG DATA FROM A CMM: REPLACES 276-250 REPLACES 252-250 REPLACES GLX1-4 | 101106 108120 504903 | 1 |
| - 200 | 286N2066-010 | | WIRE BUNDLE ASSY | 504903 | RF |
| - 201 | 286N2066-334 | | WIRE BUNDLE ASSY | 101102 | RF |
| - 202 | 286N2066-346 | | WIRE BUNDLE ASSY | 108120 | RF |
| - 204 | 286N2066-602 | | WIRE BUNDLE ASSY | 103106 | RF |
| 240 | BACC45FT18A31S | | .CONNECTOR- ELECTRICAL EQUIP NUMBER: D02344 WIRING DIAGRAM REF: 213121 | 101106 108120 504903 | 1 |
| - 271 | 286N2078-328 | | WIRE BUNDLE ASSY | 504903 | RF |
| - 271 | 286N2078-330 | | WIRE BUNDLE ASSY | 101102 | RF |
| - 271 | 286N2078-331 | | WIRE BUNDLE ASSY | 108120 | RF |
| - 272 | 286N2078-601 | | WIRE BUNDLE ASSY | 103106 | RF |
| 300 | BACC45FT12A12S | | .CONNECTOR- ELECTRICAL EQUIP NUMBER: D02346 WIRING DIAGRAM REF: 213131 | 101106 108120 504903 | 1 |

MISSING ITEM NUMBERS NOT APPLICABLE

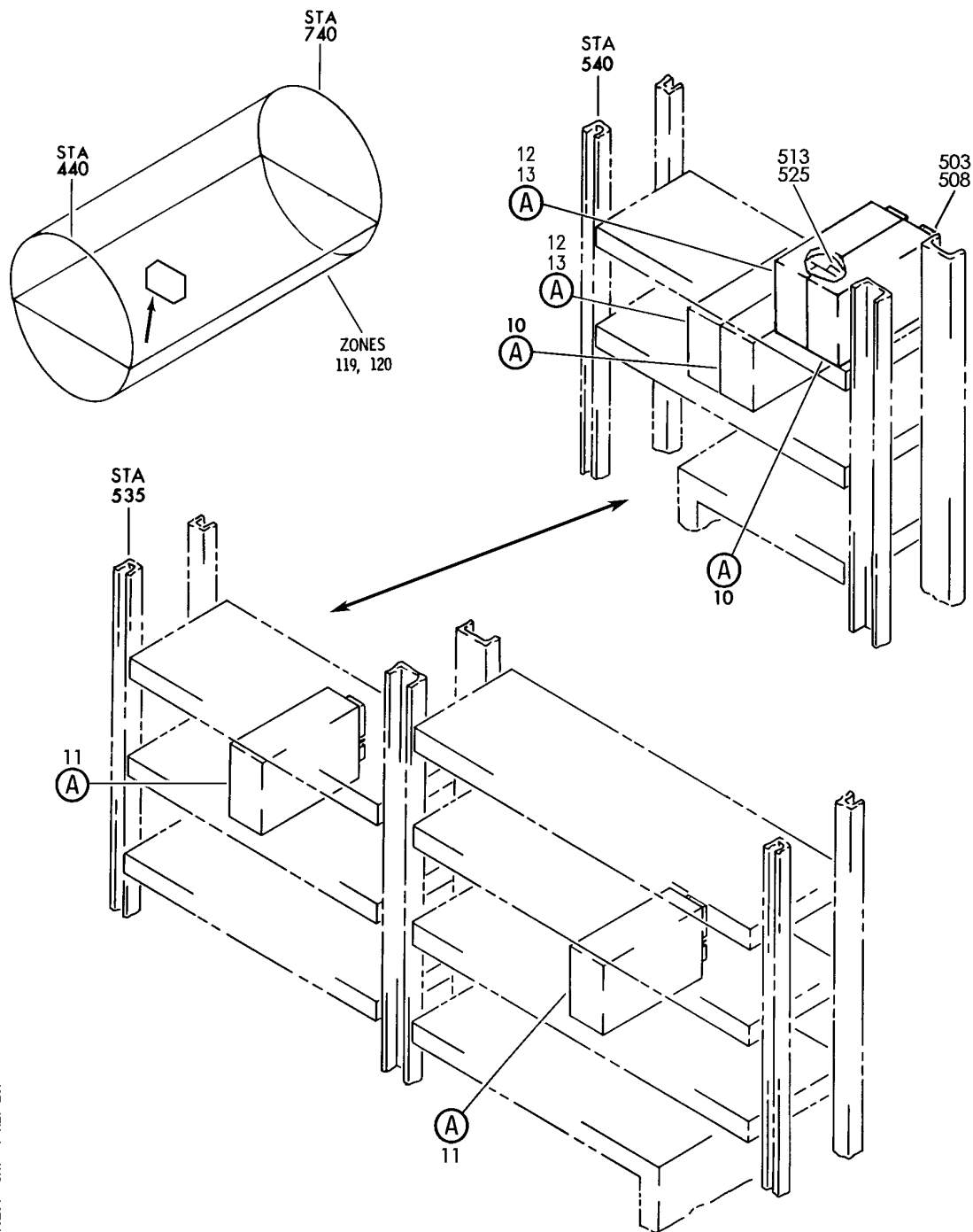
- ITEM NOT ILLUSTRATED

BRI

21-31-01-02

21-31-01
FIG. 02
PAGE 17
JAN 20/09

BOEING
757
PARTS CATALOG (MAINTENANCE)



Y 21310201 SH 1 REV 267

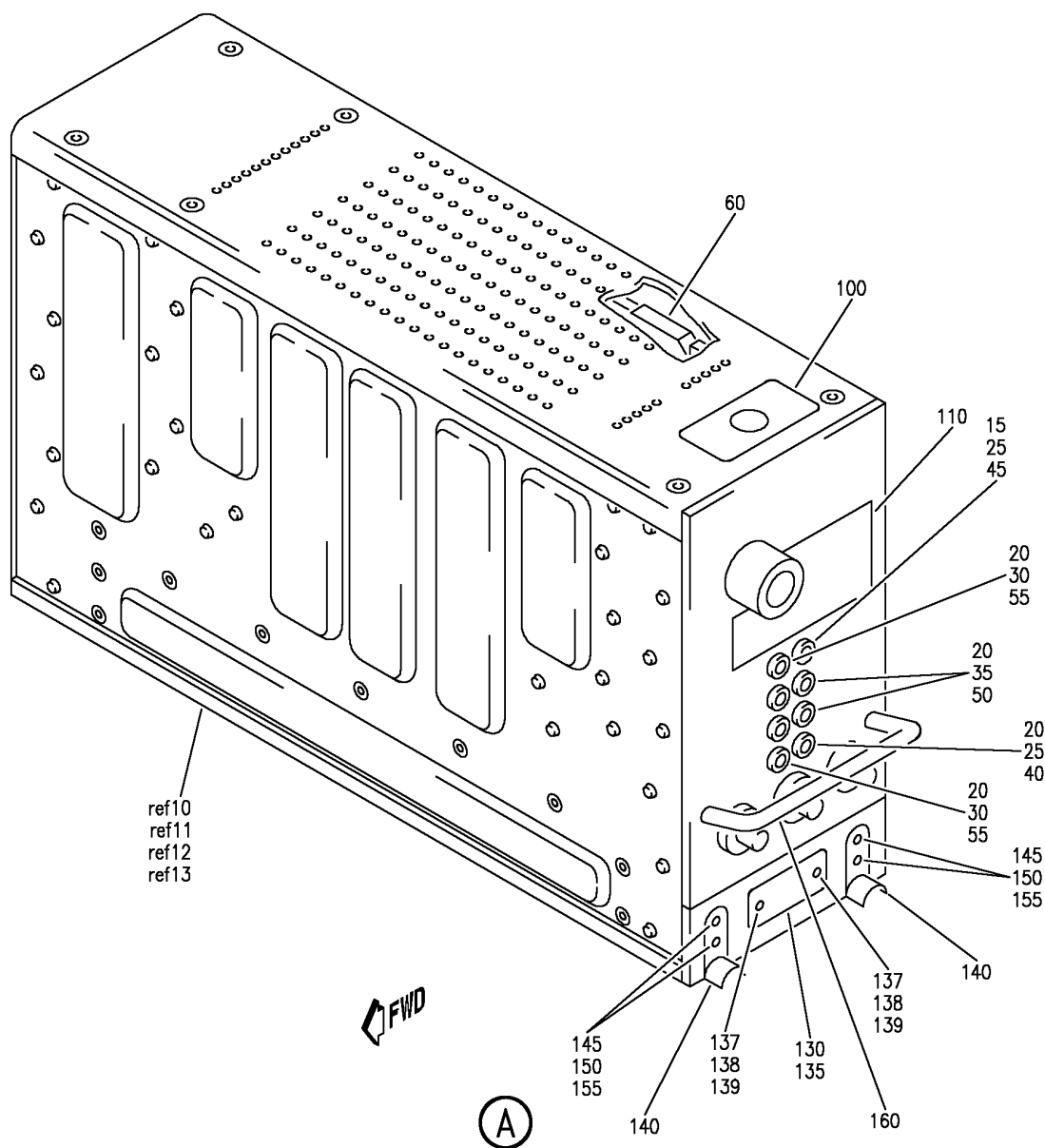
EQUIPMENT INSTL-MAIN ELECTRONICS EQPT CTR (PRESSURIZATION CONTROL SYSTEM ONLY)
FIGURE 1 (SHEET 1)

21-31-02-01

BRI
MAY 28/07

21-31-02-01
PAGE 0

BOEING
757
PARTS CATALOG (MAINTENANCE)



Y 21310201 SH1 2 REV 267

EQUIPMENT INSTL-MAIN ELECTRONICS EQPT CTR (PRESSURIZATION CONTROL SYSTEM ONLY)
FIGURE 1 (SHEET 2)

21-31-02-01

BRI
MAY 28/07

21-31-02-01
PAGE 0A



757

PARTS CATALOG (MAINTENANCE)

| FIG ITEM | PART NUMBER | 1 2 3 4 5 6 7 | NOMENCLATURE | EFFECT FROM TO | UNITS PER ASSY |
|----------|--------------|---------------|---|--------------------------------------|----------------|
| 1 | | | EQUIPMENT INSTL-MAIN ELECTRONICS EQPT CTR (PRESSURIZATION CONTROL SYSTEM ONLY) | 002004 006100 107107 121999 | |
| - 2 | 284N1307-33 | | EQUIPMENT INSTL-MAIN ELECTRONICS EQPT CTR (PRESSURIZATION CONTROL SYSTEM ONLY) FOR NHA/OTHER SYS DET SEE: 24-00-58-01 | 107107 | RF |
| - 2 | 284N1800-32 | | EQUIPMENT INSTL-MAIN ELECTRONICS EQPT CTR (PRESSURIZATION CONTROL SYSTEM ONLY) FOR NHA/OTHER SYS DET SEE: 24-00-58-01 | 952999 | RF |
| - 4 | 284N1800-16 | | EQUIPMENT INSTL-MAIN ELECTRONICS EQPT CTR (PRESSURIZATION CONTROL SYSTEM ONLY) FOR NHA/OTHER SYS DET SEE: 24-00-58-01 | 121503 904949 | RF |
| - 5 | 284N1800-34 | | EQUIPMENT INSTL-MAIN ELECTRONICS EQPT CTR (PRESSURIZATION CONTROL SYSTEM ONLY) FOR NHA/OTHER SYS DET SEE: 24-00-58-01 | 002004 006100 | RF |
| - 5 | 284N1800-38 | | EQUIPMENT INSTL-MAIN ELECTRONICS EQPT CTR (PRESSURIZATION CONTROL SYSTEM ONLY) FOR NHA/OTHER SYS DET SEE: 24-00-58-01 | 950951 | RF |
| - 7 | 284N1800-88 | | EQUIPMENT INSTL-MAIN ELECTRONICS EQPT CTR (PRESSURIZATION CONTROL SYSTEM ONLY) FOR NHA/OTHER SYS DET SEE: 24-00-58-01 | 505505 | RF |
| - 7 | 284N1800-190 | | EQUIPMENT INSTL-MAIN ELECTRONICS EQPT CTR (PRESSURIZATION CONTROL SYSTEM ONLY) FOR NHA/OTHER SYS DET SEE: 24-00-58-05E | 504504 506903 | RF |
| 10 | 2117388-6 | | .CONTROL UNIT ASSY-AUTO. CAB. SUPPLIER CODE: | 904949 | RF |

MISSING ITEM NUMBERS NOT APPLICABLE

- ITEM NOT ILLUSTRATED

21-31-02-01

21-31-02
FIG. 01
PAGE 1
JAN 20/09

BRI



757

PARTS CATALOG (MAINTENANCE)

| FIG ITEM | PART NUMBER | 1 2 3 4 5 6 7 NOMENCLATURE | EFFECT FROM TO | UNITS PER ASSY |
|-------------|-------------|--|-------------------|----------------------|
| 1 | | <p>V64547 SPECIFICATION NUMBER: S210T160-43 ELECTRICAL EQUIP NUMBER: M00118 M00119 COMPONENT MAINT MANUAL REF: 21-31-48 QUALIFIED I/W DATA: CONTROLLERS S210T160-33/2117388-5, S210T160-43/2117388-6, S210T160-53/2117388-7, S210T160-63 -73/ 2117388-8, S210T160-83/ 2117388-11, S210T160-113/2117388-13 AND S210T160-133/ 2117388-15 ARE INTERCHANGEABLE ONE WAY FORWARD, NOT INTERMIXABLE WHEN INSTALLED WITH COCKPIT VALVES S210T160-64/ 606832-11 -12, S210T160-74/606832-13 -14, S210T160-84/ 606832-16, S210T160-94/ 606832-18 OR S210T160-114/606832-21. IF S210T160-114/ 606832-21 IS INSTALLED WITH S210T160-33/ 2117388-5, S210T160-43/ 2117388-6, S210T160-53/ 2117388-7 OR S210T160-63 -73/2117388-8 CONTROLLER RESULTS IN OVERSHOOT OF SELECTOR PANEL INDICATION. WHEN CONTROLLERS S210T160-83/ 2117388-11 OR S210T160-113/2117388-13 OR S210T160-133/ 2117388-15 ARE INSTALLED WITH COCKPIT VALVES S210T160-64/606832-11 -12, S210T160-74/ 606832-13 -14,</p> | | |

MISSING ITEM NUMBERS NOT APPLICABLE

- ITEM NOT ILLUSTRATED

21-31-02-01

21-31-02
FIG. 01
PAGE 2
JAN 20/09

BRI



757

PARTS CATALOG (MAINTENANCE)

| FIG ITEM | PART NUMBER | 1 2 3 4 5 6 7 NOMENCLATURE | EFFECT FROM TO | UNITS PER ASSY |
|-------------|-------------|--|----------------------------|----------------------|
| 1 | | <p>S210T160-84/606832-16, OR S210T160-94/606832-18 RESULTS IN UNDERSHOOT OF SELECTOR PANEL INDICATION, S210T160-84/ 2117388-11, S210T160-113/2117388-13, AND S210T160-133/ 2117388-15 ARE PREFERRED BUT ONLY WHEN INSTALLED WITH S210T160-114/ 606832-21 COCKPIT VALVE. SEE 757-SL-21-050B OR 767-SL-21-064B FOR DETAILS.</p> | | |
| 12 | 2117388-6 | <p>.CONTROL UNIT ASSY-AUTO. CAB. SUPPLIER CODE: V64547 SPECIFICATION NUMBER: S210T160-43 ELECTRICAL EQUIP NUMBER: M00118 M00119 COMPONENT MAINT MANUAL REF: 21-31-48 QUALIFIED I/W DATA: CONTROLLERS S210T160-33/2117388-5, S210T160-43/2117388-6, S210T160-53/2117388-7, S210T160-63 -73/ 2117388-8, S210T160-83/ 2117388-11, S210T160-113/2117388-13 AND S210T160-133/ 2117388-15 ARE INTERCHANGEABLE ONE WAY FORWARD, NOT INTERMIXABLE WHEN INSTALLED WITH COCKPIT VALVES S210T160-64/ 606832-11 -12, S210T160-74/606832-13 -14, S210T160-84/ 606832-16, S210T160-94/ 606832-18 OR S210T160-114/606832-21. IF S210T160-114/</p> | 002004 107107 952952 | 2 |

MISSING ITEM NUMBERS NOT APPLICABLE

- ITEM NOT ILLUSTRATED

21-31-02-01

21-31-02
FIG. 01
PAGE 3
JAN 20/09

BRI



757

PARTS CATALOG (MAINTENANCE)

| FIG ITEM | PART NUMBER | 1 2 3 4 5 6 7 NOMENCLATURE | EFFECT FROM TO | UNITS PER ASSY |
|-------------|-------------|--|----------------------------|----------------------|
| 1 | | <p>606832-21 IS INSTALLED WITH S210T160-33/ 2117388-5, S210T160-43/ 2117388-6, S210T160-53/ 2117388-7 OR S210T160-63 -73/2117388-8 CONTROLLER RESULTS IN OVERSHOOT OF SELECTOR PANEL INDICATION. WHEN CONTROLLERS S210T160-83/ 2117388-11 OR S210T160-113/2117388-13 OR S210T160-133/ 2117388-15 ARE INSTALLED WITH COCKPIT VALVES S210T160-64/606832-11 -12, S210T160-74/ 606832-13 -14, S210T160-84/606832-16, OR S210T160-94/606832-18 RESULTS IN UNDERSHOOT OF SELECTOR PANEL INDICATION, S210T160-84/ 2117388-11, S210T160-113/2117388-13, AND S210T160-133/ 2117388-15 ARE PREFERRED BUT ONLY WHEN INSTALLED WITH S210T160-114/ 606832-21 COCKPIT VALVE. SEE 757-SL-21-050B OR 767-SL-21-064B FOR DETAILS.</p> <p>PRE SERVICE BULLETIN: V64547</p> | | |
| 12 | 2117388-6 | <p>.CONTROL UNIT ASSY-AUTO. CAB. SUPPLIER CODE: V64547 SPECIFICATION NUMBER: S210T160-43 ELECTRICAL EQUIP NUMBER: M00118 M00119 COMPONENT MAINT MANUAL REF: 21-31-48 QUALIFIED I/W DATA: CONTROLLERS S210T160-33/2117388-5,</p> | 002004 107107 952952 | RF |

MISSING ITEM NUMBERS NOT APPLICABLE

- ITEM NOT ILLUSTRATED

21-31-02-01

BRI

BOEING PROPRIETARY - Copyright © - Unpublished Work - See title page for details.

21-31-02
FIG. 01
PAGE 4
JAN 20/09



757

PARTS CATALOG (MAINTENANCE)

| FIG ITEM | PART NUMBER | 1 2 3 4 5 6 7 NOMENCLATURE | EFFECT FROM TO | UNITS PER ASSY |
|-------------|-------------|--|-------------------|----------------------|
| 1 | | <p>S210T160-43/2117388-6, S210T160-53/2117388-7, S210T160-63 -73/ 2117388-8, S210T160-83/ 2117388-11, S210T160-113/2117388-13 AND S210T160-133/ 2117388-15 ARE INTERCHANGEABLE ONE WAY FORWARD, NOT INTERMIXABLE WHEN INSTALLED WITH COCKPIT VALVES S210T160-64/ 606832-11 -12, S210T160-74/606832-13 -14, S210T160-84/ 606832-16, S210T160-94/ 606832-18 OR S210T160-114/606832-21. IF S210T160-114/ 606832-21 IS INSTALLED WITH S210T160-33/ 2117388-5, S210T160-43/ 2117388-6, S210T160-53/ 2117388-7 OR S210T160-63 -73/2117388-8 CONTROLLER RESULTS IN OVERSHOOT OF SELECTOR PANEL INDICATION. WHEN CONTROLLERS S210T160-83/ 2117388-11 OR S210T160-113/2117388-13 OR S210T160-133/ 2117388-15 ARE INSTALLED WITH COCKPIT VALVES S210T160-64/606832-11 -12, S210T160-74/ 606832-13 -14, S210T160-84/606832-16, OR S210T160-94/606832-18 RESULTS IN UNDERSHOOT OF SELECTOR PANEL INDICATION, S210T160-84/ 2117388-11, S210T160-113/2117388-13, AND S210T160-133/ 2117388-15 ARE PREFERRED BUT ONLY WHEN INSTALLED WITH S210T160-114/</p> | | |

MISSING ITEM NUMBERS NOT APPLICABLE

- ITEM NOT ILLUSTRATED

21-31-02-01

21-31-02
FIG. 01
PAGE 5
JAN 20/09

BRI



757

PARTS CATALOG (MAINTENANCE)

| FIG ITEM | PART NUMBER | 1 2 3 4 5 6 7 | NOMENCLATURE | EFFECT FROM TO | UNITS PER ASSY |
|----------|-------------|---------------|---|----------------------------|----------------|
| 1 | | | 606832-21 COCKPIT VALVE. SEE 757-SL-21-050B OR 767-SL-21-064B FOR DETAILS. | | |
| 13 | 2117388-6 | | .CONTROL UNIT ASSY-AUTO. CAB. SUPPLIER CODE: V64547 SPECIFICATION NUMBER: S210T160-43 ELECTRICAL EQUIP NUMBER: M00118 M00119 COMPONENT MAINT MANUAL REF: 21-31-48 QUALIFIED I/W DATA: CONTROLLERS S210T160-33/2117388-5, S210T160-43/2117388-6, S210T160-53/2117388-7, S210T160-63 -73/ 2117388-8, S210T160-83/ 2117388-11, S210T160-113/2117388-13 AND S210T160-133/ 2117388-15 ARE INTERCHANGEABLE ONE WAY FORWARD, NOT INTERMIXABLE WHEN INSTALLED WITH COCKPIT VALVES S210T160-64/ 606832-11 -12, S210T160-74/606832-13 -14, S210T160-84/ 606832-16, S210T160-94/ 606832-18 OR S210T160-114/606832-21. IF S210T160-114/ 606832-21 IS INSTALLED WITH S210T160-33/ 2117388-5, S210T160-43/ 2117388-6, S210T160-53/ 2117388-7 OR S210T160-63 -73/2117388-8 CONTROLLER RESULTS IN OVERSHOOT OF SELECTOR PANEL INDICATION. WHEN CONTROLLERS S210T160-83/ 2117388-11 OR | 002004 107107 952952 | RF |

MISSING ITEM NUMBERS NOT APPLICABLE

- ITEM NOT ILLUSTRATED

21-31-02-01

21-31-02
FIG. 01
PAGE 6
JAN 20/09

BRI



757

PARTS CATALOG (MAINTENANCE)

| FIG ITEM | PART NUMBER | 1 2 3 4 5 6 7 NOMENCLATURE | EFFECT FROM TO | UNITS PER ASSY |
|-------------|-------------|---|----------------------------|----------------------|
| 1 | | <p>S210T160-113/2117388-13 OR S210T160-133/ 2117388-15 ARE INSTALLED WITH COCKPIT VALVES S210T160-64/606832-11 -12, S210T160-74/ 606832-13 -14, S210T160-84/606832-16, OR S210T160-94/606832-18 RESULTS IN UNDERSHOOT OF SELECTOR PANEL INDICATION, S210T160-84/ 2117388-11, S210T160-113/2117388-13, AND S210T160-133/ 2117388-15 ARE PREFERRED BUT ONLY WHEN INSTALLED WITH S210T160-114/ 606832-21 COCKPIT VALVE. SEE 757-SL-21-050B OR 767-SL-21-064B FOR DETAILS.</p> | | |
| 13 | 2117388-6 | <p>.CONTROL UNIT ASSY-AUTO. CAB. SUPPLIER CODE: V64547 SPECIFICATION NUMBER: S210T160-43 ELECTRICAL EQUIP NUMBER: M00118 M00119 COMPONENT MAINT MANUAL REF: 21-31-48 QUALIFIED I/W DATA: CONTROLLERS S210T160-33/2117388-5, S210T160-43/2117388-6, S210T160-53/2117388-7, S210T160-63 -73/ 2117388-8, S210T160-83/ 2117388-11, S210T160-113/2117388-13 AND S210T160-133/ 2117388-15 ARE INTERCHANGEABLE ONE WAY FORWARD, NOT INTERMIXABLE WHEN INSTALLED WITH COCKPIT VALVES S210T160-64/</p> | 002004 107107 952952 | RF |

MISSING ITEM NUMBERS NOT APPLICABLE

- ITEM NOT ILLUSTRATED

BRI

21-31-02-01

BOEING PROPRIETARY - Copyright © - Unpublished Work - See title page for details.

21-31-02
FIG. 01
PAGE 7
JAN 20/09



757

PARTS CATALOG (MAINTENANCE)

| FIG ITEM | PART NUMBER | 1 2 3 4 5 6 7 NOMENCLATURE | EFFECT FROM TO | UNITS PER ASSY |
|-------------|-------------|--|---|----------------------|
| 1 | | <p>606832-11 -12, S210T160-74/606832-13 -14, S210T160-84/ 606832-16, S210T160-94/ 606832-18 OR S210T160-114/606832-21. IF S210T160-114/ 606832-21 IS INSTALLED WITH S210T160-33/ 2117388-5, S210T160-43/ 2117388-6, S210T160-53/ 2117388-7 OR S210T160-63 -73/2117388-8 CONTROLLER RESULTS IN OVERSHOOT OF SELECTOR PANEL INDICATION. WHEN CONTROLLERS S210T160-83/ 2117388-11 OR S210T160-113/2117388-13 OR S210T160-133/ 2117388-15 ARE INSTALLED WITH COCKPIT VALVES S210T160-64/606832-11 -12, S210T160-74/ 606832-13 -14, S210T160-84/606832-16, OR S210T160-94/606832-18 RESULTS IN UNDERSHOOT OF SELECTOR PANEL INDICATION, S210T160-84/ 2117388-11, S210T160-113/2117388-13, AND S210T160-133/ 2117388-15 ARE PREFERRED BUT ONLY WHEN INSTALLED WITH S210T160-114/ 606832-21 COCKPIT VALVE. SEE 757-SL-21-050B OR 767-SL-21-064B FOR DETAILS.</p> | | |
| 13 | 2117388-8 | <p>.CONTROL UNIT ASSY-AUTO CAB. SUPPLIER CODE: V64547 SPECIFICATION NUMBER: S210T160-63 ELECTRICAL EQUIP NUMBER: M00118 M00119</p> | <p>006100 121503 950951 953999</p> | 2 |

MISSING ITEM NUMBERS NOT APPLICABLE

- ITEM NOT ILLUSTRATED

21-31-02-01

21-31-02
 FIG. 01
 PAGE 8
 JAN 20/09

BRI



757

PARTS CATALOG (MAINTENANCE)

| FIG ITEM | PART NUMBER | 1 2 3 4 5 6 7 NOMENCLATURE | EFFECT FROM TO | UNITS PER ASSY |
|-------------|-------------|--|-------------------|----------------------|
| 1 | | <p>COMPONENT MAINT MANUAL REF: 21-31-48</p> <p>QUALIFIED I/W DATA: CONTROLLERS S210T160-33/2117388-5, S210T160-43/2117388-6, S210T160-53/2117388-7, S210T160-63 -73/ 2117388-8, S210T160-83/ 2117388-11, S210T160-113/2117388-13 AND S210T160-133/ 2117388-15 ARE INTERCHANGEABLE ONE WAY FORWARD, NOT INTERMIXABLE WHEN INSTALLED WITH COCKPIT VALVES S210T160-64/ 606832-11 -12, S210T160-74/606832-13 -14, S210T160-84/ 606832-16, S210T160-94/ 606832-18 OR S210T160-114/606832-21. IF S210T160-114/ 606832-21 IS INSTALLED WITH S210T160-33/ 2117388-5, S210T160-43/ 2117388-6, S210T160-53/ 2117388-7 OR S210T160-63 -73/2117388-8 CONTROLLER RESULTS IN OVERSHOOT OF SELECTOR PANEL INDICATION. WHEN CONTROLLERS S210T160-83/ 2117388-11 OR S210T160-113/2117388-13 OR S210T160-133/ 2117388-15 ARE INSTALLED WITH COCKPIT VALVES S210T160-64/606832-11 -12, S210T160-74/ 606832-13 -14, S210T160-84/606832-16, OR S210T160-94/606832-18 RESULTS IN UNDERSHOOT OF SELECTOR PANEL INDICATION, S210T160-84/ 2117388-11,</p> | | |

MISSING ITEM NUMBERS NOT APPLICABLE

- ITEM NOT ILLUSTRATED

21-31-02-01

21-31-02
FIG. 01
PAGE 9
JAN 20/09

BRI



757

PARTS CATALOG (MAINTENANCE)

| FIG ITEM | PART NUMBER | 1 2 3 4 5 6 7 NOMENCLATURE | EFFECT FROM TO | UNITS PER ASSY |
|-------------|---------------|---|-------------------|----------------------|
| 1 | 13 2117388-13 | <p>S210T160-113/2117388-13, AND S210T160-133/ 2117388-15 ARE PREFERRED BUT ONLY WHEN INSTALLED WITH S210T160-114/ 606832-21 COCKPIT VALVE. SEE 757-SL-21-050B OR 767-SL-21-064B FOR DETAILS.</p> <p>.CONTROL UNIT ASSY-AUTO. CAB. SUPPLIER CODE: V64547 FUNCTIONAL DESCRIPTION: CONTROLS CABIN PRESSURE BY COMMANDING A CABIN AIR OUTFLOW VALVE TO OPEN OR CLOSE TO DECREASE OR INCREASE CABIN PRESSURE SPECIFICATION NUMBER: S210T160-113 MISCELLANEOUS DATA: 757-SL-21-050 ELECTRICAL EQUIP NUMBER: M00118 M00119 COMPONENT MAINT MANUAL REF: 21-31-48 QUALIFIED I/W DATA: CONTROLLERS S210T160-63/2117388-8 AND S210T160-113/ 2117388-13 ARE FULLY INTERCHANGEABLE AND INTERMIXABLE IF OUTFLOW VALVE S210T160-114 INSTALLED. HOWEVER, IF VALVES S210T160-64 OR -74 OR -84 OR -94 ARE INSTALLED, THE CONTROLLER S210T160-113/ 2117388-13 WILL INDICATE AN UNDERSHOOT ON THE RESPECTIVE CONTROL PANEL. CONTROLLERS S210T160-33/2117388-5, S210T160-43/2117388-6,</p> | 504903 | 2 |

MISSING ITEM NUMBERS NOT APPLICABLE

- ITEM NOT ILLUSTRATED

21-31-02-01

21-31-02
FIG. 01
PAGE 10
JAN 20/09

BRI



757

PARTS CATALOG (MAINTENANCE)

| FIG ITEM | PART NUMBER | 1 2 3 4 5 6 7 NOMENCLATURE | EFFECT FROM TO | UNITS PER ASSY |
|-------------|-------------|--|-------------------|----------------------|
| 1 | | <p>S210T160-53/2117388-7, S210T160-63 -73/ 2117388-8, S210T160-83/ 2117388-11, S210T160-113/2117388-13 AND S210T160-133/ 2117388-15 ARE INTERCHANGEABLE ONE WAY FORWARD, NOT INTERMIXABLE WHEN INSTALLED WITH COCKPIT VALVES S210T160-64/ 606832-11 -12, S210T160-74/606832-13 -14, S210T160-84/ 606832-16, S210T160-94/ 606832-18 OR S210T160-114/606832-21. IF S210T160-114/ 606832-21 IS INSTALLED WITH S210T160-33/ 2117388-5, S210T160-43/ 2117388-6, S210T160-53/ 2117388-7 OR S210T160-63 -73/2117388-8 CONTROLLER RESULTS IN OVERSHOOT OF SELECTOR PANEL INDICATION. WHEN CONTROLLERS S210T160-83/ 2117388-11 OR S210T160-113/2117388-13 OR S210T160-133/ 2117388-15 ARE INSTALLED WITH COCKPIT VALVES S210T160-64/606832-11 -12, S210T160-74/ 606832-13 -14, S210T160-84/606832-16, OR S210T160-94/606832-18 RESULTS IN UNDERSHOOT OF SELECTOR PANEL INDICATION, S210T160-84/ 2117388-11, S210T160-113/2117388-13, AND S210T160-133/ 2117388-15 ARE PREFERRED BUT ONLY WHEN INSTALLED WITH S210T160-114/ 606832-21 COCKPIT VALVE.</p> | | |

MISSING ITEM NUMBERS NOT APPLICABLE

- ITEM NOT ILLUSTRATED

21-31-02-01

21-31-02
FIG. 01
PAGE 11
JAN 20/09

BRI



757

PARTS CATALOG (MAINTENANCE)

| FIG ITEM | PART NUMBER | 1 2 3 4 5 6 7 | NOMENCLATURE | EFFECT FROM TO | UNITS PER ASSY |
|----------|-------------|---------------|---|----------------|----------------|
| 1 | | | SEE 757-SL-21-050B OR 767-SL-21-064B FOR DETAILS. | | |
| 13 | 2117388-15 | | .CONTROL UNIT ASSY-AUTO. CAB. SUPPLIER CODE: V64547 FUNCTIONAL DESCRIPTION: CONTROLS CABIN PRESSURE BY COMMANDING A CABIN AIR OUTFLOW VALVE TO OPEN OR CLOSE TO DECREASE OR INCREASE CABIN PRESSURE SPECIFICATION NUMBER: S210T160-133 ELECTRICAL EQUIP NUMBER: M00118 M00119 COMPONENT MAINT MANUAL REF: 21-31-48 QUALIFIED I/W DATA: CONTROLLERS S210T160-33/2117388-5, S210T160-43/2117388-6, S210T160-53/2117388-7, S210T160-63 -73/ 2117388-8, S210T160-83/ 2117388-11, S210T160-113/2117388-13 AND S210T160-133/ 2117388-15 ARE INTERCHANGEABLE ONE WAY FORWARD, NOT INTERMIXABLE WHEN INSTALLED WITH COCKPIT VALVES S210T160-64/ 606832-11 -12, S210T160-74/606832-13 -14, S210T160-84/ 606832-16, S210T160-94/ 606832-18 OR S210T160-114/606832-21. IF S210T160-114/ 606832-21 IS INSTALLED WITH S210T160-33/ 2117388-5, S210T160-43/ 2117388-6, S210T160-53/ 2117388-7 OR S210T160-63 | 504903 | 2 |

MISSING ITEM NUMBERS NOT APPLICABLE

- ITEM NOT ILLUSTRATED

21-31-02-01

21-31-02
FIG. 01
PAGE 12
JAN 20/09

BRI



757

PARTS CATALOG (MAINTENANCE)

| FIG ITEM | PART NUMBER | 1 2 3 4 5 6 7 | NOMENCLATURE | EFFECT FROM TO | UNITS PER ASSY |
|----------|-------------|---------------|--|--------------------------------------|----------------|
| 1 | | | <p>-73/2117388-8 CONTROLLER RESULTS IN OVERSHOOT OF SELECTOR PANEL INDICATION. WHEN CONTROLLERS S210T160-83/2117388-11 OR S210T160-113/2117388-13 OR S210T160-133/2117388-15 ARE INSTALLED WITH COCKPIT VALVES S210T160-64/606832-11 -12, S210T160-74/606832-13 -14, S210T160-84/606832-16, OR S210T160-94/606832-18 RESULTS IN UNDERSHOOT OF SELECTOR PANEL INDICATION, S210T160-84/2117388-11, S210T160-113/2117388-13, AND S210T160-133/2117388-15 ARE PREFERRED BUT ONLY WHEN INSTALLED WITH S210T160-114/606832-21 COCKPIT VALVE. SEE 757-SL-21-050B OR 767-SL-21-064B FOR DETAILS.</p> | | |
| 15 | P405WBG5HNG | .. | LAMP-IND DS1 SUPPLIER CODE: V15513 USED ON: 2117388-5 2117388-6 | 002004 107107 904949 952952 | 1 |
| 20 | P405WBR5HNR | .. | LAMP-IND DS2-DS8 SUPPLIER CODE: V15513 SB DATA FROM A CMM: PRE SB 21-2580 USED ON: 2117388-5 2117388-6 | 002004 107107 904949 952952 | 7 |

MISSING ITEM NUMBERS NOT APPLICABLE

- ITEM NOT ILLUSTRATED

BRI

21-31-02-01

BOEING PROPRIETARY - Copyright © - Unpublished Work - See title page for details.

21-31-02
FIG. 01
PAGE 13
JAN 20/09



757

PARTS CATALOG (MAINTENANCE)

| FIG ITEM | PART NUMBER | 1 2 3 4 5 6 7 | NOMENCLATURE | EFFECT FROM TO | UNITS PER ASSY |
|----------|--------------|---------------|--|--------------------------------------|----------------|
| 1 25 | P405WBG5HNG | .. | LAMP-IND DS1, DS4 SUPPLIER CODE: V15513 SB DATA FROM A CMM: POST SB 21-2580 USED ON: 2117388-8 2117388-11 | 006100 121503 950951 953999 | 2 |
| 30 | P405WBR5HNR | .. | LAMP-IND DS5-DS8 SUPPLIER CODE: V15513 USED ON: 2117388-8 2117388-11 | 006100 121503 950951 953999 | 4 |
| 35 | 559-2301-003 | .. | LAMP-IND DS2, DS3 SUPPLIER CODE: V72619 SB DATA FROM A CMM: POST SB 21-2580 USED ON: 2117388-8 2117388-11 | 006100 121503 950951 953999 | 2 |
| 40 | 559-2201-007 | .. | LAMP-IND DS4 SUPPLIER CODE: V1EG71 SB DATA FROM A CMM: PRE SB 21-4109 USED ON: 2117388-13 2117388-14 2117388-15 | 504903 | 1 |
| 40 | 559-2101-007 | .. | LAMP-IND DS4 SUPPLIER CODE: V1EG71 SB DATA FROM A CMM: POST SB 21-4109 USED ON: 2117388-13 2117388-15 | 504903 | 1 |

MISSING ITEM NUMBERS NOT APPLICABLE

- ITEM NOT ILLUSTRATED

BRI

21-31-02-01

BOEING PROPRIETARY - Copyright © - Unpublished Work - See title page for details.

21-31-02
FIG. 01
PAGE 14
JAN 20/09



757

PARTS CATALOG (MAINTENANCE)

| FIG ITEM | PART NUMBER | 1 2 3 4 5 6 7 | NOMENCLATURE | EFFECT FROM TO | UNITS PER ASSY |
|----------|--------------|---------------|--|--------------------------------------|----------------|
| 1 | | | | | |
| 45 | 559-2201-007 | .. | LAMP-IND DS1 SUPPLIER CODE: V1EG71 USED ON: 2117388-13 2117388-14 2117388-15 | 504903 | 1 |
| 50 | 559-2301-007 | .. | LAMP-IND DS2, DS3 SUPPLIER CODE: V1EG71 SB DATA FROM A CMM: PRE SB 21-4109 USED ON: 2117388-13 2117388-15 | 504903 | 2 |
| 50 | 559-2101-007 | .. | LAMP-IND DS2, DS3 SUPPLIER CODE: V1EG71 SB DATA FROM A CMM: POST SB 21-4109 USED ON: 2117388-13 2117388-15 | 504903 | 2 |
| 55 | 559-2101-007 | .. | LAMP-IND DS5-DS8 SUPPLIER CODE: V1EG71 USED ON: 2117388-13 2117388-14 2117388-15 | 504903 | 4 |
| 60 | 947599-1 | .. | LABEL-IDENT SUPPLIER CODE: V64547 | 002004 006100 107107 121999 | 1 |
| 100 | S10002VR2P | .. | LABEL- SUPPLIER CODE: V64547 | 002004 006100 107107 121999 | 1 |

MISSING ITEM NUMBERS NOT APPLICABLE

- ITEM NOT ILLUSTRATED

BRI

21-31-02-01

BOEING PROPRIETARY - Copyright © - Unpublished Work - See title page for details.

21-31-02
FIG. 01
PAGE 15
JAN 20/09



757

PARTS CATALOG (MAINTENANCE)

| FIG ITEM | PART NUMBER | 1 2 3 4 5 6 7 | NOMENCLATURE | EFFECT FROM TO | UNITS PER ASSY |
|----------|---------------|---------------|---|--|----------------|
| 1 110 | S9629DA8P1 | | .. PLATE-INSTR SUPPLIER CODE: V64547 USED ON: 2117388-5 2117388-6 2117388-8 PRE SERVICE BULLETIN: V64547 | 002004 006100 107107 121503 904999 | 1 |
| 110 | S10041DA16WB1 | | .. PLATE-INSTR SUPPLIER CODE: V64547 SB DATA FROM A CMM: POST SB 21-4109 USED ON: 2117388-13 2117388-14 2117388-15 | 504903 | 1 |
| 130 | 4243997-8 | | .. PLATE-IDENT SUPPLIER CODE: V64547 SB DATA FROM A CMM: POST 21-2696 USED ON: 2117388-13 | 504903 | 1 |
| 130 | 2108173-9 | | .. PLATE-IDENT SUPPLIER CODE: V64547 SB DATA FROM A CMM: 21-2426, 21-2592 21-2655, 21-2696 POST 21-2409 USED ON: 2117388-6 | 002004 107107 904949 952952 | 1 |
| 130 | 2108173-10 | | .. PLATE-IDENT SUPPLIER CODE: V64547 SB DATA FROM A CMM: 21-2426, 21-2592 21-2655, 21-2696 POST 21-2409 USED ON: 2117388-6 PRE SERVICE BULLETIN: V64547 | 002004 107107 904949 952952 | 1 |

MISSING ITEM NUMBERS NOT APPLICABLE

- ITEM NOT ILLUSTRATED

BRI

21-31-02-01

21-31-02
FIG. 01
PAGE 16
JAN 20/09



757

PARTS CATALOG (MAINTENANCE)

| FIG ITEM | PART NUMBER | 1 2 3 4 5 6 7 | NOMENCLATURE | EFFECT FROM TO | UNITS PER ASSY |
|----------|-------------|---------------|--|--------------------------------------|----------------|
| 1 130 | 2108173-11 | | ..PLATE-IDENT SUPPLIER CODE: V64547 SB DATA FROM A CMM: POST 21-2409 CONFIG CHG DATA FROM A CMM: REPLD BY 2122917-1 USED ON: 2117388-6 | 002004 107107 904949 952952 | 1 |
| 130 | 2122917-1 | | ..PLATE-IDENT SUPPLIER CODE: V64547 SB DATA FROM A CMM: 21-2426, 21-2592 21-2655, 21-2696 CONFIG CHG DATA FROM A CMM: REPLS 2108173-11 USED ON: 2117388-6 | 002004 107107 904949 952952 | 1 |
| 130 | 2122917-5 | | ..PLATE-IDENT SUPPLIER CODE: V64547 SB DATA FROM A CMM: 21-2593, 21-2655 21-2696 POST 21-2592 USED ON: 2117388-6 | 002004 107107 904949 952952 | 1 |
| 130 | 2122917-6 | | ..PLATE-IDENT SUPPLIER CODE: V64547 SB DATA FROM A CMM: 21-2593, 21-2655 21-2696 POST 21-2592 USED ON: 2117388-6 | 002004 107107 904949 952952 | 1 |
| 130 | 2122917-7 | | ..PLATE-IDENT SUPPLIER CODE: V64547 SB DATA FROM A CMM: 21-2593, 21-2655 21-2696 POST 21-2592 USED ON: 2117388-6 | 002004 107107 904949 952952 | 1 |

MISSING ITEM NUMBERS NOT APPLICABLE

- ITEM NOT ILLUSTRATED

21-31-02-01

21-31-02
FIG. 01
PAGE 17
JAN 20/09

BRI



757

PARTS CATALOG (MAINTENANCE)

| FIG ITEM | PART NUMBER | 1 2 3 4 5 6 7 | NOMENCLATURE | EFFECT FROM TO | UNITS PER ASSY |
|----------|-------------|---------------|---|--------------------------------------|----------------|
| 1 130 | 2122917-13 | | ..PLATE-IDENT SUPPLIER CODE: V64547 SB DATA FROM A CMM: POST SB 21-2580 PRE 21-2655, 21-2656 21-2696 USED ON: 2117388-8 | 006100 121503 950951 953999 | 1 |
| 130 | 2122917-14 | | ..PLATE-IDENT SUPPLIER CODE: V64547 SB DATA FROM A CMM: POST SB 21-2580 PRE 21-2655, 21-2656 21-2696 USED ON: 2117388-8 | 006100 121503 950951 953999 | 1 |
| 130 | 2122917-12 | | ..PLATE-IDENT SUPPLIER CODE: V64547 SB DATA FROM A CMM: POST 21-2580 PRE 21-2655, 21-2656 21-2696 USED ON: 2117388-8 | 006100 121503 950951 953999 | 1 |
| 130 | 2122917-15 | | ..PLATE-IDENT SUPPLIER CODE: V64547 SB DATA FROM A CMM: POST 21-2580 PRE 21-2655, 21-2656 21-2696 USED ON: 2117388-8 | 006100 121503 950951 953999 | 1 |
| 130 | 2122917-16 | | ..PLATE-IDENT SUPPLIER CODE: V64547 SB DATA FROM A CMM: POST 21-2580 PRE 21-2655, 21-2656 21-2696 USED ON: 2117388-8 | 006100 121503 950951 953999 | 1 |

MISSING ITEM NUMBERS NOT APPLICABLE

- ITEM NOT ILLUSTRATED

21-31-02-01

21-31-02
FIG. 01
PAGE 18
JAN 20/09

BRI



757

PARTS CATALOG (MAINTENANCE)

| FIG ITEM | PART NUMBER | 1 2 3 4 5 6 7 | NOMENCLATURE | EFFECT FROM TO | UNITS PER ASSY |
|----------|-------------|---------------|---|--|----------------|
| 1 130 | 2122917-17 | | .. PLATE-IDENT SUPPLIER CODE: V64547 SB DATA FROM A CMM: POST 21-2580 PRE 21-2655, 21-2656 21-2696 USED ON: 2117388-8 | 006100 121503 950951 953999 | 1 |
| 135 | 4243997-5 | | .. PLATE-IDENT SUPPLIER CODE: V64547 SB DATA FROM A CMM: POST 21-2696 USED ON: 2117388-13 | 504903 | 1 |
| 135 | 4243997-6 | | .. PLATE-IDENT SUPPLIER CODE: V64547 SB DATA FROM A CMM: POST 21-2696 USED ON: 2117388-13 | 504903 | 1 |
| 135 | 4243997-7 | | .. PLATE-IDENT SUPPLIER CODE: V64547 SB DATA FROM A CMM: POST 21-2696 USED ON: 2117388-13 | 504903 | 1 |
| 137 | MS35206-203 | | ATTACHING PARTS .. SCREW- USED ON: 2117388-5 2117388-6 2117388-8 2117388-11 PRE SERVICE BULLETIN: V64547 | 002004 006100 107107 121503 904999 | 2 |
| 138 | NAS620-2 | | .. WASHER- USED ON: 2117388-5 2117388-6 2117388-8 2117388-11 PRE SERVICE BULLETIN: V64547 | 002004 006100 107107 121503 904999 | 4 |

MISSING ITEM NUMBERS NOT APPLICABLE

- ITEM NOT ILLUSTRATED

21-31-02-01

21-31-02
FIG. 01
PAGE 19
JAN 20/09

BRI



757

PARTS CATALOG (MAINTENANCE)

| FIG ITEM | PART NUMBER | 1 2 3 4 5 6 7 | NOMENCLATURE | EFFECT FROM TO | UNITS PER ASSY |
|----------|---------------|---------------|--|--|----------------|
| 1 139 | MS21042-02 | | ..NUT- USED ON: 2117388-5 2117388-6 2117388-8 2117388-11 PRE SERVICE BULLETIN: V64547 -----*----- | 002004 006100 107107 121503 904999 | 2 |
| 140 | NAS622CT2 | | ..HOOK ATTACHING PARTS | 002004 006100 107107 121999 | 2 |
| 145 | MS24693S29 | | ..SCREW | 002004 006100 107107 121999 | 4 |
| 150 | NAS620-6L | | ..WASHER | 002004 006100 107107 121999 | 4 |
| 155 | MS21083N06 | | ..NUT | 002004 006100 107107 121999 | 4 |
| 160 | 13111A0632-1B | | -----*----- ..HANDLE- SUPPLIER CODE: V06544 USED ON: 2117388-5 2117388-6 2117388-8 2117388-11 PRE SERVICE BULLETIN: V64547 | 002004 006100 107107 121503 904999 | 1 |
| 160 | 13111A0632-18 | | ..HANDLE- SUPPLIER CODE: V06544 USED ON: 2117388-13 2117388-14 2117388-15 ATTACHING PARTS | 504903 | 1 |
| - 165 | MS35206-229 | | ..SCREW | 002004 006100 107107 121999 | 2 |

MISSING ITEM NUMBERS NOT APPLICABLE

- ITEM NOT ILLUSTRATED

21-31-02-01

21-31-02
FIG. 01
PAGE 20
JAN 20/09

BRI

BOEING PROPRIETARY - Copyright © - Unpublished Work - See title page for details.



757

PARTS CATALOG (MAINTENANCE)

| FIG ITEM | PART NUMBER | 1 2 3 4 5 6 7 | NOMENCLATURE | EFFECT FROM TO | UNITS PER ASSY |
|----------|---------------|---------------|---|--------------------------------------|----------------|
| 1 | | | | | |
| - 170 | NAS620-6L | | . . WASHER | 002004 006100 107107 121999 | 2 |
| - 505 | 286N1282-001 | | -----*----- WIRE BUNDLE ASSY- | 121503 904949 | RF |
| - 505 | 286N1282-003 | | WIRE BUNDLE ASSY- | 107107 | RF |
| - 505 | 286N1282-004 | | WIRE BUNDLE ASSY- | 002004 006100 950999 | RF |
| - 506 | 286N1282-318 | | WIRE BUNDLE ASSY | 504903 | RF |
| 508 | NIC66F11C0701 | | .CONNECTOR- SUPPLIER CODE: V00779 SPECIFICATION NUMBER: BACC66F11C0701 ELECTRICAL EQUIP NUMBER: D02340 WIRING DIAGRAM REF: 213111 | 002004 006100 107107 121999 | 1 |
| - 515 | 286N1284-001 | | WIRE BUNDLE ASSY- | 121503 904949 | RF |
| - 515 | 286N1284-003 | | WIRE BUNDLE ASSY- | 107107 | RF |
| - 515 | 286N1284-004 | | WIRE BUNDLE ASSY- REWORKED BY SB: 34-0200 | 002004 006100 950999 | RF |
| - 516 | 286N1284-352 | | WIRE BUNDLE ASSY | 504903 | RF |
| 525 | NIC66F11C0701 | | .CONNECTOR- SUPPLIER CODE: V00779 SPECIFICATION NUMBER: BACC66F11C0701 ELECTRICAL EQUIP NUMBER: D02342 WIRING DIAGRAM REF: 213121 | 002004 006100 107107 121999 | 1 |

MISSING ITEM NUMBERS NOT APPLICABLE

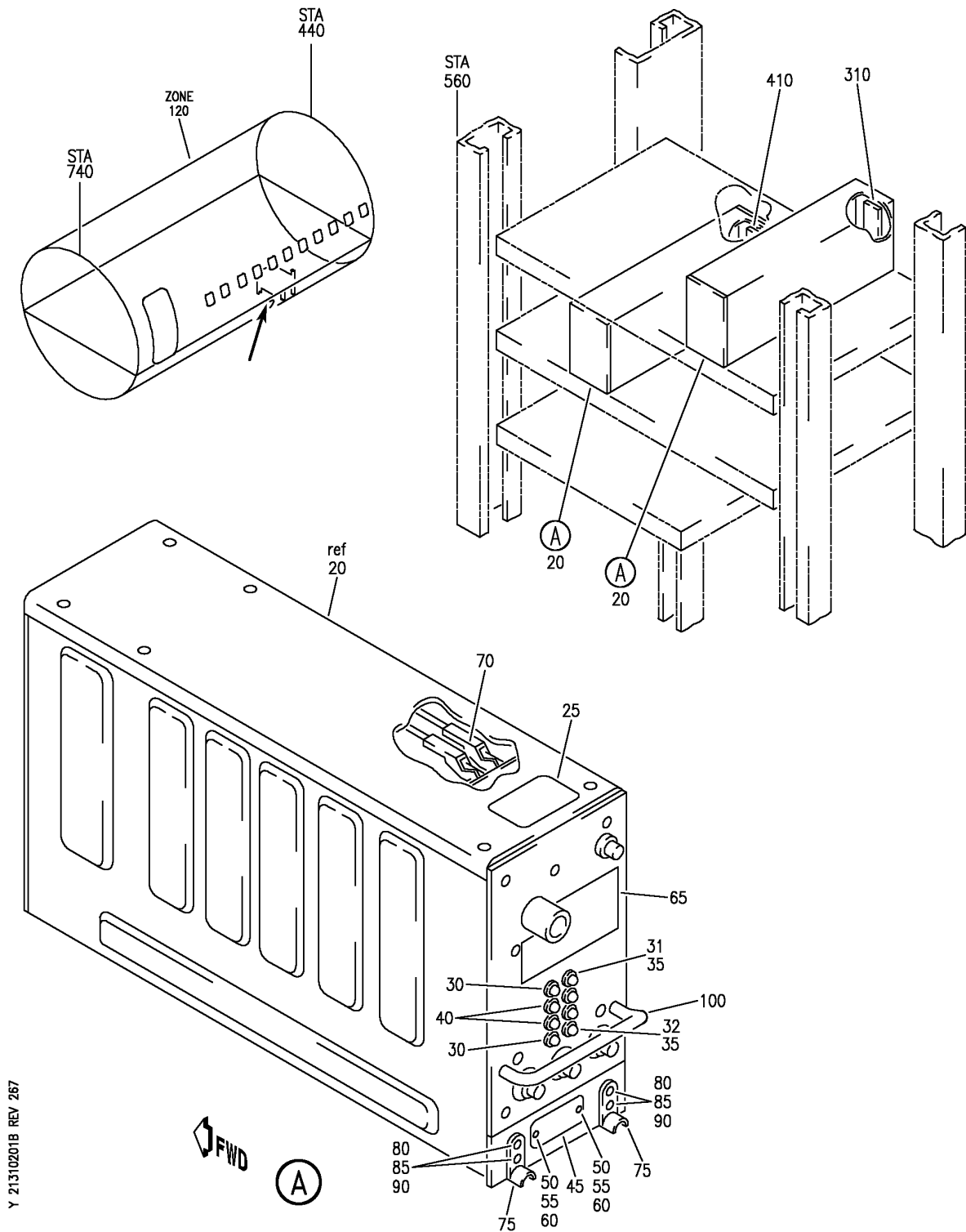
- ITEM NOT ILLUSTRATED

21-31-02-01

21-31-02
FIG. 01
PAGE 21
JAN 20/09

BRI

BOEING
757
PARTS CATALOG (MAINTENANCE)



EQUIPMENT INSTL-MAIN ELECTRONICS EQPT CTR (PRESSURIZATION CONTROL SYSTEM ONLY)
FIGURE 1B

BRI
MAY 28/07

21-31-02-01B

21-31-02-01B
PAGE 0



757

PARTS CATALOG (MAINTENANCE)

| FIG ITEM | PART NUMBER | 1 2 3 4 5 6 7 | NOMENCLATURE | EFFECT FROM TO | UNITS PER ASSY |
|----------|--------------|---------------|---|----------------|----------------|
| 1B | | | EQUIPMENT INSTL-MAIN ELECTRONICS EQPT CTR (PRESSURIZATION CONTROL SYSTEM ONLY) | 101102 | |
| - 2 | 284N1800-140 | | EQUIPMENT INSTL-MAIN ELECTRONICS EQPT CTR (PRESSURIZATION CONTROL SYSTEM ONLY) FOR NHA/OTHER SYS DET SEE: 24-00-58-05E | 101101 | RF |
| - 3 | 284N1800-141 | | EQUIPMENT INSTL-MAIN ELECTRONICS EQPT CTR (PRESSURIZATION CONTROL SYSTEM ONLY) FOR NHA/OTHER SYS DET SEE: 24-00-58-05E | 102102 | RF |
| 20 | 2117388-13 | | .CONTROL UNIT ASSY-AUTO. CAB. SUPPLIER CODE: V64547 FUNCTIONAL DESCRIPTION: CONTROLS CABIN PRESSURE BY COMMANDING A CABIN AIR OUTFLOW VALVE TO OPEN OR CLOSE TO DECREASE OR INCREASE CABIN PRESSURE SPECIFICATION NUMBER: S210T160-113 MISCELLANEOUS DATA: 757-SL-21-050 ELECTRICAL EQUIP NUMBER: M00118 M00119 COMPONENT MAINT MANUAL REF: 21-31-48 QUALIFIED I/W DATA: CONTROLLERS S210T160-63/ 2117388-8 AND S210T160-113/2117388-13 ARE FULLY INTERCHANGEABLE AND INTERMIXABLE IF OUTFLOW VALVE S210T160-114 INSTALLED. HOWEVER, IF VALVES S210T160-64 OR -74 OR -84 OR -94 ARE INSTALLED, THE CONTROLLER S210T160-113/ | 101102 | 2 |

MISSING ITEM NUMBERS NOT APPLICABLE

- ITEM NOT ILLUSTRATED

21-31-02-01B

21-31-02
FIG. 01B
PAGE 1
JAN 20/09

BRI



757

PARTS CATALOG (MAINTENANCE)

| FIG ITEM | PART NUMBER | 1 2 3 4 5 6 7 NOMENCLATURE | EFFECT FROM TO | UNITS PER ASSY |
|-------------|-------------|---|-------------------|----------------------|
| 1B | | <p>2117388-13 WILL INDICATE AN UNDERSHOOT ON THE RESPECTIVE CONTROL PANEL. CONTROLLERS S210T160-33/2117388-5, S210T160-43/2117388-6, S210T160-53/2117388-7, S210T160-63 -73/ 2117388-8, S210T160-83/ 2117388-11, S210T160-113/2117388-13 AND S210T160-133/ 2117388-15 ARE INTERCHANGEABLE ONE WAY FORWARD, NOT INTERMIXABLE WHEN INSTALLED WITH COCKPIT VALVES S210T160-64/ 606832-11 -12, S210T160-74/606832-13 -14, S210T160-84/ 606832-16, S210T160-94/ 606832-18 OR S210T160-114/606832-21. IF S210T160-114/ 606832-21 IS INSTALLED WITH S210T160-33/ 2117388-5, S210T160-43/ 2117388-6, S210T160-53/ 2117388-7 OR S210T160-63 -73/2117388-8 CONTROLLER RESULTS IN OVERSHOOT OF SELECTOR PANEL INDICATION. WHEN CONTROLLERS S210T160-83/ 2117388-11 OR S210T160-113/2117388-13 OR S210T160-133/ 2117388-15 ARE INSTALLED WITH COCKPIT VALVES S210T160-64/606832-11 -12, S210T160-74/ 606832-13 -14, S210T160-84/606832-16, OR S210T160-94/606832-18 RESULTS IN UNDERSHOOT OF SELECTOR PANEL INDICATION, S210T160-84/</p> | | |

MISSING ITEM NUMBERS NOT APPLICABLE

- ITEM NOT ILLUSTRATED

21-31-02-01B

21-31-02
 FIG. 01B
 PAGE 2
 JAN 20/09

BRI

 **BOEING**
757
PARTS CATALOG (MAINTENANCE)

| FIG ITEM | PART NUMBER | 1 2 3 4 5 6 7 NOMENCLATURE | EFFECT FROM TO | UNITS PER ASSY |
|-------------|---------------|--|-------------------|----------------------|
| 1B | 20 2117388-15 | <p>2117388-11, S210T160-113/2117388-13, AND S210T160-133/ 2117388-15 ARE PREFERRED BUT ONLY WHEN INSTALLED WITH S210T160-114/ 606832-21 COCKPIT VALVE. SEE 757-SL-21-050B OR 767-SL-21-064B FOR DETAILS.</p> <p>.CONTROL UNIT ASSY-AUTO. CAB. SUPPLIER CODE: V64547 FUNCTIONAL DESCRIPTION: CONTROLS CABIN PRESSURE BY COMMANDING A CABIN AIR OUTFLOW VALVE TO OPEN OR CLOSE TO DECREASE OR INCREASE CABIN PRESSURE SPECIFICATION NUMBER: S210T160-133 ELECTRICAL EQUIP NUMBER: M00118 M00119 COMPONENT MAINT MANUAL REF: 21-31-48 QUALIFIED I/W DATA: CONTROLLERS S210T160-33/2117388-5, S210T160-43/2117388-6, S210T160-53/2117388-7 S210T160-63 -73/ 2117388-8, S210T160-83/ 2117388-11, S210T160-113/2117388-13 AND S210T160-133/ 2117388-15 ARE INTERCHANGEABLE ONE WAY FORWARD, NOT INTERMIXABLE WHEN INSTALLED WITH COCKPIT VALVES S210T160-64/ 606832-11 -12, S210T160-74/606832-13 -14, S210T160-84/ 606832-16, S210T160-94/ 606832-18 OR</p> | 101102 | 2 |

MISSING ITEM NUMBERS NOT APPLICABLE

— ITEM NOT ILLUSTRATED

BRI

21-31-02-01B

BOEING PROPRIETARY - Copyright © - Unpublished Work - See title page for details.

21-31-02
FIG. 01B
PAGE 3
JAN 20/09



757

PARTS CATALOG (MAINTENANCE)

| FIG ITEM | PART NUMBER | 1 2 3 4 5 6 7 | NOMENCLATURE | EFFECT FROM TO | UNITS PER ASSY |
|----------|--------------|---------------|---|----------------|----------------|
| 1B | | | <p>S210T160-114/606832-21. IF S210T160-114/ 606832-21 IS INSTALLED WITH S210T160-33/ 2117388-5, S210T160-43/ 2117388-6, S210T160-53/ 2117388-7 OR S210T160-63 -73/2117388-8 CONTROLLER RESULTS IN OVERSHOOT OF SELECTOR PANEL INDICATION. WHEN CONTROLLERS S210T160-83/ 2117388-11 OR S210T160-113/2117388-13 OR S210T160-133/ 2117388-15 ARE INSTALLED WITH COCKPIT VALVES S210T160-64/606832-11 -12, S210T160-74/ 606832-13 -14, S210T160-84/606832-16, OR S210T160-94/606832-18 RESULTS IN UNDERSHOOT OF SELECTOR PANEL INDICATION, S210T160-84/ 2117388-11, S210T160-113/2117388-13, AND S210T160-133/ 2117388-15 ARE PREFERRED BUT ONLY WHEN INSTALLED WITH S210T160-114/ 606832-21 COCKPIT VALVE. SEE 757-SL-21-050B OR 767-SL-21-064B FOR DETAILS.</p> | | |
| 25 | S10002VR2P | .. | LABEL- SUPPLIER CODE: V64547 | 101102 | 1 |
| 30 | 559-2201-007 | .. | LAMP-IND SUPPLIER CODE: V1EG71 | 101102 | 2 |
| 31 | 559-2201-007 | .. | LAMP-IND, DS1 SUPPLIER CODE: V1EG71 | 101102 | 1 |
| 32 | 559-2201-007 | .. | LAMP-IND, DS4 SUPPLIER CODE: V1EG71 SB DATA FROM A CMM: PRE SB 21-4109 | 101102 | 1 |

MISSING ITEM NUMBERS NOT APPLICABLE

- ITEM NOT ILLUSTRATED

21-31-02-01B

21-31-02
FIG. 01B
PAGE 4
JAN 20/09

BRI

BOEING PROPRIETARY - Copyright © - Unpublished Work - See title page for details.



757

PARTS CATALOG (MAINTENANCE)

| FIG ITEM | PART NUMBER | 1 2 3 4 5 6 7 | NOMENCLATURE | EFFECT FROM TO | UNITS PER ASSY |
|-------------|---------------|---------------|--|-------------------|----------------------|
| 1B | | | | | |
| 32 | 559-2101-007 | .. | LAMP-IND, DS4 SUPPLIER CODE: V1EG71 SB DATA FROM A CMM: POST SB 21-4109 | 101102 | 1 |
| 35 | 559-2101-007 | .. | LAMP-IND, DS5-DS8 SUPPLIER CODE: V1EG71 | 101102 | 4 |
| 40 | 559-2301-007 | .. | LAMP-IND, DS2, DS3 SUPPLIER CODE: V1EG71 SB DATA FROM A CMM: PRE SB 21-4109 | 101102 | 2 |
| 40 | 559-2101-007 | .. | LAMP-IND, DS2, DS3 SUPPLIER CODE: V1EG71 SB DATA FROM A CMM: POST SB 21-4109 | 101102 | 2 |
| 45 | 4243997-5 | .. | PLATE-IDENT SUPPLIER CODE: V64547 SB DATA FROM A CMM: POST 21-2696 PRE SB 21-4109 | 101102 | 1 |
| 45 | 4243997-6 | .. | PLATE-IDENT SUPPLIER CODE: V64547 SB DATA FROM A CMM: POST 21-2696 PRE SB 21-4109 | 101102 | 1 |
| 45 | 4243997-7 | .. | PLATE-IDENT SUPPLIER CODE: V64547 SB DATA FROM A CMM: POST 21-2696 PRE SB 21-4109 | 101102 | 1 |
| 45 | 4243997-8 | .. | PLATE-IDENT SUPPLIER CODE: V64547 SB DATA FROM A CMM: POST 21-2696 PRE SB 21-4109 | 101102 | 1 |
| 65 | S10041DA16WB1 | .. | PLATE-INSTR SUPPLIER CODE: V64547 SB DATA FROM A CMM: POST SB 21-4109 | 101102 | 1 |

MISSING ITEM NUMBERS NOT APPLICABLE

- ITEM NOT ILLUSTRATED

BRI

21-31-02-01B

BOEING PROPRIETARY - Copyright © - Unpublished Work - See title page for details.

21-31-02
FIG. 01B
PAGE 5
JAN 20/09



757

PARTS CATALOG (MAINTENANCE)

| FIG ITEM | PART NUMBER | 1 2 3 4 5 6 7 | NOMENCLATURE | EFFECT FROM TO | UNITS PER ASSY |
|----------|---------------|---------------|--|----------------|----------------|
| 1B | | | | | |
| 70 | 947599-1 | .. | LABEL-IDENT SUPPLIER CODE: V64547 | 101102 | 1 |
| 75 | NAS622CT2 | .. | HOOK ATTACHING PARTS | 101102 | 2 |
| 80 | MS24693S29 | .. | SCREW | 101102 | 4 |
| 85 | NAS620-6L | .. | WASHER | 101102 | 4 |
| 90 | MS21083N06 | .. | NUT | 101102 | 4 |
| | | | -----*----- | | |
| 100 | 13111A0632-18 | .. | HANDLE- SUPPLIER CODE: V06544 ATTACHING PARTS | 101102 | 1 |
| - 105 | MS35206-229 | .. | SCREW | 101102 | 2 |
| | | | -----*----- | | |
| - 110 | NAS620-6L | .. | WASHER | 101102 | 2 |
| - 300 | 286N1282-316 | | WIRE BUNDLE ASSY | 101102 | RF |
| 310 | NIC66F11C0701 | . | CONNECTOR- SUPPLIER CODE: V00779 SPECIFICATION NUMBER: BACC66F11C0701 ELECTRICAL EQUIP NUMBER: D02340 WIRING DIAGRAM REF: 213111 | 101102 | 1 |
| - 400 | 286N1284-324 | | WIRE BUNDLE ASSY | 101102 | RF |
| 410 | NIC66F11C0701 | . | CONNECTOR- SUPPLIER CODE: V00779 SPECIFICATION NUMBER: BACC66F11C0701 ELECTRICAL EQUIP NUMBER: D02342 WIRING DIAGRAM REF: 213121 | 101102 | 1 |

MISSING ITEM NUMBERS NOT APPLICABLE

- ITEM NOT ILLUSTRATED

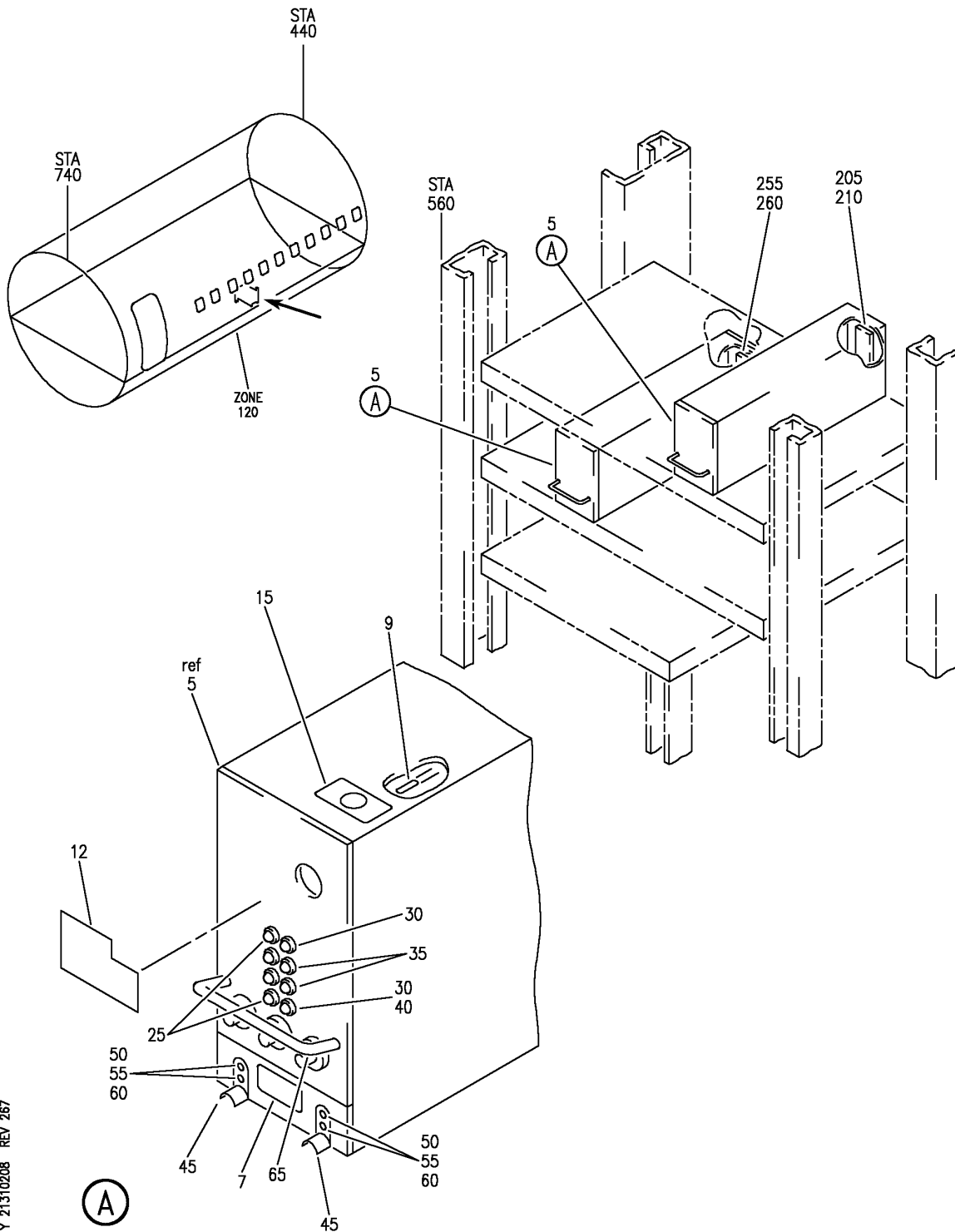
21-31-02-01B

21-31-02
FIG. 01B
PAGE 6
JAN 20/09

BRI

BOEING PROPRIETARY - Copyright © - Unpublished Work - See title page for details.

BOEING
757
PARTS CATALOG (MAINTENANCE)



Y 21310208 REV 267

EQUIPMENT INSTL-MAIN ELECTRONICS EQPT CTR CAB. PRESSURE CONT
FIGURE 8

21-31-02-08

BRI
JAN 20/09

21-31-02-08
PAGE 0



757

PARTS CATALOG (MAINTENANCE)

| FIG ITEM | PART NUMBER | 1 2 3 4 5 6 7 | NOMENCLATURE | EFFECT FROM TO | UNITS PER ASSY |
|----------|-----------------|---------------|---|------------------|----------------|
| 8 | | | EQUIPMENT INSTL-MAIN ELECTRONICS EQPT CTR CAB. PRESSURE CONT | 103106 108120 | |
| - 1 | 284N4000-210002 | | EQUIPMENT INSTL-MAIN ELECTRONICS EQPT CTR CAB. PRESSURE CONT | 108120 | RF |
| - 1 | MODREF9638 | | FOR NHA SEE: 24-00-58-05 EQUIPMENT INSTL-MAIN ELECTRONICS EQPT CTR CAB. PRESSURE CONT | 103106 | 1 |
| 5 | 2117388-13 | | MODULE NUMBER: 284N4000-210009 REV A .CONTROL UNIT ASSY- SUPPLIER CODE: V64547 FUNCTIONAL DESCRIPTION: CONTROLS CABIN PRESSURE BY COMMANDING A CABIN AIR OUTFLOW VALVE TO OPEN OR CLOSE TO DECREASE OR INCREASE CABIN PRESSURE SPECIFICATION NUMBER: S210T160-113 MISCELLANEOUS DATA: 757-SL-21-050 ELECTRICAL EQUIP NUMBER: M00118 M00119 COMPONENT MAINT MANUAL REF: 21-31-48 QUALIFIED I/W DATA: CONTROLLERS S210T160-63 /2117388-8 AND S210T160-113/2117388-13 ARE FULLY INTERCHANGEABLE AND INTERMIXABLE IF OUTFLOW VALVE S210T160-114 INSTALLED. HOWEVER, IF VALVES S210T160-64 OR -74 OR -84 OR -94 ARE INSTALLED, THE CONTROLLER S210T160-113 /2117388-13 WILL INDICATE AN UNDERSHOOT ON THE RESPECTIVE CONTROL PANEL. | 103106 | 2 |

MISSING ITEM NUMBERS NOT APPLICABLE

- ITEM NOT ILLUSTRATED

21-31-02-08

21-31-02
FIG. 08
PAGE 1
JAN 20/09

BRI



757

PARTS CATALOG (MAINTENANCE)

| FIG ITEM | PART NUMBER | 1 2 3 4 5 6 7 NOMENCLATURE | EFFECT FROM TO | UNITS PER ASSY |
|-------------|-------------|--|-------------------|----------------------|
| 8 | | <p>CONTROLLERS S210T160-33/2117388-5, S210T160-43/2117388-6, S210T160-53/2117388-7, S210T160-63 -73/ 2117388-8, S210T160-83/ 2117388-11, S210T160-113/2117388-13 AND S210T160-133/ 2117388-15 ARE INTERCHANGEABLE ONE WAY FORWARD, NOT INTERMIXABLE WHEN INSTALLED WITH COCKPIT VALVES S210T160-64/ 606832-11 -12, S210T160-74/606832-13 -14, S210T160-84/ 606832-16, S210T160-94/ 606832-18 OR S210T160-114/606832-21. IF S210T160-114/ 606832-21 IS INSTALLED WITH S210T160-33/ 2117388-5, S210T160-43/ 2117388-6, S210T160-53/ 2117388-7 OR S210T160-63 -73/2117388-8 CONTROLLER RESULTS IN OVERSHOOT OF SELECTOR PANEL INDICATION. WHEN CONTROLLERS S210T160-83/ 2117388-11 OR S210T160-113/2117388-13 OR S210T160-133/ 2117388-15 ARE INSTALLED WITH COCKPIT VALVES S210T160-64/606832-11 -12, S210T160-74/ 606832-13 -14, S210T160-84/606832-16, OR S210T160-94/606832-18 RESULTS IN UNDERSHOOT OF SELECTOR PANEL INDICATION, S210T160-84/ 2117388-11, S210T160-113/2117388-13, AND S210T160-133/ 2117388-15 ARE PREFERRED</p> | | |

MISSING ITEM NUMBERS NOT APPLICABLE

- ITEM NOT ILLUSTRATED

21-31-02-08

21-31-02
FIG. 08
PAGE 2
JAN 20/09

BRI



757

PARTS CATALOG (MAINTENANCE)

| FIG ITEM | PART NUMBER | 1 2 3 4 5 6 7 NOMENCLATURE | EFFECT FROM TO | UNITS PER ASSY |
|-------------|--------------|---|-------------------|----------------------|
| 8 | 5 2117388-15 | <p>BUT ONLY WHEN INSTALLED WITH S210T160-114/606832-21 COCKPIT VALVE. SEE 757-SL-21-050B OR 767-SL-21-064B FOR DETAILS.</p> <p>.CONTROL UNIT ASSY- SUPPLIER CODE: V64547</p> <p>FUNCTIONAL DESCRIPTION: CONTROLS CABIN PRESSURE BY COMMANDING A CABIN AIR OUTFLOW VALVE TO OPEN OR CLOSE TO DECREASE OR INCREASE CABIN PRESSURE</p> <p>SPECIFICATION NUMBER: S210T160-133</p> <p>ELECTRICAL EQUIP NUMBER: M00118 M00119</p> <p>COMPONENT MAINT MANUAL REF: 21-31-48</p> <p>QUALIFIED I/W DATA: CONTROLLERS S210T160-33/2117388-5, S210T160-43/2117388-6, S210T160-53/2117388-7, S210T160-63 -73/ 2117388-8, S210T160-83/ 2117388-11, S210T160-113/2117388-13 AND S210T160-133/ 2117388-15 ARE INTERCHANGEABLE ONE WAY FORWARD, NOT INTERMIXABLE WHEN INSTALLED WITH COCKPIT VALVES S210T160-64/ 606832-11 -12, S210T160-74/606832-13 -14, S210T160-84/ 606832-16, S210T160-94/ 606832-18 OR S210T160-114/606832-21. IF S210T160-114/ 606832-21 IS INSTALLED WITH S210T160-33/ 2117388-5, S210T160-43/</p> | 103106 | 2 |

MISSING ITEM NUMBERS NOT APPLICABLE

- ITEM NOT ILLUSTRATED

21-31-02-08

21-31-02
FIG. 08
PAGE 3
JAN 20/09

BRI



**757
PARTS CATALOG (MAINTENANCE)**

| FIG ITEM | PART NUMBER | 1 2 3 4 5 6 7 | NOMENCLATURE | EFFECT FROM TO | UNITS PER ASSY |
|----------|-------------|---------------|---|----------------|----------------|
| 8 | | | <p>2117388-6, S210T160-53/ 2117388-7 OR S210T160-63 -73/2117388-8 CONTROLLER RESULTS IN OVERSHOOT OF SELECTOR PANEL INDICATION. WHEN CONTROLLERS S210T160-83/ 2117388-11 OR S210T160-113/2117388-13 OR S210T160-133/ 2117388-15 ARE INSTALLED WITH COCKPIT VALVES S210T160-64/606832-11 -12, S210T160-74/ 606832-13 -14, S210T160-84/606832-16, OR S210T160-94/606832-18 RESULTS IN UNDERSHOOT OF SELECTOR PANEL INDICATION, S210T160-84/ 2117388-11, S210T160-113/2117388-13, AND S210T160-133/ 2117388-15 ARE PREFERRED BUT ONLY WHEN INSTALLED WITH S210T160-114/ 606832-21 COCKPIT VALVE. SEE 757-SL-21-050B OR 767-SL-21-064B FOR DETAILS.</p> | | |
| 7 | 4243997-5 | | <p>..PLATE-IDENT SUPPLIER CODE: V64547 SB DATA FROM A CMM: POST SB 21-2696 PRE SB 21-4109</p> | 108120 | 1 |
| 7 | 4243997-6 | | <p>..PLATE-IDENT SUPPLIER CODE: V64547 SB DATA FROM A CMM: POST SB 21-2696 PRE SB 21-4109</p> | 108120 | 1 |
| 7 | 4243997-7 | | <p>..PLATE-IDENT SUPPLIER CODE: V64547 SB DATA FROM A CMM: POST SB 21-2696 PRE SB 21-4109</p> | 108120 | 1 |

MISSING ITEM NUMBERS NOT APPLICABLE

— ITEM NOT ILLUSTRATED

21-31-02-08

21-31-02
FIG. 08
PAGE 4
JAN 20/09

BRI



757

PARTS CATALOG (MAINTENANCE)

| FIG ITEM | PART NUMBER | 1 2 3 4 5 6 7 | NOMENCLATURE | EFFECT FROM TO | UNITS PER ASSY |
|----------|---------------|---------------|---|------------------|----------------|
| 8 | | | | | |
| 7 | 4243997-8 | .. | PLATE-IDENT SUPPLIER CODE: V64547 SB DATA FROM A CMM: POST SB 21-2696 PRE SB 21-4109 | 108120 | 1 |
| 7 | 4243997-11 | .. | PLATE-IDENT SUPPLIER CODE: V64547 SB DATA FROM A CMM: POST SB 21-4109 | 103106 | 1 |
| 7 | 4243997-13 | .. | PLATE-IDENT SUPPLIER CODE: V64547 SB DATA FROM A CMM: POST SB 21-4109 | 103106 | 1 |
| 7 | 4243997-14 | .. | PLATE-IDENT SUPPLIER CODE: V64547 SB DATA FROM A CMM: POST SB 21-4109 | 103106 | 1 |
| 7 | 4243997-15 | .. | PLATE-IDENT SUPPLIER CODE: V64547 SB DATA FROM A CMM: POST SB 21-4109 | 103106 | 1 |
| 7 | 4243997-16 | .. | PLATE-IDENT SUPPLIER CODE: V64547 SB DATA FROM A CMM: POST SB 21-4109 | 103106 | 1 |
| 9 | 947599-1 | .. | LABEL- SUPPLIER CODE: V64547 | 103106 108120 | 1 |
| 12 | S10041DA16WB1 | .. | PLATE-INSTR SUPPLIER CODE: V64547 SB DATA FROM A CMM: POST SB 21-4109 | 103106 108120 | 1 |
| 15 | S10002VR2P | .. | LABEL- SUPPLIER CODE: V64547 | 103106 108120 | 1 |
| 25 | 559-2101-007 | .. | LAMP-IND, DS5-DS8 SUPPLIER CODE: V1EG71 | 103106 108120 | 4 |
| 30 | 559-2201-007 | .. | LAMP-IND, DS1 SUPPLIER CODE: V1EG71 | 103106 108120 | 1 |

MISSING ITEM NUMBERS NOT APPLICABLE

- ITEM NOT ILLUSTRATED

21-31-02-08

21-31-02
FIG. 08
PAGE 5
JAN 20/09

BRI



757

PARTS CATALOG (MAINTENANCE)

| FIG ITEM | PART NUMBER | 1 2 3 4 5 6 7 | NOMENCLATURE | EFFECT FROM TO | UNITS PER ASSY |
|----------|---------------|---------------|--|------------------|----------------|
| 8 | | | | | |
| 35 | 559-2301-007 | .. | LAMP-IND, DS2, DS3 SUPPLIER CODE: V1EG71 SB DATA FROM A CMM: PRE SB 21-4109 | 103106 108120 | 2 |
| 35 | 559-2101-007 | .. | LAMP-IND, DS2, DS3 SUPPLIER CODE: V1EG71 SB DATA FROM A CMM: POST SB 21-4109 | 103106 108120 | 2 |
| 40 | 559-2201-007 | .. | LAMP-IND, DS4 SUPPLIER CODE: V1EG71 SB DATA FROM A CMM: PRE SB 21-4109 | 103106 108120 | 1 |
| 40 | 559-2101-007 | .. | LAMP-IND, DS4 SUPPLIER CODE: V1EG71 SB DATA FROM A CMM: POST SB 21-4109 | 103106 108120 | 1 |
| 45 | NAS622CT2 | .. | HOOK | 103106 108120 | 2 |
| | | | ATTACHING PARTS | | |
| 50 | MS24693S29 | .. | SCREW | 103106 108120 | 4 |
| 55 | NAS620-6L | .. | WASHER | 103106 108120 | 4 |
| 60 | MS21083N06 | .. | NUT | 103106 108120 | 4 |
| | | | -----*----- | | |
| 65 | 13111A0632-18 | .. | HANDLE- SUPPLIER CODE: V06544 ATTACHING PARTS | 103106 108120 | 1 |
| - 70 | MS35206-229 | .. | SCREW | 103106 108120 | 2 |
| - 75 | NAS620-6L | .. | WASHER | 103106 108120 | 2 |
| | | | -----*----- | | |
| - 200 | 286N1282-702 | | WIRE BUNDLE ASSY | 103106 | RF |
| - 200 | 286N1282-320 | | WIRE BUNDLE ASSY | 108120 | RF |

MISSING ITEM NUMBERS NOT APPLICABLE

- ITEM NOT ILLUSTRATED

21-31-02-08

21-31-02
FIG. 08
PAGE 6
JAN 20/09

BRI



757

PARTS CATALOG (MAINTENANCE)

| FIG ITEM | PART NUMBER | 1 2 3 4 5 6 7 | NOMENCLATURE | EFFECT FROM TO | UNITS PER ASSY |
|----------|---------------|---------------|---|------------------|----------------|
| 8 205 | NIC66F11C0701 | | .CONNECTOR- SUPPLIER CODE: V00779 SPECIFICATION NUMBER: BACC66F11C0701 ELECTRICAL EQUIP NUMBER: D02340 WIRING DIAGRAM REF: 213111 | 103106 108120 | 1 |
| 210 | S280W601-116 | | .BACKSHELL-GND ELECTRICAL EQUIP NUMBER: D02340T WIRING DIAGRAM REF: 213111 | 103106 | 1 |
| - 251 | 286N1284-363 | | WIRE BUNDLE ASSY | 108120 | RF |
| - 252 | 286N1284-601 | | WIRE BUNDLE ASSY | 103106 | RF |
| 255 | NIC66F11C0701 | | .CONNECTOR- SUPPLIER CODE: V00779 SPECIFICATION NUMBER: BACC66F11C0701 ELECTRICAL EQUIP NUMBER: D02342 WIRING DIAGRAM REF: 213121 | 103106 108120 | 1 |
| 260 | S280W601-116 | | .BACKSHELL-GND ELECTRICAL EQUIP NUMBER: D02342T WIRING DIAGRAM REF: 213121 | 103106 | 1 |

MISSING ITEM NUMBERS NOT APPLICABLE

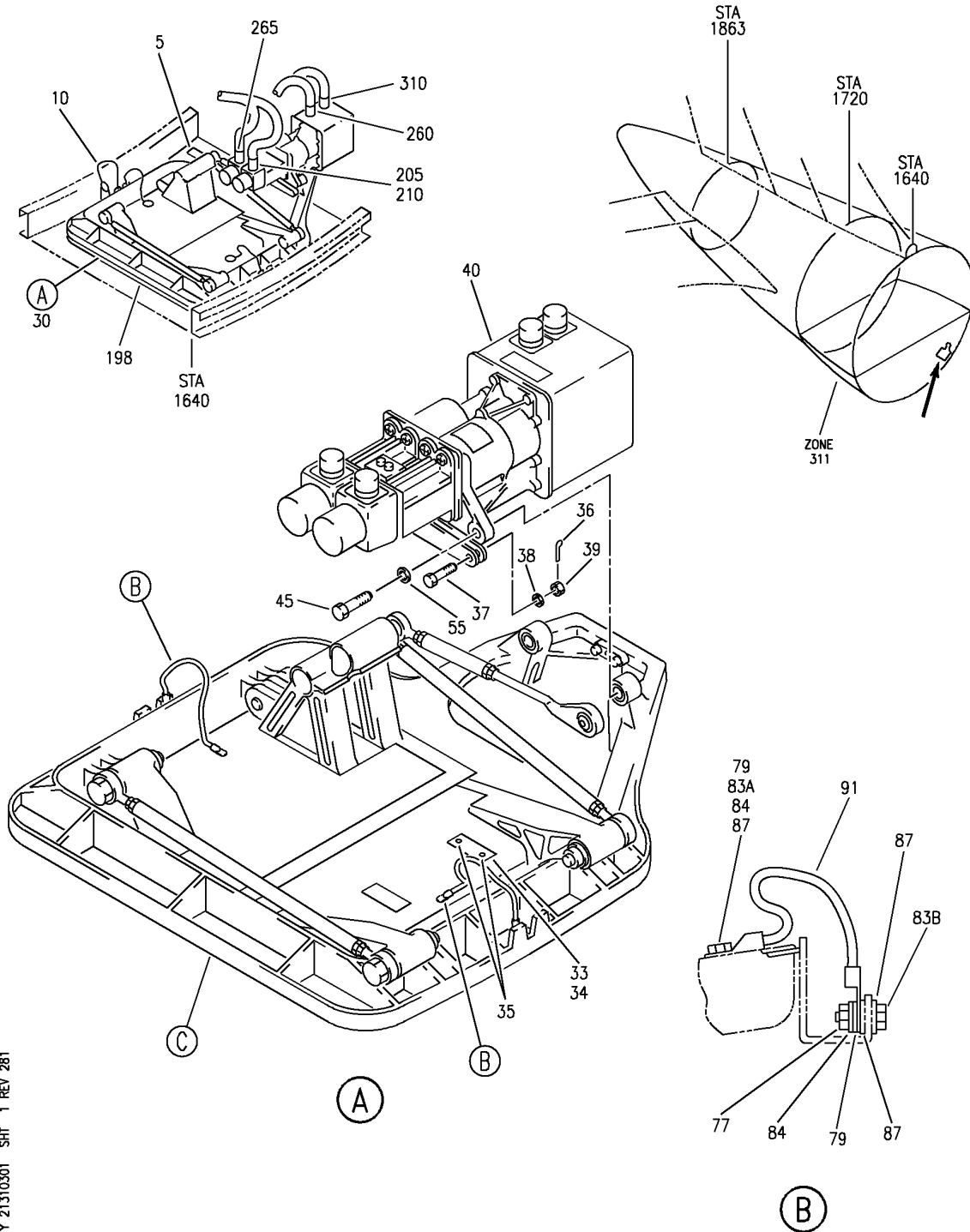
- ITEM NOT ILLUSTRATED

21-31-02-08

21-31-02
FIG. 08
PAGE 7
JAN 20/09

BRI

BOEING
757
PARTS CATALOG (MAINTENANCE)



Y 21310301 SHT 1 REV 281

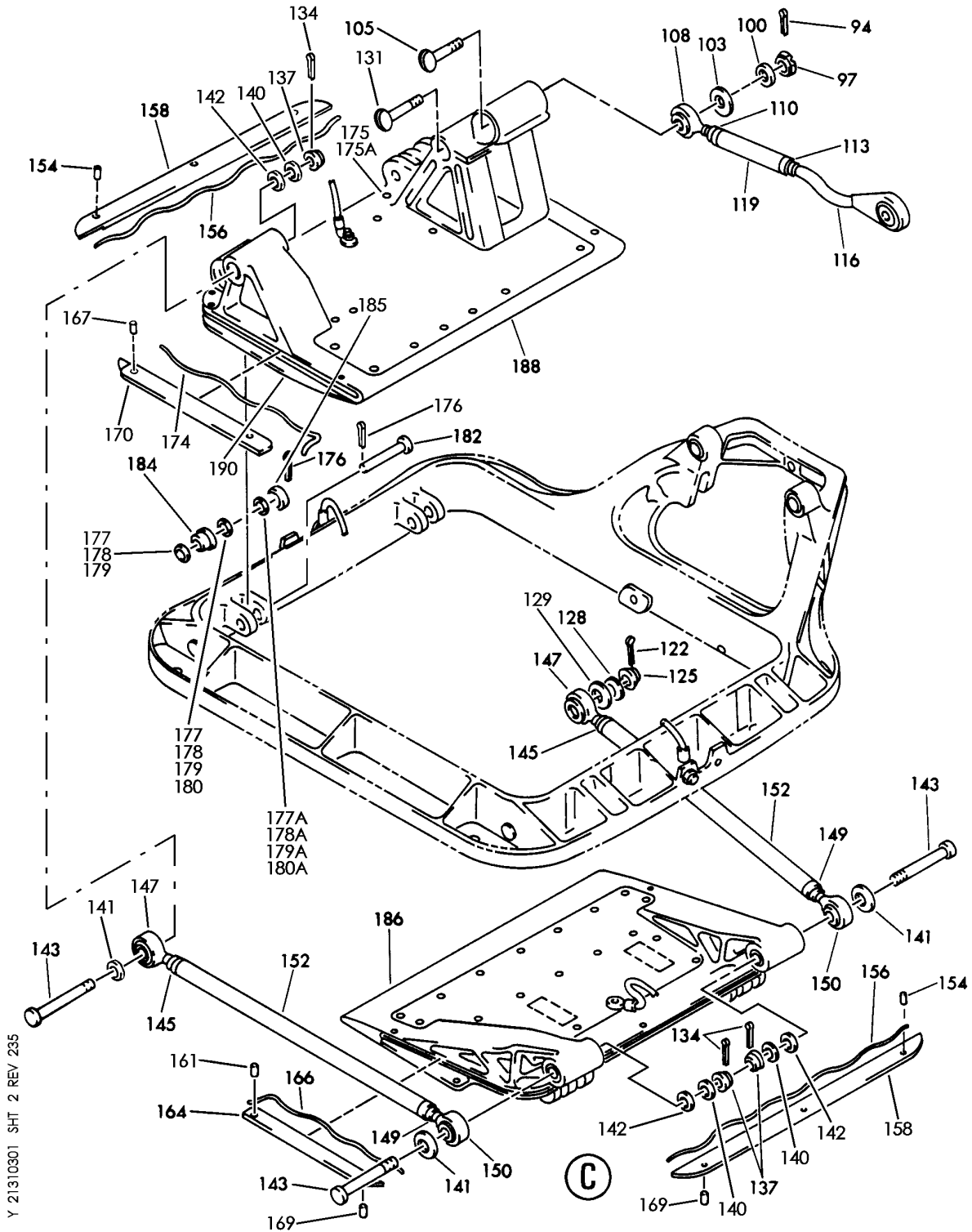
VALVE INSTL-CAB. AIR OUTFLOW
FIGURE 1 (SHEET 1)

21-31-03-01

BRI
MAY 28/07

21-31-03-01
PAGE 0


BOEING
 757
PARTS CATALOG (MAINTENANCE)



VALVE INSTL-CAB. AIR OUTFLOW
 FIGURE 1 (SHEET 2)

21-31-03-01

BRI
 MAY 28/07

21-31-03-01
 PAGE 0A



757

PARTS CATALOG (MAINTENANCE)

| FIG ITEM | PART NUMBER | 1 2 3 4 5 6 7 | NOMENCLATURE | EFFECT FROM TO | UNITS PER ASSY |
|----------|--------------|---------------|--|--|----------------|
| 1 | | | VALVE INSTL-CAB. AIR OUTFLOW | 002004 006999 | |
| - 1 | 216N1003-1 | | VALVE INSTL-CAB. AIR OUTFLOW FOR NHA SEE: 21-00-00-04 | 002004 006100 107107 121503 904999 | RF |
| - 1 | 216N1003-2 | | VALVE INSTL-CAB. AIR OUTFLOW FOR NHA SEE: 21-00-00-14 | 101102 108120 504903 | RF |
| - 1 | MODREF5533 | | VALVE INSTL-CAB. AIR OUTFLOW MODULE NUMBER: 216N1003-2 REV A | 103106 | 1 |
| 5 | BAC27NEC0071 | | .MARKER- PLACARD CONTENT: VALVE OUTFLOW V15 | 002004 006999 | 1 |
| 10 | 740A20-6 | | .JUMPER ASSY- SUPPLIER CODE: V91812 SPECIFICATION NUMBER: BACJ40A20-6 OPTIONAL PART: TJEJ40A20-6 V33483 RBEJ20-6 V1GK47 | 002004 006999 | 1 |
| - 15 | NAS1801-3-9 | | ATTACHING PARTS .SCREW- | 002004 006999 | 2 |
| - 20 | AN960D10L | | .WASHER- | 002004 006999 | 6 |

MISSING ITEM NUMBERS NOT APPLICABLE

- ITEM NOT ILLUSTRATED

21-31-03-01

21-31-03
FIG. 01
PAGE 1
JAN 20/09

BRI



757

PARTS CATALOG (MAINTENANCE)

| FIG ITEM | PART NUMBER | 1 2 3 4 5 6 7 | NOMENCLATURE | EFFECT FROM TO | UNITS PER ASSY |
|-----------|-------------|---------------|---|--|----------------|
| 1 - 25 | BRH10A3 | | .NUT- SUPPLIER CODE: V52828 SPECIFICATION NUMBER: BACN10JC3 OPTIONAL PART: H10-3BAC V15653 NS202101-02 V80539 RMLH9075-3W V72962 VN303A02 V92215 96-02 V80539 T6S1032J V11815 | 002004 006999 | 2 |
| 30 | 606832-16 | | -----*----- .VALVE ASSY- SUPPLIER CODE: V70210 SPECIFICATION NUMBER: S210T160-84 ELECTRICAL EQUIP NUMBER: V00015 COMPONENT MAINT MANUAL REF: 21-31-44 QUALIFIED I/W DATA: 2117388-11 OR-13 TOGETHER WITH 606832-21 OR-18 VALVE IS INTERCHANGEABLE WITH 2117388-5 OR -6 OR -7 OR -8 TOGETHER WITH 606832-11 OR -12 OR -13 OR -14 OR -16 OR -18 VALVE. POST SERVICE BULLETIN: 606832-21-2445R1 V70210 PRE SERVICE BULLETIN: 606832-21-2465 V70210 POST SERVICE LETTER: 21-013 PRE SERVICE LETTER: 21-021 | 002004 006100 107107 121503 904999 | 1 |

MISSING ITEM NUMBERS NOT APPLICABLE

- ITEM NOT ILLUSTRATED

BRI

21-31-03-01

21-31-03
FIG. 01
PAGE 2
JAN 20/09



757

PARTS CATALOG (MAINTENANCE)

| FIG ITEM | PART NUMBER | 1 2 3 4 5 6 7 | NOMENCLATURE | EFFECT FROM TO | UNITS PER ASSY |
|----------|-------------|---------------|---|--|----------------|
| 1 30 | 606832-18 | | .VALVE ASSY-(SERIES 1 THRU 3) SUPPLIER CODE: V70210 SPECIFICATION NUMBER: S210T160-94 ELECTRICAL EQUIP NUMBER: V00015 COMPONENT MAINT MANUAL REF: 21-31-44 QUALIFIED I/W DATA: NEW70210 606832-21 2117388-11 OR -13 TOGETHER WITH 606832-21 OR -18 VALVE IS INTER- CHANGEABLE WITH 2117388-5 OR -6 OR -7 OR -8 TOGETHER WITH 606832-11 OR -12 OR 013 OR -14 OR -16 OR -18 OR -21 VALVE EXCEPT FOR ETOPS WHICH REQUIRES THE 606832-18 OR -21 VALVE. SERVICE BULLETIN OPT DATA: 606832-17 V70210 POST SERVICE BULLETIN: 606832-21-2465 V70210 POST SERVICE LETTER: 21-021 | 002004 006100 107107 121503 904999 | 1 |
| 30 | 606832-17 | | .VALVE ASSY- SUPPLIER CODE: V70210 SPECIFICATION NUMBER: S210T160-94 ELECTRICAL EQUIP NUMBER: V00015 COMPONENT MAINT MANUAL REF: 21-31-44 SERVICE BULLETIN OPT DATA: 606832-18 V70210 POST SERVICE LETTER: 21-021 | 002004 006010 | 1 |

MISSING ITEM NUMBERS NOT APPLICABLE

- ITEM NOT ILLUSTRATED

BRI

21-31-03-01

BOEING PROPRIETARY - Copyright © - Unpublished Work - See title page for details.

21-31-03
FIG. 01
PAGE 3
JAN 20/09



757

PARTS CATALOG (MAINTENANCE)

| FIG ITEM | PART NUMBER | 1 2 3 4 5 6 7 | NOMENCLATURE | EFFECT FROM TO | UNITS PER ASSY |
|-------------|-------------|---------------|---|----------------------------|----------------------|
| 1 30 | 606832-21 | | .VALVE ASSY- (SERIES 1 THRU 2) SUPPLIER CODE: V70210 FUNCTIONAL DESCRIPTION: VALVE CONTROLS THE FLOW OF CABIN AIR OVERBOARD BY MODULATING THE VALVE DOORS SPECIFICATION NUMBER: S210T160-114 MISCELLANEOUS DATA: REF. BOEING SL 767-21-47C ELECTRICAL EQUIP NUMBER: V00015 COMPONENT MAINT MANUAL REF: 21-31-44 QUALIFIED I/W DATA: OLD70210 606832-18 2117388-11 OR -13 TOGETHER WITH 606832-21 OR -18 VALVE IS INTER- CHANGEABLE WITH 2117388-5 OR -6 OR -7 OR -8 TOGETHER WITH 606832-11 OR -12 OR 013 OR -14 OR -16 OR -18 OR -21 VALVE EXCEPT FOR ETOPS WHICH REQUIRES THE 606832-18 OR -21 VALVE. | 101106 108120 504903 | 1 |

MISSING ITEM NUMBERS NOT APPLICABLE

- ITEM NOT ILLUSTRATED

BRI

21-31-03-01

BOEING PROPRIETARY - Copyright © - Unpublished Work - See title page for details.

21-31-03
FIG. 01
PAGE 4
JAN 20/09



757

PARTS CATALOG (MAINTENANCE)

| FIG ITEM | PART NUMBER | 1 2 3 4 5 6 7 | NOMENCLATURE | EFFECT FROM TO | UNITS PER ASSY |
|----------|--------------|---------------|--|--|----------------|
| 1 30 | 606832-14 | | . VALVE ASSY-(SERIES 1 THRU 2) SUPPLIER CODE: V70210 SPECIFICATION NUMBER: S210T160-74 ELECTRICAL EQUIP NUMBER: V00015 COMPONENT MAINT MANUAL REF: 21-31-44 QUALIFIED I/W DATA: 2117388-11 OR-13 TOGETHER WITH 606832-21 OR-18 VALVE IS INTERCHANGEABLE WITH 2117388-5 OR -6 OR -7 OR -8 TOGETHER WITH 606832-11 OR -12 OR -13 OR -14 OR -16 OR -18 VALVE. PRE SERVICE BULLETIN: 606832-21-2445 V70210 REWORKED BY SB: 606832-21-2423 V70210 PRE SERVICE LETTER: 21-013 | 002004 006100 107107 121503 904999 | 1 |
| - 32 | BACS12FA4K22 | | . ATTACHING PARTS . SCREW- | 002004 006999 | 22 |
| | | | -----*----- | | |
| 33 | 606816-14 | | .. PLATE-IDENT (SERIES 1) SUPPLIER CODE: V70210 USED ON: 606832-14 | 002004 006100 107107 121503 904999 | 1 |
| 33 | 606816-18 | | .. PLATE-IDENT SUPPLIER CODE: V70210 USED ON: 606832-16 | 002004 006100 107107 121503 904999 | 1 |
| 33 | 606816-16 | | .. PLATE-IDENT (SERIES 2) SUPPLIER CODE: V70210 USED ON: 606832-14 | 002004 006100 107107 121503 904999 | 1 |

MISSING ITEM NUMBERS NOT APPLICABLE

- ITEM NOT ILLUSTRATED

21-31-03-01

21-31-03
FIG. 01
PAGE 5
JAN 20/09

BRI



757

PARTS CATALOG (MAINTENANCE)

| FIG ITEM | PART NUMBER | 1 2 3 4 5 6 7 | NOMENCLATURE | EFFECT FROM TO | UNITS PER ASSY |
|----------|-------------|---------------|--|--|----------------|
| 1 | | | | | |
| 33 | 606816-19 | .. | PLATE-IDENT SUPPLIER CODE: V70210 USED ON: 606832-17 | 002004 006010 | 1 |
| 33 | 606816-20 | .. | PLATE-IDENT (SERIES 1) SUPPLIER CODE: V70210 USED ON: 606832-18 | 002004 006100 107107 121503 904999 | 1 |
| 33 | 606816-21 | .. | PLATE-IDENT (SERIES 2) SUPPLIER CODE: V70210 USED ON: 606832-18 | 002004 006100 107107 121503 904999 | 1 |
| 33 | 606816-22 | .. | PLATE-IDENT (SERIES 3) SUPPLIER CODE: V70210 USED ON: 606832-18 | 002004 006100 107107 121503 904999 | 1 |
| 34 | 606816-24 | .. | PLATE-IDENT (SERIES 1) SUPPLIER CODE: V70210 USED ON: 606832-21 | 101106 108120 504903 | 1 |
| 34 | 606816-25 | .. | PLATE-IDENT (SERIES 2) SUPPLIER CODE: V70210 USED ON: 606832-21 | 101106 108120 504903 | 1 |
| 35 | MS24629-2 | .. | ATTACHING PARTS SCREW | 002004 006999 | 2 |
| | | | -----*----- | | |
| 36 | MS24665-132 | .. | PIN- | 002004 006999 | 1 |
| 37 | AN4-7 | .. | BOLT- | 002004 006999 | 1 |
| 38 | AN960-416 | .. | WASHER- | 002004 006999 | 1 |
| 39 | MS17826-4 | .. | NUT- | 002004 006999 | 1 |

MISSING ITEM NUMBERS NOT APPLICABLE

- ITEM NOT ILLUSTRATED

21-31-03-01

21-31-03
FIG. 01
PAGE 6
JAN 20/09

BRI

BOEING PROPRIETARY - Copyright © - Unpublished Work - See title page for details.



757

PARTS CATALOG (MAINTENANCE)

| FIG ITEM | PART NUMBER | 1 2 3 4 5 6 7 | NOMENCLATURE | EFFECT FROM TO | UNITS PER ASSY |
|-------------|-------------|---------------|--|--|----------------------|
| 1 40 | 2022480-6 | | .. ACTUATOR ASSY- SUPPLIER CODE: V70210 COMPONENT MAINT MANUAL REF: 21-32-72 OPTIONAL PART: 2022480-8 V70210 2022480-9 V70210 2022480-10 V70210 2022480-11 V70210 USED ON: 606832-13 606832-14 606832-11 606832-12 606832-15 606832-16 606832-17 606832-18 PRE SERVICE BULLETIN: 2022480-21-2464 V70210 2022480-21-2444R1 V70210 606832-21-2423 V70210 606832-21-2444 V70210 606832-21-2445R1 V70210 FOR DETAILS SEE: 21-31-04-01 | 002004 006100 107107 121503 904999 | 1 |

MISSING ITEM NUMBERS NOT APPLICABLE

- ITEM NOT ILLUSTRATED

BRI

21-31-03-01

BOEING PROPRIETARY - Copyright © - Unpublished Work - See title page for details.

21-31-03
FIG. 01
PAGE 7
JAN 20/09



757

PARTS CATALOG (MAINTENANCE)

| FIG ITEM | PART NUMBER | 1 2 3 4 5 6 7 | NOMENCLATURE | EFFECT FROM TO | UNITS PER ASSY |
|-------------|-------------|---------------|--|--|----------------------|
| 1 40 | 2022480-8 | | .. ACTUATOR ASSY- SUPPLIER CODE: V70210 COMPONENT MAINT MANUAL REF: 21-32-72 OPTIONAL PART: 2022480-6 V70210 2022480-9 V70210 2022480-10 V70210 2022480-11 V70210 USED ON: 606832-15 606832-16 606832-11 606832-12 606832-13 606832-14 606832-17 606832-18 POST SERVICE BULLETIN: 2022480-21-2444 V70210 606832-21-2445R1 V70210 PRE SERVICE BULLETIN: 2022480-21-2464 V70210 606832-21-2465 V70210 FOR DETAILS SEE: 21-31-04-01 | 002004 006100 107107 121503 904949 952999 | 1 |

MISSING ITEM NUMBERS NOT APPLICABLE

- ITEM NOT ILLUSTRATED

BRI

21-31-03-01

BOEING PROPRIETARY - Copyright © - Unpublished Work - See title page for details.

21-31-03
 FIG. 01
 PAGE 8
 JAN 20/09



757

PARTS CATALOG (MAINTENANCE)

| FIG ITEM | PART NUMBER | 1 2 3 4 5 6 7 | NOMENCLATURE | EFFECT FROM TO | UNITS PER ASSY |
|-------------|---------------|---------------|---|-------------------|----------------------|
| 1 40 | 2022480-6MOD1 | | .. ACTUATOR- SUPPLIER CODE: V70210 COMPONENT MAINT MANUAL REF: 21-32-72 POST SERVICE BULLETIN: 2022480-21-2444 V70210 2022480-21-2444R1 V70210 606832-21-2445R1 V70210 2022480-21-2464 V70210 PRE SERVICE BULLETIN: 2022480-21-2549 V25765 FOR DETAILS SEE: 21-31-04-01 | 002004 006100 | 1 |

MISSING ITEM NUMBERS NOT APPLICABLE

- ITEM NOT ILLUSTRATED

BRI

21-31-03-01

BOEING PROPRIETARY - Copyright © - Unpublished Work - See title page for details.

21-31-03
FIG. 01
PAGE 9
JAN 20/09



757

PARTS CATALOG (MAINTENANCE)

| FIG ITEM | PART NUMBER | 1 2 3 4 5 6 7 | NOMENCLATURE | EFFECT FROM TO | UNITS PER ASSY |
|----------|---------------|---------------|---|--|----------------|
| 1 40 | 2022480-9 | | .. ACTUATOR ASSY- SUPPLIER CODE: V70210 COMPONENT MAINT MANUAL REF: 21-32-72 OPTIONAL PART: 2022480-6 V70210 2022480-8 V70210 2022480-10 V70210 2022480-11 V70210 USED ON: 606832-18 606832-11 606832-12 606832-13 606832-14 606832-15 606832-16 606832-17 POST SERVICE BULLETIN: 2022480-21-2464 V70210 606832-21-2465 V70210 PRE SERVICE BULLETIN: 2022480-21-2549 V25765 POST AIRLINE MOD: EOIR2192R314 VALP FOR DETAILS SEE: 21-31-04-01 | 002004 006100 107107 121503 904999 | 1 |
| 40 | 2022480-6MOD4 | | .. ACTUATOR ASSY- SUPPLIER CODE: V70210 POST SERVICE BULLETIN: 2022480-21-2549 V25765 FOR DETAILS SEE: 21-31-04-01 | 002004 006100 | 1 |

MISSING ITEM NUMBERS NOT APPLICABLE

- ITEM NOT ILLUSTRATED

BRI

21-31-03-01

21-31-03
 FIG. 01
 PAGE 10
 JAN 20/09



757

PARTS CATALOG (MAINTENANCE)

| FIG ITEM | PART NUMBER | 1 2 3 4 5 6 7 | NOMENCLATURE | EFFECT FROM TO | UNITS PER ASSY |
|----------|---------------|---------------|---|--|----------------|
| 1 40 | 2022480-6S1M2 | | .. ACTUATOR- SUPPLIER CODE: V70210 QUALIFIED SB I/W DATA: (MAY BE USED ON ANY 606832 SERIES OUTFLOW VALVE ASSY PER MOD 21D066) POST SERVICE BULLETIN: 2022480-21-2464 V70210 606832-21-2465 V70210 FOR DETAILS SEE: 21-31-04-01 | 002004 006100 | 1 |
| 40 | 2022480-7 | | .. ACTUATOR ASSY- SUPPLIER CODE: V70210 COMPONENT MAINT MANUAL REF: 21-31-72 USED ON: 606832-13 606832-14 POST SERVICE BULLETIN: 606832-21-2423 V70210 PRE SERVICE BULLETIN: 2022480-21-2444 V70210 606832-21-2445 V70210 FOR DETAILS SEE: 21-31-04-01 | 002004 006100 107107 121503 904949 952999 | 1 |

MISSING ITEM NUMBERS NOT APPLICABLE

- ITEM NOT ILLUSTRATED

21-31-03-01

21-31-03
FIG. 01
PAGE 11
JAN 20/09

BRI

 **BOEING**
757
PARTS CATALOG (MAINTENANCE)

| FIG ITEM | PART NUMBER | 1 2 3 4 5 6 7 | NOMENCLATURE | EFFECT FROM TO | UNITS PER ASSY |
|----------|---------------|---------------|--|--|----------------|
| 1 | 40 2022480-10 | | ..ACTUATOR ASSY- SUPPLIER CODE: V70210 COMPONENT MAINT MANUAL REF: 21-32-72 OPTIONAL PART: 2022480-6 V70210 2022480-8 V70210 2022480-9 V70210 2022480-11 V70210 USED ON: 606832-18 FOR DETAILS SEE: 21-31-04-01 | 002004 006100 107107 121503 904999 | 1 |
| | 40 2022480-11 | | ..ACTUATOR ASSY- SUPPLIER CODE: V70210 COMPONENT MAINT MANUAL REF: 21-32-72 OPTIONAL PART: 2022480-6 V70210 2022480-8 V70210 2022480-9 V70210 2022480-10 V70210 USED ON: 606832-18 FOR DETAILS SEE: 21-31-04-01 | 002004 006100 107107 121503 904999 | 1 |
| | 40 2022480-14 | | ..ACTUATOR ASSY- SUPPLIER CODE: V70210 COMPONENT MAINT MANUAL REF: 21-32-72 USED ON: 606832-21 FOR DETAILS SEE: 21-31-04-01 | 101106 108120 504903 | 1 |
| | 45 AN4H12A | | ATTACHING PARTS ..BOLT- | 002004 006999 | 2 |

MISSING ITEM NUMBERS NOT APPLICABLE

— ITEM NOT ILLUSTRATED

BRI

21-31-03-01

BOEING PROPRIETARY - Copyright © - Unpublished Work - See title page for details.

21-31-03
FIG. 01
PAGE 12
JAN 20/09



757

PARTS CATALOG (MAINTENANCE)

| FIG ITEM | PART NUMBER | 1 2 3 4 5 6 7 | NOMENCLATURE | EFFECT FROM TO | UNITS PER ASSY |
|----------|---------------|---------------|--|------------------|----------------|
| 1 | | | | | |
| 55 | AN960-416 | .. | WASHER- | 002004 006999 | 2 |
| | | | -----*----- | | |
| 77 | NAS679A3 | .. | NUT | 002004 006999 | 2 |
| 79 | MS35338-43 | .. | WASHER | 002004 006999 | 4 |
| 83A | AN3-3A | .. | BOLT | 002004 006999 | 2 |
| 83B | AN3-5A | .. | BOLT | 002004 006999 | 2 |
| 84 | AN960-10L | .. | WASHER | 002004 006999 | 4 |
| 87 | AN960D10L | .. | WASHER | 002004 006999 | 6 |
| 91 | MS25083-2BB7 | .. | LEAD | 002004 006999 | 2 |
| 94 | MS24665-283 | .. | PIN | 002004 006999 | 1 |
| 97 | MS17826-6 | .. | NUT | 002004 006999 | 1 |
| 100 | S8157N74-010 | .. | WASHER- SUPPLIER CODE: V70210 | 002004 006999 | AR |
| 103 | S8157N267-063 | .. | WASHER- SUPPLIER CODE: V70210 USED ON: 606832-11 606832-12 606832-13 606832-14 606832-15 606832-16 606832-17 606832-18 606832-21 | 002004 006999 | 1 |
| 105 | AN26-31 | .. | BOLT- USED ON: 606832-11 606832-12 606832-13 606832-14 606832-15 606832-16 606832-17 606832-18 606832-21 | 002004 006999 | 1 |

MISSING ITEM NUMBERS NOT APPLICABLE

- ITEM NOT ILLUSTRATED

BRI

21-31-03-01

BOEING PROPRIETARY - Copyright © - Unpublished Work - See title page for details.

21-31-03
FIG. 01
PAGE 13
SEP 20/08



757

PARTS CATALOG (MAINTENANCE)

| FIG ITEM | PART NUMBER | 1 2 3 4 5 6 7 | NOMENCLATURE | EFFECT FROM TO | UNITS PER ASSY |
|----------|---------------|---------------|--|------------------|----------------|
| 1 | | | | | |
| 108 | M81935-1-6L | .. | END | 002004 006999 | 1 |
| 110 | NAS509L6 | .. | NUT | 002004 006999 | 1 |
| 113 | NAS509-6 | .. | NUT | 002004 006999 | 1 |
| 116 | 606817-2 | .. | BEARING-ROD END SUPPLIER CODE: V70210 | 002004 006999 | 1 |
| 119 | 645034-1 | .. | ROD-PUSH SUPPLIER CODE: V70210 | 002004 006999 | 1 |
| 122 | MS24665-132 | .. | PIN | 002004 006999 | 1 |
| 125 | MS17826-5 | .. | NUT | 002004 006999 | 1 |
| 128 | S8154-197C010 | .. | WASHER- SUPPLIER CODE: V70210 | 002004 006999 | AR |
| 129 | S8157N151-062 | .. | WASHER- SUPPLIER CODE: V70210 USED ON: 606832-11 606832-12 606832-13 606832-14 606832-15 606832-16 606832-17 606832-18 606832-21 | 002004 006999 | 1 |
| 131 | AN25-30 | .. | BOLT- USED ON: 606832-11 606832-12 606832-13 606832-14 606832-15 606832-16 606832-17 606832-18 606832-21 | 002004 006999 | 1 |
| 134 | MS24665-132 | .. | PIN | 002004 006999 | 3 |
| 137 | MS17826-5 | .. | NUT | 002004 006999 | 3 |
| 140 | AN960-516 | .. | WASHER | 002004 006999 | 3 |

MISSING ITEM NUMBERS NOT APPLICABLE

- ITEM NOT ILLUSTRATED

21-31-03-01

21-31-03
FIG. 01
PAGE 14
SEP 20/08

BRI

BOEING PROPRIETARY - Copyright © - Unpublished Work - See title page for details.



757

PARTS CATALOG (MAINTENANCE)

| FIG ITEM | PART NUMBER | 1 2 3 4 5 6 7 | NOMENCLATURE | EFFECT FROM TO | UNITS PER ASSY |
|----------|---------------|---------------|--|------------------|----------------|
| 1 | | | | | |
| 141 | S8157N151-062 | | .. WASHER- SUPPLIER CODE: V70210 USED ON: 606832-11 606832-12 606832-13 606832-14 606832-15 606832-16 606832-17 606832-18 606832-21 | 002004 006999 | 3 |
| 142 | AN960-516L | | .. WASHER | 002004 006999 | 3 |
| 143 | AN5-24 | | .. BOLT | 002004 006999 | 3 |
| 145 | NAS509L5 | | .. NUT | 002004 006999 | 2 |
| 147 | M81935-1-5L | | .. END | 002004 006999 | 2 |
| 149 | NAS509-5 | | .. NUT | 002004 006999 | 2 |
| 150 | M81935-1-5 | | .. END | 002004 006999 | 2 |
| 152 | 606997-4 | | .. ROD-PUSH SUPPLIER CODE: V70210 USED ON: 606832-11 606832-12 606832-13 606832-14 606832-15 606832-16 606832-17 606832-18 606832-21 | 002004 006999 | 2 |
| 154 | MS16562-3 | | .. PIN | 002004 006999 | 6 |
| 156 | 606996-1 | | .. SPRING-DOOR SEAL BACK SUPPLIER CODE: V70210 | 002004 006999 | 2 |
| 158 | 606989-1 | | .. SEAL-BACK SUPPLIER CODE: V70210 | 002004 006999 | 2 |
| 161 | MS16562-3 | | .. PIN | 002004 006999 | 2 |

MISSING ITEM NUMBERS NOT APPLICABLE

- ITEM NOT ILLUSTRATED

21-31-03-01

21-31-03
FIG. 01
PAGE 15
SEP 20/08

BRI

BOEING PROPRIETARY - Copyright © - Unpublished Work - See title page for details.



757

PARTS CATALOG (MAINTENANCE)

| FIG ITEM | PART NUMBER | 1 2 3 4 5 6 7 | NOMENCLATURE | EFFECT FROM TO | UNITS PER ASSY |
|----------|---------------|---------------|---|------------------|----------------|
| 1 | | | | | |
| - 162 | 606969-1 | .. | SEAL-DOOR SUPPLIER CODE: V70210 POSITION DATA: FWD | 002004 006999 | 1 |
| 164 | 606969-2 | .. | SEAL-DOOR SUPPLIER CODE: V70210 POSITION DATA: FWD | 002004 006999 | 1 |
| 166 | 606995-1 | .. | SPRING-DOOR SEAL SUPPLIER CODE: V70210 POSITION DATA: FWD | 002004 006999 | 2 |
| 167 | MS16562-3 | .. | PIN | 002004 006999 | 2 |
| 169 | MS16562-5 | .. | PIN | 002004 006999 | 4 |
| 170 | 606988-1 | .. | SEAL-DOOR SUPPLIER CODE: V70210 POSITION DATA: AFT | 002004 006999 | 1 |
| - 172 | 606988-2 | .. | SEAL-DOOR SUPPLIER CODE: V70210 POSITION DATA: AFT | 002004 006999 | 1 |
| 174 | 606994-1 | .. | SPRING-DOOR SEAL SUPPLIER CODE: V70210 POSITION DATA: AFT | 002004 006999 | 2 |
| 175 | NAS1351-3-6P | .. | SCREW | 002004 006999 | 4 |
| 176 | MS24665-298 | .. | PIN | 002004 006999 | 4 |
| 177 | S8157N404-010 | .. | WASHER- SUPPLIER CODE: V70210 | 002004 006999 | AR |
| 177A | S8157N13-005 | .. | WASHER- SUPPLIER CODE: V70210 | 002004 006999 | AR |
| 178 | S8157N404-020 | .. | WASHER- SUPPLIER CODE: V70210 | 002004 006999 | AR |

MISSING ITEM NUMBERS NOT APPLICABLE

- ITEM NOT ILLUSTRATED

21-31-03-01

21-31-03
FIG. 01
PAGE 16
SEP 20/08

BRI



757

PARTS CATALOG (MAINTENANCE)

| FIG ITEM | PART NUMBER | 1 2 3 4 5 6 7 | NOMENCLATURE | EFFECT FROM TO | UNITS PER ASSY |
|----------|---------------|---------------|--|--|----------------|
| 1 | | | | | |
| 178A | S8157N13-010 | .. | WASHER- SUPPLIER CODE: V70210 | 002004 006999 | AR |
| 179 | S8157N404-030 | .. | WASHER- SUPPLIER CODE: V70210 | 002004 006999 | AR |
| 179A | S8157N13-020 | .. | WASHER- SUPPLIER CODE: V70210 | 002004 006999 | AR |
| 180 | S8157N404-005 | .. | WASHER- SUPPLIER CODE: V70210 | 002004 006999 | AR |
| 180A | S8157N13-030 | .. | WASHER- SUPPLIER CODE: V70210 | 002004 006999 | AR |
| 182 | 606807-1 | .. | PIN-STRAIGHT HEAD SUPPLIER CODE: V70210 | 002004 006999 | 4 |
| 184 | 606829-1 | .. | BUSHING- SUPPLIER CODE: V70210 | 002004 006999 | 4 |
| 185 | MS14104-5 | .. | BUSHING- SUPPLIER CODE: V70210 CONFIG CHG DATA FROM A CMM: REPLACES MS21233-5 OPTIONAL PART: MS14101-5 V70210 | 002004 006999 | 4 |
| 185 | MS21233-5 | .. | BUSHING- SUPPLIER CODE: V70210 CONFIG CHG DATA FROM A CMM: REPLD BY MS14104-5 | 002004 006999 | 4 |
| 185 | MS14101-5 | .. | BEARING- OPTIONAL PART: MS14104-5 V70210 | 002004 006999 | 4 |
| 186 | 606826-2 | .. | DOOR ASSY- SUPPLIER CODE: V70210 POSITION DATA: FWD OPTIONAL PART: 645123-1 V70210 | 002004 006100 107107 121503 904999 | 1 |

MISSING ITEM NUMBERS NOT APPLICABLE

- ITEM NOT ILLUSTRATED

21-31-03-01

21-31-03
FIG. 01
PAGE 17
JAN 20/09

BRI

 **BOEING**
757
PARTS CATALOG (MAINTENANCE)

| FIG ITEM | PART NUMBER | 1 2 3 4 5 6 7 | NOMENCLATURE | EFFECT FROM TO | UNITS PER ASSY |
|----------|----------------|---------------|---|--|----------------|
| 1 | | | | | |
| 186 | 645123-1 | .. | DOOR ASSY- SUPPLIER CODE: V70210 POSITION DATA: FWD OPTIONAL PART: 606826-2 V70210 | 002004 006100 107107 121503 904999 | 1 |
| 186 | 606826-3 | .. | DOOR ASSY- SUPPLIER CODE: V70210 POSITION DATA: FWD | 101106 108120 504903 | 1 |
| 188 | 606827-1 | .. | DOOR ASSY- SUPPLIER CODE: V70210 POSITION DATA: AFT | 002004 006999 | 1 |
| 190 | 606794-1 | ... | SEAL- SUPPLIER CODE: V70210 | 002004 006999 | 1 |
| 198 | 216T1401-2 | . | GASKET- | 107107 | 1 |
| 198 | 216N1230-1 | . | GASKET- | 002004 006999 | 1 |
| - 200 | 286N2632-012 | | WIRE BUNDLE ASSY- | 107107 | RF |
| - 201 | 286N2632-021 | | WIRE BUNDLE ASSY- | 002004 006100 121503 904999 | RF |
| - 202 | 286N2632-327 | | WIRE BUNDLE ASSY | 504903 | RF |
| - 202 | 286N2632-328 | | WIRE BUNDLE ASSY | 101102 | RF |
| - 203 | 286N2632-343 | | WIRE BUNDLE ASSY | 108120 | RF |
| 210 | BACC45FT12A12S | . | CONNECTOR- ELECTRICAL EQUIP NUMBER: D02336 WIRING DIAGRAM REF: 213121 | 002004 006102 107999 | 1 |
| - 250 | 286N2634-002 | | WIRE BUNDLE ASSY | 002004 006100 107107 121503 904999 | RF |
| - 250 | 286N2634-301 | | WIRE BUNDLE ASSY | 101102 | RF |
| - 250 | 286N2634-310 | | WIRE BUNDLE ASSY | 504903 | RF |
| - 251 | 286N2634-316 | | WIRE BUNDLE ASSY | 108120 | RF |

MISSING ITEM NUMBERS NOT APPLICABLE

- ITEM NOT ILLUSTRATED

BRI

21-31-03-01

BOEING PROPRIETARY - Copyright © - Unpublished Work - See title page for details.

21-31-03
FIG. 01
PAGE 18
JAN 20/09



757

PARTS CATALOG (MAINTENANCE)

| FIG ITEM | PART NUMBER | 1 2 3 4 5 6 7 | NOMENCLATURE | EFFECT FROM TO | UNITS PER ASSY |
|-------------|-----------------|---------------|---|----------------------------|----------------------|
| 1 | | | | | |
| 260 | BACC45FT12A12S7 | . | CONNECTOR- ELECTRICAL EQUIP NUMBER: D02334 WIRING DIAGRAM REF: 213111 | 002004 006102 107999 | 1 |
| 265 | BACC45FT12A12S | . | CONNECTOR- ELECTRICAL EQUIP NUMBER: D02332 WIRING DIAGRAM REF: 213111 | 002004 006102 107999 | 1 |
| - 300 | 286N2626-005 | | WIRE BUNDLE ASSY- | 107107 | RF |
| - 300 | 286N2626-006 | | WIRE BUNDLE ASSY | 904949 | RF |
| - 300 | 286N2626-012 | | WIRE BUNDLE ASSY | 121503 | RF |
| - 300 | 286N2626-013 | | WIRE BUNDLE ASSY | 002004 006100 950999 | RF |
| - 300 | 286N2626-302 | | WIRE BUNDLE ASSY | 108120 | RF |
| - 301 | 286N2626-304 | | WIRE BUNDLE ASSY | 101102 | RF |
| - 301 | 286N2626-309 | | WIRE BUNDLE ASSY | 504903 | RF |
| 310 | BACC45FT10D5S | . | CONNECTOR- ELECTRICAL EQUIP NUMBER: D02338 WIRING DIAGRAM REF: 213111 | 002004 006102 107951 | 1 |

MISSING ITEM NUMBERS NOT APPLICABLE

- ITEM NOT ILLUSTRATED

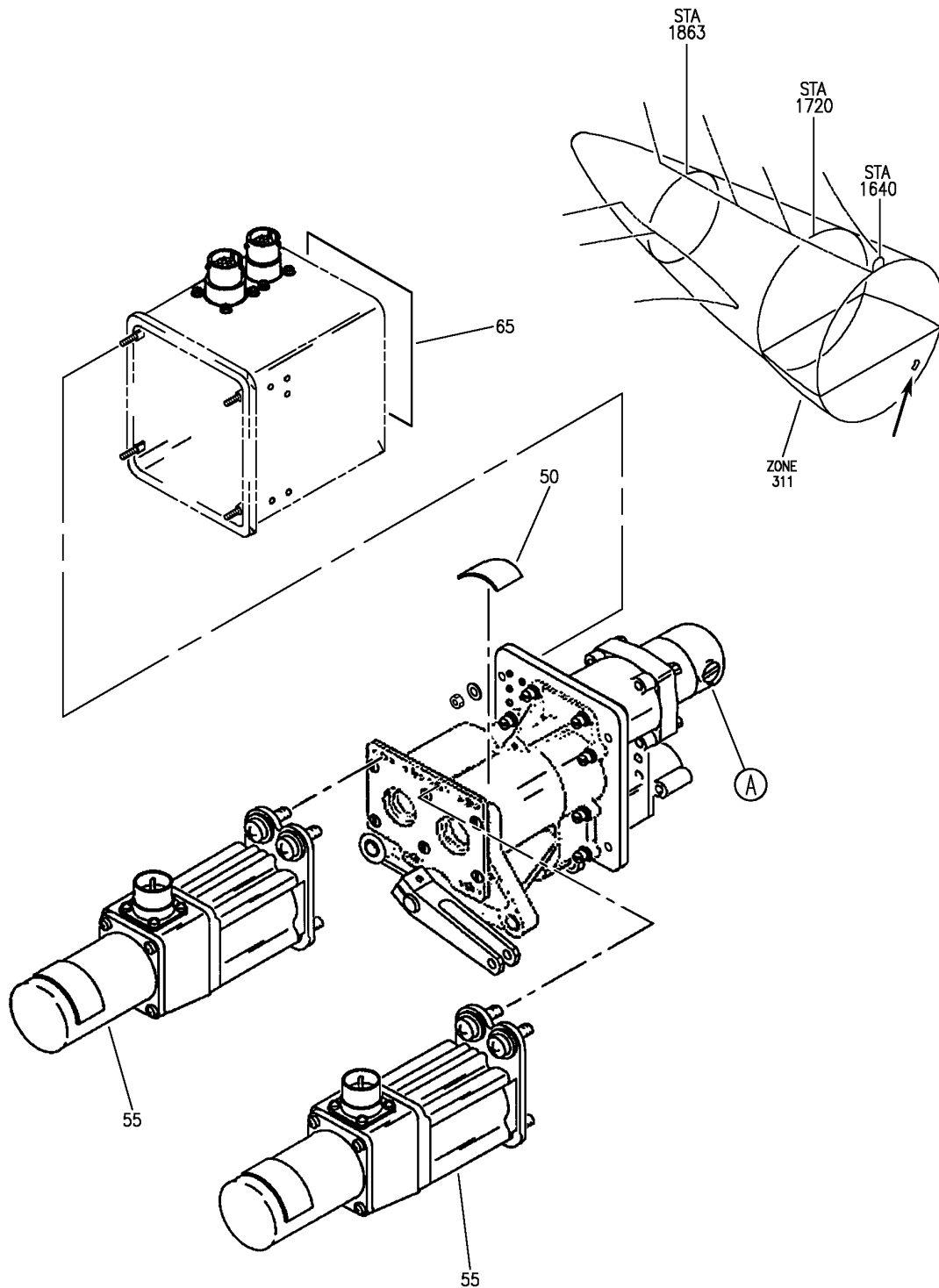
BRI

21-31-03-01

BOEING PROPRIETARY - Copyright © - Unpublished Work - See title page for details.

21-31-03
FIG. 01
PAGE 19
JAN 20/09

BOEING
757
PARTS CATALOG (MAINTENANCE)



Y 21310401 SH1 1 REV 274

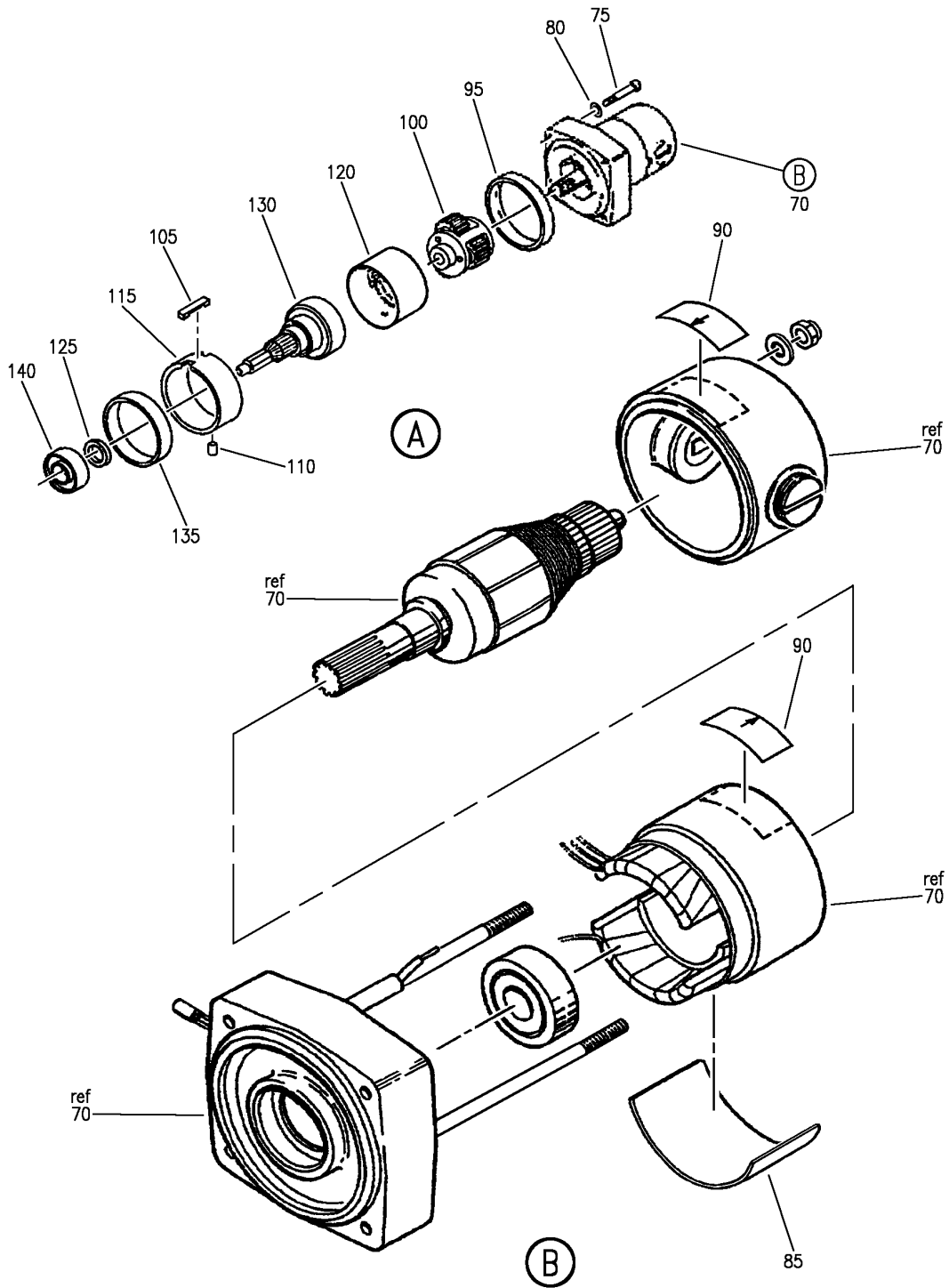
ACTUATOR ASSY CABIN PRESSURE OUTFLOW VALVE
FIGURE 1 (SHEET 1)

21-31-04-01

BRI
MAY 28/07

21-31-04-01
PAGE 0

BOEING
757
PARTS CATALOG (MAINTENANCE)



Y 21310401 SHT 2 REV 274

ACTUATOR ASSY CABIN PRESSURE OUTFLOW VALVE
FIGURE 1 (SHEET 2)

21-31-04-01

BRI
MAY 28/07

21-31-04-01
PAGE 0A



757

PARTS CATALOG (MAINTENANCE)

| FIG ITEM | PART NUMBER | 1 2 3 4 5 6 7 | NOMENCLATURE | EFFECT FROM TO | UNITS PER ASSY |
|----------|-------------|---------------|---|--|----------------|
| 1 | | | ACTUATOR ASSY CABIN PRESSURE OUTFLOW VALVE | 002004 006999 | |
| - 1 | 2022480-6 | | ACTUATOR ASSY- (SERIES 1) SUPPLIER CODE: V70210 COMPONENT MAINT MANUAL REF: 21-32-72 OPTIONAL PART: 2022480-8 V70210 2022480-9 V70210 2022480-10 V70210 2022480-11 V70210 PRE SERVICE BULLETIN: 2022480-21-2464 V70210 606832-21-2423 V70210 606832-21-2444 V70210 606832-21-2445R1 V70210 2022480-21-2444R1 V70210 FOR NHA SEE: 21-31-03-01 | 002004 006100 107107 121503 904999 | RF |

R
R
R
R
R
R
R
R
R
R
R
R
R
R
R
R
R
R
R
R
R

MISSING ITEM NUMBERS NOT APPLICABLE

- ITEM NOT ILLUSTRATED

21-31-04-01

21-31-04
FIG. 01
PAGE 1
MAY 20/09

BRI



757

PARTS CATALOG (MAINTENANCE)

| FIG ITEM | PART NUMBER | 1 2 3 4 5 6 7 | NOMENCLATURE | EFFECT FROM TO | UNITS PER ASSY |
|----------|---------------|---------------|--|------------------|----------------|
| 1 | 2022480-6MOD1 | | ACTUATOR- SUPPLIER CODE: V70210 COMPONENT MAINT MANUAL REF: 21-32-72 POST SERVICE BULLETIN: 2022480-21-2444 V70210 2022480-21-2444R1 V70210 606832-21-2445R1 V70210 2022480-21-2464 V70210 PRE SERVICE BULLETIN: 2022480-21-2549 V25765 FOR NHA SEE: 21-31-03-01 | 002004 006100 | RF |
| - 1 | 2022480-6MOD4 | | ACTUATOR ASSY- SUPPLIER CODE: V70210 POST SERVICE BULLETIN: 2022480-21-2549 V25765 FOR NHA SEE: 21-31-03-01 | 002004 006100 | RF |
| - 1 | 2022480-6S1M2 | | ACTUATOR- SUPPLIER CODE: V70210 QUALIFIED SB I/W DATA: (MAY BE USED ON ANY 606832 SERIES OUTFLOW VALVE ASSY PER MOD 21D066) POST SERVICE BULLETIN: 2022480-21-2464 V70210 606832-21-2465 V70210 FOR NHA SEE: 21-31-03-01 | 002004 006100 | RF |

MISSING ITEM NUMBERS NOT APPLICABLE

- ITEM NOT ILLUSTRATED

21-31-04-01

21-31-04
FIG. 01
PAGE 2
JAN 20/09

BRI



757

PARTS CATALOG (MAINTENANCE)

| FIG ITEM | PART NUMBER | 1 2 3 4 5 6 7 | NOMENCLATURE | EFFECT FROM TO | UNITS PER ASSY |
|----------|-------------|---------------|---|--|----------------|
| 1 | | | | | |
| - 1 | 2022480-7 | | ACTUATOR ASSY- (SERIES 1) SUPPLIER CODE: V70210 COMPONENT MAINT MANUAL REF: 21-31-72 POST SERVICE BULLETIN: 606832-21-2423 V70210 PRE SERVICE BULLETIN: 2022480-21-2444 V70210 606832-21-2445 V70210 FOR NHA SEE: 21-31-03-01 | 002004 006100 107107 121503 904949 952999 | RF |
| - 1 | 2022480-8 | | ACTUATOR ASSY- (SERIES 1) SUPPLIER CODE: V70210 COMPONENT MAINT MANUAL REF: 21-32-72 OPTIONAL PART: 2022480-6 V70210 2022480-9 V70210 2022480-10 V70210 2022480-11 V70210 POST SERVICE BULLETIN: 2022480-21-2444 V70210 606832-21-2445R1 V70210 PRE SERVICE BULLETIN: 606832-21-2465 V70210 2022480-21-2464 V70210 FOR NHA SEE: 21-31-03-01 | 002004 006100 107107 121503 904949 952999 | RF |

MISSING ITEM NUMBERS NOT APPLICABLE

- ITEM NOT ILLUSTRATED

BRI

21-31-04-01

21-31-04
FIG. 01
PAGE 3
JAN 20/09



**757
PARTS CATALOG (MAINTENANCE)**

| FIG ITEM | PART NUMBER | 1 2 3 4 5 6 7 | NOMENCLATURE | EFFECT FROM TO | UNITS PER ASSY |
|-------------|--------------|---------------|--|--|----------------------|
| 1 - | 1 2022480-9 | | ACTUATOR ASSY- (SERIES 1) SUPPLIER CODE: V70210 COMPONENT MAINT MANUAL REF: 21-32-72 OPTIONAL PART: 2022480-6 V70210 2022480-8 V70210 2022480-10 V70210 2022480-11 V70210 POST SERVICE BULLETIN: 2022480-21-2464 V70210 606832-21-2465 V70210 PRE SERVICE BULLETIN: 2022480-21-2549 V25765 POST AIRLINE MOD: E0IR2192R314 VALP FOR NHA SEE: 21-31-03-01 | 002004 006100 107107 121503 904999 | RF |
| - | 1 2022480-10 | | ACTUATOR ASSY- (SERIES 1) SUPPLIER CODE: V70210 COMPONENT MAINT MANUAL REF: 21-32-72 OPTIONAL PART: 2022480-6 V70210 2022480-8 V70210 2022480-9 V70210 2022480-11 V70210 FOR NHA SEE: 21-31-03-01 | 002004 006100 107107 121503 904999 | RF |

MISSING ITEM NUMBERS NOT APPLICABLE

- ITEM NOT ILLUSTRATED

BRI

21-31-04-01

BOEING PROPRIETARY - Copyright © - Unpublished Work - See title page for details.

21-31-04
FIG. 01
PAGE 4
JAN 20/09



757

PARTS CATALOG (MAINTENANCE)

| FIG ITEM | PART NUMBER | 1 2 3 4 5 6 7 | NOMENCLATURE | EFFECT FROM TO | UNITS PER ASSY |
|----------|-------------|---------------|--|--|----------------|
| 1 | | | | | |
| - 1 | 2022480-11 | | ACTUATOR ASSY- (SERIES 1) SUPPLIER CODE: V70210 COMPONENT MAINT MANUAL REF: 21-32-72 OPTIONAL PART: 2022480-6 V70210 2022480-8 V70210 2022480-9 V70210 2022480-10 V70210 | 002004 006100 107107 121503 904999 | RF |
| - 1 | 2022480-13 | | ACTUATOR ASSY- (SERIES 1) SUPPLIER CODE: V70210 COMPONENT MAINT MANUAL REF: 21-32-72 FOR NHA SEE: 21-31-03-01 | 101106 108120 504903 | RF |
| - 1 | 2022480-14 | | ACTUATOR ASSY- (SERIES 1) SUPPLIER CODE: V70210 COMPONENT MAINT MANUAL REF: 21-32-72 FOR NHA SEE: 21-31-03-01 | 101106 108120 504903 | RF |
| 50 | 2047196-7 | | .PLATE-IDENT SUPPLIER CODE: V70210 USED ON: 2022480-6 | 002004 006100 107107 121503 904999 | 1 |
| 50 | 2047196-8 | | .PLATE-IDENT SUPPLIER CODE: V70210 USED ON: 2022480-7 | 002004 006100 107107 121503 904949 952999 | 1 |
| 50 | 2047196-9 | | .PLATE-IDENT SUPPLIER CODE: V70210 USED ON: 2022480-8 | 002004 006100 107107 121503 904949 952999 | 1 |

MISSING ITEM NUMBERS NOT APPLICABLE

- ITEM NOT ILLUSTRATED

21-31-04-01

21-31-04
FIG. 01
PAGE 5
JAN 20/09

BRI



757

PARTS CATALOG (MAINTENANCE)

| FIG ITEM | PART NUMBER | 1 2 3 4 5 6 7 | NOMENCLATURE | EFFECT FROM TO | UNITS PER ASSY |
|----------|-------------|---------------|--|--|----------------|
| 1 | | | | | |
| 50 | 2047196-10 | | .PLATE-IDENT SUPPLIER CODE: V70210 USED ON: 2022480-9 | 002004 006100 107107 121503 904999 | 1 |
| 50 | 2047196-11 | | .PLATE-IDENT SUPPLIER CODE: V70210 USED ON: 2022480-10 | 002004 006100 107107 121503 904999 | 1 |
| 50 | 2047196-12 | | .PLATE-IDENT SUPPLIER CODE: V70210 USED ON: 2022480-11 | 002004 006100 107107 121503 904999 | 1 |
| 50 | 2047196-14 | | .PLATE-IDENT SUPPLIER CODE: V70210 USED ON: 2022480-13 | 101106 108120 504903 | 1 |
| 50 | 2047196-15 | | .PLATE-IDENT SUPPLIER CODE: V70210 USED ON: 2022480-14 | 101106 108120 504903 | 1 |
| 55 | 2022478-3 | | .MOTOR-AC SUPPLIER CODE: V70210 COMPONENT MAINT MANUAL REF: 21-31-34 USED ON: 2022480-6 2022480-7 2022480-8 POST SERVICE BULLETIN: 21-0020 PRE SERVICE BULLETIN: 2022480-21-2464 V70210 POST SERVICE LETTER: 21-008 | 002004 006100 107107 121503 904999 | 2 |

MISSING ITEM NUMBERS NOT APPLICABLE

- ITEM NOT ILLUSTRATED

BRI

21-31-04-01

BOEING PROPRIETARY - Copyright © - Unpublished Work - See title page for details.

21-31-04
FIG. 01
PAGE 6
JAN 20/09



757

PARTS CATALOG (MAINTENANCE)

| FIG ITEM | PART NUMBER | 1 2 3 4 5 6 7 | NOMENCLATURE | EFFECT FROM TO | UNITS PER ASSY |
|----------|-------------|---------------|---|--|----------------|
| 1 55 | 2022478-4 | | .MOTOR-AC SUPPLIER CODE: V70210 COMPONENT MAINT MANUAL REF: 21-31-34 USED ON: 2022480-9 2022480-10 POST SERVICE BULLETIN: 2022480-21-2464 V70210 PRE SERVICE BULLETIN: 2022478-21-2596 V70210 | 002004 006100 107107 121503 904999 | 2 |
| 55 | 2022478-5 | | .MOTOR-AC SUPPLIER CODE: V70210 COMPONENT MAINT MANUAL REF: 21-31-34 USED ON: 2022480-9 2022480-10 QUALIFIED SB I/W DATA: REPLACES 2022478-4 V70210 POST SERVICE BULLETIN: 2022478-21-2596 V70210 | 002004 006100 107107 121503 904999 | 2 |
| 55 | 2022478-5 | | .MOTOR-AC SUPPLIER CODE: V70210 COMPONENT MAINT MANUAL REF: 21-31-34 USED ON: 2022480-11 2022480-13 2022480-14 POST SERVICE BULLETIN: 2022478-21-2596 V70210 | 002004 006999 | 2 |
| - 60 | 2047488-3 | | ..PLATE-ID SUPPLIER CODE: V70210 USED ON: 2022478-3 | 002004 006100 107107 121503 904999 | 1 |

MISSING ITEM NUMBERS NOT APPLICABLE

- ITEM NOT ILLUSTRATED

BRI

21-31-04-01

21-31-04
FIG. 01
PAGE 7
JAN 20/09



757

PARTS CATALOG (MAINTENANCE)

| FIG ITEM | PART NUMBER | 1 2 3 4 5 6 7 | NOMENCLATURE | EFFECT FROM TO | UNITS PER ASSY |
|----------|-------------|---------------|--|--|----------------|
| 1 | | | | | |
| - 60 | 2047488-4 | | .. PLATE-ID SUPPLIER CODE: V70210 USED ON: 2022478-4 | 002004 006100 107107 121503 904999 | 1 |
| - 60 | 2047488-6 | | .. PLATE-ID SUPPLIER CODE: V70210 USED ON: 2022478-5 | 002004 006999 | 1 |
| 65 | 2047198-2 | | . LABEL- SUPPLIER CODE: V70210 USED ON: 2022480-6 2022480-7 2022480-8 2022480-9 2022480-10 2022480-11 | 002004 006100 107107 121503 904999 | 1 |
| 65 | 2047198-3 | | . LABEL- SUPPLIER CODE: V70210 USED ON: 2022480-14 | 101106 108120 504903 | 1 |
| 65 | 2047198-3 | | . LABEL- SUPPLIER CODE: V70210 USED ON: 2022480-13 | 101106 108120 504903 | 1 |
| 70 | 2022506-5 | | . MOTOR-DC SUPPLIER CODE: V70210 COMPONENT MAINT MANUAL REF: 21-31-40 USED ON: 2022480-6 2022480-7 2022480-8 | 002004 006100 107107 121503 904999 | 1 |
| 70 | 2022506-6 | | . MOTOR-DC SUPPLIER CODE: V70210 COMPONENT MAINT MANUAL REF: 21-31-40 USED ON: 2022480-9 2022480-10 2022480-11 | 002004 006100 107107 121503 904999 | 1 |

MISSING ITEM NUMBERS NOT APPLICABLE

- ITEM NOT ILLUSTRATED

21-31-04-01

21-31-04
FIG. 01
PAGE 8
JAN 20/09

BRI



757

PARTS CATALOG (MAINTENANCE)

| FIG ITEM | PART NUMBER | 1 2 3 4 5 6 7 | NOMENCLATURE | EFFECT FROM TO | UNITS PER ASSY |
|----------|-------------|---------------|---|--|----------------|
| 1 | | | | | |
| 70 | 2022506-7 | | .MOTOR-DC SUPPLIER CODE: V70210 COMPONENT MAINT MANUAL REF: 21-31-40 USED ON: 2022480-13 | 101106 108120 504903 | 1 |
| 70 | 2022506-8 | | .MOTOR-DC SUPPLIER CODE: V70210 COMPONENT MAINT MANUAL REF: 21-31-40 USED ON: 2022480-14 ATTACHING PARTS | 101106 108120 504903 | 1 |
| 75 | MS35265-34 | | .SCREW | 002004 006999 | 4 |
| 80 | AN960-6 | | .WASHER | 002004 006999 | 4 |
| | | | -----*----- | | |
| 85 | 2046098-3 | | ..PLATE-ID SUPPLIER CODE: V70210 USED ON: 2022506-5 | 002004 006100 107107 121503 904999 | 1 |
| 85 | 2046098-4 | | ..PLATE-ID SUPPLIER CODE: V70210 USED ON: 2022506-6 | 002004 006100 107107 121503 904999 | 1 |
| 85 | 2046098-6 | | ..PLATE-ID SUPPLIER CODE: V70210 USED ON: 2022506-7 | 101106 108120 504903 | 1 |
| 85 | 2046098-7 | | ..PLATE-ID SUPPLIER CODE: V70210 USED ON: 2022506-8 | 101106 108120 504903 | 1 |
| 90 | S8496-342 | | ..LABEL- SUPPLIER CODE: V70210 | 002004 006999 | 2 |
| 95 | 2047314-1 | | .BEARING- SUPPLIER CODE: V70210 | 002004 006999 | 1 |

MISSING ITEM NUMBERS NOT APPLICABLE

- ITEM NOT ILLUSTRATED

21-31-04-01

21-31-04
FIG. 01
PAGE 9
JAN 20/09

BRI



757

PARTS CATALOG (MAINTENANCE)

| FIG ITEM | PART NUMBER | 1 2 3 4 5 6 7 | NOMENCLATURE | EFFECT FROM TO | UNITS PER ASSY |
|----------|-------------|---------------|---|--|----------------|
| 1 | | | | | |
| 100 | 2743439-1 | | .GEAR ASSY-PLANET SUPPLIER CODE: V70210 USED ON: 2022480-8 | 002004 006100 107107 121503 904949 952999 | 1 |
| 100 | 2743485-1 | | .CARRIER ASSY- SUPPLIER CODE: V70210 USED ON: 2022480-9 2022480-10 2022480-11 2022480-13 2022480-14 | 002004 006999 | 1 |
| 105 | 2047306-1 | | .KEY-SPECIAL SUPPLIER CODE: V70210 | 002004 006999 | 1 |
| 110 | MS9105-27 | | .PIN | 002004 006999 | 1 |
| 115 | 2041297-1 | | .SLEEVE-LOCKING SUPPLIER CODE: V70210 | 002004 006999 | 1 |
| 120 | 2047308-2 | | .GEAR-RING SUPPLIER CODE: V70210 OPTIONAL PART: 2042285-2 V70210 USED ON: 2022480-6 | 002004 006100 107107 121503 904999 | 1 |
| 120 | 2042285-2 | | .GEAR-RING SUPPLIER CODE: V70210 OPTIONAL PART: 2047308-2 V70210 USED ON: 2022480-6 | 002004 006100 107107 121503 904999 | 1 |

MISSING ITEM NUMBERS NOT APPLICABLE

- ITEM NOT ILLUSTRATED

BRI

21-31-04-01

BOEING PROPRIETARY - Copyright © - Unpublished Work - See title page for details.

21-31-04
FIG. 01
PAGE 10
JAN 20/09



757

PARTS CATALOG (MAINTENANCE)

| FIG ITEM | PART NUMBER | 1 2 3 4 5 6 7 | NOMENCLATURE | EFFECT FROM TO | UNITS PER ASSY |
|----------|---------------|---------------|---|--|----------------|
| 1 120 | 2042285-2 | | .GEAR-RING SUPPLIER CODE: V70210 USED ON: 2022480-7 2022480-8 2022480-9 2022480-10 2022480-11 2022480-13 2022480-14 | 002004 006999 | 1 |
| 125 | S8154-365C010 | | .WASHER- SUPPLIER CODE: V70210 | 002004 006999 | AR |
| 130 | 2047307-1 | | .GEAR-RING SUPPLIER CODE: V70210 OPTIONAL PART: 2042286-1 V70210 USED ON: 2022480-6 | 002004 006100 107107 121503 904999 | 1 |
| 130 | 2042286-1 | | .GEAR-RING SUPPLIER CODE: V70210 OPTIONAL PART: 2047307-1 V70210 USED ON: 2022480-6 | 002004 006100 107107 121503 904999 | 1 |
| 130 | 2042286-1 | | .GEAR-RING SUPPLIER CODE: V70210 USED ON: 2022480-7 2022480-8 2022480-9 2022480-10 2022480-11 2022480-13 2022480-14 | 002004 006999 | 1 |
| 135 | 2047314-1 | | .BEARING-PLAIN SUPPLIER CODE: V70210 | 002004 006999 | 1 |

MISSING ITEM NUMBERS NOT APPLICABLE

- ITEM NOT ILLUSTRATED

21-31-04-01

21-31-04
FIG. 01
PAGE 11
JAN 20/09

BRI



757

PARTS CATALOG (MAINTENANCE)

| FIG ITEM | PART NUMBER | 1 2 3 4 5 6 7 | NOMENCLATURE | EFFECT FROM TO | UNITS PER ASSY |
|----------|----------------|---------------|--|------------------|----------------|
| 1 140 | AS5KDDFS160P | . | BEARING-BALL SUPPLIER CODE: V21335 MISCELLANEOUS DATA: HONEYWELL SPEC. NO. 137-086-1014 OPTIONAL PART: SR81PPDK16-230 V83086 BCREF49836 V50294 SS77R8XR1NU V43334 | 002004 006999 | 1 |
| 140 | SR81PPDK16-230 | . | BEARING-BALL SUPPLIER CODE: V83086 MISCELLANEOUS DATA: HONEYWELL SPEC. NO. 137-086-1014 OPTIONAL PART: AS5KDDFS160P V21335 BCREF49836 V50294 SS77R8XR1NU V43334 | 002004 006999 | 1 |
| 140 | BCREF49836 | . | BEARING-BALL SUPPLIER CODE: V50294 OVERLENGTH PART NUMBER: SSR11812ZZRA1P16LG57 MISCELLANEOUS DATA: HONEYWELL SPEC. NO. 137-086-1014 OPTIONAL PART: AS5KDDFS160P V21335 SR81PPDK16-230 V83086 SS77R8XR1NU V43334 | 002004 006999 | 1 |

MISSING ITEM NUMBERS NOT APPLICABLE

- ITEM NOT ILLUSTRATED

21-31-04-01

21-31-04
FIG. 01
PAGE 12
JAN 20/09

BRI



757

PARTS CATALOG (MAINTENANCE)

| FIG ITEM | PART NUMBER | 1 2 3 4 5 6 7 | NOMENCLATURE | EFFECT FROM TO | UNITS PER ASSY |
|-------------|-------------|---------------|---|-------------------|----------------------|
| 1 140 | SS77R8XR1NU | | .BEARING-BALL SUPPLIER CODE: V43334 MISCELLANEOUS DATA: HONEYWELL SPEC. NO. 137-086-1014 OPTIONAL PART: AS5KDDFS160P V21335 SR81PPDK16-230 V83086 BCREF49836 V50294 | 002004 006999 | 1 |

MISSING ITEM NUMBERS NOT APPLICABLE

- ITEM NOT ILLUSTRATED

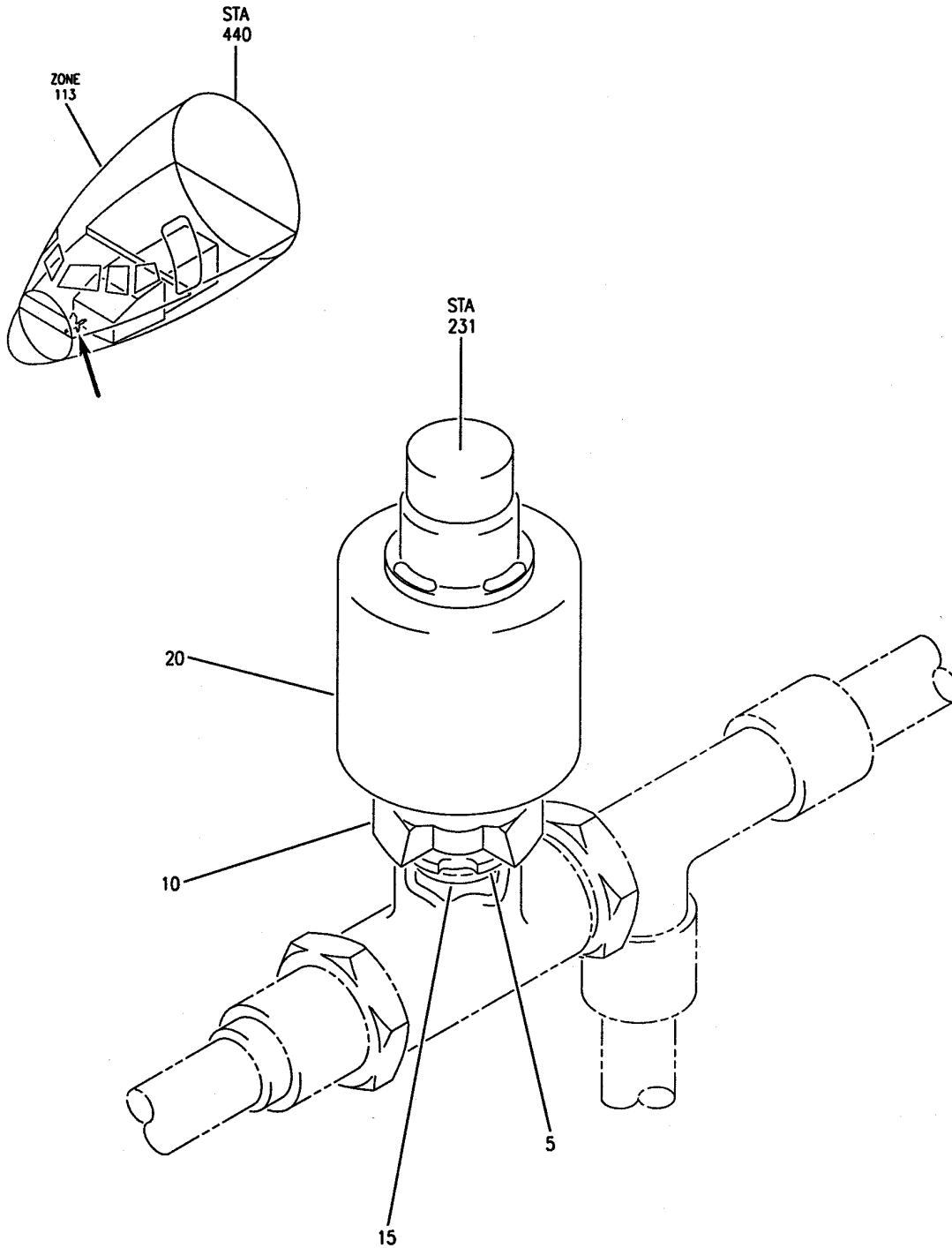
BRI

21-31-04-01

BOEING PROPRIETARY - Copyright © - Unpublished Work - See title page for details.

21-31-04
FIG. 01
PAGE 13
JAN 20/09

BOEING
757
PARTS CATALOG (MAINTENANCE)



Y 21315101 REV 219

SENSOR INSTL-CABIN ALTM
FIGURE 1

21-31-51-01

BRI
MAY 28/07

21-31-51-01
PAGE 0



757

PARTS CATALOG (MAINTENANCE)

| FIG ITEM | PART NUMBER | 1 2 3 4 5 6 7 | NOMENCLATURE | EFFECT FROM TO | UNITS PER ASSY |
|----------|-------------|---------------|--|--|----------------|
| 1 | | | SENSOR INSTL-CABIN ALTM | 002004 006999 | |
| - 1 | 232N9205-2 | | SENSOR INSTL-CABIN ALTM FOR NHA SEE: 25-10-00-10 | 101102 108120 504903 | RF |
| - 1 | 232N9205-1 | | SENSOR INSTL-CABIN ALTM FOR NHA SEE: 34-11-51-06 | 002004 006100 107107 121503 904999 | RF |
| - 1 | MODREF7580 | | SENSOR INSTL-CABIN ALTM MODULE NUMBER: 232N9205-2 REV A | 103103 | 1 |
| - 1 | MODREF34444 | | SENSOR INSTL-CABIN ALTM MODULE NUMBER: 232N9205-2 REV B | 104106 | 1 |
| 5 | MS28777-6 | | .WASHER | 002004 006999 | 1 |
| 10 | AN6289D6 | | .NUT | 002004 006999 | 1 |
| 15 | MS28778-6 | | .PACKING | 002004 006999 | 1 |
| 20 | PT033D | | .SENSOR-REMOTE DIFF PRESSURE SUPPLIER CODE: V61349 FUNCTIONAL DESCRIPTION: CONVERTS DIFFERENTIAL PRESSURE BETWEEN THE CABIN AND AIRCRAFTS STATIC PRESSURE SYSTEM INTO SIGNAL FOR CABIN DIFFERENTIAL PRESSURE IND SPECIFICATION NUMBER: S231N210-12 COMPONENT MAINT MANUAL REF: 21-33-08 QUALIFIED I/W DATA: INSTALLED AS A SET, PT033D T/W SETLOC420M OR SETLOC420L, I/W PT033A T/W SETLOC420H | 002004 006999 | 1 |

MISSING ITEM NUMBERS NOT APPLICABLE

- ITEM NOT ILLUSTRATED

BRI

21-31-51-01

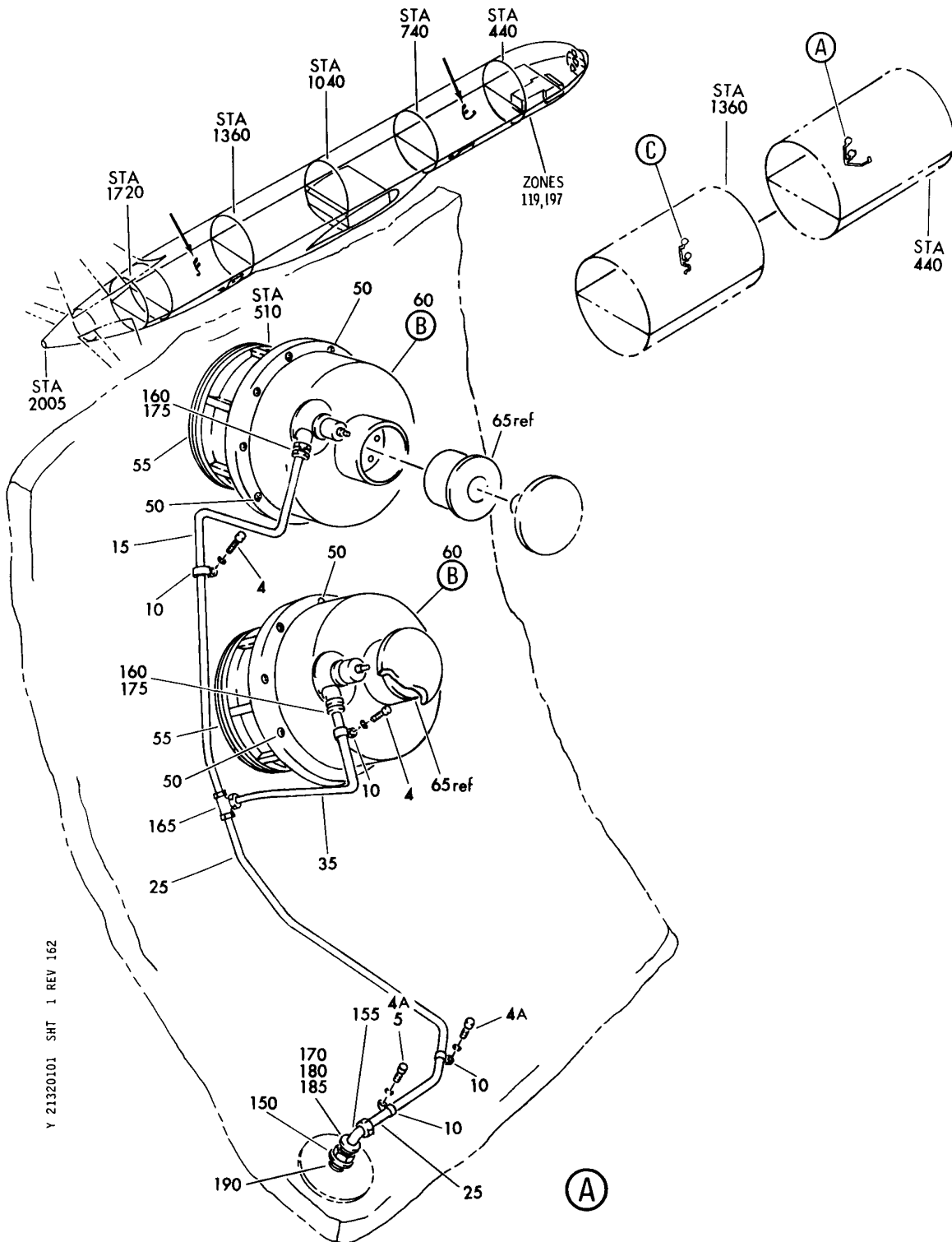
21-31-51
FIG. 01
PAGE 1
JAN 20/09

CABIN PRESSURE RELIEF

BRI
MAY 28/07

21-32-00
SECTION TITLE
PAGE 1

BOEING
757
PARTS CATALOG (MAINTENANCE)



Y 21320101 SHT 1 REV 162

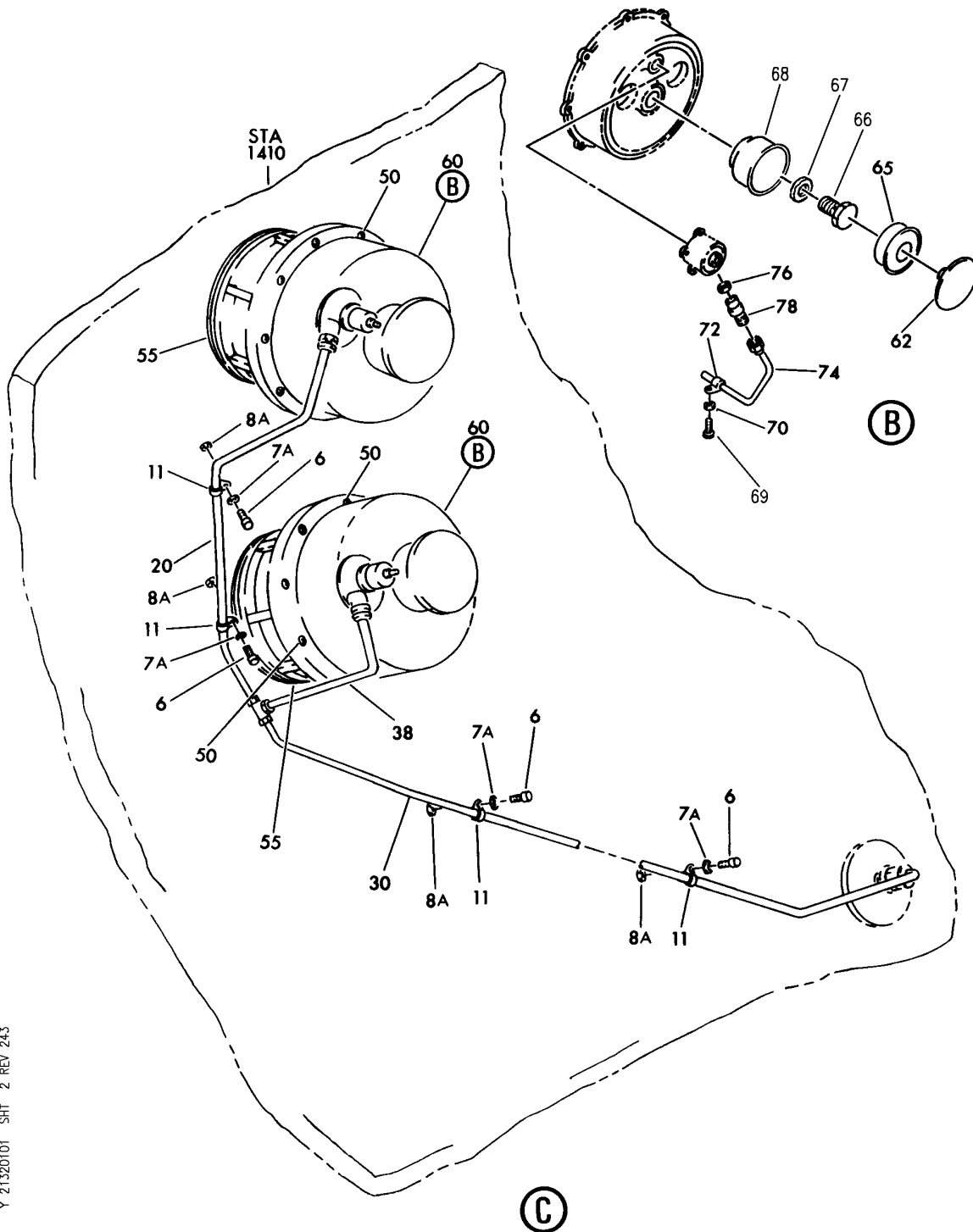
VALVE INSTL-CAB. PRESSURE SAFETY RELIEF
FIGURE 1 (SHEET 1)

21-32-01-01

BRI
MAY 28/07

21-32-01-01
PAGE 0

BOEING
757
PARTS CATALOG (MAINTENANCE)



Y 21320101 SHT 2 REV 243

VALVE INSTL-CAB. PRESSURE SAFETY RELIEF
FIGURE 1 (SHEET 2)

21-32-01-01

BRI
MAY 28/07

21-32-01-01
PAGE 0A



757

PARTS CATALOG (MAINTENANCE)

| FIG ITEM | PART NUMBER | 1 2 3 4 5 6 7 | NOMENCLATURE | EFFECT FROM TO | UNITS PER ASSY |
|----------|-------------|---------------|--|--|----------------|
| 1 | | | VALVE INSTL-CAB. PRESSURE SAFETY RELIEF | 002004 006999 | |
| - 3 | 216N1001-8 | | VALVE INSTL-CAB. PRESSURE SAFETY RELIEF POSITION DATA: STA 1410.0 FOR NHA SEE: 21-00-00-04 | 002004 006100 107107 121503 904999 | RF |
| - 3 | 216N1001-16 | | VALVE INSTL-CAB. PRESSURE SAFETY RELIEF POSITION DATA: STA 1410.0 FOR NHA SEE: 21-00-00-14 | 101102 504903 | RF |
| - 3 | 216N1001-17 | | VALVE INSTL-CAB. PRESSURE SAFETY RELIEF POSITION DATA: STA 1410.0 FOR NHA SEE: 21-00-00-14 | 108120 | RF |
| - 3 | MODREF5532 | | VALVE INSTL-CAB. PRESSURE SAFETY RELIEF MODULE NUMBER: 216N1001-17 REV A POSITION DATA: STA 1410.0 | 103106 | 1 |
| 6 | NAS1801-3 | | .SCREW- | 002004 006999 | 4 |
| 7A | AN960KD10L | | .WASHER | 002004 006999 | 4 |
| 8A | MS21042L3 | | .NUT | 002004 006999 | 4 |
| 11 | BACC10DK6 | | .CLAMP | 002004 006999 | 4 |
| 20 | 216N1001-11 | | .TUBE ASSY- | 002004 006999 | 1 |
| 30 | 216N1001-10 | | .TUBE ASSY- | 002004 006999 | 1 |
| 38 | 216N1001-12 | | .TUBE ASSY- | 002004 006999 | 1 |

MISSING ITEM NUMBERS NOT APPLICABLE

- ITEM NOT ILLUSTRATED

21-32-01-01

21-32-01
FIG. 01
PAGE 1
JAN 20/09

BRI



757

PARTS CATALOG (MAINTENANCE)

| FIG ITEM | PART NUMBER | 1 2 3 4 5 6 7 | NOMENCLATURE | EFFECT FROM TO | UNITS PER ASSY |
|----------|--------------|---------------|---|--|----------------|
| 1 | | | | | |
| - 40 | AP2097HP06 | .. | SLEEVE SUPPLIER CODE: V01673 SPECIFICATION NUMBER: BACS13BX06HP OPTIONAL PART: 2-02903-06HP V11328 35235VN06 V08199 AFP175V06P V30974 DBOS13BX06HP V14798 | 002004 006999 | 2 |
| - 45 | MS21921-6D | .. | NUT | 002004 006999 | 2 |
| 50 | BACS12ER3K15 | . | SCREW- | 002004 006100 103107 121503 904999 | 16 |
| 55 | 216T1400-3 | . | GASKET | 002004 006100 103107 121503 904999 | 2 |
| 60 | 103642-3 | . | VALVE ASSY- SUPPLIER CODE: V70210 FUNCTIONAL DESCRIPTION: VALVE PROVIDES OVER PRESSURE PROTECTION OF PRESSURIZED CABIN IN THE EVENT OF A PRESSURIZATION SYSTEM MALFUNCTION SPECIFICATION NUMBER: S210T160-25 SB DATA FROM A CMM: PRE SB 21-2511 POST SB 21-2380 POST SB 21-2511 COMPONENT MAINT MANUAL REF: 21-32-04 | 002004 006999 | 2 |
| 62 | 138029 | .. | COVER-FILTER ELEMENT SUPPLIER CODE: V70210 | 002004 006999 | 1 |

MISSING ITEM NUMBERS NOT APPLICABLE

- ITEM NOT ILLUSTRATED

21-32-01-01

21-32-01
FIG. 01
PAGE 2
JAN 20/09

BRI



757

PARTS CATALOG (MAINTENANCE)

| FIG ITEM | PART NUMBER | 1 2 3 4 5 6 7 | NOMENCLATURE | EFFECT FROM TO | UNITS PER ASSY |
|----------|---------------|---------------|--|--|----------------|
| 1 | | | | | |
| 65 | 137847-1 | .. | CARTRIDGE-FILTER ELEM SUPPLIER CODE: V70210 | 002004 006999 | 1 |
| 66 | 147605-1 | .. | RETAINER-FILTER BOOT SUPPLIER CODE: V70210 | 002004 006999 | 1 |
| 67 | AN960PD1216 | .. | WASHER | 002004 006999 | 1 |
| 68 | 139349-1 | .. | FILTER-BOOT SUPPLIER CODE: V70210 | 002004 006999 | 1 |
| 69 | NAS1352-08-8P | .. | SCREW | 002004 006999 | 1 |
| 70 | NAS620-8 | .. | WASHER | 002004 006999 | 1 |
| 72 | MS21103D5 | .. | CLAMP | 002004 006999 | 1 |
| 74 | 147614-1 | .. | TUBE ASSY-VALVE SUPPLIER CODE: V70210 | 002004 006999 | 1 |
| 76 | S9028J904 | .. | PACKING- SUPPLIER CODE: V70210 | 002004 006999 | 1 |
| 78 | AN919-3D | .. | REDUCER | 002004 006999 | 1 |
| - 95 | 147611-4 | .. | PLATE-IDENT SUPPLIER CODE: V70210 SB DATA FROM A CMM: POST SB 21-2380 CONFIG CHG DATA FROM A CMM: REPL BY 147611-7 | 002004 006999 | 1 |
| - 95 | 147611-7 | .. | PLATE-IDENT SUPPLIER CODE: V70210 SB DATA FROM A CMM: PRE SB 21-2511 CONFIG CHG DATA FROM A CMM: REPLACES 147611-4 | 002004 006999 | 1 |
| 150 | MS21902D6 | .UNION- | | 002004 006999 | 1 |
| 155 | NAS1762D0606 | .ELBOW- | MISCELLANEOUS DATA: MAY USE NAS1762W0606 | 002004 006100 107107 121503 904999 | 1 |
| 155 | NAS1762W0606 | .ELBOW | | 101106 108120 504903 | 1 |

MISSING ITEM NUMBERS NOT APPLICABLE

- ITEM NOT ILLUSTRATED

21-32-01-01

21-32-01
FIG. 01
PAGE 3
JAN 20/09

BRI



757

PARTS CATALOG (MAINTENANCE)

| FIG ITEM | PART NUMBER | 1 2 3 4 5 6 7 | NOMENCLATURE | EFFECT FROM TO | UNITS PER ASSY |
|-------------|-------------|---------------|--------------|--|----------------------|
| 1 | | | | | |
| 160 | MS21916D6-4 | . | REDUCER | 002004 006999 | 2 |
| 165 | MS21905D6 | . | TEE | 002004 006100 107107 121503 904999 | 1 |
| 165 | MS21905W6 | . | TEE | 101106 108120 504903 | 1 |
| 170 | MS28778-6 | . | PACKING | 002004 006100 107107 121503 904999 | 1 |
| 175 | MS28778-4 | . | PACKING | 002004 006100 107107 121503 904999 | 2 |
| 180 | NAS509-14 | . | NUT | 002004 006999 | 1 |
| 185 | 65B40137-3 | . | WASHER | 002004 006999 | 1 |
| 190 | 216N1014-1 | . | PORT- | 002004 006999 | 1 |

MISSING ITEM NUMBERS NOT APPLICABLE

- ITEM NOT ILLUSTRATED

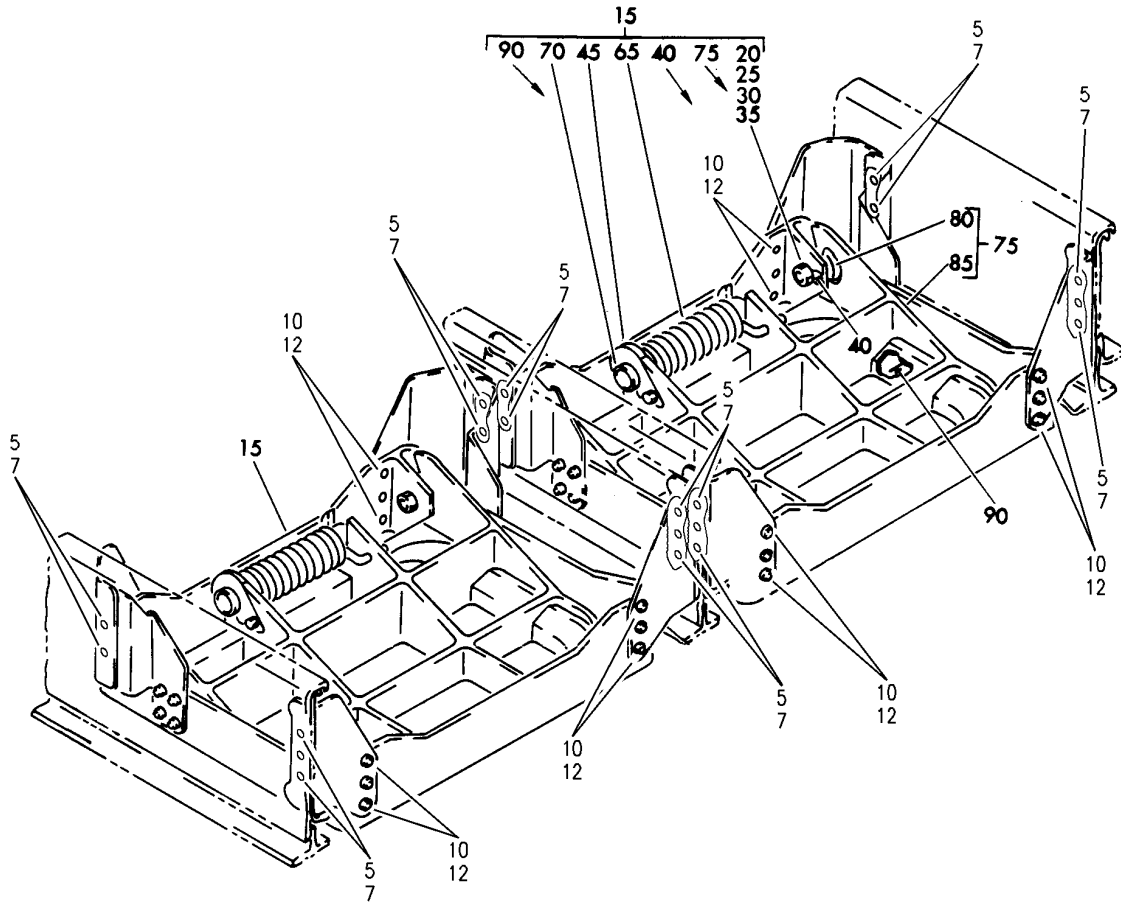
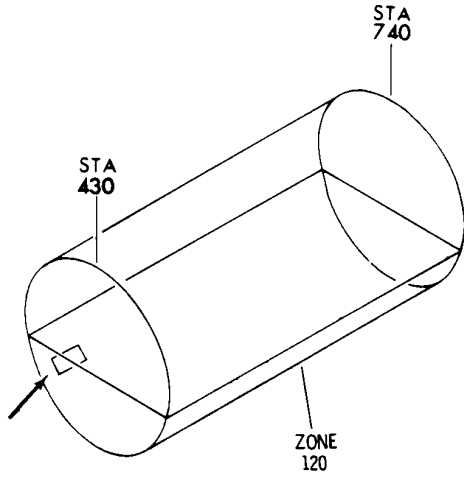
BRI

21-32-01-01

BOEING PROPRIETARY - Copyright © - Unpublished Work - See title page for details.

21-32-01
FIG. 01
PAGE 4
JAN 20/09

BOEING
757
PARTS CATALOG (MAINTENANCE)



Y 21320201 REV 238

VALVE AND TOOL INSTL
FIGURE 1

21-32-02-01

BRI
MAY 28/07

21-32-02-01
PAGE 0



757

PARTS CATALOG (MAINTENANCE)

| FIG ITEM | PART NUMBER | 1 2 3 4 5 6 7 | NOMENCLATURE | EFFECT FROM TO | UNITS PER ASSY |
|----------|--------------|---------------|---|--|----------------|
| 1 | | | VALVE AND TOOL INSTL | 002004 006105 107999 | |
| - 1 | 143N8603-1 | | VALVE INSTL-VACUUM RELIEF FOR NHA SEE: 53-00-05-01 | 002004 006100 107107 121503 904999 | RF |
| - 1 | 143N8603-401 | | VALVE INSTL-VACUUM RELIEF FOR NHA SEE: 53-33-00-01 | 101102 108120 504903 | RF |
| - 1 | MODREF26905 | | VALVE INSTL-VACUUM RELIEF MODULE NUMBER: 143N8603-402 REV B | 103105 | 1 |
| 5 | BACB30MY8K | | .BOLT- SIZE DETERMINED ON INSTL. | 002004 006105 107999 | 20 |
| 7 | BACC30M | | .COLLAR- SIZE DETERMINED ON INSTL. | 002004 006105 107999 | 20 |
| 10 | L8008K4 | | .BOLT SUPPLIER CODE: V06725 SPECIFICATION NUMBER: BACB30MY8K4 | 002004 006105 107999 | 24 |
| 12 | HL79-8 | | .COLLAR SUPPLIER CODE: V5M902 SPECIFICATION NUMBER: BACC30M8 OPTIONAL PART: HL79-8 V73197 HL79-8 V92215 66014-8 V56878 HL79-8 V56878 | 002004 006105 107999 | 24 |
| 15 | 143N8603-3 | | .VALVE ASSY- COMPONENT MAINT MANUAL REF: 21-32-11 | 107107 | 2 |
| 15 | 143N8603-20 | | .VALVE ASSY- COMPONENT MAINT MANUAL REF: 21-32-11 | 002004 006105 108999 | 2 |
| 15 | 143N8603-21 | | .VALVE ASSY- COMPONENT MAINT MANUAL REF: 21-32-11 | 002004 006105 108999 | 2 |

MISSING ITEM NUMBERS NOT APPLICABLE

- ITEM NOT ILLUSTRATED

21-32-02-01

21-32-02
FIG. 01
PAGE 1
JAN 20/09

BRI



757

PARTS CATALOG (MAINTENANCE)

| FIG ITEM | PART NUMBER | 1 2 3 4 5 6 7 | NOMENCLATURE | EFFECT FROM TO | UNITS PER ASSY |
|----------|--------------|---------------|--|----------------------------|----------------|
| 1 | | | | | |
| 15 | 143N8603-22 | | . VALVE ASSY- COMPONENT MAINT MANUAL REF: 21-32-11 | 002004 006105 108999 | 2 |
| 20 | MS24665-153 | | .. PIN- | 002004 006105 107999 | 2 |
| 25 | BACB30LJ5D16 | | .. BOLT | 002004 006105 107999 | 2 |
| 30 | AN960PD516L | | .. WASHER | 002004 006105 107999 | 4 |
| 35 | BACN10JD5CD | | .. NUT | 002004 006105 107999 | 2 |
| 40 | 69-45460-3 | | .. BUSHING | 002004 006105 107999 | 2 |
| 45 | 69-49207-1 | | .. RETAINER- | 002004 006105 107999 | 1 |
| 45 | 69-49207-2 | | .. RETAINER- | 002004 006105 107999 | 1 |
| | | | ATTACHING PARTS | | |
| - 50 | NAS6703-4 | | .. BOLT | 002004 006105 107999 | 1 |
| - 55 | AN960PD10L | | .. WASHER | 002004 006105 107999 | 1 |
| - 60 | NAS1805-3N | | .. NUT | 002004 006105 107999 | 1 |
| | | | -----*----- | | |
| 65 | 69-47255-1 | | .. SPRING-TORSION | 002004 006105 107999 | 1 |
| 70 | 69-47956-1 | | .. SUPPORT-SPR | 002004 006105 107999 | 1 |
| 75 | 143N8604-1 | | .. DOOR ASSY | 002004 006105 107999 | 1 |
| 80 | BACB28X8B31 | | ... BUSHING-FLANGED | 002004 006105 107999 | 2 |

MISSING ITEM NUMBERS NOT APPLICABLE

- ITEM NOT ILLUSTRATED

BRI

21-32-02-01

21-32-02
FIG. 01
PAGE 2
JAN 20/09


BOEING
 757
PARTS CATALOG (MAINTENANCE)

| FIG ITEM | PART NUMBER | 1 2 3 4 5 6 7 | NOMENCLATURE | EFFECT FROM TO | UNITS PER ASSY |
|-------------|-------------|---------------|---|----------------------------|----------------------|
| 1 | | | | | |
| 85 | 143N8604-2 | . . . | D00R | 002004 006105 107999 | 1 |
| 90 | 5709-11 | . . . | SEAL- SUPPLIER CODE: V11960 SPECIFICATION NUMBER: 10-60821-11 | 002004 006105 107999 | 1 |

MISSING ITEM NUMBERS NOT APPLICABLE

— ITEM NOT ILLUSTRATED

BRI

21-32-02-01

BOEING PROPRIETARY - Copyright © - Unpublished Work - See title page for details.

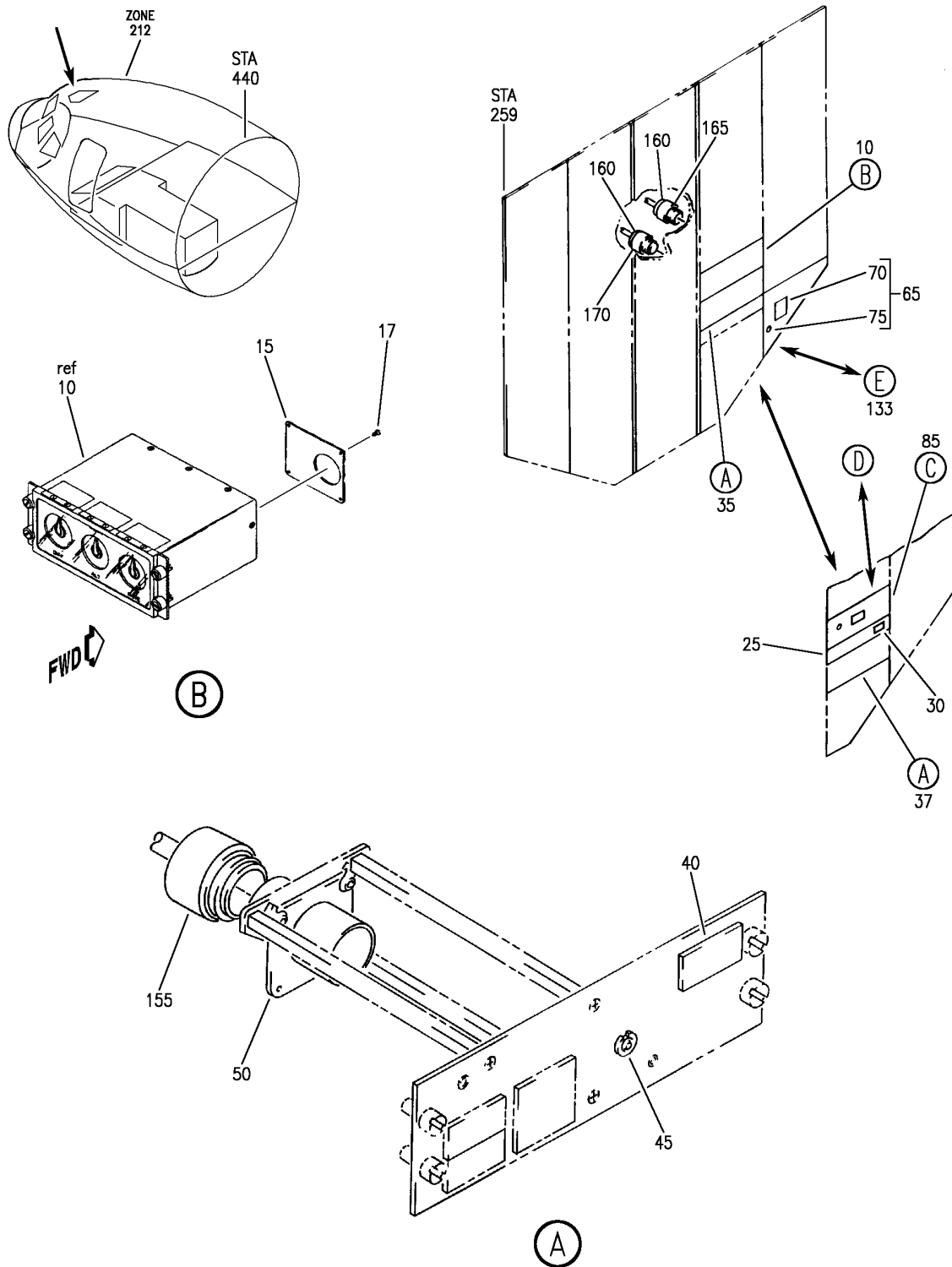
21-32-02
 FIG. 01
 PAGE 3
 JAN 20/09

PRESSURIZATION INDICATING AND WARNING

BRI
MAY 28/07

21-33-00
SECTION TITLE
PAGE 1

BOEING
757
PARTS CATALOG (MAINTENANCE)



Y 21335101 SHT 1 REV 289

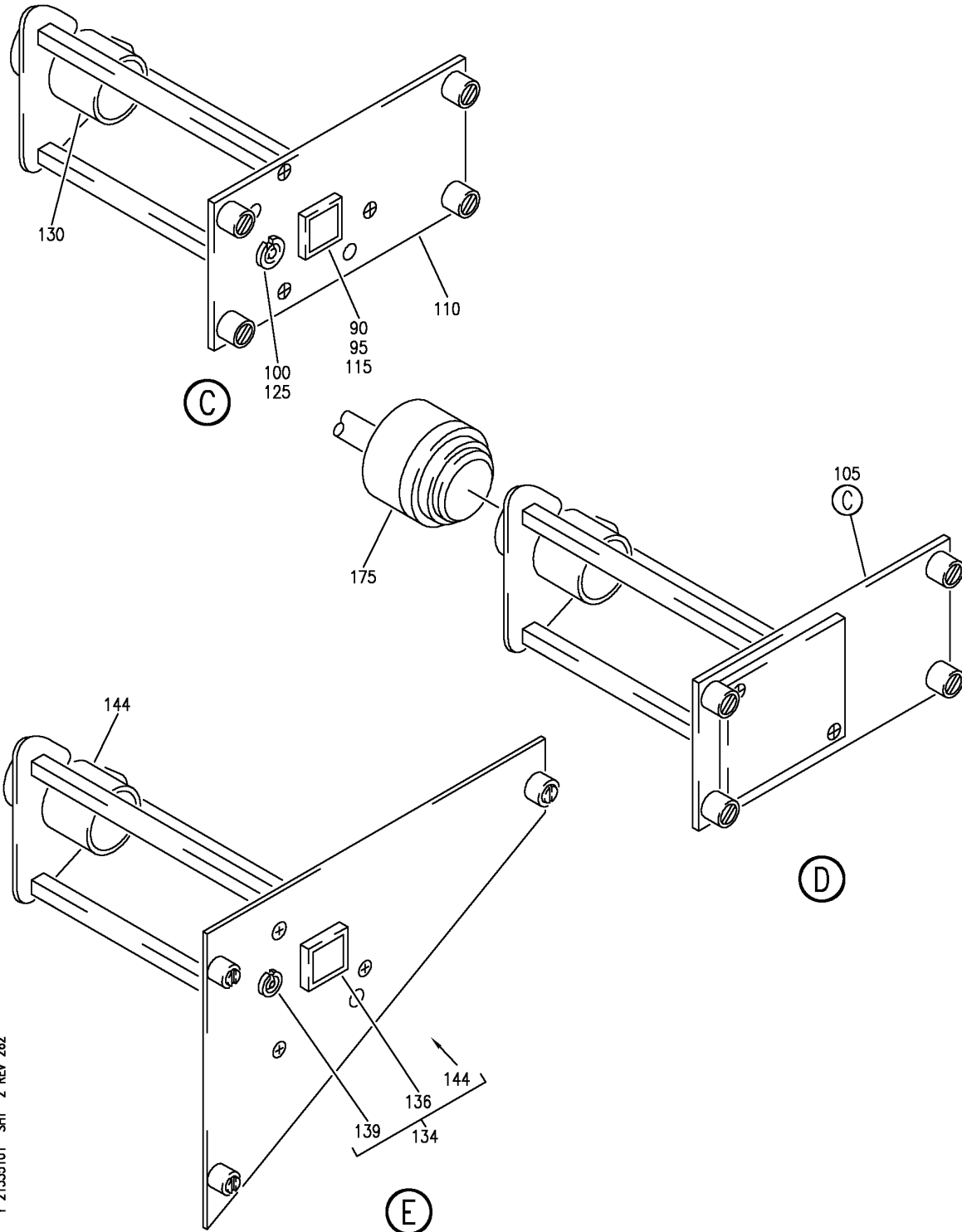
PANEL INSTL-P5 OVHD (PRESSURIZATION INDICATING AND WARNING SYSTEM ONLY)
FIGURE 1 (SHEET 1)

21-33-51-01

BRI
MAY 28/07

21-33-51-01
PAGE 0

BOEING
757
PARTS CATALOG (MAINTENANCE)



Y 21335101 SH1 2 REV 262

PANEL INSTL-P5 OVHD (PRESSURIZATION INDICATING AND WARNING SYSTEM ONLY)
FIGURE 1 (SHEET 2)

21-33-51-01

BRI
MAY 28/07

21-33-51-01
PAGE 0A



757

PARTS CATALOG (MAINTENANCE)

| FIG ITEM | PART NUMBER | 1 2 3 4 5 6 7 | NOMENCLATURE | EFFECT FROM TO | UNITS PER ASSY |
|----------|-------------|---------------|--|--|----------------|
| 1 | | | PANEL INSTL-P5 OVHD (PRESSURIZATION INDICATING AND WARNING SYSTEM ONLY) | 002004 006010 107107 121503 904999 | |
| - 5 | 233N3101-1 | | PANEL INSTL-P5 OVHD (PRESSURIZATION INDICATING AND WARNING SYSTEM ONLY) VARIABLE DRAWING REF: 233N3101-5005 233N3101-5025 233N3101-5041 233N3101-5042 233N3101-5045 FOR NHA/OTHER SYS DET SEE: 25-10-00-05A | 002004 006010 107107 121503 904999 | RF |
| 10 | SETLOC420M | | .PANEL ASSY-CAB. PRESSURE GAGES SUPPLIER CODE: V61349 FUNCTIONAL DESCRIPTION: PROVIDES CABIN PRESSURE RATE OF CLIMB OR DESCENT CABIN TO AMBIENT DIFFERENTIAL PRESSURE AND CABIN ALTITUDE SPECIFICATION NUMBER: S231N210-14 ELECTRICAL EQUIP NUMBER: M00019 COMPONENT MAINT MANUAL REF: 21-33-07 QUALIFIED I/W DATA: INSTALLED AS A SET, PT033D T/W SETLOC420M OR SETLOC420L, I/W PT033A T/W SETLOC420H FUNCTIONAL REFERENCE: LIGHTS FOR DETAILS SEE 33-13-51-50F | 002004 006010 950999 | 1 |

MISSING ITEM NUMBERS NOT APPLICABLE

- ITEM NOT ILLUSTRATED

BRI

21-33-51-01

21-33-51
FIG. 01
PAGE 1
JAN 20/09



757

PARTS CATALOG (MAINTENANCE)

| FIG ITEM | PART NUMBER | 1 2 3 4 5 6 7 | NOMENCLATURE | EFFECT FROM TO | UNITS PER ASSY |
|-------------|---------------|---------------|--|--|----------------|
| 1 | 10 SETLOC420L | | .PANEL ASSY-CAB. PRESSURE GAGES SUPPLIER CODE: V61349 SPECIFICATION NUMBER: S231N210-15 ELECTRICAL EQUIP NUMBER: M00019 COMPONENT MAINT MANUAL REF: 21-33-07 QUALIFIED I/W DATA: INSTALLED AS A SET, PT033D T/W SETLOC420M OR SETLOC420L, I/W PT033A T/W SETLOC420H FUNCTIONAL REFERENCE: LIGHTS FOR DETAILS SEE 33-13-51-50F | 107107 121503 904949 | 1 |
| | 15 NP352F | | ..NAMEPLATE- SUPPLIER CODE: V61349 | 107107 121503 904949 | 1 |
| | 15 NP352G | | ..NAMEPLATE- SUPPLIER CODE: V61349 ATTACHING PARTS | 002004 006010 950999 | 1 |
| | 17 AH3217H18A | | ..SCREW- SUPPLIER CODE: V61349 | 002004 006010 107107 121503 904999 | 4 |
| -----*----- | | | | | |

MISSING ITEM NUMBERS NOT APPLICABLE

- ITEM NOT ILLUSTRATED

BRI

21-33-51-01

BOEING PROPRIETARY - Copyright © - Unpublished Work - See title page for details.

21-33-51
FIG. 01
PAGE 2
JAN 20/09



757

PARTS CATALOG (MAINTENANCE)

| FIG ITEM | PART NUMBER | 1 2 3 4 5 6 7 | NOMENCLATURE | EFFECT FROM TO | UNITS PER ASSY |
|----------|-------------|---------------|--|----------------------------|----------------|
| 1 35 | 233N3203-32 | | .PANEL ASSY-EQPT COOLING SUPPLIER CODE: V89954 ELECTRICAL EQUIP NUMBER: M10067 COMPONENT MAINT MANUAL REF: 21-58-71 QUALIFIED I/W DATA: 233N3203-26 -27 -32 -33 -34 ARE ALL INTERCHANGEABLE EXCEPT SUBJECT TO CUSTOMER PREFERENCE 233N3203-300 PANEL ASSY IS I/W 233N3203-32 PANEL ASSY T/W S233T100-6045 LIGHTPLATE PRE ALERT SB: 33A0044 | 002004 006010 950999 | RF |
| 35 | 233N3203-27 | | .PANEL ASSY-EQPT COOLING SUPPLIER CODE: V89954 ELECTRICAL EQUIP NUMBER: M10067 COMPONENT MAINT MANUAL REF: 21-58-71 QUALIFIED I/W DATA: 233N3203-26 -27 -32 -33 -34 ARE ALL INTERCHANGEABLE EXCEPT SUBJECT TO CUSTOMER PREFERENCE PRE ALERT SB: 33A0044 | 107107 | RF |
| 35 | 233N3203-34 | | .PANEL ASSY-EQPT COOLING SUPPLIER CODE: V89954 ELECTRICAL EQUIP NUMBER: M10067 COMPONENT MAINT MANUAL REF: 21-58-71 QUALIFIED I/W DATA: 233N3203-26, -27, -32, -33, -34, ARE ALL INTERCHANGEABLE EXCEPT SUBJECT TO CUSTOMER PREFERENCE PRE ALERT SB: 33A0044R1 | 121503 904949 | RF |

MISSING ITEM NUMBERS NOT APPLICABLE

- ITEM NOT ILLUSTRATED

BRI

21-33-51-01

21-33-51
FIG. 01
PAGE 3
JAN 20/09



757

PARTS CATALOG (MAINTENANCE)

| FIG ITEM | PART NUMBER | 1 2 3 4 5 6 7 | NOMENCLATURE | EFFECT FROM TO | UNITS PER ASSY |
|----------|---------------|---------------|--|--|----------------|
| 1 | | | | | |
| 35 | 233N3203-1032 | | .PANEL ASSY-EQPT COOLING SUPPLIER CODE: V89954 ELECTRICAL EQUIP NUMBER: M10067 COMPONENT MAINT MANUAL REF: 21-58-71 POST ALERT SB: 33A0044 | 002004 006010 950999 | RF |
| 35 | 233N3203-1027 | | .PANEL ASSY-EQPT COOLING SUPPLIER CODE: V89954 ELECTRICAL EQUIP NUMBER: M10067 COMPONENT MAINT MANUAL REF: 21-58-71 POST ALERT SB: 33A0044 | 107107 | RF |
| 35 | 233N3203-1034 | | .PANEL ASSY-EQPT COOLING SUPPLIER CODE: V89954 ELECTRICAL EQUIP NUMBER: M10067 COMPONENT MAINT MANUAL REF: 21-58-71 PRE ALERT SB: 33A0044R1 | 121503 904949 | RF |
| 35 | 233N3203-37 | | .PANEL ASSY-EQPT COOLING SUPPLIER CODE: V89954 COMPONENT MAINT MANUAL REF: 21-58-71 | 002004 006010 950999 | RF |
| 40 | BCREF8590 | | ..LIGHT ASSY-CABIN ALTITUDE IND SUPPLIER CODE: V81590 OVERLENGTH PART NUMBER: 434-674-1031-2274 SPECIFICATION NUMBER: S231T300-2274 OPTIONAL PART: BCREF6205 V81590 FOR DETAILS SEE: 33-14-70-02 | 002004 006010 107107 121503 904999 | 1 |

MISSING ITEM NUMBERS NOT APPLICABLE

- ITEM NOT ILLUSTRATED

BRI

21-33-51-01

21-33-51
FIG. 01
PAGE 4
JAN 20/09



757

PARTS CATALOG (MAINTENANCE)

| FIG ITEM | PART NUMBER | 1 2 3 4 5 6 7 | NOMENCLATURE | EFFECT FROM TO | UNITS PER ASSY |
|----------|---------------|---------------|--|--|----------------|
| 1 | | | | | |
| 40 | BCREF6205 | | ..LIGHT ASSY-CABIN ALTITUDE IND SUPPLIER CODE: V81590 OVERLENGTH PART NUMBER: 434-674-1005-1274 SPECIFICATION NUMBER: S231T300-1274 OPTIONAL PART: BCREF8590 V81590 FOR DETAILS SEE: 33-14-70-02 | 002004 006010 107107 121503 904999 | 1 |
| 45 | 800000121-1 | | ..CONNECTOR- SUPPLIER CODE: V05617 | 002004 006010 107107 121503 904999 | 1 |
| 50 | R071716-24P10 | | ..CONNECTOR- SUPPLIER CODE: V41118 SPECIFICATION NUMBER: BCREF5796 OVERLENGTH PART NUMBER: BACC45FN16-24P10 ATTACHING PARTS | 002004 006010 107107 121503 904999 | 1 |
| - 55 | NAS1801-04-5 | | ..SCREW- | 107107 | 3 |
| - 58 | NAS1801-04-5 | | ..SCREW- OPTIONAL PART: BACS12HN04-5 | 002004 006010 121503 904999 | 2 |
| - 58 | BACS12HN04-5 | | ..SCREW- OPTIONAL PART: NAS1801-04-5 | 002004 006010 121503 904999 | 2 |
| - 60 | K19798-04 | | ..NUT SUPPLIER CODE: V15653 SPECIFICATION NUMBER: BACN10NW1 OPTIONAL PART: RMA4812-160-40 V72962 293162 V60119 | 107107 | 3 |

MISSING ITEM NUMBERS NOT APPLICABLE

- ITEM NOT ILLUSTRATED

21-33-51-01

21-33-51
FIG. 01
PAGE 5
JAN 20/09

BRI



**757
PARTS CATALOG (MAINTENANCE)**

| FIG ITEM | PART NUMBER | 1 2 3 4 5 6 7 | NOMENCLATURE | EFFECT FROM TO | UNITS PER ASSY |
|----------|-----------------|---------------|---|--|----------------|
| 1 | | | | | |
| - 63 | K19798-04 | | . . NUT SUPPLIER CODE: V15653 SPECIFICATION NUMBER: BACN10NW1 OPTIONAL PART: RMA4812-160-40 V72962 293162 V60119 | 002004 006010 121503 904999 | 2 |
| - 150 | 286N2156-003 | | -----*----- WIRE BUNDLE ASSY- (PRESSURIZATION INDICATING AND WARNING SYSTEM ONLY) | 121503 904949 | RF |
| - 150 | 286N2156-005 | | WIRE BUNDLE ASSY- (PRESSURIZATION INDICATING AND WARNING SYSTEM ONLY) | 002004 006010 950999 | RF |
| - 153 | 286N2078-003 | | WIRE BUNDLE ASSY- (PRESSURIZATION INDICATING AND WARNING SYSTEM ONLY) | 121503 904949 | RF |
| - 153 | 286N2078-005 | | WIRE BUNDLE ASSY- (PRESSURIZATION INDICATING AND WARNING SYSTEM ONLY) | 002004 006010 950999 | RF |
| 155 | BCREF6351 | | .CONNECTOR- OVERLENGTH PART NUMBER: BACC45FT16A24S10 ELECTRICAL EQUIP NUMBER: D03518 WIRING DIAGRAM REF: 215812 | 002004 006010 107107 121503 904999 | 1 |
| 165 | BACC45FT12A12S6 | | .CONNECTOR- ELECTRICAL EQUIP NUMBER: D02698 WIRING DIAGRAM REF: 213311 | 002004 006010 107107 121503 904999 | 1 |
| 170 | BACC45FT12A12S | | .CONNECTOR- ELECTRICAL EQUIP NUMBER: D02696 WIRING DIAGRAM REF: 213311 | 002004 006010 107107 121503 904999 | 1 |

MISSING ITEM NUMBERS NOT APPLICABLE

- ITEM NOT ILLUSTRATED

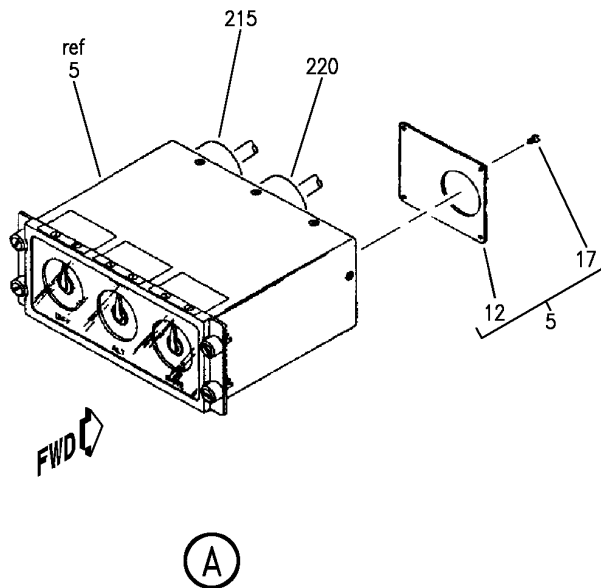
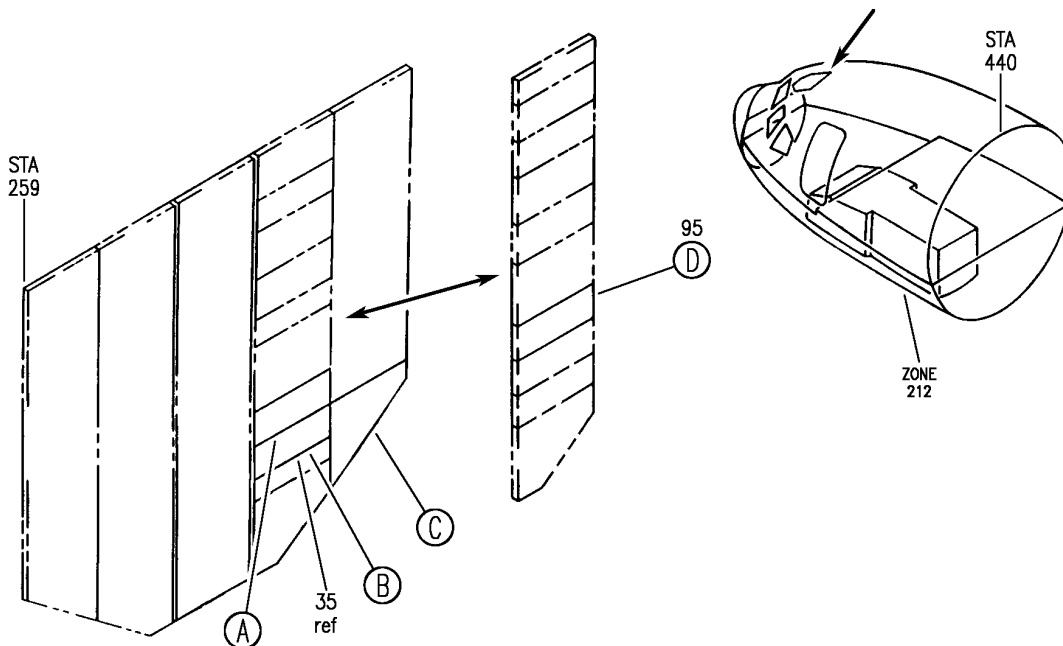
21-33-51-01

21-33-51
FIG. 01
PAGE 6
JAN 20/09

BRI

BOEING PROPRIETARY - Copyright © - Unpublished Work - See title page for details.

BOEING
757
PARTS CATALOG (MAINTENANCE)



Y 21335102 SH1 1 REV 289

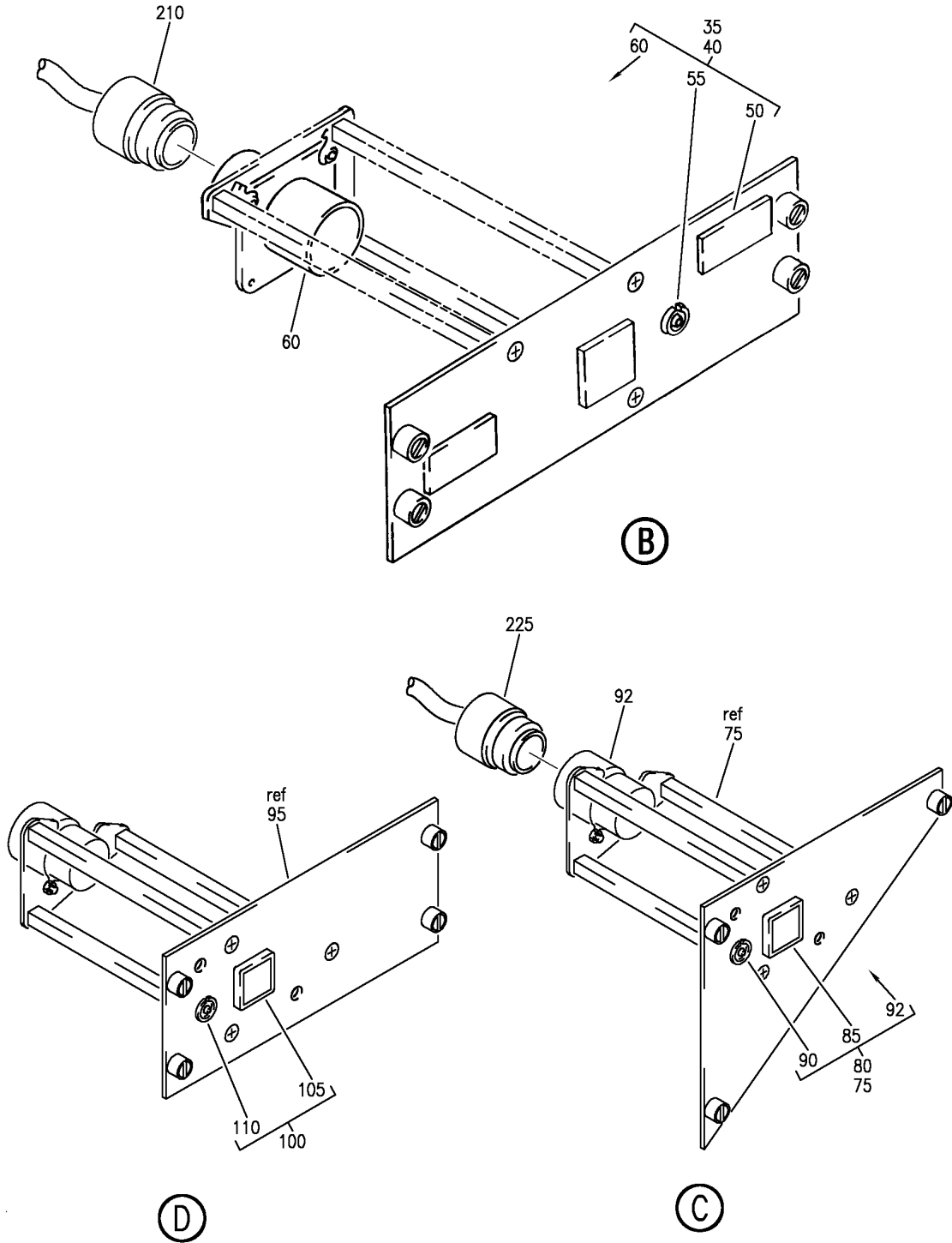
PANEL INSTL-P5 OVHD (PRESSURIZATION INDICATING AND WARNING SYSTEM ONLY)
FIGURE 2 (SHEET 1)

21-33-51-02

BRI
MAY 28/07

21-33-51-02
PAGE 0

BOEING
757
PARTS CATALOG (MAINTENANCE)



Y 21335102 SH1 2 REV 287

PANEL INSTL-P5 OVHD (PRESSURIZATION INDICATING AND WARNING SYSTEM ONLY)
FIGURE 2 (SHEET 2)

21-33-51-02

BRI
MAY 28/07

21-33-51-02
PAGE 0A



757

PARTS CATALOG (MAINTENANCE)

| FIG ITEM | PART NUMBER | 1 2 3 4 5 6 7 | NOMENCLATURE | EFFECT FROM TO | UNITS PER ASSY |
|----------|-------------|---------------|--|----------------|----------------|
| 2 | | | PANEL INSTL-P5 OVHD (PRESSURIZATION INDICATING AND WARNING SYSTEM ONLY) | 011100 | |
| - 1 | 233N3101-1 | | PANEL INSTL-P5 OVHD (PRESSURIZATION INDICATING AND WARNING SYSTEM ONLY) VARIABLE DRAWING REF: 233N3101-5142 FOR NHA/OTHER SYS DET SEE: 25-10-00-05A | 011100 | RF |
| 5 | SETLOC420M | | .PANEL ASSY-CAB. PRESSURE GAGES SUPPLIER CODE: V61349 FUNCTIONAL DESCRIPTION: PROVIDES CABIN PRESSURE RATE OF CLIMB OR DESCENT CABIN TO AMBIENT DIFFERENTIAL PRESSURE AND CABIN ALTITUDE SPECIFICATION NUMBER: S231N210-14 ELECTRICAL EQUIP NUMBER: M00019 COMPONENT MAINT MANUAL REF: 21-33-07 QUALIFIED I/W DATA: INSTALLED AS A SET, PT033D T/W SETLOC420M OR SETLOC420L, I/W PT033A T/W SETLOC420H FUNCTIONAL REFERENCE: LIGHTS FOR DETAILS SEE 33-13-51-50F | 011100 | 1 |
| 12 | NP352F | | ..NAMEPLATE- SUPPLIER CODE: V61349 | 011100 | 1 |
| 17 | AH3217H18A | | ATTACHING PARTS ..SCREW- SUPPLIER CODE: V61349 -----*----- | 011100 | 4 |

MISSING ITEM NUMBERS NOT APPLICABLE

- ITEM NOT ILLUSTRATED

21-33-51-02

21-33-51
FIG. 02
PAGE 1
JAN 20/09

BRI



757

PARTS CATALOG (MAINTENANCE)

| FIG ITEM | PART NUMBER | 1 2 3 4 5 6 7 | NOMENCLATURE | EFFECT FROM TO | UNITS PER ASSY |
|----------|---------------|---------------|---|----------------|----------------|
| 2 35 | 233N3203-300 | | .PANEL ASSY-EQPT COOLING SUPPLIER CODE: V89954 ELECTRICAL EQUIP NUMBER: M10067 WIRING DIAGRAM REF: 215812 COMPONENT MAINT MANUAL REF: 21-58-71 QUALIFIED I/W DATA: 233N3203-300 PANEL ASSY IS I/W 233N3203-32 PANEL ASSY T/W S233T100-6045 LIGHTPLATE PRE ALERT SB: 33A0044 | 011100 | RF |
| 35 | 233N3203-1300 | | .PANEL ASSY-EQPT COOLING SUPPLIER CODE: V89954 ELECTRICAL EQUIP NUMBER: M10067 COMPONENT MAINT MANUAL REF: 21-58-71 POST ALERT SB: 33A0044 | 011100 | RF |
| 35 | 233N3203-337 | | .PANEL ASSY-EQPT COOLING SUPPLIER CODE: V89954 ELECTRICAL EQUIP NUMBER: M10067 COMPONENT MAINT MANUAL REF: 21-58-71 | 011100 | RF |

MISSING ITEM NUMBERS NOT APPLICABLE

- ITEM NOT ILLUSTRATED

BRI

21-33-51-02

BOEING PROPRIETARY - Copyright © - Unpublished Work - See title page for details.

21-33-51
FIG. 02
PAGE 2
JAN 20/09



757

PARTS CATALOG (MAINTENANCE)

| FIG ITEM | PART NUMBER | 1 2 3 4 5 6 7 | NOMENCLATURE | EFFECT FROM TO | UNITS PER ASSY |
|----------|---------------|---------------|---|----------------|----------------|
| 2 40 | 233N3203-32 | .. | PANEL ASSY-EQPT COOLING SUPPLIER CODE: V89954 ELECTRICAL EQUIP NUMBER: M10067 COMPONENT MAINT MANUAL REF: 21-58-71 QUALIFIED I/W DATA: 233N3203-300 PANEL ASSY IS I/W 233N3203-32 PANEL ASSY T/W S233T100-6045 LIGHTPLATE USED ON: 233N3203-300 PRE ALERT SB: 33A0044 | 011100 | 1 |
| 40 | 233N3203-33 | .. | PANEL ASSY-EQPT COOLING SUPPLIER CODE: V89954 ELECTRICAL EQUIP NUMBER: M10067 COMPONENT MAINT MANUAL REF: 21-58-71 QUALIFIED I/W DATA: 233N3203-301 PANEL ASSY IS I/W 233N3203-33 PANEL ASSY T/W S233T100-6045 LIGHTPLATE USED ON: 233N3203-301 | 011100 | 1 |
| 40 | 233N3203-1032 | .. | PANEL ASSY-EQPT COOLING SUPPLIER CODE: V89954 ELECTRICAL EQUIP NUMBER: M10067 COMPONENT MAINT MANUAL REF: 21-58-71 USED ON: 233N3203-1300 POST ALERT SB: 33A0044 | 011100 | 1 |

MISSING ITEM NUMBERS NOT APPLICABLE

- ITEM NOT ILLUSTRATED

BRI

21-33-51-02

21-33-51
FIG. 02
PAGE 3
JAN 20/09



757

PARTS CATALOG (MAINTENANCE)

| FIG ITEM | PART NUMBER | 1 2 3 4 5 6 7 | NOMENCLATURE | EFFECT FROM TO | UNITS PER ASSY |
|----------|---------------|---------------|--|----------------|----------------|
| 2 | | | | | |
| 40 | 233N3203-1033 | .. | PANEL ASSY-EQPT COOLING SUPPLIER CODE: V89954 ELECTRICAL EQUIP NUMBER: M10067 COMPONENT MAINT MANUAL REF: 21-58-71 POST ALERT SB: 33A0044 | 011100 | 1 |
| 40 | 233N3203-37 | .. | PANEL ASSY-EQPT COOLING SUPPLIER CODE: V89954 COMPONENT MAINT MANUAL REF: 21-58-71 USED ON: 233N3203-337 | 011100 | 1 |
| 50 | BCREF8590 | ... | LIGHT ASSY-CABIN ALTITUDE IND SUPPLIER CODE: V81590 OVERLENGTH PART NUMBER: 434-674-1031-2274 SPECIFICATION NUMBER: S231T300-2274 OPTIONAL PART: BCREF6205 V81590 FOR DETAILS SEE: 33-14-70-02 | 011100 | 1 |
| 50 | BCREF6205 | ... | LIGHT ASSY-CABIN ALTITUDE IND SUPPLIER CODE: V81590 OVERLENGTH PART NUMBER: 434-674-1005-1274 SPECIFICATION NUMBER: S231T300-1274 OPTIONAL PART: BCREF8590 V81590 FOR DETAILS SEE: 33-14-70-02 | 011100 | 1 |
| 55 | 800-000121-1 | ... | CONNECTOR- SUPPLIER CODE: V05617 | 011100 | 1 |

MISSING ITEM NUMBERS NOT APPLICABLE

- ITEM NOT ILLUSTRATED

21-33-51-02

21-33-51
FIG. 02
PAGE 4
JAN 20/09

BRI



757

PARTS CATALOG (MAINTENANCE)

| FIG ITEM | PART NUMBER | 1 2 3 4 5 6 7 | NOMENCLATURE | EFFECT FROM TO | UNITS PER ASSY |
|----------|-----------------|---------------|--|----------------|----------------|
| 2 | | | | | |
| 60 | R071716-24P10 | ... | CONNECTOR- SUPPLIER CODE: V41118 SPECIFICATION NUMBER: BCREF5796 OVERLENGTH PART NUMBER: BACC45FN16-24P10 ATTACHING PARTS | 011100 | 1 |
| - 65 | NAS1801-04-5 | ... | SCREW- OPTIONAL PART: BACS12HN04-5 | 011100 | 2 |
| - 65 | BACS12HN04-5 | ... | SCREW- OPTIONAL PART: NAS1801-04-5 | 011100 | 2 |
| - 70 | K19798-04 | ... | NUT SUPPLIER CODE: V15653 SPECIFICATION NUMBER: BACN10NW1 OPTIONAL PART: RMA4812-160-40 V72962 293162 V60119 | 011100 | 2 |
| - 200 | 286N2156-005 | | WIRE BUNDLE ASSY | 011100 | RF |
| - 205 | 286N2078-005 | | WIRE BUNDLE ASSY | 011100 | RF |
| 210 | BCREF6351 | . | CONNECTOR- OVERLENGTH PART NUMBER: BACC45FT16A24S10 ELECTRICAL EQUIP NUMBER: D03518 WIRING DIAGRAM REF: 215812 | 011100 | 1 |
| 215 | BACC45FT12A12S6 | . | CONNECTOR- ELECTRICAL EQUIP NUMBER: D02698 WIRING DIAGRAM REF: 213311 | 011100 | 1 |
| 220 | BACC45FT12A12S | . | CONNECTOR- ELECTRICAL EQUIP NUMBER: D02696 WIRING DIAGRAM REF: 213311 | 011100 | 1 |

MISSING ITEM NUMBERS NOT APPLICABLE

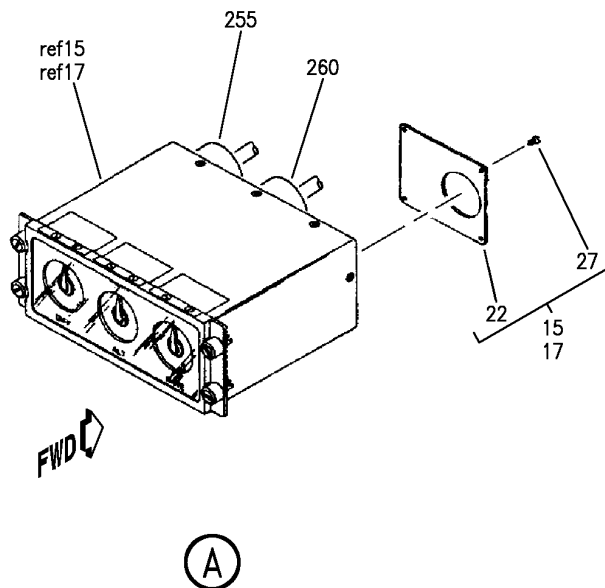
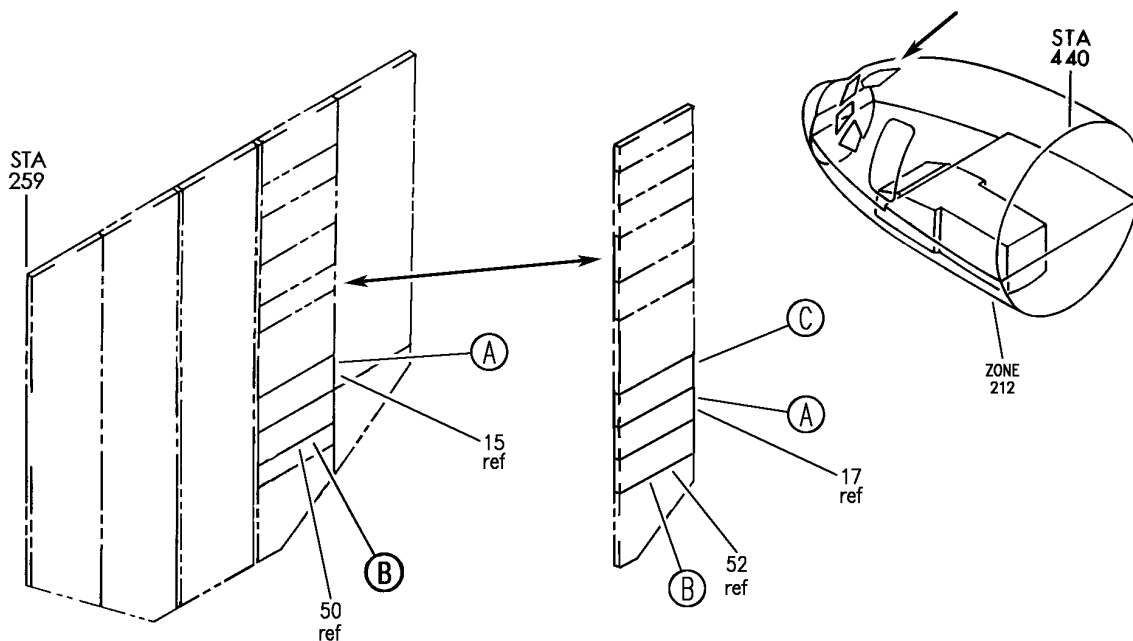
- ITEM NOT ILLUSTRATED

BRI

21-33-51-02

21-33-51
FIG. 02
PAGE 5
JAN 20/09

BOEING
757
PARTS CATALOG (MAINTENANCE)



Y 21335103 SH1 1 REV 289

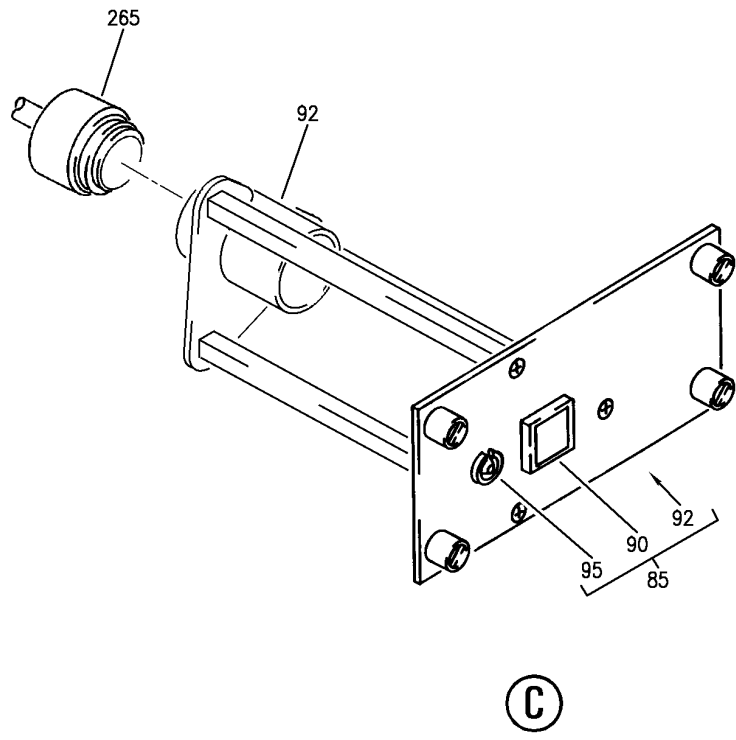
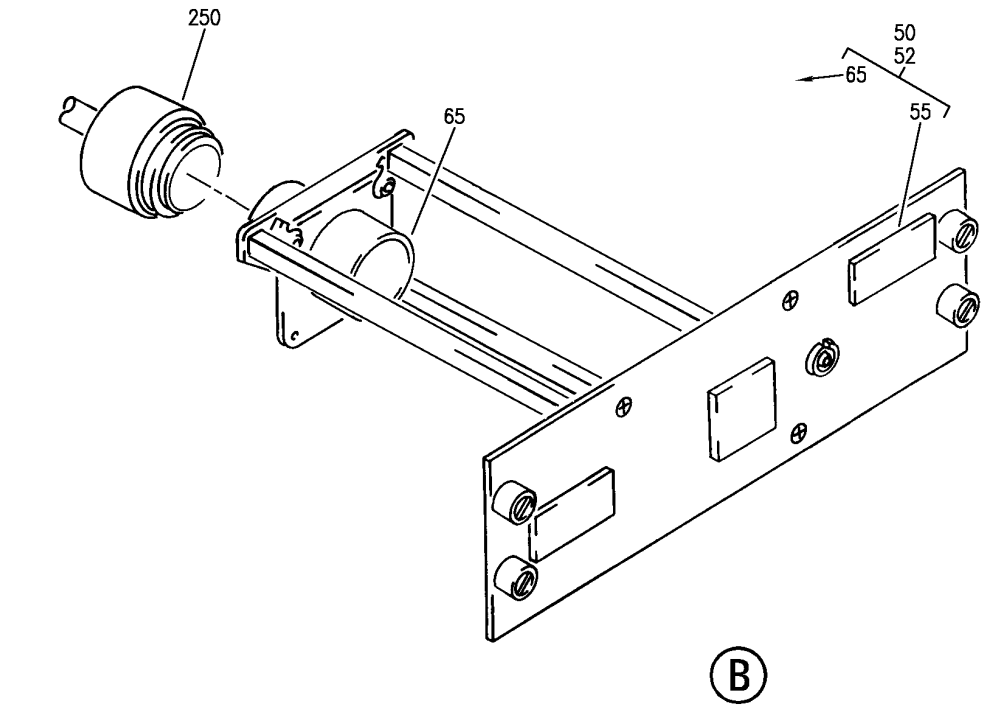
PANEL INSTL-P5 OVHD (PRESSURIZATION INDICATING AND WARNING SYSTEM ONLY)
FIGURE 3 (SHEET 1)

BRI
MAY 28/07

21-33-51-03

21-33-51-03
PAGE 0

BOEING
757
PARTS CATALOG (MAINTENANCE)



Y 21335103 SH1 2 REV 287

PANEL INSTL-P5 OVHD (PRESSURIZATION INDICATING AND WARNING SYSTEM ONLY)
FIGURE 3 (SHEET 2)

21-33-51-03

BRI
MAY 28/07

21-33-51-03
PAGE 0A



757

PARTS CATALOG (MAINTENANCE)

| FIG ITEM | PART NUMBER | 1 2 3 4 5 6 7 | NOMENCLATURE | EFFECT FROM TO | UNITS PER ASSY |
|----------|--------------|---------------|--|----------------------------|----------------|
| 3 | | | PANEL INSTL-P5 OVHD (PRESSURIZATION INDICATING AND WARNING SYSTEM ONLY) | 101106 108120 504903 | |
| - 7 | 233N3103-136 | | PANEL INSTL-P5 OVHD (PRESSURIZATION INDICATING AND WARNING SYSTEM ONLY) | 504903 | RF |
| - 7 | 233N3103-132 | | FOR NHA/OTHER SYS DET SEE: 25-10-00-15E PANEL INSTL-P5 OVHD (PRESSURIZATION INDICATING AND WARNING SYSTEM ONLY) | 101102 | RF |
| - 10 | 233N3103-59 | | FOR NHA/OTHER SYS DET SEE: 25-10-00-15E PANEL INSTL-P5 OVHD (PRESSURIZATION INDICATING AND WARNING SYSTEM ONLY) | 108120 | RF |
| - 12 | MODREF170180 | | FOR NHA/OTHER SYS DET SEE: 25-10-00-15E PANEL INSTL-P5 OVHD (PRESSURIZATION INDICATING AND WARNING SYSTEM ONLY) | 106106 | 1 |
| | | | MODULE NUMBER: 233N3103-353 REV B FOR OTHER SYS DETAILS SEE: 11-31-10-12 21-25-55-03 21-31-01-02 21-51-54-03 21-58-19-10 21-58-51-03 21-61-04-03 21-65-51-01 22-21-01-04 22-24-51-02 23-24-01-01 23-32-00-11 23-42-02-02 23-71-05-02 24-11-52-05 24-22-01-03 24-31-01-10 24-31-03-09 24-33-04-01 24-41-51-04 | | |

MISSING ITEM NUMBERS NOT APPLICABLE

- ITEM NOT ILLUSTRATED

21-33-51-03

21-33-51
FIG. 03
PAGE 1
JAN 20/09

BRI



757

PARTS CATALOG (MAINTENANCE)

| FIG ITEM | PART NUMBER | 1 2 3 4 5 6 7 NOMENCLATURE | EFFECT FROM TO | UNITS PER ASSY |
|-------------|-------------|---|-------------------|----------------------|
| 3 | | 24-51-62-01 26-18-51-04 27-21-53-02 27-41-55-01 27-61-51-03 27-62-52-02 28-22-51-02 28-41-04-01 28-41-51-03 29-11-02-03 29-11-05-04 29-11-52-07 29-21-54-03 29-31-00-01 29-32-51-03 29-33-52-03 30-11-51-03 30-21-51-03 30-31-51-02 30-32-51-01 30-33-51-02 30-41-51-03 30-42-51-03 31-12-11-84 31-12-11-84 A 32-42-52-03 33-11-03-03 33-11-51-17 33-13-01-65 33-13-02-03 33-16-51-03 33-24-51-02 33-41-52-04 33-42-01-04 33-42-02-04 33-42-52-04 33-43-51-04 33-44-51-05 33-45-53-03 33-51-08-05 34-21-02-01 35-21-51-04 36-11-04-01 36-21-00-01 36-21-02-05 36-22-51-03 49-41-00-02 49-52-00-01 49-70-00-01 | | |

MISSING ITEM NUMBERS NOT APPLICABLE

- ITEM NOT ILLUSTRATED

21-33-51-03

21-33-51
FIG. 03
PAGE 2
JAN 20/09

BRI



757

PARTS CATALOG (MAINTENANCE)

| FIG ITEM | PART NUMBER | 1 2 3 4 5 6 7 | NOMENCLATURE | EFFECT FROM TO | UNITS PER ASSY |
|-------------------------------------|-------------|---------------|--|----------------|----------------|
| 3 | | | 52-51-51-03 52-71-51-02 73-21-52-02 74-31-51-05 75-32-00-01 80-11-09-02 | | |
| - 14 | MODREF33760 | | PANEL INSTL-P5 OVHD (PRESSURIZATION INDICATING AND WARNING SYSTEM ONLY) MODULE NUMBER: 233N3103-351 REV C FOR OTHER SYS DETAILS SEE: 11-31-10-12 21-25-55-03 21-31-01-02 21-51-54-03 21-58-19-10 21-58-51-03 21-61-04-03 21-65-51-01 22-21-01-04 22-24-51-02 23-24-01-01 23-32-00-11 23-42-02-02 23-71-05-02 24-11-52-05 24-22-01-03 24-31-01-10 24-31-03-09 24-33-04-01 24-41-51-04 24-51-62-01 26-18-51-04 27-21-53-02 27-41-55-01 27-61-51-03 27-62-52-02 28-22-51-02 28-41-04-01 28-41-51-03 29-11-02-03 29-11-05-04 29-11-52-07 29-21-54-03 29-31-00-01 29-32-51-03 29-33-52-03 | 103103 | 1 |
| MISSING ITEM NUMBERS NOT APPLICABLE | | | | | |

- ITEM NOT ILLUSTRATED

21-33-51-03

21-33-51
FIG. 03
PAGE 3
JAN 20/09

BRI



757

PARTS CATALOG (MAINTENANCE)

| FIG ITEM | PART NUMBER | 1 2 3 4 5 6 7 | NOMENCLATURE | EFFECT FROM TO | UNITS PER ASSY |
|-------------------------------------|-------------|---------------|--|----------------|----------------|
| 3 | | | 30-11-51-03 30-21-51-03 30-31-51-02 30-32-51-01 30-33-51-02 30-41-51-03 30-42-51-03 31-12-11-91 31-12-11-91A 32-42-52-03 33-11-03-03 33-11-51-17 33-13-01-65 33-13-02-03 33-16-51-03 33-24-51-02 33-41-52-04 33-42-01-04 33-42-02-04 33-42-52-04 33-43-51-04 33-44-51-05 33-45-53-03 33-51-08-05 34-21-02-01 35-21-51-04 36-11-04-01 36-21-00-01 36-21-02-05 36-22-51-03 49-41-00-02 49-52-00-01 49-70-00-01 52-51-51-03 52-71-51-02 73-21-52-02 74-31-51-05 75-32-00-01 80-11-09-02 | | |
| - 14 | MODREF34038 | | PANEL INSTL-P5 OVHD (PRESSURIZATION INDICATING AND WARNING SYSTEM ONLY) MODULE NUMBER: 233N3103-351 REV D FOR OTHER SYS DETAILS SEE: 11-31-10-12 21-25-55-03 21-31-01-02 | 104105 | 1 |
| MISSING ITEM NUMBERS NOT APPLICABLE | | | | | |

- ITEM NOT ILLUSTRATED

21-33-51-03

21-33-51
 FIG. 03
 PAGE 4
 JAN 20/09

BRI



757

PARTS CATALOG (MAINTENANCE)

| FIG ITEM | PART NUMBER | 1 2 3 4 5 6 7 NOMENCLATURE | EFFECT FROM TO | UNITS PER ASSY |
|-------------|-------------|---|-------------------|----------------------|
| 3 | | 21-51-54-03 21-58-19-10 21-58-51-03 21-61-04-03 21-65-51-01 22-21-01-04 23-24-01-01 23-32-00-11 22-24-51-02 23-42-02-02 23-71-05-02 24-11-52-05 24-22-01-03 24-31-01-10 24-31-03-09 24-33-04-01 24-41-51-04 24-51-62-01 26-18-51-04 27-21-53-02 27-41-55-01 27-61-51-03 27-62-52-02 28-22-51-02 28-41-04-01 28-41-51-03 29-11-02-03 29-11-05-04 29-11-52-07 29-21-54-03 29-31-00-01 29-32-51-03 29-33-52-03 30-11-51-03 30-21-51-03 30-31-51-02 30-32-51-01 30-33-51-02 30-41-51-03 30-42-51-03 31-12-11-91 31-12-11-91 A 32-42-52-03 33-11-03-03 33-11-51-17 33-13-01-65 33-13-02-03 33-16-51-03 33-24-51-02 | | |

MISSING ITEM NUMBERS NOT APPLICABLE

- ITEM NOT ILLUSTRATED

21-33-51-03

21-33-51
FIG. 03
PAGE 5
JAN 20/09

BR I



757

PARTS CATALOG (MAINTENANCE)

| FIG ITEM | PART NUMBER | 1 2 3 4 5 6 7 NOMENCLATURE | EFFECT FROM TO | UNITS PER ASSY |
|-------------|-------------|--|-------------------|----------------------|
| 3 | | 33-41-52-04 33-42-01-04 33-42-02-04 33-42-52-04 33-43-51-04 33-44-51-05 33-45-53-03 33-51-08-05 34-21-02-01 35-21-51-04 36-11-04-01 36-21-00-01 36-21-02-05 36-22-51-03 49-41-00-02 49-52-00-01 49-70-00-01 52-51-51-03 52-71-51-02 73-21-52-02 74-31-51-05 75-32-00-01 80-11-09-02 | | |
| 15 | SETLOC420M | .PANEL ASSY-CAB. PRESSURE GAGES SUPPLIER CODE: V61349 FUNCTIONAL DESCRIPTION: PROVIDES CABIN PRESSURE RATE OF CLIMB OR DESCENT CABIN TO AMBIENT DIFFERENTIAL PRESSURE AND CABIN ALTITUDE SPECIFICATION NUMBER: S231N210-14 ELECTRICAL EQUIP NUMBER: M00019 COMPONENT MAINT MANUAL REF: 21-33-07 FUNCTIONAL REFERENCE: LIGHTS FOR DETAILS SEE 33-13-51-50F | 101102 | 1 |

MISSING ITEM NUMBERS NOT APPLICABLE

- ITEM NOT ILLUSTRATED

BRI

21-33-51-03

21-33-51
 FIG. 03
 PAGE 6
 JAN 20/09



757

PARTS CATALOG (MAINTENANCE)

| FIG ITEM | PART NUMBER | 1 2 3 4 5 6 7 | NOMENCLATURE | EFFECT FROM TO | UNITS PER ASSY |
|----------|---------------|---------------|---|----------------------------|----------------|
| 3 | 15 SETLOC420L | | .PANEL ASSY-CAB. PRESSURE GAGES SUPPLIER CODE: V61349 SPECIFICATION NUMBER: S231N210-15 ELECTRICAL EQUIP NUMBER: M00019 COMPONENT MAINT MANUAL REF: 21-33-07 FUNCTIONAL REFERENCE: LIGHTS FOR DETAILS SEE 33-13-51-50F | 108120 504903 | 1 |
| | 17 SETLOC420M | | .PANEL ASSY-CAB. PRESSURE GAGES SUPPLIER CODE: V61349 FUNCTIONAL DESCRIPTION: PROVIDES CABIN PRESSURE RATE OF CLIMB OR DESCENT CABIN TO AMBIENT DIFFERENTIAL PRESSURE AND CABIN ALTITUDE SPECIFICATION NUMBER: S231N210-14 ELECTRICAL EQUIP NUMBER: M00019 COMPONENT MAINT MANUAL REF: 21-33-07 FUNCTIONAL REFERENCE: LIGHTS FOR DETAILS SEE 33-13-51-50F | 103106 | 1 |
| | 22 NP352F | | ..NAMEPLATE- SUPPLIER CODE: V61349 | 108120 504903 | 1 |
| | 22 NP352G | | ..NAMEPLATE- SUPPLIER CODE: V61349 | 101106 | 1 |
| | 27 AH3217H18A | | ATTACHING PARTS ..SCREW- SUPPLIER CODE: V61349 -----*----- | 101106 108120 504903 | 4 |

MISSING ITEM NUMBERS NOT APPLICABLE

- ITEM NOT ILLUSTRATED

21-33-51-03

21-33-51
FIG. 03
PAGE 7
JAN 20/09

BRI



757

PARTS CATALOG (MAINTENANCE)

| FIG ITEM | PART NUMBER | 1 2 3 4 5 6 7 | NOMENCLATURE | EFFECT FROM TO | UNITS PER ASSY |
|-----------|---------------|---------------|---|----------------------------|----------------|
| 3 - 45 | 233N3203-300 | | .PANEL ASSY-EQPT COOLING SUPPLIER CODE: V89954 ELECTRICAL EQUIP NUMBER: M10067 WIRING DIAGRAM REF: 215812 COMPONENT MAINT MANUAL REF: 21-58-71 QUALIFIED I/W DATA: 233N3203-300 PANEL ASSY IS I/W 233N3203-32 PANEL ASSY T/W S233T100-6045 LIGHTPLATE PRE ALERT SB: 33A0044 | 101102 108120 504903 | RF |
| - 45 | 233N3203-1300 | | .PANEL ASSY-EQPT COOLING SUPPLIER CODE: V89954 ELECTRICAL EQUIP NUMBER: M10067 COMPONENT MAINT MANUAL REF: 21-58-71 POST ALERT SB: 33A0044 | 101102 108120 504903 | RF |
| - 45 | 233N3203-337 | | .PANEL ASSY-EQPT COOLING SUPPLIER CODE: V89954 ELECTRICAL EQUIP NUMBER: M10067 COMPONENT MAINT MANUAL REF: 21-58-71 | 101102 108120 504903 | RF |
| - 47 | 233N3203-337 | | .PANEL ASSY-EQPT COOLING SUPPLIER CODE: V89954 ELECTRICAL EQUIP NUMBER: M10067 COMPONENT MAINT MANUAL REF: 21-58-71 | 103106 | RF |

MISSING ITEM NUMBERS NOT APPLICABLE

- ITEM NOT ILLUSTRATED

BRI

21-33-51-03

BOEING PROPRIETARY - Copyright © - Unpublished Work - See title page for details.

21-33-51
FIG. 03
PAGE 8
JAN 20/09



757

PARTS CATALOG (MAINTENANCE)

| FIG ITEM | PART NUMBER | 1 2 3 4 5 6 7 | NOMENCLATURE | EFFECT FROM TO | UNITS PER ASSY |
|----------|---------------|---------------|--|----------------------------|----------------|
| 3 | | | | | |
| 50 | 233N3203-32 | .. | PANEL ASSY- SUPPLIER CODE: V89954 COMPONENT MAINT MANUAL REF: 21-58-71 QUALIFIED I/W DATA: 233N3203-300 PANEL ASSY IS I/W 233N3203-32 PANEL ASSY T/W S233T100-6045 LIGHTPLATE USED ON: 233N3203-300 PRE ALERT SB: 33A0044 | 101102 108120 504903 | 1 |
| 50 | 233N3203-33 | .. | PANEL ASSY- SUPPLIER CODE: V89954 COMPONENT MAINT MANUAL REF: 21-58-71 QUALIFIED I/W DATA: 233N3203-301 PANEL ASSY IS I/W 233N3203-33 PANEL ASSY T/W S233T100-6045 LIGHTPLATE | 101102 108120 504903 | 1 |
| 50 | 233N3203-37 | .. | PANEL ASSY- SUPPLIER CODE: V89954 COMPONENT MAINT MANUAL REF: 21-58-71 USED ON: 233N3203-337 | 101102 108120 504903 | 1 |
| 50 | 233N3203-1032 | .. | PANEL ASSY- SUPPLIER CODE: V89954 COMPONENT MAINT MANUAL REF: 21-58-71 POST ALERT SB: 33A0044 | 101102 108120 504903 | 1 |
| 50 | 233N3203-1033 | .. | PANEL ASSY- SUPPLIER CODE: V89954 COMPONENT MAINT MANUAL REF: 21-58-71 POST ALERT SB: 33A0044 | 101102 108120 504903 | 1 |

MISSING ITEM NUMBERS NOT APPLICABLE

- ITEM NOT ILLUSTRATED

21-33-51-03

21-33-51
FIG. 03
PAGE 9
JAN 20/09

BRI



757

PARTS CATALOG (MAINTENANCE)

| FIG ITEM | PART NUMBER | 1 2 3 4 5 6 7 | NOMENCLATURE | EFFECT FROM TO | UNITS PER ASSY |
|----------|---------------|---------------|---|----------------------------|----------------|
| 3 | | | | | |
| 52 | 233N3203-37 | | .. PANEL ASSY- SUPPLIER CODE: V89954 COMPONENT MAINT MANUAL REF: 21-58-71 USED ON: 233N3203-337 | 103106 | 1 |
| 52 | 233N3203-1032 | | .. PANEL ASSY- SUPPLIER CODE: V89954 COMPONENT MAINT MANUAL REF: 21-58-71 | 103106 | 1 |
| 55 | BCREF8590 | | ... LIGHT ASSY-CAB. ALTITUDE IND SUPPLIER CODE: V81590 OVERLENGTH PART NUMBER: 434-674-1031-2274 SPECIFICATION NUMBER: S231T300-2274 OPTIONAL PART: BCREF6205 V81590 FOR DETAILS SEE: 33-14-70-02 | 101106 108120 504903 | 1 |
| 55 | BCREF6205 | | ... LIGHT ASSY-CAB. ALTITUDE IND SUPPLIER CODE: V81590 OVERLENGTH PART NUMBER: 434-674-1005-1274 SPECIFICATION NUMBER: S231T300-1274 OPTIONAL PART: BCREF8590 V81590 FOR DETAILS SEE: 33-14-70-02 | 101106 108120 504903 | 1 |
| 65 | R071716-24P10 | | ... CONNECTOR- SUPPLIER CODE: V41118 SPECIFICATION NUMBER: BCREF5796 OVERLENGTH PART NUMBER: BACC45FN16-24P10 ATTACHING PARTS | 101106 108120 504903 | 1 |
| - 70 | NAS1801-04-5 | | ... SCREW- OPTIONAL PART: BACS12HN04-5 | 101102 108120 504903 | 2 |

MISSING ITEM NUMBERS NOT APPLICABLE

- ITEM NOT ILLUSTRATED

21-33-51-03

21-33-51
FIG. 03
PAGE 10
JAN 20/09

BRI



757

PARTS CATALOG (MAINTENANCE)

| FIG ITEM | PART NUMBER | 1 2 3 4 5 6 7 | NOMENCLATURE | EFFECT FROM TO | UNITS PER ASSY |
|----------|-----------------|---------------|---|----------------------------|----------------|
| 3 | | | | | |
| - 70 | BACS12HN04-5 | ... | SCREW- OPTIONAL PART: NAS1801-04-5 | 101106 108120 504903 | 2 |
| - 75 | K19798-04 | ... | NUT SUPPLIER CODE: V15653 SPECIFICATION NUMBER: BACN10NW1 OPTIONAL PART: RMA4812-160-40 V72962 293162 V60119 | 101106 108120 504903 | 2 |
| | | | -----*----- | | |
| - 201 | 286N2156-326 | | WIRE BUNDLE ASSY | 101102 | 1 |
| - 201 | 286N2156-331 | | WIRE BUNDLE ASSY | 504903 | 1 |
| - 201 | 286N2156-335 | | WIRE BUNDLE ASSY- | 108120 | 1 |
| - 202 | 286N2156-601 | | WIRE BUNDLE ASSY | 103106 | 1 |
| - 211 | 286N2078-328 | | WIRE BUNDLE ASSY | 504903 | RF |
| - 211 | 286N2078-330 | | WIRE BUNDLE ASSY | 101102 | RF |
| - 211 | 286N2078-331 | | WIRE BUNDLE ASSY | 108120 | RF |
| - 212 | 286N2078-601 | | WIRE BUNDLE ASSY | 103106 | RF |
| 250 | BCCREF6351 | .CONNECTOR- | OVERLENGTH PART NUMBER: BACC45FT16A24S10 ELECTRICAL EQUIP NUMBER: D03518 WIRING DIAGRAM REF: 215812 | 101106 108120 504903 | 1 |
| 255 | BACC45FT12A12S | .CONNECTOR- | ELECTRICAL EQUIP NUMBER: D02696 WIRING DIAGRAM REF: 213311 | 101106 108120 504903 | 1 |
| 260 | BACC45FT12A12S6 | .CONNECTOR- | ELECTRICAL EQUIP NUMBER: D02698 WIRING DIAGRAM REF: 213311 | 101106 108120 504903 | 1 |

MISSING ITEM NUMBERS NOT APPLICABLE

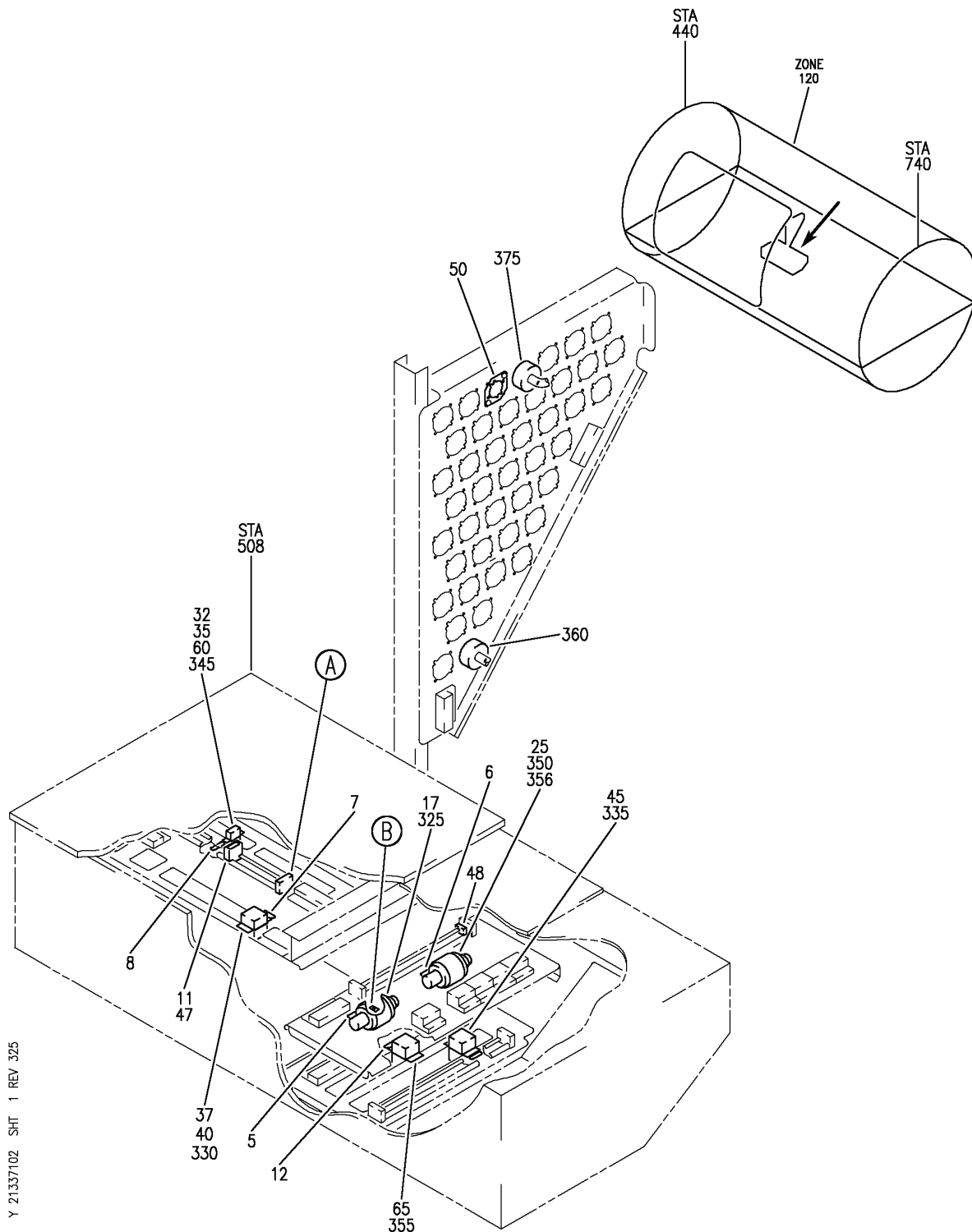
- ITEM NOT ILLUSTRATED

BRI

21-33-51-03

21-33-51
FIG. 03
PAGE 11
JAN 20/09

BOEING
757
PARTS CATALOG (MAINTENANCE)



Y 21337102 SH1 1 REV 325

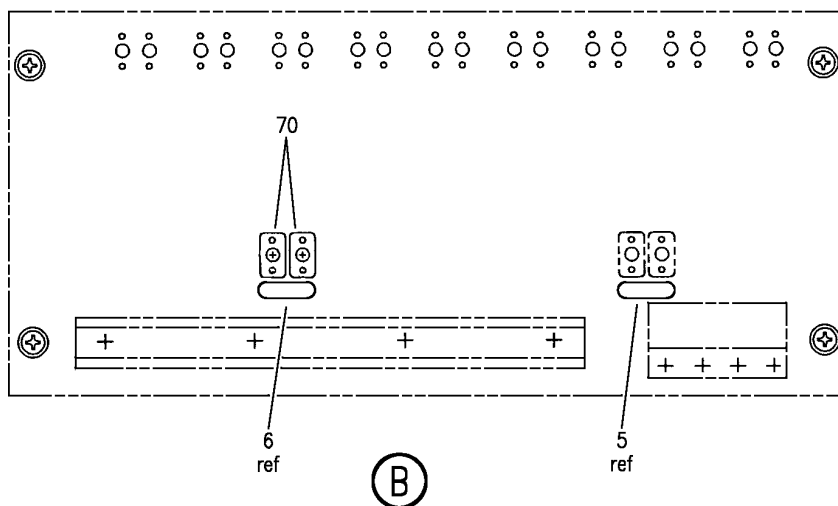
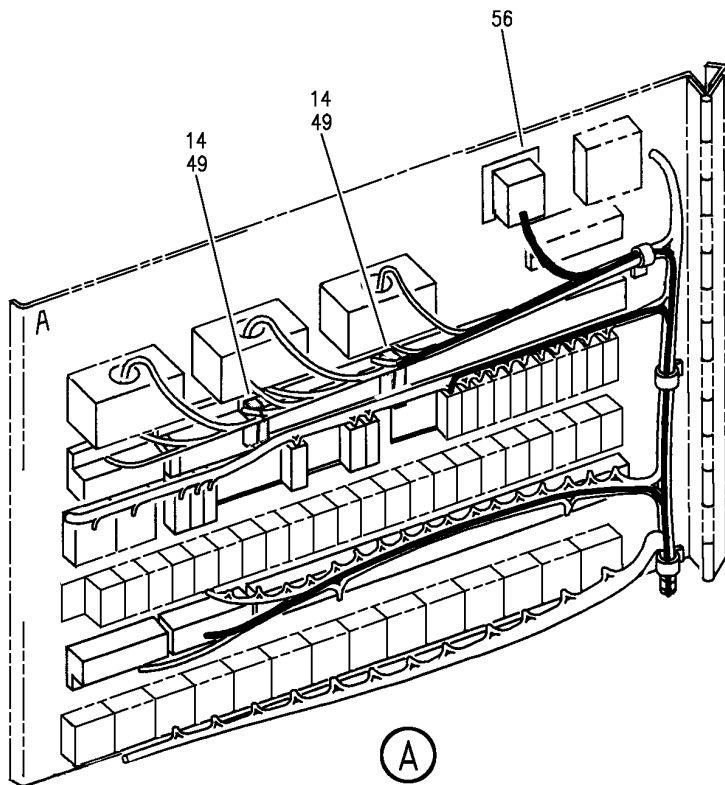
PANEL ASSY-P36 MISC RELAY L (PRESSURIZATION INDICATING AND WARNING SYSTEM ONLY)
FIGURE 2 (SHEET 1)

BRI
SEP 20/08

21-33-71-02

21-33-71-02
PAGE 0

BOEING
757
PARTS CATALOG (MAINTENANCE)



Y 21337102 SH-T 2 REV 329

PANEL ASSY-P36 MISC RELAY L (PRESSURIZATION INDICATING AND WARNING SYSTEM ONLY)
FIGURE 2 (SHEET 2)

BRI
JAN 20/09

21-33-71-02

21-33-71-02
PAGE 0A



757

PARTS CATALOG (MAINTENANCE)

| FIG ITEM | PART NUMBER | 1 2 3 4 5 6 7 | NOMENCLATURE | EFFECT FROM TO | UNITS PER ASSY |
|----------|--------------|---------------|---|--|----------------|
| 2 | | | PANEL ASSY-P36 MISC RELAY L (PRESSURIZATION INDICATING AND WARNING SYSTEM ONLY) | 002004 006100 107107 121503 904999 | |
| - 1 | 284N1125-1 | | PANEL ASSY-P36 MISC RELAY (PRESSURIZATION INDICATING AND WARNING SYSTEM ONLY) POSITION DATA: L VARIABLE DRAWING REF: 284N1125-5023 284N1125-5030 284N1125-5049 284N1125-5050 284N1125-5054 REWORKED BY SB: 34-0200 REWORKED BY ALERT SB: 27A0130 FOR NHA/OTHER SYS DET SEE: 31-01-36-01B | 002004 006100 107107 121503 904999 | RF |
| 5 | BAC27NEX0915 | | .DECAL- PLACARD CONTENT: S431 | 002004 006100 107107 121503 904999 | 1 |
| 17 | 214C40-1-71 | | .SWITCH- SUPPLIER CODE: V02750 ELECTRICAL EQUIP NUMBER: S00431 | 002004 006100 107107 121503 904999 | 1 |
| - 18 | NAS1801-3-11 | | ATTACHING PARTS .SCREW | 002004 006100 107107 121503 904999 | 2 |
| - 300 | 286N1260-002 | | -----*----- WIRE BUNDLE ASSY- (PRESSURIZATION INDICATING AND WARNING SYSTEM ONLY) REWORKED BY ALERT SB: 27A0130 | 121503 904949 | RF |

MISSING ITEM NUMBERS NOT APPLICABLE

- ITEM NOT ILLUSTRATED

BRI

21-33-71-02

21-33-71
FIG. 02
PAGE 1
JAN 20/09



757

PARTS CATALOG (MAINTENANCE)

| FIG ITEM | PART NUMBER | 1 2 3 4 5 6 7 | NOMENCLATURE | EFFECT FROM TO | UNITS PER ASSY |
|----------|----------------|---------------|--|----------------------------|----------------|
| 2 | | | | | |
| - 300 | 286N1260-003 | | WIRE BUNDLE ASSY- (PRESSURIZATION INDICATING AND WARNING SYSTEM ONLY) REWORKED BY SB: 34-0414 REWORKED BY ALERT SB: 27A0130 | 107107 | RF |
| - 300 | 286N1260-005 | | WIRE BUNDLE ASSY- (PRESSURIZATION INDICATING AND WARNING SYSTEM ONLY) REWORKED BY SB: 34-0200 REWORKED BY ALERT SB: 27A0130 | 002004 006100 950999 | RF |
| 325 | BACC45FS10-5S | | .CONNECTOR- ELECTRICAL EQUIP NUMBER: D03230 WIRING DIAGRAM REF: 213312 | 107107 121503 904949 | 1 |
| 325 | BACC45FS10D5S | | .CONNECTOR- ELECTRICAL EQUIP NUMBER: D03230 WIRING DIAGRAM REF: 213312 | 002004 006100 950999 | 1 |
| 360 | BACC45FN22-55S | | .CONNECTOR- POSITION DATA: POS 36 ELECTRICAL EQUIP NUMBER: D43019J WIRING DIAGRAM REF: 342238 POST SERVICE BULLETIN: 34-0414 | 107107 | 1 |
| - 365 | BACS12HN04-6 | | ATTACHING PARTS .SCREW- SERVICE BULLETIN OPT DATA: NAS1801-04-06 POST SERVICE BULLETIN: 34-0414 | 107107 | 2 |
| - 365 | NAS1801-04-06 | | .SCREW- SERVICE BULLETIN OPT DATA: BACS12HN04-6 POST SERVICE BULLETIN: 34-0414 | 107107 | 2 |

MISSING ITEM NUMBERS NOT APPLICABLE

- ITEM NOT ILLUSTRATED

21-33-71-02

21-33-71
FIG. 02
PAGE 2
JAN 20/09

BRI



757

PARTS CATALOG (MAINTENANCE)

| FIG ITEM | PART NUMBER | 1 2 3 4 5 6 7 | NOMENCLATURE | EFFECT FROM TO | UNITS PER ASSY |
|-------------|-------------|---------------|---|-------------------|----------------------|
| 2 - 370 | 132005 | | .NUT- SUPPLIER CODE: V76530 SPECIFICATION NUMBER: BACN10XP3 POST SERVICE BULLETIN: 34-0414 -----*----- | 107107 | 2 |

MISSING ITEM NUMBERS NOT APPLICABLE

- ITEM NOT ILLUSTRATED

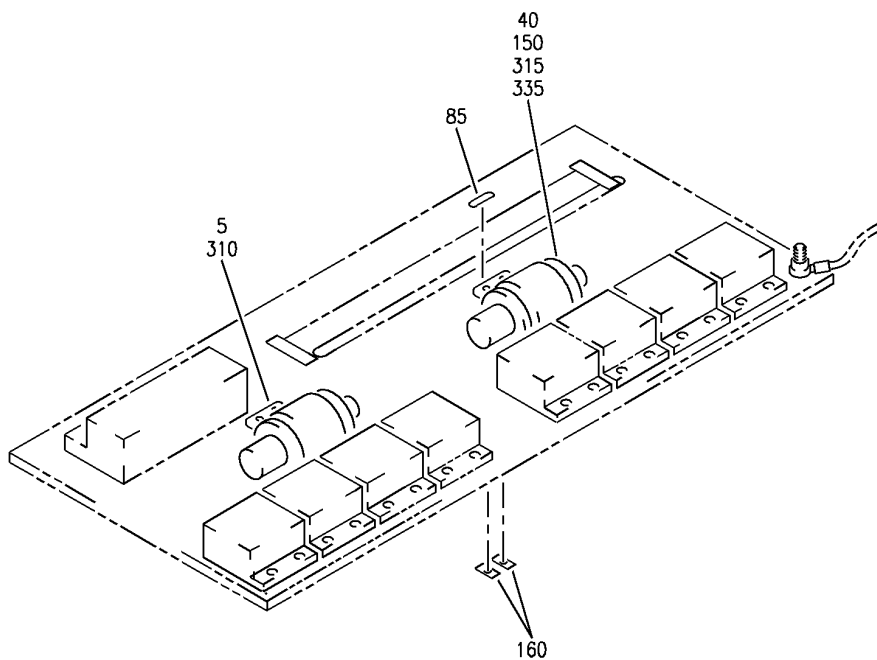
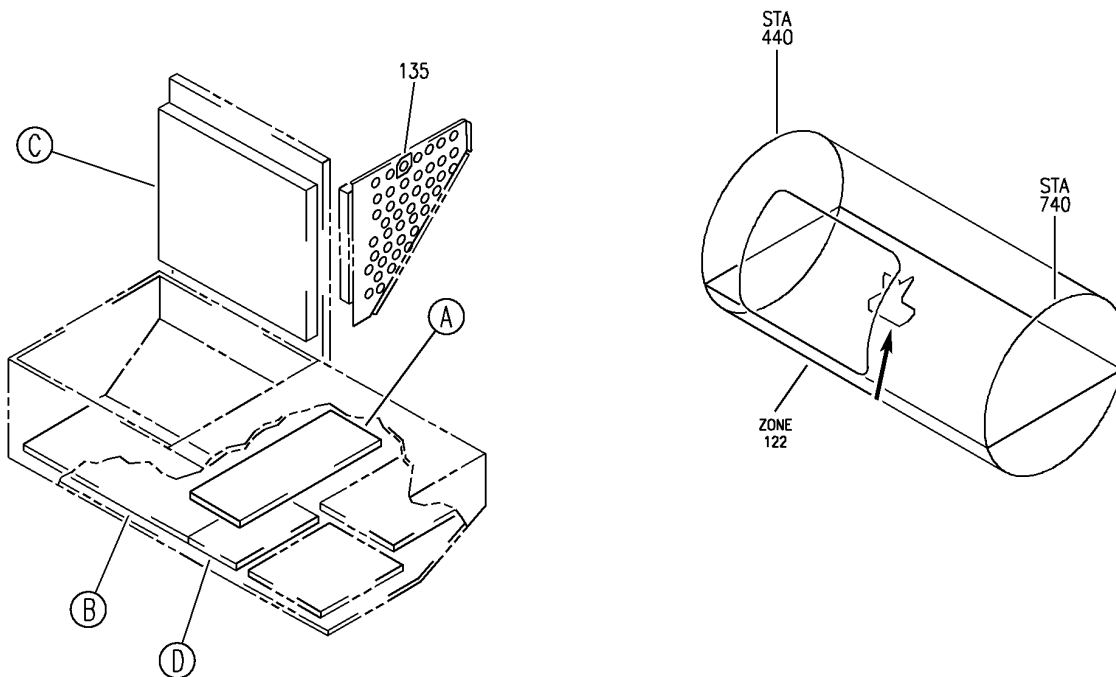
BRI

21-33-71-02

BOEING PROPRIETARY - Copyright © - Unpublished Work - See title page for details.

21-33-71
FIG. 02
PAGE 3
JAN 20/09

BOEING
757
PARTS CATALOG (MAINTENANCE)



(A)

Y 21337102A SHT 1 REV 287

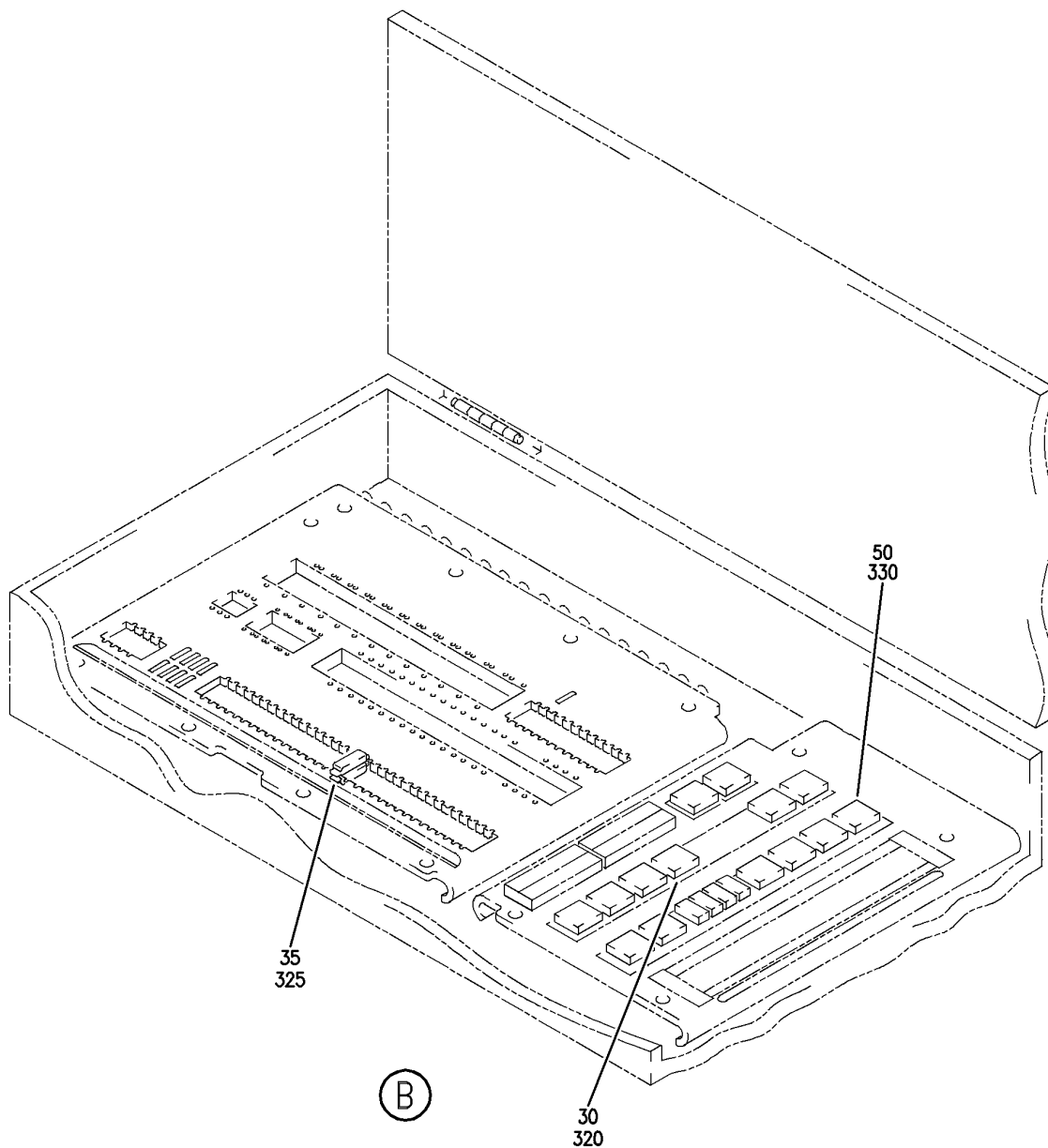
OPTION PACKAGE ASSY-P36 MISC RELAY L (PRESSURIZATION INDICATING AND WARNING SYSTEM ONLY)
FIGURE 2A (SHEET 1)

BRI
MAY 28/07

21-33-71-02A

21-33-71-02A
PAGE 0

BOEING
757
PARTS CATALOG (MAINTENANCE)



Y 21337102A SH1 2 REV 225

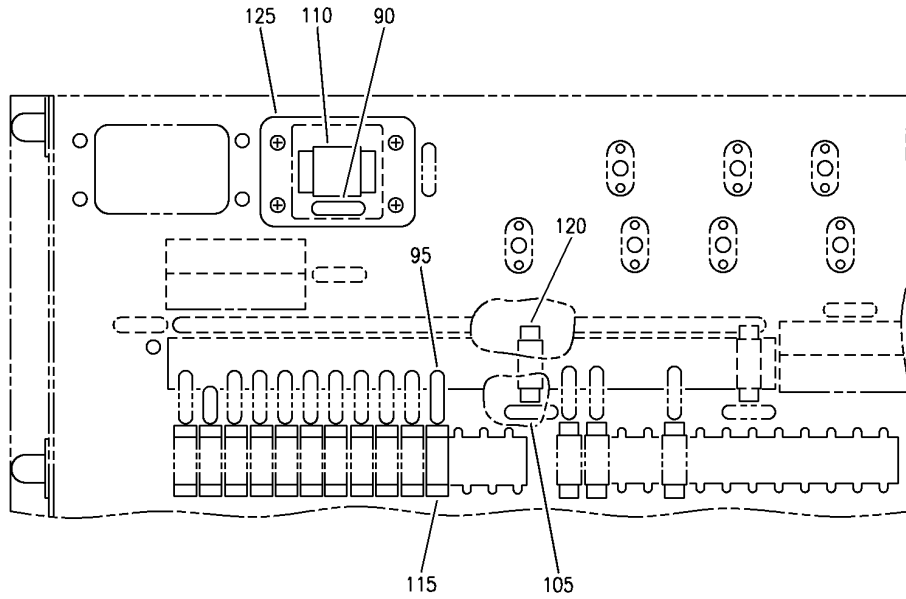
OPTION PACKAGE ASSY-P36 MISC RELAY L (PRESSURIZATION INDICATING AND WARNING SYSTEM ONLY)
FIGURE 2A (SHEET 2)

BRI
MAY 28/07

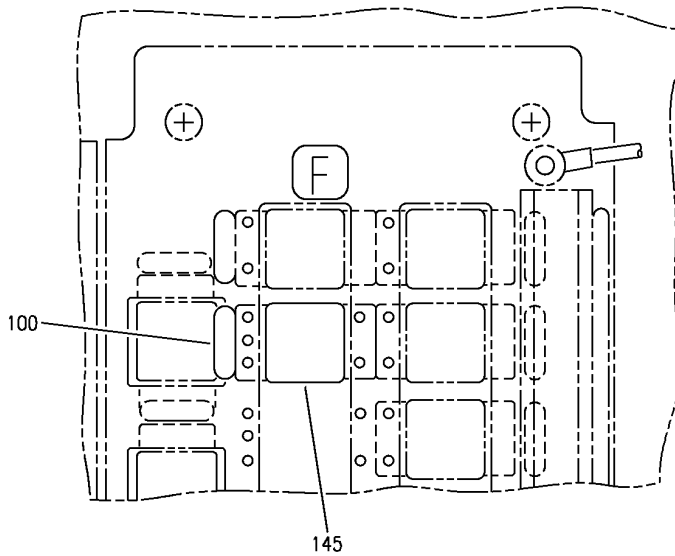
21-33-71-02A

21-33-71-02A
PAGE 0A

BOEING
757
PARTS CATALOG (MAINTENANCE)



(C)



(D)

Y 21337102A SHT 3 REV 287

OPTION PACKAGE ASSY-P36 MISC RELAY L (PRESSURIZATION INDICATING AND WARNING SYSTEM ONLY)
FIGURE 2A (SHEET 3)

BRI
MAY 28/07

21-33-71-02A

21-33-71-02A
PAGE 0B

BOEING PROPRIETARY - Copyright © - Unpublished Work - See title page for details.



757

PARTS CATALOG (MAINTENANCE)

| FIG ITEM | PART NUMBER | 1 2 3 4 5 6 7 | NOMENCLATURE | EFFECT FROM TO | UNITS PER ASSY |
|----------|---------------|---------------|---|------------------|----------------|
| 2A | | | OPTION PACKAGE ASSY-P36 MISC RELAY L (PRESSURIZATION INDICATING AND WARNING SYSTEM ONLY) | 101102 504903 | |
| - 1 | 284N1125-1018 | | OPTION PACKAGE ASSY-P36 MISC RELAY L (PRESSURIZATION INDICATING AND WARNING SYSTEM ONLY) REWORKED BY ALERT SB: 27A0130 FOR NHA/OTHER SYS DET SEE: 31-01-36-05 | 101102 504903 | RF |
| 5 | 214C40-1-71 | | .SWITCH- SUPPLIER CODE: V02750 ELECTRICAL EQUIP NUMBER: S00431 ATTACHING PARTS | 101102 504903 | 1 |
| - 10 | NAS1801-3-1 | | .SCREW | 101102 504903 | 2 |
| - 301 | 286N1260-358 | | -----*----- WIRE BUNDLE ASSY- REWORKED BY ALERT SB: 27A0130 | 101102 | RF |
| - 301 | 286N1260-364 | | WIRE BUNDLE ASSY- REWORKED BY ALERT SB: 27A0130 | 504903 | RF |
| 310 | BACC45FS10D5S | | .CONNECTOR- ELECTRICAL EQUIP NUMBER: D03230 WIRING DIAGRAM REF: 213312 | 101102 504903 | 1 |

MISSING ITEM NUMBERS NOT APPLICABLE

- ITEM NOT ILLUSTRATED

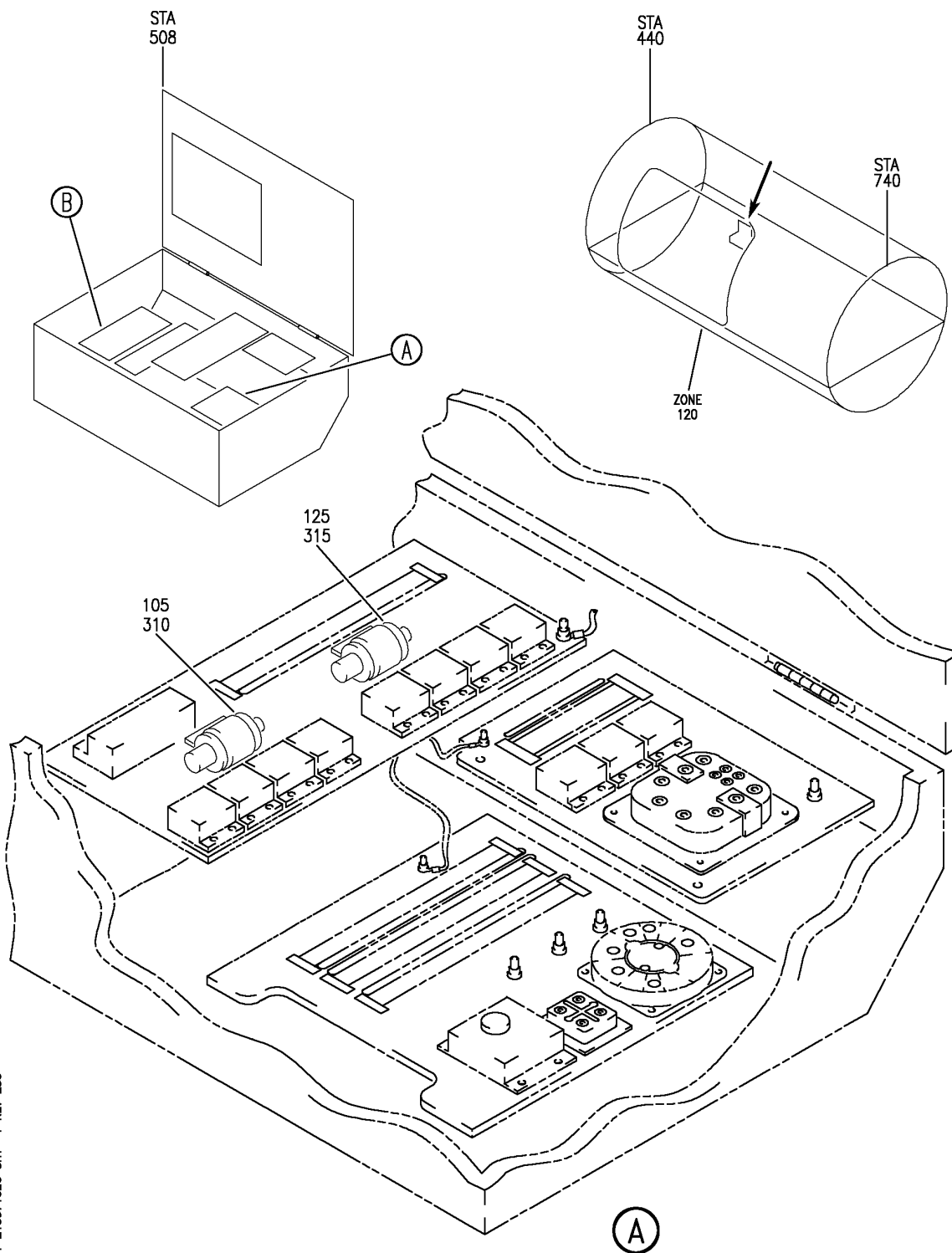
21-33-71-02A

21-33-71
FIG. 02A
PAGE 1
JAN 20/09

BRI

BOEING PROPRIETARY - Copyright © - Unpublished Work - See title page for details.

BOEING
757
PARTS CATALOG (MAINTENANCE)



Y 21337102C SHT 1 REV 250

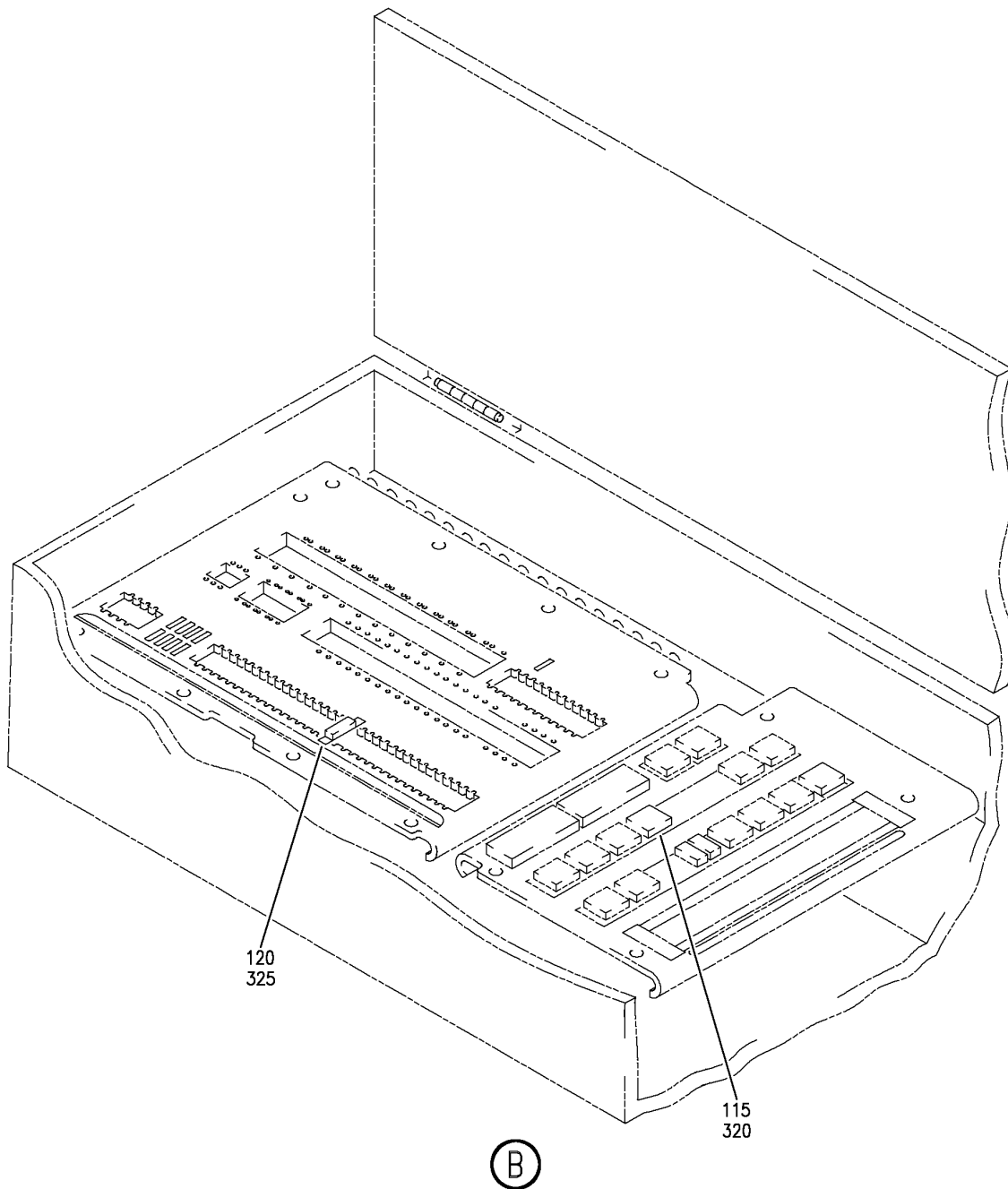
PANEL INSTL-P36 L MISC RELAY (PRESSURIZATION INDICATING AND WARNING SYSTEM ONLY)
FIGURE 2C (SHEET 1)

BRI
JAN 20/09

21-33-71-02C

21-33-71-02C
PAGE 0

BOEING
757
PARTS CATALOG (MAINTENANCE)



Y 21337102C SHT 2 REV 330

PANEL INSTL-P36 L MISC RELAY (PRESSURIZATION INDICATING AND WARNING SYSTEM ONLY)
FIGURE 2C (SHEET 2)

BRI
JAN 20/09

21-33-71-02C

21-33-71-02C
PAGE 0A



**757
PARTS CATALOG (MAINTENANCE)**

| FIG ITEM | PART NUMBER | 1 2 3 4 5 6 7 | NOMENCLATURE | EFFECT FROM TO | UNITS PER ASSY |
|-------------|-------------|---------------|---|-------------------|----------------------|
| 2C | | | PANEL INSTL-P36 L MISC RELAY (PRESSURIZATION INDICATING AND WARNING SYSYTEM ONLY) | 103106 108120 | |
| - 3 | 284N1125-94 | | PANEL INSTL-P36 L MISC RELAY (PRESSURIZATION INDICATING AND WARNING SYSTEM ONLY) FOR NHA/OTHER SYS DET SEE: 24-00-58-05C | 108120 | RF |

MISSING ITEM NUMBERS NOT APPLICABLE

- ITEM NOT ILLUSTRATED

BRI

21-33-71-02C

BOEING PROPRIETARY - Copyright © - Unpublished Work - See title page for details.

21-33-71
FIG. 02C
PAGE 1
JAN 20/09



757

PARTS CATALOG (MAINTENANCE)

| FIG ITEM | PART NUMBER | 1 2 3 4 5 6 7 | NOMENCLATURE | EFFECT FROM TO | UNITS PER ASSY |
|-----------|-------------|---------------|---|------------------|----------------|
| 2C - 7 | MODREF31944 | | PANEL INSTL-P36 L MISC RELAY (PRESSURIZATION INDICATING AND WARNING SYSTEM ONLY) MODULE NUMBER: 284N1125-123 REV A FOR OTHER SYS DETAILS SEE: 11-36-08-03C 21-25-71-02C 21-51-56-01C 21-58-71-02C 23-12-00-05 23-31-54-01C 23-34-52-01C 24-21-51-01A 26-15-71-02C 26-16-71-01C 26-22-71-01C 27-48-52-03C 27-51-71-03C 27-58-71-02C 27-62-71-03C 29-11-71-03C 29-21-71-01C 30-21-71-03C 30-34-51-01C 31-01-36-01 32-09-02-03C 32-35-71-01C 32-42-71-02C 32-44-71-02C 32-61-71-02C 34-12-71-02C 34-21-71-02C 34-22-52-01C 34-61-52-01C 36-11-71-02C 73-21-55-01C 74-31-71-02C 76-11-71-02C 77-12-71-01C 78-34-71-02C 78-36-71-02C 80-11-71-02C | 103106 | 1 |
| 105 | 214C40-1-71 | | .SWITCH- SUPPLIER CODE: V02750 ELECTRICAL EQUIP NUMBER: S00431 | 103106 108120 | 1 |

MISSING ITEM NUMBERS NOT APPLICABLE

- ITEM NOT ILLUSTRATED

21-33-71-02C

21-33-71
FIG. 02C
PAGE 2
JAN 20/09

BRI



**757
PARTS CATALOG (MAINTENANCE)**

| FIG ITEM | PART NUMBER | 1 2 3 4 5 6 7 | NOMENCLATURE | EFFECT FROM TO | UNITS PER ASSY |
|-------------|---------------|---------------|------------------------------------|-------------------|----------------------|
| 2C | | | ATTACHING PARTS | | |
| - 110 | BACS12HN3-11 | | .SCREW- | 103106 | 2 |
| - 110 | NAS1801-3-11 | | .SCREW- | 108120 | 2 |
| | | | -----*----- | | |
| - 300 | 286N1260-357 | | WIRE BUNDLE ASSY | 108120 | RF |
| - 302 | 286N1260-601 | | WIRE BUNDLE ASSY | 103106 | RF |
| 310 | BACC45FS10D5S | | .CONNECTOR- | 103106 | 1 |
| | | | ELECTRICAL EQUIP NUMBER: D03230 | 108120 | |
| | | | WIRING DIAGRAM REF: 213312 | | |

MISSING ITEM NUMBERS NOT APPLICABLE

- ITEM NOT ILLUSTRATED

BRI

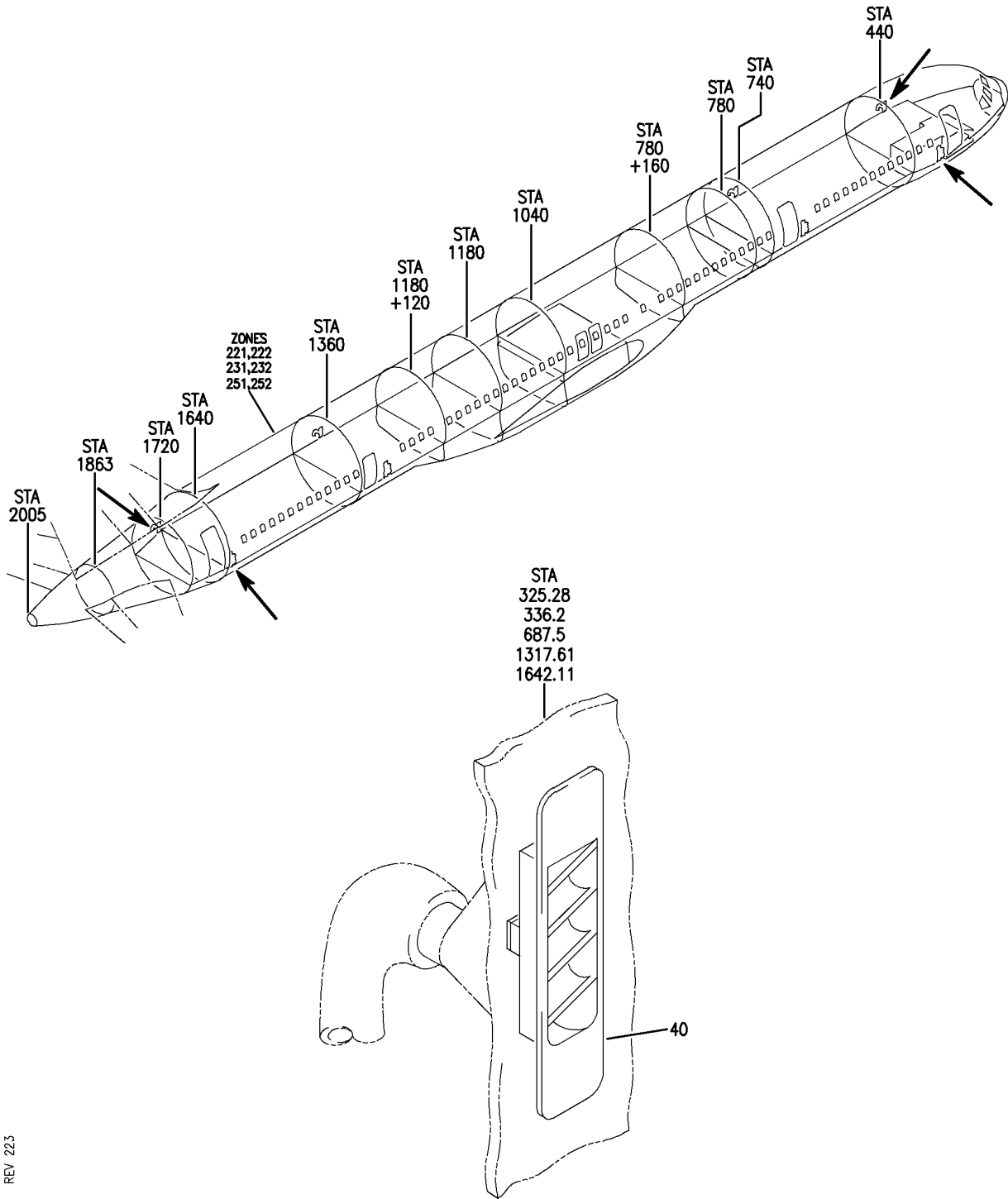
21-33-71-02C

BOEING PROPRIETARY - Copyright © - Unpublished Work - See title page for details.

21-33-71
FIG. 02C
PAGE 3
JAN 20/09

HEATING

BOEING
757
PARTS CATALOG (MAINTENANCE)



Y 21405101 REV 223

GRILLE INSTL-DOOR AREA AUX HEATING
FIGURE 1

21-40-51-01

BRI
JAN 20/09

21-40-51-01
PAGE 0



757

PARTS CATALOG (MAINTENANCE)

| FIG ITEM | PART NUMBER | 1 2 3 4 5 6 7 | NOMENCLATURE | EFFECT FROM TO | UNITS PER ASSY |
|----------|--------------|---------------|---|------------------|----------------|
| 1 | | | GRILLE INSTL-DOOR AREA AUX HEATING | 103106 108120 | |
| - 1 | 214N2044-114 | | GRILLE INSTL-DOOR 1 AREA AUX HEATING POSITION DATA: LH FOR NHA SEE: 21-00-00-12 | 108120 | RF |
| - 1 | MODREF6488 | | GRILLE INSTL-DOOR 1 AREA AUX HEATING MODULE NUMBER: 214N2044-114 REV A POSITION DATA: LH | 103106 | 1 |
| - 5 | 214N2044-214 | | GRILLE INSTL-DOOR 2 AREA AUX HEATING POSITION DATA: LH FOR NHA SEE: 21-00-00-12 | 108120 | RF |
| - 5 | MODREF6490 | | GRILLE INSTL-DOOR 2 AREA AUX HEATING MODULE NUMBER: 214N2044-214 REV A POSITION DATA: LH | 103106 | 1 |
| - 10 | 214N2044-314 | | GRILLE INSTL-DOOR 3 AREA AUX HEATING POSITION DATA: LH FOR NHA SEE: 21-00-00-12 | 108120 | RF |
| - 10 | MODREF6493 | | GRILLE INSTL-DOOR 3 AREA AUX HEATING MODULE NUMBER: 214N2044-314 REV A POSITION DATA: LH | 103106 | 1 |
| - 15 | 214N2044-416 | | GRILLE INSTL-DOOR 4 AREA AUX HEATING POSITION DATA: LH FOR NHA SEE: 21-00-00-12 | 108120 | RF |

MISSING ITEM NUMBERS NOT APPLICABLE

- ITEM NOT ILLUSTRATED

21-40-51-01

21-40-51
FIG. 01
PAGE 1
JAN 20/09

BRI



757

PARTS CATALOG (MAINTENANCE)

| FIG ITEM | PART NUMBER | 1 2 3 4 5 6 7 | NOMENCLATURE | EFFECT FROM TO | UNITS PER ASSY |
|----------|--------------|---------------|---|----------------|----------------|
| 1 | | | | | |
| - 15 | MODREF6578 | | GRILLE INSTL-DOOR 4 AREA AUX HEATING MODULE NUMBER: 214N2044-416 REV A POSITION DATA: LH | 103106 | 1 |
| - 20 | 214N2044-113 | | GRILLE INSTL-DOOR 1 AREA AUX HEATING POSITION DATA: RH FOR NHA SEE: 21-00-00-12 | 108120 | RF |
| - 20 | MODREF6487 | | GRILLE INSTL-DOOR 1 AREA AUX HEATING MODULE NUMBER: 214N2044-113 REV A POSITION DATA: RH | 103106 | 1 |
| - 25 | 214N2044-213 | | GRILLE INSTL-DOOR 2 AREA AUX HEATING POSITION DATA: RH FOR NHA SEE: 21-00-00-12 | 108120 | RF |
| - 25 | MODREF6489 | | GRILLE INSTL-DOOR 2 AREA AUX HEATING MODULE NUMBER: 214N2044-213 REV A POSITION DATA: RH | 103106 | 1 |
| - 30 | 214N2044-313 | | GRILLE INSTL-DOOR 3 AREA AUX HEATING POSITION DATA: RH FOR NHA SEE: 21-00-00-12 | 108120 | RF |
| - 30 | MODREF6492 | | GRILLE INSTL-DOOR 3 AREA AUX HEATING MODULE NUMBER: 214N2044-313 REV A POSITION DATA: RH | 103106 | 1 |
| - 35 | 214N2044-415 | | GRILLE INSTL-DOOR 4 AREA AUX HEATING POSITION DATA: RH FOR NHA SEE: 21-00-00-12 | 108120 | RF |

MISSING ITEM NUMBERS NOT APPLICABLE

- ITEM NOT ILLUSTRATED

BRI

21-40-51-01

BOEING PROPRIETARY - Copyright © - Unpublished Work - See title page for details.

21-40-51
FIG. 01
PAGE 2
JAN 20/09



757

PARTS CATALOG (MAINTENANCE)

| FIG ITEM | PART NUMBER | 1 2 3 4 5 6 7 | NOMENCLATURE | EFFECT FROM TO | UNITS PER ASSY |
|-------------|-------------|---------------|---|-------------------|----------------------|
| 1 | | | | | |
| - 35 | MODREF6577 | | GRILLE INSTL-DOOR 4 AREA AUX HEATING MODULE NUMBER: 214N2044-415 REV A POSITION DATA: RH | 103106 | 1 |
| 40 | 214N2036-13 | | .GRILLE ASSY- POSITION DATA: LH SIDE | 103106 108120 | 1 |
| 40 | 214N2036-2 | | .GRILLE ASSY- POSITION DATA: LH SIDE | 103106 108120 | 1 |
| - 45 | 214N2036-12 | | .GRILLE ASSY- POSITION DATA: RH SIDE | 103106 108120 | 1 |
| - 45 | 214N2036-1 | | .GRILLE ASSY- POSITION DATA: RH SIDE | 103106 108120 | 1 |

MISSING ITEM NUMBERS NOT APPLICABLE

- ITEM NOT ILLUSTRATED

BRI

21-40-51-01

BOEING PROPRIETARY - Copyright © - Unpublished Work - See title page for details.

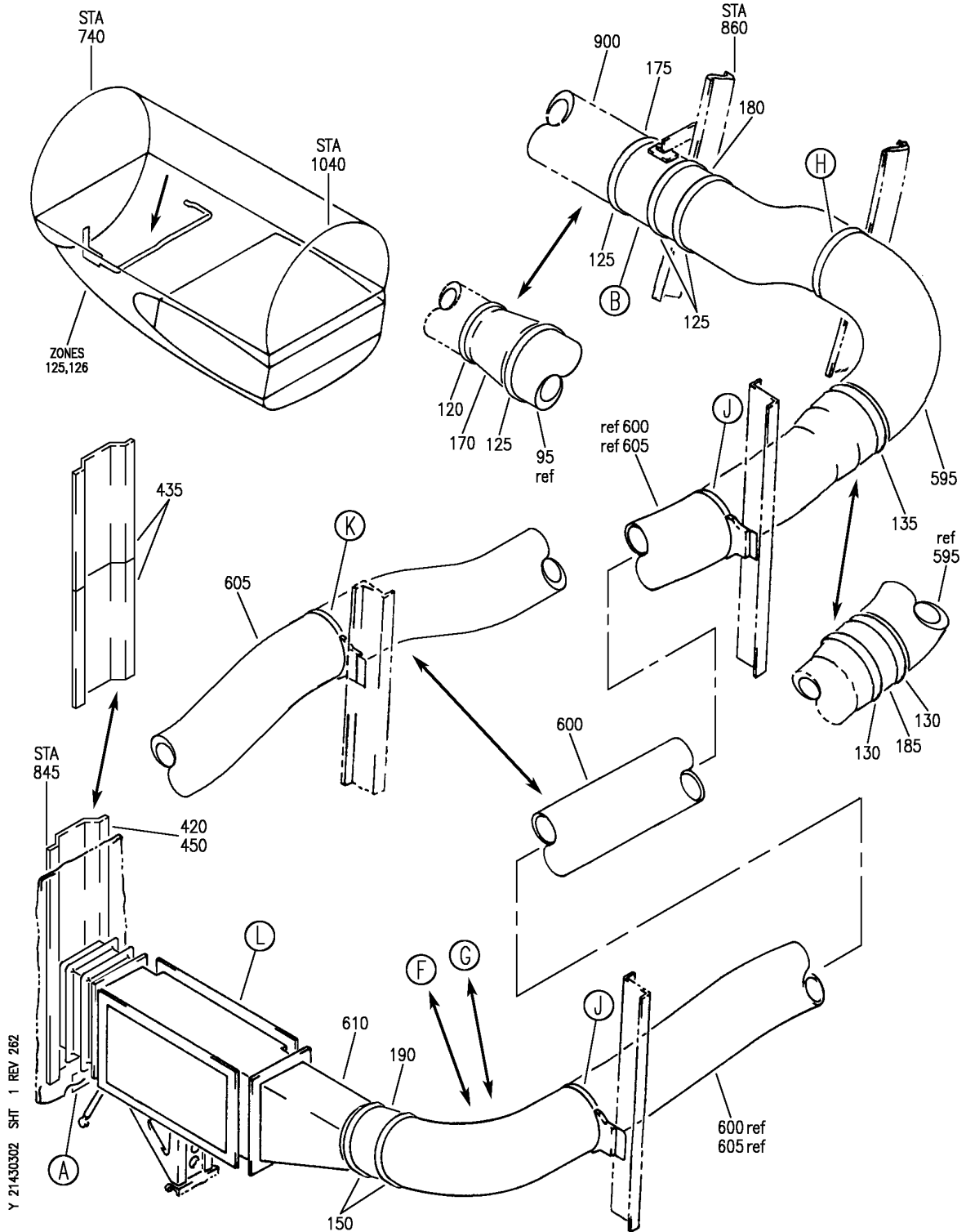
21-40-51
FIG. 01
PAGE 3
JAN 20/09

FORWARD CARGO COMPARTMENT HEATING SYSTEM

BRI
MAY 28/07

21-43-00
SECTION TITLE
PAGE 1


BOEING
 757
PARTS CATALOG (MAINTENANCE)



Y 21430302 SH1 1 REV 262

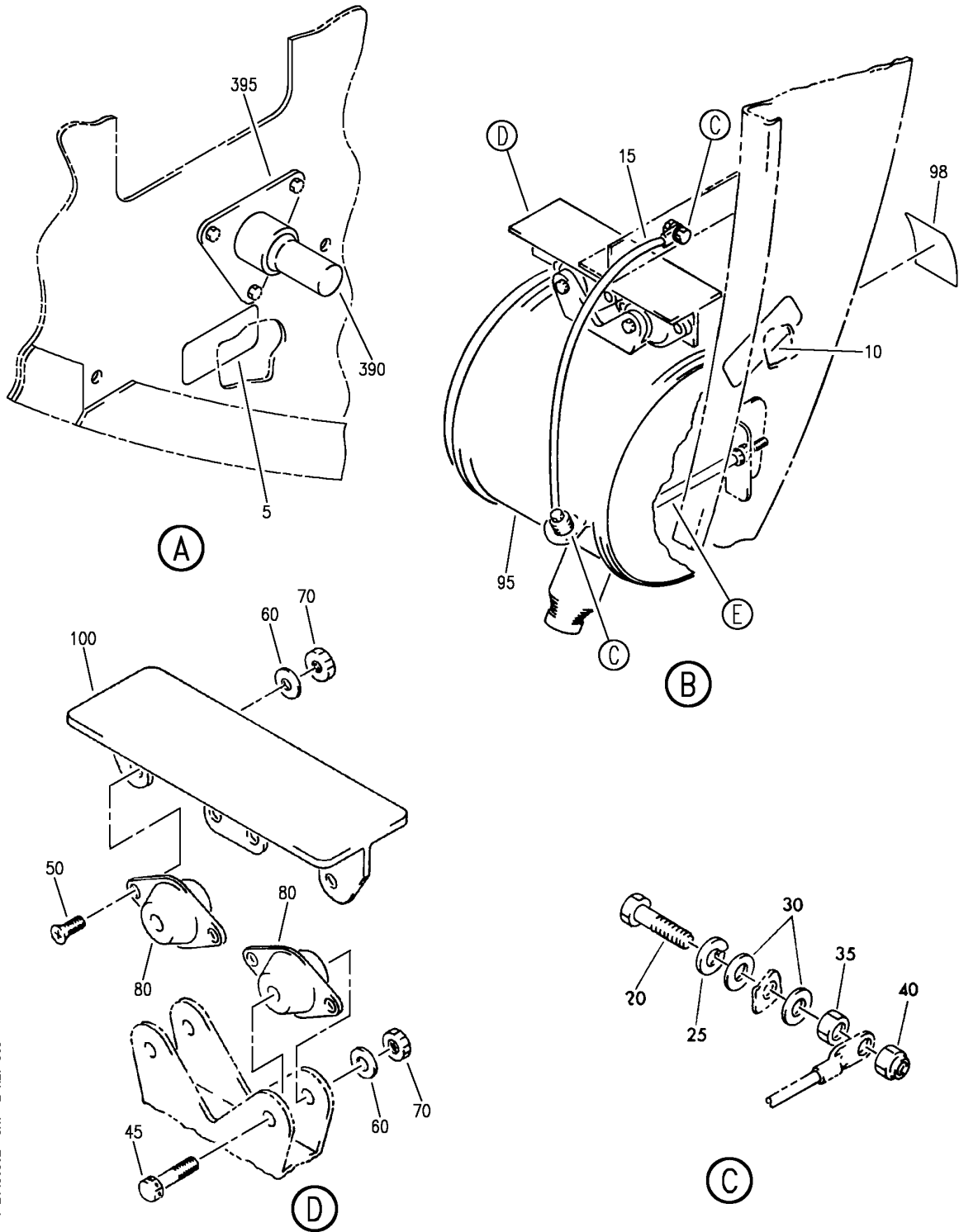
DUCT INSTL-CARGO HEATING SYS MIX BAY
 FIGURE 2 (SHEET 1)

21-43-03-02

BRI
 MAY 28/07

21-43-03-02
 PAGE 0

BOEING
757
PARTS CATALOG (MAINTENANCE)



Y 21430302 SH1 2 REV 305

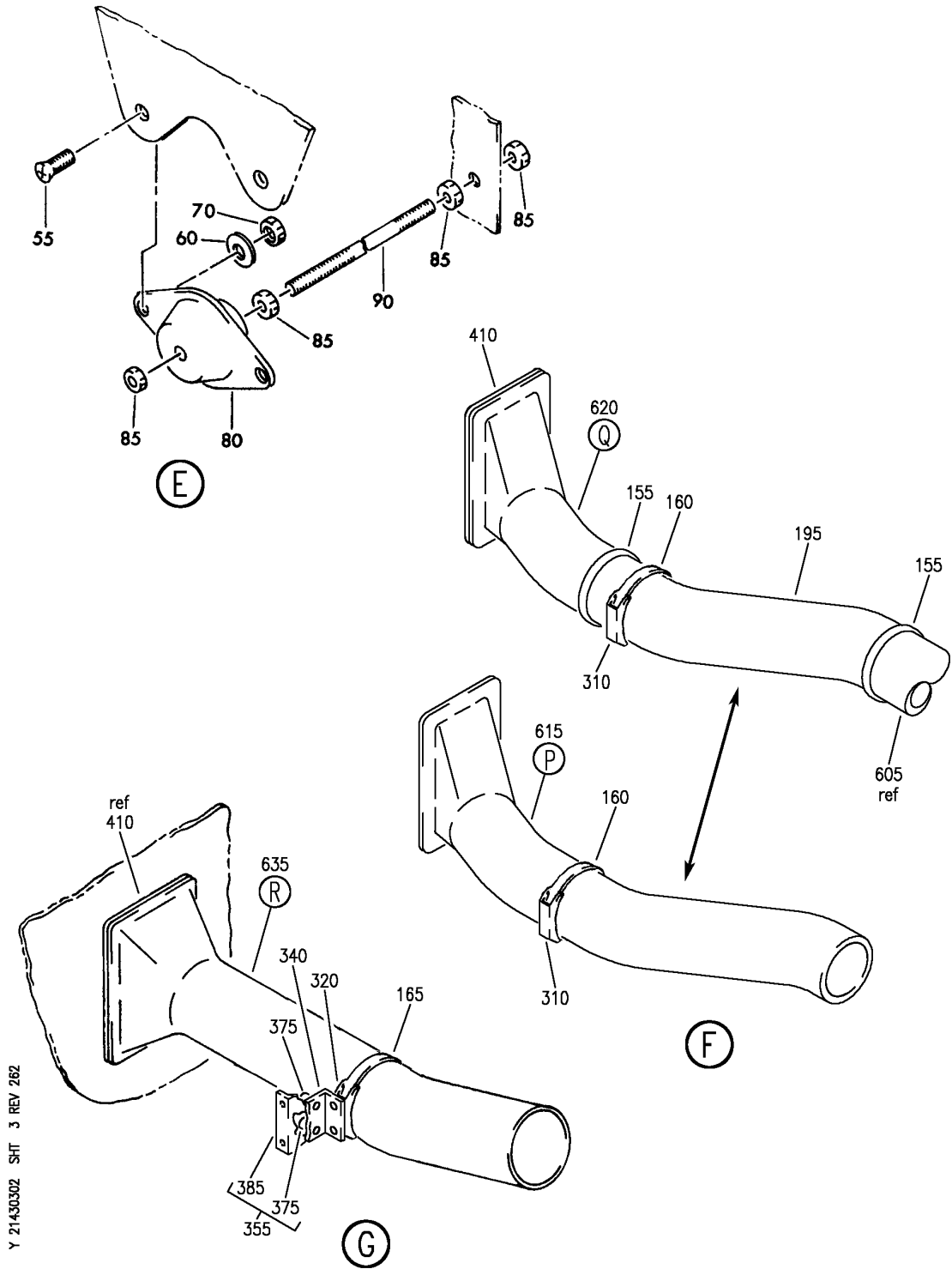
DUCT INSTL-CARGO HEATING SYS MIX BAY
FIGURE 2 (SHEET 2)

21-43-03-02

BRI
MAY 28/07

21-43-03-02
PAGE 0A

BOEING
757
PARTS CATALOG (MAINTENANCE)



Y 21430302 SHT 3 REV 262

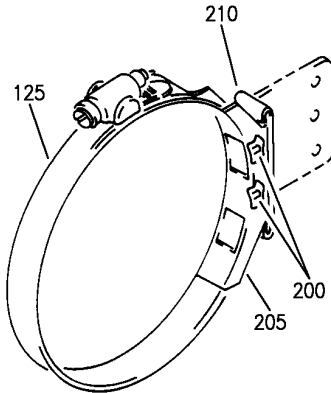
DUCT INSTL-CARGO HEATING SYS MIX BAY
FIGURE 2 (SHEET 3)

21-43-03-02

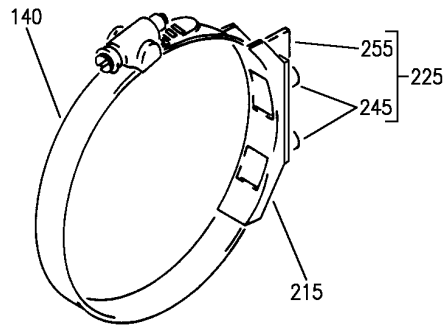
BRI
MAY 28/07

21-43-03-02
PAGE 0B

BOEING
757
PARTS CATALOG (MAINTENANCE)

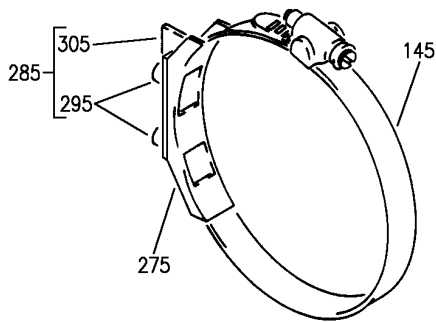


(H)



FWD

(J)



FWD

(K)

Y 21430302 SH1 4 REV 262

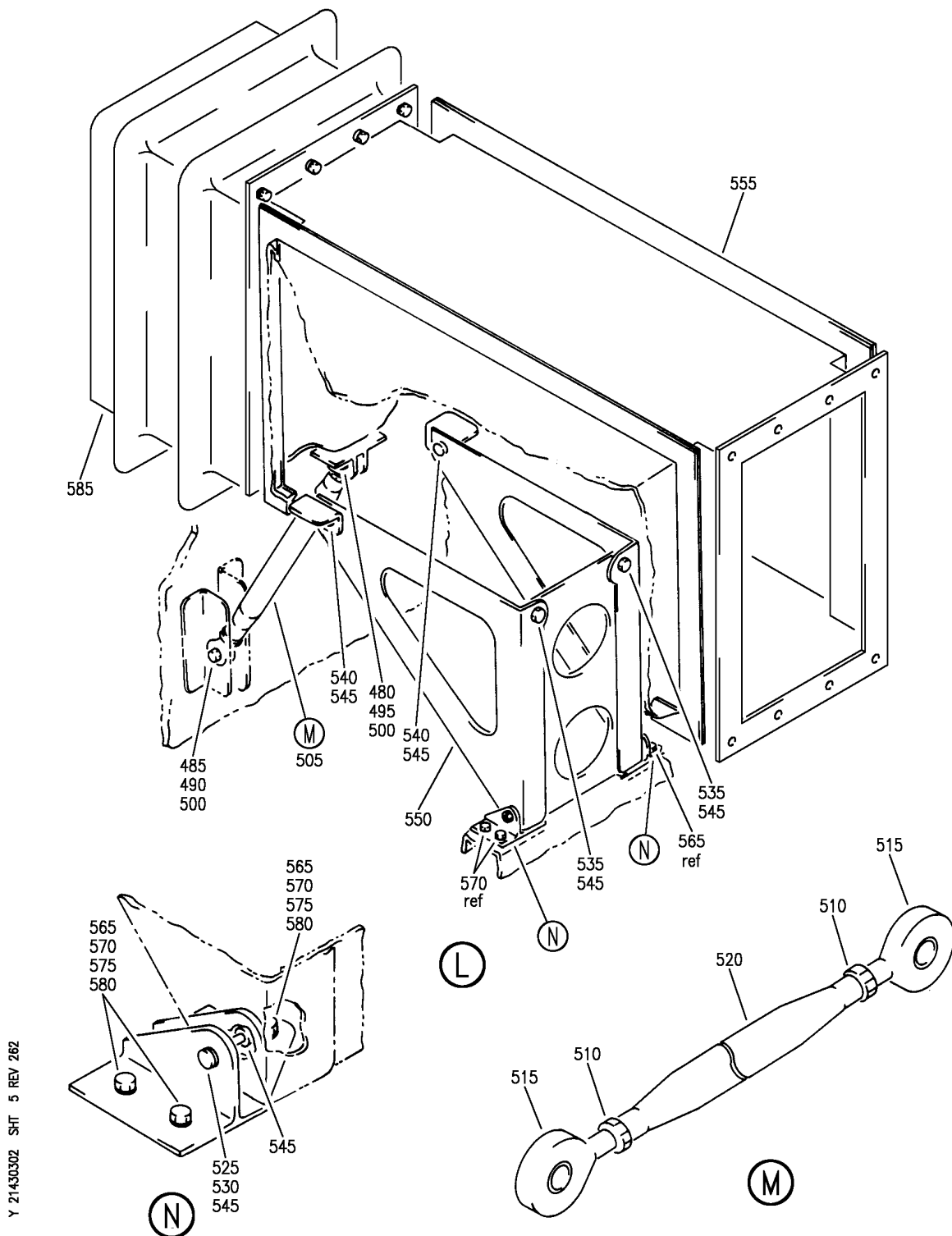
DUCT INSTL-CARGO HEATING SYS MIX BAY
FIGURE 2 (SHEET 4)

21-43-03-02

BRI
MAY 28/07

21-43-03-02
PAGE 0C

BOEING
 757
 PARTS CATALOG (MAINTENANCE)

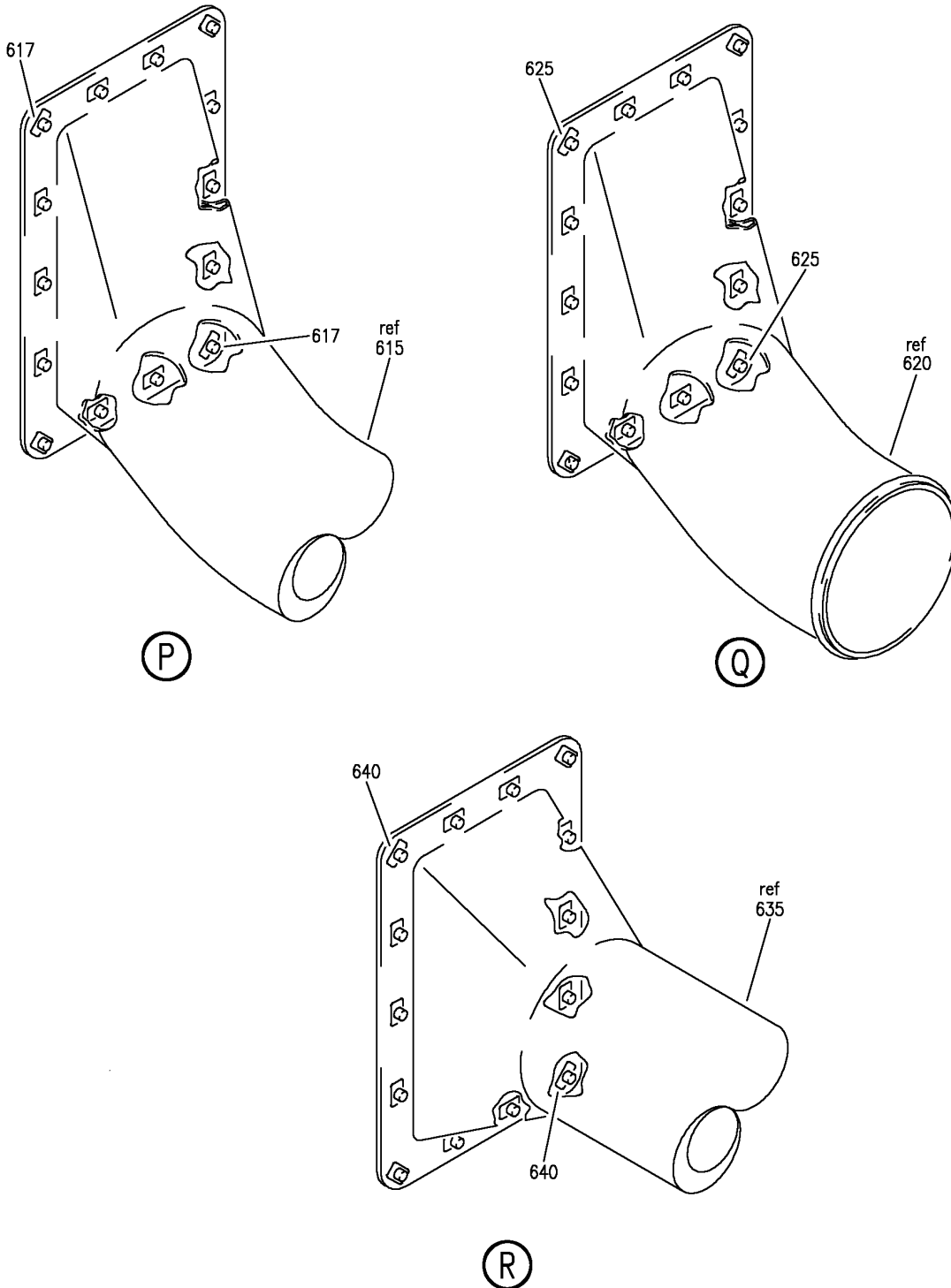


Y 21430302 SH1 5 REV 262

DUCT INSTL-CARGO HEATING SYS MIX BAY
 FIGURE 2 (SHEET 5)

21-43-03-02

BOEING
757
PARTS CATALOG (MAINTENANCE)



Y 21430302 SH1 6 REV 262

DUCT INSTL-CARGO HEATING SYS MIX BAY
FIGURE 2 (SHEET 6)

BRI
MAY 28/07

21-43-03-02

21-43-03-02
PAGE 0E



757

PARTS CATALOG (MAINTENANCE)

| FIG ITEM | PART NUMBER | 1 2 3 4 5 6 7 | NOMENCLATURE | EFFECT FROM TO | UNITS PER ASSY |
|----------|--------------|---------------|---|--|----------------|
| 2 | | | DUCT INSTL-CARGO HEATING SYS MIX BAY | 002004 006999 | |
| - 1 | 215N3003-6 | | DUCT INSTL-CARGO HEATING SYS MIX BAY (CARGO HEATING SYSTEM ONLY) FOR NHA/OTHER SYS DET SEE: 21-00-00-04 | 002004 006100 107107 121503 904999 | RF |
| - 1 | 215N3003-9 | | DUCT INSTL-CARGO HEATING SYS MIX BAY (CARGO HEATING SYSTEM ONLY) FOR NHA/OTHER SYS DET SEE: 21-00-00-15 | 101102 504903 | RF |
| - 1 | 215N3003-14 | | DUCT INSTL-CARGO HEATING SYS MIX BAY (CARGO HEATING SYSTEM ONLY) FOR NHA/OTHER SYS DET SEE: 21-00-00-15 | 108120 | RF |
| - 2 | MODREF24103 | | DUCT INSTL-CARGO HEATING SYS MIX BAY (CARGO HEATING SYSTEM ONLY) MODULE NUMBER: 215N3003-14 REV B FOR OTHER SYS DETAILS SEE: 11-38-51-02 | 103106 | 1 |
| 5 | BAC27NEC0064 | | .MARKER-ALUMINUM FOIL- PLACARD CONTENT: FWD CARGO TEMP CONTROL SWITCH S364-D2252 | 002004 006999 | 1 |
| 10 | BAC27NEC0066 | | .MARKER-ALUMINUM FOIL PLACARD CONTENT: FWD CARGO HEATING FAN B10003-D2248 | 002004 006999 | 1 |
| 15 | 740A20-12 | | .JUMPER ASSY- SUPPLIER CODE: V91812 SPECIFICATION NUMBER: BACJ40A20-12 OPTIONAL PART: TJEJ40A20-12 V33483 RBEJ20-12 V1GK47 | 002004 006999 | 1 |
| 20 | NAS1801-3-12 | | ATTACHING PARTS .SCREW | 002004 006999 | 2 |

MISSING ITEM NUMBERS NOT APPLICABLE

- ITEM NOT ILLUSTRATED

21-43-03-02

21-43-03
FIG. 02
PAGE 1
JAN 20/09

BRI



757

PARTS CATALOG (MAINTENANCE)

| FIG ITEM | PART NUMBER | 1 2 3 4 5 6 7 | NOMENCLATURE | EFFECT FROM TO | UNITS PER ASSY |
|----------|-----------------|---------------|--------------------------------------|------------------|----------------|
| 2 | | | | | |
| | 25 MS35338-43 | | .WASHER | 002004 006999 | 2 |
| | 30 AN960KD10L | | .WASHER | 002004 006999 | 4 |
| R | 35 MS35650-305 | | .NUT | 002004 006999 | 2 |
| R | 40 BRH10C3D | | .NUT | 002004 006999 | 2 |
| R | | | SUPPLIER CODE: V52828 | | |
| R | | | SPECIFICATION NUMBER: BACN10JC3CD | | |
| R | | | OPTIONAL PART: T6C1032JCD | | |
| R | | | V11815 | | |
| R | | | NS202486-02 | | |
| R | | | V80539 | | |
| R | | | 102LH9075-3W | | |
| R | | | V72962 | | |
| R | | | H51650-3BAC | | |
| R | | | V15653 | | |
| | | | -----*----- | | |
| R | 45 BACB30NM3K19 | | .BOLT | 002004 006999 | 2 |
| R | 50 BACB30NM3K3 | | .BOLT | 002004 006999 | 4 |
| R | 55 BACB30NM3K6 | | .BOLT- | 002004 006999 | 2 |
| R | 60 AN960KD10L | | .WASHER | 002004 006999 | 8 |
| R | 70 BRH10C3D | | .NUT- | 002004 006999 | 8 |
| | | | SUPPLIER CODE: V52828 | | |
| | | | SPECIFICATION NUMBER: BACN10JC3CD | | |
| | | | OPTIONAL PART: T6C1032JCD | | |
| | | | V11815 | | |
| | | | NS202486-02 | | |
| | | | V80539 | | |
| | | | 102LH9075-3W | | |
| | | | V72962 | | |
| | | | H51650-3BAC | | |
| | | | V15653 | | |
| | 80 93696-1 | | .ISOLATOR- | 002004 006999 | 3 |
| | | | SUPPLIER CODE: V13636 | | |
| | | | OPTIONAL PART: WTROP6S1 | | |
| | | | V71985 | | |

MISSING ITEM NUMBERS NOT APPLICABLE

- ITEM NOT ILLUSTRATED

BRI

21-43-03-02

21-43-03
FIG. 02
PAGE 2
MAY 20/09

 **BOEING**
757
PARTS CATALOG (MAINTENANCE)

| FIG ITEM | PART NUMBER | 1 2 3 4 5 6 7 | NOMENCLATURE | EFFECT FROM TO | UNITS PER ASSY |
|-------------|-------------|---------------|--|------------------|----------------|
| R R R | 2 80 | WTR0P6S1 | . ISOLATOR- SUPPLIER CODE: V71985 OPTIONAL PART: 93696-1 V13636 | 002004 006999 | 3 |
| | 80 | WTR0P6S | . ISOLATOR- SUPPLIER CODE: V71985 | 002004 006999 | 3 |
| | 85 | BRH10C3D | . NUT- SUPPLIER CODE: V52828 SPECIFICATION NUMBER: BACN10JC3CD OPTIONAL PART: T6C1032JCD V11815 NS202486-02 V80539 102LH9075-3W V72962 H51650-3BAC V15653 | 002004 006999 | 4 |
| R R | 90 | 215N3028-3 | . ROD | 002004 006999 | 1 |
| | 95 | 731378B | . FAN- SUPPLIER CODE: V45153 SPECIFICATION NUMBER: S210N701-39 COMPONENT MAINT MANUAL REF: 21-43-01 OPTIONAL PART: 731378A V45153 OPTIONAL PART: 731378 V45153 | 002004 006999 | 1 |

MISSING ITEM NUMBERS NOT APPLICABLE

— ITEM NOT ILLUSTRATED

BRI

21-43-03-02

BOEING PROPRIETARY - Copyright © - Unpublished Work - See title page for details.

21-43-03
FIG. 02
PAGE 3
MAY 20/09



757

PARTS CATALOG (MAINTENANCE)

| FIG ITEM | PART NUMBER | 1 2 3 4 5 6 7 | NOMENCLATURE | EFFECT FROM TO | UNITS PER ASSY |
|----------|-------------|---------------------------|---|------------------|----------------|
| 2 | | | | | |
| 95 | 731378 | . FAN- | SUPPLIER CODE: V45153 SPECIFICATION NUMBER: S210N701-10 COMPONENT MAINT MANUAL REF: 21-43-01 OPTIONAL PART: 731378A V45153 731378B V45153 | 002004 006999 | 1 |
| 95 | 731378A | . FAN- | SUPPLIER CODE: V45153 FUNCTIONAL DESCRIPTION: THE AXIAL FLOW FANS INSTALLED ON EACH AIR- CRAFT SERVES EITHER OF TWO PURPOSES: PROVIDE HEAT TO THE CARGO COM- PARTMENTS AND VENTILA- TION OF THE GALLEYS AND LAVATORIES. SPECIFICATION NUMBER: S210N701-39 COMPONENT MAINT MANUAL REF: 21-43-01 OPTIONAL PART: 731378B V45153 OPTIONAL PART: 731378 V45153 | 002004 006999 | 1 |
| 98 | 731521 | .. PLATE-IDENT | SUPPLIER CODE: V45153 | 002004 006999 | 1 |
| 98 | 4100562 | .. PLATE-IDENT | SUPPLIER CODE: V45153 | 002004 006999 | 1 |
| 100 | 215N3070-6 | . BRACKET ASSY-SPRT | | 002004 006999 | 1 |
| - 105 | BACB30NM3K3 | ATTACHING PARTS . BOLT | | 002004 006999 | 2 |
| - 110 | AN960KD10L | . WASHER | | 002004 006999 | 2 |

MISSING ITEM NUMBERS NOT APPLICABLE

- ITEM NOT ILLUSTRATED

21-43-03-02

21-43-03
FIG. 02
PAGE 4
MAY 20/09

BRI

BOEING
757
PARTS CATALOG (MAINTENANCE)

| FIG ITEM | PART NUMBER | 1 2 3 4 5 6 7 | NOMENCLATURE | EFFECT FROM TO | UNITS PER ASSY | |
|--|---------------------------------|----------------|--|--------------------------------------|----------------|--|
| R R R R R R R R R R | 2 - 115 | BRH10C3D | .NUT SUPPLIER CODE: V52828 SPECIFICATION NUMBER: BACN10JC3CD OPTIONAL PART: T6C1032JCD V11815 NS202486-02 V80539 102LH9075-3W V72962 H51650-3BAC V15653 | 002004 006999 | 2 | |
| | 120 | 88 | -----*----- .CLAMP SUPPLIER CODE: V7Z588 SPECIFICATION NUMBER: STBC10GG192 OPTIONAL PART: WWD192H V66295 | 002004 006102 107107 121999 | 1 | |
| | 120 | NAS1922-0575-3 | .CLAMP | 103106 108120 | 1 | |
| | 125 | NAS1922-0575-3 | .CLAMP | 103106 108120 | 4 | |
| | 125 | 88 | .CLAMP SUPPLIER CODE: V7Z588 SPECIFICATION NUMBER: STBC10GG192 OPTIONAL PART: WWD192H V66295 | 002004 006102 107107 121999 | 4 | |
| | 130 | NAS1922-0575-3 | .CLAMP | 103106 108120 | 2 | |
| | 135 | NH135008-0550 | .CLAMP- SUPPLIER CODE: V00624 | 002004 006102 107107 121999 | 1 | |
| | 135 | 15J02-550 | .CLAMP- SUPPLIER CODE: V89513 | 002004 006102 107107 121999 | 1 | |
| | R R R R R R R | | | | | |

MISSING ITEM NUMBERS NOT APPLICABLE

- ITEM NOT ILLUSTRATED

BRI

21-43-03-02

BOEING PROPRIETARY - Copyright © - Unpublished Work - See title page for details.

21-43-03
FIG. 02
PAGE 5
MAY 20/09



757

PARTS CATALOG (MAINTENANCE)

| FIG ITEM | PART NUMBER | 1 2 3 4 5 6 7 | NOMENCLATURE | EFFECT FROM TO | UNITS PER ASSY |
|-----------------------|-------------|----------------|--|--------------------------------------|----------------|
| R R R R R | 2 135 | 32317AA550 | .CLAMP- SUPPLIER CODE: V94581 SPECIFICATION NUMBER: S210T125-101 | 002004 006102 107107 121999 | 1 |
| | 140 | NAS1922-0525-3 | .CLAMP | 103106 108120 | 2 |
| | 140 | 80 | .CLAMP- SUPPLIER CODE: V7Z588 SPECIFICATION NUMBER: STBC10GG178 OPTIONAL PART: WWD178H V66295 | 002004 006102 107107 121999 | 2 |
| | 145 | 80 | .CLAMP- SUPPLIER CODE: V7Z588 SPECIFICATION NUMBER: STBC10GG178 OPTIONAL PART: WWD178H V66295 | 107107 | 1 |
| | 150 | 80 | .CLAMP- SUPPLIER CODE: V7Z588 SPECIFICATION NUMBER: STBC10GG178 OPTIONAL PART: WWD178H V66295 | 002004 006102 107107 121999 | 2 |
| | 155 | NAS1922-0525-3 | .CLAMP | 103106 108120 | 2 |
| | 160 | 80 | .CLAMP- SUPPLIER CODE: V7Z588 SPECIFICATION NUMBER: STBC10GG178 OPTIONAL PART: WWD178H V66295 | 002004 006102 107107 121999 | 1 |
| | 160 | T012L0 | .STRAP SUPPLIER CODE: V53421 SPECIFICATION NUMBER: BACS38K6 | 103106 108120 | 1 |
| | 175 | AS1506-22D32 | .HOSE | 002004 006999 | 1 |

MISSING ITEM NUMBERS NOT APPLICABLE

- ITEM NOT ILLUSTRATED

21-43-03-02

21-43-03
FIG. 02
PAGE 6
MAY 20/09

BRI



**757
PARTS CATALOG (MAINTENANCE)**

| FIG ITEM | PART NUMBER | 1 2 3 4 5 6 7 | NOMENCLATURE | EFFECT FROM TO | UNITS PER ASSY |
|-----------------------|--------------|-----------------|---|--------------------------------------|----------------|
| 2 | | | | | |
| 180 | AS1506-22D32 | .HOSE | | 002004 006999 | 1 |
| 185 | AS1506-22D32 | .HOSE | | 103106 108120 | 1 |
| 190 | AS1506-20D60 | .HOSE | | 002004 006102 107107 121999 | 1 |
| R R R R R | 195 | BOE2022-20A0300 | .HOSE SUPPLIER CODE: V16632 SPECIFICATION NUMBER: AS1544-20A0300 | 103106 108120 | 1 |
| | 200 | BACR15BA5AD | .RIVET- SIZE DETERMINED ON INSTL. | 002004 006999 | 2 |
| | 205 | 214N1051-9 | .SUPPORT | 002004 006999 | 1 |
| | 210 | 215N3053-1 | .SLIDE | 002004 006999 | 1 |
| R R | 215 | 214N1051-8 | .SUPPORT | 002004 006999 | 2 |
| | | | ATTACHING PARTS | | |
| - | 220 | BACB30NM3K3 | .BOLT | 103106 108120 | 4 |
| - | 220 | BACB30NM3K2 | .BOLT | 002004 006102 107107 121999 | 4 |
| | | | -----*----- | | |
| | 225 | 215N3069-1 | .BRACKET-SPRT | 002004 006999 | 2 |
| | | | ATTACHING PARTS | | |
| - | 230 | BACR15FT5AD | .RIVET- SIZE DETERMINED ON INSTL. | 002004 006102 107107 121999 | 4 |
| - | 230 | BACR15FT5AD | .RIVET- SIZE DETERMINED ON INSTL. QUALIFIED OPTIONAL DATA: BACR15FT5AD OPTIONAL TO BACB30VT5K PLUS BACC30BZ5 | 103106 108120 | 4 |
| - | 235 | BACB30VT5K | .BOLT- QUALIFIED OPTIONAL DATA: BACR15FT5AD OPTIONAL TO BACB30VT5K PLUS BACC30BX5 | 103106 108120 | 4 |

MISSING ITEM NUMBERS NOT APPLICABLE

- ITEM NOT ILLUSTRATED

21-43-03-02

21-43-03
FIG. 02
PAGE 7
MAY 20/09

BRI



**757
PARTS CATALOG (MAINTENANCE)**

| FIG ITEM | PART NUMBER | 1 2 3 4 5 6 7 | NOMENCLATURE | EFFECT FROM TO | UNITS PER ASSY |
|------------|-------------|---------------|--|------------------|----------------|
| 2 - 240 | HST1070CY5 | | .COLLAR- SUPPLIER CODE: V73197 SPECIFICATION NUMBER: BACC30BZ5 OPTIONAL PART: VLC1070CY5 V92215 QUALIFIED OPTIONAL DATA: BACR15FT5AD OPTIONAL TO BACB30VT5K PLUS BACC30BZ5 -----*----- | 103106 108120 | 4 |
| 245 | BRF200A3 | | ..NUTPLATE SUPPLIER CODE: V52828 SPECIFICATION NUMBER: BACN10JR3F OPTIONAL PART: NS103203-02 V80539 RMF9201-3 V72962 VN152A1-02 V92215 T8091S1032 V11815 F5000-3BAC V15653 ATTACHING PARTS | 002004 006999 | 2 |
| - 250 | BACR15BB3AD | | ..RIVET- SIZE DETERMINED ON INSTL. -----*----- | 002004 006999 | 4 |
| 255 | 215N3069-2 | | ..BRACKET | 002004 006999 | 1 |
| 275 | 214N1051-8 | | .SUPPORT- ATTACHING PARTS | 107107 | 1 |
| - 280 | BACB30NM3K2 | | .BOLT- -----*----- | 107107 | 2 |
| 285 | 215N3069-1 | | .BRACKET-SPRT ATTACHING PARTS | 107107 | 1 |
| - 290 | BACR15FT5AD | | .RIVET- SIZE DETERMINED ON INSTL. -----*----- | 107107 | 2 |

MISSING ITEM NUMBERS NOT APPLICABLE

- ITEM NOT ILLUSTRATED

21-43-03-02

21-43-03
FIG. 02
PAGE 8
MAY 20/09

BRI

 **BOEING**
757
PARTS CATALOG (MAINTENANCE)

| FIG ITEM | PART NUMBER | 1 2 3 4 5 6 7 | NOMENCLATURE | EFFECT FROM TO | UNITS PER ASSY |
|----------|---------------|---------------|---|--|----------------|
| 2 295 | BRF200A3 | | ..NUTPLATE- SUPPLIER CODE: V52828 SPECIFICATION NUMBER: BACN10JR3F OPTIONAL PART: NS103203-02 V80539 RMF9201-3 V72962 VN152A1-02 V92215 T8091S1032 V11815 F5000-3BAC V15653 ATTACHING PARTS | 107107 | 2 |
| - 300 | BACR15BB3AD | | ..RIVET- SIZE DETERMINED ON INSTL. -----*----- | 107107 | 4 |
| 305 | 215N3069-2 | | ..BRACKET- | 107107 | 1 |
| 310 | 214T3424-7 | | .SUPPORT- | 002004 006999 | 1 |
| | | | ATTACHING PARTS | | |
| - 315 | BACS12FA3K7 | | .SCREW | 002004 006999 | 2 |
| | | | -----*----- | | |
| 390 | 3000-46-20 | | .SWITCH-TEMP CONT SUPPLIER CODE: V14604 SPECIFICATION NUMBER: S210N701-8 | 002004 006999 | 1 |
| 395 | 215N3071-1 | | .BOSS ASSY | 002004 006999 | 1 |
| | | | ATTACHING PARTS | | |
| - 400 | BACB30NM3K1 | | .BOLT | 002004 006999 | 3 |
| - 405 | AN960KD10L | | .WASHER | 002004 006100 107107 121503 904999 | 3 |
| - 405 | NAS1149V0332M | | .WASHER | 103106 108120 | 3 |
| - 405 | NAS1149V0332J | | .WASHER | 101102 504903 | 3 |
| | | | -----*----- | | |

MISSING ITEM NUMBERS NOT APPLICABLE

- ITEM NOT ILLUSTRATED

BRI

21-43-03-02

BOEING PROPRIETARY - Copyright © - Unpublished Work - See title page for details.

21-43-03
FIG. 02
PAGE 9
JAN 20/09



757

PARTS CATALOG (MAINTENANCE)

| FIG ITEM | PART NUMBER | 1 2 3 4 5 6 7 | NOMENCLATURE | EFFECT FROM TO | UNITS PER ASSY |
|----------|---------------|---------------|--|--|----------------|
| 2 | | | | | |
| 410 | 215N3064-2 | . | GASKET- | 002004 006106 108999 | 1 |
| 410 | 215N3064-1 | . | GASKET- ATTACHING PARTS | 107107 | 1 |
| - 415 | BACB30NN3K10 | . | BOLT- | 101102 504903 | 14 |
| - 415 | BACB30NM3K10 | . | BOLT- | 002004 006100 121503 904999 | 14 |
| - 415 | BACB30VF3K20 | . | BOLT | 103106 108120 | 14 |
| - 415 | BAC12CK3-5 | . | SCREW- POST SERVICE BULLETIN: 21-0054 | 107107 | 14 |
| - 417 | AN960JD10L | . | WASHER- POST SERVICE BULLETIN: 21-0054 | 107107 | 14 |
| | | | -----*----- | | |
| 435 | 215N3026-5 | . | SCREEN- | 002004 006106 108903 950951 953999 | 2 |
| 435 | 215N3026-4 | . | SCREEN- | 107107 904949 952952 | 2 |
| 435 | 215N3026-1 | . | SCREEN- ATTACHING PARTS | 107107 | 2 |
| - 440 | BACS12FA3K5 | . | SCREW | 103106 108120 | 12 |
| - 440 | BACS12CK3-5 | . | SCREW- | 002004 006102 107107 121999 | 12 |
| - 445 | NAS1149D0332J | . | WASHER | 101102 504903 | 12 |
| - 445 | AN960KD10L | . | WASHER | 002004 006100 107107 121503 904999 | 12 |
| | | | -----*----- | | |

MISSING ITEM NUMBERS NOT APPLICABLE

- ITEM NOT ILLUSTRATED

BRI

21-43-03-02

21-43-03
FIG. 02
PAGE 10
JAN 20/09



757

PARTS CATALOG (MAINTENANCE)

| FIG ITEM | PART NUMBER | 1 2 3 4 5 6 7 | NOMENCLATURE | EFFECT FROM TO | UNITS PER ASSY |
|----------|-------------|---------------|---|--|----------------|
| 2 | | | | | |
| 595 | 215N3051-6 | | . DUCT ASSY-(CARGO HEATING SYSTEM ONLY) FUNCTIONAL REFERENCE: PLACARDS AND MARKINGS FOR DETAILS SEE 11-38-10-01 | 002004 006102 107107 121999 | 1 |
| 595 | 215N3051-7 | | . DUCT ASSY-(CARGO HEATING SYSTEM ONLY) | 103106 108120 | 1 |
| 595 | 215N3051-4 | | . DUCT ASSY-(CARGO HEATING SYSTEM ONLY) FUNCTIONAL REFERENCE: PLACARDS AND MARKINGS FOR DETAILS SEE 11-38-10-01 | 002004 006102 107107 121999 | 1 |
| 595 | 215N3051-1 | | . DUCT ASSY-(CARGO HEATING SYSTEM ONLY) OPTIONAL PART: 215N3051-4 FUNCTIONAL REFERENCE: PLACARDS AND MARKINGS FOR DETAILS SEE 11-38-10-01 | 002004 006102 107107 121999 | 1 |
| 605 | 215N3050-7 | | . DUCT ASSY- | 002004 006102 107107 121999 | 1 |
| 605 | 215N3050-9 | | . DUCT ASSY | 103106 108120 | 1 |
| 615 | 215N3065-4 | | . DUCT ASSY- | 904949 952952 | 1 |
| 615 | 215N3065-5 | | . DUCT ASSY- POST SERVICE BULLETIN: 21-0054 | 002004 006102 107107 121903 950951 953999 | 1 |

MISSING ITEM NUMBERS NOT APPLICABLE

- ITEM NOT ILLUSTRATED

BRI

21-43-03-02

BOEING PROPRIETARY - Copyright © - Unpublished Work - See title page for details.

21-43-03
FIG. 02
PAGE 11
JAN 20/09



757

PARTS CATALOG (MAINTENANCE)

| FIG ITEM | PART NUMBER | 1 2 3 4 5 6 7 | NOMENCLATURE | EFFECT FROM TO | UNITS PER ASSY |
|----------|-------------|---------------|--|--------------------------------------|----------------|
| 2 617 | BRF200A3 | | ..NUTPLATE SUPPLIER CODE: V52828 SPECIFICATION NUMBER: BACN10JR3F OPTIONAL PART: NS103203-02 V80539 RMF9201-3 V72962 VN152A1-02 V92215 T8091S1032 V11815 F5000-3BAC V15653 ATTACHING PARTS | 002004 006102 107107 121999 | 14 |
| - 618 | BACR15BA3AD | | ..RIVET | 002004 006102 107107 121999 | 28 |
| | | | -----*----- | | |
| 620 | 215N3065-7 | | .DUCT ASSY | 103106 108120 | 1 |
| 625 | BRF200A3 | | ..NUTPLATE SUPPLIER CODE: V52828 SPECIFICATION NUMBER: BACN10JR3F OPTIONAL PART: NS103203-02 V80539 RMF9201-3 V72962 VN152A1-02 V92215 T8091S1032 V11815 F5000-3BAC V15653 ATTACHING PARTS | 103106 108120 | 14 |
| - 630 | BACR15BA3AD | | ..RIVET | 103106 108120 | 28 |
| | | | -----*----- | | |
| 900 | | | ILLUSTRATION REFERENCE: DUCT INSTL-CARGO HEATING SYS R SIDE 21-44-08-03 | 002004 006999 | RF |

MISSING ITEM NUMBERS NOT APPLICABLE

- ITEM NOT ILLUSTRATED

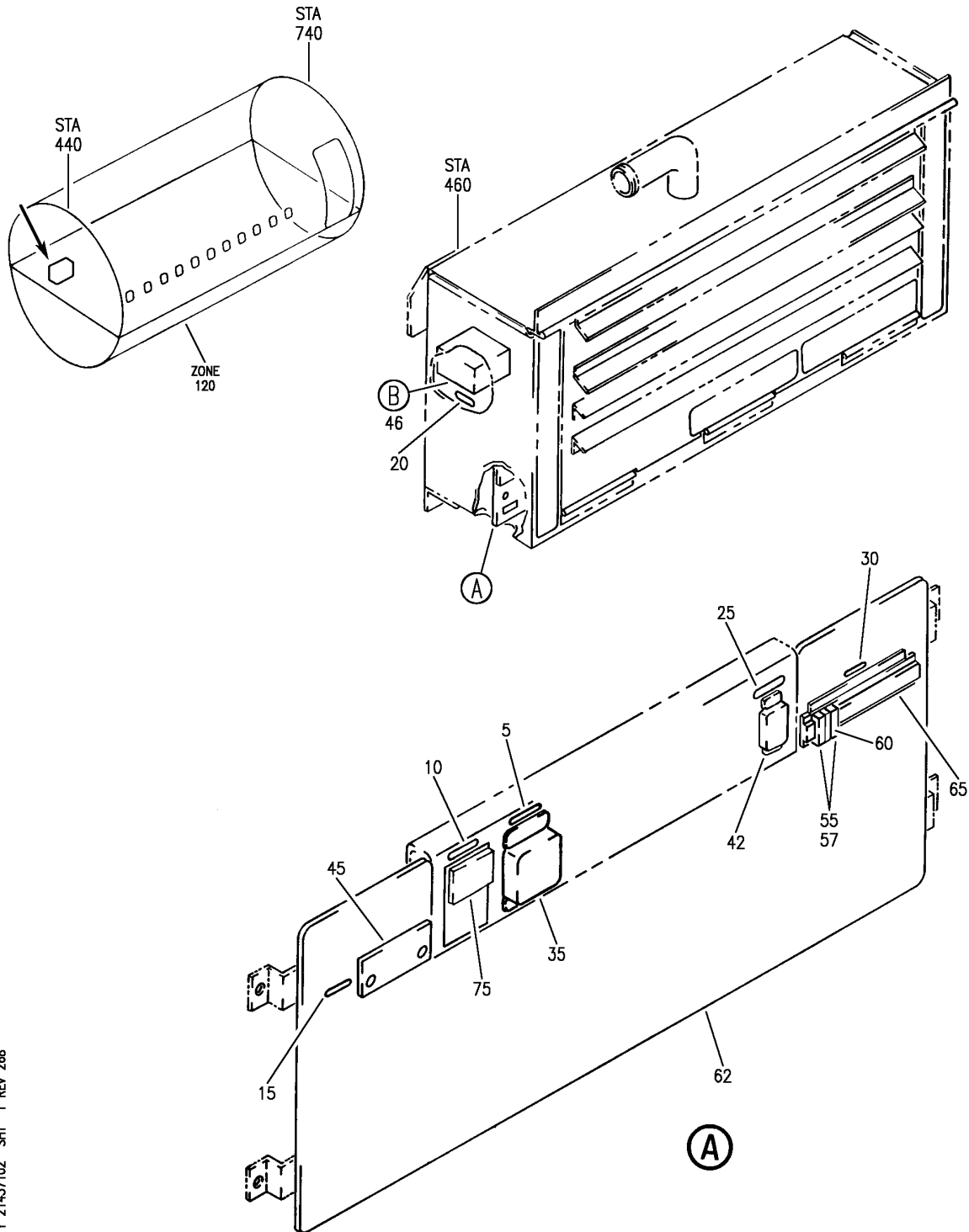
BRI

21-43-03-02

BOEING PROPRIETARY - Copyright © - Unpublished Work - See title page for details.

21-43-03
FIG. 02
PAGE 12
JAN 20/09

BOEING
757
PARTS CATALOG (MAINTENANCE)



Y 21437102 SH1 1 REV 268

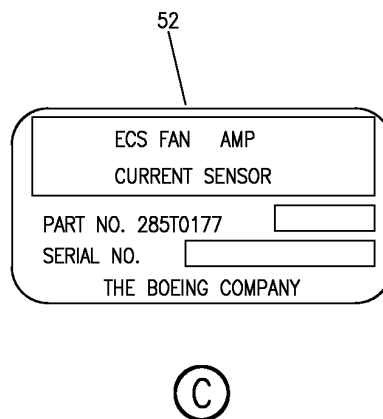
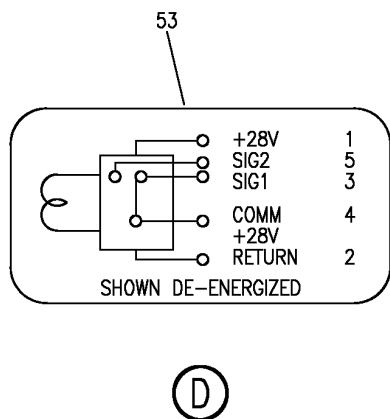
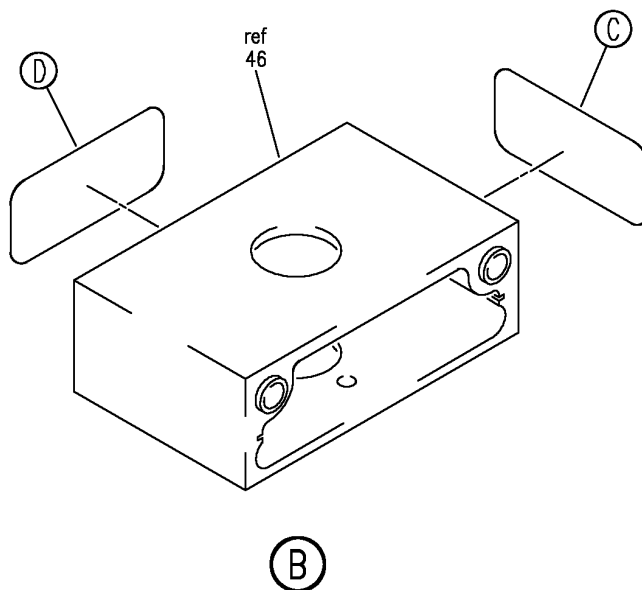
PANEL ASSY- P70 MISC RELAY (FORWARD CARGO COMPARTMENT HEATING SYSTEM ONLY)
FIGURE 2 (SHEET 1)

BRI
MAY 28/07

21-43-71-02

21-43-71-02
PAGE 0

BOEING
757
PARTS CATALOG (MAINTENANCE)



Y 21437102 SH1 2 REV 268

PANEL ASSY- P70 MISC RELAY (FORWARD CARGO COMPARTMENT HEATING SYSTEM ONLY)
FIGURE 2 (SHEET 2)

21-43-71-02

BRI
MAY 28/07

21-43-71-02
PAGE 0A



757

PARTS CATALOG (MAINTENANCE)

| FIG ITEM | PART NUMBER | 1 2 3 4 5 6 7 | NOMENCLATURE | EFFECT FROM TO | UNITS PER ASSY |
|----------|--------------|---------------|---|--|----------------|
| 2 | | | PANEL ASSY- P70 MISC RELAY (FORWARD CARGO COMPARTMENT HEATING SYSTEM ONLY) | 002004 006100 107107 121503 904999 | |
| - 1 | 284N1129-1 | | PANEL ASSY-P70 MISC RELAY (FORWARD CARGO COMPARTMENT HEATING SYSTEM ONLY) VARIABLE DRAWING REF: 284N1129-5012 284N1129-5021 284N1129-5035 284N1129-5049 284N1129-5054 FOR NHA/OTHER SYS DET SEE: 53-33-00-02 | 002004 006100 107107 121503 904999 | RF |
| 5 | BAC27NEX0194 | | .DECAL- PLACARD CONTENT: K10057 | 002004 006100 107107 121503 904999 | 1 |
| 10 | BAC27NEX2924 | | .DECAL- PLACARD CONTENT: K10734 POST SERVICE BULLETIN: 21-0060 | 009009 | 1 |
| 20 | BAC27NEX0268 | | .DECAL- PLACARD CONTENT: TS5018 | 107107 904949 | 1 |
| 30 | BAC27NEX0969 | | .DECAL- PLACARD CONTENT: TB0155 | 002004 006100 107107 121503 904999 | 1 |
| 35 | MS27418-2B | | .RELAY- ELECTRICAL EQUIP NUMBER: K10057 | 002004 006100 107107 121503 904999 | 1 |
| - 37 | NAS602-8 | | ATTACHING PARTS .SCREW- | 002004 006100 107107 121503 904999 | 4 |

MISSING ITEM NUMBERS NOT APPLICABLE

- ITEM NOT ILLUSTRATED

21-43-71-02

21-43-71
FIG. 02
PAGE 1
JAN 20/09

BRI



757

PARTS CATALOG (MAINTENANCE)

| FIG ITEM | PART NUMBER | 1 2 3 4 5 6 7 | NOMENCLATURE | EFFECT FROM TO | UNITS PER ASSY |
|----------|---------------|---------------|---|--|----------------|
| 2 | | | | | |
| - 37 | NAS602-8P | . | SCREW- | 002004 006100 107107 121503 904999 | 4 |
| - 40 | AN960D8L | . | WASHER- | 002004 006100 107107 121503 904999 | 4 |
| | | | -----*----- | | |
| 46 | 285T0177-3 | . | SENSOR ASSY-CURRENT SUPPLIER CODE: V89954 ELECTRICAL EQUIP NUMBER: TS5018 COMPONENT MAINT MANUAL REF: 21-25-51 ATTACHING PARTS | 107107 904949 | 1 |
| - 47 | NAS1801-06-34 | . | SCREW- | 107107 904949 | 2 |
| - 50 | AN960D6L | . | WASHER- | 107107 | 2 |
| | | | -----*----- | | |
| 52 | BAC27TEX1985 | .. | MARKER-ALUMINUM FOIL SUPPLIER CODE: V89954 | 107107 | 1 |
| 53 | BAC27TEX1989 | .. | LABEL- SUPPLIER CODE: V89954 | 107107 | 1 |
| 55 | BACC49A1 | . | CLAMP- SUPPLIER CODE: V09922 SPECIFICATION NUMBER: BACC49A1 OPTIONAL PART: FAB278 V15805 H28-1 V34941 UP103 V6E102 | 107107 121503 904949 | 2 |
| 55 | H49-2 | . | CLAMP- SUPPLIER CODE: V34941 SPECIFICATION NUMBER: BACC49A2 OPTIONAL PART: MF104-2 V6E102 | 002004 006100 950999 | 2 |

MISSING ITEM NUMBERS NOT APPLICABLE

- ITEM NOT ILLUSTRATED

21-43-71-02

21-43-71
FIG. 02
PAGE 2
JAN 20/09

BRI



757

PARTS CATALOG (MAINTENANCE)

| FIG ITEM | PART NUMBER | 1 2 3 4 5 6 7 | NOMENCLATURE | EFFECT FROM TO | UNITS PER ASSY |
|----------|-------------|---------------|---|----------------------------|----------------|
| 2 60 | H21-1 | | . SPACER SUPPLIER CODE: V34941 SPECIFICATION NUMBER: BACS18AR1 OPTIONAL PART: FAB276A V15805 YHLZ1C2 V09922 | 107107 121503 904949 | 1 |
| 75 | ES410-1538 | | . RELAY- SUPPLIER CODE: V99699 SPECIFICATION NUMBER: BACR13CG2AB OPTIONAL PART: KD4L018 V35344 BR230DS0115 V56623 KD4L036 V58657 FCA410-63 V78290 ELECTRICAL EQUIP NUMBER: K10734 POST SERVICE BULLETIN: 21-0060 | 009009 | 1 |

MISSING ITEM NUMBERS NOT APPLICABLE

- ITEM NOT ILLUSTRATED

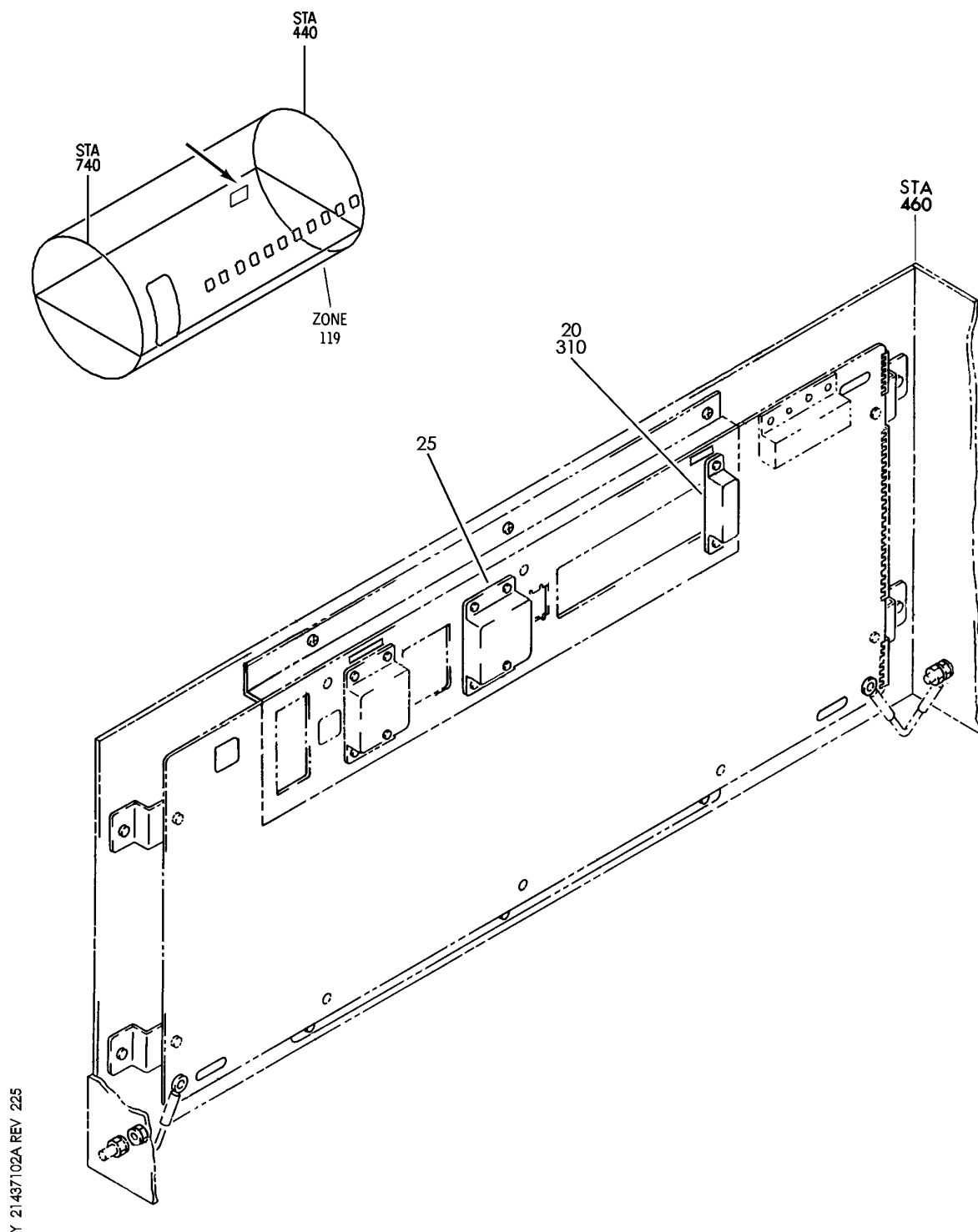
BRI

21-43-71-02

BOEING PROPRIETARY - Copyright © - Unpublished Work - See title page for details.

21-43-71
FIG. 02
PAGE 3
JAN 20/09

BOEING
757
PARTS CATALOG (MAINTENANCE)



PACKAGE ASSY-OPTION P70 MISC RELAY (FORWARD CARGO COMPARTMENT HEATING SYSTEM ONLY)
FIGURE 2A

BRI
MAY 28/07

21-43-71-02A

21-43-71-02A
PAGE 0



757

PARTS CATALOG (MAINTENANCE)

| FIG ITEM | PART NUMBER | 1 2 3 4 5 6 7 | NOMENCLATURE | EFFECT FROM TO | UNITS PER ASSY |
|----------|---------------|---------------|---|------------------|----------------|
| 2A | | | PACKAGE ASSY-OPTION P70 MISC RELAY (FORWARD CARGO COMPARTMENT HEATING SYSTEM ONLY) | 101102 504903 | |
| - 1 | 284N1129-1001 | | PACKAGE ASSY-OPTION P70 MISC RELAY (FORWARD CARGO COMPARTMENT HEATING SYSTEM ONLY) | 101102 504903 | RF |
| 20 | JAD9F007 | | FOR NHA/OTHER SYS DET SEE: 31-01-70-01 .RELAY- SUPPLIER CODE: V58657 SPECIFICATION NUMBER: BACR13CJ2 ELECTRICAL EQUIP NUMBER: K10597 | 101102 504903 | 1 |
| 25 | MS27418-2B | | .RELAY- ELECTRICAL EQUIP NUMBER: K10057 | 101102 504903 | 1 |
| - 30 | NAS602-8P | | ATTACHING PARTS .SCREW | 101102 504903 | 4 |
| - 35 | NAS1149DN816H | | .WASHER | 101102 504903 | 4 |
| | | | -----*----- | | |
| - 300 | 286N1250-319 | | WIRE BUNDLE ASSY | 504903 | RF |
| - 300 | 286N1250-328 | | WIRE BUNDLE ASSY | 101102 | RF |
| 310 | RSF116208 | | .SOCKET- SUPPLIER CODE: V58982 SPECIFICATION NUMBER: BACS16X3A OPTIONAL PART: 102-005-1 V09922 000300-1541 V05574 ELECTRICAL EQUIP NUMBER: D06912 WIRING DIAGRAM REF: 214311 | 101102 504903 | 1 |

MISSING ITEM NUMBERS NOT APPLICABLE

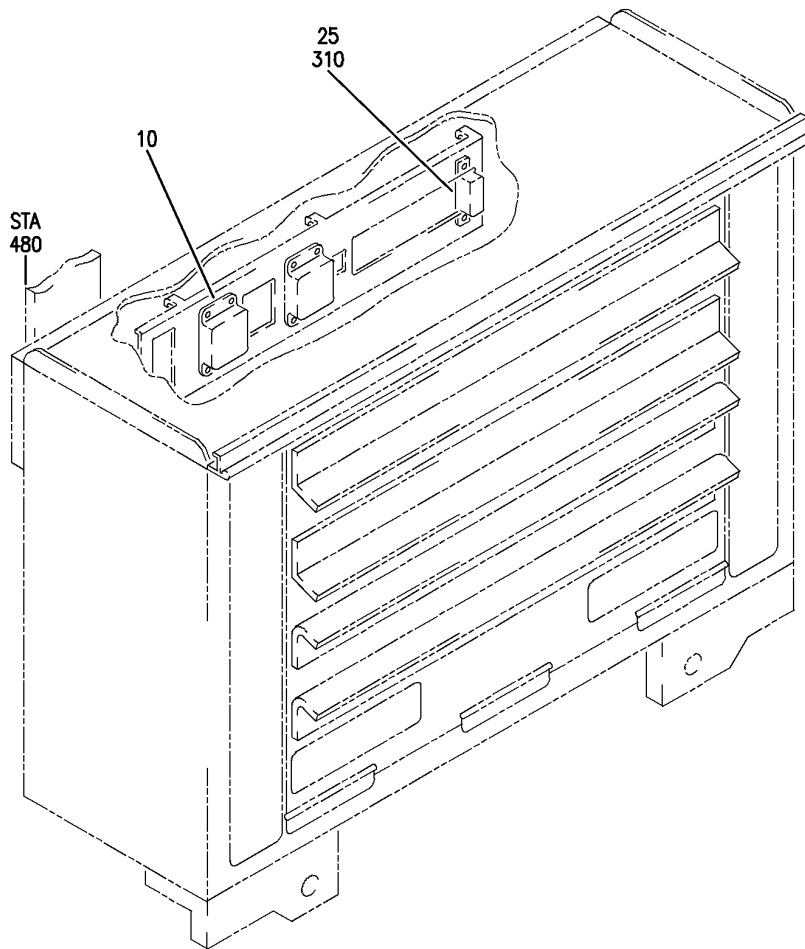
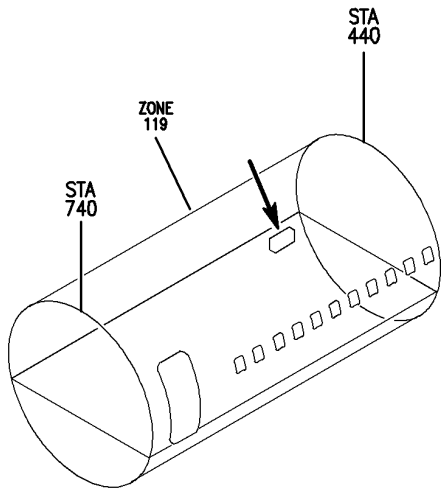
- ITEM NOT ILLUSTRATED

21-43-71-02A

21-43-71
FIG. 02A
PAGE 1
JAN 20/09

BRI

BOEING
757
PARTS CATALOG (MAINTENANCE)



Y 21437102B REV 225

PANEL INSTL-P70 MISC RELAY (FORWARD CARGO COMPARTMENT HEATING SYSTEM ONLY)
FIGURE 2B

BRI
JAN 20/09

21-43-71-02B

21-43-71-02B
PAGE 0

BOEING PROPRIETARY - Copyright © - Unpublished Work - See title page for details.



757

PARTS CATALOG (MAINTENANCE)

| FIG ITEM | PART NUMBER | 1 2 3 4 5 6 7 | NOMENCLATURE | EFFECT FROM TO | UNITS PER ASSY |
|----------|--------------|---------------|--|------------------|----------------|
| 2B | | | PANEL INSTL-P70 MISC RELAY (FORWARD CARGO COMPARTMENT HEATING SYSTEM ONLY) | 103106 108120 | |
| - 2 | 284N1129-423 | | PANEL INSTL-P70 MISC RELAY (FORWARD CARGO COMPARTMENT HEATING SYSTEM ONLY) | 108120 | RF |
| - 5 | MODREF31428 | | FOR NHA/OTHER SYS DET SEE: 24-00-58-05C PANEL INSTL-P70 MISC RELAY (FORWARD CARGO COMPARTMENT HEATING SYSTEM ONLY) MODULE NUMBER: 284N1129-438 REV A FOR OTHER SYS DETAILS SEE: 11-36-10-01B 21-25-71-03C 21-44-71-03B 21-45-61-01 23-32-55-03B 24-51-02-07 24-51-04-01 24-51-60-04 24-53-71-04B 27-51-71-04B 28-25-71-04B 31-01-70-05 33-45-51-02B | 103105 | RF |

MISSING ITEM NUMBERS NOT APPLICABLE

- ITEM NOT ILLUSTRATED

21-43-71-02B

21-43-71
FIG. 02B
PAGE 1
JAN 20/09

BRI



757

PARTS CATALOG (MAINTENANCE)

| FIG ITEM | PART NUMBER | 1 2 3 4 5 6 7 | NOMENCLATURE | EFFECT FROM TO | UNITS PER ASSY |
|-----------|---------------|---------------|--|------------------|----------------|
| 2B - 5 | MODREF170991 | | PANEL INSTL-P70 MISC RELAY (FORWARD CARGO COMPARTMENT HEATING SYSTEM ONLY) MODULE NUMBER: 284N1129-438 REV C FOR OTHER SYS DETAILS SEE: 11-36-10-01B 21-25-71-03C 21-44-71-03B 21-45-61-01 23-32-55-03B 24-51-02-07 24-51-04-01 24-51-60-04 24-53-71-04B 27-51-71-04B 28-25-71-04B 31-01-70-05 33-45-51-02B | 106106 | RF |
| 10 | MS27418-2B | | .RELAY- ELECTRICAL EQUIP NUMBER: K10057 ATTACHING PARTS | 103106 108120 | 1 |
| - 15 | NAS602-8P | | .SCREW- | 108120 | 4 |
| - 15 | BACS12CK08-8 | | .SCREW- | 103106 | 4 |
| - 20 | NAS1149DN816H | | .WASHER | 103106 | 4 |
| | | | -----*----- | | |
| 25 | JAD9F007 | | .RELAY- SUPPLIER CODE: V58657 SPECIFICATION NUMBER: BACR13CJ2 ELECTRICAL EQUIP NUMBER: K10597 | 103106 108120 | 1 |
| - 300 | 286N1250-335 | | WIRE BUNDLE ASSY- | 108120 | 1 |
| - 302 | 286N1250-751 | | WIRE BUNDLE ASSY- | 103106 | 1 |

MISSING ITEM NUMBERS NOT APPLICABLE

- ITEM NOT ILLUSTRATED

21-43-71-02B

21-43-71
FIG. 02B
PAGE 2
JAN 20/09

BRI



757

PARTS CATALOG (MAINTENANCE)

| FIG ITEM | PART NUMBER | 1 2 3 4 5 6 7 | NOMENCLATURE | EFFECT FROM TO | UNITS PER ASSY |
|-------------|-------------|---------------|--|-------------------|----------------------|
| 2B 310 | RSF116208 | | . SOCKET- SUPPLIER CODE: V58982 SPECIFICATION NUMBER: BACS16X3A OPTIONAL PART: 102-005-1 V09922 000300-1541 V05574 ELECTRICAL EQUIP NUMBER: D06912 WIRING DIAGRAM REF: 214311 | 103106 108120 | 1 |

MISSING ITEM NUMBERS NOT APPLICABLE

- ITEM NOT ILLUSTRATED

BRI

21-43-71-02B

BOEING PROPRIETARY - Copyright © - Unpublished Work - See title page for details.

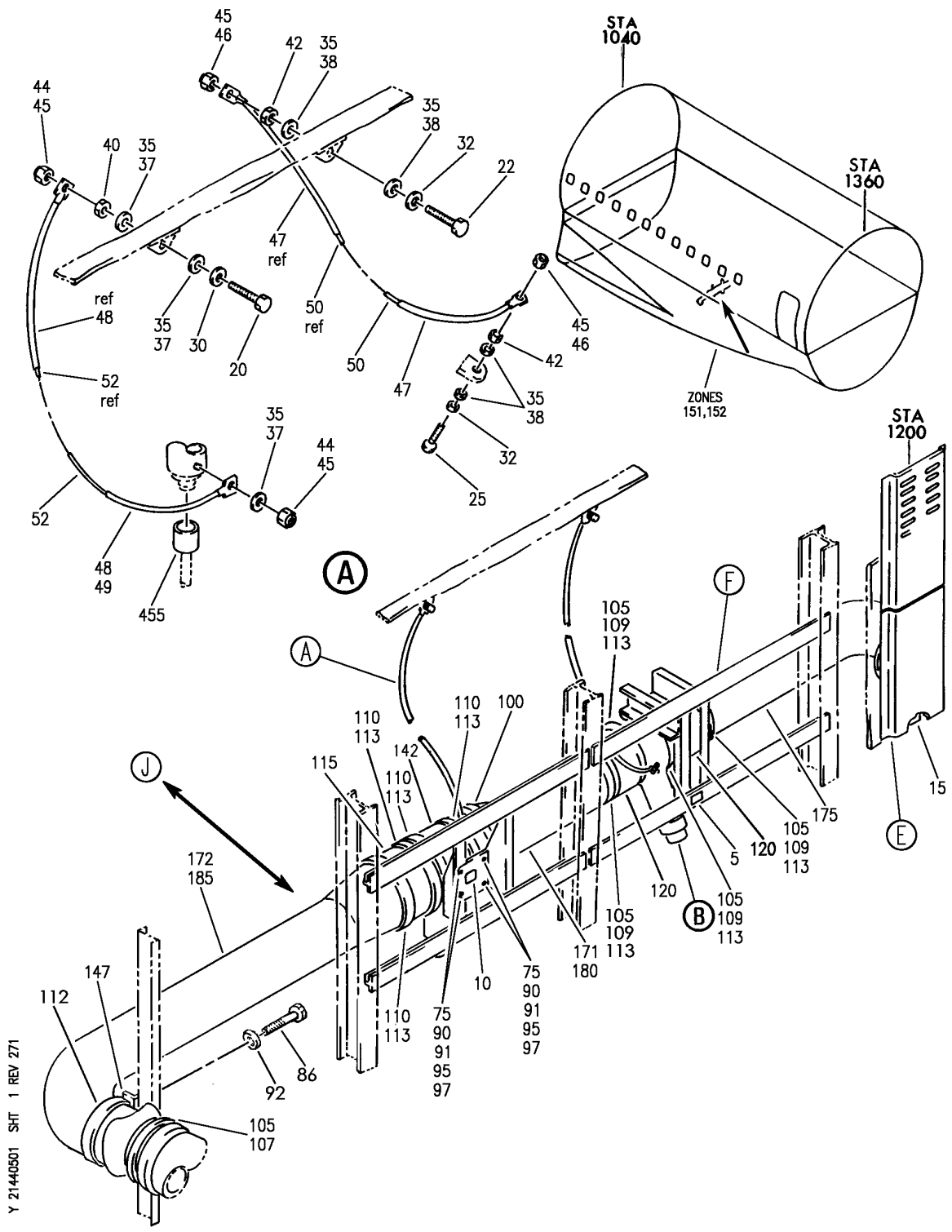
21-43-71
FIG. 02B
PAGE 3
JAN 20/09

AFT AND BULK CARGO COMPARTMENT HEATING SYSTEM

BRI
MAY 28/07

21-44-00
SECTION TITLE
PAGE 1

BOEING
757
PARTS CATALOG (MAINTENANCE)



Y 21440501 SHT 1 REV 271

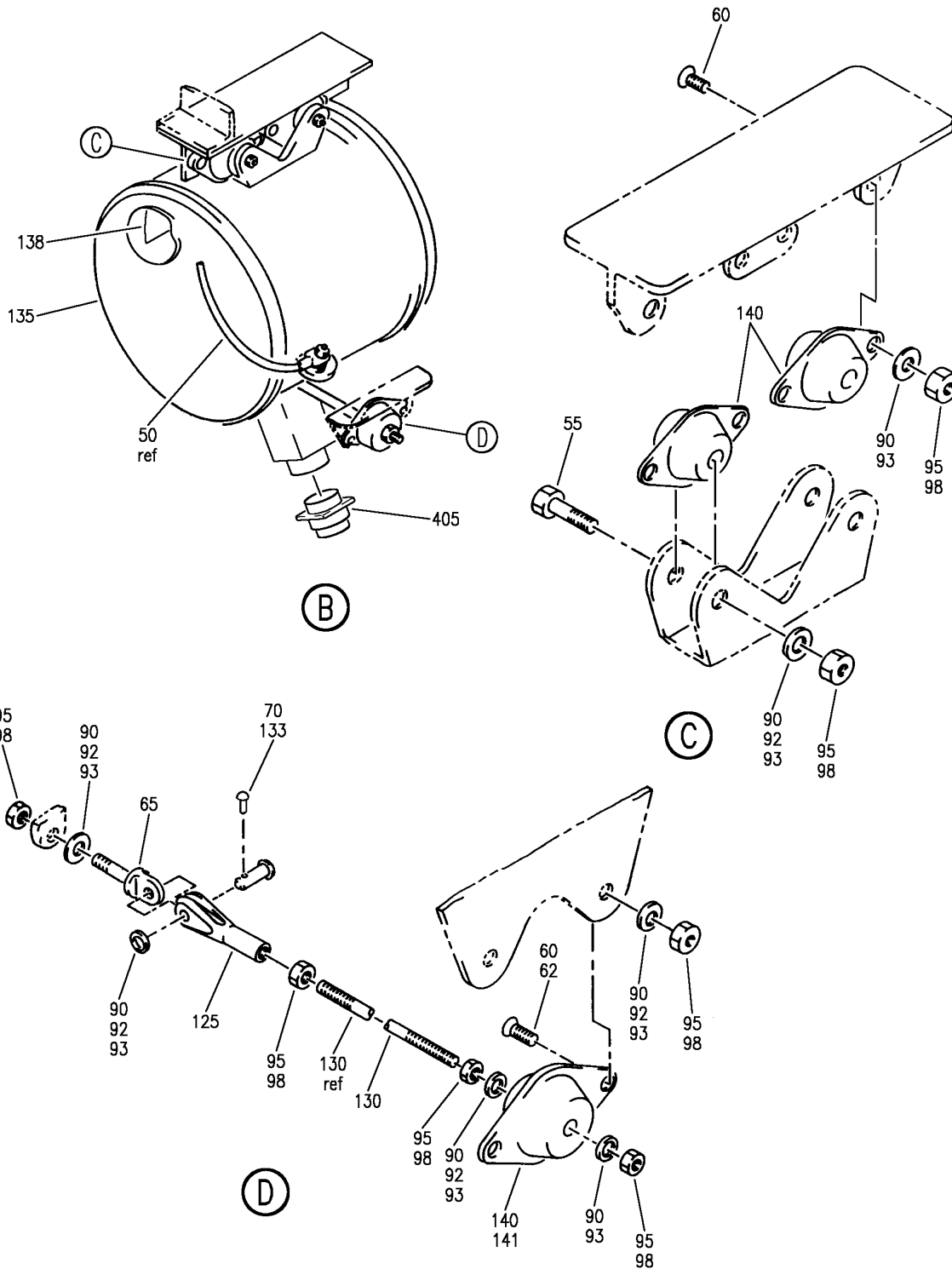
EQUIPMENT INSTL-STA 1200 CARGO HEATING SYS
FIGURE 1 (SHEET 1)

21-44-05-01

BRI
MAY 28/07

21-44-05-01
PAGE 0

BOEING
757
PARTS CATALOG (MAINTENANCE)



Y 21440501 SHT 2 REV 303

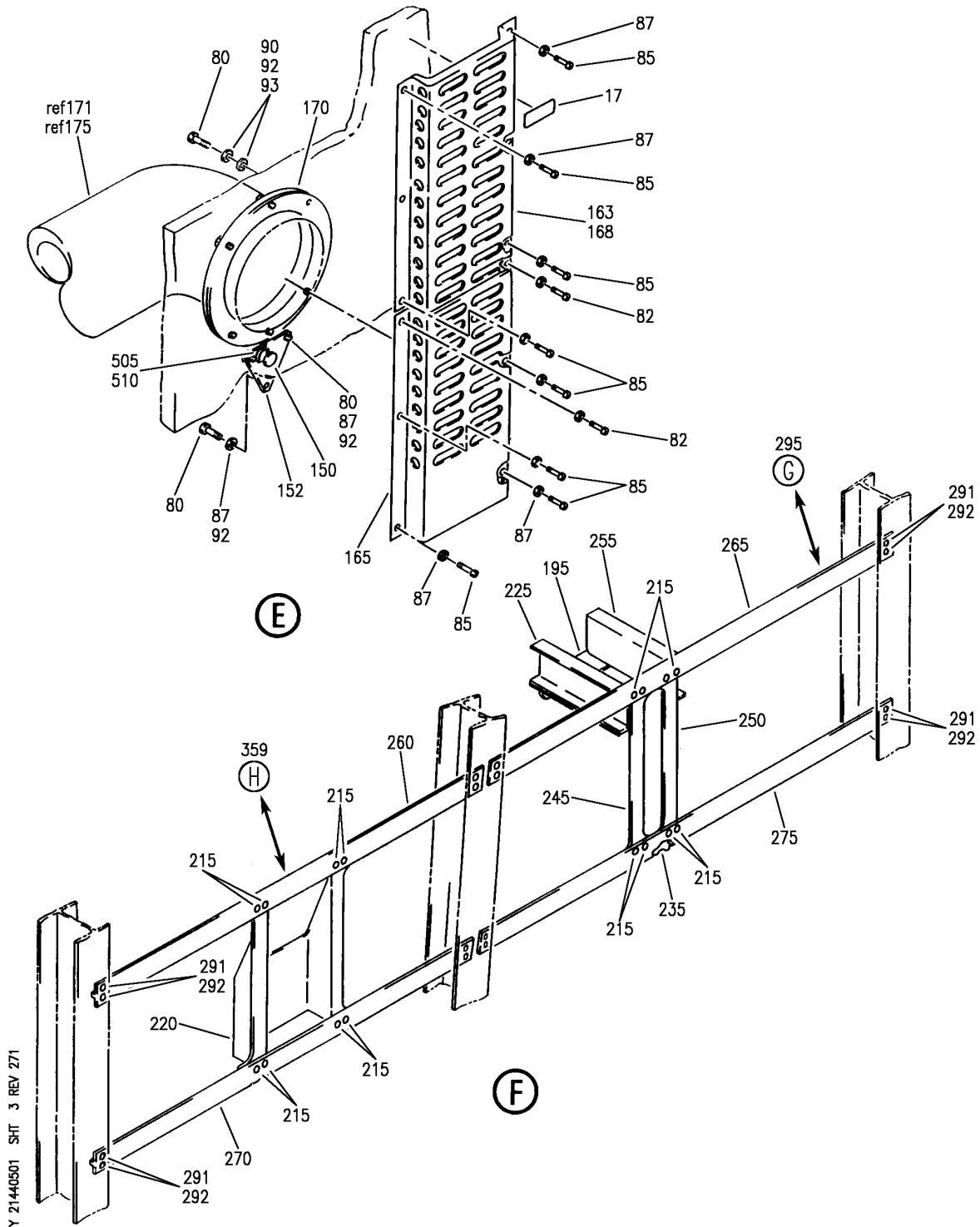
EQUIPMENT INSTL-STA 1200 CARGO HEATING SYS
FIGURE 1 (SHEET 2)

21-44-05-01

BRI
MAY 28/07

21-44-05-01
PAGE 0A


BOEING
 757
PARTS CATALOG (MAINTENANCE)



Y 21440501 SHT. 3 REV 271

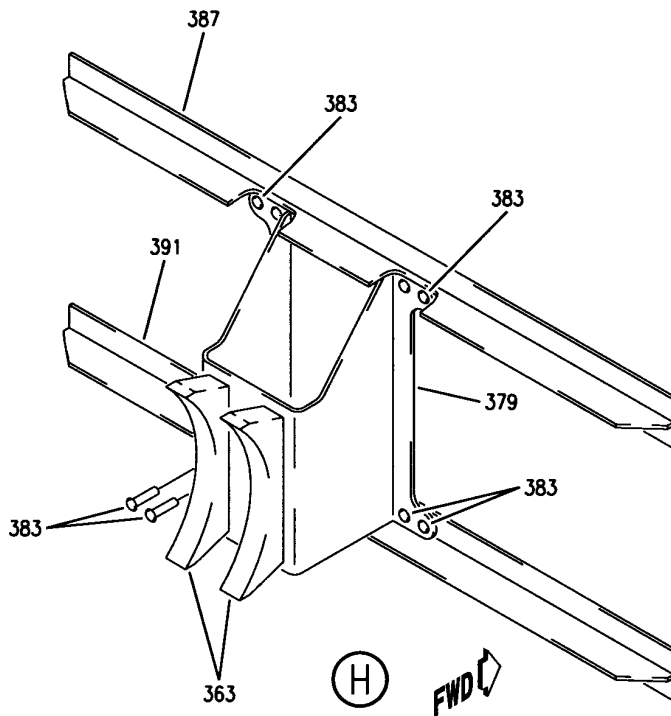
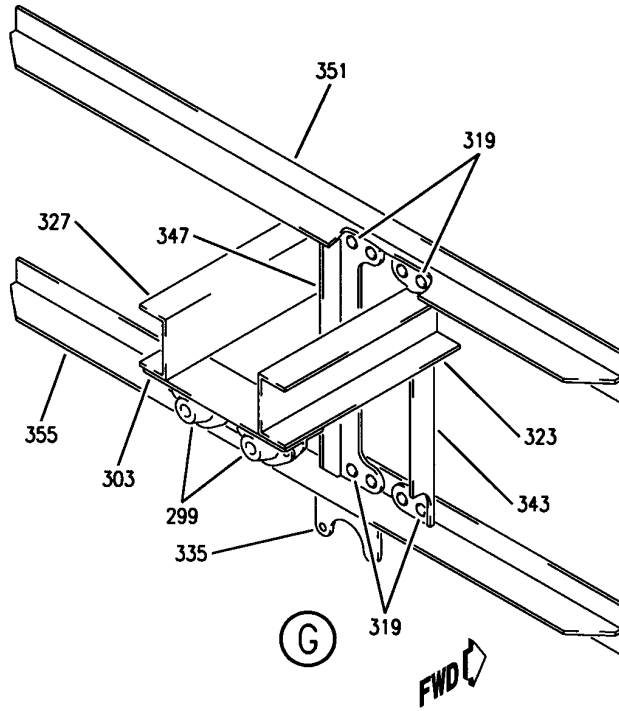
EQUIPMENT INSTL-STA 1200 CARGO HEATING SYS
FIGURE 1 (SHEET 3)

21-44-05-01

BRI
MAY 28/07

21-44-05-01
PAGE 0B

BOEING
757
PARTS CATALOG (MAINTENANCE)



Y 21440501 SHT 4 REV 206

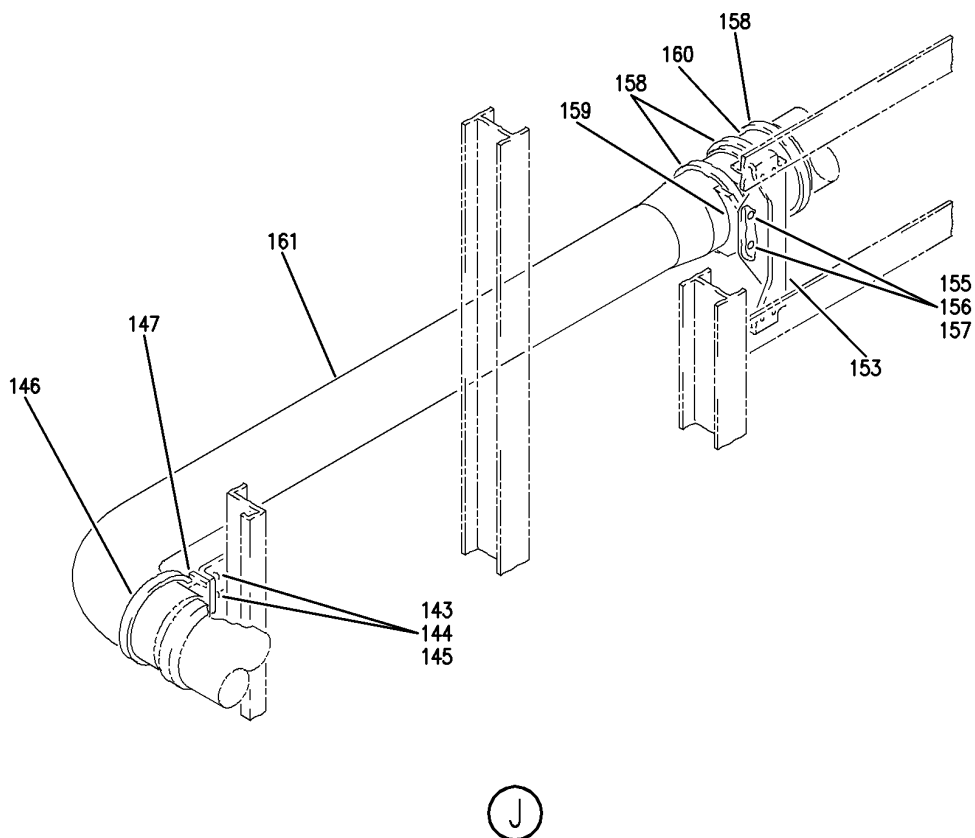
EQUIPMENT INSTL-STATION 1200 CARGO HEATING SYS
FIGURE 1 (SHEET 4)

21-44-05-01

BRI
MAY 28/07

21-44-05-01
PAGE 0C

BOEING
757
PARTS CATALOG (MAINTENANCE)



Y 21440501 SH1 5 REV 233

EQUIPMENT INSTL-ST1200 CARGO HEATING SYS
FIGURE 1 (SHEET 5)

21-44-05-01

BRI
MAY 28/07

21-44-05-01
PAGE 0D



757

PARTS CATALOG (MAINTENANCE)

| FIG ITEM | PART NUMBER | 1 2 3 4 5 6 7 | NOMENCLATURE | EFFECT FROM TO | UNITS PER ASSY |
|----------|--------------|---------------|--|--|----------------|
| 1 | | | EQUIPMENT INSTL-STA 1200 CARGO HEATING SYS | 002004 006102 107999 | |
| - 1 | 215N3007-6 | | EQUIPMENT INSTL-CARGO HEATING SYS (CARGO HEATING SYSTEM ONLY) POSITION DATA: STA 1200 FOR NHA/OTHER SYS DET SEE: 21-00-00-04 | 002004 006017 107107 121503 904999 | RF |
| - 1 | 215N3007-9 | | EQUIPMENT INSTL-CARGO HEATING SYS (CARGO HEATING SYSTEM ONLY) POSITION DATA: STA 1200 FOR NHA/OTHER SYS DET SEE: 21-00-00-04 | 018100 | RF |
| - 1 | 215N3007-12 | | EQUIPMENT INSTL-CARGO HEATING SYS (CARGO HEATING SYSTEM ONLY) POSITION DATA: STA 1200 FOR NHA/OTHER SYS DET SEE: 21-00-00-04 | 101102 108120 504903 | RF |
| 5 | BAC27NEC0067 | | .MARKER-ALUMINUM FOIL PLACARD CONTENT: AFT CARGO HEATING FAN B10030-D1642 | 002004 006102 107999 | 1 |
| 10 | BAC27NEC0068 | | .MARKER-ALUMINUM FOIL PLACARD CONTENT: AFT CARGO HEATER B10029-D1640 | 002004 006102 107999 | 1 |
| 15 | BAC27NEC0065 | | .MARKER-ALUMINUM FOIL PLACARD CONTENT: AFT CARGO TEMP CONTROL SWITCH S10169-D1638 | 002004 006102 107999 | 1 |
| 20 | NAS1801-3-11 | | .SCREW- | 002004 006102 107999 | 1 |
| 22 | NAS1801-3-11 | | .SCREW | 002004 006102 107999 | 1 |
| 25 | NAS1801-3-12 | | .SCREW | 002004 006102 107999 | 1 |
| 30 | MS35338-43 | | .WASHER- | 002004 006102 107999 | 1 |

MISSING ITEM NUMBERS NOT APPLICABLE

- ITEM NOT ILLUSTRATED

21-44-05-01

21-44-05
FIG. 01
PAGE 1
MAY 20/09

BRI

 **BOEING**
757
PARTS CATALOG (MAINTENANCE)

| FIG ITEM | PART NUMBER | 1 2 3 4 5 6 7 | NOMENCLATURE | EFFECT FROM TO | UNITS PER ASSY | |
|----------|-------------------------------------|---------------|--|--|----------------|--|
| 1 | 32 | MS35338-43 | .WASHER | 002004 006102 107999 | 2 | |
| | 37 | AN96010L | .WASHER- | 002004 006102 107999 | 3 | |
| | 38 | AN96010L | .WASHER | 002004 006102 107999 | 4 | |
| | 40 | MS35650-305S | .NUT- | 002004 006102 107999 | 1 | |
| | 42 | MS35650-305S | .NUT | 002004 006102 107999 | 2 | |
| | 44 | BRH10A3 | .NUT- SUPPLIER CODE: V52828 SPECIFICATION NUMBER: BACN10JC3 OPTIONAL PART: H10-3BAC V15653 NS202101-02 V80539 RMLH9075-3W V72962 VN303A02 V92215 96-02 V80539 T6S1032J V11815 | 002004 006100 107107 121503 904999 | 2 | |
| | 45 | BRH10C3D | .NUT- SUPPLIER CODE: V52828 SPECIFICATION NUMBER: BACN10JC3CD OPTIONAL PART: T6C1032JCD V11815 NS202486-02 V80539 102LH9075-3W V72962 H51650-3BAC V15653 | 101102 108120 504903 | 4 | |
| | MISSING ITEM NUMBERS NOT APPLICABLE | | | | | |

- ITEM NOT ILLUSTRATED

BRI

21-44-05-01

BOEING PROPRIETARY - Copyright © - Unpublished Work - See title page for details.

21-44-05
FIG. 01
PAGE 2
JAN 20/09

BOEING
757
PARTS CATALOG (MAINTENANCE)

| FIG ITEM | PART NUMBER | 1 2 3 4 5 6 7 | NOMENCLATURE | EFFECT FROM TO | UNITS PER ASSY |
|--------------------------------------|-------------|---------------|--|--|----------------------|
| 1 46 | BRH10A3 | . | NUT SUPPLIER CODE: V52828 SPECIFICATION NUMBER: BACN10JC3 OPTIONAL PART: H10-3BAC V15653 NS202101-02 V80539 RMLH9075-3W V72962 VN303A02 V92215 96-02 V80539 T6S1032J V11815 | 002004 006100 107107 121503 904999 | 2 |
| R R R | 47 | 215N3007-3 | .SLEEVE | 002004 006102 107999 | 1 |
| | 48 | 215N3007-4 | .SLEEVE- | 002004 006102 107999 | 1 |
| R R R R R R R R | 50 | 940CW20-24 | .JUMPER ASSY SUPPLIER CODE: V91812 SPECIFICATION NUMBER: BACJ40AB20-24 OPTIONAL PART: 100220-24 V1FF12 RBEJ40AB20-24 V1GK47 | 002004 006017 107107 121503 904999 | 1 |
| | 52 | 940CW20-28 | .JUMPER ASSY- SUPPLIER CODE: V91812 SPECIFICATION NUMBER: BACJ40AB20-28 OPTIONAL PART: 100220-28 V1FF12 RBEJ40AB20-28 V1GK47 | 002004 006017 107107 121503 904999 | 1 |

MISSING ITEM NUMBERS NOT APPLICABLE

— ITEM NOT ILLUSTRATED

BRI

21-44-05-01

BOEING PROPRIETARY - Copyright © - Unpublished Work - See title page for details.

21-44-05
FIG. 01
PAGE 3
MAY 20/09

 **BOEING**
757
PARTS CATALOG (MAINTENANCE)

| FIG ITEM | PART NUMBER | 1 2 3 4 5 6 7 | NOMENCLATURE | EFFECT FROM TO | UNITS PER ASSY |
|----------|--------------|---------------|---|--|----------------|
| 1 | | | | | |
| 53 | 940CW20-28 | | . JUMPER ASSY SUPPLIER CODE: V91812 SPECIFICATION NUMBER: BACJ40AB20-28 OPTIONAL PART: 100220-28 V1FF12 RBEJ40AB20-28 V1GK47 | 018102 108120 504903 | 2 |
| 55 | BACB30NM3K19 | | . BOLT- | 002004 006102 107999 | 2 |
| 60 | BACB30NM3K3 | | . BOLT | 002004 006102 107999 | 6 |
| 65 | AN42B5A | | . BOLT | 002004 006102 107999 | 1 |
| 70 | MS20392-2C13 | | . PIN | 002004 006102 107999 | 1 |
| 75 | BACB30NM3K2 | | . BOLT- | 002004 006102 107999 | 4 |
| 80 | BACB30NM3K1 | | . BOLT | 002004 006102 107999 | 9 |
| 82 | BACS12CK3-5 | | . SCREW | 002004 006100 107107 121503 904999 | 2 |
| 82 | BACS12FA3K17 | | . SCREW | 101102 108120 504903 | 2 |
| 85 | BACS12CK3-5 | | . SCREW | 002004 006102 107999 | 10 |
| 87 | AN960PD10L | | . WASHER- | 002004 006100 107107 121503 904999 | 15 |
| 87 | AN960KD10L | | . WASHER- | 002004 006100 107107 121503 904999 | 15 |

R
R
R
R
R
R

MISSING ITEM NUMBERS NOT APPLICABLE

- ITEM NOT ILLUSTRATED

21-44-05-01

21-44-05
FIG. 01
PAGE 4
MAY 20/09

BRI

BOEING PROPRIETARY - Copyright © - Unpublished Work - See title page for details.



757

PARTS CATALOG (MAINTENANCE)

| FIG ITEM | PART NUMBER | 1 2 3 4 5 6 7 | NOMENCLATURE | EFFECT FROM TO | UNITS PER ASSY |
|----------|-------------|---------------|--|--|----------------|
| 1 | 87 | NAS1149D0332J | .WASHER- | 101102 108120 504903 | 15 |
| | 90 | NAS1149D0332J | .WASHER- | 101102 108120 504903 | 28 |
| | 91 | AN960JD10L | .WASHER- | 002004 006100 107107 121503 904999 | 4 |
| | 93 | AN960JD10L | .WASHER | 002004 006100 107107 121503 904999 | 20 |
| | 95 | BRH10C3D | .NUT- SUPPLIER CODE: V52828 SPECIFICATION NUMBER: BACN10JC3CD OPTIONAL PART: T6C1032JCD V11815 NS202486-02 V80539 102LH9075-3W V72962 H51650-3BAC V15653 | 101102 108120 504903 | 16 |
| | 97 | BRH10A3 | .NUT- SUPPLIER CODE: V52828 SPECIFICATION NUMBER: BACN10JC3 OPTIONAL PART: H10-3BAC V15653 NS202101-02 V80539 RMLH9075-3W V72962 VN303A02 V92215 96-02 V80539 T6S1032J V11815 | 002004 006100 107107 121503 904999 | 4 |

MISSING ITEM NUMBERS NOT APPLICABLE

- ITEM NOT ILLUSTRATED

BRI

21-44-05-01

BOEING PROPRIETARY - Copyright © - Unpublished Work - See title page for details.

21-44-05
FIG. 01
PAGE 5
JAN 20/09



757

PARTS CATALOG (MAINTENANCE)

| FIG ITEM | PART NUMBER | 1 2 3 4 5 6 7 | NOMENCLATURE | EFFECT FROM TO | UNITS PER ASSY |
|----------|---------------|---------------|---|--|----------------|
| 1 98 | BRH10A3 | .NUT | SUPPLIER CODE: V52828 SPECIFICATION NUMBER: BACN10JC3 OPTIONAL PART: H10-3BAC V15653 NS202101-02 V80539 RMLH9075-3W V72962 VN303A02 V92215 96-02 V80539 T6S1032J V11815 | 002004 006100 107107 121503 904999 | 12 |
| 100 | NH135008-0600 | .CLAMP- | SUPPLIER CODE: V00624 OPTIONAL PART: 32317AA600 V94581 15J02-600 V89513 | 002004 006102 107999 | 1 |
| 100 | 32317AA600 | .CLAMP- | SUPPLIER CODE: V94581 OPTIONAL PART: NH135008-0600 V98625 | 002004 006102 107999 | 1 |
| 100 | 15J02-600 | .CLAMP- | SUPPLIER CODE: V89513 | 002004 006102 107999 | 1 |
| 107 | 80 | .CLAMP- | SUPPLIER CODE: V7Z588 SPECIFICATION NUMBER: STBC10GG178 OPTIONAL PART: WWD178H V66295 | 002004 006102 107999 | 1 |

MISSING ITEM NUMBERS NOT APPLICABLE

- ITEM NOT ILLUSTRATED

21-44-05-01

21-44-05
FIG. 01
PAGE 6
JAN 20/09

BRI



757

PARTS CATALOG (MAINTENANCE)

| FIG ITEM | PART NUMBER | 1 2 3 4 5 6 7 | NOMENCLATURE | EFFECT FROM TO | UNITS PER ASSY |
|----------|--------------|---------------|--|----------------------------|----------------|
| 1 109 | 88 | | .CLAMP- SUPPLIER CODE: V7Z588 SPECIFICATION NUMBER: STBC10GG192 OPTIONAL PART: WWD192H V66295 | 002004 006102 107999 | 4 |
| 110 | 96 | | .CLAMP- SUPPLIER CODE: V7Z588 SPECIFICATION NUMBER: STBC10GG210 OPTIONAL PART: WWD210H V66295 | 002004 006102 107999 | 4 |
| 115 | AS1506-24D32 | | .HOSE- | 002004 006102 107999 | 1 |
| 120 | AS1506-22D32 | | .HOSE- | 002004 006102 107999 | 2 |
| 125 | AN665-21R | | .CLEVIS | 002004 006102 107999 | 1 |
| 130 | 215N3028-2 | | .ROD | 002004 006102 107999 | 1 |
| 135 | 731378 | | .FAN- SUPPLIER CODE: V45153 SPECIFICATION NUMBER: S210N701-10 ELECTRICAL EQUIP NUMBER: B10030 COMPONENT MAINT MANUAL REF: 21-43-01 OPTIONAL PART: 731378A V45153 731378B V45153 | 002004 006102 107999 | 1 |

R
R
R
R
R
R

MISSING ITEM NUMBERS NOT APPLICABLE

- ITEM NOT ILLUSTRATED

21-44-05-01

21-44-05
FIG. 01
PAGE 7
MAY 20/09

BRI

 **BOEING**
757
PARTS CATALOG (MAINTENANCE)

| FIG ITEM | PART NUMBER | 1 2 3 4 5 6 7 | NOMENCLATURE | EFFECT FROM TO | UNITS PER ASSY |
|----------|-------------|---------------|---|----------------------------|----------------|
| 1 135 | 731378A | . | FAN- SUPPLIER CODE: V45153 FUNCTIONAL DESCRIPTION: THE AXIAL FLOW FANS INSTALLED ON EACH AIR- CRAFT SERVES EITHER OF TWO PURPOSES: PROVIDE HEAT TO THE CARGO COM- PARTMENTS AND VENTILA- TION OF THE GALLEYS AND LAVATORIES. SPECIFICATION NUMBER: S210N701-39 COMPONENT MAINT MANUAL REF: 21-43-01 OPTIONAL PART: 731378B V45153 OPTIONAL PART: 731378 V45153 | 002004 006102 107999 | 1 |
| 135 | 731378B | . | FAN- SUPPLIER CODE: V45153 SPECIFICATION NUMBER: S210N701-39 COMPONENT MAINT MANUAL REF: 21-43-01 OPTIONAL PART: 731378A V45153 OPTIONAL PART: 731378 V45153 | 002004 006102 107999 | 1 |
| 138 | 731521 | .. | PLATE-IDENT SUPPLIER CODE: V45153 | 002004 006102 107999 | 1 |
| 138 | 4100562 | .. | PLATE-IDENT SUPPLIER CODE: V45153 | 002004 006102 107999 | 1 |
| 140 | 93696-1 | . | ISOLATOR- SUPPLIER CODE: V13636 OPTIONAL PART: WTROP6S1 V71985 | 002004 006102 107999 | 3 |

MISSING ITEM NUMBERS NOT APPLICABLE

— ITEM NOT ILLUSTRATED

BRI

21-44-05-01

BOEING PROPRIETARY - Copyright © - Unpublished Work - See title page for details.

21-44-05
FIG. 01
PAGE 8
JAN 20/09



757

PARTS CATALOG (MAINTENANCE)

| FIG ITEM | PART NUMBER | 1 2 3 4 5 6 7 | NOMENCLATURE | EFFECT FROM TO | UNITS PER ASSY |
|----------|-------------|---------------|---|----------------------------|----------------|
| 1 | | | | | |
| 140 | WTR0P6S1 | . | ISOLATOR- SUPPLIER CODE: V71985 OPTIONAL PART: 93696-1 V13636 | 002004 006102 107999 | 3 |
| 140 | WTR0P6S | . | ISOLATOR- SUPPLIER CODE: V71985 | 002004 006102 107999 | 3 |
| 142 | 2841-90 | . | HEATER- SUPPLIER CODE: V98085 SPECIFICATION NUMBER: S210N701-37 ELECTRICAL EQUIP NUMBER: B10029 | 002004 006102 107999 | 1 |
| 142 | 2841 | . | HEATER- SUPPLIER CODE: V98085 SPECIFICATION NUMBER: S210N701-15 ELECTRICAL EQUIP NUMBER: B10029 | 002004 006102 107999 | 1 |
| 147 | 214N1051-8 | . | SUPPORT-DUCT | 002004 006102 107999 | 1 |
| 148 | 214N1051-10 | . | SUPPORT-DUCT | 002004 006102 107999 | 2 |
| 150 | 3000-46-20 | . | SWITCH-TEMP CONT SUPPLIER CODE: V14604 SPECIFICATION NUMBER: S210N701-8 ELECTRICAL EQUIP NUMBER: S10169 | 002004 006102 107999 | 1 |
| 152 | 215N3071-1 | . | BOSS ASSY | 002004 006102 107999 | 1 |
| 167 | 215N3026-1 | . | SCREEN- | 107107 | 2 |
| 167 | 215N3026-4 | . | SCREEN- | 107107 904949 952952 | 2 |
| 167 | 215N3026-5 | . | SCREEN- | 002004 006102 107999 | 2 |
| 170 | 69B42448-7 | . | GASKET | 002004 006102 107999 | 1 |

MISSING ITEM NUMBERS NOT APPLICABLE

- ITEM NOT ILLUSTRATED

BRI

21-44-05-01

BOEING PROPRIETARY - Copyright © - Unpublished Work - See title page for details.

21-44-05
FIG. 01
PAGE 9
MAY 20/09



757

PARTS CATALOG (MAINTENANCE)

| FIG ITEM | PART NUMBER | 1 2 3 4 5 6 7 | NOMENCLATURE | EFFECT FROM TO | UNITS PER ASSY |
|----------|-------------|--|--------------|--|----------------|
| 1 | | | | | |
| 175 | 215N3021-16 | .DUCT ASSY-(AIR CONDITIONING ONLY) FUNCTIONAL REFERENCE: PLACARDS AND MARKINGS FOR DETAILS SEE 11-38-25-01 | | 107107 904949 952952 | 1 |
| 175 | 215N3021-23 | .DUCT ASSY-(AIR CONDITIONING ONLY) POST SERVICE BULLETIN: 21-0054R1 FUNCTIONAL REFERENCE: PLACARDS AND MARKINGS FOR DETAILS SEE 11-38-25-01 | | 107107 | 1 |
| 175 | 215N3021-21 | .DUCT ASSY-(AIR CONDITIONING ONLY) FUNCTIONAL REFERENCE: PLACARDS AND MARKINGS FOR DETAILS SEE 11-38-25-01 | | 002004 006102 108903 950951 953999 | 1 |
| 180 | 215N3021-17 | .DUCT ASSY-(AIR CONDITIONING ONLY) FUNCTIONAL REFERENCE: PLACARDS AND MARKINGS FOR DETAILS SEE 11-38-25-01 | | 002004 006102 107999 | 1 |
| 185 | 215N3021-18 | .DUCT ASSY- | | 002004 006102 107999 | 1 |
| - 190 | 215N3009-1 | .STRUCTURE INSTL-EQPT SPRT | | 002004 006100 107107 121503 904999 | 1 |
| 195 | 215N3070-5 | ..BRACKET | | 002004 006100 107107 121503 904999 | 1 |
| - 200 | BACB30NM3K2 | ATTACHING PARTS ..BOLT | | 002004 006100 107107 121503 904999 | 4 |

MISSING ITEM NUMBERS NOT APPLICABLE

- ITEM NOT ILLUSTRATED

21-44-05-01

21-44-05
FIG. 01
PAGE 10
JAN 20/09

BRI

BOEING PROPRIETARY - Copyright © - Unpublished Work - See title page for details.



757

PARTS CATALOG (MAINTENANCE)

| FIG ITEM | PART NUMBER | 1 2 3 4 5 6 7 | NOMENCLATURE | EFFECT FROM TO | UNITS PER ASSY |
|----------|-------------|---------------|---|--|----------------|
| 1 | | | | | |
| - 205 | AN960PD10L | .. | WASHER | 002004 006100 107107 121503 904999 | 4 |
| - 210 | BRH10A3 | .. | NUT SUPPLIER CODE: V52828 SPECIFICATION NUMBER: BACN10JC3 OPTIONAL PART: H10-3BAC V15653 NS202101-02 V80539 RMLH9075-3W V72962 VN303A02 V92215 96-02 V80539 T6S1032J V11815 -----*----- | 002004 006100 107107 121503 904999 | 4 |
| 215 | BACR15BA4D | .. | RIVET- SIZE DETERMINED ON INSTL. | 002004 006100 107107 121503 904999 | 16 |
| 220 | 215N3068-8 | .. | BRACKET | 002004 006100 107107 121503 904999 | 1 |
| 225 | 215N3069-8 | .. | BRACKET | 002004 006100 107107 121503 904999 | 1 |
| - 230 | BACR15FT4D | .. | ATTACHING PARTS RIVET- SIZE DETERMINED ON INSTL. -----*----- | 002004 006100 107107 121503 904999 | 3 |

MISSING ITEM NUMBERS NOT APPLICABLE

- ITEM NOT ILLUSTRATED

21-44-05-01

21-44-05
FIG. 01
PAGE 11
JAN 20/09

BRI



757

PARTS CATALOG (MAINTENANCE)

| FIG ITEM | PART NUMBER | 1 2 3 4 5 6 7 | NOMENCLATURE | EFFECT FROM TO | UNITS PER ASSY |
|------------------------------|-------------|---------------|---|--|----------------|
| 1 235 | 215N3069-15 | | .. BRACKET | 002004 006100 107107 121503 904999 | 1 |
| - 240 | BACR15FT4D | | ATTACHING PARTS .. RIVET- SIZE DETERMINED ON INSTL. | 002004 006100 107107 121503 904999 | 2 |
| 245 | 215N3069-6 | | -----*----- .. BRACKET | 002004 006100 107107 121503 904999 | 1 |
| 250 | 215N3069-5 | | .. BRACKET | 002004 006100 107107 121503 904999 | 1 |
| 255 | 215N3069-7 | | .. BRACKET | 002004 006100 107107 121503 904999 | 1 |
| 260 | 215N3022-1 | | .. TEE ASSY | 002004 006100 107107 121503 904999 | 1 |
| 265 | 215N3022-2 | | .. TEE ASSY | 002004 006100 107107 121503 904999 | 1 |
| R R R R R 270 | 215N3022-10 | | .. TEE ASSY | 002004 006100 107107 121503 904999 | 1 |
| 275 | 215N3022-11 | | .. TEE ASSY- | 002004 006100 107107 121503 904999 | 1 |

MISSING ITEM NUMBERS NOT APPLICABLE

- ITEM NOT ILLUSTRATED

21-44-05-01

21-44-05
FIG. 01
PAGE 12
MAY 20/09

BRI



**757
PARTS CATALOG (MAINTENANCE)**

| FIG ITEM | PART NUMBER | 1 2 3 4 5 6 7 | NOMENCLATURE | EFFECT FROM TO | UNITS PER ASSY |
|----------|----------------|---------------|---|--|----------------|
| 1 | | | ATTACHING PARTS | | |
| - 280 | BACB30NN3K3 | | ..BOLT- | 002004 006100 107107 121503 904999 | 16 |
| - 285 | AN960PD10L | | ..WASHER | 002004 006100 107107 121503 904999 | 16 |
| - 290 | BRH10A3 | | ..NUT SUPPLIER CODE: V52828 SPECIFICATION NUMBER: BACN10JC3 OPTIONAL PART: H10-3BAC V15653 NS202101-02 V80539 RMLH9075-3W V72962 VN303A02 V92215 96-02 V80539 T6S1032J V11815 -----*----- | 002004 006100 107107 121503 904999 | 16 |
| - 400 | 286N2602-004 | | WIRE BUNDLE ASSY | 002004 006100 121999 | RF |
| R - 400 | 286N2602-302 | | WIRE BUNDLE ASSY | 108120 | RF |
| 405 | BACC45FT14D7S | | .CONNECTOR- ELECTRICAL EQUIP NUMBER: D01642 WIRING DIAGRAM REF: 214321 | 002004 006100 107999 | 1 |
| - 450 | 286N2634-002 | | WIRE BUNDLE ASSY- | 002004 006100 107107 121999 | RF |
| R - 450 | 286N2634-302 | | WIRE BUNDLE ASSY | 108120 | RF |
| 455 | BACC45FT14A12S | | .CONNECTOR- ELECTRICAL EQUIP NUMBER: D01640 WIRING DIAGRAM REF: 213111 | 002004 006100 107999 | 1 |

MISSING ITEM NUMBERS NOT APPLICABLE

- ITEM NOT ILLUSTRATED

21-44-05-01

21-44-05
FIG. 01
PAGE 13
MAY 20/09

BRI



757

PARTS CATALOG (MAINTENANCE)

| FIG ITEM | PART NUMBER | 1 2 3 4 5 6 7 | NOMENCLATURE | EFFECT FROM TO | UNITS PER ASSY |
|------------------|--------------------|---------------|--------------------------|-------------------|----------------------|
| 1 | | | | | |
| R R R R | - 500 286N2632-012 | | WIRE BUNDLE ASSY- | 107107 | RF |
| | - 501 286N2602-004 | | WIRE BUNDLE ASSY | 002004 | RF |
| | | | | 006100 | |
| | | | | 121999 | |
| | - 501 286N2602-302 | | WIRE BUNDLE ASSY | 108120 | RF |
| | 510 BACC45FT10A5S8 | | .CONNECTOR- | 002004 | 1 |
| | | | ELECTRICAL EQUIP NUMBER: | 006100 | |
| | | | D01638 | 107999 | |
| | | | WIRING DIAGRAM REF: | | |
| | | | 214321 | | |

MISSING ITEM NUMBERS NOT APPLICABLE

- ITEM NOT ILLUSTRATED

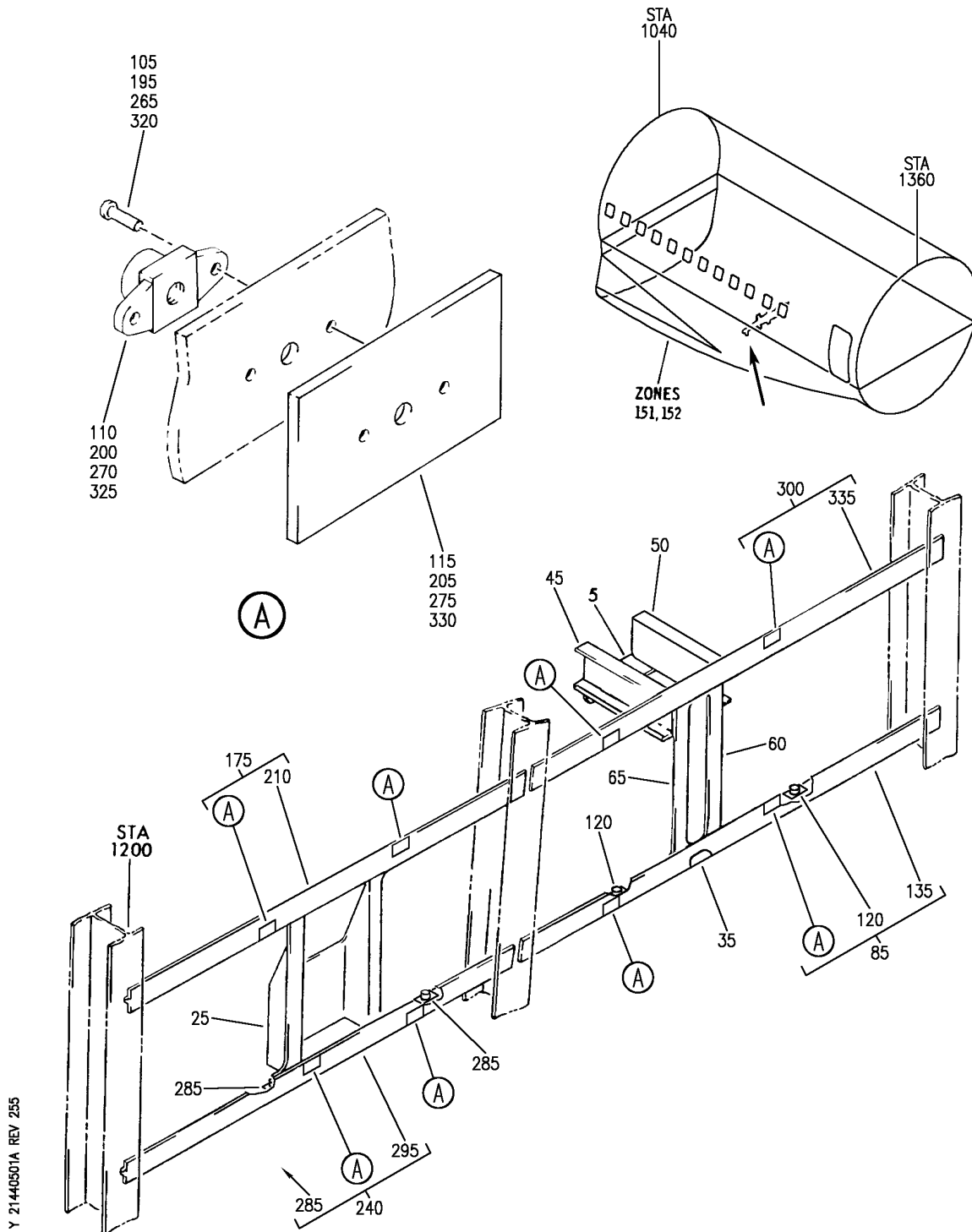
BRI

21-44-05-01

BOEING PROPRIETARY - Copyright © - Unpublished Work - See title page for details.

21-44-05
FIG. 01
PAGE 14
MAY 20/09


BOEING
 757
PARTS CATALOG (MAINTENANCE)



Y 21440501A REV 255

STRUCTURE INSTL-EQPT SPRT
FIGURE 1A

21-44-05-01A

BRI
MAY 28/07

21-44-05-01A
PAGE 0



757

PARTS CATALOG (MAINTENANCE)

| FIG ITEM | PART NUMBER | 1 2 3 4 5 6 7 | NOMENCLATURE | EFFECT FROM TO | UNITS PER ASSY |
|----------|---------------|---------------|---|----------------------------|----------------|
| 1 A | | | STRUCTURE INSTL-EQPT SPRT | 101106 108120 504903 | |
| - 1 | 215N3009-1 | | STRUCTURE INSTL-EQPT SPRT FOR NHA SEE: 21-00-00-15 | 101102 108120 504903 | RF |
| - 1 | MODREF5529 | | STRUCTURE INSTL-EQPT SPRT MODULE NUMBER: 215N3009-1 REV A | 103106 | 1 |
| 5 | 215N3070-5 | | .BRACKET | 101106 108120 504903 | 1 |
| - 10 | BACB30NM3K2 | | ATTACHING PARTS .BOLT | 101106 108120 504903 | 4 |
| - 15 | NAS1149D0316J | | .WASHER- | 101106 108120 504903 | 4 |
| - 20 | BRH10C3D | | .NUT- SUPPLIER CODE: V52828 SPECIFICATION NUMBER: BACN10JC3CD OPTIONAL PART: T6C1032JCD V11815 NS202486-02 V80539 102LH9075-3W V72962 H51650-3BAC V15653 | 101106 108120 504903 | 4 |
| 25 | 215N3068-8 | | -----*----- .BRACKET | 101106 108120 504903 | 1 |
| - 30 | BACR15BA4D | | ATTACHING PARTS .RIVET- SIZE DETERMINED ON INSTL. | 101106 108120 504903 | 8 |
| 35 | 215N3069-15 | | -----*----- .BRACKET | 101106 108120 504903 | 1 |

MISSING ITEM NUMBERS NOT APPLICABLE

- ITEM NOT ILLUSTRATED

BRI

21-44-05-01A

BOEING PROPRIETARY - Copyright © - Unpublished Work - See title page for details.

21-44-05
FIG. 01A
PAGE 1
JAN 20/09



757

PARTS CATALOG (MAINTENANCE)

| FIG ITEM | PART NUMBER | 1 2 3 4 5 6 7 | NOMENCLATURE | EFFECT FROM TO | UNITS PER ASSY |
|-------------|---------------|---------------|--------------------------------------|----------------------------|----------------------|
| 1 A | | | ATTACHING PARTS | | |
| - 40 | BACR15FT4D | | .RIVET- SIZE DETERMINED ON INSTL. | 101106 108120 504903 | 2 |
| | | | -----*----- | | |
| 45 | 215N3069-8 | | .BRACKET | 101106 108120 504903 | 1 |
| 50 | 215N3069-7 | | .BRACKET | 101106 108120 504903 | 1 |
| | | | ATTACHING PARTS | | |
| - 55 | BACR15FT4D | | .RIVET- SIZE DETERMINED ON INSTL. | 101106 108120 504903 | 8 |
| | | | -----*----- | | |
| 60 | 215N3069-5 | | .BRACKET | 101106 108120 504903 | 1 |
| 65 | 215N3069-6 | | .BRACKET | 101106 108120 504903 | 1 |
| | | | ATTACHING PARTS | | |
| - 70 | BACR15BA4D | | .RIVET- SIZE DETERMINED ON INSTL. | 101106 108120 504903 | 8 |
| | | | -----*----- | | |
| 85 | 215N3022-11 | | .TEE ASSY | 101106 108120 504903 | 1 |
| | | | ATTACHING PARTS | | |
| - 90 | BACB30NN3K3 | | .BOLT | 101106 108120 504903 | 4 |
| - 95 | NAS1149D0316J | | .WASHER- | 101106 108120 504903 | 4 |

MISSING ITEM NUMBERS NOT APPLICABLE

- ITEM NOT ILLUSTRATED

21-44-05-01A

21-44-05
FIG. 01A
PAGE 2
JAN 20/09

BRI

BOEING PROPRIETARY - Copyright © - Unpublished Work - See title page for details.



757

PARTS CATALOG (MAINTENANCE)

| FIG ITEM | PART NUMBER | 1 2 3 4 5 6 7 | NOMENCLATURE | EFFECT FROM TO | UNITS PER ASSY |
|-------------|-------------|---------------|---|----------------------------|----------------|
| 1A - 100 | BRH10C3D | .NUT- | SUPPLIER CODE: V52828 SPECIFICATION NUMBER: BACN10JC3CD OPTIONAL PART: T6C1032JCD V11815 NS202486-02 V80539 102LH9075-3W V72962 H51650-3BAC V15653 | 101106 108120 504903 | 4 |
| 105 | BACR15BA3AD | ..RIVET- | SIZE DETERMINED ON INSTL. | 101106 108120 504903 | 4 |
| 110 | BRF200A3 | ..NUTPLATE | SUPPLIER CODE: V52828 SPECIFICATION NUMBER: BACN10JR3F OPTIONAL PART: NS103203-02 V80539 RMF9201-3 V72962 VN152A1-02 V92215 T8091S1032 V11815 F5000-3BAC V15653 | 101106 108120 504903 | 2 |
| 115 | 215N3022-9 | ..FILLER | | 101106 108120 504903 | 2 |
| 120 | BACN10TL3A3 | ..NUT | | 101106 108120 504903 | 2 |
| - 125 | BACR15BB3D | ..RIVET- | ATTACHING PARTS SIZE DETERMINED ON INSTL. | 101106 108120 504903 | 4 |
| 135 | 215N3022-8 | ..TEE | | 101106 108120 504903 | 1 |

MISSING ITEM NUMBERS NOT APPLICABLE

- ITEM NOT ILLUSTRATED

21-44-05-01A

21-44-05
FIG. 01A
PAGE 3
JAN 20/09

BRI

BOEING PROPRIETARY - Copyright © - Unpublished Work - See title page for details.



757

PARTS CATALOG (MAINTENANCE)

| FIG ITEM | PART NUMBER | 1 2 3 4 5 6 7 | NOMENCLATURE | EFFECT FROM TO | UNITS PER ASSY |
|-----------|---------------|---------------|---|----------------------------|----------------|
| 1A 175 | 215N3022-1 | | .TEE ASSY | 101106 108120 504903 | 1 |
| - 180 | BACB30NN3K3 | | ATTACHING PARTS .BOLT | 101106 108120 504903 | 4 |
| - 185 | NAS1149D0316J | | .WASHER | 101106 108120 504903 | 4 |
| - 190 | BRH10C3D | | .NUT SUPPLIER CODE: V52828 SPECIFICATION NUMBER: BACN10JC3CD OPTIONAL PART: T6C1032JCD V11815 NS202486-02 V80539 102LH9075-3W V72962 H51650-3BAC V15653 | 101106 108120 504903 | 4 |
| 195 | BACR15BA3AD | | -----*----- ..RIVET- SIZE DETERMINED ON INSTL. | 101106 108120 504903 | 4 |
| 200 | BRF200A3 | | ..NUTPLATE SUPPLIER CODE: V52828 SPECIFICATION NUMBER: BACN10JR3F OPTIONAL PART: NS103203-02 V80539 RMF9201-3 V72962 VN152A1-02 V92215 T8091S1032 V11815 F5000-3BAC V15653 | 101106 108120 504903 | 2 |
| 205 | 215N3022-9 | | ..FILLER | 101106 108120 504903 | 2 |

MISSING ITEM NUMBERS NOT APPLICABLE

- ITEM NOT ILLUSTRATED

BRI

21-44-05-01A

BOEING PROPRIETARY - Copyright © - Unpublished Work - See title page for details.

21-44-05
FIG. 01A
PAGE 4
JAN 20/09



757

PARTS CATALOG (MAINTENANCE)

| FIG ITEM | PART NUMBER | 1 2 3 4 5 6 7 | NOMENCLATURE | EFFECT FROM TO | UNITS PER ASSY |
|-----------|---------------|---------------|---|----------------------------|----------------|
| 1A 210 | 215N3022-5 | . . | TEE | 101106 108120 504903 | 1 |
| 240 | 215N3022-10 | . TEE | ASSY | 101106 108120 504903 | 1 |
| - 245 | BACB30NN3K3 | . BOLT | ATTACHING PARTS | 101106 108120 504903 | 4 |
| - 250 | NAS1149D0316J | . WASHER | | 101106 108120 504903 | 4 |
| - 255 | BRH10C3D | . NUT | SUPPLIER CODE: V52828 SPECIFICATION NUMBER: BACN10JC3CD OPTIONAL PART: T6C1032JCD V11815 NS202486-02 V80539 102LH9075-3W V72962 H51650-3BAC V15653 | 101106 108120 504903 | 4 |
| 265 | BACR15BA3AD | . . RIVET- | SIZE DETERMINED ON INSTL. | 101106 108120 504903 | 4 |
| 270 | BRF200A3 | . . NUTPLATE | SUPPLIER CODE: V52828 SPECIFICATION NUMBER: BACN10JR3F OPTIONAL PART: NS103203-02 V80539 RMF9201-3 V72962 VN152A1-02 V92215 T8091S1032 V11815 F5000-3BAC V15653 | 101106 108120 504903 | 2 |

MISSING ITEM NUMBERS NOT APPLICABLE

- ITEM NOT ILLUSTRATED

BRI

21-44-05-01A

BOEING PROPRIETARY - Copyright © - Unpublished Work - See title page for details.

21-44-05
FIG. 01A
PAGE 5
JAN 20/09



757

PARTS CATALOG (MAINTENANCE)

| FIG ITEM | PART NUMBER | 1 2 3 4 5 6 7 | NOMENCLATURE | EFFECT FROM TO | UNITS PER ASSY |
|-----------|---------------|---------------|--|----------------------------|----------------|
| 1A 275 | 215N3022-9 | .. | FILLER | 101106 108120 504903 | 2 |
| 285 | BACN10TL3A3 | .. | NUT | 101106 108120 504903 | 2 |
| - 290 | BACR15BB3D | .. | ATTACHING PARTS RIVET- SIZE DETERMINED ON INSTL. | 101106 108120 504903 | 4 |
| 295 | 215N3022-7 | .. | -----*----- TEE | 101106 108120 504903 | 1 |
| 300 | 215N3022-2 | . | TEE ASSY | 101106 108120 504903 | 1 |
| - 305 | BACB30NN3K3 | . | ATTACHING PARTS BOLT | 101106 108120 504903 | 4 |
| - 310 | NAS1149D0316J | . | WASHER | 101106 108120 504903 | 4 |
| - 315 | BRH10C3D | . | NUT SUPPLIER CODE: V52828 SPECIFICATION NUMBER: BACN10JC3CD OPTIONAL PART: T6C1032JCD V11815 NS202486-02 V80539 102LH9075-3W V72962 H51650-3BAC V15653 -----*----- | 101106 108120 504903 | 4 |
| 320 | BACR15BA3AD | .. | RIVET- SIZE DETERMINED ON INSTL. | 101106 108120 504903 | 4 |

MISSING ITEM NUMBERS NOT APPLICABLE

- ITEM NOT ILLUSTRATED

21-44-05-01A

21-44-05
FIG. 01A
PAGE 6
JAN 20/09

BRI

BOEING PROPRIETARY - Copyright © - Unpublished Work - See title page for details.



757

PARTS CATALOG (MAINTENANCE)

| FIG ITEM | PART NUMBER | 1 2 3 4 5 6 7 | NOMENCLATURE | EFFECT FROM TO | UNITS PER ASSY |
|-------------|-------------|---------------|--|----------------------------|----------------------|
| 1 A 325 | BRF200A3 | | .. NUTPLATE SUPPLIER CODE: V52828 SPECIFICATION NUMBER: BACN10JR3F OPTIONAL PART: NS103203-02 V80539 RMF9201-3 V72962 VN152A1-02 V92215 T8091S1032 V11815 F5000-3BAC V15653 | 101106 108120 504903 | 2 |
| 330 | 215N3022-9 | | .. FILLER | 101106 108120 504903 | 2 |
| 335 | 215N3022-6 | | .. TEE | 101106 108120 504903 | 1 |

MISSING ITEM NUMBERS NOT APPLICABLE

- ITEM NOT ILLUSTRATED

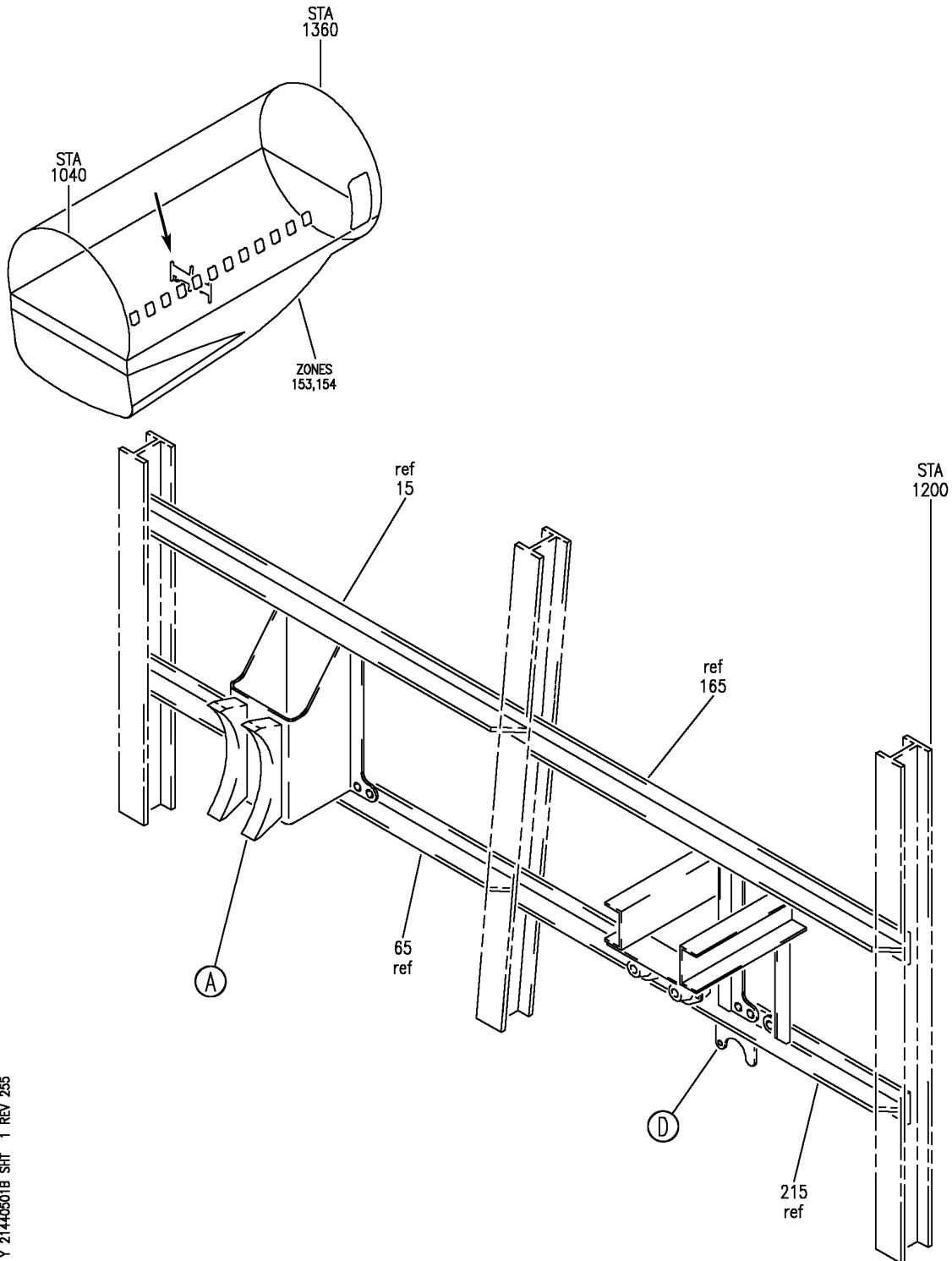
21-44-05-01A

21-44-05
FIG. 01A
PAGE 7
JAN 20/09

BRI

BOEING PROPRIETARY - Copyright © - Unpublished Work - See title page for details.

BOEING
757
PARTS CATALOG (MAINTENANCE)



Y 21440501B SHT 1 REV 255

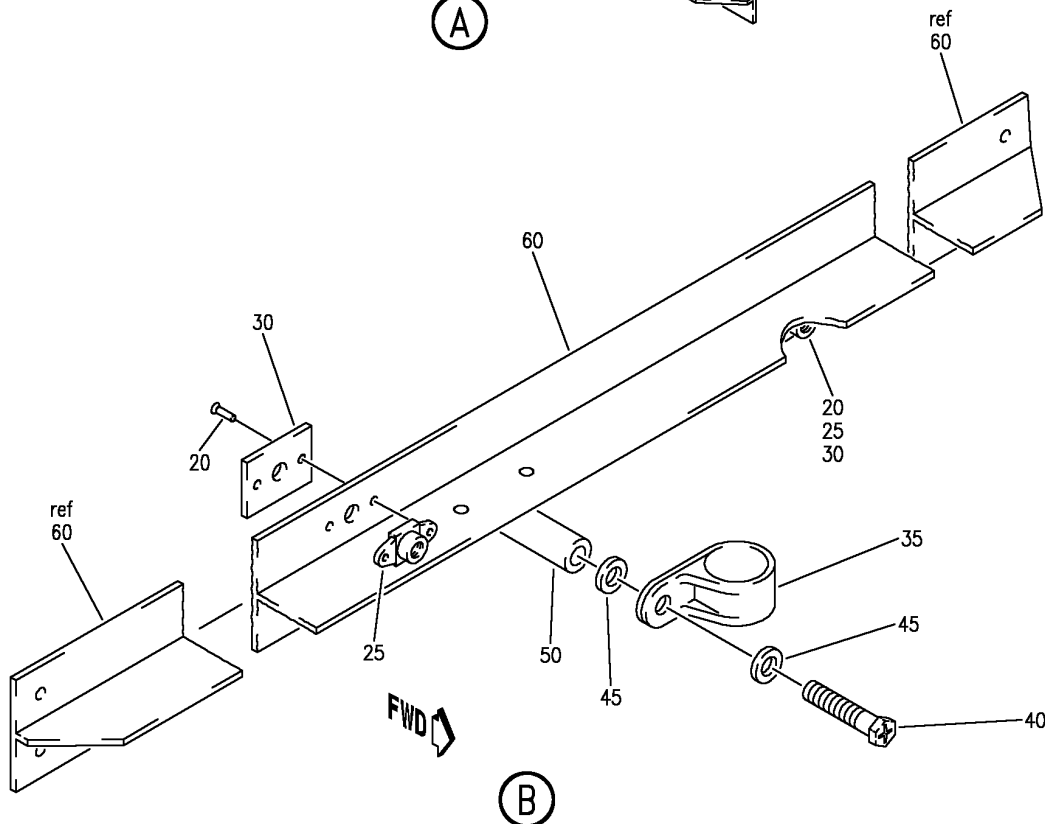
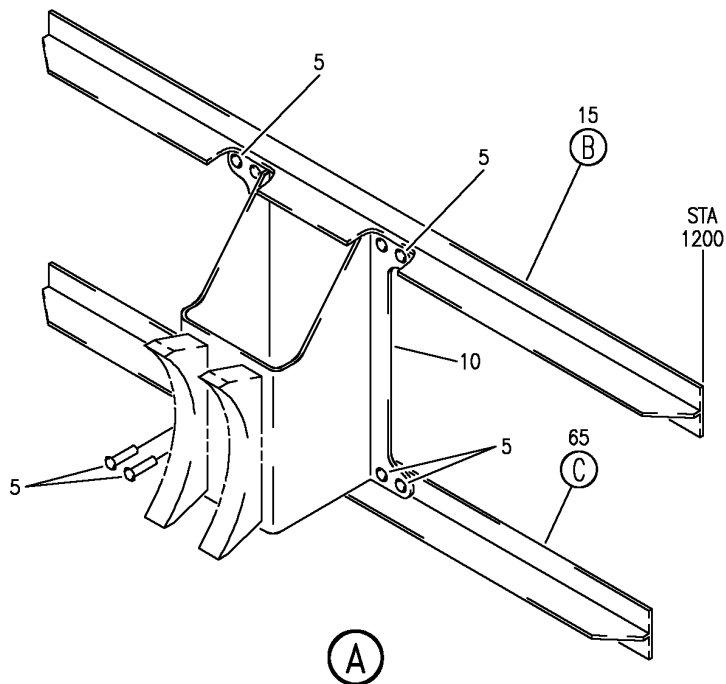
STRUCTURE INSTL-EQPT SPRT
FIGURE 1B (SHEET 1)

21-44-05-01B

BRI
JAN 20/09

21-44-05-01B
PAGE 0

BOEING
757
PARTS CATALOG (MAINTENANCE)



Y 21-44-05-01B SHT 2 REV 255

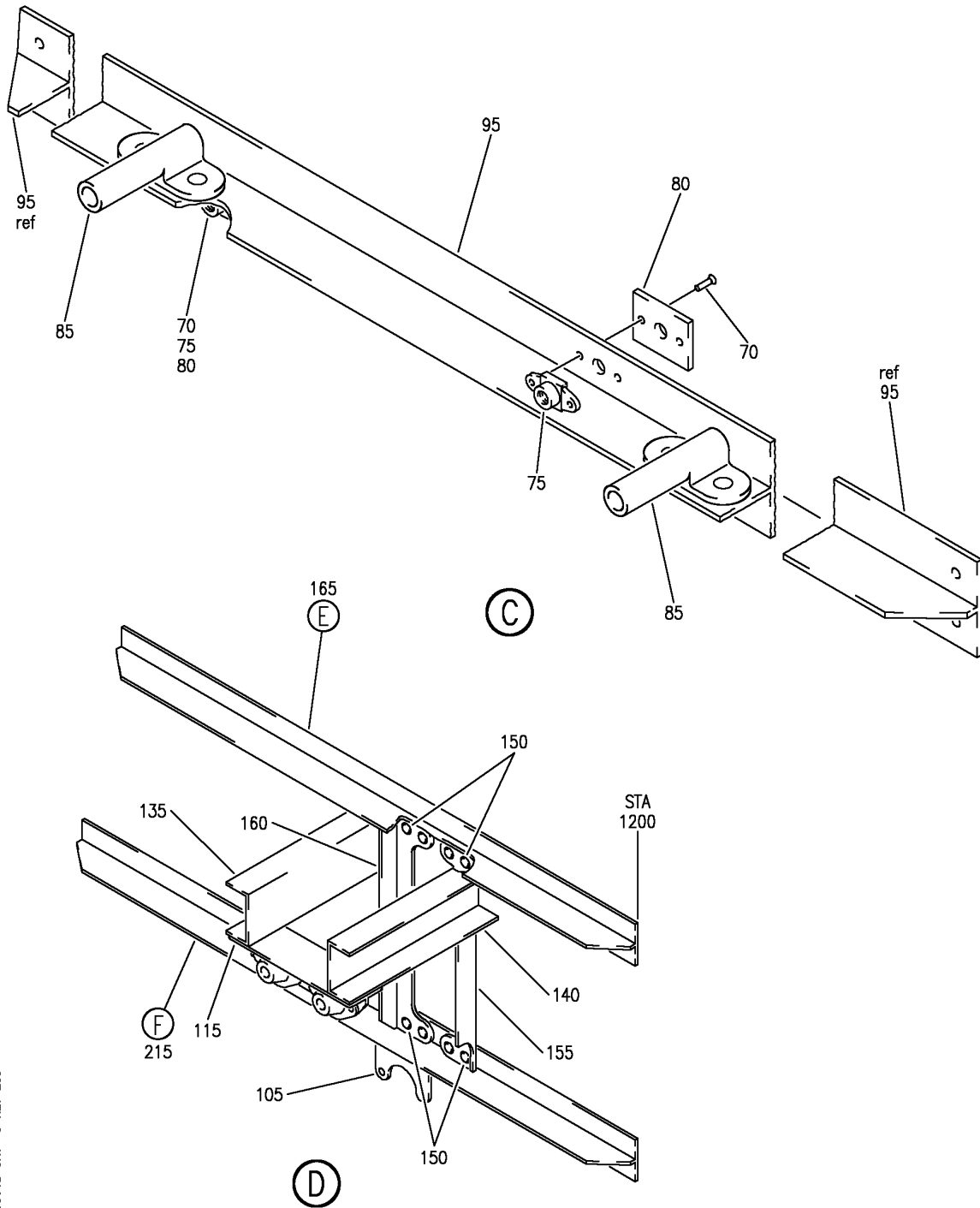
STRUCTURE INSTL-EQPT SPRT
FIGURE 1B (SHEET 2)

21-44-05-01B

BRI
JAN 20/09

21-44-05-01B
PAGE 0A

BOEING
757
PARTS CATALOG (MAINTENANCE)



Y 21440501B SHT 3 REV 255

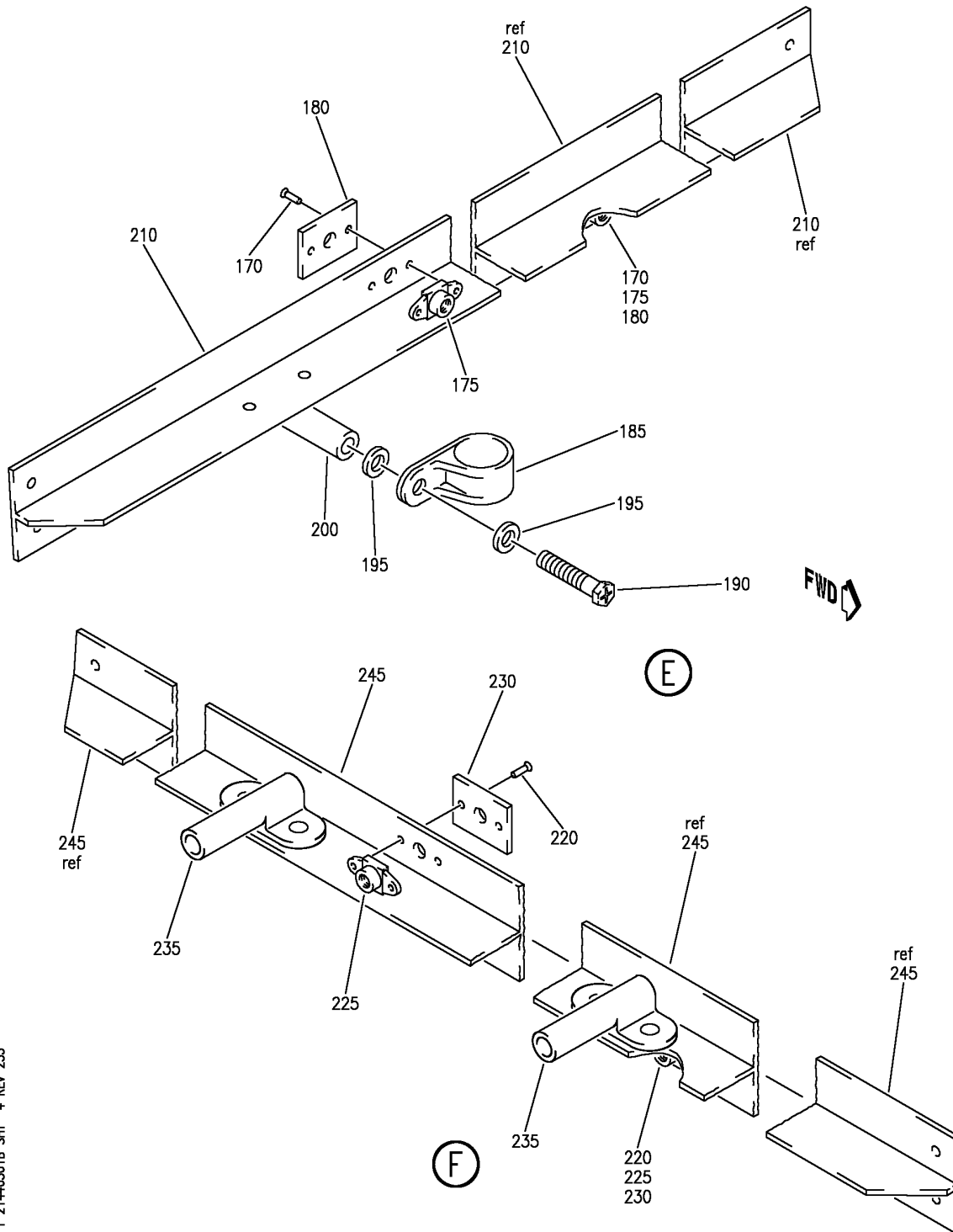
STRUCTURE INSTL-EQPT SPRT
FIGURE 1B (SHEET 3)

21-44-05-01B

BRI
JAN 20/09

21-44-05-01B
PAGE 0B

BOEING
757
PARTS CATALOG (MAINTENANCE)



Y 21440501B SHT 4 REV 255

STRUCTURE INSTL-EQPT SPRT
FIGURE 1B (SHEET 4)

21-44-05-01B

BRI
JAN 20/09

21-44-05-01B
PAGE 0C



757

PARTS CATALOG (MAINTENANCE)

| FIG ITEM | PART NUMBER | 1 2 3 4 5 6 7 | NOMENCLATURE | EFFECT FROM TO | UNITS PER ASSY |
|----------|---------------|---------------|---|----------------|----------------|
| 1B | | | STRUCTURE INSTL-EQPT SPRT | 103106 | |
| - 1 | 215N3009-3 | | STRUCTURE INSTL-EQPT SPRT FOR NHA SEE: 21-44-05-04 | 103106 | RF |
| 5 | BACR15BA4D | | .RIVET- SIZE DETERMINED ON INSTL. | 103106 | 8 |
| 10 | 215N3068-8 | | .BRACKET | 103106 | 1 |
| 15 | 215N3022-23 | | .TEE ASSY | 103106 | 1 |
| 20 | BACR15BA3AD | | ..RIVET- SIZE DETERMINED ON INSTL. | 103106 | 4 |
| 25 | BRF200A3 | | ..NUTPLATE SUPPLIER CODE: V52828 SPECIFICATION NUMBER: BACN10JR3F OPTIONAL PART: NS103203-02 V80539 RMF9201-3 V72962 VN152A1-02 V92215 T8091S1032 V11815 F5000-3BAC V15653 | 103106 | 2 |
| 30 | 215N3022-9 | | ..FILLER | 103106 | 2 |
| 35 | BACC10DK4 | | ..CLAMP ATTACHING PARTS | 103106 | 1 |
| 40 | NAS1801-3-10 | | ..SCREW | 103106 | 1 |
| 45 | NAS1149D0332J | | ..WASHER -----*----- | 103106 | 2 |
| 50 | WS1-332A8 | | ..NUTPLATE SUPPLIER CODE: V04169 SPECIFICATION NUMBER: BACN10GH3A8 ATTACHING PARTS | 103106 | 1 |
| - 55 | BACR15DR4 | | ..RIVET- SIZE DETERMINED ON INSTL. -----*----- | 103106 | 2 |
| 60 | 215N3022-5 | | ..TEE | 103106 | 1 |
| 65 | 215N3022-10 | | .TEE ASSY | 103106 | 1 |
| 70 | BACR15BA3AD | | ..RIVET- SIZE DETERMINED ON INSTL. | 103106 | 4 |

MISSING ITEM NUMBERS NOT APPLICABLE

- ITEM NOT ILLUSTRATED

21-44-05-01B

21-44-05
FIG. 01B
PAGE 1
JAN 20/09

BRI



757

PARTS CATALOG (MAINTENANCE)

| FIG ITEM | PART NUMBER | 1 2 3 4 5 6 7 | NOMENCLATURE | EFFECT FROM TO | UNITS PER ASSY |
|----------|---------------|---------------|---|----------------|----------------|
| 1B 75 | BRF200A3 | | ..NUTPLATE SUPPLIER CODE: V52828 SPECIFICATION NUMBER: BACN10JR3F OPTIONAL PART: NS103203-02 V80539 RMF9201-3 V72962 VN152A1-02 V92215 T8091S1032 V11815 F5000-3BAC V15653 | 103106 | 2 |
| 80 | 215N3022-9 | | ..FILLER | 103106 | 2 |
| 85 | BACN10TL3A3 | | ..NUT ATTACHING PARTS | 103106 | 2 |
| - 90 | BACR15BB3D | | ..RIVET- SIZE DETERMINED ON INSTL. -----*----- | 103106 | 4 |
| 95 | 215N3022-7 | | ..TEE | 103106 | 1 |
| - 100 | 215N3009-4 | | STRUCTURE INSTL-EQPT SPRT FOR NHA SEE: 21-44-05-04 | 103106 | RF |
| 105 | 215N3069-15 | | .BRACKET ATTACHING PARTS | 103106 | 1 |
| - 110 | BACR15FT4D | | .RIVET- SIZE DETERMINED ON INSTL. -----*----- | 103106 | 2 |
| 115 | 215N3070-5 | | .BRACKET ATTACHING PARTS | 103106 | 1 |
| - 120 | BACB30NM3K2 | | .BOLT | 103106 | 4 |
| - 125 | NAS1149D0316J | | .WASHER | 103106 | 4 |

MISSING ITEM NUMBERS NOT APPLICABLE

- ITEM NOT ILLUSTRATED

21-44-05-01B

21-44-05
FIG. 01B
PAGE 2
JAN 20/09

BRI

BOEING PROPRIETARY - Copyright © - Unpublished Work - See title page for details.



757

PARTS CATALOG (MAINTENANCE)

| FIG ITEM | PART NUMBER | 1 2 3 4 5 6 7 | NOMENCLATURE | EFFECT FROM TO | UNITS PER ASSY |
|-------------|--------------|----------------------------|---|----------------|----------------|
| 1B - 130 | BRH10C3D | .NUT | SUPPLIER CODE: V52828 SPECIFICATION NUMBER: BACN10JC3CD OPTIONAL PART: T6C1032JCD V11815 NS202486-02 V80539 102LH9075-3W V72962 H51650-3BAC V15653 -----*----- | 103106 | 4 |
| 135 | 215N3069-8 | .BRACKET | | 103106 | 1 |
| 140 | 215N3069-7 | .BRACKET | | 103106 | 1 |
| - 145 | BACR15FT4D | ATTACHING PARTS .RIVET- | SIZE DETERMINED ON INSTL. -----*----- | 103106 | 8 |
| 150 | BACR15BA4D | .RIVET- | SIZE DETERMINED ON INSTL. | 103106 | 8 |
| 155 | 215N3069-5 | .BRACKET | | 103106 | 1 |
| 160 | 215N3069-6 | .BRACKET | | 103106 | 1 |
| 165 | 215N3022-22 | .TEE ASSY | | 103106 | 1 |
| 170 | BACR15BA3AD | ..RIVET- | SIZE DETERMINED ON INSTL. | 103106 | 4 |
| 175 | BRF200A3 | ..NUTPLATE | SUPPLIER CODE: V52828 SPECIFICATION NUMBER: BACN10JR3F OPTIONAL PART: NS103203-02 V80539 RMF9201-3 V72962 VN152A1-02 V92215 T8091S1032 V11815 F5000-3BAC V15653 | 103106 | 2 |
| 180 | 215N3022-9 | ..FILLER | | 103106 | 2 |
| 185 | BACC10DK4 | ..CLAMP | ATTACHING PARTS | 103106 | 1 |
| 190 | NAS1801-3-10 | ..SCREW | | 103106 | 1 |

MISSING ITEM NUMBERS NOT APPLICABLE

- ITEM NOT ILLUSTRATED

21-44-05-01B

21-44-05
FIG. 01B
PAGE 3
JAN 20/09

BRI

BOEING PROPRIETARY - Copyright © - Unpublished Work - See title page for details.

 **BOEING**
757
PARTS CATALOG (MAINTENANCE)

| FIG ITEM | PART NUMBER | 1 2 3 4 5 6 7 | NOMENCLATURE | EFFECT FROM TO | UNITS PER ASSY |
|----------|---------------|---------------|---|----------------|----------------|
| 1B | | | | | |
| 195 | NAS1149D0332J | .. | WASHER -----*----- | 103106 | 2 |
| 200 | WS1-332A8 | .. | NUTPLATE SUPPLIER CODE: V04169 SPECIFICATION NUMBER: BACN10GH3A8 ATTACHING PARTS | 103106 | 1 |
| - 205 | BACR15DR4 | .. | RIVET- SIZE DETERMINED ON INSTL. -----*----- | 103106 | 2 |
| 210 | 215N3022-6 | .. | TEE | 103106 | 1 |
| 215 | 215N3022-11 | . | TEE ASSY | 103106 | 1 |
| 220 | BACR15BA3AD | .. | RIVET- SIZE DETERMINED ON INSTL. | 103106 | 4 |
| 225 | BRF200A3 | .. | NUTPLATE SUPPLIER CODE: V52828 SPECIFICATION NUMBER: BACN10JR3F OPTIONAL PART: NS103203-02 V80539 RMF9201-3 V72962 VN152A1-02 V92215 T8091S1032 V11815 F5000-3BAC V15653 | 103106 | 2 |
| 230 | 215N3022-9 | .. | FILLER | 103106 | 2 |
| 235 | BACN10TL3A3 | .. | NUT ATTACHING PARTS | 103106 | 2 |
| - 240 | BACR15BB3D | .. | RIVET- SIZE DETERMINED ON INSTL. -----*----- | 103106 | 4 |
| 245 | 215N3022-8 | .. | TEE | 103106 | 1 |

MISSING ITEM NUMBERS NOT APPLICABLE

- ITEM NOT ILLUSTRATED

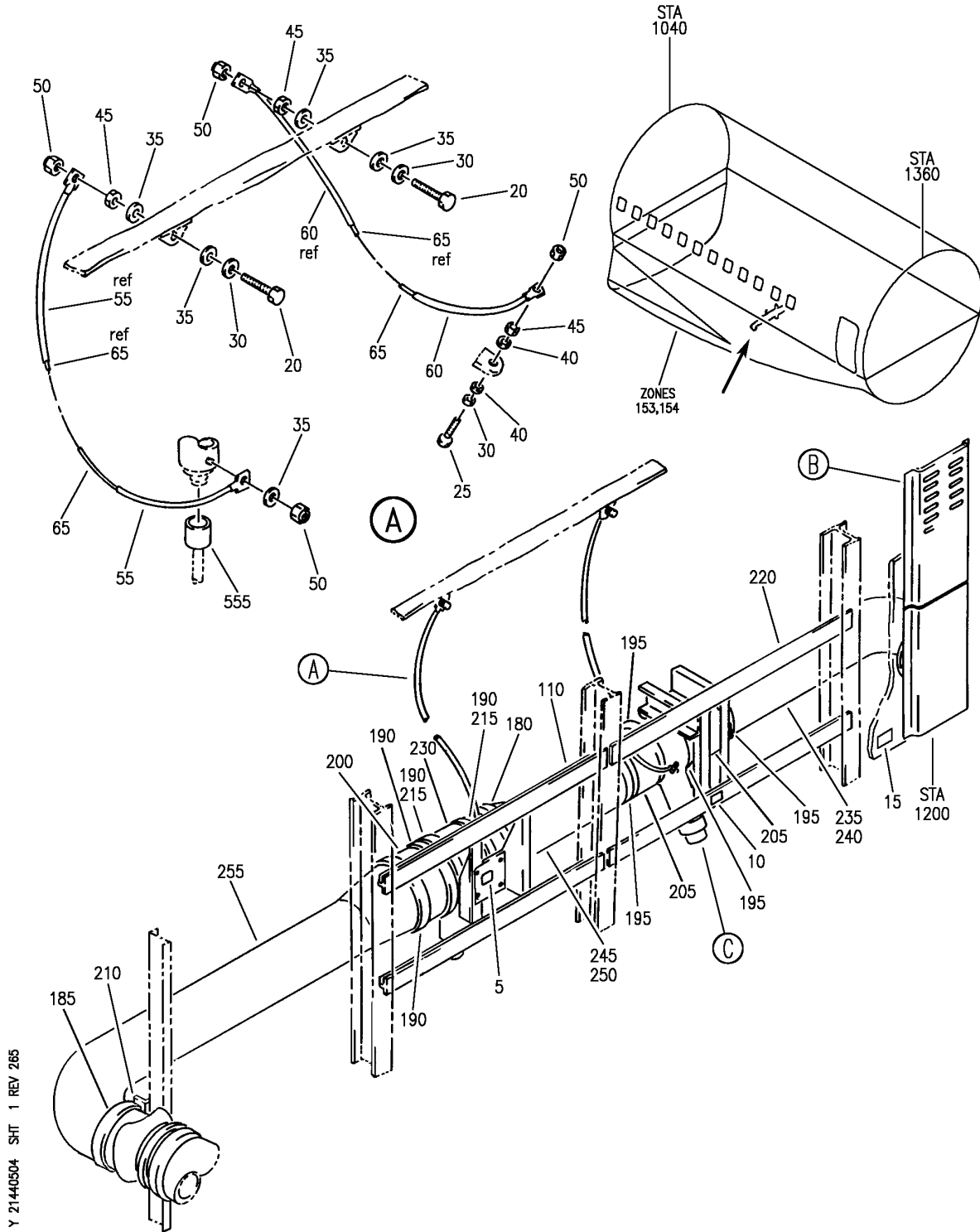
BRI

21-44-05-01B

BOEING PROPRIETARY - Copyright © - Unpublished Work - See title page for details.

21-44-05
FIG. 01B
PAGE 4
JAN 20/09

BOEING
757
PARTS CATALOG (MAINTENANCE)



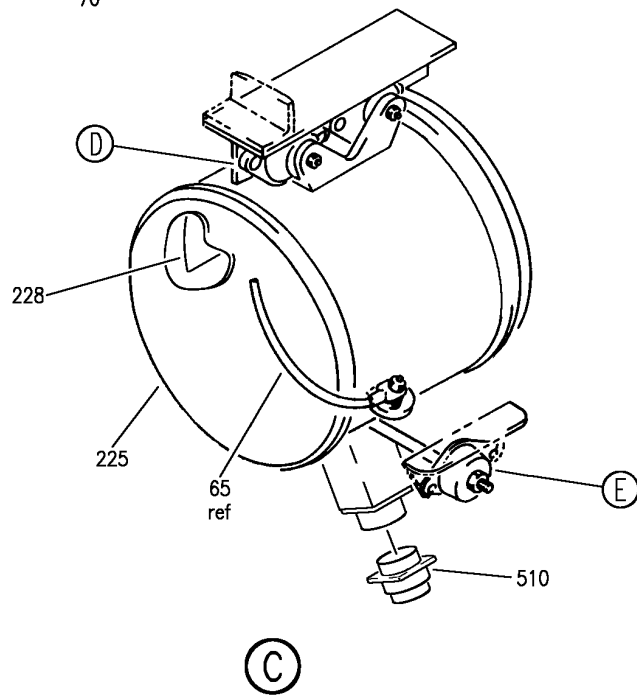
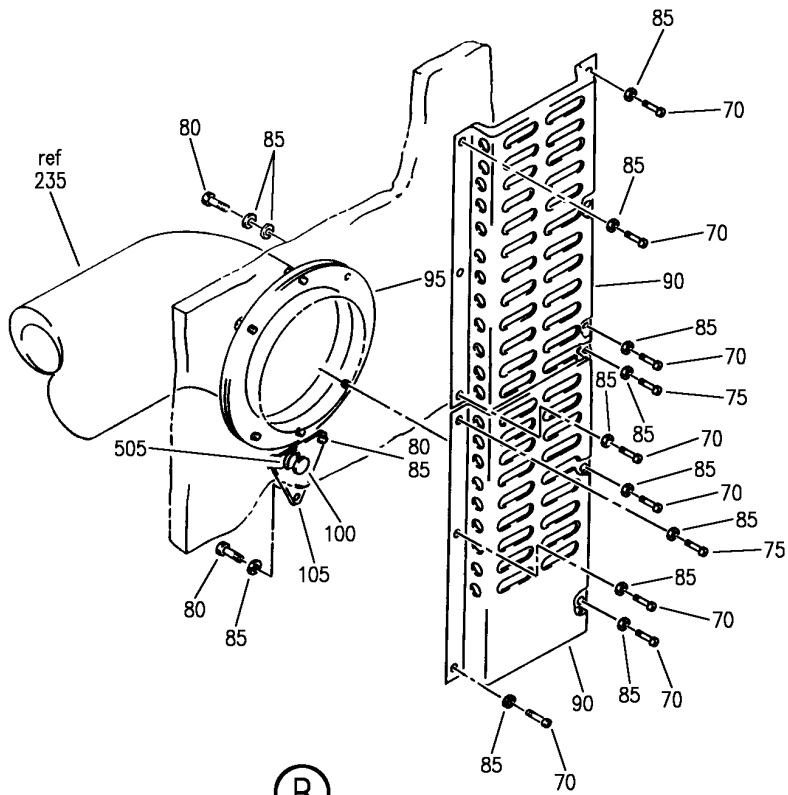
EQUIPMENT INSTL- CARGO HEATING SYS
FIGURE 4 (SHEET 1)

21-44-05-04

BRI
JAN 20/09

21-44-05-04
PAGE 0

BOEING
757
PARTS CATALOG (MAINTENANCE)



Y 21440504 SH1 2 REV 303

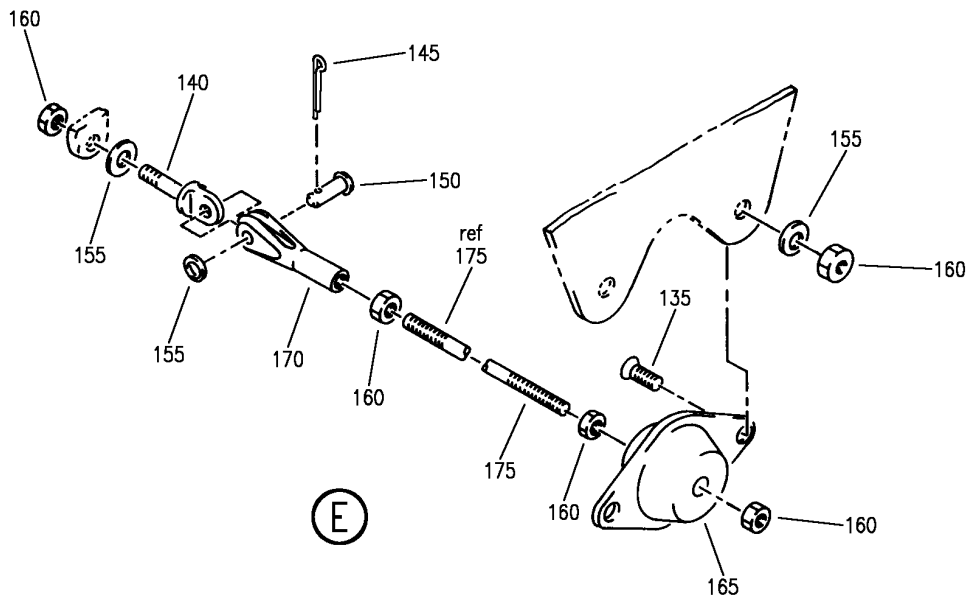
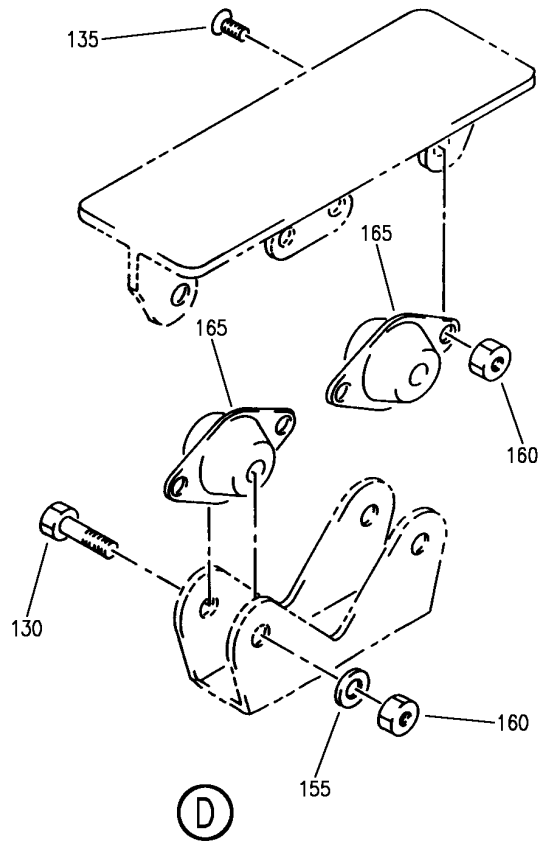
EQUIPMENT INSTL- CARGO HEATING SYS
FIGURE 4 (SHEET 2)

21-44-05-04

BRI
JAN 20/09

21-44-05-04
PAGE 0A

BOEING
757
PARTS CATALOG (MAINTENANCE)



Y 21440504 SHT 3 REV 265

EQUIPMENT INSTL- CARGO HEATING SYS
 FIGURE 4 (SHEET 3)

21-44-05-04

BRI
 JAN 20/09

21-44-05-04
 PAGE 0B



757

PARTS CATALOG (MAINTENANCE)

| FIG ITEM | PART NUMBER | 1 2 3 4 5 6 7 | NOMENCLATURE | EFFECT FROM TO | UNITS PER ASSY |
|----------|---------------|---------------|--|----------------|----------------|
| 4 | | | EQUIPMENT INSTL- CARGO HEATING SYS | 103106 | |
| - 1 | MODREF32545 | | EQUIPMENT INSTL-CARGO HEATING SYS (CARGO HEATING SYSTEM ONLY) MODULE NUMBER: 215N3007-19 REV B POSITION DATA: STA 1200 FOR BREAKDOWN SEE: 11-38-51-03 | 103106 | 1 |
| 5 | BAC27NEC0068 | | .MARKER-ALUMINUM FOIL PLACARD CONTENT: AFT CARGO HEATER B10029-D1640 | 103106 | 1 |
| 10 | BAC27NEC0067 | | .MARKER-ALUMINUM FOIL PLACARD CONTENT: AFT CARGO HEATING FAN B10030-D1642 | 103106 | 1 |
| 15 | BAC27NEC0065 | | .MARKER-ALUMINUM FOIL PLACARD CONTENT: AFT CARGO TEMP CONTROL SWITCH S10169-D1638 | 103106 | 1 |
| 20 | NAS1801-3-11 | | .SCREW | 103106 | 2 |
| 25 | NAS1801-3-12 | | .SCREW | 103106 | 1 |
| 30 | MS35338-43 | | .WASHER | 103106 | 3 |
| 35 | AN96010L | | .WASHER | 103106 | 5 |
| 40 | NAS1149D0332J | | .WASHER | 103106 | 2 |
| 45 | MS35650-305S | | .NUT | 103106 | 3 |
| 50 | BRH10C3D | | .NUT | 103106 | 4 |
| | | | SUPPLIER CODE: V52828 SPECIFICATION NUMBER: BACN10JC3CD OPTIONAL PART: T6C1032JCD V11815 NS202486-02 V80539 102LH9075-3W V72962 H51650-3BAC V15653 | | |
| 55 | 215N3007-4 | | .SLEEVE | 103106 | 1 |
| 60 | 215N3007-3 | | .SLEEVE | 103106 | 1 |

MISSING ITEM NUMBERS NOT APPLICABLE

- ITEM NOT ILLUSTRATED

21-44-05-04

21-44-05
FIG. 04
PAGE 1
JAN 20/09

BRI



757

PARTS CATALOG (MAINTENANCE)

| FIG ITEM | PART NUMBER | 1 2 3 4 5 6 7 | NOMENCLATURE | EFFECT FROM TO | UNITS PER ASSY |
|----------|----------------|---------------|---|----------------|----------------|
| 4 65 | 940CW20-28 | . | JUMPER ASSY SUPPLIER CODE: V91812 SPECIFICATION NUMBER: BACJ40AB20-28 OPTIONAL PART: 100220-28 V1FF12 RBEJ40AB20-28 V1GK47 | 103106 | 2 |
| 70 | BACS12CK3-5 | . | SCREW | 103106 | 10 |
| 75 | BACS12FA3K17 | . | SCREW | 103106 | 2 |
| 80 | BACB30NM3K1 | . | BOLT | 103106 | 9 |
| 85 | NAS1149D0332J | . | WASHER | 103106 | 27 |
| 90 | 215N3026-5 | . | SCREEN | 103106 | 2 |
| 95 | 69B42448-7 | . | GASKET | 103106 | 1 |
| 100 | 3000-46-20 | . | SWITCH-TEMP CONT SUPPLIER CODE: V14604 SPECIFICATION NUMBER: S210N701-8 ELECTRICAL EQUIP NUMBER: S10169 | 103106 | 1 |
| 105 | 215N3071-1 | . | BOSS ASSY | 103106 | 1 |
| 110 | 215N3009-3 | . | STRUCTURE INSTL- FOR DETAILS SEE: 21-44-05-01B ATTACHING PARTS | 103106 | 1 |
| - 115 | BACB30NM3K2 | . | BOLT | 103106 | 4 |
| - 120 | NAS1149D0332J | . | WASHER | 103106 | 4 |
| - 125 | BRH10C3D | . | NUT SUPPLIER CODE: V52828 SPECIFICATION NUMBER: BACN10JC3CD OPTIONAL PART: T6C1032JCD V11815 NS202486-02 V80539 102LH9075-3W V72962 H51650-3BAC V15653 | 103106 | 4 |
| 130 | BACB30NM3K19 | . | BOLT | 103106 | 2 |
| 135 | BACB30NM3K3 | . | BOLT | 103106 | 6 |
| 140 | AN42B5A | . | BOLT | 103106 | 1 |
| 145 | BACP18BC02D04P | . | PIN | 103106 | 1 |

MISSING ITEM NUMBERS NOT APPLICABLE

- ITEM NOT ILLUSTRATED

21-44-05-04

21-44-05
FIG. 04
PAGE 2
JAN 20/09

BRI



757

PARTS CATALOG (MAINTENANCE)

| FIG ITEM | PART NUMBER | 1 2 3 4 5 6 7 | NOMENCLATURE | EFFECT FROM TO | UNITS PER ASSY |
|----------|---------------|---------------|--------------------------------------|----------------|----------------|
| 4 | | | | | |
| 150 | MS20392-2C13 | . | PIN | 103106 | 1 |
| 155 | NAS1149D0332J | . | WASHER | 103106 | 6 |
| 160 | BRH10C3D | . | NUT | 103106 | 12 |
| | | | SUPPLIER CODE: V52828 | | |
| | | | SPECIFICATION NUMBER: BACN10JC3CD | | |
| | | | OPTIONAL PART: T6C1032JCD | | |
| | | | V11815 | | |
| | | | NS202486-02 | | |
| | | | V80539 | | |
| | | | 102LH9075-3W | | |
| | | | V72962 | | |
| | | | H51650-3BAC | | |
| | | | V15653 | | |
| 165 | 93696-1 | . | ISOLATOR- | 103106 | 3 |
| | | | SUPPLIER CODE: V13636 | | |
| | | | OPTIONAL PART: WTROP6S1 | | |
| | | | V71985 | | |
| 165 | WTROP6S1 | . | ISOLATOR- | 103106 | 3 |
| | | | SUPPLIER CODE: V71985 | | |
| | | | OPTIONAL PART: 93696-1 | | |
| | | | V13636 | | |
| 165 | WTROP6S | . | ISOLATOR- | 103106 | 3 |
| | | | SUPPLIER CODE: V71985 | | |
| 170 | AN665-21R | . | CLEVIS | 103106 | 1 |
| 175 | 215N3028-2 | . | ROD | 103106 | 1 |
| 180 | NH135008-0600 | . | CLAMP- | 103106 | 1 |
| | | | SUPPLIER CODE: V00624 | | |
| | | | OPTIONAL PART: 32317AA600 | | |
| | | | V94581 | | |
| | | | 15J02-600 | | |
| | | | V89513 | | |
| 180 | 32317AA600 | . | CLAMP- | 103106 | 1 |
| | | | SUPPLIER CODE: V94581 | | |
| | | | OPTIONAL PART: 15J02-600 | | |
| | | | V89513 | | |
| | | | NH135008-0600 | | |
| | | | V00624 | | |

MISSING ITEM NUMBERS NOT APPLICABLE

- ITEM NOT ILLUSTRATED

21-44-05-04

21-44-05
FIG. 04
PAGE 3
MAY 20/09

BRI



757

PARTS CATALOG (MAINTENANCE)

| FIG ITEM | PART NUMBER | 1 2 3 4 5 6 7 | NOMENCLATURE | EFFECT FROM TO | UNITS PER ASSY |
|----------|--------------|---------------|---|----------------|----------------|
| 4 180 | 15J02-600 | | .CLAMP- SUPPLIER CODE: V89513 OPTIONAL PART: 32317AA600 V94581 NH135008-0600 V00624 | 103106 | 1 |
| 185 | 80 | | .CLAMP SUPPLIER CODE: V7Z588 SPECIFICATION NUMBER: STBC10GG178 OPTIONAL PART: WWD178H V66295 | 103106 | 1 |
| 190 | 96 | | .CLAMP SUPPLIER CODE: V7Z588 SPECIFICATION NUMBER: STBC10GG210 OPTIONAL PART: WWD210H V66295 | 103106 | 4 |
| 195 | 88 | | .CLAMP SUPPLIER CODE: V7Z588 SPECIFICATION NUMBER: STBC10GG192 OPTIONAL PART: WWD192H V66295 | 103106 | 4 |
| 200 | AS1506-24D32 | | .HOSE | 103106 | 1 |
| 205 | AS1506-22D32 | | .HOSE | 103106 | 2 |
| 210 | 214N1051-8 | | .SUPPORT-DUCT | 103106 | 1 |
| 215 | 214N1051-10 | | .SUPPORT-DUCT | 103106 | 2 |
| 220 | 215N3009-4 | | .STRUCTURE INSTL- FOR DETAILS SEE: 21-44-05-01B | 103106 | 1 |

MISSING ITEM NUMBERS NOT APPLICABLE

- ITEM NOT ILLUSTRATED

21-44-05-04

21-44-05
FIG. 04
PAGE 4
JAN 20/09

BRI



757

PARTS CATALOG (MAINTENANCE)

| FIG ITEM | PART NUMBER | 1 2 3 4 5 6 7 | NOMENCLATURE | EFFECT FROM TO | UNITS PER ASSY |
|----------|-------------|---------------|---|----------------|----------------|
| 4 225 | 731378A | | . FAN- SUPPLIER CODE: V45153 FUNCTIONAL DESCRIPTION: THE AXIAL FLOW FANS INSTALLED ON EACH AIR- CRAFT SERVES EITHER OF TWO PURPOSES: PROVIDE HEAT TO THE CARGO COM- PARTMENTS AND VENTILA- TION OF THE GALLEYS AND LAVATORIES. SPECIFICATION NUMBER: S210N701-39 ELECTRICAL EQUIP NUMBER: B10030 COMPONENT MAINT MANUAL REF: 21-43-01 OPTIONAL PART: 731378B V45153 | 103106 | 1 |
| 225 | 731378 | | . FAN- SUPPLIER CODE: V45153 SPECIFICATION NUMBER: S210N701-10 ELECTRICAL EQUIP NUMBER: B10030 COMPONENT MAINT MANUAL REF: 21-43-01 | 103106 | 1 |
| 228 | 731521 | | .. PLATE-IDENT SUPPLIER CODE: V45153 | 103106 | 1 |
| 228 | 4100562 | | .. PLATE-IDENT SUPPLIER CODE: V45153 | 103106 | 1 |
| 230 | 2841-90 | | . HEATER- SUPPLIER CODE: V98085 SPECIFICATION NUMBER: S210N701-37 ELECTRICAL EQUIP NUMBER: B10029 | 103106 | 1 |
| 235 | 215N3021-21 | | . DUCT ASSY-(AIR CONDITIONING ONLY) FUNCTIONAL REFERENCE: PLACARDS AND MARKINGS FOR DETAILS SEE 11-38-25-01A | 103106 | 1 |

MISSING ITEM NUMBERS NOT APPLICABLE

- ITEM NOT ILLUSTRATED

21-44-05-04

21-44-05
FIG. 04
PAGE 5
JAN 20/09

BRI



**757
PARTS CATALOG (MAINTENANCE)**

| FIG ITEM | PART NUMBER | 1 2 3 4 5 6 7 | NOMENCLATURE | EFFECT FROM TO | UNITS PER ASSY |
|----------|----------------|---------------|---|----------------|----------------|
| 4 | | | | | |
| 240 | 215N3021-22 | | . . DUCT | 103106 | 1 |
| 245 | 215N3021-17 | | . DUCT ASSY-(AIR CONDITIONING ONLY) FUNCTIONAL REFERENCE: PLACARDS AND MARKINGS FOR DETAILS SEE 11-38-25-01A | 103106 | 1 |
| 250 | 215N3021-14 | | . . DUCT | 103106 | 1 |
| 255 | 215N3021-18 | | . DUCT ASSY | 103106 | 1 |
| - 500 | 286N5710-601 | | WIRE BUNDLE ASSY | 103106 | RF |
| 505 | BACC45FT10A5S8 | | . CONNECTOR- ELECTRICAL EQUIP NUMBER: D01638 WIRING DIAGRAM REF: 214411 | 103106 | 1 |
| 510 | BACC45FT14D7S | | . CONNECTOR- ELECTRICAL EQUIP NUMBER: D01642 WIRING DIAGRAM REF: 214411 | 103106 | 1 |
| - 550 | 286N5700-601 | | WIRE BUNDLE ASSY | 103106 | RF |
| 555 | BACC45FT14A12S | | . CONNECTOR- ELECTRICAL EQUIP NUMBER: D01640 WIRING DIAGRAM REF: 213111 | 103106 | 1 |

MISSING ITEM NUMBERS NOT APPLICABLE

- ITEM NOT ILLUSTRATED

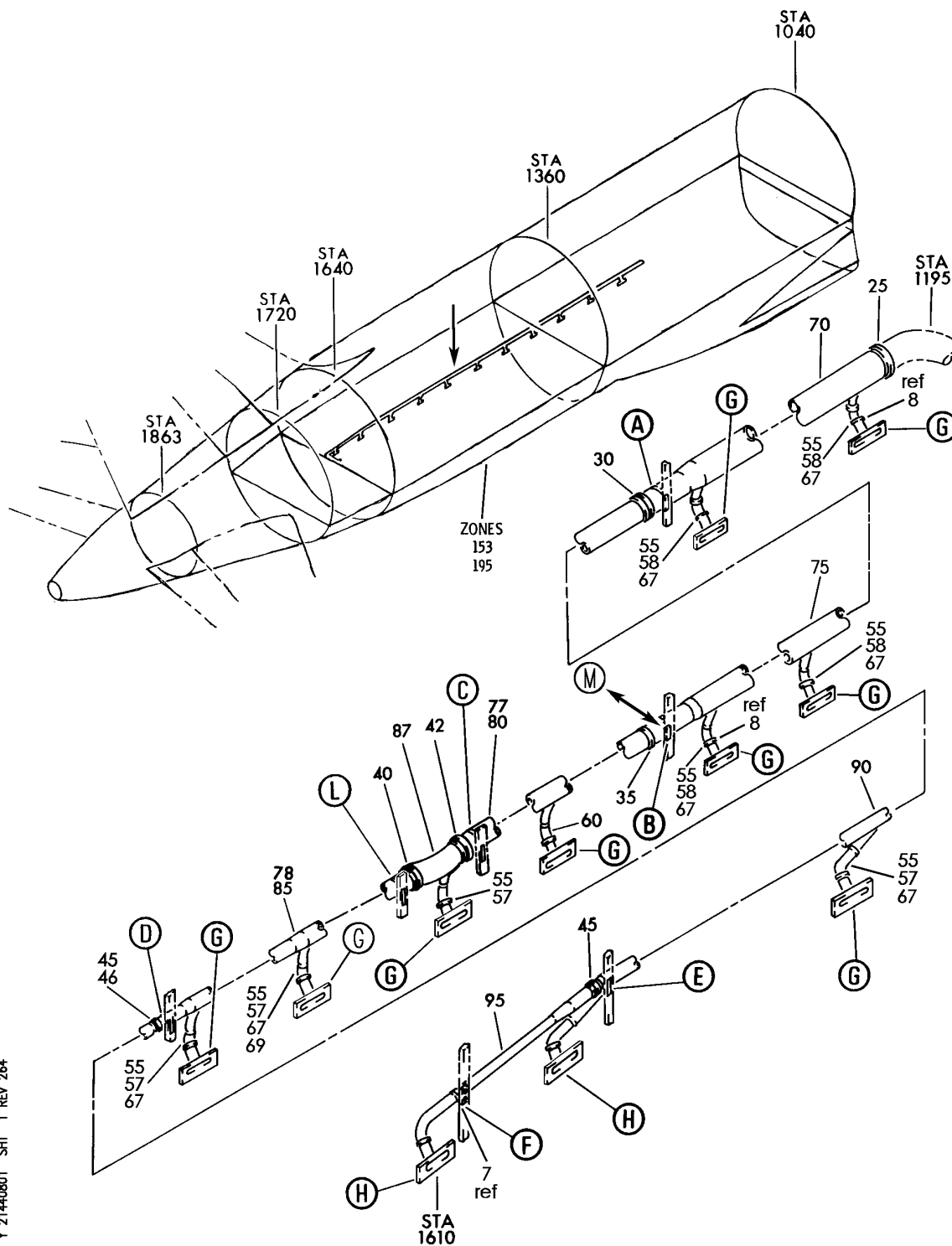
BRI

21-44-05-04

BOEING PROPRIETARY - Copyright © - Unpublished Work - See title page for details.

21-44-05
FIG. 04
PAGE 6
JAN 20/09

BOEING
757
PARTS CATALOG (MAINTENANCE)



Y 21440801 SHT 1 REV 264

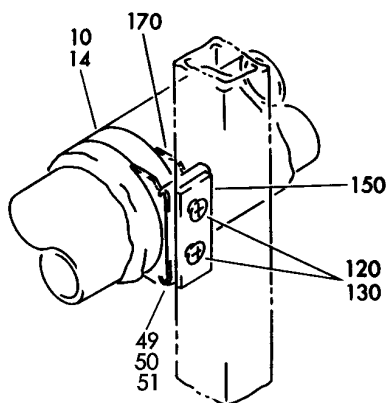
DUCT INSTL-CARGO HEATING SYS L SIDE
FIGURE 1 (SHEET 1)

21-44-08-01

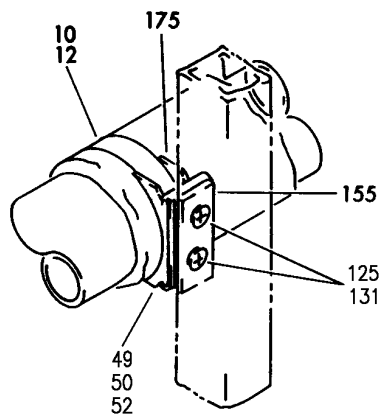
BRI
MAY 28/07

21-44-08-01
PAGE 0

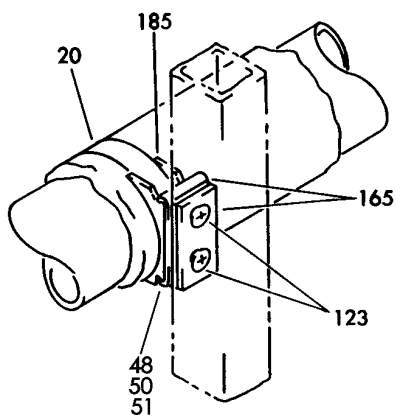
BOEING
757
PARTS CATALOG (MAINTENANCE)



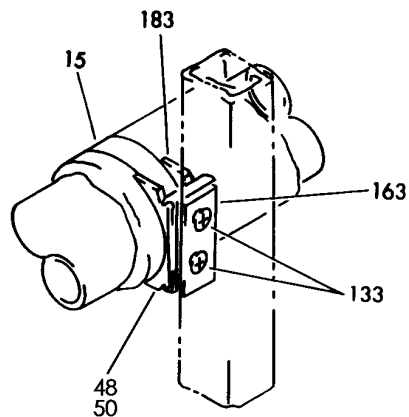
(A)



(B)



(D)



(C)

Y 21440801 SH1 2 REV 264

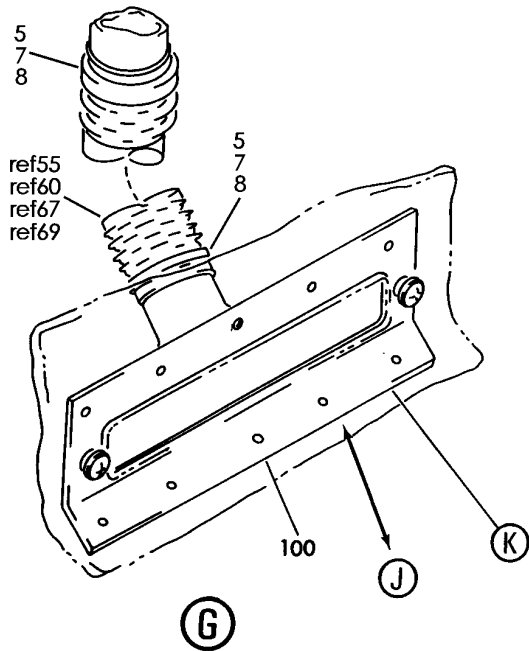
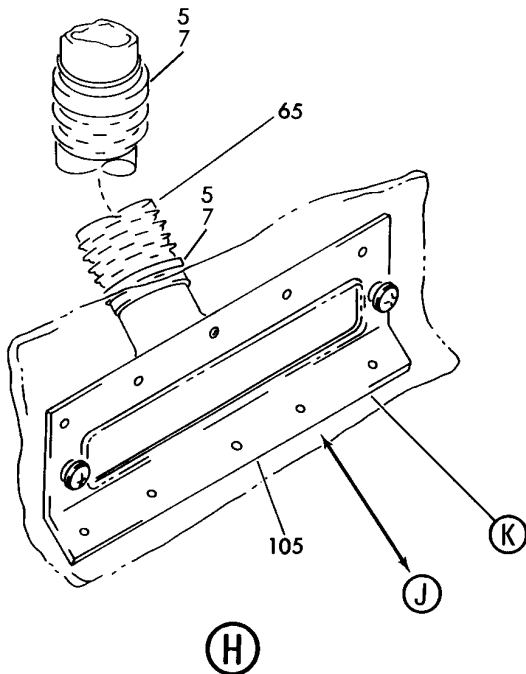
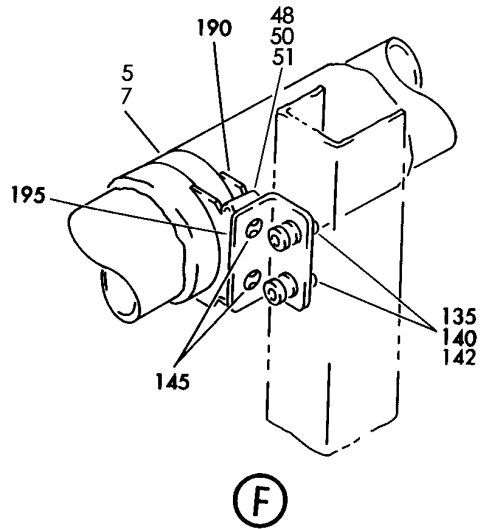
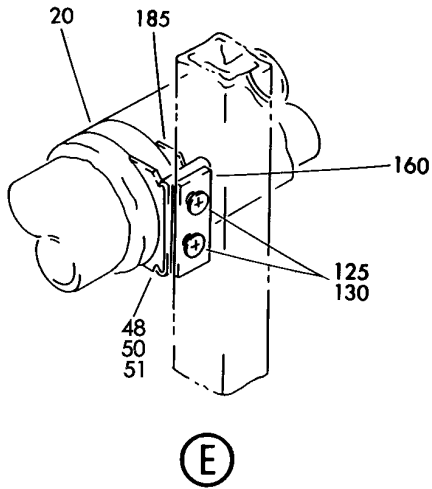
DUCT INSTL-CARGO HEATING SYS L SIDE
FIGURE 1 (SHEET 2)

21-44-08-01

BRI
MAY 28/07

21-44-08-01
PAGE 0A

BOEING
757
PARTS CATALOG (MAINTENANCE)



Y 21440801 SHT 3 REV 244

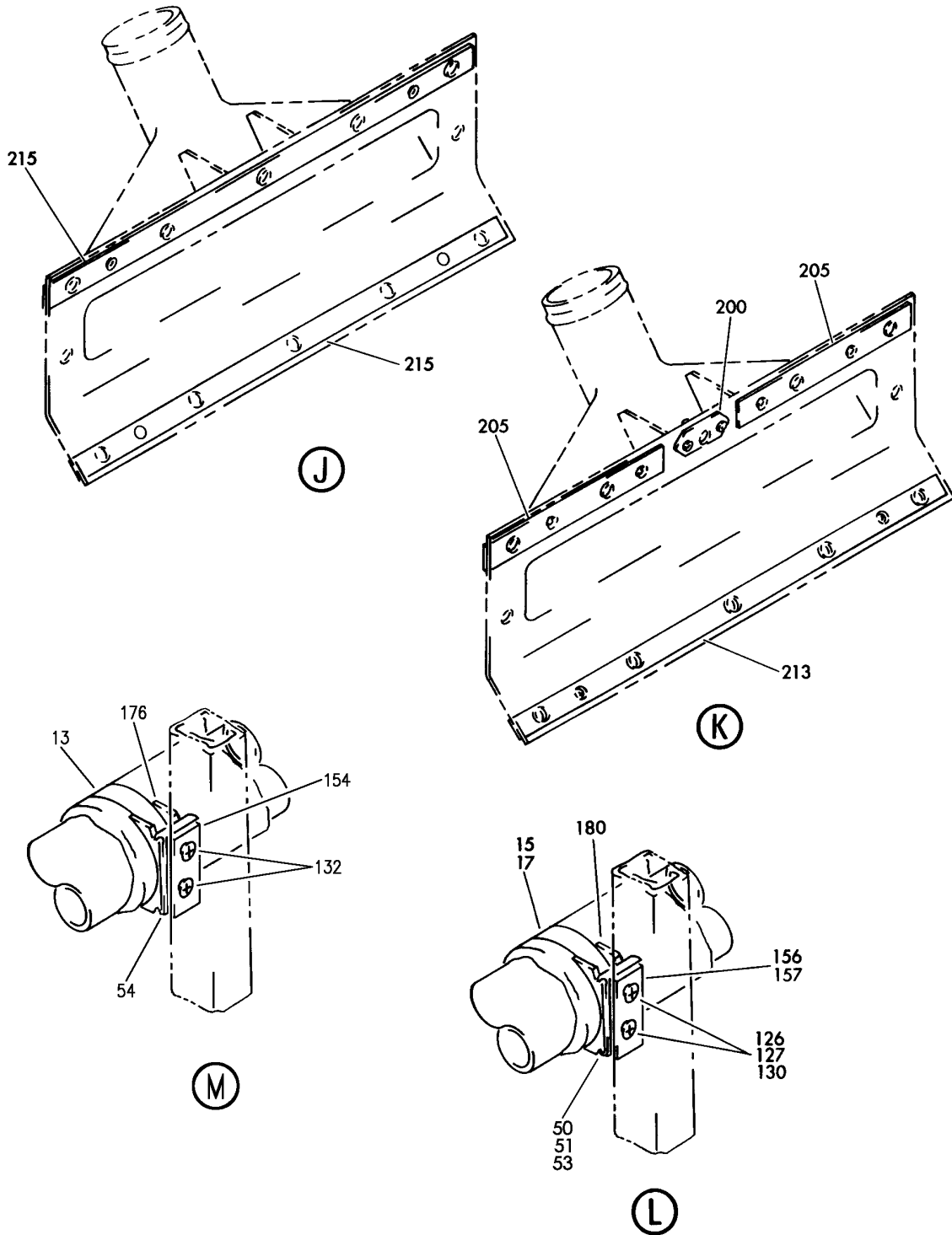
DUCT INSTL-CARGO HEATING SYS L SIDE
FIGURE 1 (SHEET 3)

BRI
MAY 28/07

21-44-08-01

21-44-08-01
PAGE 0B


BOEING
 757
PARTS CATALOG (MAINTENANCE)



Y 21440801 SH1 4 REV 264

DUCT INSTL-CARGO HEATING SYS L SIDE
 FIGURE 1 (SHEET 4)

21-44-08-01

BRI
MAY 28/07

21-44-08-01
 PAGE 0C



757

PARTS CATALOG (MAINTENANCE)

| FIG ITEM | PART NUMBER | 1 2 3 4 5 6 7 | NOMENCLATURE | EFFECT FROM TO | UNITS PER ASSY |
|----------|----------------|---------------|--|--|----------------|
| 1 | | | DUCT INSTL-CARGO HEATING SYS L SIDE | 002004 006999 | |
| - 1 | 215N3008-5 | | DUCT INSTL-CARGO HEATING SYS POSITION DATA: L SIDE FOR NHA SEE: 21-00-00-04 | 107107 904949 952952 | RF |
| - 1 | 215N3008-6 | | DUCT INSTL-CARGO HEATING SYS POSITION DATA: L SIDE FOR NHA SEE: 21-00-00-03 | 002004 006100 121503 950951 953999 | RF |
| - 1 | 215N3008-8 | | DUCT INSTL-CARGO HEATING SYS POSITION DATA: L SIDE FOR NHA SEE: 21-00-00-15 | 101102 108120 504903 | RF |
| - 1 | MODREF5527 | | DUCT INSTL-CARGO HEATING SYS MODULE NUMBER: 215N3008-8 REV A POSITION DATA: L SIDE | 103105 | 1 |
| - 1 | MODREF136151 | | DUCT INSTL-CARGO HEATING SYS MODULE NUMBER: 215N3008-8 REV B POSITION DATA: L SIDE | 106106 | 1 |
| 5 28 | | | .CLAMP- SUPPLIER CODE: V7Z588 SPECIFICATION NUMBER: STBC10GG58-66 OPTIONAL PART: WWD58-66H V66295 NAS1922-0150-1 | 002004 006999 | 23 |
| 5 | NAS1922-0150-1 | | .CLAMP- OPTIONAL PART: STBC10GG58-66 | 002004 006999 | 23 |
| 5 | SLT10LHC6 | | .STRAP- SUPPLIER CODE: V06383 | 101106 108120 504903 | 23 |

MISSING ITEM NUMBERS NOT APPLICABLE

- ITEM NOT ILLUSTRATED

21-44-08-01

21-44-08
FIG. 01
PAGE 1
JAN 20/09

BRI



757

PARTS CATALOG (MAINTENANCE)

| FIG ITEM | PART NUMBER | 1 2 3 4 5 6 7 | NOMENCLATURE | EFFECT FROM TO | UNITS PER ASSY |
|----------|-------------------|---------------|--|--|----------------|
| 1 | 12 72 | | .CLAMP- SUPPLIER CODE: V7Z588 SPECIFICATION NUMBER: STBC10GG160 OPTIONAL PART: WWD160H V66295 NAS1933-0450-1 | 002004 006100 107107 121503 904999 | 1 |
| | 12 NAS1922-0450-1 | | .CLAMP- OPTIONAL PART: STBC10GG160 | 002004 006100 107107 121503 904999 | 1 |
| | 12 SLT10LHC6 | | .STRAP- SUPPLIER CODE: V06383 | 101105 108120 504903 | 1 |
| | 13 SLT10LHC6 | | .STRAP- SUPPLIER CODE: V06383 | 106106 | 1 |
| | 14 64 | | .CLAMP- SUPPLIER CODE: V7Z588 SPECIFICATION NUMBER: STBC10GG146 OPTIONAL PART: WWD146H V66295 NAS1922-0400-1 | 002004 006100 107107 121503 904999 | 1 |
| | 14 NAS1922-0400-1 | | .CLAMP- OPTIONAL PART: STBC10GG146 | 002004 006100 107107 121503 904999 | 1 |
| | 14 SLT10LHC6 | | .STRAP- SUPPLIER CODE: V06383 | 101106 108120 504903 | 1 |
| | 15 56 | | .CLAMP- SUPPLIER CODE: V7Z588 SPECIFICATION NUMBER: STBC10GG128 OPTIONAL PART: WWD128H V66295 NAS1922-0350-1 | 002004 006999 | 2 |

MISSING ITEM NUMBERS NOT APPLICABLE

- ITEM NOT ILLUSTRATED

21-44-08-01

21-44-08
FIG. 01
PAGE 2
JAN 20/09

BRI



757

PARTS CATALOG (MAINTENANCE)

| FIG ITEM | PART NUMBER | 1 2 3 4 5 6 7 | NOMENCLATURE | EFFECT FROM TO | UNITS PER ASSY |
|----------|----------------|---------------|---|--|----------------|
| 1 | | | | | |
| 15 | NAS1922-0350-1 | .CLAMP- | OPTIONAL PART: STBC10GG128 | 002004 006100 107107 121503 904999 | 2 |
| 15 | SLT10LHC6 | .STRAP- | SUPPLIER CODE: V06383 | 101106 108120 504903 | 2 |
| 20 | 40 | .CLAMP- | SUPPLIER CODE: V7Z588 SPECIFICATION NUMBER: STBC10GG82-91 OPTIONAL PART: WWD82-91H V66295 NAS1922-0225-1 | 002004 006999 | 2 |
| 20 | NAS1922-0225-1 | .CLAMP- | OPTIONAL PART: STBC10GG82-91 | 002004 006100 107107 121503 904999 | 2 |
| 20 | SLT10LHC6 | .STRAP- | SUPPLIER CODE: V06383 | 101106 108120 504903 | 2 |
| 25 | NH135008-0500 | .CLAMP- | SUPPLIER CODE: V00624 OPTIONAL PART: 32317AA500 V94581 15J02-500 V89513 | 101120 504949 952952 | 1 |
| 25 | 32317AA500 | .CLAMP- | SUPPLIER CODE: V94581 OPTIONAL PART: NH135008-0500 V98625 15J02-500 V89513 | 101120 504949 952952 | 1 |
| 25 | 15J02-500 | .CLAMP- | SUPPLIER CODE: V89513 OPTIONAL PART: NH135008-0500 V98625 32317AA500 V94581 | 101120 504949 952952 | 1 |

MISSING ITEM NUMBERS NOT APPLICABLE

- ITEM NOT ILLUSTRATED

21-44-08-01

21-44-08
FIG. 01
PAGE 3
JAN 20/09

BRI



757

PARTS CATALOG (MAINTENANCE)

| FIG ITEM | PART NUMBER | 1 2 3 4 5 6 7 | NOMENCLATURE | EFFECT FROM TO | UNITS PER ASSY |
|----------|---------------|---------------|--|--|----------------|
| 1 | | | | | |
| 25 | NH135008-0500 | . | COUPLING- SUPPLIER CODE: V00624 SPECIFICATION NUMBER: BACC10HX500 | 002004 006100 121503 950951 953999 | 1 |
| 30 | NH135008-0450 | . | CLAMP ASSY- SUPPLIER CODE: V00624 OPTIONAL PART: 32317AA450 V94581 15J02-450 V89513 | 101120 504949 952952 | 1 |
| 30 | 32317AA450 | . | CLAMP ASSY- SUPPLIER CODE: V94581 OPTIONAL PART: NH135008-0450 V98625 15J02-450 V89513 | 101120 504949 952952 | 1 |
| 30 | 15J02-450 | . | CLAMP ASSY- SUPPLIER CODE: V89513 OPTIONAL PART: NH135008-0450 V98625 32317AA450 V94581 | 101120 504949 952952 | 1 |
| 30 | NH135008-0450 | . | COUPLING- SUPPLIER CODE: V00624 SPECIFICATION NUMBER: BACC10HX450 | 002004 006100 121503 950951 953999 | 1 |
| 35 | NH135008-0400 | . | COUPLING- SUPPLIER CODE: V00624 OPTIONAL PART: 32317AA400 V94581 15J02-400 V89513 | 101120 504949 952952 | 1 |

MISSING ITEM NUMBERS NOT APPLICABLE

- ITEM NOT ILLUSTRATED

21-44-08-01

21-44-08
FIG. 01
PAGE 4
JAN 20/09

BRI



757

PARTS CATALOG (MAINTENANCE)

| FIG ITEM | PART NUMBER | 1 2 3 4 5 6 7 | NOMENCLATURE | EFFECT FROM TO | UNITS PER ASSY |
|----------|---------------|---------------|--|--|----------------|
| 1 | | | | | |
| 35 | 32317AA400 | | . COUPLING- SUPPLIER CODE: V94581 OPTIONAL PART: NH135008-0400 V00624 15J02-400 V89513 | 101120 504949 952952 | 1 |
| 35 | 15J02-400 | | . CLAMP ASSY- SUPPLIER CODE: V89513 OPTIONAL PART: NH135008-0400 V00624 32317AA400 V94581 | 101120 504949 952952 | 1 |
| 35 | NH135008-0400 | | . COUPLING- SUPPLIER CODE: V00624 SPECIFICATION NUMBER: BACC10HX400 | 002004 006100 121503 950951 953999 | 1 |
| 40 | NH135008-0350 | | . CLAMP- SUPPLIER CODE: V00624 OPTIONAL PART: 32317AA350 V94581 15J02-350 V89513 | 101120 504949 952952 | 1 |
| 40 | 32317AA350 | | . CLAMP- SUPPLIER CODE: V94581 OPTIONAL PART: NH135008-350 V98625 15J02-350 V89513 | 101120 504949 952952 | 1 |
| 40 | 15J02-350 | | . CLAMP- SUPPLIER CODE: V89513 OPTIONAL PART: NH135008-350 V98625 32317AA350 V94581 | 101120 504949 952952 | 1 |

MISSING ITEM NUMBERS NOT APPLICABLE

- ITEM NOT ILLUSTRATED

BRI

21-44-08-01

BOEING PROPRIETARY - Copyright © - Unpublished Work - See title page for details.

21-44-08
FIG. 01
PAGE 5
JAN 20/09



757

PARTS CATALOG (MAINTENANCE)

| FIG ITEM | PART NUMBER | 1 2 3 4 5 6 7 | NOMENCLATURE | EFFECT FROM TO | UNITS PER ASSY |
|----------|---------------|---------------|--|--|----------------|
| 1 | | | | | |
| 40 | NH135008-0350 | . | COUPLING- SUPPLIER CODE: V00624 SPECIFICATION NUMBER: BACC10HX350 | 002004 006100 121503 950951 953999 | 1 |
| 42 | NH135008-0350 | . | CLAMP- SUPPLIER CODE: V00624 OPTIONAL PART: 32317AA350 V94581 15J02-350 V89513 | 101120 504949 952952 | 1 |
| 42 | 32317AA350 | . | CLAMP- SUPPLIER CODE: V94581 OPTIONAL PART: NH135008-0350 V98625 15J02-350 V89513 | 101120 504949 952952 | 1 |
| 42 | 15J02-350 | . | CLAMP- SUPPLIER CODE: V89513 OPTIONAL PART: NH135008-0350 V98625 32317AA350 V94581 | 101120 504949 952952 | 1 |
| 42 | NH135008-0350 | . | COUPLING- SUPPLIER CODE: V00624 SPECIFICATION NUMBER: BACC10HX350 | 002004 006100 121503 950951 953999 | 1 |
| 45 | NH135008-0250 | . | CLAMP ASSY- SUPPLIER CODE: V00624 OPTIONAL PART: 32317AA250 V94581 15J02-250 V89513 | 101120 504949 952952 | 2 |

MISSING ITEM NUMBERS NOT APPLICABLE

- ITEM NOT ILLUSTRATED

21-44-08-01

21-44-08
FIG. 01
PAGE 6
JAN 20/09

BRI



757

PARTS CATALOG (MAINTENANCE)

| FIG ITEM | PART NUMBER | 1 2 3 4 5 6 7 | NOMENCLATURE | EFFECT FROM TO | UNITS PER ASSY |
|----------|----------------|---------------|---|--|----------------|
| 1 | | | | | |
| 45 | 32317AA250 | | .CLAMP ASSY- SUPPLIER CODE: V94581 OPTIONAL PART: NH135008-0250 V00624 15J02-250 V89513 | 101120 504949 952952 | 2 |
| 45 | 15J02-250 | | .CLAMP ASSY- SUPPLIER CODE: V89513 OPTIONAL PART: NH135008-0250 V00624 32317AA250 V94581 | 101120 504949 952952 | 2 |
| 46 | NH135008-0250 | | .COUPLING- SUPPLIER CODE: V00624 SPECIFICATION NUMBER: BACC10HX250 | 002004 006100 121503 950951 953999 | 1 |
| 51 | 214N1063-4 | | .BRACKET- OPTIONAL PART: 214N1063-5 | 002004 006999 | 5 |
| 51 | 214N1063-5 | | .BRACKET- OPTIONAL PART: 214N1063-4 | 101106 108120 504903 | 5 |
| 52 | 214N1063-4 | | .BRACKET- OPTIONAL PART: 214N1063-5 | 002004 006105 107999 | 1 |
| 52 | 214N1063-5 | | .BRACKET- OPTIONAL PART: 214N1063-4 | 101105 108120 504903 | 1 |
| 53 | 214N1063-5 | | .BRACKET- OPTIONAL PART: 214N1063-4 | 101106 108120 504903 | 1 |
| 53 | 214N1063-4 | | .BRACKET- OPTIONAL PART: 214N1063-5 | 002004 006999 | 1 |
| 54 | 214N1063-4 | | .BRACKET- OPTIONAL PART: 214N1063-5 | 106106 | 1 |
| 54 | 214N1063-5 | | .BRACKET- OPTIONAL PART: 214N1063-4 | 106106 | 1 |
| 55 | AS1504-06B0070 | | .HOSE- | 002004 101999 | 8 |

MISSING ITEM NUMBERS NOT APPLICABLE

- ITEM NOT ILLUSTRATED

21-44-08-01

21-44-08
FIG. 01
PAGE 7
JAN 20/09

BRI

 **BOEING**
757
PARTS CATALOG (MAINTENANCE)

| FIG ITEM | PART NUMBER | 1 2 3 4 5 6 7 | NOMENCLATURE | EFFECT FROM TO | UNITS PER ASSY |
|----------|----------------|---------------|-----------------------------------|--|----------------|
| 1 | | | | | |
| 60 | AS1504-06B0122 | . | HOSE- | 002004 006100 103106 121503 950951 953999 | 1 |
| 60 | AS1504-06B0080 | . | HOSE- | 107107 904949 952952 | 1 |
| 65 | AS1504-06B0120 | . | HOSE- | 002004 006999 | 2 |
| 67 | AS1504-06B0070 | . | HOSE | 006100 103106 | 7 |
| 69 | AS1504-06B0060 | . | HOSE- | 006100 103106 | 1 |
| 70 | 215N3035-56 | . | DUCT ASSY- | 002004 006999 | 1 |
| 75 | 215N3035-55 | . | DUCT ASSY- | 002004 006999 | 1 |
| 80 | 215N3035-58 | . | DUCT ASSY- | 107107 904949 952952 | 1 |
| 80 | 215N3035-60 | . | DUCT ASSY- | 002004 006100 121503 950951 953999 | 1 |
| 85 | 215N3035-57 | . | DUCT ASSY- | 002004 006999 | 1 |
| 87 | 215N3035-59 | . | DUCT ASSY- | 002004 006999 | 1 |
| 90 | 215N3035-54 | . | DUCT ASSY- | 002004 006999 | 1 |
| 95 | 215N3035-53 | . | DUCT ASSY- | 002004 006999 | 1 |
| 100 | 215N3062-12 | . | NOZZLE ASSY- | 904949 | 9 |
| 100 | 215N3062-14 | . | NOZZLE ASSY- | 952952 | 9 |
| 100 | 215N3062-16 | . | NOZZLE ASSY- | 002004 | 9 |
| | | | POST SERVICE BULLETIN: 21-0054 | 006100 103107 121503 950951 953999 | |
| 105 | 215N3062-12 | . | NOZZLE ASSY- | 904949 | 2 |
| 105 | 215N3062-14 | . | NOZZLE ASSY- | 952952 | 2 |

MISSING ITEM NUMBERS NOT APPLICABLE

— ITEM NOT ILLUSTRATED

BRI

21-44-08-01

BOEING PROPRIETARY - Copyright © - Unpublished Work - See title page for details.

21-44-08
FIG. 01
PAGE 8
JAN 20/09

 **BOEING**
757
PARTS CATALOG (MAINTENANCE)

| FIG ITEM | PART NUMBER | 1 2 3 4 5 6 7 | NOMENCLATURE | EFFECT FROM TO | UNITS PER ASSY |
|-------------|-----------------|---------------|---|--|----------------------|
| 1 105 | 215N3062-16 | | .NOZZLE ASSY- POST SERVICE BULLETIN: 21-0054 | 002004 006100 103107 121503 950951 953999 | 2 |
| - 110 | BACB30NT3K2 | | .BOLT ATTACHING PARTS | 002004 006999 | 22 |
| - 115 | AN960PD10L | | .WASHER- | 002004 006106 108999 | 22 |
| - 115 | AN960JD10L | | .WASHER- POST SERVICE BULLETIN: 21-0054 | 107107 | 22 |
| 120 | BACB30VK6-200 | | -----*----- .BOLT SUPPLIER CODE: V98524 SPECIFICATION NUMBER: BACB30VK6-200 OPTIONAL PART: MBF2013S6-200 V5M902 | 101106 108120 504903 | 2 |
| 123 | BACB30VF3R6 | | .BOLT- | 002004 006999 | 2 |
| 130 | BACB30VF3R3 | | .BOLT- | 002004 006999 | 6 |
| 131 | BACB30VF3R3 | | .BOLT | 002004 006105 107999 | 2 |
| 132 | BACB30VF3R3 | | .BOLT | 106106 | 2 |
| 133 | BACB30VF3R4 | | .BOLT- | 002004 006999 | 2 |
| 142 | BACB30VF3R2 | | .BOLT- | 002004 006999 | 2 |
| 145 | BACR15BA4AD | | .RIVET- SIZE DETERMINED ON INSTL. | 002004 006999 | 2 |
| 150 | BACF3F010J025NN | | .FILLER | 002004 006999 | 1 |
| 154 | BACF3F010E025NN | | .FILLER | 106106 | 1 |
| 155 | BACF3F010E025NN | | .FILLER | 002004 006105 107999 | 1 |
| 157 | BACF3F010E025NN | | .FILLER- | 002004 006999 | 1 |
| 160 | BACF3F010E025NN | | .FILLER | 002004 006999 | 1 |

MISSING ITEM NUMBERS NOT APPLICABLE

- ITEM NOT ILLUSTRATED

BRI

21-44-08-01

BOEING PROPRIETARY - Copyright © - Unpublished Work - See title page for details.

21-44-08
FIG. 01
PAGE 9
JAN 20/09



757

PARTS CATALOG (MAINTENANCE)

| FIG ITEM | PART NUMBER | 1 2 3 4 5 6 7 | NOMENCLATURE | EFFECT FROM TO | UNITS PER ASSY |
|----------|-----------------|---------------|---|----------------------------|----------------|
| 1 | | | | | |
| 163 | BACF3F010N025NN | . | FILLER | 002004 006999 | 1 |
| 165 | BACF3F010R025NN | . | FILLER | 002004 006999 | 2 |
| 170 | 214N1051-7 | . | SUPPORT | 002004 006999 | 1 |
| 175 | 214N1051-6 | . | SUPPORT | 002004 006105 107999 | 1 |
| 176 | 214N1051-6 | . | SUPPORT | 106106 | 1 |
| 183 | 214N1051-5 | . | SUPPORT | 002004 006999 | 2 |
| 185 | 214N1051-3 | . | SUPPORT | 002004 006999 | 2 |
| 190 | 214N1051-1 | . | SUPPORT | 002004 006999 | 1 |
| 195 | 215N3068-9 | . | BRACKET- | 002004 006999 | 1 |
| 900 | | | ILLUSTRATION REFERENCE: EQUIPMENT INSTL-STA 1200 CARGO HEATING SYS 21-44-05-01 | 002004 006102 107999 | RF |

MISSING ITEM NUMBERS NOT APPLICABLE

- ITEM NOT ILLUSTRATED

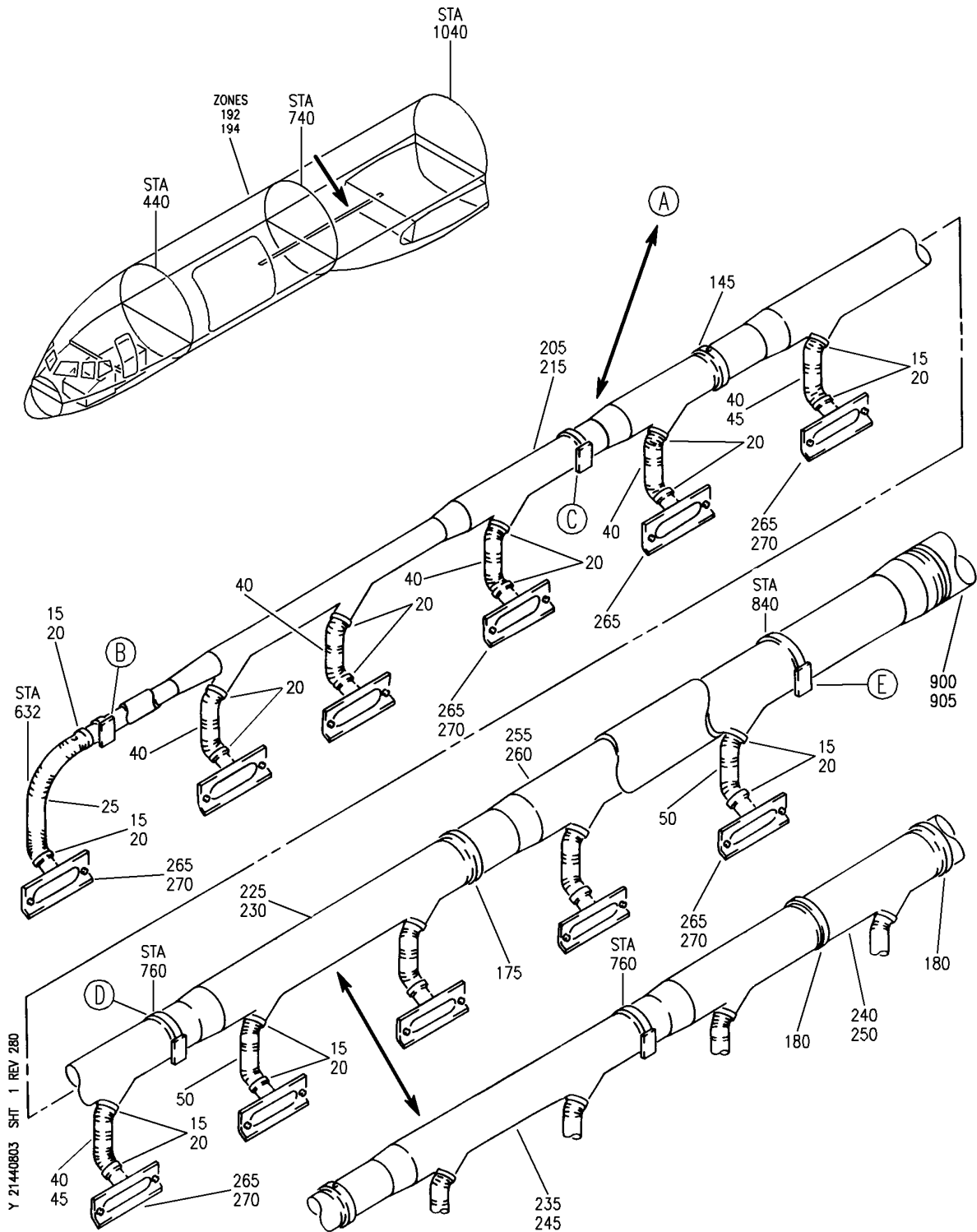
BRI

21-44-08-01

BOEING PROPRIETARY - Copyright © - Unpublished Work - See title page for details.

21-44-08
FIG. 01
PAGE 10
JAN 20/09

BOEING
757
PARTS CATALOG (MAINTENANCE)



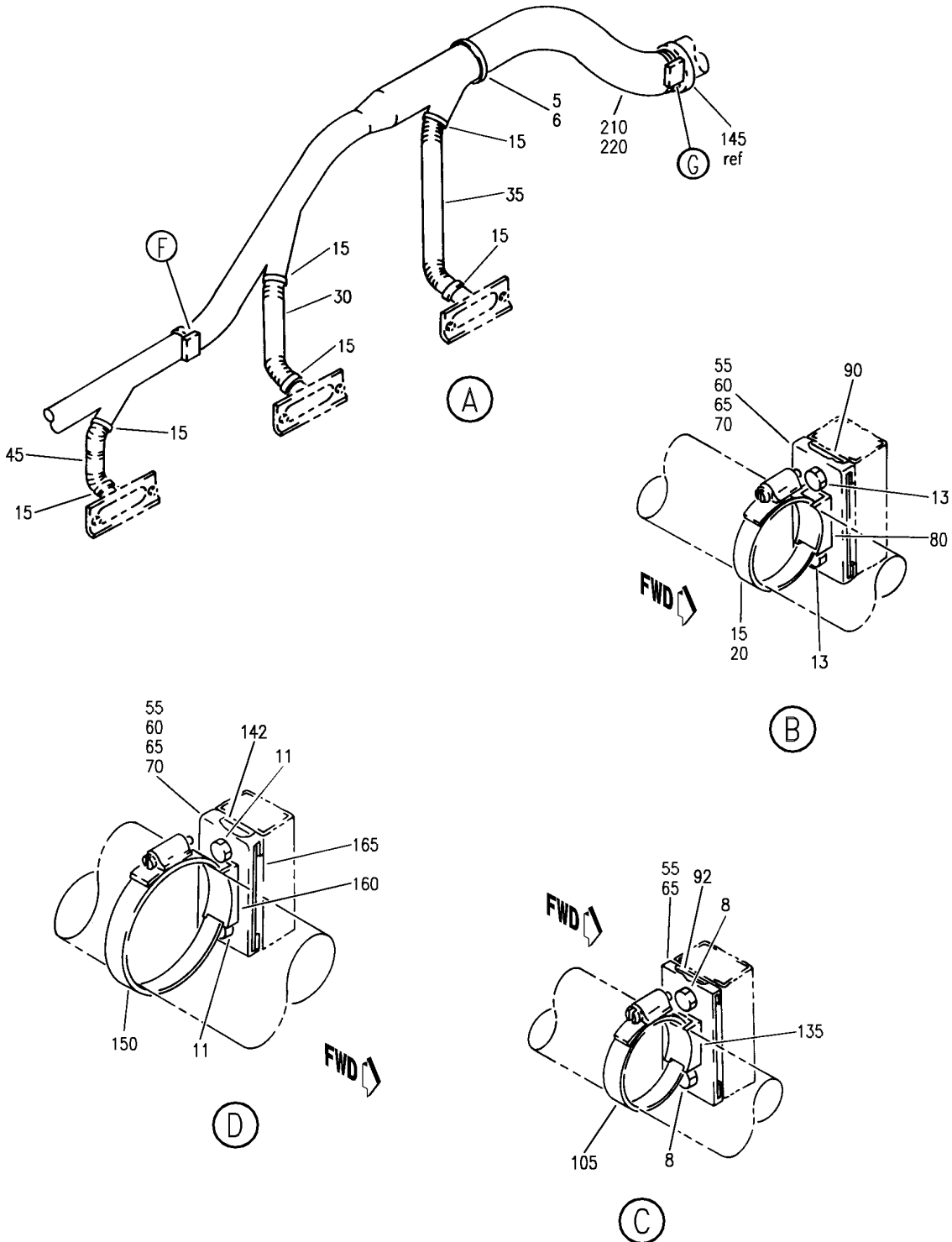
DUCT INSTL-CARGO HEATING SYS R SIDE
FIGURE 3 (SHEET 1)

21-44-08-03

BRI
MAY 28/07

21-44-08-03
PAGE 0

BOEING
757
PARTS CATALOG (MAINTENANCE)



Y 21440803 SH1 2 REV 264

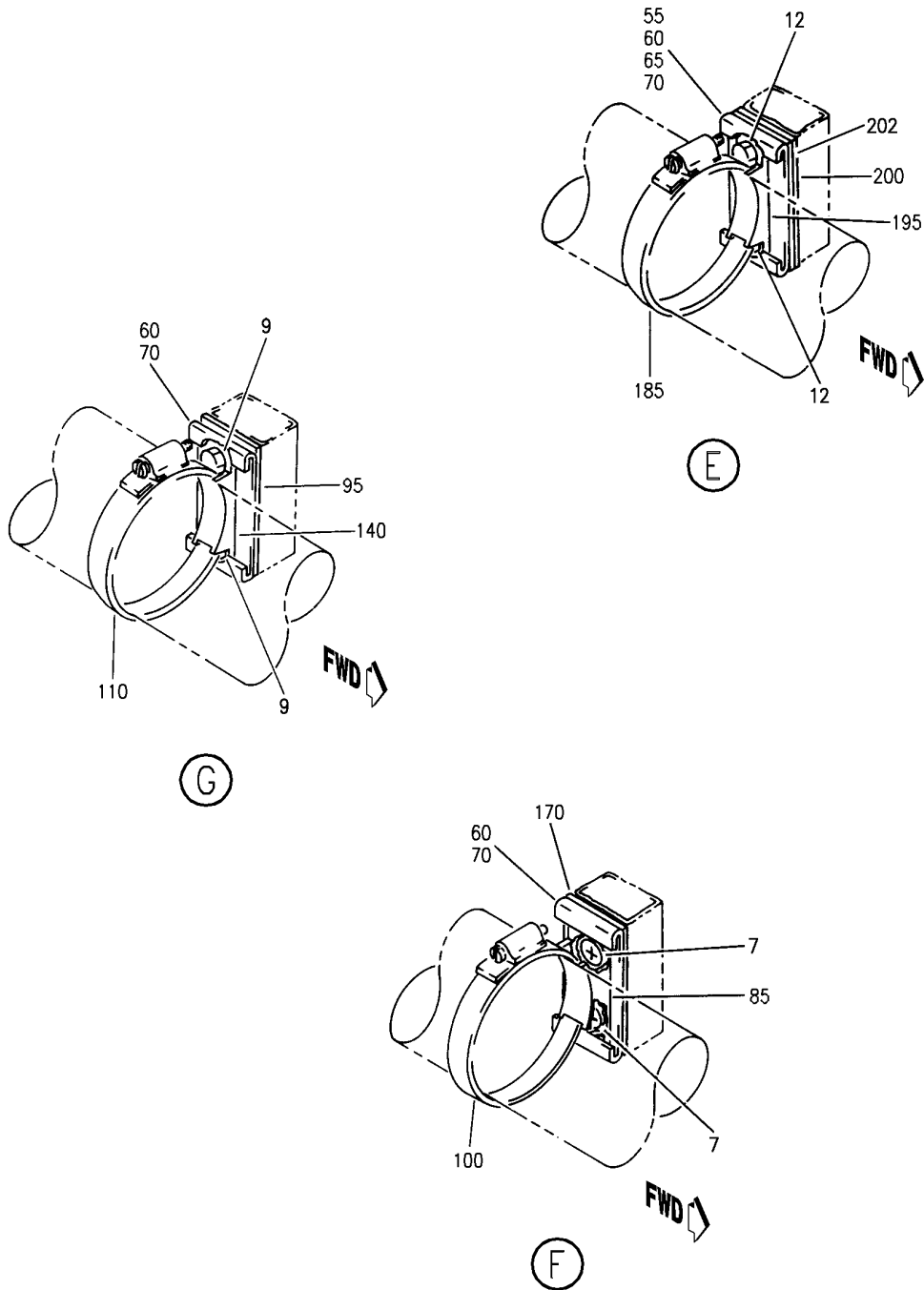
DUCT INSTL-CARGO HEATING SYS R SIDE
FIGURE 3 (SHEET 2)

21-44-08-03

BRI
MAY 28/07

21-44-08-03
PAGE 0A

BOEING
757
PARTS CATALOG (MAINTENANCE)



Y 21440803 SH1 3 REV 264

DUCT INSTL-CARGO HEATING SYS R SIDE
FIGURE 3 (SHEET 3)

21-44-08-03

BRI
MAY 28/07

21-44-08-03
PAGE 0B



757

PARTS CATALOG (MAINTENANCE)

| FIG ITEM | PART NUMBER | 1 2 3 4 5 6 7 | NOMENCLATURE | EFFECT FROM TO | UNITS PER ASSY |
|----------|----------------|---------------|--|--------------------------------------|----------------|
| 3 | | | DUCT INSTL-CARGO HEATING SYS R SIDE | 002004 006999 | |
| - 1 | 215N3004-1 | | DUCT INSTL-CARGO HEATING SYS POSITION DATA: R SIDE FOR NHA SEE: 21-00-00-04 | 107107 904949 | RF |
| - 1 | 215N3004-5 | | DUCT INSTL-CARGO HEATING SYS POSITION DATA: R SIDE FOR NHA SEE: 21-00-00-04 | 002004 006100 121503 950999 | RF |
| - 1 | 215N3004-7 | | DUCT INSTL-CARGO HEATING SYS POSITION DATA: R SIDE FOR NHA SEE: 21-00-00-12 | 101102 108120 504903 | RF |
| - 1 | MODREF5521 | | DUCT INSTL-CARGO HEATING SYS MODULE NUMBER: 215N3004-7 REV A POSITION DATA: R SIDE | 103106 | 1 |
| 8 | BACB30VF3R2 | | .BOLT | 002004 006999 | 2 |
| 11 | BACB30VF3R3 | | .BOLT | 002004 006999 | 2 |
| 12 | BACB30VF3R6 | | .BOLT | 002004 006999 | 2 |
| 13 | BACB30VF3R4 | | .BOLT | 002004 006999 | 2 |
| 20 | NAS1922-0150-1 | | .CLAMP- OPTIONAL PART: STBC10GG58-66 | 002004 006999 | 23 |
| 20 | 28 | | .CLAMP- SUPPLIER CODE: V7Z588 SPECIFICATION NUMBER: STBC10GG58-66 OPTIONAL PART: WWD58-66H V66295 NAS1922-0150-1 | 107107 904949 | 23 |
| 25 | AS1504-06B0150 | | .HOSE | 002004 006999 | 1 |

MISSING ITEM NUMBERS NOT APPLICABLE

- ITEM NOT ILLUSTRATED

21-44-08-03

21-44-08
FIG. 03
PAGE 1
JAN 20/09

BRI



757

PARTS CATALOG (MAINTENANCE)

| FIG ITEM | PART NUMBER | 1 2 3 4 5 6 7 | NOMENCLATURE | EFFECT FROM TO | UNITS PER ASSY |
|----------|-----------------|---------------|--|--------------------------------------|----------------|
| 3 | | | | | |
| 40 | AS1504-06B0070 | . | HOSE | 002004 006999 | 6 |
| 50 | AS1504-06B0060 | . | HOSE | 002004 006999 | 4 |
| 65 | 214N1063-4 | . | BRACKET- OPTIONAL PART: 214N1063-5 | 002004 006999 | 4 |
| 65 | 214N1063-5 | . | BRACKET- OPTIONAL PART: 214N1063-4 | 101106 108120 504903 | 4 |
| 80 | 214N1051-1 | . | SUPPORT | 002004 006999 | 1 |
| 90 | BACF3F010V025NN | . | FILLER | 002004 006999 | 1 |
| 92 | BACF3F010J025NN | . | FILLER | 002004 006106 108903 950999 | 1 |
| 105 | NAS1922-0225-1 | . | CLAMP | 107107 904949 | 1 |
| 105 | NAS1922-0275-1 | . | CLAMP | 002004 006106 108903 950999 | 1 |
| 135 | 214N1051-4 | . | SUPPORT | 002004 006999 | 1 |
| 142 | BACF3F010J025NN | . | FILLER | 002004 006106 108903 950999 | 1 |
| 145 | NH135008-0350 | . | CLAMP- SUPPLIER CODE: V00624 OPTIONAL PART: 32317AA350 V94581 15J02-350 V89513 | 107107 904949 | 1 |
| 145 | 32317AA350 | . | CLAMP- SUPPLIER CODE: V94581 OPTIONAL PART: NH135008-0350 V98625 15J02-350 V89513 | 107107 904949 | 1 |

MISSING ITEM NUMBERS NOT APPLICABLE

- ITEM NOT ILLUSTRATED

21-44-08-03

21-44-08
FIG. 03
PAGE 2
JAN 20/09

BRI

BOEING PROPRIETARY - Copyright © - Unpublished Work - See title page for details.



757

PARTS CATALOG (MAINTENANCE)

| FIG ITEM | PART NUMBER | 1 2 3 4 5 6 7 | NOMENCLATURE | EFFECT FROM TO | UNITS PER ASSY |
|----------|-----------------|---------------|--|--------------------------------------|----------------|
| 3 145 | 15J02-350 | | .CLAMP- SUPPLIER CODE: V89513 OPTIONAL PART: NH135008-0350 V98625 32317AA350 V94581 | 107107 904949 | 1 |
| 145 | NH135008-0350 | | .COUPLING SUPPLIER CODE: V00624 SPECIFICATION NUMBER: BACC10HX350 | 002004 006106 108903 950999 | 1 |
| 150 | 64 | | .CLAMP- SUPPLIER CODE: V7Z588 SPECIFICATION NUMBER: STBC10GG146 OPTIONAL PART: WWD146H V66295 NAS1922-0400-1 | 107107 904949 | 1 |
| 150 | NAS1922-0400-1 | | .CLAMP- OPTIONAL PART: STBC10GG146 | 002004 006903 950999 | 1 |
| 160 | 214N1051-6 | | .SUPPORT | 002004 006999 | 1 |
| 165 | BACF3F010J025NN | | .FILLER | 002004 006999 | 1 |
| 175 | NH135008-0450 | | .CLAMP ASSY- SUPPLIER CODE: V00624 OPTIONAL PART: 32317AA450 V94581 15J02-450 V89513 | 107107 904949 | 1 |
| 175 | 32317AA450 | | .CLAMP ASSY- SUPPLIER CODE: V94581 OPTIONAL PART: NH135008-0450 V98625 15J02-450 V89513 | 107107 904949 | 1 |

MISSING ITEM NUMBERS NOT APPLICABLE

- ITEM NOT ILLUSTRATED

BRI

21-44-08-03

BOEING PROPRIETARY - Copyright © - Unpublished Work - See title page for details.

21-44-08
FIG. 03
PAGE 3
JAN 20/09



757

PARTS CATALOG (MAINTENANCE)

| FIG ITEM | PART NUMBER | 1 2 3 4 5 6 7 | NOMENCLATURE | EFFECT FROM TO | UNITS PER ASSY |
|----------|-----------------|---------------|--|--------------------------------------|----------------|
| 3 | | | | | |
| 175 | 15J02-450 | | .CLAMP ASSY- SUPPLIER CODE: V89513 OPTIONAL PART: NH135008-0450 V98625 32317AA450 V94581 | 107107 904949 | 1 |
| 180 | NH135008-0450 | | .COUPLING SUPPLIER CODE: V00624 SPECIFICATION NUMBER: BACC10HX450 | 002004 006106 108903 950999 | 2 |
| 185 | 88 | | .CLAMP- SUPPLIER CODE: V7Z588 SPECIFICATION NUMBER: STBC10GG192 OPTIONAL PART: WWD192H V66295 NAS1922-0525-1 | 002004 006903 950999 | 1 |
| 185 | NAS1922-0525-1 | | .CLAMP- OPTIONAL PART: STBC10GG192 | 002004 006999 | 1 |
| 185 | NAS1922-0525-3 | | .CLAMP- | 002004 006999 | 1 |
| 195 | 214N1051-8 | | .SUPPORT | 002004 006999 | 1 |
| 200 | BACF3F010X025NN | | .FILLER | 002004 006999 | 1 |
| 202 | BACF3F010L025NN | | .FILLER | 002004 006999 | 1 |
| 205 | 215N3063-25 | | .DUCT ASSY | 002004 006999 | 1 |
| 215 | 215N3063-13 | | ..DUCT | 002004 006999 | 1 |
| 225 | 215N3063-26 | | .DUCT ASSY- | 107107 904949 | 1 |
| 230 | 215N3063-14 | | ..DUCT | 107107 904949 | 1 |
| 235 | 215N3063-30 | | .DUCT ASSY | 002004 006106 108903 950999 | 1 |
| 240 | 215N3063-31 | | .DUCT ASSY | 002004 006106 108903 950999 | 1 |

MISSING ITEM NUMBERS NOT APPLICABLE

- ITEM NOT ILLUSTRATED

21-44-08-03

21-44-08
FIG. 03
PAGE 4
MAY 20/09

BRI



757

PARTS CATALOG (MAINTENANCE)

| FIG ITEM | PART NUMBER | 1 2 3 4 5 6 7 | NOMENCLATURE | EFFECT FROM TO | UNITS PER ASSY |
|----------|-------------|---------------|--|--------------------------------------|----------------|
| 3 | | | | | |
| 245 | 215N3063-33 | . . | DUCT | 002004 006106 108903 950999 | 1 |
| 250 | 215N3063-34 | . . | DUCT | 002004 006106 108903 950999 | 1 |
| 255 | 215N3063-27 | . . | DUCT ASSY-(AIR CONDITIONING ONLY) FUNCTIONAL REFERENCE: PLACARDS AND MARKINGS FOR DETAILS SEE 11-37-10-01 | 002004 006999 | 1 |
| 260 | 215N3063-15 | . . | DUCT- USED ON: 215N3063-12 215N3063-27 | 002004 006999 | 1 |
| 265 | 215N3062-12 | . . | NOZZLE ASSY- | 904949 | 11 |
| 265 | 215N3062-14 | . . | NOZZLE ASSY- | 952952 | 11 |
| 265 | 215N3062-16 | . . | NOZZLE ASSY- POST SERVICE BULLETIN: 21-0054 | 002004 006903 950951 953999 | 11 |
| - 275 | BACB30NT3K2 | . . | ATTACHING PARTS BOLT | 002004 006999 | 22 |
| - 285 | AN960PD10L | . . | WASHER- | 002004 006106 108999 | 22 |
| - 285 | AN960JD10L | . . | WASHER- POST SERVICE BULLETIN: 21-0054 -----*----- | 107107 | 22 |
| 900 | | | ILLUSTRATION REFERENCE: DUCT INSTL-CARGO HEATING SYS MIX BAY 21-43-03-02 | 002004 006999 | RF |

MISSING ITEM NUMBERS NOT APPLICABLE

- ITEM NOT ILLUSTRATED

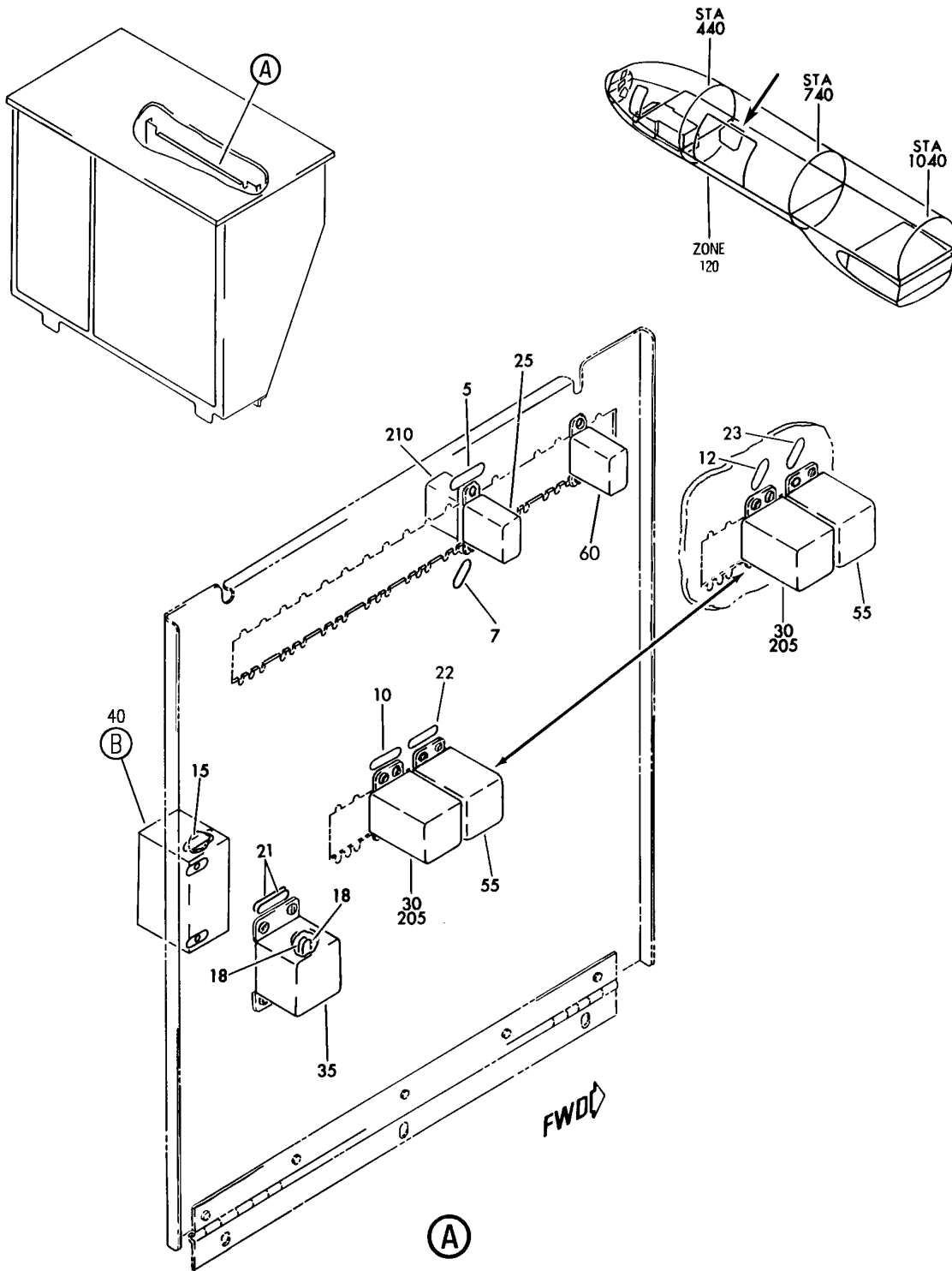
BRI

21-44-08-03

BOEING PROPRIETARY - Copyright © - Unpublished Work - See title page for details.

21-44-08
FIG. 03
PAGE 5
JAN 20/09

BOEING
757
PARTS CATALOG (MAINTENANCE)



Y 21447102 SH1 1 REV 2688

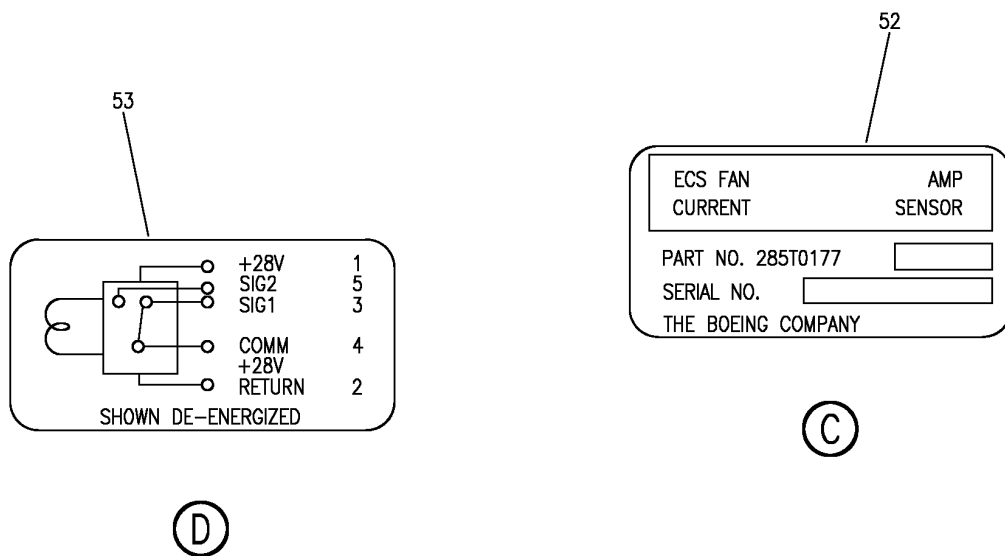
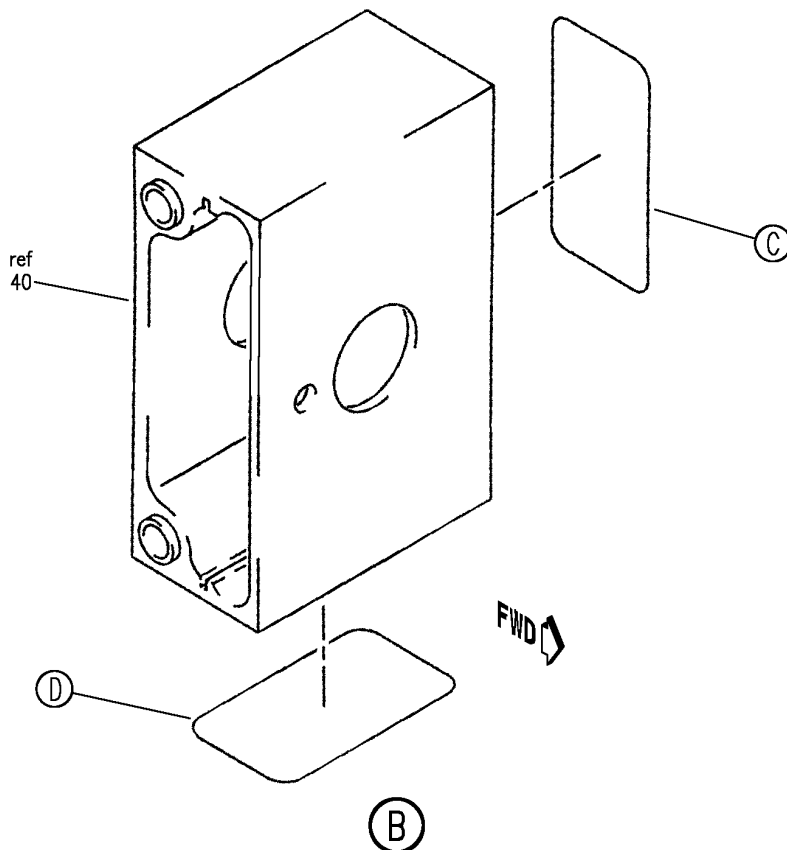
PANEL ASSY-P37 MISC RELAY R (AFT/BULK CARGO COMPARTMENT HEATING SYSTEM ONLY)
FIGURE 2 (SHEET 1)

21-44-71-02

BRI
MAY 28/07

21-44-71-02
PAGE 0

BOEING
757
PARTS CATALOG (MAINTENANCE)



Y 21447102 SHIT 2 REV 268

PANEL ASSY-P37 MISC RELAY R (AFT/BULK CARGO COMPARTMENT HEATING SYSTEM ONLY)
FIGURE 2 (SHEET 2)

21-44-71-02

BRI
MAY 28/07

21-44-71-02
PAGE 0A



757

PARTS CATALOG (MAINTENANCE)

| FIG ITEM | PART NUMBER | 1 2 3 4 5 6 7 | NOMENCLATURE | EFFECT FROM TO | UNITS PER ASSY |
|----------|--------------|---------------|---|--|----------------|
| 2 | | | PANEL ASSY-P37 MISC RELAY R (AFT/BULK CARGO COMPARTMENT HEATING SYSTEM ONLY) | 002004 006100 107107 121503 904999 | |
| - 1 | 284N1127-1 | | PANEL ASSY-P37 MISC RELAY (AFT/BULK CARGO COMPARTMENT HEATING SYSTEM ONLY) POSITION DATA: R VARIABLE DRAWING REF: 284N1127-5028 284N1127-5039 284N1127-5063 284N1127-5064 284N1127-5068 REWORKED BY SB: 33-0039 34-0200 REWORKED BY ALERT SB: 27A0130 FOR NHA/OTHER SYS DET SEE: 31-01-37-01B | 002004 006100 107107 121503 904999 | RF |
| 7 | BAC27NEX1004 | | .DECAL- PLACARD CONTENT: K10207 | 121503 904949 | 1 |
| 10 | BAC27NEX0992 | | .DECAL- PLACARD CONTENT: K10164 | 107107 | 1 |
| 12 | BAC27NEX0992 | | .DECAL- PLACARD CONTENT: K10164 | 002004 006100 121503 904999 | 1 |
| 15 | BAC27NEX1049 | | .DECAL- PLACARD CONTENT: TS5044 | 107107 904949 | 1 |
| 21 | BAC27NEX0986 | | .DECAL- PLACARD CONTENT: K10084 | 002004 006100 107107 121503 904999 | 2 |

MISSING ITEM NUMBERS NOT APPLICABLE

- ITEM NOT ILLUSTRATED

21-44-71-02

21-44-71
FIG. 02
PAGE 1
JAN 20/09

BRI



757

PARTS CATALOG (MAINTENANCE)

| FIG ITEM | PART NUMBER | 1 2 3 4 5 6 7 | NOMENCLATURE | EFFECT FROM TO | UNITS PER ASSY |
|----------|--------------------|---------------|--|--|----------------|
| 2 | 25 ES210-1632 | | .RELAY- SUPPLIER CODE: V99699 SPECIFICATION NUMBER: BACR13CF2AB OPTIONAL PART: JD4L018 V35344 JD4L031 V35344 BR246S0111 V56623 BR64S105 V56623 FCA210-71 V78290 61GB2319-1A320 V98927 ELECTRICAL EQUIP NUMBER: K10207 | 121503 904949 | 1 |
| | 30 M83726-29-2002P | | .RELAY- ELECTRICAL EQUIP NUMBER: K10164 | 121503 904949 | 1 |
| | 30 TDH8127-2002 | | .RELAY- SUPPLIER CODE: V58657 ELECTRICAL EQUIP NUMBER: K10164 | 002004 006100 107107 950999 | 1 |
| | 30 M83726-4-118 | | .RELAY- ELECTRICAL EQUIP NUMBER: K10164 | 121503 904949 | 1 |
| | 35 MS27418-2B | | .RELAY- ELECTRICAL EQUIP NUMBER: K10084 | 002004 006100 107107 121503 904999 | 1 |
| - | 37 NAS602-7P | | ATTACHING PARTS .SCREW- -----*----- | 002004 006100 107107 121503 904999 | 4 |

MISSING ITEM NUMBERS NOT APPLICABLE

- ITEM NOT ILLUSTRATED

BRI

21-44-71-02

BOEING PROPRIETARY - Copyright © - Unpublished Work - See title page for details.

21-44-71
FIG. 02
PAGE 2
JAN 20/09



757

PARTS CATALOG (MAINTENANCE)

| FIG ITEM | PART NUMBER | 1 2 3 4 5 6 7 | NOMENCLATURE | EFFECT FROM TO | UNITS PER ASSY |
|----------|------------------|---------------|---|----------------------------|----------------|
| 2 | 40 285T0177-3 | | .SENSOR ASSY- SUPPLIER CODE: V89954 ELECTRICAL EQUIP NUMBER: TS5044 COMPONENT MAINT MANUAL REF: 21-25-51 ATTACHING PARTS | 107107 904949 | 1 |
| - | 45 NAS601-32P | | .SCREW- | 107107 904949 | 2 |
| - | 50 AN960D6L | | .WASHER- | 107107 904949 | 2 |
| | 52 BAC27TEX1985 | | -----*----- ..MARKER-ALUMINUM FOIL SUPPLIER CODE: V89954 | 107107 904949 | 1 |
| | 53 BAC27TEX1989 | | ..LABEL- SUPPLIER CODE: V89954 | 107107 904949 | 1 |
| - | 200 286N1270-002 | | WIRE BUNDLE ASSY-(AFT/BULK CARGO COMPARTMENT HEATING SYSTEM ONLY) REWORKED BY ALERT SB: 27A0130 34A0222 | 121503 904949 | RF |
| - | 200 286N1270-003 | | WIRE BUNDLE ASSY-(AFT/BULK CARGO COMPARTMENT HEATING SYSTEM ONLY) REWORKED BY ALERT SB: 27A0130 34A0222 | 107107 | RF |
| - | 200 286N1270-005 | | WIRE BUNDLE ASSY- REWORKED BY SB: 33-0039 34-0200 REWORKED BY ALERT SB: 27A0130 34A0222 | 002004 006100 950999 | RF |
| | 205 BACS16W1 | | .SOCKET- ELECTRICAL EQUIP NUMBER: D02604 WIRING DIAGRAM REF: 214411 | 121503 904949 | 1 |

MISSING ITEM NUMBERS NOT APPLICABLE

- ITEM NOT ILLUSTRATED

BRI

21-44-71-02

21-44-71
FIG. 02
PAGE 3
JAN 20/09



757

PARTS CATALOG (MAINTENANCE)

| FIG ITEM | PART NUMBER | 1 2 3 4 5 6 7 | NOMENCLATURE | EFFECT FROM TO | UNITS PER ASSY |
|----------|-------------|---------------|--|--------------------------------------|----------------|
| 2 205 | RSF116416 | | . SOCKET- SUPPLIER CODE: V58982 SPECIFICATION NUMBER: BACS16W5A OPTIONAL PART: 102-010-1 V09922 000300-1545 V05574 ELECTRICAL EQUIP NUMBER: D02604 WIRING DIAGRAM REF: 214411 | 002004 006100 107107 950999 | 1 |
| 210 | RSF116200 | | . SOCKET- SUPPLIER CODE: V58982 SPECIFICATION NUMBER: BACS16X1A OPTIONAL PART: 102-006-1 V09922 000300-1538 V05574 ELECTRICAL EQUIP NUMBER: D02602 WIRING DIAGRAM REF: 214411 | 121503 904949 | 1 |

MISSING ITEM NUMBERS NOT APPLICABLE

- ITEM NOT ILLUSTRATED

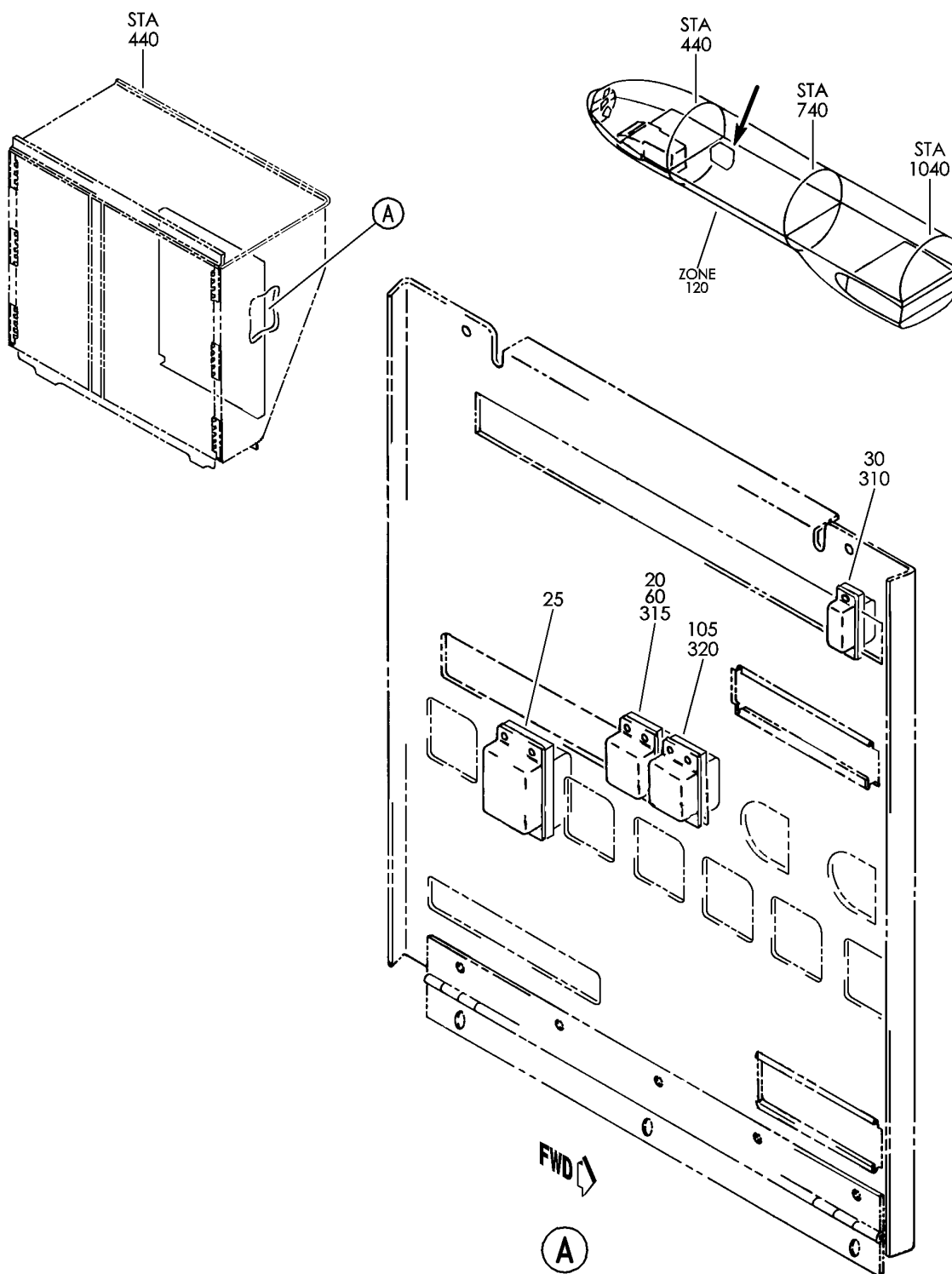
BRI

21-44-71-02

BOEING PROPRIETARY - Copyright © - Unpublished Work - See title page for details.

21-44-71
FIG. 02
PAGE 4
JAN 20/09

BOEING
757
PARTS CATALOG (MAINTENANCE)



Y 21-447102B REV 226

PACKAGE ASSY-OPTION P37 MISC RELAY (AFT/BULK CARGO COMPARTMENT HEATING SYSTEM ONLY)
FIGURE 2B

BRI
MAY 28/07

21-44-71-02B

21-44-71-02B
PAGE 0



757

PARTS CATALOG (MAINTENANCE)

| FIG ITEM | PART NUMBER | 1 2 3 4 5 6 7 | NOMENCLATURE | EFFECT FROM TO | UNITS PER ASSY |
|----------|---------------|---------------|---|------------------|----------------|
| 2B | | | PACKAGE ASSY-OPTION P37 MISC RELAY (AFT/BULK CARGO COMPARTMENT HEATING SYSTEM ONLY) | 101102 504903 | |
| - 1 | 284N1127-1041 | | PACKAGE ASSY-OPTION P37 MISC RELAY (BULK CARGO COMPARTMENT HEATING SYSTEM ONLY) REWORKED BY ALERT SB: 27A0130 FOR NHA/OTHER SYS DET SEE: 31-01-37-02 | 101102 504903 | RF |
| 25 | MS27418-2B | | .RELAY- ELECTRICAL EQUIP NUMBER: K10084 | 101102 504903 | 1 |
| 30 | JAD9F007 | | .RELAY- SUPPLIER CODE: V58657 SPECIFICATION NUMBER: BACR13CJ2 ELECTRICAL EQUIP NUMBER: K10598 | 101102 504903 | 1 |
| - 50 | 284N1127-1043 | | PACKAGE ASSY-OPTION P37 MISC RELAY (BULK CARGO COMPARTMENT HEATING SYSTEM ONLY) REWORKED BY ALERT SB: 27A0130 FOR NHA/OTHER SYS DET SEE: 31-01-37-02 | 101102 504903 | RF |
| 60 | TDH8127-2002 | | .RELAY- SUPPLIER CODE: V58657 ELECTRICAL EQUIP NUMBER: K10164 | 101102 504903 | 1 |
| - 300 | 286N1270-336 | | WIRE BUNDLE ASSY- REWORKED BY ALERT SB: 34A0222 27A0130 | 504903 | RF |
| - 301 | 286N1270-361 | | WIRE BUNDLE ASSY- REWORKED BY ALERT SB: 34A0222 27A0130 | 101101 | RF |
| - 302 | 286N1270-399 | | WIRE BUNDLE ASSY- REWORKED BY ALERT SB: 34A0222 27A0130 | 102102 | RF |

MISSING ITEM NUMBERS NOT APPLICABLE

- ITEM NOT ILLUSTRATED

21-44-71-02B

21-44-71
FIG. 02B
PAGE 1
JAN 20/09

BRI



757

PARTS CATALOG (MAINTENANCE)

| FIG ITEM | PART NUMBER | 1 2 3 4 5 6 7 | NOMENCLATURE | EFFECT FROM TO | UNITS PER ASSY |
|-----------|-------------|---------------|--|------------------|----------------|
| 2B 310 | RSF116208 | | . SOCKET- SUPPLIER CODE: V58982 SPECIFICATION NUMBER: BACS16X3A OPTIONAL PART: 102-005-1 V09922 000300-1541 V05574 ELECTRICAL EQUIP NUMBER: D07608 WIRING DIAGRAM REF: 214411 | 101102 504903 | 1 |
| 315 | RSF116416 | | . SOCKET- SUPPLIER CODE: V58982 SPECIFICATION NUMBER: BACS16W5A OPTIONAL PART: 102-010-1 V09922 000300-1545 V05574 ELECTRICAL EQUIP NUMBER: D02604 WIRING DIAGRAM REF: 214411 | 101102 504903 | 1 |

MISSING ITEM NUMBERS NOT APPLICABLE

- ITEM NOT ILLUSTRATED

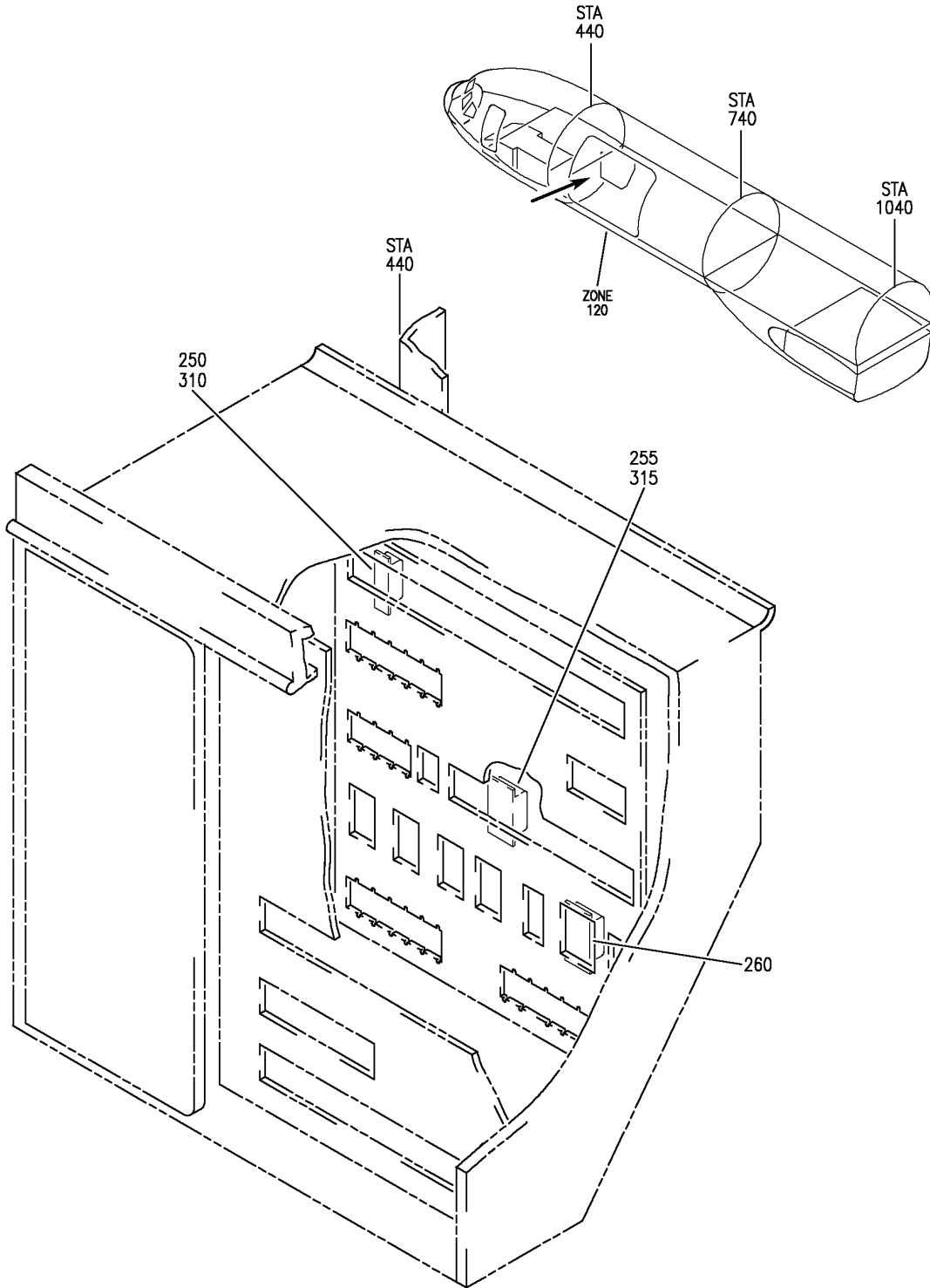
21-44-71-02B

21-44-71
FIG. 02B
PAGE 2
JAN 20/09

BRI

BOEING PROPRIETARY - Copyright © - Unpublished Work - See title page for details.

BOEING
757
PARTS CATALOG (MAINTENANCE)



Y 21 447102D REV 255

PANEL INSTL-P37 R MISC RELAY (AFT/BULK CARGO COMPARTMENT HEATING SYSTEM ONLY)
FIGURE 2D

BRI
JAN 20/09

21-44-71-02D

21-44-71-02D
PAGE 0



757

PARTS CATALOG (MAINTENANCE)

| FIG ITEM | PART NUMBER | 1 2 3 4 5 6 7 | NOMENCLATURE | EFFECT FROM TO | UNITS PER ASSY |
|-------------|-------------|---------------|--|-------------------|----------------------|
| 2D | | | PANEL INSTL-P37 R MISC RELAY (AFT/BULK CARGO COMPARTMENT HEATING SYSTEM ONLY) | 103106 108120 | |

MISSING ITEM NUMBERS NOT APPLICABLE

- ITEM NOT ILLUSTRATED

BRI

21-44-71-02D

BOEING PROPRIETARY - Copyright © - Unpublished Work - See title page for details.

21-44-71
FIG. 02D
PAGE 1
JAN 20/09



757

PARTS CATALOG (MAINTENANCE)

| FIG ITEM | PART NUMBER | 1 2 3 4 5 6 7 | NOMENCLATURE | EFFECT FROM TO | UNITS PER ASSY |
|-----------|--------------|---------------|---|----------------|----------------|
| 2D - 1 | MODREF185037 | | PANEL INSTL-P37 R MISC RELAY (AFT/BULK CARGO COMPARTMENT HEATING SYSTEM ONLY) MODULE NUMBER: 284N1127-169 REV D FOR OTHER SYS DETAILS SEE: 11-36-12-02A 21-25-71-02D 21-45-31-01D 21-51-55-01D 21-58-71-02D 21-61-71-02D 23-31-51-05 24-21-51-05 24-51-01-02 24-51-02-03 24-51-58-02D 27-62-71-03D 28-22-71-03D 29-21-71-01D 30-11-71-02D 30-21-71-03D 30-31-71-02D 30-32-71-02D 30-33-71-02D 30-34-51-01D 31-01-37-10 31-31-71-02D 32-09-02-04D 32-42-71-02D 32-61-71-02D 33-43-55-01D 33-51-71-01D 34-12-71-02D 34-25-50-01D 34-61-52-01D 35-21-71-02D 36-11-71-02D 38-15-71-02D 73-21-55-01D 74-31-71-02D 76-11-71-02D 77-12-71-01D 78-34-71-02D 78-36-71-02D 80-11-71-02D | 106106 | 1 |

MISSING ITEM NUMBERS NOT APPLICABLE

- ITEM NOT ILLUSTRATED

BRI

21-44-71-02D

BOEING PROPRIETARY - Copyright © - Unpublished Work - See title page for details.

21-44-71
FIG. 02D
PAGE 2
JAN 20/09



757

PARTS CATALOG (MAINTENANCE)

| FIG ITEM | PART NUMBER | 1 2 3 4 5 6 7 | NOMENCLATURE | EFFECT FROM TO | UNITS PER ASSY |
|-------------|--------------|---------------|--|-------------------|----------------------|
| 2D - 3 | 284N1127-118 | | PANEL INSTL-P37 R MISC RELAY (AFT/BULK CARGO COMPARTMENT HEATING SYSTEM ONLY) FOR NHA/OTHER SYS DET SEE: 24-00-58-05C | 108108 | RF |
| - 4 | 284N1127-139 | | PANEL INSTL-P37 R MISC RELAY (AFT/BULK CARGO COMPARTMENT HEATING SYSTEM ONLY) FOR NHA/OTHER SYS DET SEE: 24-00-58-05C | 109120 | RF |

MISSING ITEM NUMBERS NOT APPLICABLE

- ITEM NOT ILLUSTRATED

BRI

21-44-71-02D

BOEING PROPRIETARY - Copyright © - Unpublished Work - See title page for details.

21-44-71
FIG. 02D
PAGE 3
JAN 20/09



757

PARTS CATALOG (MAINTENANCE)

| FIG ITEM | PART NUMBER | 1 2 3 4 5 6 7 | NOMENCLATURE | EFFECT FROM TO | UNITS PER ASSY |
|-----------|-------------|---------------|---|----------------|----------------|
| 2D - 8 | MODREF31945 | | PANEL INSTL-P37 R MISC RELAY (AFT/BULK CARGO COMPARTMENT HEATING SYSTEM ONLY) MODULE NUMBER: 284N1127-169 REV B FOR OTHER SYS DETAILS SEE: 11-36-12-02A 21-25-71-02D 21-45-31-01D 21-51-55-01D 21-58-71-02D 21-61-71-02D 23-31-51-05 24-21-51-05 24-51-01-02 24-51-02-03 24-51-58-02D 27-62-71-03D 28-22-71-03D 29-21-71-01D 30-11-71-02D 30-21-71-03D 30-31-71-02D 30-32-71-02D 30-33-71-02D 30-34-51-01D 31-01-37-10 31-31-71-02D 32-09-02-04D 32-42-71-02D 32-61-71-02D 33-43-55-01D 33-51-71-01D 34-12-71-02D 34-25-50-01D 34-61-52-01D 35-21-71-02D 36-11-71-02D 38-15-71-02D 73-21-55-01D 74-31-71-02D 76-11-71-02D 77-12-71-01D 78-34-71-02D 78-36-71-02D 80-11-71-02D | 103103 | 1 |

MISSING ITEM NUMBERS NOT APPLICABLE

- ITEM NOT ILLUSTRATED

BRI

21-44-71-02D

BOEING PROPRIETARY - Copyright © - Unpublished Work - See title page for details.

21-44-71
FIG. 02D
PAGE 4
JAN 20/09



757

PARTS CATALOG (MAINTENANCE)

| FIG ITEM | PART NUMBER | 1 2 3 4 5 6 7 | NOMENCLATURE | EFFECT FROM TO | UNITS PER ASSY |
|-----------|-------------|---------------|---|----------------|----------------|
| 2D - 9 | MODREF34305 | | PANEL INSTL-P37 R MISC RELAY (AFT/BULK CARGO COMPARTMENT HEATING SYSTEM ONLY) MODULE NUMBER: 284N1127-169 REV C FOR OTHER SYS DETAILS SEE: 11-36-12-02A 21-25-71-02D 21-45-31-01D 21-51-55-01D 21-58-71-02D 21-61-71-02D 23-31-51-05 24-21-51-05 24-51-01-02 24-51-02-03 24-51-58-02D 27-62-71-03D 28-22-71-03D 29-21-71-01D 30-11-71-02D 30-21-71-03D 30-31-71-02D 30-32-71-02D 30-33-71-02D 30-34-51-01D 31-01-37-10 31-31-71-02D 32-09-02-04D 32-42-71-02D 32-61-71-02D 33-43-55-01D 33-51-71-01D 34-12-71-02D 34-25-50-01D 34-61-52-01D 35-21-71-02D 36-11-71-02D 38-15-71-02D 73-21-55-01D 74-31-71-02D 76-11-71-02D 77-12-71-01D 78-34-71-02D 78-36-71-02D 80-11-71-02D | 104105 | 1 |

MISSING ITEM NUMBERS NOT APPLICABLE

- ITEM NOT ILLUSTRATED

21-44-71-02D

21-44-71
FIG. 02D
PAGE 5
JAN 20/09

BRI



757

PARTS CATALOG (MAINTENANCE)

| FIG ITEM | PART NUMBER | 1 2 3 4 5 6 7 | NOMENCLATURE | EFFECT FROM TO | UNITS PER ASSY |
|-----------|--------------|---------------|---|------------------|----------------|
| 2D 250 | JAD9F007 | | .RELAY- SUPPLIER CODE: V58657 SPECIFICATION NUMBER: BACR13CJ2 ELECTRICAL EQUIP NUMBER: K10598 | 103106 108120 | 1 |
| 255 | TDH8127-2002 | | .RELAY- SUPPLIER CODE: V58657 ELECTRICAL EQUIP NUMBER: K10164 | 103106 108120 | 1 |
| 260 | MS27418-2B | | .RELAY- ELECTRICAL EQUIP NUMBER: K10084 ATTACHING PARTS | 103106 108120 | 1 |
| - 265 | NAS602-7P | | .SCREW- | 108120 | 4 |
| - 265 | BACS12CK08-7 | | .SCREW- | 103106 | 4 |
| | | | -----*----- | | |
| - 300 | 286N1270-360 | | WIRE BUNDLE ASSY- REWORKED BY ALERT SB: 34A0222 | 108120 | RF |
| - 302 | 286N1270-602 | | WIRE BUNDLE ASSY | 103106 | RF |
| 310 | RSF116208 | | .SOCKET- SUPPLIER CODE: V58982 SPECIFICATION NUMBER: BACS16X3A OPTIONAL PART: 102-005-1 V09922 000300-1541 V05574 ELECTRICAL EQUIP NUMBER: D07608 WIRING DIAGRAM REF: 214411 | 103106 108120 | 1 |

MISSING ITEM NUMBERS NOT APPLICABLE

- ITEM NOT ILLUSTRATED

21-44-71-02D

21-44-71
FIG. 02D
PAGE 6
JAN 20/09

BRI

BOEING PROPRIETARY - Copyright © - Unpublished Work - See title page for details.



757
PARTS CATALOG (MAINTENANCE)

| FIG ITEM | PART NUMBER | 1 2 3 4 5 6 7 | NOMENCLATURE | EFFECT FROM TO | UNITS PER ASSY |
|-------------|-------------|---------------|--|-------------------|----------------------|
| 2D 315 | RSF116416 | | . SOCKET- SUPPLIER CODE: V58982 SPECIFICATION NUMBER: BACS16W5A OPTIONAL PART: 102-010-1 V09922 000300-1545 V05574 ELECTRICAL EQUIP NUMBER: D02604 WIRING DIAGRAM REF: 214411 | 103106 108120 | 1 |

MISSING ITEM NUMBERS NOT APPLICABLE

- ITEM NOT ILLUSTRATED

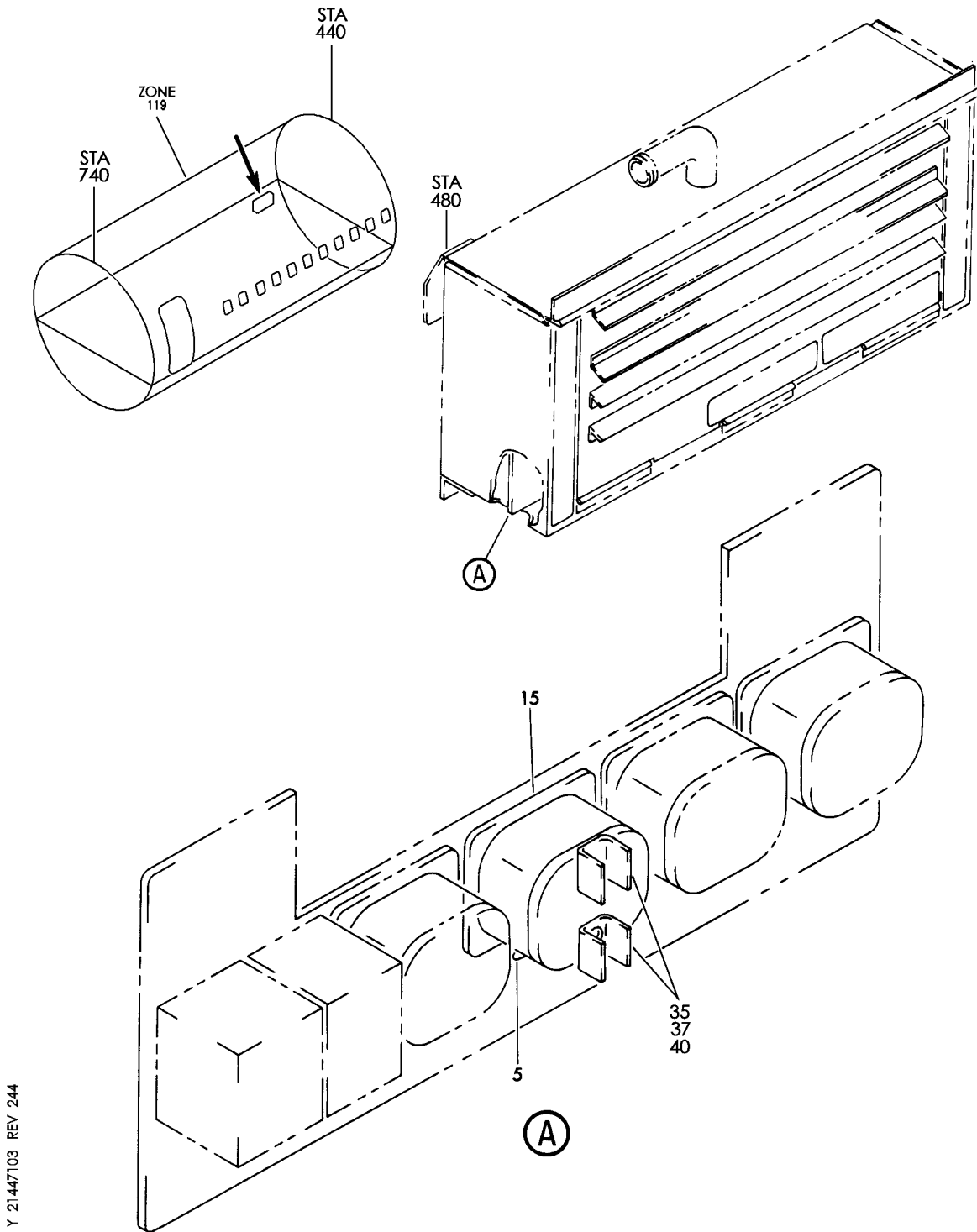
BRI

21-44-71-02D

BOEING PROPRIETARY - Copyright © - Unpublished Work - See title page for details.

21-44-71
FIG. 02D
PAGE 7
JAN 20/09

BOEING
757
PARTS CATALOG (MAINTENANCE)



Y 21447103 REV 244

PANEL ASSY-P70 MISC RELAY (AFT BULK CARGO COMPARTMENT HEATING SYSTEM ONLY)
FIGURE 3

BRI
MAY 28/07

21-44-71-03

21-44-71-03
PAGE 0



757

PARTS CATALOG (MAINTENANCE)

| FIG ITEM | PART NUMBER | 1 2 3 4 5 6 7 | NOMENCLATURE | EFFECT FROM TO | UNITS PER ASSY |
|----------|--------------|---------------|--|--|----------------|
| 3 | | | PANEL ASSY-P70 MISC RELAY (AFT BULK CARGO COMPARTMENT HEATING SYSTEM ONLY) | 002004 006100 107107 121503 904999 | |
| - 1 | 284N1129-1 | | PANEL ASSY-P70 MISC RELAY (AFT BULK CARGO COMPARTMENT HEATING SYSTEM ONLY) VARIABLE DRAWING REF: 284N1129-5012 284N1129-5021 284N1129-5035 284N1129-5049 284N1129-5054 FOR NHA/OTHER SYS DET SEE: 53-33-00-02 | 002004 006100 107107 121503 904999 | RF |
| 5 | BAC27NEX0201 | | .DECAL- PLACARD CONTENT: K10083 | 002004 006100 107107 121503 904999 | 1 |
| 15 | 9131-8506 | | .RELAY- SUPPLIER CODE: V35344 SPECIFICATION NUMBER: 10-61445-21 ELECTRICAL EQUIP NUMBER: K10083 COMPONENT MAINT MANUAL REF: 24-09-07 OPTIONAL PART: BH316A V74063 | 002004 006100 107107 121503 904999 | 1 |

MISSING ITEM NUMBERS NOT APPLICABLE

- ITEM NOT ILLUSTRATED

21-44-71-03

21-44-71
FIG. 03
PAGE 1
MAY 20/09

BRI

BOEING
757
PARTS CATALOG (MAINTENANCE)

| FIG ITEM | PART NUMBER | 1 2 3 4 5 6 7 | NOMENCLATURE | EFFECT FROM TO | UNITS PER ASSY |
|--|-------------------------------------|---------------|---|--|----------------|
| R R R R R R R R R R R R | 3 15 | BH316A | .RELAY- SUPPLIER CODE: V74063 FUNCTIONAL DESCRIPTION: A SEALED REPAIRABLE ELECTROMAGNETIC DEVICE FOR REMOTE ACTUATION OF 28V, 50 AMP ELECTRICAL CONTACT. SPECIFICATION NUMBER: 10-61445-21 ELECTRICAL EQUIP NUMBER: K10083 COMPONENT MAINT MANUAL REF: 24-09-36 OPTIONAL PART: 9131-8506 V35344 ATTACHING PARTS | 002004 006100 107107 121503 904999 | 1 |
| | - 25 | NAS603-7 | .SCREW- | 002004 006100 107107 121503 904999 | 4 |
| | - 25 | NAS603-7P | .SCREW- | 002004 006100 107107 121503 904999 | 4 |
| | - 30 | AN960D10L | .WASHER- | 002004 006100 107107 121503 904999 | 4 |
| | 35 | 66-22661-2 | -----*----- .BARRIER-RELAY TERM. OPTIONAL PART: 69-71501-1 | 002004 006100 107107 121503 904999 | 2 |
| | 37 | 69-71501-1 | .BARRIER-RELAY TERM. OPTIONAL PART: 66-22661-2 | 002004 006100 107107 121503 904999 | 2 |
| | MISSING ITEM NUMBERS NOT APPLICABLE | | | | |

- ITEM NOT ILLUSTRATED

BRI

21-44-71-03

BOEING PROPRIETARY - Copyright © - Unpublished Work - See title page for details.

21-44-71
FIG. 03
PAGE 2
MAY 20/09



757

PARTS CATALOG (MAINTENANCE)

| FIG ITEM | PART NUMBER | 1 2 3 4 5 6 7 | NOMENCLATURE | EFFECT FROM TO | UNITS PER ASSY |
|-------------|--------------|---------------|---|--|----------------------|
| 3 40 | 001-1908-000 | | . . BARRIER- SUPPLIER CODE : V58657 | 002004 006100 107107 121503 904999 | 1 |

MISSING ITEM NUMBERS NOT APPLICABLE

- ITEM NOT ILLUSTRATED

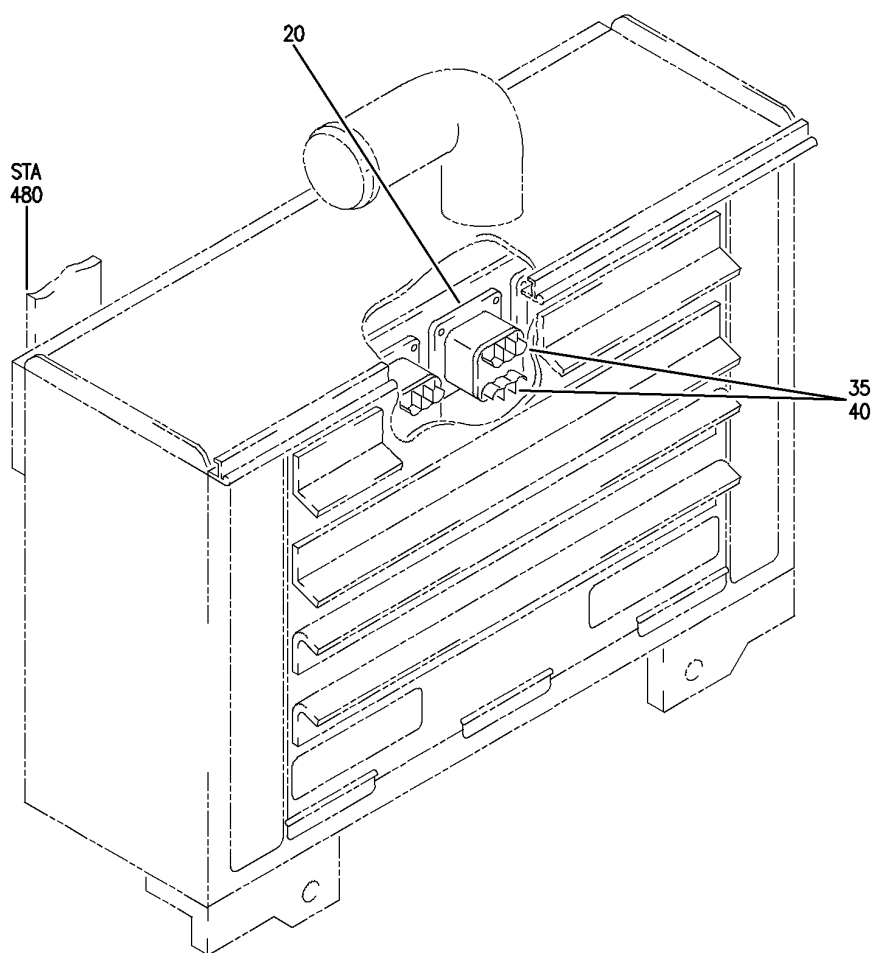
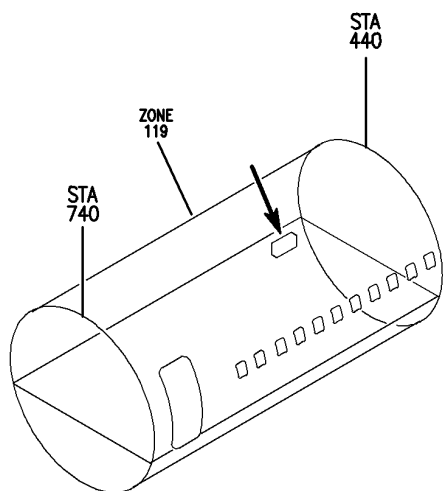
BRI

21-44-71-03

BOEING PROPRIETARY - Copyright © - Unpublished Work - See title page for details.

21-44-71
FIG. 03
PAGE 3
MAY 20/09

BOEING
757
PARTS CATALOG (MAINTENANCE)



Y 21447103A REV 244

PACKAGE ASSY-OPTION P70 MISC RELAY (AFT BULK CARGO COMPARTMENT HEATING SYSTEM ONLY)

FIGURE 3A

21-44-71-03A

BRI
MAY 28/07

21-44-71-03A
PAGE 0

BOEING
757
PARTS CATALOG (MAINTENANCE)

| FIG ITEM | PART NUMBER | 1 2 3 4 5 6 7 | NOMENCLATURE | EFFECT FROM TO | UNITS PER ASSY |
|----------|---------------|---------------|--|------------------|----------------|
| 3A | | | PACKAGE ASSY-OPTION P70 MISC RELAY (AFT BULK CARGO COMPARTMENT HEATING SYSTEM ONLY) | 101102 504903 | |
| - 1 | 284N1129-1001 | | PACKAGE ASSY-OPTION P70 MISC RELAY (AFT BULK CARGO COMPARTMENT HEATING SYSTEM ONLY) FOR NHA/OTHER SYS DET SEE: 31-01-70-01 | 101102 504903 | RF |
| 20 | 9131-8506 | | .RELAY- SUPPLIER CODE: V35344 SPECIFICATION NUMBER: 10-61445-21 ELECTRICAL EQUIP NUMBER: K10083 COMPONENT MAINT MANUAL REF: 24-09-01 OPTIONAL PART: BH316A V74063 | 101102 504903 | 1 |
| 20 | BH316A | | .RELAY- SUPPLIER CODE: V74063 FUNCTIONAL DESCRIPTION: A SEALED REPAIRABLE ELECTROMAGNETIC DEVICE FOR REMOTE ACTUATION OF 28V, 50 AMP ELECTRICAL CONTACT. SPECIFICATION NUMBER: 10-61445-21 ELECTRICAL EQUIP NUMBER: K10083 COMPONENT MAINT MANUAL REF: 24-09-36 OPTIONAL PART: 9131-8506 V35344 | 101102 504903 | 1 |
| - 25 | NAS603-7P | | ATTACHING PARTS .SCREW | 101102 504903 | 4 |
| - 30 | NAS1149D0316H | | .WASHER -----*----- | 101102 504903 | 4 |

MISSING ITEM NUMBERS NOT APPLICABLE

- ITEM NOT ILLUSTRATED

BRI

21-44-71-03A

BOEING PROPRIETARY - Copyright © - Unpublished Work - See title page for details.

21-44-71
FIG. 03A
PAGE 1
MAY 20/09



757

PARTS CATALOG (MAINTENANCE)

| FIG ITEM | PART NUMBER | 1 2 3 4 5 6 7 | NOMENCLATURE | EFFECT FROM TO | UNITS PER ASSY |
|-------------|--------------|---------------|--------------------------------------|-------------------|----------------------|
| 3A | | | | | |
| 35 | 69-71501-1 | . | BARRIER-RELAY TERM. | 101102 504903 | 2 |
| 40 | 001-1908-000 | .. | BARRIER- SUPPLIER CODE: V58657 | 101102 504903 | 1 |

MISSING ITEM NUMBERS NOT APPLICABLE

- ITEM NOT ILLUSTRATED

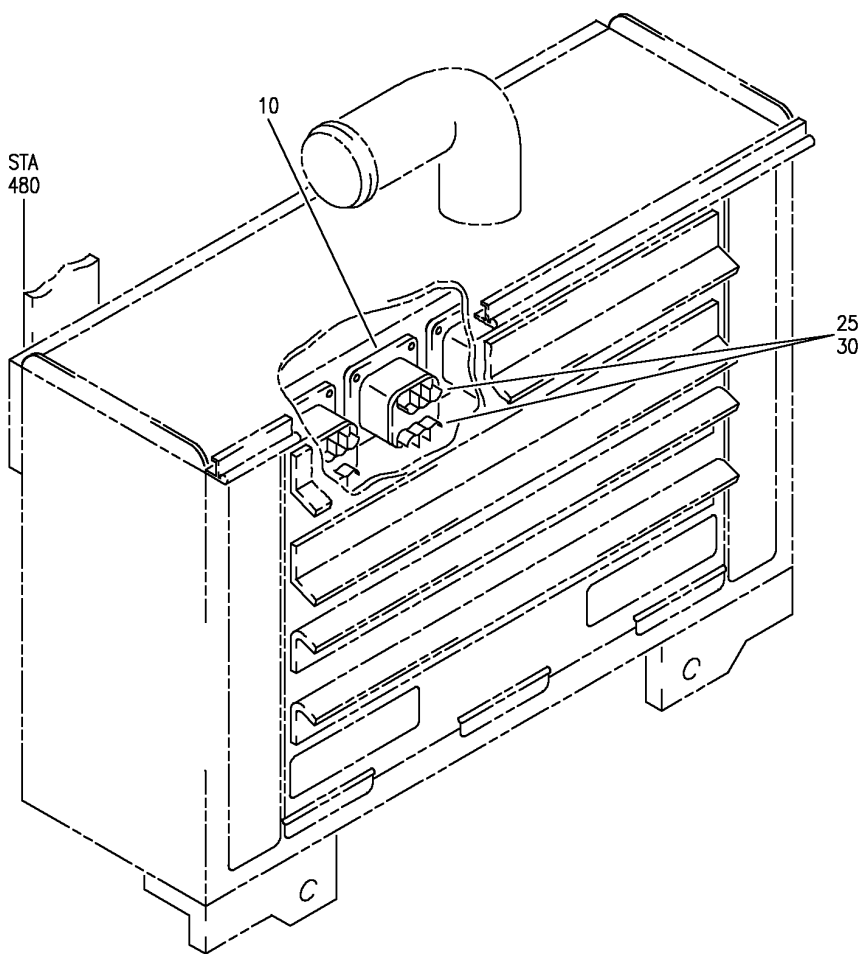
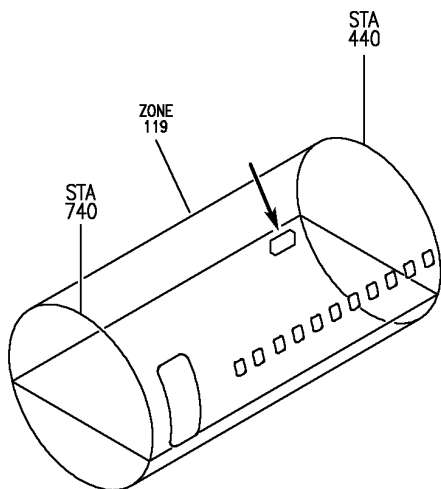
BRI

21-44-71-03A

BOEING PROPRIETARY - Copyright © - Unpublished Work - See title page for details.

21-44-71
FIG. 03A
PAGE 2
MAY 20/09

BOEING
757
PARTS CATALOG (MAINTENANCE)



Y 21447103B REV 263

PANEL INSTL-P70 MISC RELAY (AFT BULK CARGO COMPARTMENT HEATING SYSTEM ONLY)
FIGURE 3B

21-44-71-03B

BRI
JAN 20/09

21-44-71-03B
PAGE 0



757

PARTS CATALOG (MAINTENANCE)

| FIG ITEM | PART NUMBER | 1 2 3 4 5 6 7 | NOMENCLATURE | EFFECT FROM TO | UNITS PER ASSY |
|----------|--------------|---------------|---|------------------|----------------|
| 3B | | | PANEL INSTL-P70 MISC RELAY (AFT BULK CARGO COMPARTMENT HEATING SYSTEM ONLY) | 103106 108120 | |
| - 2 | 284N1129-423 | | PANEL INSTL-P70 MISC RELAY (AFT BULK CARGO COMPARTMENT HEATING SYSTEM ONLY) | 108120 | RF |
| - 5 | MODREF31428 | | FOR NHA/OTHER SYS DET SEE: 24-00-58-05C PANEL INSTL-P70 MISC RELAY (AFT BULK CARGO COMPARTMENT HEATING SYSTEM ONLY) MODULE NUMBER: 284N1129-438 REV A FOR OTHER SYS DETAILS SEE: 11-36-10-01B 21-25-71-03C 21-43-71-02B 21-45-61-01 23-32-55-03B 24-51-02-07 24-51-04-01 24-51-60-04 24-53-71-04B 27-51-71-04B 28-25-71-04B 31-01-70-05 33-45-51-02B | 103105 | RF |

MISSING ITEM NUMBERS NOT APPLICABLE

- ITEM NOT ILLUSTRATED

21-44-71-03B

21-44-71
FIG. 03B
PAGE 1
JAN 20/09

BRI



757

PARTS CATALOG (MAINTENANCE)

| FIG ITEM | PART NUMBER | 1 2 3 4 5 6 7 | NOMENCLATURE | EFFECT FROM TO | UNITS PER ASSY |
|-----------|--------------|---------------|---|------------------|----------------|
| 3B - 5 | MODREF170991 | | PANEL INSTL-P70 MISC RELAY (AFT BULK CARGO COMPARTMENT HEATING SYSTEM ONLY) MODULE NUMBER: 284N1129-438 REV C FOR OTHER SYS DETAILS SEE: 11-36-10-01B 21-25-71-03C 21-43-71-02B 21-45-61-01 23-32-55-03B 24-51-02-07 24-51-04-01 24-51-60-04 24-53-71-04B 27-51-71-04B 28-25-71-04B 31-01-70-05 33-45-51-02B | 106106 | RF |
| 10 | 9131-8506 | | .RELAY- SUPPLIER CODE: V35344 SPECIFICATION NUMBER: 10-61445-21 ELECTRICAL EQUIP NUMBER: K10083 COMPONENT MAINT MANUAL REF: 24-09-01 OPTIONAL PART: BH316A V74063 | 103106 108120 | 1 |

MISSING ITEM NUMBERS NOT APPLICABLE

- ITEM NOT ILLUSTRATED

BRI

21-44-71-03B

BOEING PROPRIETARY - Copyright © - Unpublished Work - See title page for details.

21-44-71
FIG. 03B
PAGE 2
MAY 20/09



757

PARTS CATALOG (MAINTENANCE)

| FIG ITEM | PART NUMBER | 1 2 3 4 5 6 7 | NOMENCLATURE | EFFECT FROM TO | UNITS PER ASSY |
|--|-------------|---------------|--|------------------|----------------|
| R R R R R R R R R R | 3B 10 | BH316A | .RELAY- SUPPLIER CODE: V74063 FUNCTIONAL DESCRIPTION: A SEALED REPAIRABLE ELECTROMAGNETIC DEVICE FOR REMOTE ACTUATION OF 28V, 50 AMP ELETRICAL CONTACT. SPECIFICATION NUMBER: 10-61445-21 ELECTRICAL EQUIP NUMBER: K10083 COMPONENT MAINT MANUAL REF: 24-09-36 OPTIONAL PART: 9131-8506 V35344 ATTACHING PARTS | 103106 108120 | 1 |
| | - 15 | NAS603-7P | .SCREW | 108120 | 4 |
| | - 15 | BACS12CK3-7 | .SCREW | 103106 | 4 |
| | - 20 | NAS1149D0316H | .WASHER | 103106 108120 | 4 |
| | | | -----*----- | | |
| | 25 | 69-71501-1 | .BARRIER-RELAY TERM. | 103106 108120 | 2 |
| | 30 | 001-1908-000 | ..BARRIER- SUPPLIER CODE: V58657 | 103106 108120 | 1 |
| | | | | | |
| | | | | | |
| | | | | | |

MISSING ITEM NUMBERS NOT APPLICABLE

- ITEM NOT ILLUSTRATED

21-44-71-03B

21-44-71
FIG. 03B
PAGE 3
MAY 20/09

BRI

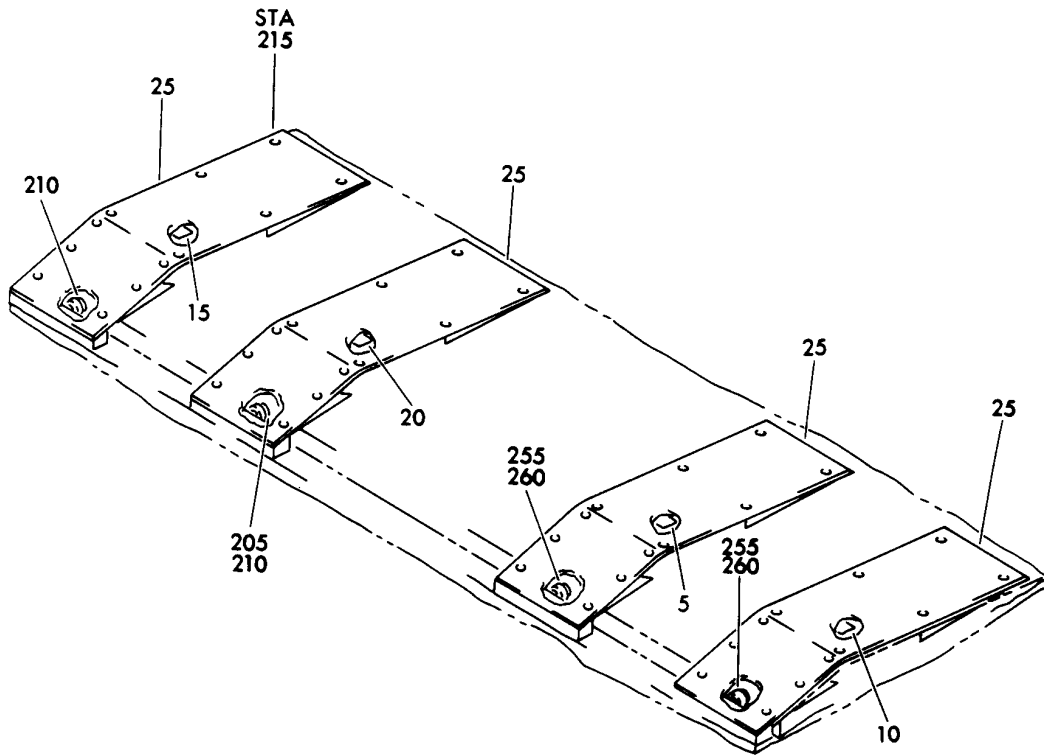
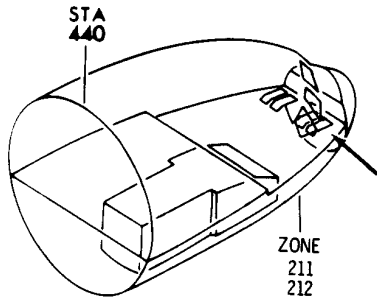
BOEING PROPRIETARY - Copyright © - Unpublished Work - See title page for details.

SUPPLEMENTAL HEATING SYSTEM

BRI
MAY 28/07

21-45-00
SECTION TITLE
PAGE 1

BOEING
757
PARTS CATALOG (MAINTENANCE)



Y 21450101 SHT 1 REV 034

DUCT INSTL-FLIGHT DECK CONDITIONED AIR SIDEWALL (SUPPLEMENTAL HEATING SYSTEM ONLY)

FIGURE 1

21-45-01-01

BRI
MAY 28/07

21-45-01-01
PAGE 0



757

PARTS CATALOG (MAINTENANCE)

| FIG ITEM | PART NUMBER | 1 2 3 4 5 6 7 | NOMENCLATURE | EFFECT FROM TO | UNITS PER ASSY |
|----------|--------------|---------------|--|--|----------------|
| 1 | | | DUCT INSTL-FLIGHT DECK CONDITIONED AIR SIDEWALL (SUPPLEMENTAL HEATING SYSTEM ONLY) | 002004 006100 107107 121503 904999 | |
| - 1 | 214N1005-2 | | DUCT INSTL-FLIGHT DECK CONDITIONED AIR SIDEWALL (SUPPLEMENTAL HEATING SYSTEM ONLY) FOR NHA/OTHER SYS DET SEE: 21-00-00-01 | 002004 006010 107107 121503 904999 | RF |
| - 1 | 214N1005-6 | | DUCT INSTL-FLIGHT DECK CONDITIONED AIR SIDEWALL (SUPPLEMENTAL HEATING SYSTEM ONLY) FOR NHA/OTHER SYS DET SEE: 21-00-00-01 | 011100 | RF |
| 5 | BAC27NEC0013 | | .DECAL- PLACARD CONTENT: B10047 HEATER, ELECTRIC, FOOT, (F/O, LEFT) | 002004 006100 107107 121503 904999 | 1 |
| 10 | BAC27NEC0159 | | .DECAL- PLACARD CONTENT: B10046 HEATER, ELECTRIC, FOOT, (F/O, RIGHT) | 002004 006100 107107 121503 904999 | 1 |
| 15 | BAC27NEC0015 | | .DECAL- PLACARD CONTENT: B10044 HEATER, ELECTRIC, FOOT, (CAPT, LEFT) | 002004 006100 107107 121503 904999 | 1 |
| 20 | BAC27NEC0016 | | .DECAL- PLACARD CONTENT: B10045 HEATER, ELECTRIC, FOOT, (CAPT, RIGHT) | 002004 006100 107107 121503 904999 | 1 |

MISSING ITEM NUMBERS NOT APPLICABLE

- ITEM NOT ILLUSTRATED

BRI

21-45-01-01

21-45-01
FIG. 01
PAGE 1
JAN 20/09



**757
PARTS CATALOG (MAINTENANCE)**

| FIG ITEM | PART NUMBER | 1 2 3 4 5 6 7 | NOMENCLATURE | EFFECT FROM TO | UNITS PER ASSY |
|-------------|-------------|---------------|---|--------------------------------------|----------------------|
| 1 25 | 60-3606-1 | | .HEATER-ELEC SUPPLIER CODE: V63367 SPECIFICATION NUMBER: S214N101-1 ELECTRICAL EQUIP NUMBER: B10044 B10045 B10047 B10048 COMPONENT MAINT MANUAL REF: 21-45-01 QUALIFIED I/W DATA: 60-3606-3 OR 116645-1 T/W PS10F9DS04BN MAY REPLACE 60-3606-1 T/W FH10F8DL12BN OR FH10F8DS04BN OR PS10F9DS04BN | 107107 | 4 |
| 25 | 116645-1 | | .HEATER-ELEC SUPPLIER CODE: V85932 SPECIFICATION NUMBER: S214N101-3 MISCELLANEOUS DATA: 60-3606-3 OR 116645-1 T/W PS10F9DS04BN MAY REPLACE 60-3606-1 T/W FH10F8DL12BN OR FH10F8DS04BN OR PS10F9DS04BN ELECTRICAL EQUIP NUMBER: B10044 B10045 B10047 B10048 COMPONENT MAINT MANUAL REF: 21-45-01 | 003004 006100 121503 904999 | 4 |

MISSING ITEM NUMBERS NOT APPLICABLE

— ITEM NOT ILLUSTRATED

BRI

21-45-01-01

BOEING PROPRIETARY - Copyright © - Unpublished Work - See title page for details.

21-45-01
FIG. 01
PAGE 2
JAN 20/09



757

PARTS CATALOG (MAINTENANCE)

| FIG ITEM | PART NUMBER | 1 2 3 4 5 6 7 | NOMENCLATURE | EFFECT FROM TO | UNITS PER ASSY |
|----------|--------------|---------------|---|--------------------------------------|----------------|
| 1 25 | 60-3606-3 | | .HEATER-ELEC SUPPLIER CODE: V63367 SPECIFICATION NUMBER: S214N101-2 ELECTRICAL EQUIP NUMBER: B10044 B10045 B10047 B10048 COMPONENT MAINT MANUAL REF: 21-45-01 QUALIFIED I/W DATA: 60-3606-3 OR 116645-1 T/W PS10F9DS04BN MAY REPLACE 60-3606-1 T/W FH10F8DL12BN OR FH10F8DS04BN OR PS10F9DS04BN | 003004 006100 121503 904999 | 4 |
| - 30 | FH10F8DS04BN | | .SCREW-COLORED SUPPLIER CODE: V12324 MISCELLANEOUS DATA: (60-3606-3 OR 116645-1 T/W PS10F9DS04BN MAY REPLACE 60-3606-1 T/W FH10F8DL12BN OR FH10F8DS04BN OR PS10F9DS04BN) | 107107 | 48 |
| - 30 | PS10F9DS04BN | | .SCREW-COLORED SUPPLIER CODE: V12324 MISCELLANEOUS DATA: (60-3606-3 OR 116645-1 T/W PS10F9DS04BN MAY REPLACE 60-3606-1 T/W FH10F8DL12BN OR FH10F8DS04BN OR PS10F9DS04BN) | 003004 006100 121503 904999 | 48 |
| - 200 | 286N2064-003 | | -----*----- WIRE BUNDLE ASSY- (SUPPLEMENTAL HEATING SYSTEM ONLY) | 121503 904949 | RF |
| - 200 | 286N2064-004 | | WIRE BUNDLE ASSY- (SUPPLEMENTAL HEATING SYSTEM ONLY) | 107107 | RF |

MISSING ITEM NUMBERS NOT APPLICABLE

- ITEM NOT ILLUSTRATED

21-45-01-01

21-45-01
FIG. 01
PAGE 3
JAN 20/09

BRI



757

PARTS CATALOG (MAINTENANCE)

| FIG ITEM | PART NUMBER | 1 2 3 4 5 6 7 | NOMENCLATURE | EFFECT FROM TO | UNITS PER ASSY |
|----------|---------------|---------------|--|--|----------------|
| 1 | | | | | |
| - 200 | 286N2064-005 | | WIRE BUNDLE ASSY- (SUPPLEMENTAL HEATING SYSTEM ONLY) REWORKED BY SB: 33-0039 | 002004 006100 950999 | RF |
| 205 | BACC10GH10 | | .CLAMP- ELECTRICAL EQUIP NUMBER: D02720T WIRING DIAGRAM REF: 214511 | 002004 006100 107107 121503 904999 | 1 |
| 210 | BACC45FN10-5S | | .CONNECTOR- ELECTRICAL EQUIP NUMBER: D01580 D02720 WIRING DIAGRAM REF: 214511 | 002004 006100 107107 121503 904999 | 2 |
| - 250 | 286N2070-003 | | WIRE BUNDLE ASSY- (SUPPLEMENTAL HEATING SYSTEM ONLY) | 121503 904949 | RF |
| - 250 | 286N2070-004 | | WIRE BUNDLE ASSY- (SUPPLEMENTAL HEATING SYSTEM ONLY) | 107107 | RF |
| - 250 | 286N2070-005 | | WIRE BUNDLE ASSY- (SUPPLEMENTAL HEATING SYSTEM ONLY) | 002004 006100 950999 | RF |
| 255 | BACC10GH10 | | .CLAMP- ELECTRICAL EQUIP NUMBER: D01584T D02722T WIRING DIAGRAM REF: 214511 | 002004 006100 107107 121503 904999 | 2 |
| 260 | BACC45FN10-5S | | .CONNECTOR- ELECTRICAL EQUIP NUMBER: D01584 D02722 WIRING DIAGRAM REF: 214511 | 002004 006100 107107 121503 904999 | 2 |

MISSING ITEM NUMBERS NOT APPLICABLE

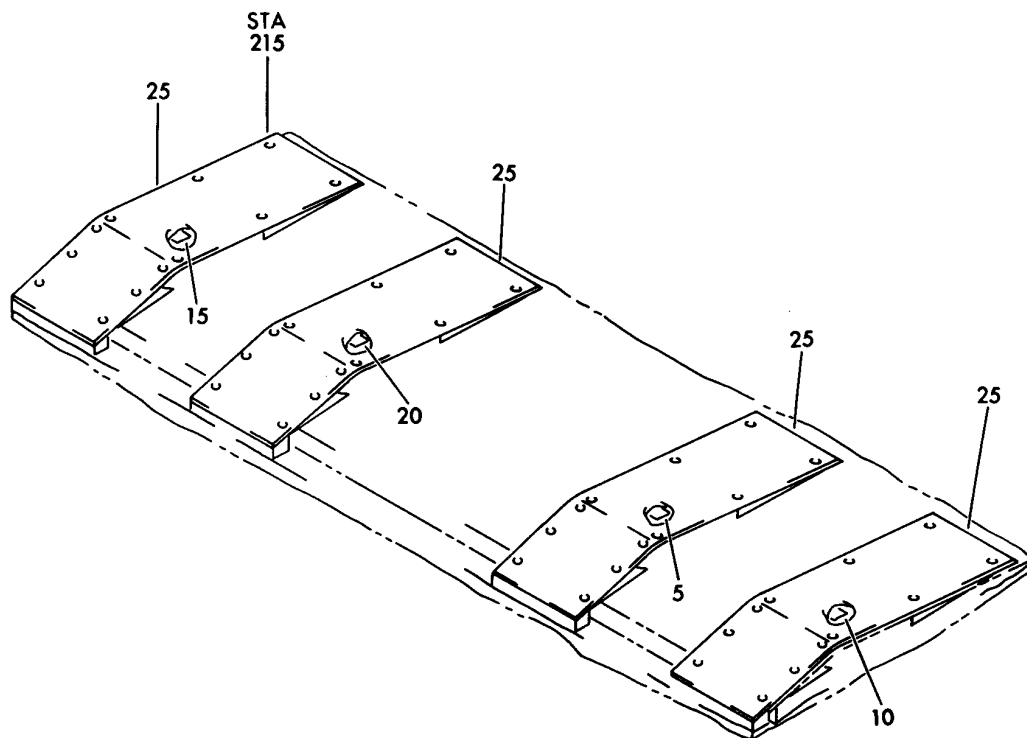
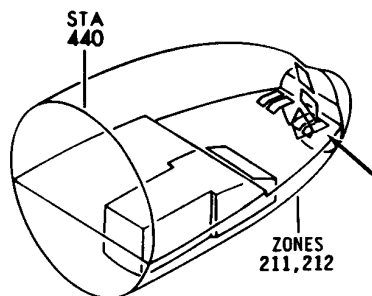
- ITEM NOT ILLUSTRATED

BRI

21-45-01-01

21-45-01
FIG. 01
PAGE 4
JAN 20/09

BOEING
757
PARTS CATALOG (MAINTENANCE)



Y 21450101A REV 178

DUCT INSTL-FLIGHT DECK CONDITIONED AIR SIDEWALL (SUPPLEMENTAL HEATING SYSTEM ONLY)
FIGURE 1A

BRI
MAY 28/07

21-45-01-01A

21-45-01-01A
PAGE 0



757

PARTS CATALOG (MAINTENANCE)

| FIG ITEM | PART NUMBER | 1 2 3 4 5 6 7 | NOMENCLATURE | EFFECT FROM TO | UNITS PER ASSY |
|----------|-----------------|---------------|--|----------------------------|----------------|
| 1 A | | | DUCT INSTL-FLIGHT DECK CONDITIONED AIR SIDEWALL (SUPPLEMENTAL HEATING SYSTEM ONLY) | 101106 108120 504903 | |
| - 1 | 214N1005-9 | | DUCT INSTL-FLIGHT DECK CONDITIONED AIR SIDEWALL (SUPPLEMENTAL HEATING SYSTEM ONLY) | 101106 108120 504903 | RF |
| | 5 BAC27NEC0013 | | FOR NHA/OTHER SYS DET SEE: 21-00-00-14 .DECAL- POSITION DATA: F/O LEFT PLACARD CONTENT: B10047 HEATER, ELECTRIC, FOOT | 101106 108120 504903 | 1 |
| | 10 BAC27NEC0159 | | .DECAL- POSITION DATA: F/O, RIGHT PLACARD CONTENT: B10046 HEATER, ELECTRIC, FOOT | 101106 108120 504903 | 1 |
| | 15 BAC27NEC0015 | | .DECAL- POSITION DATA: CAPT LEFT PLACARD CONTENT: B10044 HEATER, ELECTRIC, FOOT | 101106 108120 504903 | 1 |
| | 20 BAC27NEC0016 | | .DECAL- POSITION DATA: CAPT RIGHT PLACARD CONTENT: B10045 HEATER, ELECTRIC, FOOT | 101106 108120 504903 | 1 |

MISSING ITEM NUMBERS NOT APPLICABLE

- ITEM NOT ILLUSTRATED

BRI

21-45-01-01A

BOEING PROPRIETARY - Copyright © - Unpublished Work - See title page for details.

21-45-01
FIG. 01A
PAGE 1
JAN 20/09



757

PARTS CATALOG (MAINTENANCE)

| FIG ITEM | PART NUMBER | 1 2 3 4 5 6 7 | NOMENCLATURE | EFFECT FROM TO | UNITS PER ASSY |
|-----------|-------------|---------------|---|----------------------------|----------------|
| 1 A 25 | 116645-1 | | .HEATER-ELEC SUPPLIER CODE: V85932 SPECIFICATION NUMBER: S214N101-3 ELECTRICAL EQUIP NUMBER: B10044 B10045 B10047 B10048 COMPONENT MAINT MANUAL REF: 21-45-01 QUALIFIED I/W DATA: 60-3606-3 OR 116645-1 T/W PS10F9DS04BN MAY REPLACE 60-3606-1 T/W FH10F8DL12BN OR FH10F8DS04BN OR PS10F9DS04BN | 101106 108120 504903 | 4 |
| 25 | 60-3606-3 | | .HEATER-ELEC SUPPLIER CODE: V63367 SPECIFICATION NUMBER: S214N101-2 ELECTRICAL EQUIP NUMBER: B10044 B10045 B10047 B10048 COMPONENT MAINT MANUAL REF: 21-45-01 QUALIFIED I/W DATA: 60-3606-3 OR 116645-1 T/W PS10F9DS04BN MAY REPLACE 60-3606-1 T/W FH10F8DL12BN OR FH10F8DS04BN OR PS10F9DS04BN | 101106 108120 504903 | 4 |

MISSING ITEM NUMBERS NOT APPLICABLE

- ITEM NOT ILLUSTRATED

21-45-01-01A

21-45-01
FIG. 01A
PAGE 2
JAN 20/09

BRI

BOEING
757
PARTS CATALOG (MAINTENANCE)

| FIG ITEM | PART NUMBER | 1 2 3 4 5 6 7 NOMENCLATURE | EFFECT FROM TO | UNITS PER ASSY |
|-------------|--------------|--|----------------------------|----------------------|
| 1 A - 30 | PS10F9DS04BN | ATTACHING PARTS . SCREW-COLORED SUPPLIER CODE: V12324 QUALIFIED I/W DATA: 60-3606-3 OR 116645-1 T/W PS10F9DS04BN MAY REPLACE 60-3606-1 T/W FH10F8DL12BN OR FH10F8DS04BN OR PS10F9DS04BN -----*----- | 101106 108120 504903 | 48 |

MISSING ITEM NUMBERS NOT APPLICABLE

- ITEM NOT ILLUSTRATED

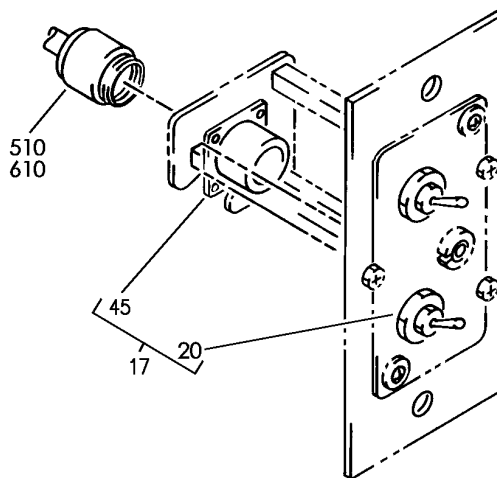
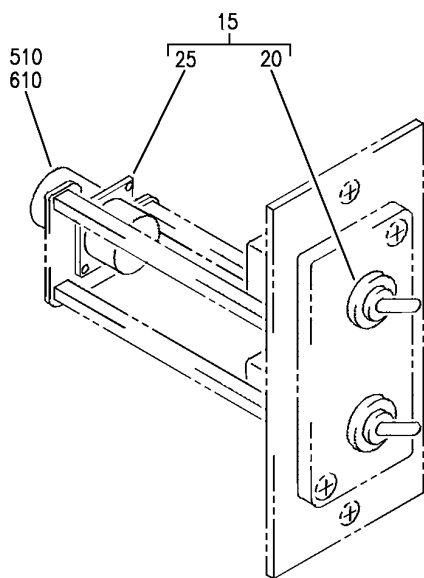
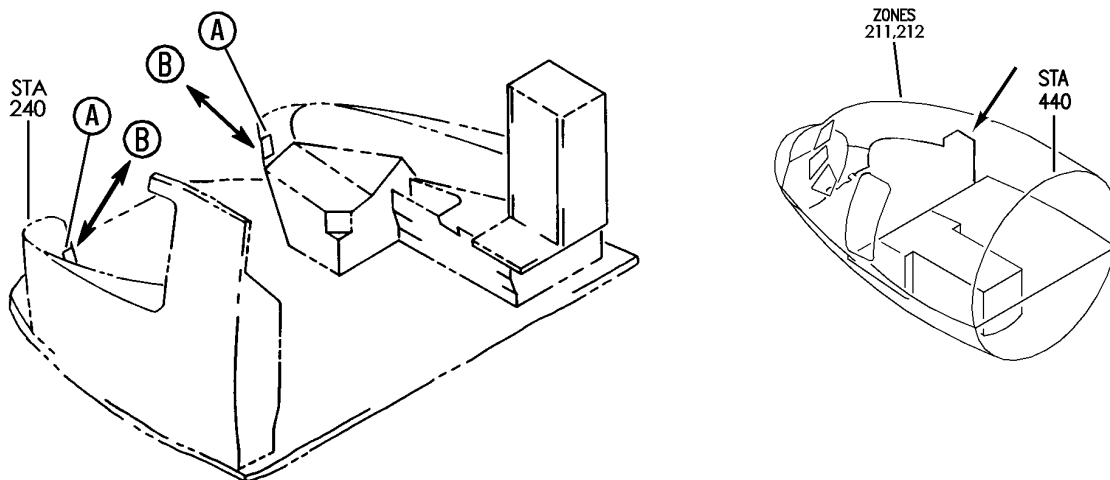
BRI

21-45-01-01A

BOEING PROPRIETARY - Copyright © - Unpublished Work - See title page for details.

21-45-01
FIG. 01A
PAGE 3
JAN 20/09

BOEING
757
PARTS CATALOG (MAINTENANCE)



Y 21450102 REV 260

PANEL INSTL-P13, P14, P17, AUX AND AUX HEATER CONT (FOOT ELECTRIC SURFACE HEATERS ONLY)

FIGURE 2

21-45-01-02

BRI
MAY 28/07

21-45-01-02
PAGE 0



757

PARTS CATALOG (MAINTENANCE)

| FIG ITEM | PART NUMBER | 1 2 3 4 5 6 7 | NOMENCLATURE | EFFECT FROM TO | UNITS PER ASSY |
|----------|----------------|---------------|--|----------------------------|----------------|
| 2 | | | PANEL INSTL-P13, P14, P17, AUX AND AUX HEATER CONT (FOOT ELECTRIC SURFACE HEATERS ONLY) | 011106 108120 504903 | |
| - 1 | 233N7101-1 | | PANEL INSTL-P13, P14, P17, AUX (FOOT ELECTRIC SURFACE HEATERS ONLY) VARIABLE DRAWING REF: 233N7101-5027 FOR NHA/OTHER SYS DET SEE: 25-10-00-05A | 011100 | RF |
| - 5 | 233N7103-2 | | PANEL INSTL-AUX HEATER CONT (FOOT ELECTRIC SURFACE HEATERS ONLY) FOR NHA/OTHER SYS DET SEE: 25-10-00-15 | 101102 108120 504903 | RF |
| - 5 | MODREF8634 | | PANEL INSTL-AUX HEATER CONT (FOOT ELECTRIC SURFACE HEATERS ONLY) MODULE NUMBER: 233N7103-2 REV A FOR OTHER SYS DETAILS SEE: 31-13-16-03 33-13-60-02 FOR ADDITIONAL DETAILS SEE: 21-45-02-03 | 103106 | 1 |
| - 10 | 233T7210-301 | | .PANEL ASSY- SUPPLIER CODE: V89954 ELECTRICAL EQUIP NUMBER: M00901 M00902 COMPONENT MAINT MANUAL REF: 21-45-01 | 011106 108120 504903 | RF |
| 15 | 233T7210-9 | | ..PANEL ASSY- SUPPLIER CODE: V89954 | 011106 108120 504903 | 1 |
| 20 | 102TL2-12A | | ...SWITCH- SUPPLIER CODE: V91929 | 011106 108120 504903 | 1 |
| 25 | BACC45FN12-12P | | ...CONNECTOR | 011106 108120 504903 | 1 |
| - 30 | NAS600-6P | | ATTACHING PARTS ...SCREW- | 011106 108120 504903 | 2 |

MISSING ITEM NUMBERS NOT APPLICABLE

- ITEM NOT ILLUSTRATED

21-45-01-02

21-45-01
FIG. 02
PAGE 1
JAN 20/09

BRI

 **BOEING**
757
PARTS CATALOG (MAINTENANCE)

| FIG ITEM | PART NUMBER | 1 2 3 4 5 6 7 | NOMENCLATURE | EFFECT FROM TO | UNITS PER ASSY |
|----------|----------------|---------------|--|----------------------------|----------------|
| 2 | | | | | |
| - 40 | K19798-04 | | . . . NUT SUPPLIER CODE: V15653 SPECIFICATION NUMBER: BACN10NW1 OPTIONAL PART: RMA4812-160-40 V72962 293162 V60119 -----*----- | 011106 108120 504903 | 2 |
| - 500 | 286N2064-005 | | WIRE BUNDLE ASSY- REWORKED BY SB: 33-0039 | 011100 | RF |
| - 501 | 286N2064-341 | | WIRE BUNDLE ASSY | 504903 | RF |
| - 501 | 286N2064-342 | | WIRE BUNDLE ASSY | 101102 | RF |
| - 501 | 286N2064-343 | | WIRE BUNDLE ASSY | 108120 | RF |
| - 502 | 286N2064-701 | | WIRE BUNDLE ASSY | 103106 | RF |
| 510 | BACC45FT12A12S | | .CONNECTOR- ELECTRICAL EQUIP NUMBER: D08072 WIRING DIAGRAM REF: 214511 | 011106 108120 504903 | 1 |
| - 600 | 286N2070-005 | | WIRE BUNDLE ASSY- | 011100 | RF |
| - 602 | 286N2070-335 | | WIRE BUNDLE ASSY | 101102 | RF |
| - 602 | 286N2070-337 | | WIRE BUNDLE ASSY | 108120 | RF |
| - 602 | 286N2070-340 | | WIRE BUNDLE ASSY | 504903 | RF |
| - 605 | 286N2070-601 | | WIRE BUNDLE ASSY | 103106 | RF |
| 610 | BACC45FT12A12S | | .CONNECTOR- ELECTRICAL EQUIP NUMBER: D08074 WIRING DIAGRAM REF: 214511 | 011106 108120 504903 | 1 |

MISSING ITEM NUMBERS NOT APPLICABLE

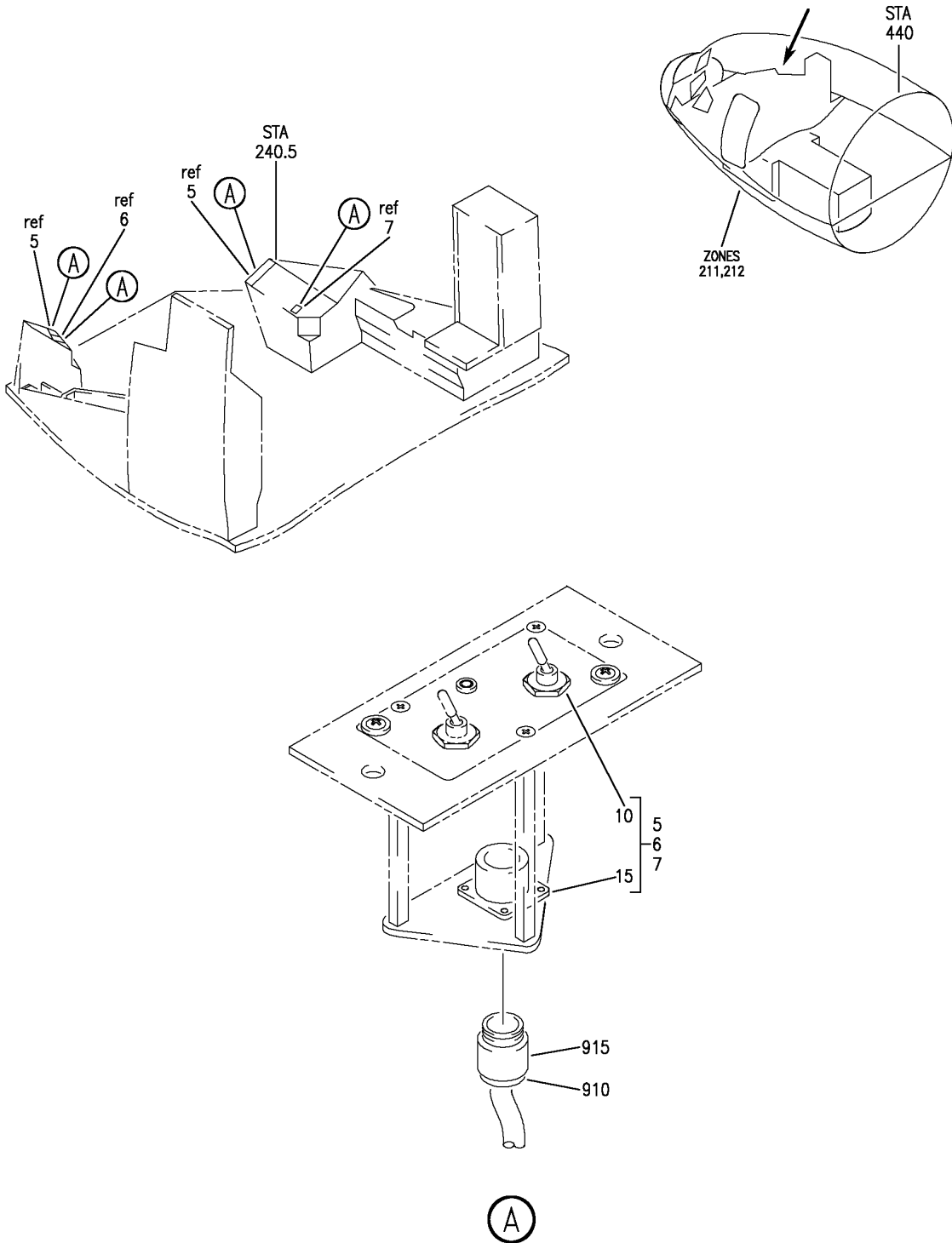
- ITEM NOT ILLUSTRATED

BRI

21-45-01-02

21-45-01
FIG. 02
PAGE 2
JAN 20/09

BOEING
757
PARTS CATALOG (MAINTENANCE)



Y 21450103 REV 315

PANEL INSTL-P13, P14 AND P17 AUX (FOOT ELECTRIC SURFACE HEATERS ONLY)
FIGURE 3

21-45-01-03

BRI
SEP 28/07

21-45-01-03
PAGE 0



757

PARTS CATALOG (MAINTENANCE)

| FIG ITEM | PART NUMBER | 1 2 3 4 5 6 7 | NOMENCLATURE | EFFECT FROM TO | UNITS PER ASSY |
|----------|----------------|---------------|---|--|----------------|
| 3 | | | PANEL INSTL-P13, P14 AND P17 AUX (FOOT ELECTRIC SURFACE HEATERS ONLY) | 002004 006010 107107 121503 904999 | |
| - 1 | 233N7101-1 | | PANEL INSTL-P13, P14 AND P17 AUX (FOOT ELECTRIC SURFACE HEATERS ONLY) VARIABLE DRAWING REF: 233N7101-5002 233N7101-5003 233N7101-5026 233N7101-5027 233N7101-5030 FOR NHA/OTHER SYS DET SEE: 25-10-00-05A | 002004 006010 107107 121503 904999 | RF |
| 5 | 233T7210-1 | | .PANEL ASSY-AUX HEATER CONT SUPPLIER CODE: V89954 ELECTRICAL EQUIP NUMBER: M00901 M00902 COMPONENT MAINT MANUAL REF: 21-45-01 | 107107 121503 904949 | RF |
| 5 | 233T7210-6 | | .PANEL ASSY-AUX HEATER CONT SUPPLIER CODE: V89954 ELECTRICAL EQUIP NUMBER: M00901 M00902 COMPONENT MAINT MANUAL REF: 21-45-01 | 002004 006010 107107 121503 904999 | RF |
| 10 | 102TL2-12A | | ..SWITCH- SUPPLIER CODE: V91929 | 002004 006010 107107 121503 904999 | 1 |
| 15 | BACC45FN12-12P | | ..CONNECTOR | 002004 006010 107107 121503 904999 | 1 |
| - 20 | NAS1801-04-6 | | ATTACHING PARTS ..SCREW | 002004 006010 107107 121503 904999 | 3 |

MISSING ITEM NUMBERS NOT APPLICABLE

- ITEM NOT ILLUSTRATED

21-45-01-03

21-45-01
FIG. 03
PAGE 1
JAN 20/09

BRI



757

PARTS CATALOG (MAINTENANCE)

| FIG ITEM | PART NUMBER | 1 2 3 4 5 6 7 | NOMENCLATURE | EFFECT FROM TO | UNITS PER ASSY |
|----------|----------------|---------------|--|--|----------------|
| 3 | | | | | |
| - 25 | K19798-04 | | . . NUT SUPPLIER CODE: V15653 SPECIFICATION NUMBER: BACN10NW1 OPTIONAL PART: RMA4812-160-40 V72962 293162 V60119 -----*----- | 002004 006010 107107 121503 904999 | 3 |
| - 900 | 286N2070-003 | | WIRE BUNDLE ASSY- | 121503 904949 | RF |
| - 900 | 286N2070-004 | | WIRE BUNDLE ASSY | 107107 | RF |
| - 900 | 286N2070-005 | | WIRE BUNDLE ASSY- | 002004 006010 950999 | RF |
| - 905 | 286N2064-003 | | WIRE BUNDLE ASSY | 121503 904949 | RF |
| - 905 | 286N2064-004 | | WIRE BUNDLE ASSY- | 107107 | RF |
| - 905 | 286N2064-005 | | WIRE BUNDLE ASSY- REWORKED BY SB: 33-0039 | 002004 006010 950999 | RF |
| 915 | BACC45FT12A12S | | .CONNECTOR- ELECTRICAL EQUIP NUMBER: D03094 D03152 WIRING DIAGRAM REF: 214511 | 002004 006010 121503 904999 | 1 |
| 915 | BACC45FT12A12S | | .CONNECTOR- POSITION DATA: RH ELECTRICAL EQUIP NUMBER: D03094 WIRING DIAGRAM REF: 214511 | 107107 | 1 |
| 915 | BACC45FT12-12S | | .CONNECTOR- POSITION DATA: LH ELECTRICAL EQUIP NUMBER: D03152 WIRING DIAGRAM REF: 214511 | 002004 006010 950999 | 1 |

MISSING ITEM NUMBERS NOT APPLICABLE

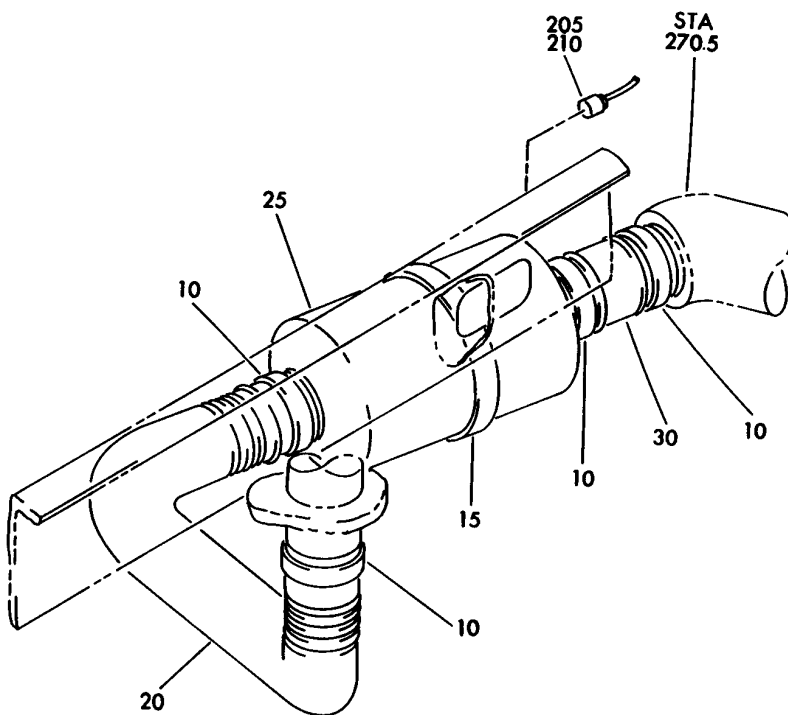
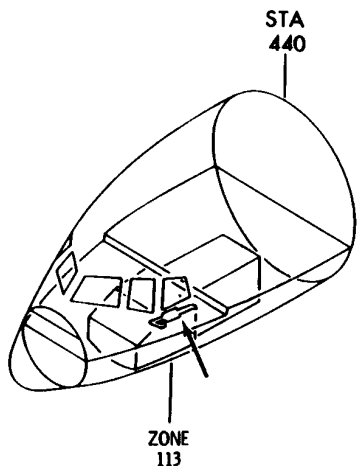
- ITEM NOT ILLUSTRATED

21-45-01-03

21-45-01
FIG. 03
PAGE 2
JAN 20/09

BRI

BOEING
757
PARTS CATALOG (MAINTENANCE)



Y 21450201 REV 131

DUCT INSTL-STA 234 TO 310 FLIGHT DECK CONDITIONED AIR BELOW FLOOR LH

FIGURE 1

21-45-02-01

BRI
MAY 28/07

21-45-02-01
PAGE 0



757

PARTS CATALOG (MAINTENANCE)

| FIG ITEM | PART NUMBER | 1 2 3 4 5 6 7 | NOMENCLATURE | EFFECT FROM TO | UNITS PER ASSY |
|----------|-------------|---------------|---|--|----------------|
| 1 | | | DUCT INSTL-STA 234 TO 310 FLIGHT DECK CONDITIONED AIR BELOW FLOOR LH | 002004 006999 | |
| - 1 | 214N1008-1 | | DUCT INSTL- FLIGHT DECK CONDITIONED AIR BELOW FLOOR (SUPPLEMENTAL HEATING SYSTEM ONLY) POSITION DATA: STA 234 TO 310 LH FOR NHA/OTHER SYS DET SEE: 21-00-00-01 | 002004 006100 107107 121503 904999 | RF |
| - 1 | 214N1008-3 | | DUCT INSTL- FLIGHT DECK CONDITIONED AIR BELOW FLOOR (SUPPLEMENTAL HEATING SYSTEM ONLY) POSITION DATA: STA 234 TO 310 LH FOR NHA/OTHER SYS DET SEE: 21-00-00-15 | 101102 504903 | RF |
| - 1 | 214N1008-5 | | DUCT INSTL- FLIGHT DECK CONDITIONED AIR BELOW FLOOR (SUPPLEMENTAL HEATING SYSTEM ONLY) POSITION DATA: STA 234 TO 310 LH FOR NHA/OTHER SYS DET SEE: 21-00-00-15 | 108120 | RF |
| - 1 | MODREF6178 | | DUCT INSTL- FLIGHT DECK CONDITIONED AIR BELOW FLOOR (SUPPLEMENTAL HEATING SYSTEM ONLY) MODULE NUMBER: 214N1008-5 REV A POSITION DATA: STA 234 TO 310 LH FOR OTHER SYS DETAILS SEE: 11-36-30-01 21-22-05-06 | 103106 | 1 |

MISSING ITEM NUMBERS NOT APPLICABLE

- ITEM NOT ILLUSTRATED

BRI

21-45-02-01

21-45-02
FIG. 01
PAGE 1
JAN 20/09

BOEING
757
PARTS CATALOG (MAINTENANCE)

| FIG ITEM | PART NUMBER | 1 2 3 4 5 6 7 | NOMENCLATURE | EFFECT FROM TO | UNITS PER ASSY |
|-------------|-------------|-----------------|---|--------------------------------------|----------------------|
| 1 | | | | | |
| R | 10 | 28 | .CLAMP SUPPLIER CODE: V7Z588 SPECIFICATION NUMBER: STBC10GG58-66 OPTIONAL PART: WWD58-66H V66295 | 002004 006102 107107 121999 | 4 |
| R | 10 | BACC10JB062C080 | .CLAMP | 103106 108120 | 4 |
| R | 15 | 72 | .CLAMP SUPPLIER CODE: V7Z588 SPECIFICATION NUMBER: STBC10GG160 OPTIONAL PART: WWD160H V66295 | 002004 006102 107107 121999 | 1 |
| R | 15 | BACC10JB126C156 | .CLAMP | 103106 108120 | 1 |
| R | 20 | BOE2027-07D0210 | .HOSE SUPPLIER CODE: V16632 SPECIFICATION NUMBER: AS1503-07D0210 | 002004 006999 | 1 |
| R | 25 | 2831-1 | .HEATER ASSY- SUPPLIER CODE: V98085 ELECTRICAL EQUIP NUMBER: B00031 | 002004 006999 | 1 |
| R | 30 | AS1506-07D32 | .HOSE- SUPPLIER CODE: V81343 | 002004 006999 | 1 |
| - | 200 | 286N2064-003 | WIRE BUNDLE ASSY | 121503 904949 | RF |
| - | 200 | 286N2064-004 | WIRE BUNDLE ASSY- | 107107 | RF |
| - | 200 | 286N2064-005 | WIRE BUNDLE ASSY- REWORKED BY SB: 33-0039 | 002004 006100 950999 | RF |
| R | 201 | 286N2064-343 | WIRE BUNDLE ASSY | 108120 | RF |
| R | 202 | 286N2064-341 | WIRE BUNDLE ASSY | 504903 | RF |
| R | 202 | 286N2064-701 | WIRE BUNDLE ASSY | 103106 | RF |
| - | 203 | 286N2064-342 | WIRE BUNDLE ASSY | 101102 | RF |
| | 210 | BACC45FT10A5P | .CONNECTOR- ELECTRICAL EQUIP NUMBER: D01582 WIRING DIAGRAM REF: 214511 | 002004 006999 | 1 |

MISSING ITEM NUMBERS NOT APPLICABLE

- ITEM NOT ILLUSTRATED

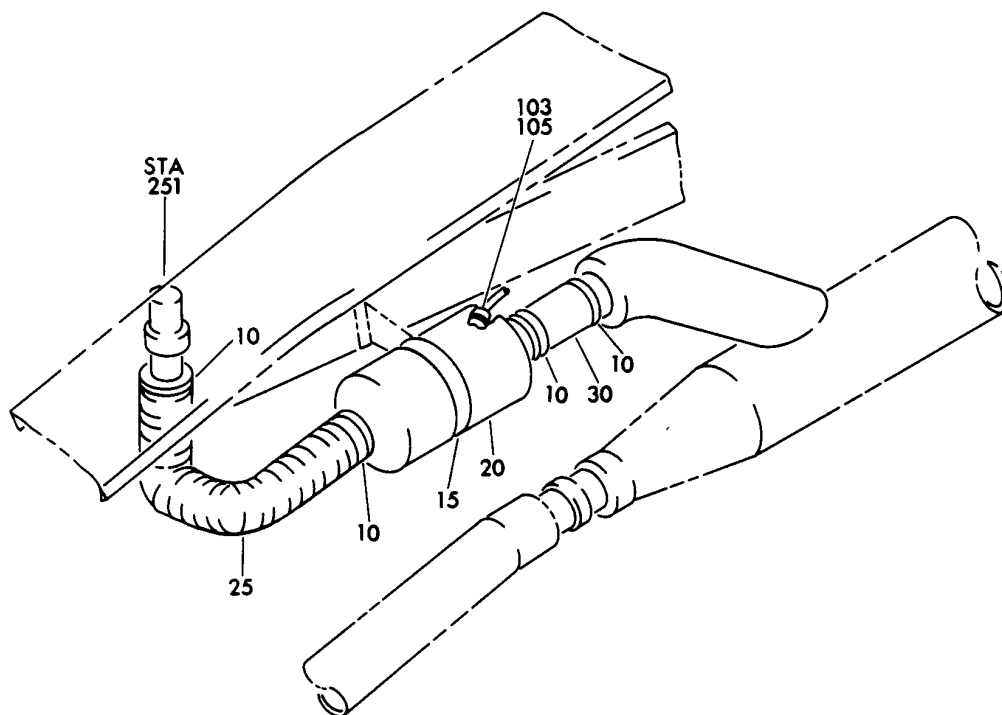
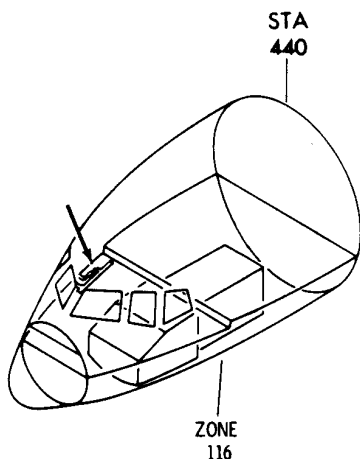
BRI

21-45-02-01

BOEING PROPRIETARY - Copyright © - Unpublished Work - See title page for details.

21-45-02
FIG. 01
PAGE 2
MAY 20/09

BOEING
757
PARTS CATALOG (MAINTENANCE)



Y 21450202 SHT 1 REV 086

DUCT INSTL-STA 234 TO 310 FLIGHT DECK CONDITIONED AIR BELOW FLOOR RH SIDE
FIGURE 2

BRI
MAY 28/07

21-45-02-02

21-45-02-02
PAGE 0

 **BOEING**
757
PARTS CATALOG (MAINTENANCE)

| FIG ITEM | PART NUMBER | 1 2 3 4 5 6 7 | NOMENCLATURE | EFFECT FROM TO | UNITS PER ASSY |
|---|--------------------|---------------|--|--|----------------|
| 2 | | | DUCT INSTL-STA 234 TO 310 FLIGHT DECK CONDITIONED AIR BELOW FLOOR RH SIDE | 002004 006999 | |
| - 1 | 214N1009-1 | | DUCT INSTL- FLIGHT DECK CONDITIONED AIR BELOW FLOOR (SUPPLEMENTAL HEATING SYSTEM ONLY) POSITION DATA: STA 234 TO 310 RH SIDE FOR NHA/OTHER SYS DET SEE: 21-00-00-01 | 002004 006100 107107 121503 904999 | RF |
| - 1 | 214N1009-2 | | DUCT INSTL-STA 234 TO 310 FLIGHT DECK CONDITIONED AIR BELOW FLOOR RH SIDE (SUPPLEMENTAL HEATING SYSTEM ONLY) FOR NHA/OTHER SYS DET SEE: 21-00-00-14 | 101102 504903 | RF |
| - 1 | 214N1009-3 | | DUCT INSTL-STA 234 TO 310 FLIGHT DECK CONDITIONED AIR BELOW FLOOR RH SIDE (SUPPLEMENTAL HEATING SYSTEM ONLY) FOR NHA/OTHER SYS DET SEE: 21-00-00-14 | 108120 | RF |
| - 1 | MODREF6179 | | DUCT INSTL-STA 234 TO 310 FLIGHT DECK CONDITIONED AIR BELOW FLOOR RH SIDE (SUPPLEMENTAL HEATING SYSTEM ONLY) MODULE NUMBER: 214N1009-3 REV A FOR OTHER SYS DETAILS SEE: 11-36-30-01 21-22-05-07 | 103106 | 1 |
| R R R R R R R R R | 10 28 | | .CLAMP SUPPLIER CODE: V7Z588 SPECIFICATION NUMBER: STBC10GG58-66 OPTIONAL PART: WWD58-66H V66295 | 002004 006102 107107 121999 | 4 |
| | 10 BACC10JB062C080 | | .CLAMP | 103106 108120 | 4 |

MISSING ITEM NUMBERS NOT APPLICABLE

- ITEM NOT ILLUSTRATED

BRI

21-45-02-02

BOEING PROPRIETARY - Copyright © - Unpublished Work - See title page for details.

21-45-02
FIG. 02
PAGE 1
MAY 20/09



757

PARTS CATALOG (MAINTENANCE)

| FIG ITEM | PART NUMBER | 1 2 3 4 5 6 7 | NOMENCLATURE | EFFECT FROM TO | UNITS PER ASSY |
|--|--------------------|--|---|--------------------------------------|----------------|
| R R R R R R R R R R | 2 15 72 | | .CLAMP SUPPLIER CODE: V7Z588 SPECIFICATION NUMBER: STBC10GG160 OPTIONAL PART: WWD160H V66295 | 002004 006102 107107 121999 | 1 |
| | 15 BACC10JB126C156 | | .CLAMP | 103106 108120 | 1 |
| | 20 2831-1 | | .HEATER ASSY- SUPPLIER CODE: V98085 ELECTRICAL EQUIP NUMBER: B00033 | 002004 006999 | 1 |
| | 25 BOE2027-07D0190 | | .AIR DUCT SUPPLIER CODE: V16632 SPECIFICATION NUMBER: AS1503-07D0190 | 002004 006999 | 1 |
| | 30 AS1506-07D32 | | .HOSE- SUPPLIER CODE: V81343 | 002004 006999 | 1 |
| | - 96 286N2070-335 | | WIRE BUNDLE ASSY- (SUPPLEMENTAL HEATING SYSTEM ONLY) | 101102 | RF |
| | - 96 286N2070-340 | | WIRE BUNDLE ASSY- (SUPPLEMENTAL HEATING SYSTEM ONLY) | 504903 | RF |
| | - 99 286N2070-601 | | WIRE BUNDLE ASSY- (SUPPLEMENTAL HEATING SYSTEM ONLY) | 103106 | RF |
| | - 100 286N2070-003 | | WIRE BUNDLE ASSY- (SUPPLEMENTAL HEATING SYSTEM ONLY) | 121503 904949 | RF |
| | - 100 286N2070-004 | | WIRE BUNDLE ASSY- (SUPPLEMENTAL HEATING SYSTEM ONLY) | 107107 | RF |
| - 100 286N2070-005 | | WIRE BUNDLE ASSY- (SUPPLEMENTAL HEATING SYSTEM ONLY) | 002004 006100 950999 | RF | |
| - 101 286N2070-337 | | WIRE BUNDLE ASSY- (SUPPLEMENTAL HEATING SYSTEM ONLY) | 108120 | RF | |
| 105 BACC45FT10A5S | | .CONNECTOR- ELECTRICAL EQUIP NUMBER: D01586 WIRING DIAGRAM REF: 214511 | 002004 006999 | 1 | |

MISSING ITEM NUMBERS NOT APPLICABLE

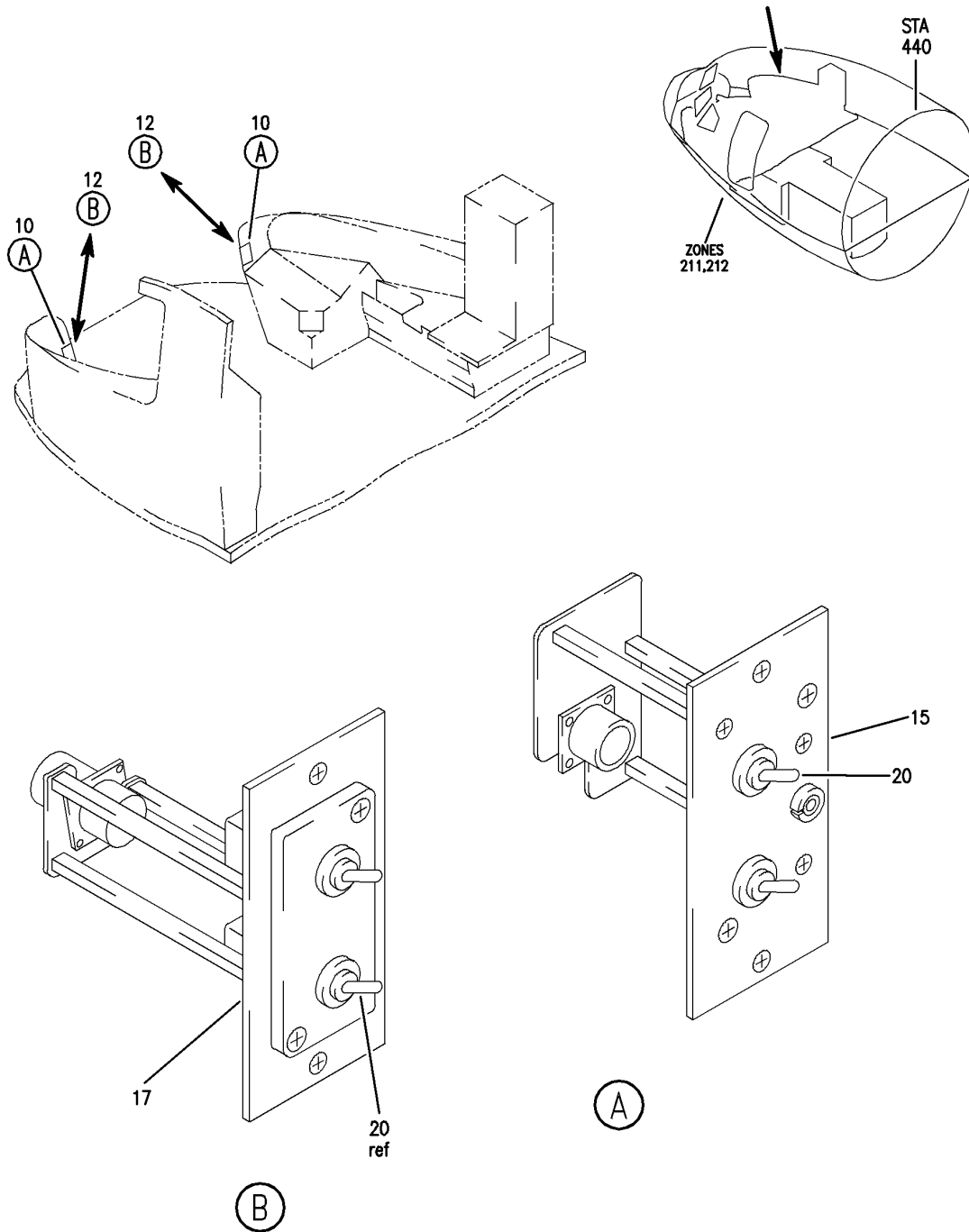
- ITEM NOT ILLUSTRATED

21-45-02-02

21-45-02
FIG. 02
PAGE 2
MAY 20/09

BRI

BOEING
757
PARTS CATALOG (MAINTENANCE)



Y 21-45-02-03 REV 243

PANEL INSTL-P13, P14, P17, AUX AND AUX HEATER CONT (SHOULDER AIR SUPPLY HEATER ONLY)
FIGURE 3

21-45-02-03

BRI
MAY 28/07

21-45-02-03
PAGE 0



757

PARTS CATALOG (MAINTENANCE)

| FIG ITEM | PART NUMBER | 1 2 3 4 5 6 7 | NOMENCLATURE | EFFECT FROM TO | UNITS PER ASSY |
|----------|--------------|---------------|---|----------------------------|----------------|
| 3 | | | PANEL INSTL-P13, P14, P17, AUX AND AUX HEATER CONT (SHOULDER AIR SUPPLY HEATER ONLY) | 011106 108120 504903 | |
| - 1 | 233N7101-1 | | PANEL INSTL-P13, P14, P17, AUX (SHOULDER AIR SUPPLY HEATER ONLY) VARIABLE DRAWING REF: 233N7101-5027 FOR NHA/OTHER SYS DET SEE: 25-10-00-05A | 011100 | RF |
| - 5 | 233N7103-2 | | PANEL INSTL-AUX HEATER CONT (SHOULDER AIR SUPPLY HEATER ONLY) FOR NHA/OTHER SYS DET SEE: 25-10-00-15 | 101102 108120 504903 | RF |
| - 5 | MODREF8634 | | PANEL INSTL-AUX HEATER CONT (SHOULDER AIR SUPPLY HEATER ONLY) MODULE NUMBER: 233N7103-2 REV A FOR OTHER SYS DETAILS SEE: 31-13-16-03 33-13-60-02 FOR ADDITIONAL DETAILS SEE: 21-45-01-02 | 103106 | 1 |
| 10 | 233T7210-301 | | .PANEL ASSY- SUPPLIER CODE: V89954 ELECTRICAL EQUIP NUMBER: M00901 M00902 COMPONENT MAINT MANUAL REF: 21-45-01 | 011106 108120 504903 | RF |
| 15 | 233T7210-9 | | ..PANEL ASSY- SUPPLIER CODE: V89954 | 011106 108120 504903 | 1 |
| 20 | 102TL2-12A | | ...SWITCH- SUPPLIER CODE: V91929 | 011106 108120 504903 | 1 |

MISSING ITEM NUMBERS NOT APPLICABLE

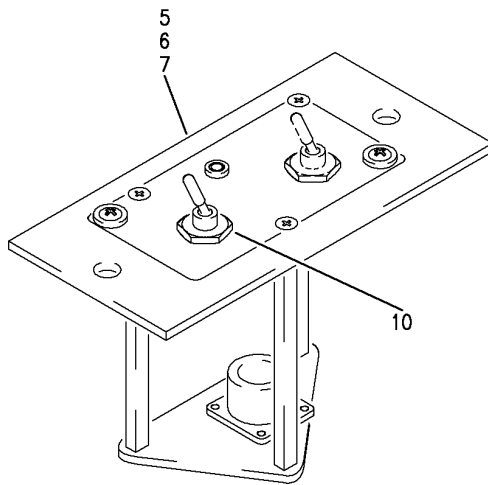
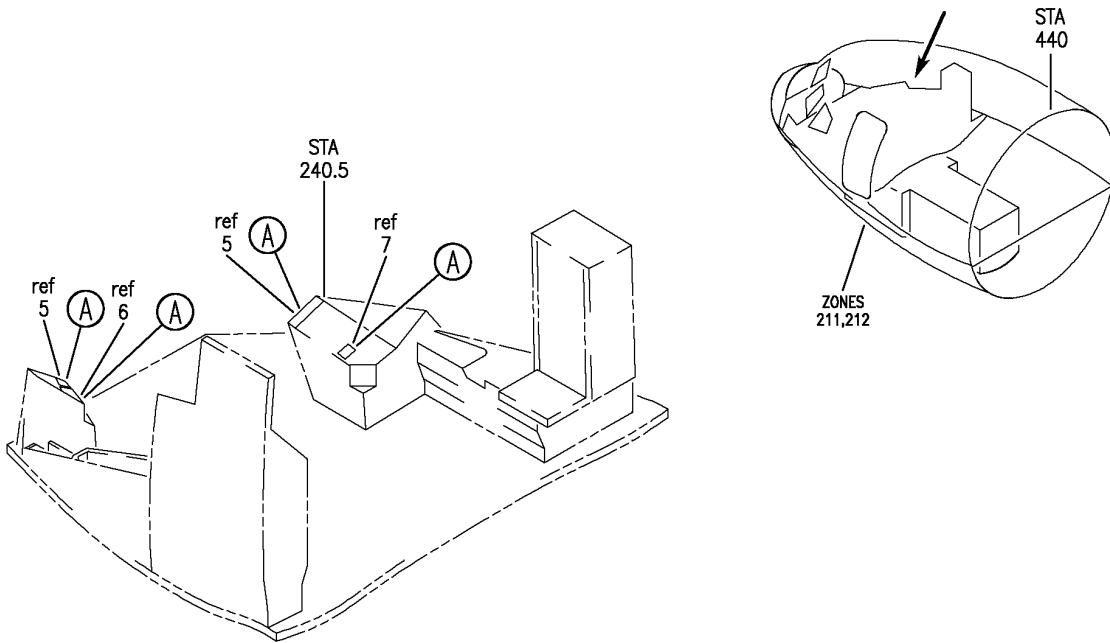
- ITEM NOT ILLUSTRATED

21-45-02-03

21-45-02
FIG. 03
PAGE 1
JAN 20/09

BRI

BOEING
757
PARTS CATALOG (MAINTENANCE)



(A)

Y 21450204 REV 315

PANEL INSTL-P13, P14 AND P17 AUX (SHOULDER AIR SUPPLY HEATER ONLY)
FIGURE 4

21-45-02-04

BRI
SEP 28/07

21-45-02-04
PAGE 0



757

PARTS CATALOG (MAINTENANCE)

| FIG ITEM | PART NUMBER | 1 2 3 4 5 6 7 | NOMENCLATURE | EFFECT FROM TO | UNITS PER ASSY |
|----------|-------------|---------------|--|--|----------------|
| 4 | | | PANEL INSTL-P13, P14 AND P17 AUX (SHOULDER AIR SUPPLY HEATER ONLY) | 002004 006010 107107 121503 904999 | |
| - 1 | 233N7101-1 | | PANEL INSTL-P13, P14 AND P17 AUX (SHOULDER AIR SUPPLY HEATER ONLY) VARIABLE DRAWING REF: 233N7101-5002 233N7101-5003 233N7101-5026 233N7101-5027 233N7101-5030 FOR NHA/OTHER SYS DET SEE: 25-10-00-05A | 002004 006010 107107 121503 904999 | RF |
| 5 | 233T7210-1 | | .PANEL ASSY-AUX HEATER CONT SUPPLIER CODE: V89954 ELECTRICAL EQUIP NUMBER: M00901 M00902 COMPONENT MAINT MANUAL REF: 21-45-01 | 107107 121503 904949 | RF |
| 5 | 233T7210-6 | | .PANEL ASSY-AUX HEATER CONT SUPPLIER CODE: V89954 ELECTRICAL EQUIP NUMBER: M00901 M00902 COMPONENT MAINT MANUAL REF: 21-45-01 | 002004 006010 107107 121503 904999 | RF |
| 10 | 102TL2-12A | | ..SWITCH- SUPPLIER CODE: V91929 | 002004 006010 107107 121503 904999 | 1 |

MISSING ITEM NUMBERS NOT APPLICABLE

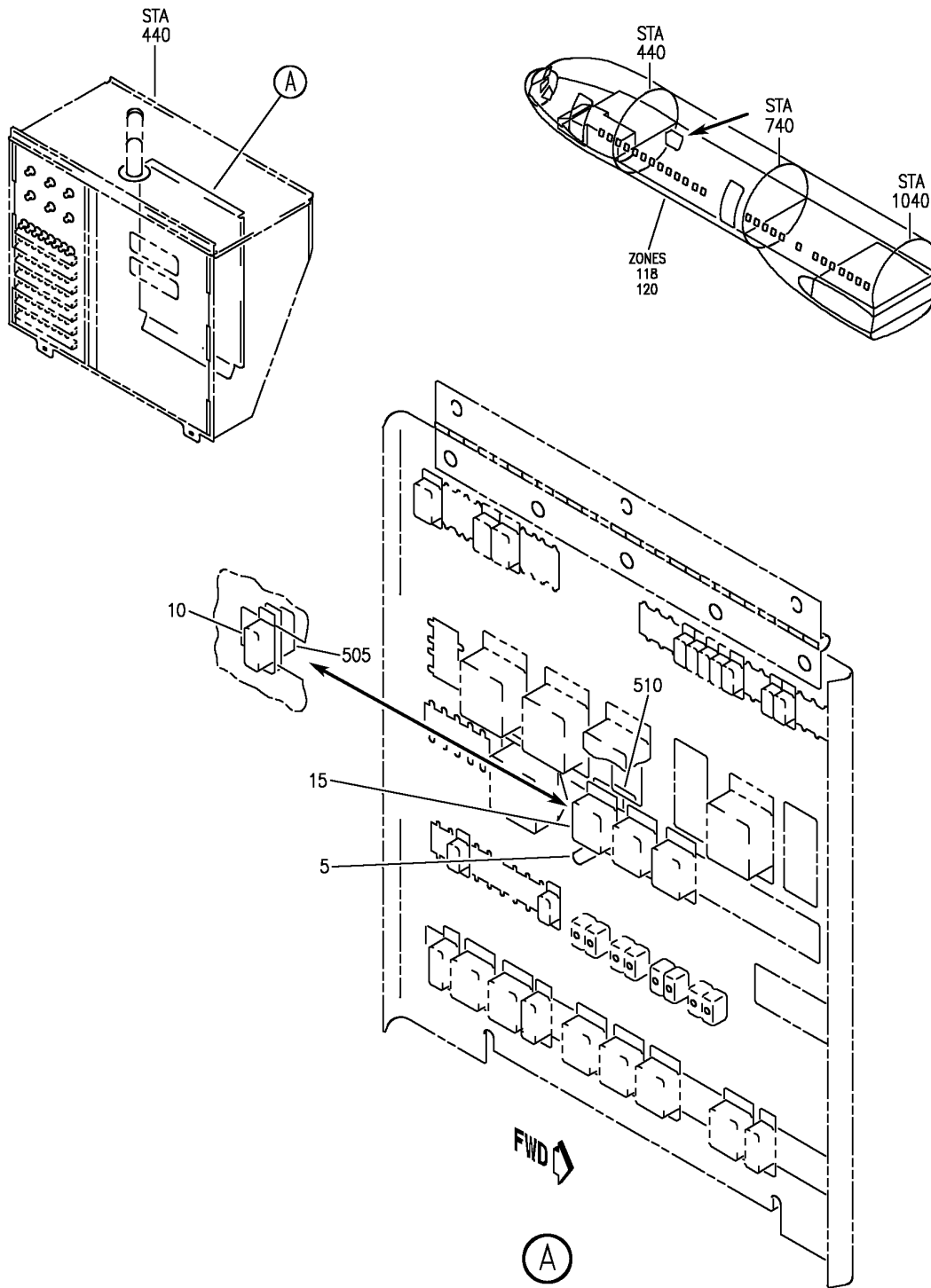
- ITEM NOT ILLUSTRATED

21-45-02-04

21-45-02
FIG. 04
PAGE 1
JAN 20/09

BRI

BOEING
757
PARTS CATALOG (MAINTENANCE)



Y 21453101 REV 273

PANEL ASSY-P37 MISC RELAY R DOOR NO. 1 AND 3 HEATING SYSTEM ONLY
FIGURE 1

21-45-31-01

BRI
MAY 28/07

21-45-31-01
PAGE 0



757

PARTS CATALOG (MAINTENANCE)

| FIG ITEM | PART NUMBER | 1 2 3 4 5 6 7 | NOMENCLATURE | EFFECT FROM TO | UNITS PER ASSY |
|----------|--------------|---------------|--|----------------|----------------|
| 1 | | | PANEL ASSY-P37 MISC RELAY R DOOR NO. 1 AND 3 HEATING SYSTEM ONLY | 009009 | |
| - 1 | 284N1127-1 | | PANEL ASSY-P37 MISC RELAY DOOR NO. 1 AND 3 HEATING SYSTEM ONLY POSITION DATA: R VARIABLE DRAWING REF: 284N1127-5064 REWORKED BY ALERT SB: 27A0130 FOR NHA SEE: 31-01-37-01B | 009009 | RF |
| 5 | BAC27NEX2921 | | .DECAL- PLACARD CONTENT: K10735 POST SERVICE BULLETIN: 21-0060 | 009009 | 1 |
| 15 | ES410-1538 | | .RELAY- SUPPLIER CODE: V99699 SPECIFICATION NUMBER: BACR13CG2AB OPTIONAL PART: KD4L018 V35344 BR230DS0115 V56623 KD4L036 V58657 FCA410-63 V78290 ELECTRICAL EQUIP NUMBER: K10735 POST SERVICE BULLETIN: 21-0060 | 009009 | 1 |
| - 500 | 286N1270-005 | | WIRE BUNDLE ASSY- REWORKED BY ALERT SB: 34A0222 | 009009 | RF |

MISSING ITEM NUMBERS NOT APPLICABLE

- ITEM NOT ILLUSTRATED

21-45-31-01

21-45-31
FIG. 01
PAGE 1
MAY 28/07

BRI

BOEING
757
PARTS CATALOG (MAINTENANCE)

| FIG ITEM | PART NUMBER | 1 2 3 4 5 6 7 NOMENCLATURE | EFFECT FROM TO | UNITS PER ASSY |
|-------------|-------------|---|-------------------|----------------------|
| 1 510 | RSF116400 | . SOCKET - SUPPLIER CODE: V58982 SPECIFICATION NUMBER: BACS16W1A OPTIONAL PART: 102-009-1 V09922 000300-1539 V05574 ELECTRICAL EQUIP NUMBER: D08258 WIRING DIAGRAM REF: 214531 | 009009 | 1 |

MISSING ITEM NUMBERS NOT APPLICABLE

— ITEM NOT ILLUSTRATED

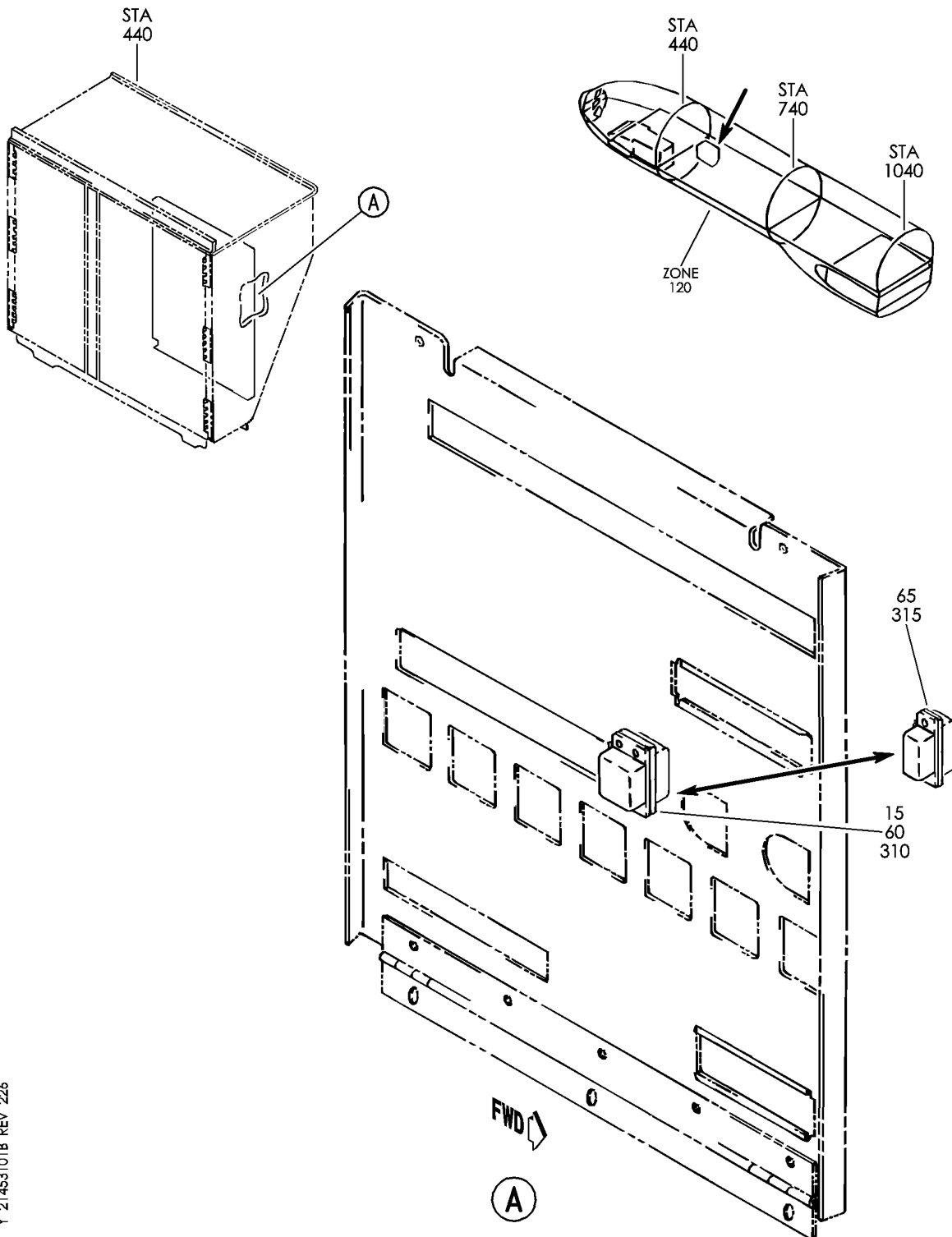
BRI

21-45-31-01

BOEING PROPRIETARY - Copyright © - Unpublished Work - See title page for details.

21-45-31
FIG. 01
PAGE 2
MAY 28/07

BOEING
757
PARTS CATALOG (MAINTENANCE)



Y 21453101B REV 226

PACKAGE ASSY-OPTION P37 MISC RELAY (SUPPLEMENTAL HEATING SYSTEM ONLY)
FIGURE 1B

21-45-31-01B

BRI
MAY 28/07

21-45-31-01B
PAGE 0



757

PARTS CATALOG (MAINTENANCE)

| FIG ITEM | PART NUMBER | 1 2 3 4 5 6 7 | NOMENCLATURE | EFFECT FROM TO | UNITS PER ASSY |
|----------|---------------|---------------|---|------------------|----------------|
| 1B | | | PACKAGE ASSY-OPTION P37 MISC RELAY (SUPPLEMENTAL HEATING SYSTEM ONLY) | 101102 504903 | |
| - 1 | 284N1127-1011 | | PACKAGE ASSY-OPTION P37 MISC RELAY (SUPPLEMENTAL HEATING SYSTEM ONLY) | 101102 504903 | RF |
| 15 | ES410-1538 | | MISCELLANEOUS DATA: DOOR ARRANGEMENT REWORKED BY ALERT SB: 27A0130 FOR NHA/OTHER SYS DET SEE: 31-01-37-02 .RELAY- SUPPLIER CODE: V99699 SPECIFICATION NUMBER: BACR13CG2AB OPTIONAL PART: KD4L018 V35344 BR230DS0115 V56623 KD4L036 V58657 FCA410-63 V78290 ELECTRICAL EQUIP NUMBER: K10735 | 101102 504903 | 1 |
| - 300 | 286N1270-336 | | WIRE BUNDLE ASSY- REWORKED BY ALERT SB: 34A0222 27A0130 | 504903 | RF |
| - 301 | 286N1270-361 | | WIRE BUNDLE ASSY- REWORKED BY ALERT SB: 34A0222 27A0130 | 101101 | RF |
| - 302 | 286N1270-399 | | WIRE BUNDLE ASSY- REWORKED BY ALERT SB: 34A0222 27A0130 | 102102 | RF |

MISSING ITEM NUMBERS NOT APPLICABLE

- ITEM NOT ILLUSTRATED

21-45-31-01B

21-45-31
FIG. 01B
PAGE 1
JAN 20/09

BRI

BOEING PROPRIETARY - Copyright © - Unpublished Work - See title page for details.



757

PARTS CATALOG (MAINTENANCE)

| FIG ITEM | PART NUMBER | 1 2 3 4 5 6 7 | NOMENCLATURE | EFFECT FROM TO | UNITS PER ASSY |
|-------------|-------------|---------------|--|-------------------|----------------------|
| 1B 310 | RSF116400 | | . SOCKET- SUPPLIER CODE: V58982 SPECIFICATION NUMBER: BACS16W1A OPTIONAL PART: 102-009-1 V09922 000300-1539 V05574 ELECTRICAL EQUIP NUMBER: D08258 WIRING DIAGRAM REF: 214531 | 101102 504903 | 1 |

MISSING ITEM NUMBERS NOT APPLICABLE

- ITEM NOT ILLUSTRATED

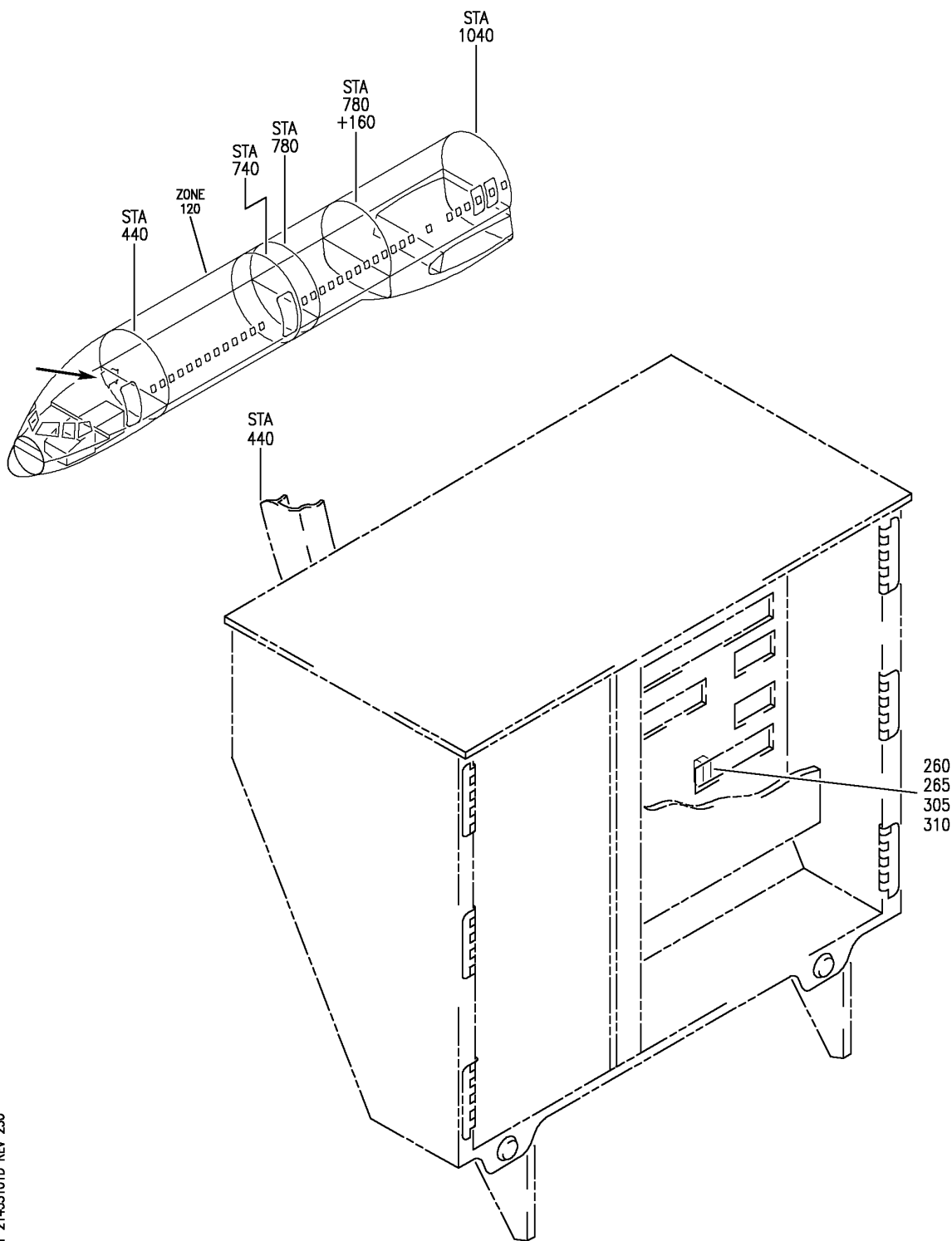
BRI

21-45-31-01B

BOEING PROPRIETARY - Copyright © - Unpublished Work - See title page for details.

21-45-31
FIG. 01B
PAGE 2
JAN 20/09

BOEING
757
PARTS CATALOG (MAINTENANCE)



Y 21453101D REV 250

PANEL INSTL-P37 R MISC RELAY (SUPPLEMENTAL HEATING SYSTEM ONLY)
FIGURE 1D

21-45-31-01D

BRI
JAN 20/09

21-45-31-01D
PAGE 0



757

PARTS CATALOG (MAINTENANCE)

| FIG ITEM | PART NUMBER | 1 2 3 4 5 6 7 | NOMENCLATURE | EFFECT FROM TO | UNITS PER ASSY |
|-------------------------------------|--------------|---------------|--|------------------|----------------|
| 1 D | | | PANEL INSTL-P37 R MISC RELAY (SUPPLEMENTAL HEATING SYSTEM ONLY) | 103106 108120 | |
| - 1 | MODREF185037 | | PANEL INSTL-P37 R MISC RELAY (SUPPLEMENTAL HEATING SYSTEM ONLY) MODULE NUMBER: 284N1127-169 REV D FOR OTHER SYS DETAILS SEE: 11-36-12-02A 21-25-71-02D 21-44-71-02D 21-51-55-01D 21-58-71-02D 21-61-71-02D 23-31-51-05 24-21-51-05 24-51-01-02 24-51-02-03 24-51-58-02D 27-62-71-03D 28-22-71-03D 29-21-71-01D 30-11-71-02D 30-21-71-03D 30-31-71-02D 30-32-71-02D 30-33-71-02D 30-34-51-01D 31-01-37-10 31-31-71-02D 32-09-02-04D 32-42-71-02D 32-61-71-02D 33-43-55-01D 33-51-71-01D 34-12-71-02D 34-25-50-01D 34-61-52-01D 35-21-71-02D 36-11-71-02D 38-15-71-02D 73-21-55-01D 74-31-71-02D 76-11-71-02D 77-12-71-01D 78-34-71-02D 78-36-71-02D 80-11-71-02D | 106106 | 1 |
| MISSING ITEM NUMBERS NOT APPLICABLE | | | | | |

- ITEM NOT ILLUSTRATED

21-45-31-01D

21-45-31
FIG. 01D
PAGE 1
JAN 20/09

BRI



757

PARTS CATALOG (MAINTENANCE)

| FIG ITEM | PART NUMBER | 1 2 3 4 5 6 7 | NOMENCLATURE | EFFECT FROM TO | UNITS PER ASSY |
|-------------|----------------|---------------|---|-------------------|----------------------|
| 1D - | 3 284N1127-118 | | PANEL INSTL-P37 R MISC RELAY (SUPPLEMENTAL HEATING SYSTEM ONLY) FOR NHA/OTHER SYS DET SEE: 24-00-58-05C | 108108 | RF |
| - | 4 284N1127-139 | | PANEL INSTL-P37 R MISC RELAY (SUPPLEMENTAL HEATING SYSTEM ONLY) FOR NHA/OTHER SYS DET SEE: 24-00-58-05C | 109120 | RF |

MISSING ITEM NUMBERS NOT APPLICABLE

- ITEM NOT ILLUSTRATED

BRI

21-45-31-01D

BOEING PROPRIETARY - Copyright © - Unpublished Work - See title page for details.

21-45-31
FIG. 01D
PAGE 2
JAN 20/09



757

PARTS CATALOG (MAINTENANCE)

| FIG ITEM | PART NUMBER | 1 2 3 4 5 6 7 | NOMENCLATURE | EFFECT FROM TO | UNITS PER ASSY |
|------------|-------------|---------------|--|----------------|----------------|
| 1 D - 8 | MODREF31945 | | PANEL INSTL-P37 R MISC RELAY (SUPPLEMENTAL HEATING SYSTEM ONLY) MODULE NUMBER: 284N1127-169 REV B FOR OTHER SYS DETAILS SEE: 11-36-12-02A 21-25-71-02D 21-44-71-02D 21-51-55-01D 21-58-71-02D 21-61-71-02D 23-31-51-05 24-21-51-05 24-51-01-02 24-51-02-03 24-51-58-02D 27-62-71-03D 28-22-71-03D 29-21-71-01D 30-11-71-02D 30-21-71-03D 30-31-71-02D 30-32-71-02D 30-33-71-02D 30-34-51-01D 31-01-37-10 31-31-71-02D 32-09-02-04D 32-42-71-02D 32-61-71-02D 33-43-55-01D 33-51-71-01D 34-12-71-02D 34-25-50-01D 34-61-52-01D 35-21-71-02D 36-11-71-02D 38-15-71-02D 73-21-55-01D 74-31-71-02D 76-11-71-02D 77-12-71-01D 78-34-71-02D 78-36-71-02D 80-11-71-02D | 103103 | 1 |

MISSING ITEM NUMBERS NOT APPLICABLE

- ITEM NOT ILLUSTRATED

21-45-31-01D

BRI

BOEING PROPRIETARY - Copyright © - Unpublished Work - See title page for details.

21-45-31
FIG. 01D
PAGE 3
JAN 20/09



757

PARTS CATALOG (MAINTENANCE)

| FIG ITEM | PART NUMBER | 1 2 3 4 5 6 7 | NOMENCLATURE | EFFECT FROM TO | UNITS PER ASSY |
|------------|-------------|---------------|--|----------------|----------------|
| 1 D - 9 | MODREF34305 | | PANEL INSTL-P37 R MISC RELAY (SUPPLEMENTAL HEATING SYSTEM ONLY) MODULE NUMBER: 284N1127-169 REV C FOR OTHER SYS DETAILS SEE: 11-36-12-02A 21-25-71-02D 21-44-71-02D 21-51-55-01D 21-58-71-02D 21-61-71-02D 23-31-51-05 24-21-51-05 24-51-01-02 24-51-02-03 24-51-58-02D 27-62-71-03D 28-22-71-03D 29-21-71-01D 30-11-71-02D 30-21-71-03D 30-31-71-02D 30-32-71-02D 30-33-71-02D 30-34-51-01D 31-01-37-10 31-31-71-02D 32-09-02-04D 32-42-71-02D 32-61-71-02D 33-43-55-01D 33-51-71-01D 34-12-71-02D 34-25-50-01D 34-61-52-01D 35-21-71-02D 36-11-71-02D 38-15-71-02D 73-21-55-01D 74-31-71-02D 76-11-71-02D 77-12-71-01D 78-34-71-02D 78-36-71-02D 80-11-71-02D | 104105 | 1 |

MISSING ITEM NUMBERS NOT APPLICABLE

- ITEM NOT ILLUSTRATED

BRI

21-45-31-01D

BOEING PROPRIETARY - Copyright © - Unpublished Work - See title page for details.

21-45-31
FIG. 01D
PAGE 4
JAN 20/09



757

PARTS CATALOG (MAINTENANCE)

| FIG ITEM | PART NUMBER | 1 2 3 4 5 6 7 | NOMENCLATURE | EFFECT FROM TO | UNITS PER ASSY |
|--------------|---------------------------|---------------|---|----------------------------|----------------------|
| 1D 265 | ES410-1538 | | .RELAY- SUPPLIER CODE: V99699 SPECIFICATION NUMBER: BACR13CG2AB OPTIONAL PART: KD4L018 V35344 BR230DS0115 V56623 KD4L036 V58657 FCA410-63 V78290 ELECTRICAL EQUIP NUMBER: K10735 | 103106 108120 | 1 |
| - 300 | 286N1270-360 | | WIRE BUNDLE ASSY- REWORKED BY ALERT SB: 34A0222 | 108120 | RF |
| - 302 310 | 286N1270-602 RSF116400 | | WIRE BUNDLE ASSY .SOCKET- SUPPLIER CODE: V58982 SPECIFICATION NUMBER: BACS16W1A OPTIONAL PART: 102-009-1 V09922 000300-1539 V05574 ELECTRICAL EQUIP NUMBER: D08258 WIRING DIAGRAM REF: 214531 | 103106 103106 108120 | RF 1 |

MISSING ITEM NUMBERS NOT APPLICABLE

- ITEM NOT ILLUSTRATED

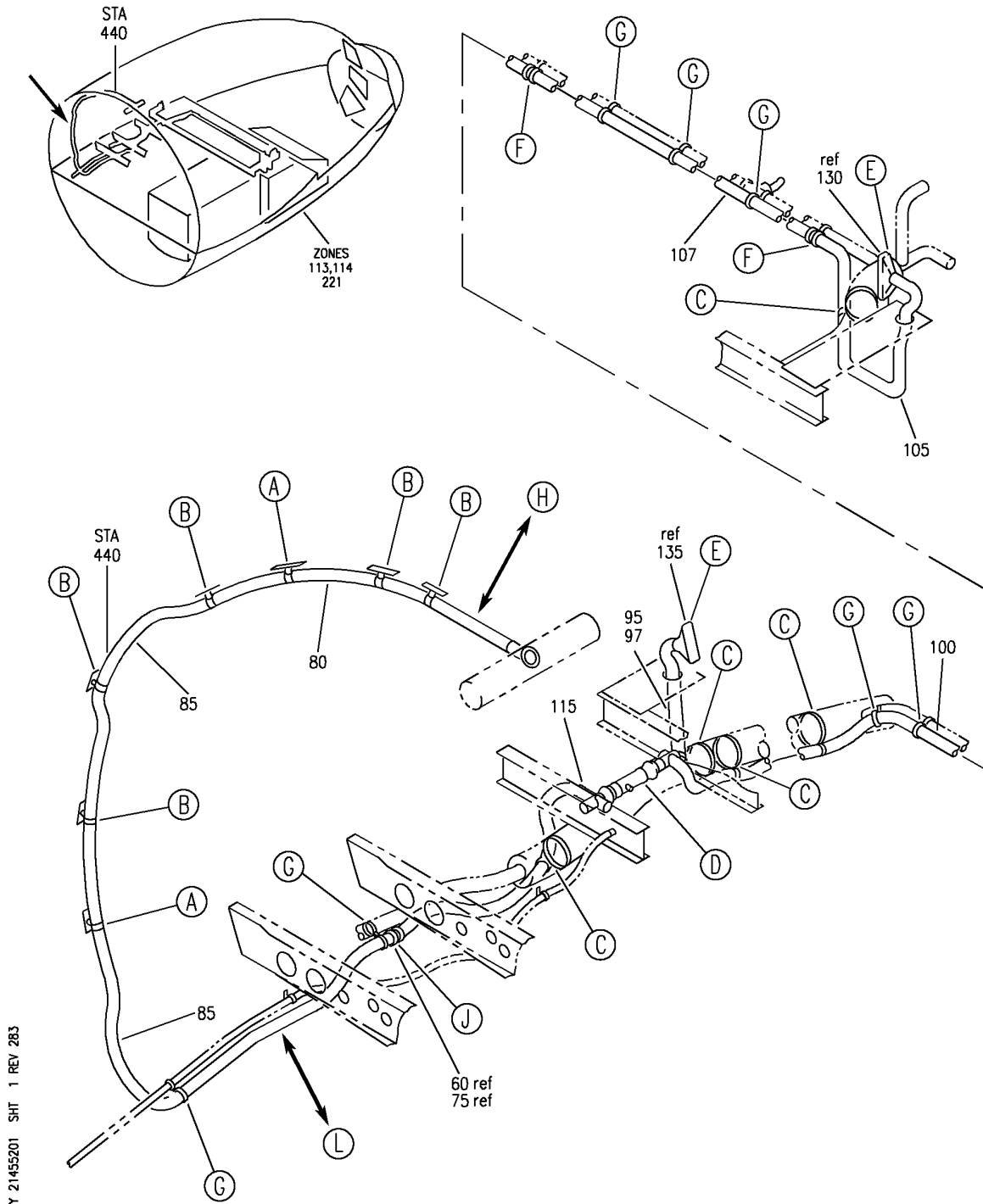
BRI

21-45-31-01D

BOEING PROPRIETARY - Copyright © - Unpublished Work - See title page for details.

21-45-31
FIG. 01D
PAGE 5
JAN 20/09


BOEING
 757
PARTS CATALOG (MAINTENANCE)



Y 21455201 SHT 1 REV 283

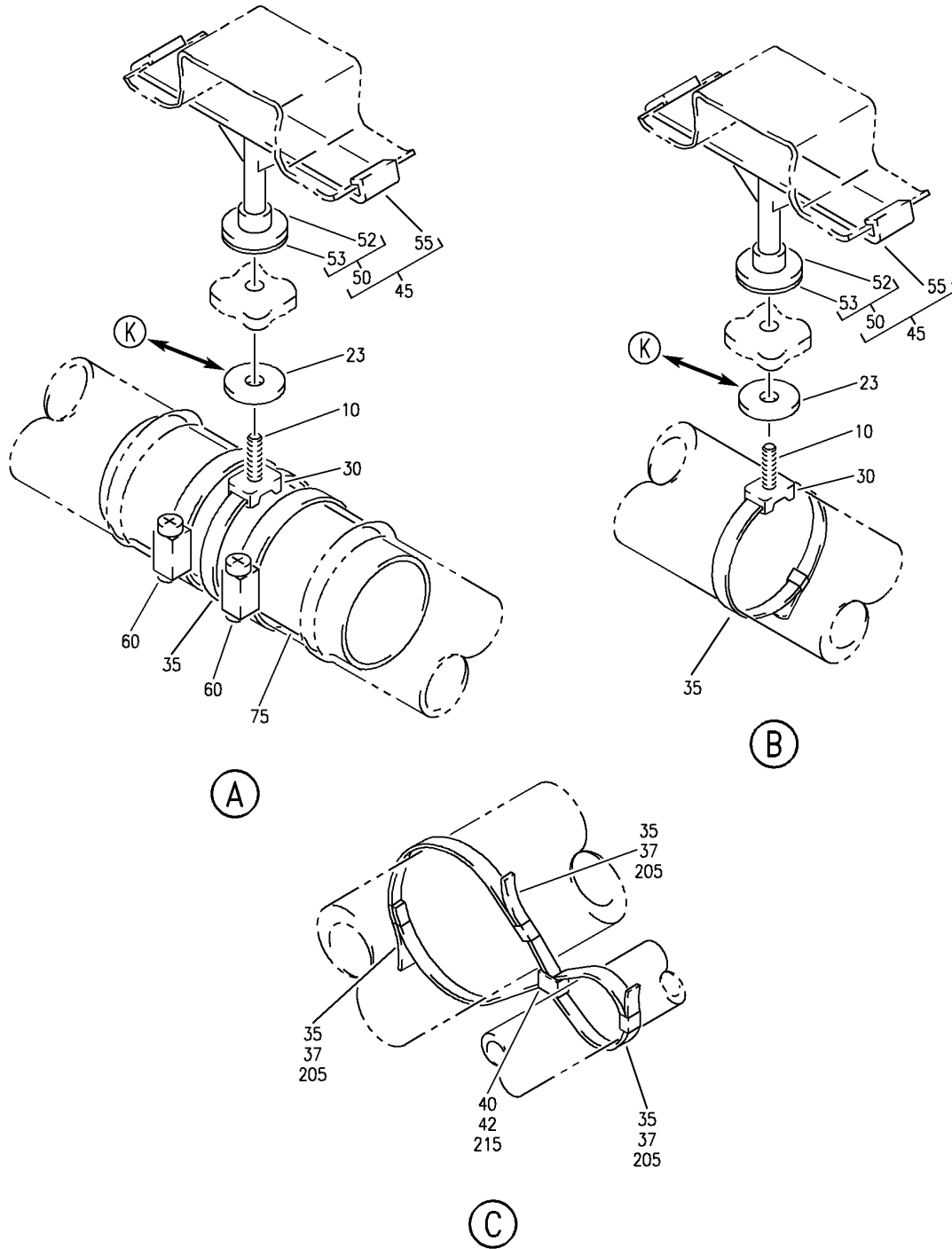
HEATER SYSTEM INSTL-DOOR 1 AREA (AIR CONDITIONING ONLY)
 FIGURE 1 (SHEET 1)

21-45-52-01

BRI
 MAY 28/07

21-45-52-01
 PAGE 0

BOEING
757
PARTS CATALOG (MAINTENANCE)



Y 21455201 SHT 2 REV 299

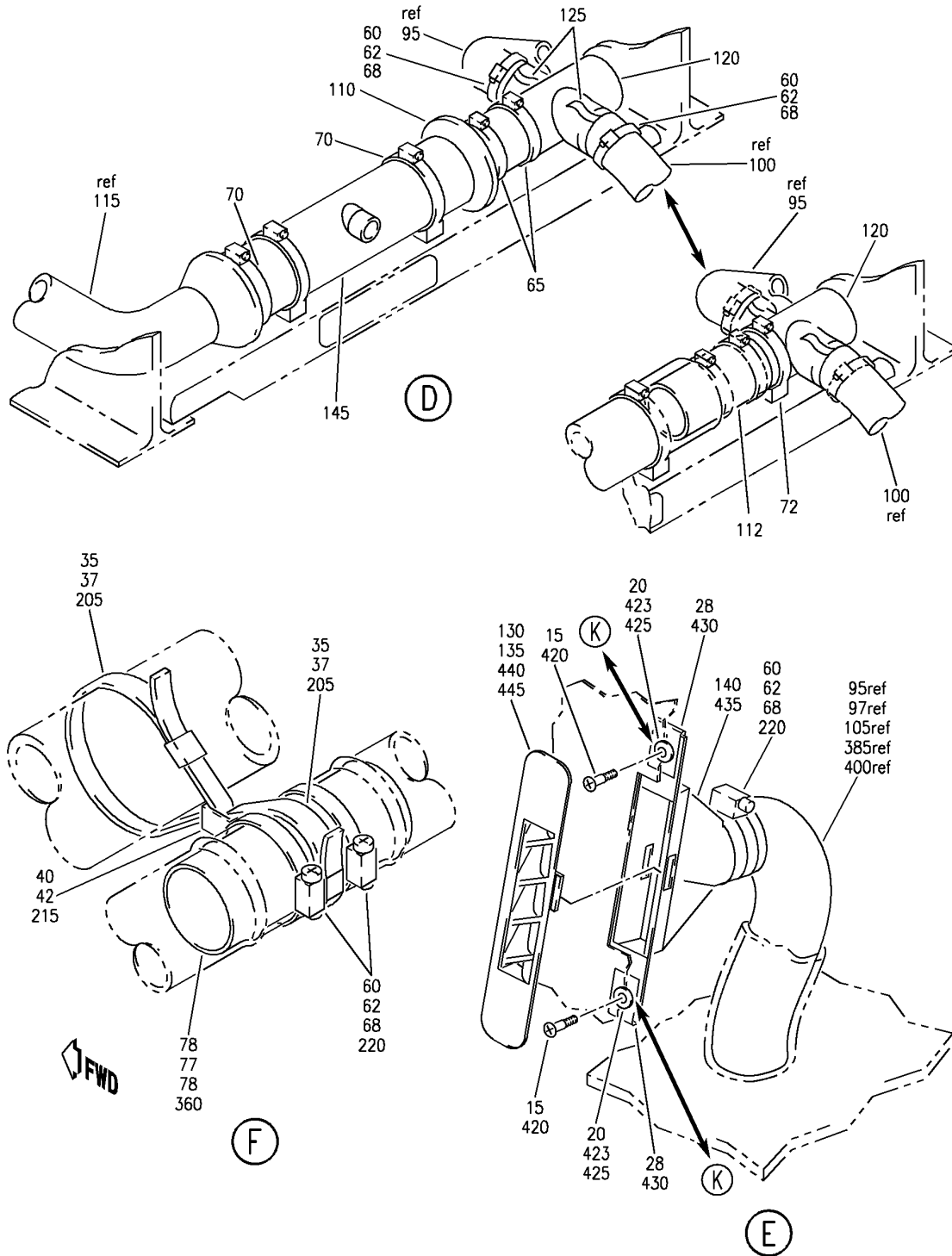
HEATER SYSTEM INSTL-DOOR 1 AREA (AIR CONDITIONING ONLY)
FIGURE 1 (SHEET 2)

21-45-52-01

BRI
MAY 28/07

21-45-52-01
PAGE 0A


BOEING
 757
PARTS CATALOG (MAINTENANCE)



Y 21455201 SHT 3 REV 291

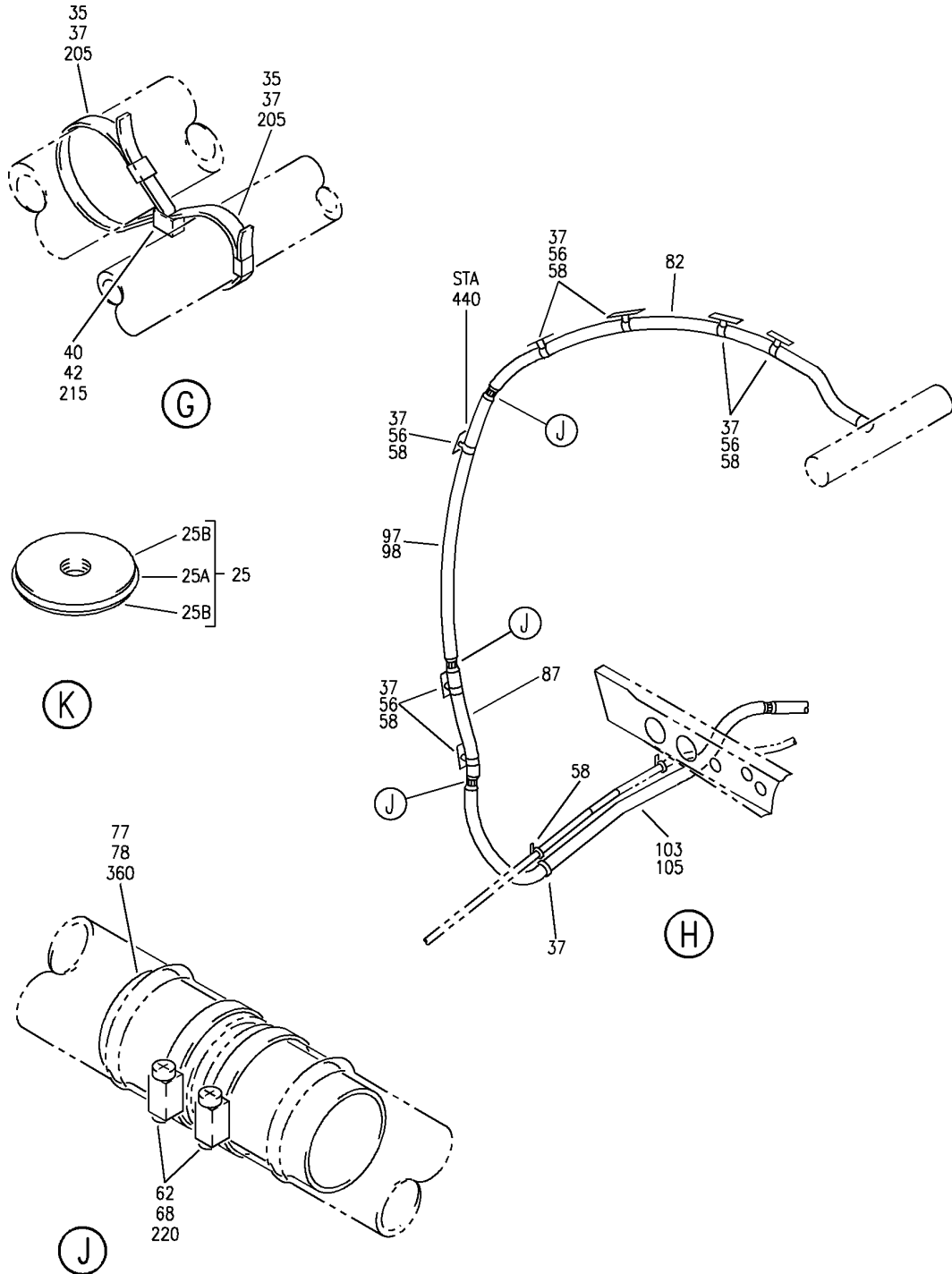
HEATER SYSTEM INSTL-DOOR 1 AREA (AIR CONDITIONING ONLY)
 FIGURE 1 (SHEET 3)

21-45-52-01

BRI
 MAY 28/07

21-45-52-01
 PAGE 0B

BOEING
757
PARTS CATALOG (MAINTENANCE)



Y 21455201 SH1 4 REV 283

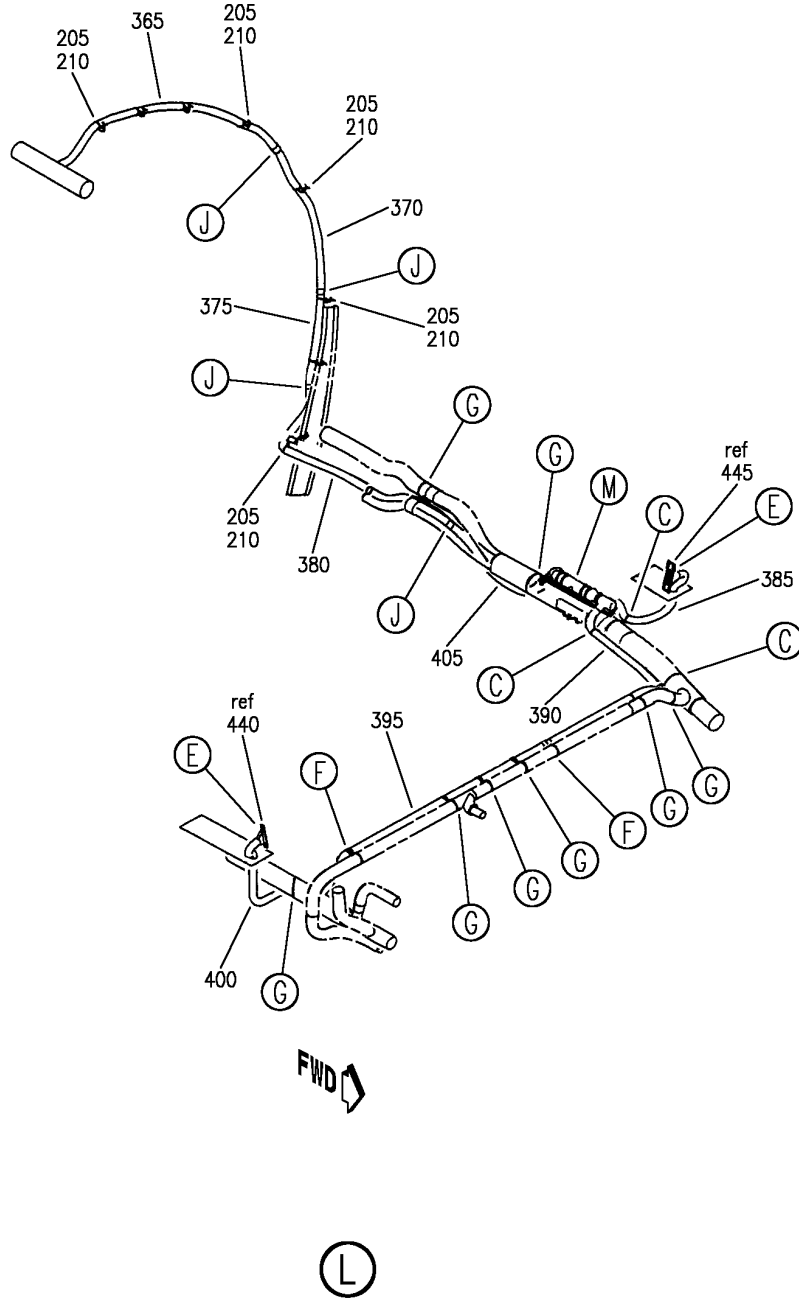
HEATER SYSTEM INSTL-DOOR 1 AREA (AIR CONDITIONING ONLY)
FIGURE 1 (SHEET 4)

21-45-52-01

BRI
MAY 28/07

21-45-52-01
PAGE 0C

BOEING
757
PARTS CATALOG (MAINTENANCE)



Y 21455201 SH1 5 REV 283

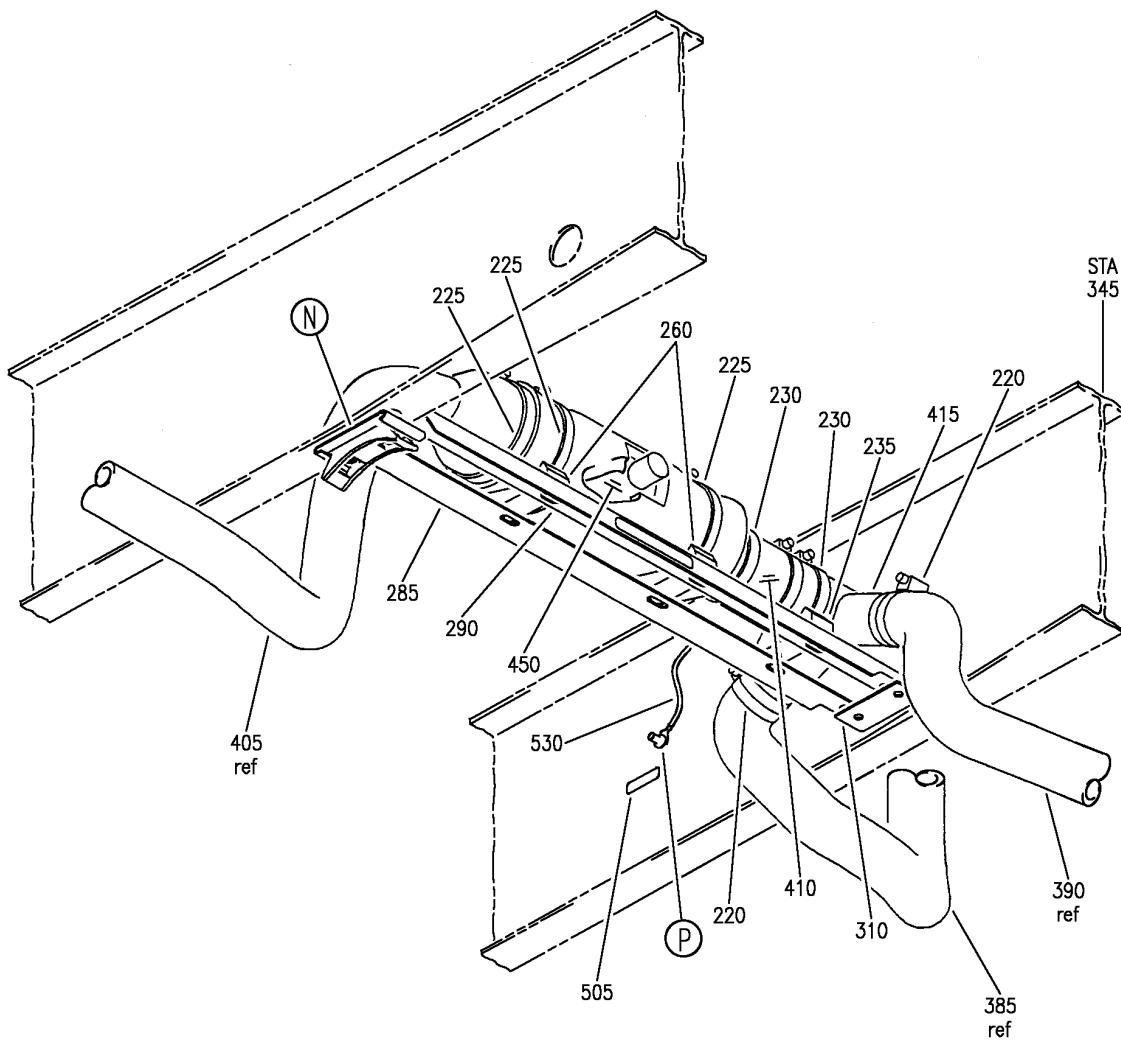
HEATER SYSTEM INSTL-DOOR 1 AREA (AIR CONDITIONING ONLY)
FIGURE 1 (SHEET 5)

21-45-52-01

BRI
MAY 28/07

21-45-52-01
PAGE 0D

BOEING
757
PARTS CATALOG (MAINTENANCE)



VIEW LOOKING UP



Y 21455201 SH1 6 REV 283

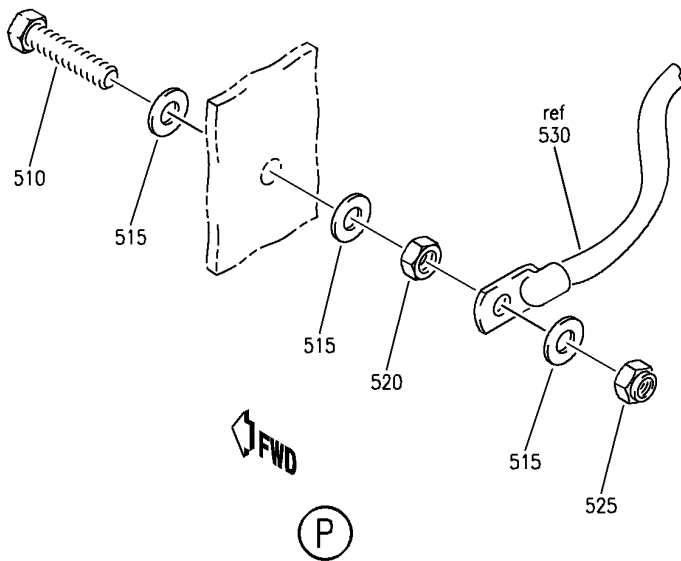
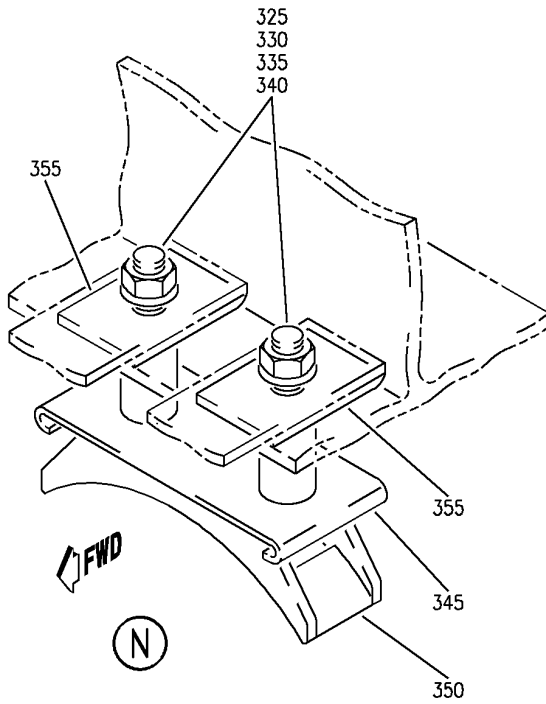
HEATER SYSTEM INSTL-DOOR 1 AREA (AIR CONDITIONING ONLY)
FIGURE 1 (SHEET 6)

21-45-52-01

BRI
MAY 28/07

21-45-52-01
PAGE 0E

BOEING
757
PARTS CATALOG (MAINTENANCE)



Y 21455201 SH7 7 REV 283

HEATER SYSTEM INSTL-DOOR 1 AREA (AIR CONDITIONING ONLY)
FIGURE 1 (SHEET 7)

21-45-52-01

BRI
MAY 28/07

21-45-52-01
PAGE OF



757

PARTS CATALOG (MAINTENANCE)

| FIG ITEM | PART NUMBER | 1 2 3 4 5 6 7 | NOMENCLATURE | EFFECT FROM TO | UNITS PER ASSY |
|----------|-----------------|---------------|--|----------------|----------------|
| 1 | | | HEATER SYSTEM INSTL-DOOR 1 AREA (AIR CONDITIONING ONLY) | 009009 | |
| - 1 | 214N2044-1 | | HEATER SYSTEM INSTL-DOOR 1 AREA (AIR CONDITIONING ONLY) POST SERVICE BULLETIN: 21-0060 FOR NHA/OTHER SYS DET SEE: 21-00-00-01 | 009009 | RF |
| 56 | 2310025 | | .CLIP- SUPPLIER CODE: V60119 | 009009 | 7 |
| 62 | NAS1922-0150-3 | | .CLAMP | 009009 | 16 |
| 65 | NAS1922-0200-3 | | .CLAMP | 009009 | 2 |
| 70 | NAS1922-0275-3 | | .CLAMP | 009009 | 3 |
| 72 | NAS1922-0275-3 | | .CLAMP- | 009009 | 1 |
| 77 | 214N2029-1 | | .CONNECTOR-FLEX HOSE | 009009 | 6 |
| 82 | AS1591-06-0810A | | .DUCT | 009009 | 1 |
| 87 | AS1591-06-0240A | | .HOSE | 009009 | 1 |
| 97 | AS1591-06-0420A | | .DUCT | 009009 | 2 |
| 103 | AS1591-06-0620A | | .DUCT | 009009 | 1 |
| 107 | AS1591-06-0530A | | .DUCT- | 009009 | 1 |
| 110 | 214N2041-1 | | .DUCT-TRANSITION | 009009 | 1 |
| 115 | 214N2041-2 | | .DUCT-TRANSITION | 009009 | 1 |
| 120 | 214N2103-2 | | .DUCT-TEE | 009009 | 1 |
| 125 | 214T3436-278 | | .ORIFICE ASSY | 009009 | 2 |
| 130 | 214N2036-1 | | .GRILLE ASSY- | 009009 | 1 |
| 135 | 214N2036-2 | | .GRILLE ASSY- | 009009 | 1 |
| 140 | 214N2037-1 | | .PLENUM | 009009 | 2 |
| 145 | 116976-42 | | .HEATER ASSY- SUPPLIER CODE: V85932 SPECIFICATION NUMBER: S210N701-42 QUALIFIED I/W DATA: SEE S.B. 757-21-0074 FOR SUPPLEMENTAL KITS FOR LINE #686 AND ON. | 009009 | 1 |

MISSING ITEM NUMBERS NOT APPLICABLE

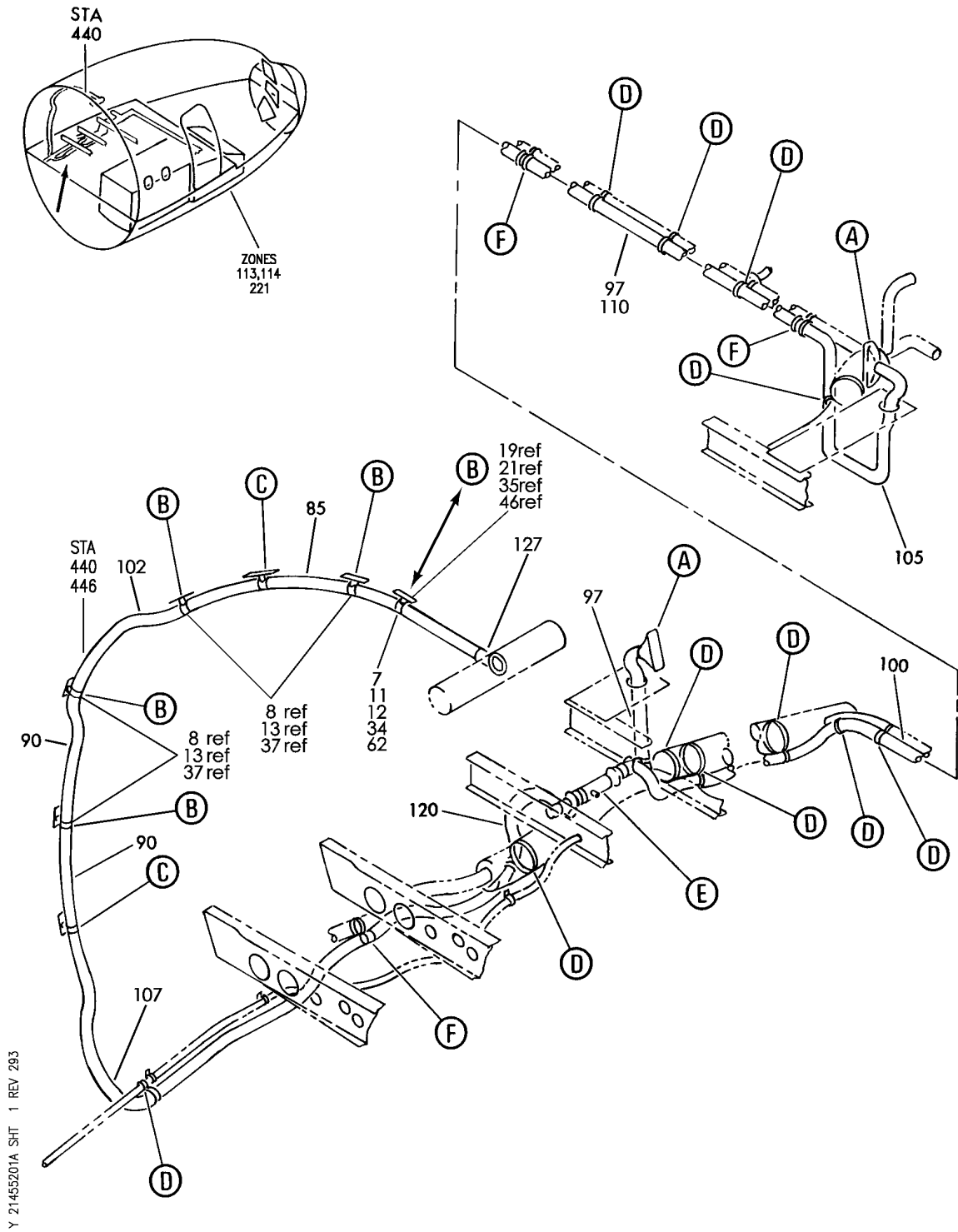
- ITEM NOT ILLUSTRATED

BRI

21-45-52-01

21-45-52
FIG. 01
PAGE 1
MAY 28/07

BOEING
757
PARTS CATALOG (MAINTENANCE)



Y 21-45-52-01A SHT 1 REV 293

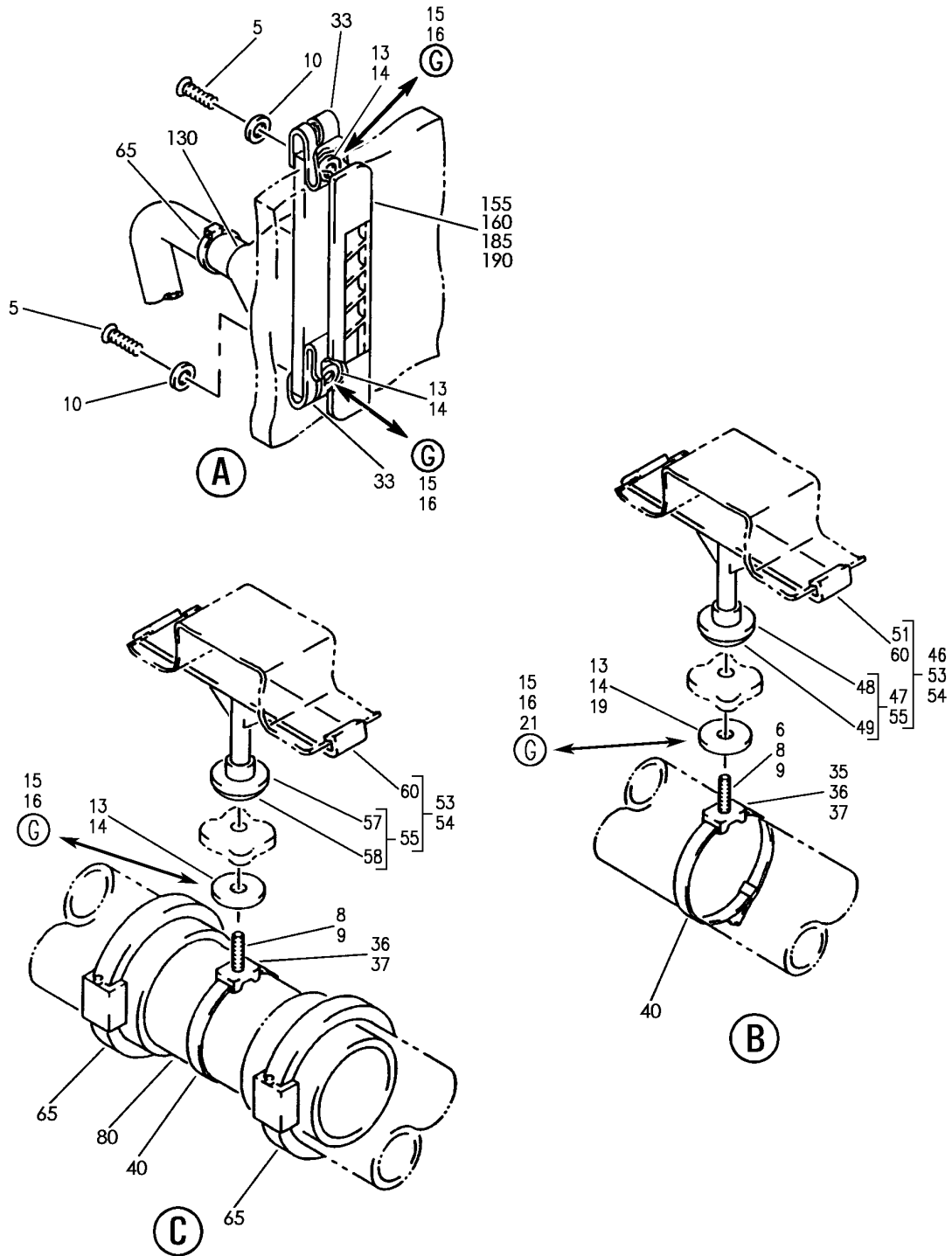
HEATER SYSTEM AND GRILLE INSTL-DOOR 1 AREA
FIGURE 1A (SHEET 1)

21-45-52-01A

BRI
MAY 28/07

21-45-52-01A
PAGE 0

BOEING
757
PARTS CATALOG (MAINTENANCE)



Y 21455201A SHT 2 REV 306

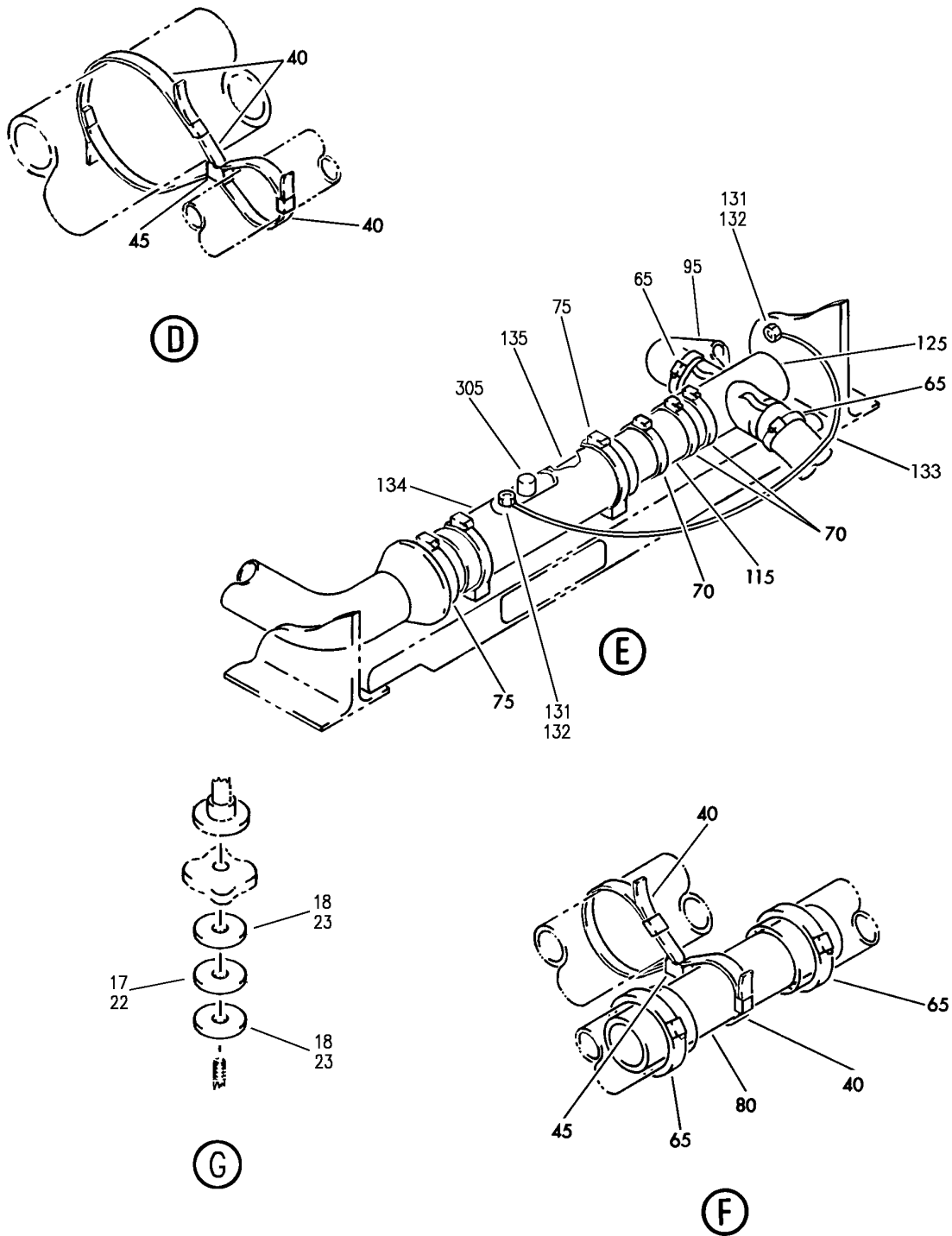
HEATER SYSTEM AND GRILLE INSTL-DOOR 1 AREA
FIGURE 1A (SHEET 2)

21-45-52-01A

BRI
MAY 28/07

21-45-52-01A
PAGE 0A

BOEING
757
PARTS CATALOG (MAINTENANCE)



Y 21455201A SHT 3 REV 293

HEATER SYSTEM AND GRILLE INSTL-DOOR 1 AREA
FIGURE 1A (SHEET 3)

21-45-52-01A

BRI
MAY 28/07

21-45-52-01A
PAGE 0B



757

PARTS CATALOG (MAINTENANCE)

| FIG ITEM | PART NUMBER | 1 2 3 4 5 6 7 | NOMENCLATURE | EFFECT FROM TO | UNITS PER ASSY |
|----------|---------------|---------------|--|----------------------------|----------------|
| 1 A | | | HEATER SYSTEM AND GRILLE INSTL-DOOR 1 AREA | 101106 108120 504903 | |
| - 1 | 214N2044-31 | | HEATER SYSTEM INSTL-DOOR 1 AREA (AUXILIARY HEATING ONLY) FOR NHA/OTHER SYS DET SEE: 21-00-00-15 | 101102 108120 504903 | RF |
| - 1 | MODREF6583 | | HEATER SYSTEM INSTL-DOOR 1 AREA (AUXILIARY HEATING ONLY) MODULE NUMBER: 214N2044-58 REV A FOR OTHER SYS DETAILS SEE: 11-21-50-01 | 103106 | 1 |
| 5 | BACS12ER3K12 | | .SCREW | 101106 108120 504903 | 4 |
| 6 | BACS12GP3L10 | | .SCREW | 101102 108120 504903 | 1 |
| 7 | BACS12GU3K25 | | .SCREW | 103106 | 1 |
| 8 | BACS12GP3L10 | | .SCREW | 101106 108120 504903 | 6 |
| 10 | NAS1149D0332J | | .WASHER | 101106 108120 504903 | 4 |
| 11 | NAS1149D0332J | | .WASHER | 103106 | 1 |
| 12 | NAS43DD3-60FC | | .SPACER | 103106 | 1 |
| 13 | BACW10DZ3 | | .WASHER- OPTIONAL PART: 411N4026-12 | 101106 108120 504903 | 10 |
| 15 | 411N4026-12 | | .WASHER ASSY- OPTIONAL PART: BACW10DZ3 | 101106 108120 504903 | 10 |
| 17 | 411N4026-13 | | ..WASHER | 101106 108120 504903 | 1 |
| 18 | 411N4026-7 | | ..TAPE | 101106 108120 504903 | 2 |
| 19 | BACW10DZ3 | | .WASHER- OPTIONAL PART: 411N4026-12 | 101102 108120 504903 | 1 |
| 21 | 411N4026-12 | | .WASHER ASSY | 101102 108120 504903 | 1 |

MISSING ITEM NUMBERS NOT APPLICABLE

- ITEM NOT ILLUSTRATED

21-45-52-01A

21-45-52
FIG. 01A
PAGE 1
JAN 20/09

BRI

BOEING PROPRIETARY - Copyright © - Unpublished Work - See title page for details.



757

PARTS CATALOG (MAINTENANCE)

| FIG ITEM | PART NUMBER | 1 2 3 4 5 6 7 | NOMENCLATURE | EFFECT FROM TO | UNITS PER ASSY |
|----------|-------------|---------------|--|----------------------------|----------------|
| 1 A | | | | | |
| 22 | 411N4026-13 | .. | WASHER | 101102 108120 504903 | 1 |
| 23 | 411N4026-7 | .. | TAPE | 101102 108120 504903 | 2 |
| 33 | BRC600-10G3 | .NUT | SUPPLIER CODE: V52828 SPECIFICATION NUMBER: BACN10YD3 OPTIONAL PART: 130122 V60119 | 101106 108120 504903 | 4 |
| 34 | BRC600-10G3 | .NUT | SUPPLIER CODE: V52828 SPECIFICATION NUMBER: BACN10YD3 OPTIONAL PART: 130122 V60119 | 103106 | 1 |
| 35 | TM2S8 | .PLATE | SUPPLIER CODE: V06383 SPECIFICATION NUMBER: STBP19M9 | 101102 108120 504903 | 1 |
| 37 | TM2S8 | .PLATE | SUPPLIER CODE: V06383 SPECIFICATION NUMBER: STBP19M9 | 101102 108120 504903 | 6 |
| 37 | TM3S10 | .PLATE | SUPPLIER CODE: V06383 SPECIFICATION NUMBER: STBP19M12 | 103106 | 6 |
| 40 | PLT4SM | .STRAP | SUPPLIER CODE: V06383 SPECIFICATION NUMBER: BACS38K2 OPTIONAL PART: T05L0 V53421 | 101106 108120 504903 | 45 |
| 45 | CR2 | .RING-CONN. | SUPPLIER CODE: V06383 | 101106 108120 504903 | 14 |

MISSING ITEM NUMBERS NOT APPLICABLE

- ITEM NOT ILLUSTRATED

21-45-52-01A

21-45-52
FIG. 01A
PAGE 2
JAN 20/09

BRI

BOEING PROPRIETARY - Copyright © - Unpublished Work - See title page for details.



757

PARTS CATALOG (MAINTENANCE)

| FIG ITEM | PART NUMBER | 1 2 3 4 5 6 7 | NOMENCLATURE | EFFECT FROM TO | UNITS PER ASSY |
|----------|-------------|---------------|--|----------------------------|----------------|
| 1 A | | | | | |
| 46 | 214N5054-11 | . | SUPPORT ASSY | 101102 108120 504903 | 1 |
| 47 | 411N4026-2 | .. | CAP ASSY- OPTIONAL PART: 411N4026-10 | 101102 108120 504903 | 1 |
| 47 | 411N4026-10 | .. | CAP ASSY- OPTIONAL PART: 411N4026-2 | 101102 108120 504903 | 1 |
| 48 | 411N4026-11 | ... | CAP- USED ON: 411N4026-10 | 101102 108120 504903 | 1 |
| 48 | 411N4026-5 | ... | CAP- USED ON: 411N4026-2 | 101102 108120 504903 | 1 |
| 49 | 411N4026-7 | ... | TAPE | 101102 108120 504903 | 1 |
| 51 | 2055155-5B | .. | CLIP- SUPPLIER CODE: V04169 | 101102 108120 504903 | 1 |
| 54 | 214N5054-11 | . | SUPPORT ASSY | 101106 108120 504903 | 6 |
| 55 | 411N4026-2 | .. | CAP ASSY- OPTIONAL PART: 411N4026-10 | 101106 108120 504903 | 1 |
| 55 | 411N4026-10 | .. | CAP ASSY- OPTIONAL PART: 411N4026-2 | 101106 108120 504903 | 1 |
| 57 | 411N4026-11 | ... | CAP- USED ON: 411N4026-10 | 101106 108120 504903 | 1 |
| 57 | 411N4026-5 | ... | CAP- USED ON: 411N4026-2 | 101106 108120 504903 | 1 |
| 58 | 411N4026-7 | ... | TAPE | 101106 108120 504903 | 1 |
| 60 | 2055155-5B | .. | CLIP- SUPPLIER CODE: V04169 | 101106 108120 504903 | 1 |

MISSING ITEM NUMBERS NOT APPLICABLE

- ITEM NOT ILLUSTRATED

21-45-52-01A

21-45-52
FIG. 01A
PAGE 3
JAN 20/09

BRI

BOEING PROPRIETARY - Copyright © - Unpublished Work - See title page for details.

 **BOEING**
757
PARTS CATALOG (MAINTENANCE)

| FIG ITEM | PART NUMBER | 1 2 3 4 5 6 7 | NOMENCLATURE | EFFECT FROM TO | UNITS PER ASSY |
|----------|-----------------|----------------------|--|----------------------------|----------------|
| 1A | | | | | |
| 62 | JM44LC13WD26R | .CLAMP | SUPPLIER CODE: V22175 SPECIFICATION NUMBER: BACC10GE26A OPTIONAL PART: S369WHD26 V18076 TA12C32WD26 V84971 509A26 V83930 | 103106 | 1 |
| 65 | NAS1922-0150-3 | .CLAMP | | 101106 108120 504903 | 14 |
| 70 | NAS1922-0200-3 | .CLAMP | | 101106 108120 504903 | 3 |
| 75 | NAS1922-0275-3 | .CLAMP | | 101106 108120 504903 | 3 |
| 80 | 214N2029-1 | .CONNECTOR-FLEX HOSE | | 101106 108120 504903 | 5 |
| 85 | AS1591-06-0500A | .DUCT | | 101106 108120 504903 | 1 |
| 90 | AS1591-06-0780A | .DUCT | | 101102 108120 504903 | 2 |
| 95 | BOE2022-06A0420 | .HOSE | SUPPLIER CODE: V16632 SPECIFICATION NUMBER: AS1544-06A0420 | 101102 108120 504903 | 1 |
| 97 | BOE2022-06A0420 | .HOSE | SUPPLIER CODE: V16632 SPECIFICATION NUMBER: AS1544-06A0420 | 103106 | 2 |
| 100 | AS1544-06A0810 | .DUCT | | 101102 108120 504903 | 1 |
| 100 | AS1544-06A0900 | .DUCT | | 103106 | 1 |
| 102 | AS1591-06-0820A | .HOSE | | 103106 | 1 |
| 105 | AS1544-06A0620 | .DUCT | | 101106 108120 504903 | 1 |
| 107 | AS1591-06-0660A | .DUCT | | 103106 | 1 |

MISSING ITEM NUMBERS NOT APPLICABLE

— ITEM NOT ILLUSTRATED

BRI

21-45-52-01A

BOEING PROPRIETARY - Copyright © - Unpublished Work - See title page for details.

21-45-52
FIG. 01A
PAGE 4
JAN 20/09



757

PARTS CATALOG (MAINTENANCE)

| FIG ITEM | PART NUMBER | 1 2 3 4 5 6 7 | NOMENCLATURE | EFFECT FROM TO | UNITS PER ASSY |
|----------|----------------|---------------|---|----------------------------|----------------|
| 1A | | | | | |
| 110 | AS1544-06A0530 | . | DUCT | 101102 108120 504903 | 1 |
| 115 | AS1506-08D23 | . | SLEEVE | 101106 108120 504903 | 1 |
| 120 | 214N2041-2 | . | DUCT-TRANSITION | 101106 108120 504903 | 1 |
| 125 | 214N2103-2 | . | DUCT-TEE | 101106 108120 504903 | 1 |
| 130 | 214N2037-1 | . | PLENUM | 101106 108120 504903 | 2 |
| 131 | NAS1149D0316H | . | WASHER | 103106 | 2 |
| 132 | PLH53CD | . | NUT | 103106 | 2 |
| | | | SUPPLIER CODE: VF0224 | | |
| | | | SPECIFICATION NUMBER: BACN10YR3CD | | |
| | | | OPTIONAL PART: H52732-3CD V15653 | | |
| 133 | 740A20-14 | . | JUMPER ASSY | 103106 | 1 |
| | | | SUPPLIER CODE: V91812 | | |
| | | | SPECIFICATION NUMBER: BACJ40A20-14 | | |
| | | | OPTIONAL PART: TJEJ40A20-14 V33483 RBEJ20-14 V1GK47 | | |
| 134 | 214W2450-20 | . | INSULATION | 101106 108120 504903 | 1 |

MISSING ITEM NUMBERS NOT APPLICABLE

- ITEM NOT ILLUSTRATED

BRI

21-45-52-01A

BOEING PROPRIETARY - Copyright © - Unpublished Work - See title page for details.

21-45-52
FIG. 01A
PAGE 5
JAN 20/09



757

PARTS CATALOG (MAINTENANCE)

| FIG ITEM | PART NUMBER | 1 2 3 4 5 6 7 | NOMENCLATURE | EFFECT FROM TO | UNITS PER ASSY |
|-----------|--------------|---------------|--|----------------------------|----------------|
| 1A 135 | 116817-3 | | .HEATER- SUPPLIER CODE: V85932 SPECIFICATION NUMBER: S210W004-5 ELECTRICAL EQUIP NUMBER: M11074 QUALIFIED I/W DATA: SEE S.B. 757-21-0074 FOR SUPPLEMENTAL KITS FOR LINE #686 AND ON. OPTIONAL PART: 116817-5 V85932 | 101106 108120 504903 | 1 |
| 135 | 116817-5 | | .HEATER- SUPPLIER CODE: V85932 SPECIFICATION NUMBER: S210W004-5 ELECTRICAL EQUIP NUMBER: M11074 QUALIFIED I/W DATA: SEE S.B. 757-21-0074 FOR SUPPLEMENTAL KITS FOR LINE #686 AND ON. OPTIONAL PART: 116817-3 V85932 | 101106 108120 504903 | 1 |
| - 150 | 214N2044-34 | | GRILLE INSTL-UNPAINTED GRILLE ASSY FOR NHA SEE: 21-00-00-12 | 101102 504903 | RF |
| 155 | 214N2036-1 | | .GRILLE ASSY- PRE SERVICE BULLETIN: 21-0081R1 | 101102 504903 | 1 |
| 155 | 214N2036-12 | | .GRILLE ASSY- POST SERVICE BULLETIN: 21-0081R1 | 101102 504903 | 1 |
| 160 | 214N2036-2 | | .GRILLE ASSY- PRE SERVICE BULLETIN: 21-0081R1 | 101102 504903 | 1 |
| 160 | 214N2036-13 | | .GRILLE ASSY- POST SERVICE BULLETIN: 21-0081R1 | 101102 504903 | 1 |
| - 300 | 286N2070-601 | | WIRE BUNDLE ASSY | 103106 | RF |
| - 301 | 286N2070-337 | | WIRE BUNDLE ASSY | 108120 | RF |
| - 302 | 286N2070-340 | | WIRE BUNDLE ASSY | 504903 | RF |
| - 302 | 286N2070-335 | | WIRE BUNDLE ASSY | 101102 | RF |

MISSING ITEM NUMBERS NOT APPLICABLE

- ITEM NOT ILLUSTRATED

21-45-52-01A

21-45-52
FIG. 01A
PAGE 6
JAN 20/09

BRI



757

PARTS CATALOG (MAINTENANCE)

| FIG ITEM | PART NUMBER | 1 2 3 4 5 6 7 | NOMENCLATURE | EFFECT FROM TO | UNITS PER ASSY |
|-------------|---------------|---------------|--|----------------------------|----------------------|
| 1 A 305 | BACC45FT10C5S | | .CONNECTOR- ELECTRICAL EQUIP NUMBER: D08262 WIRING DIAGRAM REF: 214531 | 101106 108120 504903 | 1 |

MISSING ITEM NUMBERS NOT APPLICABLE

- ITEM NOT ILLUSTRATED

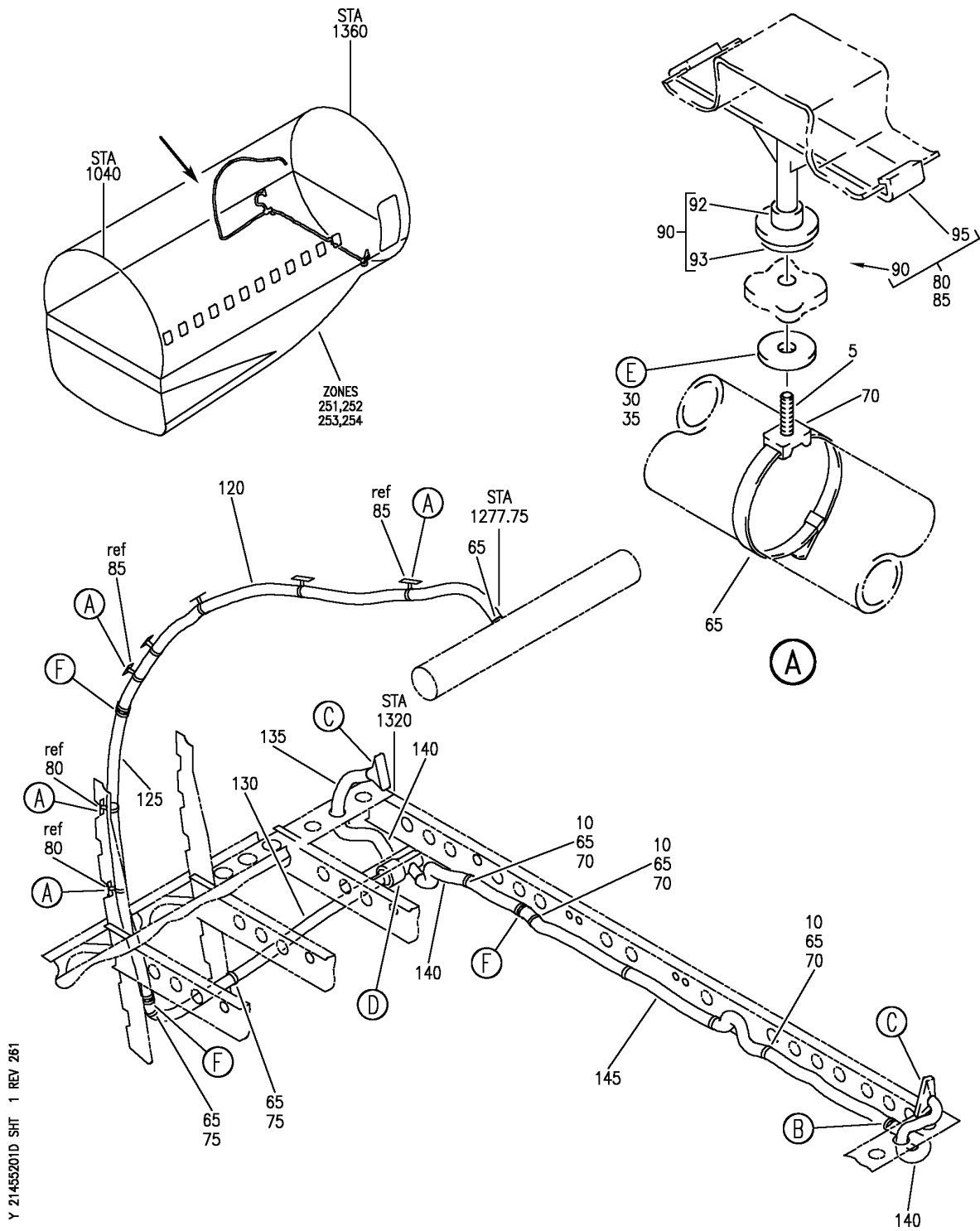
BRI

21-45-52-01A

BOEING PROPRIETARY - Copyright © - Unpublished Work - See title page for details.

21-45-52
FIG. 01A
PAGE 7
JAN 20/09

BOEING
757
PARTS CATALOG (MAINTENANCE)



Y 21455201D SHT 1 REV 261

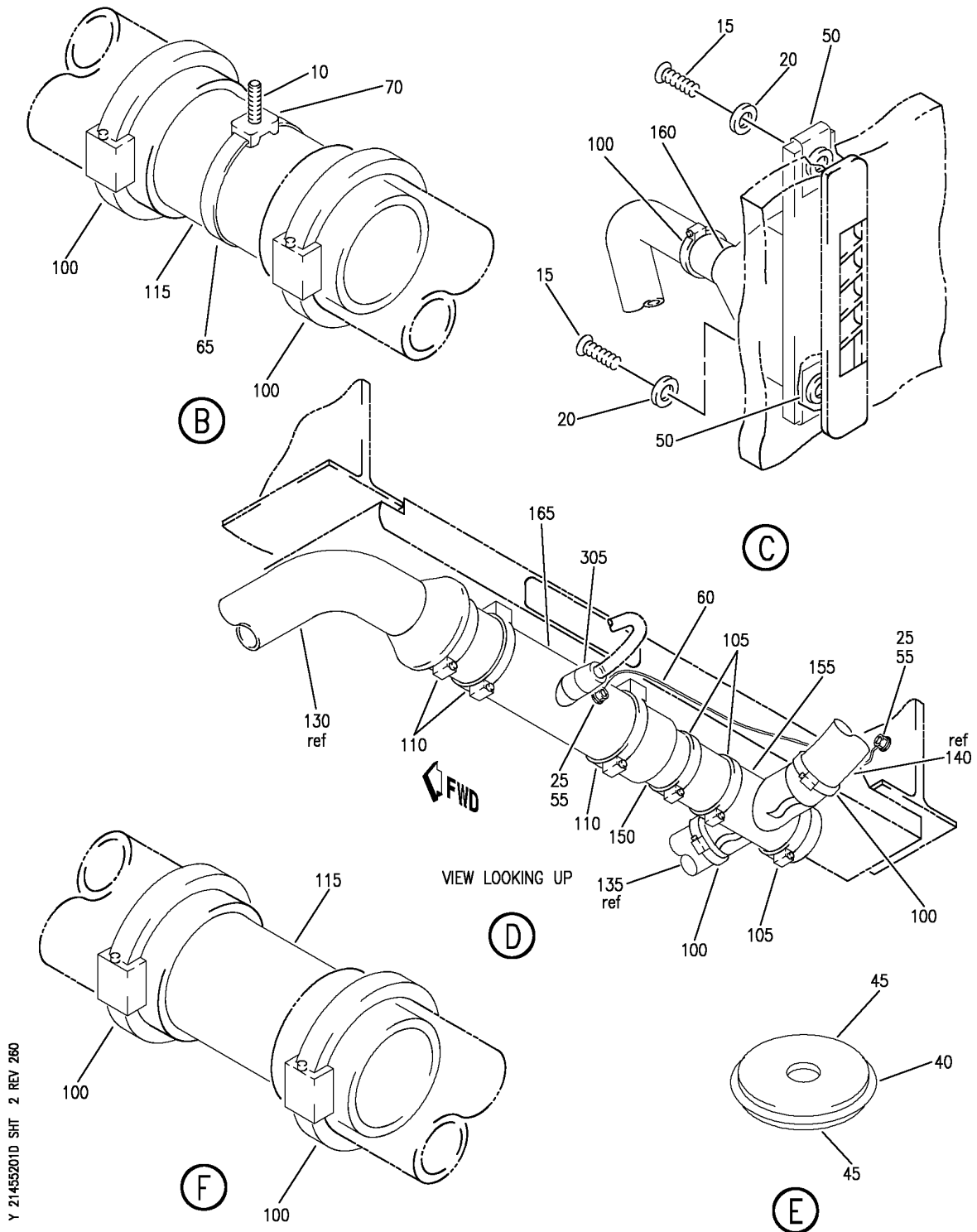
HEATER SYSTEM INSTL-DOOR 3 AREA
FIGURE 1D (SHEET 1)

21-45-52-01D

BRI
JAN 20/09

21-45-52-01D
PAGE 0

BOEING
757
PARTS CATALOG (MAINTENANCE)



HEATER SYSTEM INSTL-DOOR 3 AREA
FIGURE 1D (SHEET 2)

21-45-52-01D

BRI
JAN 20/09

21-45-52-01D
PAGE 0A



757

PARTS CATALOG (MAINTENANCE)

| FIG ITEM | PART NUMBER | 1 2 3 4 5 6 7 | NOMENCLATURE | EFFECT FROM TO | UNITS PER ASSY |
|----------|---------------|---------------|--|----------------|----------------|
| 1D | | | HEATER SYSTEM INSTL-DOOR 3 AREA | 103106 | |
| - 1 | MODREF6580 | | HEATER SYSTEM INSTL-DOOR 3 AREA (AUXILIARY HEATING ONLY) MODULE NUMBER: 214N2044-47 REV A FOR OTHER SYS DETAILS SEE: 11-21-50-01 | 103106 | 1 |
| 5 | BACS12GP3L10 | .SCREW | | 103106 | 7 |
| 10 | BACS12ER3K6 | .SCREW | | 103106 | 6 |
| 15 | BACS12FA3K9 | .SCREW | | 103106 | 4 |
| 20 | NAS1149D0316J | .WASHER | | 103106 | 4 |
| 25 | NAS1149D0316H | .WASHER | | 103106 | 2 |
| 30 | BACW10DZ3 | .WASHER- | | 103106 | 7 |
| | | | OPTIONAL PART: 411N4026-12 | | |
| 35 | 411N4026-12 | .WASHER ASSY- | | 103106 | 7 |
| | | | OPTIONAL PART: BACW10DZ3 | | |
| 40 | 411N4026-13 | ..WASHER | | 103106 | 1 |
| 45 | 411N4026-7 | ..TAPE | | 103106 | 2 |
| 50 | BRC600-10G3 | .NUT-CLIP-ON | | 103106 | 4 |
| | | | SUPPLIER CODE: V52828 SPECIFICATION NUMBER: BACN10YD3 OPTIONAL PART: 130122 V60119 | | |
| 55 | PLH53CD | .NUT | | 103106 | 2 |
| | | | SUPPLIER CODE: VF0224 SPECIFICATION NUMBER: BACN10YR3CD OPTIONAL PART: H52732-3CD V15653 | | |
| 60 | 740A20-14 | .JUMPER ASSY | | 103106 | 1 |
| | | | SUPPLIER CODE: V91812 SPECIFICATION NUMBER: BACJ40A20-14 OPTIONAL PART: TJEJ40A20-14 V33483 RBEJ20-14 V1GK47 | | |

MISSING ITEM NUMBERS NOT APPLICABLE

- ITEM NOT ILLUSTRATED

21-45-52-01D

21-45-52
FIG. 01D
PAGE 1
JAN 20/09

BRI

BOEING PROPRIETARY - Copyright © - Unpublished Work - See title page for details.

 **BOEING**
757
PARTS CATALOG (MAINTENANCE)

| FIG ITEM | PART NUMBER | 1 2 3 4 5 6 7 | NOMENCLATURE | EFFECT FROM TO | UNITS PER ASSY |
|----------|-----------------|---------------|---|----------------|----------------|
| 1D | | | | | |
| 65 | PLT4SM | . | STRAP SUPPLIER CODE: V06383 SPECIFICATION NUMBER: BACS38K2 OPTIONAL PART: T05L0 V53421 | 103106 | 16 |
| 70 | TM3S10 | . | PLATE SUPPLIER CODE: V06383 SPECIFICATION NUMBER: STBP19M12 | 103106 | 13 |
| 75 | 2310025 | . | CLIP- SUPPLIER CODE: V60119 | 103106 | 2 |
| 80 | 214N5054-11 | . | SUPPORT ASSY | 103106 | 2 |
| 85 | 214N5054-14 | . | SUPPORT ASSY | 103106 | 5 |
| 90 | 411N4026-2 | .. | CAP ASSY- OPTIONAL PART: 411N4026-10 | 103106 | 1 |
| 90 | 411N4026-10 | .. | CAP ASSY- OPTIONAL PART: 411N4026-2 | 103106 | 1 |
| 92 | 411N4026-11 | ... | CAP- USED ON: 411N4026-10 | 103106 | 1 |
| 92 | 411N4026-5 | ... | CAP- USED ON: 411N4026-2 | 103106 | 1 |
| 93 | 411N4026-7 | ... | TAPE | 103106 | 1 |
| 95 | 2055155-5B | .. | CLIP- SUPPLIER CODE: V04169 USED ON: 214N5054-11 | 103106 | 1 |
| 95 | 2055155-5C | .. | CLIP- SUPPLIER CODE: V04169 USED ON: 214N5054-14 | 103106 | 1 |
| 100 | NAS1922-0150-3 | . | CLAMP | 103106 | 12 |
| 105 | NAS1922-0200-3 | . | CLAMP | 103106 | 3 |
| 110 | NAS1922-0275-3 | . | CLAMP | 103106 | 3 |
| 115 | 214N2029-1 | . | CONNECTOR-FLEX HOSE | 103106 | 4 |
| 120 | AS1591-06-1100A | . | DUCT-FLEX | 103106 | 1 |
| 125 | AS1591-06-0620A | . | DUCT-FLEX | 103106 | 1 |
| 130 | 214N2041-2 | . | DUCT-TRANSITION | 103106 | 1 |

MISSING ITEM NUMBERS NOT APPLICABLE

— ITEM NOT ILLUSTRATED

BRI

21-45-52-01D

BOEING PROPRIETARY - Copyright © - Unpublished Work - See title page for details.

21-45-52
FIG. 01D
PAGE 2
JAN 20/09



757

PARTS CATALOG (MAINTENANCE)

| FIG ITEM | PART NUMBER | 1 2 3 4 5 6 7 | NOMENCLATURE | EFFECT FROM TO | UNITS PER ASSY |
|-----------|-----------------|---------------|---|----------------|----------------|
| 1D 135 | BOE2022-06A0420 | | .HOSE-FLEX SUPPLIER CODE: V16632 SPECIFICATION NUMBER: AS1544-06A0420 | 103106 | 1 |
| 140 | AS1544-06A0330 | | .DUCT-FLEX | 103106 | 2 |
| 145 | AS1544-06A0900 | | .DUCT-FLEX | 103106 | 1 |
| 150 | AS1506-08D23 | | .SLEEVE | 103106 | 1 |
| 155 | 214N2103-2 | | .DUCT-TEE | 103106 | 1 |
| 160 | 214N2037-1 | | .PLENUM | 103106 | 2 |
| 165 | 116817-3 | | .HEATER- SUPPLIER CODE: V85932 SPECIFICATION NUMBER: S210W004-5 ELECTRICAL EQUIP NUMBER: M11076 QUALIFIED I/W DATA: SEE S.B. 757-21-0074 FOR SUPPLEMENTAL KITS FOR LINE #686 AND ON OPTIONAL PART: 116817-5 V85932 OPTIONAL PART: 116817-5 V85932 | 103106 | 1 |
| 165 | 116817-5 | | .HEATER- SUPPLIER CODE: V85932 SPECIFICATION NUMBER: S210W004-5 ELECTRICAL EQUIP NUMBER: M11076 QUALIFIED I/W DATA: SEE S.B. 757-21-0074 FOR SUPPLEMENTAL KITS FOR LINE #686 AND ON OPTIONAL PART: 116817-3 V85932 OPTIONAL PART: 116817-3 V85932 | 103106 | 1 |
| - 300 | 286N5974-701 | | WIRE BUNDLE ASSY | 103106 | RF |

MISSING ITEM NUMBERS NOT APPLICABLE

- ITEM NOT ILLUSTRATED

21-45-52-01D

21-45-52
FIG. 01D
PAGE 3
JAN 20/09

BRI

BOEING PROPRIETARY - Copyright © - Unpublished Work - See title page for details.



757

PARTS CATALOG (MAINTENANCE)

| FIG ITEM | PART NUMBER | 1 2 3 4 5 6 7 | NOMENCLATURE | EFFECT FROM TO | UNITS PER ASSY |
|-------------|---------------|---------------|--|-------------------|----------------------|
| 1D 305 | BACC45FT10C5S | | .CONNECTOR- ELECTRICAL EQUIP NUMBER: D08264 WIRING DIAGRAM REF: 214531 | 103106 | 1 |

MISSING ITEM NUMBERS NOT APPLICABLE

- ITEM NOT ILLUSTRATED

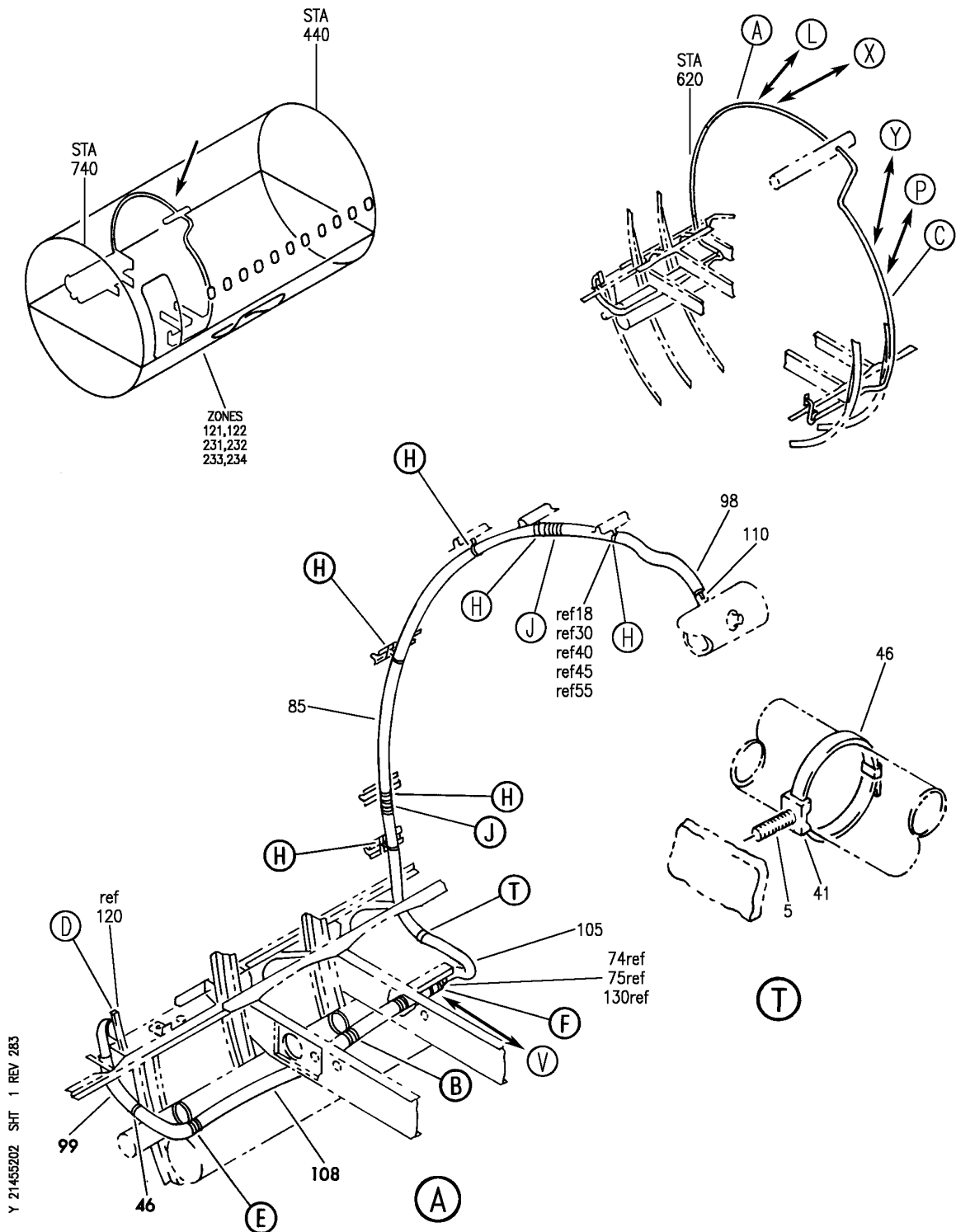
BRI

21-45-52-01D

BOEING PROPRIETARY - Copyright © - Unpublished Work - See title page for details.

21-45-52
FIG. 01D
PAGE 4
JAN 20/09

BOEING
757
PARTS CATALOG (MAINTENANCE)



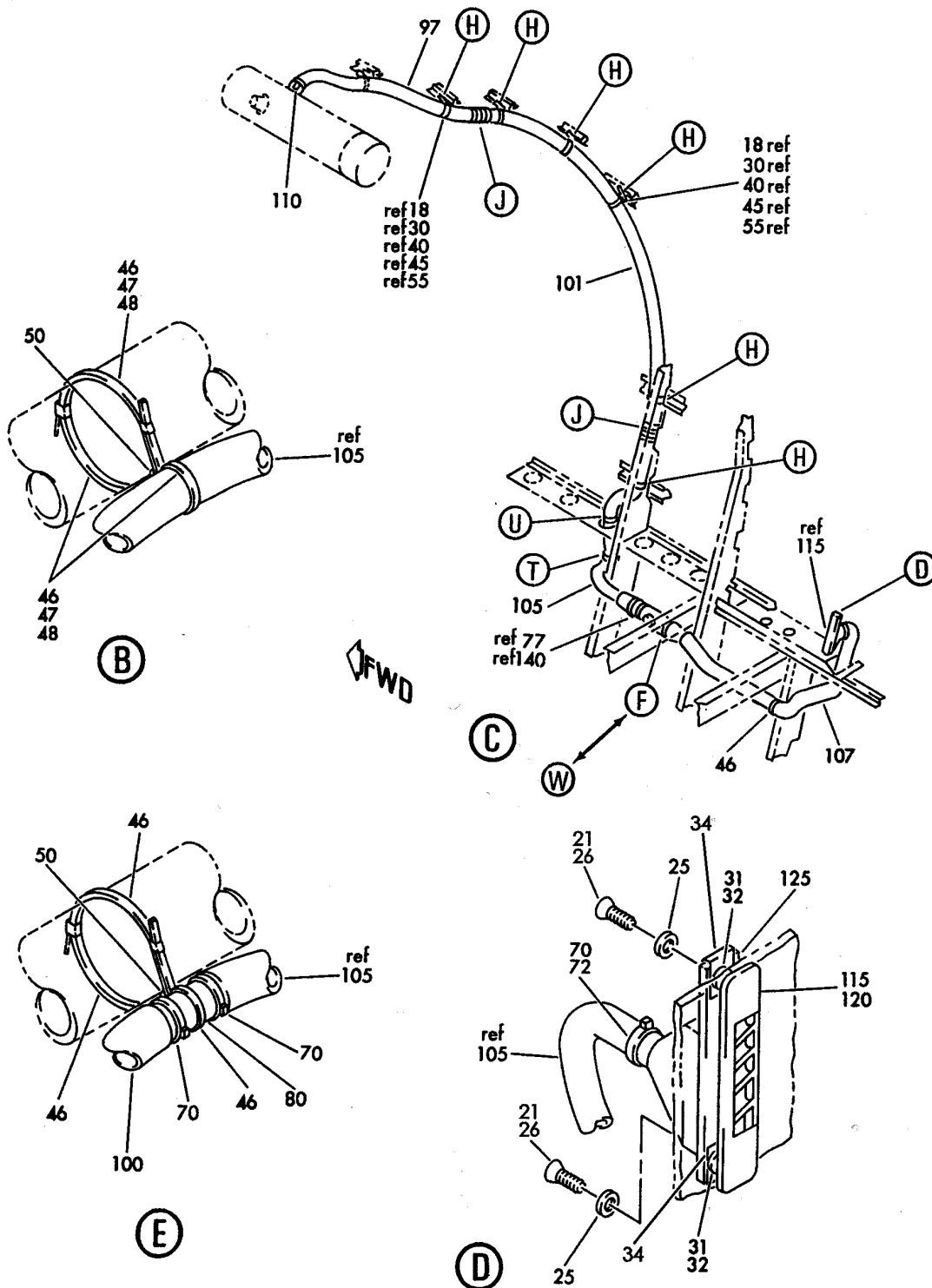
HEATER SYSTEM INSTL-DOOR 2 AREA (AIR CONDITIONING ONLY)
FIGURE 2 (SHEET 1)

21-45-52-02

BRI
MAY 28/07

21-45-52-02
PAGE 0

BOEING
757
PARTS CATALOG (MAINTENANCE)



Y 21455202 SHT 2 REV 219

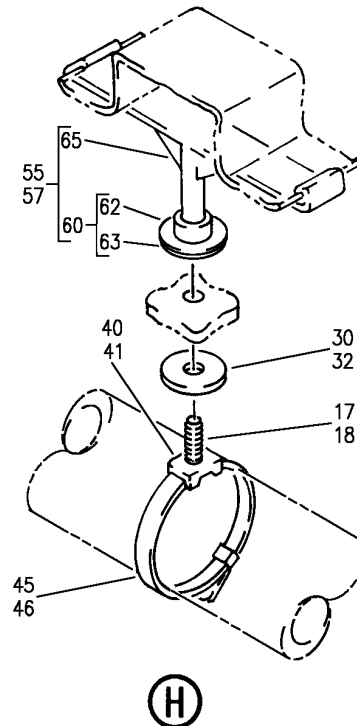
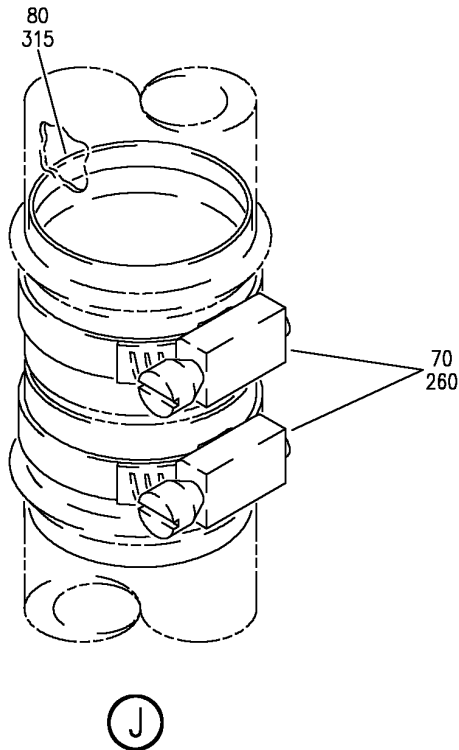
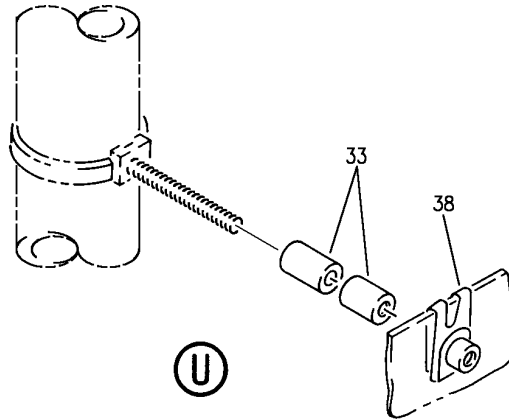
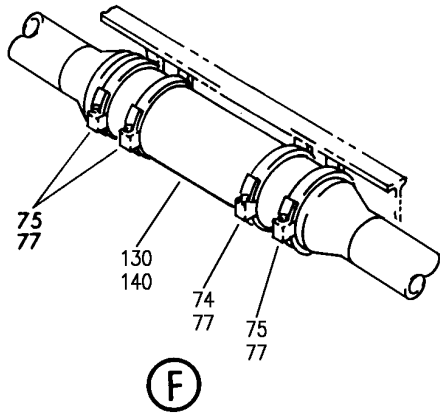
HEATER SYSTEM INSTL-DOOR 2 AREA (AIR CONDITIONING ONLY)
FIGURE 2 (SHEET 2)

21-45-52-02

BRI
MAY 28/07

21-45-52-02
PAGE 0A

BOEING
757
PARTS CATALOG (MAINTENANCE)



Y 21455202 SH1 3 REV 299

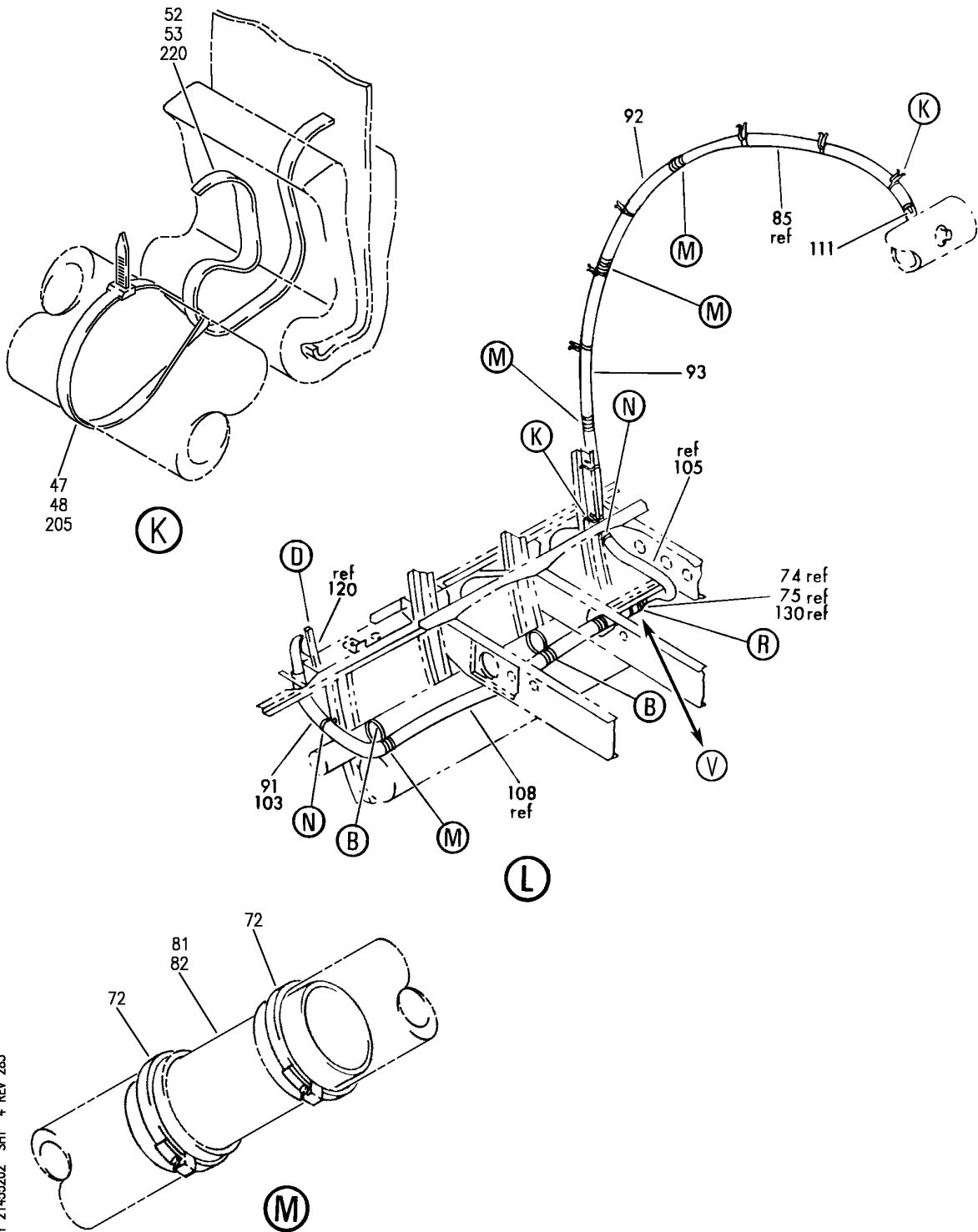
HEATER SYSTEM INSTL-DOOR 2 AREA (AIR CONDITIONING ONLY)
FIGURE 2 (SHEET 3)

21-45-52-02

BRI
MAY 28/07

21-45-52-02
PAGE 0B

BOEING
757
PARTS CATALOG (MAINTENANCE)



Y 21455202 SHIT 4 REV 283

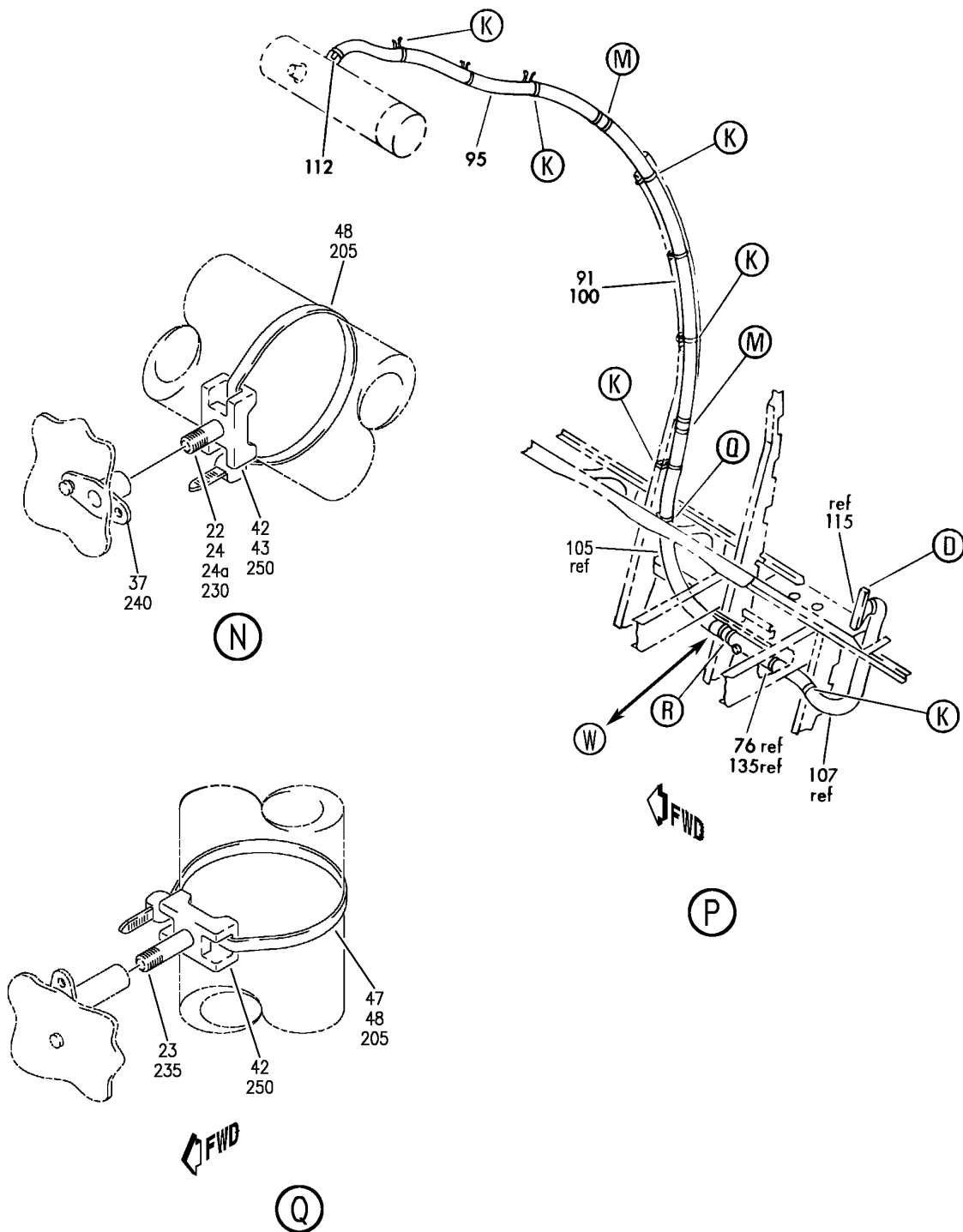
HEATER SYSTEM INSTL-DOOR 2 AREA (AIR CONDITIONING ONLY)
FIGURE 2 (SHEET 4)

21-45-52-02

BRI
MAY 28/07

21-45-52-02
PAGE 0C

BOEING
757
PARTS CATALOG (MAINTENANCE)



Y 21455202 SH1 5 REV 283

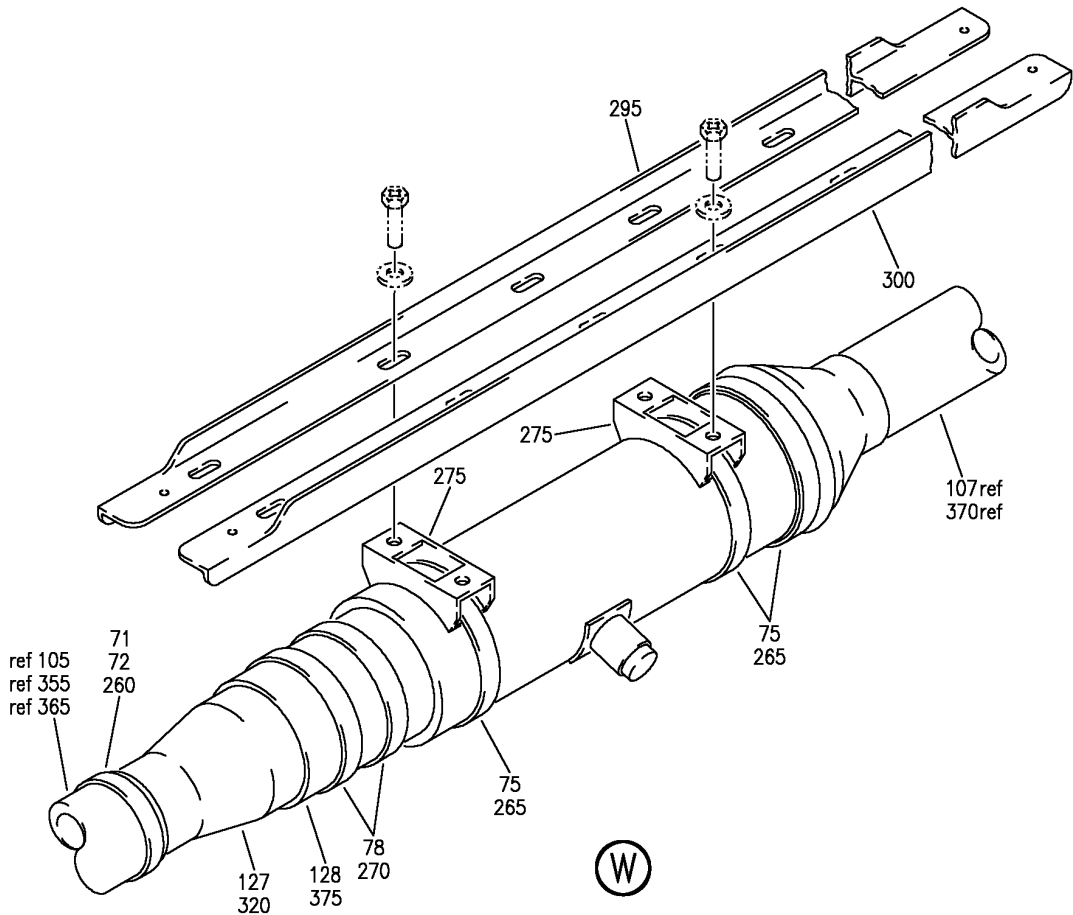
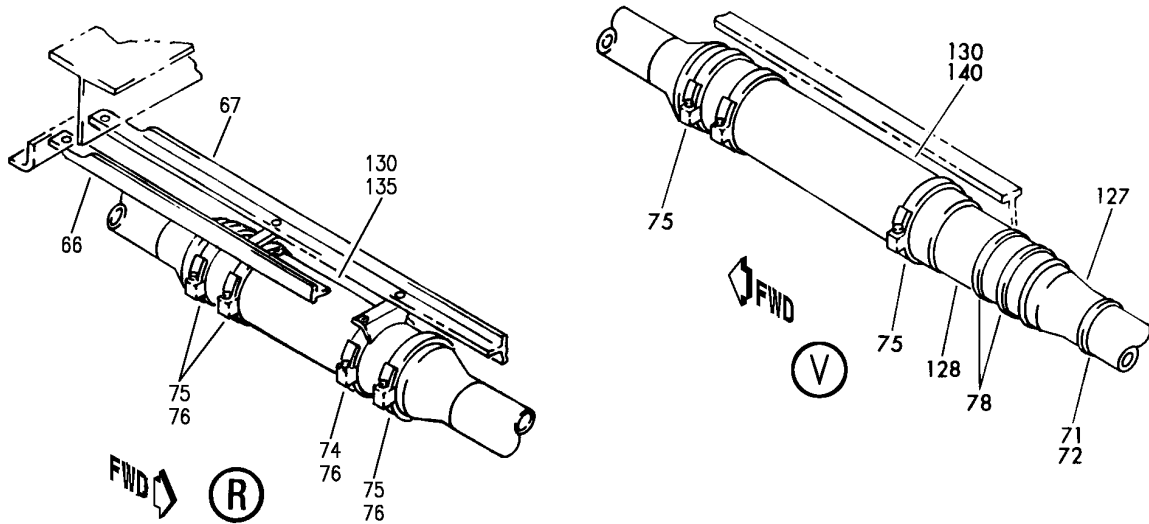
HEATER SYSTEM INSTL-DOOR 2 AREA (AIR CONDITIONING ONLY)
FIGURE 2 (SHEET 5)

21-45-52-02

BRI
MAY 28/07

21-45-52-02
PAGE 0D

BOEING
757
PARTS CATALOG (MAINTENANCE)



Y 21455202 SH1 6 REV 283

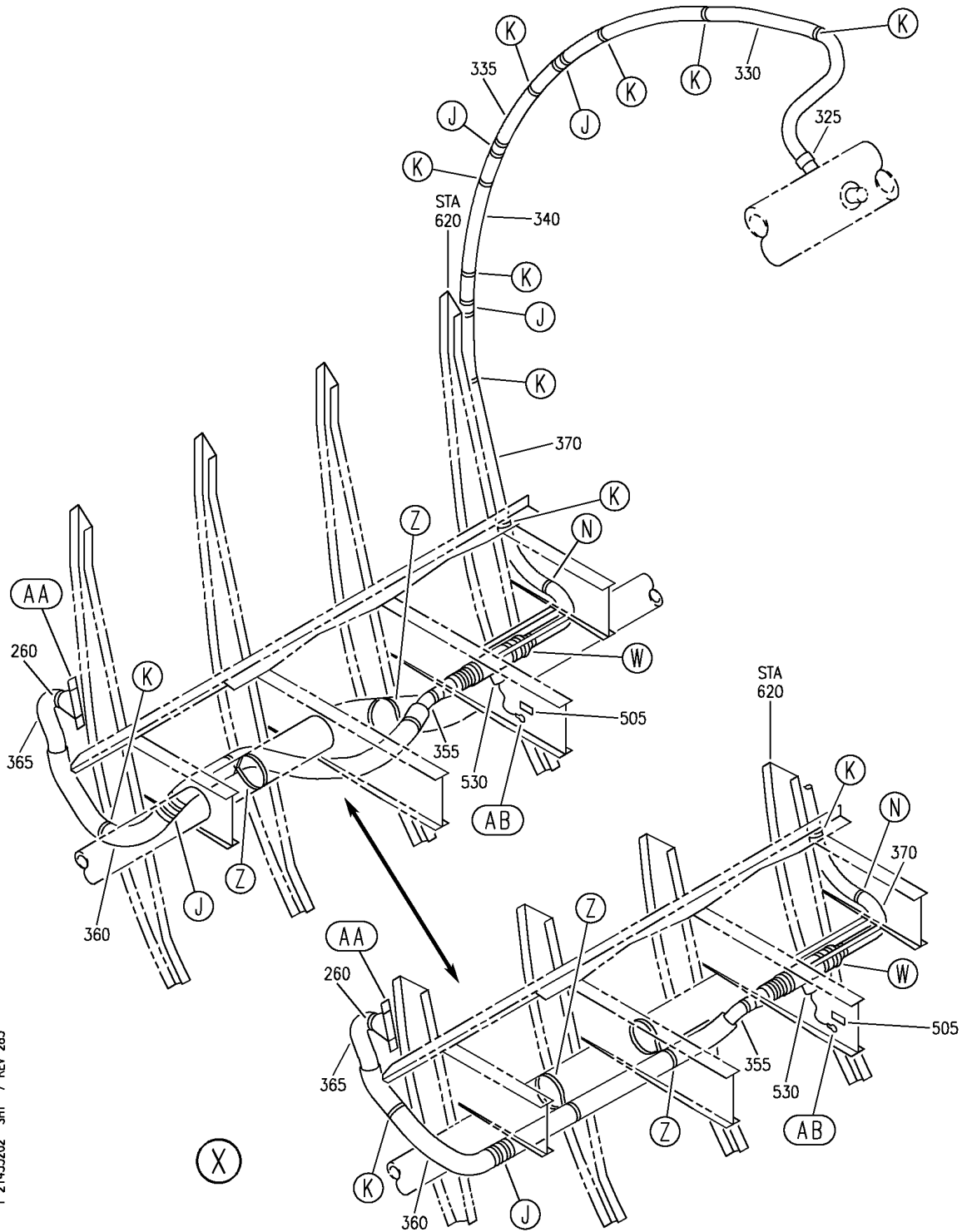
HEATER SYSTEM INSTL-DOOR 2 AREA (AIR CONDITIONING ONLY)
FIGURE 2 (SHEET 6)

21-45-52-02

BRI
MAY 28/07

21-45-52-02
PAGE 0E

BOEING
757
PARTS CATALOG (MAINTENANCE)



Y 21455202 SHT 7 REV 283

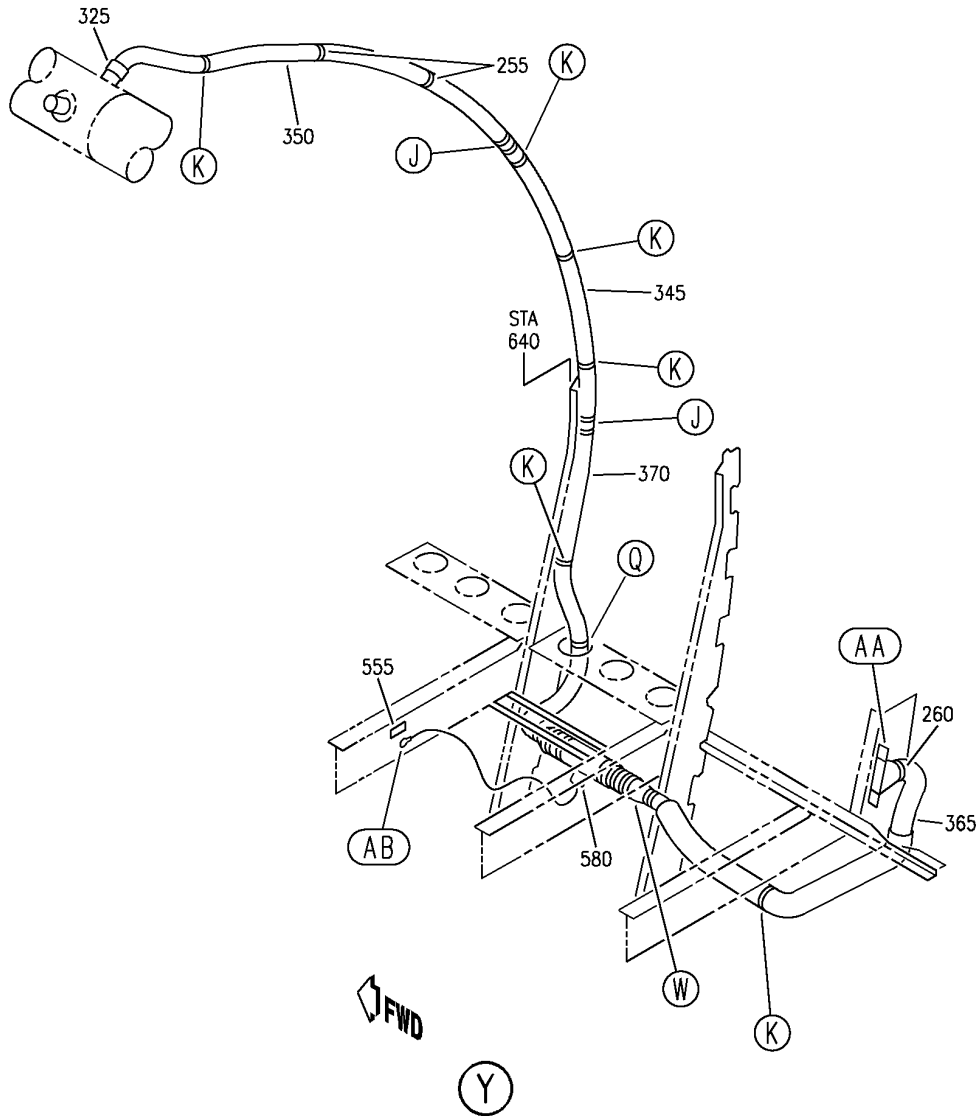
HEATER SYSTEM INSTL-DOOR 2 AREA (AIR CONDITIONING ONLY)
FIGURE 2 (SHEET 7)

21-45-52-02

BRI
MAY 28/07

21-45-52-02
PAGE OF

BOEING
757
PARTS CATALOG (MAINTENANCE)



Y 21455202 SH 8 REV 283

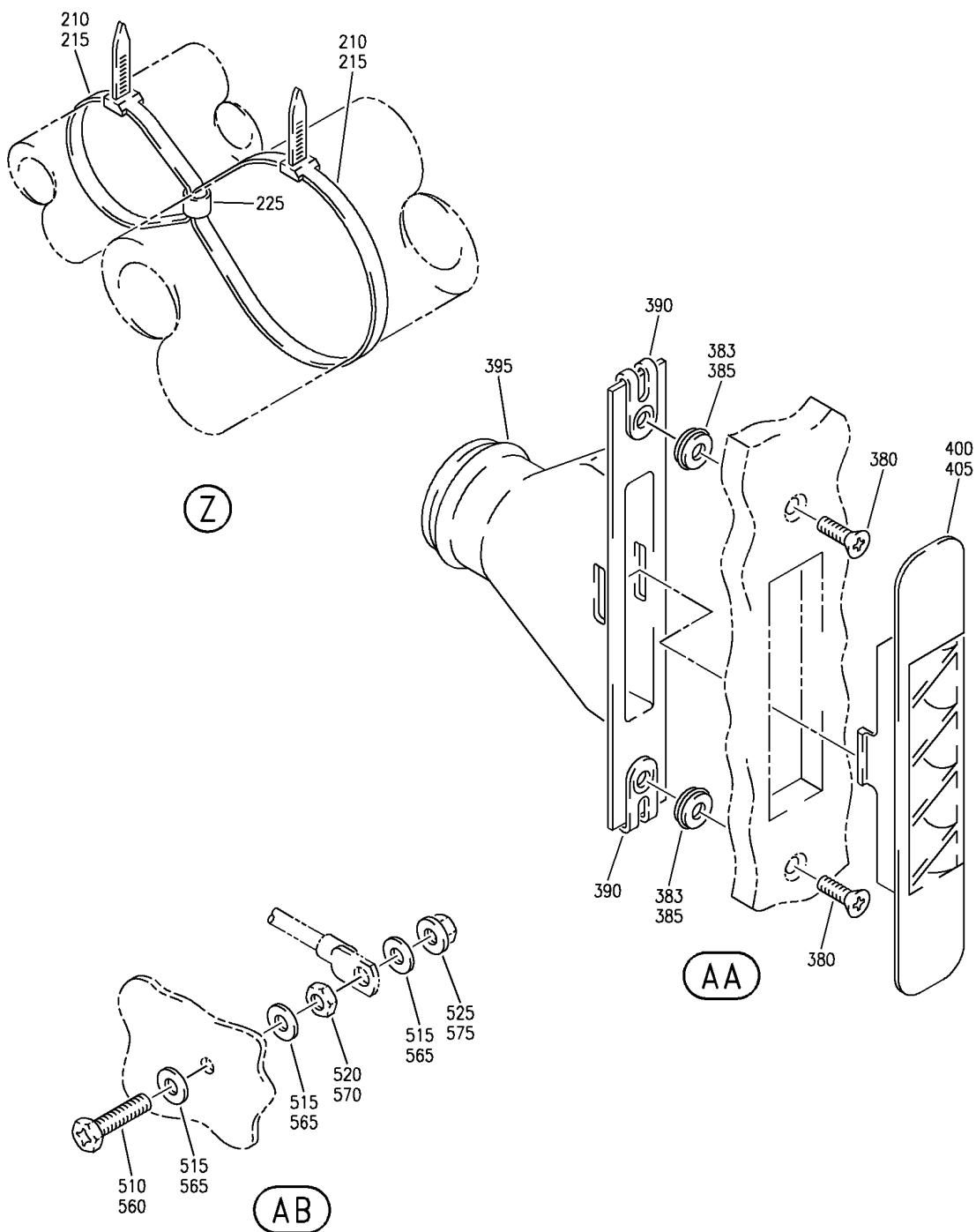
HEATER SYSTEM INSTL-DOOR 2 AREA (AIR CONDITIONING ONLY)
FIGURE 2 (SHEET 8)

21-45-52-02

BRI
MAY 28/07

21-45-52-02
PAGE 0G

BOEING
757
PARTS CATALOG (MAINTENANCE)



Y 21455202 SHT 9 REV 291

HEATER SYSTEM INSTL-DOOR 2 AREA (AIR CONDITIONING ONLY)
FIGURE 2 (SHEET 9)

21-45-52-02

BRI
MAY 28/07

21-45-52-02
PAGE 0H



757

PARTS CATALOG (MAINTENANCE)

| FIG ITEM | PART NUMBER | 1 2 3 4 5 6 7 | NOMENCLATURE | EFFECT FROM TO | UNITS PER ASSY |
|----------|----------------|---------------|--|----------------|----------------|
| 2 | | | HEATER SYSTEM INSTL-DOOR 2 AREA (AIR CONDITIONING ONLY) | 009009 | |
| - 1 | 214N2044-2 | | HEATER SYSTEM INSTL-DOOR 2 AREA (AIR CONDITIONING ONLY) POST SERVICE BULLETIN: 21-0060 FOR NHA/OTHER SYS DET SEE: 21-00-00-01 | 009009 | RF |
| 22 | BACS12GU3K6 | | .SCREW | 009009 | 2 |
| 23 | BACS12ER3K24 | | .SCREW- | 009009 | 1 |
| 24 | BACS12ER3K6 | | .SCREW- | 009009 | 1 |
| 37 | BACN10TL3A3 | | .NUT | 009009 | 2 |
| 42 | TM2S8 | | .PLATE SUPPLIER CODE: V06383 SPECIFICATION NUMBER: STBP19M9 | 009009 | 3 |
| 47 | PLT4SM | | .STRAP SUPPLIER CODE: V06383 SPECIFICATION NUMBER: BACS38K2 OPTIONAL PART: T05L0 V53421 | 009009 | 17 |
| 53 | 2310025 | | .CLIP- SUPPLIER CODE: V60119 | 009009 | 22 |
| 66 | 214N2040-3 | | .SUPPORT | 009009 | 2 |
| 67 | 214N2040-4 | | .SUPPORT | 009009 | 2 |
| - 68 | HST11AG5-5 | | ATTACHING PARTS .BOLT SUPPLIER CODE: V06725 SPECIFICATION NUMBER: BACB30VU5K5 OPTIONAL PART: HST11AG5-5 V73197 HST11AG5-5 VOPTK6 HST11AG5-5 V56878 | 009009 | 8 |
| - 69 | BACC30BL | | .COLLAR -----*----- | 009009 | 8 |
| 72 | NAS1922-0150-3 | | .CLAMP | 009009 | 16 |
| 74 | NAS1922-0275-3 | | .CLAMP- | 009009 | 1 |

MISSING ITEM NUMBERS NOT APPLICABLE

- ITEM NOT ILLUSTRATED

21-45-52-02

21-45-52
FIG. 02
PAGE 1
MAY 28/07

BRI



757

PARTS CATALOG (MAINTENANCE)

| FIG ITEM | PART NUMBER | 1 2 3 4 5 6 7 | NOMENCLATURE | EFFECT FROM TO | UNITS PER ASSY |
|----------|-----------------|---------------|--|----------------|----------------|
| 2 | | | | | |
| 75 | NAS1922-0275-3 | . | CLAMP | 009009 | 6 |
| 76 | NAS1922-0275-3 | . | CLAMP | 009009 | 4 |
| 81 | 214N2029-1 | . | CONNECTOR-FLEX HOSE | 009009 | 8 |
| 85 | AS1591-06-0810A | . | DUCT | 009009 | 1 |
| 91 | AS1591-06-0420A | . | DUCT | 009009 | 2 |
| 92 | AS1591-06-0240A | . | HOSE | 009009 | 1 |
| 93 | AS1591-06-0320A | . | DUCT | 009009 | 1 |
| 95 | AS1591-06-0620A | . | DUCT | 009009 | 1 |
| 105 | 214N2041-2 | . | DUCT-TRANSITION | 009009 | 2 |
| 107 | 214N2041-2 | . | DUCT-TRANSITION | 009009 | 1 |
| 108 | 214N2041-2 | . | DUCT-TRANSITION | 009009 | 1 |
| 110 | 214T3436-666 | . | ORIFICE ASSY | 009009 | 2 |
| 111 | 214T3436-1585 | . | ORIFICE ASSY- | 009009 | 1 |
| 112 | 214T3436-53 | . | ORIFICE ASSY- | 009009 | 1 |
| 115 | 214N2036-1 | . | GRILLE ASSY- | 009009 | 1 |
| 120 | 214N2036-2 | . | GRILLE ASSY- | 009009 | 1 |
| 125 | 214N2037-1 | . | PLENUM | 009009 | 2 |
| 130 | 116976-42 | . | HEATER ASSY- | 009009 | 1 |
| | | | SUPPLIER CODE: V85932 | | |
| | | | SPECIFICATION NUMBER: S210N701-42 | | |
| | | | QUALIFIED I/W DATA: SEE S.B. 757-21-0074 FOR SUPPLEMENTAL KITS FOR LINE #686 AND ON | | |
| 135 | 116976-42 | . | HEATER ASSY- | 009009 | 1 |
| | | | SUPPLIER CODE: V85932 | | |
| | | | SPECIFICATION NUMBER: S210N701-42 | | |

MISSING ITEM NUMBERS NOT APPLICABLE

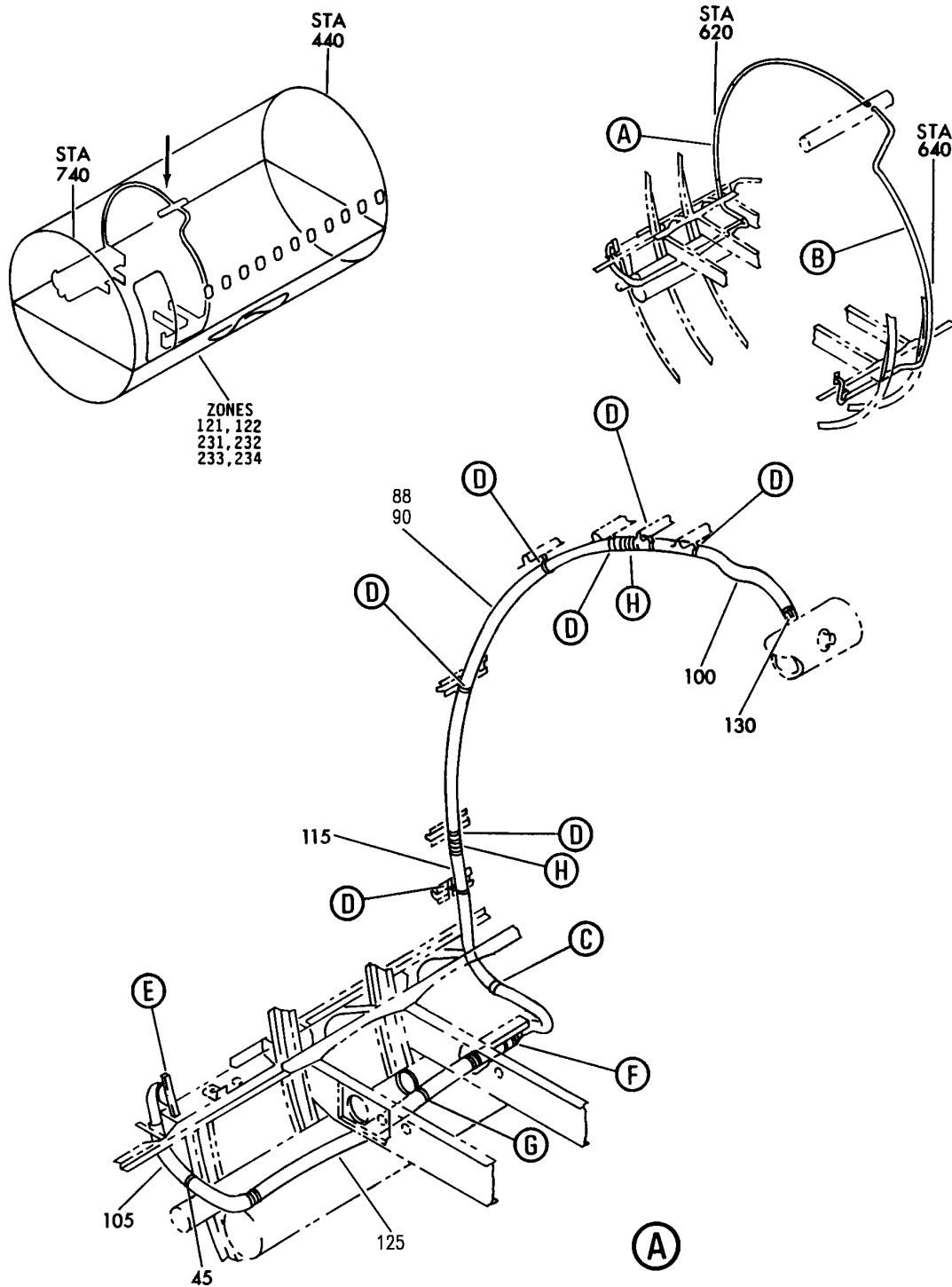
- ITEM NOT ILLUSTRATED

BRI

21-45-52-02

21-45-52
FIG. 02
PAGE 2
MAY 28/07

BOEING
757
PARTS CATALOG (MAINTENANCE)



Y 21-45-52-02A SHT 1 REV 293

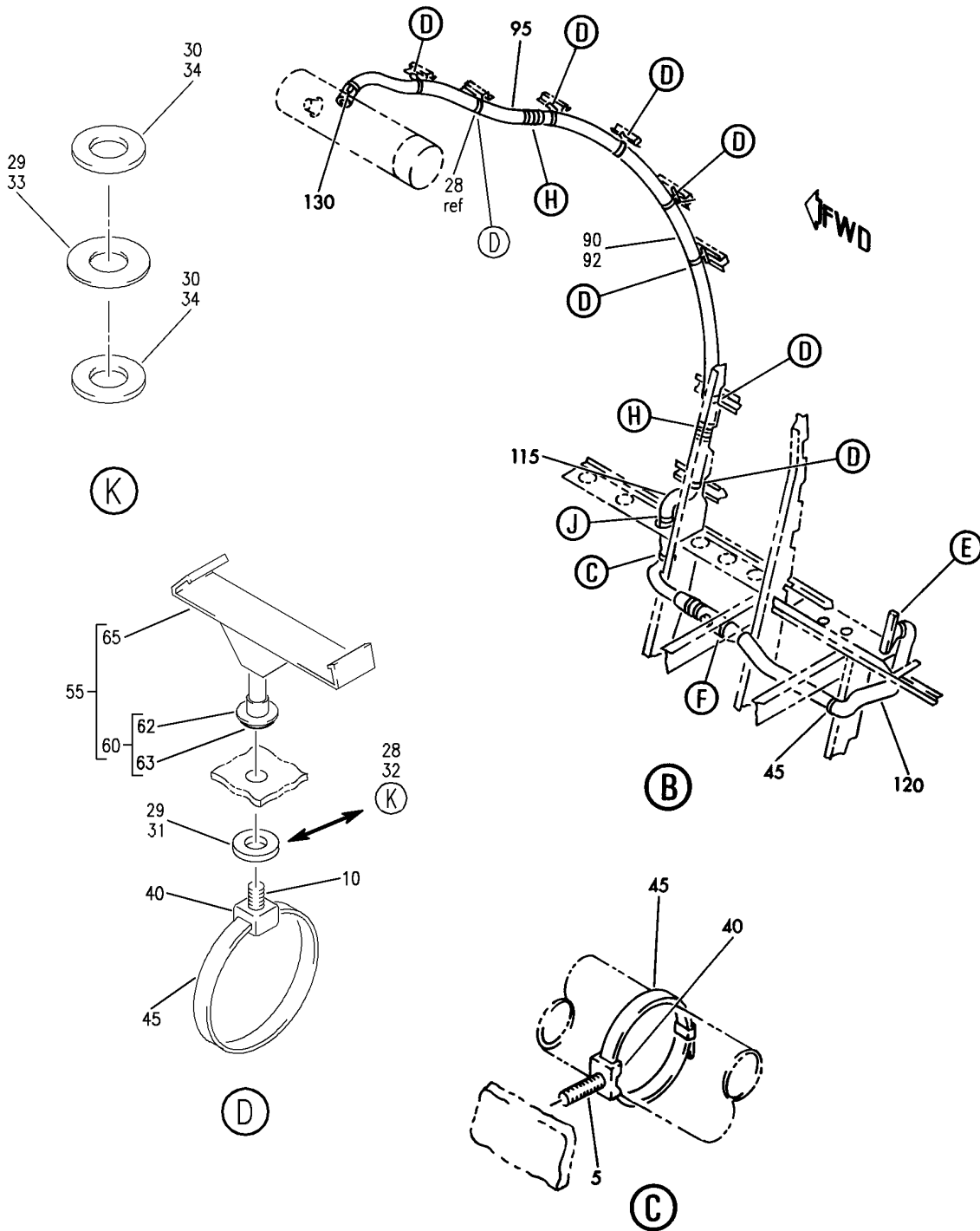
HEATER SYSTEM AND GRILLE INSTL-DOOR 2 AREA
FIGURE 2A (SHEET 1)

21-45-52-02A

BRI
MAY 28/07

21-45-52-02A
PAGE 0

BOEING
757
PARTS CATALOG (MAINTENANCE)



Y 21455202A SH1 2 REV 293

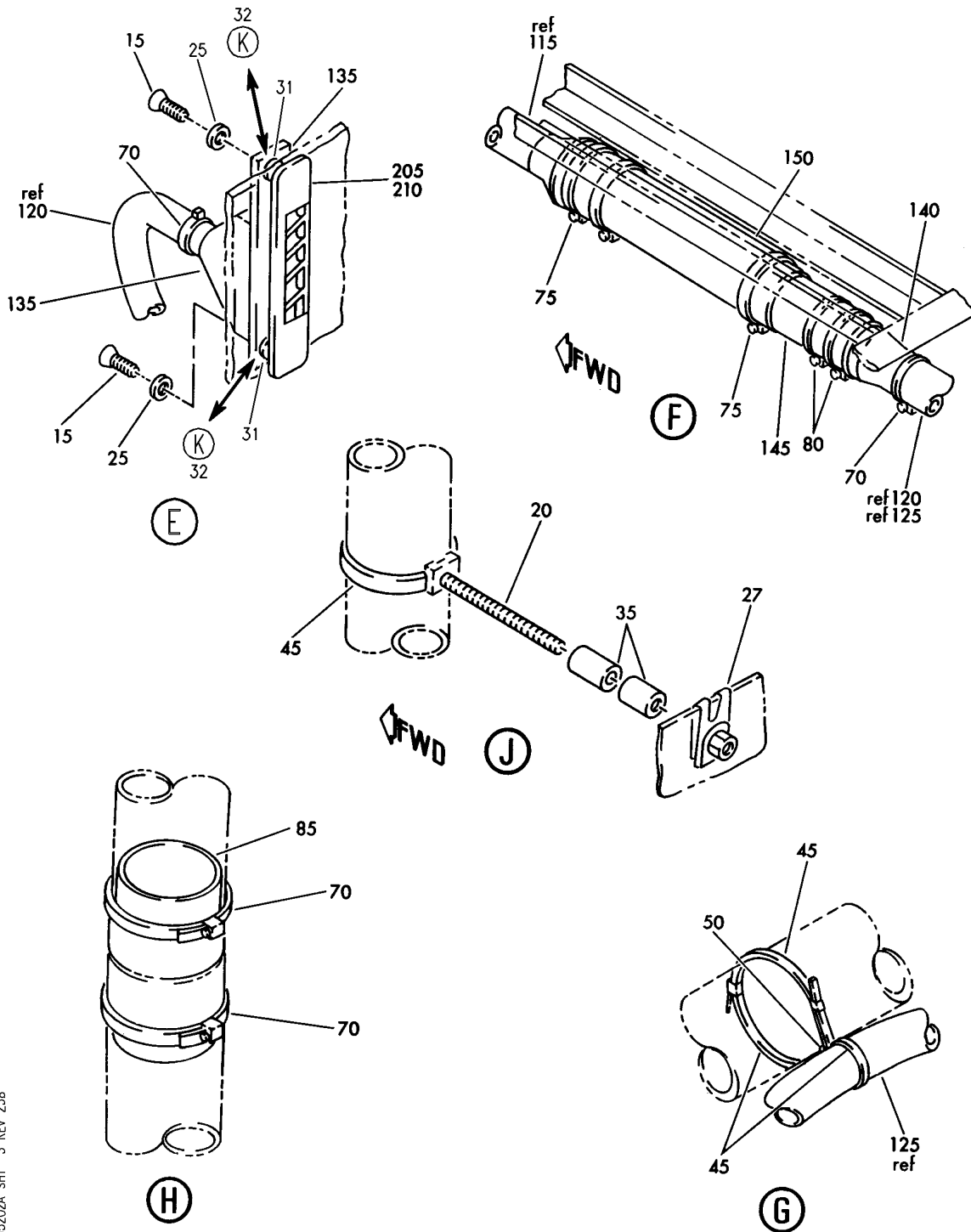
HEATER SYSTEM AND GRILLE INSTL-DOOR 2 AREA
FIGURE 2A (SHEET 2)

21-45-52-02A

BRI
MAY 28/07

21-45-52-02A
PAGE 0A


BOEING
 757
PARTS CATALOG (MAINTENANCE)



Y 21455202A SHT 3 REV 238

HEATER SYSTEM AND GRILLE INSTL-DOOR 2 AREA
 FIGURE 2A (SHEET 3)

21-45-52-02A

BRI
 MAY 28/07

21-45-52-02A
 PAGE 0B



757

PARTS CATALOG (MAINTENANCE)

| FIG ITEM | PART NUMBER | 1 2 3 4 5 6 7 | NOMENCLATURE | EFFECT FROM TO | UNITS PER ASSY |
|----------|--------------------|---------------|--|------------------|----------------|
| 2A | | | HEATER SYSTEM AND GRILLE INSTL-DOOR 2 AREA | 101102 504903 | |
| - 1 | 214N2044-32 | | HEATER SYSTEM INSTL-DOOR 2 AREA (AUXILIARY HEATING ONLY) FOR NHA/OTHER SYS DET SEE: 21-00-00-15 | 101102 504903 | RF |
| | 5 BACS12ER3K12 | | .SCREW | 101102 504903 | 2 |
| | 10 BACS12GP3L10 | | .SCREW | 101102 504903 | 15 |
| | 15 BACS12GU3K5 | | .SCREW | 101102 504903 | 4 |
| | 20 NAS514P1032-28P | | .SCREW | 101102 504903 | 1 |
| | 25 NAS1149D0332 | | .WASHER | 101102 504903 | 4 |
| | 27 BRC600-10G3 | | .NUT-CLIP-ON SUPPLIER CODE: V52828 SPECIFICATION NUMBER: BACN10YD3 OPTIONAL PART: 130122 V60119 | 101102 504903 | 1 |
| | 28 411N4026-12 | | .WASHER ASSY | 101102 504903 | 1 |
| | 29 411N4026-13 | | ..WASHER | 101102 504903 | 1 |
| | 30 411N4026-7 | | ..TAPE | 101102 504903 | 2 |
| | 32 411N4026-12 | | .WASHER ASSY- | 101102 504903 | 18 |
| | 33 411N4026-13 | | ..WASHER | 101102 504903 | 1 |
| | 34 411N4026-7 | | ..TAPE | 101102 504903 | 2 |
| | 35 NAS43DD3-40FC | | .SPACER | 101102 504903 | 2 |
| | 40 TM2S8 | | .PLATE SUPPLIER CODE: V06383 SPECIFICATION NUMBER: STBP19M9 | 101102 504903 | 17 |

MISSING ITEM NUMBERS NOT APPLICABLE

- ITEM NOT ILLUSTRATED

21-45-52-02A

21-45-52
FIG. 02A
PAGE 1
JAN 20/09

BRI



757

PARTS CATALOG (MAINTENANCE)

| FIG ITEM | PART NUMBER | 1 2 3 4 5 6 7 | NOMENCLATURE | EFFECT FROM TO | UNITS PER ASSY |
|----------|-----------------|---------------|---|------------------|----------------|
| 2A | | | | | |
| 45 | PLT4SM | . | STRAP SUPPLIER CODE: V06383 SPECIFICATION NUMBER: BACS38K2 OPTIONAL PART: T05L0 V53421 | 101102 504903 | 23 |
| 50 | CR2 | . | RING-CONNECTOR SUPPLIER CODE: V06383 | 101102 504903 | 1 |
| 55 | 214N5054-11 | . | SUPPORT ASSY | 101102 504903 | 15 |
| 60 | 411N4026-2 | .. | CAP ASSY- OPTIONAL PART: 411N4026-10 | 101102 504903 | 1 |
| 60 | 411N4026-10 | .. | CAP ASSY- OPTIONAL PART: 411N4026-2 | 101102 504903 | 1 |
| 62 | 411N4026-11 | ... | CAP- USED ON: 411N4026-10 | 101102 504903 | 1 |
| 62 | 411N4026-5 | ... | CAP- USED ON: 411N4026-2 | 101102 504903 | 1 |
| 63 | 411N4026-7 | ... | TAPE | 101102 504903 | 1 |
| 65 | 2055155-5B | .. | CLIP- SUPPLIER CODE: V04169 | 101102 504903 | 1 |
| 70 | NAS1922-0150-3 | . | CLAMP | 101102 504903 | 12 |
| 75 | NAS1922-0275-3 | . | CLAMP | 101102 504903 | 6 |
| 80 | NAS1922-0200-3 | . | CLAMP | 101102 504903 | 4 |
| 85 | 214N2029-1 | . | CONNECTOR-FLEX HOSE | 101102 504903 | 4 |
| 90 | AS1591-06-0810A | . | DUCT- | 101102 504903 | 2 |
| 95 | AS1591-06-0280A | . | HOSE- | 101102 504903 | 1 |
| 100 | AS1591-06-0360A | . | DUCT- | 101102 504903 | 1 |
| 105 | AS1544-06A0360 | . | DUCT | 101102 504903 | 1 |
| 115 | 214N2041-2 | . | DUCT-TRANSITION | 101102 504903 | 2 |

MISSING ITEM NUMBERS NOT APPLICABLE

- ITEM NOT ILLUSTRATED

21-45-52-02A

21-45-52
FIG. 02A
PAGE 2
JAN 20/09

BRI

BOEING PROPRIETARY - Copyright © - Unpublished Work - See title page for details.

BOEING
757
PARTS CATALOG (MAINTENANCE)

| FIG ITEM | PART NUMBER | 1 2 3 4 5 6 7 | NOMENCLATURE | EFFECT FROM TO | UNITS PER ASSY |
|----------|----------------|---------------|--|------------------|----------------|
| 2A | | | | | |
| 120 | AS1544-06A0530 | . | DUCT-FLEX | 101102 504903 | 1 |
| 125 | AS1544-06A0390 | . | DUCT-FLEX | 101102 504903 | 1 |
| 130 | 214T3436-818 | . | ORIFICE ASSY- PRE SERVICE BULLETIN: 21-0081R1 | 101102 504903 | 2 |
| 135 | 214N2037-1 | . | PLENUM | 101102 504903 | 2 |
| 140 | 69B43325-8 | . | CONNECTOR | 101102 504903 | 2 |
| 145 | AS1506-08D23 | . | SLEEVE | 101102 504903 | 2 |
| 150 | 116817-3 | . | HEATER- SUPPLIER CODE: V85932 SPECIFICATION NUMBER: S210W004-5 ELECTRICAL EQUIP NUMBER: M11077 M11078 QUALIFIED I/W DATA: SEE S.B. 757-21-0074 FOR SUPPLEMENTAL KITS FOR LINE #686 AND ON OPTIONAL PART: 116817-5 V85932 | 101102 504903 | 2 |
| 150 | 116817-5 | . | HEATER- SUPPLIER CODE: V85932 SPECIFICATION NUMBER: S210W004-5 ELECTRICAL EQUIP NUMBER: M11077 M11078 QUALIFIED I/W DATA: SEE S.B. 757-21-0074 FOR SUPPLEMENTAL KITS FOR LINE #686 AND ON OPTIONAL PART: 116817-3 V85932 | 101102 504903 | 2 |
| - 200 | 214N2044-35 | | GRILLE INSTL-UNPAINTED GRILLE ASSY FOR NHA SEE: 21-00-00-12 | 101102 504903 | RF |

MISSING ITEM NUMBERS NOT APPLICABLE

- ITEM NOT ILLUSTRATED

BRI

21-45-52-02A

BOEING PROPRIETARY - Copyright © - Unpublished Work - See title page for details.

21-45-52
FIG. 02A
PAGE 3
JAN 20/09



757

PARTS CATALOG (MAINTENANCE)

| FIG ITEM | PART NUMBER | 1 2 3 4 5 6 7 | NOMENCLATURE | EFFECT FROM TO | UNITS PER ASSY |
|-------------|-------------|---------------|--|-------------------|----------------------|
| 2A 205 | 214N2036-1 | | .GRILLE ASSY- PRE SERVICE BULLETIN: 21-0081R1 | 101102 504903 | 1 |
| 205 | 214N2036-12 | | .GRILLE ASSY- POST SERVICE BULLETIN: 21-0081R1 | 101102 504903 | 1 |
| 210 | 214N2036-2 | | .GRILLE ASSY- PRE SERVICE BULLETIN: 21-0081R1 | 101102 504903 | 1 |
| 210 | 214N2036-13 | | .GRILLE ASSY- POST SERVICE BULLETIN: 21-0081R1 | 101102 504903 | 1 |

MISSING ITEM NUMBERS NOT APPLICABLE

- ITEM NOT ILLUSTRATED

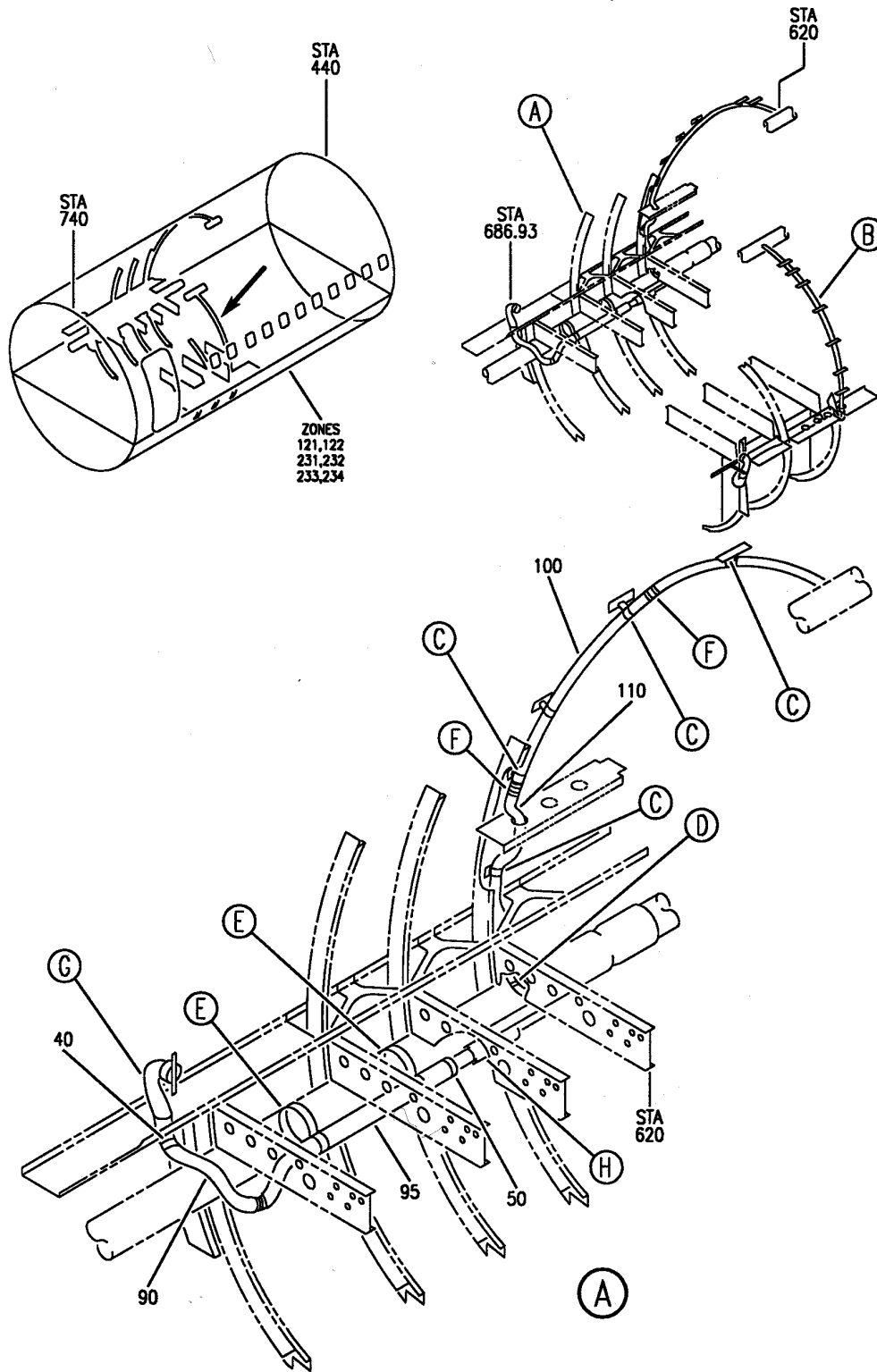
BRI

21-45-52-02A

BOEING PROPRIETARY - Copyright © - Unpublished Work - See title page for details.

21-45-52
FIG. 02A
PAGE 4
JAN 20/09

BOEING
757
PARTS CATALOG (MAINTENANCE)



Y 21455202C SHT 1 REV 220

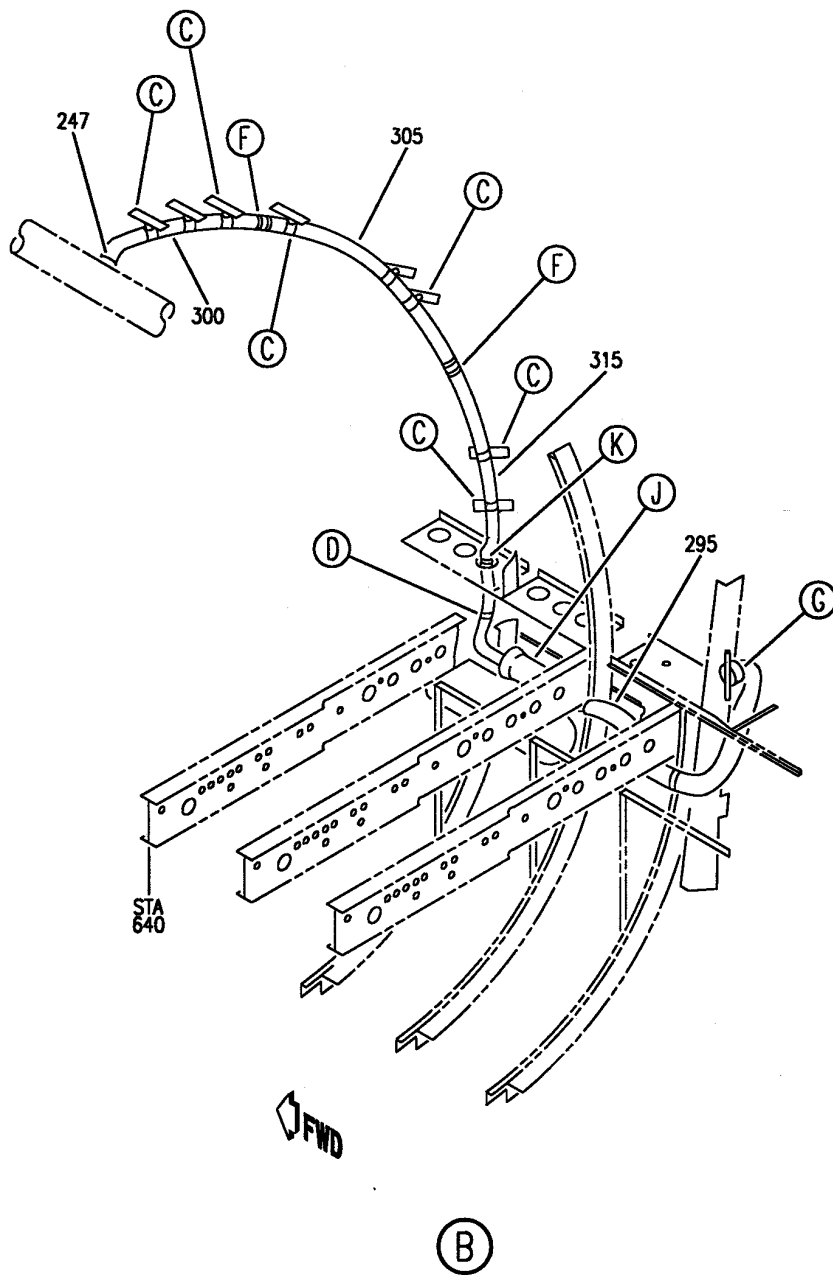
HEATER SYSTEM INSTL-DOOR 2 AREA (AUXILIARY HEATING ONLY)
FIGURE 2C (SHEET 1)

21-45-52-02C

BRI
JAN 20/09

21-45-52-02C
PAGE 0

BOEING
757
PARTS CATALOG (MAINTENANCE)



Y 21-45-52-02C SHT 2 REV 220

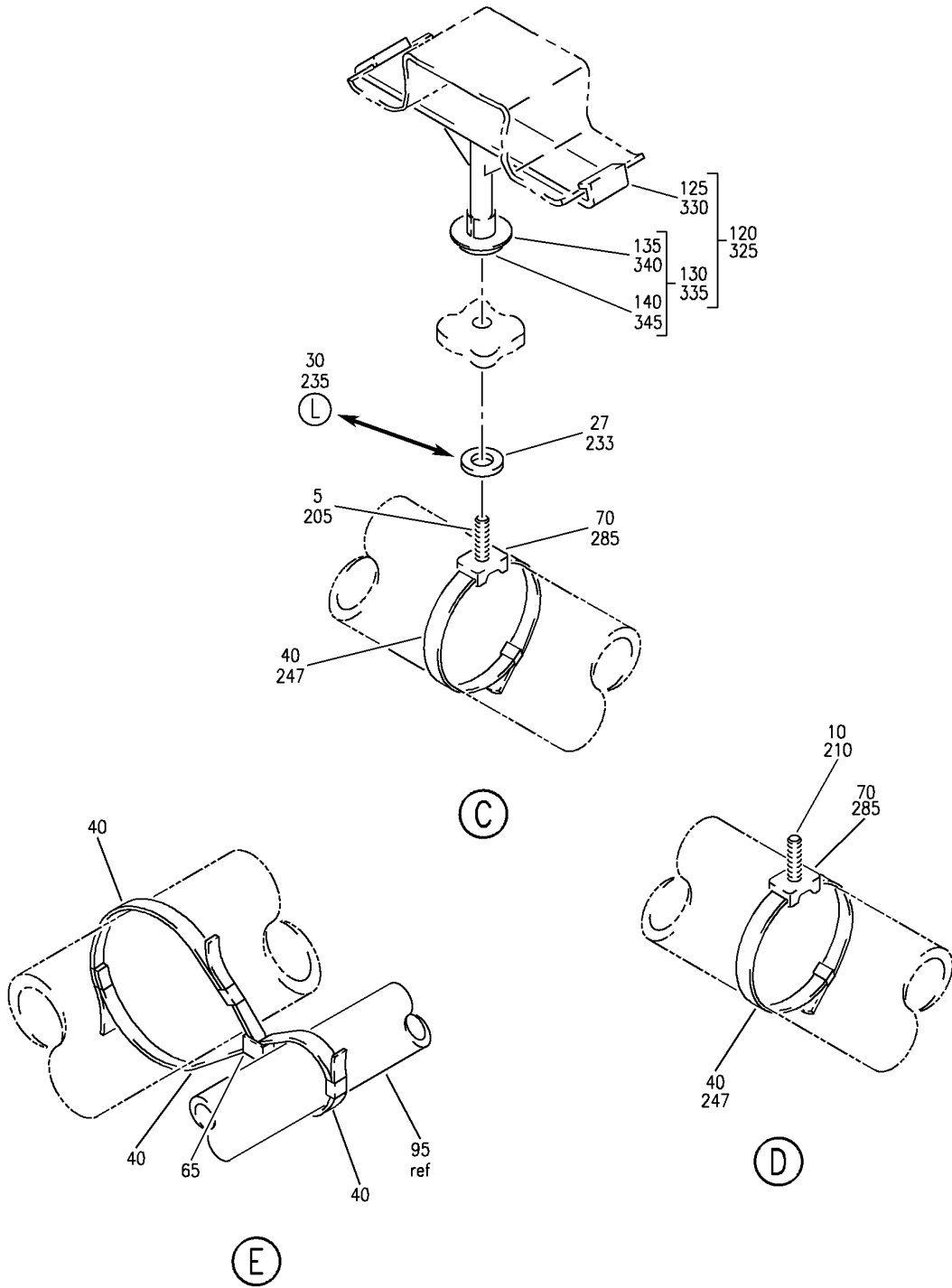
HEATER SYSTEM INSTL-DOOR 2 AREA (AUXILIARY HEATING ONLY)
FIGURE 2C (SHEET 2)

21-45-52-02C

BRI
JAN 20/09

21-45-52-02C
PAGE 0A

BOEING
757
PARTS CATALOG (MAINTENANCE)



Y 21455202C SHT 3 REV 286

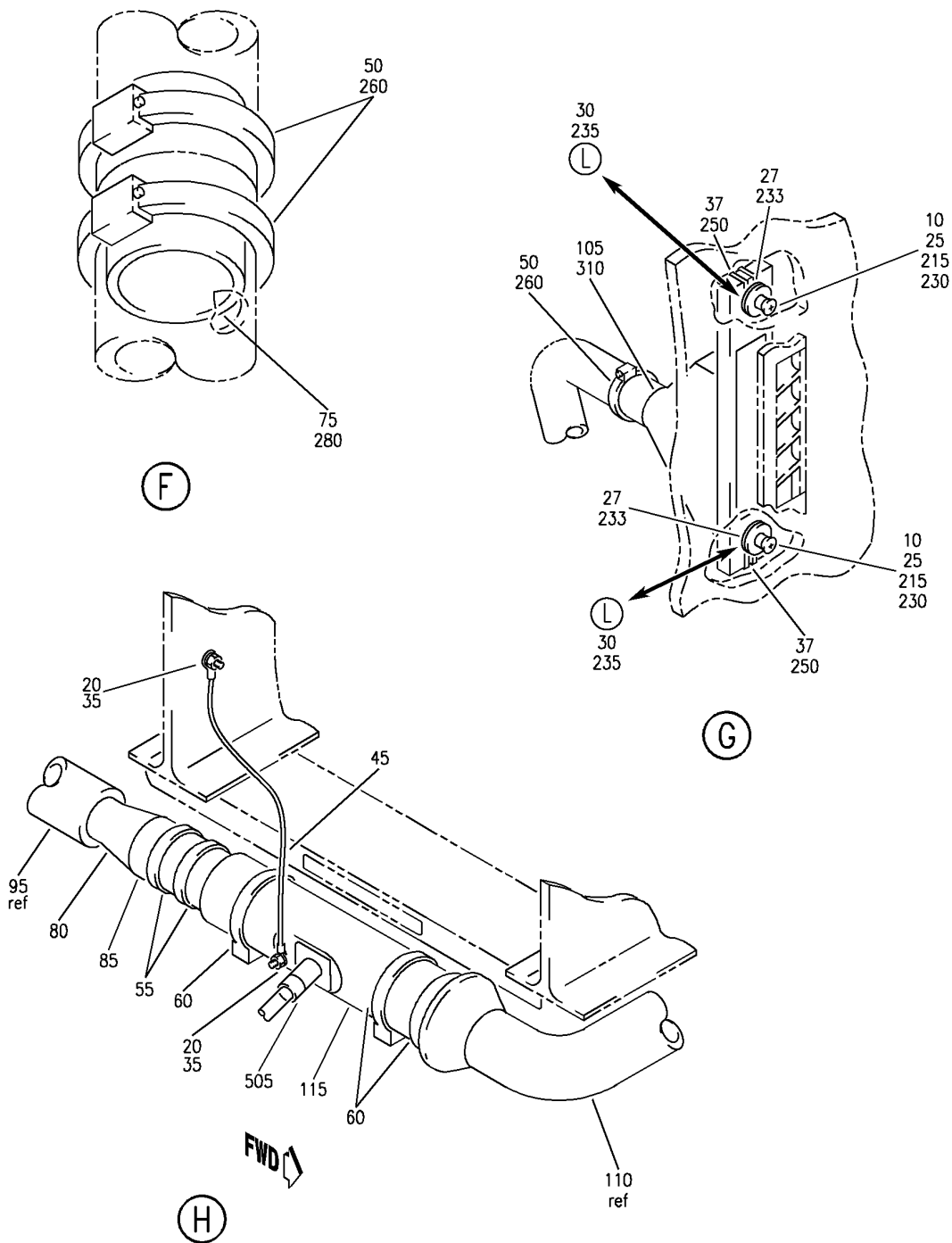
HEATER SYSTEM INSTL-DOOR 2 AREA (AUXILIARY HEATING ONLY)
FIGURE 2C (SHEET 3)

21-45-52-02C

BRI
JAN 20/09

21-45-52-02C
PAGE 0B

BOEING
757
PARTS CATALOG (MAINTENANCE)



Y 21455202C SHT 4 REV 286

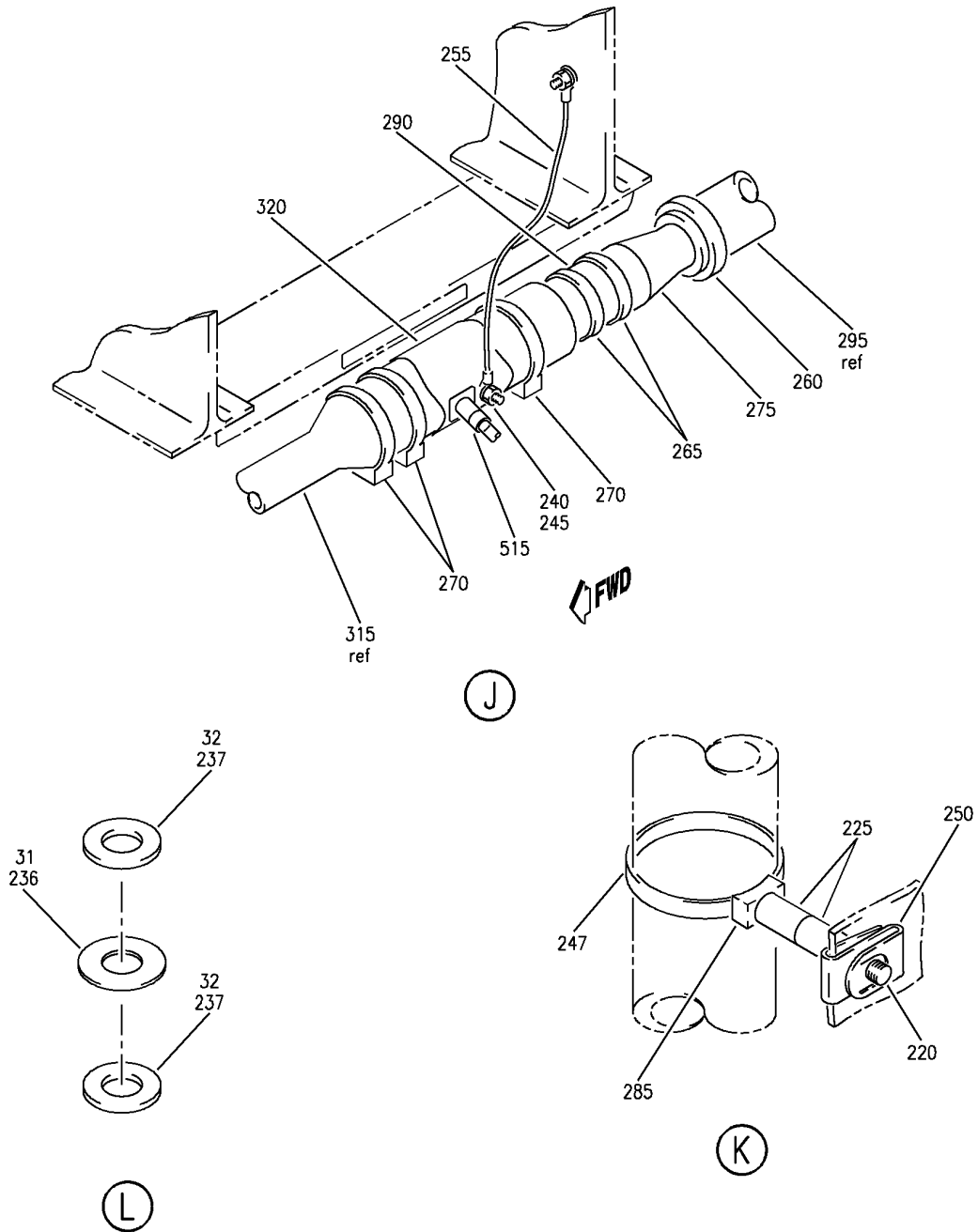
HEATER SYSTEM INSTL-DOOR 2 AREA (AUXILIARY HEATING ONLY)
FIGURE 2C (SHEET 4)

21-45-52-02C

BRI
JAN 20/09

21-45-52-02C
PAGE 0C

BOEING
757
PARTS CATALOG (MAINTENANCE)



Y 21455202C SHT 5 REV 286

HEATER SYSTEM INSTL-DOOR 2 AREA (AUXILIARY HEATING ONLY)
FIGURE 2C (SHEET 5)

BRI
JAN 20/09

21-45-52-02C

21-45-52-02C
PAGE 0D



757

PARTS CATALOG (MAINTENANCE)

| FIG ITEM | PART NUMBER | 1 2 3 4 5 6 7 | NOMENCLATURE | EFFECT FROM TO | UNITS PER ASSY |
|----------|------------------|--|---|----------------|----------------|
| 2C | | | HEATER SYSTEM INSTL-DOOR 2 AREA (AUXILIARY HEATING ONLY) | 103106 | |
| - 1 | MODREF6495 | | HEATER SYSTEM INSTL-DOOR 2 AREA (AUXILIARY HEATING ONLY) MODULE NUMBER: 214N2044-413 REV A POSITION DATA: LH FOR OTHER SYS DETAILS SEE: 11-21-50-01 | 103106 | 1 |
| | 5 BACS12GP3L10 | .SCREW | | 103106 | 5 |
| | 10 BACS12ER3K12 | .SCREW | | 103106 | 3 |
| | 20 NAS1149D0316H | .WASHER | | 103106 | 2 |
| | 25 NAS1149D0332J | .WASHER | | 103106 | 2 |
| | 27 BACW10DZ3 | .WASHER- | | 103106 | 7 |
| | | OPTIONAL PART: 411N4026-12 | | | |
| | 30 411N4026-12 | .WASHER ASSY- | | 103106 | 7 |
| | | OPTIONAL PART: BACW10DZ3 | | | |
| | 31 411N4026-13 | ..WASHER | | 103106 | 1 |
| | 32 411N4026-7 | ..TAPE | | 103106 | 2 |
| | 35 PLH53CD | .NUT | | 103106 | 2 |
| | | SUPPLIER CODE: VF0224 SPECIFICATION NUMBER: BACN10YR3CD OPTIONAL PART: H52732-3CD V15653 | | | |
| | 37 BRC600-10G3 | .NUT-CLIP-ON | | 103106 | 2 |
| | | SUPPLIER CODE: V52828 SPECIFICATION NUMBER: BACN10YD3 OPTIONAL PART: 130122 V60119 | | | |
| | 40 PLT4SM | .STRAP | | 103106 | 13 |
| | | SUPPLIER CODE: V06383 SPECIFICATION NUMBER: BACS38K2 OPTIONAL PART: T05L0 V53421 | | | |

MISSING ITEM NUMBERS NOT APPLICABLE

- ITEM NOT ILLUSTRATED

21-45-52-02C

21-45-52
FIG. 02C
PAGE 1
JAN 20/09

BRI



757

PARTS CATALOG (MAINTENANCE)

| FIG ITEM | PART NUMBER | 1 2 3 4 5 6 7 | NOMENCLATURE | EFFECT FROM TO | UNITS PER ASSY |
|----------|-----------------|---------------|---|----------------|----------------|
| 2C 45 | 740A20-12 | . | JUMPER ASSY SUPPLIER CODE: V91812 SPECIFICATION NUMBER: BACJ40A20-12 OPTIONAL PART: TJEJ40A20-12 V33483 RBEJ20-12 V1GK47 | 103106 | 1 |
| 50 | NAS1922-0150-3 | . | CLAMP | 103106 | 6 |
| 55 | NAS1922-0200-3 | . | CLAMP | 103106 | 2 |
| 60 | NAS1922-0275-3 | . | CLAMP | 103106 | 3 |
| 65 | CR2 | . | RING-CONNECTOR SUPPLIER CODE: V06383 | 103106 | 2 |
| 70 | TM3S10 | . | PLATE SUPPLIER CODE: V06383 SPECIFICATION NUMBER: STBP19M12 | 103106 | 6 |
| 75 | 214N2029-1 | . | CONNECTOR | 103106 | 2 |
| 80 | 69B43325-8 | . | CONNECTOR | 103106 | 1 |
| 85 | AS1506-08D23 | . | SLEEVE | 103106 | 1 |
| 90 | AS1544-06A0330 | . | DUCT | 103106 | 1 |
| 95 | AS1544-06A0440 | . | FLEX DUCT | 103106 | 1 |
| 100 | AS1591-06-0840A | . | FLEX DUCT | 103106 | 1 |
| 105 | 214N2037-1 | . | PLENUM | 103106 | 1 |
| 110 | 214N2041-2 | . | DUCT | 103106 | 1 |
| 115 | 116817-3 | . | HEATER- SUPPLIER CODE: V85932 SPECIFICATION NUMBER: S210W004-5 ELECTRICAL EQUIP NUMBER: M11077 QUALIFIED I/W DATA: SEE S.B. 757-21-0074 FOR SUPPLEMENTAL KITS FOR LINE #686 AND ON. OPTIONAL PART: 116817-5 V85932 | 103106 | 1 |

MISSING ITEM NUMBERS NOT APPLICABLE

- ITEM NOT ILLUSTRATED

21-45-52-02C

21-45-52
FIG. 02C
PAGE 2
JAN 20/09

BRI

BOEING PROPRIETARY - Copyright © - Unpublished Work - See title page for details.



757

PARTS CATALOG (MAINTENANCE)

| FIG ITEM | PART NUMBER | 1 2 3 4 5 6 7 | NOMENCLATURE | EFFECT FROM TO | UNITS PER ASSY |
|-----------|-----------------|---------------|--|----------------|----------------|
| 2C 115 | 116817-5 | | .HEATER- SUPPLIER CODE: V85932 SPECIFICATION NUMBER: S210W004-5 ELECTRICAL EQUIP NUMBER: M11077 QUALIFIED I/W DATA: SEE S.B. 757-21-0074 FOR SUPPLEMENTAL KITS FOR LINE #686 AND ON. OPTIONAL PART: 116817-3 V85932 | 103106 | 1 |
| 120 | 214N5054-11 | | .SUPPORT ASSY | 103106 | 5 |
| 125 | 2055155-5B | | ..CLIP-STGR SUPPLIER CODE: V04169 | 103106 | 1 |
| 130 | 411N4026-2 | | ..CAP ASSY- OPTIONAL PART: 411N4026-10 | 103106 | 1 |
| 130 | 411N4026-10 | | ..CAP ASSY- OPTIONAL PART: 411N4026-2 | 103106 | 1 |
| 135 | 411N4026-11 | | ...CAP- USED ON: 411N4026-10 | 103106 | 1 |
| 135 | 411N4026-5 | | ...CAP- USED ON: 411N4026-2 | 103106 | 1 |
| 140 | 411N4026-7 | | ...TAPE | 103106 | 1 |
| - 200 | MODREF6496 | | HEATER SYSTEM INSTL-DOOR 2 AREA (AUX HEATING ONLY) MODULE NUMBER: 214N2044-414 REV A POSITION DATA: RH FOR OTHER SYS DETAILS SEE: 11-21-50-01 | 103106 | 1 |
| 205 | BACS12GP3L10 | | .SCREW | 103106 | 8 |
| 210 | BACS12ER3K12 | | .SCREW | 103106 | 1 |
| 215 | BACS12ER3K13 | | .SCREW | 103106 | 2 |
| 220 | NAS514P1032-28P | | .SCREW | 103106 | 1 |
| 225 | NAS43DD3-40FC | | .SPACER | 103106 | 2 |
| 230 | NAS1149D0332J | | .WASHER | 103106 | 2 |
| 233 | BACW10DZ3 | | .WASHER- OPTIONAL PART: 411N4026-12 | 103106 | 10 |

MISSING ITEM NUMBERS NOT APPLICABLE

- ITEM NOT ILLUSTRATED

21-45-52-02C

21-45-52
FIG. 02C
PAGE 3
JAN 20/09

BRI

BOEING PROPRIETARY - Copyright © - Unpublished Work - See title page for details.



757

PARTS CATALOG (MAINTENANCE)

| FIG ITEM | PART NUMBER | 1 2 3 4 5 6 7 | NOMENCLATURE | EFFECT FROM TO | UNITS PER ASSY |
|----------|----------------|---------------|---|----------------|----------------|
| 2C | | | | | |
| 235 | 411N4026-12 | . | WASHER ASSY- OPTIONAL PART: BACW10DZ3 | 103106 | 10 |
| 236 | 411N4026-13 | .. | WASHER | 103106 | 1 |
| 237 | 411N4026-7 | .. | TAPE | 103106 | 2 |
| 240 | NAS1149D0316H | . | WASHER | 103106 | 2 |
| 245 | PLH53CD | . | NUT SUPPLIER CODE: VF0224 SPECIFICATION NUMBER: BACN10YR3CD OPTIONAL PART: H52732-3CD V15653 | 103106 | 2 |
| 247 | PLT4SM | . | STRAP SUPPLIER CODE: V06383 SPECIFICATION NUMBER: BACS38K2 OPTIONAL PART: T05L0 V53421 | 103106 | 11 |
| 250 | BRC600-10G3 | . | NUT-CLIP-ON SUPPLIER CODE: V52828 SPECIFICATION NUMBER: BACN10YD3 OPTIONAL PART: 130122 V60119 | 103106 | 3 |
| 255 | 740A20-12 | . | JUMPER ASSY SUPPLIER CODE: V91812 SPECIFICATION NUMBER: BACJ40A20-12 OPTIONAL PART: TJEJ40A20-12 V33483 RBEJ20-12 V1GK47 | 103106 | 1 |
| 260 | NAS1922-0150-3 | . | CLAMP | 103106 | 6 |
| 265 | NAS1922-0200-3 | . | CLAMP | 103106 | 2 |
| 270 | NAS1922-0275-3 | . | CLAMP | 103106 | 3 |
| 275 | 69B43325-8 | . | CONNECTOR | 103106 | 1 |
| 280 | 214N2029-1 | . | CONNECTOR | 103106 | 2 |

MISSING ITEM NUMBERS NOT APPLICABLE

- ITEM NOT ILLUSTRATED

21-45-52-02C

21-45-52
FIG. 02C
PAGE 4
JAN 20/09

BRI

BOEING PROPRIETARY - Copyright © - Unpublished Work - See title page for details.

 **BOEING**
757
PARTS CATALOG (MAINTENANCE)

| FIG ITEM | PART NUMBER | 1 2 3 4 5 6 7 | NOMENCLATURE | EFFECT FROM TO | UNITS PER ASSY |
|-----------|-----------------|---------------|--|----------------|----------------|
| 2C 285 | TM3S10 | | .PLATE SUPPLIER CODE: V06383 SPECIFICATION NUMBER: STBP19M12 | 103106 | 10 |
| 290 | AS1506-08D23 | | .SLEEVE | 103106 | 1 |
| 295 | AS1544-06A0530 | | .DUCT | 103106 | 1 |
| 300 | AS1591-06-0430A | | .DUCT | 103106 | 1 |
| 305 | AS1591-06-0580A | | .DUCT | 103106 | 1 |
| 310 | 214N2037-1 | | .PLENUM | 103106 | 1 |
| 315 | 214N2041-2 | | .DUCT | 103106 | 1 |
| 320 | 116817-3 | | .HEATER- SUPPLIER CODE: V85932 SPECIFICATION NUMBER: S210W004-5 ELECTRICAL EQUIP NUMBER: M11078 QUALIFIED I/W DATA: SEE S.B. 757-21-0074 FOR SUPPLEMENTAL KITS FOR LINE #686 AND ON. OPTIONAL PART: 116817-5 V85932 | 103106 | 1 |
| 320 | 116817-5 | | .HEATER- SUPPLIER CODE: V85932 SPECIFICATION NUMBER: S210W004-5 ELECTRICAL EQUIP NUMBER: M11078 QUALIFIED I/W DATA: SEE S.B. 757-21-0074 FOR SUPPLEMENTAL KITS FOR LINE #686 AND ON. OPTIONAL PART: 116817-3 V85932 | 103106 | 1 |
| 325 | 214N5054-11 | | .SUPPORT ASSY | 103106 | 8 |
| 330 | 2055155-5B | | ..CLIP-STGR SUPPLIER CODE: V04169 | 103106 | 1 |
| 335 | 411N4026-2 | | ..CAP ASSY- OPTIONAL PART: 411N4026-10 | 103106 | 1 |
| 335 | 411N4026-10 | | ..CAP ASSY- OPTIONAL PART: 411N4026-2 | 103106 | 1 |

MISSING ITEM NUMBERS NOT APPLICABLE

— ITEM NOT ILLUSTRATED

21-45-52-02C

21-45-52
FIG. 02C
PAGE 5
JAN 20/09

BRI

BOEING PROPRIETARY - Copyright © - Unpublished Work - See title page for details.



757

PARTS CATALOG (MAINTENANCE)

| FIG ITEM | PART NUMBER | 1 2 3 4 5 6 7 | NOMENCLATURE | EFFECT FROM TO | UNITS PER ASSY |
|----------|---------------|---------------|---|----------------|----------------|
| 2C | | | | | |
| 340 | 411N4026-11 | ... | CAP- USED ON: 411N4026-10 | 103106 | 1 |
| 340 | 411N4026-5 | ... | CAP- USED ON: 411N4026-2 | 103106 | 1 |
| 345 | 411N4026-7 | ... | TAPE | 103106 | 1 |
| - 501 | 286N6676-701 | | WIRE BUNDLE ASSY | 103106 | RF |
| 505 | BACC45FT10C5S | . | CONNECTOR- ELECTRICAL EQUIP NUMBER: D08266 WIRING DIAGRAM REF: 214531 | 103106 | 1 |
| - 511 | 286N6674-702 | | WIRE BUNDLE ASSY | 103106 | RF |
| 515 | BACC45FT10C5S | . | CONNECTOR- ELECTRICAL EQUIP NUMBER: D08268 WIRING DIAGRAM REF: 214531 | 103106 | 1 |

MISSING ITEM NUMBERS NOT APPLICABLE

- ITEM NOT ILLUSTRATED

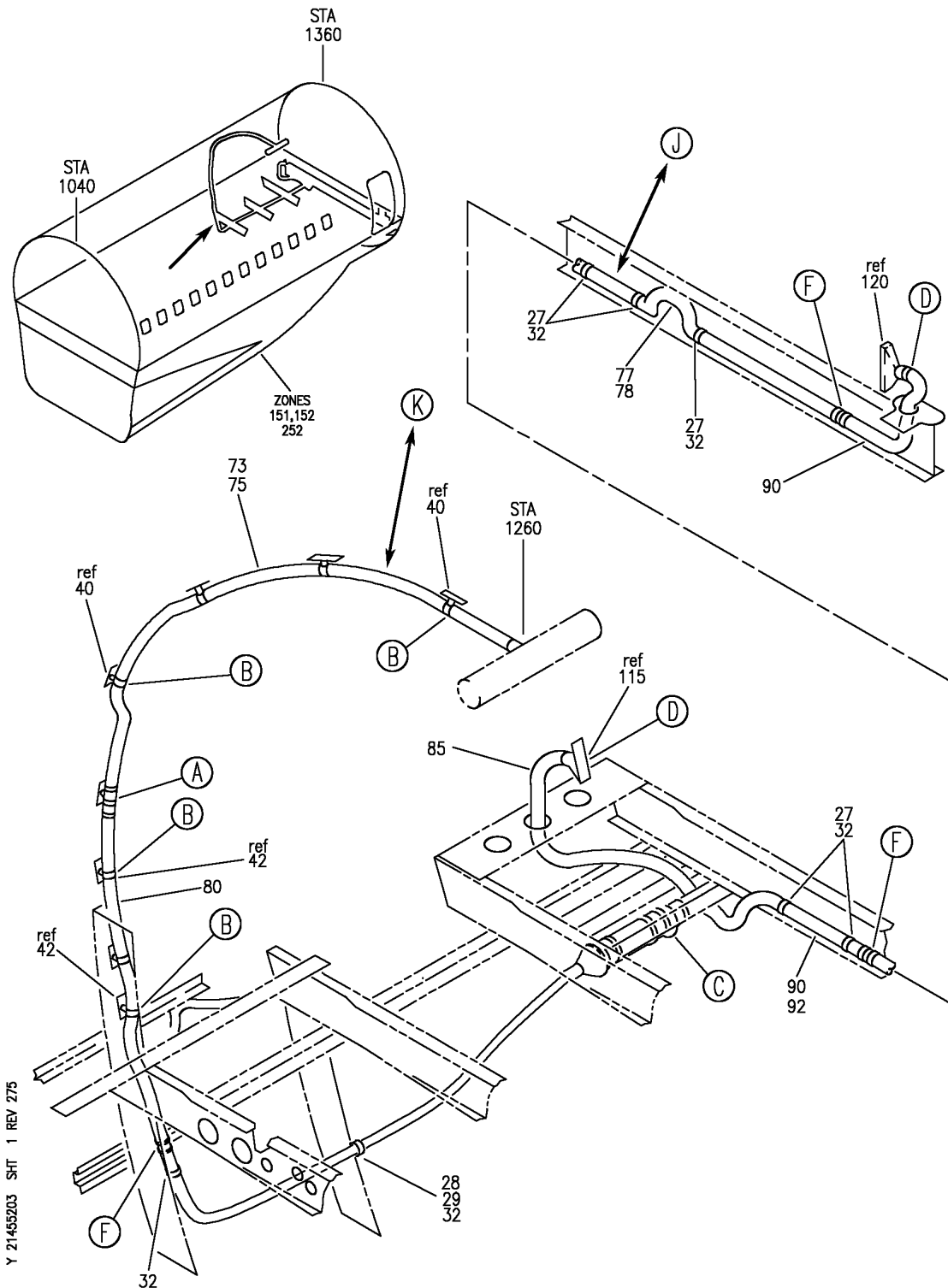
BRI

21-45-52-02C

BOEING PROPRIETARY - Copyright © - Unpublished Work - See title page for details.

21-45-52
FIG. 02C
PAGE 6
JAN 20/09

BOEING
757
PARTS CATALOG (MAINTENANCE)



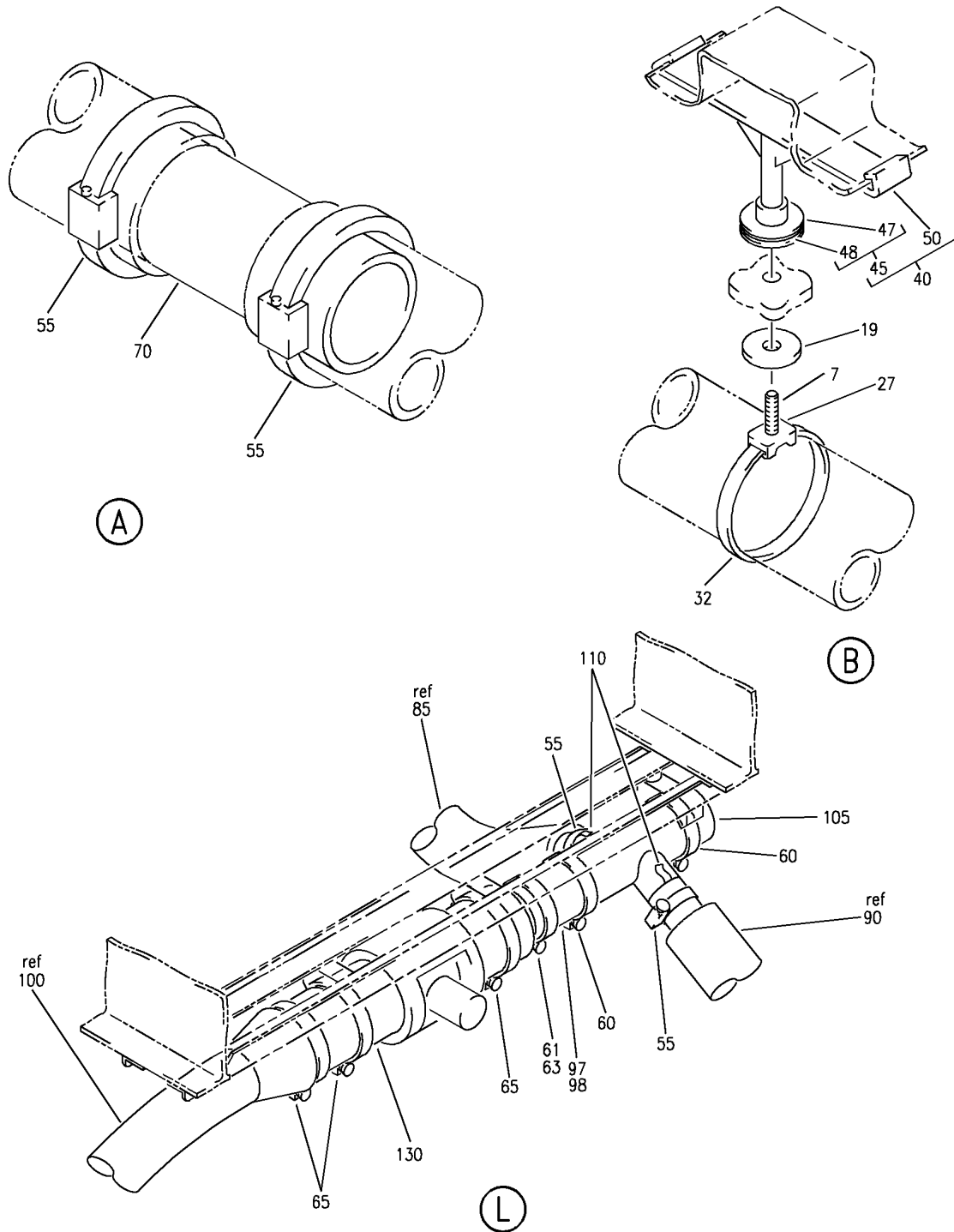
HEATER SYSTEM INSTL-DOOR 3 AREA
FIGURE 3 (SHEET 1)

21-45-52-03

BRI
MAY 28/07

21-45-52-03
PAGE 0

BOEING
757
PARTS CATALOG (MAINTENANCE)



Y 21455203 SHT 2 REV 299

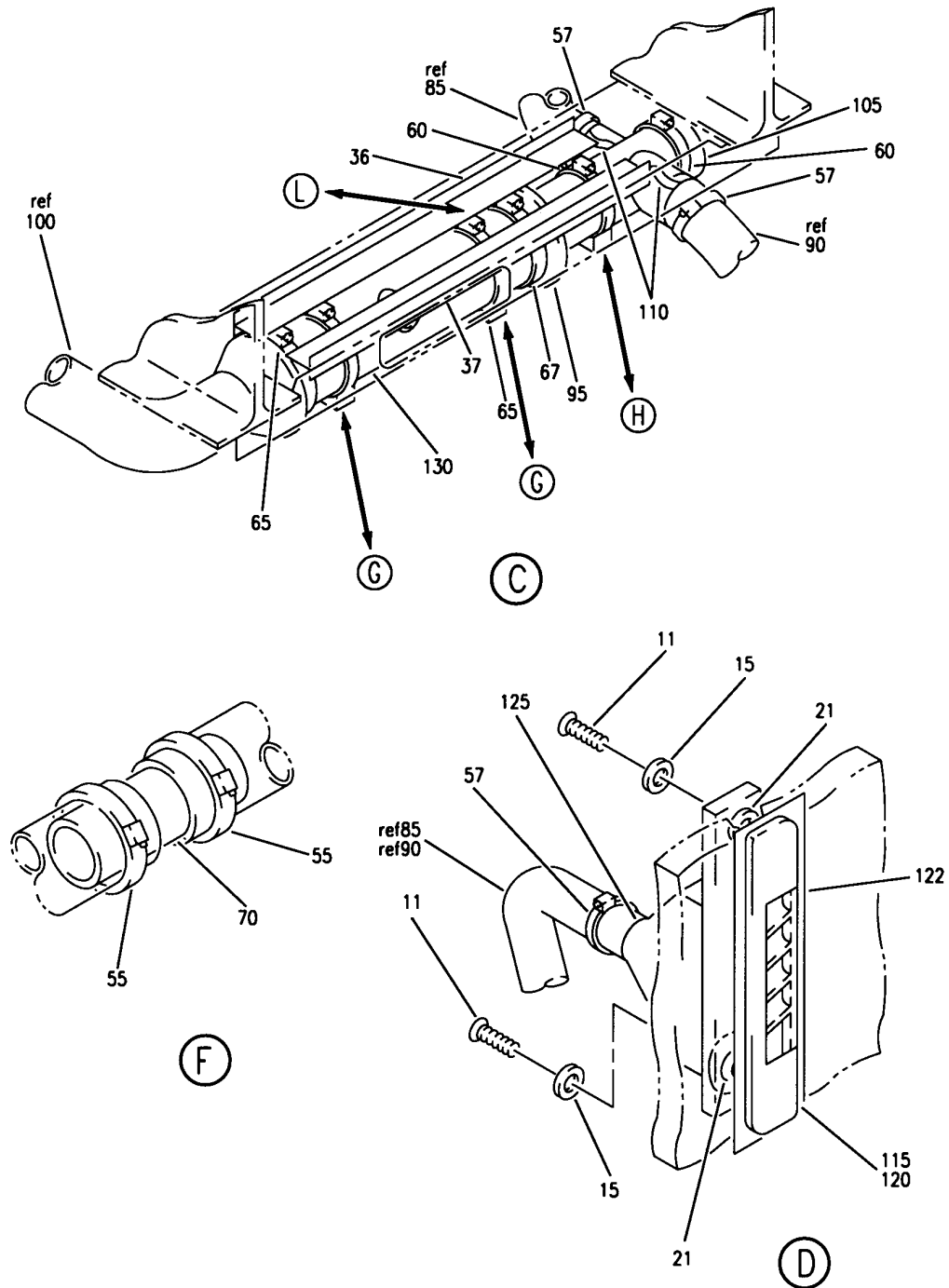
HEATER SYSTEM INSTL-DOOR 3 AREA
FIGURE 3 (SHEET 2)

21-45-52-03

BRI
MAY 28/07

21-45-52-03
PAGE 0A

BOEING
757
PARTS CATALOG (MAINTENANCE)



Y 2145203 SHT 3 REV 193

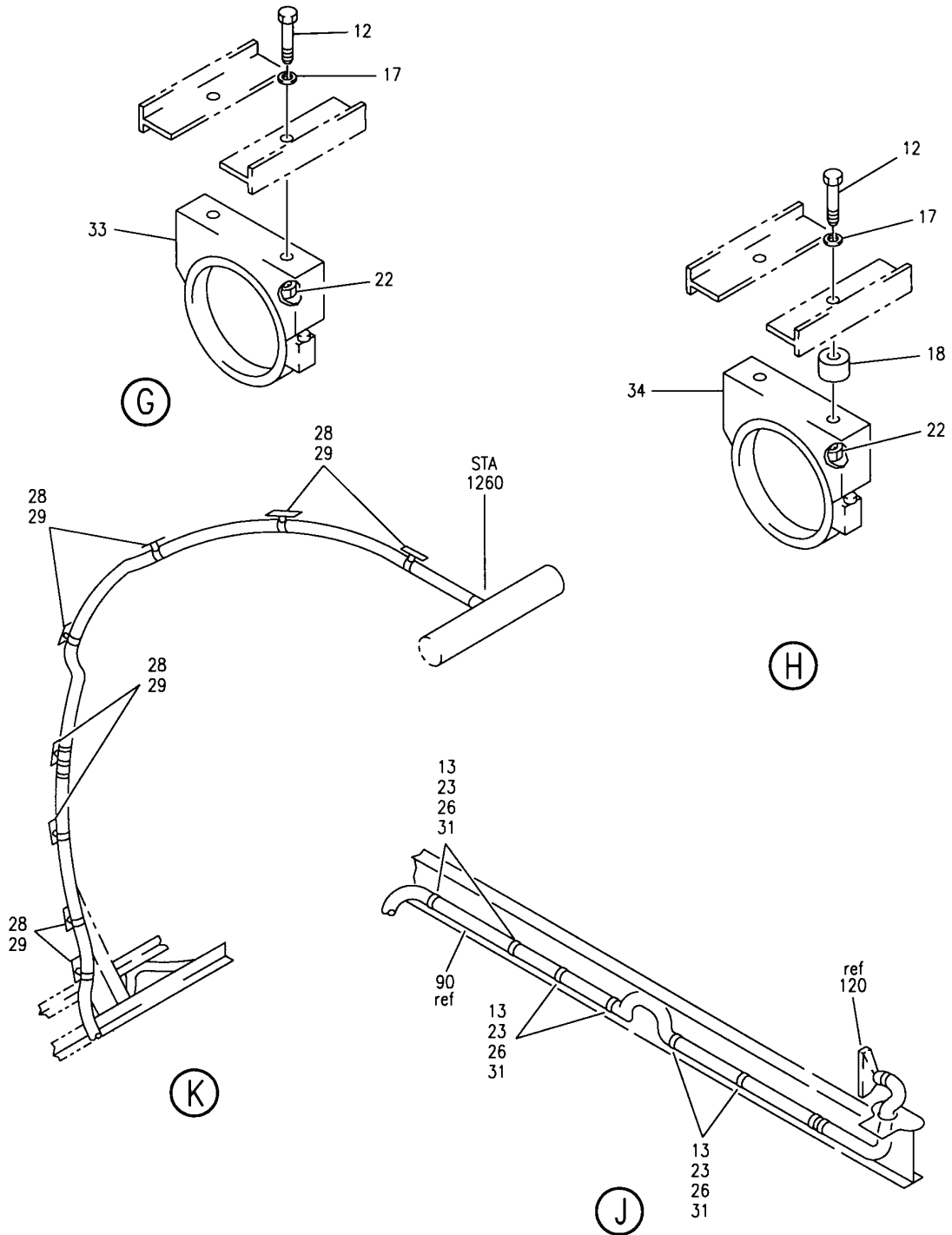
HEATER SYSTEM INSTL-DOOR 3 AREA
FIGURE 3 (SHEET 3)

21-45-52-03

BRI
MAY 28/07

21-45-52-03
PAGE 0B

BOEING
757
PARTS CATALOG (MAINTENANCE)



Y 21-45-52-03 SHT 4 REV 171

HEATER SYSTEM INSTL-DOOR 3 AREA
FIGURE 3 (SHEET 4)

21-45-52-03

BRI
MAY 28/07

21-45-52-03
PAGE 0C



757

PARTS CATALOG (MAINTENANCE)

| FIG ITEM | PART NUMBER | 1 2 3 4 5 6 7 | NOMENCLATURE | EFFECT FROM TO | UNITS PER ASSY |
|----------|---------------|---------------|--|----------------------------|----------------|
| 3 | | | HEATER SYSTEM INSTL-DOOR 3 AREA | 009009 101102 504903 | |
| - 1 | 214N2044-3 | | HEATER SYSTEM INSTL-DOOR 3 AREA (AUXILIARY HEATING ONLY) POST SERVICE BULLETIN: 21-0060 FOR NHA/OTHER SYS DET SEE: 21-00-00-01 | 009009 | RF |
| - 1 | 214N2044-15 | | HEATER SYSTEM INSTL-DOOR 3 AREA (AUXILIARY HEATING ONLY) FOR NHA/OTHER SYS DET SEE: 21-00-00-12 | 101102 504903 | RF |
| 7 | BACS12GP3L10 | | .SCREW | 101102 504903 | 7 |
| 11 | BACS12GU3K5 | | .SCREW | 009009 101102 504903 | 4 |
| 12 | BACS12GU3K12 | | .SCREW | 009009 | 6 |
| 13 | BACS12GU3K6 | | .SCREW | 009009 | 6 |
| 13 | BACS12ER3K6 | | .SCREW | 101102 504903 | 6 |
| 15 | NAS1149D0332J | | .WASHER | 009009 101102 504903 | 4 |
| 17 | NAS1149D0332J | | .WASHER | 009009 | 6 |
| 18 | NAS43DD3-12FC | | .SPACER | 009009 | 2 |
| 19 | 411N4026-12 | | .WASHER ASSY | 101102 504903 | 7 |
| 21 | 411N4026-12 | | .WASHER ASSY | 009009 101102 504903 | 4 |
| 22 | BRC600-10G3 | | .NUT-CLIP-ON SUPPLIER CODE: V52828 SPECIFICATION NUMBER: BACN10YD3 OPTIONAL PART: 130122 V60119 | 009009 | 6 |
| 23 | BACN10TL3A3 | | .NUT | 009009 | 6 |
| - 24 | BACR15BB4D5 | | ATTACHING PARTS .RIVET -----*----- | 009009 | 12 |

MISSING ITEM NUMBERS NOT APPLICABLE

- ITEM NOT ILLUSTRATED

21-45-52-03

21-45-52
FIG. 03
PAGE 1
JAN 20/09

BRI



757

PARTS CATALOG (MAINTENANCE)

| FIG ITEM | PART NUMBER | 1 2 3 4 5 6 7 | NOMENCLATURE | EFFECT FROM TO | UNITS PER ASSY |
|----------|-------------|---------------|---|------------------|----------------|
| 3 | | | | | |
| 26 | TM2S8 | . | PLATE SUPPLIER CODE: V06383 SPECIFICATION NUMBER: STBP19M9 | 009009 | 6 |
| 27 | TM2S8 | . | PLATE SUPPLIER CODE: V06383 SPECIFICATION NUMBER: STBP19M9 | 101102 504903 | 13 |
| 28 | 2310025 | . | CLIP- SUPPLIER CODE: V60119 | 009009 | 9 |
| 29 | PLT4SM | . | STRAP SUPPLIER CODE: V06383 SPECIFICATION NUMBER: BACS38K2 OPTIONAL PART: T05LO V53421 | 009009 | 9 |
| 31 | PLT4SM | . | STRAP SUPPLIER CODE: V06383 SPECIFICATION NUMBER: BACS38K2 OPTIONAL PART: T05LO V53421 | 009009 | 6 |
| 32 | PLT4SM | . | STRAP SUPPLIER CODE: V06383 SPECIFICATION NUMBER: BACS38K2 OPTIONAL PART: T05LO V53421 | 101102 504903 | 13 |
| 33 | 214T3424-3 | . | SUPPORT | 009009 | 2 |
| 34 | 214T3424-2 | . | SUPPORT | 009009 | 1 |
| 36 | 214N2040-3 | . | SUPPORT- | 009009 | 1 |
| 37 | 214N2040-4 | . | SUPPORT- | 009009 | 1 |

MISSING ITEM NUMBERS NOT APPLICABLE

- ITEM NOT ILLUSTRATED

21-45-52-03

21-45-52
FIG. 03
PAGE 2
JAN 20/09

BRI

BOEING PROPRIETARY - Copyright © - Unpublished Work - See title page for details.



757

PARTS CATALOG (MAINTENANCE)

| FIG ITEM | PART NUMBER | 1 2 3 4 5 6 7 | NOMENCLATURE | EFFECT FROM TO | UNITS PER ASSY |
|----------|----------------|---------------|--|----------------------------|----------------|
| 3 | | | ATTACHING PARTS | | |
| - 38 | HST11AG5-3 | . | BOLT SUPPLIER CODE: V06725 SPECIFICATION NUMBER: BACB30VU5K3 OPTIONAL PART: HST11AG5-3 V73197 HST11AG5-3 VOPTK6 HST11AG5-3 V56878 | 009009 | 4 |
| - 39 | BACC3OBL | . | COLLAR -----*----- | 009009 | 4 |
| 40 | 214N5054-14 | . | SUPPORT ASSY | 101102 504903 | 4 |
| 42 | 214N5054-11 | . | SUPPORT ASSY | 101102 504903 | 3 |
| 45 | 411N4026-2 | .. | CAP ASSY- OPTIONAL PART: 411N4026-10 | 101102 504903 | 1 |
| 45 | 411N4026-10 | .. | CAP ASSY- OPTIONAL PART: 411N4026-2 | 101102 504903 | 1 |
| 47 | 411N4026-5 | ... | CAP- USED ON: 411N4026-2 | 101102 504903 | 1 |
| 47 | 411N4026-11 | ... | CAP- USED ON: 411N4026-10 | 101102 504903 | 1 |
| 48 | 411N4026-7 | ... | TAPE | 101102 504903 | 1 |
| 50 | 2055155-5C | .. | CLIP- SUPPLIER CODE: V04169 USED ON: 214N5054-14 | 101102 504903 | 1 |
| 50 | 2055155-5B | .. | CLIP- SUPPLIER CODE: V04169 USED ON: 214N5054-11 | 101102 504903 | 1 |
| 55 | NAS1922-0150-3 | . | CLAMP | 101102 504903 | 9 |
| 57 | NAS1922-0150-3 | . | CLAMP- | 009009 101102 504903 | 3 |

MISSING ITEM NUMBERS NOT APPLICABLE

- ITEM NOT ILLUSTRATED

21-45-52-03

21-45-52
FIG. 03
PAGE 3
JAN 20/09

BRI



757

PARTS CATALOG (MAINTENANCE)

| FIG ITEM | PART NUMBER | 1 2 3 4 5 6 7 | NOMENCLATURE | EFFECT FROM TO | UNITS PER ASSY |
|----------|-----------------|------------------------|--------------|----------------------------|----------------|
| 3 | | | | | |
| 60 | NAS1922-0200-3 | .CLAMP- | | 009009 101102 504903 | 2 |
| 63 | NAS1922-0200-3 | .CLAMP | | 101102 504903 | 1 |
| 65 | NAS1922-0275-3 | .CLAMP- | | 009009 101102 504903 | 3 |
| 67 | NAS1922-0275-3 | .CLAMP- | | 009009 | 1 |
| 70 | 214N2029-1 | .CONNECTOR-FLEX HOSE | | 009009 101102 504903 | 4 |
| 75 | AS1591-06-0900A | .DUCT- | | 009009 101102 504903 | 1 |
| 77 | AS1591-06-0900A | .DUCT | | 009009 | 1 |
| 77 | AS1544-061A900 | .DUCT | | 101102 504903 | 1 |
| 80 | AS1591-06-0620A | .DUCT | | 009009 101102 504903 | 1 |
| 85 | AS1591-06-0420A | .DUCT- | | 009009 | 1 |
| 85 | BOE2022-06A0420 | .HOSE- | | 101102 504903 | 1 |
| | | SUPPLIER CODE: | | | |
| | | V16632 | | | |
| | | SPECIFICATION NUMBER: | | | |
| | | AS1544-06A0420 | | | |
| 90 | AS1591-06-0330A | .DUCT- | | 009009 | 2 |
| 90 | AS1544-06A0330 | .DUCT- | | 101102 504903 | 2 |
| 92 | AS1544-06A0900 | .DUCT | | 101102 504903 | 1 |
| 95 | 214N2041-1 | .DUCT-TRANSITION | | 009009 | 1 |
| 97 | AS1506-08D23 | .SLEEVE- | | 009009 | 1 |
| 100 | 214N2041-2 | .DUCT-TRANSITION | | 009009 101102 504903 | 1 |
| 105 | 214N2103-2 | .DUCT-TEE | | 009009 101102 504903 | 1 |
| 110 | 214T3436-10 | .ORIFICE ASSY- | | 009009 | 2 |
| 115 | 214N2036-1 | .GRILLE ASSY- | | 009009 101102 504903 | 1 |
| | | PRE SERVICE BULLETIN: | | | |
| | | 21-0081R1 | | | |
| 115 | 214N2036-12 | .GRILLE ASSY- | | 101102 504903 | 1 |
| | | POST SERVICE BULLETIN: | | | |
| | | 21-0081R1 | | | |

MISSING ITEM NUMBERS NOT APPLICABLE

- ITEM NOT ILLUSTRATED

BRI

21-45-52-03

21-45-52
FIG. 03
PAGE 4
JAN 20/09



757

PARTS CATALOG (MAINTENANCE)

| FIG ITEM | PART NUMBER | 1 2 3 4 5 6 7 | NOMENCLATURE | EFFECT FROM TO | UNITS PER ASSY |
|----------|-------------|---------------|---|----------------------------|----------------|
| 3 | | | | | |
| 120 | 214N2036-2 | | .GRILLE ASSY- PRE SERVICE BULLETIN: 21-0081R1 | 009009 101102 504903 | 1 |
| 120 | 214N2036-13 | | .GRILLE ASSY- POST SERVICE BULLETIN: 21-0081R1 | 101102 504903 | 1 |
| 122 | 214N2036-6 | | .PLATE- OPTIONAL PART: 81205 214N2036-9 | 009009 | 1 |
| 122 | 214N2036-9 | | .PLATE- OPTIONAL PART: 81205 214N2036-6 | 009009 | 1 |
| 125 | 214N2037-1 | | .PLENUM | 009009 101102 504903 | 2 |
| 130 | 116976-42 | | .HEATER ASSY- SUPPLIER CODE: V85932 SPECIFICATION NUMBER: S210N701-42 QUALIFIED I/W DATA: SEE S.B. 757-21-0074 FOR SUPPLEMENTAL KITS FOR LINE #686 AND ON. | 009009 | 1 |
| 130 | 116817-3 | | .HEATER- SUPPLIER CODE: V85932 SPECIFICATION NUMBER: S210W004-5 ELECTRICAL EQUIP NUMBER: M11076 QUALIFIED I/W DATA: SEE S.B. 757-21-0074 FOR SUPPLEMENTAL KITS FOR LINE #686 AND ON OPTIONAL PART: 116817-5 V85932 | 101102 504903 | 1 |

MISSING ITEM NUMBERS NOT APPLICABLE

- ITEM NOT ILLUSTRATED

21-45-52-03

21-45-52
FIG. 03
PAGE 5
JAN 20/09

BRI



757

PARTS CATALOG (MAINTENANCE)

| FIG ITEM | PART NUMBER | 1 2 3 4 5 6 7 | NOMENCLATURE | EFFECT FROM TO | UNITS PER ASSY |
|-------------|-------------|---------------|---|-------------------|----------------------|
| 3 130 | 116817-5 | | .HEATER- SUPPLIER CODE: V85932 SPECIFICATION NUMBER: S210W004-5 ELECTRICAL EQUIP NUMBER: M11076 QUALIFIED I/W DATA: SEE S.B. 757-21-0074 FOR SUPPLEMENTAL KITS FOR LINE #686 AND ON OPTIONAL PART: 116817-3 V85932 | 101102 504903 | 1 |

MISSING ITEM NUMBERS NOT APPLICABLE

- ITEM NOT ILLUSTRATED

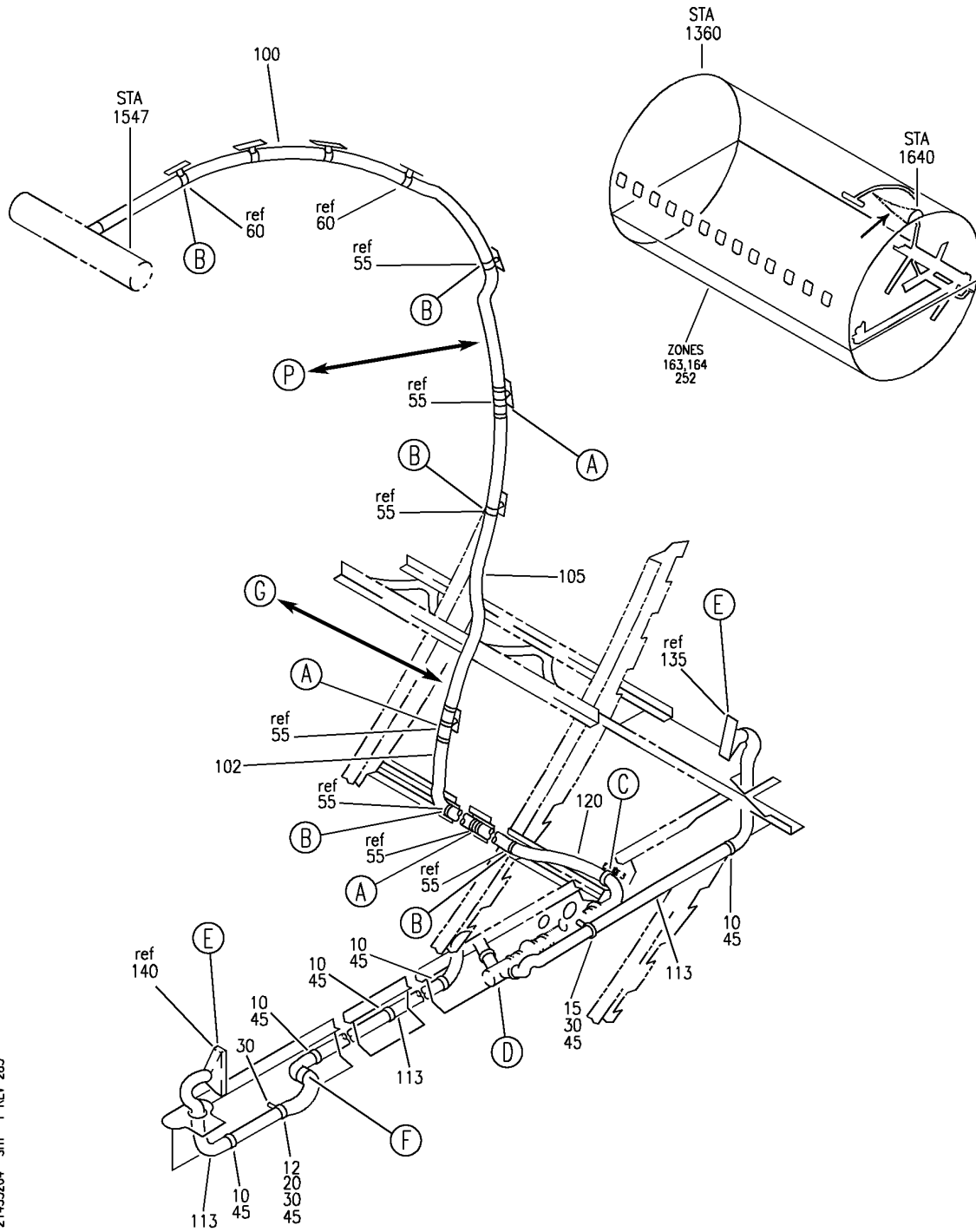
BRI

21-45-52-03

BOEING PROPRIETARY - Copyright © - Unpublished Work - See title page for details.

21-45-52
FIG. 03
PAGE 6
JAN 20/09

BOEING
757
PARTS CATALOG (MAINTENANCE)



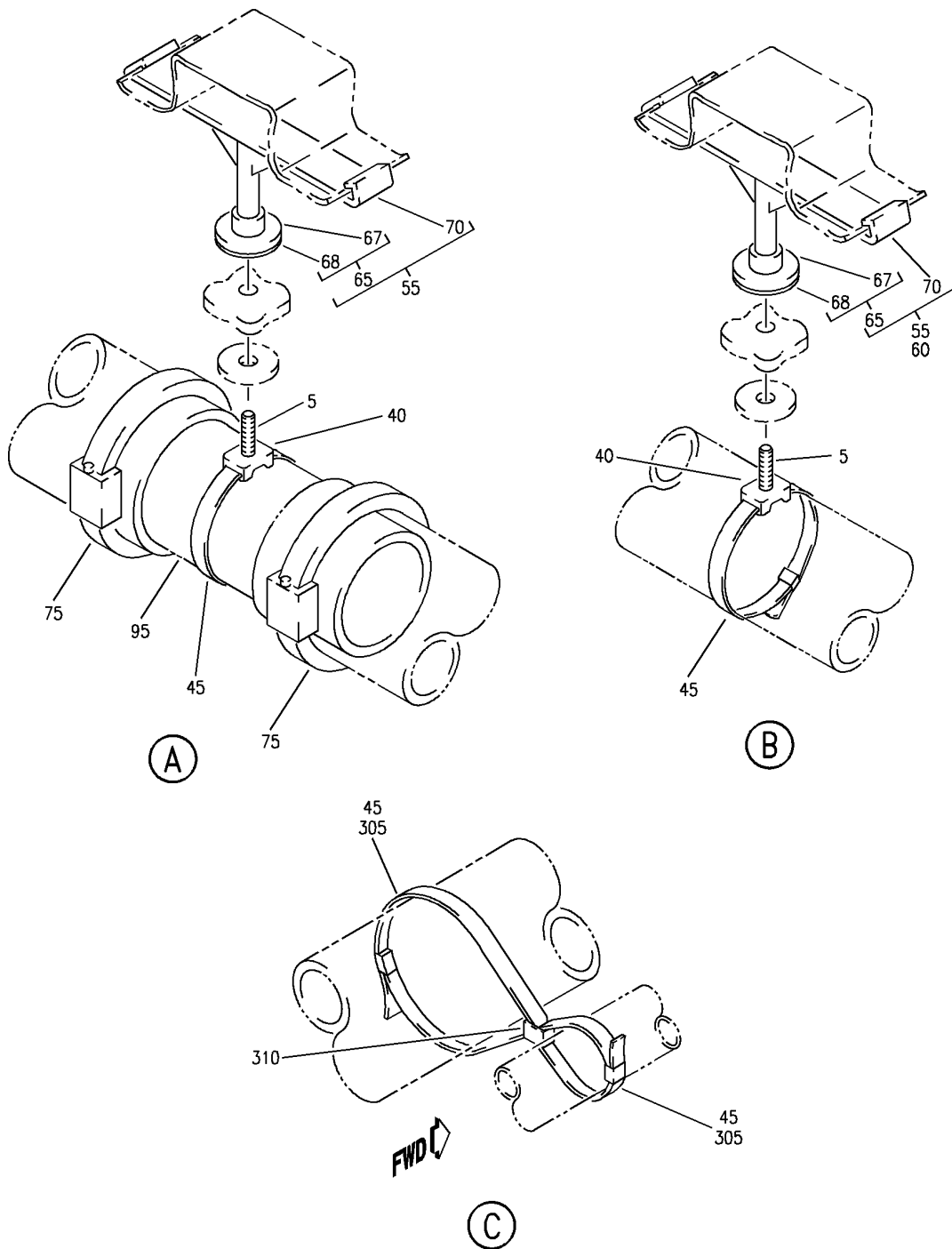
HEATER SYSTEM INSTL-DOOR 4 AREA (AIR CONDITIONING ONLY)
FIGURE 4 (SHEET 1)

21-45-52-04

BRI
MAY 28/07

21-45-52-04
PAGE 0

BOEING
757
PARTS CATALOG (MAINTENANCE)



Y 21455204 SH2 2 REV 299

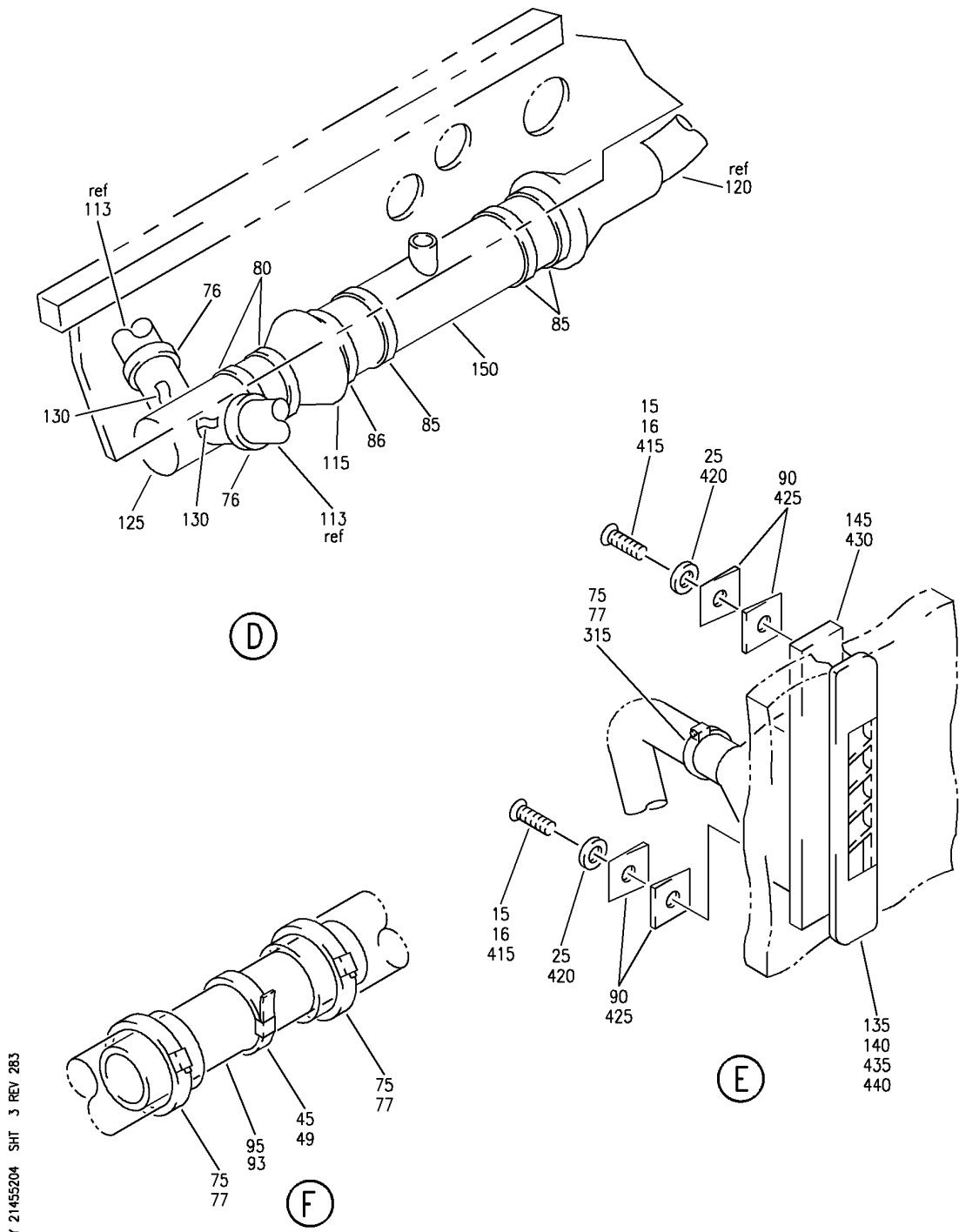
HEATER SYSTEM INSTL-DOOR 4 AREA (AIR CONDITIONING ONLY)
FIGURE 4 (SHEET 2)

21-45-52-04

BRI
MAY 28/07

21-45-52-04
PAGE 0A

BOEING
757
PARTS CATALOG (MAINTENANCE)



Y 21455204 SHT 3 REV 283

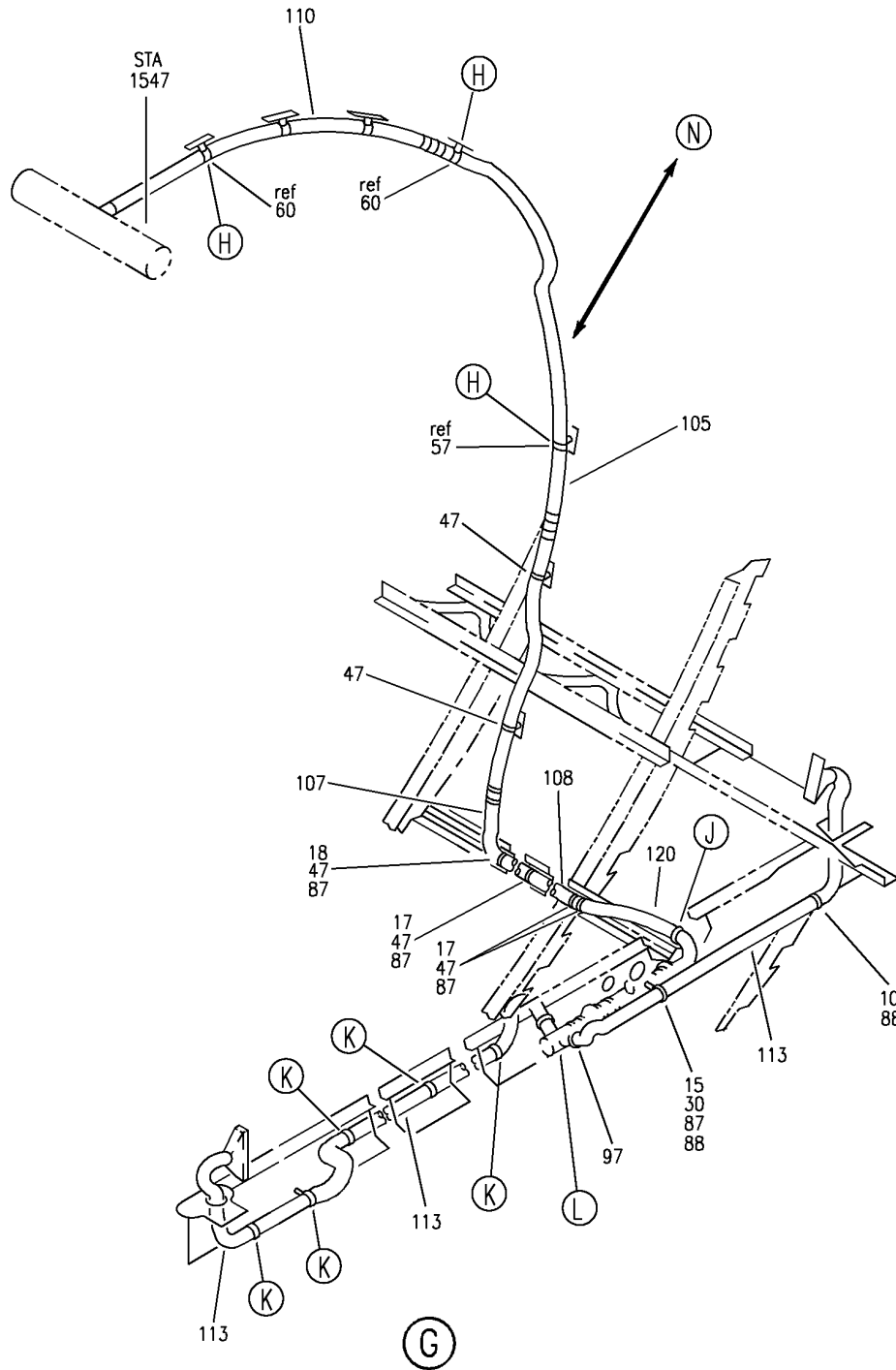
HEATER SYSTEM INSTL-DOOR 4 AREA (AIR CONDITIONING ONLY)
FIGURE 4 (SHEET 3)

21-45-52-04

BRI
MAY 28/07

21-45-52-04
PAGE 0B

BOEING
757
PARTS CATALOG (MAINTENANCE)



Y 21455204 SHT 4 REV 283

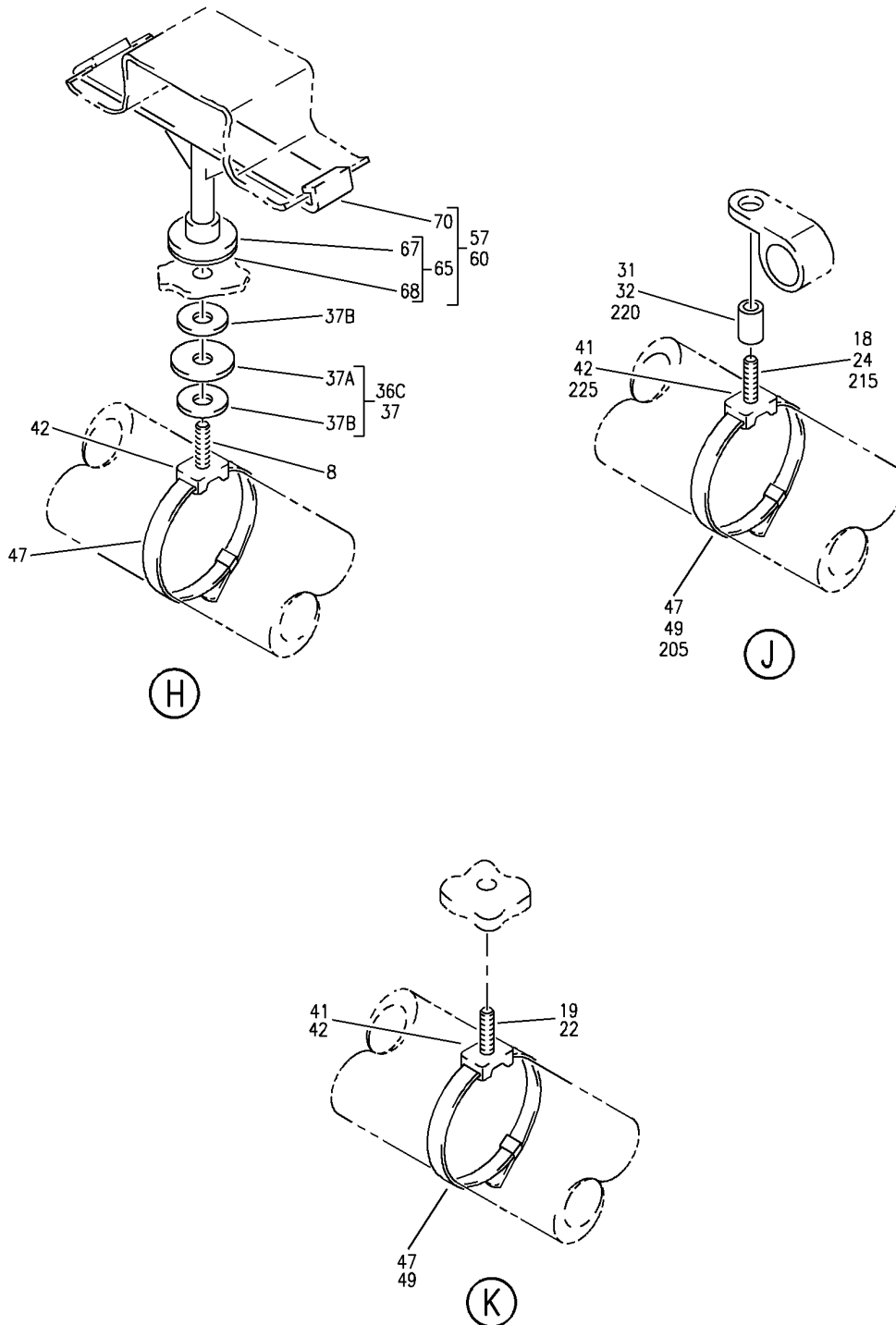
HEATER SYSTEM INSTL-DOOR 4 AREA (AIR CONDITIONING ONLY)
FIGURE 4 (SHEET 4)

21-45-52-04

BRI
MAY 28/07

21-45-52-04
PAGE 0C

BOEING
757
PARTS CATALOG (MAINTENANCE)



Y 21455204 SH1 5 REV 299

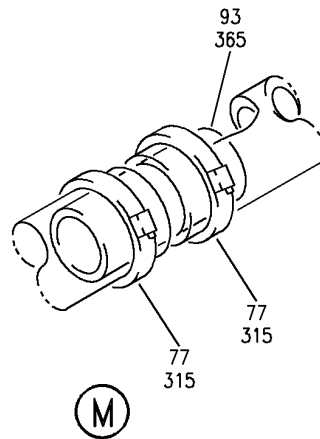
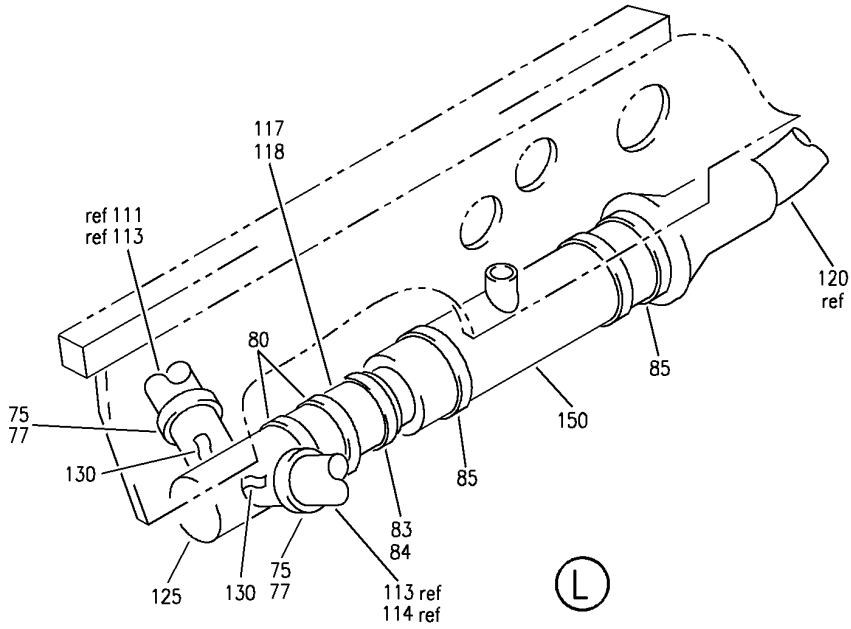
HEATER SYSTEM INSTL-DOOR 4 AREA (AIR CONDITIONING ONLY)
FIGURE 4 (SHEET 5)

21-45-52-04

BRI
MAY 28/07

21-45-52-04
PAGE 0D

BOEING
757
PARTS CATALOG (MAINTENANCE)



Y 21455204 SH1 6 REV 283

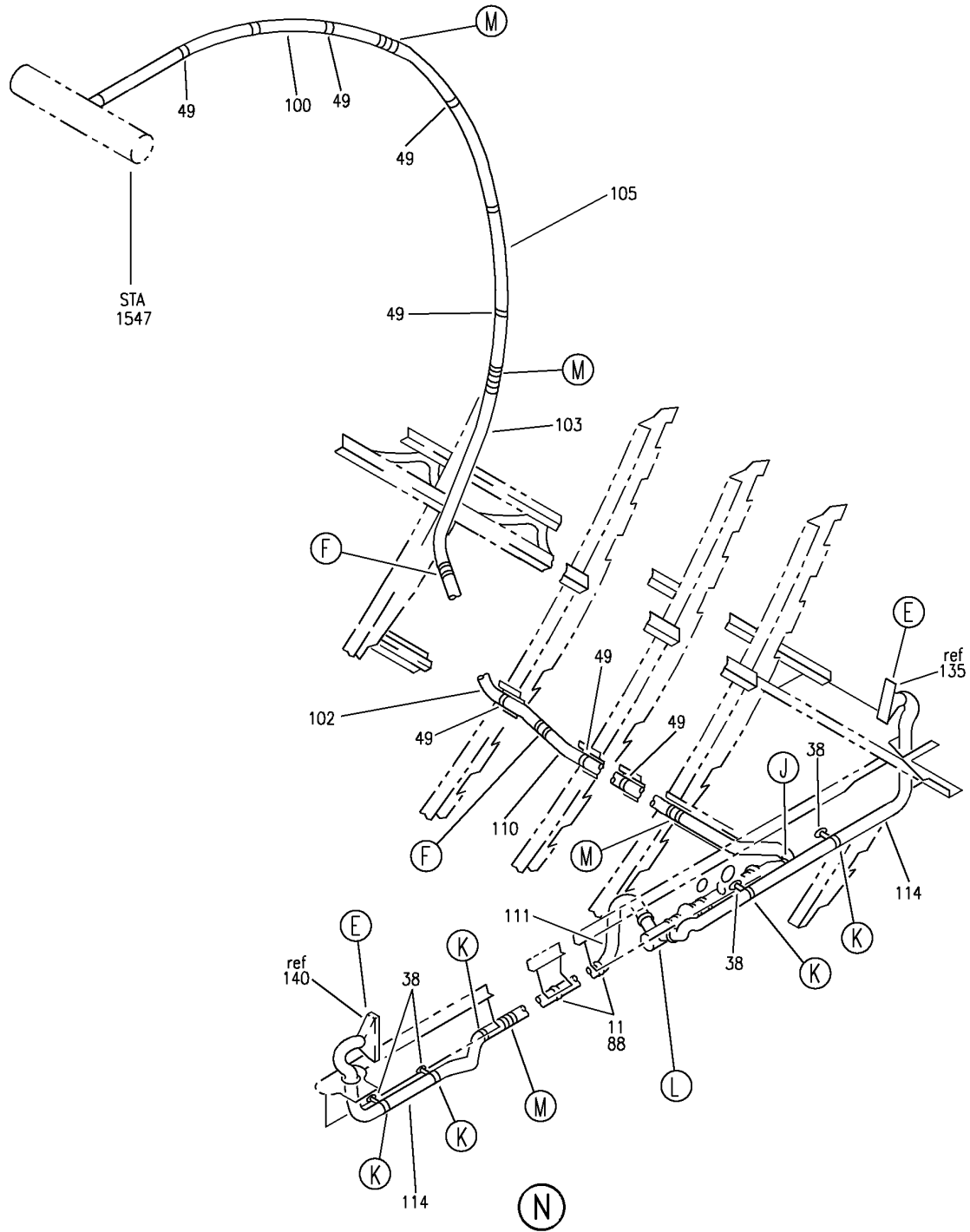
HEATER SYSTEM INSTL-DOOR 4 AREA (AIR CONDITIONING ONLY)
FIGURE 4 (SHEET 6)

21-45-52-04

BRI
MAY 28/07

21-45-52-04
PAGE 0E

BOEING
757
PARTS CATALOG (MAINTENANCE)



Y 21455204 SHT 7 REV 283

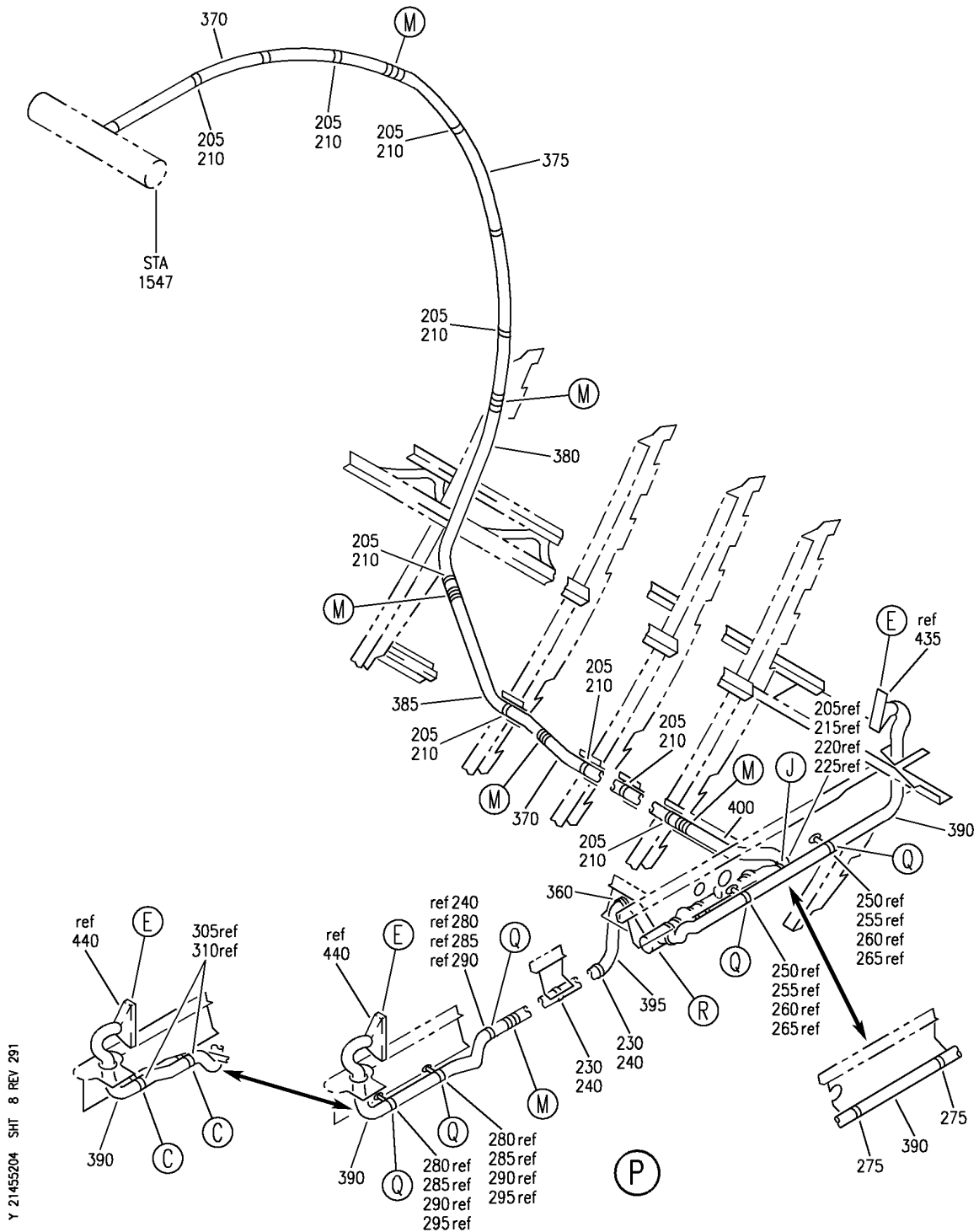
HEATER SYSTEM INSTL-DOOR 4 AREA (AIR CONDITIONING ONLY)
FIGURE 4 (SHEET 7)

21-45-52-04

BRI
MAY 28/07

21-45-52-04
PAGE OF

BOEING
757
PARTS CATALOG (MAINTENANCE)



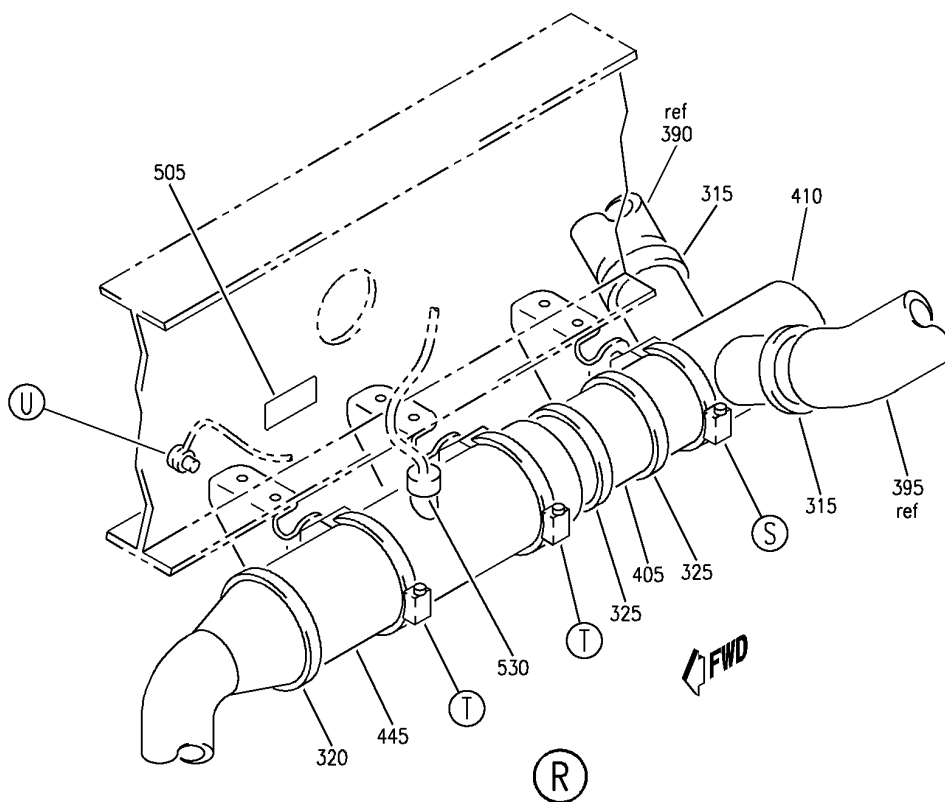
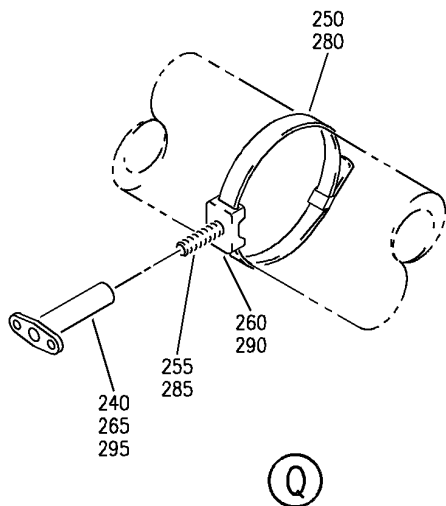
HEATER SYSTEM INSTL-DOOR 4 AREA (AIR CONDITIONING ONLY)
FIGURE 4 (SHEET 8)

BRI
MAY 28/07

21-45-52-04

21-45-52-04
PAGE 0G

BOEING
757
PARTS CATALOG (MAINTENANCE)



Y 21455204 SHT 9 REV 283

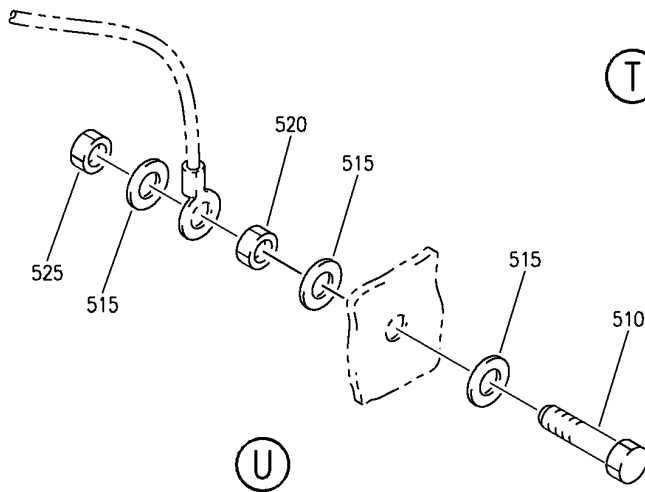
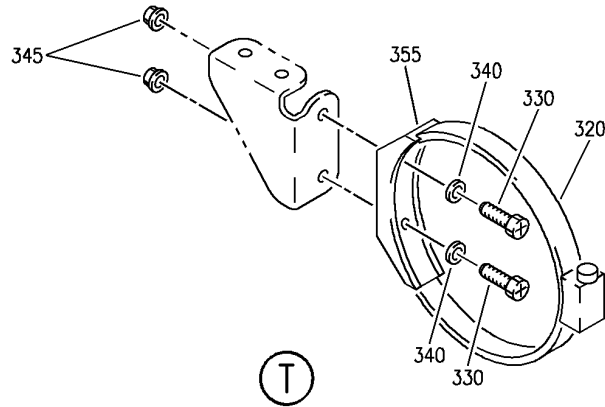
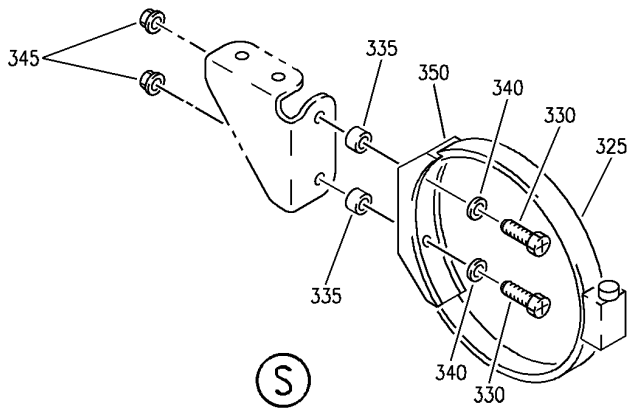
HEATER SYSTEM INSTL-DOOR 4 AREA (AIR CONDITIONING ONLY)
FIGURE 4 (SHEET 9)

21-45-52-04

BRI
MAY 28/07

21-45-52-04
PAGE 0H

BOEING
757
PARTS CATALOG (MAINTENANCE)



Y 21455204 SHT 10 REV 283

HEATER SYSTEM INSTL-DOOR 4 AREA (AIR CONDITIONING ONLY)
FIGURE 4 (SHEET 10)

21-45-52-04

BRI
MAY 28/07

21-45-52-04
PAGE 01



757

PARTS CATALOG (MAINTENANCE)

| FIG ITEM | PART NUMBER | 1 2 3 4 5 6 7 | NOMENCLATURE | EFFECT FROM TO | UNITS PER ASSY |
|----------|------------------|---------------|--|----------------|----------------|
| 4 | | | HEATER SYSTEM INSTL-DOOR 4 AREA (AIR CONDITIONING ONLY) | 009009 | |
| - 1 | 214N2044-4 | | HEATER SYSTEM INSTL-DOOR 4 AREA (AIR CONDITIONING ONLY) POST SERVICE BULLETIN: 21-0060 FOR NHA/OTHER SYS DET SEE: 21-00-00-01 | 009009 | RF |
| | 5 BACS12GP3K10 | | .SCREW | 009009 | 8 |
| | 10 BACS12GU3K5 | | .SCREW | 009009 | 6 |
| | 15 BACS12GU3K6 | | .SCREW | 009009 | 5 |
| | 20 BACS12GU3K8 | | .SCREW | 009009 | 1 |
| | 25 NAS1149D0332J | | .WASHER | 009009 | 4 |
| | 30 NAS43DD3-12FC | | .SPACER | 009009 | 3 |
| | 35 411N4026-3 | | .WASHER ASSY | 009009 | 11 |
| | 40 TM2S8 | | .PLATE SUPPLIER CODE: V06383 SPECIFICATION NUMBER: STBP19M9 | 009009 | 11 |
| | 45 PLT4SM | | .STRAP SUPPLIER CODE: V06383 SPECIFICATION NUMBER: BACS38K2 OPTIONAL PART: T05L0 V53421 | 009009 | 25 |
| | 55 214N5054-11 | | .SUPPORT ASSY | 009009 | 7 |
| | 60 214N5054-14 | | .SUPPORT ASSY | 009009 | 4 |
| | 65 411N4026-2 | | ..CAP ASSY- OPTIONAL PART: 411N4026-10 | 009009 | 1 |
| | 65 411N4026-10 | | ..CAP ASSY- OPTIONAL PART: 411N4026-2 | 009009 | 1 |
| | 67 411N4026-5 | | ...CAP- USED ON: 411N4026-2 | 009009 | 1 |
| | 67 411N4026-11 | | ...CAP- USED ON: 411N4026-10 | 009009 | 1 |
| | 68 411N4026-7 | | ...TAPE | 009009 | 1 |

MISSING ITEM NUMBERS NOT APPLICABLE

- ITEM NOT ILLUSTRATED

21-45-52-04

21-45-52
FIG. 04
PAGE 1
MAY 28/07

BRI



757

PARTS CATALOG (MAINTENANCE)

| FIG ITEM | PART NUMBER | 1 2 3 4 5 6 7 | NOMENCLATURE | EFFECT FROM TO | UNITS PER ASSY |
|----------|-----------------|---------------|---|----------------|----------------|
| 4 | | | | | |
| 70 | 2055155-5B | .. | CLIP- SUPPLIER CODE: V04169 USED ON: 214N5054-11 | 009009 | 1 |
| 70 | 2055155-5C | .. | CLIP- SUPPLIER CODE: V04169 USED ON: 214N5054-14 | 009009 | 1 |
| 75 | NAS1922-0150-3 | . | CLAMP | 009009 | 10 |
| 76 | NAS1922-0150-3 | . | CLAMP- | 009009 | 2 |
| 80 | NAS1922-0200-3 | . | CLAMP- | 009009 | 2 |
| 85 | NAS1922-0275-3 | . | CLAMP- | 009009 | 3 |
| 86 | NAS1922-0275-3 | . | CLAMP- | 009009 | 1 |
| 90 | 214N2047-1 | . | ADAPTOR | 009009 | 8 |
| 95 | 214N2029-1 | . | CONNECTOR-FLEX HOSE | 009009 | 4 |
| 100 | AS1591-06-0810A | . | DUCT- | 009009 | 1 |
| 102 | AS1591-06-0560A | . | DUCT | 009009 | 1 |
| 105 | AS1591-06-0560A | . | DUCT | 009009 | 1 |
| 110 | AS1591-06-0620A | . | DUCT | 009009 | 1 |
| 113 | AS1591-06-0620A | . | DUCT- | 009009 | 3 |
| 115 | 214N2041-1 | . | DUCT-TRANSITION | 009009 | 1 |
| 120 | 214N2041-2 | . | DUCT-TRANSITION | 009009 | 1 |
| 125 | 214N2103-2 | . | DUCT-TEE | 009009 | 1 |
| 130 | 214T3436-1585 | . | ORIFICE ASSY- | 009009 | 2 |
| 135 | 214N2036-1 | . | GRILLE ASSY- | 009009 | 1 |
| 140 | 214N2036-2 | . | GRILLE ASSY- | 009009 | 1 |
| 145 | 214N2037-1 | . | PLENUM | 009009 | 2 |
| 150 | 116976-42 | . | HEATER ASSY- SUPPLIER CODE: V85932 SPECIFICATION NUMBER: S210N701-42 QUALIFIED I/W DATA: SEE S.B. 757-21-0074 FOR SUPPLEMENTAL KITS FOR LINE #686 AND ON. | 009009 | 1 |

MISSING ITEM NUMBERS NOT APPLICABLE

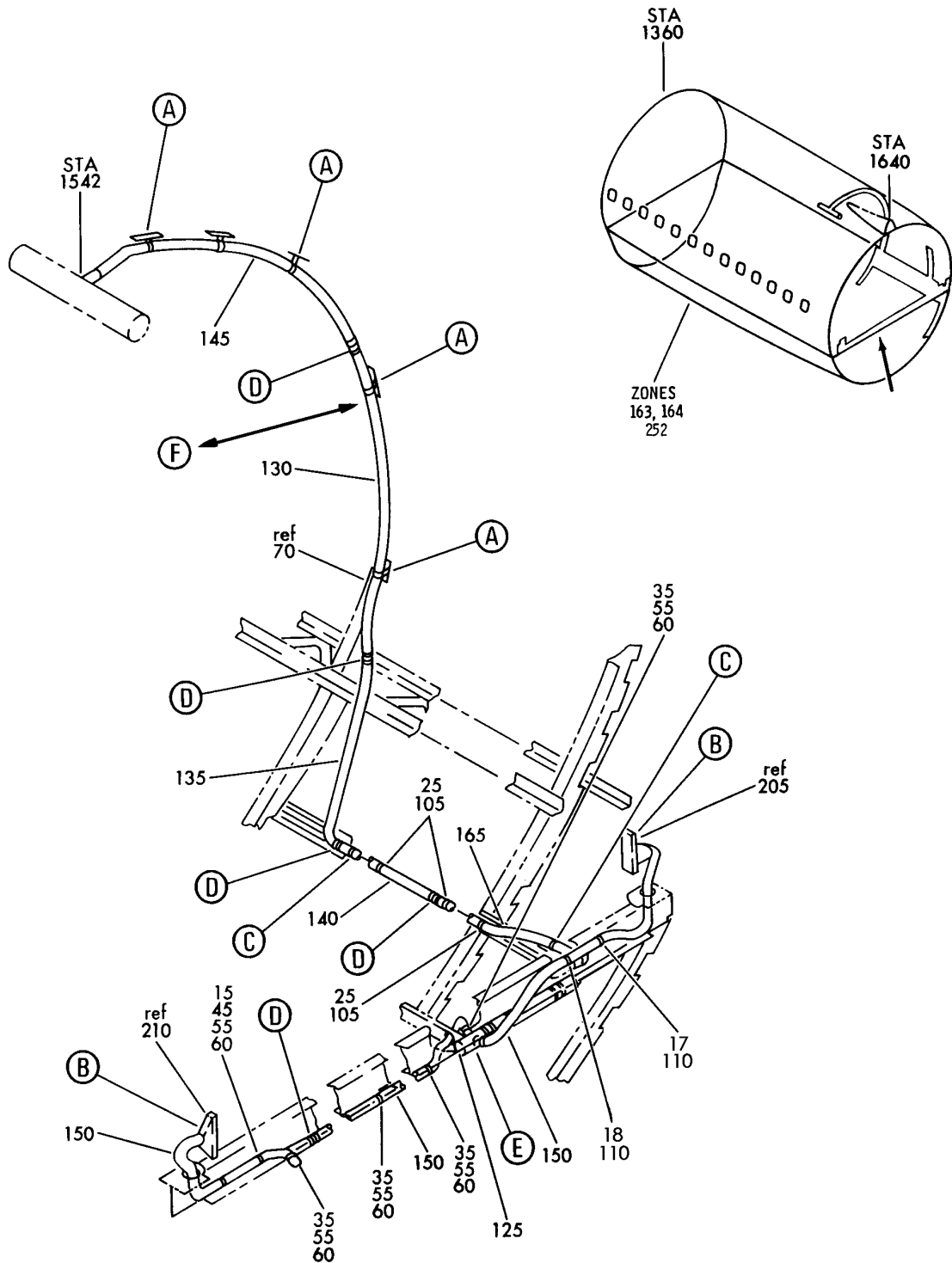
- ITEM NOT ILLUSTRATED

21-45-52-04

21-45-52
FIG. 04
PAGE 2
MAY 28/07

BRI

BOEING
757
PARTS CATALOG (MAINTENANCE)



Y 21455204A SHT 1 REV 219

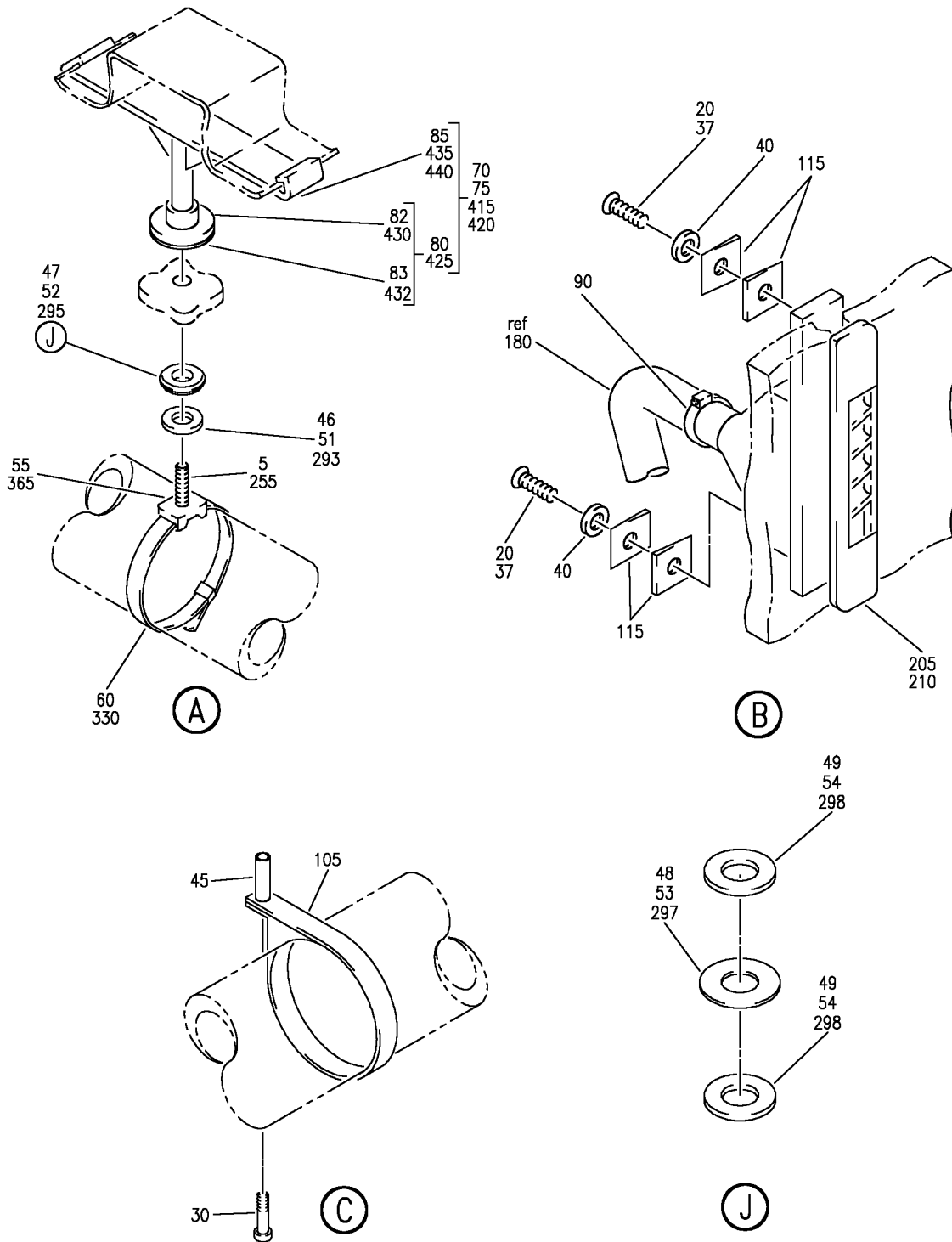
HEATER SYSTEM AND GRILLE INSTL-DOOR 4 AREA (AUX HEATING ONLY)
FIGURE 4A (SHEET 1)

21-45-52-04A

BRI
MAY 28/07

21-45-52-04A
PAGE 0

BOEING
757
PARTS CATALOG (MAINTENANCE)



Y 21-45-52-04A SHT 2 REV 261

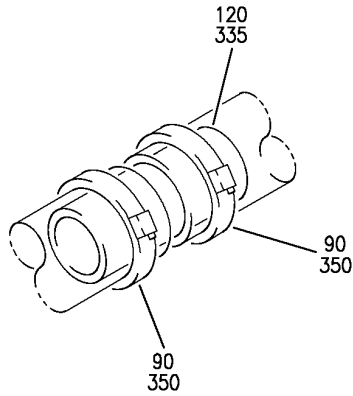
HEATER SYSTEM AND GRILLE INSTL-DOOR 4 AREA (AUX HEATING ONLY)
FIGURE 4A (SHEET 2)

21-45-52-04A

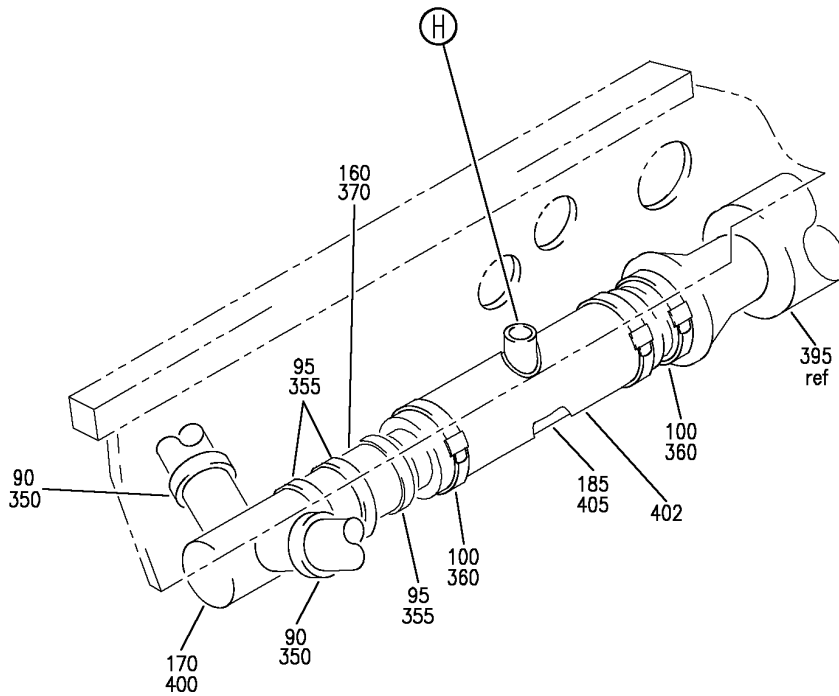
BRI
MAY 28/07

21-45-52-04A
PAGE 0A

BOEING
757
PARTS CATALOG (MAINTENANCE)



(D)



(E)

Y 2145204A SHIT 3 REV 315

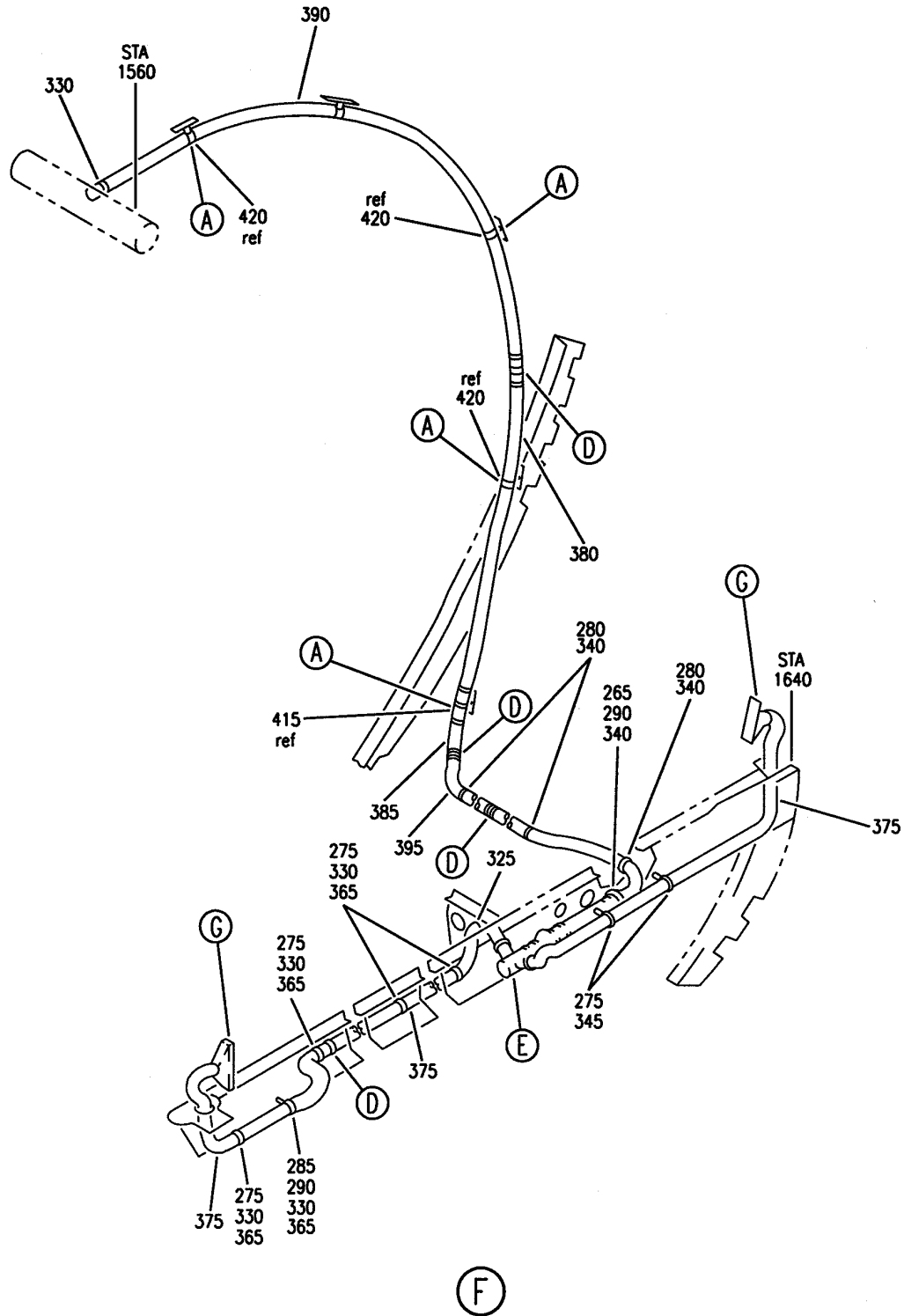
HEATER SYSTEM AND GRILLE INSTL-DOOR 4 AREA (AUX HEATING ONLY)
 FIGURE 4A (SHEET 3)

21-45-52-04A

BRI
 SEP 28/07

21-45-52-04A
 PAGE 0B

BOEING
757
PARTS CATALOG (MAINTENANCE)



Y 21455204A SHIT 4 REV 219

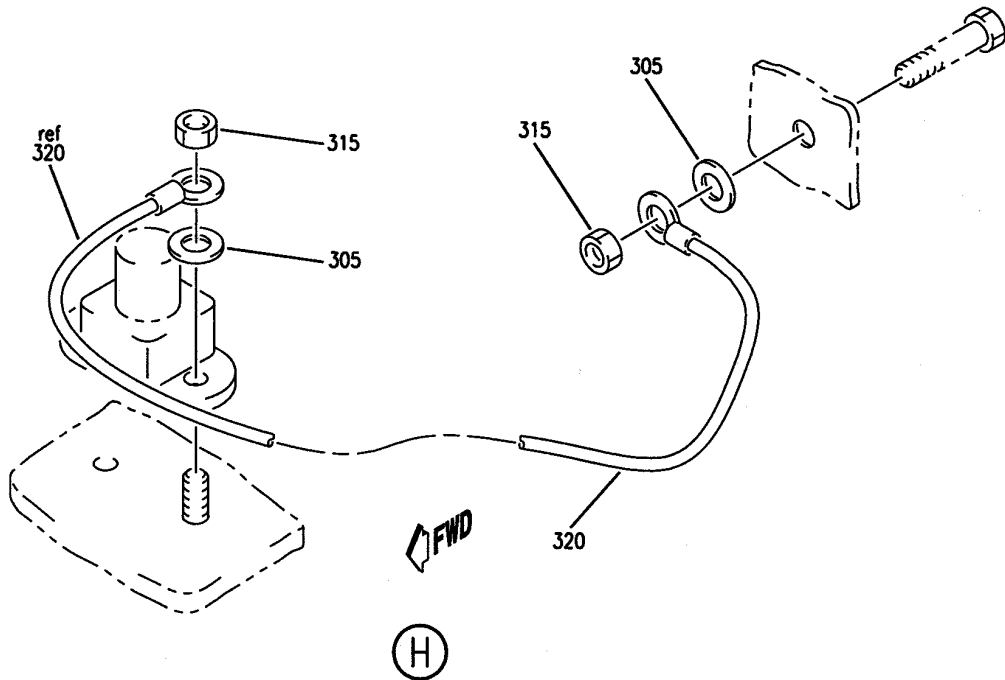
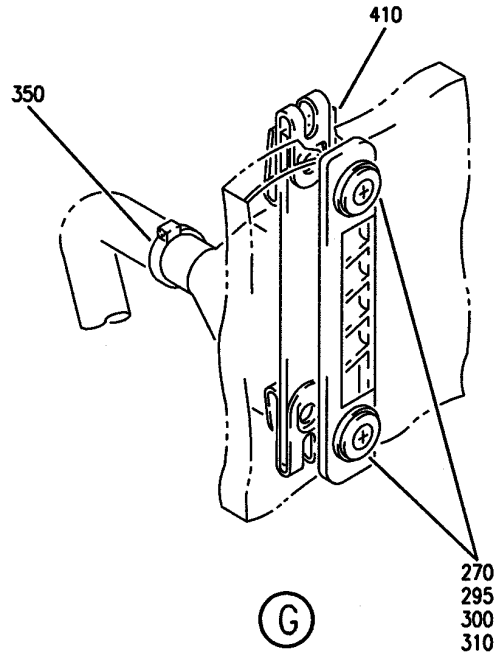
HEATER SYSTEM AND GRILLE INSTL-DOOR 4 AREA (AUX HEATING ONLY)
FIGURE 4A (SHEET 4)

21-45-52-04A

BRI
MAY 28/07

21-45-52-04A
PAGE 0C

BOEING
757
PARTS CATALOG (MAINTENANCE)



Y 21455204A SHT 5 REV 219

HEATER SYSTEM AND GRILLE INSTL-DOOR 4 AREA (AUX HEATING ONLY)
FIGURE 4A (SHEET 5)

BRI
MAY 28/07

21-45-52-04A

21-45-52-04A
PAGE 0D



757

PARTS CATALOG (MAINTENANCE)

| FIG ITEM | PART NUMBER | 1 2 3 4 5 6 7 | NOMENCLATURE | EFFECT FROM TO | UNITS PER ASSY |
|----------|-----------------|---------------|---|----------------------------|----------------|
| 4 A | | | HEATER SYSTEM AND GRILLE INSTL-DOOR 4 AREA (AUX HEATING ONLY) | 101106 108120 504903 | |
| - 1 | 214N2044-54 | | HEATER SYSTEM INSTL-DOOR 4 AREA (AUXILIARY HEATING ONLY) FOR NHA/OTHER SYS DET SEE: 21-00-00-15 | 101102 108120 504903 | RF |
| 5 | BACS12GP3K10 | | .SCREW- | 101102 108120 504903 | 5 |
| 15 | NAS514P1032-28P | | .SCREW | 101102 108120 504903 | 1 |
| 17 | NAS514P1032-23P | | .SCREW | 101102 108120 504903 | 1 |
| 18 | NAS514P1032-16P | | .SCREW | 101102 108120 504903 | 1 |
| 20 | BACS12GU3K6 | | .SCREW | 101102 108120 504903 | 4 |
| 25 | BACS12GU3K8 | | .SCREW | 101102 108120 504903 | 3 |
| 30 | BACS12GU3K22 | | .SCREW | 101102 108120 504903 | 2 |
| 35 | BACS12ER3K6 | | .SCREW | 101102 108120 504903 | 4 |
| 37 | BACS12ER3K12 | | .SCREW | 101102 108120 504903 | 4 |
| 40 | NAS1149D0332J | | .WASHER | 101102 108120 504903 | 4 |
| 45 | NAS43DD3-60FC | | .SPACER | 101102 108120 504903 | 3 |
| 46 | BACW10DZ3 | | .WASHER- OPTIONAL PART: 411N4026-12 | 101102 108120 504903 | 5 |
| 47 | 411N4026-12 | | .WASHER ASSY- OPTIONAL PART: BACW10DZ3 | 101102 108120 504903 | 5 |

MISSING ITEM NUMBERS NOT APPLICABLE

- ITEM NOT ILLUSTRATED

21-45-52-04A

21-45-52
FIG. 04A
PAGE 1
JAN 20/09

BRI

BOEING PROPRIETARY - Copyright © - Unpublished Work - See title page for details.

 **BOEING**
757
PARTS CATALOG (MAINTENANCE)

| FIG ITEM | PART NUMBER | 1 2 3 4 5 6 7 | NOMENCLATURE | EFFECT FROM TO | UNITS PER ASSY |
|----------|-------------|---------------|--|----------------------------|----------------|
| 4 A | | | | | |
| 48 | 411N4026-13 | .. | WASHER | 101102 108120 504903 | 1 |
| 49 | 411N4026-7 | .. | TAPE | 101102 108120 504903 | 2 |
| 51 | BACW10DZ3 | .WASHER- | OPTIONAL PART: 411N4026-12 | 101102 108120 504903 | 4 |
| 52 | 411N4026-12 | .WASHER ASSY- | OPTIONAL PART: BACW10DZ3 | 101102 108120 504903 | 4 |
| 53 | 411N4026-13 | .. | WASHER | 101102 108120 504903 | 1 |
| 54 | 411N4026-7 | .. | TAPE | 101102 108120 504903 | 2 |
| 55 | TM2S8 | .PLATE | SUPPLIER CODE: V06383 SPECIFICATION NUMBER: STBP19M9 | 101102 108120 504903 | 10 |
| 60 | PLT4SM | .STRAP | SUPPLIER CODE: V06383 SPECIFICATION NUMBER: BACS38K2 OPTIONAL PART: T05L0 V53421 | 101102 108120 504903 | 10 |
| - 65 | 2310025 | .CLIP- | SUPPLIER CODE: V60119 | 101102 108120 504903 | AR |
| 70 | 214N5054-11 | .SUPPORT ASSY | | 101102 108120 504903 | 1 |
| 75 | 214N5054-14 | .SUPPORT ASSY | | 101102 108120 504903 | 4 |
| 80 | 411N4026-2 | ..CAP ASSY- | OPTIONAL PART: 411N4026-10 | 101102 108120 504903 | 1 |
| 80 | 411N4026-10 | ..CAP ASSY- | OPTIONAL PART: 411N4026-2 | 101102 108120 504903 | 1 |
| 82 | 411N4026-11 | ...CAP- | USED ON: 411N4026-10 | 101102 108120 504903 | 1 |

MISSING ITEM NUMBERS NOT APPLICABLE

- ITEM NOT ILLUSTRATED

BRI

21-45-52-04A

BOEING PROPRIETARY - Copyright © - Unpublished Work - See title page for details.

21-45-52
FIG. 04A
PAGE 2
JAN 20/09



757

PARTS CATALOG (MAINTENANCE)

| FIG ITEM | PART NUMBER | 1 2 3 4 5 6 7 | NOMENCLATURE | EFFECT FROM TO | UNITS PER ASSY |
|----------|-----------------|---------------|---|----------------------------|----------------|
| 4 A | | | | | |
| 82 | 411N4026-5 | ... | CAP- USED ON: 411N4026-2 | 101102 108120 504903 | 1 |
| 83 | 411N4026-7 | ... | TAPE | 101102 108120 504903 | 1 |
| 85 | 2055155-5C | .. | CLIP- SUPPLIER CODE: V04169 USED ON: 214N5054-14 | 101102 108120 504903 | 1 |
| 85 | 2055155-5B | .. | CLIP- SUPPLIER CODE: V04169 USED ON: 214N5054-11 | 101102 108120 504903 | 1 |
| 90 | NAS1922-0150-3 | . | CLAMP | 101102 108120 504903 | 14 |
| 95 | NAS1922-0200-3 | . | CLAMP | 101102 108120 504903 | 3 |
| 100 | NAS1922-0275-3 | . | CLAMP | 101102 108120 504903 | 3 |
| 105 | JM44LC13WD26R | . | CLAMP SUPPLIER CODE: V22175 SPECIFICATION NUMBER: BACC10GE26A OPTIONAL PART: S369WHD26 V18076 TA12C32WD26 V84971 509A26 V83930 | 101102 108120 504903 | 5 |
| 120 | 214N2029-1 | . | CONNECTOR-FLEX HOSE | 101102 108120 504903 | 5 |
| 125 | BACG20AD0940 | . | GROMMET | 101102 108120 504903 | 1 |
| 130 | AS1591-06-0560A | . | DUCT | 101102 108120 504903 | 1 |
| 135 | AS1591-06-0420A | . | DUCT | 101102 108120 504903 | 1 |

MISSING ITEM NUMBERS NOT APPLICABLE

- ITEM NOT ILLUSTRATED

21-45-52-04A

21-45-52
FIG. 04A
PAGE 3
JAN 20/09

BRI

BOEING PROPRIETARY - Copyright © - Unpublished Work - See title page for details.



757

PARTS CATALOG (MAINTENANCE)

| FIG ITEM | PART NUMBER | 1 2 3 4 5 6 7 | NOMENCLATURE | EFFECT FROM TO | UNITS PER ASSY |
|----------|-----------------|---------------|---|----------------------------|----------------|
| 4 A | | | | | |
| 140 | AS1591-06-0500A | . | DUCT | 101102 108120 504903 | 1 |
| 145 | AS1591-06-0620A | . | DUCT | 101102 108120 504903 | 1 |
| 150 | AS1544-06A0620 | . | DUCT | 101102 108120 504903 | 3 |
| 160 | AS1506-08D23 | . | SLEEVE | 101102 108120 504903 | 1 |
| 165 | 214N2041-2 | . | DUCT-TRANSITION | 101102 108120 504903 | 1 |
| 170 | 214N2103-2 | . | DUCT-TEE | 101102 108120 504903 | 1 |
| 175 | 214T3436-47 | . | ORIFICE ASSY | 101102 108120 504903 | 2 |
| 180 | 214N2037-1 | . | PLENUM | 101102 108120 504903 | 2 |
| 185 | 116817-3 | . | HEATER- SUPPLIER CODE: V85932 SPECIFICATION NUMBER: S210W004-5 ELECTRICAL EQUIP NUMBER: M11079 QUALIFIED I/W DATA: SEE S.B. 757-21-0074 FOR SUPPLEMENTAL KITS FOR LINE #686 AND ON. OPTIONAL PART: 116817-5 V85932 | 101102 108120 504903 | 1 |

MISSING ITEM NUMBERS NOT APPLICABLE

- ITEM NOT ILLUSTRATED

21-45-52-04A

21-45-52
FIG. 04A
PAGE 4
JAN 20/09

BRI

BOEING PROPRIETARY - Copyright © - Unpublished Work - See title page for details.



757

PARTS CATALOG (MAINTENANCE)

| FIG ITEM | PART NUMBER | 1 2 3 4 5 6 7 | NOMENCLATURE | EFFECT FROM TO | UNITS PER ASSY |
|------------|-----------------|---------------|--|----------------------------|----------------|
| 4 A 185 | 116817-5 | | .HEATER- SUPPLIER CODE: V85932 SPECIFICATION NUMBER: S210W004-5 ELECTRICAL EQUIP NUMBER: M11079 QUALIFIED I/W DATA: SEE S.B. 757-21-0074 FOR SUPPLEMENTAL KITS FOR LINE #686 AND ON. OPTIONAL PART: 116817-3 V85932 | 101102 108120 504903 | 1 |
| - 200 | 214N2044-36 | | GRILLE INSTL-UNPAINTED GRILLE ASSY FOR NHA SEE: 21-00-00-12 | 101102 504903 | RF |
| 205 | 214N2036-1 | | .GRILLE ASSY- PRE SERVICE BULLETIN: 21-0081R1 | 101102 504903 | 1 |
| 205 | 214N2036-12 | | .GRILLE ASSY- POST SERVICE BULLETIN: 21-0081R1 | 101102 504903 | 1 |
| 210 | 214N2036-2 | | .GRILLE ASSY- PRE SERVICE BULLETIN: 21-0081R1 | 101102 504903 | 1 |
| 210 | 214N2036-13 | | .GRILLE ASSY- POST SERVICE BULLETIN: 21-0081R1 | 101102 504903 | 1 |
| - 250 | MODREF6581 | | HEATER SYSTEM INSTL-DOOR 4 AREA (AUX HEATING ONLY) MODULE NUMBER: 214N2044-48 REV A FOR OTHER SYS DETAILS SEE: 11-21-50-01 | 103106 | 1 |
| 255 | BACS12GP3L10 | | .SCREW | 103106 | 5 |
| 265 | BACS12GU3K23 | | .SCREW | 103106 | 1 |
| 270 | BACS12ER3K12 | | .SCREW | 103106 | 4 |
| 275 | BACS12ER3K6 | | .SCREW | 103106 | 6 |
| 280 | BACS12GU3K8 | | .SCREW | 103106 | 3 |
| 285 | NAS514P1032-28P | | .SCREW | 103106 | 1 |
| 290 | NAS43DD3-60FC | | .SPACER | 103106 | 2 |
| 293 | BACW10DZ3 | | .WASHER- OPTIONAL PART: 411N4026-12 | 103106 | 9 |

MISSING ITEM NUMBERS NOT APPLICABLE

- ITEM NOT ILLUSTRATED

21-45-52-04A

21-45-52
FIG. 04A
PAGE 5
JAN 20/09

BRI

BOEING PROPRIETARY - Copyright © - Unpublished Work - See title page for details.



757

PARTS CATALOG (MAINTENANCE)

| FIG ITEM | PART NUMBER | 1 2 3 4 5 6 7 | NOMENCLATURE | EFFECT FROM TO | UNITS PER ASSY |
|----------|---------------|---------------|--|----------------|----------------|
| 4 A | | | | | |
| 295 | 411N4026-12 | | .WASHER ASSY- OPTIONAL PART: BACW10DZ3 | 103106 | 9 |
| 297 | 411N4026-13 | | ..WASHER | 103106 | 1 |
| 298 | 411N4026-7 | | ..TAPE | 103106 | 2 |
| 300 | NAS1149D0332J | | .WASHER | 103106 | 4 |
| 305 | NAS1149D0316H | | .WASHER | 103106 | 2 |
| 310 | BRC600-10G3 | | .NUT-CLIP-ON SUPPLIER CODE: V52828 SPECIFICATION NUMBER: BACN10YD3 OPTIONAL PART: 130122 V60119 | 103106 | 4 |
| 315 | PLH53CD | | .NUT SUPPLIER CODE: VF0224 SPECIFICATION NUMBER: BACN10YR3CD OPTIONAL PART: H52732-3CD V15653 | 103106 | 2 |
| 320 | BACJ40A20-11 | | .JUMPER ASSY | 103106 | 1 |
| 325 | BACG20AD0940 | | .GROMMET | 103106 | 1 |
| 330 | PLT4SM | | .STRAP SUPPLIER CODE: V06383 SPECIFICATION NUMBER: BACS38K2 OPTIONAL PART: T05L0 V53421 | 103106 | 11 |
| 335 | 214N2029-1 | | .CONNECTOR | 103106 | 4 |
| 340 | JM44LC13WD26R | | .CLAMP SUPPLIER CODE: V22175 SPECIFICATION NUMBER: BACC10GE26A OPTIONAL PART: S369WHD26 V18076 TA12C32WD26 V84971 509A26 V83930 | 103106 | 4 |

MISSING ITEM NUMBERS NOT APPLICABLE

- ITEM NOT ILLUSTRATED

21-45-52-04A

21-45-52
FIG. 04A
PAGE 6
JAN 20/09

BRI

BOEING PROPRIETARY - Copyright © - Unpublished Work - See title page for details.



757

PARTS CATALOG (MAINTENANCE)

| FIG ITEM | PART NUMBER | 1 2 3 4 5 6 7 | NOMENCLATURE | EFFECT FROM TO | UNITS PER ASSY |
|------------|-----------------|---------------|---|----------------|----------------|
| 4 A 345 | JM44LC13WD36R | .CLAMP | SUPPLIER CODE: V22175 SPECIFICATION NUMBER: BACC10GE36A OPTIONAL PART: TA12C32WD36 V84971 509A36 V83930 S714WDH36 V18076 | 103106 | 2 |
| 350 | NAS1922-0150-3 | .CLAMP | | 103106 | 12 |
| 355 | NAS1922-0200-3 | .CLAMP | | 103106 | 3 |
| 360 | NAS1922-0275-3 | .CLAMP | | 103106 | 3 |
| 365 | TM3S10 | .PLATE | SUPPLIER CODE: V06383 SPECIFICATION NUMBER: STBP19M12 | 103106 | 10 |
| 370 | AS1506-08D23 | .SLEEVE | | 103106 | 1 |
| 375 | AS1544-06A0620 | .DUCT | | 103106 | 3 |
| 380 | AS1591-06-0560A | .DUCT | | 103106 | 1 |
| 385 | AS1591-06-0660A | .DUCT | | 103106 | 1 |
| 390 | AS1591-06-0620A | .DUCT | | 103106 | 1 |
| 395 | 214N2041-2 | .DUCT | | 103106 | 1 |
| 400 | 214N2103-2 | .DUCT | | 103106 | 1 |
| 402 | 214W2450-20 | .INSULATION | | 103106 | 1 |
| 405 | 116817-3 | .HEATER- | SUPPLIER CODE: V85932 SPECIFICATION NUMBER: S210W004-5 ELECTRICAL EQUIP NUMBER: M11079 QUALIFIED I/W DATA: SEE S.B.757-21-0074 FOR SUPPLEMENTAL KITS FOR LINE #686 AND ON. OPTIONAL PART: 116817-5 V85932 | 103106 | 1 |

MISSING ITEM NUMBERS NOT APPLICABLE

- ITEM NOT ILLUSTRATED

21-45-52-04A

21-45-52
FIG. 04A
PAGE 7
JAN 20/09

BRI



757

PARTS CATALOG (MAINTENANCE)

| FIG ITEM | PART NUMBER | 1 2 3 4 5 6 7 | NOMENCLATURE | EFFECT FROM TO | UNITS PER ASSY |
|------------|-------------|---------------|--|----------------|----------------|
| 4 A 405 | 116817-5 | | .HEATER- SUPPLIER CODE: V85932 SPECIFICATION NUMBER: S210W004-5 ELECTRICAL EQUIP NUMBER: M11079 QUALIFIED I/W DATA: SEE S.B. 757-21-0074 FOR SUPPLEMENTAL KITS FOR LINE #686 AND ON. OPTIONAL PART: 116817-3 V85932 | 103106 | 1 |
| 410 | 214N2037-1 | | .PLENUM | 103106 | 2 |
| 415 | 214N5054-11 | | .SUPPORT ASSY | 103106 | 1 |
| 420 | 214N5054-14 | | .SUPPORT ASSY | 103106 | 4 |
| 425 | 411N4026-2 | | ..CAP ASSY- OPTIONAL PART: 411N4026-10 | 103106 | 1 |
| 425 | 411N4026-10 | | ..CAP ASSY- OPTIONAL PART: 411N4026-2 | 103106 | 1 |
| 430 | 411N4026-11 | | ...CAP- USED ON: 411N4026-10 | 103106 | 1 |
| 430 | 411N4026-5 | | ...CAP- USED ON: 411N4026-2 | 103106 | 1 |
| 432 | 411N4026-7 | | ...TAPE | 103106 | 1 |
| 435 | 2055155-5C | | ..CLIP-STGR SUPPLIER CODE: V04169 USED ON: 214N5054-14 | 103106 | 1 |
| 440 | 2055155-5B | | ..CLIP-STGR SUPPLIER CODE: V04169 USED ON: 214N5054-11 | 103106 | 1 |

MISSING ITEM NUMBERS NOT APPLICABLE

- ITEM NOT ILLUSTRATED

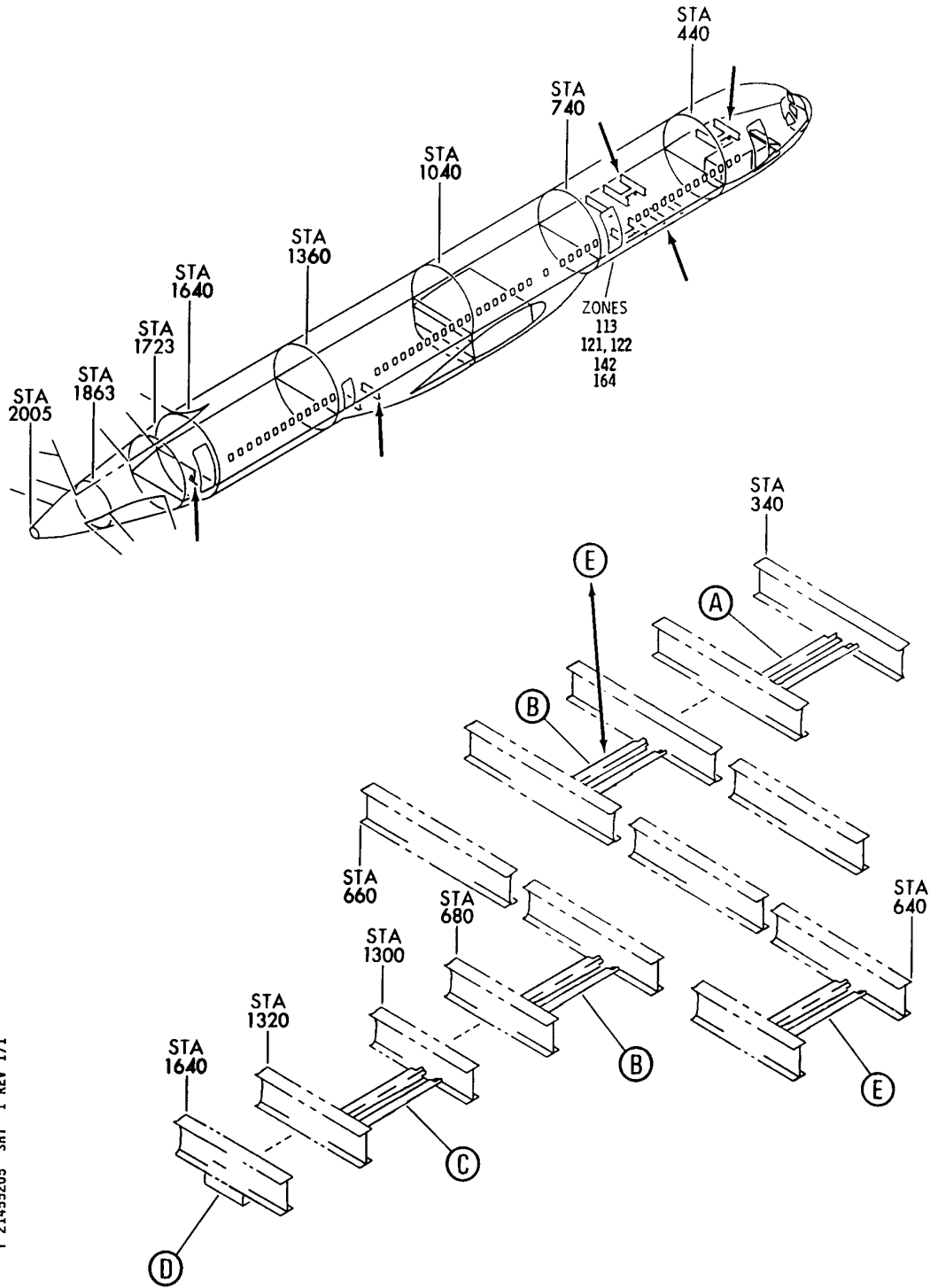
21-45-52-04A

21-45-52
FIG. 04A
PAGE 8
JAN 20/09

BRI

BOEING PROPRIETARY - Copyright © - Unpublished Work - See title page for details.

BOEING
757
PARTS CATALOG (MAINTENANCE)



Y 21455205 SHT 1 REV 171

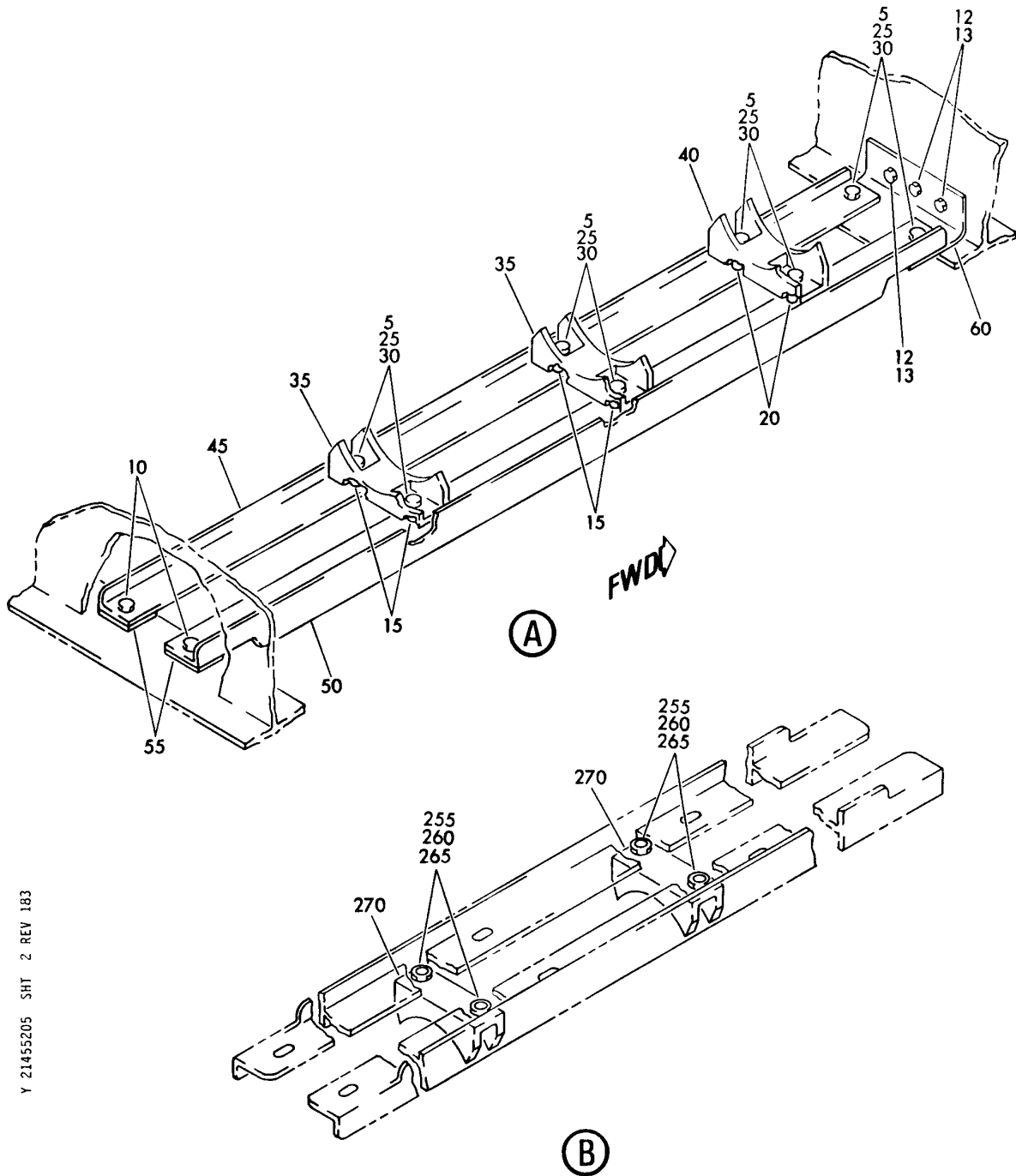
PROVISIONS INSTL-AUX HEATING SYS
FIGURE 5 (SHEET 1)

21-45-52-05

BRI
MAY 28/07

21-45-52-05
PAGE 0

BOEING
757
PARTS CATALOG (MAINTENANCE)



Y 21455205 SHT 2 REV 183

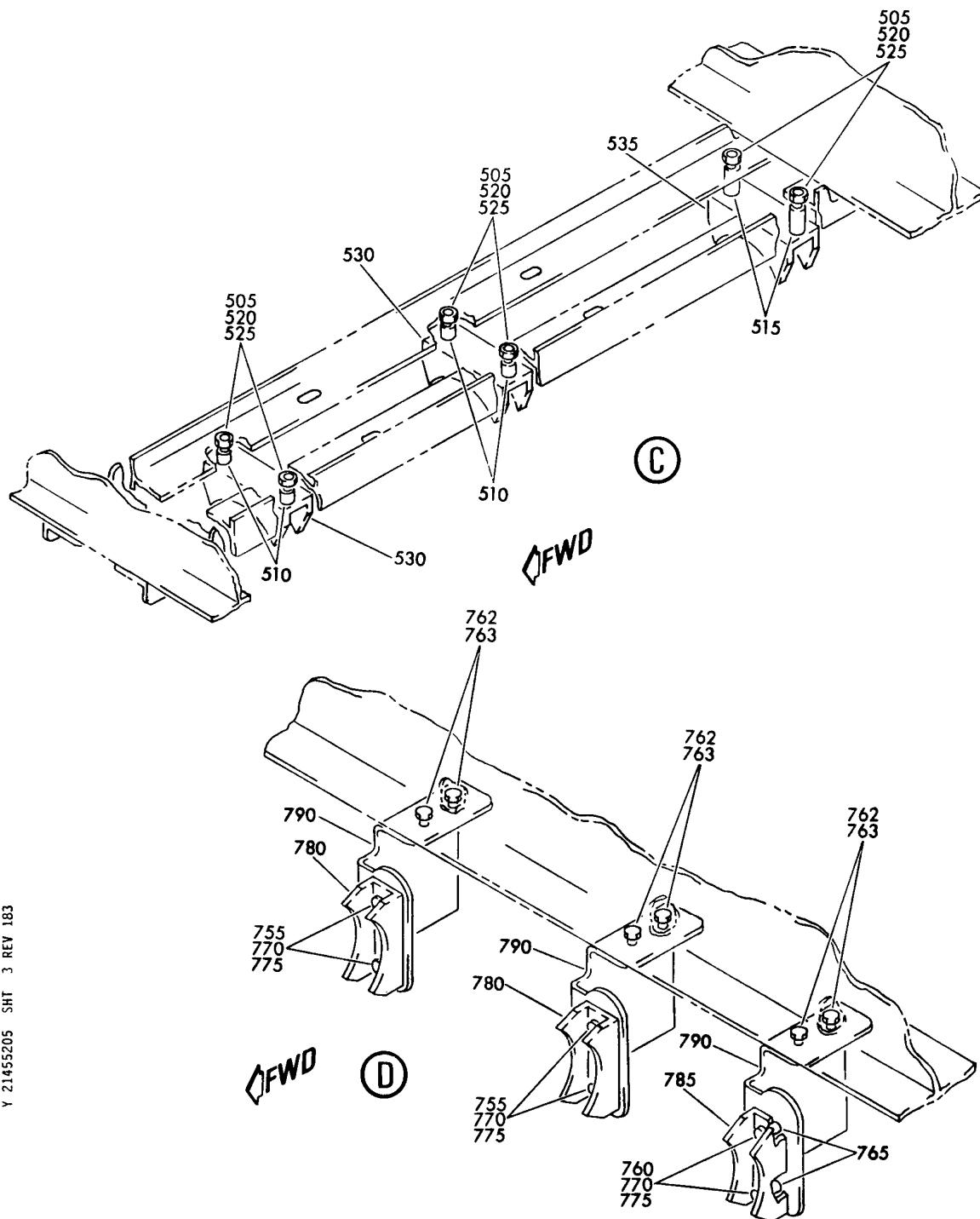
PROVISIONS INSTL-AUX HEATING SYS
FIGURE 5 (SHEET 2)

21-45-52-05

BRI
MAY 28/07

21-45-52-05
PAGE 0A

BOEING
757
PARTS CATALOG (MAINTENANCE)



Y 21455205 SHT 3 REV 1B3

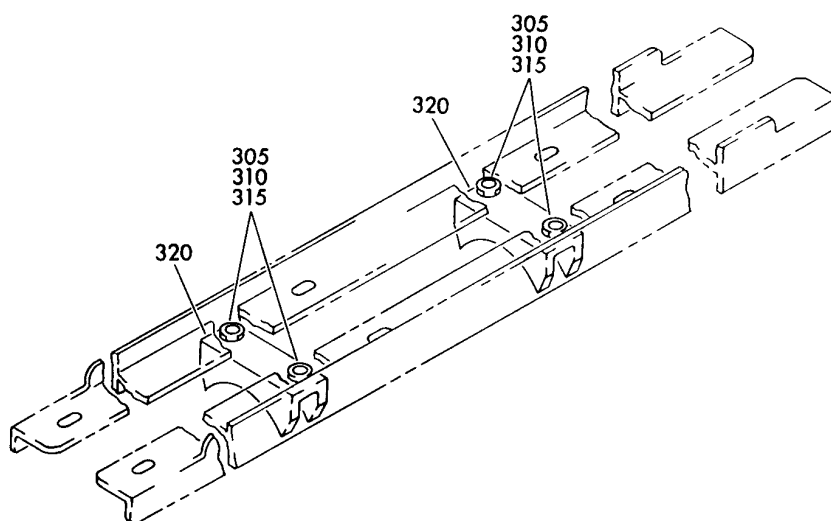
PROVISIONS INSTL-AUX HEATING SYS
FIGURE 5 (SHEET 3)

21-45-52-05

BRI
MAY 28/07

21-45-52-05
PAGE 0B

BOEING
757
PARTS CATALOG (MAINTENANCE)



(E)

Y 21455205 SHT 4 REV 171

PROVISIONS INSTL-AUX HEATING SYS
FIGURE 5 (SHEET 4)

21-45-52-05

BRI
MAY 28/07

21-45-52-05
PAGE 0C



757

PARTS CATALOG (MAINTENANCE)

| FIG ITEM | PART NUMBER | 1 2 3 4 5 6 7 | NOMENCLATURE | EFFECT FROM TO | UNITS PER ASSY |
|----------|--------------|---------------|--|--------------------------------------|----------------|
| 5 | | | PROVISIONS INSTL-AUX HEATING SYS | 009009 101106 108120 504903 | |
| - 1 | 214N2048-1 | | PROVISIONS INSTL-AUX HEATING SYS DOOR 1 AREA POST SERVICE BULLETIN: 21-0060 FOR NHA SEE: 21-00-00-01 | 009009 | RF |
| - 1 | 214N2048-5 | | PROVISIONS INSTL-AUX HEATING SYS DOOR 1 AREA FOR NHA SEE: 21-00-00-15 | 101102 108120 504903 | RF |
| - 1 | MODREF6588 | | PROVISIONS INSTL-AUX HEATING SYS DOOR 1 AREA MODULE NUMBER: 214N2048-11 REV A | 103106 | 1 |
| 6 | BACS12GU3K11 | | .SCREW | 009009 101106 108120 504903 | 6 |
| 7 | BACS12GU3K16 | | .SCREW | 009009 101106 108120 504903 | 2 |

MISSING ITEM NUMBERS NOT APPLICABLE

- ITEM NOT ILLUSTRATED

21-45-52-05

21-45-52
FIG. 05
PAGE 1
JAN 20/09

BRI



757

PARTS CATALOG (MAINTENANCE)

| FIG ITEM | PART NUMBER | 1 2 3 4 5 6 7 | NOMENCLATURE | EFFECT FROM TO | UNITS PER ASSY |
|----------|------------------|---------------|---|--------------------------------------|----------------|
| 5 | 10 HL111VAZ6-14 | | .SCREW- SUPPLIER CODE: V60516 SPECIFICATION NUMBER: BACB30NW6K14X OPTIONAL PART: HL11VAZ6-14X V73197 HL11VAZ6-14X V92215 L803-6K14X V06725 B30NW6K14X V97928 HL11VAZ6-14X V97928 HL11VAZ6-14X VOPTK6 HL11VAZ6-14X V60516 HL11VAZ6-14X V56878 | 009009 | 2 |
| | 10 WC331K6-14 | | .SCREW- SUPPLIER CODE: V60516 SPECIFICATION NUMBER: BACB30YP6K14 | 101106 108120 504903 | 2 |
| | 15 NAS43DD3-13FC | | .SPACER | 009009 101106 108120 504903 | 4 |
| | 20 NAS43DD3-25FC | | .SPACER | 009009 101106 108120 504903 | 2 |
| | 25 NAS1149D0332J | | .WASHER | 009009 101106 108120 504903 | 8 |
| | 30 BRC600-10G3 | | .NUT-CLIP-ON SUPPLIER CODE: V52828 SPECIFICATION NUMBER: BACN10YD3 OPTIONAL PART: 130122 V60119 | 009009 101106 108120 504903 | 8 |

MISSING ITEM NUMBERS NOT APPLICABLE

- ITEM NOT ILLUSTRATED

21-45-52-05

21-45-52
FIG. 05
PAGE 2
JAN 20/09

BRI

BOEING
757
PARTS CATALOG (MAINTENANCE)

| FIG ITEM | PART NUMBER | 1 2 3 4 5 6 7 | NOMENCLATURE | EFFECT FROM TO | UNITS PER ASSY |
|----------|---------------|---------------|--|--------------------------------------|----------------|
| 5 | | | | | |
| 35 | 214T3424-3 | . | SUPPORT | 009009 101106 108120 504903 | 2 |
| 40 | 214T3424-2 | . | SUPPORT | 009009 101106 108120 504903 | 1 |
| 45 | 214N2040-1 | . | SUPPORT | 009009 101106 108120 504903 | 1 |
| 50 | 214N2040-2 | . | SUPPORT | 009009 101106 108120 504903 | 1 |
| 55 | 214N2040-6 | . | SUPPORT | 009009 101106 108120 504903 | 2 |
| - 250 | 214N2048-2 | | PROVISIONS INSTL-AUX HEATING SYS DOOR 2 AREA POST SERVICE BULLETIN: 21-0060 FOR NHA SEE: 21-00-00-01 | 009009 | RF |
| 255 | BACS12GU3K11 | . | SCREW | 009009 | 8 |
| 260 | NAS1149D0332J | . | WASHER | 009009 | 8 |
| 265 | BRC600-10G3 | . | NUT-CLIP-ON SUPPLIER CODE: V52828 SPECIFICATION NUMBER: BACN10YD3 OPTIONAL PART: 130122 V60119 | 009009 | 8 |
| 270 | 214T3424-3 | . | SUPPORT | 009009 | 4 |
| - 300 | 214N2048-6 | | PROVISIONS INSTL-AUX HEATING SYS DOOR 2 AREA FOR NHA SEE: 21-00-00-15 | 101102 108120 504903 | RF |
| - 300 | MODREF6589 | | PROVISIONS INSTL-AUX HEATING SYS DOOR 2 AREA MODULE NUMBER: 214N2048-12 REV A | 103106 | 1 |

MISSING ITEM NUMBERS NOT APPLICABLE

- ITEM NOT ILLUSTRATED

BRI

21-45-52-05

BOEING PROPRIETARY - Copyright © - Unpublished Work - See title page for details.

21-45-52
FIG. 05
PAGE 3
JAN 20/09



757

PARTS CATALOG (MAINTENANCE)

| FIG ITEM | PART NUMBER | 1 2 3 4 5 6 7 | NOMENCLATURE | EFFECT FROM TO | UNITS PER ASSY |
|----------|---------------|---------------|--|--------------------------------------|----------------|
| 5 | | | | | |
| 305 | BACS12GU3K11 | . | SCREW | 101106 108120 504903 | 8 |
| 310 | NAS1149D0332J | . | WASHER | 101106 108120 504903 | 8 |
| 315 | BRC600-10G3 | . | NUT-CLIP-ON SUPPLIER CODE: V52828 SPECIFICATION NUMBER: BACN10YD3 OPTIONAL PART: 130122 V60119 | 101106 108120 504903 | 8 |
| 320 | 214T3424-3 | . | SUPPORT | 101106 108120 504903 | 4 |
| - 500 | 214N2048-3 | | PROVISIONS INSTL-AUX HEATING SYS DOOR 3 AREA POST SERVICE BULLETIN: 21-0060 FOR NHA SEE: 21-00-00-01 | 009009 | RF |
| - 500 | 214N2048-7 | | PROVISIONS INSTL-AUX HEATING SYS DOOR 3 AREA FOR NHA SEE: 21-00-00-12 | 101102 108120 504903 | RF |
| - 500 | MODREF6590 | | PROVISIONS INSTL-AUX HEATING SYS DOOR 3 AREA MODULE NUMBER: 214N2048-13 REV A | 103106 | 1 |
| 505 | BACS12GU3K12 | . | SCREW | 009009 | 6 |
| 505 | BACS12GU3K11 | . | SCREW- | 101106 108120 504903 | 6 |
| 515 | NAS43DD3-12FC | . | SPACER | 009009 101106 108120 504903 | 2 |
| 520 | NAS1149D0332J | . | WASHER | 009009 101106 108120 504903 | 6 |

MISSING ITEM NUMBERS NOT APPLICABLE

- ITEM NOT ILLUSTRATED

BRI

21-45-52-05

BOEING PROPRIETARY - Copyright © - Unpublished Work - See title page for details.

21-45-52
FIG. 05
PAGE 4
JAN 20/09



757

PARTS CATALOG (MAINTENANCE)

| FIG ITEM | PART NUMBER | 1 2 3 4 5 6 7 | NOMENCLATURE | EFFECT FROM TO | UNITS PER ASSY |
|----------|---------------|---------------|--|--------------------------------------|----------------|
| 5 | | | | | |
| 525 | BRC600-10G3 | . | NUT-CLIP-ON SUPPLIER CODE: V52828 SPECIFICATION NUMBER: BACN10YD3 OPTIONAL PART: 130122 V60119 | 009009 101106 108120 504903 | 6 |
| 530 | 214T3424-3 | . | SUPPORT | 009009 101106 108120 504903 | 2 |
| 535 | 214T3424-2 | . | SUPPORT | 009009 101106 108120 504903 | 1 |
| - 750 | 214N2048-4 | | PROVISIONS INSTL-AUX HEATING SYS DOOR 4 AREA POST SERVICE BULLETIN: 21-0060 FOR NHA SEE: 21-00-00-01 | 009009 | RF |
| - 750 | 214N2048-8 | | PROVISIONS INSTL-AUX HEATING SYS DOOR 4 AREA FOR NHA SEE: 21-00-00-15 | 101102 108120 504903 | RF |
| - 750 | MODREF6591 | | PROVISIONS INSTL-AUX HEATING SYSTEM DOOR 4 AREA MODULE NUMBER: 214N2048-15 REV A | 103106 | 1 |
| 755 | BACS12GU3K6 | . | SCREW- | 009009 | 4 |
| 755 | BACS12GU3K11 | . | SCREW- | 101106 108120 504903 | 4 |
| 760 | BACS12GU3K8 | . | SCREW- | 009009 | 2 |
| 760 | BACS12GU3K11 | . | SCREW- | 101106 108120 504903 | 2 |
| 765 | NAS43DD3-12FC | . | SPACER | 009009 101106 108120 504903 | 2 |
| 770 | NAS1149D0332J | . | WASHER | 009009 101106 108120 504903 | 6 |

MISSING ITEM NUMBERS NOT APPLICABLE

- ITEM NOT ILLUSTRATED

21-45-52-05

21-45-52
FIG. 05
PAGE 5
JAN 20/09

BRI



757

PARTS CATALOG (MAINTENANCE)

| FIG ITEM | PART NUMBER | 1 2 3 4 5 6 7 | NOMENCLATURE | EFFECT FROM TO | UNITS PER ASSY |
|----------|-------------|---------------|-----------------------|----------------|----------------|
| 5 | | | | | |
| 775 | MS21042L3 | . | NUT- | 009009 | 6 |
| 775 | BRC600-10G3 | . | NUT-CLIP-ON | 101106 | 6 |
| | | | SUPPLIER CODE: | 108120 | |
| | | | V52828 | 504903 | |
| | | | SPECIFICATION NUMBER: | | |
| | | | BACN10YD3 | | |
| | | | OPTIONAL PART: | | |
| | | | 130122 | | |
| | | | V60119 | | |
| 780 | 214T3424-3 | . | SUPPORT | 009009 | 2 |
| | | | | 101106 | |
| | | | | 108120 | |
| | | | | 504903 | |
| 785 | 214T3424-2 | . | SUPPORT | 009009 | 1 |
| | | | | 101106 | |
| | | | | 108120 | |
| | | | | 504903 | |
| 790 | 214N2040-7 | . | SUPPORT | 103106 | 3 |

MISSING ITEM NUMBERS NOT APPLICABLE

- ITEM NOT ILLUSTRATED

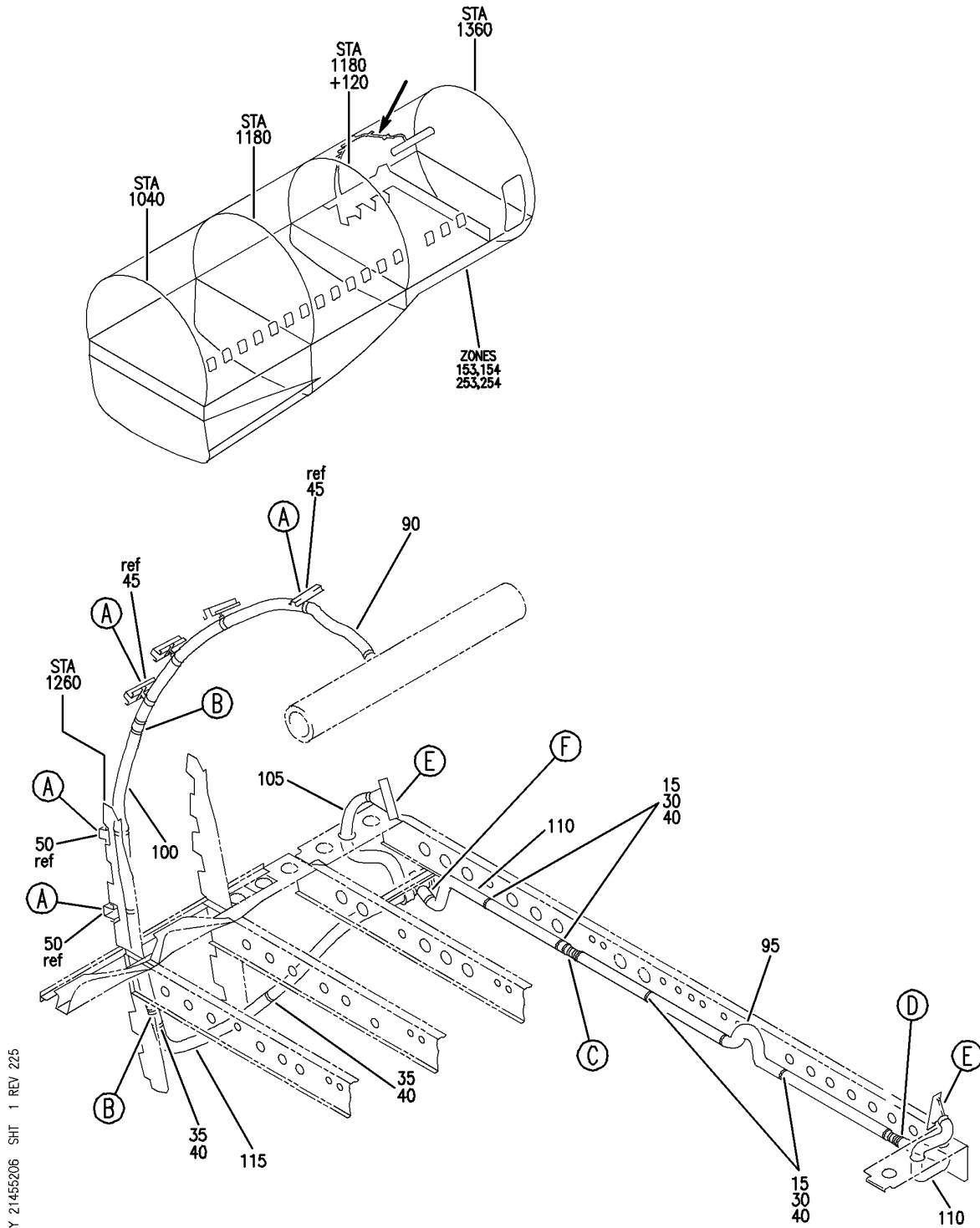
BRI

21-45-52-05

BOEING PROPRIETARY - Copyright © - Unpublished Work - See title page for details.

21-45-52
FIG. 05
PAGE 6
JAN 20/09

BOEING
757
PARTS CATALOG (MAINTENANCE)



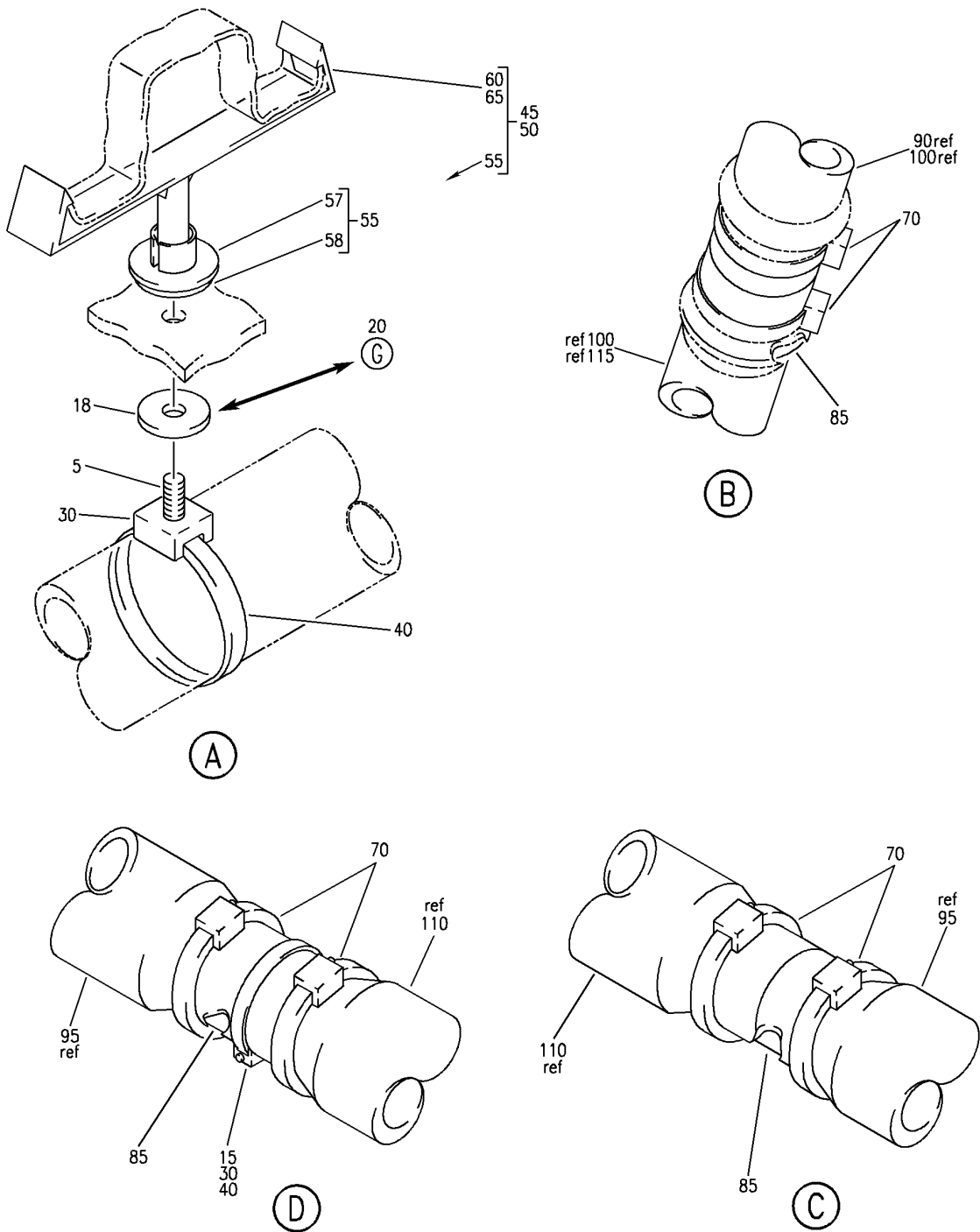
HEATER SYSTEM INSTL-DOOR 3 AREA, 650W HEATER
FIGURE 6 (SHEET 1)

21-45-52-06

BRI
JAN 20/09

21-45-52-06
PAGE 0

BOEING
757
PARTS CATALOG (MAINTENANCE)



Y 21455206 SHT 2 REV 286

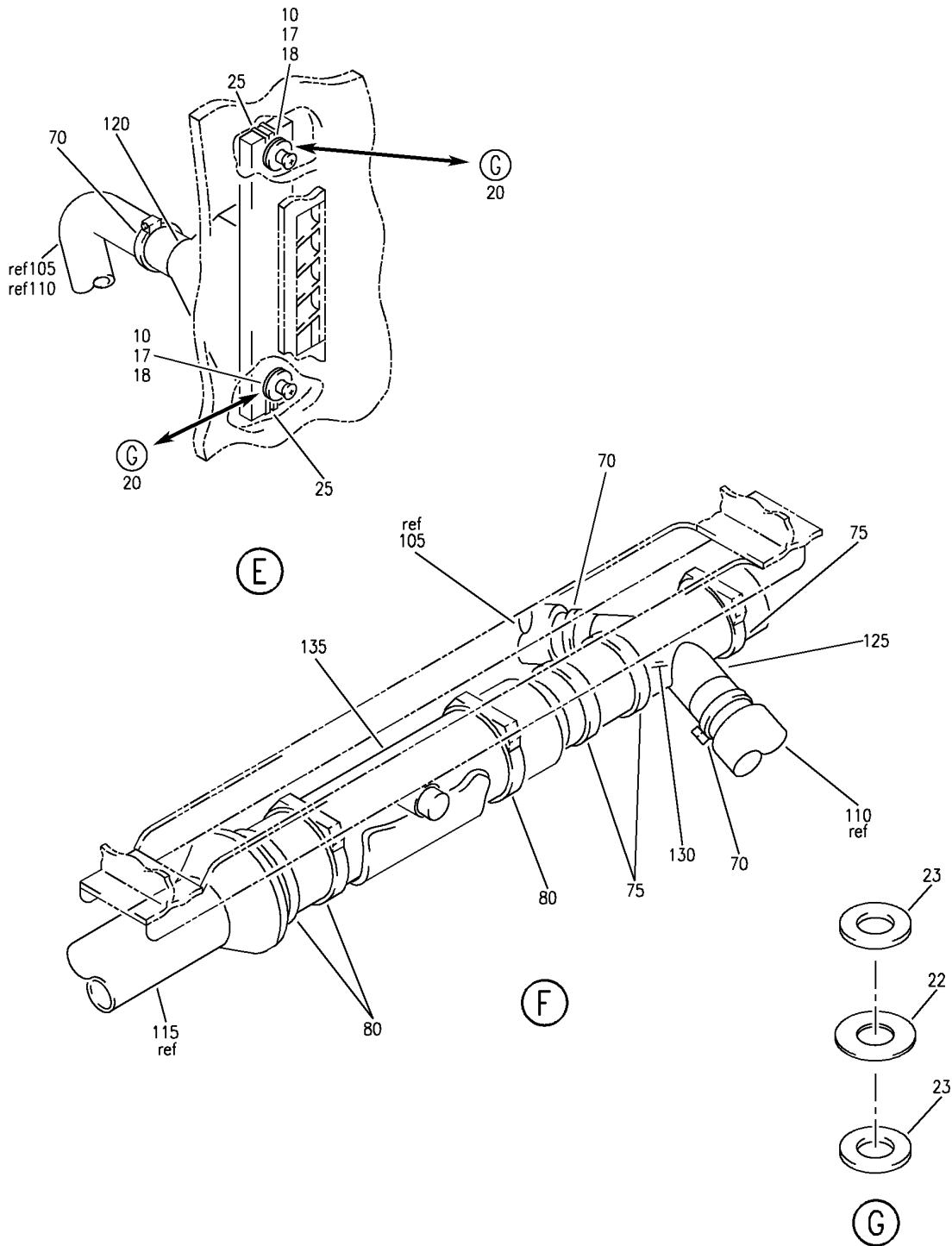
HEATER SYSTEM INSTL-DOOR 3 AREA, 650W HEATER
FIGURE 6 (SHEET 2)

21-45-52-06

BRI
JAN 20/09

21-45-52-06
PAGE 0A

BOEING
757
PARTS CATALOG (MAINTENANCE)



Y 21455206 SHT 3 REV 286

HEATER SYSTEM INSTL-DOOR 3 AREA, 650W HEATER
FIGURE 6 (SHEET 3)

21-45-52-06

BRI
JAN 20/09

21-45-52-06
PAGE 0B



757

PARTS CATALOG (MAINTENANCE)

| FIG ITEM | PART NUMBER | 1 2 3 4 5 6 7 | NOMENCLATURE | EFFECT FROM TO | UNITS PER ASSY |
|----------|---------------|---------------|--|----------------|----------------|
| 6 | | | HEATER SYSTEM INSTL-DOOR 3 AREA, 650W HEATER | 108120 | |
| - 1 | 214N2044-62 | | HEATER SYSTEM INSTL-DOOR 3 AREA, 650W HEATER FOR NHA/OTHER SYS DET SEE: 21-00-00-12 | 108120 | RF |
| 5 | BACS12GP3L10 | | .SCREW | 108120 | 6 |
| 10 | BACS12ER3K13 | | .SCREW | 108120 | 4 |
| 15 | BACS12ER3K6 | | .SCREW | 108120 | 6 |
| 17 | NAS1149D0332J | | .WASHER | 108120 | 4 |
| 18 | BACW10DZ3 | | .WASHER- OPTIONAL PART: 411N4026-12 | 108120 | 10 |
| 20 | 411N4026-12 | | .WASHER ASSY- OPTIONAL PART: BACW10DZ3 | 108120 | 10 |
| 22 | 411N4026-13 | | ..WASHER- USED ON: 411N4026-12 | 108120 | 1 |
| 23 | 411N4026-7 | | ..TAPE- USED ON: 411N4026-12 | 108120 | 2 |
| 25 | BRC600-10G3 | | .NUT-CLIP-ON SUPPLIER CODE: V52828 SPECIFICATION NUMBER: BACN10YD3 OPTIONAL PART: 130122 V60119 | 108120 | 4 |
| 30 | TM2S8 | | .PLATE SUPPLIER CODE: V06383 SPECIFICATION NUMBER: STBP19M9 | 108120 | 12 |
| 35 | 2310025 | | .CLIP- SUPPLIER CODE: V60119 | 108120 | 2 |
| 40 | PLT4SM | | .STRAP SUPPLIER CODE: V06383 SPECIFICATION NUMBER: BACS38K2 OPTIONAL PART: T05L0 V53421 | 108120 | 14 |
| 45 | 214N5054-14 | | .SUPPORT ASSY | 108120 | 4 |
| 50 | 214N5054-11 | | .SUPPORT ASSY | 108120 | 2 |

MISSING ITEM NUMBERS NOT APPLICABLE

- ITEM NOT ILLUSTRATED

21-45-52-06

21-45-52
FIG. 06
PAGE 1
JAN 20/09

BRI



757

PARTS CATALOG (MAINTENANCE)

| FIG ITEM | PART NUMBER | 1 2 3 4 5 6 7 | NOMENCLATURE | EFFECT FROM TO | UNITS PER ASSY |
|----------|-----------------|---------------|---|----------------|----------------|
| 6 | | | | | |
| 55 | 411N4026-2 | .. | CAP ASSY- OPTIONAL PART: 411N4026-10 | 108120 | 1 |
| 55 | 411N4026-10 | .. | CAP ASSY- OPTIONAL PART: 411N4026-2 | 108120 | 1 |
| 57 | 411N4026-5 | ... | CAP- USED ON: 411N4026-2 | 108120 | 1 |
| 57 | 411N4026-11 | ... | CAP- USED ON: 411N4026-10 | 108120 | 1 |
| 58 | 411N4026-7 | ... | TAPE | 108120 | 1 |
| 60 | 2055155-5C | .. | CLIP- SUPPLIER CODE: V04169 USED ON: 214N5054-14 | 108120 | 1 |
| 65 | 2055155-5B | .. | CLIP- SUPPLIER CODE: V04169 USED ON: 214N5054-11 | 108120 | 1 |
| 70 | NAS1922-0150-3 | . | CLAMP | 108120 | 12 |
| 75 | NAS1922-0200-3 | . | CLAMP | 108120 | 3 |
| 80 | NAS1922-0275-3 | . | CLAMP | 108120 | 3 |
| 85 | 214N2029-1 | . | CONNECTOR-FLEX HOSE | 108120 | 4 |
| 90 | AS1591-06-0900A | . | DUCT | 108120 | 1 |
| 95 | AS1544-061A900 | . | DUCT | 108120 | 1 |
| 100 | AS1591-06-0620A | . | DUCT | 108120 | 1 |
| 105 | BOE2022-06A0420 | . | HOSE SUPPLIER CODE: V16632 SPECIFICATION NUMBER: AS1544-06A0420 | 108120 | 1 |
| 110 | AS1544-06A0330 | . | DUCT | 108120 | 2 |
| 115 | 214N2041-2 | . | DUCT-TRANSITION | 108120 | 1 |
| 120 | 214N2037-1 | . | PLENUM | 108120 | 2 |
| 125 | 214N2103-2 | . | DUCT-TEE | 108120 | 1 |
| 130 | AS1506-08D23 | . | SLEEVE | 108120 | 1 |

MISSING ITEM NUMBERS NOT APPLICABLE

- ITEM NOT ILLUSTRATED

BRI

21-45-52-06

21-45-52
FIG. 06
PAGE 2
JAN 20/09



757

PARTS CATALOG (MAINTENANCE)

| FIG ITEM | PART NUMBER | 1 2 3 4 5 6 7 | NOMENCLATURE | EFFECT FROM TO | UNITS PER ASSY |
|----------|-------------|---------------|--|----------------|----------------|
| 6 135 | 116817-3 | | .HEATER- SUPPLIER CODE: V85932 SPECIFICATION NUMBER: S210W004-5 ELECTRICAL EQUIP NUMBER: M01106 QUALIFIED I/W DATA: SEE S.B. 757-21-0074 FOR SUPPLEMENTAL KITS FOR LINE #686 AND ON. OPTIONAL PART: 116817-5 V85932 | 108120 | 1 |
| 135 | 116817-5 | | .HEATER- SUPPLIER CODE: V85932 SPECIFICATION NUMBER: S210W004-5 ELECTRICAL EQUIP NUMBER: M01106 QUALIFIED I/W DATA: SEE S.B. 757-21-0074 FOR SUPPLEMENTAL KITS FOR LINE #686 AND ON. OPTIONAL PART: 116817-3 V85932 | 108120 | 1 |

MISSING ITEM NUMBERS NOT APPLICABLE

- ITEM NOT ILLUSTRATED

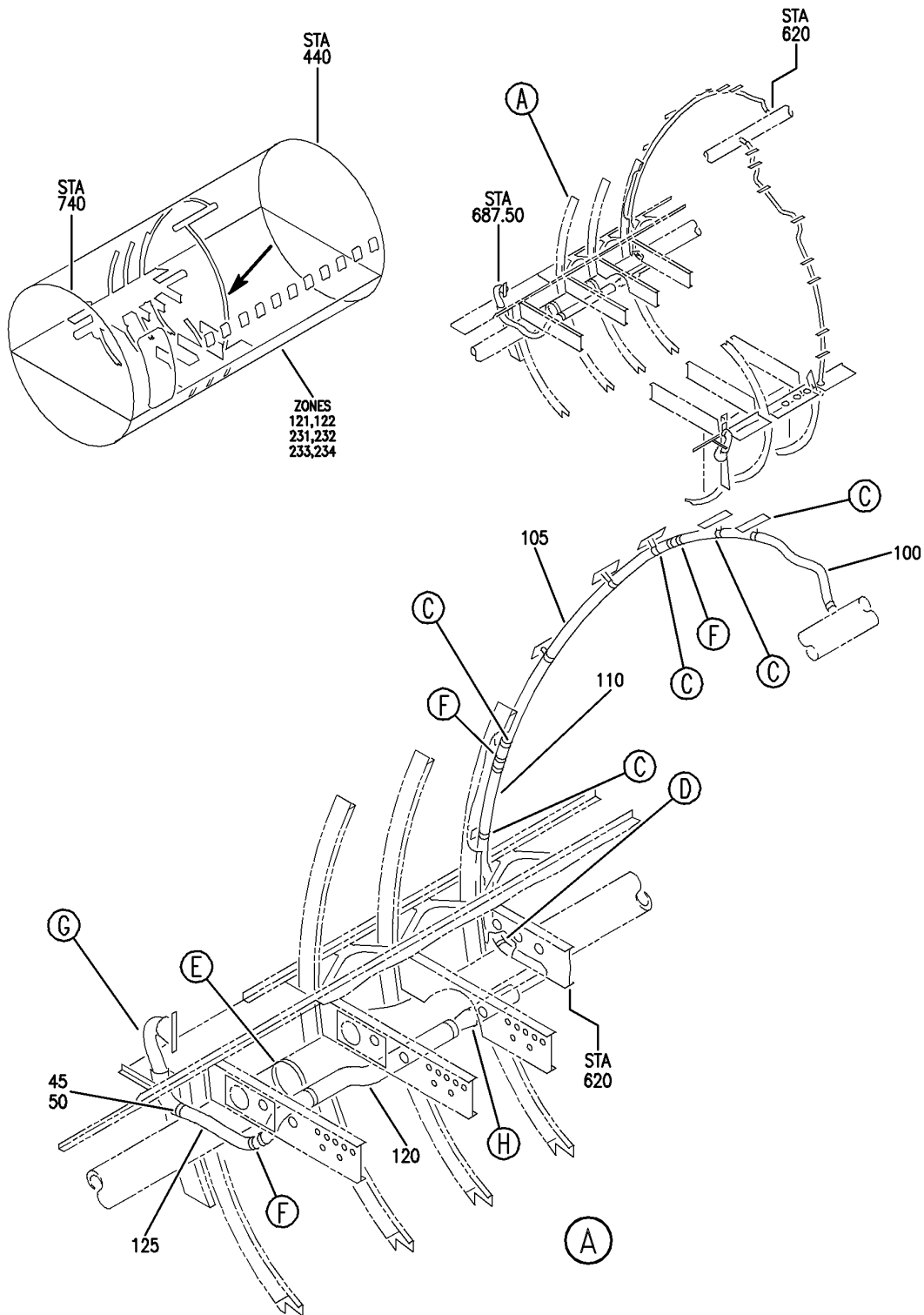
BRI

21-45-52-06

BOEING PROPRIETARY - Copyright © - Unpublished Work - See title page for details.

21-45-52
FIG. 06
PAGE 3
JAN 20/09

BOEING
757
PARTS CATALOG (MAINTENANCE)



Y 21455207 SHT 1 REV 225

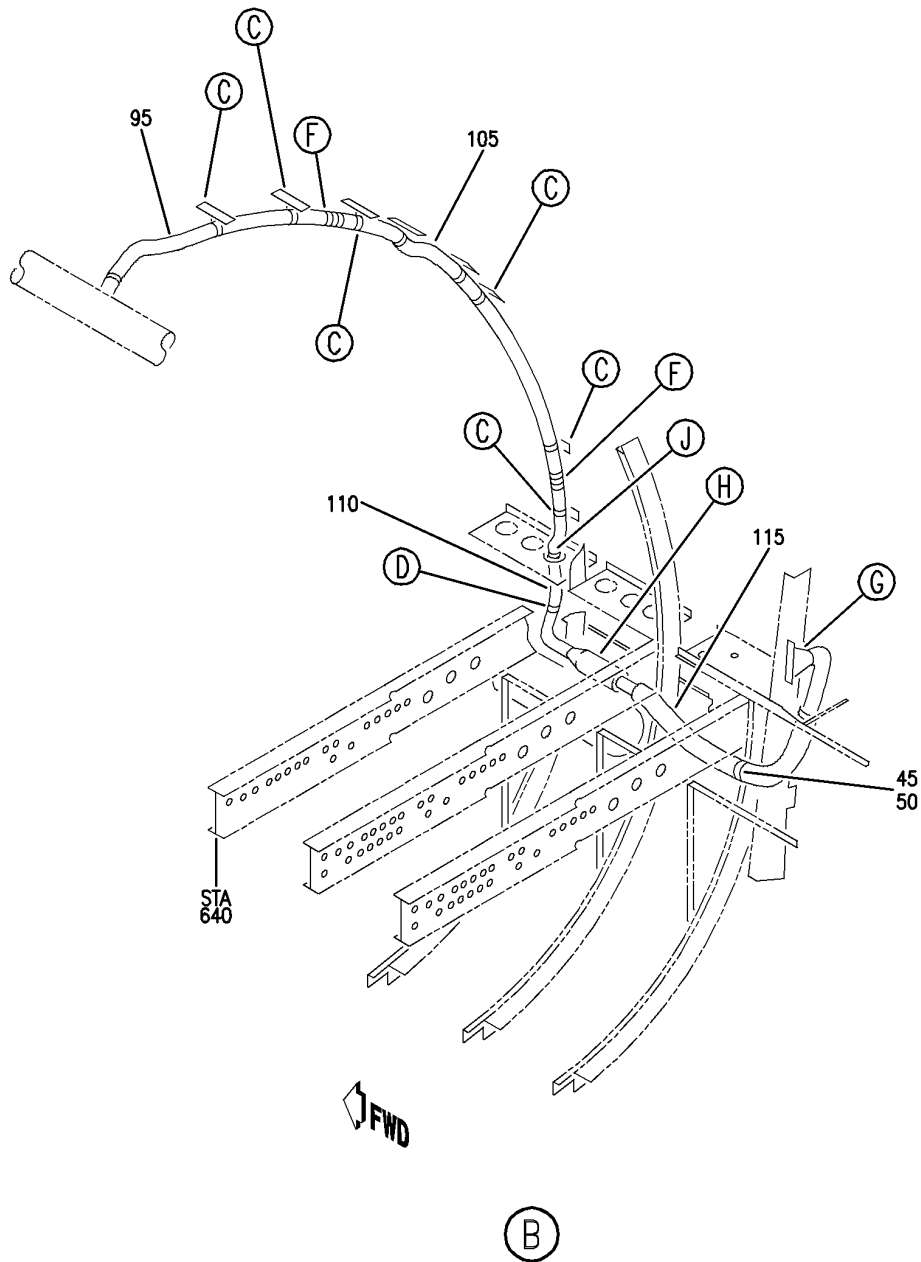
HEATER SYSTEM INSTL-DOOR 2 AREA, 2 325 WATT HEATERS
FIGURE 7 (SHEET 1)

21-45-52-07

BRI
JAN 20/09

21-45-52-07
PAGE 0

BOEING
757
PARTS CATALOG (MAINTENANCE)



Y 21455207 SHT 2 REV 225

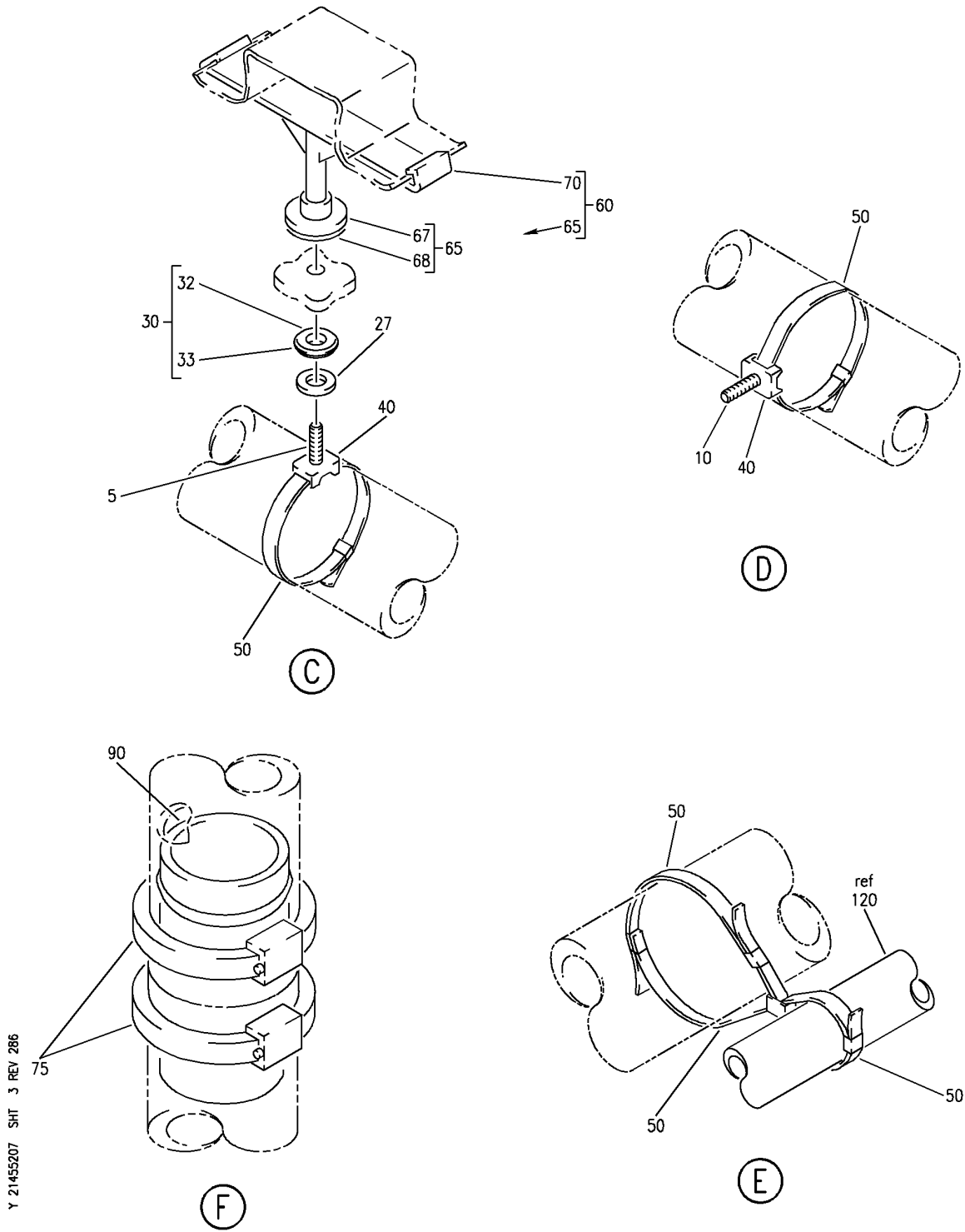
HEATER SYSTEM INSTL-DOOR 2 AREA, 2 325 WATT HEATERS
FIGURE 7 (SHEET 2)

21-45-52-07

BRI
JAN 20/09

21-45-52-07
PAGE 0A

BOEING
757
PARTS CATALOG (MAINTENANCE)



Y 21455207 SHT 3 REV 286

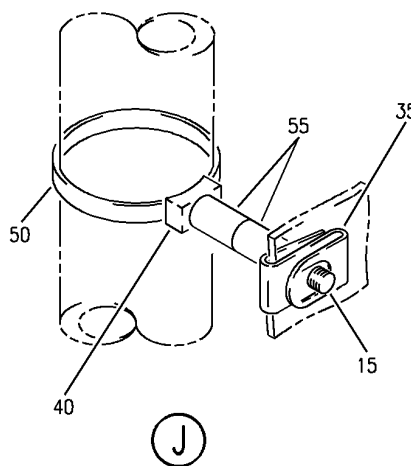
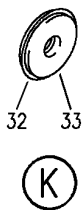
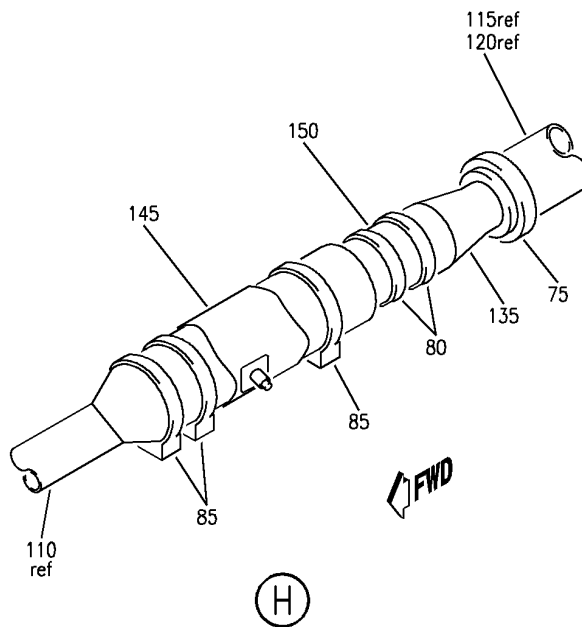
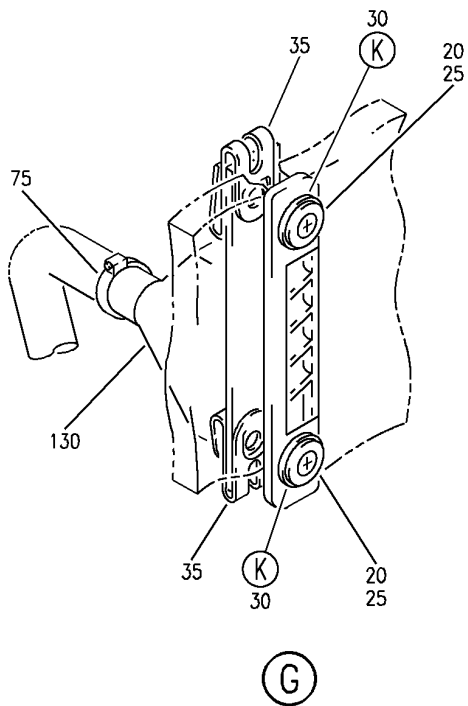
HEATER SYSTEM INSTL-DOOR 2 AREA, 2 325 WATT HEATERS
FIGURE 7 (SHEET 3)

21-45-52-07

BRI
JAN 20/09

21-45-52-07
PAGE 0B

BOEING
757
PARTS CATALOG (MAINTENANCE)



Y 21455207 SH1 4 REV 286

HEATER SYSTEM INSTL-DOOR 2 AREA, 2 325 WATT HEATERS
FIGURE 7 (SHEET 4)

21-45-52-07

BRI
JAN 20/09

21-45-52-07
PAGE 0C

BOEING PROPRIETARY - Copyright © - Unpublished Work - See title page for details.



757

PARTS CATALOG (MAINTENANCE)

| FIG ITEM | PART NUMBER | 1 2 3 4 5 6 7 | NOMENCLATURE | EFFECT FROM TO | UNITS PER ASSY |
|----------|-----------------|---------------|--|----------------|----------------|
| 7 | | | HEATER SYSTEM INSTL-DOOR 2 AREA, 2 325 WATT HEATERS | 108120 | |
| - 1 | 214N2044-63 | | HEATER SYSTEM INSTL-DOOR 2 AREA, 2 325 WATT HEATERS FOR NHA/OTHER SYS DET SEE: 21-00-00-15 | 108120 | RF |
| 5 | BACS12GP3L10 | .SCREW | | 108120 | 15 |
| 10 | BACS12ER3K12 | .SCREW | | 108120 | 2 |
| 15 | NAS514P1032-28P | .SCREW | | 108120 | 1 |
| 20 | BACS12ER3K13 | .SCREW | | 108120 | 4 |
| 25 | NAS1149D0332J | .WASHER | | 108120 | 4 |
| 27 | BACW10DZ3 | .WASHER- | | 108120 | 19 |
| | | | OPTIONAL PART: 411N4026-12 | | |
| 30 | 411N4026-12 | .WASHER ASSY- | | 108120 | 19 |
| | | | OPTIONAL PART: BACW10DZ3 | | |
| 32 | 411N4026-13 | ..WASHER | | 108120 | 1 |
| 33 | 411N4026-7 | ..TAPE | | 108120 | 2 |
| 35 | BRC600-10G3 | .NUT-CLIP-ON | | 108120 | 5 |
| | | | SUPPLIER CODE: V52828 SPECIFICATION NUMBER: BACN10YD3 OPTIONAL PART: 130122 V60119 | | |
| 40 | TM2S8 | .PLATE | | 108120 | 18 |
| | | | SUPPLIER CODE: V06383 SPECIFICATION NUMBER: STBP19M9 | | |
| 45 | 2310025 | .CLIP- | | 108120 | 2 |
| | | | SUPPLIER CODE: V60119 | | |
| 50 | PLT4SM | .STRAP | | 108120 | 23 |
| | | | SUPPLIER CODE: V06383 SPECIFICATION NUMBER: BACS38K2 OPTIONAL PART: T05L0 V53421 | | |
| 55 | NAS43DD3-40FC | .SPACER | | 108120 | 2 |
| 60 | 214N5054-11 | .SUPPORT ASSY | | 108120 | 15 |

MISSING ITEM NUMBERS NOT APPLICABLE

- ITEM NOT ILLUSTRATED

21-45-52-07

21-45-52
FIG. 07
PAGE 1
JAN 20/09

BRI



757

PARTS CATALOG (MAINTENANCE)

| FIG ITEM | PART NUMBER | 1 2 3 4 5 6 7 | NOMENCLATURE | EFFECT FROM TO | UNITS PER ASSY |
|----------|-----------------|---------------|---|----------------|----------------|
| 7 | | | | | |
| 65 | 411N4026-2 | .. | CAP ASSY- OPTIONAL PART: 411N4026-10 | 108120 | 1 |
| 65 | 411N4026-10 | .. | CAP ASSY- OPTIONAL PART: 411N4026-2 | 108120 | 1 |
| 67 | 411N4026-5 | ... | CAP- USED ON: 411N4026-2 | 108120 | 1 |
| 67 | 411N4026-11 | ... | CAP- USED ON: 411N4026-10 | 108120 | 1 |
| 68 | 411N4026-7 | ... | TAPE | 108120 | 1 |
| 70 | 2055155-5B | .. | CLIP- SUPPLIER CODE: V04169 | 108120 | 1 |
| 75 | NAS1922-0150-3 | . | CLAMP | 108120 | 13 |
| 80 | NAS1922-0200-3 | . | CLAMP | 108120 | 4 |
| 85 | NAS1922-0275-3 | . | CLAMP | 108120 | 6 |
| 90 | 214N2029-1 | . | CONNECTOR-FLEX HOSE | 108120 | 5 |
| 95 | AS1591-06-0280A | . | HOSE | 108120 | 1 |
| 100 | AS1591-06-0360A | . | DUCT | 108120 | 1 |
| 105 | AS1591-06-0810A | . | DUCT | 108120 | 2 |
| 110 | 214N2041-2 | . | DUCT-TRANSITION | 108120 | 2 |
| 115 | AS1544-06A0530 | . | DUCT | 108120 | 1 |
| 120 | AS1544-06A0390 | . | DUCT | 108120 | 1 |
| 125 | AS1544-06A0360 | . | DUCT | 108120 | 1 |
| 130 | 214N2037-1 | . | PLENUM | 108120 | 2 |
| 135 | 69B43325-8 | . | CONNECTOR | 108120 | 2 |
| 140 | AS1506-08D23 | . | SLEEVE | 108120 | 2 |
| 145 | 116817-3 | . | HEATER- SUPPLIER CODE: V85932 SPECIFICATION NUMBER: S210W004-5 ELECTRICAL EQUIP NUMBER: M11077 M11078 QUALIFIED I/W DATA: SEE S.B. 757-21-0074 FOR SUPPLEMENTAL KITS FOR LINE #686 AND ON. OPTIONAL PART: 116817-5 V85932 | 108120 | 2 |

MISSING ITEM NUMBERS NOT APPLICABLE

- ITEM NOT ILLUSTRATED

21-45-52-07

21-45-52
FIG. 07
PAGE 2
JAN 20/09

BRI



757

PARTS CATALOG (MAINTENANCE)

| FIG ITEM | PART NUMBER | 1 2 3 4 5 6 7 | NOMENCLATURE | EFFECT FROM TO | UNITS PER ASSY |
|-------------|-------------|---------------|--|-------------------|----------------------|
| 7 145 | 116817-5 | | .HEATER- SUPPLIER CODE: V85932 SPECIFICATION NUMBER: S210W004-5 ELECTRICAL EQUIP NUMBER: M11077 M11078 QUALIFIED I/W DATA: SEE S.B. 757-21-0074 FOR SUPPLEMENTAL KITS FOR LINE #686 AND ON. OPTIONAL PART: 116817-3 V85932 | 108120 | 2 |

MISSING ITEM NUMBERS NOT APPLICABLE

- ITEM NOT ILLUSTRATED

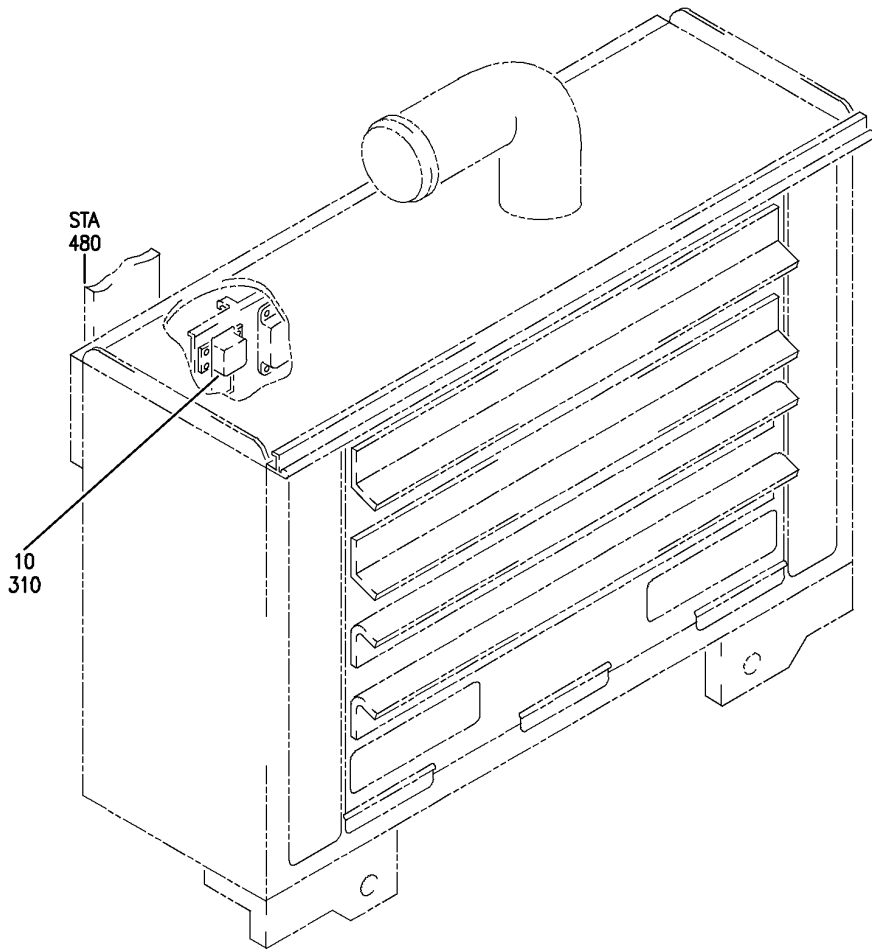
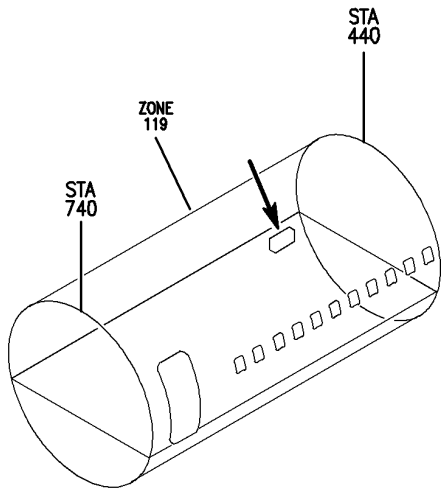
BRI

21-45-52-07

BOEING PROPRIETARY - Copyright © - Unpublished Work - See title page for details.

21-45-52
FIG. 07
PAGE 3
JAN 20/09

BOEING
757
PARTS CATALOG (MAINTENANCE)



Y 21456101 REV 225

PANEL INSTL-P70 MISC RELAY (SUPPLEMENTAL HEATING SYSTEM ONLY)
FIGURE 1

21-45-61-01

BRI
JAN 20/09

21-45-61-01
PAGE 0



757

PARTS CATALOG (MAINTENANCE)

| FIG ITEM | PART NUMBER | 1 2 3 4 5 6 7 | NOMENCLATURE | EFFECT FROM TO | UNITS PER ASSY |
|----------|--------------|---------------|--|------------------|----------------|
| 1 | | | PANEL INSTL-P70 MISC RELAY (SUPPLEMENTAL HEATING SYSTEM ONLY) | 103106 108120 | |
| - 2 | 284N1129-423 | | PANEL INSTL-P70 MISC RELAY (SUPPLEMENTAL HEATING SYSTEM ONLY) | 108120 | RF |
| - 5 | MODREF31428 | | FOR NHA/OTHER SYS DET SEE: 24-00-58-05C | | |
| - 5 | MODREF31428 | | PANEL INSTL-P70 MISC RELAY (SUPPLEMENTAL HEATING SYSTEM ONLY) | 103105 | RF |
| | | | MODULE NUMBER: 284N1129-438 REV A | | |
| | | | FOR OTHER SYS DETAILS SEE: 11-36-10-01B 21-25-71-03C 21-43-71-02B 21-44-71-03B 23-32-55-03B 24-51-02-07 24-51-04-01 24-51-60-04 24-53-71-04B 27-51-71-04B 28-25-71-04B 31-01-70-05 33-45-51-02B | | |
| - 5 | MODREF170991 | | PANEL INSTL-P70 MISC RELAY (SUPPLEMENTAL HEATING SYSTEM ONLY) | 106106 | RF |
| | | | MODULE NUMBER: 284N1129-438 REV C | | |
| | | | FOR OTHER SYS DETAILS SEE: 11-36-10-01B 21-25-71-03C 21-43-71-02B 21-44-71-03B 23-32-55-03B 24-51-02-07 24-51-04-01 24-51-60-04 24-53-71-04B 27-51-71-04B 28-25-71-04B 31-01-70-05 33-45-51-02B | | |

MISSING ITEM NUMBERS NOT APPLICABLE

- ITEM NOT ILLUSTRATED

BRI

21-45-61-01

BOEING PROPRIETARY - Copyright © - Unpublished Work - See title page for details.

21-45-61
FIG. 01
PAGE 1
JAN 20/09



757

PARTS CATALOG (MAINTENANCE)

| FIG ITEM | PART NUMBER | 1 2 3 4 5 6 7 | NOMENCLATURE | EFFECT FROM TO | UNITS PER ASSY |
|----------|--------------|---------------|---|------------------|----------------|
| 1 10 | ES410-1538 | | .RELAY- SUPPLIER CODE: V99699 SPECIFICATION NUMBER: BACR13CG2AB OPTIONAL PART: KD4L018 V35344 BR230DS0115 V56623 KD4L036 V58657 FCA410-63 V78290 ELECTRICAL EQUIP NUMBER: K10734 | 103106 108120 | 1 |
| - 300 | 286N1250-335 | | WIRE BUNDLE ASSY- | 108120 | RF |
| - 302 | 286N1250-751 | | WIRE BUNDLE ASSY- | 103106 | RF |
| 310 | RSF116400 | | .SOCKET- SUPPLIER CODE: V58982 SPECIFICATION NUMBER: BACS16W1A OPTIONAL PART: 102-009-1 V09922 000300-1539 V05574 ELECTRICAL EQUIP NUMBER: D08260 WIRING DIAGRAM REF: 214531 | 103106 108120 | 1 |

MISSING ITEM NUMBERS NOT APPLICABLE

- ITEM NOT ILLUSTRATED

BRI

21-45-61-01

BOEING PROPRIETARY - Copyright © - Unpublished Work - See title page for details.

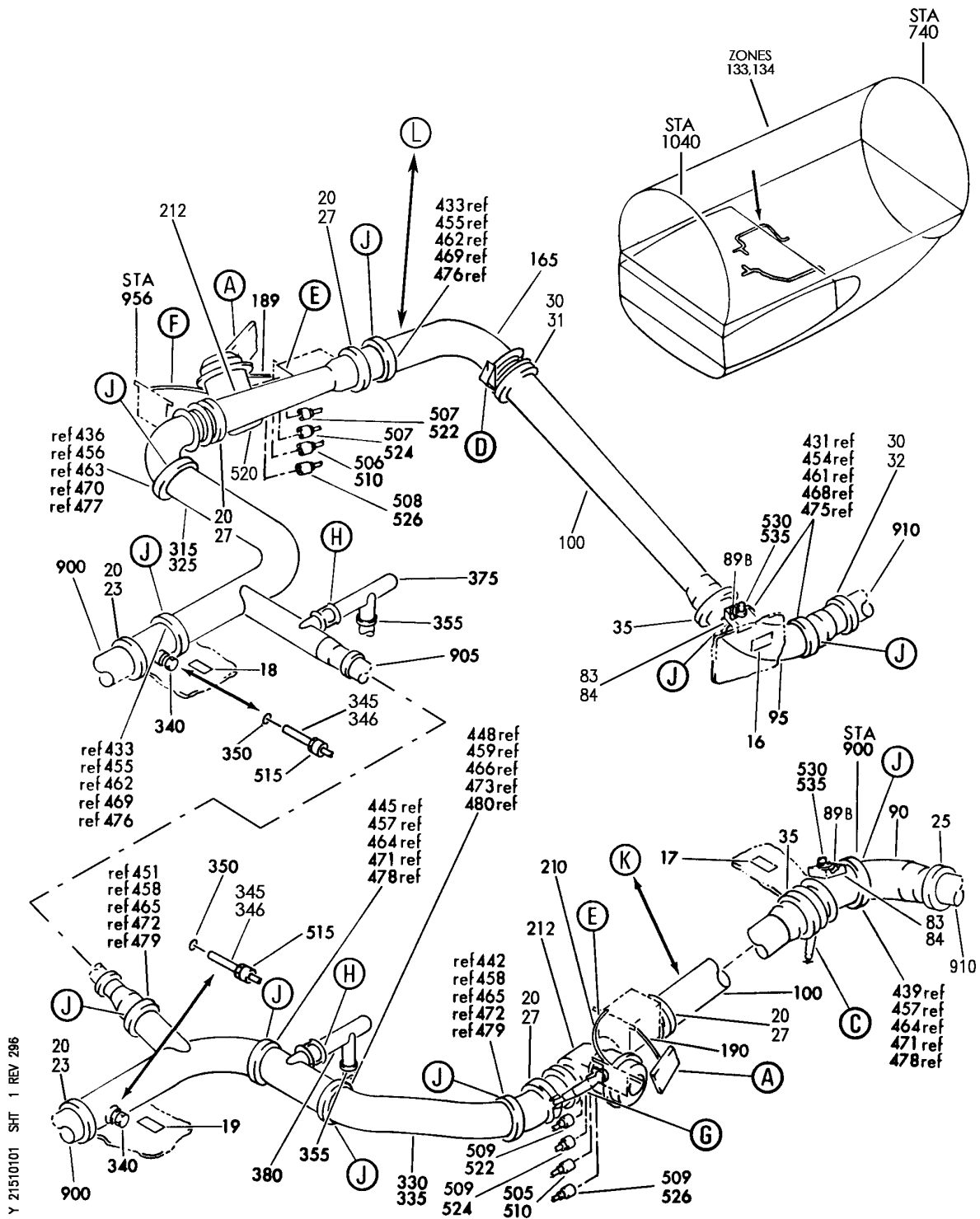
21-45-61
FIG. 01
PAGE 2
JAN 20/09

AIR COOLING PACK SYSTEM

BRI
MAY 28/07

21-51-00
SECTION TITLE
PAGE 1


BOEING
 757
PARTS CATALOG (MAINTENANCE)



Y 21510101 SHT 1 REV 296

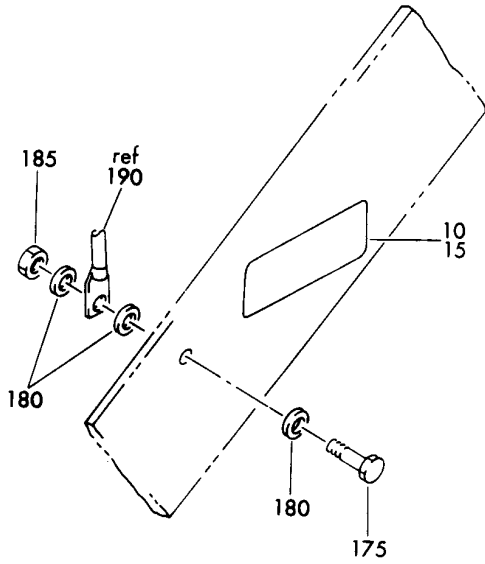
DUCT AND CLAMP INSTL-AIR CONDITION PACK AIR SUPPLY
 FIGURE 1 (SHEET 1)

21-51-01-01

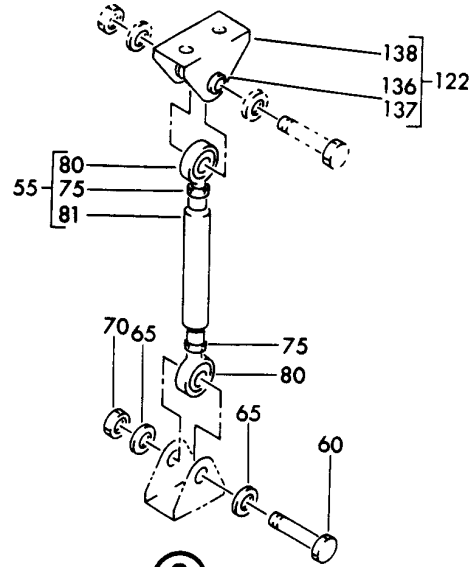
BRI
MAY 28/07

21-51-01-01
 PAGE 0

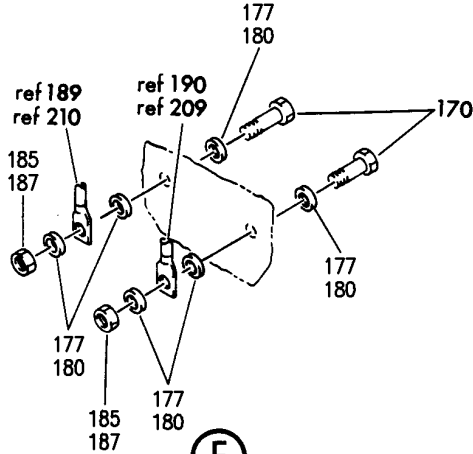
BOEING
757
PARTS CATALOG (MAINTENANCE)



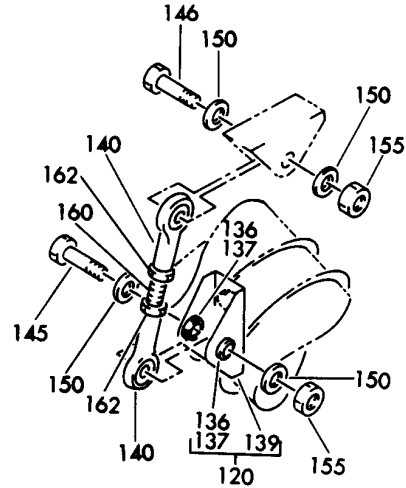
(A)



(C)



(E)



(D)

Y 21510101 SHT 2 REV 233

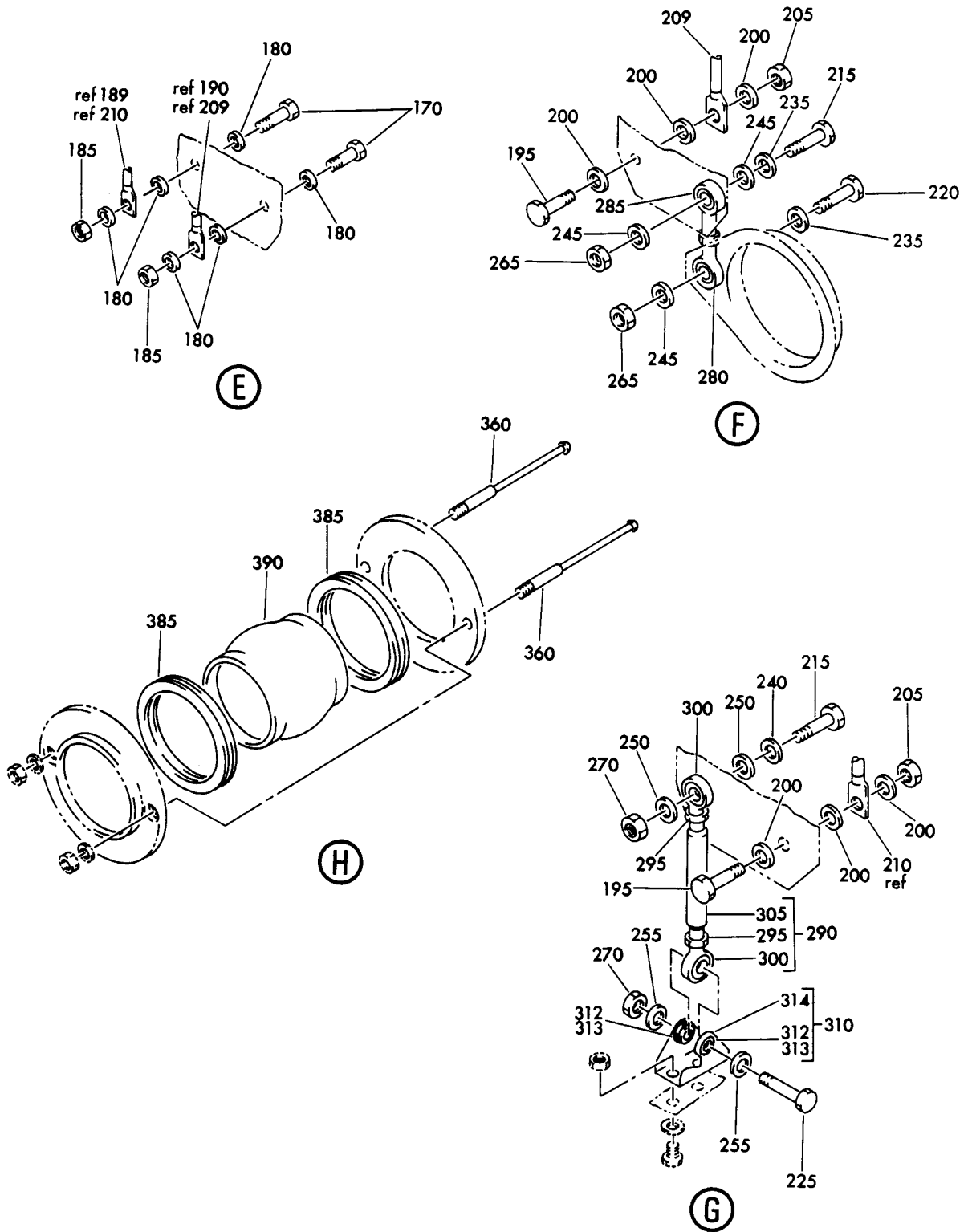
DUCT AND CLAMP INSTL-AIR CONDITION PACK AIR SUPPLY
FIGURE 1 (SHEET 2)

21-51-01-01

BRI
MAY 28/07

21-51-01-01
PAGE 0A

BOEING
757
PARTS CATALOG (MAINTENANCE)



Y 21510101 SHT 3 REV 032

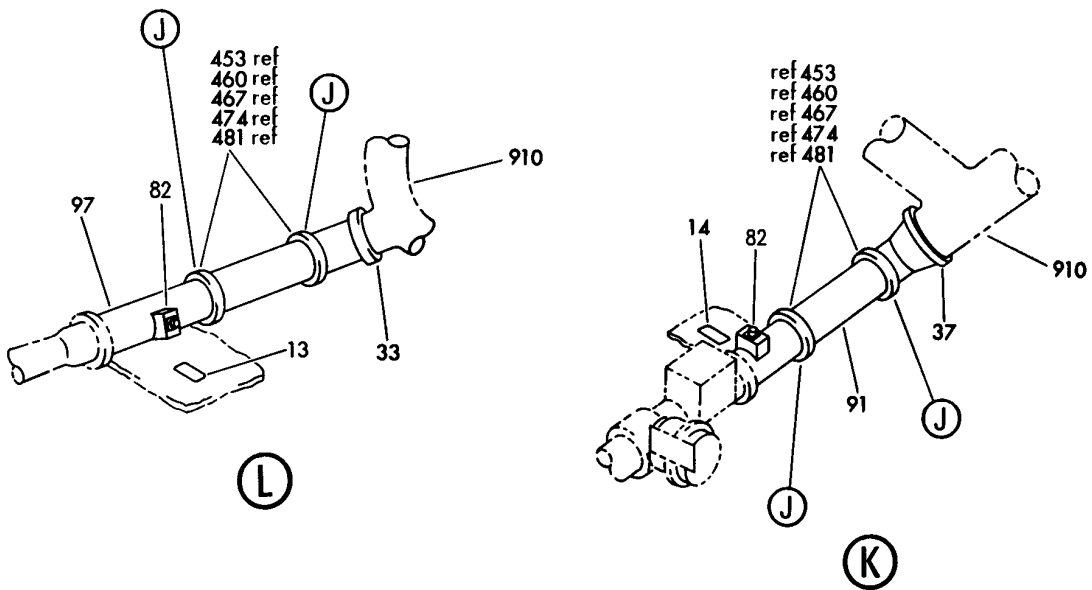
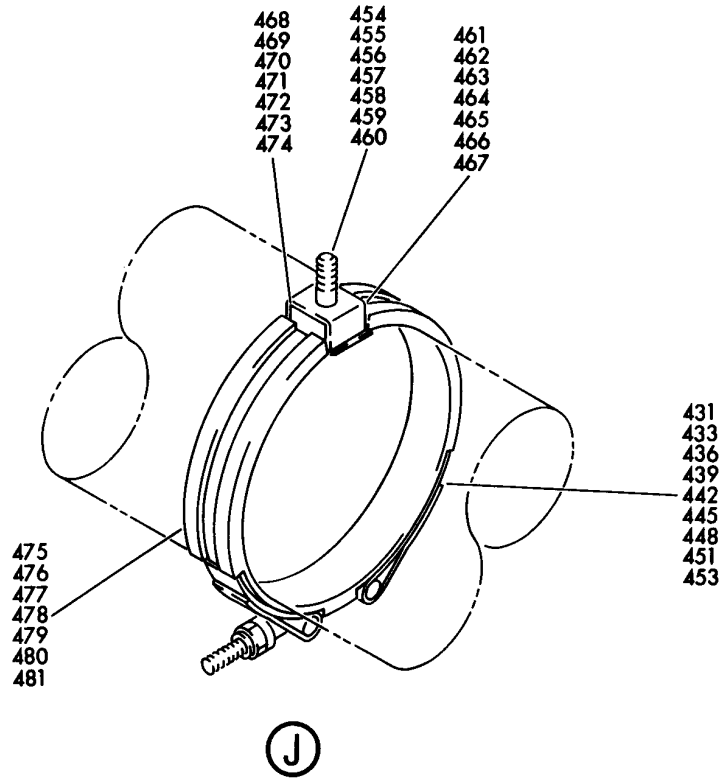
DUCT AND CLAMP INSTL-AIR CONDITION PACK AIR SUPPLY
FIGURE 1 (SHEET 3)

21-51-01-01

BRI
MAY 28/07

21-51-01-01
PAGE 0B

BOEING
757
PARTS CATALOG (MAINTENANCE)



Y 21510101 SHT 4 REV 238

DUCT AND CLAMP INSTL-AIR CONDITION PACK AIR SUPPLY
FIGURE 1 (SHEET 4)

21-51-01-01

BRI
MAY 28/07

21-51-01-01
PAGE 0C



757

PARTS CATALOG (MAINTENANCE)

| FIG ITEM | PART NUMBER | 1 2 3 4 5 6 7 | NOMENCLATURE | EFFECT FROM TO | UNITS PER ASSY |
|----------|--------------|---------------|--|--|----------------|
| 1 | | | DUCT AND CLAMP INSTL-AIR CONDITION PACK AIR SUPPLY | 002004 006100 107107 121503 904999 | |
| - 1 | 213N1003-27 | | DUCT INSTL-AIR CONDITION PACK AIR SUPPLY POSITION DATA: L SIDE VARIABLE DRAWING REF: 213N1003-31 FOR NHA SEE: 21-00-00-01 | 002004 006007 107107 121503 904949 952952 | RF |
| - 5 | 213N1003-28 | | DUCT INSTL-AIR CONDITION PACK AIR SUPPLY POSITION DATA: R SIDE VARIABLE DRAWING REF: 213N1003-32 FOR NHA SEE: 21-00-00-01 | 002004 006007 107107 121503 904949 952952 | RF |
| 10 | BAC27NEC0046 | | .MARKER-ALUMINUM FOIL POSITION DATA: LH SIDE PLACARD CONTENT: LEFT PACK FLOW CONTROL VALVE V16 | 002004 006007 107107 121503 904949 952952 | 1 |
| 13 | BAC27NEC0102 | | .MARKER-ALUMINUM FOIL POSITION DATA: LH SIDE PLACARD CONTENT: LEFT PACK AIR FLOW SENSOR TS 285 | 002004 006007 107107 121503 904949 952952 | 1 |
| 14 | BAC27NEC0103 | | .MARKER-ALUMINUM FOIL POSITION DATA: RH SIDE PLACARD CONTENT: RIGHT PACK AIR FLOW SENSOR TS 286 | 002004 006007 107107 121503 904949 952952 | 1 |
| 15 | BAC27NEC0047 | | .MARKER-ALUMINUM FOIL POSITION DATA: RH SIDE PLACARD CONTENT: RIGHT PACK FLOW CONTROL VALVE V17 | 002004 006007 107107 121503 904949 952952 | 1 |

MISSING ITEM NUMBERS NOT APPLICABLE

- ITEM NOT ILLUSTRATED

BRI

21-51-01-01

21-51-01
FIG. 01
PAGE 1
JAN 20/09



757

PARTS CATALOG (MAINTENANCE)

| FIG ITEM | PART NUMBER | 1 2 3 4 5 6 7 | NOMENCLATURE | EFFECT FROM TO | UNITS PER ASSY |
|----------|-----------------|---------------|---|--|----------------|
| 1 | 18 BAC27NEC0026 | | .MARKER-ALUMINUM FOIL- POSITION DATA: LH SIDE PLACARD CONTENT: LEFT PACK PRIMARY HEAT EXCHANGER INLET TEMP BULB TS5085-D3120 | 952952 | 1 |
| | 19 BAC27NEC0027 | | .MARKER-ALUMINUM FOIL- POSITION DATA: RH SIDE PLACARD CONTENT: RIGHT PACK PRIMARY HEAT EXCHANGER INLET TEMP BULB TS5086-D3086 | 952952 | 1 |
| | 20 14J29400 | | .CLAMP- SUPPLIER CODE: V5T400 SPECIFICATION NUMBER: BACC10GY400 OPTIONAL PART: 4385AF400 V94581 PDVC1137400 V14242 NM102701400 V8W928 | 002004 006007 107107 121503 904949 952952 | 3 |
| | 33 14J29400 | | .CLAMP- SUPPLIER CODE: V5T400 SPECIFICATION NUMBER: BACC10GY400 OPTIONAL PART: 4385AF400 V94581 PDVC1137400 V14242 NM102701400 V8W928 POSITION DATA: LH SIDE | 002004 006007 107107 121503 904949 952952 | 1 |

MISSING ITEM NUMBERS NOT APPLICABLE

- ITEM NOT ILLUSTRATED

BRI

21-51-01-01

BOEING PROPRIETARY - Copyright © - Unpublished Work - See title page for details.

21-51-01
FIG. 01
PAGE 2
JAN 20/09



757

PARTS CATALOG (MAINTENANCE)

| FIG ITEM | PART NUMBER | 1 2 3 4 5 6 7 | NOMENCLATURE | EFFECT FROM TO | UNITS PER ASSY |
|----------|--------------|---------------|---|--|----------------|
| 1 | 37 14J29500 | | .CLAMP- SUPPLIER CODE: V5T400 SPECIFICATION NUMBER: BACC10GY500 OPTIONAL PART: 4385AF500 V94581 PDVC1137500 V14242 NM102701500 V8W928 POSITION DATA: RH SIDE | 002004 006007 107107 121503 904949 952952 | 1 |
| | 82 11198-3 | | .SENSOR ASSY-FLOW SUPPLIER CODE: V07148 ELECTRICAL EQUIP NUMBER: TS0285 TS0286 | 002004 006007 107107 121503 904949 952952 | 1 |
| | 82 11198-4 | | .SENSOR-FLOW SUPPLIER CODE: V07148 ELECTRICAL EQUIP NUMBER: TS0285 TS0286 | 002004 006007 107107 121503 904949 952952 | 1 |
| - | 85 NAS603-7P | | ATTACHING PARTS .SCREW | 002004 006007 107107 121503 904949 952952 | 3 |
| - | 86 AN960C10L | | .WASHER | 002004 006007 107107 121503 904949 952952 | 3 |

MISSING ITEM NUMBERS NOT APPLICABLE

- ITEM NOT ILLUSTRATED

BRI

21-51-01-01

BOEING PROPRIETARY - Copyright © - Unpublished Work - See title page for details.

21-51-01
FIG. 01
PAGE 3
JAN 20/09



757

PARTS CATALOG (MAINTENANCE)

| FIG ITEM | PART NUMBER | 1 2 3 4 5 6 7 | NOMENCLATURE | EFFECT FROM TO | UNITS PER ASSY |
|-----------|-------------|---------------|--|--|----------------|
| 1 - 88 | BRH10A3 | | .NUT SUPPLIER CODE: V52828 SPECIFICATION NUMBER: BACN10JC3 OPTIONAL PART: H10-3BAC V15653 NS202101-02 V80539 RMLH9075-3W V72962 VN303A02 V92215 96-02 V80539 T6S1032J V11815 -----*----- | 002004 006007 107107 121503 904949 952952 | 3 |
| 89B | MS9068-014 | | ..PACKING- USED ON: 11198-3 | 002004 006007 107107 121503 904949 952952 | 1 |
| 91 | 213N1100-87 | | .DUCT ASSY- POSITION DATA: RH SIDE | 002004 006007 107107 121503 904949 952952 | 1 |
| 97 | 213N1100-85 | | .DUCT ASSY- POSITION DATA: LH SIDE | 002004 006007 107107 121503 904949 952952 | 1 |
| 122 | 213N1104-8 | | .BRACKET ASSY- POSITION DATA: RH SIDE | 002004 006007 107107 121503 904949 952952 | 1 |

MISSING ITEM NUMBERS NOT APPLICABLE

- ITEM NOT ILLUSTRATED

BRI

21-51-01-01

21-51-01
FIG. 01
PAGE 4
JAN 20/09



757

PARTS CATALOG (MAINTENANCE)

| FIG ITEM | PART NUMBER | 1 2 3 4 5 6 7 | NOMENCLATURE | EFFECT FROM TO | UNITS PER ASSY |
|----------|--------------|---------------|--|--|----------------|
| 1 | | | ATTACHING PARTS | | |
| - 125 | BACB30NM3K2 | | .BOLT | 002004 006007 107107 121503 904949 952952 | 2 |
| - 130 | AN960KD10 | | .WASHER | 002004 006007 107107 121503 904949 952952 | 2 |
| - 135 | BRH10A3 | | .NUT SUPPLIER CODE: V52828 SPECIFICATION NUMBER: BACN10JC3 OPTIONAL PART: H10-3BAC V15653 NS202101-02 V80539 RMLH9075-3W V72962 VN303A02 V92215 96-02 V80539 T6S1032J V11815 -----*----- | 002004 006007 107107 121503 904949 952952 | 2 |
| 136 | AN960PD616 | | ..WASHER | 002004 006007 107107 121503 904949 952952 | 2 |
| 137 | BACB28X4C012 | | ..BUSHING | 002004 006007 107107 121503 904949 952952 | 2 |

MISSING ITEM NUMBERS NOT APPLICABLE

- ITEM NOT ILLUSTRATED

BRI

21-51-01-01

BOEING PROPRIETARY - Copyright © - Unpublished Work - See title page for details.

21-51-01
FIG. 01
PAGE 5
JAN 20/09



757

PARTS CATALOG (MAINTENANCE)

| FIG ITEM | PART NUMBER | 1 2 3 4 5 6 7 | NOMENCLATURE | EFFECT FROM TO | UNITS PER ASSY |
|----------|-------------|---------------|---|--|----------------|
| 1 138 | 213N1104-7 | | . . BRACKET- POSITION DATA: RH SIDE | 002004 006007 107107 121503 904949 952952 | 1 |
| 170 | BACB30LM3-3 | | . BOLT | 002004 006007 107107 121503 904949 952952 | 2 |
| 175 | BACB30LM3-4 | | . BOLT | 002004 006007 107107 121503 904949 952952 | 1 |
| 180 | AN960D10L | | . WASHER | 002004 006007 107107 121503 904949 952952 | 9 |
| 185 | BRH10C3D | | . NUT SUPPLIER CODE: V52828 SPECIFICATION NUMBER: BACN10JC3CD OPTIONAL PART: T6C1032JCD V11815 NS202486-02 V80539 102LH9075-3W V72962 H51650-3BAC V15653 | 002004 006007 107107 121503 904949 952952 | 3 |
| 189 | BACJ40A20-9 | | . JUMPER ASSY- POSITION DATA: LH SIDE | 002004 006007 107107 121503 904949 952952 | 1 |

MISSING ITEM NUMBERS NOT APPLICABLE

- ITEM NOT ILLUSTRATED

BRI

21-51-01-01

21-51-01
FIG. 01
PAGE 6
JAN 20/09



757

PARTS CATALOG (MAINTENANCE)

| FIG ITEM | PART NUMBER | 1 2 3 4 5 6 7 | NOMENCLATURE | EFFECT FROM TO | UNITS PER ASSY |
|----------|--------------|---------------|--|--|----------------|
| 1 190 | 740A20-12 | | .JUMPER ASSY- SUPPLIER CODE: V91812 SPECIFICATION NUMBER: BACJ40A20-12 OPTIONAL PART: TJEJ40A20-12 V33483 RBEJ20-12 V1GK47 POSITION DATA: RH SIDE | 002004 006007 107107 121503 904949 952952 | 1 |
| 212 | 396480-1 | | .VALVE ASSY-FLOW CONT AND SHUTOFF SUPPLIER CODE: V59364 SPECIFICATION NUMBER: S210T130-608 ELECTRICAL EQUIP NUMBER: V00016 V00017 COMPONENT MAINT MANUAL REF: 21-51-19 QUALIFIED I/W DATA: PN 396480-1 CAN REPLACE AND BE REPLACED BY PN 396398-2 EXCEPT FOR ETOPS WHERE 396480-1 MUST BE INSTALLED FOR DETAILS SEE: 21-51-01-51 | 002004 006007 107107 121503 904949 952952 | 1 |
| 215 | BACB30NM4K13 | | .BOLT | 002004 006007 107107 121503 904949 952952 | 1 |
| 220 | BACB30NM4K10 | | .BOLT- POSITION DATA: LH SIDE | 002004 006007 107107 121503 904949 952952 | 1 |
| 225 | BACB30NM4K13 | | .BOLT- POSITION DATA: RH SIDE | 002004 006007 107107 121503 904949 952952 | 1 |

MISSING ITEM NUMBERS NOT APPLICABLE

- ITEM NOT ILLUSTRATED

BRI

21-51-01-01

21-51-01
FIG. 01
PAGE 7
JAN 20/09



757

PARTS CATALOG (MAINTENANCE)

| FIG ITEM | PART NUMBER | 1 2 3 4 5 6 7 | NOMENCLATURE | EFFECT FROM TO | UNITS PER ASSY |
|----------|-------------|---------------|--------------------------------------|--|----------------|
| 1 | | | | | |
| 235 | BACW10Q4 | . | WASHER- POSITION DATA: LH SIDE | 002004 006007 107107 121503 904949 952952 | 2 |
| 240 | BACW10Q4 | . | WASHER- POSITION DATA: RH SIDE | 002004 006007 107107 121503 904949 952952 | 1 |
| 245 | AN960KD416 | . | WASHER- POSITION DATA: LH SIDE | 002004 006007 107107 121503 904949 952952 | 3 |
| 250 | AN960KD416 | . | WASHER- POSITION DATA: RH SIDE | 002004 006007 107107 121503 904949 952952 | 2 |
| 255 | AN960KD416L | . | WASHER- POSITION DATA: RH SIDE | 002004 006007 107107 121503 904949 952952 | 2 |

MISSING ITEM NUMBERS NOT APPLICABLE

- ITEM NOT ILLUSTRATED

BRI

21-51-01-01

BOEING PROPRIETARY - Copyright © - Unpublished Work - See title page for details.

21-51-01
FIG. 01
PAGE 8
JAN 20/09

 **BOEING**
757
PARTS CATALOG (MAINTENANCE)

| FIG ITEM | PART NUMBER | 1 2 3 4 5 6 7 | NOMENCLATURE | EFFECT FROM TO | UNITS PER ASSY |
|-------------|-------------|---------------|---|--|----------------------|
| 1 265 | BRH10A4 | | .NUT- SUPPLIER CODE: V52828 SPECIFICATION NUMBER: BACN10JC4 OPTIONAL PART: T6S428J V11815 96-048 V80539 VN303A048 V92215 RMLH9075-4W V72962 NS202101-048 V80539 H10-4BAC V15653 POSITION DATA: LH SIDE | 002004 006007 107107 121503 904949 952952 | 2 |
| 270 | BRH10A4 | | .NUT- SUPPLIER CODE: V52828 SPECIFICATION NUMBER: BACN10JC4 OPTIONAL PART: T6S428J V11815 96-048 V80539 VN303A048 V92215 RMLH9075-4W V72962 NS202101-048 V80539 H10-4BAC V15653 POSITION DATA: RH SIDE | 002004 006007 107107 121503 904949 952952 | 2 |
| 280 | M81935-2-4 | | .BEARING- POSITION DATA: LH SIDE OPTIONAL PART: MS21243S04 | 002004 006007 107107 121503 904949 952952 | 1 |

MISSING ITEM NUMBERS NOT APPLICABLE

— ITEM NOT ILLUSTRATED

BRI

21-51-01-01

BOEING PROPRIETARY - Copyright © - Unpublished Work - See title page for details.

21-51-01
FIG. 01
PAGE 9
JAN 20/09



757

PARTS CATALOG (MAINTENANCE)

| FIG ITEM | PART NUMBER | 1 2 3 4 5 6 7 | NOMENCLATURE | EFFECT FROM TO | UNITS PER ASSY |
|----------|------------------|---------------|--|--|----------------|
| 1 | 280 MS21243S04 | | .BEARING- POSITION DATA: LH SIDE OPTIONAL PART: M81935-2-4 | 002004 006007 107107 121503 904949 952952 | 1 |
| | 285 M81935-1-4 | | .BEARING- POSITION DATA: LH SIDE | 002004 006007 107107 121503 904949 952952 | 1 |
| | 290 65B41247-149 | | .ROD ASSY- POSITION DATA: RH SIDE | 002004 006007 107107 121503 904949 952952 | 1 |
| | 295 AN316-5R | | ..NUT | 002004 006007 107107 121503 904949 952952 | 2 |
| | 300 ART4E118 | | ..BEARING-END SUPPLIER CODE: V50294 OPTIONAL PART: KNE4-22 V97613 MR45-14WA V73134 BACB10A187 BACB10A187L | 002004 006007 107107 121503 904949 952952 | 2 |

MISSING ITEM NUMBERS NOT APPLICABLE

- ITEM NOT ILLUSTRATED

BRI

21-51-01-01

BOEING PROPRIETARY - Copyright © - Unpublished Work - See title page for details.

21-51-01
FIG. 01
PAGE 10
JAN 20/09



757

PARTS CATALOG (MAINTENANCE)

| FIG ITEM | PART NUMBER | 1 2 3 4 5 6 7 | NOMENCLATURE | EFFECT FROM TO | UNITS PER ASSY |
|-------------|-------------|---------------|---|--|----------------------|
| 1 300 | AB4E27 | | .. BEARING- SUPPLIER CODE: V15860 SPECIFICATION NUMBER: BACB10A187 OPTIONAL PART: BRE4140 V81376 HB4E133 V02758 KB4ESS V97613 MXJ45-14B V73134 51564-04 V09455 AR4E4 VS0352 NB3B V73134 ASM4-6 V56644 ART4E118 V50294 BACB10A187L V81025 KNE4-22 V97613 MR45-14WA V73134 | 002004 006007 107107 121503 904949 952952 | 2 |

MISSING ITEM NUMBERS NOT APPLICABLE

- ITEM NOT ILLUSTRATED

BRI

21-51-01-01

BOEING PROPRIETARY - Copyright © - Unpublished Work - See title page for details.

21-51-01
FIG. 01
PAGE 11
JAN 20/09



757

PARTS CATALOG (MAINTENANCE)

| FIG ITEM | PART NUMBER | 1 2 3 4 5 6 7 | NOMENCLATURE | EFFECT FROM TO | UNITS PER ASSY |
|----------|-------------|---------------|--|--|----------------|
| 1 300 | AB4E27FN | | .. BEARING- SUPPLIER CODE: V15860 SPECIFICATION NUMBER: BACB10A187L OPTIONAL PART: BRE4140L V81376 HB4E135 V02758 KB4ESSFN V97613 MXJ45-14BFG V73134 51564-0402 V09455 AR4E4FN VS0352 ASM4F6 V56644 BACB10A187 KNE4-22 V97613 MR45-14WA V73134 ART4E118 V50294 | 002004 006007 107107 121503 904949 952952 | 2 |
| 300 | KNE4-22 | | .. BEARING-END SUPPLIER CODE: V97613 OPTIONAL PART: ART4E118 V50294 BACB10A187 BACB10A187L MR45-14WA V73134 | 002004 006007 107107 121503 904949 952952 | 2 |
| 300 | MR45-14WA | | .. BEARING-END SUPPLIER CODE: V73134 OPTIONAL PART: ART4E118 V50294 BACB10A187 BACB10A187L KNE4-22 V97613 | 002004 006007 107107 121503 904949 952952 | 2 |

MISSING ITEM NUMBERS NOT APPLICABLE

- ITEM NOT ILLUSTRATED

BRI

21-51-01-01

21-51-01
 FIG. 01
 PAGE 12
 JAN 20/09



757

PARTS CATALOG (MAINTENANCE)

| FIG ITEM | PART NUMBER | 1 2 3 4 5 6 7 | NOMENCLATURE | EFFECT FROM TO | UNITS PER ASSY |
|----------|--------------|--|--------------|--|----------------|
| 1 305 | 65B41247-100 | . . | ROD | 002004 006007 107107 121503 904949 952952 | 2 |
| 310 | 213N1104-8 | .BRACKET ASSY- POSITION DATA: RH SIDE | | 002004 006007 107107 121503 904949 952952 | 1 |
| - 311 | BACB30NM3K2 | ATTACHING PARTS .BOLT | | 002004 006007 107107 121503 904949 952952 | 2 |
| -311C | AN960KD10 | .WASHER | | 002004 006007 107107 121503 904949 952952 | 2 |
| -311F | BRH10A3 | .NUT SUPPLIER CODE: V52828 SPECIFICATION NUMBER: BACN10JC3 OPTIONAL PART: H10-3BAC V15653 NS202101-02 V80539 RMLH9075-3W V72962 VN303A02 V92215 96-02 V80539 T6S1032J V11815 -----*----- | | 002004 006007 107107 121503 904949 952952 | 2 |

MISSING ITEM NUMBERS NOT APPLICABLE

- ITEM NOT ILLUSTRATED

BRI

21-51-01-01

21-51-01
FIG. 01
PAGE 13
JAN 20/09

 **BOEING**
757
PARTS CATALOG (MAINTENANCE)

| FIG ITEM | PART NUMBER | 1 2 3 4 5 6 7 | NOMENCLATURE | EFFECT FROM TO | UNITS PER ASSY |
|-------------|--------------|---|--------------|--|----------------------|
| 1 | | | | | |
| 312 | AN960PD616 | . . | WASHER | 002004 006007 107107 121503 904949 952952 | 2 |
| 313 | BACB28X4C012 | . . | BUSHING | 002004 006007 107107 121503 904949 952952 | 2 |
| 314 | 213N1104-7 | . . | BRACKET | 002004 006007 107107 121503 904949 952952 | 1 |
| 315 | 213N1100-60 | . DUCT ASSY- POSITION DATA: LH SIDE | | 002004 006007 107107 121503 904949 952952 | 1 |
| 315 | 213N1100-74 | . DUCT ASSY- POSITION DATA: LH SIDE | | 952952 | 1 |
| 335 | 213N1100-65 | . DUCT ASSY- POSITION DATA: RH SIDE | | 002004 006007 107107 121503 904949 952952 | 1 |
| 335 | 213N1100-76 | . DUCT ASSY- POSITION DATA: RH SIDE | | 952952 | 1 |
| 345 | MS28034-1 | . BULB- ELECTRICAL EQUIP NUMBER: TS5085 TS5086 | | 952952 | 1 |
| 346 | AN900-10 | . GASKET- OPTIONAL PART: MS35769-11 | | 952952 | 1 |
| 346 | MS35769-11 | . GASKET- OPTIONAL PART: AN900-10 | | 952952 | 1 |

MISSING ITEM NUMBERS NOT APPLICABLE

— ITEM NOT ILLUSTRATED

BRI

21-51-01-01

BOEING PROPRIETARY - Copyright © - Unpublished Work - See title page for details.

21-51-01
FIG. 01
PAGE 14
JAN 20/09



757

PARTS CATALOG (MAINTENANCE)

| FIG ITEM | PART NUMBER | 1 2 3 4 5 6 7 | NOMENCLATURE | EFFECT FROM TO | UNITS PER ASSY |
|----------|-------------|---------------|--|--|----------------|
| 1 355 | 14J29200 | | .CLAMP SUPPLIER CODE: V5T400 SPECIFICATION NUMBER: BACC10GY200 OPTIONAL PART: 4385AF200 V94581 PDVC1137200 V14242 NM102701200 V8W928 | 002004 006007 107107 121503 904949 952952 | 1 |
| 360 | 10A300-300 | | .CABLE ASSY- SUPPLIER CODE: V14711 | 002004 006007 107107 121503 904949 952952 | 2 |
| - 365 | NAS620C8 | | ATTACHING PARTS .WASHER | 002004 006007 107107 121503 904949 952952 | 2 |
| - 370 | BRH10A08 | | .NUT SUPPLIER CODE: V52828 SPECIFICATION NUMBER: BACN10JC08 OPTIONAL PART: H10-08BAC V15653 NS202101-82 V80539 RMLH9075-82W V72962 VN303A82 V92215 96-82 V80539 T6S832J V11815 -----*----- | 002004 006007 107107 121503 904949 952952 | 2 |

MISSING ITEM NUMBERS NOT APPLICABLE

- ITEM NOT ILLUSTRATED

BRI

21-51-01-01

BOEING PROPRIETARY - Copyright © - Unpublished Work - See title page for details.

21-51-01
FIG. 01
PAGE 15
JAN 20/09



757

PARTS CATALOG (MAINTENANCE)

| FIG ITEM | PART NUMBER | 1 2 3 4 5 6 7 | NOMENCLATURE | EFFECT FROM TO | UNITS PER ASSY |
|----------|----------------|---------------|---|--|----------------|
| 1 | | | | | |
| 375 | 213N1101-1 | | . DUCT ASSY- POSITION DATA: LH SIDE | 002004 006007 107107 121503 904949 952952 | 1 |
| 380 | 213N1101-2 | | . DUCT ASSY- POSITION DATA: RH SIDE | 002004 006007 107107 121503 904949 952952 | 1 |
| 385 | 460-200 | | . SEAL-PERI SUPPLIER CODE: V14711 | 002004 006007 107107 121503 904949 952952 | 2 |
| 385 | 615-200 | | . SEAL-PERI SUPPLIER CODE: V14711 | 002004 006007 107107 121503 904949 952952 | 2 |
| 385 | 706-3-200 | | . SEAL-PERI SUPPLIER CODE: VOBLW7 | 002004 006007 107107 121503 904949 952952 | 2 |
| 390 | 10A348-200-200 | | . HOUSING- SUPPLIER CODE: V14711 | 002004 006007 107107 121503 904949 952952 | 1 |
| - 425 | 287N4905-3 | | CLAMP INSTL-WIRE (AIR COOLING PACT SYSTEM ONLY) POSITION DATA: LH FOR NHA/OTHER SYS DET SEE: 24-00-60-01 | 002004 006100 107107 121503 904999 | RF |
| - 428 | 287N4905-4 | | CLAMP INSTL-WIRE (AIR COOLING PACT SYSTEM ONLY) POSITION DATA: RH FOR NHA/OTHER SYS DET SEE: 24-00-60-01 | 002004 006100 107107 121503 904999 | RF |

R
R
R
R
R
R
R
R
R
R

MISSING ITEM NUMBERS NOT APPLICABLE

- ITEM NOT ILLUSTRATED

21-51-01-01

21-51-01
FIG. 01
PAGE 16
MAY 20/09

BRI



757

PARTS CATALOG (MAINTENANCE)

| FIG ITEM | PART NUMBER | 1 2 3 4 5 6 7 | NOMENCLATURE | EFFECT FROM TO | UNITS PER ASSY |
|----------|---------------|---------------|---|--|----------------|
| 1 436 | BACC10BN400LM | .CLAMP- | SUPPLIER CODE: V98625 SPECIFICATION NUMBER: BACC10BN400LM OPTIONAL PART: 3078C400LM V94581 1044400LM V94581 BC1080S400LZ V14242 MBC5825400LM V00624 19396N400LM V00624 POSITION DATA: LH SIDE | 002004 006100 107107 121503 904999 | 1 |
| 440 | BACC10BN450LM | .CLAMP- | SUPPLIER CODE: V98625 SPECIFICATION NUMBER: BACC10BN450LM OPTIONAL PART: 3078C450LM V94581 1044450LM V94581 BC1080S450LZ V14242 MBC5825450LM V00624 19396N450LM V00624 POSITION DATA: RH SIDE | 002004 006100 107107 121503 904999 | 1 |

MISSING ITEM NUMBERS NOT APPLICABLE

- ITEM NOT ILLUSTRATED

BRI

21-51-01-01

BOEING PROPRIETARY - Copyright © - Unpublished Work - See title page for details.

21-51-01
FIG. 01
PAGE 17
JAN 20/09



757

PARTS CATALOG (MAINTENANCE)

| FIG ITEM | PART NUMBER | 1 2 3 4 5 6 7 | NOMENCLATURE | EFFECT FROM TO | UNITS PER ASSY |
|----------|---------------|---------------|---|--|----------------|
| 1 442 | BACC10BN400LM | .CLAMP- | SUPPLIER CODE: V98625 SPECIFICATION NUMBER: BACC10BN400LM OPTIONAL PART: 3078C400LM V94581 1044400LM V94581 BC1080S400LZ V14242 MBC5825400LM V00624 19396N400LM V00624 POSITION DATA: RH SIDE | 002004 006100 107107 121503 904999 | 1 |
| 451 | BACC10BN300LM | .CLAMP- | SUPPLIER CODE: V98625 SPECIFICATION NUMBER: BACC10BN300LM OPTIONAL PART: 3078C300LM V94581 1044300LM V94581 BC1080S300LZ V14242 MBC5825300LM V00624 19396N300LM V00624 POSITION DATA: RH SIDE | 002004 006100 107107 121503 904999 | 1 |

MISSING ITEM NUMBERS NOT APPLICABLE

- ITEM NOT ILLUSTRATED

BRI

21-51-01-01

BOEING PROPRIETARY - Copyright © - Unpublished Work - See title page for details.

21-51-01
FIG. 01
PAGE 18
JAN 20/09



757

PARTS CATALOG (MAINTENANCE)

| FIG ITEM | PART NUMBER | 1 2 3 4 5 6 7 | NOMENCLATURE | EFFECT FROM TO | UNITS PER ASSY |
|----------|---------------|---------------|--|--|----------------|
| 1 453 | BACC10BN400LM | .CLAMP | SUPPLIER CODE: V98625 SPECIFICATION NUMBER: BACC10BN400LM OPTIONAL PART: 3078C400LM V94581 1044400LM V94581 BC1080S400LZ V14242 MBC5825400LM V00624 19396N400LM V00624 | 002004 006100 107107 121503 904999 | 2 |
| 456 | BACB30NE3-3 | .BOLT- | POSITION DATA: LH | 002004 006100 107107 121503 904999 | 1 |
| 458 | BACB30NE3-3 | .BOLT- | POSITION DATA: RH | 002004 006100 107107 121503 904999 | 2 |
| 460 | BACB30NE3-3 | .BOLT | | 002004 006100 107107 121503 904999 | 2 |
| 463 | BACC15AN | .CLIP- | POSITION DATA: LH MISCELLANEOUS DATA: (COMPONENT OF STUD ASSY) SIZE DETERMINED ON INSTL. | 002004 006100 107107 121503 904999 | 1 |
| 465 | BACC15AN | .CLIP- | POSITION DATA: RH MISCELLANEOUS DATA: (COMPONENT OF STUD ASSY) SIZE DETERMINED ON INSTL. | 002004 006100 107107 121503 904999 | 2 |
| 467 | BACC15AN | .CLIP- | MISCELLANEOUS DATA: (COMPONENT OF STUD ASSY) SIZE DETERMINED ON INSTL. | 002004 006100 107107 121503 904999 | 2 |

MISSING ITEM NUMBERS NOT APPLICABLE

- ITEM NOT ILLUSTRATED

21-51-01-01

21-51-01
FIG. 01
PAGE 19
JAN 20/09

BRI



757

PARTS CATALOG (MAINTENANCE)

| FIG ITEM | PART NUMBER | 1 2 3 4 5 6 7 | NOMENCLATURE | EFFECT FROM TO | UNITS PER ASSY |
|----------|--------------|---------------|--|--|----------------|
| 1 | | | | | |
| 470 | BACB19F | | .BLOCK-RETAINING POSITION DATA: LH MISCELLANEOUS DATA: (COMPONENT OF STUD ASSY) SIZE DETERMINED ON INSTL. | 002004 006100 107107 121503 904999 | 1 |
| 472 | BACB19F | | .BLOCK-RETAINING POSITION DATA: RH MISCELLANEOUS DATA: (COMPONENT OF STUD ASSY) SIZE DETERMINED ON INSTL. | 002004 006100 107107 121503 904999 | 2 |
| 474 | BACB19F | | .BLOCK-RETAINING MISCELLANEOUS DATA: (COMPONENT OF STUD ASSY) SIZE DETERMINED ON INSTL. | 002004 006100 107107 121503 904999 | 2 |
| 477 | BACC10FY | | .CUSHION-CLAMP POSITION DATA: LH MISCELLANEOUS DATA: (COMPONENT OF STUD ASSY) SIZE DETERMINED ON INSTL. | 002004 006100 107107 121503 904999 | 1 |
| 479 | BACC10FY | | .CUSHION-CLAMP POSITION DATA: RH MISCELLANEOUS DATA: (COMPONENT OF STUD ASSY) SIZE DETERMINED ON INSTL. | 002004 006100 107107 121503 904999 | 2 |
| 481 | BACC10FY | | .CUSHION-CLAMP MISCELLANEOUS DATA: (COMPONENT OF STUD ASSY) SIZE DETERMINED ON INSTL. | 002004 006100 107107 121503 904999 | 2 |
| 482 | BACB30NE3-3 | | .BOLT- POSITION DATA: LH | 002004 006100 107107 121503 904999 | 11 |
| - 500 | 286N2406-012 | | WIRE BUNDLE ASSY- POSITION DATA: LH | 107107 121503 904949 | RF |
| - 500 | 286N2406-014 | | WIRE BUNDLE ASSY- POSITION DATA: LH | 002004 006007 | RF |
| - 503 | 286N2506-012 | | WIRE BUNDLE ASSY- POSITION DATA: RH | 107107 121503 904949 | RF |

MISSING ITEM NUMBERS NOT APPLICABLE

- ITEM NOT ILLUSTRATED

21-51-01-01

21-51-01
FIG. 01
PAGE 20
JAN 20/09

BRI



757

PARTS CATALOG (MAINTENANCE)

| FIG ITEM | PART NUMBER | 1 2 3 4 5 6 7 | NOMENCLATURE | EFFECT FROM TO | UNITS PER ASSY |
|----------|---------------|---------------|--|--|----------------|
| 1 | | | | | |
| - 503 | 286N2506-014 | | WIRE BUNDLE ASSY- POSITION DATA: RH | 002004 006007 | RF |
| 505 | GS3417-10C | | .CLAMP- SUPPLIER CODE: V06324 SPECIFICATION NUMBER: BACC10HF10 OPTIONAL PART: S2125-10-8 V07418 POSITION DATA: RH SIDE ELECTRICAL EQUIP NUMBER: D01936T WIRING DIAGRAM REF: 215121 | 002004 006007 107107 121503 904949 952952 | 1 |
| 506 | GS3418-10CD | | .CLAMP- SUPPLIER CODE: V06324 SPECIFICATION NUMBER: BACC10HG10 OPTIONAL PART: S2126-10-8 V07418 POSITION DATA: LH SIDE ELECTRICAL EQUIP NUMBER: D01930T WIRING DIAGRAM REF: 215111 | 002004 006007 107107 121503 904949 952952 | 1 |
| 506 | 620AA028NF10L | | .CLAMP- SUPPLIER CODE: V06324 SPECIFICATION NUMBER: BACC10KE10 OPTIONAL PART: S3820-10-65 V07418 POSITION DATA: LH SIDE ELECTRICAL EQUIP NUMBER: D01930T WIRING DIAGRAM REF: 215111 | 002004 006007 107107 121503 904949 952952 | 1 |

MISSING ITEM NUMBERS NOT APPLICABLE

- ITEM NOT ILLUSTRATED

21-51-01-01

21-51-01
FIG. 01
PAGE 21
JAN 20/09

BRI



757

PARTS CATALOG (MAINTENANCE)

| FIG ITEM | PART NUMBER | 1 2 3 4 5 6 7 | NOMENCLATURE | EFFECT FROM TO | UNITS PER ASSY |
|----------|---------------|---------------|--|--|----------------|
| 1 507 | GS3418-10CD | .CLAMP- | SUPPLIER CODE: V06324 SPECIFICATION NUMBER: BACC10HG10 OPTIONAL PART: S2126-10-8 V07418 POSITION DATA: LH SIDE ELECTRICAL EQUIP NUMBER: D01926T D01928T WIRING DIAGRAM REF: 215111 | 002004 006007 107107 121503 904949 952952 | 2 |
| 507 | 620AA028NF10L | .CLAMP- | SUPPLIER CODE: V06324 SPECIFICATION NUMBER: BACC10KE10 OPTIONAL PART: S3820-10-65 V07418 POSITION DATA: LH SIDE ELECTRICAL EQUIP NUMBER: D01926T D01928T WIRING DIAGRAM REF: 215111 | 002004 006007 107107 121503 904949 952952 | 2 |
| 508 | GS3417-10C | .CLAMP- | SUPPLIER CODE: V06324 SPECIFICATION NUMBER: BACC10HF10 OPTIONAL PART: S2125-10-8 V07418 POSITION DATA: LH SIDE ELECTRICAL EQUIP NUMBER: D04128T WIRING DIAGRAM REF: 215112 | 002004 006007 107107 121503 904949 952952 | 1 |

MISSING ITEM NUMBERS NOT APPLICABLE

- ITEM NOT ILLUSTRATED

21-51-01-01

21-51-01
FIG. 01
PAGE 22
JAN 20/09

BRI



757

PARTS CATALOG (MAINTENANCE)

| FIG ITEM | PART NUMBER | 1 2 3 4 5 6 7 | NOMENCLATURE | EFFECT FROM TO | UNITS PER ASSY |
|----------|---------------|---------------|--|--|----------------|
| 1 509 | GS3418-10CD | | .CLAMP- SUPPLIER CODE: V06324 SPECIFICATION NUMBER: BACC10HG10 OPTIONAL PART: S2126-10-8 V07418 POSITION DATA: RH SIDE ELECTRICAL EQUIP NUMBER: D01932T D01934T D04236T WIRING DIAGRAM REF: 215121 215122 | 002004 006007 107107 121503 904949 952952 | 3 |
| 509 | 620AA028NF10L | | .CLAMP- SUPPLIER CODE: V06324 SPECIFICATION NUMBER: BACC10KE10 OPTIONAL PART: S3820-10-65 V07418 POSITION DATA: RH SIDE ELECTRICAL EQUIP NUMBER: D01932T D01934T D04236T WIRING DIAGRAM REF: 215121 215122 | 002004 006007 107107 121503 904949 952952 | 3 |
| 510 | R071010A5SNL | | .CONNECTOR- SUPPLIER CODE: V41118 SPECIFICATION NUMBER: BACC63BP10A5SNL ELECTRICAL EQUIP NUMBER: D01930 D01936 WIRING DIAGRAM REF: 215111 215121 | 002004 006007 107107 121503 904949 952952 | 1 |

MISSING ITEM NUMBERS NOT APPLICABLE

- ITEM NOT ILLUSTRATED

BRI

21-51-01-01

21-51-01
FIG. 01
PAGE 23
JAN 20/09



757

PARTS CATALOG (MAINTENANCE)

| FIG ITEM | PART NUMBER | 1 2 3 4 5 6 7 | NOMENCLATURE | EFFECT FROM TO | UNITS PER ASSY |
|----------|---------------|---------------|--|--|----------------|
| 1 522 | R071010A5S10L | | .CONNECTOR- SUPPLIER CODE: V41118 SPECIFICATION NUMBER: BCREFA1981 OVERLENGTH PART NUMBER: BACC63BP10A5S10L ELECTRICAL EQUIP NUMBER: D01926 D01932 WIRING DIAGRAM REF: 215111 215121 | 002004 006007 107107 121503 904949 952952 | 1 |
| 524 | R071010A5S8L | | .CONNECTOR- SUPPLIER CODE: V41118 SPECIFICATION NUMBER: BACC63BP10A5S8L ELECTRICAL EQUIP NUMBER: D01928 D01934 WIRING DIAGRAM REF: 215111 215121 | 002004 006007 107107 121503 904949 952952 | 1 |
| 526 | R071010A5S7L | | .CONNECTOR- SUPPLIER CODE: V41118 SPECIFICATION NUMBER: BACC63BP10A5S7L ELECTRICAL EQUIP NUMBER: D04128 D04236 WIRING DIAGRAM REF: 215112 215122 | 002004 006007 107107 121503 904949 952952 | 1 |
| 530 | GS3418-12CD | | .CLAMP- SUPPLIER CODE: V06324 SPECIFICATION NUMBER: BACC10HG12 OPTIONAL PART: S2126-12-8 V07418 ELECTRICAL EQUIP NUMBER: D04642T D04644T WIRING DIAGRAM REF: 215231 | 002004 006007 107107 121503 904949 952952 | 1 |

MISSING ITEM NUMBERS NOT APPLICABLE

- ITEM NOT ILLUSTRATED

21-51-01-01

21-51-01
FIG. 01
PAGE 24
JAN 20/09

BRI



757

PARTS CATALOG (MAINTENANCE)

| FIG ITEM | PART NUMBER | 1 2 3 4 5 6 7 | NOMENCLATURE | EFFECT FROM TO | UNITS PER ASSY |
|----------|-------------|---------------|----------------------------|----------------|----------------|
| 1 | BCREF5947 | | .CONNECTOR- | 002004 | 1 |
| 535 | | | OVERLENGTH PART NUMBER: | 006007 | |
| | | | BACC63BP12R12SNL | 107107 | |
| | | | ELECTRICAL EQUIP NUMBER: | 121503 | |
| | | | D04642 | 904949 | |
| | | | D04644 | 952952 | |
| | | | WIRING DIAGRAM REF: | | |
| | | | 215231 | | |
| 900 | | | ILLUSTRATION REFERENCE: | | |
| | | | PACK INSTL-UNDER WING AIR | 002004 | RF |
| | | | CONDITIONING | 006100 | |
| | | | 21-52-01-01 | 107107 | |
| | | | | 121503 | |
| | | | | 904999 | |
| 905 | | | ILLUSTRATION REFERENCE: | | |
| | | | DUCT AND CLAMP INSTL-UNDER | 002004 | RF |
| | | | WING TRIM AIR | 006007 | |
| | | | 21-61-05-01 | 107107 | |
| | | | | 121503 | |
| | | | | 904949 | |
| | | | | 952952 | |
| 910 | | | ILLUSTRATION REFERENCE: | | |
| | | | DUCT AND CLAMP INSTL-UNDER | 002004 | RF |
| | | | WING AIR SUPPLY (AIR | 006007 | |
| | | | SUPPLY DISTRIBUTION ONLY) | 107107 | |
| | | | 36-11-01-07 | 121503 | |
| | | | | 904949 | |
| | | | | 952952 | |

MISSING ITEM NUMBERS NOT APPLICABLE

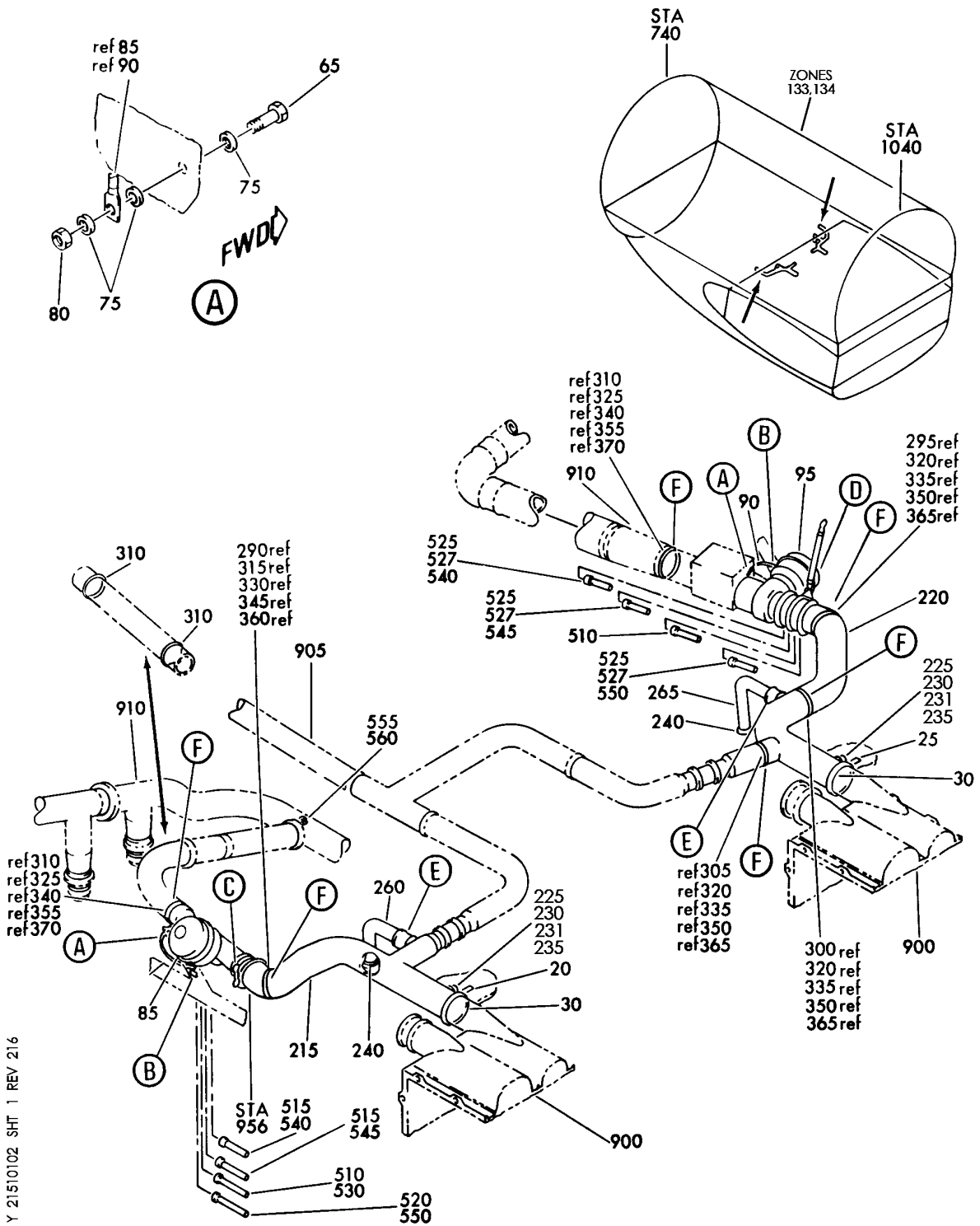
- ITEM NOT ILLUSTRATED

BRI

21-51-01-01

21-51-01
FIG. 01
PAGE 25
JAN 20/09

BOEING
757
PARTS CATALOG (MAINTENANCE)



Y 21510102 SHT 1 REV 216

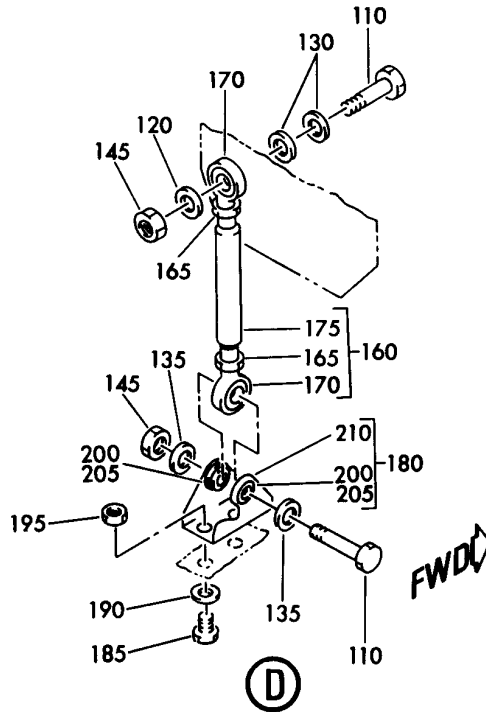
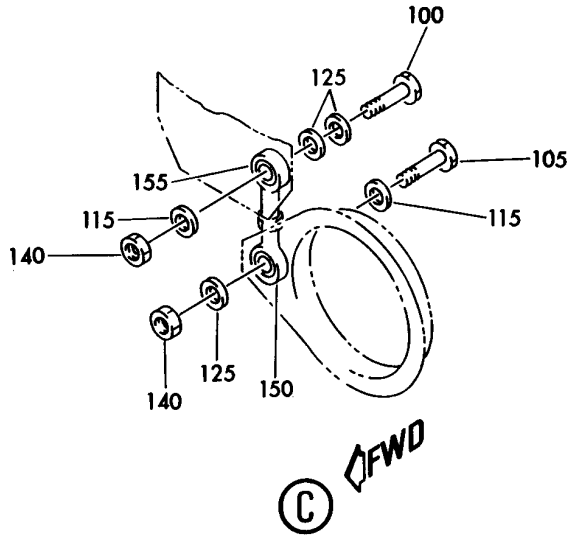
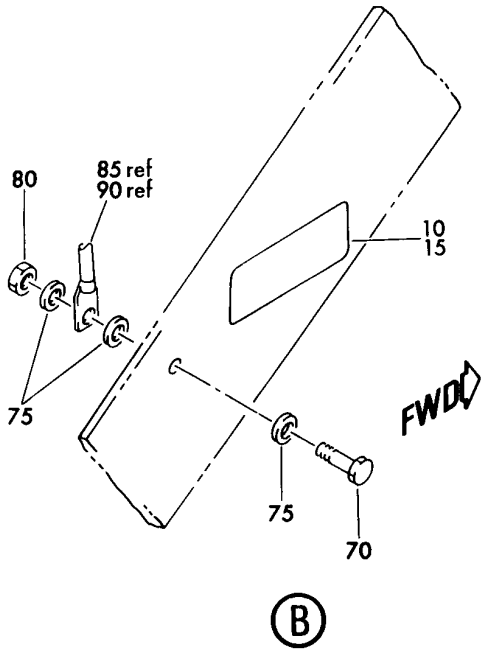
DUCT AND CLAMP INSTL-AIR CONDITION PACK AIR SUPPLY
FIGURE 2 (SHEET 1)

21-51-01-02

BRI
MAY 28/07

21-51-01-02
PAGE 0

BOEING
757
PARTS CATALOG (MAINTENANCE)



Y 21510102 SHT 2 REV 160

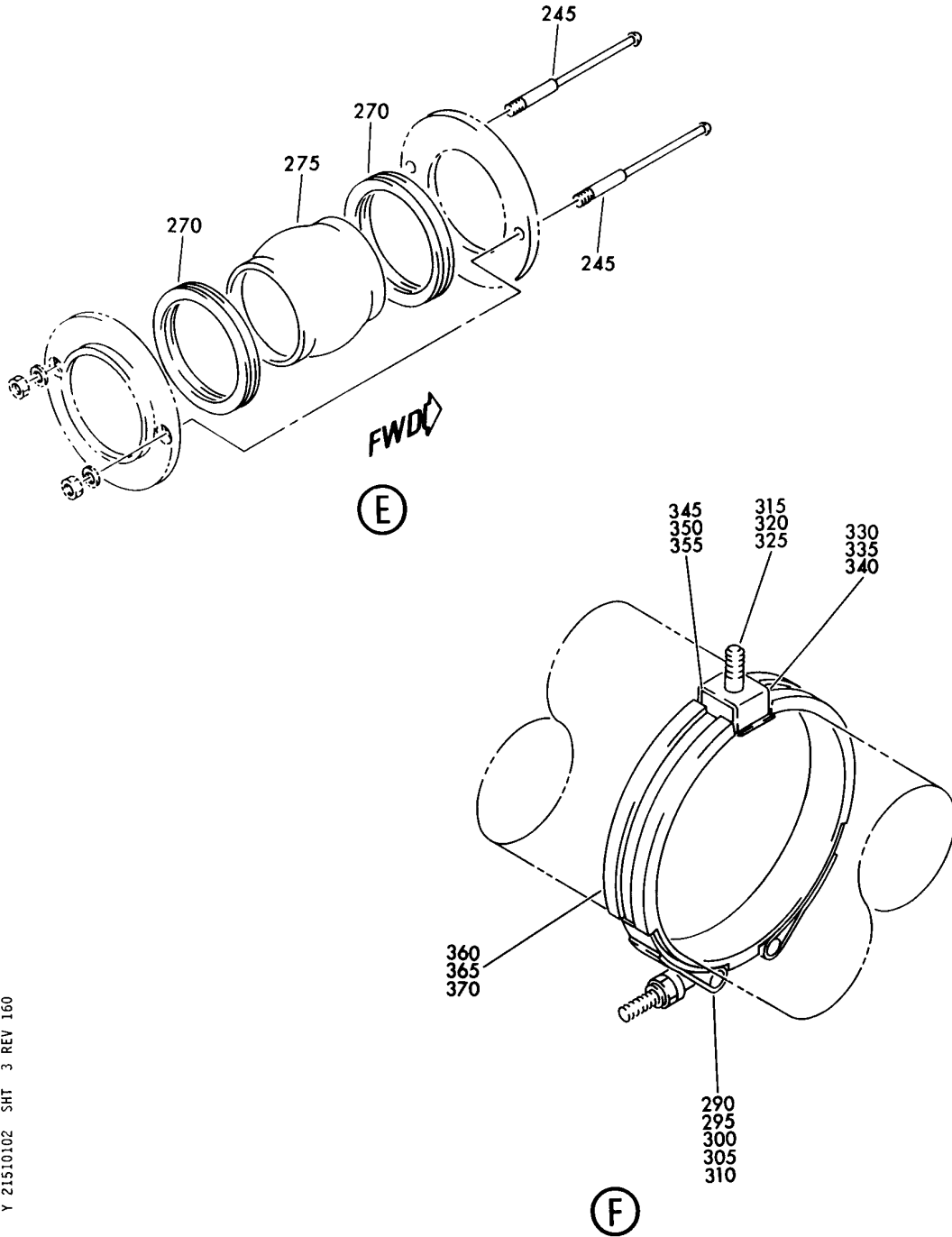
DUCT AND CLAMP INSTL-AIR CONDITION PACK AIR SUPPLY
FIGURE 2 (SHEET 2)

21-51-01-02

BRI
MAY 28/07

21-51-01-02
PAGE 0A

BOEING
757
PARTS CATALOG (MAINTENANCE)



Y 21510102 SHT 3 REV 160

DUCT AND CLAMP INSTL-AIR CONDITION PACK AIR SUPPLY
FIGURE 2 (SHEET 3)

21-51-01-02

BRI
MAY 28/07

21-51-01-02
PAGE 0B

BOEING
757
PARTS CATALOG (MAINTENANCE)

| FIG ITEM | PART NUMBER | 1 2 3 4 5 6 7 | NOMENCLATURE | EFFECT FROM TO | UNITS PER ASSY |
|----------|--------------|---------------|---|--|----------------|
| 2 | | | DUCT AND CLAMP INSTL-AIR CONDITION PACK AIR SUPPLY | 002004 006100 107107 121503 904999 | |
| - 1 | 213N1003-39 | | DUCT INSTL-AIR CONDITION PACK AIR SUPPLY POSITION DATA: L SIDE VARIABLE DRAWING REF: 213N1003-43 FOR NHA SEE: 21-00-00-01 | 008100 950951 953999 | RF |
| - 5 | 213N1003-40 | | DUCT INSTL-AIR CONDITION PACK AIR SUPPLY POSITION DATA: R SIDE VARIABLE DRAWING REF: 213N1003-44 FOR NHA SEE: 21-00-00-01 | 008100 950951 953999 | RF |
| 10 | BAC27NEC0046 | | .MARKER-ALUMINUM FOIL- POSITION DATA: LH SIDE PLACARD CONTENT: LEFT PACK FLOW CONTROL VALVE V16 | 008100 950951 953999 | 1 |
| 15 | BAC27NEC0047 | | .MARKER-ALUMINUM FOIL- POSITION DATA: RH SIDE PLACARD CONTENT: RIGHT PACK FLOW CONTROL VALVE V17 | 008100 950951 953999 | 1 |
| 20 | BAC27NEC0026 | | .MARKER-ALUMINUM FOIL- POSITION DATA: LH SIDE PLACARD CONTENT: LEFT PACK PRIMARY HEAT EXCHANGER INLET TEMP BULB TS5085-D3120 | 953999 | 1 |
| 25 | BAC27NEC0027 | | .MARKER-ALUMINUM FOIL- POSITION DATA: RH SIDE PLACARD CONTENT: RIGHT PACK PRIMARY HEAT EXCHANGER INLET TEMP BULB TS5086-D3086 | 953999 | 1 |

MISSING ITEM NUMBERS NOT APPLICABLE

- ITEM NOT ILLUSTRATED

BRI

21-51-01-02

21-51-01
FIG. 02
PAGE 1
JAN 20/09



757

PARTS CATALOG (MAINTENANCE)

| FIG ITEM | PART NUMBER | 1 2 3 4 5 6 7 | NOMENCLATURE | EFFECT FROM TO | UNITS PER ASSY |
|----------|----------------|---------------|--|----------------------------|----------------|
| 2 | 30 14J29400 | | .CLAMP- SUPPLIER CODE: V5T400 SPECIFICATION NUMBER: BACC10GY400 OPTIONAL PART: 4385AF400 V94581 PDVC1137400 V14242 NM102701400 V8W928 | 008100 950951 953999 | 2 |
| | 65 BACB30LM3-3 | | .BOLT | 008100 950951 953999 | 1 |
| | 70 BACB30LM3-4 | | .BOLT | 008100 950951 953999 | 1 |
| | 75 AN960D10L | | .WASHER | 008100 950951 953999 | 6 |
| | 80 BRH10C3D | | .NUT SUPPLIER CODE: V52828 SPECIFICATION NUMBER: BACN10JC3CD OPTIONAL PART: T6C1032JCD V11815 NS202486-02 V80539 102LH9075-3W V72962 H51650-3BAC V15653 | 008100 950951 953999 | 2 |
| | 85 BACJ40A20-9 | | .JUMPER ASSY- POSITION DATA: LH SIDE | 008100 950951 953999 | 1 |

MISSING ITEM NUMBERS NOT APPLICABLE

- ITEM NOT ILLUSTRATED

BRI

21-51-01-02

BOEING PROPRIETARY - Copyright © - Unpublished Work - See title page for details.

21-51-01
FIG. 02
PAGE 2
JAN 20/09



757

PARTS CATALOG (MAINTENANCE)

| FIG ITEM | PART NUMBER | 1 2 3 4 5 6 7 | NOMENCLATURE | EFFECT FROM TO | UNITS PER ASSY |
|----------|------------------|---------------|--|----------------------------|----------------|
| 2 | 90 740A20-12 | | .JUMPER ASSY- SUPPLIER CODE: V91812 SPECIFICATION NUMBER: BACJ40A20-12 OPTIONAL PART: TJEJ40A20-12 V33483 RBEJ20-12 V1GK47 POSITION DATA: RH SIDE | 008100 950951 953999 | 1 |
| | 95 396480-1 | | .VALVE ASSY-FLOW CONT AND SHUTOFF SUPPLIER CODE: V59364 SPECIFICATION NUMBER: S210T130-608 ELECTRICAL EQUIP NUMBER: V00016 V00017 COMPONENT MAINT MANUAL REF: 21-51-19 QUALIFIED I/W DATA: PN 396480-1 CAN REPLACE AND BE REPLACED BY PN 396398-2 EXCEPT FOR ETOPS WHERE 396480-1 MUST BE INSTALLED FOR DETAILS SEE: 21-51-01-51 | 008100 950951 953999 | 1 |
| | 100 BACB30NM4K13 | | .BOLT- POSITION DATA: LH SIDE | 008100 950951 953999 | 1 |
| | 105 BACB30NM4K10 | | .BOLT- POSITION DATA: LH SIDE | 008100 950951 953999 | 1 |
| | 110 BACB30NM4K13 | | .BOLT- POSITION DATA: RH SIDE | 008100 950951 953999 | 2 |
| | 115 BACW10Q4 | | .WASHER- POSITION DATA: LH SIDE | 008100 950951 953999 | 2 |
| | 120 BACW10Q4 | | .WASHER- POSITION DATA: RH SIDE | 008100 950951 953999 | 1 |
| | 125 AN960KD416 | | .WASHER- POSITION DATA: LH SIDE | 008100 950951 953999 | 3 |

MISSING ITEM NUMBERS NOT APPLICABLE

- ITEM NOT ILLUSTRATED

21-51-01-02

21-51-01
FIG. 02
PAGE 3
JAN 20/09

BRI



757

PARTS CATALOG (MAINTENANCE)

| FIG ITEM | PART NUMBER | 1 2 3 4 5 6 7 | NOMENCLATURE | EFFECT FROM TO | UNITS PER ASSY |
|----------|-------------|---------------|--|----------------------------|----------------|
| 2 | | | | | |
| 130 | AN960KD416 | | .WASHER- POSITION DATA: RH SIDE | 008100 950951 953999 | 2 |
| 135 | AN960KD416L | | .WASHER- POSITION DATA: RH SIDE | 008100 950951 953999 | 2 |
| 140 | BRH10C4D | | .NUT- SUPPLIER CODE: V52828 SPECIFICATION NUMBER: BACN10JC4CD OPTIONAL PART: T6C428JCD V11815 NS202486-048 V80539 102LH9075-4W V72962 H51650-4BAC V15653 POSITION DATA: LH SIDE | 008100 950951 953999 | 2 |
| 145 | BRH10C4D | | .NUT- SUPPLIER CODE: V52828 SPECIFICATION NUMBER: BACN10JC4CD OPTIONAL PART: T6C428JCD V11815 NS202486-048 V80539 102LH9075-4W V72962 H51650-4BAC V15653 POSITION DATA: RH SIDE | 008100 950951 953999 | 2 |
| 150 | M81935-2-4 | | .BEARING- POSITION DATA: LH SIDE OPTIONAL PART: MS21243S04 | 008100 950951 953999 | 1 |
| 150 | MS21243S04 | | .BEARING- POSITION DATA: LH SIDE OPTIONAL PART: M81935-2-4 | 008100 950951 953999 | 1 |

MISSING ITEM NUMBERS NOT APPLICABLE

- ITEM NOT ILLUSTRATED

21-51-01-02

21-51-01
FIG. 02
PAGE 4
JAN 20/09

BRI



757

PARTS CATALOG (MAINTENANCE)

| FIG ITEM | PART NUMBER | 1 2 3 4 5 6 7 | NOMENCLATURE | EFFECT FROM TO | UNITS PER ASSY |
|----------|--------------|---------------|--|----------------------------|----------------|
| 2 | | | | | |
| 155 | M81935-1-4 | . | BEARING- POSITION DATA: LH SIDE | 008100 950951 953999 | 1 |
| 160 | 65B41247-149 | . | ROD ASSY- POSITION DATA: RH SIDE | 008100 950951 953999 | 1 |
| 165 | AN316-5R | .. | NUT | 008100 950951 953999 | 2 |
| 170 | ART4E118 | .. | BEARING-END SUPPLIER CODE: V50294 OPTIONAL PART: BACB10A187 BACB10A187L KNE4-22 V97613 MR45-14WA V73134 | 008100 950951 953999 | 2 |
| 170 | AB4E27 | .. | BEARING- SUPPLIER CODE: V15860 SPECIFICATION NUMBER: BACB10A187 OPTIONAL PART: BRE4140 V81376 HB4E133 V02758 KB4ESS V97613 MXJ45-14B V73134 51564-04 V09455 AR4E4 VS0352 NB3B V73134 ASM4-6 V56644 ART4E118 V50294 BACB10A187L V81025 KNE4-22 V97613 MR45-14WA V73134 | 008100 950951 953999 | 2 |

MISSING ITEM NUMBERS NOT APPLICABLE

- ITEM NOT ILLUSTRATED

BRI

21-51-01-02

21-51-01
FIG. 02
PAGE 5
JAN 20/09

 **BOEING**
757
PARTS CATALOG (MAINTENANCE)

| FIG ITEM | PART NUMBER | 1 2 3 4 5 6 7 | NOMENCLATURE | EFFECT FROM TO | UNITS PER ASSY |
|-------------|-------------|---------------|---|----------------------------|----------------------|
| 2 170 | AB4E27FN | | .. BEARING- SUPPLIER CODE: V15860 SPECIFICATION NUMBER: BACB10A187L OPTIONAL PART: BRE4140L V81376 HB4E135 V02758 KB4ESSFN V97613 MXJ45-14BFG V73134 51564-0402 V09455 AR4E4FN VS0352 ASM4F6 V56644 ARTE118 V50294 BACB10A187 KNE4-22 V97613 MR45-14WA V73134 | 008100 950951 953999 | 2 |
| 170 | KNE4-22 | | .. BEARING-END SUPPLIER CODE: V97613 OPTIONAL PART: ART4E118 V50294 BACB10A187 BACB10A187L MR45-14WA V73134 | 008100 950951 953999 | 2 |
| 170 | MR45-14WA | | .. BEARING-END SUPPLIER CODE: V73134 OPTIONAL PART: ART4E118 V50294 BACB10A187 BACB10A187L KNE4-22 V97613 | 008100 950951 953999 | 2 |

MISSING ITEM NUMBERS NOT APPLICABLE

— ITEM NOT ILLUSTRATED

BRI

21-51-01-02

BOEING PROPRIETARY - Copyright © - Unpublished Work - See title page for details.

21-51-01
FIG. 02
PAGE 6
JAN 20/09

 **BOEING**
757
PARTS CATALOG (MAINTENANCE)

| FIG ITEM | PART NUMBER | 1 2 3 4 5 6 7 | NOMENCLATURE | EFFECT FROM TO | UNITS PER ASSY |
|----------|--------------|---------------|--|----------------------------|----------------|
| 2 | | | | | |
| 175 | 65B41247-100 | . . | ROD | 008100 950951 953999 | 2 |
| 180 | 213N1104-8 | . . | BRACKET ASSY- POSITION DATA: RH SIDE ATTACHING PARTS | 008100 950951 953999 | 1 |
| - 185 | BACB30NM3K2 | . . | BOLT | 008100 950951 953999 | 2 |
| - 190 | AN960KD10 | . . | WASHER | 008100 950951 953999 | 2 |
| - 195 | BRH10C3D | . . | NUT SUPPLIER CODE: V52828 SPECIFICATION NUMBER: BACN10JC3CD OPTIONAL PART: T6C1032JCD V11815 NS202486-02 V80539 102LH9075-3W V72962 H51650-3BAC V15653 -----*----- | 008100 950951 953999 | 2 |
| 200 | AN960PD616 | . . | WASHER | 008100 950951 953999 | 2 |
| 205 | BACB28X4C012 | . . | BUSHING | 008100 950951 953999 | 2 |
| 210 | 213N1104-7 | . . | BRACKET | 008100 950951 953999 | 1 |
| 215 | 213N1100-60 | . . | DUCT ASSY- POSITION DATA: LH SIDE | 008100 950952 | 1 |
| 215 | 213N1100-74 | . . | DUCT ASSY- POSITION DATA: LH SIDE | 953999 | 1 |
| 220 | 213N1100-65 | . . | DUCT ASSY- POSITION DATA: RH SIDE | 008100 950952 | 1 |
| 220 | 213N1100-76 | . . | DUCT ASSY- POSITION DATA: RH SIDE | 953999 | 1 |

MISSING ITEM NUMBERS NOT APPLICABLE

- ITEM NOT ILLUSTRATED

BRI

21-51-01-02

21-51-01
FIG. 02
PAGE 7
MAY 20/09



757

PARTS CATALOG (MAINTENANCE)

| FIG ITEM | PART NUMBER | 1 2 3 4 5 6 7 | NOMENCLATURE | EFFECT FROM TO | UNITS PER ASSY |
|----------|-------------|----------------------------|--|----------------------------|----------------|
| 2 | | | | | |
| 230 | MS28034-1 | .BULB- | ELECTRICAL EQUIP NUMBER: TS5085 TS5086 | 953999 | 1 |
| 231 | AN900-10 | .GASKET- | OPTIONAL PART: MS35769-11 | 953999 | 1 |
| 231 | MS35769-11 | .GASKET- | OPTIONAL PART: AN900-10 | 953999 | 1 |
| 240 | 14J29200 | .CLAMP | SUPPLIER CODE: V5T400 SPECIFICATION NUMBER: BACC10GY200 OPTIONAL PART: 4385AF200 V94581 PDVC1137200 V14242 NM102701200 V8W928 | 008100 950951 953999 | 1 |
| 245 | 10A300-300 | .CABLE ASSY- | SUPPLIER CODE: V14711 ATTACHING PARTS | 008100 950951 953999 | 2 |
| - 250 | NAS620C8 | .WASHER | | 008100 950951 953999 | 2 |
| - 255 | BRH10C08D | .NUT | SUPPLIER CODE: V52828 SPECIFICATION NUMBER: BACN10JC08CD OPTIONAL PART: H51650-08BAC V15653 102LH9075-82W V72962 NS202486-82 V80539 T6C832JCD V11815 | 008100 950951 953999 | 2 |
| 260 | 213N1101-1 | -----*----- .DUCT ASSY- | POSITION DATA: LH SIDE | 008100 950951 953999 | 1 |

MISSING ITEM NUMBERS NOT APPLICABLE

- ITEM NOT ILLUSTRATED

BRI

21-51-01-02

21-51-01
FIG. 02
PAGE 8
JAN 20/09



757

PARTS CATALOG (MAINTENANCE)

| FIG ITEM | PART NUMBER | 1 2 3 4 5 6 7 | NOMENCLATURE | EFFECT FROM TO | UNITS PER ASSY |
|----------|----------------|---------------|---|--|----------------|
| 2 | | | | | |
| 265 | 213N1101-2 | | . DUCT ASSY- POSITION DATA: RH SIDE | 008100 950951 953999 | 1 |
| 270 | 460-200 | | . SEAL-PERI SUPPLIER CODE: V14711 | 008100 950951 953999 | 2 |
| 270 | 615-200 | | . SEAL-PERI SUPPLIER CODE: V14711 | 008100 950951 953999 | 2 |
| 270 | 706-3-200 | | . SEAL-PERI SUPPLIER CODE: VOBLW7 | 008100 950951 953999 | 2 |
| 275 | 10A348-200-200 | | . HOUSING- SUPPLIER CODE: V14711 | 008100 950951 953999 | 1 |
| - 280 | 287N4905-3 | | CLAMP INSTL-WIRE (AIR COOLING PACT SYSTEM ONLY) POSITION DATA: LH FOR NHA/OTHER SYS DET SEE: 24-00-60-01 | 002004 006100 107107 121503 904999 | RF |
| - 285 | 287N4905-4 | | CLAMP INSTL-WIRE (AIR COOLING PACT SYSTEM ONLY) POSITION DATA: RH FOR NHA/OTHER SYS DET SEE: 24-00-60-01 | 002004 006100 107107 121503 904999 | RF |
| 290 | BACC10BN400LM | | . CLAMP- SUPPLIER CODE: V98625 SPECIFICATION NUMBER: BACC10BN400LM OPTIONAL PART: 3078C400LM V94581 1044400LM V94581 BC1080S400LZ V14242 MBC5825400LM V00624 19396N400LM V00624 POSITION DATA: LH SIDE | 002004 006100 107107 121503 904999 | 1 |

MISSING ITEM NUMBERS NOT APPLICABLE

- ITEM NOT ILLUSTRATED

21-51-01-02

21-51-01
FIG. 02
PAGE 9
MAY 20/09

BRI



757

PARTS CATALOG (MAINTENANCE)

| FIG ITEM | PART NUMBER | 1 2 3 4 5 6 7 | NOMENCLATURE | EFFECT FROM TO | UNITS PER ASSY |
|----------|---------------|---------------|---|--|----------------|
| 2 295 | BACC10BN400LM | .CLAMP- | SUPPLIER CODE: V98625 SPECIFICATION NUMBER: BACC10BN400LM OPTIONAL PART: 3078C400LM V94581 1044400LM V94581 BC1080S400LZ V14242 MBC5825400LM V00624 19396N400LM V00624 POSITION DATA: RH SIDE | 002004 006100 107107 121503 904999 | 1 |
| 300 | BACC10BN400LM | .CLAMP- | SUPPLIER CODE: V98625 SPECIFICATION NUMBER: BACC10BN400LM OPTIONAL PART: 3078C400LM V94581 1044400LM V94581 BC1080S400LZ V14242 MBC5825400LM V00624 19396N400LM V00624 POSITION DATA: RH SIDE | 002004 006100 107107 121503 904999 | 1 |

MISSING ITEM NUMBERS NOT APPLICABLE

- ITEM NOT ILLUSTRATED

BRI

21-51-01-02

BOEING PROPRIETARY - Copyright © - Unpublished Work - See title page for details.

21-51-01
FIG. 02
PAGE 10
JAN 20/09



757

PARTS CATALOG (MAINTENANCE)

| FIG ITEM | PART NUMBER | 1 2 3 4 5 6 7 | NOMENCLATURE | EFFECT FROM TO | UNITS PER ASSY |
|----------|---------------|---------------|---|--|----------------|
| 2 305 | BACC10BN300LM | .CLAMP- | SUPPLIER CODE: V98625 SPECIFICATION NUMBER: BACC10BN300LM OPTIONAL PART: 3078C300LM V94581 1044300LM V94581 BC1080S300LZ V14242 MBC5825300LM V00624 19396N300LM V00624 POSITION DATA: RH SIDE | 002004 006100 107107 121503 904999 | 1 |
| 310 | BACC10BN400LM | .CLAMP | SUPPLIER CODE: V98625 SPECIFICATION NUMBER: BACC10BN400LM OPTIONAL PART: 3078C400LM V94581 1044400LM V94581 BC1080S400LZ V14242 MBC5825400LM V00624 19396N400LM V00624 | 002004 006100 107107 121503 904999 | 1 |
| 315 | BACB30NE3-3 | .BOLT- | POSITION DATA: LH | 002004 006100 107107 121503 904999 | 1 |
| 320 | BACB30NE3-3 | .BOLT- | POSITION DATA: RH | 002004 006100 107107 121503 904999 | 3 |
| 325 | BACB30NE3-3 | .BOLT | | 002004 006100 107107 121503 904999 | 1 |

MISSING ITEM NUMBERS NOT APPLICABLE

- ITEM NOT ILLUSTRATED

21-51-01-02

21-51-01
FIG. 02
PAGE 11
JAN 20/09

BRI



757

PARTS CATALOG (MAINTENANCE)

| FIG ITEM | PART NUMBER | 1 2 3 4 5 6 7 | NOMENCLATURE | EFFECT FROM TO | UNITS PER ASSY |
|----------|-------------|------------------|--|--|----------------|
| 2 | | | | | |
| 330 | BACC15AN | .CLIP- | POSITION DATA: LH MISCELLANEOUS DATA: (COMPONENT OF STUD ASSY) SIZE DETERMINED ON INSTL. | 002004 006100 107107 121503 904999 | 1 |
| 335 | BACC15AN | .CLIP- | POSITION DATA: RH MISCELLANEOUS DATA: (COMPONENT OF STUD ASSY) SIZE DETERMINED ON INSTL. | 002004 006100 107107 121503 904999 | 3 |
| 340 | BACC15AN | .CLIP- | MISCELLANEOUS DATA: (COMPONENT OF STUD ASSY) SIZE DETERMINED ON INSTL. | 002004 006100 107107 121503 904999 | 1 |
| 345 | BACB19F | .BLOCK-RETAINING | POSITION DATA: LH MISCELLANEOUS DATA: (COMPONENT OF STUD ASSY) SIZE DETERMINED ON INSTL. | 002004 006100 107107 121503 904999 | 1 |
| 350 | BACB19F | .BLOCK-RETAINING | POSITION DATA: RH MISCELLANEOUS DATA: (COMPONENT OF STUD ASSY) SIZE DETERMINED ON INSTL. | 002004 006100 107107 121503 904999 | 3 |
| 355 | BACB19F | .BLOCK-RETAINING | MISCELLANEOUS DATA: (COMPONENT OF STUD ASSY) SIZE DETERMINED ON INSTL. | 002004 006100 107107 121503 904999 | 1 |
| 360 | BACC10FY | .CUSHION-CLAMP | POSITION DATA: LH MISCELLANEOUS DATA: (COMPONENT OF STUD ASSY) SIZE DETERMINED ON INSTL. | 002004 006100 107107 121503 904999 | 1 |
| 365 | BACC10FY | .CUSHION-CLAMP | POSITION DATA: RH MISCELLANEOUS DATA: (COMPONENT OF STUD ASSY) SIZE DETERMINED ON INSTL. | 002004 006100 107107 121503 904999 | 3 |

MISSING ITEM NUMBERS NOT APPLICABLE

- ITEM NOT ILLUSTRATED

21-51-01-02

21-51-01
FIG. 02
PAGE 12
JAN 20/09

BRI



757

PARTS CATALOG (MAINTENANCE)

| FIG ITEM | PART NUMBER | 1 2 3 4 5 6 7 | NOMENCLATURE | EFFECT FROM TO | UNITS PER ASSY |
|----------|-------------|---------------|--|--|----------------|
| 2 | 370 | BACC10FY | .CUSHION-CLAMP MISCELLANEOUS DATA: (COMPONENT OF STUD ASSY) SIZE DETERMINED ON INSTL. | 002004 006100 107107 121503 904999 | 1 |
| - | 500 | 286N2406-014 | WIRE BUNDLE ASSY- POSITION DATA: LH | 008100 950951 953999 | RF |
| - | 505 | 286N2506-014 | WIRE BUNDLE ASSY- POSITION DATA: RH | 008100 950951 953999 | RF |
| | 510 | GS3418-10CD | .CLAMP- SUPPLIER CODE: V06324 SPECIFICATION NUMBER: BACC10HG10 OPTIONAL PART: S2126-10-8 V07418 POSITION DATA: LH SIDE ELECTRICAL EQUIP NUMBER: D01930T WIRING DIAGRAM REF: 215111 | 008100 950951 953999 | 1 |
| | 510 | 620AA028NF10L | .CLAMP- SUPPLIER CODE: V06324 SPECIFICATION NUMBER: BACC10KE10 OPTIONAL PART: S3820-10-65 V07418 POSITION DATA: LH SIDE ELECTRICAL EQUIP NUMBER: D01930T WIRING DIAGRAM REF: 215111 | 008100 950951 953999 | 1 |

MISSING ITEM NUMBERS NOT APPLICABLE

- ITEM NOT ILLUSTRATED

BRI

21-51-01-02

BOEING PROPRIETARY - Copyright © - Unpublished Work - See title page for details.

21-51-01
FIG. 02
PAGE 13
JAN 20/09



757

PARTS CATALOG (MAINTENANCE)

| FIG ITEM | PART NUMBER | 1 2 3 4 5 6 7 | NOMENCLATURE | EFFECT FROM TO | UNITS PER ASSY |
|----------|---------------|---------------|--|----------------------------|----------------|
| 2 515 | GS3418-10CD | .CLAMP- | SUPPLIER CODE: V06324 SPECIFICATION NUMBER: BACC10HG10 OPTIONAL PART: S2126-10-8 V07418 POSITION DATA: LH SIDE ELECTRICAL EQUIP NUMBER: D01926T D01928T WIRING DIAGRAM REF: 215111 | 008100 950951 953999 | 2 |
| 515 | 620AA028NF10L | .CLAMP- | SUPPLIER CODE: V06324 SPECIFICATION NUMBER: BACC10KE10 OPTIONAL PART: S3820-10-65 V07418 POSITION DATA: LH SIDE ELECTRICAL EQUIP NUMBER: D01926T D01928T WIRING DIAGRAM REF: 215111 | 008100 950951 953999 | 2 |
| 520 | GS3417-10C | .CLAMP- | SUPPLIER CODE: V06324 SPECIFICATION NUMBER: BACC10HF10 OPTIONAL PART: S2125-10-8 V07418 POSITION DATA: LH SIDE ELECTRICAL EQUIP NUMBER: D04128T WIRING DIAGRAM REF: 215112 | 008100 950951 953999 | 1 |

MISSING ITEM NUMBERS NOT APPLICABLE

- ITEM NOT ILLUSTRATED

BRI

21-51-01-02

BOEING PROPRIETARY - Copyright © - Unpublished Work - See title page for details.

21-51-01
FIG. 02
PAGE 14
JAN 20/09



757

PARTS CATALOG (MAINTENANCE)

| FIG ITEM | PART NUMBER | 1 2 3 4 5 6 7 | NOMENCLATURE | EFFECT FROM TO | UNITS PER ASSY |
|----------|---------------|---------------|---|----------------------------|----------------|
| 2 525 | GS3418-10CD | .CLAMP- | SUPPLIER CODE: V06324 SPECIFICATION NUMBER: BACC10HG10 OPTIONAL PART: S2126-10-8 V07418 POSITION DATA: RH SIDE ELECTRICAL EQUIP NUMBER: D01932T D01934T D04236T WIRING DIAGRAM REF: 215121 215122 | 008100 950951 953999 | 3 |
| 525 | 620AA028NF10L | .CLAMP- | SUPPLIER CODE: V06324 SPECIFICATION NUMBER: BACC10KE10 OPTIONAL PART: S3820-10-65 V07418 POSITION DATA: RH SIDE ELECTRICAL EQUIP NUMBER: D01932T D01934T D04236T WIRING DIAGRAM REF: 215121 215122 | 008100 950951 953999 | 3 |
| 527 | GS3417-10C | .CLAMP- | SUPPLIER CODE: V06324 SPECIFICATION NUMBER: BACC10HF10 OPTIONAL PART: S2125-10-8 V07418 POSITION DATA: RH SIDE ELECTRICAL EQUIP NUMBER: D01936T WIRING DIAGRAM REF: 215111 | 008100 950951 953999 | 3 |

MISSING ITEM NUMBERS NOT APPLICABLE

- ITEM NOT ILLUSTRATED

21-51-01-02

21-51-01
FIG. 02
PAGE 15
JAN 20/09

BRI



757

PARTS CATALOG (MAINTENANCE)

| FIG ITEM | PART NUMBER | 1 2 3 4 5 6 7 | NOMENCLATURE | EFFECT FROM TO | UNITS PER ASSY |
|----------|---------------|---------------|--|----------------------------|----------------|
| 2 530 | R071010A5SNL | | .CONNECTOR- SUPPLIER CODE: V41118 SPECIFICATION NUMBER: BACC63BP10A5SNL ELECTRICAL EQUIP NUMBER: D01930 D01936 WIRING DIAGRAM REF: 215111 215121 | 008100 950951 953999 | 1 |
| 540 | R071010A5S10L | | .CONNECTOR- SUPPLIER CODE: V41118 SPECIFICATION NUMBER: BCREFA1981 OVERLENGTH PART NUMBER: BACC63BP10A5S10L ELECTRICAL EQUIP NUMBER: D01926 D01932 WIRING DIAGRAM REF: 215111 215121 | 008100 950951 953999 | 1 |
| 545 | R071010A5S8L | | .CONNECTOR- SUPPLIER CODE: V41118 SPECIFICATION NUMBER: BACC63BP10A5S8L ELECTRICAL EQUIP NUMBER: D01928 D01934 WIRING DIAGRAM REF: 215111 215121 | 008100 950951 953999 | 1 |
| 550 | R071010A5S7L | | .CONNECTOR- SUPPLIER CODE: V41118 SPECIFICATION NUMBER: BACC63BP10A5S7L ELECTRICAL EQUIP NUMBER: D04128 D04236 WIRING DIAGRAM REF: 215112 215122 | 008100 950951 953999 | 1 |

MISSING ITEM NUMBERS NOT APPLICABLE

- ITEM NOT ILLUSTRATED

21-51-01-02

21-51-01
FIG. 02
PAGE 16
JAN 20/09

BRI



757

PARTS CATALOG (MAINTENANCE)

| FIG ITEM | PART NUMBER | 1 2 3 4 5 6 7 | NOMENCLATURE | EFFECT FROM TO | UNITS PER ASSY |
|-------------|-------------|---------------|---|----------------------------|----------------------|
| 2 900 | | | ILLUSTRATION REFERENCE: PACK INSTL-UNDER WING AIR CONDITIONING 21-52-01-01 | 008100 950951 953999 | RF |
| 905 | | | ILLUSTRATION REFERENCE: DUCT AND CLAMP INSTL-UNDER WING TRIM AIR 21-61-05-01 | 008100 950951 953999 | RF |
| 910 | | | ILLUSTRATION REFERENCE: DUCT AND CLAMP INSTL-UNDER WING AIR SUPPLY (AIR SUPPLY DISTRIBUTION ONLY) 36-11-01-07 | 008100 950951 953999 | RF |

MISSING ITEM NUMBERS NOT APPLICABLE

- ITEM NOT ILLUSTRATED

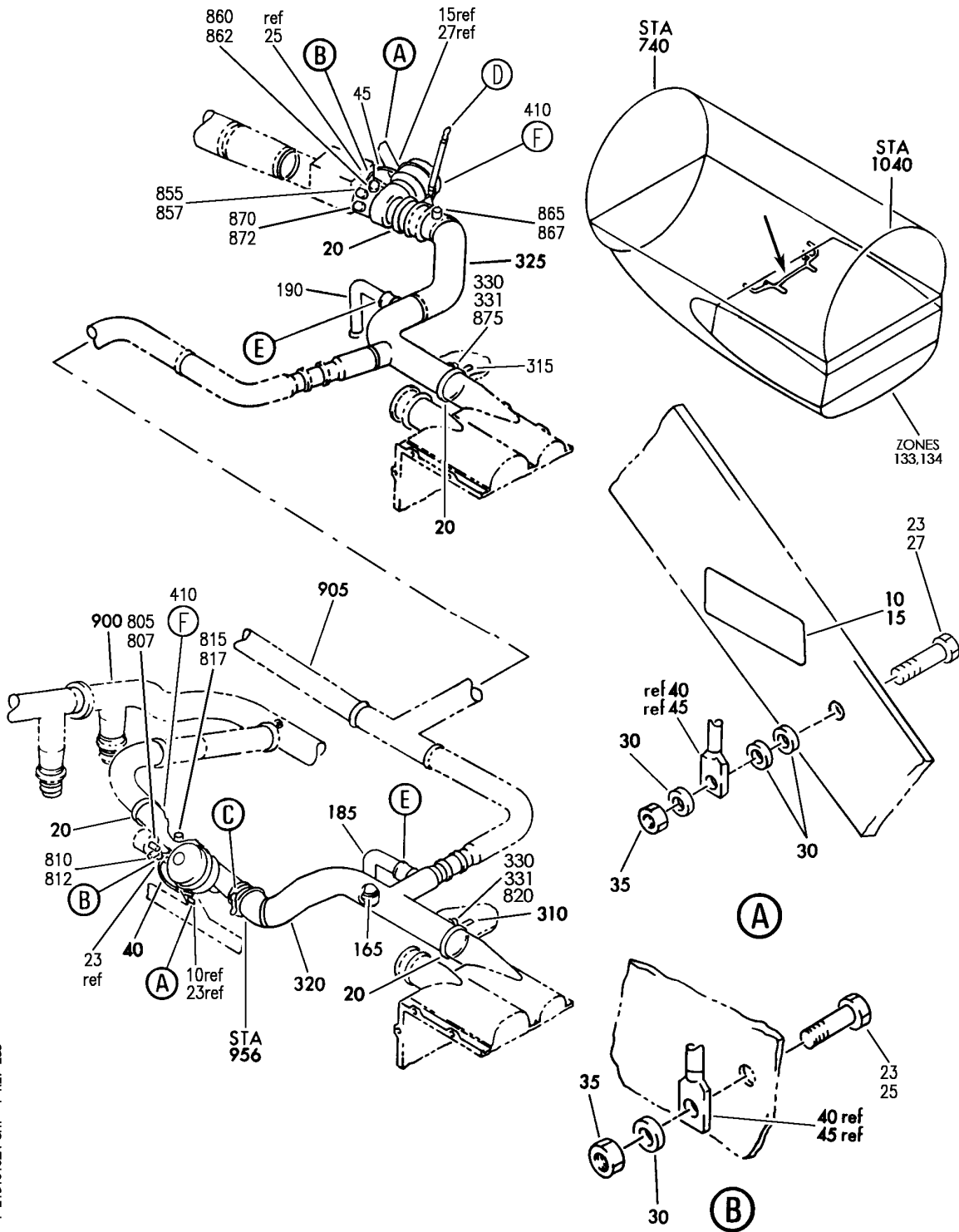
BRI

21-51-01-02

BOEING PROPRIETARY - Copyright © - Unpublished Work - See title page for details.

21-51-01
FIG. 02
PAGE 17
JAN 20/09

BOEING
757
PARTS CATALOG (MAINTENANCE)



Y 21510102A SHT 1 REV 285

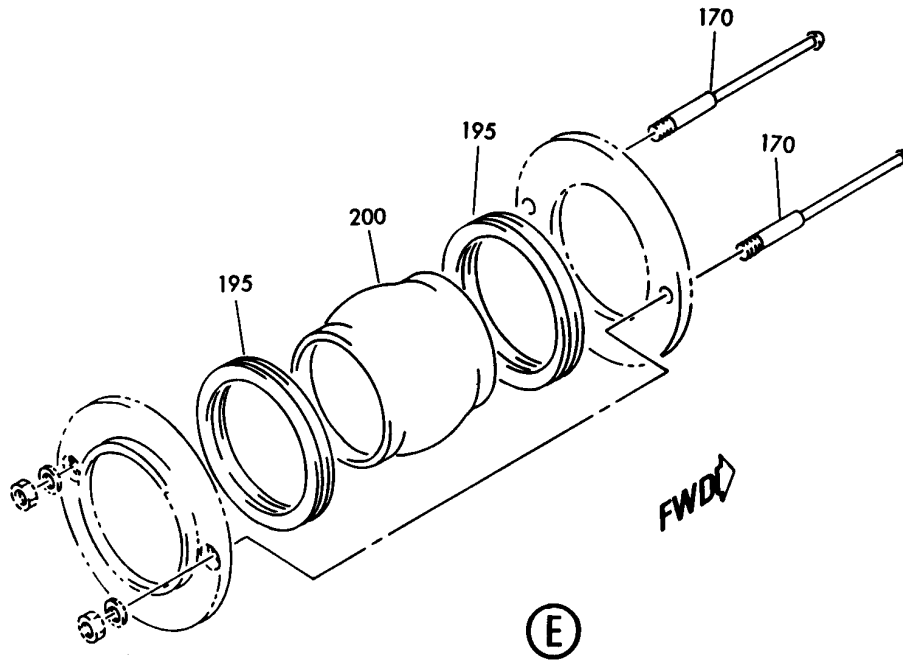
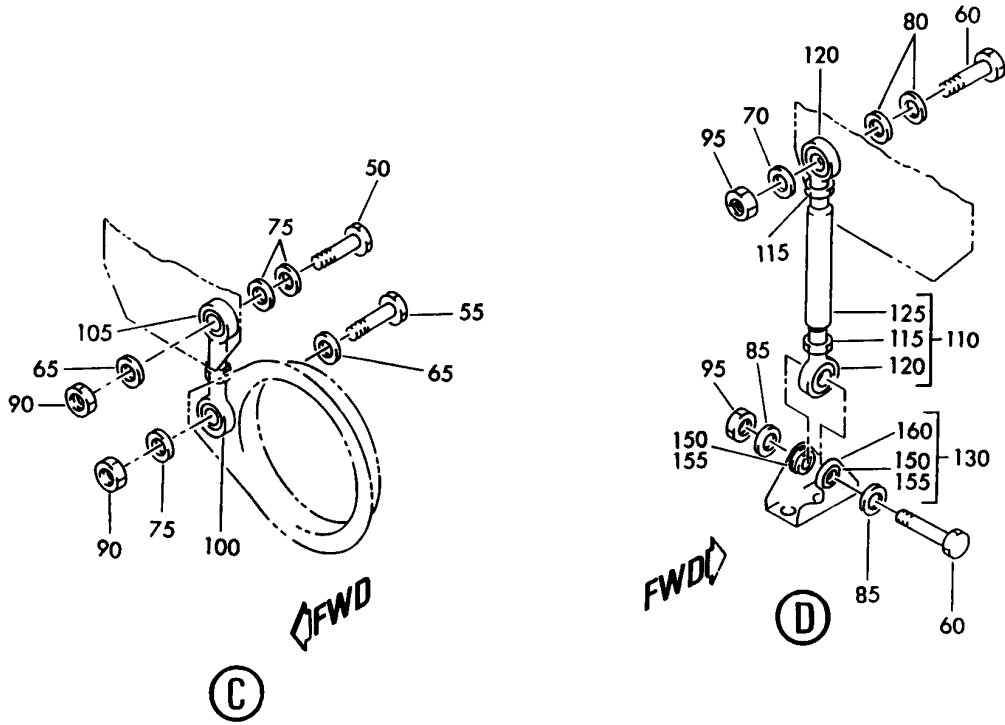
DUCT AND INSTL-AIR CONDITION PACK AIR SUPPLY, PASSENGER STD EICAS,757-200 FCV AND 757-300 FCV
FIGURE 2A (SHEET 1)

BRI
MAY 28/07

21-51-01-02A

21-51-01-02A
PAGE 0

BOEING
757
PARTS CATALOG (MAINTENANCE)



Y 21510102A SHT 2 REV 216

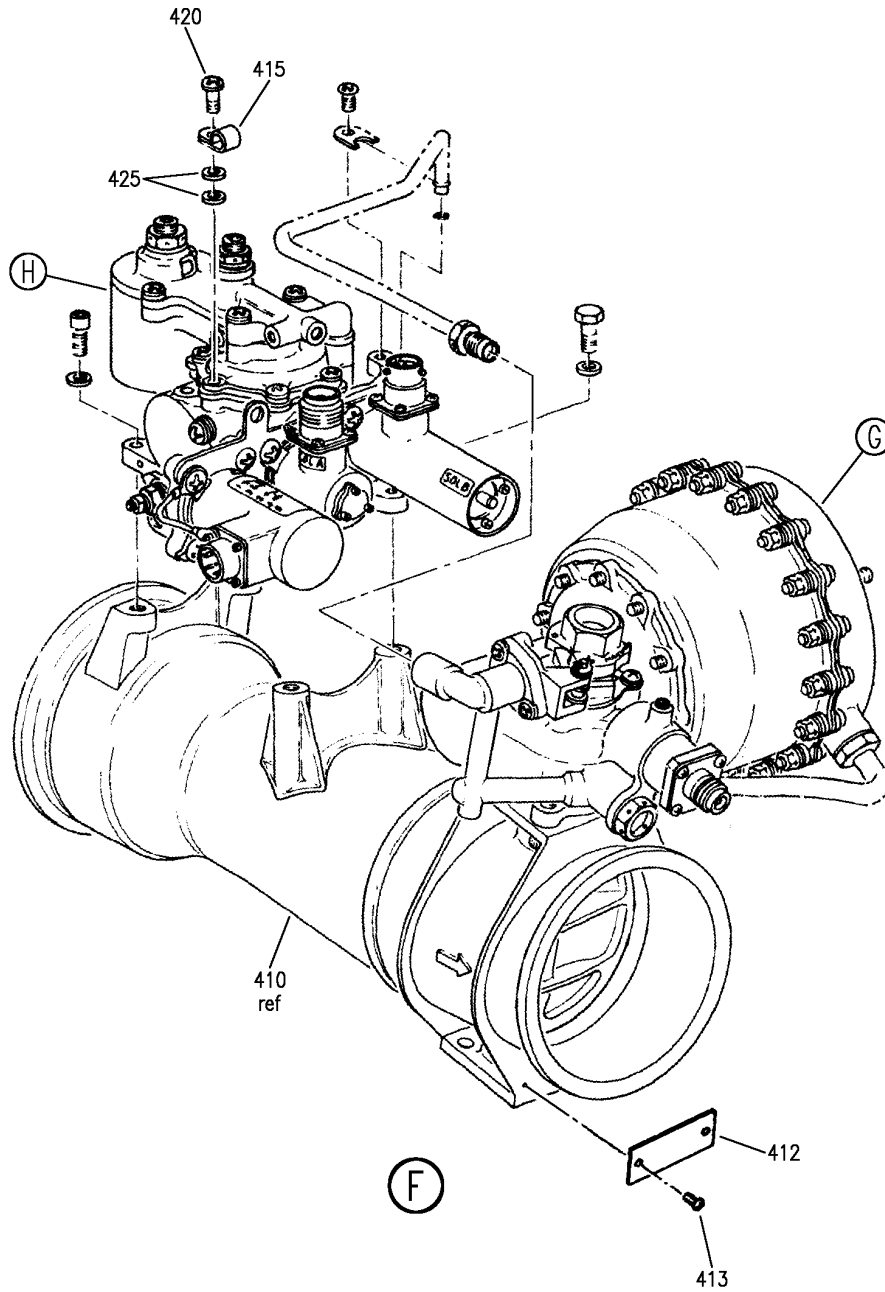
DUCT AND INSTL-AIR CONDITION PACK AIR SUPPLY, PASSENGER STD EICAS, 757-200 FCV AND 757-300 FCV
FIGURE 2A (SHEET 2)

BRI
MAY 28/07

21-51-01-02A

21-51-01-02A
PAGE 0A

BOEING
757
PARTS CATALOG (MAINTENANCE)



Y 21510102A SHT 3 REV 285

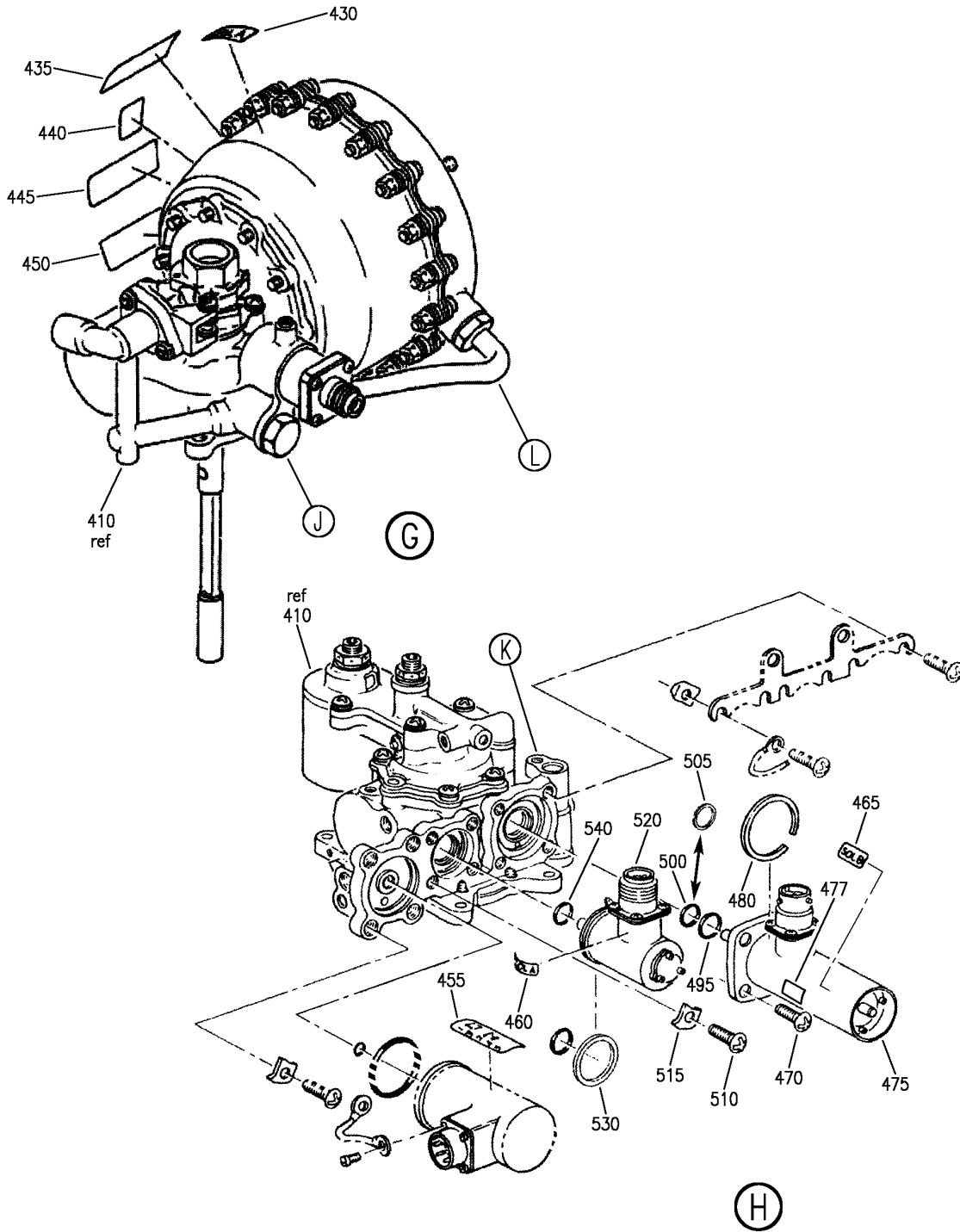
DUCT AND INSTL-AIR CONDITION PACK AIR SUPPLY, PASSENGER STD EICAS, 757-200 FCV AND 757-300 FCV
FIGURE 2A (SHEET 3)

BRI
MAY 28/07

21-51-01-02A

21-51-01-02A
PAGE 0B

BOEING
757
PARTS CATALOG (MAINTENANCE)



Y 21510102A SHT 4 REV 285

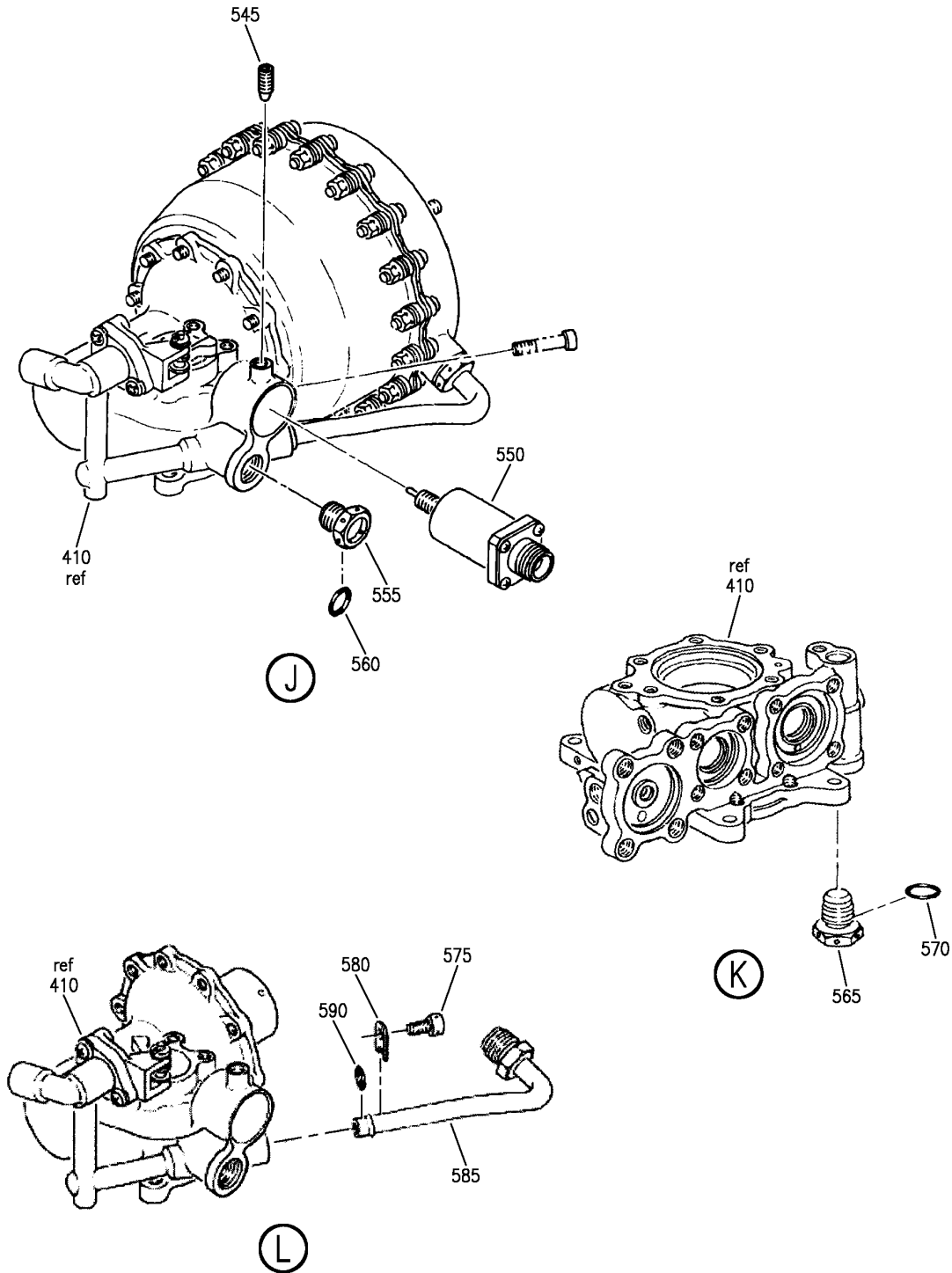
DUCT AND INSTL-AIR CONDITION PACK AIR SUPPLY, PASSENGER STD EICAS,757-200 FCV AND 757-300 FCV
FIGURE 2A (SHEET 4)

BRI
MAY 28/07

21-51-01-02A

21-51-01-02A
PAGE 0C

BOEING
757
PARTS CATALOG (MAINTENANCE)



Y 21510102A SHT 5 REV 257

DUCT AND INSTL-AIR CONDITION PACK AIR SUPPLY, PASSENGER STD EICAS, 757-200 FCV AND 757-300 FCV
FIGURE 2A (SHEET 5)

BRI
MAY 28/07

21-51-01-02A

21-51-01-02A
PAGE 0D



757

PARTS CATALOG (MAINTENANCE)

| FIG ITEM | PART NUMBER | 1 2 3 4 5 6 7 | NOMENCLATURE | EFFECT FROM TO | UNITS PER ASSY |
|----------|--------------|---------------|--|----------------------------|----------------|
| 2A | | | DUCT AND INSTL-AIR CONDITION PACK AIR SUPPLY, PASSENGER STD EICAS, 757-200 FCV AND 757-300 FCV | 101106 108120 504903 | |
| - 1 | 213N1003-55 | | DUCT INSTL-AIR CONDITION PACK AIR SUPPLY POSITION DATA: LH FOR NHA SEE: 21-00-00-14 | 101102 108120 504903 | RF |
| - 1 | MODREF75260 | | DUCT INSTL-AIR CONDITION PACK AIR SUPPLY MODULE NUMBER: 213N1003-55 REV C POSITION DATA: LH | 103106 | 1 |
| - 5 | 213N1003-56 | | DUCT INSTL-AIR CONDITION PACK AIR SUPPLY POSITION DATA: RH FOR NHA SEE: 21-00-00-14 | 101102 108120 504903 | RF |
| - 5 | MODREF75261 | | DUCT INSTL-AIR CONDITION PACK AIR SUPPLY MODULE NUMBER: 213N1003-56 REV B POSITION DATA: RH | 103106 | 1 |
| 10 | BAC27NEC0046 | | .MARKER-ALUMINUM FOIL-LEFT POSITION DATA: LH SIDE PLACARD CONTENT: PACK FLOW CONTROL VALVE V16 | 101106 108120 504903 | 1 |
| 15 | BAC27NEC0047 | | .MARKER-ALUMINUM FOIL-RIGHT POSITION DATA: RH SIDE PLACARD CONTENT: PACK FLOW CONTROL VALVE V17 | 101106 108120 504903 | 1 |

MISSING ITEM NUMBERS NOT APPLICABLE

- ITEM NOT ILLUSTRATED

21-51-01-02A

21-51-01
FIG. 02A
PAGE 1
JAN 20/09

BRI

BOEING PROPRIETARY - Copyright © - Unpublished Work - See title page for details.



757

PARTS CATALOG (MAINTENANCE)

| FIG ITEM | PART NUMBER | 1 2 3 4 5 6 7 | NOMENCLATURE | EFFECT FROM TO | UNITS PER ASSY |
|----------|---------------|---------------|--|----------------------------|----------------|
| 2A | | | | | |
| 20 | 14J29400E | .CLAMP- | SUPPLIER CODE: V5T400 SPECIFICATION NUMBER: BACC10GY400E OPTIONAL PART: 4385AF400E V94581 PDVC1137400E V14242 NM102701400E V8W928 | 101106 108120 504903 | 2 |
| 23 | BACB30LM3-4 | .BOLT- | POSITION DATA: LH | 103106 | 2 |
| 25 | NAS6703-3 | .BOLT- | POSITION DATA: RH | 101102 108120 504903 | 1 |
| 25 | BACB30LM3-3 | .BOLT- | POSITION DATA: RH | 103106 | 1 |
| 27 | NAS6703-4 | .BOLT- | POSITION DATA: RH | 101102 108120 504903 | 1 |
| 27 | BACB30LM3-4 | .BOLT- | POSITION DATA: RH | 103106 | 1 |
| 30 | NAS1149D0332J | .WASHER | | 101106 108120 504903 | 4 |
| 35 | BRH10C3D | .NUT | SUPPLIER CODE: V52828 SPECIFICATION NUMBER: BACN10JC3CD OPTIONAL PART: T6C1032JCD V11815 NS202486-02 V80539 102LH9075-3W V72962 H51650-3BAC V15653 | 101106 108120 504903 | 2 |
| 40 | BACJ40A20-9 | .JUMPER ASSY- | POSITION DATA: LH SIDE | 101106 108120 504903 | 1 |

MISSING ITEM NUMBERS NOT APPLICABLE

- ITEM NOT ILLUSTRATED

21-51-01-02A

21-51-01
FIG. 02A
PAGE 2
JAN 20/09

BRI

BOEING PROPRIETARY - Copyright © - Unpublished Work - See title page for details.



757

PARTS CATALOG (MAINTENANCE)

| FIG ITEM | PART NUMBER | 1 2 3 4 5 6 7 | NOMENCLATURE | EFFECT FROM TO | UNITS PER ASSY |
|----------|---------------|---------------|--|----------------------------|----------------|
| 2A | | | | | |
| 45 | 740A20-12 | | .JUMPER ASSY- SUPPLIER CODE: V91812 SPECIFICATION NUMBER: BACJ40A20-12 OPTIONAL PART: TJEJ40A20-12 V33483 RBEJ20-12 V1GK47 POSITION DATA: RH SIDE | 101106 108120 504903 | 1 |
| 50 | BACB30NM4K13 | | .BOLT- POSITION DATA: LH SIDE | 101106 108120 504903 | 1 |
| 55 | BACB30NM4K10 | | .BOLT- POSITION DATA: LH SIDE | 101106 108120 504903 | 1 |
| 60 | BACB30NM4K13 | | .BOLT- POSITION DATA: RH SIDE | 101106 108120 504903 | 2 |
| 65 | BACW10Q4 | | .WASHER- POSITION DATA: LH SIDE | 101106 108120 504903 | 2 |
| 70 | BACW10Q4 | | .WASHER- POSITION DATA: RH SIDE | 101106 108120 504903 | 1 |
| 75 | NAS1149D0463J | | .WASHER- POSITION DATA: LH SIDE | 101106 108120 504903 | 3 |
| 80 | NAS1149D0463J | | .WASHER- POSITION DATA: RH SIDE | 101106 108120 504903 | 2 |
| 85 | NAS1149D0416J | | .WASHER- POSITION DATA: RH SIDE | 101106 108120 504903 | 2 |

MISSING ITEM NUMBERS NOT APPLICABLE

- ITEM NOT ILLUSTRATED

21-51-01-02A

21-51-01
FIG. 02A
PAGE 3
JAN 20/09

BRI

BOEING PROPRIETARY - Copyright © - Unpublished Work - See title page for details.



757

PARTS CATALOG (MAINTENANCE)

| FIG ITEM | PART NUMBER | 1 2 3 4 5 6 7 | NOMENCLATURE | EFFECT FROM TO | UNITS PER ASSY |
|----------|--------------|---------------|---|----------------------------|----------------|
| 2A 90 | BRH10C4D | .NUT- | SUPPLIER CODE: V52828 SPECIFICATION NUMBER: BACN10JC4CD OPTIONAL PART: T6C428JCD V11815 NS202486-048 V80539 102LH9075-4W V72962 H51650-4BAC V15653 POSITION DATA: LH SIDE | 101106 108120 504903 | 2 |
| 95 | BRH10C4D | .NUT- | SUPPLIER CODE: V52828 SPECIFICATION NUMBER: BACN10JC4CD OPTIONAL PART: T6C428JCD V11815 NS202486-048 V80539 102LH9075-4W V72962 H51650-4BAC V15653 POSITION DATA: LH SIDE | 101106 108120 504903 | 2 |
| 100 | M81935-2-4 | .BEARING- | POSITION DATA: LH SIDE | 101102 108120 504903 | 1 |
| 100 | M81935-2-04 | .BEARING- | POSITION DATA: LH SIDE | 103106 | 1 |
| 105 | M81935-1-4 | .BEARING- | POSITION DATA: LH SIDE | 101102 108120 504903 | 1 |
| 105 | M81935-1-04 | .BEARING- | POSITION DATA: LH SIDE | 103106 | 1 |
| 110 | 65B41247-149 | .ROD ASSY- | POSITION DATA: RH SIDE | 101106 108120 504903 | 1 |

MISSING ITEM NUMBERS NOT APPLICABLE

- ITEM NOT ILLUSTRATED

21-51-01-02A

21-51-01
FIG. 02A
PAGE 4
JAN 20/09

BRI

BOEING PROPRIETARY - Copyright © - Unpublished Work - See title page for details.



757

PARTS CATALOG (MAINTENANCE)

| FIG ITEM | PART NUMBER | 1 2 3 4 5 6 7 | NOMENCLATURE | EFFECT FROM TO | UNITS PER ASSY |
|-----------|-------------|---------------|--|----------------------------|----------------|
| 2A 115 | AN316-5R | . . | NUT | 101106 108120 504903 | 2 |
| 120 | AB4E27 | . . | BEARING- SUPPLIER CODE: V15860 SPECIFICATION NUMBER: BACB10A187 OPTIONAL PART: BRE4140 V81376 HB4E133 V02758 KB4ESS V97613 MXJ45-14B V73134 51564-04 V09455 AR4E4 VS0352 NB3B V73134 ASM4-6 V56644 ART4E118 V50294 BACB10A187L V81025 KNE4-22 V97613 MR45-14WA V73134 | 101106 108120 504903 | 2 |
| 120 | ART4E118 | . . | BEARING-END SUPPLIER CODE: V50294 OPTIONAL PART: KNE4-22 V97613 MR45-14WA V73134 BACB10A187 BACB10A187L | 101106 108120 504903 | 2 |

MISSING ITEM NUMBERS NOT APPLICABLE

- ITEM NOT ILLUSTRATED

21-51-01-02A

21-51-01
FIG. 02A
PAGE 5
JAN 20/09

BRI

BOEING PROPRIETARY - Copyright © - Unpublished Work - See title page for details.



757

PARTS CATALOG (MAINTENANCE)

| FIG ITEM | PART NUMBER | 1 2 3 4 5 6 7 | NOMENCLATURE | EFFECT FROM TO | UNITS PER ASSY |
|-----------|-------------|---------------|---|----------------------------|----------------|
| 2A 120 | AB4E27FN | | .. BEARING- SUPPLIER CODE: V15860 SPECIFICATION NUMBER: BACB10A187L OPTIONAL PART: BRE4140L V81376 HB4E135 V02758 KB4ESSFN V97613 MXJ45-14BFG V73134 51564-0402 V09455 AR4E4FN VS0352 ASM4F6 V56644 ARTE118 V50294 BACB10A187 KNE4-22 V97613 MR45-14WA V73134 | 101106 108120 504903 | 2 |
| 120 | KNE4-22 | | .. BEARING-END SUPPLIER CODE: V97613 OPTIONAL PART: ART4E118 V50294 BACB10A187 BACB10A187L MR45-14WA V73134 | 101106 108120 504903 | 2 |
| 120 | MR45-14WA | | .. BEARING-END SUPPLIER CODE: V73134 OPTIONAL PART: ART4E118 V50294 BACB10A187 BACB10A187L KNE4-22 V97613 | 101106 108120 504903 | 2 |

MISSING ITEM NUMBERS NOT APPLICABLE

- ITEM NOT ILLUSTRATED

21-51-01-02A

21-51-01
FIG. 02A
PAGE 6
JAN 20/09

BRI

BOEING PROPRIETARY - Copyright © - Unpublished Work - See title page for details.



757

PARTS CATALOG (MAINTENANCE)

| FIG ITEM | PART NUMBER | 1 2 3 4 5 6 7 | NOMENCLATURE | EFFECT FROM TO | UNITS PER ASSY |
|-----------|---------------|---------------|--|----------------------------|----------------|
| 2A 125 | 65B41247-100 | . . | ROD | 101106 108120 504903 | 2 |
| 130 | 213N1104-8 | . . | BRACKET ASSY- POSITION DATA: RH SIDE ATTACHING PARTS | 101106 108120 504903 | 1 |
| - 135 | BACB30NM3K2 | . . | BOLT | 101106 108120 504903 | 2 |
| - 140 | NAS1149D0363J | . . | WASHER | 101106 108120 504903 | 2 |
| - 145 | BRH10C3D | . . | NUT SUPPLIER CODE: V52828 SPECIFICATION NUMBER: BACN10JC3CD OPTIONAL PART: T6C1032JCD V11815 NS202486-02 V80539 102LH9075-3W V72962 H51650-3BAC V15653 -----*----- | 101106 108120 504903 | 2 |
| 150 | AN960PD616 | . . | WASHER | 101106 108120 504903 | 2 |
| 155 | BACB28X4C012 | . . | BUSHING | 101106 108120 504903 | 2 |
| 160 | 213N1104-7 | . . | BRACKET | 101106 108120 504903 | 1 |
| 165 | 14J29200E | . . | CLAMP SUPPLIER CODE: V5T400 SPECIFICATION NUMBER: BACC10GY200E OPTIONAL PART: PDVC137200E V14242 4385AF200E V94581 NM102701200E V8W928 | 101106 108120 504903 | 1 |

MISSING ITEM NUMBERS NOT APPLICABLE

- ITEM NOT ILLUSTRATED

21-51-01-02A

21-51-01
FIG. 02A
PAGE 7
JAN 20/09

BRI

BOEING PROPRIETARY - Copyright © - Unpublished Work - See title page for details.

 **BOEING**
757
PARTS CATALOG (MAINTENANCE)

| FIG ITEM | PART NUMBER | 1 2 3 4 5 6 7 | NOMENCLATURE | EFFECT FROM TO | UNITS PER ASSY |
|-----------|----------------|---------------|---|----------------------------|----------------|
| 2A 170 | 10A300-300 | | .CABLE ASSY- SUPPLIER CODE: V14711 ATTACHING PARTS | 101106 108120 504903 | 2 |
| - 175 | NAS620C8 | | .WASHER | 101106 108120 504903 | 2 |
| - 180 | BRH10C08D | | .NUT SUPPLIER CODE: V52828 SPECIFICATION NUMBER: BACN10JC08CD OPTIONAL PART: H51650-08BAC V15653 102LH9075-82W V72962 NS202486-82 V80539 T6C832JCD V11815 -----*----- | 101106 108120 504903 | 2 |
| 185 | 213N1101-1 | | .DUCT ASSY- POSITION DATA: LH SIDE | 101106 108120 504903 | 1 |
| 190 | 213N1101-2 | | .DUCT ASSY- POSITION DATA: RH SIDE | 101106 108120 504903 | 1 |
| 195 | 460-200 | | .SEAL-PERI SUPPLIER CODE: V14711 | 101106 108120 504903 | 2 |
| 195 | 615-200 | | .SEAL-PERI SUPPLIER CODE: V14711 | 101106 108120 504903 | 2 |
| 195 | 706-3-200 | | .SEAL-MAX SUPPLIER CODE: VOBLW7 | 101106 108120 504903 | 2 |
| 200 | 10A348-200-200 | | .HOUSING- SUPPLIER CODE: V14711 | 101106 108120 504903 | 1 |
| - 300 | 213N1003-57 | | DUCT INSTL-PASSENGER STD EICAS POSITION DATA: LH FOR NHA SEE: 21-00-00-12 21-00-00-14 | 101102 108120 504903 | RF |

MISSING ITEM NUMBERS NOT APPLICABLE

- ITEM NOT ILLUSTRATED

BRI

21-51-01-02A

BOEING PROPRIETARY - Copyright © - Unpublished Work - See title page for details.

21-51-01
FIG. 02A
PAGE 8
MAY 20/09



757

PARTS CATALOG (MAINTENANCE)

| FIG ITEM | PART NUMBER | 1 2 3 4 5 6 7 | NOMENCLATURE | EFFECT FROM TO | UNITS PER ASSY |
|-------------|-------------|---------------|---|----------------------------|----------------|
| 2A - 300 | MODREF5995 | | DUCT INSTL-PASSENGER STD EICAS MODULE NUMBER: 213N1003-57 REV A POSITION DATA: LH | 103106 | 1 |
| - 305 | 213N1003-58 | | DUCT INSTL-PASSENGER STD EICAS POSITION DATA: RH FOR NHA SEE: 21-00-00-12 21-00-00-14 | 101102 108120 504903 | RF |
| - 305 | MODREF5996 | | DUCT INSTL-PASSENGER STD EICAS MODULE NUMBER: 213N1003-58 REV A POSITION DATA: RH | 103106 | 1 |
| 320 | 213N1100-60 | | .DUCT ASSY- POSITION DATA: LH SIDE | 101106 108120 504903 | 1 |
| 325 | 213N1100-65 | | .DUCT ASSY- POSITION DATA: RH SIDE | 101106 108120 504903 | 1 |
| - 400 | 213N1003-59 | | VALVE INSTL-FCV 757-200 POSITION DATA: LH SIDE FOR NHA SEE: 21-00-00-15 | 101102 108120 504903 | RF |
| - 400 | MODREF5997 | | VALVE INSTL-FCV 757-200 MODULE NUMBER: 213N1003-59 REV A POSITION DATA: LH SIDE | 103106 | 1 |
| - 405 | 213N1003-60 | | VALVE INSTL-FCV 757-200 POSITION DATA: RH SIDE FOR NHA SEE: 21-00-00-15 | 101102 108120 504903 | RF |
| - 405 | MODREF5998 | | VALVE INSTL-FCV 757-200 MODULE NUMBER: 213N1003-60 REV A POSITION DATA: RH SIDE | 103106 | 1 |

MISSING ITEM NUMBERS NOT APPLICABLE

- ITEM NOT ILLUSTRATED

21-51-01-02A

21-51-01
FIG. 02A
PAGE 9
MAY 20/09

BRI



757

PARTS CATALOG (MAINTENANCE)

| FIG ITEM | PART NUMBER | 1 2 3 4 5 6 7 | NOMENCLATURE | EFFECT FROM TO | UNITS PER ASSY |
|-----------|---------------|---------------|--|----------------------------|----------------|
| 2A 410 | 396480-1 | . | VALVE ASSY-FLOW CONT AND SHUTOFF SUPPLIER CODE: V59364 SPECIFICATION NUMBER: S210T130-608 MISCELLANEOUS DATA: ELEC EQMT NO. V00016 AND V00017 ELECTRICAL EQUIP NUMBER: V00016 V00017 COMPONENT MAINT MANUAL REF: 21-51-19 QUALIFIED I/W DATA: PN 396480-1 CAN REPLACE AND BE REPLACED BY PN 396398-2 EXCEPT FOR ETOPS WHERE 396480-1 MUST BE INSTALLED FOR DETAILS SEE: 21-51-01-51 | 101106 108120 504903 | 1 |
| - 800 | 286N2406-305 | | WIRE BUNDLE ASSY | 101102 | RF |
| - 801 | 286N2406-323 | | WIRE BUNDLE ASSY | 108120 | RF |
| - 801 | 286N2406-327 | | WIRE BUNDLE ASSY | 504903 | RF |
| - 801 | 286N2406-601 | | WIRE BUNDLE ASSY | 103103 | RF |
| - 801 | 286N2406-602 | | WIRE BUNDLE ASSY | 104106 | RF |
| 805 | R071010A5S10L | . | CONNECTOR- SUPPLIER CODE: V41118 SPECIFICATION NUMBER: BCREFA1981 OVERLENGTH PART NUMBER: BACC63BP10A5S10L ELECTRICAL EQUIP NUMBER: D01926 WIRING DIAGRAM REF: 215111 | 101106 108120 504903 | 1 |

MISSING ITEM NUMBERS NOT APPLICABLE

- ITEM NOT ILLUSTRATED

21-51-01-02A

21-51-01
FIG. 02A
PAGE 10
MAY 20/09

BRI



757

PARTS CATALOG (MAINTENANCE)

| FIG ITEM | PART NUMBER | 1 2 3 4 5 6 7 | NOMENCLATURE | EFFECT FROM TO | UNITS PER ASSY |
|-----------|----------------|---------------|---|----------------------------|----------------|
| 2A 807 | GS3418-10CD | | .CLAMP- SUPPLIER CODE: V06324 SPECIFICATION NUMBER: BACC10HG10 OPTIONAL PART: S2126-10-8 V07418 ELECTRICAL EQUIP NUMBER: D01926T WIRING DIAGRAM REF: 215111 | 101102 108120 504903 | 1 |
| 807 | 620AA028NF10L | | .CLAMP- SUPPLIER CODE: V06324 SPECIFICATION NUMBER: BACC10KE10 OPTIONAL PART: S3820-10-65 V07418 ELECTRICAL EQUIP NUMBER: D01926T WIRING DIAGRAM REF: 215111 | 101106 108120 504903 | 1 |
| 810 | R071010A5S8L | | .CONNECTOR- SUPPLIER CODE: V41118 SPECIFICATION NUMBER: BACC63BP10A5S8L ELECTRICAL EQUIP NUMBER: D01928 WIRING DIAGRAM REF: 215111 | 101102 108120 504903 | 1 |
| 810 | BACC63BP10A5S8 | | .CONNECTOR- ELECTRICAL EQUIP NUMBER: D01928 WIRING DIAGRAM REF: 215111 | 103106 | 1 |

MISSING ITEM NUMBERS NOT APPLICABLE

- ITEM NOT ILLUSTRATED

21-51-01-02A

21-51-01
FIG. 02A
PAGE 11
MAY 20/09

BRI



757

PARTS CATALOG (MAINTENANCE)

| FIG ITEM | PART NUMBER | 1 2 3 4 5 6 7 | NOMENCLATURE | EFFECT FROM TO | UNITS PER ASSY |
|-----------|----------------|---------------|--|----------------------------|----------------|
| 2A 812 | GS3418-10CD | . | CLAMP- SUPPLIER CODE: V06324 SPECIFICATION NUMBER: BACC10HG10 OPTIONAL PART: S2126-10-8 V07418 ELECTRICAL EQUIP NUMBER: D01928T WIRING DIAGRAM REF: 215111 | 101102 108120 504903 | 1 |
| 812 | 620AA028NF10L | . | CLAMP- SUPPLIER CODE: V06324 SPECIFICATION NUMBER: BACC10KE10 OPTIONAL PART: S3820-10-65 V07418 ELECTRICAL EQUIP NUMBER: D01928T WIRING DIAGRAM REF: 215111 | 101106 108120 504903 | 1 |
| 815 | BACC63BP10A5S7 | . | CONNECTOR- ELECTRICAL EQUIP NUMBER: D04128 WIRING DIAGRAM REF: 215112 | 103106 | 1 |
| 815 | R071010A5S7L | . | CONNECTOR- SUPPLIER CODE: V41118 SPECIFICATION NUMBER: BACC63BP10A5S7L ELECTRICAL EQUIP NUMBER: D04128 WIRING DIAGRAM REF: 215112 | 101102 108120 504903 | 1 |

MISSING ITEM NUMBERS NOT APPLICABLE

- ITEM NOT ILLUSTRATED

21-51-01-02A

21-51-01
FIG. 02A
PAGE 12
JAN 20/09

BRI



757

PARTS CATALOG (MAINTENANCE)

| FIG ITEM | PART NUMBER | 1 2 3 4 5 6 7 | NOMENCLATURE | EFFECT FROM TO | UNITS PER ASSY |
|-----------|---------------|------------------|---|----------------------------|----------------|
| 2A 817 | GS3417-10C | .CLAMP- | SUPPLIER CODE: V06324 SPECIFICATION NUMBER: BACC10HF10 OPTIONAL PART: S2125-10-8 V07418 ELECTRICAL EQUIP NUMBER: D04128T WIRING DIAGRAM REF: 215112 | 101102 108120 504903 | 1 |
| 817 | S3819-10-65 | .CLAMP- | SUPPLIER CODE: V07418 SPECIFICATION NUMBER: BACC10KD10 OPTIONAL PART: 620AS028NF10L V06324 ELECTRICAL EQUIP NUMBER: D04128T WIRING DIAGRAM REF: 215112 | 103106 | 1 |
| - 850 | 286N2506-305 | WIRE BUNDLE ASSY | | 101102 | RF |
| - 851 | 286N2506-327 | WIRE BUNDLE ASSY | | 108120 | RF |
| - 851 | 286N2506-328 | WIRE BUNDLE ASSY | | 504903 | RF |
| - 851 | 286N2506-601 | WIRE BUNDLE ASSY | | 103106 | RF |
| 855 | R071010A5S10L | .CONNECTOR- | SUPPLIER CODE: V41118 SPECIFICATION NUMBER: BCREFA1981 OVERLENGTH PART NUMBER: BACC63BP10A5S10L ELECTRICAL EQUIP NUMBER: D01932 WIRING DIAGRAM REF: 215121 | 101106 108120 504903 | 1 |

MISSING ITEM NUMBERS NOT APPLICABLE

- ITEM NOT ILLUSTRATED

21-51-01-02A

21-51-01
FIG. 02A
PAGE 13
JAN 20/09

BRI



757

PARTS CATALOG (MAINTENANCE)

| FIG ITEM | PART NUMBER | 1 2 3 4 5 6 7 | NOMENCLATURE | EFFECT FROM TO | UNITS PER ASSY |
|-----------|----------------|---------------|--|----------------------------|----------------|
| 2A 857 | GS3418-10CD | .CLAMP- | SUPPLIER CODE: V06324 SPECIFICATION NUMBER: BACC10HG10 OPTIONAL PART: S2126-10-8 V07418 ELECTRICAL EQUIP NUMBER: D01932T WIRING DIAGRAM REF: 215121 | 101102 108120 504903 | 1 |
| 857 | 620AA028NF10L | .CLAMP- | SUPPLIER CODE: V06324 SPECIFICATION NUMBER: BACC10KE10 OPTIONAL PART: S3820-10-65 V07418 ELECTRICAL EQUIP NUMBER: D01932T WIRING DIAGRAM REF: 215121 | 101106 108120 504903 | 1 |
| 860 | R071010A5S8L | .CONNECTOR- | SUPPLIER CODE: V41118 SPECIFICATION NUMBER: BACC63BP10A5S8L ELECTRICAL EQUIP NUMBER: D01934 WIRING DIAGRAM REF: 215121 | 101102 108120 504903 | 1 |
| 860 | BACC63BP10A5S8 | .CONNECTOR- | ELECTRICAL EQUIP NUMBER: D01934 WIRING DIAGRAM REF: 215121 | 103106 | 1 |

MISSING ITEM NUMBERS NOT APPLICABLE

- ITEM NOT ILLUSTRATED

21-51-01-02A

21-51-01
FIG. 02A
PAGE 14
JAN 20/09

BRI



757

PARTS CATALOG (MAINTENANCE)

| FIG ITEM | PART NUMBER | 1 2 3 4 5 6 7 | NOMENCLATURE | EFFECT FROM TO | UNITS PER ASSY |
|-----------|---------------|---------------|--|----------------------------|----------------|
| 2A 862 | GS3418-10CD | .CLAMP- | SUPPLIER CODE: V06324 SPECIFICATION NUMBER: BACC10HG10 OPTIONAL PART: S2126-10-8 V07418 ELECTRICAL EQUIP NUMBER: D01934T WIRING DIAGRAM REF: 215121 | 101102 108120 504903 | 1 |
| 862 | 620AA028NF10L | .CLAMP- | SUPPLIER CODE: V06324 SPECIFICATION NUMBER: BACC10KE10 OPTIONAL PART: S3820-10-65 V07418 ELECTRICAL EQUIP NUMBER: D01934T WIRING DIAGRAM REF: 215121 | 101106 108120 504903 | 1 |
| 865 | R071010A5SNL | .CONNECTOR- | SUPPLIER CODE: V41118 SPECIFICATION NUMBER: BACC63BP10A5SNL ELECTRICAL EQUIP NUMBER: D01936 WIRING DIAGRAM REF: 215121 | 101106 108120 504903 | 1 |
| 867 | GS3417-10C | .CLAMP- | SUPPLIER CODE: V06324 SPECIFICATION NUMBER: BACC10HF10 OPTIONAL PART: S2125-10-8 V07418 ELECTRICAL EQUIP NUMBER: D01936T WIRING DIAGRAM REF: 215121 | 101102 108120 504903 | 1 |

MISSING ITEM NUMBERS NOT APPLICABLE

- ITEM NOT ILLUSTRATED

21-51-01-02A

21-51-01
FIG. 02A
PAGE 15
JAN 20/09

BRI

BOEING
757
PARTS CATALOG (MAINTENANCE)

| FIG ITEM | PART NUMBER | 1 2 3 4 5 6 7 | NOMENCLATURE | EFFECT FROM TO | UNITS PER ASSY |
|-----------|---------------|---------------|---|----------------------------|----------------|
| 2A 867 | S3819-10-65 | | .CLAMP- SUPPLIER CODE: V07418 SPECIFICATION NUMBER: BACC10KD10 OPTIONAL PART: 620AA028NF10L V06324 ELECTRICAL EQUIP NUMBER: D01936T WIRING DIAGRAM REF: 215121 | 103106 | 1 |
| 870 | R071010A5S7L | | .CONNECTOR- SUPPLIER CODE: V41118 SPECIFICATION NUMBER: BACC63BP10A5S7L ELECTRICAL EQUIP NUMBER: D04236 WIRING DIAGRAM REF: 215122 | 101106 108120 504903 | 1 |
| 872 | GS3418-10CD | | .CLAMP- SUPPLIER CODE: V06324 SPECIFICATION NUMBER: BACC10HG10 OPTIONAL PART: S2126-10-8 V07418 ELECTRICAL EQUIP NUMBER: D04236T WIRING DIAGRAM REF: 215122 | 101102 108120 504903 | 1 |
| 872 | 620AA028NF10L | | .CLAMP- SUPPLIER CODE: V06324 SPECIFICATION NUMBER: BACC10KE10 OPTIONAL PART: S3820-10-65 V07418 ELECTRICAL EQUIP NUMBER: D04236T WIRING DIAGRAM REF: 215122 | 101106 108120 504903 | 1 |
| 905 | | | ILLUSTRATION REFERENCE: DUCT AND CLAMP INSTL-UNDER WING TRIM AIR 21-61-05-01 | 101106 108120 504903 | RF |

MISSING ITEM NUMBERS NOT APPLICABLE

— ITEM NOT ILLUSTRATED

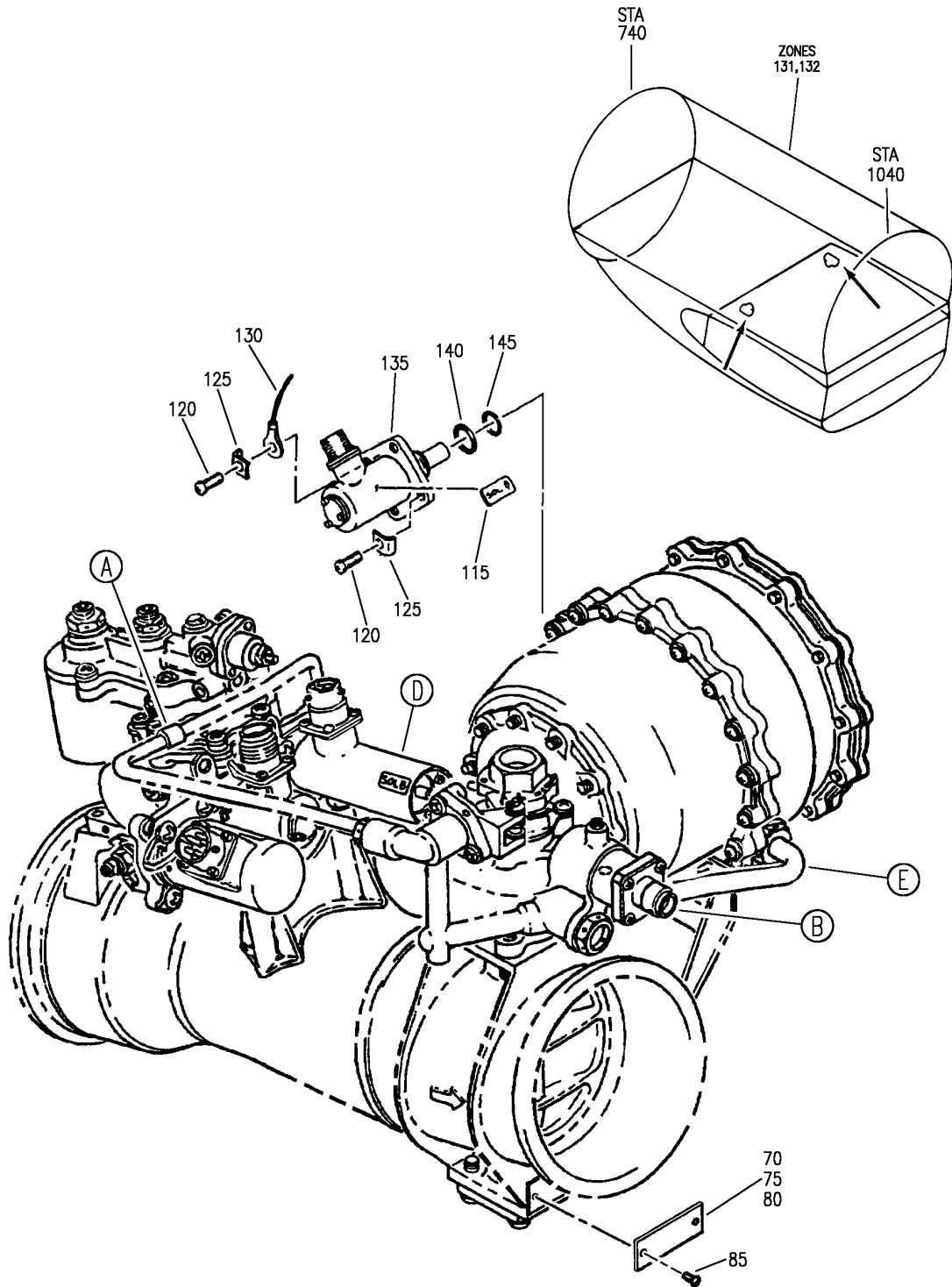
BRI

21-51-01-02A

BOEING PROPRIETARY - Copyright © - Unpublished Work - See title page for details.

21-51-01
FIG. 02A
PAGE 16
JAN 20/09

BOEING
757
PARTS CATALOG (MAINTENANCE)



Y 21510151 SHT 1 REV 289

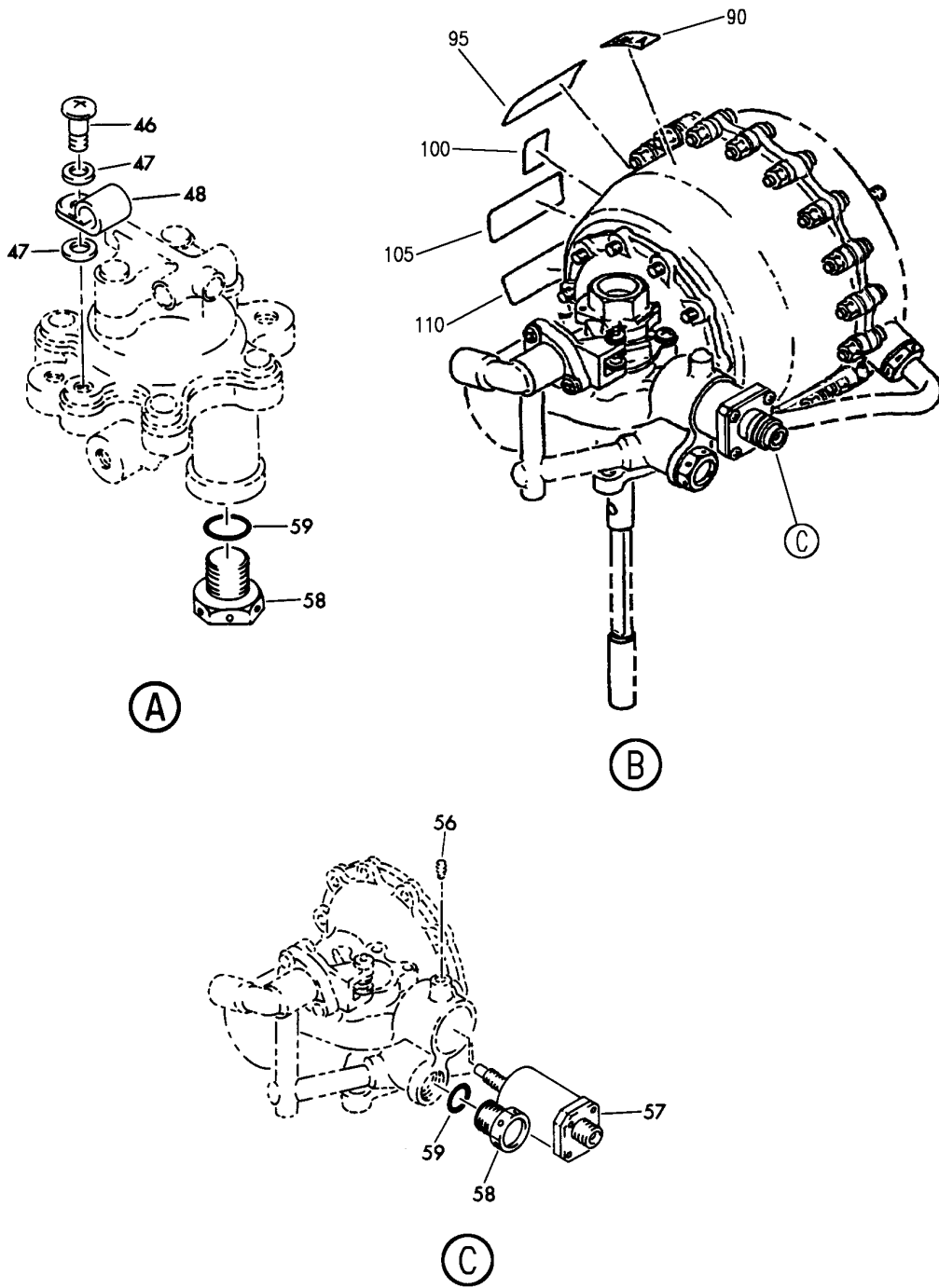
VALVE ASSY-FLOW CONT AND SHUTOFF
FIGURE 51 (SHEET 1)

21-51-01-51

BRI
MAY 28/07

21-51-01-51
PAGE 0

BOEING
757
PARTS CATALOG (MAINTENANCE)



Y 21510151 SH1 2 REV 252

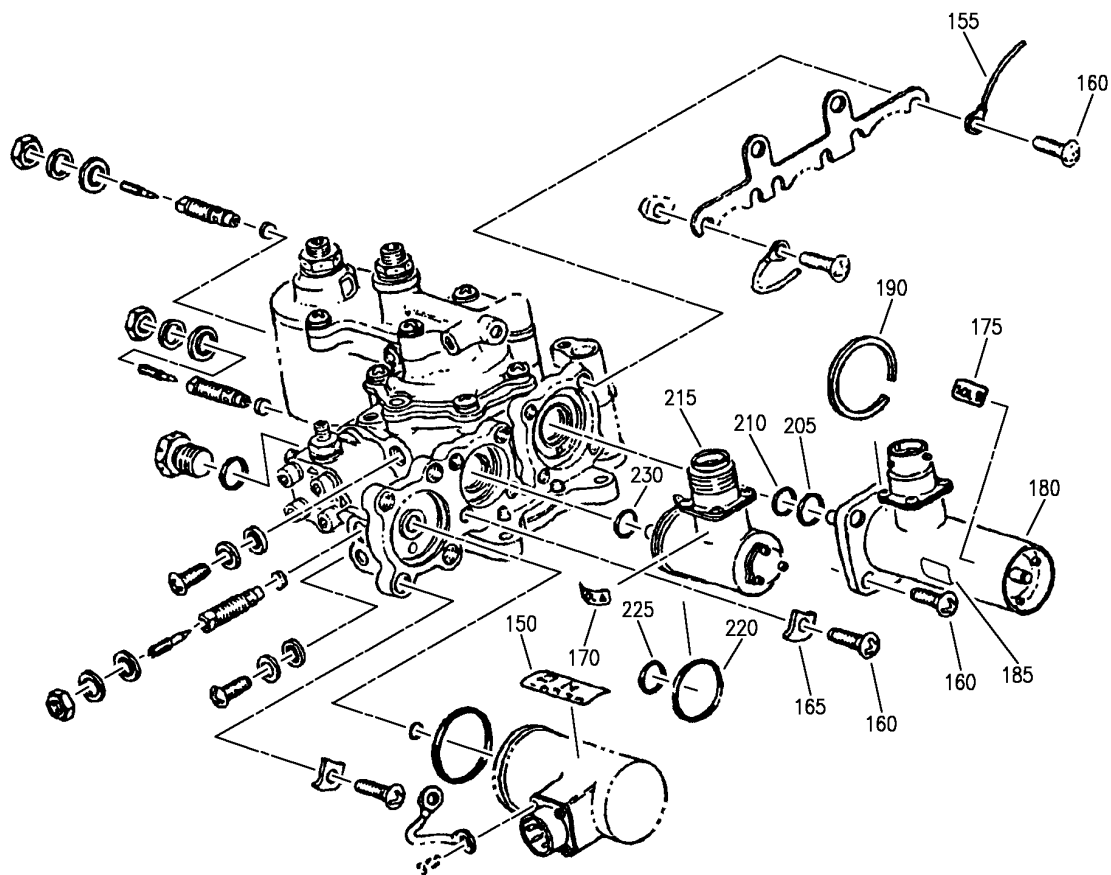
VALVE ASSY-FLOW CONT AND SHUTOFF
FIGURE 51 (SHEET 2)

21-51-01-51

BRI
MAY 28/07

21-51-01-51
PAGE 0A

BOEING
757
PARTS CATALOG (MAINTENANCE)



(D)

Y 21510151 SHT 3 REV 289

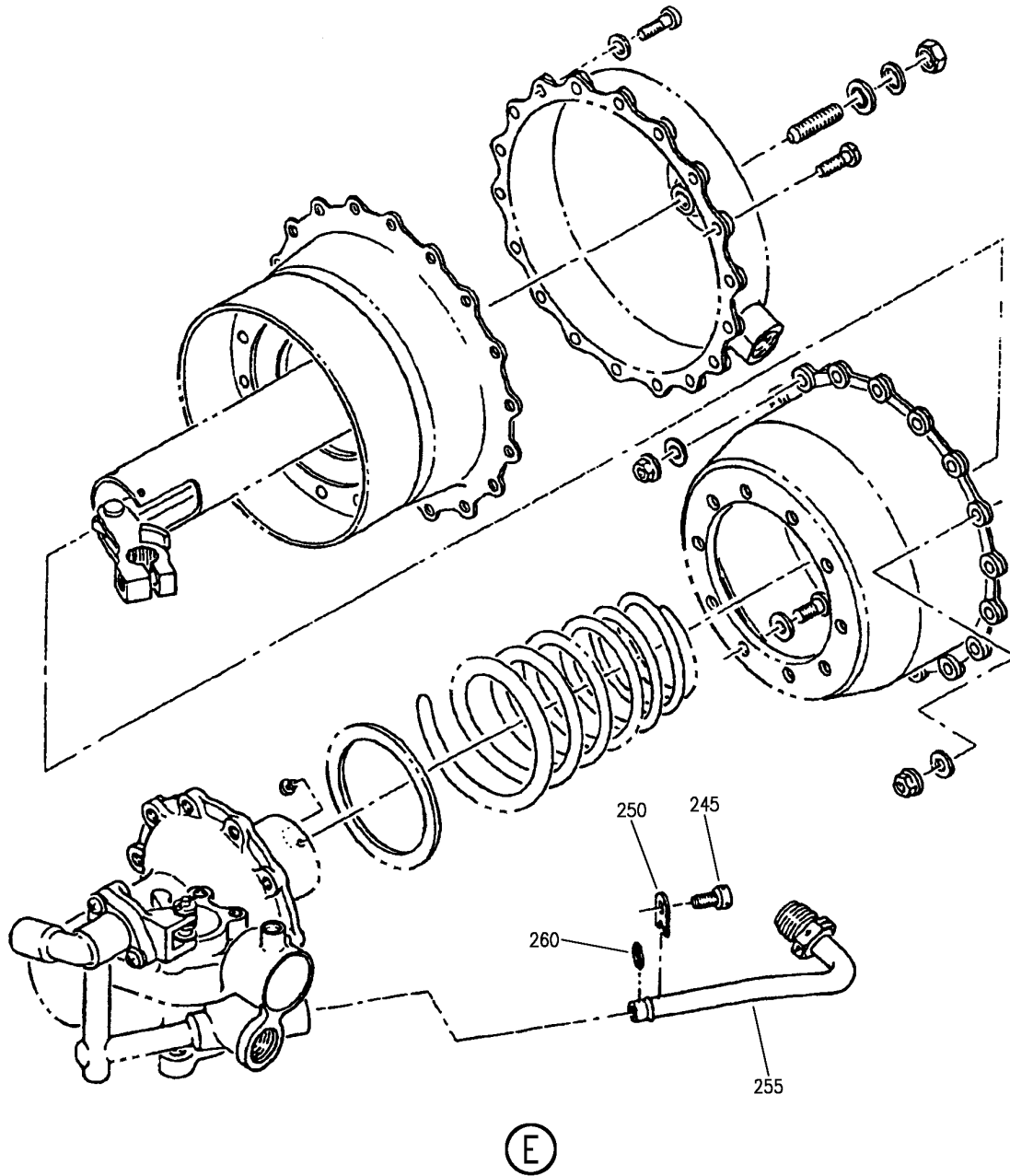
VALVE ASSY-FLOW CONT AND SHUTOFF
FIGURE 51 (SHEET 3)

21-51-01-51

BRI
MAY 28/07

21-51-01-51
PAGE 0B

BOEING
757
PARTS CATALOG (MAINTENANCE)



Y 21510151 SH1 4 REV 289

VALVE ASSY-FLOW CONT AND SHUTOFF
FIGURE 51 (SHEET 4)

21-51-01-51

BRI
MAY 28/07

21-51-01-51
PAGE 0C



757

PARTS CATALOG (MAINTENANCE)

| FIG ITEM | PART NUMBER | 1 2 3 4 5 6 7 | NOMENCLATURE | EFFECT FROM TO | UNITS PER ASSY |
|----------|---------------|---------------|---|------------------|----------------|
| 51 | | | VALVE ASSY-FLOW CONT AND SHUTOFF | 002004 006999 | |
| - 1 | 396480-1 | | VALVE ASSY-FLOW CONT AND SHUTOFF SUPPLIER CODE: V59364 SPECIFICATION NUMBER: S210T130-608 ELECTRICAL EQUIP NUMBER: V00016 V00017 COMPONENT MAINT MANUAL REF: 21-51-19 QUALIFIED I/W DATA: PN 396480-1 CAN REPLACE AND BE REPLACED BY PN 396398-2 EXCEPT FOR ETOPS WHERE 396480-1 MUST BE INSTALLED FOR NHA SEE: 21-51-01-01 21-51-01-02 21-51-01-02A | 002004 006999 | RF |
| 46 | MS51957-47 | . | SCREW | 002004 006999 | 1 |
| 47 | S8157N7-112 | . | WASHER-SPECIAL SUPPLIER CODE: V59364 | 002004 006999 | 2 |
| 48 | TA713WTSS4T | . | CLAMP-CUSHIONED WEDGE LOOP SUPPLIER CODE: V84971 | 002004 006999 | 1 |
| 56 | AN565AC1032H8 | . | SETSCREW | 002004 006999 | 1 |
| 57 | 974395-3 | . | SWITCH ASSY-SENSITIVE SUPPLIER CODE: V59364 MISCELLANEOUS DATA: (REFER TO REPORT NO. 21-51-17 FOR REPAIR) COMPONENT MAINT MANUAL REF: 21-51-17 | 002004 006999 | 1 |
| 58 | MS24391D4 | . | PLUG- CONFIG CHG DATA FROM A CMM: REPLD BY MS24391D4L | 002004 006999 | 2 |
| 58 | MS24391D4L | . | PLUG- CONFIG CHG DATA FROM A CMM: REPLS MS24391D4 | 002004 006999 | 2 |

MISSING ITEM NUMBERS NOT APPLICABLE

- ITEM NOT ILLUSTRATED

21-51-01-51

21-51-01
FIG. 51
PAGE 1
JAN 20/09

BRI



757

PARTS CATALOG (MAINTENANCE)

| FIG ITEM | PART NUMBER | 1 2 3 4 5 6 7 | NOMENCLATURE | EFFECT FROM TO | UNITS PER ASSY |
|----------|-------------|---------------|--|------------------|----------------|
| 51 | | | | | |
| 59 | S8990-604 | | .PACKING-PREFORMED SUPPLIER CODE: V59364 | 002004 006999 | 2 |
| 75 | S3005-1 | | .PLATE-IDENT SUPPLIER CODE: V99193 | 002004 006999 | 1 |
| 85 | MS51861-1C | | ATTACHING PARTS .SCREW | 002004 006999 | 2 |
| | | | -----*----- | | |
| 90 | S8912M71 | | .LABEL-GENERAL INSTRUCTION SUPPLIER CODE: V59364 | 002004 006999 | 1 |
| 95 | 859520-20 | | .PLATE-IDENT SUPPLIER CODE: V59364 | 002004 006999 | 1 |
| 100 | S8912M72 | | .LABEL-GENERAL INSTRUCTION SUPPLIER CODE: V59364 | 002004 006999 | 1 |
| 105 | 859520-19 | | .PLATE-IDENT SUPPLIER CODE: V59364 | 002004 006999 | 1 |
| 110 | 859520-21 | | .PLATE-IDENT SUPPLIER CODE: V59364 | 002004 006999 | 1 |
| 150 | 859520-22 | | .PLATE-IDENTIFICATION SUPPLIER CODE: V59364 | 002004 006999 | 1 |
| 160 | MS51957-45 | | .SCREW | 002004 006999 | 8 |
| 165 | 3160543-1 | | .CLIP- SUPPLIER CODE: V59364 | 002004 006999 | 4 |
| 170 | S8912M71 | | .LABEL-GENERAL INSTRUCTION SUPPLIER CODE: V59364 | 002004 006999 | 1 |
| 175 | S8912M72 | | .LABEL-GENERAL INSTRUCTION SUPPLIER CODE: V59364 | 002004 006999 | 1 |
| 180 | 320115-11 | | .VALVE ASSY-SOLENOID SUPPLIER CODE: V59364 | 002004 006999 | 1 |
| | | | COMPONENT MAINT MANUAL REF: 21-51-19 | | |
| 185 | 967700-1-1 | | ..PLATE-IDENT SUPPLIER CODE: V59364 | 002004 006999 | 1 |

MISSING ITEM NUMBERS NOT APPLICABLE

- ITEM NOT ILLUSTRATED

21-51-01-51

21-51-01
FIG. 51
PAGE 2
JAN 20/09

BRI



757

PARTS CATALOG (MAINTENANCE)

| FIG ITEM | PART NUMBER | 1 2 3 4 5 6 7 | NOMENCLATURE | EFFECT FROM TO | UNITS PER ASSY |
|-----------|-------------|---------------|--|------------------|----------------|
| 51 190 | 113326-21-1 | | .WASHER-SPLIT SUPPLIER CODE: V59364 MISCELLANEOUS DATA: 0.008 TO 0.012 IN. THICK SELECT FROM ITEM. | 002004 006999 | 1 |
| - 195 | 113326-21-2 | | .WASHER-SPLIT SUPPLIER CODE: V59364 MISCELLANEOUS DATA: 0.014 TO 0.018 IN. THICK SELECT FROM ITEM. | 002004 006999 | 1 |
| - 200 | 113326-21-3 | | .WASHER-SPLIT SUPPLIER CODE: V59364 MISCELLANEOUS DATA: 0.016 TO 0.024 IN. THICK SELECT FROM ITEM. | 002004 006999 | 1 |
| 205 | S8990-564 | | .PACKING- SUPPLIER CODE: V59364 | 002004 006999 | 1 |
| 210 | S8990-563 | | .PACKING- SUPPLIER CODE: V59364 SB DATA FROM A CMM: PRE 21-1461 | 002004 006999 | 1 |
| 210 | 3176480-2 | | .GASKET- SUPPLIER CODE: V59364 SB DATA FROM A CMM: POST 21-1461 | 002004 006999 | 1 |
| 215 | 319525-20 | | .VALVE ASSY-SOLENOID SUPPLIER CODE: V59364 COMPONENT MAINT MANUAL REF: 24-09-41 | 002004 006999 | 1 |
| - 217 | 967700-1-1 | | ..PLATE-IDENT SUPPLIER CODE: V59364 | 002004 006999 | 1 |
| 220 | S8990-565 | | .PACKING- SUPPLIER CODE: V59364 SB DATA FROM A CMM: PRE 21-1461 | 002004 006999 | 1 |

MISSING ITEM NUMBERS NOT APPLICABLE

- ITEM NOT ILLUSTRATED

21-51-01-51

21-51-01
FIG. 51
PAGE 3
SEP 20/08

BRI



757

PARTS CATALOG (MAINTENANCE)

| FIG ITEM | PART NUMBER | 1 2 3 4 5 6 7 | NOMENCLATURE | EFFECT FROM TO | UNITS PER ASSY |
|-----------|-------------|---------------|--|------------------|----------------|
| 51 220 | 3176480-1 | | .GASKET- SUPPLIER CODE: V59364 SB DATA FROM A CMM: POST 21-1461 | 002004 006999 | 1 |
| 225 | S8990-025 | | .PACKING- SUPPLIER CODE: V59364 SB DATA FROM A CMM: REPLACED BY S8990-564 | 002004 006999 | 1 |
| 225 | S8990-564 | | .PACKING- SUPPLIER CODE: V59364 SB DATA FROM A CMM: REPLACES S8990-025 | 002004 006999 | 1 |
| 230 | S8990-007 | | .PACKING- SUPPLIER CODE: V59364 SB DATA FROM A CMM: REPLACED BY S8990-563 | 002004 006999 | 1 |
| 230 | S8990-563 | | .PACKING- SUPPLIER CODE: V59364 SB DATA FROM A CMM: REPLACES S8990-007 | 002004 006999 | 1 |
| 245 | MS51957-43 | | ..SCREW- CONFIG CHG DATA FROM A CMM: REPLD BY MS24674-7 | 002004 006999 | 1 |
| 250 | 886903-2 | | .RETAINER-TUBE SUPPLIER CODE: V59364 | 002004 006999 | 1 |
| 255 | 3170859-1 | | .TUBE ASSY- SUPPLIER CODE: V59364 SB DATA FROM A CMM: PRE 21-1482 CONFIG CHG DATA FROM A CMM: REPLD BY 3172434-1 | 002004 006999 | 1 |
| 255 | 3172434-1 | | .TUBE ASSY- SUPPLIER CODE: V59364 SB DATA FROM A CMM: PRE 21-1482 CONFIG CHG DATA FROM A CMM: REPLACES 3170859-1 | 002004 006999 | 1 |

MISSING ITEM NUMBERS NOT APPLICABLE

- ITEM NOT ILLUSTRATED

21-51-01-51

21-51-01
FIG. 51
PAGE 4
SEP 20/08

BRI



757

PARTS CATALOG (MAINTENANCE)

| FIG ITEM | PART NUMBER | 1 2 3 4 5 6 7 | NOMENCLATURE | EFFECT FROM TO | UNITS PER ASSY |
|-----------|-------------|---------------|--|------------------|----------------|
| 51 255 | 3182281-1 | | .TUBE ASSY- SUPPLIER CODE: V59364 SB DATA FROM A CMM: POST 21-1482 | 002004 006999 | 1 |
| 260 | S8990-011 | | .PACKING- SUPPLIER CODE: V59364 | 002004 006999 | 1 |

MISSING ITEM NUMBERS NOT APPLICABLE

- ITEM NOT ILLUSTRATED

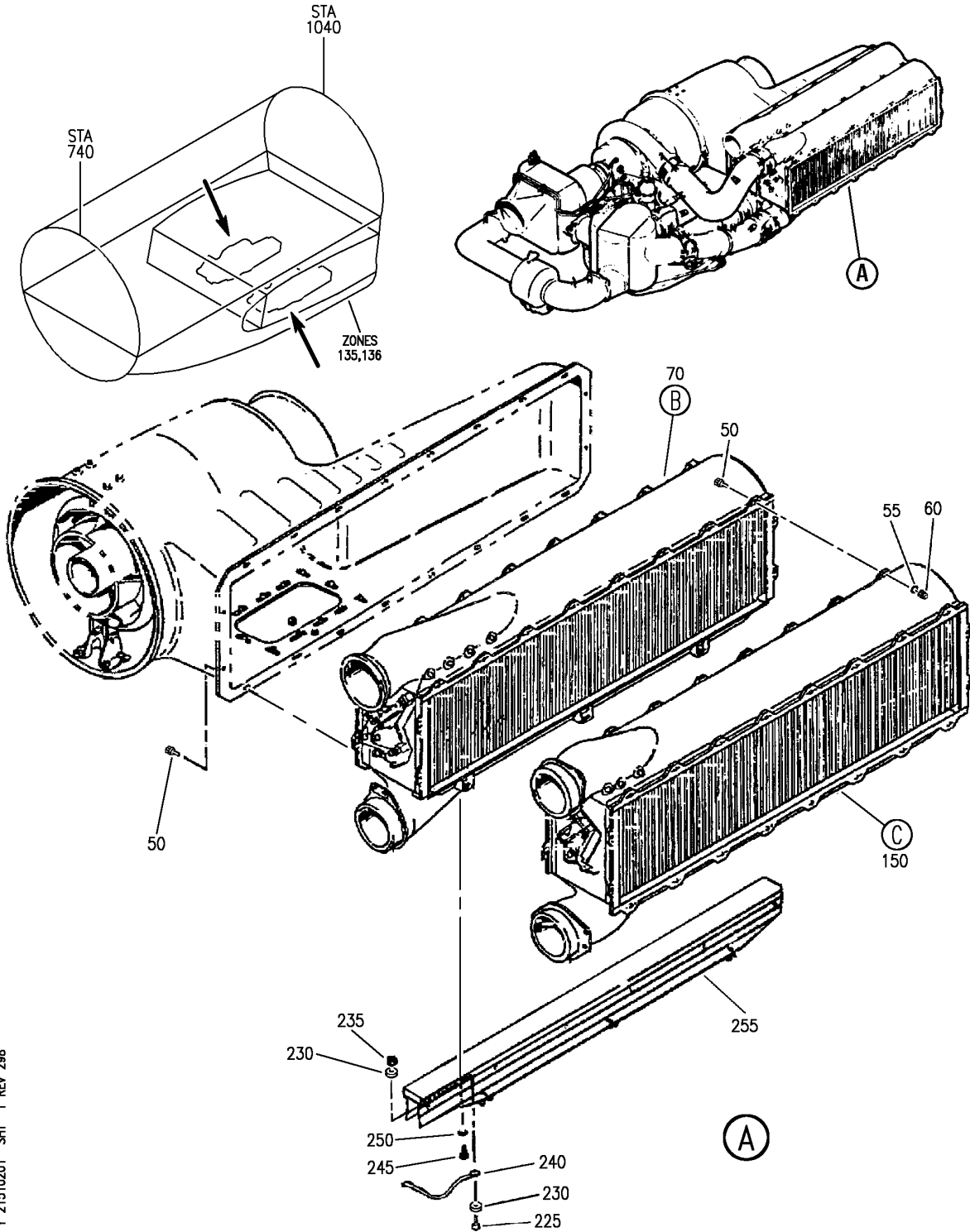
BRI

21-51-01-51

BOEING PROPRIETARY - Copyright © - Unpublished Work - See title page for details.

21-51-01
FIG. 51
PAGE 5
SEP 20/08

BOEING
757
PARTS CATALOG (MAINTENANCE)



Y 21510201 SHT 1 REV 298

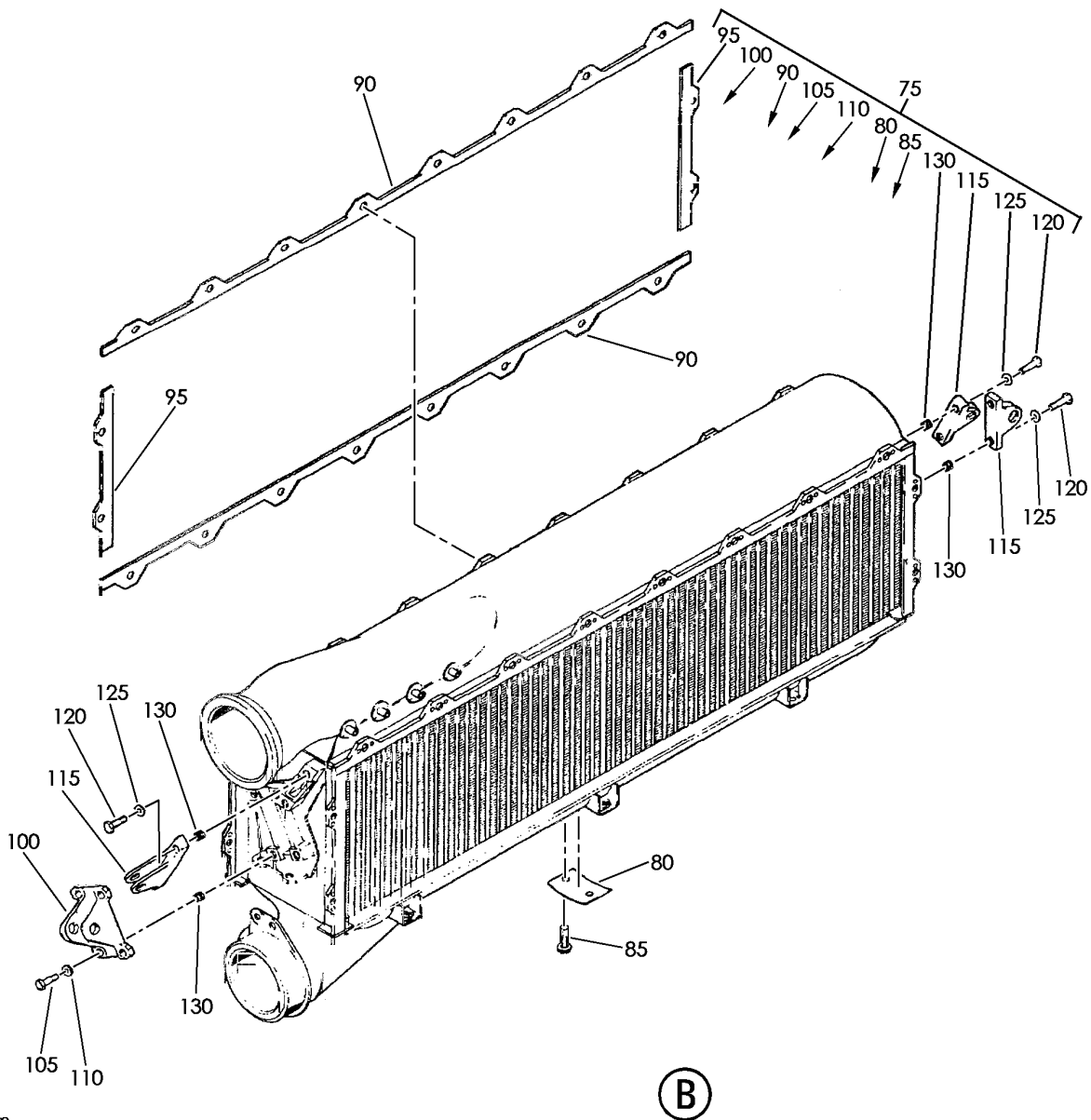
PACK ASSY-AIR CONDITIONING AND TEMP CONT SYS COOLING (HEAT EXCHANGERS ONLY)
FIGURE 1 (SHEET 1)

BRI
MAY 28/07

21-51-02-01

21-51-02-01
PAGE 0

BOEING
757
PARTS CATALOG (MAINTENANCE)



Y 21510201 SHT 2 REV 243

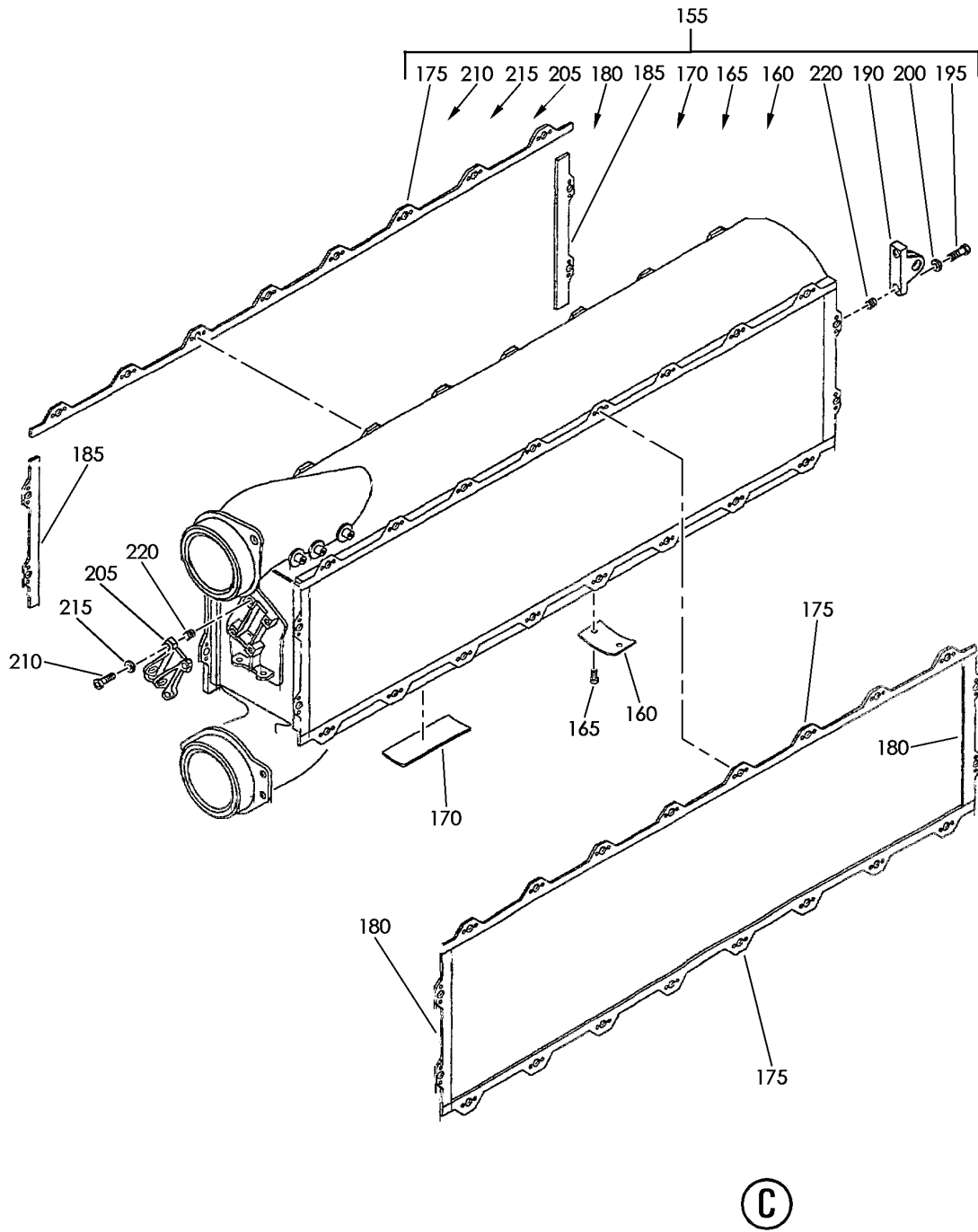
PACK ASSY-AIR CONDITIONING AND TEMP CONT SYS COOLING (HEAT EXCHANGERS ONLY)
FIGURE 1 (SHEET 2)

BRI
MAY 28/07

21-51-02-01

21-51-02-01
PAGE 0A

BOEING
757
PARTS CATALOG (MAINTENANCE)



Y 21510201 SHT 3 REV 243

PACK ASSY-AIR CONDITIONING AND TEMP CONT SYS COOLING (HEAT EXCHANGERS ONLY)
FIGURE 1 (SHEET 3)

21-51-02-01

BRI
MAY 28/07

21-51-02-01
PAGE 0B



757

PARTS CATALOG (MAINTENANCE)

| FIG ITEM | PART NUMBER | 1 2 3 4 5 6 7 | NOMENCLATURE | EFFECT FROM TO | UNITS PER ASSY |
|----------|-------------|---------------|--|------------------|----------------|
| 1 | | | PACK ASSY-AIR CONDITIONING AND TEMP CONT SYS COOLING (HEAT EXCHANGERS ONLY) | 002004 006999 | |
| - 1 | 2202450-9 | | PACK ASSY-AIR CONDITIONING AND TEMP CONT SYS COOLING (HEAT EXCHANGERS ONLY) (SERIES 1-15) SUPPLIER CODE: V70210 POSITION DATA: LH SPECIFICATION NUMBER: S210T130-60 ELECTRICAL EQUIP NUMBER: S10325 TS0041 TS0198 TS5133 V00018 V10077 COMPONENT MAINT MANUAL REF: 21-51-32 QUALIFIED I/W DATA: S210T130-59 (2202450-8) T/W 1 EA 625928-2 AND 1 EA 624014-1 SENSOR IS I/W S210T130-60 (2202450-9) REWORKED BY SB: 2202450-21-2567 V70210 REWORKED BY SERVICE LETTER: 21-037 FOR NHA/ADDITIONAL DET SEE: 21-52-01-01A | 002004 006999 | RF |

MISSING ITEM NUMBERS NOT APPLICABLE

- ITEM NOT ILLUSTRATED

BRI

21-51-02-01

BOEING PROPRIETARY - Copyright © - Unpublished Work - See title page for details.

21-51-02
FIG. 01
PAGE 1
JAN 20/09



**757
PARTS CATALOG (MAINTENANCE)**

| FIG ITEM | PART NUMBER | 1 2 3 4 5 6 7 | NOMENCLATURE | EFFECT FROM TO | UNITS PER ASSY |
|-------------|-------------|---------------|---|-------------------|----------------------|
| 1 - 5 | 2202450-9 | | PACK ASSY-AIR CONDITIONING AND TEMP CONT SYS COOLING (HEAT EXCHANGERS ONLY) (SERIES 1-15) SUPPLIER CODE: V70210 POSITION DATA: RH SPECIFICATION NUMBER: S210T130-60 ELECTRICAL EQUIP NUMBER: S10326 TS0042 TS0199 TS5135 V00019 V10076 COMPONENT MAINT MANUAL REF: 21-51-32 QUALIFIED I/W DATA: S210T130-59 (2202450-8) T/W 1 EA 625928-2 AND 1 EA 624014-1 SENSOR IS I/W S210T130-60 (2202450-9) QUALIFIED OPTIONAL DATA: (S210T130-60 OPTIONAL TO S210T130-59 TOGETHER WITH 624014-1 AND 625928-2 FOR N0064 ONLY) REWORKED BY SB: 2202450-21-2567 V70210 REWORKED BY SERVICE LETTER: 21-037 FOR NHA/ADDITIONAL DET SEE: 21-52-01-01 21-52-01-01A | 002004 006999 | RF |
| 50 | 193507-1 | | .BOLT- | 002004 006999 | 32 |
| 55 | AN960D416L | | .WASHER- SERIES 1-14 | 002004 006999 | 12 |
| 55 | AN960D4161 | | .WASHER- SERIES 15 | 002004 006999 | 12 |
| 60 | NAS679C4M | | .NUT | 002004 006999 | 12 |

MISSING ITEM NUMBERS NOT APPLICABLE

- ITEM NOT ILLUSTRATED

21-51-02-01

21-51-02
FIG. 01
PAGE 2
JAN 20/09

BRI



757

PARTS CATALOG (MAINTENANCE)

| FIG ITEM | PART NUMBER | 1 2 3 4 5 6 7 | NOMENCLATURE | EFFECT FROM TO | UNITS PER ASSY |
|----------|-------------|---------------|--|------------------|----------------|
| 1 | | | | | |
| 70 | 194270-3 | . | EXCHANGER ASSY-HEAT PRIMARY (SERIES 1-13) SUPPLIER CODE: V70210 COMPONENT MAINT MANUAL REF: 21-51-38 OPTIONAL PART: 194270-31 V70210 PRE SERVICE BULLETIN: SPB-21-033 V70210 | 002004 006999 | 1 |
| 70 | 194270-4 | . | EXCHANGER ASSY-HEAT PRIMARY (SERIES 1-15) SUPPLIER CODE: V70210 MISCELLANEOUS DATA: OPTIONAL ON SERIES 1-13 ONLY COMPONENT MAINT MANUAL REF: 21-51-38 OPTIONAL PART: 194270-31 V70210 POST SERVICE BULLETIN: SPB-21-033 V70210 | 002004 006999 | 1 |
| 70 | 194270-31 | . | EXCHANGER ASSY-HEAT PRIMARY (SERIES 1-13) SUPPLIER CODE: V70210 COMPONENT MAINT MANUAL REF: 21-51-38 OPTIONAL PART: 194270-3 V70210 | 002004 006999 | 1 |
| 75 | 194271-6 | .. | EXCHANGER ASSY-HEAT PRIMARY (SERIES 1) SUPPLIER CODE: V70210 COMPONENT MAINT MANUAL REF: 21-51-38 | 002004 006999 | 1 |
| 75 | 194271-8 | .. | EXCHANGER ASSY-HEAT PRIMARY (SERIES 2) SUPPLIER CODE: V70210 COMPONENT MAINT MANUAL REF: 21-51-38 | 002004 006999 | 1 |

MISSING ITEM NUMBERS NOT APPLICABLE

- ITEM NOT ILLUSTRATED

21-51-02-01

21-51-02
FIG. 01
PAGE 3
JAN 20/09

BRI



757

PARTS CATALOG (MAINTENANCE)

| FIG ITEM | PART NUMBER | 1 2 3 4 5 6 7 | NOMENCLATURE | EFFECT FROM TO | UNITS PER ASSY |
|----------|-------------|---------------|--|------------------|----------------|
| 1 | | | | | |
| 75 | 194271-10 | .. | EXCHANGER ASSY-HEAT PRIMARY (SERIES 3) SUPPLIER CODE: V70210 COMPONENT MAINT MANUAL REF: 21-51-38 | 002004 006999 | 1 |
| 75 | 194271-12 | .. | EXCHANGER ASSY-HEAT PRIMARY (SERIES 4) SUPPLIER CODE: V70210 COMPONENT MAINT MANUAL REF: 21-51-38 | 002004 006999 | 1 |
| 75 | 194271-14 | .. | EXCHANGER ASSY-HEAT PRIMARY (SERIES 5) SUPPLIER CODE: V70210 COMPONENT MAINT MANUAL REF: 21-51-38 | 002004 006999 | 1 |
| 75 | 194271-16 | .. | EXCHANGER ASSY-HEAT PRIMARY (SERIES 1) SUPPLIER CODE: V70210 COMPONENT MAINT MANUAL REF: 21-51-38 | 002004 006999 | 1 |
| 80 | 193088-4 | ... | PLATE-ID (SERIES 1) SUPPLIER CODE: V70210 COMPONENT MAINT MANUAL REF: 21-51-38 | 002004 006999 | 1 |
| 80 | 193088-5 | ... | PLATE-ID (SERIES 2) SUPPLIER CODE: V70210 COMPONENT MAINT MANUAL REF: 21-51-38 | 002004 006999 | 1 |
| 80 | 193088-6 | ... | PLATE-ID (SERIES 3) SUPPLIER CODE: V70210 COMPONENT MAINT MANUAL REF: 21-51-38 | 002004 006999 | 1 |
| 80 | 193088-7 | ... | PLATE-ID (SERIES 4) SUPPLIER CODE: V70210 COMPONENT MAINT MANUAL REF: 21-51-38 | 002004 006999 | 1 |

MISSING ITEM NUMBERS NOT APPLICABLE

- ITEM NOT ILLUSTRATED

21-51-02-01

21-51-02
FIG. 01
PAGE 4
JAN 20/09

BRI



757

PARTS CATALOG (MAINTENANCE)

| FIG ITEM | PART NUMBER | 1 2 3 4 5 6 7 | NOMENCLATURE | EFFECT FROM TO | UNITS PER ASSY |
|----------|---------------|---------------|---|------------------|----------------|
| 1 | | | | | |
| 80 | 193088-8 | ... | PLATE-ID (SERIES 5) SUPPLIER CODE: V70210 COMPONENT MAINT MANUAL REF: 21-51-38 | 002004 006999 | 1 |
| 80 | 193088-9 | ... | PLATE-ID (SERIES 1) SUPPLIER CODE: V70210 COMPONENT MAINT MANUAL REF: 21-51-38 | 002004 006999 | 1 |
| 85 | MS51861-1 | ... | SCREW- OPTIONAL PART: MS51861-1C | 002004 006999 | 2 |
| 85 | MS51861-1C | ... | SCREW- OPTIONAL PART: MS51861-1 | 002004 006999 | 2 |
| 90 | 193148-1 | ... | GASKET- SUPPLIER CODE: V70210 | 002004 006999 | 2 |
| 95 | 193148-2 | ... | GASKET- SUPPLIER CODE: V70210 | 002004 006999 | 2 |
| 100 | 193084-1 | ... | MOUNT- (MOUNT POINT 1) SUPPLIER CODE: V70210 ATTACHING PARTS | 002004 006999 | 1 |
| 105 | NAS6704H6 | ... | BOLT | 002004 006999 | 4 |
| 110 | 5710-167-30C2 | ... | WASHER- SUPPLIER CODE: V86928 MISCELLANEOUS DATA: ALLIED SIGNAL SCD 791-057-9001 | 002004 006999 | 4 |
| 115 | 192938-1 | ... | BRACKET- SUPPLIER CODE: V70210 ATTACHING PARTS | 002004 006999 | 3 |
| 120 | NAS6704H6 | ... | BOLT | 002004 006999 | 6 |

MISSING ITEM NUMBERS NOT APPLICABLE

- ITEM NOT ILLUSTRATED

21-51-02-01

21-51-02
FIG. 01
PAGE 5
JAN 20/09

BRI

BOEING PROPRIETARY - Copyright © - Unpublished Work - See title page for details.



757

PARTS CATALOG (MAINTENANCE)

| FIG ITEM | PART NUMBER | 1 2 3 4 5 6 7 | NOMENCLATURE | EFFECT FROM TO | UNITS PER ASSY |
|----------|---------------|---------------|--|------------------|----------------|
| 1 125 | 5710-167-30C2 | | ...WASHER- SUPPLIER CODE: V86928 MISCELLANEOUS DATA: ALLIED SIGNAL SCD 791-057-9001 -----*----- | 002004 006999 | 6 |
| 130 | MS51830-202 | | ...INSERT | 002004 006999 | 10 |
| 150 | 194272-3 | | .EXCHANGER ASSY-HEAT SECONDARY (SERIES 1-7) SUPPLIER CODE: V70210 SPECIFICATION NUMBER: S210T130-1 COMPONENT MAINT MANUAL REF: 21-51-40 QUALIFIED I/W DATA: FOR FIELD RETROFIT ONLY | 002004 006999 | 1 |
| 150 | 194272-31 | | .EXCHANGER ASSY-HEAT SECONDARY (SERIES 1-7) SUPPLIER CODE: V70210 COMPONENT MAINT MANUAL REF: 21-51-40 QUALIFIED I/W DATA: FOR FIELD RETROFIT ONLY | 002004 006999 | 1 |
| 155 | 194273-16 | | ..EXCHANGER ASSY-HEAT SECONDARY (USED ON SERIES 3) SUPPLIER CODE: V70210 | 002004 006999 | 1 |
| 155 | 194273-12 | | ..EXCHANGER ASSY-HEAT SECONDARY (USED ON SERIES 1) SUPPLIER CODE: V70210 | 002004 006999 | 1 |
| 155 | 194273-14 | | ..EXCHANGER ASSY-HEAT SECONDARY (USED ON SERIES 2) SUPPLIER CODE: V70210 | 002004 006999 | 1 |
| 155 | 194273-18 | | ..EXCHANGER ASSY-HEAT SECONDARY (USED ON SERIES 4) SUPPLIER CODE: V70210 COMPONENT MAINT MANUAL REF: 21-51-40 | 002004 006999 | 1 |

MISSING ITEM NUMBERS NOT APPLICABLE

- ITEM NOT ILLUSTRATED

21-51-02-01

21-51-02
FIG. 01
PAGE 6
JAN 20/09

BRI



757

PARTS CATALOG (MAINTENANCE)

| FIG ITEM | PART NUMBER | 1 2 3 4 5 6 7 | NOMENCLATURE | EFFECT FROM TO | UNITS PER ASSY |
|----------|-------------|---------------|---|------------------|----------------|
| 1 | | | | | |
| 155 | 194273-20 | .. | EXCHANGER ASSY-HEAT SECONDARY (USED ON SERIES 5) SUPPLIER CODE: V70210 | 002004 006999 | 1 |
| 155 | 194273-22 | .. | EXCHANGER ASSY-HEAT SECONDARY (USED ON SERIES 6) SUPPLIER CODE: V70210 | 002004 006999 | 1 |
| 155 | 194273-24 | .. | EXCHANGER ASSY-HEAT SECONDARY (USED ON SERIES 7) SUPPLIER CODE: V70210 | 002004 006999 | 1 |
| 160 | 193089-9 | ... | PLATE-ID (SERIES 3) SUPPLIER CODE: V70210 COMPONENT MAINT MANUAL REF: 21-51-38 | 002004 006999 | 1 |
| 160 | 193089-7 | ... | PLATE-ID (SERIES 1) SUPPLIER CODE: V70210 COMPONENT MAINT MANUAL REF: 21-51-38 | 002004 006999 | 1 |
| 160 | 193089-8 | ... | PLATE-ID (SERIES 2) SUPPLIER CODE: V70210 COMPONENT MAINT MANUAL REF: 21-51-38 | 002004 006999 | 1 |
| 160 | 193089-10 | ... | PLATE-ID (SERIES 4) SUPPLIER CODE: V70210 COMPONENT MAINT MANUAL REF: 21-51-38 | 002004 006999 | 1 |
| 160 | 193089-11 | ... | PLATE-ID (SERIES 5) SUPPLIER CODE: V70210 COMPONENT MAINT MANUAL REF: 21-51-38 | 002004 006999 | 1 |

MISSING ITEM NUMBERS NOT APPLICABLE

- ITEM NOT ILLUSTRATED

BRI

21-51-02-01

BOEING PROPRIETARY - Copyright © - Unpublished Work - See title page for details.

21-51-02
FIG. 01
PAGE 7
JAN 20/09

BOEING
757
PARTS CATALOG (MAINTENANCE)

| FIG ITEM | PART NUMBER | 1 2 3 4 5 6 7 | NOMENCLATURE | EFFECT FROM TO | UNITS PER ASSY |
|----------|---------------|---------------|---|------------------|----------------|
| 1 | | | | | |
| 160 | 193089-12 | ... | PLATE-ID (SERIES 6) SUPPLIER CODE: V70210 COMPONENT MAINT MANUAL REF: 21-51-38 | 002004 006999 | 1 |
| 160 | 193089-13 | ... | PLATE-ID (SERIES 7) SUPPLIER CODE: V70210 COMPONENT MAINT MANUAL REF: 21-51-38 | 002004 006999 | 1 |
| 165 | MS51861-1 | ... | SCREW- OPTIONAL PART: MS51861-1C | 002004 006999 | 2 |
| 165 | MS51861-1C | ... | SCREW- OPTIONAL PART: MS51861-1 | 002004 006999 | 2 |
| 170 | S8496-21 | ... | LABEL- SUPPLIER CODE: V70210 | 002004 006999 | 1 |
| 175 | 193148-1 | ... | GASKET- SUPPLIER CODE: V70210 | 002004 006999 | 3 |
| 180 | 193148-2 | ... | GASKET- SUPPLIER CODE: V70210 | 002004 006999 | 2 |
| 185 | 193148-3 | ... | GASKET- SUPPLIER CODE: V70210 | 002004 006999 | 2 |
| 190 | 192938-1 | ... | BRACKET- SUPPLIER CODE: V70210 | 002004 006999 | 1 |
| 195 | NAS6704H6 | ... | BOLT | 002004 006999 | 2 |
| 200 | 5710-167-30C2 | ... | WASHER- SUPPLIER CODE: V86928 MISCELLANEOUS DATA: ALLIED SIGNAL SCD 791-057-9001 | 002004 006999 | 2 |
| 205 | 193084-1 | ... | MOUNT- SUPPLIER CODE: V70210 | 002004 006999 | 1 |

MISSING ITEM NUMBERS NOT APPLICABLE

— ITEM NOT ILLUSTRATED

BRI

21-51-02-01

21-51-02
FIG. 01
PAGE 8
JAN 20/09



757

PARTS CATALOG (MAINTENANCE)

| FIG ITEM | PART NUMBER | 1 2 3 4 5 6 7 | NOMENCLATURE | EFFECT FROM TO | UNITS PER ASSY |
|----------|---------------|---------------|--|------------------|----------------|
| 1 | | | ATTACHING PARTS | | |
| 210 | NAS6704H6 | ... | BOLT | 002004 006999 | 4 |
| 215 | 5710-167-30C2 | ... | WASHER- SUPPLIER CODE: V86928 MISCELLANEOUS DATA: ALLIED SIGNAL SCD 791-057-9001 -----*----- | 002004 006999 | 4 |
| 220 | MS51830-202 | ... | INSERT | 002004 006999 | 6 |
| 225 | MS27039-1-08 | . | SCREW | 002004 006999 | 4 |
| 230 | AN960D10L | . | WASHER | 002004 006999 | 8 |
| 235 | NAS679C3M | . | NUT | 002004 006999 | 4 |
| 240 | CL73KA12-0 | . | CABLE- SUPPLIER CODE: V70210 | 002004 006999 | 2 |
| 245 | MS27039-1-08 | . | SCREW | 002004 006999 | 6 |
| 250 | AN960D10L | . | WASHER | 002004 006999 | 6 |
| 255 | 192992-1 | . | DOOR- USED ON 2202450-7 SERIES 1 SUPPLIER CODE: V70210 | 002004 006999 | 1 |
| 255 | 192992-9 | . | DOOR- USED ON 2202450-7 SERIES 2, 2202450-8 AND 2202450-9 SUPPLIER CODE: V70210 | 002004 006999 | 1 |

MISSING ITEM NUMBERS NOT APPLICABLE

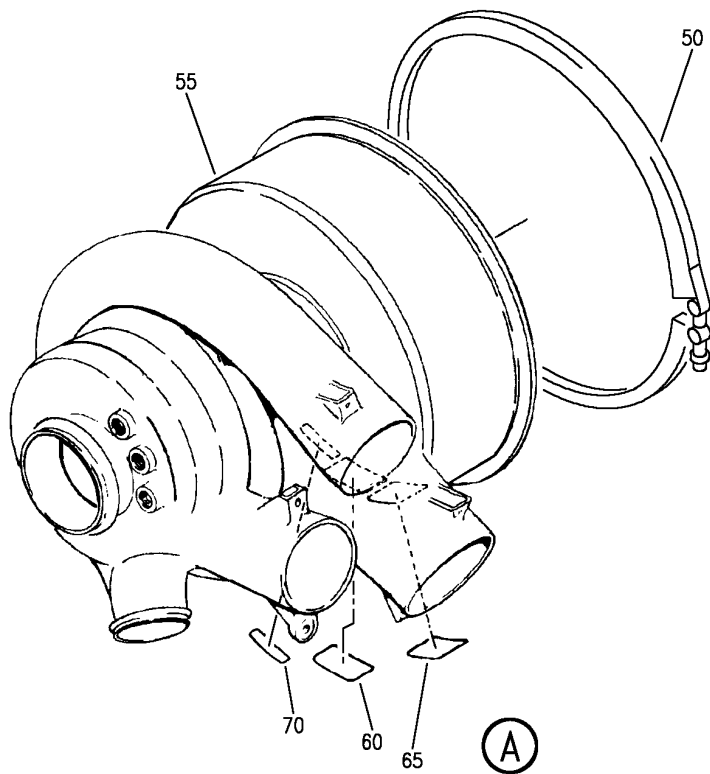
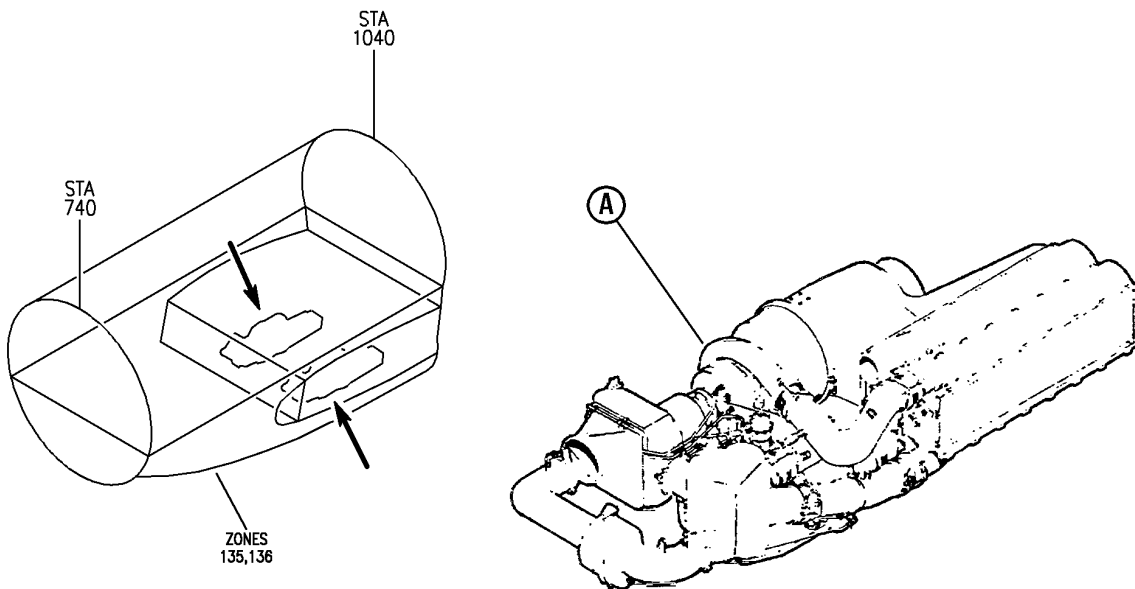
- ITEM NOT ILLUSTRATED

21-51-02-01

21-51-02
FIG. 01
PAGE 9
JAN 20/09

BRI

BOEING
757
PARTS CATALOG (MAINTENANCE)



Y 21510301 REV 286

PACK ASSY-AIR CONDITIONING AND TEMP CONT SYS COOLING (AIR CYCLE MACHINE (ACM) ONLY)

FIGURE 1

21-51-03-01

BRI
MAY 28/07

21-51-03-01
PAGE 0



757

PARTS CATALOG (MAINTENANCE)

| FIG ITEM | PART NUMBER | 1 2 3 4 5 6 7 | NOMENCLATURE | EFFECT FROM TO | UNITS PER ASSY |
|----------|-------------|---------------|--|------------------|----------------|
| 1 | | | PACK ASSY-AIR CONDITIONING AND TEMP CONT SYS COOLING (AIR CYCLE MACHINE (ACM) ONLY) | 002004 006999 | |
| - 1 | 2202450-9 | | PACK ASSY-AIR CONDITIONING AND TEMP CONT SYS COOLING (AIR CYCLE MACHINE (ACM) ONLY) (SERIES 1-15) SUPPLIER CODE: V70210 POSITION DATA: LH SPECIFICATION NUMBER: S210T130-60 ELECTRICAL EQUIP NUMBER: S10325 TS0041 TS0198 TS5133 V00018 V10077 COMPONENT MAINT MANUAL REF: 21-51-32 QUALIFIED I/W DATA: S210T130-59 (2202450-8) T/W 1 EA 625928-2 AND 1 EA 624014-1 SENSOR IS I/W S210T130-60 (2202450-9) REWORKED BY SB: 2202450-21-2567 V70210 REWORKED BY SERVICE LETTER: 21-037 FOR NHA/ADDITIONAL DET SEE: 21-52-01-01 21-52-01-01A | 002004 006999 | RF |

MISSING ITEM NUMBERS NOT APPLICABLE

- ITEM NOT ILLUSTRATED

BRI

21-51-03-01

BOEING PROPRIETARY - Copyright © - Unpublished Work - See title page for details.

21-51-03
FIG. 01
PAGE 1
JAN 20/09



757

PARTS CATALOG (MAINTENANCE)

| FIG ITEM | PART NUMBER | 1 2 3 4 5 6 7 | NOMENCLATURE | EFFECT FROM TO | UNITS PER ASSY |
|----------|-------------|---------------|--|------------------|----------------|
| 1 - 5 | 2202450-9 | | PACK ASSY-AIR CONDITIONING AND TEMP CONT SYS COOLING (AIR CYCLE MACHINE (ACM) ONLY) (SERIES 1-15) SUPPLIER CODE: V70210 POSITION DATA: RH SPECIFICATION NUMBER: S210T130-60 ELECTRICAL EQUIP NUMBER: S10326 TS0042 TS0199 TS5135 V00019 V10076 COMPONENT MAINT MANUAL REF: 21-51-32 QUALIFIED I/W DATA: S210T130-59 (2202450-8) T/W 1 EA 625928-2 AND 1 EA 624014-1 SENSOR IS I/W S210T130-60 2202450-9 QUALIFIED OPTIONAL DATA: S210T130-60 OPTIONAL TO S210T130-59 TOGETHER WITH 624014-1 AND 625928-2 FOR N0064 ONLY REWORKED BY SB: 2202450-21-2567 V70210 REWORKED BY SERVICE LETTER: 21-037 FOR NHA/ADDITIONAL DET SEE: 21-52-01-01 21-52-01-01A | 002004 006999 | RF |
| 50 | 4103AJ | | . COUPLING-CLAMP SUPPLIER CODE: V94581 | 002004 006999 | 1 |

MISSING ITEM NUMBERS NOT APPLICABLE

- ITEM NOT ILLUSTRATED

BRI

21-51-03-01

BOEING PROPRIETARY - Copyright © - Unpublished Work - See title page for details.

21-51-03
 FIG. 01
 PAGE 2
 JAN 20/09



757

PARTS CATALOG (MAINTENANCE)

| FIG ITEM | PART NUMBER | 1 2 3 4 5 6 7 | NOMENCLATURE | EFFECT FROM TO | UNITS PER ASSY |
|----------|-------------|---------------|--|------------------|----------------|
| 1 | 55 680640-4 | | .MACHINE-AIR CYCLE (USED ON 2202450-9 SERIES 7-13 AND 15) SUPPLIER CODE: V70210 POSITION DATA: LH SIDE COMPONENT MAINT MANUAL REF: 21-51-34 USED ON: 2202450-9 | 002004 006999 | 1 |
| | 55 680640-4 | | .MACHINE-AIR CYCLE (USED ON 2202450-8 SERIES 4 2202450-9 SERIES 1-6) (SERIES 1-4) SUPPLIER CODE: V70210 COMPONENT MAINT MANUAL REF: 21-51-34 QUALIFIED OPTIONAL DATA: 680640-3 OPTIONAL TO 680640-4 SERIES 1-6 ONLY USED ON: 2202450-9 2202450-8 | 002004 006999 | 1 |
| | 55 680640-3 | | .MACHINE-AIR CYCLE (USED ON 2202450-8 SERIES 4 2202450-9 SERIES 1-6) (SERIES 1-3) SUPPLIER CODE: V70210 COMPONENT MAINT MANUAL REF: 21-51-34 QUALIFIED OPTIONAL DATA: 680640-3 OPTIONAL TO 680640-4 USED ON 2202450-8 SERIES 4 AND 2202450-9 SERIES 1-6 USED ON: 2202450-9 2202450-8 | 002004 006999 | 1 |

MISSING ITEM NUMBERS NOT APPLICABLE

- ITEM NOT ILLUSTRATED

21-51-03-01

21-51-03
FIG. 01
PAGE 3
JAN 20/09

BRI



757

PARTS CATALOG (MAINTENANCE)

| FIG ITEM | PART NUMBER | 1 2 3 4 5 6 7 | NOMENCLATURE | EFFECT FROM TO | UNITS PER ASSY |
|----------|-------------|---------------|--|------------------|----------------|
| 1 55 | 680640-5 | | .MACHINE-AIR CYCLE (USED ON 2202450-9 SERIES 14) SUPPLIER CODE: V70210 POSITION DATA: LH SIDE COMPONENT MAINT MANUAL REF: 21-51-34 USED ON: 2202450-9 | 002004 006999 | 1 |
| - 57 | 680640-4 | | .MACHINE-AIR CYCLE (USED ON 2202450-9 SERIES 7-13 AND 15) SUPPLIER CODE: V70210 POSITION DATA: RH SIDE COMPONENT MAINT MANUAL REF: 21-51-34 USED ON: 2202450-9 | 002004 006999 | 1 |
| - 57 | 680640-5 | | .MACHINE-AIR CYCLE (USED ON 2202450-9 SERIES 14) SUPPLIER CODE: V70210 POSITION DATA: RH SIDE COMPONENT MAINT MANUAL REF: 21-51-34 USED ON: 2202450-9 | 002004 006999 | 1 |
| 60 | 2204116-3 | | ..PLATE-IDENT (USED ON 680640-3 SERIES 1-4) SUPPLIER CODE: V70210 USED ON: 680640-3 | 002004 006999 | 1 |
| 60 | 2204116-4 | | ..PLATE-IDENT (USED ON 680640-3 SERIES 1-4) SUPPLIER CODE: V70210 USED ON: 680640-3 | 002004 006999 | 1 |

MISSING ITEM NUMBERS NOT APPLICABLE

- ITEM NOT ILLUSTRATED

21-51-03-01

21-51-03
FIG. 01
PAGE 4
JAN 20/09

BRI



757

PARTS CATALOG (MAINTENANCE)

| FIG ITEM | PART NUMBER | 1 2 3 4 5 6 7 | NOMENCLATURE | EFFECT FROM TO | UNITS PER ASSY |
|----------|-------------|---------------|--|------------------|----------------|
| 1 | | | | | |
| 60 | 2204116-5 | | .. PLATE-IDENT (USED ON 680640-3 SERIES 1-4) SUPPLIER CODE: V70210 USED ON: 680640-3 | 002004 006999 | 1 |
| 60 | 2204116-6 | | .. PLATE-IDENT (USED ON 680640-3 SERIES 1-4) SUPPLIER CODE: V70210 USED ON: 680640-3 | 002004 006999 | 1 |
| 60 | 2204116-8 | | .. PLATE-IDENT (USED ON 680640-4 SERIES 1-4) SUPPLIER CODE: V70210 USED ON: 680640-4 | 002004 006999 | 1 |
| 60 | 2204116-9 | | .. PLATE-IDENT (USED ON 680640-4 SERIES 1-4) SUPPLIER CODE: V70210 USED ON: 680640-4 | 002004 006999 | 1 |
| 60 | 2204116-11 | | .. PLATE-IDENT (USED ON 680640-4 SERIES 1-4) SUPPLIER CODE: V70210 USED ON: 680640-4 | 002004 006999 | 1 |
| 60 | 2204116-12 | | .. PLATE-IDENT (USED ON 680640-4 SERIES 1-4) SUPPLIER CODE: V70210 USED ON: 680640-4 | 002004 006999 | 1 |
| 60 | 2204116-13 | | .. PLATE-IDENT SUPPLIER CODE: V70210 POSITION DATA: LH SIDE USED ON: 680640-5 | 002004 006999 | 1 |

MISSING ITEM NUMBERS NOT APPLICABLE

- ITEM NOT ILLUSTRATED

21-51-03-01

21-51-03
FIG. 01
PAGE 5
JAN 20/09

BRI



757

PARTS CATALOG (MAINTENANCE)

| FIG ITEM | PART NUMBER | 1 2 3 4 5 6 7 | NOMENCLATURE | EFFECT FROM TO | UNITS PER ASSY |
|-------------|-------------|---------------|---|-------------------|----------------------|
| 1 - 62 | 2204116-13 | | .. PLATE-IDENT SUPPLIER CODE: V70210 POSITION DATA: RH SIDE USED ON: 680640-5 | 002004 006999 | 1 |
| 65 | S8454MP74 | | .. LABEL- SUPPLIER CODE: V70210 | 002004 006999 | 1 |
| 70 | S8454MP93 | | .. LABEL- SUPPLIER CODE: V70210 | 002004 006999 | 1 |

MISSING ITEM NUMBERS NOT APPLICABLE

- ITEM NOT ILLUSTRATED

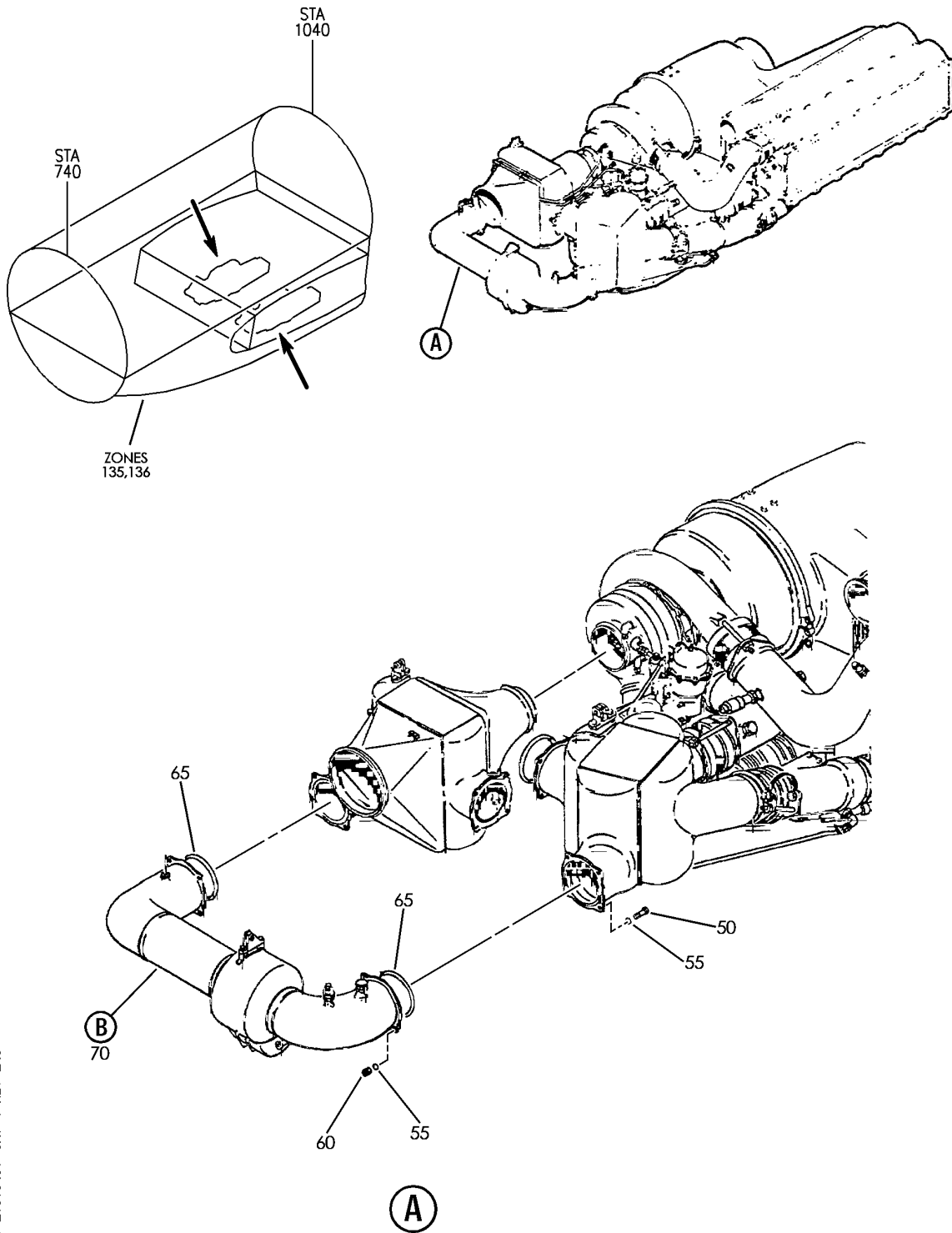
BRI

21-51-03-01

BOEING PROPRIETARY - Copyright © - Unpublished Work - See title page for details.

21-51-03
FIG. 01
PAGE 6
JAN 20/09

BOEING
757
PARTS CATALOG (MAINTENANCE)



Y 21510401 SHT 1 REV 243

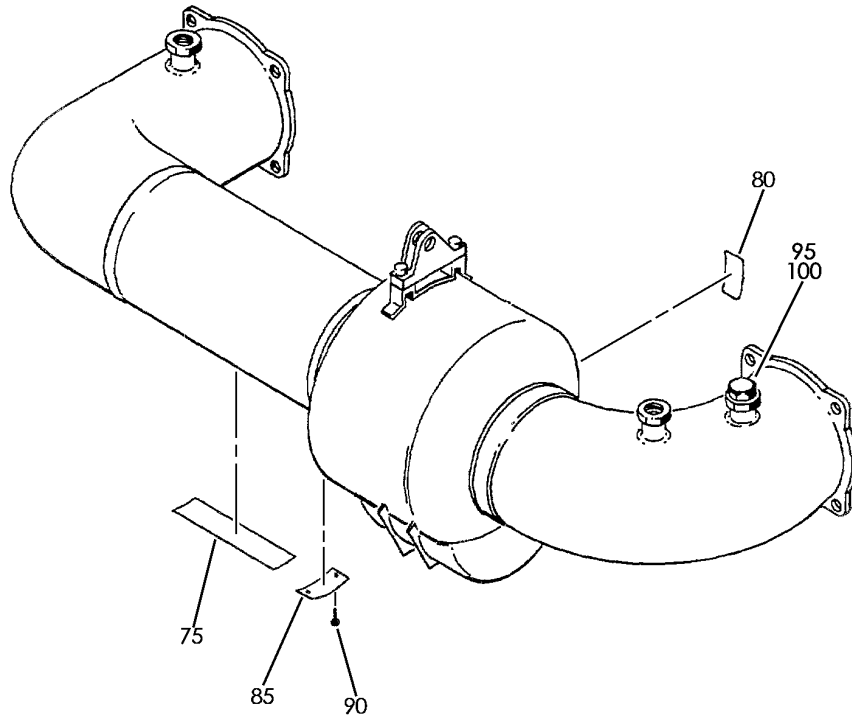
PACK ASSY-AIR CONDITIONING AND TEMP CONT SYS COOLING (WATER EXTRACTOR ONLY)
FIGURE 1 (SHEET 1)

21-51-04-01

BRI
MAY 28/07

21-51-04-01
PAGE 0

BOEING
757
PARTS CATALOG (MAINTENANCE)



(B)

Y 21510401 SHT 2 REV 243

PACK ASSY-AIR CONDITIONING AND TEMP CONT SYS COOLING (WATER EXTRACTOR ONLY)
FIGURE 1 (SHEET 2)

BRI
MAY 28/07

21-51-04-01

21-51-04-01
PAGE 0A

BOEING PROPRIETARY - Copyright © - Unpublished Work - See title page for details.



757

PARTS CATALOG (MAINTENANCE)

| FIG ITEM | PART NUMBER | 1 2 3 4 5 6 7 | NOMENCLATURE | EFFECT FROM TO | UNITS PER ASSY |
|----------|-------------|---------------|---|------------------|----------------|
| 1 | | | PACK ASSY-AIR CONDITIONING AND TEMP CONT SYS COOLING (WATER EXTRACTOR ONLY) | 002004 006999 | |
| - 1 | 2202450-9 | | PACK ASSY-AIR CONDITIONING AND TEMP CONT SYS COOLING (WATER EXTRACTOR ONLY) (SERIES 1-15) SUPPLIER CODE: V70210 POSITION DATA: LH SPECIFICATION NUMBER: S210T130-60 ELECTRICAL EQUIP NUMBER: S10325 TS0041 TS0198 TS5133 V00018 V10077 COMPONENT MAINT MANUAL REF: 21-51-32 QUALIFIED I/W DATA: S210T130-59 (2202450-8) T/W 1 EA 625928-2 AND 1 EA 624014-1 SENSOR IS I/W S210T130-60 (2202450-9) REWORKED BY SB: 2202450-21-2567 V70210 REWORKED BY SERVICE LETTER: 21-037 FOR NHA/ADDITIONAL DET SEE: 21-52-01-01A 21-52-01-01 | 002004 006999 | RF |

MISSING ITEM NUMBERS NOT APPLICABLE

- ITEM NOT ILLUSTRATED

21-51-04-01

21-51-04
FIG. 01
PAGE 1
JAN 20/09

BRI



757

PARTS CATALOG (MAINTENANCE)

| FIG ITEM | PART NUMBER | 1 2 3 4 5 6 7 | NOMENCLATURE | EFFECT FROM TO | UNITS PER ASSY |
|----------|-------------|---------------|---|------------------|----------------|
| 1 - 5 | 2202450-9 | | PACK ASSY-AIR CONDITIONING AND TEMP CONT SYS COOLING (WATER EXTRACTOR ONLY) (SERIES 1-15) SUPPLIER CODE: V70210 POSITION DATA: RH SPECIFICATION NUMBER: S210T130-60 ELECTRICAL EQUIP NUMBER: S10326 TS0042 TS0199 TS5135 V00019 V10076 COMPONENT MAINT MANUAL REF: 21-51-32 QUALIFIED I/W DATA: S210T130-59 (2202450-8) T/W 1 EA 625928-2 AND 1 EA 624014-1 SENSOR IS I/W S210T130-60 2202450-9 QUALIFIED OPTIONAL DATA: S210T130-60 OPTIONAL TO S210T130-59 TOGETHER WITH 624014-1 AND 625928-2 FOR N0064 ONLY REWORKED BY SB: 2202450-21-2567 V70210 REWORKED BY SERVICE LETTER: 21-037 FOR NHA/ADDITIONAL DET SEE: 21-52-01-01 21-52-01-01A | 002004 006999 | RF |
| 50 | MS9489-13 | .BOLT | | 002004 006999 | 8 |
| 55 | AN960D10L | .WASHER | | 002004 006999 | 16 |
| 60 | NAS679C3M | .NUT | | 002004 006999 | 8 |
| 65 | MS9068-156 | .PACKING | | 002004 006999 | 2 |

MISSING ITEM NUMBERS NOT APPLICABLE

- ITEM NOT ILLUSTRATED

21-51-04-01

21-51-04
FIG. 01
PAGE 2
JAN 20/09

BRI

BOEING
757
PARTS CATALOG (MAINTENANCE)

| FIG ITEM | PART NUMBER | 1 2 3 4 5 6 7 | NOMENCLATURE | EFFECT FROM TO | UNITS PER ASSY |
|-------------|-------------|---------------|--|-------------------|----------------------|
| 1 | | | | | |
| 70 | 194278-4 | | .EXTRACTOR ASSY-WATER (SERIES 1 AND 2) SUPPLIER CODE: V70210 COMPONENT MAINT MANUAL REF: 21-51-42 | 002004 006999 | 1 |
| 75 | S8205-1 | | ..DECAL- SUPPLIER CODE: V70210 | 002004 006999 | 1 |
| 80 | S8165M1 | | ..DECAL- SUPPLIER CODE: V70210 | 002004 006999 | 1 |
| 85 | 192947-4 | | ..PLATE-ID (SERIES 1) SUPPLIER CODE: V70210 | 002004 006999 | 1 |
| 85 | 192947-5 | | ..PLATE-ID (SERIES 2) SUPPLIER CODE: V70210 ATTACHING PARTS | 002004 006999 | 1 |
| 90 | MS51861-1 | | ..SCREW -----*----- | 002004 006999 | 2 |
| 95 | AN814-8D | | ..PLUG | 002004 006999 | 1 |
| 95 | AN814-8DL | | ..PLUG | 002004 006999 | 1 |
| 100 | S9028T908 | | ..PACKING- SUPPLIER CODE: V70210 | 002004 006999 | 1 |

MISSING ITEM NUMBERS NOT APPLICABLE

— ITEM NOT ILLUSTRATED

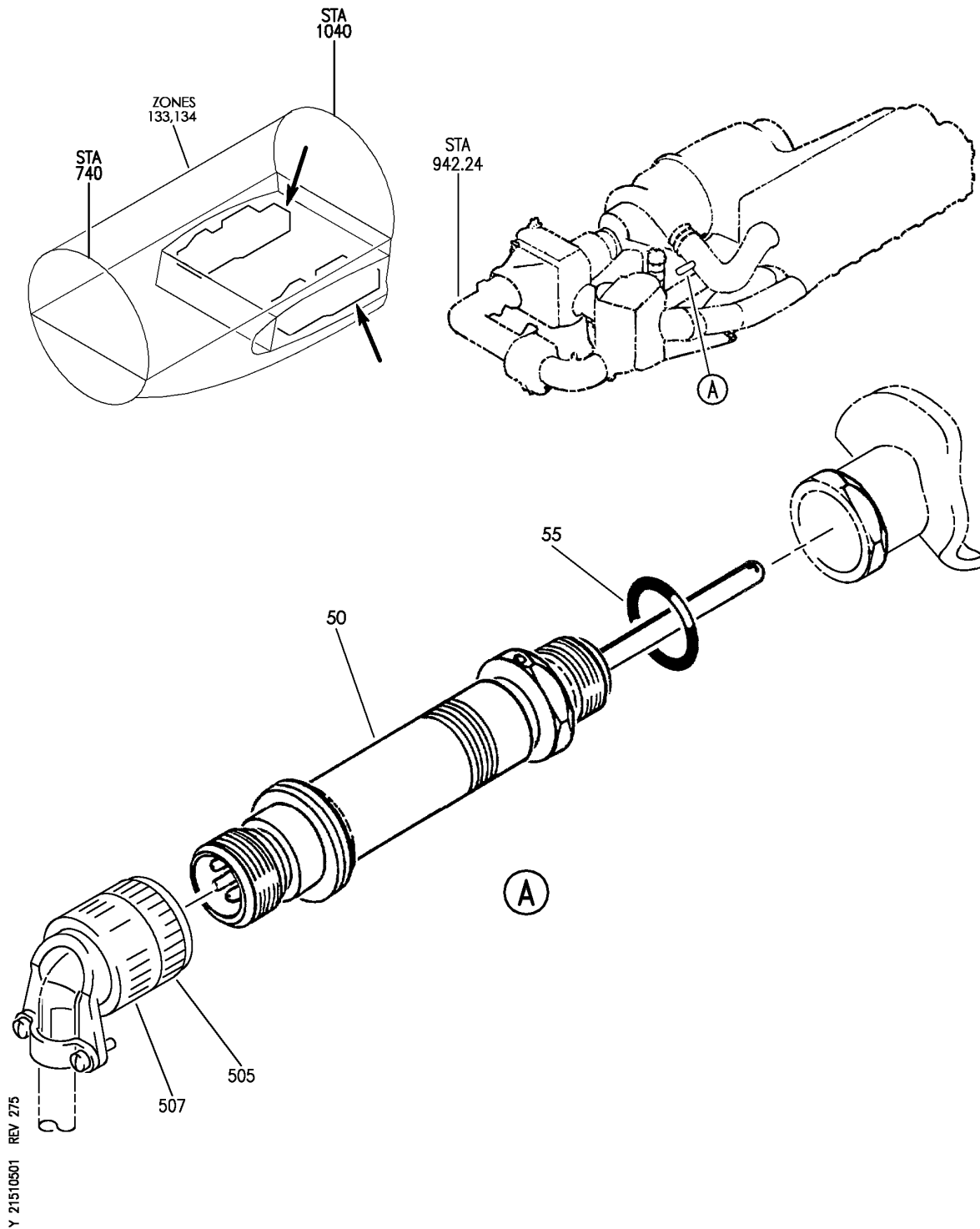
BRI

21-51-04-01

BOEING PROPRIETARY - Copyright © - Unpublished Work - See title page for details.

21-51-04
FIG. 01
PAGE 3
JAN 20/09

BOEING
757
PARTS CATALOG (MAINTENANCE)



PACK ASSY-AIR CONDITIONING AND TEMP CONT SYS COOLING (COMPRESSOR OUTLET OVERHEAT SWITCH ONLY)
FIGURE 1

BRI
MAY 28/07

21-51-05-01

21-51-05-01
PAGE 0



757

PARTS CATALOG (MAINTENANCE)

| FIG ITEM | PART NUMBER | 1 2 3 4 5 6 7 | NOMENCLATURE | EFFECT FROM TO | UNITS PER ASSY |
|----------|-------------|---------------|--|------------------|----------------|
| 1 | | | PACK ASSY-AIR CONDITIONING AND TEMP CONT SYS COOLING (COMPRESSOR OUTLET OVERHEAT SWITCH ONLY) | 002004 006999 | |
| - 1 | 2202450-9 | | PACK ASSY-AIR CONDITIONING AND TEMP CONT SYS COOLING (SERIES 1-12) (COMPRESSOR OUTLET OVERHEAT SWITCH ONLY) SUPPLIER CODE: V70210 POSITION DATA: LH SPECIFICATION NUMBER: S210T130-60 ELECTRICAL EQUIP NUMBER: S10325 TS0041 TS0198 TS5133 V00018 V10077 COMPONENT MAINT MANUAL REF: 21-51-32 QUALIFIED I/W DATA: S210T130-59 (2202450-8) T/W 1 EA 625928-2 AND 1 EA 624014-1 SENSOR IS I/W S210T130-60 (2202450-9) REWORKED BY SB: 2202450-21-2567 V70210 REWORKED BY SERVICE LETTER: 21-037 FOR NHA/OTHER SYS DET SEE: 21-52-01-01 21-52-01-01A | 002004 006999 | RF |

MISSING ITEM NUMBERS NOT APPLICABLE

- ITEM NOT ILLUSTRATED

BRI

21-51-05-01

BOEING PROPRIETARY - Copyright © - Unpublished Work - See title page for details.

21-51-05
FIG. 01
PAGE 1
JAN 20/09



757

PARTS CATALOG (MAINTENANCE)

| FIG ITEM | PART NUMBER | 1 2 3 4 5 6 7 NOMENCLATURE | EFFECT FROM TO | UNITS PER ASSY |
|-------------|-------------|---|-------------------|----------------------|
| 1 - 5 | 2202450-9 | PACK ASSY-AIR CONDITIONING AND TEMP CONT SYS COOLING (SERIES 1-12) (COMPRESSOR OUTLET OVERHEAT SWITCH ONLY) SUPPLIER CODE: V70210 POSITION DATA: RH SPECIFICATION NUMBER: S210T130-60 ELECTRICAL EQUIP NUMBER: S10326 TS0042 TS0199 TS5135 V00019 V10076 COMPONENT MAINT MANUAL REF: 21-51-32 QUALIFIED I/W DATA: S210T130-59 (2202450-8) T/W 1 EA 625928-2 AND 1 EA 624014-1 SENSOR IS I/W S210T130-60 (2202450-9) QUALIFIED OPTIONAL DATA: (S210T130-60 OPTIONAL TO S210T130-59 TOGETHER WITH 624014-1 AND 625928-2 FOR N0064 ONLY) REWORKED BY SB: 2202450-21-2567 V70210 REWORKED BY SERVICE LETTER: 21-037 FOR NHA/OTHER SYS DET SEE: 21-52-01-01 21-52-01-01A | 002004 006999 | RF |

MISSING ITEM NUMBERS NOT APPLICABLE

- ITEM NOT ILLUSTRATED

BRI

21-51-05-01

BOEING PROPRIETARY - Copyright © - Unpublished Work - See title page for details.

21-51-05
FIG. 01
PAGE 2
JAN 20/09



757

PARTS CATALOG (MAINTENANCE)

| FIG ITEM | PART NUMBER | 1 2 3 4 5 6 7 | NOMENCLATURE | EFFECT FROM TO | UNITS PER ASSY |
|----------|--------------|---------------|---|----------------------------|----------------|
| 1 | | | | | |
| 50 | 641137-1 | . | SWITCH-COMPRESSOR DISCHARGE OVERHEAT SUPPLIER CODE: V70210 ELECTRICAL EQUIP NUMBER: S10325 S10326 WIRING DIAGRAM REF: 215115 215125 COMPONENT MAINT MANUAL REF: 21-51-50 | 002004 006102 107999 | 1 |
| 55 | MS9385-07 | .. | PACKING | 002004 006102 107999 | 1 |
| - 500 | 286N2406-012 | | WIRE BUNDLE ASSY- POSITION DATA: LH | 107107 121503 904949 | RF |
| - 500 | 286N2406-014 | | WIRE BUNDLE ASSY- POSITION DATA: LH | 002004 006100 950999 | RF |
| - 501 | 286N2406-305 | | WIRE BUNDLE ASSY- POSITION DATA: LH | 101102 | RF |
| - 502 | 286N2406-323 | | WIRE BUNDLE ASSY- POSITION DATA: LH | 108120 | RF |
| - 502 | 286N2406-327 | | WIRE BUNDLE ASSY- POSITION DATA: LH | 504903 | RF |
| - 503 | 286N2406-601 | | WIRE BUNDLE ASSY- POSITION DATA: LH | 103103 | RF |
| - 503 | 286N2406-602 | | WIRE BUNDLE ASSY- POSITION DATA: LH | 104106 | RF |
| 505 | R071012A3SNL | . | CONNECTOR- SUPPLIER CODE: V41118 SPECIFICATION NUMBER: BACC63BP12A3SNL ELECTRICAL EQUIP NUMBER: D04194 WIRING DIAGRAM REF: 215115 | 002004 006999 | 1 |

MISSING ITEM NUMBERS NOT APPLICABLE

- ITEM NOT ILLUSTRATED

BRI

21-51-05-01

21-51-05
FIG. 01
PAGE 3
JAN 20/09



757

PARTS CATALOG (MAINTENANCE)

| FIG ITEM | PART NUMBER | 1 2 3 4 5 6 7 | NOMENCLATURE | EFFECT FROM TO | UNITS PER ASSY |
|----------|--------------|---------------|---|----------------------------|----------------|
| 1 507 | S3819-12-65 | | .CLAMP- SUPPLIER CODE: V07418 SPECIFICATION NUMBER: BACC10KD12 OPTIONAL PART: 620AS028NF12L V06324 ELECTRICAL EQUIP NUMBER: D04194T WIRING DIAGRAM REF: 215115 | 103106 | 1 |
| 507 | GS3417-12C | | .CLAMP- SUPPLIER CODE: V06324 SPECIFICATION NUMBER: BACC10HF12 OPTIONAL PART: S2125-12-8 V07418 ELECTRICAL EQUIP NUMBER: D04194T WIRING DIAGRAM REF: 215115 | 002004 006102 107999 | 1 |
| - 510 | 286N2506-012 | | WIRE BUNDLE ASSY- POSITION DATA: RH | 107107 121503 904949 | RF |
| - 510 | 286N2506-014 | | WIRE BUNDLE ASSY- POSITION DATA: RH | 002004 006100 950999 | RF |
| - 511 | 286N2506-305 | | WIRE BUNDLE ASSY- POSITION DATA: RH | 101102 | RF |
| - 512 | 286N2506-327 | | WIRE BUNDLE ASSY- POSITION DATA: RH | 108120 | RF |
| - 512 | 286N2506-328 | | WIRE BUNDLE ASSY- POSITION DATA: RH | 504903 | RF |
| - 512 | 286N2506-601 | | WIRE BUNDLE ASSY- POSITION DATA: RH | 103106 | RF |

MISSING ITEM NUMBERS NOT APPLICABLE

- ITEM NOT ILLUSTRATED

21-51-05-01

21-51-05
FIG. 01
PAGE 4
JAN 20/09

BRI



757

PARTS CATALOG (MAINTENANCE)

| FIG ITEM | PART NUMBER | 1 2 3 4 5 6 7 | NOMENCLATURE | EFFECT FROM TO | UNITS PER ASSY |
|----------|---------------|---------------|---|----------------------------|----------------|
| 1 | | | | | |
| - 520 | R071012A3SNL | | .CONNECTOR- SUPPLIER CODE: V41118 SPECIFICATION NUMBER: BACC63BP12A3SNL ELECTRICAL EQUIP NUMBER: D04098 WIRING DIAGRAM REF: 215125 | 002004 006999 | 1 |
| - 525 | 620AA028NF12L | | .CLAMP- SUPPLIER CODE: V06324 SPECIFICATION NUMBER: BACC10KE12 OPTIONAL PART: S3820-12-65 V07418 ELECTRICAL EQUIP NUMBER: D04098T WIRING DIAGRAM REF: 215125 | 103106 | 1 |
| - 525 | GS3418-12CD | | .CLAMP- SUPPLIER CODE: V06324 SPECIFICATION NUMBER: BACC10HG12 OPTIONAL PART: S2126-12-8 V07418 ELECTRICAL EQUIP NUMBER: D04098T WIRING DIAGRAM REF: 215125 | 002004 006102 107999 | 1 |

MISSING ITEM NUMBERS NOT APPLICABLE

- ITEM NOT ILLUSTRATED

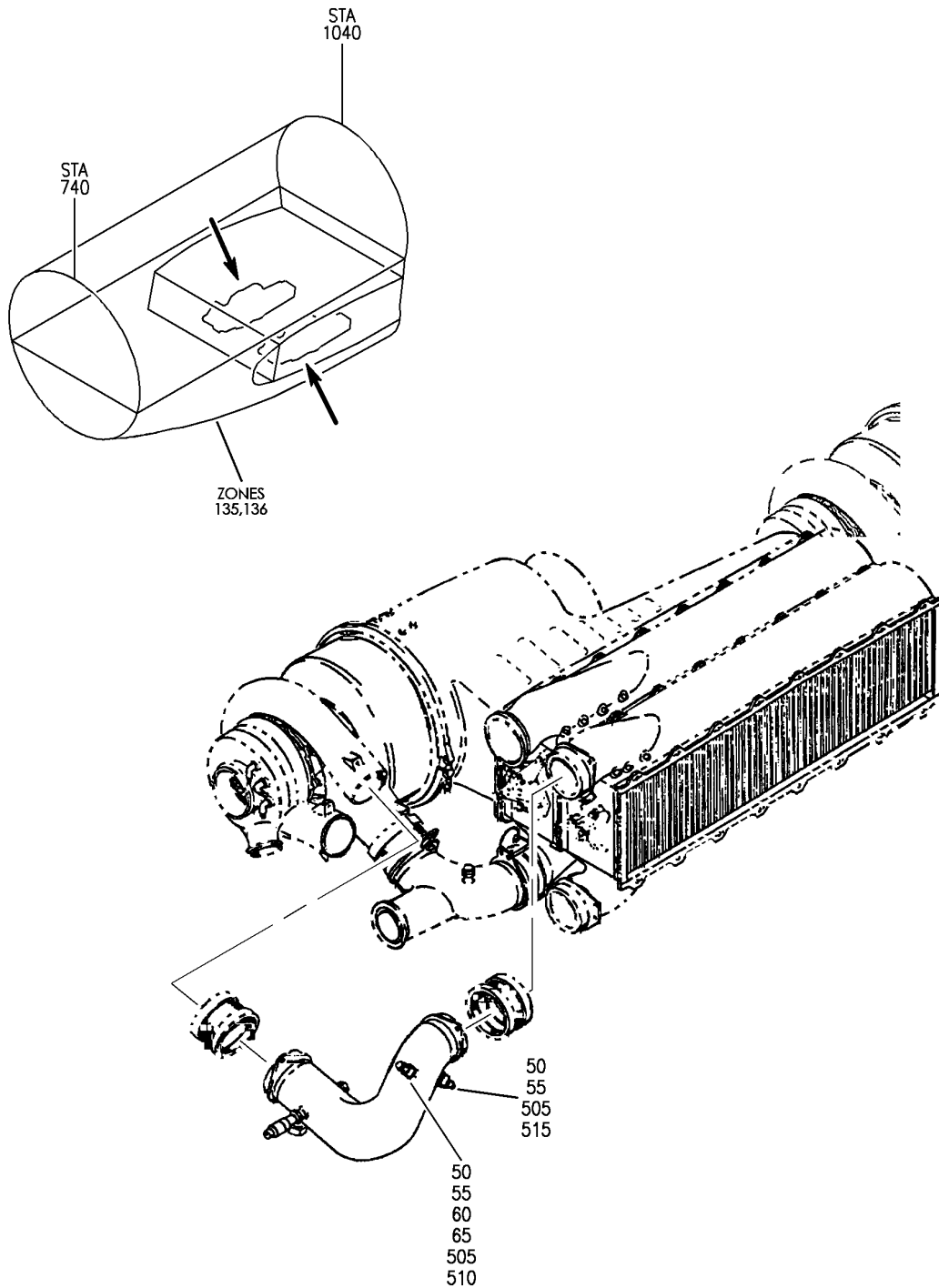
BRI

21-51-05-01

BOEING PROPRIETARY - Copyright © - Unpublished Work - See title page for details.

21-51-05
FIG. 01
PAGE 5
JAN 20/09

BOEING
757
PARTS CATALOG (MAINTENANCE)



Y 21510601 REV 275

PACK ASSY-AIR CONDITIONING AND TEMP CONT SYS COOLING (COMPRESSOR OUTLET SENSOR ONLY)

FIGURE 1

21-51-06-01

BRI
MAY 28/07

21-51-06-01
PAGE 0



757

PARTS CATALOG (MAINTENANCE)

| FIG ITEM | PART NUMBER | 1 2 3 4 5 6 7 | NOMENCLATURE | EFFECT FROM TO | UNITS PER ASSY |
|----------|-------------|---------------|---|------------------|----------------|
| 1 | | | PACK ASSY-AIR CONDITIONING AND TEMP CONT SYS COOLING (COMPRESSOR OUTLET SENSOR ONLY) | 002004 006999 | |
| - 1 | 2202450-9 | | PACK ASSY-AIR CONDITIONING AND TEMP CONT SYS COOLING (COMPRESSOR OUTLET SENSOR ONLY) (SERIES 1-15) SUPPLIER CODE: V70210 POSITION DATA: LH SPECIFICATION NUMBER: S210T130-60 ELECTRICAL EQUIP NUMBER: S10325 TS0041 TS0198 TS5133 V00018 V10077 COMPONENT MAINT MANUAL REF: 21-51-32 QUALIFIED I/W DATA: S210T130-59 (2202450-8) T/W 1 EA 625928-2 AND 1 EA 624014-1 SENSOR IS I/W S210T130-60 (2202450-9) REWORKED BY SB: 2202450-21-2567 V70210 REWORKED BY SERVICE LETTER: 21-037 FOR NHA/ADDITIONAL DET SEE: 21-52-01-01 21-52-01-01A | 002004 006999 | RF |

MISSING ITEM NUMBERS NOT APPLICABLE

- ITEM NOT ILLUSTRATED

BRI

21-51-06-01

BOEING PROPRIETARY - Copyright © - Unpublished Work - See title page for details.

21-51-06
FIG. 01
PAGE 1
JAN 20/09



757

PARTS CATALOG (MAINTENANCE)

| FIG ITEM | PART NUMBER | 1 2 3 4 5 6 7 NOMENCLATURE | EFFECT FROM TO | UNITS PER ASSY |
|-------------|-------------|---|-------------------|----------------------|
| 1 - 5 | 2202450-9 | PACK ASSY-AIR CONDITIONING AND TEMP CONT SYS COOLING (COMPRESSOR OUTLET SENSOR ONLY) (SERIES 1-15) SUPPLIER CODE: V70210 POSITION DATA: RH SPECIFICATION NUMBER: S210T130-60 ELECTRICAL EQUIP NUMBER: S10326 TS0042 TS0199 TS5135 V00019 V10076 COMPONENT MAINT MANUAL REF: 21-51-32 QUALIFIED I/W DATA: S210T130-59 (2202450-8) T/W 1 EA 625928-2 AND 1 EA 624014-1 SENSOR IS I/W S210T130-60 (2202450-9) QUALIFIED OPTIONAL DATA: (S210T130-60 OPTIONAL TO S210T130-59 TOGETHER WITH 624014-1 AND 625928-2 FOR N0064 ONLY) REWORKED BY SB: 2202450-21-2567 V70210 REWORKED BY SERVICE LETTER: 21-037 FOR NHA/ADDITIONAL DET SEE: 21-52-01-01 21-52-01-01A | 002004 006999 | RF |

MISSING ITEM NUMBERS NOT APPLICABLE

- ITEM NOT ILLUSTRATED

BRI

21-51-06-01

BOEING PROPRIETARY - Copyright © - Unpublished Work - See title page for details.

21-51-06
FIG. 01
PAGE 2
JAN 20/09



757

PARTS CATALOG (MAINTENANCE)

| FIG ITEM | PART NUMBER | 1 2 3 4 5 6 7 | NOMENCLATURE | EFFECT FROM TO | UNITS PER ASSY |
|----------|--------------|---------------|--|----------------------------|----------------|
| 1 | | | | | |
| 50 | 625928-2 | . | SENSOR ASSY-COMPRESSOR OUTLET (SERIES 1-10) SUPPLIER CODE: V07217 ELECTRICAL EQUIP NUMBER: TS0041 TS0042 TS5133 TS5135 WIRING DIAGRAM REF: 215114 215115 215124 215125 COMPONENT MAINT MANUAL REF: 21-51-02 USED ON: 2202450-9 | 002004 006999 | 2 |
| 50 | 625928-3 | . | SENSOR ASSY-COMPRESSOR OUTLET (SERIES 11-12) SUPPLIER CODE: V07217 ELECTRICAL EQUIP NUMBER: TS0041 TS0042 TS5133 TS5135 WIRING DIAGRAM REF: 215114 215115 215124 215125 COMPONENT MAINT MANUAL REF: 21-51-02 USED ON: 2202450-9 | 002004 006999 | 2 |
| 55 | 907-11307 | .. | PACKING- SUPPLIER CODE: V09665 | 002004 006999 | 1 |
| - 500 | 286N2406-012 | | WIRE BUNDLE ASSY- POSITION DATA: LH | 107107 121503 904949 | RF |
| - 500 | 286N2406-014 | | WIRE BUNDLE ASSY- POSITION DATA: LH | 002004 006100 950999 | RF |
| - 501 | 286N2406-305 | | WIRE BUNDLE ASSY- POSITION DATA: LH | 101102 | RF |

MISSING ITEM NUMBERS NOT APPLICABLE

- ITEM NOT ILLUSTRATED

21-51-06-01

21-51-06
FIG. 01
PAGE 3
JAN 20/09

BRI



757

PARTS CATALOG (MAINTENANCE)

| FIG ITEM | PART NUMBER | 1 2 3 4 5 6 7 | NOMENCLATURE | EFFECT FROM TO | UNITS PER ASSY |
|----------|---------------|---------------|--|------------------|----------------|
| 1 | | | | | |
| - 502 | 286N2406-323 | | WIRE BUNDLE ASSY- POSITION DATA: LH | 108120 | RF |
| - 502 | 286N2406-327 | | WIRE BUNDLE ASSY- POSITION DATA: LH | 504903 | RF |
| - 503 | 286N2406-601 | | WIRE BUNDLE ASSY- POSITION DATA: LH | 103103 | RF |
| - 503 | 286N2406-602 | | WIRE BUNDLE ASSY- POSITION DATA: LH | 104106 | RF |
| 505 | BCREF9787 | | .PLUG- SUPPLIER CODE: V13556 OVERLENGTH PART NUMBER: CN0966A10A20SN000 ELECTRICAL EQUIP NUMBER: D02966 D04134 WIRING DIAGRAM REF: 215114 215115 | 002004 006999 | 2 |
| 510 | 620AA028NF10L | | .CLAMP- SUPPLIER CODE: V06324 SPECIFICATION NUMBER: BACC10KE10 OPTIONAL PART: S3820-10-65 V07418 ELECTRICAL EQUIP NUMBER: D02966T WIRING DIAGRAM REF: 215115 | 103106 | 1 |
| 510 | GS3418-10CD | | .CLAMP- SUPPLIER CODE: V06324 SPECIFICATION NUMBER: BACC10HG10 OPTIONAL PART: S2126-10-8 V07418 ELECTRICAL EQUIP NUMBER: D02966T WIRING DIAGRAM REF: 215114 215115 | 002004 006999 | 1 |

MISSING ITEM NUMBERS NOT APPLICABLE

- ITEM NOT ILLUSTRATED

21-51-06-01

21-51-06
FIG. 01
PAGE 4
JAN 20/09

BRI



757

PARTS CATALOG (MAINTENANCE)

| FIG ITEM | PART NUMBER | 1 2 3 4 5 6 7 | NOMENCLATURE | EFFECT FROM TO | UNITS PER ASSY |
|----------|---------------|-------------------|--|----------------------------|----------------|
| 1 515 | GS3418-10CD | .CLAMP- | SUPPLIER CODE: V06324 SPECIFICATION NUMBER: BACC10HG10 OPTIONAL PART: S2126-10-8 V07418 ELECTRICAL EQUIP NUMBER: D04134T WIRING DIAGRAM REF: 215114 | 002004 006102 107999 | 1 |
| 515 | 620AA028NF10L | .CLAMP- | SUPPLIER CODE: V06324 SPECIFICATION NUMBER: BACC10KE10 OPTIONAL PART: S3820-10-65 V07418 ELECTRICAL EQUIP NUMBER: D04134T WIRING DIAGRAM REF: 215114 | 002004 006999 | 1 |
| - 550 | 286N2506-012 | WIRE BUNDLE ASSY- | POSITION DATA: RH | 107107 121503 904949 | RF |
| - 550 | 286N2506-014 | WIRE BUNDLE ASSY- | POSITION DATA: RH | 002004 006100 950999 | RF |
| - 551 | 286N2506-305 | WIRE BUNDLE ASSY- | POSITION DATA: RH | 101102 | RF |
| - 552 | 286N2506-327 | WIRE BUNDLE ASSY- | POSITION DATA: RH | 108120 | RF |
| - 552 | 286N2506-328 | WIRE BUNDLE ASSY- | POSITION DATA: RH | 504903 | RF |
| - 552 | 286N2506-601 | WIRE BUNDLE ASSY- | POSITION DATA: RH | 103106 | RF |

MISSING ITEM NUMBERS NOT APPLICABLE

- ITEM NOT ILLUSTRATED

21-51-06-01

21-51-06
FIG. 01
PAGE 5
JAN 20/09

BRI



757

PARTS CATALOG (MAINTENANCE)

| FIG ITEM | PART NUMBER | 1 2 3 4 5 6 7 | NOMENCLATURE | EFFECT FROM TO | UNITS PER ASSY |
|----------|---------------|---------------|--|----------------------------|----------------|
| 1 | | | | | |
| - 555 | BCREF9787 | | .PLUG- SUPPLIER CODE: V13556 OVERLENGTH PART NUMBER: CN0966A10A20SN000 ELECTRICAL EQUIP NUMBER: D03028 D04056 WIRING DIAGRAM REF: 215124 215125 | 002004 006999 | 2 |
| - 560 | 620AA028NF10L | | .CLAMP- SUPPLIER CODE: V06324 SPECIFICATION NUMBER: BACC10KE10 OPTIONAL PART: S3820-10-65 V07418 ELECTRICAL EQUIP NUMBER: D03028T WIRING DIAGRAM REF: 215125 | 103106 | 1 |
| - 560 | GS3418-10CD | | .CLAMP- SUPPLIER CODE: V06324 SPECIFICATION NUMBER: BACC10HG10 OPTIONAL PART: S2126-10-8 V07418 ELECTRICAL EQUIP NUMBER: D03028T WIRING DIAGRAM REF: 215122 215125 | 002004 006999 | 1 |
| - 565 | GS3418-10CD | | .CLAMP- SUPPLIER CODE: V06324 SPECIFICATION NUMBER: BACC10HG10 OPTIONAL PART: S2126-10-8 V07418 ELECTRICAL EQUIP NUMBER: D04056T WIRING DIAGRAM REF: 215124 | 002004 006102 107999 | 1 |

MISSING ITEM NUMBERS NOT APPLICABLE

- ITEM NOT ILLUSTRATED

21-51-06-01

21-51-06
FIG. 01
PAGE 6
JAN 20/09

BRI



757

PARTS CATALOG (MAINTENANCE)

| FIG ITEM | PART NUMBER | 1 2 3 4 5 6 7 | NOMENCLATURE | EFFECT FROM TO | UNITS PER ASSY |
|-------------|---------------|---------------|---|-------------------|----------------------|
| 1 - 565 | 620AA028NF10L | | .CLAMP- SUPPLIER CODE: V06324 SPECIFICATION NUMBER: BACC10KE10 OPTIONAL PART: S3820-10-65 V07418 ELECTRICAL EQUIP NUMBER: D04056T WIRING DIAGRAM REF: 215124 | 002004 006999 | 1 |

MISSING ITEM NUMBERS NOT APPLICABLE

- ITEM NOT ILLUSTRATED

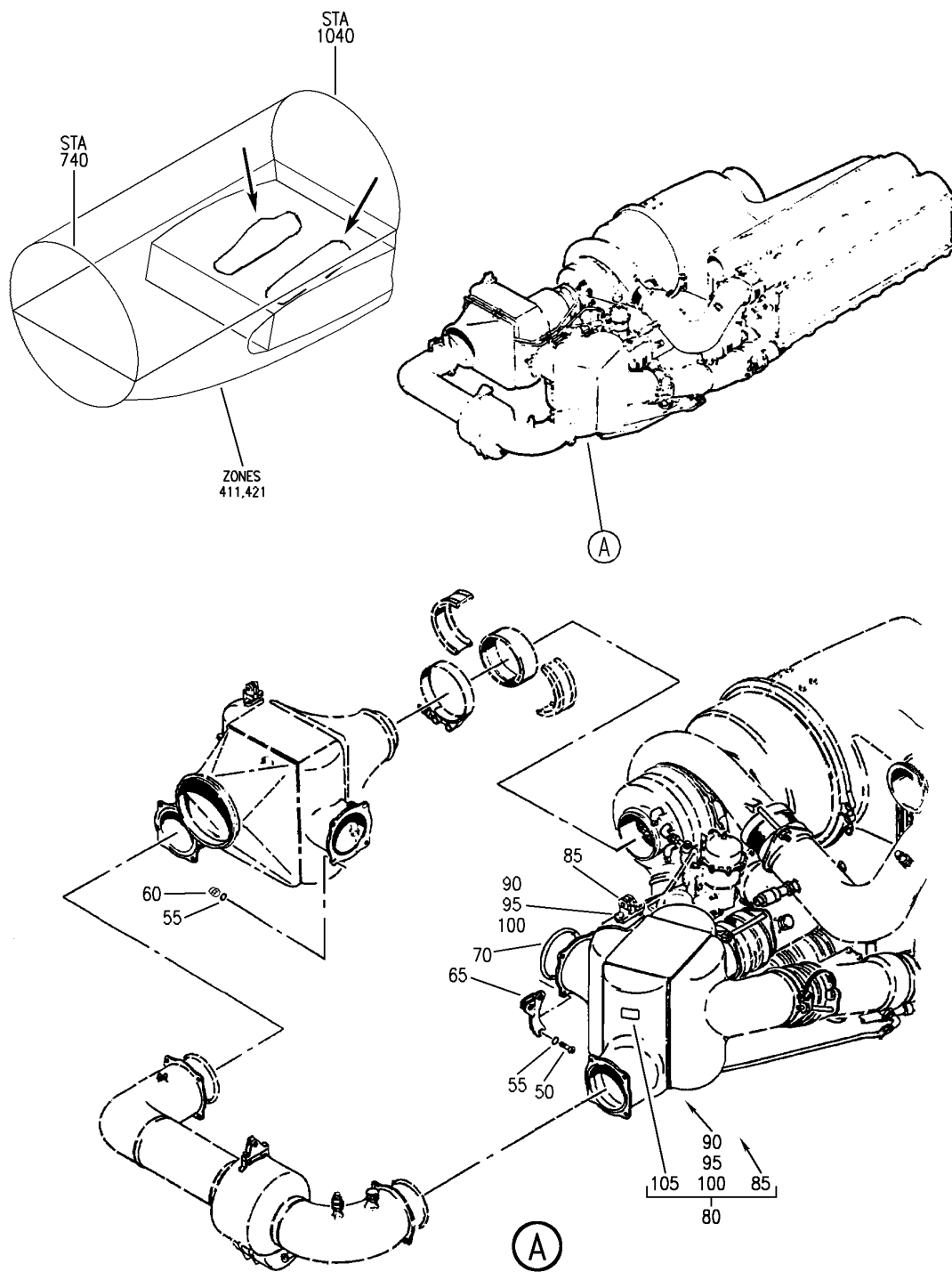
BRI

21-51-06-01

BOEING PROPRIETARY - Copyright © - Unpublished Work - See title page for details.

21-51-06
FIG. 01
PAGE 7
JAN 20/09

BOEING
757
PARTS CATALOG (MAINTENANCE)



Y 21510701 REV 283

PACK ASSY-AIR CONDITIONING AND TEMP CONT SYS COOLING (PACK REHEATER ONLY)
FIGURE 1

21-51-07-01

BRI
MAY 28/07

21-51-07-01
PAGE 0



757

PARTS CATALOG (MAINTENANCE)

| FIG ITEM | PART NUMBER | 1 2 3 4 5 6 7 | NOMENCLATURE | EFFECT FROM TO | UNITS PER ASSY |
|----------|-------------|---------------|--|------------------|----------------|
| 1 | | | PACK ASSY-AIR CONDITIONING AND TEMP CONT SYS COOLING (PACK REHEATER ONLY) | 002004 006999 | |
| - 1 | 2202450-9 | | PACK ASSY-AIR CONDITIONING AND TEMP CONT SYS COOLING SERIES 1-15 (PACK REHEATER ONLY) SUPPLIER CODE: V70210 POSITION DATA: LH SPECIFICATION NUMBER: S210T130-60 ELECTRICAL EQUIP NUMBER: S10325 TS0041 TS0198 TS5133 V00018 V10077 COMPONENT MAINT MANUAL REF: 21-51-32 QUALIFIED I/W DATA: S210T130-59 (2202450-8) T/W 1 EA 625928-2 AND 1 EA 624014-1 SENSOR IS I/W S210T130-60 (2202450-9) REWORKED BY SB: 2202450-21-2567 V70210 REWORKED BY SERVICE LETTER: 21-037 FOR NHA/ADDITIONAL DET SEE: 21-52-01-01A 21-52-01-01 | 002004 006999 | RF |

MISSING ITEM NUMBERS NOT APPLICABLE

- ITEM NOT ILLUSTRATED

BRI

21-51-07-01

21-51-07
FIG. 01
PAGE 1
JAN 20/09



757

PARTS CATALOG (MAINTENANCE)

| FIG ITEM | PART NUMBER | 1 2 3 4 5 6 7 | NOMENCLATURE | EFFECT FROM TO | UNITS PER ASSY |
|----------|-------------|---------------|---|------------------|----------------|
| 1 - 5 | 2202450-9 | | PACK ASSY-AIR CONDITIONING AND TEMP CONT SYS COOLING SERIES 1-15 (PACK REHEATER ONLY) SUPPLIER CODE: V70210 POSITION DATA: RH SPECIFICATION NUMBER: S210T130-60 ELECTRICAL EQUIP NUMBER: S10326 TS0042 TS0199 TS5135 V00019 V10076 COMPONENT MAINT MANUAL REF: 21-51-32 QUALIFIED I/W DATA: S210T130-59 (2202450-8) T/W 1 EA 625928-2 AND 1 EA 624014-1 SENSOR IS I/W S210T130-60 (2202450-9) QUALIFIED OPTIONAL DATA: (S210T130-60 OPTIONAL TO S210T130-59 TOGETHER WITH 624014-1 AND 625928-2 FOR N0064 ONLY) REWORKED BY SB: 2202450-21-2567 V70210 REWORKED BY SERVICE LETTER: 21-037 FOR NHA/ADDITIONAL DET SEE: 21-52-01-01 21-52-01-01A | 002004 006999 | RF |
| 50 | MS9489-16 | .BOLT | | 002004 006999 | 2 |
| 55 | AN960D10L | .WASHER | | 002004 006999 | 4 |
| 60 | NAS679C3M | .NUT | | 002004 006999 | 2 |

MISSING ITEM NUMBERS NOT APPLICABLE

- ITEM NOT ILLUSTRATED

21-51-07-01

21-51-07
FIG. 01
PAGE 2
JAN 20/09

BRI

BOEING
757
PARTS CATALOG (MAINTENANCE)

| FIG ITEM | PART NUMBER | 1 2 3 4 5 6 7 | NOMENCLATURE | EFFECT FROM TO | UNITS PER ASSY |
|-------------|-------------|---------------|---|-------------------|----------------------|
| 1 | | | | | |
| 65 | 2202825-1 | | .BRACKET-STABILIZER SUPPLIER CODE: V70210 OPTIONAL PART: 2202344-1 V70210 | 002004 006999 | 1 |
| 65 | 2202344-1 | | .BRACKET-STABILIZER SUPPLIER CODE: V70210 OPTIONAL PART: 2202825-1 V70210 | 002004 006999 | 1 |
| 70 | MS9068-156 | | .PACKING | 002004 006999 | 1 |
| 80 | 194274-4 | | .REHEATER ASSY-HEAT EXCHANGER SERIES 1-4 USED ON SERIES 4-15 SUPPLIER CODE: V70210 POSITION DATA: LH COMPONENT MAINT MANUAL REF: 21-51-36 USED ON: 2202450-9 | 002004 006999 | 1 |
| 80 | 194274-4 | | .REHEATER ASSY-HEAT EXCHANGER SERIES 1-4 USED ON SERIES 1-3 SUPPLIER CODE: V70210 POSITION DATA: LH COMPONENT MAINT MANUAL REF: 21-51-36 OPTIONAL PART: 194274-3 V70210 USED ON: 2202450-9 | 002004 006999 | 1 |

MISSING ITEM NUMBERS NOT APPLICABLE

— ITEM NOT ILLUSTRATED

BRI

21-51-07-01

BOEING PROPRIETARY - Copyright © - Unpublished Work - See title page for details.

21-51-07
FIG. 01
PAGE 3
JAN 20/09



757

PARTS CATALOG (MAINTENANCE)

| FIG ITEM | PART NUMBER | 1 2 3 4 5 6 7 | NOMENCLATURE | EFFECT FROM TO | UNITS PER ASSY |
|----------|-------------|---------------|---|------------------|----------------|
| 1 80 | 194274-3 | | .REHEATER ASSY-HEAT EXCHANGER SERIES 1 AND 3 USED ON SERIES 1-3 SUPPLIER CODE: V70210 POSITION DATA: LH COMPONENT MAINT MANUAL REF: 21-51-36 OPTIONAL PART: 194274-4 V70210 USED ON: 2202450-9 | 002004 006999 | 1 |
| - 82 | 194274-4 | | .REHEATER ASSY-HEAT EXCHANGER SERIES 1-4 USED ON SERIES 4-15 SUPPLIER CODE: V70210 POSITION DATA: RH COMPONENT MAINT MANUAL REF: 21-51-36 USED ON: 2202450-9 | 002004 006999 | 1 |
| - 82 | 194274-4 | | .REHEATER ASSY-HEAT EXCHANGER SERIES 1-4 USED ON SERIES 1-3 SUPPLIER CODE: V70210 POSITION DATA: RH COMPONENT MAINT MANUAL REF: 21-51-36 OPTIONAL PART: 194274-3 V70210 USED ON: 2202450-9 | 002004 006999 | 1 |

MISSING ITEM NUMBERS NOT APPLICABLE

- ITEM NOT ILLUSTRATED

BRI

21-51-07-01

21-51-07
FIG. 01
PAGE 4
JAN 20/09



757

PARTS CATALOG (MAINTENANCE)

| FIG ITEM | PART NUMBER | 1 2 3 4 5 6 7 | NOMENCLATURE | EFFECT FROM TO | UNITS PER ASSY |
|-----------|---------------|---------------|--|------------------|----------------|
| 1 - 82 | 194274-3 | | .REHEATER ASSY-HEAT EXCHANGER SERIES 1 AND 3 USED ON SERIES 1-3 SUPPLIER CODE: V70210 POSITION DATA: RH COMPONENT MAINT MANUAL REF: 21-51-36 OPTIONAL PART: 194274-4 V70210 USED ON: 2202450-9 | 002004 006999 | 1 |
| 85 | 192781-2 | | ..MOUNT-CLEVIS SUPPLIER CODE: V70210 ATTACHING PARTS | 002004 006999 | 1 |
| 90 | NAS6703H3 | | ..BOLT | 002004 006999 | 2 |
| 95 | S8157N52-032C | | ..WASHER- SUPPLIER CODE: V70210 | 002004 006999 | 2 |
| 100 | MS51830-201 | | ..INSERT | 002004 006999 | 2 |
| 105 | 192813-5 | | -----*----- ..PLATE-ID USED ON SERIES 1 SUPPLIER CODE: V70210 USED ON: 194274-4 | 002004 006999 | 1 |
| 105 | 192813-6 | | ..PLATE-ID USED ON SERIES 2 SUPPLIER CODE: V70210 USED ON: 194274-4 | 002004 006999 | 1 |
| 105 | 192813-8 | | ..PLATE-ID USED ON SERIES 3 SUPPLIER CODE: V70210 USED ON: 194274-4 | 002004 006999 | 1 |

MISSING ITEM NUMBERS NOT APPLICABLE

- ITEM NOT ILLUSTRATED

BRI

21-51-07-01

21-51-07
FIG. 01
PAGE 5
JAN 20/09



757

PARTS CATALOG (MAINTENANCE)

| FIG ITEM | PART NUMBER | 1 2 3 4 5 6 7 | NOMENCLATURE | EFFECT FROM TO | UNITS PER ASSY |
|-------------|-------------|---------------|---|-------------------|----------------------|
| 1 105 | 192813-9 | | .. PLATE-ID USED ON SERIES 4 SUPPLIER CODE: V70210 USED ON: 194274-4 | 002004 006999 | 1 |

MISSING ITEM NUMBERS NOT APPLICABLE

- ITEM NOT ILLUSTRATED

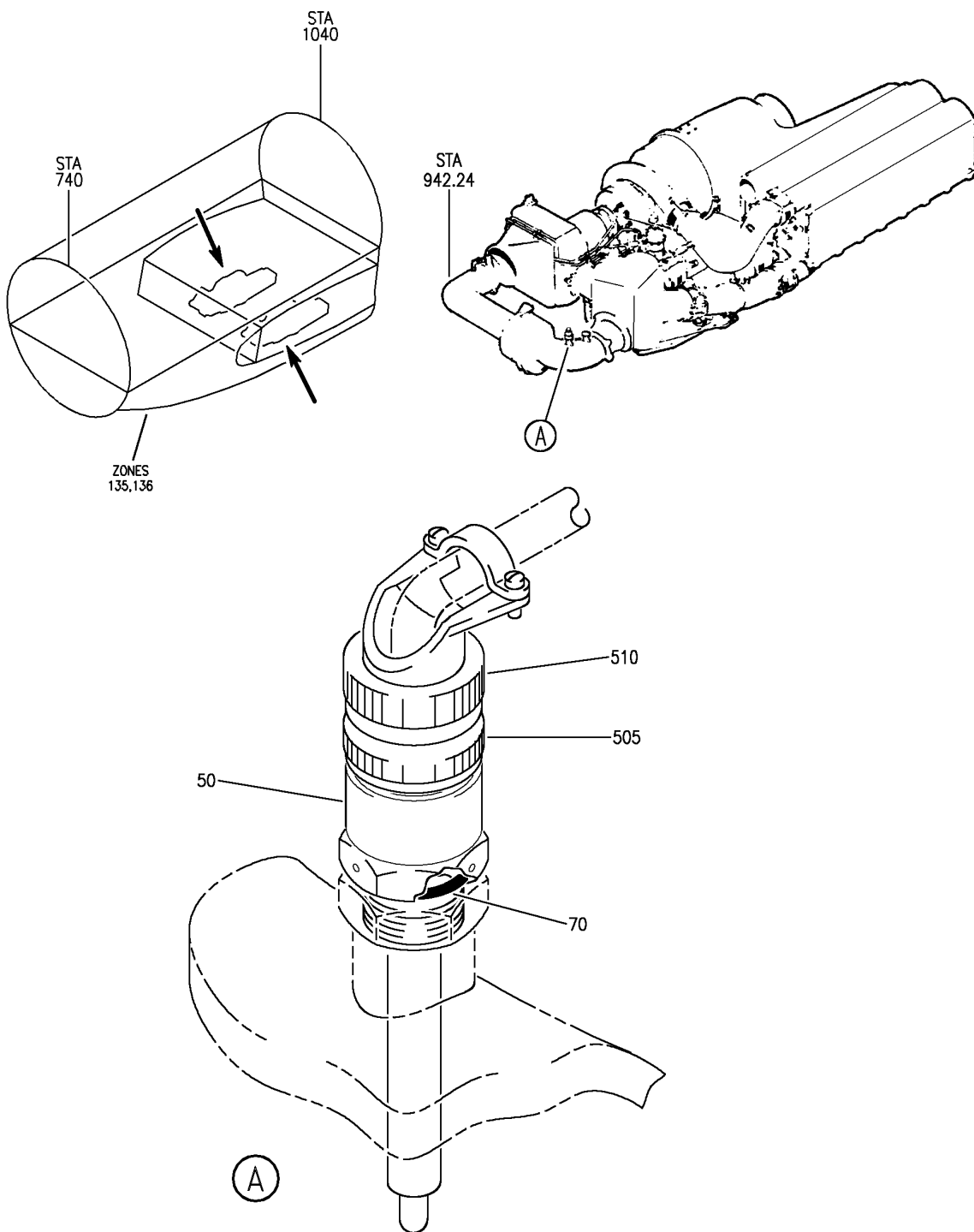
BRI

21-51-07-01

BOEING PROPRIETARY - Copyright © - Unpublished Work - See title page for details.

21-51-07
FIG. 01
PAGE 6
JAN 20/09

BOEING
757
PARTS CATALOG (MAINTENANCE)



Y 21510801 REV 275

PACK ASSY-AIR CONDITIONING AND TEMP CONT SYS COOLING (PACK TEMPERATURE SENSOR ONLY)

FIGURE 1

21-51-08-01

BRI
MAY 28/07

21-51-08-01
PAGE 0



757

PARTS CATALOG (MAINTENANCE)

| FIG ITEM | PART NUMBER | 1 2 3 4 5 6 7 | NOMENCLATURE | EFFECT FROM TO | UNITS PER ASSY |
|----------|-------------|---------------|--|------------------|----------------|
| 1 | | | PACK ASSY-AIR CONDITIONING AND TEMP CONT SYS COOLING (PACK TEMPERATURE SENSOR ONLY) | 002004 006999 | |
| - 1 | 2202450-9 | | PACK ASSY-AIR CONDITIONING AND TEMP CONT SYS COOLING SERIES 1-15 (PACK TEMPERATURE SENSOR ONLY) SUPPLIER CODE: V70210 POSITION DATA: LH SPECIFICATION NUMBER: S210T130-60 ELECTRICAL EQUIP NUMBER: S10325 TS0041 TS0198 TS5133 V00018 V10077 COMPONENT MAINT MANUAL REF: 21-51-32 QUALIFIED I/W DATA: S210T130-59 (2202450-8) T/W 1 EA 625928-2 AND 1 EA 624014-1 SENSOR IS I/W S210T130-60 (2202450-9) REWORKED BY SB: 2202450-21-2567 V70210 REWORKED BY SERVICE LETTER: 21-037 FOR NHA/ADDITIONAL DET SEE: 21-52-01-01A 21-52-01-01 | 002004 006999 | RF |

MISSING ITEM NUMBERS NOT APPLICABLE

- ITEM NOT ILLUSTRATED

BRI

21-51-08-01

BOEING PROPRIETARY - Copyright © - Unpublished Work - See title page for details.

21-51-08
FIG. 01
PAGE 1
JAN 20/09



757

PARTS CATALOG (MAINTENANCE)

| FIG ITEM | PART NUMBER | 1 2 3 4 5 6 7 NOMENCLATURE | EFFECT FROM TO | UNITS PER ASSY |
|-------------|-------------|--|-------------------|----------------------|
| 1 - 5 | 2202450-9 | PACK ASSY-AIR CONDITIONING AND TEMP CONT SYS COOLING SERIES 1-15 (PACK TEMPERATURE SENSOR ONLY) SUPPLIER CODE: V70210 POSITION DATA: RH SPECIFICATION NUMBER: S210T130-60 ELECTRICAL EQUIP NUMBER: S10326 TS0042 TS0199 TS5134 V00019 V10076 COMPONENT MAINT MANUAL REF: 21-51-32 QUALIFIED I/W DATA: S210T130-59 (2202450-8) T/W 1 EA 625928-2 AND 1 EA 624014-1 SENSOR IS I/W S210T130-60 2202450-9 QUALIFIED OPTIONAL DATA: S210T130-60 OPTIONAL TO S210T130-59 TOGETHER WITH 624014-1 AND 625928-2 FOR N0064 ONLY REWORKED BY SB: 2202450-21-2567 V70210 REWORKED BY SERVICE LETTER: 21-037 FOR NHA/ADDITIONAL DET SEE: 21-52-01-01 21-52-01-01A | 002004 006999 | RF |

MISSING ITEM NUMBERS NOT APPLICABLE

- ITEM NOT ILLUSTRATED

BRI

21-51-08-01

21-51-08
FIG. 01
PAGE 2
JAN 20/09



757

PARTS CATALOG (MAINTENANCE)

| FIG ITEM | PART NUMBER | 1 2 3 4 5 6 7 | NOMENCLATURE | EFFECT FROM TO | UNITS PER ASSY |
|----------|--------------|---------------|--|------------------|----------------|
| 1 | 50 624014-1 | | . SENSOR ASSY-TEMPERATURE USED ON SERIES 1-8 SUPPLIER CODE: V07217 POSITION DATA: LH ELECTRICAL EQUIP NUMBER: TS0198 WIRING DIAGRAM REF: 215112 COMPONENT MAINT MANUAL REF: 21-52-01 USED ON: 2202450-9 | 002004 006999 | 1 |
| | 50 624014-2 | | . SENSOR ASSY-TEMPERATURE USED ON SERIES 9-15 SUPPLIER CODE: V07217 POSITION DATA: LH ELECTRICAL EQUIP NUMBER: TS0198 WIRING DIAGRAM REF: 215112 COMPONENT MAINT MANUAL REF: 21-52-01 USED ON: 2202450-9 POST SERVICE BULLETIN: 2202450-21-2567 V70210 | 002004 006999 | 1 |
| | 55 624014-1 | | . SENSOR ASSY-TEMPERATURE USED ON SERIES 1-8 SUPPLIER CODE: V07217 POSITION DATA: RH ELECTRICAL EQUIP NUMBER: TS0199 WIRING DIAGRAM REF: 215112 COMPONENT MAINT MANUAL REF: 21-52-01 USED ON: 2202450-9 | 002004 006999 | 1 |
| | 70 S9028G908 | | .. PACKING- SUPPLIER CODE: V07217 | 002004 006999 | 2 |

MISSING ITEM NUMBERS NOT APPLICABLE

- ITEM NOT ILLUSTRATED

21-51-08-01

21-51-08
FIG. 01
PAGE 3
JAN 20/09

BRI



757

PARTS CATALOG (MAINTENANCE)

| FIG ITEM | PART NUMBER | 1 2 3 4 5 6 7 | NOMENCLATURE | EFFECT FROM TO | UNITS PER ASSY |
|----------|---------------|---------------|---|----------------------------|----------------|
| 1 | | | | | |
| - 500 | 286N2406-012 | | WIRE BUNDLE ASSY- POSITION DATA: LH | 107107 121503 904949 | RF |
| - 500 | 286N2406-014 | | WIRE BUNDLE ASSY- POSITION DATA: LH | 002004 006100 950999 | RF |
| - 501 | 286N2406-305 | | WIRE BUNDLE ASSY- POSITION DATA: LH | 101102 | RF |
| - 502 | 286N2406-323 | | WIRE BUNDLE ASSY- POSITION DATA: LH | 108120 | RF |
| - 502 | 286N2406-327 | | WIRE BUNDLE ASSY- POSITION DATA: LH | 504903 | RF |
| - 503 | 286N2406-601 | | WIRE BUNDLE ASSY- POSITION DATA: LH | 103103 | RF |
| - 503 | 286N2406-602 | | WIRE BUNDLE ASSY- POSITION DATA: LH | 104106 | RF |
| 505 | BCREF9787 | | .PLUG- SUPPLIER CODE: V13556 OVERLENGTH PART NUMBER: CN0966A10A20SN000 ELECTRICAL EQUIP NUMBER: D02952 WIRING DIAGRAM REF: 215112 | 002004 006999 | 1 |
| 510 | 620AA028NF10L | | .CLAMP- SUPPLIER CODE: V06324 SPECIFICATION NUMBER: BACC10KE10 OPTIONAL PART: S3820-10-65 V07418 ELECTRICAL EQUIP NUMBER: D02952T WIRING DIAGRAM REF: 215112 | 002004 006999 | 1 |

MISSING ITEM NUMBERS NOT APPLICABLE

- ITEM NOT ILLUSTRATED

BRI

21-51-08-01

BOEING PROPRIETARY - Copyright © - Unpublished Work - See title page for details.

21-51-08
FIG. 01
PAGE 4
JAN 20/09



757

PARTS CATALOG (MAINTENANCE)

| FIG ITEM | PART NUMBER | 1 2 3 4 5 6 7 | NOMENCLATURE | EFFECT FROM TO | UNITS PER ASSY |
|----------|--------------|---------------|--|----------------------------|----------------|
| 1 510 | GS3418-10CD | | .CLAMP- SUPPLIER CODE: V06324 SPECIFICATION NUMBER: BACC10HG10 OPTIONAL PART: S2126-10-8 V07418 ELECTRICAL EQUIP NUMBER: D02952T WIRING DIAGRAM REF: 215112 | 002004 006102 107999 | 1 |
| - 550 | 286N2506-012 | | WIRE BUNDLE ASSY- POSITION DATA: RH | 107107 121503 904949 | RF |
| - 550 | 286N2506-014 | | WIRE BUNDLE ASSY- POSITION DATA: RH | 002004 006100 950999 | RF |
| - 551 | 286N2506-305 | | WIRE BUNDLE ASSY- POSITION DATA: RH | 101102 | RF |
| - 552 | 286N2506-327 | | WIRE BUNDLE ASSY- POSITION DATA: RH | 108120 | RF |
| - 552 | 286N2506-328 | | WIRE BUNDLE ASSY- POSITION DATA: RH | 504903 | RF |
| - 552 | 286N2506-601 | | WIRE BUNDLE ASSY- POSITION DATA: RH | 103106 | RF |
| - 555 | BCREF9787 | | .PLUG- SUPPLIER CODE: V13556 OVERLENGTH PART NUMBER: CN0966A10A20SN00 ELECTRICAL EQUIP NUMBER: D03010 WIRING DIAGRAM REF: 215122 | 002004 006999 | 1 |

MISSING ITEM NUMBERS NOT APPLICABLE

- ITEM NOT ILLUSTRATED

21-51-08-01

21-51-08
FIG. 01
PAGE 5
JAN 20/09

BRI



757

PARTS CATALOG (MAINTENANCE)

| FIG ITEM | PART NUMBER | 1 2 3 4 5 6 7 | NOMENCLATURE | EFFECT FROM TO | UNITS PER ASSY |
|------------|---------------|---------------|---|----------------------------|----------------|
| 1 - 560 | 620AA028NF10L | | .CLAMP- SUPPLIER CODE: V06324 SPECIFICATION NUMBER: BACC10KE10 OPTIONAL PART: S3820-10-65 V07418 ELECTRICAL EQUIP NUMBER: D03010T WIRING DIAGRAM REF: 215122 | 002004 006999 | 1 |
| - 560 | GS3418-10CD | | .CLAMP- SUPPLIER CODE: V06324 SPECIFICATION NUMBER: BACC10HG10 OPTIONAL PART: S2126-10-8 V07418 ELECTRICAL EQUIP NUMBER: D03010T WIRING DIAGRAM REF: 215122 | 002004 006102 107999 | 1 |

MISSING ITEM NUMBERS NOT APPLICABLE

- ITEM NOT ILLUSTRATED

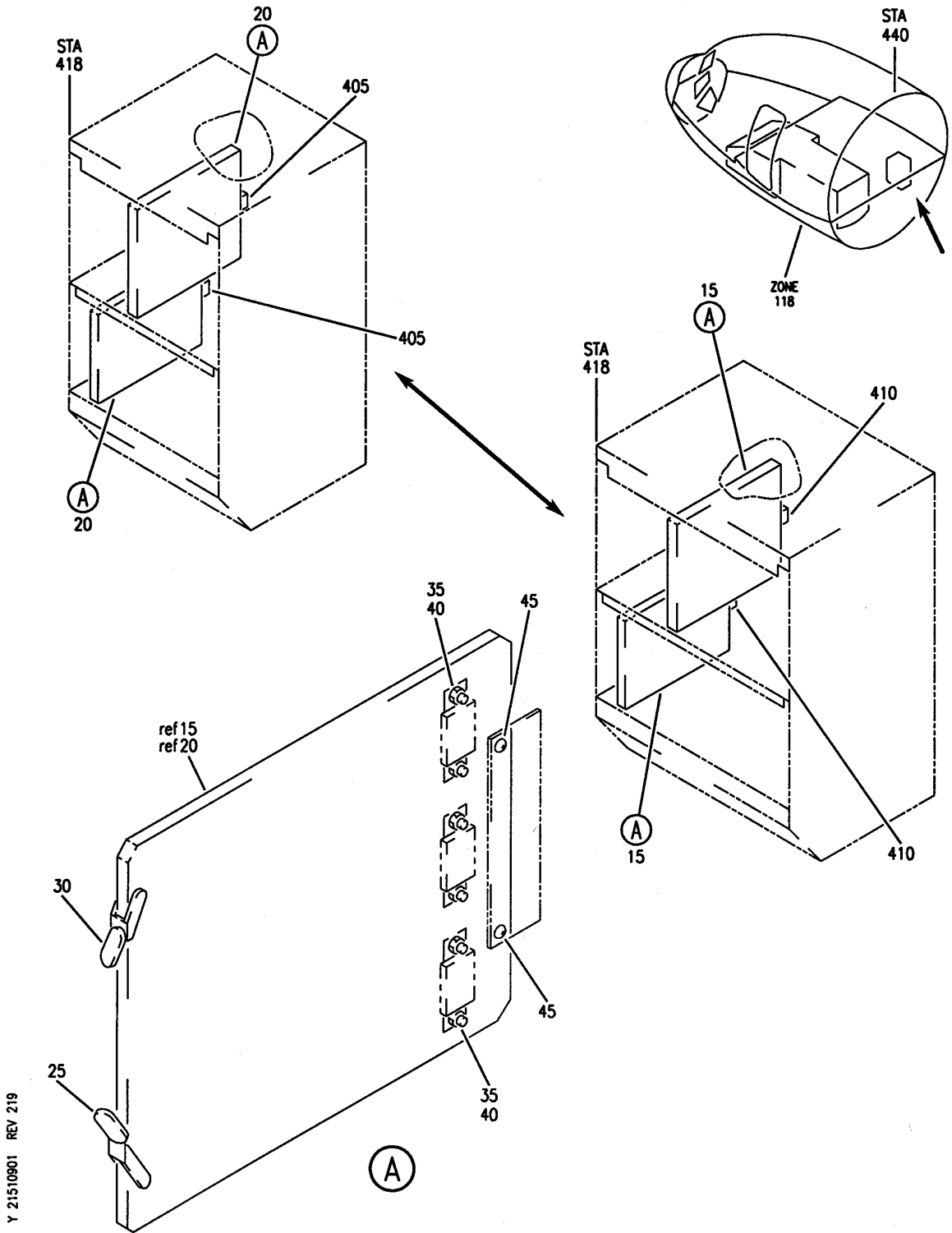
BRI

21-51-08-01

BOEING PROPRIETARY - Copyright © - Unpublished Work - See title page for details.

21-51-08
FIG. 01
PAGE 6
JAN 20/09

BOEING
757
PARTS CATALOG (MAINTENANCE)



Y 21510901 REV 219

EQUIPMENT INSTL-MAIN ELECTRONICS EQPT CTR (FLOW CONTROL CARD ASSEMBLY ONLY)
FIGURE 1

21-51-09-01

BRI
MAY 28/07

21-51-09-01
PAGE 0



757

PARTS CATALOG (MAINTENANCE)

| FIG ITEM | PART NUMBER | 1 2 3 4 5 6 7 | NOMENCLATURE | EFFECT FROM TO | UNITS PER ASSY |
|----------|--------------|---------------|--|--------------------------------------|----------------|
| 1 | | | EQUIPMENT INSTL-MAIN ELECTRONICS EQPT CTR (FLOW CONTROL CARD ASSEMBLY ONLY) | 002004 006100 107107 121999 | |
| - 2 | 284N1307-33 | | EQUIPMENT INSTL-MAIN ELECTRONICS EQPT CTR (FLOW CONTROL CARD ASSEMBLY ONLY) FOR NHA/OTHER SYS DET SEE: 24-00-58-01 | 107107 | RF |
| - 3 | 284N1800-16 | | EQUIPMENT INSTL-MAIN ELECTRONICS EQPT CTR (FLOW CONTROL CARD ASSEMBLY ONLY) FOR NHA/OTHER SYS DET SEE: 24-00-58-01 | 121503 904949 | RF |
| - 4 | 284N1800-32 | | EQUIPMENT INSTL-MAIN ELECTRONICS EQPT CTR (FLOW CONTROL CARD ASSEMBLY ONLY) FOR NHA/OTHER SYS DET SEE: 24-00-58-01 | 952999 | RF |
| - 5 | 284N1800-34 | | EQUIPMENT INSTL-MAIN ELECTRONICS EQPT CTR (FLOW CONTROL CARD ASSEMBLY ONLY) FOR NHA/OTHER SYS DET SEE: 24-00-58-01 | 002004 006100 | RF |
| - 5 | 284N1800-38 | | EQUIPMENT INSTL-MAIN ELECTRONICS EQPT CTR (FLOW CONTROL CARD ASSEMBLY ONLY) FOR NHA/OTHER SYS DET SEE: 24-00-58-01 | 950951 | RF |
| - 7 | 284N1800-88 | | EQUIPMENT INSTL-MAIN ELECTRONICS EQPT CTR (FLOW CONTROL CARD ASSEMBLY ONLY) FOR NHA/OTHER SYS DET SEE: 24-00-58-05E | 505505 | RF |
| - 7 | 284N1800-190 | | EQUIPMENT INSTL-MAIN ELECTRONICS EQPT CTR (FLOW CONTROL CARD ASSEMBLY ONLY) FOR NHA/OTHER SYS DET SEE: 24-00-58-05E | 504504 506903 | RF |

MISSING ITEM NUMBERS NOT APPLICABLE

- ITEM NOT ILLUSTRATED

21-51-09-01

21-51-09
FIG. 01
PAGE 1
JAN 20/09

BRI



757

PARTS CATALOG (MAINTENANCE)

| FIG ITEM | PART NUMBER | 1 2 3 4 5 6 7 | NOMENCLATURE | EFFECT FROM TO | UNITS PER ASSY |
|----------|--------------|---------------|---|--------------------------------------|----------------|
| 1 | | | | | |
| 15 | 285T0093-8 | | .PRINTED WIRING ASSY-PACK FLOW CONT SUPPLIER CODE: V89954 ELECTRICAL EQUIP NUMBER: M00863 M00864 COMPONENT MAINT MANUAL REF: 21-51-52 | 002004 006100 107107 121999 | 2 |
| 15 | 285T0093-11 | | .PRINTED WIRING ASSY-PACK FLOW CONT SUPPLIER CODE: V89954 ELECTRICAL EQUIP NUMBER: M00863 M00864 COMPONENT MAINT MANUAL REF: 21-51-52 | 002004 006100 107107 121999 | 2 |
| 25 | 71-2RA | | ..EXTRACTOR- SUPPLIER CODE: V18915 | 002004 006100 107107 121999 | 1 |
| 30 | 71-2LA | | ..EXTRACTOR- SUPPLIER CODE: V18915 | 002004 006100 107107 121999 | 1 |
| 35 | NAS600-4P | | ..SCREW | 002004 006100 107107 121999 | 6 |
| 40 | 92-1660-40 | | ..NUT SUPPLIER CODE: V72962 SPECIFICATION NUMBER: BACN10DN40 OPTIONAL PART: 92-1660-440 V15653 | 002004 006100 107107 121999 | 6 |
| 45 | MS35214-14 | | ..SCREW | 002004 006100 107107 121999 | 2 |
| - 400 | 286N1140-002 | | WIRE BUNDLE ASSY | 107107 121503 904949 | RF |
| - 400 | 286N1140-004 | | WIRE BUNDLE ASSY | 002004 006100 950999 | RF |
| - 400 | 286N1140-314 | | WIRE BUNDLE ASSY | 504903 | RF |

MISSING ITEM NUMBERS NOT APPLICABLE

- ITEM NOT ILLUSTRATED

21-51-09-01

21-51-09
FIG. 01
PAGE 2
JAN 20/09

BRI



757

PARTS CATALOG (MAINTENANCE)

| FIG ITEM | PART NUMBER | 1 2 3 4 5 6 7 | NOMENCLATURE | EFFECT FROM TO | UNITS PER ASSY |
|-------------|-------------|---------------|---|--------------------------------------|----------------------|
| 1 410 | 300055-001 | | .CONNECTOR- SUPPLIER CODE: V0D9V3 SPECIFICATION NUMBER: BACC65L41 OPTIONAL PART: 300055-001 V03877 192-341-0005 V26742 S1022-00833 V03877 ELECTRICAL EQUIP NUMBER: D02988 D03046 WIRING DIAGRAM REF: 215111 215121 | 002004 006100 107107 121999 | 2 |

MISSING ITEM NUMBERS NOT APPLICABLE

- ITEM NOT ILLUSTRATED

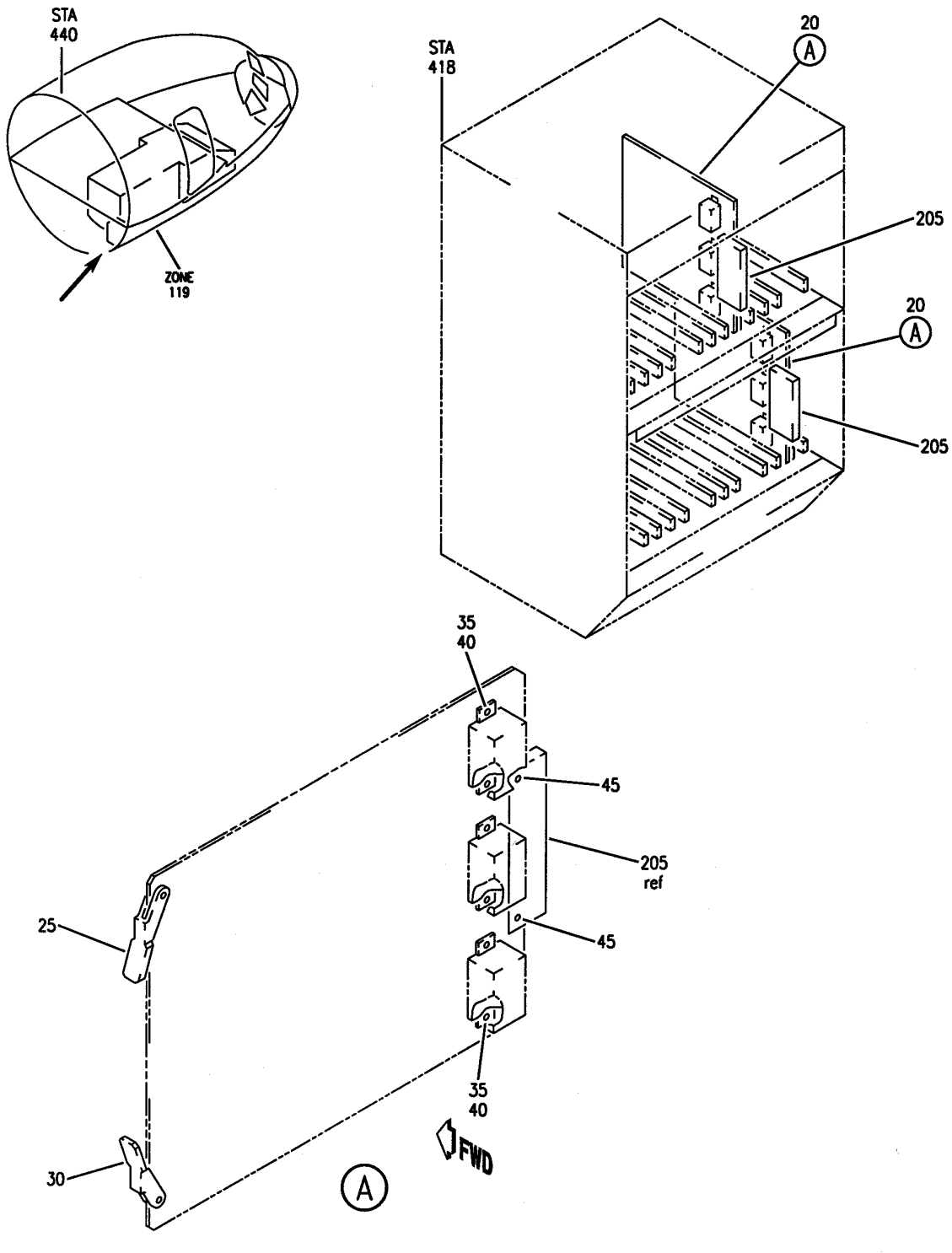
BRI

21-51-09-01

BOEING PROPRIETARY - Copyright © - Unpublished Work - See title page for details.

21-51-09
FIG. 01
PAGE 3
JAN 20/09

BOEING
757
PARTS CATALOG (MAINTENANCE)



Y 21510901B REV 219

EQUIPMENT INSTL-MAIN ELECTRONICS EQPT CTR (FLOW CONTROL CARD ASSEMBLY ONLY)
FIGURE 1B

BRI
MAY 28/07

21-51-09-01B

21-51-09-01B
PAGE 0



757

PARTS CATALOG (MAINTENANCE)

| FIG ITEM | PART NUMBER | 1 2 3 4 5 6 7 | NOMENCLATURE | EFFECT FROM TO | UNITS PER ASSY |
|----------|--------------|---------------|--|----------------|----------------|
| 1B | | | EQUIPMENT INSTL-MAIN ELECTRONICS EQPT CTR (FLOW CONTROL CARD ASSEMBLY ONLY) | 101102 | |
| - 2 | 284N1800-140 | | EQUIPMENT INSTL-MAIN ELECTRONICS EQPT CTR (FLOW CONTROL CARD ASSEMBLY ONLY) FOR NHA/OTHER SYS DET SEE: 24-00-58-05E | 101101 | RF |
| - 2 | 284N1800-141 | | EQUIPMENT INSTL-MAIN ELECTRONICS EQPT CTR (FLOW CONTROL CARD ASSEMBLY ONLY) FOR NHA/OTHER SYS DET SEE: 24-00-58-05E | 102102 | RF |
| 20 | 285T0093-11 | | .PRINTED WIRING ASSY-PACK FLOW CONTROL SUPPLIER CODE: V89954 ELECTRICAL EQUIP NUMBER: M00863 M00864 COMPONENT MAINT MANUAL REF: 21-51-52 | 101102 | 2 |
| 20 | 285T0093-8 | | .PRINTED WIRING ASSY-PACK FLOW CONTROL SUPPLIER CODE: V89954 ELECTRICAL EQUIP NUMBER: M00863 M00864 COMPONENT MAINT MANUAL REF: 21-51-52 | 101102 | 2 |
| 25 | 71-2LA | | ..EXTRACTOR- SUPPLIER CODE: V18915 | 101102 | 1 |
| 30 | 71-2RA | | ..EXTRACTOR- SUPPLIER CODE: V18915 | 101102 | 1 |
| 35 | NAS600-4P | | ..SCREW | 101102 | 6 |
| 40 | 92-1660-40 | | ..NUT SUPPLIER CODE: V72962 SPECIFICATION NUMBER: BACN10DN40 OPTIONAL PART: 92-1660-440 V15653 | 101102 | 6 |

MISSING ITEM NUMBERS NOT APPLICABLE

- ITEM NOT ILLUSTRATED

21-51-09-01B

21-51-09
FIG. 01B
PAGE 1
JAN 20/09

BRI



757

PARTS CATALOG (MAINTENANCE)

| FIG ITEM | PART NUMBER | 1 2 3 4 5 6 7 | NOMENCLATURE | EFFECT FROM TO | UNITS PER ASSY |
|----------|--------------|---------------|------------------------------------|----------------|----------------|
| 1B | | | | | |
| 45 | MS35214-14 | | . . SCREW | 101102 | 2 |
| - 200 | 286N1140-306 | | WIRE BUNDLE ASSY | 101102 | RF |
| 205 | 300055-001 | | . CONNECTOR- | 101102 | 2 |
| | | | SUPPLIER CODE: V0D9V3 | | |
| | | | SPECIFICATION NUMBER: BACC65L41 | | |
| | | | OPTIONAL PART: 300055-001 | | |
| | | | V03877 | | |
| | | | 192-341-0005 | | |
| | | | V26742 | | |
| | | | S1022-00833 | | |
| | | | V03877 | | |
| | | | ELECTRICAL EQUIP NUMBER: D02988 | | |
| | | | D03046 | | |
| | | | WIRING DIAGRAM REF: 215111 | | |
| | | | 215121 | | |

MISSING ITEM NUMBERS NOT APPLICABLE

- ITEM NOT ILLUSTRATED

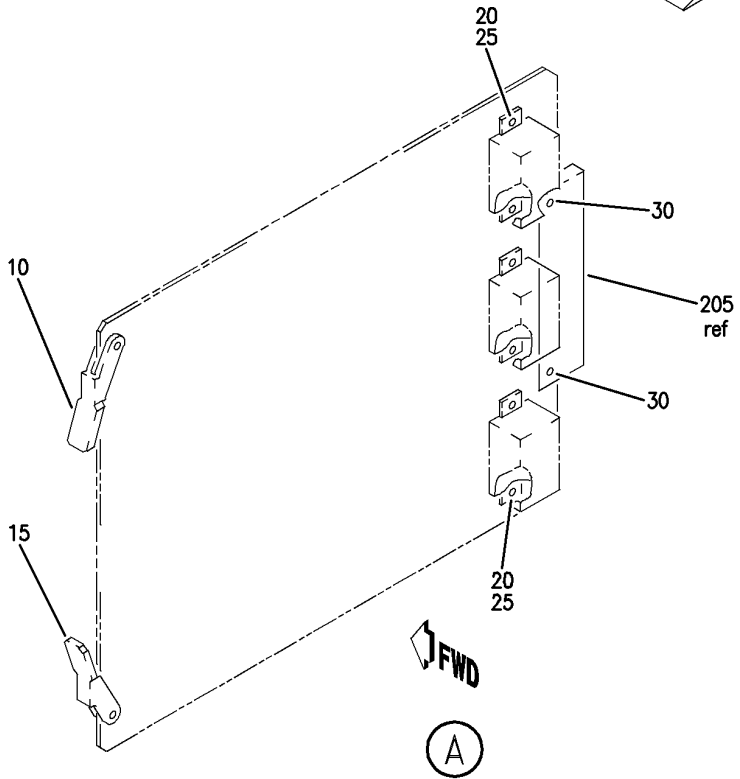
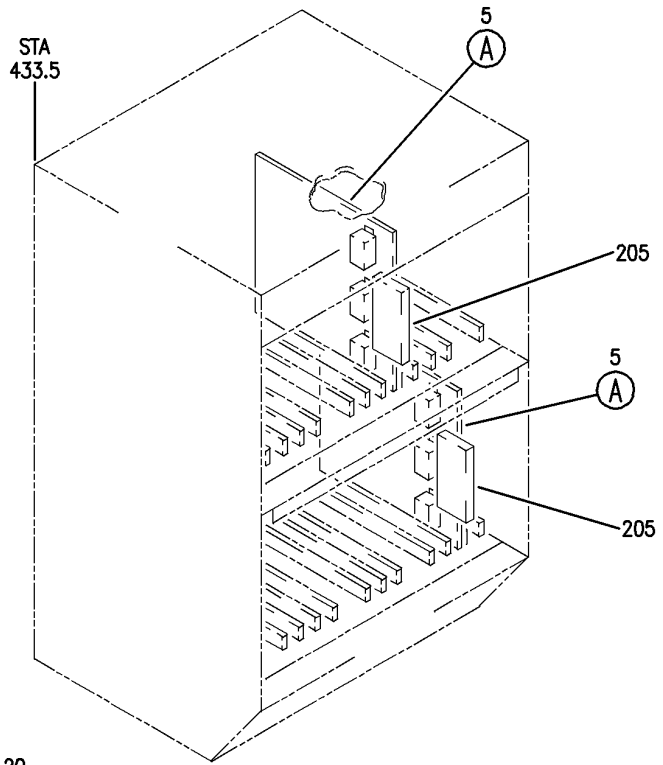
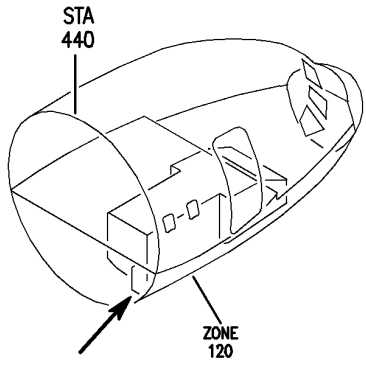
BRI

21-51-09-01B

BOEING PROPRIETARY - Copyright © - Unpublished Work - See title page for details.

21-51-09
FIG. 01B
PAGE 2
JAN 20/09

BOEING
757
PARTS CATALOG (MAINTENANCE)



Y 21510908 REV 222

EQUIPMENT INSTL-MAIN ELECTRONICS EQPT CTR PACK FLOW CONT
FIGURE 8

21-51-09-08

BRI
JAN 20/09

21-51-09-08
PAGE 0



757

PARTS CATALOG (MAINTENANCE)

| FIG ITEM | PART NUMBER | 1 2 3 4 5 6 7 | NOMENCLATURE | EFFECT FROM TO | UNITS PER ASSY |
|----------|-----------------|---------------|---|------------------|----------------|
| 8 | | | EQUIPMENT INSTL-MAIN ELECTRONICS EQPT CTR PACK FLOW CONT | 103106 108120 | |
| - 1 | 284N4000-210003 | | EQUIPMENT INSTL-MAIN ELECTRONICS EQPT CTR PACK FLOW CONT | 108120 | RF |
| - 1 | MODREF9559 | | FOR NHA SEE: 24-00-58-05 EQUIPMENT INSTL-MAIN ELECTRONICS EQPT CTR PACK FLOW CONT | 103106 | 1 |
| 5 | 285T0093-8 | | MODULE NUMBER: 284N4000-210003 REV A .PRINTED WIRING ASSY- SUPPLIER CODE: V89954 ELECTRICAL EQUIP NUMBER: M00863 M00864 COMPONENT MAINT MANUAL REF: 21-51-52 FUNCTIONAL REFERENCE: PLACARDS AND MARKINGS FOR DETAILS SEE 11-36-25-08 | 103106 108120 | 2 |
| 5 | 285T0093-11 | | .PRINTED WIRING ASSY- SUPPLIER CODE: V89954 ELECTRICAL EQUIP NUMBER: M00863 M00864 COMPONENT MAINT MANUAL REF: 21-51-52 FUNCTIONAL REFERENCE: PLACARDS AND MARKINGS FOR DETAILS SEE 11-36-25-08 | 103106 108120 | 2 |
| 10 | 71-2LA | | ..EXTRACTOR- SUPPLIER CODE: V18915 | 103106 108120 | 1 |
| 15 | 71-2RA | | ..EXTRACTOR- SUPPLIER CODE: V18915 | 103106 108120 | 1 |
| 20 | NAS600-4P | | ..SCREW | 103106 108120 | 6 |

MISSING ITEM NUMBERS NOT APPLICABLE

- ITEM NOT ILLUSTRATED

21-51-09-08

21-51-09
FIG. 08
PAGE 1
JAN 20/09

BRI



757

PARTS CATALOG (MAINTENANCE)

| FIG ITEM | PART NUMBER | 1 2 3 4 5 6 7 | NOMENCLATURE | EFFECT FROM TO | UNITS PER ASSY |
|----------|--------------|---------------|--|------------------|----------------|
| 8 | | | | | |
| 25 | 92-1660-40 | .. | NUT SUPPLIER CODE: V72962 SPECIFICATION NUMBER: BACN10DN40 OPTIONAL PART: 92-1660-440 V15653 | 103106 108120 | 6 |
| 30 | MS35214-14 | .. | SCREW | 103106 108120 | 2 |
| - 200 | 286N1140-324 | | WIRE BUNDLE ASSY- | 108120 | RF |
| - 200 | 286N1140-701 | | WIRE BUNDLE ASSY | 103106 | RF |
| 205 | 300055-001 | . | CONNECTOR- SUPPLIER CODE: V0D9V3 SPECIFICATION NUMBER: BACC65L41 OPTIONAL PART: 300055-001 V03877 192-341-0005 V26742 S1022-00833 V03877 ELECTRICAL EQUIP NUMBER: D02988 D03046 WIRING DIAGRAM REF: 215111 215121 | 103106 108120 | 2 |

MISSING ITEM NUMBERS NOT APPLICABLE

- ITEM NOT ILLUSTRATED

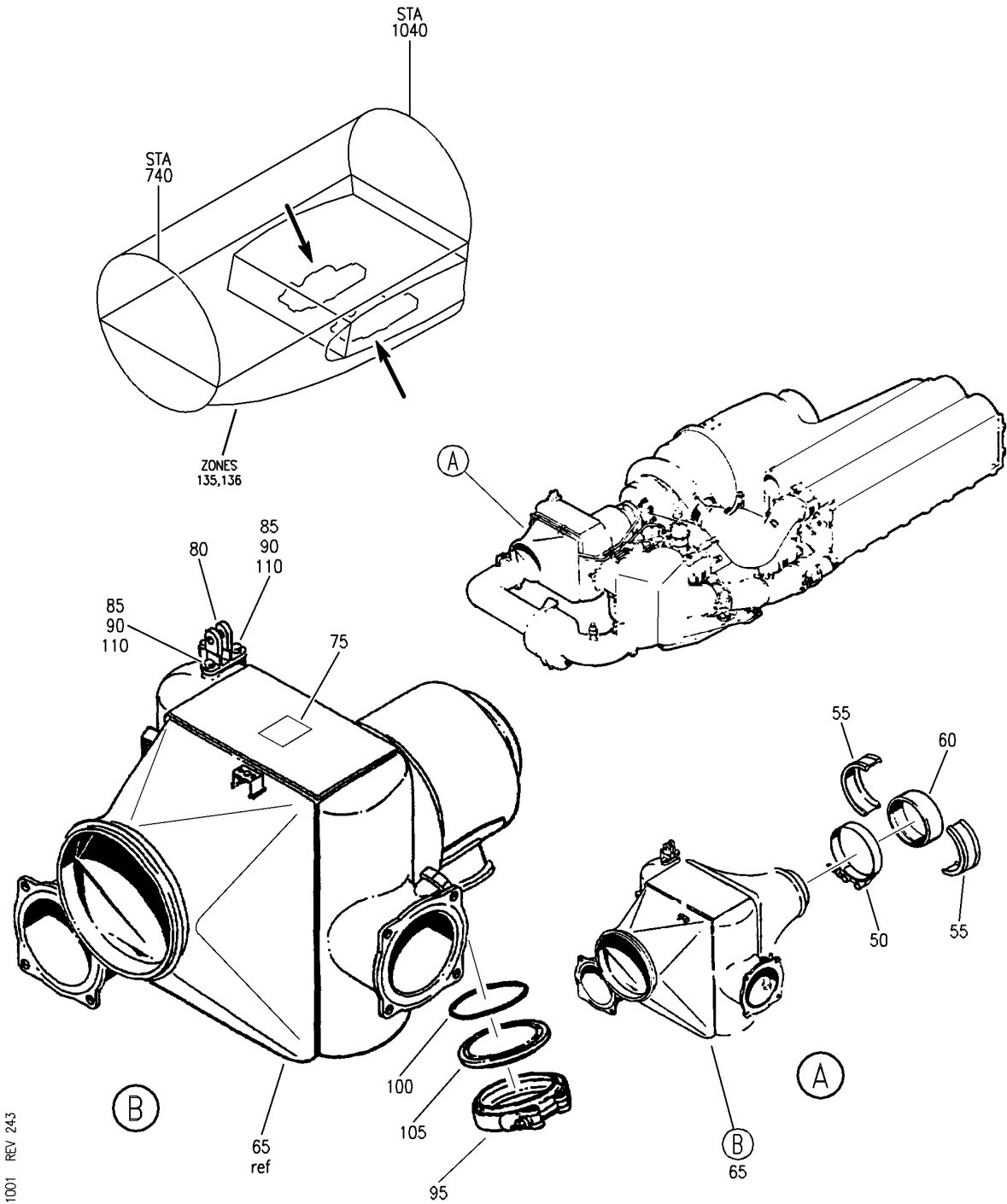
BRI

21-51-09-08

BOEING PROPRIETARY - Copyright © - Unpublished Work - See title page for details.

21-51-09
FIG. 08
PAGE 2
JAN 20/09

BOEING
757
PARTS CATALOG (MAINTENANCE)



Y 21511001 REV 243

PACK ASSY-AIR CONDITIONING AND TEMP CONT SYS COOLING (CONDENSER ONLY)
FIGURE 1

21-51-10-01

BRI
MAY 28/07

21-51-10-01
PAGE 0



757

PARTS CATALOG (MAINTENANCE)

| FIG ITEM | PART NUMBER | 1 2 3 4 5 6 7 NOMENCLATURE | EFFECT FROM TO | UNITS PER ASSY |
|-------------|-------------|--|-------------------|----------------------|
| 1 | | PACK ASSY-AIR CONDITIONING AND TEMP CONT SYS COOLING (CONDENSER ONLY) | 002004 006999 | |
| - 1 | 2202450-9 | PACK ASSY-AIR CONDITIONING AND TEMP CONT SYS COOLING (SERIES 1-12) (CONDENSER ONLY) SUPPLIER CODE: V70210 POSITION DATA: LH SPECIFICATION NUMBER: S210T130-60 ELECTRICAL EQUIP NUMBER: S10325 TS0041 TS0198 TS5133 V00018 V10077 COMPONENT MAINT MANUAL REF: 21-51-32 QUALIFIED I/W DATA: S210T130-59 (2202450-8) T/W 1 EA 625928-2 AND 1 EA 624014-1 SENSOR IS I/W S210T130-60 (2202450-9) REWORKED BY SB: 2202450-21-2567 V70210 REWORKED BY SERVICE LETTER: 21-037 FOR NHA/ADDITIONAL DET SEE: 21-52-01-01A 21-52-01-01 | 002004 006999 | RF |

MISSING ITEM NUMBERS NOT APPLICABLE

- ITEM NOT ILLUSTRATED

BRI

21-51-10-01

BOEING PROPRIETARY - Copyright © - Unpublished Work - See title page for details.

21-51-10
FIG. 01
PAGE 1
JAN 20/09



757

PARTS CATALOG (MAINTENANCE)

| FIG ITEM | PART NUMBER | 1 2 3 4 5 6 7 | NOMENCLATURE | EFFECT FROM TO | UNITS PER ASSY |
|----------|--------------|---------------|--|------------------|----------------|
| 1 - 5 | 2202450-9 | | PACK ASSY-AIR CONDITIONING AND TEMP CONT SYS COOLING (SERIES 1-12) (CONDENSER ONLY) SUPPLIER CODE: V70210 POSITION DATA: RH SPECIFICATION NUMBER: S210T130-60 ELECTRICAL EQUIP NUMBER: S10326 TS0042 TS0199 TS5135 V00019 V10076 COMPONENT MAINT MANUAL REF: 21-51-32 QUALIFIED I/W DATA: S210T130-59 (2202450-8) T/W 1 EA 625928-2 AND 1 EA 624014-1 SENSOR IS I/W S210T130-9 (2202450-9) QUALIFIED OPTIONAL DATA: S210T130-60 OPTIONAL TO S210T130-59 TOGETHER WITH 624014-1 AND 625928-2 FOR N0064 ONLY REWORKED BY SB: 2202450-21-2567 V70210 REWORKED BY SERVICE LETTER: 21-037 FOR NHA/ADDITIONAL DET SEE: 21-52-01-01 21-52-01-01A | 002004 006999 | RF |
| 50 | U20C75-544SH | | .CLAMP- SUPPLIER CODE: V94581 MISCELLANEOUS DATA: ALLIED SPEC NO. 211-013-9154 OPTIONAL PART: 420C75-544SH V98625 | 002004 006999 | 1 |

MISSING ITEM NUMBERS NOT APPLICABLE

- ITEM NOT ILLUSTRATED

BRI

21-51-10-01

21-51-10
FIG. 01
PAGE 2
JAN 20/09



757

PARTS CATALOG (MAINTENANCE)

| FIG ITEM | PART NUMBER | 1 2 3 4 5 6 7 | NOMENCLATURE | EFFECT FROM TO | UNITS PER ASSY |
|----------|-----------------|---------------|---|------------------|----------------|
| 1 | 50 420C75-544SH | | .CLAMP- SUPPLIER CODE: V98625 MISCELLANEOUS DATA: ALLIED SPEC NO. 211-013-9154 OPTIONAL PART: U20C75-544SH V94581 | 002004 006999 | 1 |
| | 55 2203059-1 | | .SHELL-HALF SUPPLIER CODE: V70210 | 002004 006999 | 2 |
| | 60 2203063-2 | | .SEAL- SUPPLIER CODE: V70210 | 002004 006999 | 1 |
| | 65 194276-5 | | .CONDENSER ASSY-HEAT EXCHANGER (SERIES 1-3) SUPPLIER CODE: V70210 COMPONENT MAINT MANUAL REF: 21-51-30 OPTIONAL PART: 194276-4 V70210 194276-3 V70210 | 002004 006999 | 1 |
| | 65 194276-3 | | .CONDENSER ASSY-HEAT EXCHANGER SUPPLIER CODE: V70210 COMPONENT MAINT MANUAL REF: 21-51-30 OPTIONAL PART: 194276-5 V70210 | 002004 006999 | 1 |
| | 65 194276-4 | | .CONDENSER ASSY-HEAT EXCHANGER SUPPLIER CODE: V70210 COMPONENT MAINT MANUAL REF: 21-51-30 OPTIONAL PART: 194276-5 V70210 | 002004 006999 | 1 |
| - | 70 194277-8 | | ..EXCHANGER ASSY-HEAT SUPPLIER CODE: V70210 COMPONENT MAINT MANUAL REF: 21-51-30 | 002004 006999 | 1 |

MISSING ITEM NUMBERS NOT APPLICABLE

- ITEM NOT ILLUSTRATED

21-51-10-01

21-51-10
FIG. 01
PAGE 3
SEP 20/08

BRI



757

PARTS CATALOG (MAINTENANCE)

| FIG ITEM | PART NUMBER | 1 2 3 4 5 6 7 | NOMENCLATURE | EFFECT FROM TO | UNITS PER ASSY |
|----------|--------------|---------------|---|------------------|----------------|
| 1 | | | | | |
| 75 | 192948-5 | | .. PLATE-IDENT SUPPLIER CODE: V70210 USED ON: 194276-4 | 002004 006999 | 1 |
| 75 | 192948-6 | | .. PLATE-ID (SERIES 1) SUPPLIER CODE: V70210 USED ON: 194276-5 | 002004 006999 | 1 |
| 75 | 192948-7 | | .. PLATE-ID (SERIES 2) SUPPLIER CODE: V70210 USED ON: 194276-5 | 002004 006999 | 1 |
| 75 | 192948-9 | | .. PLATE-ID (SERIES 3) SUPPLIER CODE: V70210 USED ON: 194276-5 | 002004 006999 | 1 |
| 75 | 192948-4 | | .. PLATE-ID SUPPLIER CODE: V70210 USED ON: 194276-3 | 002004 006999 | 1 |
| 80 | 192945-1 | | .. MOUNT-CLEVIS SUPPLIER CODE: V70210 ATTACHING PARTS | 002004 006999 | 1 |
| 85 | NAS6703H3 | | .. BOLT | 002004 006999 | 3 |
| 90 | S8157N52-032 | | .. WASHER- SUPPLIER CODE: V70210 | 002004 006999 | 3 |
| 95 | C38C37 | | -----*----- .. COUPLING-CLAMP SUPPLIER CODE: V59364 OPTIONAL PART: 55171-300 V89513 USED ON: 194276-4 194276-3 | 002004 006999 | 1 |

MISSING ITEM NUMBERS NOT APPLICABLE

- ITEM NOT ILLUSTRATED

BRI

21-51-10-01

21-51-10
FIG. 01
PAGE 4
SEP 20/08



757

PARTS CATALOG (MAINTENANCE)

| FIG ITEM | PART NUMBER | 1 2 3 4 5 6 7 | NOMENCLATURE | EFFECT FROM TO | UNITS PER ASSY |
|-------------|-------------|---------------|---|-------------------|----------------------|
| 1 95 | 55171-300 | | .. COUPLING-CLAMP SUPPLIER CODE: V89513 OPTIONAL PART: C38C37 V89513 USED ON: 194276-4 194276-3 | 002004 006999 | 1 |
| 100 | MS9068-152 | | .. PACKING- USED ON: 194276-4 194276-3 | 002004 006999 | 1 |
| 105 | 195581-1 | | .. CAP- SUPPLIER CODE: V70210 USED ON: 194276-3 194276-4 | 002004 006999 | 1 |
| 110 | MS51830-201 | | ATTACHING PARTS .. INSERT -----*----- | 002004 006999 | 3 |

MISSING ITEM NUMBERS NOT APPLICABLE

- ITEM NOT ILLUSTRATED

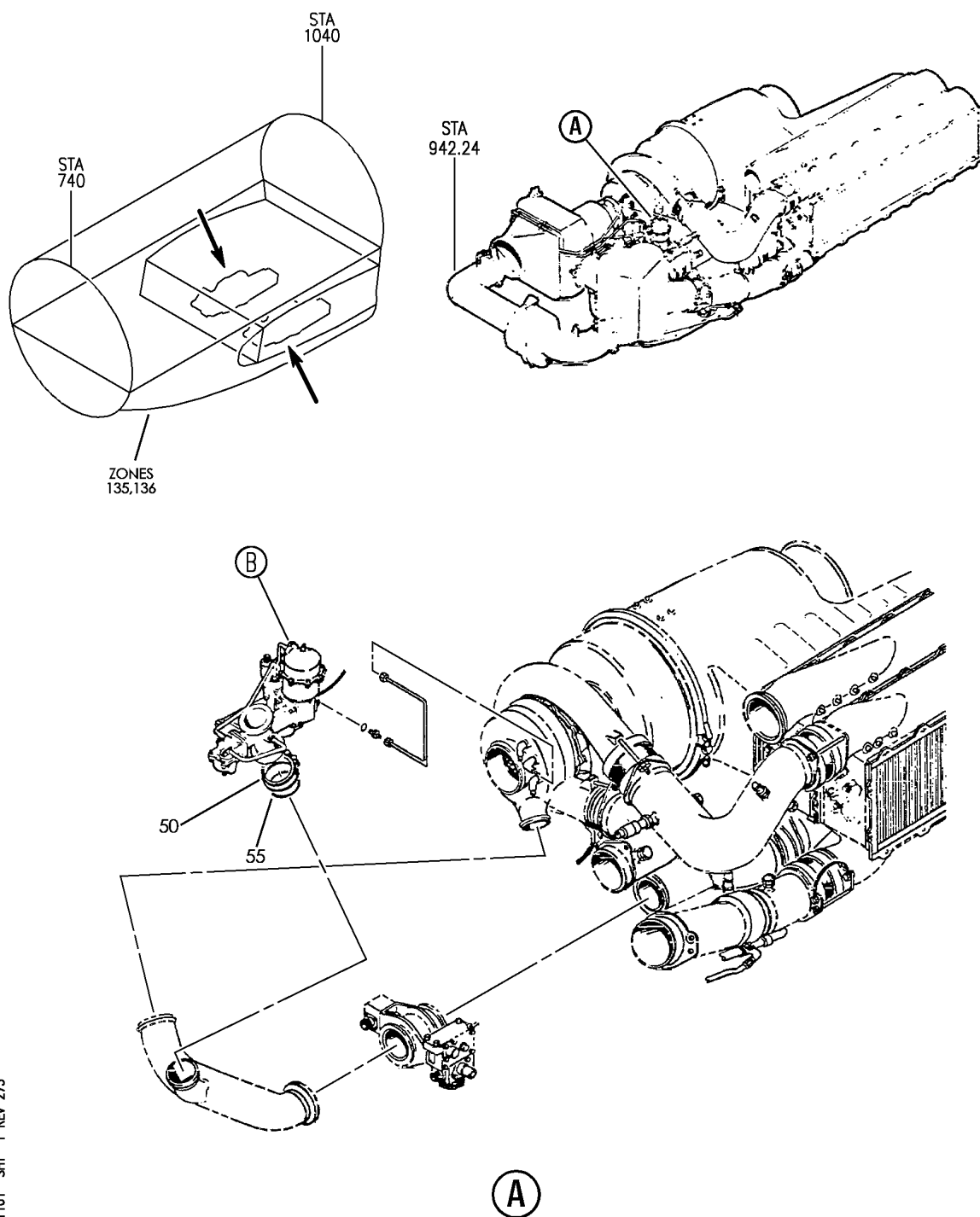
BRI

21-51-10-01

BOEING PROPRIETARY - Copyright © - Unpublished Work - See title page for details.

21-51-10
FIG. 01
PAGE 5
SEP 20/08

BOEING
757
PARTS CATALOG (MAINTENANCE)



Y 21511101 SHT 1 REV 275

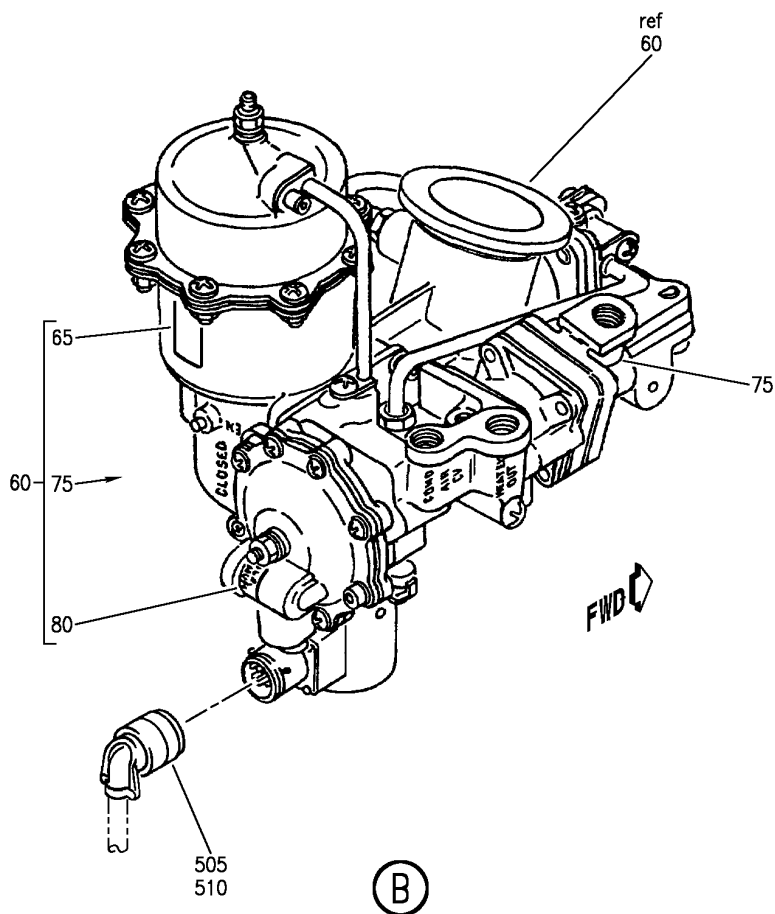
PACK ASSY-AIR CONDITIONING AND TEMP CONT SYS COOLING (PACK LOW LIMIT CONTROL VALVE ONLY)
FIGURE 1 (SHEET 1)

BRI
MAY 28/07

21-51-11-01

21-51-11-01
PAGE 0

BOEING
757
PARTS CATALOG (MAINTENANCE)



Y 21511101 SH1 2 REV 275

PACK ASSY-AIR CONDITIONING AND TEMP CONT SYS COOLING (PACK LOW LIMIT CONTROL VALVE ONLY)
FIGURE 1 (SHEET 2)

BRI
MAY 28/07

21-51-11-01

21-51-11-01
PAGE 0A



757

PARTS CATALOG (MAINTENANCE)

| FIG ITEM | PART NUMBER | 1 2 3 4 5 6 7 | NOMENCLATURE | EFFECT FROM TO | UNITS PER ASSY |
|----------|-------------|---------------|---|------------------|----------------|
| 1 | | | PACK ASSY-AIR CONDITIONING AND TEMP CONT SYS COOLING (PACK LOW LIMIT CONTROL VALVE ONLY) | 002004 006999 | |
| - 1 | 2202450-9 | | PACK ASSY-AIR CONDITIONING AND TEMP CONT SYS COOLING (PACK LOW LIMIT CONTROL VALVE ONLY) (SERIES 1-15) SUPPLIER CODE: V70210 POSITION DATA: LH SPECIFICATION NUMBER: S210T130-60 ELECTRICAL EQUIP NUMBER: S10325 TS0041 TS0198 TS5133 V00018 V10077 COMPONENT MAINT MANUAL REF: 21-51-32 QUALIFIED I/W DATA: S210T130-59 (2202450-8) T/W 1 EA 625928-2 AND 1 EA 624014-1 SENSOR IS I/W S210T130-60 (2202450-9) REWORKED BY SB: 2202450-21-2567 V70210 REWORKED BY SERVICE LETTER: 21-037 FOR NHA/ADDITIONAL DET SEE: 21-52-01-01A 21-52-01-01 | 002004 006999 | RF |

MISSING ITEM NUMBERS NOT APPLICABLE

- ITEM NOT ILLUSTRATED

BRI

21-51-11-01

BOEING PROPRIETARY - Copyright © - Unpublished Work - See title page for details.

21-51-11
FIG. 01
PAGE 1
JAN 20/09



757

PARTS CATALOG (MAINTENANCE)

| FIG ITEM | PART NUMBER | 1 2 3 4 5 6 7 | NOMENCLATURE | EFFECT FROM TO | UNITS PER ASSY |
|-------------|-------------|---------------|---|-------------------|----------------------|
| 1 - 5 | 2202450-9 | | PACK ASSY-AIR CONDITIONING AND TEMP CONT SYS COOLING (PACK LOW LIMIT CONTROL VALVE ONLY) (SERIES 1-15) SUPPLIER CODE: V70210 POSITION DATA: RH SPECIFICATION NUMBER: S210T130-60 ELECTRICAL EQUIP NUMBER: S10326 TS0042 TS0199 TS5135 V00019 V10076 COMPONENT MAINT MANUAL REF: 21-51-32 QUALIFIED I/W DATA: S210T130-59 (2202450-8) T/W 1 EA 625928-2 AND 1 EA 624014-1 SENSOR IS I/W S210T130-60 (2202450-9) QUALIFIED OPTIONAL DATA: S210T130-60 OPTIONAL TO S210T130-59 TOGETHER WITH 624014-1 AND 625928-2 FOR N0064 ONLY REWORKED BY SB: 2202450-21-2567 V70210 REWORKED BY SERVICE LETTER: 21-037 FOR NHA/ADDITIONAL DET SEE: 21-52-01-01 21-52-01-01A | 002004 006999 | RF |
| 50 | 55171-200 | | . COUPLING-CLAMP SUPPLIER CODE: V98625 OPTIONAL PART: A38C37 V89513 | 002004 006999 | 1 |

MISSING ITEM NUMBERS NOT APPLICABLE

- ITEM NOT ILLUSTRATED

BRI

21-51-11-01

BOEING PROPRIETARY - Copyright © - Unpublished Work - See title page for details.

21-51-11
FIG. 01
PAGE 2
JAN 20/09



757

PARTS CATALOG (MAINTENANCE)

| FIG ITEM | PART NUMBER | 1 2 3 4 5 6 7 | NOMENCLATURE | EFFECT FROM TO | UNITS PER ASSY |
|----------|--------------|---------------|---|----------------------------|----------------|
| 1 | | | | | |
| 50 | A38C37 | | . COUPLING-CLAMP SUPPLIER CODE: V59364 OPTIONAL PART: 55171-200 V98625 | 002004 006999 | 1 |
| 55 | MS9068-140 | | . PACKING | 002004 006999 | 1 |
| 60 | 3289696-1 | | . VALVE-LOW LIMIT CONTROL SUPPLIER CODE: V59364 ELECTRICAL EQUIP NUMBER: V10076 V10077 WIRING DIAGRAM REF: 215114 215124 COMPONENT MAINT MANUAL REF: 21-51-05 | 002004 006999 | 1 |
| 65 | S3033-1 | | .. PLATE-IDENT SUPPLIER CODE: V59364 CONFIG CHG DATA FROM A CMM: REPLACES S3005-2 | 002004 006999 | 2 |
| 65 | S3005-1 | | .. PLATE-IDENT SUPPLIER CODE: V59364 CONFIG CHG DATA FROM A CMM: REPL BY S3005-2 | 002004 006999 | 1 |
| 65 | S3005-2 | | .. PLATE-IDENT SUPPLIER CODE: V59364 CONFIG CHG DATA FROM A CMM: REPL BY S3033-1 REPLACES S3005-1 ATTACHING PARTS | 002004 006999 | 1 |
| - 70 | AD32ABS | | .. RIVET- SUPPLIER CODE: V07707 -----*----- | 002004 006999 | 2 |
| 75 | S8454M53 | | .. LABEL-IDENT SUPPLIER CODE: V59364 | 002004 006999 | 1 |
| 80 | 3171865-1 | | .. PLATE-IDENT SUPPLIER CODE: V59364 | 002004 006999 | 1 |
| - 500 | 286N2406-012 | | WIRE BUNDLE ASSY- POSITION DATA: LH | 107107 121503 904949 | RF |

MISSING ITEM NUMBERS NOT APPLICABLE

- ITEM NOT ILLUSTRATED

21-51-11-01

21-51-11
FIG. 01
PAGE 3
JAN 20/09

BRI



757

PARTS CATALOG (MAINTENANCE)

| FIG ITEM | PART NUMBER | 1 2 3 4 5 6 7 | NOMENCLATURE | EFFECT FROM TO | UNITS PER ASSY |
|----------|---------------|---------------|---|----------------------------|----------------|
| 1 | | | | | |
| - 500 | 286N2406-014 | | WIRE BUNDLE ASSY- POSITION DATA: LH | 002004 006100 950999 | RF |
| - 501 | 286N2406-305 | | WIRE BUNDLE ASSY- POSITION DATA: LH | 101102 | RF |
| - 502 | 286N2406-323 | | WIRE BUNDLE ASSY- POSITION DATA: LH | 108120 | RF |
| - 502 | 286N2406-327 | | WIRE BUNDLE ASSY- POSITION DATA: LH | 504903 | RF |
| - 503 | 286N2406-601 | | WIRE BUNDLE ASSY- POSITION DATA: LH | 103103 | RF |
| - 503 | 286N2406-602 | | WIRE BUNDLE ASSY- POSITION DATA: LH | 104106 | RF |
| 505 | R071010A5SNL | | .CONNECTOR- SUPPLIER CODE: V41118 SPECIFICATION NUMBER: BACC63BP10A5SNL ELECTRICAL EQUIP NUMBER: D04136 WIRING DIAGRAM REF: 215114 | 002004 006999 | 1 |
| 510 | 620AA028NF10L | | .CLAMP- SUPPLIER CODE: V06324 SPECIFICATION NUMBER: BACC10KE10 OPTIONAL PART: S3820-10-65 V07418 ELECTRICAL EQUIP NUMBER: D04136T WIRING DIAGRAM REF: 215114 | 002004 006999 | 1 |

MISSING ITEM NUMBERS NOT APPLICABLE

- ITEM NOT ILLUSTRATED

BRI

21-51-11-01

BOEING PROPRIETARY - Copyright © - Unpublished Work - See title page for details.

21-51-11
FIG. 01
PAGE 4
JAN 20/09



757

PARTS CATALOG (MAINTENANCE)

| FIG ITEM | PART NUMBER | 1 2 3 4 5 6 7 | NOMENCLATURE | EFFECT FROM TO | UNITS PER ASSY |
|----------|--------------|---------------|--|----------------------------|----------------|
| 1 510 | GS3418-10CD | | .CLAMP- SUPPLIER CODE: V06324 SPECIFICATION NUMBER: BACC10HG10 OPTIONAL PART: S2126-10-8 V07418 ELECTRICAL EQUIP NUMBER: D04136T WIRING DIAGRAM REF: 215114 | 002004 006102 107999 | 1 |
| - 520 | 286N2506-012 | | WIRE BUNDLE ASSY- POSITION DATA: RH | 107107 121503 904949 | RF |
| - 520 | 286N2506-014 | | WIRE BUNDLE ASSY- POSITION DATA: RH | 002004 006100 950999 | RF |
| - 521 | 286N2506-305 | | WIRE BUNDLE ASSY- POSITION DATA: RH | 101102 | RF |
| - 522 | 286N2506-327 | | WIRE BUNDLE ASSY- POSITION DATA: RH | 108120 | RF |
| - 522 | 286N2506-328 | | WIRE BUNDLE ASSY- POSITION DATA: RH | 504903 | RF |
| - 522 | 286N2506-601 | | WIRE BUNDLE ASSY- POSITION DATA: RH | 103106 | RF |
| - 525 | R071010A5SNL | | .CONNECTOR- SUPPLIER CODE: V41118 SPECIFICATION NUMBER: BACC63BP10A5SNL ELECTRICAL EQUIP NUMBER: D04058 WIRING DIAGRAM REF: 215124 | 002004 006999 | 1 |

MISSING ITEM NUMBERS NOT APPLICABLE

- ITEM NOT ILLUSTRATED

BRI

21-51-11-01

BOEING PROPRIETARY - Copyright © - Unpublished Work - See title page for details.

21-51-11
FIG. 01
PAGE 5
JAN 20/09



757

PARTS CATALOG (MAINTENANCE)

| FIG ITEM | PART NUMBER | 1 2 3 4 5 6 7 | NOMENCLATURE | EFFECT FROM TO | UNITS PER ASSY |
|------------|-------------|---------------|---|----------------------------|----------------|
| 1 - 530 | GS3417-10C | | .CLAMP- SUPPLIER CODE: V06324 SPECIFICATION NUMBER: BACC10HF10 OPTIONAL PART: S2125-10-8 V07418 ELECTRICAL EQUIP NUMBER: D04058T WIRING DIAGRAM REF: 215124 | 002004 006102 107999 | 1 |
| - 530 | S3819-10-65 | | .CLAMP- SUPPLIER CODE: V07418 SPECIFICATION NUMBER: BACC10KD10 OPTIONAL PART: 620AS028NF10L V06324 ELECTRICAL EQUIP NUMBER: D04058T WIRING DIAGRAM REF: 215124 | 103106 | 1 |

MISSING ITEM NUMBERS NOT APPLICABLE

- ITEM NOT ILLUSTRATED

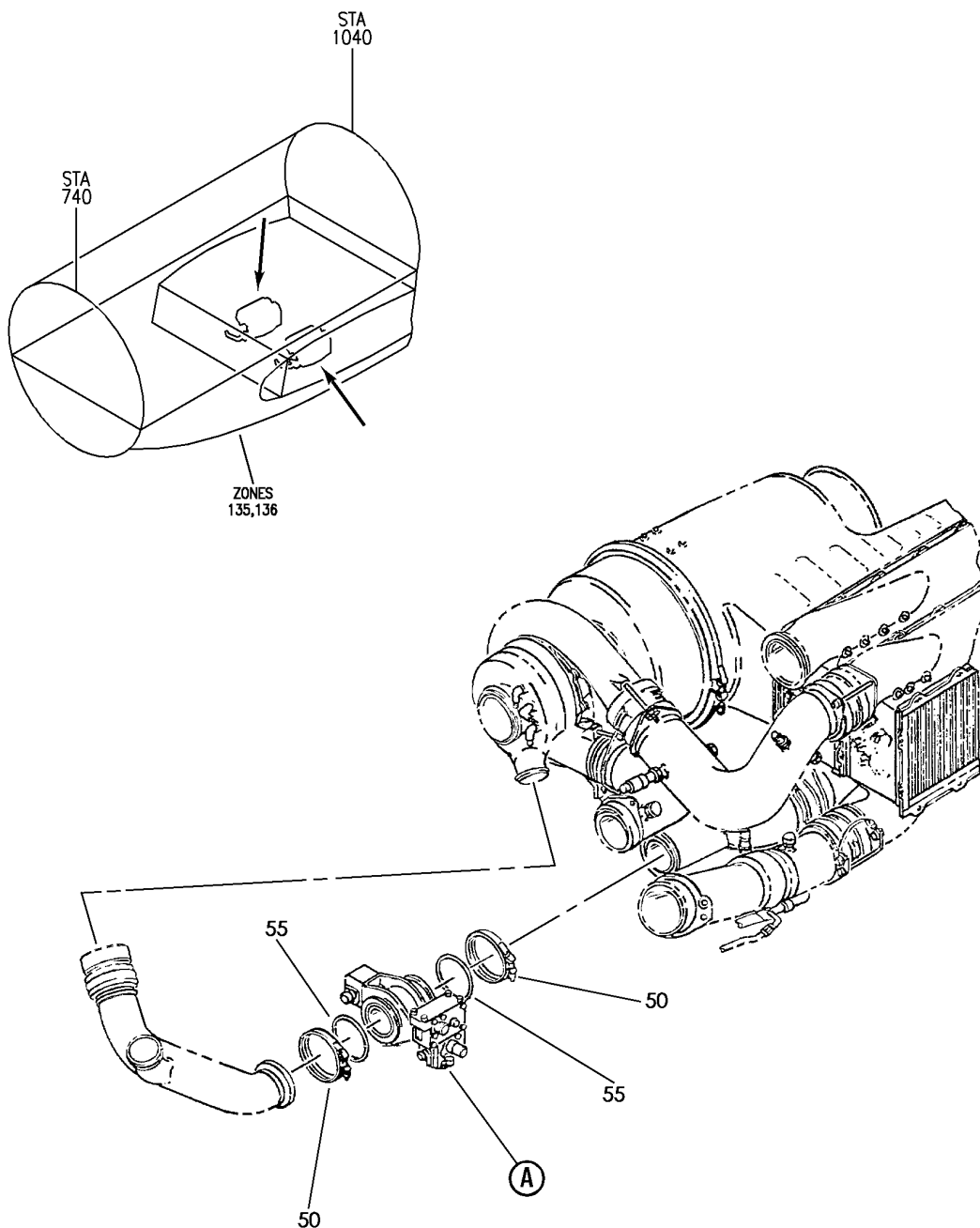
BRI

21-51-11-01

BOEING PROPRIETARY - Copyright © - Unpublished Work - See title page for details.

21-51-11
FIG. 01
PAGE 6
JAN 20/09

BOEING
757
PARTS CATALOG (MAINTENANCE)



Y 21511201 SH1 1 REV 262

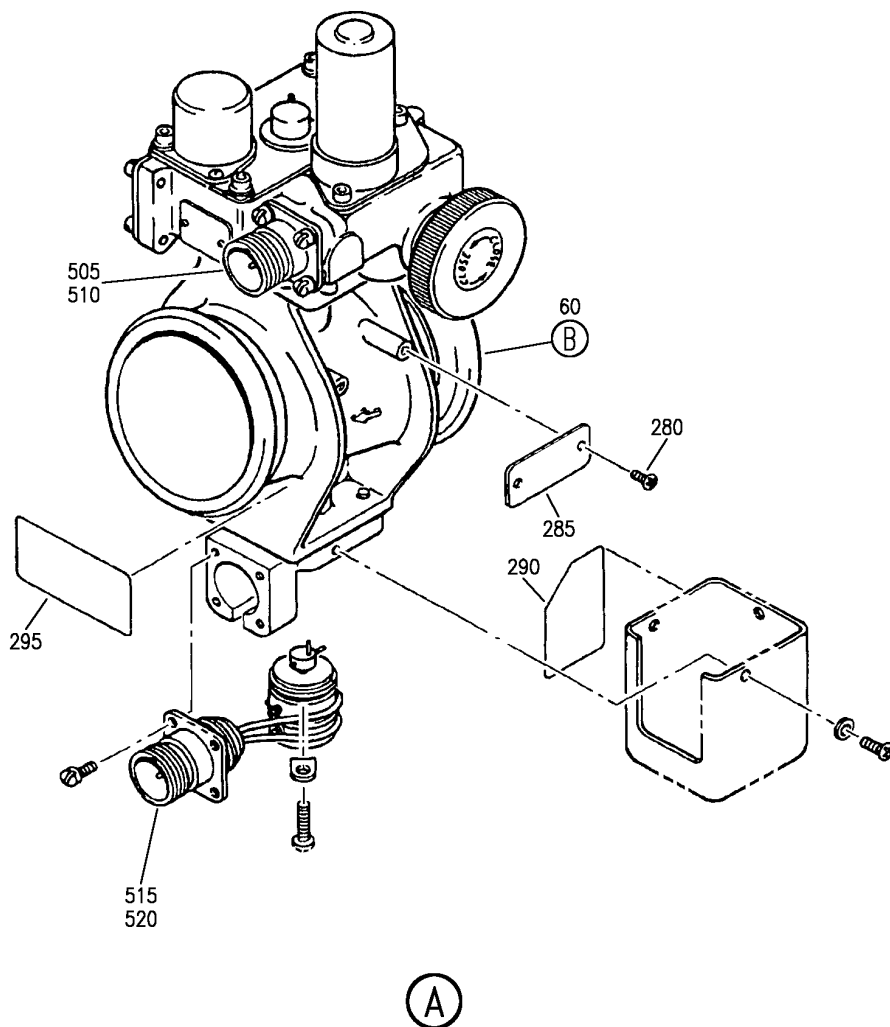
PACK ASSY-AIR CONDITIONING AND TEMP CONT SYS COOLING (PACK TEMPERATURE CONTROL VALVE ONLY)
FIGURE 1 (SHEET 1)

BRI
MAY 28/07

21-51-12-01

21-51-12-01
PAGE 0

BOEING
757
PARTS CATALOG (MAINTENANCE)



Y 21511201 SH1 2 REV 275

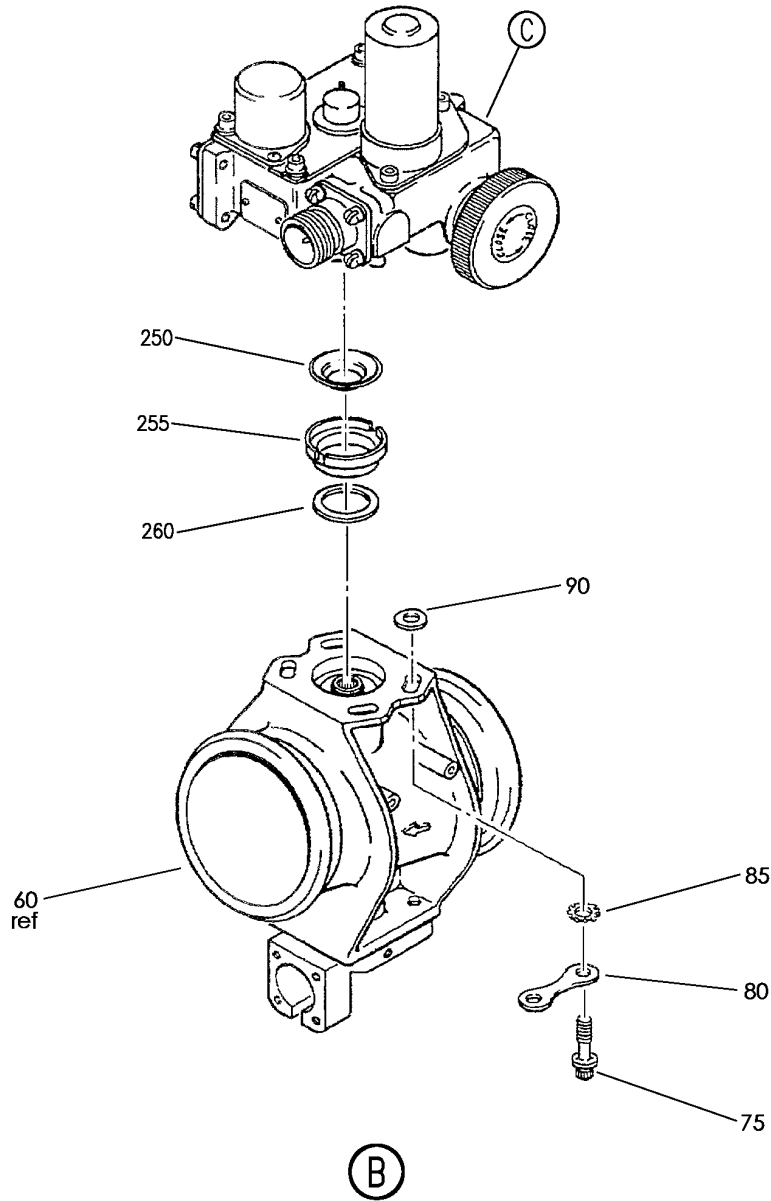
PACK ASSY-AIR CONDITIONING AND TEMP CONT SYS COOLING (PACK TEMPERATURE CONTROL VALVE ONLY)
FIGURE 1 (SHEET 2)

BRI
MAY 28/07

21-51-12-01

21-51-12-01
PAGE 0A

BOEING
757
PARTS CATALOG (MAINTENANCE)



Y 21511201 SH1 3 REV 262

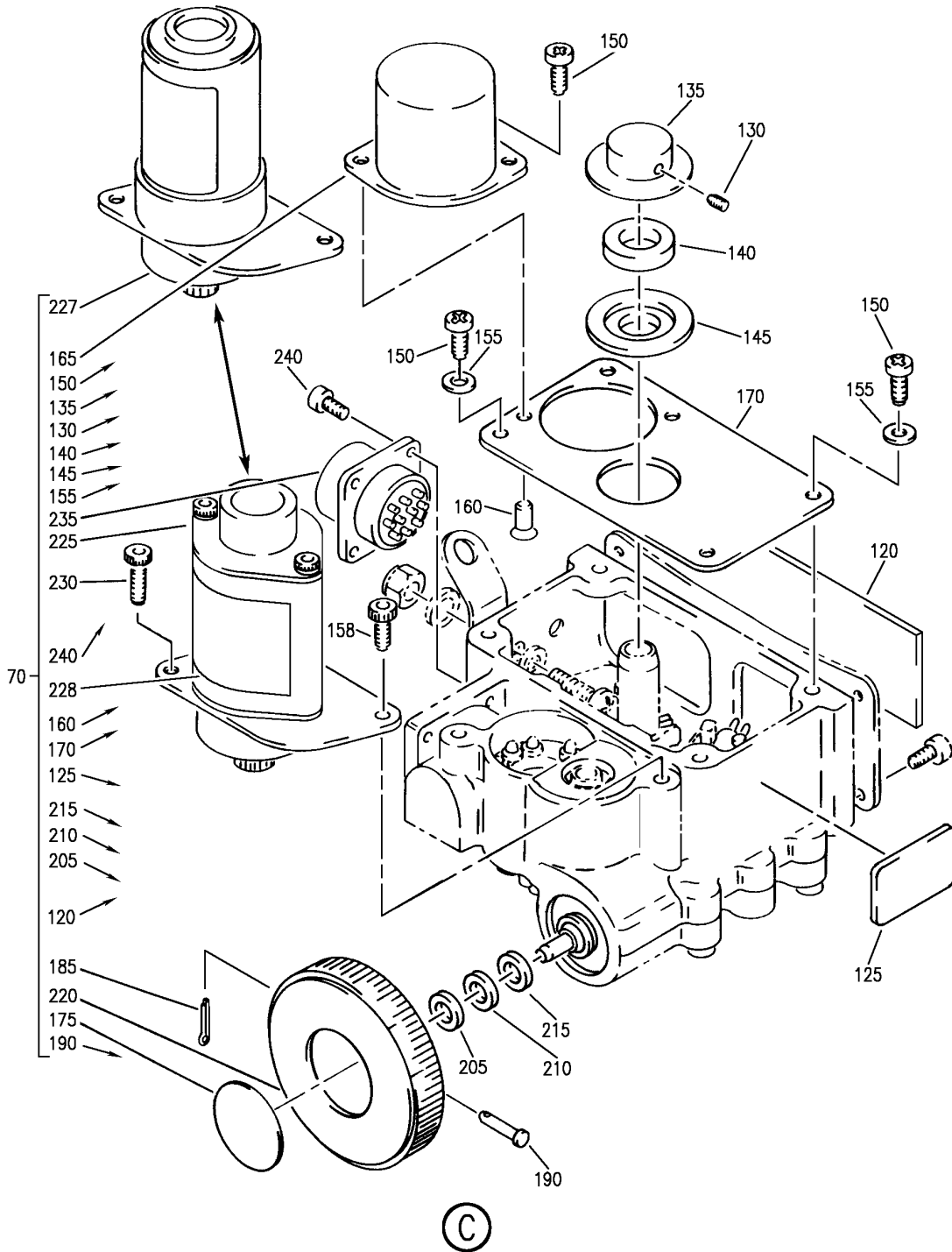
PACK ASSY-AIR CONDITIONING AND TEMP CONT SYS COOLING (PACK TEMPERATURE CONTROL VALVE ONLY)
FIGURE 1 (SHEET 3)

BRI
MAY 28/07

21-51-12-01

21-51-12-01
PAGE 0B

BOEING
757
PARTS CATALOG (MAINTENANCE)



Y 21511201 SHT 4 REV 295

PACK ASSY-AIR CONDITIONING AND TEMP CONT SYS COOLING (PACK TEMPERATURE CONTROL VALVE ONLY)
FIGURE 1 (SHEET 4)

BRI
MAY 28/07

21-51-12-01

21-51-12-01
PAGE 0C



757

PARTS CATALOG (MAINTENANCE)

| FIG ITEM | PART NUMBER | 1 2 3 4 5 6 7 | NOMENCLATURE | EFFECT FROM TO | UNITS PER ASSY |
|----------|-------------|---------------|---|------------------|----------------|
| 1 | | | PACK ASSY-AIR CONDITIONING AND TEMP CONT SYS COOLING (PACK TEMPERATURE CONTROL VALVE ONLY) | 002004 006999 | |
| - 1 | 2202450-9 | | PACK ASSY-AIR CONDITIONING AND TEMP CONT SYS COOLING (PACK TEMPERATURE CONTROL VALVE ONLY) (SERIES 1-15) SUPPLIER CODE: V70210 POSITION DATA: LH SPECIFICATION NUMBER: S210T130-60 ELECTRICAL EQUIP NUMBER: TS0041 TS0198 V10077 TS5132 TS5133 COMPONENT MAINT MANUAL REF: 21-51-32 QUALIFIED I/W DATA: S210T130-59 (2202450-8) T/W 1 EA 625928-2 AND 1 EA 624014-1 SENSOR IS I/W S210T130-60 (2202450-9) REWORKED BY SB: 2202450-21-2567 V70210 REWORKED BY SERVICE LETTER: 21-037 FOR NHA/ADDITIONAL DET SEE: 21-52-01-01A 21-52-01-01 | 002004 006999 | RF |

MISSING ITEM NUMBERS NOT APPLICABLE

- ITEM NOT ILLUSTRATED

BRI

21-51-12-01

BOEING PROPRIETARY - Copyright © - Unpublished Work - See title page for details.

21-51-12
FIG. 01
PAGE 1
JAN 20/09



757

PARTS CATALOG (MAINTENANCE)

| FIG ITEM | PART NUMBER | 1 2 3 4 5 6 7 | NOMENCLATURE | EFFECT FROM TO | UNITS PER ASSY |
|-------------|-------------|---------------|--|-------------------|----------------------|
| 1 - 5 | 2202450-9 | | PACK ASSY-AIR CONDITIONING AND TEMP CONT SYS COOLING (PACK TEMPERATURE CONTROL VALVE ONLY) (SERIES 1-15) SUPPLIER CODE: V70210 POSITION DATA: RH SPECIFICATION NUMBER: S210T130-60 ELECTRICAL EQUIP NUMBER: TS0042 TS0199 V10076 TS5134 TS5135 COMPONENT MAINT MANUAL REF: 21-51-32 QUALIFIED I/W DATA: S210T130-59 (2202450-8) T/W 1 EA 625928-2 AND 1 EA 624014-1 SENSOR IS I/W S210T130-9 (2202450-9) QUALIFIED OPTIONAL DATA: S210T130-60 OPTIONAL TO S210T130-59 TOGETHER WITH 624014-1 AND 625928-2 FOR N0064 ONLY REWORKED BY SB: 2202450-21-2567 V70210 REWORKED BY SERVICE LETTER: 21-037 FOR NHA/ADDITIONAL DET SEE: 21-52-01-01 21-52-01-01A | 002004 006999 | RF |
| 50 | C38C37 | | . COUPLING-CLAMP SUPPLIER CODE: V59364 OPTIONAL PART: 55171-300 V89513 | 002004 006999 | 2 |

MISSING ITEM NUMBERS NOT APPLICABLE

- ITEM NOT ILLUSTRATED

BRI

21-51-12-01

21-51-12
FIG. 01
PAGE 2
JAN 20/09



757

PARTS CATALOG (MAINTENANCE)

| FIG ITEM | PART NUMBER | 1 2 3 4 5 6 7 | NOMENCLATURE | EFFECT FROM TO | UNITS PER ASSY |
|----------|---------------|---------------|--|------------------|----------------|
| 1 | 50 55171-300 | | . COUPLING-CLAMP SUPPLIER CODE: V89513 OPTIONAL PART: C38C37 V89513 | 002004 006999 | 2 |
| | 55 MS9068-152 | | . PACKING | 002004 006999 | 2 |
| | 60 398750-2 | | . VALVE ASSY- (SERIES 1) SUPPLIER CODE: V59364 POSITION DATA: LH SIDE SB DATA FROM A CMM: PRE 21-1329 ELECTRICAL EQUIP NUMBER: V00018 WIRING DIAGRAM REF: 215112 COMPONENT MAINT MANUAL REF: 21-51-07 OPTIONAL PART: 398750-5 V59364 USED ON: 2202450-9 REWORKED BY SB: 398750-21-1416R1 V55284 | 002004 006999 | 1 |

MISSING ITEM NUMBERS NOT APPLICABLE

- ITEM NOT ILLUSTRATED

BRI

21-51-12-01

BOEING PROPRIETARY - Copyright © - Unpublished Work - See title page for details.

21-51-12
FIG. 01
PAGE 3
JAN 20/09



757

PARTS CATALOG (MAINTENANCE)

| FIG ITEM | PART NUMBER | 1 2 3 4 5 6 7 | NOMENCLATURE | EFFECT FROM TO | UNITS PER ASSY |
|-------------|-------------|---------------|---|-------------------|----------------------|
| 1 60 | 398750-3 | | .VALVE ASSY- (SERIES 2 AND 4) SUPPLIER CODE: V59364 POSITION DATA: LH SIDE SB DATA FROM A CMM: POST 21-1329 ELECTRICAL EQUIP NUMBER: V00018 WIRING DIAGRAM REF: 215112 COMPONENT MAINT MANUAL REF: 21-51-07 OPTIONAL PART: 398750-5 V59364 USED ON: 2202450-8 2202450-9 REWORKED BY SB: 398750-21-1416R1 V55284 | 002004 006999 | 1 |
| 60 | 398750-4 | | .VALVE ASSY- (SERIES 3 & 4) SUPPLIER CODE: V59364 POSITION DATA: LH SIDE SB DATA FROM A CMM: PRE 21-1366 ELECTRICAL EQUIP NUMBER: V00018 WIRING DIAGRAM REF: 215112 COMPONENT MAINT MANUAL REF: 21-51-07 OPTIONAL PART: 398750-5 V59364 USED ON: 2202450-9 REWORKED BY SB: 398750-21-1416R1 V55284 | 002004 006999 | 1 |

MISSING ITEM NUMBERS NOT APPLICABLE

- ITEM NOT ILLUSTRATED

BRI

21-51-12-01

BOEING PROPRIETARY - Copyright © - Unpublished Work - See title page for details.

21-51-12
FIG. 01
PAGE 4
JAN 20/09

 **BOEING**
757
PARTS CATALOG (MAINTENANCE)

| FIG ITEM | PART NUMBER | 1 2 3 4 5 6 7 | NOMENCLATURE | EFFECT FROM TO | UNITS PER ASSY |
|-------------|-------------|---------------|--|-------------------|----------------------|
| 1 60 | 398750-5 | | .VALVE ASSY- (SERIES 5 THRU 15) SUPPLIER CODE: V59364 POSITION DATA: LH SIDE SB DATA FROM A CMM: POST 21-1366 ELECTRICAL EQUIP NUMBER: V00018 WIRING DIAGRAM REF: 215112 COMPONENT MAINT MANUAL REF: 21-51-07 USED ON: 2202450-9 REWORKED BY SB: 398750-21-1416R1 V55284 | 002004 006999 | 1 |
| 60 | 398750-5 | | .VALVE ASSY- (SERIES 1 THRU 4) SUPPLIER CODE: V59364 POSITION DATA: LH SIDE SB DATA FROM A CMM: POST 21-1366 ELECTRICAL EQUIP NUMBER: V00018 WIRING DIAGRAM REF: 215112 COMPONENT MAINT MANUAL REF: 21-51-07 OPTIONAL PART: 398750-2 V59364 398750-3 V59364 398750-4 V59750 USED ON: 2202450-9 2202450-8 REWORKED BY SB: 398750-21-1416R1 V55284 | 002004 006999 | 1 |

MISSING ITEM NUMBERS NOT APPLICABLE

— ITEM NOT ILLUSTRATED

BRI

21-51-12-01

BOEING PROPRIETARY - Copyright © - Unpublished Work - See title page for details.

21-51-12
FIG. 01
PAGE 5
JAN 20/09



757

PARTS CATALOG (MAINTENANCE)

| FIG ITEM | PART NUMBER | 1 2 3 4 5 6 7 | NOMENCLATURE | EFFECT FROM TO | UNITS PER ASSY |
|-----------|-------------|---------------|---|------------------|----------------|
| 1 - 65 | 398750-2 | | .VALVE ASSY- (SERIES 1) SUPPLIER CODE: V59364 POSITION DATA: RH SIDE SB DATA FROM A CMM: PRE 21-1329 ELECTRICAL EQUIP NUMBER: V00019 WIRING DIAGRAM REF: 215122 COMPONENT MAINT MANUAL REF: 21-51-07 OPTIONAL PART: 398750-5 V58364 USED ON: 2202450-9 REWORKED BY SB: 398750-21-1416R1 V55284 | 002004 006999 | 1 |
| - 65 | 398750-4 | | .VALVE ASSY- (SERIES 3 & 4) SUPPLIER CODE: V59364 POSITION DATA: RH SIDE SB DATA FROM A CMM: PRE 21-1366 ELECTRICAL EQUIP NUMBER: V00019 WIRING DIAGRAM REF: 215122 COMPONENT MAINT MANUAL REF: 21-51-07 OPTIONAL PART: 398750-5 V59364 USED ON: 2202450-9 REWORKED BY SB: 398750-21-1416R1 V55284 | 002004 006999 | 1 |

MISSING ITEM NUMBERS NOT APPLICABLE

- ITEM NOT ILLUSTRATED

BRI

21-51-12-01

21-51-12
FIG. 01
PAGE 6
JAN 20/09



757

PARTS CATALOG (MAINTENANCE)

| FIG ITEM | PART NUMBER | 1 2 3 4 5 6 7 | NOMENCLATURE | EFFECT FROM TO | UNITS PER ASSY |
|-----------|-------------|---------------|---|------------------|----------------|
| 1 - 65 | 398750-5 | | .VALVE ASSY- (SERIES 5 THRU 15) SUPPLIER CODE: V59364 POSITION DATA: RH SIDE SB DATA FROM A CMM: POST 21-1366 ELECTRICAL EQUIP NUMBER: V00019 WIRING DIAGRAM REF: 215122 COMPONENT MAINT MANUAL REF: 21-51-07 USED ON: 2202450-9 REWORKED BY SB: 398750-21-1416R1 V55284 | 002004 006999 | 1 |
| - 65 | 398750-3 | | .VALVE ASSY- (SERIES 2 AND 4) SUPPLIER CODE: V59364 POSITION DATA: RH SIDE SB DATA FROM A CMM: POST 21-1329 ELECTRICAL EQUIP NUMBER: V00019 WIRING DIAGRAM REF: 215122 COMPONENT MAINT MANUAL REF: 21-51-07 OPTIONAL PART: 398750-5 V59364 USED ON: 2202450-8 2202450-9 REWORKED BY SB: 398750-21-1416R1 V55284 | 002004 006999 | 1 |

MISSING ITEM NUMBERS NOT APPLICABLE

- ITEM NOT ILLUSTRATED

BRI

21-51-12-01

BOEING PROPRIETARY - Copyright © - Unpublished Work - See title page for details.

21-51-12
FIG. 01
PAGE 7
JAN 20/09



757

PARTS CATALOG (MAINTENANCE)

| FIG ITEM | PART NUMBER | 1 2 3 4 5 6 7 | NOMENCLATURE | EFFECT FROM TO | UNITS PER ASSY |
|-----------|-------------|---------------|---|------------------|----------------|
| 1 - 65 | 398750-5 | | . VALVE ASSY- (SERIES 1 THRU 4) SUPPLIER CODE: V59364 POSITION DATA: RH SIDE SB DATA FROM A CMM: POST 21-1366 ELECTRICAL EQUIP NUMBER: V00019 WIRING DIAGRAM REF: 215122 COMPONENT MAINT MANUAL REF: 21-51-07 OPTIONAL PART: 398750-2 V59364 398750-3 V59364 398750-4 V59750 USED ON: 2202450-9 2202450-8 REWORKED BY SB: 398750-21-1416R1 V55284 | 002004 006999 | 1 |
| 70 | 2022522-2 | | .. ACTUATOR ASSY-ROTARY ELECTROMECHANICAL SERIES 1,2 AND 3 SUPPLIER CODE: V70210 SB DATA FROM A CMM: PRE 21-1329 COMPONENT MAINT MANUAL REF: 21-51-22 USED ON: 398750-2 | 002004 006999 | 1 |
| 70 | 2022522-3 | | .. ACTUATOR ASSY-ROTARY ELECTROMECHANICAL SUPPLIER CODE: V70210 SB DATA FROM A CMM: POST 21-1329 PRE 21-1351 COMPONENT MAINT MANUAL REF: 21-51-22 USED ON: 398750-3 | 002004 006999 | 1 |

MISSING ITEM NUMBERS NOT APPLICABLE

- ITEM NOT ILLUSTRATED

21-51-12-01

21-51-12
FIG. 01
PAGE 8
SEP 20/08

BRI



757

PARTS CATALOG (MAINTENANCE)

| FIG ITEM | PART NUMBER | 1 2 3 4 5 6 7 | NOMENCLATURE | EFFECT FROM TO | UNITS PER ASSY |
|----------|-------------|---------------|---|------------------|----------------|
| 1 70 | 2022522-4 | .. | ACTUATOR ASSY-ROTARY ELECTROMECHANICAL SERIES 1 SUPPLIER CODE: V70210 SB DATA FROM A CMM: POST 21-1351 PRE 21-1364 CONFIG CHG DATA FROM A CMM: REPLD BY 2022522-5 COMPONENT MAINT MANUAL REF: 21-51-22 USED ON: 398750-4 POST SERVICE BULLETIN: 398750-21-1351 V59364 | 002004 006999 | 1 |
| 70 | 2022522-5 | .. | ACTUATOR ASSY-ROTARY ELECTROMECHANICAL SUPPLIER CODE: V70210 SB DATA FROM A CMM: POST 21-1366 CONFIG CHG DATA FROM A CMM: REPLS 2022522-4 COMPONENT MAINT MANUAL REF: 21-51-22 USED ON: 398750-5 | 002004 006999 | 1 |
| 70 | 2022522-4 | .. | ACTUATOR ASSY-ROTARY ELECTROMECHANICAL SERIES 2 SUPPLIER CODE: V70210 SB DATA FROM A CMM: POST 21-1364 PRE 21-1366 CONFIG CHG DATA FROM A CMM: REPLD BY 2022522-5 COMPONENT MAINT MANUAL REF: 21-51-22 USED ON: 398750-4 POST SERVICE BULLETIN: 398750-21-1351 V59364 | 002004 006999 | 1 |
| 75 | MS9033-07 | .. | ATTACHING PARTS BOLT | 002004 006999 | 4 |

MISSING ITEM NUMBERS NOT APPLICABLE

- ITEM NOT ILLUSTRATED

21-51-12-01

21-51-12
FIG. 01
PAGE 9
SEP 20/08

BRI

 **BOEING**
757
PARTS CATALOG (MAINTENANCE)

| FIG ITEM | PART NUMBER | 1 2 3 4 5 6 7 | NOMENCLATURE | EFFECT FROM TO | UNITS PER ASSY |
|----------|-------------|---------------|---|------------------|----------------|
| 1 | | | | | |
| 80 | 881514-1 | | .. WASHER-RETAINING SUPPLIER CODE: V59364 | 002004 006999 | 2 |
| 85 | MS35335-60 | | .. WASHER | 002004 006999 | 2 |
| 90 | 112072-91 | | .. WASHER-THRUST SUPPLIER CODE: V59364 CONFIG CHG DATA FROM A CMM: 112072-142 | 002004 006999 | 4 |
| 90 | 112072-142 | | .. WASHER-THRUST SUPPLIER CODE: V59364 CONFIG CHG DATA FROM A CMM: REPLS 112072-91 -----*----- | 002004 006999 | 4 |
| 120 | 2041179-1 | | ... DECAL- SUPPLIER CODE: V70210 USED ON: 2022522-2 2022522-5 | 002004 006999 | 1 |
| 125 | 2046075-2 | | ... PLATE-ID, USED ON SERIES 1 SUPPLIER CODE: V70210 USED ON: 2022522-2 | 002004 006999 | 1 |
| 125 | 2046075-3 | | ... PLATE-ID, USED ON SERIES 2 SUPPLIER CODE: V70210 USED ON: 2022522-2 | 002004 006999 | 1 |
| 125 | 2046075-4 | | ... PLATE-ID, USED ON SERIES 3 SUPPLIER CODE: V70210 USED ON: 2022522-2 | 002004 006999 | 1 |
| 125 | 2046075-5 | | ... PLATE-ID SUPPLIER CODE: V70210 USED ON: 2022522-3 | 002004 006999 | 1 |

MISSING ITEM NUMBERS NOT APPLICABLE

— ITEM NOT ILLUSTRATED

BRI

21-51-12-01

BOEING PROPRIETARY - Copyright © - Unpublished Work - See title page for details.

21-51-12
FIG. 01
PAGE 10
SEP 20/08



757

PARTS CATALOG (MAINTENANCE)

| FIG ITEM | PART NUMBER | 1 2 3 4 5 6 7 | NOMENCLATURE | EFFECT FROM TO | UNITS PER ASSY |
|----------|---------------|---------------|---|------------------|----------------|
| 1 | | | | | |
| 125 | 2046075-6 | ... | PLATE-ID SUPPLIER CODE: V70210 USED ON: 2022522-4 | 002004 006999 | 1 |
| 125 | 2046075-7 | ... | PLATE-ID SUPPLIER CODE: V70210 USED ON: 2022522-4 | 002004 006999 | 1 |
| 125 | 2046075-8 | ... | PLATE-ID SUPPLIER CODE: V70210 USED ON: 2022522-5 | 002004 006999 | 1 |
| 130 | AN565AC4H3 | ... | SETSCREW | 002004 006999 | 1 |
| 135 | 533058-1 | ... | POINTER-POSITION DIAL SUPPLIER CODE: V70210 | 002004 006999 | 1 |
| 140 | S8157CR74-063 | ... | WASHER- SUPPLIER CODE: V70210 | 002004 006999 | 1 |
| 145 | 533053-1 | ... | RETAINER-SEAL SUPPLIER CODE: V70210 | 002004 006999 | 1 |
| 150 | MS24677-7 | ... | SCREW | 002004 006999 | 4 |
| 155 | S8157N14-015 | ... | WASHER- SUPPLIER CODE: V70210 | 002004 006999 | 3 |
| 160 | MS20426AD4-4 | ... | RIVET | 002004 006999 | 2 |
| 165 | 519606-1 | ... | CAPACITOR-FIXED SUPPLIER CODE: V70210 | 002004 006999 | 1 |
| 170 | 533062-1 | ... | COVER-SWITCH BOX SUPPLIER CODE: V70210 | 002004 006999 | 1 |
| 175 | 533063-1 | ... | LABEL-DIRECTIONAL SUPPLIER CODE: V70210 | 002004 006999 | 1 |
| 185 | MS24665-86 | ... | PIN | 002004 006999 | 1 |
| 190 | 532027-4 | ... | PIN-STRAIGHT-HEADED SUPPLIER CODE: V70210 | 002004 006999 | 1 |

MISSING ITEM NUMBERS NOT APPLICABLE

- ITEM NOT ILLUSTRATED

BRI

21-51-12-01

BOEING PROPRIETARY - Copyright © - Unpublished Work - See title page for details.

21-51-12
FIG. 01
PAGE 11
SEP 20/08



757

PARTS CATALOG (MAINTENANCE)

| FIG ITEM | PART NUMBER | 1 2 3 4 5 6 7 | NOMENCLATURE | EFFECT FROM TO | UNITS PER ASSY |
|----------|-------------|---------------|--|------------------|----------------|
| 1 | | | | | |
| 205 | S8154-6C003 | ... | WASHER- SUPPLIER CODE: V70210 | 002004 006999 | AR |
| 210 | S8154-6C005 | ... | WASHER- SUPPLIER CODE: V70210 | 002004 006999 | AR |
| 215 | S8154-6C010 | ... | WASHER- SUPPLIER CODE: V70210 | 002004 006999 | AR |
| 220 | 533191-1 | ... | KNOB-MANUAL DRIVE SUPPLIER CODE: V70210 | 002004 006999 | 1 |
| 225 | 516038-1 | ... | MOTOR-AC SUPPLIER CODE: V70210 COMPONENT MAINT MANUAL REF: 21-51-24 OPTIONAL PART: 46362-1 V70210 USED ON: 2022522-2 2022522-3 2022522-4 | 002004 006999 | 1 |
| 225 | 516038-3 | ... | MOTOR-AC SUPPLIER CODE: V70210 COMPONENT MAINT MANUAL REF: 21-51-24 USED ON: 2022522-4 2022522-5 PRE SERVICE BULLETIN: V70210 | 002004 006999 | 1 |
| 227 | 46362-1 | ... | MOTOR-AC SUPPLIER CODE: V70210 COMPONENT MAINT MANUAL REF: 21-62-02 OPTIONAL PART: 516038-1 V70210 USED ON: 2022522-2 2022522-3 2022522-4 | 002004 006999 | 1 |
| 228 | 2046083-1 | | PLATE-IDENT SUPPLIER CODE: V70210 | 002004 006999 | 1 |

MISSING ITEM NUMBERS NOT APPLICABLE

- ITEM NOT ILLUSTRATED

21-51-12-01

21-51-12
FIG. 01
PAGE 12
SEP 20/08

BRI



757

PARTS CATALOG (MAINTENANCE)

| FIG ITEM | PART NUMBER | 1 2 3 4 5 6 7 | NOMENCLATURE | EFFECT FROM TO | UNITS PER ASSY |
|----------|---------------|---------------|--|------------------|----------------|
| 1 | | | | | |
| 228 | 2046083-4 | | PLATE-IDENT SUPPLIER CODE: V70210 ATTACHING PARTS | 002004 006999 | 1 |
| 230 | MS24677-7 | ... | SCREW | 002004 006999 | 2 |
| | | | -----*----- | | |
| 235 | 606668-5 | ... | CONNECTOR- SUPPLIER CODE: V70210 ATTACHING PARTS | 002004 006999 | 1 |
| 240 | MS24677-1 | ... | SCREW | 002004 006999 | 4 |
| | | | -----*----- | | |
| 250 | 880291-1 | .. | SHIELD-MOISTURE SUPPLIER CODE: V59364 | 002004 006999 | 1 |
| 255 | 880345-5 | .. | SPACER-SLEEVE SUPPLIER CODE: V59364 | 002004 006999 | 1 |
| 260 | S8157N106-005 | .. | WASHER-0.005 IN. THK MAX QTY 2 SUPPLIER CODE: V59364 | 002004 006999 | 1 |
| - 265 | S8157N106-010 | .. | WASHER-0.010 IN. THK MAX QTY 2 SUPPLIER CODE: V59364 | 002004 006999 | AR |
| - 270 | S8157N106-016 | .. | WASHER-0.016 IN. THK MAX QTY 2 SUPPLIER CODE: V59364 | 002004 006999 | AR |
| - 275 | S8157N106-063 | .. | WASHER-0.063 IN. THK MAX QTY 2 SUPPLIER CODE: V59364 | 002004 006999 | AR |
| 280 | MS51861-1C | .. | SCREW | 002004 006999 | 2 |
| 285 | S8842B1P1A | .. | PLATE-IDENT SUPPLIER CODE: V70210 CONFIG CHG DATA FROM A CMM: REPLD BY S8846B2P1A | 002004 006999 | 1 |
| 285 | S8842B2P1A | .. | PLATE-IDENT SUPPLIER CODE: V70210 CONFIG CHG DATA FROM A CMM: REPLS S8846B1P1A REPLD BY S3005-1 | 002004 006999 | 1 |

MISSING ITEM NUMBERS NOT APPLICABLE

- ITEM NOT ILLUSTRATED

21-51-12-01

21-51-12
FIG. 01
PAGE 13
SEP 20/08

BRI



757

PARTS CATALOG (MAINTENANCE)

| FIG ITEM | PART NUMBER | 1 2 3 4 5 6 7 | NOMENCLATURE | EFFECT FROM TO | UNITS PER ASSY |
|----------|--------------|---------------|---|----------------------------|----------------|
| 1 285 | S3005-1 | | ..PLATE-IDENT SUPPLIER CODE: V70210 CONFIG CHG DATA FROM A CMM: REPLS S8846B2P1A | 002004 006999 | 1 |
| 290 | 859520-14 | | ..PLATE-IDENT SUPPLIER CODE: V70210 | 002004 006999 | 1 |
| 295 | S9002A1J | | ..PLATE-IDENT SUPPLIER CODE: V70210 | 002004 006999 | 1 |
| - 500 | 286N2406-012 | | WIRE BUNDLE ASSY- POSITION DATA: LH | 107107 121503 904949 | RF |
| - 500 | 286N2406-014 | | WIRE BUNDLE ASSY- POSITION DATA: LH | 002004 006100 950999 | RF |
| - 501 | 286N2406-305 | | WIRE BUNDLE ASSY- POSITION DATA: LH | 101102 | RF |
| - 502 | 286N2406-323 | | WIRE BUNDLE ASSY- POSITION DATA: LH | 108120 | RF |
| - 502 | 286N2406-327 | | WIRE BUNDLE ASSY- POSITION DATA: LH | 504903 | RF |
| - 503 | 286N2406-601 | | WIRE BUNDLE ASSY- POSITION DATA: LH | 103103 | RF |
| - 503 | 286N2406-602 | | WIRE BUNDLE ASSY- POSITION DATA: LH | 104106 | RF |
| 505 | BCREFA0215 | | .CONNECTOR- OVERLENGTH PART NUMBER: BACC63BP12A12SNL ELECTRICAL EQUIP NUMBER: D02946 WIRING DIAGRAM REF: 215112 | 002004 006999 | 1 |

MISSING ITEM NUMBERS NOT APPLICABLE

- ITEM NOT ILLUSTRATED

21-51-12-01

21-51-12
FIG. 01
PAGE 14
JAN 20/09

BRI



757

PARTS CATALOG (MAINTENANCE)

| FIG ITEM | PART NUMBER | 1 2 3 4 5 6 7 | NOMENCLATURE | EFFECT FROM TO | UNITS PER ASSY |
|----------|-------------|---------------|--|----------------------------|----------------|
| 1 510 | S3819-12-65 | .CLAMP- | SUPPLIER CODE: V07418 SPECIFICATION NUMBER: BACC10KD12 OPTIONAL PART: 620AS028NF12L V06324 ELECTRICAL EQUIP NUMBER: D02946T WIRING DIAGRAM REF: 215112 | 103106 | 1 |
| 510 | GS3417-12C | .CLAMP- | SUPPLIER CODE: V06324 SPECIFICATION NUMBER: BACC10HF12 OPTIONAL PART: S2125-12-8 V07418 ELECTRICAL EQUIP NUMBER: D02946T WIRING DIAGRAM REF: 215112 | 002004 006102 107999 | 1 |
| 515 | BCREFA0256 | .CONNECTOR- | OVERLENGTH PART NUMBER: BACC63BP14A15SNL ELECTRICAL EQUIP NUMBER: D02962 WIRING DIAGRAM REF: 215113 | 002004 006999 | 1 |
| 520 | S3819-14-65 | .CLAMP- | SUPPLIER CODE: V07418 SPECIFICATION NUMBER: BACC10KD14 OPTIONAL PART: 620AS028NF14L V06324 ELECTRICAL EQUIP NUMBER: D02962T WIRING DIAGRAM REF: 215113 | 103106 | 1 |

MISSING ITEM NUMBERS NOT APPLICABLE

- ITEM NOT ILLUSTRATED

21-51-12-01

21-51-12
FIG. 01
PAGE 15
JAN 20/09

BRI

 **BOEING**
757
PARTS CATALOG (MAINTENANCE)

| FIG ITEM | PART NUMBER | 1 2 3 4 5 6 7 | NOMENCLATURE | EFFECT FROM TO | UNITS PER ASSY |
|-------------|---------------|---------------|---|----------------------------|----------------------|
| 1 520 | GS3417-14C | | .CLAMP- SUPPLIER CODE: V06324 SPECIFICATION NUMBER: BACC10HF14 OPTIONAL PART: S2125-14-8 V07418 ELECTRICAL EQUIP NUMBER: D02962T WIRING DIAGRAM REF: 215113 | 002004 006102 107999 | 1 |
| - 550 | 286N2506-012 | | WIRE BUNDLE ASSY- POSITION DATA: RH | 107107 121503 904949 | RF |
| - 550 | 286N2506-014 | | WIRE BUNDLE ASSY- POSITION DATA: RH | 002004 006100 950999 | RF |
| - 551 | 286N2506-305 | | WIRE BUNDLE ASSY- POSITION DATA: RH | 101102 | RF |
| - 552 | 286N2506-327 | | WIRE BUNDLE ASSY- POSITION DATA: RH | 108120 | RF |
| - 552 | 286N2506-328 | | WIRE BUNDLE ASSY- POSITION DATA: RH | 504903 | RF |
| - 552 | 286N2506-601 | | WIRE BUNDLE ASSY- POSITION DATA: RH | 103106 | RF |
| - 555 | BCREFA0215 | | .CONNECTOR- OVERLENGTH PART NUMBER: BACC63BP12A12SNL ELECTRICAL EQUIP NUMBER: D03004 WIRING DIAGRAM REF: 215122 | 002004 006999 | 1 |
| - 560 | 620AA028NF12L | | .CLAMP- SUPPLIER CODE: V06324 SPECIFICATION NUMBER: BACC10KE12 OPTIONAL PART: S3820-12-65 V07418 ELECTRICAL EQUIP NUMBER: D03004T WIRING DIAGRAM REF: 215122 | 103106 | 1 |

MISSING ITEM NUMBERS NOT APPLICABLE

- ITEM NOT ILLUSTRATED

BRI

21-51-12-01

BOEING PROPRIETARY - Copyright © - Unpublished Work - See title page for details.

21-51-12
FIG. 01
PAGE 16
JAN 20/09



757

PARTS CATALOG (MAINTENANCE)

| FIG ITEM | PART NUMBER | 1 2 3 4 5 6 7 | NOMENCLATURE | EFFECT FROM TO | UNITS PER ASSY |
|----------|-------------|---------------|---|----------------------------|----------------|
| 1 | | | | | |
| - 560 | GS3418-12CD | | .CLAMP- SUPPLIER CODE: V06324 SPECIFICATION NUMBER: BACC10HG12 OPTIONAL PART: S2126-12-8 V07418 ELECTRICAL EQUIP NUMBER: D03004T WIRING DIAGRAM REF: 215122 | 002004 006102 107999 | 1 |
| - 565 | BCREFA0256 | | .CONNECTOR- OVERLENGTH PART NUMBER: BACC63BP14A15SNL ELECTRICAL EQUIP NUMBER: D03014 WIRING DIAGRAM REF: 215123 | 002004 006999 | 1 |
| - 570 | S3819-14-65 | | .CLAMP- SUPPLIER CODE: V07418 SPECIFICATION NUMBER: BACC10KD14 OPTIONAL PART: 620AS028NF14L V06324 ELECTRICAL EQUIP NUMBER: D03014T WIRING DIAGRAM REF: 215123 | 103106 | 1 |
| - 570 | GS3417-14C | | .CLAMP- SUPPLIER CODE: V06324 SPECIFICATION NUMBER: BACC10HF14 OPTIONAL PART: S2125-14-8 V07418 ELECTRICAL EQUIP NUMBER: D03014T WIRING DIAGRAM REF: 215123 | 002004 006102 107999 | 1 |

MISSING ITEM NUMBERS NOT APPLICABLE

- ITEM NOT ILLUSTRATED

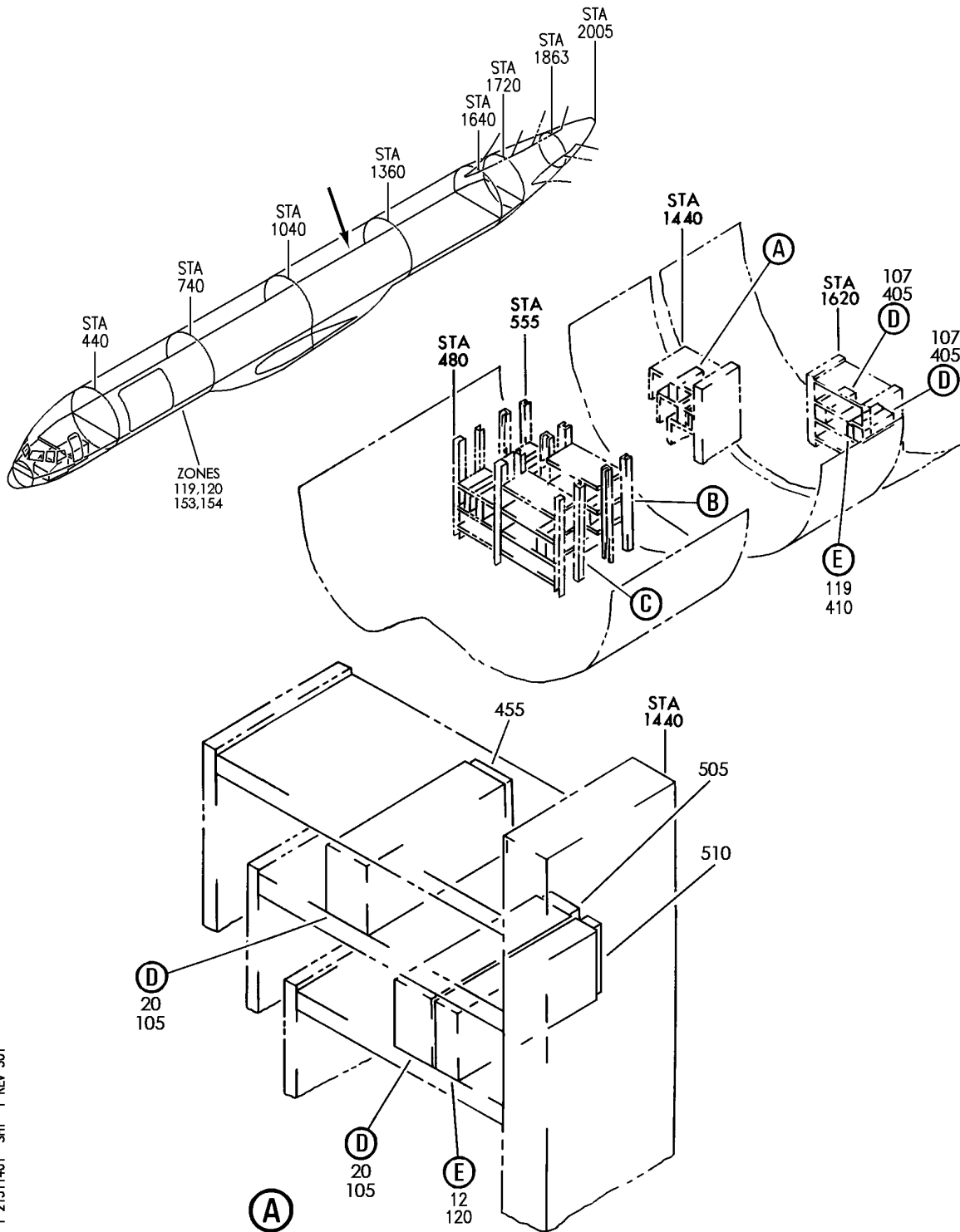
BRI

21-51-12-01

BOEING PROPRIETARY - Copyright © - Unpublished Work - See title page for details.

21-51-12
FIG. 01
PAGE 17
JAN 20/09

BOEING
757
PARTS CATALOG (MAINTENANCE)



Y 21511401 SH1 1 REV 301

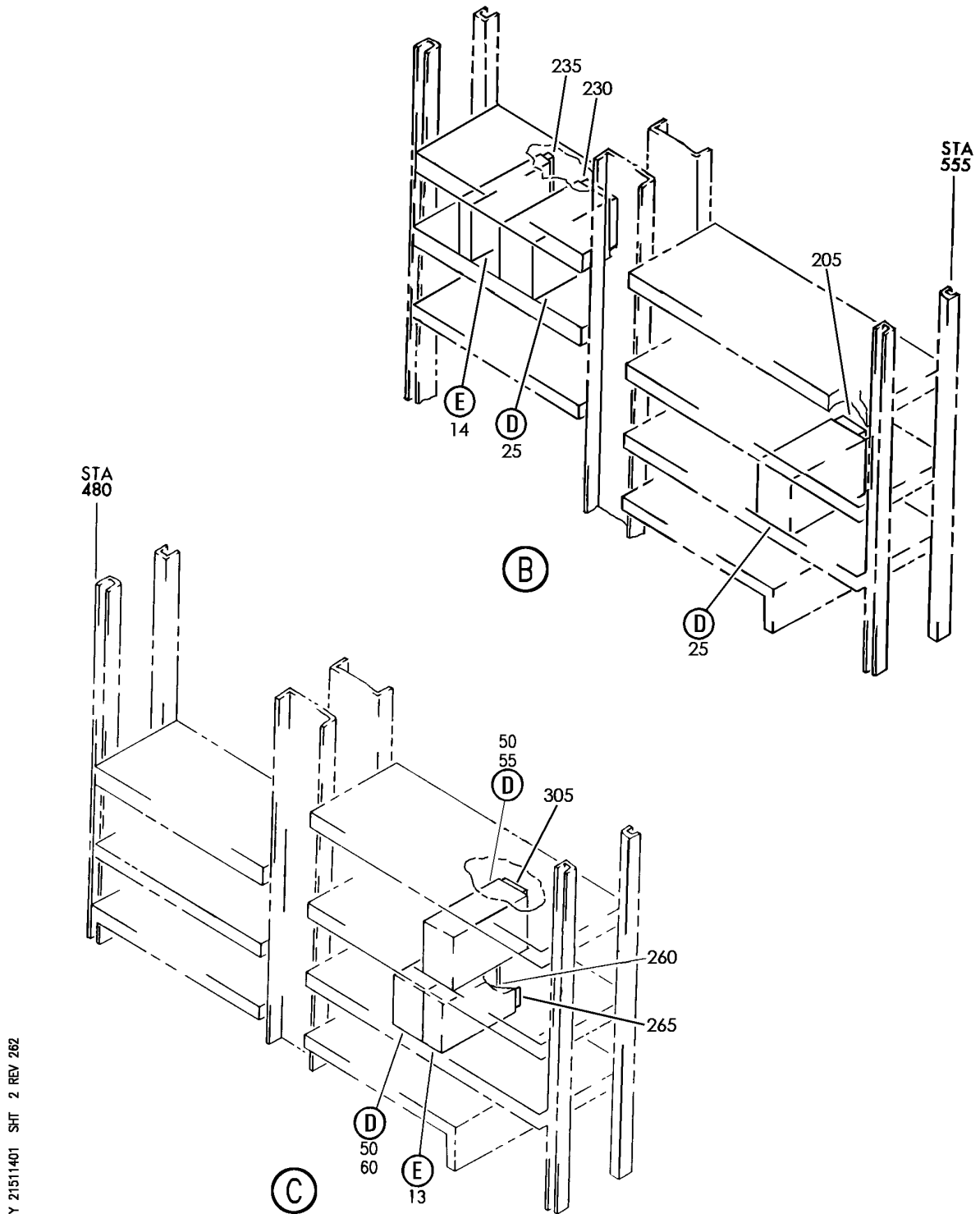
EQUIPMENT INSTL-MAIN ELECTRONICS AND E6 AFT EQPT CTR (AIR COOLING PACK SYSTEM ONLY)
FIGURE 1 (SHEET 1)

BRI
MAY 28/07

21-51-14-01

21-51-14-01
PAGE 0

BOEING
757
PARTS CATALOG (MAINTENANCE)



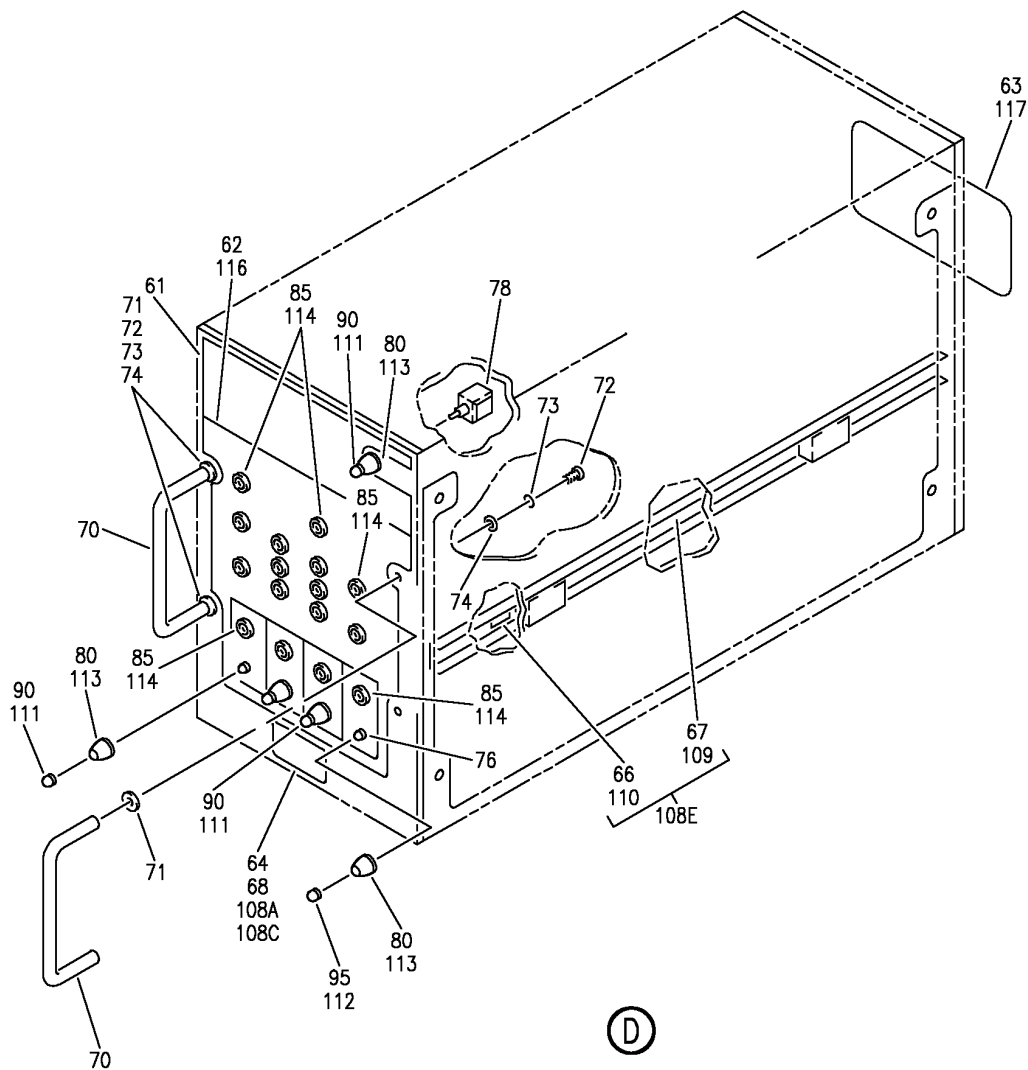
EQUIPMENT INSTL-MAIN ELECTRONICS AND E6 AFT EQPT CTR (AIR COOLING PACK SYSTEM ONLY)
FIGURE 1 (SHEET 2)

BRI
MAY 28/07

21-51-14-01

21-51-14-01
PAGE 0A

BOEING
757
PARTS CATALOG (MAINTENANCE)



Y 21511401 SHT 3 REV 301

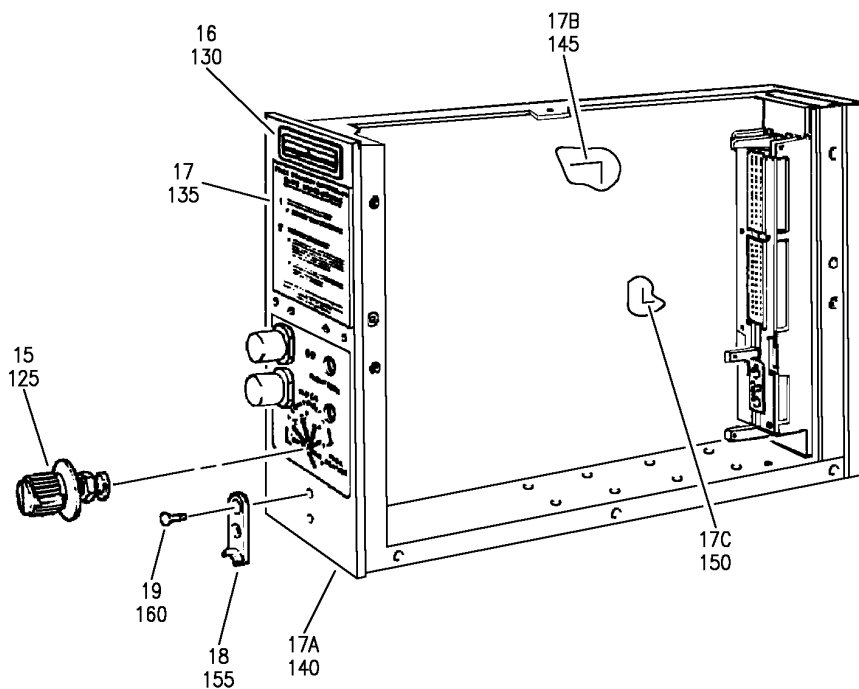
EQUIPMENT INSTL-MAIN ELECTRONICS AND E6 AFT EQPT CTR (AIR COOLING PACK SYSTEM ONLY)
FIGURE 1 (SHEET 3)

BRI
MAY 28/07

21-51-14-01

21-51-14-01
PAGE 08

BOEING
757
PARTS CATALOG (MAINTENANCE)



(E)

Y 21511401 SH1 4 REV 262

EQUIPMENT INSTL-MAIN ELECTRONICS AND E6 AFT EQPT CTR (AIR COOLING PACK SYSTEM ONLY)
FIGURE 1 (SHEET 4)

BRI
MAY 28/07

21-51-14-01

21-51-14-01
PAGE 0C



757

PARTS CATALOG (MAINTENANCE)

| FIG ITEM | PART NUMBER | 1 2 3 4 5 6 7 | NOMENCLATURE | EFFECT FROM TO | UNITS PER ASSY |
|----------|--------------|---------------|---|--------------------------------------|----------------|
| 1 | | | EQUIPMENT INSTL-MAIN ELECTRONICS AND E6 AFT EQPT CTR (AIR COOLING PACK SYSTEM ONLY) | 002004 006100 107107 121999 | |
| - 2 | 284N1800-34 | | EQUIPMENT INSTL-MAIN ELECTRONICS EQPT CTR (AIR COOLING PACK SYSTEM ONLY) FOR NHA/OTHER SYS DET SEE: 24-00-58-01 | 002004 006100 | RF |
| - 2 | 284N1307-33 | | EQUIPMENT INSTL-MAIN ELECTRONICS EQPT CTR (AIR COOLING PACK SYSTEM ONLY) FOR NHA/OTHER SYS DET SEE: 24-00-58-01 | 107107 | RF |
| - 2 | 284N1800-32 | | EQUIPMENT INSTL-MAIN ELECTRONICS EQPT CTR (AIR COOLING PACK SYSTEM ONLY) FOR NHA/OTHER SYS DET SEE: 24-00-58-01 | 952999 | RF |
| - 5 | 284N1800-38 | | EQUIPMENT INSTL-MAIN ELECTRONICS EQPT CTR (AIR COOLING PACK SYSTEM ONLY) FOR NHA/OTHER SYS DET SEE: 24-00-58-01 | 950951 | RF |
| - 7 | 284N1800-190 | | EQUIPMENT INSTL-MAIN ELECTRONICS EQPT CTR (AIR COOLING PACK SYSTEM ONLY) FOR NHA/OTHER SYS DET SEE: 24-00-58-05E | 504504 506903 | RF |
| - 8 | 284N1800-88 | | EQUIPMENT INSTL-MAIN ELECTRONICS EQPT CTR (AIR COOLING PACK SYSTEM ONLY) FOR NHA/OTHER SYS DET SEE: 24-00-58-05E | 505505 | RF |

MISSING ITEM NUMBERS NOT APPLICABLE

- ITEM NOT ILLUSTRATED

BRI

21-51-14-01

21-51-14
FIG. 01
PAGE 1
JAN 20/09



757

PARTS CATALOG (MAINTENANCE)

| FIG ITEM | PART NUMBER | 1 2 3 4 5 6 7 | NOMENCLATURE | EFFECT FROM TO | UNITS PER ASSY |
|----------|---------------|---------------|--|--|----------------|
| 1 | 13 624284-1 | | .CONTROLLER ASSY-PACK STBY TEMP SUPPLIER CODE: V07217 SPECIFICATION NUMBER: S210T130-28 ELECTRICAL EQUIP NUMBER: M10389 COMPONENT MAINT MANUAL REF: 21-51-04 FUNCTIONAL REFERENCE: LIGHTS FOR DETAILS SEE 33-31-51-50 | 002004 006100 107107 504903 950999 | 1 |
| | 15 623256-1 | | ..KNOB-SWITCH SUPPLIER CODE: V07217 | 002004 006100 107107 504903 950999 | 1 |
| | 16 CS322-5 | | ..PLATE-IDENT SUPPLIER CODE: V07217 | 002004 006100 107107 504903 950999 | 1 |
| | 17 1025470-1 | | ..LABEL-TEST INSTRUCTIONS SUPPLIER CODE: V07217 | 002004 006100 107107 504903 950999 | 1 |
| | 17A 1025471-1 | | ..LABEL-FRONT SUPPLIER CODE: V07217 | 002004 006100 107107 504903 950999 | 1 |
| | 17B 1025721-1 | | ..LABEL-CONNECTION SUPPLIER CODE: V07217 | 002004 006100 107107 504903 950999 | 1 |
| | 17C 1025439-1 | | ..LABEL-CAUTION SUPPLIER CODE: V07217 | 002004 006100 107107 504903 950999 | 1 |
| | 18 NAS622CT3 | | ..HOOK-SPRT | 002004 006100 107107 504903 950999 | 1 |

MISSING ITEM NUMBERS NOT APPLICABLE

- ITEM NOT ILLUSTRATED

BRI

21-51-14-01

21-51-14
FIG. 01
PAGE 2
JAN 20/09

BOEING
757
PARTS CATALOG (MAINTENANCE)

| FIG ITEM | PART NUMBER | 1 2 3 4 5 6 7 | NOMENCLATURE | EFFECT FROM TO | UNITS PER ASSY |
|-------------|-------------|---------------|--|--|----------------------|
| 1 | | | ATTACHING PARTS | | |
| 19 | MS20427F5-9 | | ..RIVET | 002004 006100 107107 504903 950999 | 2 |
| 50 | 625946-6 | | -----*----- .CONTROLLER ASSY-PACK TEMP SUPPLIER CODE: V07217 SPECIFICATION NUMBER: S210T130-52 ELECTRICAL EQUIP NUMBER: M00126 M00127 COMPONENT MAINT MANUAL REF: 21-51-03 | 002004 006100 107107 504903 950999 | 2 |
| 50 | 625946-8 | | .CONTROLLER ASSY-PACK TEMP SUPPLIER CODE: V07217 SPECIFICATION NUMBER: S210T130-66 ELECTRICAL EQUIP NUMBER: M00126 M00127 COMPONENT MAINT MANUAL REF: 21-51-03 | 002004 006100 107107 504903 950999 | 2 |
| 50 | 625946-9 | | .CONTROLLER ASSY-PACK TEMP SUPPLIER CODE: V07217 SPECIFICATION NUMBER: S210T130-69 ELECTRICAL EQUIP NUMBER: M00126 M00127 COMPONENT MAINT MANUAL REF: 21-51-03 | 002004 006100 107107 504903 950999 | 2 |
| 50 | 1151864-1 | | .CONTROLLER ASSY-PACK TEMP SUPPLIER CODE: V07217 SPECIFICATION NUMBER: S210T130-79 ELECTRICAL EQUIP NUMBER: M00126 M00127 COMPONENT MAINT MANUAL REF: 21-51-05 | 002004 006100 107107 504903 950999 | 2 |

MISSING ITEM NUMBERS NOT APPLICABLE

— ITEM NOT ILLUSTRATED

BRI

21-51-14-01

21-51-14
FIG. 01
PAGE 3
JAN 20/09



757

PARTS CATALOG (MAINTENANCE)

| FIG ITEM | PART NUMBER | 1 2 3 4 5 6 7 | NOMENCLATURE | EFFECT FROM TO | UNITS PER ASSY |
|----------|--------------|---------------|---|--|----------------|
| 1 | 50 625946-10 | | .CONTROLLER ASSY-PACK TEMP SUPPLIER CODE: V07217 SPECIFICATION NUMBER: S210T130-99 ELECTRICAL EQUIP NUMBER: M00126 M00127 COMPONENT MAINT MANUAL REF: 21-51-03 POST SERVICE BULLETIN: V07217 | 002004 006100 107107 504903 950999 | 2 |
| | 50 1151864-2 | | .CONTROLLER ASSY-PACK TEMP SUPPLIER CODE: V07217 SPECIFICATION NUMBER: S210T130-89 ELECTRICAL EQUIP NUMBER: M00126 M00127 COMPONENT MAINT MANUAL REF: 21-51-05 | 002004 006100 504903 950999 | 2 |
| | 61 1031907-1 | | ..LABEL-FRONT PANEL SUPPLIER CODE: V07217 USED ON: 1151864-1 1151864-2 625946-10 | 002004 006100 107107 504903 950999 | 1 |
| | 62 1025048-1 | | ..LABEL-FRONT PANEL SUPPLIER CODE: V07217 USED ON: 625946-5 625946-6 625946-8 625946-9 | 002004 006100 107107 504903 950999 | 1 |
| | 63 1025439-1 | | ..LABEL-CAUTION SUPPLIER CODE: V07217 | 002004 006100 107107 504903 950999 | 1 |

MISSING ITEM NUMBERS NOT APPLICABLE

- ITEM NOT ILLUSTRATED

21-51-14-01

21-51-14
FIG. 01
PAGE 4
JAN 20/09

BRI



757

PARTS CATALOG (MAINTENANCE)

| FIG ITEM | PART NUMBER | 1 2 3 4 5 6 7 | NOMENCLATURE | EFFECT FROM TO | UNITS PER ASSY |
|----------|--------------|---------------|---|--|----------------|
| 1 | 64 CS322-3 | | ..PLATE-IDENT SUPPLIER CODE: V07217 CONFIG CHG DATA FROM A CMM: SUPSD BY CS550-1 USED ON: 625946-6 625946-8 625946-9 625946-10 | 002004 006100 107107 504903 950999 | 1 |
| | 64 CS550-1 | | ..PLATE-IDENT SUPPLIER CODE: V07217 CONFIG CHG DATA FROM A CMM: SUPERSEDES CS322-3 USED ON: 625946-6 625946-8 625946-9 625946-10 | 002004 006100 107107 504903 950999 | 1 |
| - | 65 1025042-1 | | ..BAR ASSY-RETAINING SUPPLIER CODE: V07217 | 002004 006100 107107 504903 950999 | 1 |
| | 66 1025438-1 | | ...LABEL-CAUTION SUPPLIER CODE: V07217 | 002004 006100 107107 504903 950999 | 1 |
| | 67 1025049-1 | | ...LABEL-CAUTION SUPPLIER CODE: V07217 | 002004 006100 107107 504903 950999 | 1 |
| | 68 CS451-3 | | ..PLATE-IDENT SUPPLIER CODE: V07217 USED ON: 1151864-1 1151864-2 | 002004 006100 107107 504903 950999 | 1 |
| | 70 1057-30 | | ..HANDLE- SUPPLIER CODE: V88245 MISCELLANEOUS DATA: GARRETT SCD 391-903-9006 | 002004 006100 107107 504903 950999 | 2 |

MISSING ITEM NUMBERS NOT APPLICABLE

- ITEM NOT ILLUSTRATED

21-51-14-01

21-51-14
FIG. 01
PAGE 5
JAN 20/09

BRI



757

PARTS CATALOG (MAINTENANCE)

| FIG ITEM | PART NUMBER | 1 2 3 4 5 6 7 | NOMENCLATURE | EFFECT FROM TO | UNITS PER ASSY |
|----------|-------------|---------------|--|--|----------------|
| 1 | | | | | |
| 71 | A903-30 | | .. FERRULE- SUPPLIER CODE: V88245 MISCELLANEOUS DATA: GARRETT SCD 335-903-9001 ATTACHING PARTS | 002004 006100 107107 504903 950999 | 4 |
| 72 | MS51957-45 | | .. SCREW- | 002004 006100 107107 504903 950999 | 4 |
| 72 | MS35206-245 | | .. SCREW | 002004 006100 107107 504903 950999 | 4 |
| 73 | MS35338-137 | | .. WASHER | 002004 006100 107107 504903 950999 | 4 |
| 73 | MS35338-42 | | .. WASHER | 002004 006100 107107 504903 950999 | 4 |
| 74 | NAS620C8 | | .. WASHER | 002004 006100 107107 504903 950999 | 4 |
| 74 | NAS620-8 | | .. WASHER | 002004 006100 107107 504903 950999 | 4 |
| 76 | 8121 | | -----*----- .. SWITCH- SUPPLIER CODE: V09353 MISCELLANEOUS DATA: GARRETT SCD 684-929-9001 USED ON: 1151864-1 1151864-2 | 002004 006100 107107 504903 950999 | 4 |

MISSING ITEM NUMBERS NOT APPLICABLE

- ITEM NOT ILLUSTRATED

21-51-14-01

21-51-14
FIG. 01
PAGE 6
JAN 20/09

BRI

BOEING PROPRIETARY - Copyright © - Unpublished Work - See title page for details.



757

PARTS CATALOG (MAINTENANCE)

| FIG ITEM | PART NUMBER | 1 2 3 4 5 6 7 | NOMENCLATURE | EFFECT FROM TO | UNITS PER ASSY |
|----------|-------------|---------------|--|--|----------------|
| 1 | | | | | |
| 78 | 8221 | .. | SWITCH- SUPPLIER CODE: V09353 MISCELLANEOUS DATA: GARRETT SCD 684-929-9002 USED ON: 1151864-1 1151864-2 | 002004 006100 107107 504903 950999 | 1 |
| 80 | 7780 | .. | NUT-DRESS SUPPLIER CODE: V09353 MISCELLANEOUS DATA: HONEYWELL SPEC PART NO. 525-910-9001 | 002004 006100 107107 504903 950999 | 5 |
| 85 | 1411-45009 | .. | GROMMET- SUPPLIER CODE: V70485 MISCELLANEOUS DATA: HONEYWELL SPEC PART NO. 370-902-9001 | 002004 006100 107107 504903 950999 | 16 |
| 90 | 7089-1 | .. | CAP-WHITE SUPPLIER CODE: V09353 MISCELLANEOUS DATA: HONEYWELL SPEC PART NO. 194-907-9001 | 002004 006100 107107 504903 950999 | 4 |
| 95 | 7089-2 | .. | CAP-BLACK SUPPLIER CODE: V09353 MISCELLANEOUS DATA: HONEYWELL SPEC PART NO. 194-907-9002 | 002004 006100 107107 504903 950999 | 1 |
| - 100 | 284N1686-3 | | EQUIPMENT INSTL-E6 EQPT CTR (AIR COOLING PACK SYSTEM ONLY) POSITION DATA: AFT FOR NHA/OTHER SYS DET SEE: 24-00-58-01 | 121503 904949 | RF |
| 107 | 625946-6 | . | CONTROLLER ASSY-PACK TEMP SUPPLIER CODE: V07217 SPECIFICATION NUMBER: S210T130-52 ELECTRICAL EQUIP NUMBER: M00126 M00127 COMPONENT MAINT MANUAL REF: 21-51-03 | 121503 904949 | 2 |

MISSING ITEM NUMBERS NOT APPLICABLE

- ITEM NOT ILLUSTRATED

21-51-14-01

21-51-14
FIG. 01
PAGE 7
JAN 20/09

BRI



757

PARTS CATALOG (MAINTENANCE)

| FIG ITEM | PART NUMBER | 1 2 3 4 5 6 7 | NOMENCLATURE | EFFECT FROM TO | UNITS PER ASSY |
|----------|-------------|---------------|---|------------------|----------------|
| 1 107 | 625946-8 | . | CONTROLLER ASSY-PACK TEMP SUPPLIER CODE: V07217 SPECIFICATION NUMBER: S210T130-66 ELECTRICAL EQUIP NUMBER: M00126 M00127 COMPONENT MAINT MANUAL REF: 21-51-03 POST SERVICE BULLETIN: 625946-21-38 V07217 POST SERVICE LETTER: 21-18 | 121503 904949 | 2 |
| 107 | 625946-9 | . | CONTROLLER ASSY-PACK TEMP SUPPLIER CODE: V07217 SPECIFICATION NUMBER: S210T130-69 ELECTRICAL EQUIP NUMBER: M00126 M00127 COMPONENT MAINT MANUAL REF: 21-51-03 | 121503 904949 | 2 |
| 107 | 625946-10 | . | CONTROLLER ASSY-PACK TEMP SUPPLIER CODE: V07217 SPECIFICATION NUMBER: S210T130-99 ELECTRICAL EQUIP NUMBER: M00126 M00127 COMPONENT MAINT MANUAL REF: 21-51-03 | 121503 904949 | 2 |
| 108A | CS322-3 | .. | PLATE-IDENT SUPPLIER CODE: V07217 CONFIG CHG DATA FROM A CMM: SUPSD BY CS550-1 USED ON: 625946-6 625946-8 | 121503 904949 | 1 |

MISSING ITEM NUMBERS NOT APPLICABLE

- ITEM NOT ILLUSTRATED

BRI

21-51-14-01

21-51-14
FIG. 01
PAGE 8
JAN 20/09



757

PARTS CATALOG (MAINTENANCE)

| FIG ITEM | PART NUMBER | 1 2 3 4 5 6 7 | NOMENCLATURE | EFFECT FROM TO | UNITS PER ASSY |
|-----------|-------------|---------------|---|------------------|----------------|
| 1 108C | CS550-1 | | .. PLATE-IDENT SUPPLIER CODE: V07217 CONFIG CHG DATA FROM A CMM: SUPERSEDES CS322-3 USED ON: 625946-6 625946-8 625946-9 | 121503 904949 | 1 |
| 109 | 1025049-1 | | ... LABEL-CAUTION SUPPLIER CODE: V07217 USED ON: 625946-6 625946-8 | 121503 904949 | 1 |
| 110 | 1025438-1 | | ... LABEL-CAUTION SUPPLIER CODE: V07217 USED ON: 625946-6 625946-8 | 121503 904949 | 1 |
| 116 | 1025048-1 | | .. LABEL-FRONT PNL SUPPLIER CODE: V07217 USED ON: 625946-6 625946-8 | 121503 904949 | 1 |
| 117 | 1025439-1 | | .. LABEL-CAUTION SUPPLIER CODE: V07217 USED ON: 625946-6 625946-8 | 121503 904949 | 1 |
| 119 | 624284-1 | | . CONTROLLER ASSY-PACK STBY TEMP SUPPLIER CODE: V07217 SPECIFICATION NUMBER: S210T130-28 ELECTRICAL EQUIP NUMBER: M10389 COMPONENT MAINT MANUAL REF: 21-51-04 FUNCTIONAL REFERENCE: LIGHTS FOR DETAILS SEE 33-31-51-50 | 121503 904949 | 1 |

MISSING ITEM NUMBERS NOT APPLICABLE

- ITEM NOT ILLUSTRATED

BRI

21-51-14-01

21-51-14
FIG. 01
PAGE 9
JAN 20/09



757

PARTS CATALOG (MAINTENANCE)

| FIG ITEM | PART NUMBER | 1 2 3 4 5 6 7 | NOMENCLATURE | EFFECT FROM TO | UNITS PER ASSY |
|----------|----------------|---------------|---|--|----------------|
| 1 | | | | | |
| 125 | 623256-1 | .. | .. KNOB-SWITCH SUPPLIER CODE: V07217 | 121503 904949 | 1 |
| 130 | CS322-5 | .. | .. PLATE-IDENT SUPPLIER CODE: V07217 | 121503 904949 | 1 |
| 135 | 1025470-1 | .. | .. LABEL-TEST INSTRUCTIONS SUPPLIER CODE: V07217 | 121503 904949 | 1 |
| 140 | 1025471-1 | .. | .. LABEL-FRONT SUPPLIER CODE: V07217 | 121503 904949 | 1 |
| 145 | 1025721-1 | .. | .. LABEL-CONNECTION SUPPLIER CODE: V07217 | 121503 904949 | 1 |
| 150 | 1025439-1 | .. | .. LABEL-CAUTION SUPPLIER CODE: V07217 | 121503 904949 | 1 |
| 155 | NAS622CT3 | .. | .. HOOK-SPRT | 121503 904949 | 1 |
| 160 | MS20427F5-9 | .. | ATTACHING PARTS .. RIVET | 121503 904949 | 2 |
| - 250 | 286N1330-001 | -----* | WIRE BUNDLE ASSY- | 002004 006100 107107 950999 | RF |
| - 250 | 286N1330-306 | | WIRE BUNDLE ASSY | 504903 | RF |
| 260 | BKA11C1601 | .CON | .CONNECTOR- SUPPLIER CODE: V71468 SPECIFICATION NUMBER: BACC66F11C1601 OPTIONAL PART: S611C1601 V59610 NIC66F11C1601 V00779 ELECTRICAL EQUIP NUMBER: D02964 WIRING DIAGRAM REF: 215112 | 002004 006100 107107 950999 | 1 |
| 265 | BACC66F11C5001 | .CON | .CONNECTOR- ELECTRICAL EQUIP NUMBER: D04130 WIRING DIAGRAM REF: 215114 | 002004 006100 107107 504903 950999 | 1 |

MISSING ITEM NUMBERS NOT APPLICABLE

- ITEM NOT ILLUSTRATED

BRI

21-51-14-01

21-51-14
FIG. 01
PAGE 10
JAN 20/09



757

PARTS CATALOG (MAINTENANCE)

| FIG ITEM | PART NUMBER | 1 2 3 4 5 6 7 | NOMENCLATURE | EFFECT FROM TO | UNITS PER ASSY |
|----------|----------------|---------------|---|--|----------------|
| 1 | | | | | |
| - 300 | 286N1332-001 | | WIRE BUNDLE ASSY- | 002004 006100 107107 950999 | RF |
| - 300 | 286N1332-303 | | WIRE BUNDLE ASSY | 504903 | RF |
| 305 | BKA11C1601 | | .CONNECTOR- SUPPLIER CODE: V71468 SPECIFICATION NUMBER: BACC66F11C1601 OPTIONAL PART: S611C1601 V59610 NIC66F11C1601 V00779 ELECTRICAL EQUIP NUMBER: D03026 WIRING DIAGRAM REF: 215122 | 002004 006100 107107 504903 950999 | 1 |
| - 400 | 286N1030-001 | | WIRE BUNDLE ASSY- | 121503 904949 | RF |
| 405 | BKA11C1601 | | .CONNECTOR- SUPPLIER CODE: V71468 SPECIFICATION NUMBER: BACC66F11C1601 OPTIONAL PART: S611C1601 V59610 NIC66F11C1601 V00779 ELECTRICAL EQUIP NUMBER: D02964 D03026 WIRING DIAGRAM REF: 215112 215122 | 121503 904949 | 2 |
| 410 | BACC66F11C5001 | | .CONNECTOR- ELECTRICAL EQUIP NUMBER: D04130 WIRING DIAGRAM REF: 215114 | 121503 904949 | 1 |

MISSING ITEM NUMBERS NOT APPLICABLE

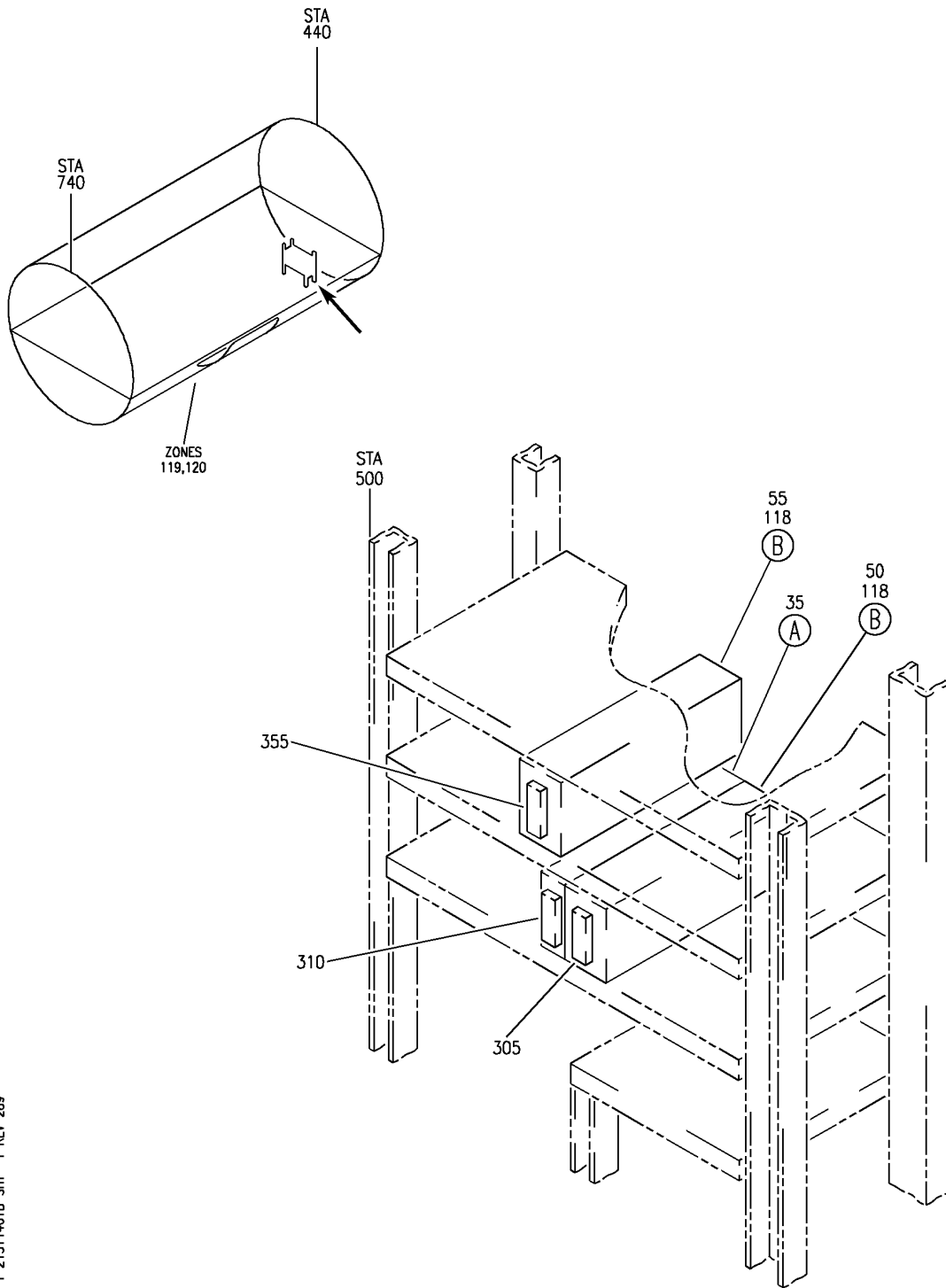
- ITEM NOT ILLUSTRATED

21-51-14-01

21-51-14
FIG. 01
PAGE 11
JAN 20/09

BRI

BOEING
757
PARTS CATALOG (MAINTENANCE)



Y 21511401B SHT 1 REV 289

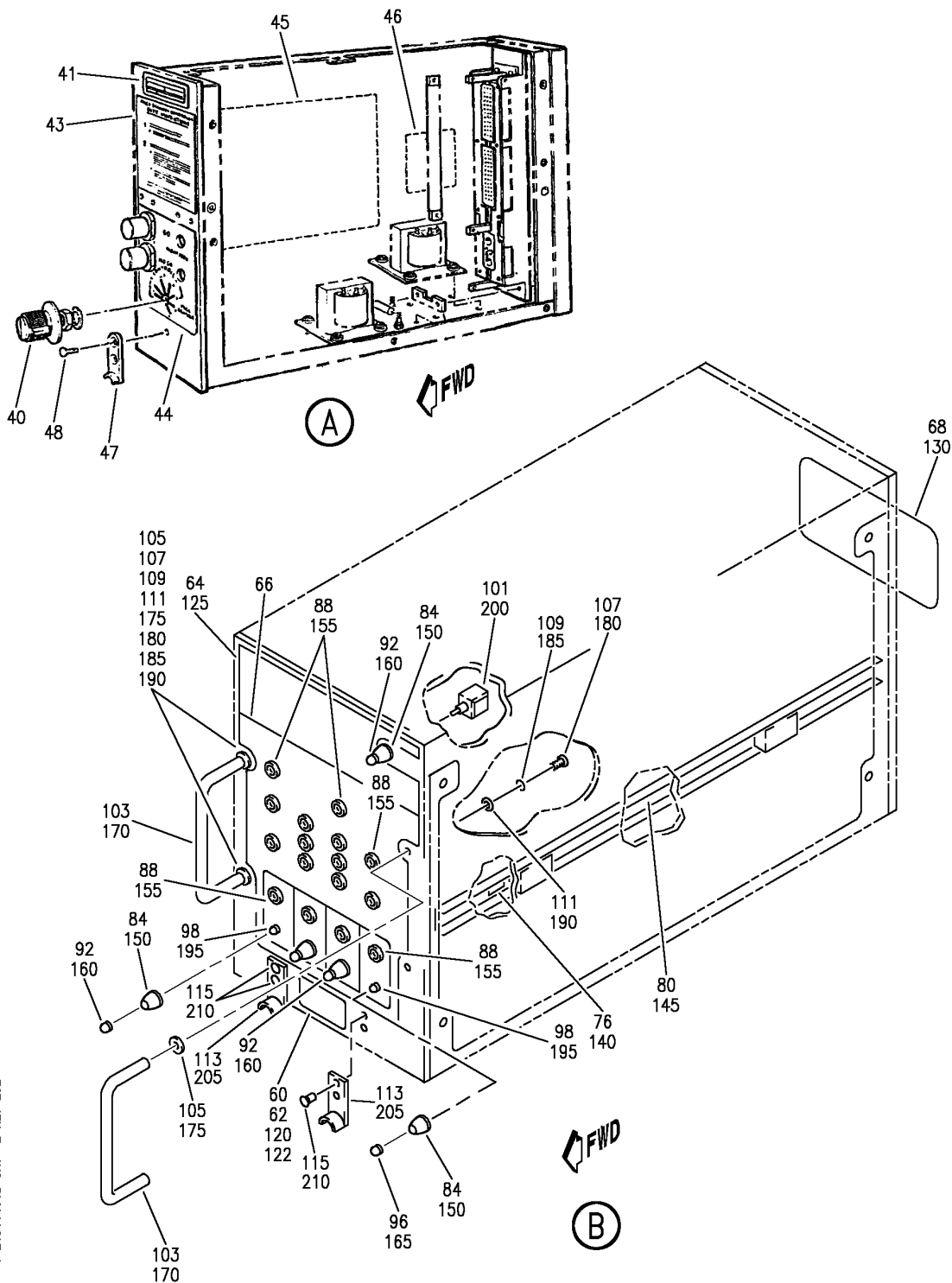
EQUIPMENT INSTL-MAIN ELECTRONICS EQPT CTR (PACK TEMPERATURE CONTROLLER ONLY)
FIGURE 1B (SHEET 1)

BRI
MAY 28/07

21-51-14-01B

21-51-14-01B
PAGE 0

BOEING
757
PARTS CATALOG (MAINTENANCE)



Y 21511401B SHT 2 REV 292

EQUIPMENT INSTL-MAIN ELECTRONICS EQPT CTR (PACK TEMPERATURE CONTROLLER ONLY)
FIGURE 1B (SHEET 2)

BRI
MAY 28/07

21-51-14-01B

21-51-14-01B
PAGE 0A



757

PARTS CATALOG (MAINTENANCE)

| FIG ITEM | PART NUMBER | 1 2 3 4 5 6 7 | NOMENCLATURE | EFFECT FROM TO | UNITS PER ASSY |
|----------|--------------|---------------|--|----------------|----------------|
| 1B | | | EQUIPMENT INSTL-MAIN ELECTRONICS EQPT CTR (PACK TEMPERATURE CONTROLLER ONLY) | 101102 | |
| - 2 | 284N1800-140 | | EQUIPMENT INSTL-MAIN ELECTRONICS EQPT CTR (PACK TEMPERATURE CONTROLLER ONLY) | 101101 | RF |
| - 3 | 284N1800-141 | | FOR NHA/OTHER SYS DET SEE: 24-00-58-05E EQUIPMENT INSTL-MAIN ELECTRONICS EQPT CTR (PACK TEMPERATURE CONTROLLER ONLY) | 102102 | RF |
| | | | FOR NHA/OTHER SYS DET SEE: 24-00-58-05E | | |
| 35 | 624284-1 | | .CONTROLLER ASSY-PACK STBY TEMP SUPPLIER CODE: V07217 SPECIFICATION NUMBER: S210T130-28 ELECTRICAL EQUIP NUMBER: M10389 COMPONENT MAINT MANUAL REF: 21-51-04 FUNCTIONAL REFERENCE: LIGHTS FOR DETAILS SEE 33-31-51-50 | 101102 | 1 |
| 40 | 623256-1 | | ..KNOB-SWITCH SUPPLIER CODE: V07217 | 101102 | 1 |
| 41 | CS322-5 | | ..PLATE-IDENT SUPPLIER CODE: V07217 | 101102 | 1 |
| 43 | 1025470-1 | | ..LABEL-TEST INSTRUCTIONS SUPPLIER CODE: V07217 | 101102 | 1 |
| 44 | 1025471-1 | | ..LABEL-FRONT SUPPLIER CODE: V07217 | 101102 | 1 |
| 45 | 1025721-1 | | ..LABEL-CONNECTION SUPPLIER CODE: V07217 | 101102 | 1 |
| 46 | 1025439-1 | | ..LABEL-CAUTION SUPPLIER CODE: V07217 | 101102 | 1 |
| 47 | NAS622CT3 | | ..HOOK-SPRT | 101102 | 1 |

MISSING ITEM NUMBERS NOT APPLICABLE

- ITEM NOT ILLUSTRATED

21-51-14-01B

21-51-14
FIG. 01B
PAGE 1
JAN 20/09

BRI



757

PARTS CATALOG (MAINTENANCE)

| FIG ITEM | PART NUMBER | 1 2 3 4 5 6 7 | NOMENCLATURE | EFFECT FROM TO | UNITS PER ASSY |
|----------|-------------|---------------|--|----------------|----------------|
| 1B | | | ATTACHING PARTS | | |
| 48 | MS20427F5-9 | .. | RIVET | 101102 | 2 |
| | | | -----*----- | | |
| 118 | 1151864-2 | . | CONTROLLER ASSY-PACK TEMP | 101101 | 2 |
| | | | SUPPLIER CODE: V07217 | | |
| | | | SPECIFICATION NUMBER: S210T130-89 | | |
| | | | ELECTRICAL EQUIP NUMBER: M00126 M00127 | | |
| | | | COMPONENT MAINT MANUAL REF: 21-51-05 | | |
| 118 | 1151864-1 | . | CONTROLLER ASSY-PACK TEMP | 101101 | 2 |
| | | | SUPPLIER CODE: V07217 | | |
| | | | SPECIFICATION NUMBER: S210T130-79 | | |
| | | | ELECTRICAL EQUIP NUMBER: M00126 M00127 | | |
| | | | COMPONENT MAINT MANUAL REF: 21-51-05 | | |
| 118 | 625946-9 | . | CONTROLLER ASSY-PACK TEMP | 101101 | 2 |
| | | | SUPPLIER CODE: V07217 | | |
| | | | SPECIFICATION NUMBER: S210T130-69 | | |
| | | | ELECTRICAL EQUIP NUMBER: M00126 M00127 | | |
| | | | COMPONENT MAINT MANUAL REF: 21-51-03 | | |
| 118 | 625946-8 | . | CONTROLLER ASSY-PACK TEMP | 101101 | 2 |
| | | | SUPPLIER CODE: V07217 | | |
| | | | SPECIFICATION NUMBER: S210T130-66 | | |
| | | | CONFIG CHG DATA FROM A CMM: SUPERSEDES 625946-6 | | |
| | | | ELECTRICAL EQUIP NUMBER: M00126 M00127 | | |
| | | | COMPONENT MAINT MANUAL REF: 21-51-03 | | |

MISSING ITEM NUMBERS NOT APPLICABLE

- ITEM NOT ILLUSTRATED

21-51-14-01B

21-51-14
FIG. 01B
PAGE 2
JAN 20/09

BRI

BOEING PROPRIETARY - Copyright © - Unpublished Work - See title page for details.



757

PARTS CATALOG (MAINTENANCE)

| FIG ITEM | PART NUMBER | 1 2 3 4 5 6 7 | NOMENCLATURE | EFFECT FROM TO | UNITS PER ASSY |
|-----------|-------------|---------------|--|----------------|----------------|
| 1B 118 | 625946-6 | . | CONTROLLER ASSY-PACK TEMP SUPPLIER CODE: V07217 SPECIFICATION NUMBER: S210T130-52 CONFIG CHG DATA FROM A CMM: SUPSD BY 625946-8 ELECTRICAL EQUIP NUMBER: M00126 M00127 COMPONENT MAINT MANUAL REF: 21-51-03 | 101101 | 2 |
| 118 | 625946-10 | . | CONTROLLER ASSY-PACK TEMP SUPPLIER CODE: V07217 SPECIFICATION NUMBER: S210T130-99 ELECTRICAL EQUIP NUMBER: M00126 M00127 COMPONENT MAINT MANUAL REF: 21-51-03 | 101101 | 2 |
| 120 | CS322-3 | .. | PLATE-IDENT SUPPLIER CODE: V07217 USED ON: 625946-6 625946-8 625946-9 | 101101 | 1 |
| 122 | CS451-3 | .. | PLATE-IDENT SUPPLIER CODE: V07217 USED ON: 1151864-1 1151864-2 | 101101 | 1 |
| 125 | 1031907-1 | .. | LABEL-FRONT PNL SUPPLIER CODE: V07217 USED ON: 1151864-1 1151864-2 | 101101 | 1 |
| - 127 | 1025048-1 | .. | LABEL-FRONT PNL SUPPLIER CODE: V07217 USED ON: 625946-6 625946-8 625946-9 | 101101 | 1 |

MISSING ITEM NUMBERS NOT APPLICABLE

- ITEM NOT ILLUSTRATED

21-51-14-01B

21-51-14
FIG. 01B
PAGE 3
MAY 20/08

BRI

 **BOEING**
757
PARTS CATALOG (MAINTENANCE)

| FIG ITEM | PART NUMBER | 1 2 3 4 5 6 7 | NOMENCLATURE | EFFECT FROM TO | UNITS PER ASSY |
|----------|-------------|---------------|--|----------------|----------------|
| 1B | | | | | |
| 130 | 1025439-1 | .. | LABEL-CAUTION SUPPLIER CODE: V07217 | 101101 | 1 |
| - 135 | 1025042-1 | .. | BAR ASSY-RETAINING SUPPLIER CODE: V07217 | 101101 | 1 |
| 140 | 1025438-1 | ... | LABEL-CAUTION SUPPLIER CODE: V07217 | 101101 | 1 |
| 145 | 1025049-1 | ... | LABEL-CAUTION SUPPLIER CODE: V07217 | 101101 | 1 |
| 150 | 7780 | .. | NUT-DRESS SUPPLIER CODE: V09353 MISCELLANEOUS DATA: HONEYWELL SPEC NO. 525-910-9001 | 101101 | 5 |
| 155 | 1411-45009 | .. | GROMMET- SUPPLIER CODE: V70485 MISCELLANEOUS DATA: HONEYWELL SPEC NO. 370-902-9001 | 101101 | 16 |
| 160 | 7089-1 | .. | CAP-WHITE SUPPLIER CODE: V09353 MISCELLANEOUS DATA: HONEYWELL SPEC NO. 194-907-9001 | 101101 | 4 |
| 165 | 7089-2 | .. | CAP-BLACK SUPPLIER CODE: V09353 MISCELLANEOUS DATA: HONEYWELL SPEC NO. 194-907-9002 | 101101 | 1 |
| 170 | 1057-30 | .. | HANDLE- SUPPLIER CODE: V88245 MISCELLANEOUS DATA: HONEYWELL CONTROL DWG 391-903-9006 | 101101 | 2 |
| 175 | A903-30 | .. | FERRULE- SUPPLIER CODE: V88245 MISCELLANEOUS DATA: HONEYWELL CONTROL DWG 335-903-9001 | 101101 | 2 |

MISSING ITEM NUMBERS NOT APPLICABLE

- ITEM NOT ILLUSTRATED

BRI

21-51-14-01B

BOEING PROPRIETARY - Copyright © - Unpublished Work - See title page for details.

21-51-14
FIG. 01B
PAGE 4
MAY 20/08



757

PARTS CATALOG (MAINTENANCE)

| FIG ITEM | PART NUMBER | 1 2 3 4 5 6 7 | NOMENCLATURE | EFFECT FROM TO | UNITS PER ASSY |
|----------|--------------|---------------|--|----------------|----------------|
| 1B | | | ATTACHING PARTS | | |
| 180 | MS51957-45 | | .. SCREW- USED ON: 1151864-1 1151864-2 | 101101 | 4 |
| 180 | MS35206-245 | | .. SCREW- USED ON: 625946-6 625946-8 625946-9 | 101101 | 4 |
| 185 | MS35338-137 | | .. WASHER | 101101 | 4 |
| 185 | MS35338-42 | | .. WASHER | 101101 | 4 |
| 190 | NAS620C8 | | .. WASHER- | 101101 | 4 |
| 190 | NAS620-4 | | .. WASHER | 101101 | 4 |
| | | | -----*----- | | |
| 195 | 8121 | | . SWITCH-PUSH BUTTON SUPPLIER CODE: V09353 CONFIG CHG DATA FROM A CMM: SUPPLIER CONT DWG 684-929-9001 | 101101 | 4 |
| 200 | 8221 | | . SWITCH-PUSH BUTTON SUPPLIER CODE: V09353 CONFIG CHG DATA FROM A CMM: SUPPLIER CONT DWG 684-929-9002 | 101101 | 1 |
| 205 | NAS622CT3 | | . HOOK- USED ON: 625946-6 625946-8 625946-9 | 101101 | 2 |
| 210 | MS20426AD5-8 | | ATTACHING PARTS . RIVET- USED ON: 625946-6 625946-8 625946-9 | 101101 | 4 |
| | | | -----*----- | | |
| - 300 | 286N1330-301 | | WIRE BUNDLE ASSY | 101102 | RF |

MISSING ITEM NUMBERS NOT APPLICABLE

- ITEM NOT ILLUSTRATED

BRI

21-51-14-01B

BOEING PROPRIETARY - Copyright © - Unpublished Work - See title page for details.

21-51-14
FIG. 01B
PAGE 5
JAN 20/09



757

PARTS CATALOG (MAINTENANCE)

| FIG ITEM | PART NUMBER | 1 2 3 4 5 6 7 | NOMENCLATURE | EFFECT FROM TO | UNITS PER ASSY |
|--------------|----------------------------|---------------|---|------------------|----------------|
| 1B 305 | BKA11C1601 | | .CONNECTOR- SUPPLIER CODE: V71468 SPECIFICATION NUMBER: BACC66F11C1601 OPTIONAL PART: S611C1601 V59610 NIC66F11C1601 V00779 ELECTRICAL EQUIP NUMBER: D02964 WIRING DIAGRAM REF: 215112 | 101101 | 1 |
| - 350 355 | 286N1332-301 BKA11C1601 | | WIRE BUNDLE ASSY .CONNECTOR- SUPPLIER CODE: V71468 SPECIFICATION NUMBER: BACC66F11C1601 OPTIONAL PART: S611C1601 V59610 NIC66F11C1601 V00779 ELECTRICAL EQUIP NUMBER: D03026 WIRING DIAGRAM REF: 215122 | 101102 101102 | RF 1 |

MISSING ITEM NUMBERS NOT APPLICABLE

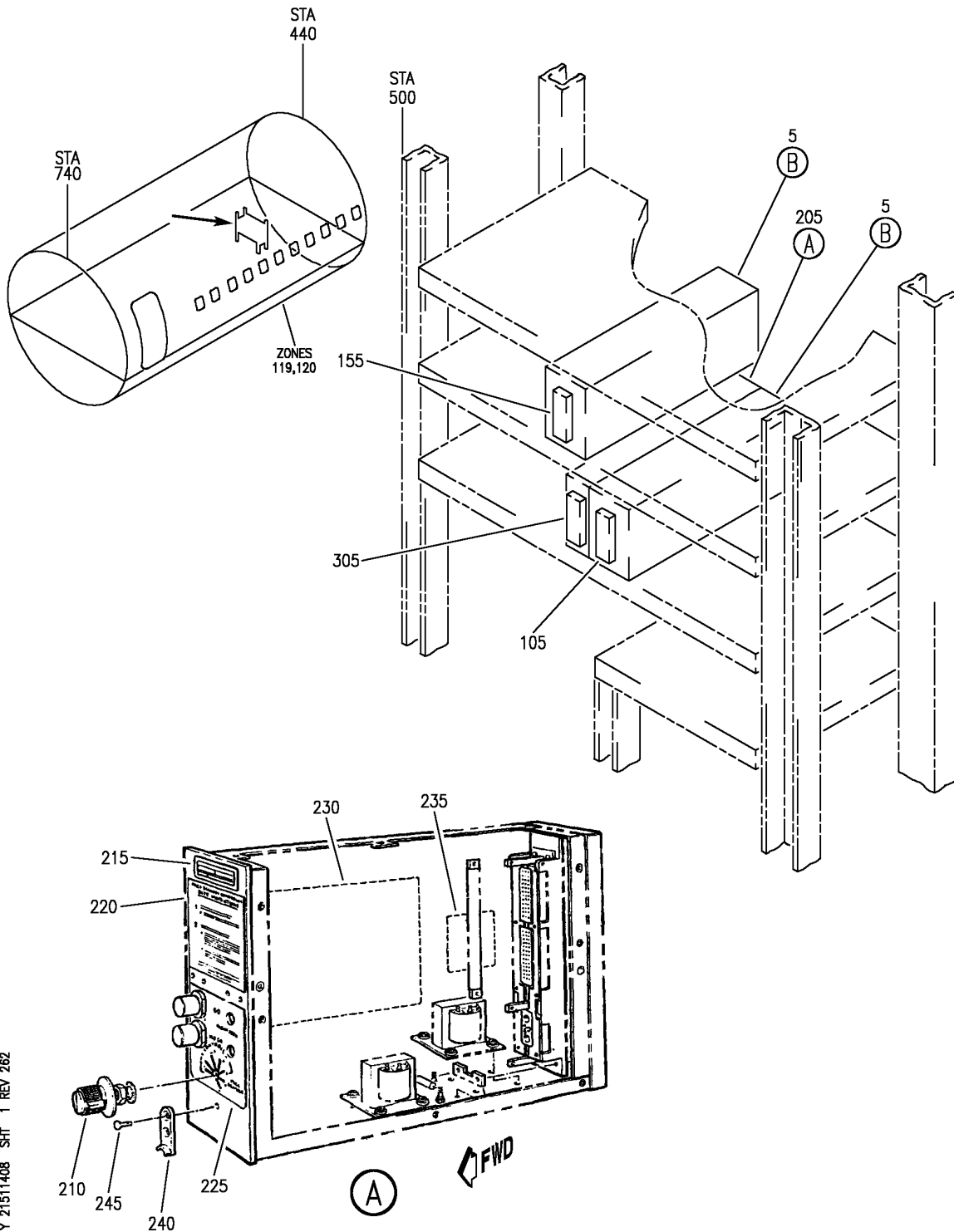
- ITEM NOT ILLUSTRATED

21-51-14-01B

21-51-14
FIG. 01B
PAGE 6
JAN 20/09

BRI

BOEING
757
PARTS CATALOG (MAINTENANCE)



Y 21511408 SHT 1 REV 262

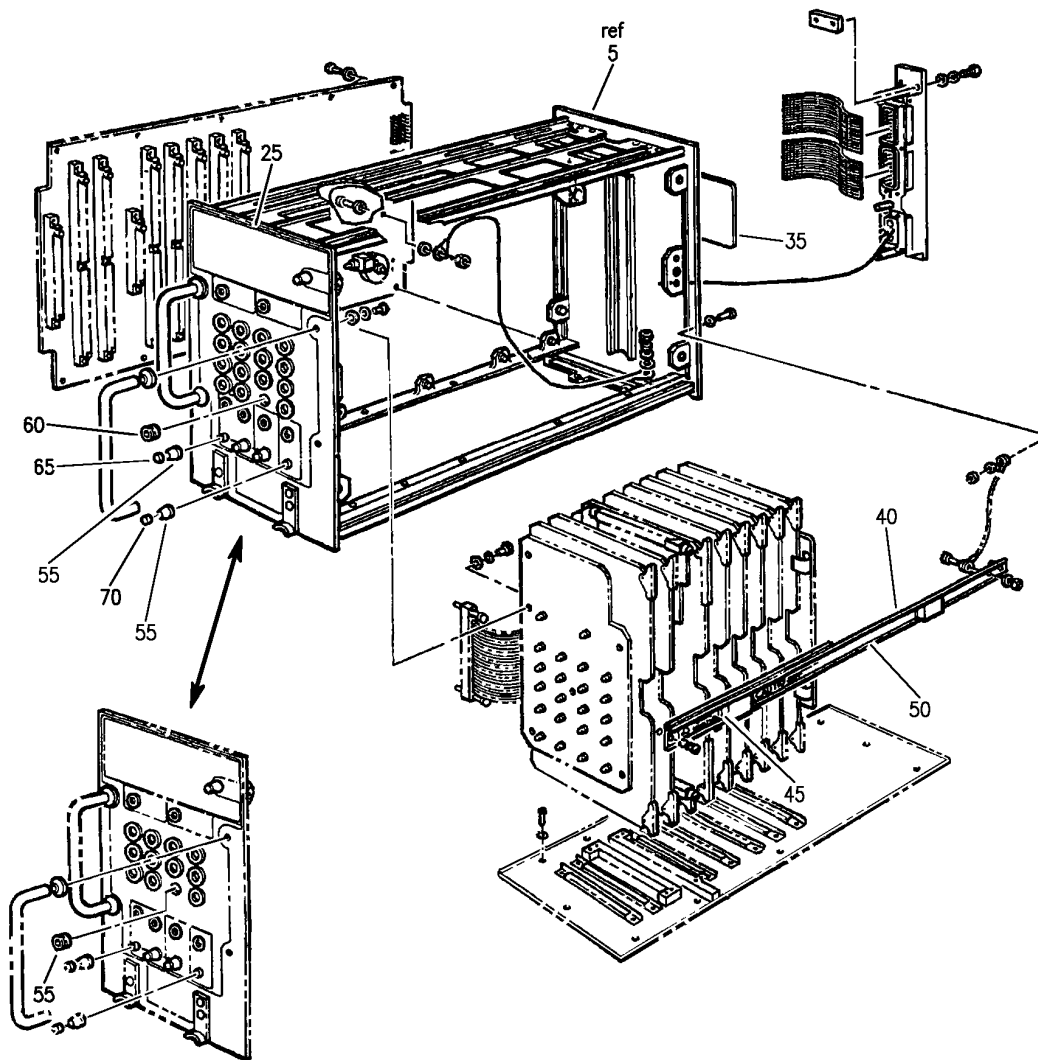
EQUIPMENT INSTL-MAIN ELECTRONICS EQPT CTR PACK TEMP CONT
FIGURE 8 (SHEET 1)

BRI
JAN 20/09

21-51-14-08

21-51-14-08
PAGE 0

BOEING
757
PARTS CATALOG (MAINTENANCE)



(B)

Y 21511408 SHT 2 REV 250

EQUIPMENT INSTL-MAIN ELECTRONICS EQPT CTR PACK TEMP CONT
FIGURE 8 (SHEET 2)

21-51-14-08

BRI
JAN 20/09

21-51-14-08
PAGE 0A



757

PARTS CATALOG (MAINTENANCE)

| FIG ITEM | PART NUMBER | 1 2 3 4 5 6 7 | NOMENCLATURE | EFFECT FROM TO | UNITS PER ASSY |
|----------|-----------------|---------------|---|------------------|----------------|
| 8 | | | EQUIPMENT INSTL-MAIN ELECTRONICS EQPT CTR PACK TEMP CONT | 103106 108120 | |
| - 1 | 284N4000-210000 | | EQUIPMENT INSTL-MAIN ELECTRONICS EQPT CTR PACK TEMP CONT | 108120 | RF |
| - 1 | MODREF9557 | | FOR NHA SEE: 24-00-58-05 EQUIPMENT INSTL-MAIN ELECTRONICS EQPT CTR PACK TEMP CONT | 103106 | 1 |
| 5 | 1151864-2 | | MODULE NUMBER: 284N4000-210000 REV A .CONTROLLER ASSY- SUPPLIER CODE: V07217 SPECIFICATION NUMBER: S210T130-89 ELECTRICAL EQUIP NUMBER: M00126 M00127 COMPONENT MAINT MANUAL REF: 21-51-05 | 103106 108120 | 2 |
| 30 | 1031907-1 | | ..LABEL-FRONT PANEL SUPPLIER CODE: V07217 | 103106 108120 | 1 |
| 35 | 1025439-1 | | ..LABEL-CAUTION SUPPLIER CODE: V07217 | 103106 108120 | 1 |
| 40 | 1025042-1 | | ..BAR ASSY-RETAINING SUPPLIER CODE: V07217 | 103106 108120 | 1 |
| 45 | 1025438-1 | | ...LABEL-CAUTION SUPPLIER CODE: V07217 | 103106 108120 | 1 |
| 50 | 1025049-1 | | ...LABEL-CAUTION SUPPLIER CODE: V07217 | 103106 108120 | 1 |
| 55 | 7780 | | ..NUT-DRESS SUPPLIER CODE: V09353 MISCELLANEOUS DATA: HONEYWELL SPEC NO. 525-910-9001 | 103106 108120 | 5 |

MISSING ITEM NUMBERS NOT APPLICABLE

- ITEM NOT ILLUSTRATED

21-51-14-08

21-51-14
FIG. 08
PAGE 1
JAN 20/09

BRI



757

PARTS CATALOG (MAINTENANCE)

| FIG ITEM | PART NUMBER | 1 2 3 4 5 6 7 | NOMENCLATURE | EFFECT FROM TO | UNITS PER ASSY |
|----------|--------------|---------------|--|------------------|----------------|
| 8 | | | | | |
| 60 | 1411-45009 | .. | GROMMET- SUPPLIER CODE: V70485 MISCELLANEOUS DATA: HONEYWELL SPEC NO. 370-902-9001 | 103106 108120 | 16 |
| 65 | 7089-1 | .. | CAP-WHITE SUPPLIER CODE: V09353 MISCELLANEOUS DATA: HONEYWELL SPEC NO. 194-907-9001 | 103106 108120 | 4 |
| 70 | 7089-2 | .. | CAP-BLACK SUPPLIER CODE: V09353 MISCELLANEOUS DATA: HONEYWELL SPEC NO. 194-907-9002 | 103106 108120 | 1 |
| - 100 | 286N1330-307 | | WIRE BUNDLE ASSY | 108120 | RF |
| - 100 | 286N1330-701 | | WIRE BUNDLE ASSY | 103106 | RF |
| 105 | BKA11C1601 | . | CONNECTOR- SUPPLIER CODE: V71468 SPECIFICATION NUMBER: BACC66F11C1601 OPTIONAL PART: S611C1601 V59610 NIC66F11C1601 V00779 ELECTRICAL EQUIP NUMBER: D02964 WIRING DIAGRAM REF: 215112 | 103106 108120 | 1 |
| - 150 | 286N1332-307 | | WIRE BUNDLE ASSY | 108120 | RF |
| - 150 | 286N1332-701 | | WIRE BUNDLE ASSY | 103106 | RF |

MISSING ITEM NUMBERS NOT APPLICABLE

- ITEM NOT ILLUSTRATED

21-51-14-08

21-51-14
FIG. 08
PAGE 2
JAN 20/09

BRI



757

PARTS CATALOG (MAINTENANCE)

| FIG ITEM | PART NUMBER | 1 2 3 4 5 6 7 | NOMENCLATURE | EFFECT FROM TO | UNITS PER ASSY |
|----------|-----------------|---------------|---|------------------|----------------|
| 8 155 | BKA11C1601 | | .CONNECTOR- SUPPLIER CODE: V71468 SPECIFICATION NUMBER: BACC66F11C1601 OPTIONAL PART: S611C1601 V59610 NIC66F11C1601 V00779 ELECTRICAL EQUIP NUMBER: D03026 WIRING DIAGRAM REF: 215122 | 103106 108120 | 1 |
| - 200 | 284N4000-210001 | | EQUIPMENT INSTL-MAIN ELECTRONICS EQPT CTR PACK TEMP CONT FOR NHA SEE: 24-00-58-05F | 108120 | RF |
| - 200 | MODREF9558 | | EQUIPMENT INSTL-MAIN ELECTRONICS EQPT CTR PACK TEMP CONT MODULE NUMBER: 284N4000-210001 REV A | 103106 | 1 |
| 205 | 624284-1 | | .CONTROLLER ASSY-STBY SUPPLIER CODE: V07217 SPECIFICATION NUMBER: S210T130-28 ELECTRICAL EQUIP NUMBER: M10389 COMPONENT MAINT MANUAL REF: 21-51-04 FUNCTIONAL REFERENCE: LIGHTS FOR DETAILS SEE 33-31-51-50 | 103106 108120 | 1 |
| 210 | 623256-1 | | ..KNOB-SWITCH SUPPLIER CODE: V07217 | 103106 108120 | 1 |
| 215 | CS322-5 | | ..PLATE-IDENT SUPPLIER CODE: V07217 | 103106 108120 | 1 |
| 220 | 1025470-1 | | ..LABEL-TEST INSTRUCTIONS SUPPLIER CODE: V07217 | 103106 108120 | 1 |
| 225 | 1025471-1 | | ..LABEL-FRONT SUPPLIER CODE: V07217 | 103106 108120 | 1 |

MISSING ITEM NUMBERS NOT APPLICABLE

- ITEM NOT ILLUSTRATED

21-51-14-08

21-51-14
FIG. 08
PAGE 3
JAN 20/09

BRI



757

PARTS CATALOG (MAINTENANCE)

| FIG ITEM | PART NUMBER | 1 2 3 4 5 6 7 | NOMENCLATURE | EFFECT FROM TO | UNITS PER ASSY |
|-------------|----------------|---------------|--|-------------------|----------------------|
| 8 | | | | | |
| 230 | 1025721-1 | | .. LABEL-CONNECTION SUPPLIER CODE: V07217 | 103106 108120 | 1 |
| 235 | 1025439-1 | | .. LABEL-CAUTION SUPPLIER CODE: V07217 | 103106 108120 | 1 |
| 240 | NAS622CT3 | | .. HOOK-SPRT | 103106 108120 | 1 |
| 245 | MS20427F5-9 | | ATTACHING PARTS .. RIVET | 103106 108120 | 2 |
| | | | -----*----- | | |
| - 300 | 286N1330-307 | | WIRE BUNDLE ASSY | 108120 | RF |
| - 300 | 286N1330-701 | | WIRE BUNDLE ASSY | 103106 | RF |
| 305 | BACC66F11C5001 | | .CONNECTOR- ELECTRICAL EQUIP NUMBER: D04130 WIRING DIAGRAM REF: 215114 | 103106 108120 | 1 |

MISSING ITEM NUMBERS NOT APPLICABLE

- ITEM NOT ILLUSTRATED

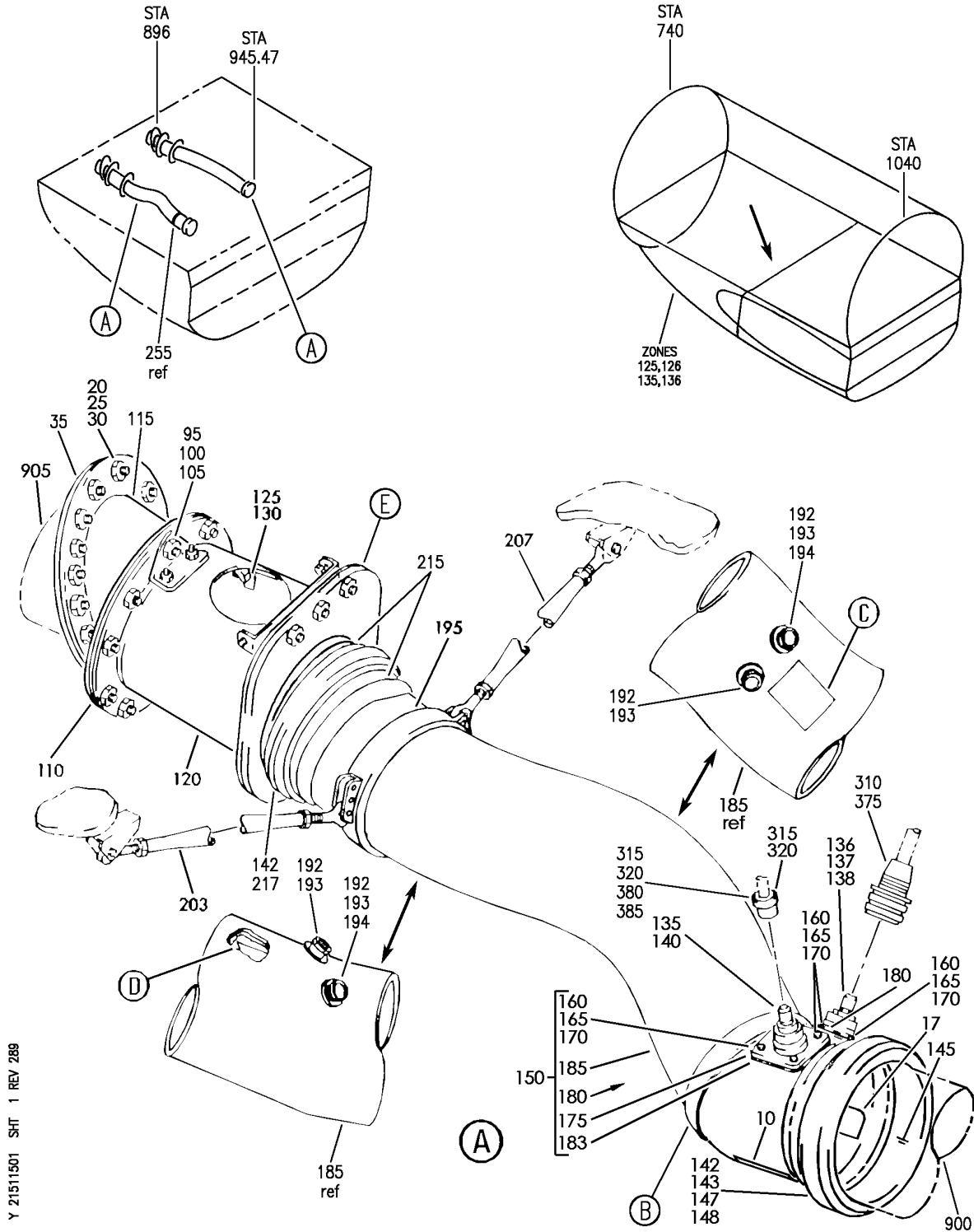
21-51-14-08

21-51-14
FIG. 08
PAGE 4
JAN 20/09

BRI

BOEING PROPRIETARY - Copyright © - Unpublished Work - See title page for details.

BOEING
757
PARTS CATALOG (MAINTENANCE)



Y 21511501 SHT 1 REV 289

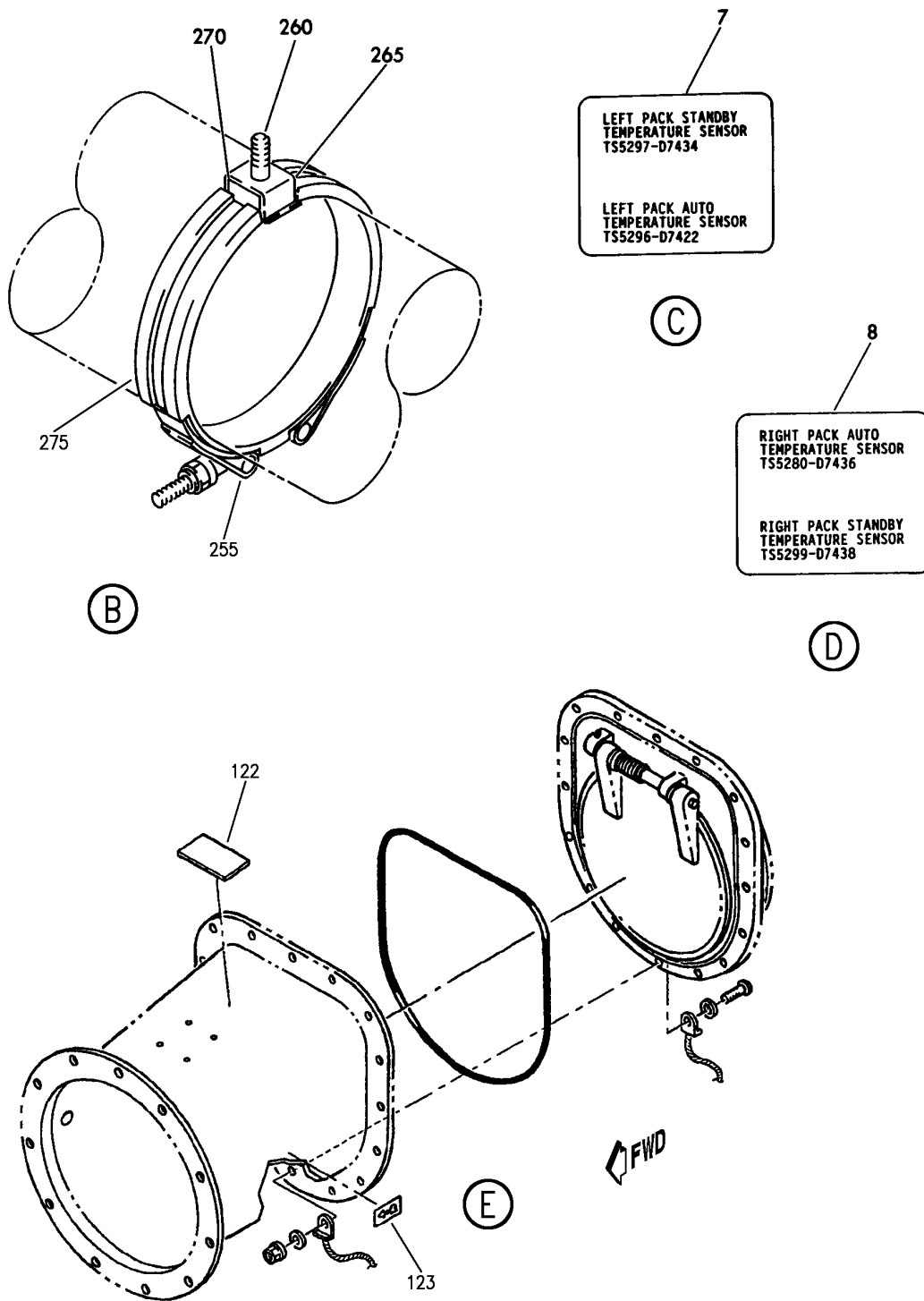
DUCT AND CLAMP INSTL-AIR CONDITION PACK CONDITIONED AIR (AIR COOLING PACK SYSTEM ONLY)
FIGURE 1 (SHEET 1)

BRI
MAY 28/07

21-51-15-01

21-51-15-01
PAGE 0

BOEING
757
PARTS CATALOG (MAINTENANCE)



Y 21511501 SH1 2 REV 289

DUCT AND CLAMP INSTL-AIR CONDITION PACK CONDITIONED AIR (AIR COOLING PACK SYSTEM ONLY)
FIGURE 1 (SHEET 2)

BRI
MAY 28/07

21-51-15-01

21-51-15-01
PAGE 0A



757

PARTS CATALOG (MAINTENANCE)

| FIG ITEM | PART NUMBER | 1 2 3 4 5 6 7 | NOMENCLATURE | EFFECT FROM TO | UNITS PER ASSY |
|----------|--------------|---------------|---|--|----------------|
| 1 | | | DUCT AND CLAMP INSTL-AIR CONDITION PACK CONDITIONED AIR (AIR COOLING PACK SYSTEM ONLY) | 002004 006999 | |
| - 1 | 213N1002-7 | | DUCT INSTL-AIR CONDITION PACK CONDITIONED AIR POSITION DATA: LH FOR NHA SEE: 21-00-00-01 | 002004 006100 107107 121503 904999 | RF |
| - 1 | 213N1002-11 | | DUCT INSTL-AIR CONDITION PACK CONDITIONED AIR POSITION DATA: LH FOR NHA SEE: 21-00-00-15 | 101102 108120 504903 | RF |
| - 1 | MODREF34357 | | DUCT INSTL-AIR CONDITION PACK CONDITIONED AIR MODULE NUMBER: 213N1002-11 REV D POSITION DATA: LH | 103106 | 1 |
| - 5 | 213N1002-8 | | DUCT INSTL-AIR CONDITION PACK CONDITIONED AIR POSITION DATA: RH FOR NHA SEE: 21-00-00-01 | 002004 006100 107107 121503 904999 | RF |
| - 5 | 213N1002-12 | | DUCT INSTL-AIR CONDITION PACK CONDITIONED AIR POSITION DATA: RH FOR NHA SEE: 21-00-00-15 | 101102 108120 504903 | RF |
| - 5 | MODREF34358 | | DUCT INSTL-AIR CONDITION PACK CONDITIONED AIR MODULE NUMBER: 213N1002-12 REV D POSITION DATA: RH | 103106 | 1 |
| 10 | BAC27NEC0048 | | .MARKER-ALUMINUM FOIL POSITION DATA: LH SIDE PLACARD CONTENT: LEFT PACK OVERHEAT TEMP SWITCH S48-D2968 | 002004 006107 109999 | 1 |

MISSING ITEM NUMBERS NOT APPLICABLE

- ITEM NOT ILLUSTRATED

BRI

21-51-15-01

21-51-15
FIG. 01
PAGE 1
JAN 20/09



757

PARTS CATALOG (MAINTENANCE)

| FIG ITEM | PART NUMBER | 1 2 3 4 5 6 7 | NOMENCLATURE | EFFECT FROM TO | UNITS PER ASSY |
|----------|---------------|---------------|--|--|----------------|
| 1 | | | | | |
| - 15 | BAC27NEC0049 | | .MARKER-ALUMINUM FOIL POSITION DATA: RH SIDE PLACARD CONTENT: RIGHT SWITCH S49-D3030 | 002004 006107 109999 | 1 |
| 17 | BAC27NEC0097 | | .MARKER-ALUMINUM FOIL POSITION DATA: LH SIDE PLACARD CONTENT: LEFT PACK DISCHARGE TEMPERATURE BULB TS 5003-D3396 | 002004 006999 | 1 |
| - 18 | BAC27NEC0096 | | .MARKER-ALUMINUM FOIL POSITION DATA: RH SIDE PLACARD CONTENT: RIGHT PACK DISCHARGE TEMPERATURE BULB TS 5002-D3428 | 002004 006999 | 1 |
| 20 | BACB30NM4K6 | | .BOLT | 002004 006107 109999 | 15 |
| 25 | AN960PD416L | | .WASHER- | 002004 006100 107107 121503 904999 | 15 |
| 25 | NAS1149D0416J | | .WASHER- | 101106 108120 504903 002004 | 15 |
| 30 | BRH10A4 | | .NUT- SUPPLIER CODE: V52828 SPECIFICATION NUMBER: BACN10JC4 OPTIONAL PART: T6S428J V11815 96-048 V80539 VN303A048 V92215 RMLH9075-4W V72962 NS202101-048 V80539 H10-4BAC V15653 | 006100 107107 121503 904999 | 15 |

MISSING ITEM NUMBERS NOT APPLICABLE

- ITEM NOT ILLUSTRATED

BRI

21-51-15-01

21-51-15
FIG. 01
PAGE 2
JAN 20/09



757

PARTS CATALOG (MAINTENANCE)

| FIG ITEM | PART NUMBER | 1 2 3 4 5 6 7 | NOMENCLATURE | EFFECT FROM TO | UNITS PER ASSY |
|----------|-------------------|---------------|--|--|----------------|
| 1 | 30 BRH10C4D | | .NUT- SUPPLIER CODE: V52828 SPECIFICATION NUMBER: BACN10JC4CD OPTIONAL PART: T6C428JCD V11815 NS202486-048 V80539 102LH9075-4W V72962 H51650-4BAC V15653 | 101106 108120 504903 | 15 |
| | 35 213N1106-2 | | .GASKET | 002004 006107 109999 | 1 |
| | 95 BACB30NM4K4 | | .BOLT- | 002004 006107 109999 | 11 |
| | 100 AN960PD416L | | .WASHER- | 002004 006100 107107 121503 904999 | 11 |
| | 100 NAS1149D0416J | | .WASHER- | 101106 108120 504903 | 11 |
| | 105 BRH10A4 | | .NUT- SUPPLIER CODE: V52828 SPECIFICATION NUMBER: BACN10JC4 OPTIONAL PART: T6S428J V11815 96-048 V80539 VN303A048 V92215 RMLH9075-4W V72962 NS202101-048 V80539 H10-4BAC V15653 | 002004 006100 107107 121503 904999 | 11 |

MISSING ITEM NUMBERS NOT APPLICABLE

- ITEM NOT ILLUSTRATED

BRI

21-51-15-01

BOEING PROPRIETARY - Copyright © - Unpublished Work - See title page for details.

21-51-15
FIG. 01
PAGE 3
JAN 20/09



757

PARTS CATALOG (MAINTENANCE)

| FIG ITEM | PART NUMBER | 1 2 3 4 5 6 7 | NOMENCLATURE | EFFECT FROM TO | UNITS PER ASSY |
|----------|-------------|---------------|---|--------------------------------------|----------------|
| 1 105 | BRH10C4D | | .NUT- SUPPLIER CODE: V52828 SPECIFICATION NUMBER: BACN10JC4CD OPTIONAL PART: T6C428JCD V11815 NS202486-048 V80539 102LH9075-4W V72962 H51650-4BAC V15653 | 101106 108120 504903 | 11 |
| 110 | 213N1106-1 | | .GASKET- | 002004 006107 109999 | 1 |
| 115 | 213N1105-6 | | .DUCT ASSY- OPTIONAL PART: 213N1105-7 | 107107 904949 | 1 |
| 115 | 213N1105-7 | | .DUCT ASSY- OPTIONAL PART: 213N1105-6 | 107107 904949 | 1 |
| 115 | 213N1105-10 | | .DUCT ASSY- | 002004 006106 108903 950999 | 1 |
| 120 | 3202142-1 | | .VALVE ASSY-CHK SUPPLIER CODE: V59364 FUNCTIONAL DESCRIPTION: VALVE PREVENTS REVERSE AIRFLOW FROM MIX MANIFOLD IN THE EVENT OF SINGLE PACK OPERATION SPECIFICATION NUMBER: S210T130-12 COMPONENT MAINT MANUAL REF: 21-51-13 OPTIONAL PART: 3202142-2 V99193 | 002004 006107 109999 | 1 |

MISSING ITEM NUMBERS NOT APPLICABLE

- ITEM NOT ILLUSTRATED

BRI

21-51-15-01

21-51-15
FIG. 01
PAGE 4
JAN 20/09



757

PARTS CATALOG (MAINTENANCE)

| FIG ITEM | PART NUMBER | 1 2 3 4 5 6 7 | NOMENCLATURE | EFFECT FROM TO | UNITS PER ASSY |
|----------|-------------|---------------|--|----------------------------|----------------|
| 1 120 | 3202142-2 | . | VALVE ASSY-CHK SUPPLIER CODE: V99193 FUNCTIONAL DESCRIPTION: VALVE PREVENTS REVERSE AIRFLOW FROM MIX MANIFOLD IN THE EVENT OF SINGLE PACK OPERATION SPECIFICATION NUMBER: S210T130-12 COMPONENT MAINT MANUAL REF: 21-51-13 OPTIONAL PART: 3202142-1 V99193 | 002004 006107 109999 | 1 |
| 122 | S8846M1P2A | .. | PLATE-IDENT SUPPLIER CODE: V99193 CONFIG CHG DATA FROM A CMM: REPLD BY S3006-1 | 002004 006107 109999 | 1 |
| 122 | S3006-1 | .. | PLATE-IDENT SUPPLIER CODE: V99193 CONFIG CHG DATA FROM A CMM: REPLACES S8846M1P2A | 002004 006107 109999 | 1 |
| 122 | S3034-1 | .. | PLATE-IDENT SUPPLIER CODE: V99193 CONFIG CHG DATA FROM A CMM: REPLACES S3006-1 | 002004 006107 109999 | 1 |
| 122 | S3034-2 | .. | PLATE-IDENT SUPPLIER CODE: V99193 CONFIG CHG DATA FROM A CMM: REPLACES S3034-1 | 002004 006107 109999 | 1 |
| 123 | S8188M2 | .. | PLATE-AIRFLOW IND SUPPLIER CODE: V99193 | 002004 006107 109999 | 2 |
| 135 | 641127-1 | . | SWITCH-PACK OVERHEAT SUPPLIER CODE: V70210 SPECIFICATION NUMBER: S210T130-25 ELECTRICAL EQUIP NUMBER: S48 S49 | 002004 006107 109999 | 1 |

MISSING ITEM NUMBERS NOT APPLICABLE

- ITEM NOT ILLUSTRATED

21-51-15-01

21-51-15
FIG. 01
PAGE 5
JAN 20/09

BRI



757

PARTS CATALOG (MAINTENANCE)

| FIG ITEM | PART NUMBER | 1 2 3 4 5 6 7 | NOMENCLATURE | EFFECT FROM TO | UNITS PER ASSY |
|----------|--------------|---------------|---|--------------------------------------|----------------|
| 1 | | | | | |
| 136 | MS28034-1 | .BULB- | ELECTRICAL EQUIP NUMBER: TS5002 TS5003 | 002004 006999 | 1 |
| 137 | AN900-10 | .GASKET- | OPTIONAL PART: MS35769-11 | 002004 006999 | 1 |
| 137 | MS35769-11 | .GASKET- | OPTIONAL PART: AN900-10 | 002004 006999 | 1 |
| 138 | M83248-2-907 | .PACKING | | 002004 006999 | 1 |
| 140 | R1131-908 | .PACKING | SUPPLIER CODE: V57268 SPECIFICATION NUMBER: BACP11K8 OPTIONAL PART: 3-908S383-70 V02697 1090-08 V95272 150701-08 V95272 AS568-908S32 V11314 | 002004 006107 109999 | 1 |
| 143 | CF15-700 | .CLAMP ASSY- | SUPPLIER CODE: V00624 | 002004 006102 107999 | 1 |
| 145 | 24098-700 | ..SEAL- | SUPPLIER CODE: V00624 | 002004 006102 107999 | 1 |
| 150 | 213N1103-21 | .DUCT ASSY- | POSITION DATA: LH SIDE | 107107 | 1 |
| 150 | 213N1103-39 | .DUCT ASSY- | POSITION DATA: LH SIDE OPTIONAL PART: 213N1103-17 213N1103-21 | 904949 | 1 |
| 150 | 213N1103-43 | .DUCT ASSY- | POSITION DATA: LH SIDE | 002004 006106 108903 950999 | 1 |
| - 155 | 213N1103-22 | .DUCT ASSY- | POSITION DATA: RH SIDE | 107107 | 1 |

MISSING ITEM NUMBERS NOT APPLICABLE

- ITEM NOT ILLUSTRATED

21-51-15-01

21-51-15
FIG. 01
PAGE 6
JAN 20/09

BRI

BOEING PROPRIETARY - Copyright © - Unpublished Work - See title page for details.



757

PARTS CATALOG (MAINTENANCE)

| FIG ITEM | PART NUMBER | 1 2 3 4 5 6 7 | NOMENCLATURE | EFFECT FROM TO | UNITS PER ASSY |
|----------|-----------------|---------------|--|--|----------------|
| 1 | | | | | |
| - 155 | 213N1103-24 | | . DUCT ASSY- POSITION DATA: RH SIDE | 107107 | 1 |
| - 155 | 213N1103-40 | | . DUCT ASSY- POSITION DATA: RH SIDE | 904949 | 1 |
| - 155 | 213N1103-44 | | . DUCT ASSY- POSITION DATA: RH SIDE | 002004 006106 108999 | 1 |
| 194 | R1131-908 | | . PACKING SUPPLIER CODE: V57268 SPECIFICATION NUMBER: BACP11K8 OPTIONAL PART: 3-908S383-70 V02697 1090-08 V95272 150701-08 V95272 AS568-908S32 V11314 | 002004 006999 | 1 |
| 195 | BACC10FE070CFHE | | . CLAMP- ATTACHING PARTS | 002004 006999 | 1 |
| - 197 | BACB30NM4K9 | | . BOLT | 002004 006999 | 2 |
| - 199 | AN960PD416 | | . WASHER- | 002004 006100 107107 121503 904999 | 2 |
| - 199 | NAS1149D0416J | | . WASHER- | 101106 108120 504903 | 2 |
| - 201 | MS21042L4 | | . NUT | 002004 006999 | 2 |
| 203 | 65B41247-156 | | -----*----- . ROD ASSY- POSITION DATA: LH SIDE | 002004 006999 | 1 |
| - 205 | 65B41247-154 | | . ROD ASSY- POSITION DATA: RH SIDE | 002004 006999 | 1 |
| 207 | 65B41247-155 | | . ROD ASSY | 002004 006999 | 1 |

MISSING ITEM NUMBERS NOT APPLICABLE

- ITEM NOT ILLUSTRATED

21-51-15-01

21-51-15
FIG. 01
PAGE 7
JAN 20/09

BRI



757

PARTS CATALOG (MAINTENANCE)

| FIG ITEM | PART NUMBER | 1 2 3 4 5 6 7 | NOMENCLATURE | EFFECT FROM TO | UNITS PER ASSY |
|----------|----------------|---------------|--|--|----------------|
| 1 | | | ATTACHING PARTS | | |
| - 209 | BACB30NM4K14 | | .BOLT | 002004 006999 | 2 |
| - 211 | AN960PD416 | | .WASHER- | 002004 006100 107107 121503 904999 | 2 |
| - 211 | NAS1149D0416J | | .WASHER- | 101106 108120 504903 | 2 |
| - 213 | MS21042L4 | | .NUT | 002004 006999 | 2 |
| | | | -----*----- | | |
| 215 | STBC10GG234 | | .CLAMP- | 002004 006999 | 2 |
| 217 | AS1505-28A0032 | | .HOSE | 002004 006999 | 1 |
| - 250 | 287N4905-3 | | CLAMP INSTL-WIRE (AIR COOLING PACT SYSTEM ONLY) POSITION DATA: LH FOR NHA/OTHER SYS DET SEE: 24-00-60-01 | 002004 006100 107107 121503 904999 | RF |
| 255 | BACC10BN700LM | | .CLAMP SUPPLIER CODE: V98625 SPECIFICATION NUMBER: BACC10BN700LM OPTIONAL PART: 3078C700LM V94581 BC1080S700LZ V14242 1044700LM V94581 MBC5825700LM V00624 19396N700LM V00624 | 002004 006100 107107 121503 904999 | 1 |
| 260 | BACB30NE3-3 | | .BOLT | 002004 006100 107107 121503 904999 | 1 |

MISSING ITEM NUMBERS NOT APPLICABLE

- ITEM NOT ILLUSTRATED

21-51-15-01

21-51-15
FIG. 01
PAGE 8
JAN 20/09

BRI

BOEING PROPRIETARY - Copyright © - Unpublished Work - See title page for details.



757

PARTS CATALOG (MAINTENANCE)

| FIG ITEM | PART NUMBER | 1 2 3 4 5 6 7 | NOMENCLATURE | EFFECT FROM TO | UNITS PER ASSY |
|----------|----------------|---------------|--|--|----------------|
| 1 265 | BACC15AN | | .CLIP- MISCELLANEOUS DATA: (COMPONENT OF STUD ASSY) SIZE DETERMINED ON INSTL. | 002004 006100 107107 121503 904999 | 1 |
| 270 | BACB19F | | .BLOCK-RETAINING MISCELLANEOUS DATA: (COMPONENT OF STUD ASSY) SIZE DETERMINED ON INSTL. | 002004 006100 107107 121503 904999 | 1 |
| 275 | BACC10FY | | .CUSHION-CLAMP MISCELLANEOUS DATA: (COMPONENT OF STUD ASSY) SIZE DETERMINED ON INSTL. | 002004 006100 107107 121503 904999 | 1 |
| - 300 | 286N2406-012 | | WIRE BUNDLE ASSY- POSITION DATA: LH | 107107 121503 904949 | RF |
| - 300 | 286N2406-014 | | WIRE BUNDLE ASSY- POSITION DATA: LH | 002004 006100 950999 | RF |
| - 301 | 286N2406-305 | | WIRE BUNDLE ASSY- POSITION DATA: LH | 101102 | RF |
| - 302 | 286N2406-323 | | WIRE BUNDLE ASSY- POSITION DATA: LH | 108120 | RF |
| - 302 | 286N2406-327 | | WIRE BUNDLE ASSY- POSITION DATA: LH | 504903 | RF |
| - 303 | 286N2406-601 | | WIRE BUNDLE ASSY- POSITION DATA: LH | 103103 | RF |
| - 303 | 286N2406-602 | | WIRE BUNDLE ASSY- POSITION DATA: LH | 104106 | RF |
| 310 | BACC63CE12SB3S | | .CONNECTOR- ELECTRICAL EQUIP NUMBER: D03396 D03428 WIRING DIAGRAM REF: 215211 | 002004 006999 | 1 |

MISSING ITEM NUMBERS NOT APPLICABLE

- ITEM NOT ILLUSTRATED

BRI

21-51-15-01

BOEING PROPRIETARY - Copyright © - Unpublished Work - See title page for details.

21-51-15
FIG. 01
PAGE 9
JAN 20/09



757

PARTS CATALOG (MAINTENANCE)

| FIG ITEM | PART NUMBER | 1 2 3 4 5 6 7 | NOMENCLATURE | EFFECT FROM TO | UNITS PER ASSY |
|----------|---------------|---------------|--|----------------------------|----------------|
| 1 315 | GS3418-10CD | | .CLAMP- SUPPLIER CODE: V06324 SPECIFICATION NUMBER: BACC10HG10 OPTIONAL PART: S2126-10-8 V07418 ELECTRICAL EQUIP NUMBER: D02968T D03030T WIRING DIAGRAM REF: 215114 215124 | 002004 006999 | 1 |
| 315 | 620AA028NF10L | | .CLAMP- SUPPLIER CODE: V06324 SPECIFICATION NUMBER: BACC10KE10 OPTIONAL PART: S3820-10-65 V07418 ELECTRICAL EQUIP NUMBER: D02968T D03030T WIRING DIAGRAM REF: 215114 215124 | 002004 006999 | 1 |
| 320 | BCREF9787 | | .PLUG- SUPPLIER CODE: V13556 OVERLENGTH PART NUMBER: CN0966A10A20SNOO0 ELECTRICAL EQUIP NUMBER: D02968 D03030 WIRING DIAGRAM REF: 215114 215124 | 002004 006999 | 1 |
| - 370 | 286N2506-012 | | WIRE BUNDLE ASSY- POSITION DATA: RH | 107107 121503 904949 | RF |
| - 370 | 286N2506-014 | | WIRE BUNDLE ASSY- POSITION DATA: RH | 002004 006100 950999 | RF |
| - 371 | 286N2506-305 | | WIRE BUNDLE ASSY- POSITION DATA: RH | 101102 | RF |

MISSING ITEM NUMBERS NOT APPLICABLE

- ITEM NOT ILLUSTRATED

21-51-15-01

21-51-15
FIG. 01
PAGE 10
JAN 20/09

BRI



757

PARTS CATALOG (MAINTENANCE)

| FIG ITEM | PART NUMBER | 1 2 3 4 5 6 7 | NOMENCLATURE | EFFECT FROM TO | UNITS PER ASSY |
|----------|----------------|---------------|--|------------------|----------------|
| 1 | | | | | |
| - 372 | 286N2506-327 | | WIRE BUNDLE ASSY- POSITION DATA: RH | 109120 | RF |
| - 372 | 286N2506-328 | | WIRE BUNDLE ASSY- POSITION DATA: RH | 504903 | RF |
| - 372 | 286N2506-601 | | WIRE BUNDLE ASSY- POSITION DATA: RH | 103106 | RF |
| 375 | BACC63CE12SB3S | | .CONNECTOR- ELECTRICAL EQUIP NUMBER: D03396 D03428 WIRING DIAGRAM REF: 215211 | 002004 006999 | 1 |
| 380 | GS3418-10CD | | .CLAMP- SUPPLIER CODE: V06324 SPECIFICATION NUMBER: BACC10HG10 OPTIONAL PART: S2126-10-8 V07418 ELECTRICAL EQUIP NUMBER: D02968T D03030T WIRING DIAGRAM REF: 215114 215124 | 002004 006999 | 1 |
| 380 | 620AA028NF10L | | .CLAMP- SUPPLIER CODE: V06324 SPECIFICATION NUMBER: BACC10KE10 OPTIONAL PART: S3820-10-65 V07418 ELECTRICAL EQUIP NUMBER: D02968T D03030T WIRING DIAGRAM REF: 215114 215124 | 002004 006999 | 1 |

MISSING ITEM NUMBERS NOT APPLICABLE

- ITEM NOT ILLUSTRATED

BRI

21-51-15-01

BOEING PROPRIETARY - Copyright © - Unpublished Work - See title page for details.

21-51-15
FIG. 01
PAGE 11
JAN 20/09



757

PARTS CATALOG (MAINTENANCE)

| FIG ITEM | PART NUMBER | 1 2 3 4 5 6 7 | NOMENCLATURE | EFFECT FROM TO | UNITS PER ASSY |
|----------|-------------|---------------|--|--|----------------|
| 1 385 | BCREF9787 | | .PLUG- SUPPLIER CODE: V13556 OVERLENGTH PART NUMBER: CN0966A10A20SN00 ELECTRICAL EQUIP NUMBER: D02968 D03030 WIRING DIAGRAM REF: 215114 215124 | 002004 006999 | 1 |
| 900 | | | ILLUSTRATION REFERENCE: PACK INSTL-UNDER WING AIR CONDITIONING 21-52-01-01 | 002004 006100 107107 121503 904999 | RF |
| 900 | | | ILLUSTRATION REFERENCE: PACK, PLUG, SENSOR, AND MARKER INSTLS-UNDER WING AIR CONDITIONING 21-52-01-01A | 101102 108120 504903 | RF |
| 900 | | | ILLUSTRATION REFERENCE: CLAMP INSTL-(WIRE COOLING PACK TEMPERATURE INDICATION ONLY) 21-52-01-10 | 002004 006100 107107 121503 904999 | RF |

MISSING ITEM NUMBERS NOT APPLICABLE

- ITEM NOT ILLUSTRATED

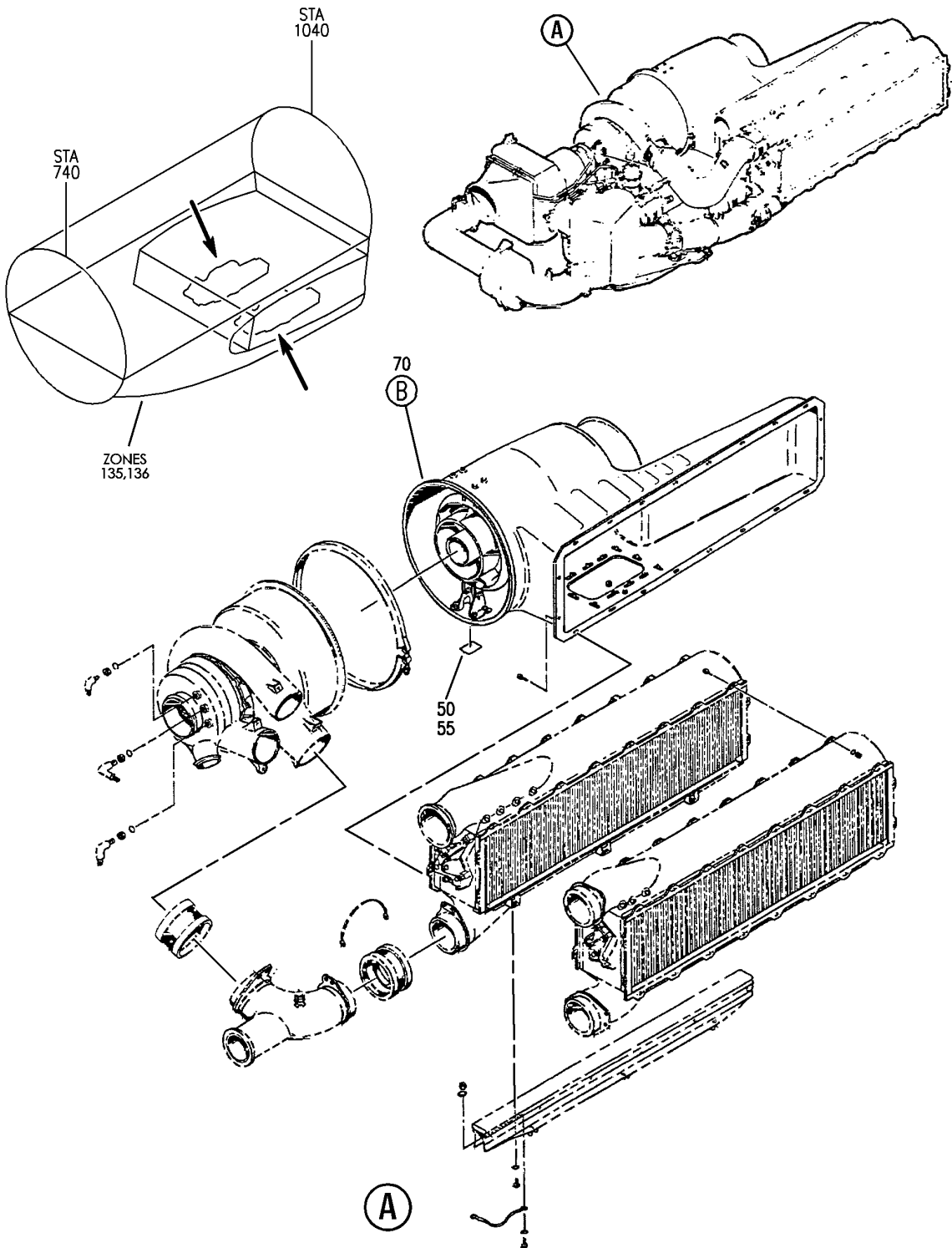
BRI

21-51-15-01

BOEING PROPRIETARY - Copyright © - Unpublished Work - See title page for details.

21-51-15
FIG. 01
PAGE 12
JAN 20/09

BOEING
757
PARTS CATALOG (MAINTENANCE)



Y 21511601 SHT 1 REV 246

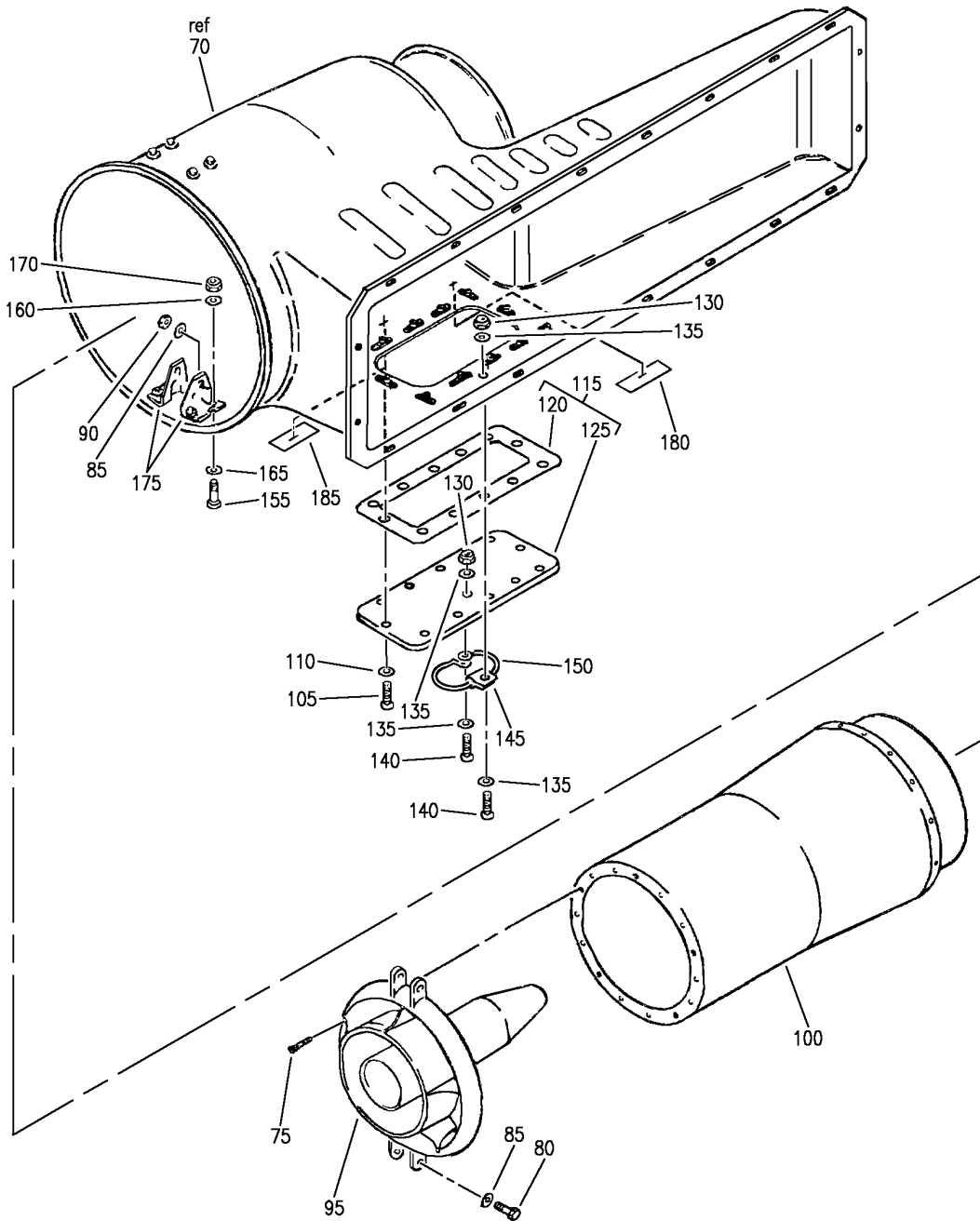
PACK ASSY-AIR CONDITIONING AND TEMP CONT SYS COOLING (FAN/AIR PLENUM/DIFFUSER ONLY)
FIGURE 1 (SHEET 1)

BRI
MAY 28/07

21-51-16-01

21-51-16-01
PAGE 0

BOEING
757
PARTS CATALOG (MAINTENANCE)



Y 21511601 SH1 2 REV 286

PACK ASSY-AIR CONDITIONING AND TEMP CONT SYS COOLING (FAN/AIR PLENUM/DIFFUSER ONLY)
FIGURE 1 (SHEET 2)

21-51-16-01

BRI
MAY 28/07

21-51-16-01
PAGE 0A



757

PARTS CATALOG (MAINTENANCE)

| FIG ITEM | PART NUMBER | 1 2 3 4 5 6 7 | NOMENCLATURE | EFFECT FROM TO | UNITS PER ASSY |
|----------|-------------|---------------|--|------------------|----------------|
| 1 | | | PACK ASSY-AIR CONDITIONING AND TEMP CONT SYS COOLING (FAN/AIR PLENUM/DIFFUSER ONLY) | 002004 006999 | |
| - 1 | 2202450-9 | | PACK ASSY-AIR CONDITIONING AND TEMP CONT SYS COOLING (FAN/AIR PLENUM/DUFFUSER ONLY) (SERIES 1-15) SUPPLIER CODE: V70210 POSITION DATA: LH SPECIFICATION NUMBER: S210T130-60 ELECTRICAL EQUIP NUMBER: S10325 TS0041 TS0198 TS5133 V00018 V10077 COMPONENT MAINT MANUAL REF: 21-51-32 QUALIFIED I/W DATA: S210T130-59 (2202450-8) T/W 1 EA 625928-2 AND 1 EA 624014-1 SENSOR IS I/W S210T130-60 (2202450-9) REWORKED BY SB: 2202450-21-2567 V70210 REWORKED BY SERVICE LETTER: 21-037 FOR NHA/ADDITIONAL DET SEE: 21-52-01-01A 21-52-01-01 | 002004 006999 | RF |

MISSING ITEM NUMBERS NOT APPLICABLE

- ITEM NOT ILLUSTRATED

BRI

21-51-16-01

BOEING PROPRIETARY - Copyright © - Unpublished Work - See title page for details.

21-51-16
FIG. 01
PAGE 1
JAN 20/09



757

PARTS CATALOG (MAINTENANCE)

| FIG ITEM | PART NUMBER | 1 2 3 4 5 6 7 | NOMENCLATURE | EFFECT FROM TO | UNITS PER ASSY |
|-------------|-------------|---------------|--|-------------------|----------------------|
| 1 - 5 | 2202450-9 | | PACK ASSY-AIR CONDITIONING AND TEMP CONT SYS COOLING (FAN/AIR PLENUM/DIFFUSER ONLY) (SERIES 1-15) SUPPLIER CODE: V70210 POSITION DATA: RH SPECIFICATION NUMBER: S210T130-60 ELECTRICAL EQUIP NUMBER: S10326 TS0042 TS0199 TS5135 V00019 V10076 COMPONENT MAINT MANUAL REF: 21-51-32 QUALIFIED I/W DATA: S210T130-59 (2202450-8) T/W 1 EA 625928-2 AND 1 EA 624014-1 SENSOR IS I/W S210T130-60 2202450-9 QUALIFIED OPTIONAL DATA: S210T130-60 OPTIONAL TO S210T130-59 TOGETHER WITH 624014-1 AND 625928-2 FOR N0064 ONLY REWORKED BY SB: 2202450-21-2567 V70210 REWORKED BY SERVICE LETTER: 21-037 FOR NHA/ADDITIONAL DET SEE: 21-52-01-01 21-52-01-01A | 002004 006999 | RF |
| 50 | 2202353-14 | | .PLATE-IDENT (USED ON 2202450-9 SERIES 1) SUPPLIER CODE: V70210 POSITION DATA: LH SIDE | 002004 006999 | 1 |

MISSING ITEM NUMBERS NOT APPLICABLE

- ITEM NOT ILLUSTRATED

BRI

21-51-16-01

BOEING PROPRIETARY - Copyright © - Unpublished Work - See title page for details.

21-51-16
 FIG. 01
 PAGE 2
 JAN 20/09



757

PARTS CATALOG (MAINTENANCE)

| FIG ITEM | PART NUMBER | 1 2 3 4 5 6 7 | NOMENCLATURE | EFFECT FROM TO | UNITS PER ASSY |
|----------|-------------|---------------|--|------------------|----------------|
| 1 | | | | | |
| 50 | 2202353-15 | | .PLATE-IDENT (USED ON 2202450-9 SERIES 2) SUPPLIER CODE: V70210 POSITION DATA: LH SIDE | 002004 006999 | 1 |
| 50 | 2202353-16 | | .PLATE-IDENT (USED ON 2202450-9 SERIES 3) SUPPLIER CODE: V70210 POSITION DATA: LH SIDE | 002004 006999 | 1 |
| 50 | 2202353-18 | | .PLATE-IDENT (USED ON 2202450-9 SERIES 5) SUPPLIER CODE: V70210 POSITION DATA: LH SIDE | 002004 006999 | 1 |
| 50 | 2202353-19 | | .PLATE-IDENT (USED ON 2202450-9 SERIES 6) SUPPLIER CODE: V70210 POSITION DATA: LH SIDE | 002004 006999 | 1 |
| 50 | 2202353-20 | | .PLATE-IDENT (USED ON 2202450-9 SERIES 7) SUPPLIER CODE: V70210 POSITION DATA: LH SIDE | 002004 006999 | 1 |
| 50 | 2202353-21 | | .PLATE-IDENT (USED ON 2202450-9 SERIES 8) SUPPLIER CODE: V70210 POSITION DATA: LH SIDE | 002004 006999 | 1 |
| 50 | 2202353-22 | | .PLATE-IDENT (USED ON 2202450-9 SERIES 9) SUPPLIER CODE: V70210 POSITION DATA: LH SIDE | 002004 006999 | 1 |

MISSING ITEM NUMBERS NOT APPLICABLE

- ITEM NOT ILLUSTRATED

BRI

21-51-16-01

BOEING PROPRIETARY - Copyright © - Unpublished Work - See title page for details.

21-51-16
FIG. 01
PAGE 3
JAN 20/09



757

PARTS CATALOG (MAINTENANCE)

| FIG ITEM | PART NUMBER | 1 2 3 4 5 6 7 | NOMENCLATURE | EFFECT FROM TO | UNITS PER ASSY |
|----------|-------------|---------------|---|------------------|----------------|
| 1 | | | | | |
| 50 | 2202353-23 | | .PLATE-IDENT (USED ON 2202450-9 SERIES 10) SUPPLIER CODE: V70210 POSITION DATA: LH SIDE | 002004 006999 | 1 |
| 50 | 2202353-24 | | .PLATE-IDENT (USED ON 2202450-9 SERIES 11) SUPPLIER CODE: V70210 POSITION DATA: LH SIDE | 002004 006999 | 1 |
| 50 | 2202353-25 | | .PLATE-IDENT (USED ON 2202450-9 SERIES 12) SUPPLIER CODE: V70210 POSITION DATA: LH SIDE | 002004 006999 | 1 |
| 50 | 2202353-17 | | .PLATE-IDENT (USED ON 2202450-9 SERIES 4) SUPPLIER CODE: V70210 POSITION DATA: LH SIDE | 002004 006999 | 1 |
| 50 | 2202353-26 | | .PLATE-IDENT (USED ON 2202450-9 SERIES 13) SUPPLIER CODE: V70210 POSITION DATA: LH SIDE | 002004 006999 | 1 |
| 50 | 2202353-27 | | .PLATE-IDENT (USED ON 2202450-9 SERIES 14) SUPPLIER CODE: V70210 POSITION DATA: LH SIDE | 002004 006999 | 1 |
| 50 | 2202353-28 | | .PLATE-IDENT (USED ON 2202450-9 SERIES 15) SUPPLIER CODE: V70210 POSITION DATA: LH SIDE | 002004 006999 | 1 |

MISSING ITEM NUMBERS NOT APPLICABLE

- ITEM NOT ILLUSTRATED

21-51-16-01

21-51-16
FIG. 01
PAGE 4
JAN 20/09

BRI

BOEING PROPRIETARY - Copyright © - Unpublished Work - See title page for details.



757

PARTS CATALOG (MAINTENANCE)

| FIG ITEM | PART NUMBER | 1 2 3 4 5 6 7 | NOMENCLATURE | EFFECT FROM TO | UNITS PER ASSY |
|----------|-------------|---------------|--|------------------|----------------|
| 1 | | | | | |
| - 52 | 2202353-14 | | .PLATE-IDENT (USED ON 2202450-9 SERIES 1) SUPPLIER CODE: V70210 POSITION DATA: RH SIDE | 002004 006999 | 1 |
| - 52 | 2202353-15 | | .PLATE-IDENT (USED ON 2202450-9 SERIES 2) SUPPLIER CODE: V70210 POSITION DATA: RH SIDE | 002004 006999 | 1 |
| - 52 | 2202353-16 | | .PLATE-IDENT (USED ON 2202450-9 SERIES 3) SUPPLIER CODE: V70210 POSITION DATA: RH SIDE | 002004 006999 | 1 |
| - 52 | 2202353-17 | | .PLATE-IDENT (USED ON 2202450-9 SERIES 4) SUPPLIER CODE: V70210 POSITION DATA: RH SIDE | 002004 006999 | 1 |
| - 52 | 2202353-18 | | .PLATE-IDENT (USED ON 2202450-9 SERIES 5) SUPPLIER CODE: V70210 POSITION DATA: RH SIDE | 002004 006999 | 1 |
| - 52 | 2202353-19 | | .PLATE-IDENT (USED ON 2202450-9 SERIES 6) SUPPLIER CODE: V70210 POSITION DATA: RH SIDE | 002004 006999 | 1 |
| - 52 | 2202353-20 | | .PLATE-IDENT (USED ON 2202450-9 SERIES 7) SUPPLIER CODE: V70210 POSITION DATA: RH SIDE | 002004 006999 | 1 |

MISSING ITEM NUMBERS NOT APPLICABLE

- ITEM NOT ILLUSTRATED

21-51-16-01

21-51-16
FIG. 01
PAGE 5
JAN 20/09

BRI



757

PARTS CATALOG (MAINTENANCE)

| FIG ITEM | PART NUMBER | 1 2 3 4 5 6 7 | NOMENCLATURE | EFFECT FROM TO | UNITS PER ASSY |
|----------|-------------|---------------|---|------------------|----------------|
| 1 | | | | | |
| - 52 | 2202353-21 | | .PLATE-IDENT (USED ON 2202450-9 SERIES 8) SUPPLIER CODE: V70210 POSITION DATA: RH SIDE | 002004 006999 | 1 |
| - 52 | 2202353-22 | | .PLATE-IDENT (USED ON 2202450-9 SERIES 9) SUPPLIER CODE: V70210 POSITION DATA: RH SIDE | 002004 006999 | 1 |
| - 52 | 2202353-23 | | .PLATE-IDENT (USED ON 2202450-9 SERIES 10) SUPPLIER CODE: V70210 POSITION DATA: RH SIDE | 002004 006999 | 1 |
| - 52 | 2202353-24 | | .PLATE-IDENT (USED ON 2202450-9 SERIES 11) SUPPLIER CODE: V70210 POSITION DATA: RH SIDE | 002004 006999 | 1 |
| - 52 | 2202353-25 | | .PLATE-IDENT (USED ON 2202450-9 SERIES 12) SUPPLIER CODE: V70210 POSITION DATA: RH SIDE | 002004 006999 | 1 |
| - 52 | 2202353-26 | | .PLATE-IDENT (USED ON 2202450-9 SERIES 13) SUPPLIER CODE: V70210 POSITION DATA: RH SIDE | 002004 006999 | 1 |
| - 52 | 2202353-27 | | .PLATE-IDENT (USED ON 2202450-9 SERIES 14) SUPPLIER CODE: V70210 POSITION DATA: RH SIDE | 002004 006999 | 1 |

MISSING ITEM NUMBERS NOT APPLICABLE

- ITEM NOT ILLUSTRATED

21-51-16-01

21-51-16
FIG. 01
PAGE 6
JAN 20/09

BRI



757

PARTS CATALOG (MAINTENANCE)

| FIG ITEM | PART NUMBER | 1 2 3 4 5 6 7 | NOMENCLATURE | EFFECT FROM TO | UNITS PER ASSY |
|-------------|----------------|---------------|---|-------------------|----------------------|
| 1 | | | | | |
| - 52 | 2202353-28 | | .PLATE-IDENT (USED ON 2202450-9 SERIES 15) SUPPLIER CODE: V70210 POSITION DATA: RH SIDE | 002004 006999 | 1 |
| 70 | 2202623-2 | | .PLENUM ASSY-DIFFUSER RAM AIR OVERBOARD SUPPLIER CODE: V70210 | 002004 006999 | 1 |
| 75 | MS24694S60 | | ..SCREW | 002004 006999 | 5 |
| 80 | MS9489-08 | | ..BOLT | 002004 006999 | 4 |
| 85 | S8157C543-063A | | ..WASHER- SUPPLIER CODE: V70210 | 002004 006999 | 8 |
| 90 | NAS679C3M | | ..NUT | 002004 006999 | 4 |
| 95 | 2202829-1 | | ..GUIDE-DIFFUSER SUPPLIER CODE: V70210 | 002004 006999 | 1 |
| 100 | 2202828-1 | | ..DIFFUSER- SUPPLIER CODE: V70210 | 002004 006999 | 1 |
| 105 | MS27039-1-09 | | ..SCREW | 002004 006999 | 12 |
| 110 | AN960-10L | | ..WASHER | 002004 006999 | 12 |
| 115 | 2202316-1 | | ..DOOR ASSY- SUPPLIER CODE: V70210 | 002004 006999 | 1 |
| 120 | 2202352-1 | | ...GASKET- SUPPLIER CODE: V70210 | 002004 006999 | 1 |
| 125 | 2202316-3 | | ...DOOR- SUPPLIER CODE: V70210 | 002004 006999 | 1 |
| 130 | NAS679C3M | | ..NUT | 002004 006999 | 2 |
| 135 | AN960-10L | | ..WASHER | 002004 006999 | 4 |
| 140 | MS27039-1-09 | | ..SCREW | 002004 006999 | 2 |
| 145 | MS21103D2 | | ..CLAMP | 002004 006999 | 1 |

MISSING ITEM NUMBERS NOT APPLICABLE

- ITEM NOT ILLUSTRATED

BRI

21-51-16-01

BOEING PROPRIETARY - Copyright © - Unpublished Work - See title page for details.

21-51-16
FIG. 01
PAGE 7
JAN 20/09



757

PARTS CATALOG (MAINTENANCE)

| FIG ITEM | PART NUMBER | 1 2 3 4 5 6 7 | NOMENCLATURE | EFFECT FROM TO | UNITS PER ASSY |
|----------|----------------|---------------|---|------------------|----------------|
| 1 | | | | | |
| 150 | CL73KA6-0 | .. | CABLE- SUPPLIER CODE: V99862 CONFIG CHG DATA FROM A CMM: 192-010-9001 V70210 | 002004 006999 | 1 |
| 155 | MS9489-08 | .. | BOLT | 002004 006999 | 8 |
| 160 | AN960-10L | .. | WASHER | 002004 006999 | 8 |
| 165 | S8157C543-063A | .. | WASHER- SUPPLIER CODE: V70210 | 002004 006999 | 8 |
| 170 | NAS679C3M | .. | NUT | 002004 006999 | 2 |
| 175 | 2202626-1 | .. | BRACKET- SUPPLIER CODE: V70210 | 002004 006999 | 4 |
| 180 | S8496-21 | .. | LABEL- SUPPLIER CODE: V70210 | 002004 006999 | 1 |
| 185 | S8496-22 | .. | LABEL- SUPPLIER CODE: V70210 | 002004 006999 | 1 |

MISSING ITEM NUMBERS NOT APPLICABLE

- ITEM NOT ILLUSTRATED

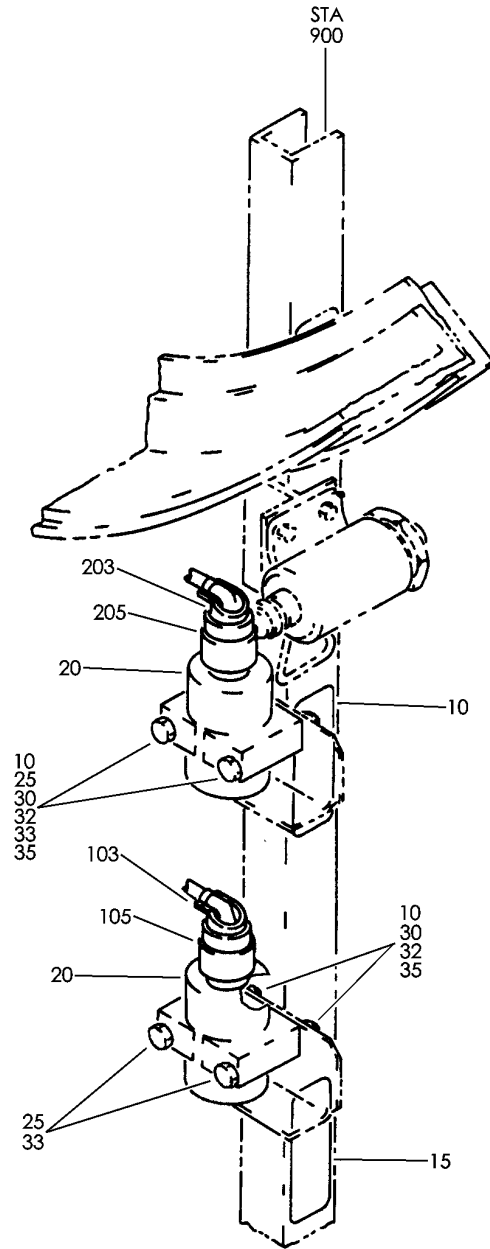
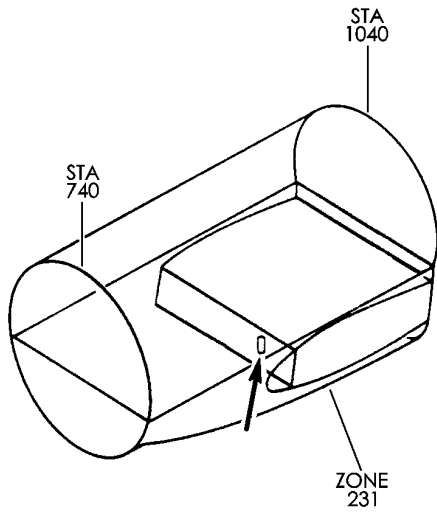
BRI

21-51-16-01

BOEING PROPRIETARY - Copyright © - Unpublished Work - See title page for details.

21-51-16
FIG. 01
PAGE 8
JAN 20/09

BOEING
757
PARTS CATALOG (MAINTENANCE)



Y 21511701 REV 224

SWITCH INSTL-ALTITUDE PRESSURE TRANSDUCER (PACK ALTITUDE SWITCH ONLY)

FIGURE 1

21-51-17-01

BRI
MAY 28/07

21-51-17-01
PAGE 0



757

PARTS CATALOG (MAINTENANCE)

| FIG ITEM | PART NUMBER | 1 2 3 4 5 6 7 | NOMENCLATURE | EFFECT FROM TO | UNITS PER ASSY |
|----------|--------------|---------------|--|--------------------------------------|----------------|
| 1 | | | SWITCH INSTL-ALTITUDE PRESSURE TRANSDUCER (PACK ALTITUDE SWITCH ONLY) | 002004 006999 | |
| - 1 | 212N1001-1 | | SWITCH INSTL-ALTITUDE PRESSURE TRANSDUCER (PACK ALTITUDE SWITCH ONLY) FOR NHA/OTHER SYS DET SEE: 21-00-00-01 | 107107 121503 904949 | RF |
| - 1 | 212N1001-5 | | SWITCH INSTL-ALTITUDE PRESSURE TRANSDUCER FOR NHA SEE: 21-00-00-01 | 002004 006007 952952 | RF |
| - 1 | 212N1001-9 | | SWITCH INSTL-ALTITUDE PRESSURE TRANSDUCER (PACK ALTITUDE SWITCH ONLY) FOR NHA/OTHER SYS DET SEE: 21-00-00-01 21-00-00-12 21-00-00-14 | 008102 504903 950951 953999 | RF |
| - 1 | 212N1001-10 | | SWITCH INSTL-ALTITUDE PRESSURE TRANSDUCER (PACK ALTITUDE SWITCH ONLY) FOR NHA/OTHER SYS DET SEE: 21-00-00-12 | 108120 | RF |
| - 1 | MODREF33820 | | SWITCH INSTL-ALTITUDE PRESSURE TRANSDUCER (PACK ALTITUDE SWITCH ONLY) MODULE NUMBER: 212N1001-9 REV B | 103106 | 1 |
| 10 | BAC27NEC0005 | | .MARKER-ALUMINUM FOIL POSITION DATA: LEFT PLACARD CONTENT: SWITCH, ALTITUDE S10305 | 002004 006999 | 1 |
| 15 | BAC27NEC0006 | | .MARKER-ALUMINUM FOIL POSITION DATA: RIGHT PLACARD CONTENT: SWITCH, ALTITUDE S397 | 002004 006999 | 1 |

MISSING ITEM NUMBERS NOT APPLICABLE

- ITEM NOT ILLUSTRATED

BRI

21-51-17-01

21-51-17
FIG. 01
PAGE 1
JAN 20/09



757

PARTS CATALOG (MAINTENANCE)

| FIG ITEM | PART NUMBER | 1 2 3 4 5 6 7 | NOMENCLATURE | EFFECT FROM TO | UNITS PER ASSY |
|----------|-----------------|---------------|--|--|----------------|
| 1 | 20 625878-1 | | .SWITCH-ALTITUDE SUPPLIER CODE: V07217 SPECIFICATION NUMBER: S210T130-27 ELECTRICAL EQUIP NUMBER: S00397 S10305 ATTACHING PARTS | 002004 006999 | 2 |
| | 25 BACB30NM3K25 | | .BOLT | 002004 006999 | 4 |
| | 30 AN960PD10L | | .WASHER | 002004 006007 107107 121503 904949 952952 | 4 |
| | 32 AN960JD10L | | .WASHER | 008106 108120 504903 950951 953999 | 4 |
| | 33 BACW10BN3AC | | .WASHER | 008106 108120 504903 950951 953999 | 4 |
| | 35 BRH10A3 | | .NUT- SUPPLIER CODE: V52828 SPECIFICATION NUMBER: BACN10JC3 OPTIONAL PART: H10-3BAC V15653 NS202101-02 V80539 RMLH9075-3W V72962 VN303A02 V92215 96-02 V80539 T6S1032J V11815 | 002004 006007 107107 121503 904949 952952 | 4 |

MISSING ITEM NUMBERS NOT APPLICABLE

- ITEM NOT ILLUSTRATED

BRI

21-51-17-01

21-51-17
FIG. 01
PAGE 2
JAN 20/09



**757
PARTS CATALOG (MAINTENANCE)**

| FIG ITEM | PART NUMBER | 1 2 3 4 5 6 7 | NOMENCLATURE | EFFECT FROM TO | UNITS PER ASSY |
|----------|---------------|---------------|---|--|----------------|
| 1 35 | PLH53CD | | .NUT- SUPPLIER CODE: VF0224 SPECIFICATION NUMBER: BACN10YR3CD OPTIONAL PART: H52732-3CD V15653 -----*----- | 008106 108120 504903 950951 953999 | 4 |
| - 100 | 286N2506-012 | | WIRE BUNDLE ASSY-(AIR CONDITIONING ONLY) | 107107 121503 904949 | RF |
| - 100 | 286N2506-014 | | WIRE BUNDLE ASSY-(AIR CONDITIONING ONLY) | 002004 006100 950999 | RF |
| - 101 | 286N2506-305 | | WIRE BUNDLE ASSY-(AIR CONDITIONING ONLY) | 101102 | RF |
| - 102 | 286N2506-601 | | WIRE BUNDLE ASSY-(AIR CONDITIONING ONLY) | 103106 | RF |
| - 102 | 286N2506-327 | | WIRE BUNDLE ASSY-(AIR CONDITIONING ONLY) | 108120 | RF |
| - 102 | 286N2506-328 | | WIRE BUNDLE ASSY-(AIR CONDITIONING ONLY) | 504903 | RF |
| 103 | GS3418-10CD | | .CLAMP- SUPPLIER CODE: V06324 SPECIFICATION NUMBER: BACC10HG10 OPTIONAL PART: S2126-10-8 V07418 ELECTRICAL EQUIP NUMBER: D02596T WIRING DIAGRAM REF: 215122 | 002004 006999 | 1 |
| 103 | 620AA028NF10L | | .CLAMP- SUPPLIER CODE: V06324 SPECIFICATION NUMBER: BACC10KE10 OPTIONAL PART: S3820-10-65 V07418 ELECTRICAL EQUIP NUMBER: D02596T WIRING DIAGRAM REF: 215122 | 002004 006999 | 1 |

MISSING ITEM NUMBERS NOT APPLICABLE

- ITEM NOT ILLUSTRATED

BRI

21-51-17-01

BOEING PROPRIETARY - Copyright © - Unpublished Work - See title page for details.

21-51-17
FIG. 01
PAGE 3
JAN 20/09



757

PARTS CATALOG (MAINTENANCE)

| FIG ITEM | PART NUMBER | 1 2 3 4 5 6 7 | NOMENCLATURE | EFFECT FROM TO | UNITS PER ASSY |
|----------|---------------|---------------|---|----------------------------|----------------|
| 1 105 | R071010A5SNL | | .CONNECTOR- SUPPLIER CODE: V41118 SPECIFICATION NUMBER: BACC63BP10A5SNL ELECTRICAL EQUIP NUMBER: D02956 WIRING DIAGRAM REF: 215122 | 002004 006999 | 1 |
| - 200 | 286N2406-012 | | WIRE BUNDLE ASSY-(AIR CONDITIONING ONLY) | 107107 121503 904949 | RF |
| - 200 | 286N2406-014 | | WIRE BUNDLE ASSY-(AIR CONDITIONING ONLY) | 002004 006100 950999 | RF |
| - 201 | 286N2406-305 | | WIRE BUNDLE ASSY-(AIR CONDITIONING ONLY) | 101102 | RF |
| - 201 | 286N2406-327 | | WIRE BUNDLE ASSY-(AIR CONDITIONING ONLY) | 504903 | RF |
| - 202 | 286N2406-323 | | WIRE BUNDLE ASSY-(AIR CONDITIONING ONLY) | 108120 | RF |
| - 202 | 286N2406-601 | | WIRE BUNDLE ASSY-(AIR CONDITIONING ONLY) | 103103 | RF |
| - 202 | 286N2406-602 | | WIRE BUNDLE ASSY-(AIR CONDITIONING ONLY) | 104106 | RF |
| 203 | GS3418-10CD | | .CLAMP- SUPPLIER CODE: V06324 SPECIFICATION NUMBER: BACC10HG10 OPTIONAL PART: S2126-10-8 V07418 ELECTRICAL EQUIP NUMBER: D04114T WIRING DIAGRAM REF: 215112 | 002004 006999 | 1 |
| 203 | 620AA028NF10L | | .CLAMP- SUPPLIER CODE: V06324 SPECIFICATION NUMBER: BACC10KE10 OPTIONAL PART: S3820-10-65 V07418 ELECTRICAL EQUIP NUMBER: D04114T WIRING DIAGRAM REF: 215112 | 002004 006999 | 1 |

MISSING ITEM NUMBERS NOT APPLICABLE

- ITEM NOT ILLUSTRATED

BRI

21-51-17-01

21-51-17
FIG. 01
PAGE 4
JAN 20/09



757

PARTS CATALOG (MAINTENANCE)

| FIG ITEM | PART NUMBER | 1 2 3 4 5 6 7 | NOMENCLATURE | EFFECT FROM TO | UNITS PER ASSY |
|-------------|--------------|---------------|--|-------------------|----------------------|
| 1 205 | R071010A5SNL | | .CONNECTOR- SUPPLIER CODE: V41118 SPECIFICATION NUMBER: BACC63BP10A5SNL ELECTRICAL EQUIP NUMBER: D04114 WIRING DIAGRAM REF: 215112 | 002004 006999 | 1 |

MISSING ITEM NUMBERS NOT APPLICABLE

- ITEM NOT ILLUSTRATED

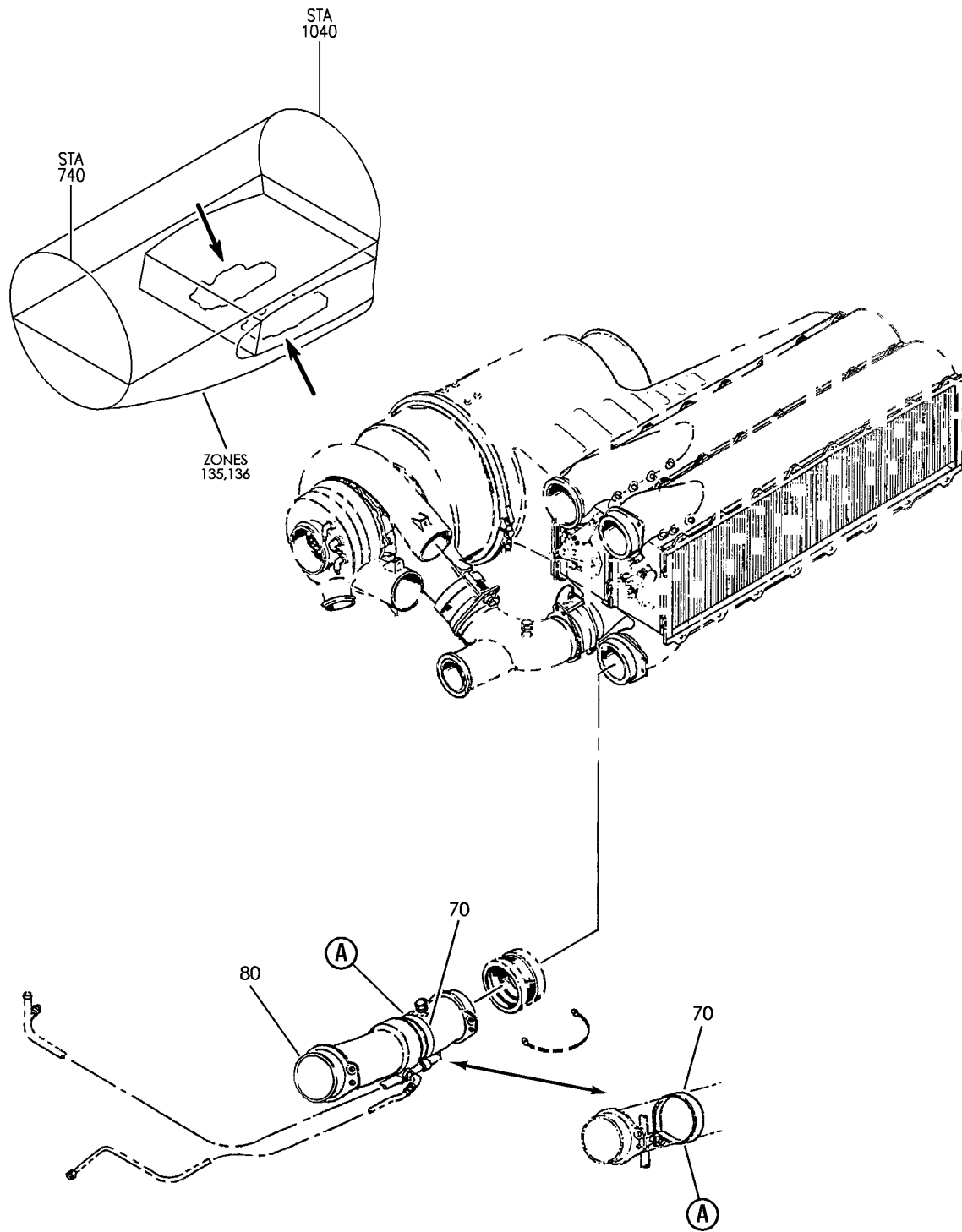
BRI

21-51-17-01

BOEING PROPRIETARY - Copyright © - Unpublished Work - See title page for details.

21-51-17
FIG. 01
PAGE 5
JAN 20/09

BOEING
757
PARTS CATALOG (MAINTENANCE)



Y 21512101 SHT 1 REV 243

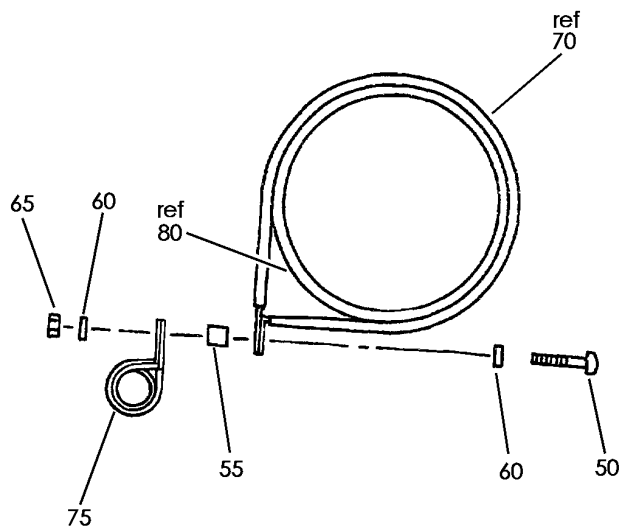
PACK ASSY-AIR CONDITIONING AND TEMP CONT SYS COOLING (SPLIT DUCT WATER SEPARATOR ONLY)
FIGURE 1 (SHEET 1)

BRI
MAY 28/07

21-51-21-01

21-51-21-01
PAGE 0

BOEING
757
PARTS CATALOG (MAINTENANCE)



(A)

Y 21512101 SHT 2 REV 243

PACK ASSY-AIR CONDITIONING AND TEMP CONT SYS COOLING (SPLIT DUCT WATER SEPARATOR ONLY)
FIGURE 1 (SHEET 2)

BRI
MAY 28/07

21-51-21-01

21-51-21-01
PAGE 0A



757

PARTS CATALOG (MAINTENANCE)

| FIG ITEM | PART NUMBER | 1 2 3 4 5 6 7 | NOMENCLATURE | EFFECT FROM TO | UNITS PER ASSY |
|----------|-------------|---------------|--|------------------|----------------|
| 1 | | | PACK ASSY-AIR CONDITIONING AND TEMP CONT SYS COOLING (SPLIT DUCT WATER SEPARATOR ONLY) | 002004 006999 | |
| - 1 | 2202450-9 | | PACK ASSY-AIR CONDITIONING AND TEMP CONT SYS COOLING (SPLIT DUCT WATER SEPARATOR ONLY) (SERIES 1-15) SUPPLIER CODE: V70210 POSITION DATA: LH SPECIFICATION NUMBER: S210T130-60 ELECTRICAL EQUIP NUMBER: S20325 TS0041 TS0198 TS5133 V00018 V10077 COMPONENT MAINT MANUAL REF: 21-51-32 QUALIFIED I/W DATA: S210T130-59 (2202450-8) T/W 1 EA 625928-2 AND 1 EA 624014-1 SENSOR IS I/W S210T130-60 (2202450-9) REWORKED BY SB: 2202450-21-2567 V70210 REWORKED BY SERVICE LETTER: 21-037 FOR NHA/ADDITIONAL DET SEE: 21-52-01-01A 21-52-01-01 | 002004 006999 | RF |

MISSING ITEM NUMBERS NOT APPLICABLE

- ITEM NOT ILLUSTRATED

BRI

21-51-21-01

BOEING PROPRIETARY - Copyright © - Unpublished Work - See title page for details.

21-51-21
FIG. 01
PAGE 1
JAN 20/09



757

PARTS CATALOG (MAINTENANCE)

| FIG ITEM | PART NUMBER | 1 2 3 4 5 6 7 | NOMENCLATURE | EFFECT FROM TO | UNITS PER ASSY |
|----------|--------------|---------------|---|------------------|----------------|
| 1 - 5 | 2202450-9 | | PACK ASSY-AIR CONDITIONING AND TEMP CONT SYS COOLING (SPLIT DUCT WATER SEPARATOR ONLY) (SERIES 1-15) SUPPLIER CODE: V70210 POSITION DATA: RH SPECIFICATION NUMBER: S210T130-60 ELECTRICAL EQUIP NUMBER: S10326 TS0042 TS0199 TS5135 V00019 V10076 COMPONENT MAINT MANUAL REF: 21-51-32 QUALIFIED I/W DATA: S210T130-59 (2202450-8) T/W 1 EA 625928-2 AND 1 EA 624014-1 SENSOR IS I/W S210T130-60 2202450-9 QUALIFIED OPTIONAL DATA: S210T130-60 OPTIONAL TO S210T130-59 TOGETHER WITH 624014-1 AND 625928-2 FOR N0064 ONLY REWORKED BY SB: 2202450-21-2567 V70210 REWORKED BY SERVICE LETTER: 21-037 FOR NHA/ADDITIONAL DET SEE: 21-52-01-01 21-52-01-01A | 002004 006999 | RF |
| 50 | MS27039-1-14 | . | SCREW | 002004 006999 | 1 |
| 55 | NAS43DD3-14 | . | SPACER | 002004 006999 | 1 |
| 60 | AN960D10L | . | WASHER | 002004 006999 | 2 |
| 65 | NAS679C3M | . | NUT | 002004 006999 | 1 |
| 70 | MS21919DF64 | . | CLAMP | 002004 006999 | 1 |

MISSING ITEM NUMBERS NOT APPLICABLE

- ITEM NOT ILLUSTRATED

21-51-21-01

21-51-21
FIG. 01
PAGE 2
JAN 20/09

BRI



757

PARTS CATALOG (MAINTENANCE)

| FIG ITEM | PART NUMBER | 1 2 3 4 5 6 7 | NOMENCLATURE | EFFECT FROM TO | UNITS PER ASSY |
|----------|-------------|---------------|--|------------------|----------------|
| 1 | | | | | |
| 75 | MS21919DF12 | . | CLAMP- | 002004 006999 | 1 |
| 80 | 2202322-4 | . | DUCT-REHEATER INLET SUPPLIER CODE: V70210 OPTIONAL PART: 2202322-2 V70210 | 002004 006999 | 1 |
| 80 | 2202322-2 | . | DUCT-REHEATER INLET SUPPLIER CODE: V70210 OPTIONAL PART: 2202322-4 V70210 | 002004 006999 | 1 |

MISSING ITEM NUMBERS NOT APPLICABLE

- ITEM NOT ILLUSTRATED

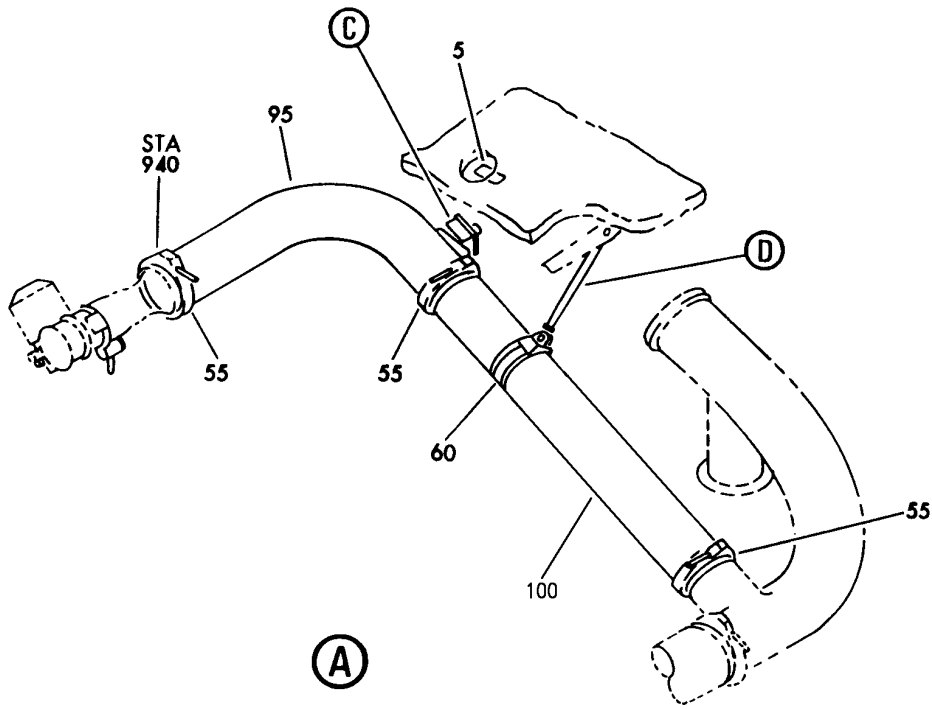
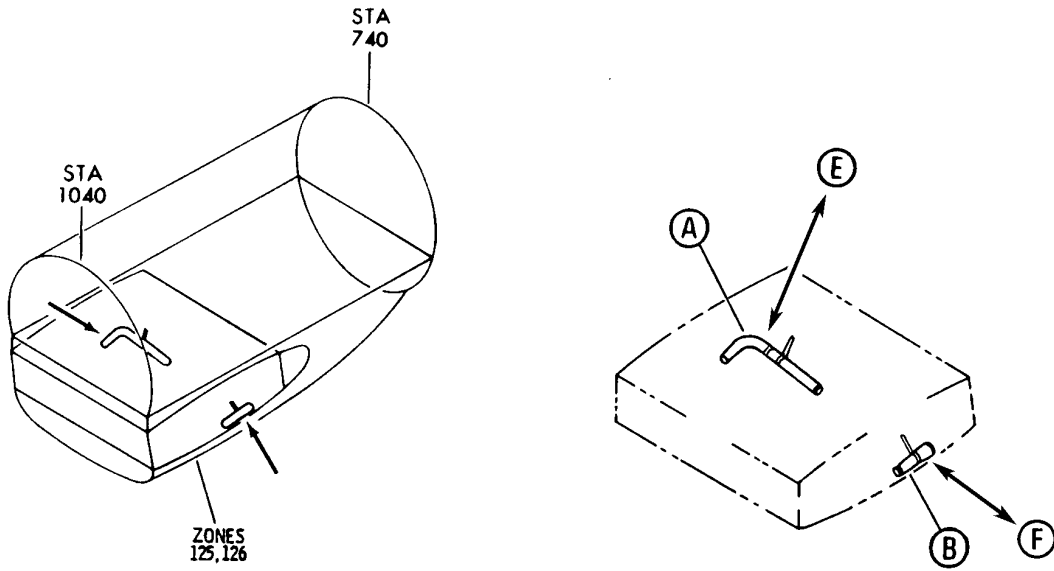
BRI

21-51-21-01

BOEING PROPRIETARY - Copyright © - Unpublished Work - See title page for details.

21-51-21
FIG. 01
PAGE 3
JAN 20/09

BOEING
757
PARTS CATALOG (MAINTENANCE)



Y 21512202 SH1 1 REV 298

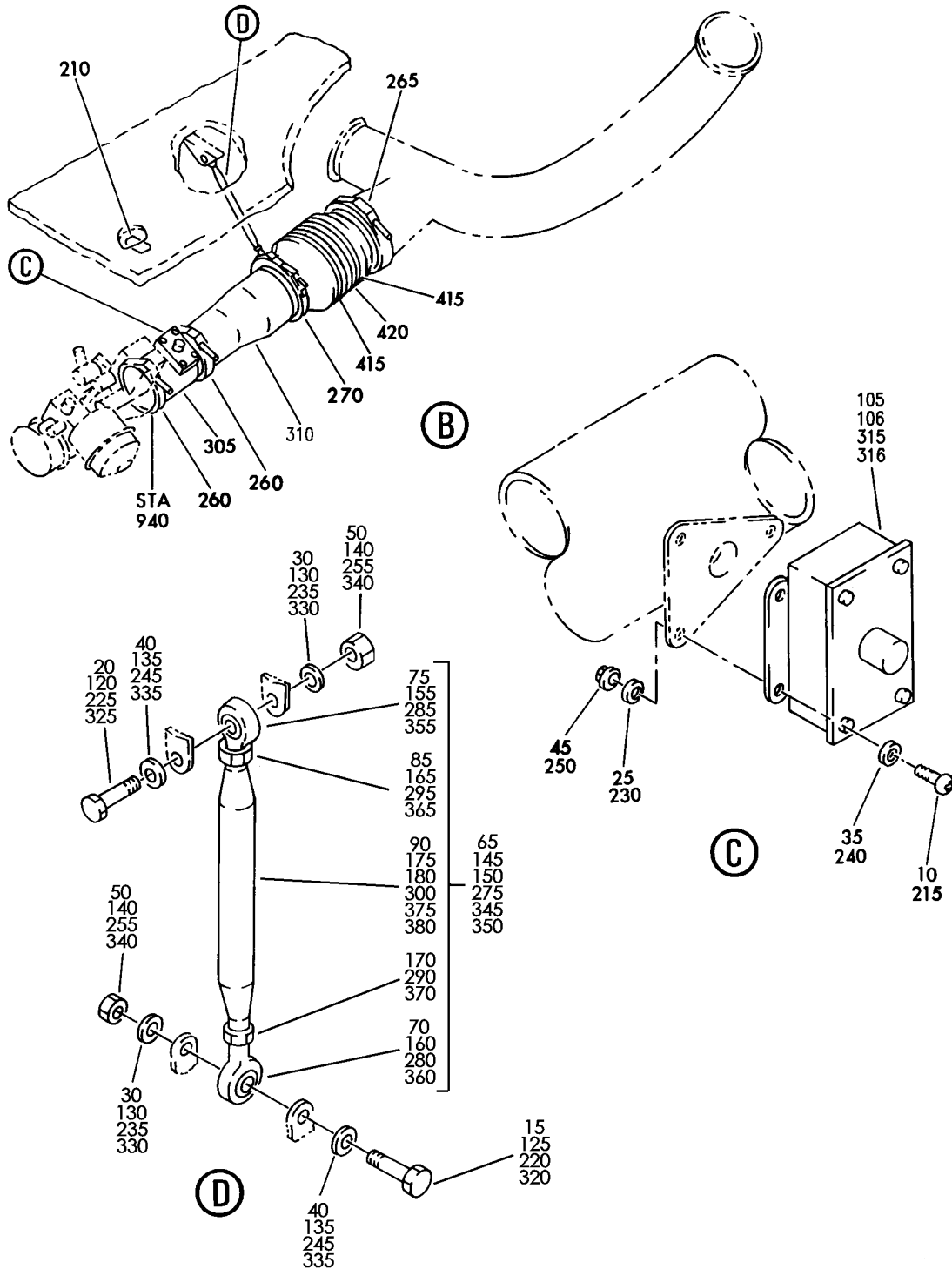
DUCT INSTL-
FIGURE 2 (SHEET 1)

21-51-22-02

BRI
MAY 28/07

21-51-22-02
PAGE 0

BOEING
757
PARTS CATALOG (MAINTENANCE)



Y 21512202 SH1 2 REV 298

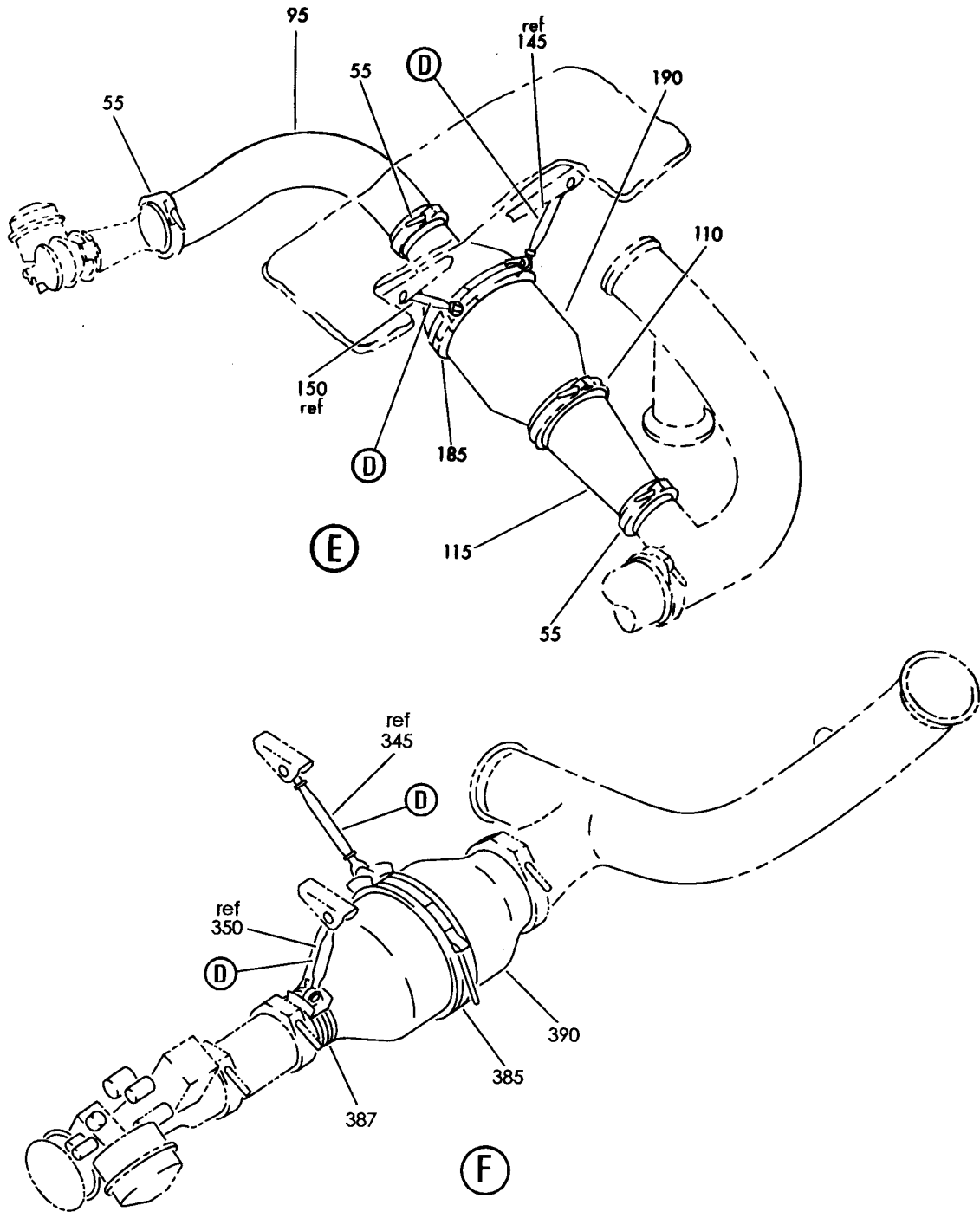
DUCT INSTL-
FIGURE 2 (SHEET 2)

21-51-22-02

BRI
MAY 28/07

21-51-22-02
PAGE 0A

BOEING
757
PARTS CATALOG (MAINTENANCE)



Y 21512202 SHT 3 REV 194

DUCT INSTL-
FIGURE 2 (SHEET 3)

21-51-22-02

BRI
MAY 28/07

21-51-22-02
PAGE 0B



757

PARTS CATALOG (MAINTENANCE)

| FIG ITEM | PART NUMBER | 1 2 3 4 5 6 7 | NOMENCLATURE | EFFECT FROM TO | UNITS PER ASSY |
|-------------|------------------|---------------|--|--|----------------|
| 2 | | | DUCT INSTL- | 008106 108120 504903 950951 953999 | |
| - 1 | 212N3000-1 | | DUCT INSTL- POSITION DATA: LH FOR NHA SEE: 21-00-00-01 | 008100 950951 953999 | RF |
| | 5 BAC27NEC0102 | | .MARKER | 008100 950951 953999 | 1 |
| | 10 BACB30NT3K2 | | .BOLT | 008100 950951 953999 | 3 |
| | 15 BACB30NR4HK10 | | .BOLT- OPTIONAL PART: BACB30NR4K10 | 008106 108120 504903 950951 953999 | 1 |
| | 15 BACB30NR4K10 | | .BOLT- OPTIONAL PART: BACB30NR4HK10 | 101106 108120 504903 | 1 |
| | 20 BACB30NR4HK13 | | .BOLT- OPTIONAL PART: BACB30NR4K13 | 008106 108120 504903 950951 953999 | 1 |
| | 20 BACB30NR4K13 | | .BOLT- OPTIONAL PART: BACB30NR4HK13 | 101106 108120 504903 | 1 |
| R R R | 25 AN960C10L | | .WASHER | 008100 950951 953999 | 3 |
| | 30 AN960C416 | | .WASHER- | 008100 950951 953999 | 2 |
| R R R | 30 NAS1149C0463R | | .WASHER | 101106 108120 504903 | 2 |
| | 35 BACW10BP3ACU | | .WASHER | 008106 108120 504903 950951 953999 | 3 |

MISSING ITEM NUMBERS NOT APPLICABLE

- ITEM NOT ILLUSTRATED

21-51-22-02

21-51-22
FIG. 02
PAGE 1
MAY 20/09

BRI



757

PARTS CATALOG (MAINTENANCE)

| FIG ITEM | PART NUMBER | 1 2 3 4 5 6 7 | NOMENCLATURE | EFFECT FROM TO | UNITS PER ASSY |
|----------|-----------------|---------------|--|--|----------------|
| 2 | 40 BACW10BP4ACU | . | WASHER- | 008106 108120 504903 950951 953999 | 2 |
| | 45 PLH53CM | . | NUT SUPPLIER CODE: VF0224 SPECIFICATION NUMBER: BACN10YR3CM OPTIONAL PART: H52732-3CM V15653 | 008106 108120 504903 950951 953999 | 3 |
| | 50 PLH54CM | . | NUT- SUPPLIER CODE: V62554 SPECIFICATION NUMBER: BACN10YR4CM OPTIONAL PART: H52732-4CM V15653 | 008106 108120 504903 950951 953999 | 2 |
| | 55 14J29400 | . | CLAMP- SUPPLIER CODE: V5T400 SPECIFICATION NUMBER: BACC10GY400 OPTIONAL PART: 4385AF400 V94581 PDVC1137400 V14242 NM102701400 V8W928 BACC10GY400E | 008100 950951 953999 | 3 |
| | 55 14J29400E | . | CLAMP- SUPPLIER CODE: V5T400 SPECIFICATION NUMBER: BACC10GY400E OPTIONAL PART: 4385AF400E V94581 PDVC1137400E V14242 NM102701400E V8W928 BACC10GY400 | 008101 103106 108120 504903 950951 953999 | 3 |

MISSING ITEM NUMBERS NOT APPLICABLE

- ITEM NOT ILLUSTRATED

21-51-22-02

21-51-22
FIG. 02
PAGE 2
JAN 20/09

BRI

BOEING
757
PARTS CATALOG (MAINTENANCE)

| FIG ITEM | PART NUMBER | 1 2 3 4 5 6 7 | NOMENCLATURE | EFFECT FROM TO | UNITS PER ASSY |
|----------|-------------|---------------|--|--|----------------|
| 2 | 60 | 3015AE00FA | .CLAMP- SUPPLIER CODE: V94581 SPECIFICATION NUMBER: BACC10HNO0FA OPTIONAL PART: 65790A00FA V00624 | 008106 108120 504903 950951 953999 | 1 |
| | 65 | 212N3130-7 | .ROD ASSY- | 008106 108120 504903 950951 953999 | 1 |
| | 70 | M81935-1-4L | ..BEARING | 008106 108120 504903 950951 953999 | 1 |
| | 75 | M81935-1-4 | ..BEARING | 008106 108120 504903 950951 953999 | 1 |
| | 80 | NAS509L5 | ..NUT | 008106 108120 504903 950951 953999 | 1 |
| | 85 | NAS509-5 | ..NUT | 008106 108120 504903 950951 953999 | 1 |
| | 90 | 212N3131-5 | ..TUBE | 008106 108120 504903 950951 953999 | 1 |
| | 95 | 212N3091-5 | .DUCT ASSY | 101106 108120 504903 | 1 |
| | 95 | 212N3091-4 | .DUCT ASSY | 008100 950951 953999 | 1 |
| | 100 | 212N3093-1 | .DUCT ASSY- | 008106 108120 504903 950951 953999 | 1 |

MISSING ITEM NUMBERS NOT APPLICABLE

— ITEM NOT ILLUSTRATED

R
R
R
R
R

BRI

21-51-22-02

BOEING PROPRIETARY - Copyright © - Unpublished Work - See title page for details.

21-51-22
FIG. 02
PAGE 3
MAY 20/09



757

PARTS CATALOG (MAINTENANCE)

| FIG ITEM | PART NUMBER | 1 2 3 4 5 6 7 | NOMENCLATURE | EFFECT FROM TO | UNITS PER ASSY |
|-------------|---------------|---------------|--|--|----------------|
| 2 | | | | | |
| 105 | 11198-4 | | .SENSOR- SUPPLIER CODE: V07148 | 008100 950951 953999 | 1 |
| 105 | 11198-3 | | .SENSOR ASSY- SUPPLIER CODE: V07148 | 008100 950951 953999 | 1 |
| - 205 | 212N3000-2 | | DUCT INSTL- POSITION DATA: RH FOR NHA SEE: 21-00-00-01 | 008100 950951 953999 | RF |
| - 205 | 212N3000-6 | | DUCT INSTL- POSITION DATA: RH | 101106 108120 504903 | RF |
| 210 | BAC27NEC0103 | | .MARKER | 008100 950951 953999 | 1 |
| 215 | BACB30NT3K2 | | .BOLT | 008100 950951 953999 | 3 |
| 220 | BACB30NR4HK10 | | .BOLT- OPTIONAL PART: BACB30NR4K10 | 008106 108120 504903 950951 953999 | 1 |
| 220 | BACB30NR4K10 | | .BOLT- OPTIONAL PART: BACB30NR4HK10 | 101106 108120 504903 | 1 |
| 225 | BACB30NR4HK13 | | .BOLT- OPTIONAL PART: BACB30NR4K13 | 008106 108120 504903 950951 953999 | 1 |
| 225 | BACB30NR4K13 | | .BOLT- OPTIONAL PART: BACB30NR4HK13 | 101106 108120 504903 | 1 |
| R R R | 230 | AN960C10L | .WASHER | 008100 950951 953999 | 3 |
| | 235 | AN960C416 | .WASHER- | 008100 950951 953999 | 2 |
| R R R | 235 | NAS1149C0463R | .WASHER | 101106 108120 504903 | 2 |

MISSING ITEM NUMBERS NOT APPLICABLE

- ITEM NOT ILLUSTRATED

21-51-22-02

21-51-22
FIG. 02
PAGE 4
MAY 20/09

BRI



757

PARTS CATALOG (MAINTENANCE)

| FIG ITEM | PART NUMBER | 1 2 3 4 5 6 7 | NOMENCLATURE | EFFECT FROM TO | UNITS PER ASSY |
|----------|-------------|---------------|--|--|----------------|
| 2 | 240 | BACW10BP3ACU | .WASHER | 008106 108120 504903 950951 953999 | 3 |
| | 245 | BACW10BP4ACU | .WASHER- | 008106 108120 504903 950951 953999 | 2 |
| | 250 | PLH53CM | .NUT SUPPLIER CODE: VF0224 SPECIFICATION NUMBER: BACN10YR3CM OPTIONAL PART: H52732-3CM V15653 | 008106 108120 504903 950951 953999 | 3 |
| | 255 | PLH54CM | .NUT- SUPPLIER CODE: V62554 SPECIFICATION NUMBER: BACN10YR4CM OPTIONAL PART: H52732-4CM V15653 | 008106 108120 504903 950951 953999 | 2 |
| | 260 | 14J29400 | .CLAMP- SUPPLIER CODE: V5T400 SPECIFICATION NUMBER: BACC10GY400 OPTIONAL PART: 4385AF400 V94581 PDVC1137400 V14242 NM102701400 V8W928 BACC10GY400E | 008100 950951 953999 | 2 |

MISSING ITEM NUMBERS NOT APPLICABLE

- ITEM NOT ILLUSTRATED

BRI

21-51-22-02

21-51-22
FIG. 02
PAGE 5
JAN 20/09



757

PARTS CATALOG (MAINTENANCE)

| FIG ITEM | PART NUMBER | 1 2 3 4 5 6 7 | NOMENCLATURE | EFFECT FROM TO | UNITS PER ASSY |
|----------|-------------|---------------|---|--|----------------|
| 2 260 | 14J29400E | | .CLAMP- SUPPLIER CODE: V5T400 SPECIFICATION NUMBER: BACC10GY400E OPTIONAL PART: 4385AF400E V94581 PDVC1137400E V14242 NM102701400E V8W928 BACC10GY400 | 008101 103106 108120 504903 950951 953999 | 2 |
| 265 | 14J29600 | | .CLAMP- SUPPLIER CODE: V5T400 SPECIFICATION NUMBER: BACC10GY600 OPTIONAL PART: 4385AF600 V94581 PDVC1137600 V14242 NM102701600 V8W928 BACC10GY600 | 008100 950951 953999 | 1 |
| 265 | 14J29600E | | .CLAMP- SUPPLIER CODE: V5T400 SPECIFICATION NUMBER: BACC10GY600E OPTIONAL PART: 4385AF600E V94581 PDVC1137600E V14242 NM102701600E V8W928 BACC10GY600 | 008101 103106 108120 504903 950951 953999 | 1 |
| 270 | 3015AE00GA | | .CLAMP- SUPPLIER CODE: V94581 SPECIFICATION NUMBER: BACC10HNO0GA OPTIONAL PART: 65790A00GA V00624 | 008106 108120 504903 950951 953999 | 1 |

MISSING ITEM NUMBERS NOT APPLICABLE

- ITEM NOT ILLUSTRATED

21-51-22-02

21-51-22
FIG. 02
PAGE 6
JAN 20/09

BRI

 **BOEING**
757
PARTS CATALOG (MAINTENANCE)

| FIG ITEM | PART NUMBER | 1 2 3 4 5 6 7 | NOMENCLATURE | EFFECT FROM TO | UNITS PER ASSY |
|---------------------------------|-------------|---------------|---|----------------------------|----------------|
| R R R | 275 | 212N3130-8 | .ROD ASSY | 008010 950951 953999 | 1 |
| | 275 | 212N3130-9 | .ROD ASSY- | 011106 108120 504903 | 1 |
| R R R | 280 | M81935-1-4L | ..BEARING | 008010 950951 953999 | 1 |
| | 280 | KBDEL4-43 | ..BEARING- SUPPLIER CODE: V97613 SPECIFICATION NUMBER: 10-60779-174L OPTIONAL PART: DREMLH4-279 V81376 MSSKLR45-14BAJ V73134 NHNEL4-212 V15860 REMSL8ATC10-5 V21335 YTM124ML V77896 167131 V09455 ARTL4E135 VS0352 | 011106 108120 504903 | 1 |
| R R R | 285 | M81935-1-4 | ..BEARING | 008010 950951 953999 | 1 |
| | 285 | HB4ETL186 | ..BEARING- SUPPLIER CODE: V02758 SPECIFICATION NUMBER: 10-60779-174 OPTIONAL PART: ASMK4T21 V56644 | 011106 108120 504903 | 1 |
| R R R R R R R | 285 | ASMK4T21 | ..BEARING- SUPPLIER CODE: V56644 SPECIFICATION NUMBER: 10-60779-174 OPTIONAL PART: HB4ETL186 V02758 | 011106 108120 504903 | 1 |

MISSING ITEM NUMBERS NOT APPLICABLE

- ITEM NOT ILLUSTRATED

BRI

21-51-22-02

BOEING PROPRIETARY - Copyright © - Unpublished Work - See title page for details.

21-51-22
FIG. 02
PAGE 7
MAY 20/09

 **BOEING**
757
PARTS CATALOG (MAINTENANCE)

| FIG ITEM | PART NUMBER | 1 2 3 4 5 6 7 | NOMENCLATURE | EFFECT FROM TO | UNITS PER ASSY |
|---|-------------|---------------|---|--|----------------|
| R R R R R R R R R R R R R R R R R R R | 290 | NAS509L5 | ..NUT | 008010 950951 953999 | 1 |
| | 290 | NAS1423-5LH | ..NUT | 011106 108120 504903 | 1 |
| | 295 | NAS509-5 | ..NUT | 008010 950951 953999 | 1 |
| | 295 | NAS1423-5 | ..NUT | 011106 108120 504903 | 1 |
| | 300 | 212N3131-4 | ..TUBE | 008010 950951 953999 | 1 |
| | 300 | 212N3131-6 | ..TUBE | 011106 108120 504903 | 1 |
| | 305 | 212N3092-1 | .DUCT ASSY | 008100 950951 953999 | 1 |
| | 305 | 212N3092-4 | .DUCT ASSY | 101106 108120 504903 | 1 |
| | 310 | 212N3094-1 | .DUCT ASSY- OPTIONAL PART: 212N3094-5 212N3094-8 | 008106 108120 504903 950951 953999 | 1 |
| | 310 | 212N3094-5 | .DUCT ASSY- OPTIONAL PART: 212N3094-1 | 008106 108120 504903 950951 953999 | 1 |
| | 310 | 212N3094-8 | .DUCT ASSY- OPTIONAL PART: 212N3094-1 | 008106 108120 504903 950951 953999 | 1 |
| | 315 | 11198-3 | .SENSOR ASSY- SUPPLIER CODE: V07148 | 008100 950951 953999 | 1 |
| | 315 | 11198-4 | .SENSOR- SUPPLIER CODE: V07148 | 008100 950951 953999 | 1 |

MISSING ITEM NUMBERS NOT APPLICABLE

— ITEM NOT ILLUSTRATED

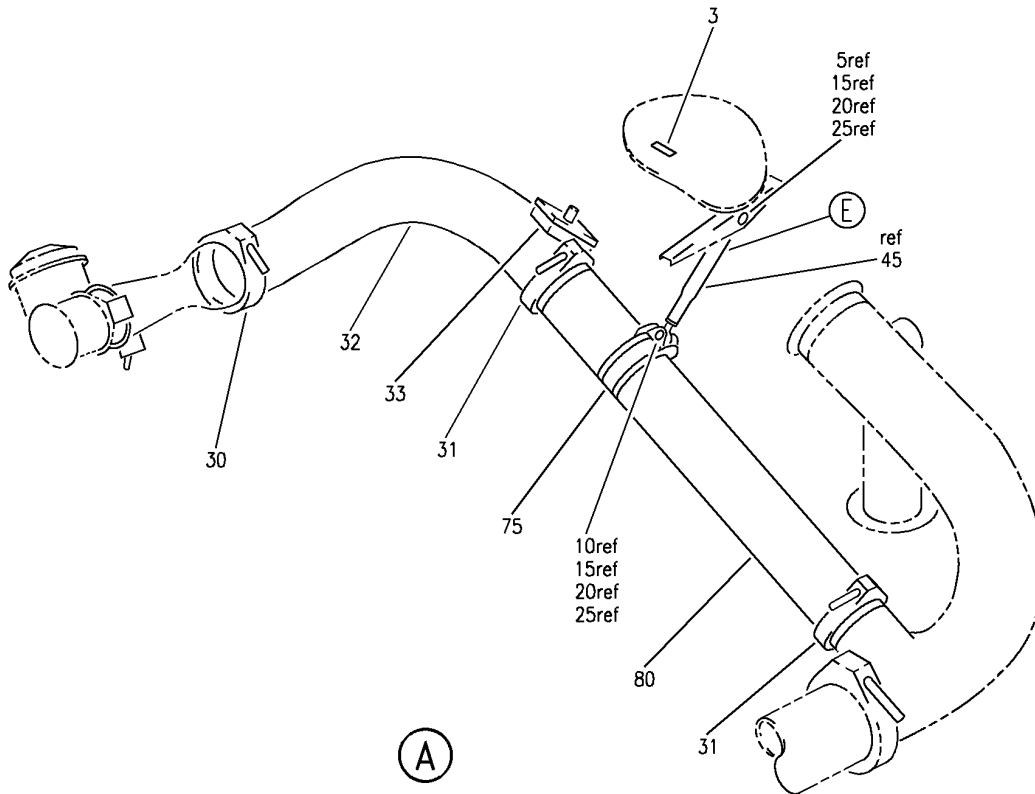
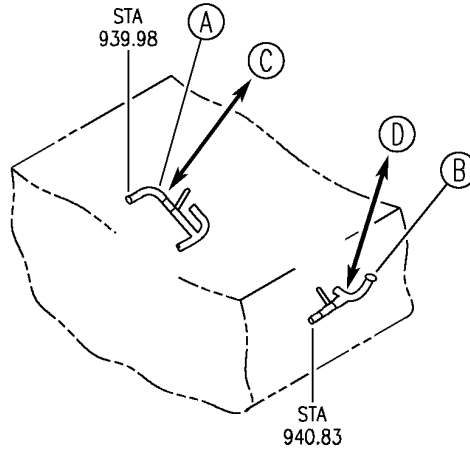
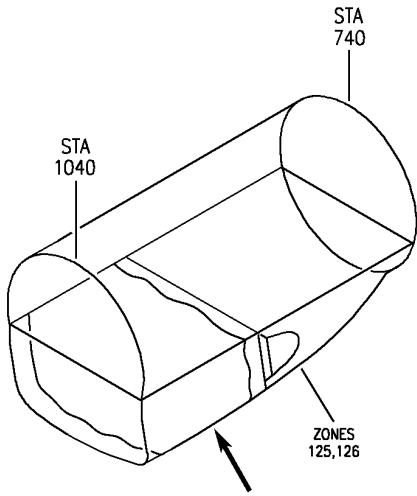
BRI

21-51-22-02

BOEING PROPRIETARY - Copyright © - Unpublished Work - See title page for details.

21-51-22
FIG. 02
PAGE 8
MAY 20/09

BOEING
757
PARTS CATALOG (MAINTENANCE)



Y 21512202A SHT 1 REV 290

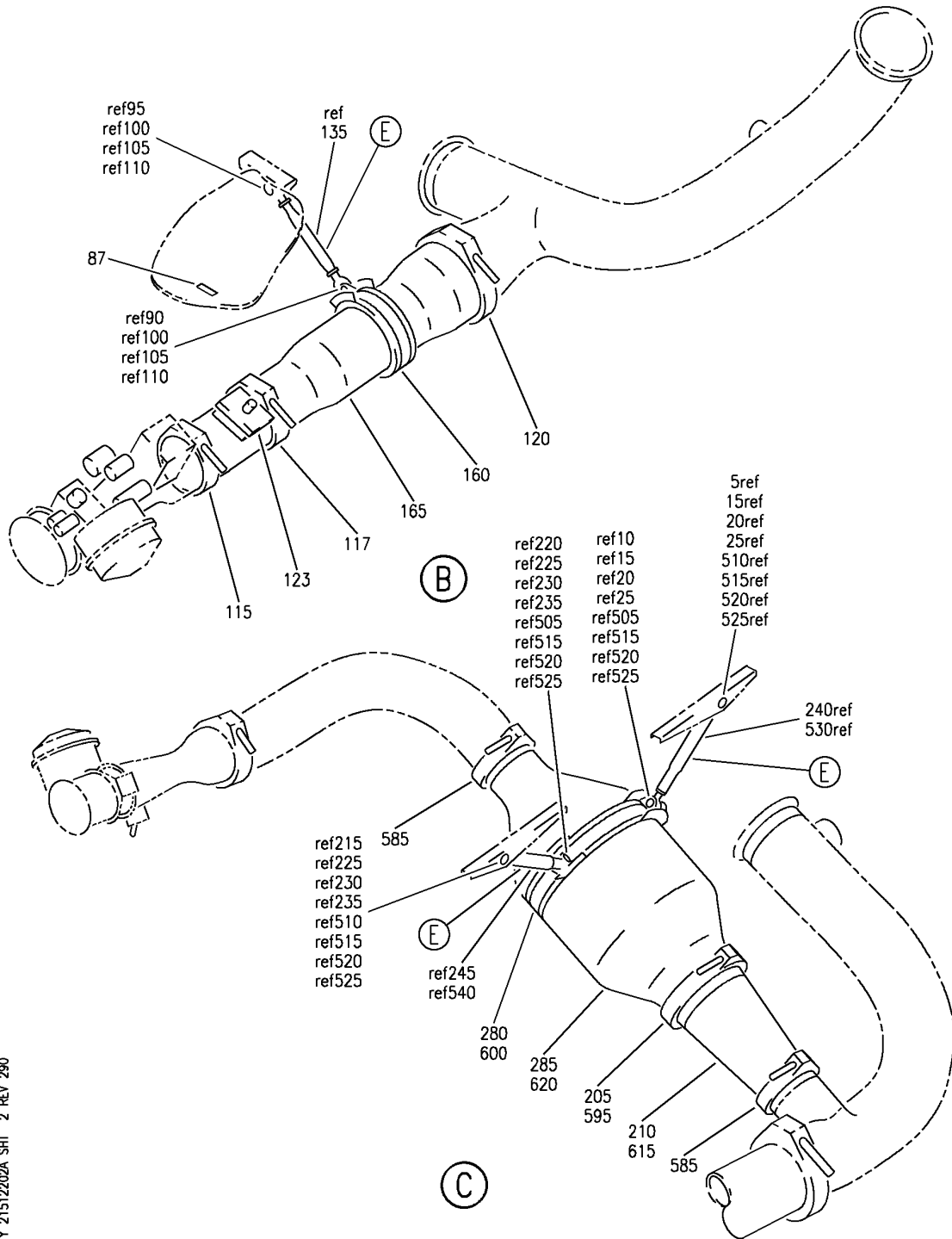
CONVERTER AND DUCT INSTL-A/C PACK SUPPLY, OZONE
FIGURE 2A (SHEET 1)

21-51-22-02A

BRI
MAY 28/07

21-51-22-02A
PAGE 0

BOEING
757
PARTS CATALOG (MAINTENANCE)



Y 21-51-22-02A SH1 2 REV 290

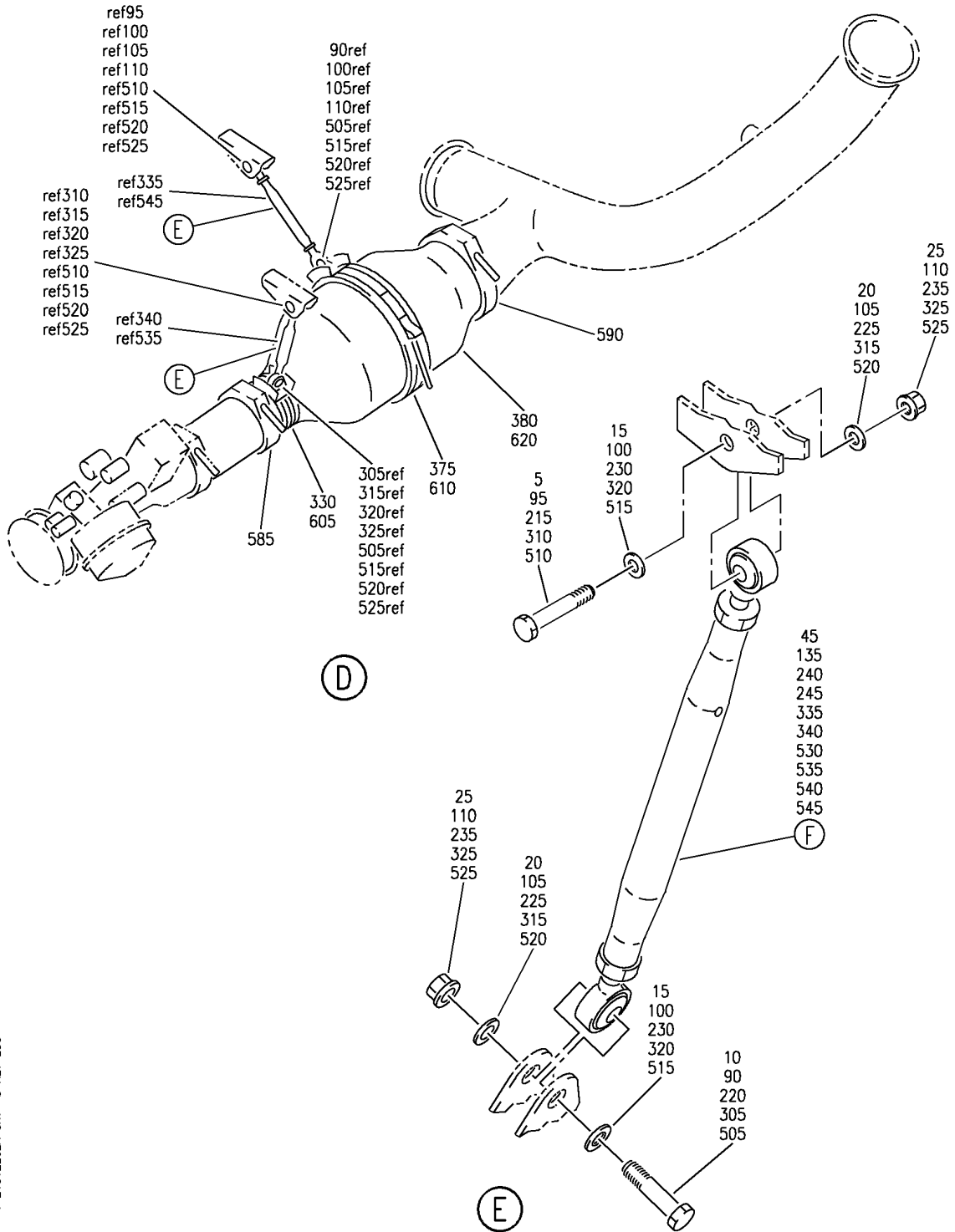
CONVERTER AND DUCT INSTL-A/C PACK SUPPLY, OZONE
FIGURE 2A (SHEET 2)

21-51-22-02A

BRI
MAY 28/07

21-51-22-02A
PAGE 0A


BOEING
 757
PARTS CATALOG (MAINTENANCE)



Y 21512202A SH1 3 REV 290

CONVERTER AND DUCT INSTL-A/C PACK SUPPLY, OZONE
 FIGURE 2A (SHEET 3)

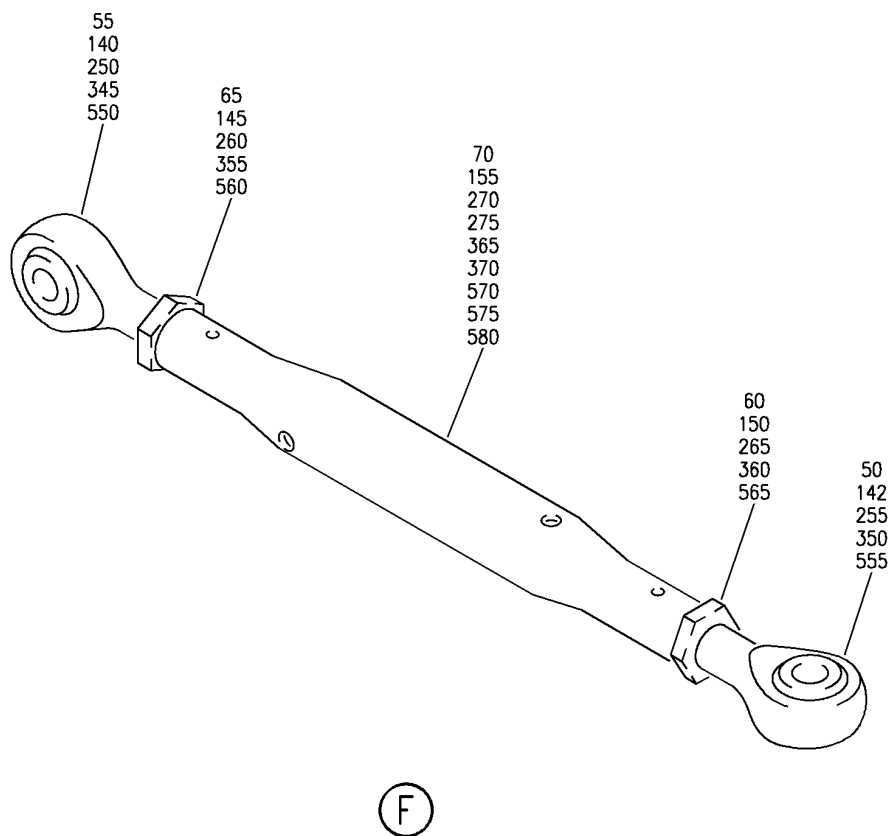
21-51-22-02A

BRI
MAY 28/07

21-51-22-02A
 PAGE 0B

BOEING PROPRIETARY - Copyright © - Unpublished Work - See title page for details.

BOEING
757
PARTS CATALOG (MAINTENANCE)



Y 21-51-22-02A SHT 4 REV 290

CONVERTER AND DUCT INSTL-A/C PACK SUPPLY, OZONE
FIGURE 2A (SHEET 4)

21-51-22-02A

BRI
MAY 28/07

21-51-22-02A
PAGE 0C



757

PARTS CATALOG (MAINTENANCE)

| FIG ITEM | PART NUMBER | 1 2 3 4 5 6 7 | NOMENCLATURE | EFFECT FROM TO | UNITS PER ASSY |
|----------|---------------|---------------|---|----------------------------|----------------|
| 2A | | | CONVERTER AND DUCT INSTL- A/C PACK SUPPLY, OZONE | 101106 108120 504903 | |
| - 1 | 212N3000-9 | | DUCT INSTL- POSITION DATA: LH FOR NHA SEE: 21-00-00-12 21-00-00-15 | 101102 108120 504903 | RF |
| - 1 | MODREF5881 | | DUCT INSTL- MODULE NUMBER: 212N3000-9 REV A POSITION DATA: LH | 103106 | 1 |
| 5 | BACB30NR4K13 | | .BOLT- OPTIONAL PART: BACB30NR4HK13 | 101106 108120 504903 | 1 |
| 5 | BACB30NR4HK13 | | .BOLT- OPTIONAL PART: BACB30NR4K13 | 101106 108120 504903 | 1 |
| 10 | BACB30NR4K10 | | .BOLT- OPTIONAL PART: BACB30NR4HK10 | 101106 108120 504903 | 1 |
| 10 | BACB30NR4HK10 | | .BOLT- OPTIONAL PART: BACB30NR4K10 | 101106 108120 504903 | 1 |
| 15 | BACW10BP4ACU | | .WASHER- | 101106 108120 504903 | 2 |
| 20 | NAS1149C0463R | | .WASHER- | 101106 108120 504903 | 2 |
| 25 | PLH54CM | | .NUT- SUPPLIER CODE: V62554 SPECIFICATION NUMBER: BACN10YR4CM OPTIONAL PART: H52732-4CM V15653 | 101106 108120 504903 | 2 |

MISSING ITEM NUMBERS NOT APPLICABLE

- ITEM NOT ILLUSTRATED

21-51-22-02A

21-51-22
FIG. 02A
PAGE 1
JAN 20/09

BRI



757

PARTS CATALOG (MAINTENANCE)

| FIG ITEM | PART NUMBER | 1 2 3 4 5 6 7 | NOMENCLATURE | EFFECT FROM TO | UNITS PER ASSY |
|----------|-------------|---------------|---|----------------------------|----------------|
| 2A 30 | 14J29400E | .CLAMP | SUPPLIER CODE: V5T400 SPECIFICATION NUMBER: BACC10GY400E OPTIONAL PART: 4385AF400E V94581 PDVC1137400E V14242 NM102701400E V8W928 | 101106 108120 504903 | 1 |
| 31 | 14J29400E | .CLAMP- | SUPPLIER CODE: V5T400 SPECIFICATION NUMBER: BACC10GY400E OPTIONAL PART: 4385AF400E V94581 PDVC1137400E V14242 NM102701400E V8W928 | 101106 108120 504903 | 2 |
| 32 | 212N3091-5 | .DUCT ASSY | | 101106 108120 504903 | 1 |
| - 40 | 212N3000-13 | DUCT INSTL- | POSITION DATA: LH FOR NHA SEE: 21-00-00-12 21-00-00-15 | 101102 108120 504903 | RF |
| - 40 | MODREF5875 | DUCT INSTL- | MODULE NUMBER: 212N3000-13 REV A POSITION DATA: LH | 103106 | 1 |
| 45 | 212N3130-7 | .ROD ASSY | | 101106 108120 504903 | 1 |
| 50 | M81935-1-4L | ..BEARING | | 101106 108120 504903 | 1 |
| 55 | M81935-1-4 | ..BEARING | | 101106 108120 504903 | 1 |

MISSING ITEM NUMBERS NOT APPLICABLE

- ITEM NOT ILLUSTRATED

21-51-22-02A

21-51-22
FIG. 02A
PAGE 2
JAN 20/09

BRI

 **BOEING**
757
PARTS CATALOG (MAINTENANCE)

| FIG ITEM | PART NUMBER | 1 2 3 4 5 6 7 | NOMENCLATURE | EFFECT FROM TO | UNITS PER ASSY |
|----------|---------------|---------------|---|----------------------------|----------------|
| 2A | | | | | |
| 60 | NAS509L5 | .. | NUT | 101106 108120 504903 | 1 |
| 65 | NAS509-5 | .. | NUT | 101106 108120 504903 | 1 |
| 70 | 212N3131-5 | .. | TUBE- TUBING MATERIAL: .625 IN. OD X .065 IN. WALL X 7.54 IN. LG 2024-0 ALUMINUM SEAMLESS TUBING PER WW-T-700/3 | 101106 108120 504903 | 1 |
| 75 | 3015AE00FA | .CLAMP | SUPPLIER CODE: V94581 SPECIFICATION NUMBER: BACC10HNO0FA OPTIONAL PART: 65790A00FA V00624 | 101106 108120 504903 | 1 |
| 80 | 212N3093-1 | .DUCT ASSY | | 101106 108120 504903 | 1 |
| - 85 | 212N3000-10 | DUCT INSTL- | POSITION DATA: RH FOR NHA SEE: 21-00-00-12 21-00-00-15 | 101102 108120 504903 | RF |
| - 85 | MODREF5872 | DUCT INSTL- | MODULE NUMBER: 212N3000-10 REV A POSITION DATA: RH | 103106 | 1 |
| 90 | BACB30NR4HK10 | .BOLT- | OPTIONAL PART: BACB30NR4K10 | 101106 108120 504903 | 1 |
| 90 | BACB30NR4K10 | .BOLT- | OPTIONAL PART: BACB30NR4HK10 | 101106 108120 504903 | 1 |
| 95 | BACB30NR4K13 | .BOLT- | OPTIONAL PART: BACB30NR4HK13 | 101106 108120 504903 | 1 |
| 95 | BACB30NR4HK13 | .BOLT- | OPTIONAL PART: BACB30NR4K13 | 101106 108120 504903 | 1 |

MISSING ITEM NUMBERS NOT APPLICABLE

- ITEM NOT ILLUSTRATED

BRI

21-51-22-02A

BOEING PROPRIETARY - Copyright © - Unpublished Work - See title page for details.

21-51-22
FIG. 02A
PAGE 3
JAN 20/09



757

PARTS CATALOG (MAINTENANCE)

| FIG ITEM | PART NUMBER | 1 2 3 4 5 6 7 | NOMENCLATURE | EFFECT FROM TO | UNITS PER ASSY |
|-----------|---------------|---------------|---|----------------------------|----------------|
| 2A 100 | BACW10BP4ACU | . | WASHER- | 101106 108120 504903 | 2 |
| 105 | NAS1149C0463R | . | WASHER- | 101106 108120 504903 | 2 |
| 110 | PLH54CM | . | NUT- SUPPLIER CODE: V62554 SPECIFICATION NUMBER: BACN10YR4CM OPTIONAL PART: H52732-4CM V15653 | 101106 108120 504903 | 2 |
| 115 | 14J29400E | . | CLAMP SUPPLIER CODE: V5T400 SPECIFICATION NUMBER: BACC10GY400E OPTIONAL PART: 4385AF400E V94581 PDVC1137400E V14242 NM102701400E V8W928 | 101106 108120 504903 | 1 |
| 117 | 14J29400E | . | CLAMP- SUPPLIER CODE: V5T400 SPECIFICATION NUMBER: BACC10GY400E OPTIONAL PART: 4385AF400E V94581 PDVC1137400E V14242 NM102701400E V8W928 | 101106 108120 504903 | 1 |

MISSING ITEM NUMBERS NOT APPLICABLE

- ITEM NOT ILLUSTRATED

BRI

21-51-22-02A

BOEING PROPRIETARY - Copyright © - Unpublished Work - See title page for details.

21-51-22
FIG. 02A
PAGE 4
JAN 20/09

BOEING
757
PARTS CATALOG (MAINTENANCE)

| FIG ITEM | PART NUMBER | 1 2 3 4 5 6 7 | NOMENCLATURE | EFFECT FROM TO | UNITS PER ASSY |
|---------------------------------|-------------|---------------|--|----------------------------|----------------|
| 2A 120 | 14J29600E | | .CLAMP- SUPPLIER CODE: V5T400 SPECIFICATION NUMBER: BACC10GY600E OPTIONAL PART: 4385AF600E V94581 PDVC1137600E V14242 NM102701600E V8W928 | 101106 108120 504903 | 1 |
| R R R | 122 | 212N3092-4 | .DUCT ASSY | 101106 108120 504903 | 1 |
| - | 130 | 212N3000-14 | DUCT INSTL- POSITION DATA: RH FOR NHA SEE: 21-00-00-12 21-00-00-15 | 101102 108120 504903 | RF |
| - | 130 | MODREF5876 | DUCT INSTL- MODULE NUMBER: 212N3000-14 REV A POSITION DATA: RH | 103106 | 1 |
| R R R | 135 | 212N3130-9 | .ROD ASSY | 101106 108120 504903 | 1 |
| | 140 | HB4ETL186 | ..BEARING- SUPPLIER CODE: V02758 SPECIFICATION NUMBER: 10-60779-174 OPTIONAL PART: ASMK4T21 V56644 | 101106 108120 504903 | 1 |
| R R R R R R R | 140 | ASMK4T21 | ..BEARING- SUPPLIER CODE: V56644 SPECIFICATION NUMBER: 10-60779-174 OPTIONAL PART: HB4ETL186 V02758 | 101106 108120 504903 | 1 |

MISSING ITEM NUMBERS NOT APPLICABLE

- ITEM NOT ILLUSTRATED

BRI

21-51-22-02A

BOEING PROPRIETARY - Copyright © - Unpublished Work - See title page for details.

21-51-22
FIG. 02A
PAGE 5
MAY 20/09



757

PARTS CATALOG (MAINTENANCE)

| FIG ITEM | PART NUMBER | 1 2 3 4 5 6 7 | NOMENCLATURE | EFFECT FROM TO | UNITS PER ASSY |
|-----------|-------------|---------------|--|----------------------------|----------------|
| 2A 142 | KBDEL4-43 | | .. BEARING- SUPPLIER CODE: V97613 SPECIFICATION NUMBER: 10-60779-174L OPTIONAL PART: 167131 V09455 YTM124ML V77896 DREMLH4-279 V81376 REMSL8ATC10-5 V21335 NHNEL4-212 V15860 MSSKLR45-14BAJ V73134 ARTL4E135 VS0352 | 101106 108120 504903 | 1 |
| 145 | NAS1423-5 | | .. NUT | 101106 108120 504903 | 1 |
| 150 | NAS1423-5LH | | .. NUT | 101106 108120 504903 | 1 |
| 155 | 212N3131-6 | | .. TUBE- TUBING MATERIAL: .625 IN. OD X .065 IN. WALL X 7.04 IN. LG 2024-0 ALUMINUM SEAMLESS TUBING PER WW-T-700/3. | 101106 108120 504903 | 1 |
| 160 | 3015AE00GA | | . CLAMP SUPPLIER CODE: V94581 SPECIFICATION NUMBER: BACC10HNO0GA OPTIONAL PART: 65790A00GA V00624 | 101106 108120 504903 | 1 |
| 165 | 212N3094-1 | | . DUCT ASSY- OPTIONAL PART: 212N3094-5 212N3094-8 | 101106 108120 504903 | 1 |
| 165 | 212N3094-5 | | . DUCT ASSY- OPTIONAL PART: 212N3094-8 212N3094-1 | 101106 108120 504903 | 1 |

MISSING ITEM NUMBERS NOT APPLICABLE

- ITEM NOT ILLUSTRATED

21-51-22-02A

21-51-22
FIG. 02A
PAGE 6
JAN 20/09

BRI

BOEING PROPRIETARY - Copyright © - Unpublished Work - See title page for details.



757

PARTS CATALOG (MAINTENANCE)

| FIG ITEM | PART NUMBER | 1 2 3 4 5 6 7 | NOMENCLATURE | EFFECT FROM TO | UNITS PER ASSY |
|-------------|-------------|---------------|---|----------------------------|----------------------|
| 2A 165 | 212N3094-8 | | .DUCT ASSY- OPTIONAL PART: 212N3094-1 212N3094-5 | 101106 108120 504903 | 1 |

MISSING ITEM NUMBERS NOT APPLICABLE

- ITEM NOT ILLUSTRATED

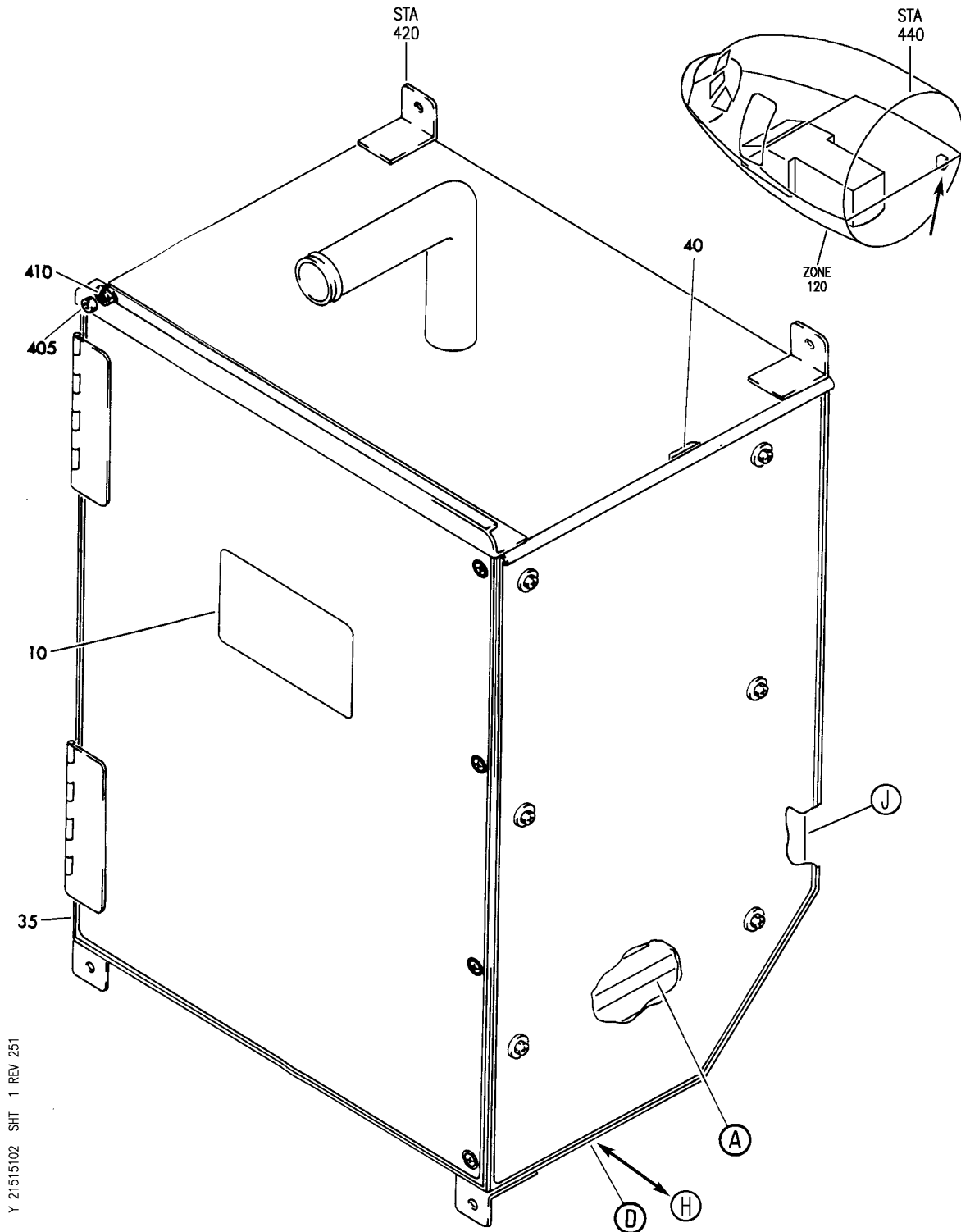
BRI

21-51-22-02A

BOEING PROPRIETARY - Copyright © - Unpublished Work - See title page for details.

21-51-22
FIG. 02A
PAGE 7
JAN 20/09

BOEING
757
PARTS CATALOG (MAINTENANCE)



Y 21515102 SHT 1 REV 251

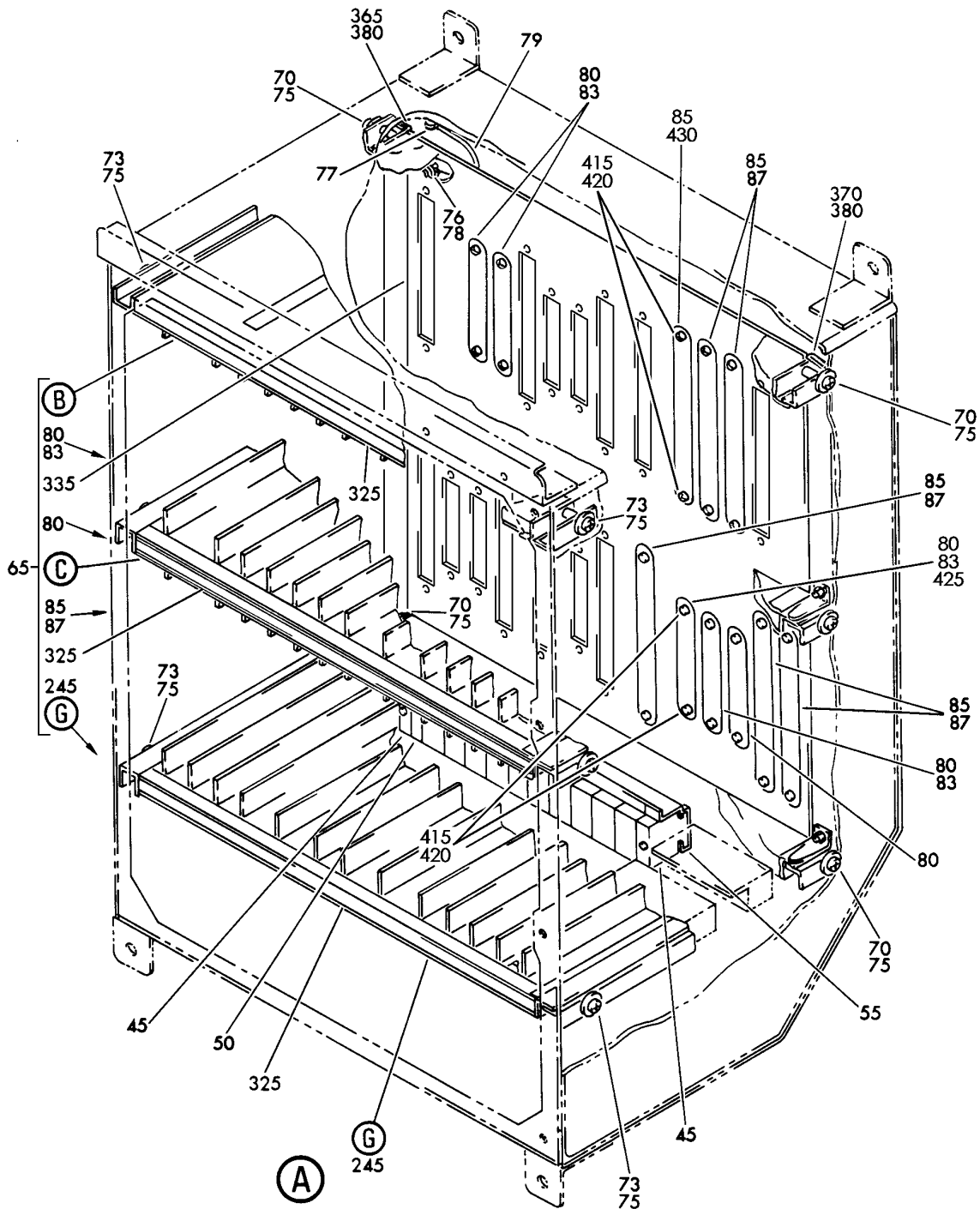
FILE ASSY-ELECTRICAL SYS P50 CARD (AIR CONDITIONING ONLY)
FIGURE 2 (SHEET 1)

21-51-51-02

BRI
MAY 28/07

21-51-51-02
PAGE 0

BOEING
757
PARTS CATALOG (MAINTENANCE)



Y 21515102 SHT 2 REV 238

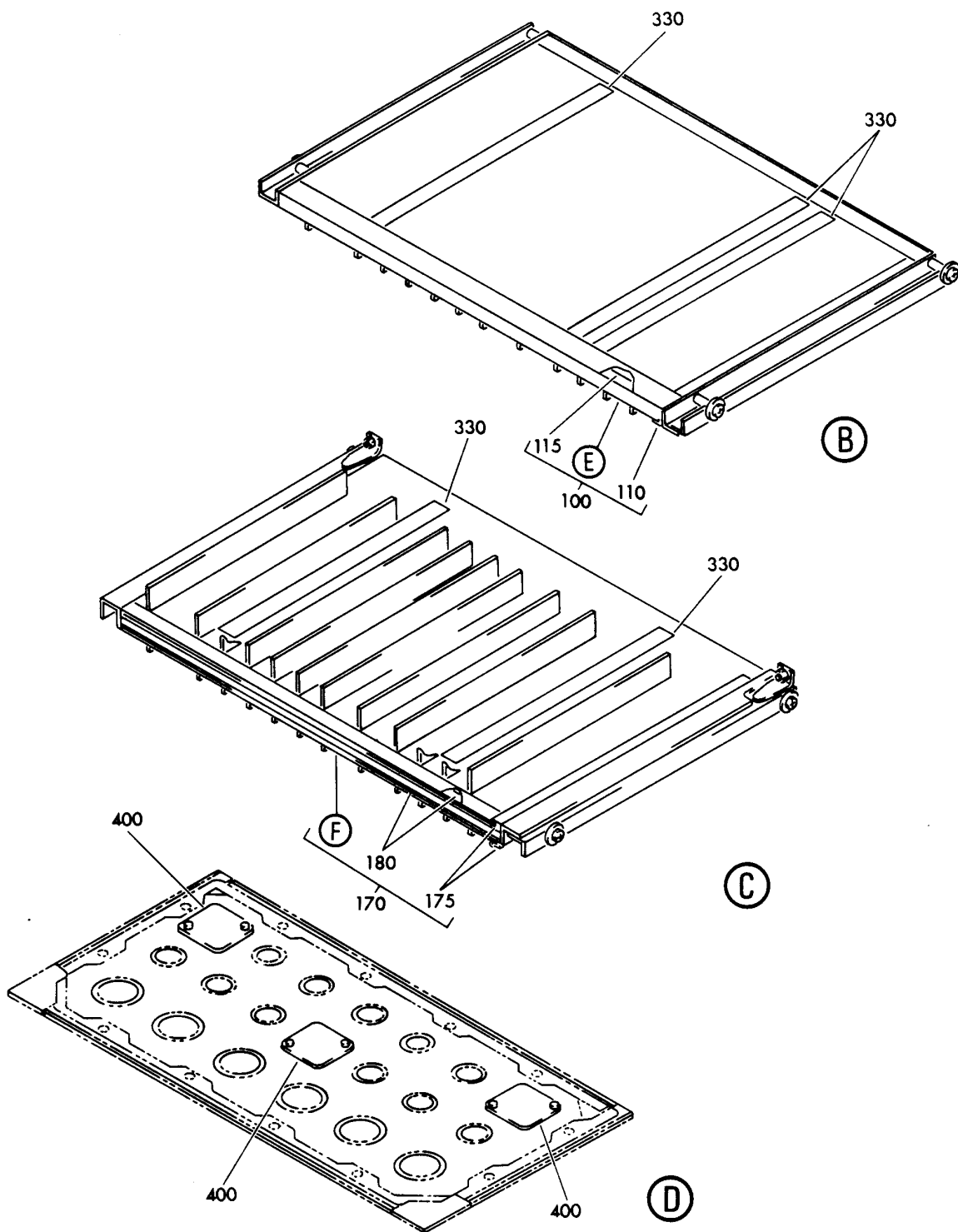
FILE ASSY-ELECTRICAL SYS P50 CARD (AIR CONDITIONING ONLY)
FIGURE 2 (SHEET 2)

21-51-51-02

BRI
MAY 28/07

21-51-51-02
PAGE 0A

BOEING
757
PARTS CATALOG (MAINTENANCE)



Y 21515102 SHT 3 REV 016

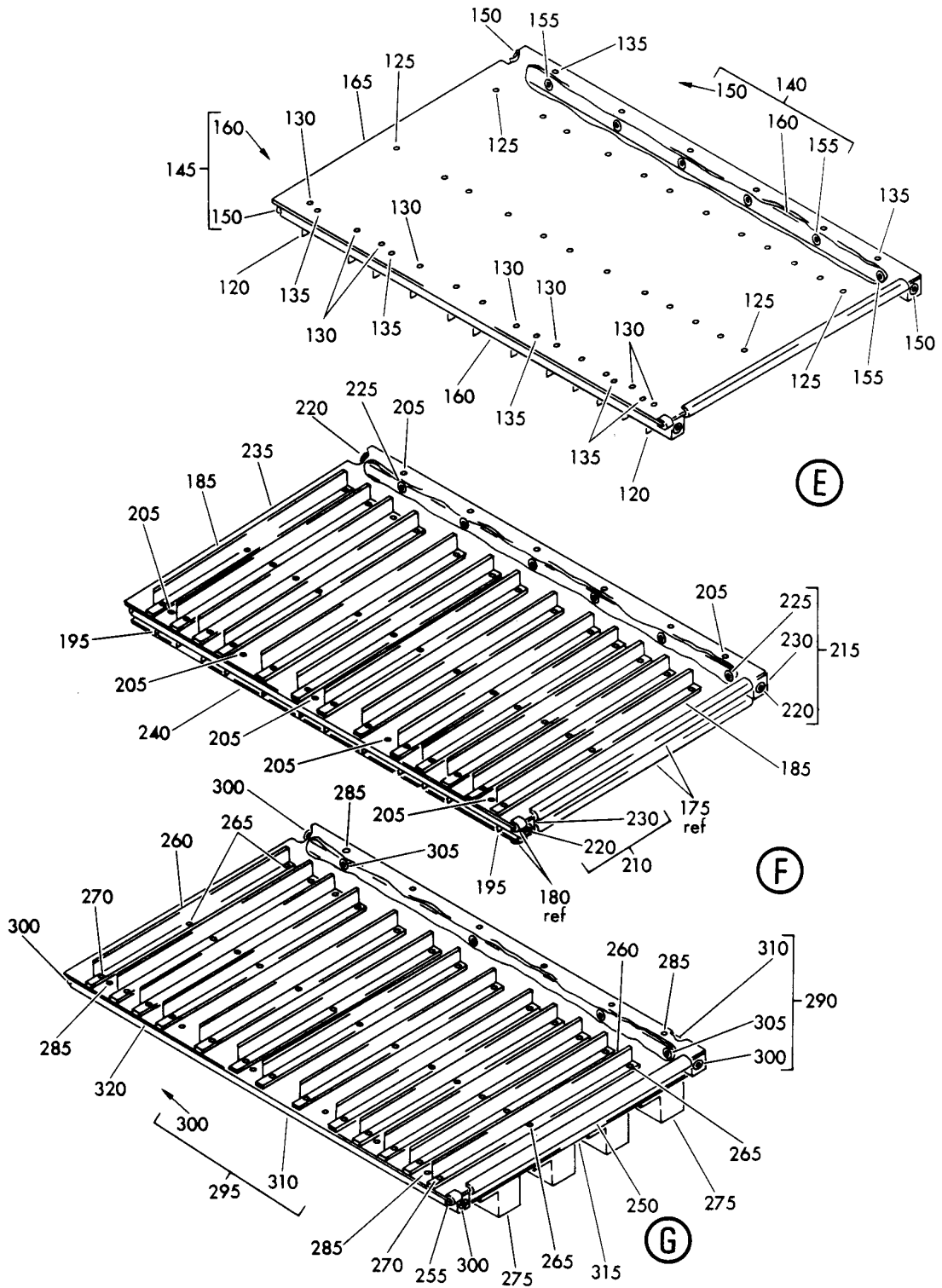
FILE ASSY-ELECTRICAL SYS P50 CARD (AIR CONDITIONING ONLY)
FIGURE 2 (SHEET 3)

21-51-51-02

BRI
MAY 28/07

21-51-51-02
PAGE 0B

BOEING
757
PARTS CATALOG (MAINTENANCE)



Y 21515102 SH1 4 REV 010

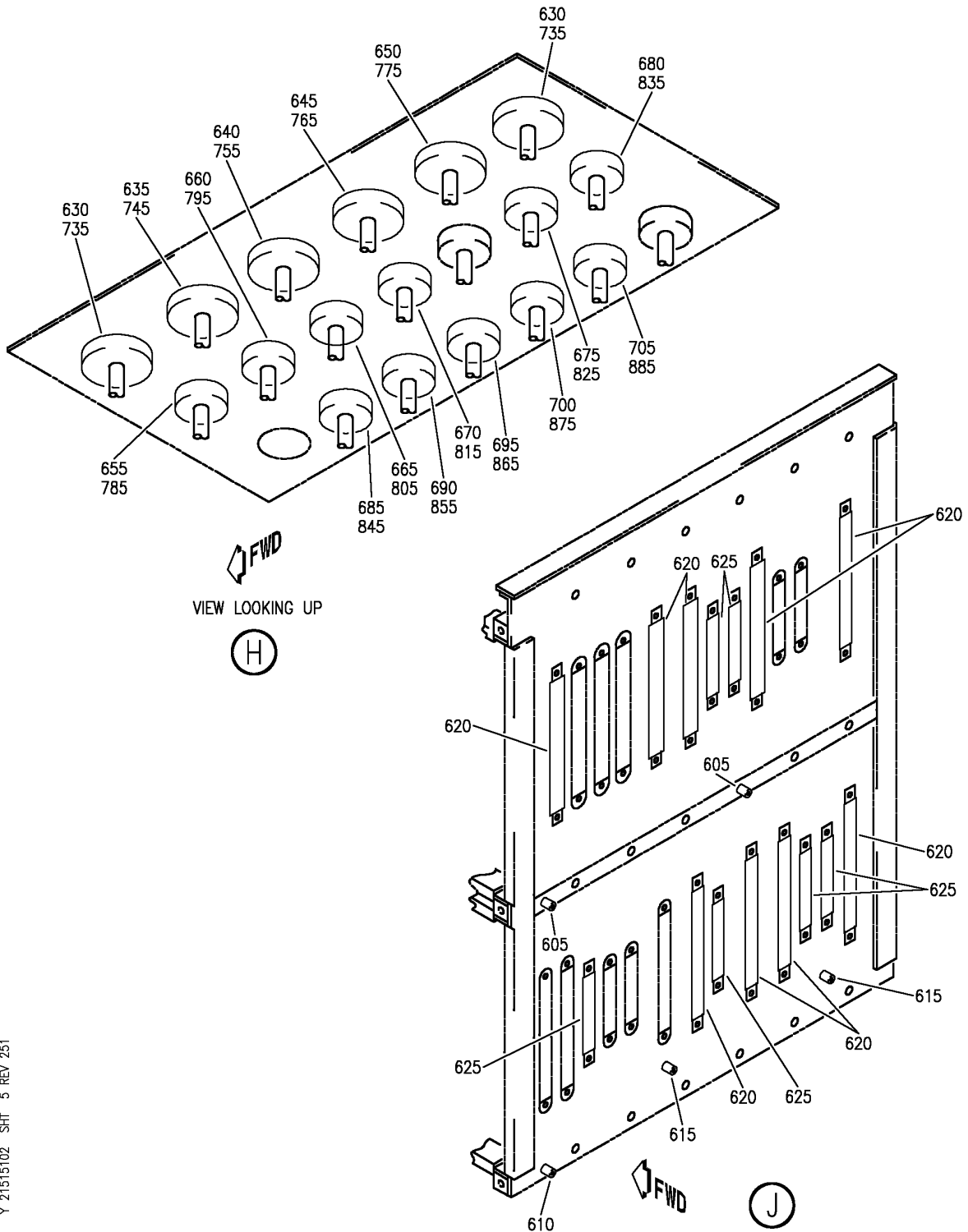
FILE ASSY-ELECTRICAL SYS P50 CARD (AIR CONDITIONING ONLY)
FIGURE 2 (SHEET 4)

21-51-51-02

BRI
MAY 28/07

21-51-51-02
PAGE 0C

BOEING
757
PARTS CATALOG (MAINTENANCE)



Y 21515102 SH1 5 REV 251

FILE ASSY-ELECTRICAL SYS P50 CARD (AIR CONDITIONING ONLY)
FIGURE 2 (SHEET 5)

21-51-51-02

BRI
MAY 28/07

21-51-51-02
PAGE 0D



757

PARTS CATALOG (MAINTENANCE)

| FIG ITEM | PART NUMBER | 1 2 3 4 5 6 7 | NOMENCLATURE | EFFECT FROM TO | UNITS PER ASSY |
|----------|--------------|---------------|--|--|----------------|
| 2 | | | FILE ASSY-ELECTRICAL SYS P50 CARD (AIR CONDITIONING ONLY) | 002004 006101 107107 121503 904999 | |
| - 1 | 285N0032-5 | | FILE ASSY-ELECTRICAL SYS P50 CARD (AIR CONDITIONING ONLY) FOR NHA/OTHER SYS DET SEE: 53-11-63-03 | 107107 121503 904949 | RF |
| - 1 | 285N0032-7 | | FILE ASSY-ELECTRICAL SYS P50 CARD (AIR CONDITIONING ONLY) FOR NHA/OTHER SYS DET SEE: 53-11-63-03 | 002004 006010 950999 | RF |
| - 1 | 285N0032-9 | | FILE ASSY-ELECTRICAL SYS P50 CARD (AIR CONDITIONING ONLY) VARIABLE DRAWING REF: 285N0032-5001 FOR NHA/OTHER SYS DET SEE: 53-11-63-03 | 011100 | RF |
| - 1 | 285N0032-20 | | FILE ASSY-ELECTRICAL SYS P50 CARD (AIR CONDITIONING ONLY) FOR NHA/OTHER SYS DET SEE: 53-11-63-03A | 101101 | RF |
| 10 | BAC27NEX0686 | | .DECAL- PLACARD CONTENT: P50 ELECTRIC SYSTEM CARD FILE PART NO. 285N0032-SERIAL NO. | 107107 121503 904949 | 1 |
| 10 | BAC27NEX2412 | | .DECAL- | 002004 006101 950999 | 1 |
| 35 | 13471000-2 | | .ENCLOSURE ASSY- SUPPLIER CODE: V23296 | 002004 006101 107107 121503 904999 | 1 |
| 40 | 285N0052-2 | | .SEAL | 002004 006101 107107 121503 904999 | 1 |

MISSING ITEM NUMBERS NOT APPLICABLE

- ITEM NOT ILLUSTRATED

21-51-51-02

21-51-51
FIG. 02
PAGE 1
JAN 20/09

BRI



757

PARTS CATALOG (MAINTENANCE)

| FIG ITEM | PART NUMBER | 1 2 3 4 5 6 7 | NOMENCLATURE | EFFECT FROM TO | UNITS PER ASSY |
|----------|---------------|---------------|---|--|----------------|
| 2 | | | | | |
| 45 | H49-2 | | .CLAMP- SUPPLIER CODE: V34941 SPECIFICATION NUMBER: BACC49A2 OPTIONAL PART: MF104-2 V6E102 | 002004 006101 107107 121503 904999 | 2 |
| 50 | H21-1 | | .SPACER SUPPLIER CODE: V34941 SPECIFICATION NUMBER: BACS18AR1 OPTIONAL PART: FAB276A V15805 YHLZ1C2 V09922 | 002004 006101 107107 121503 904999 | 1 |
| 55 | 285N0050-5 | | .TERMINAL ASSY-BLK | 002004 006101 107107 121503 904999 | 1 |
| - 60 | NAS1801-06-10 | | ATTACHING PARTS .SCREW | 002004 006101 107107 121503 904999 | 2 |
| 65 | 285N0032-6 | | -----*----- .GUIDE ASSY-CARD | 002004 006010 107107 121503 904999 | 1 |
| 65 | 285N0032-8 | | .GUIDE ASSY-CARD | 011100 | 1 |
| 65 | 285N0032-31 | | .GUIDE ASSY-CARD | 101101 | 1 |
| 70 | NAS1801-06-18 | | ATTACHING PARTS .SCREW | 002004 006101 107107 121503 904999 | 6 |
| 73 | NAS1801-06-16 | | .SCREW | 002004 006101 107107 121503 904999 | 6 |

MISSING ITEM NUMBERS NOT APPLICABLE

- ITEM NOT ILLUSTRATED

BRI

21-51-51-02

21-51-51
FIG. 02
PAGE 2
JAN 20/09



757

PARTS CATALOG (MAINTENANCE)

| FIG ITEM | PART NUMBER | 1 2 3 4 5 6 7 | NOMENCLATURE | EFFECT FROM TO | UNITS PER ASSY |
|----------|-----------------|---------------|--|--|----------------|
| 2 | 75 BACW10P356AL | . | WASHER | 002004 006101 107107 121503 904999 | 12 |
| | | -----* | | | |
| | 76 VNS1924CA1-8 | .. | STUD- SUPPLIER CODE: V5M902 SPECIFICATION NUMBER: BACS53B1EA1 OPTIONAL PART: VNS1924CA3-1-8 V92215 | 002004 006101 107107 121503 904999 | 1 |
| | 77 AN960PD416 | .. | WASHER- | 002004 006101 107107 121503 904999 | 1 |
| | 77 NAS1149D043J | .. | WASHER-SPLIT LOCK | 101101 | 1 |
| | 78 BRH10A3 | .. | NUT- SUPPLIER CODE: V52828 SPECIFICATION NUMBER: BACN10J3 OPTIONAL PART: H10-3BAC V15653 NS202101-02 V80539 RMLH9075-3W V72962 VN303A02 V92215 96-02 V80539 T6S1032J V11815 | 002004 006101 107107 121503 904999 | 1 |
| | 78 MS21042L3 | .. | NUT- | 101101 | 1 |
| | 79 740A21-4 | .. | JUMPER ASSY- SUPPLIER CODE: V91812 SPECIFICATION NUMBER: BACJ40A21-4 OPTIONAL PART: TJEJ40A21-4 V33483 RBEJ21-4 V1GK47 | 002004 006101 107107 121503 904999 | 1 |

MISSING ITEM NUMBERS NOT APPLICABLE

- ITEM NOT ILLUSTRATED

21-51-51-02

21-51-51
FIG. 02
PAGE 3
JAN 20/09

BRI



757

PARTS CATALOG (MAINTENANCE)

| FIG ITEM | PART NUMBER | 1 2 3 4 5 6 7 | NOMENCLATURE | EFFECT FROM TO | UNITS PER ASSY |
|----------|-----------------|---------------|---|--|----------------|
| 2 | 80 285T0018-10 | .. | COVER-PLATE | 002004 006100 107107 121503 904999 | 4 |
| | 85 285T0018-11 | .. | COVER-PLATE | 002004 006100 107107 121503 904999 | 6 |
| - | 90 NAS1801-04-6 | .. | ATTACHING PARTS SCREW | 002004 006100 107107 121503 904999 | 20 |
| - | 95 BRH10A04 | .. | NUT SUPPLIER CODE: V52828 SPECIFICATION NUMBER: BACN10JCO4 OPTIONAL PART: NS202101-40 V80539 RMLH9075-40W V72962 VN303A40 V92215 96-40 V80539 T6S440J V11815 H10-04BAC V15653 -----*----- | 002004 006100 107107 121503 904999 | 20 |
| | 100 285N0049-12 | .. | PLATE ASSY- | 002004 006101 107107 121503 904999 | 1 |
| | 110 285N0049-9 | ... | SEAL | 002004 006101 107107 121503 904999 | 1 |

MISSING ITEM NUMBERS NOT APPLICABLE

- ITEM NOT ILLUSTRATED

BRI

21-51-51-02

21-51-51
FIG. 02
PAGE 4
JAN 20/09



757

PARTS CATALOG (MAINTENANCE)

| FIG ITEM | PART NUMBER | 1 2 3 4 5 6 7 | NOMENCLATURE | EFFECT FROM TO | UNITS PER ASSY |
|----------|--------------|---------------|--|--|----------------|
| 2 | | | | | |
| 115 | 285N0049-10 | ... | SEAL | 002004 006101 107107 121503 904999 | 1 |
| 120 | 24BX2-12-3L | ... | GUIDE- SUPPLIER CODE: V18915 | 002004 006101 107107 121503 904999 | 12 |
| | | | ATTACHING PARTS | | |
| 125 | BACR15BB2D | ... | RIVET- SIZE DETERMINED ON INSTL. | 002004 006101 107107 121503 904999 | 24 |
| 130 | BACR15BA2D | ... | RIVET- SIZE DETERMINED ON INSTL. | 002004 006101 107107 121503 904999 | 12 |
| | | | -----*----- | | |
| 135 | BACR15BA5DC | ... | RIVET- SIZE DETERMINED ON INSTL. OPTIONAL PART: BACR15BA4BC | 002004 006101 107107 121503 904999 | 11 |
| 135 | BACR15BA4BC | ... | RIVET- SIZE DETERMINED ON INSTL. OPTIONAL PART: BACR15BA5DC | 002004 006101 107107 121503 904999 | 11 |
| 140 | 285N0050-8 | ... | BAR ASSY- | 002004 006101 107107 121503 904999 | 1 |
| 145 | 285N0050-7 | ... | BAR ASSY- | 002004 006101 107107 121503 904999 | 1 |
| 150 | MS21209C0625 | | INSERT- | 002004 006101 107107 121503 904999 | 2 |

MISSING ITEM NUMBERS NOT APPLICABLE

- ITEM NOT ILLUSTRATED

BRI

21-51-51-02

21-51-51
FIG. 02
PAGE 5
JAN 20/09



757

PARTS CATALOG (MAINTENANCE)

| FIG ITEM | PART NUMBER | 1 2 3 4 5 6 7 | NOMENCLATURE | EFFECT FROM TO | UNITS PER ASSY |
|----------|--------------|---------------|---|--|----------------|
| 2 | | | | | |
| 150 | MS21209C0825 | | INSERT- | 002004 006101 107107 121503 904999 | 2 |
| 155 | MS21209C0615 | | INSERT- USED ON: 285N0050-8 | 002004 006101 107107 121503 904999 | 6 |
| 160 | 285N0050-3 | | BAR | 002004 006101 107107 121503 904999 | 1 |
| 165 | 285N0049-8 | ... | PLATE | 002004 006101 107107 121503 904999 | 1 |
| 170 | 285N0049-13 | .. | PLATE ASSY- | 002004 006101 107107 121503 904999 | 1 |
| 175 | 285N0049-9 | ... | SEAL | 002004 006101 107107 121503 904999 | 2 |
| 180 | 285N0049-10 | ... | SEAL | 002004 006101 107107 121503 904999 | 2 |
| 185 | 24BX2-12-3L | ... | GUIDE- SUPPLIER CODE: V18915 | 002004 006101 107107 121503 904999 | 13 |
| - 190 | BACR15BB2D | ... | ATTACHING PARTS RIVET- SIZE DETERMINED ON INSTL. -----*----- | 002004 006101 107107 121503 904999 | 26 |

MISSING ITEM NUMBERS NOT APPLICABLE

- ITEM NOT ILLUSTRATED

BRI

21-51-51-02

BOEING PROPRIETARY - Copyright © - Unpublished Work - See title page for details.

21-51-51
FIG. 02
PAGE 6
JAN 20/09



757

PARTS CATALOG (MAINTENANCE)

| FIG ITEM | PART NUMBER | 1 2 3 4 5 6 7 | NOMENCLATURE | EFFECT FROM TO | UNITS PER ASSY |
|----------|--------------|---------------|--|--|----------------|
| 2 195 | 24BX2-12-3R | | ...GUIDE- SUPPLIER CODE: V18915 | 002004 006101 107107 121503 904999 | 12 |
| - 200 | BACR15BB2D | | ATTACHING PARTS ...RIVET- SIZE DETERMINED ON INSTL. | 002004 006101 107107 121503 904999 | 24 |
| 205 | BACR15BA5DC | | -----*----- ...RIVET- SIZE DETERMINED ON INSTL. OPTIONAL PART: BACR15BA4BC | 002004 006101 107107 121503 904999 | 11 |
| 205 | BACR15BA4BC | | ...RIVET- SIZE DETERMINED ON INSTL. OPTIONAL PART: BACR15BA5DC | 002004 006101 107107 121503 904999 | 11 |
| 210 | 285N0050-7 | | ...BAR ASSY- | 002004 006101 107107 121503 904999 | 1 |
| 215 | 285N0050-8 | | ...BAR ASSY- | 002004 006101 107107 121503 904999 | 1 |
| 220 | MS21209C0825 | |INSERT- | 002004 006101 107107 121503 904999 | 2 |
| 225 | MS21209C0615 | |INSERT- USED ON: 285N0050-8 | 002004 006101 107107 121503 904999 | 6 |
| 230 | 285N0050-3 | |BAR | 002004 006101 107107 121503 904999 | 1 |

MISSING ITEM NUMBERS NOT APPLICABLE

- ITEM NOT ILLUSTRATED

21-51-51-02

21-51-51
FIG. 02
PAGE 7
JAN 20/09

BRI



757

PARTS CATALOG (MAINTENANCE)

| FIG ITEM | PART NUMBER | 1 2 3 4 5 6 7 | NOMENCLATURE | EFFECT FROM TO | UNITS PER ASSY |
|----------|-------------|---------------|--|--|----------------|
| 2 | | | | | |
| 235 | 285N0049-5 | ... | PLATE | 002004 006101 107107 121503 904999 | 1 |
| 240 | 285N0049-7 | ... | PLATE | 002004 006101 107107 121503 904999 | 1 |
| 245 | 285N0049-11 | .. | PLATE ASSY- | 002004 006101 107107 121503 904999 | 1 |
| 250 | 285N0049-9 | ... | SEAL | 002004 006101 107107 121503 904999 | 1 |
| 255 | 285N0049-10 | ... | SEAL | 002004 006101 107107 121503 904999 | 1 |
| 260 | 24BX2-12-3R | ... | GUIDE-CARD SUPPLIER CODE: V18915 | 002004 006101 107107 121503 904999 | 13 |
| 265 | BACR15BB2D | ... | RIVET- ATTACHING PARTS SIZE DETERMINED ON INSTL. | 002004 006101 107107 121503 904999 | 26 |
| 270 | BACR15BA2D | ... | RIVET- SIZE DETERMINED ON INSTL. | 002004 006101 107107 121503 904999 | 13 |
| 275 | YHLZG16-1 | -----* | BLOCK-GND SUPPLIER CODE: V09922 | 002004 006101 107107 121503 904999 | 4 |

MISSING ITEM NUMBERS NOT APPLICABLE

- ITEM NOT ILLUSTRATED

BRI

21-51-51-02

BOEING PROPRIETARY - Copyright © - Unpublished Work - See title page for details.

21-51-51
FIG. 02
PAGE 8
JAN 20/09



757

PARTS CATALOG (MAINTENANCE)

| FIG ITEM | PART NUMBER | 1 2 3 4 5 6 7 | NOMENCLATURE | EFFECT FROM TO | UNITS PER ASSY |
|----------|--------------|---------------|--|--|----------------|
| 2 | | | ATTACHING PARTS | | |
| - 280 | BACR15BA5DC | ... | RIVET- SIZE DETERMINED ON INSTL. OPTIONAL PART: BACR15BA4BC | 002004 006101 107107 121503 904999 | 16 |
| - 280 | BACR15BA4BC | ... | RIVET- SIZE DETERMINED ON INSTL. OPTIONAL PART: BACR15BA5DC | 002004 006101 107107 121503 904999 | 16 |
| | | | -----*----- | | |
| 285 | BACR15BA5DC | ... | RIVET- SIZE DETERMINED ON INSTL. OPTIONAL PART: BACR15BA4BC | 002004 006101 107107 121503 904999 | 12 |
| 285 | BACR15BA4BC | ... | RIVET- SIZE DETERMINED ON INSTL. OPTIONAL PART: BACR15BA5DC | 002004 006101 107107 121503 904999 | 12 |
| 290 | 285N0050-9 | ... | BAR ASSY- | 002004 006101 107107 121503 904999 | 1 |
| 295 | 285N0050-7 | ... | BAR ASSY- | 002004 006101 107107 121503 904999 | 1 |
| 300 | MS21209C0825 | | INSERT- | 002004 006101 107107 121503 904999 | 2 |
| 305 | MS21209C0615 | | INSERT- USED ON: 285N0050-9 | 002004 006101 107107 121503 904999 | 4 |
| 310 | 285N0050-3 | | BAR | 002004 006101 107107 121503 904999 | 1 |

MISSING ITEM NUMBERS NOT APPLICABLE

- ITEM NOT ILLUSTRATED

21-51-51-02

21-51-51
FIG. 02
PAGE 9
JAN 20/09

BRI

BOEING PROPRIETARY - Copyright © - Unpublished Work - See title page for details.



757

PARTS CATALOG (MAINTENANCE)

| FIG ITEM | PART NUMBER | 1 2 3 4 5 6 7 | NOMENCLATURE | EFFECT FROM TO | UNITS PER ASSY |
|----------|--------------|---------------|------------------------------|--|----------------|
| 2 | | | | | |
| 315 | 285N0049-2 | . . . | PLATE | 002004 006101 107107 121503 904999 | 1 |
| 320 | 285N0049-3 | . . . | PLATE | 002004 006101 107107 121503 904999 | 1 |
| 325 | 285N0052-1 | . . | SEAL | 002004 006101 107107 121503 904999 | 3 |
| 330 | 285N0052-3 | . . | SEAL | 002004 006101 107107 121503 904999 | 5 |
| 335 | 285N0054-3 | . . | PLATE ASSY-CONN. | 002004 006101 107107 121503 904999 | 1 |
| - 340 | NAS1801-06-5 | | ATTACHING PARTS . . SCREW | 002004 006101 107107 121503 904999 | 12 |
| 365 | 285N0051-8 | | -----*----- . SEAL ASSY- | 002004 006101 107107 121503 904999 | 1 |
| 370 | 285N0051-5 | | . SEAL ASSY | 002004 006101 107107 121503 904999 | 1 |
| - 375 | NAS1801-06-8 | | ATTACHING PARTS . SCREW | 002004 006101 107107 121503 904999 | 6 |
| | | | -----*----- | | |

MISSING ITEM NUMBERS NOT APPLICABLE

- ITEM NOT ILLUSTRATED

BRI

21-51-51-02

BOEING PROPRIETARY - Copyright © - Unpublished Work - See title page for details.

21-51-51
FIG. 02
PAGE 10
JAN 20/09



757

PARTS CATALOG (MAINTENANCE)

| FIG ITEM | PART NUMBER | 1 2 3 4 5 6 7 | NOMENCLATURE | EFFECT FROM TO | UNITS PER ASSY |
|----------|--------------|---------------|---|--|----------------|
| 2 380 | 285N0051-4 | . . | SEAL | 002004 006101 107107 121503 904999 | 1 |
| - 385 | NAS1801-04-6 | . . | ATTACHING PARTS SCREW | 002004 006101 107107 121503 904999 | 6 |
| - 390 | AN960-4L | . . | WASHER- | 002004 006101 107107 121503 904999 | 6 |
| - 395 | BRH10A04 | . . | NUT SUPPLIER CODE: V52828 SPECIFICATION NUMBER: BACN10JCO4 OPTIONAL PART: NS202101-40 V80539 RMLH9075-40W V72962 VN303A40 V92215 96-40 V80539 T6S440J V11815 H10-04BAC V15653 -----*----- | 002004 006101 107107 121503 904999 | 6 |
| 400 | 285N0034-7 | . . | PLATE-COVER SUPPLIER CODE: V89954 | 002004 006101 107107 121503 904999 | 3 |
| 405 | 108-0740-001 | . . | JACK-BANANA SUPPLIER CODE: V74970 | 002004 006101 107107 121503 904999 | 1 |

MISSING ITEM NUMBERS NOT APPLICABLE

- ITEM NOT ILLUSTRATED

BRI

21-51-51-02

BOEING PROPRIETARY - Copyright © - Unpublished Work - See title page for details.

21-51-51
FIG. 02
PAGE 11
JAN 20/09



757

PARTS CATALOG (MAINTENANCE)

| FIG ITEM | PART NUMBER | 1 2 3 4 5 6 7 | NOMENCLATURE | EFFECT FROM TO | UNITS PER ASSY |
|----------|--------------|---------------|---|--|----------------|
| 2 | | | | | |
| 410 | NAS43DD4-6 | . | SPACER | 002004 006101 107107 121503 904999 | 1 |
| - 600 | 286N1140-306 | | WIRE BUNDLE ASSY | 101101 | RF |
| - 600 | 286N1140-002 | | WIRE BUNDLE ASSY | 904949 | RF |
| - 600 | 286N1140-004 | | WIRE BUNDLE ASSY | 002004 006100 950951 | RF |
| 605 | NAS42DD5-32 | . | SPACER | 101101 | 2 |
| 610 | NAS42DD6-16 | . | SPACER | 101101 | 1 |
| 615 | NAS42DD6-8 | . | SPACER | 101101 | 2 |
| 620 | 300052-001 | . | CONNECTOR- SUPPLIER CODE: V0D9V3 SPECIFICATION NUMBER: BACC65L66 OPTIONAL PART: 200620-01 V16512 300052-001 V03877 192-366-0010 V26742 S1009-00833 V03877 ELECTRICAL EQUIP NUMBER: D00821 D00823 D00909 D02824 D02838 D02996 D02998 D03058 D04258 WIRING DIAGRAM REF: 223213 261811 274821 771241 771242 | 101101 | 9 |

MISSING ITEM NUMBERS NOT APPLICABLE

- ITEM NOT ILLUSTRATED

BRI

21-51-51-02

BOEING PROPRIETARY - Copyright © - Unpublished Work - See title page for details.

21-51-51
FIG. 02
PAGE 12
JAN 20/09



757

PARTS CATALOG (MAINTENANCE)

| FIG ITEM | PART NUMBER | 1 2 3 4 5 6 7 | NOMENCLATURE | EFFECT FROM TO | UNITS PER ASSY |
|----------|-----------------|---------------|---|----------------------------|----------------|
| 2 625 | 300055-001 | | .CONNECTOR- SUPPLIER CODE: V0D9V3 SPECIFICATION NUMBER: BACC65L41 OPTIONAL PART: 300055-001 V03877 192-341-0005 V26742 S1022-00833 V03877 ELECTRICAL EQUIP NUMBER: D02514 D02982 D02988 D03044 D03046 D04688 WIRING DIAGRAM REF: 215111 215113 215121 215123 272321 282121 | 101101 | 6 |
| 630 | BACC45FN22-55S | | .CONNECTOR- ELECTRICAL EQUIP NUMBER: D40974J D41990J WIRING DIAGRAM REF: 215111 783421 | 101101 | 2 |
| 635 | BACC45FN22-55S6 | | .RECEPTACLE- POSITION DATA: POSITION 02 ELECTRICAL EQUIP NUMBER: D41477J WIRING DIAGRAM REF: 221211 | 002004 006101 904951 | 1 |
| 640 | BACC45FN22-55P7 | | .CONNECTOR- ELECTRICAL EQUIP NUMBER: D40972J WIRING DIAGRAM REF: 215114 | 101101 | 1 |

MISSING ITEM NUMBERS NOT APPLICABLE

- ITEM NOT ILLUSTRATED

BRI

21-51-51-02

BOEING PROPRIETARY - Copyright © - Unpublished Work - See title page for details.

21-51-51
FIG. 02
PAGE 13
JAN 20/09



757

PARTS CATALOG (MAINTENANCE)

| FIG ITEM | PART NUMBER | 1 2 3 4 5 6 7 | NOMENCLATURE | EFFECT FROM TO | UNITS PER ASSY |
|----------|-----------------|---------------|---|----------------------------|----------------|
| 2 | | | | | |
| 645 | BACC45FN22-55S8 | . | CONNECTOR- ELECTRICAL EQUIP NUMBER: D40976J WIRING DIAGRAM REF: 215123 | 101101 | 1 |
| 650 | BACC45FN22-55S9 | . | RECEPTACLE- ELECTRICAL EQUIP NUMBER: D40970J WIRING DIAGRAM REF: 215113 | 101101 | 1 |
| 655 | BACC45FN14-15S7 | . | CONNECTOR- ELECTRICAL EQUIP NUMBER: D41835J WIRING DIAGRAM REF: 274821 | 101101 | 1 |
| 660 | BACC45FN16-24S8 | . | RECEPTACLE- ELECTRICAL EQUIP NUMBER: D42004J WIRING DIAGRAM REF: 771241 | 101101 | 1 |
| 665 | BACC45FN16-24P9 | . | CONNECTOR- ELECTRICAL EQUIP NUMBER: D42000J WIRING DIAGRAM REF: 801111 | 101101 | 1 |
| 670 | BACC45FN14-15S | . | CONNECTOR- ELECTRICAL EQUIP NUMBER: D41839J WIRING DIAGRAM REF: 274821 | 101101 | 1 |
| 675 | BACC45FN16-24S7 | . | CONNECTOR- POSITION DATA: POSITION 12 ELECTRICAL EQUIP NUMBER: D41489J WIRING DIAGRAM REF: 215121 | 002004 006101 904951 | 1 |
| 680 | BACC45FN14-15S8 | . | RECEPTACLE- ELECTRICAL EQUIP NUMBER: D41837J WIRING DIAGRAM REF: 274821 | 101101 | 1 |
| 685 | BACC45FN14-15P | . | CONNECTOR- ELECTRICAL EQUIP NUMBER: D40810J WIRING DIAGRAM REF: 272321 | 101101 | 1 |

MISSING ITEM NUMBERS NOT APPLICABLE

- ITEM NOT ILLUSTRATED

21-51-51-02

21-51-51
FIG. 02
PAGE 14
JAN 20/09

BRI

BOEING PROPRIETARY - Copyright © - Unpublished Work - See title page for details.



757

PARTS CATALOG (MAINTENANCE)

| FIG ITEM | PART NUMBER | 1 2 3 4 5 6 7 | NOMENCLATURE | EFFECT FROM TO | UNITS PER ASSY |
|----------|-----------------|---------------|---|----------------|----------------|
| 2 690 | BACC45FN14-15S6 | .RECEPTACLE- | ELECTRICAL EQUIP NUMBER: D41675J WIRING DIAGRAM REF: 221231 | 101101 | 1 |
| 695 | BACC45FN16-24P7 | .CONNECTOR- | ELECTRICAL EQUIP NUMBER: D41380J WIRING DIAGRAM REF: 261811 | 101101 | 1 |
| 700 | BACC45FN16-24P8 | .CONNECTOR- | ELECTRICAL EQUIP NUMBER: D42002J WIRING DIAGRAM REF: 801121 | 101101 | 1 |
| 705 | BACC45FN14-15P9 | .CONNECTOR- | ELECTRICAL EQUIP NUMBER: D40812J WIRING DIAGRAM REF: 282121 | 101101 | 1 |
| - 710 | YHLZD33 | .TERMINAL- | SUPPLIER CODE: V09922 ELECTRICAL EQUIP NUMBER: TB0147A WIRING DIAGRAM REF: 215115 | 101101 | 4 |
| - 715 | YHLZ16-4 | .MODULE- | SUPPLIER CODE: V09922 SPECIFICATION NUMBER: BACM15C3B OPTIONAL PART: 421120-452 V58982 TBH120452 V58982 ELECTRICAL EQUIP NUMBER: TB0147Y WIRING DIAGRAM REF: 291112 | 101101 | 6 |

MISSING ITEM NUMBERS NOT APPLICABLE

- ITEM NOT ILLUSTRATED

BRI

21-51-51-02

BOEING PROPRIETARY - Copyright © - Unpublished Work - See title page for details.

21-51-51
FIG. 02
PAGE 15
JAN 20/09



757

PARTS CATALOG (MAINTENANCE)

| FIG ITEM | PART NUMBER | 1 2 3 4 5 6 7 | NOMENCLATURE | EFFECT FROM TO | UNITS PER ASSY |
|----------|-----------------|---------------|---|----------------------------|----------------|
| 2 | | | | | |
| - 720 | YHLZ16-8 | | .MODULE- SUPPLIER CODE: V09922 SPECIFICATION NUMBER: BACM15C3C OPTIONAL PART: 421120-454 V58982 TBH120454 V58982 ELECTRICAL EQUIP NUMBER: TB0147Z WIRING DIAGRAM REF: 361111 | 101101 | 2 |
| - 725 | 286N4006-322 | | WIRE BUNDLE ASSY | 101101 | RF |
| - 730 | 286N4236-326 | | WIRE BUNDLE ASSY | 101101 | RF |
| 735 | BACC45FT22-55P | | .PLUG- ELECTRICAL EQUIP NUMBER: D40974P D41990P WIRING DIAGRAM REF: 215111 801121 | 101101 | 2 |
| - 741 | 286N4471-340 | | WIRE BUNDLE ASSY- REWORKED BY ALERT SB: 34A0222 | 101101 | RF |
| - 741 | 286N4471-006 | | WIRE BUNDLE ASSY- REWORKED BY ALERT SB: 34A0222 | 950951 | RF |
| - 741 | 286N4471-002 | | WIRE BUNDLE ASSY- REWORKED BY ALERT SB: 34A0222 | 904949 | RF |
| - 742 | 286N4471-021 | | WIRE BUNDLE ASSY- REWORKED BY ALERT SB: 34A0222 | 002004 006100 | RF |
| 745 | BACC45FT22A55P6 | | .PLUG- POSITION DATA: POSITION 02 ELECTRICAL EQUIP NUMBER: D41477P WIRING DIAGRAM REF: 346113 | 002004 006101 904951 | 1 |
| 755 | BACC45FT22-55S7 | | .RECEPTACLE- ELECTRICAL EQUIP NUMBER: D40972P WIRING DIAGRAM REF: 215114 | 101101 | 1 |
| - 760 | 286N4106-301 | | WIRE BUNDLE ASSY | 101101 | RF |

MISSING ITEM NUMBERS NOT APPLICABLE

- ITEM NOT ILLUSTRATED

BRI

21-51-51-02

21-51-51
FIG. 02
PAGE 16
JAN 20/09



757

PARTS CATALOG (MAINTENANCE)

| FIG ITEM | PART NUMBER | 1 2 3 4 5 6 7 | NOMENCLATURE | EFFECT FROM TO | UNITS PER ASSY |
|----------|-----------------|---------------|---|------------------|----------------|
| 2 765 | BACC45FT22-55P8 | . | CONNECTOR- ELECTRICAL EQUIP NUMBER: D40976P WIRING DIAGRAM REF: 215121 | 101101 | 1 |
| - 771 | 286N2070-335 | | WIRE BUNDLE ASSY | 101101 | RF |
| 775 | BACC45FT22-55S9 | . | PLUG- ELECTRICAL EQUIP NUMBER: D40970P WIRING DIAGRAM REF: 215113 | 101101 | 1 |
| - 780 | 286N2605-302 | | WIRE BUNDLE ASSY | 101101 | RF |
| 785 | BACC45FT14A15P7 | . | PLUG- ELECTRICAL EQUIP NUMBER: D41835P WIRING DIAGRAM REF: 274821 | 101101 | 1 |
| - 790 | 286N4228-329 | | WIRE BUNDLE ASSY | 101101 | RF |
| 795 | BACC45FT16-24P8 | . | PLUG- ELECTRICAL EQUIP NUMBER: D42004P WIRING DIAGRAM REF: 771241 | 101101 | 1 |
| - 800 | 286N4210-306 | | WIRE BUNDLE ASSY | 101101 | RF |
| 805 | BACC45FT16-24S9 | . | PLUG- ELECTRICAL EQUIP NUMBER: D42000P WIRING DIAGRAM REF: 261811 | 101101 | 1 |
| 815 | BACC45FT14A15P | . | PLUG- ELECTRICAL EQUIP NUMBER: D41839P WIRING DIAGRAM REF: 274821 | 101101 | 1 |
| - 821 | 286N4473-363 | | WIRE BUNDLE ASSY- REWORKED BY ALERT SB: 34A0222 | 101101 | RF |
| - 822 | 286N4473-006 | | WIRE BUNDLE ASSY- REWORKED BY SB: 31-0127R1 REWORKED BY ALERT SB: 34A0222 | 950951 | RF |
| - 822 | 286N4473-002 | | WIRE BUNDLE ASSY- REWORKED BY ALERT SB: 34A0222 | 904949 | RF |
| - 822 | 286N4473-021 | | WIRE BUNDLE ASSY- REWORKED BY ALERT SB: 34A0222 | 002004 006100 | RF |

MISSING ITEM NUMBERS NOT APPLICABLE

- ITEM NOT ILLUSTRATED

21-51-51-02

21-51-51
FIG. 02
PAGE 17
JAN 20/09

BRI



757

PARTS CATALOG (MAINTENANCE)

| FIG ITEM | PART NUMBER | 1 2 3 4 5 6 7 | NOMENCLATURE | EFFECT FROM TO | UNITS PER ASSY |
|----------|-----------------|---------------|---|----------------------------|----------------|
| 2 | | | | | |
| 825 | BACC45FT16A24P7 | | .PLUG- POSITION DATA: POSITION 12 ELECTRICAL EQUIP NUMBER: D41489P WIRING DIAGRAM REF: 222322 | 002004 006101 904951 | 1 |
| - 830 | 286N2611-302 | | WIRE BUNDLE ASSY | 101101 | RF |
| 835 | BACC45FT14A15P8 | | .CONNECTOR- ELECTRICAL EQUIP NUMBER: D41837P WIRING DIAGRAM REF: 274821 | 101101 | 1 |
| - 840 | 286N2352-321 | | WIRE BUNDLE ASSY | 101101 | RF |
| 845 | BACC45FT14-15S | | .CONNECTOR- ELECTRICAL EQUIP NUMBER: D40810P WIRING DIAGRAM REF: 274821 | 101101 | 1 |
| - 851 | 286N4475-339 | | WIRE BUNDLE ASSY | 101101 | RF |
| 855 | BACC45FT14A15P6 | | .CONNECTOR- ELECTRICAL EQUIP NUMBER: D41675P WIRING DIAGRAM REF: 221231 | 101101 | 1 |
| - 860 | 286N2078-330 | | WIRE BUNDLE ASSY | 101101 | RF |
| 865 | BACC45FT16-24S7 | | .PLUG- ELECTRICAL EQUIP NUMBER: D41380P WIRING DIAGRAM REF: 261511 | 101101 | 1 |
| - 870 | 286N4220-305 | | WIRE BUNDLE ASSY | 101101 | RF |
| 875 | BACC45FT16-24S8 | | .CONNECTOR- ELECTRICAL EQUIP NUMBER: D42002P WIRING DIAGRAM REF: 261821 | 101101 | 1 |
| - 880 | 286N2356-328 | | WIRE BUNDLE ASSY | 101101 | RF |
| 885 | BACC45FT14-15S9 | | .CONNECTOR- ELECTRICAL EQUIP NUMBER: D40812P WIRING DIAGRAM REF: 215121 | 101101 | 1 |

MISSING ITEM NUMBERS NOT APPLICABLE

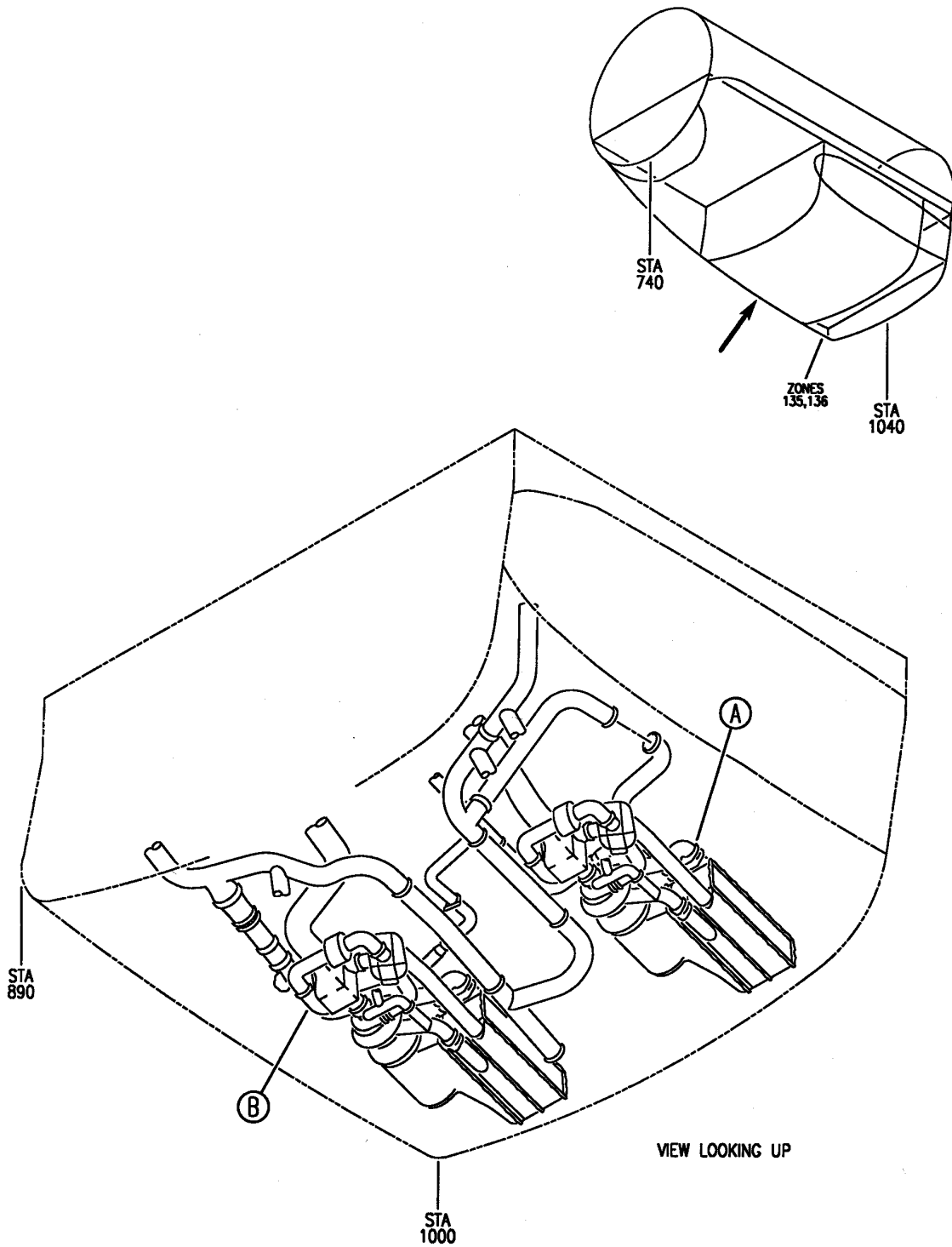
- ITEM NOT ILLUSTRATED

21-51-51-02

21-51-51
FIG. 02
PAGE 18
JAN 20/09

BRI

BOEING
757
PARTS CATALOG (MAINTENANCE)



Y 21515105 SH1 1 REV 221

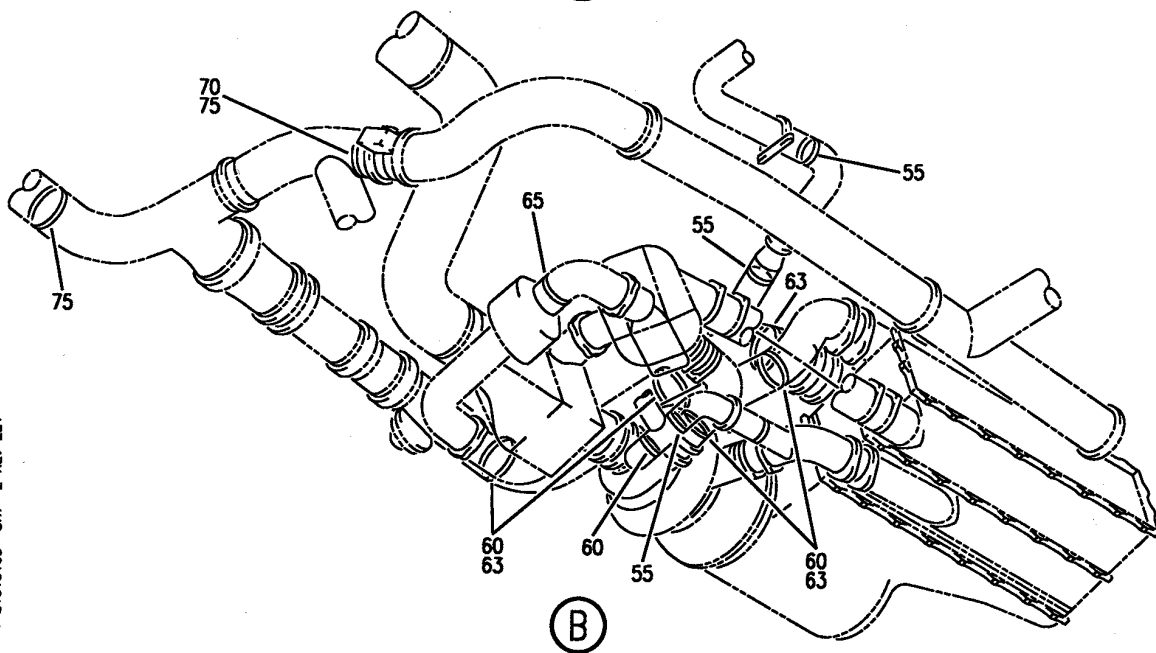
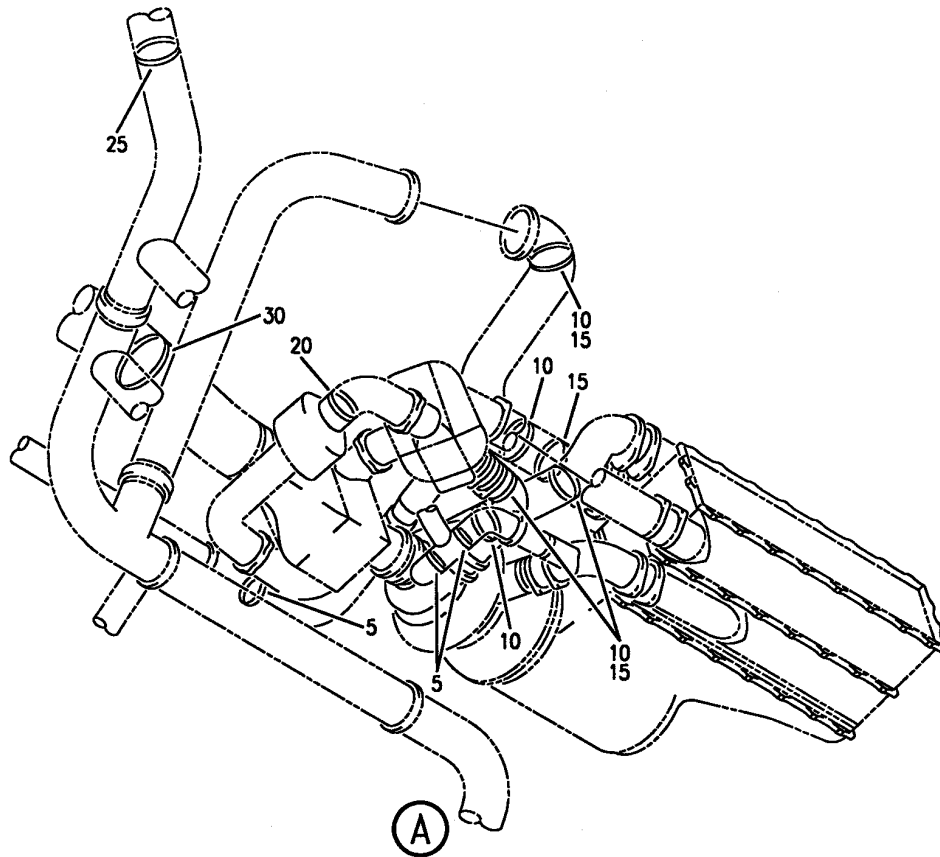
PROVISIONAL INSTL
FIGURE 5 (SHEET 1)

21-51-51-05

BRI
MAY 28/07

21-51-51-05
PAGE 0

BOEING
757
PARTS CATALOG (MAINTENANCE)



Y 21515105 SH1 2 REV 221

PROVISIONAL INSTL
FIGURE 5 (SHEET 2)

21-51-51-05

BRI
MAY 28/07

21-51-51-05
PAGE 0A



757

PARTS CATALOG (MAINTENANCE)

| FIG ITEM | PART NUMBER | 1 2 3 4 5 6 7 | NOMENCLATURE | EFFECT FROM TO | UNITS PER ASSY |
|----------|-----------------|---------------|---|--------------------------------------|----------------|
| 5 | | | PROVISIONAL INSTL | 101102 108120 | |
| - 1 | 287N4905-9 | | PROVISION INSTL-WIRE (ROLLS ROYCE) POSITION DATA: LH FOR NHA SEE: 24-00-60-20G | 504903 101102 108120 504903 | RF |
| 5 | BACC10BN300L5ME | | .CLAMP | 101102 108120 504903 | 3 |
| 15 | BACC10BN400L5ME | | .CLAMP | 101102 108120 504903 | 4 |
| 20 | BACC10BN450L5ME | | .CLAMP | 101102 108120 504903 | 1 |
| 25 | BACC10BN500L5ME | | .CLAMP | 101102 108120 504903 | 1 |
| 30 | BACC10BN700L5ME | | .CLAMP | 101102 108120 504903 | 1 |
| - 50 | 287N4905-8 | | PROVISION INSTL-WIRE (ROLLS ROYCE) POSITION DATA: RH FOR NHA SEE: 24-00-60-20G | 101102 108120 504903 | RF |
| 55 | BACC10BN300L5ME | | .CLAMP | 101102 108120 504903 | 3 |
| 63 | BACC10BN400L5ME | | .CLAMP | 101102 108120 504903 | 5 |
| 65 | BACC10BN450L5ME | | .CLAMP | 101102 108120 504903 | 1 |
| 75 | BACC10BN500L5ME | | .CLAMP | 101102 108120 504903 | 2 |

MISSING ITEM NUMBERS NOT APPLICABLE

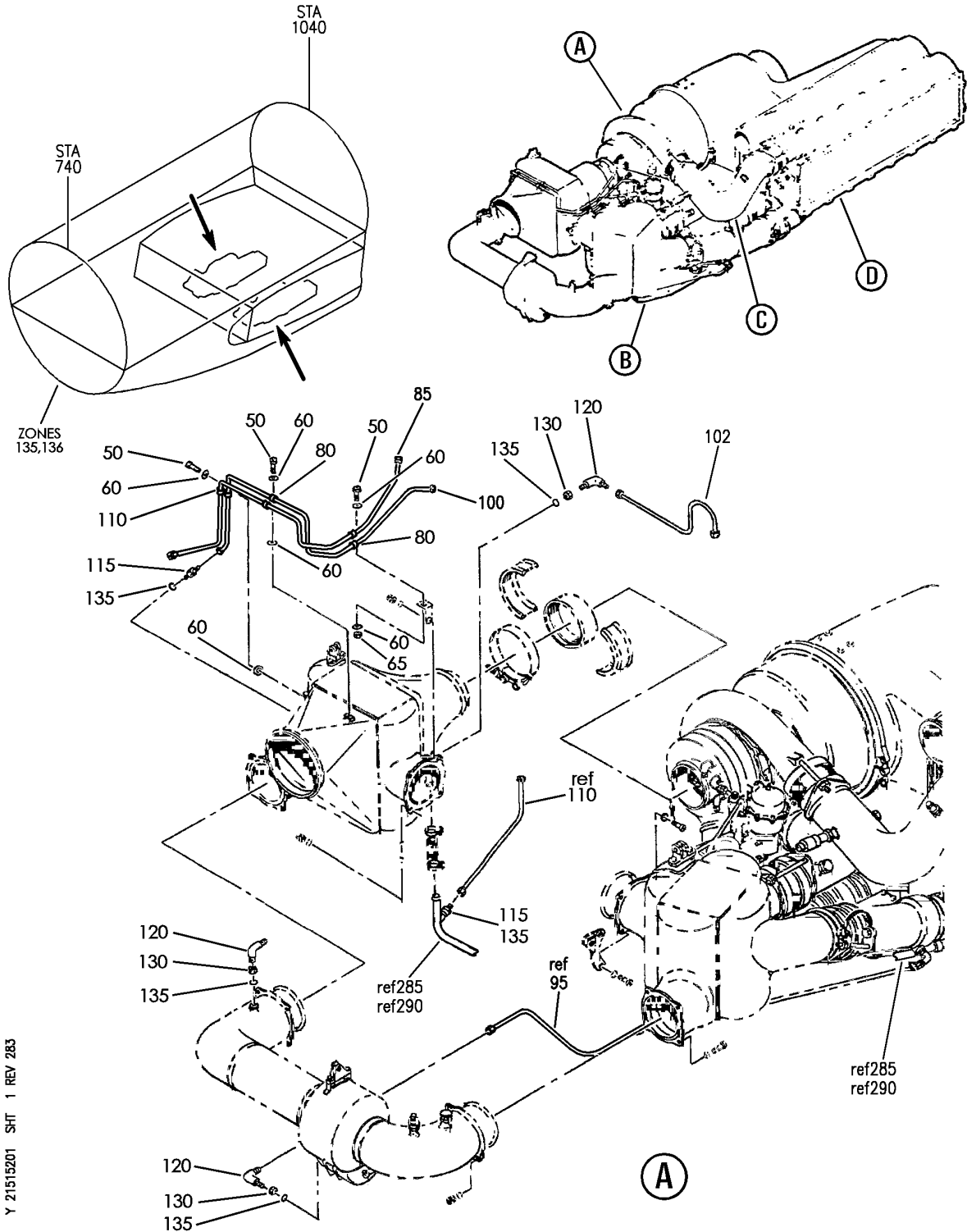
- ITEM NOT ILLUSTRATED

21-51-51-05

21-51-51
FIG. 05
PAGE 1
JAN 20/09

BRI

BOEING
757
PARTS CATALOG (MAINTENANCE)



Y 21515201 SHT 1 REV 283

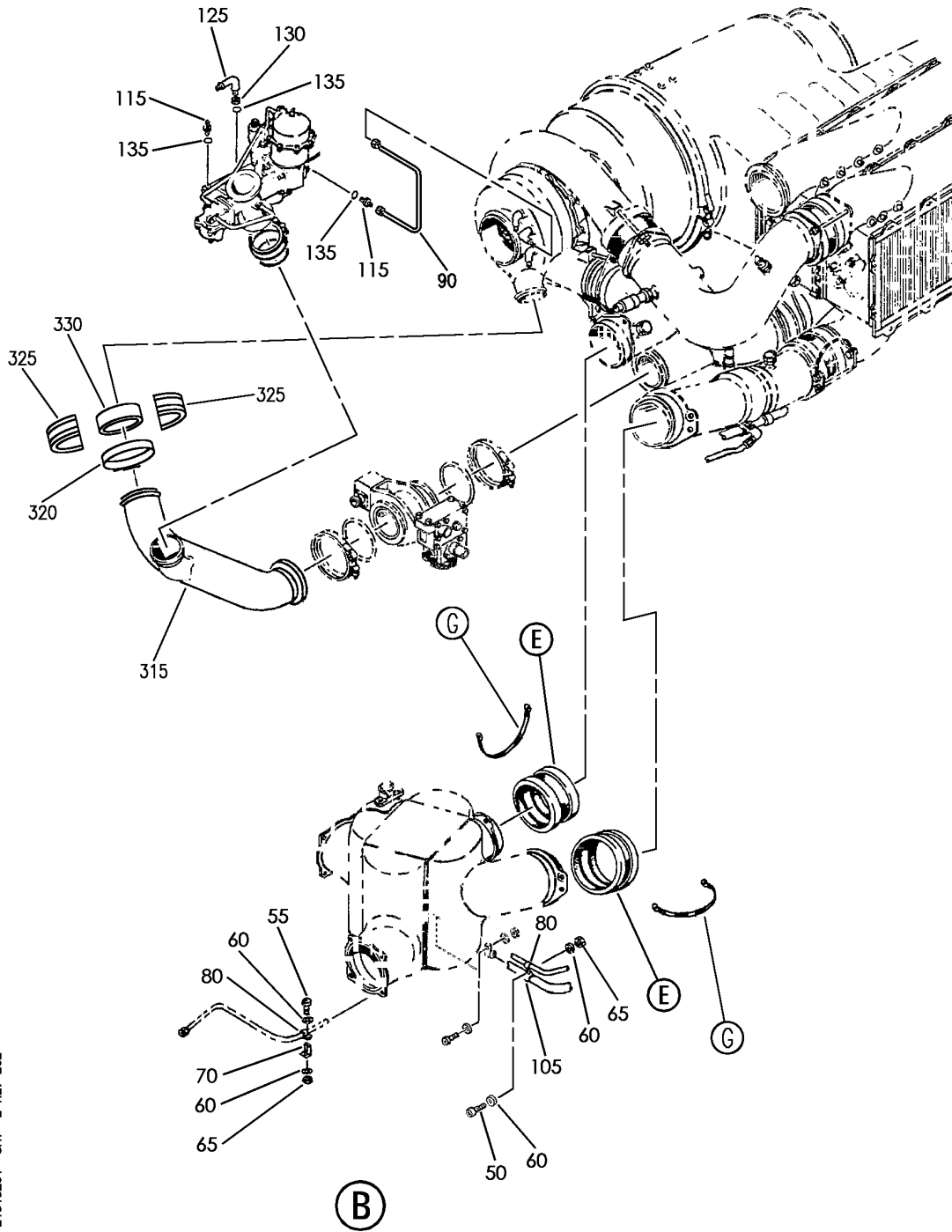
PACK ASSY-AIR CONDITIONING AND TEMP CONT SYS COOLING (AIR COOLING PACK SYSTEM ONLY)
FIGURE 1 (SHEET 1)

BRI
MAY 28/07

21-51-52-01

21-51-52-01
PAGE 0

BOEING
757
PARTS CATALOG (MAINTENANCE)



Y 21515201 SHT 2 REV 262

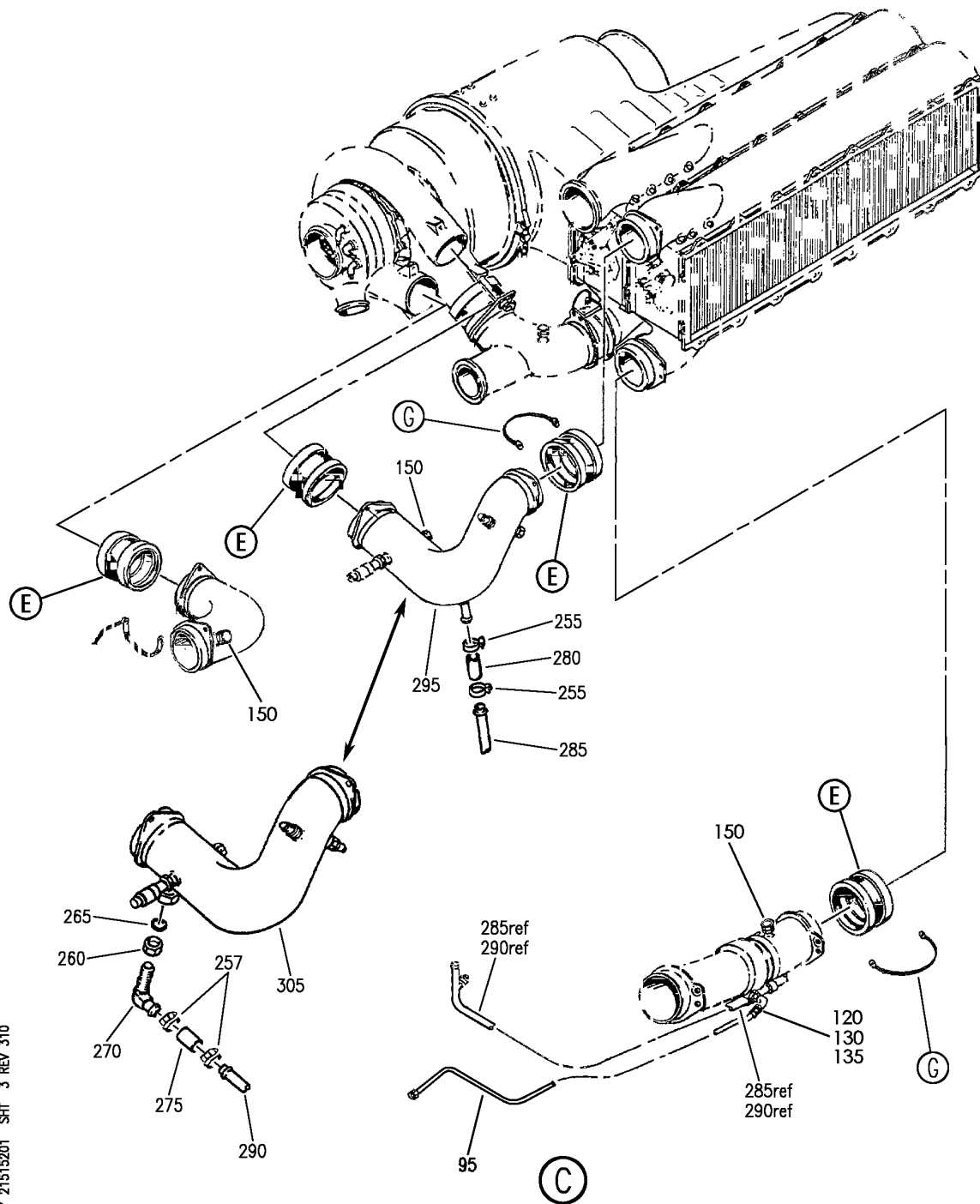
PACK ASSY-AIR CONDITIONING AND TEMP CONT SYS COOLING (AIR COOLING PACK SYSTEM ONLY)
FIGURE 1 (SHEET 2)

21-51-52-01

BRI
MAY 28/07

21-51-52-01
PAGE 0A

BOEING
757
PARTS CATALOG (MAINTENANCE)



Y 21515201 SHT 3 REV 310

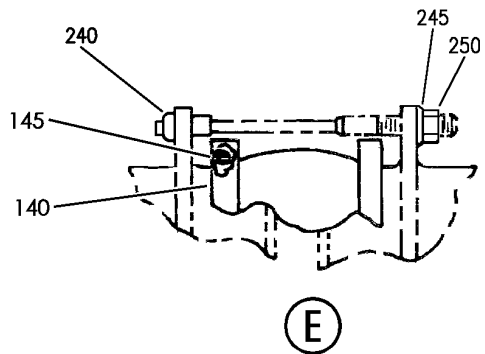
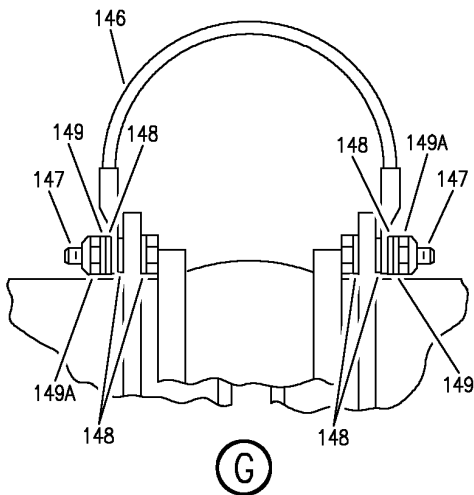
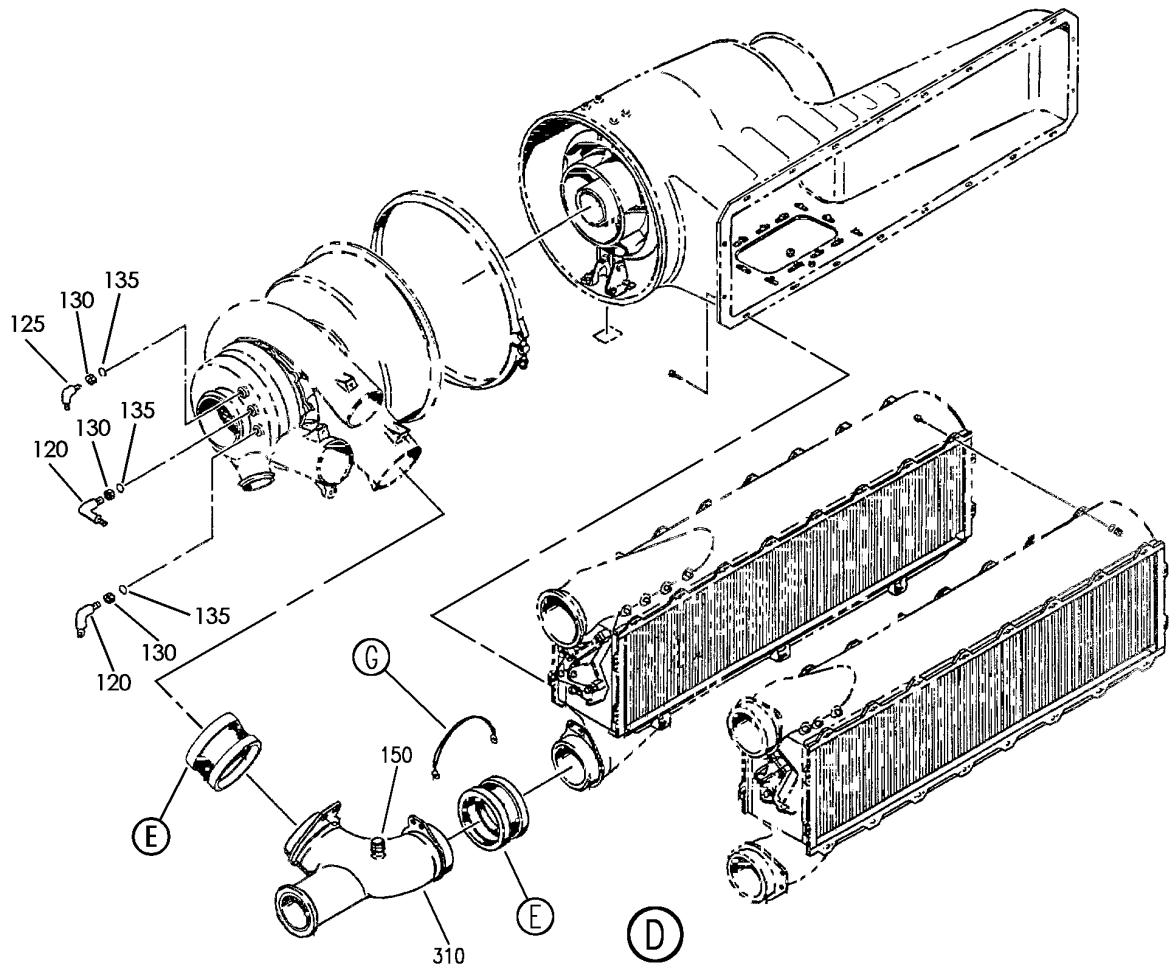
PACK ASSY-AIR CONDITIONING AND TEMP CONT SYS COOLING (AIR COOLING PACK SYSTEM ONLY)
FIGURE 1 (SHEET 3)

21-51-52-01

BRI
MAY 28/07

21-51-52-01
PAGE 0B

BOEING
757
PARTS CATALOG (MAINTENANCE)



Y 21515201 SHT 4 REV 294

PACK ASSY-AIR CONDITIONING AND TEMP CONT SYS COOLING (AIR COOLING PACK SYSTEM ONLY)
FIGURE 1 (SHEET 4)

BRI
MAY 28/07

21-51-52-01

21-51-52-01
PAGE 0C



757

PARTS CATALOG (MAINTENANCE)

| FIG ITEM | PART NUMBER | 1 2 3 4 5 6 7 | NOMENCLATURE | EFFECT FROM TO | UNITS PER ASSY |
|----------|-------------|---------------|---|------------------|----------------|
| 1 | | | PACK ASSY-AIR CONDITIONING AND TEMP CONT SYS COOLING (AIR COOLING PACK SYSTEM ONLY) | 002004 006999 | |
| - 1 | 2202450-9 | | PACK ASSY-AIR CONDITIONING AND TEMP CONT SYS COOLING (AIR COOLING PACK SYSTEM ONLY) SERIES 1-15) SUPPLIER CODE: V70210 POSITION DATA: LH SPECIFICATION NUMBER: S210T130-60 ELECTRICAL EQUIP NUMBER: S10325 TS0041 TS0198 TS5133 V00018 V10077 COMPONENT MAINT MANUAL REF: 21-51-32 QUALIFIED I/W DATA: S210T130-59 (2202450-8) T/W 1 EA 625928-2 AND 1 EA 624014-1 SENSOR IS I/W S210T130-60 (2202450-9) REWORKED BY SB: 2202450-21-2567 V70210 REWORKED BY SERVICE LETTER: 21-037 FOR NHA/ADDITIONAL DET SEE: 21-52-01-01A 21-52-01-01 | 002004 006999 | RF |

MISSING ITEM NUMBERS NOT APPLICABLE

- ITEM NOT ILLUSTRATED

BRI

21-51-52-01

BOEING PROPRIETARY - Copyright © - Unpublished Work - See title page for details.

21-51-52
FIG. 01
PAGE 1
JAN 20/09



757

PARTS CATALOG (MAINTENANCE)

| FIG ITEM | PART NUMBER | 1 2 3 4 5 6 7 | NOMENCLATURE | EFFECT FROM TO | UNITS PER ASSY |
|----------|--------------|---------------|---|------------------|----------------|
| 1 - 5 | 2202450-9 | | PACK ASSY-AIR CONDITIONING AND TEMP CONT SYS COOLING (AIR COOLING PACK SYSTEM ONLY) SERIES 1-15) SUPPLIER CODE: V70210 POSITION DATA: RH SPECIFICATION NUMBER: S210T130-60 ELECTRICAL EQUIP NUMBER: S10326 TS0042 TS0199 TS5135 V00019 V10076 COMPONENT MAINT MANUAL REF: 21-51-32 QUALIFIED I/W DATA: S210T130-59 (2202450-8) T/W 1 EA 625928-2 AND 1 EA 624014-1 SENSOR IS I/W S210T130-60 2202450-9 QUALIFIED OPTIONAL DATA: S210T130-60 OPTIONAL TO S210T130-59 TOGETHER WITH 624014-1 AND 625928-2 FOR N0064 ONLY REWORKED BY SB: 2202450-21-2567 V70210 REWORKED BY SERVICE LETTER: 21-037 FOR NHA/ADDITIONAL DET SEE: 21-52-01-01 21-52-01-01A | 002004 006999 | RF |
| 50 | MS27039-1-09 | . | SCREW | 002004 006999 | 4 |
| 55 | MS27039-1-08 | . | SCREW | 002004 006999 | 1 |
| 60 | AN960D10L | . | WASHER | 002004 006999 | 10 |
| 65 | NAS679C3M | . | NUT | 002004 006999 | 3 |

MISSING ITEM NUMBERS NOT APPLICABLE

- ITEM NOT ILLUSTRATED

21-51-52-01

21-51-52
FIG. 01
PAGE 2
JAN 20/09

BRI

 **BOEING**
757
PARTS CATALOG (MAINTENANCE)

| FIG ITEM | PART NUMBER | 1 2 3 4 5 6 7 | NOMENCLATURE | EFFECT FROM TO | UNITS PER ASSY |
|-------------|----------------|---------------|--|-------------------|----------------------|
| 1 | | | | | |
| 70 | S8808A2-5 | | .BRACKET- SUPPLIER CODE: V70210 | 002004 006999 | 1 |
| 80 | MS21919DF6 | | .CLAMP- | 002004 006999 | 8 |
| 85 | 2203104-1 | | .TUBE-HOT AIR RETURN SUPPLIER CODE: V70210 | 002004 006999 | 1 |
| 90 | 2203113-1 | | .TUBE-PRESSURE SENSE SUPPLIER CODE: V70210 | 002004 006999 | 1 |
| 95 | 2203127-1 | | .TUBE-AIR/WATER TRANSFER SUPPLIER CODE: V70210 | 002004 006999 | 1 |
| 100 | 2203109-1 | | .TUBE-PRESSURE SENSE SUPPLIER CODE: V70210 | 002004 006999 | 1 |
| 102 | 2203112-1 | | .TUBE-PRESSURE SENSING CONDENSER INLET SUPPLIER CODE: V70210 | 002004 006999 | 1 |
| 105 | MS21919DF12 | | .CLAMP- | 002004 006999 | 1 |
| 110 | 2203103-1 | | .TUBE-HOT AIR SUPPLY SUPPLIER CODE: V70210 | 002004 006999 | 1 |
| 115 | MS21902D6 | | .UNION | 002004 006999 | 4 |
| 120 | MS21908D6 | | .ELBOW | 002004 006999 | 6 |
| 125 | MS21907D6 | | .ELBOW- | 002004 006999 | 2 |
| 130 | AN924-6D | | .NUT | 002004 006999 | 8 |
| 135 | S9028T906 | | .PACKING- SUPPLIER CODE: V70210 | 002004 006999 | 12 |
| 140 | 54A400-400-206 | | .COUPLING ASSY-DUCT SUPPLIER CODE: V60980 MISCELLANEOUS DATA: HONEYWELL SPEC NO. 234-023-9001 OPTIONAL PART: 54A400-400-209 V60980 | 002004 006999 | 8 |

MISSING ITEM NUMBERS NOT APPLICABLE

— ITEM NOT ILLUSTRATED

BRI

21-51-52-01

21-51-52
FIG. 01
PAGE 3
JAN 20/09

BOEING
757
PARTS CATALOG (MAINTENANCE)

| FIG ITEM | PART NUMBER | 1 2 3 4 5 6 7 | NOMENCLATURE | EFFECT FROM TO | UNITS PER ASSY |
|----------|----------------|---------------|--|------------------|----------------|
| 1 140 | 54A400-400-209 | . | COUPLING ASSY-DUCT SUPPLIER CODE: V60980 MISCELLANEOUS DATA: HONEYWELL SPEC NO. 234-023-9001 OPTIONAL PART: 54A400-400-206 V60980 | 002004 006999 | 8 |
| 145 | 460-400 | .. | SEAL- SUPPLIER CODE: V60980 MISCELLANEOUS DATA: HONEYWELL SPEC NO. 561-009-9006 | 002004 006999 | 2 |
| 146 | 5060 | . | JUMPER- SUPPLIER CODE: V08698 MISCELLANEOUS DATA: HONEYWELL SPEC NO. 444-004-9001 OPTIONAL PART: T444-004-1 V1T987 | 002004 006999 | 1 |
| 146 | T444-004-1 | . | JUMPER ASSY- SUPPLIER CODE: V08698 MISCELLANEOUS DATA: HONEYWELL SPEC NO. 444-004-9001 OPTIONAL PART: 5060 V08698 ATTACHING PARTS | 002004 006999 | 1 |
| 147 | MS9489-10 | . | BOLT | 002004 006999 | 2 |
| 148 | AN960D10L | . | WASHER | 002004 006999 | 6 |
| 149 | MS35338-43 | . | WASHER | 002004 006999 | 2 |
| 149A | NAS679C3M | . | NUT | 002004 006999 | 2 |
| | | | -----*----- | | |

MISSING ITEM NUMBERS NOT APPLICABLE

— ITEM NOT ILLUSTRATED

BRI

21-51-52-01

BOEING PROPRIETARY - Copyright © - Unpublished Work - See title page for details.

21-51-52
FIG. 01
PAGE 4
SEP 20/08



757

PARTS CATALOG (MAINTENANCE)

| FIG ITEM | PART NUMBER | 1 2 3 4 5 6 7 | NOMENCLATURE | EFFECT FROM TO | UNITS PER ASSY |
|----------|-------------|---------------|--|------------------|----------------|
| 1 150 | HF11 | | .PLUG- SUPPLIER CODE: V23540 MISCELLANEOUS DATA: HONEYWELL SPEC NO. 572-022-9001 OPTIONAL PART: PD65 V99017 | 002004 006999 | 4 |
| 150 | PD65 | | .PLUG- SUPPLIER CODE: V99017 MISCELLANEOUS DATA: HONEYWELL SPEC NO. 572-022-9001 OPTIONAL PART: HF11 V23540 | 002004 006999 | 4 |
| 240 | 2214629-1 | | .RESTRAINT-FLEXIBLE SUPPLIER CODE: V70210 POSITION DATA: LH SIDE OPTIONAL PART: 2214014-1 V70210 USED ON: 2202450-9 | 002004 006999 | 16 |
| 240 | 2214014-1 | | .RESTRAINT-FLEXIBLE SUPPLIER CODE: V70210 POSITION DATA: LH SIDE OPTIONAL PART: 2214629-1 V70210 USED ON: 2202450-9 | 002004 006999 | 16 |
| - 242 | 2214629-1 | | .RESTRAINT-FLEXIBLE SUPPLIER CODE: V70210 POSITION DATA: RH SIDE OPTIONAL PART: 2214014-1 V70210 USED ON: 2202450-9 | 002004 006999 | 16 |

MISSING ITEM NUMBERS NOT APPLICABLE

- ITEM NOT ILLUSTRATED

21-51-52-01

21-51-52
FIG. 01
PAGE 5
SEP 20/08

BRI



757

PARTS CATALOG (MAINTENANCE)

| FIG ITEM | PART NUMBER | 1 2 3 4 5 6 7 | NOMENCLATURE | EFFECT FROM TO | UNITS PER ASSY |
|----------|---------------|---------------|--|------------------|----------------|
| 1 | | | | | |
| - 242 | 2214014-1 | | .RESTRAINT-FLEXIBLE SUPPLIER CODE: V70210 POSITION DATA: RH SIDE OPTIONAL PART: 2214629-1 V70210 USED ON: 2202450-9 | 002004 006999 | 16 |
| 245 | NAS1288-4W | | .WASHER | 002004 006999 | 16 |
| 250 | NAS1288-4 | | .NUT | 002004 006999 | 16 |
| 257 | 10A265-100-1B | | .CLAMP-HOSE SUPPLIER CODE: V60980 FUNCTIONAL DESCRIPTION: AIR CONDITIONING DUCT CLAMP USED ON: 2202450-9 | 002004 006999 | 2 |
| 260 | AN924-12D | | .NUT- POSITION DATA: LH SIDE USED ON: 2202450-9 | 002004 006999 | 1 |
| - 262 | AN924-12D | | .NUT- POSITION DATA: RH SIDE USED ON: 2202450-9 | 002004 006999 | 1 |
| 265 | S9028T912 | | .PACKING- SUPPLIER CODE: V70210 POSITION DATA: LH SIDE USED ON: 2202450-9 | 002004 006999 | 1 |
| - 267 | S9028T912 | | .PACKING- SUPPLIER CODE: V70210 POSITION DATA: RH SIDE USED ON: 2202450-9 | 002004 006999 | 1 |

MISSING ITEM NUMBERS NOT APPLICABLE

- ITEM NOT ILLUSTRATED

21-51-52-01

21-51-52
FIG. 01
PAGE 6
SEP 20/08

BRI



757

PARTS CATALOG (MAINTENANCE)

| FIG ITEM | PART NUMBER | 1 2 3 4 5 6 7 | NOMENCLATURE | EFFECT FROM TO | UNITS PER ASSY |
|----------|-------------|---------------|--|------------------|----------------|
| 1 | | | | | |
| 270 | AN838-12D | | .ELBOW- (USED ON SERIES 1-5) POSITION DATA: LH SIDE USED ON: 2202450-9 | 002004 006999 | 1 |
| 270 | 2214844-1 | | .ELBOW- (USED ON SERIES 6-15) SUPPLIER CODE: V70210 POSITION DATA: LH SIDE USED ON: 2202450-9 | 002004 006999 | 1 |
| - 272 | AN838-12D | | .ELBOW- (USED ON SERIES 1-5) POSITION DATA: RH SIDE USED ON: 2202450-9 | 002004 006999 | 1 |
| - 272 | 2214844-1 | | .ELBOW- (USED ON SERIES 6-15) SUPPLIER CODE: V70210 POSITION DATA: RH SIDE USED ON: 2202450-9 | 002004 006999 | 1 |
| 275 | 2201859-29 | | .HOSE- SUPPLIER CODE: V70210 POSITION DATA: LH SIDE USED ON: 2202450-9 | 002004 006999 | 1 |
| - 277 | 2201859-29 | | .HOSE- SUPPLIER CODE: V70210 POSITION DATA: RH SIDE USED ON: 2202450-9 | 002004 006999 | 1 |
| 290 | 2203925-1 | | .TUBE-HOT AIR SUPPLY SUPPLIER CODE: V70210 POSITION DATA: LH SIDE USED ON: 2202450-9 | 002004 006999 | 1 |

MISSING ITEM NUMBERS NOT APPLICABLE

- ITEM NOT ILLUSTRATED

21-51-52-01

21-51-52
FIG. 01
PAGE 7
SEP 20/08

BRI

BOEING PROPRIETARY - Copyright © - Unpublished Work - See title page for details.



757

PARTS CATALOG (MAINTENANCE)

| FIG ITEM | PART NUMBER | 1 2 3 4 5 6 7 | NOMENCLATURE | EFFECT FROM TO | UNITS PER ASSY |
|----------|-------------|---------------|--|------------------|----------------|
| 1 | | | | | |
| - 292 | 2203925-1 | | .TUBE-HOT AIR SUPPLY SUPPLIER CODE: V70210 POSITION DATA: RH SIDE USED ON: 2202450-9 | 002004 006999 | 1 |
| 305 | 2203924-1 | | .DUCT-COMPRESSOR OUTLET SUPPLIER CODE: V70210 POSITION DATA: LH SIDE USED ON: 2202450-9 | 002004 006999 | 1 |
| - 307 | 2203924-1 | | .DUCT-COMPRESSOR OUTLET SUPPLIER CODE: V70210 POSITION DATA: RH SIDE USED ON: 2202450-9 | 002004 006999 | 1 |
| 310 | 2202317-1 | | .DUCT-COMPRESSOR INLET (USED ON 2202450-9 SERIES 1-13) SUPPLIER CODE: V70210 | 002004 006999 | 1 |
| 310 | 5848992-1 | | .DUCT-COMPRESSOR INLET (USED ON 2202450-9 SERIES 14) SUPPLIER CODE: V70210 POSITION DATA: LH SIDE | 002004 006999 | 1 |
| 310 | 2202317-1 | | .DUCT-COMPRESSOR INLET (USED ON 2202450-9 SERIES 15) SUPPLIER CODE: V70210 POSITION DATA: LH SIDE OPTIONAL PART: 5848992-1 V70210 | 002004 006999 | 1 |

MISSING ITEM NUMBERS NOT APPLICABLE

- ITEM NOT ILLUSTRATED

21-51-52-01

21-51-52
FIG. 01
PAGE 8
SEP 20/08

BRI



757

PARTS CATALOG (MAINTENANCE)

| FIG ITEM | PART NUMBER | 1 2 3 4 5 6 7 | NOMENCLATURE | EFFECT FROM TO | UNITS PER ASSY |
|----------|--------------|---------------|--|------------------|----------------|
| 1 310 | 5848992-1 | | .DUCT-COMPRESSOR INLET (USED ON 2202450-9 SERIES 15) SUPPLIER CODE: V70210 POSITION DATA: LH SIDE OPTIONAL PART: 2202317-1 V70210 | 002004 006999 | 1 |
| - 312 | 5848992-1 | | .DUCT-COMPRESSOR INLET (USED ON 2202450-9 SERIES 14) SUPPLIER CODE: V70210 POSITION DATA: RH SIDE | 002004 006999 | 1 |
| - 312 | 2202317-1 | | .DUCT-COMPRESSOR INLET (USED ON 2202450-9 SERIES 15) SUPPLIER CODE: V70210 POSITION DATA: RH SIDE OPTIONAL PART: 5848992-1 V70210 | 002004 006999 | 1 |
| - 312 | 5848992-1 | | .DUCT-COMPRESSOR INLET (USED ON 2202450-9 SERIES 15) SUPPLIER CODE: V70210 POSITION DATA: RH SIDE OPTIONAL PART: 2202317-1 V70210 | 002004 006999 | 1 |
| 315 | 2203108-1 | | .DUCT-INLET SUPPLIER CODE: V70210 | 002004 006999 | 1 |
| 320 | U20C75-381SH | | .CLAMP- SUPPLIER CODE: V94581 MISCELLANEOUS DATA: ALLIED SIGNAL PART NO. 211-013-9155 OPTIONAL PART: 420C75-381SH V98625 | 002004 006999 | 1 |

MISSING ITEM NUMBERS NOT APPLICABLE

- ITEM NOT ILLUSTRATED

21-51-52-01

21-51-52
FIG. 01
PAGE 9
SEP 20/08

BRI



757

PARTS CATALOG (MAINTENANCE)

| FIG ITEM | PART NUMBER | 1 2 3 4 5 6 7 | NOMENCLATURE | EFFECT FROM TO | UNITS PER ASSY |
|-------------|--------------|---------------|--|-------------------|----------------------|
| 1 320 | 420C75-381SH | | .CLAMP- SUPPLIER CODE: V98625 MISCELLANEOUS DATA: ALLIED SIGNAL PART NO. 211-013-9155 OPTIONAL PART: U20C75-381SH V98625 | 002004 006999 | 1 |
| 325 | 2203099-1 | | .SHELL-HALF SUPPLIER CODE: V70210 | 002004 006999 | 2 |
| 330 | 2203102-1 | | .SEAL- SUPPLIER CODE: V70210 | 002004 006999 | 1 |

MISSING ITEM NUMBERS NOT APPLICABLE

- ITEM NOT ILLUSTRATED

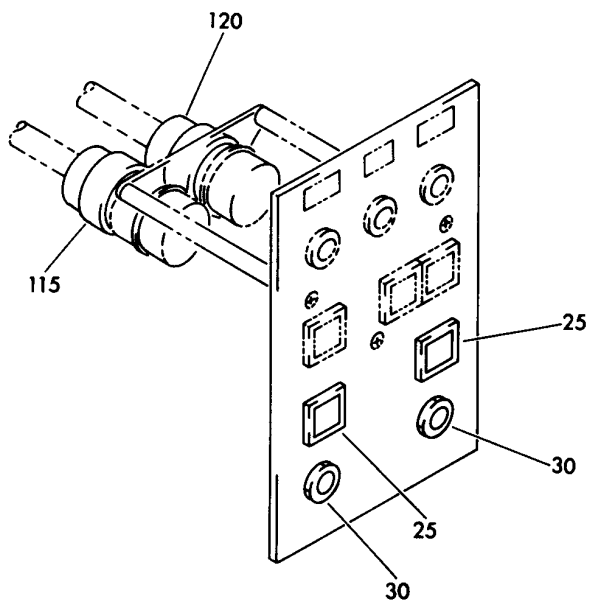
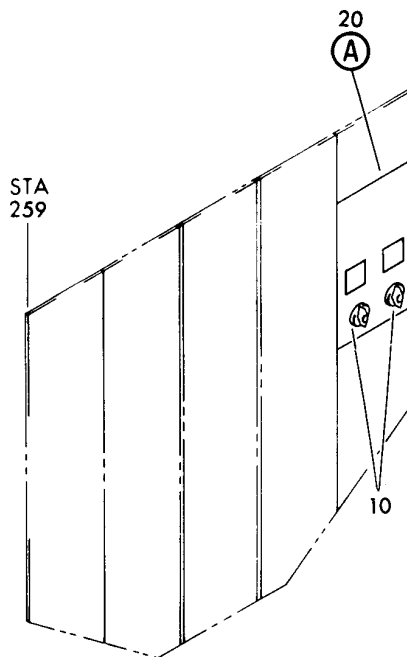
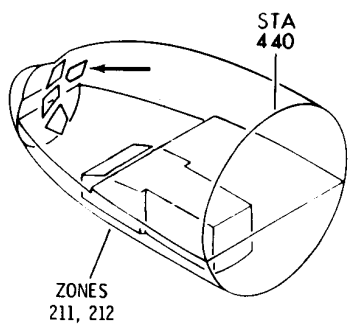
BRI

21-51-52-01

BOEING PROPRIETARY - Copyright © - Unpublished Work - See title page for details.

21-51-52
FIG. 01
PAGE 10
SEP 20/08

BOEING
757
PARTS CATALOG (MAINTENANCE)



Y 21515401 SHT 1 REV 067

(A)

PANEL INSTL-P5 OVHD (AIR CYCLE PACK SYSTEM ONLY)
FIGURE 1

21-51-54-01

BRI
MAY 28/07

21-51-54-01
PAGE 0



757

PARTS CATALOG (MAINTENANCE)

| FIG ITEM | PART NUMBER | 1 2 3 4 5 6 7 | NOMENCLATURE | EFFECT FROM TO | UNITS PER ASSY |
|----------|-------------|---------------|--|--|----------------|
| 1 | | | PANEL INSTL-P5 OVHD (AIR CYCLE PACK SYSTEM ONLY) | 002004 006010 107107 121503 904999 | RF |
| - 5 | 233N3101-1 | | PANEL INSTL-P5 OVHD (AIR CYCLE PACK SYSTEM ONLY) VARIABLE DRAWING REF: 233N3101-5005 233N3101-5025 233N3101-5041 233N3101-5042 233N3101-5045 FOR NHA/OTHER SYS DET SEE: 25-10-00-05A | 002004 006010 107107 121503 904999 | RF |
| 10 | BP248-110 | | .KN0B- SUPPLIER CODE: V81590 SPECIFICATION NUMBER: 452-016-9001 | 002004 006010 107107 121503 904999 | 2 |
| 10 | BP248-127 | | .KN0B- SUPPLIER CODE: V81590 | 002004 006010 107107 121503 904999 | 2 |
| 20 | 233N3217-11 | | .PANEL ASSY-AIR CONDITIONING CONT SUPPLIER CODE: V89954 ELECTRICAL EQUIP NUMBER: M10193 COMPONENT MAINT MANUAL REF: 21-51-71 QUALIFIED I/W DATA: 233N3217-8 -11 -15 -16 -17 ARE ALL INTERCHANGEABLE EXCEPT SUBJECT TO CUSTOMER PREFERENCE | 107107 | RF |

MISSING ITEM NUMBERS NOT APPLICABLE

- ITEM NOT ILLUSTRATED

BRI

21-51-54-01

21-51-54
FIG. 01
PAGE 1
JAN 20/09



757

PARTS CATALOG (MAINTENANCE)

| FIG ITEM | PART NUMBER | 1 2 3 4 5 6 7 | NOMENCLATURE | EFFECT FROM TO | UNITS PER ASSY |
|----------|-------------|---------------|---|----------------------------|----------------|
| 1 20 | 233N3217-15 | | .PANEL ASSY-AIR CONDITIONING CONT SUPPLIER CODE: V89954 ELECTRICAL EQUIP NUMBER: M10193 COMPONENT MAINT MANUAL REF: 21-51-71 QUALIFIED I/W DATA: 233N3217-8 -11 -15 -16 -17 ARE ALL INTERCHANGEABLE EXCEPT SUBJECT TO CUSTOMER PREFERENCE THE 233N3217-300 PANEL ASSY IS I/W THE 233N317-15 PANEL ASSY T/W THE S233T100-6014 LIGHTPLATE AND (2) BP248-127 KNOBS AND (3) BP260-113 KNOBS | 002004 006010 950999 | RF |
| 20 | 233N3217-17 | | .PANEL ASSY-AIR CONDITIONING CONT SUPPLIER CODE: V89954 ELECTRICAL EQUIP NUMBER: M10193 COMPONENT MAINT MANUAL REF: 21-51-71 QUALIFIED I/W DATA: 233N3217-8 -11 -15 -17 ARE ALL INTERCHANGEABLE EXCEPT SUBJECT TO CUSTOMER PREFERENCE | 121503 904949 | RF |
| 25 | BCREF7622 | | ..SWITCH ASSY-LIGHTED PUSH BUTTON IND INOP/PACK OFF SUPPLIER CODE: V81590 OVERLENGTH PART NUMBER: 433-673-1001-1056 SPECIFICATION NUMBER: S231T290-1056 FOR DETAILS SEE: 33-13-00-17 | 107107 | 2 |

MISSING ITEM NUMBERS NOT APPLICABLE

- ITEM NOT ILLUSTRATED

BRI

21-51-54-01

21-51-54
FIG. 01
PAGE 2
JAN 20/09



757

PARTS CATALOG (MAINTENANCE)

| FIG ITEM | PART NUMBER | 1 2 3 4 5 6 7 | NOMENCLATURE | EFFECT FROM TO | UNITS PER ASSY |
|----------|-----------------|---------------|---|--|----------------|
| 1 | | | | | |
| 25 | BCREFA0523 | | ..SWITCH ASSY-LIGHTED PUSH BUTTON IND SUPPLIER CODE: V81590 OVERLENGTH PART NUMBER: 433-673-1004-4056 SPECIFICATION NUMBER: S231T290-4056 FOR DETAILS SEE: 33-13-00-47 | 002004 006010 107107 121503 904999 | 2 |
| 25 | 851-30768-2056 | | ..SWITCH ASSY-LIGHTED PUSH BUTTON IND INOP/PACK OFF SUPPLIER CODE: V96182 SPECIFICATION NUMBER: S231T290-2056 FOR DETAILS SEE: 33-13-00-27 | 002004 006010 107107 121503 904999 | 2 |
| 25 | 851-30768-3056 | | ..SWITCH ASSY-LIGHTED PUSH BUTTON IND INOP/PACK OFF SUPPLIER CODE: V96182 SPECIFICATION NUMBER: S231T290-3056 OPTIONAL PART: S231T290-5056 FOR DETAILS SEE: 33-13-00-37 | 002004 006010 107107 121503 904999 | 2 |
| 25 | S231T290-5056 | | ..SWITCH ASSY-LIGHTED PUSH BUTTON IND OPTIONAL PART: 851-30768-3056 V96182 4336731004-4256 V81590 | 002004 006010 107107 121503 904999 | 2 |
| 25 | 4336731004-4256 | | ..SWITCH ASSY-LIGHTED PUSH BUTTON IND SUPPLIER CODE: V81590 OPTIONAL PART: 851-35100-5056 V96182 S231T290-5056 | 002004 006010 950999 | 2 |

MISSING ITEM NUMBERS NOT APPLICABLE

- ITEM NOT ILLUSTRATED

21-51-54-01

21-51-54
FIG. 01
PAGE 3
JAN 20/09

BRI

BOEING PROPRIETARY - Copyright © - Unpublished Work - See title page for details.



757

PARTS CATALOG (MAINTENANCE)

| FIG ITEM | PART NUMBER | 1 2 3 4 5 6 7 | NOMENCLATURE | EFFECT FROM TO | UNITS PER ASSY |
|----------|----------------|---------------|--|--|----------------|
| 1 | | | | | |
| 25 | 851-35100-5056 | .. | SWITCH ASSY-LIGHTED PUSH BUTTON IND SUPPLIER CODE: V96182 OPTIONAL PART: 4336731004-4256 V81590 | 002004 006010 950999 | 2 |
| 30 | AC45-0022-2 | .. | SWITCH-ROTARY SUPPLIER CODE: V91812 OPTIONAL PART: AC45-0022-1 V91812 | 002004 006010 107107 121503 904999 | 2 |
| 30 | AC45-0022-1 | .. | SWITCH-ROTARY SUPPLIER CODE: V91812 OPTIONAL PART: AC45-0022-2 V91812 | 002004 006010 107107 121503 904999 | 2 |
| - 105 | 286N2066-006 | | WIRE BUNDLE ASSY- | 121503 904949 | RF |
| - 105 | 286N2066-007 | | WIRE BUNDLE ASSY | 107107 | RF |
| - 105 | 286N2066-008 | | WIRE BUNDLE ASSY- | 002004 006010 950999 | RF |
| - 110 | 286N2070-003 | | WIRE BUNDLE ASSY | 121503 904949 | RF |
| - 110 | 286N2070-004 | | WIRE BUNDLE ASSY | 107107 | RF |
| - 110 | 286N2070-005 | | WIRE BUNDLE ASSY- | 002004 006010 950999 | RF |
| 115 | R071622A55S10 | .CON | NECTOR- SUPPLIER CODE: V41118 SPECIFICATION NUMBER: BCREF1929 OPTIONAL PART: BMS2426622A55S1 V11139 OVERLENGTH PART NUMBER: BACC45FT22A55S10 ELECTRICAL EQUIP NUMBER: D03556 WIRING DIAGRAM REF: 215115 | 002004 006010 107107 121503 904999 | 1 |

MISSING ITEM NUMBERS NOT APPLICABLE

- ITEM NOT ILLUSTRATED

BRI

21-51-54-01

21-51-54
FIG. 01
PAGE 4
JAN 20/09



757

PARTS CATALOG (MAINTENANCE)

| FIG ITEM | PART NUMBER | 1 2 3 4 5 6 7 | NOMENCLATURE | EFFECT FROM TO | UNITS PER ASSY |
|-------------|-----------------|---------------|---|--|----------------------|
| 1 120 | BACC45FT22A55S9 | . | CONNECTOR- ELECTRICAL EQUIP NUMBER: D03558 WIRING DIAGRAM REF: 215125 | 002004 006010 107107 121503 904999 | 1 |

MISSING ITEM NUMBERS NOT APPLICABLE

- ITEM NOT ILLUSTRATED

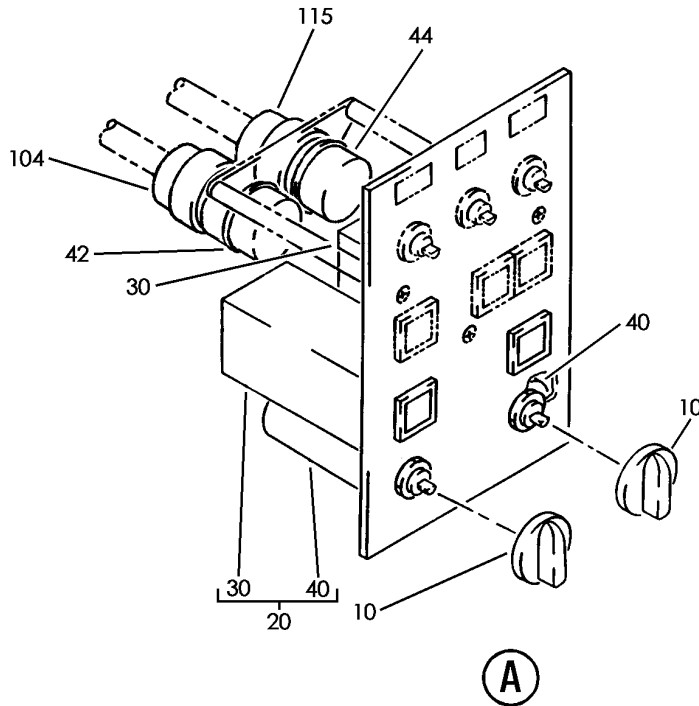
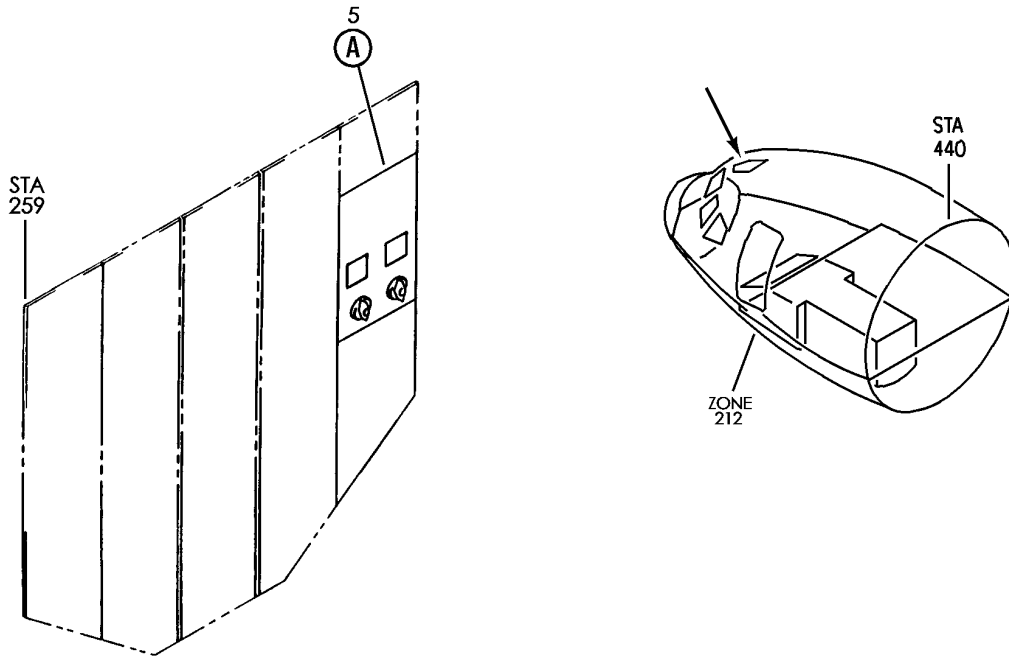
BRI

21-51-54-01

BOEING PROPRIETARY - Copyright © - Unpublished Work - See title page for details.

21-51-54
FIG. 01
PAGE 5
JAN 20/09

BOEING
757
PARTS CATALOG (MAINTENANCE)



Y 21515402 REV 219

PANEL INSTL-P5 OVHD (AIR CYCLE PACK SYSTEM ONLY)
FIGURE 2

21-51-54-02

BRI
MAY 28/07

21-51-54-02
PAGE 0



757

PARTS CATALOG (MAINTENANCE)

| FIG ITEM | PART NUMBER | 1 2 3 4 5 6 7 | NOMENCLATURE | EFFECT FROM TO | UNITS PER ASSY |
|----------|--------------|---------------|--|----------------|----------------|
| 2 | | | PANEL INSTL-P5 OVHD (AIR CYCLE PACK SYSTEM ONLY) | 011100 | RF |
| - 1 | 233N3101-1 | | PANEL INSTL-OVHD (AIR CYCLE PACK SYSTEM ONLY) | 011100 | RF |
| | | | VARIABLE DRAWING REF: 233N3101-5142 FOR NHA/OTHER SYS DET SEE: 25-10-00-05A | | |
| 5 | 233N3217-300 | | .PANEL ASSY-AIR CONDITIONING CONT SUPPLIER CODE: V89954 COMPONENT MAINT MANUAL REF: 21-51-71 QUALIFIED I/W DATA: THE 233N3217-300 PANEL ASSY IS I/W THE 233N3217-15 PANEL ASSY T/W THE S233T100-6014 LIGHTPLATE AND (2) BP248-127 KNOBS AND (3) BP260-113 KNOBS | 011100 | RF |
| 10 | BP248-127 | | ..KNOB- SUPPLIER CODE: V81590 | 011100 | 2 |
| 20 | 233N3217-15 | | ..PANEL ASSY- SUPPLIER CODE: V89954 ELECTRICAL EQUIP NUMBER: M10193 COMPONENT MAINT MANUAL REF: 21-51-71 QUALIFIED I/W DATA: 233N3217-8 -11 -15 -16 -17 ARE ALL INTERCHANGEABLE EXCEPT SUBJECT TO CUSTOMER PREFERENCE THE 233N3217-300 PANEL ASSY IS I/W THE 233N317-15 PANEL ASSY T/W THE S233T100-6014 LIGHTPLATE AND (2) BP248-127 KNOBS AND (3) BP260-113 KNOBS | 011100 | RF |

MISSING ITEM NUMBERS NOT APPLICABLE

- ITEM NOT ILLUSTRATED

BRI

21-51-54-02

21-51-54
FIG. 02
PAGE 1
JAN 20/09



757

PARTS CATALOG (MAINTENANCE)

| FIG ITEM | PART NUMBER | 1 2 3 4 5 6 7 | NOMENCLATURE | EFFECT FROM TO | UNITS PER ASSY |
|----------|-------------------|---------------|---|----------------|----------------|
| 2 | 30 BCREFA0523 | | ...SWITCH ASSY-LIGHTED PUSH BUTTON IND INOP/PACK OFF SUPPLIER CODE: V81590 OVERLENGTH PART NUMBER: 433-673-1001-1056 SPECIFICATION NUMBER: S231T290-1056 FOR DETAILS SEE: 33-13-00-17 | 011100 | 2 |
| | 30 BCREFA0523 | | ...SWITCH ASSY-LIGHTED PUSH BUTTON IND SUPPLIER CODE: V81590 OVERLENGTH PART NUMBER: 433-673-1004-4056 SPECIFICATION NUMBER: S231T290-4056 FOR DETAILS SEE: 33-13-00-17 | 011100 | 2 |
| | 30 851-30768-2056 | | ...SWITCH ASSY-LIGHTED PUSH BUTTON IND INOP/PACK OFF SUPPLIER CODE: V96182 SPECIFICATION NUMBER: S231T290-2056 FOR DETAILS SEE: 33-13-00-47 | 011100 | 2 |
| | 30 851-30768-3056 | | ...SWITCH ASSY-LIGHTED PUSH BUTTON IND INOP/PACK OFF SUPPLIER CODE: V96182 SPECIFICATION NUMBER: S231T290-3056 | 011100 | 2 |
| | 30 S231T290-5056 | | ...SWITCH ASSY-LIGHTED PUSH BUTTON IND OPTIONAL PART: 4336731004-4256 V81590 | 011100 | 2 |

MISSING ITEM NUMBERS NOT APPLICABLE

- ITEM NOT ILLUSTRATED

BRI

21-51-54-02

BOEING PROPRIETARY - Copyright © - Unpublished Work - See title page for details.

21-51-54
FIG. 02
PAGE 2
JAN 20/09



757

PARTS CATALOG (MAINTENANCE)

| FIG ITEM | PART NUMBER | 1 2 3 4 5 6 7 | NOMENCLATURE | EFFECT FROM TO | UNITS PER ASSY |
|----------|-----------------|---------------|---|----------------|----------------|
| 2 | | | | | |
| 30 | 4336731004-4256 | ... | SWITCH ASSY-LIGHTED PUSH BUTTON IND SUPPLIER CODE: V81590 OPTIONAL PART: 851-35100-5056 V96182 S231T290-5056 | 011100 | 2 |
| 30 | 851-35100-5056 | ... | SWITCH ASSY-LIGHTED PUSH BUTTON IND SUPPLIER CODE: V96182 OPTIONAL PART: 4336731004-4256 V81590 | 011100 | 2 |
| 40 | AC45-0022-2 | ... | SWITCH-ROTARY SUPPLIER CODE: V91812 OPTIONAL PART: AC45-0022-1 V91812 | 011100 | 2 |
| 40 | AC45-0022-1 | ... | SWITCH-ROTARY SUPPLIER CODE: V91812 OPTIONAL PART: AC45-0022-2 V91812 | 011100 | 2 |
| 42 | R071722-55P10 | ... | CONNECTOR- SUPPLIER CODE: V41118 SPECIFICATION NUMBER: BCREF1823 OVERLENGTH PART NUMBER: BACC45FN22-55P10 | 011100 | 1 |
| 44 | BACC45FN22-55P9 | ... | CONNECTOR ATTACHING PARTS | 011100 | 1 |
| - 46 | BACS12HN04-5 | ... | SCREW- OPTIONAL PART: NAS1801-04-5 | 011100 | 4 |
| - 46 | NAS1801-04-5 | ... | SCREW- OPTIONAL PART: BACS12HN04-5 | 011100 | 4 |

MISSING ITEM NUMBERS NOT APPLICABLE

- ITEM NOT ILLUSTRATED

21-51-54-02

21-51-54
FIG. 02
PAGE 3
JAN 20/09

BRI



757

PARTS CATALOG (MAINTENANCE)

| FIG ITEM | PART NUMBER | 1 2 3 4 5 6 7 | NOMENCLATURE | EFFECT FROM TO | UNITS PER ASSY |
|--------------|---------------------------------|---------------|--|------------------|----------------|
| 2 - 48 | K19798-04 | | ...NUT SUPPLIER CODE: V15653 SPECIFICATION NUMBER: BACN10NW1 OPTIONAL PART: RMA4812-160-40 V72962 293162 V60119 -----*----- | 011100 | 4 |
| - 100 104 | 286N2066-008 R071622A55S10 | | WIRE BUNDLE ASSY .CONNECTOR- SUPPLIER CODE: V41118 SPECIFICATION NUMBER: BCREF1929 OPTIONAL PART: BMS2426622A55S1 V11139 OVERLENGTH PART NUMBER: BACC45FT22A55S10 ELECTRICAL EQUIP NUMBER: D03556 WIRING DIAGRAM REF: 215115 | 011100 011100 | RF 1 |
| - 105 115 | 286N2070-005 BACC45FT22A55S9 | | WIRE BUNDLE ASSY- .CONNECTOR- ELECTRICAL EQUIP NUMBER: D03558 WIRING DIAGRAM REF: 215125 | 011100 011100 | RF 1 |

MISSING ITEM NUMBERS NOT APPLICABLE

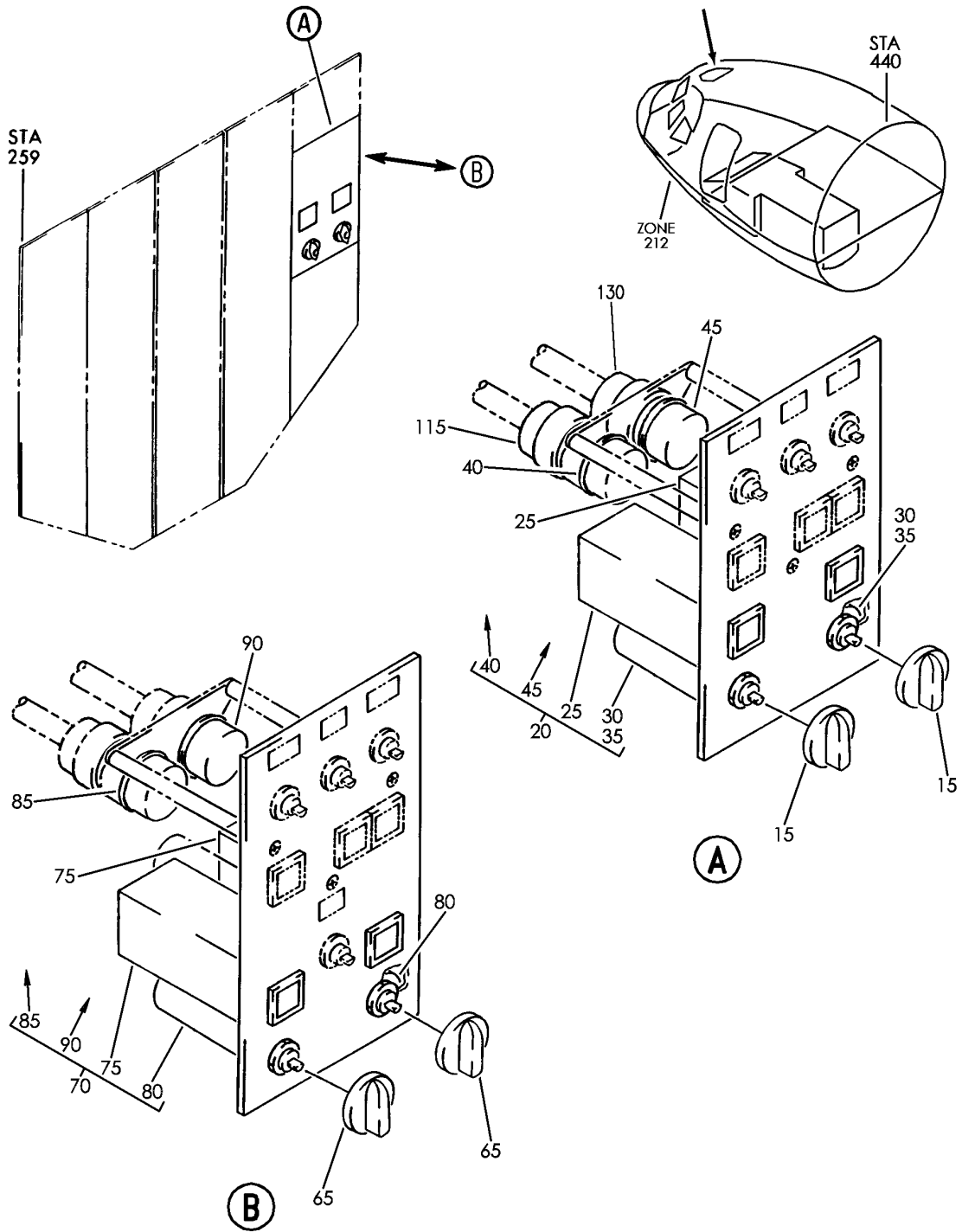
- ITEM NOT ILLUSTRATED

21-51-54-02

21-51-54
FIG. 02
PAGE 4
JAN 20/09

BRI

BOEING
757
PARTS CATALOG (MAINTENANCE)



Y 21515403 REV 259

PANEL INSTL-P5 OVHD (AIR COOLING PACK SYSTEM ONLY)
FIGURE 3

21-51-54-03

BRI
MAY 28/07

21-51-54-03
PAGE 0



757

PARTS CATALOG (MAINTENANCE)

| FIG ITEM | PART NUMBER | 1 2 3 4 5 6 7 | NOMENCLATURE | EFFECT FROM TO | UNITS PER ASSY |
|----------|--------------|---------------|---|----------------------------|----------------|
| 3 | | | PANEL INSTL-P5 OVHD (AIR COOLING PACK SYSTEM ONLY) | 101106 108120 504903 | |
| - 3 | 233N3103-132 | | PANEL INSTL-P5 OVHD (AIR COOLING PACK SYSTEM ONLY) FOR NHA/OTHER SYS DET SEE: 25-10-00-15E | 101102 | RF |
| - 3 | 233N3103-136 | | PANEL INSTL-P5 OVHD (AIR COOLING PACK SYSTEM ONLY) FOR NHA/OTHER SYS DET SEE: 25-10-00-15E | 504903 | RF |
| - 7 | 233N3103-59 | | PANEL INSTL-P5 OVHD (AIR COOLING PACK SYSTEM ONLY) FOR NHA/OTHER SYS DET SEE: 25-10-00-15E | 108120 | RF |
| - 8 | MODREF33760 | | PANEL INSTL-P5 OVHD (AIR COOLING PACK SYSTEM ONLY) MODULE NUMBER: 233N3103-351 REV C FOR OTHER SYS DETAILS SEE: 11-31-10-12 21-25-55-03 21-31-01-02 21-33-51-03 21-58-19-10 21-58-51-03 21-61-04-03 21-65-51-01 22-21-01-04 22-24-51-02 23-24-01-01 23-32-00-11 23-42-02-02 23-71-05-02 24-11-52-05 24-22-01-03 24-31-01-10 24-31-03-09 24-33-04-01 24-41-51-04 24-51-62-01 26-18-51-04 27-21-53-02 27-41-55-01 27-61-51-03 27-62-52-02 28-22-51-02 28-41-04-01 28-41-51-03 | 103103 | 1 |

MISSING ITEM NUMBERS NOT APPLICABLE

- ITEM NOT ILLUSTRATED

21-51-54-03

21-51-54
FIG. 03
PAGE 1
JAN 20/09

BRI



757

PARTS CATALOG (MAINTENANCE)

| FIG ITEM | PART NUMBER | 1 2 3 4 5 6 7 | NOMENCLATURE | EFFECT FROM TO | UNITS PER ASSY |
|----------|-------------|---------------|--|----------------|----------------|
| 3 | | | 29-11-02-03 29-11-05-04 29-11-52-07 29-21-54-03 29-31-00-01 29-32-51-03 29-33-52-03 30-11-51-03 30-21-51-03 30-31-51-02 30-32-51-01 30-33-51-02 30-41-51-03 30-42-51-03 31-12-11-91 31-12-11-91 A 32-42-52-03 33-11-03-03 33-11-51-17 33-13-01-65 33-13-02-03 33-16-51-03 33-24-51-02 33-41-52-04 33-42-01-04 33-42-02-04 33-42-52-04 33-43-51-04 33-44-51-05 33-45-53-03 33-51-08-05 34-21-02-01 35-21-51-04 36-11-04-01 36-21-00-01 36-21-02-05 36-22-51-03 49-41-00-02 49-52-00-01 49-70-00-01 52-51-51-03 52-71-51-02 73-21-52-02 74-31-51-05 75-32-00-01 80-11-09-02 | | |
| - 8 | MODREF34038 | | PANEL INSTL-P5 OVHD (AIR COOLING PACK SYSTEM ONLY) MODULE NUMBER: MISSING ITEM NUMBERS NOT APPLICABLE | 104105 | 1 |

- ITEM NOT ILLUSTRATED

21-51-54-03

21-51-54
 FIG. 03
 PAGE 2
 JAN 20/09

BRI



757

PARTS CATALOG (MAINTENANCE)

| FIG ITEM | PART NUMBER | 1 2 3 4 5 6 7 | NOMENCLATURE | EFFECT FROM TO | UNITS PER ASSY |
|----------|-------------|---------------|--|----------------|----------------|
| 3 | | | 233N3103-351 REV D FOR OTHER SYS DETAILS SEE: 11-31-10-12 21-25-55-03 21-31-01-02 21-33-51-03 21-58-19-10 21-58-51-03 21-61-04-03 21-65-51-01 22-21-01-04 22-24-51-02 23-24-01-01 23-32-00-11 23-42-02-02 23-71-05-02 24-11-52-05 24-22-01-03 24-31-01-10 24-31-03-09 24-33-04-01 24-41-51-04 24-51-62-01 26-18-51-04 27-21-53-02 27-41-55-01 27-61-51-03 27-62-52-02 28-22-51-02 28-41-04-01 28-41-51-03 29-11-02-03 29-11-05-04 29-11-52-07 29-21-54-03 29-31-00-01 29-32-51-03 29-33-52-03 30-11-51-03 30-21-51-03 30-31-51-02 30-32-51-01 30-33-51-02 30-41-51-03 30-42-51-03 31-12-11-91 31-12-11-91A 32-42-52-03 33-11-03-03 | | |

MISSING ITEM NUMBERS NOT APPLICABLE

- ITEM NOT ILLUSTRATED

21-51-54-03

21-51-54
FIG. 03
PAGE 3
JAN 20/09

BRI



757

PARTS CATALOG (MAINTENANCE)

| FIG ITEM | PART NUMBER | 1 2 3 4 5 6 7 | NOMENCLATURE | EFFECT FROM TO | UNITS PER ASSY |
|-------------------------------------|--------------|---------------|--|----------------|----------------|
| 3 | | | 33-11-51-17 33-13-01-65 33-13-02-03 33-16-51-03 33-24-51-02 33-41-52-04 33-42-01-04 33-42-02-04 33-42-52-04 33-43-51-04 33-44-51-05 33-45-53-03 33-51-08-05 34-21-02-01 35-21-51-04 36-11-04-01 36-21-00-01 36-21-02-05 36-22-51-03 49-41-00-02 49-52-00-01 49-70-00-01 52-51-51-03 52-71-51-02 73-21-52-02 74-31-51-05 75-32-00-01 80-11-09-02 | | |
| - 9 | MODREF170180 | | PANEL INSTL-P5 OVHD (AIR COOLING PACK SYSTEM ONLY) MODULE NUMBER: 233N3103-353 REV B FOR OTHER SYS DETAILS SEE: 11-31-10-12 21-25-55-03 21-31-01-02 21-33-51-03 21-58-19-10 21-58-51-03 21-61-04-03 21-65-51-01 22-21-01-04 22-24-51-02 23-24-01-01 23-32-00-11 23-42-02-02 23-71-05-02 24-11-52-05 24-22-01-03 | 106106 | 1 |
| MISSING ITEM NUMBERS NOT APPLICABLE | | | | | |

- ITEM NOT ILLUSTRATED

BRI

21-51-54-03

BOEING PROPRIETARY - Copyright © - Unpublished Work - See title page for details.

21-51-54
 FIG. 03
 PAGE 4
 JAN 20/09



757

PARTS CATALOG (MAINTENANCE)

| FIG ITEM | PART NUMBER | 1 2 3 4 5 6 7 NOMENCLATURE | EFFECT FROM TO | UNITS PER ASSY |
|-------------|-------------|---|-------------------|----------------------|
| 3 | | 24-31-01-10 24-31-03-09 24-33-04-01 24-41-51-04 24-51-62-01 26-18-51-04 27-21-53-02 27-41-55-01 27-61-51-03 27-62-52-02 28-22-51-02 28-41-04-01 28-41-51-03 29-11-02-03 29-11-05-04 29-11-52-07 29-21-54-03 29-31-00-01 29-32-51-03 29-33-52-03 30-11-51-03 30-21-51-03 30-31-51-02 30-32-51-01 30-33-51-02 30-41-51-03 30-42-51-03 31-12-11-84 31-12-11-84 A 32-42-52-03 33-11-03-03 33-11-51-17 33-13-01-65 33-13-02-03 33-16-51-03 33-24-51-02 33-41-52-04 33-42-01-04 33-42-02-04 33-42-52-04 33-43-51-04 33-44-51-05 33-45-53-03 33-51-08-05 34-21-02-01 35-21-51-04 36-11-04-01 36-21-00-01 36-21-02-05 | | |

MISSING ITEM NUMBERS NOT APPLICABLE

- ITEM NOT ILLUSTRATED

21-51-54-03

21-51-54
FIG. 03
PAGE 5
JAN 20/09

BRI



757

PARTS CATALOG (MAINTENANCE)

| FIG ITEM | PART NUMBER | 1 2 3 4 5 6 7 | NOMENCLATURE | EFFECT FROM TO | UNITS PER ASSY |
|----------|--------------|---------------|---|----------------------------|----------------|
| 3 | | | 36-22-51-03 49-41-00-02 49-52-00-01 49-70-00-01 52-51-51-03 52-71-51-02 73-21-52-02 74-31-51-05 75-32-00-01 80-11-09-02 | | |
| - 13 | 233N3217-300 | | . PANEL ASSY-AIR CONDITIONING CONT SUPPLIER CODE: V89954 ELECTRICAL EQUIP NUMBER: M10193 COMPONENT MAINT MANUAL REF: 21-51-71 QUALIFIED I/W DATA: THE 233N3217-300 PANEL ASSY IS I/W THE 233N3217-15 PANEL ASSY T/W THE S233T100-6014 LIGHTPLATE AND (2) BP248-127 KNOBS AND (3) BP260-113 KNOBS | 101106 108120 504903 | RF |
| 15 | BP248-127 | | .. KNOB- SUPPLIER CODE: V81590 | 101106 108120 504903 | 2 |
| 20 | 233N3217-15 | | .. PANEL ASSY- SUPPLIER CODE: V89954 COMPONENT MAINT MANUAL REF: 21-51-71 QUALIFIED I/W DATA: THE 233N3217-300 PANEL ASSY IS I/W THE 233N3217-15 PANEL ASSY T/W THE S233T100-6014 LIGHTPLATE AND (2) BP248-127 KNOBS AND (3) BP260-113 KNOBS | 101106 108120 504903 | RF |

MISSING ITEM NUMBERS NOT APPLICABLE

- ITEM NOT ILLUSTRATED

21-51-54-03

21-51-54
FIG. 03
PAGE 6
JAN 20/09

BRI



757

PARTS CATALOG (MAINTENANCE)

| FIG ITEM | PART NUMBER | 1 2 3 4 5 6 7 | NOMENCLATURE | EFFECT FROM TO | UNITS PER ASSY |
|----------|----------------|---------------|---|----------------------------|----------------|
| 3 | | | | | |
| 25 | BCREF7622 | | ...SWITCH ASSY-LIGHTED PUSH BUTTON IND INOP/PACK OFF SUPPLIER CODE: V81590 OVERLENGTH PART NUMBER: 433-673-1001-1056 SPECIFICATION NUMBER: S231T290-1056 FOR DETAILS SEE: 33-13-00-17 | 101106 108120 504903 | 2 |
| 25 | BCREFA0523 | | ...SWITCH ASSY-LIGHTED PUSH BUTTON IND SUPPLIER CODE: V81590 OVERLENGTH PART NUMBER: 433-673-1004-4056 SPECIFICATION NUMBER: S231T290-4056 FOR DETAILS SEE: 33-13-00-17 | 101106 108120 504903 | 2 |
| 25 | 851-30768-2056 | | ...SWITCH ASSY-LIGHTED PUSH BUTTON IND INOP/PACK OFF SUPPLIER CODE: V96182 SPECIFICATION NUMBER: S231T290-2056 FOR DETAILS SEE: 33-13-00-47 | 101106 108120 504903 | 2 |
| 25 | 851-30768-3056 | | ...SWITCH ASSY-LIGHTED PUSH BUTTON IND INOP/PACK OFF SUPPLIER CODE: V96182 SPECIFICATION NUMBER: S231T290-3056 FOR DETAILS SEE: 33-13-00-27 | 101106 108120 504903 | 2 |
| 25 | S231T290-5056 | | ...SWITCH ASSY-LIGHTED PUSH BUTTON IND OPTIONAL PART: 4336731004-4256 V81590 | 101106 108120 504903 | 2 |

MISSING ITEM NUMBERS NOT APPLICABLE

- ITEM NOT ILLUSTRATED

21-51-54-03

21-51-54
FIG. 03
PAGE 7
JAN 20/09

BRI



757

PARTS CATALOG (MAINTENANCE)

| FIG ITEM | PART NUMBER | 1 2 3 4 5 6 7 | NOMENCLATURE | EFFECT FROM TO | UNITS PER ASSY |
|----------|-----------------|---------------|---|----------------------------|----------------|
| 3 | | | | | |
| 25 | 4336731004-4256 | ... | SWITCH ASSY-LIGHTED PUSH BUTTON IND SUPPLIER CODE: V81590 OPTIONAL PART: 851-35100-5056 V96182 S231T290-5056 | 101106 108120 504903 | 2 |
| 25 | 851-35100-5056 | ... | SWITCH ASSY-LIGHTED PUSH BUTTON IND SUPPLIER CODE: V96182 OPTIONAL PART: 4336731004-4256 V81590 | 101106 108120 504903 | 2 |
| 30 | AC45-0022-2 | ... | SWITCH-ROTARY SUPPLIER CODE: V91812 OPTIONAL PART: AC45-0022-1 V91812 | 101106 108120 504903 | 2 |
| 30 | AC45-0022-1 | ... | SWITCH-ROTARY SUPPLIER CODE: V91812 OPTIONAL PART: AC45-0022-2 V91812 | 101106 108120 504903 | 2 |
| 40 | R071722-55P10 | ... | CONNECTOR- SUPPLIER CODE: V41118 SPECIFICATION NUMBER: BCREF1823 OVERLENGTH PART NUMBER: BACC45FN22-55P10 | 101106 108120 504903 | 1 |
| 45 | BACC45FN22-55P9 | ... | CONNECTOR | 101106 108120 504903 | 1 |
| | | | ATTACHING PARTS | | |
| - 50 | BACS12HN04-5 | ... | SCREW- OPTIONAL PART: NAS1801-04-5 | 101106 108120 504903 | 4 |
| - 50 | NAS1801-04-5 | ... | SCREW- OPTIONAL PART: BACS12HN04-5 | 101106 108120 504903 | 4 |

MISSING ITEM NUMBERS NOT APPLICABLE

- ITEM NOT ILLUSTRATED

21-51-54-03

21-51-54
FIG. 03
PAGE 8
JAN 20/09

BRI

BOEING PROPRIETARY - Copyright © - Unpublished Work - See title page for details.



757

PARTS CATALOG (MAINTENANCE)

| FIG ITEM | PART NUMBER | 1 2 3 4 5 6 7 | NOMENCLATURE | EFFECT FROM TO | UNITS PER ASSY |
|----------|-----------------|---------------|--|----------------------------|----------------|
| 3 | | | | | |
| - 55 | K19798-04 | | ...NUT SUPPLIER CODE: V15653 SPECIFICATION NUMBER: BACN10NW1 OPTIONAL PART: RMA4812-160-40 V72962 293162 V60119 -----*----- | 101106 108120 504903 | 4 |
| - 105 | 286N2066-010 | | WIRE BUNDLE ASSY | 504903 | RF |
| - 106 | 286N2066-334 | | WIRE BUNDLE ASSY | 101102 | RF |
| - 107 | 286N2066-346 | | WIRE BUNDLE ASSY | 108120 | RF |
| - 109 | 286N2066-602 | | WIRE BUNDLE ASSY | 103106 | RF |
| 115 | R071622A55S10 | | .CONNECTOR- SUPPLIER CODE: V41118 SPECIFICATION NUMBER: BCREF1929 OPTIONAL PART: BMS2426622A55S1 V11139 OVERLENGTH PART NUMBER: BACC45FT22A55S10 ELECTRICAL EQUIP NUMBER: D03556 WIRING DIAGRAM REF: 215115 | 101106 108120 504903 | 1 |
| - 121 | 286N2070-335 | | WIRE BUNDLE ASSY | 101102 | RF |
| - 122 | 286N2070-337 | | WIRE BUNDLE ASSY | 108120 | RF |
| - 122 | 286N2070-340 | | WIRE BUNDLE ASSY | 504903 | RF |
| - 125 | 286N2070-601 | | WIRE BUNDLE ASSY | 103106 | RF |
| 130 | BACC45FT22A55S9 | | .CONNECTOR- ELECTRICAL EQUIP NUMBER: D03558 WIRING DIAGRAM REF: 215125 | 101106 108120 504903 | 1 |

MISSING ITEM NUMBERS NOT APPLICABLE

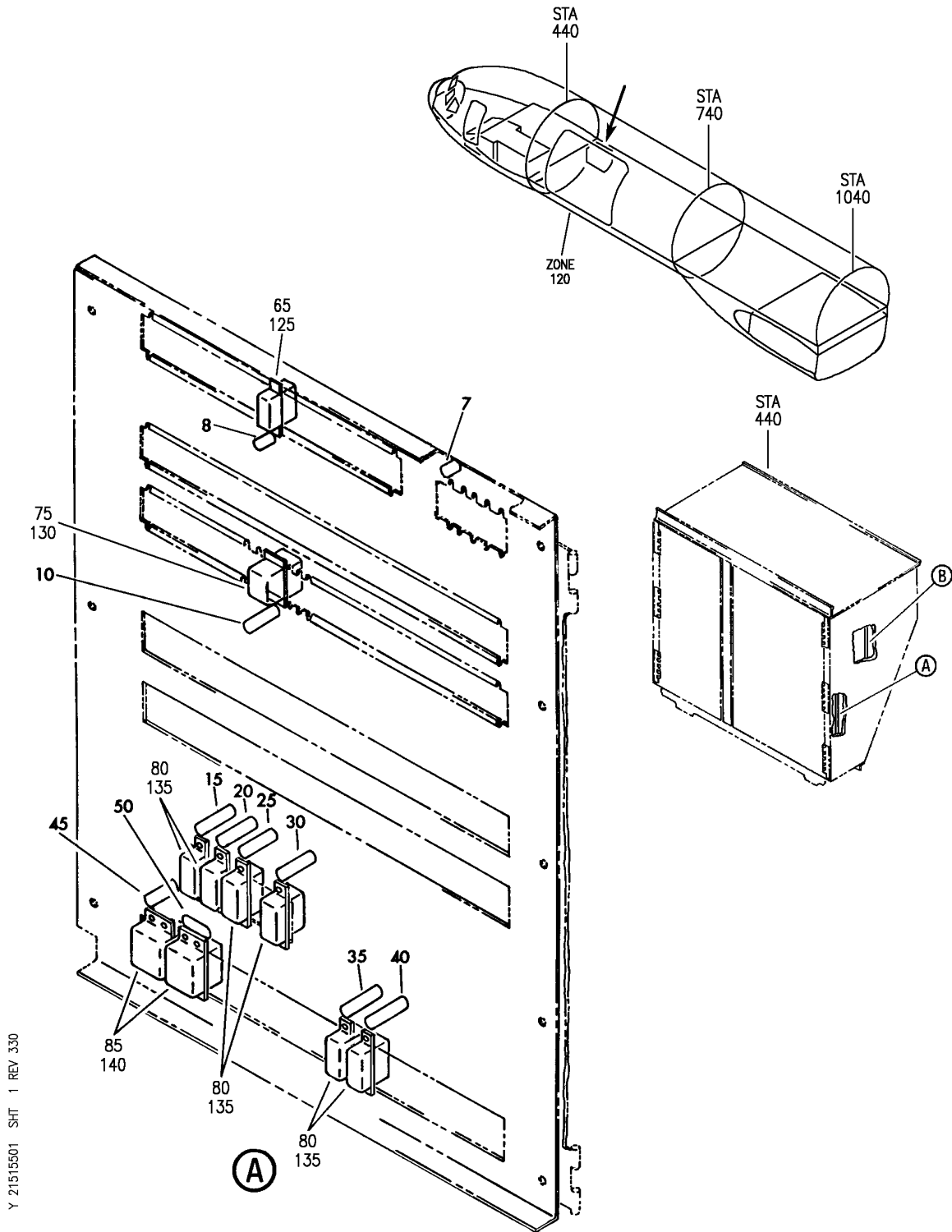
- ITEM NOT ILLUSTRATED

21-51-54-03

21-51-54
FIG. 03
PAGE 9
JAN 20/09

BRI

BOEING
757
PARTS CATALOG (MAINTENANCE)



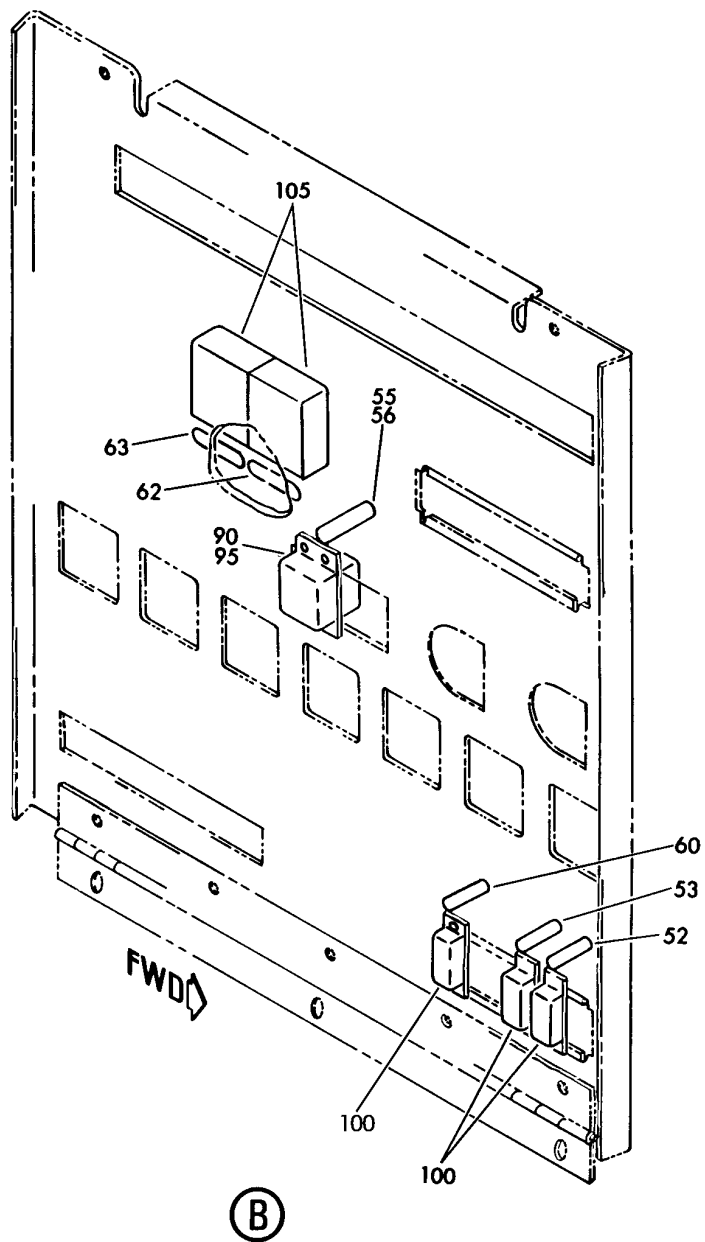
PANEL ASSY-P37 MISC RELAY R (AIR COOLING PACK SYSTEM ONLY)
FIGURE 1 (SHEET 1)

21-51-55-01

BRI
JAN 20/09

21-51-55-01
PAGE 0

BOEING
757
PARTS CATALOG (MAINTENANCE)



Y 21515501 SHT 2 REV 233

PANEL ASSY-P37 MISC RELAY R (AIR COOLING PACK SYSTEM ONLY)
FIGURE 1 (SHEET 2)

21-51-55-01

BRI
MAY 28/07

21-51-55-01
PAGE 0A



757

PARTS CATALOG (MAINTENANCE)

| FIG ITEM | PART NUMBER | 1 2 3 4 5 6 7 | NOMENCLATURE | EFFECT FROM TO | UNITS PER ASSY |
|----------|--------------|---------------|--|--|----------------|
| 1 | | | PANEL ASSY-P37 MISC RELAY R (AIR COOLING PACK SYSTEM ONLY) | 002004 006100 107107 121503 904999 | |
| - 1 | 284N1127-1 | | PANEL ASSY-P37 MISC RELAY (AIR COOLING PACK SYSTEM ONLY) POSITION DATA: R VARIABLE DRAWING REF: 284N1127-5028 284N1127-5063 284N1127-5064 284N1127-5068 REWORKED BY SB: 33-0039 34-0200 REWORKED BY ALERT SB: 27A0130 FOR NHA/OTHER SYS DET SEE: 31-01-37-01B | 002004 006100 107107 950999 | RF |
| 8 | BAC27NEX1351 | | .DECAL- PLACARD CONTENT: K10318 | 002004 006100 107107 950999 | 1 |
| 10 | BAC27NEX1349 | | .DECAL- PLACARD CONTENT: K10316 | 002004 006100 107107 950999 | 1 |
| 15 | BAC27TEX0300 | | .DECAL- PLACARD CONTENT: K51 | 002004 006100 107107 950999 | 1 |
| 20 | BAC27TEX0301 | | .DECAL- PLACARD CONTENT: K52 | 002004 006100 107107 950999 | 1 |
| 25 | BAC27TEX0302 | | .DECAL- PLACARD CONTENT: K53 | 002004 006100 107107 950999 | 1 |
| 30 | BAC27TEX0303 | | .DECAL- PLACARD CONTENT: K54 | 002004 006100 107107 950999 | 1 |

MISSING ITEM NUMBERS NOT APPLICABLE

- ITEM NOT ILLUSTRATED

21-51-55-01

21-51-55
FIG. 01
PAGE 1
JAN 20/09

BRI

BOEING PROPRIETARY - Copyright © - Unpublished Work - See title page for details.



757

PARTS CATALOG (MAINTENANCE)

| FIG ITEM | PART NUMBER | 1 2 3 4 5 6 7 | NOMENCLATURE | EFFECT FROM TO | UNITS PER ASSY |
|----------|-----------------|---------------|---|--------------------------------------|----------------|
| 1 | 35 BAC27TEX0304 | | .DECAL- PLACARD CONTENT: K55 | 002004 006100 107107 950999 | 1 |
| | 40 BAC27TEX0305 | | .DECAL- PLACARD CONTENT: K56 | 002004 006100 107107 950999 | 1 |
| | 45 BAC27TEX0298 | | .DECAL- PLACARD CONTENT: K49 | 002004 006100 107107 950999 | 1 |
| | 50 BAC27TEX0299 | | .DECAL- PLACARD CONTENT: K50 | 002004 006100 107107 950999 | 1 |
| | 65 W260F4AM11 | | .RELAY- SUPPLIER CODE: VF0219 SPECIFICATION NUMBER: BACR13CD2 OPTIONAL PART: BR16S233 V09026 EE4AA005 V35344 3SAV1338A2 V01526 HFW1206K03 V58614 HFW1204K01 V71482 ELECTRICAL EQUIP NUMBER: K10318 | 002004 006100 107107 950999 | 1 |
| | 75 W460F1A | | .RELAY- SUPPLIER CODE: VF0219 SPECIFICATION NUMBER: BACR13CE2 OPTIONAL PART: 3SAH5-13-4K1 V01526 3SAH1326A2 V01526 ELECTRICAL EQUIP NUMBER: K10316 | 002004 006100 107107 950999 | 1 |

MISSING ITEM NUMBERS NOT APPLICABLE

- ITEM NOT ILLUSTRATED

21-51-55-01

21-51-55
FIG. 01
PAGE 2
JAN 20/09

BRI



757

PARTS CATALOG (MAINTENANCE)

| FIG ITEM | PART NUMBER | 1 2 3 4 5 6 7 | NOMENCLATURE | EFFECT FROM TO | UNITS PER ASSY |
|----------|--------------|---------------|--|--------------------------------------|----------------|
| 1 80 | ES210-1632 | | .RELAY- SUPPLIER CODE: V99699 SPECIFICATION NUMBER: BACR13CF2AB OPTIONAL PART: JD4L018 V35344 JD4L031 V35344 BR246S0111 V56623 BR64S105 V56623 FCA210-71 V78290 61GB2319-1A320 V98927 ELECTRICAL EQUIP NUMBER: K00051 K00052 K00053 K00054 K00055 K00056 | 002004 006100 107107 950999 | 6 |
| 85 | ES410-1538 | | .RELAY- SUPPLIER CODE: V99699 SPECIFICATION NUMBER: BACR13CG2AB OPTIONAL PART: KD4L018 V35344 BR230DS0115 V56623 KD4L036 V58657 FCA410-63 V78290 ELECTRICAL EQUIP NUMBER: K00049 K00050 | 002004 006100 107107 950999 | 2 |
| - 120 | 286N1270-003 | | .WIRE BUNDLE ASSY- REWORKED BY ALERT SB: 27A0130 | 107107 | 1 |

MISSING ITEM NUMBERS NOT APPLICABLE

- ITEM NOT ILLUSTRATED

BRI

21-51-55-01

BOEING PROPRIETARY - Copyright © - Unpublished Work - See title page for details.

21-51-55
FIG. 01
PAGE 3
JAN 20/09



757

PARTS CATALOG (MAINTENANCE)

| FIG ITEM | PART NUMBER | 1 2 3 4 5 6 7 | NOMENCLATURE | EFFECT FROM TO | UNITS PER ASSY |
|----------|--------------|---------------|---|--------------------------------------|----------------|
| 1 | | | | | |
| - 120 | 286N1270-005 | | .WIRE BUNDLE ASSY- REWORKED BY SB: 33-0039 REWORKED BY ALERT SB: 27A0130 34A0222 | 002004 006100 950999 | 1 |
| - 121 | 286N1270-002 | | .WIRE BUNDLE ASSY- REWORKED BY ALERT SB: 34A0222 27A0130 | 121503 904949 | 1 |
| 125 | RSE120026 | | .. SOCKET- SUPPLIER CODE: V58982 SPECIFICATION NUMBER: BACS16AG1 OPTIONAL PART: 451120-026 V58982 ELECTRICAL EQUIP NUMBER: D04060 WIRING DIAGRAM REF: 215124 | 002004 006100 107107 950999 | 1 |
| 130 | RSE120027 | | .. SOCKET- SUPPLIER CODE: V58982 SPECIFICATION NUMBER: BACS16AF1 OPTIONAL PART: 451120-027 V58982 ELECTRICAL EQUIP NUMBER: D04096 WIRING DIAGRAM REF: 215122 | 002004 006100 107107 950999 | 1 |

MISSING ITEM NUMBERS NOT APPLICABLE

- ITEM NOT ILLUSTRATED

BRI

21-51-55-01

BOEING PROPRIETARY - Copyright © - Unpublished Work - See title page for details.

21-51-55
FIG. 01
PAGE 4
JAN 20/09



757

PARTS CATALOG (MAINTENANCE)

| FIG ITEM | PART NUMBER | 1 2 3 4 5 6 7 | NOMENCLATURE | EFFECT FROM TO | UNITS PER ASSY |
|----------|-------------|---------------|---|--------------------------------------|----------------|
| 1 135 | RSF116200 | | .. SOCKET- SUPPLIER CODE: V58982 SPECIFICATION NUMBER: BACS16X1A OPTIONAL PART: 102-006-1 V09922 000300-1538 V05574 ELECTRICAL EQUIP NUMBER: D03032 D03034 D03036 D03038 D03040 D03042 WIRING DIAGRAM REF: 215122 | 002004 006100 107107 950999 | 6 |
| 140 | RSF116400 | | .. SOCKET- SUPPLIER CODE: V58982 SPECIFICATION NUMBER: BACS16W1A OPTIONAL PART: 102-009-1 V09922 000300-1539 V05574 ELECTRICAL EQUIP NUMBER: D03006 D03008 WIRING DIAGRAM REF: 215122 | 002004 006100 107107 950999 | 2 |

MISSING ITEM NUMBERS NOT APPLICABLE

- ITEM NOT ILLUSTRATED

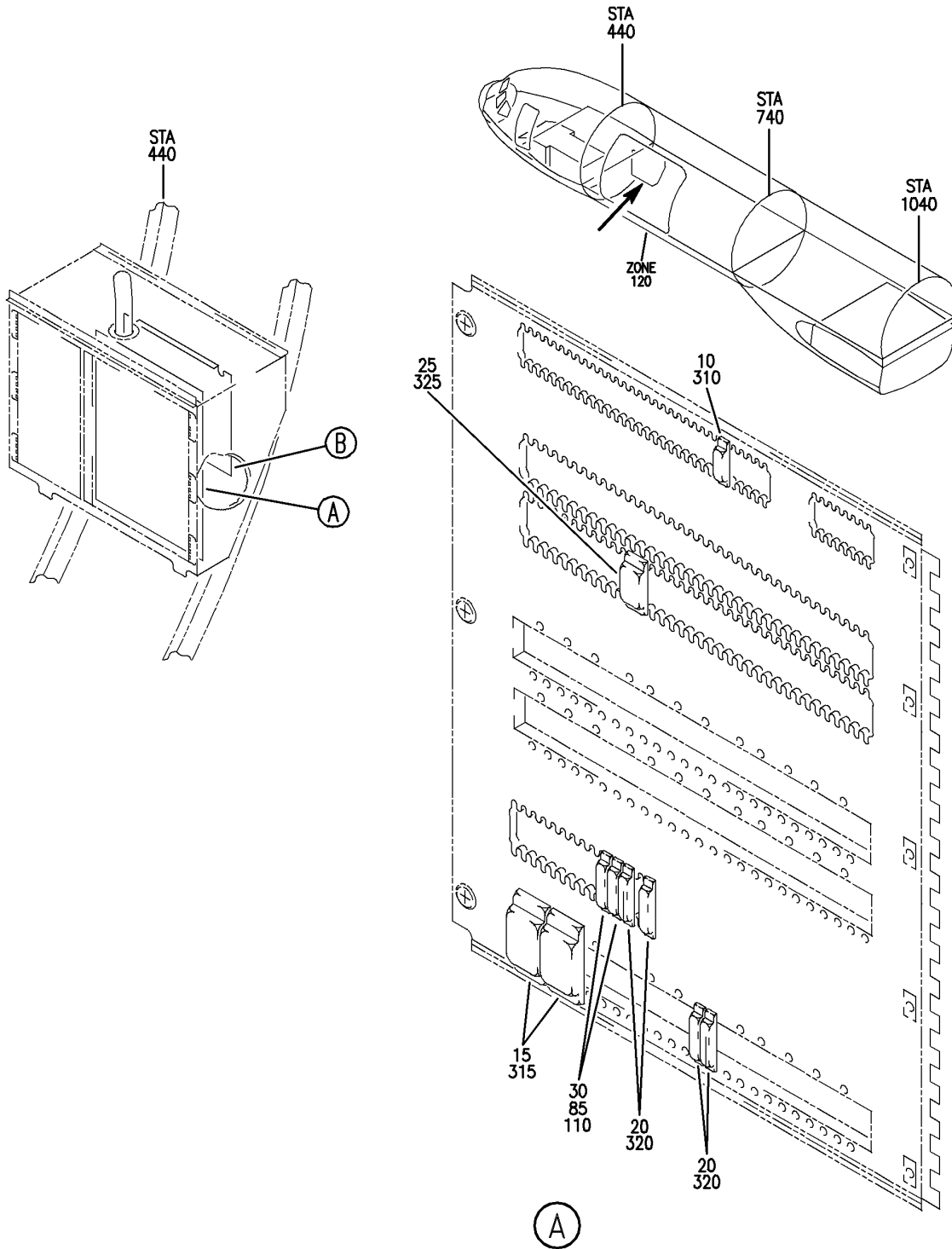
BRI

21-51-55-01

BOEING PROPRIETARY - Copyright © - Unpublished Work - See title page for details.

21-51-55
 FIG. 01
 PAGE 5
 JAN 20/09

BOEING
757
PARTS CATALOG (MAINTENANCE)



Y 21515501B SHT 1 REV 226

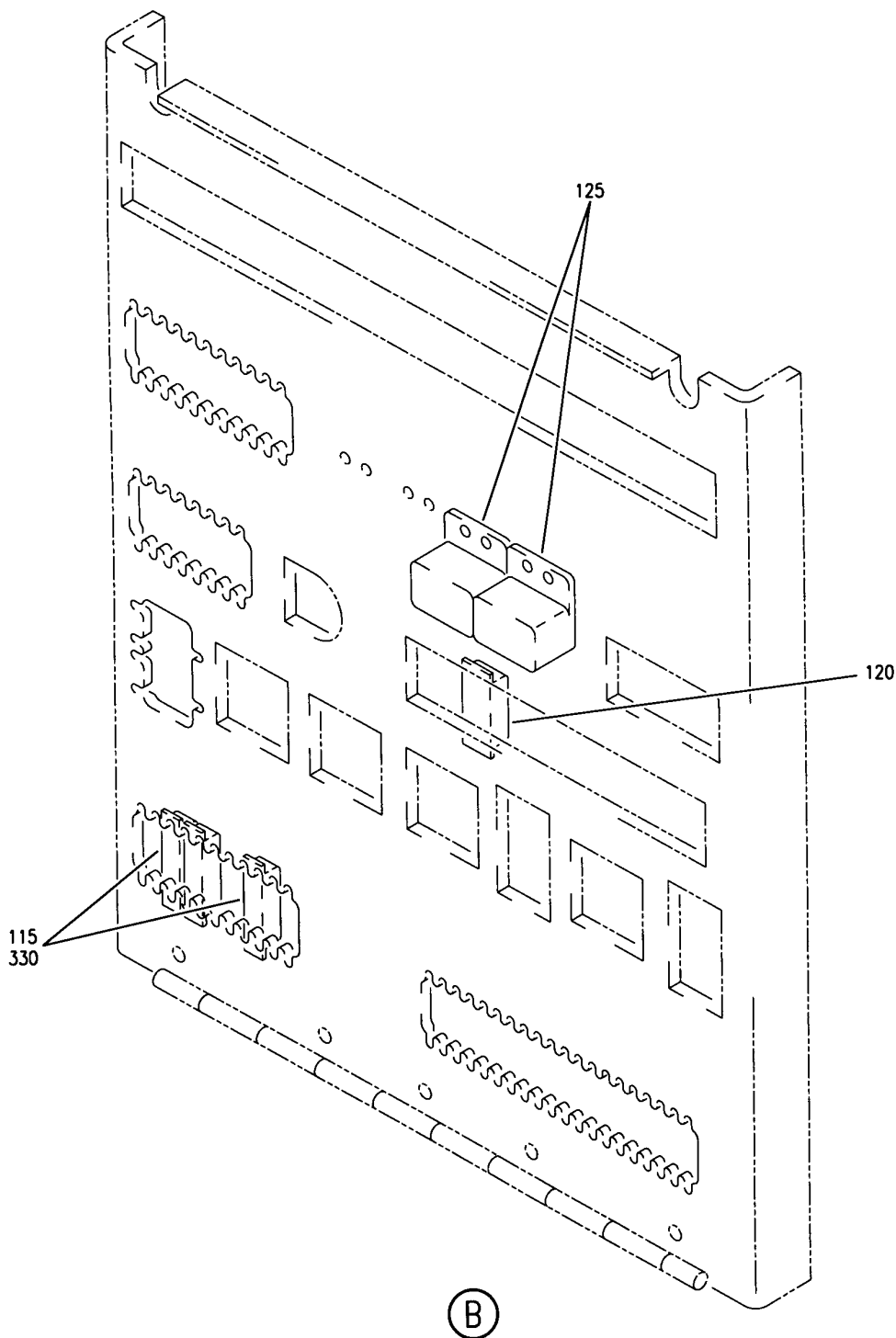
PACKAGE ASSY-OPTION P37 MISC RELAY (AIR COOLING PACK SYSTEM ONLY)
FIGURE 1B (SHEET 1)

21-51-55-01B

BRI
MAY 28/07

21-51-55-01B
PAGE 0

BOEING
757
PARTS CATALOG (MAINTENANCE)



Y 21515501B SHT 2 REV 226

PACKAGE ASSY-OPTION P37 MISC RELAY (AIR COOLING PACK SYSTEM ONLY)
FIGURE 1B (SHEET 2)

BRI
MAY 28/07

21-51-55-01B

21-51-55-01B
PAGE 0A



757

PARTS CATALOG (MAINTENANCE)

| FIG ITEM | PART NUMBER | 1 2 3 4 5 6 7 | NOMENCLATURE | EFFECT FROM TO | UNITS PER ASSY |
|----------|---------------|---------------|--|------------------|----------------|
| 1B | | | PACKAGE ASSY-OPTION P37 MISC RELAY (AIR COOLING PACK SYSTEM ONLY) | 101102 504903 | |
| - 1 | 284N1127-1041 | | PACKAGE ASSY-OPTION P37 MISC RELAY (AIR COOLING PACK SYSTEM ONLY) | 101102 504903 | RF |
| 10 | W260F4AM11 | | REWORKED BY ALERT SB: 27A0130 FOR NHA/OTHER SYS DET SEE: 31-01-37-02 .RELAY- SUPPLIER CODE: VF0219 SPECIFICATION NUMBER: BACR13CD2 OPTIONAL PART: BR16S233 V09026 EE4AA005 V35344 3SAV1338A2 V01526 HFW1206K03 V58614 HFW1204K01 V71482 ELECTRICAL EQUIP NUMBER: K10318 | 101102 504903 | 1 |
| 15 | ES410-1538 | | .RELAY- SUPPLIER CODE: V99699 SPECIFICATION NUMBER: BACR13CG2AB OPTIONAL PART: KD4L018 V35344 BR230DS0115 V56623 KD4L036 V58657 FCA410-63 V78290 ELECTRICAL EQUIP NUMBER: K00049 K00050 | 101102 504903 | 2 |

MISSING ITEM NUMBERS NOT APPLICABLE

- ITEM NOT ILLUSTRATED

21-51-55-01B

21-51-55
FIG. 01B
PAGE 1
JAN 20/09

BRI

BOEING PROPRIETARY - Copyright © - Unpublished Work - See title page for details.

 **BOEING**
757
PARTS CATALOG (MAINTENANCE)

| FIG ITEM | PART NUMBER | 1 2 3 4 5 6 7 | NOMENCLATURE | EFFECT FROM TO | UNITS PER ASSY |
|----------|---------------|---------------|--|------------------|----------------|
| 1B 20 | ES210-1632 | | .RELAY- SUPPLIER CODE: V99699 SPECIFICATION NUMBER: BACR13CF2AB OPTIONAL PART: JD4L018 V35344 JD4L031 V35344 BR246S0111 V56623 BR64S105 V56623 FCA210-71 V78290 61GB2319-1A320 V98927 ELECTRICAL EQUIP NUMBER: K00053 K00054 K00055 K00056 | 101102 504903 | 4 |
| 25 | W460F1A | | .RELAY- SUPPLIER CODE: VF0219 SPECIFICATION NUMBER: BACR13CE2 OPTIONAL PART: 3SAH5-13-4K1 V01526 3SAH1326A2 V01526 ELECTRICAL EQUIP NUMBER: K10316 | 101102 504903 | 1 |
| - 75 | 284N1127-1043 | | PACKAGE ASSY-OPTION P37 MISC RELAY (AIR COOLING PACK SYSTEM ONLY) REWORKED BY ALERT SB: 27A0130 FOR NHA/OTHER SYS DET SEE: 31-01-37-02 | 101102 504903 | RF |

MISSING ITEM NUMBERS NOT APPLICABLE

- ITEM NOT ILLUSTRATED

BRI

21-51-55-01B

BOEING PROPRIETARY - Copyright © - Unpublished Work - See title page for details.

21-51-55
FIG. 01B
PAGE 2
JAN 20/09



757

PARTS CATALOG (MAINTENANCE)

| FIG ITEM | PART NUMBER | 1 2 3 4 5 6 7 | NOMENCLATURE | EFFECT FROM TO | UNITS PER ASSY |
|----------|--------------|---------------|--|------------------|----------------|
| 1B 85 | ES210-1632 | | .RELAY- SUPPLIER CODE: V99699 SPECIFICATION NUMBER: BACR13CF2AB OPTIONAL PART: JD4L018 V35344 JD4L031 V35344 BR246S0111 V56623 BR64S105 V56623 FCA210-71 V78290 61GB2319-1A320 V98927 ELECTRICAL EQUIP NUMBER: K00051 K00052 | 101102 504903 | 2 |
| - 300 | 286N1270-336 | | WIRE BUNDLE ASSY- REWORKED BY ALERT SB: 34A0222 27A0130 | 504903 | RF |
| - 301 | 286N1270-361 | | WIRE BUNDLE ASSY- REWORKED BY ALERT SB: 34A0222 27A0130 | 101101 | RF |
| - 301 | 286N1270-399 | | WIRE BUNDLE ASSY- REWORKED BY ALERT SB: 34A0222 27A0130 | 102102 | RF |
| 310 | RSE120026 | | .SOCKET- SUPPLIER CODE: V58982 SPECIFICATION NUMBER: BACS16AG1 OPTIONAL PART: 451120-026 V58982 ELECTRICAL EQUIP NUMBER: D04060 WIRING DIAGRAM REF: 215124 | 101102 504903 | 1 |

MISSING ITEM NUMBERS NOT APPLICABLE

- ITEM NOT ILLUSTRATED

21-51-55-01B

21-51-55
FIG. 01B
PAGE 3
JAN 20/09

BRI

BOEING PROPRIETARY - Copyright © - Unpublished Work - See title page for details.



757

PARTS CATALOG (MAINTENANCE)

| FIG ITEM | PART NUMBER | 1 2 3 4 5 6 7 | NOMENCLATURE | EFFECT FROM TO | UNITS PER ASSY |
|-----------|-------------|---------------|--|------------------|----------------|
| 1B 315 | RSF116400 | . | SOCKET- SUPPLIER CODE: V58982 SPECIFICATION NUMBER: BACS16W1A OPTIONAL PART: 102-009-1 V09922 000300-1539 V05574 ELECTRICAL EQUIP NUMBER: D03006 D03008 WIRING DIAGRAM REF: 215122 | 101102 504903 | 2 |
| 320 | RSF116200 | . | SOCKET- SUPPLIER CODE: V58982 SPECIFICATION NUMBER: BACS16X1A OPTIONAL PART: 102-006-1 V09922 000300-1538 V05574 ELECTRICAL EQUIP NUMBER: D03036 D03038 D03040 D03042 WIRING DIAGRAM REF: 215123 | 101102 504903 | 4 |
| 325 | RSE120027 | . | SOCKET- SUPPLIER CODE: V58982 SPECIFICATION NUMBER: BACS16AF1 OPTIONAL PART: 451120-027 V58982 ELECTRICAL EQUIP NUMBER: D04096 WIRING DIAGRAM REF: 215122 | 101102 504903 | 1 |

MISSING ITEM NUMBERS NOT APPLICABLE

- ITEM NOT ILLUSTRATED

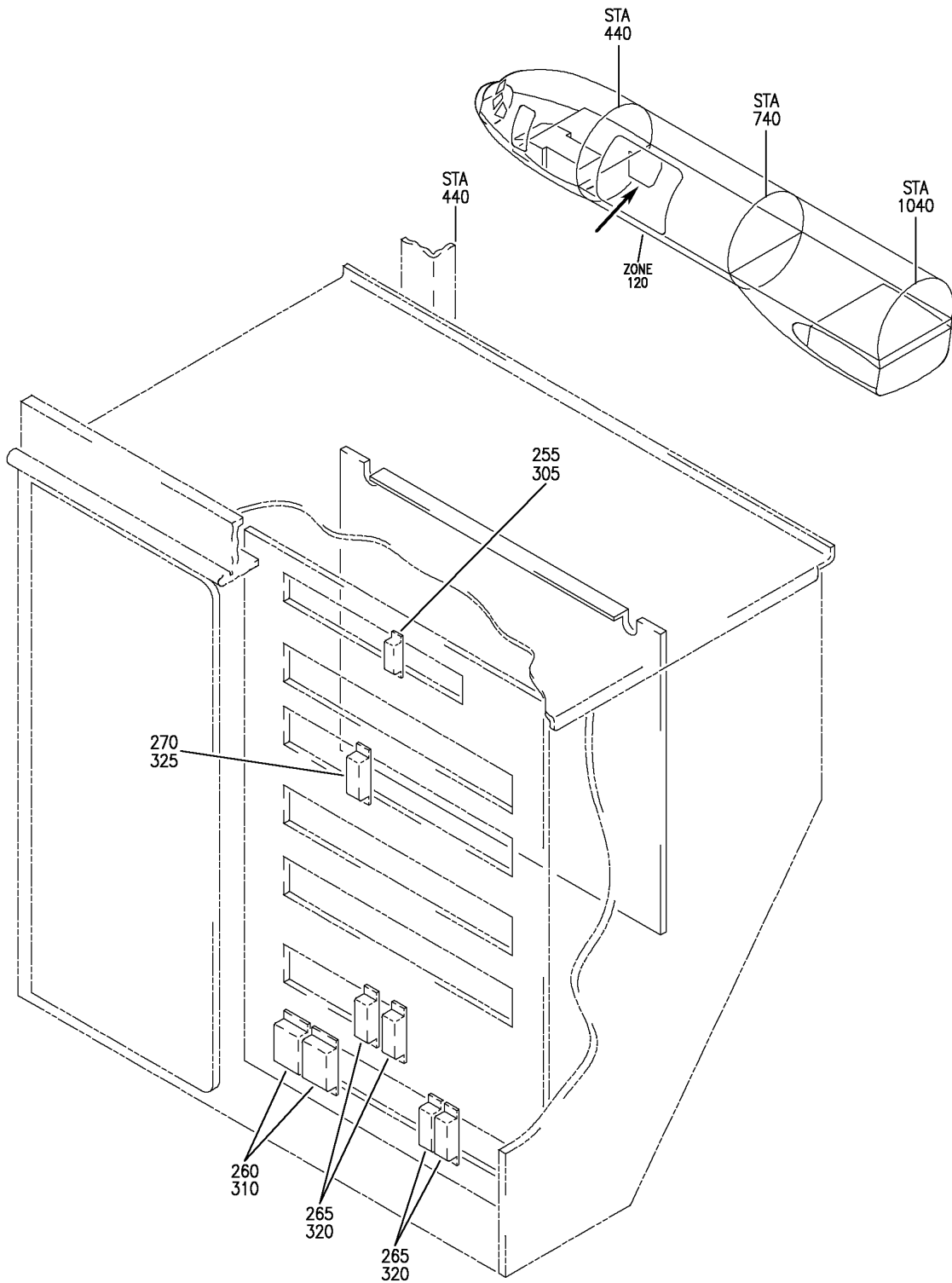
21-51-55-01B

21-51-55
FIG. 01B
PAGE 4
JAN 20/09

BRI

BOEING PROPRIETARY - Copyright © - Unpublished Work - See title page for details.

BOEING
757
PARTS CATALOG (MAINTENANCE)



Y 21515501D REV 326

PANEL INSTL-P37 R MISC RELAY (AIR COOLING PACK SYSTEM ONLY)
FIGURE 1D (SHEET 1)

BRI
JAN 20/09

21-51-55-01D

21-51-55-01D
PAGE 0



757

PARTS CATALOG (MAINTENANCE)

| FIG ITEM | PART NUMBER | 1 2 3 4 5 6 7 | NOMENCLATURE | EFFECT FROM TO | UNITS PER ASSY |
|-------------------------------------|--------------|---------------|--|------------------|----------------|
| 1 D | | | PANEL INSTL-P37 R MISC RELAY (AIR COOLING PACK SYSTEM ONLY) | 103106 108120 | |
| - 1 | MODREF185037 | | PANEL INSTL-P37 R MISC RELAY (AIR COOLING PACK SYSTEM ONLY) MODULE NUMBER: 284N1127-169 REV D FOR OTHER SYS DETAILS SEE: 11-36-12-02A 21-25-71-02D 21-44-71-02D 21-45-31-01D 21-58-71-02D 21-61-71-02D 23-31-51-05 24-21-51-05 24-51-01-02 24-51-02-03 24-51-58-02D 27-62-71-03D 28-22-71-03D 29-21-71-01D 30-11-71-02D 30-21-71-03D 30-31-71-02D 30-32-71-02D 30-33-71-02D 30-34-51-01D 31-01-37-10 31-31-71-02D 32-09-02-04D 32-42-71-02D 32-61-71-02D 33-43-55-01D 33-51-71-01D 34-12-71-02D 34-25-50-01D 34-61-52-01D 35-21-71-02D 36-11-71-02D 38-15-71-02D 73-21-55-01D 74-31-71-02D 76-11-71-02D 77-12-71-01D 78-34-71-02D 78-36-71-02D 80-11-71-02D | 106106 | 1 |
| MISSING ITEM NUMBERS NOT APPLICABLE | | | | | |

- ITEM NOT ILLUSTRATED

21-51-55-01D

21-51-55
FIG. 01D
PAGE 1
JAN 20/09

BRI



757

PARTS CATALOG (MAINTENANCE)

| FIG ITEM | PART NUMBER | 1 2 3 4 5 6 7 | NOMENCLATURE | EFFECT FROM TO | UNITS PER ASSY |
|-------------|----------------|---------------|---|-------------------|----------------------|
| 1D - | 3 284N1127-118 | | PANEL INSTL-P37 R MISC RELAY (AIR COOLING PACK SYSTEM ONLY) FOR NHA/OTHER SYS DET SEE: 24-00-58-05C | 108108 | RF |
| - | 4 284N1127-139 | | PANEL INSTL-P37 R MISC RELAY (AIR COOLING PACK SYSTEM ONLY) FOR NHA/OTHER SYS DET SEE: 24-00-58-05C | 109120 | RF |

MISSING ITEM NUMBERS NOT APPLICABLE

- ITEM NOT ILLUSTRATED

BRI

21-51-55-01D

BOEING PROPRIETARY - Copyright © - Unpublished Work - See title page for details.

21-51-55
FIG. 01D
PAGE 2
JAN 20/09



757

PARTS CATALOG (MAINTENANCE)

| FIG ITEM | PART NUMBER | 1 2 3 4 5 6 7 | NOMENCLATURE | EFFECT FROM TO | UNITS PER ASSY |
|------------|-------------|---------------|--|----------------|----------------|
| 1 D - 8 | MODREF31945 | | PANEL INSTL-P37 R MISC RELAY (AIR COOLING PACK SYSTEM ONLY) MODULE NUMBER: 284N1127-169 REV B FOR OTHER SYS DETAILS SEE: 11-36-12-02A 21-25-71-02D 21-44-71-02D 21-45-31-01D 21-58-71-02D 21-61-71-02D 23-31-51-05 24-21-51-05 24-51-01-02 24-51-02-03 24-51-58-02D 27-62-71-03D 28-22-71-03D 29-21-71-01D 30-11-71-02D 30-21-71-03D 30-31-71-02D 30-32-71-02D 30-33-71-02D 30-34-51-01D 31-01-37-10 31-31-71-02D 32-09-02-04D 32-42-71-02D 32-61-71-02D 33-43-55-01D 33-51-71-01D 34-12-71-02D 34-25-50-01D 34-61-52-01D 35-21-71-02D 36-11-71-02D 38-15-71-02D 73-21-55-01D 74-31-71-02D 76-11-71-02D 77-12-71-01D 78-34-71-02D 78-36-71-02D 80-11-71-02D | 103103 | 1 |

MISSING ITEM NUMBERS NOT APPLICABLE

- ITEM NOT ILLUSTRATED

BRI

21-51-55-01D

BOEING PROPRIETARY - Copyright © - Unpublished Work - See title page for details.

21-51-55
FIG. 01D
PAGE 3
JAN 20/09



757

PARTS CATALOG (MAINTENANCE)

| FIG ITEM | PART NUMBER | 1 2 3 4 5 6 7 | NOMENCLATURE | EFFECT FROM TO | UNITS PER ASSY |
|------------|-------------|---------------|--|----------------|----------------|
| 1 D - 9 | MODREF34305 | | PANEL INSTL-P37 R MISC RELAY (AIR COOLING PACK SYSTEM ONLY) MODULE NUMBER: 284N1127-169 REV C FOR OTHER SYS DETAILS SEE: 11-36-12-02A 21-25-71-02D 21-44-71-02D 21-45-31-01D 21-58-71-02D 21-61-71-02D 23-31-51-05 24-21-51-05 24-51-01-02 24-51-02-03 24-51-58-02D 27-62-71-03D 28-22-71-03D 29-21-71-01D 30-11-71-02D 30-21-71-03D 30-31-71-02D 30-32-71-02D 30-33-71-02D 30-34-51-01D 31-01-37-10 31-31-71-02D 32-09-02-04D 32-42-71-02D 32-61-71-02D 33-43-55-01D 33-51-71-01D 34-12-71-02D 34-25-50-01D 34-61-52-01D 35-21-71-02D 36-11-71-02D 38-15-71-02D 73-21-55-01D 74-31-71-02D 76-11-71-02D 77-12-71-01D 78-34-71-02D 78-36-71-02D 80-11-71-02D | 104105 | 1 |

MISSING ITEM NUMBERS NOT APPLICABLE

- ITEM NOT ILLUSTRATED

21-51-55-01D

21-51-55
FIG. 01D
PAGE 4
JAN 20/09

BRI



757

PARTS CATALOG (MAINTENANCE)

| FIG ITEM | PART NUMBER | 1 2 3 4 5 6 7 | NOMENCLATURE | EFFECT FROM TO | UNITS PER ASSY |
|-------------|-------------|---------------|---|-------------------|----------------------|
| 1D 255 | W260F4AM11 | | .RELAY- SUPPLIER CODE: VF0219 SPECIFICATION NUMBER: BACR13CD2 OPTIONAL PART: BR16S233 V09026 EE4AA005 V35344 3SAV1338A2 V01526 HFW1206K03 V58614 HFW1204K01 V71482 ELECTRICAL EQUIP NUMBER: K10318 | 103106 108120 | 1 |
| 260 | ES410-1538 | | .RELAY- SUPPLIER CODE: V99699 SPECIFICATION NUMBER: BACR13CG2AB OPTIONAL PART: KD4L018 V35344 BR230DS0115 V56623 KD4L036 V58657 FCA410-63 V78290 ELECTRICAL EQUIP NUMBER: K00049 K00050 | 103106 108120 | 2 |

MISSING ITEM NUMBERS NOT APPLICABLE

- ITEM NOT ILLUSTRATED

BRI

21-51-55-01D

BOEING PROPRIETARY - Copyright © - Unpublished Work - See title page for details.

21-51-55
FIG. 01D
PAGE 5
JAN 20/09



757

PARTS CATALOG (MAINTENANCE)

| FIG ITEM | PART NUMBER | 1 2 3 4 5 6 7 | NOMENCLATURE | EFFECT FROM TO | UNITS PER ASSY |
|-----------|--------------|---------------|--|------------------|----------------|
| 1D 265 | ES210-1632 | | .RELAY- SUPPLIER CODE: V99699 SPECIFICATION NUMBER: BACR13CF2AB OPTIONAL PART: JD4L018 V35344 JD4L031 V35344 BR246S0111 V56623 BR64S105 V56623 FCA210-71 V78290 61GB2319-1A320 V98927 ELECTRICAL EQUIP NUMBER: K00053 K00054 K00055 K00056 | 103106 108120 | 4 |
| 270 | W460F1A | | .RELAY- SUPPLIER CODE: VF0219 SPECIFICATION NUMBER: BACR13CE2 OPTIONAL PART: 3SAH5-13-4K1 V01526 3SAH1326A2 V01526 ELECTRICAL EQUIP NUMBER: K10316 | 103106 108120 | 1 |
| - 300 | 286N1270-360 | | WIRE BUNDLE ASSY- REWORKED BY ALERT SB: 34A0222 | 108120 | RF |
| - 302 | 286N1270-602 | | WIRE BUNDLE ASSY | 103106 | RF |

MISSING ITEM NUMBERS NOT APPLICABLE

- ITEM NOT ILLUSTRATED

21-51-55-01D

21-51-55
FIG. 01D
PAGE 6
JAN 20/09

BRI

BOEING PROPRIETARY - Copyright © - Unpublished Work - See title page for details.



757

PARTS CATALOG (MAINTENANCE)

| FIG ITEM | PART NUMBER | 1 2 3 4 5 6 7 | NOMENCLATURE | EFFECT FROM TO | UNITS PER ASSY |
|-----------|-------------|---------------|---|------------------|----------------|
| 1D 305 | RSE120026 | | .SOCKET- SUPPLIER CODE: V58982 SPECIFICATION NUMBER: BACS16AG1 OPTIONAL PART: 451120-026 V58982 ELECTRICAL EQUIP NUMBER: D04060 WIRING DIAGRAM REF: 215124 | 103106 108120 | 1 |
| 310 | RSF116400 | | .SOCKET- SUPPLIER CODE: V58982 SPECIFICATION NUMBER: BACS16W1A OPTIONAL PART: 102-009-1 V09922 000300-1539 V05574 ELECTRICAL EQUIP NUMBER: D03006 D03008 WIRING DIAGRAM REF: 215122 | 103106 108120 | 2 |
| 320 | RSF116200 | | .SOCKET- SUPPLIER CODE: V58982 SPECIFICATION NUMBER: BACS16X1A OPTIONAL PART: 102-006-1 V09922 000300-1538 V05574 ELECTRICAL EQUIP NUMBER: D03036 D03038 D03040 D03042 WIRING DIAGRAM REF: 215123 | 103106 108120 | 4 |

MISSING ITEM NUMBERS NOT APPLICABLE

- ITEM NOT ILLUSTRATED

BRI

21-51-55-01D

BOEING PROPRIETARY - Copyright © - Unpublished Work - See title page for details.

21-51-55
FIG. 01D
PAGE 7
JAN 20/09



757

PARTS CATALOG (MAINTENANCE)

| FIG ITEM | PART NUMBER | 1 2 3 4 5 6 7 | NOMENCLATURE | EFFECT FROM TO | UNITS PER ASSY |
|-------------|-------------|---------------|--|-------------------|----------------------|
| 1D 325 | RSE120027 | | . SOCKET- SUPPLIER CODE: V58982 SPECIFICATION NUMBER: BACS16AF1 OPTIONAL PART: 451120-027 V58982 ELECTRICAL EQUIP NUMBER: D04096 WIRING DIAGRAM REF: 215122 | 103106 108120 | 1 |

MISSING ITEM NUMBERS NOT APPLICABLE

- ITEM NOT ILLUSTRATED

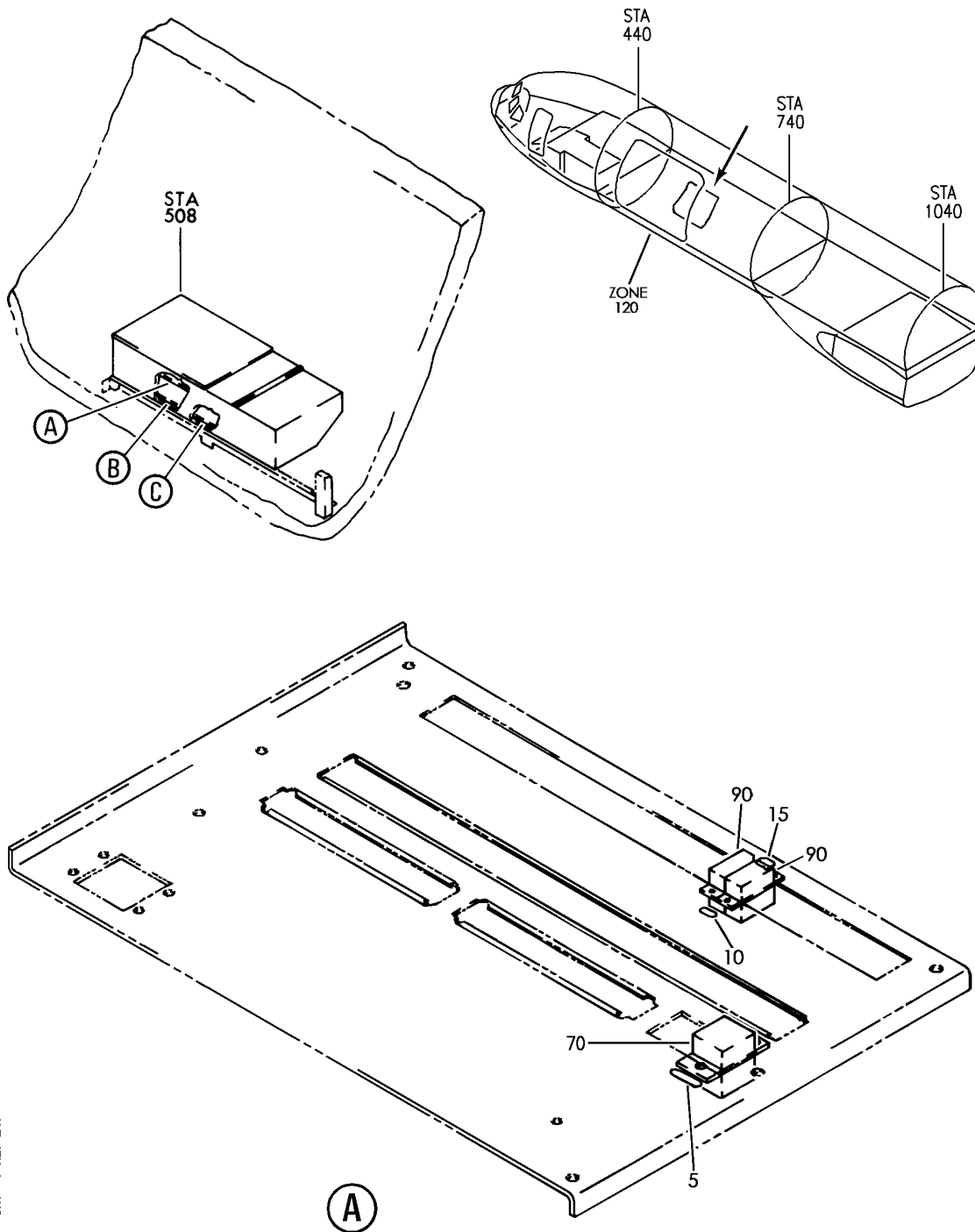
BRI

21-51-55-01D

BOEING PROPRIETARY - Copyright © - Unpublished Work - See title page for details.

21-51-55
FIG. 01D
PAGE 8
JAN 20/09

BOEING
757
PARTS CATALOG (MAINTENANCE)



Y 21515601 SHT 1 REV 247

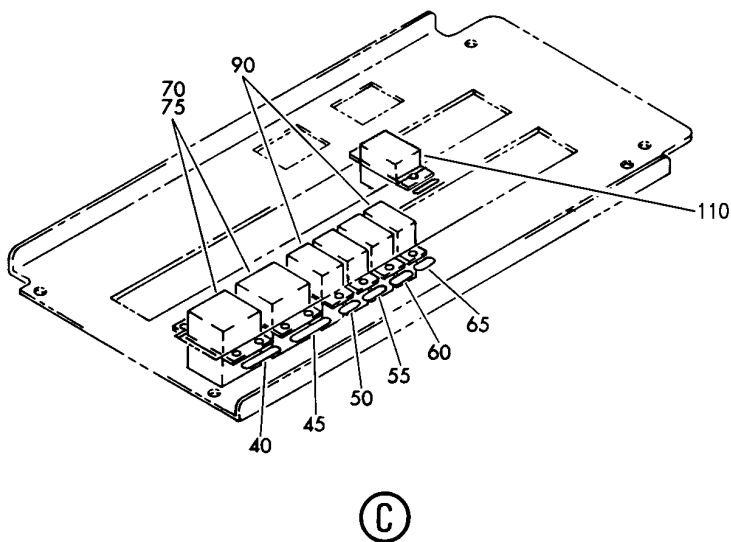
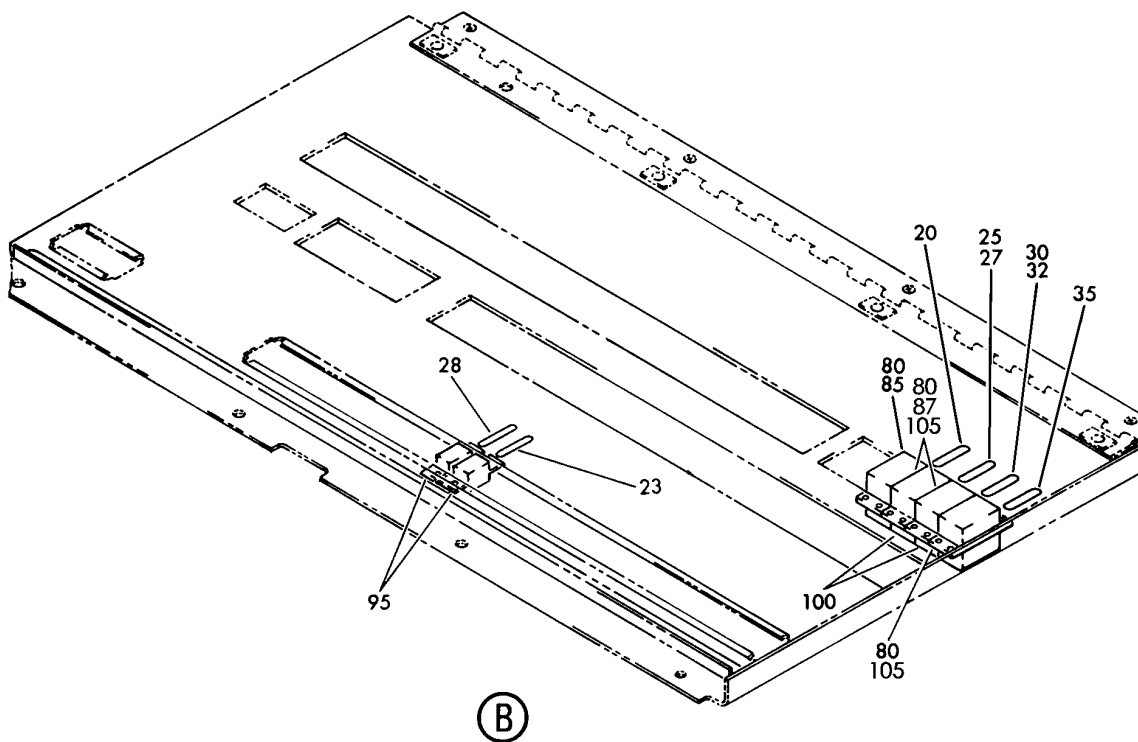
PANEL ASSY-P36 MISC RELAY L (AIR COOLING PACK SYSTEM ONLY)
FIGURE 1 (SHEET 1)

21-51-56-01

BRI
MAY 28/07

21-51-56-01
PAGE 0

BOEING
757
PARTS CATALOG (MAINTENANCE)



Y 21515601 SHT 2 REV 247

PANEL ASSY-P36 MISC RELAY L (AIR COOLING PACK SYSTEM ONLY)
FIGURE 1 (SHEET 2)

21-51-56-01

BRI
MAY 28/07

21-51-56-01
PAGE 0A



757

PARTS CATALOG (MAINTENANCE)

| FIG ITEM | PART NUMBER | 1 2 3 4 5 6 7 | NOMENCLATURE | EFFECT FROM TO | UNITS PER ASSY |
|----------|--------------|---------------|---|--------------------------------------|----------------|
| 1 | | | PANEL ASSY-P36 MISC RELAY L (AIR COOLING PACK SYSTEM ONLY) | 002004 006100 107107 950999 | |
| - 1 | 284N1125-1 | | PANEL ASSY-P36 MISC RELAY (AIR COOLING PACK SYSTEM ONLY) POSITION DATA: L VARIABLE DRAWING REF: 284N1125-5023 284N1125-5049 284N1125-5050 284N1125-5054 REWORKED BY SB: 34-0200 REWORKED BY ALERT SB: 27A0130 FOR NHA/OTHER SYS DET SEE: 31-01-36-01B | 002004 006100 107107 950999 | RF |
| 10 | BAC27TEX0264 | | .DECAL- PLACARD CONTENT: K63 | 002004 006100 107107 950999 | 1 |
| 15 | BAC27TEX0265 | | .DECAL- PLACARD CONTENT: K64 | 002004 006100 107107 950999 | 1 |
| 20 | BAC27NEX1348 | | .DECAL- PLACARD CONTENT: K10315 | 002004 006100 107107 950999 | 1 |
| 23 | BAC27NEX1644 | | .DECAL- PLACARD CONTENT: K10420 | 002004 006100 107107 950999 | 1 |
| 28 | BAC27NEX1350 | | .DECAL- PLACARD CONTENT: K10317 | 002004 006100 107107 950999 | 1 |
| 40 | BAC27TEX0258 | | .DECAL- PLACARD CONTENT: K57 | 002004 006100 107107 950999 | 1 |
| 45 | BAC27TEX0259 | | .DECAL- PLACARD CONTENT: K58 | 002004 006100 107107 950999 | 1 |

MISSING ITEM NUMBERS NOT APPLICABLE

- ITEM NOT ILLUSTRATED

21-51-56-01

21-51-56
FIG. 01
PAGE 1
JAN 20/09

BRI



757

PARTS CATALOG (MAINTENANCE)

| FIG ITEM | PART NUMBER | 1 2 3 4 5 6 7 | NOMENCLATURE | EFFECT FROM TO | UNITS PER ASSY |
|----------|-----------------|---------------|--|--------------------------------------|----------------|
| 1 | 50 BAC27TEX0260 | .DECAL- | PLACARD CONTENT: K59 | 002004 006100 107107 950999 | 1 |
| | 55 BAC27TEX0261 | .DECAL- | PLACARD CONTENT: K60 | 002004 006100 107107 950999 | 1 |
| | 60 BAC27TEX0262 | .DECAL- | PLACARD CONTENT: K61 | 002004 006100 107107 950999 | 1 |
| | 65 BAC27TEX0263 | .DECAL- | PLACARD CONTENT: K62 | 002004 006100 107107 950999 | 1 |
| | 75 ES410-1538 | .RELAY- | SUPPLIER CODE: V99699 SPECIFICATION NUMBER: BACR13CG2AB OPTIONAL PART: KD4L018 V35344 BR230DS0115 V56623 KD4L036 V58657 FCA410-63 V78290 ELECTRICAL EQUIP NUMBER: K00057 K00058 | 002004 006100 107107 950999 | 2 |
| | 85 W460F1A | .RELAY- | SUPPLIER CODE: VF0219 SPECIFICATION NUMBER: BACR13CE2 OPTIONAL PART: 3SAH5-13-4K1 V01526 3SAH1326A2 V01526 ELECTRICAL EQUIP NUMBER: K10315 | 002004 006100 107107 950999 | 1 |

MISSING ITEM NUMBERS NOT APPLICABLE

- ITEM NOT ILLUSTRATED

BRI

21-51-56-01

BOEING PROPRIETARY - Copyright © - Unpublished Work - See title page for details.

21-51-56
FIG. 01
PAGE 2
JAN 20/09



757

PARTS CATALOG (MAINTENANCE)

| FIG ITEM | PART NUMBER | 1 2 3 4 5 6 7 | NOMENCLATURE | EFFECT FROM TO | UNITS PER ASSY |
|----------|-------------|---------------|--|--------------------------------------|----------------|
| 1 90 | ES210-1632 | | .RELAY- SUPPLIER CODE: V99699 SPECIFICATION NUMBER: BACR13CF2AB OPTIONAL PART: JD4L018 V35344 JD4L031 V35344 BR246S0111 V56623 BR64S105 V56623 FCA210-71 V78290 61GB2319-1A320 V98927 ELECTRICAL EQUIP NUMBER: K00059 K00060 K00061 K00062 K00063 K00064 | 002004 006100 107107 950999 | 6 |
| 95 | W260F4AM11 | | .RELAY- SUPPLIER CODE: VF0219 SPECIFICATION NUMBER: BACR13CD2 OPTIONAL PART: BR16S233 V09026 EE4AA005 V35344 3SAV1338A2 V01526 HFW1206K03 V58614 HFW1204K01 V71482 ELECTRICAL EQUIP NUMBER: K10317 K10420 | 002004 006100 107107 950999 | 2 |

MISSING ITEM NUMBERS NOT APPLICABLE

- ITEM NOT ILLUSTRATED

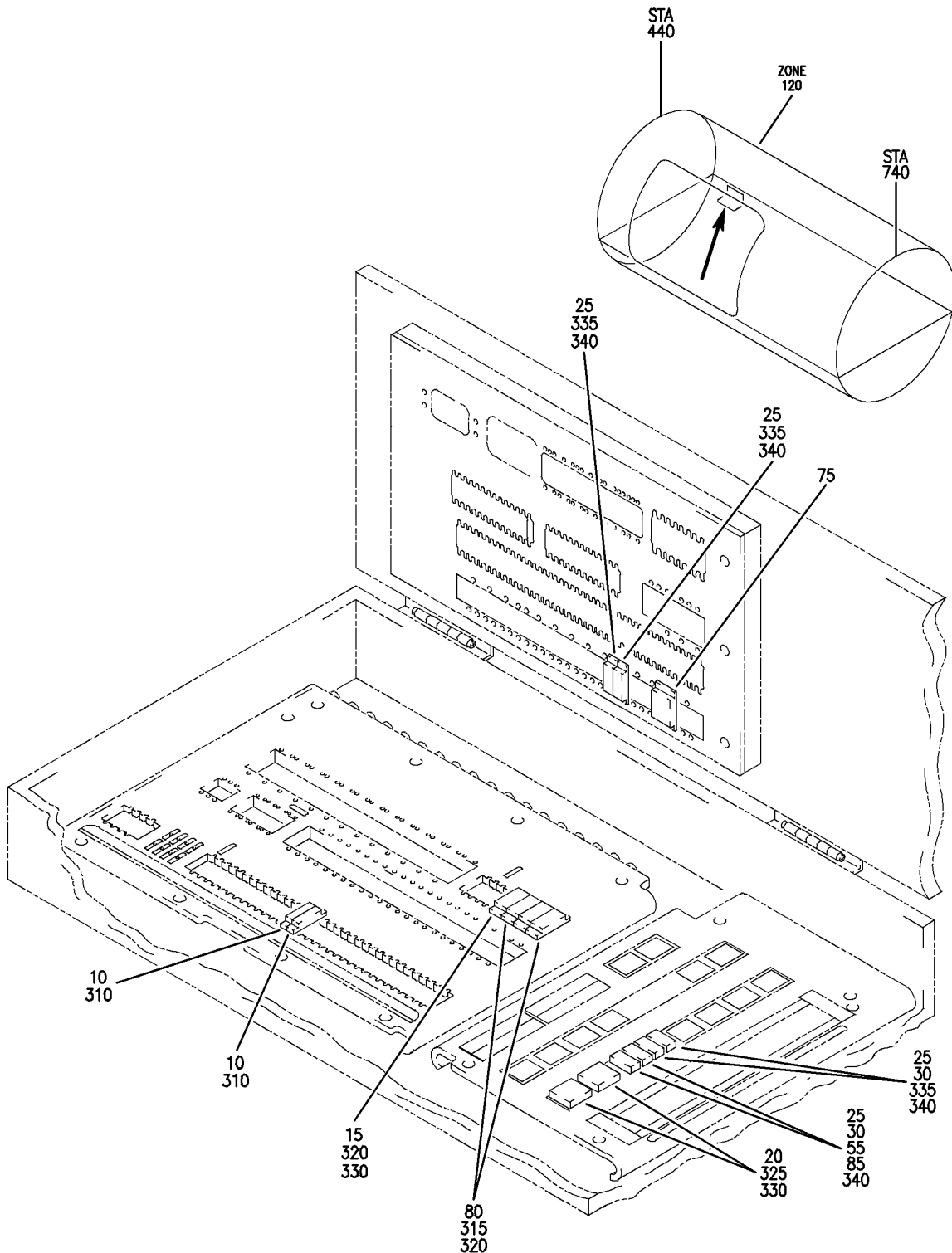
BRI

21-51-56-01

BOEING PROPRIETARY - Copyright © - Unpublished Work - See title page for details.

21-51-56
FIG. 01
PAGE 3
JAN 20/09

BOEING
757
PARTS CATALOG (MAINTENANCE)



Y 21515601A REV 225

OPTION PACKAGE ASSY-P36 MISC RELAY L (AIR COOLING PACK SYSTEM ONLY)
FIGURE 1A

BRI
MAY 28/07

21-51-56-01A

21-51-56-01A
PAGE 0



757

PARTS CATALOG (MAINTENANCE)

| FIG ITEM | PART NUMBER | 1 2 3 4 5 6 7 | NOMENCLATURE | EFFECT FROM TO | UNITS PER ASSY |
|----------|---------------|---------------|---|------------------|----------------|
| 1 A | | | OPTION PACKAGE ASSY-P36 MISC RELAY L (AIR COOLING PACK SYSTEM ONLY) | 101102 504903 | |
| - 1 | 284N1125-1018 | | OPTION PACKAGE ASSY-P36 MISC RELAY L (AIR COOLING PACK SYSTEM ONLY) REWORKED BY ALERT SB: 27A0130 FOR NHA/OTHER SYS DET SEE: 31-01-36-05 | 101102 504903 | RF |
| 10 | W260F4AM11 | | .RELAY- SUPPLIER CODE: VF0219 SPECIFICATION NUMBER: BACR13CD2 OPTIONAL PART: BR16S233 V09026 EE4AA005 V35344 3SAV1338A2 V01526 HFW1206K03 V58614 HFW1204K01 V71482 ELECTRICAL EQUIP NUMBER: K10317 K10420 | 101102 504903 | 2 |
| 15 | W460F1A | | .RELAY- SUPPLIER CODE: VF0219 SPECIFICATION NUMBER: BACR13CE2 OPTIONAL PART: 3SAH5-13-4K1 V01526 3SAH1326A2 V01526 ELECTRICAL EQUIP NUMBER: K10315 | 101102 504903 | 1 |

MISSING ITEM NUMBERS NOT APPLICABLE

- ITEM NOT ILLUSTRATED

BRI

21-51-56-01A

BOEING PROPRIETARY - Copyright © - Unpublished Work - See title page for details.

21-51-56
FIG. 01A
PAGE 1
JAN 20/09



757

PARTS CATALOG (MAINTENANCE)

| FIG ITEM | PART NUMBER | 1 2 3 4 5 6 7 | NOMENCLATURE | EFFECT FROM TO | UNITS PER ASSY |
|-----------|---------------|---------------|--|------------------|----------------|
| 1 A 20 | ES410-1538 | | .RELAY- SUPPLIER CODE: V99699 SPECIFICATION NUMBER: BACR13CG2AB OPTIONAL PART: KD4L018 V35344 BR230DS0115 V56623 KD4L036 V58657 FCA410-63 V78290 ELECTRICAL EQUIP NUMBER: K00057 K00058 | 101102 504903 | 2 |
| 30 | ES210-1632 | | .RELAY- SUPPLIER CODE: V99699 SPECIFICATION NUMBER: BACR13CF2AB OPTIONAL PART: JD4L018 V35344 JD4L031 V35344 BR246S0111 V56623 BR64S105 V56623 FCA210-71 V78290 61GB2319-1A320 V98927 ELECTRICAL EQUIP NUMBER: K00061 K00062 K00063 K00064 | 101102 504903 | 4 |
| - 50 | 284N1125-1013 | | OPTION PACKAGE ASSY-P36 MISC RELAY L (AIR COOLING PACK SYSTEM ONLY) REWORKED BY ALERT SB: 27A0130 FOR NHA/OTHER SYS DET SEE: 31-01-36-05 | 101102 504903 | RF |

MISSING ITEM NUMBERS NOT APPLICABLE

- ITEM NOT ILLUSTRATED

21-51-56-01A

21-51-56
FIG. 01A
PAGE 2
JAN 20/09

BRI



757

PARTS CATALOG (MAINTENANCE)

| FIG ITEM | PART NUMBER | 1 2 3 4 5 6 7 | NOMENCLATURE | EFFECT FROM TO | UNITS PER ASSY |
|-----------|--------------|---------------|--|------------------|----------------|
| 1 A 55 | ES210-1632 | | .RELAY- SUPPLIER CODE: V99699 SPECIFICATION NUMBER: BACR13CF2AB OPTIONAL PART: JD4L018 V35344 JD4L031 V35344 BR246S0111 V56623 BR64S105 V56623 FCA210-71 V78290 61GB2319-1A320 V98927 ELECTRICAL EQUIP NUMBER: K00059 K00060 | 101102 504903 | 2 |
| - 301 | 286N1260-358 | | WIRE BUNDLE ASSY- REWORKED BY ALERT SB: 27A0130 | 101102 | RF |
| - 301 | 286N1260-364 | | WIRE BUNDLE ASSY- REWORKED BY ALERT SB: 27A0130 | 504903 | RF |
| 310 | RSE120026 | | .SOCKET- SUPPLIER CODE: V58982 SPECIFICATION NUMBER: BACS16AG1 OPTIONAL PART: 451120-026 V58982 ELECTRICAL EQUIP NUMBER: D04138 D04790 WIRING DIAGRAM REF: 215111 215114 | 101102 504903 | 2 |

MISSING ITEM NUMBERS NOT APPLICABLE

- ITEM NOT ILLUSTRATED

21-51-56-01A

21-51-56
FIG. 01A
PAGE 3
JAN 20/09

BRI



757

PARTS CATALOG (MAINTENANCE)

| FIG ITEM | PART NUMBER | 1 2 3 4 5 6 7 | NOMENCLATURE | EFFECT FROM TO | UNITS PER ASSY |
|-----------|-------------|---------------|---|------------------|----------------|
| 1A 315 | RSE120027 | | .SOCKET- SUPPLIER CODE: V58982 SPECIFICATION NUMBER: BACS16AF1 OPTIONAL PART: 451120-027 V58982 ELECTRICAL EQUIP NUMBER: D07410 D07578 D07584 WIRING DIAGRAM REF: 215111 215113 | 101102 504903 | 3 |
| 325 | RSF116400 | | .SOCKET- SUPPLIER CODE: V58982 SPECIFICATION NUMBER: BACS16W1A OPTIONAL PART: 102-009-1 V09922 000300-1539 V05574 ELECTRICAL EQUIP NUMBER: D02948 D02950 WIRING DIAGRAM REF: 215112 | 101102 504903 | 2 |
| 340 | RSF116200 | | .SOCKET- SUPPLIER CODE: V58982 SPECIFICATION NUMBER: BACS16X1A OPTIONAL PART: 102-006-1 V09922 000300-1538 V05574 ELECTRICAL EQUIP NUMBER: D02970 D02972 D02974 D02976 D02978 D02980 WIRING DIAGRAM REF: 215113 | 101102 504903 | 6 |

MISSING ITEM NUMBERS NOT APPLICABLE

- ITEM NOT ILLUSTRATED

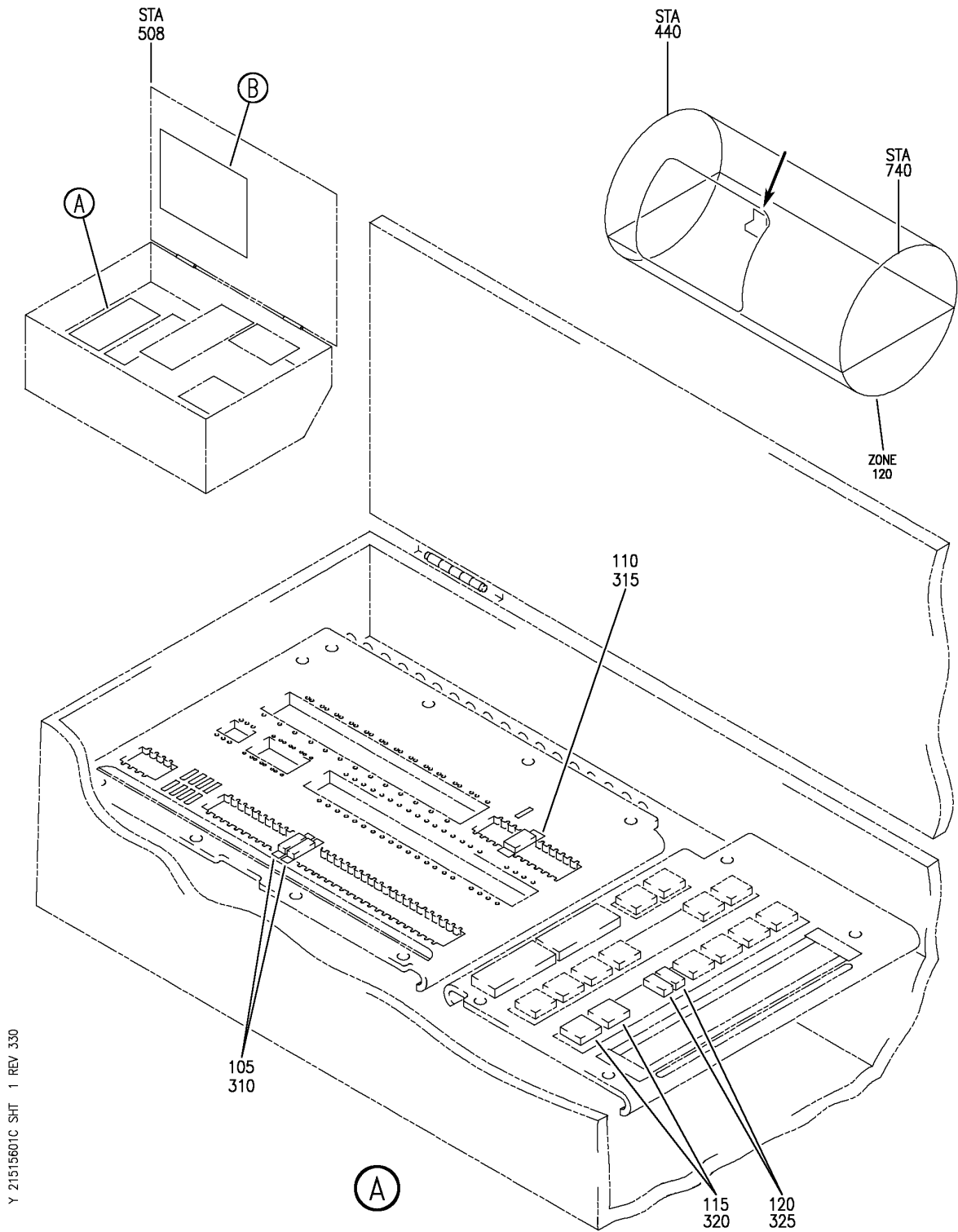
21-51-56-01A

21-51-56
FIG. 01A
PAGE 4
JAN 20/09

BRI

BOEING PROPRIETARY - Copyright © - Unpublished Work - See title page for details.

BOEING
757
PARTS CATALOG (MAINTENANCE)



Y 21515601C SHT 1 REV 330

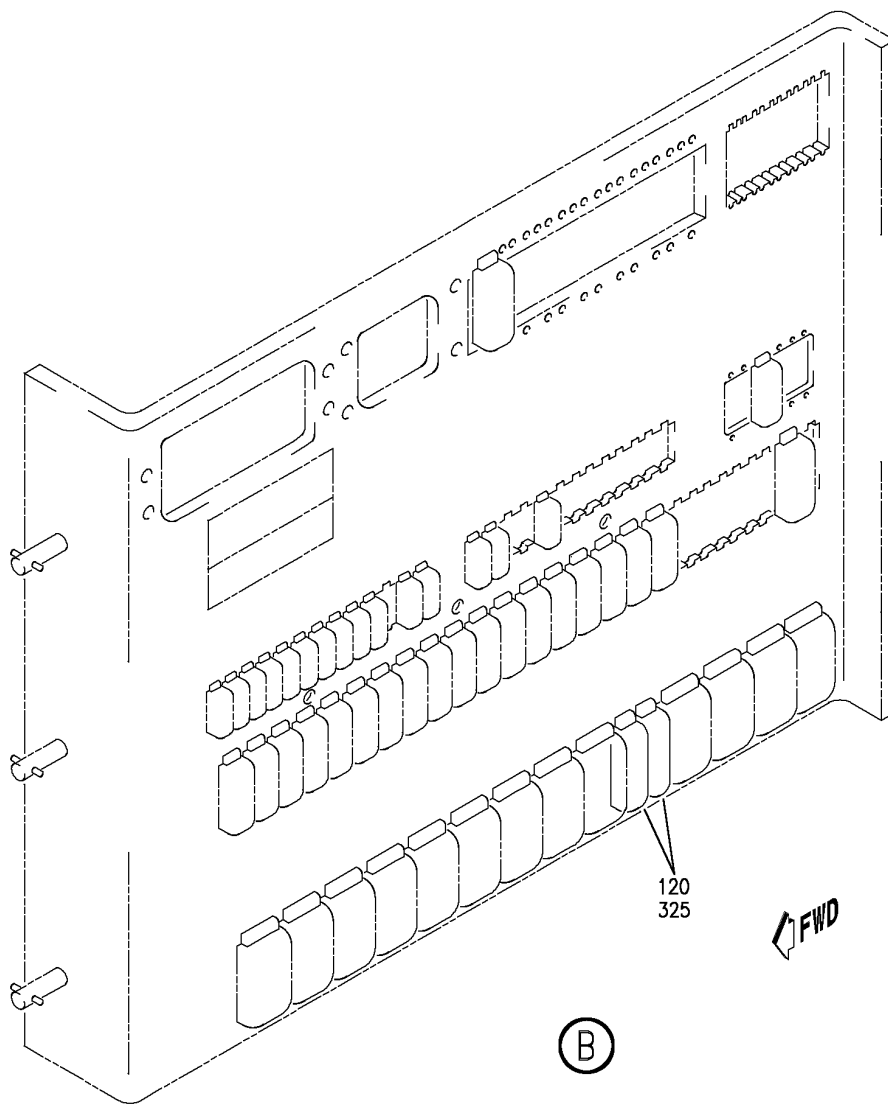
PANEL INSTL-P36 L MISC RELAY (AIR COOLING PACK SYSTEM ONLY)
FIGURE 1C (SHEET 1)

21-51-56-01C

BRI
JAN 20/09

21-51-56-01C
PAGE 0

BOEING
757
PARTS CATALOG (MAINTENANCE)



Y 21515601C SHT 2 REV 330

PANEL INSTL-P36 L MISC RELAY (AIR COOLING PACK SYSTEM ONLY)
FIGURE 1C (SHEET 2)

21-51-56-01C

BRI
JAN 20/09

21-51-56-01C
PAGE 0A



757

PARTS CATALOG (MAINTENANCE)

| FIG ITEM | PART NUMBER | 1 2 3 4 5 6 7 | NOMENCLATURE | EFFECT FROM TO | UNITS PER ASSY |
|----------|-------------|---------------|---|------------------|----------------|
| 1 C | | | PANEL INSTL-P36 L MISC RELAY (AIR COOLING PACK SYSTEM ONLY) | 103106 108120 | |
| - 3 | 284N1125-94 | | PANEL INSTL-P36 L MISC RELAY (AIR COOLING PACK SYSTEM ONLY) FOR NHA/OTHER SYS DET SEE: 24-00-58-05C | 108120 | RF |

MISSING ITEM NUMBERS NOT APPLICABLE

- ITEM NOT ILLUSTRATED

BRI

21-51-56-01C

BOEING PROPRIETARY - Copyright © - Unpublished Work - See title page for details.

21-51-56
FIG. 01C
PAGE 1
JAN 20/09



757

PARTS CATALOG (MAINTENANCE)

| FIG ITEM | PART NUMBER | 1 2 3 4 5 6 7 | NOMENCLATURE | EFFECT FROM TO | UNITS PER ASSY |
|------------|-------------|---------------|---|----------------|----------------|
| 1 C - 6 | MODREF31944 | | PANEL INSTL-P36 L MISC RELAY (AIR COOLING PACK SYSTEM ONLY) MODULE NUMBER: 284N1125-123 REV A FOR OTHER SYS DETAILS SEE: 11-36-08-03C 21-25-71-02C 21-33-71-02C 21-51-56-01C 21-58-71-02C 23-12-00-05 23-31-54-01C 23-34-52-01C 24-21-51-01A 26-15-71-02C 26-16-71-01C 26-22-71-01C 27-48-52-03C 27-51-71-03C 27-58-71-02C 27-62-71-03C 29-11-71-03C 29-21-71-01C 30-21-71-03C 30-34-51-01C 31-01-36-01 32-09-02-03C 32-35-71-01C 32-42-71-02C 32-44-71-02C 32-61-71-02C 34-12-71-02C 34-21-71-02C 34-22-52-01C 34-61-52-01C 36-11-71-02C 73-21-55-01C 74-31-71-02C 76-11-71-02C 77-12-71-01C 78-34-71-02C 78-36-71-02C 80-11-71-02C | 103106 | 1 |

MISSING ITEM NUMBERS NOT APPLICABLE

- ITEM NOT ILLUSTRATED

21-51-56-01C

21-51-56
FIG. 01C
PAGE 2
JAN 20/09

BRI



757

PARTS CATALOG (MAINTENANCE)

| FIG ITEM | PART NUMBER | 1 2 3 4 5 6 7 | NOMENCLATURE | EFFECT FROM TO | UNITS PER ASSY |
|-----------|-------------|---------------|---|------------------|----------------|
| 1C 105 | W260F4AM11 | | .RELAY- SUPPLIER CODE: VF0219 SPECIFICATION NUMBER: BACR13CD2 OPTIONAL PART: BR16S233 V09026 EE4AA005 V35344 3SAV1338A2 V01526 HFW1206K03 V58614 HFW1204K01 V71482 ELECTRICAL EQUIP NUMBER: K10317 K10420 | 103106 108120 | 2 |
| 110 | W460F1A | | .RELAY- SUPPLIER CODE: VF0219 SPECIFICATION NUMBER: BACR13CE2 OPTIONAL PART: 3SAH5-13-4K1 V01526 3SAH1326A2 V01526 ELECTRICAL EQUIP NUMBER: K10315 | 103106 108120 | 1 |
| 115 | ES410-1538 | | .RELAY- SUPPLIER CODE: V99699 SPECIFICATION NUMBER: BACR13CG2AB OPTIONAL PART: KD4L018 V35344 BR230DS0115 V56623 KD4L036 V58657 FCA410-63 V78290 ELECTRICAL EQUIP NUMBER: K00057 K00058 | 103106 108120 | 2 |

MISSING ITEM NUMBERS NOT APPLICABLE

- ITEM NOT ILLUSTRATED

21-51-56-01C

21-51-56
FIG. 01C
PAGE 3
JAN 20/09

BRI



757

PARTS CATALOG (MAINTENANCE)

| FIG ITEM | PART NUMBER | 1 2 3 4 5 6 7 | NOMENCLATURE | EFFECT FROM TO | UNITS PER ASSY |
|-----------|--------------|---------------|--|------------------|----------------|
| 1C 120 | ES210-1632 | | .RELAY- SUPPLIER CODE: V99699 SPECIFICATION NUMBER: BACR13CF2AB OPTIONAL PART: JD4L018 V35344 JD4L031 V35344 BR246S0111 V56623 BR64S105 V56623 FCA210-71 V78290 61GB2319-1A320 V98927 ELECTRICAL EQUIP NUMBER: K00061 K00062 K00063 K00064 | 103106 108120 | 4 |
| - 300 | 286N1260-357 | | WIRE BUNDLE ASSY | 108120 | RF |
| - 302 | 286N1260-601 | | WIRE BUNDLE ASSY | 103106 | RF |
| 310 | RSE120026 | | .SOCKET- SUPPLIER CODE: V58982 SPECIFICATION NUMBER: BACS16AG1 OPTIONAL PART: 451120-026 V58982 ELECTRICAL EQUIP NUMBER: D04138 D04790 WIRING DIAGRAM REF: 215114 215111 | 103106 108120 | 2 |

MISSING ITEM NUMBERS NOT APPLICABLE

- ITEM NOT ILLUSTRATED

21-51-56-01C

21-51-56
FIG. 01C
PAGE 4
JAN 20/09

BRI

BOEING PROPRIETARY - Copyright © - Unpublished Work - See title page for details.



757

PARTS CATALOG (MAINTENANCE)

| FIG ITEM | PART NUMBER | 1 2 3 4 5 6 7 | NOMENCLATURE | EFFECT FROM TO | UNITS PER ASSY |
|-----------|-------------|---------------|---|------------------|----------------|
| 1C 315 | RSE120027 | | .SOCKET- SUPPLIER CODE: V58982 SPECIFICATION NUMBER: BACS16AF1 OPTIONAL PART: 451120-027 V58982 ELECTRICAL EQUIP NUMBER: D04052 WIRING DIAGRAM REF: 215112 | 103106 108120 | 1 |
| 320 | RSF116400 | | .SOCKET- SUPPLIER CODE: V58982 SPECIFICATION NUMBER: BACS16W1A OPTIONAL PART: 102-009-1 V09922 000300-1539 V05574 ELECTRICAL EQUIP NUMBER: D02948 D02950 WIRING DIAGRAM REF: 215112 | 103106 108120 | 2 |
| 325 | RSF116200 | | .SOCKET- SUPPLIER CODE: V58982 SPECIFICATION NUMBER: BACS16X1A OPTIONAL PART: 102-006-1 V09922 000300-1538 V05574 ELECTRICAL EQUIP NUMBER: D02974 D02976 D02978 D02980 WIRING DIAGRAM REF: 215113 | 103106 108120 | 4 |

MISSING ITEM NUMBERS NOT APPLICABLE

- ITEM NOT ILLUSTRATED

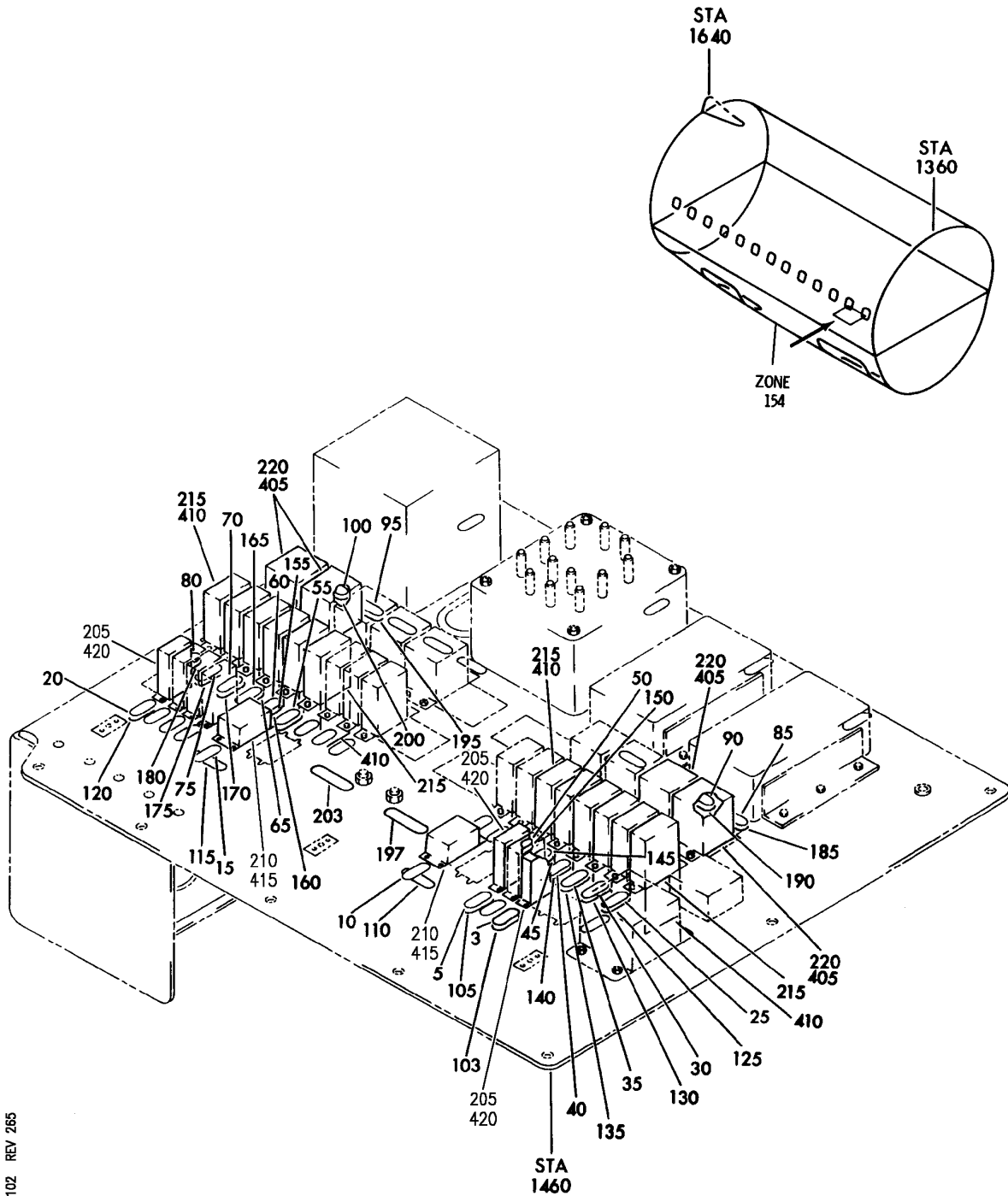
21-51-56-01C

21-51-56
FIG. 01C
PAGE 5
JAN 20/09

BRI

BOEING PROPRIETARY - Copyright © - Unpublished Work - See title page for details.

BOEING
757
PARTS CATALOG (MAINTENANCE)



Y 21517102 REV 265

EQUIPMENT ASSY-AFT EQPT CTR E6 RELAY (AIR CONDITIONING ONLY)
FIGURE 2

21-51-71-02

BRI
MAY 28/07

21-51-71-02
PAGE 0



757

PARTS CATALOG (MAINTENANCE)

| FIG ITEM | PART NUMBER | 1 2 3 4 5 6 7 | NOMENCLATURE | EFFECT FROM TO | UNITS PER ASSY |
|----------|--------------|---------------|---|------------------|----------------|
| 2 | | | EQUIPMENT ASSY-AFT EQPT CTR E6 RELAY (AIR CONDITIONING ONLY) | 121503 904949 | |
| - 1 | 284N1680-1 | | EQUIPMENT ASSY-EQPT CTR E6 RELAY (AIR CONDITIONING ONLY) POSITION DATA: AFT VARIABLE DRAWING REF: 284N1680-5009 | 121503 904949 | RF |
| 3 | BAC27NEX1644 | | .DECAL- PLACARD CONTENT: K10420 | 121503 904949 | 1 |
| 5 | BAC27NEX1350 | | .DECAL- PLACARD CONTENT: K10317 | 121503 904949 | 1 |
| 10 | BAC27NEX1348 | | .DECAL- PLACARD CONTENT: K10315 | 121503 904949 | 1 |
| 15 | BAC27NEX1349 | | .DECAL- PLACARD CONTENT: K10316 | 121503 904949 | 1 |
| 20 | BAC27NEX1351 | | .DECAL- PLACARD CONTENT: K10318 | 121503 904949 | 1 |
| 25 | BAC27TEX0260 | | .DECAL- PLACARD CONTENT: K59 | 121503 904949 | 1 |
| 30 | BAC27TEX0261 | | .DECAL- PLACARD CONTENT: K60 | 121503 904949 | 1 |
| 35 | BAC27TEX0262 | | .DECAL- PLACARD CONTENT: K61 | 121503 904949 | 1 |
| 40 | BAC27TEX0263 | | .DECAL- PLACARD CONTENT: K62 | 121503 904949 | 1 |
| 45 | BAC27TEX0264 | | .DECAL- PLACARD CONTENT: K63 | 121503 904949 | 1 |
| 50 | BAC27TEX0265 | | .DECAL- PLACARD CONTENT: K64 | 121503 904949 | 1 |
| 55 | BAC27TEX0305 | | .DECAL- PLACARD CONTENT: K56 | 121503 904949 | 1 |
| 60 | BAC27TEX0304 | | .DECAL- PLACARD CONTENT: K55 | 121503 904949 | 1 |

MISSING ITEM NUMBERS NOT APPLICABLE

- ITEM NOT ILLUSTRATED

21-51-71-02

21-51-71
FIG. 02
PAGE 1
JAN 20/09

BRI



757

PARTS CATALOG (MAINTENANCE)

| FIG ITEM | PART NUMBER | 1 2 3 4 5 6 7 | NOMENCLATURE | EFFECT FROM TO | UNITS PER ASSY |
|----------|--------------|---------------|---------------------------|------------------|----------------|
| 2 | | | | | |
| 65 | BAC27TEX0303 | .DECAL- | PLACARD CONTENT: K54 | 121503 904949 | 1 |
| 70 | BAC27TEX0302 | .DECAL- | PLACARD CONTENT: K53 | 121503 904949 | 1 |
| 75 | BAC27TEX0301 | .DECAL- | PLACARD CONTENT: K52 | 121503 904949 | 1 |
| 80 | BAC27TEX0300 | .DECAL- | PLACARD CONTENT: K51 | 121503 904949 | 1 |
| 85 | BAC27TEX0259 | .DECAL- | PLACARD CONTENT: K58 | 121503 904949 | 1 |
| 90 | BAC27TEX0258 | .DECAL- | PLACARD CONTENT: K57 | 121503 904949 | 1 |
| 95 | BAC27TEX0299 | .DECAL- | PLACARD CONTENT: K50 | 121503 904949 | 1 |
| 100 | BAC27TEX0298 | .DECAL- | PLACARD CONTENT: K49 | 121503 904949 | 1 |
| 103 | BAC27NEX1645 | .DECAL- | PLACARD CONTENT: D4790 | 121503 904949 | 1 |
| 105 | BAC27NEX1347 | .DECAL- | PLACARD CONTENT: D4138 | 121503 904949 | 1 |
| 110 | BAC27NEX1344 | .DECAL- | PLACARD CONTENT: D4052 | 121503 904949 | 1 |
| 115 | BAC27NEX1346 | .DECAL- | PLACARD CONTENT: D4096 | 121503 904949 | 1 |
| 120 | BAC27NEX1345 | .DECAL- | PLACARD CONTENT: D4060 | 121503 904949 | 1 |
| 125 | BAC27NEX1331 | .DECAL- | PLACARD CONTENT: D2970 | 121503 904949 | 1 |
| 130 | BAC27NEX1332 | .DECAL- | PLACARD CONTENT: D2972 | 121503 904949 | 1 |
| 135 | BAC27NEX1333 | .DECAL- | PLACARD CONTENT: D2974 | 121503 904949 | 1 |

MISSING ITEM NUMBERS NOT APPLICABLE

- ITEM NOT ILLUSTRATED

BRI

21-51-71-02

BOEING PROPRIETARY - Copyright © - Unpublished Work - See title page for details.

21-51-71
FIG. 02
PAGE 2
JAN 20/09

 **BOEING**
757
PARTS CATALOG (MAINTENANCE)

| FIG ITEM | PART NUMBER | 1 2 3 4 5 6 7 | NOMENCLATURE | EFFECT FROM TO | UNITS PER ASSY |
|----------|--------------|---------------|------------------|----------------|----------------|
| 2 | | | | | |
| 140 | BAC27NEX1334 | .DECAL- | PLACARD CONTENT: | 121503 | 1 |
| | | | D2976 | 904949 | |
| 145 | BAC27NEX1335 | .DECAL- | PLACARD CONTENT: | 121503 | 1 |
| | | | D2978 | 904949 | |
| 150 | BAC27NEX1631 | .DECAL- | PLACARD CONTENT: | 121503 | 1 |
| | | | D2980 | 904949 | |
| 155 | BAC27NEX1343 | .DECAL- | PLACARD CONTENT: | 121503 | 1 |
| | | | D3042 | 904949 | |
| 160 | BAC27NEX1342 | .DECAL- | PLACARD CONTENT: | 121503 | 1 |
| | | | D3040 | 904949 | |
| 165 | BAC27NEX1341 | .DECAL- | PLACARD CONTENT: | 121503 | 1 |
| | | | D3038 | 904949 | |
| 170 | BAC27NEX1340 | .DECAL- | PLACARD CONTENT: | 121503 | 1 |
| | | | D3036 | 904949 | |
| 175 | BAC27NEX1339 | .DECAL- | PLACARD CONTENT: | 121503 | 1 |
| | | | D3034 | 904949 | |
| 180 | BAC27NEX1338 | .DECAL- | PLACARD CONTENT: | 121503 | 1 |
| | | | D3032 | 904949 | |
| 185 | BAC27NEX1330 | .DECAL- | PLACARD CONTENT: | 121503 | 1 |
| | | | D2950 | 904949 | |
| 190 | BAC27NEX1329 | .DECAL- | PLACARD CONTENT: | 121503 | 1 |
| | | | D2948 | 904949 | |
| 195 | BAC27NEX1337 | .DECAL- | PLACARD CONTENT: | 121503 | 1 |
| | | | D3008 | 904949 | |
| 197 | BAC27NEX1580 | .DECAL- | PLACARD CONTENT: | 121503 | 1 |
| | | | GD1880 | 904949 | |
| 200 | BAC27NEX1336 | .DECAL- | PLACARD CONTENT: | 121503 | 1 |
| | | | D3006 | 904949 | |
| 203 | BAC27NEX1581 | .DECAL- | PLACARD CONTENT: | 121503 | 1 |
| | | | GD1881 | 904949 | |

MISSING ITEM NUMBERS NOT APPLICABLE

— ITEM NOT ILLUSTRATED

BRI

21-51-71-02

BOEING PROPRIETARY - Copyright © - Unpublished Work - See title page for details.

21-51-71
FIG. 02
PAGE 3
JAN 20/09



757

PARTS CATALOG (MAINTENANCE)

| FIG ITEM | PART NUMBER | 1 2 3 4 5 6 7 | NOMENCLATURE | EFFECT FROM TO | UNITS PER ASSY |
|----------|-------------|---------------|---|------------------|----------------|
| 2 205 | W260F4AM11 | | .RELAY- SUPPLIER CODE: VF0219 SPECIFICATION NUMBER: BACR13CD2 OPTIONAL PART: BR16S233 V09026 EE4AA005 V35344 3SAV1338A2 V01526 HFW1206K03 V58614 HFW1204K01 V71482 ELECTRICAL EQUIP NUMBER: K10317 K10318 K10420 | 121503 904949 | 3 |
| 210 | W460F1A | | .RELAY- SUPPLIER CODE: VF0219 SPECIFICATION NUMBER: BACR13CE2 OPTIONAL PART: 3SAH5-13-4K1 V01526 3SAH1326A2 V01526 ELECTRICAL EQUIP NUMBER: K10315 K10316 | 121503 904949 | 2 |

MISSING ITEM NUMBERS NOT APPLICABLE

- ITEM NOT ILLUSTRATED

BRI

21-51-71-02

BOEING PROPRIETARY - Copyright © - Unpublished Work - See title page for details.

21-51-71
FIG. 02
PAGE 4
JAN 20/09

 **BOEING**
757
PARTS CATALOG (MAINTENANCE)

| FIG ITEM | PART NUMBER | 1 2 3 4 5 6 7 NOMENCLATURE | EFFECT FROM TO | UNITS PER ASSY |
|-------------|-------------|--|-------------------|----------------------|
| 2 215 | ES210-1632 | .RELAY- SUPPLIER CODE: V99699 SPECIFICATION NUMBER: BACR13CF2AB OPTIONAL PART: JD4L018 V35344 JD4L031 V35344 BR246S0111 V56623 BR64S105 V56623 FCA210-71 V78290 61GB2319-1A320 V98927 ELECTRICAL EQUIP NUMBER: K00051 K00052 K00053 K00054 K00055 K00056 K00059 K00060 K00061 K00062 K00063 K00064 | 121503 904949 | 12 |

MISSING ITEM NUMBERS NOT APPLICABLE

— ITEM NOT ILLUSTRATED

BRI

21-51-71-02

BOEING PROPRIETARY - Copyright © - Unpublished Work - See title page for details.

21-51-71
FIG. 02
PAGE 5
JAN 20/09



757

PARTS CATALOG (MAINTENANCE)

| FIG ITEM | PART NUMBER | 1 2 3 4 5 6 7 | NOMENCLATURE | EFFECT FROM TO | UNITS PER ASSY |
|----------|--------------|---------------|---|------------------|----------------|
| 2 220 | ES410-1538 | | .RELAY- SUPPLIER CODE: V99699 SPECIFICATION NUMBER: BACR13CG2AB OPTIONAL PART: KD4L018 V35344 BR230DS0115 V56623 KD4L036 V58657 FCA410-63 V78290 ELECTRICAL EQUIP NUMBER: K00049 K00050 K00057 K00058 | 121503 904949 | 4 |
| - 390 | 286N1260-002 | | WIRE BUNDLE ASSY-(AIR CONDITIONING ONLY) REWORKED BY ALERT SB: 27A0130 | 121503 904949 | RF |
| - 395 | 286N1270-002 | | WIRE BUNDLE ASSY-(AIR CONDITIONING ONLY) REWORKED BY ALERT SB: 34A0222 27A0130 | 121503 904949 | RF |
| - 400 | 286N1024-002 | | WIRE BUNDLE ASSY-(AIR CONDITIONING ONLY) | 121503 904949 | RF |
| 405 | BACS16W1 | | .SOCKET- ELECTRICAL EQUIP NUMBER: D02948 D02950 D03006 D03008 WIRING DIAGRAM REF: 215112 215122 | 121503 904949 | 4 |

MISSING ITEM NUMBERS NOT APPLICABLE

- ITEM NOT ILLUSTRATED

BRI

21-51-71-02

BOEING PROPRIETARY - Copyright © - Unpublished Work - See title page for details.

21-51-71
FIG. 02
PAGE 6
JAN 20/09



757

PARTS CATALOG (MAINTENANCE)

| FIG ITEM | PART NUMBER | 1 2 3 4 5 6 7 | NOMENCLATURE | EFFECT FROM TO | UNITS PER ASSY |
|-------------|-------------|---------------|--|-------------------|----------------------|
| 2 410 | RSF116200 | | . SOCKET- SUPPLIER CODE: V58982 SPECIFICATION NUMBER: BACS16X1A OPTIONAL PART: 102-006-1 V09922 000300-1538 V05574 ELECTRICAL EQUIP NUMBER: D02970 D02972 D02974 D02976 D02978 D02980 D03032 D03034 D03036 D03038 D03040 D03042 WIRING DIAGRAM REF: 215113 215123 | 121503 904949 | 12 |

MISSING ITEM NUMBERS NOT APPLICABLE

- ITEM NOT ILLUSTRATED

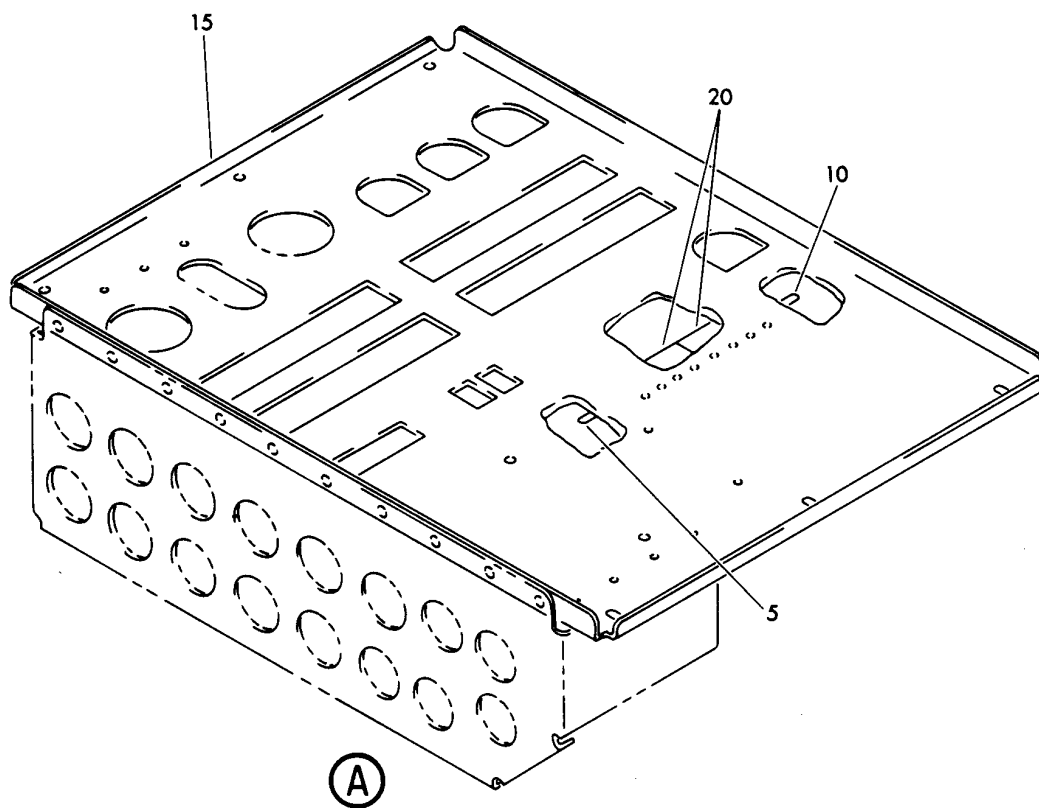
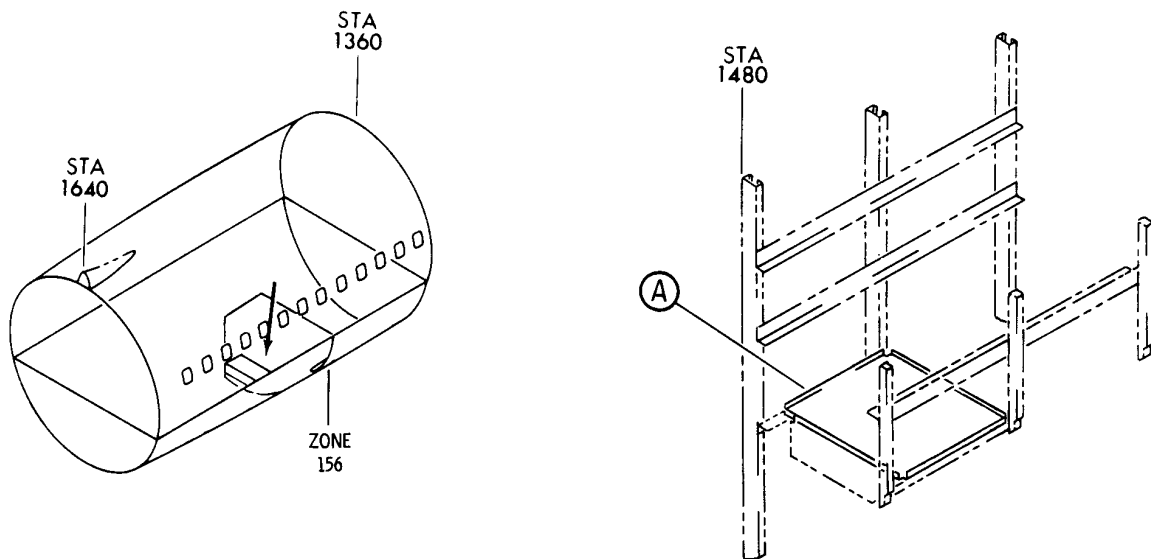
BRI

21-51-71-02

BOEING PROPRIETARY - Copyright © - Unpublished Work - See title page for details.

21-51-71
FIG. 02
PAGE 7
JAN 20/09

BOEING
757
PARTS CATALOG (MAINTENANCE)



Y 21517103 SHT 1 REV 006

EQUIPMENT ASSY-AFT EQPT CTR E6 RELAY (AIR CONDITIONING ONLY)
FIGURE 3

21-51-71-03

BRI
MAY 28/07

21-51-71-03
PAGE 0



757

PARTS CATALOG (MAINTENANCE)

| FIG ITEM | PART NUMBER | 1 2 3 4 5 6 7 | NOMENCLATURE | EFFECT FROM TO | UNITS PER ASSY |
|----------|-----------------|---------------|--|--------------------------------------|----------------|
| 3 | | | EQUIPMENT ASSY-AFT EQPT CTR E6 RELAY (AIR CONDITIONING ONLY) | 002004 006100 107107 950999 | |
| - 1 | 284N1554-1 | | EQUIPMENT ASSY-EQPT CTR E6 RELAY (AIR CONDITIONING ONLY) POSITION DATA: AFT VARIABLE DRAWING REF: 284N1554-5004 284N1554-5013 284N1554-5018 284N1554-5027 284N1554-5028 REWORKED BY SB: 33-0035 FOR NHA/OTHER SYS DET SEE: 53-61-51-10 | 002004 006100 107107 950999 | RF |
| | 5 BAC27NEX1580 | | .DECAL- PLACARD CONTENT: GD1880 | 002004 006100 107107 950999 | 1 |
| | 10 BAC27NEX1581 | | .DECAL- PLACARD CONTENT: GD1881 | 002004 006100 107107 950999 | 1 |
| | 20 YHLZG16-1 | | ..BLOCK- SUPPLIER CODE: V09922 | 002004 006100 107107 950999 | 2 |
| - 25 | BACR15FT5D | | ATTACHING PARTS ..RIVET- SIZE DETERMINED ON INSTL. -----*----- | 002004 006100 107107 950999 | 8 |

MISSING ITEM NUMBERS NOT APPLICABLE

- ITEM NOT ILLUSTRATED

BRI

21-51-71-03

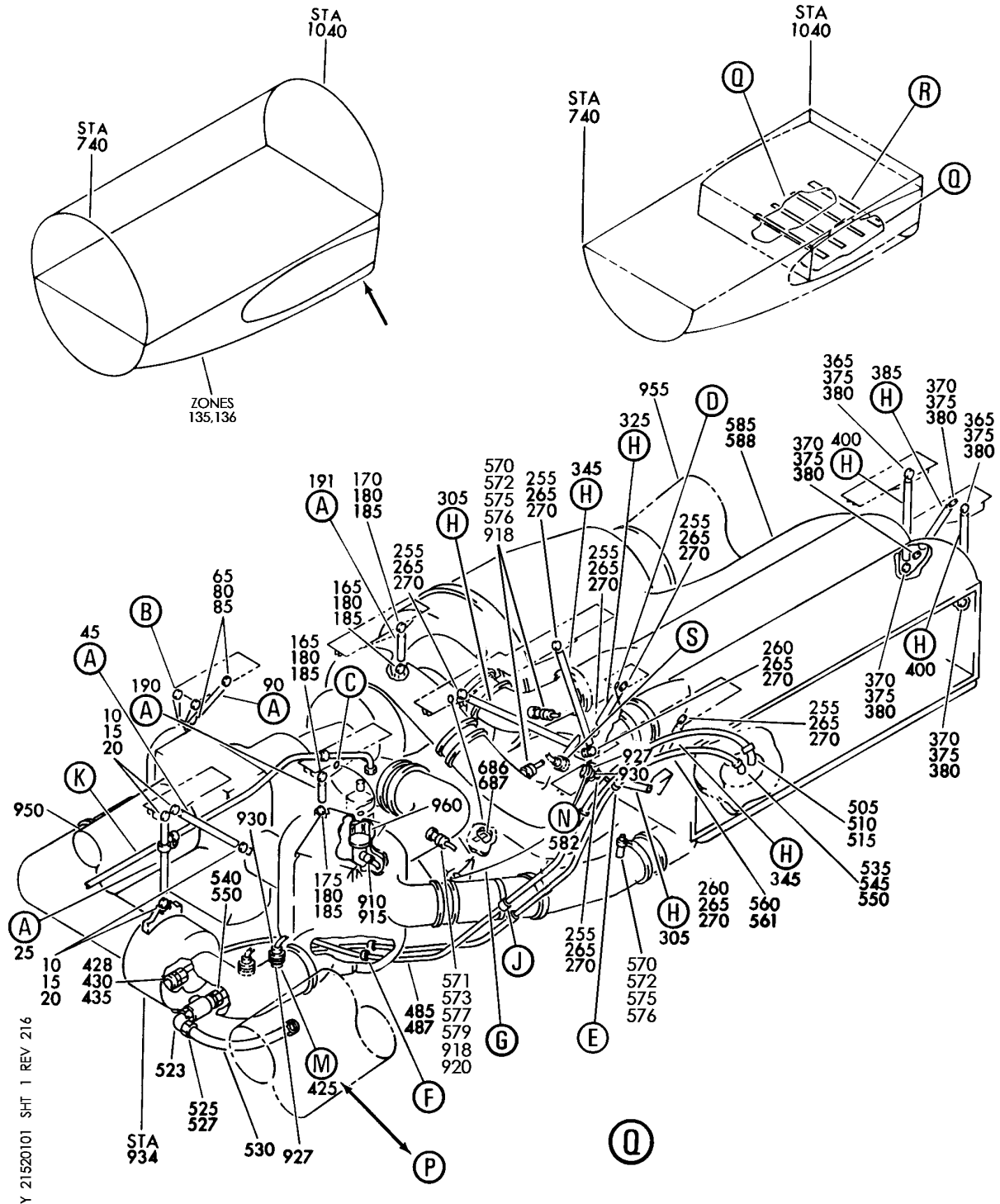
21-51-71
FIG. 03
PAGE 1
JAN 20/09

COOLING PACK TEMPERATURE INDICATION

BRI
MAY 28/07

21-52-00
SECTION TITLE
PAGE 1

BOEING
 757
 PARTS CATALOG (MAINTENANCE)



Y 21520101 SHT 1 REV 216

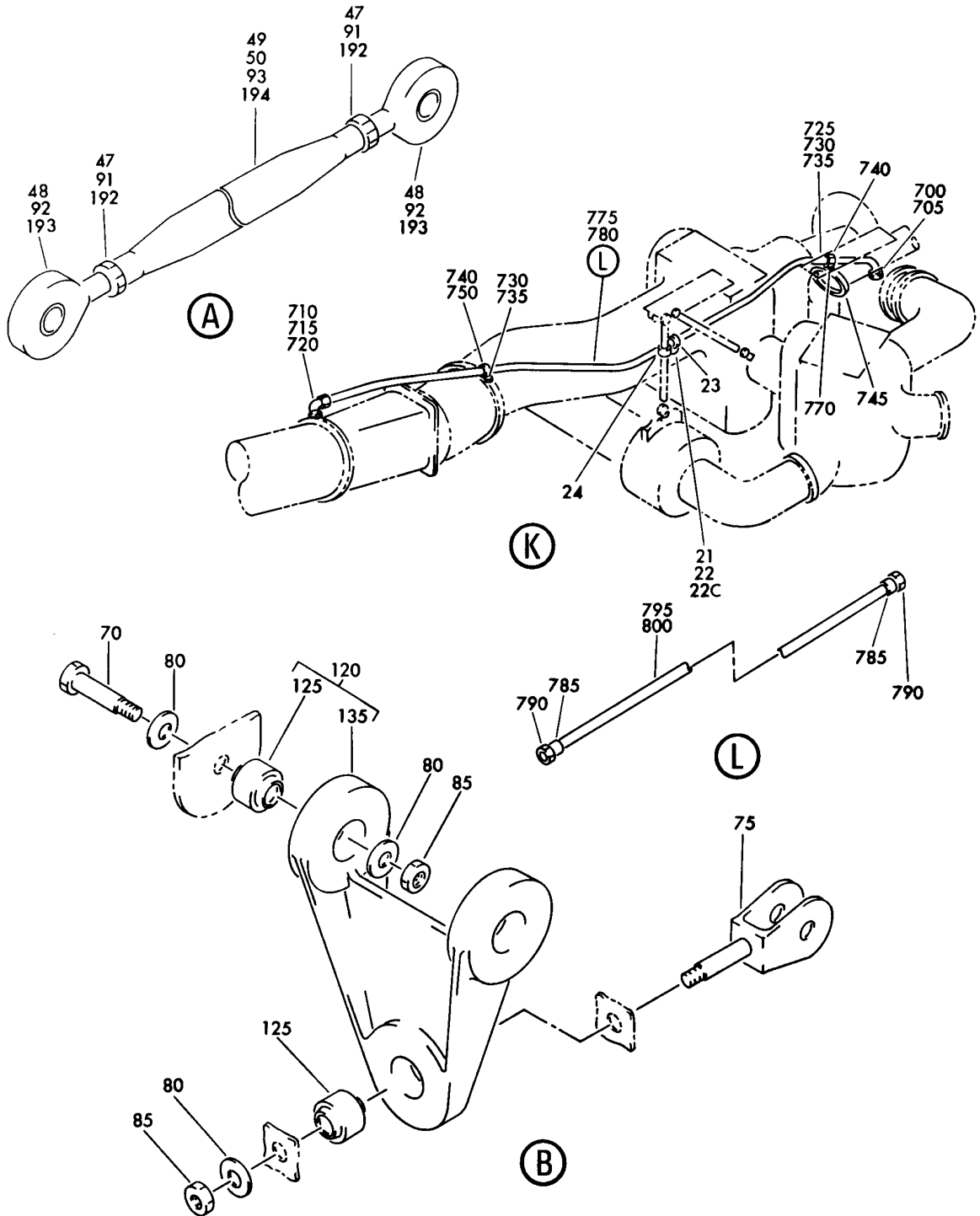
PACK INSTL-UNDER WING AIR CONDITIONING
 FIGURE 1 (SHEET 1)

21-52-01-01

BRI
 MAY 28/07

21-52-01-01
 PAGE 0

BOEING
757
PARTS CATALOG (MAINTENANCE)



Y 21520101 SHT 2 REV 184

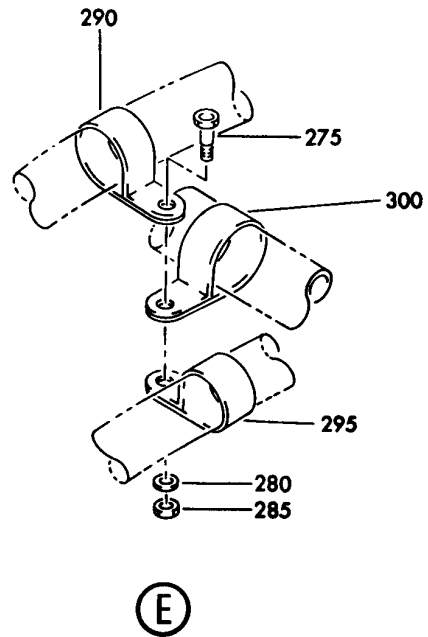
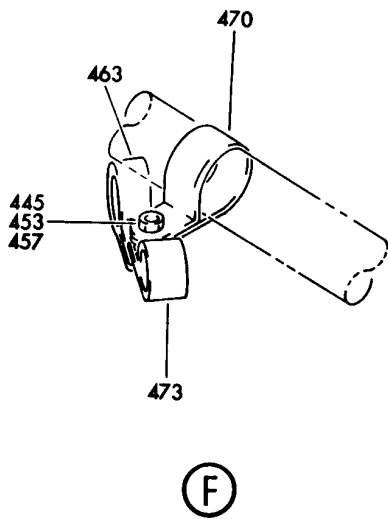
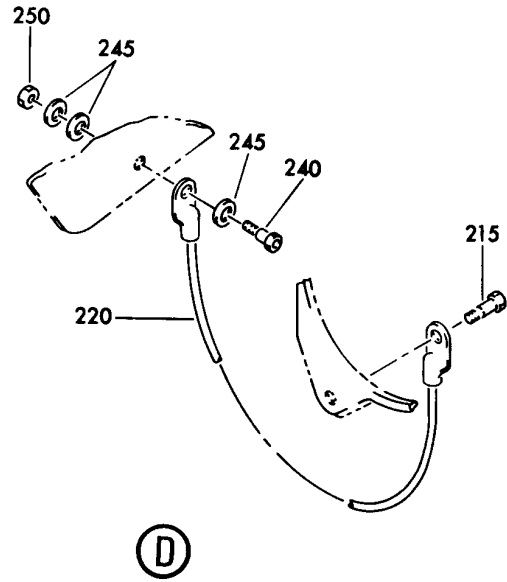
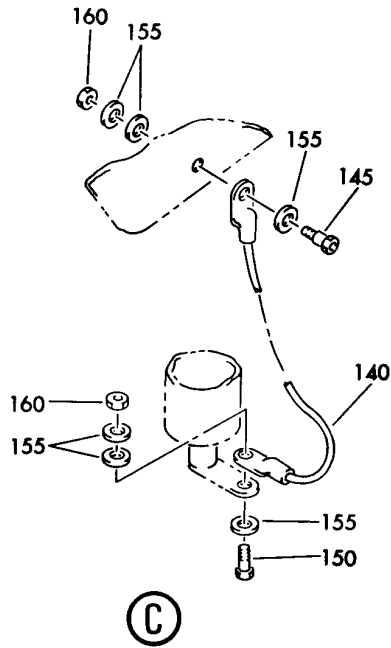
PACK INSTL-UNDER WING AIR CONDITIONING
FIGURE 1 (SHEET 2)

21-52-01-01

BRI
MAY 28/07

21-52-01-01
PAGE 0A

BOEING
757
PARTS CATALOG (MAINTENANCE)



Y 21520101 SHT 3 REV 184

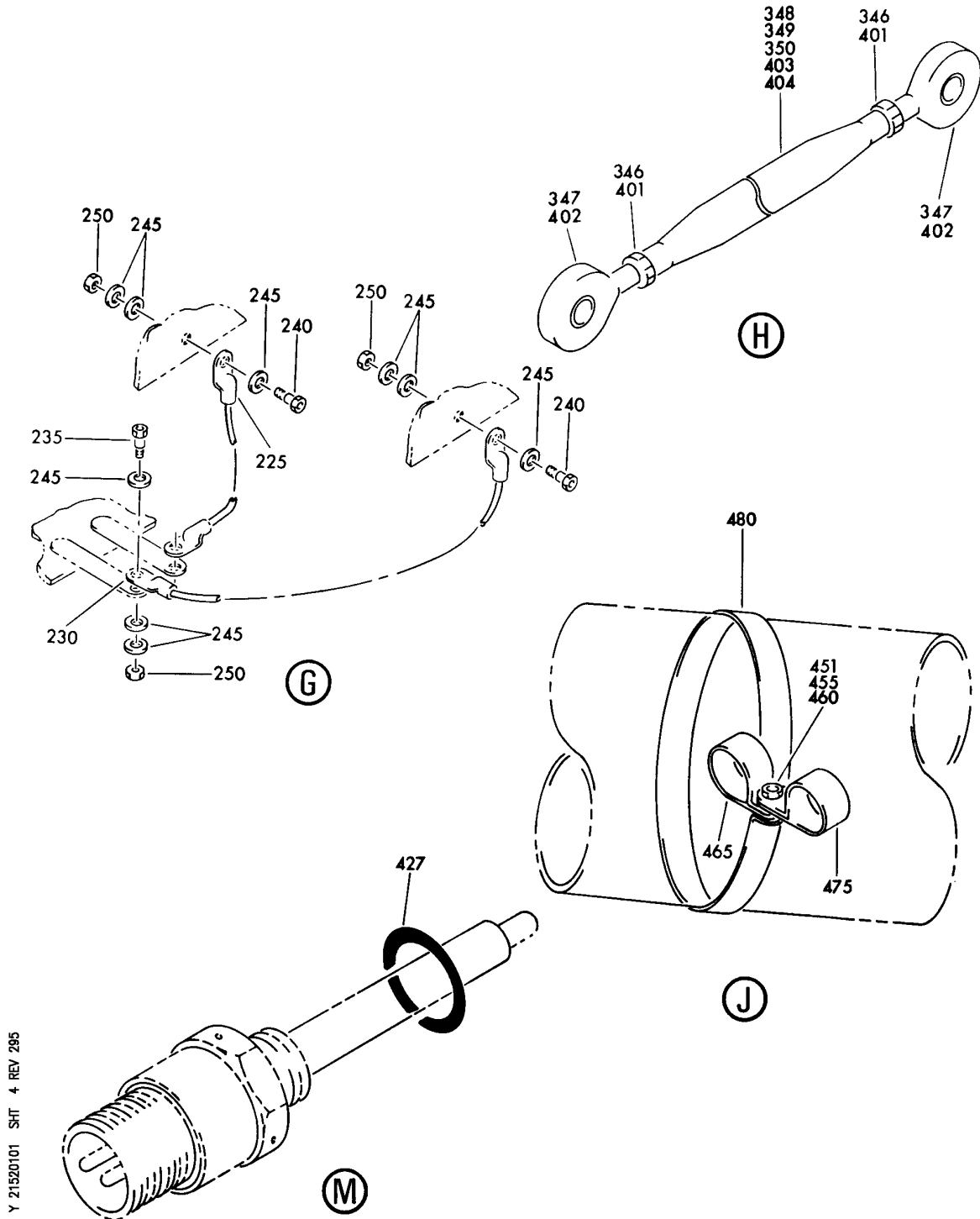
PACK INSTL-UNDER WING AIR CONDITIONING
FIGURE 1 (SHEET 3)

21-52-01-01

BRI
MAY 28/07

21-52-01-01
PAGE 0B

BOEING
757
PARTS CATALOG (MAINTENANCE)



Y 21520101 SHT 4 REV 295

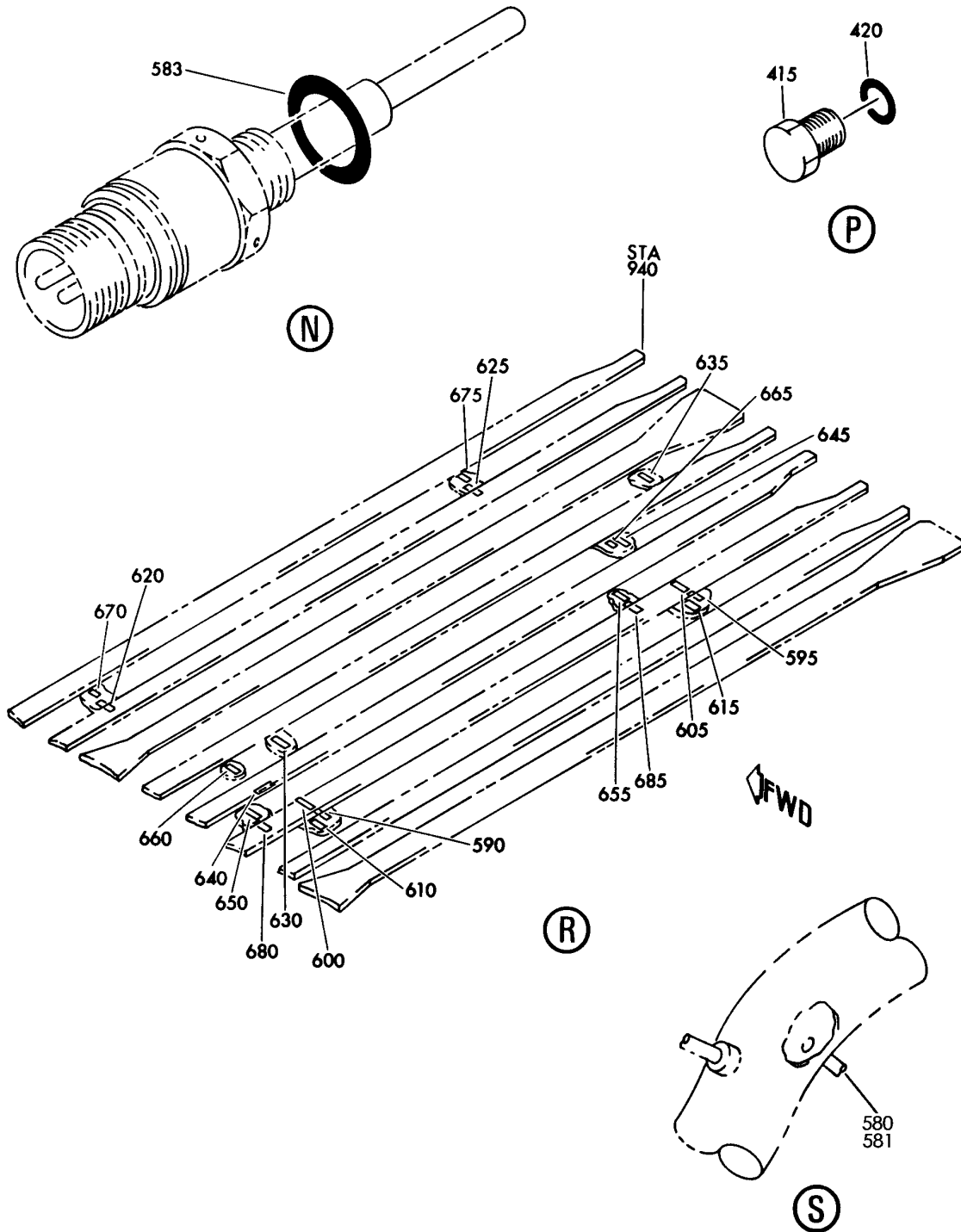
PACK INSTL-UNDER WING AIR CONDITIONING
FIGURE 1 (SHEET 4)

21-52-01-01

BRI
MAY 28/07

21-52-01-01
PAGE 0C

BOEING
757
PARTS CATALOG (MAINTENANCE)



Y 21520101 SHT 5 REV 216

PACK INSTL-UNDER WING AIR CONDITIONING
FIGURE 1 (SHEET 5)

21-52-01-01

BRI
MAY 28/07

21-52-01-01
PAGE 0D



757

PARTS CATALOG (MAINTENANCE)

| FIG ITEM | PART NUMBER | 1 2 3 4 5 6 7 | NOMENCLATURE | EFFECT FROM TO | UNITS PER ASSY |
|----------|--------------|---------------|--|--|----------------|
| 1 | | | PACK INSTL-UNDER WING AIR CONDITIONING | 002004 006100 107107 121503 904999 | |
| - 1 | 213N1001-1 | | PACK INSTL-UNDER WING AIR CONDITIONING POSITION DATA: LH VARIABLE DRAWING REF: 213N1001-3 213N1001-13 FOR NHA SEE: 21-00-00-01 | 002004 006100 107107 121503 904999 | RF |
| - 5 | 213N1001-2 | | PACK INSTL-UNDER WING AIR CONDITIONING POSITION DATA: RH VARIABLE DRAWING REF: 213N1001-4 213N1001-14 FOR NHA SEE: 21-00-00-01 | 002004 006100 107107 121503 904999 | RF |
| 10 | BACB30NM5K11 | | .BOLT | 002004 006100 107107 121503 904999 | 4 |
| 15 | AN960PD516L | | .WASHER | 002004 006100 107107 121503 904999 | 8 |
| 20 | BRH10A5 | | .NUT SUPPLIER CODE: V52828 SPECIFICATION NUMBER: BACN10JC5 OPTIONAL PART: T6S524J V11815 96-054 V80539 RMLH9075-5W V72962 H10-5BAC V15653 | 002004 006100 107107 121503 904999 | 4 |

MISSING ITEM NUMBERS NOT APPLICABLE

- ITEM NOT ILLUSTRATED

BRI

21-52-01-01

21-52-01
FIG. 01
PAGE 1
JAN 20/09



757

PARTS CATALOG (MAINTENANCE)

| FIG ITEM | PART NUMBER | 1 2 3 4 5 6 7 | NOMENCLATURE | EFFECT FROM TO | UNITS PER ASSY |
|----------|-----------------|---------------|--|--|----------------|
| 1 | 21 BACB30NM3K5 | . | BOLT | 002004 006100 107107 121503 904999 | 1 |
| | 22 AN960PD10L | . | WASHER | 002004 006100 107107 121503 904999 | 1 |
| | 22C BRH10A3 | . | NUT SUPPLIER CODE: V52828 SPECIFICATION NUMBER: BACN10JC3 OPTIONAL PART: H10-3BAC V15653 NS202101-02 V80539 RMLH9075-3W V72962 VN303A02 V92215 96-02 V80539 T6S1032J V11815 | 002004 006100 107107 121503 904999 | 1 |
| | 23 MS21919WCH6 | . | CLAMP- | 002004 006100 107107 121503 904999 | 1 |
| | 24 MS21919WCH10 | . | CLAMP- | 002004 006100 107107 121503 904999 | 1 |
| | 25 213N1017-9 | . | ROD ASSY | 002004 006100 107107 121503 904999 | 1 |
| | 45 213N1017-15 | . | ROD ASSY | 002004 006100 107107 121503 904999 | 1 |

MISSING ITEM NUMBERS NOT APPLICABLE

- ITEM NOT ILLUSTRATED

21-52-01-01

21-52-01
FIG. 01
PAGE 2
JAN 20/09

BRI



757

PARTS CATALOG (MAINTENANCE)

| FIG ITEM | PART NUMBER | 1 2 3 4 5 6 7 | NOMENCLATURE | EFFECT FROM TO | UNITS PER ASSY | |
|----------|-------------------------------------|---------------|------------------------------------|--|----------------|--|
| 1 | 47 | NAS1423-5 | ..NUT | 002004 006100 107107 121503 904999 | 2 | |
| | 48 | MS21242S05 | ..BEARING | 002004 006100 107107 121503 904999 | 2 | |
| | 49 | 213N1017-10 | ..TUBE- USED ON: 213N1017-9 | 002004 006100 107107 121503 904999 | 1 | |
| | 50 | 213N1017-16 | ..TUBE- USED ON: 213N1017-15 | 002004 006100 107107 121503 904999 | 1 | |
| | 65 | BACB30NM5K11 | .BOLT | 002004 006100 107107 121503 904999 | 2 | |
| | 70 | BACB30NM5K10 | .BOLT | 002004 006100 107107 121503 904999 | 2 | |
| | 75 | 213N1016-1 | .EYEBOLT | 002004 006100 107107 121503 904999 | 1 | |
| | 80 | AN960PD516L | .WASHER | 002004 006100 107107 121503 904999 | 9 | |
| | MISSING ITEM NUMBERS NOT APPLICABLE | | | | | |

- ITEM NOT ILLUSTRATED

BRI

21-52-01-01

BOEING PROPRIETARY - Copyright © - Unpublished Work - See title page for details.

21-52-01
FIG. 01
PAGE 3
JAN 20/09



757

PARTS CATALOG (MAINTENANCE)

| FIG ITEM | PART NUMBER | 1 2 3 4 5 6 7 | NOMENCLATURE | EFFECT FROM TO | UNITS PER ASSY |
|----------|----------------|--|--|--|----------------|
| 1 | 85 BRH10A5 | .NUT | SUPPLIER CODE: V52828 SPECIFICATION NUMBER: BACN10JC5 OPTIONAL PART: T6S524J V11815 96-054 V80539 RMLH9075-5W V72962 H10-5BAC V15653 | 002004 006100 107107 121503 904999 | 5 |
| | 90 213N1017-3 | .ROD ASSY | | 002004 006100 107107 121503 904999 | 1 |
| | 91 NAS1423-5 | ..NUT | | 002004 006100 107107 121503 904999 | 2 |
| | 92 MS21242S05 | ..BEARING | | 002004 006100 107107 121503 904999 | 2 |
| | 93 213N1017-4 | ..TUBE | | 002004 006100 107107 121503 904999 | 1 |
| | 120 213N1015-1 | .FITTING ASSY-SPRT | | 002004 006100 107107 121503 904999 | 1 |
| | 125 MS14103-5 | ..BEARING- OPTIONAL PART: MS14103-5C | | 002004 006100 107107 121503 904999 | 3 |
| | 125 MS14103-5C | ..BEARING- OPTIONAL PART: MS14103-5 | | 002004 006100 107107 121503 904999 | 3 |

MISSING ITEM NUMBERS NOT APPLICABLE

- ITEM NOT ILLUSTRATED

21-52-01-01

21-52-01
FIG. 01
PAGE 4
JAN 20/09

BRI

 **BOEING**
757
PARTS CATALOG (MAINTENANCE)

| FIG ITEM | PART NUMBER | 1 2 3 4 5 6 7 | NOMENCLATURE | EFFECT FROM TO | UNITS PER ASSY |
|-------------|--------------|---------------|--|--|----------------------|
| 1 | | | | | |
| 135 | 213N1015-2 | . . | SUPPORT | 002004 006100 107107 121503 904999 | 1 |
| 165 | BACB30NM5K11 | .BOLT | | 002004 006100 107107 121503 904999 | 2 |
| 170 | BACB30NM5K12 | .BOLT- | | 002004 006100 107107 121503 904999 | 1 |
| 175 | BACB30NM5K14 | .BOLT | | 002004 006100 107107 121503 904999 | 1 |
| 180 | AN960PD516L | .WASHER- | | 002004 006100 107107 121503 904999 | 8 |
| 185 | BRH10A5 | .NUT- | SUPPLIER CODE: V52828 SPECIFICATION NUMBER: BACN10JC5 OPTIONAL PART: T6S524J V11815 96-054 V80539 RMLH9075-5W V72962 H10-5BAC V15653 | 002004 006100 107107 121503 904999 | 4 |
| 190 | 213N1017-1 | .ROD ASSY | | 002004 006100 107107 121503 904999 | 1 |
| 191 | 213N1017-21 | .ROD ASSY- | | 002004 006100 107107 121503 904999 | 1 |

MISSING ITEM NUMBERS NOT APPLICABLE

- ITEM NOT ILLUSTRATED

BRI

21-52-01-01

BOEING PROPRIETARY - Copyright © - Unpublished Work - See title page for details.

21-52-01
FIG. 01
PAGE 5
JAN 20/09



757

PARTS CATALOG (MAINTENANCE)

| FIG ITEM | PART NUMBER | 1 2 3 4 5 6 7 | NOMENCLATURE | EFFECT FROM TO | UNITS PER ASSY |
|----------|-------------|---------------|---|--|----------------|
| 1 | | | | | |
| 192 | NAS1423-5 | . . | NUT | 002004 006100 107107 121503 904999 | 2 |
| 193 | MS21242S05 | . . | BEARING | 002004 006100 107107 121503 904999 | 2 |
| 194 | 213N1017-2 | . . | TUBE | 002004 006100 107107 121503 904999 | 1 |
| 215 | BACB30NM3K7 | . . | BOLT | 002004 006100 107107 121503 904999 | 1 |
| 220 | 940CW20-9 | . . | JUMPER ASSY SUPPLIER CODE: V91812 SPECIFICATION NUMBER: BACJ40AB20-9 OPTIONAL PART: 100220-9 V1FF12 RBEJ40AB20-9 V1GK47 | 002004 006100 107107 121503 904999 | 1 |
| 225 | 940CW20-21 | . . | JUMPER ASSY SUPPLIER CODE: V91812 SPECIFICATION NUMBER: BACJ40AB20-21 OPTIONAL PART: 100220-21 V1FF12 RBEJ40AB20-21 V1GK47 | 002004 006100 107107 121503 904999 | 1 |

MISSING ITEM NUMBERS NOT APPLICABLE

- ITEM NOT ILLUSTRATED

BRI

21-52-01-01

21-52-01
FIG. 01
PAGE 6
JAN 20/09



757

PARTS CATALOG (MAINTENANCE)

| FIG ITEM | PART NUMBER | 1 2 3 4 5 6 7 | NOMENCLATURE | EFFECT FROM TO | UNITS PER ASSY |
|----------|-------------|---------------|--|--|----------------|
| 1 230 | 940CW20-24 | | .JUMPER ASSY SUPPLIER CODE: V91812 SPECIFICATION NUMBER: BACJ40AB20-24 OPTIONAL PART: 100220-24 V1FF12 RBEJ40AB20-24 V1GK47 ATTACHING PARTS | 002004 006100 107107 121503 904999 | 1 |
| 235 | BACB30NM3K3 | | .BOLT- | 002004 006100 107107 121503 904999 | 2 |
| 240 | BACB30NM3K4 | | .BOLT- | 002004 006100 107107 121503 904999 | 3 |
| 245 | AN960PD10L | | .WASHER- | 002004 006100 107107 121503 904999 | 15 |
| 250 | BRH10A3 | | .NUT SUPPLIER CODE: V52828 SPECIFICATION NUMBER: BACN10JC3 OPTIONAL PART: H10-3BAC V15653 NS202101-02 V80539 RMLH9075-3W V72962 VN303A02 V92215 96-02 V80539 T6S1032J V11815 -----*----- | 002004 006100 107107 121503 904999 | 5 |

MISSING ITEM NUMBERS NOT APPLICABLE

- ITEM NOT ILLUSTRATED

21-52-01-01

21-52-01
FIG. 01
PAGE 7
JAN 20/09

BRI



757

PARTS CATALOG (MAINTENANCE)

| FIG ITEM | PART NUMBER | 1 2 3 4 5 6 7 | NOMENCLATURE | EFFECT FROM TO | UNITS PER ASSY |
|----------|-------------|---------------|---|--|----------------|
| 1 | 255 | BACB30NM5K12 | .BOLT- | 002004 006100 107107 121503 904999 | 6 |
| | 260 | BACB30NM5K20 | .BOLT- | 002004 006100 107107 121503 904999 | |
| | 265 | AN960PD516L | .WASHER- | 002004 006100 107107 121503 904999 | 16 |
| | 270 | BRH10A5 | .NUT- SUPPLIER CODE: V52828 SPECIFICATION NUMBER: BACN10JC5 OPTIONAL PART: T6S524J V11815 96-054 V80539 RMLH9075-5W V72962 H10-5BAC V15653 | 002004 006100 107107 121503 904999 | |
| | 275 | BACB30NM3K7 | .BOLT- | 002004 006100 107107 121503 904999 | 1 |
| | 280 | AN960PD10L | .WASHER | 002004 006100 107107 121503 904999 | |

MISSING ITEM NUMBERS NOT APPLICABLE

- ITEM NOT ILLUSTRATED

BRI

21-52-01-01

BOEING PROPRIETARY - Copyright © - Unpublished Work - See title page for details.

21-52-01
FIG. 01
PAGE 8
JAN 20/09



757

PARTS CATALOG (MAINTENANCE)

| FIG ITEM | PART NUMBER | 1 2 3 4 5 6 7 | NOMENCLATURE | EFFECT FROM TO | UNITS PER ASSY |
|----------|--------------|---------------|---|--|----------------|
| 1 285 | BRH10A3 | .NUT | SUPPLIER CODE: V52828 SPECIFICATION NUMBER: BACN10JC3 OPTIONAL PART: H10-3BAC V15653 NS202101-02 V80539 RMLH9075-3W V72962 VN303A02 V92215 96-02 V80539 T6S1032J V11815 | 002004 006100 107107 121503 904999 | 1 |
| 290 | MS21919WDG8 | .CLAMP- | | 002004 006100 107107 121503 904999 | 1 |
| 295 | MS21919WDG6 | .CLAMP- | | 002004 006100 107107 121503 904999 | 1 |
| 300 | MS21919WCH12 | .CLAMP- | | 002004 006100 107107 121503 904999 | 1 |
| 305 | 213N1017-17 | .ROD ASSY | | 002004 006100 107107 121503 904999 | 2 |
| 325 | 213N1017-5 | .ROD ASSY | | 002004 006100 107107 121503 904999 | 1 |
| 345 | 213N1017-13 | .ROD ASSY | | 002004 006100 107107 121503 904999 | 2 |

MISSING ITEM NUMBERS NOT APPLICABLE

- ITEM NOT ILLUSTRATED

21-52-01-01

21-52-01
FIG. 01
PAGE 9
JAN 20/09

BRI



757

PARTS CATALOG (MAINTENANCE)

| FIG ITEM | PART NUMBER | 1 2 3 4 5 6 7 | NOMENCLATURE | EFFECT FROM TO | UNITS PER ASSY |
|----------|--------------|---------------|----------------------------------|--|----------------|
| 1 | | | | | |
| 346 | NAS1423-5 | . . | NUT | 002004 006100 107107 121503 904999 | 2 |
| 347 | MS21242S05 | . . | BEARING | 002004 006100 107107 121503 904999 | 2 |
| 348 | 213N1017-18 | . . | TUBE- USED ON: 213N1017-17 | 002004 006100 107107 121503 904999 | 1 |
| 349 | 213N1017-6 | . . | TUBE- USED ON: 213N1017-5 | 002004 006100 107107 121503 904999 | 1 |
| 350 | 213N1017-14 | . . | TUBE- USED ON: 213N1017-13 | 002004 006100 107107 121503 904999 | 1 |
| 365 | BACB30NM5K11 | . . | BOLT | 002004 006100 107107 121503 904999 | 2 |
| 370 | BACB30NM5K12 | . . | BOLT- | 002004 006100 107107 121503 904999 | 4 |
| 375 | AN960PD516L | . . | WASHER- | 002004 006100 107107 121503 904999 | 12 |

MISSING ITEM NUMBERS NOT APPLICABLE

- ITEM NOT ILLUSTRATED

BRI

21-52-01-01

BOEING PROPRIETARY - Copyright © - Unpublished Work - See title page for details.

21-52-01
FIG. 01
PAGE 10
JAN 20/09



757

PARTS CATALOG (MAINTENANCE)

| FIG ITEM | PART NUMBER | 1 2 3 4 5 6 7 | NOMENCLATURE | EFFECT FROM TO | UNITS PER ASSY |
|----------|-------------|---------------|--|--|----------------|
| 1 380 | BRH10A5 | .NUT- | SUPPLIER CODE: V52828 SPECIFICATION NUMBER: BACN10JCS OPTIONAL PART: T6S524J V11815 96-054 V80539 RMLH9075-5W V72962 H10-5BAC V15653 | 002004 006100 107107 121503 904999 | 6 |
| 385 | 213N1017-7 | .ROD ASSY | | 002004 006100 107107 121503 904999 | 1 |
| 400 | 213N1017-11 | .ROD ASSY | | 002004 006100 107107 121503 904999 | 2 |
| 401 | NAS1423-5 | ..NUT | | 002004 006100 107107 121503 904999 | 2 |
| 402 | MS21242S05 | ..BEARING | | 002004 006100 107107 121503 904999 | 2 |
| 403 | 213N1017-8 | ..TUBE- | USED ON: 213N1017-7 | 002004 006100 107107 121503 904999 | 1 |
| 404 | 213N1017-12 | ..TUBE- | USED ON: 213N1017-11 | 002004 006100 107107 121503 904999 | 1 |
| 430 | MS21916J8-6 | .REDUCER- | | 002004 006100 107107 121503 904999 | 1 |

MISSING ITEM NUMBERS NOT APPLICABLE

- ITEM NOT ILLUSTRATED

BRI

21-52-01-01

21-52-01
FIG. 01
PAGE 11
JAN 20/09



757

PARTS CATALOG (MAINTENANCE)

| FIG ITEM | PART NUMBER | 1 2 3 4 5 6 7 | NOMENCLATURE | EFFECT FROM TO | UNITS PER ASSY |
|----------|-------------|---------------|--|--|----------------|
| 1 435 | R1131-908 | | .PACKING- SUPPLIER CODE: V57268 SPECIFICATION NUMBER: BACP11K8 OPTIONAL PART: 3-908S383-70 V02697 1090-08 V95272 150701-08 V95272 AS568-908S32 V11314 | 002004 006100 107107 121503 904999 | 1 |
| 445 | BACB30NM3K7 | | .BOLT- | 002004 006100 107107 121503 904999 | 1 |
| 451 | BACB30NM3K7 | | .BOLT | 002004 006100 107107 121503 904999 | 1 |
| 453 | AN960PD10L | | .WASHER | 002004 006100 107107 121503 904999 | 1 |
| 455 | AN960PD10L | | .WASHER | 002004 006100 107107 121503 904999 | 1 |

MISSING ITEM NUMBERS NOT APPLICABLE

- ITEM NOT ILLUSTRATED

BRI

21-52-01-01

BOEING PROPRIETARY - Copyright © - Unpublished Work - See title page for details.

21-52-01
FIG. 01
PAGE 12
JAN 20/09



757

PARTS CATALOG (MAINTENANCE)

| FIG ITEM | PART NUMBER | 1 2 3 4 5 6 7 | NOMENCLATURE | EFFECT FROM TO | UNITS PER ASSY |
|----------|-------------|---------------|---|--|----------------|
| 1 457 | BRH10A3 | .NUT | SUPPLIER CODE: V52828 SPECIFICATION NUMBER: BACN10JC3 OPTIONAL PART: H10-3BAC V15653 NS202101-02 V80539 RMLH9075-3W V72962 VN303A02 V92215 96-02 V80539 T6S1032J V11815 | 002004 006100 107107 121503 904999 | 1 |
| 460 | BRH10A3 | .NUT | SUPPLIER CODE: V52828 SPECIFICATION NUMBER: BACN10JC3 OPTIONAL PART: H10-3BAC V15653 NS202101-02 V80539 RMLH9075-3W V72962 VN303A02 V92215 96-02 V80539 T6S1032J V11815 | 002004 006100 107107 121503 904999 | 1 |
| 463 | MS21919WDG8 | .CLAMP- | | 002004 006100 107107 121503 904999 | 1 |
| 465 | MS21919WDG6 | .CLAMP | | 002004 006100 107107 121503 904999 | 1 |

MISSING ITEM NUMBERS NOT APPLICABLE

- ITEM NOT ILLUSTRATED

BRI

21-52-01-01

21-52-01
FIG. 01
PAGE 13
JAN 20/09



757

PARTS CATALOG (MAINTENANCE)

| FIG ITEM | PART NUMBER | 1 2 3 4 5 6 7 | NOMENCLATURE | EFFECT FROM TO | UNITS PER ASSY |
|----------|------------------|---------------|---|--|----------------|
| 1 | 470 MS21919WCH12 | . | CLAMP- | 002004 006100 107107 121503 904999 | 1 |
| | 473 MS21919WDG6 | . | CLAMP- | 002004 006100 107107 121503 904999 | 1 |
| | 475 MS21919WDG2 | . | CLAMP | 002004 006100 107107 121503 904999 | 1 |
| | 480 MS21919WDG8 | . | CLAMP | 002004 006100 107107 121503 904999 | 1 |
| | 487 213N1001-16 | . | TUBING ASSY- POSITION DATA: RH SIDE TUBING MATERIAL: .5 IN. OD X .028 IN. WALL X 59.5 IN. LG WW-T-700/6 6061 T6 TUBING .5 IN. OD X .028 IN. WALL X 59.5 IN. LG WW-T-7081 6061 T6 TUBING | 002004 006100 107107 121503 904999 | 1 |
| - | 490 AP2097HP08 | .. | SLEEVE SUPPLIER CODE: V01673 SPECIFICATION NUMBER: BACS13BX08HP OPTIONAL PART: 2-02903-08HP V11328 35235VN08 V08199 AFP175V08P V30974 DBOS13BX08HP V14798 | 002004 006100 107107 121503 904999 | 2 |

MISSING ITEM NUMBERS NOT APPLICABLE

- ITEM NOT ILLUSTRATED

BRI

21-52-01-01

21-52-01
FIG. 01
PAGE 14
JAN 20/09



757

PARTS CATALOG (MAINTENANCE)

| FIG ITEM | PART NUMBER | 1 2 3 4 5 6 7 | NOMENCLATURE | EFFECT FROM TO | UNITS PER ASSY |
|----------|-------------|--|--------------|--|----------------|
| 1 | | | | | |
| - 495 | BACN10YLO8 | . . | NUT- | 002004 006100 107107 121503 904999 | 2 |
| 505 | MS21908D8 | . ELBOW- | | 002004 006100 107107 121503 904999 | 1 |
| 510 | AN924-8D | . NUT | | 002004 006100 107107 121503 904999 | 1 |
| 515 | R1131-908 | . PACKING SUPPLIER CODE: V57268 SPECIFICATION NUMBER: BACP11K8 OPTIONAL PART: 3-908S383-70 V02697 1090-08 V95272 150701-08 V95272 AS568-908S32 V11314 | | 002004 006100 107107 121503 904999 | 1 |
| 523 | MS21908D8 | . ELBOW- | | 002004 006017 107107 121503 904999 | 1 |
| 523 | AN838-8D | . ELBOW- | | 002004 006017 107107 121503 904999 | 1 |
| 525 | AN924-8D | . NUT | | 002004 006100 107107 121503 904999 | 1 |

MISSING ITEM NUMBERS NOT APPLICABLE

- ITEM NOT ILLUSTRATED

BRI

21-52-01-01

21-52-01
FIG. 01
PAGE 15
JAN 20/09



757

PARTS CATALOG (MAINTENANCE)

| FIG ITEM | PART NUMBER | 1 2 3 4 5 6 7 | NOMENCLATURE | EFFECT FROM TO | UNITS PER ASSY |
|----------|--------------|---------------|---|--|----------------|
| 1 527 | R1131-908 | | .PACKING- SUPPLIER CODE: V57268 SPECIFICATION NUMBER: BACP11K8 OPTIONAL PART: 3-908S383-70 V02697 1090-08 V95272 150701-08 V95272 AS568-908S32 V11314 | 002004 006100 107107 121503 904999 | 1 |
| 530 | AS118H0130DD | | .HOSE ASSY SUPPLIER CODE: V00624 SPECIFICATION NUMBER: BACH5R0130DD OPTIONAL PART: R89180130DD V06851 R89180130DD V50599 R89190130DD V06851 R89190130DD V50599 95850R0130DD V78570 | 002004 006017 107107 121503 904999 | 1 |
| 535 | MS21907D6 | | .ELBOW | 002004 006100 107107 121503 904999 | 1 |
| 540 | MS21902D6 | | .UNION- | 002004 006100 107107 121503 904999 | 1 |
| 545 | AN924-6D | | .NUT | 002004 006100 107107 121503 904999 | 1 |

MISSING ITEM NUMBERS NOT APPLICABLE

- ITEM NOT ILLUSTRATED

21-52-01-01

21-52-01
FIG. 01
PAGE 16
JAN 20/09

BRI



757

PARTS CATALOG (MAINTENANCE)

| FIG ITEM | PART NUMBER | 1 2 3 4 5 6 7 | NOMENCLATURE | EFFECT FROM TO | UNITS PER ASSY |
|----------|-------------|---------------|--|--|----------------|
| 1 550 | R1131-906 | | .PACKING SUPPLIER CODE: V57268 SPECIFICATION NUMBER: BACP11K6 OPTIONAL PART: 3-906S383-70 V02697 1090-06 V95272 150701-06 V95272 AS568-906S32 V11314 | 002004 006100 107107 121503 904999 | 2 |
| 561 | 213N1001-15 | | .TUBING ASSY- POSITION DATA: LH SIDE TUBING MATERIAL: .375 IN. OD X .028 IN. WALL X 56.4 IN. LG WW-T-700/6 6061 T6 TUBING .375 IN. OD X .028 IN. WALL X 56.4 IN. LG WW-T-7081 6061 T6 TUBING | 002004 006100 107107 121503 904999 | 1 |
| - 562 | AP2097HP06 | | ..SLEEVE SUPPLIER CODE: V01673 SPECIFICATION NUMBER: BACS13BX06HP OPTIONAL PART: 2-02903-06HP V11328 35235VN06 V08199 AFP175V06P V30974 DBOS13BX06HP V14798 | 002004 006100 107107 121503 904999 | 2 |
| - 564 | MS21921-6D | | ..NUT | 002004 006100 107107 121503 904999 | 2 |

MISSING ITEM NUMBERS NOT APPLICABLE

- ITEM NOT ILLUSTRATED

BRI

21-52-01-01

21-52-01
FIG. 01
PAGE 17
JAN 20/09



757

PARTS CATALOG (MAINTENANCE)

| FIG ITEM | PART NUMBER | 1 2 3 4 5 6 7 | NOMENCLATURE | EFFECT FROM TO | UNITS PER ASSY |
|----------|--------------|---------------|--|--|----------------|
| 1 | | | | | |
| 570 | MS28034-1 | .BULB- | ELECTRICAL EQUIP NUMBER: TS5087 TS5088 TS5089 TS5090 TS5091 TS5092 | 952999 | 3 |
| 571 | MS28034-1 | .BULB- | ELECTRICAL EQUIP NUMBER: TS5263 TS5264 | 952999 | 1 |
| 572 | AN900-10 | .GASKET- | OPTIONAL PART: MS35769-11 | 952999 | 1 |
| 572 | MS35769-11 | .GASKET- | OPTIONAL PART: AN900-10 | 952999 | 1 |
| 573 | AN900-10 | .GASKET- | OPTIONAL PART: MS35769-11 | 952999 | 1 |
| 573 | MS35769-11 | .GASKET- | OPTIONAL PART: AN900-10 | 952999 | 1 |
| 575 | MS9954-07 | .PLUG | | 002004 006100 107107 121503 904951 | 3 |
| 576 | M83248-2-907 | .PACKING | | 002004 006100 107107 121503 904951 | 3 |
| 577 | MS9954-07 | .PLUG | | 002004 006100 107107 121503 904951 | 1 |
| 579 | M83248-2-907 | .PACKING | | 002004 006100 107107 121503 904951 | 1 |

MISSING ITEM NUMBERS NOT APPLICABLE

- ITEM NOT ILLUSTRATED

BRI

21-52-01-01

BOEING PROPRIETARY - Copyright © - Unpublished Work - See title page for details.

21-52-01
FIG. 01
PAGE 18
JAN 20/09



757

PARTS CATALOG (MAINTENANCE)

| FIG ITEM | PART NUMBER | 1 2 3 4 5 6 7 NOMENCLATURE | EFFECT FROM TO | UNITS PER ASSY |
|-------------|-------------|--|--|----------------------|
| 1 585 | 2202450-9 | .PACK ASSY-AIR CONDITIONING AND TEMP CONT SYS COOLING SUPPLIER CODE: V70210 POSITION DATA: LH SPECIFICATION NUMBER: S210T130-60 ELECTRICAL EQUIP NUMBER: S10325 TS0041 TS0198 TS5133 V00018 V10077 COMPONENT MAINT MANUAL REF: 21-51-32 QUALIFIED I/W DATA: S210T130-59 (2202450-8) T/W 1 EA 625928-2 AND 1 EA 624014-1 SENSOR IS I/W S210T130-60 2202450-9 REWORKED BY SB: 2202450-21-2567 V70210 REWORKED BY SERVICE LETTER: 21-037 FOR DETAILS SEE: 21-51-02-01 21-51-03-01 21-51-04-01 21-51-05-01 21-51-06-01 21-51-07-01 21-51-08-01 21-51-10-01 21-51-11-01 21-51-12-01 21-51-16-01 21-51-21-01 21-51-52-01 | 002004 006100 107107 121503 904999 | 1 |

MISSING ITEM NUMBERS NOT APPLICABLE

- ITEM NOT ILLUSTRATED

BRI

21-52-01-01

BOEING PROPRIETARY - Copyright © - Unpublished Work - See title page for details.

21-52-01
FIG. 01
PAGE 19
JAN 20/09



757

PARTS CATALOG (MAINTENANCE)

| FIG ITEM | PART NUMBER | 1 2 3 4 5 6 7 | NOMENCLATURE | EFFECT FROM TO | UNITS PER ASSY |
|----------|--------------|---------------|---|--|----------------|
| 1 | | | | | |
| - 587 | 2202450-9 | | .PACK ASSY-AIR CONDITIONING AND TEMP CONT SYS COOLING SUPPLIER CODE: V70210 POSITION DATA: RH SPECIFICATION NUMBER: S210T130-60 ELECTRICAL EQUIP NUMBER: S10326 TS0042 TS0199 TS5135 V00019 V10076 COMPONENT MAINT MANUAL REF: 21-51-32 QUALIFIED OPTIONAL DATA: (S210T130-60 OPTIONAL TO S210T130-59 TOGETHER WITH 624014-1 AND 625928-2 FOR 0064 ONLY) REWORKED BY SB: 2202450-21-2567 V70210 REWORKED BY SERVICE LETTER: 21-037 FOR DETAILS SEE: 21-51-02-01 21-51-03-01 21-51-04-01 21-51-05-01 21-51-06-01 21-51-07-01 21-51-08-01 21-51-10-01 21-51-11-01 21-51-12-01 21-51-16-01 21-51-21-01 21-51-52-01 | 002004 006100 107107 121503 904999 | 1 |
| 590 | BAC27NEC0028 | | .MARKER-ALUMINUM FOIL POSITION DATA: LH SIDE PLACARD CONTENT: LEFT PACK COMPRESSOR INLET TEMP BULB TS5087-D3122 | 952999 | 1 |

MISSING ITEM NUMBERS NOT APPLICABLE

- ITEM NOT ILLUSTRATED

21-52-01-01

21-52-01
FIG. 01
PAGE 20
MAY 20/09

BRI



757

PARTS CATALOG (MAINTENANCE)

| FIG ITEM | PART NUMBER | 1 2 3 4 5 6 7 | NOMENCLATURE | EFFECT FROM TO | UNITS PER ASSY |
|----------|--------------|---------------|---|--|----------------|
| 1 595 | BAC27NEC0029 | | .MARKER-ALUMINUM FOIL POSITION DATA: RH SIDE PLACARD CONTENT: RIGHT PACK COMPRESSOR INLET TEMP BULB TS5088-D3088 | 952999 | 1 |
| 600 | BAC27NEC0030 | | .MARKER-ALUMINUM FOIL POSITION DATA: LH SIDE PLACARD CONTENT: LEFT COMPRESSOR EXIT TEMP BULB TS5089-D3124 | 952999 | 1 |
| 605 | BAC27NEC0031 | | .MARKER-ALUMINUM FOIL POSITION DATA: RH SIDE PLACARD CONTENT: RIGHT COMPRESSOR EXIT TEMP BULB TS5090-D3090 | 952999 | 1 |
| 610 | BAC27NEC0032 | | .MARKER-ALUMINUM FOIL POSITION DATA: LH SIDE PLACARD CONTENT: LEFT PACK COMPRESSOR OUTLET TEMP SENSOR STANDBY TS5133-D4184 | 107107 | 1 |
| 610 | BAC27NEC0177 | | .MARKER-ALUMINUM FOIL POSITION DATA: LH SIDE PLACARD CONTENT: LEFT PACK COMPRESSOR OUTLET TEMP SENSOR STANDBY TS5133-D4134 | 003004 006100 121503 904999 | 1 |
| 615 | BAC27NEC0033 | | .MARKER-ALUMINUM FOIL POSITION DATA: RH SIDE PLACARD CONTENT: RIGHT PACK COMPRESSOR OUTLET TEMP SENSOR STANDBY TS5135-D4056 | 002004 006100 107107 121503 904999 | 1 |
| 620 | BAC27NEC0034 | | .MARKER-ALUMINUM FOIL POSITION DATA: LH SIDE PLACARD CONTENT: LEFT PACK OUTLET TEMP SENSOR STANDBY TS5132-D4132 | 002004 006100 107107 121503 904999 | 1 |

MISSING ITEM NUMBERS NOT APPLICABLE

- ITEM NOT ILLUSTRATED

21-52-01-01

21-52-01
FIG. 01
PAGE 21
MAY 20/09

BRI



757

PARTS CATALOG (MAINTENANCE)

| FIG ITEM | PART NUMBER | 1 2 3 4 5 6 7 | NOMENCLATURE | EFFECT FROM TO | UNITS PER ASSY |
|----------|--------------|---------------|---|--|----------------|
| 1 625 | BAC27NEC0035 | | .MARKER-ALUMINUM FOIL POSITION DATA: RH SIDE PLACARD CONTENT: RIGHT PACK OUTLET TEMP SENSOR STANDBY TS5134-D4054 | 002004 006100 107107 121503 904999 | 1 |
| 630 | BAC27NEC0036 | | .MARKER-ALUMINUM FOIL POSITION DATA: LH SIDE PLACARD CONTENT: LEFT PACK LOW LIMIT VALVE V10077-D4136 | 002004 006100 107107 121503 904999 | 1 |
| 635 | BAC27NEC0037 | | .MARKER-ALUMINUM FOIL POSITION DATA: RH SIDE PLACARD CONTENT: RIGHT PACK LOW LIMIT VALVE V10076-D4058 | 002004 006100 107107 121503 904999 | 1 |
| 640 | BAC27NEC0038 | | .MARKER-ALUMINUM FOIL POSITION DATA: LH SIDE PLACARD CONTENT: LEFT PACK COMP. OVERHEAT SWITCH S10325-D4194 | 002004 006100 107107 121503 904999 | 1 |
| 645 | BAC27NEC0039 | | .MARKER-ALUMINUM FOIL POSITION DATA: RH SIDE PLACARD CONTENT: RIGHT PACK COMP. OVERHEAT SWITCH S10326-D4098 | 002004 006100 107107 121503 904999 | 1 |
| 650 | BAC27NEC0040 | | .MARKER-ALUMINUM FOIL POSITION DATA: LH SIDE PLACARD CONTENT: LEFT PACK COMPRESSOR OUTLET TEMP SENSOR TS41-D2966 | 002004 006100 107107 121503 904999 | 1 |
| 655 | BAC27NEC0041 | | .MARKER-ALUMINUM FOIL POSITION DATA: RH SIDE PLACARD CONTENT: RIGHT PACK COMPRESSOR OUTLET TEMP SENSOR TS42-D3028 | 002004 006100 107107 121503 904999 | 1 |

MISSING ITEM NUMBERS NOT APPLICABLE

- ITEM NOT ILLUSTRATED

BRI

21-52-01-01

21-52-01
FIG. 01
PAGE 22
MAY 20/09



757

PARTS CATALOG (MAINTENANCE)

| FIG ITEM | PART NUMBER | 1 2 3 4 5 6 7 | NOMENCLATURE | EFFECT FROM TO | UNITS PER ASSY |
|----------|--------------|---------------|---|--|----------------|
| 1 660 | BAC27NEC0042 | | .MARKER-ALUMINUM FOIL POSITION DATA: LH SIDE PLACARD CONTENT: LEFT PACK TEMP CONTROL VALVE V18 | 002004 006100 107107 121503 904999 | 1 |
| 665 | BAC27NEC0043 | | .MARKER-ALUMINUM FOIL POSITION DATA: RH SIDE PLACARD CONTENT: RIGHT PACK TEMP CONTROL VALVE V19 | 002004 006100 107107 121503 904999 | 1 |
| 670 | BAC27NEC0044 | | .MARKER-ALUMINUM FOIL POSITION DATA: LH SIDE PLACARD CONTENT: LEFT PACK TEMP SENSOR TS198-D2952 | 002004 006100 107107 121503 904999 | 1 |
| 675 | BAC27NEC0045 | | .MARKER-ALUMINUM FOIL POSITION DATA: RH SIDE PLACARD CONTENT: RIGHT PACK TEMP SENSOR TS199-D3010 | 002004 006100 107107 121503 904999 | 1 |
| 680 | BAC27NEC0074 | | .MARKER-ALUMINUM FOIL POSITION DATA: LH SIDE PLACARD CONTENT: LEFT PACK SECONDARY HEAT EXCHANGER EXIT TEMP BULB TS5091-D3126 | 952999 | 1 |
| 685 | BAC27NEC0075 | | .MARKER-ALUMINUM FOIL POSITION DATA: RH SIDE PLACARD CONTENT: RIGHT PACK SECONDARY HEAT EXCHANGER EXIT TEMP BULB TS5092-D3092 | 952999 | 1 |
| 686 | BAC27NEC0114 | | .MARKER-ALUMINUM FOIL POSITION DATA: LH SIDE PLACARD CONTENT: LEFT PACK TURBINE INLET BULB TS5263-D5330 | 952999 | 1 |

MISSING ITEM NUMBERS NOT APPLICABLE

- ITEM NOT ILLUSTRATED

21-52-01-01

21-52-01
FIG. 01
PAGE 23
MAY 20/09

BRI



757

PARTS CATALOG (MAINTENANCE)

| FIG ITEM | PART NUMBER | 1 2 3 4 5 6 7 | NOMENCLATURE | EFFECT FROM TO | UNITS PER ASSY |
|----------|--------------|---------------|--|--|----------------|
| 1 687 | BAC27NEC0115 | | .MARKER-ALUMINUM FOIL POSITION DATA: RH SIDE PLACARD CONTENT: RIGHT PACK TURBINE INLET BULB TS5264-D5332 | 952999 | 1 |
| 700 | MS21916D6-4 | | .REDUCER | 002004 006100 107107 121503 904999 | 1 |
| 705 | R1131-904 | | .PACKING SUPPLIER CODE: V57268 SPECIFICATION NUMBER: BACP11K4 OPTIONAL PART: 3-904S383-70 V02697 1090-04 V95272 150701-04 V95272 AS568-904S32 V11314 | 002004 006100 107107 121503 904999 | 1 |
| 710 | MS21908D6 | | .ELBOW- | 002004 006100 107107 121503 904999 | 1 |
| 715 | AN924-6D | | .NUT- | 002004 006100 107107 121503 904999 | 1 |
| 720 | R1131-906 | | .PACKING- SUPPLIER CODE: V57268 SPECIFICATION NUMBER: BACP11K6 OPTIONAL PART: 3-906S383-70 V02697 1090-06 V95272 150701-06 V95272 AS568-906S32 V11314 | 002004 006100 107107 121503 904999 | 1 |

MISSING ITEM NUMBERS NOT APPLICABLE

- ITEM NOT ILLUSTRATED

21-52-01-01

21-52-01
FIG. 01
PAGE 24
MAY 20/09

BRI



757

PARTS CATALOG (MAINTENANCE)

| FIG ITEM | PART NUMBER | 1 2 3 4 5 6 7 | NOMENCLATURE | EFFECT FROM TO | UNITS PER ASSY |
|----------|--------------------|---------------|--|--|----------------|
| 1 | 725 BACB30NM3K6 | . | BOLT | 002004 006100 107107 121503 904999 | 1 |
| | 730 AN960PD10L | . | WASHER | 002004 006100 107107 121503 904999 | 2 |
| | 735 BRH10A3 | . | NUT SUPPLIER CODE: V52828 SPECIFICATION NUMBER: BACN10JC3 OPTIONAL PART: H10-3BAC V15653 NS202101-02 V80539 RMLH9075-3W V72962 VN303A02 V92215 96-02 V80539 T6S1032J V11815 | 002004 006100 107107 121503 904999 | 2 |
| | 740 MS21919WCH6 | . | CLAMP- | 002004 006100 107107 121503 904999 | 2 |
| | 745 MS21919WCH32 | . | CLAMP- | 002004 006100 107107 121503 904999 | 1 |
| | 750 BACC10GW0675-1 | . | CLAMP- QUALIFIED OPTIONAL DATA: (BACC10BN700LM T/W BACC15AN10, BACB19F10S AND NAS6603-5 OPT TO BACC10GW0675-1) | 002004 006100 107107 121503 904999 | 1 |

MISSING ITEM NUMBERS NOT APPLICABLE

- ITEM NOT ILLUSTRATED

BRI

21-52-01-01

BOEING PROPRIETARY - Copyright © - Unpublished Work - See title page for details.

21-52-01
FIG. 01
PAGE 25
MAY 20/09



757

PARTS CATALOG (MAINTENANCE)

| FIG ITEM | PART NUMBER | 1 2 3 4 5 6 7 | NOMENCLATURE | EFFECT FROM TO | UNITS PER ASSY |
|----------|---------------|---------------|--|--|----------------|
| 1 755 | BACC10BN700LM | | .CLAMP- SUPPLIER CODE: V98625 SPECIFICATION NUMBER: BACC10BN700LM OPTIONAL PART: 3078C700LM V94581 BC1080S700LZ V14242 1044700LM V94581 MBC5825700LM V00624 19396N700LM V00624 QUALIFIED OPTIONAL DATA: (BACC10BN700LM T/W BACC15AN10, BACB19F10S AND NAS6603-5 OPT TO BACC10GW0675-1) | 002004 006100 107107 121503 904999 | 1 |
| - 760 | BACC15AN10 | | .CLIP- QUALIFIED OPTIONAL DATA: (BACC10BN700LM T/W BACC10AN10, BACB19F10S AND NAS6603-5 OPT TO BACC10GW0675-1) | 002004 006100 107107 121503 904999 | 1 |
| - 765 | BACB19F10S | | .BLOCK- QUALIFIED OPTIONAL DATA: (BACC10BN700LM T/W BACC15AN10, BACB19F10S AND NAS6603-5 OPT TO BACC10GW0675-1) | 002004 006100 107107 121503 904999 | 1 |
| - 770 | NAS6603-5 | | .BOLT- QUALIFIED OPTIONAL DATA: (BACC10BN700LM T/W BACC15AN10, BACB19F10S AND NAS6603-5 OPT TO BACC10GW0675-1) | 002004 006100 107107 121503 904999 | 1 |
| 775 | 213N1001-9 | | .TUBING ASSY- POSITION DATA: LH SIDE | 107107 | 1 |
| 775 | 213N1001-23 | | .TUBING ASSY- POSITION DATA: LH SIDE | 003004 006100 121503 904999 | 1 |
| 780 | 213N1001-10 | | .TUBING ASSY- POSITION DATA: RH SIDE | 107107 | 1 |

MISSING ITEM NUMBERS NOT APPLICABLE

- ITEM NOT ILLUSTRATED

21-52-01-01

21-52-01
FIG. 01
PAGE 26
MAY 20/09

BRI



757

PARTS CATALOG (MAINTENANCE)

| FIG ITEM | PART NUMBER | 1 2 3 4 5 6 7 | NOMENCLATURE | EFFECT FROM TO | UNITS PER ASSY |
|----------|--------------|---------------|--|--|----------------|
| 1 | | | | | |
| 780 | 213N1001-24 | | .TUBING ASSY- POSITION DATA: RH SIDE | 003004 006100 121503 904999 | 1 |
| 785 | AP2097HP06 | | ..SLEEVE SUPPLIER CODE: V01673 SPECIFICATION NUMBER: BACS13BX06HP OPTIONAL PART: 2-02903-06HP V11328 35235VN06 V08199 AFP175V06P V30974 DBOS13BX06HP V14798 | 002004 006100 107107 121503 904999 | 2 |
| 790 | MS21921-6D | | ..NUT | 002004 006100 107107 121503 904999 | 2 |
| 795 | 213N1001-11 | | ..TUBING- USED ON: 213N1001-9 | 002004 006100 107107 121503 904999 | 1 |
| 800 | 213N1001-12 | | ..TUBING- USED ON: 213N1001-10 | 002004 006100 107107 121503 904999 | 1 |
| - 900 | 286N2506-012 | | WIRE BUNDLE ASSY- POSITION DATA: RH | 107107 121503 904949 | RF |
| - 900 | 286N2506-014 | | WIRE BUNDLE ASSY- POSITION DATA: RH | 002004 006100 950999 | RF |
| - 905 | 286N2406-012 | | WIRE BUNDLE ASSY- POSITION DATA: LH | 107107 121503 904949 | RF |
| - 905 | 286N2406-014 | | WIRE BUNDLE ASSY- POSITION DATA: LH | 002004 006100 950999 | RF |

MISSING ITEM NUMBERS NOT APPLICABLE

- ITEM NOT ILLUSTRATED

21-52-01-01

21-52-01
FIG. 01
PAGE 27
MAY 20/09

BRI



757

PARTS CATALOG (MAINTENANCE)

| FIG ITEM | PART NUMBER | 1 2 3 4 5 6 7 | NOMENCLATURE | EFFECT FROM TO | UNITS PER ASSY |
|----------|----------------|---------------|---|--|----------------|
| 1 910 | GS3417-10C | | .CLAMP- SUPPLIER CODE: V06324 SPECIFICATION NUMBER: BACC10HF10 OPTIONAL PART: S2125-10-8 V07418 ELECTRICAL EQUIP NUMBER: D04058T D04136T WIRING DIAGRAM REF: 215114 215124 | 002004 006100 107107 121503 904999 | 1 |
| 915 | R071010A5SNL | | .CONNECTOR- SUPPLIER CODE: V41118 SPECIFICATION NUMBER: BACC63BP10A5SNL ELECTRICAL EQUIP NUMBER: D04058 D04136 WIRING DIAGRAM REF: 215114 215124 | 002004 006100 107107 121503 904999 | 1 |
| 918 | BACC63CE12SB3S | | .CONNECTOR- POSITION DATA: LH SIDE ELECTRICAL EQUIP NUMBER: D03122 D03124 D03126 WIRING DIAGRAM REF: 215211 | 952999 | 3 |
| - 919 | BACC63CE12SB3S | | .CONNECTOR- POSITION DATA: RH SIDE ELECTRICAL EQUIP NUMBER: D03088 D03090 D03092 WIRING DIAGRAM REF: 215211 | 952999 | 3 |

MISSING ITEM NUMBERS NOT APPLICABLE

- ITEM NOT ILLUSTRATED

BRI

21-52-01-01

BOEING PROPRIETARY - Copyright © - Unpublished Work - See title page for details.

21-52-01
FIG. 01
PAGE 28
MAY 20/09



757

PARTS CATALOG (MAINTENANCE)

| FIG ITEM | PART NUMBER | 1 2 3 4 5 6 7 | NOMENCLATURE | EFFECT FROM TO | UNITS PER ASSY |
|----------|----------------|---------------|--|--|----------------|
| 1 920 | BACC63CE12SB3S | . | CONNECTOR- POSITION DATA: LH SIDE ELECTRICAL EQUIP NUMBER: D05330 WIRING DIAGRAM REF: 215211 | 952999 | 1 |
| - 921 | BACC63CE12SB3S | . | CONNECTOR- POSITION DATA: RH SIDE ELECTRICAL EQUIP NUMBER: D05332 WIRING DIAGRAM REF: 215211 | 952999 | 1 |
| 927 | GS3418-10CD | . | CLAMP- SUPPLIER CODE: V06324 SPECIFICATION NUMBER: BACC10HG10 OPTIONAL PART: S2126-10-8 V07418 POSITION DATA: LH ELECTRICAL EQUIP NUMBER: D02952T D02966T D04132T D04134T WIRING DIAGRAM REF: 215112 215114 215115 | 002004 006100 107107 121503 904999 | 4 |

MISSING ITEM NUMBERS NOT APPLICABLE

- ITEM NOT ILLUSTRATED

BRI

21-52-01-01

BOEING PROPRIETARY - Copyright © - Unpublished Work - See title page for details.

21-52-01
FIG. 01
PAGE 29
MAY 20/09



757

PARTS CATALOG (MAINTENANCE)

| FIG ITEM | PART NUMBER | 1 2 3 4 5 6 7 | NOMENCLATURE | EFFECT FROM TO | UNITS PER ASSY |
|----------|---------------|---------------|--|--|----------------|
| 1 927 | 620AA028NF10L | | .CLAMP- SUPPLIER CODE: V06324 SPECIFICATION NUMBER: BACC10KE10 OPTIONAL PART: S3820-10-65 V07418 POSITION DATA: LH ELECTRICAL EQUIP NUMBER: D02952T D02966T D04132T D04134T WIRING DIAGRAM REF: 215112 215114 215115 | 002004 006100 107107 121503 904999 | 4 |
| - 928 | GS3418-10CD | | .CLAMP- SUPPLIER CODE: V06324 SPECIFICATION NUMBER: BACC10HG10 OPTIONAL PART: S2126-10-8 V07418 POSITION DATA: RH ELECTRICAL EQUIP NUMBER: D03010T D03028T D04054T D04056T WIRING DIAGRAM REF: 215122 215124 215125 | 002004 006100 107107 121503 904999 | 4 |

MISSING ITEM NUMBERS NOT APPLICABLE

- ITEM NOT ILLUSTRATED

BRI

21-52-01-01

BOEING PROPRIETARY - Copyright © - Unpublished Work - See title page for details.

21-52-01
FIG. 01
PAGE 30
JAN 20/09



757

PARTS CATALOG (MAINTENANCE)

| FIG ITEM | PART NUMBER | 1 2 3 4 5 6 7 | NOMENCLATURE | EFFECT FROM TO | UNITS PER ASSY |
|-------------|---------------|---------------|--|--|----------------------|
| 1 - 928 | 620AA028NF10L | | .CLAMP- SUPPLIER CODE: V06324 SPECIFICATION NUMBER: BACC10KE10 OPTIONAL PART: S3820-10-65 V07418 POSITION DATA: RH ELECTRICAL EQUIP NUMBER: D03010T D03028T D04054T D04056T WIRING DIAGRAM REF: 215122 215124 215125 | 002004 006100 107107 121503 904999 | 4 |
| 930 | BCREF5962 | | .PLUG- SUPPLIER CODE: V13556 POSITION DATA: LH OVERLENGTH PART NUMBER: CN0966-10A20SN000 ELECTRICAL EQUIP NUMBER: D02952 D02966 D04132 D04134 WIRING DIAGRAM REF: 215112 215114 215115 | 002004 006100 107107 121503 904999 | 4 |

MISSING ITEM NUMBERS NOT APPLICABLE

- ITEM NOT ILLUSTRATED

BRI

21-52-01-01

BOEING PROPRIETARY - Copyright © - Unpublished Work - See title page for details.

21-52-01
FIG. 01
PAGE 31
JAN 20/09



757

PARTS CATALOG (MAINTENANCE)

| FIG ITEM | PART NUMBER | 1 2 3 4 5 6 7 | NOMENCLATURE | EFFECT FROM TO | UNITS PER ASSY |
|-------------|-------------|---------------|--|--|----------------------|
| 1 - 932 | BCREF5962 | | .PLUG- SUPPLIER CODE: V13556 POSITION DATA: RH OVERLENGTH PART NUMBER: CN0966-10A20SN00 ELECTRICAL EQUIP NUMBER: D03010 D03028 D04054 D04056 WIRING DIAGRAM REF: 215122 215124 215125 | 002004 006100 107107 121503 904999 | 4 |
| 950 | | | ILLUSTRATION REFERENCE: DUCT AND CLAMP INSTL-AIR CONDITION PACK CONDITIONED AIR (AIR COOLING PACK SYSTEM ONLY) 21-51-15-01 | 002004 006100 107107 121503 904999 | RF |
| 955 | | | ILLUSTRATION REFERENCE: DUCT AND CLAMP INSTL- RAM AIR HEAT SINK 21-53-07-01 | 002004 006100 107107 121503 904999 | RF |
| 960 | | | ILLUSTRATION REFERENCE: DUCT AND CLAMP INSTL-AIR CONDITION PACK AIR SUPPLY 21-51-01-01 | 002004 006100 107107 121503 904999 | RF |

MISSING ITEM NUMBERS NOT APPLICABLE

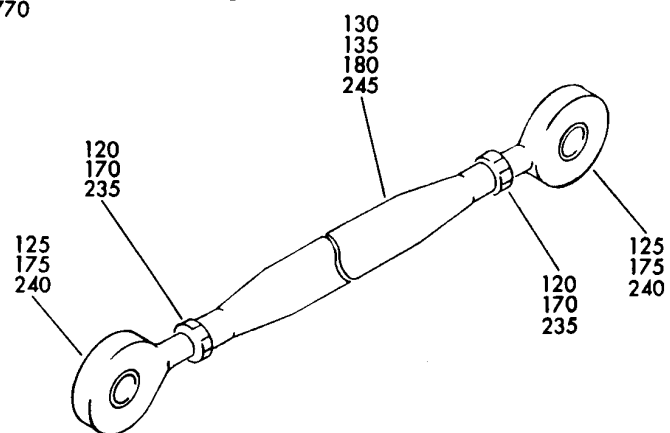
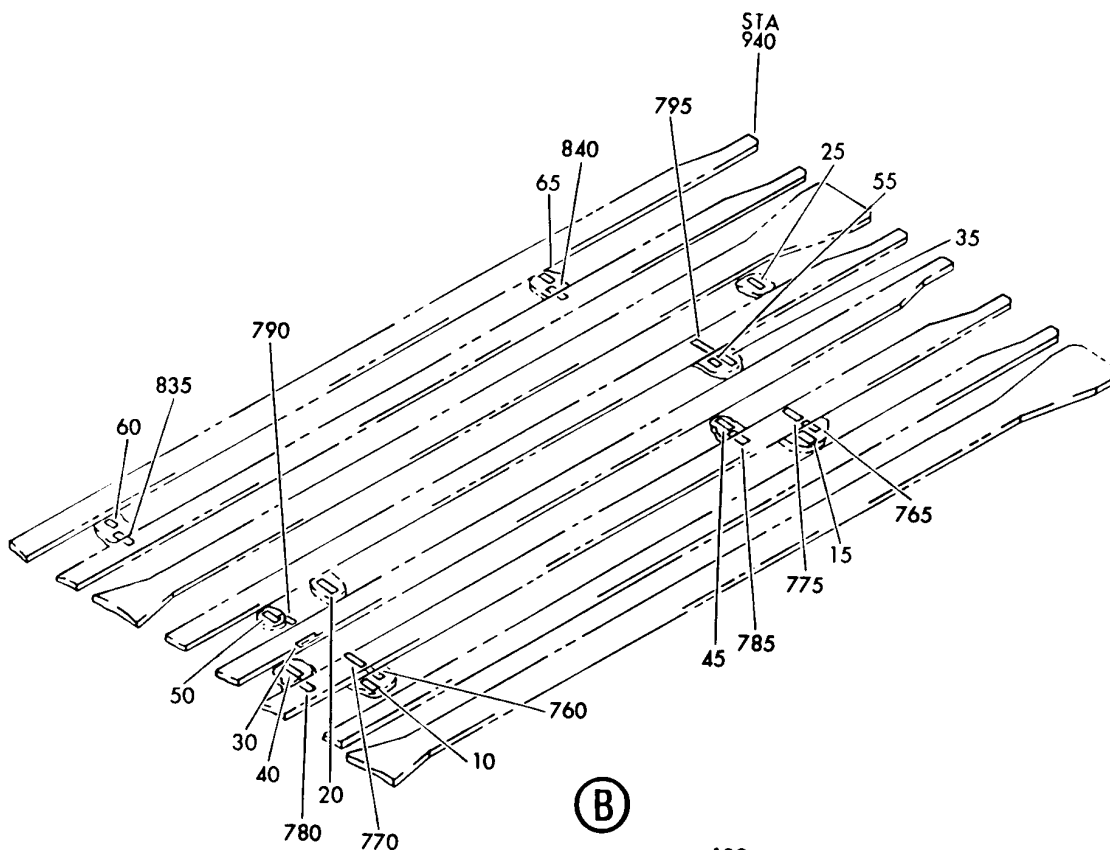
- ITEM NOT ILLUSTRATED

BRI

21-52-01-01

21-52-01
FIG. 01
PAGE 32
JAN 20/09

BOEING
757
PARTS CATALOG (MAINTENANCE)



Y 21520101A SHT 2 REV 185

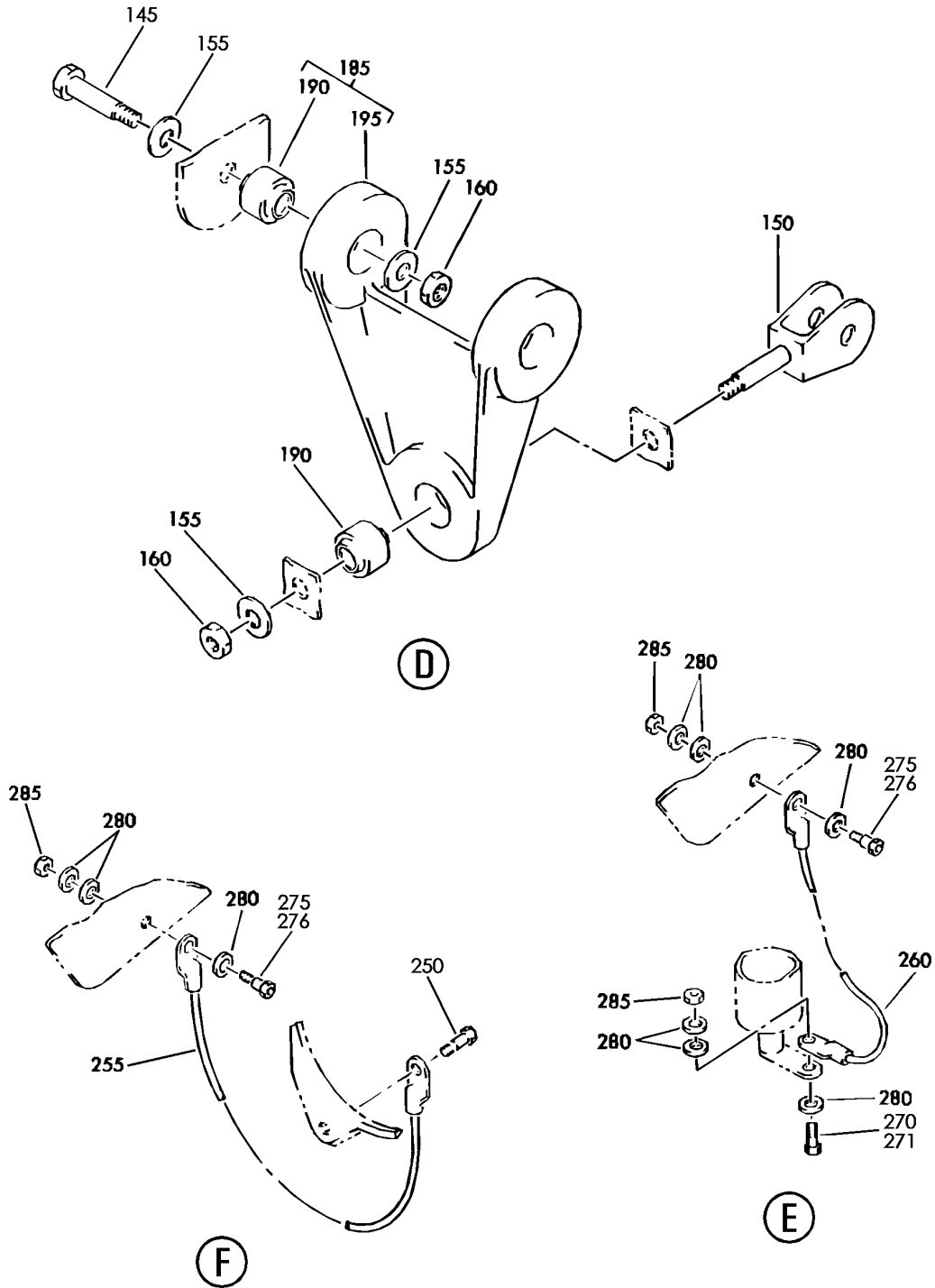
PACK, PLUG, SENSOR, AND MARKER INSTLS-UNDER WING AIR CONDITIONING
FIGURE 1A (SHEET 2)

21-52-01-01A

BRI
MAY 28/07

21-52-01-01A
PAGE 0A

BOEING
757
PARTS CATALOG (MAINTENANCE)



Y 21520101A SHT 3 REV 221

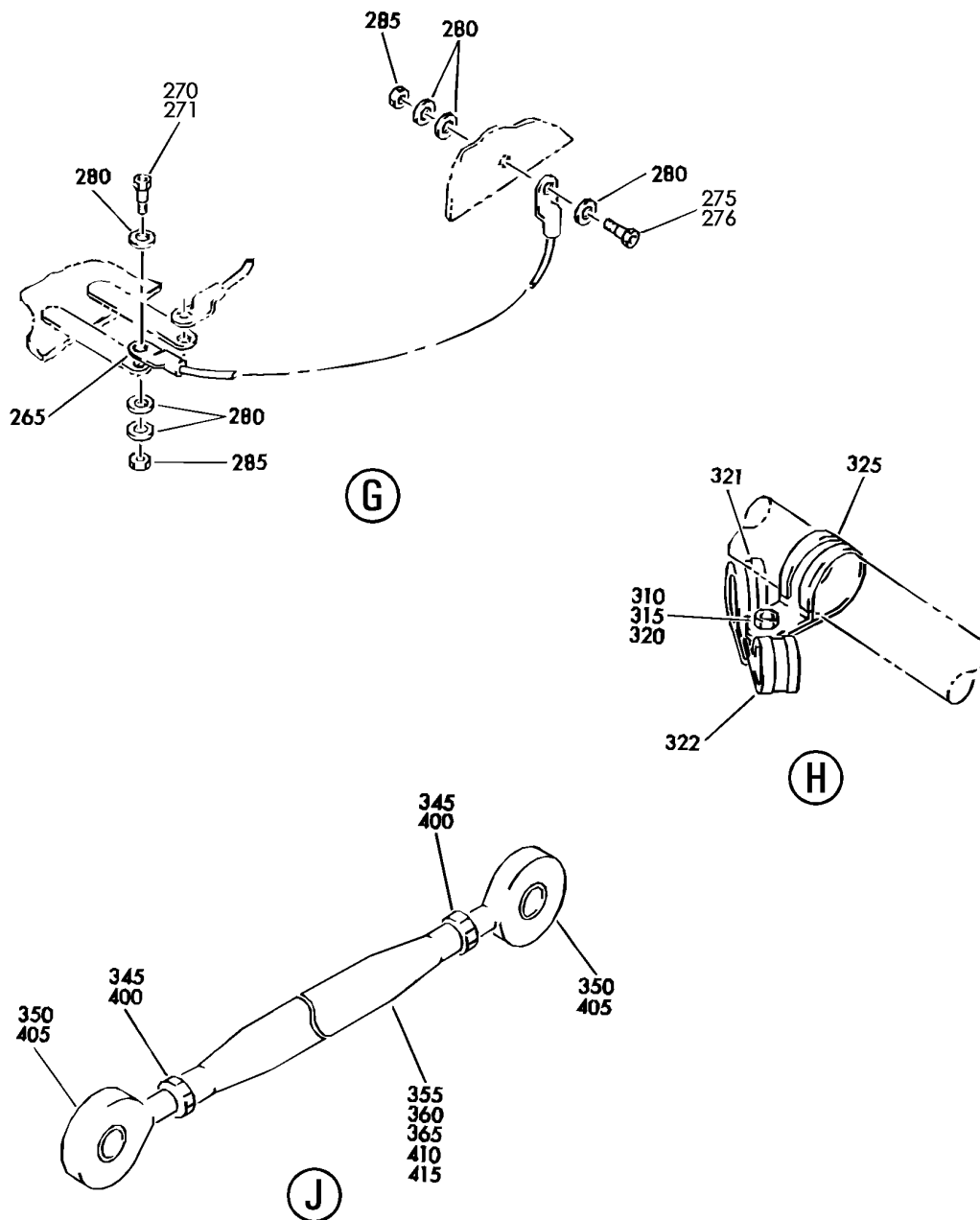
PACK, PLUG, SENSOR, AND MARKER INSTLS-UNDER WING AIR CONDITIONING
FIGURE 1A (SHEET 3)

21-52-01-01A

BRI
MAY 28/07

21-52-01-01A
PAGE 0B

BOEING
757
PARTS CATALOG (MAINTENANCE)



Y 21520101A SHT 4 REV 221

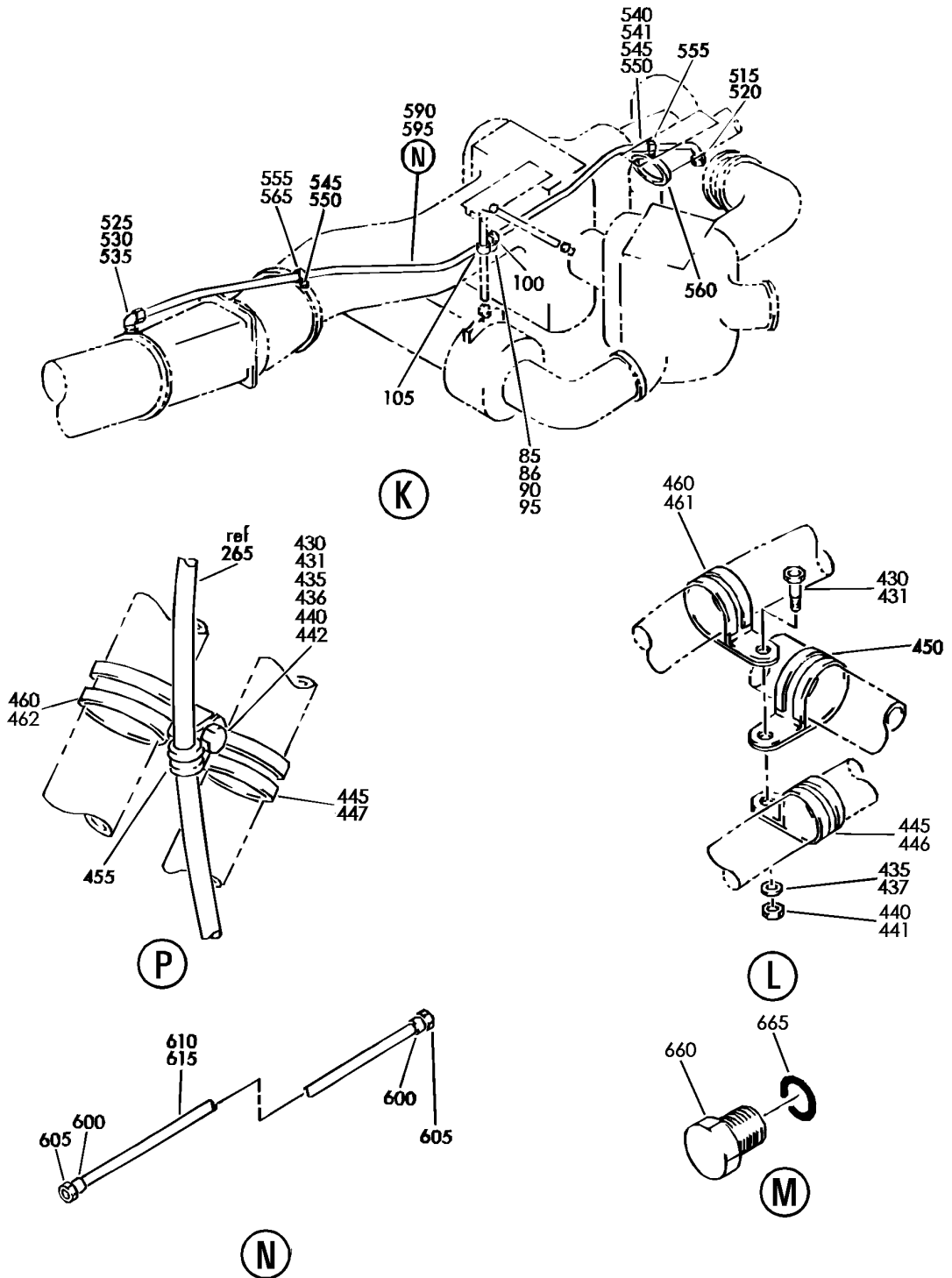
PACK, PLUG, SENSOR, AND MARKER INSTLS-UNDER WING AIR CONDITIONING
FIGURE 1A (SHEET 4)

21-52-01-01A

BRI
MAY 28/07

21-52-01-01A
PAGE 0C

BOEING
757
PARTS CATALOG (MAINTENANCE)



Y 21520101A SHT 5 REV 221

PACK, PLUG, SENSOR, AND MARKER INSTLS-UNDER WING AIR CONDITIONING
FIGURE 1A (SHEET 5)

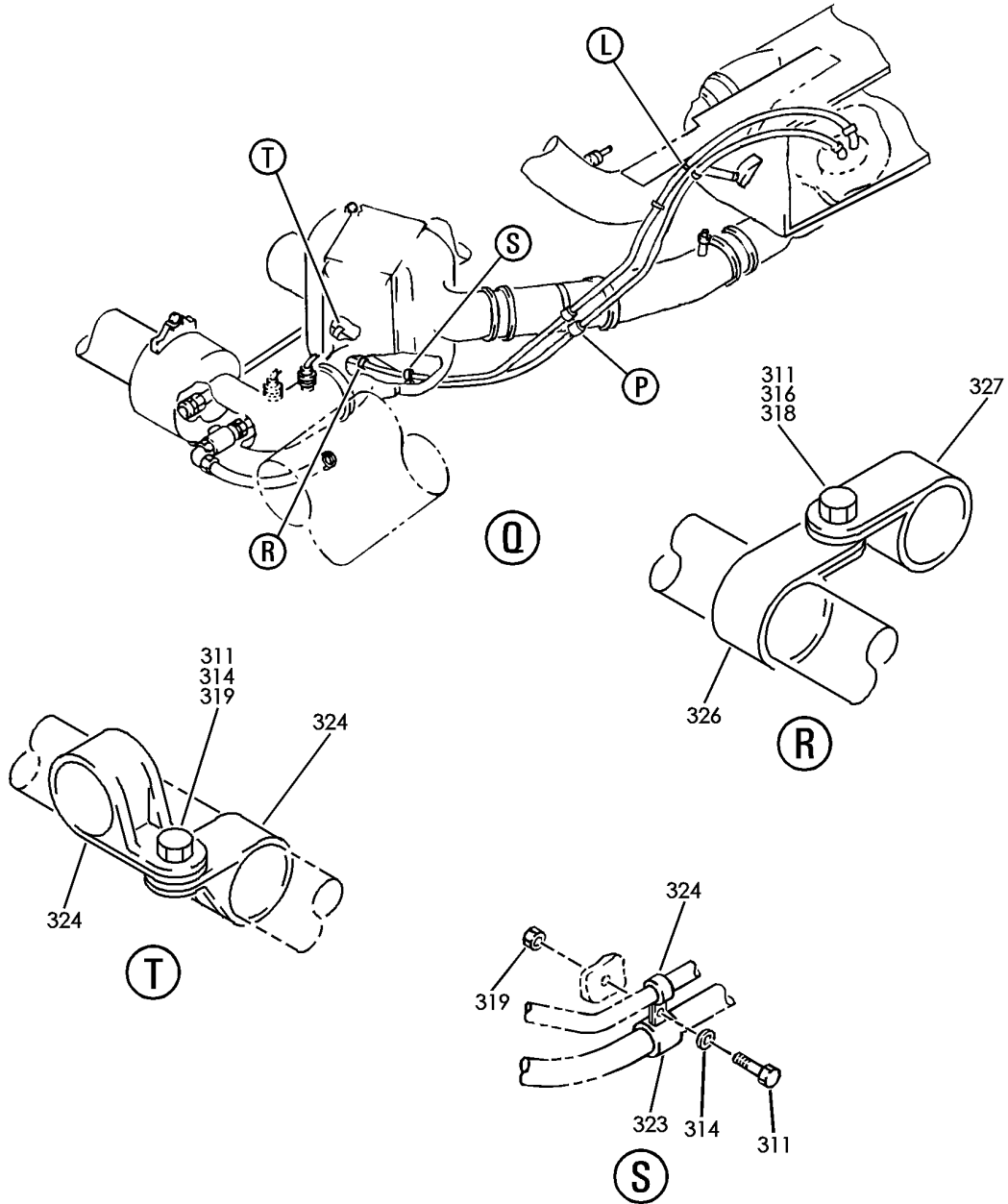
21-52-01-01A

BRI
MAY 28/07

21-52-01-01A
PAGE 0D

BOEING PROPRIETARY - Copyright © - Unpublished Work - See title page for details.

BOEING
757
PARTS CATALOG (MAINTENANCE)



Y 21520101A SHT 6 REV 221

PACK, PLUG, SENSOR, AND MARKER INSTLS-UNDER WING AIR CONDITIONING
FIGURE 1A (SHEET 6)

21-52-01-01A

BRI
MAY 28/07

21-52-01-01A
PAGE 0E



757

PARTS CATALOG (MAINTENANCE)

| FIG ITEM | PART NUMBER | 1 2 3 4 5 6 7 | NOMENCLATURE | EFFECT FROM TO | UNITS PER ASSY |
|----------|--------------|---------------|--|----------------------------|----------------|
| 1 A | | | PACK, PLUG, SENSOR, AND MARKER INSTLS-UNDER WING AIR CONDITIONING | 101106 108120 504903 | |
| - 1 | 213N1001-31 | | PACK INSTL-UNDER WING AIR CONDITIONING POSITION DATA: LH FOR NHA SEE: 21-00-00-14 | 101102 504903 | RF |
| - 1 | 213N1001-43 | | PACK INSTL-UNDER WING AIR CONDITIONING POSITION DATA: LH FOR NHA SEE: 21-00-00-14 | 108120 | RF |
| - 1 | MODREF5987 | | PACK INSTL-UNDER WING AIR CONDITIONING MODULE NUMBER: 213N1001-43 REV A POSITION DATA: LH | 103106 | 1 |
| - 5 | 213N1001-32 | | PACK INSTL-UNDER WING AIR CONDITIONING POSITION DATA: RH FOR NHA SEE: 21-00-00-14 | 101102 504903 | RF |
| - 5 | 213N1001-44 | | PACK INSTL-UNDER WING AIR CONDITIONING POSITION DATA: RH FOR NHA SEE: 21-00-00-14 | 108120 | RF |
| - 5 | MODREF5988 | | PACK INSTL-UNDER WING AIR CONDITIONING MODULE NUMBER: 213N1001-44 REV A POSITION DATA: RH | 103106 | 1 |
| 10 | BAC27NEC0177 | | .MARKER-ALUMINUM FOIL POSITION DATA: LH SIDE PLACARD CONTENT: LEFT PACK COMPRESSOR OUTLET TEMP SENSOR STANDBY TS5133-D4134 | 101106 108120 504903 | 1 |

MISSING ITEM NUMBERS NOT APPLICABLE

- ITEM NOT ILLUSTRATED

BRI

21-52-01-01A

BOEING PROPRIETARY - Copyright © - Unpublished Work - See title page for details.

21-52-01
FIG. 01A
PAGE 1
JAN 20/09



757

PARTS CATALOG (MAINTENANCE)

| FIG ITEM | PART NUMBER | 1 2 3 4 5 6 7 | NOMENCLATURE | EFFECT FROM TO | UNITS PER ASSY |
|----------|--------------|---------------|---|----------------------------|----------------|
| 1A | | | | | |
| 15 | BAC27NEC0033 | | .MARKER-ALUMINUM FOIL POSITION DATA: RH SIDE PLACARD CONTENT: RIGHT PACK COMPRESSOR OUTLET TEMP SENSOR STANDBY TS5135-D4056 | 101106 108120 504903 | 1 |
| 20 | BAC27NEC0036 | | .MARKER-ALUMINUM FOIL POSITION DATA: LH SIDE PLACARD CONTENT: LEFT PACK LOW LIMIT VALVE V10077-D4136 | 101106 108120 504903 | 1 |
| 25 | BAC27NEC0037 | | .MARKER-ALUMINUM FOIL POSITION DATA: RH SIDE PLACARD CONTENT: RIGHT PACK LOW LIMIT VALVE V10076-D4058 | 101106 108120 504903 | 1 |
| 30 | BAC27NEC0038 | | .MARKER-ALUMINUM FOIL POSITION DATA: LH SIDE PLACARD CONTENT: LEFT PACK COMP. OVERHEAT SWITCH S10325-D4194 | 101106 108120 504903 | 1 |
| 35 | BAC27NEC0039 | | .MARKER-ALUMINUM FOIL POSITION DATA: RH SIDE PLACARD CONTENT: RIGHT PACK COMP. OVERHEAT SWITCH S10326-D4098 | 101106 108120 504903 | 1 |
| 40 | BAC27NEC0040 | | .MARKER-ALUMINUM FOIL POSITION DATA: LH SIDE PLACARD CONTENT: LEFT PACK COMPRESSOR OUTLET TEMP SENSOR TS41-D2966 | 101106 108120 504903 | 1 |
| 45 | BAC27NEC0041 | | .MARKER-ALUMINUM FOIL POSITION DATA: RH SIDE PLACARD CONTENT: RIGHT PACK COMPRESSOR OUTLET TEMP SENSOR TS42-D3028 | 101106 108120 504903 | 1 |

MISSING ITEM NUMBERS NOT APPLICABLE

- ITEM NOT ILLUSTRATED

21-52-01-01A

21-52-01
FIG. 01A
PAGE 2
JAN 20/09

BRI

BOEING PROPRIETARY - Copyright © - Unpublished Work - See title page for details.



757

PARTS CATALOG (MAINTENANCE)

| FIG ITEM | PART NUMBER | 1 2 3 4 5 6 7 | NOMENCLATURE | EFFECT FROM TO | UNITS PER ASSY |
|----------|---------------|---------------|---|----------------------------|----------------|
| 1 A | | | | | |
| 50 | BAC27NEC0042 | | .MARKER-ALUMINUM FOIL POSITION DATA: LH SIDE PLACARD CONTENT: LEFT PACK TEMP CONTROL VALVE V18 | 101106 108120 504903 | 1 |
| 55 | BAC27NEC0043 | | .MARKER-ALUMINUM FOIL POSITION DATA: RH SIDE PLACARD CONTENT: RIGHT PACK TEMP CONTROL VALVE V19 | 101106 108120 504903 | 1 |
| 60 | BAC27NEC0044 | | .MARKER-ALUMINUM FOIL POSITION DATA: LH SIDE PLACARD CONTENT: LEFT PACK TEMP SENSOR TS198-D2952 | 101106 108120 504903 | 1 |
| 65 | BAC27NEC0045 | | .MARKER-ALUMINUM FOIL POSITION DATA: RH SIDE PLACARD CONTENT: RIGHT PACK TEMP SENSOR TS199-D3010 | 101106 108120 504903 | 1 |
| 70 | BACB30NM5K11 | | .BOLT | 101106 108120 504903 | 4 |
| 75 | AN960PD516L | | .WASHER- | 101102 504903 | 8 |
| 75 | NAS1149D0516J | | .WASHER- | 103106 108120 | 8 |
| 80 | BRH10A5 | | .NUT- SUPPLIER CODE: V52828 SPECIFICATION NUMBER: BACN10JC5 OPTIONAL PART: T6S524J V11815 96-054 V80539 RMLH9075-5W V72962 H10-5BAC V15653 | 101102 504903 | 4 |

MISSING ITEM NUMBERS NOT APPLICABLE

- ITEM NOT ILLUSTRATED

21-52-01-01A

21-52-01
FIG. 01A
PAGE 3
JAN 20/09

BRI

BOEING PROPRIETARY - Copyright © - Unpublished Work - See title page for details.



757

PARTS CATALOG (MAINTENANCE)

| FIG ITEM | PART NUMBER | 1 2 3 4 5 6 7 | NOMENCLATURE | EFFECT FROM TO | UNITS PER ASSY |
|----------|---------------|---------------|---|------------------|----------------|
| 1 A | | | | | |
| 80 | BRH10C5D | .NUT- | SUPPLIER CODE: V52828 SPECIFICATION NUMBER: BACN10JC5CD OPTIONAL PART: T6C524JCD V11815 102LH9075-5W V72962 H51650-5BAC V15653 | 103106 108120 | 4 |
| 85 | BACB30NM3K5 | .BOLT- | | 101102 504903 | 1 |
| 86 | BACS12GU3K7 | .SCREW- | | 103106 108120 | 1 |
| 90 | AN960PD10L | .WASHER- | | 101102 504903 | 1 |
| 90 | NAS1149C0316R | .WASHER- | | 103106 108120 | 1 |
| 95 | BRH10A3 | .NUT- | SUPPLIER CODE: V52828 SPECIFICATION NUMBER: BACN10JC3 OPTIONAL PART: H10-3BAC V15653 NS202101-02 V80539 RMLH9075-3W V72962 VN303A02 V92215 96-02 V80539 T6S1032J V11815 | 101102 504903 | 1 |

MISSING ITEM NUMBERS NOT APPLICABLE

- ITEM NOT ILLUSTRATED

21-52-01-01A

21-52-01
FIG. 01A
PAGE 4
JAN 20/09

BRI



757

PARTS CATALOG (MAINTENANCE)

| FIG ITEM | PART NUMBER | 1 2 3 4 5 6 7 | NOMENCLATURE | EFFECT FROM TO | UNITS PER ASSY |
|-----------|--------------|---------------|--|----------------------------|----------------|
| 1 A 95 | BRH10C3M | .NUT- | SUPPLIER CODE: V52828 SPECIFICATION NUMBER: BACN10JC3CM OPTIONAL PART: T6C1032JM V11815 97E02 V80539 109LH9075-3W V72962 VN303D02 V92215 NS202101SE02 V80539 H01-3BAC V15653 | 103106 108120 | 1 |
| 100 | MS21919WCH6 | .CLAMP | | 101106 108120 504903 | 1 |
| 105 | MS21919WCH10 | .CLAMP | | 101106 108120 504903 | 1 |
| 110 | 213N1017-9 | .ROD ASSY | | 101106 108120 504903 | 1 |
| 115 | 213N1017-15 | .ROD ASSY | | 101106 108120 504903 | 1 |
| 120 | NAS1423-5 | ..NUT | | 101106 108120 504903 | 2 |
| 125 | MS21242S05 | ..BEARING | | 101106 108120 504903 | 2 |
| 130 | 213N1017-10 | ..TUBE- | TUBING MATERIAL: .62 IN. OD X .065 IN. WALL X 7.75 IN. LG 2024-0 AL SEAMLESS TUBING PER WW-T-700/3. USED ON: 213N1017-9 | 101106 108120 504903 | 1 |

MISSING ITEM NUMBERS NOT APPLICABLE

- ITEM NOT ILLUSTRATED

BRI

21-52-01-01A

BOEING PROPRIETARY - Copyright © - Unpublished Work - See title page for details.

21-52-01
FIG. 01A
PAGE 5
JAN 20/09



757

PARTS CATALOG (MAINTENANCE)

| FIG ITEM | PART NUMBER | 1 2 3 4 5 6 7 | NOMENCLATURE | EFFECT FROM TO | UNITS PER ASSY |
|-----------|---------------|---|---|----------------------------|----------------|
| 1A 135 | 213N1017-16 | .. | TUBE- TUBING MATERIAL: .75 IN. OD X .083 IN. WALL X 10.0 IN. LG 2024-0 AL SEAMLESS TUBING PER WW-T-700/3. USED ON: 213N1017-15 | 101106 108120 504903 | 1 |
| 140 | BACB30NM5K11 | .BOLT | | 101106 108120 504903 | 2 |
| 145 | BACB30NM5K10 | .BOLT | | 101106 108120 504903 | 2 |
| 150 | 213N1016-1 | .EYEBOLT | | 101106 108120 504903 | 1 |
| 155 | AN960PD516L | .WASHER- | | 101102 504903 | 9 |
| 155 | NAS1149D0516J | .WASHER- | | 103106 108120 | 9 |
| 160 | BRH10A5 | .NUT- SUPPLIER CODE: V52828 SPECIFICATION NUMBER: BACN10JC5 OPTIONAL PART: T6S524J V11815 96-054 V80539 RMLH9075-5W V72962 H10-5BAC V15653 | | 101102 504903 | 5 |
| 160 | BRH10C5D | .NUT- SUPPLIER CODE: V52828 SPECIFICATION NUMBER: BACN10JC5CD OPTIONAL PART: T6C524JCD V11815 102LH9075-5W V72962 H51650-5BAC V15653 | | 103106 108120 | 5 |

MISSING ITEM NUMBERS NOT APPLICABLE

- ITEM NOT ILLUSTRATED

BRI

21-52-01-01A

BOEING PROPRIETARY - Copyright © - Unpublished Work - See title page for details.

21-52-01
FIG. 01A
PAGE 6
JAN 20/09

 **BOEING**
757
PARTS CATALOG (MAINTENANCE)

| FIG ITEM | PART NUMBER | 1 2 3 4 5 6 7 | NOMENCLATURE | EFFECT FROM TO | UNITS PER ASSY |
|-------------|---------------|---------------|--|----------------------------|----------------------|
| 1A | | | | | |
| 165 | 213N1017-3 | . | ROD ASSY | 101106 108120 504903 | 1 |
| 170 | NAS1423-5 | .. | NUT | 101106 108120 504903 | 2 |
| 175 | MS21242S05 | .. | BEARING | 101106 108120 504903 | 2 |
| 180 | 213N1017-4 | .. | TUBE- TUBING MATERIAL: .44 IN. OD X .095 IN. WALL X 2.75 IN. LG 2024-0 AL SEAMLESS TUBING PER WW-T-700/3. | 101106 108120 504903 | 1 |
| 185 | 213N1015-1 | . | FITTING ASSY-SPRT | 101106 108120 504903 | 1 |
| 190 | MS14103-5 | .. | BEARING- OPTIONAL PART: MS14103-5C | 101106 108120 504903 | 3 |
| 190 | MS14103-5C | .. | BEARING- OPTIONAL PART: MS14103-5 | 101106 108120 504903 | 3 |
| 195 | 213N1015-2 | .. | SUPPORT | 101106 108120 504903 | 1 |
| 200 | BACB30NM5K11 | . | BOLT | 101106 108120 504903 | 2 |
| 205 | BACB30NM5K12 | . | BOLT- | 101106 108120 504903 | 1 |
| 210 | BACB30NM5K14 | . | BOLT | 101106 108120 504903 | 1 |
| 215 | AN960PD516L | . | WASHER- | 101102 504903 | 8 |
| 215 | NAS1149D0516J | . | WASHER- | 103106 108120 | 8 |

MISSING ITEM NUMBERS NOT APPLICABLE

- ITEM NOT ILLUSTRATED

BRI

21-52-01-01A

BOEING PROPRIETARY - Copyright © - Unpublished Work - See title page for details.

21-52-01
FIG. 01A
PAGE 7
JAN 20/09



757

PARTS CATALOG (MAINTENANCE)

| FIG ITEM | PART NUMBER | 1 2 3 4 5 6 7 | NOMENCLATURE | EFFECT FROM TO | UNITS PER ASSY |
|-----------|-------------|---------------|--|----------------------------|----------------|
| 1A 220 | BRH10A5 | .NUT- | SUPPLIER CODE: V52828 SPECIFICATION NUMBER: BACN10JC5 OPTIONAL PART: T6S524J V11815 96-054 V80539 RMLH9075-5W V72962 H10-5BAC V15653 | 101102 504903 | 4 |
| 220 | BRH10C5D | .NUT- | SUPPLIER CODE: V52828 SPECIFICATION NUMBER: BACN10JC5CD OPTIONAL PART: T6C524JCD V11815 102LH9075-5W V72962 H51650-5BAC V15653 | 103106 108120 | 4 |
| 225 | 213N1017-1 | .ROD ASSY | | 101106 108120 504903 | 1 |
| 230 | 213N1017-21 | .ROD ASSY- | | 101106 108120 504903 | 1 |
| 235 | NAS1423-5 | ..NUT | | 101106 108120 504903 | 2 |
| 240 | MS21242S05 | ..BEARING | | 101106 108120 504903 | 2 |
| 245 | 213N1017-2 | ..TUBE- | TUBING MATERIAL: .44 IN. OD X .095 IN. WALL X 2.50 IN. LG 2024-0 AL SEAMLESS TUBING PER WW-T-700/3. | 101106 108120 504903 | 1 |
| 250 | BACB30NM3K7 | .BOLT | | 101106 108120 504903 | 1 |

MISSING ITEM NUMBERS NOT APPLICABLE

- ITEM NOT ILLUSTRATED

21-52-01-01A

21-52-01
FIG. 01A
PAGE 8
JAN 20/09

BRI

BOEING PROPRIETARY - Copyright © - Unpublished Work - See title page for details.



757

PARTS CATALOG (MAINTENANCE)

| FIG ITEM | PART NUMBER | 1 2 3 4 5 6 7 | NOMENCLATURE | EFFECT FROM TO | UNITS PER ASSY |
|-----------|---------------|---------------|---|----------------------------|----------------|
| 1A 255 | 940CW20-9 | . | JUMPER ASSY SUPPLIER CODE: V91812 SPECIFICATION NUMBER: BACJ40AB20-9 OPTIONAL PART: 100220-9 V1FF12 RBEJ40AB20-9 V1GK47 | 101106 108120 504903 | 1 |
| 260 | 940CW20-21 | . | JUMPER ASSY SUPPLIER CODE: V91812 SPECIFICATION NUMBER: BACJ40AB20-21 OPTIONAL PART: 100220-21 V1FF12 RBEJ40AB20-21 V1GK47 | 101106 108120 504903 | 1 |
| 265 | 940CW20-24 | . | JUMPER ASSY SUPPLIER CODE: V91812 SPECIFICATION NUMBER: BACJ40AB20-24 OPTIONAL PART: 100220-24 V1FF12 RBEJ40AB20-24 V1GK47 | 101106 108120 504903 | 1 |
| 270 | BACB30NM3K3 | . | ATTACHING PARTS BOLT- | 101102 504903 | 2 |
| 271 | BACS12GU3K7 | . | SCREW- | 103106 108120 | 2 |
| 275 | BACB30NM3K4 | . | BOLT- | 101102 504903 | 3 |
| 276 | BACS12GU3K8 | . | SCREW- | 103106 108120 | 3 |
| 280 | AN960PD10L | . | WASHER- | 101102 504903 | 15 |
| 280 | NAS1149D0316H | . | WASHER- | 103106 108120 | 15 |

MISSING ITEM NUMBERS NOT APPLICABLE

- ITEM NOT ILLUSTRATED

21-52-01-01A

21-52-01
FIG. 01A
PAGE 9
JAN 20/09

BRI

BOEING PROPRIETARY - Copyright © - Unpublished Work - See title page for details.



757

PARTS CATALOG (MAINTENANCE)

| FIG ITEM | PART NUMBER | 1 2 3 4 5 6 7 | NOMENCLATURE | EFFECT FROM TO | UNITS PER ASSY |
|------------|---------------|---------------|---|----------------------------|----------------|
| 1 A 285 | BRH10A3 | .NUT- | SUPPLIER CODE: V52828 SPECIFICATION NUMBER: BACN10JC3 OPTIONAL PART: H10-3BAC V15653 NS202101-02 V80539 RMLH9075-3W V72962 VN303A02 V92215 96-02 V80539 T6S1032J V11815 | 101102 504903 | 5 |
| 285 | PLH53CD | .NUT- | SUPPLIER CODE: VF0224 SPECIFICATION NUMBER: BACN10YR3CD OPTIONAL PART: H52732-3CD V15653 -----*----- | 103106 108120 | 5 |
| 290 | BACB30NM5K12 | .BOLT- | | 101106 108120 504903 | 6 |
| 295 | BACB30NM5K20 | .BOLT- | | 101106 108120 504903 | 2 |
| 300 | AN960PD516L | .WASHER- | | 101102 504903 | 16 |
| 300 | NAS1149D0516J | .WASHER- | | 103106 108120 | 16 |

MISSING ITEM NUMBERS NOT APPLICABLE

- ITEM NOT ILLUSTRATED

21-52-01-01A

21-52-01
FIG. 01A
PAGE 10
JAN 20/09

BRI

BOEING PROPRIETARY - Copyright © - Unpublished Work - See title page for details.



757

PARTS CATALOG (MAINTENANCE)

| FIG ITEM | PART NUMBER | 1 2 3 4 5 6 7 | NOMENCLATURE | EFFECT FROM TO | UNITS PER ASSY |
|------------|---------------|---------------|--|------------------|----------------|
| 1 A 305 | BRH10A5 | .NUT- | SUPPLIER CODE: V52828 SPECIFICATION NUMBER: BACN10JC5 OPTIONAL PART: T6S524J V11815 96-054 V80539 RMLH9075-5W V72962 H10-5BAC V15653 | 101102 504903 | 8 |
| 305 | BRH10C5D | .NUT- | SUPPLIER CODE: V52828 SPECIFICATION NUMBER: BACN10JC5CD OPTIONAL PART: T6C524JCD V11815 102LH9075-5W V72962 H51650-5BAC V15653 | 103106 108120 | 8 |
| 310 | BACB30NM3K7 | .BOLT- | | 101102 504903 | 1 |
| 311 | BACS12GU3K7 | .SCREW- | | 103106 108120 | 3 |
| 314 | NAS1149D0316J | .WASHER- | | 103106 108120 | 2 |
| 315 | AN960PD10L | .WASHER- | | 101102 504903 | 1 |
| 316 | NAS1149C0316R | .WASHER | | 103106 108120 | 1 |

MISSING ITEM NUMBERS NOT APPLICABLE

- ITEM NOT ILLUSTRATED

21-52-01-01A

21-52-01
FIG. 01A
PAGE 11
JAN 20/09

BRI

BOEING PROPRIETARY - Copyright © - Unpublished Work - See title page for details.



757

PARTS CATALOG (MAINTENANCE)

| FIG ITEM | PART NUMBER | 1 2 3 4 5 6 7 | NOMENCLATURE | EFFECT FROM TO | UNITS PER ASSY |
|------------|-------------|---------------|--|------------------|----------------|
| 1 A 318 | BRH10C3M | .NUT | SUPPLIER CODE: V52828 SPECIFICATION NUMBER: BACN10JC3CM OPTIONAL PART: T6C1032JM V11815 97E02 V80539 109LH9075-3W V72962 VN303D02 V92215 NS202101SE02 V80539 H01-3BAC V15653 | 103106 108120 | 1 |
| 319 | BRH10C3D | .NUT- | SUPPLIER CODE: V52828 SPECIFICATION NUMBER: BACN10JC3CD OPTIONAL PART: T6C1032JCD V11815 NS202486-02 V80539 102LH9075-3W V72962 H51650-3BAC V15653 | 103106 108120 | 2 |

MISSING ITEM NUMBERS NOT APPLICABLE

- ITEM NOT ILLUSTRATED

BRI

21-52-01-01A

BOEING PROPRIETARY - Copyright © - Unpublished Work - See title page for details.

21-52-01
FIG. 01A
PAGE 12
JAN 20/09



757

PARTS CATALOG (MAINTENANCE)

| FIG ITEM | PART NUMBER | 1 2 3 4 5 6 7 | NOMENCLATURE | EFFECT FROM TO | UNITS PER ASSY |
|------------|--------------|---------------|---|----------------------------|----------------|
| 1 A 320 | BRH10A3 | . | NUT- SUPPLIER CODE: V52828 SPECIFICATION NUMBER: BACN10JC3 OPTIONAL PART: H10-3BAC V15653 NS202101-02 V80539 RMLH9075-3W V72962 VN303A02 V92215 96-02 V80539 T6S1032J V11815 | 101102 504903 | 1 |
| 321 | MS21919WDG8 | . | CLAMP | 101102 504903 | 1 |
| 322 | MS21919WDG6 | . | CLAMP | 101102 504903 | 1 |
| 323 | MS21919WDG8 | . | CLAMP | 103106 108120 | 1 |
| 324 | MS21919WDG6 | . | CLAMP | 103106 108120 | 3 |
| 325 | MS21919WCH12 | . | CLAMP | 101102 504903 | 1 |
| 326 | MS21919WCH8 | . | CLAMP | 103106 108120 | 1 |
| 327 | MS21919WCH12 | . | CLAMP | 103106 108120 | 1 |
| 330 | 213N1017-17 | . | ROD ASSY | 101106 108120 504903 | 2 |
| 335 | 213N1017-5 | . | ROD ASSY | 101106 108120 504903 | 1 |
| 340 | 213N1017-13 | . | ROD ASSY | 101106 108120 504903 | 2 |
| 345 | NAS1423-5 | .. | NUT | 101106 108120 504903 | 2 |
| 350 | MS21242S05 | .. | BEARING | 101106 108120 504903 | 2 |

MISSING ITEM NUMBERS NOT APPLICABLE

- ITEM NOT ILLUSTRATED

21-52-01-01A

21-52-01
FIG. 01A
PAGE 13
JAN 20/09

BRI

BOEING PROPRIETARY - Copyright © - Unpublished Work - See title page for details.



757

PARTS CATALOG (MAINTENANCE)

| FIG ITEM | PART NUMBER | 1 2 3 4 5 6 7 | NOMENCLATURE | EFFECT FROM TO | UNITS PER ASSY |
|-----------|---------------|---------------|--|----------------------------|----------------|
| 1A 355 | 213N1017-18 | .. | TUBE- TUBING MATERIAL: .75 IN. OD X .083 IN. WALL X 13.5 IN. LG 2024-0 AL SEAMLESS TUBING PER WW-T-700/3. USED ON: 213N1017-17 | 101106 108120 504903 | 1 |
| 360 | 213N1017-6 | .. | TUBE- TUBING MATERIAL: .75 IN. OD X .083 IN. WALL X 6.25 IN. LG 2024-0 AL SEAMLESS TUBING PER WW-T-700/3. USED ON: 213N1017-5 | 101106 108120 504903 | 1 |
| 365 | 213N1017-14 | .. | TUBE- TUBING MATERIAL: .75 IN. OD X .083 IN. WALL X 8.75 IN. LG 2024-0 AL SEAMLESS TUBING PER WW-T-700/3. USED ON: 213N1017-13 | 101106 108120 504903 | 1 |
| 370 | BACB30NM5K11 | . | BOLT | 101106 108120 504903 | 2 |
| 375 | BACB30NM5K12 | . | BOLT- | 101106 108120 504903 | 4 |
| 380 | AN960PD516L | . | WASHER- | 101102 504903 | 12 |
| 380 | NAS1149D0516J | . | WASHER- | 103106 108120 | 12 |
| 385 | BRH10A5 | . | NUT- SUPPLIER CODE: V52828 SPECIFICATION NUMBER: BACN10JCS OPTIONAL PART: T6S524J V11815 96-054 V80539 RMLH9075-5W V72962 H10-5BAC V15653 | 101102 504903 | 6 |

MISSING ITEM NUMBERS NOT APPLICABLE

- ITEM NOT ILLUSTRATED

21-52-01-01A

21-52-01
FIG. 01A
PAGE 14
JAN 20/09

BRI



757

PARTS CATALOG (MAINTENANCE)

| FIG ITEM | PART NUMBER | 1 2 3 4 5 6 7 | NOMENCLATURE | EFFECT FROM TO | UNITS PER ASSY |
|-----------|-------------|---------------|--|----------------------------|----------------|
| 1A 385 | BRH10C5D | .NUT- | SUPPLIER CODE: V52828 SPECIFICATION NUMBER: BACN10JC5CD OPTIONAL PART: T6C524JCD V11815 102LH9075-5W V72962 H51650-5BAC V15653 | 103106 108120 | 6 |
| 390 | 213N1017-7 | .ROD ASSY | | 101106 108120 504903 | 1 |
| 395 | 213N1017-11 | .ROD ASSY | | 101106 108120 504903 | 2 |
| 400 | NAS1423-5 | ..NUT | | 101106 108120 504903 | 2 |
| 405 | MS21242S05 | ..BEARING | | 101106 108120 504903 | 2 |
| 410 | 213N1017-8 | ..TUBE- | TUBING MATERIAL: .75 IN. OD X .083 IN. WALL X 6.75 IN. LG 2024-0 AL SEAMLESS TUBING PER WW-T-700/3. USED ON: 213N1017-7 | 101106 108120 504903 | 1 |
| 415 | 213N1017-12 | ..TUBE- | TUBING MATERIAL: .62 IN. OD X .065 IN. WALL X 8.5 IN. LG 2024-0 AL SEAMLESS TUBING PER WW-T-700/3. USED ON: 213N1017-11 | 101106 108120 504903 | 1 |
| 420 | MS21916J8-6 | .REDUCER- | | 101102 504903 | 1 |
| 420 | MS21916D8-6 | .REDUCER- | | 103106 108120 | 1 |
| 423 | MS21902D8 | .UNION | | 101106 108120 504903 | 1 |

MISSING ITEM NUMBERS NOT APPLICABLE

- ITEM NOT ILLUSTRATED

21-52-01-01A

21-52-01
FIG. 01A
PAGE 15
JAN 20/09

BRI

BOEING PROPRIETARY - Copyright © - Unpublished Work - See title page for details.



757

PARTS CATALOG (MAINTENANCE)

| FIG ITEM | PART NUMBER | 1 2 3 4 5 6 7 | NOMENCLATURE | EFFECT FROM TO | UNITS PER ASSY |
|------------|---------------|---------------|---|----------------------------|----------------|
| 1 A 425 | R1131-908 | | .PACKING SUPPLIER CODE: V57268 SPECIFICATION NUMBER: BACP11K8 OPTIONAL PART: 3-908S383-70 V02697 1090-08 V95272 150701-08 V95272 AS568-908S32 V11314 | 101106 108120 504903 | 1 |
| 430 | BACB30NM3K7 | | .BOLT- | 101102 504903 | 2 |
| 431 | BACS12GU3K8 | | .SCREW- | 103106 108120 | 2 |
| 435 | AN960PD10L | | .WASHER | 101102 504903 | 2 |
| 436 | NAS1149C0316R | | .WASHER | 103106 108120 | 1 |
| 437 | NAS1149D0316J | | .WASHER | 103106 108120 | 1 |
| 440 | BRH10A3 | | .NUT SUPPLIER CODE: V52828 SPECIFICATION NUMBER: BACN10JC3 OPTIONAL PART: H10-3BAC V15653 NS202101-02 V80539 RMLH9075-3W V72962 VN303A02 V92215 96-02 V80539 T6S1032J V11815 | 101102 504903 | 2 |

MISSING ITEM NUMBERS NOT APPLICABLE

- ITEM NOT ILLUSTRATED

21-52-01-01A

21-52-01
FIG. 01A
PAGE 16
JAN 20/09

BRI

BOEING PROPRIETARY - Copyright © - Unpublished Work - See title page for details.

 **BOEING**
757
PARTS CATALOG (MAINTENANCE)

| FIG ITEM | PART NUMBER | 1 2 3 4 5 6 7 | NOMENCLATURE | EFFECT FROM TO | UNITS PER ASSY |
|------------|--------------|---------------|--|----------------------------|----------------|
| 1 A 441 | BRH10C3M | .NUT | SUPPLIER CODE: V52828 SPECIFICATION NUMBER: BACN10JC3CM OPTIONAL PART: T6C1032JM V11815 97E02 V80539 109LH9075-3W V72962 VN303D02 V92215 NS202101SE02 V80539 H01-3BAC V15653 | 103106 108120 | 1 |
| 442 | BRH10C3D | .NUT | SUPPLIER CODE: V52828 SPECIFICATION NUMBER: BACN10JC3CD OPTIONAL PART: T6C1032JCD V11815 NS202486-02 V80539 102LH9075-3W V72962 H51650-3BAC V15653 | 103106 108120 | 1 |
| 445 | MS21919WDG6 | .CLAMP- | | 101102 504903 | 2 |
| 446 | MS21919WCH8 | .CLAMP- | | 103106 108120 | 1 |
| 447 | MS21919WDG6 | .CLAMP | | 103106 108120 | 1 |
| 450 | MS21919WCH12 | .CLAMP- | | 103106 108120 | 1 |
| 450 | MS21919WDG12 | .CLAMP- | | 101102 504903 | 1 |
| 455 | MS21919WDG2 | .CLAMP | | 101106 108120 504903 | 1 |
| 460 | MS21919WDG8 | .CLAMP- | | 101102 504903 | 2 |
| 461 | MS21919WCH6 | .CLAMP- | | 103106 108120 | 1 |

MISSING ITEM NUMBERS NOT APPLICABLE

— ITEM NOT ILLUSTRATED

BRI

21-52-01-01A

BOEING PROPRIETARY - Copyright © - Unpublished Work - See title page for details.

21-52-01
FIG. 01A
PAGE 17
JAN 20/09



757

PARTS CATALOG (MAINTENANCE)

| FIG ITEM | PART NUMBER | 1 2 3 4 5 6 7 | NOMENCLATURE | EFFECT FROM TO | UNITS PER ASSY |
|----------|-------------|---------------|---|--------------------------------------|----------------|
| 1 A | | | | | |
| 462 | MS21919WDG8 | . | CLAMP | 103106 108120 | 1 |
| 465 | MS21908W8 | . | ELBOW | 101106 108120 | 1 |
| 470 | AN924-8D | . | NUT | 504903 101106 108120 | 1 |
| 475 | R1131-908 | . | PACKING SUPPLIER CODE: V57268 SPECIFICATION NUMBER: BACP11K8 OPTIONAL PART: 3-908S383-70 V02697 1090-08 V95272 150701-08 V95272 AS568-908S32 V11314 | 101106 108120 504903 | 1 |
| 480 | AN838-8D | . | ELBOW- OPTIONAL PART: MS21908W8 | 101102 504903 | 1 |
| 480 | MS21908WD | . | ELBOW- OPTIONAL PART: AN838-8D | 101102 504903 | 1 |
| 480 | 213T1404-1 | . | ELBOW- | 103106 108120 | 1 |
| 482 | BACN10DRG8D | . | NUT | 103106 108120 | 1 |
| 485 | AN924-6D | . | NUT- | 101106 108120 | 1 |
| 490 | R1131-908 | . | PACKING- SUPPLIER CODE: V57268 SPECIFICATION NUMBER: BACP11K8 OPTIONAL PART: 3-908S383-70 V02697 1090-08 V95272 150701-08 V95272 AS568-908S32 V11314 | 504903 101106 108120 504903 | 1 |

MISSING ITEM NUMBERS NOT APPLICABLE

- ITEM NOT ILLUSTRATED

21-52-01-01A

21-52-01
FIG. 01A
PAGE 18
JAN 20/09

BRI

BOEING PROPRIETARY - Copyright © - Unpublished Work - See title page for details.



757

PARTS CATALOG (MAINTENANCE)

| FIG ITEM | PART NUMBER | 1 2 3 4 5 6 7 | NOMENCLATURE | EFFECT FROM TO | UNITS PER ASSY |
|-------------|-------------|---------------|--|----------------------------|----------------------|
| 1 A | | | | | |
| 495 | MS21907W6 | . | ELBOW- OPTIONAL PART: MS21908W6 | 101102 504903 | 1 |
| 495 | MS21908W6 | . | ELBOW- OPTIONAL PART: MS21907W6 | 101106 108120 504903 | 1 |
| 500 | MS21902D6 | . | UNION | 101106 108120 504903 | 1 |
| 505 | R1131-906 | . | PACKING SUPPLIER CODE: V57268 SPECIFICATION NUMBER: BACP11K6 OPTIONAL PART: 3-906S383-70 V02697 1090-06 V95272 150701-06 V95272 AS568-906S32 V11314 | 101106 108120 504903 | 2 |

MISSING ITEM NUMBERS NOT APPLICABLE

- ITEM NOT ILLUSTRATED

BRI

21-52-01-01A

BOEING PROPRIETARY - Copyright © - Unpublished Work - See title page for details.

21-52-01
FIG. 01A
PAGE 19
JAN 20/09



757

PARTS CATALOG (MAINTENANCE)

| FIG ITEM | PART NUMBER | 1 2 3 4 5 6 7 | NOMENCLATURE | EFFECT FROM TO | UNITS PER ASSY |
|------------|-------------|---------------|---|----------------------------|----------------|
| 1 A 510 | 2202450-9 | | .PACK ASSY-AIR CONDITIONING AND TEMP CONT SYS COOLING SUPPLIER CODE: V70210 SPECIFICATION NUMBER: S210T130-60 MISCELLANEOUS DATA: S210T130-59 (2202450-8) T/W 1 EA 625928-2 AND 1 EA 624014-1 SENSOR IS I/W S210T130-60 (2202450-9) ELECTRICAL EQUIP NUMBER: TS0041 TS0042 TS0198 TS0199 TS5133 TS5135 TS10325 TS10326 V00018 V00019 V10076 V10077 COMPONENT MAINT MANUAL REF: 21-51-32 FOR DETAILS SEE: 21-51-02-01 21-51-03-01 21-51-04-01 21-51-05-01 21-51-06-01 21-51-07-01 21-51-08-01 21-51-10-01 21-51-11-01 21-51-12-01 21-51-16-01 21-51-21-01 21-51-52-01 | 101106 108120 504903 | 1 |
| 515 | MS21916D6-4 | | .REDUCER | 101106 108120 504903 | 1 |

MISSING ITEM NUMBERS NOT APPLICABLE

- ITEM NOT ILLUSTRATED

BRI

21-52-01-01A

BOEING PROPRIETARY - Copyright © - Unpublished Work - See title page for details.

21-52-01
FIG. 01A
PAGE 20
JAN 20/09



757

PARTS CATALOG (MAINTENANCE)

| FIG ITEM | PART NUMBER | 1 2 3 4 5 6 7 | NOMENCLATURE | EFFECT FROM TO | UNITS PER ASSY |
|-----------|---------------|---------------|--|----------------------------|----------------|
| 1A 520 | R1131-904 | | .PACKING SUPPLIER CODE: V57268 SPECIFICATION NUMBER: BACP11K4 OPTIONAL PART: 3-904S383-70 V02697 1090-04 V95272 150701-04 V95272 AS568-904S32 V11314 | 101106 108120 504903 | 1 |
| 525 | MS21908W6 | | .ELBOW- | 101106 108120 504903 | 1 |
| 530 | AN924-6D | | .NUT- | 101106 108120 504903 | 1 |
| 535 | R1131-906 | | .PACKING- SUPPLIER CODE: V57268 SPECIFICATION NUMBER: BACP11K6 OPTIONAL PART: 3-906S383-70 V02697 1090-06 V95272 150701-06 V95272 AS568-906S32 V11314 | 101106 108120 504903 | 1 |
| 540 | BACB30NM3K6 | | .BOLT- | 101102 504903 | 1 |
| 541 | BACS12GU3K7 | | .SCREW- | 103106 108120 | 1 |
| 545 | AN960PD10L | | .WASHER- | 101102 504903 | 2 |
| 545 | NAS1149C0316R | | .WASHER- | 103106 108120 | 2 |

MISSING ITEM NUMBERS NOT APPLICABLE

- ITEM NOT ILLUSTRATED

21-52-01-01A

21-52-01
FIG. 01A
PAGE 21
JAN 20/09

BRI

BOEING PROPRIETARY - Copyright © - Unpublished Work - See title page for details.



757

PARTS CATALOG (MAINTENANCE)

| FIG ITEM | PART NUMBER | 1 2 3 4 5 6 7 | NOMENCLATURE | EFFECT FROM TO | UNITS PER ASSY |
|------------|-----------------|---------------|--|----------------------------|----------------|
| 1 A 550 | BRH10A3 | .NUT- | SUPPLIER CODE: V52828 SPECIFICATION NUMBER: BACN10JC3 OPTIONAL PART: H10-3BAC V15653 NS202101-02 V80539 RMLH9075-3W V72962 VN303A02 V92215 96-02 V80539 T6S1032J V11815 | 101102 504903 | 2 |
| 550 | BRH10C3M | .NUT- | SUPPLIER CODE: V52828 SPECIFICATION NUMBER: BACN10JC3CM OPTIONAL PART: T6C1032JM V11815 97E02 V80539 109LH9075-3W V72962 VN303D02 V92215 NS202101SE02 V80539 H01-3BAC V15653 | 103106 108120 | 2 |
| 555 | MS21919WCH6 | .CLAMP | | 101106 108120 504903 | 2 |
| 560 | MS21919WCH32 | .CLAMP | | 101106 108120 504903 | 1 |
| 565 | BACC10GW0675-1E | .CLAMP- | OPTIONAL PART: 213N1001-41 | 101106 108120 504903 | 1 |
| - 566 | 213N1001-41 | .KIT ASSY-SUB | OPTIONAL PART: BACC10GW0675-1E | 101106 108120 504903 | 1 |

MISSING ITEM NUMBERS NOT APPLICABLE

- ITEM NOT ILLUSTRATED

21-52-01-01A

21-52-01
FIG. 01A
PAGE 22
JAN 20/09

BRI



757

PARTS CATALOG (MAINTENANCE)

| FIG ITEM | PART NUMBER | 1 2 3 4 5 6 7 | NOMENCLATURE | EFFECT FROM TO | UNITS PER ASSY |
|--------------|---------------|---------------|---|----------------------------|----------------|
| 1 A - 570 | BACC10BN700LM | .. | CLAMP SUPPLIER CODE: V98625 SPECIFICATION NUMBER: BACC10BN700LM OPTIONAL PART: 3078C700LM V94581 BC1080S700LZ V14242 1044700LM V94581 MBC5825700LM V00624 19396N700LM V00624 | 101106 108120 504903 | 1 |
| - 575 | BACC15AN10 | .. | CLIP | 101106 108120 504903 | 1 |
| - 580 | BACB19F10S | .. | BLOCK | 101106 108120 504903 | 1 |
| - 585 | NAS6603-5 | .. | BOLT | 101106 108120 504903 | 1 |
| 590 | 213N1001-23 | .TUBING ASSY- | POSITION DATA: LH SIDE | 101106 108120 504903 | 1 |
| 595 | 213N1001-24 | .TUBING ASSY- | POSITION DATA: RH SIDE | 101106 108120 504903 | 1 |
| 600 | AP2097HP06 | .. | SLEEVE SUPPLIER CODE: V01673 SPECIFICATION NUMBER: BACS13BX06HP OPTIONAL PART: 2-02903-06HP V11328 35235VN06 V08199 AFP175V06P V30974 DBOS13BX06HP V14798 | 101106 108120 504903 | 2 |
| 605 | MS21921-6D | .. | NUT | 101106 108120 504903 | 2 |

MISSING ITEM NUMBERS NOT APPLICABLE

- ITEM NOT ILLUSTRATED

21-52-01-01A

21-52-01
FIG. 01A
PAGE 23
JAN 20/09

BRI

BOEING PROPRIETARY - Copyright © - Unpublished Work - See title page for details.



757

PARTS CATALOG (MAINTENANCE)

| FIG ITEM | PART NUMBER | 1 2 3 4 5 6 7 | NOMENCLATURE | EFFECT FROM TO | UNITS PER ASSY |
|-----------|-------------|---------------|---|----------------------------|----------------|
| 1A 610 | 213N1001-11 | .. | TUBING- POSITION DATA: LH SIDE TUBING MATERIAL: .375 IN. OD X .025 IN. WALL X 70.8 IN. LG WW-T-700/6 6061 T6 TUBING | 101106 108120 504903 | 1 |
| 615 | 213N1001-12 | .. | TUBING- POSITION DATA: RH SIDE TUBING MATERIAL: .375 IN. OD X .028 IN. WALL X 71.4 IN. LG WW-T-700/6 6061 T6 TUBING | 101106 108120 504903 | 1 |
| 620 | 213N1001-15 | .TUBING ASSY- | POSITION DATA: LH SIDE TUBING MATERIAL: .375 IN. OD X .028 IN. WALL X 56.4 IN. LG WW-T-700/6 6061 T6 TUBING .375 IN. OD X .028 IN. WALL X 56.4 IN. LG WW-T-7081 6061 T6 TUBING | 101106 108120 504903 | 1 |
| - 622 | AP2097HP06 | .. | SLEEVE SUPPLIER CODE: V01673 SPECIFICATION NUMBER: BACS13BX06HP OPTIONAL PART: 2-02903-06HP V11328 35235VN06 V08199 AFP175V06P V30974 DBOS13BX06HP V14798 | 101106 108120 504903 | 2 |
| - 625 | MS21921-6D | .. | NUT | 101106 108120 504903 | 2 |

MISSING ITEM NUMBERS NOT APPLICABLE

- ITEM NOT ILLUSTRATED

21-52-01-01A

21-52-01
FIG. 01A
PAGE 24
JAN 20/09

BRI



757

PARTS CATALOG (MAINTENANCE)

| FIG ITEM | PART NUMBER | 1 2 3 4 5 6 7 | NOMENCLATURE | EFFECT FROM TO | UNITS PER ASSY |
|-----------|-------------|---------------|--|----------------------------|----------------|
| 1A 630 | 213N1001-16 | | .TUBING ASSY- POSITION DATA: RH SIDE TUBING MATERIAL: .5 IN. OD X .028 IN. WALL X 59.5 IN. LG WW-T-700/6 6061 T6 TUBING .5 IN. OD X .028 IN. WALL X 59.5 IN. LG WW-T-7081 6061 T6 TUBING | 101106 108120 504903 | 1 |
| - 632 | AP2097HP08 | | ..SLEEVE SUPPLIER CODE: V01673 SPECIFICATION NUMBER: BACS13BX08HP OPTIONAL PART: 2-02903-08HP V11328 35235VN08 V08199 AFP175V08P V30974 DBOS13BX08HP V14798 | 101106 108120 504903 | 2 |
| - 635 | BACN10YL08 | | ..NUT | 101106 108120 504903 | 2 |
| - 700 | 213N1001-35 | | PLUG INSTL-UNDER WING AIR CONDITIONING POSITION DATA: LH FOR NHA SEE: 21-00-00-12 21-00-00-14 | 101102 108120 504903 | RF |
| - 700 | MODREF5981 | | PLUG INSTL-UNDER WING AIR CONDITIONING MODULE NUMBER: 213N1001-35 REV A POSITION DATA: LH | 103106 | 1 |
| - 705 | 213N1001-36 | | PLUG INSTL-UNDER WING AIR CONDITIONING POSITION DATA: RH FOR NHA SEE: 21-00-00-12 21-00-00-14 | 101102 108120 504903 | RF |

MISSING ITEM NUMBERS NOT APPLICABLE

- ITEM NOT ILLUSTRATED

21-52-01-01A

21-52-01
FIG. 01A
PAGE 25
JAN 20/09

BRI

BOEING PROPRIETARY - Copyright © - Unpublished Work - See title page for details.



757

PARTS CATALOG (MAINTENANCE)

| FIG ITEM | PART NUMBER | 1 2 3 4 5 6 7 | NOMENCLATURE | EFFECT FROM TO | UNITS PER ASSY |
|----------|--------------|---------------|---|----------------------------|----------------|
| 1 A | | | | | |
| - 705 | MODREF5982 | | PLUG INSTL-UNDER WING AIR CONDITIONING MODULE NUMBER: 213N1001-36 REV A POSITION DATA: RH | 103106 | 1 |
| 710 | MS9954-07 | | .PLUG | 101106 108120 504903 | 4 |
| 715 | M83248-2-907 | | .PACKING | 101106 108120 504903 | 4 |
| - 825 | 213N1001-39 | | MARKER INSTL-UNDER WING AIR CONDITIONING POSITION DATA: LH FOR NHA SEE: 21-00-00-15 | 101102 108120 504903 | RF |
| - 825 | MODREF5985 | | MARKER INSTL-UNDER WING AIR CONDITIONING MODULE NUMBER: 213N1001-39 REV A POSITION DATA: LH | 103106 | 1 |
| - 830 | 213N1001-40 | | MARKER INSTL-UNDER WING AIR CONDITIONING POSITION DATA: RH FOR NHA SEE: 21-00-00-15 | 101102 108120 504903 | RF |
| - 830 | MODREF5986 | | MARKER INSTL-UNDER WING AIR CONDITIONING MODULE NUMBER: 213N1001-40 REV A POSITION DATA: RH | 103106 | 1 |
| 835 | BAC27NEC0034 | | .MARKER-ALUMINUM FOIL POSITION DATA: LH SIDE PLACARD CONTENT: LEFT PACK OUTLET TEMP SENSOR STANDBY TS5132-D4132 | 101106 108120 504903 | 1 |

MISSING ITEM NUMBERS NOT APPLICABLE

- ITEM NOT ILLUSTRATED

21-52-01-01A

21-52-01
FIG. 01A
PAGE 26
JAN 20/09

BRI

BOEING PROPRIETARY - Copyright © - Unpublished Work - See title page for details.



757

PARTS CATALOG (MAINTENANCE)

| FIG ITEM | PART NUMBER | 1 2 3 4 5 6 7 | NOMENCLATURE | EFFECT FROM TO | UNITS PER ASSY |
|-----------|--------------|---------------|---|----------------------------|----------------|
| 1A 840 | BAC27NEC0035 | | .MARKER-ALUMINUM FOIL POSITION DATA: RH SIDE PLACARD CONTENT: RIGHT PACK OUTLET TEMP SENSOR STANDBY TS5134-D4054 | 101106 108120 504903 | 1 |
| - 900 | 286N2406-305 | | WIRE BUNDLE ASSY- POSITION DATA: LH | 101102 | RF |
| - 901 | 286N2406-323 | | WIRE BUNDLE ASSY- POSITION DATA: LH | 108120 | RF |
| - 901 | 286N2406-327 | | WIRE BUNDLE ASSY- POSITION DATA: LH | 504903 | RF |
| - 901 | 286N2406-601 | | WIRE BUNDLE ASSY- POSITION DATA: LH | 103103 | RF |
| - 901 | 286N2406-602 | | WIRE BUNDLE ASSY- POSITION DATA: LH | 104106 | RF |
| - 920 | 286N2506-305 | | WIRE BUNDLE ASSY- POSITION DATA: RH | 101102 | RF |
| - 921 | 286N2506-327 | | WIRE BUNDLE ASSY- POSITION DATA: RH | 108120 | RF |
| - 921 | 286N2506-601 | | WIRE BUNDLE ASSY- POSITION DATA: RH | 103106 | RF |
| 950 | | | ILLUSTRATION REFERENCE: DUCT AND CLAMP INSTL-AIR CONDITION PACK CONDITIONED AIR (AIR COOLING PACK SYSTEM ONLY) 21-51-15-01 | 101106 108120 504903 | RF |
| 955 | | | ILLUSTRATION REFERENCE: DUCT AND CLAMP INSTL- RAM AIR HEAT SINK 21-53-07-01 | 101102 504903 | RF |
| 960 | | | ILLUSTRATION REFERENCE: DUCT AND INSTL-AIR CONDITION PACK AIR SUPPLY, PASSENGER STD EICAS, 757-200 FCV AND 757-300 FCV 21-51-01-02A | 101106 108120 504903 | RF |

MISSING ITEM NUMBERS NOT APPLICABLE

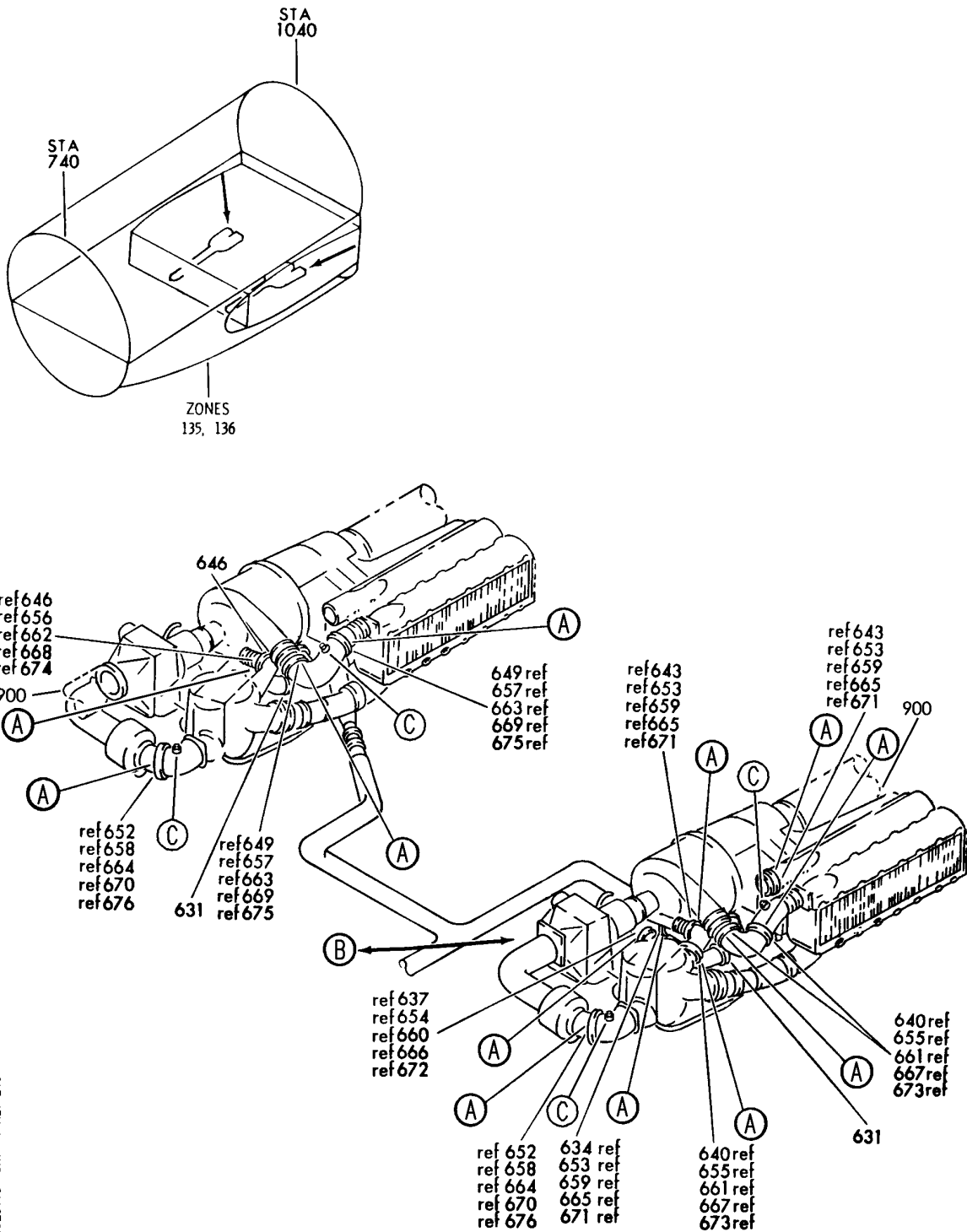
- ITEM NOT ILLUSTRATED

21-52-01-01A

21-52-01
FIG. 01A
PAGE 27
JAN 20/09

BRI

BOEING
757
PARTS CATALOG (MAINTENANCE)



Y 21520110 SH 1 REV 246

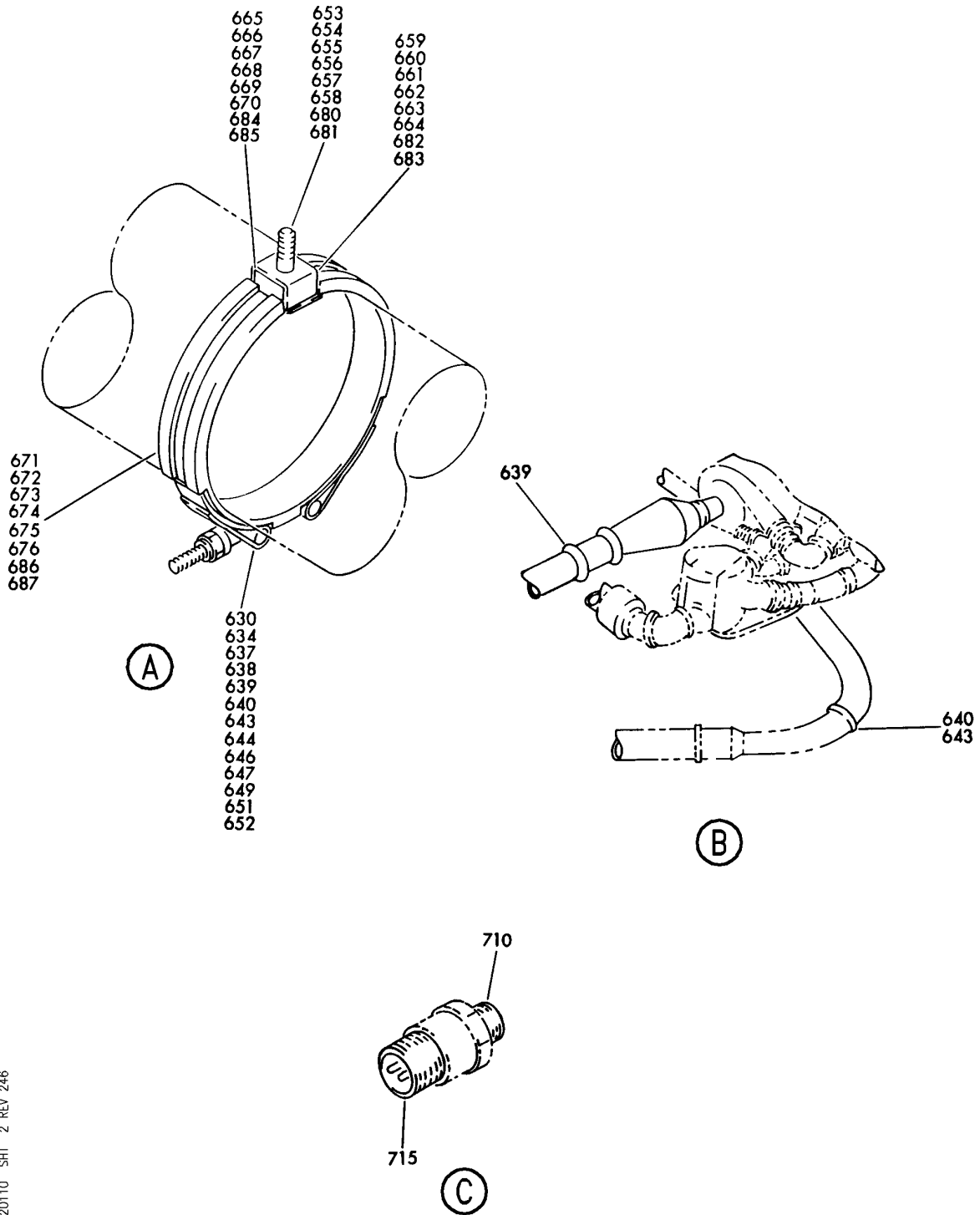
CLAMP INSTL-(WIRE COOLING PACK TEMPERATURE INDICATION ONLY)
FIGURE 10 (SHEET 1)

21-52-01-10

BRI
MAY 28/07

21-52-01-10
PAGE 0

BOEING
757
PARTS CATALOG (MAINTENANCE)



Y 21520110 SHT 2 REV 246

CLAMP INSTL-(WIRE COOLING PACK TEMPERATURE INDICATION ONLY)
FIGURE 10 (SHEET 2)

21-52-01-10

BRI
MAY 28/07

21-52-01-10
PAGE 0A



757

PARTS CATALOG (MAINTENANCE)

| FIG ITEM | PART NUMBER | 1 2 3 4 5 6 7 | NOMENCLATURE | EFFECT FROM TO | UNITS PER ASSY |
|----------|---------------|---------------|--|--|----------------|
| 10 | | | CLAMP INSTL-(WIRE COOLING PACK TEMPERATURE INDICATION ONLY) | 002004 006100 107107 121503 904999 | |
| - 625 | 287N4905-3 | | CLAMP INSTL-WIRE (COOLING PACK TEMPERATURE INDICATION ONLY) POSITION DATA: LH FOR NHA/OTHER SYS DET SEE: 24-00-60-01 | 002004 006100 107107 121503 904999 | RF |
| - 628 | 287N4905-4 | | CLAMP INSTL-WIRE (COOLING PACK TEMPERATURE INDICATION ONLY) POSITION DATA: RH FOR NHA/OTHER SYS DET SEE: 24-00-60-01 | 002004 006100 107107 121503 904999 | RF |
| 630 | BACC10BN300LM | | .CLAMP SUPPLIER CODE: V98625 SPECIFICATION NUMBER: BACC10BN300LM OPTIONAL PART: 3078C300LM V94581 1044300LM V94581 BC1080S300LZ V14242 MBC5825300LM V00624 19396N300LM V00624 | 002004 006100 107107 121503 904999 | 1 |

MISSING ITEM NUMBERS NOT APPLICABLE

- ITEM NOT ILLUSTRATED

BRI

21-52-01-10

21-52-01
FIG. 10
PAGE 1
JAN 20/09



757

PARTS CATALOG (MAINTENANCE)

| FIG ITEM | PART NUMBER | 1 2 3 4 5 6 7 | NOMENCLATURE | EFFECT FROM TO | UNITS PER ASSY |
|-----------|---------------|---------------|---|--|----------------|
| 10 631 | BACC10BN300LM | . | CLAMP SUPPLIER CODE: V98625 SPECIFICATION NUMBER: BACC10BN300LM OPTIONAL PART: 3078C300LM V94581 1044300LM V94581 BC1080S300LZ V14242 MBC5825300LM V00624 19396N300LM V00624 | 002004 006100 107107 121503 904999 | 2 |
| 639 | BACC10BN700LM | . | CLAMP- SUPPLIER CODE: V98625 SPECIFICATION NUMBER: BACC10BN700LM OPTIONAL PART: 3078C700LM V94581 BC1080S700LZ V14242 1044700LM V94581 MBC5825700LM V00624 19396N700LM V00624 POSITION DATA: LH SIDE | 002004 006100 107107 121503 904999 | 1 |

MISSING ITEM NUMBERS NOT APPLICABLE

- ITEM NOT ILLUSTRATED

BRI

21-52-01-10

BOEING PROPRIETARY - Copyright © - Unpublished Work - See title page for details.

21-52-01
FIG. 10
PAGE 2
JAN 20/09



757

PARTS CATALOG (MAINTENANCE)

| FIG ITEM | PART NUMBER | 1 2 3 4 5 6 7 | NOMENCLATURE | EFFECT FROM TO | UNITS PER ASSY |
|-----------|---------------|---------------|--|--|----------------|
| 10 640 | BACC10BN400LM | | .CLAMP- SUPPLIER CODE: V98625 SPECIFICATION NUMBER: BACC10BN400LM OPTIONAL PART: 3078C400LM V94581 1044400LM V94581 BC1080S400LZ V14242 MBC5825400LM V00624 19396N400LM V00624 POSITION DATA: LH SIDE | 002004 006100 107107 121503 904999 | 4 |
| 643 | BACC10BN400LM | | .CLAMP- SUPPLIER CODE: V98625 SPECIFICATION NUMBER: BACC10BN400LM OPTIONAL PART: 3078C400LM V94581 1044400LM V94581 BC1080S400LZ V14242 MBC5825400LM V00624 19396N400LM V00624 POSITION DATA: LH SIDE | 002004 006100 107107 121503 904999 | 4 |

MISSING ITEM NUMBERS NOT APPLICABLE

- ITEM NOT ILLUSTRATED

BRI

21-52-01-10

BOEING PROPRIETARY - Copyright © - Unpublished Work - See title page for details.

21-52-01
FIG. 10
PAGE 3
JAN 20/09



757

PARTS CATALOG (MAINTENANCE)

| FIG ITEM | PART NUMBER | 1 2 3 4 5 6 7 | NOMENCLATURE | EFFECT FROM TO | UNITS PER ASSY |
|-----------|---------------|---------------|--|--|----------------|
| 10 644 | BACC10BN400LM | | .CLAMP- SUPPLIER CODE: V98625 SPECIFICATION NUMBER: BACC10BN400LM OPTIONAL PART: 3078C400LM V94581 1044400LM V94581 BC1080S400LZ V14242 MBC5825400LM V00624 19396N400LM V00624 POSITION DATA: LH SIDE | 002004 006100 107107 121503 904999 | 5 |
| 646 | BACC10BN400LM | | .CLAMP- SUPPLIER CODE: V98625 SPECIFICATION NUMBER: BACC10BN400LM OPTIONAL PART: 3078C400LM V94581 1044400LM V94581 BC1080S400LZ V14242 MBC5825400LM V00624 19396N400LM V00624 POSITION DATA: RH SIDE | 002004 006100 107107 121503 904999 | 1 |

MISSING ITEM NUMBERS NOT APPLICABLE

- ITEM NOT ILLUSTRATED

BRI

21-52-01-10

BOEING PROPRIETARY - Copyright © - Unpublished Work - See title page for details.

21-52-01
FIG. 10
PAGE 4
JAN 20/09



757

PARTS CATALOG (MAINTENANCE)

| FIG ITEM | PART NUMBER | 1 2 3 4 5 6 7 | NOMENCLATURE | EFFECT FROM TO | UNITS PER ASSY |
|-----------|---------------|---------------|--|--|----------------|
| 10 649 | BACC10BN400LM | .CLAMP | SUPPLIER CODE: V98625 SPECIFICATION NUMBER: BACC10BN400LM OPTIONAL PART: 3078C400LM V94581 1044400LM V94581 BC1080S400LZ V14242 MBC5825400LM V00624 19396N400LM V00624 | 002004 006100 107107 121503 904999 | 3 |
| 651 | BACC10BN450LM | .CLAMP | SUPPLIER CODE: V98625 SPECIFICATION NUMBER: BACC10BN450LM OPTIONAL PART: 3078C450LM V94581 1044450LM V94581 BC1080S450LZ V14242 MBC5825450LM V00624 19396N450LM V00624 | 002004 006100 107107 121503 904999 | 1 |

MISSING ITEM NUMBERS NOT APPLICABLE

- ITEM NOT ILLUSTRATED

BRI

21-52-01-10

BOEING PROPRIETARY - Copyright © - Unpublished Work - See title page for details.

21-52-01
FIG. 10
PAGE 5
JAN 20/09



757

PARTS CATALOG (MAINTENANCE)

| FIG ITEM | PART NUMBER | 1 2 3 4 5 6 7 | NOMENCLATURE | EFFECT FROM TO | UNITS PER ASSY |
|-----------|---------------|---------------|---|--|----------------|
| 10 652 | BACC10BN450LM | .CLAMP- | SUPPLIER CODE: V98625 SPECIFICATION NUMBER: BACC10BN450LM OPTIONAL PART: 3078C450LM V94581 1044450LM V94581 BC1080S450LZ V14242 MBC5825450LM V00624 19396N450LM V00624 POSITION DATA: RH SIDE | 002004 006100 107107 121503 904999 | 1 |
| 653 | BACB30NE3-3 | .BOLT- | POSITION DATA: LH | 002004 006100 107107 121503 904999 | 3 |
| 655 | BACB30NE3-3 | .BOLT- | POSITION DATA: LH | 002004 006100 107107 121503 904999 | 3 |
| 656 | BACB30NE3-3 | .BOLT- | POSITION DATA: RH | 002004 006100 107107 121503 904999 | 1 |
| 657 | BACB30NE3-3 | .BOLT- | POSITION DATA: RH | 002004 006100 107107 121503 904999 | 2 |
| 658 | BACB30NE3-3 | .BOLT | | 002004 006100 107107 121503 904999 | 1 |
| 659 | BACC15AN | .CLIP- | POSITION DATA: LH MISCELLANEOUS DATA: (COMPONENT OF STUD ASSY) SIZE DETERMINED ON INSTL. | 002004 006100 107107 121503 904999 | 3 |

MISSING ITEM NUMBERS NOT APPLICABLE

- ITEM NOT ILLUSTRATED

21-52-01-10

21-52-01
FIG. 10
PAGE 6
JAN 20/09

BRI



757

PARTS CATALOG (MAINTENANCE)

| FIG ITEM | PART NUMBER | 1 2 3 4 5 6 7 | NOMENCLATURE | EFFECT FROM TO | UNITS PER ASSY |
|-----------|-------------|---------------|--|--|----------------|
| 10 661 | BACC15AN | | .CLIP- POSITION DATA: LH MISCELLANEOUS DATA: (COMPONENT OF STUD ASSY) SIZE DETERMINED ON INSTL. | 002004 006100 107107 121503 904999 | 3 |
| 662 | BACC15AN | | .CLIP- POSITION DATA: RH MISCELLANEOUS DATA: (COMPONENT OF STUD ASSY) SIZE DETERMINED ON INSTL. | 002004 006100 107107 121503 904999 | 1 |
| 663 | BACC15AN | | .CLIP- POSITION DATA: RH MISCELLANEOUS DATA: (COMPONENT OF STUD ASSY) SIZE DETERMINED ON INSTL. | 002004 006100 107107 121503 904999 | 2 |
| 664 | BACC15AN | | .CLIP- MISCELLANEOUS DATA: (COMPONENT OF STUD ASSY) SIZE DETERMINED ON INSTL. | 002004 006100 107107 121503 904999 | 1 |
| 667 | BACB19F | | .BLOCK-RETAINING POSITION DATA: LH MISCELLANEOUS DATA: (COMPONENT OF STUD ASSY) SIZE DETERMINED ON INSTL. | 002004 006100 107107 121503 904999 | 3 |
| 668 | BACB19F | | .BLOCK-RETAINING POSITION DATA: RH MISCELLANEOUS DATA: (COMPONENT OF STUD ASSY) SIZE DETERMINED ON INSTL. | 002004 006100 107107 121503 904999 | 1 |
| 669 | BACB19F | | .BLOCK-RETAINING POSITION DATA: RH MISCELLANEOUS DATA: (COMPONENT OF STUD ASSY) SIZE DETERMINED ON INSTL. | 002004 006100 107107 121503 904999 | 2 |
| 670 | BACB19F | | .BLOCK-RETAINING MISCELLANEOUS DATA: (COMPONENT OF STUD ASSY) SIZE DETERMINED ON INSTL. | 002004 006100 107107 121503 904999 | 1 |

MISSING ITEM NUMBERS NOT APPLICABLE

- ITEM NOT ILLUSTRATED

21-52-01-10

21-52-01
FIG. 10
PAGE 7
JAN 20/09

BRI



757

PARTS CATALOG (MAINTENANCE)

| FIG ITEM | PART NUMBER | 1 2 3 4 5 6 7 | NOMENCLATURE | EFFECT FROM TO | UNITS PER ASSY |
|-----------|-------------|---------------|--|--|----------------|
| 10 673 | BACC10FY | | .CUSHION-CLAMP POSITION DATA: LH MISCELLANEOUS DATA: (COMPONENT OF STUD ASSY) SIZE DETERMINED ON INSTL. | 002004 006100 107107 121503 904999 | 3 |
| 674 | BACC10FY | | .CUSHION-CLAMP POSITION DATA: RH MISCELLANEOUS DATA: (COMPONENT OF STUD ASSY) SIZE DETERMINED ON INSTL. | 002004 006100 107107 121503 904999 | 1 |
| 675 | BACC10FY | | .CUSHION-CLAMP POSITION DATA: RH MISCELLANEOUS DATA: (COMPONENT OF STUD ASSY) SIZE DETERMINED ON INSTL. | 002004 006100 107107 121503 904999 | 2 |
| 676 | BACC10FY | | .CUSHION-CLAMP MISCELLANEOUS DATA: (COMPONENT OF STUD ASSY) SIZE DETERMINED ON INSTL. | 002004 006100 107107 121503 904999 | 1 |
| 680 | BACB30NE3-3 | | .BOLT- POSITION DATA: LH | 002004 006100 107107 121503 904999 | 11 |
| 681 | BACB30NE3-3 | | .BOLT- POSITION DATA: RH | 002004 006100 107107 121503 904999 | 12 |
| 682 | BACC15AN | | .CLIP- POSITION DATA: LH MISCELLANEOUS DATA: (COMPONENT OF STUD ASSY) SIZE DETERMINED ON INSTL. | 002004 006100 107107 121503 904999 | 11 |
| 683 | BACC15AN | | .CLIP- POSITION DATA: RH MISCELLANEOUS DATA: (COMPONENT OF STUD ASSY) SIZE DETERMINED ON INSTL. | 002004 006100 107107 121503 904999 | 12 |

MISSING ITEM NUMBERS NOT APPLICABLE

- ITEM NOT ILLUSTRATED

BRI

21-52-01-10

BOEING PROPRIETARY - Copyright © - Unpublished Work - See title page for details.

21-52-01
FIG. 10
PAGE 8
JAN 20/09



757

PARTS CATALOG (MAINTENANCE)

| FIG ITEM | PART NUMBER | 1 2 3 4 5 6 7 | NOMENCLATURE | EFFECT FROM TO | UNITS PER ASSY |
|-----------|--------------|---------------|--|--|----------------|
| 10 684 | BACB19F | | .BLOCK-RETAINING POSITION DATA: LH MISCELLANEOUS DATA: (COMPONENT OF STUD ASSY) SIZE DETERMINED ON INSTL. | 002004 006100 107107 121503 904999 | 11 |
| 685 | BACB19F | | .BLOCK-RETAINING POSITION DATA: RH MISCELLANEOUS DATA: (COMPONENT OF STUD ASSY) SIZE DETERMINED ON INSTL. | 002004 006100 107107 121503 904999 | 12 |
| 686 | BACC10FY | | .CUSHION-CLAMP POSITION DATA: LH MISCELLANEOUS DATA: (COMPONENT OF STUD ASSY) SIZE DETERMINED ON INSTL. | 002004 006100 107107 121503 904999 | 11 |
| 687 | BACC10FY | | .CUSHION-CLAMP POSITION DATA: RH MISCELLANEOUS DATA: (COMPONENT OF STUD ASSY) SIZE DETERMINED ON INSTL. | 002004 006100 107107 121503 904999 | 12 |
| - 700 | 286N2406-012 | | WIRE BUNDLE ASSY- | 107107 121503 904949 | RF |
| - 700 | 286N2406-014 | | WIRE BUNDLE ASSY- | 002004 006100 950999 | RF |
| - 705 | 286N2506-012 | | WIRE BUNDLE ASSY- | 107107 121503 904949 | RF |
| - 705 | 286N2506-014 | | WIRE BUNDLE ASSY- | 002004 006100 950999 | RF |

MISSING ITEM NUMBERS NOT APPLICABLE

- ITEM NOT ILLUSTRATED

BRI

21-52-01-10

21-52-01
FIG. 10
PAGE 9
JAN 20/09



757

PARTS CATALOG (MAINTENANCE)

| FIG ITEM | PART NUMBER | 1 2 3 4 5 6 7 | NOMENCLATURE | EFFECT FROM TO | UNITS PER ASSY |
|-----------|---------------|---------------|---|--|----------------|
| 10 710 | GS3418-10CD | | .CLAMP- SUPPLIER CODE: V06324 SPECIFICATION NUMBER: BACC10HG10 OPTIONAL PART: S2126-10-8 V07418 ELECTRICAL EQUIP NUMBER: D02952T D02966T D03010T D03028T WIRING DIAGRAM REF: NO.215112 215115 215122 | 002004 006100 107107 121503 904999 | 2 |
| 710 | 620AA028NF10L | | .CLAMP- SUPPLIER CODE: V06324 SPECIFICATION NUMBER: BACC10KE10 OPTIONAL PART: S3820-10-65 V07418 ELECTRICAL EQUIP NUMBER: D02952T D02966T D03010T D03028T WIRING DIAGRAM REF: NO.215112 215115 215122 | 002004 006100 107107 121503 904999 | 2 |
| 715 | BCREF5962 | | .PLUG- SUPPLIER CODE: V13556 OVERLENGTH PART NUMBER: CN0966-10A20SN000 ELECTRICAL EQUIP NUMBER: D02952 D02966 D03010 D03028 WIRING DIAGRAM REF: 215112 215115 215122 | 002004 006100 107107 121503 904999 | 2 |

MISSING ITEM NUMBERS NOT APPLICABLE

- ITEM NOT ILLUSTRATED

BRI

21-52-01-10

21-52-01
FIG. 10
PAGE 10
JAN 20/09



757

PARTS CATALOG (MAINTENANCE)

| FIG ITEM | PART NUMBER | 1 2 3 4 5 6 7 | NOMENCLATURE | EFFECT FROM TO | UNITS PER ASSY |
|-------------|-------------|---------------|---|--|----------------------|
| 10 900 | | | ILLUSTRATION REFERENCE: DUCT AND CLAMP INSTL-AIR CONDITION PACK CONDITIONED AIR (AIR COOLING PACK SYSTEM ONLY) 21-51-15-01 | 002004 006100 107107 121503 904999 | RF |

MISSING ITEM NUMBERS NOT APPLICABLE

- ITEM NOT ILLUSTRATED

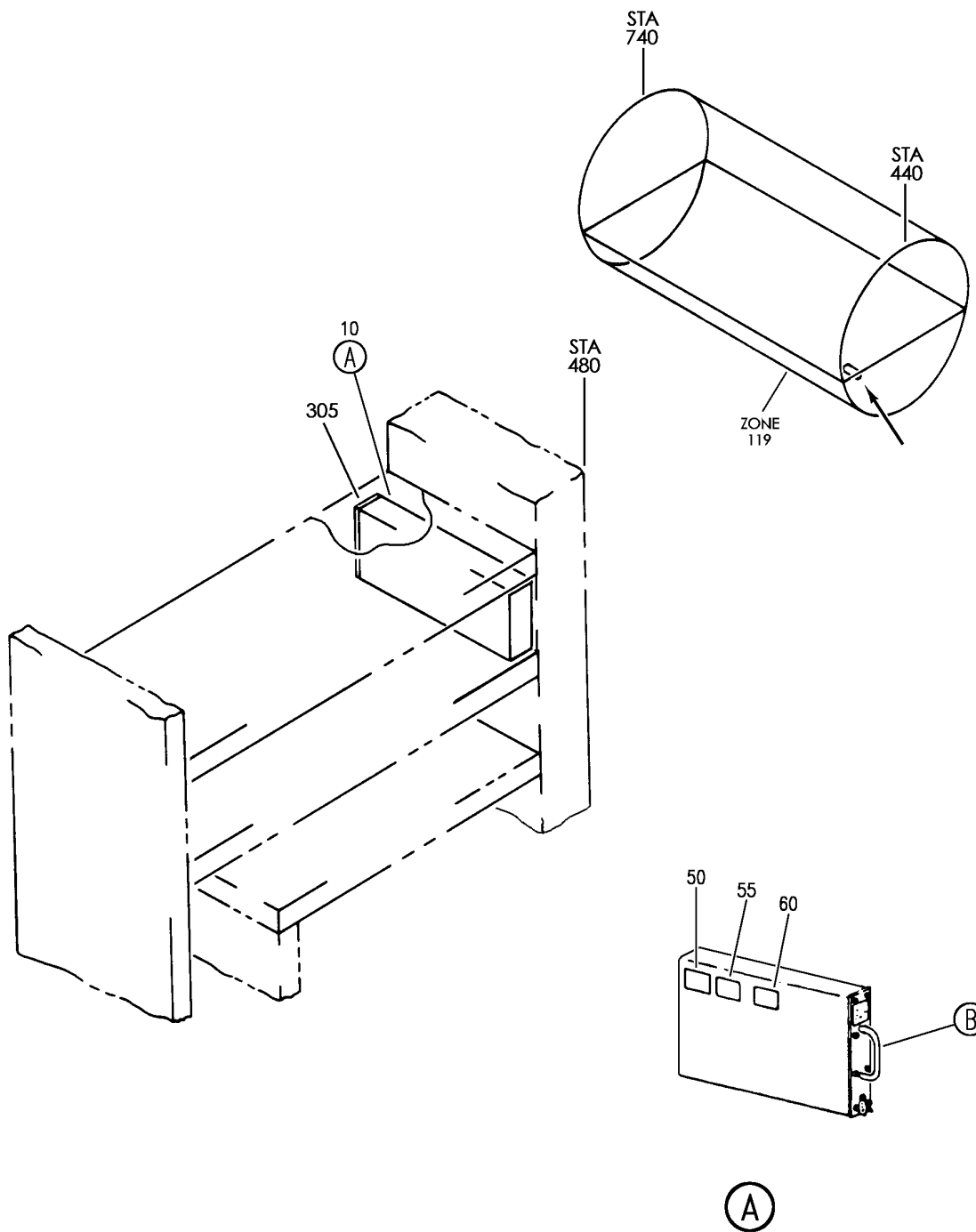
BRI

21-52-01-10

BOEING PROPRIETARY - Copyright © - Unpublished Work - See title page for details.

21-52-01
FIG. 10
PAGE 11
JAN 20/09

BOEING
757
PARTS CATALOG (MAINTENANCE)



Y 21520401 SH1 1 REV 285

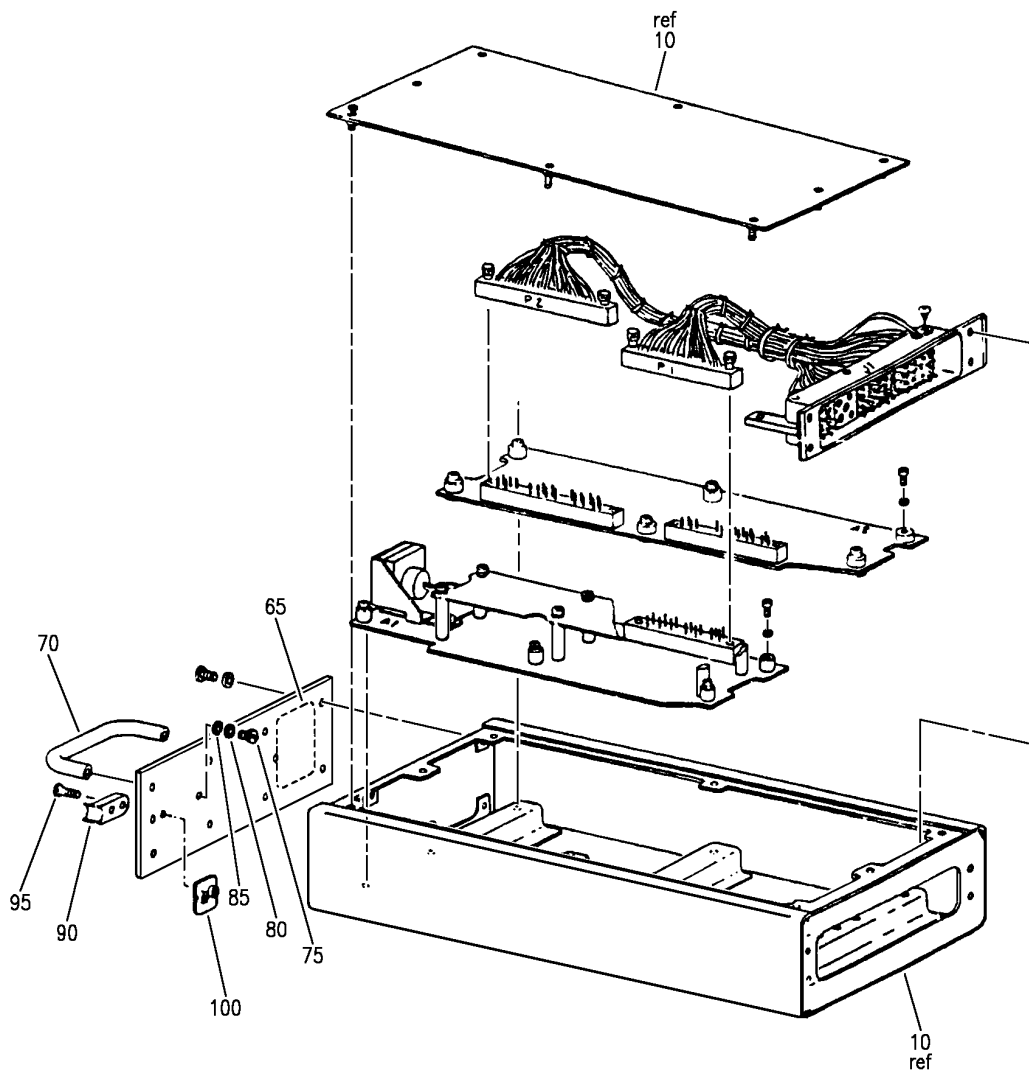
EQUIPMENT INSTL-MAIN ELECTRONICS EQPT CTR (COOLING PACK TEMPERATURE INDICATION ONLY)
FIGURE 1 (SHEET 1)

BRI
MAY 28/07

21-52-04-01

21-52-04-01
PAGE 0

BOEING
757
PARTS CATALOG (MAINTENANCE)



(B)

Y 21520401 SHT 2 REV 285

EQUIPMENT INSTL-MAIN ELECTRONICS EQPT CTR (COOLING PACK TEMPERATURE INDICATION ONLY)
FIGURE 1 (SHEET 2)

BRI
MAY 28/07

21-52-04-01

21-52-04-01
PAGE 0A



757

PARTS CATALOG (MAINTENANCE)

| FIG ITEM | PART NUMBER | 1 2 3 4 5 6 7 | NOMENCLATURE | EFFECT FROM TO | UNITS PER ASSY |
|----------|-------------|---------------|---|--|----------------|
| 1 | | | EQUIPMENT INSTL-MAIN ELECTRONICS EQPT CTR (COOLING PACK TEMPERATURE INDICATION ONLY) | 002004 006100 107107 121503 904999 | |
| - 2 | 284N1307-33 | | EQUIPMENT INSTL-MAIN ELECTRONICS EQPT CTR (COOLING PACK TEMPERATURE INDICATION ONLY) FOR NHA/OTHER SYS DET SEE: 24-00-58-01 | 107107 | RF |
| - 3 | 284N1800-16 | | EQUIPMENT INSTL-MAIN ELECTRONICS EQPT CTR (COOLING PACK TEMPERATURE INDICATION ONLY) FOR NHA/OTHER SYS DET SEE: 24-00-58-01 | 121503 904949 | RF |
| - 4 | 284N1800-32 | | EQUIPMENT INSTL-MAIN ELECTRONICS EQPT CTR (COOLING PACK TEMPERATURE INDICATION ONLY) FOR NHA/OTHER SYS DET SEE: 24-00-58-01 | 952999 | RF |
| - 4 | 284N1800-34 | | EQUIPMENT INSTL-MAIN ELECTRONICS EQPT CTR (COOLING PACK TEMPERATURE INDICATION ONLY) FOR NHA/OTHER SYS DET SEE: 24-00-58-01 | 002004 006100 | RF |
| - 4 | 284N1800-38 | | EQUIPMENT INSTL-MAIN ELECTRONICS EQPT CTR (COOLING PACK TEMPERATURE INDICATION ONLY) | 950951 | RF |
| 10 | 11199-4 | | .PROCESSOR UNIT-PACK FLOW SUPPLIER CODE: V07148 ELECTRICAL EQUIP NUMBER: M00916 COMPONENT MAINT MANUAL REF: 21-25-02 | 002004 006100 107107 121503 904999 | 1 |
| 10 | 11199-3 | | .PROCESSOR UNIT-PACK FLOW SUPPLIER CODE: V07148 ELECTRICAL EQUIP NUMBER: M00916 COMPONENT MAINT MANUAL REF: 21-25-02 | 002004 006100 107107 121503 904999 | 1 |

MISSING ITEM NUMBERS NOT APPLICABLE

- ITEM NOT ILLUSTRATED

21-52-04-01

21-52-04
FIG. 01
PAGE 1
JAN 20/09

BRI



757

PARTS CATALOG (MAINTENANCE)

| FIG ITEM | PART NUMBER | 1 2 3 4 5 6 7 | NOMENCLATURE | EFFECT FROM TO | UNITS PER ASSY |
|----------|--------------|---------------|--|--|----------------|
| 1 | | | | | |
| 50 | 35276 | | .. LABEL-CAUTION SUPPLIER CODE: V07148 OPTIONAL PART: BAC27TEX3263 | 002004 006100 107107 121503 904999 | 1 |
| 50 | BAC27TEX3263 | | .. DECAL-CAUTION OPTIONAL PART: 35276 V07148 | 002004 006100 107107 121503 904999 | 1 |
| 55 | 33060 | | .. PLATE-WIRING SUPPLIER CODE: V07148 | 002004 006100 107107 121503 904999 | 1 |
| 60 | 33346-1 | | .. PLATE-CAUTION SUPPLIER CODE: V07148 | 002004 006100 107107 121503 904999 | 1 |
| 65 | 33133 | | .. PLATE-IDENT SUPPLIER CODE: V07148 | 002004 006100 107107 121503 904999 | 1 |
| 70 | MS39087-6 | | .. HANDLE | 002004 006100 107107 121503 904999 | 1 |
| 75 | MS51958-63 | | ATTACHING PARTS .. SCREW | 002004 006100 107107 121503 904999 | 2 |
| 80 | MS15795-808 | | .. WASHER | 002004 006100 107107 121503 904999 | 2 |
| 85 | MS35338-138 | | .. WASHER | 002004 006100 107107 121503 904999 | 2 |
| | | | -----* | | |

MISSING ITEM NUMBERS NOT APPLICABLE

- ITEM NOT ILLUSTRATED

BRI

21-52-04-01

BOEING PROPRIETARY - Copyright © - Unpublished Work - See title page for details.

21-52-04
FIG. 01
PAGE 2
JAN 20/09



757

PARTS CATALOG (MAINTENANCE)

| FIG ITEM | PART NUMBER | 1 2 3 4 5 6 7 | NOMENCLATURE | EFFECT FROM TO | UNITS PER ASSY |
|----------|--------------------|---------------|---|--|----------------|
| 1 | 90 NAS622CT2 | | .. HOOK | 002004 006100 107107 121503 904999 | 1 |
| | 95 MS24693-28B | | ATTACHING PARTS .. SCREW | 002004 006100 107107 121503 904999 | 2 |
| | 100 33097 | | .. NUT PLATE- SUPPLIER CODE: V07148 | 002004 006100 107107 121503 904999 | 1 |
| - 300 | 286N1275-002 | | -----*----- WIRE BUNDLE ASSY- REWORKED BY SB: 31-0059 REWORKED BY ALERT SB: 34A022 | 107107 | RF |
| - 300 | 286N1275-004 | | WIRE BUNDLE ASSY- REWORKED BY SB: 31-0059 REWORKED BY ALERT SB: 34A022 | 121503 904949 | RF |
| - 300 | 286N1275-011 | | WIRE BUNDLE ASSY- REWORKED BY SB: 31-0059 34-0200 REWORKED BY ALERT SB: 34A022 | 002004 006100 950999 | RF |
| | 305 BACC66F11C1901 | | .CONNECTOR- ELECTRICAL EQUIP NUMBER: D04646 WIRING DIAGRAM REF: 215231 | 002004 006100 950999 | 1 |

MISSING ITEM NUMBERS NOT APPLICABLE

- ITEM NOT ILLUSTRATED

21-52-04-01

21-52-04
FIG. 01
PAGE 3
JAN 20/09

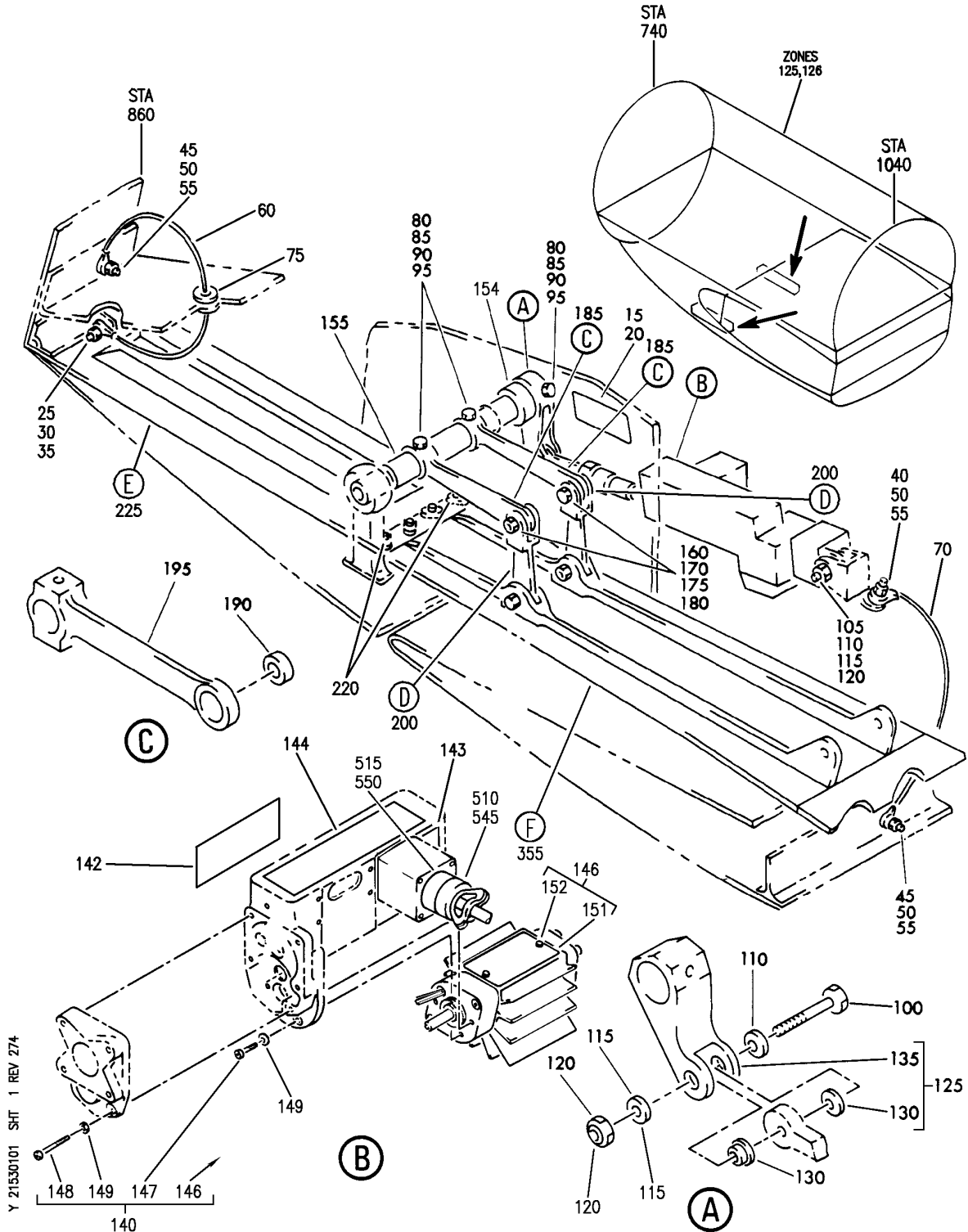
BRI

RAM AIR SYSTEM

BRI
MAY 28/07

21-53-00
SECTION TITLE
PAGE 1

BOEING
757
PARTS CATALOG (MAINTENANCE)



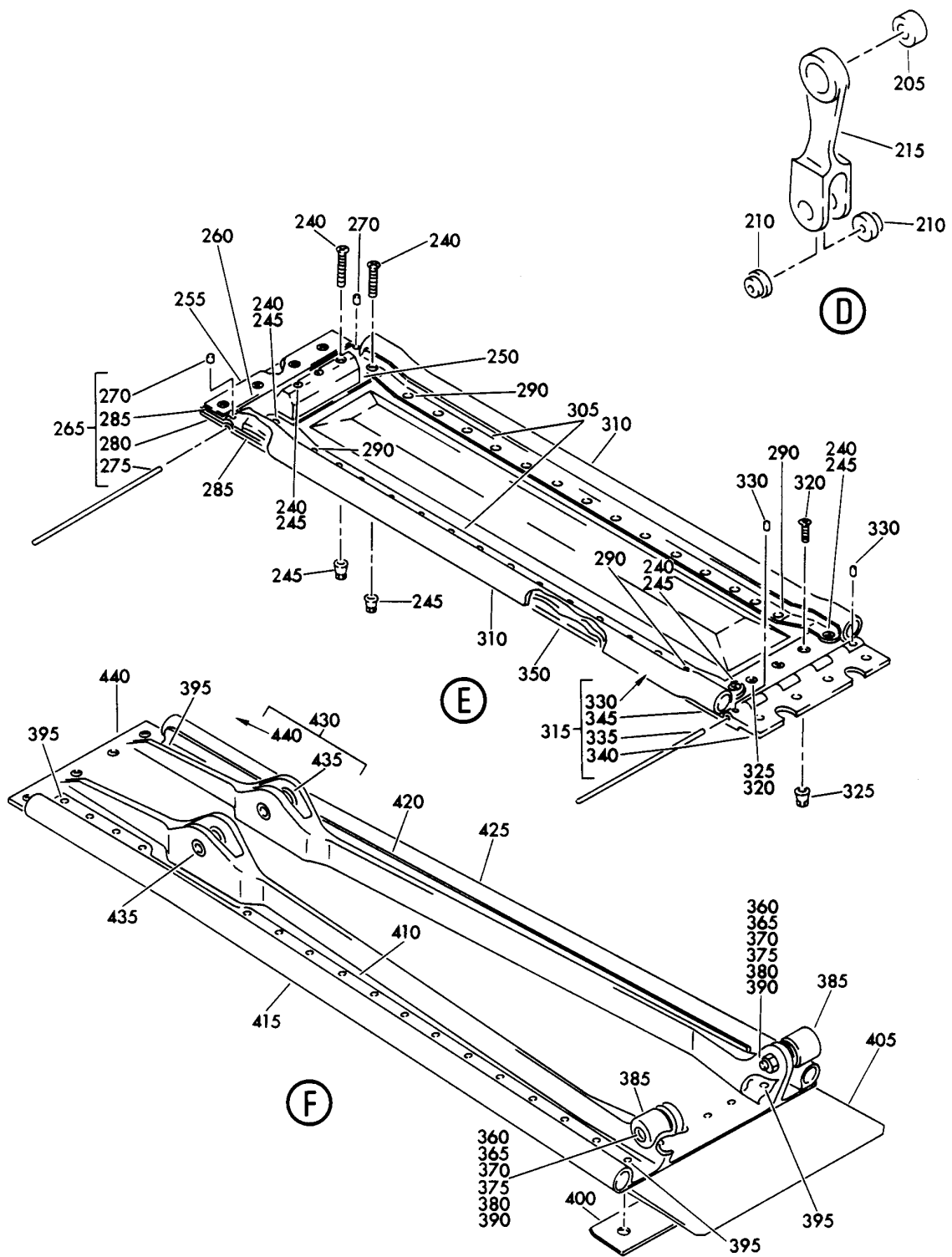
INLET INSTL-RAM AIR HEAT SINK
FIGURE 1 (SHEET 1)

21-53-01-01

BRI
MAY 28/07

21-53-01-01
PAGE 0

BOEING
757
PARTS CATALOG (MAINTENANCE)



Y 21530101 SHT 2 REV 021

INLET INSTL-RAM AIR HEAT SINK
FIGURE 1 (SHEET 2)

21-53-01-01

BRI
MAY 28/07

21-53-01-01
PAGE 0A

 **BOEING**
757
PARTS CATALOG (MAINTENANCE)

| FIG ITEM | PART NUMBER | 1 2 3 4 5 6 7 | NOMENCLATURE | EFFECT FROM TO | UNITS PER ASSY |
|-------------|--------------|---------------|--|--|----------------------|
| 1 | | | INLET INSTL-RAM AIR HEAT SINK | 002004 006102 107107 121999 | |
| - 5 | 213N3001-1 | | INLET INSTL-RAM AIR HEAT SINK POSITION DATA: LH FOR NHA SEE: 21-00-00-01 | 002004 006100 107107 121503 904999 | RF |
| - 5 | 213N3001-5 | | INLET INSTL-RAM AIR HEAT SINK POSITION DATA: LH FOR NHA SEE: 21-00-00-15 | 101102 504903 | RF |
| - 10 | 213N3001-2 | | INLET INSTL-RAM AIR HEAT SINK POSITION DATA: RH FOR NHA SEE: 21-00-00-01 | 002004 006100 107107 121503 904999 | RF |
| - 10 | 213N3001-6 | | INLET INSTL-RAM AIR HEAT SINK POSITION DATA: RH FOR NHA SEE: 21-00-00-15 | 101102 504903 | RF |
| 15 | BAC27NEC0058 | | .MARKER-ALUMINUM FOIL PLACARD CONTENT: RIGHT RECIRC FAN B14-D2590 USED ON: 213N3001-1 213N3001-5 | 002004 006102 107107 121999 | 1 |
| 20 | BAC27NEC0059 | | .MARKER-ALUMINUM FOIL PLACARD CONTENT: RIGHT PACK RAM AIR INLET ACTUATOR M323-D3002 USED ON: 213N3001-2 213N3001-6 | 002004 006102 107107 121999 | 1 |
| 25 | BACS12CK06-5 | | .SCREW- | 002004 006102 107107 121999 | 1 |

MISSING ITEM NUMBERS NOT APPLICABLE

- ITEM NOT ILLUSTRATED

BRI

21-53-01-01

BOEING PROPRIETARY - Copyright © - Unpublished Work - See title page for details.

21-53-01
FIG. 01
PAGE 1
JAN 20/09



757

PARTS CATALOG (MAINTENANCE)

| FIG ITEM | PART NUMBER | 1 2 3 4 5 6 7 | NOMENCLATURE | EFFECT FROM TO | UNITS PER ASSY |
|----------|-------------|---------------|--|--|----------------|
| 1 | | | | | |
| 30 | AN960D6L | . | WASHER- | 002004 006102 107107 121999 | 3 |
| 35 | BRH10C06D | . | NUT- SUPPLIER CODE: V52828 SPECIFICATION NUMBER: BACN10JC06CD OPTIONAL PART: T6C632JCD V11815 NS202486-62 V80539 102LH9075-62W V72962 H51650-06BAC V15653 | 002004 006102 107107 121999 | 1 |
| 40 | BACB30LJ3-2 | . | BOLT | 002004 006100 107107 121503 904999 | 1 |
| 40 | NAS6703-2 | . | BOLT | 101102 504903 | 1 |
| 45 | BACB30LJ3-3 | . | BOLT | 002004 006102 107107 121999 | 2 |
| 45 | NAS6703-3 | . | BOLT | 002004 006102 107107 121999 | 2 |
| 50 | AN960D10L | . | WASHER | 002004 006102 107107 121999 | 9 |

MISSING ITEM NUMBERS NOT APPLICABLE

- ITEM NOT ILLUSTRATED

BRI

21-53-01-01

BOEING PROPRIETARY - Copyright © - Unpublished Work - See title page for details.

21-53-01
FIG. 01
PAGE 2
JAN 20/09



757

PARTS CATALOG (MAINTENANCE)

| FIG ITEM | PART NUMBER | 1 2 3 4 5 6 7 | NOMENCLATURE | EFFECT FROM TO | UNITS PER ASSY |
|----------|-------------|---------------|---|--------------------------------------|----------------|
| 1 | | | | | |
| 55 | BRH10C3D | . | NUT SUPPLIER CODE: V52828 SPECIFICATION NUMBER: BACN10JC3CD OPTIONAL PART: T6C1032JCD V11815 NS202486-02 V80539 102LH9075-3W V72962 H51650-3BAC V15653 | 002004 006102 107107 121999 | 3 |
| 60 | 940CW11-9 | . | JUMPER ASSY SUPPLIER CODE: V91812 SPECIFICATION NUMBER: BACJ40AB11-9 OPTIONAL PART: 100211-9 V1FF12 RBEJ40AB11-9 V1GK47 | 002004 006102 107107 121999 | 1 |
| 70 | 940CW20-16 | . | JUMPER ASSY SUPPLIER CODE: V91812 SPECIFICATION NUMBER: BACJ40AB20-16 OPTIONAL PART: 100220-16 V1FF12 RBEJ40AB20-16 V1GK47 | 002004 006102 107107 121999 | 1 |

MISSING ITEM NUMBERS NOT APPLICABLE

- ITEM NOT ILLUSTRATED

BRI

21-53-01-01

BOEING PROPRIETARY - Copyright © - Unpublished Work - See title page for details.

21-53-01
FIG. 01
PAGE 3
JAN 20/09



757

PARTS CATALOG (MAINTENANCE)

| FIG ITEM | PART NUMBER | 1 2 3 4 5 6 7 | NOMENCLATURE | EFFECT FROM TO | UNITS PER ASSY |
|----------|-----------------|---------------|--|--------------------------------------|----------------|
| 1 | 75 RR2002-2D1A | .GROMMET | SUPPLIER CODE: V57268 SPECIFICATION NUMBER: BACG20AF2D1A OPTIONAL PART: H2D1A V60980 701-2D1A V07096 SZ6924-2D1A V95272 G6940-2D1A V75345 E2D1A V60980 | 002004 006102 107107 121999 | 1 |
| | 75 RR2002-2D1AJ | .GROMMET | SUPPLIER CODE: V57268 SPECIFICATION NUMBER: BACG20AF2D1AJ OPTIONAL PART: H2D1AJ V60980 701-2D1AJ V07096 SZ6924-2D1AJ V95272 G6940-2D1AJ V75345 E2D1AJ V60980 | 002004 006102 107107 121999 | 1 |
| 80 | BACB30NM4K24 | .BOLT | | 002004 006102 107107 121999 | 3 |
| 85 | BACW10BP4CD | .WASHER | | 002004 006102 107107 121999 | 3 |
| 90 | BACW10BP4DP | .WASHER | | 002004 006102 107107 121999 | 3 |

MISSING ITEM NUMBERS NOT APPLICABLE

- ITEM NOT ILLUSTRATED

21-53-01-01

21-53-01
FIG. 01
PAGE 4
JAN 20/09

BRI



757

PARTS CATALOG (MAINTENANCE)

| FIG ITEM | PART NUMBER | 1 2 3 4 5 6 7 | NOMENCLATURE | EFFECT FROM TO | UNITS PER ASSY |
|----------|--------------|------------------|--|--------------------------------------|----------------|
| 1 | 95 BRH10C4D | .NUT | SUPPLIER CODE: V52828 SPECIFICATION NUMBER: BACN10JC4CD OPTIONAL PART: T6C428JCD V11815 NS202486-048 V80539 102LH9075-4W V72962 H51650-4BAC V15653 | 002004 006102 107107 121999 | 3 |
| 100 | BACB30NM5K13 | .BOLT | | 002004 006102 107107 121999 | 1 |
| 105 | BACB30NM5K15 | .BOLT | | 002004 006102 107107 121999 | 1 |
| 110 | BACW10BP5CD | .WASHER | | 002004 006102 107107 121999 | 2 |
| 115 | BACW10BP5DP | .WASHER | | 002004 006102 107107 121999 | 2 |
| 120 | BRH10C5D | .NUT | SUPPLIER CODE: V52828 SPECIFICATION NUMBER: BACN10JC5CD OPTIONAL PART: T6C524JCD V11815 102LH9075-5W V72962 H51650-5BAC V15653 | 002004 006102 107107 121999 | 2 |
| 125 | 213N3049-1 | .BELLCRANK ASSY- | COMPONENT MAINT MANUAL REF: 21-53-20 | 002004 006102 107107 121999 | 1 |

MISSING ITEM NUMBERS NOT APPLICABLE

- ITEM NOT ILLUSTRATED

BRI

21-53-01-01

BOEING PROPRIETARY - Copyright © - Unpublished Work - See title page for details.

21-53-01
FIG. 01
PAGE 5
JAN 20/09



757

PARTS CATALOG (MAINTENANCE)

| FIG ITEM | PART NUMBER | 1 2 3 4 5 6 7 | NOMENCLATURE | EFFECT FROM TO | UNITS PER ASSY |
|--------------------------------------|-------------|---------------|--|--------------------------------------|----------------|
| R R R R R R R R | 130 | BACB28X5E011 | .. BUSHING | 002004 006102 107107 121999 | 2 |
| | 135 | 213N3049-2 | .. CRANK | 002004 006102 107107 121999 | 1 |
| | 140 | 2022432-3 | .ACTUATOR ASSY-DOOR (SERIES 1 AND 2) SUPPLIER CODE: V70210 SPECIFICATION NUMBER: S210T130-40 ELECTRICAL EQUIP NUMBER: M00322 M00323 COMPONENT MAINT MANUAL REF: 21-53-16 | 002004 006102 107107 121999 | 1 |
| | 140 | 2022432-1 | .ACTUATOR ASSY-DOOR (SERIES 1 AND 2) SUPPLIER CODE: V70210 SPECIFICATION NUMBER: S210T130-9 ELECTRICAL EQUIP NUMBER: M00322 M00323 COMPONENT MAINT MANUAL REF: 21-53-16 OPTIONAL PART: 2022432-4 V70210 | 002004 006102 107107 121999 | 1 |

MISSING ITEM NUMBERS NOT APPLICABLE

- ITEM NOT ILLUSTRATED

21-53-01-01

21-53-01
FIG. 01
PAGE 6
MAY 20/09

BRI



757

PARTS CATALOG (MAINTENANCE)

| FIG ITEM | PART NUMBER | 1 2 3 4 5 6 7 | NOMENCLATURE | EFFECT FROM TO | UNITS PER ASSY |
|----------|-------------|---------------|--|--------------------------------------|----------------|
| 1 140 | 2022432-4 | | .ACTUATOR ASSY-DOOR (SERIES 1 AND 2) SUPPLIER CODE: V70210 FUNCTIONAL DESCRIPTION: ACTUATORS OPERATE THE RAM AIR INLET AND EXHAUST DOOR SPECIFICATION NUMBER: S210T130-56 ELECTRICAL EQUIP NUMBER: M00322 M00323 COMPONENT MAINT MANUAL REF: 21-53-16 OPTIONAL PART: 2022432-1 V70210 | 002004 006102 107107 121999 | 1 |
| 142 | 2047150-1 | | ..PLATE-ID (SERIES 1) SUPPLIER CODE: V70210 USED ON: 2022432-1 | 002004 006102 107107 121999 | 1 |
| 142 | 2047150-2 | | ..PLATE-ID (SERIES 2) SUPPLIER CODE: V70210 USED ON: 2022432-1 | 002004 006102 107107 121999 | 1 |
| 142 | 2047150-5 | | ..PLATE-AD (SERIES 1) SUPPLIER CODE: V70210 USED ON: 2022432-3 | 002004 006102 107107 121999 | 1 |
| 142 | 2047150-6 | | ..PLATE-ID (SERIES 2) SUPPLIER CODE: V70210 USED ON: 2022432-3 | 002004 006102 107107 121999 | 1 |
| 142 | 2047150-7 | | ..PLATE-ID (SERIES 1) SUPPLIER CODE: V70210 USED ON: 2022432-4 | 002004 006102 107107 121999 | 1 |

MISSING ITEM NUMBERS NOT APPLICABLE

- ITEM NOT ILLUSTRATED

21-53-01-01

21-53-01
FIG. 01
PAGE 7
JAN 20/09

BRI



757

PARTS CATALOG (MAINTENANCE)

| FIG ITEM | PART NUMBER | 1 2 3 4 5 6 7 | NOMENCLATURE | EFFECT FROM TO | UNITS PER ASSY |
|----------|---------------|---------------|---|--------------------------------------|----------------|
| 1 | | | | | |
| 142 | 2047150-8 | .. | PLATE-ID (SERIES 2) SUPPLIER CODE: V70210 USED ON: 2022432-4 | 002004 006102 107107 121999 | 1 |
| 143 | 2047161-1 | .. | LABEL-SWITCH ADJUSMENT SUPPLIER CODE: V70210 | 002004 006102 107107 121999 | 1 |
| 144 | 2047162-1 | .. | LABEL-WIRING DIAGRAM SUPPLIER CODE: V70210 | 002004 006102 107107 121999 | 1 |
| 146 | 516534-2 | .. | MOTOR-AC SUPPLIER CODE: V70210 COMPONENT MAINT MANUAL REF: 21-53-18 USED ON: 2022432-3 2022432-4 | 002004 006102 107107 121999 | 1 |
| 146 | 516534-1 | .. | MOTOR-AC SUPPLIER CODE: V70210 COMPONENT MAINT MANUAL REF: 21-53-18 USED ON: 2022432-1 ATTACHING PARTS | 002004 006102 107107 121999 | 1 |
| 147 | NAS1352-08H6 | .. | SCREW | 002004 006102 107107 121999 | 2 |
| 148 | NAS1352-08H16 | .. | SCREW | 002004 006102 107107 121999 | 2 |
| 149 | NAS620-8L | .. | WASHER | 002004 006102 107107 121999 | 4 |
| 151 | 2045081-1 | --- | *----- ...STUD-IDENT SUPPLIER CODE: V04169 | 002004 006102 107107 121999 | 1 |

MISSING ITEM NUMBERS NOT APPLICABLE

- ITEM NOT ILLUSTRATED

21-53-01-01

21-53-01
FIG. 01
PAGE 8
JAN 20/09

BRI

BOEING PROPRIETARY - Copyright © - Unpublished Work - See title page for details.



757

PARTS CATALOG (MAINTENANCE)

| FIG ITEM | PART NUMBER | 1 2 3 4 5 6 7 | NOMENCLATURE | EFFECT FROM TO | UNITS PER ASSY |
|----------|--------------|---------------|---|--------------------------------------|----------------|
| 1 | | | | | |
| 151 | 2043988-1 | | ... PLATE-IDENT SUPPLIER CODE: V70210 | 002004 006102 107107 121999 | 1 |
| 152 | MS35206-201 | | ATTACHING PARTS ... SCREW | 002004 006102 107107 121999 | 2 |
| 154 | 213T3704-1 | | -----*----- . SPACER | 002004 006102 107107 121999 | 1 |
| 155 | 213N3043-1 | | . TUBE-TORQUE | 002004 006102 107107 121999 | 1 |
| 155 | 213N3043-2 | | . TUBE-TORQUE | 002004 006102 107107 121999 | 1 |
| 160 | BACB30NM5K12 | | . BOLT | 002004 006102 107107 121999 | 2 |
| 165 | BACB30NM5K17 | | . BOLT- | 002004 006102 107107 121999 | 2 |
| 170 | BACW10BP5CD | | . WASHER- | 002004 006102 107107 121999 | 4 |
| 175 | BACW10BP5DP | | . WASHER- | 002004 006102 107107 121999 | 4 |

MISSING ITEM NUMBERS NOT APPLICABLE

- ITEM NOT ILLUSTRATED

BRI

21-53-01-01

21-53-01
FIG. 01
PAGE 9
JAN 20/09

BOEING
757
PARTS CATALOG (MAINTENANCE)

| FIG ITEM | PART NUMBER | 1 2 3 4 5 6 7 | NOMENCLATURE | EFFECT FROM TO | UNITS PER ASSY |
|----------|-------------|---------------|--|--------------------------------------|----------------|
| 1 | | | | | |
| 180 | BRH10C5D | . | NUT- SUPPLIER CODE: V52828 SPECIFICATION NUMBER: BACN10JC5CD OPTIONAL PART: T6C524JCD V11815 102LH9075-5W V72962 H51650-5BAC V15653 | 002004 006102 107107 121999 | 4 |
| R | 185 | 213N3042-1 | .LINK ASSY-DOOR TORQUE SHAFT ACTR COMPONENT MAINT MANUAL REF: 21-53-20 | 002004 006102 107107 121999 | 2 |
| R | 185 | 213N3042-4 | .LINK ASSY- COMPONENT MAINT MANUAL REF: 21-53-20 | 002004 006102 107107 121999 | 2 |
| R | 190 | KP5AFS428 | ..BEARING SUPPLIER CODE: V06144 SPECIFICATION NUMBER: BACB10BX5 OPTIONAL PART: KP5A2TS V43991 LLKP5A V38443 KP5AG27 V30163 KP5A V38443 KP5ALY196 V40920 KP5ASD610 V83086 CS205E VK8455 KP5A V21760 KP5ANJC V06144 | 002004 006102 107107 121999 | 1 |
| R | 195 | 213N3042-2 | ..LINK- USED ON: 213N3042-1 | 002004 006102 107107 121999 | 1 |

MISSING ITEM NUMBERS NOT APPLICABLE

— ITEM NOT ILLUSTRATED

21-53-01-01

21-53-01
FIG. 01
PAGE 10
MAY 20/09

BRI



757

PARTS CATALOG (MAINTENANCE)

| FIG ITEM | PART NUMBER | 1 2 3 4 5 6 7 | NOMENCLATURE | EFFECT FROM TO | UNITS PER ASSY |
|----------|--------------|---------------|--|--------------------------------------|----------------|
| 1 | | | | | |
| 195 | 213N3042-5 | .. | LINK- USED ON: 213N3042-4 USED ON: 213N3042-5 | 002004 006102 107107 121999 | 1 |
| 200 | 213N3041-1 | .LINK | ASSY-DOOR ATTACHING COMPONENT MAINT MANUAL REF: 21-53-20 OPTIONAL PART: 213N3041-4 | 002004 006102 107107 121999 | 2 |
| 200 | 213N3041-4 | .LINK | ASSY- COMPONENT MAINT MANUAL REF: 21-53-20 OPTIONAL PART: 213N3041-1 | 002004 006102 107107 121999 | 2 |
| 205 | WC5-1DM | .. | BEARING SUPPLIER CODE: V56644 SPECIFICATION NUMBER: BACB10X4MT OPTIONAL PART: AW5CRG12 V15860 BSSR5553EC2 V81376 HU5-136M V02758 KWB5CRGD5 V97613 WS5E2 V73134 55304M V09455 ABW5-5-12 VS0352 | 002004 006102 107107 121999 | 1 |
| 210 | BACB28X5C012 | .. | BUSHING | 002004 006102 107107 121999 | 2 |
| 215 | 213N3041-2 | .. | LINK- USED ON: 213N3041-1 | 002004 006102 107107 121999 | 1 |
| 215 | 213N3041-5 | .. | LINK- USED ON: 213N3041-4 USED ON: 213N3041-5 | 002004 006102 107107 121999 | 1 |

MISSING ITEM NUMBERS NOT APPLICABLE

- ITEM NOT ILLUSTRATED

BRI

21-53-01-01

21-53-01
FIG. 01
PAGE 11
MAY 20/09



757

PARTS CATALOG (MAINTENANCE)

| FIG ITEM | PART NUMBER | 1 2 3 4 5 6 7 | NOMENCLATURE | EFFECT FROM TO | UNITS PER ASSY |
|----------|-------------|---------------|--|--------------------------------------|----------------|
| 1 | | | | | |
| 220 | BACB30NN3K4 | . | BOLT- | 002004 006102 107107 121999 | 4 |
| 225 | 213N3023-1 | . | DOOR ASSY- POSITION DATA: FWD | 002004 006102 107107 121999 | 1 |
| - 230 | BACB30NM3K5 | . | BOLT- OPTIONAL PART: BACB30NR3K5 | 002004 006102 107107 121999 | 4 |
| - 230 | BACB30NR3K5 | . | BOLT- OPTIONAL PART: BACB30NM3K5 | 002004 006102 107107 121999 | 4 |
| - 235 | HL79-6 | . | COLLAR SUPPLIER CODE: V5M902 SPECIFICATION NUMBER: BACC30M6 OPTIONAL PART: HL79-6 V73197 HL79-6 V92215 66014-6 V56878 HL79-6 V56878 -----* | 002004 006102 107107 121999 | 4 |

MISSING ITEM NUMBERS NOT APPLICABLE

- ITEM NOT ILLUSTRATED

BRI

21-53-01-01

BOEING PROPRIETARY - Copyright © - Unpublished Work - See title page for details.

21-53-01
FIG. 01
PAGE 12
MAY 20/09



757

PARTS CATALOG (MAINTENANCE)

| FIG ITEM | PART NUMBER | 1 2 3 4 5 6 7 | NOMENCLATURE | EFFECT FROM TO | UNITS PER ASSY |
|----------|-------------|---------------|---|--------------------------------------|----------------|
| 1 240 | HL19PB5-6 | | .. BOLT SUPPLIER CODE: V60516 SPECIFICATION NUMBER: BACB30FN5-6 OPTIONAL PART: HL19PB5-6 V73197 HL19PB5-6 V92215 HL19PB5-6 V97928 62547-5-6 V56878 HL19PB5-6 V80539 HL19PB5-6 V08524 HL19PB5-6 V56878 L839-5-6 V06725 HL19PB5-6 V56878 | 002004 006102 107107 121999 | 7 |
| 245 | HL70-5 | | .. COLLAR SUPPLIER CODE: V5M902 SPECIFICATION NUMBER: BACC30M5 OPTIONAL PART: HL70-5 V73197 HL70-5 V92215 66014-5 V56878 HL70-5 V56878 | 002004 006102 107107 121999 | 7 |
| 250 | 213N3023-7 | | .. RETAINER-SEAL | 002004 006102 107107 121999 | 1 |
| 255 | 213N3023-6 | | .. RETAINER-SEAL | 002004 006102 107107 121999 | 1 |

MISSING ITEM NUMBERS NOT APPLICABLE

- ITEM NOT ILLUSTRATED

BRI

21-53-01-01

BOEING PROPRIETARY - Copyright © - Unpublished Work - See title page for details.

21-53-01
FIG. 01
PAGE 13
JAN 20/09



757

PARTS CATALOG (MAINTENANCE)

| FIG ITEM | PART NUMBER | 1 2 3 4 5 6 7 | NOMENCLATURE | EFFECT FROM TO | UNITS PER ASSY |
|----------|---------------|---------------|---|--------------------------------------|----------------|
| 1 | | | | | |
| 260 | 213N3023-5 | .. | SEAL | 002004 006102 107107 121999 | 1 |
| 265 | 213N3027-1 | .. | HINGE ASSY | 002004 006102 107107 121999 | 1 |
| 270 | MS51923-187 | ... | PIN | 002004 006102 107107 121999 | 2 |
| 275 | MS20253P4-450 | ... | PIN | 002004 006102 107107 121999 | 1 |
| 280 | 213N3027-2 | ... | HINGE | 002004 006102 107107 121999 | 1 |
| 285 | 213N3027-3 | ... | HINGE | 002004 006102 107107 121999 | 1 |
| 290 | BACR15BA4B | .. | RIVET- SIZE DETERMINED ON INSTL. | 002004 006102 107107 121999 | 28 |
| 305 | 213N3023-4 | .. | RETAINER-SEAL | 002004 006102 107107 121999 | 2 |
| 310 | 213N3023-8 | .. | SEAL-AERODYN MANUFACTURED FROM: EXTR RUBBER | 002004 006102 107107 121999 | 2 |
| 315 | 213N3040-1 | .. | HINGE ASSY 10-60754-39 X 17.9 IN. | 002004 006102 107107 121999 | 1 |

MISSING ITEM NUMBERS NOT APPLICABLE

- ITEM NOT ILLUSTRATED

BRI

21-53-01-01

BOEING PROPRIETARY - Copyright © - Unpublished Work - See title page for details.

21-53-01
FIG. 01
PAGE 14
JAN 20/09



757

PARTS CATALOG (MAINTENANCE)

| FIG ITEM | PART NUMBER | 1 2 3 4 5 6 7 | NOMENCLATURE | EFFECT FROM TO | UNITS PER ASSY |
|----------|---------------|---------------|--|--------------------------------------|----------------|
| 1 | | | ATTACHING PARTS | | |
| 320 | HL19PB5-5 | | ..BOLT SUPPLIER CODE: V60516 SPECIFICATION NUMBER: BACB30FN5-5 OPTIONAL PART: HL19PB5-5 V73197 HL19PB5-5 V92215 HL19PB5-5 V97928 62547-5-5 V56878 HL19PB5-5 V80539 HL19PB5-5 V08524 HL19PB5-5 V56878 L839-5-5 V06725 HL19PB5-5 V56878 | 002004 006102 107107 121999 | 3 |
| 325 | HL70-5 | | ..COLLAR SUPPLIER CODE: V5M902 SPECIFICATION NUMBER: BACC30M5 OPTIONAL PART: HL70-5 V73197 HL70-5 V92215 66014-5 V56878 HL70-5 V56878 | 002004 006102 107107 121999 | 3 |
| 330 | MS51923-187 | | -----*----- ...PIN | 002004 006102 107107 121999 | 2 |
| 335 | MS20253P4-450 | | ...PIN | 002004 006102 107107 121999 | 1 |

MISSING ITEM NUMBERS NOT APPLICABLE

- ITEM NOT ILLUSTRATED

21-53-01-01

21-53-01
FIG. 01
PAGE 15
JAN 20/09

BRI



757

PARTS CATALOG (MAINTENANCE)

| FIG ITEM | PART NUMBER | 1 2 3 4 5 6 7 | NOMENCLATURE | EFFECT FROM TO | UNITS PER ASSY |
|----------|-------------|---------------|-------------------------------------|--------------------------------------|----------------|
| 1 | | | | | |
| 340 | 213N3040-2 | ... | HINGE | 002004 006102 107107 121999 | 1 |
| 345 | 213N3040-3 | ... | HINGE | 002004 006102 107107 121999 | 1 |
| 350 | 213N3023-2 | .. | BOND ASSY-PNL | 002004 006102 107107 121999 | 1 |
| 355 | 213N3024-1 | . | DOOR ASSY- POSITION DATA: AFT | 002004 006102 107107 121999 | 1 |
| 360 | NAS679A4W | .. | NUT | 002004 006102 107107 121999 | 2 |
| 365 | AN960PD416 | .. | WASHER | 002004 006102 107107 121999 | 2 |
| 370 | AN960PD616 | .. | WASHER | 002004 006102 107107 121999 | 2 |
| 375 | AN960PD616L | .. | WASHER | 002004 006102 107107 121999 | 2 |
| 380 | NAS75-4-019 | .. | BUSHING | 002004 006102 107107 121999 | 2 |
| 385 | 69-38754-5 | .. | ROLLER | 002004 006102 107107 121999 | 2 |
| 390 | NAS623-4-14 | .. | SCREW | 002004 006102 107107 121999 | 2 |
| 395 | BACR15BA4B | .. | RIVET- SIZE DETERMINED ON INSTL. | 002004 006102 107107 121999 | 38 |

MISSING ITEM NUMBERS NOT APPLICABLE

- ITEM NOT ILLUSTRATED

BRI

21-53-01-01

BOEING PROPRIETARY - Copyright © - Unpublished Work - See title page for details.

21-53-01
FIG. 01
PAGE 16
JAN 20/09



757

PARTS CATALOG (MAINTENANCE)

| FIG ITEM | PART NUMBER | 1 2 3 4 5 6 7 | NOMENCLATURE | EFFECT FROM TO | UNITS PER ASSY |
|----------|--------------|---------------|--|--------------------------------------|----------------|
| 1 | | | | | |
| 400 | 213N3039-1 | .. | STRIP-CAP | 002004 006102 107107 121999 | 1 |
| 405 | 213N3030-1 | .. | SEAL | 002004 006102 107107 121999 | 1 |
| 410 | 213N3024-5 | .. | RETAINER-SEAL | 002004 006102 107107 121999 | 1 |
| 415 | 213N3024-3 | .. | SEAL- MANUFACTURED FROM: EXTRUDED RUBBER 10-60754-39 X 23.0 IN. | 002004 006102 107107 121999 | 1 |
| 420 | 213N3024-6 | .. | RETAINER-SEAL | 002004 006102 107107 121999 | 1 |
| 425 | 213N3024-4 | .. | SEAL- MANUFACTURED FROM: EXTRUDED RUBBER 10-60754-39 X 23.0 IN. | 002004 006102 107107 121999 | 1 |
| 430 | 213N3026-1 | .. | DOOR ASSY-MODULATING OPTIONAL PART: 213N3026-4 | 002004 006102 107107 121999 | 1 |
| 430 | 213N3026-4 | .. | DOOR ASSY-MODULATING OPTIONAL PART: 213N3026-1 | 002004 006102 107107 121999 | 1 |
| 435 | BACB28X5F016 | ... | BUSHING- USED ON: 213N3026-1 | 002004 006102 107107 121999 | 4 |
| 440 | 213N3026-2 | ... | DOOR- USED ON: 213N3026-1 | 002004 006102 107107 121999 | 1 |
| 440 | 213N3026-5 | ... | DOOR- USED ON: 213N3026-4 | 002004 006102 107107 121999 | 1 |
| - 500 | 286N2406-012 | | WIRE BUNDLE ASSY | 107107 121503 904949 | RF |

MISSING ITEM NUMBERS NOT APPLICABLE

- ITEM NOT ILLUSTRATED

BRI

21-53-01-01

21-53-01
FIG. 01
PAGE 17
JAN 20/09



757

PARTS CATALOG (MAINTENANCE)

| FIG ITEM | PART NUMBER | 1 2 3 4 5 6 7 | NOMENCLATURE | EFFECT FROM TO | UNITS PER ASSY |
|----------|---------------|---------------|--|--------------------------------------|----------------|
| 1 | | | | | |
| - 500 | 286N2406-014 | | WIRE BUNDLE ASSY | 002004 006100 950999 | RF |
| 510 | GS3417-16C | | .CLAMP- SUPPLIER CODE: V06324 SPECIFICATION NUMBER: BACC10HF16 OPTIONAL PART: S2125-16-8 V07418 ELECTRICAL EQUIP NUMBER: D02944T WIRING DIAGRAM REF: 215113 | 002004 006102 107107 121999 | 1 |
| 515 | R071016A24SNL | | .CONNECTOR- SUPPLIER CODE: V41118 SPECIFICATION NUMBER: BCREFA1496 OVERLENGTH PART NUMBER: BACC63BP16A24SNL ELECTRICAL EQUIP NUMBER: D02944 WIRING DIAGRAM REF: 215113 | 002004 006102 107107 121999 | 1 |
| - 540 | 286N2506-012 | | WIRE BUNDLE ASSY | 107107 121503 904949 | RF |
| - 540 | 286N2506-014 | | WIRE BUNDLE ASSY | 002004 006100 950999 | RF |
| 545 | GS3418-16CD | | .CLAMP- SUPPLIER CODE: V06324 SPECIFICATION NUMBER: BACC10HG16 OPTIONAL PART: S2126-16-8 V07418 ELECTRICAL EQUIP NUMBER: D03002T WIRING DIAGRAM REF: 215123 | 002004 006102 107107 121999 | 1 |

MISSING ITEM NUMBERS NOT APPLICABLE

- ITEM NOT ILLUSTRATED

BRI

21-53-01-01

BOEING PROPRIETARY - Copyright © - Unpublished Work - See title page for details.

21-53-01
FIG. 01
PAGE 18
JAN 20/09



**757
PARTS CATALOG (MAINTENANCE)**

| FIG ITEM | PART NUMBER | 1 2 3 4 5 6 7 NOMENCLATURE | EFFECT FROM TO | UNITS PER ASSY |
|-------------|---------------|--|--------------------------------------|----------------------|
| 1 550 | R071016A24SNL | .CONNECTOR- SUPPLIER CODE: V41118 SPECIFICATION NUMBER: BCREFA1496 OVERLENGTH PART NUMBER: BACC63BP16A24SNL ELECTRICAL EQUIP NUMBER: D03002 WIRING DIAGRAM REF: 215123 | 002004 006102 107107 121999 | 1 |

MISSING ITEM NUMBERS NOT APPLICABLE

— ITEM NOT ILLUSTRATED

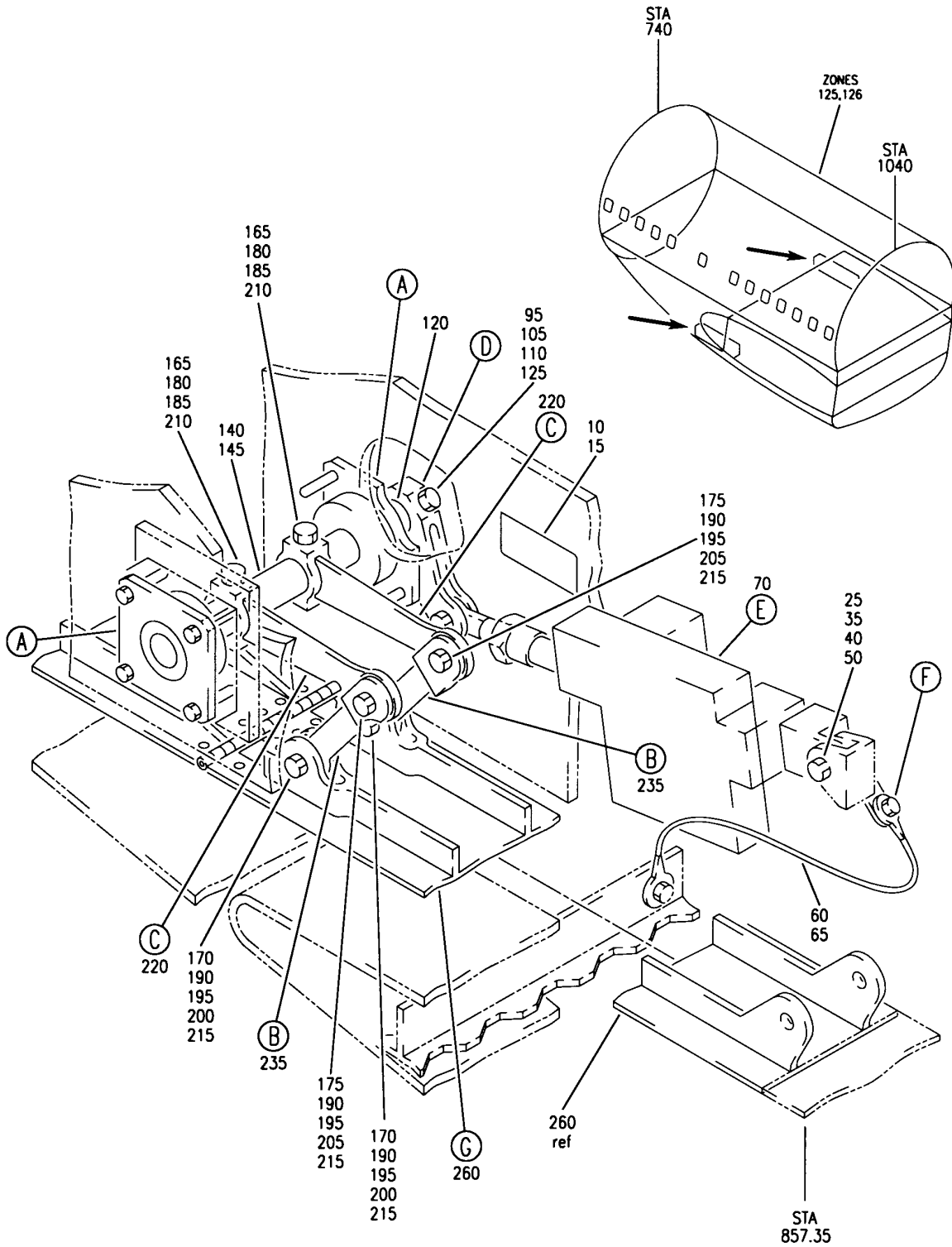
BRI

21-53-01-01

BOEING PROPRIETARY - Copyright © - Unpublished Work - See title page for details.

21-53-01
FIG. 01
PAGE 19
JAN 20/09

BOEING
757
PARTS CATALOG (MAINTENANCE)



Y 21530101A SHT 1 REV 203

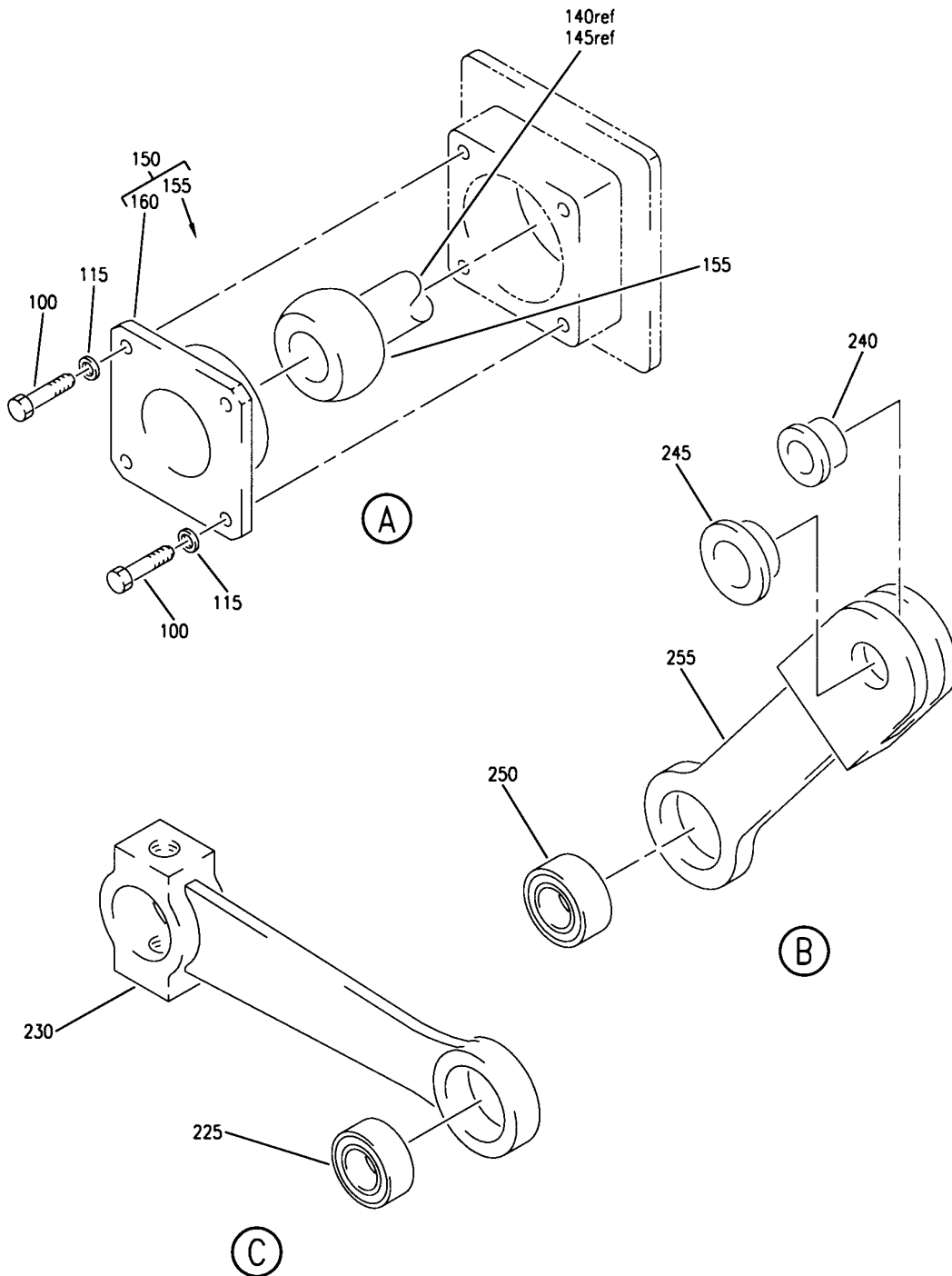
INLET INSTL-RAM AIR HEAT SINK
FIGURE 1A (SHEET 1)

21-53-01-01A

BRI
JAN 20/09

21-53-01-01A
PAGE 0

BOEING
757
PARTS CATALOG (MAINTENANCE)



Y 21530101A SHT 2 REV 203

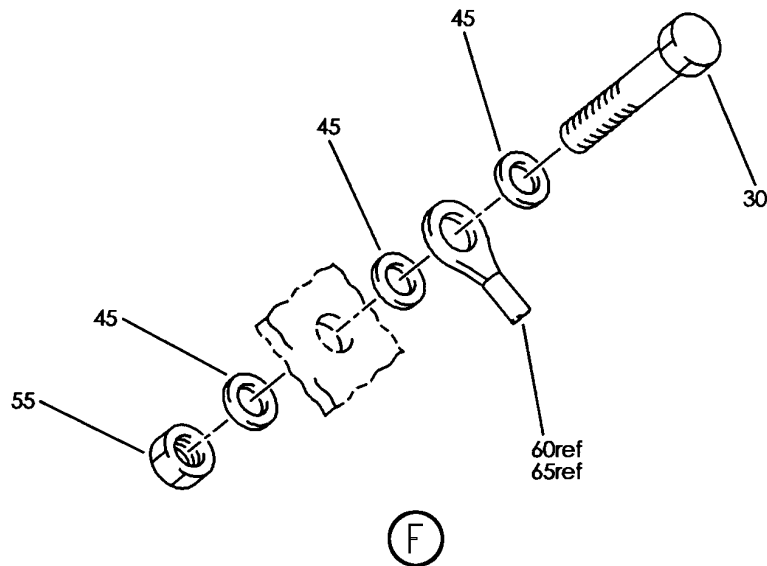
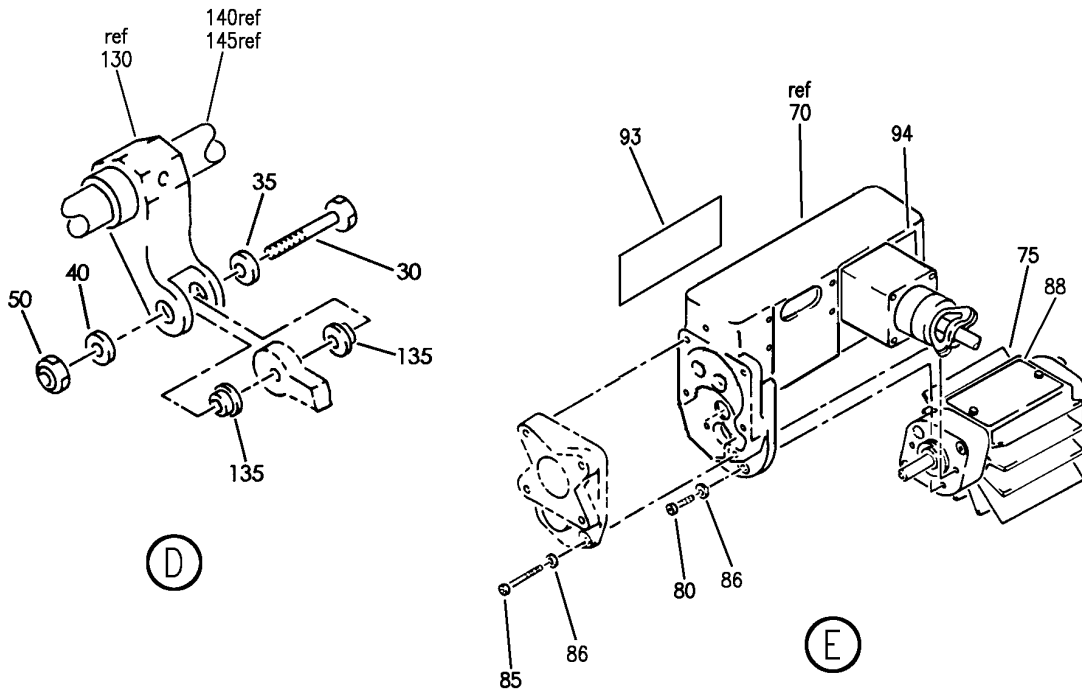
INLET INSTL-RAM AIR HEAT SINK
FIGURE 1A (SHEET 2)

21-53-01-01A

BRI
JAN 20/09

21-53-01-01A
PAGE 0A

BOEING
757
PARTS CATALOG (MAINTENANCE)



Y 21530101A SHT 3 REV 274

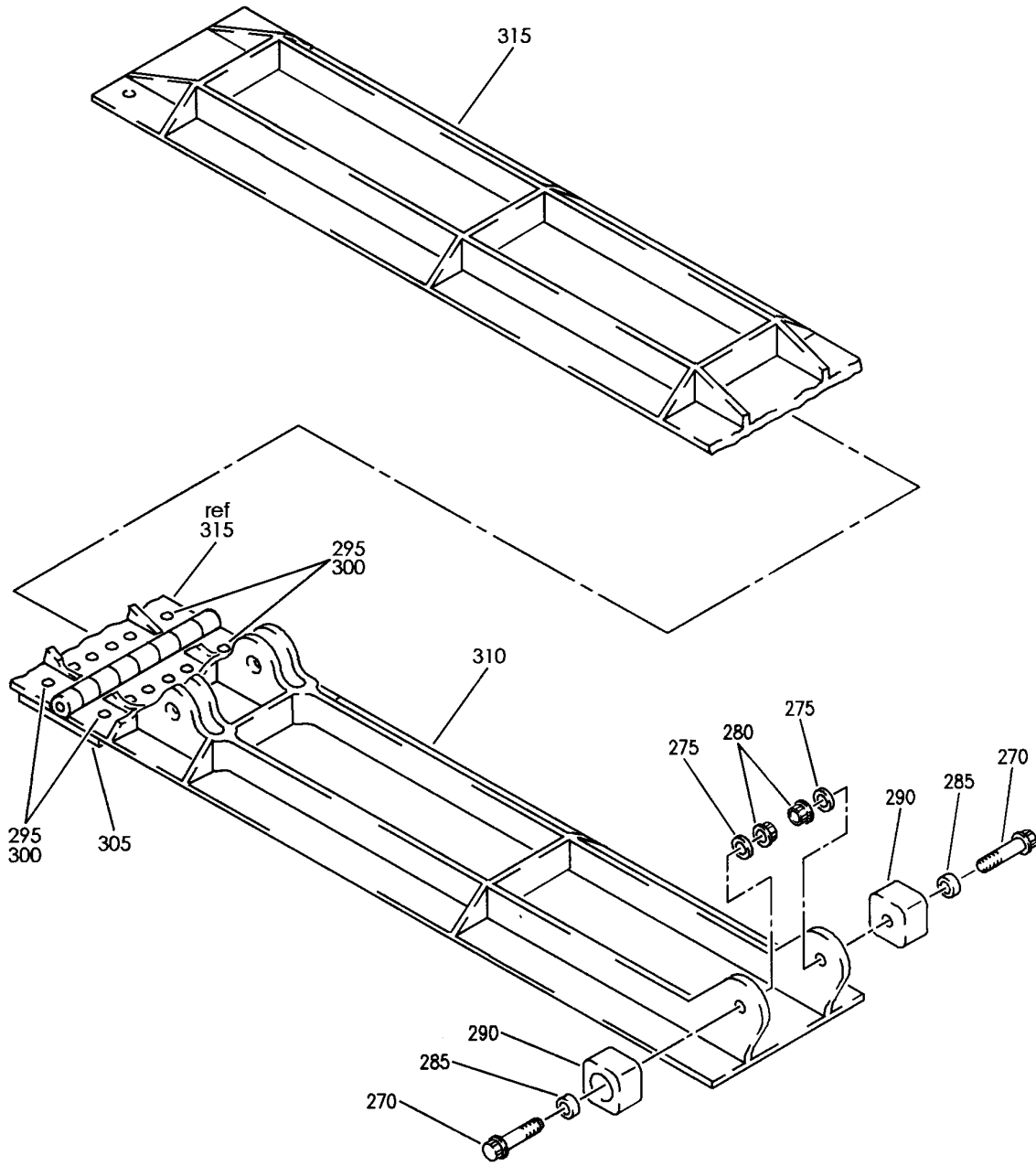
INLET INSTL-RAM AIR HEAT SINK
FIGURE 1A (SHEET 3)

21-53-01-01A

BRI
JAN 20/09

21-53-01-01A
PAGE 0B

BOEING
757
PARTS CATALOG (MAINTENANCE)



(G)

Y 21530101A SHT 4 REV 203

INLET INSTL-RAM AIR HEAT SINK
FIGURE 1A (SHEET 4)

21-53-01-01A

BRI
JAN 20/09

21-53-01-01A
PAGE 0C



757

PARTS CATALOG (MAINTENANCE)

| FIG ITEM | PART NUMBER | 1 2 3 4 5 6 7 | NOMENCLATURE | EFFECT FROM TO | UNITS PER ASSY |
|----------|---------------|---------------|---|------------------|----------------|
| 1 A | | | INLET INSTL-RAM AIR HEAT SINK | 103106 108120 | |
| - 1 | 213N3001-7 | | INLET INSTL-RAM AIR HEAT SINK | 108120 | RF |
| - 1 | MODREF6073 | | FOR NHA SEE: 21-00-00-14 INLET INSTL-RAM AIR HEAT SINK | 103106 | 1 |
| - 5 | 213N3001-8 | | MODULE NUMBER: 213N3001-9 REV A INLET INSTL-RAM AIR HEAT SINK | 108120 | RF |
| - 5 | MODREF6072 | | FOR NHA SEE: 21-00-00-14 INLET INSTL-RAM AIR HEAT SINK | 103106 | 1 |
| 10 | BAC27NEC224 | | MODULE NUMBER: 213N3001-10 REV A .MARKER-FOIL | 103106 108120 | 1 |
| 15 | BAC27NEC225 | | USED ON: 213N3001-8 213N3001-9 MODREF6073 .MARKER-FOIL | 103106 108120 | 1 |
| 20 | NAS6705-13 | | USED ON: 213N3001-7 213N3001-10 MODREF6072 .BOLT- | 108120 | 1 |
| 20 | BACB30LM5-13 | | .BOLT- | 103106 | 1 |
| 25 | NAS6705-14 | | .BOLT- | 108120 | 1 |
| 25 | BACB30LM5-14 | | .BOLT- | 103106 | 1 |
| 30 | NAS6703-2 | | .BOLT- | 108120 | 1 |
| 30 | BACS12GU3K7 | | .SCREW- | 103106 | 1 |
| 35 | BACW10BP5CD | | .WASHER | 103106 108120 | 2 |
| 40 | BACW10BP5DP | | .WASHER | 103106 108120 | 2 |
| 45 | NAS1149D0332J | | .WASHER- | 108120 | 3 |
| 45 | NAS1149D0316H | | .WASHER- | 103106 | 3 |
| 50 | NAS1805-5L | | .NUT | 103106 108120 | 2 |

MISSING ITEM NUMBERS NOT APPLICABLE

- ITEM NOT ILLUSTRATED

21-53-01-01A

21-53-01
FIG. 01A
PAGE 1
JAN 20/09

BRI

BOEING PROPRIETARY - Copyright © - Unpublished Work - See title page for details.



757

PARTS CATALOG (MAINTENANCE)

| FIG ITEM | PART NUMBER | 1 2 3 4 5 6 7 | NOMENCLATURE | EFFECT FROM TO | UNITS PER ASSY |
|----------|-------------|---------------|--|------------------|----------------|
| 1A 55 | PLH53CD | .NUT | SUPPLIER CODE: VF0224 SPECIFICATION NUMBER: BACN10YR3CD OPTIONAL PART: H52732-3CD V15653 | 103106 108120 | 1 |
| 60 | 940CW20-12 | .JUMPER ASSY- | SUPPLIER CODE: V91812 SPECIFICATION NUMBER: BACJ40AB20-12 OPTIONAL PART: 100220-12 V1FF12 RBEJ40AC20-12 V1GK47 USED ON: 213N3001-7 213N3001-9 MODREF6073 | 103106 108120 | 1 |
| 65 | 940CW20-15 | .JUMPER ASSY- | SUPPLIER CODE: V91812 SPECIFICATION NUMBER: BACJ40AB20-15 OPTIONAL PART: 100220-15 V1FF12 OAB20-15 VRBEJ4 USED ON: 213N3001-8 213N3001-10 MODREF6072 | 103106 108120 | 1 |

MISSING ITEM NUMBERS NOT APPLICABLE

- ITEM NOT ILLUSTRATED

21-53-01-01A

21-53-01
FIG. 01A
PAGE 2
JAN 20/09

BRI



757

PARTS CATALOG (MAINTENANCE)

| FIG ITEM | PART NUMBER | 1 2 3 4 5 6 7 | NOMENCLATURE | EFFECT FROM TO | UNITS PER ASSY |
|----------|---------------|--|--------------|------------------|----------------|
| 1A 70 | 2022432-4 | .ACTUATOR ASSY-DOOR (SERIES 1 AND 2) SUPPLIER CODE: V70210 FUNCTIONAL DESCRIPTION: ACTUATORS OPERATE THE RAM AIR INLET AND EXHAUST DOOR SPECIFICATION NUMBER: S210T130-56 COMPONENT MAINT MANUAL REF: 21-53-16 OPTIONAL PART: 2022432-3 V70210 | | 103106 108120 | 1 |
| 75 | 516534-2 | ..MOTOR-AC SUPPLIER CODE: V70210 COMPONENT MAINT MANUAL REF: 21-53-18 USED ON: 2022432-3 2022432-4 ATTACHING PARTS | | 103106 108120 | 1 |
| 80 | NAS1352-08H6 | ..SCREW | | 103106 108120 | 2 |
| 85 | NAS1352-08H16 | ..SCREW | | 103106 108120 | 2 |
| 86 | NAS620-8L | ..WASHER | | 103106 108120 | 4 |
| 88 | 2043988-1 | -----*----- ...PLATE-IDENT SUPPLIER CODE: V70210 | | 103106 108120 | 1 |
| - 92 | 2047150-7 | ..PLATE-ID (SERIES 1) SUPPLIER CODE: V70210 | | 103106 108120 | 1 |
| - 92 | 2047150-8 | ..PLATE-ID (SERIES 2) SUPPLIER CODE: V70210 | | 103106 108120 | 1 |
| 93 | 2047161-1 | ..LABEL-SWITCH ADJUSMENT SUPPLIER CODE: V70210 | | 103106 108120 | 1 |
| 94 | 2047162-1 | ..LABEL-WIRING DIAGRAM SUPPLIER CODE: V70210 | | 103106 108120 | 1 |

MISSING ITEM NUMBERS NOT APPLICABLE

- ITEM NOT ILLUSTRATED

21-53-01-01A

21-53-01
FIG. 01A
PAGE 3
JAN 20/09

BRI

 **BOEING**
757
PARTS CATALOG (MAINTENANCE)

| FIG ITEM | PART NUMBER | 1 2 3 4 5 6 7 | NOMENCLATURE | EFFECT FROM TO | UNITS PER ASSY |
|----------|---------------|---------------|--|------------------|----------------|
| 1A | | | | | |
| 95 | BACB30NM4K23 | . | BOLT | 103106 108120 | 1 |
| 100 | BACB30NT3K3 | . | BOLT | 103106 108120 | 8 |
| 105 | BACW10BP4CD | . | WASHER | 103106 108120 | 1 |
| 110 | BACW10BP4DP | . | WASHER | 103106 108120 | 1 |
| 115 | NAS1149D0363J | . | WASHER | 103106 108120 | 8 |
| 120 | 213T3704-1 | . | SPACER | 103106 108120 | 1 |
| 125 | NAS1805-4 | . | NUT | 103106 108120 | 1 |
| 130 | 213T3703-12 | . | CRANK ASSY-BELL | 103106 108120 | 1 |
| 135 | BACB28X5C010 | .. | BUSHING | 103106 108120 | 2 |
| 140 | 213N3043-3 | . | TUBE-TORQUE TUBING MATERIAL: 1.0 IN. DO X 11.3 IN. WALL 15-5 PH CRES BAR PER AMS 5659 HT TR 125-145 KSI PER BAC5619. USED ON: 213N3001-7 213N3001-9 MODREF6073 | 103106 108120 | 1 |
| 145 | 213N3043-4 | . | TUBE-TORQUE TUBING MATERIAL: 1.0 IN. DO X 11.3 IN. WALL 15-5 PH CRES BAR PER AMS 5659 HT TR 125-145 KSI PER BAC5619. USED ON: 213N3001-8 213N3001-10 MODREF6072 | 103106 108120 | 1 |
| 150 | 69B03738-1 | . | RETAINER ASSY | 103106 108120 | 2 |
| 155 | MS14103-14 | .. | BEARING- OPTIONAL PART: 10-60545-77 | 103106 108120 | 1 |
| 155 | 10-60545-77 | .. | BEARING-SPHERICAL OPTIONAL PART: MS14103-14 | 103106 108120 | 1 |
| 160 | 69B03738-2 | .. | RETAINER | 103106 108120 | 1 |

MISSING ITEM NUMBERS NOT APPLICABLE

— ITEM NOT ILLUSTRATED

BRI

21-53-01-01A

BOEING PROPRIETARY - Copyright © - Unpublished Work - See title page for details.

21-53-01
FIG. 01A
PAGE 4
JAN 20/09



757

PARTS CATALOG (MAINTENANCE)

| FIG ITEM | PART NUMBER | 1 2 3 4 5 6 7 | NOMENCLATURE | EFFECT FROM TO | UNITS PER ASSY |
|-------------|----------------|---------------|--------------|-------------------|----------------------|
| 1 A | | | | | |
| 165 | BACB30NM4K23 | . | BOLT | 103106 108120 | 2 |
| 170 | BACB30LE5K18 | . | BOLT | 103106 108120 | 2 |
| 175 | BACB30LE5K13 | . | BOLT | 103106 108120 | 2 |
| 180 | BACW10BP4CD | . | WASHER | 103106 108120 | 2 |
| 185 | BACW10BP4DP | . | WASHER | 103106 108120 | 2 |
| 190 | BACW10BP5CD | . | WASHER | 103106 108120 | 4 |
| 195 | BACW10BP5DP | . | WASHER | 103106 108120 | 4 |
| 200 | BACB28AK05-037 | . | BUSHING | 103106 108120 | 2 |
| 205 | BACB28AK05-026 | . | BUSHING | 103106 108120 | 2 |
| 210 | NAS1805-4 | . | NUT | 103106 108120 | 2 |

MISSING ITEM NUMBERS NOT APPLICABLE

- ITEM NOT ILLUSTRATED

BRI

21-53-01-01A

BOEING PROPRIETARY - Copyright © - Unpublished Work - See title page for details.

21-53-01
FIG. 01A
PAGE 5
JAN 20/09



757

PARTS CATALOG (MAINTENANCE)

| FIG ITEM | PART NUMBER | 1 2 3 4 5 6 7 | NOMENCLATURE | EFFECT FROM TO | UNITS PER ASSY |
|-----------|--------------|---------------------|---|------------------|----------------|
| 1A 215 | BH00303CM5 | .NUT | SUPPLIER CODE: V27238 SPECIFICATION NUMBER: BACN10HR5CD OPTIONAL PART: H51560-5 V15653 67832CD524 V56878 102LH9031-5 V72962 SL7108C524 V11815 BMN5024CWD35 V97928 SL7108C5 V11815 VCU0005D5 V06710 102LH90315 V72962 BMN10HRCWD3-5 V97928 67832CD5 V56878 CR6030-5 VF0224 67832CD5 V56878 | 103106 108120 | 4 |
| 220 | 213T3011-6 | .LINK ASSY-ACTUATOR | | 103106 108120 | 2 |
| 225 | SSMKP5ASD705 | ..BEARING | SUPPLIER CODE: V83086 SPECIFICATION NUMBER: BACB10FS5 OPTIONAL PART: ACMKP5AP510LY19 V40920 PACMKP5AA3908 V21335 PACMKP5AFS428 V21335 SSMKP5AP V21760 | 103106 108120 | 2 |
| 230 | 213T3011-7 | ..LINK-HOGOUT | | 103106 108120 | 2 |

MISSING ITEM NUMBERS NOT APPLICABLE

- ITEM NOT ILLUSTRATED

21-53-01-01A

21-53-01
FIG. 01A
PAGE 6
JAN 20/09

BRI

BOEING PROPRIETARY - Copyright © - Unpublished Work - See title page for details.



757

PARTS CATALOG (MAINTENANCE)

| FIG ITEM | PART NUMBER | 1 2 3 4 5 6 7 | NOMENCLATURE | EFFECT FROM TO | UNITS PER ASSY |
|----------|-----------------|------------------|---|------------------|----------------|
| 1A | | | | | |
| 235 | 213T3008-4 | .LINK | ASSY-DOOR | 103106 108120 | 2 |
| 240 | BACB28AP05P012 | ..BUSHING | | 103106 108120 | 2 |
| 245 | BACB28AT07B012C | ..BUSHING | | 103106 108120 | 2 |
| 250 | WES05B10GC | ..BEARING | | 103106 108120 | 2 |
| | | | SUPPLIER CODE: V73134 | | |
| | | | SPECIFICATION NUMBER: BACB10FE05C | | |
| | | | OPTIONAL PART: ADW5VNC | | |
| | | | V15860 | | |
| | | | KR5CWGBZC | | |
| | | | V50632 | | |
| | | | KWDB5-39 | | |
| | | | V97613 | | |
| | | | WRRS05B10GC | | |
| | | | V73134 | | |
| | | | WHT05VSBC | | |
| | | | VS0352 | | |
| 255 | 213T3008-5 | ..LINK | | 103106 108120 | 2 |
| 260 | 213N3028-1 | .DOOR ASSY-INLET | | 103106 | 1 |
| | | | COMPONENT MAINT MANUAL REF: 21-53-10 | 108120 | |
| | | | ATTACHING PARTS | | |
| - 265 | BACB30NN3K3 | .BOLT | | 103106 108120 | 6 |
| | | | -----*----- | | |
| 270 | BACB30MR6K17 | ..BOLT- | | 103106 108120 | 2 |
| 275 | NAS1149E0632P | ..WASHER | | 103106 108120 | 12 |
| 280 | NAS1805-6L | ..NUT | | 103106 108120 | 12 |
| 285 | 213U3401-1 | ..SPACER | | 103106 108120 | 12 |
| 290 | 213U3401-3 | ..BLOCK-SLIDER | | 103106 108120 | 12 |

MISSING ITEM NUMBERS NOT APPLICABLE

- ITEM NOT ILLUSTRATED

21-53-01-01A

21-53-01
FIG. 01A
PAGE 7
JAN 20/09

BRI

BOEING PROPRIETARY - Copyright © - Unpublished Work - See title page for details.



757

PARTS CATALOG (MAINTENANCE)

| FIG ITEM | PART NUMBER | 1 2 3 4 5 6 7 | NOMENCLATURE | EFFECT FROM TO | UNITS PER ASSY |
|-----------|-------------|---------------|--|------------------|----------------|
| 1A 295 | HST11AG6-3 | .. | BOLT SUPPLIER CODE: V06725 SPECIFICATION NUMBER: BACB30VU6K3 OPTIONAL PART: HST11AG6-3 V73197 HST11AG6-3 V56878 HST11AG6-3 V0PTK6 | 103106 108120 | 12 |
| 300 | BACC30BL6 | .. | COLLAR SUPPLIER CODE: V73197 SPECIFICATION NUMBER: BACC30BL6 OPTIONAL PART: HST79-6 V92215 HST79CY6 V56878 HST79CY6 V5M902 | 103106 108120 | 12 |
| 305 | 213N3064-2 | .. | HINGE | 103106 108120 | 1 |
| 310 | 213N3029-3 | .. | DOOR | 103106 108120 | 1 |
| 315 | 213N3029-2 | .. | DOOR | 103106 108120 | 1 |

MISSING ITEM NUMBERS NOT APPLICABLE

- ITEM NOT ILLUSTRATED

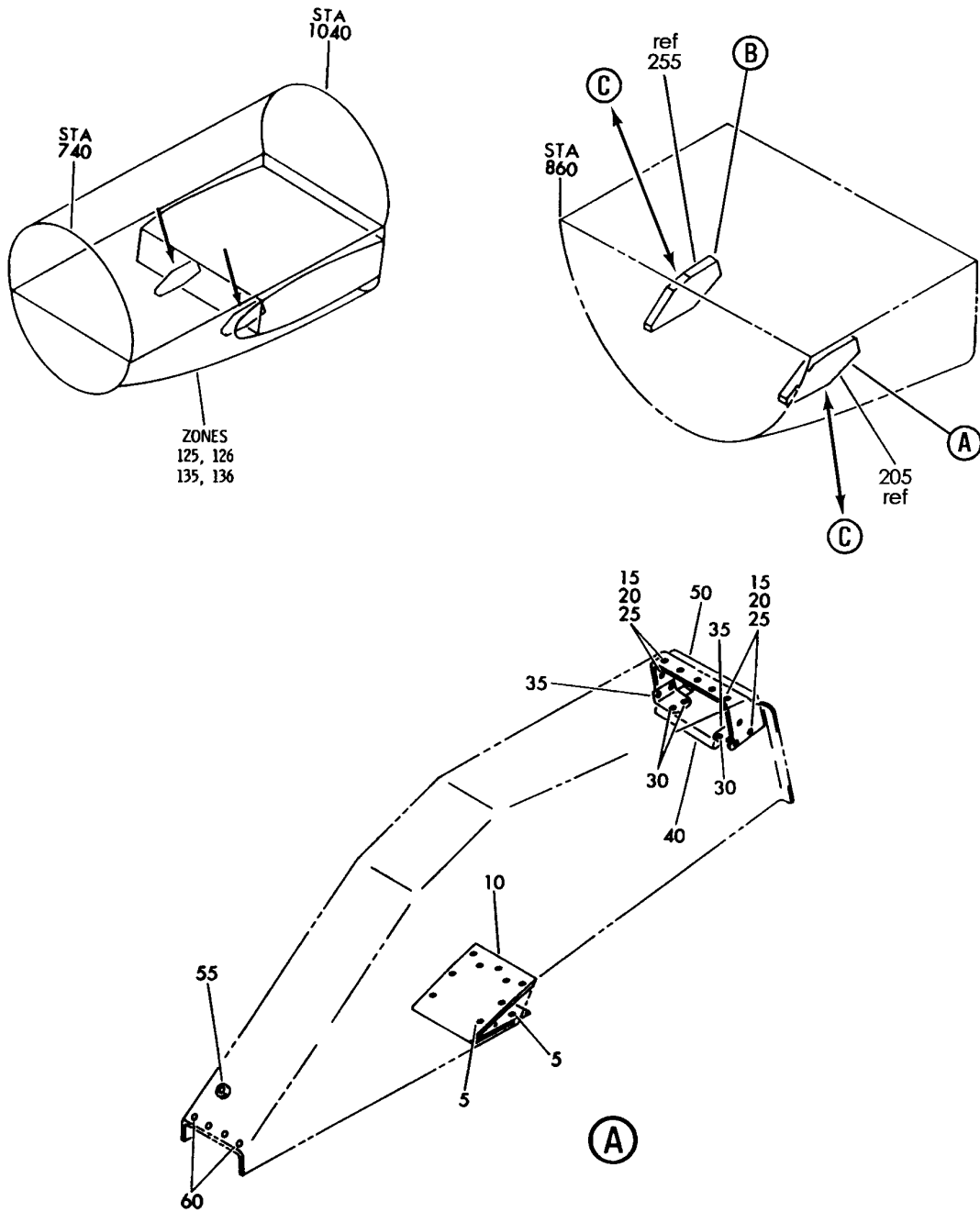
21-53-01-01A

21-53-01
FIG. 01A
PAGE 8
JAN 20/09

BRI

BOEING PROPRIETARY - Copyright © - Unpublished Work - See title page for details.

BOEING
757
PARTS CATALOG (MAINTENANCE)



Y 21530102 SHT 1 REV 198

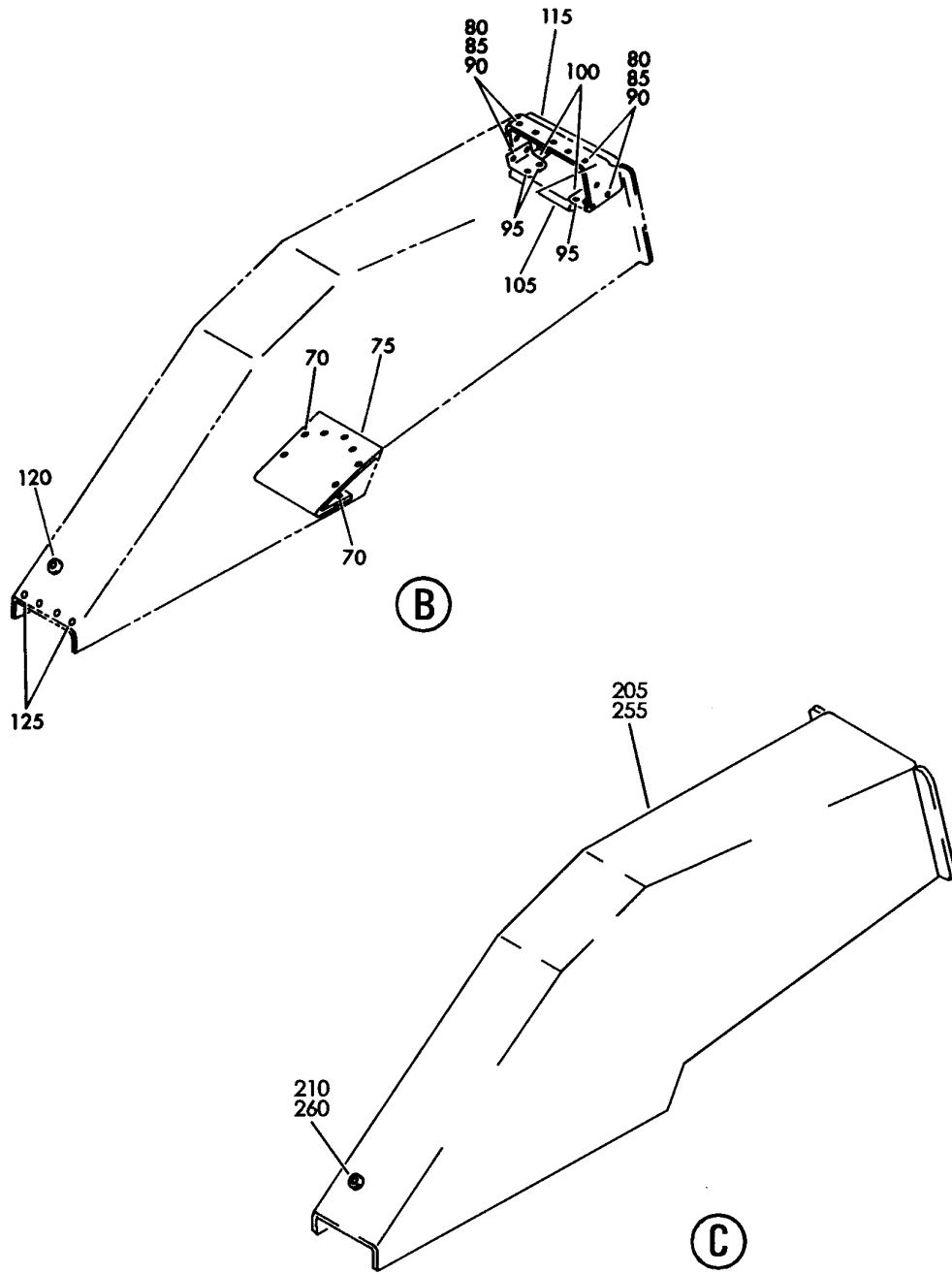
INLET ASSY-AIR CONDITIONING RAM AIR L AND R
FIGURE 2 (SHEET 1)

21-53-01-02

BRI
MAY 28/07

21-53-01-02
PAGE 0

BOEING
757
PARTS CATALOG (MAINTENANCE)



Y 21530102 SHT 2 REV 198

INLET ASSY-AIR CONDITIONING RAM AIR L AND R
FIGURE 2 (SHEET 2)

21-53-01-02

BRI
MAY 28/07

21-53-01-02
PAGE 0A



757

PARTS CATALOG (MAINTENANCE)

| FIG ITEM | PART NUMBER | 1 2 3 4 5 6 7 | NOMENCLATURE | EFFECT FROM TO | UNITS PER ASSY |
|----------|-------------|---------------|--|--|----------------|
| 2 | | | INLET ASSY-AIR CONDITIONING RAM AIR L AND R | 002004 006102 107107 121999 | |
| - 1 | 149N7150-1 | | INLET ASSY-AIR CONDITIONING RAM AIR POSITION DATA: L FOR NHA SEE: 53-00-00-04 | 107107 | RF |
| - 1 | 149N7150-22 | | INLET ASSY-AIR CONDITIONING RAM AIR POSITION DATA: L FOR NHA SEE: 53-00-00-04 | 002004 006017 121503 904999 | RF |
| - 1 | 149N7150-23 | | INLET ASSY-AIR CONDITIONING RAM AIR POSITION DATA: L FOR NHA SEE: 53-00-00-04 | 018100 | RF |
| 5 | BACB30NU3K2 | | .BOLT | 002004 006100 107107 121503 904999 | 17 |
| 10 | 149N7150-9 | | .LIP- | 002004 006017 121503 904999 | 1 |
| 10 | 149N7150-24 | | .LIP- | 018100 107107 | 1 |
| 15 | BACB30LJ3-4 | | .BOLT | 002004 006100 107107 121503 904999 | 11 |
| 20 | BACW10BP3DP | | .WASHER | 002004 006100 107107 121503 904999 | 22 |

MISSING ITEM NUMBERS NOT APPLICABLE

- ITEM NOT ILLUSTRATED

21-53-01-02

21-53-01
FIG. 02
PAGE 1
JAN 20/09

BRI



757

PARTS CATALOG (MAINTENANCE)

| FIG ITEM | PART NUMBER | 1 2 3 4 5 6 7 | NOMENCLATURE | EFFECT FROM TO | UNITS PER ASSY |
|----------|-------------|---------------|--|--|----------------|
| 2 | | | | | |
| 25 | BRH10C3D | . | NUT SUPPLIER CODE: V52828 SPECIFICATION NUMBER: BACN10JC3D OPTIONAL PART: T6C1032JCD V11815 NS202486-02 V80539 102LH9075-3W V72962 H51650-3BAC V15653 | 002004 006100 107107 121503 904999 | 11 |
| 30 | BACR15BA4AD | . | RIVET- SIZE DETERMINED ON INSTL. | 002004 006100 107107 121503 904999 | 4 |
| 35 | 149N7150-15 | . | CLIP | 002004 006100 107107 121503 904999 | 2 |
| 40 | 149N7150-16 | . | ANGLE-SEAL | 002004 006100 107107 121503 904999 | 1 |
| - 45 | BACR15BA6AD | . | ATTACHING PARTS RIVET- SIZE DETERMINED ON INSTL. | 002004 006100 107107 121503 904999 | 5 |
| 50 | 149N7150-14 | -----* | BOND ASSY | 002004 006100 107107 121503 904999 | 1 |

MISSING ITEM NUMBERS NOT APPLICABLE

- ITEM NOT ILLUSTRATED

BRI

21-53-01-02

BOEING PROPRIETARY - Copyright © - Unpublished Work - See title page for details.

21-53-01
FIG. 02
PAGE 2
JAN 20/09



757

PARTS CATALOG (MAINTENANCE)

| FIG ITEM | PART NUMBER | 1 2 3 4 5 6 7 | NOMENCLATURE | EFFECT FROM TO | UNITS PER ASSY |
|----------|-------------|---------------|---|--|----------------|
| 2 | | | | | |
| 55 | RR2002-2D1A | . | GROMMET SUPPLIER CODE: V57268 SPECIFICATION NUMBER: BACG20AF2D1A OPTIONAL PART: H2D1A V60980 701-2D1A V07096 SZ6924-2D1A V95272 G6940-2D1A V75345 E2D1A V60980 | 002004 006100 107107 121503 904999 | 1 |
| 60 | BACB30NN3K3 | . | BOLT | 002004 006100 107107 121503 904999 | 4 |
| - 65 | 149N7160-1 | | INLET ASSY-AIR CONDITIONING RAM AIR POSITION DATA: R FOR NHA SEE: 53-00-00-04 | 107107 | RF |
| - 65 | 149N7160-20 | | INLET ASSY-AIR CONDITIONING RAM AIR POSITION DATA: R FOR NHA SEE: 53-00-00-04 | 002004 006017 121503 904999 | RF |
| - 65 | 149N7160-23 | | INLET ASSY-AIR CONDITIONING RAM AIR POSITION DATA: R FOR NHA SEE: 53-00-00-04 | 018100 | RF |
| 70 | BACB30NU3K2 | . | BOLT | 002004 006100 107107 121503 904999 | 12 |
| 75 | 149N7160-9 | . | LIP- | 002004 006017 121503 904999 | 1 |

MISSING ITEM NUMBERS NOT APPLICABLE

- ITEM NOT ILLUSTRATED

21-53-01-02

21-53-01
FIG. 02
PAGE 3
JAN 20/09

BRI



757

PARTS CATALOG (MAINTENANCE)

| FIG ITEM | PART NUMBER | 1 2 3 4 5 6 7 | NOMENCLATURE | EFFECT FROM TO | UNITS PER ASSY |
|----------|-------------|---------------|--|--|----------------|
| 2 | | | | | |
| 75 | 149N7160-24 | .LIP- | | 018100 107107 | 1 |
| 80 | BACB30LJ3-4 | .BOLT | | 002004 006100 107107 121503 904999 | 11 |
| 85 | BACW10BP3DP | .WASHER | | 002004 006100 107107 121503 904999 | 22 |
| 90 | BRH10C3D | .NUT | | 002004 006100 107107 121503 904999 | 11 |
| | | | SUPPLIER CODE: V52828 | | |
| | | | SPECIFICATION NUMBER: BACN10JC3CD | | |
| | | | OPTIONAL PART: T6C1032JCD V11815 NS202486-02 V80539 102LH9075-3W V72962 H51650-3BAC V15653 | | |
| 95 | BACR15BA4AD | .RIVET- | | 002004 006100 107107 121503 904999 | 4 |
| | | | SIZE DETERMINED ON INSTL. | | |
| 100 | 149N7160-15 | .CLIP | | 002004 006100 107107 121503 904999 | 2 |
| 105 | 149N7160-16 | .ANGLE-SEAL | | 002004 006100 107107 121503 904999 | 1 |
| - 110 | BACR15BA6AD | .RIVET- | | 002004 006100 107107 121503 904999 | 5 |
| | | | ATTACHING PARTS | | |
| | | | SIZE DETERMINED ON INSTL. | | |
| | | | -----*----- | | |

MISSING ITEM NUMBERS NOT APPLICABLE

- ITEM NOT ILLUSTRATED

21-53-01-02

21-53-01
FIG. 02
PAGE 4
JAN 20/09

BRI

BOEING PROPRIETARY - Copyright © - Unpublished Work - See title page for details.



757

PARTS CATALOG (MAINTENANCE)

| FIG ITEM | PART NUMBER | 1 2 3 4 5 6 7 | NOMENCLATURE | EFFECT FROM TO | UNITS PER ASSY |
|----------|--------------|---------------|--|--|----------------|
| 2 115 | 149N7160-14 | | .BOND ASSY | 002004 006100 107107 121503 904999 | 1 |
| 120 | RR2002-2D1A | | .GROMMET SUPPLIER CODE: V57268 SPECIFICATION NUMBER: BACG20AF2D1A OPTIONAL PART: H2D1A V60980 701-2D1A V07096 SZ6924-2D1A V95272 G6940-2D1A V75345 E2D1A V60980 | 002004 006100 107107 121503 904999 | 1 |
| 125 | BACB30NN3K3 | | .BOLT | 002004 006100 107107 121503 904999 | 4 |
| - 200 | 149N7150-401 | | INLET ASSY-AIR CONDITIONING RAM AIR POSITION DATA: LEFT FOR NHA SEE: 53-63-00-01 | 101102 504903 | RF |
| 205 | 149N7150-31 | | .INLET ASSY | 101102 504903 | 1 |

MISSING ITEM NUMBERS NOT APPLICABLE

- ITEM NOT ILLUSTRATED

BRI

21-53-01-02

BOEING PROPRIETARY - Copyright © - Unpublished Work - See title page for details.

21-53-01
FIG. 02
PAGE 5
JAN 20/09



757

PARTS CATALOG (MAINTENANCE)

| FIG ITEM | PART NUMBER | 1 2 3 4 5 6 7 | NOMENCLATURE | EFFECT FROM TO | UNITS PER ASSY |
|----------|--------------|---------------|---|------------------|----------------|
| 2 210 | RR2002-2D1A | . . | GROMMET SUPPLIER CODE: V57268 SPECIFICATION NUMBER: BACG20AF2D1A OPTIONAL PART: H2D1A V60980 701-2D1A V07096 SZ6924-2D1A V95272 G6940-2D1A V75345 E2D1A V60980 | 101102 504903 | 1 |
| - 250 | 149N7160-401 | | INLET ASSY-AIR CONDITIONING RAM AIR POSITION DATA: RIGHT FOR NHA SEE: 53-63-00-01 | 101102 504903 | RF |
| 255 | 149N7160-31 | . . | INLET ASSY | 101102 504903 | 1 |
| 260 | RR2002-2D1A | . . | GROMMET SUPPLIER CODE: V57268 SPECIFICATION NUMBER: BACG20AF2D1A OPTIONAL PART: H2D1A V60980 701-2D1A V07096 SZ6924-2D1A V95272 G6940-2D1A V75345 E2D1A V60980 | 101102 504903 | 1 |

MISSING ITEM NUMBERS NOT APPLICABLE

- ITEM NOT ILLUSTRATED

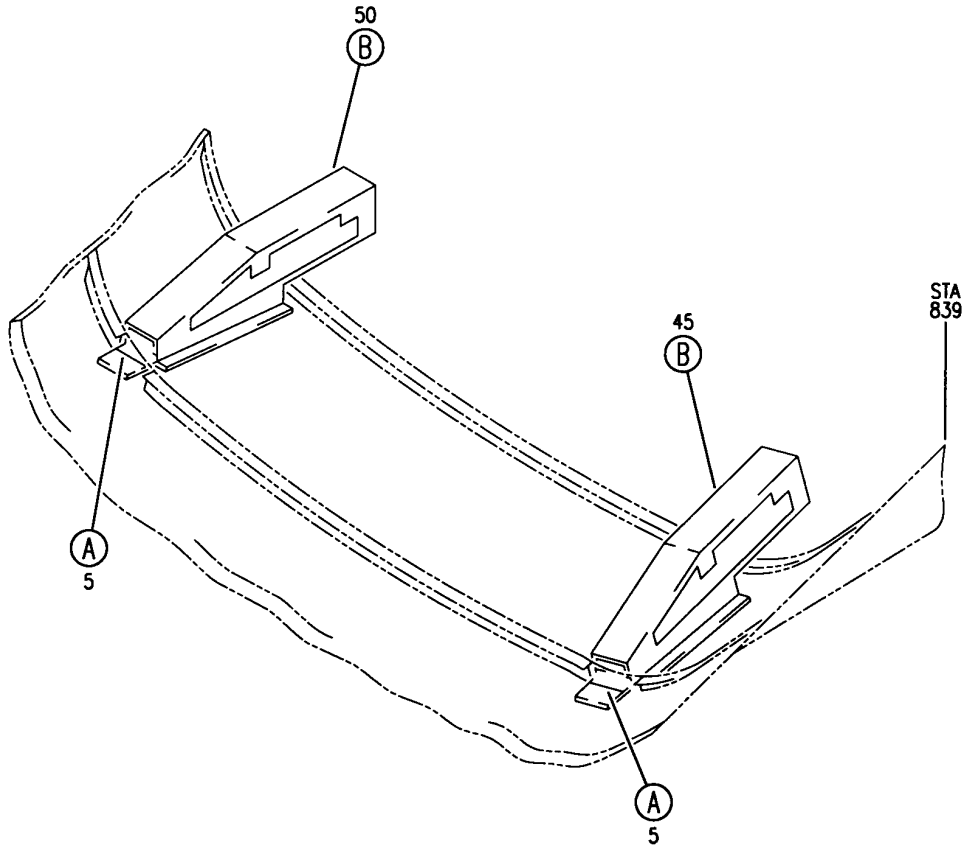
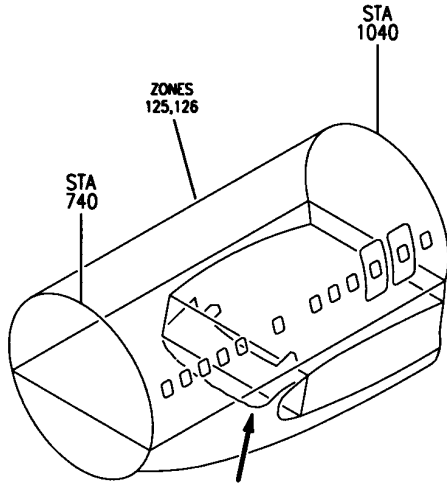
BRI

21-53-01-02

BOEING PROPRIETARY - Copyright © - Unpublished Work - See title page for details.

21-53-01
FIG. 02
PAGE 6
JAN 20/09

BOEING
757
PARTS CATALOG (MAINTENANCE)



Y 21530102A SHT 1 REV 198

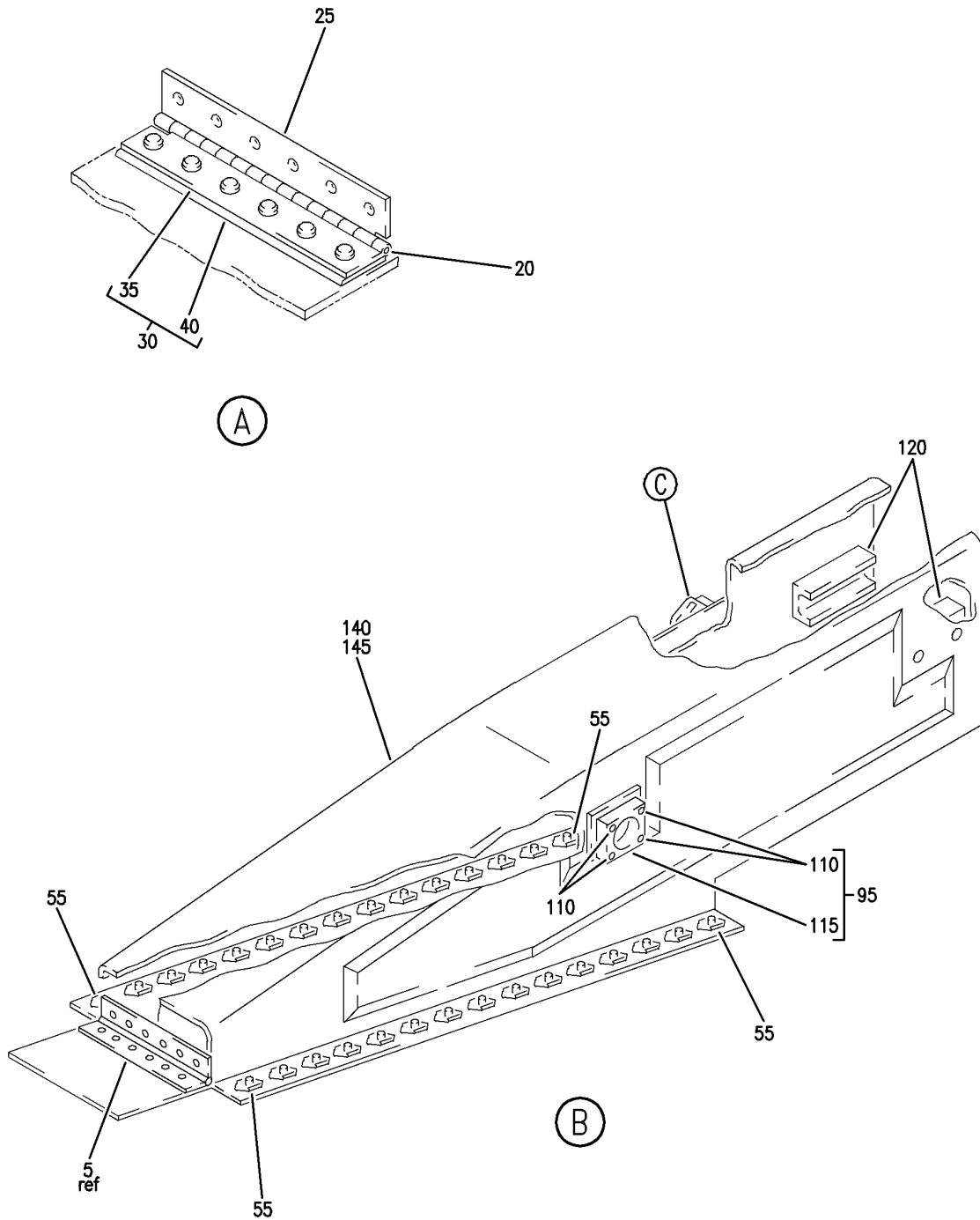
INLET INSTL-AIR CONDITIONING RAM AIR
FIGURE 2A (SHEET 1)

21-53-01-02A

BRI
JAN 20/09

21-53-01-02A
PAGE 0

BOEING
757
PARTS CATALOG (MAINTENANCE)



Y 21530102A SHT 2 REV 224

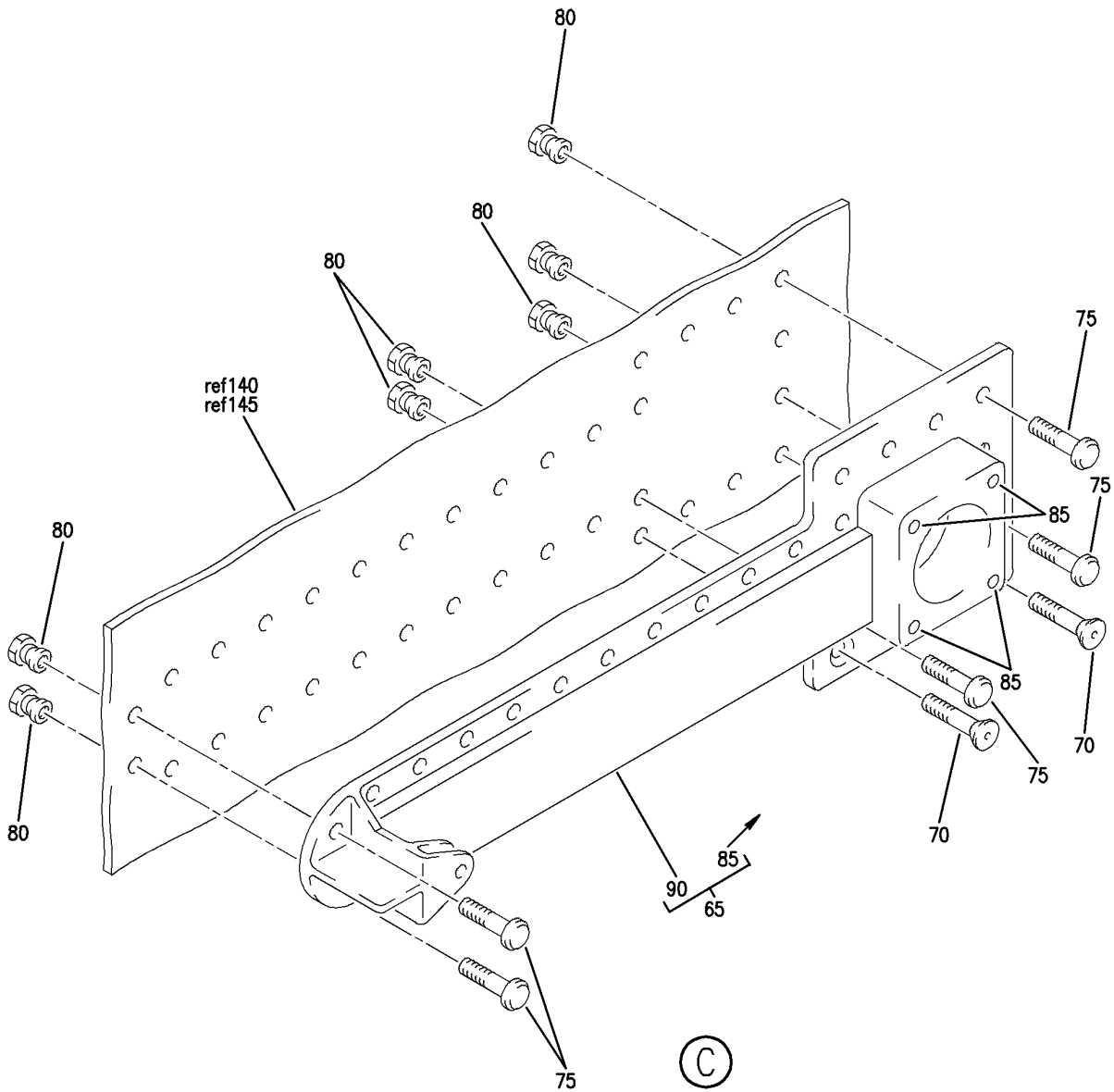
INLET INSTL-AIR CONDITIONING RAM AIR
FIGURE 2A (SHEET 2)

21-53-01-02A

BRI
JAN 20/09

21-53-01-02A
PAGE 0A

BOEING
757
PARTS CATALOG (MAINTENANCE)



Y 21530102A SHT 3 REV 224

INLET INSTL-AIR CONDITIONING RAM AIR
FIGURE 2A (SHEET 3)

21-53-01-02A

BRI
JAN 20/09

21-53-01-02A
PAGE 0B



757

PARTS CATALOG (MAINTENANCE)

| FIG ITEM | PART NUMBER | 1 2 3 4 5 6 7 | NOMENCLATURE | EFFECT FROM TO | UNITS PER ASSY |
|----------|-----------------|---------------|-----------------------|----------------|----------------|
| 2A | | | INLET INSTL-AIR | 103106 | |
| | | | CONDITIONING RAM AIR | 108120 | |
| - 1 | 149N7150-402 | | INLET INSTL-AIR | 108120 | RF |
| | | | FOR NHA SEE: | | |
| | | | 53-63-00-01 | | |
| - 1 | MODREF6021 | | INLET INSTL-AIR | 103106 | 1 |
| | | | MODULE NUMBER: | | |
| | | | 149N7150-402 REV A | | |
| | 5 213N3064-1 | | .HINGE ASSY | 103106 | 2 |
| | | | | 108120 | |
| - 10 | HST10AG6-4 | | ATTACHING PARTS | | |
| | | | .BOLT | 103106 | 24 |
| | | | SUPPLIER CODE: | 108120 | |
| | | | V06725 | | |
| | | | SPECIFICATION NUMBER: | | |
| | | | BACB30VT6K4 | | |
| | | | OPTIONAL PART: | | |
| | | | HST10AG6-4 | | |
| | | | V73197 | | |
| | | | HST10AG6-4 | | |
| | | | V56878 | | |
| | | | HST10AG6-4 | | |
| | | | VOPTK6 | | |
| | | | WC10K6-4 | | |
| | | | V60516 | | |
| - 15 | BACC30BL6 | | .COLLAR | 103106 | 24 |
| | | | SUPPLIER CODE: | 108120 | |
| | | | V73197 | | |
| | | | SPECIFICATION NUMBER: | | |
| | | | BACC30BL6 | | |
| | | | OPTIONAL PART: | | |
| | | | HST79-6 | | |
| | | | V92215 | | |
| | | | HST79CY6 | | |
| | | | V56878 | | |
| | | | HST79CY6 | | |
| | | | V5M902 | | |
| | | | -----*----- | | |
| 20 | MS20253P4-0650L | | ..PIN-HINGE | 103106 | 2 |
| | | | | 108120 | |
| 25 | 213N3064-6 | | ..HINGE-HALF | 103106 | 2 |
| | | | | 108120 | |
| 30 | 213N3064-3 | | ..HINGE ASSY-HALF | 103106 | 2 |
| | | | | 108120 | |
| 35 | 213N3064-4 | | ...HINGE-HALF | 103106 | 2 |
| | | | | 108120 | |
| 40 | 213N3064-5 | | ...SHIM | 103106 | 2 |
| | | | | 108120 | |

MISSING ITEM NUMBERS NOT APPLICABLE

- ITEM NOT ILLUSTRATED

21-53-01-02A

21-53-01
FIG. 02A
PAGE 1
JAN 20/09

BRI

BOEING PROPRIETARY - Copyright © - Unpublished Work - See title page for details.



757

PARTS CATALOG (MAINTENANCE)

| FIG ITEM | PART NUMBER | 1 2 3 4 5 6 7 | NOMENCLATURE | EFFECT FROM TO | UNITS PER ASSY |
|----------|--------------|---------------|--|------------------|----------------|
| 2A | | | | | |
| 45 | 149N7150-41 | . | INLET ASSY- POSITION DATA: LH | 103106 108120 | 1 |
| 50 | 149N7150-42 | . | INLET ASSY- POSITION DATA: RH | 103106 108120 | 1 |
| 55 | BACN11P3B9CG | .. | NUTPLATE | 103106 108120 | 30 |
| | | | ATTACHING PARTS | | |
| - 60 | BACR15CE3AD | .. | RIVET- SIZE DETERMINED ON INSTL. -----*----- | 103106 108120 | 60 |
| 65 | 213T3012-1 | .. | MOUNT ASSY- OPTIONAL PART: 213T3012-2 | 103106 108120 | 1 |
| 65 | 213T3012-2 | .. | MOUNT ASSY- OPTIONAL PART: 213T3012-1 | 103106 108120 | 1 |
| | | | ATTACHING PARTS | | |
| 70 | WC331K5-6 | .. | BOLT SUPPLIER CODE: V60516 SPECIFICATION NUMBER: BACB30YP5K6 | 103106 108120 | 4 |
| 75 | HST10AG5-6 | .. | BOLT SUPPLIER CODE: VOPTK6 SPECIFICATION NUMBER: BACB30VT5K6 OPTIONAL PART: HST10AG5-6 V06725 HST10AG5-6 V56878 HST10AG5-6 V73197 | 103106 108120 | 30 |
| 80 | BACC30BL5 | .. | COLLAR SUPPLIER CODE: V73197 SPECIFICATION NUMBER: BACC30BL5 OPTIONAL PART: HST79-5 V92215 HST79CY5 V56878 HST79CY5 V5M902 -----*----- | 103106 108120 | 34 |

MISSING ITEM NUMBERS NOT APPLICABLE

- ITEM NOT ILLUSTRATED

21-53-01-02A

21-53-01
FIG. 02A
PAGE 2
JAN 20/09

BRI

BOEING PROPRIETARY - Copyright © - Unpublished Work - See title page for details.



757

PARTS CATALOG (MAINTENANCE)

| FIG ITEM | PART NUMBER | 1 2 3 4 5 6 7 | NOMENCLATURE | EFFECT FROM TO | UNITS PER ASSY |
|----------|---------------|---------------|--|------------------|----------------|
| 2A | | | | | |
| 85 | MS21209F1-20 | ... | INSERT | 103106 108120 | 4 |
| 90 | 213T3012-3 | ... | MOUNT- USED ON: 213T3012-1 | 103106 108120 | 1 |
| 90 | 213T3012-5 | ... | MOUNT- USED ON: 213T3012-2 | 103106 108120 | 1 |
| 95 | 213T3701-2 | .. | HOUSING ASSY | 103106 108120 | 1 |
| | | | ATTACHING PARTS | | |
| - 100 | HST10AG5-6 | .. | BOLT SUPPLIER CODE: VOPTK6 SPECIFICATION NUMBER: BACB30VT5K6 OPTIONAL PART: HST10AG5-6 V06725 HST10AG5-6 V56878 HST10AG5-6 V73197 | 103106 108120 | 8 |
| - 105 | BACC30BL5 | .. | COLLAR SUPPLIER CODE: V73197 SPECIFICATION NUMBER: BACC30BL5 OPTIONAL PART: HST79-5 V92215 HST79CY5 V56878 HST79CY5 V5M902 -----*----- | 103106 108120 | 8 |
| 110 | MS21209FI20 | ... | INSERT | 103106 108120 | 4 |
| 115 | 213T3701-4 | ... | HOUSING-MACHINED | 103106 108120 | 1 |
| 120 | 69B47944-1 | .. | TRACK | 103106 108120 | 2 |
| | | | ATTACHING PARTS | | |
| - 125 | BACB30NN4K4 | .. | BOLT | 103106 108120 | 4 |
| - 130 | BACW10BP4NAPU | .. | WASHER | 103106 108120 | 4 |

MISSING ITEM NUMBERS NOT APPLICABLE

- ITEM NOT ILLUSTRATED

21-53-01-02A

21-53-01
FIG. 02A
PAGE 3
JAN 20/09

BRI

BOEING PROPRIETARY - Copyright © - Unpublished Work - See title page for details.



757

PARTS CATALOG (MAINTENANCE)

| FIG ITEM | PART NUMBER | 1 2 3 4 5 6 7 | NOMENCLATURE | EFFECT FROM TO | UNITS PER ASSY |
|-------------|-------------|---------------|---|-------------------|----------------------|
| 2A - 135 | BAC10JC4CD | | ..NUT | 103106 108120 | 4 |
| 140 | 149N7152-3 | | -----*----- ..INLET ASSY- POSITION DATA: LH USED ON: 149N7150-41 | 103106 108120 | 1 |
| 145 | 149N7152-4 | | ..INLET ASSY- POSITION DATA: RH USED ON: 149N7150-42 | 103106 108120 | 1 |

MISSING ITEM NUMBERS NOT APPLICABLE

- ITEM NOT ILLUSTRATED

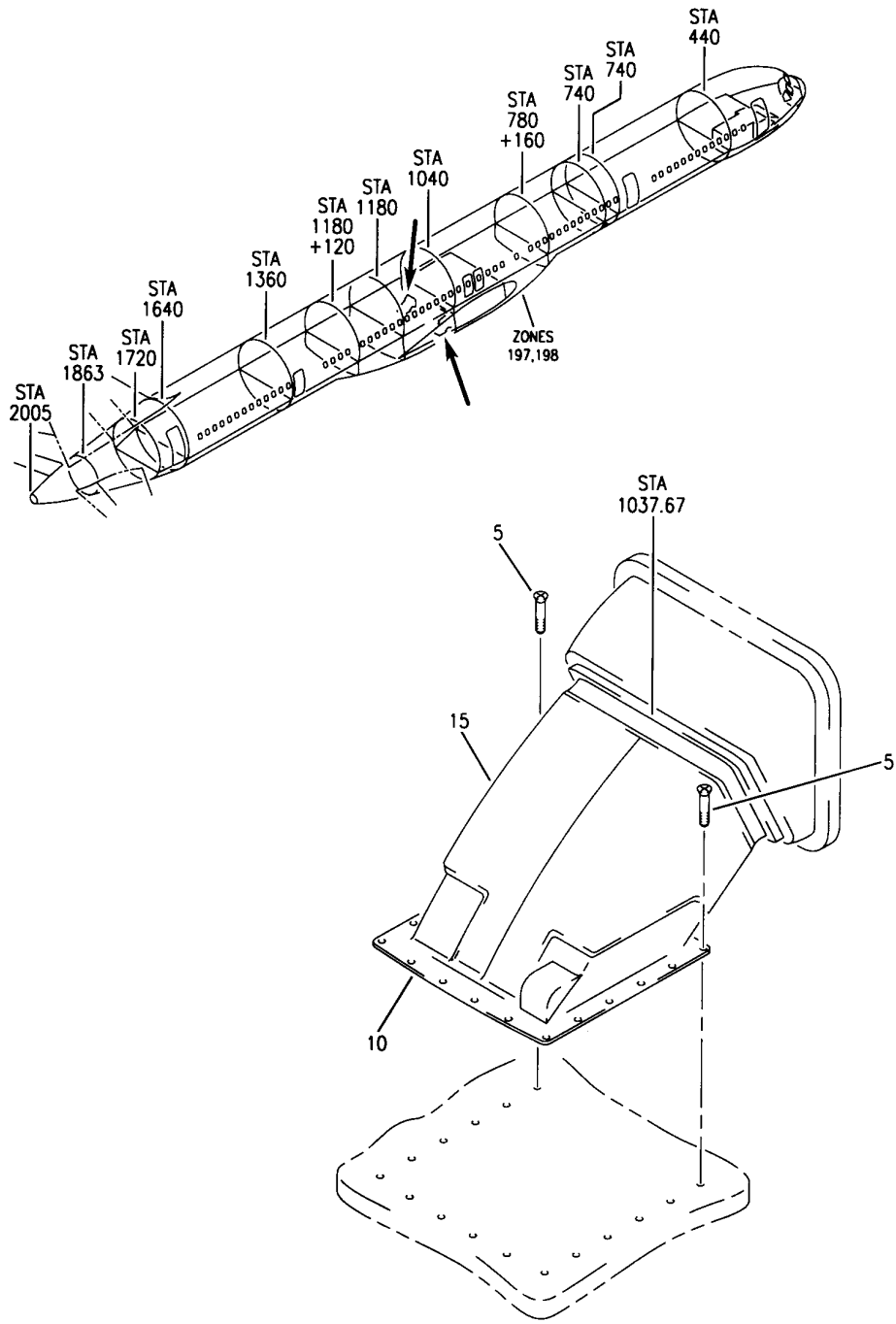
21-53-01-02A

21-53-01
FIG. 02A
PAGE 4
JAN 20/09

BRI

BOEING PROPRIETARY - Copyright © - Unpublished Work - See title page for details.

BOEING
757
PARTS CATALOG (MAINTENANCE)



Y 21530201A REV 202

OUTLET INSTL- WITHOUT EXIT MODULATION
FIGURE 1A

21-53-02-01A

BRI
JAN 20/09

21-53-02-01A
PAGE 0



757

PARTS CATALOG (MAINTENANCE)

| FIG ITEM | PART NUMBER | 1 2 3 4 5 6 7 | NOMENCLATURE | EFFECT FROM TO | UNITS PER ASSY |
|----------|-------------|---------------|--|------------------|----------------|
| 1 A | | | OUTLET INSTL- WITHOUT EXIT MODULATION | 103106 108120 | |
| - 1 | 213N3003-17 | | OUTLET INSTL-WITHOUT EXIT MODULATION POSITION DATA: LH FOR NHA SEE: 21-00-00-14 | 108120 | RF |
| - 1 | MODREF6076 | | OUTLET INSTL-WITHOUT EXIT MODULATION MODULE NUMBER: 213N3003-17 REV A POSITION DATA: LH | 103106 | 1 |
| - 3 | 213N3003-18 | | OUTLET INSTL-WITHOUT EXIT MODULATION POSITION DATA: RH FOR NHA SEE: 21-00-00-14 | 108120 | RF |
| - 3 | MODREF6077 | | OUTLET INSTL-WITHOUT EXIT MODULATION MODULE NUMBER: 213N3003-18 REV A POSITION DATA: RH | 103106 | 1 |
| 5 | BACB30NN3K6 | | .BOLT | 103106 108120 | 16 |
| 10 | 213N3012-5 | | .DOUBLER | 103106 108120 | 1 |
| 15 | 213N3020-13 | | .OUTLET ASSY- | 103106 108120 | 1 |

MISSING ITEM NUMBERS NOT APPLICABLE

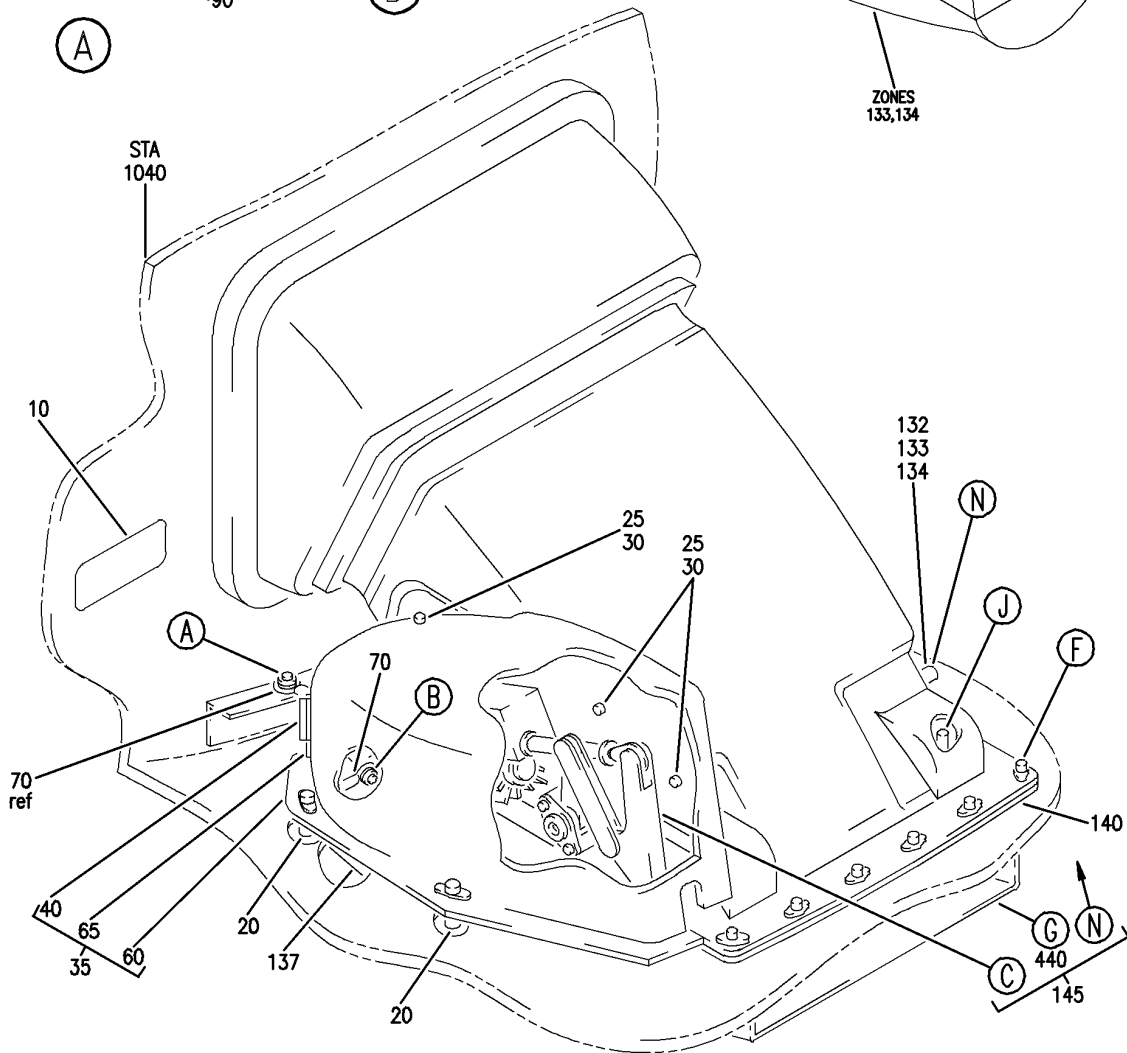
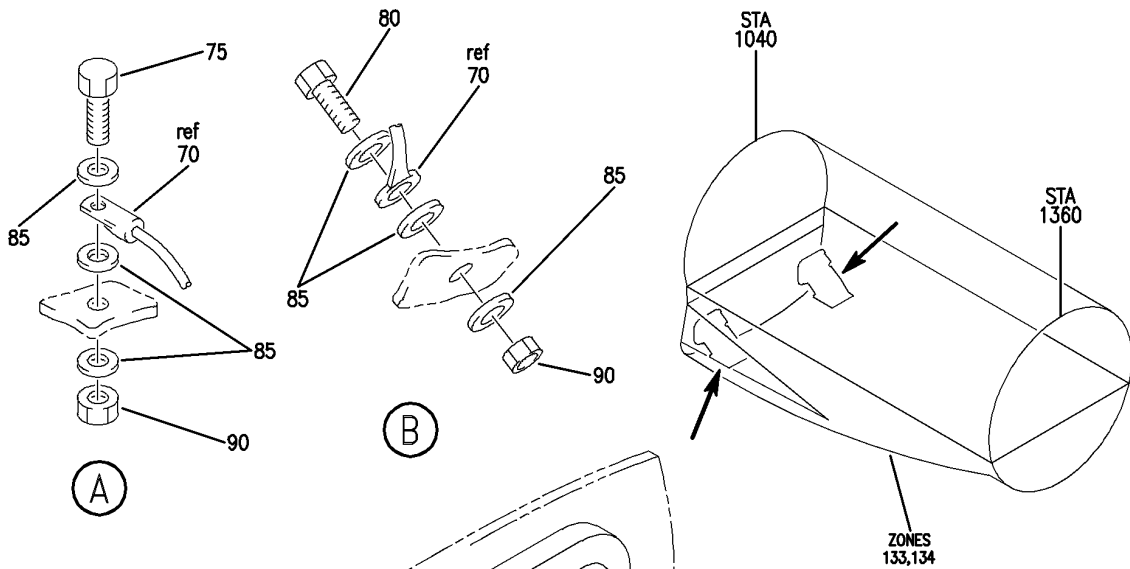
- ITEM NOT ILLUSTRATED

21-53-02-01A

21-53-02
FIG. 01A
PAGE 1
JAN 20/09

BRI


BOEING
 757
PARTS CATALOG (MAINTENANCE)



Y 21530202 SHT 1 REV 229

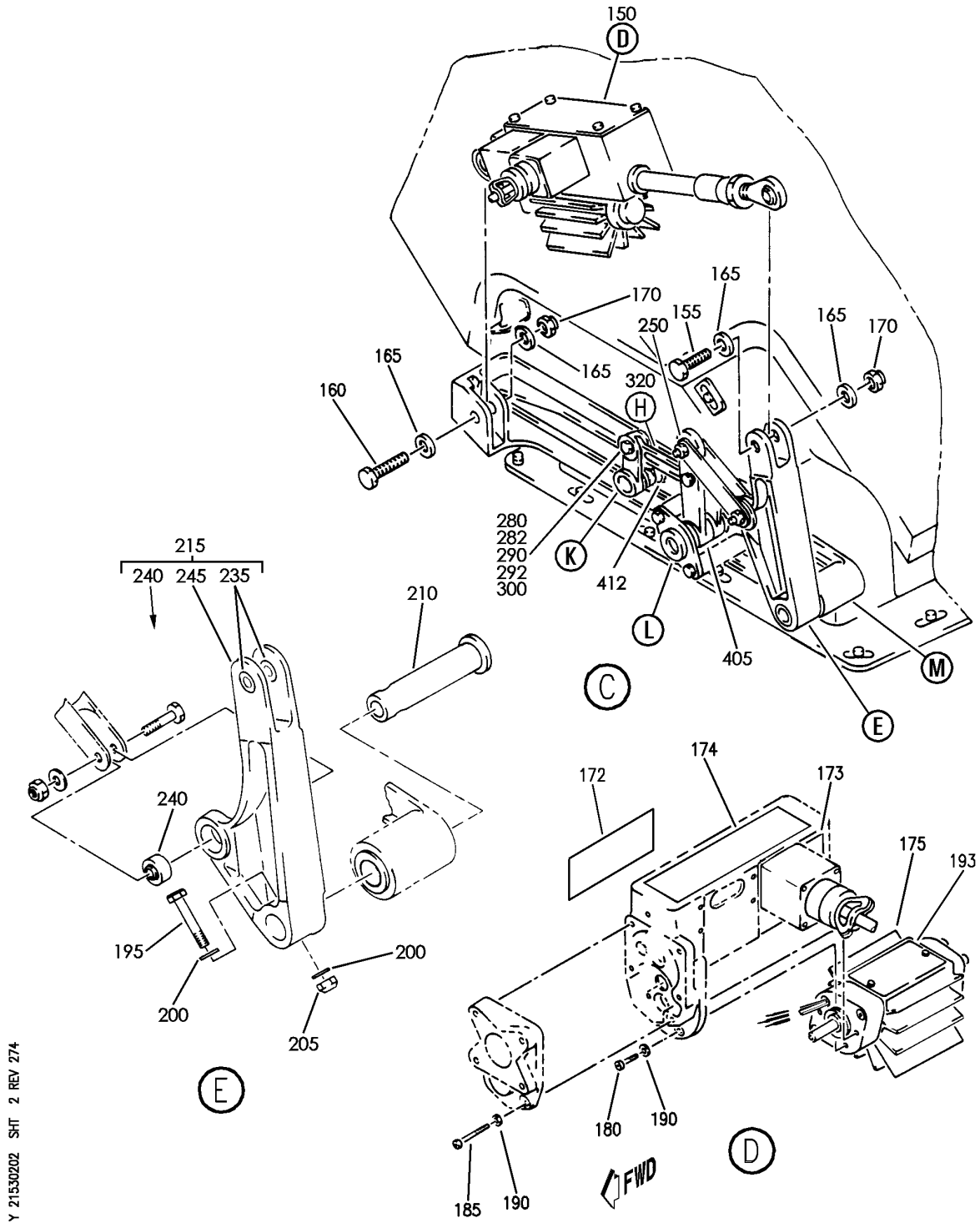
OUTLET INSTL-RAM AIR HEAT SINK
 FIGURE 2 (SHEET 1)

21-53-02-02

BRI
MAY 28/07

21-53-02-02
 PAGE 0

BOEING
757
PARTS CATALOG (MAINTENANCE)



Y 21530202 SH1 2 REV 274

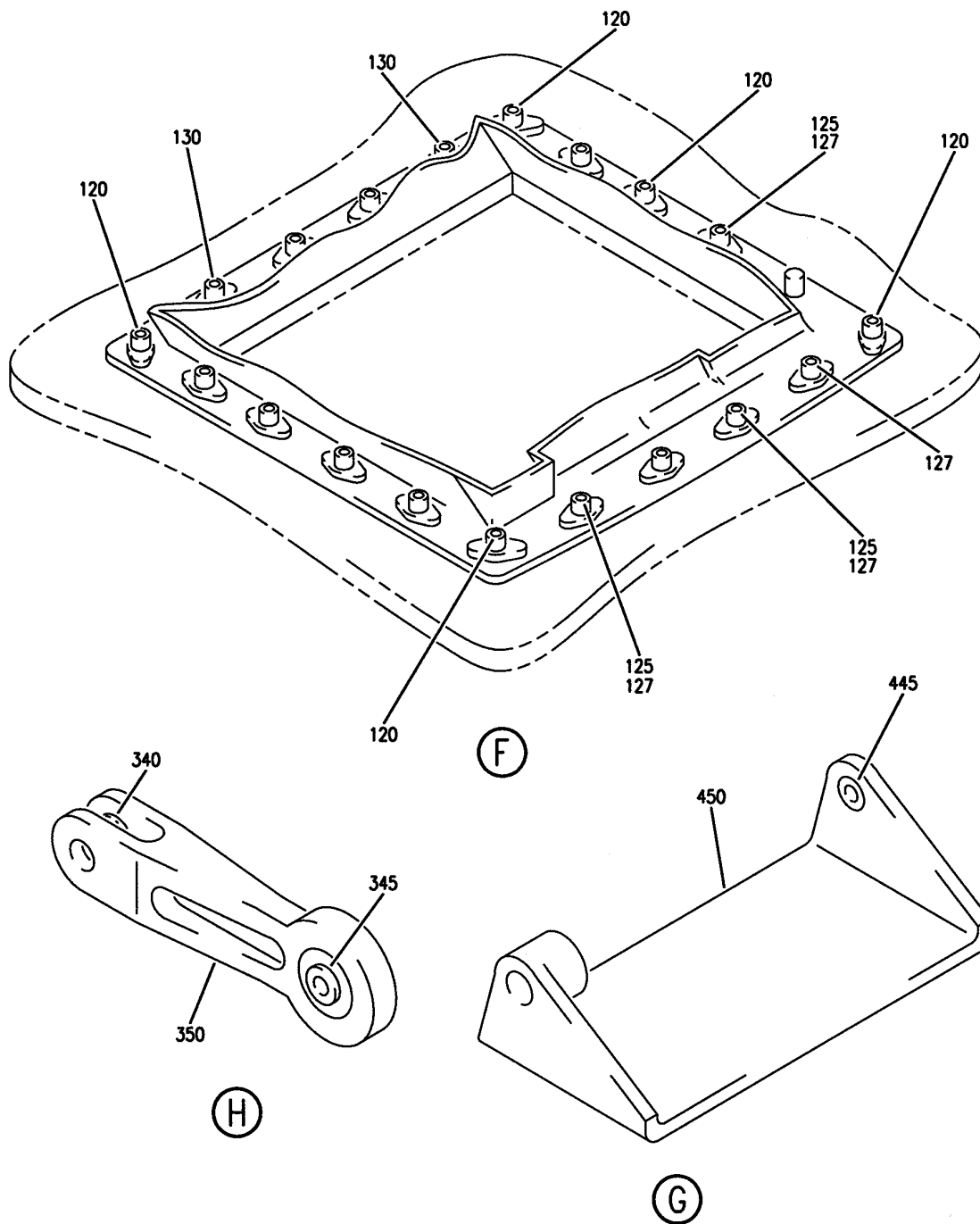
OUTLET INSTL-RAM AIR HEAT SINK
FIGURE 2 (SHEET 2)

21-53-02-02

BRI
MAY 28/07

21-53-02-02
PAGE 0A

BOEING
757
PARTS CATALOG (MAINTENANCE)



Y 21530202 SHT 3 REV 216

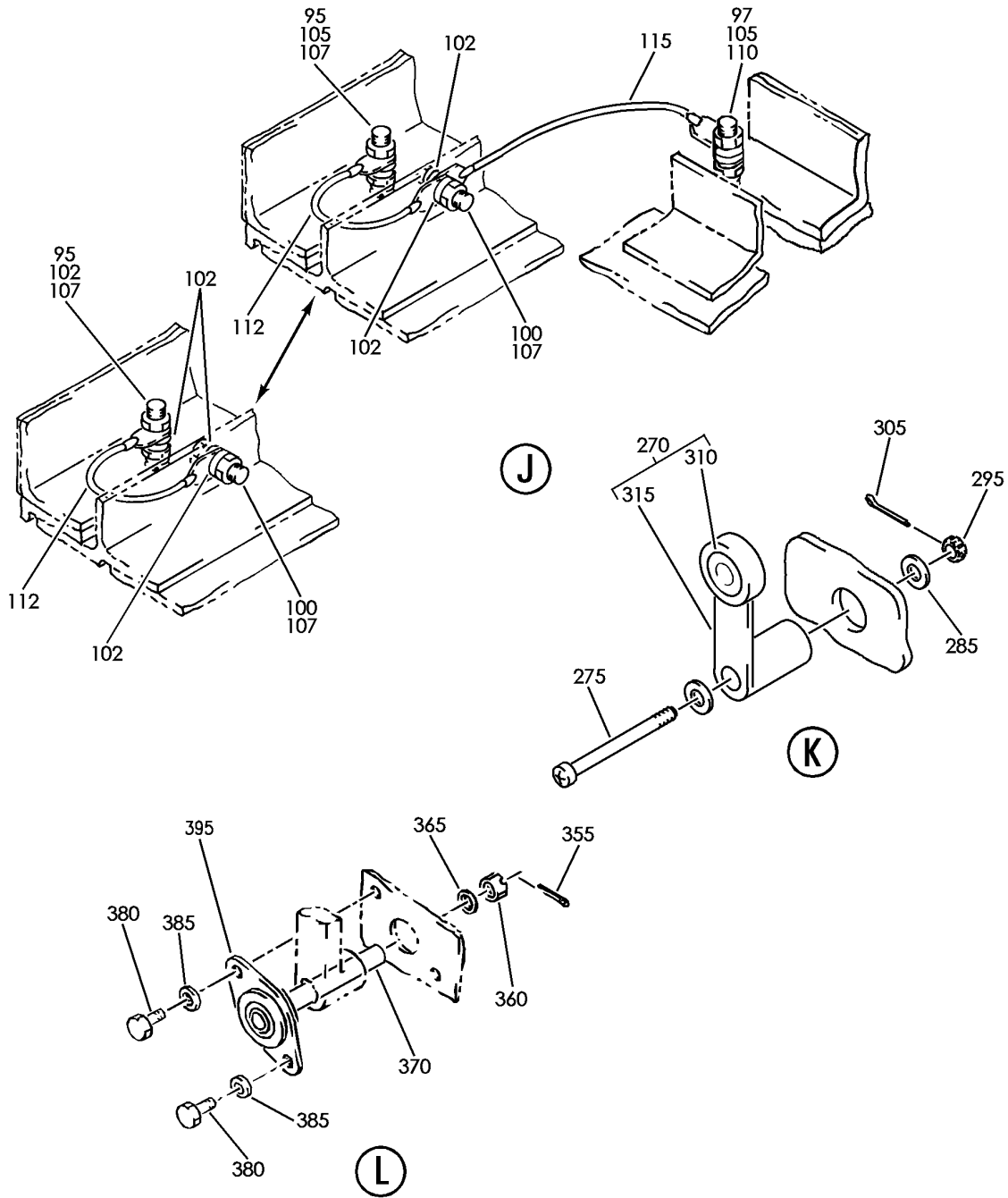
OUTLET INSTL-RAM AIR HEAT SINK
FIGURE 2 (SHEET 3)

21-53-02-02

BRI
MAY 28/07

21-53-02-02
PAGE 0B

BOEING
757
PARTS CATALOG (MAINTENANCE)



Y 21530202 SHT 4 REV 331

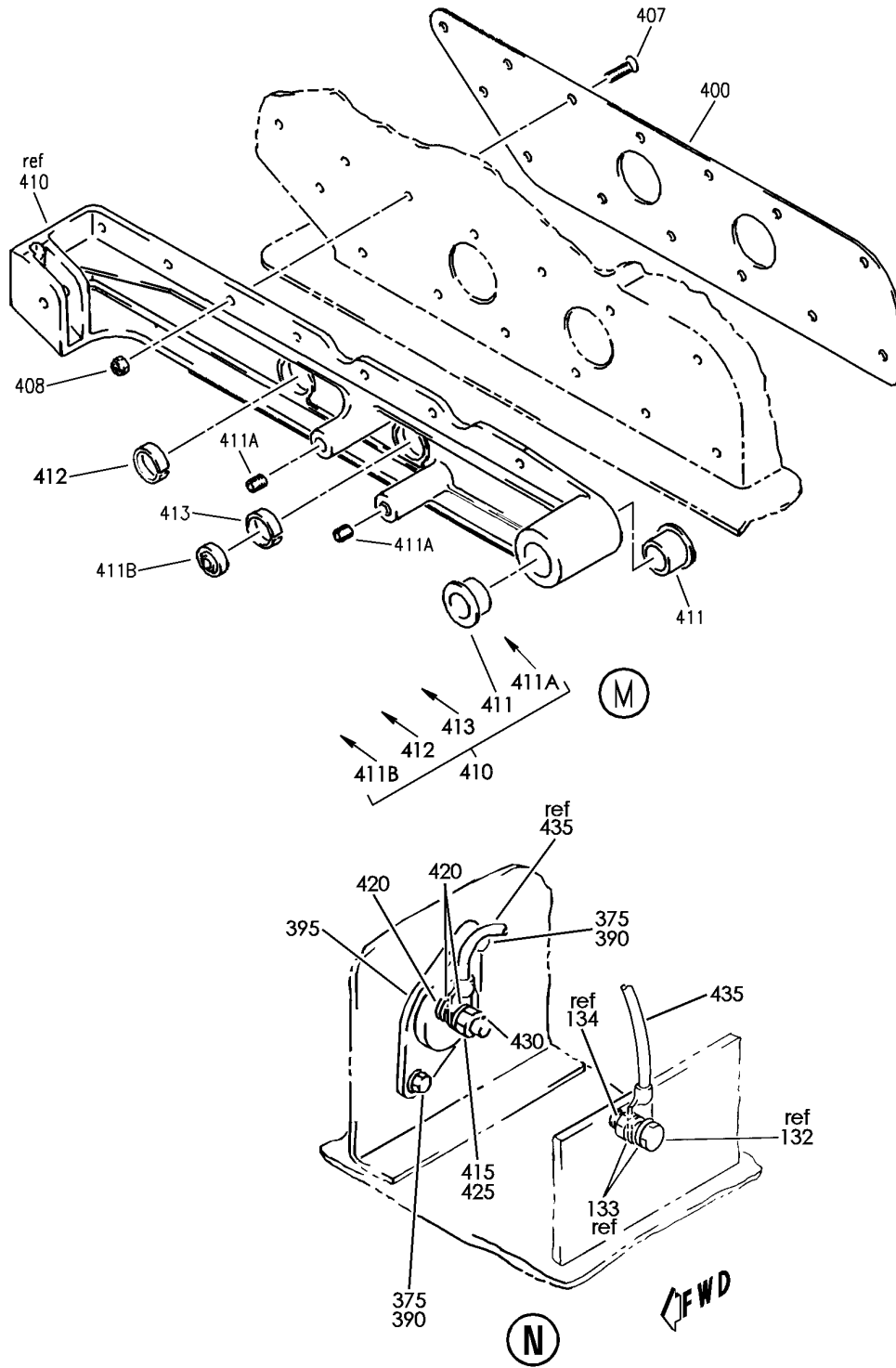
OUTLET INSTL-RAM AIR HEAT SINK
FIGURE 2 (SHEET 4)

21-53-02-02

BRI
JAN 20/09

21-53-02-02
PAGE 0C

BOEING
757
PARTS CATALOG (MAINTENANCE)



Y 21530202 SHT 5 REV 243

OUTLET INSTL-RAM AIR HEAT SINK
FIGURE 2 (SHEET 5)

21-53-02-02

BRI
MAY 28/07

21-53-02-02
PAGE 0D



757

PARTS CATALOG (MAINTENANCE)

| FIG ITEM | PART NUMBER | 1 2 3 4 5 6 7 | NOMENCLATURE | EFFECT FROM TO | UNITS PER ASSY |
|----------|--------------|---------------|--|--|----------------|
| 2 | | | OUTLET INSTL-RAM AIR HEAT SINK | 002004 006102 107107 121999 | |
| - 1 | 213N3003-7 | | OUTLET INSTL-RAM AIR HEAT SINK POSITION DATA: LH FOR NHA SEE: 21-00-00-01 | 002004 006100 107107 121503 904999 | RF |
| - 1 | 213N3003-15 | | OUTLET INSTL-RAM AIR HEAT SINK POSITION DATA: LH FOR NHA SEE: 21-00-00-15 | 101102 504903 | RF |
| - 5 | 213N3003-8 | | OUTLET INSTL-RAM AIR HEAT SINK POSITION DATA: RH FOR NHA SEE: 21-00-00-01 | 002004 006100 107107 121503 904999 | RF |
| - 5 | 213N3003-16 | | OUTLET INSTL-RAM AIR HEAT SINK POSITION DATA: RH FOR NHA SEE: 21-00-00-15 | 101102 504903 | RF |
| 10 | BAC27NEC0056 | | .MARKER-ALUMINUM FOIL POSITION DATA: LH SIDE PLACARD CONTENT: LEFT PACK RAM AIR EXIT ACTUATOR M320-D2942 | 002004 006102 107107 121999 | 1 |
| - 15 | BAC27NEC0057 | | .MARKER-ALUMINUM FOIL POSITION DATA: RH SIDE PLACARD CONTENT: RIGHT PACK RAM AIR EXIT ACTUATOR M321-D3000 | 002004 006102 107107 121999 | 1 |
| 20 | BACB30NN3K13 | | .BOLT | 002004 006102 107107 121999 | 2 |
| 25 | BACs12FA3K6 | | .SCREW | 002004 006102 107107 121999 | 3 |

MISSING ITEM NUMBERS NOT APPLICABLE

- ITEM NOT ILLUSTRATED

21-53-02-02

21-53-02
FIG. 02
PAGE 1
JAN 20/09

BRI



757

PARTS CATALOG (MAINTENANCE)

| FIG ITEM | PART NUMBER | 1 2 3 4 5 6 7 | NOMENCLATURE | EFFECT FROM TO | UNITS PER ASSY |
|----------|----------------|---------------|--------------------------------------|--|----------------|
| 2 | | | | | |
| 30 | AN960KD10L | . | WASHER | 002004 006100 107107 121503 904999 | 3 |
| 30 | NAS1149D0332J | . | WASHER | 101102 504903 | 3 |
| 35 | 213N3021-3 | . | COVER ASSY | 002004 006102 107107 121999 | 1 |
| 40 | 287N4403-210 | .. | BRACKET | 002004 006102 107107 121999 | 1 |
| | | | ATTACHING PARTS | | |
| - 45 | BACS12FA3K6 | .. | SCREW | 002004 006102 107107 121999 | 2 |
| - 50 | NAS1149D0332J | .. | WASHER | 002004 006102 107107 121999 | 2 |
| - 55 | BRH10C3D | .. | NUT | 002004 006102 107107 121999 | 2 |
| | | | SUPPLIER CODE: V52828 | | |
| | | | SPECIFICATION NUMBER: BACN10JC3CD | | |
| | | | OPTIONAL PART: T6C1032JCD | | |
| | | | V11815 | | |
| | | | NS202486-02 | | |
| | | | V80539 | | |
| | | | 102LH9075-3W | | |
| | | | V72962 | | |
| | | | H51650-3BAC | | |
| | | | V15653 | | |
| | | | -----*----- | | |
| 60 | 213N3021-4 | .. | COVER | 002004 006102 107107 121999 | 1 |
| 65 | BACG20ZA001275 | .. | GROMMET | 002004 006102 107107 121999 | 1 |

MISSING ITEM NUMBERS NOT APPLICABLE

- ITEM NOT ILLUSTRATED

21-53-02-02

21-53-02
FIG. 02
PAGE 2
JAN 20/09

BRI

BOEING PROPRIETARY - Copyright © - Unpublished Work - See title page for details.



757

PARTS CATALOG (MAINTENANCE)

| FIG ITEM | PART NUMBER | 1 2 3 4 5 6 7 | NOMENCLATURE | EFFECT FROM TO | UNITS PER ASSY |
|----------|------------------|---------------|---|--|----------------|
| 2 | 70 940CW20-9 | | .JUMPER ASSY SUPPLIER CODE: V91812 SPECIFICATION NUMBER: BACJ40AB20-9 OPTIONAL PART: 100220-9 V1FF12 RBEJ40AB20-9 V1GK47 ATTACHING PARTS | 002004 006102 107107 121999 | 1 |
| | 75 BACB30LJ3-3 | | .BOLT | 002004 006100 107107 121503 904999 | 1 |
| | 75 NAS6703-3 | | .BOLT | 101102 504903 | 1 |
| | 80 BACB30LJ3-2 | | .BOLT | 002004 006100 107107 121503 904999 | 1 |
| | 80 NAS6703-2 | | .BOLT | 101102 504903 | 1 |
| | 85 AN960D10L | | .WASHER | 002004 006100 107107 121503 904999 | 6 |
| | 85 NAS1149D0316H | | .WASHER | 101102 504903 | 6 |
| | 90 BRH10C3D | | .NUT SUPPLIER CODE: V52828 SPECIFICATION NUMBER: BACN10JC3CD OPTIONAL PART: T6C1032JCD V11815 NS202486-02 V80539 102LH9075-3W V72962 H51650-3BAC V15653 -----*----- | 002004 006102 107107 121999 | 2 |

MISSING ITEM NUMBERS NOT APPLICABLE

- ITEM NOT ILLUSTRATED

21-53-02-02

21-53-02
FIG. 02
PAGE 3
JAN 20/09

BRI



757

PARTS CATALOG (MAINTENANCE)

| FIG ITEM | PART NUMBER | 1 2 3 4 5 6 7 | NOMENCLATURE | EFFECT FROM TO | UNITS PER ASSY |
|----------|-------------|---------------|--|--|----------------|
| 2 | 95 | BACB30NT3K9 | .BOLT | 002004 006102 107107 121999 | 1 |
| | 97 | BACB30NT3K9 | .BOLT | 002004 006100 107107 121503 904999 | 1 |
| | 100 | NAS6703-6 | .BOLT | 002004 006102 107107 121999 | 1 |
| | 102 | AN960D10 | .WASHER | 002004 006100 107107 121503 904999 | 4 |
| | 102 | NAS1149D0363H | .WASHER | 101102 504903 | 4 |
| | 105 | AN960D10 | .WASHER | 002004 006100 107107 121503 904999 | 2 |
| | 107 | BRH10C3D | .NUT SUPPLIER CODE: V52828 SPECIFICATION NUMBER: BACN10JC3CD OPTIONAL PART: T6C1032JCD V11815 NS202486-02 V80539 102LH9075-3W V72962 H51650-3BAC V15653 | 002004 006102 107107 121999 | 2 |

MISSING ITEM NUMBERS NOT APPLICABLE

- ITEM NOT ILLUSTRATED

BRI

21-53-02-02

21-53-02
FIG. 02
PAGE 4
JAN 20/09



757

PARTS CATALOG (MAINTENANCE)

| FIG ITEM | PART NUMBER | 1 2 3 4 5 6 7 | NOMENCLATURE | EFFECT FROM TO | UNITS PER ASSY |
|----------|-------------|---------------|--|--|----------------|
| 2 110 | BRH10C3D | .NUT | SUPPLIER CODE: V52828 SPECIFICATION NUMBER: BACN10JC3CD OPTIONAL PART: T6C1032JCD V11815 NS202486-02 V80539 102LH9075-3W V72962 H51650-3BAC V15653 | 002004 006100 107107 121503 904999 | 1 |
| 112 | 740A20-4 | .JUMPER ASSY | SUPPLIER CODE: V91812 SPECIFICATION NUMBER: BACJ40A20-4 OPTIONAL PART: TJEJ40A20-4 V33483 RBEJ20-4 V1GK47 | 002004 006102 107107 121999 | 1 |
| 115 | BACJ40A20-8 | .JUMPER ASSY | | 002004 006100 107107 121503 904999 | 1 |
| 120 | BACB30NN3K6 | .BOLT | | 002004 006102 107107 121999 | 10 |
| 125 | BACB30NT3K7 | .BOLT | | 002004 006100 107107 121503 904999 | 4 |
| 127 | BACB30NT3K7 | .BOLT | | 101102 504903 | 5 |
| 130 | BACB30LR3-6 | .BOLT | | 002004 006102 107107 121999 | RF |
| 132 | NAS6603-5 | .BOLT | | 002004 006102 107107 121999 | 1 |

MISSING ITEM NUMBERS NOT APPLICABLE

- ITEM NOT ILLUSTRATED

21-53-02-02

21-53-02
FIG. 02
PAGE 5
JAN 20/09

BRI



757

PARTS CATALOG (MAINTENANCE)

| FIG ITEM | PART NUMBER | 1 2 3 4 5 6 7 | NOMENCLATURE | EFFECT FROM TO | UNITS PER ASSY |
|----------|-------------------|---------------|--|--|----------------|
| 2 | 133 AN960D10 | . | WASHER | 002004 006100 107107 121503 904999 | 2 |
| | 133 NAS1149D0316H | . | WASHER | 101102 504903 | 2 |
| | 134 BRH10A3 | . | NUT SUPPLIER CODE: V52828 SPECIFICATION NUMBER: BACN10JC3 OPTIONAL PART: H10-3BAC V15653 NS202101-02 V80539 RMLH9075-3W V72962 VN303A02 V92215 96-02 V80539 T6S1032J V11815 | 002004 006100 107107 121503 904999 | 1 |
| | 134 BRH10C3D | . | NUT SUPPLIER CODE: V52828 SPECIFICATION NUMBER: BACN10JC3CD OPTIONAL PART: T6C1032JCD V11815 NS202486-02 V80539 102LH9075-3W V72962 H51650-3BAC V15653 | 101102 504903 | 1 |
| | 137 213N3057-1 | . | FAIRING | 002004 006102 107107 121999 | 1 |
| | 140 213N3012-1 | . | DOUBLER- OPTIONAL PART: 213N3012-2 213N3012-3 | 002004 006100 107107 121503 904999 | 1 |

MISSING ITEM NUMBERS NOT APPLICABLE

- ITEM NOT ILLUSTRATED

21-53-02-02

21-53-02
FIG. 02
PAGE 6
JAN 20/09

BRI



757

PARTS CATALOG (MAINTENANCE)

| FIG ITEM | PART NUMBER | 1 2 3 4 5 6 7 | NOMENCLATURE | EFFECT FROM TO | UNITS PER ASSY |
|----------|-------------|---|--|--|----------------|
| 2 | | | | | |
| 140 | 213N3012-2 | . DOUBLER- | OPTIONAL PART: 213N3012-1 213N3012-3 | 002004 006100 107107 121503 904999 | 1 |
| 140 | 213N3012-3 | . DOUBLER- | OPTIONAL PART: 213N3012-1 213N3012-2 | 002004 006100 107107 121503 904999 | 1 |
| 140 | 213N3012-4 | . DOUBLER | | 101102 504903 | 1 |
| 145 | 213N3011-17 | . OUTLET ASSY-RAM AIR EXHAUST | ELECTRICAL EQUIP NUMBER: M00320 M00321 COMPONENT MAINT MANUAL REF: 21-53-15 | 002004 006102 107107 121999 | 1 |
| 145 | 213N3011-18 | . OUTLET ASSY-RAM AIR EXHAUST | ELECTRICAL EQUIP NUMBER: M00320 M00321 COMPONENT MAINT MANUAL REF: 21-53-15 | 002004 006102 107107 121999 | 1 |
| 150 | 2022432-4 | .. ACTUATOR ASSY-DOOR (SERIES 1 AND 2) | SUPPLIER CODE: V70210 FUNCTIONAL DESCRIPTION: ACTUATORS OPERATE THE RAM AIR INLET AND EXHAUST DOOR SPECIFICATION NUMBER: S210T130-56 ELECTRICAL EQUIP NUMBER: M00320 M00321 COMPONENT MAINT MANUAL REF: 21-53-16 | 002004 006102 107107 121999 | 1 |

MISSING ITEM NUMBERS NOT APPLICABLE

- ITEM NOT ILLUSTRATED

BRI

21-53-02-02

21-53-02
FIG. 02
PAGE 7
JAN 20/09



757

PARTS CATALOG (MAINTENANCE)

| FIG ITEM | PART NUMBER | 1 2 3 4 5 6 7 | NOMENCLATURE | EFFECT FROM TO | UNITS PER ASSY |
|----------|--------------|---------------|---|--------------------------------------|----------------|
| 2 150 | 2022432-3 | .. | ACTUATOR ASSY-DOOR (SERIES 1 AND 2) SUPPLIER CODE: V70210 SPECIFICATION NUMBER: S210T130-40 ELECTRICAL EQUIP NUMBER: M00320 M00321 COMPONENT MAINT MANUAL REF: 21-53-16 | 002004 006102 107107 121999 | 1 |
| 150 | 2022432-1 | .. | ACTUATOR ASSY-DOOR (SERIES 1 AND 2) SUPPLIER CODE: V70210 SPECIFICATION NUMBER: S210T130-9 ELECTRICAL EQUIP NUMBER: M00320 M00321 COMPONENT MAINT MANUAL REF: 21-53-16 | 002004 006102 107107 121999 | 1 |
| 155 | BACB30NM5K14 | .. | BOLT | 002004 006102 107107 121999 | 1 |
| 160 | BACB30NM5K15 | .. | BOLT | 002004 006102 107107 121999 | 1 |
| 165 | AN960KD516 | .. | WASHER | 002004 006102 107107 121999 | 4 |
| 170 | BRH10C5D | .. | NUT SUPPLIER CODE: V52828 SPECIFICATION NUMBER: BACN10JC5CD OPTIONAL PART: T6C524JCD V11815 102LH9075-5W V72962 H51650-5BAC V15653 -----*----- | 002004 006102 107107 121999 | 2 |

MISSING ITEM NUMBERS NOT APPLICABLE

- ITEM NOT ILLUSTRATED

BRI

21-53-02-02

21-53-02
FIG. 02
PAGE 8
JAN 20/09



757

PARTS CATALOG (MAINTENANCE)

| FIG ITEM | PART NUMBER | 1 2 3 4 5 6 7 | NOMENCLATURE | EFFECT FROM TO | UNITS PER ASSY |
|----------|-------------|---------------|---|--------------------------------------|----------------|
| 2 | | | | | |
| 172 | 2047150-5 | ... | PLATE-ID (SERIES 1) SUPPLIER CODE: V70210 USED ON: 2022432-3 | 002004 006102 107107 121999 | 1 |
| 172 | 2047150-6 | ... | PLATE-ID (SERIES 2) SUPPLIER CODE: V70210 USED ON: 2022432-3 | 002004 006102 107107 121999 | 1 |
| 172 | 2047150-7 | ... | PLATE-ID (SERIES 1) SUPPLIER CODE: V70210 USED ON: 2022432-4 | 002004 006102 107107 121999 | 1 |
| 172 | 2047150-8 | ... | PLATE-ID (SERIES 2) SUPPLIER CODE: V70210 USED ON: 2022432-4 | 002004 006102 107107 121999 | 1 |
| 172 | 2047150-1 | ... | PLATE-ID (SERIES 1) SUPPLIER CODE: V70210 USED ON: 2022432-1 | 002004 006102 107107 121999 | 1 |
| 172 | 2047150-2 | ... | PLATE-ID (SERIES 2) SUPPLIER CODE: V70210 USED ON: 2022432-1 | 002004 006102 107107 121999 | 1 |
| 173 | 2047161-1 | .. | LABEL-SWITCH ADJUSMENT SUPPLIER CODE: V70210 | 002004 006102 107107 121999 | 1 |
| 174 | 2047162-1 | .. | LABEL-WIRING DIAGRAM SUPPLIER CODE: V70210 | 002004 006102 107107 121999 | 1 |

MISSING ITEM NUMBERS NOT APPLICABLE

- ITEM NOT ILLUSTRATED

21-53-02-02

21-53-02
FIG. 02
PAGE 9
JAN 20/09

BRI

BOEING PROPRIETARY - Copyright © - Unpublished Work - See title page for details.



757

PARTS CATALOG (MAINTENANCE)

| FIG ITEM | PART NUMBER | 1 2 3 4 5 6 7 | NOMENCLATURE | EFFECT FROM TO | UNITS PER ASSY |
|----------|---------------|---------------------|---|--------------------------------------|----------------|
| 2 175 | 516534-2 | ... | MOTOR-AC SUPPLIER CODE: V70210 COMPONENT MAINT MANUAL REF: 21-53-18 USED ON: 2022432-3 2022432-4 ATTACHING PARTS | 002004 006102 107107 121999 | 1 |
| 180 | NAS1352-08H6 | ... | SCREW | 002004 006102 107107 121999 | 2 |
| 185 | NAS1352-08H16 | ... | SCREW | 002004 006102 107107 121999 | 2 |
| 190 | NAS620-8L | ... | WASHER | 002004 006102 107107 121999 | 4 |
| 193 | 2043988-1 | -----*----- | PLATE-IDENT SUPPLIER CODE: V70210 | 002004 006102 107107 121999 | 1 |
| 195 | BACB30NM4K16 | .. | BOLT | 002004 006102 107107 121999 | 1 |
| 200 | AN960KD416 | .. | WASHER | 002004 006102 107107 121999 | 2 |
| 205 | BRH10C4D | .. | NUT SUPPLIER CODE: V52828 SPECIFICATION NUMBER: BACN10JC4CD OPTIONAL PART: T6C428JCD V11815 NS202486-048 V80539 102LH9075-4W V72962 H51650-4BAC V15653 | 002004 006102 107107 121999 | 1 |

MISSING ITEM NUMBERS NOT APPLICABLE

- ITEM NOT ILLUSTRATED

BRI

21-53-02-02

21-53-02
FIG. 02
PAGE 10
JAN 20/09



757

PARTS CATALOG (MAINTENANCE)

| FIG ITEM | PART NUMBER | 1 2 3 4 5 6 7 | NOMENCLATURE | EFFECT FROM TO | UNITS PER ASSY |
|----------|--------------|---------------|--|--------------------------------------|----------------|
| 2 | | | | | |
| 210 | 213N3019-2 | .. | SHAFT | 002004 006102 107107 121999 | 1 |
| 215 | 213N3015-1 | .. | BELLCRANK ASSY | 002004 006102 107107 121999 | 1 |
| | | | ATTACHING PARTS | | |
| - 220 | NAS623-3-9 | .. | SCREW | 002004 006102 107107 121999 | 1 |
| - 225 | AN960KD10 | .. | WASHER | 002004 006102 107107 121999 | 1 |
| - 230 | BRH10C3D | .. | NUT | 002004 006102 107107 121999 | 1 |
| | | | SUPPLIER CODE: V52828 | | |
| | | | SPECIFICATION NUMBER: BACN10JC3CD | | |
| | | | OPTIONAL PART: T6C1032JCD | | |
| | | | V11815 | | |
| | | | NS202486-02 | | |
| | | | V80539 | | |
| | | | 102LH9075-3W | | |
| | | | V72962 | | |
| | | | H51650-3BAC | | |
| | | | V15653 | | |
| | | | -----*----- | | |
| 235 | BACB28X5C014 | ... | BUSHING | 002004 006102 107107 121999 | 2 |
| 240 | MS14104-3 | ... | BEARING | 002004 006102 107107 121999 | 1 |
| 245 | 213N3015-2 | ... | BELLCRANK- OPTIONAL PART: 213N3015-3 | 002004 006102 107107 121999 | 1 |
| 245 | 213N3015-3 | ... | BELLCRANK- OPTIONAL PART: 213N3015-2 | 002004 006102 107107 121999 | 1 |

MISSING ITEM NUMBERS NOT APPLICABLE

- ITEM NOT ILLUSTRATED

BRI

21-53-02-02

21-53-02
FIG. 02
PAGE 11
JAN 20/09



757

PARTS CATALOG (MAINTENANCE)

| FIG ITEM | PART NUMBER | 1 2 3 4 5 6 7 | NOMENCLATURE | EFFECT FROM TO | UNITS PER ASSY |
|----------|-------------|---------------|---|--------------------------------------|----------------|
| 2 | 250 | 213N3018-1 | .. LINK | 002004 006102 107107 121999 | 1 |
| - | 255 | NAS623-3-9 | ATTACHING PARTS .. SCREW | 002004 006102 107107 121999 | 1 |
| - | 260 | AN960KD10 | .. WASHER | 002004 006102 107107 121999 | 1 |
| - | 265 | BRH10C3D | .. NUT SUPPLIER CODE: V52828 SPECIFICATION NUMBER: BACN10JC3CD OPTIONAL PART: T6C1032JCD V11815 NS202486-02 V80539 102LH9075-3W V72962 H51650-3BAC V15653 -----*----- | 002004 006102 107107 121999 | 1 |
| | 270 | 213N3056-1 | .. ARM ASSY-LOUVER | 002004 006102 107107 121999 | 1 |
| | 275 | NAS6704DE22 | ATTACHING PARTS .. BOLT | 002004 006102 107107 121999 | 1 |
| | 280 | NAS623-3-8 | .. SCREW | 002004 006102 107107 121999 | 1 |
| | 282 | NAS43HT3-5 | .. SPACER | 002004 006102 107107 121999 | 1 |
| | 285 | AN960KD416 | .. WASHER | 002004 006102 107107 121999 | 1 |

MISSING ITEM NUMBERS NOT APPLICABLE

- ITEM NOT ILLUSTRATED

BRI

21-53-02-02

21-53-02
FIG. 02
PAGE 12
JAN 20/09



757

PARTS CATALOG (MAINTENANCE)

| FIG ITEM | PART NUMBER | 1 2 3 4 5 6 7 | NOMENCLATURE | EFFECT FROM TO | UNITS PER ASSY |
|----------|-------------|---------------|---|--------------------------------------|----------------|
| 2 | | | | | |
| 290 | AN960KD10 | .. | WASHER | 002004 006102 107107 121999 | 1 |
| 290 | AN960KD10 | .. | WASHER- QUALIFIED OPTIONAL DATA: AN960JD10L (QTY2) OPT TO AN960KD10 (QTY1) | 002004 006102 107107 121999 | 1 |
| 292 | AN960JD10L | .. | WASHER- QUALIFIED OPTIONAL DATA: AN960JD10L (QTY2) OPT TO AN960KD10 (QTY1) | 002004 006102 107107 121999 | 2 |
| 295 | BACN10JD4 | .. | NUT | 002004 006102 107107 121999 | 1 |
| 300 | BRH10C3D | .. | NUT SUPPLIER CODE: V52828 SPECIFICATION NUMBER: BACN10JC3CD OPTIONAL PART: T6C1032JCD V11815 NS202486-02 V80539 102LH9075-3W V72962 H51650-3BAC V15653 | 002004 006102 107107 121999 | 1 |
| 305 | MS24665-153 | .. | PIN | 002004 006102 107107 121999 | 1 |
| | | | -----*----- | | |
| 310 | MS14104-3 | ... | BEARING | 002004 006102 107107 121999 | 1 |
| 315 | 213N3056-2 | ... | ARM ASSY-LOUVER OPTIONAL PART: 213N3056-3 | 002004 006102 107107 121999 | 1 |
| 315 | 213N3056-3 | ... | ARM ASSY-LOUVER OPTIONAL PART: 213N3056-2 | 002004 006102 107107 121999 | 1 |

MISSING ITEM NUMBERS NOT APPLICABLE

- ITEM NOT ILLUSTRATED

BRI

21-53-02-02

21-53-02
FIG. 02
PAGE 13
JAN 20/09



757

PARTS CATALOG (MAINTENANCE)

| FIG ITEM | PART NUMBER | 1 2 3 4 5 6 7 | NOMENCLATURE | EFFECT FROM TO | UNITS PER ASSY |
|----------|----------------|---------------|--|--------------------------------------|----------------|
| 2 | 320 213N3052-1 | .. | LINK ASSY | 002004 006102 107107 121999 | 1 |
| - 325 | BACB30NM4K16 | .. | BOLT ATTACHING PARTS | 002004 006102 107107 121999 | 1 |
| - 330 | BACW10Q4 | .. | WASHER | 002004 006102 107107 121999 | 1 |
| - 335 | BRH10C4D | .. | NUT SUPPLIER CODE: V52828 SPECIFICATION NUMBER: BACN10JC4CD OPTIONAL PART: T6C428JCD V11815 NS202486-048 V80539 102LH9075-4W V72962 H51650-4BAC V15653 -----*----- | 002004 006102 107107 121999 | 1 |
| 340 | BACB28W3C006 | ... | BUSHING | 002004 006102 107107 121999 | 1 |
| 345 | MS14104-4 | ... | BEARING | 002004 006102 107107 121999 | 1 |
| 350 | 213N3052-2 | ... | LINK | 002004 006102 107107 121999 | 1 |
| 355 | MS24665-153 | .. | PIN | 002004 006102 107107 121999 | 1 |
| 360 | BACN10JD5 | .. | NUT | 002004 006102 107107 121999 | 1 |

MISSING ITEM NUMBERS NOT APPLICABLE

- ITEM NOT ILLUSTRATED

21-53-02-02

21-53-02
FIG. 02
PAGE 14
JAN 20/09

BRI



757

PARTS CATALOG (MAINTENANCE)

| FIG ITEM | PART NUMBER | 1 2 3 4 5 6 7 | NOMENCLATURE | EFFECT FROM TO | UNITS PER ASSY |
|----------|-------------|---------------|---|--------------------------------------|----------------|
| 2 | | | | | |
| 365 | AN960KD516 | .. | WASHER | 002004 006102 107107 121999 | 1 |
| 370 | 213N3053-1 | .. | SHAFT | 002004 006102 107107 121999 | 1 |
| 375 | BACB30NU3K4 | .. | BOLT | 002004 006102 107107 121999 | 2 |
| 380 | NAS623-3-2 | .. | SCREW | 002004 006102 107107 121999 | 2 |
| 385 | AN960KD10 | .. | WASHER | 002004 006102 107107 121999 | 2 |
| 390 | BRH10C3D | .. | NUT SUPPLIER CODE: V52828 SPECIFICATION NUMBER: BACN10JC3CD OPTIONAL PART: T6C1032JCD V11815 NS202486-02 V80539 102LH9075-3W V72962 H51650-3BAC V15653 | 002004 006102 107107 121999 | 2 |
| 395 | 69-38748-1 | .. | CAP ASSY-BRG | 002004 006102 107107 121999 | 2 |
| 400 | 213N3022-5 | .. | PLATE-DBLR | 002004 006102 107107 121999 | 1 |
| 405 | 213N3055-5 | .. | ARM ASSY-ACTR | 002004 006102 107107 121999 | 1 |

MISSING ITEM NUMBERS NOT APPLICABLE

- ITEM NOT ILLUSTRATED

BRI

21-53-02-02

21-53-02
FIG. 02
PAGE 15
JAN 20/09



757

PARTS CATALOG (MAINTENANCE)

| FIG ITEM | PART NUMBER | 1 2 3 4 5 6 7 | NOMENCLATURE | EFFECT FROM TO | UNITS PER ASSY |
|----------|-----------------|---------------|---|--------------------------------------|----------------|
| 2 | | | | | |
| 407 | BACB30NU3K4 | .. | BOLT | 002004 006102 107107 121999 | 14 |
| 408 | BRH10C3D | .. | NUT SUPPLIER CODE: V52828 SPECIFICATION NUMBER: BACN10JC3CD OPTIONAL PART: T6C1032JCD V11815 NS202486-02 V80539 102LH9075-3W V72962 H51650-3BAC V15653 | 002004 006102 107107 121999 | 14 |
| 410 | 213N3010-10 | .. | SUPPORT ASSY | 002004 006102 107107 121999 | 1 |
| 410 | 213N3010-15 | .. | SUPPORT ASSY | 002004 006102 107107 121999 | 1 |
| 411 | BACB28W10B050 | ... | BUSHING | 002004 006102 107107 121999 | 2 |
| 411A | MS21209F1-20 | ... | INSERT | 002004 006102 107107 121999 | 2 |
| 411B | MS14104-5 | ... | BUSHING- SUPPLIER CODE: V70210 | 002004 006102 107107 121999 | 1 |
| 412 | M81934-1-12C009 | ... | BEARING- POST AIRLINE MOD: VUAR | 002004 006102 107107 121999 | 1 |
| 413 | 213N3010-6 | ... | SLEEVE | 002004 006102 107107 121999 | 1 |

MISSING ITEM NUMBERS NOT APPLICABLE

- ITEM NOT ILLUSTRATED

BRI

21-53-02-02

21-53-02
FIG. 02
PAGE 16
JAN 20/09



757

PARTS CATALOG (MAINTENANCE)

| FIG ITEM | PART NUMBER | 1 2 3 4 5 6 7 | NOMENCLATURE | EFFECT FROM TO | UNITS PER ASSY |
|----------|--------------|---------------|--|--------------------------------------|----------------|
| 2 | | | | | |
| 415 | NAS6705DE14 | .. | BOLT | 002004 006102 107107 121999 | 1 |
| 420 | AN960D516 | .. | WASHER | 002004 006102 107107 121999 | 3 |
| 425 | BACN10JD5 | .. | NUT | 002004 006102 107107 121999 | 1 |
| 430 | MS24665-153 | .. | PIN | 002004 006102 107107 121999 | 1 |
| 435 | 940CW26-5 | .. | JUMPER SUPPLIER CODE: V91812 SPECIFICATION NUMBER: BACJ40AB26-5 OPTIONAL PART: 100226-5 V1FF12 RBEJ40AB6-5 V1GK47 | 002004 006102 107107 121999 | 1 |
| 440 | 213N3058-1 | .. | LOUVER ASSY | 002004 006102 107107 121999 | 1 |
| 445 | BACB28X5C025 | ... | BUSHING | 002004 006102 107107 121999 | 1 |
| 450 | 213N3058-2 | ... | LOUVER- OPTIONAL PART: 213N3058-3 | 002004 006102 107107 121999 | 1 |
| 450 | 213N3058-3 | ... | LOUVER- OPTIONAL PART: 213N3058-2 | 002004 006102 107107 121999 | 1 |

MISSING ITEM NUMBERS NOT APPLICABLE

- ITEM NOT ILLUSTRATED

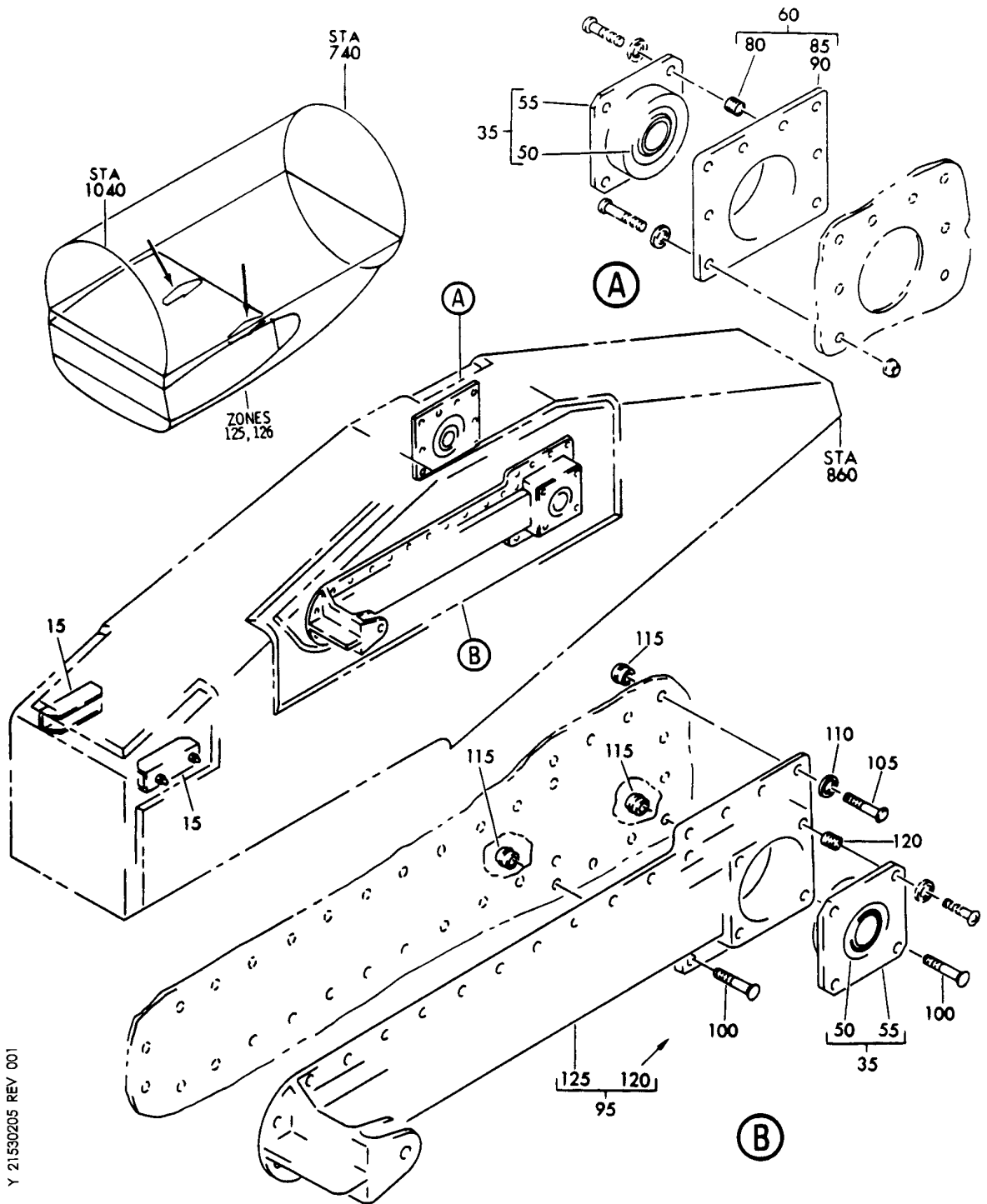
BRI

21-53-02-02

BOEING PROPRIETARY - Copyright © - Unpublished Work - See title page for details.

21-53-02
FIG. 02
PAGE 17
JAN 20/09

BOEING
757
PARTS CATALOG (MAINTENANCE)



Y 21530205 REV 001

PROVISIONS INSTL-RAM AIR HEAT SINK
FIGURE 5

21-53-02-05

BRI
MAY 28/07

21-53-02-05
PAGE 0



757

PARTS CATALOG (MAINTENANCE)

| FIG ITEM | PART NUMBER | 1 2 3 4 5 6 7 | NOMENCLATURE | EFFECT FROM TO | UNITS PER ASSY |
|----------|---------------|---------------|---|--------------------------------------|----------------|
| 5 | | | PROVISIONS INSTL-RAM AIR HEAT SINK | 002004 006102 107107 121999 | |
| - 1 | 213N3004-1 | | PROVISIONS INSTL-RAM AIR HEAT SINK POSITION DATA: LH FOR NHA SEE: 21-00-00-01 21-00-00-15 | 002004 006102 107107 121999 | RF |
| - 10 | 213N3004-2 | | PROVISIONS INSTL-RAM AIR HEAT SINK POSITION DATA: RH FOR NHA SEE: 21-00-00-01 21-00-00-15 | 002004 006102 107107 121999 | RF |
| 15 | 213N3025-1 | | .TRACK-DOOR POSITION DATA: AFT | 002004 006102 107107 121999 | 2 |
| - 20 | BACB30NN4K4 | | ATTACHING PARTS .BOLT | 002004 006102 107107 121999 | 4 |
| - 25 | BACW10BP4NAPU | | .WASHER | 002004 006102 107107 121999 | 4 |
| - 30 | BRH10C4D | | .NUT SUPPLIER CODE: V52828 SPECIFICATION NUMBER: BACN10JC4CD OPTIONAL PART: T6C428JCD V11815 NS202486-048 V80539 102LH9075-4W V72962 H51650-4BAC V15653 -----*----- | 002004 006102 107107 121999 | 4 |

MISSING ITEM NUMBERS NOT APPLICABLE

- ITEM NOT ILLUSTRATED

21-53-02-05

21-53-02
FIG. 05
PAGE 1
JAN 20/09

BRI



757

PARTS CATALOG (MAINTENANCE)

| FIG ITEM | PART NUMBER | 1 2 3 4 5 6 7 | NOMENCLATURE | EFFECT FROM TO | UNITS PER ASSY |
|----------|---------------|---------------|---|--------------------------------------|----------------|
| 5 | 35 69B03738-1 | | .RETAINER ASSY | 002004 006102 107107 121999 | 2 |
| - 40 | BACB30LK3-3 | | ATTACHING PARTS .BOLT | 002004 006102 107107 121999 | 4 |
| - 45 | AN960PD10 | | .WASHER | 002004 006102 107107 121999 | 4 |
| | | | -----*----- | | |
| 50 | MS14103-14 | | ..BEARING- OPTIONAL PART: ABWT14V102 V50294 | 002004 006102 107107 121999 | 1 |
| 50 | ABWT14V102 | | ..BEARING-SPHER SUPPLIER CODE: VS0352 SPECIFICATION NUMBER: 10-60545-77 OPTIONAL PART: WRG14BACH V73134 NHL14V201 V15860 KWB14N12 V97613 176364 V09455 SBSH28ATC52-2 V21335 BLFR14-082 V81376 TGA114D V77896 OPTIONAL PART: MS14103-14 | 002004 006102 107107 121999 | 1 |
| 55 | 69B03738-2 | | ..RETAINER | 002004 006102 107107 121999 | 1 |
| 60 | 213T3701-1 | | .HOUSING ASSY- OPTIONAL PART: 213T3701-2 | 002004 006102 107107 121999 | 1 |

MISSING ITEM NUMBERS NOT APPLICABLE

- ITEM NOT ILLUSTRATED

21-53-02-05

21-53-02
FIG. 05
PAGE 2
JAN 20/09

BRI



757

PARTS CATALOG (MAINTENANCE)

| FIG ITEM | PART NUMBER | 1 2 3 4 5 6 7 | NOMENCLATURE | EFFECT FROM TO | UNITS PER ASSY |
|----------|---------------|---------------|--|--------------------------------------|----------------|
| 5 | 60 213T3701-2 | | .HOUSING ASSY- OPTIONAL PART: 213T3701-1 | 002004 006102 107107 121999 | 1 |
| - 65 | 2LPYE5-6 | | ATTACHING PARTS .BOLT SUPPLIER CODE: V11815 SPECIFICATION NUMBER: BACB30GP5-6 OPTIONAL PART: 2LPYE5-6 V17446 | 002004 006102 107107 121999 | 8 |
| - 70 | BACW10BP2NAPU | | .WASHER | 002004 006102 107107 121999 | 8 |
| - 75 | NAS1080D5 | | .COLLAR | 002004 006102 107107 121999 | 8 |
| 80 | MS21209FI20 | | -----*----- ..INSERT | 002004 006102 107107 121999 | 4 |
| 85 | 213T3701-3 | | ..RETAINER-HOUSING USED ON: 213T3701-1 | 002004 006102 107107 121999 | 1 |
| 90 | 213T3701-4 | | ..HOUSING-MACHINED USED ON: 213T3701-2 | 002004 006102 107107 121999 | 1 |
| 95 | 213T3012-1 | | .MOUNT ASSY- OPTIONAL PART: 213T3012-2 | 002004 006102 107107 121999 | 1 |
| 95 | 213T3012-2 | | .MOUNT ASSY- OPTIONAL PART: 213T3012-1 | 002004 006102 107107 121999 | 1 |

MISSING ITEM NUMBERS NOT APPLICABLE

- ITEM NOT ILLUSTRATED

21-53-02-05

21-53-02
FIG. 05
PAGE 3
JAN 20/09

BRI



757

PARTS CATALOG (MAINTENANCE)

| FIG ITEM | PART NUMBER | 1 2 3 4 5 6 7 | NOMENCLATURE | EFFECT FROM TO | UNITS PER ASSY |
|----------|---------------|---------------|---|--------------------------------------|----------------|
| 5 | | | ATTACHING PARTS | | |
| 100 | 2L426YE5-6 | | .BOLT SUPPLIER CODE: V17446 SPECIFICATION NUMBER: BACB30GQ5-6 OPTIONAL PART: 2L426YE5-6 V11815 | 002004 006102 107107 121999 | 4 |
| 105 | 2LPYE5-6 | | .BOLT SUPPLIER CODE: V11815 SPECIFICATION NUMBER: BACB30GP5-6 OPTIONAL PART: 2LPYE5-6 V17446 | 002004 006102 107107 121999 | 30 |
| 110 | BACW10BP2NAPU | | .WASHER | 002004 006102 107107 121999 | 30 |
| 115 | NAS1080D5 | | .COLLAR | 002004 006102 107107 121999 | 34 |
| 120 | MS21209FI20 | | -----*----- .. INSERT | 002004 006102 107107 121999 | 4 |
| 125 | 213T3012-3 | | .. MOUNT- USED ON: 213T3012-1 | 002004 006102 107107 121999 | 1 |
| 125 | 213T3012-5 | | .. MOUNT-MACHINED USED ON: 213T3012-2 | 002004 006102 107107 121999 | 1 |

MISSING ITEM NUMBERS NOT APPLICABLE

- ITEM NOT ILLUSTRATED

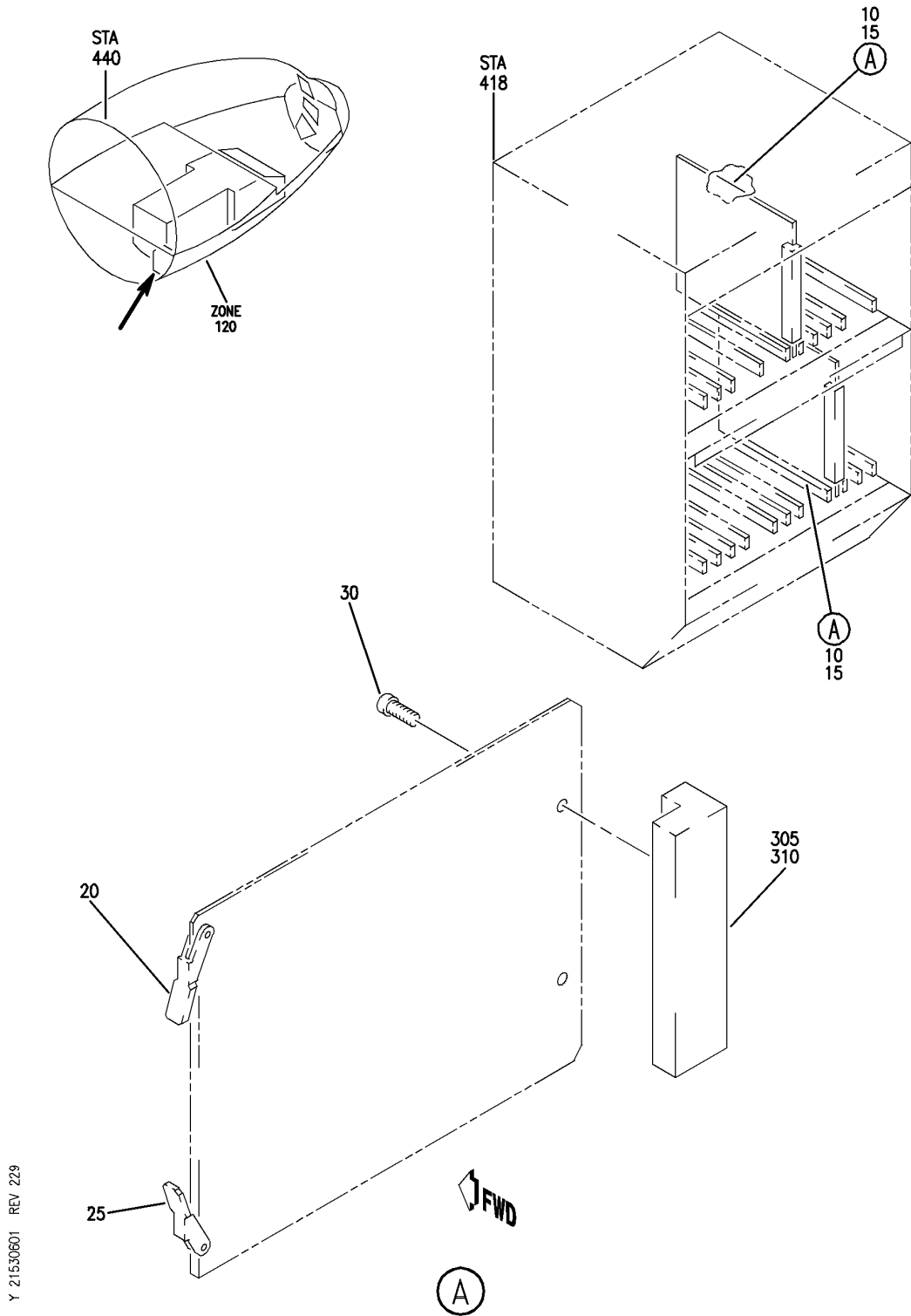
BRI

21-53-02-05

BOEING PROPRIETARY - Copyright © - Unpublished Work - See title page for details.

21-53-02
FIG. 05
PAGE 4
JAN 20/09

BOEING
757
PARTS CATALOG (MAINTENANCE)



Y 21530601 REV 229

EQUIPMENT INSTL-MAIN ELECTRONICS EQPT CTR (RAM AIR SYSTEM ONLY)
FIGURE 1

21-53-06-01

BRI
MAY 28/07

21-53-06-01
PAGE 0



757

PARTS CATALOG (MAINTENANCE)

| FIG ITEM | PART NUMBER | 1 2 3 4 5 6 7 | NOMENCLATURE | EFFECT FROM TO | UNITS PER ASSY |
|----------|--------------|---------------|---|--------------------------------------|----------------|
| 1 | | | EQUIPMENT INSTL-MAIN ELECTRONICS EQPT CTR (RAM AIR SYSTEM ONLY) | 002004 006100 107107 121999 | |
| - 2 | 284N1307-33 | | EQUIPMENT INSTL-MAIN ELECTRONICS EQPT CTR (RAM AIR SYSTEM ONLY) FOR NHA/OTHER SYS DET SEE: 24-00-58-01 | 107107 | RF |
| - 3 | 284N1800-16 | | EQUIPMENT INSTL-MAIN ELECTRONICS EQPT CTR (RAM AIR SYSTEM ONLY) FOR NHA/OTHER SYS DET SEE: 24-00-58-01 | 121503 904949 | RF |
| - 4 | 284N1800-32 | | EQUIPMENT INSTL-MAIN ELECTRONICS EQPT CTR (RAM AIR SYSTEM ONLY) FOR NHA/OTHER SYS DET SEE: 24-00-58-01 | 952999 | RF |
| - 4 | 284N1800-34 | | EQUIPMENT INSTL-MAIN ELECTRONICS EQPT CTR (RAM AIR SYSTEM ONLY) FOR NHA/OTHER SYS DET SEE: 24-00-58-01 | 002004 006100 | RF |
| - 5 | 284N1800-38 | | EQUIPMENT INSTL-MAIN ELECTRONICS EQPT CTR (RAM AIR SYSTEM ONLY) FOR NHA/OTHER SYS DET SEE: 24-00-58-01 | 950951 | RF |
| - 6 | 284N1800-88 | | EQUIPMENT INSTL-MAIN ELECTRONICS EQPT CTR (RAM AIR SYSTEM ONLY) FOR NHA/OTHER SYS DET SEE: 24-00-58-05E | 505505 | RF |
| - 7 | 284N1800-190 | | EQUIPMENT INSTL-MAIN ELECTRONICS EQPT CTR (RAM AIR SYSTEM ONLY) FOR NHA/OTHER SYS DET SEE: 24-00-58-05E | 504504 506903 | RF |

MISSING ITEM NUMBERS NOT APPLICABLE

- ITEM NOT ILLUSTRATED

BRI

21-53-06-01

21-53-06
FIG. 01
PAGE 1
JAN 20/09



757

PARTS CATALOG (MAINTENANCE)

| FIG ITEM | PART NUMBER | 1 2 3 4 5 6 7 | NOMENCLATURE | EFFECT FROM TO | UNITS PER ASSY |
|----------|--------------|---------------|--|--------------------------------------|----------------|
| 1 | | | | | |
| 15 | 285T0094-3 | | .PRINTED WIRING ASSY-PACK BACKUP TEMP CONT SUPPLIER CODE: V89954 ELECTRICAL EQUIP NUMBER: M10403 M10404 COMPONENT MAINT MANUAL REF: 21-51-53 OPTIONAL PART: 285T0094-6 V89954 | 002004 006100 107107 121999 | 2 |
| 15 | 285T0094-6 | | .PRINTED WIRING ASSY-PACK BACKUP TEMP CONT SUPPLIER CODE: V89954 ELECTRICAL EQUIP NUMBER: M10403 M10404 COMPONENT MAINT MANUAL REF: 21-51-53 OPTIONAL PART: 285T0094-3 V89954 | 002004 006100 107107 121999 | 2 |
| 20 | 71-2LA | | ..EXTRACTOR- SUPPLIER CODE: V18915 | 002004 006100 107107 121999 | 1 |
| 25 | 71-2RA | | ..EXTRACTOR- SUPPLIER CODE: V18915 | 002004 006100 107107 121999 | 1 |
| 30 | MS35214-14 | | ..SCREW | 002004 006100 107107 121999 | 2 |
| - 300 | 286N1140-002 | | WIRE BUNDLE ASSY | 107107 121503 904949 | RF |
| - 300 | 286N1140-004 | | WIRE BUNDLE ASSY | 002004 006100 950999 | RF |
| - 300 | 286N1140-314 | | WIRE BUNDLE ASSY | 504903 | RF |

MISSING ITEM NUMBERS NOT APPLICABLE

- ITEM NOT ILLUSTRATED

21-53-06-01

21-53-06
FIG. 01
PAGE 2
JAN 20/09

BRI

BOEING PROPRIETARY - Copyright © - Unpublished Work - See title page for details.



757

PARTS CATALOG (MAINTENANCE)

| FIG ITEM | PART NUMBER | 1 2 3 4 5 6 7 | NOMENCLATURE | EFFECT FROM TO | UNITS PER ASSY |
|-------------|-------------|---------------|---|--------------------------------------|----------------------|
| 1 310 | 300055-001 | | .CONNECTOR- SUPPLIER CODE: V0D9V3 SPECIFICATION NUMBER: BACC65L41 OPTIONAL PART: 300055-001 V03877 192-341-0005 V26742 S1022-00833 V03877 ELECTRICAL EQUIP NUMBER: D02982 D03044 WIRING DIAGRAM REF: 215113 215123 | 002004 006100 107107 121999 | 2 |

MISSING ITEM NUMBERS NOT APPLICABLE

- ITEM NOT ILLUSTRATED

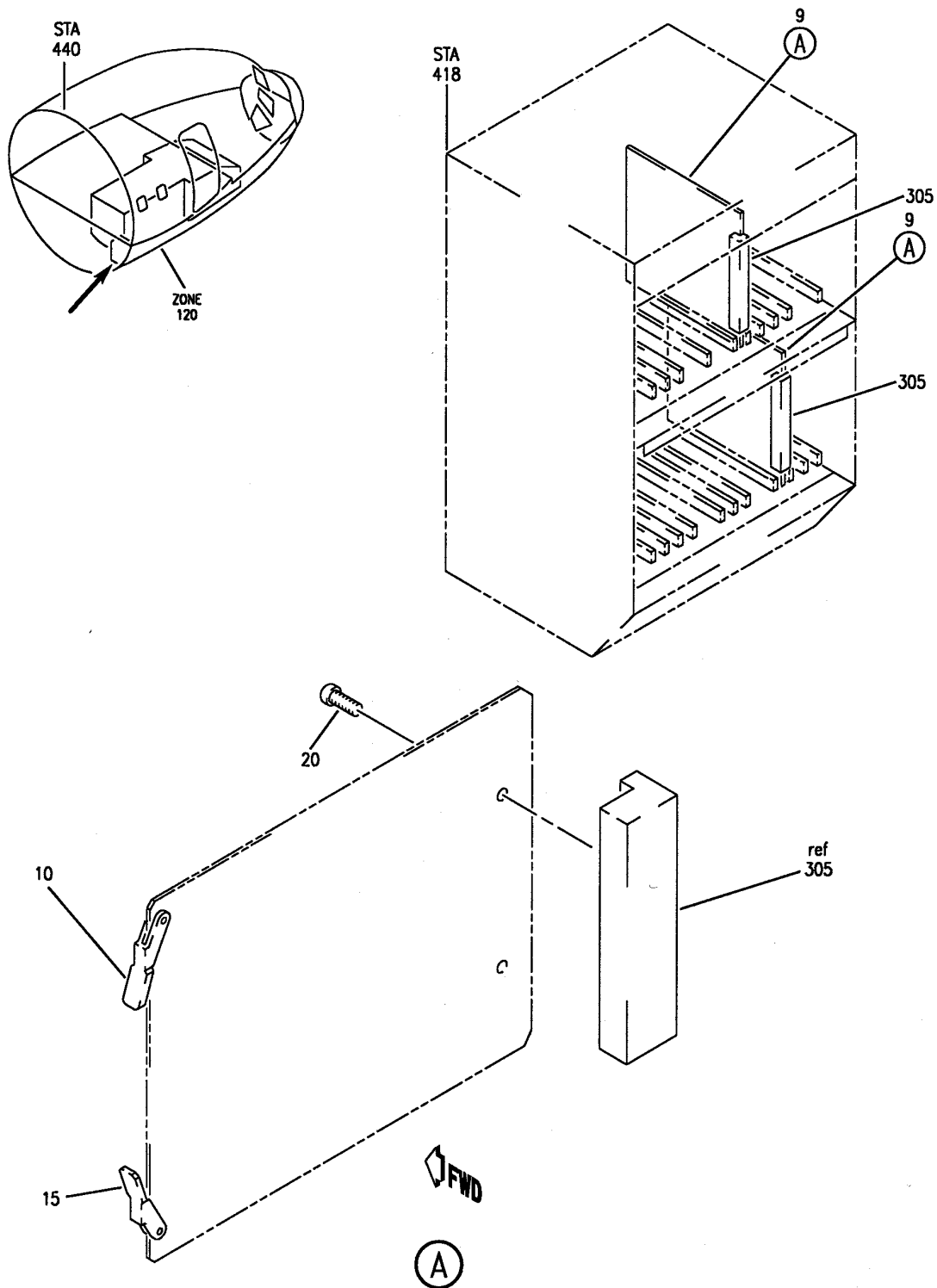
BRI

21-53-06-01

BOEING PROPRIETARY - Copyright © - Unpublished Work - See title page for details.

21-53-06
FIG. 01
PAGE 3
JAN 20/09

BOEING
757
PARTS CATALOG (MAINTENANCE)



Y 21530601B REV 214

EQPT INSTL-MAIN ELECTRONICS EQPT CTR (RAM AIR SYSTEM ONLY)
FIGURE 1B

21-53-06-01B

BRI
MAY 28/07

21-53-06-01B
PAGE 0



757

PARTS CATALOG (MAINTENANCE)

| FIG ITEM | PART NUMBER | 1 2 3 4 5 6 7 | NOMENCLATURE | EFFECT FROM TO | UNITS PER ASSY |
|----------|--------------|---------------|--|----------------|----------------|
| 1B | | | EQPT INSTL-MAIN ELECTRONICS EQPT CTR (RAM AIR SYSTEM ONLY) | 101102 | |
| - 2 | 284N1800-140 | | EQUIPMENT INSTL-MAIN ELECTRONICS EQPT CTR (RAM AIR SYSTEM ONLY) FOR NHA/OTHER SYS DET SEE: 24-00-58-05E | 101101 | RF |
| - 2 | 284N1800-141 | | EQUIPMENT INSTL-MAIN ELECTRONICS EQPT CTR (RAM AIR SYSTEM ONLY) FOR NHA/OTHER SYS DET SEE: 24-00-58-05E | 102102 | RF |
| 9 | 285T0094-3 | | .PRINTED WIRING ASSY-PACK BACKUP TEMP CONT SUPPLIER CODE: V89954 ELECTRICAL EQUIP NUMBER: M10403 M10404 COMPONENT MAINT MANUAL REF: 21-51-53 OPTIONAL PART: 285T0094-6 V89954 | 101102 | 2 |
| 9 | 285T0094-6 | | .PRINTED WIRING ASSY-PACK BACKUP TEMP CONT SUPPLIER CODE: V89954 ELECTRICAL EQUIP NUMBER: M10403 M10404 COMPONENT MAINT MANUAL REF: 21-51-53 OPTIONAL PART: 285T0094-3 V89954 | 101102 | 2 |
| 10 | 71-2LA | | ..EXTRACTOR- SUPPLIER CODE: V18915 | 101102 | 1 |
| 15 | 71-2RA | | ..EXTRACTOR- SUPPLIER CODE: V18915 | 101102 | 1 |
| 20 | MS35214-14 | | ..SCREW | 101102 | 2 |
| - 300 | 286N1140-306 | | WIRE BUNDLE ASSY | 101102 | RF |

MISSING ITEM NUMBERS NOT APPLICABLE

- ITEM NOT ILLUSTRATED

21-53-06-01B

21-53-06
FIG. 01B
PAGE 1
JAN 20/09

BRI

BOEING PROPRIETARY - Copyright © - Unpublished Work - See title page for details.



757

PARTS CATALOG (MAINTENANCE)

| FIG ITEM | PART NUMBER | 1 2 3 4 5 6 7 | NOMENCLATURE | EFFECT FROM TO | UNITS PER ASSY |
|-------------|-------------|---------------|---|-------------------|----------------------|
| 1B 305 | 300055-001 | | .CONNECTOR- SUPPLIER CODE: V0D9V3 SPECIFICATION NUMBER: BACC65L41 OPTIONAL PART: 300055-001 V03877 192-341-0005 V26742 S1022-00833 V03877 ELECTRICAL EQUIP NUMBER: D03044 D02982 WIRING DIAGRAM REF: 215123 215113 | 101102 | 2 |

MISSING ITEM NUMBERS NOT APPLICABLE

- ITEM NOT ILLUSTRATED

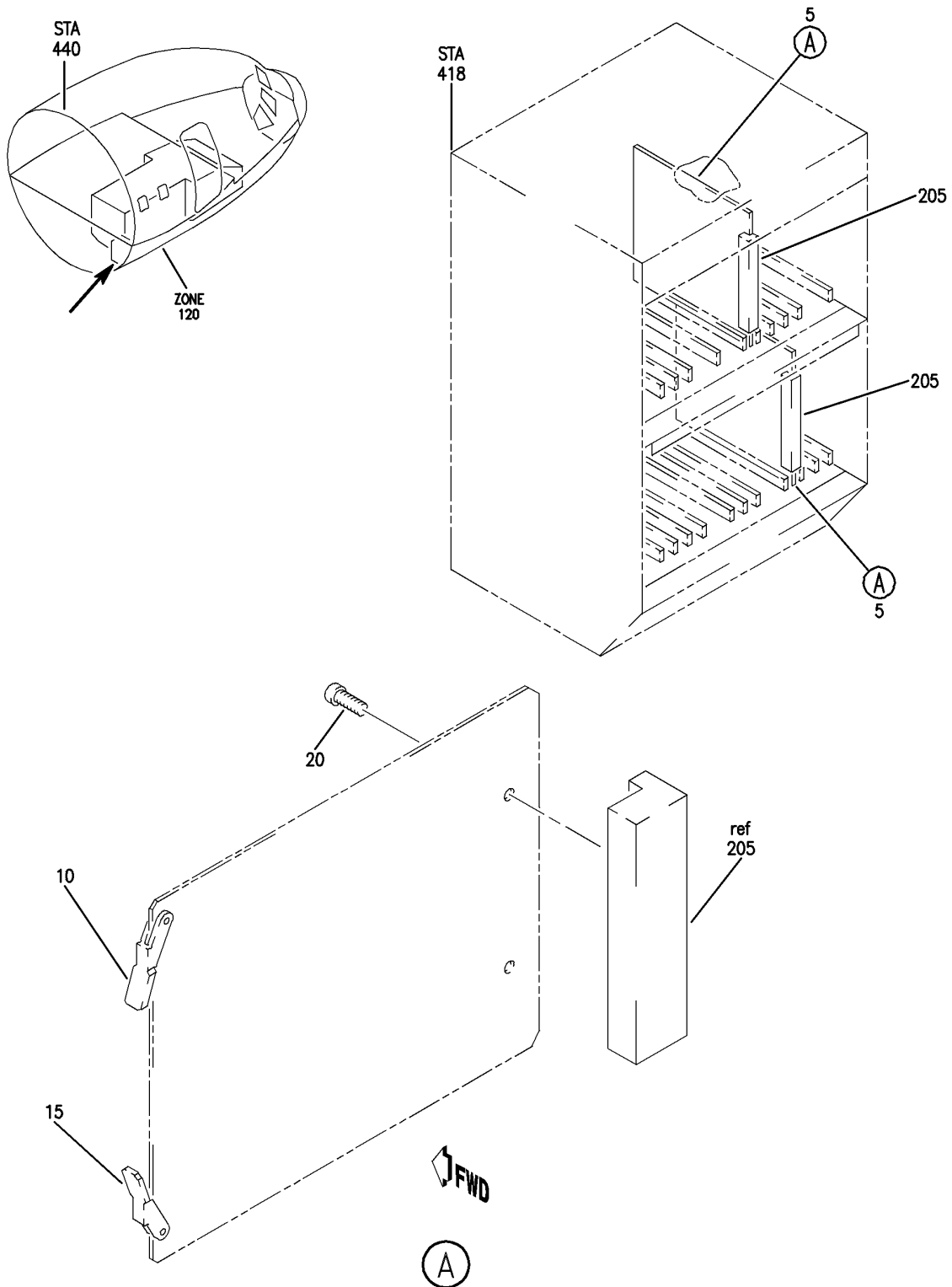
BRI

21-53-06-01B

BOEING PROPRIETARY - Copyright © - Unpublished Work - See title page for details.

21-53-06
FIG. 01B
PAGE 2
JAN 20/09

BOEING
757
PARTS CATALOG (MAINTENANCE)



Y 21530608 REV 227

EQUIPMENT INSTL-MAIN ELECTRONICS EQPT CTR PACK BACKUP TEMP CONT
FIGURE 8

21-53-06-08

BRI
JAN 20/09

21-53-06-08
PAGE 0



757

PARTS CATALOG (MAINTENANCE)

| FIG ITEM | PART NUMBER | 1 2 3 4 5 6 7 | NOMENCLATURE | EFFECT FROM TO | UNITS PER ASSY |
|----------|-----------------|---------------|---|------------------|----------------|
| 8 | | | EQUIPMENT INSTL-MAIN ELECTRONICS EQPT CTR PACK BACKUP TEMP CONT | 103106 108120 | |
| - 1 | 284N4000-210005 | | EQUIPMENT INSTL-MAIN ELECTRONICS EQPT CTR PACK BACKUP TEMP CONT | 108120 | RF |
| - 1 | MODREF9636 | | FOR NHA SEE: 24-00-58-05 EQUIPMENT INSTL-MAIN ELECTRONICS EQPT CTR PACK BACKUP TEMP CONT | 103106 | 1 |
| 5 | 285T0094-3 | | MODULE NUMBER: 284N4000-210005 REV A .PRINTED WIRING ASSY- SUPPLIER CODE: V89954 ELECTRICAL EQUIP NUMBER: M10403 M10404 COMPONENT MAINT MANUAL REF: 21-51-53 OPTIONAL PART: 285T0094-6 V89954 FUNCTIONAL REFERENCE: PLACARDS AND MARKINGS FOR DETAILS SEE 11-36-25-08 | 103106 108120 | 2 |
| 5 | 285T0094-6 | | .PRINTED WIRING ASSY- SUPPLIER CODE: V89954 ELECTRICAL EQUIP NUMBER: M10403 M10404 COMPONENT MAINT MANUAL REF: 21-51-53 OPTIONAL PART: 285T0094-3 V89954 FUNCTIONAL REFERENCE: PLACARDS AND MARKINGS FOR DETAILS SEE 11-36-25-08 | 103106 108120 | 2 |
| 10 | 71-2LA | | ..EXTRACTOR- SUPPLIER CODE: V18915 | 103106 108120 | 1 |
| 15 | 71-2RA | | ..EXTRACTOR- SUPPLIER CODE: V18915 | 103106 108120 | 1 |

MISSING ITEM NUMBERS NOT APPLICABLE

- ITEM NOT ILLUSTRATED

21-53-06-08

21-53-06
FIG. 08
PAGE 1
JAN 20/09

BRI



757

PARTS CATALOG (MAINTENANCE)

| FIG ITEM | PART NUMBER | 1 2 3 4 5 6 7 | NOMENCLATURE | EFFECT FROM TO | UNITS PER ASSY |
|-------------|--------------|---------------|------------------------------------|-------------------|----------------------|
| 8 | | | | | |
| 20 | MS35214-14 | | . . SCREW | 103106 108120 | 2 |
| - 200 | 286N1140-324 | | WIRE BUNDLE ASSY- | 108120 | RF |
| - 200 | 286N1140-701 | | WIRE BUNDLE ASSY | 103106 | RF |
| 205 | 300055-001 | | . CONNECTOR- | 103106 | 2 |
| | | | SUPPLIER CODE: V0D9V3 | 108120 | |
| | | | SPECIFICATION NUMBER: BACC65L41 | | |
| | | | OPTIONAL PART: 300055-001 | | |
| | | | V03877 | | |
| | | | 192-341-0005 | | |
| | | | V26742 | | |
| | | | S1022-00833 | | |
| | | | V03877 | | |
| | | | ELECTRICAL EQUIP NUMBER: | | |
| | | | D02982 | | |
| | | | D03044 | | |
| | | | WIRING DIAGRAM REF: | | |
| | | | 215113 | | |
| | | | 215123 | | |

MISSING ITEM NUMBERS NOT APPLICABLE

- ITEM NOT ILLUSTRATED

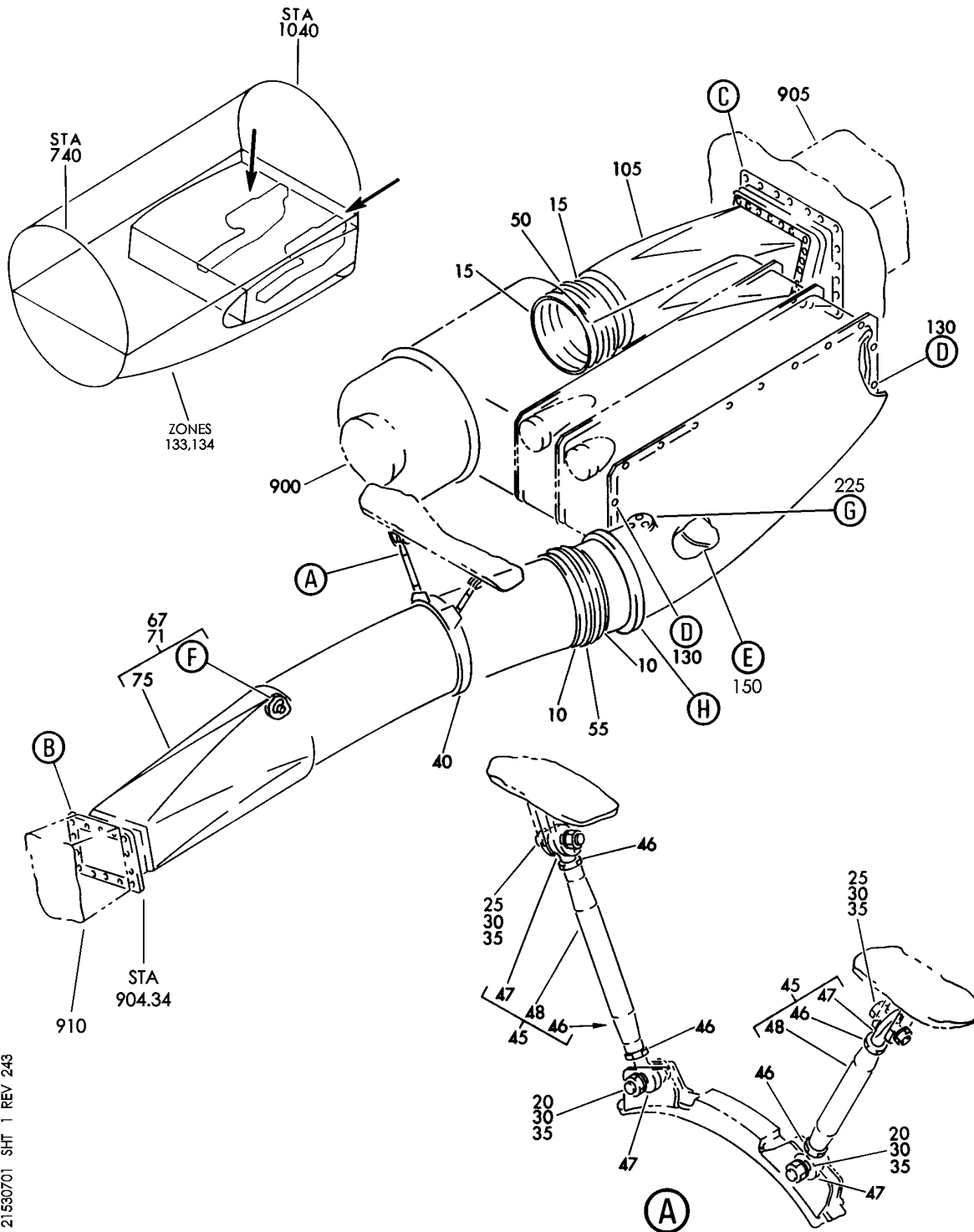
BRI

21-53-06-08

BOEING PROPRIETARY - Copyright © - Unpublished Work - See title page for details.

21-53-06
FIG. 08
PAGE 2
JAN 20/09

BOEING
757
PARTS CATALOG (MAINTENANCE)



Y 21530701 SHT 1 REV 243

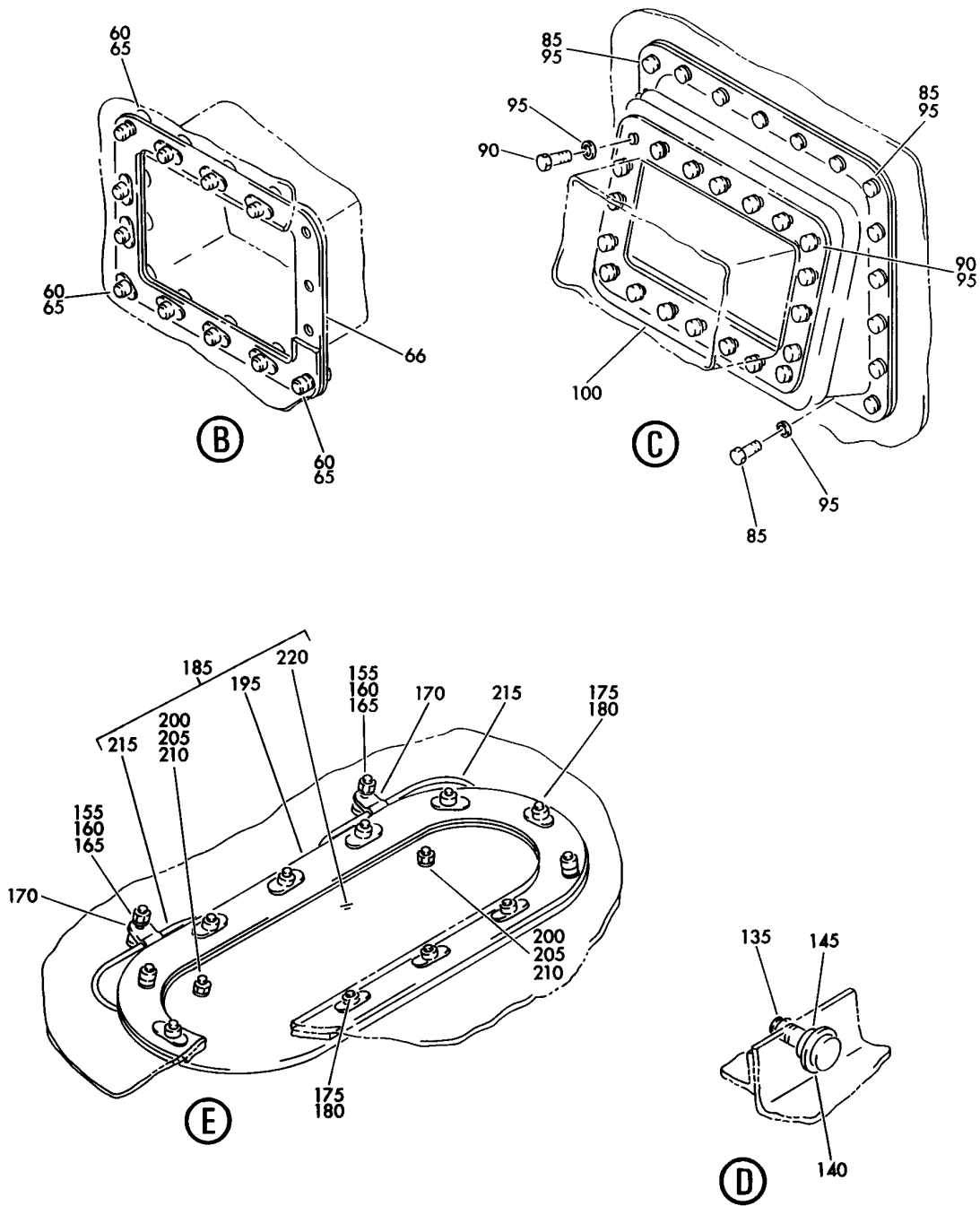
DUCT AND CLAMP INSTL-RAM AIR HEAT SINK
FIGURE 1 (SHEET 1)

21-53-07-01

BRI
MAY 28/07

21-53-07-01
PAGE 0

BOEING
757
PARTS CATALOG (MAINTENANCE)



Y 21530701 SHT 2 REV 243

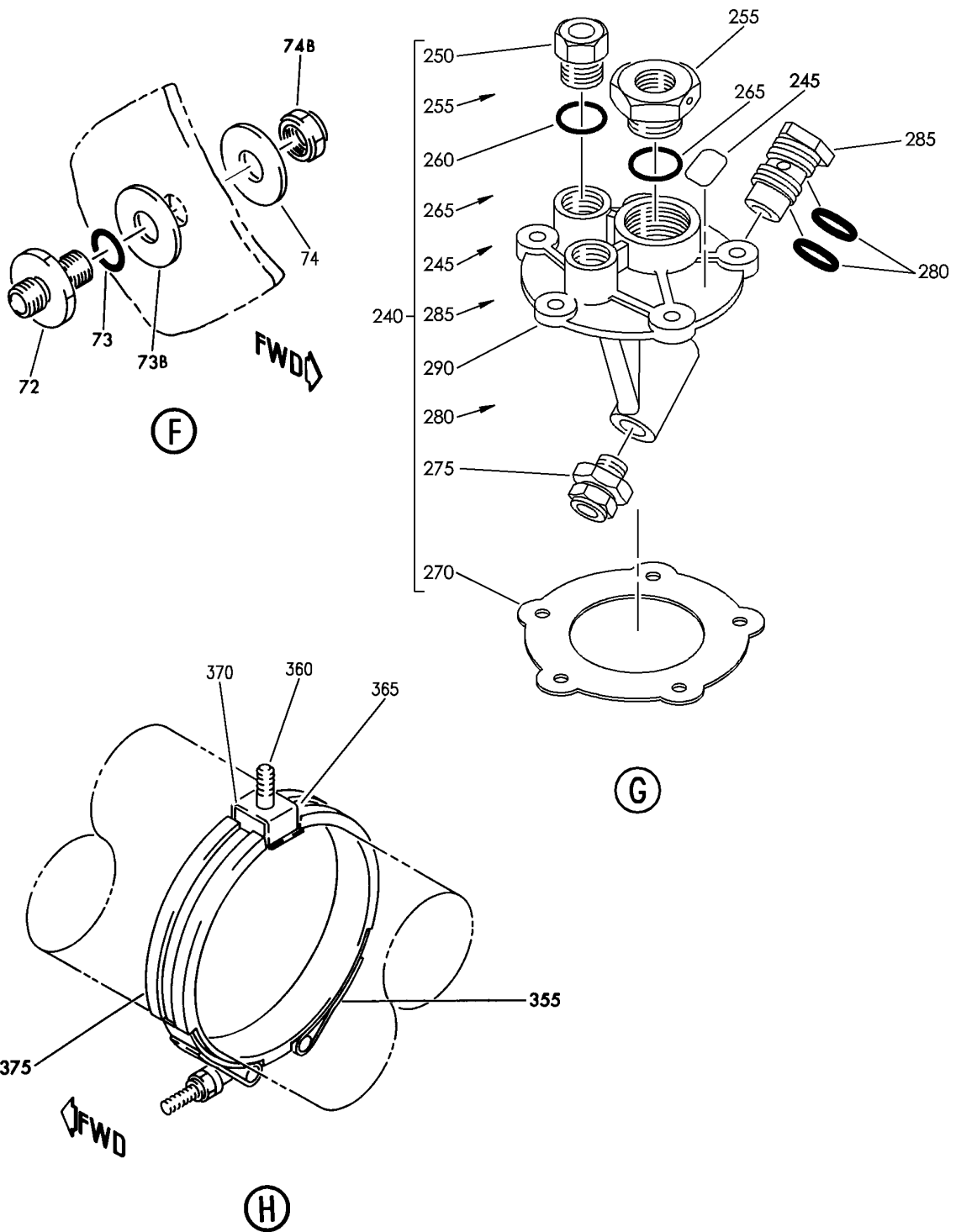
DUCT AND CLAMP INSTL-RAM AIR HEAT SINK
FIGURE 1 (SHEET 2)

21-53-07-01

BRI
MAY 28/07

21-53-07-01
PAGE 0A

BOEING
757
PARTS CATALOG (MAINTENANCE)



Y 21530701 SHT 3 REV 251

DUCT AND CLAMP INSTL-RAM AIR HEAT SINK
FIGURE 1 (SHEET 3)

21-53-07-01

BRI
MAY 28/07

21-53-07-01
PAGE 0B



757

PARTS CATALOG (MAINTENANCE)

| FIG ITEM | PART NUMBER | 1 2 3 4 5 6 7 | NOMENCLATURE | EFFECT FROM TO | UNITS PER ASSY |
|----------|---------------|---------------|--|--|----------------|
| 1 | | | DUCT AND CLAMP INSTL- RAM AIR HEAT SINK | 002004 006102 107107 121999 | |
| - 1 | 213N3002-1 | | DUCT INSTL-RAM AIR HEAT SINK POSITION DATA: LH FOR NHA SEE: 21-00-00-01 | 002004 006100 107107 121503 904999 | RF |
| - 1 | 213N3002-3 | | DUCT INSTL-RAM AIR HEAT SINK POSITION DATA: LH FOR NHA SEE: 21-00-00-15 | 101102 504903 | RF |
| - 5 | 213N3002-2 | | DUCT INSTL-RAM AIR HEAT SINK POSITION DATA: RH FOR NHA SEE: 21-00-00-01 | 002004 006100 107107 121503 904999 | RF |
| - 5 | 213N3002-4 | | DUCT INSTL-RAM AIR HEAT SINK POSITION DATA: RH FOR NHA SEE: 21-00-00-15 | 101102 504903 | RF |
| 10 | MBC58251012LM | | .CLAMP- SUPPLIER CODE: V98625 SPECIFICATION NUMBER: BACC10BN1012LM OPTIONAL PART: 3078C1012LM V94581 10441012LM V94581 BC1080S1012LZ V14242 MBC58251012LM V00624 19396N1012LM V00624 BACC10BNA1025LW | 107107 | 2 |

MISSING ITEM NUMBERS NOT APPLICABLE

- ITEM NOT ILLUSTRATED

BRI

21-53-07-01

21-53-07
FIG. 01
PAGE 1
JAN 20/09



757

PARTS CATALOG (MAINTENANCE)

| FIG ITEM | PART NUMBER | 1 2 3 4 5 6 7 | NOMENCLATURE | EFFECT FROM TO | UNITS PER ASSY |
|----------|--------------------|---------------|---|--------------------------------------|----------------|
| 1 | 10 BACC10BNA1025LW | | .CLAMP- SUPPLIER CODE: V84208 SPECIFICATION NUMBER: BACC10BNA1025LW OPTIONAL PART: MBC5825A1025LW V98625 3078A1025LW V94581 1044A1025LW V00624 12914-1025LW V00671 13508-1025LW V00671 13509-1025LW V00671 12915-1025LW V00671 3078C1025LW V94581 BC1080S1025LW V14242 MBC58251025LW V00624 B07A1025LW V10234 1044-1025LW V94581 BACC10BN1012LM | 002004 006102 107107 121999 | 2 |
| | 15 BACC10BN912LM | | .CLAMP SUPPLIER CODE: V98625 SPECIFICATION NUMBER: BACC10BN912LM OPTIONAL PART: 3078C912LM V94581 1044912LM V94581 BC1080S912LZ V14242 MBC5825912LM V00624 19396N912LM V00624 | 002004 006102 107107 121999 | 2 |

MISSING ITEM NUMBERS NOT APPLICABLE

- ITEM NOT ILLUSTRATED

BRI

21-53-07-01

BOEING PROPRIETARY - Copyright © - Unpublished Work - See title page for details.

21-53-07
FIG. 01
PAGE 2
JAN 20/09



757

PARTS CATALOG (MAINTENANCE)

| FIG ITEM | PART NUMBER | 1 2 3 4 5 6 7 | NOMENCLATURE | EFFECT FROM TO | UNITS PER ASSY |
|----------|-------------|-----------------|--|--|----------------|
| 1 | 20 | BACB30NM4K8 | .BOLT | 002004 006102 107107 121999 | 2 |
| | 25 | BACB30NM4K10 | .BOLT | 002004 006102 107107 121999 | 2 |
| | 30 | AN960KD416L | .WASHER | 002004 006100 107107 121503 904999 | 4 |
| | 30 | NAS1149D0416J | .WASHER | 101102 504903 | 4 |
| | 35 | BRH10C4D | .NUT SUPPLIER CODE: V52828 SPECIFICATION NUMBER: BACN10JC4CD OPTIONAL PART: T6C428JCD V11815 NS202486-048 V80539 102LH9075-4W V72962 H51650-4BAC V15653 | 002004 006102 107107 121999 | 4 |
| | 40 | B01AF100ECGA | .CLAMP SUPPLIER CODE: V10234 SPECIFICATION NUMBER: BACC10FF100ECGA OPTIONAL PART: 3029FF100ECGA V94581 MB68864F100GAEC V98625 MB68864F100ECGA V00624 | 002004 006100 107107 121503 904999 | 1 |
| | 40 | BACC10HU100ECGA | .CLAMP | 101102 504903 | 1 |
| | 45 | 65B41247-99 | .ROD ASSY- | 002004 006102 107107 121999 | 2 |

MISSING ITEM NUMBERS NOT APPLICABLE

- ITEM NOT ILLUSTRATED

21-53-07-01

21-53-07
FIG. 01
PAGE 3
JAN 20/09

BRI

BOEING PROPRIETARY - Copyright © - Unpublished Work - See title page for details.



757

PARTS CATALOG (MAINTENANCE)

| FIG ITEM | PART NUMBER | 1 2 3 4 5 6 7 | NOMENCLATURE | EFFECT FROM TO | UNITS PER ASSY |
|----------|--------------|---------------|---|--------------------------------------|----------------|
| 1 | | | | | |
| 45 | 65B41247-148 | . | ROD ASSY- | 002004 006102 107107 121999 | 2 |
| 46 | AN316-5R | .. | NUT | 002004 006102 107107 121999 | 2 |
| 47 | ART4E118 | .. | BEARING- SUPPLIER CODE: V50294 OPTIONAL PART: KNE4-22 V97613 MR45-14WA V73134 BACB10A187 BACB10A187L | 002004 006102 107107 121999 | 2 |
| 47 | AB4E27 | .. | BEARING- SUPPLIER CODE: V15860 SPECIFICATION NUMBER: BACB10A187 OPTIONAL PART: BRE4140 V81376 HB4E133 V02758 KB4ESS V97613 MXJ45-14B V73134 51564-04 V09455 AR4E4 VS0352 NB3B V73134 ASM4-6 V56644 ART4E118 V50294 | 002004 006102 107107 121999 | 2 |

MISSING ITEM NUMBERS NOT APPLICABLE

- ITEM NOT ILLUSTRATED

BRI

21-53-07-01

BOEING PROPRIETARY - Copyright © - Unpublished Work - See title page for details.

21-53-07
FIG. 01
PAGE 4
JAN 20/09



757

PARTS CATALOG (MAINTENANCE)

| FIG ITEM | PART NUMBER | 1 2 3 4 5 6 7 | NOMENCLATURE | EFFECT FROM TO | UNITS PER ASSY |
|----------|----------------|---------------|--|--------------------------------------|----------------|
| 1 | | | | | |
| 47 | AB4E27FN | | .. BEARING- SUPPLIER CODE: V15860 SPECIFICATION NUMBER: BACB10A187L OPTIONAL PART: BRE4140L V81376 HB4E135 V02758 KB4ESSFN V97613 MXJ45-14BFG V73134 51564-0402 V09455 AR4E4FN VS0352 ASM4F6 V56644 ART4E118 V50294 | 002004 006102 107107 121999 | 2 |
| 47 | KNE4-22 | | .. BEARING- SUPPLIER CODE: V97613 OPTIONAL PART: ART4E118 V50294 | 002004 006102 107107 121999 | 2 |
| 47 | MR45-14WA | | .. BEARING- SUPPLIER CODE: V73134 OPTIONAL PART: ART4E118 V50294 | 002004 006102 107107 121999 | 2 |
| 48 | 65B41247-100 | | .. ROD | 002004 006102 107107 121999 | 1 |
| 50 | AS1505-36A0040 | | . HOSE | 002004 006102 107107 121999 | 1 |
| 55 | AS1505-40A0041 | | . HOSE | 002004 006102 107107 121999 | 1 |

MISSING ITEM NUMBERS NOT APPLICABLE

- ITEM NOT ILLUSTRATED

21-53-07-01

21-53-07
FIG. 01
PAGE 5
JAN 20/09

BRI

BOEING PROPRIETARY - Copyright © - Unpublished Work - See title page for details.

 **BOEING**
757
PARTS CATALOG (MAINTENANCE)

| FIG ITEM | PART NUMBER | 1 2 3 4 5 6 7 | NOMENCLATURE | EFFECT FROM TO | UNITS PER ASSY |
|-------------|-------------|---------------|--|--|----------------------|
| 1 | 60 | BACB30NM3K5 | .BOLT | 002004 006102 107107 121999 | 14 |
| | 65 | AN960KD10L | .WASHER | 002004 006100 107107 121503 904999 | 14 |
| | 65 | NAS1149D0332J | .WASHER | 101102 | 14 |
| | 66 | 213N3037-5 | .GASKET- | 504903 002004 006102 107107 121999 | 1 |
| | 67 | 213N3032-1 | .DUCT ASSY- POSITION DATA: LH SIDE | 018102 504903 | 1 |
| - | 68 | 213N3031-1 | .DUCT ASSY- POSITION DATA: RH SIDE | 018102 504903 | 1 |
| | 71 | 213N3032-3 | .DUCT ASSY- POSITION DATA: LH SIDE | 002004 006017 107107 121503 904999 | 1 |
| - | 71B | 213N3031-3 | .DUCT ASSY- POSITION DATA: RH SIDE | 002004 006017 107107 121503 904999 | 1 |
| | 72 | 213N3048-1 | ..UNION | 002004 006017 107107 121503 904999 | 1 |
| | 73 | MS29513-216 | ..PACKING | 002004 006017 107107 121503 904999 | 1 |
| | 73B | 213N3047-1 | ..WASHER | 002004 006017 107107 121503 904999 | 1 |

MISSING ITEM NUMBERS NOT APPLICABLE

- ITEM NOT ILLUSTRATED

BRI

21-53-07-01

BOEING PROPRIETARY - Copyright © - Unpublished Work - See title page for details.

21-53-07
FIG. 01
PAGE 6
JAN 20/09



757

PARTS CATALOG (MAINTENANCE)

| FIG ITEM | PART NUMBER | 1 2 3 4 5 6 7 | NOMENCLATURE | EFFECT FROM TO | UNITS PER ASSY |
|----------|-------------------|---------------|---|--|----------------|
| 1 | 74 213N3047-2 | | .. WASHER | 002004 006017 107107 121503 904999 | 1 |
| | 74B BMN4122AD3-12 | | .. NUT SUPPLIER CODE: V97928 SPECIFICATION NUMBER: BACN10JC12 OPTIONAL PART: H10-12BAC V15653 RMLH9074-12 V72962 48FT1216 V56878 | 002004 006017 107107 121503 904999 | 1 |
| | 75 213N3032-1 | | .. DUCT ASSY- POSITION DATA: LH SIDE | 002004 006017 107107 121503 904999 | 1 |
| - | 80 213N3031-1 | | .. DUCT ASSY- POSITION DATA: RH SIDE | 002004 006017 107107 121503 904999 | 1 |
| | 85 BACB30NM3K3 | | .BOLT | 002004 006102 107107 121999 | 22 |
| | 90 BACB30NM3K5 | | .BOLT | 002004 006102 107107 121999 | 20 |
| | 95 AN960KD10L | | .WASHER | 002004 006100 107107 121503 904999 | 42 |
| | 95 NAS1149D0332J | | .WASHER | 101102 504903 | 42 |
| | 100 BOE2049-0007 | | .SEAL-VAPOR SUPPLIER CODE: V16632 SPECIFICATION NUMBER: S210N301-7 | 002004 006102 107107 121999 | 1 |

MISSING ITEM NUMBERS NOT APPLICABLE

- ITEM NOT ILLUSTRATED

21-53-07-01

21-53-07
FIG. 01
PAGE 7
JAN 20/09

BRI



757

PARTS CATALOG (MAINTENANCE)

| FIG ITEM | PART NUMBER | 1 2 3 4 5 6 7 | NOMENCLATURE | EFFECT FROM TO | UNITS PER ASSY |
|----------|---------------|---------------|--|--------------------------------------|----------------|
| 1 | | | | | |
| 100 | BOE2049-0004 | | .SEAL-VAPOR SUPPLIER CODE: V16632 SPECIFICATION NUMBER: S210N301-4 | 002004 006102 107107 121999 | 1 |
| 105 | 213N3034-3 | | .DUCT ASSY- POSITION DATA: LH SIDE | 002004 006102 107107 121999 | 1 |
| - 110 | 213N3035-3 | | .DUCT ASSY- POSITION DATA: RH SIDE | 002004 006102 107107 121999 | 1 |
| 130 | 213T3114-1 | | .BOLT ASSY | 002004 006102 107107 121999 | 20 |
| 135 | BACB30LJ4-6 | | ..BOLT | 002004 006102 107107 121999 | 1 |
| 140 | BACW10BP51DP | | ..WASHER | 002004 006102 107107 121999 | 1 |
| 145 | 213T3708-1 | | ..SPACER | 002004 006102 107107 121999 | 1 |
| 150 | 213N3033-13 | | .DUCT ASSY- | 002004 006102 107107 121999 | 1 |
| 155 | BACB30NM3K4 | | ..BOLT | 002004 006102 107107 121999 | 2 |
| 160 | BACW10BP3NAPU | | ..WASHER | 002004 006102 107107 121999 | 4 |

MISSING ITEM NUMBERS NOT APPLICABLE

- ITEM NOT ILLUSTRATED

21-53-07-01

21-53-07
FIG. 01
PAGE 8
JAN 20/09

BRI

BOEING PROPRIETARY - Copyright © - Unpublished Work - See title page for details.



757

PARTS CATALOG (MAINTENANCE)

| FIG ITEM | PART NUMBER | 1 2 3 4 5 6 7 | NOMENCLATURE | EFFECT FROM TO | UNITS PER ASSY |
|----------|---------------|---------------|--|--------------------------------------|----------------|
| 1 165 | BRH10C3D | .. | NUT SUPPLIER CODE: V52828 SPECIFICATION NUMBER: BACN10JC3D OPTIONAL PART: T6C1032JCD V11815 NS202486-02 V80539 102LH9075-3W V72962 H51650-3BAC V15653 | 002004 006102 107107 121999 | 2 |
| 170 | BACC10DK2 | .. | CLAMP | 002004 006102 107107 121999 | 2 |
| 175 | BACB30NM4K5 | .. | BOLT- USED ON: 213N3033-8 213N3033-10 213N3033-13 | 002004 006102 107107 121999 | 12 |
| 180 | BACW10BP4NAPU | .. | WASHER | 002004 006102 107107 121999 | 12 |
| 185 | 213N3033-9 | .. | DOOR ASSY-PANEL (AIR CONDITIONING ONLY) USED ON: 213N3033-8 213N3033-10 FUNCTIONAL REFERENCE: PLACARDS AND MARKINGS FOR DETAILS SEE 11-37-15-01 | 002004 006102 107107 121999 | 1 |
| 185 | 213N3033-12 | .. | DOOR ASSY-PANEL (AIR CONDITIONING ONLY) USED ON: 213N3033-13 FUNCTIONAL REFERENCE: PLACARDS AND MARKINGS FOR DETAILS SEE 11-37-15-01 | 002004 006102 107107 121999 | 1 |
| 195 | 213N3037-4 | ... | GASKET- USED ON: 213N3033-12 | 002004 006102 107107 121999 | 1 |

MISSING ITEM NUMBERS NOT APPLICABLE

- ITEM NOT ILLUSTRATED

21-53-07-01

21-53-07
FIG. 01
PAGE 9
JAN 20/09

BRI

BOEING PROPRIETARY - Copyright © - Unpublished Work - See title page for details.



757

PARTS CATALOG (MAINTENANCE)

| FIG ITEM | PART NUMBER | 1 2 3 4 5 6 7 | NOMENCLATURE | EFFECT FROM TO | UNITS PER ASSY |
|----------|---------------|---------------|--|--------------------------------------|----------------|
| 1 | | | | | |
| 200 | BACB30NM3K5 | ... | BOLT | 002004 006102 107107 121999 | 2 |
| 205 | BACW10BP3NAPU | ... | WASHER | 002004 006102 107107 121999 | 4 |
| 210 | BRH10C3D | ... | NUT SUPPLIER CODE: V52828 SPECIFICATION NUMBER: BACN10JC3CD OPTIONAL PART: T6C1032JCD V11815 NS202486-02 V80539 102LH9075-3W V72962 H51650-3BAC V15653 | 002004 006102 107107 121999 | 2 |
| 215 | CL73KA15 | ... | CABLE ASSY- SUPPLIER CODE: V99862 | 002004 006102 107107 121999 | 2 |
| 220 | 213N3033-5 | ... | DOOR ASSY | 002004 006102 107107 121999 | 1 |
| 225 | 2203085-1 | . | NOZZLE ASSY-AIR/WATER ATOMIZING SUPPLIER CODE: V70210 FUNCTIONAL DESCRIPTION: EMITS A FINE CONICAL SPRAY WHICH EVAPORATES TO COOL THE RAM AIR ENTERING THE SECONDARY HEAT EXCHANGER SPECIFICATION NUMBER: S210T130-41 COMPONENT MAINT MANUAL REF: 21-51-44 ATTACHING PARTS | 002004 006102 107107 121999 | 1 |
| - 230 | BACB30NM4K6 | . | BOLT | 002004 006102 107107 121999 | 5 |

MISSING ITEM NUMBERS NOT APPLICABLE

- ITEM NOT ILLUSTRATED

21-53-07-01

21-53-07
FIG. 01
PAGE 10
JAN 20/09

BRI



757

PARTS CATALOG (MAINTENANCE)

| FIG ITEM | PART NUMBER | 1 2 3 4 5 6 7 | NOMENCLATURE | EFFECT FROM TO | UNITS PER ASSY |
|----------|---------------|---------------|--|--|----------------|
| 1 | | | | | |
| - 235 | AN960KD416L | . | WASHER | 002004 006100 107107 121503 904999 | 5 |
| - 235 | NAS1149D0416J | . | WASHER | 101102 504903 | 5 |
| | | -----* | | | |
| 240 | 2203086-1 | .. | NOZZLE ASSY- SUPPLIER CODE: V70210 | 002004 006102 107107 121999 | 1 |
| 245 | 2203008-1 | ... | PLATE-ID SUPPLIER CODE: V70210 | 002004 006102 107107 121999 | 1 |
| 250 | AN814-6DL | ... | PLUG | 002004 006102 107107 121999 | 1 |
| 255 | 2203088-1 | ... | PLUG- SUPPLIER CODE: V70210 | 002004 006102 107107 121999 | 1 |
| 260 | S9028T906 | ... | PACKING-PREFORMED SUPPLIER CODE: V70210 | 002004 006102 107107 121999 | 1 |
| 265 | S9028T912 | ... | PACKING-PREFORMED SUPPLIER CODE: V70210 | 002004 006102 107107 121999 | 1 |
| 270 | 2202774-1 | ... | GASKET-COVER SUPPLIER CODE: V70210 | 002004 006102 107107 121999 | 1 |
| 275 | 2203007-1 | ... | NOZZLE SET-AIR/WATER SUPPLIER CODE: V70210 | 002004 006102 107107 121999 | 1 |
| 280 | MS9068-014 | ... | PACKING | 002004 006102 107107 121999 | 2 |
| 285 | 2203087-1 | ... | PISTON- SUPPLIER CODE: V70210 | 002004 006102 107107 121999 | 1 |

MISSING ITEM NUMBERS NOT APPLICABLE

- ITEM NOT ILLUSTRATED

21-53-07-01

21-53-07
FIG. 01
PAGE 11
JAN 20/09

BRI



757

PARTS CATALOG (MAINTENANCE)

| FIG ITEM | PART NUMBER | 1 2 3 4 5 6 7 | NOMENCLATURE | EFFECT FROM TO | UNITS PER ASSY |
|----------|---------------|---------------|---|--|----------------|
| 1 | 290 2203003-1 | | ...HOUSING-NOZZLE SPRT SUPPLIER CODE: V70210 OPTIONAL PART: 2203089-1 V70210 | 002004 006102 107107 121999 | 1 |
| | 290 2203089-1 | | ...HOUSING-NOZZLE SPRT SUPPLIER CODE: V70210 OPTIONAL PART: 2203003-1 V70210 | 002004 006102 107107 121999 | 1 |
| | 905 | | ILLUSTRATION REFERENCE: OUTLET INSTL-RAM AIR HEAT SINK 21-53-02-02 | 002004 006102 107107 121999 | RF |
| | 910 | | ILLUSTRATION REFERENCE: INLET INSTL-RAM AIR HEAT SINK 21-53-01-01 | 002004 006100 107107 121503 904999 | RF |

MISSING ITEM NUMBERS NOT APPLICABLE

- ITEM NOT ILLUSTRATED

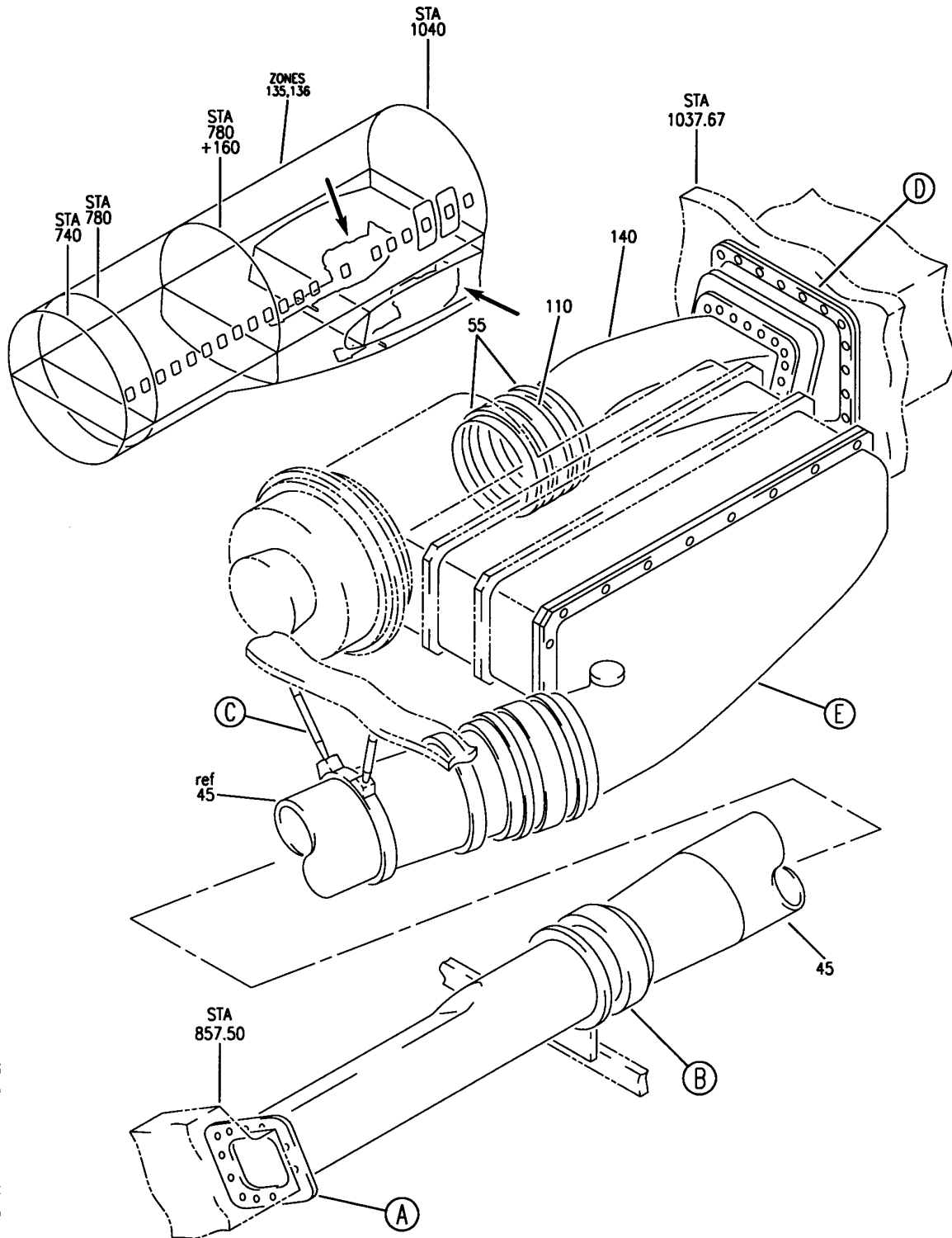
BRI

21-53-07-01

BOEING PROPRIETARY - Copyright © - Unpublished Work - See title page for details.

21-53-07
FIG. 01
PAGE 12
JAN 20/09

BOEING
757
PARTS CATALOG (MAINTENANCE)



Y 21530701A SHT 1 REV 204

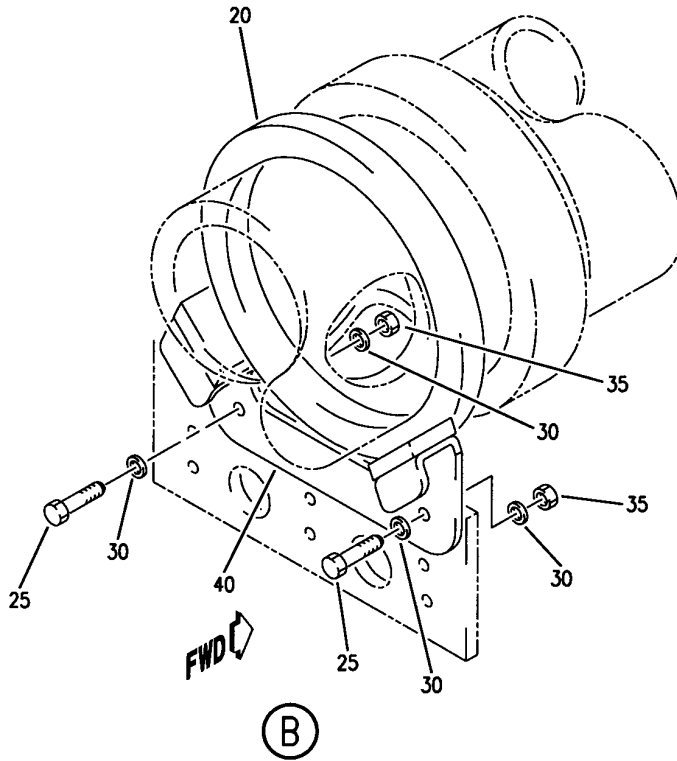
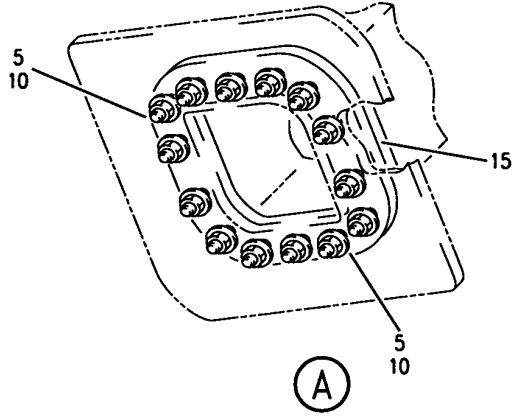
DUCT INSTL-RAM AIR HEAT SINK
FIGURE 1A (SHEET 1)

21-53-07-01A

BRI
JAN 20/09

21-53-07-01A
PAGE 0

BOEING
757
PARTS CATALOG (MAINTENANCE)



Y 21530701A SHT 2 REV 204

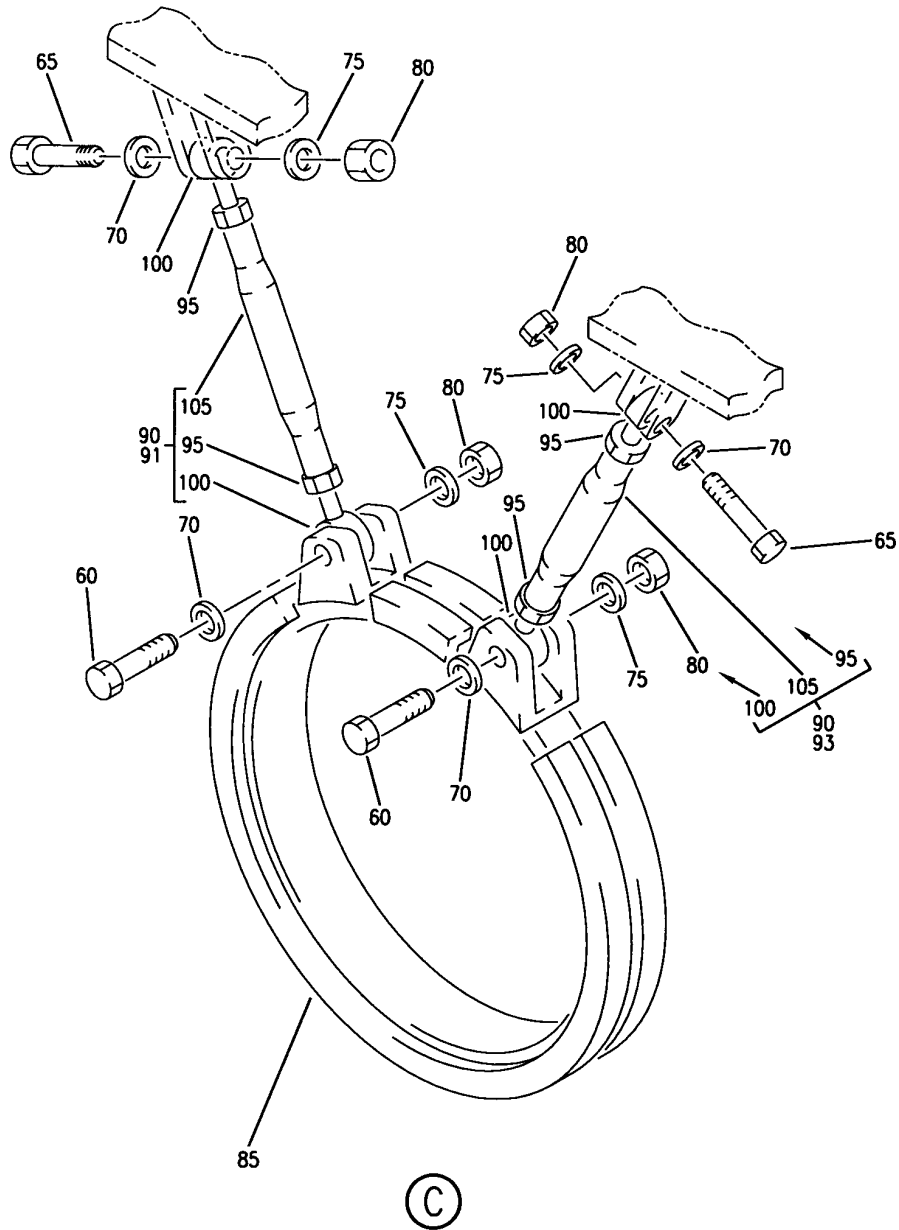
DUCT INSTL-RAM AIR HEAT SINK
FIGURE 1A (SHEET 2)

21-53-07-01A

BRI
JAN 20/09

21-53-07-01A
PAGE 0A

BOEING
757
PARTS CATALOG (MAINTENANCE)



Y 21530701A SHT 3 REV 207

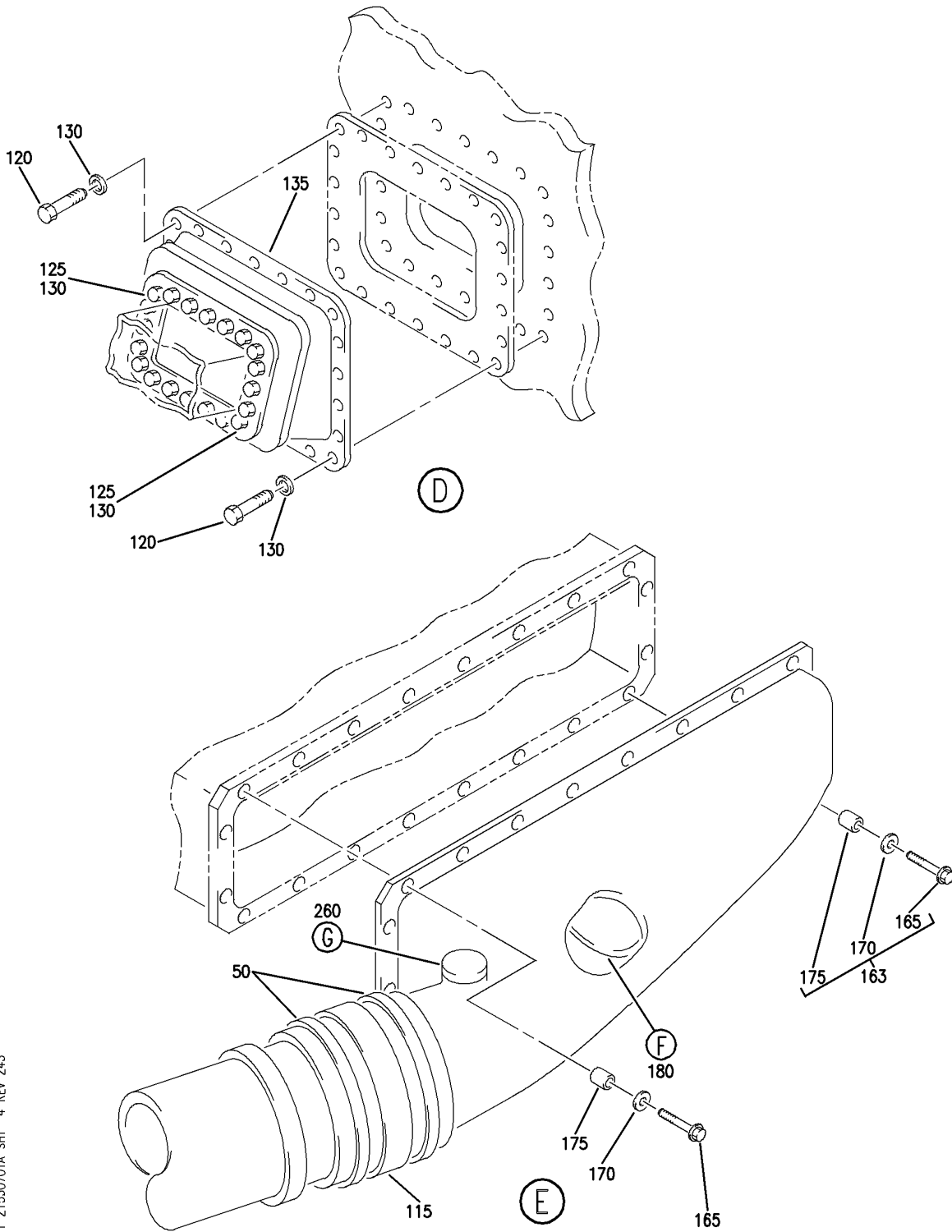
DUCT INSTL-RAM AIR HEAT SINK
FIGURE 1A (SHEET 3)

21-53-07-01A

BRI
JAN 20/09

21-53-07-01A
PAGE 0B

BOEING
757
PARTS CATALOG (MAINTENANCE)



Y 21530701A SH1 4 REV 243

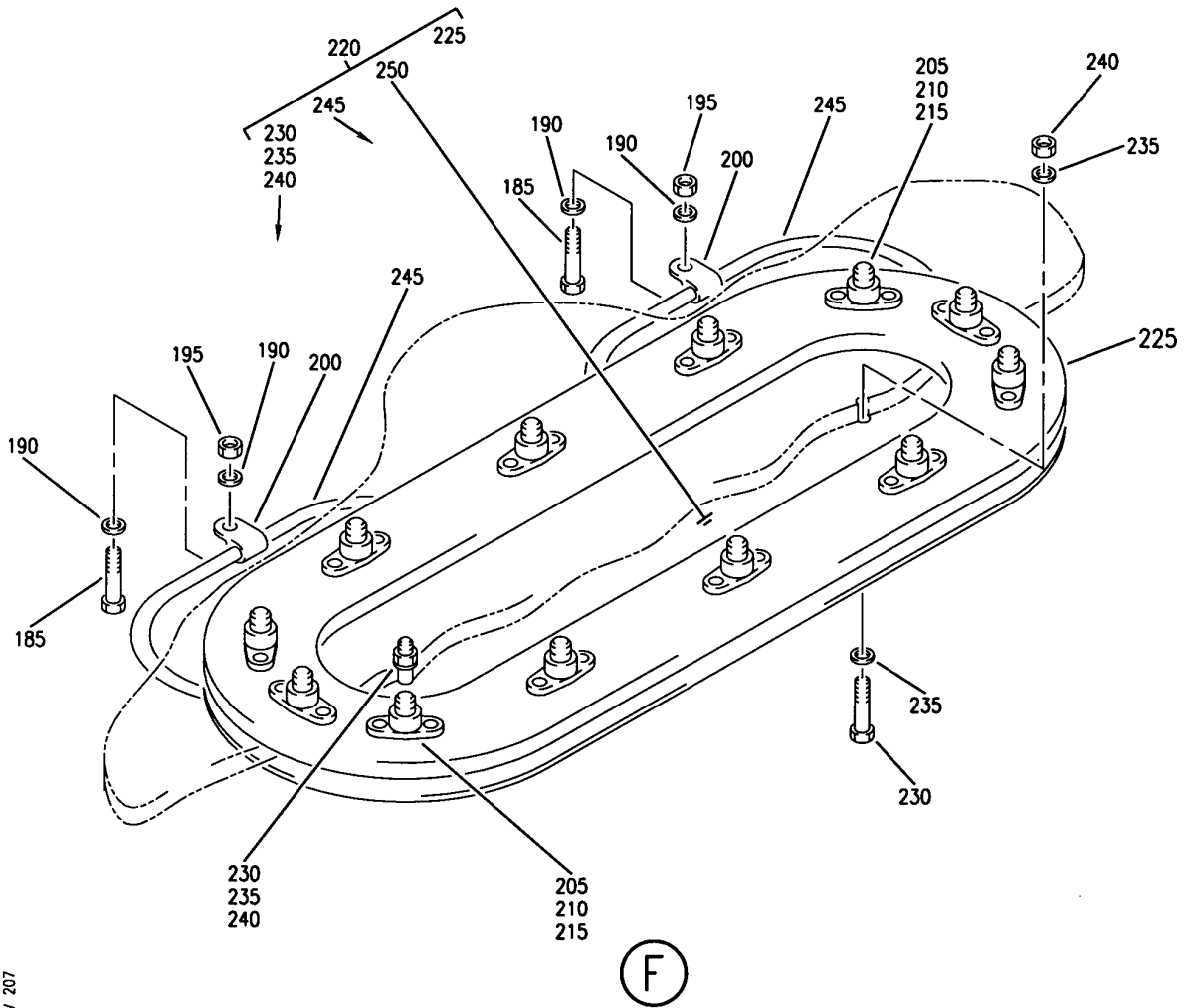
DUCT INSTL-RAM AIR HEAT SINK
FIGURE 1A (SHEET 4)

21-53-07-01A

BRI
JAN 20/09

21-53-07-01A
PAGE 0C

BOEING
757
PARTS CATALOG (MAINTENANCE)



Y 21530701A SHT 5 REV 207

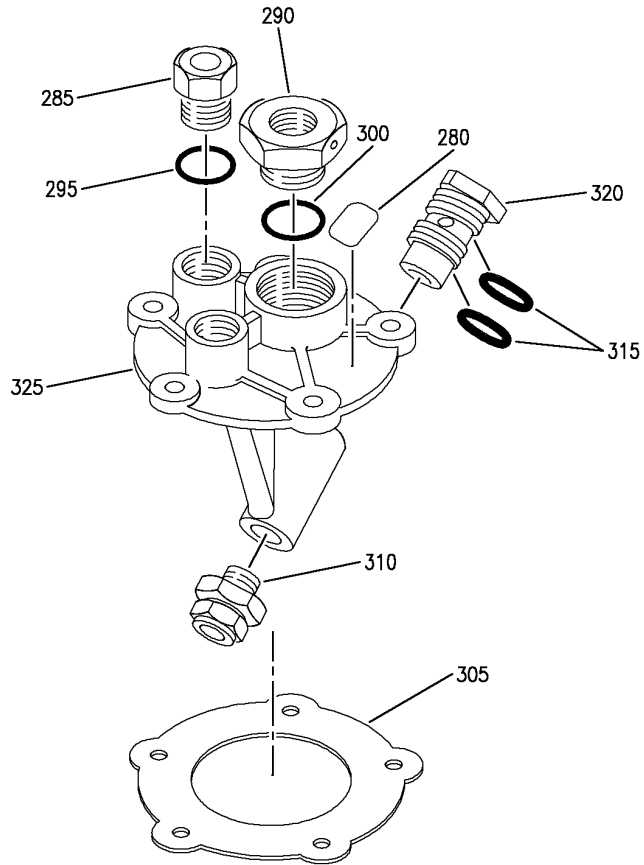
DUCT INSTL-RAM AIR HEAT SINK
FIGURE 1A (SHEET 5)

21-53-07-01A

BRI
JAN 20/09

21-53-07-01A
PAGE 0D

BOEING
757
PARTS CATALOG (MAINTENANCE)



(G)

Y 21530701A SHT 6 REV 257

DUCT INSTL-RAM AIR HEAT SINK
FIGURE 1A (SHEET 6)

21-53-07-01A

BRI
JAN 20/09

21-53-07-01A
PAGE 0E



757

PARTS CATALOG (MAINTENANCE)

| FIG ITEM | PART NUMBER | 1 2 3 4 5 6 7 | NOMENCLATURE | EFFECT FROM TO | UNITS PER ASSY |
|----------|---------------|---------------|---|------------------|----------------|
| 1 A | | | DUCT INSTL-RAM AIR HEAT SINK | 103106 108120 | |
| - 1 | 213N3002-11 | | DUCT INSTL-RAM AIR HEAT SINK POSITION DATA: LH FOR NHA SEE: 21-00-00-14 | 108120 | RF |
| - 1 | MODREF6074 | | DUCT INSTL-RAM AIR HEAT SINK MODULE NUMBER: 213N3002-11 REV A POSITION DATA: LH | 103106 | 1 |
| - 3 | 213N3002-12 | | DUCT INSTL-RAM AIR HEAT SINK POSITION DATA: RH FOR NHA SEE: 21-00-00-14 | 108120 | RF |
| - 3 | MODREF6075 | | DUCT INSTL-RAM AIR HEAT SINK MODULE NUMBER: 213N3002-12 REV A POSITION DATA: RH | 103106 | 1 |
| 5 | BACB30NM3K6 | | .BOLT | 103106 108120 | 14 |
| 10 | NAS1149D0332J | | .WASHER | 103106 108120 | 14 |
| 15 | 213N3037-5 | | .GASKET | 103106 108120 | 1 |
| 20 | BCREF132931 | | .CLAMP- POSITION DATA: LH SIDE OVERLENGTH PART NUMBER: BACC10BNA875L2WE | 103106 108120 | 1 |
| - 22 | BCREF132930 | | .CLAMP- POSITION DATA: RH SIDE OVERLENGTH PART NUMBER: BACC10BNA775L2WE | 103106 108120 | 1 |
| 25 | BACB30NM3K3 | | .BOLT- | 103106 108120 | 2 |
| 30 | NAS1149D0332J | | .WASHER | 103106 108120 | 4 |

MISSING ITEM NUMBERS NOT APPLICABLE

- ITEM NOT ILLUSTRATED

21-53-07-01A

21-53-07
FIG. 01A
PAGE 1
JAN 20/09

BRI

BOEING PROPRIETARY - Copyright © - Unpublished Work - See title page for details.



757

PARTS CATALOG (MAINTENANCE)

| FIG ITEM | PART NUMBER | 1 2 3 4 5 6 7 | NOMENCLATURE | EFFECT FROM TO | UNITS PER ASSY |
|----------|-----------------|---------------|--|------------------|----------------|
| 1 A | | | | | |
| 35 | PLH53CD | .NUT | SUPPLIER CODE: VF0224 SPECIFICATION NUMBER: BACN10YR3CD OPTIONAL PART: H52732-3CD V15653 | 103106 108120 | 2 |
| 40 | 213N2011-25 | .BRACKET- | POSITION DATA: LH SIDE | 103106 108120 | 1 |
| - 42 | 213N2011-17 | .BRACKET- | POSITION DATA: RH SIDE | 103106 108120 | 1 |
| - 42 | 213N2011-26 | .BRACKET- | POSITION DATA: RH SIDE | 103106 108120 | 1 |
| 45 | 213N3032-4 | .DUCT ASSY- | POSITION DATA: LH SIDE | 103106 108120 | 1 |
| - 47 | 213N3031-4 | .DUCT ASSY- | POSITION DATA: RH SIDE | 103106 108120 | 1 |
| 50 | BCREF12809 | .CLAMP- | OVERLENGTH PART NUMBER: BACC10BNA1025L5WE | 103106 108120 | 2 |
| 55 | BACC10BN912L5ME | .CLAMP | | 103106 108120 | 2 |
| 60 | BACB30NM4K9 | .BOLT | | 103106 108120 | 2 |
| 65 | BACB30NM4K10 | .BOLT | | 103106 108120 | 2 |
| 70 | BACW10BP4CD | .WASHER | | 103106 108120 | 4 |
| 75 | NAS1149D0416J | .WASHER | | 103106 108120 | 4 |

MISSING ITEM NUMBERS NOT APPLICABLE

- ITEM NOT ILLUSTRATED

21-53-07-01A

21-53-07
FIG. 01A
PAGE 2
JAN 20/09

BRI

BOEING PROPRIETARY - Copyright © - Unpublished Work - See title page for details.



757

PARTS CATALOG (MAINTENANCE)

| FIG ITEM | PART NUMBER | 1 2 3 4 5 6 7 | NOMENCLATURE | EFFECT FROM TO | UNITS PER ASSY |
|----------|-------------|-----------------|---|------------------|----------------|
| 1 A | | | | | |
| 80 | BRH10C4D | . | NUT SUPPLIER CODE: V52828 SPECIFICATION NUMBER: BACN10JC4CD OPTIONAL PART: T6C428JCD V11815 NS202486-048 V80539 102LH9075-4W V72962 H51650-4BAC V15653 | 103106 108120 | 4 |
| | 85 | BACC10HU100ECGA | .CLAMP- POSITION DATA: LH SIDE | 103106 108120 | 1 |
| - | 87 | BACC10HU080ECFK | .CLAMP- POSITION DATA: RH SIDE | 103106 108120 | 1 |
| | 90 | 65B41247-148 | .ROD ASSY- POSITION DATA: LH SIDE | 103106 108120 | 2 |
| - | 91 | 65B41247-19 | .ROD ASSY- POSITION DATA: RH SIDE | 103106 108120 | 1 |
| - | 93 | 65B41247-187 | .ROD ASSY- POSITION DATA: RH SIDE | 103106 108120 | 1 |
| | 95 | AN316-5R | ..NUT | 103106 108120 | 2 |
| | 100 | ART4E118 | ..BEARING- SUPPLIER CODE: V50294 OPTIONAL PART: BACB10A187 BACB10A187L KNE4-22 V97613 MR45-14WA V73134 | 103106 108120 | 2 |

MISSING ITEM NUMBERS NOT APPLICABLE

- ITEM NOT ILLUSTRATED

21-53-07-01A

21-53-07
FIG. 01A
PAGE 3
JAN 20/09

BRI

BOEING PROPRIETARY - Copyright © - Unpublished Work - See title page for details.



757

PARTS CATALOG (MAINTENANCE)

| FIG ITEM | PART NUMBER | 1 2 3 4 5 6 7 | NOMENCLATURE | EFFECT FROM TO | UNITS PER ASSY |
|------------|-------------|---------------|--|------------------|----------------|
| 1 A 100 | AB4E27 | | .. BEARING- SUPPLIER CODE: V15860 SPECIFICATION NUMBER: BACB10A187 OPTIONAL PART: BRE4140 V81376 HB4E133 V02758 KB4ESS V97613 MXJ45-14B V73134 51564-04 V09455 AR4E4 VS0352 NB3B V73134 ASM4-6 V56644 ART4E118 V50294 | 103106 108120 | 2 |
| 100 | AB4E27FN | | .. BEARING- SUPPLIER CODE: V15860 SPECIFICATION NUMBER: BACB10A187L OPTIONAL PART: BRE4140L V81376 HB4E135 V02758 KB4ESSFN V97613 MXJ45-14BFG V73134 51564-0402 V09455 AR4E4FN VS0352 ASM4F6 V56644 ART4E118 V50294 | 103106 108120 | 2 |

MISSING ITEM NUMBERS NOT APPLICABLE

- ITEM NOT ILLUSTRATED

BRI

21-53-07-01A

BOEING PROPRIETARY - Copyright © - Unpublished Work - See title page for details.

21-53-07
 FIG. 01A
 PAGE 4
 JAN 20/09



757

PARTS CATALOG (MAINTENANCE)

| FIG ITEM | PART NUMBER | 1 2 3 4 5 6 7 | NOMENCLATURE | EFFECT FROM TO | UNITS PER ASSY |
|-----------|----------------|---------------|---|------------------|----------------|
| 1A 100 | KNE4-22 | .. | BEARING- SUPPLIER CODE: V97613 OPTIONAL PART: ART4E118 V50294 | 103106 108120 | 2 |
| 100 | MR45-14WA | .. | BEARING- SUPPLIER CODE: V73134 OPTIONAL PART: ART4E118 V50294 | 103106 108120 | 2 |
| 105 | 65B41247-100 | .. | ROD- POSITION DATA: LH SIDE | 103106 108120 | 2 |
| - 107 | 65B41247-20 | .. | ROD- POSITION DATA: RH SIDE | 103106 108120 | 1 |
| 110 | AS1505-36A0040 | . | HOSE- | 103106 108120 | 1 |
| 115 | AS1505-40A0041 | . | HOSE | 103106 108120 | 1 |
| 120 | BACB30NM3K3 | . | BOLT | 103106 108120 | 22 |
| 125 | BACB30NM3K5 | . | BOLT | 103106 108120 | 20 |
| 130 | NAS114D0332J | . | WASHER | 103106 108120 | 42 |
| 135 | BOE2049-0007 | . | SEAL-VAPOR SUPPLIER CODE: V16632 SPECIFICATION NUMBER: S210N301-7 | 103106 108120 | 1 |
| 135 | BOE2049-0004 | . | SEAL-VAPOR SUPPLIER CODE: V16632 SPECIFICATION NUMBER: S210N301-4 | 103106 108120 | 1 |
| 140 | 213N3034-3 | . | DUCT ASSY- POSITION DATA: LH SIDE | 103106 108120 | 1 |
| - 142 | 213N3035-3 | . | DUCT ASSY- POSITION DATA: RH SIDE | 103106 108120 | 1 |
| 163 | 213T3114-1 | . | BOLT ASSY | 103106 108120 | 20 |
| 165 | BACB30LJ4-6 | .. | BOLT | 103106 108120 | 1 |

MISSING ITEM NUMBERS NOT APPLICABLE

- ITEM NOT ILLUSTRATED

21-53-07-01A

21-53-07
FIG. 01A
PAGE 5
JAN 20/09

BRI

BOEING PROPRIETARY - Copyright © - Unpublished Work - See title page for details.



757

PARTS CATALOG (MAINTENANCE)

| FIG ITEM | PART NUMBER | 1 2 3 4 5 6 7 | NOMENCLATURE | EFFECT FROM TO | UNITS PER ASSY |
|----------|---------------|---------------|---------------------------------------|------------------|----------------|
| 1A | | | | | |
| 170 | BACW10BP51DP | .. | WASHER | 103106 108120 | 1 |
| 175 | 213T3708-1 | .. | SPACER | 103106 108120 | 1 |
| 180 | 213N3033-13 | .D | DUCT ASSY | 103106 108120 | 1 |
| 185 | BACB30NM3K4 | .. | BOLT | 103106 108120 | 2 |
| 190 | BACW10BP3NAPU | .. | WASHER | 103106 108120 | 4 |
| 195 | BRH10C3D | .. | NUT | 103106 108120 | 2 |
| | | | SUPPLIER CODE: V52828 | | |
| | | | SPECIFICATION NUMBER: BACN10JC3CD | | |
| | | | OPTIONAL PART: T6C1032JCD | | |
| | | | V11815 | | |
| | | | NS202486-02 | | |
| | | | V80539 | | |
| | | | 102LH9075-3W | | |
| | | | V72962 | | |
| | | | H51650-3BAC | | |
| | | | V15653 | | |
| 200 | BACC10DK2 | .. | CLAMP | 103106 108120 | 2 |
| 205 | BACB30NM4K5 | .. | BOLT | 103106 108120 | 12 |
| 210 | BACW10BP4NAPU | .. | WASHER | 103106 108120 | 12 |
| 215 | BRF200C4D | .. | NUTPLATE | 103106 108120 | 12 |
| | | | SUPPLIER CODE: V52828 | | |
| | | | SPECIFICATION NUMBER: BACN10JR4CFD | | |
| | | | OPTIONAL PART: K51602-4BAC | | |
| | | | V15653 | | |
| | | | NS202476-048 | | |
| | | | V80539 | | |
| | | | 102F9201-4 | | |
| | | | V72962 | | |
| | | | T8092C428CD | | |
| | | | V11815 | | |

MISSING ITEM NUMBERS NOT APPLICABLE

- ITEM NOT ILLUSTRATED

21-53-07-01A

21-53-07
FIG. 01A
PAGE 6
JAN 20/09

BRI

BOEING PROPRIETARY - Copyright © - Unpublished Work - See title page for details.



757

PARTS CATALOG (MAINTENANCE)

| FIG ITEM | PART NUMBER | 1 2 3 4 5 6 7 | NOMENCLATURE | EFFECT FROM TO | UNITS PER ASSY |
|----------|---------------|---------------|---|------------------|----------------|
| 1A | | | | | |
| 220 | 213N3033-12 | .. | DOOR ASSY-PANEL (AIR CONDITIONING ONLY) FUNCTIONAL REFERENCE: PLACARDS AND MARKINGS FOR DETAILS SEE 11-37-15-01 | 103106 108120 | 1 |
| 225 | 213N3037-4 | ... | GASKET | 103106 108120 | 1 |
| 230 | BACB30NM3K5 | ... | BOLT | 103106 108120 | 2 |
| 235 | BACW10BP3NAPU | ... | WASHER | 103106 108120 | 4 |
| 240 | BRH10C3D | ... | NUT SUPPLIER CODE: V52828 SPECIFICATION NUMBER: BACN10JC3CD OPTIONAL PART: T6C1032JCD V11815 NS202486-02 V80539 102LH9075-3W V72962 H51650-3BAC V15653 | 103106 108120 | 2 |
| 245 | CL73KA15 | ... | CABLE ASSY- SUPPLIER CODE: V99862 | 103106 108120 | 2 |
| 250 | 213N3033-5 | ... | DOOR ASSY | 103106 108120 | 1 |
| 260 | 2203085-1 | . | NOZZLE ASSY- SUPPLIER CODE: V70210 FUNCTIONAL DESCRIPTION: EMITS A FINE CONICAL SPRAY WHICH EVAPORATES TO COOL THE RAM AIR ENTERING THE SECONDARY HEAT EXCHANGER SPECIFICATION NUMBER: S210T130-41 COMPONENT MAINT MANUAL REF: 21-51-44 | 103106 108120 | 1 |
| - 265 | BACB30NM4K6 | . | ATTACHING PARTS BOLT | 103106 108120 | 5 |

MISSING ITEM NUMBERS NOT APPLICABLE

- ITEM NOT ILLUSTRATED

21-53-07-01A

21-53-07
FIG. 01A
PAGE 7
JAN 20/09

BRI

BOEING PROPRIETARY - Copyright © - Unpublished Work - See title page for details.



757

PARTS CATALOG (MAINTENANCE)

| FIG ITEM | PART NUMBER | 1 2 3 4 5 6 7 | NOMENCLATURE | EFFECT FROM TO | UNITS PER ASSY |
|--------------|---------------|---------------|---|------------------|----------------|
| 1 A - 270 | NAS1149D0416J | . | WASHER | 103106 108120 | 5 |
| | | -----* | | | |
| 280 | 2203008-1 | .. | PLATE-ID SUPPLIER CODE: V70210 | 103106 108120 | 1 |
| 285 | AN814-6DL | .. | PLUG | 103106 108120 | 1 |
| 290 | 2203088-1 | .. | PLUG- SUPPLIER CODE: V70210 | 103106 108120 | 1 |
| 295 | S9028T906 | .. | PACKING-PREFORMED SUPPLIER CODE: V70210 | 103106 108120 | 1 |
| 300 | S9028T912 | .. | PACKING-PREFORMED SUPPLIER CODE: V70210 | 103106 108120 | 1 |
| 305 | 2202774-1 | .. | GASKET-COVER SUPPLIER CODE: V70210 | 103106 108120 | 1 |
| 310 | 2203007-1 | .. | NOZZLE SET-AIR/WATER SUPPLIER CODE: V70210 | 103106 108120 | 1 |
| 315 | MS9068-014 | .. | PACKING | 103106 108120 | 2 |
| 320 | 2203087-1 | .. | PISTON- SUPPLIER CODE: V70210 | 103106 108120 | 1 |
| 325 | 2203003-1 | .. | HOUSING-SPRT SUPPLIER CODE: V70210 OPTIONAL PART: 2203089-1 V70210 | 103106 108120 | 1 |
| 325 | 2203089-1 | .. | HOUSING-SPRT SUPPLIER CODE: V70210 OPTIONAL PART: 2203003-1 V70210 | 103106 108120 | 1 |

MISSING ITEM NUMBERS NOT APPLICABLE

- ITEM NOT ILLUSTRATED

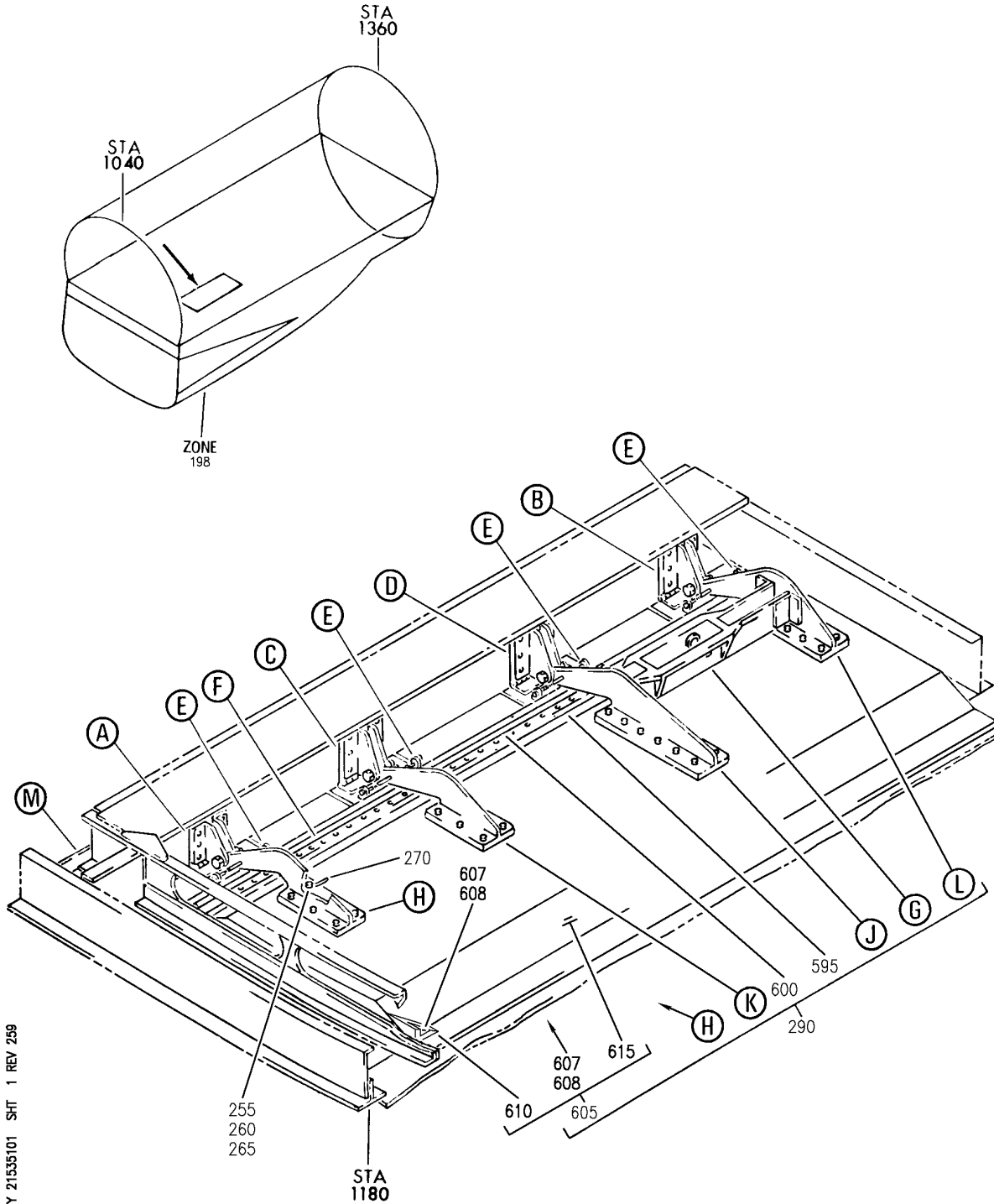
BRI

21-53-07-01A

BOEING PROPRIETARY - Copyright © - Unpublished Work - See title page for details.

21-53-07
FIG. 01A
PAGE 8
JAN 20/09

BOEING
757
PARTS CATALOG (MAINTENANCE)



Y 21535101 SHT 1 REV 259

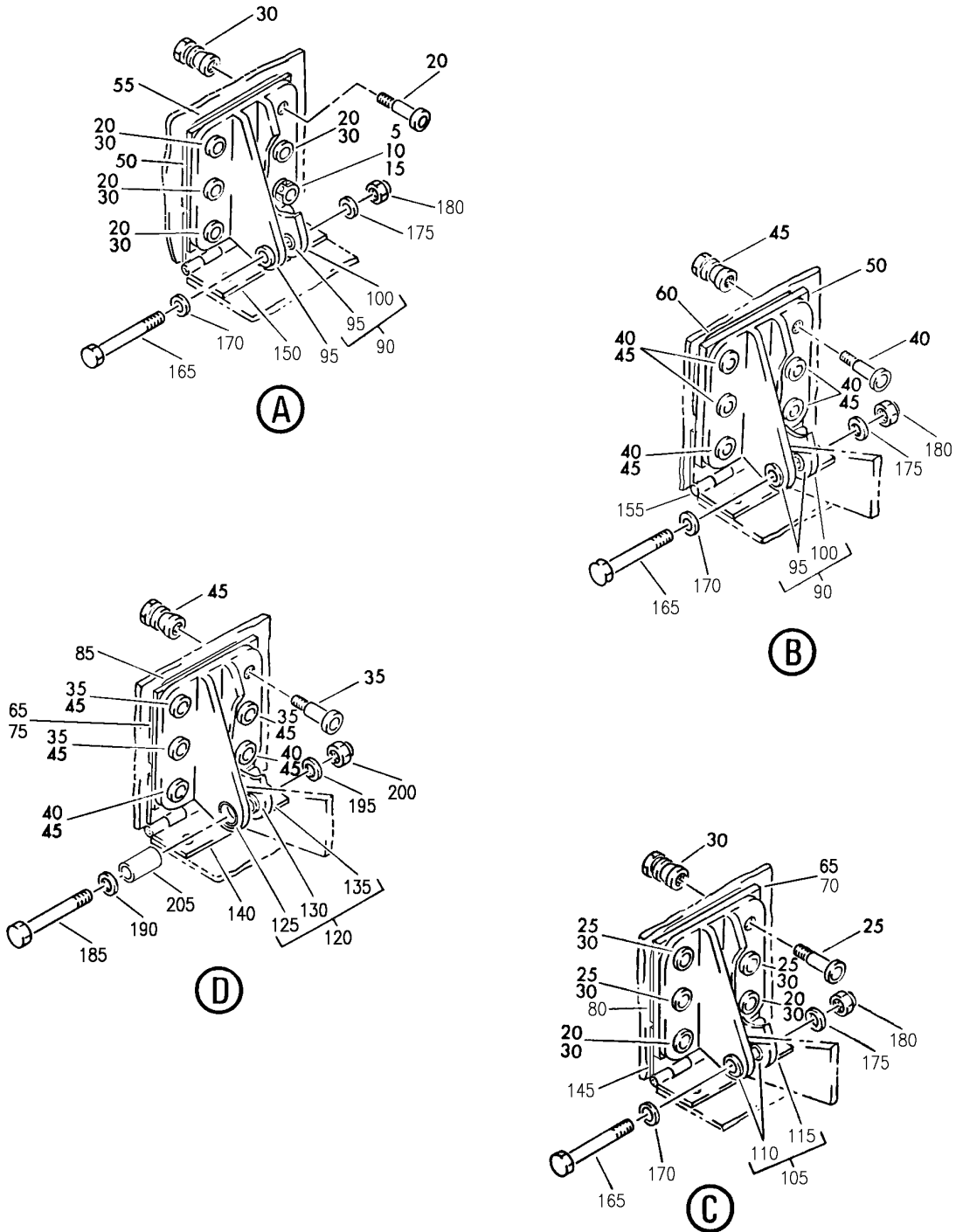
DOOR INSTL-RAM AIR TURBINE
FIGURE 1 (SHEET 1)

21-53-51-01

BRI
MAY 28/07

21-53-51-01
PAGE 0

BOEING
757
PARTS CATALOG (MAINTENANCE)



Y 21535101 SH1 2 REV 252

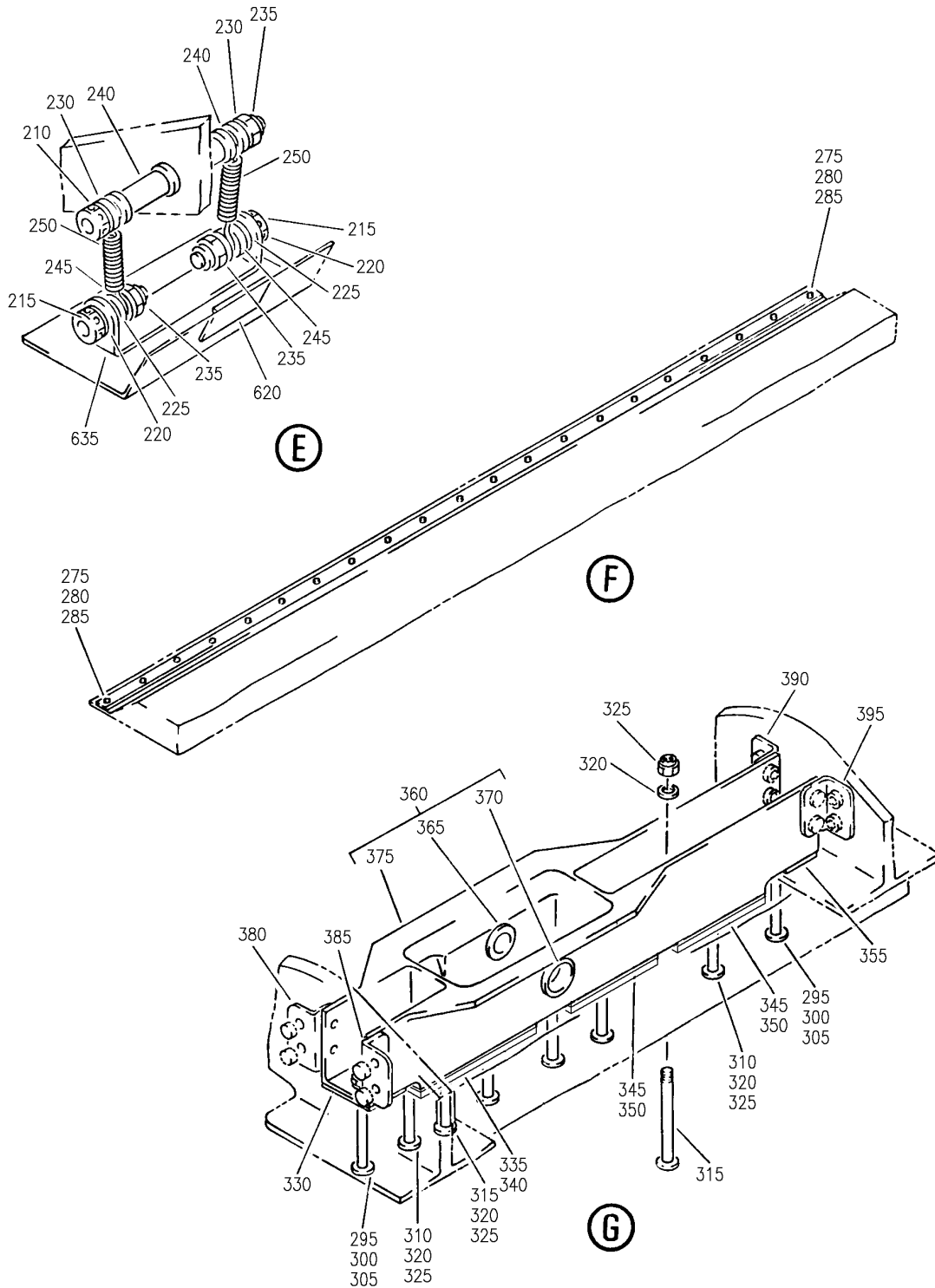
DOOR INSTL-RAM AIR TURBINE
FIGURE 1 (SHEET 2)

21-53-51-01

BRI
MAY 28/07

21-53-51-01
PAGE 0A

BOEING
757
PARTS CATALOG (MAINTENANCE)



Y 21535101 SH1 3 REV 252

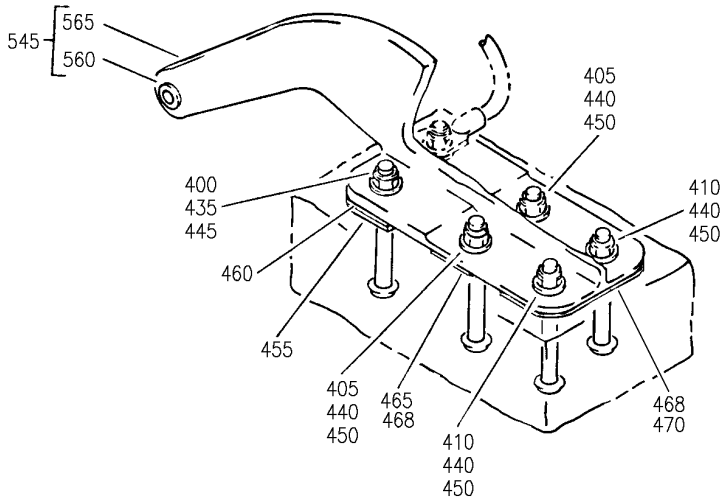
DOOR INSTL-RAM AIR TURBINE
FIGURE 1 (SHEET 3)

21-53-51-01

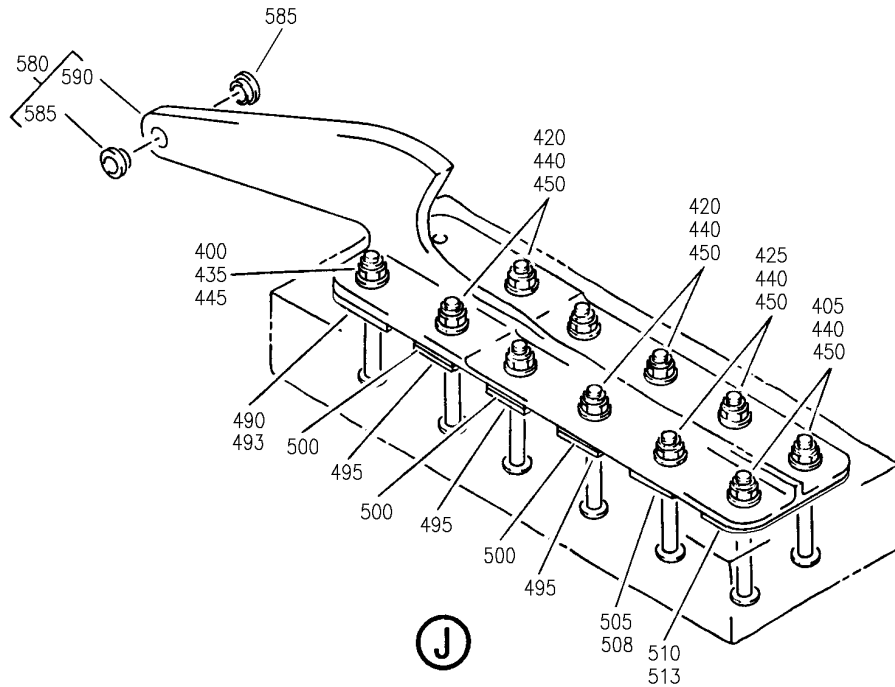
BRI
MAY 28/07

21-53-51-01
PAGE 0B

BOEING
757
PARTS CATALOG (MAINTENANCE)



(H)



(J)

Y 21535101 SHT 4 REV 252

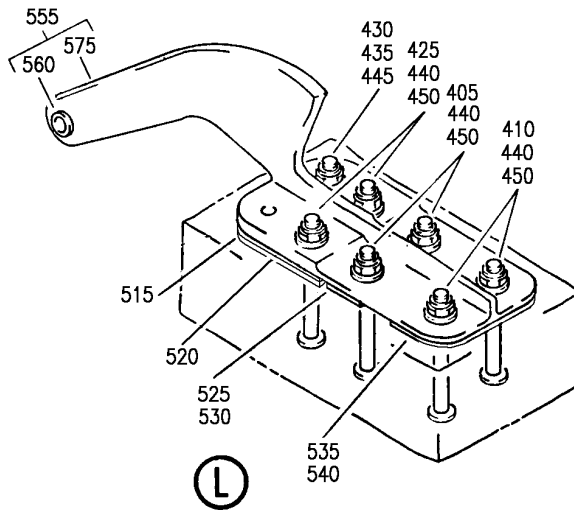
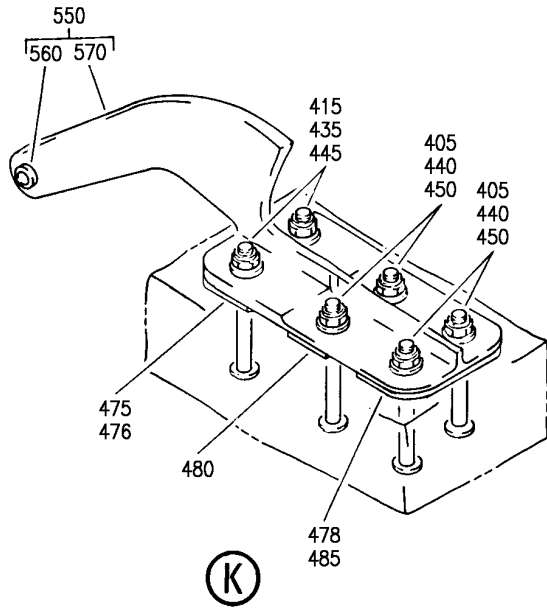
DOOR INSTL-RAM AIR TURBINE
FIGURE 1 (SHEET 4)

21-53-51-01

BRI
MAY 28/07

21-53-51-01
PAGE 0C

BOEING
757
PARTS CATALOG (MAINTENANCE)



Y 21535101 SH1 5 REV 259

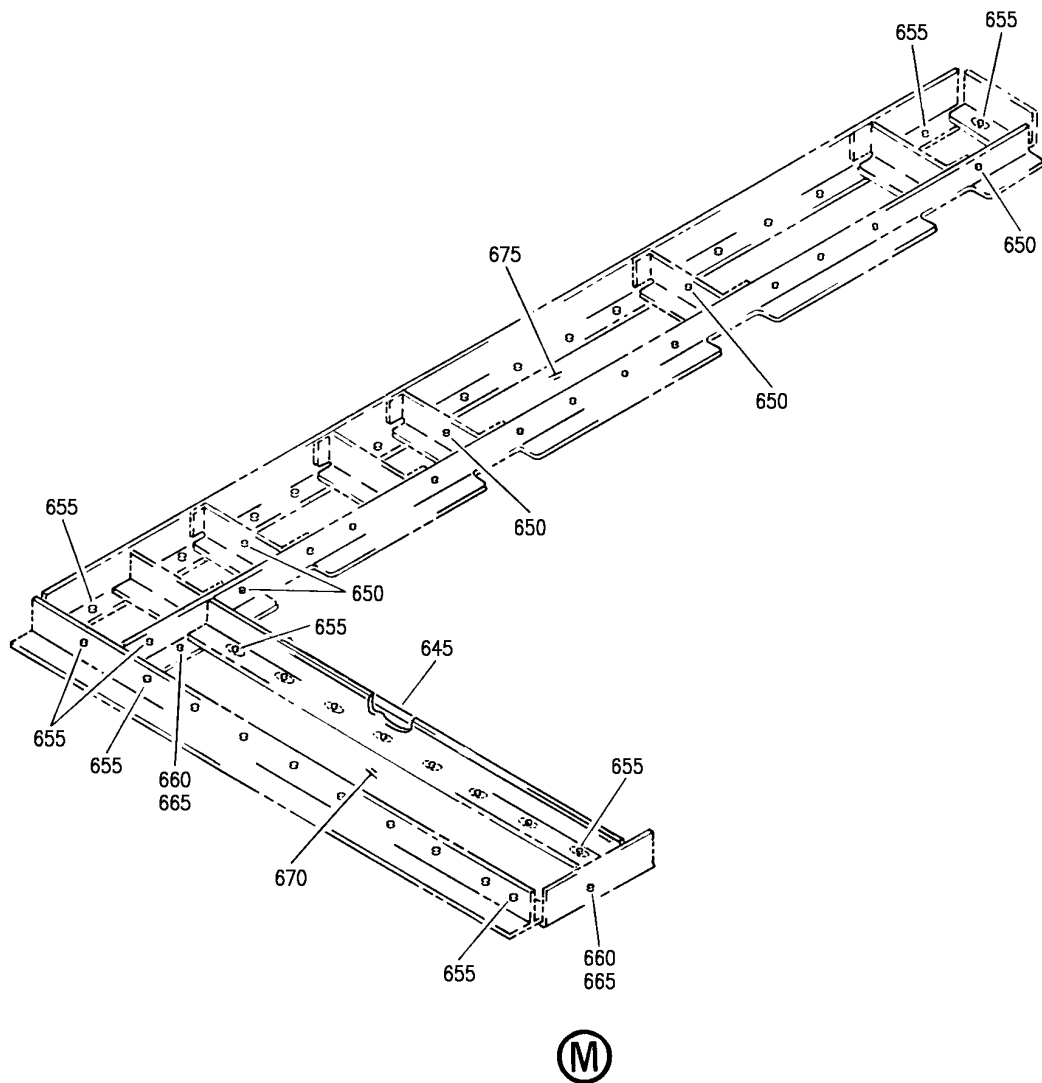
DOOR INSTL-RAM AIR TURBINE
FIGURE 1 (SHEET 5)

21-53-51-01

BRI
MAY 28/07

21-53-51-01
PAGE 0D

BOEING
757
PARTS CATALOG (MAINTENANCE)



Y 21535101 SH1 6 REV 252

DOOR INSTL-RAM AIR TURBINE
FIGURE 1 (SHEET 6)

21-53-51-01

BRI
MAY 28/07

21-53-51-01
PAGE 0E



757

PARTS CATALOG (MAINTENANCE)

| FIG ITEM | PART NUMBER | 1 2 3 4 5 6 7 | NOMENCLATURE | EFFECT FROM TO | UNITS PER ASSY |
|----------|---------------|---------------|---|----------------------------|----------------|
| 1 | | | DOOR INSTL-RAM AIR TURBINE | 101106 108120 504903 | |
| - 1 | 149N7720-401 | | DOOR INSTL-RAM AIR TURBINE FOR NHA SEE: 53-63-00-01 | 101102 108120 504903 | RF |
| - 1 | MODREF27257 | | DOOR INSTL-RAM AIR TURBINE MODULE NUMBER: 149N7720-405 REV B | 104105 | 1 |
| - 1 | MODREF21297 | | DOOR INSTL-RAM AIR TURBINE MODULE NUMBER: 149N7720-405 REV A | 103103 | 1 |
| - 1 | MODREF173713 | | DOOR INSTL-RAM AIR TURBINE MODULE NUMBER: 149N7720-405 REV G | 106106 | 1 |
| 5 | BACB30LJ3-9 | | .BOLT- | 101105 108120 504903 | 1 |
| 5 | BACB30LM3-9 | | .BOLT- | 106106 | 1 |
| 10 | AN960XC10 | | .WASHER- | 101102 108120 504903 | 1 |
| 10 | NAS1149C0363B | | .WASHER- | 103106 | 1 |
| 15 | PLH53CD | | .NUT- | 101106 108120 504903 | 1 |
| | | | SUPPLIER CODE: VF0224 | | |
| | | | SPECIFICATION NUMBER: BACN10YR3CD | | |
| | | | OPTIONAL PART: H52732-3CD V15653 BACN10JC3CD | | |
| 15 | BRH10C3D | | .NUT- | 101106 108120 504903 | 1 |
| | | | SUPPLIER CODE: V52828 | | |
| | | | SPECIFICATION NUMBER: BACN10JC3CD | | |
| | | | OPTIONAL PART: T6C1032JCD V11815 NS202486-02 V80539 102LH9075-3W V72962 H51650-3BAC V15653 BACN10YR3CD | | |

MISSING ITEM NUMBERS NOT APPLICABLE

- ITEM NOT ILLUSTRATED

BRI

21-53-51-01

21-53-51
FIG. 01
PAGE 1
JAN 20/09



757

PARTS CATALOG (MAINTENANCE)

| FIG ITEM | PART NUMBER | 1 2 3 4 5 6 7 | NOMENCLATURE | EFFECT FROM TO | UNITS PER ASSY |
|-------------|-------------|---------------|---|----------------------------|----------------------|
| 1 | 20 L8006K8 | | .BOLT SUPPLIER CODE: V06725 SPECIFICATION NUMBER: BACB30MY6K8 | 101106 108120 504903 | 7 |
| | 25 L8006K6 | | .BOLT SUPPLIER CODE: V06725 SPECIFICATION NUMBER: BACB30MY6K6 | 101106 108120 504903 | 4 |
| | 30 HL79-6 | | .COLLAR SUPPLIER CODE: V5M902 SPECIFICATION NUMBER: BACC30M6 OPTIONAL PART: HL79-6 V73197 HL79-6 V92215 66014-6 V56878 HL79-6 V56878 | 101106 108120 504903 | 11 |

MISSING ITEM NUMBERS NOT APPLICABLE

- ITEM NOT ILLUSTRATED

BRI

21-53-51-01

BOEING PROPRIETARY - Copyright © - Unpublished Work - See title page for details.

21-53-51
FIG. 01
PAGE 2
JAN 20/09



757

PARTS CATALOG (MAINTENANCE)

| FIG ITEM | PART NUMBER | 1 2 3 4 5 6 7 | NOMENCLATURE | EFFECT FROM TO | UNITS PER ASSY |
|-------------|-------------|---------------|---|----------------------------|----------------------|
| 1 35 | HL1012AZ6-6 | . | BOLT SUPPLIER CODE: V97928 SPECIFICATION NUMBER: BACB30NX6K6 OPTIONAL PART: HL12VAZ6-6 V73197 HL12VAZ6-6 V92215 HL12VAZ6-6 V97928 L802-6K6 V06725 HL12VAZ6-6 V56878 HL1012AZ6-6 VOPTK6 HL1012AZ6-6 V06725 HL1012AZ6-6 V06950 HL1012AZ6-6 V17446 HL1012AZ6-6 V56878 HL1012AZ6-6 V60516 HL1012AZ6-6 V73197 | 101106 108120 504903 | 4 |

MISSING ITEM NUMBERS NOT APPLICABLE

- ITEM NOT ILLUSTRATED

BRI

21-53-51-01

BOEING PROPRIETARY - Copyright © - Unpublished Work - See title page for details.

21-53-51
FIG. 01
PAGE 3
JAN 20/09



757

PARTS CATALOG (MAINTENANCE)

| FIG ITEM | PART NUMBER | 1 2 3 4 5 6 7 | NOMENCLATURE | EFFECT FROM TO | UNITS PER ASSY |
|----------|----------------|---------------|--|----------------------------|----------------|
| 1 | 40 HL1012AZ6-8 | | .BOLT SUPPLIER CODE: V97928 SPECIFICATION NUMBER: BACB30NX6K8 OPTIONAL PART: HL12VAZ6-8 V73197 HL12VAZ6-8 V92215 HL12VAZ6-8 V97928 L802-6K8 V06725 HL12VAZ6-8 V56878 HL1012AZ6-8 VOPTK6 HL1012AZ6-8 V06725 HL1012AZ6-8 V06950 HL1012AZ6-8 V17446 HL1012AZ6-8 V56878 HL1012AZ6-8 V60516 HL1012AZ6-8 V73197 | 101106 108120 504903 | 8 |
| | 45 HL1187-6 | | .COLLAR- SUPPLIER CODE: V5M902 SPECIFICATION NUMBER: BACC30X6 OPTIONAL PART: HL87-6 V92215 HL87-6 V73197 HL1187-6 V56878 HL1187-6 V92215 HL87-6 V56878 HL1187-6 V73197 | 101102 108120 504903 | 12 |

MISSING ITEM NUMBERS NOT APPLICABLE

- ITEM NOT ILLUSTRATED

BRI

21-53-51-01

BOEING PROPRIETARY - Copyright © - Unpublished Work - See title page for details.

21-53-51
FIG. 01
PAGE 4
JAN 20/09



757

PARTS CATALOG (MAINTENANCE)

| FIG ITEM | PART NUMBER | 1 2 3 4 5 6 7 | NOMENCLATURE | EFFECT FROM TO | UNITS PER ASSY |
|----------|-----------------|---------------|---|----------------------------|----------------|
| 1 | | | | | |
| 45 | HL1087-6 | . | COLLAR- SUPPLIER CODE: V73197 SPECIFICATION NUMBER: BACC30BH6 OPTIONAL PART: HL1087-6 V56878 HL1087-6 V92215 HL1087-6 V9N513 | 103106 | 12 |
| 50 | BACS40R030E028F | . | SHIM- | 101102 108120 504903 | 2 |
| 50 | BACS40R028E030F | . | SHIM- | 103106 | 2 |
| 55 | 149N7720-81 | . | FILLER | 101106 108120 504903 | 1 |
| 60 | 149N7720-84 | . | FILLER | 101106 108120 504903 | 1 |
| 65 | BACS40R028E037F | . | SHIM- | 103106 | 2 |
| 70 | BACS40R037E028F | . | SHIM- | 101102 108120 504903 | 1 |
| 75 | BACS40R037F028F | . | SHIM- | 101102 108120 504903 | 1 |
| 80 | 149N7720-82 | . | FILLER | 101106 108120 504903 | 1 |
| 85 | 149N7720-83 | . | FILLER | 101106 108120 504903 | 1 |
| 90 | 149N7732-9 | . | HINGE ASSY- OUTBD OPTIONAL PART: 149N7732-10 | 101106 108120 504903 | 2 |
| 90 | 149N7732-10 | . | HINGE ASSY- OUTBD OPTIONAL PART: 149N7732-9 | 101106 108120 504903 | 2 |
| 95 | BACB28AM04B018 | .. | BUSHING | 101106 108120 504903 | 2 |

MISSING ITEM NUMBERS NOT APPLICABLE

- ITEM NOT ILLUSTRATED

21-53-51-01

21-53-51
FIG. 01
PAGE 5
JAN 20/09

BRI

BOEING PROPRIETARY - Copyright © - Unpublished Work - See title page for details.

 **BOEING**
757
PARTS CATALOG (MAINTENANCE)

| FIG ITEM | PART NUMBER | 1 2 3 4 5 6 7 | NOMENCLATURE | EFFECT FROM TO | UNITS PER ASSY |
|----------|----------------|---------------|--|----------------------------|----------------|
| 1 | | | | | |
| 100 | 149N7732-7 | .. | HINGE- USED ON: 149N7732-9 USED ON: 149N7732-9 | 101106 108120 504903 | 1 |
| 100 | 149N7732-8 | .. | HINGE- USED ON: 149N7732-10 USED ON: 149N7732-10 | 101106 108120 504903 | 1 |
| 105 | 149N7733-16 | . | HINGE ASSY- OUTBD | 101106 108120 504903 | 1 |
| 110 | BACB28AM04B018 | .. | BUSHING | 101106 108120 504903 | 2 |
| 115 | 149N7733-12 | .. | HINGE | 101106 108120 504903 | 1 |
| 120 | 149N7733-15 | . | HINGE ASSY | 101106 108120 504903 | 1 |
| 125 | BACB28AM06B018 | .. | BUSHING | 101106 108120 504903 | 1 |
| 130 | BACB28AP04-018 | .. | BUSHING | 101106 108120 504903 | 1 |
| 135 | 149N7733-11 | .. | HINGE | 101106 108120 504903 | 1 |
| 140 | 149N7720-99 | . | HINGE | 101106 108120 504903 | 1 |
| 145 | 149N7720-98 | . | HINGE | 101106 108120 504903 | 1 |
| 150 | 149N7720-97 | . | HINGE | 101106 108120 504903 | 1 |
| 155 | 149N7720-100 | . | HINGE | 101106 108120 504903 | 1 |
| - 160 | BACR15CE5AD | | ATTACHING PARTS .RIVET- SIZE DETERMINED ON INSTL. -----*----- | 101106 108120 504903 | 24 |

MISSING ITEM NUMBERS NOT APPLICABLE

- ITEM NOT ILLUSTRATED

BRI

21-53-51-01

BOEING PROPRIETARY - Copyright © - Unpublished Work - See title page for details.

21-53-51
FIG. 01
PAGE 6
JAN 20/09



757

PARTS CATALOG (MAINTENANCE)

| FIG ITEM | PART NUMBER | 1 2 3 4 5 6 7 | NOMENCLATURE | EFFECT FROM TO | UNITS PER ASSY |
|----------|---------------|---------------|---|----------------------------|----------------|
| 1 | | | | | |
| 165 | BACB30PW4P19 | . | BOLT | 101106 108120 504903 | 3 |
| 170 | BACW10BP4ACU | . | WASHER | 101106 108120 504903 | 3 |
| 175 | BACW10BP3DP | . | WASHER | 101106 108120 504903 | 3 |
| 180 | PLH53CD | . | NUT- SUPPLIER CODE: VF0224 SPECIFICATION NUMBER: BACN10YR3CD OPTIONAL PART: H52732-3CD V15653 BACN10JC3CD | 101106 108120 504903 | 3 |
| 180 | BRH10C3D | . | NUT- SUPPLIER CODE: V52828 SPECIFICATION NUMBER: BACN10JC3CD OPTIONAL PART: T6C1032JCD V11815 NS202486-02 V80539 102LH9075-3W V72962 H51650-3BAC V15653 BACN10YR3CD | 101106 108120 504903 | 3 |
| 185 | BACB30LJ4SU18 | . | BOLT | 101106 108120 504903 | 1 |
| 190 | BACW10BP4ACU | . | WASHER | 101106 108120 504903 | 1 |
| 195 | BACW10BP4DP | . | WASHER | 101106 108120 504903 | 1 |

MISSING ITEM NUMBERS NOT APPLICABLE

- ITEM NOT ILLUSTRATED

BRI

21-53-51-01

BOEING PROPRIETARY - Copyright © - Unpublished Work - See title page for details.

21-53-51
FIG. 01
PAGE 7
JAN 20/09

BOEING
757
PARTS CATALOG (MAINTENANCE)

| FIG ITEM | PART NUMBER | 1 2 3 4 5 6 7 | NOMENCLATURE | EFFECT FROM TO | UNITS PER ASSY |
|-------------------|---|---------------|---|--|----------------|
| 1 200 | PLH54CD | . | NUT SUPPLIER CODE: VF0224 SPECIFICATION NUMBER: BACN10YR4CD OPTIONAL PART: H52732-4CD V15653 | 101106 108120 504903 | 1 |
| 205 | BACB28AK04-075 | . | BUSHING | 101106 108120 504903 | 1 |
| 210 | NAS6603-36 | . | BOLT- | 101102 108120 504903 | 4 |
| 210 215 | BACB30LM3-36 NAS6603-6 | . | BOLT- BOLT- | 103106 101102 108120 504903 | 4 8 |
| 215 220 | BACB30LM3-6 AN960JD10L | . | BOLT- WASHER- | 103106 101102 108120 504903 | 8 8 |
| 220 225 225 | NAS1149D0332J NAS1149D0363J AN960JD10 | . | WASHER- WASHER- WASHER- | 103106 103106 101102 108120 504903 | 8 8 8 |
| 230 | AN960JD10L | . | WASHER- | 101102 108120 504903 | 8 |
| 230 235 | NAS1149D0332J MS21042L3 | . | WASHER- NUT | 103106 101106 108120 504903 | 8 12 |
| 240 | 149N7736-1 | . | SPACER | 101106 108120 504903 | 8 |
| 245 | 149N7736-2 | . | SPACER | 101106 108120 504903 | 8 |
| 250 | MS24586-598 | . | SPRING | 101106 108120 504903 | 8 |
| 255 | HL864-10-40 | . | BOLT- SUPPLIER CODE: V73197 OPTIONAL PART: HL860AP10-40 V73197 | 101106 108120 504903 | 1 |

MISSING ITEM NUMBERS NOT APPLICABLE

- ITEM NOT ILLUSTRATED

BRI

21-53-51-01

BOEING PROPRIETARY - Copyright © - Unpublished Work - See title page for details.

21-53-51
FIG. 01
PAGE 8
JAN 20/09



757

PARTS CATALOG (MAINTENANCE)

| FIG ITEM | PART NUMBER | 1 2 3 4 5 6 7 | NOMENCLATURE | EFFECT FROM TO | UNITS PER ASSY |
|----------|---------------|---------------|---|----------------------------|----------------|
| 1 | | | | | |
| 255 | HL860AP10-40 | .BOLT- | SUPPLIER CODE: V73197 | 101106 108120 504903 | 1 |
| 260 | BACW10BP5DP | .WASHER | | 101106 108120 504903 | 1 |
| 265 | PLH55CD | .NUT | SUPPLIER CODE: VF0224 | 101106 108120 504903 | 1 |
| | | | SPECIFICATION NUMBER: BACN10YR5CD | | |
| | | | OPTIONAL PART: H52732-5CD | | |
| | | | V15653 | | |
| 270 | 940CW26-12 | .JUMPER ASSY | SUPPLIER CODE: V91812 | 101106 108120 504903 | 1 |
| | | | SPECIFICATION NUMBER: BACJ40AB26-12 | | |
| | | | OPTIONAL PART: 100226-12 | | |
| | | | V1FF12 | | |
| | | | RBEJ40AB23-12 | | |
| | | | V1GK47 | | |
| 275 | BACB30NN3K4 | .BOLT | | 101106 108120 504903 | 21 |
| 280 | AN960JD10 | .WASHER- | | 101102 108120 504903 | 21 |
| 280 | NAS1149D0363J | .WASHER- | | 103106 | 21 |
| 285 | PLH53CD | .NUT | SUPPLIER CODE: VF0224 | 101106 108120 504903 | 21 |
| | | | SPECIFICATION NUMBER: BACN10YR3CD | | |
| | | | OPTIONAL PART: H52732-3CD | | |
| | | | V15653 | | |
| 290 | 149N7720-117 | .DOOR ASSY- | COMPONENT MAINT MANUAL REF: 52-49-12 | 101106 108120 504903 | 1 |
| 290 | 149N7720-104 | .DOOR ASSY- | COMPONENT MAINT MANUAL REF: 52-49-12 | 101106 108120 504903 | 1 |

MISSING ITEM NUMBERS NOT APPLICABLE

- ITEM NOT ILLUSTRATED

21-53-51-01

21-53-51
FIG. 01
PAGE 9
JAN 20/09

BRI

BOEING PROPRIETARY - Copyright © - Unpublished Work - See title page for details.



757

PARTS CATALOG (MAINTENANCE)

| FIG ITEM | PART NUMBER | 1 2 3 4 5 6 7 | NOMENCLATURE | EFFECT FROM TO | UNITS PER ASSY |
|----------|--------------|---------------|---|----------------------------|----------------|
| 1 | | | | | |
| 290 | 149N7720-122 | . | DOOR ASSY- | 101106 108120 504903 | 1 |
| 290 | 149N7720-123 | . | DOOR ASSY- | 101106 108120 504903 | 1 |
| 295 | HL860AP10-41 | .. | BOLT- SUPPLIER CODE: V73197 | 101106 108120 504903 | 2 |
| 300 | BACW10BP5DP | .. | WASHER | 101106 108120 504903 | 2 |
| 305 | PLH55CD | .. | NUT- SUPPLIER CODE: VFO224 SPECIFICATION NUMBER: BACN10YR5CD OPTIONAL PART: H52732-5CD V15653 BACN10JC5CD | 101106 108120 504903 | 2 |
| 305 | BRH10C5D | .. | NUT- SUPPLIER CODE: V52828 SPECIFICATION NUMBER: BACN10JC5CD OPTIONAL PART: T6C524JCD V11815 102LH9075-5W V72962 H51650-5BAC V15653 BACN10YR5CD | 101106 108120 504903 | 2 |
| 310 | HL860AP8-41 | .. | BOLT- SUPPLIER CODE: V73197 | 101106 108120 504903 | 2 |
| 315 | HL860AP8-37 | .. | BOLT- SUPPLIER CODE: V73197 | 101106 108120 504903 | 5 |
| 320 | BACW10BP4DP | .. | WASHER | 101106 108120 504903 | 7 |

MISSING ITEM NUMBERS NOT APPLICABLE

- ITEM NOT ILLUSTRATED

BRI

21-53-51-01

21-53-51
FIG. 01
PAGE 10
JAN 20/09



757

PARTS CATALOG (MAINTENANCE)

| FIG ITEM | PART NUMBER | 1 2 3 4 5 6 7 | NOMENCLATURE | EFFECT FROM TO | UNITS PER ASSY |
|----------|-----------------|---------------|---|----------------------------|----------------|
| 1 325 | PLH54CD | .. | NUT- SUPPLIER CODE: VF0224 SPECIFICATION NUMBER: BACN10YR4CD OPTIONAL PART: H52732-4CD V15653 BACN10JC4CD | 101106 108120 504903 | 7 |
| 325 | BRH10C4D | .. | NUT- SUPPLIER CODE: V52828 SPECIFICATION NUMBER: BACN10JC4CD OPTIONAL PART: T6C428JCD V11815 NS202486-048 V80539 102LH9075-4W V72962 H51650-4BAC V15653 BACN10YR4CD | 101106 108120 504903 | 7 |
| 330 | BACF3T01F11G14 | .. | FILLER- OPTIONAL PART: BACF3T01F11-14 | 101106 108120 504903 | 1 |
| 330 | BACF3T01F11-14 | .. | FILLER- OPTIONAL PART: BACF3T01F11G14 | 101105 108120 504903 | 1 |
| 335 | BACF3F014L035AN | .. | FILLER | 101106 108120 504903 | 1 |
| 340 | BACS4OR014F035F | .. | SHIM- | 101105 108120 504903 | 1 |
| 340 | BACS4OR014X035F | .. | SHIM- | 106106 | 1 |
| 345 | BACF3F014L025AN | .. | FILLER | 101106 108120 504903 | 2 |
| 350 | BACS4OR014F025F | .. | SHIM- | 101105 108120 504903 | 2 |
| 350 | BACS4OR014X025F | .. | SHIM- | 106106 | 2 |
| 355 | BACF3T08F10G14 | .. | FILLER- OPTIONAL PART: BACF3T08F10-14 | 101106 108120 504903 | 1 |

MISSING ITEM NUMBERS NOT APPLICABLE

- ITEM NOT ILLUSTRATED

21-53-51-01

21-53-51
FIG. 01
PAGE 11
JAN 20/09

BRI

BOEING PROPRIETARY - Copyright © - Unpublished Work - See title page for details.



757

PARTS CATALOG (MAINTENANCE)

| FIG ITEM | PART NUMBER | 1 2 3 4 5 6 7 | NOMENCLATURE | EFFECT FROM TO | UNITS PER ASSY |
|----------|----------------|---------------|---|----------------------------|----------------|
| 1 | | | | | |
| 355 | BACF3T08F10-14 | .. | FILLER- OPTIONAL PART: BACF3T08F10G14 | 101106 108120 504903 | 1 |
| 360 | 149N7726-10 | .. | FITTING ASSY-LINK | 101106 108120 504903 | 1 |
| 365 | BACB28AP08P030 | ... | BUSHING | 101106 108120 504903 | 1 |
| 370 | BACB28W11B030 | ... | BUSHING | 101106 108120 504903 | 1 |
| 375 | 149N7726-9 | ... | FITTING | 101106 108120 504903 | 1 |
| 380 | 149N7720-66 | .. | BRACKET | 101106 108120 504903 | 1 |
| 385 | 149N7720-65 | .. | BRACKET | 101106 108120 504903 | 1 |
| 390 | 149N7720-64 | .. | BRACKET | 101106 108120 504903 | 1 |
| 395 | 149N7720-63 | .. | BRACKET | 101106 108120 504903 | 1 |
| 400 | HL860AP10-39 | .. | BOLT- SUPPLIER CODE: V73197 | 101106 108120 504903 | 2 |
| 405 | HL860AP8-37 | .. | BOLT- SUPPLIER CODE: V73197 | 101106 108120 504903 | 10 |
| 410 | HL860AP8-36 | .. | BOLT- SUPPLIER CODE: V73197 | 101106 108120 504903 | 4 |
| 415 | HL860AP10-37 | .. | BOLT- SUPPLIER CODE: V73197 | 101106 108120 504903 | 2 |
| 420 | HL860AP8-39 | .. | BOLT- SUPPLIER CODE: V73197 | 101106 108120 504903 | 6 |
| 425 | HL860AP8-38 | .. | BOLT- SUPPLIER CODE: V73197 | 101106 108120 504903 | 4 |
| 430 | HL860AP10-38 | .. | BOLT- SUPPLIER CODE: V73197 | 101106 108120 504903 | 1 |

MISSING ITEM NUMBERS NOT APPLICABLE

- ITEM NOT ILLUSTRATED

21-53-51-01

21-53-51
FIG. 01
PAGE 12
JAN 20/09

BRI



757

PARTS CATALOG (MAINTENANCE)

| FIG ITEM | PART NUMBER | 1 2 3 4 5 6 7 | NOMENCLATURE | EFFECT FROM TO | UNITS PER ASSY |
|----------|-------------|---------------|---|----------------------------|----------------|
| 1 | | | | | |
| 435 | BACW10BP5DP | .. | WASHER | 101106 108120 504903 | 5 |
| 440 | BACW10BP4DP | .. | WASHER | 101106 108120 504903 | 24 |
| 445 | PLH55CD | .. | NUT- SUPPLIER CODE: VFO224 SPECIFICATION NUMBER: BACN10YR5CD OPTIONAL PART: H52732-5CD V15653 BACN10JC5CD | 101106 108120 504903 | 5 |
| 445 | BRH10C5D | .. | NUT- SUPPLIER CODE: V52828 SPECIFICATION NUMBER: BACN10JC5CD OPTIONAL PART: T6C524JCD V11815 102LH9075-5W V72962 H51650-5BAC V15653 BACN10YR5CD | 101106 108120 504903 | 5 |
| 450 | PLH54CD | .. | NUT- SUPPLIER CODE: VFO224 SPECIFICATION NUMBER: BACN10YR4CD OPTIONAL PART: H52732-4CD V15653 BACN10JC4CD | 101106 108120 504903 | 24 |

MISSING ITEM NUMBERS NOT APPLICABLE

- ITEM NOT ILLUSTRATED

BRI

21-53-51-01

BOEING PROPRIETARY - Copyright © - Unpublished Work - See title page for details.

21-53-51
FIG. 01
PAGE 13
JAN 20/09



757

PARTS CATALOG (MAINTENANCE)

| FIG ITEM | PART NUMBER | 1 2 3 4 5 6 7 | NOMENCLATURE | EFFECT FROM TO | UNITS PER ASSY |
|----------|-----------------|---------------|---|----------------------------|----------------|
| 1 450 | BRH10C4D | .. | NUT- SUPPLIER CODE: V52828 SPECIFICATION NUMBER: BACN10JC4CD OPTIONAL PART: T6C428JCD V11815 NS202486-048 V80539 102LH9075-4W V72962 H51650-4BAC V15653 BACN10YR4CD | 101106 108120 504903 | 24 |
| 455 | BACF3F012R027AN | .. | FILLER | 101106 108120 504903 | 1 |
| 460 | BACS40R012F027F | .. | SHIM- | 101105 108120 504903 | 1 |
| 460 | BACS40R012X027F | .. | SHIM- | 106106 | 1 |
| 465 | BACF3T09G10G27 | .. | FILLER- OPTIONAL PART: BACF3T09G10-27 | 101106 108120 504903 | 1 |
| 465 | BACF3T09G10-27 | .. | FILLER- OPTIONAL PART: BACF3T09G10G27 | 101106 108120 504903 | 1 |
| 468 | BACS40R010F027F | .. | SHIM- | 101105 108120 504903 | 2 |
| 468 | BACS40R010X027F | .. | SHIM- | 106106 | 2 |
| 470 | BACF3T01C10G27 | .. | FILLER- OPTIONAL PART: BACF3T01C10-27 | 101106 108120 504903 | 1 |
| 470 | BACF3T01C10-27 | .. | FILLER- OPTIONAL PART: BACF3T01C10G27 | 101106 108120 504903 | 1 |
| 475 | BACF3T01C12G27 | .. | FILLER- OPTIONAL PART: BACF3T01C12-27 | 101106 108120 504903 | 1 |
| 475 | BACF3T01C12-27 | .. | FILLER- OPTIONAL PART: BACF3T01C12G27 | 101106 108120 504903 | 1 |
| 476 | BACS40R012F027F | .. | SHIM- | 101105 108120 504903 | 1 |
| 476 | BACS40R012X027F | .. | SHIM- | 106106 | 1 |

MISSING ITEM NUMBERS NOT APPLICABLE

- ITEM NOT ILLUSTRATED

21-53-51-01

21-53-51
FIG. 01
PAGE 14
JAN 20/09

BRI



757

PARTS CATALOG (MAINTENANCE)

| FIG ITEM | PART NUMBER | 1 2 3 4 5 6 7 | NOMENCLATURE | EFFECT FROM TO | UNITS PER ASSY |
|----------|-----------------|---------------|---|----------------------------|----------------|
| 1 | | | | | |
| 478 | BACS4OR010F027F | .. | SHIM | 101106 108120 504903 | 1 |
| 480 | 149N7720-77 | .. | SHIM | 101106 108120 504903 | 1 |
| 485 | BACF3F010L027AN | .. | FILLER | 101106 108120 504903 | 1 |
| 490 | BACF3T11J17G31 | .. | FILLER- OPTIONAL PART: BACF3T11J17-31 | 101106 108120 504903 | 1 |
| 490 | BACF3T11J17-31 | .. | FILLER- OPTIONAL PART: BACF3T11J17G31 | 101106 108120 504903 | 1 |
| 493 | BACS4OR017F031F | .. | SHIM- | 101105 108120 504903 | 1 |
| 493 | BACS4OR017X031F | .. | SHIM- | 106106 | 1 |
| 495 | BACF3F010V030AN | .. | FILLER | 101106 108120 504903 | 3 |
| 500 | BACS4OR010F030F | .. | SHIM- | 101105 108120 504903 | 3 |
| 500 | BACS4OR010X030F | .. | SHIM- | 106106 | 3 |
| 505 | BACF3T10H10G30 | .. | FILLER- OPTIONAL PART: BACF3T10H10-30 | 101106 108120 504903 | 1 |
| 505 | BACF3T10H10-30 | .. | FILLER- OPTIONAL PART: BACF3T10H10G30 | 101106 108120 504903 | 1 |
| 508 | BACS4OR010F030F | .. | SHIM- | 101105 108120 504903 | 1 |
| 508 | BACS4OR010X030F | .. | SHIM- | 106106 | 1 |
| 510 | BACF3T01E12G30 | .. | FILLER- OPTIONAL PART: BACF3T01E12-30 | 101106 108120 504903 | 1 |
| 510 | BACF3T01E12-30 | .. | FILLER- OPTIONAL PART: BACF3T01E12G30 | 101106 108120 504903 | 1 |
| 513 | BACS4OR012F030F | .. | SHIM- | 101105 108120 504903 | 1 |
| 513 | BACS4OR012X030F | .. | SHIM- | 106106 | 1 |
| 515 | BACF3F024L028AN | .. | FILLER | 101106 108120 504903 | 1 |

MISSING ITEM NUMBERS NOT APPLICABLE

- ITEM NOT ILLUSTRATED

21-53-51-01

21-53-51
FIG. 01
PAGE 15
JAN 20/09

BRI

BOEING PROPRIETARY - Copyright © - Unpublished Work - See title page for details.



757

PARTS CATALOG (MAINTENANCE)

| FIG ITEM | PART NUMBER | 1 2 3 4 5 6 7 | NOMENCLATURE | EFFECT FROM TO | UNITS PER ASSY |
|----------|-----------------|---------------|---|----------------------------|----------------|
| 1 | | | | | |
| 520 | BACS40R024F028F | .. | SHIM- | 101105 108120 504903 | 1 |
| 520 | BACS40R024X028F | .. | SHIM- | 106106 | 1 |
| 525 | BACF3T08F10G27 | .. | FILLER- OPTIONAL PART: BACF3T08F10-27 | 101106 108120 504903 | 1 |
| 525 | BACF3T08F10-27 | .. | FILLER- OPTIONAL PART: BACF3T08F10G27 | 101106 108120 504903 | 1 |
| 530 | BACS40R010F027F | .. | SHIM- | 101105 108120 504903 | 1 |
| 530 | BACS40R010X027F | .. | SHIM- | 106106 | 1 |
| 535 | BACF3T01C11G26 | .. | FILLER- OPTIONAL PART: BACF3T01C11-26 | 101106 108120 504903 | 1 |
| 535 | BACF3T01C11-26 | .. | FILLER- OPTIONAL PART: BACF3T01C11G26 | 101106 108120 504903 | 1 |
| 540 | BACS40R011F026F | .. | SHIM- | 101105 108120 504903 | 1 |
| 540 | BACS40R011X026F | .. | SHIM- | 106106 | 1 |
| 545 | 149N7725-6 | .. | HINGE ASSY | 101106 108120 504903 | 1 |
| 550 | 149N7724-3 | .. | HINGE ASSY | 101106 108120 504903 | 1 |
| 555 | 149N7722-10 | .. | HINGE ASSY | 101106 108120 504903 | 1 |
| 560 | BACB28AM04B031 | ... | BUSHING | 101106 108120 504903 | 1 |
| 565 | 149N7725-7 | ... | HINGE | 101106 108120 504903 | 1 |
| 570 | 149N7724-4 | ... | HINGE | 101106 108120 504903 | 1 |
| 575 | 149N7722-11 | ... | HINGE | 101106 108120 504903 | 1 |
| 580 | 149N7723-6 | .. | HINGE ASSY- OPTIONAL PART: 149N7723-4 | 101106 108120 504903 | 1 |

MISSING ITEM NUMBERS NOT APPLICABLE

- ITEM NOT ILLUSTRATED

21-53-51-01

21-53-51
FIG. 01
PAGE 16
JAN 20/09

BRI

 **BOEING**
757
PARTS CATALOG (MAINTENANCE)

| FIG ITEM | PART NUMBER | 1 2 3 4 5 6 7 | NOMENCLATURE | EFFECT FROM TO | UNITS PER ASSY |
|-------------|----------------|---------------|--|----------------------------|----------------------|
| 1 | | | | | |
| 580 | 149N7723-4 | .. | HINGE ASSY- OPTIONAL PART: 149N7723-6 | 101106 108120 504903 | 1 |
| 585 | BACB28AM06B010 | ... | BUSHING | 101106 108120 504903 | 2 |
| 590 | 149N7723-7 | ... | HINGE- USED ON: 149N7723-6 | 101106 108120 504903 | 1 |
| 590 | 149N7723-5 | ... | HINGE- USED ON: 149N7723-4 | 101106 108120 504903 | 1 |
| 595 | 149N7720-103 | .. | STRAP-RTNR | 101106 108120 504903 | 1 |
| 600 | 149N7720-102 | .. | SEAL- MANUFACTURED FROM: EXTR RUBBER 10-60754-15 X 56.00 IN. | 101106 108120 504903 | 1 |
| 605 | 149N7721-19 | .. | PANEL ASSY-DOOR ACCESS PANEL NUMBER: 198MR | 101105 108120 504903 | 1 |
| 605 | 149N7721-17 | .. | PANEL ASSY-DOOR ACCESS PANEL NUMBER: 198MR | 101105 108120 504903 | 1 |
| 605 | 149N7721-14 | .. | PANEL ASSY-DOOR ACCESS PANEL NUMBER: 198MR | 101105 108120 504903 | 1 |
| 605 | 149N7721-21 | .. | PANEL ASSY-DOOR ACCESS PANEL NUMBER: 198MR | 106106 | 1 |

MISSING ITEM NUMBERS NOT APPLICABLE

— ITEM NOT ILLUSTRATED

BRI

21-53-51-01

BOEING PROPRIETARY - Copyright © - Unpublished Work - See title page for details.

21-53-51
FIG. 01
PAGE 17
JAN 20/09



757

PARTS CATALOG (MAINTENANCE)

| FIG ITEM | PART NUMBER | 1 2 3 4 5 6 7 | NOMENCLATURE | EFFECT FROM TO | UNITS PER ASSY |
|----------|-------------|---------------|---|----------------------------|----------------|
| 1 607 | HL11VAZ6-7 | ... | BOLT- SUPPLIER CODE: V60516 SPECIFICATION NUMBER: BACB30NW6K7 OPTIONAL PART: B30NW6K7 V97928 HL11VAZ6-7 V73197 HL11VAZ6-7 V92215 HL11VAZ6-7 V97928 L803-6K7 V06725 HL11VAZ6-7 VOPTK6 HL11VAZ6-7 V56878 | 101105 108120 504903 | 1 |
| 607 | WC331K6-8 | ... | BOLT- SUPPLIER CODE: V60516 SPECIFICATION NUMBER: BACB30YP6K8 | 106106 | 1 |
| 608 | HL79-6 | ... | COLLAR- SUPPLIER CODE: V5M902 SPECIFICATION NUMBER: BACC30M6 OPTIONAL PART: HL79-6 V73197 HL79-6 V92215 66014-6 V56878 HL79-6 V56878 | 101105 108120 504903 | 1 |

MISSING ITEM NUMBERS NOT APPLICABLE

- ITEM NOT ILLUSTRATED

BRI

21-53-51-01

BOEING PROPRIETARY - Copyright © - Unpublished Work - See title page for details.

21-53-51
FIG. 01
PAGE 18
JAN 20/09



757

PARTS CATALOG (MAINTENANCE)

| FIG ITEM | PART NUMBER | 1 2 3 4 5 6 7 | NOMENCLATURE | EFFECT FROM TO | UNITS PER ASSY |
|----------|--------------|---------------|---|----------------------------|----------------|
| 1 608 | BACC30BL6 | | ...COLLAR- SUPPLIER CODE: V73197 SPECIFICATION NUMBER: BACC30BL6 OPTIONAL PART: HST79-6 V92215 HST79CY6 V56878 HST79CY6 V5M902 | 106106 | 1 |
| 610 | 149N7721-10 | | ...DEPRESSOR-SEAL | 101106 108120 504903 | 1 |
| 615 | 149N7721-15 | | ...PANEL ASSY- USED ON: 149N7721-14 | 101105 108120 504903 | 1 |
| 615 | 149N7721-20 | | ...PANEL ASSY- USED ON: 149N7721-19 | 101105 108120 504903 | 1 |
| 615 | 149N7721-18 | | ...PANEL ASSY- USED ON: 149N7721-17 | 101105 108120 504903 | 1 |
| 615 | 149N7721-22 | | ...PANEL ASSY- USED ON: 149N7721-21 | 106106 | 1 |
| 620 | 149N7720-45 | | .STRIKER | 101106 108120 504903 | 4 |
| | | | ATTACHING PARTS | | |
| - 625 | BACR15BA5AD | | .RIVET- SIZE DETERMINED ON INSTL. | 101102 108120 504903 | 12 |
| - 630 | BACR15BA5ADC | | .RIVET- SIZE DETERMINED ON INSTL. | 103106 | 12 |
| | | | -----*----- | | |
| 635 | 149N7720-26 | | .CHANNEL | 101106 108120 504903 | 4 |
| | | | ATTACHING PARTS | | |
| - 640 | BACR15CE5AD | | .RIVET- SIZE DETERMINED ON INSTL. | 101106 108120 504903 | 16 |
| | | | -----*----- | | |
| 645 | 149N7720-74 | | .SEAL- MANUFACTURED FROM: EXTRA RUBBER 10-60754-1 X 24.00 LONG) | 101106 108120 504903 | 1 |

MISSING ITEM NUMBERS NOT APPLICABLE

- ITEM NOT ILLUSTRATED

21-53-51-01

21-53-51
FIG. 01
PAGE 19
JAN 20/09

BRI

BOEING PROPRIETARY - Copyright © - Unpublished Work - See title page for details.



757

PARTS CATALOG (MAINTENANCE)

| FIG ITEM | PART NUMBER | 1 2 3 4 5 6 7 | NOMENCLATURE | EFFECT FROM TO | UNITS PER ASSY |
|-------------|--------------|---------------|-------------------------------------|----------------------------|----------------------|
| 1 | | | | | |
| 650 | BACB30NN3K3 | . | BOLT | 101106 108120 504903 | 15 |
| 655 | BACB30NN3K4 | . | BOLT | 101106 108120 504903 | 33 |
| 660 | BACB30LH3-5 | . | BOLT | 101106 108120 504903 | 2 |
| 665 | D79530S10C | . | WASHER- SUPPLIER CODE: V97928 | 101106 108120 504903 | 2 |
| 670 | 149N7720-109 | . | PANEL-CLOSURE | 101105 108120 504903 | 1 |
| 670 | 149N7720-121 | . | PANEL-CLOSURE | 106106 | 1 |
| 675 | 149N7720-6 | . | PANEL- POSITION DATA: LWR | 101106 108120 504903 | 1 |

MISSING ITEM NUMBERS NOT APPLICABLE

- ITEM NOT ILLUSTRATED

BRI

21-53-51-01

BOEING PROPRIETARY - Copyright © - Unpublished Work - See title page for details.

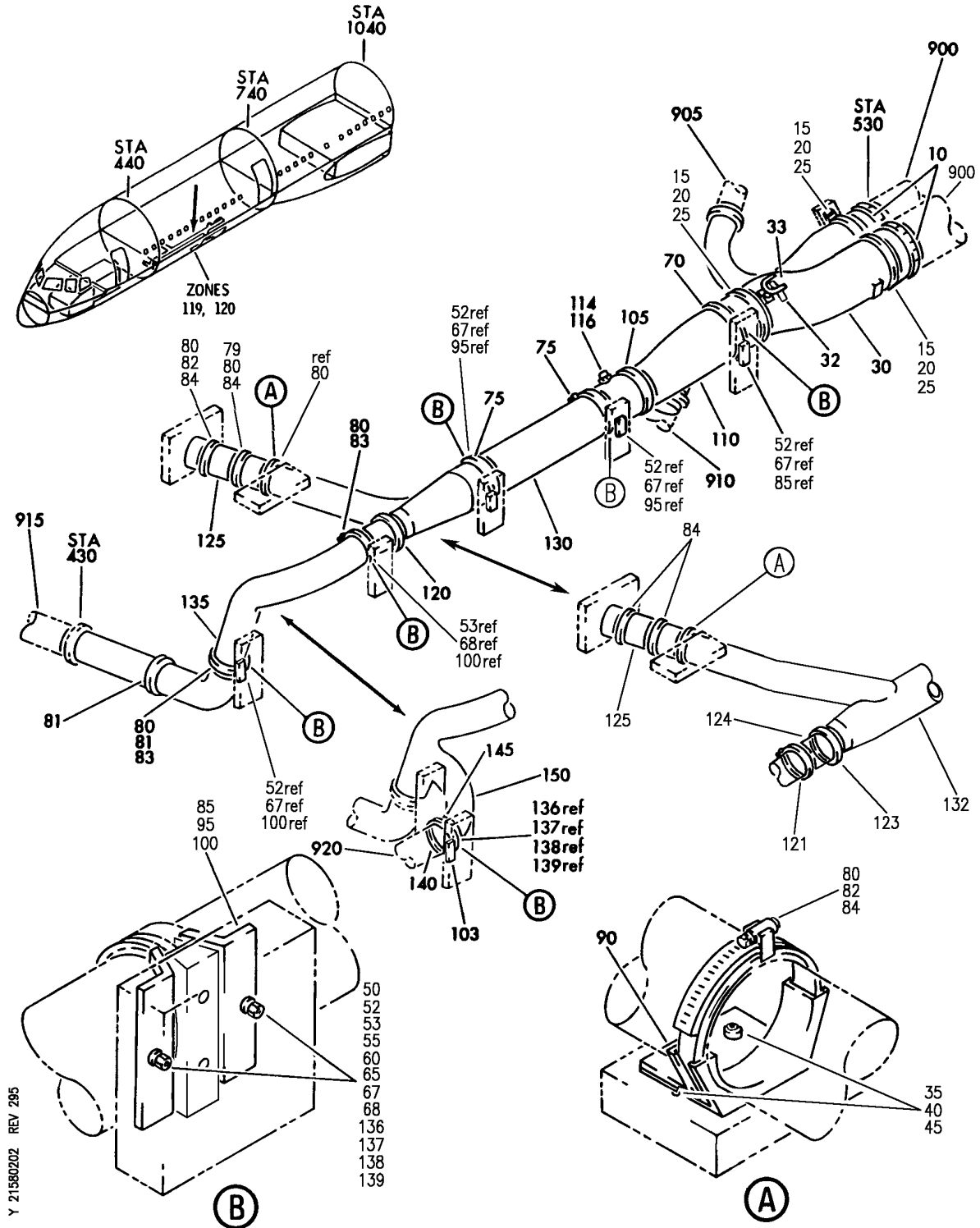
21-53-51
FIG. 01
PAGE 20
JAN 20/09

EQUIPMENT COOLING SYSTEM

BRI
MAY 28/07

21-58-00
SECTION TITLE
PAGE 1

BOEING
757
PARTS CATALOG (MAINTENANCE)



DUCT INSTL-SECT. 43 AIR SUPPLY LH
FIGURE 2

21-58-02-02

BRI
MAY 28/07

21-58-02-02
PAGE 0



757

PARTS CATALOG (MAINTENANCE)

| FIG ITEM | PART NUMBER | 1 2 3 4 5 6 7 | NOMENCLATURE | EFFECT FROM TO | UNITS PER ASSY |
|----------|-------------|---------------|--|--|----------------|
| 2 | | | DUCT INSTL-SECT. 43 AIR SUPPLY LH | 002004 006999 | |
| - 1 | 217N1010-3 | | DUCT INSTL-AIR SUPPLY POSITION DATA: SECT. 43 LH FOR NHA SEE: 21-00-00-04 | 107107 | RF |
| - 1 | 217N1010-5 | | DUCT INSTL-AIR SUPPLY POSITION DATA: SECT. 43 LH FOR NHA SEE: 21-00-00-04 | 002004 006007 121503 904949 952952 | RF |
| - 1 | 217N1010-9 | | DUCT INSTL-AIR SUPPLY POSITION DATA: SECT. 43 LH FOR NHA SEE: 21-00-00-04 21-00-00-12 | 504903 950951 | RF |
| - 1 | 217N1010-10 | | DUCT INSTL-AIR SUPPLY POSITION DATA: SECT. 43 LH FOR NHA SEE: 21-00-00-04 21-00-00-12 21-00-00-15 | 008102 108120 953999 | RF |
| - 1 | MODREF5544 | | DUCT INSTL-AIR SUPPLY MODULE NUMBER: 217N1010-10 REV A POSITION DATA: SECT. 43 LH | 103106 | 1 |
| 10 | 2790545-101 | | .VALVE-CHK SUPPLIER CODE: V92003 SPECIFICATION NUMBER: S210N701-3 REWORK DRAWING REF: 217N1014-2 | 002004 006999 | 2 |
| 15 | 15J02-800 | | .CLAMP ASSY- SUPPLIER CODE: V89513 OPTIONAL PART: 32317AA800 V94581 NH135008-0800 V98625 | 002004 006007 107107 121503 904949 952952 | 3 |

MISSING ITEM NUMBERS NOT APPLICABLE

- ITEM NOT ILLUSTRATED

21-58-02-02

21-58-02
FIG. 02
PAGE 1
JAN 20/09

BRI



757

PARTS CATALOG (MAINTENANCE)

| FIG ITEM | PART NUMBER | 1 2 3 4 5 6 7 | NOMENCLATURE | EFFECT FROM TO | UNITS PER ASSY |
|----------|-------------|---------------|--|--|----------------|
| 2 | 15 | 32317AA800 | .COUPLING- SUPPLIER CODE: V94581 OPTIONAL PART: 15J02-800 V89513 NH135008-0800 V98625 | 002004 006007 107107 121503 904949 952952 | 3 |
| | 15 | NH135008-0800 | .CLAMP- SUPPLIER CODE: V00624 OPTIONAL PART: 15J02-800 V89513 32317AA800 V94581 | 002004 006007 107107 121503 904949 952952 | 3 |
| | 15 | NH135008-0800 | .COUPLING SUPPLIER CODE: V00624 SPECIFICATION NUMBER: BACC10HX800 | 008106 108120 504903 950951 953999 | 3 |
| | 20 | BACB30NM3K8 | .BOLT | 002004 006999 | 3 |
| | 25 | AN960KD10L | .WASHER- | 107107 | 3 |
| | 25 | AN960JD10L | .WASHER- | 002004 006999 | 3 |
| | 30 | 217N1501-3 | .DUCT ASSY- | 002004 006007 107107 121503 904949 952952 | 1 |
| | 30 | 217N1501-5 | .DUCT ASSY | 002004 006999 | 1 |
| | 32 | BAC27NEC0122 | ..DECAL- PLACARD CONTENT: TS5267 DETECTOR, SMOKE SENSING PORT TS5268 DETECTOR, SMOKE | 002004 006999 | 1 |
| | 33 | 217N1509-1 | ..PORT ASSY-SENSING | 002004 006999 | 1 |
| | 35 | BACS12FA3K8 | .SCREW | 002004 006999 | 2 |
| | 40 | AN960KD10L | .WASHER- | 107107 | 2 |
| | 40 | AN960JD10L | .WASHER- | 002004 006106 108999 | 2 |

MISSING ITEM NUMBERS NOT APPLICABLE

- ITEM NOT ILLUSTRATED

21-58-02-02

21-58-02
FIG. 02
PAGE 2
MAY 20/09

BRI



757

PARTS CATALOG (MAINTENANCE)

| FIG ITEM | PART NUMBER | 1 2 3 4 5 6 7 | NOMENCLATURE | EFFECT FROM TO | UNITS PER ASSY |
|----------|----------------|---------------|--|--|----------------|
| 2 | | | | | |
| 45 | BRH10C3D | .NUT | SUPPLIER CODE: V52828 SPECIFICATION NUMBER: BACN10JC3CD OPTIONAL PART: T6C1032JCD V11815 NS202486-02 V80539 102LH9075-3W V72962 H51650-3BAC V15653 | 002004 006999 | 2 |
| 50 | BACB30PW4P4 | .BOLT | | 002004 006999 | 10 |
| 55 | AN960KD416L | .WASHER- | | 107107 | 10 |
| 55 | AN960JD416L | .WASHER- | | 002004 006999 | 10 |
| 60 | BACW10BN3SP | .WASHER | | 002004 006999 | 10 |
| 65 | NAS1805-3N | .NUT- | | 107107 504903 950951 | 10 |
| 65 | NAS1805-3L | .NUT- | | 002004 006106 108503 904949 952999 | 10 |
| 70 | 128 | .CLAMP- | SUPPLIER CODE: V7Z588 SPECIFICATION NUMBER: STBC10GG274 OPTIONAL PART: WWD274H V66295 | 002004 006007 107107 121503 904949 952952 | 1 |
| 70 | NAS1922-0825-1 | .CLAMP | | 008106 108120 504903 950951 953999 | 1 |

R
R
R
R
R

MISSING ITEM NUMBERS NOT APPLICABLE

- ITEM NOT ILLUSTRATED

21-58-02-02

21-58-02
FIG. 02
PAGE 3
MAY 20/09

BRI

 **BOEING**
757
PARTS CATALOG (MAINTENANCE)

| FIG ITEM | PART NUMBER | 1 2 3 4 5 6 7 | NOMENCLATURE | EFFECT FROM TO | UNITS PER ASSY |
|----------|----------------|---------------|--|--|----------------|
| 2 | | | | | |
| 75 | 96 | | .CLAMP- SUPPLIER CODE: V7Z588 SPECIFICATION NUMBER: STBC10GG210 OPTIONAL PART: WWD210H V66295 | 002004 006007 107107 121503 904949 952952 | 2 |
| 75 | NAS1922-0625-1 | | .CLAMP- | 008106 108120 504903 950951 953999 | 2 |
| 75 | NAS1922-0625-3 | | .CLAMP- | 008106 108120 504903 950951 953999 | 2 |
| 80 | 64 | | .CLAMP- SUPPLIER CODE: V7Z588 SPECIFICATION NUMBER: STBC10GG146 OPTIONAL PART: WWD146H V66295 PRE SERVICE BULLETIN: 24-0048 | 107107 | 5 |
| 81 | NAS1922-0400-1 | | .CLAMP- | 504903 950951 | 2 |
| 83 | 80 | | .CLAMP- SUPPLIER CODE: V7Z588 SPECIFICATION NUMBER: STBC10GG178 OPTIONAL PART: WWD178H V66295 | 002004 006007 107107 121503 904949 952952 | 2 |
| 83 | NAS1922-0525-1 | | .CLAMP- | 008106 108120 953999 | 2 |
| 83 | NAS1922-0525-3 | | .CLAMP- | 008106 108120 953999 | 2 |

R
R
R
R
R

R
R
R

MISSING ITEM NUMBERS NOT APPLICABLE

- ITEM NOT ILLUSTRATED

BRI

21-58-02-02

21-58-02
FIG. 02
PAGE 4
MAY 20/09



757

PARTS CATALOG (MAINTENANCE)

| FIG ITEM | PART NUMBER | 1 2 3 4 5 6 7 | NOMENCLATURE | EFFECT FROM TO | UNITS PER ASSY |
|----------|----------------|---------------|---|--|----------------|
| 2 | | | | | |
| 84 | 64 | | .CLAMP- SUPPLIER CODE: V7Z588 SPECIFICATION NUMBER: STBC10GG146 OPTIONAL PART: WWD146H V66295 POST SERVICE BULLETIN: 24-0048 | 002004 006007 107107 121503 904949 952952 | 3 |
| 84 | NAS1922-0450-1 | | .CLAMP- | 008106 108120 504903 950951 953999 | 3 |
| 85 | 214N1051-11 | | .SUPPORT-DUCT | 002004 006999 | 1 |
| 90 | 214T3424-20 | | .SUPPORT-DUCT | 002004 006999 | 1 |
| 95 | 214N1051-10 | | .SUPPORT-DUCT | 002004 006999 | 2 |
| 100 | 214N1051-6 | | .SUPPORT-DUCT PRE SERVICE BULLETIN: 24-0048 | 107107 504903 950951 | 2 |
| 100 | 214N1051-8 | | .SUPPORT-DUCT POST SERVICE BULLETIN: 24-0048 | 002004 006503 904949 952999 | 2 |
| 103 | 214N1051-6 | | .SUPPORT-DUCT POST SERVICE BULLETIN: 24-0048 | 008503 904949 952999 | 1 |
| 105 | 15J02-600 | | .CLAMP- SUPPLIER CODE: V89513 OPTIONAL PART: 32317AA400 V94581 NH135008-0600 V98625 | 002004 006007 107107 121503 904949 952952 | 1 |
| 105 | 32317AA600 | | .CLAMP- SUPPLIER CODE: V94581 OPTIONAL PART: 15J02-600 V89513 NH135008-0600 V98625 | 002004 006007 107107 121503 904949 952952 | 1 |

MISSING ITEM NUMBERS NOT APPLICABLE

- ITEM NOT ILLUSTRATED

21-58-02-02

21-58-02
FIG. 02
PAGE 5
MAY 20/09

BRI



757

PARTS CATALOG (MAINTENANCE)

| FIG ITEM | PART NUMBER | 1 2 3 4 5 6 7 | NOMENCLATURE | EFFECT FROM TO | UNITS PER ASSY |
|----------|---------------|---------------|---|--|----------------|
| 2 105 | NH135008-0600 | .CLAMP- | SUPPLIER CODE: V00624 OPTIONAL PART: 15J02-600 V89513 32317AA600 V94581 | 002004 006007 107107 121503 904949 952952 | 1 |
| 105 | NH135008-0600 | .CLAMP- | SUPPLIER CODE: V00624 SPECIFICATION NUMBER: BACC10HX600 | 008106 108120 504903 950951 953999 | 1 |
| 110 | 217N1502-1 | .DUCT ASSY | | 107107 | 1 |
| 110 | 217N1502-3 | .DUCT ASSY | | 008106 108120 504903 950951 953999 | 1 |
| 120 | 15J02-400 | .CLAMP ASSY- | SUPPLIER CODE: V89513 OPTIONAL PART: 32317AA400 V94581 NH135008-0400 V00624 | 107107 | 1 |
| 120 | 32317AA400 | .COUPLING- | SUPPLIER CODE: V94581 OPTIONAL PART: 15J02-400 V89513 NH135008-0400 V00624 | 107107 | 1 |
| 120 | NH135008-0400 | .COUPLING- | SUPPLIER CODE: V00624 OPTIONAL PART: 15J02-400 V89513 32317AA400 V94581 | 107107 | 1 |
| 120 | NH135008-0400 | .COUPLING- | SUPPLIER CODE: V00624 SPECIFICATION NUMBER: BACC10HX400 | 008106 108120 504903 950951 953999 | 1 |

MISSING ITEM NUMBERS NOT APPLICABLE

- ITEM NOT ILLUSTRATED

21-58-02-02

21-58-02
FIG. 02
PAGE 6
MAY 20/09

BRI

BOEING
757
PARTS CATALOG (MAINTENANCE)

| FIG ITEM | PART NUMBER | 1 2 3 4 5 6 7 | NOMENCLATURE | EFFECT FROM TO | UNITS PER ASSY |
|--|-------------|---------------|---|--|----------------|
| R R R R R R R R R R R R R R R R | 2 121 | 15J02-550 | .CLAMP- SUPPLIER CODE: V89513 SERVICE BULLETIN OPT DATA: 32317AA550 V94581 NH135008-0550 V98625 POST SERVICE BULLETIN: 24-0048 | 002004 006007 107107 121503 904949 952952 | 1 |
| | 121 | 32317AA550 | .CLAMP- SUPPLIER CODE: V94581 SPECIFICATION NUMBER: S210T125-101 SERVICE BULLETIN OPT DATA: 15J02-550 V89513 NH135008-0550 V98625 POST SERVICE BULLETIN: 24-0048 | 002004 006007 107107 121503 904949 952952 | 1 |
| | 121 | NH135008-0550 | .CLAMP- SUPPLIER CODE: V00624 SERVICE BULLETIN OPT DATA: 15J02-550 V89513 32317AA550 V94581 POST SERVICE BULLETIN: 24-0048 | 002004 006007 107107 121503 904949 952952 | 1 |
| | 121 | NH135008-0550 | .COUPLING- SUPPLIER CODE: V00624 SPECIFICATION NUMBER: BACC10HX550 | 008106 108120 953999 | 1 |

MISSING ITEM NUMBERS NOT APPLICABLE

— ITEM NOT ILLUSTRATED

BRI

21-58-02-02

BOEING PROPRIETARY - Copyright © - Unpublished Work - See title page for details.

21-58-02
FIG. 02
PAGE 7
MAY 20/09



757

PARTS CATALOG (MAINTENANCE)

| FIG ITEM | PART NUMBER | 1 2 3 4 5 6 7 | NOMENCLATURE | EFFECT FROM TO | UNITS PER ASSY |
|----------|---------------|---------------|---|--|----------------|
| 2 123 | 15J02-600 | .CLAMP- | SUPPLIER CODE: V89513 OPTIONAL PART: 32317AA600 V94581 NH135008-0600 V98625 SERVICE BULLETIN OPT DATA: 32317AA600 V94581 NH135008-0600 V98625 POST SERVICE BULLETIN: 24-0048 | 002004 006100 107107 121503 904949 952999 | 1 |
| 123 | 32317AA600 | .CLAMP- | SUPPLIER CODE: V94581 OPTIONAL PART: 15J02-600 V89513 NH135008-0600 V98625 SERVICE BULLETIN OPT DATA: 15J02-600 V89513 NH135008-0600 V98625 POST SERVICE BULLETIN: 24-0048 | 002004 006100 107107 121503 904949 952999 | 1 |
| 123 | NH135008-0600 | .CLAMP- | SUPPLIER CODE: V00624 OPTIONAL PART: 15J02-600 V89513 32317AA600 V94581 SERVICE BULLETIN OPT DATA: 15J02-600 V89513 32317AA600 V94581 POST SERVICE BULLETIN: 24-0048 | 002004 006100 107107 121503 904949 952999 | 1 |

MISSING ITEM NUMBERS NOT APPLICABLE

- ITEM NOT ILLUSTRATED

BRI

21-58-02-02

BOEING PROPRIETARY - Copyright © - Unpublished Work - See title page for details.

21-58-02
FIG. 02
PAGE 8
MAY 20/09



757

PARTS CATALOG (MAINTENANCE)

| FIG ITEM | PART NUMBER | 1 2 3 4 5 6 7 | NOMENCLATURE | EFFECT FROM TO | UNITS PER ASSY |
|----------|---------------|---------------|---|--|----------------|
| 2 | | | | | |
| 123 | NH135008-0600 | . | CLAMP- SUPPLIER CODE: V00624 SPECIFICATION NUMBER: BACC10HX600 | 008106 108120 953999 | 1 |
| 124 | 2850031-101 | . | VALVE- SUPPLIER CODE: V92003 SPECIFICATION NUMBER: S210N701-28 POST SERVICE BULLETIN: 24-0048 | 008503 904949 952999 | 1 |
| 125 | AS1506-18D40 | . | SLEEVE | 002004 006999 | 1 |
| 130 | 217N1503-3 | . | DUCT ASSY- NOT APPROVED FOR ETOPS. | 504903 950951 | 1 |
| 132 | 217N1503-5 | . | DUCT ASSY- POST SERVICE BULLETIN: 24-0048 | 008120 953999 | 1 |
| 135 | 217N1504-1 | . | DUCT ASSY- | 107107 | 1 |
| 135 | 217N1504-3 | . | DUCT ASSY- NOT APPROVED FOR ETOPS. | 504903 950951 | 1 |
| 136 | BACB30PW4P4 | . | BOLT- | 002004 006106 108503 904949 952999 | 2 |
| 137 | AN960JD416L | . | WASHER- | 002004 006106 108503 904949 952999 | 2 |
| 138 | BACW10BN3SP | . | WASHER- | 002004 006106 108503 904949 952999 | 2 |
| 139 | NAS1805-3L | . | NUT- | 002004 006106 108503 904949 952999 | 2 |

MISSING ITEM NUMBERS NOT APPLICABLE

- ITEM NOT ILLUSTRATED

BRI

21-58-02-02

BOEING PROPRIETARY - Copyright © - Unpublished Work - See title page for details.

21-58-02
FIG. 02
PAGE 9
MAY 20/09



**757
PARTS CATALOG (MAINTENANCE)**

| FIG ITEM | PART NUMBER | 1 2 3 4 5 6 7 | NOMENCLATURE | EFFECT FROM TO | UNITS PER ASSY |
|----------|----------------|---------------|--|--|----------------|
| 2 | | | | | |
| 140 | 15J02-400 | | .CLAMP ASSY- SUPPLIER CODE: V89513 OPTIONAL PART: 32317AA400 V94581 NH135008-0400 V00624 | 002004 006100 121503 904949 952999 | 1 |
| 140 | 32317AA400 | | .COUPLING- SUPPLIER CODE: V94581 OPTIONAL PART: 15J02-400 V89513 NH135008-0400 V00624 | 002004 006100 121503 904949 952999 | 1 |
| 140 | NH135008-0400 | | .COUPLING- SUPPLIER CODE: V00624 OPTIONAL PART: 15J02-400 V89513 32317AA400 V94581 | 002004 006100 121503 904949 952999 | 1 |
| 145 | 64 | | .CLAMP- SUPPLIER CODE: V7Z588 SPECIFICATION NUMBER: STBC10GG146 OPTIONAL PART: WWD146H V66295 POST SERVICE BULLETIN: 24-0048 24-0096 | 002004 006100 107107 121503 904949 952999 | 1 |
| 145 | NAS1922-0400-1 | | .CLAMP | 008106 108120 953999 | 1 |
| 150 | 217N1156-1 | | .DUCT- POST SERVICE BULLETIN: 24-0048 | 002004 006503 904949 952999 | 1 |
| 900 | | | ILLUSTRATION REFERENCE: HEAT SINK INSTL-STA 520 TO 560 ELECTRICAL/ ELECTRONICS COMPT AIR SUPPLY 21-58-06-02 | 002004 006100 107107 121503 904999 | RF |

MISSING ITEM NUMBERS NOT APPLICABLE

- ITEM NOT ILLUSTRATED

BRI

21-58-02-02

BOEING PROPRIETARY - Copyright © - Unpublished Work - See title page for details.

21-58-02
FIG. 02
PAGE 10
MAY 20/09



757

PARTS CATALOG (MAINTENANCE)

| FIG ITEM | PART NUMBER | 1 2 3 4 5 6 7 | NOMENCLATURE | EFFECT FROM TO | UNITS PER ASSY |
|----------|-------------|---------------|---|--------------------------------------|----------------|
| 2 900 | | | ILLUSTRATION REFERENCE: HEAT SINK AND ELEMENT INSTL STA 520 TO 560 E/E COMPT AIR SUPPLY 21-58-06-02A | 108120 | RF |
| 905 | | | ILLUSTRATION REFERENCE: DUCT INSTL-AIR SUPPLY AND AIR EXH E5 RACK ELECTRICAL/ELECTRONICS COOLING 21-58-08-22 | 002004 006999 | RF |
| 910 | | | ILLUSTRATION REFERENCE: DUCT INSTL-E3-E4 RACKS AIR SUPPLY AND EXH 21-58-08-16 | 002004 006999 | RF |
| 915 | | | ILLUSTRATION REFERENCE: DUCT INSTL-STA 431.5 E/E COOLING AIR SUPPLY 21-58-08-02 | 002004 006999 | RF |
| 920 | | | ILLUSTRATION REFERENCE: FAN AND DUCT INSTL-AUX FWD E/E COOLING SYS, AUX COOLING FAN AND EXTENDED RANGE OPERATION 21-58-60-01 | 002004 006503 904949 952999 | RF |

MISSING ITEM NUMBERS NOT APPLICABLE

- ITEM NOT ILLUSTRATED

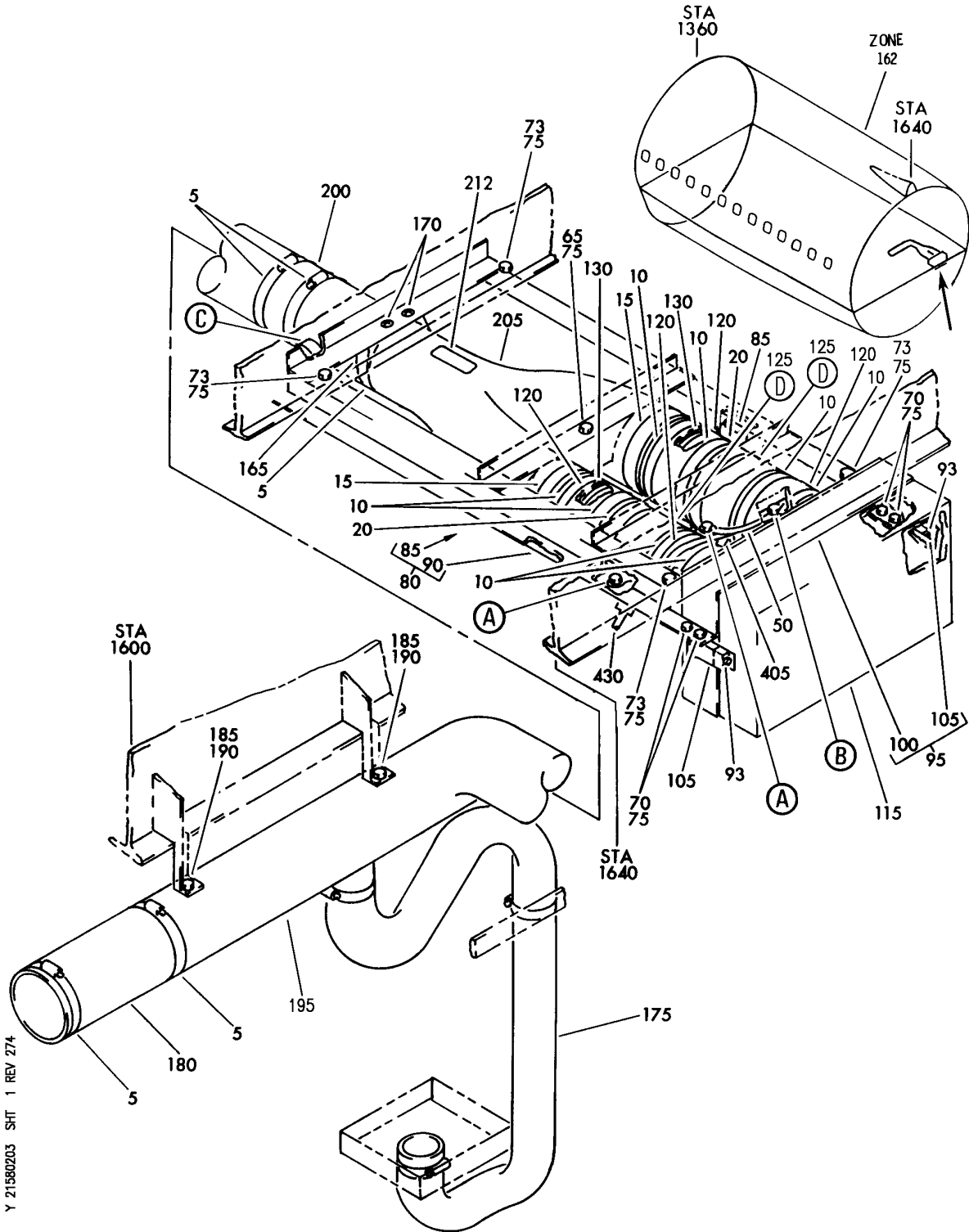
BRI

21-58-02-02

BOEING PROPRIETARY - Copyright © - Unpublished Work - See title page for details.

21-58-02
FIG. 02
PAGE 11
MAY 20/09

BOEING
757
PARTS CATALOG (MAINTENANCE)



Y 21580203 SHT 1 REV 274

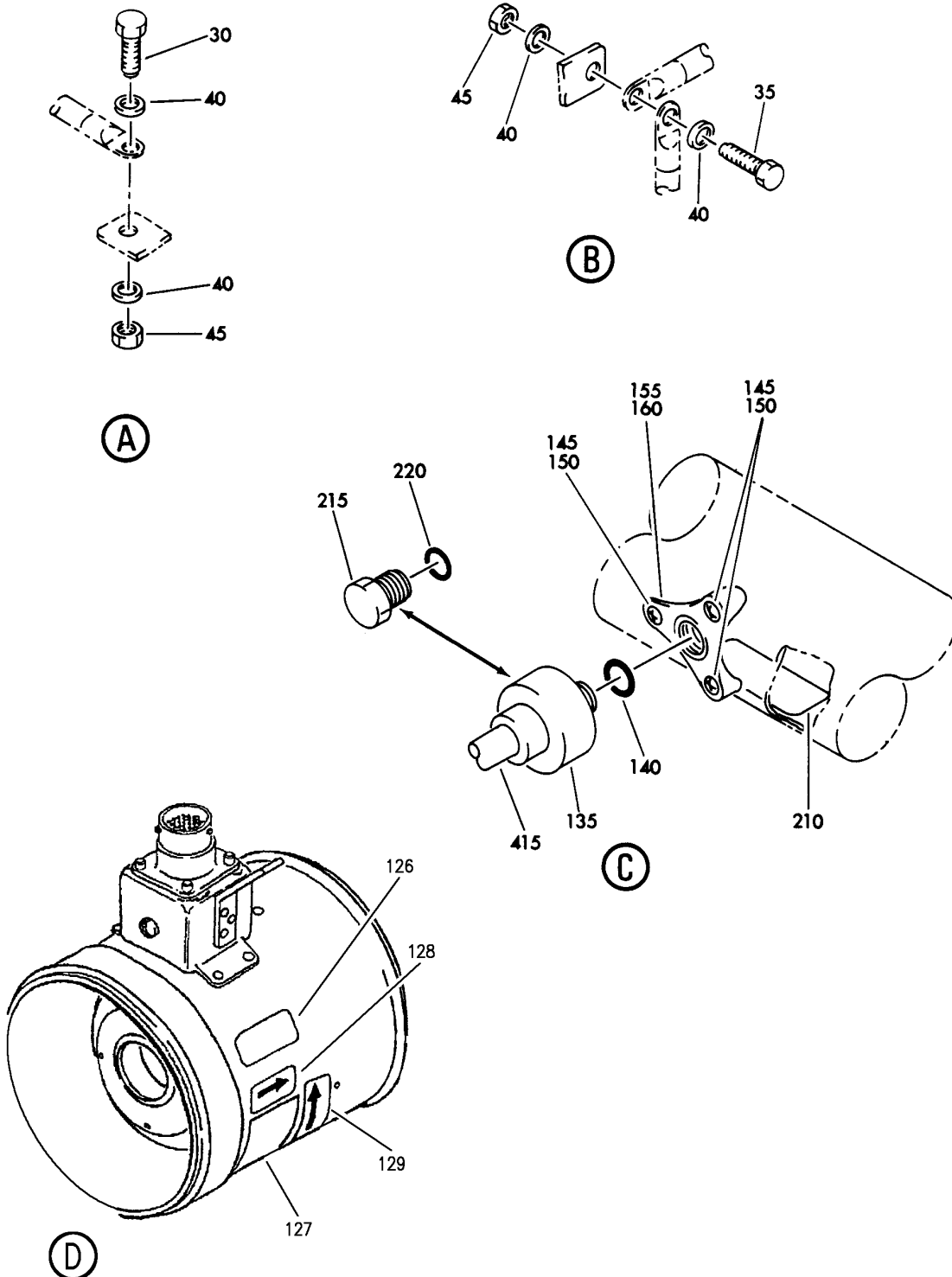
DUCT INSTL-ELEC/ELECTRONICS COMPT AIR SUPPLY AFT
FIGURE 3 (SHEET 1)

21-58-02-03

BRI
MAY 28/07

21-58-02-03
PAGE 0

BOEING
757
PARTS CATALOG (MAINTENANCE)



Y 21580203 SH1 2 REV 274

DUCT INSTL-ELEC/ELECTRONICS COMPT AIR SUPPLY AFT
FIGURE 3 (SHEET 2)

21-58-02-03

BRI
MAY 28/07

21-58-02-03
PAGE 0A



757

PARTS CATALOG (MAINTENANCE)

| FIG ITEM | PART NUMBER | 1 2 3 4 5 6 7 | NOMENCLATURE | EFFECT FROM TO | UNITS PER ASSY |
|----------|---------------|---------------|---|------------------|----------------|
| 3 | | | DUCT INSTL-ELEC/ELECTRONICS COMPT AIR SUPPLY AFT | 121503 904949 | |
| - 1 | 217N1023-6 | | DUCT INSTL-ELEC/ELECTRONICS COMPT AIR SUPPLY POSITION DATA: AFT VARIABLE DRAWING REF: 217N1023-12 FOR NHA SEE: 21-00-00-04 | 121503 904949 | RF |
| 5 | 56 | | .CLAMP SUPPLIER CODE: V7Z588 SPECIFICATION NUMBER: STBC10GG128 OPTIONAL PART: WWD128H V66295 | 121503 904949 | 5 |
| 10 | 72 | | .CLAMP- SUPPLIER CODE: V7Z588 SPECIFICATION NUMBER: STBC10GG160 OPTIONAL PART: WWD160H V66295 | 121503 904949 | 8 |
| 15 | 15J02-400 | | .CLAMP ASSY- SUPPLIER CODE: V89513 OPTIONAL PART: 32317AA400 V94581 NH135008-0400 V00624 | 121503 904949 | 2 |
| 15 | NH135008-0400 | | .COUPLING- SUPPLIER CODE: V00624 OPTIONAL PART: 15J02-400 V89513 | 121503 904949 | 2 |
| 15 | 32317AA400 | | .COUPLING- SUPPLIER CODE: V94581 OPTIONAL PART: 15J02-400 V89513 | 121503 904949 | 2 |

MISSING ITEM NUMBERS NOT APPLICABLE

- ITEM NOT ILLUSTRATED

BRI

21-58-02-03

21-58-02
FIG. 03
PAGE 1
JAN 20/09



757

PARTS CATALOG (MAINTENANCE)

| FIG ITEM | PART NUMBER | 1 2 3 4 5 6 7 | NOMENCLATURE | EFFECT FROM TO | UNITS PER ASSY |
|----------|-------------|----------------|--|------------------|----------------|
| 3 | 20 | BACC10BNA400LW | .CLAMP SUPPLIER CODE: V94581 SPECIFICATION NUMBER: BACC10BNA400LW OPTIONAL PART: MBC5825A400LR V98625 1044A400LR V94581 BC1080R400LSE V14242 MBC5825A400LW V00624 1044A400LW V00624 19396NA400LW V00624 | 121503 904949 | 2 |
| | 30 | BACB30NM3K3 | .BOLT | 121503 904949 | 2 |
| | 35 | BACB30NM3K5 | .BOLT | 121503 904949 | 1 |
| | 40 | AN960D10 | .WASHER | 121503 904949 | 6 |
| | 45 | BRH10A3 | .NUT SUPPLIER CODE: V52828 SPECIFICATION NUMBER: BACN10JC3 OPTIONAL PART: H10-3BAC V15653 NS202101-02 V80539 RMLH9075-3W V72962 VN303A02 V92215 96-02 V80539 T6S1032J V11815 | 121503 904949 | 3 |

MISSING ITEM NUMBERS NOT APPLICABLE

- ITEM NOT ILLUSTRATED

21-58-02-03

21-58-02
FIG. 03
PAGE 2
JAN 20/09

BRI

BOEING
757
PARTS CATALOG (MAINTENANCE)

| FIG ITEM | PART NUMBER | 1 2 3 4 5 6 7 | NOMENCLATURE | EFFECT FROM TO | UNITS PER ASSY |
|----------|--------------|---------------|---|------------------|----------------|
| 3 | | | | | |
| 50 | 740A20-12 | | . JUMPER ASSY SUPPLIER CODE: V91812 SPECIFICATION NUMBER: BACJ40A20-12 OPTIONAL PART: TJEJ40A20-12 V33483 RBEJ20-12 V1GK47 | 121503 904949 | 2 |
| 65 | BACS12FA3K8 | | . SCREW | 121503 904949 | 1 |
| 70 | BACB30NM3K3 | | . BOLT- | 121503 904949 | 4 |
| 73 | BACB30NM3K1 | | . BOLT- | 121503 904949 | 4 |
| 75 | AN960KD10 | | . WASHER | 121503 904949 | 9 |
| 80 | 217N1169-14 | | . FRAME ASSY-FAN AND DUCT MTG | 121503 904949 | 1 |
| 85 | BAC27NEC0087 | | .. MARKER-ALUMINUM FOIL- PLACARD CONTENT: B10062 AFT EQUIP COOLING SUPPLY FAN 2 | 121503 904949 | 1 |
| 90 | BAC27NEC0086 | | .. MARKER-ALUMINUM FOIL- PLACARD CONTENT: B10061 AFT EQUIP COOLING SUPPLY FAN 1 | 121503 904949 | 1 |
| 93 | MS24665-140 | | . PIN | 121503 904949 | 2 |
| 95 | 217N1167-7 | | . HOUSING ASSY- | 121503 904949 | 1 |
| 100 | 217N1167-4 | | .. SEAL-FILTER | 121503 904949 | AR |
| 105 | H738-9 | | .. LATCH ASSY- SUPPLIER CODE: V83014 ATTACHING PARTS | 121503 904949 | 2 |
| - 110 | BACR15BB4D | | .. RIVET- SIZE DETERMINED ON INSTL. -----*----- | 121503 904949 | 4 |
| 115 | CD00384-1 | | . FILTER- SUPPLIER CODE: V18350 | 121503 904949 | 1 |
| 120 | AS1506-16B30 | | . HOSE | 121503 904949 | 4 |

MISSING ITEM NUMBERS NOT APPLICABLE

- ITEM NOT ILLUSTRATED

BRI

21-58-02-03

BOEING PROPRIETARY - Copyright © - Unpublished Work - See title page for details.

21-58-02
FIG. 03
PAGE 3
JAN 20/09



757

PARTS CATALOG (MAINTENANCE)

| FIG ITEM | PART NUMBER | 1 2 3 4 5 6 7 | NOMENCLATURE | EFFECT FROM TO | UNITS PER ASSY |
|----------|--------------|---------------|--|------------------|----------------|
| 3 125 | 645055-3 | | .FAN-MOTOR DRIVEN SUPPLIER CODE: V70210 SPECIFICATION NUMBER: S210N701-33 ELECTRICAL EQUIP NUMBER: B10061 B10062 COMPONENT MAINT MANUAL REF: 21-58-04 | 121503 904949 | 2 |
| 126 | 2707932-1 | | ..PLATE-IDENT SERIES 1 SUPPLIER CODE: V70210 USED ON: 645055-3 | 121503 904949 | 1 |
| 127 | 645084-1 | | ..DECAL- WIRING DIAGRAM SUPPLIER CODE: V70210 | 121503 904949 | 1 |
| 128 | S8188M7 | | ..PLATE-AIRFLOW IND SUPPLIER CODE: V70210 USED ON: 645055-2 645055-3 | 121503 904949 | 1 |
| 129 | S8302M2 | | ..DECAL- SUPPLIER CODE: V70210 USED ON: 645055-2 645055-3 | 121503 904949 | 1 |
| 130 | 2810015-101 | | .VALVE- SUPPLIER CODE: V92003 SPECIFICATION NUMBER: S210N701-18 | 121503 904949 | 2 |
| 140 | MS29512-06 | | .PACKING | 121503 904949 | 1 |
| 145 | BACS12FA3K11 | | .SCREW | 121503 904949 | 3 |
| 150 | AN960KD10 | | .WASHER | 121503 904949 | 3 |
| 155 | 215T3600-1 | | .BOSS-SENSOR MOUNT OPTIONAL PART: 215T3701-1 | 121503 904949 | 1 |
| 155 | 215T3700-1 | | .BOSS-SENSOR MOUNT OPTIONAL PART: 215T3601-1 | 121503 904949 | 1 |

MISSING ITEM NUMBERS NOT APPLICABLE

- ITEM NOT ILLUSTRATED

21-58-02-03

21-58-02
FIG. 03
PAGE 4
JAN 20/09

BRI

 **BOEING**
757
PARTS CATALOG (MAINTENANCE)

| FIG ITEM | PART NUMBER | 1 2 3 4 5 6 7 | NOMENCLATURE | EFFECT FROM TO | UNITS PER ASSY |
|----------|-----------------|------------------|---|------------------|----------------|
| 3 | | | | | |
| 160 | 217N1173-1 | . | GASKET | 121503 904949 | 1 |
| 165 | 214T3424-5 | . | SUPPORT-DUCT | 121503 904949 | 1 |
| 170 | BACS12FA3K9 | . | ATTACHING PARTS SCREW | 121503 904949 | 2 |
| 175 | BOE2027-06D0400 | -----*----- . | HOSE SUPPLIER CODE: V16632 SPECIFICATION NUMBER: AS1503-06D0400 | 121503 904949 | 1 |
| 180 | BOE2022-14A0072 | . | HOSE SUPPLIER CODE: V16632 SPECIFICATION NUMBER: AS1544-14A0072 | 121503 904949 | 1 |
| 185 | BACB30NM3K1 | . | BOLT | 121503 904949 | 2 |
| 190 | AN960KD10 | . | WASHER | 121503 904949 | 2 |
| 195 | 217N1172-5 | . | DUCT ASSY- | 121503 904949 | 1 |
| 200 | AS1506-14B30 | . | HOSE | 121503 904949 | 1 |
| 210 | BAC27NEC0089 | .. | MARKER-ALUMINUM FOIL PLACARD CONTENT: TS5138 AFT EQUIP COOLING LOW FLOW SENSOR | 121503 904949 | 1 |
| - 400 | 286N2706-002 | | WIRE BUNDLE ASSY | 121503 904949 | RF |
| 405 | BACC45FT18A31S | . | CONNECTOR- ELECTRICAL EQUIP NUMBER: D04214 WIRING DIAGRAM REF: 215824 | 121503 904949 | 1 |
| 415 | BACC45FT10D5S6 | . | CONNECTOR- ELECTRICAL EQUIP NUMBER: D04222 WIRING DIAGRAM REF: 215811 USED ON: 286N4006-003 286N2706-002 | 121503 904949 | 1 |
| - 425 | 286N2632-013 | | WIRE BUNDLE ASSY | 121503 904949 | RF |

MISSING ITEM NUMBERS NOT APPLICABLE

- ITEM NOT ILLUSTRATED

BRI

21-58-02-03

BOEING PROPRIETARY - Copyright © - Unpublished Work - See title page for details.

21-58-02
FIG. 03
PAGE 5
JAN 20/09



757

PARTS CATALOG (MAINTENANCE)

| FIG ITEM | PART NUMBER | 1 2 3 4 5 6 7 | NOMENCLATURE | EFFECT FROM TO | UNITS PER ASSY |
|-------------|----------------|---------------|--|-------------------|----------------------|
| 3 430 | BACC45FT18D31S | | .CONNECTOR- ELECTRICAL EQUIP NUMBER: D04216 WIRING DIAGRAM REF: 215821 | 121503 904949 | 1 |

MISSING ITEM NUMBERS NOT APPLICABLE

- ITEM NOT ILLUSTRATED

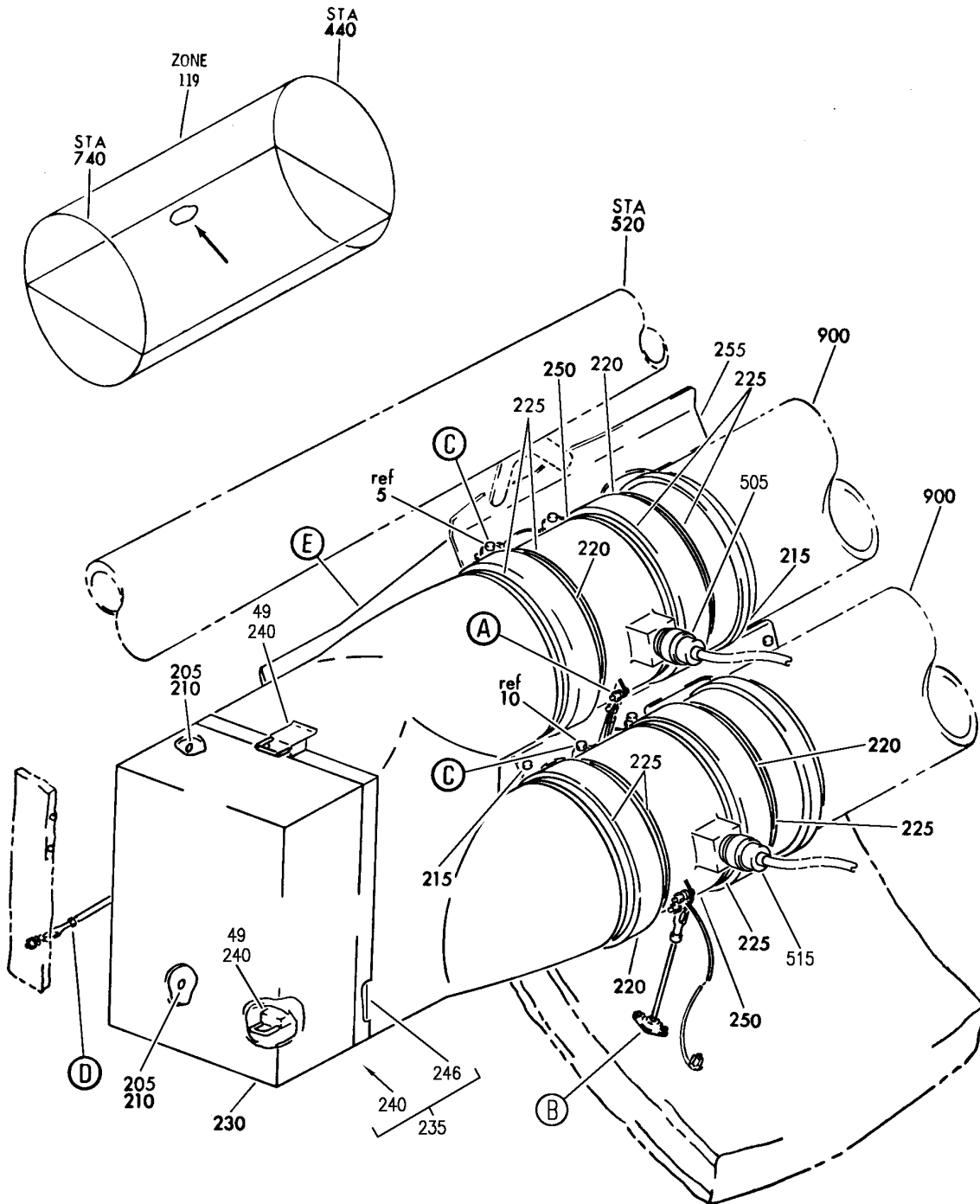
BRI

21-58-02-03

BOEING PROPRIETARY - Copyright © - Unpublished Work - See title page for details.

21-58-02
FIG. 03
PAGE 6
JAN 20/09

BOEING
757
PARTS CATALOG (MAINTENANCE)



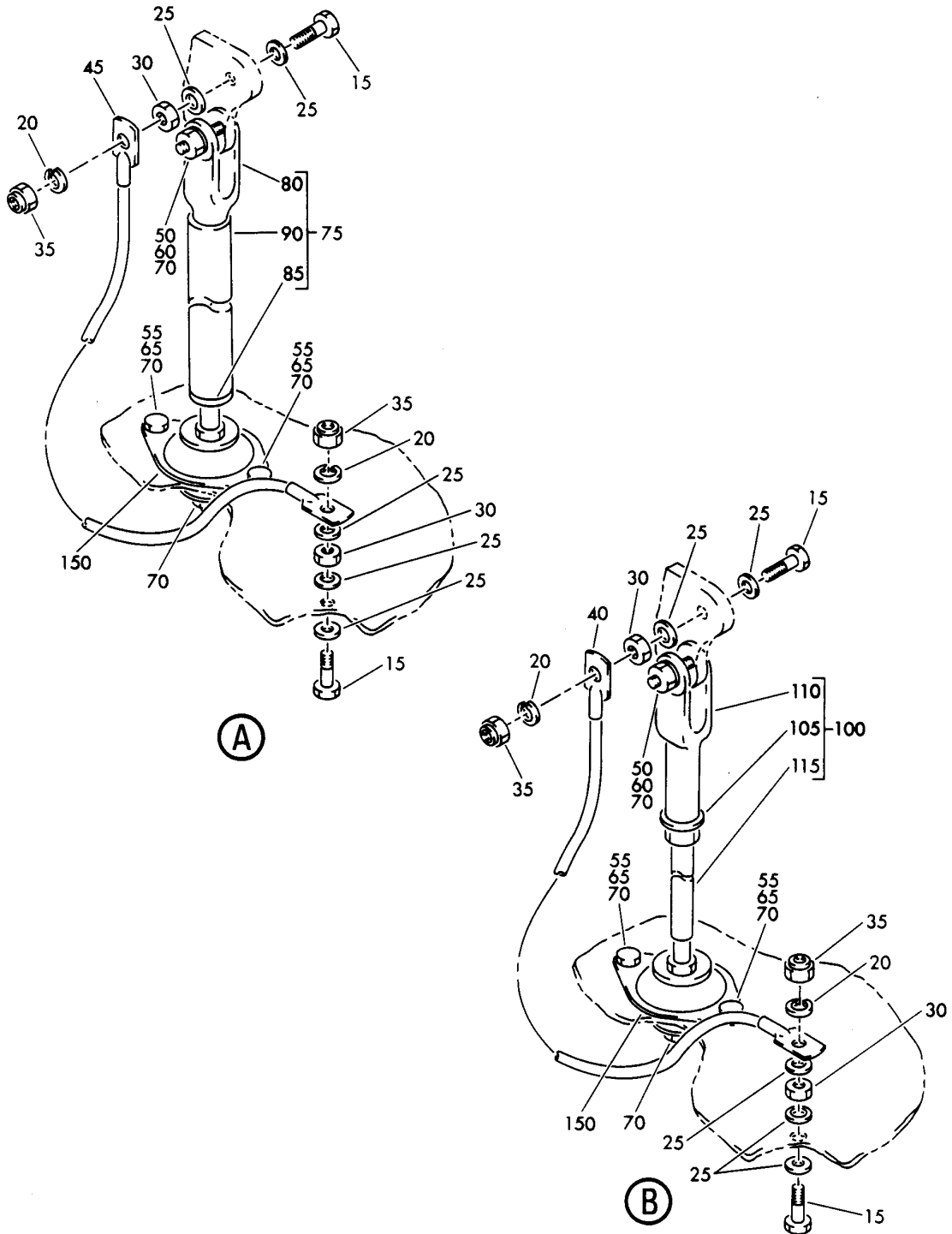
HEAT SINK INSTL-STA 520 TO 560 ELECTRICAL/ ELECTRONICS COMPT AIR SUPPLY
FIGURE 2 (SHEET 1)

21-58-06-02

BRI
MAY 28/07

21-58-06-02
PAGE 0

BOEING
757
PARTS CATALOG (MAINTENANCE)



Y 21580602 SHT 2 REV 025

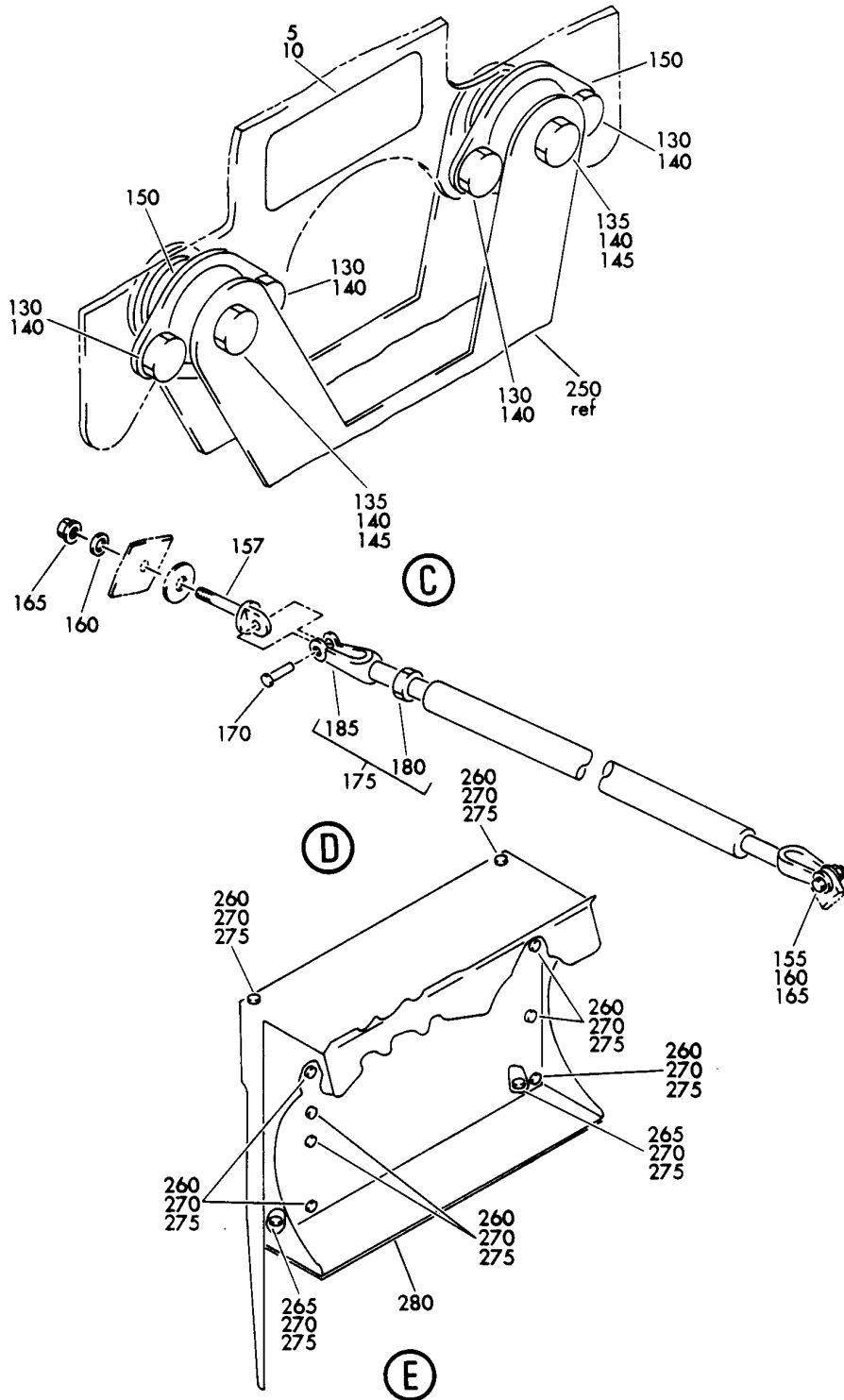
HEAT SINK INSTL-STA 520 TO 560 ELECTRICAL/ ELECTRONICS COMPT AIR SUPPLY
FIGURE 2 (SHEET 2)

BRI
MAY 28/07

21-58-06-02

21-58-06-02
PAGE 0A

BOEING
757
PARTS CATALOG (MAINTENANCE)



Y 21580602 SHT 3 REV 082

HEAT SINK INSTL-STA 520 TO 560 ELECTRICAL/ ELECTRONICS COMPT AIR SUPPLY
FIGURE 2 (SHEET 3)

21-58-06-02

BRI
MAY 28/07

21-58-06-02
PAGE 08



757

PARTS CATALOG (MAINTENANCE)

| FIG ITEM | PART NUMBER | 1 2 3 4 5 6 7 | NOMENCLATURE | EFFECT FROM TO | UNITS PER ASSY |
|----------|--------------|---------------|---|--|----------------|
| 2 | | | HEAT SINK INSTL-STA 520 TO 560 ELECTRICAL/ ELECTRONICS COMPT AIR SUPPLY | 002004 006100 107107 121503 904999 | |
| - 1 | 217N1018-7 | | HEAT SINK INSTL-ELECTRICAL/ ELECTRONICS COMPT AIR SUPPLY POSITION DATA: STA 520 TO 560 FOR NHA SEE: 21-00-00-04 | 003004 006100 107107 121503 904999 | RF |
| 5 | BAC27NEC0106 | | .DECAL- PLACARD CONTENT: B10 FAN AIR SUPPLY (NO. 1) | 002004 006100 107107 121503 904999 | 1 |
| 10 | BAC27NEC0107 | | .DECAL- PLACARD CONTENT: B11 FAN AIR SUPPLY (NO. 2) | 002004 006100 107107 121503 904999 | 1 |
| 15 | NAS1801-3-10 | | .SCREW | 002004 006100 107107 121503 904999 | 4 |
| 20 | MS35338-43 | | .WASHER- | 002004 006100 107107 121503 904999 | 4 |
| 25 | AN960-10L | | .WASHER | 002004 006100 107107 121503 904999 | 10 |
| 30 | MS35650-305T | | .NUT | 002004 006100 107107 121503 904999 | 4 |

MISSING ITEM NUMBERS NOT APPLICABLE

- ITEM NOT ILLUSTRATED

21-58-06-02

21-58-06
FIG. 02
PAGE 1
JAN 20/09

BRI



757

PARTS CATALOG (MAINTENANCE)

| FIG ITEM | PART NUMBER | 1 2 3 4 5 6 7 | NOMENCLATURE | EFFECT FROM TO | UNITS PER ASSY |
|----------|----------------|---------------|--|--|----------------|
| 2 | 35 BRH10A3 | | .NUT- SUPPLIER CODE: V52828 SPECIFICATION NUMBER: BACN10JC3 OPTIONAL PART: H10-3BAC V15653 NS202101-02 V80539 RMLH9075-3W V72962 VN303A02 V92215 96-02 V80539 T6S1032J V11815 | 002004 006100 107107 121503 904999 | 4 |
| | 40 BACJ40A20-8 | | .JUMPER ASSY | 002004 006100 107107 121503 904999 | 1 |
| | 45 740A20-14 | | .JUMPER ASSY SUPPLIER CODE: V91812 SPECIFICATION NUMBER: BACJ40A20-14 OPTIONAL PART: TJEJ40A20-14 V33483 RBEJ20-14 V1GK47 | 002004 006100 107107 121503 904999 | 1 |
| - | 48 MS24665-140 | | .PIN- OPTIONAL PART: MS20995C32 | 002004 006100 107107 121503 904999 | 2 |
| - | 48 MS20995C32 | | .WIRE- OPTIONAL PART: MS24665-140 | 003004 006100 107107 121503 904999 | 2 |
| | 50 BACB30NM3K8 | | .BOLT- | 002004 006100 107107 121503 904999 | 2 |

MISSING ITEM NUMBERS NOT APPLICABLE

- ITEM NOT ILLUSTRATED

21-58-06-02

21-58-06
FIG. 02
PAGE 2
JAN 20/09

BRI

BOEING PROPRIETARY - Copyright © - Unpublished Work - See title page for details.



757

PARTS CATALOG (MAINTENANCE)

| FIG ITEM | PART NUMBER | 1 2 3 4 5 6 7 | NOMENCLATURE | EFFECT FROM TO | UNITS PER ASSY |
|----------|-------------|---------------|--|--|----------------|
| 2 | | | | | |
| 55 | BACB30NM3K2 | . | BOLT | 002004 006100 107107 121503 904999 | 4 |
| 60 | AN960KD10 | . | WASHER- | 002004 006100 107107 121503 904999 | 2 |
| 65 | AN960KD10L | . | WASHER | 002004 006100 107107 121503 904999 | 4 |
| 70 | NAS1805-3N | . | NUT- | 002004 006100 107107 121503 904999 | 8 |
| 75 | 217N1147-1 | . | ROD ASSY | 002004 006100 107107 121503 904999 | 1 |
| 80 | MS27976-11 | .. | CLEVIS | 002004 006100 107107 121503 904999 | 1 |
| - 82 | BACR15BB4AD | .. | RIVET- ATTACHING PARTS SIZE DETERMINED ON INSTL. | 002004 006100 107107 121503 904999 | 2 |
| 85 | 217N1146-1 | .. | ROD -----* | 002004 006100 107107 121503 904999 | 1 |
| 90 | 217N1147-3 | .. | TUBE | 002004 006100 107107 121503 904999 | 1 |

MISSING ITEM NUMBERS NOT APPLICABLE

- ITEM NOT ILLUSTRATED

BRI

21-58-06-02

21-58-06
FIG. 02
PAGE 3
JAN 20/09

 **BOEING**
757
PARTS CATALOG (MAINTENANCE)

| FIG ITEM | PART NUMBER | 1 2 3 4 5 6 7 | NOMENCLATURE | EFFECT FROM TO | UNITS PER ASSY |
|----------|--------------|---------------|--|--|----------------|
| 2 | | | | | |
| 100 | 217N1147-2 | .ROD | ASSY | 002004 006100 107107 121503 904999 | 1 |
| 105 | NAS1805-4N | .NUT | | 002004 006100 107107 121503 904999 | 1 |
| 110 | MS27975-3 | .CLEVIS | | 002004 006100 107107 121503 904999 | 1 |
| 115 | 217N1146-2 | .ROD | | 002004 006100 107107 121503 904999 | 1 |
| 130 | BACB30NM3K4 | .BOLT | | 002004 006100 107107 121503 904999 | 8 |
| 135 | BACB30NM3K18 | .BOLT- | | 002004 006100 107107 121503 904999 | 4 |
| 140 | AN960KD10 | .WASHER- | | 002004 006100 107107 121503 904999 | 12 |
| 145 | NAS1805-3N | .NUT- | | 002004 006100 107107 121503 904999 | 4 |
| 150 | 93696-1 | .ISOLATOR- | SUPPLIER CODE: V13636 QUALIFIED I/W DATA: PN 27748-1 CAN REPLACE BUT NOT BE REPLACED BY PN 93696-1 FOR 757 AND 767 ONLY. | 002004 006100 107107 121503 904999 | 6 |

R
R
R
R
R
R
R

MISSING ITEM NUMBERS NOT APPLICABLE

- ITEM NOT ILLUSTRATED

BRI

21-58-06-02

BOEING PROPRIETARY - Copyright © - Unpublished Work - See title page for details.

21-58-06
FIG. 02
PAGE 4
MAY 20/09



757

PARTS CATALOG (MAINTENANCE)

| FIG ITEM | PART NUMBER | 1 2 3 4 5 6 7 | NOMENCLATURE | EFFECT FROM TO | UNITS PER ASSY |
|----------|-------------|---------------|--|--|----------------|
| 2 | | | | | |
| 150 | WTROP6S1 | | .ISOLATOR- SUPPLIER CODE: V71985 QUALIFIED I/W DATA: PN 27748-1 CAN REPLACE BUT NOT BE REPLACED BY PN WTROP6S1 FOR 757 AND 767 ONLY. OPTIONAL PART: 93696-1 V13636 | 002004 006100 107107 121503 904999 | 6 |
| 150 | 27748-1 | | .ISOLATOR- SUPPLIER CODE: V13636 QUALIFIED I/W DATA: PN 27748-1 CAN REPLACE BUT NOT BE REPLACED BY PN 93696-1 FOR 757 AND 767 ONLY. PN 27748-1 CAN REPLACE BUT NOT BE REPLACED BY PN WTROP6S1 FOR 757 AND 767 ONLY. | 002004 006100 107107 121503 904999 | 6 |
| 150 | WTROP6S | | .ISOLATOR- SUPPLIER CODE: V71985 | 002004 006100 107107 121503 904999 | 6 |
| 155 | BACB30NM3K5 | | .BOLT | 002004 006100 107107 121503 904999 | 1 |
| 157 | 217N1140-1 | | .EYEBOLT | 002004 006100 107107 121503 904999 | 1 |
| 160 | AN960KD10 | | .WASHER | 002004 006100 107107 121503 904999 | 2 |
| 165 | NAS1805-3N | | .NUT | 002004 006100 107107 121503 904999 | 2 |

R
R
R
R
R

MISSING ITEM NUMBERS NOT APPLICABLE

- ITEM NOT ILLUSTRATED

21-58-06-02

21-58-06
FIG. 02
PAGE 5
MAY 20/09

BRI



757

PARTS CATALOG (MAINTENANCE)

| FIG ITEM | PART NUMBER | 1 2 3 4 5 6 7 | NOMENCLATURE | EFFECT FROM TO | UNITS PER ASSY |
|----------|--------------|---------------|--------------|--|----------------|
| 2 | | | | | |
| 170 | MS16562-62 | . | PIN | 002004 006100 107107 121503 904999 | 1 |
| 175 | 217N1122-11 | . | ROD ASSY- | 107107 904949 | 1 |
| 175 | 217N1122-13 | . | ROD ASSY- | 002004 006100 107107 121503 904999 | 1 |
| 180 | NAS509-4 | .. | NUT | 002004 006100 107107 121503 904999 | 1 |
| 185 | MS27975-2 | .. | CLEVIS | 002004 006100 107107 121503 904999 | 1 |
| 205 | NAS1805-3-25 | . | SCREW- | 002004 006100 107107 121503 904999 | 2 |
| 210 | NAS43DD3-62 | . | SPACER | 002004 006100 107107 121503 904999 | 2 |
| 215 | BACS12FA3K8 | . | SCREW | 002004 006100 107107 121503 904999 | 2 |
| 220 | BACD40R32A33 | . | HOSE- | 002004 006100 107107 121503 904999 | 4 |

MISSING ITEM NUMBERS NOT APPLICABLE

- ITEM NOT ILLUSTRATED

BRI

21-58-06-02

BOEING PROPRIETARY - Copyright © - Unpublished Work - See title page for details.

21-58-06
FIG. 02
PAGE 6
MAY 20/09



757

PARTS CATALOG (MAINTENANCE)

| FIG ITEM | PART NUMBER | 1 2 3 4 5 6 7 | NOMENCLATURE | EFFECT FROM TO | UNITS PER ASSY |
|----------|-------------|---------------|--|--|----------------|
| 2 225 | 128 | | .CLAMP- SUPPLIER CODE: V7Z588 SPECIFICATION NUMBER: STBC10GG274 OPTIONAL PART: WWD274H V66295 | 002004 006100 107107 121503 904999 | 8 |
| 230 | CE00383-1 | | .FILTER-AIR SUPPLIER CODE: V18350 | 002004 006100 107107 121503 904999 | 1 |
| 235 | 217N1134-2 | | .HOUSING ASSY-FILTER | 002004 006100 107107 121503 904999 | 1 |
| 240 | H738-9 | | ..LATCH ASSY- SUPPLIER CODE: V83014 | 002004 006100 107107 121503 904999 | 2 |
| - 245 | BACR15BB4A | | ATTACHING PARTS ..RIVET- SIZE DETERMINED ON INSTL. | 002004 006100 107107 121503 904999 | 4 |
| 246 | 217N1139-1 | | -----*----- ..GASKET | 002004 006100 107107 121503 904999 | 1 |

MISSING ITEM NUMBERS NOT APPLICABLE

- ITEM NOT ILLUSTRATED

BRI

21-58-06-02

BOEING PROPRIETARY - Copyright © - Unpublished Work - See title page for details.

21-58-06
FIG. 02
PAGE 7
JAN 20/09



757

PARTS CATALOG (MAINTENANCE)

| FIG ITEM | PART NUMBER | 1 2 3 4 5 6 7 | NOMENCLATURE | EFFECT FROM TO | UNITS PER ASSY |
|----------|-------------|---------------|--|--|----------------|
| 2 250 | 731376A | . | FAN-AXIAL FLOW SUPPLIER CODE: V45153 SPECIFICATION NUMBER: S210N701-40 ELECTRICAL EQUIP NUMBER: B00010 B00011 COMPONENT MAINT MANUAL REF: 21-58-15 OPTIONAL PART: 731376B V45153 OPTIONAL PART: 731376 V45153 | 002004 006100 107107 121503 904999 | 2 |
| 250 | 731376 | . | FAN-AXIAL FLOW SUPPLIER CODE: V45153 SPECIFICATION NUMBER: S210N701-4 ELECTRICAL EQUIP NUMBER: B00010 B00011 COMPONENT MAINT MANUAL REF: 21-58-15 OPTIONAL PART: 731376A V55820 731376B V45153 | 002004 006100 107107 121503 904999 | 2 |
| 250 | 731376B | . | FAN-AXIAL FLOW SUPPLIER CODE: V45153 SPECIFICATION NUMBER: S210N701-40 ELECTRICAL EQUIP NUMBER: B00010 B00011 COMPONENT MAINT MANUAL REF: 21-58-15 OPTIONAL PART: 731376A V45153 OPTIONAL PART: 731376 V45153 | 002004 006100 107107 121503 904999 | 2 |

MISSING ITEM NUMBERS NOT APPLICABLE

- ITEM NOT ILLUSTRATED

BRI

21-58-06-02

21-58-06
FIG. 02
PAGE 8
JAN 20/09



757

PARTS CATALOG (MAINTENANCE)

| FIG ITEM | PART NUMBER | 1 2 3 4 5 6 7 | NOMENCLATURE | EFFECT FROM TO | UNITS PER ASSY |
|-------------|-------------|---------------|-------------------------|--|----------------------|
| 2 | | | | | |
| 255 | 217N1301-4 | . | SUPPORT ASSY-FAN | 002004 006100 107107 121503 904999 | 1 |
| 260 | BACB30NM3K2 | . | ATTACHING PARTS BOLT | 002004 006100 107107 121503 904999 | 9 |
| 265 | BACB30NM3K3 | . | BOLT | 002004 006100 107107 121503 904999 | 2 |
| 270 | AN960KD10 | . | WASHER | 002004 006100 107107 121503 904999 | 20 |
| 275 | NAS1805-3N | . | NUT | 002004 006100 107107 121503 904999 | 11 |
| 280 | BACS40R8E8F | -----* | SHIM | 002004 006100 107107 121503 904999 | 2 |

MISSING ITEM NUMBERS NOT APPLICABLE

- ITEM NOT ILLUSTRATED

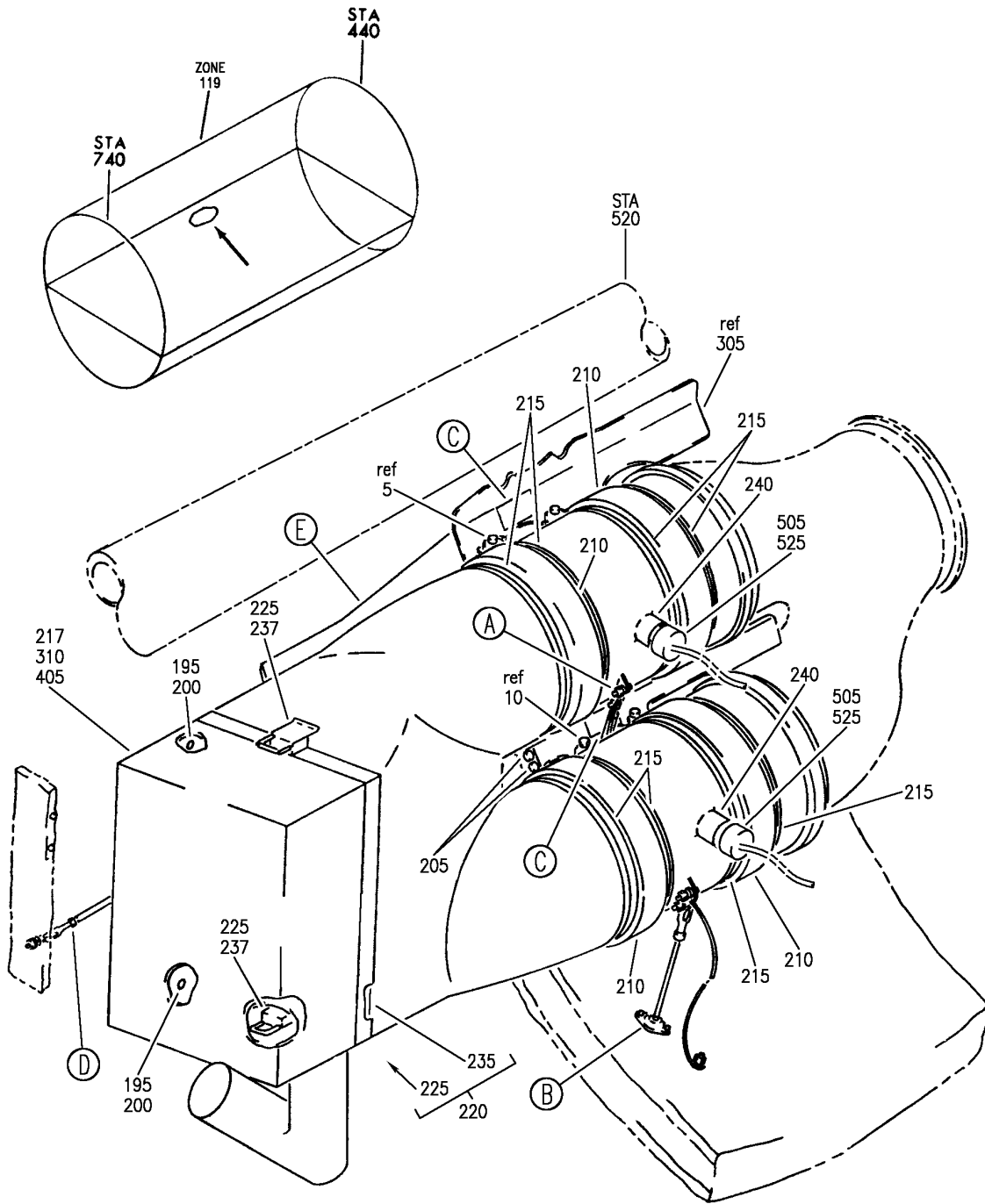
BRI

21-58-06-02

BOEING PROPRIETARY - Copyright © - Unpublished Work - See title page for details.

21-58-06
FIG. 02
PAGE 9
JAN 20/09

BOEING
757
PARTS CATALOG (MAINTENANCE)



Y 21580602A SHT 1 REV 290

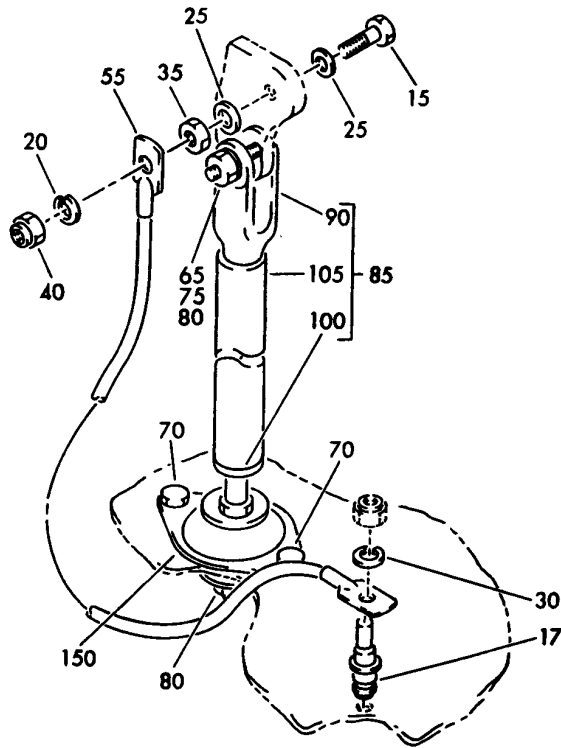
HEAT SINK AND ELEMENT INSTL STA 520 TO 560 E/E COMPT AIR SUPPLY
FIGURE 2A (SHEET 1)

BRI
MAY 28/07

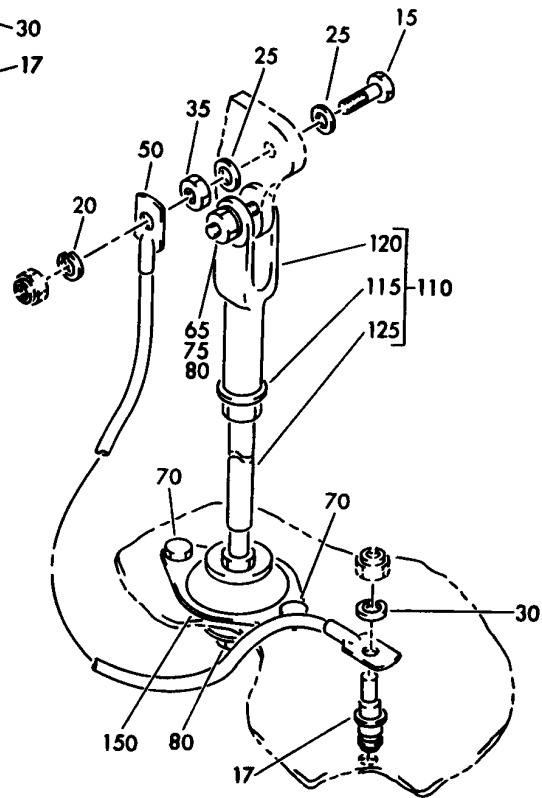
21-58-06-02A

21-58-06-02A
PAGE 0

BOEING
757
PARTS CATALOG (MAINTENANCE)



(A)



(B)

Y 21580602A SHT 2 REV 204

HEAT SINK AND ELEMENT INSTL STA 520 TO 560 E/E COMPT AIR SUPPLY
FIGURE 2A (SHEET 2)

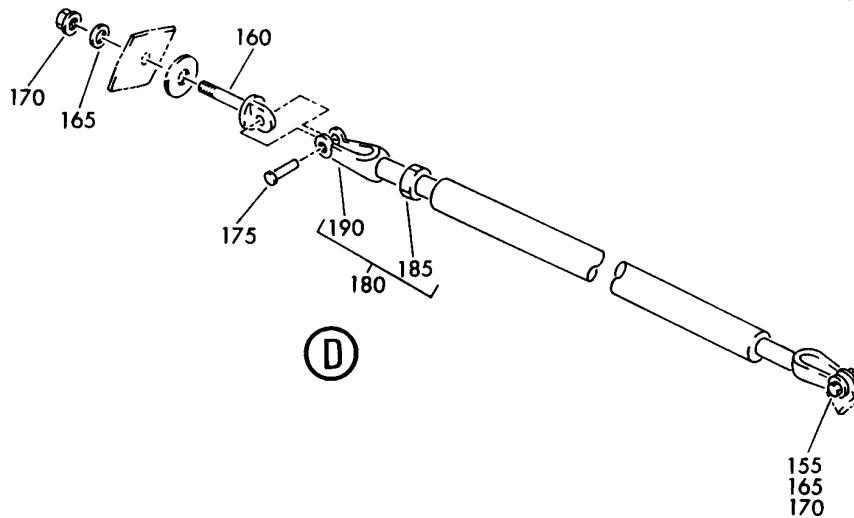
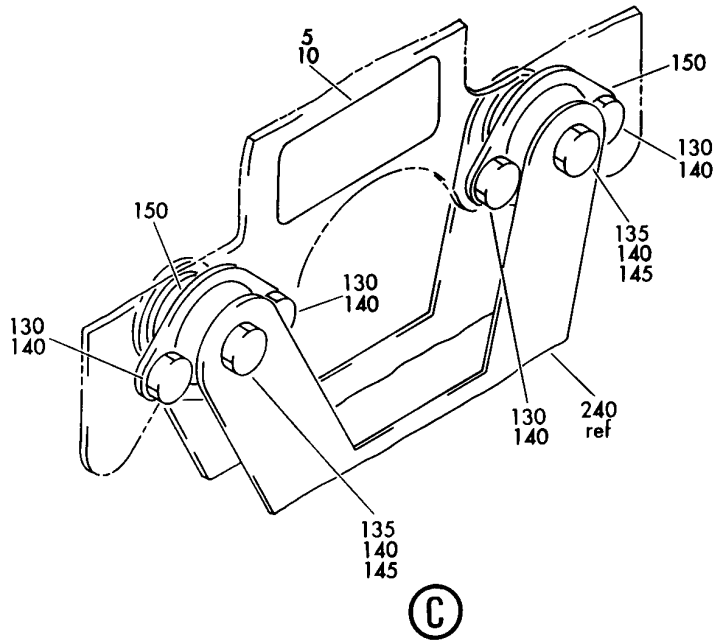
21-58-06-02A

BRI
MAY 28/07

21-58-06-02A
PAGE 0A

BOEING PROPRIETARY - Copyright © - Unpublished Work - See title page for details.

BOEING
757
PARTS CATALOG (MAINTENANCE)



Y 21580602A SHT 3 REV 178

HEAT SINK AND ELEMENT INSTL STA 520 TO 560 E/E COMPT AIR SUPPLY
FIGURE 2A (SHEET 3)

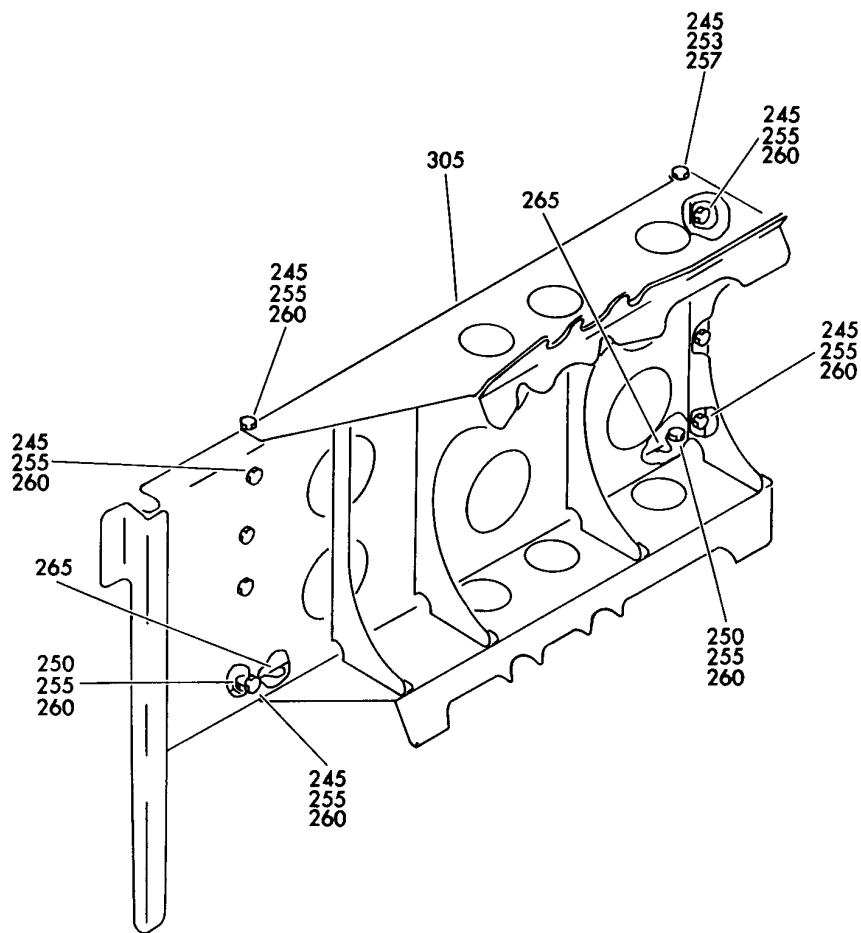
21-58-06-02A

BRI
MAY 28/07

21-58-06-02A
PAGE 0B

BOEING PROPRIETARY - Copyright © - Unpublished Work - See title page for details.

BOEING
757
PARTS CATALOG (MAINTENANCE)



(E)

Y 21580602A SHT 4 REV 178

HEAT SINK AND ELEMENT INSTL STA 520 TO 560 E/E COMPT AIR SUPPLY
FIGURE 2A (SHEET 4)

BRI
MAY 28/07

21-58-06-02A

21-58-06-02A
PAGE 0C

BOEING PROPRIETARY - Copyright © - Unpublished Work - See title page for details.



757

PARTS CATALOG (MAINTENANCE)

| FIG ITEM | PART NUMBER | 1 2 3 4 5 6 7 | NOMENCLATURE | EFFECT FROM TO | UNITS PER ASSY |
|----------|---------------|---------------|---|----------------------------|----------------|
| 2A | | | HEAT SINK AND ELEMENT INSTL STA 520 TO 560 E/E COMPT AIR SUPPLY | 101106 108120 504903 | |
| - 1 | 217N1018-10 | | HEAT SINK INSTL-E/E COMP AIR SUPPLY POSITION DATA: STA 520 TO 560 FOR NHA SEE: 21-00-00-14 | 101102 108120 504903 | RF |
| - 1 | MODREF25657 | | HEAT SINK INSTL-E/E COMPT AIR SUPPLY MODULE NUMBER: 217N1018-10 REV D POSITION DATA: STA 520 TO 560 | 103106 | 1 |
| 5 | BAC27NEC0106 | | .DECAL- PLACARD CONTENT: B10 FAN AIR SUPPLY (NO. 1) | 101106 108120 504903 | 1 |
| 10 | BAC27NEC0107 | | .DECAL- PLACARD CONTENT: B11 FAN AIR SUPPLY (NO. 2) | 101106 108120 504903 | 1 |
| 15 | NAS1801-3-10 | | .SCREW | 101106 108120 504903 | 2 |
| 17 | VNS1924CA2-8 | | .STUD SUPPLIER CODE: V5M902 SPECIFICATION NUMBER: BACS53B1EA2 OPTIONAL PART: VNS1924CA3-2-8 V92215 | 101106 108120 504903 | 2 |
| 20 | MS35338-43 | | .WASHER- | 101106 108120 504903 | 2 |
| 25 | NAS1149F0332P | | .WASHER | 101106 108120 504903 | 4 |
| 30 | AN960-10L | | .WASHER | 101106 108120 504903 | 2 |
| 35 | MS35650-305T | | .NUT | 101106 108120 504903 | 2 |

MISSING ITEM NUMBERS NOT APPLICABLE

- ITEM NOT ILLUSTRATED

21-58-06-02A

21-58-06
FIG. 02A
PAGE 1
JAN 20/09

BRI

BOEING PROPRIETARY - Copyright © - Unpublished Work - See title page for details.



757

PARTS CATALOG (MAINTENANCE)

| FIG ITEM | PART NUMBER | 1 2 3 4 5 6 7 | NOMENCLATURE | EFFECT FROM TO | UNITS PER ASSY |
|----------|----------------|---------------|---|----------------------------|----------------|
| 2A 40 | BRH10A3 | .NUT- | SUPPLIER CODE: V52828 SPECIFICATION NUMBER: BACN10JC3 OPTIONAL PART: H10-3BAC V15653 NS202101-02 V80539 RMLH9075-3W V72962 VN303A02 V92215 96-02 V80539 T6S1032J V11815 | 101106 108120 504903 | 1 |
| 50 | BACJ40A20-8 | .JUMPER ASSY | | 101106 108120 504903 | 1 |
| 55 | 740A20-14 | .JUMPER ASSY | SUPPLIER CODE: V91812 SPECIFICATION NUMBER: BACJ40A20-14 OPTIONAL PART: TJEJ40A20-14 V33483 RBEJ20-14 V1GK47 | 101106 108120 504903 | 1 |
| - 60 | BACP18BC02C12P | .PIN- | OPTIONAL PART: MS20995C32 | 101106 108120 504903 | 2 |
| - 60 | MS20995C32 | .WIRE- | OPTIONAL PART: BACP18BC02C12P | 101106 108120 504903 | 2 |
| 65 | BACB30NM3K8 | .BOLT- | | 101106 108120 504903 | 2 |
| 70 | BACB30NM3K2 | .BOLT | | 101106 108120 504903 | 4 |
| 75 | NAS1149D0363J | .WASHER- | | 101106 108120 504903 | 2 |
| 80 | NAS1805-3L | .NUT- | | 101106 108120 504903 | 4 |

MISSING ITEM NUMBERS NOT APPLICABLE

- ITEM NOT ILLUSTRATED

21-58-06-02A

21-58-06
FIG. 02A
PAGE 2
JAN 20/09

BRI

BOEING PROPRIETARY - Copyright © - Unpublished Work - See title page for details.



757

PARTS CATALOG (MAINTENANCE)

| FIG ITEM | PART NUMBER | 1 2 3 4 5 6 7 | NOMENCLATURE | EFFECT FROM TO | UNITS PER ASSY |
|----------|---------------|---------------|---------------------------|----------------------------|----------------|
| 2A | | | | | |
| 85 | 217N1147-1 | .ROD | ASSY | 101106 108120 504903 | 1 |
| 90 | MS27976-11 | ..CLEVIS | | 101106 108120 504903 | 1 |
| | | | ATTACHING PARTS | | |
| - 95 | BACR15BB4AD | ..RIVET- | SIZE DETERMINED ON INSTL. | 101106 108120 504903 | 2 |
| | | -----* | | | |
| 100 | 217N1146-1 | ..ROD | | 101106 108120 504903 | 1 |
| 105 | 217N1147-3 | ..TUBE | | 101106 108120 504903 | 1 |
| 110 | 217N1147-2 | .ROD | ASSY | 101106 108120 504903 | 1 |
| 115 | NAS1805-4N | ..NUT | | 101106 108120 504903 | 1 |
| 120 | MS27975-3 | ..CLEVIS | | 101106 108120 504903 | 1 |
| 125 | 217N1146-2 | ..ROD | | 101106 108120 504903 | 1 |
| 130 | BACB30NM3K4 | .BOLT | | 101106 108120 504903 | 8 |
| 135 | BACB30NM3K18 | .BOLT- | | 101106 108120 504903 | 4 |
| 140 | NAS1149D0363J | .WASHER- | | 101106 108120 504903 | 12 |
| 145 | NAS1805-3L | .NUT- | | 101106 108120 504903 | 4 |

MISSING ITEM NUMBERS NOT APPLICABLE

- ITEM NOT ILLUSTRATED

BRI

21-58-06-02A

BOEING PROPRIETARY - Copyright © - Unpublished Work - See title page for details.

21-58-06
FIG. 02A
PAGE 3
JAN 20/09



757

PARTS CATALOG (MAINTENANCE)

| FIG ITEM | PART NUMBER | 1 2 3 4 5 6 7 | NOMENCLATURE | EFFECT FROM TO | UNITS PER ASSY |
|-----------|---------------|---------------|--|----------------------------|----------------|
| 2A 150 | 27748-1 | | .ISOLATOR- SUPPLIER CODE: V13636 QUALIFIED I/W DATA: PN 27748-1 CAN REPLACE BUT NOT BE REPLACED BY PN 93696-1 FOR 757 AND 767 ONLY. PN 27748-1 CAN REPLACE BUT NOT BE REPLACED BY PN WTROP6S1 FOR 757 AND 767 ONLY. | 101106 108120 504903 | 6 |
| 155 | BACB30NM3K5 | | .BOLT | 101106 108120 504903 | 1 |
| 160 | 217N1140-1 | | .EYEBOLT | 101106 108120 504903 | 1 |
| 165 | NAS1149D0363J | | .WASHER | 101106 108120 504903 | 2 |
| 170 | NAS1805-3L | | .NUT | 101106 108120 504903 | 2 |
| 175 | MS16562-62 | | .PIN | 101106 108120 504903 | 1 |
| 180 | 217N1122-13 | | .ROD ASSY | 101106 108120 504903 | 1 |
| 185 | NAS509-4 | | ..NUT | 101106 108120 504903 | 1 |
| 190 | MS27975-2 | | ..CLEVIS | 101106 108120 504903 | 1 |
| 195 | NAS1805-3-25 | | .SCREW | 101106 108120 504903 | 2 |
| 200 | NAS43DD3-62 | | .SPACER | 101106 108120 504903 | 2 |
| 205 | BACS12FA3K8 | | .SCREW | 101106 108120 504903 | 2 |
| 210 | BACD40R32A33 | | .HOSE- | 101106 108120 504903 | 4 |

MISSING ITEM NUMBERS NOT APPLICABLE

- ITEM NOT ILLUSTRATED

21-58-06-02A

21-58-06
FIG. 02A
PAGE 4
JAN 20/09

BRI

BOEING PROPRIETARY - Copyright © - Unpublished Work - See title page for details.



757

PARTS CATALOG (MAINTENANCE)

| FIG ITEM | PART NUMBER | 1 2 3 4 5 6 7 | NOMENCLATURE | EFFECT FROM TO | UNITS PER ASSY |
|-----------|-------------|---------------|---|----------------------------|----------------|
| 2A 215 | 128 | | .CLAMP- SUPPLIER CODE: V7Z588 SPECIFICATION NUMBER: STBC10GG274 OPTIONAL PART: WWD274H V66295 | 101106 108120 504903 | 8 |
| 217 | CE00383-1 | | .FILTER-AIR SUPPLIER CODE: V18350 | 101106 108120 504903 | 1 |
| 220 | 217N1134-2 | | .HOUSING ASSY-FILTER | 101106 108120 504903 | 1 |
| 225 | H738-9 | | ..LATCH ASSY- SUPPLIER CODE: V83014 ATTACHING PARTS | 101106 108120 504903 | 2 |
| - 230 | BACR15BB4A | | ..RIVET- SIZE DETERMINED ON INSTL. -----*----- | 101106 108120 504903 | 4 |
| 235 | 217N1139-1 | | ..GASKET | 101106 108120 504903 | 1 |
| 240 | 731376A | | .FAN-AXIAL FLOW SUPPLIER CODE: V45153 SPECIFICATION NUMBER: S210N701-40 ELECTRICAL EQUIP NUMBER: B00010 B00011 COMPONENT MAINT MANUAL REF: 21-58-15 OPTIONAL PART: 731376B V45153 OPTIONAL PART: 731376 V45153 | 101106 108120 504903 | 2 |

MISSING ITEM NUMBERS NOT APPLICABLE

- ITEM NOT ILLUSTRATED

21-58-06-02A

21-58-06
FIG. 02A
PAGE 5
JAN 20/09

BRI



757

PARTS CATALOG (MAINTENANCE)

| FIG ITEM | PART NUMBER | 1 2 3 4 5 6 7 | NOMENCLATURE | EFFECT FROM TO | UNITS PER ASSY |
|-----------|---------------|---------------|--|----------------------------|----------------|
| 2A 240 | 731376 | . | FAN-AXIAL FLOW SUPPLIER CODE: V45153 SPECIFICATION NUMBER: S210N701-4 ELECTRICAL EQUIP NUMBER: B00010 B00011 COMPONENT MAINT MANUAL REF: 21-58-15 OPTIONAL PART: 731376B V45153 731376A V45153 | 101106 108120 504903 | 2 |
| 240 | 731376B | . | FAN-AXIAL FLOW SUPPLIER CODE: V45153 SPECIFICATION NUMBER: S210N701-40 ELECTRICAL EQUIP NUMBER: B00010 B00011 COMPONENT MAINT MANUAL REF: 21-58-15 OPTIONAL PART: 731376A V45153 OPTIONAL PART: 731376 V45153 | 101106 108120 504903 | 2 |
| 245 | BACB30NM3K2 | . | BOLT | 101106 108120 504903 | 9 |
| 250 | BACB30NM3K3 | . | BOLT | 101106 108120 504903 | 2 |
| 253 | AN960KD10 | . | WASHER | 101106 108120 504903 | 1 |
| 255 | NAS1149D0363J | . | WASHER | 101106 108120 504903 | 19 |
| 257 | NAS1805-3N | . | NUT | 101106 108120 504903 | 1 |
| 260 | NAS1805-3L | . | NUT | 101106 108120 504903 | 10 |

MISSING ITEM NUMBERS NOT APPLICABLE

- ITEM NOT ILLUSTRATED

21-58-06-02A

21-58-06
FIG. 02A
PAGE 6
JAN 20/09

BRI

BOEING PROPRIETARY - Copyright © - Unpublished Work - See title page for details.



757

PARTS CATALOG (MAINTENANCE)

| FIG ITEM | PART NUMBER | 1 2 3 4 5 6 7 | NOMENCLATURE | EFFECT FROM TO | UNITS PER ASSY |
|-----------|-----------------|---|--------------|----------------------------|----------------|
| 2A 265 | BACS40R008E008F | .SHIM | | 101106 108120 504903 | 2 |
| - 300 | 217N1018-13 | HEAT SINK INSTL-E/E COMPT AIR SUPPLY POSITION DATA: STA 520 TO 560 FOR NHA SEE: 21-00-00-15 | | 101102 108120 504903 | RF |
| - 300 | MODREF5634 | HEAT SINK INSTL-E/E COMPT AIR SUPPLY MODULE NUMBER: 217N1018-13 REV A POSITION DATA: STA 520 TO 560 | | 103106 | 1 |
| 305 | 217N1301-4 | .SUPPORT ASSY-FAN | | 101106 108120 504903 | 1 |
| 310 | P196698 | .FILTER- SUPPLIER CODE: V18265 SPECIFICATION NUMBER: S210N701-45 OPTIONAL PART: CD01046F2 V58058 OPTIONAL PART: CD01046F2 V58058 PRE AIRLINE MOD: SR157645304 VBRI | | 101106 108120 504903 | 1 |
| 310 | CD01046F2 | .FILTER- SUPPLIER CODE: V58058 SPECIFICATION NUMBER: S210N701-45 OPTIONAL PART: P196698 V18265 OPTIONAL PART: P196698 V18265 PRE AIRLINE MOD: SR157645304 VBRI | | 101106 108120 504903 | 1 |

MISSING ITEM NUMBERS NOT APPLICABLE

- ITEM NOT ILLUSTRATED

BRI

21-58-06-02A

BOEING PROPRIETARY - Copyright © - Unpublished Work - See title page for details.

21-58-06
FIG. 02A
PAGE 7
JAN 20/09



757

PARTS CATALOG (MAINTENANCE)

| FIG ITEM | PART NUMBER | 1 2 3 4 5 6 7 | NOMENCLATURE | EFFECT FROM TO | UNITS PER ASSY |
|-----------|---------------|---------------|---|----------------------------|----------------|
| 2A 310 | CD01068F2 | | . FILTER- SUPPLIER CODE: V18350 POST AIRLINE MOD: SR157645304 VBRI | 101102 504903 | 1 |
| - 400 | MODREF5636 | | ELEMENT INSTL-FILTER MODULE NUMBER: 217N1018-15 REV A | 103106 | 1 |
| 405 | P196698 | | . FILTER- SUPPLIER CODE: V18265 SPECIFICATION NUMBER: S210N701-45 OPTIONAL PART: CD01046F2 V58058 OPTIONAL PART: CD01046F2 V58058 | 103106 | 1 |
| 405 | CD01046F2 | | . FILTER- SUPPLIER CODE: V58058 SPECIFICATION NUMBER: S210N701-45 OPTIONAL PART: P196698 V18265 OPTIONAL PART: P196698 V18265 | 103106 | 1 |
| - 500 | 286N4004-302 | | WIRE BUNDLE ASSY | 101102 108120 | RF |
| - 500 | 286N4004-310 | | WIRE BUNDLE ASSY | 504903 | RF |
| 505 | BACC45FT18A8S | | . CONNECTOR- ELECTRICAL EQUIP NUMBER: D01626 WIRING DIAGRAM REF: 215813 | 101102 108120 504903 | 1 |
| - 511 | 286N4104-326 | | WIRE BUNDLE ASSY | 504903 | RF |
| - 511 | 286N4104-330 | | WIRE BUNDLE ASSY | 101102 | RF |
| - 512 | 286N4104-340 | | WIRE BUNDLE ASSY | 108120 | RF |
| - 512 | 286N4104-341 | | WIRE BUNDLE ASSY | 101102 108120 504903 | RF |

MISSING ITEM NUMBERS NOT APPLICABLE

- ITEM NOT ILLUSTRATED

21-58-06-02A

21-58-06
FIG. 02A
PAGE 8
JAN 20/09

BRI



757

PARTS CATALOG (MAINTENANCE)

| FIG ITEM | PART NUMBER | 1 2 3 4 5 6 7 | NOMENCLATURE | EFFECT FROM TO | UNITS PER ASSY |
|--------------|-------------------------------|---------------|--|----------------------------|----------------|
| 2A 515 | BACC45FT18B8S | | .CONNECTOR- ELECTRICAL EQUIP NUMBER: D01628 WIRING DIAGRAM REF: 215813 | 101102 108120 504903 | 1 |
| - 520 525 | 286N6678-701 BACC45FT18A8S | | WIRE BUNDLE ASSY .CONNECTOR- ELECTRICAL EQUIP NUMBER: D01626 WIRING DIAGRAM REF: 215813 | 103106 103106 | RF 1 |
| - 530 535 | 286N6634-701 BACC45FT18B8S | | WIRE BUNDLE ASSY .CONNECTOR- ELECTRICAL EQUIP NUMBER: D01628 WIRING DIAGRAM REF: 215813 | 103106 103106 | RF 1 |

MISSING ITEM NUMBERS NOT APPLICABLE

- ITEM NOT ILLUSTRATED

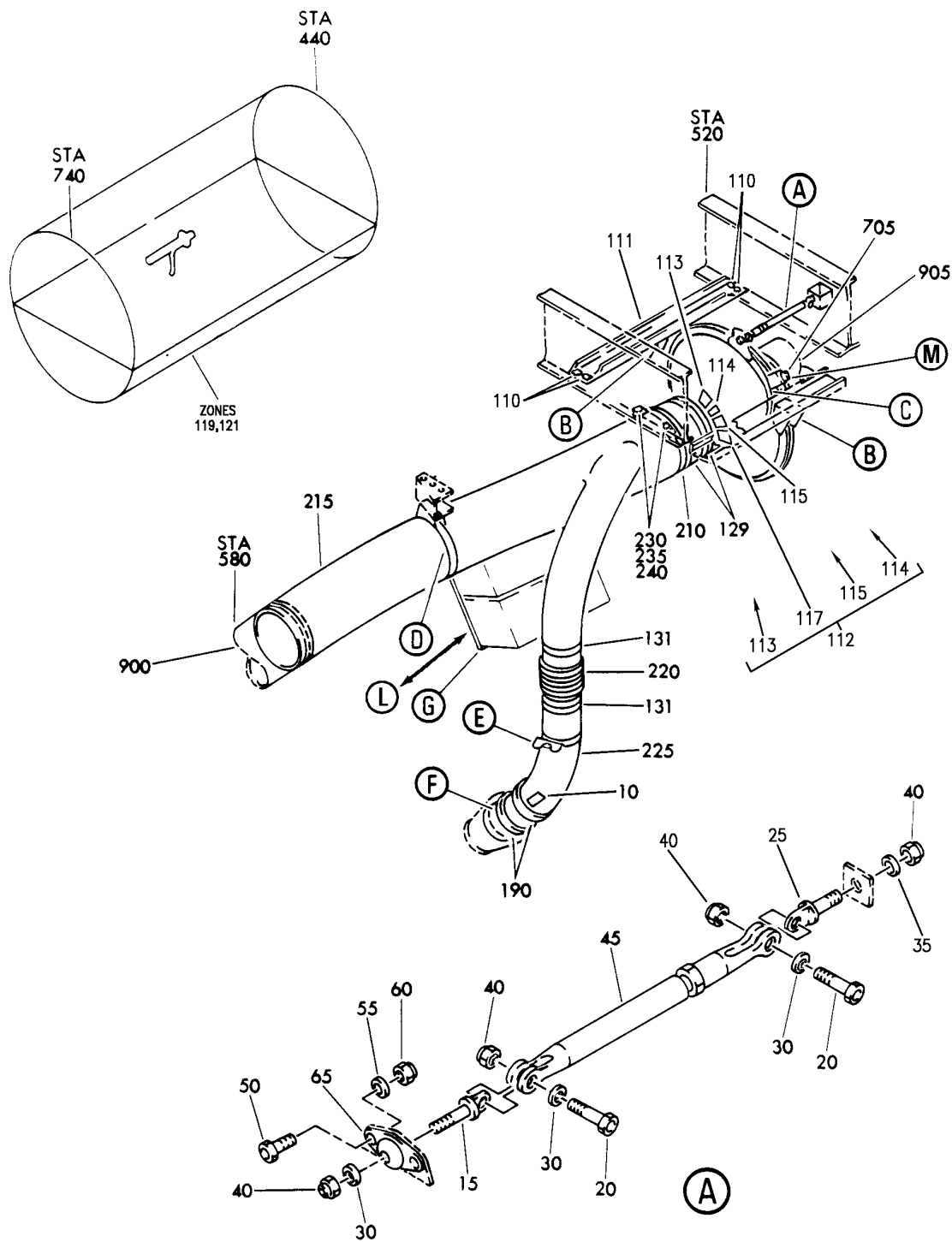
BRI

21-58-06-02A

BOEING PROPRIETARY - Copyright © - Unpublished Work - See title page for details.

21-58-06
FIG. 02A
PAGE 9
JAN 20/09

BOEING
757
PARTS CATALOG (MAINTENANCE)



Y 21580605 SH-T 1 REV 253

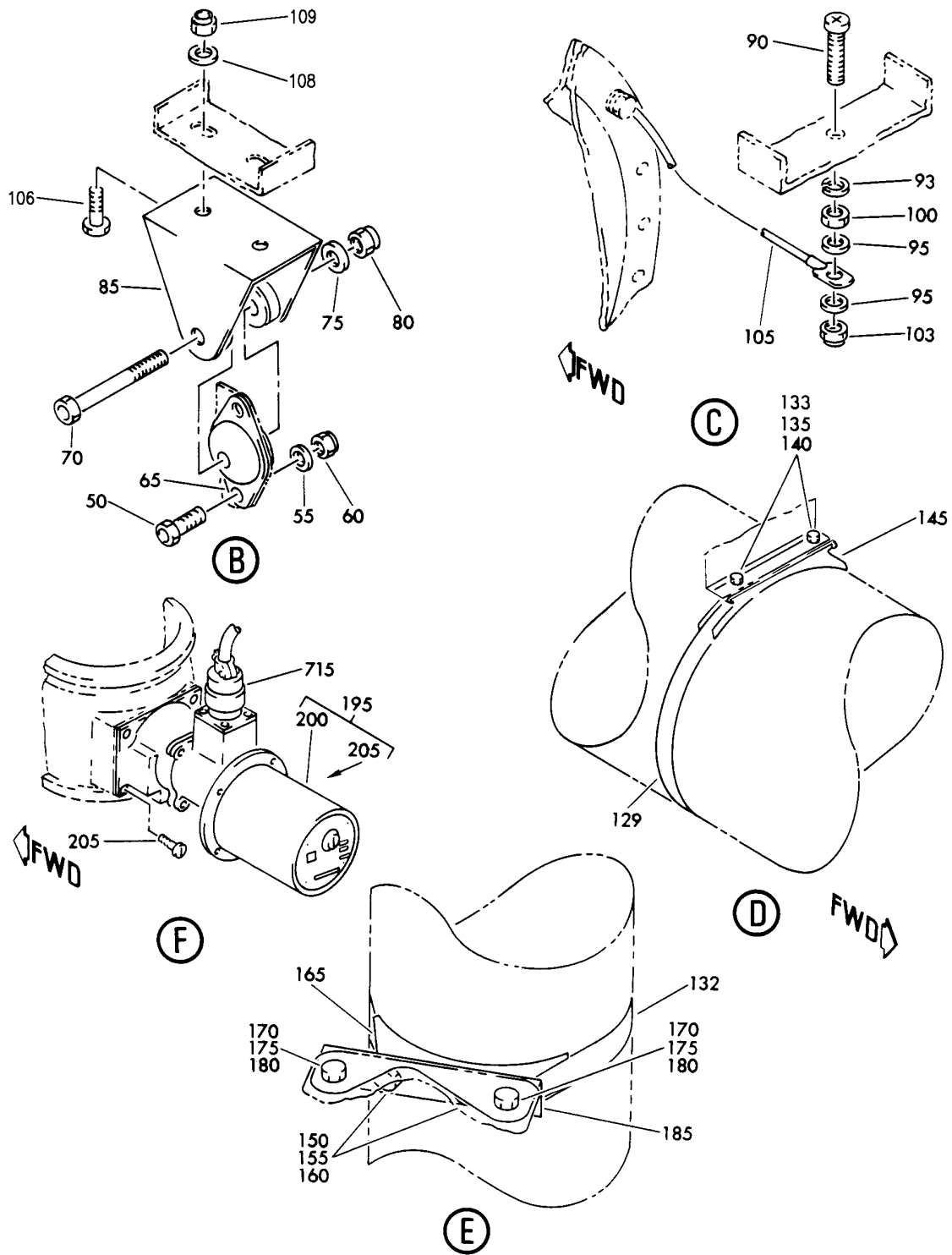
HEAT SINK AND DETECTOR INSTL-ELECTRICAL/ ELECTRONIC COMPT AIR EXH (AIR CONDITIONING ONLY)
FIGURE 5 (SHEET 1)

BRI
MAY 28/07

21-58-06-05

21-58-06-05
PAGE 0

BOEING
757
PARTS CATALOG (MAINTENANCE)



Y 21580605 SHT 2 REV 253

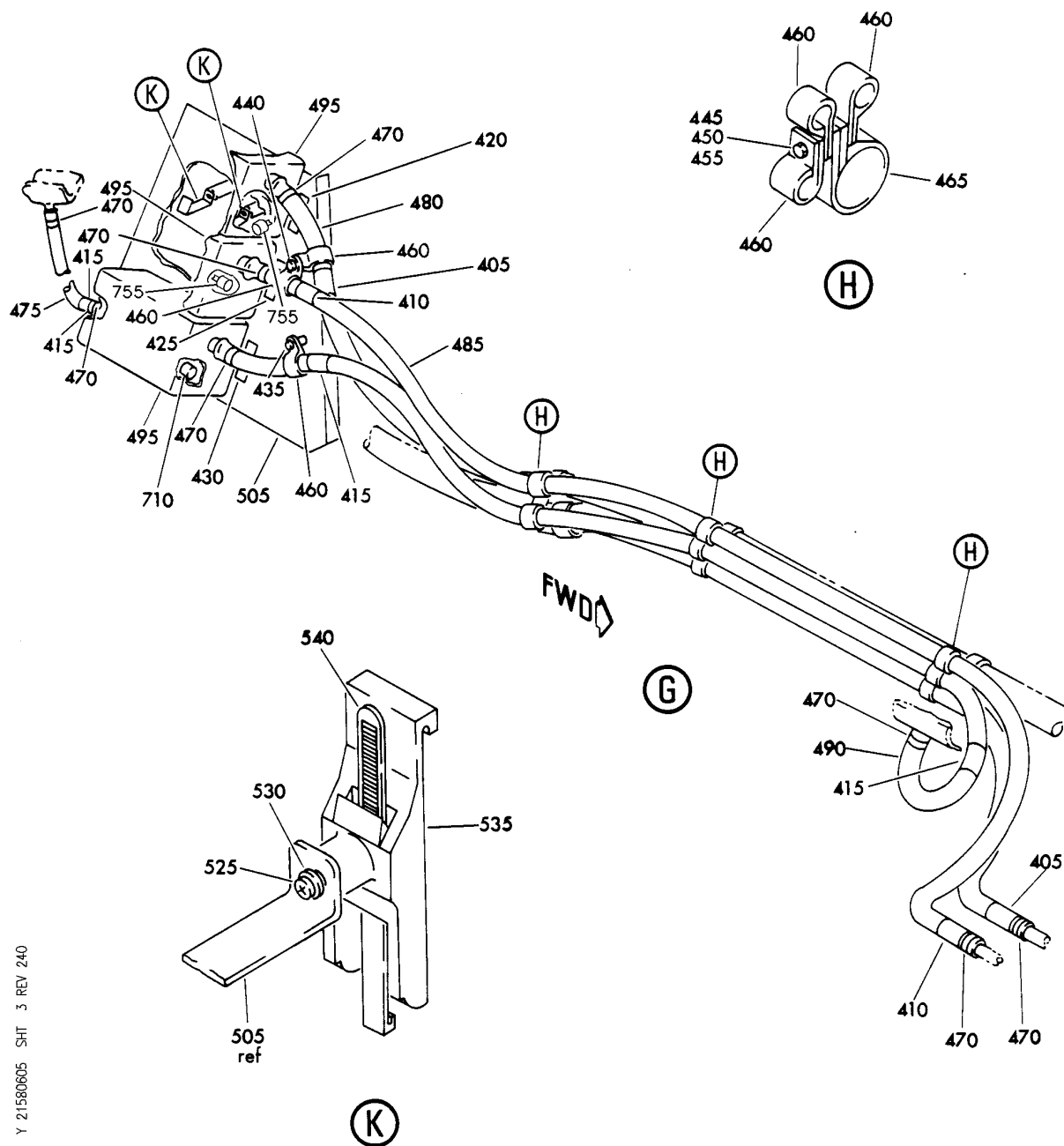
HEAT SINK AND DETECTOR INSTL-ELECTRICAL/ ELECTRONIC COMPT AIR EXH (AIR CONDITIONING ONLY)
FIGURE 5 (SHEET 2)

21-58-06-05

BRI
MAY 28/07

21-58-06-05
PAGE 0A

BOEING
757
PARTS CATALOG (MAINTENANCE)



Y 21580605 SHT 3 REV 240

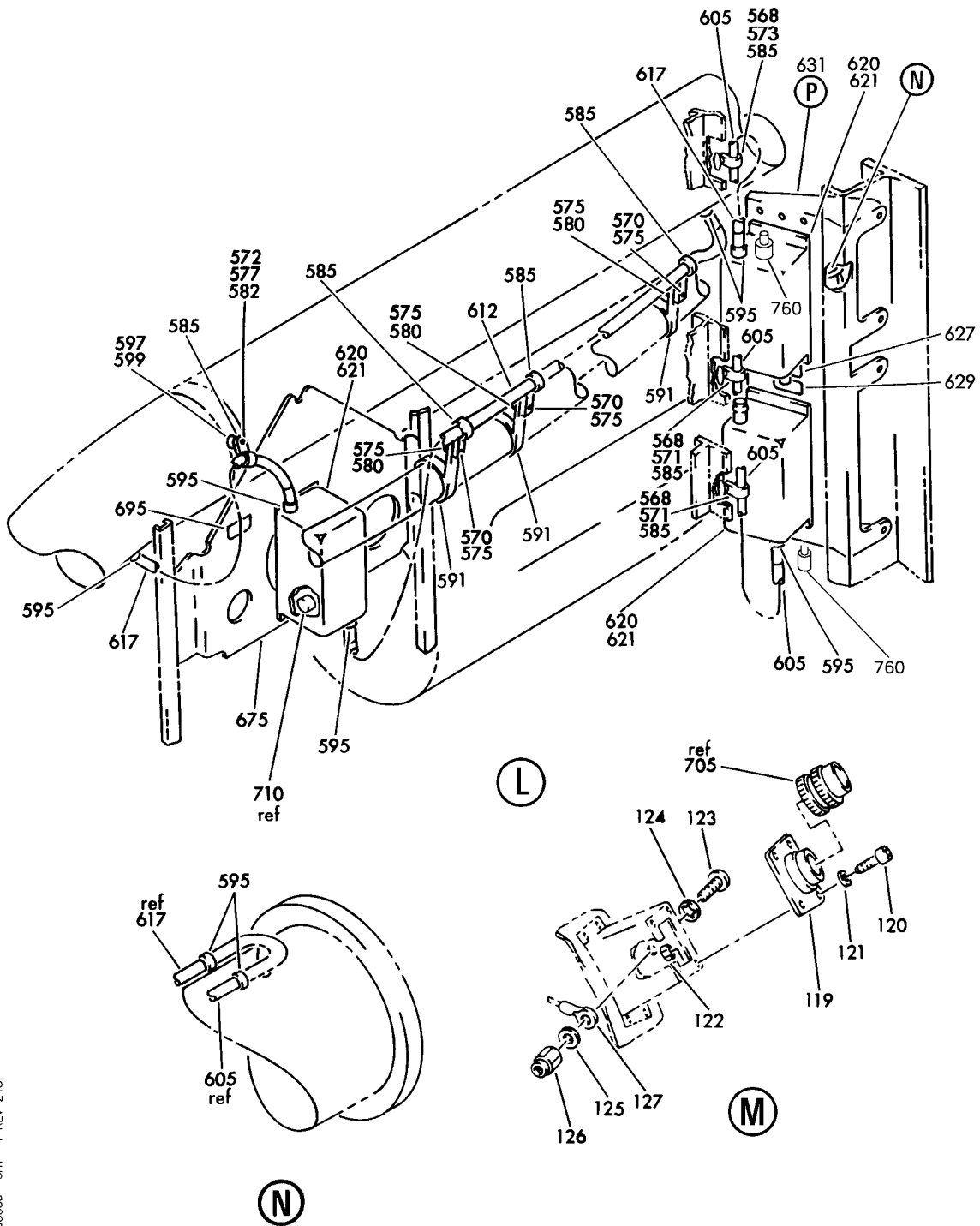
HEAT SINK AND DETECTOR INSTL-ELECTRICAL/ ELECTRONIC COMPT AIR EXH (AIR CONDITIONING ONLY)
FIGURE 5 (SHEET 3)

BRI
MAY 28/07

21-58-06-05

21-58-06-05
PAGE 0B

BOEING
757
PARTS CATALOG (MAINTENANCE)



Y 21580605 SHT 4 REV 240

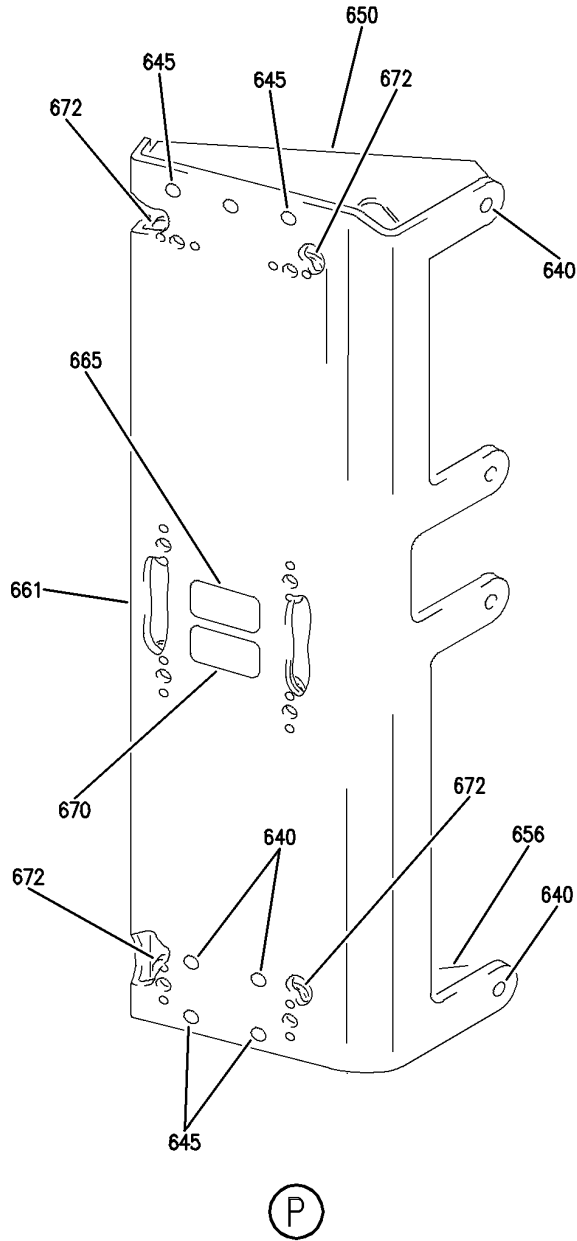
HEAT SINK AND DETECTOR INSTL-ELECTRICAL/ ELECTRONIC COMPT AIR EXH (AIR CONDITIONING ONLY)
FIGURE 5 (SHEET 4)

BRI
MAY 28/07

21-58-06-05

21-58-06-05
PAGE 0C

BOEING
757
PARTS CATALOG (MAINTENANCE)



Y 21580605 SH 5 REV 225

HEAT SINK AND DETECTOR INSTL-ELECTRICAL/ ELECTRONIC COMPT AIR EXH (AIR CONDITIONING ONLY)
FIGURE 5 (SHEET 5)

BRI
MAY 28/07

21-58-06-05

21-58-06-05
PAGE 0D



757

PARTS CATALOG (MAINTENANCE)

| FIG ITEM | PART NUMBER | 1 2 3 4 5 6 7 | NOMENCLATURE | EFFECT FROM TO | UNITS PER ASSY |
|----------|---------------|---------------|--|--|----------------|
| 5 | | | HEAT SINK AND DETECTOR INSTL-ELECTRICAL/ ELECTRONIC COMPT AIR EXH (AIR CONDITIONING ONLY) | 002004 006999 | |
| - 1 | 217N1017-13 | | HEAT SINK INSTL-ELECTRICAL/ ELECTRONIC COMPT AIR EXH (AIR CONDITIONING ONLY) FOR NHA/OTHER SYS DET SEE: 21-00-00-04 | 002004 006016 107107 121503 904999 | RF |
| - 1 | 217N1017-23 | | HEAT SINK INSTL-ELECTRICAL/ ELECTRONIC COMPT AIR EXH (AIR CONDITIONING ONLY) FOR NHA/OTHER SYS DET SEE: 21-00-00-04 21-00-00-15 | 017102 108120 504903 | RF |
| 10 | BAC27NEC0021 | | .DECAL- PLACARD CONTENT: V95 VALVE, OVERBOARD EXHAUST | 002004 006999 | 1 |
| 15 | AN42B3A | | .BOLT- | 002004 006999 | 1 |
| 20 | BACB30NM3K5 | | .BOLT | 002004 006999 | 2 |
| 25 | AN42B10A | | .BOLT | 002004 006999 | 1 |
| 30 | AN960KD10 | | .WASHER- | 002004 006016 107107 121503 904999 | 3 |
| 30 | NAS1149D0363K | | .WASHER- | 017102 108120 504903 | 3 |
| 35 | AN960KD10L | | .WASHER | 002004 006016 107107 121503 904999 | 1 |
| 35 | NAS1149D0332K | | .WASHER | 017102 108120 504903 | 1 |

R
R

R
R
R
R
R
R
R

MISSING ITEM NUMBERS NOT APPLICABLE

- ITEM NOT ILLUSTRATED

21-58-06-05

21-58-06
FIG. 05
PAGE 1
MAY 20/09

BRI



757

PARTS CATALOG (MAINTENANCE)

| FIG ITEM | PART NUMBER | 1 2 3 4 5 6 7 | NOMENCLATURE | EFFECT FROM TO | UNITS PER ASSY |
|----------|-------------|--|---|--|----------------|
| 5 | 40 | BRH10C3D | .NUT- SUPPLIER CODE: V52828 SPECIFICATION NUMBER: BACN10JC3CD OPTIONAL PART: T6C1032JCD V11815 NS202486-02 V80539 102LH9075-3W V72962 H51650-3BAC V15653 | 002004 006999 | 4 |
| | 45 | BACR24L4H0722 | .ROD ASSY | 002004 006999 | 1 |
| | 50 | BACB30NM3K3 | .BOLT | 002004 006999 | 6 |
| | 55 | AN960KD10L | .WASHER | 002004 006016 107107 121503 904999 | 6 |
| | 55 | NAS1149D0332K | .WASHER | 017102 108120 504903 002004 006999 | 6 |
| | 60 | BRH10C3D | .NUT SUPPLIER CODE: V52828 SPECIFICATION NUMBER: BACN10JC3CD OPTIONAL PART: T6C1032JCD V11815 NS202486-02 V80539 102LH9075-3W V72962 H51650-3BAC V15653 | 002004 006999 | 6 |
| 65 | 93696-1 | .ISOLATOR- SUPPLIER CODE: V13636 OPTIONAL PART: WTROP6S1 V71985 | 002004 006999 | 3 | |

R
R
R
R
R
R
R

MISSING ITEM NUMBERS NOT APPLICABLE

- ITEM NOT ILLUSTRATED

21-58-06-05

21-58-06
FIG. 05
PAGE 2
MAY 20/09

BRI



757

PARTS CATALOG (MAINTENANCE)

| FIG ITEM | PART NUMBER | 1 2 3 4 5 6 7 | NOMENCLATURE | EFFECT FROM TO | UNITS PER ASSY |
|----------------------------|------------------|---------------|--|--|----------------|
| 5 | 65 WTR0P6S1 | . | ISOLATOR- SUPPLIER CODE: V71985 OPTIONAL PART: 93696-1 V13636 | 002004 006999 | 3 |
| R R R | 65 WTR0P6S | . | ISOLATOR- SUPPLIER CODE: V71985 | 002004 006999 | 3 |
| | 70 BACB30NM3K22 | . | BOLT- | 002004 006999 | 2 |
| | 75 AN960KD10 | . | WASHER- | 002004 006016 107107 121503 904999 | 2 |
| | 75 NAS1149D0363K | . | WASHER- | 017102 108120 504903 | 2 |
| | 80 BRH10C3D | . | NUT- SUPPLIER CODE: V52828 SPECIFICATION NUMBER: BACN10JC3CD OPTIONAL PART: T6C1032JCD V11815 NS202486-02 V80539 102LH9075-3W V72962 H51650-3BAC V15653 | 002004 006999 | 2 |
| | 85 217N1033-4 | . | BRACKET ASSY- | 002004 006999 | 2 |
| | 90 NAS1801-3-11 | . | SCREW | 002004 006999 | 1 |
| | 93 MS35338-43 | . | WASHER | 002004 006999 | 1 |
| | 95 AN960KD10L | . | WASHER | 002004 006016 107107 121503 904999 | 2 |
| | 95 NAS1149D0332K | . | WASHER | 017102 108120 504903 | 2 |
| R R R R R R | 100 MS35650-305T | . | NUT | 002004 006999 | 1 |

MISSING ITEM NUMBERS NOT APPLICABLE

- ITEM NOT ILLUSTRATED

21-58-06-05

21-58-06
FIG. 05
PAGE 3
MAY 20/09

BRI

 **BOEING**
757
PARTS CATALOG (MAINTENANCE)

| FIG ITEM | PART NUMBER | 1 2 3 4 5 6 7 | NOMENCLATURE | EFFECT FROM TO | UNITS PER ASSY | | | | | | |
|----------|-------------|---------------|--|------------------|----------------|-----|-----------|--------------|--|------------------|-----|
| 5 103 | BRH10C3D | .NUT | SUPPLIER CODE: V52828 SPECIFICATION NUMBER: BACN10JC3CD OPTIONAL PART: T6C1032JCD V11815 NS202486-02 V80539 102LH9075-3W V72962 H51650-3BAC V15653 | 002004 006999 | 1 | | | | | | |
| | | | | | | 105 | 740A20-6 | .JUMPER ASSY | SUPPLIER CODE: V91812 SPECIFICATION NUMBER: BACJ40A20-6 OPTIONAL PART: TJEJ40A20-6 V33483 RBEJ20-6 V1GK47 | 002004 006999 | 1 |
| | | | | | | | | | | | |
| | | | | | | 108 | AN960KD10 | .WASHER | 002004 006016 107107 121503 904999 | 4 | |
| | | | | | | | | | | | 108 |
| | | | | | | 109 | BRH10C3D | .NUT | SUPPLIER CODE: V52828 SPECIFICATION NUMBER: BACN10JC3CD OPTIONAL PART: T6C1032JCD V11815 NS202486-02 V80539 102LH9075-3W V72962 H51650-3BAC V15653 | 002004 006999 | |

R
R
R
R
R
R
R

MISSING ITEM NUMBERS NOT APPLICABLE

- ITEM NOT ILLUSTRATED

21-58-06-05

21-58-06
FIG. 05
PAGE 4
MAY 20/09

BRI



757

PARTS CATALOG (MAINTENANCE)

| FIG ITEM | PART NUMBER | 1 2 3 4 5 6 7 | NOMENCLATURE | EFFECT FROM TO | UNITS PER ASSY |
|----------|-------------|---------------|--|----------------------------|----------------|
| 5 | | | | | |
| 110 | BACR15FT5D | . | RIVET- SIZE DETERMINED ON INSTL. | 002004 006999 | 4 |
| 111 | 217N1032-1 | . | CHANNEL | 002004 006999 | 1 |
| 112 | 645705-1 | . | FAN ASSY-RECIRCULATION AIR (SERIES 1 AND 2) SUPPLIER CODE: V70210 POSITION DATA: LEFT SPECIFICATION NUMBER: 10-62009-2 MISCELLANEOUS DATA: SERIES 1-2 ELECTRICAL EQUIP NUMBER: B00013 COMPONENT MAINT MANUAL REF: 21-25-12 | 002004 006102 107999 | 1 |
| 112 | 645705-2 | . | FAN ASSY-RECIRCULATION AIR (SERIES 1) SUPPLIER CODE: V70210 POSITION DATA: LEFT SPECIFICATION NUMBER: 10-62009-3 MISCELLANEOUS DATA: SERIES 1 ELECTRICAL EQUIP NUMBER: B00013 COMPONENT MAINT MANUAL REF: 21-25-12 | 002004 006102 107999 | 1 |

MISSING ITEM NUMBERS NOT APPLICABLE

- ITEM NOT ILLUSTRATED

BRI

21-58-06-05

BOEING PROPRIETARY - Copyright © - Unpublished Work - See title page for details.

21-58-06
FIG. 05
PAGE 5
JAN 20/09



757

PARTS CATALOG (MAINTENANCE)

| FIG ITEM | PART NUMBER | 1 2 3 4 5 6 7 | NOMENCLATURE | EFFECT FROM TO | UNITS PER ASSY |
|-------------|-------------|---------------|--|----------------------------|----------------------|
| 5 112 | 645705-3 | | . FAN ASSY-RECIRCULATION AIR (SERIES 1) SUPPLIER CODE: V70210 POSITION DATA: LEFT SPECIFICATION NUMBER: 10-62009-4 MISCELLANEOUS DATA: SERIES 1 ELECTRICAL EQUIP NUMBER: B00013 COMPONENT MAINT MANUAL REF: 21-25-12 OPTIONAL PART: 645705-4 V70210 OPTIONAL PART: 645705-4 V70210 | 002004 006102 107999 | 1 |
| 112 | 645705-4 | | . FAN ASSY- (SERIES 1) SUPPLIER CODE: V70210 SPECIFICATION NUMBER: 10-62009-4 OPTIONAL PART: 645705-3 V70210 OPTIONAL PART: 645705-3 V70210 | 002004 006102 107999 | 1 |
| 113 | 645462-1 | | .. PLATE-IDENT (USED ON SERIES 1) SUPPLIER CODE: V70210 OPTIONAL PART: 645462-2 V70210 USED ON: 645705-1 | 002004 006102 107999 | 1 |

MISSING ITEM NUMBERS NOT APPLICABLE

- ITEM NOT ILLUSTRATED

BRI

21-58-06-05

BOEING PROPRIETARY - Copyright © - Unpublished Work - See title page for details.

21-58-06
FIG. 05
PAGE 6
JAN 20/09



757

PARTS CATALOG (MAINTENANCE)

| FIG ITEM | PART NUMBER | 1 2 3 4 5 6 7 | NOMENCLATURE | EFFECT FROM TO | UNITS PER ASSY |
|----------|-------------|---------------|---|----------------------------|----------------|
| 5 | | | | | |
| 113 | 645462-2 | .. | PLATE-IDENT (USED ON SERIES 2) SUPPLIER CODE: V70210 OPTIONAL PART: 645462-1 V70210 USED ON: 645705-1 | 002004 006102 107999 | 1 |
| 113 | 645462-3 | .. | PLATE-IDENT (USED ON SERIES 1) SUPPLIER CODE: V70210 USED ON: 645705-2 | 002004 006102 107999 | 1 |
| 113 | 645462-4 | .. | PLATE-IDENT (USED ON SERIES 1) SUPPLIER CODE: V70210 USED ON: 645705-3 | 002004 006102 107999 | 1 |
| 113 | 2787159-1 | .. | PLATE-IDENT (USED ON SERIES 1) SUPPLIER CODE: V70210 USED ON: 645705-4 | 002004 006102 107999 | 1 |
| 114 | S8188M7 | .. | PLATE-INST SUPPLIER CODE: V70210 USED ON: 645705-1 645705-2 645705-3 | 002004 006102 107999 | 1 |
| 114 | S8188MP7 | .. | PLATE-INST SUPPLIER CODE: V70210 USED ON: 645705-4 | 002004 006102 107999 | 1 |
| 115 | S8302-2 | .. | DECAL-DIRECTION ARROW SUPPLIER CODE: V70210 | 002004 006102 107999 | 1 |
| 117 | 645409-1 | .. | DECAL-WIRING DIAGRAM SUPPLIER CODE: V70210 | 002004 006102 107999 | 1 |
| 119 | 606668-1 | .. | CONNECTOR- SUPPLIER CODE: V70210 | 002004 006102 107999 | 1 |

MISSING ITEM NUMBERS NOT APPLICABLE

- ITEM NOT ILLUSTRATED

21-58-06-05

21-58-06
FIG. 05
PAGE 7
JAN 20/09

BRI

BOEING PROPRIETARY - Copyright © - Unpublished Work - See title page for details.



757

PARTS CATALOG (MAINTENANCE)

| FIG ITEM | PART NUMBER | 1 2 3 4 5 6 7 | NOMENCLATURE | EFFECT FROM TO | UNITS PER ASSY |
|----------|---------------|---------------|--|----------------------------|----------------|
| 5 | | | ATTACHING PARTS | | |
| 120 | NAS1352-04-6P | .. | SCREW- CONFIG CHG DATA FROM A CMM: REPLD BY NAS1352N04-6P USED ON: 645705-1 645705-2 645705-3 | 002004 006102 107999 | 4 |
| 120 | NAS1352N04-6P | .. | SCREW- CONFIG CHG DATA FROM A CMM: REPLACES NAS1352-04-6P USED ON: 645705-1 645705-2 645705-3 | 002004 006102 107999 | 4 |
| 120 | NAS1352N04-6 | .. | SCREW- USED ON: 645705-4 | 002004 006102 107999 | 4 |
| 121 | AN960C4 | .. | WASHER- CONFIG CHG DATA FROM A CMM: REPLD BY NAS1149CN432R | 002004 006102 107999 | 4 |
| 121 | NAS1149CN432R | .. | WASHER- CONFIG CHG DATA FROM A CMM: REPLACES AN960C4 | 002004 006102 107999 | 4 |
| 122 | 293162 | .. | NUT- SUPPLIER CODE: V60119 USED ON: 645705-1 645705-2 645705-3 -----*----- | 002004 006102 107999 | 4 |
| 123 | MS35207-263 | .. | SCREW- USED ON: 645705-1 645705-2 645705-3 | 002004 006102 107999 | 1 |
| 124 | MS35333-39 | .. | WASHER- USED ON: 645705-1 645705-2 645705-3 | 002004 006102 107999 | 1 |
| 125 | AN960-10L | .. | WASHER- CONFIG CHG DATA FROM A CMM: REPLD BY NAS1149F0332P USED ON: 645705-1 645705-2 645705-3 | 002004 006102 107999 | 1 |

MISSING ITEM NUMBERS NOT APPLICABLE

- ITEM NOT ILLUSTRATED

21-58-06-05

21-58-06
FIG. 05
PAGE 8
JAN 20/09

BRI

BOEING PROPRIETARY - Copyright © - Unpublished Work - See title page for details.



757

PARTS CATALOG (MAINTENANCE)

| FIG ITEM | PART NUMBER | 1 2 3 4 5 6 7 | NOMENCLATURE | EFFECT FROM TO | UNITS PER ASSY |
|----------|-----------------|---------------|--|--|----------------|
| 5 | | | | | |
| 125 | NAS1149F0332P | .. | WASHER- CONFIG CHG DATA FROM A CMM: REPLACES AN960-10L USED ON: 645705-1 645705-2 645705-3 | 002004 006102 107999 | 1 |
| 126 | MS21044N3 | .. | NUT- USED ON: 645705-1 645705-2 645705-3 | 002004 006102 107999 | 1 |
| 127 | MS25036-108 | .. | LUG- USED ON: 645705-1 645705-2 645705-3 | 002004 006102 107999 | 1 |
| 129 | STBC10GG234 | . | CLAMP- | 002004 006016 107107 121503 904999 | 3 |
| 129 | BACC10JB206C236 | . | CLAMP- | 017102 108120 504903 904999 | 3 |
| 131 | 64 | . | CLAMP SUPPLIER CODE: V7Z588 SPECIFICATION NUMBER: STBC10GG146 OPTIONAL PART: WWD146H V66295 | 002004 006016 107107 121503 904999 | 2 |
| 131 | NAS1922-0900-1 | . | CLAMP | 017102 108120 504903 | 2 |
| 132 | 64 | . | CLAMP SUPPLIER CODE: V7Z588 SPECIFICATION NUMBER: STBC10GG146 OPTIONAL PART: WWD146H V66295 | 107107 | 1 |
| 133 | BACS12FA3K7 | . | SCREW | 002004 006999 | 2 |

R
R
R
R
R
R
R
R
R
R

MISSING ITEM NUMBERS NOT APPLICABLE

- ITEM NOT ILLUSTRATED

21-58-06-05

21-58-06
FIG. 05
PAGE 9
MAY 20/09

BRI

 **BOEING**
757
PARTS CATALOG (MAINTENANCE)

| FIG ITEM | PART NUMBER | 1 2 3 4 5 6 7 | NOMENCLATURE | EFFECT FROM TO | UNITS PER ASSY |
|--|-------------|---------------|--|--|----------------------|
| R R R R R R R R R R R R R R | 5 135 | AN960KD10L | .WASHER | 002004 006016 107107 121503 904999 | 2 |
| | 135 | NAS1149D0332K | .WASHER | 017102 108120 504903 | 2 |
| | 140 | BRH10C3D | .NUT SUPPLIER CODE: V52828 SPECIFICATION NUMBER: BACN10JC3CD OPTIONAL PART: T6C1032JCD V11815 NS202486-02 V80539 102LH9075-3W V72962 H51650-3BAC V15653 | 002004 006999 | 2 |
| | 145 | 214T3424-10 | .SUPPORT | 002004 006999 | 1 |
| | 150 | BACS12FA3K7 | .SCREW | 107107 | 2 |
| | 155 | AN960KD10 | .WASHER | 107107 | 2 |
| | 160 | BRH10C3D | .NUT SUPPLIER CODE: V52828 SPECIFICATION NUMBER: BACN10JC3CD OPTIONAL PART: T6C1032JCD V11815 NS202486-02 V80539 102LH9075-3W V72962 H51650-3BAC V15653 | 107107 | 2 |
| | 165 | 214T3424-6 | .SUPPORT | 107107 | 1 |
| | 170 | BACB30NM3K2 | .BOLT | 107107 | 2 |
| | 175 | AN960KD10 | .WASHER | 107107 | 2 |

MISSING ITEM NUMBERS NOT APPLICABLE

— ITEM NOT ILLUSTRATED

BRI

21-58-06-05

BOEING PROPRIETARY - Copyright © - Unpublished Work - See title page for details.

21-58-06
FIG. 05
PAGE 10
MAY 20/09



**757
PARTS CATALOG (MAINTENANCE)**

| FIG ITEM | PART NUMBER | 1 2 3 4 5 6 7 | NOMENCLATURE | EFFECT FROM TO | UNITS PER ASSY |
|----------|---------------|---------------|---|--|----------------|
| 5 180 | BRH10C3D | . | NUT SUPPLIER CODE: V52828 SPECIFICATION NUMBER: BACN10JC3CD OPTIONAL PART: T6C1032JCD V11815 NS202486-02 V80539 102LH9075-3W V72962 H51650-3BAC V15653 | 107107 | 2 |
| 185 | 217N1130-4 | . | BRACKET | 107107 | 1 |
| 190 | 15J02-400 | . | CLAMP ASSY- SUPPLIER CODE: V89513 OPTIONAL PART: 32317AA400 V94581 NH135008-0400 V00624 | 002004 006016 107107 121503 904999 | 2 |
| 190 | NH135008-0400 | . | COUPLING- SUPPLIER CODE: V00624 OPTIONAL PART: 32317AA400 V94581 15J02-400 V89513 | 002004 006016 107107 121503 904999 | 2 |
| 190 | 32317AA400 | . | COUPLING- SUPPLIER CODE: V94581 OPTIONAL PART: NH135008-0400 V00624 15J02-400 V89513 | 002004 006016 107107 121503 904999 | 2 |
| 190 | NH135008-0400 | . | COUPLING SUPPLIER CODE: V00624 SPECIFICATION NUMBER: BACC10HX400 | 017102 108120 504903 | 2 |

R
R
R
R
R

MISSING ITEM NUMBERS NOT APPLICABLE

- ITEM NOT ILLUSTRATED

21-58-06-05

21-58-06
FIG. 05
PAGE 11
MAY 20/09

BRI



757

PARTS CATALOG (MAINTENANCE)

| FIG ITEM | PART NUMBER | 1 2 3 4 5 6 7 | NOMENCLATURE | EFFECT FROM TO | UNITS PER ASSY |
|----------|-----------------|---------------|--|----------------------------|----------------|
| 5 195 | 5669-18 | | . VALVE ASSY-AEROMATIC SUPPLIER CODE: V45153 SPECIFICATION NUMBER: 60B40041-3 ELECTRICAL EQUIP NUMBER: V00095 COMPONENT MAINT MANUAL REF: 36-11-01 | 002004 006999 | 1 |
| 200 | 14400-3 | | .. ACTUATOR ASSY- SUPPLIER CODE: V99167 OPTIONAL PART: 14400-6 V99167 | 002004 006999 | 1 |
| 200 | 14400-6 | | .. ACTUATOR ASSY- SUPPLIER CODE: V99167 OPTIONAL PART: 14400-3 V99167 | 002004 006999 | 1 |
| 205 | MS35275-246 | | ATTACHING PARTS .. SCREW- CONFIG CHG DATA FROM A CMM: SUPSD BY AN500D8-10 | 002004 006999 | 4 |
| 205 | AN500D8-10 | | .. SCREW- CONFIG CHG DATA FROM A CMM: SUPSD BY 900363-124 | 002004 006999 | 4 |
| 205 | 900363-124 | | .. SCREW-PHILIPS HEAD SUPPLIER CODE: V99167 CONFIG CHG DATA FROM A CMM: SUPERSEDES AN500D8-10 SUPERSEDES MS35275-246 -----*----- | 002004 006999 | 4 |
| 210 | BACD40R28A41 | | . HOSE | 002004 006999 | 1 |
| 215 | 217N1031-1 | | . DUCT ASSY | 107107 | 1 |
| 215 | 217N1031-8 | | . DUCT ASSY | 017102 108120 504903 | 1 |
| 220 | BOE2027-16D0060 | | . HOSE SUPPLIER CODE: V16632 SPECIFICATION NUMBER: AS1503-16D0060 | 002004 006999 | 1 |
| 225 | 217N1129-1 | | . DUCT ASSY | 002004 006999 | 1 |

MISSING ITEM NUMBERS NOT APPLICABLE

- ITEM NOT ILLUSTRATED

21-58-06-05

21-58-06
FIG. 05
PAGE 12
MAY 20/09

BRI



**757
PARTS CATALOG (MAINTENANCE)**

| FIG ITEM | PART NUMBER | 1 2 3 4 5 6 7 | NOMENCLATURE | EFFECT FROM TO | UNITS PER ASSY |
|---------------------------------|-------------|---------------|--|--|----------------|
| R R R R R R R | 5 | | | | |
| | 230 | BACB30NM3K3 | .BOLT | 002004 006999 | 2 |
| | 235 | AN960KD10 | .WASHER | 002004 006016 107107 121503 904999 | 2 |
| | 235 | NAS1149D0363K | .WASHER | 017102 108120 504903 | 2 |
| | 240 | BRH10C3D | .NUT SUPPLIER CODE: V52828 SPECIFICATION NUMBER: BACN10JC3CD OPTIONAL PART: T6C1032JCD V11815 NS202486-02 V80539 102LH9075-3W V72962 H51650-3BAC V15653 | 002004 006999 | 2 |
| | - 550 | 217N1017-15 | HEAT SINK INSTL-SMOKE DETECTOR, AIR EXH, E/E COMPT POSITION DATA: SECT. 43 FOR NHA SEE: 21-00-00-04 | 002004 006100 107107 121503 904999 | RF |
| | - 550 | 217N1017-25 | HEAT SINK INSTL-SMOKE DETECTOR, -200 PASS MINOR MODEL, AIR EXH, E/E COMPT POSITION DATA: SECT. 43 FOR NHA SEE: 21-00-00-15 | 101102 504903 | RF |
| | - 550 | 217N1017-33 | HEAT SINK INSTL-SMOKE DETECTOR, -200 PASS MINOR MODEL, AIR EXH, E/E COMPT POSITION DATA: SECT. 43 FOR NHA SEE: 21-00-00-15 | 108120 | RF |
| | 568 | NAS1801-3-4 | .SCREW | 002004 006102 107999 | 3 |
| | | | | | |

MISSING ITEM NUMBERS NOT APPLICABLE

- ITEM NOT ILLUSTRATED

21-58-06-05

21-58-06
FIG. 05
PAGE 13
MAY 20/09

BRI

 **BOEING**
757
PARTS CATALOG (MAINTENANCE)

| FIG ITEM | PART NUMBER | 1 2 3 4 5 6 7 | NOMENCLATURE | EFFECT FROM TO | UNITS PER ASSY |
|----------|---------------|---------------|--|--|----------------|
| 5 | | | | | |
| 570 | NAS1801-3-20 | . | SCREW | 002004 006102 107999 | 3 |
| 571 | BACS12GU3K10 | . | SCREW | 101102 108120 504903 | 2 |
| 572 | BACB30NM3K6 | . | BOLT | 002004 006102 107999 | 1 |
| 573 | BACS12GU3K20 | . | SCREW | 101102 108120 504903 | 1 |
| 575 | AN960KD10L | . | WASHER | 002004 006100 107107 121503 904999 | 6 |
| 575 | NAS1149D0332J | . | WASHER | 101102 108120 504903 | 6 |
| 577 | AN960JD10L | . | WASHER | 002004 006100 107107 121503 904999 | 1 |
| 580 | BRH10A3 | . | NUT SUPPLIER CODE: V52828 SPECIFICATION NUMBER: BACN10JC3 OPTIONAL PART: H10-3BAC V15653 NS202101-02 V80539 RMLH9075-3W V72962 VN303A02 V92215 96-02 V80539 T6S1032J V11815 | 002004 006100 107107 121503 904999 | 3 |

MISSING ITEM NUMBERS NOT APPLICABLE

— ITEM NOT ILLUSTRATED

BRI

21-58-06-05

BOEING PROPRIETARY - Copyright © - Unpublished Work - See title page for details.

21-58-06
FIG. 05
PAGE 14
MAY 20/09



757

PARTS CATALOG (MAINTENANCE)

| FIG ITEM | PART NUMBER | 1 2 3 4 5 6 7 | NOMENCLATURE | EFFECT FROM TO | UNITS PER ASSY | |
|------------------|-------------------------------------|----------------|--|----------------------------|----------------|--|
| 5 R R R | 580 | BRH10C3D | .NUT SUPPLIER CODE: V52828 SPECIFICATION NUMBER: BACN10JC3CD OPTIONAL PART: T6C1032JCD V11815 NS202486-02 V80539 102LH9075-3W V72962 H51650-3BAC V15653 | 101102 108120 504903 | 3 | |
| | 582 | MS21042L3 | .NUT | 002004 006102 107999 | 1 | |
| | 585 | BACC10DK10 | .CLAMP | 002004 006102 107999 | 7 | |
| | 591 | JM44LC13WS23R | .CLAMP SUPPLIER CODE: V22175 SPECIFICATION NUMBER: BACC10GE23 OPTIONAL PART: TA12C32WS23 V84971 509S23 V83930 S714WH23 V18076 | 002004 006102 107999 | 3 | |
| | 595 | NAS1922-0075-3 | .CLAMP | 002004 006102 107999 | 8 | |
| | 597 | BACC15AN10 | .CLIP | 002004 006102 107999 | 1 | |
| | 599 | BACB19F10S | .BLOCK | 002004 006102 107999 | 1 | |
| | 605 | 217N1017-19 | .TUBE-SMOKE DETECTOR TUBING MATERIAL: .375 IN. ID .675 IN. OD 35.0 IN. LG SILICON RUBBER | 002004 006102 107999 | 1 | |
| | MISSING ITEM NUMBERS NOT APPLICABLE | | | | | |

- ITEM NOT ILLUSTRATED

21-58-06-05

21-58-06
FIG. 05
PAGE 15
MAY 20/09

BRI



757

PARTS CATALOG (MAINTENANCE)

| FIG ITEM | PART NUMBER | 1 2 3 4 5 6 7 | NOMENCLATURE | EFFECT FROM TO | UNITS PER ASSY |
|----------|-------------|---------------|--|--------------------------------------|----------------|
| 5 | 612 | 217N1017-21 | .TUBE-SMOKE DETECTOR TUBING MATERIAL: .375 IN. ID .675 IN. OD 59.0 IN. LG SILICON RUBBER | 002004 006102 107999 | 1 |
| | 617 | 217N1017-20 | .TUBE-SMOKE DETECTOR TUBING MATERIAL: .375 IN. ID .675 IN. OD 28.0 IN. LG SILICON RUBBER | 002004 006102 107999 | 2 |
| | 620 | 2156-204A | .DETECTOR ASSY-SMOKE SUPPLIER CODE: V03972 ELECTRICAL EQUIP NUMBER: TS0164 TS5267 TS5268 COMPONENT MAINT MANUAL REF: 26-16-04 PRE ALERT SB: 26A0042 REWORKED BY ALERT SB: 26A0028 26A0028R1 REWORKED BY SB: 2156204A-26-02 V03972 FUNCTIONAL REFERENCE: PLACARDS AND MARKINGS FOR DETAILS SEE 11-37-14-01 FIRE PROTECTION FOR DETAILS SEE 26-16-01-05 | 002004 006010 107107 950999 | 3 |

MISSING ITEM NUMBERS NOT APPLICABLE

- ITEM NOT ILLUSTRATED

BRI

21-58-06-05

BOEING PROPRIETARY - Copyright © - Unpublished Work - See title page for details.

21-58-06
FIG. 05
PAGE 16
JAN 20/09



757

PARTS CATALOG (MAINTENANCE)

| FIG ITEM | PART NUMBER | 1 2 3 4 5 6 7 | NOMENCLATURE | EFFECT FROM TO | UNITS PER ASSY |
|-------------|-------------|---------------|---|----------------------------|----------------------|
| 5 621 | 2156-604 | | .DETECTOR ASSY-SMOKE SUPPLIER CODE: V03972 FUNCTIONAL DESCRIPTION: DETECTS SMOKE & PROVIDES AN OUTPUT SIGNAL TO THE FIRE/OVERHEAT LOGIC/TEST CARD ELECTRICAL EQUIP NUMBER: TS0164 TS5267 TS5268 COMPONENT MAINT MANUAL REF: 26-16-11 OPTIONAL PART: 2156-604A V03972 SERVICE BULLETIN OPT DATA: 2156-604A V03972 REFERENCE SERVICE BULLETIN: 26A0042 POST ALERT SB: 26A0042 QUALIFIED SB I/W DATA: 2156-604A OR 2156-604 CAN REPLACE BUT NOT BE REPLACED BY 2156-204 OR 2156-204A REWORKED BY SB: 2156-26-01 V03972 2156-26-02 V03972 FUNCTIONAL REFERENCE: PLACARDS AND MARKINGS FOR DETAILS SEE 11-37-14-01 FIRE PROTECTION FOR DETAILS SEE 26-16-01-05 | 002004 006102 107999 | 3 |

MISSING ITEM NUMBERS NOT APPLICABLE

- ITEM NOT ILLUSTRATED

BRI

21-58-06-05

BOEING PROPRIETARY - Copyright © - Unpublished Work - See title page for details.

21-58-06
FIG. 05
PAGE 17
JAN 20/09



757

PARTS CATALOG (MAINTENANCE)

| FIG ITEM | PART NUMBER | 1 2 3 4 5 6 7 | NOMENCLATURE | EFFECT FROM TO | UNITS PER ASSY |
|----------|--------------|---------------|---|----------------------------|----------------|
| 5 621 | 2156-604A | | .DETECTOR ASSY-SMOKE SUPPLIER CODE: V03972 FUNCTIONAL DESCRIPTION: DETECTS SMOKE & PROVIDES AN OUTPUT SIGNAL TO THE FIRE/OVERHEAT LOGIC/TEST CARD ELECTRICAL EQUIP NUMBER: TS0164 TS5267 TS5268 COMPONENT MAINT MANUAL REF: 26-16-11 OPTIONAL PART: 2156-604 V03972 SERVICE BULLETIN OPT DATA: 2156-604 V03972 REFERENCE SERVICE BULLETIN: 26A0042 POST ALERT SB: 26A0042 QUALIFIED SB I/W DATA: 2156-604A OR 2156-604 CAN REPLACE BUT NOT BE REPLACED BY 2156-204 OR 2156-204A FUNCTIONAL REFERENCE: PLACARDS AND MARKINGS FOR DETAILS SEE 11-37-14-01 FIRE PROTECTION FOR DETAILS SEE 26-16-01-05 ATTACHING PARTS | 002004 006102 107999 | 3 |
| - 625 | BACS12FA08K7 | | .SCREW | 002004 006102 107999 | 12 |
| 627 | BAC27NEC0117 | | -----*----- .DECAL- PLACARD CONTENT: TS5268 DETECTOR, SMOKE | 108120 | 1 |
| 629 | BAC27NEC0116 | | .DECAL- PLACARD CONTENT: TS5267 DETECTOR, SMOKE | 108120 | 1 |

MISSING ITEM NUMBERS NOT APPLICABLE

- ITEM NOT ILLUSTRATED

21-58-06-05

21-58-06
FIG. 05
PAGE 18
JAN 20/09

BRI

BOEING
757
PARTS CATALOG (MAINTENANCE)

| FIG ITEM | PART NUMBER | 1 2 3 4 5 6 7 | NOMENCLATURE | EFFECT FROM TO | UNITS PER ASSY |
|----------|--------------|---------------|---|--------------------------------------|----------------|
| 5 | | | | | |
| 631 | 217N1043-8 | . | BRACKET ASSY- | 017102 108120 504903 | 1 |
| 631 | 217N1043-14 | . | BRACKET ASSY- POST SERVICE BULLETIN: 21-0050R1 | 002004 006102 107107 121999 | 1 |
| R 631 | 217N1043-16 | . | BRACKET ASSY ATTACHING PARTS | 108120 | 1 |
| - 635 | BACR15BA5D | . | RIVET- SIZE DETERMINED ON INSTL. | 002004 006102 107999 | 11 |
| | | | -----*----- | | |
| 640 | BACR15BA4D | .. | RIVET- SIZE DETERMINED ON INSTL. | 002004 006102 107107 121999 | 4 |
| 640 | BACR15BA4DC | .. | RIVET- SIZE DETERMINED ON INSTL. | 108120 | 4 |
| 645 | BACR15BB5D | .. | RIVET- SIZE DETERMINED ON INSTL. OPTIONAL PART: BACR15BB5ADC | 002004 006102 107107 121999 | 5 |
| 645 | BACR15BB5ADC | .. | RIVET- SIZE DETERMINED ON INSTL. OPTIONAL PART: BACR15BB5D | 002004 006102 107107 121999 | 5 |
| 645 | BACR15BB5DC | .. | RIVET- SIZE DETERMINED ON INSTL. | 108120 | 5 |
| 650 | 217N1043-4 | .. | BRACKET | 002004 006102 107999 | 1 |
| R 656 | 217N1043-12 | .. | BRACKET | 002004 006102 107999 | 1 |
| R 661 | 217N1043-9 | .. | BRACKET | 002004 006102 107999 | 1 |
| R 665 | BAC27NEC0116 | .. | DECAL- PLACARD CONTENT: TS5267 DETECTOR, SMOKE | 017102 108120 504903 | 1 |
| R 665 | BAC27NEC0117 | .. | DECAL- PLACARD CONTENT: TS5268 DETECTOR, SMOKE POST SERVICE BULLETIN: 21-0050R1 | 002004 006102 107107 121999 | 1 |
| R 670 | BAC27NEC0117 | .. | DECAL- PLACARD CONTENT: TS5268 DETECTOR, SMOKE | 017102 108120 504903 | 1 |

MISSING ITEM NUMBERS NOT APPLICABLE

- ITEM NOT ILLUSTRATED

BRI

21-58-06-05

21-58-06
FIG. 05
PAGE 19
MAY 20/09



757

PARTS CATALOG (MAINTENANCE)

| FIG ITEM | PART NUMBER | 1 2 3 4 5 6 7 | NOMENCLATURE | EFFECT FROM TO | UNITS PER ASSY |
|-------------|---------------|---------------|--|--|----------------|
| 5 | | | | | |
| 670 | BAC27NEC0116 | .. | DECAL- PLACARD CONTENT: TS5267 DETECTOR, SMOKE POST SERVICE BULLETIN: 21-0050R1 | 002004 006102 107107 121999 | 1 |
| 672 | BRF200A08 | .. | NUTPLATE SUPPLIER CODE: V52828 SPECIFICATION NUMBER: BACN10JR08F OPTIONAL PART: NS103203-82 V80539 RMF9201-82 V72962 VN152A1-82 V92215 T8091S832 V11815 F5000-08BAC V15653 ATTACHING PARTS | 002004 006102 107999 | 8 |
| - 673 | BACR15BA3AD | .. | RIVET- SIZE DETERMINED ON INSTL. | 002004 006102 107107 121999 | 16 |
| - 673 | BACR15BA3ADC | .. | RIVET- SIZE DETERMINED ON INSTL. -----*----- | 108120 | 16 |
| R R R | 675 | 217N1043-10 | .BRACKET ASSY ATTACHING PARTS | 002004 006102 107999 | 1 |
| - 680 | BACB30NM3K2 | . | BOLT | 002004 006102 107999 | 4 |
| - 685 | AN960KD10L | . | WASHER | 002004 006100 107107 121503 904999 | 4 |
| - 685 | NAS1149D0332J | . | WASHER | 101102 108120 504903 | 4 |

MISSING ITEM NUMBERS NOT APPLICABLE

- ITEM NOT ILLUSTRATED

21-58-06-05

21-58-06
FIG. 05
PAGE 20
MAY 20/09

BRI

BOEING PROPRIETARY - Copyright © - Unpublished Work - See title page for details.



757

PARTS CATALOG (MAINTENANCE)

| FIG ITEM | PART NUMBER | 1 2 3 4 5 6 7 | NOMENCLATURE | EFFECT FROM TO | UNITS PER ASSY |
|------------|---------------|---|---|--|----------------|
| 5 - 690 | BRH10A3 | .NUT | SUPPLIER CODE: V52828 SPECIFICATION NUMBER: BACN10JC3 OPTIONAL PART: H10-3BAC V15653 NS202101-02 V80539 RMLH9075-3W V72962 VN303A02 V92215 96-02 V80539 T6S1032J V11815 | 002004 006100 107107 121503 904999 | 4 |
| - 690 | BRH10C3D | .NUT | SUPPLIER CODE: V52828 SPECIFICATION NUMBER: BACN10JC3CD OPTIONAL PART: T6C1032JCD V11815 NS202486-02 V80539 102LH9075-3W V72962 H51650-3BAC V15653 | 101102 108120 504903 | 4 |
| 695 | BAC27NEC0108 | ..DECAL- | PLACARD CONTENT: TS164 DETECTOR, SMOKE | 002004 006102 107999 | 1 |
| - 700 | 286N4004-004 | WIRE BUNDLE ASSY-(AIR CONDITIONING ONLY) | | 002004 006100 103107 121999 | RF |
| - 700 | 286N4004-302 | WIRE BUNDLE ASSY-(AIR CONDITIONING ONLY) | | 101102 108120 | RF |
| 705 | BACC45FT18D8S | .CONNECTOR- | ELECTRICAL EQUIP NUMBER: D02592 WIRING DIAGRAM REF: 212511 | 002004 006100 103107 121999 | 1 |

MISSING ITEM NUMBERS NOT APPLICABLE

- ITEM NOT ILLUSTRATED

21-58-06-05

21-58-06
FIG. 05
PAGE 21
JAN 20/09

BRI



757

PARTS CATALOG (MAINTENANCE)

| FIG ITEM | PART NUMBER | 1 2 3 4 5 6 7 | NOMENCLATURE | EFFECT FROM TO | UNITS PER ASSY |
|----------|----------------|---------------|--|--------------------------------------|----------------|
| 5 | | | | | |
| 710 | BACC45FT12A12S | . | CONNECTOR- ELECTRICAL EQUIP NUMBER: D00580 WIRING DIAGRAM REF: 215812 | 002004 006100 103107 121999 | 1 |
| 715 | BACC45FT12D12S | . | CONNECTOR- ELECTRICAL EQUIP NUMBER: D00578 WIRING DIAGRAM REF: 215812 | 002004 006100 103107 121999 | 1 |
| - 750 | 286N4228-013 | | WIRE BUNDLE ASSY- REWORKED BY SB: 21-0050 | 107107 | 1 |
| 760 | BACC45FT12A12S | . | CONNECTOR- ELECTRICAL EQUIP NUMBER: D05634 D05632 WIRING DIAGRAM REF: 215812 POST SERVICE BULLETIN: 21-0050 | 107107 | 2 |
| 900 | | | ILLUSTRATION REFERENCE: DUCT INSTL-CAB. AIR RECIRCULATION 21-25-05-01 | 002004 006107 121999 | RF |
| 905 | | | ILLUSTRATION REFERENCE: DUCT INSTL-INSTR AND FWD ELECTRONICS COOLING EXH 21-58-08-21 | 002004 006107 121999 | RF |

MISSING ITEM NUMBERS NOT APPLICABLE

- ITEM NOT ILLUSTRATED

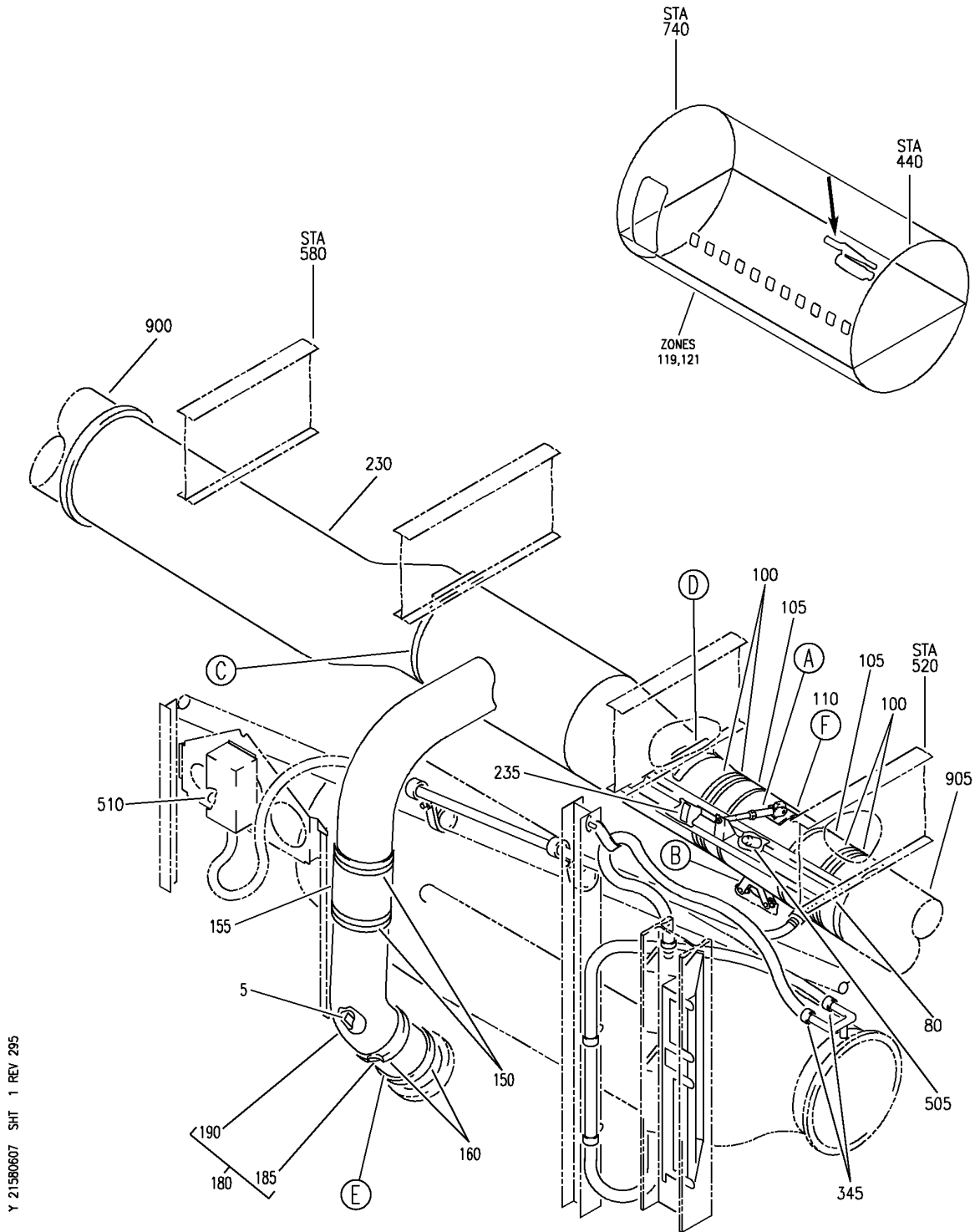
BRI

21-58-06-05

BOEING PROPRIETARY - Copyright © - Unpublished Work - See title page for details.

21-58-06
FIG. 05
PAGE 22
JAN 20/09

BOEING
757
PARTS CATALOG (MAINTENANCE)



Y 21580607 SHT 1 REV 295

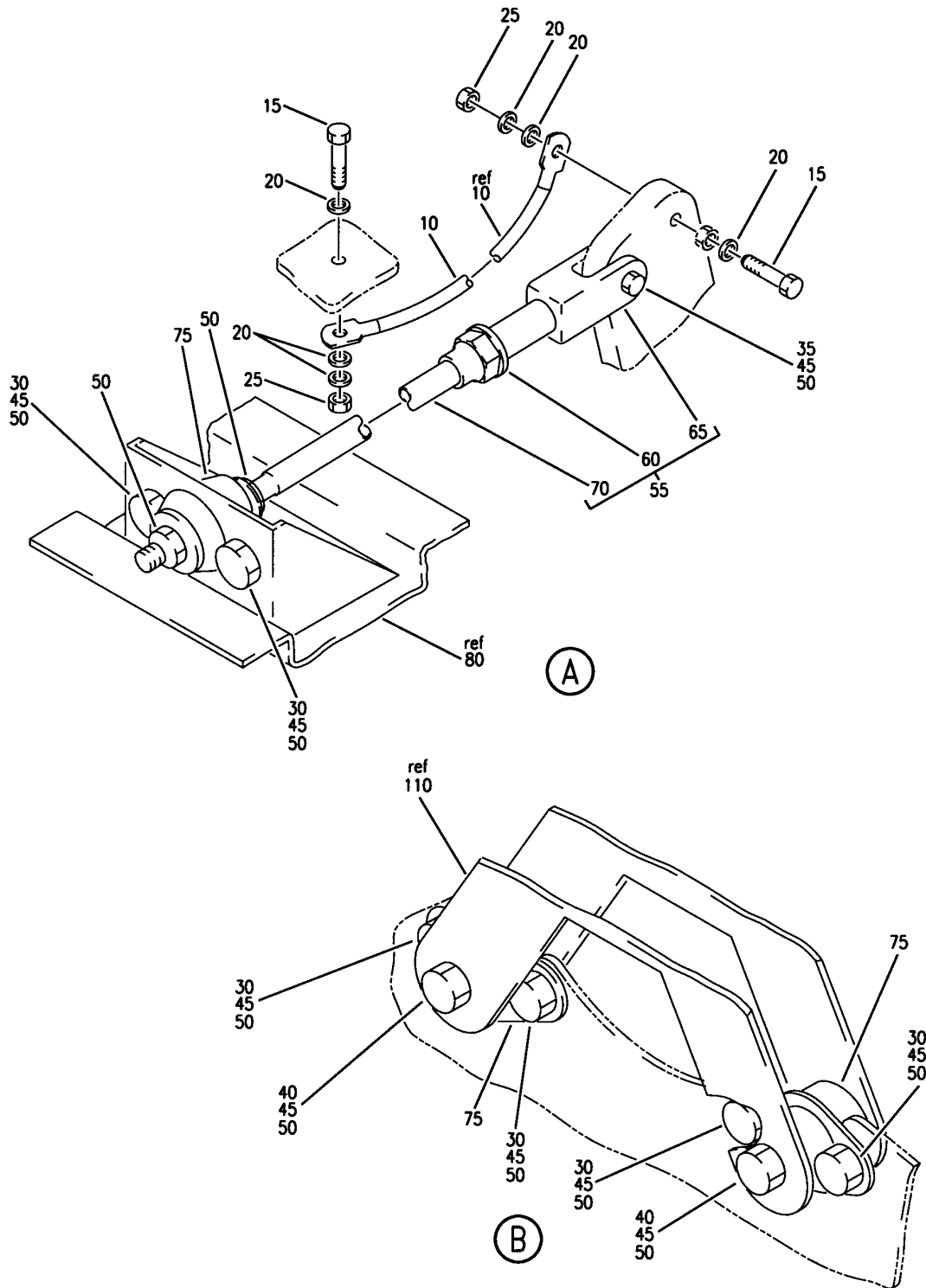
HEAT SINK INSTL-ELECTRICAL/ ELECTRONIC COMPT AIR EXH AND SMOKE (AIR CONDITIONING ONLY)
FIGURE 7 (SHEET 1)

BRI
JAN 20/09

21-58-06-07

21-58-06-07
PAGE 0

BOEING
757
PARTS CATALOG (MAINTENANCE)



Y 21580607 SHT 2 REV 208

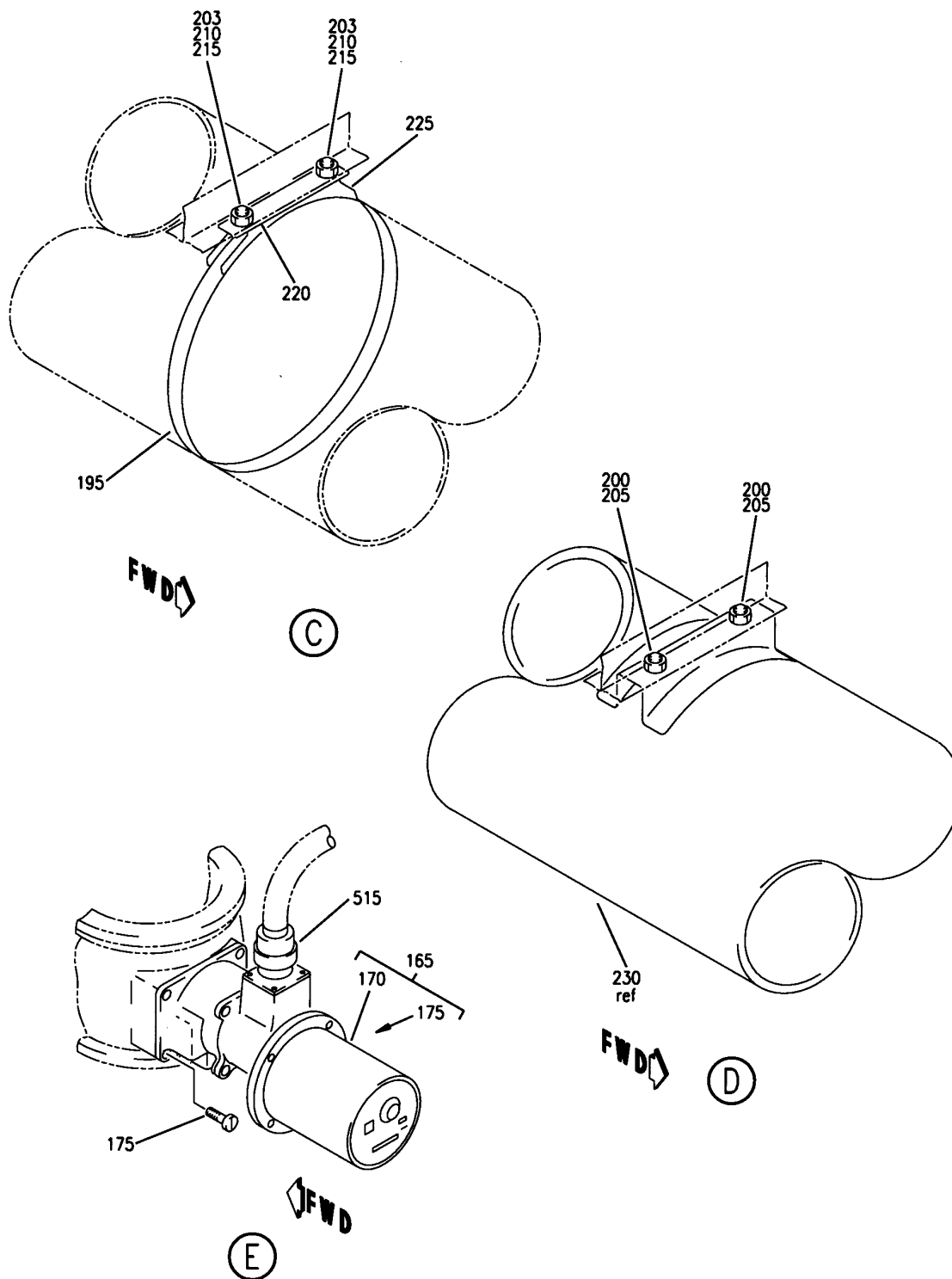
HEAT SINK INSTL-ELECTRICAL/ ELECTRONIC COMPT AIR EXH AND SMOKE (AIR CONDITIONING ONLY)
FIGURE 7 (SHEET 2)

BRI
JAN 20/09

21-58-06-07

21-58-06-07
PAGE 0A

BOEING
757
PARTS CATALOG (MAINTENANCE)



Y 21580607 SHT 3 REV 206

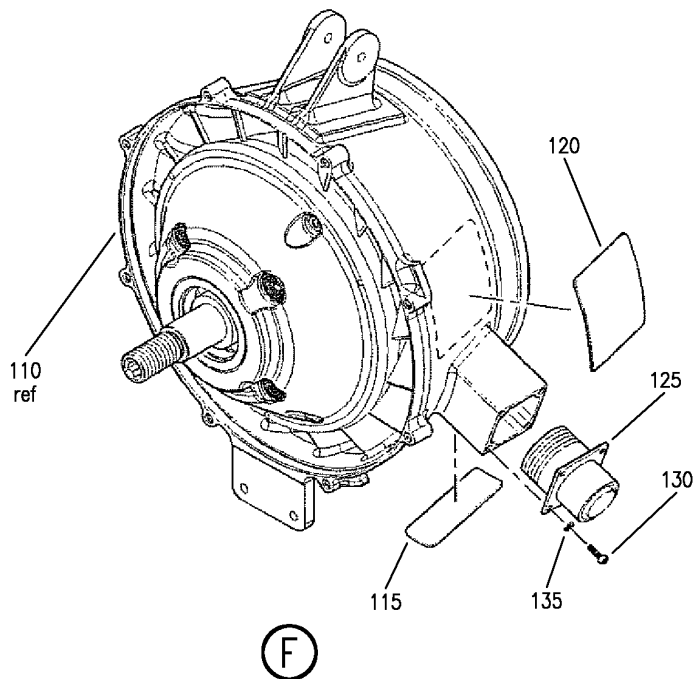
HEAT SINK INSTL-ELECTRICAL/ ELECTRONIC COMPT AIR EXH AND SMOKE (AIR CONDITIONING ONLY)
FIGURE 7 (SHEET 3)

BRI
JAN 20/09

21-58-06-07

21-58-06-07
PAGE 08

BOEING
757
PARTS CATALOG (MAINTENANCE)



Y 21580607 SH1 4 REV 295

HEAT SINK INSTL-ELECTRICAL/ ELECTRONIC COMPT AIR EXH AND SMOKE (AIR CONDITIONING ONLY)
FIGURE 7 (SHEET 4)

BRI
JAN 20/09

21-58-06-07

21-58-06-07
PAGE 0C



757

PARTS CATALOG (MAINTENANCE)

| FIG ITEM | PART NUMBER | 1 2 3 4 5 6 7 | NOMENCLATURE | EFFECT FROM TO | UNITS PER ASSY |
|----------|---------------|---------------|--|----------------|----------------|
| 7 | | | HEAT SINK INSTL-ELECTRICAL/ ELECTRONIC COMPT AIR EXH AND SMOKE (AIR CONDITIONING ONLY) | 103106 | |
| - 1 | MODREF5630 | | HEAT SINK INSTL-ELECTRICAL/ ELECTRONIC COMPT AIR EXH MODULE NUMBER: 217N1017-26 REV A FOR OTHER SYS DETAILS SEE: 11-36-26-01 | 103106 | 1 |
| 5 | BAC27NEC0021 | | .DECAL- PLACARD CONTENT: V95 VALVE, OVERBOARD EXHAUST | 103106 | 1 |
| 10 | 740A20-12 | | .JUMPER ASSY SUPPLIER CODE: V91812 SPECIFICATION NUMBER: BACJ40A20-12 OPTIONAL PART: TJEJ40A20-12 V33483 RBEJ20-12 V1GK47 | 103106 | 1 |
| | | | ATTACHING PARTS | | |
| R 15 | NAS1801-3-10 | | .SCREW | 103106 | 1 |
| R 20 | NAS1149D0316H | | .WASHER | 103106 | 3 |
| 25 | MS21042L3 | | .NUT | 103106 | 1 |
| | | | -----*----- | | |
| 30 | BACB30NM3K3 | | .BOLT | 103106 | 6 |
| 35 | BACB30NM3K8 | | .BOLT | 103106 | 1 |
| 40 | BACB30NM3K18 | | .BOLT | 103106 | 2 |
| 45 | NAS1149V0332M | | .WASHER | 103106 | 9 |
| 50 | PLH53CD | | .NUT | 103106 | 11 |
| | | | SUPPLIER CODE: VF0224 SPECIFICATION NUMBER: BACN10YR3CD OPTIONAL PART: H52732-3CD V15653 | | |
| 55 | 217N1147-2 | | .ROD ASSY | 103106 | 1 |
| 60 | NAS1805-4N | | ..NUT | 103106 | 1 |
| 65 | MS27975-2 | | ..CLEVIS | 103106 | 1 |
| 70 | 217N1146-2 | | ..ROD | 103106 | 1 |

MISSING ITEM NUMBERS NOT APPLICABLE

- ITEM NOT ILLUSTRATED

BRI

21-58-06-07

BOEING PROPRIETARY - Copyright © - Unpublished Work - See title page for details.

21-58-06
FIG. 07
PAGE 1
MAY 20/09



757

PARTS CATALOG (MAINTENANCE)

| FIG ITEM | PART NUMBER | 1 2 3 4 5 6 7 | NOMENCLATURE | EFFECT FROM TO | UNITS PER ASSY |
|----------|----------------|---------------|---|----------------|----------------|
| 7 | | | | | |
| 75 | 27748-1 | | .ISOLATOR- SUPPLIER CODE: V13636 QUALIFIED I/W DATA: PN 27748-1 CAN REPLACE BUT NOT BE REPLACED BY PN 93696-1 FOR 757 AND 767 ONLY. | 103106 | 3 |
| 80 | 217N1312-1 | | .BRACKET ATTACHING PARTS | 103106 | 1 |
| - 85 | BACB30NM3K3 | | .BOLT | 103106 | 4 |
| - 90 | NAS1149V0363K | | .WASHER | 103106 | 4 |
| - 95 | PLH53CD | | .NUT SUPPLIER CODE: VF0224 SPECIFICATION NUMBER: BACN10YR3CD OPTIONAL PART: H52732-3CD V15653 -----*----- | 103106 | 4 |
| R 100 | NAS1922-0625-1 | | .CLAMP- | 103106 | 4 |
| R 100 | NAS1922-0625-3 | | .CLAMP- | 103106 | 4 |
| 105 | BACD40R26A41 | | .HOSE | 103106 | 2 |
| 110 | 645507-2 | | .FAN- SUPPLIER CODE: V70210 FUNCTIONAL DESCRIPTION: PROVIDES AIR CIRCULATION IN VARIOUS ENVIRONMENTAL CONTROL APPLICATIONS. SPECIFICATION NUMBER: S210W003-9 ELECTRICAL EQUIP NUMBER: B00013 COMPONENT MAINT MANUAL REF: 21-26-26 | 103106 | 1 |
| 115 | 2356951-1 | | ..PLATE-IDENT SUPPLIER CODE: V70210 | 103106 | 1 |
| 120 | 2356914-1 | | ..LABEL-SCHEM SUPPLIER CODE: V70210 | 103106 | 1 |
| 125 | 606668-1 | | ..CONNECTOR- SUPPLIER CODE: V70210 | 103106 | 1 |
| 130 | NAS1352N04-6 | | ATTACHING PARTS ..SCREW | 103106 | 4 |

MISSING ITEM NUMBERS NOT APPLICABLE

- ITEM NOT ILLUSTRATED

21-58-06-07

21-58-06
FIG. 07
PAGE 2
MAY 20/09

BRI



757

PARTS CATALOG (MAINTENANCE)

| FIG ITEM | PART NUMBER | 1 2 3 4 5 6 7 | NOMENCLATURE | EFFECT FROM TO | UNITS PER ASSY |
|----------|-----------------|---------------|--|----------------|----------------|
| 7 | | | | | |
| 135 | NAS620C4 | . . | WASHER -----*----- | 103106 | 4 |
| 150 | NAS1922-0400-1 | . . | CLAMP | 103106 | 2 |
| 155 | BOE2027-16D0060 | . . | HOSE SUPPLIER CODE: V16632 SPECIFICATION NUMBER: AS1503-16D0060 | 103106 | 1 |
| 160 | NH135008-0400 | . . | COUPLING SUPPLIER CODE: V00624 SPECIFICATION NUMBER: BACC10HX400 | 103106 | 2 |
| 165 | 5669-18 | . . | VALVE ASSY-AEROMATIC SUPPLIER CODE: V45153 SPECIFICATION NUMBER: 60B40041-3 ELECTRICAL EQUIP NUMBER: V00095 COMPONENT MAINT MANUAL REF: 36-11-01 | 103106 | 1 |
| 170 | 14400-3 | . . | ACTUATOR ASSY- SUPPLIER CODE: V99167 OPTIONAL PART: 14400-6 V99167 | 103106 | 1 |
| 170 | 14400-6 | . . | ACTUATOR ASSY- SUPPLIER CODE: V99167 OPTIONAL PART: 14400-3 V99167 ATTACHING PARTS | 103106 | 1 |
| 175 | MS35275-246 | . . | SCREW- CONFIG CHG DATA FROM A CMM: SUPSD BY AN500D8-10 | 103106 | 4 |
| 175 | AN500D8-10 | . . | SCREW- CONFIG CHG DATA FROM A CMM: SUPSD BY 900363-124 | 103106 | 4 |
| 175 | 900363-124 | . . | SCREW-PHILIPS HEAD SUPPLIER CODE: V99167 CONFIG CHG DATA FROM A CMM: SUPERSEDES AN500D8-10 SUPERSEDES MS35275-246 -----*----- | 103106 | 4 |
| 180 | 217N1129-1 | . . | DUCT ASSY | 103106 | 1 |

MISSING ITEM NUMBERS NOT APPLICABLE

- ITEM NOT ILLUSTRATED

21-58-06-07

21-58-06
FIG. 07
PAGE 3
MAY 20/09

BRI

BOEING PROPRIETARY - Copyright © - Unpublished Work - See title page for details.



757

PARTS CATALOG (MAINTENANCE)

| FIG ITEM | PART NUMBER | 1 2 3 4 5 6 7 | NOMENCLATURE | EFFECT FROM TO | UNITS PER ASSY |
|----------|----------------|---------------|---|----------------|----------------|
| 7 185 | 15J03-400 | .. | FLANGE- SUPPLIER CODE: V89513 OPTIONAL PART: 2904AM400 V94581 NK130004-0400 V98625 | 103106 | 1 |
| 185 | 2904AM400 | .. | FLANGE- SUPPLIER CODE: V94581 OPTIONAL PART: 15J03-400 V89513 NK130004-0400 V98625 | 103106 | 1 |
| 185 | NK130004-0400 | .. | FLANGE- SUPPLIER CODE: V98625 OPTIONAL PART: 15J03-400 V89513 2904AM400 V94581 | 103106 | 1 |
| 190 | 217N1129-2 | .. | DUCT | 103106 | 1 |
| 195 | NAS1922-0825-1 | . | CLAMP | 103106 | 1 |
| 200 | BACB30NM3K3 | . | BOLT | 103106 | 2 |
| 203 | BACB30VF3K3 | . | BOLT | 103106 | 2 |
| 205 | NAS1149V0363M | . | WASHER | 103106 | 2 |
| 210 | NAS1149V0332M | . | WASHER | 103106 | 2 |
| 215 | BRH10C3D | . | NUT SUPPLIER CODE: V52828 SPECIFICATION NUMBER: BACN10JC3CD OPTIONAL PART: T6C1032JCD V11815 NS202486-02 V80539 102LH9075-3W V72962 H51650-3BAC V15653 | 103106 | 2 |
| 220 | 214N1063-3 | . | BRACKET- OPTIONAL PART: 214N1063-7 | 103106 | 1 |

R
R
R
R
R
R
R
R
R
R
R
R
R

MISSING ITEM NUMBERS NOT APPLICABLE

- ITEM NOT ILLUSTRATED

21-58-06-07

21-58-06
FIG. 07
PAGE 4
MAY 20/09

BRI



757

PARTS CATALOG (MAINTENANCE)

| FIG ITEM | PART NUMBER | 1 2 3 4 5 6 7 | NOMENCLATURE | EFFECT FROM TO | UNITS PER ASSY |
|----------|----------------|---------------|---|----------------|----------------|
| 7 | | | | | |
| 220 | 214N1063-7 | | .BRACKET- OPTIONAL PART: 214N1063-3 | 103106 | 1 |
| 225 | 214N1051-11 | | .SUPPORT | 103106 | 1 |
| 230 | 217N1226-3 | | .DUCT ASSY | 103106 | 1 |
| 235 | BACT11AGE4FW | | ..TAPE-IDENT | 103106 | 2 |
| - 500 | 286N4004-302 | | WIRE BUNDLE ASSY-(AIR CONDITIONING ONLY) | 103106 | RF |
| 505 | BACC45FT18D8S | | .CONNECTOR- ELECTRICAL EQUIP NUMBER: D02592 WIRING DIAGRAM REF: 212511 | 103106 | 1 |
| 510 | BACC45FT12A12S | | .CONNECTOR- ELECTRICAL EQUIP NUMBER: D00580 WIRING DIAGRAM REF: 215812 | 103106 | 1 |
| 515 | BACC45FT12D12S | | .CONNECTOR- ELECTRICAL EQUIP NUMBER: D00578 WIRING DIAGRAM REF: 215812 | 103106 | 1 |
| 905 | | | ILLUSTRATION REFERENCE: DUCT INSTL-INSTR AND FWD ELECTRONICS COOLING EXH 21-58-08-21 | 103106 | RF |

MISSING ITEM NUMBERS NOT APPLICABLE

- ITEM NOT ILLUSTRATED

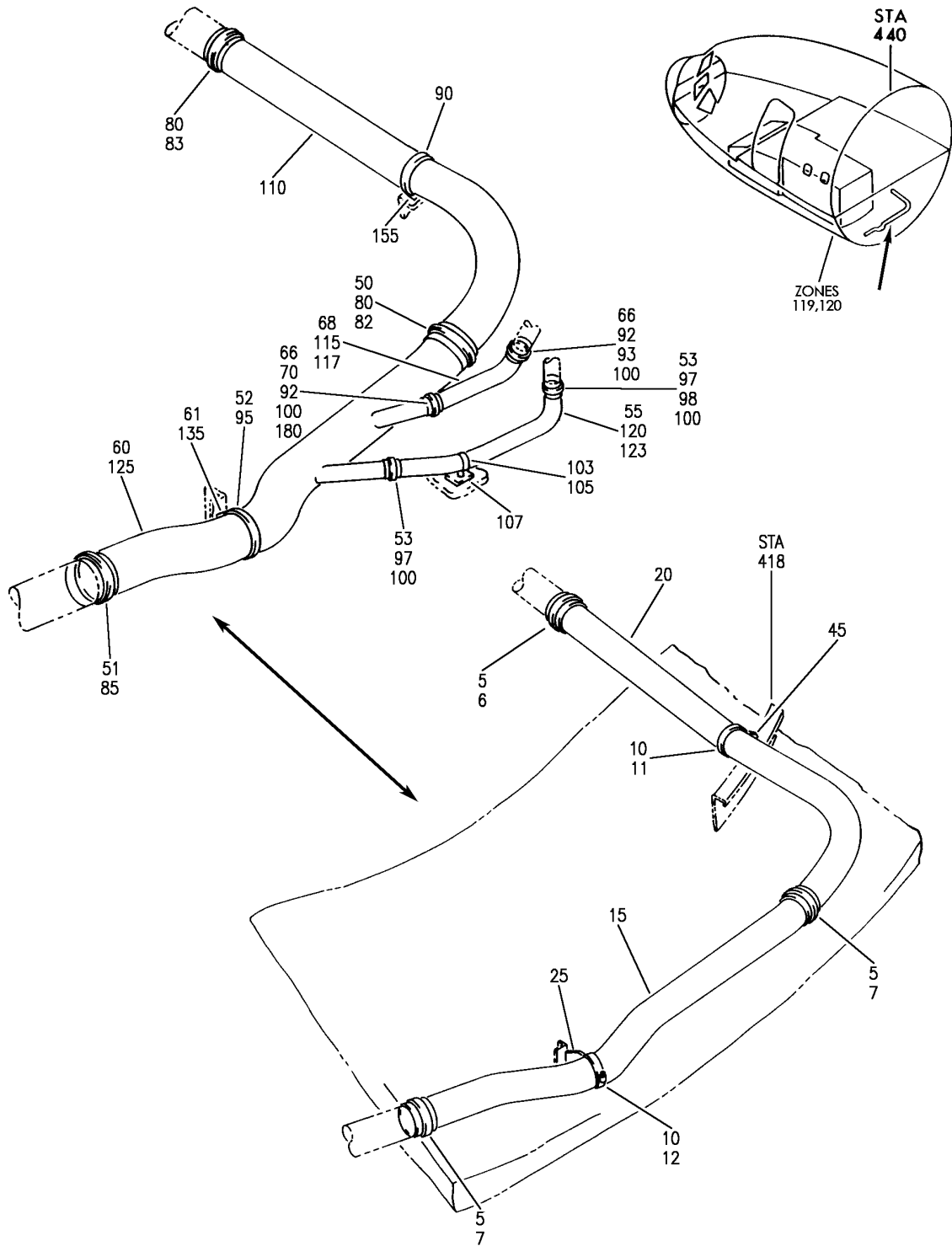
BRI

21-58-06-07

BOEING PROPRIETARY - Copyright © - Unpublished Work - See title page for details.

21-58-06
FIG. 07
PAGE 5
JAN 20/09

BOEING
757
PARTS CATALOG (MAINTENANCE)



Y 21580802 REV 323

DUCT INSTL-STA 431.5 E/E COOLING AIR SUPPLY
FIGURE 2

21-58-08-02

BRI
MAY 20/08

21-58-08-02
PAGE 0



757

PARTS CATALOG (MAINTENANCE)

| FIG ITEM | PART NUMBER | 1 2 3 4 5 6 7 | NOMENCLATURE | EFFECT FROM TO | UNITS PER ASSY |
|----------|---------------|---------------|--|------------------|----------------|
| 2 | | | DUCT INSTL-STA 431.5 E/E COOLING AIR SUPPLY | 002004 006999 | |
| - 1 | 217N1009-1 | | DUCT INSTL-E/E COOLING AIR SUPPLY POSITION DATA: STA 431.5 FOR NHA SEE: 21-00-00-04 | 950951 | RF |
| - 1 | 217N1009-4 | | DUCT INSTL-E/E COOLING AIR SUPPLY POSITION DATA: STA 431.5 FOR NHA SEE: 21-00-00-12 | 504903 | RF |
| 5 | 15J02-400 | | .CLAMP ASSY- SUPPLIER CODE: V89513 OPTIONAL PART: 32317AA400 V94581 NH135008-0400 V00624 | 504903 950951 | 3 |
| 5 | 32317AA400 | | .COUPLING- SUPPLIER CODE: V94581 OPTIONAL PART: 15J02-400 V89513 NH135008-0400 V00624 | 504903 950951 | 3 |
| 5 | NH135008-0400 | | .COUPLING- SUPPLIER CODE: V00624 OPTIONAL PART: 15J02-400 V89513 32317AA400 V94581 | 504903 950951 | 3 |
| 10 64 | | | .CLAMP- SUPPLIER CODE: V7Z588 SPECIFICATION NUMBER: STBC10GG146 OPTIONAL PART: WWD146H V66295 | 504903 950951 | 2 |
| 15 | 217N1075-1 | | .DUCT ASSY- | 950951 | 1 |
| 15 | 217N1075-3 | | .DUCT ASSY- NOT APPROVED FOR ETOPS. | 504903 950951 | 1 |

MISSING ITEM NUMBERS NOT APPLICABLE

- ITEM NOT ILLUSTRATED

21-58-08-02

21-58-08
FIG. 02
PAGE 1
JAN 20/09

BRI



757

PARTS CATALOG (MAINTENANCE)

| FIG ITEM | PART NUMBER | 1 2 3 4 5 6 7 | NOMENCLATURE | EFFECT FROM TO | UNITS PER ASSY |
|----------|---------------|---------------|---|----------------|----------------|
| 2 | | | | | |
| 20 | 217N1076-1 | . | DUCT ASSY- | 950951 | 1 |
| 20 | 217N1076-3 | . | DUCT ASSY- | 504903 | 1 |
| | | | | 950951 | |
| 25 | 214T3424-6 | . | SUPPORT- | 504903 | 1 |
| | | | | 950951 | |
| | | | ATTACHING PARTS | | |
| - 30 | BACB30NM3K11 | . | BOLT- | 504903 | 2 |
| | | | SUPPLIER CODE: | 950951 | |
| | | | V06710 | | |
| | | | SPECIFICATION NUMBER: | | |
| | | | BACB30NM3K11 | | |
| - 32 | NAS43DD3-32 | . | SPACER | 950951 | 2 |
| - 32 | NAS43DD3-32FC | . | SPACER | 504903 | 2 |
| - 35 | AN960KD10 | . | WASHER- | 950951 | 2 |
| - 35 | NAS1149D0363J | . | WASHER | 504903 | 2 |
| - 40 | NAS1805-3N | . | NUT- | 950951 | 2 |
| - 40 | NAS1805-3L | . | NUT | 504903 | 2 |
| | | | -----*----- | | |
| 45 | 214N1051-6 | . | SUPPORT-DUCT | 504903 | 1 |
| | | | | 950951 | |
| | | | ATTACHING PARTS | | |
| - 46 | BACB30PW4-3 | . | BOLT | 504903 | 2 |
| | | | | 950951 | |
| - 47 | BACW10BN3SP | . | WASHER | 504903 | 2 |
| | | | | 950951 | |
| - 48 | AN960KD416L | . | WASHER- | 950951 | 2 |
| - 48 | NAS1149D0416J | . | WASHER | 504903 | 2 |
| - 49 | NAS1805-3N | . | NUT- | 950951 | 2 |
| - 49 | NAS1805-3L | . | NUT | 504903 | 2 |
| - 60 | NAS1149D0416J | . | WASHER | 504903 | 2 |
| - 65 | NAS1805-3L | . | NUT | 504903 | 2 |
| | | | -----*----- | | |
| - 75 | 217N1009-2 | | DUCT INSTL-ELECTRICAL/ ELECTRONICS COOLING AIR SUPPLY | 904949 | RF |
| | | | POSITION DATA: | 952952 | |
| | | | STA 431.5 | | |
| | | | FOR NHA SEE: | | |
| | | | 21-00-00-04 | | |
| - 75 | 217N1009-3 | | DUCT INSTL-ELECTRICAL/ ELECTRONICS COOLING AIR SUPPLY | 002004 | RF |
| | | | POSITION DATA: | 006102 | |
| | | | STA 431.5 | 108503 | |
| | | | FOR NHA SEE: | 953999 | |
| | | | 21-00-00-04 | | |
| | | | 21-00-00-12 | | |
| | | | 21-00-00-15 | | |

MISSING ITEM NUMBERS NOT APPLICABLE

- ITEM NOT ILLUSTRATED

BRI

21-58-08-02

21-58-08
FIG. 02
PAGE 2
JAN 20/09



757

PARTS CATALOG (MAINTENANCE)

| FIG ITEM | PART NUMBER | 1 2 3 4 5 6 7 | NOMENCLATURE | EFFECT FROM TO | UNITS PER ASSY |
|----------|-------------|---------------|--|----------------------------|----------------|
| 2 | | | | | |
| - 75 | MODREF21376 | | DUCT INSTL-ELECTRICAL/ ELECTRONICS COOLING AIR SUPPLY MODULE NUMBER: 217N1009-6 REV A POSITION DATA: STA 431.5 | 103106 | 1 |
| - 75 | 217N1009-1 | | DUCT INSTL-ELECTRICAL/ ELECTRONICS COOLING AIR SUPPLY POSITION DATA: STA 431.5 REWORK DRAWING REF: 217N1044-5 REWORKED BY SB: 24-0048 FOR NHA SEE: 21-00-00-04 | 107107 | RF |
| 80 | 15J02-400 | | .CLAMP ASSY- SUPPLIER CODE: V89513 OPTIONAL PART: 32317AA400 V94581 NH135008-0400 V00624 SERVICE BULLETIN OPT DATA: 32317AA400 V94581 NH135008-0400 V00624 | 107107 904949 952952 | 2 |
| 80 | 32317AA400 | | .COUPLING- SUPPLIER CODE: V94581 OPTIONAL PART: 15J02-400 V89513 NH135008-0400 V00624 SERVICE BULLETIN OPT DATA: 15J02-400 V89513 NH135008-0400 V00624 | 107107 904949 952952 | 2 |

MISSING ITEM NUMBERS NOT APPLICABLE

- ITEM NOT ILLUSTRATED

BRI

21-58-08-02

BOEING PROPRIETARY - Copyright © - Unpublished Work - See title page for details.

21-58-08
FIG. 02
PAGE 3
JAN 20/09



757

PARTS CATALOG (MAINTENANCE)

| FIG ITEM | PART NUMBER | 1 2 3 4 5 6 7 | NOMENCLATURE | EFFECT FROM TO | UNITS PER ASSY |
|----------|---------------|---------------|---|--------------------------------------|----------------|
| 2 | | | | | |
| 80 | NH135008-0400 | .COUPLING- | SUPPLIER CODE: V00624 | 107107 904949 952952 | 2 |
| | | | OPTIONAL PART: 15J02-400 V89513 32317AA400 V94581 | | |
| | | | SERVICE BULLETIN OPT DATA: 15J02-400 V89513 32317AA400 V94581 | | |
| 80 | NH135008-0400 | .COUPLING | SUPPLIER CODE: V00624 | 002004 006106 108503 953999 | 2 |
| | | | SPECIFICATION NUMBER: BACC10HX400 | | |
| 85 | 15J02-500 | .CLAMP- | SUPPLIER CODE: V89513 | 107107 904949 952952 | 1 |
| | | | OPTIONAL PART: 32317AA500 V94581 NH135008-0500 V98625 | | |
| | | | SERVICE BULLETIN OPT DATA: 32317AA500 V94581 NH135008-0500 V98625 | | |
| 85 | 32317AA500 | .CLAMP- | SUPPLIER CODE: V94581 | 107107 904949 952952 | 1 |
| | | | OPTIONAL PART: 15J02-500 V89513 NH135008-0500 V98625 | | |
| | | | SERVICE BULLETIN OPT DATA: 15J02-500 V89513 NH135008-0500 V98625 | | |

R
R
R
R
R

MISSING ITEM NUMBERS NOT APPLICABLE

- ITEM NOT ILLUSTRATED

21-58-08-02

21-58-08
FIG. 02
PAGE 4
MAY 20/09

BRI



757

PARTS CATALOG (MAINTENANCE)

| FIG ITEM | PART NUMBER | 1 2 3 4 5 6 7 | NOMENCLATURE | EFFECT FROM TO | UNITS PER ASSY |
|----------|-------------|----------------|---|--------------------------------------|----------------|
| 2 | 85 | NH135008-0500 | .CLAMP- SUPPLIER CODE: V00624 OPTIONAL PART: 15J02-500 V89513 32317AA500 V94581 SERVICE BULLETIN OPT DATA: 15J02-500 V89513 32317AA500 V94581 | 107107 904949 952952 | 1 |
| | 85 | NH135008-0500 | .COUPLING- SUPPLIER CODE: V00624 SPECIFICATION NUMBER: BACC10HX500 | 002004 006106 108503 953999 | 1 |
| | 90 | 64 | .CLAMP- SUPPLIER CODE: V7Z588 SPECIFICATION NUMBER: STBC10GG146 OPTIONAL PART: WWD146H V66295 | 107107 904949 952952 | 1 |
| R | 90 | NAS1922-0400-1 | .CLAMP | 002004 006106 108503 953999 | 1 |
| R | 92 | NAS1922-0175-1 | .CLAMP- USED ON: 217N1009-3 | 002004 006106 108503 953999 | 2 |
| R | 95 | 80 | .CLAMP SUPPLIER CODE: V7Z588 SPECIFICATION NUMBER: STBC10GG178 OPTIONAL PART: WWD178H V66295 | 107107 904949 952952 | 1 |
| R | 95 | NAS1922-0525-1 | .CLAMP- | 002004 006106 108503 953999 | 1 |

MISSING ITEM NUMBERS NOT APPLICABLE

- ITEM NOT ILLUSTRATED

21-58-08-02

21-58-08
FIG. 02
PAGE 5
MAY 20/09

BRI

 **BOEING**
757
PARTS CATALOG (MAINTENANCE)

| FIG ITEM | PART NUMBER | 1 2 3 4 5 6 7 | NOMENCLATURE | EFFECT FROM TO | UNITS PER ASSY |
|----------------------------|-------------|-----------------|---|--|----------------|
| R R R R | 2 95 | NAS1922-0525-3 | .CLAMP- | 002004 006106 108503 953999 | 1 |
| | 97 | NAS1922-0275-1 | .CLAMP- USED ON: 217N1009-3 | 002004 006106 108503 953999 | 2 |
| R R R R R R | 100 | 28 | .CLAMP SUPPLIER CODE: V7Z588 SPECIFICATION NUMBER: STBC10GG58-66 OPTIONAL PART: WWD58-66H V66295 | 107107 904949 952952 | 4 |
| | 103 | NAS1801-3-8 | .SCREW | 107107 904949 952952 | 1 |
| | 105 | MS3367-6-9 | .STRAP- OPTIONAL PART: BACS38K6 | 107107 904949 952952 | 1 |
| | 105 | T012L0 | .STRAP- SUPPLIER CODE: V53421 SPECIFICATION NUMBER: BACS38K6 OPTIONAL PART: MS3367-6-9 | 107107 904949 952952 | 1 |
| | 107 | TC142 | .PLATE-MTG SUPPLIER CODE: V9R636 SPECIFICATION NUMBER: STBP19M3 | 107107 904949 952952 | 1 |
| | 110 | 217N1076-3 | .DUCT ASSY- | 002004 006100 103107 121503 904949 952999 | 1 |
| R R R R R | 115 | BOE2027-07D0093 | .HOSE SUPPLIER CODE: V16632 SPECIFICATION NUMBER: AS1503-07D0093 | 002004 006503 904949 952999 | 1 |

MISSING ITEM NUMBERS NOT APPLICABLE

— ITEM NOT ILLUSTRATED

BRI

21-58-08-02

BOEING PROPRIETARY - Copyright © - Unpublished Work - See title page for details.

21-58-08
FIG. 02
PAGE 6
MAY 20/09



757

PARTS CATALOG (MAINTENANCE)

| FIG ITEM | PART NUMBER | 1 2 3 4 5 6 7 | NOMENCLATURE | EFFECT FROM TO | UNITS PER ASSY |
|----------|-----------------|---------------|---|--|----------------|
| 2 | | | | | |
| 120 | BOE2027-07D0230 | .HOSE- | SUPPLIER CODE: V16632 SPECIFICATION NUMBER: AS1503-07D0230 | 107107 904949 952952 | 1 |
| 120 | AS1504-10B0230 | .HOSE- | | 002004 006106 108503 953999 | 1 |
| 125 | 217N1158-3 | .DUCT ASSY | | 107107 904949 952952 | 1 |
| 125 | 217N1158-5 | .DUCT ASSY- | | 002004 006106 108503 953999 | 1 |
| 135 | 214T3424-7 | .SUPPORT- | | 002004 006100 103107 121503 904949 952999 | 1 |
| | | | ATTACHING PARTS | | |
| - 140 | BACB30NM3K3 | .BOLT | | 103106 | 2 |
| - 140 | BACB30NM3K11 | .BOLT- | SUPPLIER CODE: V06710 SPECIFICATION NUMBER: BACB30NM3K11 | 002004 006102 107949 952999 | 2 |
| - 140 | BACB30NM3K11 | .BOLT- | SUPPLIER CODE: V06710 SPECIFICATION NUMBER: BACB30NM3K11 | 107107 | 2 |
| - 142 | NAS43DD3-32 | .SPACER- | | 002004 006102 107999 | 2 |
| - 145 | AN960JD10 | .WASHER- | | 002004 006999 | 2 |
| - 150 | NAS1805-3L | .NUT- | | 002004 006999 | 2 |
| | | | -----*----- | | |
| 155 | 214N1051-6 | .SUPPORT | | 002004 006999 | 1 |
| 155 | 214N1051-8 | .SUPPORT-DUCT | | 107107 | 1 |

MISSING ITEM NUMBERS NOT APPLICABLE

- ITEM NOT ILLUSTRATED

21-58-08-02

21-58-08
FIG. 02
PAGE 7
MAY 20/09

BRI

BOEING
757
PARTS CATALOG (MAINTENANCE)

| FIG ITEM | PART NUMBER | 1 2 3 4 5 6 7 | NOMENCLATURE | EFFECT FROM TO | UNITS PER ASSY |
|-------------|--------------|---------------|-------------------------------|--|----------------------|
| 2 | | | ATTACHING PARTS | | |
| - 160 | BACB30PW4-3 | | .BOLT | 002004 006100 103107 121503 904949 952999 | 2 |
| - 165 | BACW10BN3SP | | .WASHER | 002004 006100 103107 121503 904949 952999 | 2 |
| - 170 | AN960JD416L | | .WASHER- | 002004 006100 103107 121503 904949 952999 | 2 |
| - 175 | NAS1805-3L | | .NUT- | 002004 006100 103107 121503 904949 952999 | 2 |
| 180 | 214T3436-101 | | -----*----- .ORIFICE ASSY- | 107107 | 1 |

MISSING ITEM NUMBERS NOT APPLICABLE

- ITEM NOT ILLUSTRATED

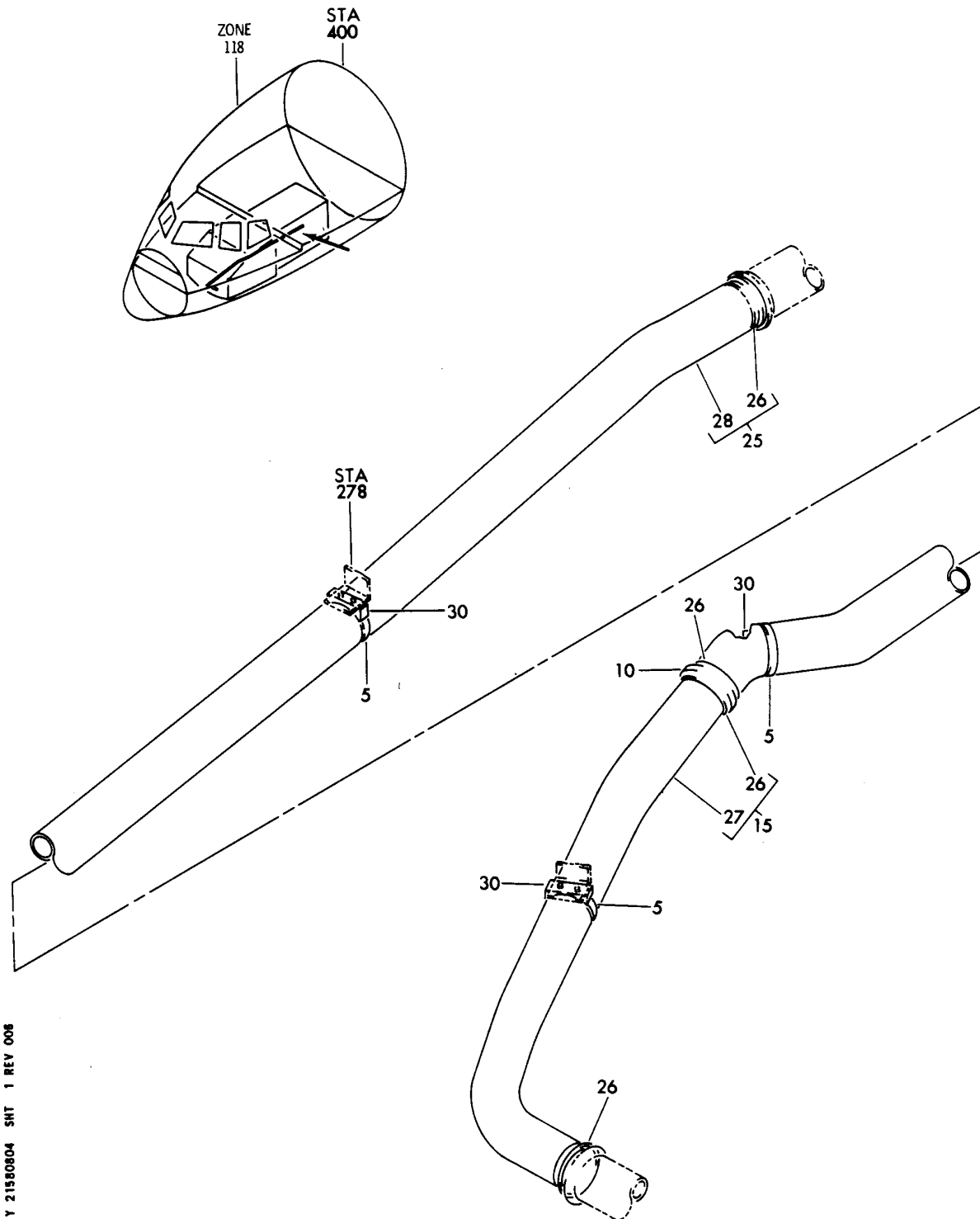
BRI

21-58-08-02

BOEING PROPRIETARY - Copyright © - Unpublished Work - See title page for details.

21-58-08
FIG. 02
PAGE 8
MAY 20/09

BOEING
757
PARTS CATALOG (MAINTENANCE)



Y 21580804 SHT 1 REV 008

DUCT INSTL-INSTR COOLING EXH BELOW FLOOR RH SIDE
FIGURE 4

21-58-08-04

BRI
MAY 28/07

21-58-08-04
PAGE 0



757

PARTS CATALOG (MAINTENANCE)

| FIG ITEM | PART NUMBER | 1 2 3 4 5 6 7 | NOMENCLATURE | EFFECT FROM TO | UNITS PER ASSY |
|----------|-------------|---------------|--|--|----------------|
| 4 | | | DUCT INSTL-INSTR COOLING EXH BELOW FLOOR RH SIDE | 002004 006999 | |
| - 1 | 217N2013-1 | | DUCT INSTL-INSTR COOLING EXH BELOW FLOOR POSITION DATA: RH SIDE FOR NHA SEE: 21-00-00-04 | 002004 006100 107107 121503 904999 | RF |
| - 1 | 217N2013-2 | | DUCT INSTL-INSTR COOLING EXH BELOW FLOOR POSITION DATA: RH SIDE FOR NHA SEE: 21-00-00-15 | 101102 108120 504903 | RF |
| - 1 | MODREF5748 | | DUCT INSTL-INSTR COOLING EXH BELOW FLOOR MODULE NUMBER: 217N2013-2 REV A POSITION DATA: RH SIDE | 103106 | 1 |
| 5 | 48 | | .CLAMP SUPPLIER CODE: V7Z588 SPECIFICATION NUMBER: STBC10GG98-114 OPTIONAL PART: WWD98-114 V66295 | 002004 006999 | 3 |
| 10 | 15J02-300 | | .CLAMP ASSY- SUPPLIER CODE: V89513 OPTIONAL PART: 32317AA300 V94581 NH135008-0300 V00624 | 002004 006999 | 1 |
| 10 | 32317AA300 | | .COUPLING- SUPPLIER CODE: V94581 OPTIONAL PART: 15J02-300 V89513 NH135008-0300 V00624 | 002004 006999 | 1 |

MISSING ITEM NUMBERS NOT APPLICABLE

- ITEM NOT ILLUSTRATED

BRI

21-58-08-04

21-58-08
FIG. 04
PAGE 1
JAN 20/09



757

PARTS CATALOG (MAINTENANCE)

| FIG ITEM | PART NUMBER | 1 2 3 4 5 6 7 | NOMENCLATURE | EFFECT FROM TO | UNITS PER ASSY |
|----------|---------------|---------------|--|------------------|----------------|
| 4 | | | | | |
| 10 | NH135008-0300 | . | CLAMP ASSY- SUPPLIER CODE: V00624 OPTIONAL PART: 15J02-300 V89513 32317AA300 V94581 | 002004 006999 | 1 |
| 15 | 217N2055-5 | . | DUCT ASSY- | 002004 006999 | 1 |
| 25 | 217N2056-3 | . | DUCT ASSY- | 002004 006999 | 1 |
| 26 | 15J03-300 | .. | FLANGE- SUPPLIER CODE: V89513 OPTIONAL PART: NK130004-0300 V98625 2904AM300 V94581 | 002004 006999 | 2 |
| 26 | NK130004-0300 | .. | FLANGE- SUPPLIER CODE: V98625 OPTIONAL PART: 15J03-300 V89513 2904AM300 V94581 | 002004 006999 | 2 |
| 26 | 2904AM300 | .. | FLANGE- SUPPLIER CODE: V94581 OPTIONAL PART: 15J03-300 V89513 NK130004-0300 V98625 | 002004 006999 | 2 |
| 27 | 217N2055-6 | .. | DUCT- USED ON: 217N2055-5 | 002004 006999 | 1 |
| 28 | 217N2056-4 | .. | DUCT- USED ON: 217N2056-3 | 002004 006999 | 1 |
| 30 | 214N1051-4 | . | SUPPORT | 002004 006999 | 3 |
| - 35 | BACB30PW4-3 | . | ATTACHING PARTS BOLT | 002004 006999 | 6 |

MISSING ITEM NUMBERS NOT APPLICABLE

- ITEM NOT ILLUSTRATED

21-58-08-04

21-58-08
FIG. 04
PAGE 2
JAN 20/09

BRI

BOEING PROPRIETARY - Copyright © - Unpublished Work - See title page for details.



757

PARTS CATALOG (MAINTENANCE)

| FIG ITEM | PART NUMBER | 1 2 3 4 5 6 7 | NOMENCLATURE | EFFECT FROM TO | UNITS PER ASSY |
|----------|---------------|---------------|--------------|--|----------------|
| 4 | | | | | |
| - 40 | AN960KD416L | . | WASHER | 002004 006100 107107 121503 904999 | 6 |
| - 40 | NAS1149D0416J | . | WASHER | 101106 108120 504903 | 6 |
| - 45 | BACW10BN3SP | . | WASHER | 002004 006999 | 6 |
| - 50 | NAS1805-3N | . | NUT | 002004 006100 107107 121503 904999 | 6 |
| - 50 | NAS1805-3L | . | NUT | 101106 108120 504903 | 6 |
| | | -----* | | | |

MISSING ITEM NUMBERS NOT APPLICABLE

- ITEM NOT ILLUSTRATED

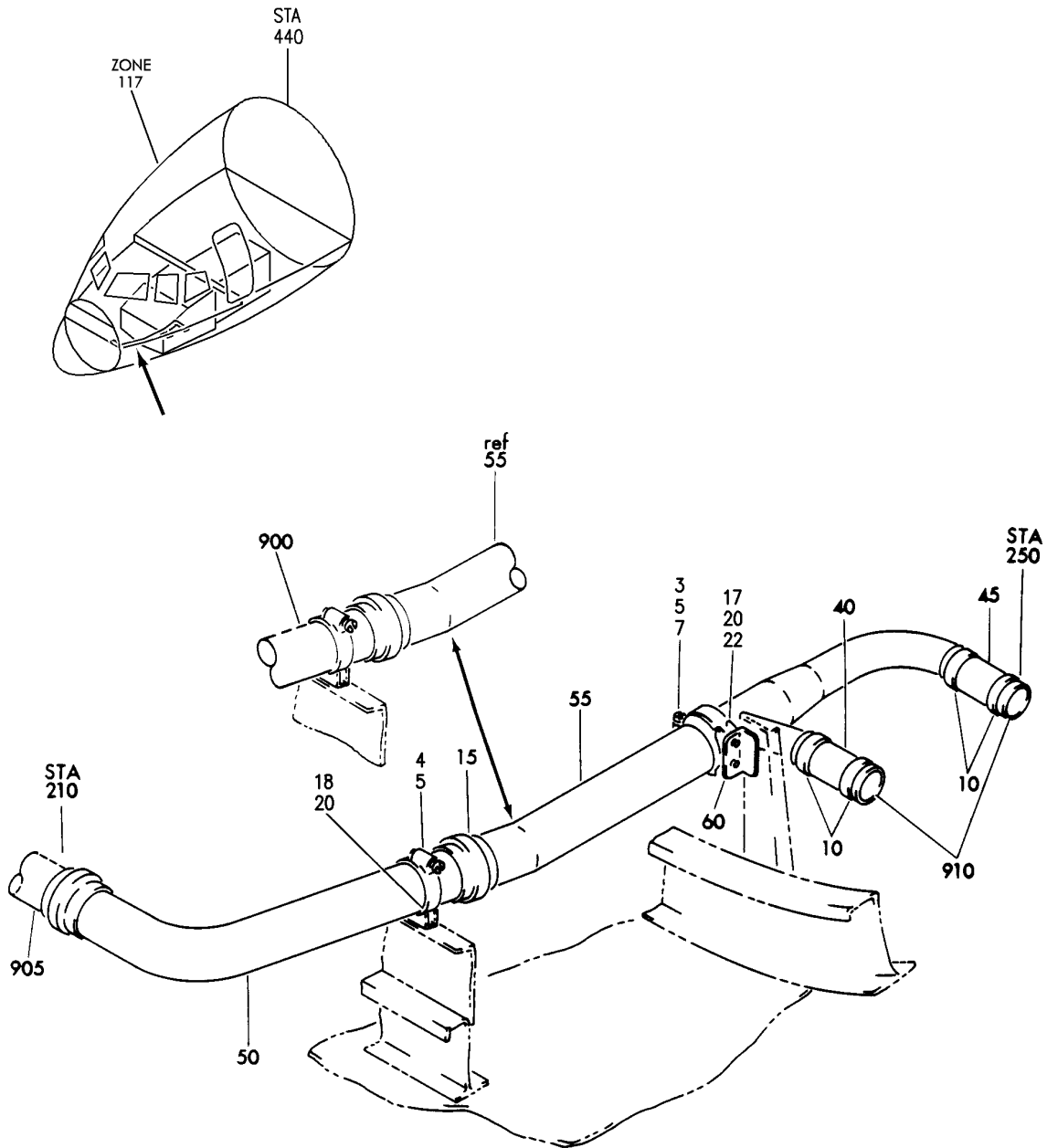
BRI

21-58-08-04

BOEING PROPRIETARY - Copyright © - Unpublished Work - See title page for details.

21-58-08
FIG. 04
PAGE 3
JAN 20/09

BOEING
757
PARTS CATALOG (MAINTENANCE)



Y 21580805 REV 234

DUCT INSTL-INSTR COOLING EXH BELOW FLOOR LH SIDE
FIGURE 5

21-58-08-05

BRI
MAY 28/07

21-58-08-05
PAGE 0



**757
PARTS CATALOG (MAINTENANCE)**

| FIG ITEM | PART NUMBER | 1 2 3 4 5 6 7 | NOMENCLATURE | EFFECT FROM TO | UNITS PER ASSY |
|----------|----------------|---------------|--|--|----------------|
| 5 | | | DUCT INSTL-INSTR COOLING EXH BELOW FLOOR LH SIDE | 002004 006999 | |
| - 1 | 217N2014-2 | | DUCT INSTL-INSTR COOLING EXH BELOW FLOOR POSITION DATA: LH SIDE FOR NHA SEE: 21-00-00-04 | 002004 006100 107107 121503 904999 | RF |
| - 1 | 217N2014-3 | | DUCT INSTL-INSTR COOLING EXH BELOW FLOOR POSITION DATA: LH SIDE FOR NHA SEE: 21-00-00-14 | 101102 108120 504903 | RF |
| - 1 | MODREF5749 | | DUCT INSTL-INSTR COOLING EXH BELOW FLOOR MODULE NUMBER: 217N2014-3 REV A POSITION DATA: LH SIDE | 103106 | 1 |
| 7 | 32 | | .CLAMP- SUPPLIER CODE: V7Z588 SPECIFICATION NUMBER: STBC10GG66-82 OPTIONAL PART: WWD66-82H V66295 | 107107 904949 | 1 |
| 7 | NAS1922-0200-1 | | .CLAMP- | 002004 006106 108903 950999 | 1 |
| 10 | 20 | | .CLAMP- SUPPLIER CODE: V7Z588 SPECIFICATION NUMBER: STBC10GG48-58 OPTIONAL PART: WWD48-58H V66295 | 107107 904949 | 4 |
| 10 | NAS1922-0150-1 | | .CLAMP- | 002004 006106 108903 950999 | 4 |

MISSING ITEM NUMBERS NOT APPLICABLE

- ITEM NOT ILLUSTRATED

BRI

21-58-08-05

BOEING PROPRIETARY - Copyright © - Unpublished Work - See title page for details.

21-58-08
FIG. 05
PAGE 1
JAN 20/09

 **BOEING**
757
PARTS CATALOG (MAINTENANCE)

| FIG ITEM | PART NUMBER | 1 2 3 4 5 6 7 | NOMENCLATURE | EFFECT FROM TO | UNITS PER ASSY |
|----------|---------------|---------------|--|--|----------------|
| 5 | | | | | |
| 15 | 15J02-200 | | .CLAMP ASSY- SUPPLIER CODE: V89513 OPTIONAL PART: 32317AA200 V94581 NH135008-0200 V98625 | 002004 006999 | 1 |
| 15 | 32317AA200 | | .CLAMP ASSY- SUPPLIER CODE: V94581 OPTIONAL PART: 15J02-200 V89513 | 002004 006999 | 1 |
| 15 | NH135008-0200 | | .CLAMP ASSY- SUPPLIER CODE: V00624 OPTIONAL PART: 15J02-200 V89513 | 002004 006999 | 1 |
| 22 | 214T3424-2 | | .SUPPORT- ATTACHING PARTS | 002004 006999 | 1 |
| - 27 | BACS12FA3K6 | | .SCREW- | 002004 006999 | 2 |
| - 33 | AN960KD10L | | .WASHER- | 002004 006100 107107 121503 904999 | 2 |
| - 33 | NAS1149D0332J | | .WASHER | 101106 108120 504903 | 2 |
| - 37 | BRH10C3D | | .NUT- SUPPLIER CODE: V52828 SPECIFICATION NUMBER: BACN10JC3CD OPTIONAL PART: T6C1032JCD V11815 NS202486-02 V80539 102LH9075-3W V72962 H51650-3BAC V15653 -----*----- | 002004 006999 | 2 |

MISSING ITEM NUMBERS NOT APPLICABLE

- ITEM NOT ILLUSTRATED

BRI

21-58-08-05

BOEING PROPRIETARY - Copyright © - Unpublished Work - See title page for details.

21-58-08
FIG. 05
PAGE 2
JAN 20/09

BOEING
757
PARTS CATALOG (MAINTENANCE)

| FIG ITEM | PART NUMBER | 1 2 3 4 5 6 7 | NOMENCLATURE | EFFECT FROM TO | UNITS PER ASSY |
|----------|------------------|---|--------------|--|----------------|
| 5 | 40 AS1506-05D32 | .HOSE- | | 107107 904949 | 1 |
| | 40 AS1506-05D40 | .SLEEVE- | | 002004 006106 108903 950999 | 1 |
| | 45 AS1506-06D32 | .HOSE- | | 107107 904949 | 1 |
| | 45 AS1506-06D42 | .HOSE- | | 002004 006106 108903 950999 | 1 |
| | 55 217N2059-1 | .DUCT ASSY | | 002004 006999 | 1 |
| | 60 217N2034-5 | .BRACKET-SPRT | | 002004 006999 | 1 |
| | | ATTACHING PARTS | | | |
| - | 65 BACS12FA08K5 | .SCREW | | 002004 006999 | 2 |
| - | 70 AN960KD8L | .WASHER | | 002004 006100 107107 121503 904999 | 2 |
| - | 70 NAS1149DN816J | .WASHER | | 101106 108120 504903 | 2 |
| - | 75 BRH10C08D | .NUT | | 002004 006999 | 2 |
| | | SUPPLIER CODE: V52828 | | | |
| | | SPECIFICATION NUMBER: BACN10JC08CD | | | |
| | | OPTIONAL PART: H51650-08BAC V15653 102LH9075-82W V72962 NS202486-82 V80539 T6C832JCD V11815 | | | |
| | | -----*----- | | | |
| 905 | | ILLUSTRATION REFERENCE: DUCT INSTL-LWR SECT. 41 INSTR COOLING EXH 21-58-08-25 | | 002004 006999 | RF |

MISSING ITEM NUMBERS NOT APPLICABLE

- ITEM NOT ILLUSTRATED

BRI

21-58-08-05

BOEING PROPRIETARY - Copyright © - Unpublished Work - See title page for details.

21-58-08
FIG. 05
PAGE 3
JAN 20/09



757

PARTS CATALOG (MAINTENANCE)

| FIG ITEM | PART NUMBER | 1 2 3 4 5 6 7 | NOMENCLATURE | EFFECT FROM TO | UNITS PER ASSY |
|-------------|-------------|---------------|--|-------------------|----------------------|
| 5 910 | | | ILLUSTRATION REFERENCE: ORIFICE INSTL-FLIGHT DECK INSTR COOLING 21-58-08-19 | 002004 006999 | RF |

MISSING ITEM NUMBERS NOT APPLICABLE

- ITEM NOT ILLUSTRATED

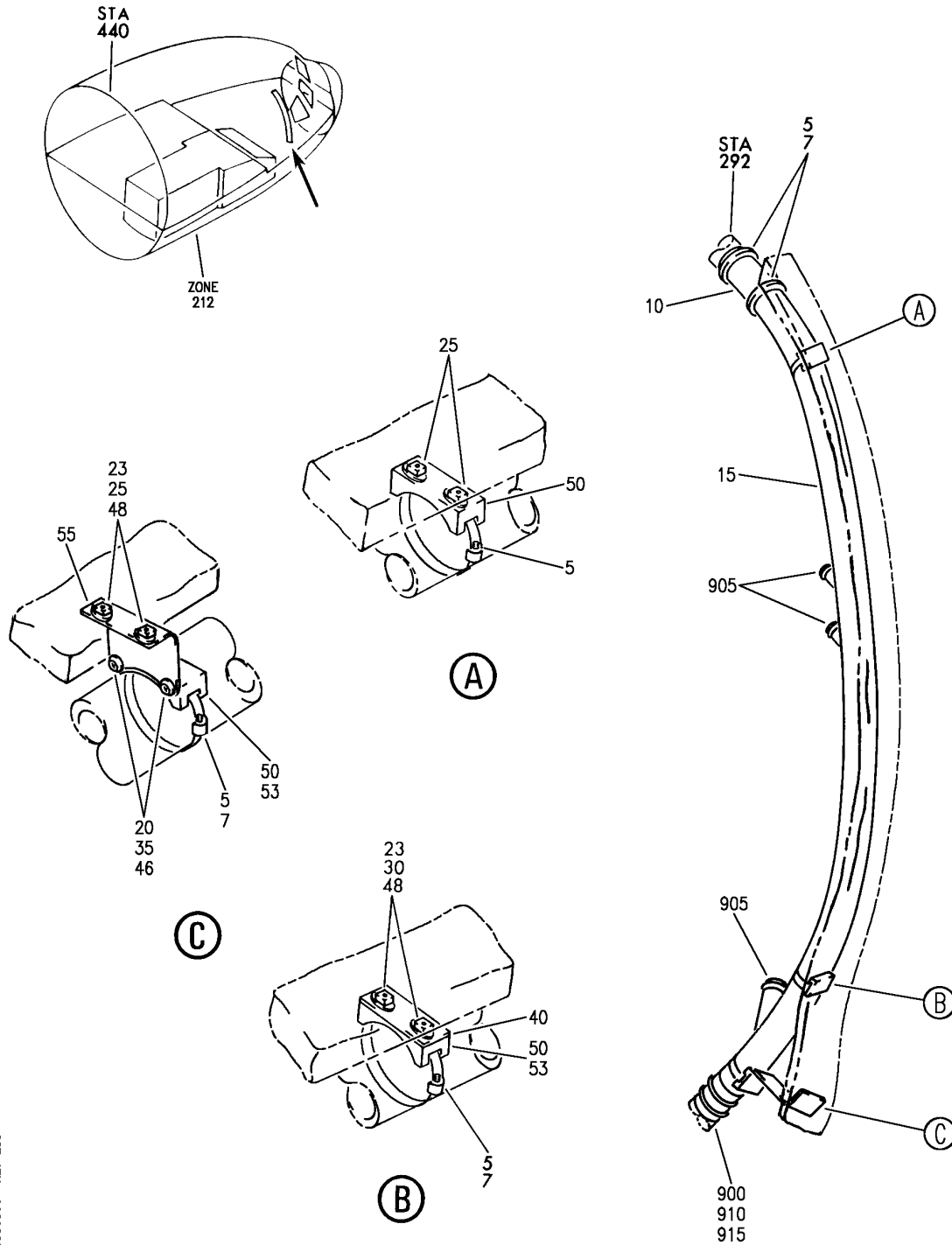
BRI

21-58-08-05

BOEING PROPRIETARY - Copyright © - Unpublished Work - See title page for details.

21-58-08
FIG. 05
PAGE 4
JAN 20/09

BOEING
757
PARTS CATALOG (MAINTENANCE)



Y 21580806 REV 285

DUCT INSTL-OVERHEAD PANEL INSTRUMENT COOLING SUPPLY RISER
FIGURE 6

21-58-08-06

BRI
MAY 28/07

21-58-08-06
PAGE 0



757

PARTS CATALOG (MAINTENANCE)

| FIG ITEM | PART NUMBER | 1 2 3 4 5 6 7 | NOMENCLATURE | EFFECT FROM TO | UNITS PER ASSY |
|----------|-----------------|---------------|--|--|----------------|
| 6 | | | DUCT INSTL-OVERHEAD PANEL INSTRUMENT COOLING SUPPLY RISER | 002004 006999 | |
| - 1 | 217N2003-3 | | DUCT INSTL-OVERHEAD PNL INSTR COOLING SUPPLY RISER FOR NHA SEE: 21-00-00-04 | 002004 006010 107107 121503 904999 | RF |
| - 1 | 217N2003-5 | | DUCT INSTL-OVERHEAD PNL INSTR COOLING SUPPLY RISER FOR NHA SEE: 21-00-00-04 21-00-00-15 | 011102 108120 504903 | RF |
| - 1 | MODREF5736 | | DUCT INSTL-OVERHEAD PNL INSTR COOLING SUPPLY RISER MODULE NUMBER: 217N2003-5 REV A | 103106 | 1 |
| 5 | 32 | | .CLAMP- SUPPLIER CODE: V7Z588 SPECIFICATION NUMBER: STBC10GG66-82 OPTIONAL PART: WWD66-82H V66295 | 002004 006010 107107 121503 904999 | 5 |
| 7 | 32 | | .CLAMP SUPPLIER CODE: V7Z588 SPECIFICATION NUMBER: STBC10GG66-82 OPTIONAL PART: WWD66-82H V66295 | 011106 108120 504903 | 4 |
| 10 | BOE2027-08D0052 | | .HOSE SUPPLIER CODE: V16632 SPECIFICATION NUMBER: AS1503-08D0052 | 002004 006999 | 1 |
| 15 | 217N2035-5 | | .DUCT- | 002004 006010 107107 121503 904999 | 1 |
| 15 | 217N2035-7 | | .DUCT- | 011106 108120 504903 | 1 |

MISSING ITEM NUMBERS NOT APPLICABLE

- ITEM NOT ILLUSTRATED

21-58-08-06

21-58-08
FIG. 06
PAGE 1
JAN 20/09

BRI



757

PARTS CATALOG (MAINTENANCE)

| FIG ITEM | PART NUMBER | 1 2 3 4 5 6 7 | NOMENCLATURE | EFFECT FROM TO | UNITS PER ASSY |
|----------|-------------|--|--|--|----------------|
| 6 | 20 | BACS12FA3K6 | . SCREW | 002004 006010 107107 121503 904999 | 2 |
| | 23 | BACS12FA3K6 | . SCREW | 011106 108120 504903 | 4 |
| | 25 | BACS12FA3K8 | . SCREW- | 002004 006010 107107 121503 904999 | 4 |
| | 30 | BACS12FA3K12 | . SCREW | 002004 006010 107107 121503 904999 | 2 |
| | 45 | BRH10C3D | .NUT SUPPLIER CODE: V52828 SPECIFICATION NUMBER: BACN10JC3CD OPTIONAL PART: T6C1032JCD V11815 NS202486-02 V80539 102LH9075-3W V72962 H51650-3BAC V15653 | 002004 006010 107107 121503 904999 | 2 |
| 48 | BRH10C3D | .NUT SUPPLIER CODE: V52828 SPECIFICATION NUMBER: BACN10JC3CD OPTIONAL PART: T6C1032JCD V11815 NS202486-02 V80539 102LH9075-3W V72962 H51650-3BAC V15653 | 011106 108120 504903 | 4 | |

MISSING ITEM NUMBERS NOT APPLICABLE

- ITEM NOT ILLUSTRATED

BRI

21-58-08-06

BOEING PROPRIETARY - Copyright © - Unpublished Work - See title page for details.

21-58-08
FIG. 06
PAGE 2
JAN 20/09



757

PARTS CATALOG (MAINTENANCE)

| FIG ITEM | PART NUMBER | 1 2 3 4 5 6 7 | NOMENCLATURE | EFFECT FROM TO | UNITS PER ASSY |
|----------|-------------|---------------|--|--|----------------|
| 6 50 | 214T3424-2 | . | SUPPORT | 002004 006010 107107 121503 904999 | 3 |
| 53 | 214T3424-2 | . | SUPPORT | 011106 108120 504903 | 2 |
| 915 | | | ILLUSTRATION REFERENCE: DUCT INSTL-STA 202 TO 297 INSTR CLG SUPPLY LWR RH 21-58-08-13 | 002004 006999 | RF |

MISSING ITEM NUMBERS NOT APPLICABLE

- ITEM NOT ILLUSTRATED

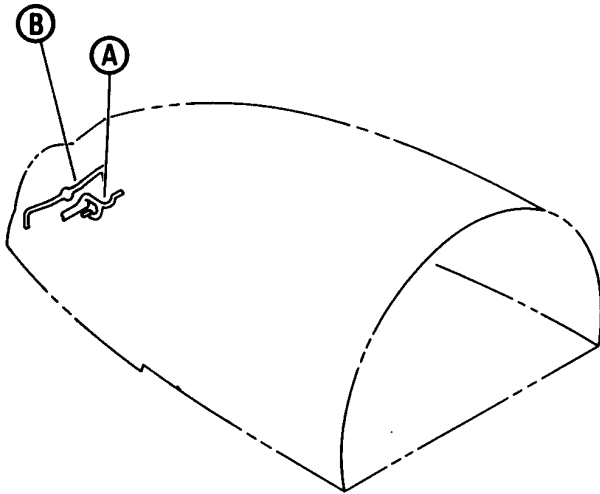
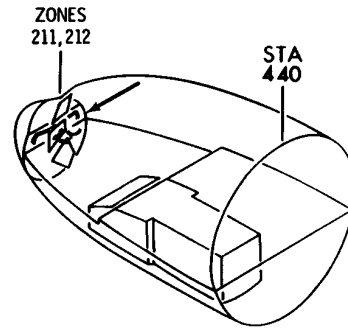
BRI

21-58-08-06

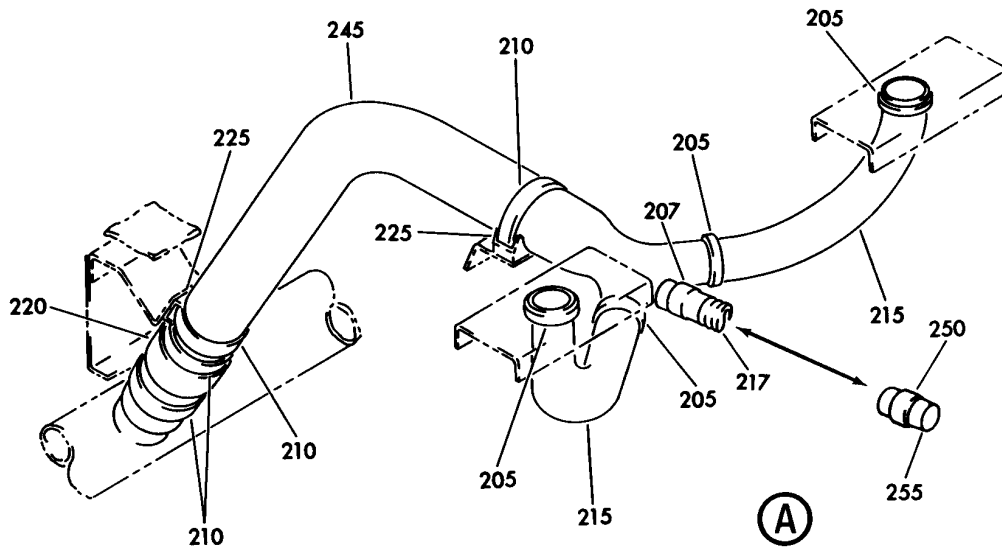
BOEING PROPRIETARY - Copyright © - Unpublished Work - See title page for details.

21-58-08
FIG. 06
PAGE 3
JAN 20/09

BOEING
757
PARTS CATALOG (MAINTENANCE)



Y 21580807 SHT 1 REV 107



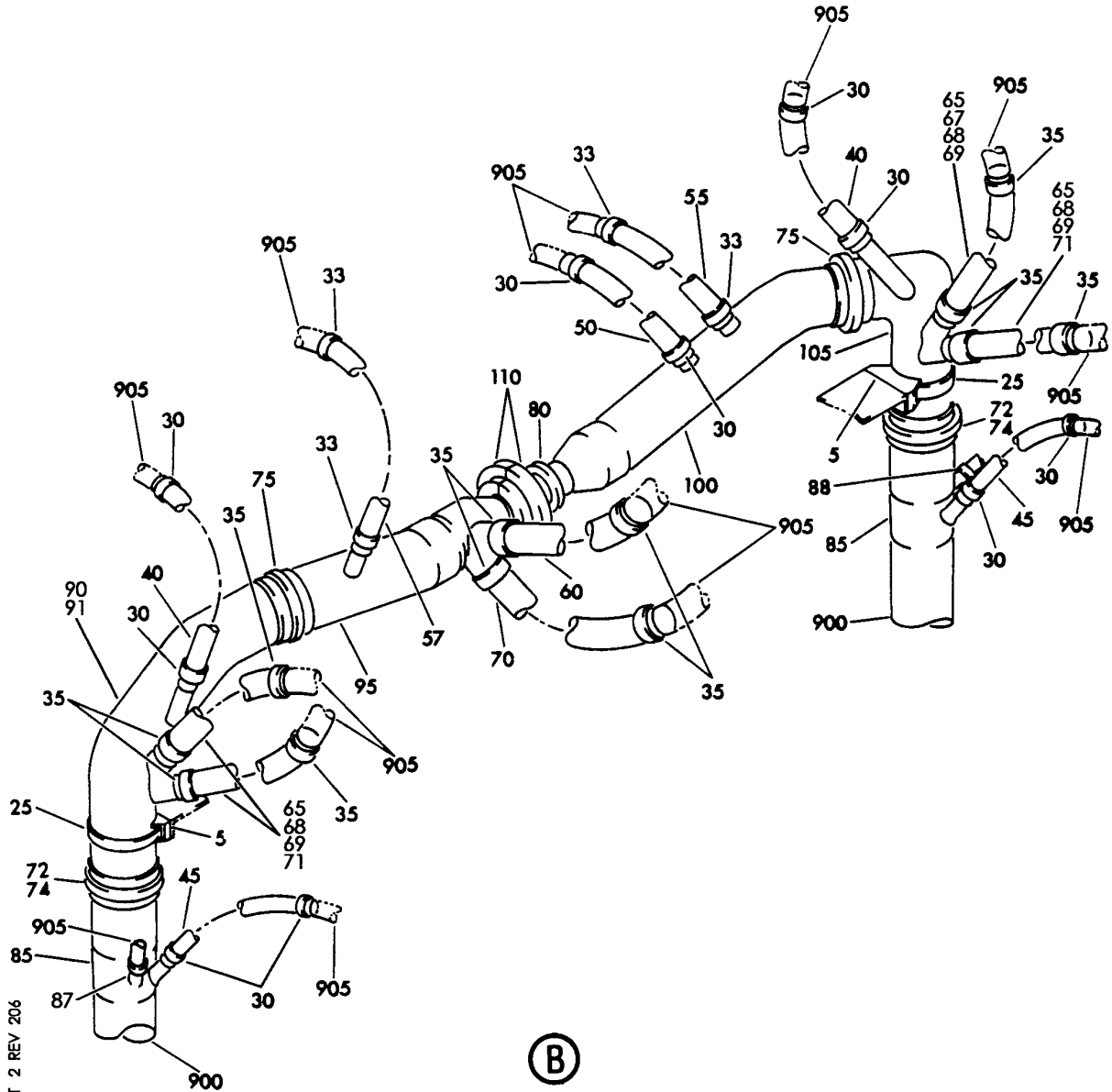
DUCT INSTL-INSTR COOLING SUPPLY MAIN PNL AND W/ NO EXTRA WEATHER RADAR IND IN CTR AISLE STAND
FIGURE 7 (SHEET 1)

BRI
MAY 28/07

21-58-08-07

21-58-08-07
PAGE 0

BOEING
757
PARTS CATALOG (MAINTENANCE)



Y 21580807 SHT 2 REV 206

DUCT INSTL-INSTR COOLING SUPPLY MAIN PNL AND W/ NO EXTRA WEATHER RADAR IND IN CTR AISLE STAND
FIGURE 7 (SHEET 2)

BRI
MAY 28/07

21-58-08-07

21-58-08-07
PAGE 0A



757

PARTS CATALOG (MAINTENANCE)

| FIG ITEM | PART NUMBER | 1 2 3 4 5 6 7 | NOMENCLATURE | EFFECT FROM TO | UNITS PER ASSY |
|----------|---------------|---------------|---|--|----------------|
| 7 | | | DUCT INSTL-INSTR COOLING SUPPLY MAIN PNL AND W/ NO EXTRA WEATHER RADAR IND IN CTR AISLE STAND | 002004 006999 | |
| - 1 | 217N2005-1 | | DUCT INSTL-INSTR COOLING SUPPLY MAIN PNL FOR NHA SEE: 21-00-00-04 | 002004 006100 107107 121503 904999 | RF |
| - 1 | 217N2005-13 | | DUCT INSTL-INSTR COOLING SUPPLY MAIN PNL FOR NHA SEE: 21-00-00-14 21-00-00-15 | 101102 108120 504903 | RF |
| - 1 | MODREF5739 | | DUCT INSTL-INSTR COOLING SUPPLY MAIN PNL MODULE NUMBER: 217N2005-13 REV A | 103106 | 1 |
| 5 | 214T3424-3 | | .SUPPORT-DUCT | 002004 006999 | 2 |
| - 10 | BACS12FA3K8 | | .ATTACHING PARTS .SCREW- | 002004 006999 | 4 |
| - 15 | NAS1149D0332J | | .WASHER- | 101106 108120 504903 | 4 |
| - 15 | AN960KD10 | | .WASHER- | 002004 006100 107107 121503 904999 | 4 |
| - 20 | BRH10C3D | | .NUT SUPPLIER CODE: V52828 SPECIFICATION NUMBER: BACN10JC3CD OPTIONAL PART: T6C1032JCD V11815 NS202486-02 V80539 102LH9075-3W V72962 H51650-3BAC V15653 -----*----- | 002004 006999 | 4 |

MISSING ITEM NUMBERS NOT APPLICABLE

- ITEM NOT ILLUSTRATED

BRI

21-58-08-07

21-58-08
FIG. 07
PAGE 1
JAN 20/09



757

PARTS CATALOG (MAINTENANCE)

| FIG ITEM | PART NUMBER | 1 2 3 4 5 6 7 | NOMENCLATURE | EFFECT FROM TO | UNITS PER ASSY |
|----------|-----------------|---------------|--|--|----------------|
| 7 | | | | | |
| 25 | 36 | | .CLAMP- SUPPLIER CODE: V7Z588 SPECIFICATION NUMBER: STBC10GG74-91 OPTIONAL PART: WWD74-91H V66295 | 002004 006100 107107 121503 904999 | 2 |
| 25 | NAS1922-0225-3 | | .CLAMP- | 101106 108120 504903 | 2 |
| 30 | 16 | | .CLAMP- SUPPLIER CODE: V7Z588 SPECIFICATION NUMBER: STBC10GG38-48 OPTIONAL PART: WWD38-48H V66295 | 002004 006100 107107 121503 904999 | 10 |
| 30 | NAS1922-0125-3 | | .CLAMP- | 101106 108120 504903 | 10 |
| 33 | 10 | | .CLAMP- SUPPLIER CODE: V7Z588 SPECIFICATION NUMBER: STBC10GG26-34 OPTIONAL PART: WWD26-34H V66295 | 002004 006100 107107 121503 904999 | 4 |
| 33 | NAS1922-0100-3 | | .CLAMP- | 101106 108120 504903 | 4 |
| 35 | 20 | | .CLAMP- SUPPLIER CODE: V7Z588 SPECIFICATION NUMBER: STBC10GG48-58 OPTIONAL PART: WWD48-58H V66295 | 002004 006100 107107 121503 904999 | 12 |
| 35 | NAS1922-0150-3 | | .CLAMP- | 101106 108120 504903 | 12 |
| 40 | BOE2027-04D0190 | | .HOSE- SUPPLIER CODE: V16632 SPECIFICATION NUMBER: AS1503-04D0190 | 002004 006999 | 2 |

MISSING ITEM NUMBERS NOT APPLICABLE

- ITEM NOT ILLUSTRATED

21-58-08-07

21-58-08
FIG. 07
PAGE 2
JAN 20/09

BRI

BOEING PROPRIETARY - Copyright © - Unpublished Work - See title page for details.



757

PARTS CATALOG (MAINTENANCE)

| FIG ITEM | PART NUMBER | 1 2 3 4 5 6 7 | NOMENCLATURE | EFFECT FROM TO | UNITS PER ASSY |
|----------|-----------------|---------------|---|--|----------------|
| 7 | | | | | |
| 45 | BOE2027-04D0300 | .HOSE- | SUPPLIER CODE: V16632 SPECIFICATION NUMBER: AS1503-04D0300 | 002004 006999 | 2 |
| 50 | BOE2027-04D0270 | .HOSE- | SUPPLIER CODE: V16632 SPECIFICATION NUMBER: AS1503-04D0270 | 002004 006999 | 1 |
| 55 | BOE2027-03D0280 | .HOSE- | SUPPLIER CODE: V16632 SPECIFICATION NUMBER: AS1503-03D0280 | 002004 006999 | 1 |
| 57 | BOE2027-03D0270 | .HOSE- | SUPPLIER CODE: V16632 SPECIFICATION NUMBER: AS1503-03D0270 | 002004 006999 | 1 |
| 60 | BOE2027-06D0080 | .HOSE- | SUPPLIER CODE: V16632 SPECIFICATION NUMBER: AS1503-06D0080 | 002004 006106 108903 950951 953999 | 1 |
| 60 | BOE2027-06D0070 | .HOSE- | SUPPLIER CODE: V16632 SPECIFICATION NUMBER: AS1503-06D0070 | 107107 904949 952952 | 1 |
| 67 | BOE2022-06A0090 | .HOSE | SUPPLIER CODE: V16632 SPECIFICATION NUMBER: AS1544-06A0090 | 101106 108120 504903 | 1 |
| 68 | BOE2027-06D0062 | .HOSE | SUPPLIER CODE: V16632 SPECIFICATION NUMBER: AS1503-06D0062 | 002004 006100 107107 121503 904999 | 4 |
| 69 | BOE2022-06A0070 | .HOSE | SUPPLIER CODE: V16632 SPECIFICATION NUMBER: AS1544-06A0070 | 002004 006100 107107 121503 904999 | 4 |

MISSING ITEM NUMBERS NOT APPLICABLE

- ITEM NOT ILLUSTRATED

21-58-08-07

21-58-08
FIG. 07
PAGE 3
JAN 20/09

BRI

 **BOEING**
757
PARTS CATALOG (MAINTENANCE)

| FIG ITEM | PART NUMBER | 1 2 3 4 5 6 7 | NOMENCLATURE | EFFECT FROM TO | UNITS PER ASSY |
|-------------|-----------------|---------------|--|----------------------------|----------------------|
| 7 | | | | | |
| 70 | BOE2027-06D0110 | . | HOSE- SUPPLIER CODE: V16632 SPECIFICATION NUMBER: AS1503-06D0110 | 002004 006999 | 1 |
| 71 | BOE2022-06A0070 | . | HOSE SUPPLIER CODE: V16632 SPECIFICATION NUMBER: AS1544-06A0070 | 101106 108120 504903 | 3 |
| 72 | N50-225SH | . | CLAMP SUPPLIER CODE: V94581 SPECIFICATION NUMBER: BACC10AJ225 OPTIONAL PART: 42535-225SH V98625 | 002004 006999 | 2 |
| 74 | 504-225 | . | SLEEVE- SUPPLIER CODE: V98625 OPTIONAL PART: BACS13N225A | 002004 006999 | 2 |
| 74 | SS4-225A | . | SLEEVE- SUPPLIER CODE: V94581 SPECIFICATION NUMBER: BACS13N225A OPTIONAL PART: 42737-225A V98625 504-225 V98625 | 101106 108120 504903 | 2 |
| 75 | 15J02-250 | . | CLAMP ASSY- SUPPLIER CODE: V89513 OPTIONAL PART: NH135008-0250 V98625 32317AA250 V94581 | 002004 006999 | 2 |
| 75 | 32317AA250 | . | CLAMP ASSY- SUPPLIER CODE: V94581 OPTIONAL PART: 15J02-250 V89513 | 002004 006999 | 2 |

MISSING ITEM NUMBERS NOT APPLICABLE

— ITEM NOT ILLUSTRATED

BRI

21-58-08-07

BOEING PROPRIETARY - Copyright © - Unpublished Work - See title page for details.

21-58-08
FIG. 07
PAGE 4
JAN 20/09



757

PARTS CATALOG (MAINTENANCE)

| FIG ITEM | PART NUMBER | 1 2 3 4 5 6 7 | NOMENCLATURE | EFFECT FROM TO | UNITS PER ASSY |
|----------|---------------|---------------|--|--|----------------|
| 7 | | | | | |
| 75 | NH135008-0250 | | .CLAMP ASSY- SUPPLIER CODE: V00624 OPTIONAL PART: 15J02-250 V89513 | 002004 006999 | 2 |
| 80 | 15J02-150 | | .COUPLING ASSY- SUPPLIER CODE: V89513 OPTIONAL PART: NH135008-0150 V00624 32317AA150 V94581 | 002004 006999 | 1 |
| 80 | 32317AA150 | | .COUPLING- SUPPLIER CODE: V94581 OPTIONAL PART: 15J02-150 V89513 NH135008-0150 V00624 | 002004 006999 | 1 |
| 80 | NH135008-0150 | | .COUPLING- SUPPLIER CODE: V00624 OPTIONAL PART: 15J02-150 V89513 32317AA150 V94581 | 002004 006999 | 1 |
| 87 | 217N2044-7 | | .DUCT ASSY- | 002004 006999 | 1 |
| 88 | 217N2044-8 | | .DUCT ASSY- | 002004 006999 | 1 |
| 90 | 217N2045-3 | | .DUCT ASSY- USED ON: 217N2005-1 | 002004 006100 107107 121503 904999 | 1 |
| 90 | 217N2045-5 | | .DUCT ASSY- USED ON: 217N2005-1 217N2005-8 | 002004 006100 107107 121503 904999 | 1 |
| 91 | 217N2045-8 | | .DUCT ASSY- USED ON: 217N2005-12 217N2005-13 MODREF5739 | 101106 108120 504903 | 1 |

MISSING ITEM NUMBERS NOT APPLICABLE

- ITEM NOT ILLUSTRATED

21-58-08-07

21-58-08
FIG. 07
PAGE 5
JAN 20/09

BRI

 **BOEING**
757
PARTS CATALOG (MAINTENANCE)

| FIG ITEM | PART NUMBER | 1 2 3 4 5 6 7 | NOMENCLATURE | EFFECT FROM TO | UNITS PER ASSY |
|----------|-------------|---------------|--|--|----------------|
| 7 | | | | | |
| 95 | 217N2046-11 | . | DUCT ASSY- | 101106 108120 504903 | 1 |
| 95 | 217N2046-8 | . | DUCT ASSY- | 002004 006100 107107 121503 904999 | 1 |
| 100 | 217N2047-3 | . | DUCT ASSY- | 002004 006100 107107 121503 904999 | 1 |
| 100 | 217N2047-5 | . | DUCT ASSY- | 002004 006999 | 1 |
| 105 | 217N2048-3 | . | DUCT ASSY- | 002004 006100 107107 121503 904999 | 1 |
| 105 | 217N2048-5 | . | DUCT ASSY- USED ON: 217N2005-1 217N2005-8 | 002004 006100 107107 121503 904999 | 1 |
| 107 | 217N2048-8 | . | DUCT ASSY- USED ON: 217N2005-12 217N2005-13 MODREF5739 | 101106 108120 504903 | 1 |
| 110 | 217N2043-1 | . | COLLAR | 002004 006999 | 2 |
| - 200 | 217N2005-2 | | DUCT INSTL-INSTR COOLING SUPPLY AISLE STAND FOR NHA SEE: 21-00-00-04 | 002004 006100 121503 904999 | RF |
| - 200 | 217N2005-3 | | DUCT INSTL-INSTR COOLING SUPPLY AISLE STAND FOR NHA SEE: 21-00-00-04 | 107107 | RF |
| - 200 | 217N2005-9 | | DUCT INSTL-W/ NO EXTRA WEATHER RADAR INDICATOR IN CTR AISLE STAND FOR NHA SEE: 21-00-00-12 21-00-00-14 21-00-00-15 | 101102 108120 504903 | RF |

MISSING ITEM NUMBERS NOT APPLICABLE

- ITEM NOT ILLUSTRATED

BRI

21-58-08-07

21-58-08
FIG. 07
PAGE 6
JAN 20/09



757

PARTS CATALOG (MAINTENANCE)

| FIG ITEM | PART NUMBER | 1 2 3 4 5 6 7 | NOMENCLATURE | EFFECT FROM TO | UNITS PER ASSY |
|------------|-----------------|---------------|--|--|----------------|
| 7 - 200 | MODREF5741 | | DUCT INSTL-W/ NO EXTRA WEATHER RADAR INDICATOR IN CTR AISLE STAND MODULE NUMBER: 217N2005-9 REV A | 103106 | 1 |
| 205 | 20 | | .CLAMP SUPPLIER CODE: V7Z588 SPECIFICATION NUMBER: STBC10GG48-58 OPTIONAL PART: WWD48-58H V66295 | 002004 006100 107107 121503 904999 | 4 |
| 205 | NAS1922-0150-3 | | .CLAMP | 101106 108120 504903 | 4 |
| 207 | 10 | | .CLAMP SUPPLIER CODE: V7Z588 SPECIFICATION NUMBER: STBC10GG26-34 OPTIONAL PART: WWD26-34H V66295 | 107107 | 2 |
| 210 | 32 | | .CLAMP- SUPPLIER CODE: V7Z588 SPECIFICATION NUMBER: STBC10GG66-82 OPTIONAL PART: WWD66-82H V66295 | 002004 006100 107107 121503 904999 | 4 |
| 210 | NAS1922-0200-3 | | .CLAMP- | 101106 108120 504903 | 4 |
| 215 | BOE2027-06D0132 | | .HOSE- SUPPLIER CODE: V16632 SPECIFICATION NUMBER: AS1503-06D0132 | 101106 108120 504903 | 2 |
| 215 | BOE2027-06D0110 | | .HOSE- SUPPLIER CODE: V16632 SPECIFICATION NUMBER: AS1503-06D0110 | 107107 | 2 |

MISSING ITEM NUMBERS NOT APPLICABLE

- ITEM NOT ILLUSTRATED

21-58-08-07

21-58-08
FIG. 07
PAGE 7
JAN 20/09

BRI



757

PARTS CATALOG (MAINTENANCE)

| FIG ITEM | PART NUMBER | 1 2 3 4 5 6 7 | NOMENCLATURE | EFFECT FROM TO | UNITS PER ASSY |
|----------|-----------------|---|---|----------------------------|----------------|
| 7 | | | | | |
| 215 | BOE2022-06A0112 | .HOSE- | SUPPLIER CODE: V16632 | 002004 006100 121503 | 2 |
| | | | SPECIFICATION NUMBER: AS1544-06A0112 | 904999 | |
| 217 | BOE2064 | .HOSE-FLEX | SUPPLIER CODE: V16632 | 107107 | 1 |
| 220 | AS1506-08D40 | .HOSE | | 002004 006999 | 1 |
| 225 | 214T3424-2 | .SUPPORT-DUCT | | 002004 006999 | 2 |
| | | | ATTACHING PARTS | | |
| - 230 | BACS12FA3K8 | .SCREW- | | 002004 006999 | 4 |
| - 235 | NAS1149D0332J | .WASHER | | 101106 108120 | 4 |
| | | | | 504903 | |
| - 235 | AN960KD10 | .WASHER | | 002004 006100 | 4 |
| | | | | 107107 121503 | |
| - 240 | BRH10C3D | .NUT | SUPPLIER CODE: V52828 | 904999 | 4 |
| | | | SPECIFICATION NUMBER: BACN10JC3CD | 002004 006999 | |
| | | | OPTIONAL PART: T6C1032JCD | | |
| | | | V11815 | | |
| | | | NS202486-02 | | |
| | | | V80539 | | |
| | | | 102LH9075-3W | | |
| | | | V72962 | | |
| | | | H51650-3BAC | | |
| | | | V15653 | | |
| | | | -----*----- | | |
| 245 | 217N2040-3 | .DUCT ASSY- | | 002004 006106 108999 | 1 |
| 245 | 217N2040-4 | .DUCT ASSY- | | 107107 | 1 |
| 900 | | ILLUSTRATION REFERENCE: DUCT INSTL-INSTR COOLING | | 002004 | RF |
| | | SUPPLY PRESSURE BHD FWD | | 006100 | |
| | | 21-58-08-14 | | 107107 121503 904999 | |

MISSING ITEM NUMBERS NOT APPLICABLE

- ITEM NOT ILLUSTRATED

21-58-08-07

21-58-08
FIG. 07
PAGE 8
JAN 20/09

BRI

BOEING PROPRIETARY - Copyright © - Unpublished Work - See title page for details.



757

PARTS CATALOG (MAINTENANCE)

| FIG ITEM | PART NUMBER | 1 2 3 4 5 6 7 | NOMENCLATURE | EFFECT FROM TO | UNITS PER ASSY |
|-------------|-------------|---------------|--|--|----------------------|
| 7 905 | | | ILLUSTRATION REFERENCE: ORIFICE INSTL-FLIGHT DECK INSTR COOLING 21-58-08-19 | 002004 006100 107107 121503 904999 | RF |

MISSING ITEM NUMBERS NOT APPLICABLE

- ITEM NOT ILLUSTRATED

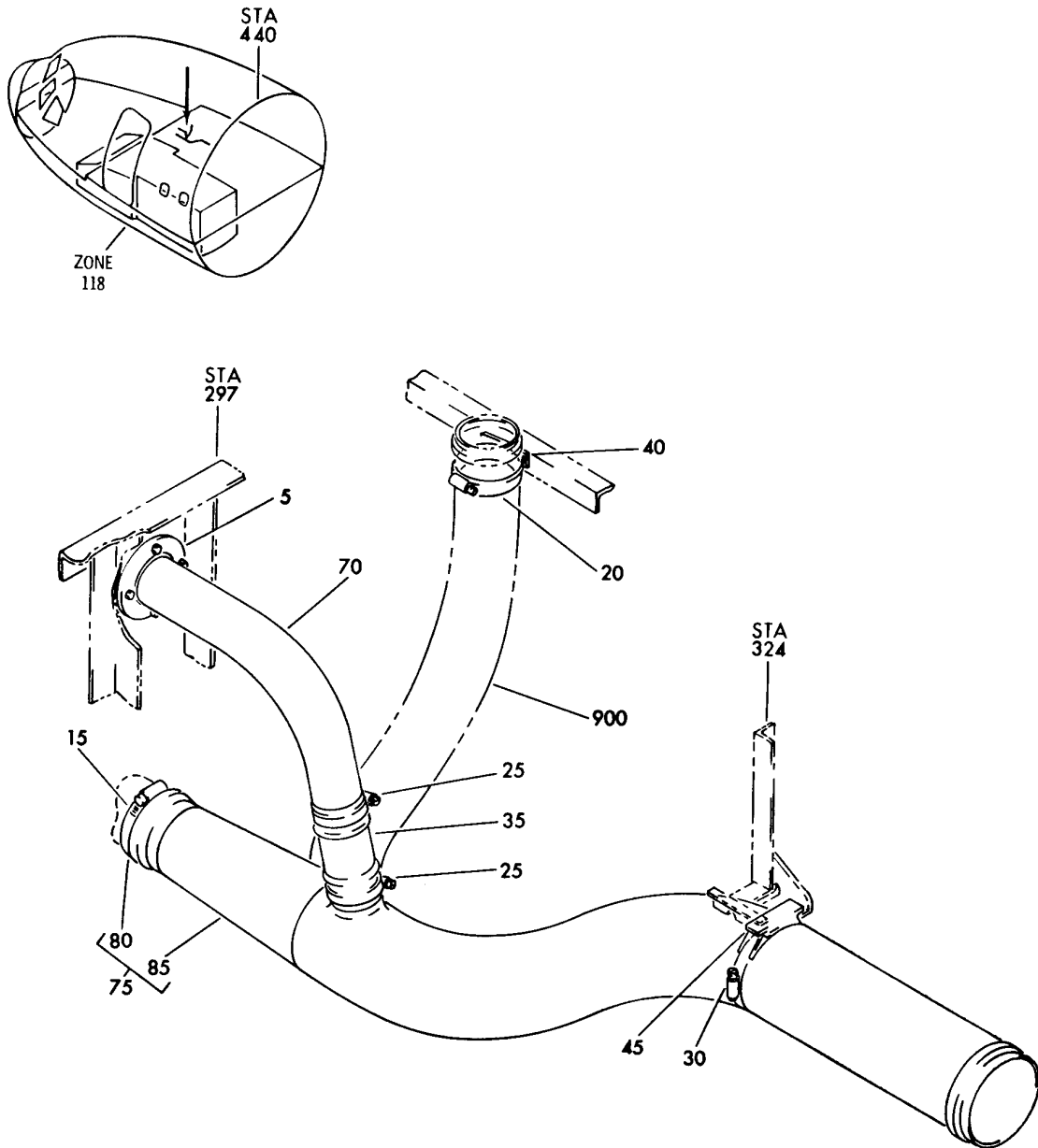
BRI

21-58-08-07

BOEING PROPRIETARY - Copyright © - Unpublished Work - See title page for details.

21-58-08
FIG. 07
PAGE 9
JAN 20/09

BOEING
757
PARTS CATALOG (MAINTENANCE)



Y 21580808 REV 183

DUCT INSTL-SECT. 41 ELEC/ELECTRONICS COOLING AIR EXH FWD
FIGURE 8

21-58-08-08

BRI
MAY 28/07

21-58-08-08
PAGE 0



757

PARTS CATALOG (MAINTENANCE)

| FIG ITEM | PART NUMBER | 1 2 3 4 5 6 7 | NOMENCLATURE | EFFECT FROM TO | UNITS PER ASSY |
|----------|-------------|---------------|--|--|----------------|
| 8 | | | DUCT INSTL-SECT. 41 ELEC/ELECTRONICS COOLING AIR EXH FWD | 002004 006999 | |
| - 1 | 217N1003-2 | | DUCT INSTL- ELEC/ELECTRONICS COOLING AIR EXH POSITION DATA: SECT. 41 FWD FOR NHA SEE: 21-00-00-04 | 002004 006100 107107 121503 904999 | RF |
| - 1 | 217N1003-6 | | DUCT INSTL- ELEC/ELECTRONICS COOLING AIR EXH POSITION DATA: SECT. 41 FWD FOR NHA SEE: 21-00-00-15 | 101102 108120 504903 | RF |
| - 1 | MODREF5535 | | DUCT INSTL- ELEC/ELECTRONICS COOLING AIR EXH MODULE NUMBER: 217N1003-6 REV A POSITION DATA: SECT. 41 FWD | 103106 | 1 |
| 5 | 217N1096-2 | | .GASKET | 002004 006999 | 1 |
| - 10 | BACB30NN3K5 | | ATTACHING PARTS .BOLT | 002004 006999 | 4 |
| 15 | 15J02-300 | | -----*----- .CLAMP ASSY- SUPPLIER CODE: V89513 OPTIONAL PART: 32317AA300 V94581 NH135000-0300 V98625 | 002004 006100 107107 121503 904999 | 1 |
| 15 | 32317AA300 | | .COUPLING- SUPPLIER CODE: V94581 OPTIONAL PART: 15J02-300 V89513 NH135000-0300 V98625 | 002004 006100 107107 121503 904999 | 1 |

MISSING ITEM NUMBERS NOT APPLICABLE

- ITEM NOT ILLUSTRATED

21-58-08-08

21-58-08
FIG. 08
PAGE 1
JAN 20/09

BRI



757

PARTS CATALOG (MAINTENANCE)

| FIG ITEM | PART NUMBER | 1 2 3 4 5 6 7 | NOMENCLATURE | EFFECT FROM TO | UNITS PER ASSY |
|----------|---------------|-----------------------|---|----------------------------|----------------|
| 8 | | | | | |
| 15 | NH135000-0300 | .COUPLING- | SUPPLIER CODE: V98625 | 002004 006100 107107 | 1 |
| | | OPTIONAL PART: | 15J02-300 V89513 32317AA300 V94581 | 121503 904999 | |
| 15 | NH135008-0300 | .COUPLING | SUPPLIER CODE: V00624 | 101106 108120 504903 | 1 |
| | | SPECIFICATION NUMBER: | BACC10HX300 | | |
| 20 | 36 | .CLAMP | SUPPLIER CODE: V7Z588 | 002004 006999 | 1 |
| | | SPECIFICATION NUMBER: | STBC10GG74-91 | | |
| | | OPTIONAL PART: | WWD74-91H V66295 | | |
| 25 | 32 | .CLAMP | SUPPLIER CODE: V7Z588 | 002004 006999 | 2 |
| | | SPECIFICATION NUMBER: | STBC10GG66-82 | | |
| | | OPTIONAL PART: | WWD66-82H V66295 | | |
| 30 | 72 | .CLAMP | SUPPLIER CODE: V7Z588 | 002004 006999 | 1 |
| | | SPECIFICATION NUMBER: | STBC10GG160 | | |
| | | OPTIONAL PART: | WWD160H V66295 | | |
| 35 | AS1506-08D50 | .SLEEVE | | 002004 006999 | 1 |
| 40 | 214N1051-3 | .SUPPORT | | 002004 006999 | 1 |
| 45 | 214N1051-6 | .SUPPORT | | 002004 006999 | 1 |
| - | 50 | BACB30PW4-3 | ATTACHING PARTS .BOLT | 002004 006999 | 4 |

MISSING ITEM NUMBERS NOT APPLICABLE

- ITEM NOT ILLUSTRATED

21-58-08-08

21-58-08
FIG. 08
PAGE 2
JAN 20/09

BRI

BOEING PROPRIETARY - Copyright © - Unpublished Work - See title page for details.

BOEING
757
PARTS CATALOG (MAINTENANCE)

| FIG ITEM | PART NUMBER | 1 2 3 4 5 6 7 | NOMENCLATURE | EFFECT FROM TO | UNITS PER ASSY |
|-------------|---------------|---------------|---|--|----------------------|
| 8 | | | | | |
| - 55 | AN960KD416L | . | WASHER | 002004 006100 107107 121503 904999 | 4 |
| - 55 | NAS1149D0416J | . | WASHER | 101106 108120 504903 | 4 |
| - 60 | BACW10BN3SP | . | WASHER | 002004 006100 107107 121503 904999 | 4 |
| - 60 | BACW10BN4SP | . | WASHER | 101106 108120 504903 | 4 |
| - 65 | NAS1805-3N | . | NUT | 002004 006100 107107 121503 904999 | 4 |
| - 65 | NAS1805-4L | . | NUT- | 101106 108120 504903 | 4 |
| | | | -----*----- | | |
| 70 | 217N1050-4 | . | DUCT ASSY | 002004 006999 | 1 |
| 75 | 217N1051-5 | . | DUCT ASSY- | 002004 006999 | 1 |
| 80 | 15J03-300 | .. | FLANGE- SUPPLIER CODE: V89513 OPTIONAL PART: 2904AM300 V94581 NH135004-0300 V98625 | 002004 006999 | 1 |
| 80 | 2904AM300 | .. | FLANGE- SUPPLIER CODE: V94581 OPTIONAL PART: 15J03-300 V89513 NH135004-0300 V98625 | 002004 006999 | 1 |

MISSING ITEM NUMBERS NOT APPLICABLE

- ITEM NOT ILLUSTRATED

BRI

21-58-08-08

BOEING PROPRIETARY - Copyright © - Unpublished Work - See title page for details.

21-58-08
FIG. 08
PAGE 3
JAN 20/09



757

PARTS CATALOG (MAINTENANCE)

| FIG ITEM | PART NUMBER | 1 2 3 4 5 6 7 | NOMENCLATURE | EFFECT FROM TO | UNITS PER ASSY |
|----------|---------------|---------------|---|------------------|----------------|
| 8 | | | | | |
| 80 | NH135004-0300 | .. | FLANGE- SUPPLIER CODE: V98625 OPTIONAL PART: 15J03-300 V89513 2904AM300 V94581 | 002004 006999 | 1 |
| 85 | 217N1051-7 | .. | DUCT ASSY- OPTIONAL PART: 217N1051-6 | 002004 006999 | 1 |
| 85 | 217N1051-6 | .. | DUCT- OPTIONAL PART: 217N1051-7 | 002004 006999 | 1 |
| 900 | | | ILLUSTRATION REFERENCE: DUCT INSTL-RISER AND GLARESHIELD EXHAUST 21-22-05-10 | 002004 006999 | RF |

MISSING ITEM NUMBERS NOT APPLICABLE

- ITEM NOT ILLUSTRATED

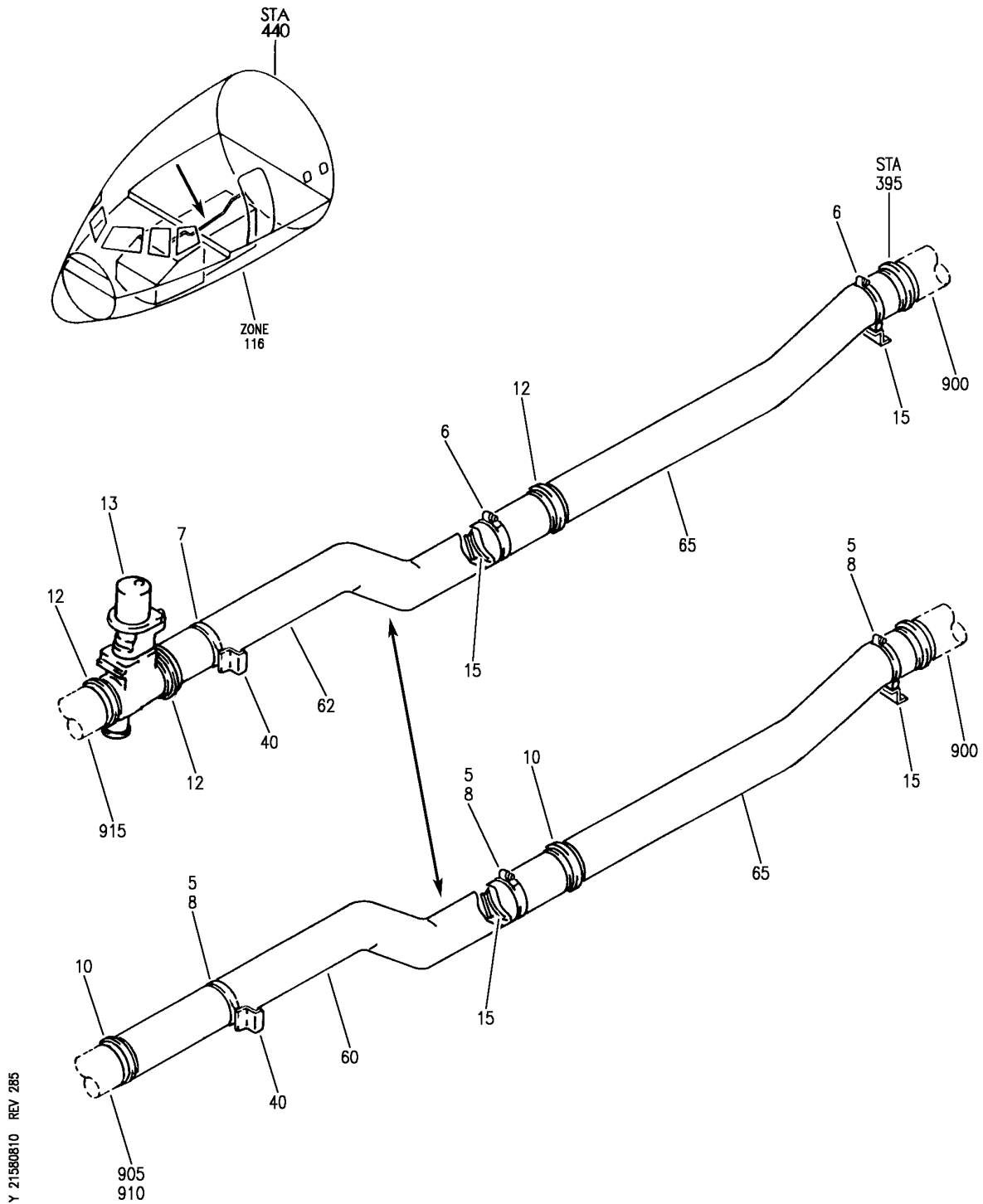
BRI

21-58-08-08

BOEING PROPRIETARY - Copyright © - Unpublished Work - See title page for details.

21-58-08
FIG. 08
PAGE 4
JAN 20/09

BOEING
757
PARTS CATALOG (MAINTENANCE)



DUCT INSTL-SECT. 41 ELECTRICAL/ELECTRONIC COOLING AIR SUPPLY
FIGURE 10

BRI
MAY 28/07

21-58-08-10

21-58-08-10
PAGE 0



757

PARTS CATALOG (MAINTENANCE)

| FIG ITEM | PART NUMBER | 1 2 3 4 5 6 7 | NOMENCLATURE | EFFECT FROM TO | UNITS PER ASSY |
|----------|---------------|---------------|--|--|----------------|
| 10 | | | DUCT INSTL-SECT. 41 ELECTRICAL/ELECTRONIC COOLING AIR SUPPLY | 002004 006999 | |
| - 1 | 217N1008-1 | | DUCT INSTL- ELECTRICAL/ELECTRONIC COOLING AIR SUPPLY POSITION DATA: SECT. 41 FOR NHA SEE: 21-00-00-04 | 002004 006100 107107 121503 904999 | RF |
| - 1 | 217N1008-3 | | DUCT INSTL- ELECTRICAL/ELECTRONIC COOLING AIR SUPPLY POSITION DATA: SECT. 41 FOR NHA SEE: 21-00-00-15 | 101102 108120 504903 | RF |
| - 1 | MODREF5541 | | DUCT INSTL- ELECTRICAL/ELECTRONIC COOLING AIR SUPPLY MODULE NUMBER: 217N1008-3 REV A POSITION DATA: SECT. 41 | 103106 | 1 |
| 5 | 64 | | .CLAMP- SUPPLIER CODE: V7Z588 SPECIFICATION NUMBER: STBC10GG146 OPTIONAL PART: WWD146H V66295 | 002004 006999 | 3 |
| 10 | NH135008-0400 | | .COUPLING- SUPPLIER CODE: V00624 OPTIONAL PART: 15J02-400 V89513 | 002004 006999 | 2 |
| 10 | 15J02-400 | | .CLAMP ASSY- SUPPLIER CODE: V89513 OPTIONAL PART: NH135008-0400 V00624 32317AA400 V94581 | 002004 006999 | 2 |

MISSING ITEM NUMBERS NOT APPLICABLE

- ITEM NOT ILLUSTRATED

BRI

21-58-08-10

21-58-08
FIG. 10
PAGE 1
JAN 20/09



757

PARTS CATALOG (MAINTENANCE)

| FIG ITEM | PART NUMBER | 1 2 3 4 5 6 7 | NOMENCLATURE | EFFECT FROM TO | UNITS PER ASSY |
|----------|---------------|---------------|--|--|----------------|
| 10 | | | | | |
| 10 | 32317AA400 | | . COUPLING- SUPPLIER CODE: V94581 OPTIONAL PART: 15J02-400 V89513 | 002004 006999 | 2 |
| 15 | 214N1051-6 | | . SUPPORT-DUCT | 002004 006999 | 2 |
| | | | ATTACHING PARTS | | |
| - 20 | BACB30PW4-3 | | . BOLT | 002004 006999 | 4 |
| - 25 | AN960KD416L | | . WASHER | 002004 006100 107107 121503 904999 | 4 |
| - 25 | NAS1149D0416J | | . WASHER | 101106 108120 504903 | 4 |
| - 30 | BACW10BN3SP | | . WASHER- | 002004 006999 | 4 |
| - 35 | NAS1805-3N | | . NUT | 002004 006100 107107 121503 904999 | 4 |
| - 35 | NAS1805-3L | | . NUT | 101106 108120 504903 | 4 |
| | | | -----*----- | | |
| 40 | 214T3424-6 | | . SUPPORT-DUCT | 002004 006999 | 1 |
| | | | ATTACHING PARTS | | |
| - 45 | BACS12FA3K8 | | . SCREW | 002004 006999 | 2 |
| - 50 | AN960KD10 | | . WASHER | 002004 006100 107107 121503 904999 | 2 |
| - 50 | NAS1149D0363J | | . WASHER | 101106 108120 504903 | 2 |

MISSING ITEM NUMBERS NOT APPLICABLE

- ITEM NOT ILLUSTRATED

21-58-08-10

21-58-08
FIG. 10
PAGE 2
JAN 20/09

BRI

BOEING PROPRIETARY - Copyright © - Unpublished Work - See title page for details.

BOEING
757
PARTS CATALOG (MAINTENANCE)

| FIG ITEM | PART NUMBER | 1 2 3 4 5 6 7 | NOMENCLATURE | EFFECT FROM TO | UNITS PER ASSY |
|------------|-------------|---------------|--|--|----------------|
| 10 - 55 | BRH10C3D | | .NUT SUPPLIER CODE: V52828 SPECIFICATION NUMBER: BACN10JC3CD OPTIONAL PART: T6C1032JCD V11815 NS202486-02 V80539 102LH9075-3W V72962 H51650-3BAC V15653 | 002004 006999 | 2 |
| 60 | 217N1078-1 | | -----*----- .DUCT ASSY- FOR DETAILS SEE: 11-36-35-01 | 002004 006100 107107 121503 904999 | 1 |
| 60 | 217N1078-3 | | .DUCT ASSY- FOR DETAILS SEE: 11-36-35-01 | 002004 006999 | 1 |
| 65 | 217N1077-1 | | .DUCT ASSY- FOR DETAILS SEE: 11-36-35-01 | 002004 006100 107107 121503 904999 | 1 |
| 65 | 217N1077-3 | | .DUCT ASSY- FOR DETAILS SEE: 11-36-35-01 | 002004 006999 | 1 |
| 900 | | | ILLUSTRATION REFERENCE: DUCT INSTL-STA 431.5 E/E COOLING AIR SUPPLY 21-58-08-02 | 002004 006999 | RF |
| 905 | | | ILLUSTRATION REFERENCE: DUCT INSTL-STA 202 TO 297 INSTR CLG SUPPLY LWR RH 21-58-08-13 | 002004 006999 | RF |

MISSING ITEM NUMBERS NOT APPLICABLE

- ITEM NOT ILLUSTRATED

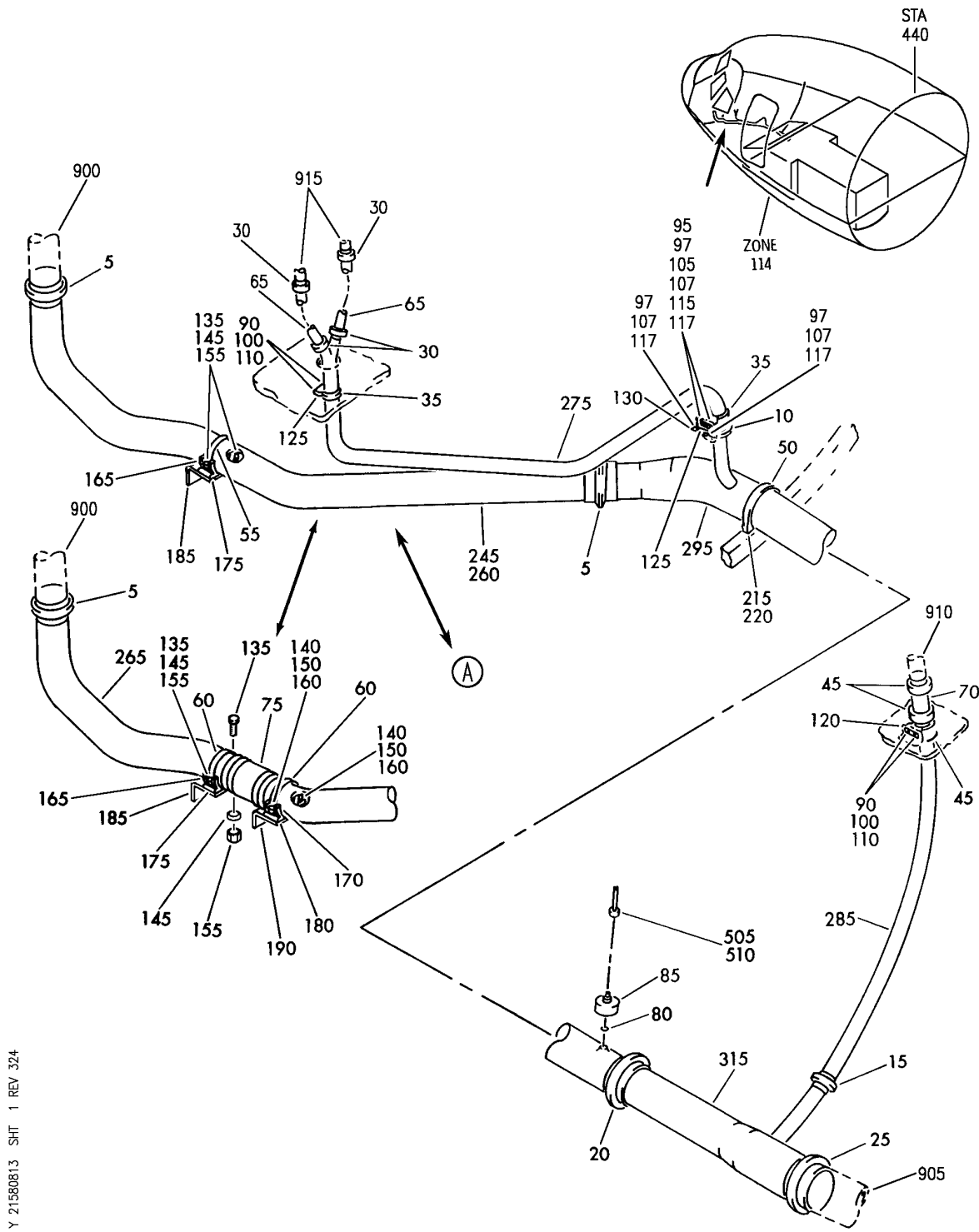
BRI

21-58-08-10

BOEING PROPRIETARY - Copyright © - Unpublished Work - See title page for details.

21-58-08
FIG. 10
PAGE 3
JAN 20/09

BOEING
757
PARTS CATALOG (MAINTENANCE)



Y 21580813 SH1 1 REV 324

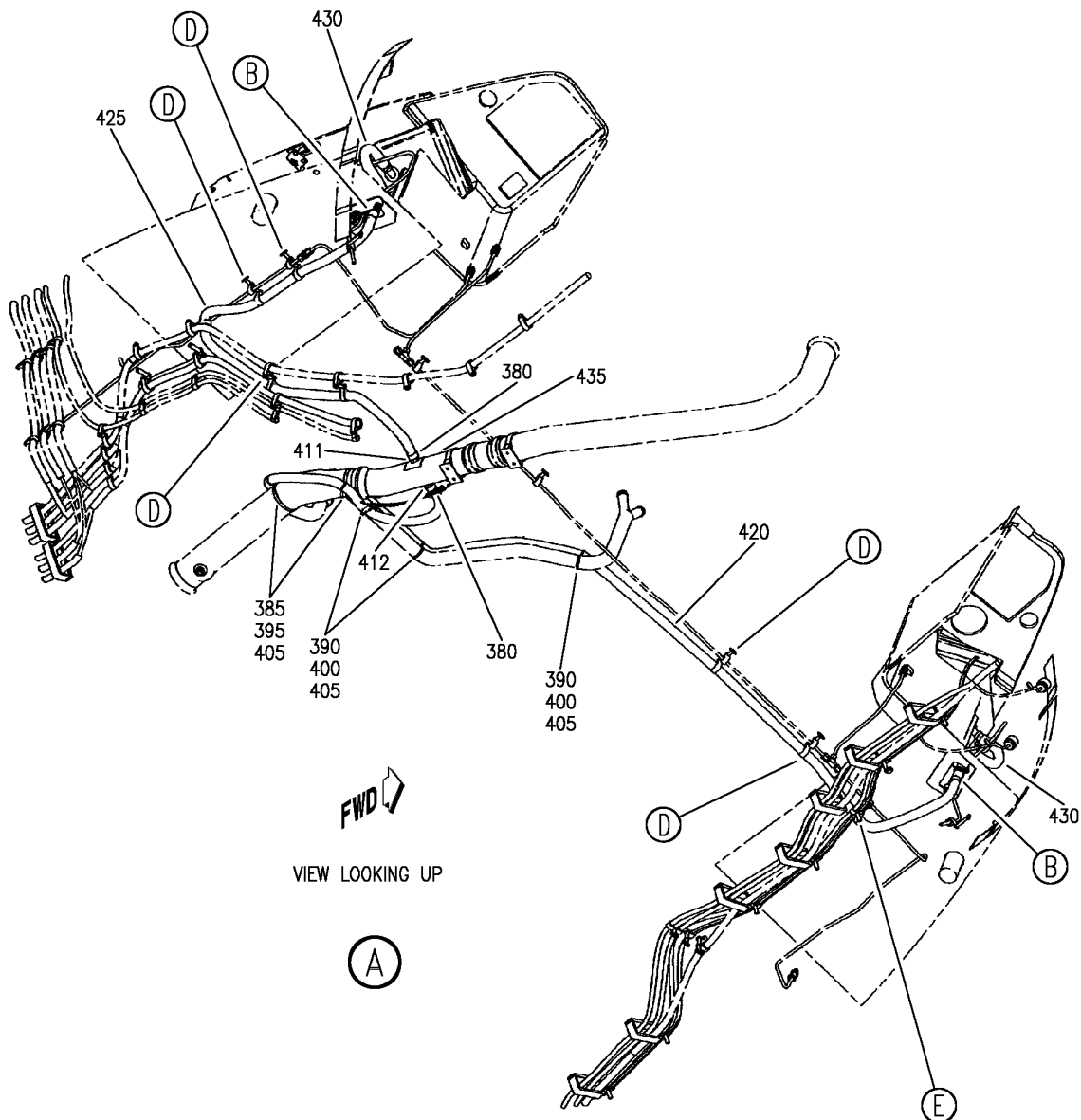
DUCT INSTL-STA 202 TO 297 INSTR CLG SUPPLY LWR RH
FIGURE 13

21-58-08-13

BRI
SEP 20/08

21-58-08-13
PAGE 0

BOEING
757
PARTS CATALOG (MAINTENANCE)



Y 21580813 SH1 2 REV 325

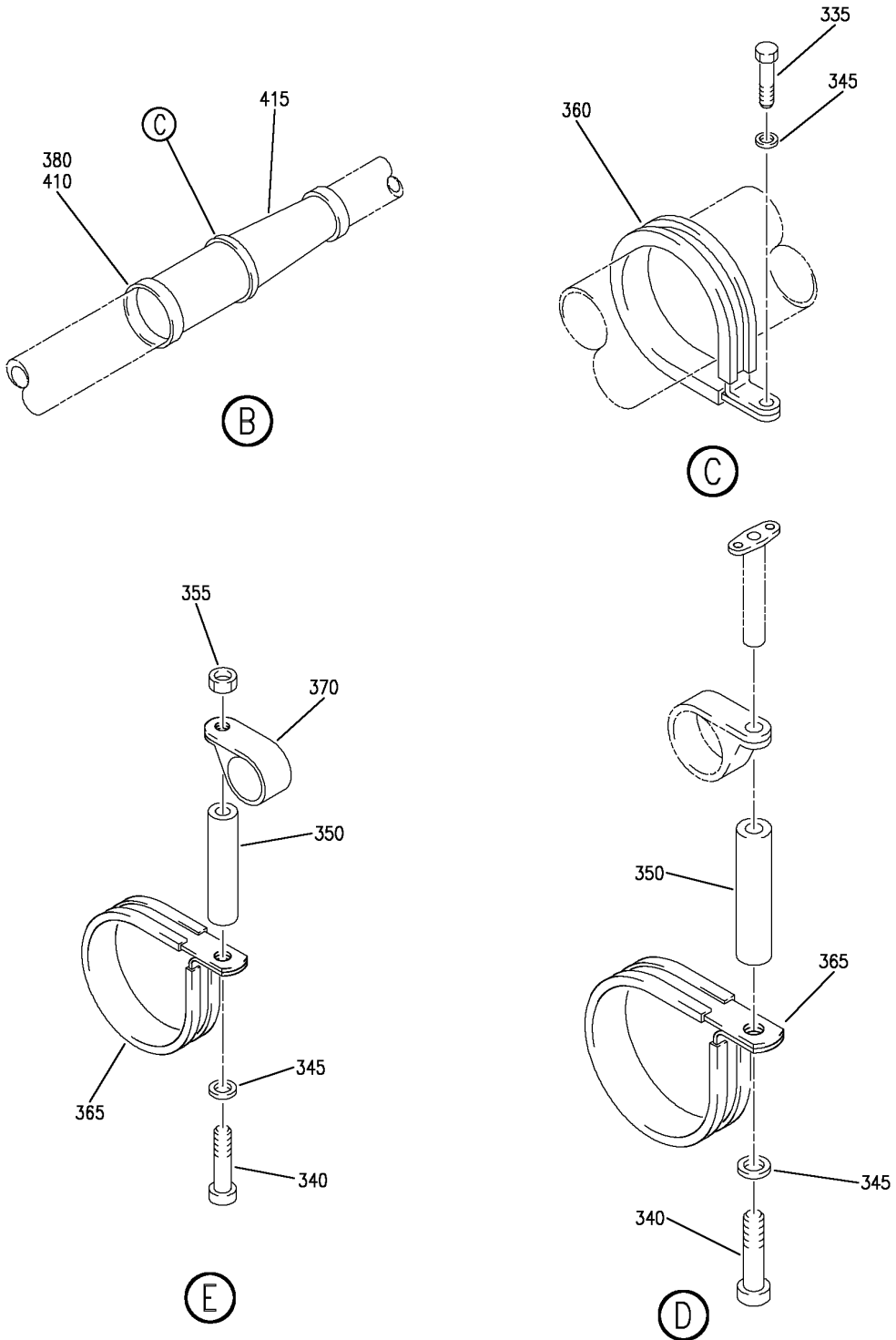
DUCT INSTL-STA 202 TO 297 INSTR CLG SUPPLY LWR RH
FIGURE 13

21-58-08-13

BRI
SEP 20/08

21-58-08-13
PAGE 0A

BOEING
757
PARTS CATALOG (MAINTENANCE)



Y 21580813 SH1 3 REV 324

DUCT INSTL-STA 202 TO 297 INSTR CLG SUPPLY LWR RH
FIGURE 13

21-58-08-13

BRI
SEP 20/08

21-58-08-13
PAGE 0B



757

PARTS CATALOG (MAINTENANCE)

| FIG ITEM | PART NUMBER | 1 2 3 4 5 6 7 | NOMENCLATURE | EFFECT FROM TO | UNITS PER ASSY |
|----------|---------------|---------------|--|--------------------------------------|----------------|
| 13 | | | DUCT INSTL-STA 202 TO 297 INSTR CLG SUPPLY LWR RH | 002004 006999 | |
| - 1 | 217N2002-4 | | DUCT INSTL-INSTR CLG SUPPLY POSITION DATA: STA 202 TO 297 LWR RH FOR NHA SEE: 21-00-00-04 | 107107 904949 | RF |
| - 1 | 217N2002-8 | | DUCT INSTL-INSTR CLG SUPPLY POSITION DATA: STA 202 TO 297 LWR RH FOR NHA SEE: 21-00-00-04 21-00-00-15 | 002004 006102 108903 950999 | RF |
| - 1 | MODREF5734 | | DUCT INSTL-INSTR CLG SUPPLY MODULE NUMBER: 217N2002-8 REV A POSITION DATA: STA 202 TO 297 LWR RH | 103106 | 1 |
| 5 | 15J02-300 | | .CLAMP ASSY- SUPPLIER CODE: V89513 OPTIONAL PART: 32317AA300 V94581 NH135008-0300 V00624 | 107107 904949 | 2 |
| 5 | 32317AA300 | | .COUPLING- SUPPLIER CODE: V94581 OPTIONAL PART: 15J02-300 V89513 | 107107 904949 | 2 |
| 5 | NH135008-0300 | | .CLAMP ASSY- SUPPLIER CODE: V00624 OPTIONAL PART: 15J02-300 V89513 | 107107 904949 | 2 |
| 5 | NH135008-0300 | | .COUPLING- SUPPLIER CODE: V00624 SPECIFICATION NUMBER: BACC10HX300 | 002004 006106 108903 950999 | 2 |

MISSING ITEM NUMBERS NOT APPLICABLE

- ITEM NOT ILLUSTRATED

21-58-08-13

21-58-08
FIG. 13
PAGE 1
JAN 20/09

BRI



757

PARTS CATALOG (MAINTENANCE)

| FIG ITEM | PART NUMBER | 1 2 3 4 5 6 7 | NOMENCLATURE | EFFECT FROM TO | UNITS PER ASSY |
|----------|---------------|---------------|--|--------------------------------------|----------------|
| 13 | | | | | |
| 10 | 15J02-150 | | .COUPLING ASSY- SUPPLIER CODE: V89513 OPTIONAL PART: 32317AA150 V94581 NH135008-0150 V00624 | 107107 904949 | 1 |
| 10 | 32317AA150 | | .COUPLING- SUPPLIER CODE: V94581 OPTIONAL PART: 15J02-150 V89513 | 107107 904949 | 1 |
| 10 | NH135008-0150 | | .COUPLING- SUPPLIER CODE: V00624 OPTIONAL PART: 15J02-150 V89513 | 107107 904949 | 1 |
| 10 | NH135008-0150 | | .COUPLING- SUPPLIER CODE: V00624 SPECIFICATION NUMBER: BACC10HX150 | 002004 006106 108903 950999 | 1 |
| 15 | 15J02-200 | | .CLAMP ASSY- SUPPLIER CODE: V89513 OPTIONAL PART: 32317AA200 V94581 NH135008-0200 V98625 | 107107 904949 | 1 |
| 15 | 32317AA200 | | .CLAMP ASSY- SUPPLIER CODE: V94581 OPTIONAL PART: 15J02-200 V89513 | 107107 904949 | 1 |
| 15 | NH135008-0200 | | .CLAMP ASSY- SUPPLIER CODE: V00624 OPTIONAL PART: 15J02-200 V89513 | 107107 904949 | 1 |

MISSING ITEM NUMBERS NOT APPLICABLE

- ITEM NOT ILLUSTRATED

BRI

21-58-08-13

21-58-08
FIG. 13
PAGE 2
JAN 20/09



757

PARTS CATALOG (MAINTENANCE)

| FIG ITEM | PART NUMBER | 1 2 3 4 5 6 7 | NOMENCLATURE | EFFECT FROM TO | UNITS PER ASSY |
|----------|---------------|---------------|--|--------------------------------------|----------------|
| 13 | | | | | |
| 15 | NH135008-0200 | . | COUPLING- SUPPLIER CODE: V00624 SPECIFICATION NUMBER: BACC10HX200 | 002004 006106 108903 950999 | 1 |
| 20 | 15J02-350 | . | CLAMP- SUPPLIER CODE: V89513 OPTIONAL PART: 32317AA350 V94581 NH135008-0350 V98625 | 107107 904949 | 1 |
| 20 | 32317AA350 | . | CLAMP- SUPPLIER CODE: V94581 OPTIONAL PART: 15J02-350 V89513 | 107107 904949 | 1 |
| 20 | NH135008-0350 | . | CLAMP- SUPPLIER CODE: V00624 OPTIONAL PART: 15J02-350 V89513 | 107107 904949 | 1 |
| 20 | NH135008-0350 | . | COUPLING- SUPPLIER CODE: V00624 SPECIFICATION NUMBER: BACC10HX350 | 002004 006106 108903 950999 | 1 |
| 25 | 15J02-400 | . | CLAMP ASSY- SUPPLIER CODE: V89513 OPTIONAL PART: 32317AA400 V94581 NH135008-0400 V00624 | 107107 904949 | 1 |
| 25 | 32317AA400 | . | COUPLING- SUPPLIER CODE: V94581 OPTIONAL PART: 15J02-400 V89513 | 107107 904949 | 1 |

MISSING ITEM NUMBERS NOT APPLICABLE

- ITEM NOT ILLUSTRATED

BRI

21-58-08-13

21-58-08
FIG. 13
PAGE 3
JAN 20/09



757

PARTS CATALOG (MAINTENANCE)

| FIG ITEM | PART NUMBER | 1 2 3 4 5 6 7 | NOMENCLATURE | EFFECT FROM TO | UNITS PER ASSY |
|----------|----------------|---------------|---|--------------------------------------|----------------|
| 13 | | | | | |
| 25 | NH135008-0400 | . | COUPLING- SUPPLIER CODE: V00624 OPTIONAL PART: 15J02-400 V89513 | 107107 904949 | 1 |
| 25 | NH135008-0400 | . | COUPLING- SUPPLIER CODE: V00624 SPECIFICATION NUMBER: BACC10HX400 | 002004 006106 108903 950999 | 1 |
| 30 | 12 | . | CLAMP- SUPPLIER CODE: V7Z588 SPECIFICATION NUMBER: STBC10GG34-38 OPTIONAL PART: WWD34-38H V66295 | 107107 904949 | 4 |
| 30 | NAS1922-0125-3 | . | CLAMP- | 002004 006106 108903 950999 | 4 |
| 35 | 20 | . | CLAMP- SUPPLIER CODE: V7Z588 SPECIFICATION NUMBER: STBC10GG48-58 OPTIONAL PART: WWD48-58H V66295 | 107107 904949 | 2 |
| 35 | NAS1922-0200-3 | . | CLAMP- | 002004 006106 108903 950999 | 2 |
| 45 | 32 | . | CLAMP- SUPPLIER CODE: V7Z588 SPECIFICATION NUMBER: STBC10GG66-82 OPTIONAL PART: WWD66-82H V66295 | 107107 904949 | 3 |
| 45 | NAS1922-0200-3 | . | CLAMP- | 002004 006106 108903 950999 | 3 |

MISSING ITEM NUMBERS NOT APPLICABLE

- ITEM NOT ILLUSTRATED

21-58-08-13

21-58-08
FIG. 13
PAGE 4
JAN 20/09

BRI



757

PARTS CATALOG (MAINTENANCE)

| FIG ITEM | PART NUMBER | 1 2 3 4 5 6 7 | NOMENCLATURE | EFFECT FROM TO | UNITS PER ASSY |
|----------|-----------------|---------------|---|--------------------------------------|----------------|
| 13 | | | | | |
| 50 | 56 | | .CLAMP- SUPPLIER CODE: V7Z588 SPECIFICATION NUMBER: STBC10GG128 OPTIONAL PART: WWD128H V66295 | 107107 904949 | 1 |
| 50 | NAS1922-0350-3 | | .CLAMP- | 002004 006106 108903 950999 | 1 |
| 55 | 48 | | .CLAMP- SUPPLIER CODE: V7Z588 SPECIFICATION NUMBER: STBC10GG98-114 OPTIONAL PART: WWD98-114 V66295 | 107107 904949 | 1 |
| 60 | NAS1922-0275-3 | | .CLAMP | 002004 006106 108903 950999 | 4 |
| 65 | BOE2027-04D0060 | | .HOSE- SUPPLIER CODE: V16632 SPECIFICATION NUMBER: AS1503-04D0060 | 002004 006999 | 2 |
| 65 | BOE2022-04A0072 | | .HOSE- SUPPLIER CODE: V16632 SPECIFICATION NUMBER: AS1544-04A0072 | 107107 904949 | 2 |
| 65 | BOE2022-04A0050 | | .HOSE- SUPPLIER CODE: V16632 SPECIFICATION NUMBER: AS1544-04A0050 | 002004 006106 108903 950999 | 2 |
| 70 | AS1506-08D40 | | .HOSE | 002004 006999 | 1 |
| 75 | AS1506-12D50 | | .HOSE- | 002004 006106 108903 950999 | 1 |
| 80 | MS28778-6 | | .PACKING | 002004 006999 | 1 |

MISSING ITEM NUMBERS NOT APPLICABLE

- ITEM NOT ILLUSTRATED

21-58-08-13

21-58-08
FIG. 13
PAGE 5
JAN 20/09

BRI

BOEING PROPRIETARY - Copyright © - Unpublished Work - See title page for details.



757

PARTS CATALOG (MAINTENANCE)

| FIG ITEM | PART NUMBER | 1 2 3 4 5 6 7 | NOMENCLATURE | EFFECT FROM TO | UNITS PER ASSY |
|----------|-------------|---------------|---|--------------------------------------|----------------|
| 13 85 | 123CH1A | . | SENSOR- SUPPLIER CODE: V60678 SPECIFICATION NUMBER: S210N701-2 ELECTRICAL EQUIP NUMBER: TS5155 OPTIONAL PART: 123CH1 V60678 0123CH1B V60678 | 002004 006999 | 1 |
| 85 | 123CH1 | . | SENSOR- SUPPLIER CODE: V60678 SPECIFICATION NUMBER: S210N701-2 ELECTRICAL EQUIP NUMBER: TS5155 OPTIONAL PART: 123CH1A V60678 0123CH1B V60678 | 002004 006999 | 1 |
| 85 | 0123CH1B | . | SENSOR- SUPPLIER CODE: V60678 SPECIFICATION NUMBER: S210N701-2 ELECTRICAL EQUIP NUMBER: TS5155 OPTIONAL PART: 123CH1A V60678 123CH1 V60678 | 002004 006999 | 1 |
| 90 | BACS12FA3K7 | . | SCREW | 002004 006999 | 4 |
| 95 | BACS12FA3K7 | . | SCREW | 107107 904949 | 2 |
| 97 | BACS12FA3K8 | . | SCREW | 002004 006106 108903 950999 | 4 |
| 100 | AN960KD10L | . | WASHER | 002004 006999 | 4 |
| 105 | AN960KD10L | . | WASHER | 107107 904949 | 2 |

MISSING ITEM NUMBERS NOT APPLICABLE

- ITEM NOT ILLUSTRATED

21-58-08-13

21-58-08
FIG. 13
PAGE 6
JAN 20/09

BRI



757

PARTS CATALOG (MAINTENANCE)

| FIG ITEM | PART NUMBER | 1 2 3 4 5 6 7 | NOMENCLATURE | EFFECT FROM TO | UNITS PER ASSY |
|-----------|-------------|---------------|---|--------------------------------------|----------------|
| 13 107 | AN960KD10L | . | WASHER | 002004 006106 108903 950999 | 4 |
| 110 | BRH10C3D | . | NUT SUPPLIER CODE: V52828 SPECIFICATION NUMBER: BACN10JC3CD OPTIONAL PART: T6C1032JCD V11815 NS202486-02 V80539 102LH9075-3W V72962 H51650-3BAC V15653 | 002004 006999 | 4 |
| 115 | BRH10C3D | . | NUT SUPPLIER CODE: V52828 SPECIFICATION NUMBER: BACN10JC3CD OPTIONAL PART: T6C1032JCD V11815 NS202486-02 V80539 102LH9075-3W V72962 H51650-3BAC V15653 | 107107 904949 | 2 |
| 117 | BRH10C3D | . | NUT SUPPLIER CODE: V52828 SPECIFICATION NUMBER: BACN10JC3CD OPTIONAL PART: T6C1032JCD V11815 NS202486-02 V80539 102LH9075-3W V72962 H51650-3BAC V15653 | 002004 006106 108903 950999 | 4 |
| 120 | 214T3424-2 | . | SUPPORT- | 002004 006999 | 1 |

MISSING ITEM NUMBERS NOT APPLICABLE

- ITEM NOT ILLUSTRATED

21-58-08-13

21-58-08
FIG. 13
PAGE 7
JAN 20/09

BRI



757

PARTS CATALOG (MAINTENANCE)

| FIG ITEM | PART NUMBER | 1 2 3 4 5 6 7 | NOMENCLATURE | EFFECT FROM TO | UNITS PER ASSY |
|----------|-------------|---------------|---|--------------------------------------|----------------|
| 13 | | | | | |
| 125 | 214T3424-17 | . | SUPPORT | 002004 006999 | 2 |
| 130 | 217N2032-12 | . | BRACKET- MISCELLANEOUS DATA: 519896E LIAISON CHANGE PART NUMBER: 217N2032-12M04645RL SPARES SUPPORT PART NUMBER: 217N2032-12M04645RL | 002004 006106 108903 950999 | 1 |
| 135 | HL11VAZ6-2 | . | BOLT- SUPPLIER CODE: V60516 SPECIFICATION NUMBER: BACB30NW6K2 OPTIONAL PART: B30NW6K2 V97928 HL11VAZ6-2 V73197 HL11VAZ6-2 V92215 HL11VAZ6-2 V97928 L803-6K2 V06725 HL11VAZ6-2 VOPTK6 HLVAZ6-2 V56878 | 002004 006999 | 2 |
| 140 | HL11VAZ6-2 | . | BOLT SUPPLIER CODE: V60516 SPECIFICATION NUMBER: BACB30NW6K2 OPTIONAL PART: B30NW6K2 V97928 HL11VAZ6-2 V73197 HL11VAZ6-2 V92215 HL11VAZ6-2 V97928 L803-6K2 V06725 HL11VAZ6-2 VOPTK6 HLVAZ6-2 V56878 | 002004 006106 108903 950999 | 2 |

MISSING ITEM NUMBERS NOT APPLICABLE

- ITEM NOT ILLUSTRATED

21-58-08-13

21-58-08
FIG. 13
PAGE 8
JAN 20/09

BRI



757

PARTS CATALOG (MAINTENANCE)

| FIG ITEM | PART NUMBER | 1 2 3 4 5 6 7 | NOMENCLATURE | EFFECT FROM TO | UNITS PER ASSY |
|----------|-------------|---------------|--|--------------------------------------|----------------|
| 13 | | | | | |
| 145 | AN960KD10 | . | WASHER- | 002004 006999 | 2 |
| 150 | AN960KD10 | . | WASHER | 002004 006106 108903 950999 | 2 |
| 155 | NAS1805-3N | . | NUT- | 002004 006999 | 2 |
| 160 | NAS1805-3N | . | NUT | 002004 006106 108903 950999 | 2 |
| 165 | 214N1051-4 | . | SUPPORT- | 002004 006999 | 1 |
| 170 | 214N1051-4 | . | SUPPORT | 002004 006106 108903 950999 | 1 |
| 175 | 214N1063-4 | . | BRACKET- OPTIONAL PART: 214N1063-5 | 002004 006999 | 1 |
| 175 | 214N1063-5 | . | BRACKET- OPTIONAL PART: 214N1063-4 | 002004 006999 | 1 |
| 180 | 214N1063-4 | . | BRACKET- OPTIONAL PART: 214N1063-5 | 002004 006106 108903 950999 | 1 |
| 180 | 214N1063-5 | . | BRACKET- OPTIONAL PART: 214N1063-4 | 002004 006106 108903 950999 | 1 |
| 185 | 217N2008-8 | . | BRACKET- | 002004 006999 | 1 |
| 190 | 217N2008-8 | . | BRACKET | 002004 006106 108903 950999 | 1 |
| | | | ATTACHING PARTS | | |
| - 195 | BACS12FA3K7 | . | SCREW- | 002004 006999 | 2 |
| - 200 | BACS12FA3K7 | . | SCREW | 002004 006106 108903 950999 | 2 |
| - 205 | AN960KD10L | . | WASHER- | 002004 006999 | 2 |

MISSING ITEM NUMBERS NOT APPLICABLE

- ITEM NOT ILLUSTRATED

21-58-08-13

21-58-08
FIG. 13
PAGE 9
JAN 20/09

BRI

 **BOEING**
757
PARTS CATALOG (MAINTENANCE)

| FIG ITEM | PART NUMBER | 1 2 3 4 5 6 7 | NOMENCLATURE | EFFECT FROM TO | UNITS PER ASSY |
|----------|---------------|---------------|--|--------------------------------------|----------------|
| 13 | | | | | |
| - 210 | AN960KD10L | . | WASHER | 002004 006106 108903 950999 | 2 |
| | | | -----*----- | | |
| 220 | 214N1051-5 | . | SUPPORT- | 002004 006999 | 1 |
| | | | ATTACHING PARTS | | |
| - 225 | BACB30PW4-3 | . | BOLT | 002004 006999 | 2 |
| - 230 | BACW10BN3SP | . | WASHER | 002004 006999 | 2 |
| - 235 | AN960KD416L | . | WASHER | 002004 006999 | 2 |
| - 240 | NAS1805-3N | . | NUT | 002004 006999 | 2 |
| | | | -----*----- | | |
| 245 | 217N2200-1 | . | DUCT ASSY- | 107107 | 1 |
| | | | QUALIFIED I/W DATA: 217N2028-3 IS REPLACED BY 217N2200-1 ONLY IF SERVICE BULLETIN 757-32-55 IS INCORPORATED | | |
| 245 | 217N2200-3 | . | DUCT ASSY- | 904949 | 1 |
| - 255 | 15J03-300 | .. | FLANGE- | 107107 | 2 |
| | | | SUPPLIER CODE: V89513 OPTIONAL PART: NK130004-0300 V98625 2904AM300 V94581 | 904949 | |
| - 255 | 2904AM300 | .. | FLANGE- | 107107 | 2 |
| | | | SUPPLIER CODE: V94581 OPTIONAL PART: 15J03-300 V89513 | 904949 | |
| - 255 | NK130004-0300 | .. | FLANGE- | 107107 | 2 |
| | | | SUPPLIER CODE: V98625 OPTIONAL PART: 15J03-300 V89513 | 904949 | |
| 260 | 217N2200-5 | . | DUCT ASSY- | 002004 006106 108903 950999 | 1 |

MISSING ITEM NUMBERS NOT APPLICABLE

- ITEM NOT ILLUSTRATED

BRI

21-58-08-13

21-58-08
FIG. 13
PAGE 10
JAN 20/09



757

PARTS CATALOG (MAINTENANCE)

| FIG ITEM | PART NUMBER | 1 2 3 4 5 6 7 | NOMENCLATURE | EFFECT FROM TO | UNITS PER ASSY |
|-----------|---------------|---------------|---|--------------------------------------|----------------|
| 13 265 | 217N2200-7 | . | DUCT ASSY | 002004 006106 108903 950999 | 1 |
| - 270 | 15J03-300 | .. | FLANGE- SUPPLIER CODE: V89513 OPTIONAL PART: NK130004-0300 V98625 2904AM300 V94581 | 002004 006106 108903 950999 | 2 |
| - 270 | 2904AM300 | .. | FLANGE- SUPPLIER CODE: V94581 OPTIONAL PART: 15J03-300 V89513 | 002004 006106 108903 950999 | 2 |
| - 270 | NK130004-0300 | .. | FLANGE- SUPPLIER CODE: V98625 OPTIONAL PART: 15J03-300 V89513 | 002004 006106 108903 950999 | 2 |
| 275 | 217N2023-1 | . | DUCT ASSY- | 002004 006999 | 1 |
| 275 | 217N2023-3 | . | DUCT ASSY- | 002004 006999 | 1 |
| - 280 | 15J03-150 | .. | FLANGE- SUPPLIER CODE: V89513 OPTIONAL PART: NK130004-0150 V98625 2904AM150 V94581 | 002004 006999 | 1 |
| - 280 | 2904AM150 | .. | FLANGE- SUPPLIER CODE: V94581 OPTIONAL PART: 15J03-150 V89513 | 002004 006999 | 1 |
| - 280 | NK130004-0150 | .. | FLANGE- SUPPLIER CODE: V98625 OPTIONAL PART: 15J03-150 V89513 | 002004 006999 | 1 |

MISSING ITEM NUMBERS NOT APPLICABLE

- ITEM NOT ILLUSTRATED

21-58-08-13

21-58-08
FIG. 13
PAGE 11
JAN 20/09

BRI



757

PARTS CATALOG (MAINTENANCE)

| FIG ITEM | PART NUMBER | 1 2 3 4 5 6 7 | NOMENCLATURE | EFFECT FROM TO | UNITS PER ASSY |
|-----------|---------------|---------------|--|------------------|----------------|
| 13 285 | 217N2020-3 | . | DUCT ASSY- | 002004 006999 | 1 |
| - 290 | 15J03-200 | .. | FLANGE- SUPPLIER CODE: V89513 OPTIONAL PART: NK130004-0150 V98625 2904AM150 V94581 | 002004 006999 | 1 |
| - 290 | 2904AM200 | .. | FLANGE- SUPPLIER CODE: V94581 OPTIONAL PART: 15J03-150 V89513 | 002004 006999 | 1 |
| - 290 | NK130004-0200 | .. | FLANGE- SUPPLIER CODE: V98625 OPTIONAL PART: 15J03-150 V89513 | 002004 006999 | 1 |
| 295 | 217N2024-3 | . | DUCT ASSY-(AIR CONDITIONING ONLY) FUNCTIONAL REFERENCE: PLACARDS AND MARKINGS FOR DETAILS SEE 11-36-40-01 | 002004 006999 | 1 |
| 295 | 217N2024-5 | . | DUCT ASSY-(AIR CONDITIONING ONLY) FUNCTIONAL REFERENCE: PLACARDS AND MARKINGS FOR DETAILS SEE 11-36-40-01 | 002004 006999 | 1 |
| 295 | 217N2024-9 | . | DUCT ASSY-(AIR CONDITIONING ONLY) FUNCTIONAL REFERENCE: PLACARDS AND MARKINGS FOR DETAILS SEE 11-36-40-01 | 002004 006999 | 1 |
| - 300 | 15J03-150 | .. | FLANGE- SUPPLIER CODE: V89513 OPTIONAL PART: NK130004-0150 V98625 2904AM150 V94581 | 002004 006999 | 1 |

MISSING ITEM NUMBERS NOT APPLICABLE

- ITEM NOT ILLUSTRATED

21-58-08-13

21-58-08
FIG. 13
PAGE 12
JAN 20/09

BRI



757

PARTS CATALOG (MAINTENANCE)

| FIG ITEM | PART NUMBER | 1 2 3 4 5 6 7 | NOMENCLATURE | EFFECT FROM TO | UNITS PER ASSY |
|----------|---------------|---------------|---|------------------|----------------|
| 13 | | | | | |
| - 300 | 2904AM150 | .. | FLANGE- SUPPLIER CODE: V94581 OPTIONAL PART: 15J03-150 V89513 | 002004 006999 | 1 |
| - 300 | NK130004-0150 | .. | FLANGE- SUPPLIER CODE: V98625 OPTIONAL PART: 15J03-150 V89513 | 002004 006999 | 1 |
| - 305 | 15J03-300 | .. | FLANGE- SUPPLIER CODE: V89513 OPTIONAL PART: NK130004-0300 V98625 2904AM300 V94581 | 002004 006999 | 1 |
| - 305 | 2904AM300 | .. | FLANGE- SUPPLIER CODE: V94581 OPTIONAL PART: 15J03-300 V89513 | 002004 006999 | 1 |
| - 305 | NK130004-0300 | .. | FLANGE- SUPPLIER CODE: V98625 OPTIONAL PART: 15J03-300 V89513 | 002004 006999 | 1 |
| - 310 | 15J03-350 | .. | FLANGE- SUPPLIER CODE: V89513 OPTIONAL PART: NK130004-0350 V98625 2904AM350 V94581 | 002004 006999 | 1 |
| - 310 | 2904AM350 | .. | FLANGE- SUPPLIER CODE: V94581 OPTIONAL PART: 15J03-350 V89513 | 002004 006999 | 1 |

MISSING ITEM NUMBERS NOT APPLICABLE

- ITEM NOT ILLUSTRATED

21-58-08-13

21-58-08
FIG. 13
PAGE 13
JAN 20/09

BRI



757

PARTS CATALOG (MAINTENANCE)

| FIG ITEM | PART NUMBER | 1 2 3 4 5 6 7 | NOMENCLATURE | EFFECT FROM TO | UNITS PER ASSY |
|----------|---------------|---------------|---|------------------|----------------|
| 13 | | | | | |
| - 310 | NK130004-0350 | .. | FLANGE- SUPPLIER CODE: V98625 OPTIONAL PART: 15J03-350 V89513 | 002004 006999 | 1 |
| 315 | 217N2022-3 | .D | DUCT ASSY- | 002004 006999 | 1 |
| - 320 | 15J03-200 | .. | FLANGE- SUPPLIER CODE: V89513 OPTIONAL PART: NK130004-0200 V98625 2904AM200 V94581 | 002004 006999 | 1 |
| - 320 | 2904AM200 | .. | FLANGE- SUPPLIER CODE: V94581 OPTIONAL PART: 15J03-200 V89513 | 002004 006999 | 1 |
| - 320 | NK130004-0200 | .. | FLANGE- SUPPLIER CODE: V98625 OPTIONAL PART: 15J03-200 V89513 | 002004 006999 | 1 |
| - 325 | 15J03-350 | .. | FLANGE- SUPPLIER CODE: V89513 OPTIONAL PART: NK130004-0350 V98625 2904AM350 V94581 | 002004 006999 | 1 |
| - 325 | 2904AM350 | .. | FLANGE- SUPPLIER CODE: V94581 OPTIONAL PART: 15J03-350 V89513 | 002004 006999 | 1 |
| - 325 | NK130004-0350 | .. | FLANGE- SUPPLIER CODE: V98625 OPTIONAL PART: 15J03-350 V89513 | 002004 006999 | 1 |

MISSING ITEM NUMBERS NOT APPLICABLE

- ITEM NOT ILLUSTRATED

21-58-08-13

21-58-08
FIG. 13
PAGE 14
JAN 20/09

BRI



757

PARTS CATALOG (MAINTENANCE)

| FIG ITEM | PART NUMBER | 1 2 3 4 5 6 7 | NOMENCLATURE | EFFECT FROM TO | UNITS PER ASSY |
|----------|----------------|---------------|--|----------------------------|----------------|
| 13 | | | | | |
| - 330 | 15J03-400 | .. | FLANGE- SUPPLIER CODE: V89513 OPTIONAL PART: NK130004-0400 V98625 2904AM400 V94581 | 002004 006999 | 1 |
| - 330 | 2904AM400 | .. | FLANGE- SUPPLIER CODE: V94581 OPTIONAL PART: 15J03-400 V89513 | 002004 006999 | 1 |
| - 330 | NK130004-0400 | .. | FLANGE- SUPPLIER CODE: V98625 OPTIONAL PART: 15J03-400 V89513 | 002004 006999 | 1 |
| - 500 | 286N2156-003 | | WIRE BUNDLE ASSY | 121503 904949 | RF |
| - 500 | 286N2156-004 | | WIRE BUNDLE ASSY | 107107 | RF |
| - 500 | 286N2156-005 | | WIRE BUNDLE ASSY- | 002004 006100 950999 | RF |
| - 501 | 286N2156-326 | | WIRE BUNDLE ASSY | 101102 | RF |
| - 501 | 286N2156-331 | | WIRE BUNDLE ASSY | 504903 | RF |
| - 502 | 286N2156-335 | | WIRE BUNDLE ASSY- | 108120 | RF |
| - 502 | 286N2156-601 | | WIRE BUNDLE ASSY- | 103106 | RF |
| 510 | BACC45FT10D5S6 | . | CONNECTOR- ELECTRICAL EQUIP NUMBER: D01574 WIRING DIAGRAM REF: 215811 | 002004 006999 | 1 |
| 900 | | | ILLUSTRATION REFERENCE: DUCT INSTL-INSTR COOLING SUPPLY PRESSURE BHD FWD 21-58-08-14 | 002004 006999 | RF |
| 905 | | | ILLUSTRATION REFERENCE: DUCT INSTL-SECT. 41 ELECTRICAL/ELECTRONIC COOLING AIR SUPPLY 21-58-08-10 | 002004 006999 | RF |
| 910 | | | ILLUSTRATION REFERENCE: DUCT INSTL-OVERHEAD PANEL INSTRUMENT COOLING SUPPLY RISER 21-58-08-06 | 002004 006999 | RF |

MISSING ITEM NUMBERS NOT APPLICABLE

- ITEM NOT ILLUSTRATED

21-58-08-13

21-58-08
FIG. 13
PAGE 15
JAN 20/09

BRI



757

PARTS CATALOG (MAINTENANCE)

| FIG ITEM | PART NUMBER | 1 2 3 4 5 6 7 | NOMENCLATURE | EFFECT FROM TO | UNITS PER ASSY |
|-------------|-------------|---------------|--|-------------------|----------------------|
| 13 915 | | | ILLUSTRATION REFERENCE: ORIFICE INSTL-FLIGHT DECK INSTR COOLING 21-58-08-19 | 002004 006999 | RF |

MISSING ITEM NUMBERS NOT APPLICABLE

- ITEM NOT ILLUSTRATED

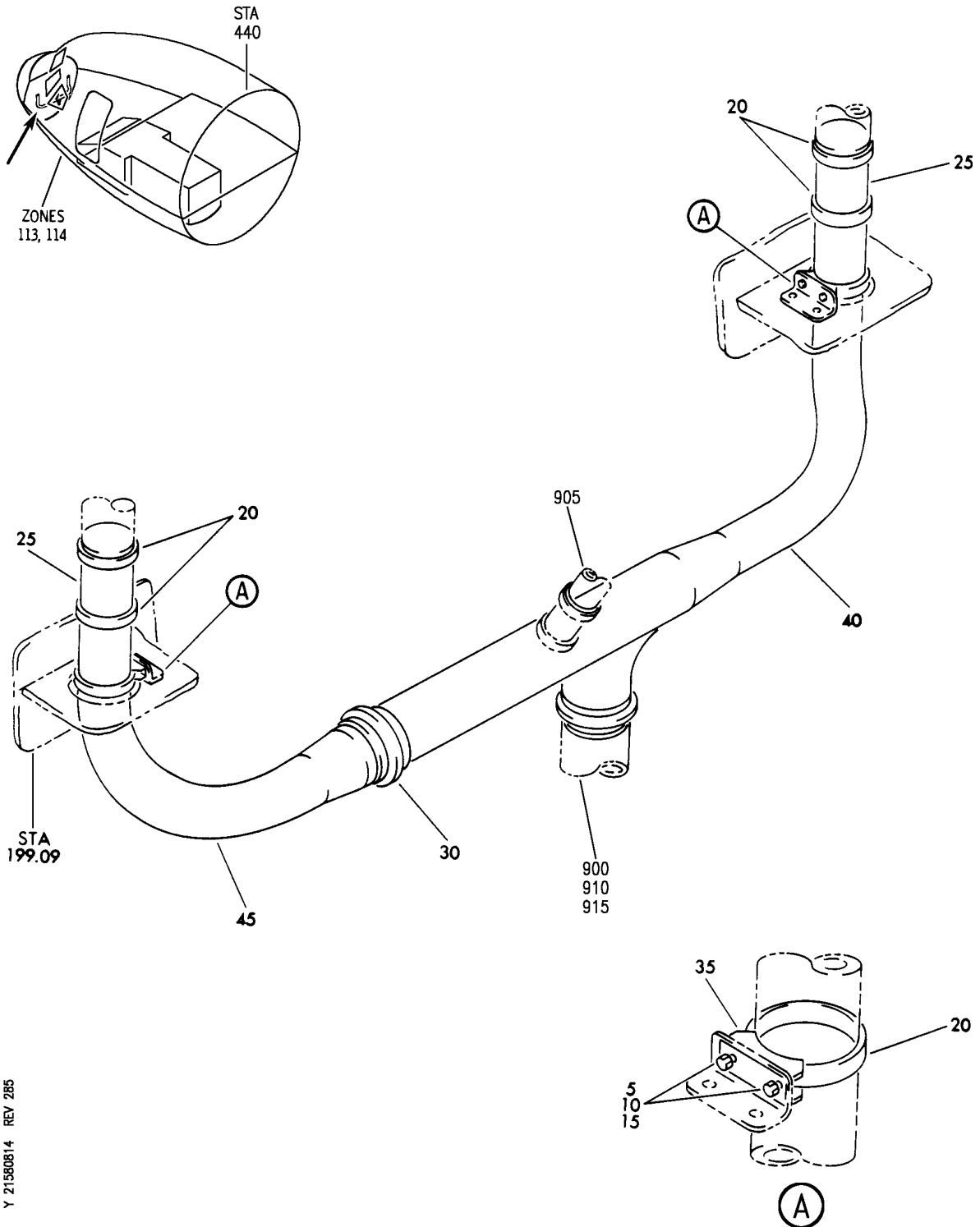
BRI

21-58-08-13

BOEING PROPRIETARY - Copyright © - Unpublished Work - See title page for details.

21-58-08
FIG. 13
PAGE 16
JAN 20/09

BOEING
757
PARTS CATALOG (MAINTENANCE)



Y 21580814 REV 285

DUCT INSTL-INSTR COOLING SUPPLY PRESSURE BHD FWD
FIGURE 14

21-58-08-14

BRI
MAY 28/07

21-58-08-14
PAGE 0



757

PARTS CATALOG (MAINTENANCE)

| FIG ITEM | PART NUMBER | 1 2 3 4 5 6 7 | NOMENCLATURE | EFFECT FROM TO | UNITS PER ASSY |
|----------|---------------|---------------|--|--|----------------|
| 14 | | | DUCT INSTL-INSTR COOLING SUPPLY PRESSURE BHD FWD | 002004 006999 | |
| - 1 | 217N2004-1 | | DUCT INSTL-INSTR COOLING SUPPLY PRESSURE BHD POSITION DATA: FWD FOR NHA SEE: 21-00-00-04 | 002004 006100 107107 121503 904999 | RF |
| - 1 | 217N2004-2 | | DUCT INSTL-INSTR COOLING SUPPLY PRESSURE BHD FWD FOR NHA SEE: 21-00-00-14 | 101102 108120 504903 | RF |
| - 1 | MODREF5737 | | DUCT INSTL-INSTR COOLING SUPPLY PRESSURE BHD FWD MODULE NUMBER: 217N2004-2 REV A | 103106 | 1 |
| 5 | BACS12FA3K7 | | .SCREW | 002004 006999 | 4 |
| 10 | AN960KD10L | | .WASHER | 002004 006100 107107 121503 904999 | 4 |
| 10 | NAS1149D0332J | | .WASHER | 101106 108120 504903 | 4 |
| 15 | BRH10C3D | | .NUT SUPPLIER CODE: V52828 SPECIFICATION NUMBER: BACN10JC3CD OPTIONAL PART: T6C1032JCD V11815 NS202486-02 V80539 102LH9075-3W V72962 H51650-3BAC V15653 | 002004 006999 | 4 |
| 20 | 36 | | .CLAMP- SUPPLIER CODE: V7Z588 SPECIFICATION NUMBER: STBC10GG74-91 OPTIONAL PART: WWD74-91H V66295 NAS1922-0225-1 | 002004 006999 | 6 |

MISSING ITEM NUMBERS NOT APPLICABLE

- ITEM NOT ILLUSTRATED

21-58-08-14

21-58-08
FIG. 14
PAGE 1
JAN 20/09

BRI



757

PARTS CATALOG (MAINTENANCE)

| FIG ITEM | PART NUMBER | 1 2 3 4 5 6 7 | NOMENCLATURE | EFFECT FROM TO | UNITS PER ASSY |
|----------|----------------|--|---|------------------|----------------|
| 14 | | | | | |
| 20 | NAS1922-0225-1 | .CLAMP- | OPTIONAL PART: STBC10GG74-91 | 002004 006999 | 6 |
| 25 | AS1506-09D40 | .HOSE | | 002004 006999 | 2 |
| 30 | NH135008-0300 | .CLAMP ASSY- | SUPPLIER CODE: V00624 OPTIONAL PART: 32317AA300 V94581 15J02-300 V89513 | 002004 006999 | 1 |
| 30 | 32317AA300 | .COUPLING- | SUPPLIER CODE: V94581 OPTIONAL PART: NH135008-0300 V00624 15J02-300 V89513 | 002004 006999 | 1 |
| 30 | 15J02-300 | .CLAMP ASSY- | SUPPLIER CODE: V89513 OPTIONAL PART: NH135008-0300 V00624 32317AA300 V94581 | 002004 006999 | 1 |
| 35 | 214T3424-18 | .SUPPORT | | 002004 006999 | 2 |
| 40 | 217N2030-1 | .DUCT ASSY- | | 002004 006999 | 1 |
| 40 | 217N2030-3 | .DUCT ASSY- | | 002004 006999 | 1 |
| 45 | 217N2033-1 | .DUCT ASSY | | 002004 006999 | 1 |
| 905 | | ILLUSTRATION REFERENCE: DUCT INSTL-INSTR COOLING SUPPLY MAIN PNL AND W/ NO EXTRA WEATHER RADAR IND IN CTR AISLE STAND 21-58-08-07 | | 002004 006999 | RF |
| 915 | | ILLUSTRATION REFERENCE: DUCT INSTL-STA 202 TO 297 INSTR CLG SUPPLY LWR RH 21-58-08-13 | | 002004 006999 | RF |

MISSING ITEM NUMBERS NOT APPLICABLE

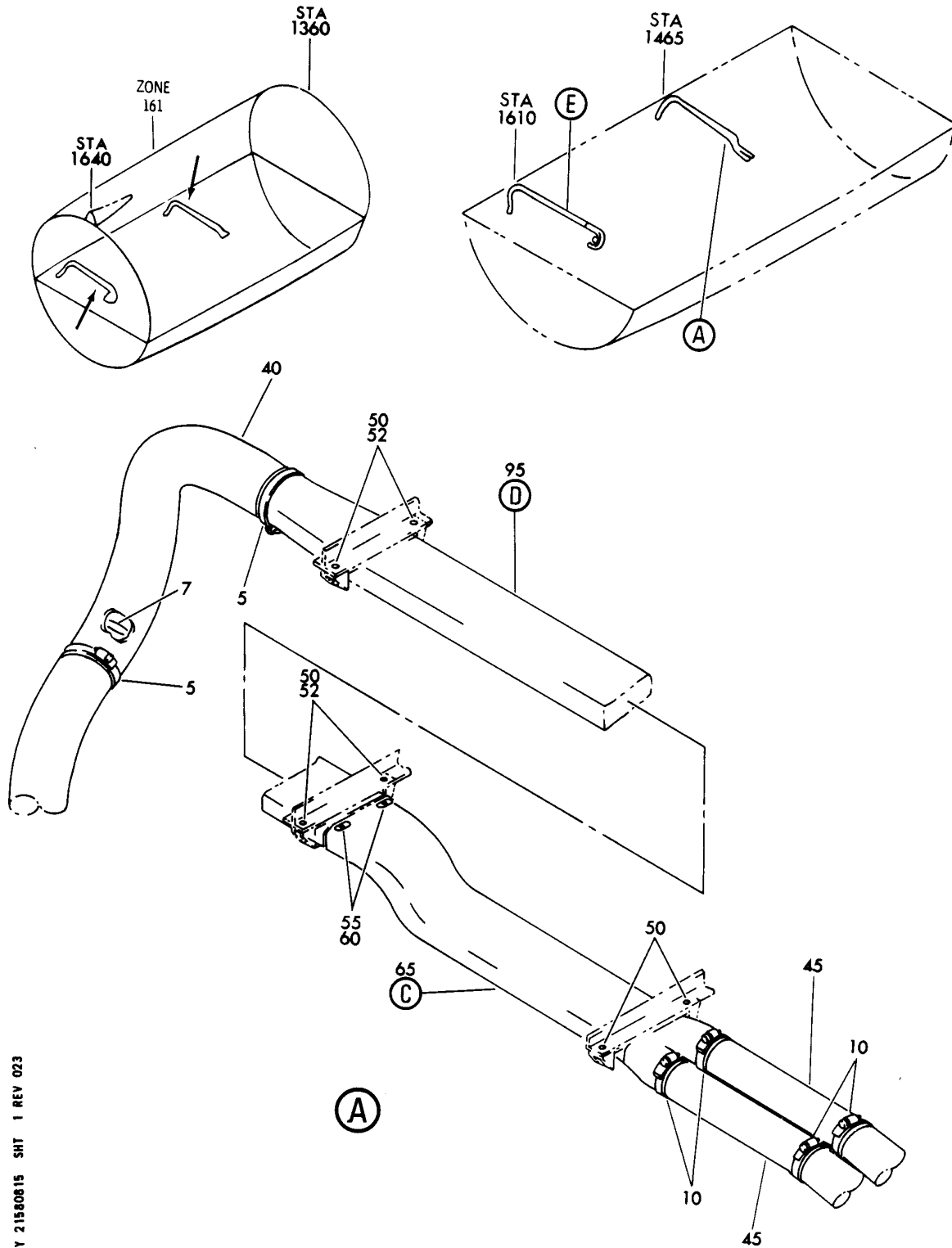
- ITEM NOT ILLUSTRATED

21-58-08-14

21-58-08
FIG. 14
PAGE 2
JAN 20/09

BRI

BOEING
757
PARTS CATALOG (MAINTENANCE)



Y 21580815 SH1 1 REV 023

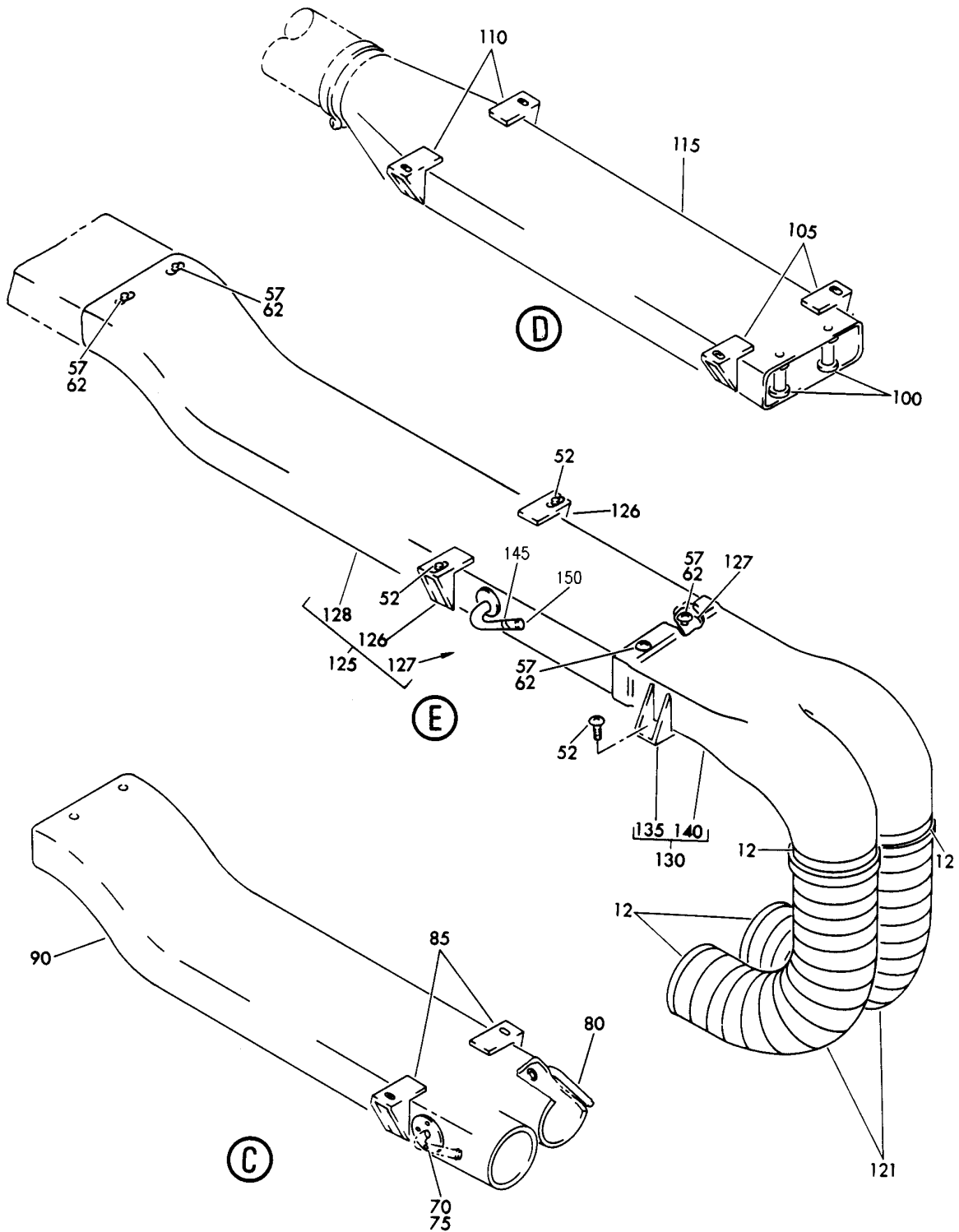
DUCT INSTL-ELECTRICAL/ ELECTRONIC COMPT AIR EXH AFT
FIGURE 15 (SHEET 1)

21-58-08-15

BRI
MAY 28/07

21-58-08-15
PAGE 0

BOEING
757
PARTS CATALOG (MAINTENANCE)



Y 21580815 SH1 2 REV 233

DUCT INSTL-ELECTRICAL/ ELECTRONIC COMPT AIR EXH AFT
FIGURE 15 (SHEET 2)

21-58-08-15

BRI
MAY 28/07

21-58-08-15
PAGE 0A



757

PARTS CATALOG (MAINTENANCE)

| FIG ITEM | PART NUMBER | 1 2 3 4 5 6 7 | NOMENCLATURE | EFFECT FROM TO | UNITS PER ASSY |
|----------|-----------------|---------------|---|------------------|----------------|
| 15 | | | DUCT INSTL-ELECTRICAL/ ELECTRONIC COMPT AIR EXH AFT | 121503 904949 | |
| - 1 | 217N1022-8 | | DUCT INSTL-ELECTRICAL/ ELECTRONIC COMPT AIR EXH POSITION DATA: AFT FOR NHA SEE: 21-00-00-04 | 121503 904949 | RF |
| 5 | 56 | | .CLAMP SUPPLIER CODE: V7Z588 SPECIFICATION NUMBER: STBC10GG128 OPTIONAL PART: WWD128H V66295 | 121503 904949 | 2 |
| 5 | NAS1922-0350-3 | | .CLAMP | 121503 904949 | 2 |
| 7 | 214T3436-62 | | .ORIFICE ASSY | 121503 904949 | 1 |
| 10 | NAS1922-0275-3 | | .CLAMP- | 121503 904949 | 4 |
| 12 | 40 | | .CLAMP SUPPLIER CODE: V7Z588 SPECIFICATION NUMBER: STBC10GG82-91 OPTIONAL PART: WWD82-91H V66295 | 121503 904949 | 4 |
| 40 | BOE2027-14D0280 | | .HOSE- SUPPLIER CODE: V16632 SPECIFICATION NUMBER: AS1503-14D0280 | 121503 904949 | 1 |
| 52 | BACS12FA3K9 | | .SCREW | 121503 904949 | 8 |
| 57 | BACS12FA3K40 | | .SCREW | 121503 904949 | 4 |
| 62 | AN960KD10 | | .WASHER | 121503 904949 | 4 |
| 95 | 217N1162-3 | | .DUCT ASSY- | 121503 904949 | 1 |
| 100 | 213N2044-4 | | ..SPACER | 121503 904949 | 2 |
| 105 | 66-13283-1 | | ..SUPPORT | 121503 904949 | 2 |

MISSING ITEM NUMBERS NOT APPLICABLE

- ITEM NOT ILLUSTRATED

BRI

21-58-08-15

21-58-08
FIG. 15
PAGE 1
JAN 20/09



757

PARTS CATALOG (MAINTENANCE)

| FIG ITEM | PART NUMBER | 1 2 3 4 5 6 7 | NOMENCLATURE | EFFECT FROM TO | UNITS PER ASSY |
|----------|-----------------|---------------|---|------------------|----------------|
| 15 | | | | | |
| 110 | 66-13283-2 | .. | SUPPORT | 121503 904949 | 2 |
| 115 | 217N1162-4 | .. | DUCT- | 121503 904949 | 1 |
| 121 | BOE2027-10D0160 | .HOSE- | SUPPLIER CODE: V16632 SPECIFICATION NUMBER: AS1503-10D0160 | 121503 904949 | 2 |
| 125 | 217N1161-16 | .DUCT ASSY- | | 121503 904949 | 1 |
| 126 | 66-13283-1 | .. | SUPPORT | 121503 904949 | 2 |
| 127 | 213N2044-4 | .. | SPACER | 121503 904949 | 2 |
| 128 | 217N1161-18 | .. | DUCT- | 121503 904949 | 1 |
| 130 | 217N1161-13 | .DUCT ASSY- | | 121503 904949 | 1 |
| 135 | 66-13283-1 | .. | SUPPORT | 121503 904949 | 2 |
| 140 | 217N1161-14 | .. | DUCT | 121503 904949 | 1 |

MISSING ITEM NUMBERS NOT APPLICABLE

- ITEM NOT ILLUSTRATED

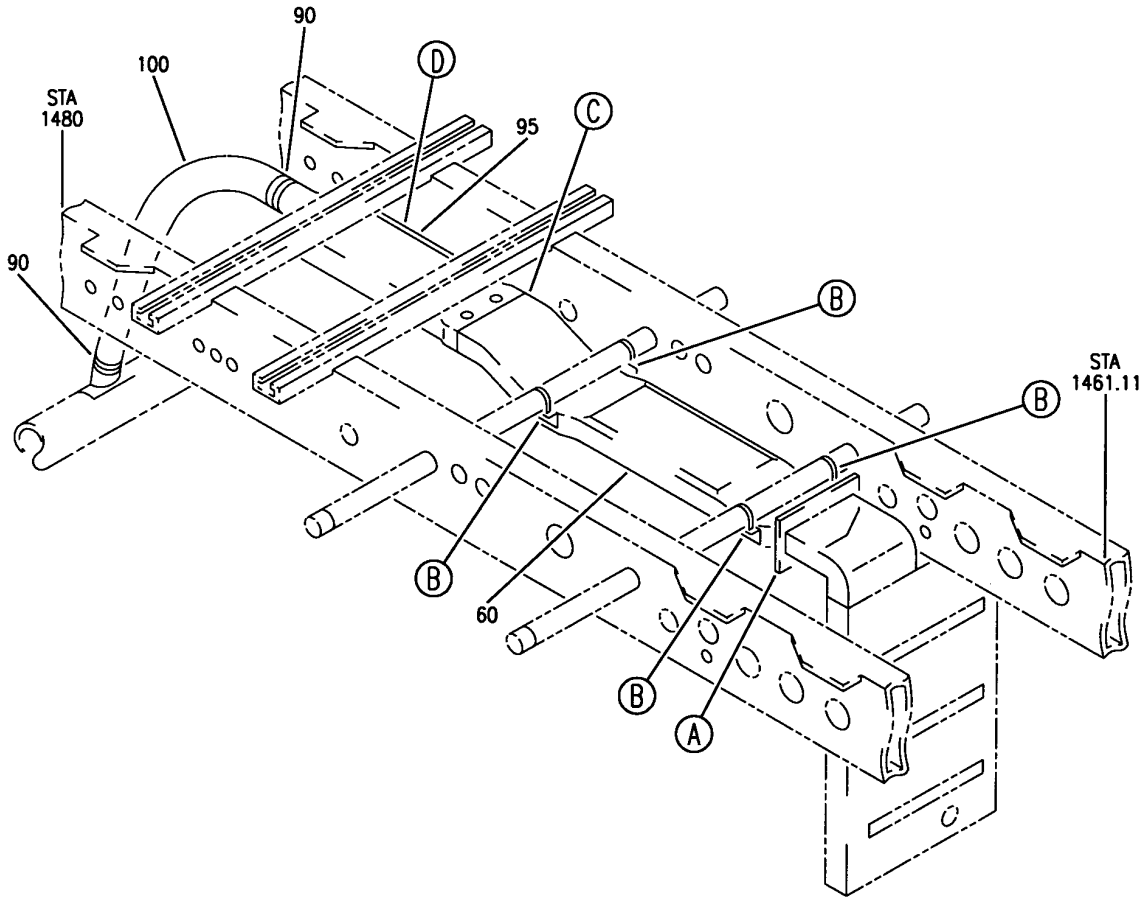
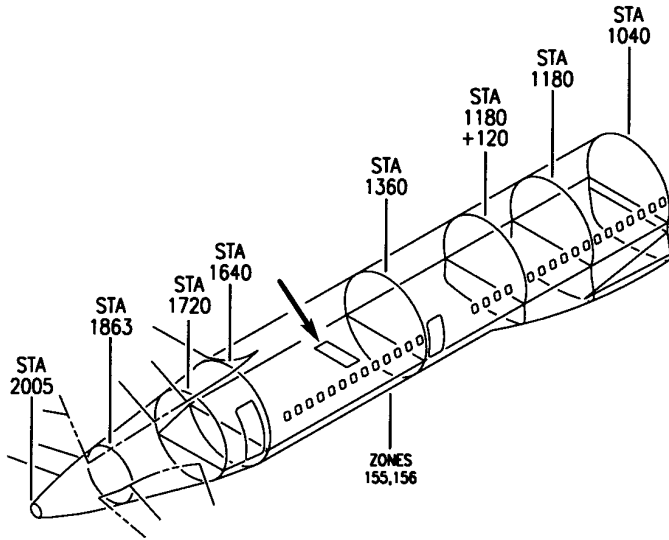
BRI

21-58-08-15

BOEING PROPRIETARY - Copyright © - Unpublished Work - See title page for details.

21-58-08
FIG. 15
PAGE 2
JAN 20/09

BOEING
757
PARTS CATALOG (MAINTENANCE)



Y 21580815A SHT 1 REV 207

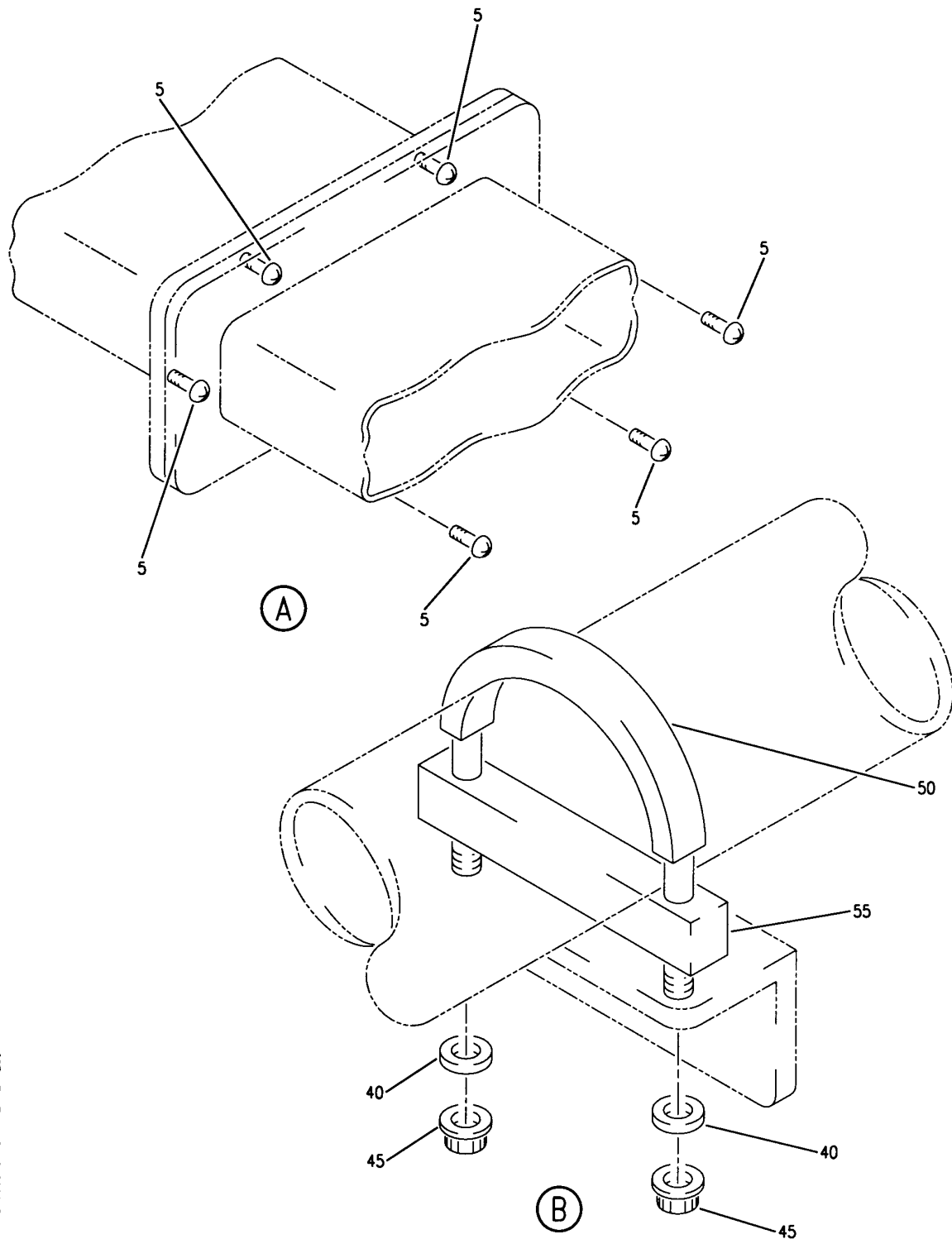
DUCT INSTL-AFT E/E COMPT AIR EXHAUST E6 RACK, PASS MINOR MODEL
FIGURE 15A (SHEET 1)

BRI
JAN 20/09

21-58-08-15A

21-58-08-15A
PAGE 0

BOEING
757
PARTS CATALOG (MAINTENANCE)



Y 21580815A SHT 2 REV 203

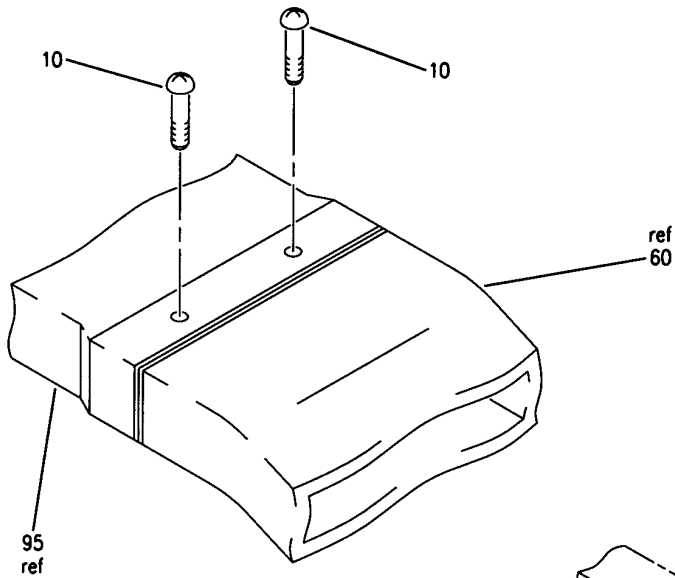
DUCT INSTL-AFT E/E COMPT AIR EXHAUST E6 RACK, PASS MINOR MODEL
FIGURE 15A (SHEET 2)

21-58-08-15A

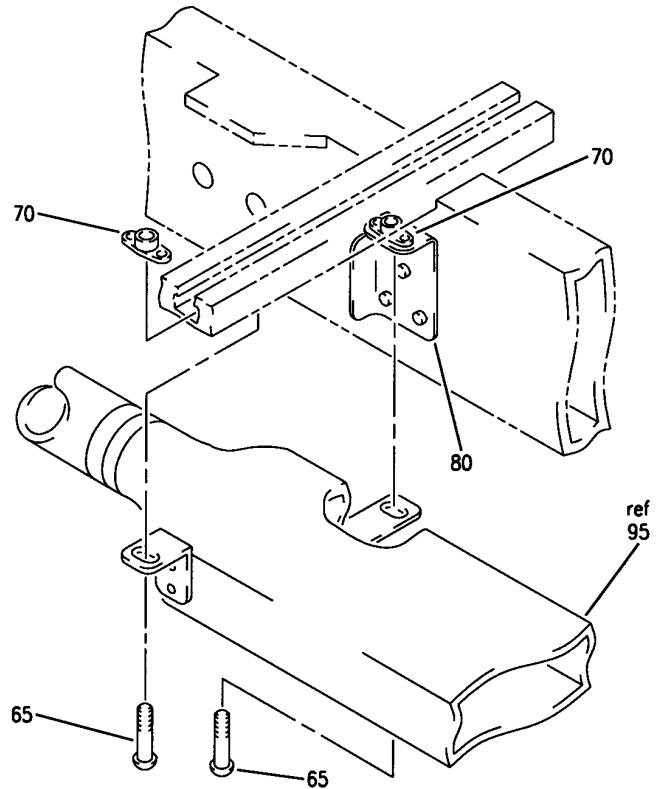
BRI
JAN 20/09

21-58-08-15A
PAGE 0A

BOEING
757
PARTS CATALOG (MAINTENANCE)



(C)



(D)

Y 21580815A SHT 3 REV 207

DUCT INSTL-AFT E/E COMPT AIR EXHAUST E6 RACK, PASS MINOR MODEL
FIGURE 15A (SHEET 3)

21-58-08-15A

BRI
JAN 20/09

21-58-08-15A
PAGE 0B



757

PARTS CATALOG (MAINTENANCE)

| FIG ITEM | PART NUMBER | 1 2 3 4 5 6 7 | NOMENCLATURE | EFFECT FROM TO | UNITS PER ASSY |
|----------|---------------|---------------|---|----------------|----------------|
| 15A | | | DUCT INSTL-AFT E/E COMPT AIR EXHAUST E6 RACK, PASS MINOR MODEL | 103106 | |
| - 3 | MODREF5643 | | DUCT INSTL-E/E COMPT AIR EXHAUST E6 RACK PASS MINOR MODEL MODULE NUMBER: 217N1022-13 REV A POSITION DATA: AFT | 103106 | 1 |
| 5 | BACS12FA3K8 | | .SCREW | 103106 | 6 |
| 10 | BACS12FA3K43 | | .SCREW- | 103106 | 2 |
| | | | OPTIONAL PART: 217N1022-11 | | |
| - 15 | 217N1022-11 | | .KIT ASSY- | 103106 | 2 |
| | | | OPTIONAL PART: BACS12FA3K43 | | |
| - 20 | NAS1801-3-44 | | ..SCREW | 103106 | 1 |
| - 25 | NAS1149D0332J | | ..WASHER | 103106 | 1 |
| 40 | NAS1149V0332M | | .WASHER- | 103106 | 8 |
| 45 | PLH53CD | | .NUT | 103106 | 8 |
| | | | SUPPLIER CODE: VF0224 SPECIFICATION NUMBER: BACN10YR3CD OPTIONAL PART: H52732-3CD V15653 | | |
| 50 | BACC10Y32P10C | | .CLAMP | 103106 | 4 |
| 55 | BACC10X32P | | .SADDLE | 103106 | 4 |
| 60 | 217N1161-23 | | .DUCT ASSY | 103106 | 1 |
| 65 | BACS12FA3K7 | | .SCREW | 103106 | 2 |
| 70 | BRF200A3 | | .NUTPLATE | 103106 | 2 |
| | | | SUPPLIER CODE: V52828 SPECIFICATION NUMBER: BACN10JR3F OPTIONAL PART: NS103203-02 V80539 RMF9201-3 V72962 VN152A1-02 V92215 T8091S1032 V11815 F5000-3BAC V15653 | | |

MISSING ITEM NUMBERS NOT APPLICABLE

- ITEM NOT ILLUSTRATED

21-58-08-15A

21-58-08
FIG. 15A
PAGE 1
JAN 20/09

BRI

BOEING PROPRIETARY - Copyright © - Unpublished Work - See title page for details.



757

PARTS CATALOG (MAINTENANCE)

| FIG ITEM | PART NUMBER | 1 2 3 4 5 6 7 | NOMENCLATURE | EFFECT FROM TO | UNITS PER ASSY |
|----------|-----------------|---------------|--|----------------|----------------|
| 15A | | | ATTACHING PARTS | | |
| - 75 | BACR15BA3B | | .RIVET- SIZE DETERMINED ON INSTL. -----*----- | 103106 | 2 |
| 80 | 217N1183-20 | | .BRACKET ASSY | 103106 | 1 |
| - 85 | BACR15FT5D | | .RIVET -----*----- | 103106 | 3 |
| 90 | NAS1922-0400-3 | | .CLAMP | 103106 | 2 |
| 95 | 217N1161-19 | | .DUCT ASSY | 103106 | 1 |
| 100 | BOE2022-16A0280 | | .HOSE SUPPLIER CODE: V16632 SPECIFICATION NUMBER: AS1544-16A0280 | 103106 | 1 |

MISSING ITEM NUMBERS NOT APPLICABLE

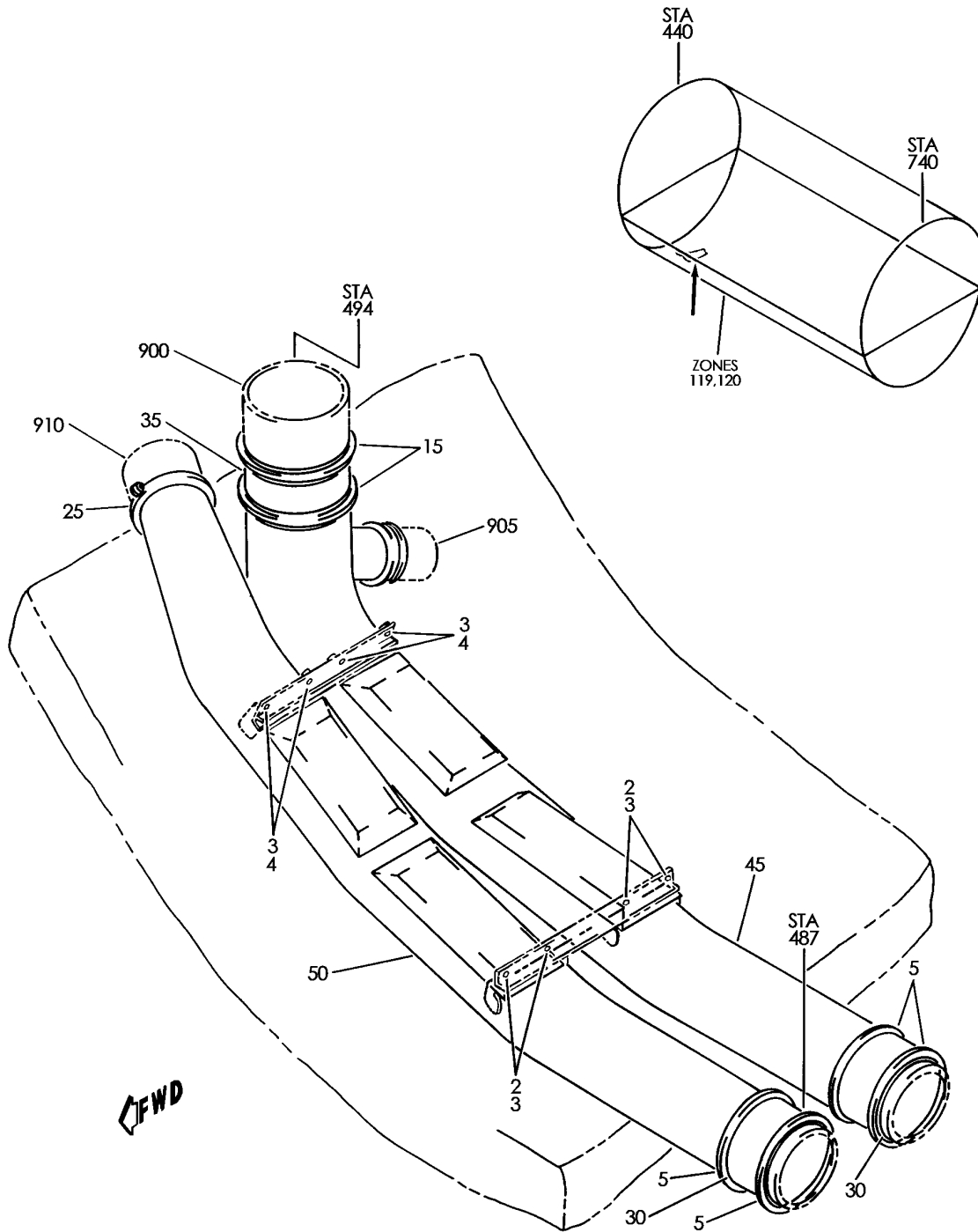
- ITEM NOT ILLUSTRATED

21-58-08-15A

21-58-08
FIG. 15A
PAGE 2
JAN 20/09

BRI

BOEING
757
PARTS CATALOG (MAINTENANCE)



Y 21580816 REV 221

DUCT INSTL-E3-E4 RACKS AIR SUPPLY AND EXH
FIGURE 16

21-58-08-16

BRI
MAY 28/07

21-58-08-16
PAGE 0

BOEING
757
PARTS CATALOG (MAINTENANCE)

| FIG ITEM | PART NUMBER | 1 2 3 4 5 6 7 | NOMENCLATURE | EFFECT FROM TO | UNITS PER ASSY |
|----------|-------------|----------------|---|--|----------------|
| 16 | | | DUCT INSTL-E3-E4 RACKS AIR SUPPLY AND EXH | 002004 006999 | |
| - 1 | 217N1011-1 | | DUCT INSTL-E3-E4 RACKS AIR SUPPLY AND EXH FOR NHA SEE: 21-00-00-04 | 002004 006007 107107 121503 904949 952952 | RF |
| - 1 | 217N1011-3 | | DUCT INSTL-E3-E4 RACKS AIR SUPPLY AND EXH REFERENCE AIRLINE MOD: VUSF FOR NHA SEE: 21-00-00-04 21-00-00-14 | 008102 504903 950951 953999 | RF |
| - 1 | 217N1011-4 | | DUCT INSTL-E3-E4 RACKS AIR SUPPLY AND EXH FOR NHA SEE: 21-00-00-14 | 108120 | RF |
| - 1 | MODREF5547 | | DUCT INSTL-E3-E4 RACKS AIR SUPPLY AND EXH MODULE NUMBER: 217N1011-4 REV A | 103106 | 1 |
| R | 2 | BACS12ER3K8 | .SCREW | 103106 108120 | 4 |
| R | 3 | BACB30NN3K2 | .BOLT | 002004 006102 107107 121999 | 8 |
| R | 4 | BACS12ER3K10 | .SCREW | 103106 108120 | 4 |
| R | 5 | 80 | .CLAMP- SUPPLIER CODE: V7Z588 SPECIFICATION NUMBER: STBC10GG178 OPTIONAL PART: WWD178H V66295 | 002004 006007 107107 121503 904949 952952 | 4 |
| R | 5 | NAS1922-0525-1 | .CLAMP- | 008106 108120 504903 950951 953999 | 4 |
| R | 5 | NAS1922-0525-3 | .CLAMP- | 008106 108120 504903 950951 953999 | 4 |

MISSING ITEM NUMBERS NOT APPLICABLE

- ITEM NOT ILLUSTRATED

BRI

21-58-08-16

BOEING PROPRIETARY - Copyright © - Unpublished Work - See title page for details.

21-58-08
FIG. 16
PAGE 1
MAY 20/09



**757
PARTS CATALOG (MAINTENANCE)**

| FIG ITEM | PART NUMBER | 1 2 3 4 5 6 7 | NOMENCLATURE | EFFECT FROM TO | UNITS PER ASSY |
|-------------|----------------|---------------|--|--|----------------------|
| 16 | | | | | |
| 10 | 96 | | .CLAMP- SUPPLIER CODE: V7Z588 SPECIFICATION NUMBER: STBC10GG210 OPTIONAL PART: WWD210H V66295 | 002004 006007 107107 121503 904949 952952 | 2 |
| 10 | NAS1922-0625-1 | | .CLAMP- | 008106 108120 504903 950951 953999 | 2 |
| 10 | NAS1922-0625-3 | | .CLAMP- | 008106 108120 504903 950951 953999 | 2 |
| 15 | NAS1922-0525-1 | | .CLAMP- | 008106 108120 504903 950951 953999 | 2 |
| 15 | NAS1922-0525-3 | | .CLAMP- | 008106 108120 504903 950951 953999 | 2 |
| 25 | 15J02-500 | | .CLAMP- SUPPLIER CODE: V89513 OPTIONAL PART: 32317AA500 V94581 NH135008-0500 V98625 | 002004 006007 107107 121503 904949 952952 | 1 |
| 25 | 32317AA500 | | .CLAMP- SUPPLIER CODE: V94581 OPTIONAL PART: 15J02-500 V89513 NH135008-0500 V98625 | 002004 006007 107107 121503 904949 952952 | 1 |

R
R
R
R
R

R
R
R
R
R

MISSING ITEM NUMBERS NOT APPLICABLE

— ITEM NOT ILLUSTRATED

21-58-08-16

21-58-08
FIG. 16
PAGE 2
MAY 20/09

BRI



757

PARTS CATALOG (MAINTENANCE)

| FIG ITEM | PART NUMBER | 1 2 3 4 5 6 7 | NOMENCLATURE | EFFECT FROM TO | UNITS PER ASSY |
|----------|---------------|---|---|--|----------------|
| 16 | | | | | |
| 25 | NH135008-0500 | .CLAMP- | SUPPLIER CODE: V00624 OPTIONAL PART: 15J02-500 V89513 32317AA500 V94581 | 002004 006007 107107 121503 904949 952952 | 1 |
| 30 | AS1506-20D40 | .SLEEVE | | 002004 006999 | 2 |
| 35 | AS1506-20D40 | .SLEEVE | | 008106 108120 504903 950951 953999 | 1 |
| 40 | AS1506-24D40 | .HOSE | | 002004 006999 | 1 |
| 45 | 217N1414-11 | .DUCT ASSY | | 002004 006999 | 1 |
| 50 | 217N1507-11 | .DUCT ASSY | | 002004 006007 107107 121503 904949 952952 | 1 |
| 50 | 217N1507-12 | .DUCT ASSY | | 008106 108120 504903 950951 953999 | 1 |
| 900 | | ILLUSTRATION REFERENCE: DUCT INSTL-INSTR AND FWD ELECTRONICS COOLING EXH 21-58-08-21 | | 002004 006999 | RF |
| 905 | | ILLUSTRATION REFERENCE: DUCT INSTL-AIR SUPPLY AND AIR EXH E5 RACK ELECTRICAL/ELECTRONICS COOLING 21-58-08-22 | | 002004 006999 | RF |

R
R
R
R
R
R
R
R
R
R
R

MISSING ITEM NUMBERS NOT APPLICABLE

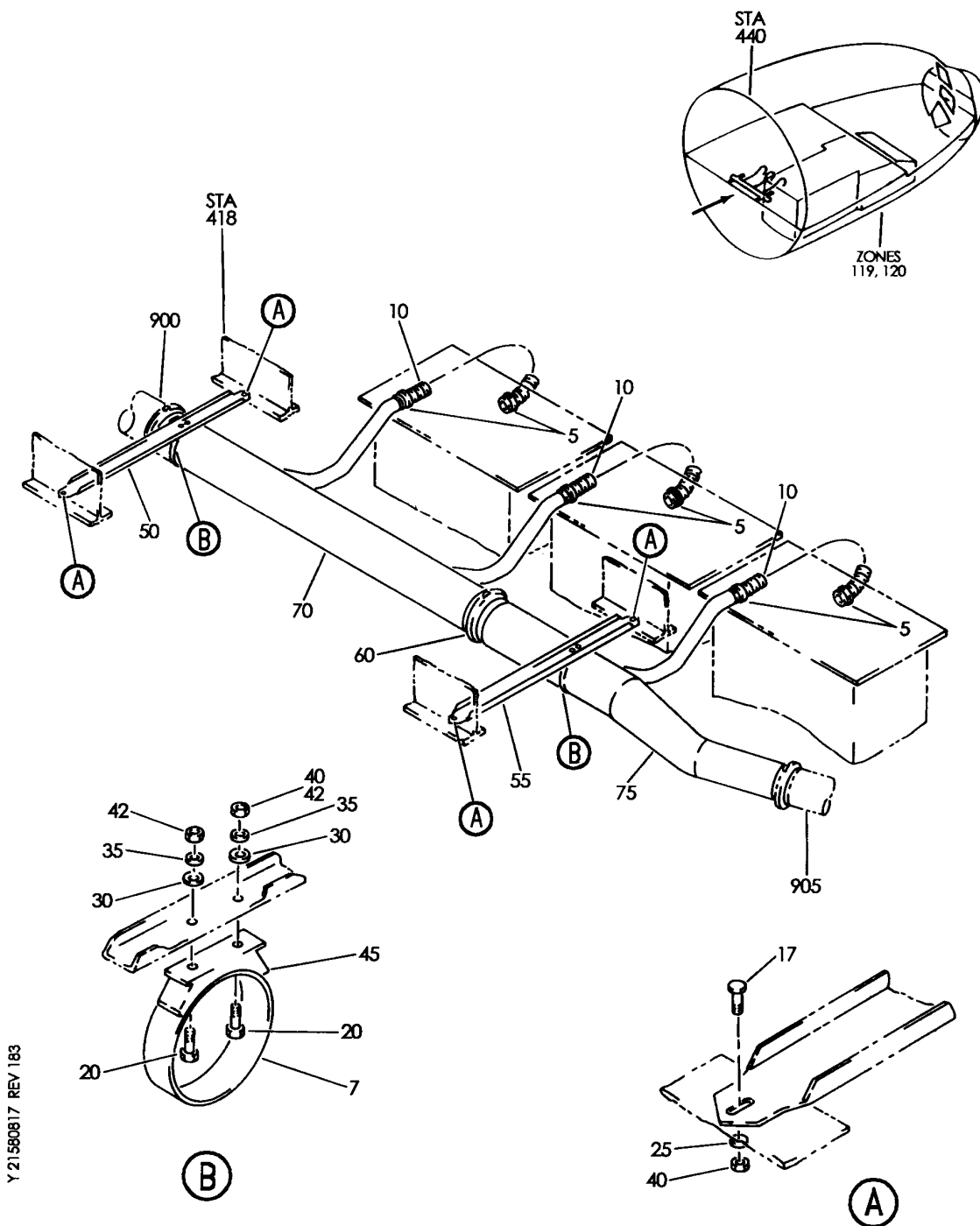
- ITEM NOT ILLUSTRATED

21-58-08-16

21-58-08
FIG. 16
PAGE 3
MAY 20/09

BRI

BOEING
757
PARTS CATALOG (MAINTENANCE)



Y 21580817 REV 183

DUCT INSTL STA 424.25 AIR EXH
FIGURE 17

21-58-08-17

BRI
MAY 28/07

21-58-08-17
PAGE 0

BOEING
757
PARTS CATALOG (MAINTENANCE)

| FIG ITEM | PART NUMBER | 1 2 3 4 5 6 7 | NOMENCLATURE | EFFECT FROM TO | UNITS PER ASSY |
|-----------------------|-------------|-----------------|--|------------------|----------------|
| 17 | | | | | |
| R R R R R | 10 | BOE2027-06D0240 | .HOSE SUPPLIER CODE: V16632 SPECIFICATION NUMBER: AS1503-06D0240 | 002004 006999 | 3 |
| | 17 | BACB30NM3K4 | .BOLT | 002004 006999 | 4 |
| | 20 | BACB30PW4-3 | .BOLT | 002004 006999 | 4 |
| R R | 25 | AN960JD10 | .WASHER | 002004 006999 | 4 |
| | 30 | AN960KD416L | .WASHER | 002004 006999 | 4 |
| R R R R R | 35 | BACW10BN4SP | .WASHER | 002004 006999 | 4 |
| | 40 | NAS1805-3N | .NUT | 002004 006999 | 4 |
| | 42 | NAS1805-4N | .NUT | 002004 006999 | 4 |
| | 45 | 214N1051-8 | .SUPPORT | 002004 006999 | 2 |
| R R R R | 50 | 217N1093-8 | .BRACKET | 002004 006999 | 1 |
| | 55 | 217N1093-7 | .BRACKET | 002004 006999 | 1 |
| | 60 | 15J02-500 | .CLAMP- SUPPLIER CODE: V89513 OPTIONAL PART: 32317AA500 V94581 NH135008-0500 V98625 | 107107 904949 | 1 |
| | 60 | 32317AA500 | .CLAMP- SUPPLIER CODE: V94581 OPTIONAL PART: 15J02-500 V89513 NH135008-0500 V98625 | 107107 904949 | 1 |
| | 60 | NH135008-0500 | .CLAMP- SUPPLIER CODE: V00624 OPTIONAL PART: 15J02-500 V89513 32317AA500 V94581 | 107107 904949 | 1 |

MISSING ITEM NUMBERS NOT APPLICABLE

— ITEM NOT ILLUSTRATED

BRI

21-58-08-17

BOEING PROPRIETARY - Copyright © - Unpublished Work - See title page for details.

21-58-08
FIG. 17
PAGE 2
MAY 20/09



757

PARTS CATALOG (MAINTENANCE)

| FIG ITEM | PART NUMBER | 1 2 3 4 5 6 7 | NOMENCLATURE | EFFECT FROM TO | UNITS PER ASSY |
|---|-------------|---------------|---|--|----------------|
| R R R R R R R R R R R R R R R | 17 60 | NH135008-0500 | .COUPLING SUPPLIER CODE: V00624 SPECIFICATION NUMBER: BACC10HX500 | 002004 006100 103106 108503 950999 | 1 |
| | 70 | 217N1405-1 | .DUCT ASSY | 107107 904949 | 1 |
| | 70 | 217N1405-3 | .DUCT ASSY | 002004 006100 103106 108503 950999 | 1 |
| | 75 | 217N1404-1 | .DUCT ASSY | 107107 | 1 |
| | 75 | 217N1404-3 | .DUCT ASSY | 904949 | 1 |
| | 75 | 217N1404-5 | .DUCT ASSY | 002004 006100 103106 108503 950999 | 1 |
| | 900 | | ILLUSTRATION REFERENCE: DUCT INSTL-INSTR AND FWD ELECTRONICS COOLING EXH 21-58-08-21 | 002004 006999 | RF |
| | 905 | | ILLUSTRATION REFERENCE: DUCT INSTL-ST A 343.0 TO 445.0 ELECTRICAL/ ELECTRONICS COOLING AIR EXH RH SIDE 21-58-08-20 | 002004 006106 108999 | RF |

MISSING ITEM NUMBERS NOT APPLICABLE

- ITEM NOT ILLUSTRATED

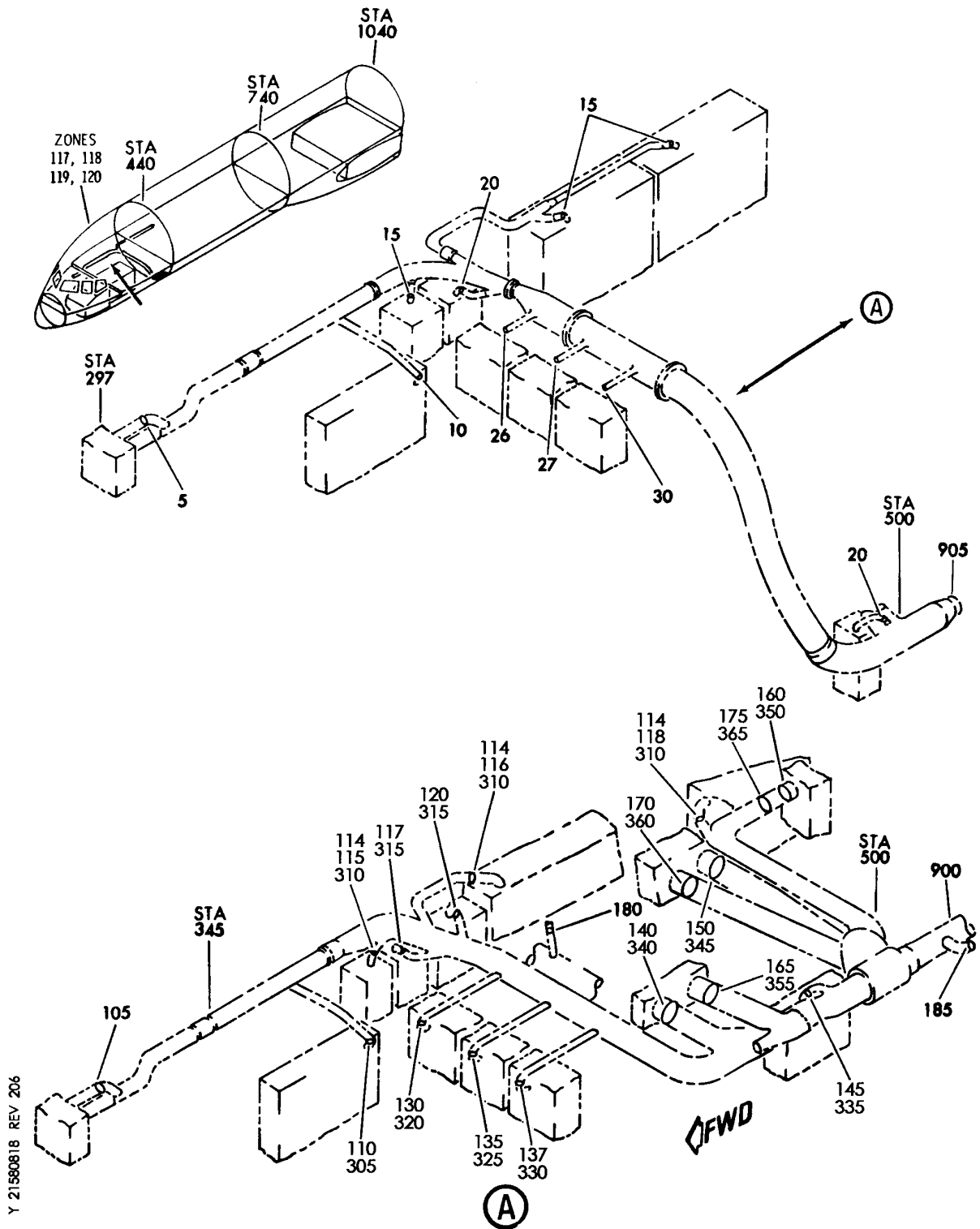
BRI

21-58-08-17

BOEING PROPRIETARY - Copyright © - Unpublished Work - See title page for details.

21-58-08
FIG. 17
PAGE 3
MAY 20/09

BOEING
757
PARTS CATALOG (MAINTENANCE)



Y 21580818 REV 206

ORIFICE INSTL-BELOW FLOOR ELEC/ELECTRONICS COOLING
FIGURE 18

21-58-08-18

BRI
MAY 28/07

21-58-08-18
PAGE 0



757

PARTS CATALOG (MAINTENANCE)

| FIG ITEM | PART NUMBER | 1 2 3 4 5 6 7 | NOMENCLATURE | EFFECT FROM TO | UNITS PER ASSY |
|----------|--------------|---------------|--|--|----------------|
| 18 | | | ORIFICE INSTL-BELOW FLOOR ELEC/ELECTRONICS COOLING | 002004 006999 | |
| - 100 | 217N1030-12 | | ORIFICE INSTL-BELOW FLOOR ELEC/ELECTRONICS COOLING NON-ETOPS PASSENGER MINOR MODEL NOT APPROVED FOR ETOPS. FOR NHA SEE: 21-00-00-04 21-00-00-12 | 107107 504903 950951 | RF |
| - 100 | 217N1030-15 | | ORIFICE INSTL-BELOW FLOOR ELEC/ELECTRONICS COOLING ETOPS PASSENGER MINOR MODEL FOR NHA SEE: 21-00-00-04 21-00-00-12 21-00-00-15 | 002004 006102 108503 904949 952999 | RF |
| - 100 | MODREF5648 | | ORIFICE INSTL-BELOW FLOOR ELEC/ELECTRONICS COOLING ETOPS PASSENGER MINOR MODEL MODULE NUMBER: 217N1030-15 REV A | 103106 | 1 |
| 105 | 214T3436-182 | | .ORIFICE ASSY- | 103106 | 1 |
| 110 | 214T3436-77 | | .ORIFICE ASSY- | 002004 006106 108503 904949 952999 | 1 |
| 115 | 214T3436-4 | | .ORIFICE ASSY- | 103106 | 1 |
| 116 | 214T3436-50 | | .ORIFICE ASSY- | 103106 | 1 |
| 117 | 214T3436-14 | | .ORIFICE ASSY- | 002004 006106 108503 904949 952999 | 1 |
| 118 | 214T3436-119 | | .ORIFICE ASSY- | 103106 | 1 |
| 120 | 214T3436-77 | | .ORIFICE ASSY- | 002004 006106 108503 904949 952999 | 1 |
| 130 | 214T3436-10 | | .ORIFICE ASSY- PRE SERVICE BULLETIN: 21-0081R1 | 103106 | 1 |

MISSING ITEM NUMBERS NOT APPLICABLE

- ITEM NOT ILLUSTRATED

21-58-08-18

21-58-08
FIG. 18
PAGE 1
JAN 20/09

BRI



757

PARTS CATALOG (MAINTENANCE)

| FIG ITEM | PART NUMBER | 1 2 3 4 5 6 7 | NOMENCLATURE | EFFECT FROM TO | UNITS PER ASSY |
|----------|--------------|---------------|--|--|----------------|
| 18 | | | | | |
| 135 | 214T3436-53 | | .ORIFICE ASSY- PRE SERVICE BULLETIN: 21-0081R1 | 103106 | 1 |
| 137 | 214T3436-68 | | .ORIFICE ASSY- | 002004 006106 108503 904949 952999 | 1 |
| 140 | 214T3436-260 | | .ORIFICE ASSY- | 002004 006106 108503 904949 952999 | 1 |
| 145 | 214T3436-119 | | .ORIFICE ASSY- | 103106 | 1 |
| 150 | 214T3436-707 | | .ORIFICE ASSY- | 103106 | 1 |
| 160 | 214T3436-266 | | .ORIFICE ASSY- | 002004 006106 108503 904949 952999 | 1 |
| 180 | 214T3436-101 | | .ORIFICE ASSY- POST SERVICE BULLETIN: 24-0048 | 103106 | 1 |

MISSING ITEM NUMBERS NOT APPLICABLE

- ITEM NOT ILLUSTRATED

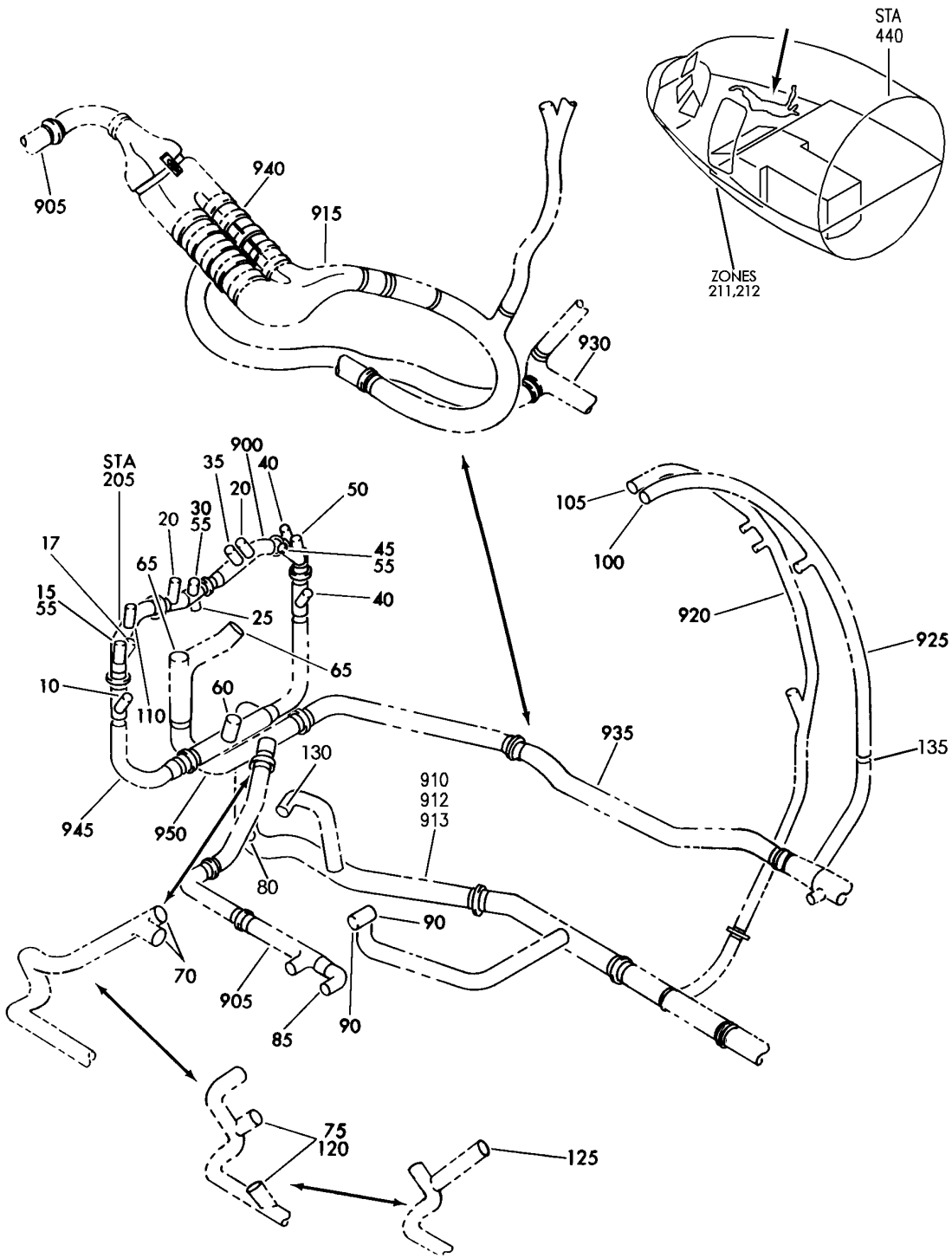
BRI

21-58-08-18

BOEING PROPRIETARY - Copyright © - Unpublished Work - See title page for details.

21-58-08
FIG. 18
PAGE 2
JAN 20/09

BOEING
757
PARTS CATALOG (MAINTENANCE)



Y 21580819 REV 285

ORIFICE INSTL-FLIGHT DECK INSTR COOLING
FIGURE 19

21-58-08-19

BRI
MAY 28/07

21-58-08-19
PAGE 0



757

PARTS CATALOG (MAINTENANCE)

| FIG ITEM | PART NUMBER | 1 2 3 4 5 6 7 | NOMENCLATURE | EFFECT FROM TO | UNITS PER ASSY |
|----------|--------------|---------------|--|--|----------------|
| 19 | | | ORIFICE INSTL-FLIGHT DECK INSTR COOLING | 002004 006999 | |
| - 1 | 217N2019-12 | | ORIFICE INSTL-INSTR COOLING POSITION DATA: FLIGHT DECK FOR NHA SEE: 21-00-00-04 21-00-00-12 | 002004 006102 107107 121949 952999 | RF |
| - 1 | 217N2019-18 | | ORIFICE INSTL-DUAL WEATHER RADAR, CARBON BRAKES PASS MINOR MODEL POSITION DATA: FLIGHT DECK FOR NHA SEE: 21-00-00-04 21-00-00-12 | 108120 950951 | RF |
| - 1 | MODREF5753 | | ORIFICE INSTL-INSTR COOLING MODULE NUMBER: 217N2019-12 REV A POSITION DATA: FLIGHT DECK | 103106 | 1 |
| 10 | 214T3436-77 | | .ORIFICE ASSY- | 950951 | 1 |
| 10 | 214T3436-14 | | .ORIFICE ASSY- | 002004 006999 | 1 |
| 15 | 214T3436-185 | | .ORIFICE ASSY- | 002004 006999 | 1 |
| 17 | 214T3436-131 | | .ORIFICE ASSY- | 002004 006999 | 1 |
| 20 | 214T3436-236 | | .ORIFICE ASSY- | 002004 006999 | 2 |
| 25 | 214T3436-185 | | .ORIFICE ASSY- | 002004 006999 | 1 |
| 30 | 214T3436-185 | | .ORIFICE ASSY- | 002004 006999 | 1 |
| 35 | 214T3436-35 | | .ORIFICE ASSY- | 950951 | 1 |
| 35 | 214T3436-32 | | .ORIFICE ASSY- | 002004 006999 | 1 |
| 40 | 214T3436-77 | | .ORIFICE ASSY- | 002004 006999 | 2 |
| 45 | 214T3436-185 | | .ORIFICE ASSY- POST SERVICE BULLETIN: 24-0048 | 107107 | 1 |
| 50 | 214T3436-185 | | .ORIFICE ASSY- | 002004 006102 121949 952999 | 1 |
| 50 | 214T3436-47 | | .ORIFICE ASSY- | 108120 950951 | 1 |

MISSING ITEM NUMBERS NOT APPLICABLE

- ITEM NOT ILLUSTRATED

21-58-08-19

21-58-08
FIG. 19
PAGE 1
JAN 20/09

BRI



757

PARTS CATALOG (MAINTENANCE)

| FIG ITEM | PART NUMBER | 1 2 3 4 5 6 7 | NOMENCLATURE | EFFECT FROM TO | UNITS PER ASSY |
|----------|--------------|---------------|--|--------------------------------------|----------------|
| 19 | | | | | |
| 55 | 214T3436-185 | . | ORIFICE ASSY- | 108120 950951 | 3 |
| 60 | 214T3436-248 | . | ORIFICE ASSY- | 002004 006999 | 1 |
| 60 | 214T3436-182 | . | ORIFICE ASSY- | 950951 | 1 |
| 65 | 214T3436-194 | . | ORIFICE ASSY- | 002004 006999 | 2 |
| 75 | 214T3436-824 | . | ORIFICE ASSY | 108120 950951 | 2 |
| 80 | 214T3436-107 | . | ORIFICE ASSY- | 002004 006107 121949 952999 | 1 |
| 85 | 214T3436-185 | . | ORIFICE ASSY- | 002004 006999 | 1 |
| 90 | 214T3436-275 | . | ORIFICE ASSY- | 002004 006999 | 2 |
| 100 | 214T3436-1 | . | ORIFICE ASSY- | 002004 006999 | 1 |
| 105 | 214T3436-182 | . | ORIFICE ASSY- | 002004 006999 | 1 |
| 110 | 214T3436-35 | . | ORIFICE ASSY | 002004 006999 | 1 |
| 900 | | | ILLUSTRATION REFERENCE: DUCT INSTL-INSTR COOLING SUPPLY MAIN PNL AND W/ NO EXTRA WEATHER RADAR IND IN CTR AISLE STAND 21-58-08-07 | 002004 006999 | RF |
| 905 | | | ILLUSTRATION REFERENCE: DUCT INSTL-INSTR COOLING EXH BELOW FLOOR LH SIDE 21-58-08-05 | 002004 006999 | RF |
| 910 | | | ILLUSTRATION REFERENCE: DUCT INSTL-ST A 202 TO 297 INSTR CLG SUPPLY LWR RH 21-58-08-13 | 002004 006999 | RF |
| 920 | | | ILLUSTRATION REFERENCE: DUCT INSTL-OVERHEAD PANEL INSTRUMENT COOLING SUPPLY RISER 21-58-08-06 | 002004 006999 | RF |
| 925 | | | ILLUSTRATION REFERENCE: DUCT INSTL-RISER AND GLARESHIELD EXHAUST 21-22-05-10 | 002004 006999 | RF |

MISSING ITEM NUMBERS NOT APPLICABLE

- ITEM NOT ILLUSTRATED

21-58-08-19

21-58-08
FIG. 19
PAGE 2
JAN 20/09

BRI



757

PARTS CATALOG (MAINTENANCE)

| FIG ITEM | PART NUMBER | 1 2 3 4 5 6 7 | NOMENCLATURE | EFFECT FROM TO | UNITS PER ASSY |
|-----------|-------------|---------------|---|--|----------------|
| 19 935 | | | ILLUSTRATION REFERENCE: DUCT INSTL-INSTR COOLING EXH BELOW FLOOR RH SIDE 21-58-08-04 | 002004 006101 103503 506999 | RF |
| 945 | | | ILLUSTRATION REFERENCE: DUCT INSTL-INSTR COOLING SUPPLY PRESSURE BHD FWD 21-58-08-14 | 002004 006999 | RF |
| 950 | | | ILLUSTRATION REFERENCE: DUCT INSTL-LWR SECT. 41 INSTR COOLING EXH 21-58-08-25 | 002004 006100 107107 121503 904999 | RF |
| 950 | | | ILLUSTRATION REFERENCE: DUCT INSTL-LWR SECT. 41 INSTR COOLING EXH 21-58-08-25A | 101106 108120 504903 | RF |

MISSING ITEM NUMBERS NOT APPLICABLE

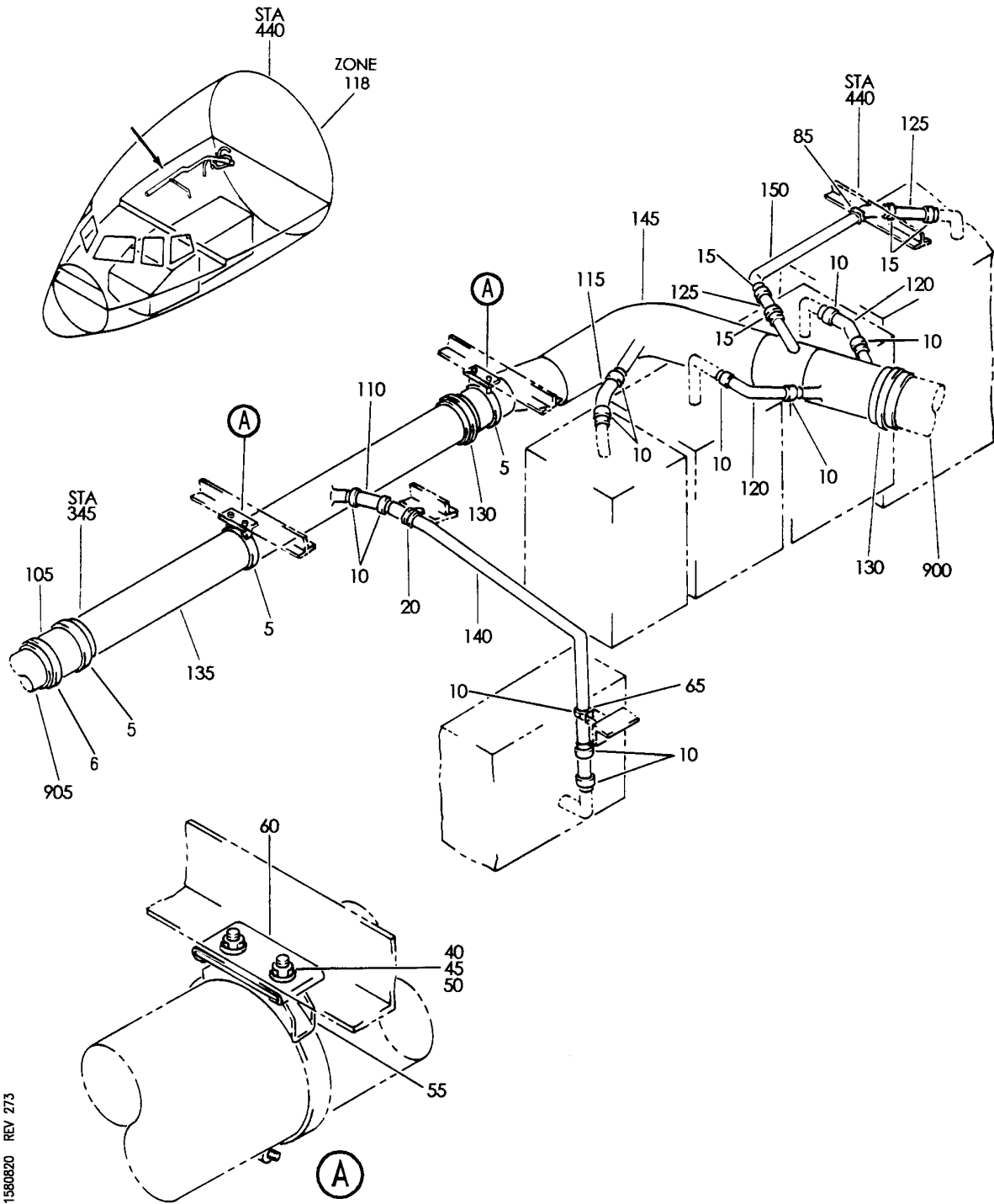
- ITEM NOT ILLUSTRATED

21-58-08-19

21-58-08
FIG. 19
PAGE 3
JAN 20/09

BRI

BOEING
757
PARTS CATALOG (MAINTENANCE)



Y 21580820 REV 273

DUCT INSTL-STA 343.0 TO 445.0 ELECTRICAL/ ELECTRONICS COOLING AIR EXH RH SIDE
FIGURE 20

BRI
MAY 28/07

21-58-08-20

21-58-08-20
PAGE 0



757

PARTS CATALOG (MAINTENANCE)

| FIG ITEM | PART NUMBER | 1 2 3 4 5 6 7 | NOMENCLATURE | EFFECT FROM TO | UNITS PER ASSY |
|----------|-------------|---------------|---|--|----------------|
| 20 | | | DUCT INSTL-STA 343.0 TO 445.0 ELECTRICAL/ELECTRONICS COOLING AIR EXH RH SIDE | 002004 006999 | |
| - 1 | 217N1004-1 | | DUCT INSTL-ELECTRICAL/ELECTRONICS COOLING AIR EXH POSITION DATA: STA 343.0 TO 445.0 RH SIDE FOR NHA SEE: 21-00-00-04 | 002004 006100 107107 121503 904999 | RF |
| - 1 | 217N1004-2 | | DUCT INSTL-ELECTRICAL/ELECTRONICS COOLING AIR EXH POSITION DATA: STA 343.0 TO 445.0 RH FOR NHA SEE: 21-00-00-14 | 101102 108120 504903 | RF |
| - 1 | MODREF5536 | | DUCT INSTL-ELECTRICAL/ELECTRONICS COOLING AIR EXH MODULE NUMBER: 217N1004-2 REV A POSITION DATA: STA 343.0 TO 445.0 RH | 103106 | 1 |
| 5 | 64 | | .CLAMP- SUPPLIER CODE: V7Z588 SPECIFICATION NUMBER: STBC10GG146 OPTIONAL PART: WWD146H V66295 | 002004 006999 | 3 |
| 6 | 64 | | .CLAMP- SUPPLIER CODE: V7Z588 SPECIFICATION NUMBER: STBC10GG146 OPTIONAL PART: WWD146H V66295 | 002004 006999 | 1 |

MISSING ITEM NUMBERS NOT APPLICABLE

- ITEM NOT ILLUSTRATED

BRI

21-58-08-20

BOEING PROPRIETARY - Copyright © - Unpublished Work - See title page for details.

21-58-08
FIG. 20
PAGE 1
JAN 20/09



757

PARTS CATALOG (MAINTENANCE)

| FIG ITEM | PART NUMBER | 1 2 3 4 5 6 7 | NOMENCLATURE | EFFECT FROM TO | UNITS PER ASSY |
|----------|-------------|---------------|---|--|----------------|
| 20 | | | | | |
| 10 | 16 | | .CLAMP- SUPPLIER CODE: V7Z588 SPECIFICATION NUMBER: STBC10GG38-48 OPTIONAL PART: WWD38-48H V66295 | 002004 006999 | 11 |
| 15 | 20 | | .CLAMP SUPPLIER CODE: V7Z588 SPECIFICATION NUMBER: STBC10GG48-58 OPTIONAL PART: WWD48-58H V66295 | 002004 006999 | 4 |
| 20 | BACC10EP16 | | .CLAMP | 002004 006100 107107 121503 904999 | 1 |
| 20 | S500-16 | | .CLAMP SUPPLIER CODE: V18076 SPECIFICATION NUMBER: BACC10HS16 OPTIONAL PART: 025029-16 V84971 490-16RPB V83930 44LC17H16PB V22175 ATTACHING PARTS | 101106 108120 504903 | 1 |
| - | 25 | BACB30NM3K5 | .BOLT | 002004 006999 | 1 |
| - | 30 | AN960KD10L | .WASHER | 002004 006100 107107 121503 904999 | 1 |
| - | 30 | NAS1149D0332J | .WASHER | 101106 108120 504903 | 1 |
| - | 35 | NAS1805-3N | .NUT | 002004 006100 107107 121503 904999 | 1 |

MISSING ITEM NUMBERS NOT APPLICABLE

- ITEM NOT ILLUSTRATED

21-58-08-20

21-58-08
FIG. 20
PAGE 2
JAN 20/09

BRI

 **BOEING**
757
PARTS CATALOG (MAINTENANCE)

| FIG ITEM | PART NUMBER | 1 2 3 4 5 6 7 | NOMENCLATURE | EFFECT FROM TO | UNITS PER ASSY |
|----------|---------------|---------------|---|--|----------------|
| 20 | | | | | |
| - 35 | NAS1805-3L | . | NUT | 101106 108120 504903 | 1 |
| 40 | HL11VAZ6-3 | -----* | .BOLT SUPPLIER CODE: V60516 SPECIFICATION NUMBER: BACB30NW6K3 OPTIONAL PART: B30NW6K3 V97928 HL11VAZ6-3 V73197 HL11VAZ6-3 V92215 HL11VAZ6-3 V97928 L803-6K3 V06725 HL11VAZ6-3 VOPTK6 HL11VAZ6-3 V56878 | 002004 006999 | 4 |
| 45 | AN960KD10L | . | WASHER | 002004 006100 107107 121503 904999 | 4 |
| 45 | NAS1149D0332J | . | WASHER | 101106 108120 504903 | 4 |
| 50 | NAS1805-3N | . | NUT | 002004 006100 107107 121503 904999 | 4 |
| 50 | NAS1805-3L | . | NUT | 101106 108120 504903 | 4 |
| 55 | 214N1051-6 | . | SUPPORT | 002004 006999 | 2 |
| 60 | 214N1063-4 | . | BRACKET- OPTIONAL PART: 214N1063-5 | 002004 006999 | 2 |
| 60 | 214N1063-5 | . | BRACKET- OPTIONAL PART: 214N1063-4 | 002004 006999 | 2 |

MISSING ITEM NUMBERS NOT APPLICABLE

- ITEM NOT ILLUSTRATED

BRI

21-58-08-20

BOEING PROPRIETARY - Copyright © - Unpublished Work - See title page for details.

21-58-08
FIG. 20
PAGE 3
JAN 20/09



757

PARTS CATALOG (MAINTENANCE)

| FIG ITEM | PART NUMBER | 1 2 3 4 5 6 7 | NOMENCLATURE | EFFECT FROM TO | UNITS PER ASSY |
|----------|---------------|---------------|--|--|----------------|
| 20 | | | | | |
| 65 | 214T3424-16 | . | SUPPORT | 002004 006999 | 1 |
| | | | ATTACHING PARTS | | |
| - 70 | BACS12FA3K8 | . | SCREW | 002004 006999 | 2 |
| - 75 | AN960KD10L | . | WASHER | 002004 006100 107107 121503 904999 | 2 |
| - 75 | NAS1149D0332J | . | WASHER | 101106 108120 504903 | 2 |
| - 80 | BRH10C3D | . | NUT | 002004 006999 | 2 |
| | | | SUPPLIER CODE: V52828 | | |
| | | | SPECIFICATION NUMBER: BACN10JC3CD | | |
| | | | OPTIONAL PART: T6C1032JCD V11815 NS202486-02 V80539 102LH9075-3W V72962 H51650-3BAC V15653 | | |
| | | | -----*----- | | |
| 85 | 214T3424-17 | . | SUPPORT | 002004 006999 | 1 |
| | | | ATTACHING PARTS | | |
| - 90 | BACB30NM3K4 | . | BOLT | 002004 006999 | 2 |
| - 95 | AN960KD10L | . | WASHER | 002004 006100 107107 121503 904999 | 2 |
| - 95 | NAS1149D0332J | . | WASHER | 101106 108120 504903 | 2 |
| - 100 | NAS1805-3N | . | NUT | 002004 006100 107107 121503 904999 | 2 |

MISSING ITEM NUMBERS NOT APPLICABLE

- ITEM NOT ILLUSTRATED

BRI

21-58-08-20

21-58-08
FIG. 20
PAGE 4
JAN 20/09

 **BOEING**
757
PARTS CATALOG (MAINTENANCE)

| FIG ITEM | PART NUMBER | 1 2 3 4 5 6 7 | NOMENCLATURE | EFFECT FROM TO | UNITS PER ASSY |
|-------------|-----------------|---------------|--|--|----------------|
| 20 - 100 | NAS1805-3L | . | NUT | 101106 108120 504903 | 2 |
| 105 | BOE2027-16D0060 | -----* | .HOSE SUPPLIER CODE: V16632 SPECIFICATION NUMBER: AS1503-16D0060 | 002004 006999 | 1 |
| 110 | AS1505-04D0070 | . | HOSE | 101106 108120 504903 | 1 |
| 110 | AS1505-4D0070 | . | HOSE- | 002004 006100 107107 121503 904999 | 1 |
| 115 | BOE2027-04D0050 | . | HOSE SUPPLIER CODE: V16632 SPECIFICATION NUMBER: AS1503-04D0050 | 101106 108120 504903 | 1 |
| 115 | BOE2027-4D0050 | . | HOSE- SUPPLIER CODE: V16632 SPECIFICATION NUMBER: AS1503-4D0050 | 002004 006100 107107 121503 904999 | 1 |
| 120 | BOE2027-04D0080 | . | HOSE SUPPLIER CODE: V16632 SPECIFICATION NUMBER: AS1503-04D0080 | 101106 108120 504903 | 2 |
| 120 | BOE2027-4D0080 | . | HOSE- SUPPLIER CODE: V16632 SPECIFICATION NUMBER: AS1503-4D0080 | 002004 006100 107107 121503 904999 | 2 |
| 125 | BOE2027-06D0050 | . | HOSE SUPPLIER CODE: V16632 SPECIFICATION NUMBER: AS1503-06D0050 | 101106 108120 504903 | 2 |
| 125 | BOE2027-6D0050 | . | HOSE- SUPPLIER CODE: V16632 SPECIFICATION NUMBER: AS1503-6D0050 | 002004 006100 107107 121503 904999 | 2 |

MISSING ITEM NUMBERS NOT APPLICABLE

- ITEM NOT ILLUSTRATED

BRI

21-58-08-20

21-58-08
FIG. 20
PAGE 5
JAN 20/09



757

PARTS CATALOG (MAINTENANCE)

| FIG ITEM | PART NUMBER | 1 2 3 4 5 6 7 | NOMENCLATURE | EFFECT FROM TO | UNITS PER ASSY |
|-----------|---------------|---------------|---|----------------------------|----------------|
| 20 130 | 15J02-400 | | .CLAMP ASSY- SUPPLIER CODE: V89513 OPTIONAL PART: NH135008-0400 V00624 32317AA400 V94581 | 002004 006999 | 2 |
| 130 | NH135008-0400 | | .COUPLING- SUPPLIER CODE: V00624 OPTIONAL PART: 15J02-400 V89513 32317AA400 V94581 | 002004 006999 | 2 |
| 130 | 32317AA400 | | .COUPLING- SUPPLIER CODE: V94581 OPTIONAL PART: 15J02-400 V89513 NH135008-0400 V00624 | 002004 006999 | 2 |
| 135 | 217N1052-5 | | .DUCT ASSY | 002004 006999 | 1 |
| 140 | 217N1401-1 | | .DUCT | 002004 006999 | 1 |
| 145 | 217N1402-3 | | .DUCT ASSY | 002004 006999 | 1 |
| 150 | 217N1403-1 | | .DUCT ASSY | 002004 006999 | 1 |
| 900 | | | ILLUSTRATION REFERENCE: DUCT INSTL STA 424.25 AIR EXH 21-58-08-17 | 002004 006106 108999 | RF |

MISSING ITEM NUMBERS NOT APPLICABLE

- ITEM NOT ILLUSTRATED

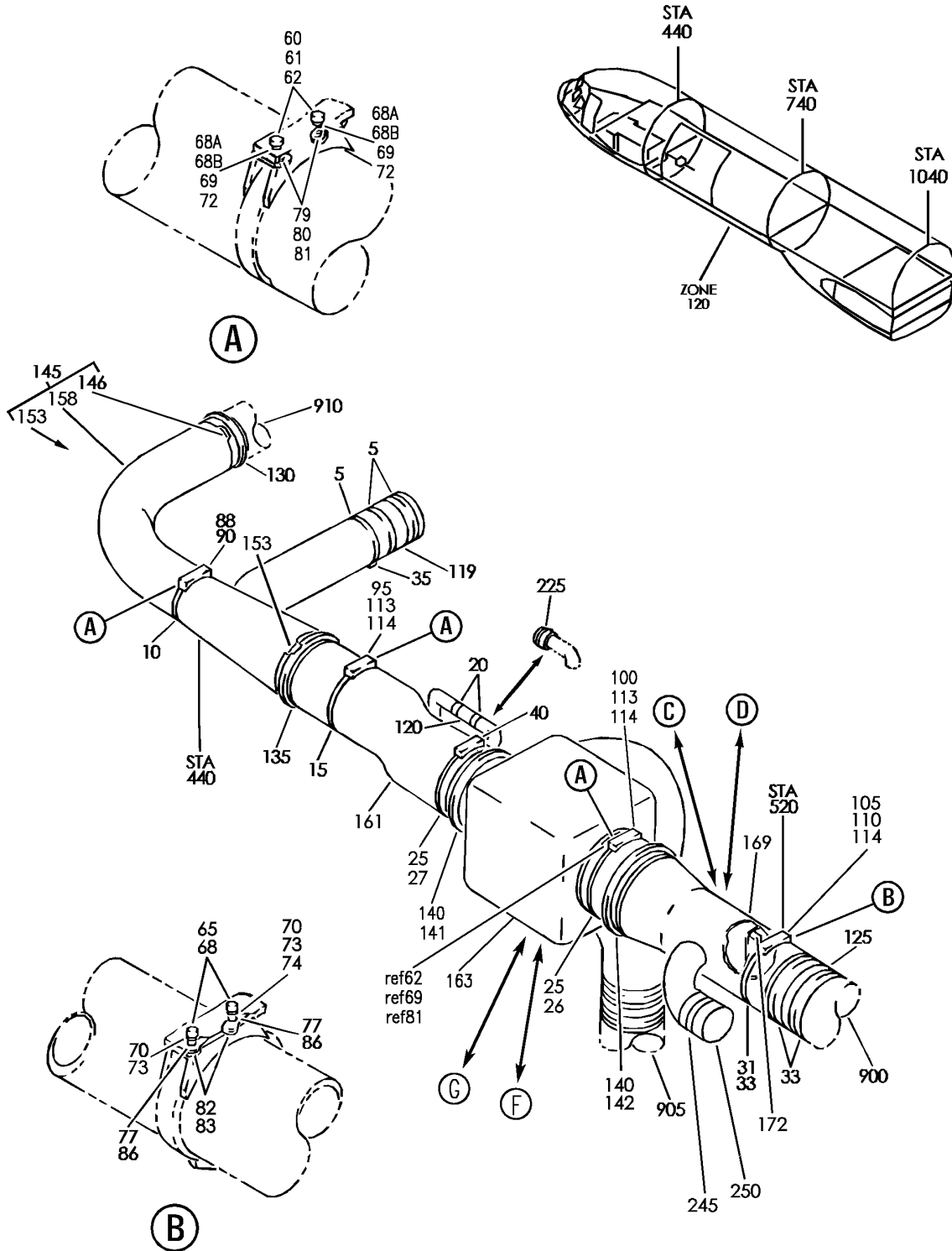
BRI

21-58-08-20

BOEING PROPRIETARY - Copyright © - Unpublished Work - See title page for details.

21-58-08
FIG. 20
PAGE 6
JAN 20/09

BOEING
757
PARTS CATALOG (MAINTENANCE)

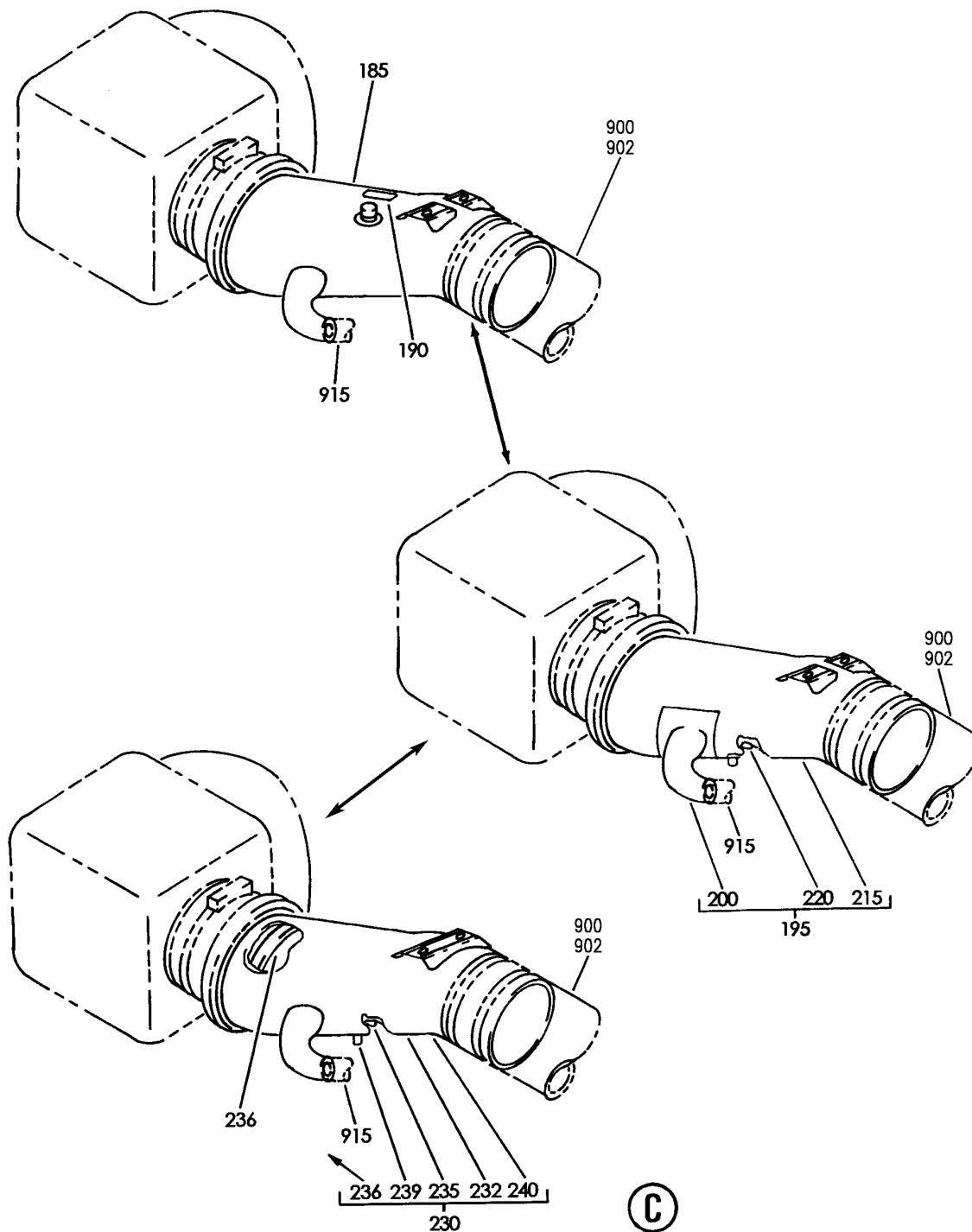


Y 21580821_SHT 1 REV 325

DUCT INSTL-INSTR AND FWD ELECTRONICS COOLING EXH
FIGURE 21 (SHEET 1)

21-58-08-21

BOEING
757
PARTS CATALOG (MAINTENANCE)



Y 21580821 SH1 2 REV 280

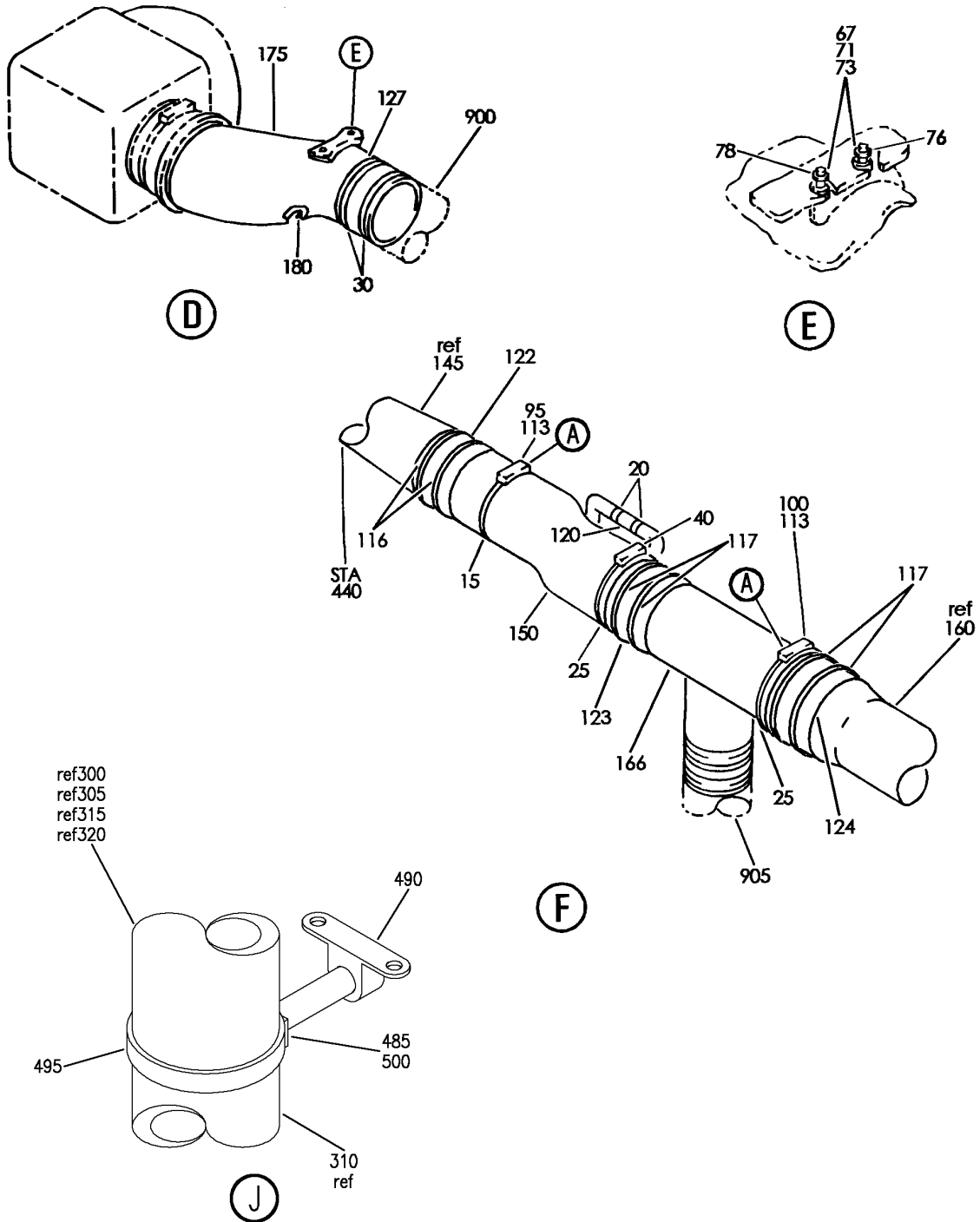
DUCT INSTL-INSTR AND FWD ELECTRONICS COOLING EXH
FIGURE 21 (SHEET 2)

21-58-08-21

BRI
MAY 28/07

21-58-08-21
PAGE 0A

BOEING
757
PARTS CATALOG (MAINTENANCE)



Y 21580821 SHT 3 REV 325

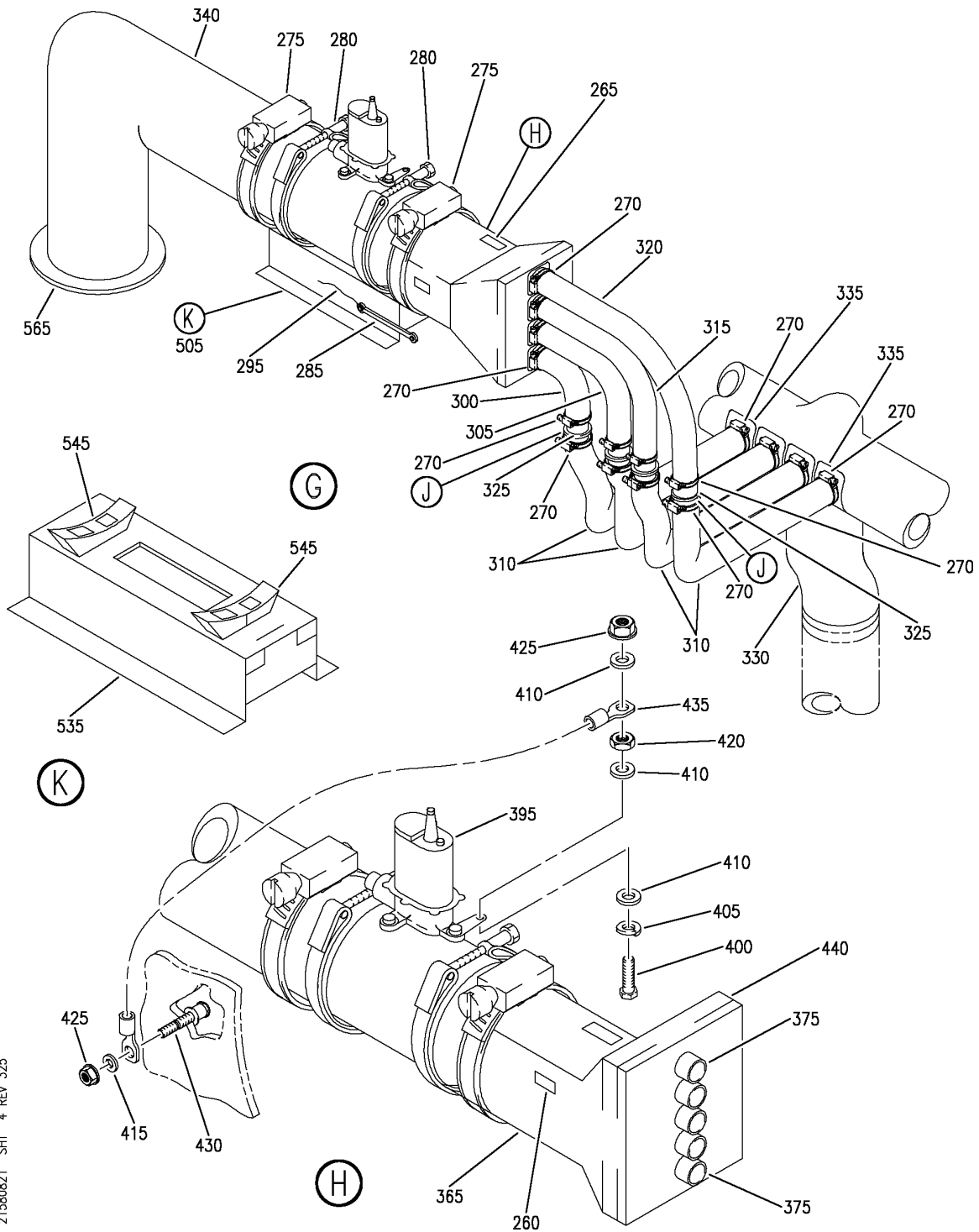
DUCT INSTL-INSTR AND FWD ELECTRONICS COOLING EXH
FIGURE 21 (SHEET 3)

21-58-08-21

BRI
SEP 20/08

21-58-08-21
PAGE 0B


BOEING
 757
PARTS CATALOG (MAINTENANCE)



Y 21580821 SHT 4 REV 325

DUCT INSTL-INSTR AND FWD ELECTRONICS COOLING EXH
 FIGURE 21 (SHEET 4)

21-58-08-21

BRI
 SEP 20/08

21-58-08-21
 PAGE 0C



757

PARTS CATALOG (MAINTENANCE)

| FIG ITEM | PART NUMBER | 1 2 3 4 5 6 7 | NOMENCLATURE | EFFECT FROM TO | UNITS PER ASSY |
|-------------|-------------|-----------------|---|--|----------------|
| 21 | | | DUCT INSTL-INSTR AND FWD ELECTRONICS COOLING EXH | 002004 006999 | |
| - 1 | 217N1006-4 | | DUCT INSTL-INSTR ELECTRONICS COOLING EXH POSITION DATA: FWD FOR NHA SEE: 21-00-00-04 | 002004 006016 107107 121503 904999 | RF |
| - 1 | 217N1006-6 | | DUCT INSTL-INSTR ELECTRONICS COOLING EXH POSITION DATA: FWD FOR NHA SEE: 21-00-00-04 | 017100 | RF |
| - 1 | 217N1006-11 | | DUCT INSTL-INSTR ELECTRONICS COOLING EXH POSITION DATA: FWD FOR NHA SEE: 21-00-00-04 | 101102 108120 504903 | RF |
| - 1 | MODREF5537 | | DUCT INSTL-INSTR ELECTRONICS COOLING EXH MODULE NUMBER: 217N1006-10 REV A POSITION DATA: STA 440 TO STA 520 FWD | 103106 | 1 |
| 5 | 64 | | .CLAMP- SUPPLIER CODE: V7Z588 SPECIFICATION NUMBER: STBC10GG146 OPTIONAL PART: WWD146H V66295 STBC10GG160 | 002004 006016 107107 121503 904999 | 3 |
| R R R | 5 | NAS1922-0450-1 | .CLAMP | 017106 108120 504903 | 3 |
| | 10 | 80 | .CLAMP- SUPPLIER CODE: V7Z588 SPECIFICATION NUMBER: STBC10GG178 OPTIONAL PART: WWD178H V66295 STBC10GG192 | 002004 006016 107107 121503 904999 | 1 |
| R | 10 | BACC10JB142C172 | .CLAMP | 017100 | 1 |
| | 10 | NAS1922-0525-1 | .CLAMP- | 103106 | 1 |

MISSING ITEM NUMBERS NOT APPLICABLE

- ITEM NOT ILLUSTRATED

21-58-08-21

21-58-08
FIG. 21
PAGE 1
MAY 20/09

BRI



757

PARTS CATALOG (MAINTENANCE)

| FIG ITEM | PART NUMBER | 1 2 3 4 5 6 7 | NOMENCLATURE | EFFECT FROM TO | UNITS PER ASSY |
|----------|-----------------|-----------------------|--------------|----------------|----------------|
| R 21 | | | | | |
| 10 | NAS1922-0525-3 | .CLAMP- | | 103106 | 1 |
| 15 | STBC10GG234 | .CLAMP- | | 002004 | 1 |
| | | OPTIONAL PART: | | 006016 | |
| | | STBC10GG256 | | 107107 | |
| | | | | 121503 | |
| | | | | 904999 | |
| R 15 | BACC10JB206C236 | .CLAMP | | 017100 | 1 |
| R 15 | NAS1922-0700-1 | .CLAMP- | | 103106 | 1 |
| R 15 | NAS1922-0700-3 | .CLAMP- | | 103106 | 1 |
| 20 | 16 | .CLAMP- | | 002004 | 2 |
| | | SUPPLIER CODE: | | 006016 | |
| | | V7Z588 | | 107107 | |
| | | SPECIFICATION NUMBER: | | 121503 | |
| | | STBC10GG38-48 | | 904999 | |
| | | OPTIONAL PART: | | | |
| | | WWD38-48H | | | |
| | | V66295 | | | |
| R 20 | NAS1922-0125-1 | .CLAMP | | 017100 | 2 |
| 20 | PLT4SM | .STRAP-TIE | | 103106 | 2 |
| | | SUPPLIER CODE: | | | |
| | | V06383 | | | |
| | | SPECIFICATION NUMBER: | | | |
| | | BACS38K2 | | | |
| | | OPTIONAL PART: | | | |
| | | T05L0 | | | |
| | | V53421 | | | |
| | | .CLAMP- | | 002004 | 2 |
| | | SUPPLIER CODE: | | 006016 | |
| | | V7Z588 | | 107107 | |
| | | SPECIFICATION NUMBER: | | 121503 | |
| | | STBC10GG274 | | 904999 | |
| | | OPTIONAL PART: | | | |
| | | WWD274H | | | |
| | | V66295 | | | |
| | | STBC10GG288 | | | |
| R 25 | BACC10JB238C268 | .CLAMP | | 017100 | 2 |
| R 25 | NAS1922-0825-1 | .CLAMP | | 103106 | 2 |
| R 30 | BACC10JB190C220 | .CLAMP | | 017100 | 2 |
| 30 | 96 | .CLAMP- | | 002004 | 2 |
| | | SUPPLIER CODE: | | 006016 | |
| | | V7Z588 | | 107107 | |
| | | SPECIFICATION NUMBER: | | 121503 | |
| | | STBC10GG210 | | 904999 | |
| | | OPTIONAL PART: | | | |
| | | WWD210H | | | |
| | | V66295 | | | |
| R 31 | NAS1922-0625-1 | .CLAMP- | | 103106 | 1 |
| R 31 | NAS1922-0625-3 | .CLAMP- | | 103106 | 1 |

MISSING ITEM NUMBERS NOT APPLICABLE

- ITEM NOT ILLUSTRATED

21-58-08-21

21-58-08
FIG. 21
PAGE 2
MAY 20/09

BRI

BOEING
757
PARTS CATALOG (MAINTENANCE)

| FIG ITEM | PART NUMBER | 1 2 3 4 5 6 7 | NOMENCLATURE | EFFECT FROM TO | UNITS PER ASSY |
|----------|---------------|---------------|---|--|----------------|
| 21 | | | | | |
| 35 | 214T3424-20 | . | SUPPORT- | 002004 006999 | 1 |
| 40 | 214T3424-12 | . | SUPPORT-DUCT | 002004 006999 | 1 |
| - 45 | BACS12FA3K8 | . | ATTACHING PARTS SCREW | 002004 006100 107503 904999 | 4 |
| R - 47 | BACS12GU3K10 | . | SCREW | 103106 | 2 |
| - 50 | AN960KD10L | . | WASHER- OPTIONAL PART: AN960JD10L | 002004 006016 107107 121503 904999 | 4 |
| - 50 | AN960JD10L | . | WASHER- OPTIONAL PART: AN960KD10L | 002004 006016 107107 121503 904999 | 4 |
| R - 50 | NAS1149D0332K | . | WASHER | 017100 | 4 |
| R - 50 | NAS1149D0332J | . | WASHER | 101102 108120 504903 | 4 |
| R - 52 | NAS1149V0332M | . | WASHER | 103106 | 2 |
| R - 55 | BRH10C3D | . | NUT SUPPLIER CODE: V52828 SPECIFICATION NUMBER: BACN10JC3CD OPTIONAL PART: T6C1032JCD V11815 NS202486-02 V80539 102LH9075-3W V72962 H51650-3BAC V15653 | 002004 006102 107999 | 4 |
| - 57 | PLH53CD | . | NUT SUPPLIER CODE: VF0224 SPECIFICATION NUMBER: BACN10YR3CD OPTIONAL PART: H52732-3CD V15653 -----*----- | 103106 | 2 |

MISSING ITEM NUMBERS NOT APPLICABLE

- ITEM NOT ILLUSTRATED

BRI

21-58-08-21

BOEING PROPRIETARY - Copyright © - Unpublished Work - See title page for details.

21-58-08
FIG. 21
PAGE 3
MAY 20/09



757

PARTS CATALOG (MAINTENANCE)

| FIG ITEM | PART NUMBER | 1 2 3 4 5 6 7 | NOMENCLATURE | EFFECT FROM TO | UNITS PER ASSY |
|----------|---------------|---------------|--|--|----------------|
| 21 60 | HL11VAZ6-3 | | .BOLT- SUPPLIER CODE: V60516 SPECIFICATION NUMBER: BACB30NW6K3 OPTIONAL PART: B30NW6K3 V97928 HL11VAZ6-3 V73197 HL11VAZ6-3 V92215 HL11VAZ6-3 V97928 L803-6K3 V06725 HL11VAZ6-3 VOPTK6 HL11VAZ6-3 V56878 | 002004 006100 107503 904999 | 6 |
| R 60 | BACS12GU3K10 | | .SCREW | 103106 | 6 |
| R 65 | BACB30NN3K14 | | .BOLT | 103106 | 2 |
| 67 | BACB30NM3K5 | | .BOLT- | 002004 006100 107107 121503 904999 | 2 |
| R 67 | BACB30NM3K7 | | .BOLT | 108120 | 2 |
| R 67 | BACB30VF3K4 | | .BOLT | 103106 | 2 |
| 70 | NAS1149V0332M | | .WASHER | 103106 | 2 |
| 71 | AN960KD10 | | .WASHER- OPTIONAL PART: AN960JD10 | 002004 006016 107107 121503 904999 | 1 |
| 71 | AN960JD10 | | .WASHER- OPTIONAL PART: AN960KD10 | 002004 006016 107107 121503 904999 | 1 |
| 72 | AN960KD10L | | .WASHER- OPTIONAL PART: AN960JD10L | 002004 006016 107107 121503 904999 | 6 |

MISSING ITEM NUMBERS NOT APPLICABLE

- ITEM NOT ILLUSTRATED

21-58-08-21

21-58-08
FIG. 21
PAGE 4
MAY 20/09

BRI

 **BOEING**
757
PARTS CATALOG (MAINTENANCE)

| FIG ITEM | PART NUMBER | 1 2 3 4 5 6 7 | NOMENCLATURE | EFFECT FROM TO | UNITS PER ASSY |
|----------|------------------|---------------|--|--|----------------|
| 21 | | | | | |
| | 72 AN960JD10L | | .WASHER- OPTIONAL PART: AN960KD10L | 002004 006016 107107 121503 904999 | 6 |
| R | 72 NAS1149D0332K | | .WASHER | 017100 | 6 |
| R | 72 NAS1149D0332J | | .WASHER | 101102 | 6 |
| R | | | | 108120 | |
| R | 72 NAS1149V0332M | | .WASHER | 504903 | |
| R | 73 AN960KD10 | | .WASHER- OPTIONAL PART: AN960JD10 | 103106 002004 006016 107107 121503 904999 | 6 2 |
| | 73 AN960JD10 | | .WASHER- OPTIONAL PART: AN960KD10 | 002004 006016 107107 121503 904999 | 2 |
| R | 73 NAS1149D0363K | | .WASHER | 017100 | 2 |
| R | 73 NAS1149D0363J | | .WASHER | 108120 | 2 |
| | 76 AN960KD10M | | .WASHER- OPTIONAL PART: AN960JD10L | 002004 006016 107107 121503 904999 | 1 |
| | 76 AN960JD10L | | .WASHER- OPTIONAL PART: AN960KD10M | 002004 006016 107107 121503 904999 | 1 |
| R | 76 NAS1149D0332K | | .WASHER | 017100 | 1 |
| R | 76 NAS43DD3-14FC | | .SPACER | 101106 | 1 |
| R | | | | 108120 | |
| R | 77 NAS43DD3-45 | | .SPACER | 504903 | |
| R | 78 NAS43DD3-14FC | | .SPACER | 103106 101106 108120 | 2 1 |
| R | | | | 504903 | |
| | 78 NAS43DD3-8 | | .SPACER- | 002004 006100 107107 121503 904999 | 1 |

MISSING ITEM NUMBERS NOT APPLICABLE

— ITEM NOT ILLUSTRATED

BRI

21-58-08-21

BOEING PROPRIETARY - Copyright © - Unpublished Work - See title page for details.

21-58-08
FIG. 21
PAGE 5
MAY 20/09



757

PARTS CATALOG (MAINTENANCE)

| FIG ITEM | PART NUMBER | 1 2 3 4 5 6 7 | NOMENCLATURE | EFFECT FROM TO | UNITS PER ASSY |
|----------|-------------|---------------|--|----------------------------|----------------|
| 21 | | | | | |
| 80 | BRH10C3D | .NUT- | SUPPLIER CODE: V52828 SPECIFICATION NUMBER: BACN10JC3CD OPTIONAL PART: T6C1032JCD V11815 NS202486-02 V80539 102LH9075-3W V72962 H51650-3BAC V15653 | 002004 006102 107999 | 6 |
| 80 | PLH53CD | .NUT | SUPPLIER CODE: VF0224 SPECIFICATION NUMBER: BACN10YR3CD OPTIONAL PART: H52732-3CD V15653 | 103106 | 6 |
| 82 | PLH53CD | .NUT | SUPPLIER CODE: VF0224 SPECIFICATION NUMBER: BACN10YR3CD OPTIONAL PART: H52732-3CD V15653 | 103106 | 2 |
| 84 | BRH10C3D | .NUT- | SUPPLIER CODE: V52828 SPECIFICATION NUMBER: BACN10JC3CD OPTIONAL PART: T6C1032JCD V11815 NS202486-02 V80539 102LH9075-3W V72962 H51650-3BAC V15653 | 002004 006102 107999 | 2 |
| 88 | 214N1051-8 | .SUPPORT- | | 002004 006999 | 1 |
| 90 | 214N1063-2 | .BRACKET- | OPTIONAL PART: 214N1063-6 | 002004 006999 | 1 |

R
R
R
R
R
R
R
R
R
R
R
R
R
R
R

MISSING ITEM NUMBERS NOT APPLICABLE

- ITEM NOT ILLUSTRATED

21-58-08-21

21-58-08
FIG. 21
PAGE 6
MAY 20/09

BRI

 **BOEING**
757
PARTS CATALOG (MAINTENANCE)

| FIG ITEM | PART NUMBER | 1 2 3 4 5 6 7 | NOMENCLATURE | EFFECT FROM TO | UNITS PER ASSY |
|----------|----------------|-----------------------|--------------|----------------|----------------|
| 21 | | | | | |
| 90 | 214N1063-6 | .BRACKET- | | 101106 | 1 |
| | | OPTIONAL PART: | | 108120 | |
| | | 214N1063-2 | | 504903 | |
| 95 | 214N1051-13 | .SUPPORT- | | 002004 | 1 |
| | | | | 006999 | |
| 100 | 214N1051-11 | .SUPPORT- | | 002004 | 1 |
| | | | | 006999 | |
| 105 | 214N1051-14 | .SUPPORT- | | 103106 | 1 |
| | | PRE SERVICE BULLETIN: | | | |
| | | 21-0015 | | | |
| 113 | 214N1063-3 | .BRACKET- | | 002004 | 2 |
| | | OPTIONAL PART: | | 006100 | |
| | | 214N1063-7 | | 107503 | |
| | | | | 904999 | |
| 113 | 214N1063-7 | .BRACKET- | | 101102 | 2 |
| | | OPTIONAL PART: | | 108120 | |
| | | 214N1063-3 | | 504903 | |
| 114 | 214N1063-3 | .BRACKET- | | 103106 | 3 |
| | | OPTIONAL PART: | | | |
| | | 214N1063-7 | | | |
| 114 | 214N1063-7 | .BRACKET- | | 103106 | 3 |
| | | OPTIONAL PART: | | | |
| | | 214N1063-3 | | | |
| R 116 | NAS1922-0700-1 | .CLAMP- | | 103106 | 2 |
| R 116 | NAS1922-0700-3 | .CLAMP- | | 103106 | 2 |
| 117 | NAS1922-0825-1 | .CLAMP | | 103106 | 4 |
| 119 | AS1506-18D40 | .SLEEVE- | | 002004 | 1 |
| | | | | 006999 | |
| 120 | AS1506-05D40 | .SLEEVE- | | 002004 | 1 |
| | | | | 006999 | |
| 122 | AS1506-28D32 | .SLEEVE | | 103106 | 1 |
| 123 | AS1506-32D32 | .SLEEVE | | 103106 | 1 |
| 124 | AS1506-32D30 | .SLEEVE | | 103106 | 1 |
| 127 | BACD40R26A41 | .HOSE- | | 002004 | 1 |
| | | | | 006100 | |
| | | | | 107503 | |
| | | | | 904999 | |
| 130 | 15J02-500 | .CLAMP- | | 002004 | 1 |
| | | SUPPLIER CODE: | | 006016 | |
| | | V89513 | | 107107 | |
| | | OPTIONAL PART: | | 121503 | |
| | | 32317AA500 | | 904999 | |
| | | V94581 | | | |
| | | NH135008-0500 | | | |
| | | V00624 | | | |

MISSING ITEM NUMBERS NOT APPLICABLE

— ITEM NOT ILLUSTRATED

BRI

21-58-08-21

BOEING PROPRIETARY - Copyright © - Unpublished Work - See title page for details.

21-58-08
FIG. 21
PAGE 7
MAY 20/09



757

PARTS CATALOG (MAINTENANCE)

| FIG ITEM | PART NUMBER | 1 2 3 4 5 6 7 | NOMENCLATURE | EFFECT FROM TO | UNITS PER ASSY |
|-----------|---------------|---------------|---|--|----------------|
| 21 130 | NH135008-0500 | .CLAMP- | SUPPLIER CODE: V00624 OPTIONAL PART: 15J02-500 V89513 32317AA500 V94581 | 002004 006016 107107 121503 904999 | 1 |
| 130 | 32317AA500 | .CLAMP- | SUPPLIER CODE: V94581 OPTIONAL PART: 15J02-500 V89513 NH135008-0500 V00624 | 002004 006016 107107 121503 904999 | 1 |
| 130 | NH135008-0500 | .COUPLING | SUPPLIER CODE: V00624 SPECIFICATION NUMBER: BACC10HX500 | 017106 108120 504903 | 1 |
| 135 | 15J02-700 | .CLAMP- | SUPPLIER CODE: V89513 OPTIONAL PART: 32317AA700 V94581 NH135008-0700 V00624 | 002004 006016 107107 121503 904999 | 1 |
| 135 | NH135008-0700 | .CLAMP- | SUPPLIER CODE: V00624 OPTIONAL PART: 15J02-700 V89513 32317AA700 V94581 | 002004 006016 107107 121503 904999 | 1 |
| 135 | 32317AA700 | .CLAMP- | SUPPLIER CODE: V94581 OPTIONAL PART: 15J02-700 V89513 NH135008-0700 V00624 | 002004 006016 107107 121503 904999 | 1 |

R
R
R
R
R

MISSING ITEM NUMBERS NOT APPLICABLE

- ITEM NOT ILLUSTRATED

21-58-08-21

21-58-08
FIG. 21
PAGE 8
MAY 20/09

BRI



757

PARTS CATALOG (MAINTENANCE)

| FIG ITEM | PART NUMBER | 1 2 3 4 5 6 7 | NOMENCLATURE | EFFECT FROM TO | UNITS PER ASSY |
|------------------|-------------|---------------|---|--|----------------|
| R R R R | 21 135 | NH135008-0700 | .CLAMP SUPPLIER CODE: V00624 SPECIFICATION NUMBER: BACC10HX700 | 017100 | 1 |
| | 140 | 15J02-800 | .CLAMP ASSY- SUPPLIER CODE: V89513 OPTIONAL PART: 32317AA800 V94581 NH135008-0800 V00624 | 002004 006016 107107 121503 904999 | 2 |
| | 140 | NH135008-0800 | .CLAMP- SUPPLIER CODE: V00624 OPTIONAL PART: 15J02-800 V89513 32317AA800 V94581 | 002004 006016 107107 121503 904999 | 2 |
| | 140 | 32317AA800 | .COUPLING- SUPPLIER CODE: V94581 OPTIONAL PART: 15J02-800 V89513 NH135008-0800 V00624 | 002004 006016 107107 121503 904999 | 2 |
| R R R R | 140 | NH135008-0800 | .COUPLING SUPPLIER CODE: V00624 SPECIFICATION NUMBER: BACC10HX800 | 017100 | 2 |
| | 145 | 217N1411-1 | .DUCT ASSY- | 002004 006100 107503 904999 | 1 |
| R | 145 | 217N1411-7 | .DUCT ASSY | 103106 | 1 |
| | 146 | 15J03-500 | ..FLANGE- SUPPLIER CODE: V89513 OPTIONAL PART: 217N1411-9 | 002004 006999 | 1 |
| | 146 | 217N1411-9 | ..KIT ASSY-SUB OPTIONAL PART: 15J03-350 V89513 | 002004 006100 107503 904999 | 1 |

MISSING ITEM NUMBERS NOT APPLICABLE

- ITEM NOT ILLUSTRATED

21-58-08-21

21-58-08
FIG. 21
PAGE 9
MAY 20/09

BRI



757

PARTS CATALOG (MAINTENANCE)

| FIG ITEM | PART NUMBER | 1 2 3 4 5 6 7 | NOMENCLATURE | EFFECT FROM TO | UNITS PER ASSY |
|----------|---------------|---------------|--|--------------------------------------|----------------|
| 21 | | | | | |
| - 149 | 2904AM500 | ... | FLANGE- SUPPLIER CODE: V94581 USED ON: 217N1411-9 | 002004 006100 107503 904999 | 1 |
| - 151 | NK130004-0500 | ... | FLANGE- SUPPLIER CODE: V98625 USED ON: 217N1411-9 | 002004 006100 107503 904999 | 1 |
| 153 | 15J03-700 | .. | FLANGE- SUPPLIER CODE: V89513 OPTIONAL PART: 217N1411-10 | 002004 006100 107503 904999 | 1 |
| 153 | 217N1411-10 | .. | KIT ASSY-SUB OPTIONAL PART: 15J03-700 V89513 | 002004 006100 107503 904999 | 1 |
| - 154 | 2904AM700 | ... | FLANGE- SUPPLIER CODE: V94581 USED ON: 217N1411-10 | 002004 006100 107503 904999 | 1 |
| - 156 | NK130004-0700 | ... | FLANGE- SUPPLIER CODE: V98625 USED ON: 217N1411-10 | 002004 006100 107503 904999 | 1 |
| R | 158 | 217N1411-2 | .. | DUCT ASSY | 1 |
| R | | | | 006100 | |
| R | | | | 107503 | |
| R | | | | 904999 | |
| R | 158 | 217N1411-8 | .. | DUCT ASSY | 1 |
| | 161 | 217N1410-1 | . | DUCT ASSY- | 1 |
| | | | | 002004 | |
| | | | | 006100 | |
| | | | | 107503 | |
| | | | | 904999 | |
| R | 161 | 217N1410-6 | . | DUCT ASSY | 1 |
| R | 163 | 217N1418-1 | . | DUCT ASSY | 1 |
| R | | | | 002004 | |
| R | | | | 006100 | |
| R | | | | 103503 | |
| R | | | | 904999 | |
| | 166 | 217N1418-9 | . | DUCT ASSY- | 1 |
| | 175 | 217N1034-1 | . | DUCT ASSY- | 1 |
| | | | | 103106 | |
| | | | | 904949 | |

MISSING ITEM NUMBERS NOT APPLICABLE

- ITEM NOT ILLUSTRATED

21-58-08-21

21-58-08
FIG. 21
PAGE 10
MAY 20/09

BRI



757

PARTS CATALOG (MAINTENANCE)

| FIG ITEM | PART NUMBER | 1 2 3 4 5 6 7 | NOMENCLATURE | EFFECT FROM TO | UNITS PER ASSY |
|------------|----------------------------|-------------------------|--|--|----------------|
| 21 175 | 217N1034-6 | .DUCT ASSY- | POST SERVICE BULLETIN: 21-0052 | 002004 006016 107107 121503 950999 | 1 |
| 175 180 | 217N1034-8 BAC27NEC0118 | .DUCT ASSY- ..DECAL- | PLACARD CONTENT: SENSING PORT TS164 DETECTOR, SMOKE | 017100 002004 006100 107107 121503 904999 | 1 1 |
| 230 | 217N1034-10 | .DUCT ASSY- | | 103106 108120 | 1 |
| 230 | 217N1406-4 | .DUCT ASSY- | NOT APPROVED FOR ETOPS. | 103106 | 1 |
| 232 | 217N1406-5 | ..DUCT- | NOT APPROVED FOR ETOPS. | 103106 | 1 |
| 235 | BAC27NEC0118 | ..DECAL- | PLACARD CONTENT: SENSING PORT TS164 DETECTOR, SMOKE | 108120 | 1 |
| 236 | 217N1416-1 | ..SCREEN ASSY | | 103106 | 1 |
| 239 | 69-77454-2 | ..DRAIN TUBE | | 108120 | 1 |
| 245 | PLT4SM | .STRAP- | SUPPLIER CODE: V06383 SPECIFICATION NUMBER: BACS38K2 OPTIONAL PART: T05LO V53421 | 101102 108120 504903 | 1 |
| 250 | BE539-16 | .CAP- | SUPPLIER CODE: V05399 OPTIONAL PART: BE540-3 V05399 | 101102 108120 504903 | 1 |
| 900 | | | ILLUSTRATION REFERENCE: HEAT SINK AND DETECTOR INSTL-ELECTRICAL/ ELECTRONIC COMPT AIR EXH (AIR CONDITIONING ONLY) 21-58-06-05 | 002004 006107 121999 | RF |
| 905 | | | ILLUSTRATION REFERENCE: DUCT INSTL-E3-E4 RACKS AIR SUPPLY AND EXH 21-58-08-16 | 002004 006999 | RF |

MISSING ITEM NUMBERS NOT APPLICABLE

- ITEM NOT ILLUSTRATED

21-58-08-21

21-58-08
FIG. 21
PAGE 11
JAN 20/09

BRI



757

PARTS CATALOG (MAINTENANCE)

| FIG ITEM | PART NUMBER | 1 2 3 4 5 6 7 | NOMENCLATURE | EFFECT FROM TO | UNITS PER ASSY |
|-------------|-------------|---------------|--|-------------------|----------------------|
| 21 910 | | | ILLUSTRATION REFERENCE: DUCT INSTL STA 424.25 AIR EXH 21-58-08-17 | 002004 006999 | RF |

MISSING ITEM NUMBERS NOT APPLICABLE

- ITEM NOT ILLUSTRATED

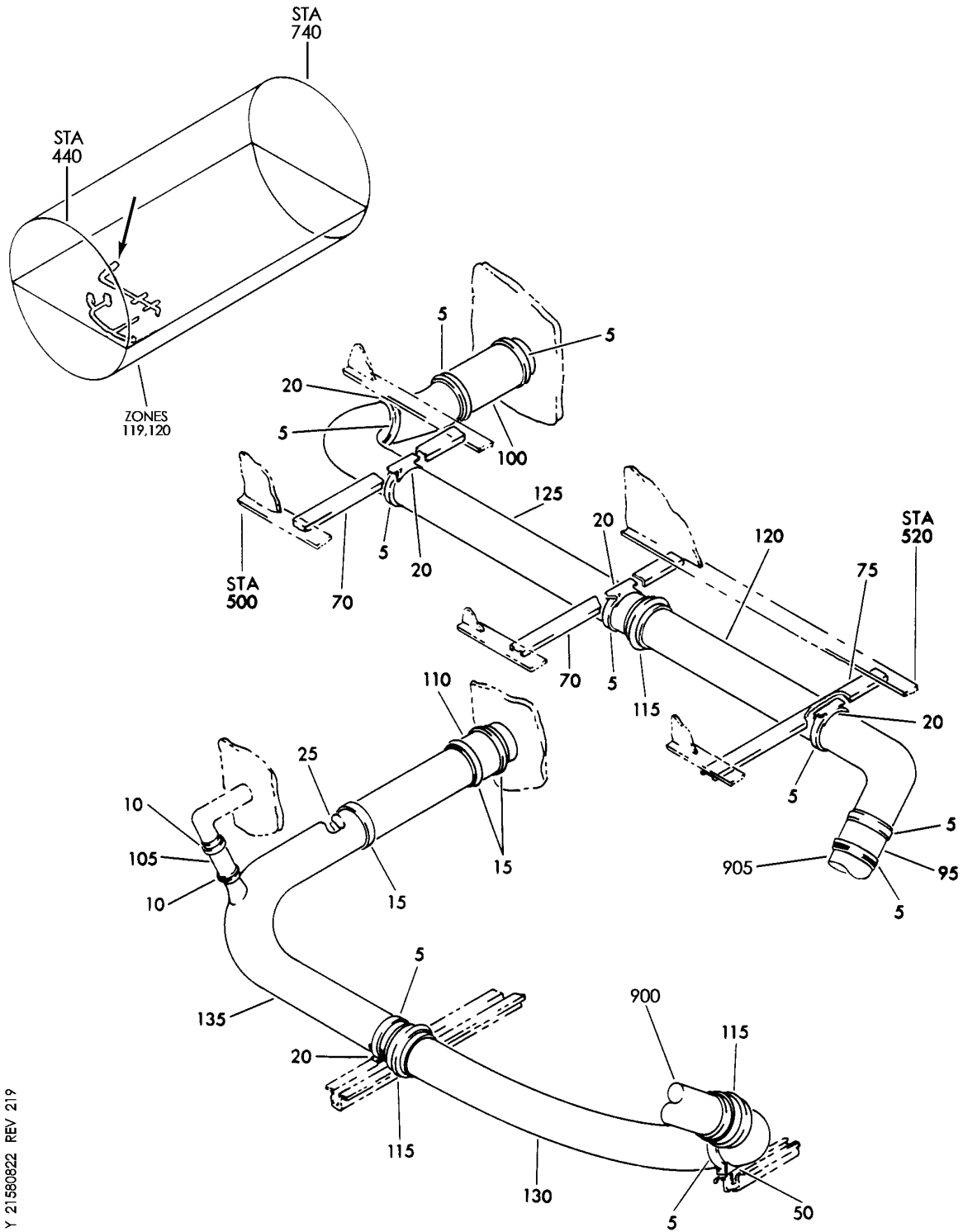
BRI

21-58-08-21

BOEING PROPRIETARY - Copyright © - Unpublished Work - See title page for details.

21-58-08
FIG. 21
PAGE 12
JAN 20/09

BOEING
757
PARTS CATALOG (MAINTENANCE)



Y 21580822 REV 219

DUCT INSTL-AIR SUPPLY AND AIR EXH E5 RACK ELECTRICAL/ELECTRONICS COOLING
FIGURE 22

BRI
MAY 28/07

21-58-08-22

21-58-08-22
PAGE 0



757

PARTS CATALOG (MAINTENANCE)

| FIG ITEM | PART NUMBER | 1 2 3 4 5 6 7 | NOMENCLATURE | EFFECT FROM TO | UNITS PER ASSY |
|----------|-------------|---------------|---|--|----------------|
| 22 | | | DUCT INSTL-AIR SUPPLY AND AIR EXH E5 RACK ELECTRICAL/ELECTRONICS COOLING | 002004 006999 | |
| - 1 | 217N1007-1 | | DUCT INSTL-AIR SUPPLY AND AIR EXH E5 RACK ELECTRICAL/ELECTRONICS COOLING FOR NHA SEE: 21-00-00-04 | 002004 006100 107107 121503 904999 | RF |
| - 1 | 217N1007-2 | | DUCT INSTL-AIR SUPPLY AND AIR EXH E5 RACK ELECTRICAL/ELECTRONICS COOLING FOR NHA SEE: 21-00-00-14 | 101102 108120 504903 | RF |
| - 1 | MODREF5540 | | DUCT INSTL-AIR SUPPLY AND AIR EXH E5 RACK ELECTRICAL/ELECTRONICS COOLING MODULE NUMBER: 217N1007-2 REV A | 103106 | 1 |
| 5 | 56 | | .CLAMP SUPPLIER CODE: V7Z588 SPECIFICATION NUMBER: STBC10GG128 OPTIONAL PART: WWD128H V66295 | 002004 006999 | 10 |
| 10 | 16 | | .CLAMP SUPPLIER CODE: V7Z588 SPECIFICATION NUMBER: STBC10GG38-48 OPTIONAL PART: WWD38-48H V66295 | 002004 006999 | 2 |
| 15 | 48 | | .CLAMP SUPPLIER CODE: V7Z588 SPECIFICATION NUMBER: STBC10GG98-114 OPTIONAL PART: WWD98-114 V66295 | 002004 006999 | 3 |
| 20 | 214N1051-5 | | .SUPPORT | 002004 006999 | 5 |

MISSING ITEM NUMBERS NOT APPLICABLE

- ITEM NOT ILLUSTRATED

21-58-08-22

21-58-08
FIG. 22
PAGE 1
JAN 20/09

BRI



757

PARTS CATALOG (MAINTENANCE)

| FIG ITEM | PART NUMBER | 1 2 3 4 5 6 7 | NOMENCLATURE | EFFECT FROM TO | UNITS PER ASSY |
|----------|---------------|---------------|-----------------|--|----------------|
| 22 | | | | | |
| 25 | 214N1051-4 | . | SUPPORT | 002004 006999 | 1 |
| | | | ATTACHING PARTS | | |
| - 30 | BACB30PW4-3 | . | BOLT | 002004 006999 | 12 |
| - 35 | AN960KD416L | . | WASHER | 002004 006100 107107 121503 904999 | 12 |
| - 35 | NAS1149D0416J | . | WASHER | 101106 108120 504903 | 12 |
| - 40 | BACW10BN3SP | . | WASHER | 002004 006999 | 12 |
| - 45 | NAS1805-3N | . | NUT | 002004 006100 107107 121503 904999 | 12 |
| - 45 | NAS1805-3L | . | NUT | 101106 108120 504903 | 12 |
| | | | -----* | | |
| 50 | 214T3424-5 | . | SUPPORT | 002004 006999 | 1 |
| | | | ATTACHING PARTS | | |
| - 55 | BACS12FA3K7 | . | SCREW | 002004 006999 | 2 |
| - 60 | AN960KD10L | . | WASHER | 002004 006100 107107 121503 904999 | 2 |
| - 60 | NAS1149D0332J | . | WASHER | 101106 108120 504903 | 2 |

MISSING ITEM NUMBERS NOT APPLICABLE

- ITEM NOT ILLUSTRATED

BRI

21-58-08-22

BOEING PROPRIETARY - Copyright © - Unpublished Work - See title page for details.

21-58-08
FIG. 22
PAGE 2
JAN 20/09



757

PARTS CATALOG (MAINTENANCE)

| FIG ITEM | PART NUMBER | 1 2 3 4 5 6 7 | NOMENCLATURE | EFFECT FROM TO | UNITS PER ASSY |
|----------|-----------------|---------------|---|--|----------------|
| 22 | | | | | |
| - 65 | BRH10C3D | | .NUT SUPPLIER CODE: V52828 SPECIFICATION NUMBER: BACN10JC3CD OPTIONAL PART: T6C1032JCD V11815 NS202486-02 V80539 102LH9075-3W V72962 H51650-3BAC V15653 -----*----- | 002004 006999 | 2 |
| 70 | 217N1092-2 | | .BRACKET | 002004 006999 | 2 |
| 75 | 217N1092-1 | | .BRACKET | 002004 006999 | 1 |
| | | | ATTACHING PARTS | | |
| - 80 | BACB30NM3K3 | | .BOLT | 002004 006999 | 6 |
| - 85 | AN960KD10L | | .WASHER | 002004 006100 107107 121503 904999 | 6 |
| - 85 | NAS1149D0332J | | .WASHER | 101106 108120 504903 | 6 |
| - 90 | NAS1805-3N | | .NUT | 002004 006100 107107 121503 904999 | 6 |
| - 90 | NAS1805-3L | | .NUT | 101106 108120 504903 | 6 |
| 95 | AS1506-14D40 | | .HOSE -----*----- | 002004 006999 | 1 |
| 100 | BOE2027-14D0081 | | .HOSE SUPPLIER CODE: V16632 SPECIFICATION NUMBER: AS1503-14D0081 | 002004 006999 | 1 |

MISSING ITEM NUMBERS NOT APPLICABLE

- ITEM NOT ILLUSTRATED

21-58-08-22

21-58-08
FIG. 22
PAGE 3
JAN 20/09

BRI



757

PARTS CATALOG (MAINTENANCE)

| FIG ITEM | PART NUMBER | 1 2 3 4 5 6 7 | NOMENCLATURE | EFFECT FROM TO | UNITS PER ASSY |
|-----------|-----------------|---------------|---|----------------------------|----------------|
| 22 105 | BOE2027-05D0070 | .HOSE | SUPPLIER CODE: V16632 SPECIFICATION NUMBER: AS1503-05D0070 | 002004 006999 | 1 |
| 110 | AS1506-12D40 | .SLEEVE | | 002004 006999 | 1 |
| 115 | 15J02-350 | .CLAMP- | SUPPLIER CODE: V89513 OPTIONAL PART: NH135008-0350 V98625 32314AA350 V94581 | 002004 006999 | 3 |
| 115 | NH135008-0350 | .CLAMP- | SUPPLIER CODE: V00624 OPTIONAL PART: 15J02-350 V89513 32317AA350 V94581 | 002004 006999 | 3 |
| 115 | 32317AA350 | .CLAMP- | SUPPLIER CODE: V94581 OPTIONAL PART: 15J02-350 V89513 NH135008-0350 V98625 | 002004 006999 | 3 |
| 120 | 217N1505-1 | .DUCT ASSY | | 002004 006999 | 1 |
| 125 | 217N1506-1 | .DUCT ASSY | | 002004 006999 | 1 |
| 130 | 217N1412-7 | .DUCT ASSY- | | 002004 006102 107999 | 1 |
| 135 | 217N1413-1 | .DUCT ASSY | | 002004 006999 | 1 |
| 900 | | | ILLUSTRATION REFERENCE: DUCT INSTL-E3-E4 RACKS AIR SUPPLY AND EXH 21-58-08-16 | 002004 006999 | RF |

MISSING ITEM NUMBERS NOT APPLICABLE

- ITEM NOT ILLUSTRATED

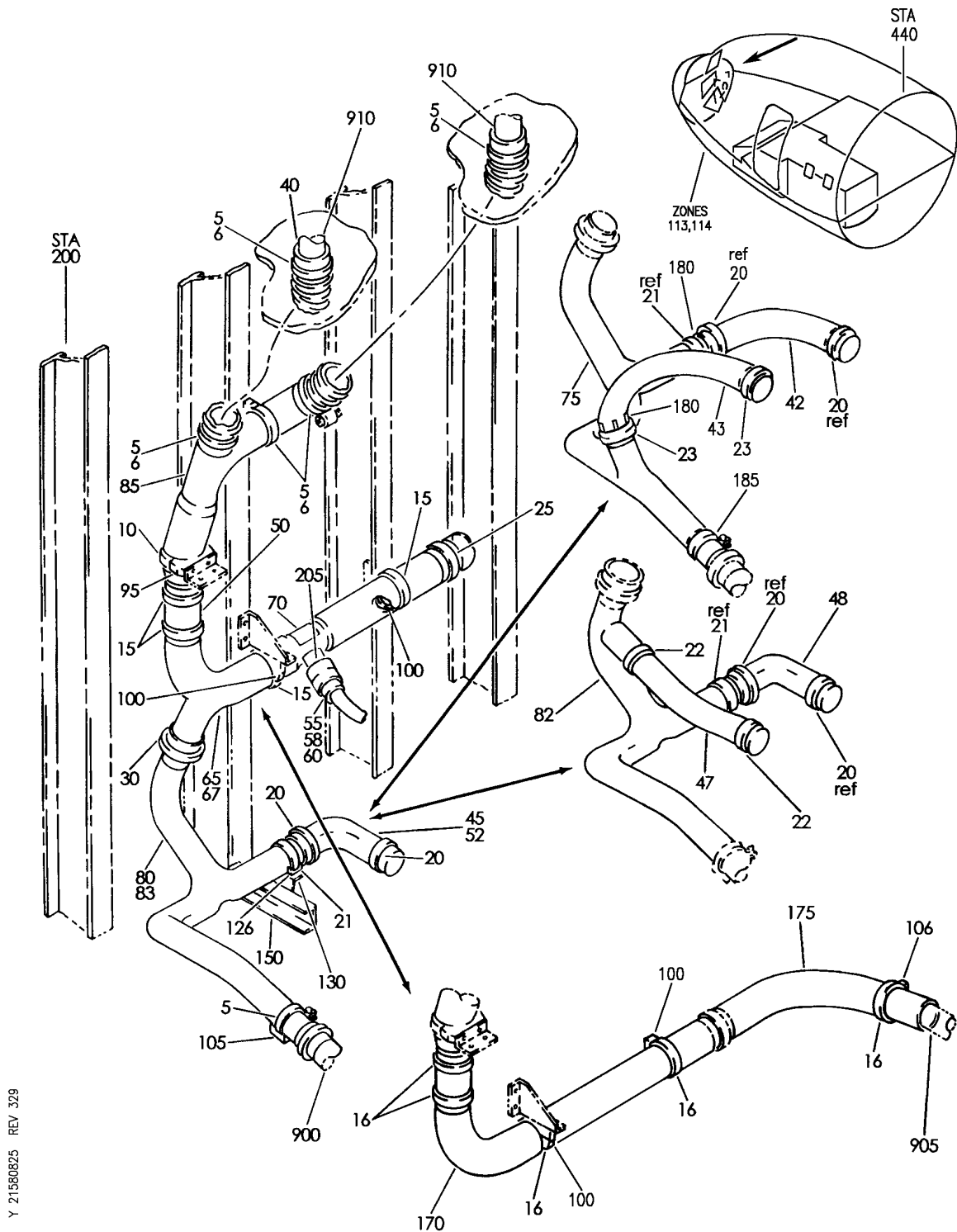
21-58-08-22

21-58-08
FIG. 22
PAGE 4
JAN 20/09

BRI

BOEING PROPRIETARY - Copyright © - Unpublished Work - See title page for details.

BOEING
757
PARTS CATALOG (MAINTENANCE)



Y 21580825 REV 329

DUCT INSTL-LWR SECT. 41 INSTR COOLING EXH
FIGURE 25

21-58-08-25

BRI
JAN 20/09

21-58-08-25
PAGE 0



757

PARTS CATALOG (MAINTENANCE)

| FIG ITEM | PART NUMBER | 1 2 3 4 5 6 7 | NOMENCLATURE | EFFECT FROM TO | UNITS PER ASSY |
|----------|-------------|---------------|---|--|----------------|
| 25 | | | DUCT INSTL-LWR SECT. 41 INSTR COOLING EXH | 002004 006100 107107 121503 904999 | |
| - 1 | 217N2011-3 | | DUCT INSTL-INSTR COOLING EXH POSITION DATA: LWR SECT. 41 VARIABLE DRAWING REF: 217N2011-6 FOR NHA SEE: 21-00-00-04 | 002004 006017 107107 121503 904999 | RF |
| - 1 | 217N2011-9 | | DUCT INSTL-INSTR COOLING EXH POSITION DATA: LWR SECT. 41 FOR NHA SEE: 21-00-00-04 | 018100 | RF |
| 5 | 32 | | .CLAMP SUPPLIER CODE: V7Z588 SPECIFICATION NUMBER: STBC10GG66-82 OPTIONAL PART: WWD66-82H V66295 | 002004 006100 107107 121503 904999 | 6 |
| 10 | 56 | | .CLAMP SUPPLIER CODE: V7Z588 SPECIFICATION NUMBER: STBC10GG128 OPTIONAL PART: WWD128H V66295 | 002004 006100 107107 121503 904999 | 1 |
| 15 | 48 | | .CLAMP SUPPLIER CODE: V7Z588 SPECIFICATION NUMBER: STBC10GG98-114 OPTIONAL PART: WWD98-114 V66295 | 002004 006100 107107 121503 904999 | 4 |

MISSING ITEM NUMBERS NOT APPLICABLE

- ITEM NOT ILLUSTRATED

21-58-08-25

21-58-08
FIG. 25
PAGE 1
JAN 20/09

BRI



757

PARTS CATALOG (MAINTENANCE)

| FIG ITEM | PART NUMBER | 1 2 3 4 5 6 7 | NOMENCLATURE | EFFECT FROM TO | UNITS PER ASSY |
|----------|---------------|---------------|---|--|----------------|
| 25 20 | 28 | .CLAMP | SUPPLIER CODE: V7Z588 SPECIFICATION NUMBER: STBC10GG58-66 OPTIONAL PART: WWD58-66H V66295 | 950951 | 2 |
| 21 | 28 | .CLAMP | SUPPLIER CODE: V7Z588 SPECIFICATION NUMBER: STBC10GG58-66 OPTIONAL PART: WWD58-66H V66295 | 002004 006100 107107 121503 904999 | 1 |
| 23 | 28 | .CLAMP | SUPPLIER CODE: V7Z588 SPECIFICATION NUMBER: STBC10GG58-66 OPTIONAL PART: WWD58-66H V66295 | 950951 | 2 |
| 25 | 15J02-300 | .CLAMP ASSY- | SUPPLIER CODE: V89513 OPTIONAL PART: 32317AA300 V94581 NH135008-0300 V00624 | 002004 006100 107107 121503 904999 | 1 |
| 25 | 32317AA300 | .COUPLING- | SUPPLIER CODE: V94581 OPTIONAL PART: 15J02-300 V89513 NH135008-0300 V00624 | 002004 006100 107107 121503 904999 | 1 |
| 25 | NH135008-0300 | .CLAMP ASSY- | SUPPLIER CODE: V00624 OPTIONAL PART: 15J02-300 V89513 32317AA300 V94581 | 002004 006100 107107 121503 904999 | 1 |

MISSING ITEM NUMBERS NOT APPLICABLE

- ITEM NOT ILLUSTRATED

21-58-08-25

21-58-08
FIG. 25
PAGE 2
JAN 20/09

BRI



757

PARTS CATALOG (MAINTENANCE)

| FIG ITEM | PART NUMBER | 1 2 3 4 5 6 7 | NOMENCLATURE | EFFECT FROM TO | UNITS PER ASSY |
|----------|-----------------|---------------|---|--|----------------|
| 25 | | | | | |
| 30 | 15J02-200 | | .CLAMP ASSY- SUPPLIER CODE: V89513 OPTIONAL PART: 32317AA200 V94581 NH135008-0200 V98625 | 002004 006100 107107 121503 904999 | 1 |
| 30 | 32317AA200 | | .CLAMP ASSY- SUPPLIER CODE: V94581 OPTIONAL PART: 15J02-200 V89513 NH135008-0200 V98625 | 002004 006100 107107 121503 904999 | 1 |
| 30 | NH135008-0200 | | .CLAMP ASSY- SUPPLIER CODE: V00624 OPTIONAL PART: 15J02-200 V89513 32317AA200 V94581 | 002004 006100 107107 121503 904999 | 1 |
| 35 | BOE2027-09D0360 | | .HOSE SUPPLIER CODE: V16632 SPECIFICATION NUMBER: AS1503-09D0360 | 002004 006100 107107 121503 904999 | 1 |
| 40 | BOE2027-09D0340 | | .HOSE SUPPLIER CODE: V16632 SPECIFICATION NUMBER: AS1503-09D0340 | 002004 006100 107107 121503 904999 | 1 |
| 42 | AS1504-07B0132 | | .HOSE | 950951 | 1 |
| 43 | BOE2027-07D0210 | | .HOSE SUPPLIER CODE: V16632 SPECIFICATION NUMBER: AS1503-07D0210 | 950951 | 1 |
| 45 | BOE2027-07D0120 | | .HOSE- SUPPLIER CODE: V16632 SPECIFICATION NUMBER: AS1503-07D0120 | 002004 006100 107107 121503 904999 | 1 |

MISSING ITEM NUMBERS NOT APPLICABLE

- ITEM NOT ILLUSTRATED

21-58-08-25

21-58-08
FIG. 25
PAGE 3
MAY 20/09

BRI



757

PARTS CATALOG (MAINTENANCE)

| FIG ITEM | PART NUMBER | 1 2 3 4 5 6 7 | NOMENCLATURE | EFFECT FROM TO | UNITS PER ASSY |
|----------|--------------|---------------|--|--|----------------|
| 25 | | | | | |
| 50 | AS1506-12D40 | . | SLEEVE | 002004 006100 107107 121503 904999 | 1 |
| 55 | MS28778-6 | . | PACKING | 002004 006017 107107 121503 904999 | 1 |
| 58 | AP1016D6 | . | PLUG- SUPPLIER CODE: V01673 SPECIFICATION NUMBER: BACP20AU6D OPTIONAL PART: ER0806-6D V88334 2-02700-6D V11328 AP10166D V01673 4120-587206D V50948 31794-6D V14397 AFP952-06D V30974 AP1016-06D V01673 DBOP20AU6D V14798 AP1016D06 V01673 POST SERVICE BULLETIN: 21-0061 21-0061R1 | 107107 953999 | 1 |
| 60 | 123CH1A | . | SENSOR-LOW FLOW SUPPLIER CODE: V60678 SPECIFICATION NUMBER: S210N701-2 ELECTRICAL EQUIP NUMBER: TS5156 OPTIONAL PART: 123CH1 V60678 0123CH1B V60678 | 002004 006017 121503 904952 | 1 |

MISSING ITEM NUMBERS NOT APPLICABLE

- ITEM NOT ILLUSTRATED

BRI

21-58-08-25

21-58-08
FIG. 25
PAGE 4
JAN 20/09



757

PARTS CATALOG (MAINTENANCE)

| FIG ITEM | PART NUMBER | 1 2 3 4 5 6 7 | NOMENCLATURE | EFFECT FROM TO | UNITS PER ASSY |
|----------|--------------|---------------|---|--|----------------|
| 25 | | | | | |
| 60 | 123CH1 | . | SENSOR-LOW FLOW SUPPLIER CODE: V60678 SPECIFICATION NUMBER: S210N701-2 ELECTRICAL EQUIP NUMBER: TS5156 OPTIONAL PART: 123CH1A V60678 0123CH1B V60678 | 002004 006017 121503 904952 | 1 |
| 60 | 0123CH1B | . | SENSOR-LOW FLOW SUPPLIER CODE: V60678 SPECIFICATION NUMBER: S210N701-2 ELECTRICAL EQUIP NUMBER: TS5156 OPTIONAL PART: 123CH1A V60678 123CH1 V60678 | 002004 006017 121503 904952 | 1 |
| 65 | 217N2310-1 | . | DUCT ASSY- | 107107 904949 | 1 |
| 65 | 217N2310-8 | . | DUCT ASSY | 002004 006017 121503 950999 | 1 |
| 67 | 217N2310-9 | . | DUCT ASSY | 018100 | 1 |
| 70 | BAC27NEC0083 | .. | DECAL- PLACARD CONTENT: TS5156 DETECTOR, LOW LOW FLOW | 002004 006017 121503 904952 | 1 |
| 75 | 217N2311-9 | . | DUCT ASSY- | 950951 | 1 |
| 80 | 217N2311-3 | . | DUCT ASSY- | 002004 006100 107107 121503 904999 | 1 |
| 85 | 217N2060-2 | . | DUCT-ASSY | 002004 006100 107107 121503 904999 | 1 |

R
R
R
R
R

MISSING ITEM NUMBERS NOT APPLICABLE

- ITEM NOT ILLUSTRATED

21-58-08-25

21-58-08
FIG. 25
PAGE 5
MAY 20/09

BRI

 **BOEING**
757
PARTS CATALOG (MAINTENANCE)

| FIG ITEM | PART NUMBER | 1 2 3 4 5 6 7 | NOMENCLATURE | EFFECT FROM TO | UNITS PER ASSY |
|----------|-------------|---------------|--|--|----------------|
| 25 | | | | | |
| 90 | 214T3424-18 | . | SUPPORT | 002004 006100 107107 121503 904999 | 1 |
| 95 | 214T3424-19 | . | SUPPORT | 002004 006100 107107 121503 904999 | 1 |
| 100 | 214T3424-4 | . | SUPPORT | 002004 006100 107107 121503 904999 | 2 |
| - 101 | BACS12FA3K6 | . | ATTACHING PARTS SCREW | 002004 006100 107107 121503 904999 | 8 |
| - 102 | AN960KD10L | . | WASHER | 002004 006100 107107 121503 904999 | 8 |
| - 103 | BRH10C3D | . | NUT SUPPLIER CODE: V52828 SPECIFICATION NUMBER: BACN10JC3CD OPTIONAL PART: T6C1032JCD V11815 NS202486-02 V80539 102LH9075-3W V72962 H51650-3BAC V15653 -----*----- | 002004 006100 107107 121503 904999 | 8 |
| 105 | 214T3424-2 | . | SUPPORT | 002004 006100 107107 121503 904999 | 1 |

MISSING ITEM NUMBERS NOT APPLICABLE

- ITEM NOT ILLUSTRATED

BRI

21-58-08-25

BOEING PROPRIETARY - Copyright © - Unpublished Work - See title page for details.

21-58-08
FIG. 25
PAGE 6
JAN 20/09



757

PARTS CATALOG (MAINTENANCE)

| FIG ITEM | PART NUMBER | 1 2 3 4 5 6 7 | NOMENCLATURE | EFFECT FROM TO | UNITS PER ASSY |
|----------|-------------|---------------|--------------------------------------|--|----------------|
| 25 | | | ATTACHING PARTS | | |
| -105A | BACS12FA3K6 | | .SCREW | 002004 006100 107107 121503 904999 | 2 |
| -105B | AN960KD10L | | .WASHER | 002004 006100 107107 121503 904999 | 2 |
| -105C | BRH10C3D | | .NUT | 002004 006100 107107 121503 904999 | 2 |
| | | | SUPPLIER CODE: V52828 | | |
| | | | SPECIFICATION NUMBER: BACN10JC3CD | | |
| | | | OPTIONAL PART: T6C1032JCD | | |
| | | | V11815 | | |
| | | | NS202486-02 | | |
| | | | V80539 | | |
| | | | 102LH9075-3W | | |
| | | | V72962 | | |
| | | | H51650-3BAC | | |
| | | | V15653 | | |
| | | | -----*----- | | |
| 126 | 214T3424-1 | | .SUPPORT | 002004 006100 107107 121503 904999 | 1 |
| | | | ATTACHING PARTS | | |
| - 127 | BACS12FA3K7 | | .SCREW | 002004 006100 107107 121503 904999 | 2 |
| - 128 | AN960KD10L | | .WASHER | 002004 006100 107107 121503 904999 | 2 |

MISSING ITEM NUMBERS NOT APPLICABLE

- ITEM NOT ILLUSTRATED

BRI

21-58-08-25

BOEING PROPRIETARY - Copyright © - Unpublished Work - See title page for details.

21-58-08
FIG. 25
PAGE 7
JAN 20/09

 **BOEING**
757
PARTS CATALOG (MAINTENANCE)

| FIG ITEM | PART NUMBER | 1 2 3 4 5 6 7 | NOMENCLATURE | EFFECT FROM TO | UNITS PER ASSY |
|-----------------------|-------------|---------------|---|--|----------------|
| 25 - 129 | BRH10C3D | | .NUT SUPPLIER CODE: V52828 SPECIFICATION NUMBER: BACN10JC3CD OPTIONAL PART: T6C1032JCD V11815 NS202486-02 V80539 102LH9075-3W V72962 H51650-3BAC V15653 -----*----- | 002004 006100 107107 121503 904999 | 2 |
| R R R R R | 130 | 217N2008-10 | .BRACKET ATTACHING PARTS | 002004 006100 107107 121503 904999 | 1 |
| - 135 | BACS12FA3K7 | | .SCREW | 002004 006100 107107 121503 904999 | 2 |
| - 140 | AN960KD10L | | .WASHER | 002004 006100 107107 121503 904999 | 2 |
| - 145 | BRH10C3D | | .NUT SUPPLIER CODE: V52828 SPECIFICATION NUMBER: BACN10JC3CD OPTIONAL PART: T6C1032JCD V11815 NS202486-02 V80539 102LH9075-3W V72962 H51650-3BAC V15653 -----*----- | 002004 006100 107107 121503 904999 | 2 |

MISSING ITEM NUMBERS NOT APPLICABLE

- ITEM NOT ILLUSTRATED

BRI

21-58-08-25

BOEING PROPRIETARY - Copyright © - Unpublished Work - See title page for details.

21-58-08
FIG. 25
PAGE 8
MAY 20/09

 **BOEING**
757
PARTS CATALOG (MAINTENANCE)

| FIG ITEM | PART NUMBER | 1 2 3 4 5 6 7 | NOMENCLATURE | EFFECT FROM TO | UNITS PER ASSY |
|--|-------------------------------------|----------------|--|--|----------------|
| R R R R R R R R R R | 25 150 | 217N2000-2 | . CHANNEL | 002004 107107 121503 904949 952952 | 1 |
| | 150 | 217N2000-4 | . CHANNEL | 006100 950951 953999 | 1 |
| | - 155 | BACS12FA3K7 | ATTACHING PARTS . SCREW | 002004 006100 107107 121503 904999 | 3 |
| | - 160 | AN960KD10L | . WASHER | 002004 006100 107107 121503 904999 | 3 |
| | - 165 | BRH10C3D | . NUT SUPPLIER CODE: V52828 SPECIFICATION NUMBER: BACN10JC3CD OPTIONAL PART: T6C1032JCD V11815 NS202486-02 V80539 102LH9075-3W V72962 H51650-3BAC V15653 -----*----- | 002004 006100 107107 121503 904999 | 3 |
| | - 200 | 286N4004 | WIRE BUNDLE ASSY- | 002004 006100 107107 121503 904999 | RF |
| | 205 | BACC45FT10A5S6 | . CONNECTOR- ELECTRICAL EQUIP NUMBER: D01576 WIRING DIAGRAM REF: 215811 | 002004 006100 107107 121503 904999 | 1 |
| | MISSING ITEM NUMBERS NOT APPLICABLE | | | | |

- ITEM NOT ILLUSTRATED

BRI

21-58-08-25

BOEING PROPRIETARY - Copyright © - Unpublished Work - See title page for details.

21-58-08
FIG. 25
PAGE 9
MAY 20/09



757

PARTS CATALOG (MAINTENANCE)

| FIG ITEM | PART NUMBER | 1 2 3 4 5 6 7 | NOMENCLATURE | EFFECT FROM TO | UNITS PER ASSY |
|-------------|-------------|---------------|---|--|----------------------|
| 25 900 | | | ILLUSTRATION REFERENCE: DUCT INSTL-INSTR COOLING EXH BELOW FLOOR LH SIDE 21-58-08-05 | 002004 006100 107107 121503 904999 | RF |
| 910 | | | ILLUSTRATION REFERENCE: ORIFICE INSTL-FLIGHT DECK INSTR COOLING 21-58-08-19 | 002004 006100 107107 121503 904999 | RF |

MISSING ITEM NUMBERS NOT APPLICABLE

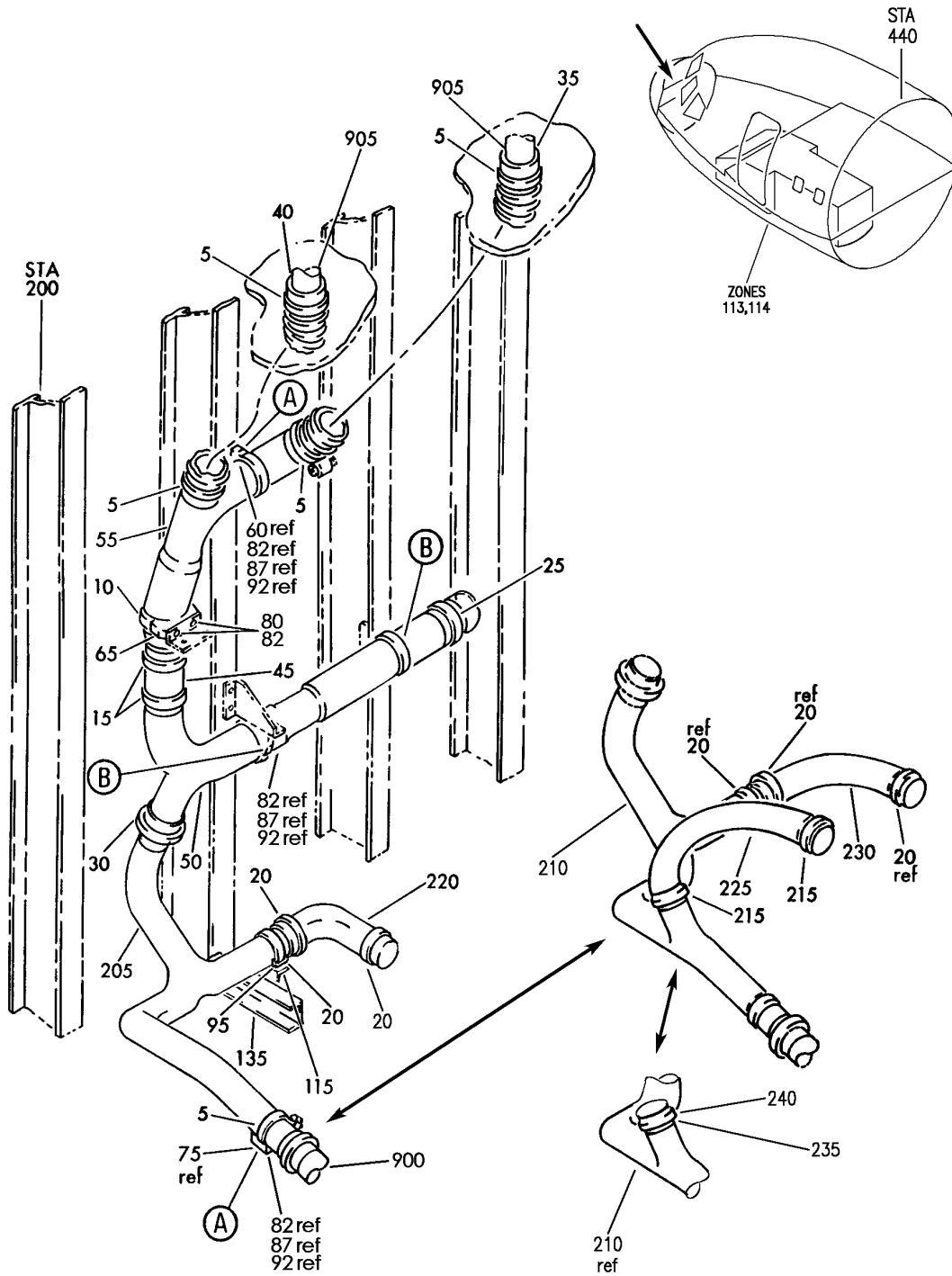
- ITEM NOT ILLUSTRATED

BRI

21-58-08-25

21-58-08
FIG. 25
PAGE 10
JAN 20/09

BOEING
757
PARTS CATALOG (MAINTENANCE)



Y 21580825A SHT 1 REV 254

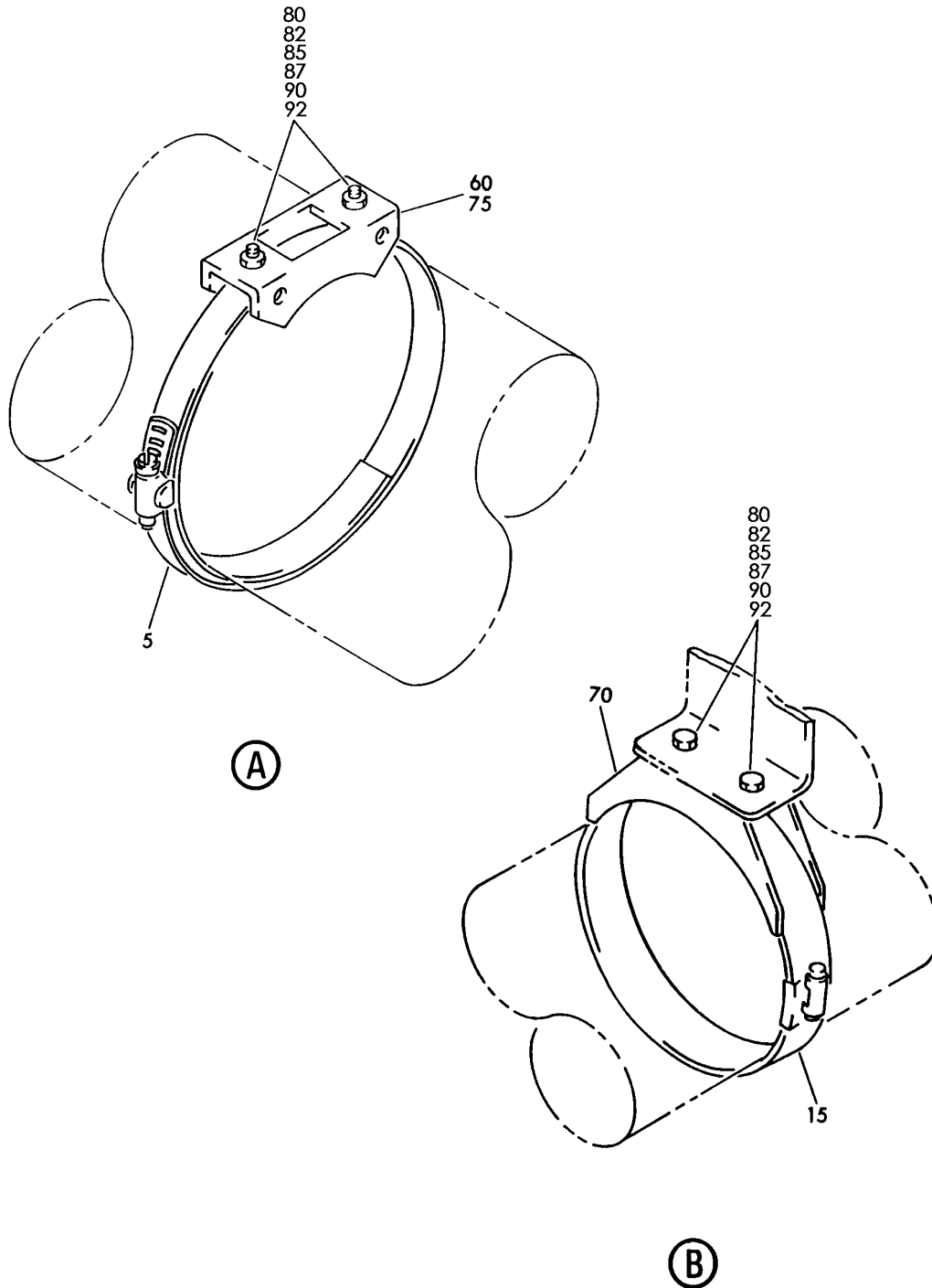
DUCT INSTL-LWR SECT. 41 INSTR COOLING EXH
FIGURE 25A (SHEET 1)

21-58-08-25A

BRI
MAY 28/07

21-58-08-25A
PAGE 0

BOEING
757
PARTS CATALOG (MAINTENANCE)



Y 21580825A SHT 2 REV 224

DUCT INSTL-LWR SECT. 41 INSTR COOLING EXH
FIGURE 25A (SHEET 2)

21-58-08-25A

BRI
MAY 28/07

21-58-08-25A
PAGE 0A

BOEING
757
PARTS CATALOG (MAINTENANCE)

| FIG ITEM | PART NUMBER | 1 2 3 4 5 6 7 | NOMENCLATURE | EFFECT FROM TO | UNITS PER ASSY |
|----------|-------------|---------------|--|----------------------------|----------------|
| 25A | | | DUCT INSTL-LWR SECT. 41 INSTR COOLING EXH | 101106 108120 504903 | |
| - 1 | 217N2011-14 | | DUCT INSTL-LWR SECT. 41 INSTR COOLING EXH FOR NHA SEE: 21-00-00-15 | 101102 108120 504903 | RF |
| - 1 | MODREF5744 | | DUCT INSTL-LWR SECT. 41 INSTR COOLING EXH MODULE NUMBER: 217N2011-14 REV A | 103106 | 1 |
| 5 | 32 | | .CLAMP SUPPLIER CODE: V7Z588 SPECIFICATION NUMBER: STBC10GG66-82 OPTIONAL PART: WWD66-82H V66295 | 101106 108120 504903 | 6 |
| 10 | 56 | | .CLAMP SUPPLIER CODE: V7Z588 SPECIFICATION NUMBER: STBC10GG128 OPTIONAL PART: WWD128H V66295 | 101106 108120 504903 | 1 |
| 15 | 48 | | .CLAMP SUPPLIER CODE: V7Z588 SPECIFICATION NUMBER: STBC10GG98-114 OPTIONAL PART: WWD98-114 V66295 | 101106 108120 504903 | 4 |
| 20 | 28 | | .CLAMP SUPPLIER CODE: V7Z588 SPECIFICATION NUMBER: STBC10GG58-66 OPTIONAL PART: WWD58-66H V66295 | 101106 108120 504903 | 3 |

MISSING ITEM NUMBERS NOT APPLICABLE

- ITEM NOT ILLUSTRATED

BRI

21-58-08-25A

BOEING PROPRIETARY - Copyright © - Unpublished Work - See title page for details.

21-58-08
FIG. 25A
PAGE 1
JAN 20/09



757

PARTS CATALOG (MAINTENANCE)

| FIG ITEM | PART NUMBER | 1 2 3 4 5 6 7 | NOMENCLATURE | EFFECT FROM TO | UNITS PER ASSY |
|-----------|---------------|---------------|---|----------------------------|----------------|
| 25A 25 | 15J02-300 | | .CLAMP ASSY- SUPPLIER CODE: V89513 OPTIONAL PART: 32317AA300 V94581 NH135008-0300 V00624 | 101106 108120 504903 | 1 |
| 25 | 32317AA300 | | .COUPLING- SUPPLIER CODE: V94581 OPTIONAL PART: 15J02-300 V89513 NH135008-0300 V00624 | 101106 108120 504903 | 1 |
| 25 | NH135008-0300 | | .CLAMP ASSY- SUPPLIER CODE: V00624 OPTIONAL PART: 15J02-300 V89513 32317AA300 V94581 | 101106 108120 504903 | 1 |
| 30 | 15J02-200 | | .CLAMP ASSY- SUPPLIER CODE: V89513 OPTIONAL PART: 32317AA200 V94581 NH135008-0200 V98625 | 101106 108120 504903 | 1 |
| 30 | 32317AA200 | | .CLAMP ASSY- SUPPLIER CODE: V94581 OPTIONAL PART: 15J02-200 V89513 NH135008-0200 V98625 | 101106 108120 504903 | 1 |
| 30 | NH135008-0200 | | .CLAMP ASSY- SUPPLIER CODE: V00624 OPTIONAL PART: 15J02-200 V89513 32317AA200 V94581 | 101106 108120 504903 | 1 |

MISSING ITEM NUMBERS NOT APPLICABLE

- ITEM NOT ILLUSTRATED

21-58-08-25A

21-58-08
FIG. 25A
PAGE 2
JAN 20/09

BRI

BOEING PROPRIETARY - Copyright © - Unpublished Work - See title page for details.



757

PARTS CATALOG (MAINTENANCE)

| FIG ITEM | PART NUMBER | 1 2 3 4 5 6 7 | NOMENCLATURE | EFFECT FROM TO | UNITS PER ASSY |
|----------|-----------------|---|-----------------|----------------------------|----------------|
| 25A | | | | | |
| 35 | AS1544-09A0410 | .HOSE- | | 101106 108120 504903 | 1 |
| 40 | BOE2027-09D0340 | .HOSE SUPPLIER CODE: V16632 SPECIFICATION NUMBER: AS1503-09D0340 | | 101106 108120 504903 | 1 |
| 45 | AS1506-12D40 | .SLEEVE | | 101106 108120 504903 | 1 |
| 50 | 217N2310-9 | .DUCT ASSY | | 101106 108120 504903 | 1 |
| 55 | 217N2060-2 | .DUCT-ASSY | | 101106 108120 504903 | 1 |
| 60 | 214T3424-18 | .SUPPORT | | 101106 108120 504903 | 1 |
| 65 | 214T3424-19 | .SUPPORT | | 101106 108120 504903 | 1 |
| 70 | 214T3424-4 | .SUPPORT | | 101106 108120 504903 | 2 |
| | | | ATTACHING PARTS | | |
| 82 | BACS12FA3K6 | .SCREW | | 101106 108120 504903 | 8 |
| 87 | NAS1149D0332J | .WASHER | | 101106 108120 504903 | 6 |
| 92 | BRH10C3D | .NUT SUPPLIER CODE: V52828 SPECIFICATION NUMBER: BACN10JC3CD OPTIONAL PART: T6C1032JCD V11815 NS202486-02 V80539 102LH9075-3W V72962 H51650-3BAC V15653 -----*----- | | 101106 108120 504903 | 6 |

MISSING ITEM NUMBERS NOT APPLICABLE

- ITEM NOT ILLUSTRATED

21-58-08-25A

21-58-08
FIG. 25A
PAGE 3
JAN 20/09

BRI

BOEING PROPRIETARY - Copyright © - Unpublished Work - See title page for details.



757

PARTS CATALOG (MAINTENANCE)

| FIG ITEM | PART NUMBER | 1 2 3 4 5 6 7 | NOMENCLATURE | EFFECT FROM TO | UNITS PER ASSY |
|-----------|---------------|---------------|--|----------------------------|----------------|
| 25A 95 | 214T3424-1 | . | SUPPORT | 101106 108120 504903 | 1 |
| - 100 | BACS12FA3K7 | . | ATTACHING PARTS SCREW | 101106 108120 504903 | 2 |
| - 105 | NAS1149D0332J | . | WASHER | 101106 108120 504903 | 2 |
| - 110 | BRH10C3D | . | NUT SUPPLIER CODE: V52828 SPECIFICATION NUMBER: BACN10JC3CD OPTIONAL PART: T6C1032JCD V11815 NS202486-02 V80539 102LH9075-3W V72962 H51650-3BAC V15653 -----*----- | 101106 108120 504903 | 2 |
| 115 | 217N2008-10 | . | BRACKET | 101106 108120 504903 | 1 |
| - 120 | BACS12FA3K7 | . | ATTACHING PARTS SCREW | 101106 108120 504903 | 2 |
| - 125 | NAS1149D0332J | . | WASHER | 101106 108120 504903 | 2 |

MISSING ITEM NUMBERS NOT APPLICABLE

- ITEM NOT ILLUSTRATED

BRI

21-58-08-25A

BOEING PROPRIETARY - Copyright © - Unpublished Work - See title page for details.

21-58-08
FIG. 25A
PAGE 4
JAN 20/09



757

PARTS CATALOG (MAINTENANCE)

| FIG ITEM | PART NUMBER | 1 2 3 4 5 6 7 | NOMENCLATURE | EFFECT FROM TO | UNITS PER ASSY |
|--------------|---------------|---------------|---|----------------------------|----------------|
| 25A - 130 | BRH10C3D | | .NUT SUPPLIER CODE: V52828 SPECIFICATION NUMBER: BACN10JC3CD OPTIONAL PART: T6C1032JCD V11815 NS202486-02 V80539 102LH9075-3W V72962 H51650-3BAC V15653 -----*----- | 101106 108120 504903 | 2 |
| 135 | 217N2000-4 | | .CHANNEL ATTACHING PARTS | 101106 108120 504903 | 1 |
| - 140 | BACS12FA3K7 | | .SCREW | 101106 108120 504903 | 3 |
| - 145 | NAS1149D0332J | | .WASHER | 101106 108120 504903 | 3 |
| - 200 | 217N2011-11 | | DUCT INSTL-LWR SECT. 41 INSTR COOLING EXH FOR NHA SEE: 21-00-00-12 | 504903 | RF |
| - 200 | 217N2011-12 | | DUCT INSTL-LWR SECT. 41 INSTR COOLING EXH FOR NHA SEE: 21-00-00-12 21-00-00-14 | 101102 108120 | RF |
| - 200 | MODREF24387 | | DUCT INSTL-LWR SECT. 41 INSTR COOLING EXH MODULE NUMBER: 217N2011-12 REV B | 103106 | 1 |
| 205 | 217N2311-3 | | .DUCT ASSY- | 101102 108120 | 1 |
| 210 | 217N2311-13 | | .DUCT ASSY- | 103106 504903 | 1 |

MISSING ITEM NUMBERS NOT APPLICABLE

- ITEM NOT ILLUSTRATED

21-58-08-25A

21-58-08
FIG. 25A
PAGE 5
JAN 20/09

BRI

BOEING PROPRIETARY - Copyright © - Unpublished Work - See title page for details.



757

PARTS CATALOG (MAINTENANCE)

| FIG ITEM | PART NUMBER | 1 2 3 4 5 6 7 | NOMENCLATURE | EFFECT FROM TO | UNITS PER ASSY |
|------------|--------------------------|---------------|--|----------------------------|----------------|
| 25A 215 | 28 | . | CLAMP SUPPLIER CODE: V7Z588 SPECIFICATION NUMBER: STBC10GG58-66 OPTIONAL PART: WWD58-66H V66295 | 504903 | 2 |
| 220 | BOE2027-07D0120 | . | HOSE SUPPLIER CODE: V16632 SPECIFICATION NUMBER: AS1503-07D0120 | 101106 108120 | 1 |
| 225 | BOE2027-07D0210 | . | HOSE- SUPPLIER CODE: V16632 SPECIFICATION NUMBER: AS1503-07D0210 | 504903 | 1 |
| 230 235 | AS1504-07B0132 PLT3SM | . | HOSE STRAP SUPPLIER CODE: V06383 SPECIFICATION NUMBER: BACS38K7 OPTIONAL PART: T0510 V53421 | 504903 103106 | 1 1 |
| 240 | BOE2221-0002 | . | CAP- SUPPLIER CODE: V16632 | 103106 | 1 |
| 900 | | | ILLUSTRATION REFERENCE: DUCT INSTL-INSTR COOLING EXH BELOW FLOOR LH SIDE 21-58-08-05 | 101106 108120 504903 | RF |

MISSING ITEM NUMBERS NOT APPLICABLE

- ITEM NOT ILLUSTRATED

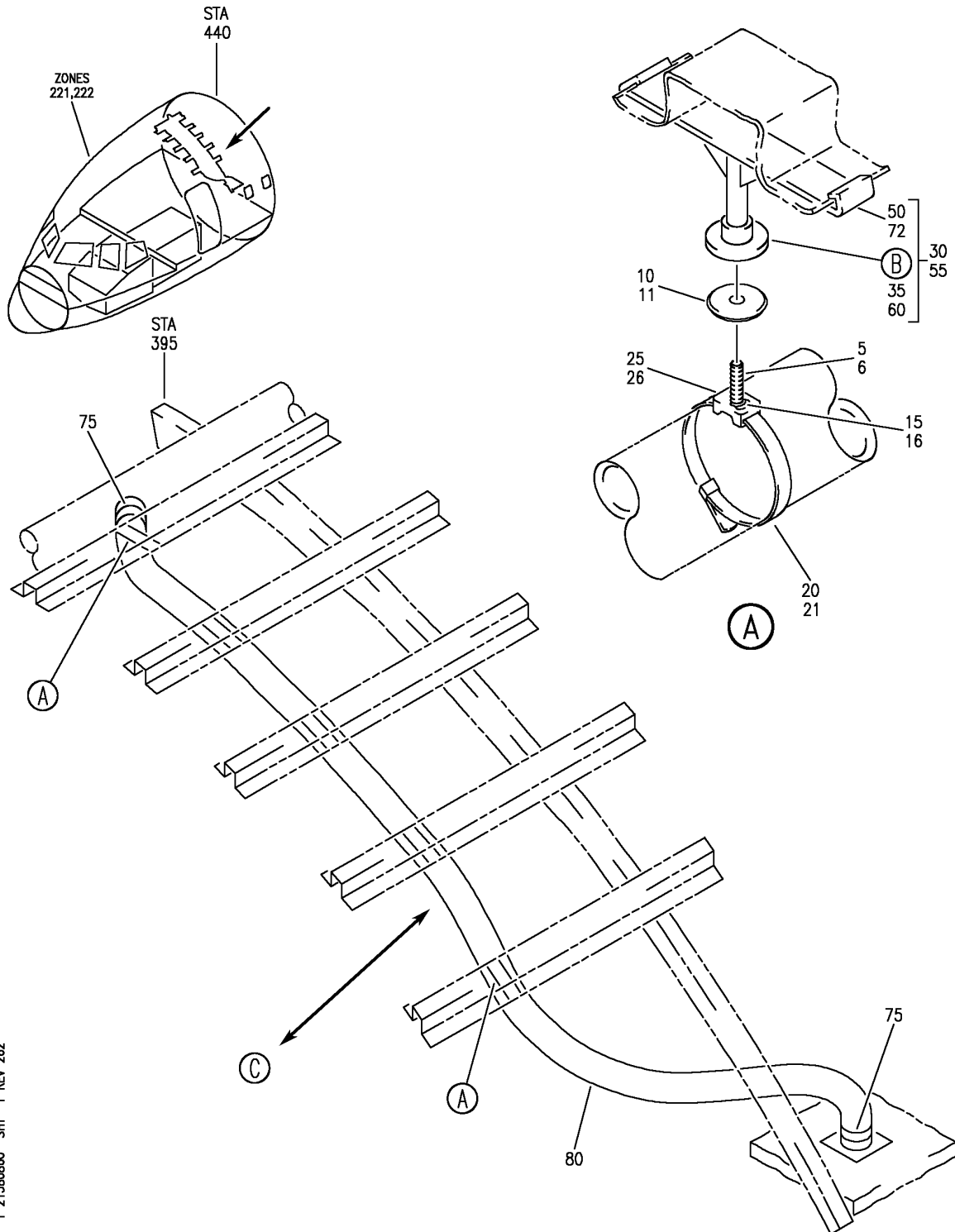
21-58-08-25A

21-58-08
FIG. 25A
PAGE 6
JAN 20/09

BRI

BOEING PROPRIETARY - Copyright © - Unpublished Work - See title page for details.

BOEING
757
PARTS CATALOG (MAINTENANCE)



Y 21580860 SHT 1 REV 262

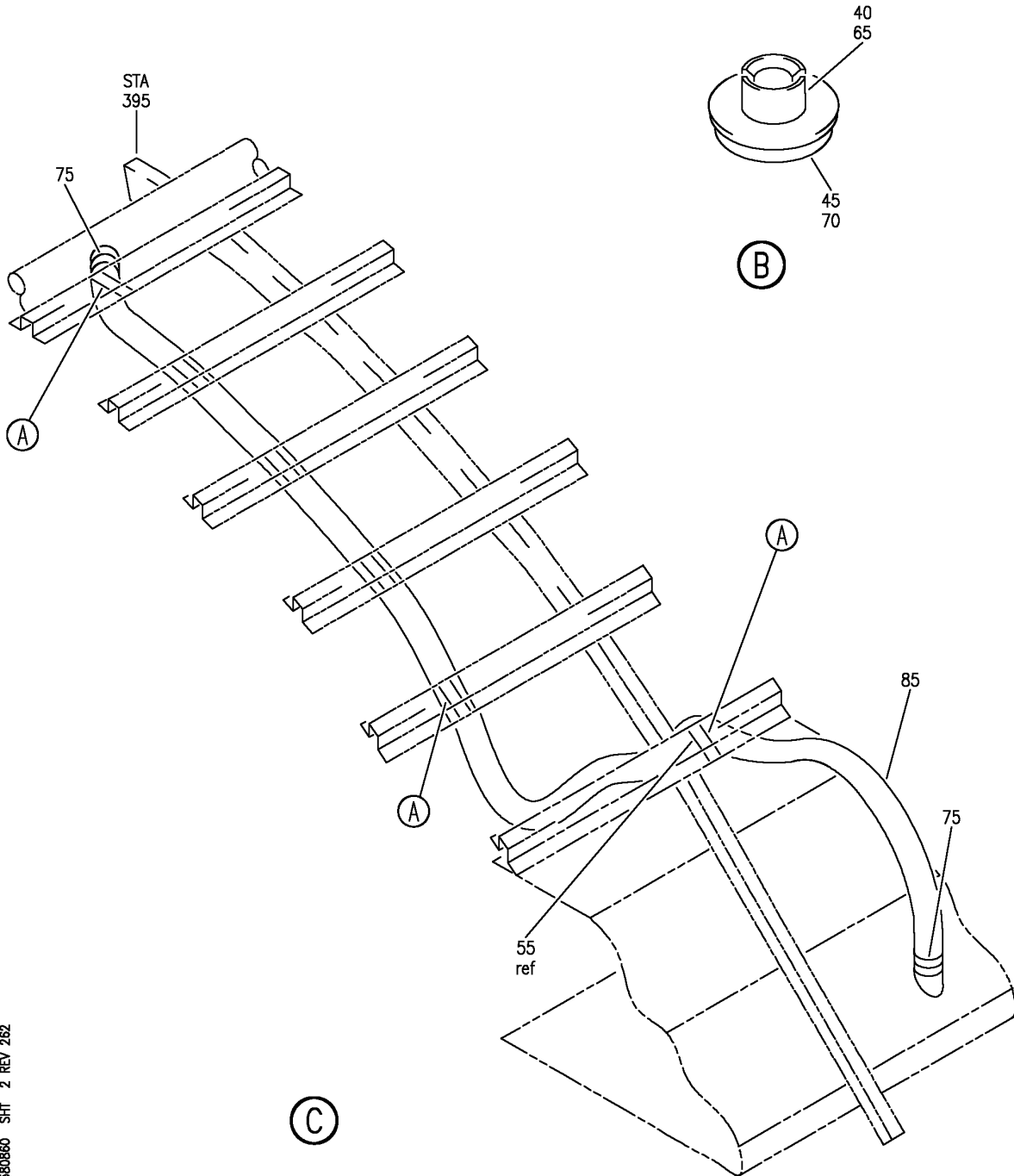
DUCT INSTL-FORWARD VIDEO CONTROL CENTER COOLING SYSTEM
FIGURE 60 (SHEET 1)

BRI
JAN 20/09

21-58-08-60

21-58-08-60
PAGE 0

BOEING
757
PARTS CATALOG (MAINTENANCE)



Y 21580860 SHT 2 REV 262

DUCT INSTL-FORWARD VIDEO CONTROL CENTER COOLING SYSTEM
FIGURE 60 (SHEET 2)

21-58-08-60

BRI
JAN 20/09

21-58-08-60
PAGE 0A



757

PARTS CATALOG (MAINTENANCE)

| FIG ITEM | PART NUMBER | 1 2 3 4 5 6 7 | NOMENCLATURE | EFFECT FROM TO | UNITS PER ASSY |
|----------|---------------|---------------|--|----------------|----------------|
| 60 | | | DUCT INSTL-FORWARD VIDEO CONTROL CENTER COOLING SYSTEM | 103106 | |
| - 1 | MODREF32774 | | DUCT INSTL-FORWARD VIDEO CONTROL CENTER COOLING SYSTEM MODULE NUMBER: 217N3002-5 REV A | 103106 | 1 |
| 5 | BACS12ER3K9 | | .SCREW- | 103106 | 5 |
| 6 | BACS12ER3K9 | | .SCREW | 103106 | 1 |
| 10 | BACW10DZ3 | | .WASHER | 103106 | 5 |
| 11 | BACW10DZ3 | | .WASHER | 103106 | 1 |
| 15 | NAS1149V0332M | | .WASHER | 103106 | 5 |
| 16 | NAS1149V0332M | | .WASHER | 103106 | 1 |
| 20 | PLT3SM | | .STRAP SUPPLIER CODE: V06383 SPECIFICATION NUMBER: BACS38K7 OPTIONAL PART: T0510 V53421 | 103106 | 5 |
| 21 | PLT3SM | | .STRAP SUPPLIER CODE: V06383 SPECIFICATION NUMBER: BACS38K7 OPTIONAL PART: T0510 V53421 | 103106 | 1 |
| 25 | TM3S10 | | .PLATE- SUPPLIER CODE: V06383 SPECIFICATION NUMBER: STBP19M12 | 103106 | 5 |
| 26 | TM3S10 | | .PLATE SUPPLIER CODE: V06383 SPECIFICATION NUMBER: STBP19M12 | 103106 | 1 |
| 30 | 214N5054-11 | | .SUPPORT ASSY | 103106 | 5 |
| 35 | 411N4026-2 | | ..CAP ASSY- OPTIONAL PART: 411N4026-10 | 103106 | 1 |
| 35 | 411N4026-10 | | ..CAP ASSY- OPTIONAL PART: 411N4026-2 | 103106 | 1 |

MISSING ITEM NUMBERS NOT APPLICABLE

- ITEM NOT ILLUSTRATED

21-58-08-60

21-58-08
FIG. 60
PAGE 1
JAN 20/09

BRI



757

PARTS CATALOG (MAINTENANCE)

| FIG ITEM | PART NUMBER | 1 2 3 4 5 6 7 | NOMENCLATURE | EFFECT FROM TO | UNITS PER ASSY |
|----------|----------------|---------------|--|----------------|----------------|
| 60 | | | | | |
| 40 | 411N4026-5 | ... | CAP- USED ON: 411N4026-2 | 103106 | 1 |
| 40 | 411N4026-11 | ... | CAP- USED ON: 411N4026-10 | 103106 | 1 |
| 45 | 411N4026-7 | ... | TAPE | 103106 | 1 |
| 50 | 2055155-5B | .. | CLIP-STGR SUPPLIER CODE: V04169 | 103106 | 1 |
| 55 | 214N5054-11 | . | SUPPORT ASSY | 103106 | 1 |
| 60 | 411N4026-2 | .. | CAP ASSY- OPTIONAL PART: 411N4026-10 | 103106 | 1 |
| 60 | 411N4026-10 | .. | CAP ASSY- OPTIONAL PART: 411N4026-2 | 103106 | 1 |
| 65 | 411N4026-5 | ... | CAP- USED ON: 411N4026-2 | 103106 | 1 |
| 65 | 411N4026-11 | ... | CAP- USED ON: 411N4026-10 | 103106 | 1 |
| 70 | 411N4026-7 | ... | TAPE | 103106 | 1 |
| 72 | 2055155-5B | .. | CLIP-STGR SUPPLIER CODE: V04169 | 103106 | 1 |
| 75 | NAS1922-0175-3 | . | CLAMP | 103106 | 2 |
| 85 | AS1544-06A0990 | . | HOSE-FLEX | 103106 | 1 |

MISSING ITEM NUMBERS NOT APPLICABLE

- ITEM NOT ILLUSTRATED

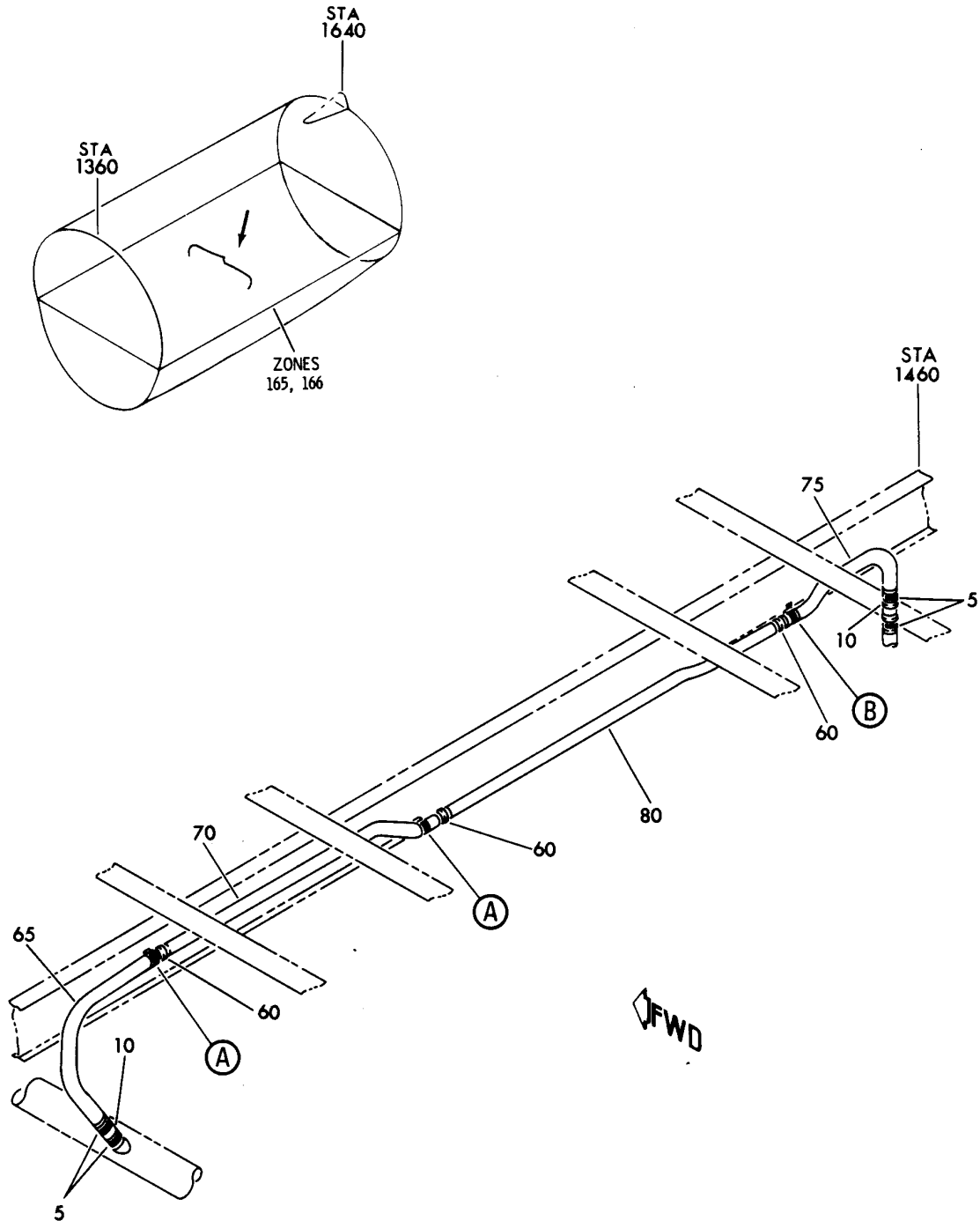
21-58-08-60

21-58-08
FIG. 60
PAGE 2
JAN 20/09

BRI

BOEING PROPRIETARY - Copyright © - Unpublished Work - See title page for details.

BOEING
757
PARTS CATALOG (MAINTENANCE)



Y 21581903 SHT 1 REV 057

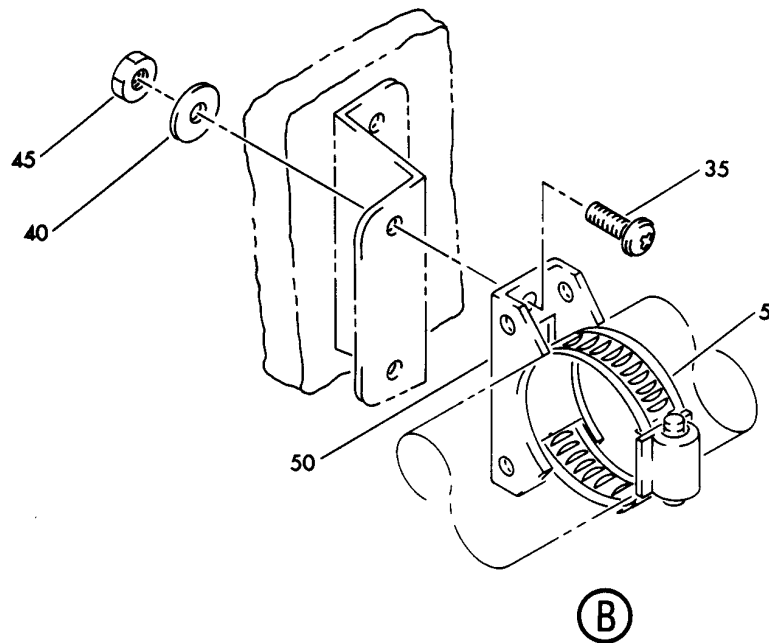
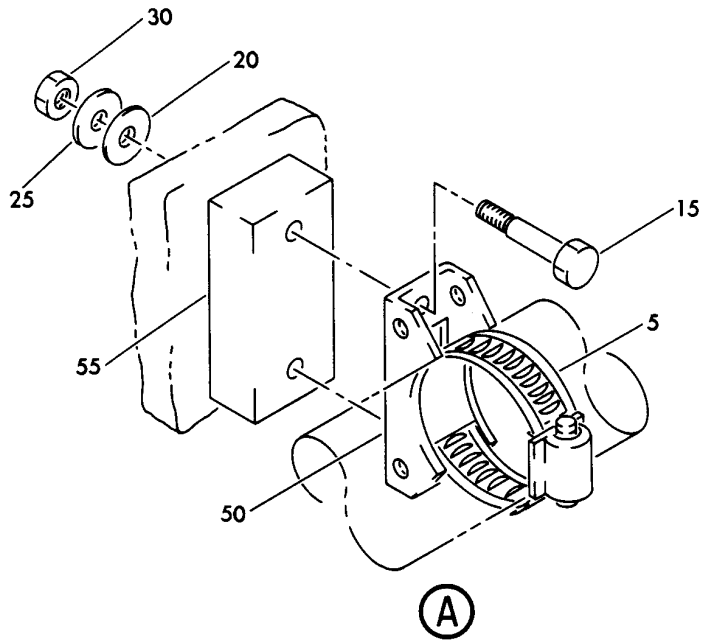
DUCT INSTL-ELECTRICAL/ ELECTRONICS COOLING SYS AFT
FIGURE 3 (SHEET 1)

21-58-19-03

BRI
MAY 28/07

21-58-19-03
PAGE 0

BOEING
757
PARTS CATALOG (MAINTENANCE)



Y 21581903 SHT 2 REV 057

DUCT INSTL-ELECTRICAL/ ELECTRONICS COOLING SYS AFT
FIGURE 3 (SHEET 2)

21-58-19-03

BRI
MAY 28/07

21-58-19-03
PAGE 0A



757

PARTS CATALOG (MAINTENANCE)

| FIG ITEM | PART NUMBER | 1 2 3 4 5 6 7 | NOMENCLATURE | EFFECT FROM TO | UNITS PER ASSY |
|----------|--------------|---------------|---|--|----------------|
| 3 | | | DUCT INSTL-ELECTRICAL/ ELECTRONICS COOLING SYS AFT | 002004 006102 107120 504903 950999 | |
| - 1 | 217N1021-1 | | DUCT INSTL-ELECTRICAL/ ELECTRONICS COOLING SYS POSITION DATA: AFT FOR NHA SEE: 21-00-00-04 | 002004 006100 107107 950999 | RF |
| - 1 | 217N1021-7 | | DUCT INSTL-ELECTRICAL/ ELECTRONICS COOLING SYS POSITION DATA: AFT FOR NHA SEE: 21-00-00-15 | 101102 504903 | RF |
| - 1 | 217N1021-11 | | DUCT INSTL-ELECTRICAL/ ELECTRONICS COOLING SYS POSITION DATA: AFT FOR NHA SEE: 21-00-00-15 | 108120 | RF |
| 5 | 32 | | .CLAMP SUPPLIER CODE: V7Z588 SPECIFICATION NUMBER: STBC10GG66-82 OPTIONAL PART: WWD66-82H V66295 | 002004 006102 107120 504903 950999 | 7 |
| 10 | AS1506-8D40 | | .HOSE | 002004 006100 107107 950999 | 2 |
| 10 | AS1506-08D40 | | .HOSE | 101102 108120 504903 | 2 |
| 15 | BACB30NM3K12 | | .BOLT | 002004 006102 107120 504903 950999 | 4 |
| 20 | AN960KD10L | | .WASHER | 002004 006100 107107 950999 | 4 |

MISSING ITEM NUMBERS NOT APPLICABLE

- ITEM NOT ILLUSTRATED

21-58-19-03

21-58-19
FIG. 03
PAGE 1
JAN 20/09

BRI



757

PARTS CATALOG (MAINTENANCE)

| FIG ITEM | PART NUMBER | 1 2 3 4 5 6 7 | NOMENCLATURE | EFFECT FROM TO | UNITS PER ASSY |
|----------|---------------|---------------|---|--|----------------|
| 3 | | | | | |
| 20 | NAS1149D0332J | . | WASHER | 101102 108120 504903 | 4 |
| 25 | AN960KD10 | . | WASHER | 002004 006100 107107 950999 | 4 |
| 25 | NAS1149D0363J | . | WASHER | 101102 108120 504903 | 4 |
| 30 | NAS1805-3N | . | NUT | 002004 006100 107107 950999 | 4 |
| 30 | NAS1805-3L | . | NUT | 101102 108120 504903 | 4 |
| 35 | BACS12FA3K8 | . | SCREW | 002004 006102 107120 504903 950999 | 2 |
| 40 | AN960KD10 | . | WASHER | 002004 006100 107107 950999 | 2 |
| 40 | NAS1149D0363J | . | WASHER | 101102 108120 504903 | 2 |
| 45 | BRH10C3D | . | NUT SUPPLIER CODE: V52828 SPECIFICATION NUMBER: BACN10JC3CD OPTIONAL PART: T6C1032JCD V11815 NS202486-02 V80539 102LH9075-3W V72962 H51650-3BAC V15653 | 002004 006102 107120 504903 950999 | 2 |
| 50 | 214T3424-2 | . | SUPPORT-DUCT | 002004 006102 107120 504903 950999 | 3 |

MISSING ITEM NUMBERS NOT APPLICABLE

- ITEM NOT ILLUSTRATED

21-58-19-03

21-58-19
FIG. 03
PAGE 2
JAN 20/09

BRI

BOEING PROPRIETARY - Copyright © - Unpublished Work - See title page for details.



757

PARTS CATALOG (MAINTENANCE)

| FIG ITEM | PART NUMBER | 1 2 3 4 5 6 7 | NOMENCLATURE | EFFECT FROM TO | UNITS PER ASSY |
|----------|---------------|---------------|--|--|----------------|
| 3 | | | | | |
| 55 | 217N1145-1 | . | SHIM | 002004 006102 107120 504903 950999 | 2 |
| 60 | 15J02-200 | . | CLAMP ASSY- SUPPLIER CODE: V89513 OPTIONAL PART: 32317AA200 V94581 NH135008-0200 V00624 | 002004 006102 107120 504903 950999 | 3 |
| 60 | 32317AA200 | . | CLAMP ASSY- SUPPLIER CODE: V94581 OPTIONAL PART: 15J02-200 V89513 NH135008-0200 V00624 | 002004 006102 107120 504903 950999 | 3 |
| 60 | NH135008-0200 | . | CLAMP ASSY- SUPPLIER CODE: V00624 OPTIONAL PART: 15J02-200 V89513 32317AA200 V94581 | 002004 006102 107120 504903 950999 | 3 |
| 65 | 217N1141-1 | . | DUCT ASSY | 002004 006102 107120 504903 950999 | 1 |
| 70 | 217N1142-1 | . | DUCT ASSY | 002004 006102 107120 504903 950999 | 1 |
| 75 | 217N1144-1 | . | DUCT ASSY | 002004 006102 107120 504903 950999 | 1 |
| 80 | 217N1143-1 | . | DUCT ASSY | 002004 006102 107120 504903 950999 | 1 |

MISSING ITEM NUMBERS NOT APPLICABLE

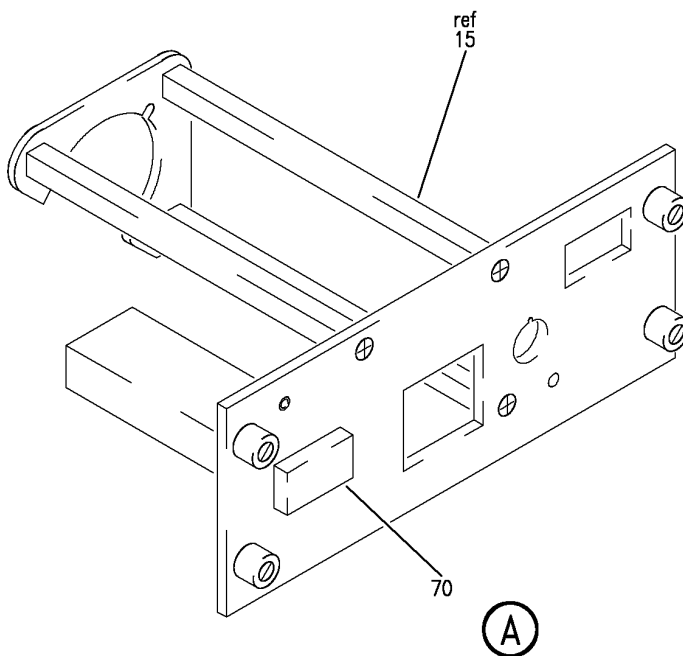
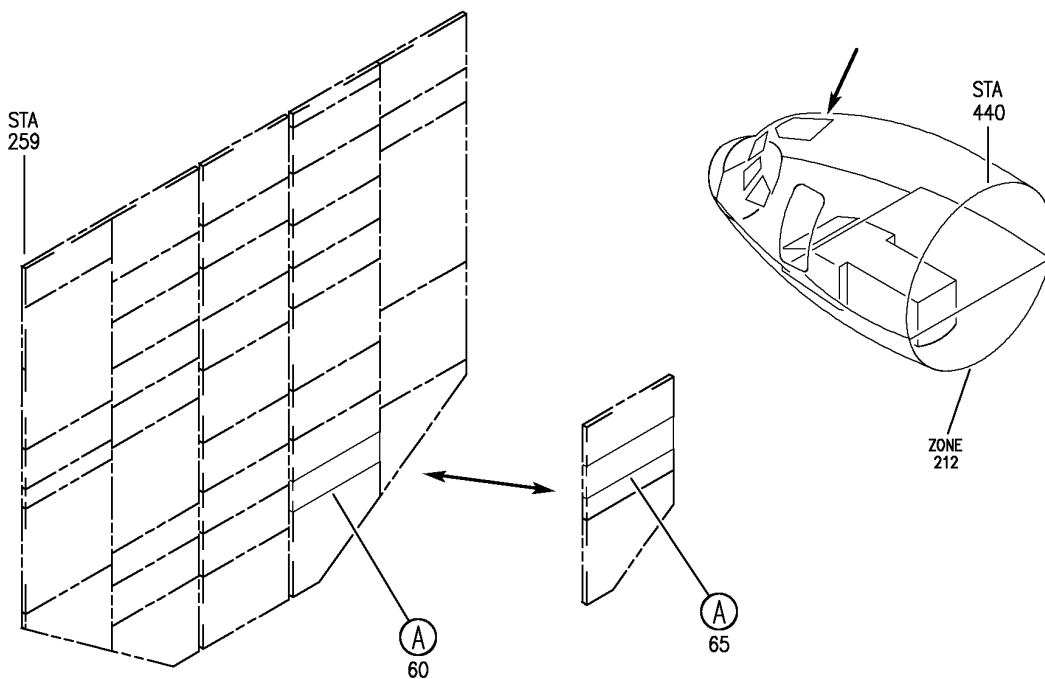
- ITEM NOT ILLUSTRATED

BRI

21-58-19-03

21-58-19
FIG. 03
PAGE 3
JAN 20/09

BOEING
757
PARTS CATALOG (MAINTENANCE)



Y 21581910 REV 251

PANEL INSTL-P5 OVHD (EQUIPMENT COOLING SMOKE DETECTOR ONLY)
FIGURE 10

21-58-19-10

BRI
MAY 28/07

21-58-19-10
PAGE 0



757

PARTS CATALOG (MAINTENANCE)

| FIG ITEM | PART NUMBER | 1 2 3 4 5 6 7 | NOMENCLATURE | EFFECT FROM TO | UNITS PER ASSY |
|----------|--------------|---------------|--|----------------------------|----------------|
| 10 | | | PANEL INSTL-P5 OVHD (EQUIPMENT COOLING SMOKE DETECTOR ONLY) | 101106 108120 504903 | |
| - 3 | 233N3103-59 | | PANEL INSTL-P5 OVHD (EQUIPMENT COOLING SMOKE DETECTOR ONLY) FOR NHA/OTHER SYS DET SEE: 25-10-00-15E | 108120 | RF |
| - 5 | 233N3103-132 | | PANEL INSTL-P5 OVHD (EQUIPMENT COOLING SMOKE DETECTOR ONLY) FOR NHA/OTHER SYS DET SEE: 25-10-00-15E | 101102 | RF |
| - 5 | 233N3103-136 | | PANEL INSTL-P5 OVHD (EQUIPMENT COOLING SMOKE DETECTOR ONLY) FOR NHA/OTHER SYS DET SEE: 25-10-00-15E | 504903 | RF |
| - 8 | MODREF170180 | | PANEL INSTL-P5 OVHD (EQUIPMENT COOLING SMOKE DETECTOR ONLY) MODULE NUMBER: 233N3103-353 REV B FOR OTHER SYS DETAILS SEE: 11-31-10-12 21-25-55-03 21-31-01-02 21-33-51-03 21-51-54-03 21-61-04-03 21-65-51-01 22-21-01-04 22-24-51-02 23-24-01-01 23-32-00-11 23-42-02-02 23-71-05-02 24-11-52-05 24-22-01-03 24-31-01-10 24-31-03-09 24-33-04-01 24-41-51-04 24-51-62-01 26-18-51-04 27-21-53-02 27-41-55-01 27-61-51-03 27-62-52-02 | 106106 | 1 |

MISSING ITEM NUMBERS NOT APPLICABLE

- ITEM NOT ILLUSTRATED

BRI

21-58-19-10

BOEING PROPRIETARY - Copyright © - Unpublished Work - See title page for details.

21-58-19
FIG. 10
PAGE 1
JAN 20/09



757

PARTS CATALOG (MAINTENANCE)

| FIG ITEM | PART NUMBER | 1 2 3 4 5 6 7 | NOMENCLATURE | EFFECT FROM TO | UNITS PER ASSY |
|-------------|-------------|---------------|---|-------------------|----------------------|
| 10 | | | 28-22-51-02 28-41-04-01 28-41-51-03 29-11-02-03 29-11-05-04 29-11-52-07 29-21-54-03 29-31-00-01 29-32-51-03 29-33-52-03 30-11-51-03 30-21-51-03 30-31-51-02 30-32-51-01 30-33-51-02 30-41-51-03 30-42-51-03 31-12-11-84 31-12-11-84 A 32-42-52-03 33-11-03-03 33-11-51-17 33-13-01-65 33-13-02-03 33-16-51-03 33-24-51-02 33-41-52-04 33-42-01-04 33-42-02-04 33-42-52-04 33-43-51-04 33-44-51-05 33-45-53-03 33-51-08-05 34-21-02-01 35-21-51-04 36-11-04-01 36-21-00-01 36-21-02-05 36-22-51-03 49-41-00-02 49-52-00-01 49-70-00-01 52-51-51-03 52-71-51-02 73-21-52-02 74-31-51-05 75-32-00-01 80-11-09-02 | | |

MISSING ITEM NUMBERS NOT APPLICABLE

- ITEM NOT ILLUSTRATED

BRI

21-58-19-10

BOEING PROPRIETARY - Copyright © - Unpublished Work - See title page for details.

21-58-19
FIG. 10
PAGE 2
JAN 20/09



757

PARTS CATALOG (MAINTENANCE)

| FIG ITEM | PART NUMBER | 1 2 3 4 5 6 7 | NOMENCLATURE | EFFECT FROM TO | UNITS PER ASSY |
|-------------------------------------|-------------|---------------|--|----------------|----------------|
| 10 | | | | | |
| - 8 | MODREF33760 | | FOR ADDITIONAL DETAILS SEE: 21-58-51-03 PANEL INSTL-P5 OVHD (EQUIPMENT COOLING SMOKE DETECTOR ONLY) MODULE NUMBER: 233N3103-351 REV C FOR OTHER SYS DETAILS SEE: 11-31-10-12 21-25-55-03 21-31-01-02 21-33-51-03 21-51-54-03 21-61-04-03 21-65-51-01 22-21-01-04 22-24-51-02 23-24-01-01 23-32-00-11 23-42-02-02 23-71-05-02 24-11-52-05 24-22-01-03 24-31-01-10 24-31-03-09 24-33-04-01 24-41-51-04 24-51-62-01 26-18-51-04 27-21-53-02 27-41-55-01 27-61-51-03 27-62-52-02 28-22-51-02 28-41-04-01 28-41-51-03 29-11-02-03 29-11-05-04 29-11-52-07 29-21-54-03 29-31-00-01 29-32-51-03 29-33-52-03 30-11-51-03 30-21-51-03 30-31-51-02 30-32-51-01 30-33-51-02 30-41-51-03 | 103103 | 1 |
| MISSING ITEM NUMBERS NOT APPLICABLE | | | | | |

- ITEM NOT ILLUSTRATED

21-58-19-10

21-58-19
FIG. 10
PAGE 3
JAN 20/09

BRI



757

PARTS CATALOG (MAINTENANCE)

| FIG ITEM | PART NUMBER | 1 2 3 4 5 6 7 | NOMENCLATURE | EFFECT FROM TO | UNITS PER ASSY |
|----------|-------------|---------------|--|----------------|----------------|
| 10 | | | 30-42-51-03 31-12-11-91 31-12-11-91A 32-42-52-03 33-11-03-03 33-11-51-17 33-13-01-65 33-13-02-03 33-16-51-03 33-24-51-02 33-41-52-04 33-42-01-04 33-42-02-04 33-42-52-04 33-43-51-04 33-44-51-05 33-45-53-03 33-51-08-05 34-21-02-01 35-21-51-04 36-11-04-01 36-21-00-01 36-21-02-05 36-22-51-03 49-41-00-02 49-52-00-01 49-70-00-01 52-51-51-03 52-71-51-02 73-21-52-02 74-31-51-05 75-32-00-01 80-11-09-02 FOR ADDITIONAL DETAILS SEE: 21-58-51-03 PANEL INSTL-P5 OVHD (EQUIPMENT COOLING SMOKE DETECTOR ONLY) MODULE NUMBER: 233N3103-351 REV D FOR OTHER SYS DETAILS SEE: 11-31-10-12 21-25-55-03 21-31-01-02 21-33-51-03 21-51-54-03 21-61-04-03 21-65-51-01 22-21-01-04 MISSING ITEM NUMBERS NOT APPLICABLE | | |
| - 8 | MODREF34038 | | | 104105 | 1 |

- ITEM NOT ILLUSTRATED

BRI

21-58-19-10

BOEING PROPRIETARY - Copyright © - Unpublished Work - See title page for details.

21-58-19
 FIG. 10
 PAGE 4
 JAN 20/09



757

PARTS CATALOG (MAINTENANCE)

| FIG ITEM | PART NUMBER | 1 2 3 4 5 6 7 NOMENCLATURE | EFFECT FROM TO | UNITS PER ASSY |
|-------------|-------------|---|-------------------|----------------------|
| 10 | | 22-24-51-02 23-24-01-01 23-32-00-11 23-42-02-02 23-71-05-02 24-11-52-05 24-22-01-03 24-31-01-10 24-31-03-09 24-33-04-01 24-41-51-04 24-51-62-01 26-18-51-04 27-21-53-02 27-41-55-01 27-61-51-03 27-62-52-02 28-22-51-02 28-41-04-01 28-41-51-03 29-11-02-03 29-11-05-04 29-11-52-07 29-21-54-03 29-31-00-01 29-32-51-03 29-33-52-03 30-11-51-03 30-21-51-03 30-31-51-02 30-32-51-01 30-33-51-02 30-41-51-03 30-42-51-03 31-12-11-91 31-12-11-91 A 32-42-52-03 33-11-03-03 33-11-51-17 33-13-01-65 33-13-02-03 33-16-51-03 33-24-51-02 33-41-52-04 33-42-01-04 33-42-02-04 33-42-52-04 33-43-51-04 33-44-51-05 | | |

MISSING ITEM NUMBERS NOT APPLICABLE

- ITEM NOT ILLUSTRATED

BRI

21-58-19-10

BOEING PROPRIETARY - Copyright © - Unpublished Work - See title page for details.

21-58-19
FIG. 10
PAGE 5
JAN 20/09



757

PARTS CATALOG (MAINTENANCE)

| FIG ITEM | PART NUMBER | 1 2 3 4 5 6 7 | NOMENCLATURE | EFFECT FROM TO | UNITS PER ASSY |
|----------|--------------|---------------|---|----------------------------|----------------|
| 10 | | | 33-45-53-03 33-51-08-05 34-21-02-01 35-21-51-04 36-11-04-01 36-21-00-01 36-21-02-05 36-22-51-03 49-41-00-02 49-52-00-01 49-70-00-01 52-51-51-03 52-71-51-02 73-21-52-02 74-31-51-05 75-32-00-01 80-11-09-02 FOR ADDITIONAL DETAILS SEE: 21-58-51-03 | | |
| - 50 | 233N3203-337 | | .PANEL ASSY-EQPT COOLING SUPPLIER CODE: V89954 ELECTRICAL EQUIP NUMBER: M10067 COMPONENT MAINT MANUAL REF: 21-58-71 | 103106 | RF |
| - 55 | 233N3203-300 | | .PANEL ASSY-EQPT COOLING SUPPLIER CODE: V89954 ELECTRICAL EQUIP NUMBER: M10067 WIRING DIAGRAM REF: 215812 COMPONENT MAINT MANUAL REF: 21-58-71 QUALIFIED I/W DATA: 233N3203-300 PANEL ASSY IS I/W 233N3203-32 PANEL ASSY T/W S233T100-6045 LIGHTPLATE PRE ALERT SB: 33A0044 | 101102 108120 504903 | RF |

MISSING ITEM NUMBERS NOT APPLICABLE

- ITEM NOT ILLUSTRATED

BRI

21-58-19-10

21-58-19
FIG. 10
PAGE 6
JAN 20/09



757

PARTS CATALOG (MAINTENANCE)

| FIG ITEM | PART NUMBER | 1 2 3 4 5 6 7 | NOMENCLATURE | EFFECT FROM TO | UNITS PER ASSY |
|----------|---------------|---------------|--|----------------------------|----------------|
| 10 | | | | | |
| - 55 | 233N3203-1300 | | .PANEL ASSY-EQPT COOLING SUPPLIER CODE: V89954 ELECTRICAL EQUIP NUMBER: M10067 COMPONENT MAINT MANUAL REF: 21-58-71 POST ALERT SB: 33A0044 | 101102 108120 504903 | RF |
| - 55 | 233N3203-337 | | .PANEL ASSY-EQPT COOLING SUPPLIER CODE: V89954 ELECTRICAL EQUIP NUMBER: M10067 COMPONENT MAINT MANUAL REF: 21-58-71 | 101102 108120 504903 | RF |
| 60 | 233N3203-33 | | ..PANEL ASSY- SUPPLIER CODE: V89954 COMPONENT MAINT MANUAL REF: 21-58-71 QUALIFIED I/W DATA: 233N3203-301 PANEL ASSY IS I/W 233N3203-33 PANEL ASSY T/W S233T100-6045 LIGHTPLATE | 103106 | RF |
| 60 | 233N3203-37 | | ..PANEL ASSY- SUPPLIER CODE: V89954 COMPONENT MAINT MANUAL REF: 21-58-71 USED ON: 233N3203-337 | 103106 | RF |
| 60 | 233N3203-1032 | | ..PANEL ASSY- SUPPLIER CODE: V89954 COMPONENT MAINT MANUAL REF: 21-58-71 | 103106 | RF |
| 60 | 233N3203-1033 | | ..PANEL ASSY- SUPPLIER CODE: V89954 COMPONENT MAINT MANUAL REF: 21-58-71 | 103106 | RF |

MISSING ITEM NUMBERS NOT APPLICABLE

- ITEM NOT ILLUSTRATED

BRI

21-58-19-10

21-58-19
FIG. 10
PAGE 7
JAN 20/09



757

PARTS CATALOG (MAINTENANCE)

| FIG ITEM | PART NUMBER | 1 2 3 4 5 6 7 | NOMENCLATURE | EFFECT FROM TO | UNITS PER ASSY |
|----------|---------------|---------------|--|----------------------------|----------------|
| 10 65 | 233N3203-32 | | ..PANEL ASSY- SUPPLIER CODE: V89954 COMPONENT MAINT MANUAL REF: 21-58-71 QUALIFIED I/W DATA: 233N3203-300 PANEL ASSY IS I/W 233N3203-32 PANEL ASSY T/W S233T100-6045 LIGHTPLATE USED ON: 233N3203-300 PRE ALERT SB: 33A0044 | 101102 108120 504903 | RF |
| 65 | 233N3203-37 | | ..PANEL ASSY- SUPPLIER CODE: V89954 COMPONENT MAINT MANUAL REF: 21-58-71 USED ON: 233N3203-337 | 101102 108120 504903 | RF |
| 65 | 233N3203-1032 | | ..PANEL ASSY- SUPPLIER CODE: V89954 COMPONENT MAINT MANUAL REF: 21-58-71 USED ON: 233N3203-1300 POST ALERT SB: 33A0044 | 101102 108120 504903 | RF |
| 70 | BCREF8546 | | ...LIGHT ASSY-SMOKE IND SUPPLIER CODE: V81590 OVERLENGTH PART NUMBER: 434-674-1031-2108 SPECIFICATION NUMBER: S231T300-2108 OPTIONAL PART: BCREf6115 V81590 FOR DETAILS SEE: 33-14-70-02 | 101106 108120 504903 | 1 |

MISSING ITEM NUMBERS NOT APPLICABLE

- ITEM NOT ILLUSTRATED

BRI

21-58-19-10

BOEING PROPRIETARY - Copyright © - Unpublished Work - See title page for details.

21-58-19
FIG. 10
PAGE 8
JAN 20/09



757

PARTS CATALOG (MAINTENANCE)

| FIG ITEM | PART NUMBER | 1 2 3 4 5 6 7 | NOMENCLATURE | EFFECT FROM TO | UNITS PER ASSY |
|-------------|-------------|---------------|---|----------------------------|----------------------|
| 10 70 | BCREF6115 | | ...LIGHT ASSY-SMOKE IND SUPPLIER CODE: V81590 OVERLENGTH PART NUMBER: 434-674-1005-1108 SPECIFICATION NUMBER: S231T300-1108 OPTIONAL PART: BCREF8546 V81590 FOR DETAILS SEE: 33-14-70-02 | 101106 108120 504903 | 1 |

MISSING ITEM NUMBERS NOT APPLICABLE

- ITEM NOT ILLUSTRATED

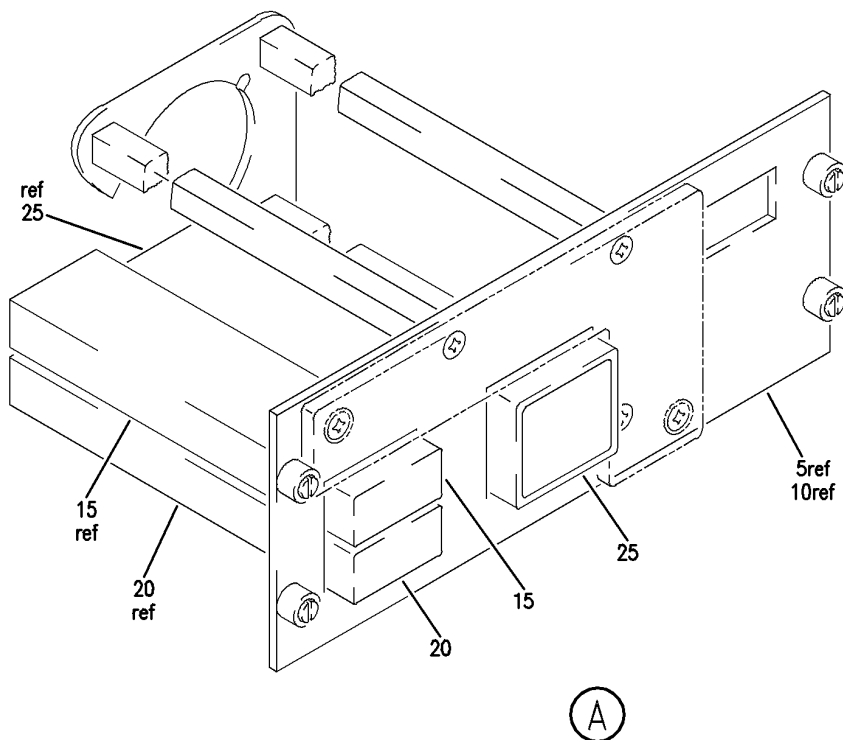
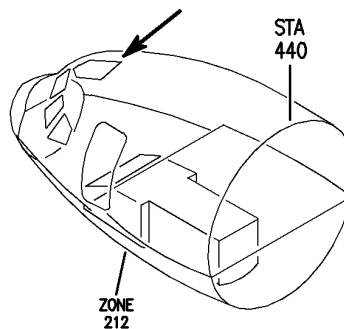
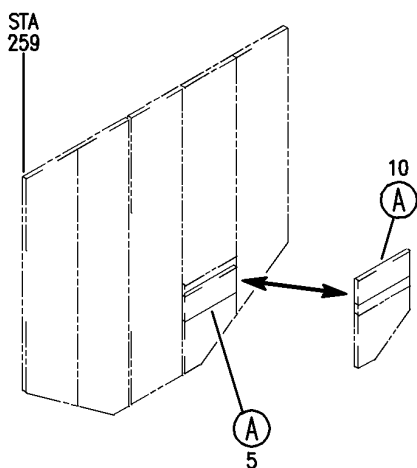
BRI

21-58-19-10

BOEING PROPRIETARY - Copyright © - Unpublished Work - See title page for details.

21-58-19
FIG. 10
PAGE 9
JAN 20/09

BOEING
757
PARTS CATALOG (MAINTENANCE)



Y 21581911 REV 238

PANEL INSTL-P5 OVERHEAD (EQUIPMENT COOLING SMOKE DETECTOR ONLY)
FIGURE 11

21-58-19-11

BRI
MAY 28/07

21-58-19-11
PAGE 0



757

PARTS CATALOG (MAINTENANCE)

| FIG ITEM | PART NUMBER | 1 2 3 4 5 6 7 | NOMENCLATURE | EFFECT FROM TO | UNITS PER ASSY |
|----------|-------------|---------------|---|--|----------------|
| 11 | | | PANEL INSTL-P5 OVERHEAD (EQUIPMENT COOLING SMOKE DETECTOR ONLY) | 002004 006010 107107 121503 904999 | |
| - 1 | 233N3101-1 | | PANEL INSTL-P5 OVERHEAD (EQUIPMENT COOLING SMOKE DETECTOR ONLY) VARIABLE DRAWING REF: 233N3101-5005 233N3101-5025 233N3101-5041 233N3101-5042 233N3101-5045 FOR NHA/OTHER SYS DET SEE: 25-10-00-05A | 002004 006010 107107 121503 904999 | RF |
| 10 | 233N3203-27 | | .PANEL ASSY-EQPT COOLING SUPPLIER CODE: V89954 ELECTRICAL EQUIP NUMBER: M10067 COMPONENT MAINT MANUAL REF: 21-58-71 QUALIFIED I/W DATA: 233N3203-26 -27 -32 -33 -34 ARE ALL INTERCHANGEABLE EXCEPT SUBJECT TO CUSTOMER PREFERENCE PRE ALERT SB: 33A0044 | 107107 | RF |

MISSING ITEM NUMBERS NOT APPLICABLE

- ITEM NOT ILLUSTRATED

BRI

21-58-19-11

BOEING PROPRIETARY - Copyright © - Unpublished Work - See title page for details.

21-58-19
FIG. 11
PAGE 1
JAN 20/09



757

PARTS CATALOG (MAINTENANCE)

| FIG ITEM | PART NUMBER | 1 2 3 4 5 6 7 | NOMENCLATURE | EFFECT FROM TO | UNITS PER ASSY |
|----------|-------------|---------------|--|----------------------------|----------------|
| 11 10 | 233N3203-32 | | .PANEL ASSY-EQPT COOLING SUPPLIER CODE: V89954 ELECTRICAL EQUIP NUMBER: M10067 COMPONENT MAINT MANUAL REF: 21-58-71 QUALIFIED I/W DATA: 233N3203-26 -27 -32 -33 -34 ARE ALL INTERCHANGEABLE EXCEPT SUBJECT TO CUSTOMER PREFERENCE 233N3203-300 PANEL ASSY IS I/W 233N3203-32 PANEL ASSY T/W S233T100-6045 LIGHTPLATE PRE ALERT SB: 33A0044 | 002004 006010 950999 | RF |
| 10 | 233N3203-33 | | .PANEL ASSY-EQPT COOLING SUPPLIER CODE: V89954 ELECTRICAL EQUIP NUMBER: M10067 COMPONENT MAINT MANUAL REF: 21-58-71 QUALIFIED I/W DATA: 233N3203-26 -27 -32 -33 -34 ARE ALL INTERCHANGEABLE EXCEPT SUBJECT TO CUSTOMER PREFERENCE 233N3203-301 PANEL ASSY IS I/W 233N3203-33 PANEL ASSY T/W S233T100-6045 LIGHTPLATE PRE ALERT SB: 33A0044 | 002004 006010 950999 | RF |

MISSING ITEM NUMBERS NOT APPLICABLE

- ITEM NOT ILLUSTRATED

BRI

21-58-19-11

BOEING PROPRIETARY - Copyright © - Unpublished Work - See title page for details.

21-58-19
FIG. 11
PAGE 2
JAN 20/09



757

PARTS CATALOG (MAINTENANCE)

| FIG ITEM | PART NUMBER | 1 2 3 4 5 6 7 | NOMENCLATURE | EFFECT FROM TO | UNITS PER ASSY |
|----------|---------------|---------------|---|----------------------------|----------------|
| 11 10 | 233N3203-34 | | .PANEL ASSY-EQPT COOLING SUPPLIER CODE: V89954 ELECTRICAL EQUIP NUMBER: M10067 COMPONENT MAINT MANUAL REF: 21-58-71 QUALIFIED I/W DATA: 233N3203-26 -27 -32 -33 -34 ARE ALL INTERCHANGEABLE EXCEPT SUBJECT TO CUSTOMER PREFERENCE PRE ALERT SB: 33A0044R1 | 121503 904949 | RF |
| 10 | 233N3203-1032 | | .PANEL ASSY- SUPPLIER CODE: V89954 ELECTRICAL EQUIP NUMBER: M10067 COMPONENT MAINT MANUAL REF: 21-58-71 POST ALERT SB: 33A0044 | 002004 006010 950999 | RF |
| 10 | 233N3203-1027 | | .PANEL ASSY- SUPPLIER CODE: V89954 ELECTRICAL EQUIP NUMBER: M10067 COMPONENT MAINT MANUAL REF: 21-58-71 POST ALERT SB: 33A0044 | 107107 | RF |
| 10 | 233N3203-1033 | | .PANEL ASSY- SUPPLIER CODE: V89954 ELECTRICAL EQUIP NUMBER: M10067 COMPONENT MAINT MANUAL REF: 21-58-71 POST ALERT SB: 33A0044 | 002004 006010 950999 | RF |

MISSING ITEM NUMBERS NOT APPLICABLE

- ITEM NOT ILLUSTRATED

BRI

21-58-19-11

21-58-19
FIG. 11
PAGE 3
JAN 20/09



757

PARTS CATALOG (MAINTENANCE)

| FIG ITEM | PART NUMBER | 1 2 3 4 5 6 7 | NOMENCLATURE | EFFECT FROM TO | UNITS PER ASSY |
|----------|---------------|---------------|--|--|----------------|
| 11 10 | 233N3203-1034 | | .PANEL ASSY- SUPPLIER CODE: V89954 ELECTRICAL EQUIP NUMBER: M10067 COMPONENT MAINT MANUAL REF: 21-58-71 POST ALERT SB: 33A0044R1 | 121503 904949 | RF |
| 10 | 233N3203-37 | | .PANEL ASSY-EQPT COOLING SUPPLIER CODE: V89954 ELECTRICAL EQUIP NUMBER: M10067 COMPONENT MAINT MANUAL REF: 21-58-71 | 002004 006010 950999 | RF |
| 15 | BCREF6115 | | ..LIGHT ASSY-SMOKE IND SUPPLIER CODE: V81590 OVERLENGTH PART NUMBER: 434-674-1005-1108 SPECIFICATION NUMBER: S231T300-1108 OPTIONAL PART: BCREF8546 V81590 FOR DETAILS SEE: 33-14-70-02 | 002004 006010 107107 121503 904999 | 1 |
| 15 | BCREF8546 | | ..LIGHT ASSY-SMOKE IND SUPPLIER CODE: V81590 OVERLENGTH PART NUMBER: 434-674-1031-2108 SPECIFICATION NUMBER: S231T300-2108 OPTIONAL PART: BCREF6115 V81590 FOR DETAILS SEE: 33-14-70-02 | 002004 006010 107107 121503 904999 | 1 |

MISSING ITEM NUMBERS NOT APPLICABLE

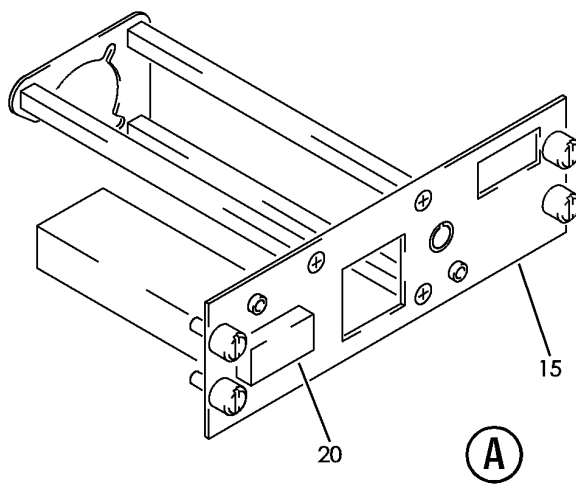
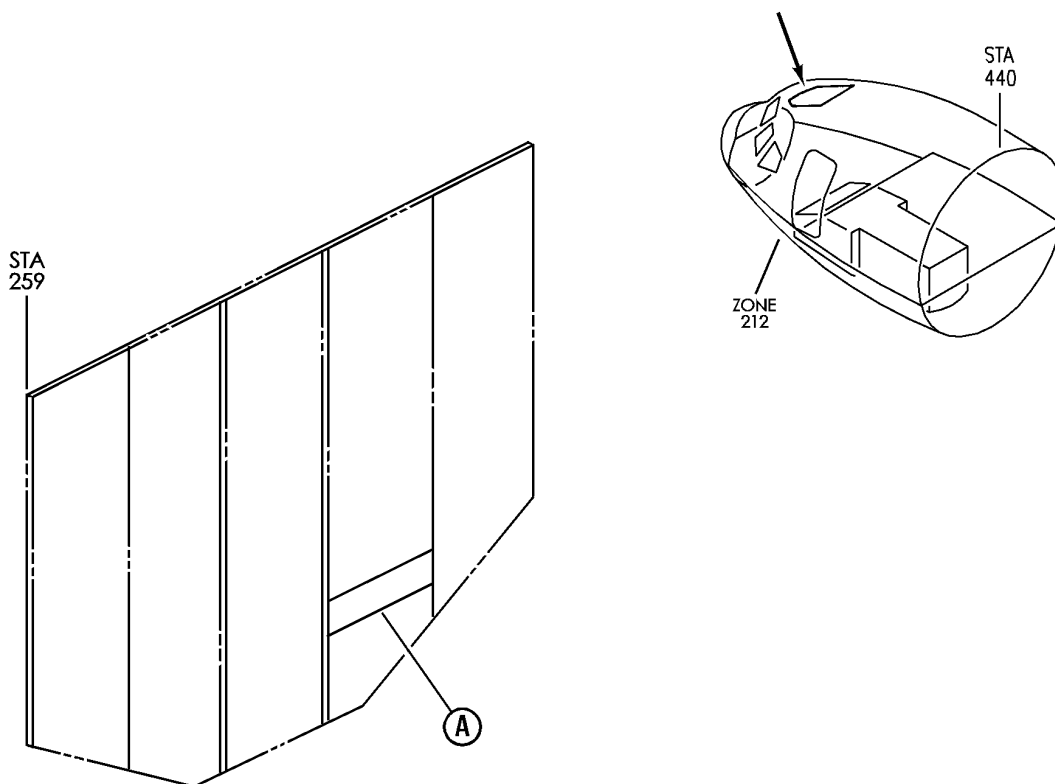
- ITEM NOT ILLUSTRATED

BRI

21-58-19-11

21-58-19
FIG. 11
PAGE 4
JAN 20/09

BOEING
757
PARTS CATALOG (MAINTENANCE)



Y 21581912 REV 238

PANEL INSTL-P5 OVERHEAD (EQUIPMENT COOLING SMOKE DETECTOR ONLY)
FIGURE 12

21-58-19-12

BRI
MAY 28/07

21-58-19-12
PAGE 0



757

PARTS CATALOG (MAINTENANCE)

| FIG ITEM | PART NUMBER | 1 2 3 4 5 6 7 | NOMENCLATURE | EFFECT FROM TO | UNITS PER ASSY |
|----------|---------------|---------------|--|----------------|----------------|
| 12 | | | PANEL INSTL-P5 OVERHEAD (EQUIPMENT COOLING SMOKE DETECTOR ONLY) | 011100 | |
| - 1 | 233N3101-1 | | PANEL INSTL-P5 OVERHEAD (EQUIPMENT COOLING SMOKE DETECTOR ONLY) VARIABLE DRAWING REF: 233N3101-5142 FOR NHA/OTHER SYS DET SEE: 25-10-00-05A | 011100 | RF |
| - 10 | 233N3203-300 | | .PANEL ASSY-EQPT COOLING SUPPLIER CODE: V89954 ELECTRICAL EQUIP NUMBER: M10067 COMPONENT MAINT MANUAL REF: 21-58-71 QUALIFIED I/W DATA: 233N3203-300 PANEL ASSY IS I/W 233N3203-32 PANEL ASSY T/W S233T100-6045 LIGHTPLATE PRE ALERT SB: 33A0044 | 011100 | RF |
| - 10 | 233N3203-1300 | | .PANEL ASSY-EQPT COOLING SUPPLIER CODE: V89954 ELECTRICAL EQUIP NUMBER: M10067 COMPONENT MAINT MANUAL REF: 21-58-71 POST ALERT SB: 33A0044 | 011100 | RF |
| - 10 | 233N3203-337 | | .PANEL ASSY-EQPT COOLING SUPPLIER CODE: V89954 ELECTRICAL EQUIP NUMBER: M10067 COMPONENT MAINT MANUAL REF: 21-58-71 | 011100 | RF |

MISSING ITEM NUMBERS NOT APPLICABLE

- ITEM NOT ILLUSTRATED

BRI

21-58-19-12

21-58-19
FIG. 12
PAGE 1
JAN 20/09



757

PARTS CATALOG (MAINTENANCE)

| FIG ITEM | PART NUMBER | 1 2 3 4 5 6 7 | NOMENCLATURE | EFFECT FROM TO | UNITS PER ASSY |
|----------|---------------|---------------|--|----------------|----------------|
| 12 | | | | | |
| 15 | 233N3203-32 | | ..PANEL ASSY-EQPT COOLING SUPPLIER CODE: V89954 COMPONENT MAINT MANUAL REF: 21-58-71 QUALIFIED I/W DATA: 233N3203-300 PANEL ASSY IS I/W 233N3203-32 PANEL ASSY T/W S233T100-6045 LIGHTPLATE USED ON: 233N3203-300 PRE ALERT SB: 33A0044 | 011100 | RF |
| 15 | 233N3203-33 | | ..PANEL ASSY-EQPT COOLING SUPPLIER CODE: V89954 COMPONENT MAINT MANUAL REF: 21-58-71 QUALIFIED I/W DATA: 233N3203-301 PANEL ASSY IS I/W 233N3203-33 PANEL ASSY T/W S233T100-6045 LIGHTPLATE | 011100 | RF |
| 15 | 233N3203-1032 | | ..PANEL ASSY-EQPT COOLING SUPPLIER CODE: V89954 ELECTRICAL EQUIP NUMBER: M10067 COMPONENT MAINT MANUAL REF: 21-58-71 USED ON: 233N3203-1300 POST ALERT SB: 33A0044 | 011100 | RF |
| 15 | 233N3203-1033 | | ..PANEL ASSY-EQPT COOLING SUPPLIER CODE: V89954 ELECTRICAL EQUIP NUMBER: M10067 COMPONENT MAINT MANUAL REF: 21-58-71 | 011100 | RF |
| 15 | 233N3203-37 | | ..PANEL ASSY- SUPPLIER CODE: V89954 COMPONENT MAINT MANUAL REF: 21-58-71 USED ON: 233N3203-337 | 011100 | RF |

MISSING ITEM NUMBERS NOT APPLICABLE

- ITEM NOT ILLUSTRATED

21-58-19-12

21-58-19
FIG. 12
PAGE 2
JAN 20/09

BRI



757

PARTS CATALOG (MAINTENANCE)

| FIG ITEM | PART NUMBER | 1 2 3 4 5 6 7 | NOMENCLATURE | EFFECT FROM TO | UNITS PER ASSY |
|-------------|-------------|---------------|---|-------------------|----------------------|
| 12 20 | BCREF6115 | | ...LIGHT ASSY-SMOKE IND SUPPLIER CODE: V81590 OVERLENGTH PART NUMBER: 434-674-1005-1108 SPECIFICATION NUMBER: S231T300-1108 OPTIONAL PART: BCREF8546 V81590 FOR DETAILS SEE: 33-14-70-02 | 011100 | 1 |
| 20 | BCREF8546 | | ...LIGHT ASSY-SMOKE IND SUPPLIER CODE: V81590 OVERLENGTH PART NUMBER: 434-674-1031-2108 SPECIFICATION NUMBER: S231T300-2108 OPTIONAL PART: BCREF6115 V81590 FOR DETAILS SEE: 33-14-70-02 | 011100 | 1 |

MISSING ITEM NUMBERS NOT APPLICABLE

- ITEM NOT ILLUSTRATED

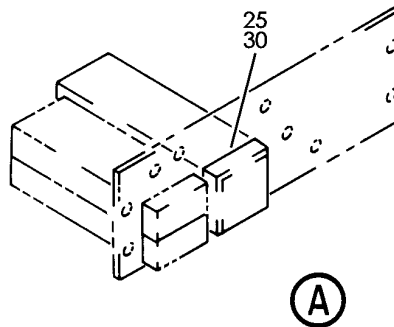
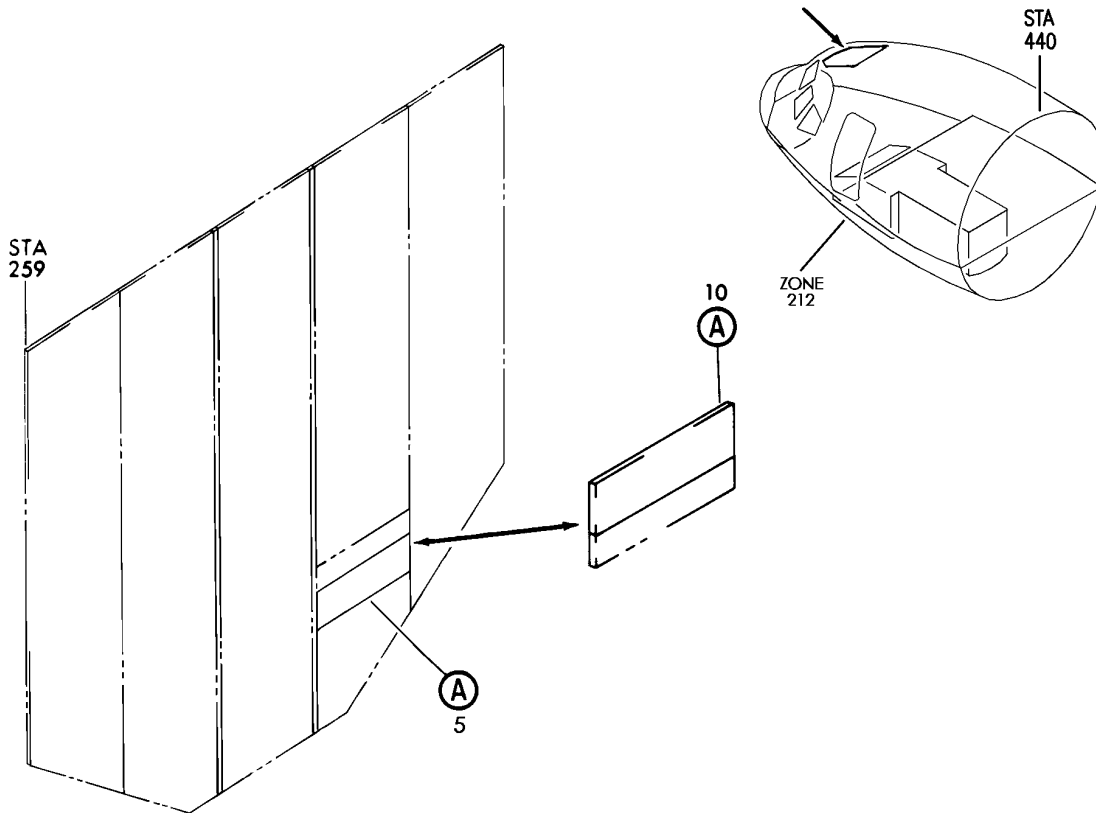
BRI

21-58-19-12

BOEING PROPRIETARY - Copyright © - Unpublished Work - See title page for details.

21-58-19
FIG. 12
PAGE 3
JAN 20/09

BOEING
757
PARTS CATALOG (MAINTENANCE)



Y 21585101 REV 238

PANEL INSTL-P5 OVERHEAD (EQUIPMENT COOLING SYSTEM ONLY)
FIGURE 1

21-58-51-01

BRI
MAY 28/07

21-58-51-01
PAGE 0



757

PARTS CATALOG (MAINTENANCE)

| FIG ITEM | PART NUMBER | 1 2 3 4 5 6 7 | NOMENCLATURE | EFFECT FROM TO | UNITS PER ASSY |
|----------|---------------|---------------|---|--|----------------|
| 1 | | | PANEL INSTL-P5 OVERHEAD (EQUIPMENT COOLING SYSTEM ONLY) | 002004 006010 107107 121503 904999 | |
| - 1 | 233N3101-1 | | PANEL INSTL-P5 OVERHEAD (EQUIPMENT COOLING SYSTEM ONLY) VARIABLE DRAWING REF: 233N3101-5005 233N3101-5025 233N3101-5041 233N3101-5042 233N3101-5045 FOR NHA/OTHER SYS DET SEE: 25-10-00-05A | 002004 006010 107107 121503 904999 | RF |
| 10 | 233N3203-37 | | .PANEL ASSY-EQPT COOLING SUPPLIER CODE: V89954 COMPONENT MAINT MANUAL REF: 21-58-71 | 002004 006010 950999 | RF |
| 10 | 233N3203-27 | | .PANEL ASSY-EQPT COOLING SUPPLIER CODE: V89954 ELECTRICAL EQUIP NUMBER: M10067 COMPONENT MAINT MANUAL REF: 21-58-71 QUALIFIED I/W DATA: 233N3203-26 -27 -32 -33 -34 ARE ALL INTERCHANGEABLE EXCEPT SUBJECT TO CUSTOMER PREFERENCE PRE ALERT SB: 33A0044 | 107107 | RF |
| 10 | 233N3203-1033 | | .PANEL ASSY- SUPPLIER CODE: V89954 ELECTRICAL EQUIP NUMBER: M10067 COMPONENT MAINT MANUAL REF: 21-58-71 | 002004 006010 950999 | RF |

MISSING ITEM NUMBERS NOT APPLICABLE

- ITEM NOT ILLUSTRATED

BRI

21-58-51-01

21-58-51
FIG. 01
PAGE 1
JAN 20/09



757

PARTS CATALOG (MAINTENANCE)

| FIG ITEM | PART NUMBER | 1 2 3 4 5 6 7 | NOMENCLATURE | EFFECT FROM TO | UNITS PER ASSY |
|----------|-------------|---------------|--|----------------------------|----------------|
| 1 10 | 233N3203-33 | | .PANEL ASSY-EQPT COOLING SUPPLIER CODE: V89954 ELECTRICAL EQUIP NUMBER: M10067 COMPONENT MAINT MANUAL REF: 21-58-71 QUALIFIED I/W DATA: 233N3203-26 -27 -32 -33 -34 ARE ALL INTERCHANGEABLE EXCEPT SUBJECT TO CUSTOMER PREFERENCE 233N3203-301 PANEL ASSY IS I/W 233N3203-33 PANEL ASSY T/W S233T100-6045 LIGHTPLATE PRE ALERT SB: 33A0044 | 002004 006010 950999 | RF |
| 10 | 233N3203-34 | | .PANEL ASSY-EQPT COOLING SUPPLIER CODE: V89954 ELECTRICAL EQUIP NUMBER: M10067 COMPONENT MAINT MANUAL REF: 21-58-71 QUALIFIED I/W DATA: 233N3203-26 -27 -32 -33 -34 ARE ALL IDENTICAL EXCEPT SUBJECT TO CUSTOMER PREFERENCE PRE ALERT SB: 33A0044R1 | 121503 904949 | RF |

MISSING ITEM NUMBERS NOT APPLICABLE

- ITEM NOT ILLUSTRATED

BRI

21-58-51-01

BOEING PROPRIETARY - Copyright © - Unpublished Work - See title page for details.

21-58-51
FIG. 01
PAGE 2
JAN 20/09



757

PARTS CATALOG (MAINTENANCE)

| FIG ITEM | PART NUMBER | 1 2 3 4 5 6 7 | NOMENCLATURE | EFFECT FROM TO | UNITS PER ASSY |
|----------|---------------|---------------|--|----------------------------|----------------|
| 1 10 | 233N3203-32 | | .PANEL ASSY-EQPT COOLING SUPPLIER CODE: V89954 ELECTRICAL EQUIP NUMBER: M10067 COMPONENT MAINT MANUAL REF: 21-58-71 QUALIFIED I/W DATA: 233N3203-26 -27 -32 -33 -34 ARE ALL INTERCHANGEABLE EXCEPT SUBJECT TO CUSTOMER PREFERENCE 233N3203-300 PANEL ASSY IS I/W 233N3203-32 PANEL ASSY T/W S233T100-6045 LIGHTPLATE PRE ALERT SB: 33A0044 | 002004 006010 950999 | RF |
| 10 | 233N3203-1034 | | .PANEL ASSY- SUPPLIER CODE: V89954 ELECTRICAL EQUIP NUMBER: M10067 COMPONENT MAINT MANUAL REF: 21-58-71 POST ALERT SB: 33A0044R1 | 121503 904949 | RF |
| 10 | 233N3203-1032 | | .PANEL ASSY- SUPPLIER CODE: V89954 ELECTRICAL EQUIP NUMBER: M10067 COMPONENT MAINT MANUAL REF: 21-58-71 POST ALERT SB: 33A0044 | 002004 006010 950999 | RF |
| 10 | 233N3203-1027 | | .PANEL ASSY- SUPPLIER CODE: V89954 ELECTRICAL EQUIP NUMBER: M10067 COMPONENT MAINT MANUAL REF: 21-58-71 POST ALERT SB: 33A0044 | 107107 | RF |

MISSING ITEM NUMBERS NOT APPLICABLE

- ITEM NOT ILLUSTRATED

BRI

21-58-51-01

21-58-51
FIG. 01
PAGE 3
JAN 20/09



757

PARTS CATALOG (MAINTENANCE)

| FIG ITEM | PART NUMBER | 1 2 3 4 5 6 7 | NOMENCLATURE | EFFECT FROM TO | UNITS PER ASSY |
|----------|-------------|---------------|--|----------------|----------------|
| 1 30 | BCREF7627 | | <p>..SWITCH ASSY-LIGHTED PUSH BUTTON IND ALTN/OVHT SUPPLIER CODE: V81590 OVERLENGTH PART NUMBER: 433-673-1001-1080 SPECIFICATION NUMBER: S231T290-1080 MISCELLANEOUS DATA: WHEN REPLACING THE PUSHBUTTON SWITCH ASSY OR THE MASTER MODULE WITHIN, VERIFY THAT A CONFIG D MASTER MODULE P/N 13206-001 IS INSTALLED IN LIEU OF ANY EARLIER CONFIGURATION MASTER MODULES. REFERENCE SERVICE BULLETIN: 33A0044 REWORKED BY SB: 433-33-05 V81590 FOR DETAILS SEE: 33-13-00-17</p> | 107107 | 1 |

MISSING ITEM NUMBERS NOT APPLICABLE

- ITEM NOT ILLUSTRATED

BRI

21-58-51-01

BOEING PROPRIETARY - Copyright © - Unpublished Work - See title page for details.

21-58-51
FIG. 01
PAGE 4
JAN 20/09



757

PARTS CATALOG (MAINTENANCE)

| FIG ITEM | PART NUMBER | 1 2 3 4 5 6 7 | NOMENCLATURE | EFFECT FROM TO | UNITS PER ASSY |
|----------|----------------|---------------|--|--|----------------|
| 1 30 | BCREFA0536 | | ..SWITCH ASSY-LIGHTED PUSH BUTTON IND SUPPLIER CODE: V81590 OVERLENGTH PART NUMBER: 433-673-1004-4080 SPECIFICATION NUMBER: S231T290-4080 MISCELLANEOUS DATA: WHEN REPLACING THE PUSHBUTTON SWITCH ASSY OR THE MASTER MODULE WITHIN, VERIFY THAT A CONFIG D MASTER MODULE P/N 13206-001 IS INSTALLED IN LIEU OF ANY EARLIER CONFIGURATION MASTER MODULES. OPTIONAL PART: 851-35100-5080 V96182 S231T290-5080 REFERENCE SERVICE BULLETIN: 33A0044 REWORKED BY SB: 433-33-05 V81590 FOR DETAILS SEE: 33-13-00-47 | 002004 006010 107107 121503 904999 | 1 |
| 30 | 851-30768-2080 | | ..SWITCH ASSY-LIGHTED PUSH BUTTON IND ALTN/OVHT SUPPLIER CODE: V96182 SPECIFICATION NUMBER: S231T290-2080 FOR DETAILS SEE: 33-13-00-27 | 107107 | 1 |
| 30 | 851-30768-3080 | | ..SWITCH ASSY-LIGHTED PUSH BUTTON IND ALTN/OVHT SUPPLIER CODE: V96182 SPECIFICATION NUMBER: S231T290-3080 OPTIONAL PART: S231T290-5080 FOR DETAILS SEE: 33-13-00-37 | 002004 006010 107107 121503 904999 | 1 |

MISSING ITEM NUMBERS NOT APPLICABLE

- ITEM NOT ILLUSTRATED

21-58-51-01

21-58-51
 FIG. 01
 PAGE 5
 JAN 20/09

BRI



757

PARTS CATALOG (MAINTENANCE)

| FIG ITEM | PART NUMBER | 1 2 3 4 5 6 7 | NOMENCLATURE | EFFECT FROM TO | UNITS PER ASSY |
|----------|-----------------|---------------|--|--|----------------|
| 1 | | | | | |
| 30 | S231T290-5080 | | ..SWITCH ASSY-LIGHTED PUSH BUTTON IND OPTIONAL PART: 851-30768-3080 V96182 BCREFA0536 V81590 | 002004 006010 107107 121503 904999 | 1 |
| 30 | 851-35100-5080 | | ..SWITCH ASSY-LIGHTED PUSH BUTTON IND ALTN/OVHT SUPPLIER CODE: V96182 OPTIONAL PART: BCREFA0536 V81590 | 002004 006010 950999 | 1 |
| 30 | 4336731004-4280 | | ..SWITCH ASSY-LIGHTED PUSH BUTTON IND SUPPLIER CODE: V81590 SPECIFICATION NUMBER: S231T290-4280 | 002004 006010 107107 121503 904999 | 1 |

MISSING ITEM NUMBERS NOT APPLICABLE

- ITEM NOT ILLUSTRATED

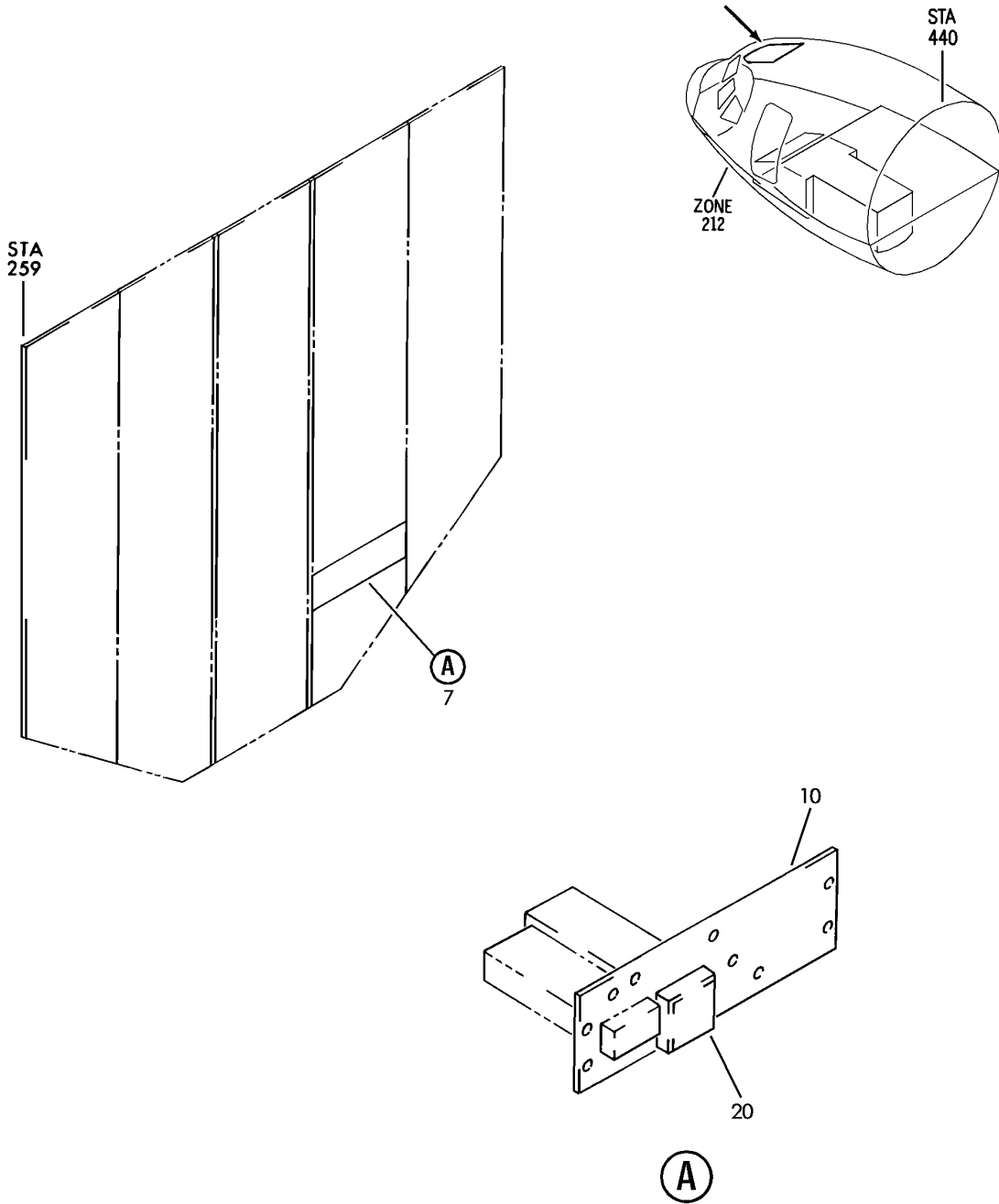
BRI

21-58-51-01

BOEING PROPRIETARY - Copyright © - Unpublished Work - See title page for details.

21-58-51
FIG. 01
PAGE 6
JAN 20/09

BOEING
757
PARTS CATALOG (MAINTENANCE)



Y 21585102 REV 238

PANEL INSTL-P5 OVERHEAD (EQUIPMENT COOLING SYSTEM ONLY)
FIGURE 2

21-58-51-02

BRI
MAY 28/07

21-58-51-02
PAGE 0



757

PARTS CATALOG (MAINTENANCE)

| FIG ITEM | PART NUMBER | 1 2 3 4 5 6 7 | NOMENCLATURE | EFFECT FROM TO | UNITS PER ASSY |
|----------|---------------|---------------|---|----------------|----------------|
| 2 | | | PANEL INSTL-P5 OVERHEAD (EQUIPMENT COOLING SYSTEM ONLY) | 011100 | |
| - 1 | 233N3101-1 | | PANEL INSTL-P5 OVERHEAD (EQUIPMENT COOLING SYSTEM ONLY) | 011100 | RF |
| | | | VARIABLE DRAWING REF: 233N3101-5142 FOR NHA/OTHER SYS DET SEE: 25-10-00-05A | | |
| 7 | 233N3203-300 | | .PANEL ASSY-EQPT COOLING SUPPLIER CODE: V89954 ELECTRICAL EQUIP NUMBER: M10067 WIRING DIAGRAM REF: 215812 COMPONENT MAINT MANUAL REF: 21-58-71 QUALIFIED I/W DATA: 233N3203-300 PANEL ASSY IS I/W 233N3203-32 PANEL ASSY T/W S233T100-6045 LIGHTPLATE PRE ALERT SB: 33A0044 | 011100 | RF |
| 7 | 233N3203-1300 | | .PANEL ASSY-EQPT COOLING SUPPLIER CODE: V89954 ELECTRICAL EQUIP NUMBER: M10067 COMPONENT MAINT MANUAL REF: 21-58-71 POST ALERT SB: 33A0044 | 011100 | RF |
| 7 | 233N3203-337 | | .PANEL ASSY-EQPT COOLING SUPPLIER CODE: V89954 ELECTRICAL EQUIP NUMBER: M10067 COMPONENT MAINT MANUAL REF: 21-58-71 | 011100 | RF |

MISSING ITEM NUMBERS NOT APPLICABLE

- ITEM NOT ILLUSTRATED

BRI

21-58-51-02

21-58-51
FIG. 02
PAGE 1
JAN 20/09



757

PARTS CATALOG (MAINTENANCE)

| FIG ITEM | PART NUMBER | 1 2 3 4 5 6 7 | NOMENCLATURE | EFFECT FROM TO | UNITS PER ASSY |
|----------|---------------|---------------|--|----------------|----------------|
| 2 10 | 233N3203-32 | | ..PANEL ASSY-EQPT COOLING SUPPLIER CODE: V89954 ELECTRICAL EQUIP NUMBER: M10067 COMPONENT MAINT MANUAL REF: 21-58-71 QUALIFIED I/W DATA: 233N3203-300 PANEL ASSY IS I/W 233N3203-32 PANEL ASSY T/W S233T100-6045 LIGHTPLATE USED ON: 233N3203-300 PRE ALERT SB: 33A0044 | 011100 | RF |
| 10 | 233N3203-33 | | ..PANEL ASSY-EQPT COOLING SUPPLIER CODE: V89954 ELECTRICAL EQUIP NUMBER: M10067 COMPONENT MAINT MANUAL REF: 21-58-71 QUALIFIED I/W DATA: 233N3203-301 PANEL ASSY IS I/W 233N3203-33 PANEL ASSY T/W S233T100-6045 LIGHTPLATE | 011100 | RF |
| 10 | 233N3203-1032 | | ..PANEL ASSY-EQPT COOLING SUPPLIER CODE: V89954 ELECTRICAL EQUIP NUMBER: M10067 COMPONENT MAINT MANUAL REF: 21-58-71 USED ON: 233N3203-1300 POST ALERT SB: 33A0044 | 011100 | RF |
| 10 | 233N3203-1033 | | ..PANEL ASSY-EQPT COOLING SUPPLIER CODE: V89954 ELECTRICAL EQUIP NUMBER: M10067 COMPONENT MAINT MANUAL REF: 21-58-71 | 011100 | RF |

MISSING ITEM NUMBERS NOT APPLICABLE

- ITEM NOT ILLUSTRATED

21-58-51-02

21-58-51
FIG. 02
PAGE 2
JAN 20/09

BRI



757

PARTS CATALOG (MAINTENANCE)

| FIG ITEM | PART NUMBER | 1 2 3 4 5 6 7 | NOMENCLATURE | EFFECT FROM TO | UNITS PER ASSY |
|----------|-------------------|---------------|---|----------------|----------------|
| 2 | 10 233N3203-37 | | ..PANEL ASSY-EQPT COOLING SUPPLIER CODE: V89954 COMPONENT MAINT MANUAL REF: 21-58-71 USED ON: 233N3203-337 | 011100 | 1 |
| | 20 BCREFA0536 | | ...SWITCH ASSY-LIGHTED PUSH BUTTON IND SUPPLIER CODE: V81590 OVERLENGTH PART NUMBER: 433-673-1004-4080 SPECIFICATION NUMBER: S231T290-4080 MISCELLANEOUS DATA: WHEN REPLACING THE PUSHBUTTON SWITCH ASSY OR THE MASTER MODULE WITHIN, VERIFY THAT A CONFIG D MASTER MODULE P/N 13206-001 IS INSTALLED IN LIEU OF ANY EARLIER CONFIGURATION MASTER MODULES. OPTIONAL PART: 851-35100-5080 V96182 S231T290-5080 REFERENCE SERVICE BULLETIN: 33A0044 REWORKED BY SB: 433-33-05 V81590 FOR DETAILS SEE: 33-13-00-47 | 011100 | 1 |
| | 20 851-30768-3080 | | ...SWITCH ASSY-LIGHTED PUSH BUTTON IND ALTN/OVHT SUPPLIER CODE: V96182 SPECIFICATION NUMBER: S231T290-3080 FOR DETAILS SEE: 33-13-00-27 | 011100 | 1 |
| 20 | S231T290-5080 | | ...SWITCH ASSY-LIGHTED PUSH BUTTON IND OPTIONAL PART: BCREFA0536 V81590 | 011100 | 1 |

MISSING ITEM NUMBERS NOT APPLICABLE

- ITEM NOT ILLUSTRATED

21-58-51-02

21-58-51
FIG. 02
PAGE 3
JAN 20/09

BRI



757

PARTS CATALOG (MAINTENANCE)

| FIG ITEM | PART NUMBER | 1 2 3 4 5 6 7 | NOMENCLATURE | EFFECT FROM TO | UNITS PER ASSY |
|----------|-----------------|---------------|--|----------------|----------------|
| 2 | | | | | |
| 20 | 851-35100-5080 | ... | SWITCH ASSY-LIGHTED PUSH BUTTON IND ALTN/OVHT SUPPLIER CODE: V96182 OPTIONAL PART: BCREFA0536 V81590 | 011100 | 1 |
| 20 | 4336731004-4280 | .. | SWITCH ASSY-LIGHTED PUSH BUTTON IND SUPPLIER CODE: V81590 SPECIFICATION NUMBER: S231T290-4280 | 011100 | 1 |

MISSING ITEM NUMBERS NOT APPLICABLE

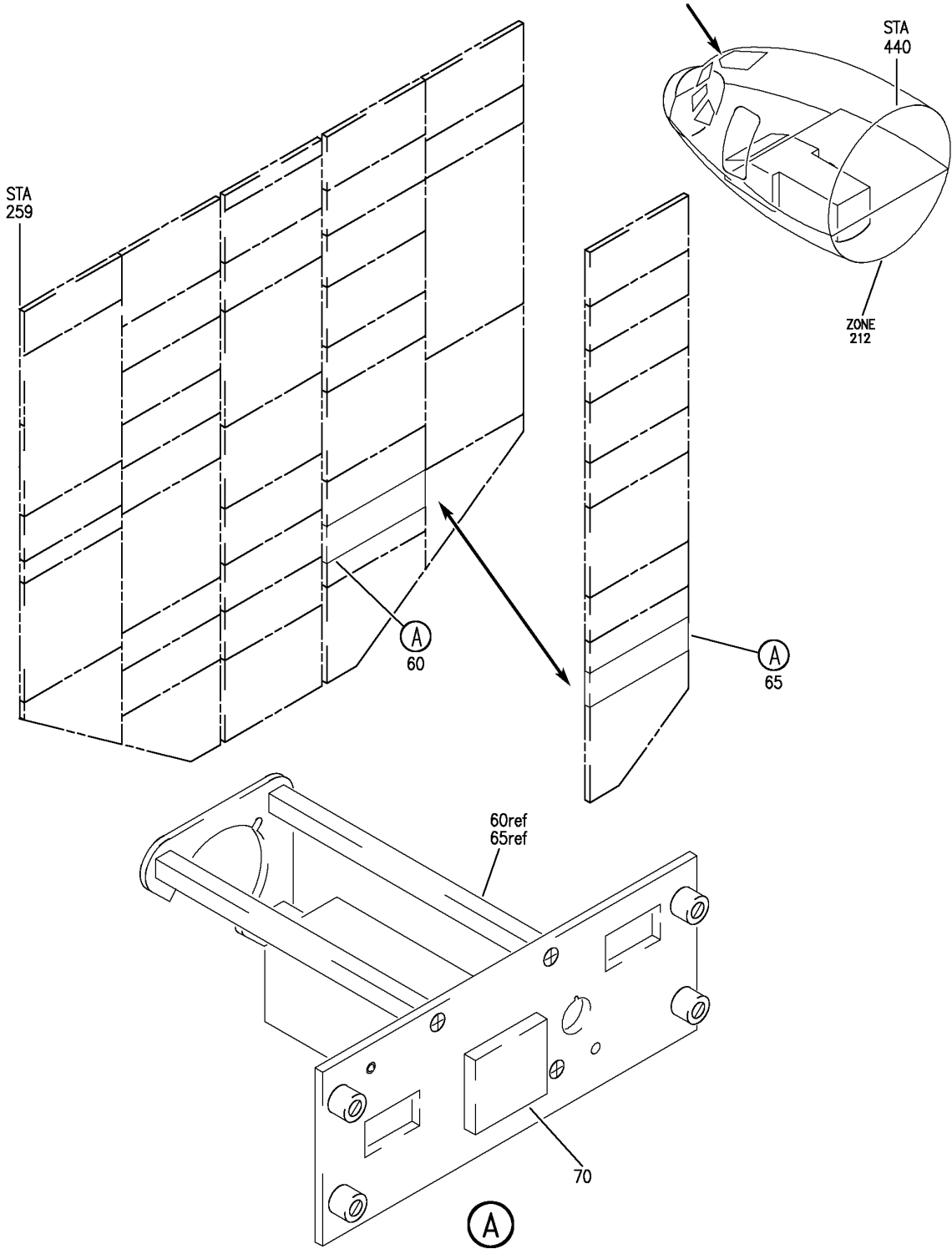
- ITEM NOT ILLUSTRATED

BRI

21-58-51-02

BOEING PROPRIETARY - Copyright © - Unpublished Work - See title page for details.

21-58-51
FIG. 02
PAGE 4
JAN 20/09



Y 21585103 REV 251

PANEL INSTL-P5 OVHD (EQUIPMENT COOLING SYSTEM ONLY)
FIGURE 3

21-58-51-03

BRI
MAY 28/07

21-58-51-03
PAGE 0



757

PARTS CATALOG (MAINTENANCE)

| FIG ITEM | PART NUMBER | 1 2 3 4 5 6 7 | NOMENCLATURE | EFFECT FROM TO | UNITS PER ASSY |
|----------|--------------|---------------|---|----------------------------|----------------|
| 3 | | | PANEL INSTL-P5 OVHD (EQUIPMENT COOLING SYSTEM ONLY) | 101106 108120 504903 | |
| - 2 | 233N3103-136 | | PANEL INSTL-P5 OVHD (EQUIPMENT COOLING SYSTEM ONLY) FOR NHA/OTHER SYS DET SEE: 25-10-00-15E | 504903 | RF |
| - 3 | 233N3103-132 | | PANEL INSTL-P5 OVHD (EQUIPMENT COOLING SYSTEM ONLY) FOR NHA/OTHER SYS DET SEE: 25-10-00-15E | 101102 | RF |
| - 6 | 233N3103-59 | | PANEL INSTL-P5 OVHD (EQUIPMENT COOLING SYSTEM ONLY) FOR NHA/OTHER SYS DET SEE: 25-10-00-15E | 108120 | RF |
| - 8 | MODREF170180 | | PANEL INSTL-P5 OVHD (EQUIPMENT COOLING SYSTEM ONLY) MODULE NUMBER: 233N3103-353 REV B FOR OTHER SYS DETAILS SEE: 11-31-10-12 21-25-55-03 21-31-01-02 21-33-51-03 21-51-54-03 21-61-04-03 21-65-51-01 22-21-01-04 22-24-51-02 23-24-01-01 23-32-00-11 23-42-02-02 23-71-05-02 24-11-52-05 24-22-01-03 24-31-01-10 24-31-03-09 24-33-04-01 24-41-51-04 24-51-62-01 26-18-51-04 27-21-53-02 27-41-55-01 27-61-51-03 27-62-52-02 | 106106 | 1 |

MISSING ITEM NUMBERS NOT APPLICABLE

- ITEM NOT ILLUSTRATED

21-58-51-03

21-58-51
FIG. 03
PAGE 1
JAN 20/09

BRI



757

PARTS CATALOG (MAINTENANCE)

| FIG ITEM | PART NUMBER | 1 2 3 4 5 6 7 | NOMENCLATURE | EFFECT FROM TO | UNITS PER ASSY |
|-------------|-------------|---------------|---|-------------------|----------------------|
| 3 | | | 28-22-51-02 28-41-04-01 28-41-51-03 29-11-02-03 29-11-05-04 29-11-52-07 29-21-54-03 29-31-00-01 29-32-51-03 29-33-52-03 30-11-51-03 30-21-51-03 30-31-51-02 30-32-51-01 30-33-51-02 30-41-51-03 30-42-51-03 31-12-11-84 31-12-11-84 A 32-42-52-03 33-11-03-03 33-11-51-17 33-13-01-65 33-13-02-03 33-16-51-03 33-24-51-02 33-41-52-04 33-42-01-04 33-42-02-04 33-42-52-04 33-43-51-04 33-44-51-05 33-45-53-03 33-51-08-05 34-21-02-01 35-21-51-04 36-11-04-01 36-21-00-01 36-21-02-05 36-22-51-03 49-41-00-02 49-52-00-01 49-70-00-01 52-51-51-03 52-71-51-02 73-21-52-02 74-31-51-05 75-32-00-01 80-11-09-02 | | |

MISSING ITEM NUMBERS NOT APPLICABLE

- ITEM NOT ILLUSTRATED

BRI

21-58-51-03

BOEING PROPRIETARY - Copyright © - Unpublished Work - See title page for details.

21-58-51
FIG. 03
PAGE 2
JAN 20/09



757

PARTS CATALOG (MAINTENANCE)

| FIG ITEM | PART NUMBER | 1 2 3 4 5 6 7 | NOMENCLATURE | EFFECT FROM TO | UNITS PER ASSY |
|-------------------------------------|-------------|---------------|---|----------------|----------------|
| 3 | | | | | |
| - 8 | MODREF33760 | | FOR ADDITIONAL DETAILS SEE: 21-58-19-10 PANEL INSTL-P5 OVHD (EQUIPMENT COOLING SYSTEM ONLY) MODULE NUMBER: 233N3103-351 REV C FOR OTHER SYS DETAILS SEE: 11-31-10-12 21-25-55-03 21-31-01-02 21-33-51-03 21-51-54-03 21-61-04-03 21-65-51-01 22-21-01-04 22-24-51-02 23-24-01-01 23-32-00-11 23-42-02-02 23-71-05-02 24-11-52-05 24-22-01-03 24-31-01-10 24-31-03-09 24-33-04-01 24-41-51-04 24-51-62-01 26-18-51-04 27-21-53-02 27-41-55-01 27-61-51-03 27-62-52-02 28-22-51-02 28-41-04-01 28-41-51-03 29-11-02-03 29-11-05-04 29-11-52-07 29-21-54-03 29-31-00-01 29-32-51-03 29-33-52-03 30-11-51-03 30-21-51-03 30-31-51-02 30-32-51-01 30-33-51-02 30-41-51-03 | 103103 | 1 |
| MISSING ITEM NUMBERS NOT APPLICABLE | | | | | |

- ITEM NOT ILLUSTRATED

21-58-51-03

21-58-51
FIG. 03
PAGE 3
JAN 20/09

BRI



757

PARTS CATALOG (MAINTENANCE)

| FIG ITEM | PART NUMBER | 1 2 3 4 5 6 7 | NOMENCLATURE | EFFECT FROM TO | UNITS PER ASSY |
|----------|---------------|---------------|---|----------------|----------------|
| 3 | | | 30-42-51-03 31-12-11-91 31-12-11-91A 32-42-52-03 33-11-03-03 33-11-51-17 33-13-01-65 33-13-02-03 33-16-51-03 33-24-51-02 33-41-52-04 33-42-01-04 33-42-02-04 33-42-52-04 33-43-51-04 33-44-51-05 33-45-53-03 33-51-08-05 34-21-02-01 35-21-51-04 36-11-04-01 36-21-00-01 36-21-02-05 36-22-51-03 49-41-00-02 49-52-00-01 49-70-00-01 52-51-51-03 52-71-51-02 73-21-52-02 74-31-51-05 75-32-00-01 80-11-09-02 FOR ADDITIONAL DETAILS SEE: 21-58-19-10 PANEL INSTL-P5 OVHD (EQUIPMENT COOLING SYSTEM ONLY) MODULE NUMBER: 233N3103-351 REV D FOR OTHER SYS DETAILS SEE: 11-31-10-12 21-25-55-03 21-31-01-02 21-33-51-03 21-51-54-03 21-61-04-03 21-65-51-01 22-21-01-04 MISSING ITEM NUMBERS NOT APPLICABLE | | |
| - | 8 MODREF34038 | | | 104105 | 1 |

- ITEM NOT ILLUSTRATED

BRI

21-58-51-03

BOEING PROPRIETARY - Copyright © - Unpublished Work - See title page for details.

21-58-51
 FIG. 03
 PAGE 4
 JAN 20/09



757

PARTS CATALOG (MAINTENANCE)

| FIG ITEM | PART NUMBER | 1 2 3 4 5 6 7 | NOMENCLATURE | EFFECT FROM TO | UNITS PER ASSY |
|----------|-------------|---------------|---|----------------|----------------|
| 3 | | | 22-24-51-02 23-24-01-01 23-32-00-11 23-42-02-02 23-71-05-02 24-11-52-05 24-22-01-03 24-31-01-10 24-31-03-09 24-33-04-01 24-41-51-04 24-51-62-01 26-18-51-04 27-21-53-02 27-41-55-01 27-61-51-03 27-62-52-02 28-22-51-02 28-41-04-01 28-41-51-03 29-11-02-03 29-11-05-04 29-11-52-07 29-21-54-03 29-31-00-01 29-32-51-03 29-33-52-03 30-11-51-03 30-21-51-03 30-31-51-02 30-32-51-01 30-33-51-02 30-41-51-03 30-42-51-03 31-12-11-91 31-12-11-91 A 32-42-52-03 33-11-03-03 33-11-51-17 33-13-01-65 33-13-02-03 33-16-51-03 33-24-51-02 33-41-52-04 33-42-01-04 33-42-02-04 33-42-52-04 33-43-51-04 33-44-51-05 | | |

MISSING ITEM NUMBERS NOT APPLICABLE

- ITEM NOT ILLUSTRATED

BR I

21-58-51-03

BOEING PROPRIETARY - Copyright © - Unpublished Work - See title page for details.

21-58-51
FIG. 03
PAGE 5
JAN 20/09



757

PARTS CATALOG (MAINTENANCE)

| FIG ITEM | PART NUMBER | 1 2 3 4 5 6 7 | NOMENCLATURE | EFFECT FROM TO | UNITS PER ASSY |
|----------|---------------|---------------|---|----------------------------|----------------|
| 3 | | | 33-45-53-03 33-51-08-05 34-21-02-01 35-21-51-04 36-11-04-01 36-21-00-01 36-21-02-05 36-22-51-03 49-41-00-02 49-52-00-01 49-70-00-01 52-51-51-03 52-71-51-02 73-21-52-02 74-31-51-05 75-32-00-01 80-11-09-02 FOR ADDITIONAL DETAILS SEE: 21-58-19-10 | | |
| - 50 | 233N3203-300 | | .PANEL ASSY-EQPT COOLING SUPPLIER CODE: V89954 ELECTRICAL EQUIP NUMBER: M10067 WIRING DIAGRAM REF: 215812 COMPONENT MAINT MANUAL REF: 21-58-71 QUALIFIED I/W DATA: 233N3203-300 PANEL ASSY IS I/W 233N3203-32 PANEL ASSY T/W S233T100-6045 LIGHTPLATE PRE ALERT SB: 33A0044 | 101102 108120 504903 | RF |
| - 50 | 233N3203-1300 | | .PANEL ASSY-EQPT COOLING SUPPLIER CODE: V89954 ELECTRICAL EQUIP NUMBER: M10067 COMPONENT MAINT MANUAL REF: 21-58-71 POST ALERT SB: 33A0044 | 101102 108120 504903 | RF |

MISSING ITEM NUMBERS NOT APPLICABLE

- ITEM NOT ILLUSTRATED

BRI

21-58-51-03

21-58-51
FIG. 03
PAGE 6
JAN 20/09



757

PARTS CATALOG (MAINTENANCE)

| FIG ITEM | PART NUMBER | 1 2 3 4 5 6 7 | NOMENCLATURE | EFFECT FROM TO | UNITS PER ASSY |
|----------|--------------|---------------|--|----------------------------|----------------|
| 3 | | | | | |
| - 50 | 233N3203-337 | | .PANEL ASSY-EQPT COOLING SUPPLIER CODE: V89954 ELECTRICAL EQUIP NUMBER: M10067 COMPONENT MAINT MANUAL REF: 21-58-71 | 101102 108120 504903 | RF |
| - 55 | 233N3203-337 | | .PANEL ASSY-EQPT COOLING SUPPLIER CODE: V89954 ELECTRICAL EQUIP NUMBER: M10067 COMPONENT MAINT MANUAL REF: 21-58-71 | 103106 | RF |
| 60 | 233N3203-32 | | ..PANEL ASSY- SUPPLIER CODE: V89954 COMPONENT MAINT MANUAL REF: 21-58-71 QUALIFIED I/W DATA: 233N3203-300 PANEL ASSY IS I/W 233N3203-32 PANEL ASSY T/W S233T100-6045 LIGHTPLATE USED ON: 233N3203-300 PRE ALERT SB: 33A0044 | 101102 108120 504903 | RF |
| 60 | 233N3203-33 | | ..PANEL ASSY- SUPPLIER CODE: V89954 COMPONENT MAINT MANUAL REF: 21-58-71 QUALIFIED I/W DATA: 233N3203-301 PANEL ASSY IS I/W 233N3203-33 PANEL ASSY T/W S233T100-6045 LIGHTPLATE | 101102 108120 504903 | RF |
| 60 | 233N3203-37 | | ..PANEL ASSY- SUPPLIER CODE: V89954 COMPONENT MAINT MANUAL REF: 21-58-71 USED ON: 233N3203-337 | 101102 108120 504903 | RF |

MISSING ITEM NUMBERS NOT APPLICABLE

- ITEM NOT ILLUSTRATED

21-58-51-03

21-58-51
FIG. 03
PAGE 7
JAN 20/09

BRI



757

PARTS CATALOG (MAINTENANCE)

| FIG ITEM | PART NUMBER | 1 2 3 4 5 6 7 | NOMENCLATURE | EFFECT FROM TO | UNITS PER ASSY |
|----------|---------------|---------------|---|----------------------------|----------------|
| 3 | | | | | |
| 60 | 233N3203-1032 | | ..PANEL ASSY- SUPPLIER CODE: V89954 COMPONENT MAINT MANUAL REF: 21-58-71 POST ALERT SB: 33A0044 | 101102 108120 504903 | RF |
| 60 | 233N3203-1033 | | ..PANEL ASSY- SUPPLIER CODE: V89954 COMPONENT MAINT MANUAL REF: 21-58-71 | 101102 108120 504903 | RF |
| 65 | 233N3203-37 | | ..PANEL ASSY- SUPPLIER CODE: V89954 COMPONENT MAINT MANUAL REF: 21-58-71 USED ON: 233N3203-337 | 103106 | RF |
| 65 | 233N3203-1032 | | ..PANEL ASSY- SUPPLIER CODE: V89954 COMPONENT MAINT MANUAL REF: 21-58-71 | 103106 | RF |

MISSING ITEM NUMBERS NOT APPLICABLE

- ITEM NOT ILLUSTRATED

BRI

21-58-51-03

BOEING PROPRIETARY - Copyright © - Unpublished Work - See title page for details.

21-58-51
FIG. 03
PAGE 8
JAN 20/09



757

PARTS CATALOG (MAINTENANCE)

| FIG ITEM | PART NUMBER | 1 2 3 4 5 6 7 | NOMENCLATURE | EFFECT FROM TO | UNITS PER ASSY |
|----------|----------------|---------------|--|----------------------------|----------------|
| 3 | | | | | |
| 70 | BCREFA0536 | | ...SWITCH ASSY-LIGHTED PUSH BUTTON IND SUPPLIER CODE: V81590 OVERLENGTH PART NUMBER: 433-673-1004-4080 SPECIFICATION NUMBER: S231T290-4080 MISCELLANEOUS DATA: WHEN REPLACING THE PUSHBUTTON SWITCH ASSY OR THE MASTER MODULE WITHIN, VERIFY THAT A CONFIG D MASTER MODULE P/N 13206-001 IS INSTALLED IN LIEU OF ANY EARLIER CONFIGURATION MASTER MODULES. OPTIONAL PART: 851-35100-5080 V96182 S231T290-5080 USED ON: 233N3203-32 REFERENCE SERVICE BULLETIN: 33A0044 REWORKED BY SB: 433-33-05 V81590 FOR DETAILS SEE: 33-13-00-47 | 101102 108120 504903 | 1 |
| 70 | 851-30768-2080 | | ...SWITCH ASSY-LIGHTED PUSH BUTTON IND ALTN/OVHT SUPPLIER CODE: V96182 SPECIFICATION NUMBER: S231T290-2080 FOR DETAILS SEE: 33-13-00-27 | 101102 108120 504903 | 1 |
| 70 | 851-30768-3080 | | ...SWITCH ASSY-LIGHTED PUSH BUTTON IND ALTN/OVHT SUPPLIER CODE: V96182 SPECIFICATION NUMBER: S231T290-3080 FOR DETAILS SEE: 33-13-00-37 | 101102 108120 504903 | 1 |

MISSING ITEM NUMBERS NOT APPLICABLE

- ITEM NOT ILLUSTRATED

21-58-51-03

21-58-51
FIG. 03
PAGE 9
JAN 20/09

BRI



757

PARTS CATALOG (MAINTENANCE)

| FIG ITEM | PART NUMBER | 1 2 3 4 5 6 7 | NOMENCLATURE | EFFECT FROM TO | UNITS PER ASSY |
|----------|--------------------|---------------|---|----------------------------|----------------|
| 3 | 70 S231T290-5080 | ... | SWITCH ASSY-LIGHTED PUSH BUTTON IND OPTIONAL PART: BCREFA0536 V81590 | 101102 108120 504903 | 1 |
| | 70 4336731004-4280 | ... | SWITCH ASSY-LIGHTED PUSH BUTTON IND SUPPLIER CODE: V81590 SPECIFICATION NUMBER: S231T290-4280 USED ON: 233N3203-37 | 101106 108120 504903 | 1 |
| | 70 851-35100-5080 | ... | SWITCH ASSY-LIGHTED PUSH BUTTON IND ALTN/OVHT SUPPLIER CODE: V96182 OPTIONAL PART: BCREFA0536 V81590 | 101102 108120 504903 | 1 |

MISSING ITEM NUMBERS NOT APPLICABLE

- ITEM NOT ILLUSTRATED

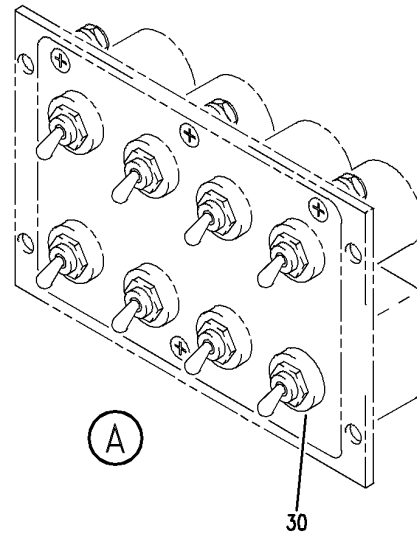
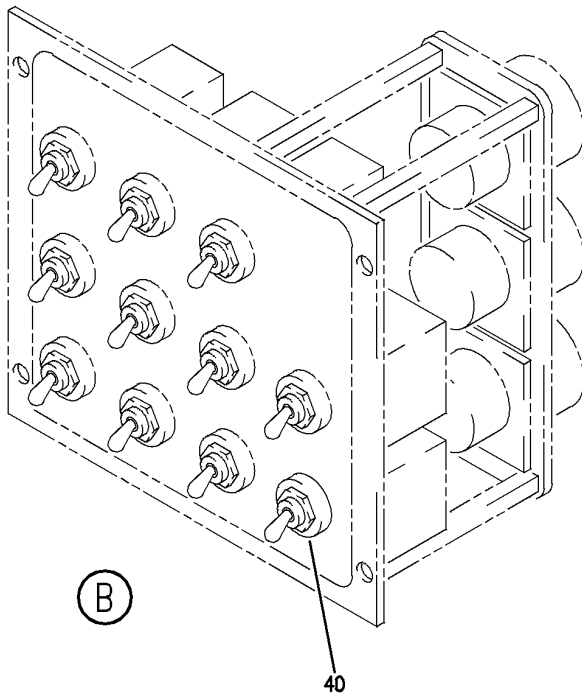
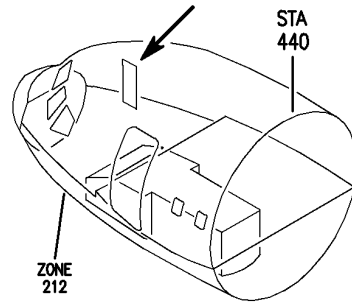
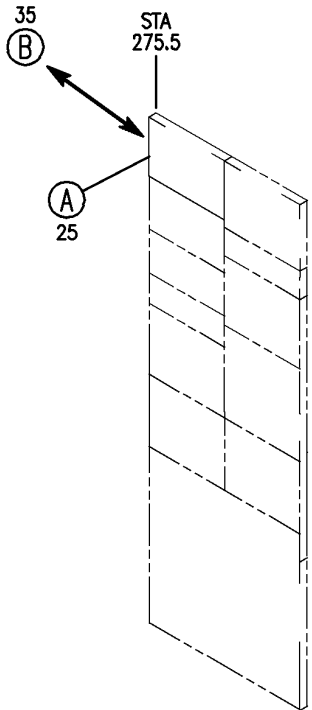
BRI

21-58-51-03

BOEING PROPRIETARY - Copyright © - Unpublished Work - See title page for details.

21-58-51
FIG. 03
PAGE 10
JAN 20/09

BOEING
757
PARTS CATALOG (MAINTENANCE)



Y 21585104 REV 231

PANEL INSTL-P61 R SIDEWALL (AIR CONDITIONING ONLY)
FIGURE 4

21-58-51-04

BRI
MAY 28/07

21-58-51-04
PAGE 0



757

PARTS CATALOG (MAINTENANCE)

| FIG ITEM | PART NUMBER | 1 2 3 4 5 6 7 | NOMENCLATURE | EFFECT FROM TO | UNITS PER ASSY |
|----------|--------------|---------------|--|--|----------------|
| 4 | | | PANEL INSTL-P61 R SIDEWALL (AIR CONDITIONING ONLY) | 002004 006999 | |
| - 1 | 233N7401-1 | | PANEL INSTL-P61 SIDEWALL (AIR CONDITIONING ONLY) POSITION DATA: R VARIABLE DRAWING REF: 233N7401-5004 233N7401-5005 233N7401-5036 233N7401-5038 233N7401-5042 FOR NHA/OTHER SYS DET SEE: 25-10-00-05A | 002004 006100 107107 121503 904999 | RF |
| - 2 | 233N7403-28 | | PANEL INSTL-P61 SIDEWALL (AIR CONDITIONING ONLY) POSITION DATA: R FOR NHA/OTHER SYS DET SEE: 25-10-00-15B | 101101 | RF |
| - 3 | 233N7403-117 | | PANEL INSTL-P61 SIDEWALL (AIR CONDITIONING ONLY) POSITION DATA: R FOR NHA/OTHER SYS DET SEE: 25-10-00-15B | 504903 | RF |
| - 4 | 233N7403-128 | | PANEL INSTL-P61 SIDEWALL (AIR CONDITIONING ONLY) POSITION DATA: R FOR NHA/OTHER SYS DET SEE: 25-10-00-15B | 102102 | RF |
| - 5 | 233N7403-158 | | PANEL INSTL-P61 SIDEWALL (AIR CONDITIONING ONLY) POSITION DATA: R FOR NHA/OTHER SYS DET SEE: 25-10-00-15B | 108120 | RF |

MISSING ITEM NUMBERS NOT APPLICABLE

- ITEM NOT ILLUSTRATED

21-58-51-04

21-58-51
FIG. 04
PAGE 1
JAN 20/09

BRI



757

PARTS CATALOG (MAINTENANCE)

| FIG ITEM | PART NUMBER | 1 2 3 4 5 6 7 | NOMENCLATURE | EFFECT FROM TO | UNITS PER ASSY |
|----------|-------------|---------------|--|----------------------------|----------------|
| 4 - 8 | MODREF33342 | | PANEL INSTL- (AIR CONDITIONING ONLY) MODULE NUMBER: 233N7403-171 REV A FOR OTHER SYS DETAILS SEE: 11-32-01-98 22-21-51-01 23-41-52-01 24-22-73-02 26-18-53-02 26-21-52-01 26-22-52-01 26-23-52-03 27-23-51-02 28-41-51-04 29-22-52-01 30-11-52-01 30-41-51-04 31-14-16-87 31-31-04-01 31-41-53-01 31-51-51-01 34-12-54-01 34-21-51-02 34-46-51-05 34-61-53-03 | 103106 | 1 |
| 25 | 233N7501-23 | | .PANEL ASSY-TEST SUPPLIER CODE: V89954 NOT APPROVED FOR ETOPS. SB DATA FROM A CMM: PRE 233N7501-31-01 PRE 233N7501-31-03 ELECTRICAL EQUIP NUMBER: M10398 COMPONENT MAINT MANUAL REF: 31-51-61 | 504903 950951 | RF |
| 25 | 233N7501-35 | | .PANEL ASSY-TEST SUPPLIER CODE: V89954 ELECTRICAL EQUIP NUMBER: M10398 COMPONENT MAINT MANUAL REF: 31-51-61 POST SERVICE BULLETIN: 24-0048 | 107107 904949 952952 | RF |

MISSING ITEM NUMBERS NOT APPLICABLE

- ITEM NOT ILLUSTRATED

BRI

21-58-51-04

BOEING PROPRIETARY - Copyright © - Unpublished Work - See title page for details.

21-58-51
FIG. 04
PAGE 2
JAN 20/09



757

PARTS CATALOG (MAINTENANCE)

| FIG ITEM | PART NUMBER | 1 2 3 4 5 6 7 | NOMENCLATURE | EFFECT FROM TO | UNITS PER ASSY |
|----------|-------------|---------------|---|--------------------------------------|----------------|
| 4 25 | 233N7501-36 | | .PANEL ASSY-TEST SUPPLIER CODE: V89954 SB DATA FROM A CMM: POST 233N7501-31-03 ELECTRICAL EQUIP NUMBER: M10398 COMPONENT MAINT MANUAL REF: 31-51-61 QUALIFIED I/W DATA: 233N7501-36 CAN REPLACE 233N7501-35,BUT 233N7501-35 CANNOT REPLACE 233N7501-36 IF VICKER HMG, 520850 OR 3022008-000 IS INSTALLED. | 002004 006102 108503 953999 | RF |
| 30 | 68AT22-7 | | ..SWITCH SUPPLIER CODE: V91929 SPECIFICATION NUMBER: BACS30ES44 OPTIONAL PART: 68AT11-7 V91929 A3-1114-04-1 V81640 A3-1114-04 V81640 | 002004 006102 107999 | 1 |
| 35 | 233N7501-41 | | .PANEL ASSY-TEST SUPPLIER CODE: V89954 ELECTRICAL EQUIP NUMBER: M10398 COMPONENT MAINT MANUAL REF: 31-51-61 | 103106 | RF |
| 40 | 68AT22-7 | | ..SWITCH-TG SUPPLIER CODE: V91929 ELECTRICAL EQUIP NUMBER: S00008 | 103106 | 1 |

MISSING ITEM NUMBERS NOT APPLICABLE

- ITEM NOT ILLUSTRATED

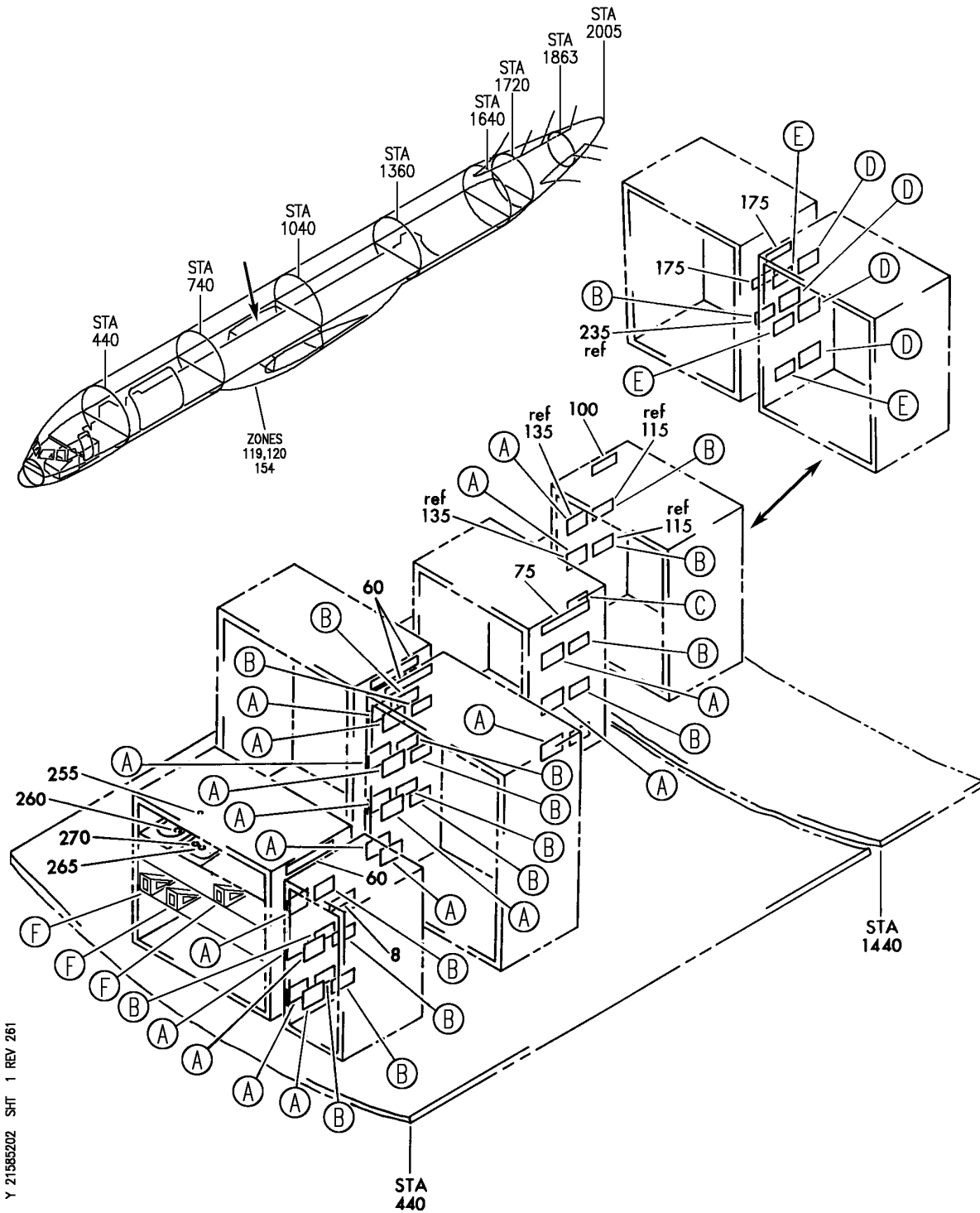
BRI

21-58-51-04

BOEING PROPRIETARY - Copyright © - Unpublished Work - See title page for details.

21-58-51
FIG. 04
PAGE 3
JAN 20/09

BOEING
757
PARTS CATALOG (MAINTENANCE)



Y 21585202 SH1 1 REV 261

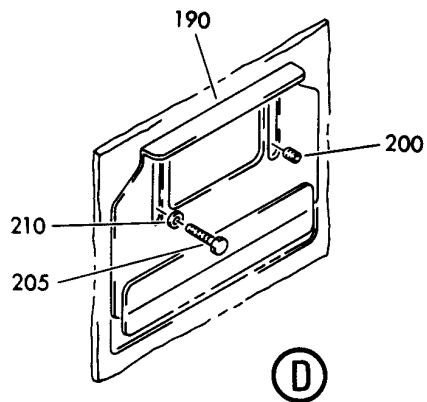
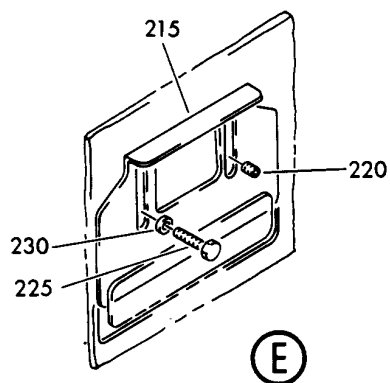
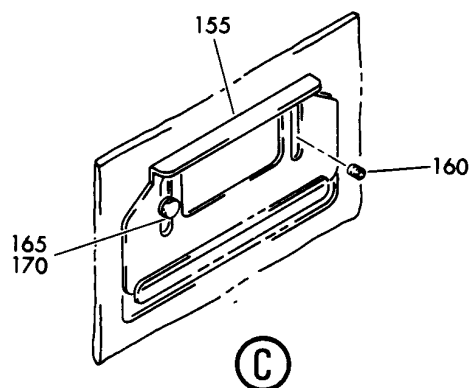
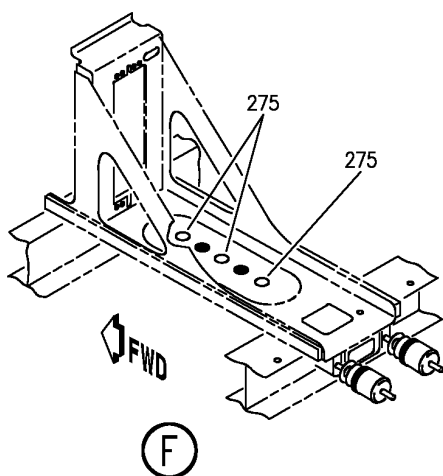
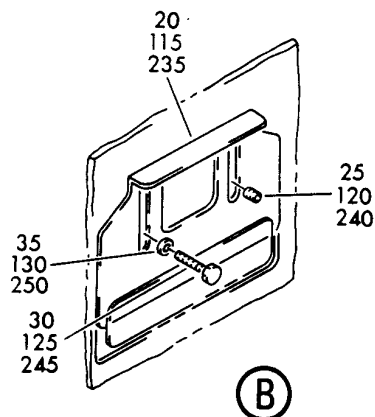
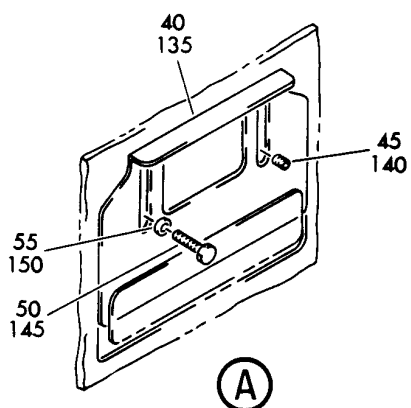
COOLING INSTL-ELECTRICAL/ ELECTRONIC CENTERS (AIR CONDITIONING ONLY)
FIGURE 2 (SHEET 1)

21-58-52-02

BRI
MAY 28/07

21-58-52-02
PAGE 0

BOEING
757
PARTS CATALOG (MAINTENANCE)



Y 21585202 SH1 2 REV 261

COOLING INSTL-ELECTRICAL/ ELECTRONIC CENTERS (AIR CONDITIONING ONLY)
FIGURE 2 (SHEET 2)

21-58-52-02

BRI
MAY 28/07

21-58-52-02
PAGE 0A



757

PARTS CATALOG (MAINTENANCE)

| FIG ITEM | PART NUMBER | 1 2 3 4 5 6 7 | NOMENCLATURE | EFFECT FROM TO | UNITS PER ASSY |
|----------|--------------|---------------|--|--|----------------|
| 2 | | | COOLING INSTL-ELECTRICAL/ ELECTRONIC CENTERS (AIR CONDITIONING ONLY) | 002004 006017 107107 121503 904999 952999 | |
| - 1 | 284N1053-62 | | COOLING INSTL-ELECTRICAL/ ELECTRONIC CENTERS (AIR CONDITIONING ONLY) FOR NHA/OTHER SYS DET SEE: 24-00-58-01C | | RF |
| - 3 | 284N1053-37 | | COOLING INSTL-ELECTRICAL/ ELECTRONIC CENTERS (AIR CONDITIONING ONLY) FOR NHA/OTHER SYS DET SEE: 24-00-58-01C | 107107 | RF |
| - 3 | 284N1053-43 | | COOLING INSTL-ELECTRICAL/ ELECTRONIC CENTERS (AIR CONDITIONING ONLY) FOR NHA/OTHER SYS DET SEE: 24-00-58-01C | 121503 904949 | RF |
| - 4 | 284N1053-63 | | COOLING INSTL-ELECTRICAL/ ELECTRONIC CENTERS (AIR CONDITIONING ONLY) FOR NHA/OTHER SYS DET SEE: 24-00-58-01C | 002004 006017 | RF |
| - 4 | 284N1053-68 | | COOLING INSTL-ELECTRICAL/ ELECTRONIC CENTERS (AIR CONDITIONING ONLY) FOR NHA/OTHER SYS DET SEE: 24-00-58-01C | 950951 | RF |
| | 8 284N1054-4 | | .VALVE | 002004 006017 107107 121503 904999 | 1 |
| - 10 | NAS1801-3-6 | | ATTACHING PARTS .SCREW | 002004 006017 107107 121503 904999 | 2 |
| - 15 | AN960PD10L | | .WASHER- | 002004 006017 107107 121503 904999 | 2 |

MISSING ITEM NUMBERS NOT APPLICABLE

- ITEM NOT ILLUSTRATED

21-58-52-02

21-58-52
FIG. 02
PAGE 1
JAN 20/09

BRI

BOEING
757
PARTS CATALOG (MAINTENANCE)

| FIG ITEM | PART NUMBER | 1 2 3 4 5 6 7 | NOMENCLATURE | EFFECT FROM TO | UNITS PER ASSY |
|-------------|-------------|---------------|------------------------------|--|----------------------|
| 2 | | | | | |
| - 15 | AN960KD10L | . | WASHER- | 002004 006017 107107 121503 904999 | 2 |
| - 15 | AN960JD10L | . | WASHER- | 002004 006017 107107 121503 904999 | 2 |
| 20 | 284N1054-3 | -----* | . VALVE | 002004 006017 107107 121503 904999 | 13 |
| 25 | MS18064-44 | | ATTACHING PARTS . SCREW- | 002004 006017 107107 121503 904999 | 13 |
| | | | OPTIONAL PART: MS18066-44 | | |
| 25 | MS18066-44 | . | SCREW- | 002004 006017 107107 121503 904999 | 13 |
| | | | OPTIONAL PART: MS18064-44 | | |
| 30 | NAS1801-3-6 | . | SCREW | 002004 006017 107107 121503 904999 | 13 |
| 35 | AN960PD10L | . | WASHER- | 002004 006017 107107 121503 904999 | 13 |
| 35 | AN960KD10L | . | WASHER- | 002004 006017 107107 121503 904999 | 13 |
| 35 | AN960JD10L | . | WASHER- | 002004 006017 107107 121503 904999 | 13 |
| | | | -----* | | |

MISSING ITEM NUMBERS NOT APPLICABLE

- ITEM NOT ILLUSTRATED

BRI

21-58-52-02

BOEING PROPRIETARY - Copyright © - Unpublished Work - See title page for details.

21-58-52
FIG. 02
PAGE 2
JAN 20/09

 **BOEING**
757
PARTS CATALOG (MAINTENANCE)

| FIG ITEM | PART NUMBER | 1 2 3 4 5 6 7 | NOMENCLATURE | EFFECT FROM TO | UNITS PER ASSY |
|-------------|-------------|---------------|------------------------------|--|----------------------|
| 2 | | | | | |
| 40 | 284N1054-2 | . | VALVE | 002004 006017 107107 121503 904999 | 16 |
| 45 | MS18064-44 | . | ATTACHING PARTS SCREW- | 002004 006017 107107 121503 904999 | 16 |
| | | | OPTIONAL PART: MS18066-44 | | |
| 45 | MS18066-44 | . | SCREW- | 002004 006017 107107 121503 904999 | 16 |
| | | | OPTIONAL PART: MS18064-44 | | |
| 50 | NAS1801-3-6 | . | SCREW | 002004 006017 107107 121503 904999 | 16 |
| 55 | AN960PD10L | . | WASHER- | 002004 006017 107107 121503 904999 | 16 |
| 55 | AN960KD10L | . | WASHER- | 002004 006017 107107 121503 904999 | 16 |
| 55 | AN960JD10L | . | WASHER- | 002004 006017 107107 121503 904999 | 16 |
| 60 | 284N1054-1 | -----* | VALVE | 002004 006017 107107 121503 904999 | 3 |
| - 65 | NAS1801-3-6 | . | ATTACHING PARTS SCREW | 002004 006017 107107 121503 904999 | 9 |

MISSING ITEM NUMBERS NOT APPLICABLE

- ITEM NOT ILLUSTRATED

BRI

21-58-52-02

BOEING PROPRIETARY - Copyright © - Unpublished Work - See title page for details.

21-58-52
FIG. 02
PAGE 3
JAN 20/09

BOEING
757
PARTS CATALOG (MAINTENANCE)

| FIG ITEM | PART NUMBER | 1 2 3 4 5 6 7 | NOMENCLATURE | EFFECT FROM TO | UNITS PER ASSY |
|----------|-------------|---------------|---------------------------|--|----------------|
| 2 | | | | | |
| - 70 | AN960PD10L | | .WASHER- | 002004 006017 107107 121503 904999 | 9 |
| - 70 | AN960KD10L | | .WASHER- | 002004 006017 107107 121503 904999 | 9 |
| - 70 | AN960JD10L | | .WASHER- | 002004 006017 107107 121503 904999 | 9 |
| | | | -----*----- | | |
| 75 | 284N1054-5 | | .VALVE | 002004 006017 107107 121503 904999 | 1 |
| - 80 | NAS1801-3-6 | | ATTACHING PARTS .SCREW | 002004 006017 107107 121503 904999 | 3 |
| - 95 | AN960PD10L | | .WASHER- | 002004 006017 107107 121503 904999 | 3 |
| - 95 | AN960KD10L | | .WASHER- | 002004 006017 107107 121503 904999 | 3 |
| - 95 | AN960JD10L | | .WASHER- | 002004 006017 107107 121503 904999 | 3 |
| | | | -----*----- | | |
| 175 | 284N1054-4 | | .VALVE | 121503 904949 | 2 |
| - 180 | NAS1801-3-6 | | ATTACHING PARTS .SCREW | 121503 904949 | 4 |

MISSING ITEM NUMBERS NOT APPLICABLE

- ITEM NOT ILLUSTRATED

BRI

21-58-52-02

BOEING PROPRIETARY - Copyright © - Unpublished Work - See title page for details.

21-58-52
FIG. 02
PAGE 4
JAN 20/09

 **BOEING**
757
PARTS CATALOG (MAINTENANCE)

| FIG ITEM | PART NUMBER | 1 2 3 4 5 6 7 | NOMENCLATURE | EFFECT FROM TO | UNITS PER ASSY |
|----------|-------------|---------------|------------------------------|------------------|----------------|
| 2 | | | | | |
| - 185 | AN960PD10L | . | WASHER- | 121503 904949 | 4 |
| - 185 | AN960JD10L | . | WASHER- | 121503 904949 | 4 |
| | | | -----*----- | | |
| 190 | 284N1054-8 | . | VALVE | 121503 904949 | 4 |
| | | | ATTACHING PARTS | | |
| 200 | MS18064-44 | . | SCREW- | 121503 904949 | 4 |
| | | | OPTIONAL PART: MS18066-44 | | |
| 200 | MS18066-44 | . | SCREW- | 121503 904949 | 4 |
| | | | OPTIONAL PART: MS18064-44 | | |
| 205 | NAS1801-3-6 | . | SCREW | 121503 904949 | 4 |
| 210 | AN960PD10L | . | WASHER- | 121503 904949 | 4 |
| 210 | AN960JD10L | . | WASHER- | 121503 904949 | 4 |
| | | | -----*----- | | |
| 215 | 284N1054-9 | . | VALVE | 121503 904949 | 3 |
| | | | ATTACHING PARTS | | |
| 220 | MS18064-44 | . | SCREW- | 121503 904949 | 3 |
| | | | OPTIONAL PART: MS18066-44 | | |
| 220 | MS18066-44 | . | SCREW- | 121503 904949 | 3 |
| | | | OPTIONAL PART: MS18064-44 | | |
| 225 | NAS1801-3-6 | . | SCREW | 121503 904949 | 3 |
| 230 | AN960PD10L | . | WASHER- | 121503 904949 | 3 |
| 230 | AN960JD10L | . | WASHER- | 121503 904949 | 3 |
| | | | -----*----- | | |
| 235 | 284N1054-3 | . | VALVE | 121503 904949 | 1 |
| | | | ATTACHING PARTS | | |
| 240 | MS18064-44 | . | SCREW- | 121503 904949 | 1 |
| | | | OPTIONAL PART: MS18066-44 | | |
| 240 | MS18066-44 | . | SCREW- | 121503 904949 | 1 |
| | | | OPTIONAL PART: MS18064-44 | | |
| 245 | NAS1801-3-6 | . | SCREW | 121503 904949 | 1 |

MISSING ITEM NUMBERS NOT APPLICABLE

- ITEM NOT ILLUSTRATED

BRI

21-58-52-02

21-58-52
FIG. 02
PAGE 5
JAN 20/09



757

PARTS CATALOG (MAINTENANCE)

| FIG ITEM | PART NUMBER | 1 2 3 4 5 6 7 | NOMENCLATURE | EFFECT FROM TO | UNITS PER ASSY |
|----------|-------------|---------------|-----------------------------------|--|----------------|
| 2 | | | | | |
| 250 | AN960PD10L | . | WASHER- | 121503 904949 | 1 |
| 250 | AN960JD10L | . | WASHER- | 121503 904949 | 1 |
| | | | -----*----- | | |
| 255 | 201-301 | . | PLUG- SUPPLIER CODE: V0767B | 107107 121503 904949 | AR |
| 260 | 201-302 | . | PLUG- SUPPLIER CODE: V0767B | 107107 121503 904949 | AR |
| 265 | 82100-1 | . | PLUG- SUPPLIER CODE: V0767B | 002004 006017 107107 121503 904999 | AR |
| 270 | 82100-2 | . | PLUG- SUPPLIER CODE: V0767B | 002004 006017 107107 121503 904999 | AR |

MISSING ITEM NUMBERS NOT APPLICABLE

- ITEM NOT ILLUSTRATED

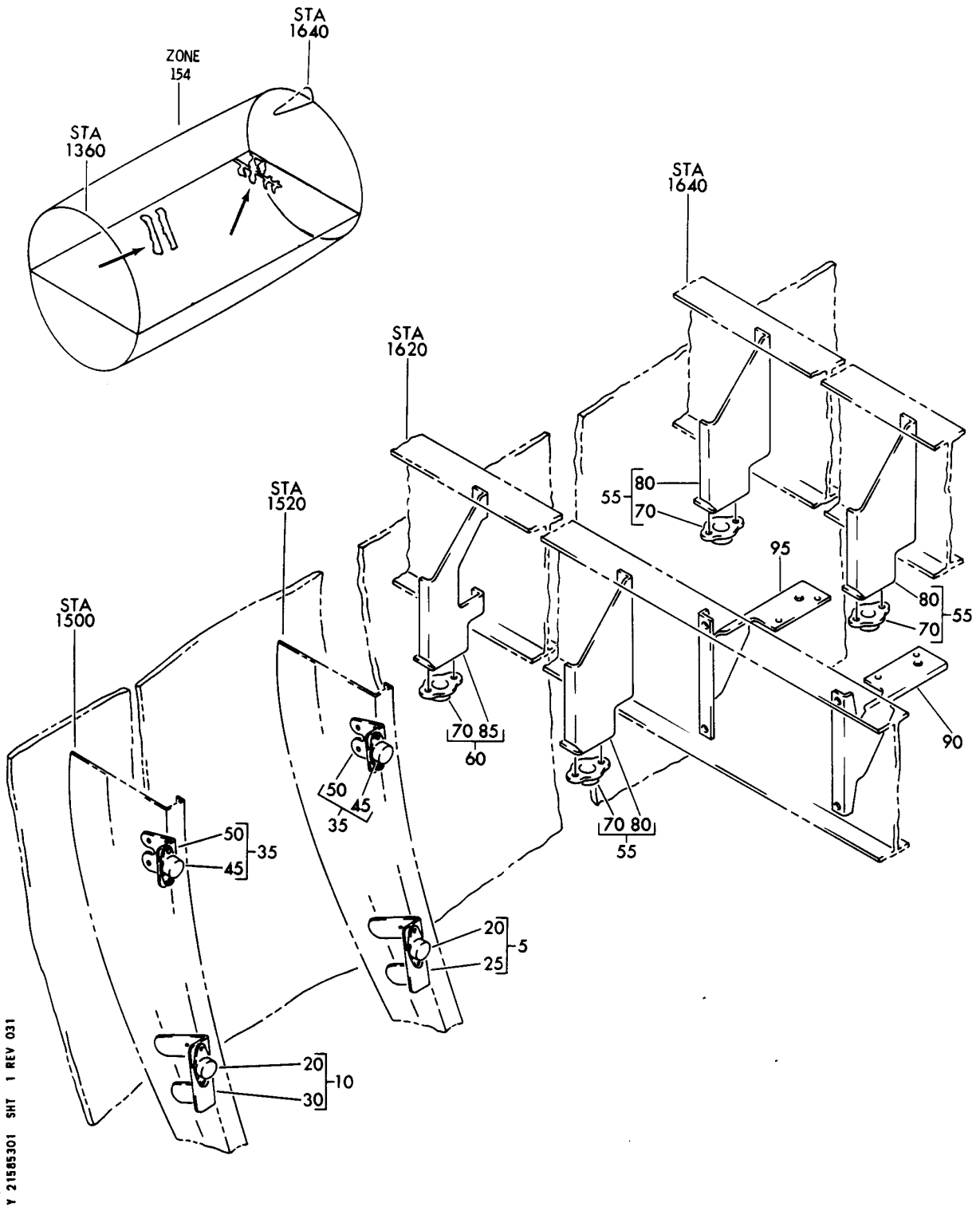
BRI

21-58-52-02

BOEING PROPRIETARY - Copyright © - Unpublished Work - See title page for details.

21-58-52
FIG. 02
PAGE 6
JAN 20/09

BOEING
757
PARTS CATALOG (MAINTENANCE)



PROVISIONS INSTL-ELECTRICAL/ELECTRONICS COMPT DUCT SPRT AFT
FIGURE 1

21-58-53-01

BRI
MAY 28/07

21-58-53-01
PAGE 0

BOEING
757
PARTS CATALOG (MAINTENANCE)

| FIG ITEM | PART NUMBER | 1 2 3 4 5 6 7 | NOMENCLATURE | EFFECT FROM TO | UNITS PER ASSY |
|----------|-------------|---------------|---|------------------|----------------|
| 1 | | | PROVISIONS INSTL- ELECTRICAL/ELECTRONICS COMPT DUCT SPRT AFT | 121503 904949 | |
| - 1 | 217N1025-1 | | PROVISIONS INSTL- ELECTRICAL/ELECTRONICS COMPT DUCT SPRT POSITION DATA: AFT VARIABLE DRAWING REF: 217N1025-4 FOR NHA SEE: 21-00-00-04 | 121503 904949 | RF |
| 55 | 217N1182-1 | | .BRACKET ASSY | 121503 904949 | 3 |
| 60 | 217N1182-5 | | .BRACKET ASSY | 121503 904949 | 1 |
| - 65 | BACR15BB6D | | ATTACHING PARTS .RIVET- SIZE DETERMINED ON INSTL. -----*----- | 121503 904949 | 8 |
| 70 | SL8113-3 | | ..SHOCKMOUNT- SUPPLIER CODE: V97393 SPECIFICATION NUMBER: S411T100-901 OPTIONAL PART: DE819 V71985 | 121503 904949 | 1 |
| - 75 | BACR15BB4D | | ATTACHING PARTS ..RIVET- SIZE DETERMINED ON INSTL. -----*----- | 121503 904949 | 2 |
| 80 | 217N1182-3 | | ..BRACKET- USED ON: 217N1182-1 | 121503 904949 | 1 |
| 85 | 217N1182-6 | | ..BRACKET- USED ON: 217N1182-5 | 121503 904949 | 1 |

MISSING ITEM NUMBERS NOT APPLICABLE

- ITEM NOT ILLUSTRATED

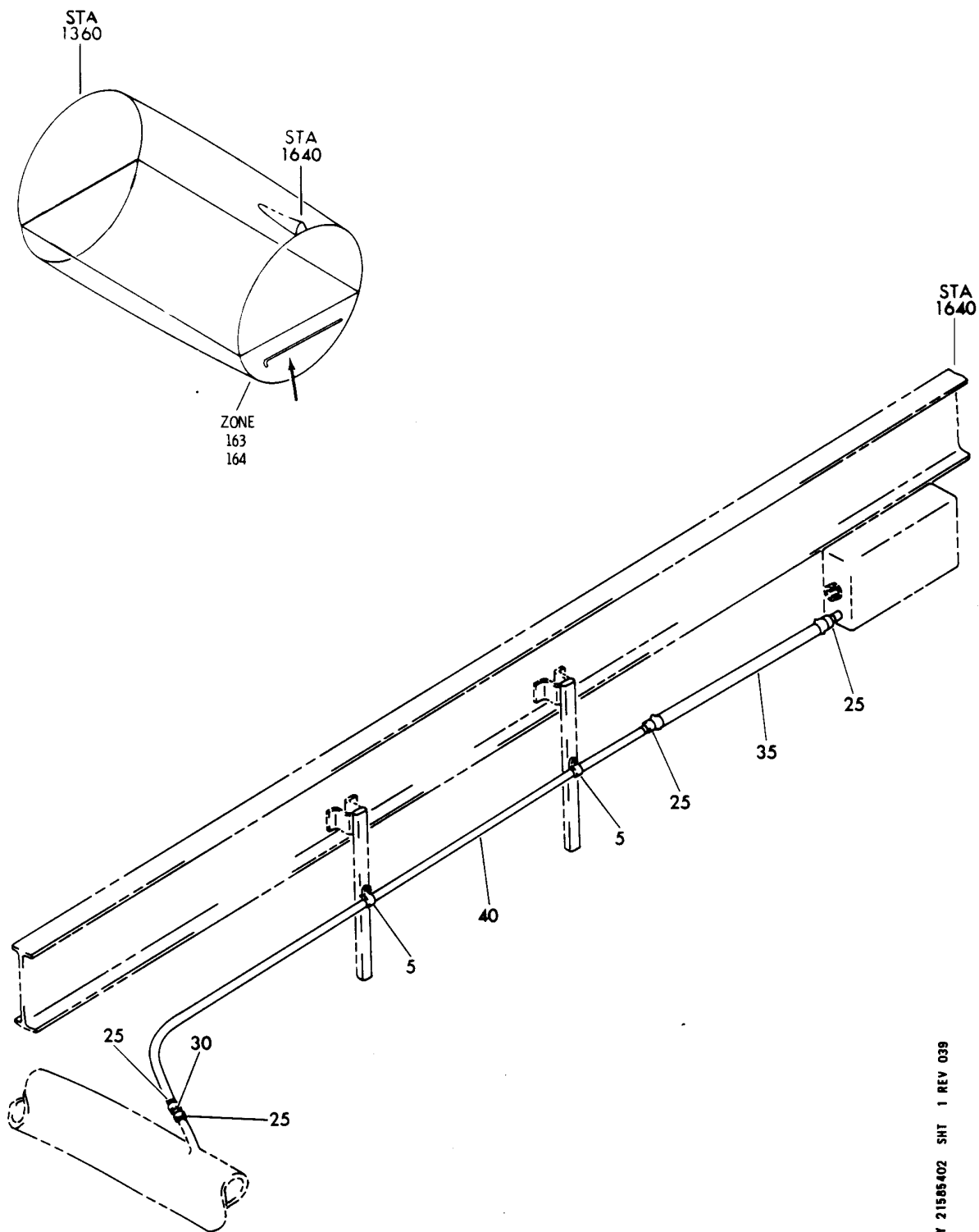
BRI

21-58-53-01

BOEING PROPRIETARY - Copyright © - Unpublished Work - See title page for details.

21-58-53
FIG. 01
PAGE 1
JAN 20/09

BOEING
757
PARTS CATALOG (MAINTENANCE)



DUCT INSTL-PURGE AIR INERTIAL AIR CLEANER ELECTRICAL/ELECTRONIC COOLING AFT
FIGURE 2

BRI
MAY 28/07

21-58-54-02

21-58-54-02
PAGE 0



757

PARTS CATALOG (MAINTENANCE)

| FIG ITEM | PART NUMBER | 1 2 3 4 5 6 7 | NOMENCLATURE | EFFECT FROM TO | UNITS PER ASSY |
|----------|--------------------|---------------|--|------------------|----------------|
| 2 | | | DUCT INSTL-PURGE AIR INERTIAL AIR CLEANER ELECTRICAL/ELECTRONIC COOLING AFT | 121503 904949 | |
| - 1 | 217N1040-2 | | DUCT INSTL-PURGE AIR INERTIAL AIR CLEANER ELECTRICAL/ELECTRONIC COOLING POSITION DATA: AFT FOR NHA SEE: 21-00-00-04 | 121503 904949 | RF |
| | 5 BACC10DK12 | | .CLAMP | 121503 904949 | 2 |
| - 10 | BACS12FA3K19 | | ATTACHING PARTS .SCREW | 121503 904949 | 2 |
| - 15 | AN960PD10L | | .WASHER | 121503 904949 | 2 |
| - 20 | MS21042L3 | | .NUT | 121503 904949 | 2 |
| | | | -----*----- | | |
| | 25 10 | | .CLAMP SUPPLIER CODE: V7Z588 SPECIFICATION NUMBER: STBC10GG26-34 OPTIONAL PART: WWD26-34H V66295 | 121503 904949 | 4 |
| | 30 AS1506-03D32 | | .HOSE- | 121503 904949 | 1 |
| | 35 BOE2027-03D0220 | | .HOSE SUPPLIER CODE: V16632 SPECIFICATION NUMBER: AS1503-03D0220 | 121503 904949 | 1 |
| | 40 217N1039-1 | | .DUCT ASSY | 121503 904949 | 1 |

MISSING ITEM NUMBERS NOT APPLICABLE

- ITEM NOT ILLUSTRATED

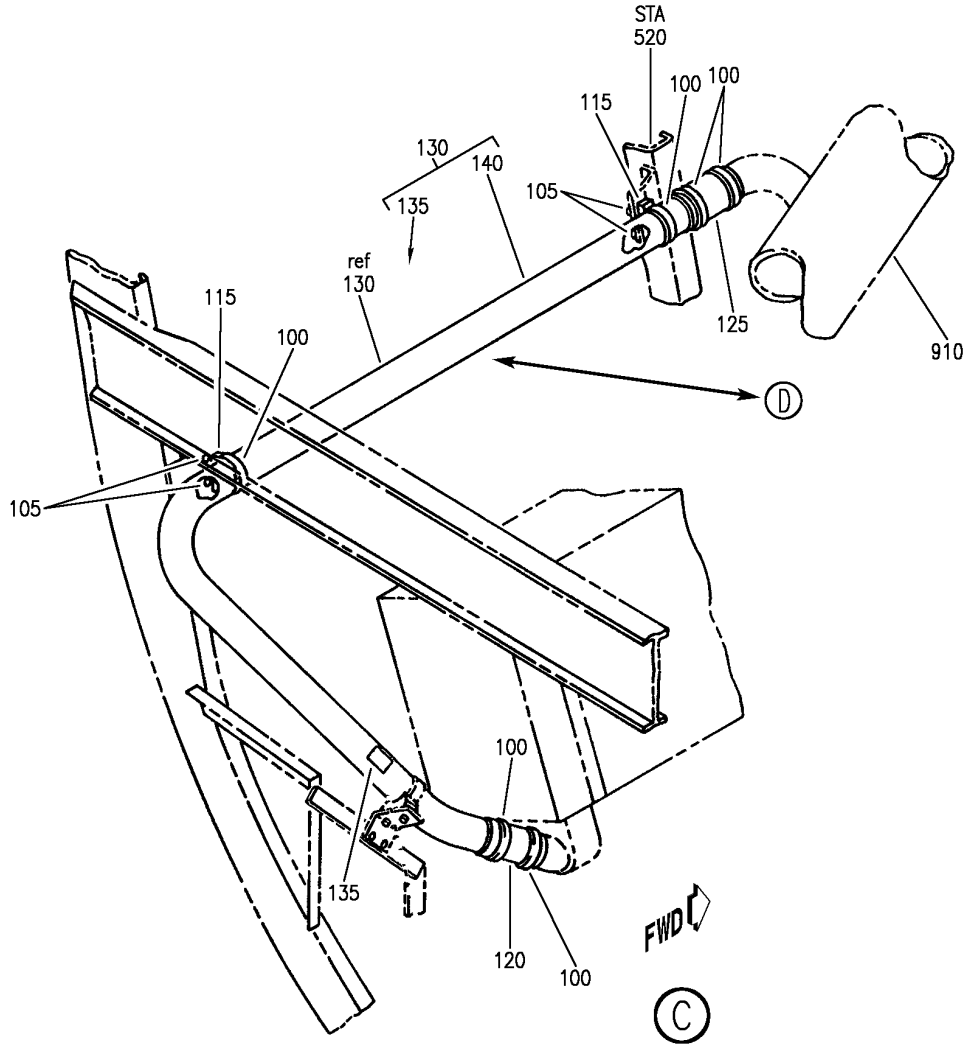
BRI

21-58-54-02

BOEING PROPRIETARY - Copyright © - Unpublished Work - See title page for details.

21-58-54
FIG. 02
PAGE 1
JAN 20/09

BOEING
757
PARTS CATALOG (MAINTENANCE)



Y 21585501 SH1 2 REV 315

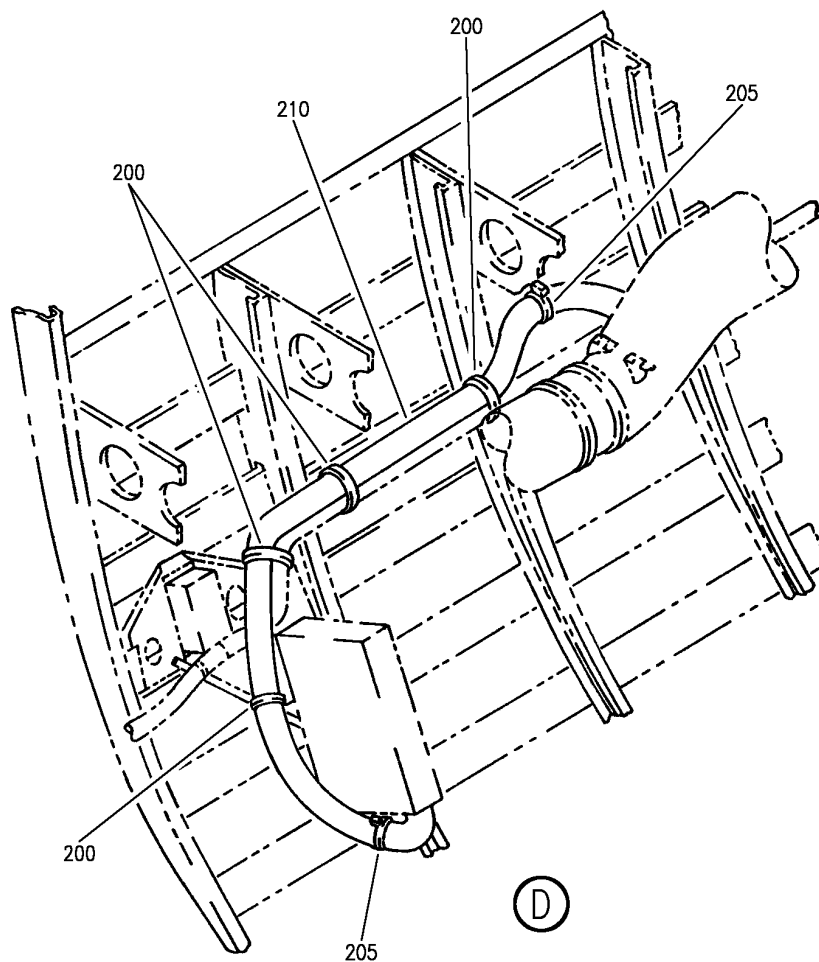
DUCT INSTL-PURGE AIR SUPPLY ELECTRICAL/ ELECTRONIC COOLING SYSTEM FWD
FIGURE 1

21-58-55-01

BRI
SEP 28/07

21-58-55-01
PAGE 0A

BOEING
757
PARTS CATALOG (MAINTENANCE)



Y 21585501 SH1 3 REV 315

DUCT INSTL-PURGE AIR SUPPLY ELECTRICAL/ ELECTRONIC COOLING SYSTEM FWD
FIGURE 1

BRI
SEP 28/07

21-58-55-01

21-58-55-01
PAGE 0B



757

PARTS CATALOG (MAINTENANCE)

| FIG ITEM | PART NUMBER | 1 2 3 4 5 6 7 | NOMENCLATURE | EFFECT FROM TO | UNITS PER ASSY |
|-------------------------------------|----------------|---------------|--|--|----------------|
| 1 | | | DUCT INSTL-PURGE AIR SUPPLY ELECTRICAL/ELECTRONIC COOLING SYSTEM FWD | 002004 006100 107107 121503 904999 | |
| - 1 | 217N1041-1 | | DUCT INSTL-PURGE AIR SUPPLY ELECTRICAL/ELECTRONIC COOLING SYSTEM POSITION DATA: FWD FOR NHA SEE: 21-00-00-04 | 002004 006010 107107 121503 904999 | RF |
| - 1 | 217N1041-8 | | DUCT INSTL-PURGE AIR SUPPLY ELECTRICAL/ELECTRONIC COOLING SYSTEM POSITION DATA: FWD FOR NHA SEE: 21-00-00-04 | 011100 | RF |
| 5 | 32 | | .CLAMP- SUPPLIER CODE: V7Z588 SPECIFICATION NUMBER: STBC10GG66-82 OPTIONAL PART: WWD66-82H V66295 | 002004 006010 107107 121503 904999 | 6 |
| 5 | NAS1922-0200-3 | | .CLAMP- | 011100 | 6 |
| 6 | 32 | | .CLAMP- SUPPLIER CODE: V7Z588 SPECIFICATION NUMBER: STBC10GG66-82 OPTIONAL PART: WWD66-82H V66295 | 002004 006010 107107 121503 904999 | 1 |
| 6 | NAS1922-0200-3 | | .CLAMP- | 011100 | 1 |
| 7 | MS21919WDG32 | | .CLAMP- | 002004 006100 107107 121503 904999 | 1 |
| - 8 | BACS12FA3K8 | | ATTACHING PARTS .SCREW- | 002004 006100 107107 121503 904999 | 1 |
| -----*----- | | | | | |
| MISSING ITEM NUMBERS NOT APPLICABLE | | | | | |

- ITEM NOT ILLUSTRATED

21-58-55-01

21-58-55
FIG. 01
PAGE 1
JAN 20/09

BRI

BOEING PROPRIETARY - Copyright © - Unpublished Work - See title page for details.



757

PARTS CATALOG (MAINTENANCE)

| FIG ITEM | PART NUMBER | 1 2 3 4 5 6 7 | NOMENCLATURE | EFFECT FROM TO | UNITS PER ASSY |
|----------|--------------|---------------|--|--|----------------|
| 1 | | | | | |
| 10 | BACS12ER3K6 | . | SCREW- | 002004 006010 107107 121503 904999 | 8 |
| 12 | BACS12ER3K6 | . | SCREW- | 011100 | 6 |
| 25 | 2055155-5B | . | CLIP-STGR SUPPLIER CODE: V04169 | 002004 006010 107107 121503 904999 | 8 |
| 27 | 2055155-5B | . | CLIP-STGR SUPPLIER CODE: V04169 | 011100 | 6 |
| 30 | MS3367-2-9 | . | STRAP- | 002004 006010 107107 121503 904999 | 8 |
| 33 | PLT4SM | . | STRAP- SUPPLIER CODE: V06383 SPECIFICATION NUMBER: BACS38K2 OPTIONAL PART: T05L0 V53421 | 011100 | 6 |
| 35 | TM2S8 | . | PLATE- SUPPLIER CODE: V06383 SPECIFICATION NUMBER: STBP19M9 | 002004 006010 107107 121503 904999 | 8 |
| 36 | TM2S8 | . | PLATE- SUPPLIER CODE: V06383 SPECIFICATION NUMBER: STBP19M9 | 011100 | 6 |
| 40 | AS1506-08D42 | . | HOSE- | 002004 006100 107107 121503 904999 | 2 |
| 43 | AS1506-08D42 | . | HOSE- | 002004 006100 107107 121503 904999 | 1 |

MISSING ITEM NUMBERS NOT APPLICABLE

- ITEM NOT ILLUSTRATED

BRI

21-58-55-01

BOEING PROPRIETARY - Copyright © - Unpublished Work - See title page for details.

21-58-55
FIG. 01
PAGE 2
JAN 20/09



757

PARTS CATALOG (MAINTENANCE)

| FIG ITEM | PART NUMBER | 1 2 3 4 5 6 7 | NOMENCLATURE | EFFECT FROM TO | UNITS PER ASSY |
|----------|-------------|---------------|--|--|----------------|
| 1 | | | | | |
| 45 | 217N1038-3 | . | DUCT ASSY- | 002004 006010 107107 121503 904999 | 1 |
| 45 | 217N1038-5 | . | DUCT ASSY- | 011100 | 1 |
| 50 | 217N1037-5 | . | DUCT ASSY- | 011100 | 1 |
| 50 | 217N1037-3 | . | DUCT ASSY- | 002004 006010 107107 121503 904999 | 1 |
| 55 | 217N1036-7 | . | DUCT ASSY- | 011100 | 1 |
| 55 | 217N1036-3 | . | DUCT ASSY- | 002004 006010 107107 121503 904999 | 1 |
| 60 | BACS12FA3K7 | . | SCREW- | 002004 006100 107107 121503 904999 | 2 |
| 65 | AN960KD10L | . | WASHER- | 002004 006100 107107 121503 904999 | 2 |
| 70 | BRH10C3D | . | NUT- SUPPLIER CODE: V52828 SPECIFICATION NUMBER: BACN10JC3CD OPTIONAL PART: T6C1032JCD V11815 NS202486-02 V80539 102LH9075-3W V72962 H51650-3BAC V15653 | 002004 006100 107107 121503 904999 | 2 |
| 75 | 214T3424-2 | . | SUPPORT- | 002004 006100 107107 121503 904999 | 1 |
| 80 | 217N1020-1 | . | BRACKET- | 107107 | 1 |

MISSING ITEM NUMBERS NOT APPLICABLE

- ITEM NOT ILLUSTRATED

BRI

21-58-55-01

21-58-55
FIG. 01
PAGE 3
JAN 20/09



757

PARTS CATALOG (MAINTENANCE)

| FIG ITEM | PART NUMBER | 1 2 3 4 5 6 7 | NOMENCLATURE | EFFECT FROM TO | UNITS PER ASSY |
|-------------|---------------|---------------|--|--|----------------------|
| 1 | 80 217N1020-3 | | .BRACKET- | 002004 006100 121503 904999 | 1 |
| | 900 | | ILLUSTRATION REFERENCE: DUCT INSTL-SECT. 43 LAV/GALLEY VENT SYSTEM 21-26-09-01 | 002004 006010 107107 121503 904949 | RF |
| | 905 | | ILLUSTRATION REFERENCE: HEAT SINK INSTL-STA 520 TO 560 ELECTRICAL/ ELECTRONICS COMPT AIR SUPPLY 21-58-06-02 | 002004 006100 107107 121503 904999 | RF |

MISSING ITEM NUMBERS NOT APPLICABLE

- ITEM NOT ILLUSTRATED

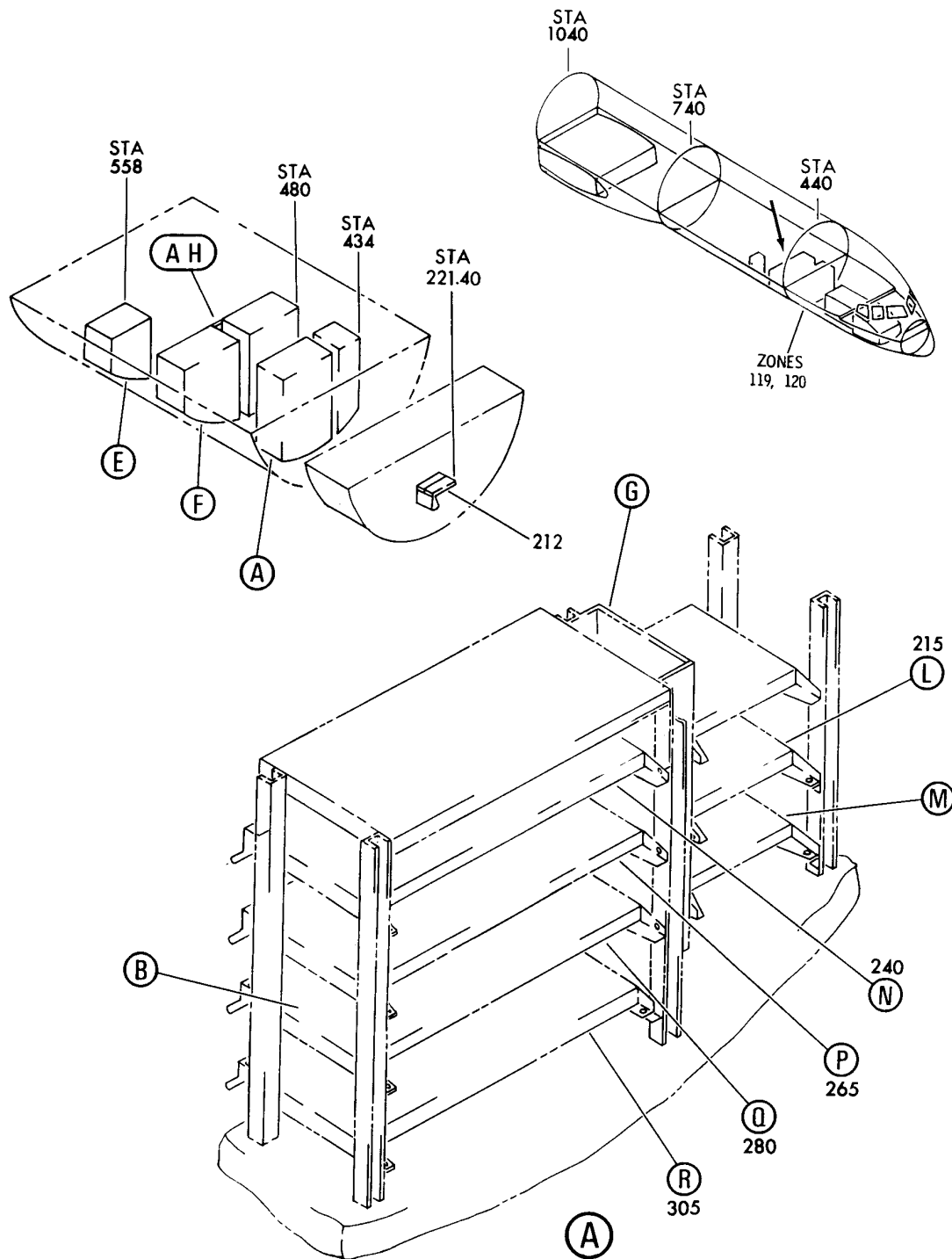
BRI

21-58-55-01

BOEING PROPRIETARY - Copyright © - Unpublished Work - See title page for details.

21-58-55
FIG. 01
PAGE 4
JAN 20/09

BOEING
757
PARTS CATALOG (MAINTENANCE)



Y 21585801 SHT 1 REV 167

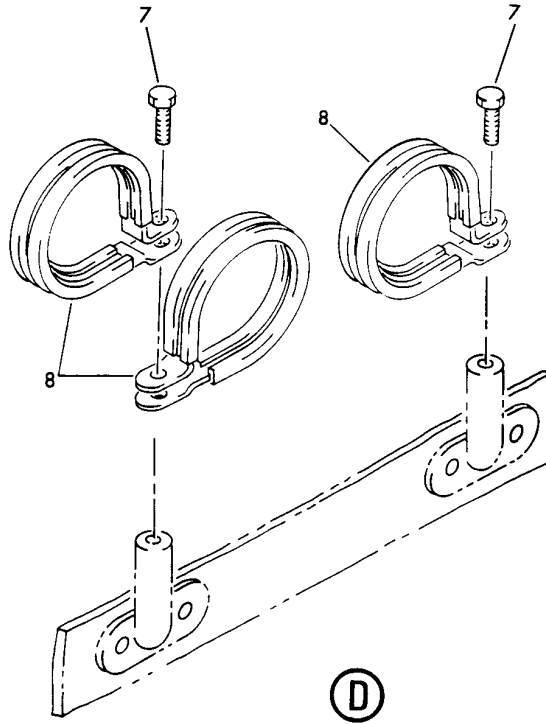
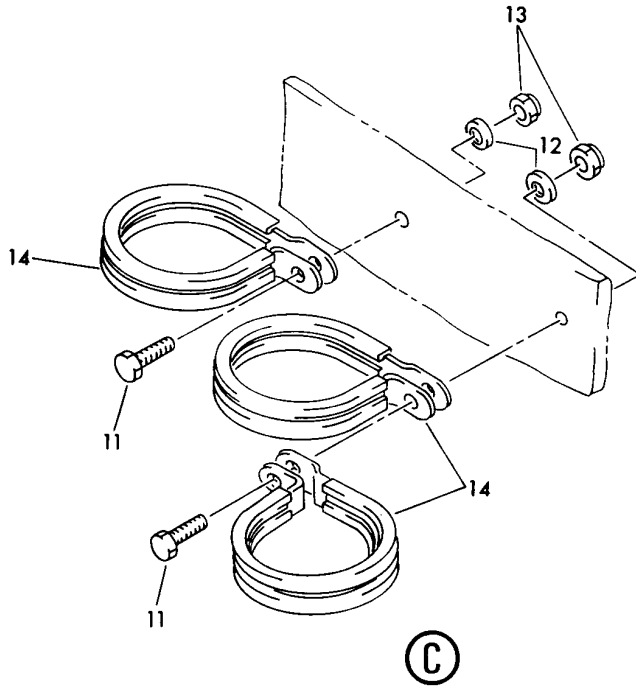
SHELF INSTL-ELECTRONIC EQPT CTR ELECTRICAL/ELECTRONIC RACKS (AIR CONDITIONING ONLY)
FIGURE 1 (SHEET 1)

21-58-58-01

BRI
MAY 28/07

21-58-58-01
PAGE 0

BOEING
757
PARTS CATALOG (MAINTENANCE)



Y 21585801 SHT 3 REV 167

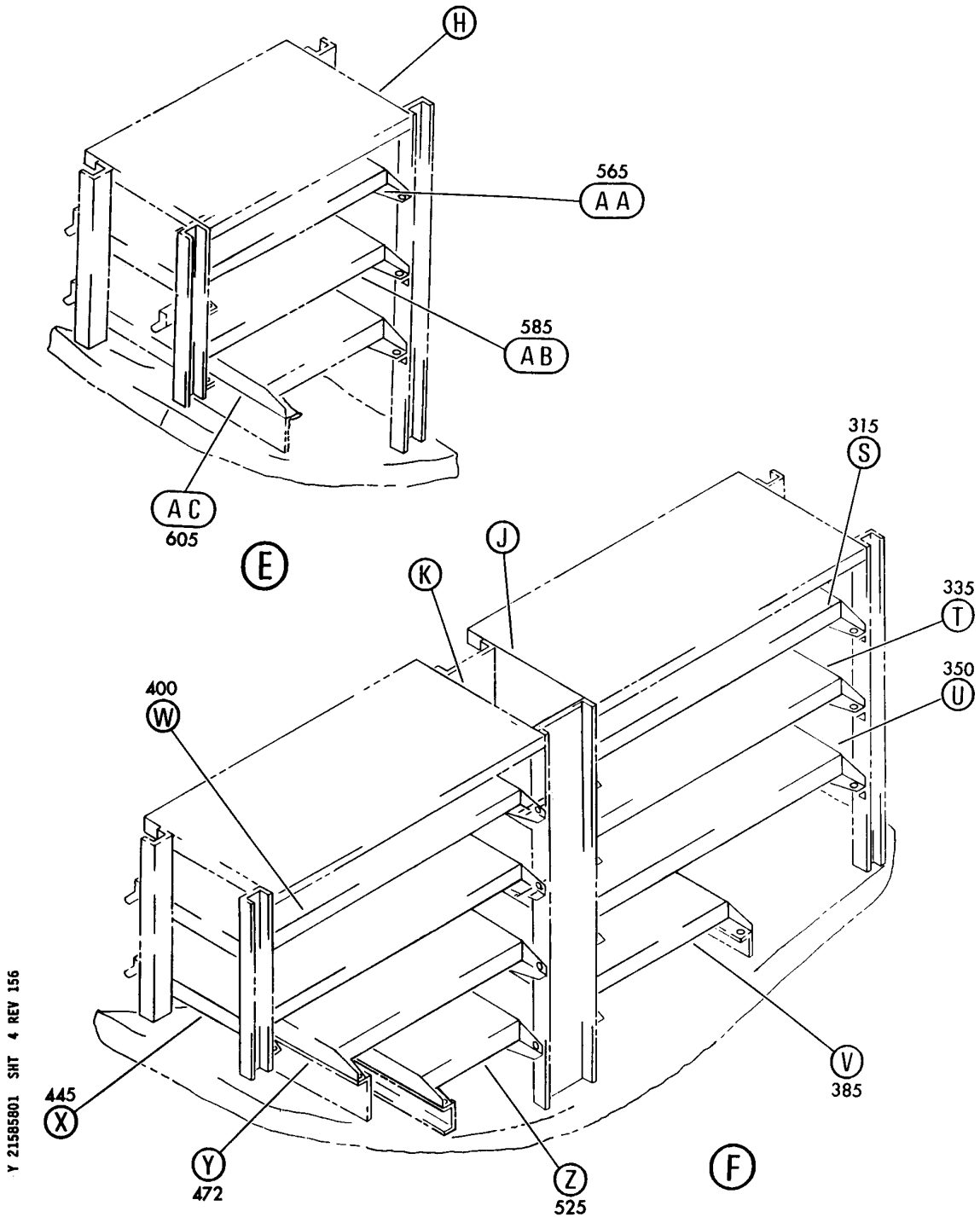
SHELF INSTL-ELECTRONIC EQPT CTR ELECTRICAL/ELECTRONIC RACKS (AIR CONDITIONING ONLY)
FIGURE 1 (SHEET 3)

21-58-58-01

BRI
MAY 28/07

21-58-58-01
PAGE 0B

BOEING
757
PARTS CATALOG (MAINTENANCE)



Y 21585801 SHT 4 REV 156

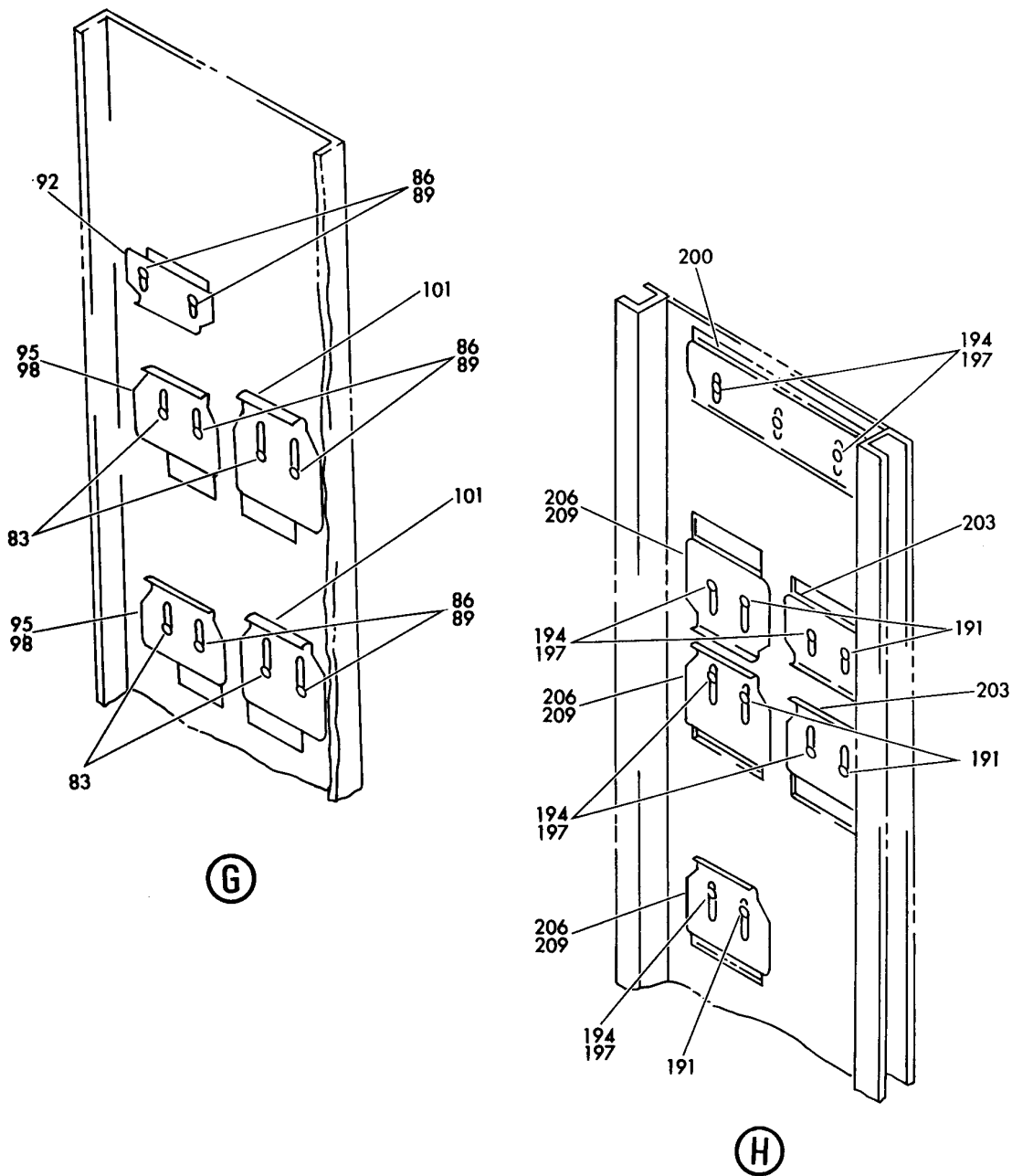
SHELF INSTL-ELECTRONIC EQPT CTR ELECTRICAL/ELECTRONIC RACKS (AIR CONDITIONING ONLY)
FIGURE 1 (SHEET 4)

21-58-58-01

BRI
MAY 28/07

21-58-58-01
PAGE 0C

BOEING
757
PARTS CATALOG (MAINTENANCE)



Y 21585801 SHT 5 REV 156

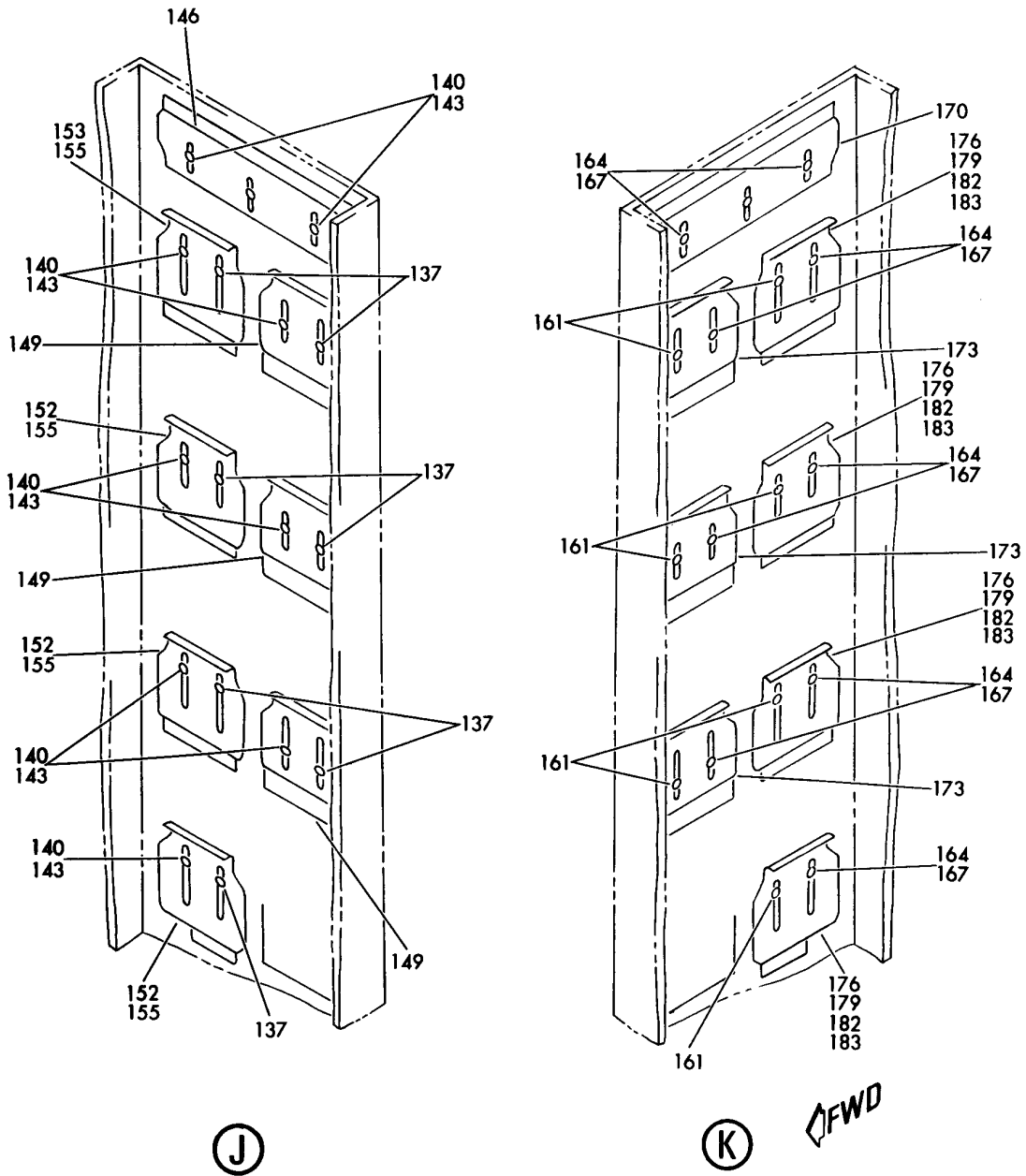
SHELF INSTL-ELECTRONIC EQPT CTR ELECTRICAL/ELECTRONIC RACKS (AIR CONDITIONING ONLY)
FIGURE 1 (SHEET 5)

BRI
MAY 28/07

21-58-58-01

21-58-58-01
PAGE 0D

BOEING
757
PARTS CATALOG (MAINTENANCE)



Y 21585801 SH1 6 REV 156

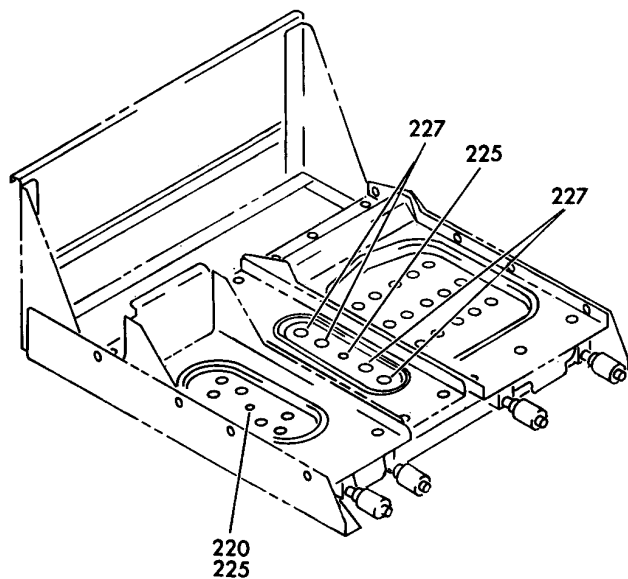
SHELF INSTL-ELECTRONIC EQPT CTR ELECTRICAL/ELECTRONIC RACKS (AIR CONDITIONING ONLY)
FIGURE 1 (SHEET 6)

BRI
MAY 28/07

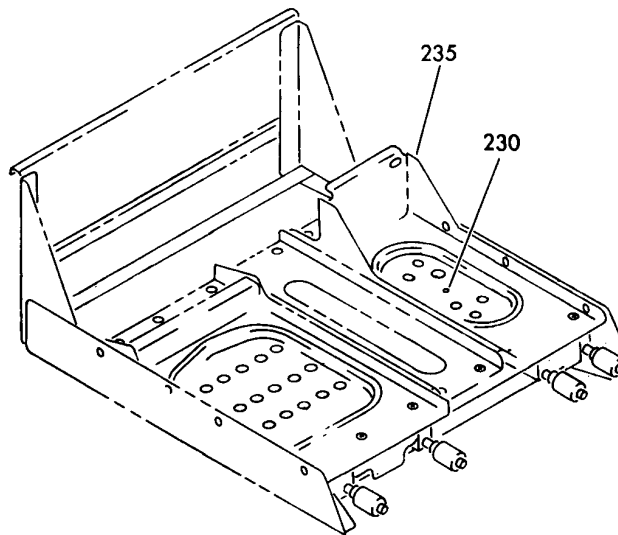
21-58-58-01

21-58-58-01
PAGE 0E

BOEING
757
PARTS CATALOG (MAINTENANCE)



(L)



(M)

Y 21585801 SHT 7 REV 156

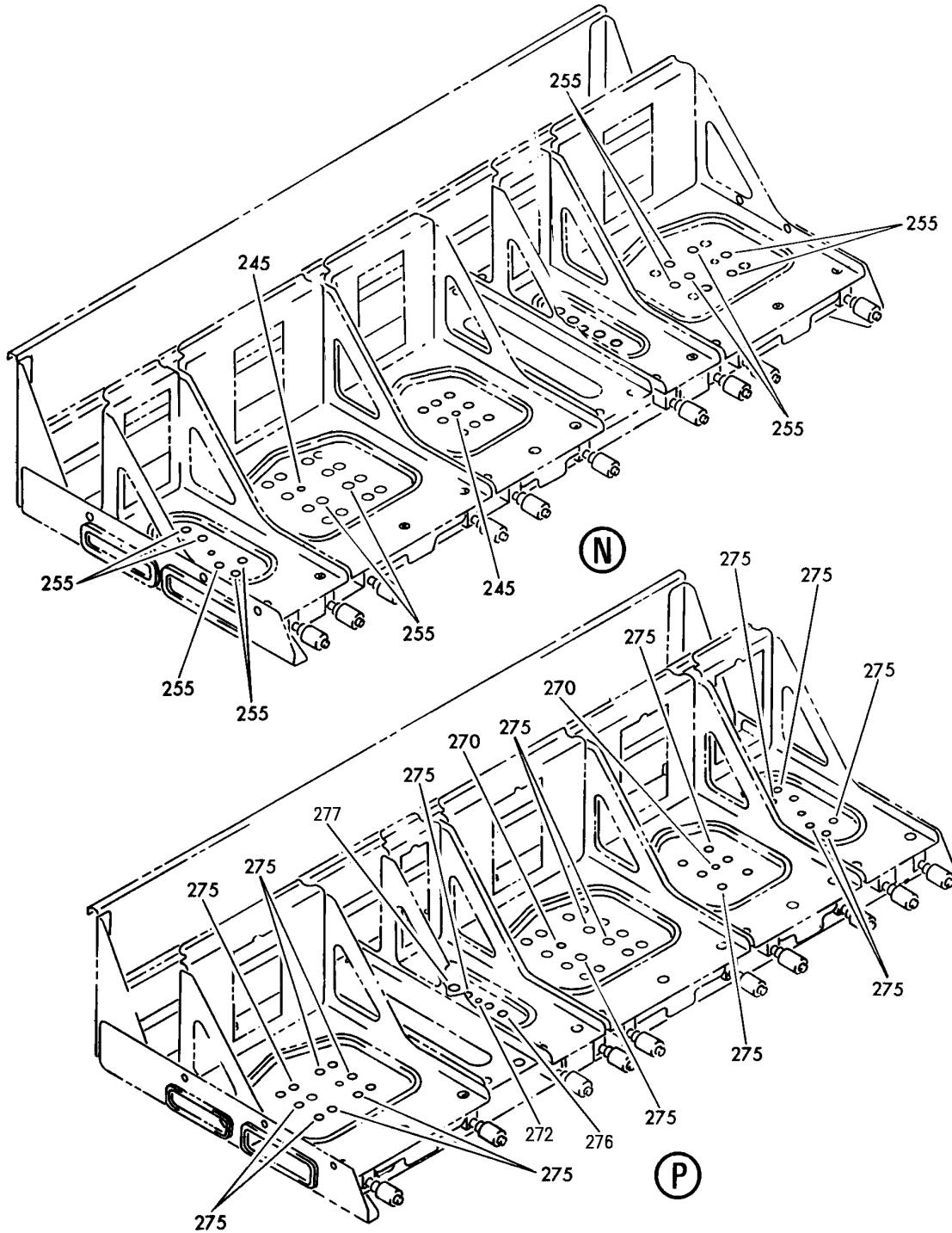
SHELF INSTL-ELECTRONIC EQPT CTR ELECTRICAL/ELECTRONIC RACKS (AIR CONDITIONING ONLY)
FIGURE 1 (SHEET 7)

BRI
MAY 28/07

21-58-58-01

21-58-58-01
PAGE OF

BOEING
757
PARTS CATALOG (MAINTENANCE)



Y 21585801 - SHT 8 REV 326

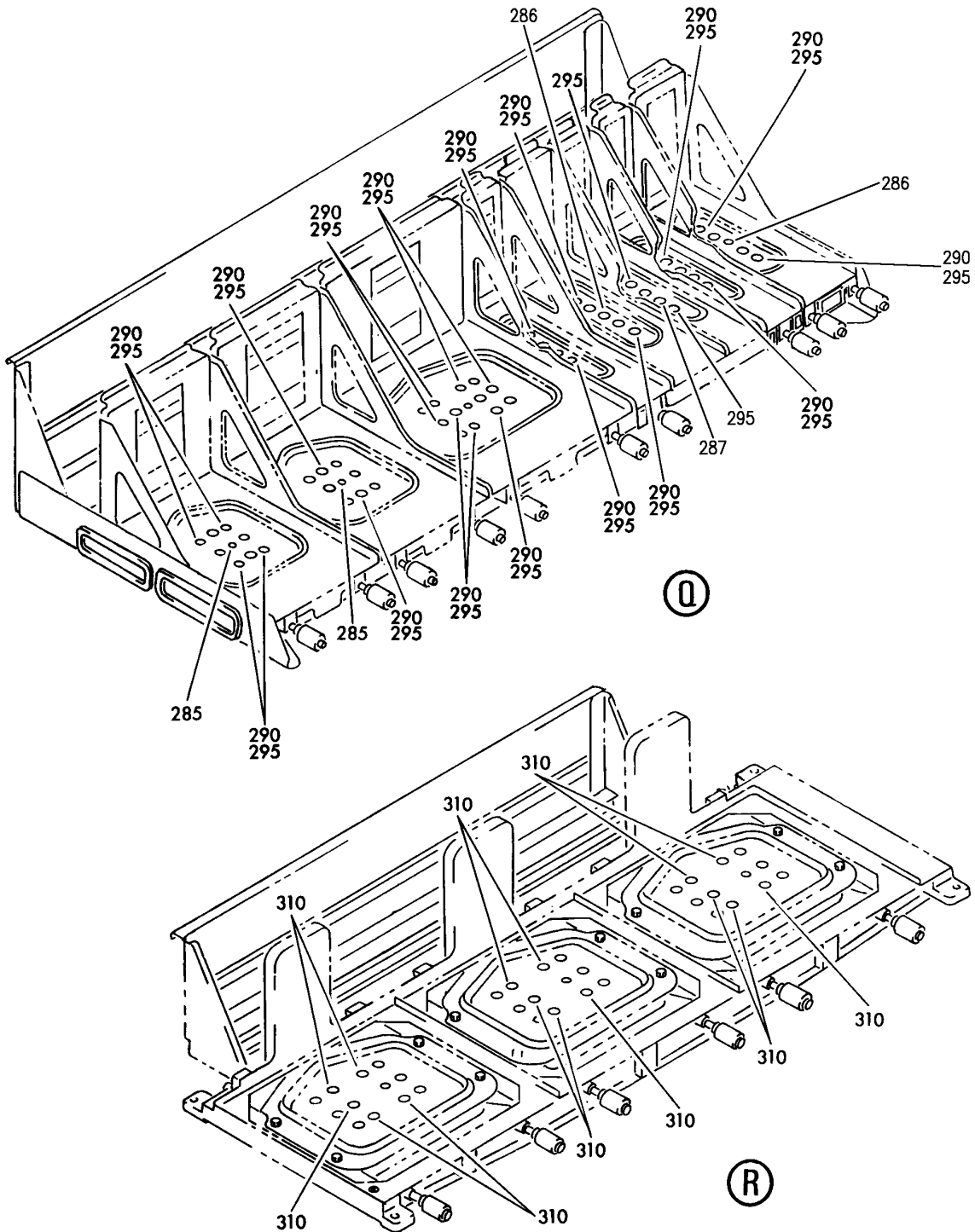
SHELF INSTL-ELECTRONIC EQPT CTR ELECTRICAL/ELECTRONIC RACKS (AIR CONDITIONING ONLY)
FIGURE 1 (SHEET 8)

21-58-58-01

BRI
SEP 20/08

21-58-58-01
PAGE 08

BOEING
757
PARTS CATALOG (MAINTENANCE)



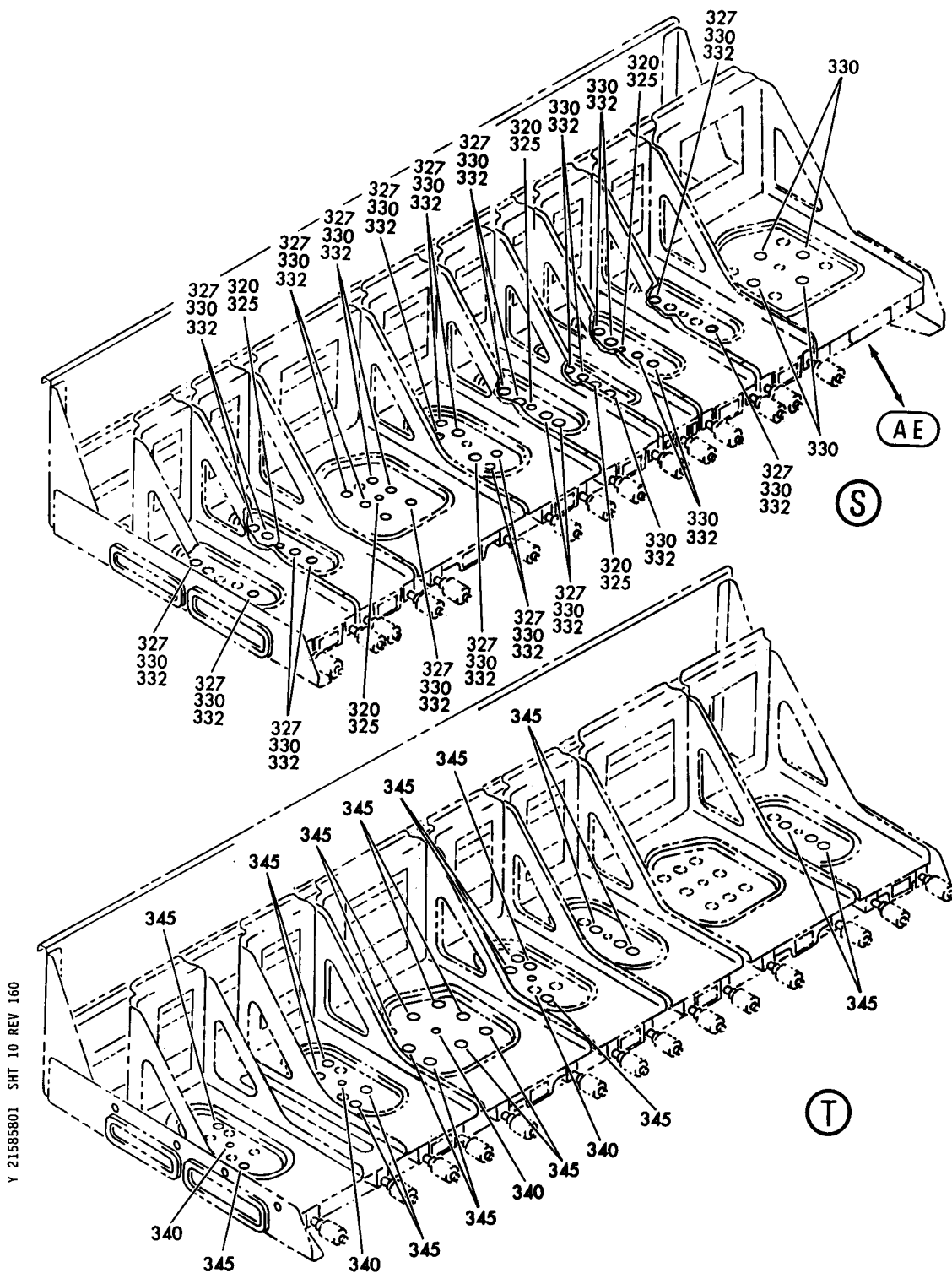
Y 21585801 SHT 9 REV 326

SHELF INSTL-ELECTRONIC EQPT CTR ELECTRICAL/ELECTRONIC RACKS (AIR CONDITIONING ONLY)
FIGURE 1 (SHEET 9)

21-58-58-01

BRI
SEP 20/08

21-58-58-01
PAGE 0H



Y 21585801 SMT 10 REV 160

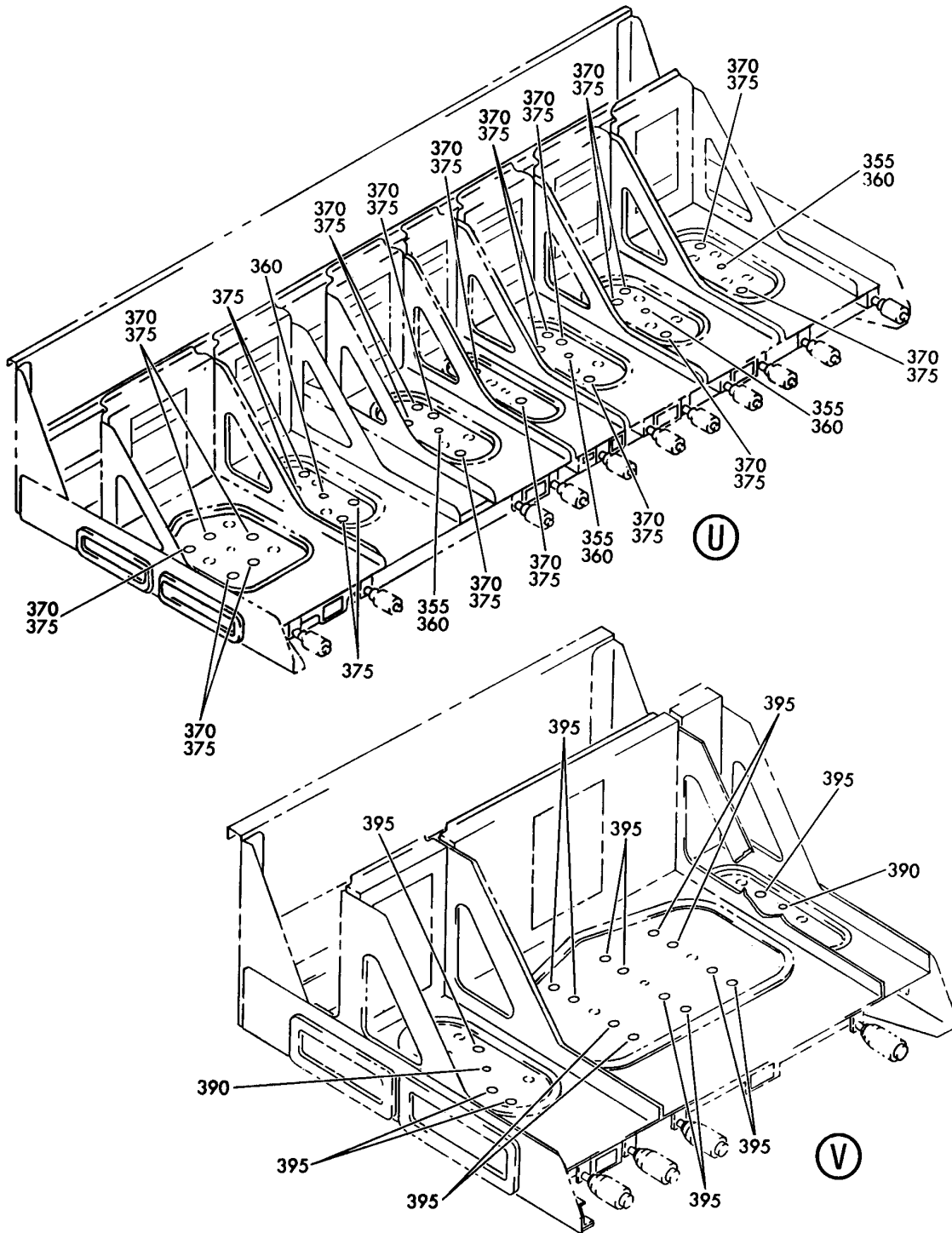
SHELF INSTL-ELECTRONIC EQPT CTR ELECTRICAL/ELECTRONIC RACKS (AIR CONDITIONING ONLY)
FIGURE 1 (SHEET 10)

BRI
MAY 28/07

21-58-58-01

21-58-58-01
PAGE 01

BOEING
757
PARTS CATALOG (MAINTENANCE)



Y 21585801 SHT 11 REV 326

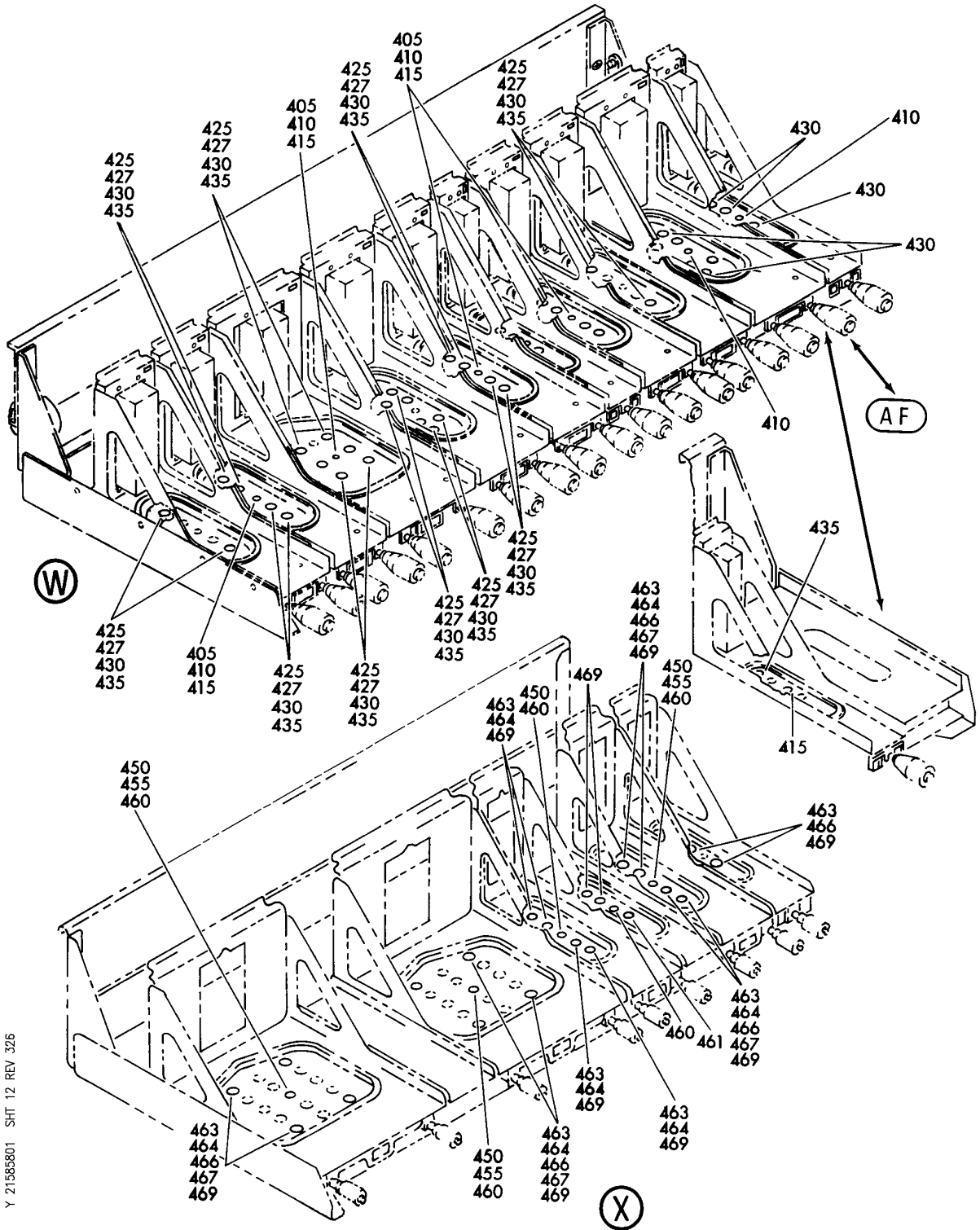
SHELF INSTL-ELECTRONIC EQPT CTR ELECTRICAL/ELECTRONIC RACKS (AIR CONDITIONING ONLY)
FIGURE 1 (SHEET 11)

21-58-58-01

BRI
SEP 20/08

21-58-58-01
PAGE 0J

BOEING
757
PARTS CATALOG (MAINTENANCE)



Y 21585801 - SHT 12 REV 326

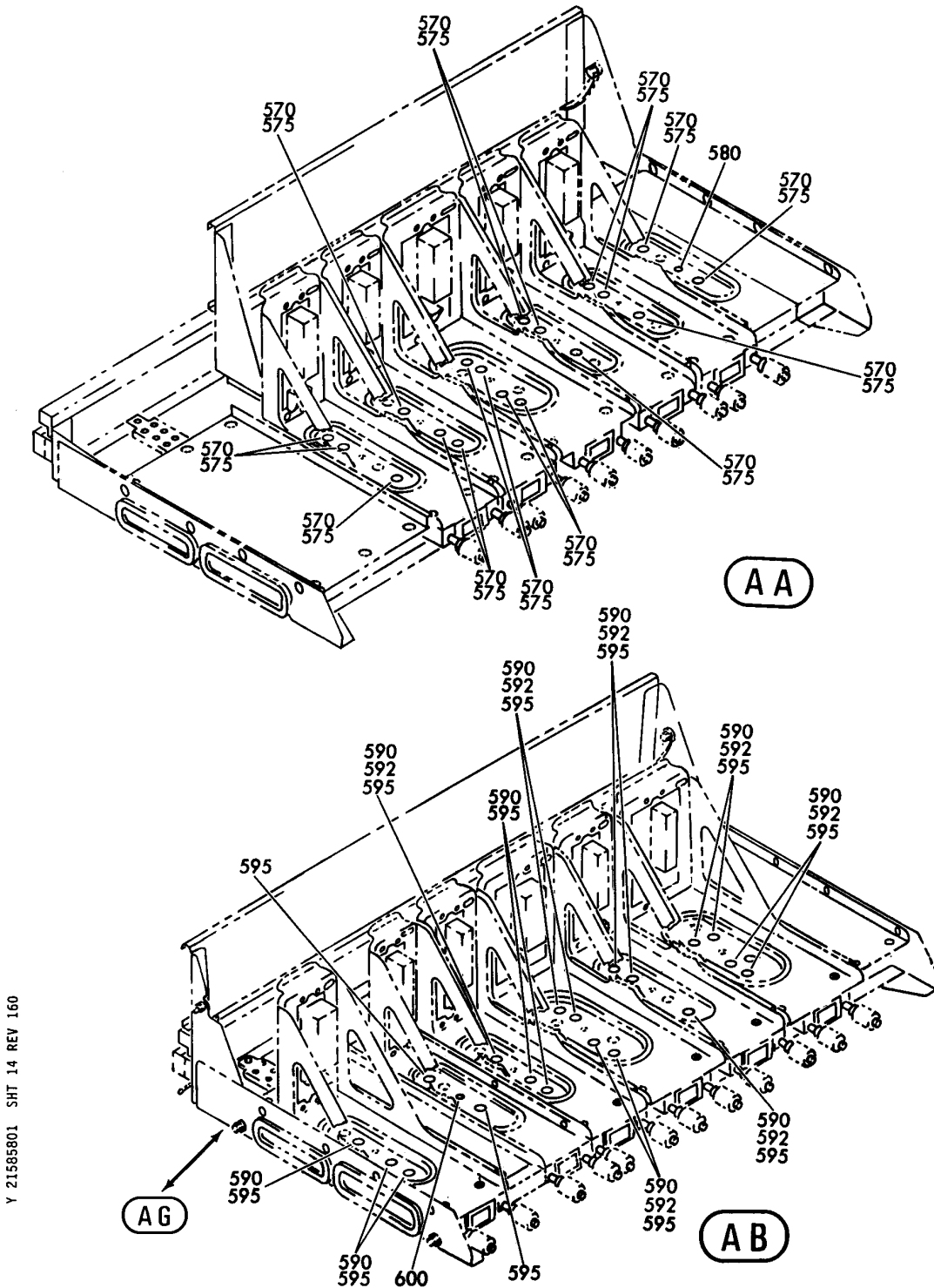
SHELF INSTL-ELECTRONIC EQPT CTR ELECTRICAL/ELECTRONIC RACKS (AIR CONDITIONING ONLY)
FIGURE 1 (SHEET 12)

21-58-58-01

BRI
SEP 20/08

21-58-58-01
PAGE OK

BOEING
757
PARTS CATALOG (MAINTENANCE)



Y 21585801 SHT 14 REV 160

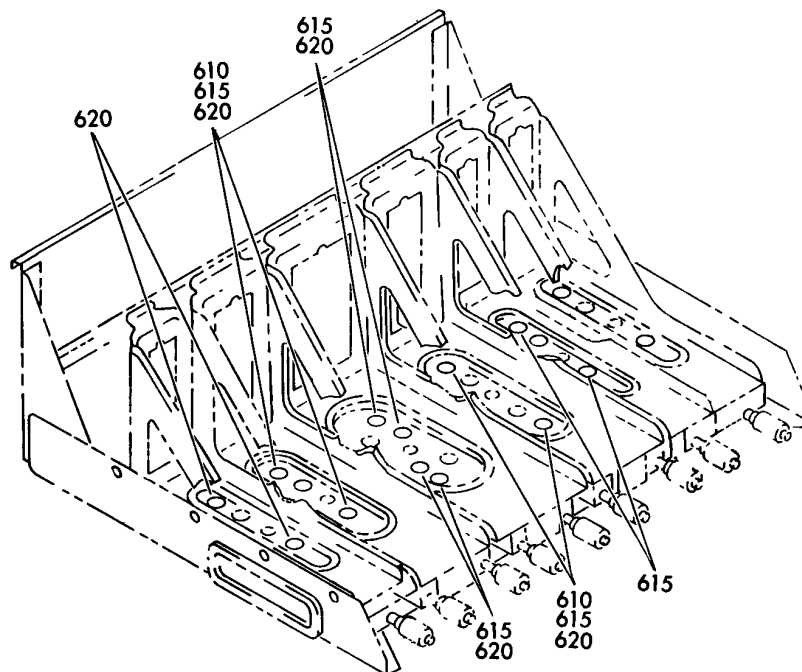
SHELF INSTL-ELECTRONIC EQPT CTR ELECTRICAL/ELECTRONIC RACKS (AIR CONDITIONING ONLY)
FIGURE 1 (SHEET 14)

21-58-58-01

BRI
MAY 28/07

21-58-58-01
PAGE 0M

BOEING
757
PARTS CATALOG (MAINTENANCE)



AC

Y 21585801 SH1 15 REV 326

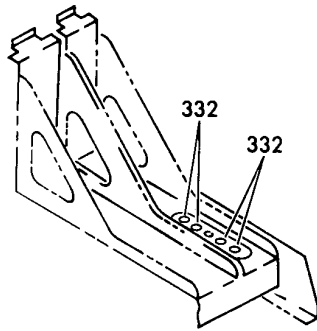
SHELF INSTL-ELECTRONIC EQPT CTR ELECTRICAL/ELECTRONIC RACKS (AIR CONDITIONING ONLY)
FIGURE 1 (SHEET 15)

BRI
SEP 20/08

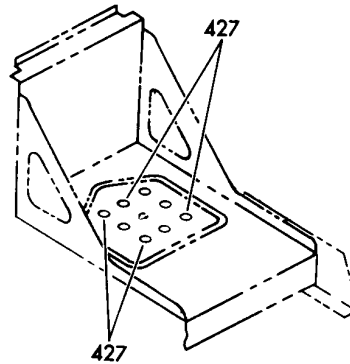
21-58-58-01

21-58-58-01
PAGE 08

BOEING
757
PARTS CATALOG (MAINTENANCE)



AE

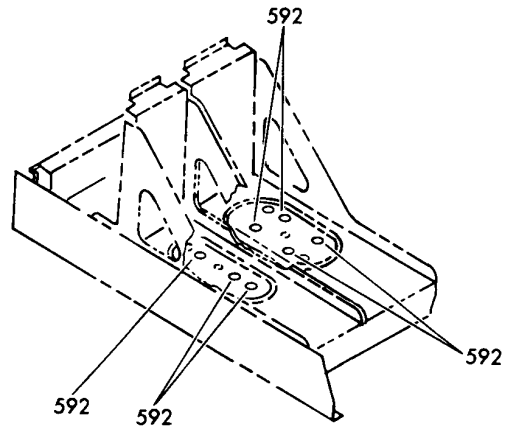


AF

INSTRUCTIONS FOR INSTALLATION AND REMOVAL OF ELECTRONIC BOXES

1. TO INSTALL, PLACE BOX ON TRAY AND SLIDE INTO POSITION TO MATE REAR CONNECTOR. APPLY A HORIZONTAL FORCE BY HAND TO FULLY ENGAGE THE CONNECTOR.
2. PLACE KEEPER RING OF HOLD DOWNS OVER HOOKS ON BOX. ROTATE KEEPER SO THAT THE DEEP SLOT ALIGNS WITH HOOK. (SEE FIG I)
3. TURN HOLD DOWN KNOBS CW UNTIL CLUTCH LIMIT IS REACHED. (REPEATED CLICKING IS FELT AS KNOB IS TURNED)
4. TO REMOVE BOX, TURN KNOBS CCW WHILE APPLYING A SLIGHT DOWNWARD PRESSURE BY HAND TO THE BOX HANDLE. BACK THE BOX OUT OF THE CONNECTOR APPROX .50 INCH. (SEE FIG II)
5. ROTATE KEEPER RING TO RELEASE HOLD DOWNS AND SLIDE BOX FROM THE TRAY.

AH



AG

Y 21585801 SHT 16 REV 167

SHELF INSTL-ELECTRONIC EQPT CTR ELECTRICAL/ELECTRONIC RACKS (AIR CONDITIONING ONLY)
FIGURE 1 (SHEET 16)

21-58-58-01

BRI
MAY 28/07

21-58-58-01
PAGE 00



757

PARTS CATALOG (MAINTENANCE)

| FIG ITEM | PART NUMBER | 1 2 3 4 5 6 7 | NOMENCLATURE | EFFECT FROM TO | UNITS PER ASSY |
|----------|--------------|---------------|---|--|----------------|
| 1 | | | SHELF INSTL-ELECTRONIC EQPT CTR ELECTRICAL/ELECTRONIC RACKS (AIR CONDITIONING ONLY) | 002004 006100 107107 121503 904999 | |
| - 3 | 284N1310-28 | | SHELF INSTL-ELECTRONIC EQPT CTR ELECTRICAL/ELECTRONIC RACKS (AIR CONDITIONING ONLY) FOR NHA/OTHER SYS DET SEE: 24-00-58-01 | 107107 | RF |
| - 3 | 284N1310-34 | | SHELF INSTL-ELECTRONIC EQPT CTR ELECTRICAL/ELECTRONIC RACKS (AIR CONDITIONING ONLY) FOR NHA/OTHER SYS DET SEE: 24-00-58-01 | 121503 904949 | RF |
| - 4 | 284N1310-50 | | SHELF INSTL-ELECTRONIC EQPT CTR ELECTRICAL/ELECTRONIC RACKS (AIR CONDITIONING ONLY) FOR NHA/OTHER SYS DET SEE: 24-00-58-01 | 952999 | RF |
| - 4 | 284N1310-51 | | SHELF INSTL-ELECTRONIC EQPT CTR ELECTRICAL/ELECTRONIC RACKS (AIR CONDITIONING ONLY) FOR NHA/OTHER SYS DET SEE: 24-00-58-01 | 002004 006100 | RF |
| - 4 | 284N1310-55 | | SHELF INSTL-ELECTRONIC EQPT CTR ELECTRICAL/ELECTRONIC RACKS (AIR CONDITIONING ONLY) FOR NHA/OTHER SYS DET SEE: 24-00-58-01 | 950951 | RF |
| 6 | BAC27TEX3028 | | .DECAL- | 107107 904949 | 1 |
| 6 | BAC27NEX2409 | | .DECAL- | 002004 006100 121503 950999 | 1 |
| 7 | NAS1801-3-10 | | .SCREW | 002004 006100 107107 121503 904999 | 6 |

MISSING ITEM NUMBERS NOT APPLICABLE

- ITEM NOT ILLUSTRATED

21-58-58-01

21-58-58
FIG. 01
PAGE 1
JAN 20/09

BRI



757

PARTS CATALOG (MAINTENANCE)

| FIG ITEM | PART NUMBER | 1 2 3 4 5 6 7 | NOMENCLATURE | EFFECT FROM TO | UNITS PER ASSY |
|----------|-----------------|---------------|---|--|----------------|
| 1 | 8 JM44LC13WS24R | | .CLAMP- SUPPLIER CODE: V22175 SPECIFICATION NUMBER: BACC10GE24 OPTIONAL PART: S369WH24 V18076 TA12C32WS24 V84971 509S24 V83930 | 002004 006017 107107 121503 904999 | 7 |
| | 8 JM44LC13WS17R | | .CLAMP- SUPPLIER CODE: V22175 SPECIFICATION NUMBER: BACC10GE17 OPTIONAL PART: S369WH17 V18076 TA12C32WS17 V84971 509S17 V83930 | 018100 | 7 |
| | 9 JM44LC13WS17R | | .CLAMP SUPPLIER CODE: V22175 SPECIFICATION NUMBER: BACC10GE17 OPTIONAL PART: S369WH17 V18076 TA12C32WS17 V84971 509S17 V83930 | 018100 | 1 |
| 10 | 16 | | .CLAMP-HOSE SUPPLIER CODE: V7Z588 SPECIFICATION NUMBER: STBC10GG38-48 OPTIONAL PART: WWD38-48H V66295 | 002004 006100 107107 121503 904999 | 6 |
| | 11 NAS1801-3-12 | | .SCREW | 002004 006100 107107 121503 904999 | 2 |

MISSING ITEM NUMBERS NOT APPLICABLE

- ITEM NOT ILLUSTRATED

21-58-58-01

21-58-58
FIG. 01
PAGE 2
JAN 20/09

BRI



757

PARTS CATALOG (MAINTENANCE)

| FIG ITEM | PART NUMBER | 1 2 3 4 5 6 7 | NOMENCLATURE | EFFECT FROM TO | UNITS PER ASSY |
|----------|------------------|---------------|--------------|--|----------------|
| 1 | 12 NAS1149D0332J | . | WASHER- | 002004 006100 107107 121503 904999 | 2 |
| | 13 BRH10C3D | . | NUT- | 002004 006100 107107 121503 904999 | 2 |
| | 14 S258DT24 | . | CLAMP- | 002004 006017 107107 121503 904999 | 3 |
| | 14 JM44LC13WS17R | . | CLAMP- | 018100 | 3 |

MISSING ITEM NUMBERS NOT APPLICABLE

- ITEM NOT ILLUSTRATED

BRI

21-58-58-01

21-58-58
FIG. 01
PAGE 3
JAN 20/09



757

PARTS CATALOG (MAINTENANCE)

| FIG ITEM | PART NUMBER | 1 2 3 4 5 6 7 | NOMENCLATURE | EFFECT FROM TO | UNITS PER ASSY |
|----------|-----------------|---------------|---|--|----------------|
| 1 | | | | | |
| 15 | BOE2027-04D0222 | .HOSE- | SUPPLIER CODE: V16632 SPECIFICATION NUMBER: AS1503-04D0222 | 002004 006017 107107 121503 904999 | 1 |
| 15 | BOE2027-04D0240 | .HOSE- | SUPPLIER CODE: V16632 SPECIFICATION NUMBER: AS1503-04D0240 | 018100 | 1 |
| 20 | BOE2027-04D0380 | .HOSE- | SUPPLIER CODE: V16632 SPECIFICATION NUMBER: AS1503-04D0380 | 002004 006017 107107 121503 904999 | 1 |
| 20 | BOE2027-04D0392 | .HOSE- | SUPPLIER CODE: V16632 SPECIFICATION NUMBER: AS1503-04D0392 | 018100 | 1 |
| 25 | BOE2027-04D0500 | .HOSE- | SUPPLIER CODE: V16632 SPECIFICATION NUMBER: AS1503-04D0500 | 002004 006017 107107 121503 904999 | 1 |
| 25 | BOE2027-04D0530 | .HOSE- | SUPPLIER CODE: V16632 SPECIFICATION NUMBER: AS1503-04D0530 | 018100 | 1 |
| 30 | BACB30LU2-2 | .BOLT- | | 002004 006100 121503 904949 952999 | 2 |
| 35 | NAS1801-08-8 | .SCREW- | | 002004 006100 121503 904949 952999 | 2 |
| 40 | NAS1801-08-6 | .SCREW- | | 002004 006100 121503 904949 952999 | 4 |

MISSING ITEM NUMBERS NOT APPLICABLE

- ITEM NOT ILLUSTRATED

21-58-58-01

21-58-58
FIG. 01
PAGE 4
JAN 20/09

BRI



757

PARTS CATALOG (MAINTENANCE)

| FIG ITEM | PART NUMBER | 1 2 3 4 5 6 7 | NOMENCLATURE | EFFECT FROM TO | UNITS PER ASSY |
|----------|------------------|---------------|--|--|----------------|
| 1 | 45 NAS620A8L | . | WASHER- | 002004 006100 121503 904949 952999 | 8 |
| | 50 BRH10A08 | . | NUT- | 002004 006100 121503 904949 952999 | 6 |
| | | | SUPPLIER CODE: V52828 | | |
| | | | SPECIFICATION NUMBER: BACN10JC08 | | |
| | | | OPTIONAL PART: H10-08BAC V15653 NS202101-82 V80539 RMLH9075-82W V72962 VN303A82 V92215 96-82 V80539 T6S832J V11815 | | |
| | 55 284N1568-1 | . | DUCT ASSY- | 904949 952952 | 1 |
| | 75 284N1568-7 | . | DUCT ASSY- | 002004 006100 121503 953999 | 1 |
| - | 80 284N1900-101 | . | SLIDER VALVE INSTL-E1 RACK | 018100 | 1 |
| | 83 MS18064-44 | .. | SCREW- | 018100 | 4 |
| | | | OPTIONAL PART: MS18066-44 | | |
| | 83 MS18066-44 | .. | SCREW- | 018100 | 4 |
| | | | OPTIONAL PART: MS18064-44 | | |
| | 86 NAS1801-3-6 | .. | SCREW | 018100 | 6 |
| | 89 NAS1149D0316H | .. | WASHER | 018100 | 6 |
| | 92 284N1054-4 | .. | VALVE | 018100 | 1 |
| | 95 284N1054-3 | .. | VALVE | 018100 | 2 |
| | 101 284N1054-2 | .. | VALVE | 018100 | 2 |
| - | 104 284N1900-203 | . | SLIDER VALVE INSTL-E2 RACK | 018100 | 1 |
| | 107 MS18064-44 | .. | SCREW- | 018100 | 6 |
| | | | OPTIONAL PART: MS18066-44 | | |
| | 107 MS18066-44 | .. | SCREW- | 018100 | 6 |
| | | | OPTIONAL PART: MS18064-44 | | |
| | 110 NAS1801-3-6 | .. | SCREW | 018100 | 9 |

MISSING ITEM NUMBERS NOT APPLICABLE

- ITEM NOT ILLUSTRATED

21-58-58-01

21-58-58
FIG. 01
PAGE 5
JAN 20/09

BRI



757

PARTS CATALOG (MAINTENANCE)

| FIG ITEM | PART NUMBER | 1 2 3 4 5 6 7 | NOMENCLATURE | EFFECT FROM TO | UNITS PER ASSY |
|----------|---------------|---------------|--|----------------|----------------|
| 1 | | | | | |
| 113 | NAS1149D0316H | .. | WASHER | 018100 | 9 |
| 116 | 284N1054-1 | .. | VALVE | 018100 | 1 |
| 119 | 284N1054-3 | .. | VALVE | 018100 | 3 |
| 128 | 284N1054-2 | .. | VALVE | 018100 | 3 |
| - 134 | 284N1900-302 | . | SLIDER VALVE INSTL-E3 RACK | 018100 | 1 |
| 137 | MS18064-44 | .. | SCREW- | 018100 | 7 |
| | | | OPTIONAL PART: MS18066-44 | | |
| 137 | MS18066-44 | .. | SCREW- | 018100 | 7 |
| | | | OPTIONAL PART: MS18064-44 | | |
| 140 | NAS1801-3-6 | .. | SCREW | 018100 | 10 |
| 143 | NAS1149D0316H | .. | WASHER | 018100 | 10 |
| 146 | 284N1054-1 | .. | VALVE | 018100 | 1 |
| 149 | 284N1054-3 | .. | VALVE | 018100 | 3 |
| 155 | 284N1054-2 | .. | VALVE | 018100 | 4 |
| - 158 | 284N1900-403 | . | SLIDER VALVE INSTL-E4 RACK | 018100 | 1 |
| 161 | MS18064-44 | .. | SCREW- | 018100 | 7 |
| | | | OPTIONAL PART: MS18066-44 | | |
| 161 | MS18066-44 | .. | SCREW- | 018100 | 7 |
| | | | OPTIONAL PART: MS18064-44 | | |
| 164 | NAS1801-3-6 | .. | SCREW | 018100 | 10 |
| 167 | NAS1149D0316H | .. | WASHER | 018100 | 10 |
| 170 | 284N1054-1 | .. | VALVE | 018100 | 1 |
| 173 | 284N1054-3 | .. | VALVE | 018100 | 3 |
| 182 | 284N1054-2 | .. | VALVE | 018100 | 4 |
| - 188 | 284N1900-602 | . | SLIDER VALVE INSTL-E5 RACK | 018100 | 1 |
| 191 | MS18064-44 | .. | SCREW- | 018100 | 5 |
| | | | OPTIONAL PART: MS18066-44 | | |
| 191 | MS18066-44 | .. | SCREW- | 018100 | 5 |
| | | | OPTIONAL PART: MS18064-44 | | |
| 194 | NAS1801-3-6 | .. | SCREW | 018100 | 8 |
| 197 | NAS1149D0316H | .. | WASHER | 018100 | 8 |
| 200 | 284N1054-5 | .. | VALVE | 018100 | 1 |
| 203 | 284N1054-3 | .. | VALVE | 018100 | 2 |
| 209 | 284N1054-2 | .. | VALVE | 018100 | 3 |
| 212 | 284N1901-1 | . | COOLING ASSY-E/E BAY | 018100 | 1 |
| | | | POSITION DATA: FWD | | |
| | | | FUNCTIONAL REFERENCE: PLACARDS AND MARKINGS FOR DETAILS SEE 11-36-09-01 | | |

MISSING ITEM NUMBERS NOT APPLICABLE

- ITEM NOT ILLUSTRATED

21-58-58-01

21-58-58
FIG. 01
PAGE 6
JAN 20/09

BRI



757

PARTS CATALOG (MAINTENANCE)

| FIG ITEM | PART NUMBER | 1 2 3 4 5 6 7 | NOMENCLATURE | EFFECT FROM TO | UNITS PER ASSY |
|----------|-------------|---------------|--|----------------|----------------|
| 1 | | | | | |
| 215 | 284N1911-2 | | .COOLING ASSY-E1-1 SHELF FUNCTIONAL REFERENCE: PLACARDS AND MARKINGS FOR DETAILS SEE 11-36-02-06 | 018100 | 1 |
| 225 | 82100-1 | | ..PLUG- SUPPLIER CODE: V0767B | 018100 | AR |
| 227 | 82100-2 | | ..PLUG- SUPPLIER CODE: V0767B | 018100 | AR |
| 230 | 284N1912-1 | | .COOLING ASSY-E1-2 SHELF FUNCTIONAL REFERENCE: PLACARDS AND MARKINGS FOR DETAILS SEE 11-36-02-06 | 018100 | 1 |
| 235 | 82100-1 | | ..PLUG- SUPPLIER CODE: V0767B | 018100 | AR |
| 240 | 284N1921-1 | | .COOLING ASSY-E2-1 SHELF FUNCTIONAL REFERENCE: PLACARDS AND MARKINGS FOR DETAILS SEE 11-36-02-06 | 018100 | 1 |
| 245 | 82100-1 | | ..PLUG- SUPPLIER CODE: V0767B | 018100 | AR |
| 255 | 82100-2 | | ..PLUG- SUPPLIER CODE: V0767B | 018100 | AR |
| 265 | 284N1922-1 | | .COOLING ASSY-E2-2 SHELF FUNCTIONAL REFERENCE: PLACARDS AND MARKINGS FOR DETAILS SEE 11-36-02-06 | 018100 | 1 |
| 270 | 82100-1 | | ..PLUG- SUPPLIER CODE: V0767B | 018100 | AR |
| 275 | 82100-2 | | ..PLUG- SUPPLIER CODE: V0767B | 018100 | AR |
| 276 | 82100-2 | | ..PLUG- SUPPLIER CODE: V0767B | 018100 | AR |
| 280 | 284N1923-1 | | .COOLING ASSY-E2-3 SHELF FUNCTIONAL REFERENCE: PLACARDS AND MARKINGS FOR DETAILS SEE 11-36-02-06 | 018100 | 1 |

MISSING ITEM NUMBERS NOT APPLICABLE

- ITEM NOT ILLUSTRATED

21-58-58-01

21-58-58
FIG. 01
PAGE 7
JAN 20/09

BRI

BOEING PROPRIETARY - Copyright © - Unpublished Work - See title page for details.



757

PARTS CATALOG (MAINTENANCE)

| FIG ITEM | PART NUMBER | 1 2 3 4 5 6 7 | NOMENCLATURE | EFFECT FROM TO | UNITS PER ASSY |
|----------|-------------|---------------|---|----------------|----------------|
| 1 | | | | | |
| 285 | 82100-1 | .. | PLUG- SUPPLIER CODE: V0767B | 018100 | AR |
| 290 | 82100-2 | .. | PLUG- SUPPLIER CODE: V0767B | 018100 | AR |
| 305 | 284N1924-1 | . | COOLING ASSY-E2-4 SHELF FUNCTIONAL REFERENCE: PLACARDS AND MARKINGS FOR DETAILS SEE 11-36-02-06 | 018100 | 1 |
| 310 | 82100-2 | .. | PLUG- SUPPLIER CODE: V0767B | 018100 | AR |
| 315 | 284N1931-1 | . | COOLING ASSY-E3-1 SHELF FUNCTIONAL REFERENCE: PLACARDS AND MARKINGS FOR DETAILS SEE 11-36-03-09 | 018100 | 1 |
| 320 | 82100-1 | .. | PLUG- SUPPLIER CODE: V0767B | 018100 | AR |
| 327 | 82100-2 | .. | PLUG- SUPPLIER CODE: V0767B | 018100 | AR |
| 335 | 284N1932-2 | . | COOLING ASSY-E3-2 SHELF FUNCTIONAL REFERENCE: PLACARDS AND MARKINGS FOR DETAILS SEE 11-36-03-09 | 018100 | 1 |
| 340 | 82100-1 | .. | PLUG- SUPPLIER CODE: V0767B | 018100 | AR |
| 345 | 82100-2 | .. | PLUG- SUPPLIER CODE: V0767B | 018100 | AR |
| 350 | 284N1933-2 | . | COOLING ASSY-E3-3 SHELF FUNCTIONAL REFERENCE: PLACARDS AND MARKINGS FOR DETAILS SEE 11-36-03-09 | 018100 | 1 |
| 360 | 82100-1 | .. | PLUG- SUPPLIER CODE: V0767B | 018100 | AR |
| 375 | 82100-2 | .. | PLUG- SUPPLIER CODE: V0767B | 018100 | AR |

MISSING ITEM NUMBERS NOT APPLICABLE

- ITEM NOT ILLUSTRATED

21-58-58-01

21-58-58
FIG. 01
PAGE 8
JAN 20/09

BRI

BOEING PROPRIETARY - Copyright © - Unpublished Work - See title page for details.



757

PARTS CATALOG (MAINTENANCE)

| FIG ITEM | PART NUMBER | 1 2 3 4 5 6 7 | NOMENCLATURE | EFFECT FROM TO | UNITS PER ASSY |
|----------|-------------|---------------|--|----------------|----------------|
| 1 | | | | | |
| 385 | 284N1934-1 | | .COOLING ASSY-E3-4 SHELF FUNCTIONAL REFERENCE: PLACARDS AND MARKINGS FOR DETAILS SEE 11-36-03-09 | 018100 | 1 |
| 390 | 82100-1 | | ..PLUG- SUPPLIER CODE: V0767B | 018100 | AR |
| 395 | 82100-2 | | ..PLUG- SUPPLIER CODE: V0767B | 018100 | AR |
| 400 | 284N1941-2 | | .COOLING ASSY-E4-1 SHELF FUNCTIONAL REFERENCE: PLACARDS AND MARKINGS FOR DETAILS SEE 11-36-03-06 | 018100 | 1 |
| 410 | 82100-1 | | ..PLUG- SUPPLIER CODE: V0767B | 018100 | AR |
| 430 | 82100-2 | | ..PLUG- SUPPLIER CODE: V0767B | 018100 | AR |
| 445 | 284N1942-1 | | .COOLING ASSY-E4-2 SHELF FUNCTIONAL REFERENCE: PLACARDS AND MARKINGS FOR DETAILS SEE 11-36-03-06 | 018100 | 1 |
| 450 | 82100-1 | | ..PLUG- SUPPLIER CODE: V0767B | 018100 | AR |
| 463 | 82100-2 | | ..PLUG- SUPPLIER CODE: V0767B | 018100 | AR |
| 472 | 284N1943-4 | | .COOLING ASSY-E4-3 SHELF FUNCTIONAL REFERENCE: PLACARDS AND MARKINGS FOR DETAILS SEE 11-36-03-06 | 018100 | 1 |
| 475 | 82100-1 | | ..PLUG- SUPPLIER CODE: V0767B | 018100 | AR |
| 505 | 82100-2 | | ..PLUG- SUPPLIER CODE: V0767B | 018100 | AR |
| 525 | 284N1944-9 | | .COOLING ASSY-E4-4 SHELF FUNCTIONAL REFERENCE: PLACARDS AND MARKINGS FOR DETAILS SEE 11-36-03-06 | 018100 | 1 |

MISSING ITEM NUMBERS NOT APPLICABLE

- ITEM NOT ILLUSTRATED

21-58-58-01

21-58-58
FIG. 01
PAGE 9
JAN 20/09

BRI

BOEING PROPRIETARY - Copyright © - Unpublished Work - See title page for details.



757

PARTS CATALOG (MAINTENANCE)

| FIG ITEM | PART NUMBER | 1 2 3 4 5 6 7 | NOMENCLATURE | EFFECT FROM TO | UNITS PER ASSY |
|----------|-------------|---------------|---|----------------|----------------|
| 1 | | | | | |
| 530 | 82100-1 | | .. PLUG- SUPPLIER CODE: V0767B | 018100 | AR |
| 550 | 82100-2 | | .. PLUG- SUPPLIER CODE: V0767B | 018100 | AR |
| 565 | 284N1951-1 | | . COOLING ASSY-E5-1 SHELF FUNCTIONAL REFERENCE: PLACARDS AND MARKINGS FOR DETAILS SEE 11-36-04-05 | 018100 | 1 |
| 570 | 82100-2 | | .. PLUG- SUPPLIER CODE: V0767B | 018100 | AR |
| 585 | 284N1952-1 | | . COOLING ASSY-E5-2 SHELF FUNCTIONAL REFERENCE: PLACARDS AND MARKINGS FOR DETAILS SEE 11-36-04-05 | 018100 | 1 |
| 590 | 82100-2 | | .. PLUG- SUPPLIER CODE: V0767B | 018100 | AR |
| 605 | 284N1953-1 | | . COOLING ASSY-E5-3 SHELF FUNCTIONAL REFERENCE: PLACARDS AND MARKINGS FOR DETAILS SEE 11-36-04-05 | 018100 | 1 |
| 610 | 82100-2 | | .. PLUG- SUPPLIER CODE: V0767B | 018100 | AR |

MISSING ITEM NUMBERS NOT APPLICABLE

- ITEM NOT ILLUSTRATED

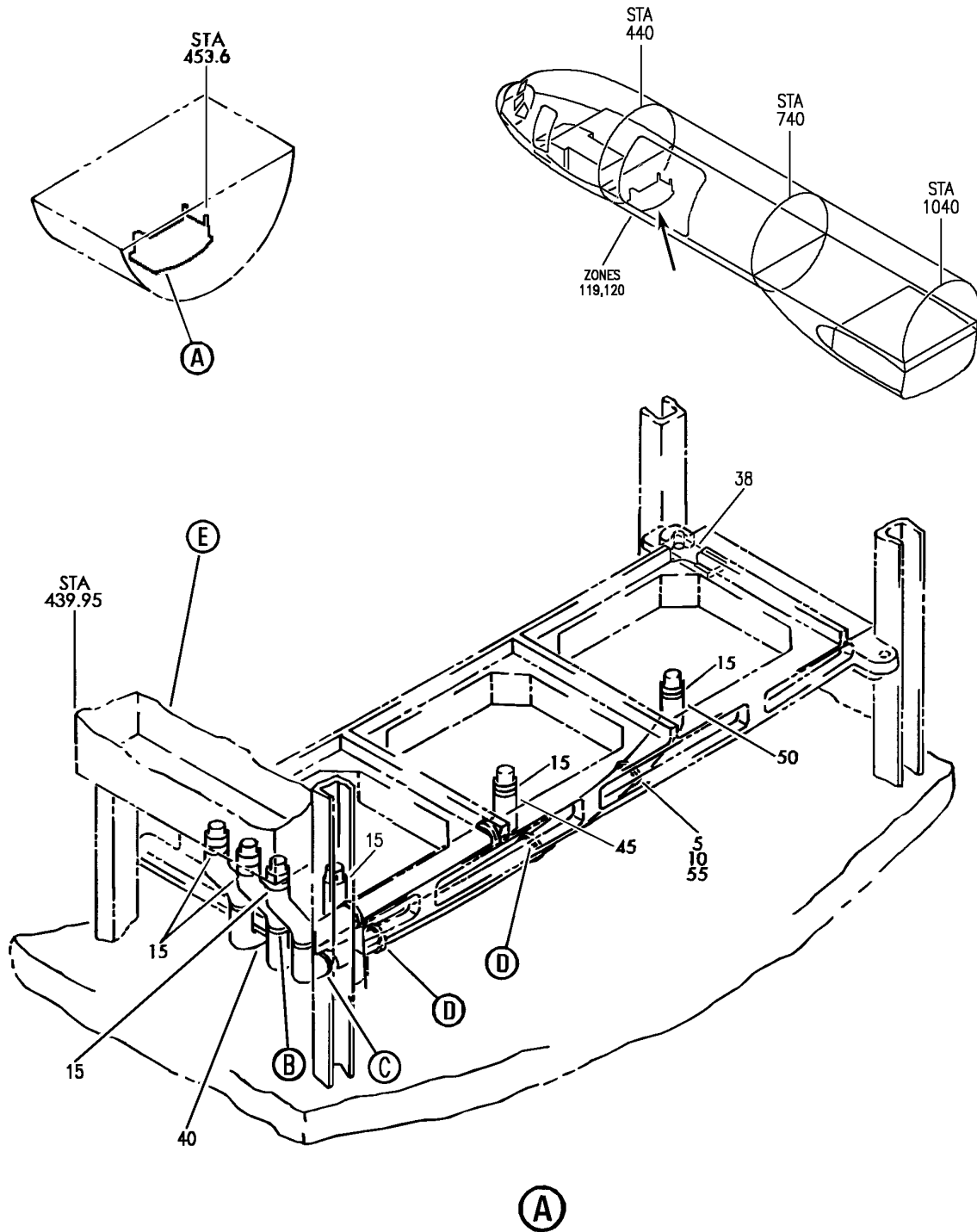
BRI

21-58-58-01

BOEING PROPRIETARY - Copyright © - Unpublished Work - See title page for details.

21-58-58
FIG. 01
PAGE 10
JAN 20/09

BOEING
757
PARTS CATALOG (MAINTENANCE)



Y 21585802 SH1 1 REV 251

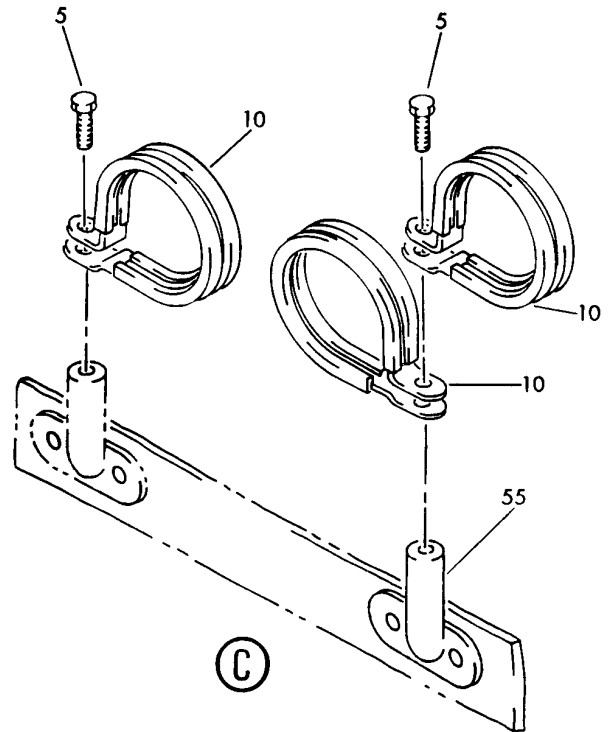
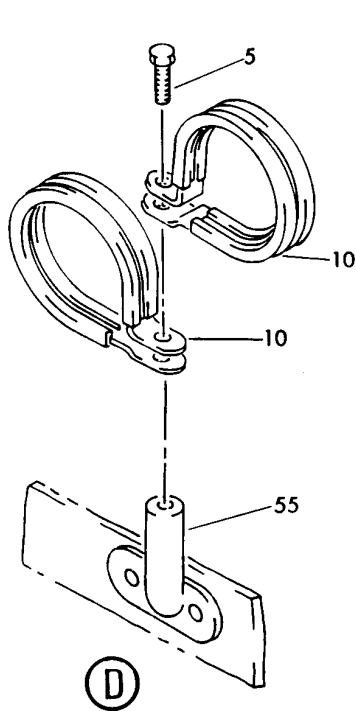
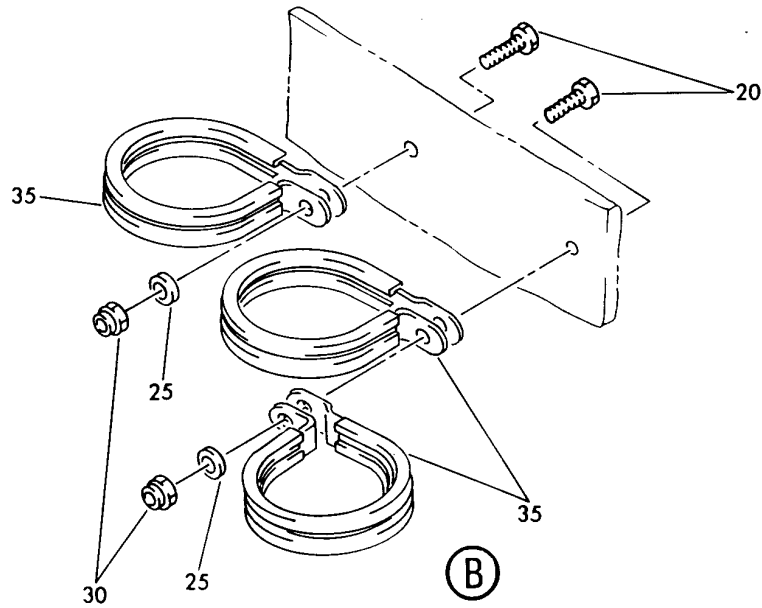
SHELF INSTL-ELECTRONICS EQPT CTR RACKS (AIR CONDITIONING ONLY)
FIGURE 2 (SHEET 1)

21-58-58-02

BRI
MAY 28/07

21-58-58-02
PAGE 0

BOEING
757
PARTS CATALOG (MAINTENANCE)



Y 21585802 SHT 2 REV 186

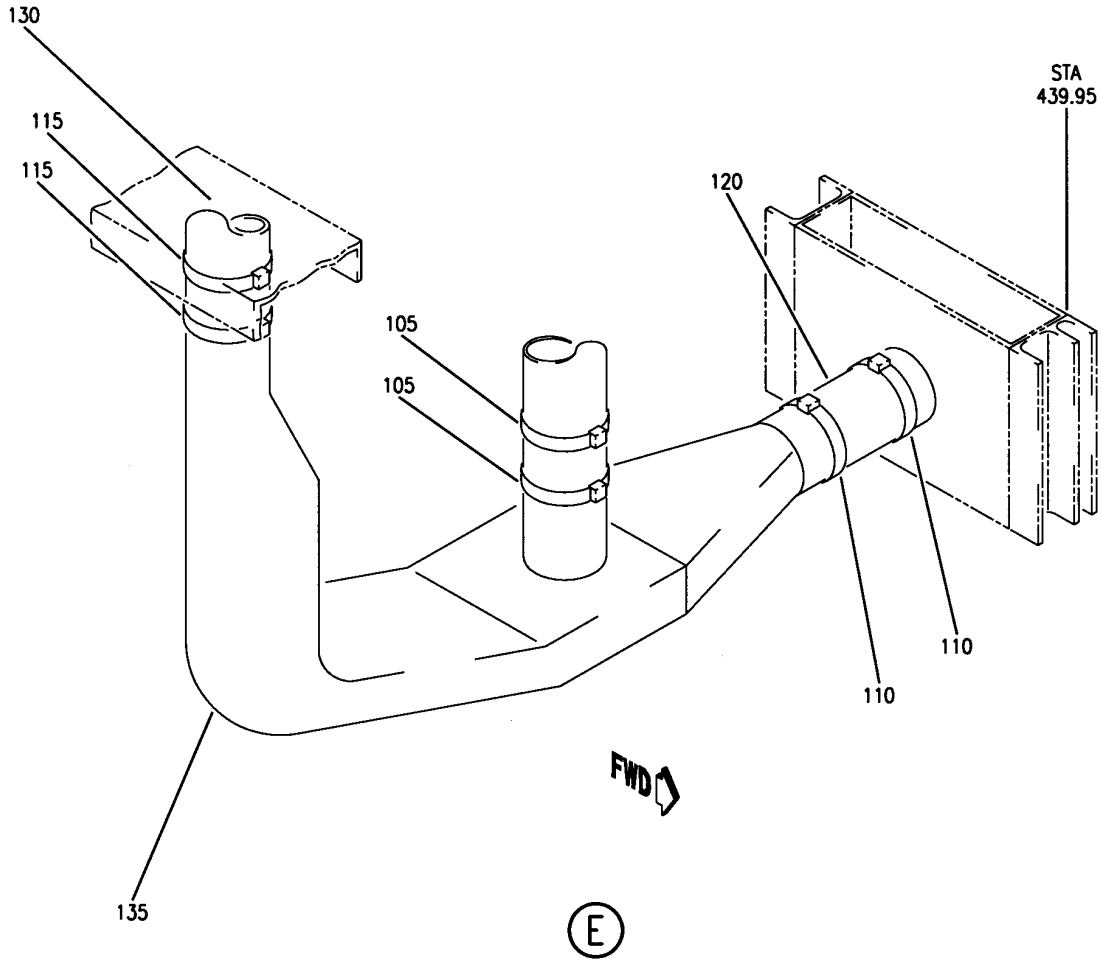
SHELF INSTL-ELECTRONICS EQPT CTR RACKS (AIR CONDITIONING ONLY)
FIGURE 2 (SHEET 2)

21-58-58-02

BRI
MAY 28/07

21-58-58-02
PAGE 0A

BOEING
757
PARTS CATALOG (MAINTENANCE)



Y 21585802 SH1 3 REV 204

SHELF INSTL-ELECTRONICS EQPT CTR RACKS (AIR CONDITIONING ONLY)
FIGURE 2 (SHEET 3)

21-58-58-02

BRI
MAY 28/07

21-58-58-02
PAGE 0B



757

PARTS CATALOG (MAINTENANCE)

| FIG ITEM | PART NUMBER | 1 2 3 4 5 6 7 | NOMENCLATURE | EFFECT FROM TO | UNITS PER ASSY |
|----------|------------------|---------------|--|----------------------------|----------------|
| 2 | | | SHELF INSTL-ELECTRONICS EQPT CTR RACKS (AIR CONDITIONING ONLY) | 101106 108120 504903 | |
| - 1 | 284N2124-9 | | SHELF INSTL-ELECTRONICS EQPT CTR RACK (AIR CONDITIONING ONLY) | 101102 108120 504903 | RF |
| | 5 NAS1801-3-10 | | .SCREW | 101102 108120 504903 | 5 |
| | 10 JM44LC13WS17R | | .CLAMP SUPPLIER CODE: V22175 SPECIFICATION NUMBER: BACC10GE17 OPTIONAL PART: S369WH17 V18076 TA12C32WS17 V84971 509S17 V83930 | 101102 108120 504903 | 8 |
| | 15 16 | | .CLAMP-HOSE SUPPLIER CODE: V7Z588 SPECIFICATION NUMBER: STBC10GG38-48 OPTIONAL PART: WWD38-48H V66295 | 101102 108120 504903 | 6 |
| | 20 NAS1801-3-12 | | .SCREW | 101102 108120 504903 | 2 |
| | 25 NAS1149D0332J | | .WASHER | 101102 108120 504903 | 2 |

MISSING ITEM NUMBERS NOT APPLICABLE

- ITEM NOT ILLUSTRATED

BRI

21-58-58-02

21-58-58
FIG. 02
PAGE 1
JAN 20/09



757

PARTS CATALOG (MAINTENANCE)

| FIG ITEM | PART NUMBER | 1 2 3 4 5 6 7 | NOMENCLATURE | EFFECT FROM TO | UNITS PER ASSY |
|----------|--------------------|---------------|---|----------------------------|----------------|
| 2 | 30 BRH10C3D | . | NUT SUPPLIER CODE: V52828 SPECIFICATION NUMBER: BACN10JC3CD OPTIONAL PART: T6C1032JCD V11815 NS202486-02 V80539 102LH9075-3W V72962 H51650-3BAC V15653 | 101102 108120 504903 | 2 |
| | 35 JM44LC13WS17R | . | CLAMP SUPPLIER CODE: V22175 SPECIFICATION NUMBER: BACC10GE17 OPTIONAL PART: S369WH17 V18076 TA12C32WS17 V84971 509S17 V83930 | 101102 108120 504903 | 3 |
| | 40 BOE2027-04D0240 | . | HOSE-AIR DUCT SUPPLIER CODE: V16632 SPECIFICATION NUMBER: AS1503-04D0240 | 101102 108120 504903 | 1 |
| | 45 BOE2027-04D0392 | . | HOSE-AIR DUCT SUPPLIER CODE: V16632 SPECIFICATION NUMBER: AS1503-04D0392 | 101102 108120 504903 | 1 |
| | 50 BOE2027-04D0530 | . | HOSE-AIR DUCT SUPPLIER CODE: V16632 SPECIFICATION NUMBER: AS1503-04D0530 | 101102 108120 504903 | 1 |
| | 55 BACN10GH3A10 | . | NUTPLATE SUPPLIER CODE: V04169 SPECIFICATION NUMBER: BACN10GH3A10 | 101102 108120 504903 | 4 |

MISSING ITEM NUMBERS NOT APPLICABLE

- ITEM NOT ILLUSTRATED

21-58-58-02

21-58-58
FIG. 02
PAGE 2
JAN 20/09

BRI



757

PARTS CATALOG (MAINTENANCE)

| FIG ITEM | PART NUMBER | 1 2 3 4 5 6 7 | NOMENCLATURE | EFFECT FROM TO | UNITS PER ASSY |
|----------|----------------|---------------|---|----------------------------|----------------|
| 2 | | | ATTACHING PARTS | | |
| - 60 | BACR15BB4A | | .RIVET- SIZE DETERMINED ON INSTL. | 101102 108120 504903 | 8 |
| - 100 | MODREF24148 | | -----*----- SHELF INSTL-ELECTRONICS EQPT CTR E2-4 (AIR CONDITIONING ONLY) MODULE NUMBER: 284N2124-15 REV B FOR OTHER SYS DETAILS SEE: 25-70-51-04E | 103106 | 1 |
| 105 | NAS1922-0200-1 | | .CLAMP | 103106 | 2 |
| 110 | NAS1922-0225-1 | | .CLAMP | 103106 | 2 |
| 115 | NAS1922-0275-1 | | .CLAMP | 103106 | 2 |
| 120 | AS1506-07D30 | | .HOSE-AIR DUCT | 103106 | 1 |
| 125 | AS1506-09D30 | | .HOSE-AIR DUCT | 103106 | 1 |
| 130 | AS1506-12D30 | | .HOSE-AIR DUCT | 103106 | 1 |
| 135 | 284N1568-11 | | .DUCT-AIR | 103106 | 1 |

MISSING ITEM NUMBERS NOT APPLICABLE

- ITEM NOT ILLUSTRATED

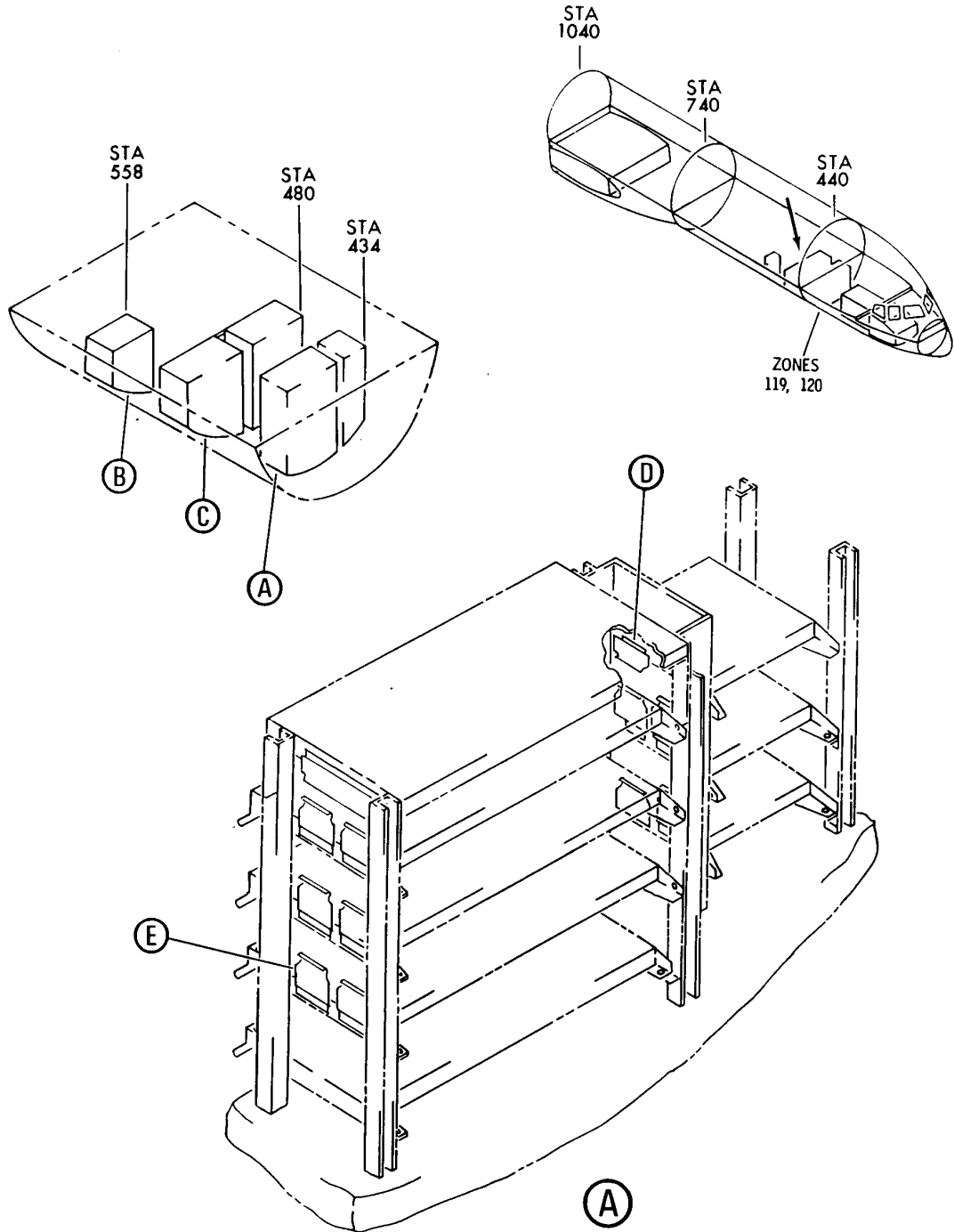
BRI

21-58-58-02

BOEING PROPRIETARY - Copyright © - Unpublished Work - See title page for details.

21-58-58
FIG. 02
PAGE 3
JAN 20/09

BOEING
757
PARTS CATALOG (MAINTENANCE)



Y 21585901 SHT 1 REV 180

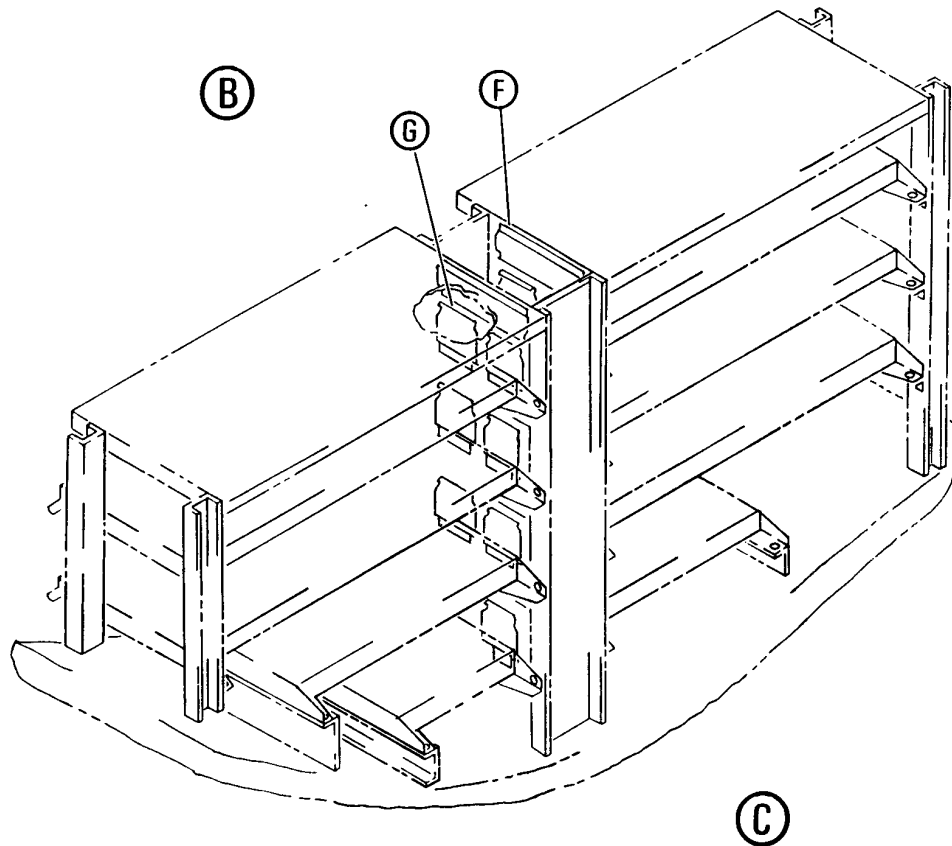
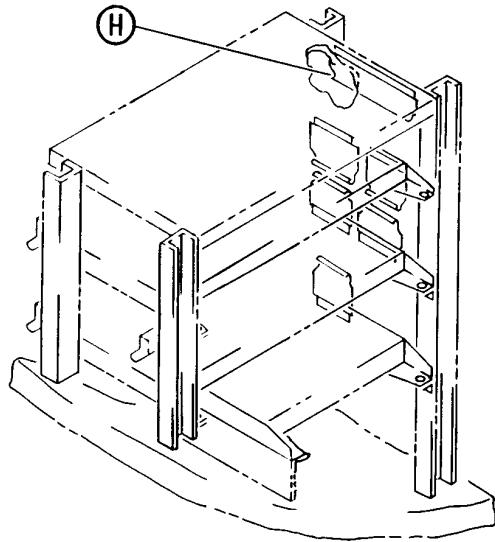
SLIDER VALVE INSTL-EQUIPMENT RACKS
FIGURE 1 (SHEET 1)

21-58-59-01

BRI
MAY 28/07

21-58-59-01
PAGE 0

BOEING
757
PARTS CATALOG (MAINTENANCE)



Y 21585901 SHT 2 REV 180

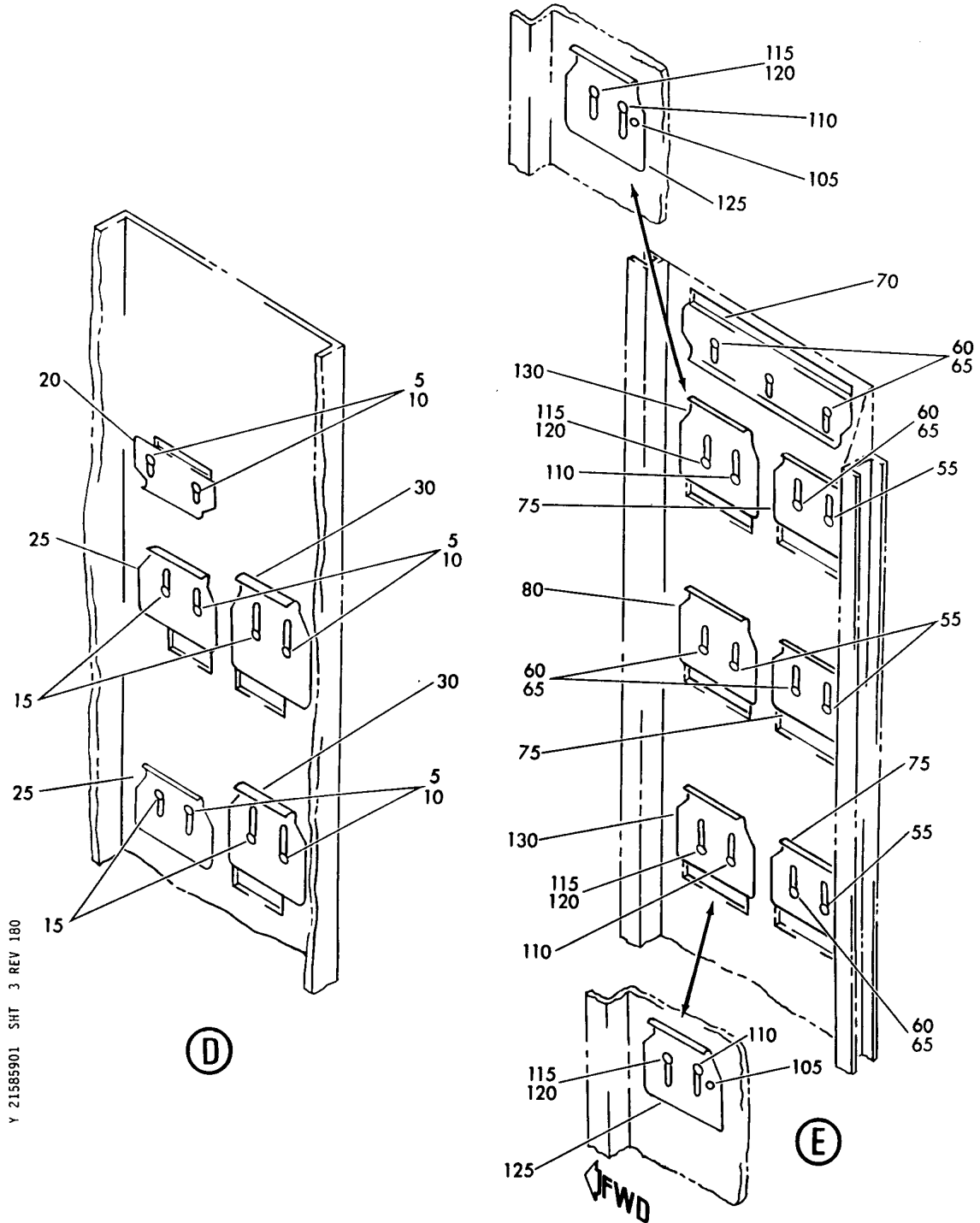
SLIDER VALVE INSTL-EQUIPMENT RACKS
FIGURE 1 (SHEET 2)

21-58-59-01

BRI
MAY 28/07

21-58-59-01
PAGE 0A

BOEING
757
PARTS CATALOG (MAINTENANCE)



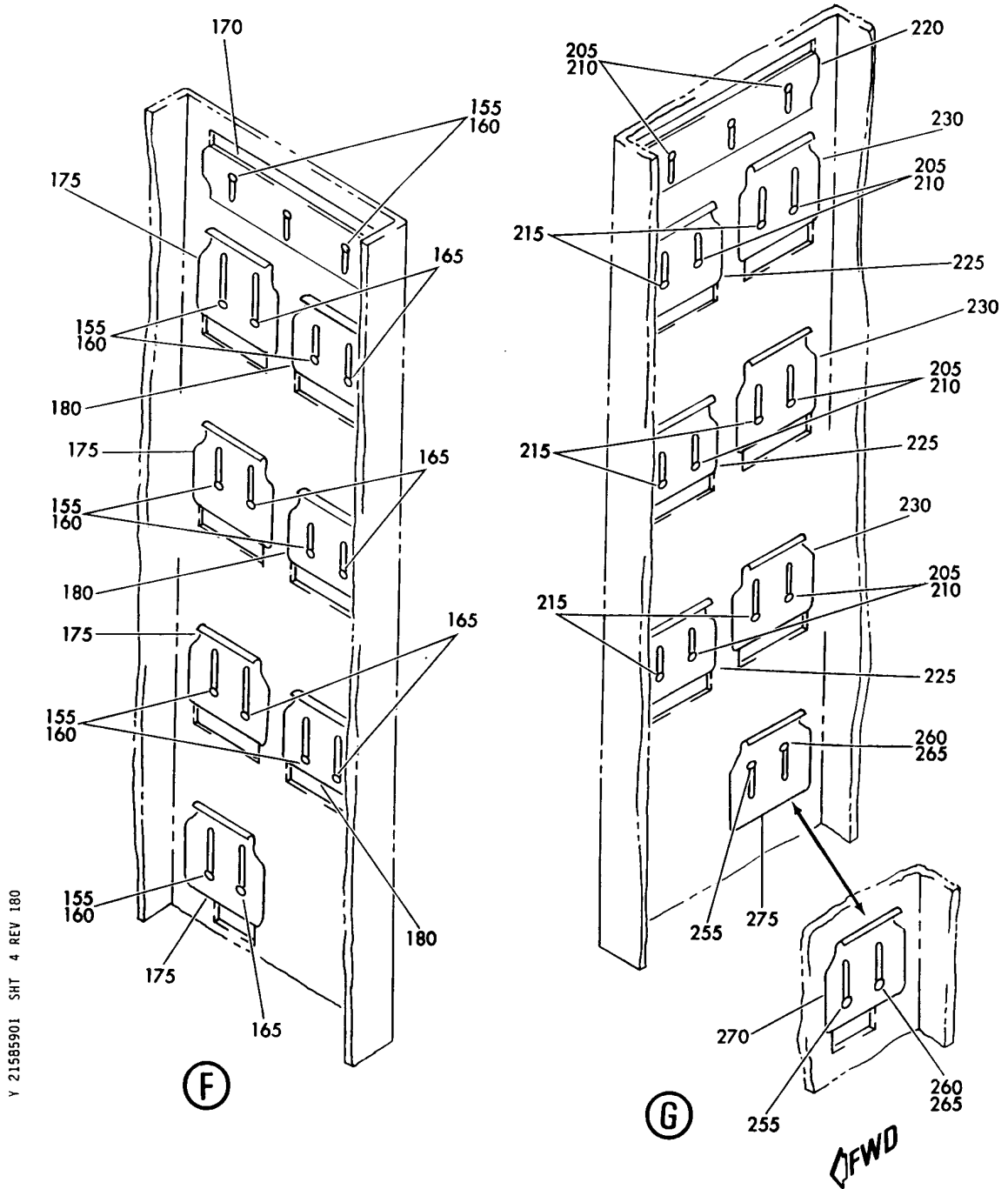
SLIDER VALVE INSTL-EQUIPMENT RACKS
FIGURE 1 (SHEET 3)

21-58-59-01

BRI
MAY 28/07

21-58-59-01
PAGE 0B

BOEING
757
PARTS CATALOG (MAINTENANCE)



Y 21585901 SHT 4 REV 180

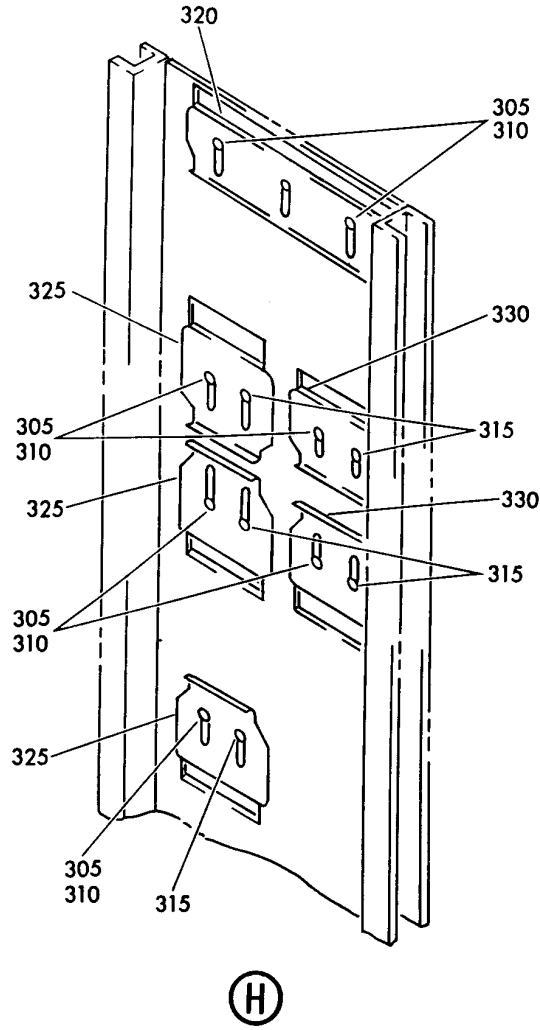
SLIDER VALVE INSTL-EQUIPMENT RACKS
FIGURE 1 (SHEET 4)

21-58-59-01

BRI
MAY 28/07

21-58-59-01
PAGE 0C

BOEING
757
PARTS CATALOG (MAINTENANCE)



Y 21585901 SHT 5 REV 180

SLIDER VALVE INSTL-EQUIPMENT RACKS
FIGURE 1 (SHEET 5)

21-58-59-01

BRI
MAY 28/07

21-58-59-01
PAGE 0D



757

PARTS CATALOG (MAINTENANCE)

| FIG ITEM | PART NUMBER | 1 2 3 4 5 6 7 | NOMENCLATURE | EFFECT FROM TO | UNITS PER ASSY |
|----------|---------------|---------------|---|----------------------------|----------------|
| 1 | | | SLIDER VALVE INSTL- EQUIPMENT RACKS | 101102 108120 504903 | |
| - 1 | 284N1900-101 | | SLIDER VALVE INSTL-E1 RACK FOR NHA SEE: 24-00-58-05 | 101102 108120 504903 | 1 |
| 5 | NAS1801-3-6 | | .SCREW | 101102 108120 504903 | 6 |
| 10 | NAS1149D0316H | | .WASHER | 101102 108120 504903 | 6 |
| 15 | MS18064-44 | | .SCREW- OPTIONAL PART: MS18066-44 | 101102 108120 504903 | 4 |
| 15 | MS18066-44 | | .SCREW- OPTIONAL PART: MS18064-44 | 101102 108120 504903 | 4 |
| 20 | 284N1054-4 | | .VALVE | 101102 108120 504903 | 1 |
| 25 | 284N1054-3 | | .VALVE | 101102 108120 504903 | 2 |
| 30 | 284N1054-2 | | .VALVE | 101102 108120 504903 | 2 |
| - 50 | 284N1900-206 | | SLIDER VALVE INSTL-E2 RACK FOR NHA SEE: 24-00-58-05 | 101102 108120 504903 | 1 |
| 55 | NAS1081C3D9 | | .SCREW | 101102 108120 504903 | 4 |
| 60 | NAS1801-3-6 | | .SCREW | 101102 108120 504903 | 7 |
| 65 | NAS1149D0316H | | .WASHER | 101102 108120 504903 | 7 |
| 70 | 284N1054-1 | | .VALVE | 101102 108120 504903 | 1 |
| 75 | 284N1054-3 | | .VALVE | 101102 108120 504903 | 3 |
| 80 | 284N1054-2 | | .VALVE | 101102 108120 504903 | 1 |

MISSING ITEM NUMBERS NOT APPLICABLE

- ITEM NOT ILLUSTRATED

21-58-59-01

21-58-59
FIG. 01
PAGE 1
JAN 20/09

BRI



757

PARTS CATALOG (MAINTENANCE)

| FIG ITEM | PART NUMBER | 1 2 3 4 5 6 7 | NOMENCLATURE | EFFECT FROM TO | UNITS PER ASSY |
|----------|---------------|---------------|--|----------------------------|----------------|
| 1 | | | | | |
| - 100 | 284N1900-207 | | SLIDER VALVE INSTL-E2 RACK FOR NHA SEE: 24-00-58-05E | 505903 | 1 |
| - 100 | 284N1900-208 | | SLIDER VALVE INSTL-E2 RACK FOR NHA SEE: 24-00-58-05E | 101102 108120 504504 | 1 |
| 105 | NAS1398D4-2 | | .RIVET | 101102 108120 504504 | 2 |
| 110 | NAS1081C3D9 | | .SCREW | 101102 108120 504903 | 2 |
| 115 | NAS1801-3-6 | | .SCREW | 101102 108120 504903 | 2 |
| 120 | NAS1149D0316H | | .WASHER | 101102 108120 504903 | 2 |
| 125 | 284N1054-2 | | .VALVE | 505903 | 2 |
| 130 | 284N1054-2 | | .VALVE | 101102 108120 504504 | 2 |
| - 150 | 284N1900-301 | | SLIDER VALVE INSTL-E3 RACK FOR NHA SEE: 24-00-58-05 | 101102 108120 504903 | 1 |
| 155 | NAS1801-3-6 | | .SCREW | 101102 108120 504903 | 10 |
| 160 | NAS1149D0316H | | .WASHER | 101102 108120 504903 | 10 |
| 165 | MS18064-44 | | .SCREW- OPTIONAL PART: MS18066-44 | 101102 108120 504903 | 7 |
| 165 | MS18066-44 | | .SCREW- OPTIONAL PART: MS18064-44 | 101102 108120 504903 | 7 |
| 170 | 284N1054-1 | | .VALVE | 101102 108120 504903 | 1 |
| 175 | 284N1054-2 | | .VALVE | 101102 108120 504903 | 4 |
| 180 | 284N1054-3 | | .VALVE | 101102 108120 504903 | 3 |
| - 200 | 284N1900-406 | | SLIDER VALVE INSTL-E4 RACK FOR NHA SEE: 24-00-58-05 | 101102 108120 504903 | 1 |

MISSING ITEM NUMBERS NOT APPLICABLE

- ITEM NOT ILLUSTRATED

BRI

21-58-59-01

21-58-59
FIG. 01
PAGE 2
JAN 20/09



757

PARTS CATALOG (MAINTENANCE)

| FIG ITEM | PART NUMBER | 1 2 3 4 5 6 7 | NOMENCLATURE | EFFECT FROM TO | UNITS PER ASSY |
|----------|---------------|---------------|--|----------------------------|----------------|
| 1 | | | | | |
| 205 | NAS1801-3-6 | . | SCREW | 101102 108120 504903 | 9 |
| 210 | NAS1149D0316H | . | WASHER | 101102 108120 504903 | 9 |
| 215 | NAS1081C3D9 | . | SCREW- | 101102 | 6 |
| | | | OPTIONAL PART: NAS1081C3A9 | 108120 504903 | |
| 215 | NAS1081C3A9 | . | SCREW- | 101102 | 6 |
| | | | OPTIONAL PART: NAS1081C3D9 | 108120 504903 | |
| 220 | 284N1054-1 | . | VALVE | 101102 108120 504903 | 1 |
| 225 | 284N1054-3 | . | VALVE | 101102 108120 504903 | 3 |
| 230 | 284N1054-2 | . | VALVE | 101102 108120 504903 | 3 |
| - 250 | 284N1900-408 | | SLIDER VALVE INSTL-E4 RACK FOR NHA SEE: 24-00-58-05E | 102102 108120 504903 | 1 |
| 255 | NAS1081C3D9 | . | SCREW | 102102 108120 504903 | 1 |
| 260 | NAS1801-3-6 | . | SCREW | 102102 108120 504903 | 1 |
| 265 | NAS1149D0316H | . | WASHER | 102102 108120 504903 | 1 |
| 275 | 284N1054-2 | . | VALVE | 102102 108120 504903 | 1 |
| - 300 | 284N1900-601 | | SLIDER VALVE INSTL-E5 RACK FOR NHA SEE: 24-00-58-05 | 101102 108120 504903 | 1 |
| 305 | NAS1801-3-6 | . | SCREW | 101102 108120 504903 | 8 |
| 310 | NAS1149D0316H | . | WASHER | 101102 108120 504903 | 8 |
| 315 | MS18064-44 | . | SCREW- | 101102 | 5 |
| | | | OPTIONAL PART: MS18066-44 | 108120 504903 | |

MISSING ITEM NUMBERS NOT APPLICABLE

- ITEM NOT ILLUSTRATED

21-58-59-01

21-58-59
FIG. 01
PAGE 3
JAN 20/09

BRI



757

PARTS CATALOG (MAINTENANCE)

| FIG ITEM | PART NUMBER | 1 2 3 4 5 6 7 | NOMENCLATURE | EFFECT FROM TO | UNITS PER ASSY |
|-------------|-------------|---------------|----------------|-------------------|----------------------|
| 1 | | | | | |
| 315 | MS18066-44 | . | SCREW- | 101102 | 5 |
| | | | OPTIONAL PART: | 108120 | |
| | | | MS18064-44 | 504903 | |
| 320 | 284N1054-5 | . | VALVE | 101102 | 1 |
| | | | | 108120 | |
| | | | | 504903 | |
| 325 | 284N1054-2 | . | VALVE | 101102 | 3 |
| | | | | 108120 | |
| | | | | 504903 | |
| 330 | 284N1054-3 | . | VALVE | 101102 | 2 |
| | | | | 108120 | |
| | | | | 504903 | |

MISSING ITEM NUMBERS NOT APPLICABLE

- ITEM NOT ILLUSTRATED

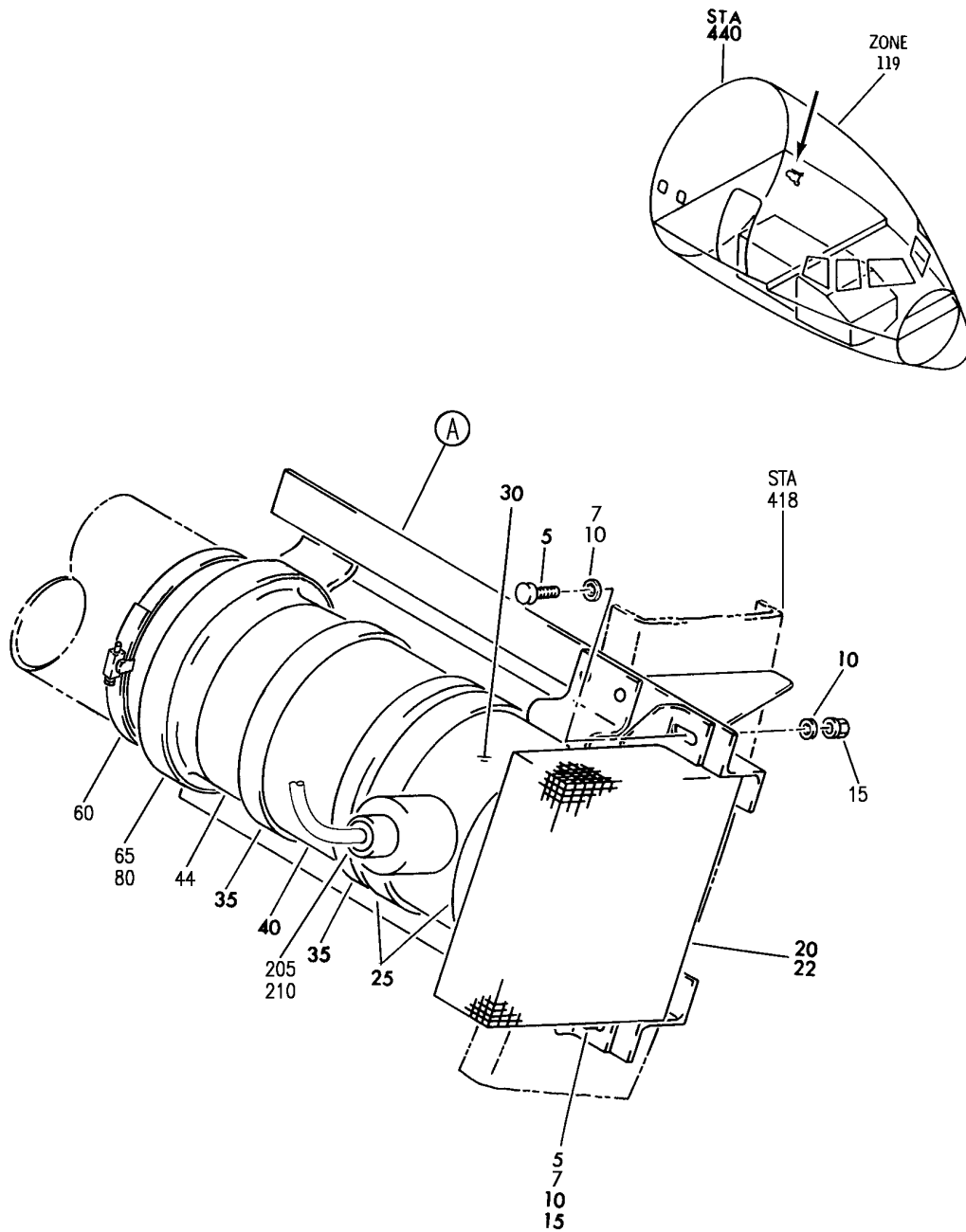
BRI

21-58-59-01

BOEING PROPRIETARY - Copyright © - Unpublished Work - See title page for details.

21-58-59
FIG. 01
PAGE 4
JAN 20/09

BOEING
757
PARTS CATALOG (MAINTENANCE)



Y 21586001 SH1 1 REV 310

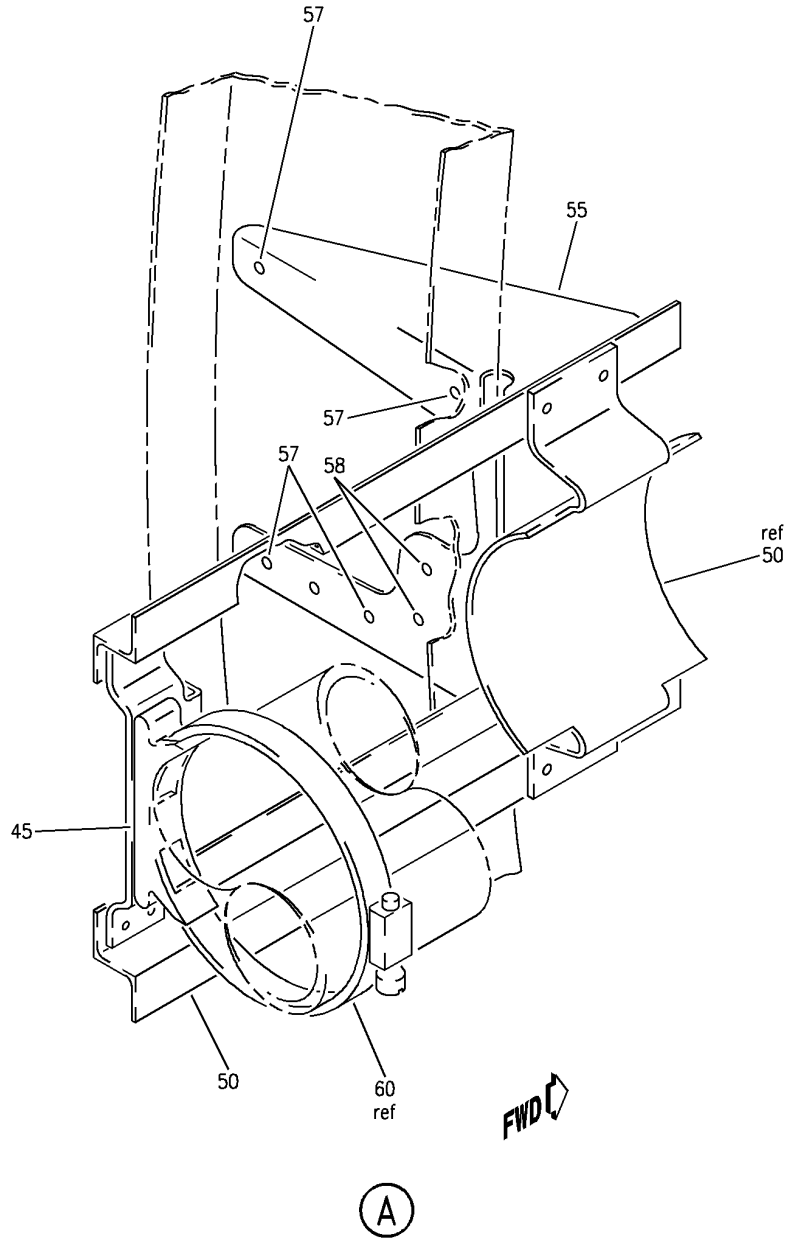
FAN AND DUCT INSTL-AUX FWD E/E COOLING SYS, AUX COOLING FAN AND EXTENDED RANGE OPERATION
FIGURE 1 (SHEET 1)

BRI
MAY 28/07

21-58-60-01

21-58-60-01
PAGE 0

BOEING
757
PARTS CATALOG (MAINTENANCE)



Y 21586001 SHT 2 REV 295

FAN AND DUCT INSTL-AUX FWD E/E COOLING SYS, AUX COOLING FAN AND EXTENDED RANGE OPERATION
FIGURE 1 (SHEET 2)

BRI
MAY 28/07

21-58-60-01

21-58-60-01
PAGE 0A



757

PARTS CATALOG (MAINTENANCE)

| FIG ITEM | PART NUMBER | 1 2 3 4 5 6 7 | NOMENCLATURE | EFFECT FROM TO | UNITS PER ASSY |
|----------|---------------|---------------|--|--|----------------|
| 1 | | | FAN AND DUCT INSTL-AUX FWD E/E COOLING SYS, AUX COOLING FAN AND EXTENDED RANGE OPERATION | 002004 006503 904949 952999 | |
| - 1 | 217N1152-1 | | FAN INSTL-AUX E/E COOLING SYS POSITION DATA: FWD POST SERVICE BULLETIN: 24-0048 FOR NHA SEE: 21-00-00-04 21-00-00-15 | 002004 006102 107107 121503 904949 952999 | RF |
| - 1 | 217N1152-3 | | FAN INSTL-AUX E/E COOLING SYS POSITION DATA: FWD FOR NHA SEE: 21-00-00-12 | 108120 | RF |
| - 1 | MODREF5651 | | DUCT INSTL-AUX E/E COOLING SYS MODULE NUMBER: 217N1152-2 REV A POSITION DATA: FWD | 103105 | 1 |
| - 1 | MODREF5652 | | FAN INSTL-AUX E/E COOLING SYS MODULE NUMBER: 217N1152-3 REV A POSITION DATA: FWD | 106106 | 1 |
| 5 | NAS6603-1 | | .BOLT- PRE SERVICE BULLETIN: 24-0126 | 002004 006503 904949 952999 | 2 |
| 7 | NAS1149D0332J | | .WASHER | 106106 108120 | 2 |
| 10 | AN960JD10L | | .WASHER- PRE SERVICE BULLETIN: 24-0126 | 002004 006105 107107 121503 904949 952999 | 4 |
| 15 | MS21042L3 | | .NUT- PRE SERVICE BULLETIN: 24-0126 | 002004 006503 904949 952999 | 2 |

MISSING ITEM NUMBERS NOT APPLICABLE

- ITEM NOT ILLUSTRATED

21-58-60-01

21-58-60
FIG. 01
PAGE 1
JAN 20/09

BRI



757

PARTS CATALOG (MAINTENANCE)

| FIG ITEM | PART NUMBER | 1 2 3 4 5 6 7 | NOMENCLATURE | EFFECT FROM TO | UNITS PER ASSY |
|----------|-------------------|---------------|---|--|----------------|
| 1 | 20 217N1154-1 | | .SCREEN ASSY- PRE SERVICE BULLETIN: 24-0126 | 002004 006102 107107 121503 904949 952999 | 1 |
| | 20 217N1154-9 | | .SCREEN ASSY- PRE SERVICE BULLETIN: 24-0126 | 002004 006102 106503 904949 952999 | 1 |
| | 22 217N1154-6 | | ..SCREEN- | 002004 006102 107107 121503 904949 952999 | 1 |
| | 22 217N1154-12 | | ..SCREEN- | 002004 006102 106503 904949 952999 | 1 |
| | 25 BACC10BNA425LW | | .CLAMP- PRE SERVICE BULLETIN: 24-0126 | 002004 006503 904949 952999 | 2 |
| | 30 645670-1 | | .FAN- SUPPLIER CODE: V70210 SPECIFICATION NUMBER: S210N701-27 ELECTRICAL EQUIP NUMBER: B10133 WIRING DIAGRAM REF: 215815 COMPONENT MAINT MANUAL REF: 21-58-06 PRE SERVICE BULLETIN: 24-0126 | 002004 006503 904949 952999 | 1 |
| | 35 72 | | .CLAMP- SUPPLIER CODE: V7Z588 SPECIFICATION NUMBER: STBC10GG160 OPTIONAL PART: WWD160H V66295 PRE SERVICE BULLETIN: 24-0126 | 002004 006105 107107 121503 904949 952999 | 2 |

MISSING ITEM NUMBERS NOT APPLICABLE

- ITEM NOT ILLUSTRATED

21-58-60-01

21-58-60
FIG. 01
PAGE 2
JAN 20/09

BRI

BOEING PROPRIETARY - Copyright © - Unpublished Work - See title page for details.



757

PARTS CATALOG (MAINTENANCE)

| FIG ITEM | PART NUMBER | 1 2 3 4 5 6 7 | NOMENCLATURE | EFFECT FROM TO | UNITS PER ASSY |
|----------|-----------------|---------------|---|--|----------------|
| 1 | | | | | |
| 35 | BACC10JB126C156 | . | CLAMP- | 106106 108120 | 2 |
| 40 | AS1506-17D32 | . | SLEEVE- PRE SERVICE BULLETIN: 24-0126 | 002004 006503 904949 952999 | 1 |
| 44 | 2850032-101 | . | VALVE- SUPPLIER CODE: V92003 SPECIFICATION NUMBER: S210N701-29 | 002004 006503 904949 952999 | 1 |
| 50 | 217N1153-1 | . | SUPPORT ASSY- OPTIONAL PART: 217N1153-7 SERVICE BULLETIN OPT DATA: 217N1153-7 | 002004 006503 904949 952999 | 1 |
| 50 | 217N1153-7 | . | SUPPORT ASSY- OPTIONAL PART: 217N1153-1 SERVICE BULLETIN OPT DATA: 217N1153-1 | 002004 006503 904949 952999 | 1 |
| 55 | 217N1155-1 | . | BRACKET ASSY | 002004 006503 904949 952999 | 1 |
| - 200 | 286N4004-004 | | WIRE BUNDLE ASSY- | 002004 006100 107107 121503 904949 952999 | RF |
| - 200 | 286N4004-302 | | WIRE BUNDLE ASSY- | 101102 108120 | RF |
| 205 | BACC45FT18B31S | . | CONNECTOR- ELECTRICAL EQUIP NUMBER: D07076 WIRING DIAGRAM REF: 215815 | 002004 006102 107503 904949 952999 | 1 |

MISSING ITEM NUMBERS NOT APPLICABLE

- ITEM NOT ILLUSTRATED

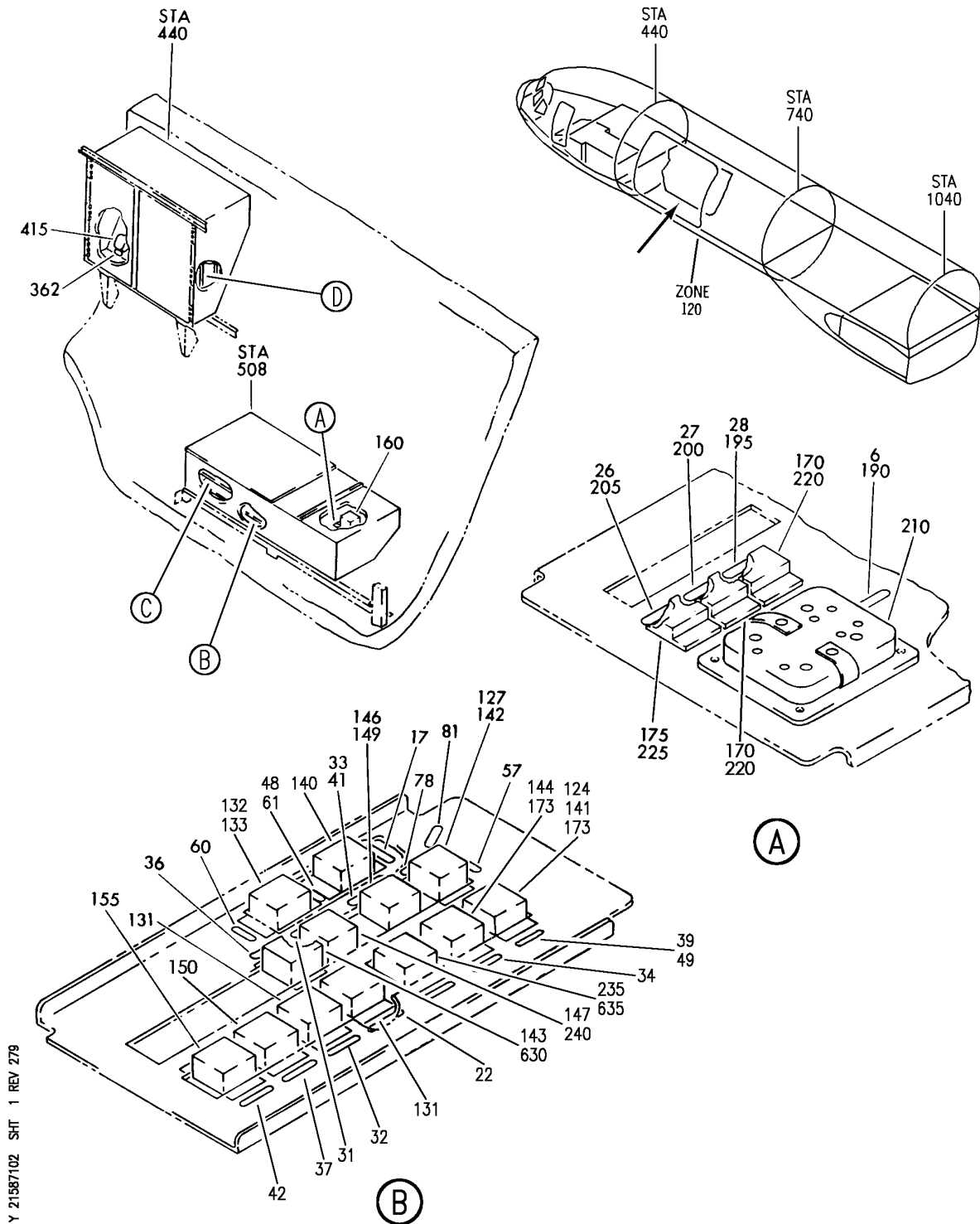
BRI

21-58-60-01

BOEING PROPRIETARY - Copyright © - Unpublished Work - See title page for details.

21-58-60
FIG. 01
PAGE 3
JAN 20/09

BOEING
757
PARTS CATALOG (MAINTENANCE)



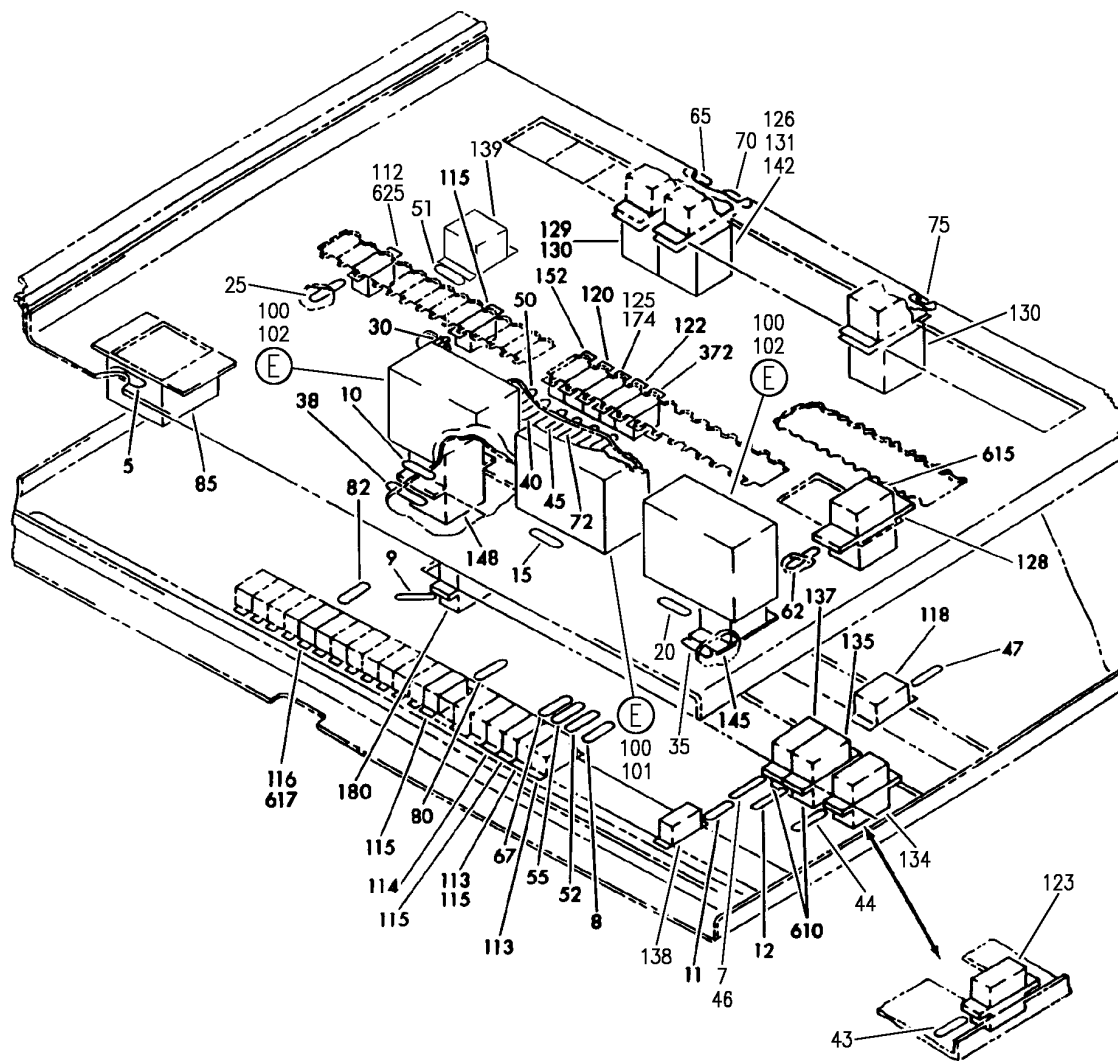
PANEL ASSY-P36 AND P37 MISC RELAY (EQUIPMENT COOLING SYSTEM ONLY)
FIGURE 2 (SHEET 1)

21-58-71-02

BRI
MAY 28/07

21-58-71-02
PAGE 0

BOEING
757
PARTS CATALOG (MAINTENANCE)



(C)

Y 21587102 SH1 2 REV 328

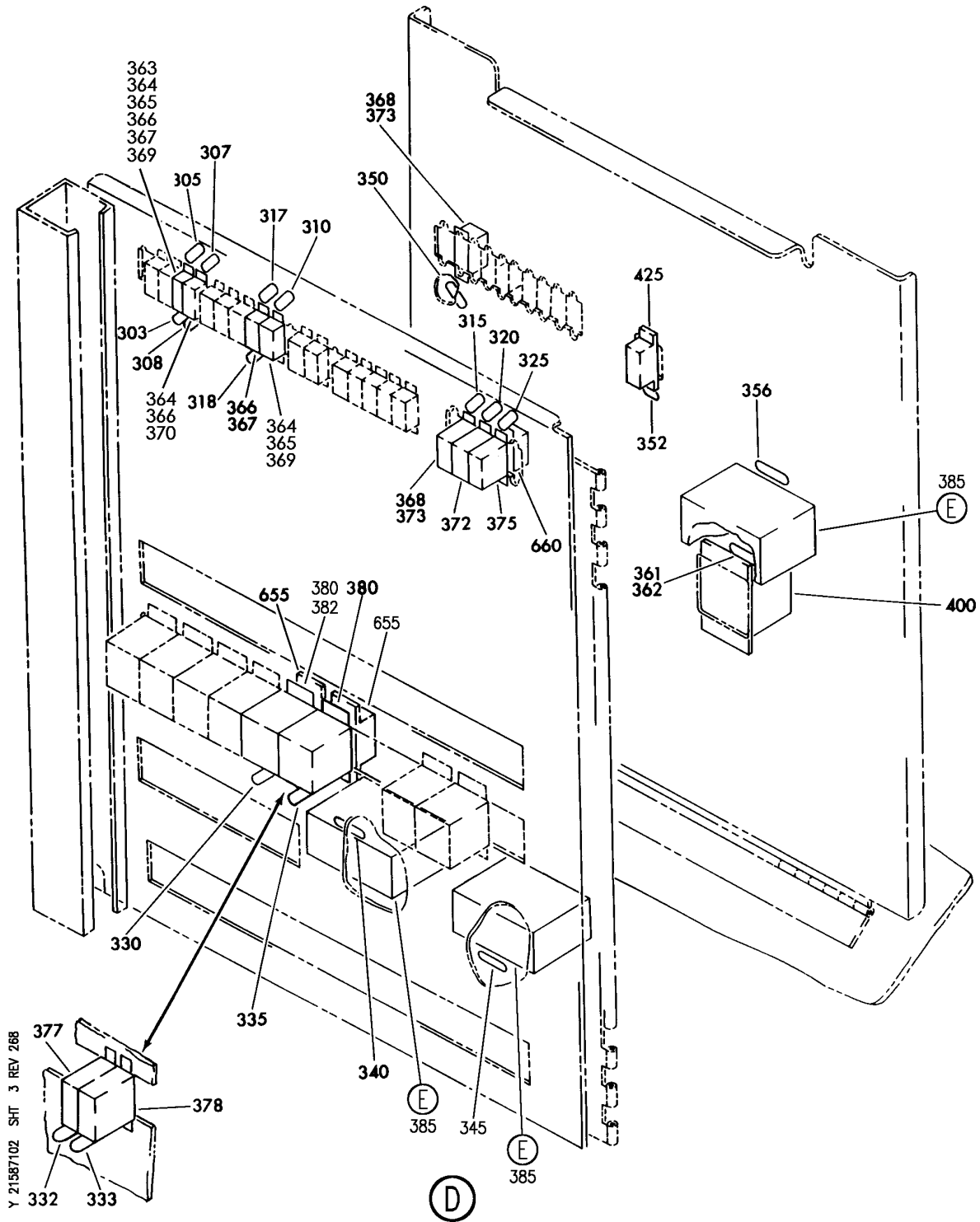
PANEL ASSY-P36 AND P37 MISC RELAY (EQUIPMENT COOLING SYSTEM ONLY)
FIGURE 2 (SHEET 2)

21-58-71-02

BRI
JAN 20/09

21-58-71-02
PAGE 0A


BOEING
 757
PARTS CATALOG (MAINTENANCE)



Y 21587102 SHT 3 REV 268

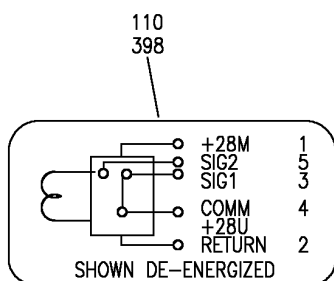
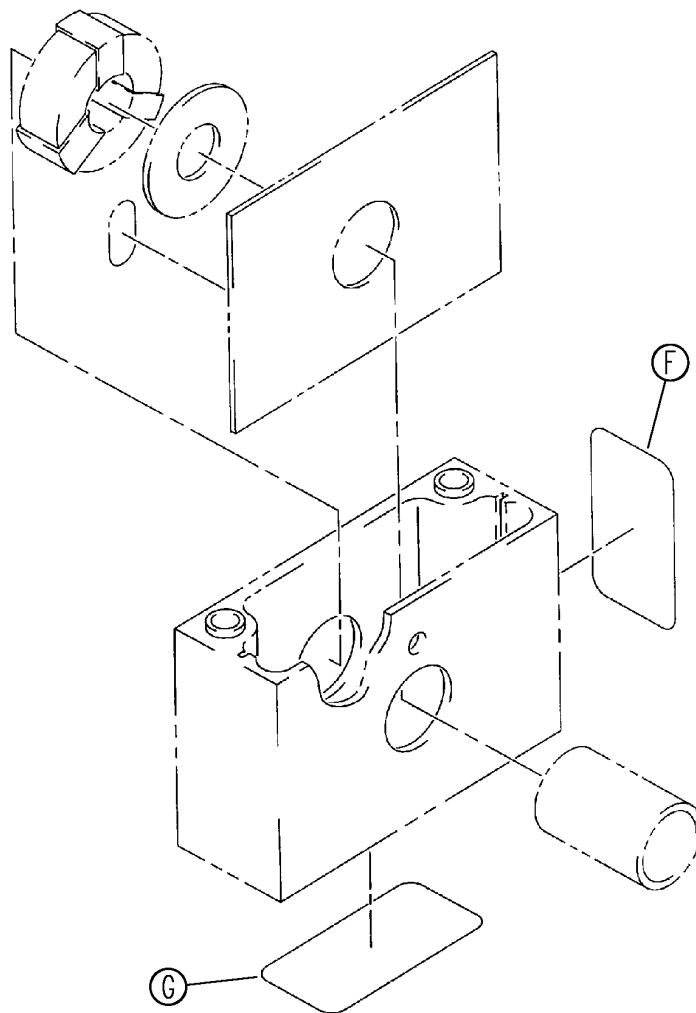
PANEL ASSY-P36 AND P37 MISC RELAY (EQUIPMENT COOLING SYSTEM ONLY)
 FIGURE 2 (SHEET 3)

21-58-71-02

BRI
 MAY 28/07

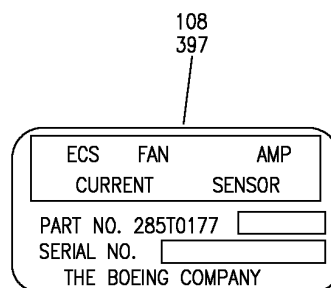
21-58-71-02
 PAGE 0B

BOEING
757
PARTS CATALOG (MAINTENANCE)



G

E



F

Y 21587102 SHIT 4 REV 268

PANEL ASSY-P36 AND P37 MISC RELAY (EQUIPMENT COOLING SYSTEM ONLY)
FIGURE 2 (SHEET 4)

21-58-71-02

BRI
MAY 28/07

21-58-71-02
PAGE 0C



757

PARTS CATALOG (MAINTENANCE)

| FIG ITEM | PART NUMBER | 1 2 3 4 5 6 7 | NOMENCLATURE | EFFECT FROM TO | UNITS PER ASSY |
|----------|--------------|---------------|--|--|----------------|
| 2 | | | PANEL ASSY-P36 AND P37 MISC RELAY (EQUIPMENT COOLING SYSTEM ONLY) | 002004 006100 107107 121503 904999 | |
| - 1 | 284N1125-1 | | PANEL ASSY-P36 MISC RELAY (EQUIPMENT COOLING SYSTEM ONLY) POSITION DATA: L VARIABLE DRAWING REF: 284N1125-5023 284N1125-5030 284N1125-5049 284N1125-5050 284N1125-5054 REWORKED BY SB: 34-0200 REWORKED BY ALERT SB: 27A0130 FOR NHA/OTHER SYS DET SEE: 31-01-36-01B | 002004 006100 107107 121503 904999 | RF |
| 6 | BAC27TEX0137 | | .DECAL- PLACARD CONTENT: K343 | 002004 006100 107107 121503 904999 | 1 |
| 8 | BAC27NEX1694 | | .DECAL- PLACARD CONTENT: K10443 | 002004 006100 107107 121503 904999 | 1 |
| 12 | BAC27NEX1693 | | .DECAL- PLACARD CONTENT: K10442 | 002004 006100 107107 121503 904999 | 1 |
| 17 | BAC27NEX1760 | | .DECAL- PLACARD CONTENT: K10511 | 002004 006100 950999 | 1 |
| 17 | BAC27NEX1755 | | .DECAL- PLACARD CONTENT: K10506 | 107107 | 1 |
| 25 | BAC27NEX0199 | | .DECAL- PLACARD CONTENT: K10079 | 107107 121503 904949 | 1 |
| 25 | BAC27NEX2475 | | .DECAL- PLACARD CONTENT: K10079 | 002004 006100 950999 | 1 |

MISSING ITEM NUMBERS NOT APPLICABLE

- ITEM NOT ILLUSTRATED

21-58-71-02

21-58-71
FIG. 02
PAGE 1
JAN 20/09

BRI



757

PARTS CATALOG (MAINTENANCE)

| FIG ITEM | PART NUMBER | 1 2 3 4 5 6 7 | NOMENCLATURE | EFFECT FROM TO | UNITS PER ASSY |
|----------|--------------|---------------|---|--|----------------|
| 2 | | | | | |
| 26 | BAC27NEX2104 | .DECAL- | PLACARD CONTENT: M10689 | 002004 006100 107107 121503 904999 | 1 |
| 27 | BAC27NEX2105 | .DECAL- | PLACARD CONTENT: M10690 | 002004 006100 107107 121503 904999 | 1 |
| 28 | BAC27NEX2106 | .DECAL- | PLACARD CONTENT: M10691 | 002004 006100 107107 121503 904999 | 1 |
| 33 | BAC27NEX2064 | .DECAL- | PLACARD CONTENT: K10569 | 002004 006100 952999 | 1 |
| 34 | BAC27NEX2064 | .DECAL- | PLACARD CONTENT: K10569 POST SERVICE BULLETIN: 24-0048 | 107107 | 1 |
| 36 | BAC27NEX2064 | .DECAL- | PLACARD CONTENT: K10569 | 121503 904949 | 1 |
| 40 | BAC27NEX0200 | .DECAL- | PLACARD CONTENT: K10080 | 107107 121503 904949 | 1 |
| 40 | BAC27NEX2476 | .DECAL- | PLACARD CONTENT: K10080 | 002004 006100 950999 | 1 |
| 44 | BAC27NEX0212 | .DECAL- | PLACARD CONTENT: K10167 | 121503 904949 | 1 |
| 46 | BAC27NEX2483 | .DECAL- | PLACARD CONTENT: K10167 | 002004 006100 950999 | 1 |
| 48 | BAC27NEX1755 | .DECAL- | PLACARD CONTENT: K10506 | 002004 006100 121503 904999 | 1 |
| 50 | BAC27NEX1756 | .DECAL- | PLACARD CONTENT: K10507 | 002004 006100 107107 121503 904999 | 1 |

MISSING ITEM NUMBERS NOT APPLICABLE

- ITEM NOT ILLUSTRATED

21-58-71-02

21-58-71
FIG. 02
PAGE 2
JAN 20/09

BRI

BOEING PROPRIETARY - Copyright © - Unpublished Work - See title page for details.



757

PARTS CATALOG (MAINTENANCE)

| FIG ITEM | PART NUMBER | 1 2 3 4 5 6 7 | NOMENCLATURE | EFFECT FROM TO | UNITS PER ASSY |
|----------|--------------|---------------|--|--|----------------|
| 2 | | | | | |
| 55 | BAC27NEX1758 | .DECAL- | PLACARD CONTENT: K10509 | 002004 006100 107107 121503 904999 | 1 |
| 61 | BAC27NEX1760 | .DECAL- | PLACARD CONTENT: K10511 | 107107 121503 904949 | 1 |
| 65 | BAC27TEX0138 | .DECAL- | PLACARD CONTENT: K347 | 002004 006100 107107 121503 904999 | 1 |
| 70 | BAC27TEX0139 | .DECAL- | PLACARD CONTENT: K369 | 002004 006100 107107 121503 904999 | 1 |
| 75 | BAC27NEX0886 | .DECAL- | PLACARD CONTENT: K10323 | 121503 904949 | 1 |
| 81 | BAC27NEX0900 | .DECAL- | PLACARD CONTENT: K10360 | 107107 121503 904949 | 1 |
| 81 | BAC27NEX2512 | .DECAL- | PLACARD CONTENT: K10360 | 002004 006100 950999 | 1 |
| 112 | W260F4AM11 | .RELAY- | SUPPLIER CODE: VF0219 SPECIFICATION NUMBER: BACR13CD2 OPTIONAL PART: BR16S233 V09026 EE4AA005 V35344 3SAV1338A2 V01526 HFW1206K03 V58614 HFW1204K01 V71482 ELECTRICAL EQUIP NUMBER: K10079 | 002004 006100 107107 121503 904999 | 1 |

MISSING ITEM NUMBERS NOT APPLICABLE

- ITEM NOT ILLUSTRATED

21-58-71-02

21-58-71
FIG. 02
PAGE 3
JAN 20/09

BRI



757

PARTS CATALOG (MAINTENANCE)

| FIG ITEM | PART NUMBER | 1 2 3 4 5 6 7 | NOMENCLATURE | EFFECT FROM TO | UNITS PER ASSY |
|----------|--------------|---------------|---|--|----------------|
| 2 113 | W260F4AM11 | | .RELAY- SUPPLIER CODE: VF0219 SPECIFICATION NUMBER: BACR13CD2 OPTIONAL PART: BR16S233 V09026 EE4AA005 V35344 3SAV1338A2 V01526 HFW1206K03 V58614 HFW1204K01 V71482 ELECTRICAL EQUIP NUMBER: K10443 K10509 | 002004 006100 107107 121503 904999 | 2 |
| 120 | TDH1852-3002 | | .RELAY- SUPPLIER CODE: V58657 ELECTRICAL EQUIP NUMBER: K10080 OPTIONAL PART: 600-154-3002 V15420 | 002004 006100 107107 121503 904999 | 1 |
| 120 | 600-154-3002 | | .RELAY- SUPPLIER CODE: V15420 ELECTRICAL EQUIP NUMBER: K10080 OPTIONAL PART: TDH1852-3002 V58657 | 002004 006100 107107 121503 904999 | 1 |
| 123 | JAD9F007 | | .RELAY- SUPPLIER CODE: V58657 SPECIFICATION NUMBER: BACR13CJ2 ELECTRICAL EQUIP NUMBER: K10167 | 107107 | 1 |
| 129 | KDAE4F | | .RELAY- SUPPLIER CODE: V58657 ELECTRICAL EQUIP NUMBER: K00347 | 002004 006100 107107 950999 | 1 |

MISSING ITEM NUMBERS NOT APPLICABLE

- ITEM NOT ILLUSTRATED

21-58-71-02

21-58-71
FIG. 02
PAGE 4
JAN 20/09

BRI



757

PARTS CATALOG (MAINTENANCE)

| FIG ITEM | PART NUMBER | 1 2 3 4 5 6 7 | NOMENCLATURE | EFFECT FROM TO | UNITS PER ASSY |
|----------|--------------|---------------|---|----------------------------|----------------|
| 2 130 | KDAE4F | | .RELAY- SUPPLIER CODE: V58657 ELECTRICAL EQUIP NUMBER: K00347 K10323 | 121503 904949 | 2 |
| 133 | TDH7101-2002 | | .RELAY- SUPPLIER CODE: V58657 ELECTRICAL EQUIP NUMBER: K10511 | 107107 121503 904949 | 1 |
| 133 | ES410-1538 | | .RELAY- SUPPLIER CODE: V99699 SPECIFICATION NUMBER: BACR13CG2AB OPTIONAL PART: KD4L018 V35344 BR230DS0115 V56623 KD4L036 V58657 FCA410-63 V78290 ELECTRICAL EQUIP NUMBER: K10506 | 002004 006100 950999 | 1 |
| 134 | JAD9F007 | | .RELAY- SUPPLIER CODE: V58657 SPECIFICATION NUMBER: BACR13CJ2 ELECTRICAL EQUIP NUMBER: K10167 | 121503 904949 | 1 |

MISSING ITEM NUMBERS NOT APPLICABLE

- ITEM NOT ILLUSTRATED

BRI

21-58-71-02

BOEING PROPRIETARY - Copyright © - Unpublished Work - See title page for details.

21-58-71
FIG. 02
PAGE 5
JAN 20/09



757

PARTS CATALOG (MAINTENANCE)

| FIG ITEM | PART NUMBER | 1 2 3 4 5 6 7 | NOMENCLATURE | EFFECT FROM TO | UNITS PER ASSY |
|----------|--------------|---------------|---|--|----------------|
| 2 135 | ES210-1632 | .RELAY- | SUPPLIER CODE: V99699 SPECIFICATION NUMBER: BACR13CF2AB OPTIONAL PART: JD4L018 V35344 JD4L031 V35344 BR246S0111 V56623 BR64S105 V56623 FCA210-71 V78290 61GB2319-1A320 V98927 ELECTRICAL EQUIP NUMBER: K10442 | 002004 006100 107107 121503 904999 | 1 |
| 137 | JAD9F007 | .RELAY- | SUPPLIER CODE: V58657 SPECIFICATION NUMBER: BACR13CJ2 ELECTRICAL EQUIP NUMBER: K10167 | 002004 006100 950999 | 1 |
| 140 | ES410-1538 | .RELAY- | SUPPLIER CODE: V99699 SPECIFICATION NUMBER: BACR13CG2AB OPTIONAL PART: KD4L018 V35344 BR230DS0115 V56623 KD4L036 V58657 FCA410-63 V78290 ELECTRICAL EQUIP NUMBER: K10506 | 107107 121503 904949 | 1 |
| 140 | TDH7101-2002 | .RELAY- | SUPPLIER CODE: V58657 ELECTRICAL EQUIP NUMBER: K10511 | 002004 006100 950999 | 1 |

MISSING ITEM NUMBERS NOT APPLICABLE

- ITEM NOT ILLUSTRATED

21-58-71-02

21-58-71
FIG. 02
PAGE 6
JAN 20/09

BRI



757

PARTS CATALOG (MAINTENANCE)

| FIG ITEM | PART NUMBER | 1 2 3 4 5 6 7 | NOMENCLATURE | EFFECT FROM TO | UNITS PER ASSY |
|----------|-------------|---------------|---|--|----------------|
| 2 142 | ES410-1538 | | .RELAY- SUPPLIER CODE: V99699 SPECIFICATION NUMBER: BACR13CG2AB OPTIONAL PART: KD4L018 V35344 BR230DS0115 V56623 KD4L036 V58657 FCA410-63 V78290 ELECTRICAL EQUIP NUMBER: K00369 K10360 | 002004 006100 107107 121503 904999 | 2 |
| 143 | ES410-1538 | | .RELAY- SUPPLIER CODE: V99699 SPECIFICATION NUMBER: BACR13CG2AB OPTIONAL PART: KD4L018 V35344 BR230DS0115 V56623 KD4L036 V58657 FCA410-63 V78290 ELECTRICAL EQUIP NUMBER: K10569 | 121503 904949 | 1 |

MISSING ITEM NUMBERS NOT APPLICABLE

- ITEM NOT ILLUSTRATED

BRI

21-58-71-02

BOEING PROPRIETARY - Copyright © - Unpublished Work - See title page for details.

21-58-71
FIG. 02
PAGE 7
JAN 20/09



757

PARTS CATALOG (MAINTENANCE)

| FIG ITEM | PART NUMBER | 1 2 3 4 5 6 7 | NOMENCLATURE | EFFECT FROM TO | UNITS PER ASSY |
|----------|--------------|---------------|--|--|----------------|
| 2 144 | ES410-1538 | | .RELAY- SUPPLIER CODE: V99699 SPECIFICATION NUMBER: BACR13CG2AB OPTIONAL PART: KD4L018 V35344 BR230DS0115 V56623 KD4L036 V58657 FCA410-63 V78290 ELECTRICAL EQUIP NUMBER: K10569 POST SERVICE BULLETIN: 24-0048 | 107107 | 1 |
| 146 | ES410-1538 | | .RELAY- SUPPLIER CODE: V99699 SPECIFICATION NUMBER: BACR13CG2AB OPTIONAL PART: KD4L018 V35344 BR230DS0115 V56623 KD4L036 V58657 FCA410-63 V78290 ELECTRICAL EQUIP NUMBER: K10569 | 002004 006100 952999 | 1 |
| 152 | TDH1853-3003 | | .RELAY- SUPPLIER CODE: V58657 ELECTRICAL EQUIP NUMBER: K10507 | 002004 006100 107107 121503 904999 | 1 |
| 160 | 9123-8072 | | .RELAY- SUPPLIER CODE: V58657 ELECTRICAL EQUIP NUMBER: K00343 | 002004 006100 107107 121503 904999 | 1 |

MISSING ITEM NUMBERS NOT APPLICABLE

- ITEM NOT ILLUSTRATED

BRI

21-58-71-02

BOEING PROPRIETARY - Copyright © - Unpublished Work - See title page for details.

21-58-71
FIG. 02
PAGE 8
JAN 20/09



757

PARTS CATALOG (MAINTENANCE)

| FIG ITEM | PART NUMBER | 1 2 3 4 5 6 7 | NOMENCLATURE | EFFECT FROM TO | UNITS PER ASSY |
|----------|--------------|---------------|---|--|----------------|
| 2 | | | ATTACHING PARTS | | |
| - 165 | NAS603-7P | | .SCREW | 002004 006100 107107 121503 904999 | 4 |
| 170 | 10167-3001BT | | -----*----- .RELAY-TIME DELAY SUPPLIER CODE: V08719 ELECTRICAL EQUIP NUMBER: M10690 M10691 OPTIONAL PART: 530750-3001 V08719 TD1982-3001 V58657 TD1767-3001 V58657 | 002004 006100 107107 121503 904999 | 2 |
| 170 | 530750-3001 | | .RELAY-TIME DELAY SUPPLIER CODE: V08719 ELECTRICAL EQUIP NUMBER: M10690 M10691 OPTIONAL PART: 10167-3001BT V08719 TD1982-3001 V58657 TD1767-3001 V58657 | 002004 006100 107107 121503 904999 | 2 |
| 170 | TD1982-3001 | | .RELAY-TIME DELAY SUPPLIER CODE: V58657 ELECTRICAL EQUIP NUMBER: M10690 M10691 OPTIONAL PART: 10167-3001BT V08719 530750-3001 V08719 TD1767-3001 V58657 | 002004 006100 107107 121503 904999 | 2 |

MISSING ITEM NUMBERS NOT APPLICABLE

- ITEM NOT ILLUSTRATED

BRI

21-58-71-02

BOEING PROPRIETARY - Copyright © - Unpublished Work - See title page for details.

21-58-71
FIG. 02
PAGE 9
JAN 20/09



757

PARTS CATALOG (MAINTENANCE)

| FIG ITEM | PART NUMBER | 1 2 3 4 5 6 7 | NOMENCLATURE | EFFECT FROM TO | UNITS PER ASSY |
|----------|--------------|---------------|---|--|----------------|
| 2 170 | TD1767-3001 | | .RELAY-TIME DELAY SUPPLIER CODE: V08719 ELECTRICAL EQUIP NUMBER: M10690 M10691 OPTIONAL PART: 10167-3001BT V08719 530750-3001 V08719 TD1982-3001 V58657 | 002004 006100 107107 121503 904999 | 2 |
| 170 | 10167-3BT | | .RELAY-TIME DELAY SUPPLIER CODE: V08719 ELECTRICAL EQUIP NUMBER: M10690 M10691 | 002004 006100 107107 121503 904999 | 2 |
| 175 | TD1767-7500 | | .RELAY-TIME DELAY SUPPLIER CODE: V58657 ELECTRICAL EQUIP NUMBER: M10689 OPTIONAL PART: 530750-7500 V08719 TD1982-7500 V58657 | 002004 006100 107107 121503 904999 | 1 |
| 175 | 10167-7500BT | | .RELAY-TIME DELAY SUPPLIER CODE: V08719 ELECTRICAL EQUIP NUMBER: M10689 OPTIONAL PART: 530750-7500 V08719 TD1982-7500 V58657 | 002004 006100 107107 121503 904999 | 1 |

MISSING ITEM NUMBERS NOT APPLICABLE

- ITEM NOT ILLUSTRATED

BRI

21-58-71-02

BOEING PROPRIETARY - Copyright © - Unpublished Work - See title page for details.

21-58-71
FIG. 02
PAGE 10
JAN 20/09



757

PARTS CATALOG (MAINTENANCE)

| FIG ITEM | PART NUMBER | 1 2 3 4 5 6 7 | NOMENCLATURE | EFFECT FROM TO | UNITS PER ASSY |
|----------|--------------|---------------|---|--|----------------|
| 2 175 | 530750-7500 | | .RELAY-TIME DELAY SUPPLIER CODE: V08719 ELECTRICAL EQUIP NUMBER: M10689 OPTIONAL PART: 10167-7500BT V08719 TD1767-7500 V58657 TD1982-7500 V58657 | 002004 006100 107107 121503 904999 | 1 |
| 175 | TD1982-7500 | | .RELAY-TIME DELAY SUPPLIER CODE: V58657 ELECTRICAL EQUIP NUMBER: M10689 OPTIONAL PART: 10167-7500BT V08719 TD1767-7500 V58657 530750-7500 V08719 | 002004 006100 107107 121503 904999 | 1 |
| - 300 | 284N1127-1 | | PANEL ASSY-P37 MISC RELAY (EQUIPMENT COOLING SYSTEM ONLY) POSITION DATA: R VARIABLE DRAWING REF: 284N1127-5028 284N1127-5039 284N1127-5063 284N1127-5064 284N1127-5068 REWORKED BY SB: 33-0039 34-0200 REWORKED BY ALERT SB: 27A0130 FOR NHA/OTHER SYS DET SEE: 31-01-37-01B | 002004 006100 107107 121503 904999 | RF |
| 303 | BAC27NEX0987 | | .DECAL- PLACARD CONTENT: K10086 | 002004 006100 121503 904999 | 1 |
| 305 | BAC27NEX0987 | | .DECAL- PLACARD CONTENT: K10086 | 107107 | 1 |

MISSING ITEM NUMBERS NOT APPLICABLE

- ITEM NOT ILLUSTRATED

21-58-71-02

21-58-71
FIG. 02
PAGE 11
JAN 20/09

BRI



757

PARTS CATALOG (MAINTENANCE)

| FIG ITEM | PART NUMBER | 1 2 3 4 5 6 7 | NOMENCLATURE | EFFECT FROM TO | UNITS PER ASSY |
|----------|--------------|---------------|----------------------------|--|----------------|
| 2 | | | | | |
| 307 | BAC27NEX1692 | .DECAL- | PLACARD CONTENT: K10432 | 107107 | 1 |
| 308 | BAC27NEX1692 | .DECAL- | PLACARD CONTENT: K10432 | 002004 006100 121503 904999 | 1 |
| 317 | BAC27NEX1029 | .DECAL- | PLACARD CONTENT: K10322 | 107107 | 1 |
| 318 | BAC27NEX1029 | .DECAL- | PLACARD CONTENT: K10322 | 002004 006100 121503 904999 | 1 |
| 330 | BAC27TEX0341 | .DECAL- | PLACARD CONTENT: K346 | 002004 006100 107107 121503 904999 | 1 |
| 335 | BAC27NEX1030 | .DECAL- | PLACARD CONTENT: K10324 | 121503 904949 | 1 |
| 352 | BAC27NEX2100 | .DECAL- | PLACARD CONTENT: M10688 | 002004 006100 107107 121503 904999 | 1 |
| 362 | BAC27TEX0339 | .DECAL- | PLACARD CONTENT: K344 | 002004 006100 107107 121503 904999 | 2 |

MISSING ITEM NUMBERS NOT APPLICABLE

- ITEM NOT ILLUSTRATED

BRI

21-58-71-02

BOEING PROPRIETARY - Copyright © - Unpublished Work - See title page for details.

21-58-71
FIG. 02
PAGE 12
JAN 20/09



757

PARTS CATALOG (MAINTENANCE)

| FIG ITEM | PART NUMBER | 1 2 3 4 5 6 7 | NOMENCLATURE | EFFECT FROM TO | UNITS PER ASSY |
|----------|-------------|---------------|---|--|----------------|
| 2 366 | W260F4AM11 | | .RELAY- SUPPLIER CODE: VF0219 SPECIFICATION NUMBER: BACR13CD2 OPTIONAL PART: BR16S233 V09026 EE4AA005 V35344 3SAV1338A2 V01526 HFW1206K03 V58614 HFW1204K01 V71482 ELECTRICAL EQUIP NUMBER: K10086 K10322 K10432 | 002004 006100 107107 121503 904999 | 3 |
| 380 | KDAE4F | | .RELAY- SUPPLIER CODE: V58657 ELECTRICAL EQUIP NUMBER: K00346 K10324 | 121503 904949 | 2 |
| 382 | KDAE4F | | .RELAY- SUPPLIER CODE: V58657 ELECTRICAL EQUIP NUMBER: K00346 | 002004 006100 107107 950999 | 1 |
| 415 | 9123-8072 | | .RELAY- SUPPLIER CODE: V58657 ELECTRICAL EQUIP NUMBER: K00344 | 002004 006100 107107 121503 904999 | 1 |
| - 420 | NAS603-6P | | ATTACHING PARTS .SCREW -----*----- | 002004 006100 107107 121503 904999 | 4 |

MISSING ITEM NUMBERS NOT APPLICABLE

- ITEM NOT ILLUSTRATED

BRI

21-58-71-02

BOEING PROPRIETARY - Copyright © - Unpublished Work - See title page for details.

21-58-71
FIG. 02
PAGE 13
JAN 20/09



757

PARTS CATALOG (MAINTENANCE)

| FIG ITEM | PART NUMBER | 1 2 3 4 5 6 7 | NOMENCLATURE | EFFECT FROM TO | UNITS PER ASSY |
|----------|--------------|---------------|---|--|----------------|
| 2 425 | 10167-1002BT | | .TIME DELAY- SUPPLIER CODE: V08719 ELECTRICAL EQUIP NUMBER: M10688 OPTIONAL PART: 530750-1002 V08719 TD1982-1002 V58657 | 002004 006100 107107 121503 904999 | 1 |
| 425 | 530750-1002 | | .TIME DELAY- SUPPLIER CODE: V08719 ELECTRICAL EQUIP NUMBER: M10688 OPTIONAL PART: TD1982-1002 V58657 10167-1002BT V08719 | 002004 006100 107107 121503 904999 | 1 |
| 425 | TD1982-1002 | | .TIME DELAY- SUPPLIER CODE: V58657 ELECTRICAL EQUIP NUMBER: M10688 OPTIONAL PART: 530750-1002 V08719 10167-1002BT V08719 | 002004 006100 107107 121503 904999 | 1 |
| 425 | TD1767-1002 | | .TIME DELAY- SUPPLIER CODE: V58657 | 002004 006100 107107 121503 904999 | 1 |
| - 430 | NAS601-13P | | ATTACHING PARTS .SCREW- | 002004 006100 107107 121503 904999 | 2 |
| - 435 | AN960D6L | | .WASHER- | 002004 006100 107107 121503 904999 | 2 |
| | | -----*----- | | | |

MISSING ITEM NUMBERS NOT APPLICABLE

- ITEM NOT ILLUSTRATED

BRI

21-58-71-02

21-58-71
FIG. 02
PAGE 14
JAN 20/09



757

PARTS CATALOG (MAINTENANCE)

| FIG ITEM | PART NUMBER | 1 2 3 4 5 6 7 | NOMENCLATURE | EFFECT FROM TO | UNITS PER ASSY |
|----------|--------------|---------------|---|--|----------------|
| 2 | | | | | |
| - 600 | 286N1260-002 | | WIRE BUNDLE ASSY- REWORKED BY ALERT SB: 27A0130 | 121503 904949 | RF |
| - 600 | 286N1260-003 | | WIRE BUNDLE ASSY- REWORKED BY ALERT SB: 27A0130 | 107107 | RF |
| - 600 | 286N1260-005 | | WIRE BUNDLE ASSY- REWORKED BY SB: 34-0200 REWORKED BY ALERT SB: 27A0130 | 002004 006100 950999 | RF |
| 610 | SO-1061-8916 | | .SOCKET- SUPPLIER CODE: V35344 ELECTRICAL EQUIP NUMBER: D04210 D04234 WIRING DIAGRAM REF: 215821 215824 | 121503 904949 | 2 |
| 615 | SO-1061-8916 | | .SOCKET- SUPPLIER CODE: V35344 ELECTRICAL EQUIP NUMBER: D04234 WIRING DIAGRAM REF: 215821 | 002004 006100 107107 950999 | 1 |
| 615 | RSF116400 | | .SOCKET- SUPPLIER CODE: V58982 SPECIFICATION NUMBER: BACS16W1A OPTIONAL PART: 102-009-1 V09922 000300-1539 V05574 ELECTRICAL EQUIP NUMBER: D00572 WIRING DIAGRAM REF: 215812 | 002004 006100 107107 121503 904999 | 1 |

MISSING ITEM NUMBERS NOT APPLICABLE

- ITEM NOT ILLUSTRATED

BRI

21-58-71-02

BOEING PROPRIETARY - Copyright © - Unpublished Work - See title page for details.

21-58-71
FIG. 02
PAGE 15
JAN 20/09



757

PARTS CATALOG (MAINTENANCE)

| FIG ITEM | PART NUMBER | 1 2 3 4 5 6 7 | NOMENCLATURE | EFFECT FROM TO | UNITS PER ASSY |
|----------|--------------|---------------|---|--|----------------|
| 2 615 | RSE120026 | | .SOCKET- SUPPLIER CODE: V58982 SPECIFICATION NUMBER: BACS16AG1 OPTIONAL PART: 451120-026 V58982 ELECTRICAL EQUIP NUMBER: D05192 WIRING DIAGRAM REF: 215812 | 002004 006100 107107 121503 904999 | 1 |
| 615 | RSF116200 | | .SOCKET- SUPPLIER CODE: V58982 SPECIFICATION NUMBER: BACS16X1A OPTIONAL PART: 102-006-1 V09922 000300-1538 V05574 ELECTRICAL EQUIP NUMBER: D05190 WIRING DIAGRAM REF: 215812 | 002004 006100 107107 121503 904999 | 1 |
| - 650 | 286N1270-002 | | WIRE BUNDLE ASSY- REWORKED BY ALERT SB: 27A0130 34A0222 | 121503 904949 | RF |
| - 650 | 286N1270-003 | | WIRE BUNDLE ASSY- REWORKED BY ALERT SB: 27A0130 34A0222 | 107107 | RF |
| - 650 | 286N1270-005 | | WIRE BUNDLE ASSY- REWORKED BY SB: 33-0039 34-0200 REWORKED BY ALERT SB: 27A0130 34A0222 | 002004 006100 950999 | RF |

MISSING ITEM NUMBERS NOT APPLICABLE

- ITEM NOT ILLUSTRATED

BRI

21-58-71-02

21-58-71
FIG. 02
PAGE 16
JAN 20/09



**757
PARTS CATALOG (MAINTENANCE)**

| FIG ITEM | PART NUMBER | 1 2 3 4 5 6 7 | NOMENCLATURE | EFFECT FROM TO | UNITS PER ASSY |
|-------------|--------------|---------------|---|--------------------------------------|----------------------|
| 2 655 | S0-1061-8916 | | .SOCKET- SUPPLIER CODE: V35344 ELECTRICAL EQUIP NUMBER: D04232 D04212 WIRING DIAGRAM REF: 215821 215824 | 121503 904949 | 2 |
| 660 | S0-1061-8916 | | .SOCKET- SUPPLIER CODE: V35344 ELECTRICAL EQUIP NUMBER: D04232 WIRING DIAGRAM REF: 215821 | 002004 006100 107107 950999 | 1 |

MISSING ITEM NUMBERS NOT APPLICABLE

— ITEM NOT ILLUSTRATED

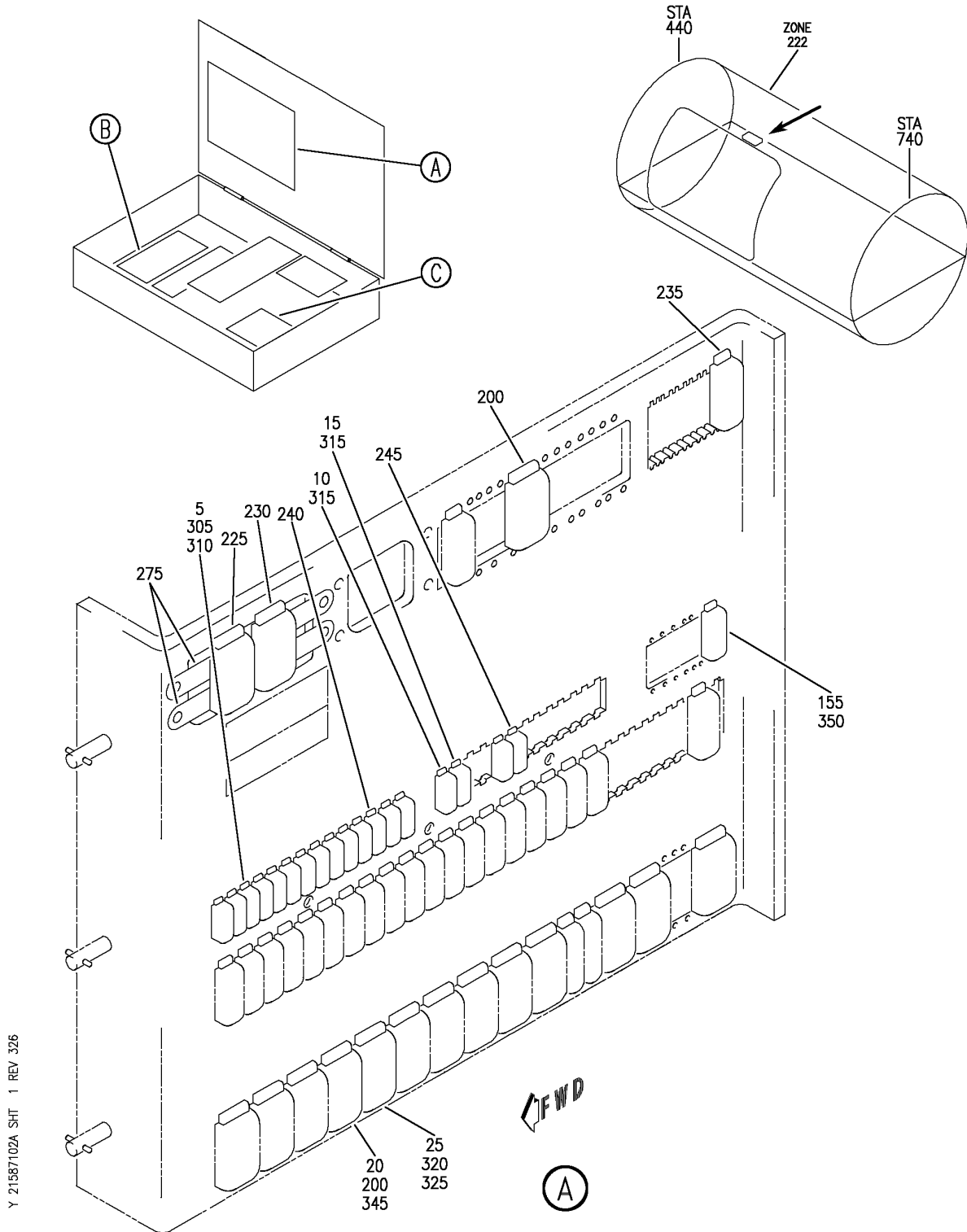
BRI

21-58-71-02

BOEING PROPRIETARY - Copyright © - Unpublished Work - See title page for details.

21-58-71
FIG. 02
PAGE 17
JAN 20/09

BOEING
757
PARTS CATALOG (MAINTENANCE)



Y 21587102A SHT 1 REV 326

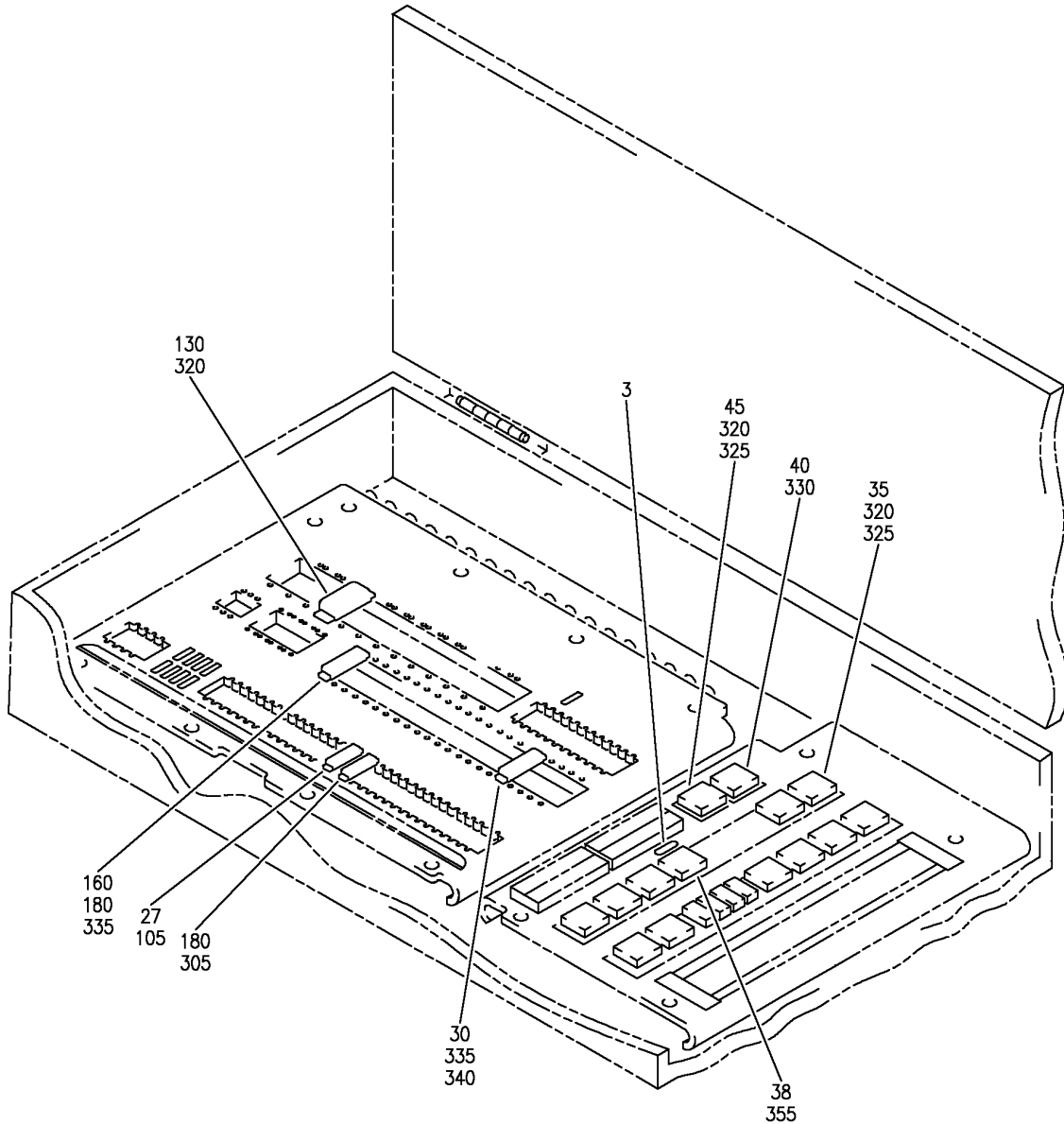
OPTION PACKAGE ASSY-P36 MISC RELAY L (EQUIPMENT COOLING SYSTEM ONLY)
FIGURE 2A (SHEET 1)

21-58-71-02A

BRI
SEP 20/08

21-58-71-02A
PAGE 0

BOEING
757
PARTS CATALOG (MAINTENANCE)



(B)

Y 21587102A SHT. 2 REV. 280

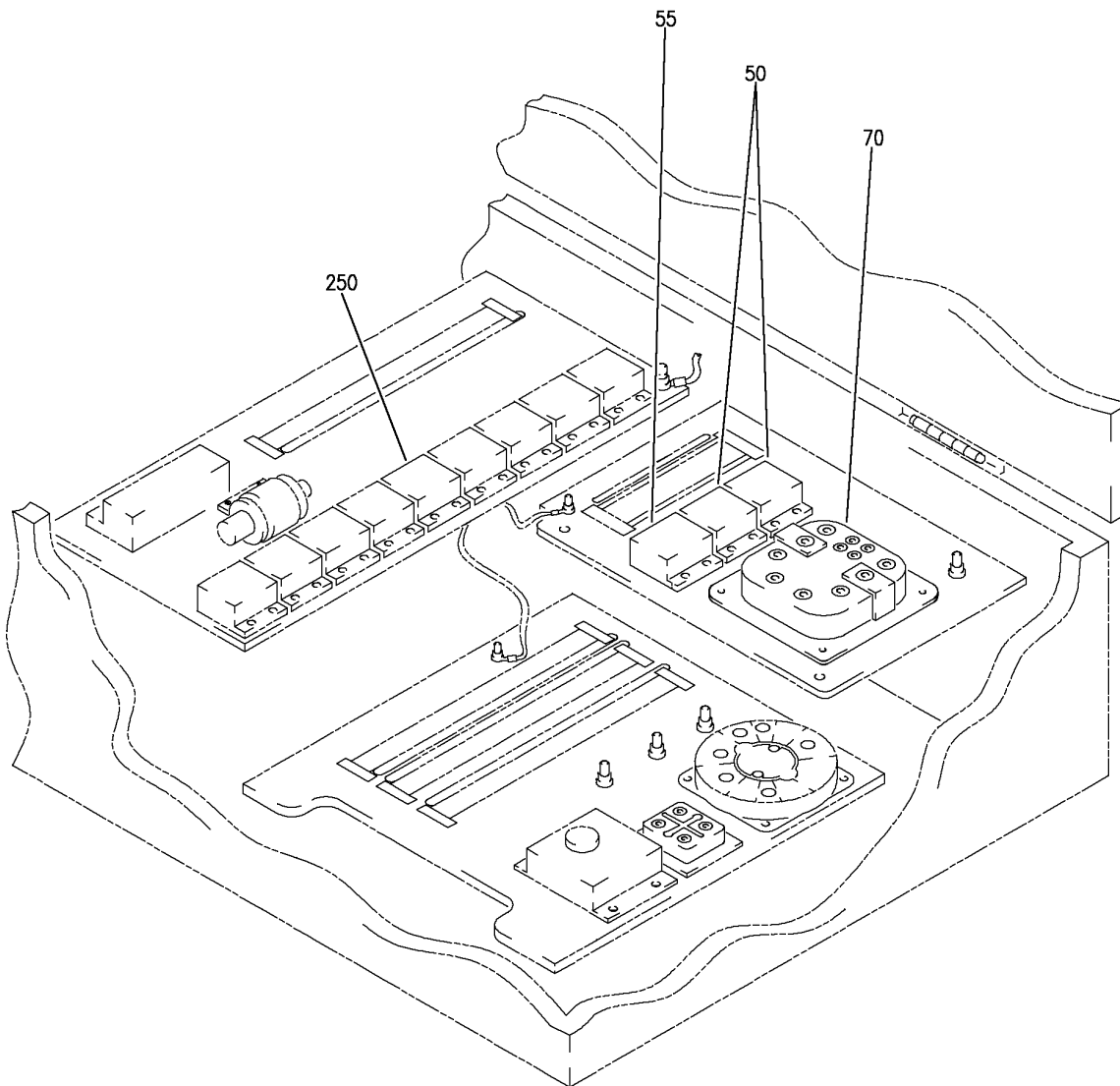
OPTION PACKAGE ASSY-P36 MISC RELAY L (EQUIPMENT COOLING SYSTEM ONLY)
FIGURE 2A (SHEET 2)

21-58-71-02A

BRI
MAY 28/07

21-58-71-02A
PAGE 0A

BOEING
757
PARTS CATALOG (MAINTENANCE)



(C)

Y 21587102A SHT 3 REV 326

OPTION PACKAGE ASSY-P36 MISC RELAY L (EQUIPMENT COOLING SYSTEM ONLY)
FIGURE 2A (SHEET 3)

BRI
SEP 20/08

21-58-71-02A

21-58-71-02A
PAGE 0B



757

PARTS CATALOG (MAINTENANCE)

| FIG ITEM | PART NUMBER | 1 2 3 4 5 6 7 | NOMENCLATURE | EFFECT FROM TO | UNITS PER ASSY |
|----------|---------------|---------------|---|------------------|----------------|
| 2A | | | OPTION PACKAGE ASSY-P36 MISC RELAY L (EQUIPMENT COOLING SYSTEM ONLY) | 101102 504903 | |
| - 1 | 284N1125-1018 | | OPTION PACKAGE ASSY-P36 MISC RELAY L (EQUIPMENT COOLING SYSTEM ONLY) REWORKED BY ALERT SB: 27A0130 FOR NHA/OTHER SYS DET SEE: 31-01-36-05 | 101102 504903 | RF |
| 5 | W260F4AM11 | | .RELAY- SUPPLIER CODE: VF0219 SPECIFICATION NUMBER: BACR13CD2 OPTIONAL PART: BR16S233 V09026 EE4AA005 V35344 3SAV1338A2 V01526 HFW1206K03 V58614 HFW1204K01 V71482 ELECTRICAL EQUIP NUMBER: K10079 | 101102 504903 | 1 |
| 10 | TDH1853-3003 | | .RELAY- SUPPLIER CODE: V58657 ELECTRICAL EQUIP NUMBER: K10507 | 101102 504903 | 1 |
| 15 | TDH1852-3002 | | .RELAY- SUPPLIER CODE: V58657 ELECTRICAL EQUIP NUMBER: K10080 | 101102 504903 | 1 |
| 15 | 600-154-3002 | | .RELAY- SUPPLIER CODE: V15420 ELECTRICAL EQUIP NUMBER: K10080 | 101102 504903 | 1 |

MISSING ITEM NUMBERS NOT APPLICABLE

- ITEM NOT ILLUSTRATED

21-58-71-02A

21-58-71
FIG. 02A
PAGE 1
JAN 20/09

BRI



757

PARTS CATALOG (MAINTENANCE)

| FIG ITEM | PART NUMBER | 1 2 3 4 5 6 7 | NOMENCLATURE | EFFECT FROM TO | UNITS PER ASSY |
|----------|-------------|---------------|--|------------------|----------------|
| 2A | | | | | |
| 20 | KDAE4F | | .RELAY- SUPPLIER CODE: V58657 ELECTRICAL EQUIP NUMBER: K00347 | 101102 504903 | 1 |
| 25 | ES410-1538 | | .RELAY- SUPPLIER CODE: V99699 SPECIFICATION NUMBER: BACR13CG2AB OPTIONAL PART: KD4L018 V35344 BR230DS0115 V56623 KD4L036 V58657 FCA410-63 V78290 ELECTRICAL EQUIP NUMBER: K00369 | 101102 504903 | 1 |
| 30 | ES210-1632 | | .RELAY- SUPPLIER CODE: V99699 SPECIFICATION NUMBER: BACR13CF2AB OPTIONAL PART: JD4L018 V35344 JD4L031 V35344 BR246S0111 V56623 BR64S105 V56623 FCA210-71 V78290 61GB2319-1A320 V98927 ELECTRICAL EQUIP NUMBER: K10442 | 101102 504903 | 1 |

MISSING ITEM NUMBERS NOT APPLICABLE

- ITEM NOT ILLUSTRATED

21-58-71-02A

21-58-71
FIG. 02A
PAGE 2
JAN 20/09

BRI



757

PARTS CATALOG (MAINTENANCE)

| FIG ITEM | PART NUMBER | 1 2 3 4 5 6 7 | NOMENCLATURE | EFFECT FROM TO | UNITS PER ASSY |
|----------|--------------|---------------|--|------------------|----------------|
| 2A 35 | ES410-1538 | .RELAY- | SUPPLIER CODE: V99699 SPECIFICATION NUMBER: BACR13CG2AB OPTIONAL PART: KD4L018 V35344 BR230DS0115 V56623 KD4L036 V58657 FCA410-63 V78290 ELECTRICAL EQUIP NUMBER: K10360 | 101102 504903 | 1 |
| 40 | TDH7101-2002 | .RELAY- | SUPPLIER CODE: V58657 ELECTRICAL EQUIP NUMBER: K10511 | 101102 504903 | 1 |
| 45 | ES410-1538 | .RELAY- | SUPPLIER CODE: V99699 SPECIFICATION NUMBER: BACR13CG2AB OPTIONAL PART: KD4L018 V35344 BR230DS0115 V56623 KD4L036 V58657 FCA410-63 V78290 ELECTRICAL EQUIP NUMBER: K10506 | 101102 504903 | 1 |

MISSING ITEM NUMBERS NOT APPLICABLE

- ITEM NOT ILLUSTRATED

21-58-71-02A

21-58-71
FIG. 02A
PAGE 3
JAN 20/09

BRI



757

PARTS CATALOG (MAINTENANCE)

| FIG ITEM | PART NUMBER | 1 2 3 4 5 6 7 | NOMENCLATURE | EFFECT FROM TO | UNITS PER ASSY |
|----------|--------------|---------------|--|------------------|----------------|
| 2A 50 | 10167-3001BT | . | RELAY-TIME DELAY SUPPLIER CODE: V08719 ELECTRICAL EQUIP NUMBER: M10690 M10691 OPTIONAL PART: TD1982-3001 V58657 TD1767-3001 V58657 530750-3001 V08719 | 101102 504903 | 2 |
| 50 | 530750-3001 | . | RELAY-TIME DELAY SUPPLIER CODE: V08719 ELECTRICAL EQUIP NUMBER: M10690 M10691 OPTIONAL PART: TD1982-3001 V58657 TD1767-3001 V58657 10167-3001BT V08719 | 101102 504903 | 2 |
| 50 | TD1982-3001 | . | RELAY-TIME DELAY SUPPLIER CODE: V58657 ELECTRICAL EQUIP NUMBER: M10690 M10691 OPTIONAL PART: 530750-3001 V08719 10167-3001BT V08719 | 101102 504903 | 2 |

MISSING ITEM NUMBERS NOT APPLICABLE

- ITEM NOT ILLUSTRATED

21-58-71-02A

21-58-71
FIG. 02A
PAGE 4
JAN 20/09

BRI



757

PARTS CATALOG (MAINTENANCE)

| FIG ITEM | PART NUMBER | 1 2 3 4 5 6 7 | NOMENCLATURE | EFFECT FROM TO | UNITS PER ASSY |
|----------|---------------|---------------|---|------------------|----------------|
| 2A 50 | TD1767-3001 | | .RELAY-TIME DELAY SUPPLIER CODE: V08719 ELECTRICAL EQUIP NUMBER: M10690 M10691 OPTIONAL PART: 530750-3001 V08719 TD1982-3001 V58657 10167-3001BT V08719 | 101102 504903 | 2 |
| 50 | 10167-3BT | | .RELAY-TIME DELAY SUPPLIER CODE: V08719 ELECTRICAL EQUIP NUMBER: M10690 M10691 ATTACHING PARTS | 101102 504903 | 2 |
| - 52 | NAS601-13P | | .SCREW | 101102 504903 | 4 |
| - 53 | NAS1149D0416H | | .WASHER | 101102 504903 | 4 |
| 55 | TD1767-7500 | | -----*----- .RELAY-TIME DELAY SUPPLIER CODE: V58657 ELECTRICAL EQUIP NUMBER: M10689 OPTIONAL PART: 530750-7500 V08719 TD1982-7500 V58657 | 101102 504903 | 1 |
| 55 | 10167-7500BT | | .RELAY-TIME DELAY SUPPLIER CODE: V08719 ELECTRICAL EQUIP NUMBER: M10689 OPTIONAL PART: TD1767-7500 V95344 ATTACHING PARTS | 101102 504903 | 1 |
| - 60 | NAS601-6P | | .SCREW- | 101102 504903 | 2 |
| - 65 | NAS1149DN616H | | .WASHER -----*----- | 101102 504903 | 2 |

MISSING ITEM NUMBERS NOT APPLICABLE

- ITEM NOT ILLUSTRATED

21-58-71-02A

21-58-71
FIG. 02A
PAGE 5
JAN 20/09

BRI

 **BOEING**
757
PARTS CATALOG (MAINTENANCE)

| FIG ITEM | PART NUMBER | 1 2 3 4 5 6 7 | NOMENCLATURE | EFFECT FROM TO | UNITS PER ASSY |
|----------|---------------|---------------|---|------------------|----------------|
| 2A 70 | 9123-8072 | | .RELAY- SUPPLIER CODE: V58657 ELECTRICAL EQUIP NUMBER: K00343 ATTACHING PARTS | 101102 504903 | 1 |
| - 75 | NAS603-7P | | .SCREW | 101102 504903 | 4 |
| 80 | 66-22661-1 | | -----*----- .BARRIER-RELAY TERM. | 101102 504903 | 2 |
| - 125 | 284N1125-1003 | | OPTION PACKAGE ASSY-P36 MISC RELAY L (EQUIPMENT COOLING SYSTEM ONLY) REWORKED BY ALERT SB: 27A0130 FOR NHA SEE: 31-01-36-05 | 101102 | RF |
| 130 | ES410-1538 | | .RELAY- SUPPLIER CODE: V99699 SPECIFICATION NUMBER: BACR13CG2AB OPTIONAL PART: KD4L018 V35344 BR230DS0115 V56623 KD4L036 V58657 FCA410-63 V78290 ELECTRICAL EQUIP NUMBER: K10569 | 101102 | 1 |
| - 301 | 286N1260-358 | | WIRE BUNDLE ASSY- REWORKED BY ALERT SB: 27A0130 | 101102 | RF |
| - 301 | 286N1260-364 | | WIRE BUNDLE ASSY- REWORKED BY ALERT SB: 27A0130 | 504903 | RF |

MISSING ITEM NUMBERS NOT APPLICABLE

- ITEM NOT ILLUSTRATED

BRI

21-58-71-02A

BOEING PROPRIETARY - Copyright © - Unpublished Work - See title page for details.

21-58-71
FIG. 02A
PAGE 6
JAN 20/09



757

PARTS CATALOG (MAINTENANCE)

| FIG ITEM | PART NUMBER | 1 2 3 4 5 6 7 | NOMENCLATURE | EFFECT FROM TO | UNITS PER ASSY |
|-----------|-------------|---------------|--|------------------|----------------|
| 2A 310 | RSE120026 | . | SOCKET- SUPPLIER CODE: V58982 SPECIFICATION NUMBER: BACS16AG1 OPTIONAL PART: 451120-026 V58982 ELECTRICAL EQUIP NUMBER: D01570 WIRING DIAGRAM REF: 215811 | 101102 504903 | 1 |
| 315 | RSE120028 | . | SOCKET- SUPPLIER CODE: V58982 SPECIFICATION NUMBER: BACS16AH1 OPTIONAL PART: 451120-028 V58982 ELECTRICAL EQUIP NUMBER: D01572 D05618 WIRING DIAGRAM REF: 215811 215812 | 101102 504903 | 2 |
| 320 | RSF116400 | . | SOCKET- SUPPLIER CODE: V58982 SPECIFICATION NUMBER: BACS16W1A OPTIONAL PART: 102-009-1 V09922 000300-1539 V05574 ELECTRICAL EQUIP NUMBER: D00572 D04266 D05616 D07078 WIRING DIAGRAM REF: 215812 215815 | 101102 | 4 |

MISSING ITEM NUMBERS NOT APPLICABLE

- ITEM NOT ILLUSTRATED

21-58-71-02A

21-58-71
FIG. 02A
PAGE 7
JAN 20/09

BRI



757

PARTS CATALOG (MAINTENANCE)

| FIG ITEM | PART NUMBER | 1 2 3 4 5 6 7 | NOMENCLATURE | EFFECT FROM TO | UNITS PER ASSY |
|-----------|-------------|---------------|--|------------------|----------------|
| 2A 325 | RSF116400 | . | SOCKET- SUPPLIER CODE: V58982 SPECIFICATION NUMBER: BACS16W1A OPTIONAL PART: 102-009-1 V09922 000300-1539 V05574 ELECTRICAL EQUIP NUMBER: D00572 D04266 D05616 WIRING DIAGRAM REF: 215812 | 504903 | 3 |
| 330 | RSF116416 | . | SOCKET- SUPPLIER CODE: V58982 SPECIFICATION NUMBER: BACS16W5A OPTIONAL PART: 102-010-1 V09922 000300-1545 V05574 ELECTRICAL EQUIP NUMBER: D05626 WIRING DIAGRAM REF: 215812 | 101102 504903 | 1 |
| 340 | RSF116200 | . | SOCKET- SUPPLIER CODE: V58982 SPECIFICATION NUMBER: BACS16X1A OPTIONAL PART: 102-006-1 V09922 000300-1538 V05574 ELECTRICAL EQUIP NUMBER: D05190 WIRING DIAGRAM REF: 215812 | 101102 504903 | 1 |

MISSING ITEM NUMBERS NOT APPLICABLE

- ITEM NOT ILLUSTRATED

21-58-71-02A

21-58-71
FIG. 02A
PAGE 8
JAN 20/09

BRI



757

PARTS CATALOG (MAINTENANCE)

| FIG ITEM | PART NUMBER | 1 2 3 4 5 6 7 | NOMENCLATURE | EFFECT FROM TO | UNITS PER ASSY |
|-------------|--------------|---------------|--|-------------------|----------------------|
| 2A 345 | S0-1061-8916 | | . SOCKET- SUPPLIER CODE: V35344 ELECTRICAL EQUIP NUMBER: D04234 WIRING DIAGRAM REF: 215821 | 101102 504903 | 1 |

MISSING ITEM NUMBERS NOT APPLICABLE

- ITEM NOT ILLUSTRATED

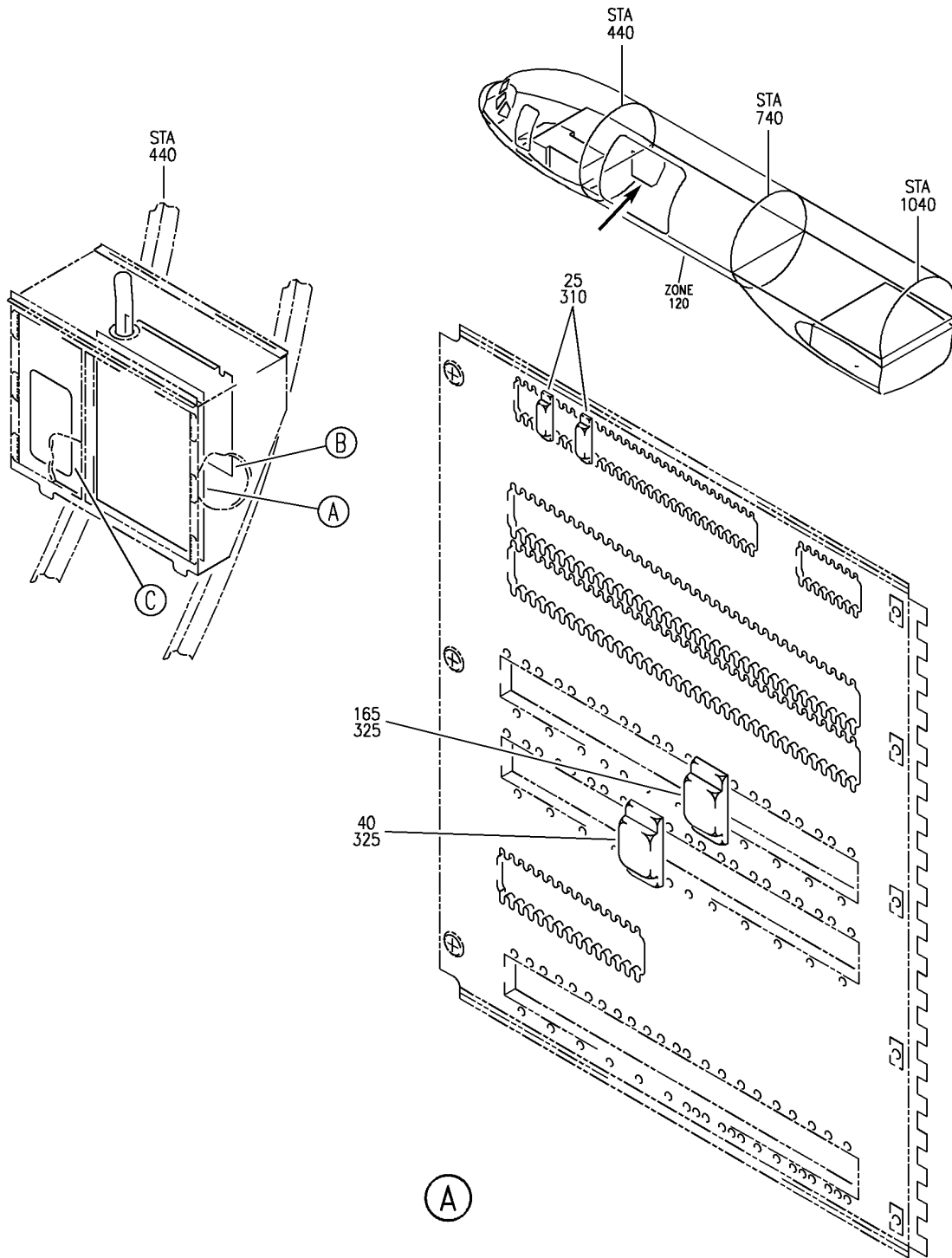
BRI

21-58-71-02A

BOEING PROPRIETARY - Copyright © - Unpublished Work - See title page for details.

21-58-71
FIG. 02A
PAGE 9
JAN 20/09

BOEING
757
PARTS CATALOG (MAINTENANCE)



Y 21587102B SHT 1 REV 293

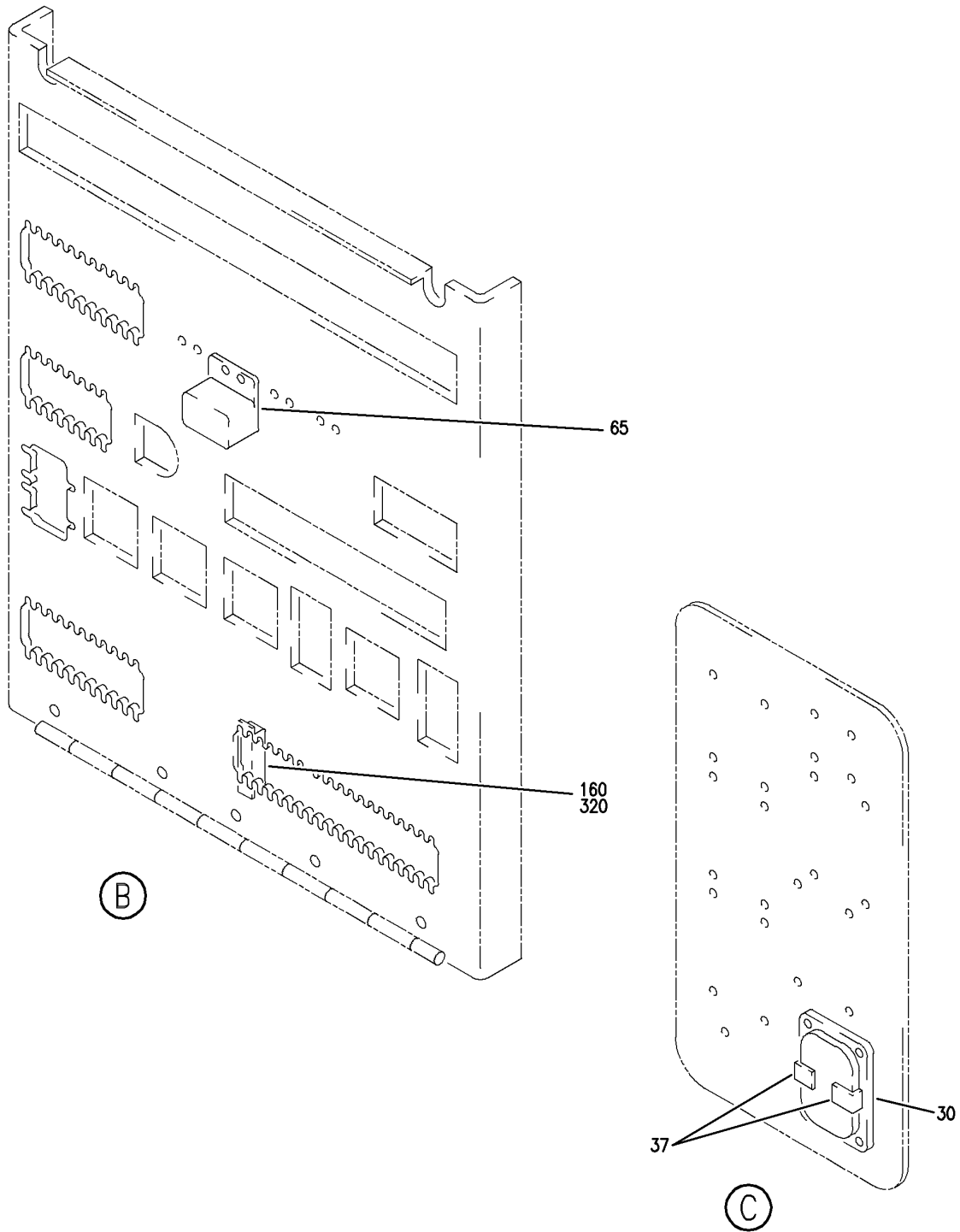
PACKAGE ASSY-OPTION P37 MISC RELAY (EQUIPMENT COOLING SYSTEM ONLY)
FIGURE 2B (SHEET 1)

21-58-71-02B

BRI
MAY 28/07

21-58-71-02B
PAGE 0

BOEING
757
PARTS CATALOG (MAINTENANCE)



Y 21587102B SHT 2 REV 226

PACKAGE ASSY-OPTION P37 MISC RELAY (EQUIPMENT COOLING SYSTEM ONLY)
FIGURE 2B (SHEET 2)

BRI
MAY 28/07

21-58-71-02B

21-58-71-02B
PAGE 0A

 **BOEING**
757
PARTS CATALOG (MAINTENANCE)

| FIG ITEM | PART NUMBER | 1 2 3 4 5 6 7 | NOMENCLATURE | EFFECT FROM TO | UNITS PER ASSY |
|----------|---------------|---------------|---|------------------|----------------|
| 2B | | | PACKAGE ASSY-OPTION P37 MISC RELAY (EQUIPMENT COOLING SYSTEM ONLY) | 101102 504903 | |
| - 1 | 284N1127-1041 | | PACKAGE ASSY-OPTION P37 MISC RELAY (EQUIPMENT COOLING SYSTEM ONLY) REWORKED BY ALERT SB: 27A0130 FOR NHA/OTHER SYS DET SEE: 31-01-37-02 | 101102 504903 | RF |
| 25 | W260F4AM11 | | .RELAY- SUPPLIER CODE: VF0219 SPECIFICATION NUMBER: BACR13CD2 OPTIONAL PART: BR16S233 V09026 EE4AA005 V35344 3SAV1338A2 V01526 HFW1206K03 V58614 HFW1204K01 V71482 ELECTRICAL EQUIP NUMBER: K10086 K10322 | 101102 504903 | 2 |
| 30 | 9123-8072 | | .RELAY- SUPPLIER CODE: V58657 ELECTRICAL EQUIP NUMBER: K00344 | 101102 504903 | 1 |
| - 35 | NAS603-6P | | ATTACHING PARTS .SCREW | 101102 504903 | 4 |
| 37 | 66-22661-1 | | -----*----- .BARRIER-RELAY TERM. | 101102 504903 | 2 |
| 40 | KDAE4F | | .RELAY- SUPPLIER CODE: V58657 ELECTRICAL EQUIP NUMBER: K00346 | 101102 504903 | 1 |

MISSING ITEM NUMBERS NOT APPLICABLE

- ITEM NOT ILLUSTRATED

BRI

21-58-71-02B

BOEING PROPRIETARY - Copyright © - Unpublished Work - See title page for details.

21-58-71
FIG. 02B
PAGE 1
JAN 20/09



757

PARTS CATALOG (MAINTENANCE)

| FIG ITEM | PART NUMBER | 1 2 3 4 5 6 7 | NOMENCLATURE | EFFECT FROM TO | UNITS PER ASSY |
|----------|---------------|---------------|---|------------------|----------------|
| 2B 65 | 10167-1002BT | | .TIME DELAY- SUPPLIER CODE: V08719 ELECTRICAL EQUIP NUMBER: M10688 OPTIONAL PART: 530750-1002 V08719 TD1982-1002 V58657 | 101102 504903 | 1 |
| 65 | 530750-1002 | | .TIME DELAY- SUPPLIER CODE: V08719 ELECTRICAL EQUIP NUMBER: M10688 OPTIONAL PART: 10167-1002BT V08719 TD1982-1002 V58657 | 101102 504903 | 1 |
| 65 | TD1982-1002 | | .TIME DELAY- SUPPLIER CODE: V58657 ELECTRICAL EQUIP NUMBER: M10688 OPTIONAL PART: 10167-1002BT V08719 530750-1002 V08719 | 101102 504903 | 1 |
| 65 | TD1767-1002 | | .TIME DELAY- SUPPLIER CODE: V58657 ELECTRICAL EQUIP NUMBER: M10688 | 101102 504903 | 1 |
| - 70 | NAS601-13P | | ATTACHING PARTS .SCREW | 101102 504903 | 2 |
| - 75 | NAS1149DN616H | | .WASHER | 101102 504903 | 2 |
| - 300 | 286N1270-336 | | -----*----- WIRE BUNDLE ASSY- REWORKED BY ALERT SB: 34A0222 27A0130 | 504903 | RF |
| - 301 | 286N1270-361 | | WIRE BUNDLE ASSY- REWORKED BY ALERT SB: 34A0222 27A0130 | 101101 | RF |

MISSING ITEM NUMBERS NOT APPLICABLE

- ITEM NOT ILLUSTRATED

21-58-71-02B

21-58-71
FIG. 02B
PAGE 2
JAN 20/09

BRI

BOEING PROPRIETARY - Copyright © - Unpublished Work - See title page for details.



757

PARTS CATALOG (MAINTENANCE)

| FIG ITEM | PART NUMBER | 1 2 3 4 5 6 7 | NOMENCLATURE | EFFECT FROM TO | UNITS PER ASSY |
|-------------|--------------|---------------|---|------------------|----------------|
| 2B - 302 | 286N1270-399 | | WIRE BUNDLE ASSY- REWORKED BY ALERT SB: 34A0222 27A0130 | 102102 | RF |
| 310 | RSE120026 | | .SOCKET- SUPPLIER CODE: V58982 SPECIFICATION NUMBER: BACS16AG1 OPTIONAL PART: 451120-026 V58982 ELECTRICAL EQUIP NUMBER: D00574 D04208 WIRING DIAGRAM REF: 215812 215824 | 101102 504903 | 2 |
| 315 | SO-1061-8916 | | .SOCKET- SUPPLIER CODE: V35344 ELECTRICAL EQUIP NUMBER: D04232 WIRING DIAGRAM REF: 215821 | 101102 504903 | 1 |

MISSING ITEM NUMBERS NOT APPLICABLE

- ITEM NOT ILLUSTRATED

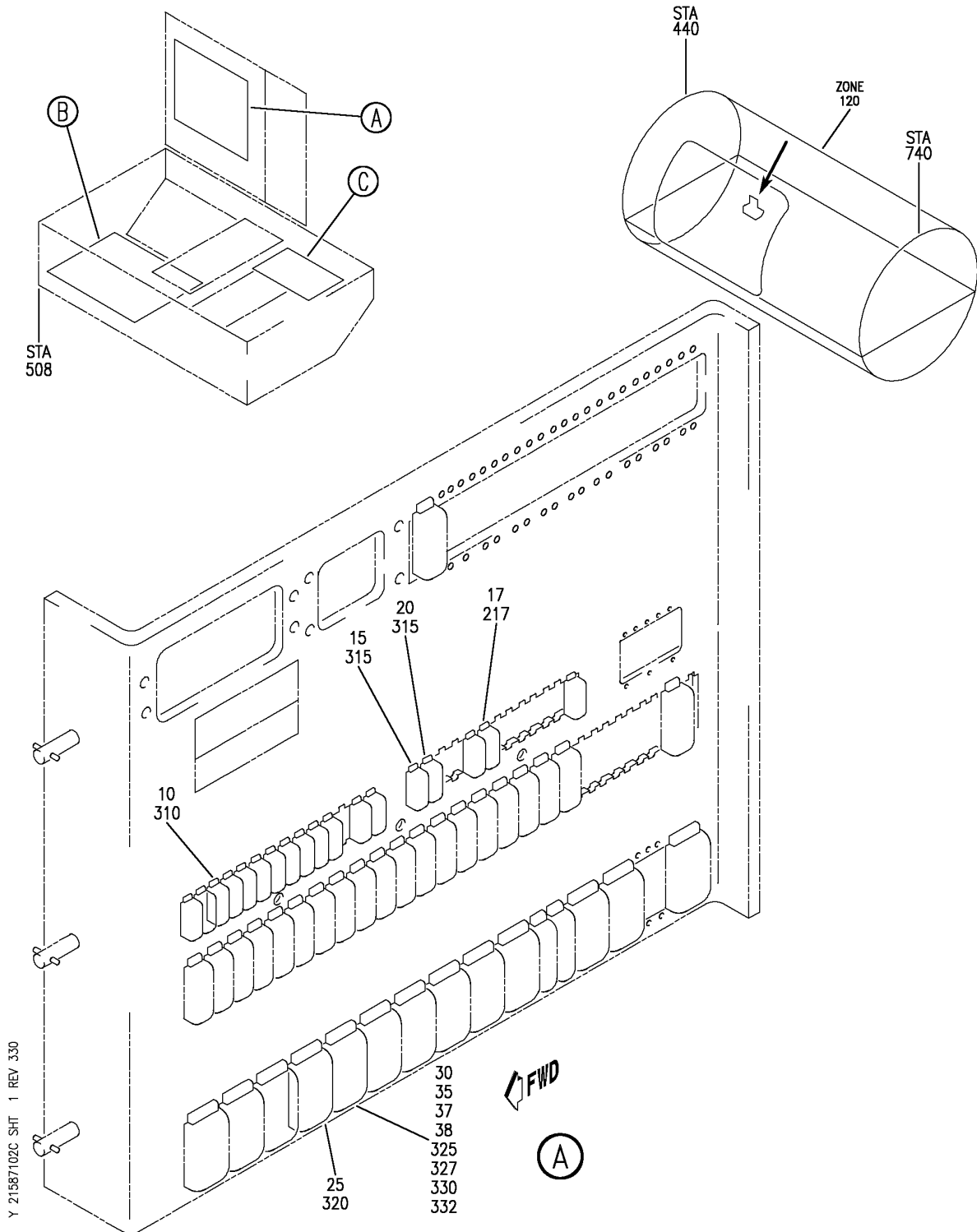
BRI

21-58-71-02B

BOEING PROPRIETARY - Copyright © - Unpublished Work - See title page for details.

21-58-71
FIG. 02B
PAGE 3
JAN 20/09

BOEING
757
PARTS CATALOG (MAINTENANCE)



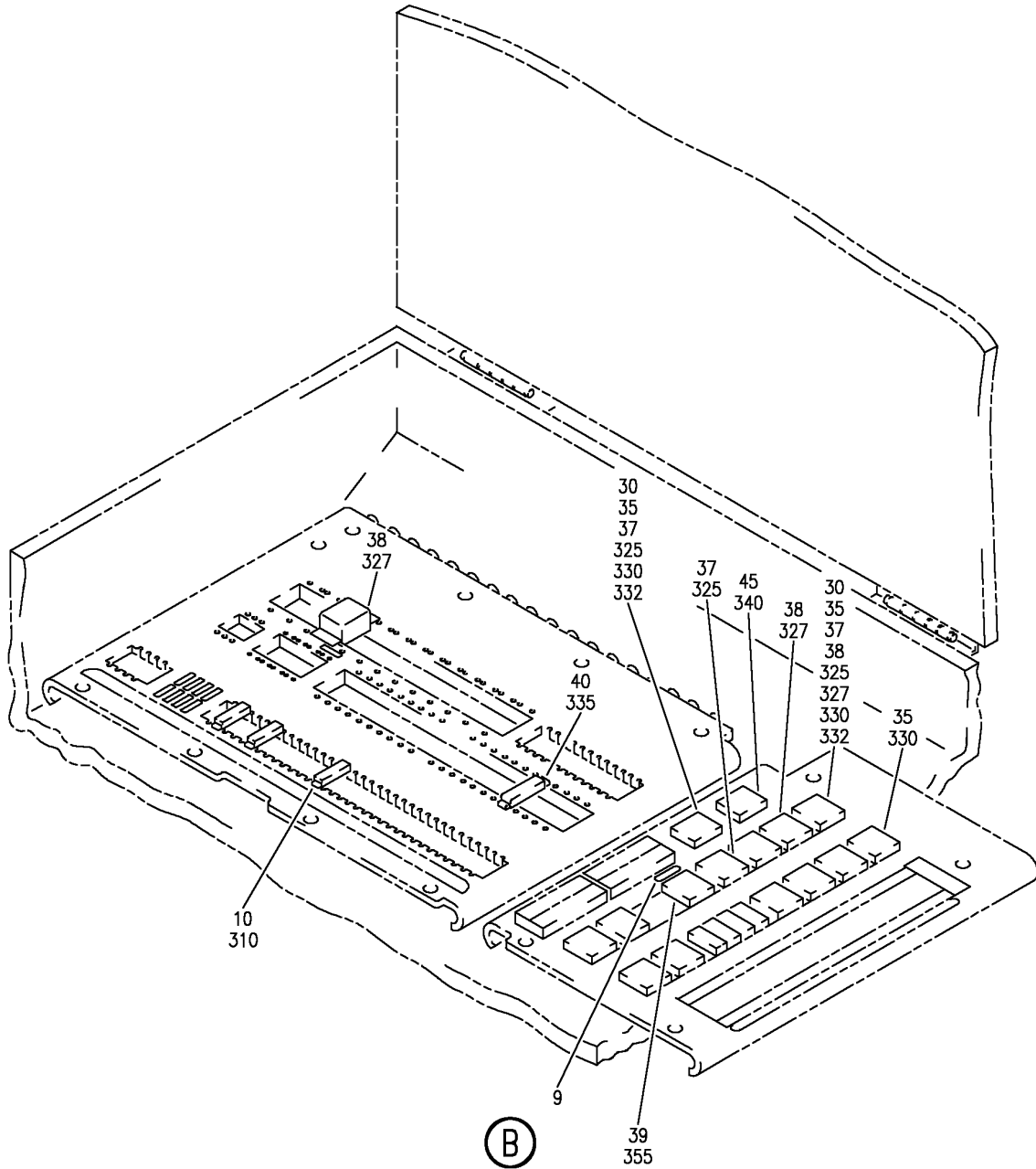
PANEL INSTL-P36 L MISC RELAY (EQUIPMENT COOLING SYSTEM ONLY)
FIGURE 2C (SHEET 1)

21-58-71-02C

BRI
JAN 20/09

21-58-71-02C
PAGE 0

BOEING
757
PARTS CATALOG (MAINTENANCE)



Y 21587102C SHT 2 REV 280

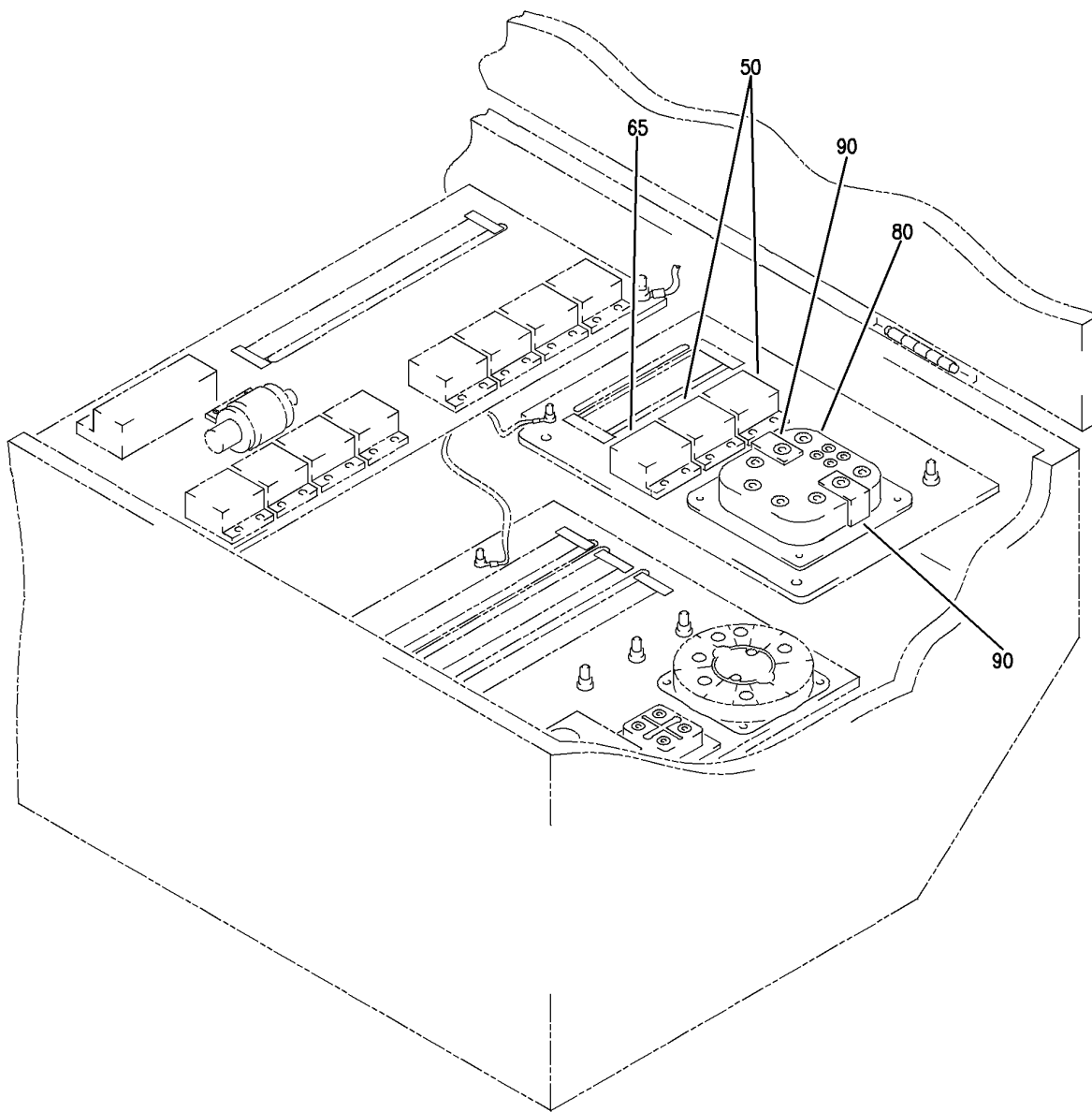
PANEL INSTL-P36 L MISC RELAY (EQUIPMENT COOLING SYSTEM ONLY)
FIGURE 2C (SHEET 2)

21-58-71-02C

BRI
JAN 20/09

21-58-71-02C
PAGE 0A

BOEING
757
PARTS CATALOG (MAINTENANCE)



Y 21587102C SHT 3 REV 224

Ⓒ

PANEL INSTL-P36 L MISC RELAY (EQUIPMENT COOLING SYSTEM ONLY)
FIGURE 2C (SHEET 3)

21-58-71-02C

BRI
JAN 20/09

21-58-71-02C
PAGE 0B



757

PARTS CATALOG (MAINTENANCE)

| FIG ITEM | PART NUMBER | 1 2 3 4 5 6 7 | NOMENCLATURE | EFFECT FROM TO | UNITS PER ASSY |
|----------|-------------|---------------|--|------------------|----------------|
| 2C | | | PANEL INSTL-P36 L MISC RELAY (EQUIPMENT COOLING SYSTEM ONLY) | 103106 108120 | |
| - 3 | 284N1125-94 | | PANEL INSTL-P36 L MISC RELAY (EQUIPMENT COOLING SYSTEM ONLY) FOR NHA/OTHER SYS DET SEE: 24-00-58-05C | 108120 | RF |

MISSING ITEM NUMBERS NOT APPLICABLE

- ITEM NOT ILLUSTRATED

BRI

21-58-71-02C

BOEING PROPRIETARY - Copyright © - Unpublished Work - See title page for details.

21-58-71
FIG. 02C
PAGE 1
JAN 20/09



757

PARTS CATALOG (MAINTENANCE)

| FIG ITEM | PART NUMBER | 1 2 3 4 5 6 7 NOMENCLATURE | EFFECT FROM TO | UNITS PER ASSY |
|-------------|-------------|--|-------------------|----------------------|
| 2C - 7 | MODREF31944 | PANEL INSTL-P36 L MISC RELAY (EQUIPMENT COOLING SYSTEM ONLY) MODULE NUMBER: 284N1125-123 REV A FOR OTHER SYS DETAILS SEE: 11-36-08-03C 21-25-71-02C 21-33-71-02C 21-51-56-01C 23-12-00-05 23-31-54-01C 23-34-52-01C 24-21-51-01A 26-15-71-02C 26-16-71-01C 26-22-71-01C 27-48-52-03C 27-51-71-03C 27-58-71-02C 27-62-71-03C 29-11-71-03C 29-21-71-01C 30-21-71-03C 30-34-51-01C 31-01-36-01 32-09-02-03C 32-35-71-01C 32-42-71-02C 32-44-71-02C 32-61-71-02C 34-12-71-02C 34-21-71-02C 34-22-52-01C 34-61-52-01C 36-11-71-02C 73-21-55-01C 74-31-71-02C 76-11-71-02C 77-12-71-01C 78-34-71-02C 78-36-71-02C 80-11-71-02C | 103106 | 1 |

MISSING ITEM NUMBERS NOT APPLICABLE

- ITEM NOT ILLUSTRATED

21-58-71-02C

21-58-71
FIG. 02C
PAGE 2
JAN 20/09

BRI



757

PARTS CATALOG (MAINTENANCE)

| FIG ITEM | PART NUMBER | 1 2 3 4 5 6 7 | NOMENCLATURE | EFFECT FROM TO | UNITS PER ASSY |
|----------|--------------|---------------|--|------------------|----------------|
| 2C 10 | W260F4AM11 | .RELAY- | SUPPLIER CODE: VF0219 SPECIFICATION NUMBER: BACR13CD2 OPTIONAL PART: BR16S233 V09026 EE4AA005 V35344 3SAV1338A2 V01526 HFW1206K03 V58614 HFW1204K01 V71482 ELECTRICAL EQUIP NUMBER: K10079 K10509 | 103106 108120 | 2 |
| 15 | TDH1853-3003 | .RELAY- | SUPPLIER CODE: V58657 ELECTRICAL EQUIP NUMBER: K10507 | 103106 108120 | 1 |
| 20 | 600-154-3002 | .RELAY- | SUPPLIER CODE: V15420 ELECTRICAL EQUIP NUMBER: K10080 | 103106 108120 | 1 |
| 20 | TDH1852-3002 | .RELAY- | SUPPLIER CODE: V58657 ELECTRICAL EQUIP NUMBER: K10080 | 103106 108120 | 1 |
| 25 | KDAE4F | .RELAY- | SUPPLIER CODE: V58657 ELECTRICAL EQUIP NUMBER: K00347 | 103106 108120 | 1 |

MISSING ITEM NUMBERS NOT APPLICABLE

- ITEM NOT ILLUSTRATED

21-58-71-02C

21-58-71
FIG. 02C
PAGE 3
JAN 20/09

BRI

BOEING PROPRIETARY - Copyright © - Unpublished Work - See title page for details.



757

PARTS CATALOG (MAINTENANCE)

| FIG ITEM | PART NUMBER | 1 2 3 4 5 6 7 | NOMENCLATURE | EFFECT FROM TO | UNITS PER ASSY |
|----------|-------------|---------------|---|----------------|----------------|
| 2C 35 | ES410-1538 | | .RELAY- SUPPLIER CODE: V99699 SPECIFICATION NUMBER: BACR13CG2AB OPTIONAL PART: KD4L018 V35344 BR230DS0115 V56623 KD4L036 V58657 FCA410-63 V78290 ELECTRICAL EQUIP NUMBER: K00369 K10360 K10506 K10569 | 108120 | 4 |
| 38 | ES410-1538 | | .RELAY- SUPPLIER CODE: V99699 SPECIFICATION NUMBER: BACR13CG2AB OPTIONAL PART: KD4L018 V35344 BR230DS0115 V56623 KD4L036 V58657 FCA410-63 V78290 ELECTRICAL EQUIP NUMBER: K00369 K10360 K10506 K10569 | 103106 | 4 |

MISSING ITEM NUMBERS NOT APPLICABLE

- ITEM NOT ILLUSTRATED

21-58-71-02C

21-58-71
FIG. 02C
PAGE 4
JAN 20/09

BRI

BOEING PROPRIETARY - Copyright © - Unpublished Work - See title page for details.



757

PARTS CATALOG (MAINTENANCE)

| FIG ITEM | PART NUMBER | 1 2 3 4 5 6 7 | NOMENCLATURE | EFFECT FROM TO | UNITS PER ASSY |
|----------|--------------|---------------|--|------------------|----------------|
| 2C 40 | ES210-1632 | | .RELAY- SUPPLIER CODE: V99699 SPECIFICATION NUMBER: BACR13CF2AB OPTIONAL PART: JD4L018 V35344 JD4L031 V35344 BR246S0111 V56623 BR64S105 V56623 FCA210-71 V78290 61GB2319-1A320 V98927 ELECTRICAL EQUIP NUMBER: K10442 | 103106 108120 | 1 |
| 45 | TDH7101-2002 | | .RELAY- SUPPLIER CODE: V58657 ELECTRICAL EQUIP NUMBER: K10511 | 103106 108120 | 1 |
| 50 | 10167-3001BT | | .RELAY-TIME DELAY SUPPLIER CODE: V08719 ELECTRICAL EQUIP NUMBER: M10690 M10691 OPTIONAL PART: 530750-3001 V08719 TD1982-3001 V58657 TD1767-3001 V58657 | 103106 108120 | 2 |

MISSING ITEM NUMBERS NOT APPLICABLE

- ITEM NOT ILLUSTRATED

BRI

21-58-71-02C

BOEING PROPRIETARY - Copyright © - Unpublished Work - See title page for details.

21-58-71
FIG. 02C
PAGE 5
JAN 20/09



757

PARTS CATALOG (MAINTENANCE)

| FIG ITEM | PART NUMBER | 1 2 3 4 5 6 7 | NOMENCLATURE | EFFECT FROM TO | UNITS PER ASSY |
|----------|-------------|---------------|---|------------------|----------------|
| 2C 50 | 530750-3001 | | .RELAY-TIME DELAY SUPPLIER CODE: V08719 ELECTRICAL EQUIP NUMBER: M10690 M10691 OPTIONAL PART: 10167-3001BT V08719 TD1982-3001 V58657 TD1767-3001 V58657 | 103106 108120 | 2 |
| 50 | TD1982-3001 | | .RELAY-TIME DELAY SUPPLIER CODE: V58657 ELECTRICAL EQUIP NUMBER: M10690 M10691 OPTIONAL PART: 10167-3001BT V08719 530750-3001 V08719 TD1767-3001 V58657 | 103106 108120 | 2 |
| 50 | TD1767-3001 | | .RELAY-TIME DELAY SUPPLIER CODE: V08719 ELECTRICAL EQUIP NUMBER: M10690 M10691 OPTIONAL PART: 10167-3001BT V08719 530750-3001 V08719 TD1982-3001 V58657 | 103106 108120 | 2 |
| 50 | 530740-3001 | | .RELAY-TIME DELAY SUPPLIER CODE: V08719 ELECTRICAL EQUIP NUMBER: M10690 M10691 | 103106 108120 | 2 |

MISSING ITEM NUMBERS NOT APPLICABLE

- ITEM NOT ILLUSTRATED

21-58-71-02C

21-58-71
FIG. 02C
PAGE 6
JAN 20/09

BRI



757

PARTS CATALOG (MAINTENANCE)

| FIG ITEM | PART NUMBER | 1 2 3 4 5 6 7 | NOMENCLATURE | EFFECT FROM TO | UNITS PER ASSY |
|----------|---------------|---------------|---|------------------|----------------|
| 2C | | | | | |
| 50 | 10167-3BT | | .RELAY-TIME DELAY SUPPLIER CODE: V08719 ELECTRICAL EQUIP NUMBER: M10690 M10691 ATTACHING PARTS | 103106 108120 | 2 |
| - 55 | NAS601-13P | | .SCREW- | 108120 | 4 |
| - 55 | BACS12CK06-13 | | .SCREW- | 103106 | 4 |
| - 60 | NAS1149D0616H | | .WASHER- | 103106 108120 | 4 |
| | | | -----*----- | | |
| 65 | TD1767-7500 | | .RELAY-TIME DELAY SUPPLIER CODE: V58657 ELECTRICAL EQUIP NUMBER: M10689 OPTIONAL PART: 530750-7500 V08719 TD1982-7500 V58657 10167-7500BT V58657 | 103106 108120 | 1 |
| 65 | 10167-7500BT | | .RELAY-TIME DELAY SUPPLIER CODE: V08719 ELECTRICAL EQUIP NUMBER: M10689 OPTIONAL PART: TD1767-7500 V58657 530750-7500 V08719 TD1982-7500 V58657 | 103106 108120 | 1 |
| 65 | 530750-7500 | | .RELAY-TIME DELAY SUPPLIER CODE: V08719 ELECTRICAL EQUIP NUMBER: M10689 OPTIONAL PART: 10167-7500BT V08719 TD1982-7500 V58657 TD1767-7500 V58657 | 108120 | 1 |

MISSING ITEM NUMBERS NOT APPLICABLE

- ITEM NOT ILLUSTRATED

BRI

21-58-71-02C

BOEING PROPRIETARY - Copyright © - Unpublished Work - See title page for details.

21-58-71
FIG. 02C
PAGE 7
JAN 20/09



757

PARTS CATALOG (MAINTENANCE)

| FIG ITEM | PART NUMBER | 1 2 3 4 5 6 7 | NOMENCLATURE | EFFECT FROM TO | UNITS PER ASSY |
|----------|---------------|---------------|---|------------------|----------------|
| 2C 65 | TD1982-7500 | | .RELAY-TIME DELAY SUPPLIER CODE: V58657 ELECTRICAL EQUIP NUMBER: M10689 OPTIONAL PART: 530750-7500 V08719 10167-7500BT V08719 TD1767-7500 V58657 ATTACHING PARTS | 108120 | 1 |
| - 70 | BACS12CK06-13 | | .SCREW- | 103106 | 2 |
| - 70 | NAS601-13P | | .SCREW- | 108120 | 2 |
| - 75 | NAS1149DN616H | | .WASHER | 103106 | 2 |
| | | | -----*----- | 108120 | |
| 80 | 9123-8072 | | .RELAY- SUPPLIER CODE: V58657 ELECTRICAL EQUIP NUMBER: K00343 ATTACHING PARTS | 103106 108120 | 1 |
| - 85 | NAS603-7P | | .SCREW- | 103106 108120 | 4 |
| | | | -----*----- | | |
| 90 | 66-22661-1 | | .BARRIER-TERM. | 103106 108120 | 2 |
| - 300 | 286N1260-357 | | WIRE BUNDLE ASSY | 108120 | RF |
| - 302 | 286N1260-601 | | WIRE BUNDLE ASSY | 103106 | RF |
| 310 | RSE120026 | | .SOCKET- SUPPLIER CODE: V58982 SPECIFICATION NUMBER: BACS16AG1 OPTIONAL PART: 451120-026 V58982 ELECTRICAL EQUIP NUMBER: D01570 D05622 WIRING DIAGRAM REF: 215811 215812 | 103106 108120 | 2 |

MISSING ITEM NUMBERS NOT APPLICABLE

- ITEM NOT ILLUSTRATED

21-58-71-02C

21-58-71
FIG. 02C
PAGE 8
JAN 20/09

BRI



757

PARTS CATALOG (MAINTENANCE)

| FIG ITEM | PART NUMBER | 1 2 3 4 5 6 7 | NOMENCLATURE | EFFECT FROM TO | UNITS PER ASSY |
|-----------|--------------|---------------|--|------------------|----------------|
| 2C 315 | RSE120028 | . | SOCKET- SUPPLIER CODE: V58982 SPECIFICATION NUMBER: BACS16AH1 OPTIONAL PART: 451120-028 V58982 ELECTRICAL EQUIP NUMBER: D01572 D05618 WIRING DIAGRAM REF: 215811 215812 | 103106 108120 | 2 |
| 320 | SO-1061-8916 | . | SOCKET- SUPPLIER CODE: V35344 ELECTRICAL EQUIP NUMBER: D04234 WIRING DIAGRAM REF: 215821 | 103106 108120 | 1 |
| 327 | RSF116400 | . | SOCKET- SUPPLIER CODE: V58982 SPECIFICATION NUMBER: BACS16W1A OPTIONAL PART: 102-009-1 V09922 000300-1539 V05574 ELECTRICAL EQUIP NUMBER: D00572 D04266 D05616 D07078 WIRING DIAGRAM REF: 215811 215812 215815 | 103106 | 4 |

MISSING ITEM NUMBERS NOT APPLICABLE

- ITEM NOT ILLUSTRATED

21-58-71-02C

21-58-71
FIG. 02C
PAGE 9
JAN 20/09

BRI



757

PARTS CATALOG (MAINTENANCE)

| FIG ITEM | PART NUMBER | 1 2 3 4 5 6 7 | NOMENCLATURE | EFFECT FROM TO | UNITS PER ASSY |
|-----------|-------------|---------------|---|------------------|----------------|
| 2C 330 | RSF116400 | | .SOCKET- SUPPLIER CODE: V58982 SPECIFICATION NUMBER: BACS16W1A OPTIONAL PART: 102-009-1 V09922 000300-1539 V05574 ELECTRICAL EQUIP NUMBER: D00572 D04266 D05616 D07078 WIRING DIAGRAM REF: 215811 215812 215815 | 108120 | 4 |
| 335 | RSF116200 | | .SOCKET- SUPPLIER CODE: V58982 SPECIFICATION NUMBER: BACS16X1A OPTIONAL PART: 102-006-1 V09922 000300-1538 V05574 ELECTRICAL EQUIP NUMBER: D05190 WIRING DIAGRAM REF: 215812 | 103106 108120 | 1 |
| 340 | RSF116416 | | .SOCKET- SUPPLIER CODE: V58982 SPECIFICATION NUMBER: BACS16W5A OPTIONAL PART: 102-010-1 V09922 000300-1545 V05574 ELECTRICAL EQUIP NUMBER: D05626 WIRING DIAGRAM REF: 215812 | 103106 108120 | 1 |

MISSING ITEM NUMBERS NOT APPLICABLE

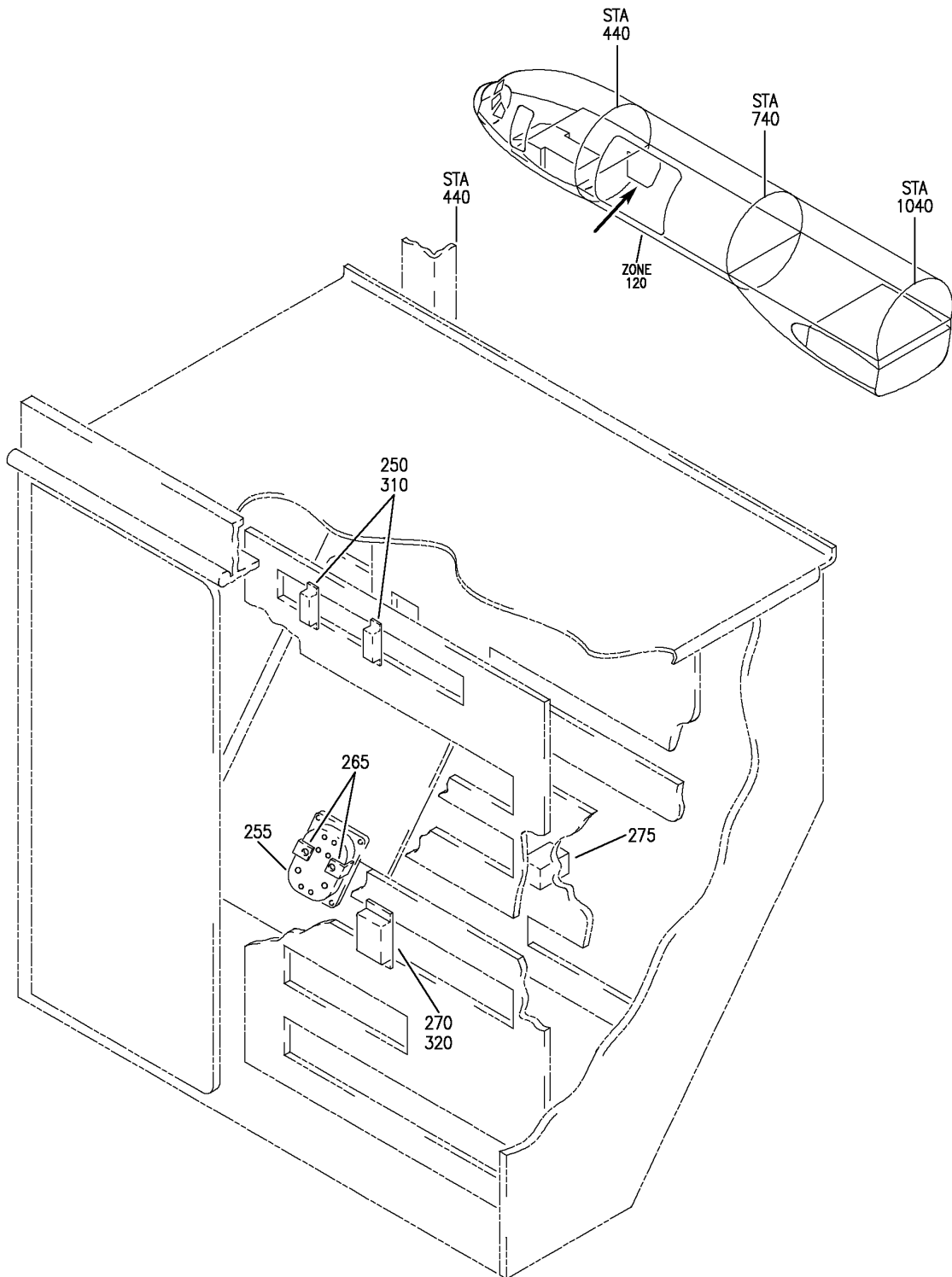
- ITEM NOT ILLUSTRATED

21-58-71-02C

21-58-71
FIG. 02C
PAGE 10
JAN 20/09

BRI

BOEING
757
PARTS CATALOG (MAINTENANCE)



Y 21587102D REV 330

PANEL INSTL-P37 R MISC RELAY (EQUIPMENT COOLING SYSTEM ONLY)
FIGURE 2D

21-58-71-02D

BRI
JAN 20/09

21-58-71-02D
PAGE 0



757

PARTS CATALOG (MAINTENANCE)

| FIG ITEM | PART NUMBER | 1 2 3 4 5 6 7 | NOMENCLATURE | EFFECT FROM TO | UNITS PER ASSY |
|-------------------------------------|--------------|---------------|---|------------------|----------------|
| 2D | | | PANEL INSTL-P37 R MISC RELAY (EQUIPMENT COOLING SYSTEM ONLY) | 103106 108120 | |
| - 1 | MODREF185037 | | PANEL INSTL-P37 R MISC RELAY (EQUIPMENT COOLING SYSTEM ONLY) MODULE NUMBER: 284N1127-169 REV D FOR OTHER SYS DETAILS SEE: 11-36-12-02A 21-25-71-02D 21-44-71-02D 21-45-31-01D 21-51-55-01D 21-61-71-02D 23-31-51-05 24-21-51-05 24-51-01-02 24-51-02-03 24-51-58-02D 27-62-71-03D 28-22-71-03D 29-21-71-01D 30-11-71-02D 30-21-71-03D 30-31-71-02D 30-32-71-02D 30-33-71-02D 30-34-51-01D 31-01-37-10 31-31-71-02D 32-09-02-04D 32-42-71-02D 32-61-71-02D 33-43-55-01D 33-51-71-01D 34-12-71-02D 34-25-50-01D 34-61-52-01D 35-21-71-02D 36-11-71-02D 38-15-71-02D 73-21-55-01D 74-31-71-02D 76-11-71-02D 77-12-71-01D 78-34-71-02D 78-36-71-02D 80-11-71-02D | 106106 | 1 |
| MISSING ITEM NUMBERS NOT APPLICABLE | | | | | |

- ITEM NOT ILLUSTRATED

21-58-71-02D

21-58-71
FIG. 02D
PAGE 1
JAN 20/09

BRI



757

PARTS CATALOG (MAINTENANCE)

| FIG ITEM | PART NUMBER | 1 2 3 4 5 6 7 | NOMENCLATURE | EFFECT FROM TO | UNITS PER ASSY |
|-------------|--------------|---------------|--|-------------------|----------------------|
| 2D - 3 | 284N1127-118 | | PANEL INSTL-P37 R MISC RELAY (EQUIPMENT COOLING SYSTEM ONLY) FOR NHA/OTHER SYS DET SEE: 24-00-58-05C | 108108 | RF |
| - 4 | 284N1127-139 | | PANEL INSTL-P37 R MISC RELAY (EQUIPMENT COOLING SYSTEM ONLY) FOR NHA/OTHER SYS DET SEE: 24-00-58-05C | 109120 | RF |

MISSING ITEM NUMBERS NOT APPLICABLE

- ITEM NOT ILLUSTRATED

BRI

21-58-71-02D

BOEING PROPRIETARY - Copyright © - Unpublished Work - See title page for details.

21-58-71
FIG. 02D
PAGE 2
JAN 20/09



757

PARTS CATALOG (MAINTENANCE)

| FIG ITEM | PART NUMBER | 1 2 3 4 5 6 7 | NOMENCLATURE | EFFECT FROM TO | UNITS PER ASSY |
|-----------|-------------|---------------|---|----------------|----------------|
| 2D - 8 | MODREF31945 | | PANEL INSTL-P37 R MISC RELAY (EQUIPMENT COOLING SYSTEM ONLY) MODULE NUMBER: 284N1127-169 REV B FOR OTHER SYS DETAILS SEE: 11-36-12-02A 21-25-71-02D 21-44-71-02D 21-45-31-01D 21-51-55-01D 21-61-71-02D 23-31-51-05 24-21-51-05 24-51-01-02 24-51-02-03 24-51-58-02D 27-62-71-03D 28-22-71-03D 29-21-71-01D 30-11-71-02D 30-21-71-03D 30-31-71-02D 30-32-71-02D 30-33-71-02D 30-34-51-01D 31-01-37-10 31-31-71-02D 32-09-02-04D 32-42-71-02D 32-61-71-02D 33-43-55-01D 33-51-71-01D 34-12-71-02D 34-25-50-01D 34-61-52-01D 35-21-71-02D 36-11-71-02D 38-15-71-02D 73-21-55-01D 74-31-71-02D 76-11-71-02D 77-12-71-01D 78-34-71-02D 78-36-71-02D 80-11-71-02D | 103103 | 1 |

MISSING ITEM NUMBERS NOT APPLICABLE

- ITEM NOT ILLUSTRATED

21-58-71-02D

21-58-71
 FIG. 02D
 PAGE 3
 JAN 20/09

BRI



757

PARTS CATALOG (MAINTENANCE)

| FIG ITEM | PART NUMBER | 1 2 3 4 5 6 7 | NOMENCLATURE | EFFECT FROM TO | UNITS PER ASSY |
|-----------|-------------|---------------|---|----------------|----------------|
| 2D - 9 | MODREF34305 | | PANEL INSTL-P37 R MISC RELAY (EQUIPMENT COOLING SYSTEM ONLY) MODULE NUMBER: 284N1127-169 REV C FOR OTHER SYS DETAILS SEE: 11-36-12-02A 21-25-71-02D 21-44-71-02D 21-45-31-01D 21-51-55-01D 21-61-71-02D 23-31-51-05 24-21-51-05 24-51-01-02 24-51-02-03 24-51-58-02D 27-62-71-03D 28-22-71-03D 29-21-71-01D 30-11-71-02D 30-21-71-03D 30-31-71-02D 30-32-71-02D 30-33-71-02D 30-34-51-01D 31-01-37-10 31-31-71-02D 32-09-02-04D 32-42-71-02D 32-61-71-02D 33-43-55-01D 33-51-71-01D 34-12-71-02D 34-25-50-01D 34-61-52-01D 35-21-71-02D 36-11-71-02D 38-15-71-02D 73-21-55-01D 74-31-71-02D 76-11-71-02D 77-12-71-01D 78-34-71-02D 78-36-71-02D 80-11-71-02D | 104105 | 1 |

MISSING ITEM NUMBERS NOT APPLICABLE

- ITEM NOT ILLUSTRATED

21-58-71-02D

21-58-71
FIG. 02D
PAGE 4
JAN 20/09

BRI



757

PARTS CATALOG (MAINTENANCE)

| FIG ITEM | PART NUMBER | 1 2 3 4 5 6 7 | NOMENCLATURE | EFFECT FROM TO | UNITS PER ASSY |
|-----------|--------------|---------------|---|------------------|----------------|
| 2D 250 | W260F4AM11 | | .RELAY- SUPPLIER CODE: VF0219 SPECIFICATION NUMBER: BACR13CD2 OPTIONAL PART: BR16S233 V09026 EE4AA005 V35344 3SAV1338A2 V01526 HFW1206K03 V58614 HFW1204K01 V71482 ELECTRICAL EQUIP NUMBER: K10086 K10322 | 103106 108120 | 2 |
| 255 | 9123-8072 | | .RELAY- SUPPLIER CODE: V58657 ELECTRICAL EQUIP NUMBER: K00344 ATTACHING PARTS | 103106 108120 | 1 |
| - 260 | NAS603-6P | | .SCREW- | 108120 | 4 |
| - 260 | BACS12CK3-6 | | .SCREW- -----*----- | 103106 | 4 |
| 265 | 66-22661-1 | | .BARRIER-RELAY TERM. | 103106 108120 | 2 |
| 270 | KDAE4F | | .RELAY- SUPPLIER CODE: V58657 ELECTRICAL EQUIP NUMBER: K00346 | 103106 108120 | 1 |
| 275 | 10167-1002BT | | .TIME DELAY- SUPPLIER CODE: V08719 ELECTRICAL EQUIP NUMBER: M10688 OPTIONAL PART: 530750-1002 V08719 TD1982-1002 V58657 | 108120 | 1 |

MISSING ITEM NUMBERS NOT APPLICABLE

- ITEM NOT ILLUSTRATED

21-58-71-02D

21-58-71
FIG. 02D
PAGE 5
JAN 20/09

BRI



757

PARTS CATALOG (MAINTENANCE)

| FIG ITEM | PART NUMBER | 1 2 3 4 5 6 7 | NOMENCLATURE | EFFECT FROM TO | UNITS PER ASSY |
|-----------|---------------|---|--------------|----------------|----------------|
| 2D 275 | 530750-1002 | .TIME DELAY- SUPPLIER CODE: V08719 ELECTRICAL EQUIP NUMBER: M10688 OPTIONAL PART: 10167-1002BT V08719 TD1982-1002 V58657 | | 108120 | 1 |
| 275 | TD1982-1002 | .TIME DELAY- SUPPLIER CODE: V58657 ELECTRICAL EQUIP NUMBER: M10688 OPTIONAL PART: 10167-1002BT V08719 530750-1002 V08719 | | 108120 | 1 |
| 275 | TD1767-1002 | .TIME DELAY- SUPPLIER CODE: V58657 ELECTRICAL EQUIP NUMBER: M10688 OPTIONAL PART: 10167-1002BT V08719 | | 108120 | 1 |
| 275 | 530740-1002 | .TIME DELAY- SUPPLIER CODE: V08719 ELECTRICAL EQUIP NUMBER: M10688 ATTACHING PARTS | | 103106 | 1 |
| - 280 | NAS601-13P | .SCREW- | | 108120 | 2 |
| - 280 | BACS12CK06-13 | .SCREW- | | 103106 | 2 |
| - 285 | NAS1149DN616H | .WASHER | | 103106 | 2 |
| | | -----*----- | | 108120 | |
| - 300 | 286N1270-360 | WIRE BUNDLE ASSY- REWORKED BY ALERT SB: 34A022 | | 108120 | RF |
| - 302 | 286N1270-602 | WIRE BUNDLE ASSY | | 103106 | RF |

MISSING ITEM NUMBERS NOT APPLICABLE

- ITEM NOT ILLUSTRATED

21-58-71-02D

21-58-71
FIG. 02D
PAGE 6
JAN 20/09

BRI

BOEING PROPRIETARY - Copyright © - Unpublished Work - See title page for details.



757

PARTS CATALOG (MAINTENANCE)

| FIG ITEM | PART NUMBER | 1 2 3 4 5 6 7 | NOMENCLATURE | EFFECT FROM TO | UNITS PER ASSY |
|-----------|--------------|---------------|---|------------------|----------------|
| 2D 310 | RSE120026 | | .SOCKET- SUPPLIER CODE: V58982 SPECIFICATION NUMBER: BACS16AG1 OPTIONAL PART: 451120-026 V58982 ELECTRICAL EQUIP NUMBER: D00574 D04208 WIRING DIAGRAM REF: 215812 215821 | 103106 108120 | 2 |
| 320 | SO-1061-8916 | | .SOCKET- SUPPLIER CODE: V35344 ELECTRICAL EQUIP NUMBER: D04232 WIRING DIAGRAM REF: 215821 | 103106 108120 | 1 |

MISSING ITEM NUMBERS NOT APPLICABLE

- ITEM NOT ILLUSTRATED

BRI

21-58-71-02D

BOEING PROPRIETARY - Copyright © - Unpublished Work - See title page for details.

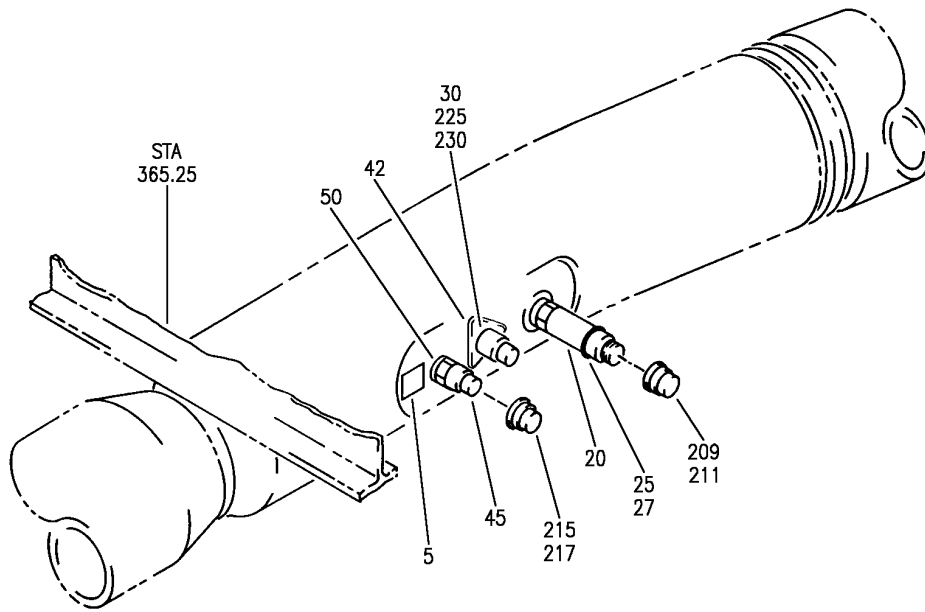
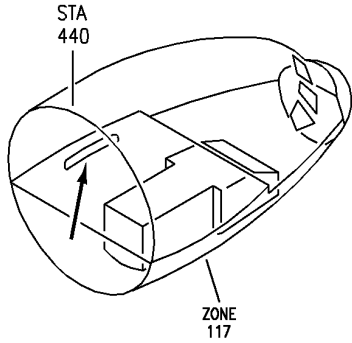
21-58-71
FIG. 02D
PAGE 7
JAN 20/09

ZONE TEMPERATURE CONTROL SYSTEM

BRI
MAY 28/07

21-61-00
SECTION TITLE
PAGE 1

BOEING
757
PARTS CATALOG (MAINTENANCE)



Y 21610101 REV 266

DUCT INSTL-STA 340 TO 430 CONDITIONED AIR BELOW FLOOR LH SIDE
FIGURE 1

BRI
MAY 28/07

21-61-01-01

21-61-01-01
PAGE 0



757

PARTS CATALOG (MAINTENANCE)

| FIG ITEM | PART NUMBER | 1 2 3 4 5 6 7 | NOMENCLATURE | EFFECT FROM TO | UNITS PER ASSY |
|----------|--------------|---------------|---|--|----------------|
| 1 | | | DUCT INSTL-STA 340 TO 430 CONDITIONED AIR BELOW FLOOR LH SIDE | 002004 006999 | |
| - 1 | 214N1011-3 | | DUCT INSTL-CONDITIONED AIR BELOW FLOOR (PRIMARY (ZONE) TEMPERATURE CONTROL SYSTEM ONLY) POSITION DATA: STA 340 TO 430 FLIGHT DECK LH SIDE FOR NHA SEE: 21-00-00-01 | 002004 006100 107107 121503 904999 | RF |
| - 1 | 214N1011-8 | | DUCT INSTL-CONDITIONED AIR BELOW FLOOR (PRIMARY (ZONE) TEMPERATURE CONTROL POSITION DATA: STA 340 TO 430 LH SIDE FOR NHA SEE: 21-00-00-15 | 101102 504903 | RF |
| - 1 | 214N1011-10 | | DUCT INSTL-CONDITIONED AIR BELOW FLOOR (PRIMARY (ZONE) TEMPERATURE CONTROL SYSTEM ONLY) POSITION DATA: STA 340 TO 430 LH SIDE FOR NHA SEE: 21-00-00-15 | 108120 | RF |
| - 1 | MODREF6182 | | DUCT INSTL-CONDITIONED AIR BELOW FLOOR (PRIMARY (ZONE) TEMPERATURE CONTROL SYSTEM ONLY) MODULE NUMBER: 214N1011-10 REV A POSITION DATA: STA 340 TO 430 LH SIDE FOR OTHER SYS DETAILS SEE: 21-22-05-09 | 103106 | 1 |
| 5 | BAC27NEC0085 | | .MARKER- POSITION DATA: FLT DECK PLACARD CONTENT: TS184 BULB ZONE DUCT TEMPERATURE | 002004 006999 | 1 |

MISSING ITEM NUMBERS NOT APPLICABLE

- ITEM NOT ILLUSTRATED

BRI

21-61-01-01

21-61-01
FIG. 01
PAGE 1
JAN 20/09



757

PARTS CATALOG (MAINTENANCE)

| FIG ITEM | PART NUMBER | 1 2 3 4 5 6 7 | NOMENCLATURE | EFFECT FROM TO | UNITS PER ASSY |
|----------|---------------|---------------|---|--|----------------|
| 1 | | | | | |
| 20 | 641121-1 | | .SWITCH ASSY-OVERHEAT ZONE DUCT SUPPLIER CODE: V07217 SPECIFICATION NUMBER: S210T130-18 ELECTRICAL EQUIP NUMBER: S00021 | 002004 006999 | 1 |
| 25 | MS9385-05 | | ..PACKING- | 002004 006100 103107 121503 904999 | 1 |
| 30 | 624016-1 | | .SENSOR ASSY- SUPPLIER CODE: V07217 SPECIFICATION NUMBER: S210T130-19 ELECTRICAL EQUIP NUMBER: TS0175 COMPONENT MAINT MANUAL REF: 21-65-01 | 002004 006949 952999 | 1 |
| 30 | 624016-2 | | .SENSOR ASSY- SUPPLIER CODE: V07217 SPECIFICATION NUMBER: S210T130-75 ELECTRICAL EQUIP NUMBER: TS0175 COMPONENT MAINT MANUAL REF: 21-65-01 POST SERVICE LETTER: 21-037 ATTACHING PARTS | 002004 006999 | 1 |
| - 35 | BACS12FA3K9 | | .SCREW | 002004 006999 | 3 |
| - 40 | AN960KD10 | | .WASHER | 002004 006100 107107 121503 904999 | 3 |
| - 40 | NAS1149D0363J | | .WASHER | 101106 108120 504903 | 3 |
| 42 | 545131 | | -----*----- ..GASKET- SUPPLIER CODE: V07217 | 002004 006999 | 1 |

MISSING ITEM NUMBERS NOT APPLICABLE

- ITEM NOT ILLUSTRATED

BRI

21-61-01-01

21-61-01
FIG. 01
PAGE 2
JAN 20/09



757

PARTS CATALOG (MAINTENANCE)

| FIG ITEM | PART NUMBER | 1 2 3 4 5 6 7 | NOMENCLATURE | EFFECT FROM TO | UNITS PER ASSY |
|----------|---------------|---------------|--|----------------------------|----------------|
| 1 | | | | | |
| - 43 | 3-905S613-6 | | .. PACKING- SUPPLIER CODE: V83259 | 002004 006999 | 1 |
| 45 | MS28034-1 | | . BULB- ELECTRICAL EQUIP NUMBER: TS0184 | 002004 006999 | 1 |
| 50 | AN900-10 | | . GASKET- OPTIONAL PART: MS35769-11 | 002004 006999 | 1 |
| 50 | MS35769-11 | | . GASKET- OPTIONAL PART: AN900-10 | 002004 006999 | 1 |
| - 200 | 286N4106-014 | | WIRE BUNDLE ASSY-(PRIMARY (ZONE) TEMPERATURE CONTROL SYSTEM ONLY) | 121503 904949 | RF |
| - 203 | 286N4106-019 | | WIRE BUNDLE ASSY-(PRIMARY (ZONE) TEMPERATURE CONTROL SYSTEM ONLY) | 107107 | RF |
| - 203 | 286N4106-022 | | WIRE BUNDLE ASSY-(PRIMARY (ZONE) TEMPERATURE CONTROL SYSTEM ONLY) | 002004 006100 950999 | RF |
| - 203 | 286N4106-301 | | WIRE BUNDLE ASSY-(PRIMARY (ZONE) TEMPERATURE CONTROL SYSTEM ONLY) | 101102 | RF |
| - 204 | 286N4106-340 | | WIRE BUNDLE ASSY-(PRIMARY (ZONE) TEMPERATURE CONTROL SYSTEM ONLY) | 504903 | RF |
| - 206 | 286N4106-351 | | WIRE BUNDLE ASSY-(PRIMARY (ZONE) TEMPERATURE CONTROL SYSTEM ONLY) | 108120 | RF |
| - 207 | 286N6640-601 | | WIRE BUNDLE ASSY-(PRIMARY (ZONE) TEMPERATURE CONTROL SYSTEM ONLY) | 103106 | RF |
| 209 | C0909A10-05SN | | . CONNECTOR- SUPPLIER CODE: V13556 SPECIFICATION NUMBER: BACC63BN10-5S OPTIONAL PART: 48-63N10-5S V02660 R071210-5S V41118 ELECTRICAL EQUIP NUMBER: D02550 WIRING DIAGRAM REF: 216111 | 121503 904949 | 1 |

MISSING ITEM NUMBERS NOT APPLICABLE

- ITEM NOT ILLUSTRATED

BRI

21-61-01-01

21-61-01
FIG. 01
PAGE 3
JAN 20/09



757

PARTS CATALOG (MAINTENANCE)

| FIG ITEM | PART NUMBER | 1 2 3 4 5 6 7 | NOMENCLATURE | EFFECT FROM TO | UNITS PER ASSY |
|----------|----------------|---------------|---|--------------------------------------|----------------|
| 1 | | | | | |
| 209 | BACC45FT10A5S | . | CONNECTOR- ELECTRICAL EQUIP NUMBER: D02550 WIRING DIAGRAM REF: 216111 | 002004 006120 504903 950999 | 1 |
| 211 | BACC10GH10 | . | CLAMP- ELECTRICAL EQUIP NUMBER: D02550T WIRING DIAGRAM REF: 216111 | 121503 904949 | 1 |
| 215 | BACC63CE12S3S | . | CONNECTOR- ELECTRICAL EQUIP NUMBER: D04648 WIRING DIAGRAM REF: 216512 | 103106 | 1 |
| 215 | BACC63CE12SA3S | . | CONNECTOR- ELECTRICAL EQUIP NUMBER: D04648 WIRING DIAGRAM REF: 216512 | 002004 006102 107999 | 1 |
| 217 | G65062-12 | . | CLAMP- SUPPLIER CODE: V06324 SPECIFICATION NUMBER: BACC10HV12 OPTIONAL PART: S2824-12 V07418 ELECTRICAL EQUIP NUMBER: D04648T WIRING DIAGRAM REF: 216512 | 103106 | 1 |
| - 220 | 286N2602-004 | | WIRE BUNDLE ASSY-(PRIMARY (ZONE) TEMPERATURE CONTROL SYSTEM ONLY) | 002004 006100 121503 904999 | RF |
| - 220 | 286N2602-318 | | WIRE BUNDLE ASSY-(PRIMARY (ZONE) TEMPERATURE CONTROL SYSTEM ONLY) | 504903 | RF |
| - 221 | 286N2602-319 | | WIRE BUNDLE ASSY-(PRIMARY (ZONE) TEMPERATURE CONTROL SYSTEM ONLY) | 101102 | RF |
| - 221 | 286N2602-326 | | WIRE BUNDLE ASSY-(PRIMARY (ZONE) TEMPERATURE CONTROL SYSTEM ONLY) | 108120 | RF |
| - 222 | 286N2632-012 | | WIRE BUNDLE ASSY-(PRIMARY (ZONE) TEMPERATURE CONTROL SYSTEM ONLY) | 107107 | RF |

MISSING ITEM NUMBERS NOT APPLICABLE

- ITEM NOT ILLUSTRATED

BRI

21-61-01-01

21-61-01
FIG. 01
PAGE 4
JAN 20/09



757

PARTS CATALOG (MAINTENANCE)

| FIG ITEM | PART NUMBER | 1 2 3 4 5 6 7 | NOMENCLATURE | EFFECT FROM TO | UNITS PER ASSY |
|----------|--------------|---------------|--|------------------|----------------|
| 1 | | | | | |
| - 223 | 286N6610-701 | | WIRE BUNDLE ASSY-(PRIMARY (ZONE) TEMPERATURE CONTROL SYSTEM ONLY) | 103106 | RF |
| 225 | BCCREF6611 | | .PLUG- SUPPLIER CODE: V13556 OVERLENGTH PART NUMBER: C48-06R10-20S106 ELECTRICAL EQUIP NUMBER: D02552 WIRING DIAGRAM REF: 216111 | 002004 006999 | 1 |
| 230 | BACC10GH10 | | .CLAMP- ELECTRICAL EQUIP NUMBER: D02552T WIRING DIAGRAM REF: 216111 | 002004 006999 | 1 |

MISSING ITEM NUMBERS NOT APPLICABLE

- ITEM NOT ILLUSTRATED

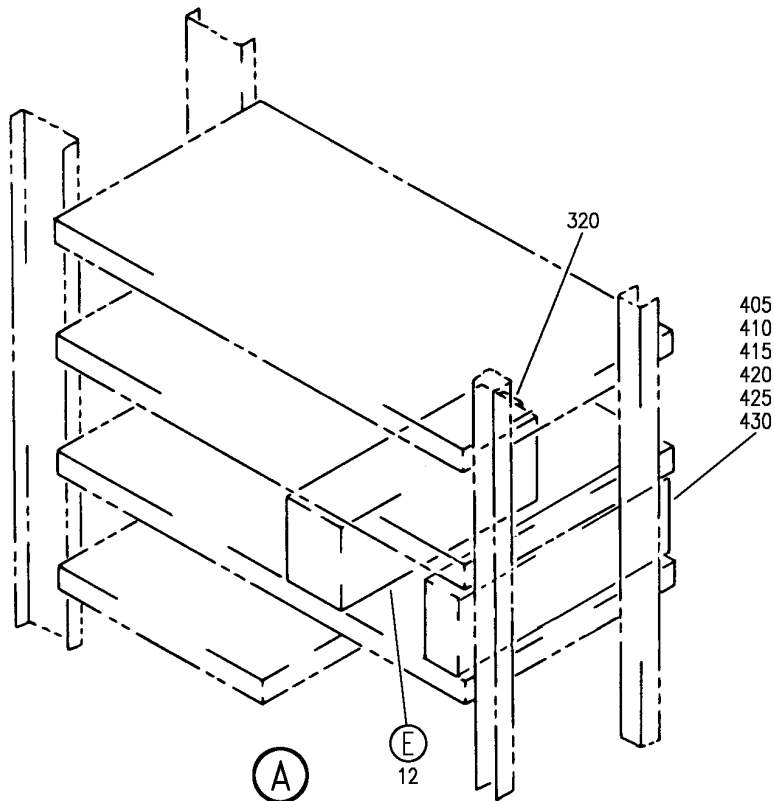
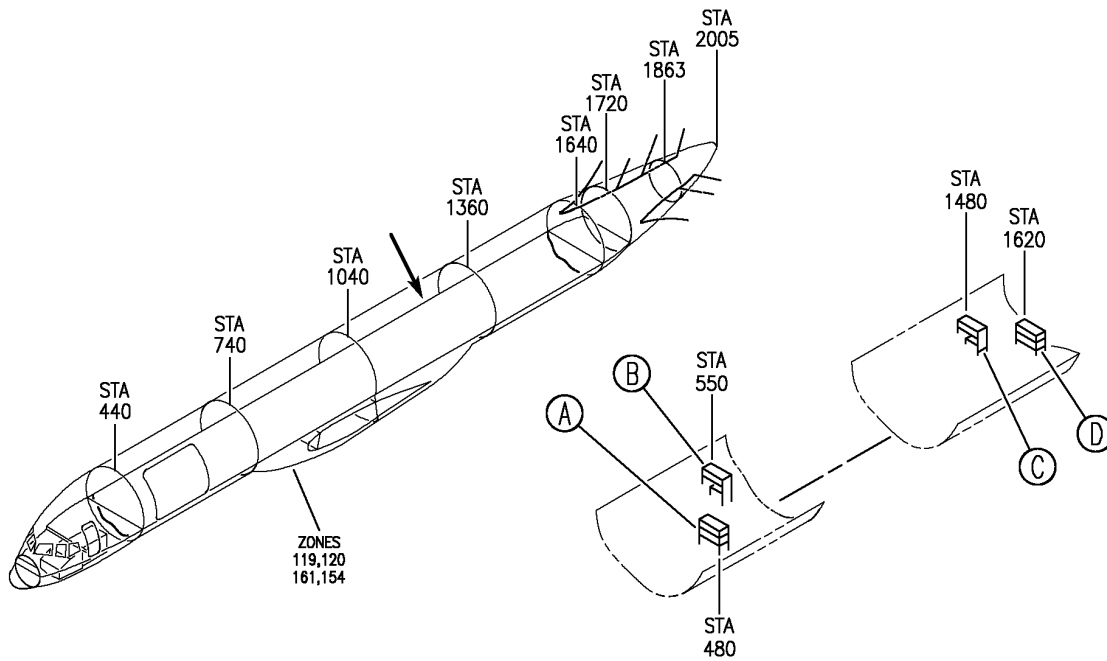
BRI

21-61-01-01

BOEING PROPRIETARY - Copyright © - Unpublished Work - See title page for details.

21-61-01
FIG. 01
PAGE 5
JAN 20/09

BOEING
757
PARTS CATALOG (MAINTENANCE)



Y 21610301 SH1 1 REV 290

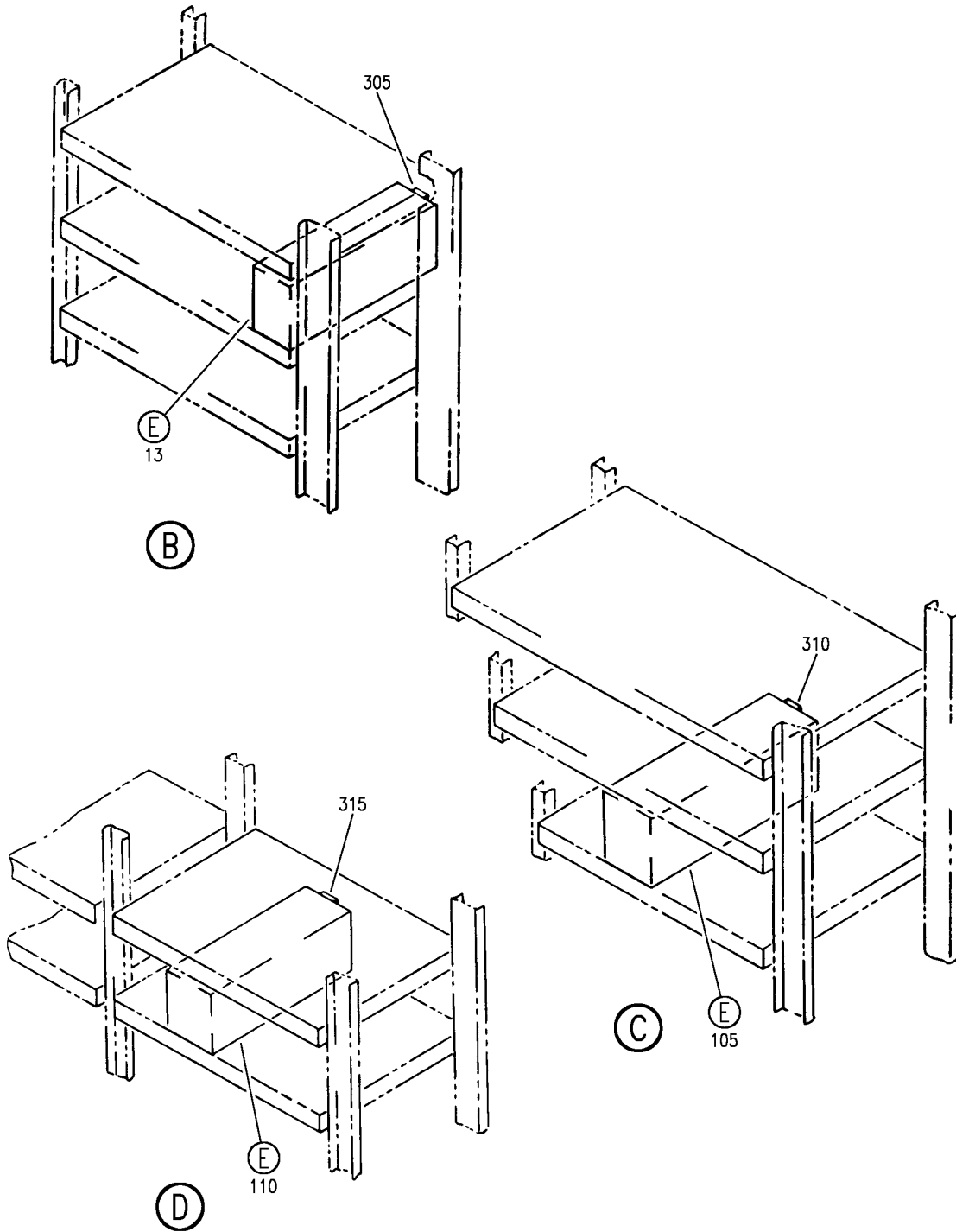
EQUIPMENT INSTL-MAIN ELECTRONICS AND E6 AFT EQPT CTR
FIGURE 1 (SHEET 1)

21-61-03-01

BRI
MAY 28/07

21-61-03-01
PAGE 0

BOEING
757
PARTS CATALOG (MAINTENANCE)



Y 21610301 SH1 2 REV 290

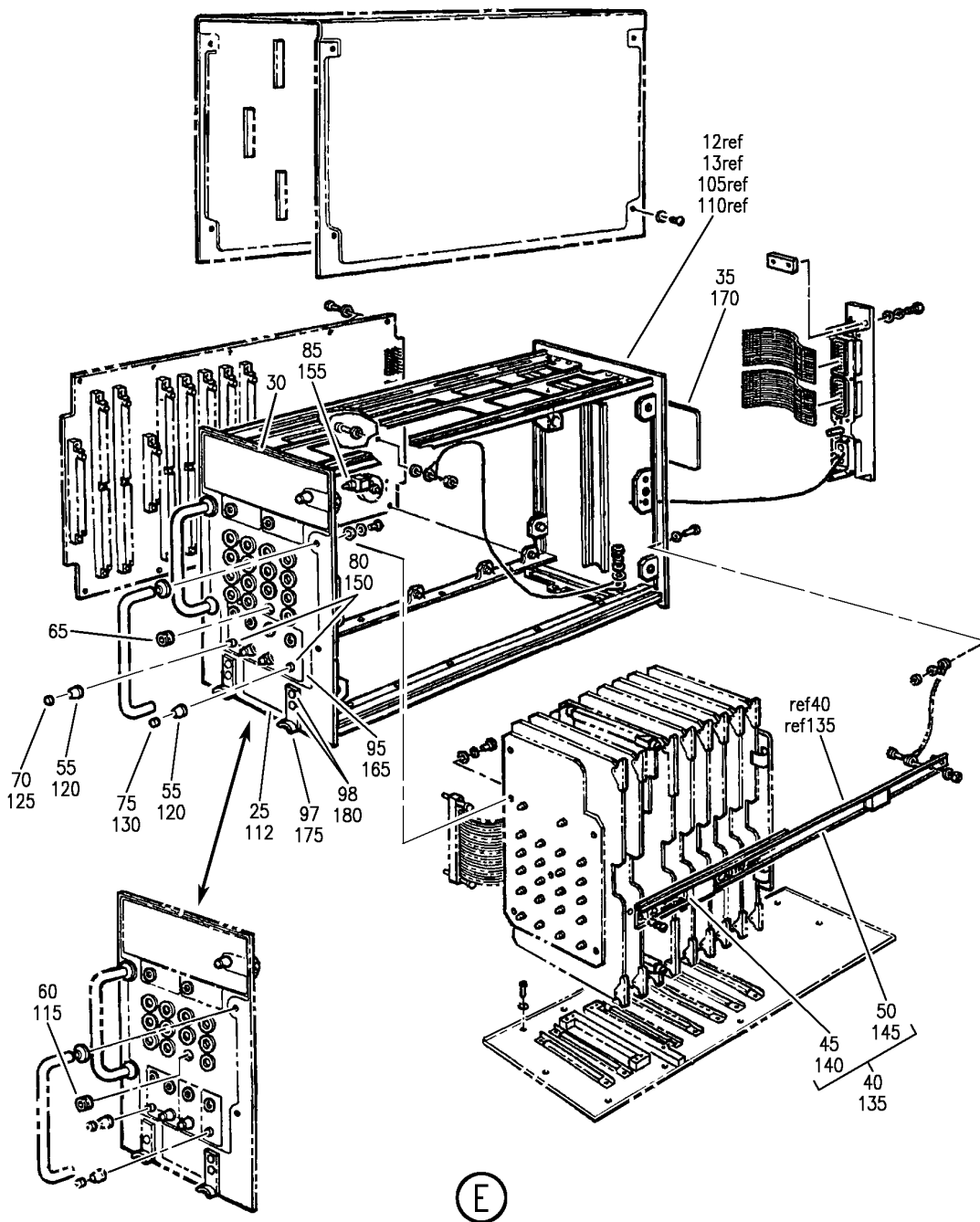
EQUIPMENT INSTL-MAIN ELECTRONICS AND E6 AFT EQPT CTR
FIGURE 1 (SHEET 2)

21-61-03-01

BRI
MAY 28/07

21-61-03-01
PAGE 0A

BOEING
757
PARTS CATALOG (MAINTENANCE)



Y 21610301 SHT 3 REV 290

EQUIPMENT INSTL-MAIN ELECTRONICS AND E6 AFT EQPT CTR
FIGURE 1 (SHEET 3)

21-61-03-01

BRI
MAY 28/07

21-61-03-01
PAGE 08



757

PARTS CATALOG (MAINTENANCE)

| FIG ITEM | PART NUMBER | 1 2 3 4 5 6 7 | NOMENCLATURE | EFFECT FROM TO | UNITS PER ASSY |
|----------|--------------|---------------|--|--------------------------------------|----------------|
| 1 | | | EQUIPMENT INSTL-MAIN ELECTRONICS AND E6 AFT EQPT CTR | 002004 006100 107107 121999 | |
| - 1 | 284N1307-33 | | EQUIPMENT INSTL-MAIN ELECTRONICS EQPT CTR (PRIMARY (ZONE) TEMPERATURE CONTROL SYSTEM ONLY) FOR NHA/OTHER SYS DET SEE: 24-00-58-01 | 107107 | RF |
| - 3 | 284N1800-32 | | EQUIPMENT INSTL-MAIN ELECTRONICS EQPT CTR (PRIMARY (ZONE) TEMPERATURE CONTROL SYSTEM ONLY) FOR NHA/OTHER SYS DET SEE: 24-00-58-01 | 952999 | RF |
| - 4 | 284N1800-34 | | EQUIPMENT INSTL-MAIN ELECTRONICS EQPT CTR (PRIMARY (ZONE) TEMPERATURE CONTROL SYSTEM ONLY) FOR NHA/OTHER SYS DET SEE: 24-00-58-01 | 002004 006100 | RF |
| - 4 | 284N1800-38 | | EQUIPMENT INSTL-MAIN ELECTRONICS EQPT CTR (PRIMARY (ZONE) TEMPERATURE CONTROL SYSTEM ONLY) FOR NHA/OTHER SYS DET SEE: 24-00-58-01 | 950951 | RF |
| - 7 | 284N1800-88 | | EQUIPMENT INSTL-MAIN ELECTRONICS EQPT CTR (PRIMARY (ZONE) TEMPERATURE CONTROL SYSTEM ONLY) FOR NHA/OTHER SYS DET SEE: 24-00-58-01 | 505505 | RF |
| - 8 | 284N1800-190 | | EQUIPMENT INSTL-MAIN ELECTRONICS EQPT CTR (PRIMARY (ZONE) TEMPERATURE CONTROL SYSTEM ONLY) FOR NHA/OTHER SYS DET SEE: 24-00-58-05E | 504504 506903 | RF |

MISSING ITEM NUMBERS NOT APPLICABLE

- ITEM NOT ILLUSTRATED

BRI

21-61-03-01

BOEING PROPRIETARY - Copyright © - Unpublished Work - See title page for details.

21-61-03
FIG. 01
PAGE 1
JAN 20/09



757

PARTS CATALOG (MAINTENANCE)

| FIG ITEM | PART NUMBER | 1 2 3 4 5 6 7 | NOMENCLATURE | EFFECT FROM TO | UNITS PER ASSY |
|----------|--------------|---------------|--|--------------------------------------|----------------|
| 1 | 12 625934-5 | | .CONTROLLER ASSY-CAB ZONE TEMP SUPPLIER CODE: V07217 SPECIFICATION NUMBER: S210T130-54 ELECTRICAL EQUIP NUMBER: M00195 COMPONENT MAINT MANUAL REF: 21-61-03 | 107107 | 1 |
| | 12 625934-6 | | .CONTROLLER ASSY-CAB ZONE TEMP SUPPLIER CODE: V07217 SPECIFICATION NUMBER: S210T130-67 ELECTRICAL EQUIP NUMBER: M00195 COMPONENT MAINT MANUAL REF: 21-61-03 | 002004 006100 504903 950999 | 1 |
| | 12 1151868-1 | | .CONTROLLER ASSY-CAB ZONE TEMP SUPPLIER CODE: V07217 SPECIFICATION NUMBER: S210T130-77 ELECTRICAL EQUIP NUMBER: M00195 COMPONENT MAINT MANUAL REF: 21-61-03 | 002004 006100 504903 950999 | 1 |
| | 12 625934-5 | | .CONTROLLER ASSY-CAB ZONE TEMP SUPPLIER CODE: V07217 SPECIFICATION NUMBER: S210T130-54 ELECTRICAL EQUIP NUMBER: M00195 COMPONENT MAINT MANUAL REF: 21-61-03 | 002004 006100 504903 950999 | 1 |

MISSING ITEM NUMBERS NOT APPLICABLE

- ITEM NOT ILLUSTRATED

BRI

21-61-03-01

21-61-03
FIG. 01
PAGE 2
JAN 20/09

 **BOEING**
757
PARTS CATALOG (MAINTENANCE)

| FIG ITEM | PART NUMBER | 1 2 3 4 5 6 7 | NOMENCLATURE | EFFECT FROM TO | UNITS PER ASSY |
|-------------|-------------|---------------|--|--|----------------------|
| 1 | | | | | |
| 12 | 625934-6 | | .CONTROLLER ASSY-CAB ZONE TEMP SUPPLIER CODE: V07217 SPECIFICATION NUMBER: S210T130-67 ELECTRICAL EQUIP NUMBER: M00195 COMPONENT MAINT MANUAL REF: 21-61-03 | 107107 | 1 |
| 12 | 1151868-1 | | .CONTROLLER ASSY-CAB ZONE TEMP SUPPLIER CODE: V07217 SPECIFICATION NUMBER: S210T130-77 ELECTRICAL EQUIP NUMBER: M00195 COMPONENT MAINT MANUAL REF: 21-61-20 | 107107 | 1 |
| 25 | CS322-2 | | ..PLATE-IDENT SUPPLIER CODE: V07217 USED ON: 625934-4 625934-5 625934-6 | 002004 006100 107107 504903 950999 | 1 |
| 30 | 1031908-1 | | ..LABEL-FRONT PANEL SUPPLIER CODE: V07217 | 002004 006100 107107 504903 950999 | 1 |
| 35 | 1025439-1 | | ..LABEL-CAUTION SUPPLIER CODE: V07217 | 002004 006100 107107 504903 950999 | 1 |
| 40 | 1025042-1 | | ..BAR ASSY-RETAINING SUPPLIER CODE: V07217 | 002004 006100 107107 504903 950999 | 1 |
| 45 | 1025438-1 | | ...LABEL-CAUTION SUPPLIER CODE: V07217 | 002004 006100 107107 504903 950999 | 1 |

MISSING ITEM NUMBERS NOT APPLICABLE

— ITEM NOT ILLUSTRATED

BRI

21-61-03-01

BOEING PROPRIETARY - Copyright © - Unpublished Work - See title page for details.

21-61-03
FIG. 01
PAGE 3
JAN 20/09



757

PARTS CATALOG (MAINTENANCE)

| FIG ITEM | PART NUMBER | 1 2 3 4 5 6 7 | NOMENCLATURE | EFFECT FROM TO | UNITS PER ASSY |
|----------|-------------|---------------|---|--|----------------|
| 1 | | | | | |
| 50 | 1025049-1 | | ... LABEL-CAUTION SUPPLIER CODE: V07217 | 002004 006100 107107 504903 950999 | 1 |
| 55 | 7780 | | .. NUT-DRESS SUPPLIER CODE: V09353 MISCELLANEOUS DATA: ALLIEDSIGNAL SPEC NO, 525-910-9001 | 002004 006100 107107 504903 950999 | 5 |
| 60 | 1411-45009 | | .. GROMMET- SUPPLIER CODE: V70485 MISCELLANEOUS DATA: ALLIEDSIGNAL SPEC NO. 370-902-9001 | 002004 006100 107107 504903 950999 | 18 |
| 70 | 7089-1 | | .. CAP-WHITE SUPPLIER CODE: V09353 MISCELLANEOUS DATA: ALLIEDSIGNAL SPEC NO. 194-907-9001 | 002004 006100 107107 504903 950999 | 4 |
| 75 | 7089-2 | | .. CAP-BLACK SUPPLIER CODE: V09353 MISCELLANEOUS DATA: ALLIEDSIGNAL SPEC NO. 194-907-9002 | 002004 006100 107107 504903 950999 | 1 |
| 80 | 8121 | | .. SWITCH- SUPPLIER CODE: V09353 MISCELLANEOUS DATA: GARRETT SCD 684-929-9001 USED ON: 625934-4 625934-5 625934-6 | 002004 006100 107107 504903 950999 | 4 |
| 85 | 8221 | | .. SWITCH- SUPPLIER CODE: V09353 MISCELLANEOUS DATA: GARRETT SCD 684-929-9002 USED ON: 625934-4 625934-5 625934-6 | 002004 006100 107107 504903 950999 | 1 |

MISSING ITEM NUMBERS NOT APPLICABLE

- ITEM NOT ILLUSTRATED

21-61-03-01

21-61-03
FIG. 01
PAGE 4
JAN 20/09

BRI



757

PARTS CATALOG (MAINTENANCE)

| FIG ITEM | PART NUMBER | 1 2 3 4 5 6 7 | NOMENCLATURE | EFFECT FROM TO | UNITS PER ASSY |
|----------|-----------------|---------------|---|--|----------------|
| 1 | 95 1025046-1 | | .. LABEL-FRONT PANEL SUPPLIER CODE: V07217 USED ON: 625934-4 625934-5 625934-6 | 002004 006100 107107 504903 950999 | 1 |
| | 97 NAS622CT3 | | .. HOOK- USED ON: 625934-4 625934-5 625934-6 | 002004 006100 107107 504903 950999 | 2 |
| | 98 MS20426AD5-8 | | ATTACHING PARTS .. RIVET | 002004 006100 107107 504903 950999 | 4 |
| - 100 | 284N1686-3 | | -----*----- EQUIPMENT INSTL-E6 EQPT CTR (PRIMARY (ZONE) TEMPERATURE CONTROL SYSTEM ONLY) POSITION DATA: AFT FOR NHA/OTHER SYS DET SEE: 24-00-58-01 | 121503 904949 | RF |
| 110 | 625934-5 | | . CONTROLLER ASSY-CAB ZONE TEMP SUPPLIER CODE: V07217 SPECIFICATION NUMBER: S210T130-54 ELECTRICAL EQUIP NUMBER: M00195 COMPONENT MAINT MANUAL REF: 21-61-03 | 121503 904949 | 1 |

MISSING ITEM NUMBERS NOT APPLICABLE

- ITEM NOT ILLUSTRATED

BRI

21-61-03-01

21-61-03
FIG. 01
PAGE 5
JAN 20/09

 **BOEING**
757
PARTS CATALOG (MAINTENANCE)

| FIG ITEM | PART NUMBER | 1 2 3 4 5 6 7 | NOMENCLATURE | EFFECT FROM TO | UNITS PER ASSY |
|----------|-------------|---------------|---|------------------|----------------|
| 1 110 | 625934-6 | | .CONTROLLER ASSY-CAB ZONE TEMP SUPPLIER CODE: V07217 SPECIFICATION NUMBER: S210T130-67 ELECTRICAL EQUIP NUMBER: M00195 COMPONENT MAINT MANUAL REF: 21-61-03 POST SERVICE BULLETIN: 625934-21-37 V07217 POST SERVICE LETTER: 21-18 | 121503 904949 | 1 |
| 110 | 625934-4 | | .CONTROLLER ASSY-CAB ZONE TEMP SUPPLIER CODE: V07217 SPECIFICATION NUMBER: S210T130-45 ELECTRICAL EQUIP NUMBER: M00195 COMPONENT MAINT MANUAL REF: 21-61-03 | 121503 904949 | 1 |
| 112 | CS322-2 | | ..PLATE-IDENT SUPPLIER CODE: V07217 USED ON: 625934-4 625934-5 625934-6 | 121503 904949 | 1 |
| 115 | 1411-45009 | | ..GROMMET- SUPPLIER CODE: V70485 | 121503 904949 | 18 |
| 120 | 7780 | | ..NUT-DRESS 525-910-9001 SUPPLIER CODE: V09353 | 121503 904949 | 5 |
| 125 | 7089-1 | | ..CAP-WHITE SUPPLIER CODE: V09353 | 121503 904949 | 4 |
| 130 | 7089-2 | | ..CAP-BLACK SUPPLIER CODE: V09353 | 121503 904949 | 1 |

MISSING ITEM NUMBERS NOT APPLICABLE

— ITEM NOT ILLUSTRATED

BRI

21-61-03-01

BOEING PROPRIETARY - Copyright © - Unpublished Work - See title page for details.

21-61-03
FIG. 01
PAGE 6
JAN 20/09



757

PARTS CATALOG (MAINTENANCE)

| FIG ITEM | PART NUMBER | 1 2 3 4 5 6 7 | NOMENCLATURE | EFFECT FROM TO | UNITS PER ASSY |
|----------|-------------|---------------|--|------------------|----------------|
| 1 135 | 1025042-1 | | ..BAR ASSY-RETAINING SUPPLIER CODE: V07217 USED ON: 625934-4 625934-5 625934-6 | 121503 904949 | 1 |
| 140 | 1025438-1 | | ...LABEL-CAUTION SUPPLIER CODE: V07217 USED ON: 625934-4 625934-5 625934-6 | 121503 904949 | 1 |
| 145 | 1025049-1 | | ...LABEL-CAUTION SUPPLIER CODE: V07217 USED ON: 625934-4 625934-5 625934-6 | 121503 904949 | 1 |
| 150 | 8121 | | ..SWITCH- SUPPLIER CODE: V09353 MISCELLANEOUS DATA: GARRETT SCD 684-929-9001 USED ON: 625934-4 625934-5 625934-6 | 121503 904949 | 4 |
| 155 | 8221 | | ..SWITCH- SUPPLIER CODE: V09353 MISCELLANEOUS DATA: GARRETT SCD 684-929-9002 USED ON: 625934-4 625934-5 625934-6 | 121503 904949 | 1 |
| 165 | 1025046-1 | | ..LABEL-FRONT PANEL SUPPLIER CODE: V07217 USED ON: 625934-4 625934-5 625934-6 | 121503 904949 | 1 |

MISSING ITEM NUMBERS NOT APPLICABLE

- ITEM NOT ILLUSTRATED

BRI

21-61-03-01

BOEING PROPRIETARY - Copyright © - Unpublished Work - See title page for details.

21-61-03
FIG. 01
PAGE 7
JAN 20/09



757

PARTS CATALOG (MAINTENANCE)

| FIG ITEM | PART NUMBER | 1 2 3 4 5 6 7 | NOMENCLATURE | EFFECT FROM TO | UNITS PER ASSY |
|--------------|----------------------------|---------------|--|--------------------------------------|----------------|
| 1 170 | 1025439-1 | | .. LABEL-CAUTION SUPPLIER CODE: V07217 USED ON: 625934-4 625934-5 625934-6 | 121503 904949 | 1 |
| 175 | NAS622CT3 | | .. HOOK- USED ON: 624958-4 625934-5 625934-6 ATTACHING PARTS | 121503 904949 | 2 |
| 180 | MS20426AD5-8 | | .. RIVET -----*----- | 121503 904949 | 4 |
| - 300 | 286N1030-001 | | WIRE BUNDLE ASSY | 121503 904949 | RF |
| - 300 | 286N1330-001 | | WIRE BUNDLE ASSY | 002004 006100 107107 950999 | RF |
| - 300 315 | 286N1330-306 BKA11C1101 | | WIRE BUNDLE ASSY .CONNECTOR- SUPPLIER CODE: V71468 SPECIFICATION NUMBER: BACC66F11C1101 OPTIONAL PART: S611C1101 V59610 NIC66F11C1101 V00779 ELECTRICAL EQUIP NUMBER: D02558 WIRING DIAGRAM REF: NO.216111 | 505505 121503 904949 | RF 1 |

MISSING ITEM NUMBERS NOT APPLICABLE

- ITEM NOT ILLUSTRATED

BRI

21-61-03-01

BOEING PROPRIETARY - Copyright © - Unpublished Work - See title page for details.

21-61-03
FIG. 01
PAGE 8
JAN 20/09



**757
PARTS CATALOG (MAINTENANCE)**

| FIG ITEM | PART NUMBER | 1 2 3 4 5 6 7 NOMENCLATURE | EFFECT FROM TO | UNITS PER ASSY |
|-------------|-------------|--|--------------------------------------|----------------------|
| 1 320 | BKA11C1101 | .CONNECTOR- SUPPLIER CODE: V71468 SPECIFICATION NUMBER: BACC66F11C1101 OPTIONAL PART: S611C1101 V59610 NIC66F11C1101 V00779 ELECTRICAL EQUIP NUMBER: D02558 WIRING DIAGRAM REF: NO.216111 | 002004 006100 107107 950999 | 1 |

MISSING ITEM NUMBERS NOT APPLICABLE

— ITEM NOT ILLUSTRATED

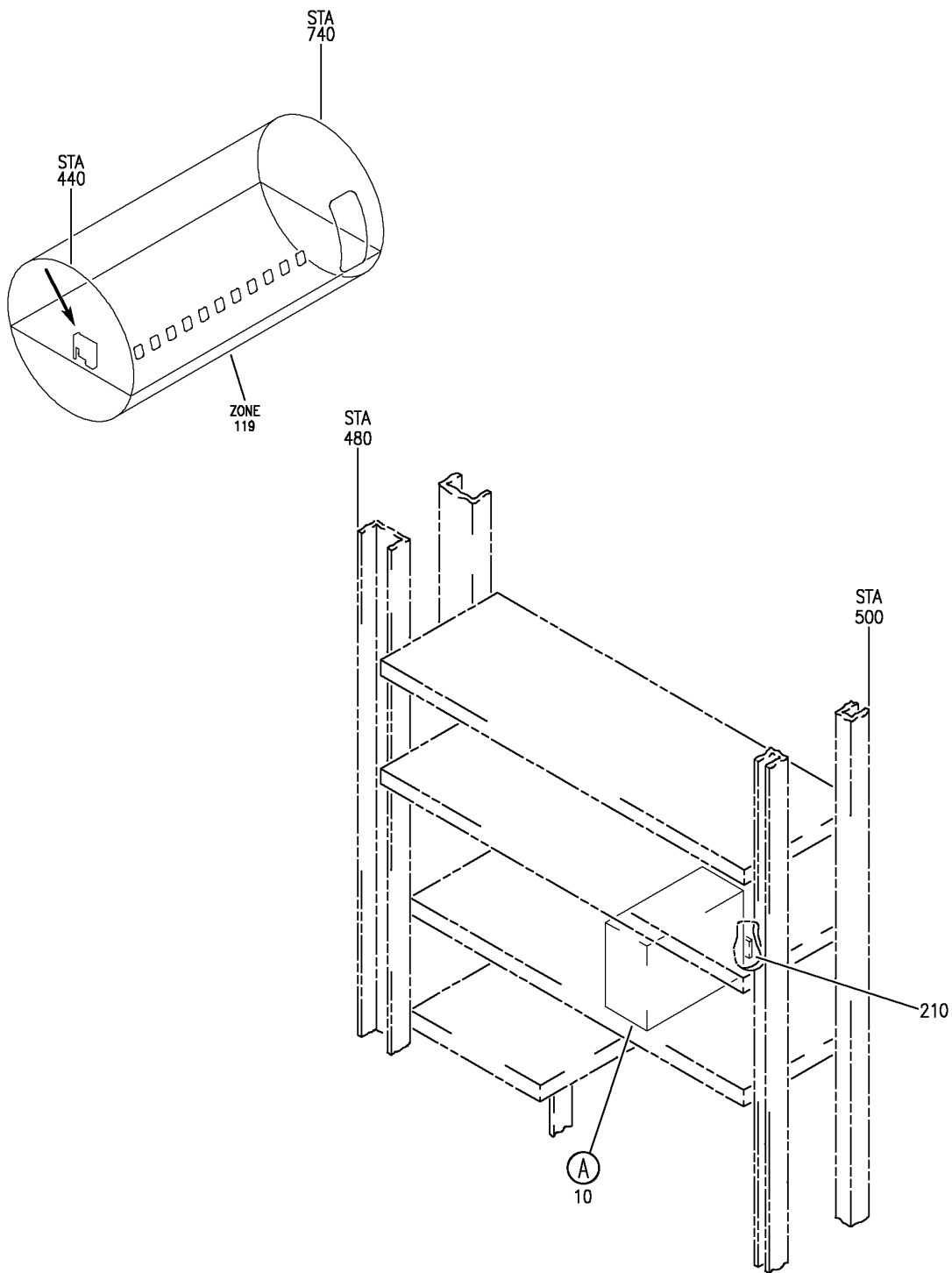
BRI

21-61-03-01

BOEING PROPRIETARY - Copyright © - Unpublished Work - See title page for details.

21-61-03
FIG. 01
PAGE 9
JAN 20/09

BOEING
757
PARTS CATALOG (MAINTENANCE)



Y 21610301B SHT 1 REV 250

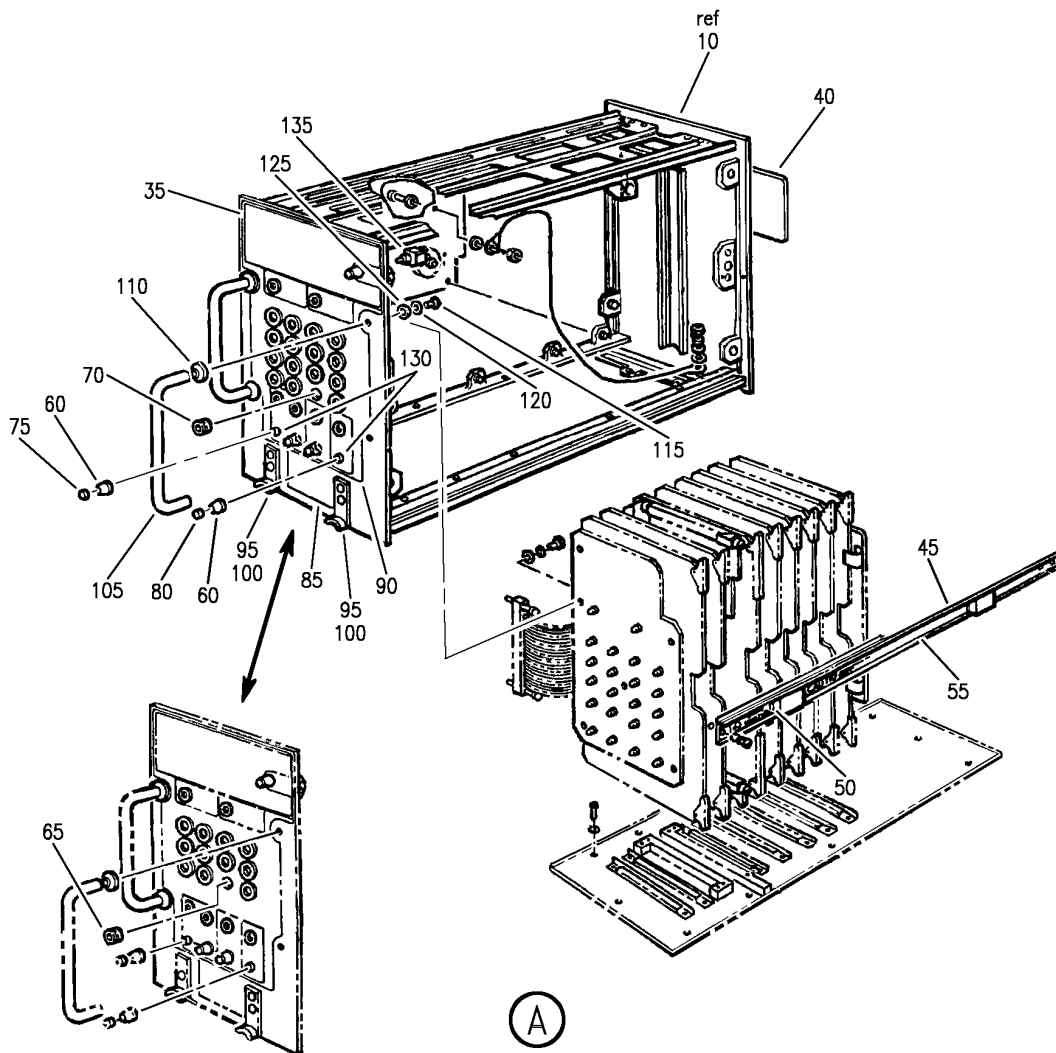
EQUIPMENT INSTL-MAIN ELECTRONICS EQPT CTR (PRIMARY (ZONE) TEMPERATURE CONTROL SYSTEM ONLY)
FIGURE 1B (SHEET 1)

BRI
MAY 28/07

21-61-03-01B

21-61-03-01B
PAGE 0

BOEING
757
PARTS CATALOG (MAINTENANCE)



Y 21610301B SHT 2 REV 290

EQUIPMENT INSTL-MAIN ELECTRONICS EQPT CTR (PRIMARY (ZONE) TEMPERATURE CONTROL SYSTEM ONLY)
FIGURE 1B (SHEET 2)

BRI
MAY 28/07

21-61-03-01B

21-61-03-01B
PAGE 0A



757

PARTS CATALOG (MAINTENANCE)

| FIG ITEM | PART NUMBER | 1 2 3 4 5 6 7 | NOMENCLATURE | EFFECT FROM TO | UNITS PER ASSY |
|----------|--------------|---------------|--|----------------|----------------|
| 1B | | | EQUIPMENT INSTL-MAIN ELECTRONICS EQPT CTR (PRIMARY (ZONE) TEMPERATURE CONTROL SYSTEM ONLY) | 101102 | |
| - 3 | 284N1800-140 | | EQUIPMENT INSTL-MAIN ELECTRONICS EQPT CTR (PRIMARY (ZONE) TEMPERATURE CONTROL SYSTEM ONLY) | 101101 | RF |
| - 3 | 284N1800-141 | | FOR NHA/OTHER SYS DET SEE: 24-00-58-05E EQUIPMENT INSTL-MAIN ELECTRONICS EQPT CTR (PRIMARY (ZONE) TEMPERATURE CONTROL SYSTEM ONLY) | 102102 | RF |
| 10 | 625934-5 | | FOR NHA/OTHER SYS DET SEE: 24-00-58-05E .CONTROLLER ASSY-CAB ZONE TEMP TEMP SUPPLIER CODE: V07217 V07217 SPECIFICATION NUMBER: S210T130-54 ELECTRICAL EQUIP NUMBER: M00195 COMPONENT MAINT MANUAL REF: 21-61-03 | 101102 | 1 |
| 10 | 625934-6 | | .CONTROLLER ASSY-CAB ZONE TEMP SUPPLIER CODE: V07217 SPECIFICATION NUMBER: S210T130-67 ELECTRICAL EQUIP NUMBER: M00195 COMPONENT MAINT MANUAL REF: 21-61-03 | 101102 | 1 |

MISSING ITEM NUMBERS NOT APPLICABLE

- ITEM NOT ILLUSTRATED

BRI

21-61-03-01B

BOEING PROPRIETARY - Copyright © - Unpublished Work - See title page for details.

21-61-03
FIG. 01B
PAGE 1
JAN 20/09

 **BOEING**
757
PARTS CATALOG (MAINTENANCE)

| FIG ITEM | PART NUMBER | 1 2 3 4 5 6 7 | NOMENCLATURE | EFFECT FROM TO | UNITS PER ASSY |
|----------|-------------|---------------|---|----------------|----------------|
| 1B | | | | | |
| 10 | 1151868-1 | . | CONTROLLER ASSY-CAB ZONE TEMP SUPPLIER CODE: V07217 SPECIFICATION NUMBER: S210T130-77 ELECTRICAL EQUIP NUMBER: M00195 COMPONENT MAINT MANUAL REF: 21-61-20 | 101102 | 1 |
| 35 | 1031908-1 | .. | LABEL-FRONT PANEL SUPPLIER CODE: V07217 USED ON: 1151868-1 | 101102 | 1 |
| 40 | 1025439-1 | .. | LABEL-CAUTION SUPPLIER CODE: V07217 USED ON: 1151866-1 1151868-1 625934-5 625934-6 | 101102 | 1 |
| 45 | 1025042-1 | .. | BAR ASSY-RETAINING SUPPLIER CODE: V07217 | 101102 | 1 |
| 50 | 1025438-1 | ... | LABEL-CAUTION SUPPLIER CODE: V07217 | 101102 | 1 |
| 55 | 1025049-1 | ... | LABEL-CAUTION SUPPLIER CODE: V07217 | 101102 | 1 |
| 60 | 7780 | .. | NUT-DRESS SUPPLIER CODE: V09353 MISCELLANEOUS DATA: ALLIEDSIGNAL SPEC NO. 525-910-9001 USED ON: 625934-5 625934-6 624958-4 | 101102 | 5 |

MISSING ITEM NUMBERS NOT APPLICABLE

— ITEM NOT ILLUSTRATED

BRI

21-61-03-01B

BOEING PROPRIETARY - Copyright © - Unpublished Work - See title page for details.

21-61-03
FIG. 01B
PAGE 2
JAN 20/09

 **BOEING**
757
PARTS CATALOG (MAINTENANCE)

| FIG ITEM | PART NUMBER | 1 2 3 4 5 6 7 | NOMENCLATURE | EFFECT FROM TO | UNITS PER ASSY |
|----------|--------------|---------------|--|----------------|----------------|
| 1B 65 | 1411-45009 | | .. GROMMET- SUPPLIER CODE: V70485 MISCELLANEOUS DATA: ALLIEDSIGNAL SPEC NO. 370-902-9001 USED ON: 624958-4 625934-5 625934-6 1151868-1 | 101102 | 18 |
| 75 | 7089-1 | | .. CAP-WHITE SUPPLIER CODE: V09353 MISCELLANEOUS DATA: ALLIEDSIGNAL SPEC NO. 194-907-9001 | 101102 | 4 |
| 80 | 7089-2 | | .. CAP-BLACK SUPPLIER CODE: V09353 MISCELLANEOUS DATA: ALLIEDSIGNAL SPEC NO. 194-907-9002 | 101102 | 1 |
| 85 | CS322-2 | | .. PLATE-IDENT SUPPLIER CODE: V07217 USED ON: 624958-4 625934-5 625934-6 | 101102 | 1 |
| 90 | 1025046-1 | | .. LABEL-FRONT PANEL SUPPLIER CODE: V07217 USED ON: 625934-5 625934-6 | 101102 | 1 |
| 95 | NAS622CT3 | | .. HOOK- USED ON: 624958-4 625934-5 625934-6 | 101102 | 2 |
| 100 | MS20426AD5-8 | | ATTACHING PARTS .. RIVET -----*----- | 101102 | 4 |

MISSING ITEM NUMBERS NOT APPLICABLE

— ITEM NOT ILLUSTRATED

BRI

21-61-03-01B

BOEING PROPRIETARY - Copyright © - Unpublished Work - See title page for details.

21-61-03
FIG. 01B
PAGE 3
JAN 20/09



757

PARTS CATALOG (MAINTENANCE)

| FIG ITEM | PART NUMBER | 1 2 3 4 5 6 7 | NOMENCLATURE | EFFECT FROM TO | UNITS PER ASSY |
|-----------|--------------|---------------|--|----------------|----------------|
| 1B 105 | 1057-30 | | ..HANDLE- SUPPLIER CODE: V88245 MISCELLANEOUS DATA: GARRETT SCD 391-903-9006 USED ON: 624958-4 625934-5 625934-6 | 101102 | 2 |
| 110 | A903-30 | | ..FERRULE- SUPPLIER CODE: V88245 MISCELLANEOUS DATA: GARRETT SCD 335-903-9001 USED ON: 624958-4 625934-5 625934-6 ATTACHING PARTS | 101102 | 4 |
| 115 | MS35206-245 | | ..SCREW | 101102 | 4 |
| 120 | MS35338-42 | | ..WASHER | 101102 | 4 |
| 125 | NAS620-8 | | ..WASHER | 101102 | 4 |
| | | | -----*----- | | |
| 130 | 8121 | | ..SWITCH- SUPPLIER CODE: V09353 MISCELLANEOUS DATA: GARRETT SCD 684-929-9001 USED ON: 625934-5 625934-6 | 101102 | 4 |
| 135 | 8221 | | ..SWITCH- SUPPLIER CODE: V09353 MISCELLANEOUS DATA: GARRETT SCD 684-929-9002 USED ON: 625934-5 625934-6 | 101102 | 1 |
| - 200 | 286N1330-301 | | WIRE BUNDLE ASSY | 101102 | RF |

MISSING ITEM NUMBERS NOT APPLICABLE

- ITEM NOT ILLUSTRATED

21-61-03-01B

21-61-03
FIG. 01B
PAGE 4
JAN 20/09

BRI

BOEING PROPRIETARY - Copyright © - Unpublished Work - See title page for details.



757
PARTS CATALOG (MAINTENANCE)

| FIG ITEM | PART NUMBER | 1 2 3 4 5 6 7 | NOMENCLATURE | EFFECT FROM TO | UNITS PER ASSY |
|-------------|-------------|---------------|---|-------------------|----------------------|
| 1B 210 | BKA11C1101 | | .CONNECTOR- SUPPLIER CODE: V71468 SPECIFICATION NUMBER: BACC66F11C1101 OPTIONAL PART: S611C1101 V59610 NIC66F11C1101 V00779 ELECTRICAL EQUIP NUMBER: D02558 WIRING DIAGRAM REF: 216111 | 101102 | 1 |

MISSING ITEM NUMBERS NOT APPLICABLE

- ITEM NOT ILLUSTRATED

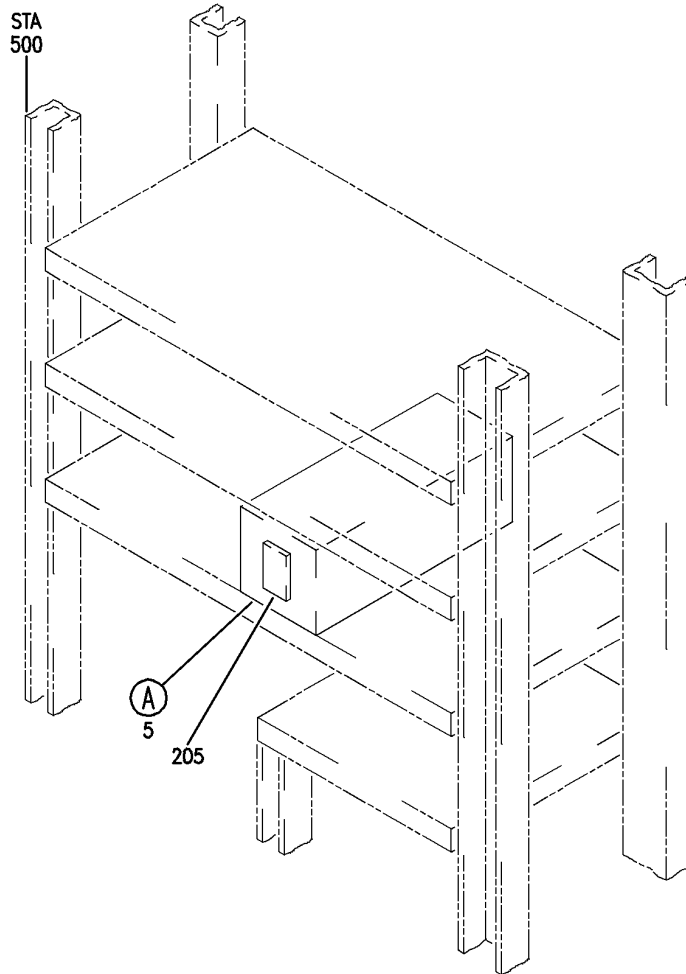
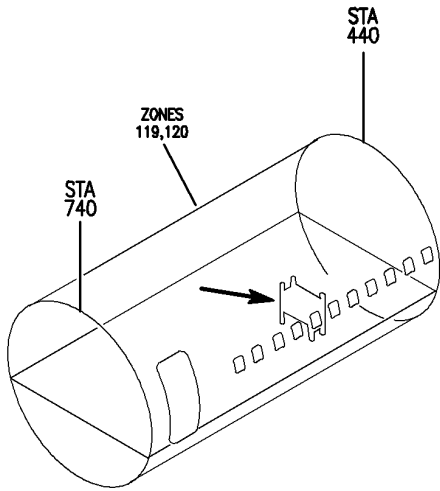
BRI

21-61-03-01B

BOEING PROPRIETARY - Copyright © - Unpublished Work - See title page for details.

21-61-03
FIG. 01B
PAGE 5
JAN 20/09

BOEING
757
PARTS CATALOG (MAINTENANCE)



Y 21610308 SHT 1 REV 250

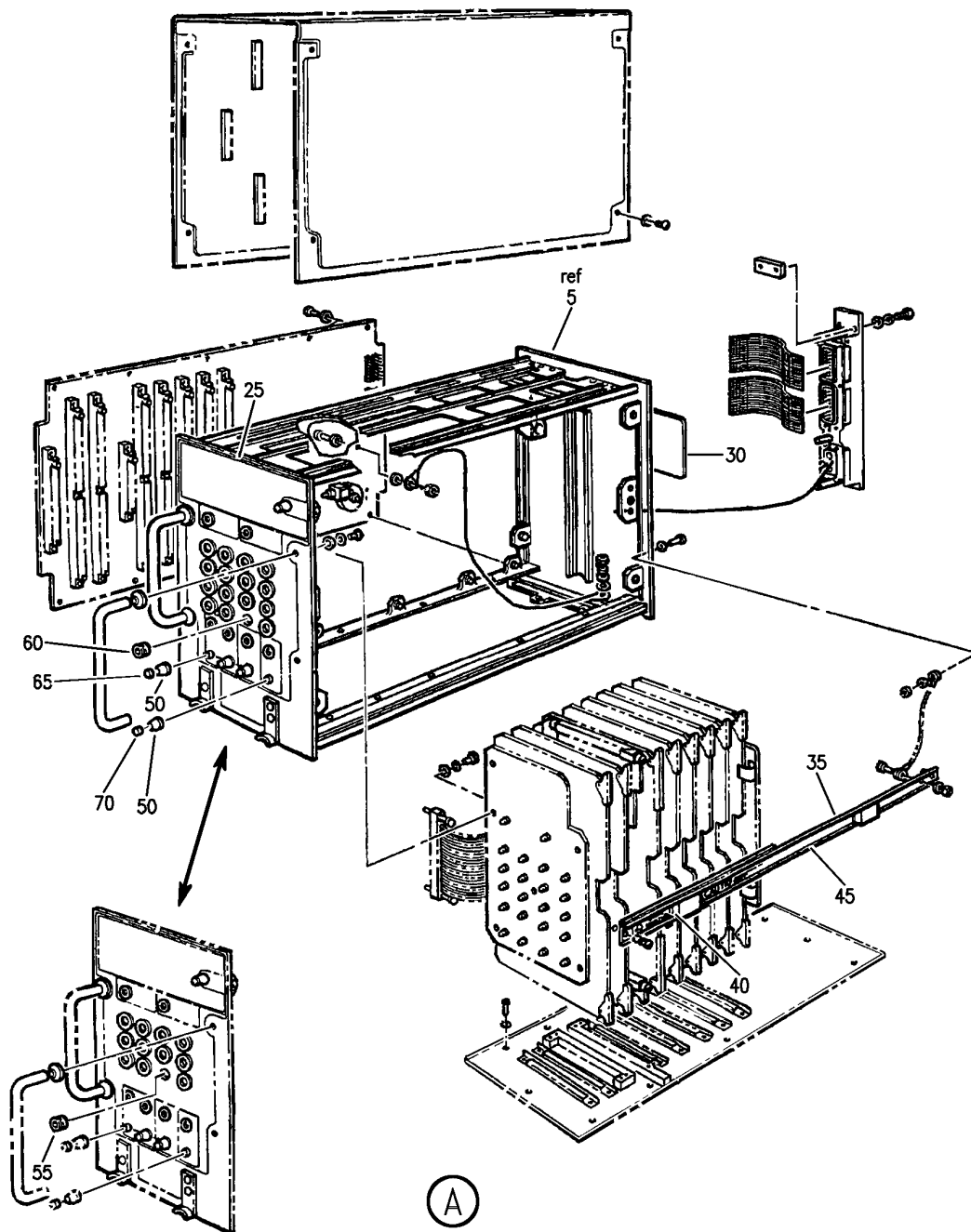
EQUIPMENT INSTL-MAIN ELECTRONICS EQPT CTR ZONE TEMP CONT
FIGURE 8 (SHEET 1)

21-61-03-08

BRI
JAN 20/09

21-61-03-08
PAGE 0

BOEING
757
PARTS CATALOG (MAINTENANCE)



Y 21610308 SHT 2 REV 250

EQUIPMENT INSTL-MAIN ELECTRONICS EQPT CTR ZONE TEMP CONT
FIGURE 8 (SHEET 2)

21-61-03-08

BRI
JAN 20/09

21-61-03-08
PAGE 0A



757

PARTS CATALOG (MAINTENANCE)

| FIG ITEM | PART NUMBER | 1 2 3 4 5 6 7 | NOMENCLATURE | EFFECT FROM TO | UNITS PER ASSY |
|----------|-----------------|---------------|--|------------------|----------------|
| 8 | | | EQUIPMENT INSTL-MAIN ELECTRONICS EQPT CTR ZONE TEMP CONT | 103106 108120 | |
| - 1 | 284N4000-210004 | | EQUIPMENT INSTL-MAIN ELECTRONICS EQPT CTR ZONE TEMP CONT FOR NHA SEE: 24-00-58-05F | 108120 | RF |
| - 1 | MODREF9635 | | EQUIPMENT INSTL-MAIN ELECTRONICS EQPT CTR ZONE TEMP CONT MODULE NUMBER: 284N4000-210004 REV A | 103106 | 1 |
| 5 | 1151868-1 | | .CONTROLLER ASSY- SUPPLIER CODE: V07217 SPECIFICATION NUMBER: S210T130-77 ELECTRICAL EQUIP NUMBER: M00195 COMPONENT MAINT MANUAL REF: 21-61-20 | 103106 108120 | 1 |
| 25 | 1031908-1 | | ..LABEL-FRONT PANEL SUPPLIER CODE: V07217 | 103106 108120 | 1 |
| 30 | 1025439-1 | | ..LABEL-CAUTION SUPPLIER CODE: V07217 | 103106 108120 | 1 |
| 35 | 1025042-1 | | ..BAR ASSY-RETAINING SUPPLIER CODE: V07217 | 103106 108120 | 1 |
| 40 | 1025438-1 | | ...LABEL-CAUTION SUPPLIER CODE: V07217 | 103106 108120 | 1 |
| 45 | 1025049-1 | | ...LABEL-CAUTION SUPPLIER CODE: V07217 | 103106 108120 | 1 |
| 50 | 7780 | | ..NUT-DRESS SUPPLIER CODE: V09353 MISCELLANEOUS DATA: ALLIEDSIGNAL SPEC NO. 525-910-9001 | 103106 108120 | 5 |
| 55 | 1411-45009 | | ..GROMMET- SUPPLIER CODE: V70485 MISCELLANEOUS DATA: ALLIEDSIGNAL SPEC NO. 370-902-9001 | 103106 108120 | 18 |

MISSING ITEM NUMBERS NOT APPLICABLE

- ITEM NOT ILLUSTRATED

21-61-03-08

21-61-03
FIG. 08
PAGE 1
JAN 20/09

BRI



757

PARTS CATALOG (MAINTENANCE)

| FIG ITEM | PART NUMBER | 1 2 3 4 5 6 7 | NOMENCLATURE | EFFECT FROM TO | UNITS PER ASSY |
|----------|--------------|---------------|---|------------------|----------------|
| 8 | | | | | |
| 65 | 7089-1 | | ..CAP-WHITE SUPPLIER CODE: V09353 MISCELLANEOUS DATA: ALLIEDSIGNAL SPEC NO. 194-907-9001 | 103106 108120 | 4 |
| 70 | 7089-2 | | ..CAP-BLACK SUPPLIER CODE: V09353 MISCELLANEOUS DATA: ALLIEDSIGNAL SPEC NO. 194-907-9002 | 103106 108120 | 1 |
| - 200 | 286N1330-307 | | WIRE BUNDLE ASSY | 108120 | RF |
| - 200 | 286N1330-701 | | WIRE BUNDLE ASSY | 103106 | RF |
| 205 | BKA11C1101 | | .CONNECTOR- SUPPLIER CODE: V71468 SPECIFICATION NUMBER: BACC66F11C1101 OPTIONAL PART: S611C1101 V59610 NIC66F11C1101 V00779 ELECTRICAL EQUIP NUMBER: D02558 WIRING DIAGRAM REF: 216111 | 103106 108120 | 1 |

MISSING ITEM NUMBERS NOT APPLICABLE

- ITEM NOT ILLUSTRATED

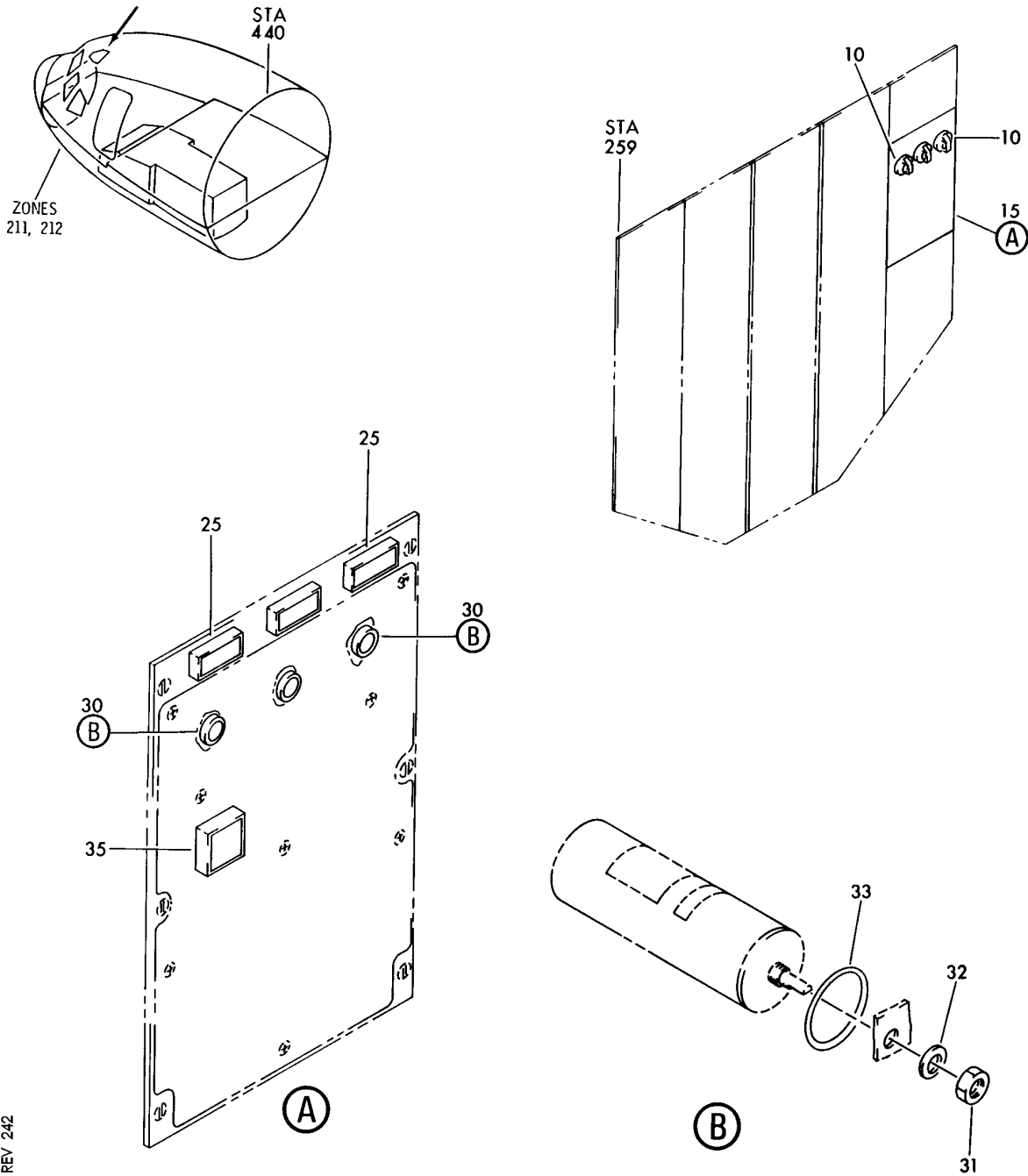
21-61-03-08

21-61-03
FIG. 08
PAGE 2
JAN 20/09

BRI

BOEING PROPRIETARY - Copyright © - Unpublished Work - See title page for details.

BOEING
757
PARTS CATALOG (MAINTENANCE)



Y 21610401 REV 242

PANEL INSTL-P5 OVERHEAD (PRIMARY (ZONE) TEMPERATURE CONTROL SYSTEM ONLY)
FIGURE 1

21-61-04-01

BRI
MAY 28/07

21-61-04-01
PAGE 0



757

PARTS CATALOG (MAINTENANCE)

| FIG ITEM | PART NUMBER | 1 2 3 4 5 6 7 | NOMENCLATURE | EFFECT FROM TO | UNITS PER ASSY |
|----------|-------------|---------------|--|--|----------------|
| 1 | | | PANEL INSTL-P5 OVERHEAD (PRIMARY (ZONE) TEMPERATURE CONTROL SYSTEM ONLY) | 002004 006010 107107 121503 904999 | RF |
| - 5 | 233N3101-1 | | PANEL INSTL-P5 OVERHEAD (PRIMARY (ZONE) TEMPERATURE CONTROL SYSTEM ONLY) VARIABLE DRAWING REF: 233N3101-5005 233N3101-5025 233N3101-5041 233N3101-5042 233N3101-5045 FOR NHA/OTHER SYS DET SEE: 25-10-00-05A | 002004 006010 107107 121503 904999 | RF |
| 10 | BP260-101 | | .KNOB- SUPPLIER CODE: V81590 | 002004 006010 107107 121503 904999 | 3 |
| 10 | BP260-113 | | .KNOB- SUPPLIER CODE: V81590 | 002004 006010 107107 121503 904999 | 3 |
| 15 | 233N3217-11 | | .PANEL ASSY-AIR CONDITIONING CONT SUPPLIER CODE: V89954 ELECTRICAL EQUIP NUMBER: M10193 COMPONENT MAINT MANUAL REF: 21-51-71 QUALIFIED I/W DATA: 233N3217-8 -11 -15 -16 -17 ARE ALL INTERCHANGEABLE EXCEPT SUBJECT TO CUSTOMER PREFERENCE | 107107 | RF |

MISSING ITEM NUMBERS NOT APPLICABLE

- ITEM NOT ILLUSTRATED

BRI

21-61-04-01

21-61-04
FIG. 01
PAGE 1
JAN 20/09



757

PARTS CATALOG (MAINTENANCE)

| FIG ITEM | PART NUMBER | 1 2 3 4 5 6 7 | NOMENCLATURE | EFFECT FROM TO | UNITS PER ASSY |
|----------|----------------|---------------|---|--|----------------|
| 1 | 15 233N3217-15 | | .PANEL ASSY-AIR CONDITIONING CONT SUPPLIER CODE: V89954 ELECTRICAL EQUIP NUMBER: M10193 COMPONENT MAINT MANUAL REF: 21-51-71 QUALIFIED I/W DATA: 233N3217-8 -11 -15 -16 -17 ARE ALL INTERCHANGEABLE EXCEPT SUBJECT TO CUSTOMER PREFERENCE THE 233N3217-300 PANEL ASSY IS I/W THE 233N317-15 PANEL ASSY T/W THE S233T100-6014 LIGHTPLATE AND (2) BP248-127 KNOBS AND (3) BP260-113 KNOBS | 002004 006010 950999 | RF |
| | 15 233N3217-17 | | .PANEL ASSY-AIR CONDITIONING CONT SUPPLIER CODE: V89954 ELECTRICAL EQUIP NUMBER: M10193 COMPONENT MAINT MANUAL REF: 21-51-71 QUALIFIED I/W DATA: 233N3217-8 -11 -15 -17 ARE ALL INTERCHANGEABLE EXCEPT SUBJECT TO CUSTOMER PREFERENCE | 121503 904949 | RF |
| | 25 BCREf8571 | | ..LIGHT ASSY-INOP IND SUPPLIER CODE: V81590 OVERLENGTH PART NUMBER: 434-674-1031-2238 SPECIFICATION NUMBER: S231T300-2238 OPTIONAL PART: BCREf6202 V81590 FOR DETAILS SEE: 33-14-70-02 | 002004 006010 107107 121503 904999 | 3 |

MISSING ITEM NUMBERS NOT APPLICABLE

- ITEM NOT ILLUSTRATED

BRI

21-61-04-01

BOEING PROPRIETARY - Copyright © - Unpublished Work - See title page for details.

21-61-04
FIG. 01
PAGE 2
JAN 20/09



757

PARTS CATALOG (MAINTENANCE)

| FIG ITEM | PART NUMBER | 1 2 3 4 5 6 7 | NOMENCLATURE | EFFECT FROM TO | UNITS PER ASSY |
|----------|-------------|---------------|---|--|----------------|
| 1 25 | BCREF6202 | | ..LIGHT ASSY-INOP IND SUPPLIER CODE: V81590 OVERLENGTH PART NUMBER: 434-674-1005-1238 SPECIFICATION NUMBER: S231T300-1238 OPTIONAL PART: BCREF8571 V81590 FOR DETAILS SEE: 33-14-70-02 | 002004 006010 107107 121503 904999 | 3 |
| 30 | 625868-1 | | ..SWITCH-ROTARY SUPPLIER CODE: V07217 SPECIFICATION NUMBER: S210T130-24 COMPONENT MAINT MANUAL REF: 21-61-02 | 002004 006010 107107 121503 904999 | 3 |
| 31 | MS25082-20 | | ...NUT | 002004 006010 107107 121503 904999 | 1 |
| 32 | MS35333-42 | | ...WASHER | 002004 006010 107107 121503 904999 | 1 |
| 33 | MS28775-026 | | ...PACKING | 002004 006010 107107 121503 904999 | 1 |

MISSING ITEM NUMBERS NOT APPLICABLE

- ITEM NOT ILLUSTRATED

BRI

21-61-04-01

BOEING PROPRIETARY - Copyright © - Unpublished Work - See title page for details.

21-61-04
FIG. 01
PAGE 3
JAN 20/09



757

PARTS CATALOG (MAINTENANCE)

| FIG ITEM | PART NUMBER | 1 2 3 4 5 6 7 | NOMENCLATURE | EFFECT FROM TO | UNITS PER ASSY |
|----------|-------------|---------------|---|--|----------------|
| 1 35 | BCREF7611 | | ..SWITCH ASSY-LIGHTED PUSH BUTTON IND ON/OFF SUPPLIER CODE: V81590 OVERLENGTH PART NUMBER: 433-673-1001-1024 SPECIFICATION NUMBER: S231T290-1024 MISCELLANEOUS DATA: WHEN REPLACING THE PUSHBUTTON SWITCH ASSY OR THE MASTER MODULE WITHIN, VERIFY THAT A CONFIG D MASTER MODULE P/N 13206-001 IS INSTALLED IN LIEU OF ANY EARLIER CONFIGURATION MASTER MODULES. FOR DETAILS SEE: 33-13-00-17A | 107107 | 1 |
| 35 | BCREFA0510 | | ..SWITCH ASSY-LIGHTED PUSH BUTTON IND SUPPLIER CODE: V81590 OVERLENGTH PART NUMBER: 433-673-1004-4024 SPECIFICATION NUMBER: S231T290-4024 MISCELLANEOUS DATA: WHEN REPLACING THE PUSHBUTTON SWITCH ASSY OR THE MASTER MODULE WITHIN, VERIFY THAT A CONFIG D MASTER MODULE P/N 13206-001 IS INSTALLED IN LIEU OF ANY EARLIER CONFIGURATION MASTER MODULES. FOR DETAILS SEE: 33-13-00-47A | 002004 006010 107107 121503 904999 | 1 |

MISSING ITEM NUMBERS NOT APPLICABLE

- ITEM NOT ILLUSTRATED

BRI

21-61-04-01

BOEING PROPRIETARY - Copyright © - Unpublished Work - See title page for details.

21-61-04
FIG. 01
PAGE 4
JAN 20/09



757

PARTS CATALOG (MAINTENANCE)

| FIG ITEM | PART NUMBER | 1 2 3 4 5 6 7 | NOMENCLATURE | EFFECT FROM TO | UNITS PER ASSY |
|----------|--------------------|---------------|---|--|----------------|
| 1 | 35 851-35100-5024 | | ..SWITCH ASSY-LIGHTED PUSH BUTTON IND SUPPLIER CODE: V96182 SPECIFICATION NUMBER: S231T290-5024 OPTIONAL PART: 851-30768-3024 V96182 4336731004-4224 V81590 | 002004 006010 107107 121503 904999 | 1 |
| | 35 851-30768-2024 | | ..SWITCH ASSY-LIGHTED PUSH BUTTON IND ON/OFF SUPPLIER CODE: V96182 SPECIFICATION NUMBER: S231T290-2024 FOR DETAILS SEE: 33-13-00-27A | 002004 006010 107107 121503 904999 | 1 |
| | 35 851-30768-3024 | | ..SWITCH ASSY-LIGHTED PUSH BUTTON IND ON/OFF SUPPLIER CODE: V96182 SPECIFICATION NUMBER: S231T290-3024 OPTIONAL PART: 851-35100-5024 V96182 FOR DETAILS SEE: 33-13-00-37A | 002004 006010 107107 121503 904999 | 1 |
| | 35 4336731004-4224 | | ..SWITCH ASSY-LIGHTED PUSH BUTTON IND SUPPLIER CODE: V81590 SPECIFICATION NUMBER: S231T290-4224 OPTIONAL PART: 851-35100-5024 V96182 | 002004 006010 107107 121503 904999 | 1 |

MISSING ITEM NUMBERS NOT APPLICABLE

- ITEM NOT ILLUSTRATED

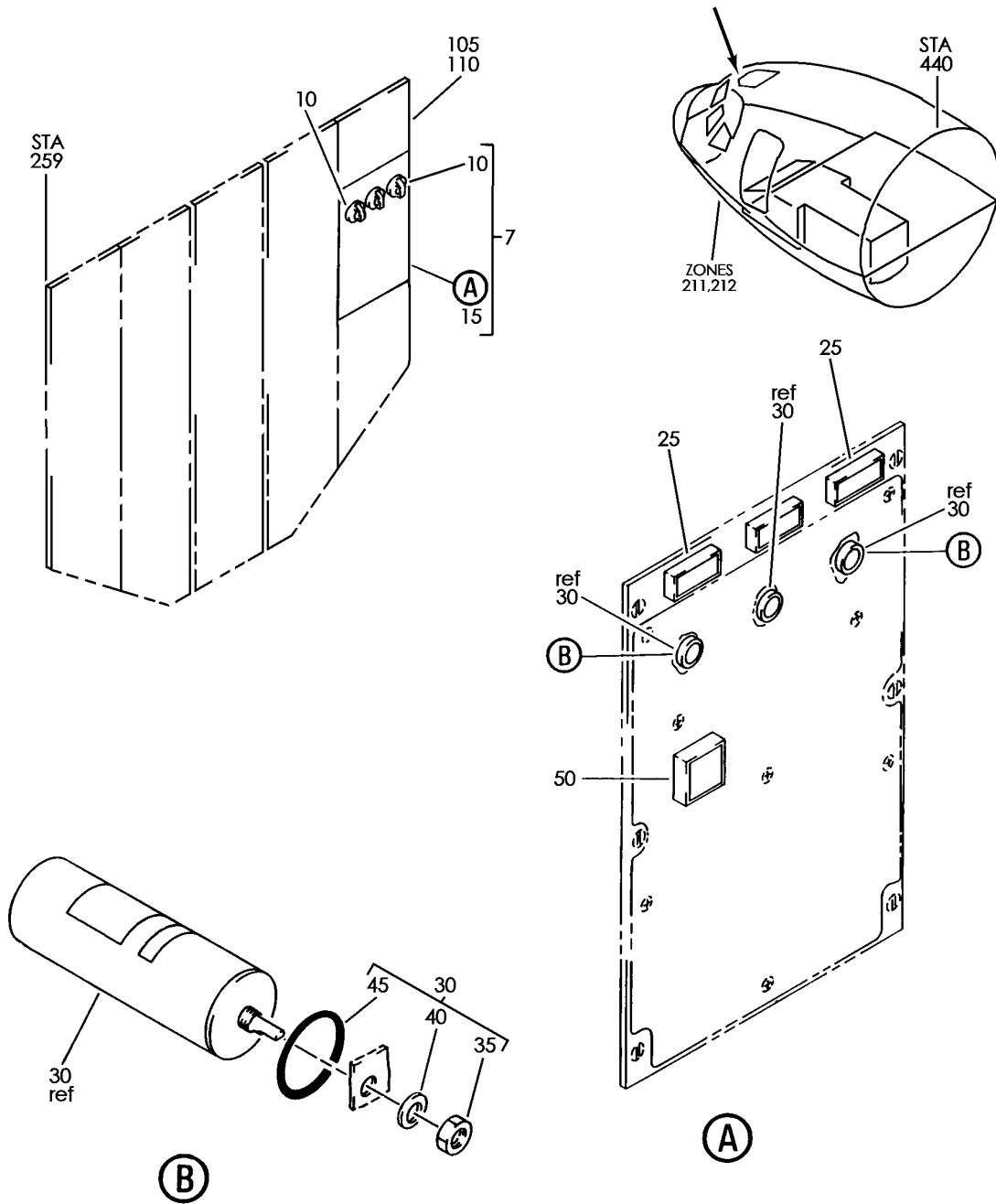
BRI

21-61-04-01

BOEING PROPRIETARY - Copyright © - Unpublished Work - See title page for details.

21-61-04
FIG. 01
PAGE 5
JAN 20/09

BOEING
757
PARTS CATALOG (MAINTENANCE)



Y 21610402 REV 242

PANEL INSTL-P5 OVERHEAD (PRIMARY (ZONE) TEMPERATURE CONTROL SYSTEM ONLY)
FIGURE 2

BRI
MAY 28/07

21-61-04-02

21-61-04-02
PAGE 0



757

PARTS CATALOG (MAINTENANCE)

| FIG ITEM | PART NUMBER | 1 2 3 4 5 6 7 | NOMENCLATURE | EFFECT FROM TO | UNITS PER ASSY |
|----------|--------------|---------------|--|----------------|----------------|
| 2 | | | PANEL INSTL-P5 OVERHEAD (PRIMARY (ZONE) TEMPERATURE CONTROL SYSTEM ONLY) | 011100 | RF |
| - 1 | 233N3101-1 | | PANEL INSTL-OVERHEAD (PRIMARY (ZONE) TEMPERATURE CONTROL SYSTEM ONLY) VARIABLE DRAWING REF: 233N3101-5142 FOR NHA/OTHER SYS DET SEE: 25-10-00-05A | 011100 | RF |
| 7 | 233N3217-300 | | .PANEL ASSY-AIR CONDITIONING CONT SUPPLIER CODE: V89954 COMPONENT MAINT MANUAL REF: 21-51-71 QUALIFIED I/W DATA: THE 233N3217-300 PANEL ASSY IS I/W THE 233N3217-15 PANEL ASSY T/W THE S233T100-6014 LIGHTPLATE AND (2) BP248-127 KNOBS AND (3) BP260-113 KNOBS | 011100 | RF |
| 10 | BP260-101 | | ..KNOB- SUPPLIER CODE: V81590 | 011100 | 3 |
| 10 | BP260-113 | | ..KNOB- SUPPLIER CODE: V81590 | 011100 | 3 |
| 15 | 233N3217-15 | | ..PANEL ASSY-AIR CONDITIONING CONT SUPPLIER CODE: V89954 ELECTRICAL EQUIP NUMBER: M10193 COMPONENT MAINT MANUAL REF: 21-51-71 QUALIFIED I/W DATA: THE 233N3217-300 PANEL ASSY IS I/W THE 233N317-15 PANEL ASSY T/W THE S233T100-6014 LIGHTPLATE AND (2) BP248-127 KNOBS AND (3) BP260-113 KNOBS | 011100 | RF |

MISSING ITEM NUMBERS NOT APPLICABLE

- ITEM NOT ILLUSTRATED

BRI

21-61-04-02

21-61-04
FIG. 02
PAGE 1
JAN 20/09



757

PARTS CATALOG (MAINTENANCE)

| FIG ITEM | PART NUMBER | 1 2 3 4 5 6 7 | NOMENCLATURE | EFFECT FROM TO | UNITS PER ASSY |
|----------|----------------|---------------|--|----------------|----------------|
| 2 | 25 BCREF8571 | | ...LIGHT ASSY-INOP IND SUPPLIER CODE: V81590 OVERLENGTH PART NUMBER: 434-674-1031-2238 SPECIFICATION NUMBER: S231T300-2238 OPTIONAL PART: BCREF6202 V81590 FOR DETAILS SEE: 33-14-70-02 | 011100 | 3 |
| | 25 BCREF6202 | | ...LIGHT ASSY-INOP IND SUPPLIER CODE: V81590 OVERLENGTH PART NUMBER: 434-674-1005-1238 SPECIFICATION NUMBER: S231T300-1238 OPTIONAL PART: BCREF8571 V81590 FOR DETAILS SEE: 33-14-70-02 | 011100 | 3 |
| | 30 625868-1 | | ...SWITCH-ROTARY SUPPLIER CODE: V07217 SPECIFICATION NUMBER: S210T130-24 COMPONENT MAINT MANUAL REF: 21-61-02 | 011100 | 3 |
| | 35 MS25082-20 | |NUT | 011100 | 1 |
| | 40 MS35333-42 | |WASHER | 011100 | 1 |
| | 45 MS28775-026 | |PACKING | 011100 | 1 |

MISSING ITEM NUMBERS NOT APPLICABLE

- ITEM NOT ILLUSTRATED

21-61-04-02

21-61-04
FIG. 02
PAGE 2
JAN 20/09

BRI



757

PARTS CATALOG (MAINTENANCE)

| FIG ITEM | PART NUMBER | 1 2 3 4 5 6 7 | NOMENCLATURE | EFFECT FROM TO | UNITS PER ASSY |
|----------|-----------------|---------------|---|----------------|----------------|
| 2 | | | | | |
| 50 | BCREFA0510 | | ...SWITCH ASSY-LIGHTED PUSH BUTTON IND SUPPLIER CODE: V81590 OVERLENGTH PART NUMBER: 433-673-1004-4024 SPECIFICATION NUMBER: S231T290-4024 MISCELLANEOUS DATA: WHEN REPLACING THE PUSHBUTTON SWITCH ASSY OR THE MASTER MODULE WITHIN, VERIFY THAT A CONFIG D MASTER MODULE P/N 13206-001 IS INSTALLED IN LIEU OF ANY EARLIER CONFIGURATION MASTER MODULES. FOR DETAILS SEE: 33-13-00-47A | 011100 | 1 |
| 50 | 851-30768-2024 | | ...SWITCH ASSY-LIGHTED PUSH BUTTON IND ON/OFF SUPPLIER CODE: V96182 SPECIFICATION NUMBER: S231T290-2024 FOR DETAILS SEE: 33-13-00-27A | 011100 | 1 |
| 50 | 851-30768-3024 | | ...SWITCH ASSY-LIGHTED PUSH BUTTON IND ON/OFF SUPPLIER CODE: V96182 SPECIFICATION NUMBER: S231T290-3024 FOR DETAILS SEE: 33-13-00-37A | 011100 | 1 |
| 50 | 4336731004-4224 | | ...SWITCH ASSY-LIGHTED PUSH BUTTON IND SUPPLIER CODE: V81590 SPECIFICATION NUMBER: S231T290-4224 OPTIONAL PART: 851-35100-5024 V96182 | 011100 | 1 |

MISSING ITEM NUMBERS NOT APPLICABLE

- ITEM NOT ILLUSTRATED

21-61-04-02

21-61-04
FIG. 02
PAGE 3
JAN 20/09

BRI



757

PARTS CATALOG (MAINTENANCE)

| FIG ITEM | PART NUMBER | 1 2 3 4 5 6 7 | NOMENCLATURE | EFFECT FROM TO | UNITS PER ASSY |
|-------------|----------------|---------------|--|-------------------|----------------------|
| 2 50 | 851-35100-5024 | | ...SWITCH ASSY-LIGHTED PUSH BUTTON IND SUPPLIER CODE: V96182 SPECIFICATION NUMBER: S231T290-5024 OPTIONAL PART: 4336731004-4224 V81590 | 011100 | 1 |

MISSING ITEM NUMBERS NOT APPLICABLE

- ITEM NOT ILLUSTRATED

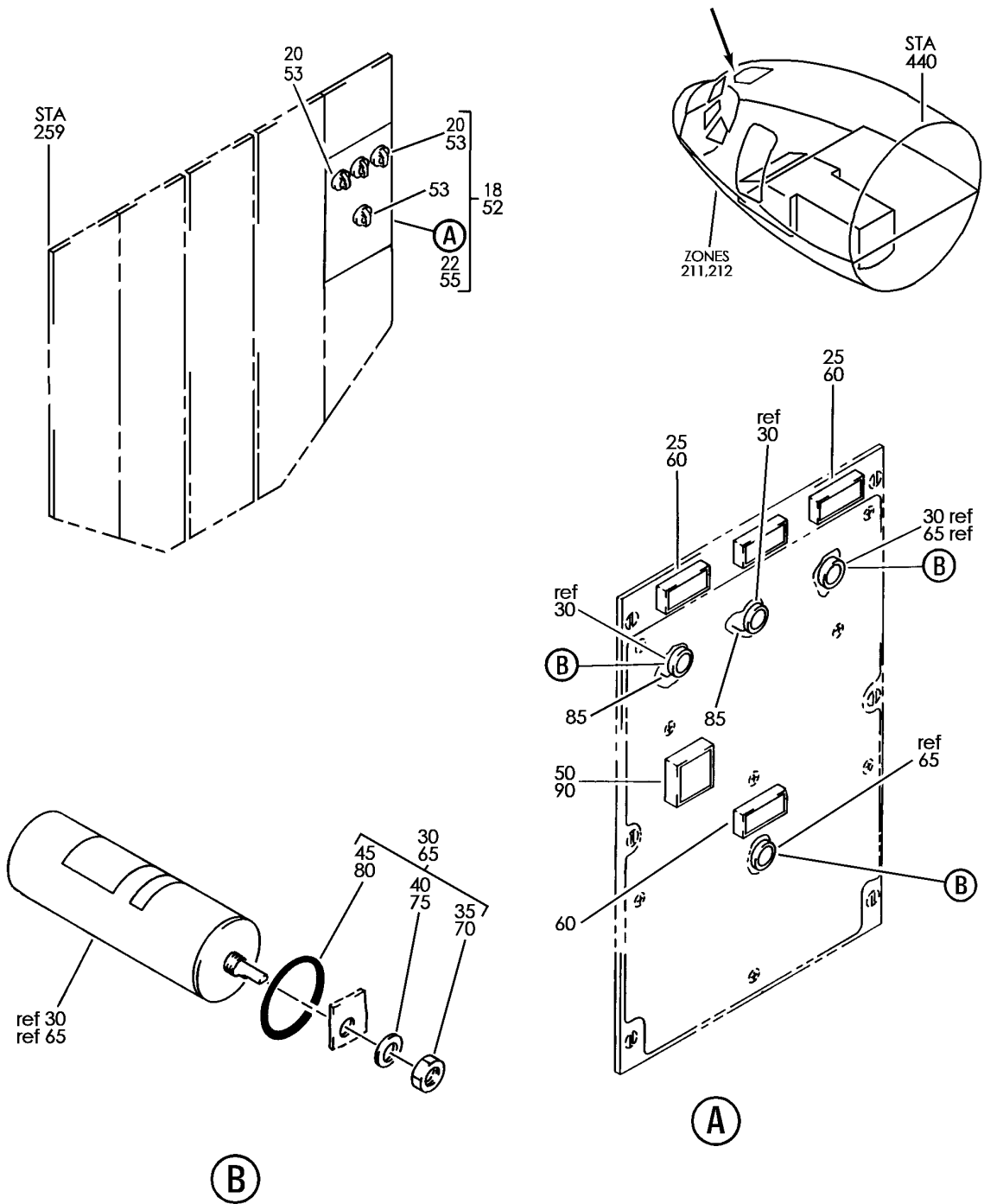
BRI

21-61-04-02

BOEING PROPRIETARY - Copyright © - Unpublished Work - See title page for details.

21-61-04
FIG. 02
PAGE 4
JAN 20/09

BOEING
757
PARTS CATALOG (MAINTENANCE)



Y 21610403 REV 251

PANEL INSTL-P5 OVHD (PRIMARY (ZONE) TEMPERATURE CONTROL SYSTEM ONLY)
FIGURE 3

21-61-04-03

BRI
MAY 28/07

21-61-04-03
PAGE 0



757

PARTS CATALOG (MAINTENANCE)

| FIG ITEM | PART NUMBER | 1 2 3 4 5 6 7 | NOMENCLATURE | EFFECT FROM TO | UNITS PER ASSY |
|----------|--------------|---------------|---|----------------------------|----------------|
| 3 | | | PANEL INSTL-P5 OVHD (PRIMARY (ZONE) TEMPERATURE CONTROL SYSTEM ONLY) | 101106 108120 504903 | |
| - 2 | 233N3103-132 | | PANEL INSTL-P5 OVHD (PRIMARY (ZONE) TEMPERATURE CONTROL SYSTEM ONLY) FOR NHA/OTHER SYS DET SEE: 25-10-00-15E | 101102 | RF |
| - 2 | 233N3103-136 | | PANEL INSTL-P5 OVHD (PRIMARY (ZONE) TEMPERATURE CONTROL SYSTEM ONLY) FOR NHA/OTHER SYS DET SEE: 25-10-00-15E | 504903 | RF |
| - 6 | 233N3103-59 | | PANEL INSTL-P5 OVHD (PRIMARY (ZONE) TEMPERATURE CONTROL SYSTEM ONLY) FOR NHA/OTHER SYS DET SEE: 25-10-00-15E | 108120 | RF |
| - 10 | MODREF33760 | | PANEL INSTL-P5 OVHD (PRIMARY (ZONE) TEMPERATURE CONTROL SYSTEM ONLY) MODULE NUMBER: 233N3103-351 REV C FOR OTHER SYS DETAILS SEE: 11-31-10-12 21-25-55-03 21-31-01-02 21-33-51-03 21-51-54-03 21-58-19-10 21-58-51-03 21-65-51-01 22-21-01-04 22-24-51-02 23-24-01-01 23-32-00-11 23-42-02-02 23-71-05-02 24-11-52-05 24-22-01-03 24-31-01-10 24-31-03-09 24-33-04-01 24-41-51-04 | 103103 | 1 |

MISSING ITEM NUMBERS NOT APPLICABLE

- ITEM NOT ILLUSTRATED

21-61-04-03

21-61-04
FIG. 03
PAGE 1
JAN 20/09

BRI



757

PARTS CATALOG (MAINTENANCE)

| FIG ITEM | PART NUMBER | 1 2 3 4 5 6 7 NOMENCLATURE | EFFECT FROM TO | UNITS PER ASSY |
|-------------|-------------|---|-------------------|----------------------|
| 3 | | 24-51-62-01 26-18-51-04 27-21-53-02 27-41-55-01 27-61-51-03 27-62-52-02 28-22-51-02 28-41-04-01 28-41-51-03 29-11-02-03 29-11-05-04 29-11-52-07 29-21-54-03 29-31-00-01 29-32-51-03 29-33-52-03 30-11-51-03 30-21-51-03 30-31-51-02 30-32-51-01 30-33-51-02 30-41-51-03 30-42-51-03 31-12-11-91 31-12-11-91 A 32-42-52-03 33-11-03-03 33-11-51-17 33-13-01-65 33-13-02-03 33-16-51-03 33-24-51-02 33-41-52-04 33-42-01-04 33-42-02-04 33-42-52-04 33-43-51-04 33-44-51-05 33-45-53-03 33-51-08-05 34-21-02-01 35-21-51-04 36-11-04-01 36-21-00-01 36-21-02-05 36-22-51-03 49-41-00-02 49-52-00-01 49-70-00-01 | | |

MISSING ITEM NUMBERS NOT APPLICABLE

- ITEM NOT ILLUSTRATED

21-61-04-03

21-61-04
FIG. 03
PAGE 2
JAN 20/09

BRI



757

PARTS CATALOG (MAINTENANCE)

| FIG ITEM | PART NUMBER | 1 2 3 4 5 6 7 | NOMENCLATURE | EFFECT FROM TO | UNITS PER ASSY |
|-------------------------------------|-------------|---------------|---|----------------|----------------|
| 3 | | | 52-51-51-03 52-71-51-02 73-21-52-02 74-31-51-05 75-32-00-01 80-11-09-02 | | |
| - 10 | MODREF34038 | | PANEL INSTL-P5 OVHD (PRIMARY (ZONE) TEMPERATURE CONTROL SYSTEM ONLY) MODULE NUMBER: 233N3103-351 REV D FOR OTHER SYS DETAILS SEE: 11-31-10-12 21-25-55-03 21-31-01-02 21-33-51-03 21-51-54-03 21-58-19-10 21-58-51-03 21-65-51-01 22-21-01-04 22-24-51-02 23-24-01-01 23-32-00-11 23-42-02-02 23-71-05-02 24-11-52-05 24-22-01-03 24-31-01-10 24-31-03-09 24-33-04-01 24-41-51-04 24-51-62-01 26-18-51-04 27-21-53-02 27-41-55-01 27-61-51-03 27-62-52-02 28-22-51-02 28-41-04-01 28-41-51-03 29-11-02-03 29-11-05-04 29-11-52-07 29-21-54-03 29-31-00-01 29-32-51-03 29-33-52-03 | 104105 | 1 |
| MISSING ITEM NUMBERS NOT APPLICABLE | | | | | |

- ITEM NOT ILLUSTRATED

21-61-04-03

21-61-04
FIG. 03
PAGE 3
JAN 20/09

BRI



757

PARTS CATALOG (MAINTENANCE)

| FIG ITEM | PART NUMBER | 1 2 3 4 5 6 7 | NOMENCLATURE | EFFECT FROM TO | UNITS PER ASSY |
|-------------------------------------|--------------|---------------|---|----------------|----------------|
| 3 | | | 30-11-51-03 30-21-51-03 30-31-51-02 30-32-51-01 30-33-51-02 30-41-51-03 30-42-51-03 31-12-11-91 31-12-11-91 A 32-42-52-03 33-11-03-03 33-11-51-17 33-13-01-65 33-13-02-03 33-16-51-03 33-24-51-02 33-41-52-04 33-42-01-04 33-42-02-04 33-42-52-04 33-43-51-04 33-44-51-05 33-45-53-03 33-51-08-05 34-21-02-01 35-21-51-04 36-11-04-01 36-21-00-01 36-21-02-05 36-22-51-03 49-41-00-02 49-52-00-01 49-70-00-01 52-51-51-03 52-71-51-02 73-21-52-02 74-31-51-05 75-32-00-01 80-11-09-02 | | |
| - 10 | MODREF170180 | | PANEL INSTL-P5 OVHD (PRIMARY (ZONE) TEMPERATURE CONTROL SYSTEM ONLY) MODULE NUMBER: 233N3103-353 REV B FOR OTHER SYS DETAILS SEE: 11-31-10-12 21-25-55-03 21-31-01-02 | 106106 | 1 |
| MISSING ITEM NUMBERS NOT APPLICABLE | | | | | |

- ITEM NOT ILLUSTRATED

21-61-04-03

21-61-04
 FIG. 03
 PAGE 4
 JAN 20/09

BRI



757

PARTS CATALOG (MAINTENANCE)

| FIG ITEM | PART NUMBER | 1 2 3 4 5 6 7 | NOMENCLATURE | EFFECT FROM TO | UNITS PER ASSY |
|-------------------------------------|-------------|---------------|---|-------------------|----------------------|
| 3 | | | 21-33-51-03 21-51-54-03 21-58-19-10 21-58-51-03 21-65-51-01 22-21-01-04 22-24-51-02 23-24-01-01 23-32-00-11 23-42-02-02 23-71-05-02 24-11-52-05 24-22-01-03 24-31-01-10 24-31-03-09 24-33-04-01 24-41-51-04 24-51-62-01 26-18-51-04 27-21-53-02 27-41-55-01 27-61-51-03 27-62-52-02 28-22-51-02 28-41-04-01 28-41-51-03 29-11-02-03 29-11-05-04 29-11-52-07 29-21-54-03 29-31-00-01 29-32-51-03 29-33-52-03 30-11-51-03 30-21-51-03 30-31-51-02 30-32-51-01 30-33-51-02 30-41-51-03 30-42-51-03 31-12-11-84 31-12-11-84 A 32-42-52-03 33-11-03-03 33-11-51-17 33-13-01-65 33-13-02-03 33-16-51-03 33-24-51-02 | | |
| MISSING ITEM NUMBERS NOT APPLICABLE | | | | | |

- ITEM NOT ILLUSTRATED

21-61-04-03

21-61-04
FIG. 03
PAGE 5
JAN 20/09

BRI



757

PARTS CATALOG (MAINTENANCE)

| FIG ITEM | PART NUMBER | 1 2 3 4 5 6 7 | NOMENCLATURE | EFFECT FROM TO | UNITS PER ASSY |
|----------|--------------|---------------|---|----------------------------|----------------|
| 3 | | | 33-41-52-04 33-42-01-04 33-42-02-04 33-42-52-04 33-43-51-04 33-44-51-05 33-45-53-03 33-51-08-05 34-21-02-01 35-21-51-04 36-11-04-01 36-21-00-01 36-21-02-05 36-22-51-03 49-41-00-02 49-52-00-01 49-70-00-01 52-51-51-03 52-71-51-02 73-21-52-02 74-31-51-05 75-32-00-01 80-11-09-02 | | |
| 18 | 233N3217-300 | | .PANEL ASSY-AIR CONDITIONING CONT SUPPLIER CODE: V89954 ELECTRICAL EQUIP NUMBER: M10193 COMPONENT MAINT MANUAL REF: 21-51-71 QUALIFIED I/W DATA: THE 233N3217-300 PANEL ASSY IS I/W THE 233N3217-15 PANEL ASSY T/W THE S233T100-6014 LIGHTPLATE AND (2) BP248-127 KNOBS AND (3) BP260-113 KNOBS | 101106 108120 504903 | RF |
| 20 | BP260-113 | | ..KNOB- SUPPLIER CODE: V81590 | 101106 108120 504903 | 3 |

MISSING ITEM NUMBERS NOT APPLICABLE

- ITEM NOT ILLUSTRATED

21-61-04-03

21-61-04
 FIG. 03
 PAGE 6
 JAN 20/09

BRI



757

PARTS CATALOG (MAINTENANCE)

| FIG ITEM | PART NUMBER | 1 2 3 4 5 6 7 | NOMENCLATURE | EFFECT FROM TO | UNITS PER ASSY |
|----------|-------------|---------------|--|----------------------------|----------------|
| 3 | | | | | |
| 22 | 233N3217-15 | | .. PANEL ASSY- SUPPLIER CODE: V89954 COMPONENT MAINT MANUAL REF: 21-51-71 QUALIFIED I/W DATA: THE 233N3217-300 PANEL ASSY IS I/W THE 233N3217-15 PANEL ASSY T/W THE S233T100-6014 LIGHTPLATE AND (2) BP248-127 KNOBS AND (3) BP260-113 KNOBS | 101106 108120 504903 | RF |
| 25 | BCREF8571 | | ...LIGHT ASSY-INOP IND SUPPLIER CODE: V81590 OVERLENGTH PART NUMBER: 434-674-1031-2238 SPECIFICATION NUMBER: S231T300-2238 OPTIONAL PART: BCREF8524 V81590 FOR DETAILS SEE: 33-14-70-02 | 101106 108120 504903 | 3 |
| 25 | BCREF6202 | | ...LIGHT ASSY-INOP IND SUPPLIER CODE: V81590 OVERLENGTH PART NUMBER: 434-674-1005-1238 SPECIFICATION NUMBER: S231T300-1238 OPTIONAL PART: BCREF8524 V81590 FOR DETAILS SEE: 33-14-70-02 | 101106 108120 504903 | 3 |
| 25 | BCREF8524 | | ...LIGHT ASSY-INOP IND SUPPLIER CODE: V81590 OVERLENGTH PART NUMBER: 434-674-1005-2238 OPTIONAL PART: BCREF6202 V81590 BCREF8571 V81590 | 101106 108120 504903 | 3 |

MISSING ITEM NUMBERS NOT APPLICABLE

- ITEM NOT ILLUSTRATED

21-61-04-03

21-61-04
FIG. 03
PAGE 7
JAN 20/09

BRI



757

PARTS CATALOG (MAINTENANCE)

| FIG ITEM | PART NUMBER | 1 2 3 4 5 6 7 | NOMENCLATURE | EFFECT FROM TO | UNITS PER ASSY |
|----------|----------------|---------------|--|----------------------------|----------------|
| 3 | | | | | |
| 30 | 625868-1 | ... | SWITCH-ROTARY SUPPLIER CODE: V07217 SPECIFICATION NUMBER: S210T130-24 COMPONENT MAINT MANUAL REF: 21-61-02 | 101106 108120 504903 | 3 |
| 35 | MS25082-20 | | NUT | 101106 108120 504903 | 1 |
| 40 | MS35333-42 | | WASHER | 101106 108120 504903 | 1 |
| 45 | MS28775-026 | | PACKING | 101106 108120 504903 | 1 |
| 50 | BCREFA0510 | ... | SWITCH ASSY-LIGHTED PUSH BUTTON IND SUPPLIER CODE: V81590 OVERLENGTH PART NUMBER: 433-673-1004-4024 SPECIFICATION NUMBER: S231T290-4024 MISCELLANEOUS DATA: WHEN REPLACING THE PUSHBUTTON SWITCH ASSY OR THE MASTER MODULE WITHIN, VERIFY THAT A CONFIG D MASTER MODULE P/N 13206-001 IS INSTALLED IN LIEU OF ANY EARLIER CONFIGURATION MASTER MODULES. FOR DETAILS SEE: 33-13-00-47A | 101106 108120 504903 | 1 |
| 50 | 851-30768-2024 | ... | SWITCH ASSY-LIGHTED PUSH BUTTON IND ON/OFF SUPPLIER CODE: V96182 SPECIFICATION NUMBER: S231T290-2024 FOR DETAILS SEE: 33-13-00-27A | 101106 108120 504903 | 1 |

MISSING ITEM NUMBERS NOT APPLICABLE

- ITEM NOT ILLUSTRATED

21-61-04-03

21-61-04
FIG. 03
PAGE 8
JAN 20/09

BRI



757

PARTS CATALOG (MAINTENANCE)

| FIG ITEM | PART NUMBER | 1 2 3 4 5 6 7 | NOMENCLATURE | EFFECT FROM TO | UNITS PER ASSY |
|----------|--------------------|---------------|--|----------------------------|----------------|
| 3 | 50 851-30768-3024 | | ...SWITCH ASSY-LIGHTED PUSH BUTTON IND ON/OFF SUPPLIER CODE: V96182 SPECIFICATION NUMBER: S231T290-3024 FOR DETAILS SEE: 33-13-00-37A | 101106 108120 504903 | 1 |
| | 50 851-35100-5024 | | ...SWITCH ASSY-LIGHTED PUSH BUTTON IND SUPPLIER CODE: V96182 SPECIFICATION NUMBER: S231T290-5024 OPTIONAL PART: 4336731004-4224 V81590 | 101106 108120 504903 | 1 |
| | 50 4336731004-4224 | | ...SWITCH ASSY-LIGHTED PUSH BUTTON IND SUPPLIER CODE: V81590 SPECIFICATION NUMBER: S231T290-4224 OPTIONAL PART: 851-35100-5024 V96182 | 101106 108120 504903 | 1 |

MISSING ITEM NUMBERS NOT APPLICABLE

- ITEM NOT ILLUSTRATED

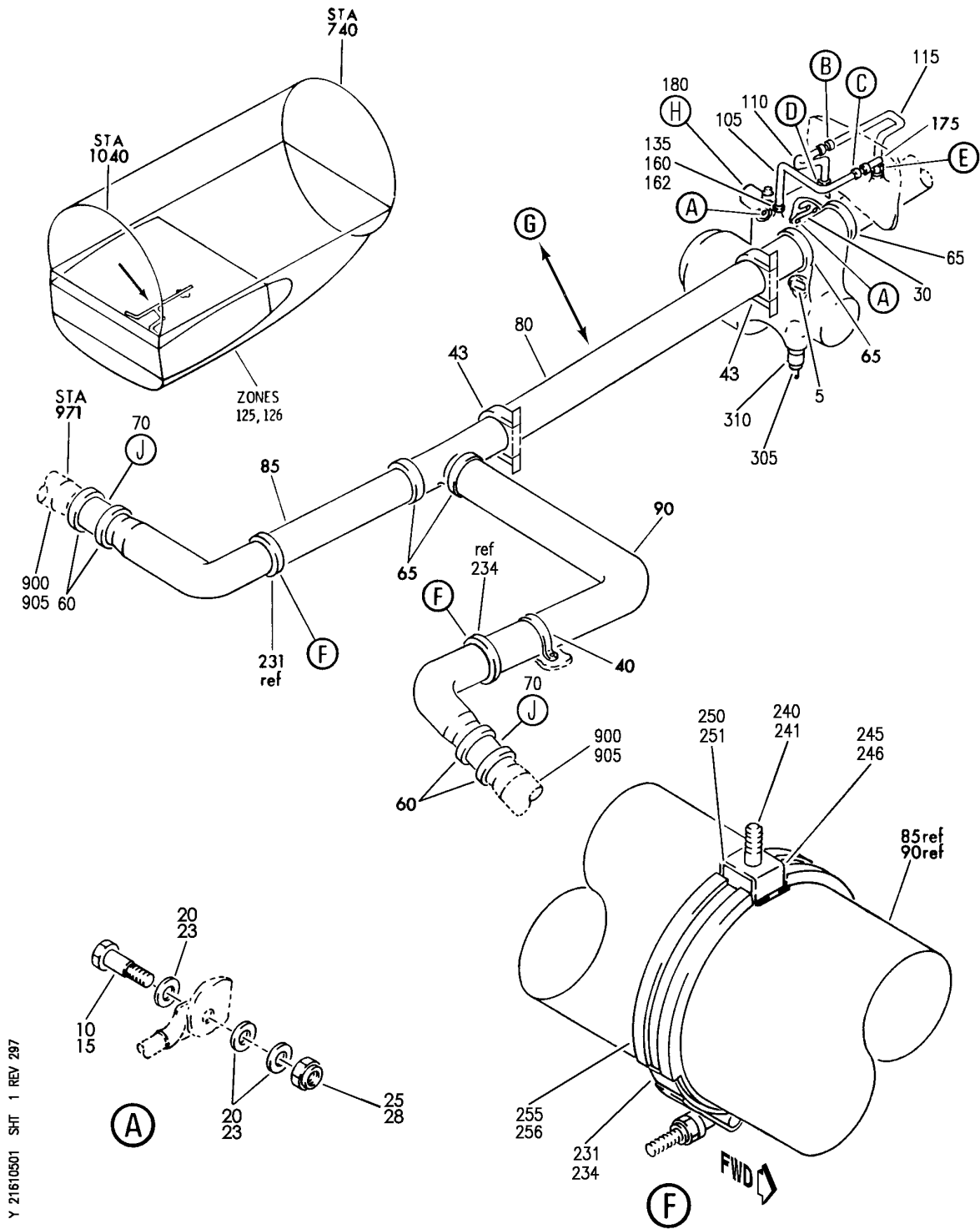
BRI

21-61-04-03

BOEING PROPRIETARY - Copyright © - Unpublished Work - See title page for details.

21-61-04
FIG. 03
PAGE 9
JAN 20/09

BOEING
757
PARTS CATALOG (MAINTENANCE)



Y 21610501 SHT 1 REV 297

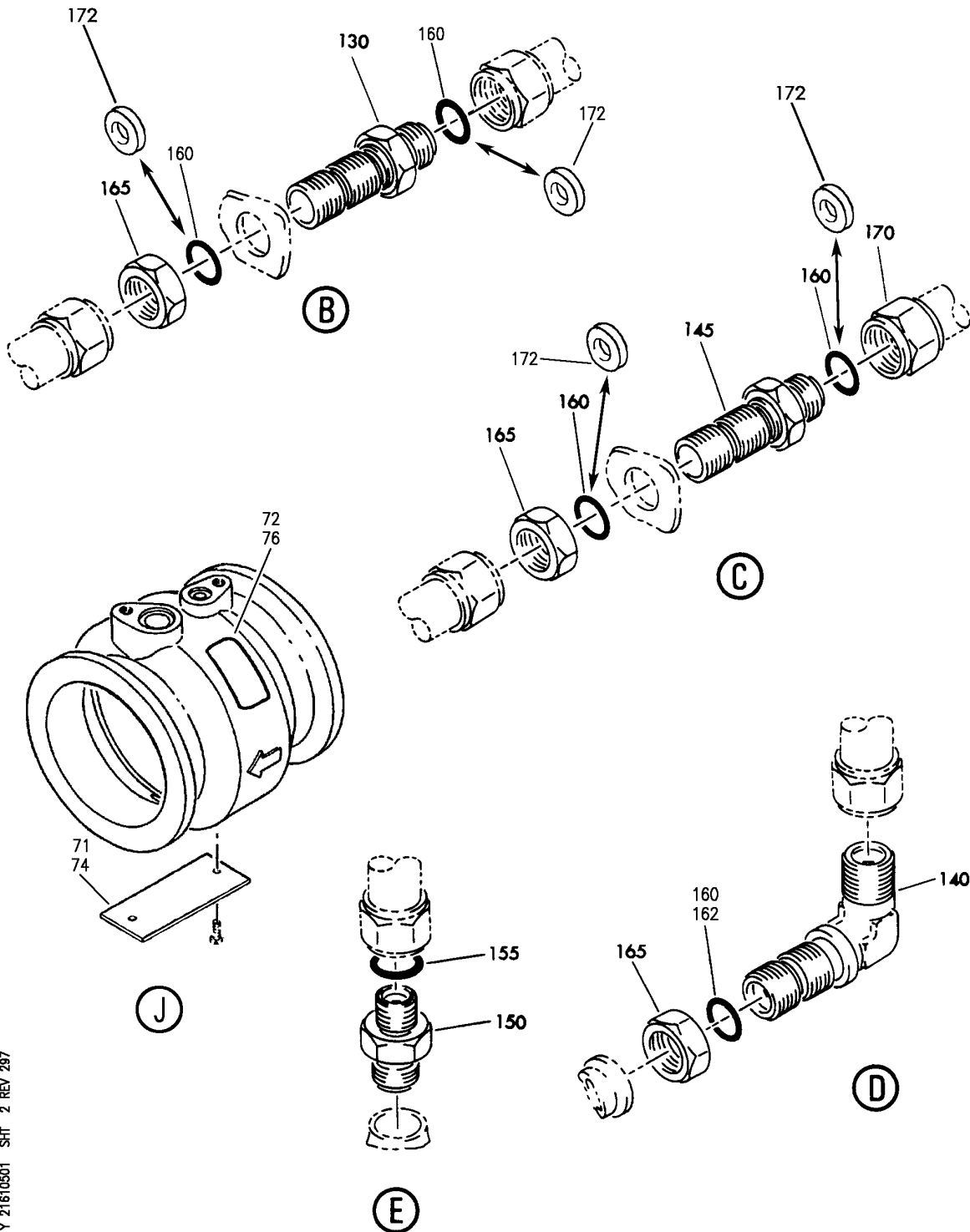
DUCT AND CLAMP INSTL-UNDER WING TRIM AIR
FIGURE 1 (SHEET 1)

21-61-05-01

BRI
MAY 28/07

21-61-05-01
PAGE 0

BOEING
757
PARTS CATALOG (MAINTENANCE)



Y 21610501 SHT 2 REV 297

DUCT AND CLAMP INSTL-UNDER WING TRIM AIR
FIGURE 1 (SHEET 2)

21-61-05-01

BRI
MAY 28/07

21-61-05-01
PAGE 0A



757

PARTS CATALOG (MAINTENANCE)

| FIG ITEM | PART NUMBER | 1 2 3 4 5 6 7 | NOMENCLATURE | EFFECT FROM TO | UNITS PER ASSY |
|----------|---------------|---------------|---|--|----------------|
| 1 | | | DUCT AND CLAMP INSTL-UNDER WING TRIM AIR | 002004 006999 | |
| - 1 | 213N2001-1 | | DUCT INSTL-UNDER WING TRIM AIR FOR NHA SEE: 21-00-00-01 | 002004 006100 107107 121503 904999 | RF |
| - 1 | 213N2001-25 | | DUCT INSTL-UNDER WING TRIM AIR FOR NHA SEE: 21-00-00-15 | 101102 108120 504903 | RF |
| - 1 | MODREF6057 | | DUCT INSTL-UNDER WING TRIM AIR MODULE NUMBER: 213N2001-25 REV A | 103106 | 1 |
| 5 | BAC27NEC0050 | | .MARKER-ALUMINUM FOIL PLACARD CONTENT: TRIM AIR SHUTOFF VALVE V4-D3314 | 002004 006999 | 1 |
| 10 | NAS6703-3 | | .BOLT- | 002004 006999 | 2 |
| 20 | AN960D10L | | .WASHER- | 002004 006100 107107 121503 904999 | 6 |
| 20 | NAS1149D0332J | | .WASHER | 101106 108120 504903 | 6 |
| 25 | BRH10C3D | | .NUT- SUPPLIER CODE: V52828 SPECIFICATION NUMBER: BACN10JC3CD OPTIONAL PART: T6C1032JCD V11815 NS202486-02 V80539 102LH9075-3W V72962 H51650-3BAC V15653 | 002004 006999 | 2 |

MISSING ITEM NUMBERS NOT APPLICABLE

- ITEM NOT ILLUSTRATED

21-61-05-01

21-61-05
FIG. 01
PAGE 1
JAN 20/09

BRI



757

PARTS CATALOG (MAINTENANCE)

| FIG ITEM | PART NUMBER | 1 2 3 4 5 6 7 | NOMENCLATURE | EFFECT FROM TO | UNITS PER ASSY |
|----------|---------------|---------------|---|--|----------------|
| 1 | | | | | |
| 30 | 740A20-5 | | . JUMPER ASSY- SUPPLIER CODE: V91812 SPECIFICATION NUMBER: BACJ40A20-5 OPTIONAL PART: TJEJ40A20-5 V33483 RBEJ20-5 V1GK47 | 002004 006999 | 1 |
| 40 | S387SSH48 | | . CLAMP SUPPLIER CODE: V18076 SPECIFICATION NUMBER: BACC10GF48C1H OPTIONAL PART: 513SS48 V83930 | 002004 006999 | 1 |
| 43 | S387SSH48 | | . CLAMP- SUPPLIER CODE: V18076 SPECIFICATION NUMBER: BACC10GF48C1H OPTIONAL PART: 513SS48 V83930 ATTACHING PARTS | 002004 006999 | 2 |
| - 45 | NAS1801-3-4 | | . SCREW | 002004 006999 | 2 |
| - 46 | NAS1801-3-4 | | . SCREW- | 002004 006999 | 4 |
| - 47 | AN960KD10L | | . WASHER | 002004 006100 107107 121503 904999 | 4 |
| - 47 | NAS1149D0332J | | . WASHER | 101106 108120 504903 002004 | 12 |
| - 48 | AN960KD10L | | . WASHER- | 006100 107107 121503 904999 | 8 |

MISSING ITEM NUMBERS NOT APPLICABLE

- ITEM NOT ILLUSTRATED

21-61-05-01

21-61-05
FIG. 01
PAGE 2
JAN 20/09

BRI

BOEING PROPRIETARY - Copyright © - Unpublished Work - See title page for details.



757

PARTS CATALOG (MAINTENANCE)

| FIG ITEM | PART NUMBER | 1 2 3 4 5 6 7 | NOMENCLATURE | EFFECT FROM TO | UNITS PER ASSY |
|----------|-------------|---------------|--|--|----------------|
| 1 | | | | | |
| - 49 | BRH10C3D | . | NUT SUPPLIER CODE: V52828 SPECIFICATION NUMBER: BACN10JC3CD OPTIONAL PART: T6C1032JCD V11815 NS202486-02 V80539 102LH9075-3W V72962 H51650-3BAC V15653 | 002004 006999 | 2 |
| - 49A | BRH10C3D | . | NUT- SUPPLIER CODE: V52828 SPECIFICATION NUMBER: BACN10JC3CD OPTIONAL PART: T6C1032JCD V11815 NS202486-02 V80539 102LH9075-3W V72962 H51650-3BAC V15653 | 002004 006999 | 4 |
| 60 | 14J297250 | -----* | .CLAMP SUPPLIER CODE: V5T400 SPECIFICATION NUMBER: BACC10GY250 OPTIONAL PART: 4385AF250 V94581 PDVC1137250 V14242 NM102701250 V8W928 | 002004 006100 107107 121503 904999 | 4 |

MISSING ITEM NUMBERS NOT APPLICABLE

- ITEM NOT ILLUSTRATED

BRI

21-61-05-01

BOEING PROPRIETARY - Copyright © - Unpublished Work - See title page for details.

21-61-05
FIG. 01
PAGE 3
JAN 20/09



757

PARTS CATALOG (MAINTENANCE)

| FIG ITEM | PART NUMBER | 1 2 3 4 5 6 7 | NOMENCLATURE | EFFECT FROM TO | UNITS PER ASSY |
|----------|-------------|---------------|--|--|----------------|
| 1 60 | 14J29250E | | .CLAMP SUPPLIER CODE: V5T400 SPECIFICATION NUMBER: BACC10GY250E OPTIONAL PART: PDVC137250E V14242 4385AF250E V94581 NM102701250E V8W928 | 101106 108120 504903 | 4 |
| 65 | 14J29300 | | .CLAMP- SUPPLIER CODE: V5T400 SPECIFICATION NUMBER: BACC10GY300 OPTIONAL PART: 4385AF300 V94581 PDVC1137300 V14242 NM102701300 V8W928 | 002004 006100 107107 121503 904999 | 4 |
| 65 | 14J29300E | | .CLAMP- SUPPLIER CODE: V5T400 SPECIFICATION NUMBER: BACC10GY300E OPTIONAL PART: 4385AF300E V94581 PDVC1137300E V14242 NM102701300E V8W928 | 101106 108120 504903 | 4 |
| 70 | 3202166-1 | | .VALVE-CHECK TRIM AIR SUPPLIER CODE: V59364 SPECIFICATION NUMBER: S210T130-6 SB DATA FROM A CMM: PRE 21-1322 COMPONENT MAINT MANUAL REF: 21-61-15 | 002004 006999 | 2 |

MISSING ITEM NUMBERS NOT APPLICABLE

- ITEM NOT ILLUSTRATED

BRI

21-61-05-01

21-61-05
FIG. 01
PAGE 4
JAN 20/09



757

PARTS CATALOG (MAINTENANCE)

| FIG ITEM | PART NUMBER | 1 2 3 4 5 6 7 | NOMENCLATURE | EFFECT FROM TO | UNITS PER ASSY |
|----------|-------------|---------------|--|------------------|----------------|
| 1 | | | | | |
| 70 | 3202166-2 | . | VALVE-CHECK TRIM AIR SUPPLIER CODE: V59364 SPECIFICATION NUMBER: S210T130-53 SB DATA FROM A CMM: POST 21-1322 COMPONENT MAINT MANUAL REF: 21-61-15 | 002004 006999 | 2 |
| 70 | 3202726-1 | . | VALVE-CHECK TRIM AIR SUPPLIER CODE: V59364 SPECIFICATION NUMBER: S210T130-76 COMPONENT MAINT MANUAL REF: 21-61-47 | 002004 006999 | 2 |
| 70 | 3202442-2 | . | VALVE-CHECK TRIM AIR SUPPLIER CODE: V59364 SPECIFICATION NUMBER: S210T130-71 COMPONENT MAINT MANUAL REF: 21-61-37 | 002004 006999 | 2 |
| 71 | S8846B1P1A | .. | PLATE-IDENT SUPPLIER CODE: V59364 CONFIG CHG DATA FROM A CMM: REPLD BY S3005-1 | 002004 006999 | 1 |
| 71 | S3005-1 | .. | PLATE-IDENT SUPPLIER CODE: V59364 CONFIG CHG DATA FROM A CMM: REPLACES S8846B1P1A | 002004 006999 | 1 |
| 72 | S3003-1 | .. | PLATE-IDENT SUPPLIER CODE: V59364 CONFIG CHG DATA FROM A CMM: PRE SPB VAL1131 | 002004 006999 | 1 |
| 72 | S3003-2 | .. | PLATE-IDENT SUPPLIER CODE: V59364 CONFIG CHG DATA FROM A CMM: POST SPB VAL1131 | 002004 006999 | 1 |
| 80 | 213N2010-1 | . | DUCT ASSY- | 002004 006999 | 1 |
| 85 | 213N2010-2 | . | DUCT ASSY- | 002004 006999 | 1 |
| 85 | 213N2010-18 | . | DUCT ASSY- | 002004 006999 | 1 |

MISSING ITEM NUMBERS NOT APPLICABLE

- ITEM NOT ILLUSTRATED

21-61-05-01

21-61-05
FIG. 01
PAGE 5
JAN 20/09

BRI



757

PARTS CATALOG (MAINTENANCE)

| FIG ITEM | PART NUMBER | 1 2 3 4 5 6 7 | NOMENCLATURE | EFFECT FROM TO | UNITS PER ASSY |
|----------|-----------------|---------------|--|--|----------------|
| 1 | 90 213N2010-20 | | .DUCT ASSY- | 002004 006999 | 1 |
| | 105 213N2001-2 | | .TUBE ASSY- TUBING MATERIAL: .375 IN. OD X .022 IN. WALL 6061-T4 AL TUBING PER WW-T-700/6 | 002004 006100 107107 121503 904999 | 1 |
| | 105 213N2001-31 | | .TUBE ASSY- TUBING MATERIAL: .375 IN. OD X .022 IN. WALL 6061-T4 AL TUBING PER WW-T-700/6 | 101106 108120 504903 | 1 |
| | 110 213N2001-3 | | .TUBE ASSY- TUBING MATERIAL: .375 IN. OD X .022 IN. WALL 6061-T4 AL TUBING PER WW-T-700/6 | 002004 006100 107107 121503 904999 | 1 |
| | 110 213N2001-32 | | .TUBE ASSY- TUBING MATERIAL: .375 IN. OD X .022 IN. WALL 6061-T4 AL TUBING PER WW-T-700/6 | 101106 108120 504903 | 1 |
| | 115 213N2001-4 | | .TUBE ASSY- TUBING MATERIAL: .375 IN. OD X .022 IN. WALL X 16.5 IN. LG WW-T-700/6 6061 T4 SEAMLESS TUBING | 002004 006999 | 1 |
| - | 120 AP2097HP06 | | ..SLEEVE SUPPLIER CODE: V01673 SPECIFICATION NUMBER: BACS13BX06HP OPTIONAL PART: 2-02903-06HP V11328 35235VN06 V08199 AFP175V06P V30974 DBOS13BX06HP V14798 | 002004 006999 | 2 |
| - | 125 MS21921-6D | | ..NUT | 002004 006999 | 2 |
| | 130 MS21924D6 | | .UNION | 002004 006999 | 1 |
| | 135 MS21902D6 | | .UNION | 002004 006999 | 1 |

MISSING ITEM NUMBERS NOT APPLICABLE

- ITEM NOT ILLUSTRATED

21-61-05-01

21-61-05
FIG. 01
PAGE 6
JAN 20/09

BRI



757

PARTS CATALOG (MAINTENANCE)

| FIG ITEM | PART NUMBER | 1 2 3 4 5 6 7 | NOMENCLATURE | EFFECT FROM TO | UNITS PER ASSY |
|----------|---------------|---------------|---|--|----------------|
| 1 | | | | | |
| 140 | MS21908D6 | . | ELBOW | 002004 006100 107107 121503 904999 | 1 |
| 140 | MS21908W6 | . | ELBOW | 101106 108120 504903 | 1 |
| 145 | MS21923D6 | . | ADAPTER | 002004 006999 | 1 |
| 150 | MS21916-10-6S | . | REDUCER- | 002004 006999 | 1 |
| 155 | R1131-910 | . | PACKING SUPPLIER CODE: V57268 SPECIFICATION NUMBER: BACP11K10 OPTIONAL PART: 150701-10 V95272 3-910S383-70 V02697 1090-10 V95272 AS568-910S32 V11314 | 002004 006999 | 1 |
| 160 | R1131-906 | . | PACKING SUPPLIER CODE: V57268 SPECIFICATION NUMBER: BACP11K6 OPTIONAL PART: 3-906S383-70 V02697 1090-06 V95272 150701-06 V95272 AS568-906S32 V11314 | 002004 006100 107107 121503 904999 | 6 |

MISSING ITEM NUMBERS NOT APPLICABLE

- ITEM NOT ILLUSTRATED

BRI

21-61-05-01

BOEING PROPRIETARY - Copyright © - Unpublished Work - See title page for details.

21-61-05
FIG. 01
PAGE 7
JAN 20/09



757

PARTS CATALOG (MAINTENANCE)

| FIG ITEM | PART NUMBER | 1 2 3 4 5 6 7 | NOMENCLATURE | EFFECT FROM TO | UNITS PER ASSY |
|----------|---------------|---------------|---|----------------------------|----------------|
| 1 162 | R1131-906 | | .PACKING SUPPLIER CODE: V57268 SPECIFICATION NUMBER: BACP11K6 OPTIONAL PART: 3-906S383-70 V02697 1090-06 V95272 150701-06 V95272 AS568-906S32 V11314 | 101106 108120 504903 | 2 |
| 165 | AN924-6D | | .NUT- | 002004 006999 | 3 |
| 170 | AFP123D06 | | .NUT- SUPPLIER CODE: V30974 | 002004 006999 | 1 |
| 172 | NAS1149D0932J | | .WASHER | 101106 108120 504903 | 4 |
| 175 | 69-28055 | | .SCREEN- | 002004 006999 | 1 |
| 180 | 3214230-2 | | .VALVE-PRESSURE REGULATING SHUTOFF SUPPLIER CODE: V59364 SPECIFICATION NUMBER: S210T130-36 ELECTRICAL EQUIP NUMBER: V00004 COMPONENT MAINT MANUAL REF: 21-61-11 | 002004 006999 | 1 |
| 190 | 3160543-3 | | ..CLIP- SUPPLIER CODE: V59364 | 002004 006999 | 4 |
| 195 | 662096-4 | | ..TERMINAL-LUG SUPPLIER CODE: V59364 | 002004 006999 | 2 |
| 200 | MS16995-26 | | ..SCREW | 002004 006999 | 2 |
| 205 | MS16995-25 | | ..BOLT- CONFIG CHG DATA FROM A CMM: RELP BY MS35275-244 | 002004 006999 | 1 |
| 205 | MS35275-244 | | ..BOLT- CONFIG CHG DATA FROM A CMM: REPLACES MS16995-25 | 002004 006999 | 1 |

MISSING ITEM NUMBERS NOT APPLICABLE

- ITEM NOT ILLUSTRATED

21-61-05-01

21-61-05
FIG. 01
PAGE 8
JAN 20/09

BRI



757

PARTS CATALOG (MAINTENANCE)

| FIG ITEM | PART NUMBER | 1 2 3 4 5 6 7 | NOMENCLATURE | EFFECT FROM TO | UNITS PER ASSY |
|----------|-------------|---------------|---|--|----------------|
| 1 | | | | | |
| 210 | 974272-1 | .. | SCREW- SUPPLIER CODE: V59364 CONFIG CHG DATA FROM A CMM: RELP BY S9073C08-7R | 002004 006999 | 1 |
| 210 | S9073C08-7R | .. | BOLT- SUPPLIER CODE: V59364 CONFIG CHG DATA FROM A CMM: REPLACES 974272-1 | 002004 006999 | 1 |
| 215 | 319545-83 | .. | VALVE ASSY-SOLENOID SUPPLIER CODE: V59364 COMPONENT MAINT MANUAL REF: 24-09-25 | 002004 006999 | 1 |
| 220 | S8990-565 | .. | PACKING- SUPPLIER CODE: V59364 | 002004 006999 | 1 |
| 222 | S8990-564 | .. | PACKING- SUPPLIER CODE: V59364 | 002004 006999 | 1 |
| 224 | S8990-563 | .. | PACKING- SUPPLIER CODE: V59364 | 002004 006999 | 1 |
| - 225 | 287N4905-3 | | CLAMP INSTL-WIRE (PRIMARY TEMPERATURE CONTROL SYSTEM ONLY) POSITION DATA: LH FOR NHA/OTHER SYS DET SEE: 24-00-60-01 | 002004 006100 107107 121503 904999 | RF |
| - 228 | 287N4905-4 | | CLAMP INSTL-WIRE (PRIMARY TEMPERATURE CONTROL SYSTEM ONLY) POSITION DATA: RH FOR NHA/OTHER SYS DET SEE: 24-00-60-01 | 002004 006100 107107 121503 904999 | RF |

MISSING ITEM NUMBERS NOT APPLICABLE

- ITEM NOT ILLUSTRATED

BRI

21-61-05-01

BOEING PROPRIETARY - Copyright © - Unpublished Work - See title page for details.

21-61-05
FIG. 01
PAGE 9
JAN 20/09



757

PARTS CATALOG (MAINTENANCE)

| FIG ITEM | PART NUMBER | 1 2 3 4 5 6 7 | NOMENCLATURE | EFFECT FROM TO | UNITS PER ASSY |
|----------|---------------|---------------|---|--|----------------|
| 1 231 | BACC10BN300LM | .CLAMP- | SUPPLIER CODE: V98625 SPECIFICATION NUMBER: BACC10BN300LM OPTIONAL PART: 3078C300LM V94581 1044300LM V94581 BC1080S300LZ V14242 MBC5825300LM V00624 19396N300LM V00624 POSITION DATA: LH SIDE | 002004 006100 107107 121503 904999 | 1 |
| 234 | BACC10BN300LM | .CLAMP- | SUPPLIER CODE: V98625 SPECIFICATION NUMBER: BACC10BN300LM OPTIONAL PART: 3078C300LM V94581 1044300LM V94581 BC1080S300LZ V14242 MBC5825300LM V00624 19396N300LM V00624 POSITION DATA: RH SIDE | 002004 006100 107107 121503 904999 | 1 |
| 240 | BACB30NE3-3 | .BOLT- | POSITION DATA: LH SIDE | 002004 006100 107107 121503 904999 | 1 |
| 241 | BACB30NE3-3 | .BOLT- | POSITION DATA: RH SIDE | 002004 006100 107107 121503 904999 | 1 |

MISSING ITEM NUMBERS NOT APPLICABLE

- ITEM NOT ILLUSTRATED

21-61-05-01

21-61-05
FIG. 01
PAGE 10
JAN 20/09

BRI



757

PARTS CATALOG (MAINTENANCE)

| FIG ITEM | PART NUMBER | 1 2 3 4 5 6 7 | NOMENCLATURE | EFFECT FROM TO | UNITS PER ASSY |
|----------|--------------|------------------|--|----------------------------|----------------|
| 1 | | | | | |
| 245 | BACC15AN | .CLIP- | POSITION DATA: LH SIDE | 002004 006100 107107 | 1 |
| | | | MISCELLANEOUS DATA: (COMPONENT OF STUD ASSY) SIZE DETERMINED ON INSTL. | 121503 904999 | |
| 246 | BACC15AN | .CLIP- | POSITION DATA: RH SIDE | 002004 006100 107107 | 1 |
| | | | MISCELLANEOUS DATA: (COMPONENT OF STUD ASSY) SIZE DETERMINED ON INSTL. | 121503 904999 | |
| 250 | BACB19F | .BLOCK-RETAINING | POSITION DATA: LH SIDE | 002004 006100 107107 | 1 |
| | | | MISCELLANEOUS DATA: (COMPONENT OF STUD ASSY) SIZE DETERMINED ON INSTL. | 121503 904999 | |
| 251 | BACB19F | .BLOCK-RETAINING | POSITION DATA: RH SIDE | 002004 006100 107107 | 1 |
| | | | MISCELLANEOUS DATA: (COMPONENT OF STUD ASSY) SIZE DETERMINED ON INSTL. | 121503 904999 | |
| 255 | BACC10FY | .CUSHION-CLAMP | POSITION DATA: LH SIDE | 002004 006100 107107 | 1 |
| | | | MISCELLANEOUS DATA: (COMPONENT OF STUD ASSY) SIZE DETERMINED ON INSTL. | 121503 904999 | |
| 256 | BACC10FY | .CUSHION-CLAMP | POSITION DATA: RH SIDE | 002004 006100 107107 | 1 |
| | | | MISCELLANEOUS DATA: (COMPONENT OF STUD ASSY) SIZE DETERMINED ON INSTL. | 121503 904999 | |
| - 300 | 286N2406-012 | | WIRE BUNDLE ASSY | 107107 121503 904949 | RF |
| - 300 | 286N2406-014 | | WIRE BUNDLE ASSY | 002004 006100 950999 | RF |
| - 301 | 286N2406-305 | | WIRE BUNDLE ASSY | 101102 | RF |
| - 302 | 286N2406-323 | | WIRE BUNDLE ASSY | 108120 | RF |
| - 302 | 286N2406-327 | | WIRE BUNDLE ASSY | 504903 | RF |
| - 302 | 286N2406-601 | | WIRE BUNDLE ASSY | 103103 | RF |
| - 302 | 286N2406-602 | | WIRE BUNDLE ASSY | 104106 | RF |

MISSING ITEM NUMBERS NOT APPLICABLE

- ITEM NOT ILLUSTRATED

21-61-05-01

21-61-05
FIG. 01
PAGE 11
JAN 20/09

BRI



757

PARTS CATALOG (MAINTENANCE)

| FIG ITEM | PART NUMBER | 1 2 3 4 5 6 7 | NOMENCLATURE | EFFECT FROM TO | UNITS PER ASSY |
|----------|---------------|---------------|---|--|----------------|
| 1 305 | GS3418-10CD | . | CLAMP- SUPPLIER CODE: V06324 SPECIFICATION NUMBER: BACC10HG10 OPTIONAL PART: S2126-10-8 V07418 ELECTRICAL EQUIP NUMBER: D03314T WIRING DIAGRAM REF: 216151 | 002004 006102 107999 | 1 |
| 305 | 620AA028NF10L | . | CLAMP- SUPPLIER CODE: V06324 SPECIFICATION NUMBER: BACC10KE10 OPTIONAL PART: S3820-10-65 V07418 ELECTRICAL EQUIP NUMBER: D03314T WIRING DIAGRAM REF: 216151 | 002004 006999 | 1 |
| 310 | R071010A5S10L | . | CONNECTOR- SUPPLIER CODE: V41118 SPECIFICATION NUMBER: BCREFA1981 OVERLENGTH PART NUMBER: BACC63BP10A5S10L ELECTRICAL EQUIP NUMBER: D03314 WIRING DIAGRAM REF: 216151 | 002004 006999 | 1 |
| 900 | | | ILLUSTRATION REFERENCE: DUCT AND CLAMP INSTL-AIR CONDITION PACK AIR SUPPLY 21-51-01-01 | 002004 006007 107107 121503 904949 952952 | RF |

MISSING ITEM NUMBERS NOT APPLICABLE

- ITEM NOT ILLUSTRATED

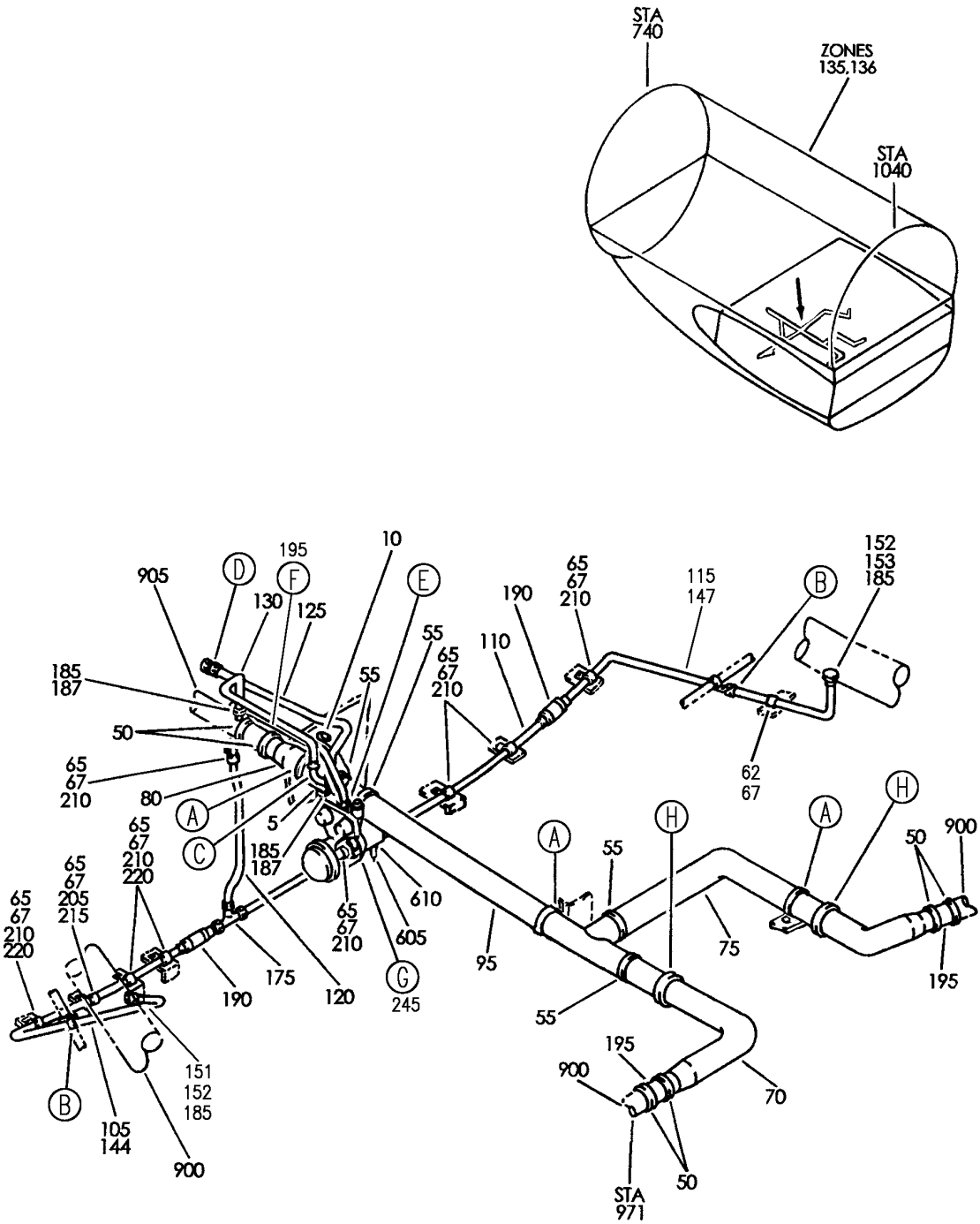
BRI

21-61-05-01

BOEING PROPRIETARY - Copyright © - Unpublished Work - See title page for details.

21-61-05
FIG. 01
PAGE 12
JAN 20/09

BOEING
757
PARTS CATALOG (MAINTENANCE)



Y 21610502 SHT 1 REV 295

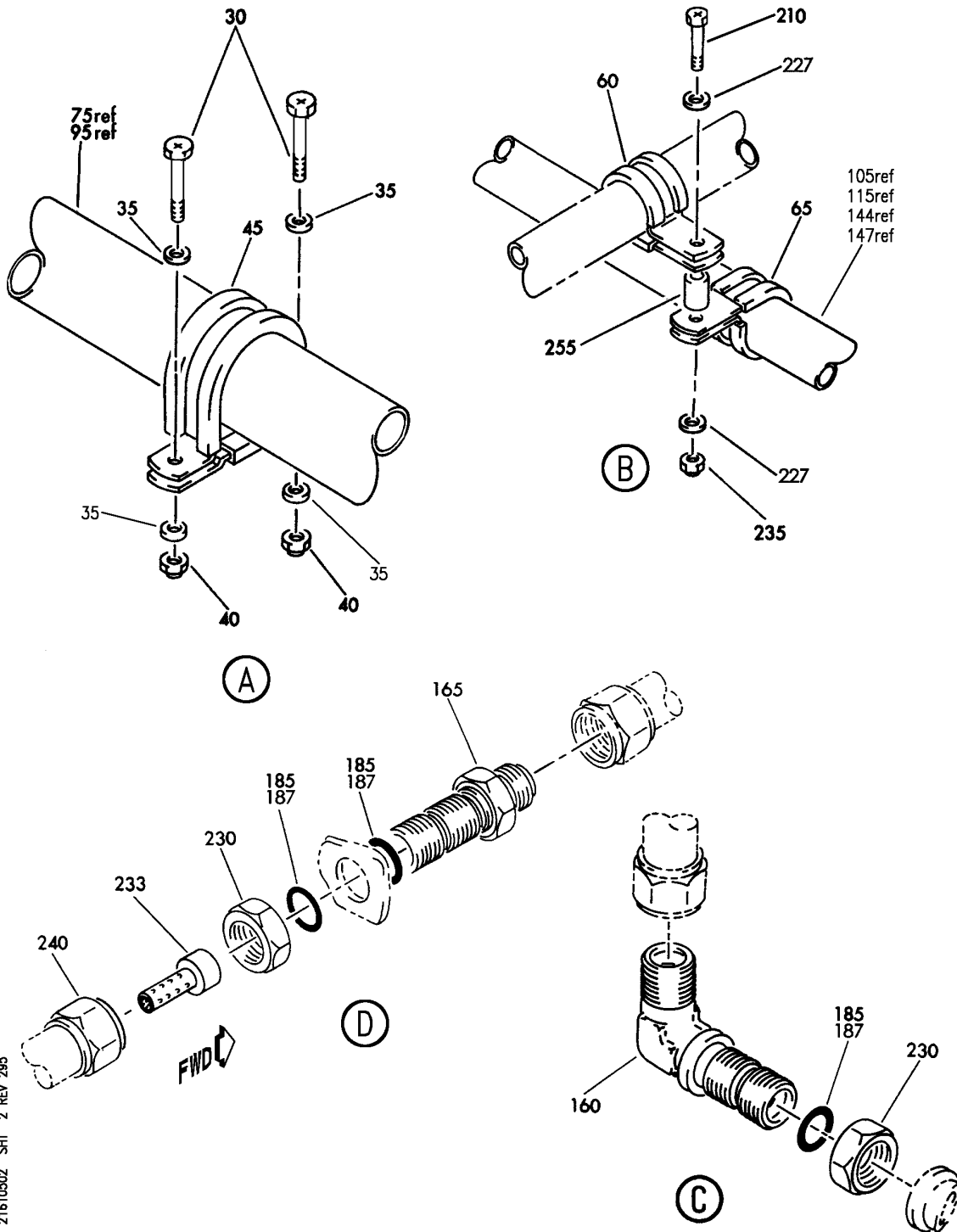
DUCT AND CLAMP INSTL-UNDER WING TRIM AIR
FIGURE 2 (SHEET 1)

21-61-05-02

BRI
MAY 28/07

21-61-05-02
PAGE 0

BOEING
757
PARTS CATALOG (MAINTENANCE)



Y 21610502 SHT 2 REV 295

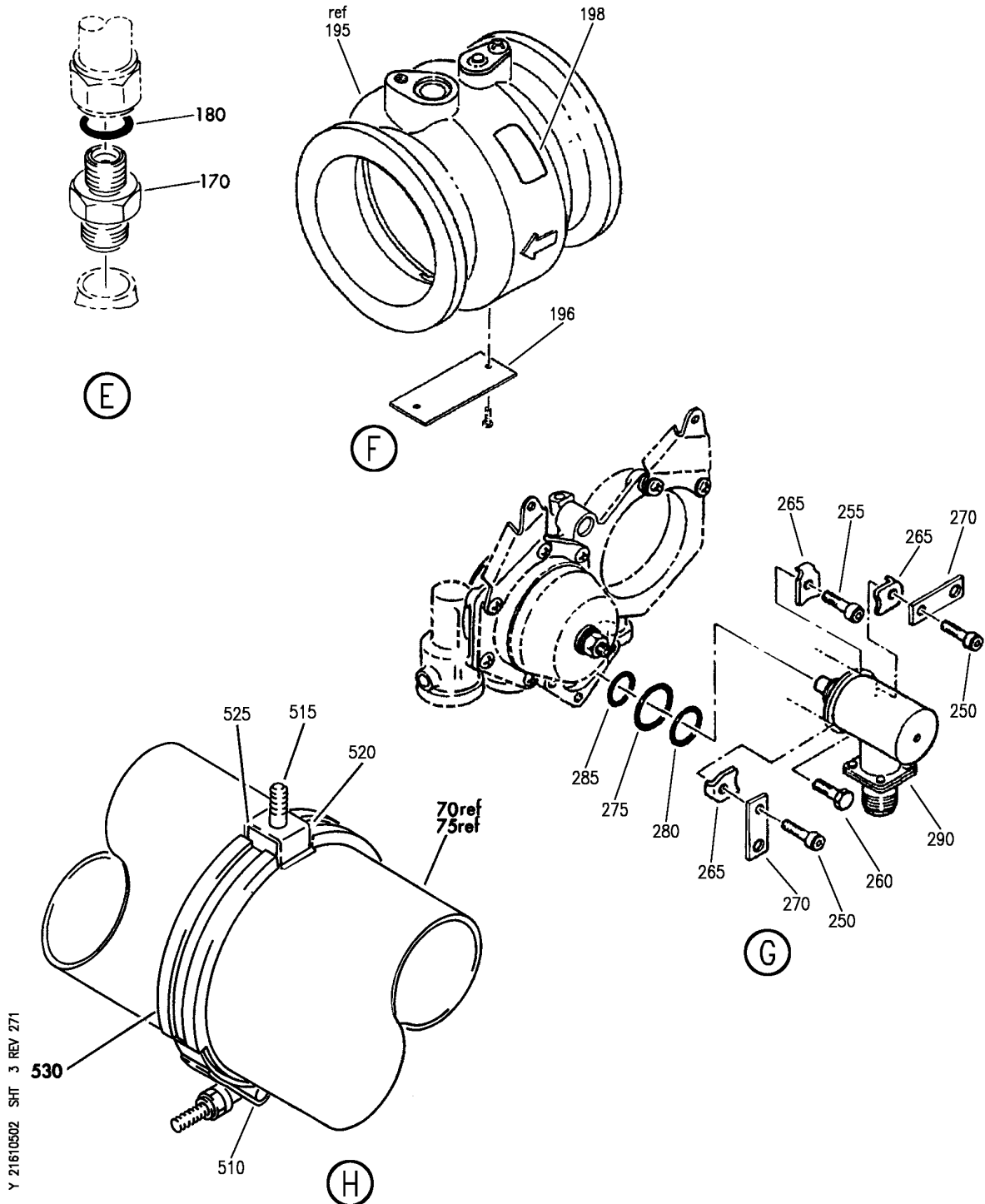
DUCT AND CLAMP INSTL-UNDER WING TRIM AIR
FIGURE 2 (SHEET 2)

21-61-05-02

BRI
MAY 28/07

21-61-05-02
PAGE 0A

BOEING
757
PARTS CATALOG (MAINTENANCE)



DUCT AND CLAMP INSTL-UNDER WING TRIM AIR
FIGURE 2 (SHEET 3)

21-61-05-02



757

PARTS CATALOG (MAINTENANCE)

| FIG ITEM | PART NUMBER | 1 2 3 4 5 6 7 | NOMENCLATURE | EFFECT FROM TO | UNITS PER ASSY |
|----------|---------------|---------------|--|--|----------------|
| 2 | | | DUCT AND CLAMP INSTL-UNDER WING TRIM AIR | 002004 006100 107107 121503 904999 | |
| - 500 | 287N4905-3 | | CLAMP INSTL-WIRE (PRIMARY TEMPERATURE CONTROL SYSTEM ONLY) POSITION DATA: LH FOR NHA/OTHER SYS DET SEE: 24-00-60-01 | 002004 006100 107107 121503 904999 | RF |
| - 505 | 287N4905-4 | | CLAMP INSTL-WIRE (PRIMARY TEMPERATURE CONTROL SYSTEM ONLY) POSITION DATA: RH FOR NHA/OTHER SYS DET SEE: 24-00-60-01 | 002004 006100 107107 121503 904999 | RF |
| 510 | BACC10BN300LM | | .CLAMP SUPPLIER CODE: V98625 SPECIFICATION NUMBER: BACC10BN300LM OPTIONAL PART: 3078C300LM V94581 1044300LM V94581 BC1080S300LZ V14242 MBC5825300LM V00624 19396N300LM V00624 | 002004 006100 107107 121503 904999 | 1 |
| 515 | BACB30NE3-3 | | .BOLT | 002004 006100 107107 121503 904999 | 1 |
| 520 | BACC15AN | | .CLIP- MISCELLANEOUS DATA: (COMPONENT OF STUD ASSY) SIZE DETERMINED ON INSTL. | 002004 006100 107107 121503 904999 | 1 |

MISSING ITEM NUMBERS NOT APPLICABLE

- ITEM NOT ILLUSTRATED

21-61-05-02

21-61-05
FIG. 02
PAGE 1
JAN 20/09

BRI



757

PARTS CATALOG (MAINTENANCE)

| FIG ITEM | PART NUMBER | 1 2 3 4 5 6 7 | NOMENCLATURE | EFFECT FROM TO | UNITS PER ASSY |
|-------------|-------------|---------------|--|--|----------------------|
| 2 525 | BACB19F | | .BLOCK-RETAINING MISCELLANEOUS DATA: (COMPONENT OF STUD ASSY) SIZE DETERMINED ON INSTL. | 002004 006100 107107 121503 904999 | 1 |
| 530 | BACC10FY | | .CUSHION-CLAMP MISCELLANEOUS DATA: (COMPONENT OF STUD ASSY) SIZE DETERMINED ON INSTL. | 002004 006100 107107 121503 904999 | 1 |

MISSING ITEM NUMBERS NOT APPLICABLE

- ITEM NOT ILLUSTRATED

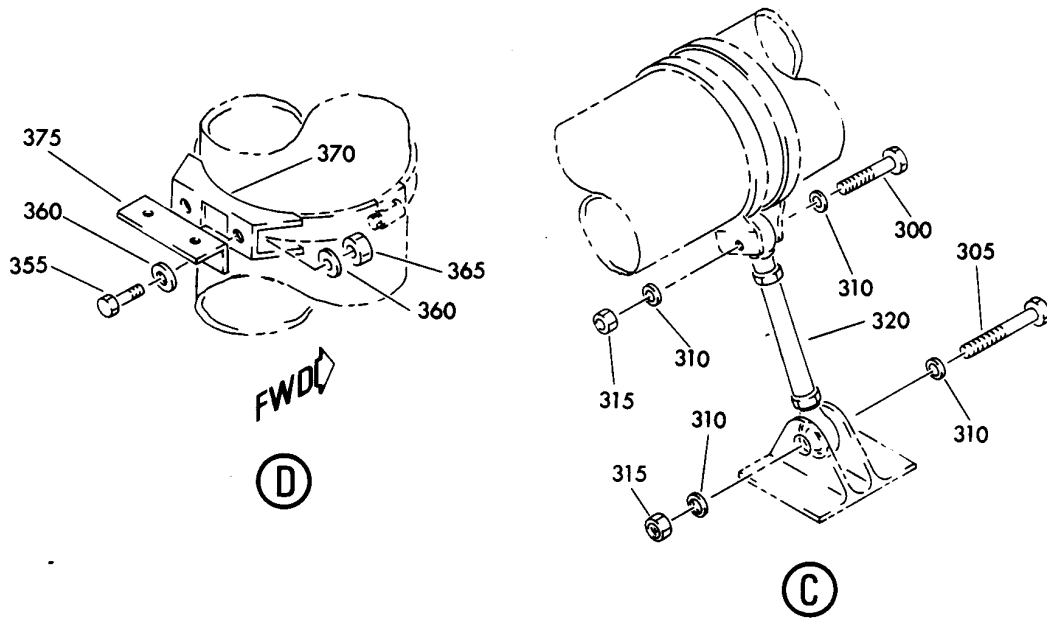
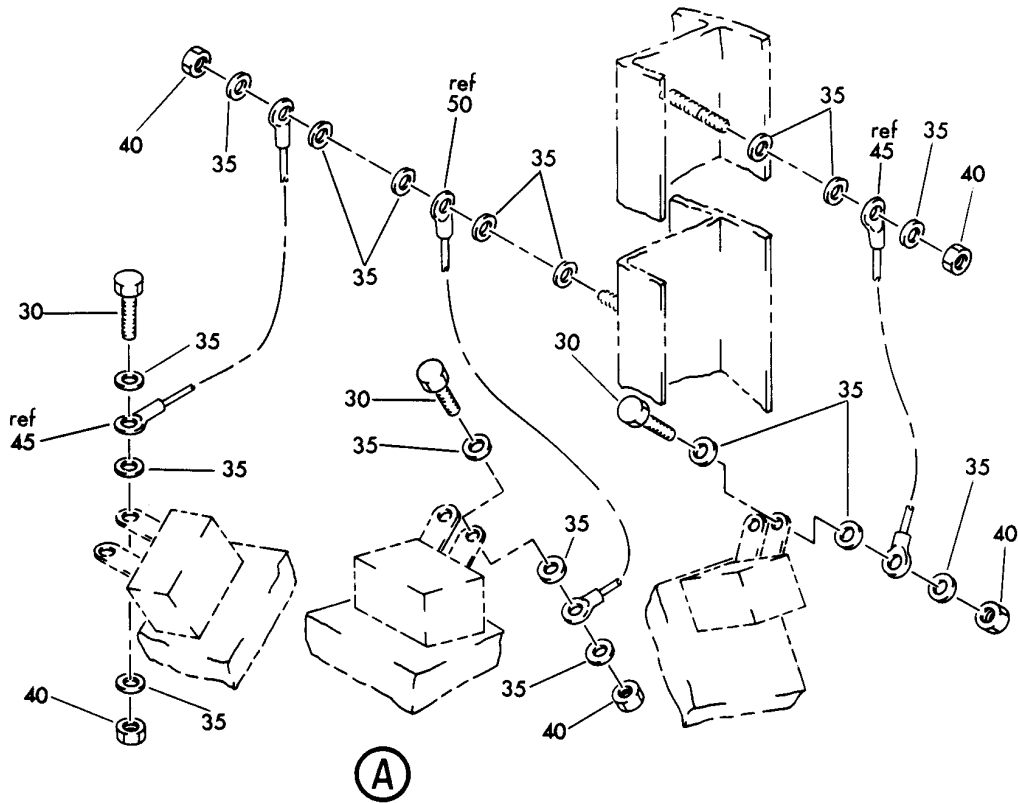
BRI

21-61-05-02

BOEING PROPRIETARY - Copyright © - Unpublished Work - See title page for details.

21-61-05
FIG. 02
PAGE 2
JAN 20/09

BOEING
757
PARTS CATALOG (MAINTENANCE)



Y 21610705 SH1 2 REV 070

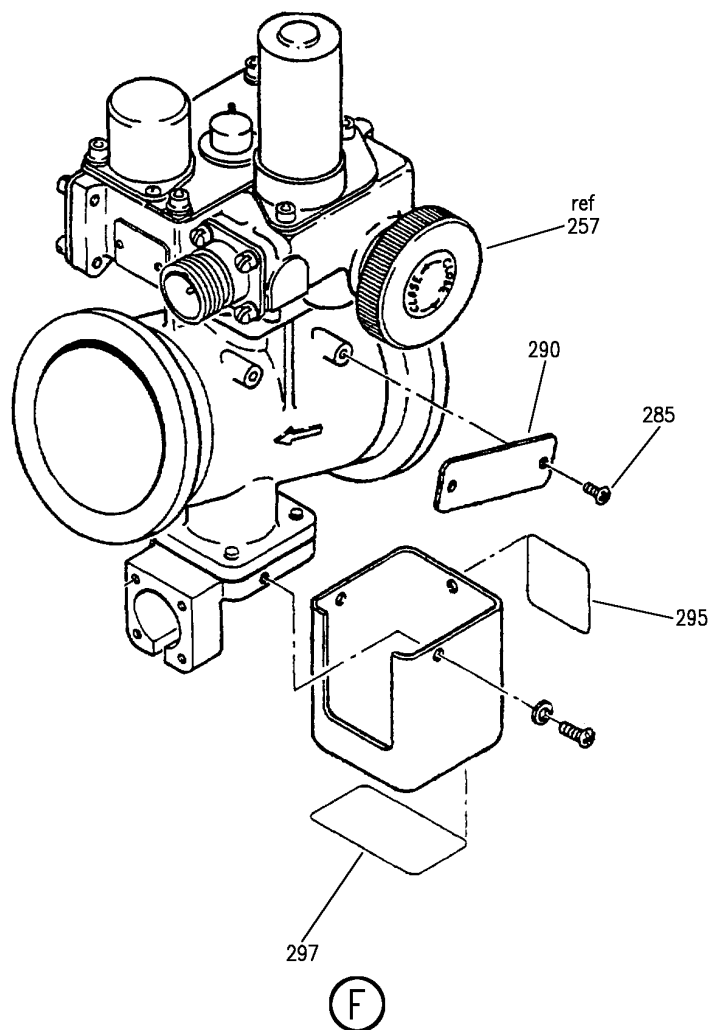
DUCT INSTL-MIX BAY TRIM AIR (PRIMARY TEMPERATURE CONTROL SYSTEM ONLY)
FIGURE 5 (SHEET 2)

21-61-07-05

BRI
MAY 28/07

21-61-07-05
PAGE 0A

BOEING
757
PARTS CATALOG (MAINTENANCE)



Y 21610705 SHIT 4 REV 262

DUCT INSTL-MIX BAY TRIM AIR (PRIMARY TEMPERATURE CONTROL SYSTEM ONLY)
FIGURE 5 (SHEET 4)

BRI
MAY 28/07

21-61-07-05

21-61-07-05
PAGE 0C



757

PARTS CATALOG (MAINTENANCE)

| FIG ITEM | PART NUMBER | 1 2 3 4 5 6 7 | NOMENCLATURE | EFFECT FROM TO | UNITS PER ASSY |
|----------|---------------|---------------|---|--|----------------|
| 5 | | | DUCT INSTL-MIX BAY TRIM AIR (PRIMARY TEMPERATURE CONTROL SYSTEM ONLY) | 002004 006999 | |
| - 1 | 213N2002-2 | | DUCT INSTL-MIX BAY TRIM AIR (PRIMARY TEMPERATURE CONTROL SYSTEM ONLY) FOR NHA/OTHER SYS DET SEE: 21-00-00-01 | 002004 006100 107107 121503 904999 | RF |
| - 1 | 213N2002-3 | | DUCT INSTL-MIX BAY TRIM AIR (PRIMARY TEMPERATURE CONTROL SYSTEM ONLY) FOR NHA/OTHER SYS DET SEE: 21-00-00-15 | 101102 108120 504903 | RF |
| - 1 | MODREF6059 | | DUCT INSTL-MIX BAY TRIM AIR (PRIMARY TEMPERATURE CONTROL SYSTEM ONLY) MODULE NUMBER: 213N2002-3 REV A FOR OTHER SYS DETAILS SEE: 11-37-20-01 | 103106 | 1 |
| 5 | BAC27NEC0051 | | .MARKER-ALUMINUM FOIL- PLACARD CONTENT: FLIGHT DECK ZONE TRIM VALVE V1-D2546 | 002004 006100 107107 121503 904999 | 1 |
| 10 | BAC27NEC0052 | | .MARKER-ALUMINUM FOIL- PLACARD CONTENT: FWD CABIN ZONE TRIM VALVE V2-D2560 | 002004 006100 107107 121503 904999 | 1 |
| 15 | BAC27NEC0053 | | .MARKER-ALUMINUM FOIL- PLACARD CONTENT: AFT CABIN ZONE TRIM VALVE V3-D2574 | 002004 006100 107107 121503 904999 | 1 |
| 30 | NAS6703-3 | | .BOLT- | 002004 006999 | 3 |
| 35 | AN960KD10L | | .WASHER- | 002004 006100 107107 121503 904999 | 12 |
| 35 | NAS1149D0332J | | .WASHER- | 101106 108120 504903 | 12 |
| 40 | MS21042L3 | | .NUT- | 002004 006999 | 5 |

MISSING ITEM NUMBERS NOT APPLICABLE

- ITEM NOT ILLUSTRATED

21-61-07-05

21-61-07
FIG. 05
PAGE 1
JAN 20/09

BRI



757

PARTS CATALOG (MAINTENANCE)

| FIG ITEM | PART NUMBER | 1 2 3 4 5 6 7 | NOMENCLATURE | EFFECT FROM TO | UNITS PER ASSY |
|----------|-------------------------------------|---------------|--|--|----------------|
| 5 | 45 | 1002BB18 | . JUMPER ASSY SUPPLIER CODE: V1FF12 SPECIFICATION NUMBER: BACJ40A20-18 OPTIONAL PART: TJEJ40A20-18 V33483 740A20-18 V91812 RBEJ20-18 V1GK47 | 002004 006999 | 2 |
| | 50 | 1002BB26 | . JUMPER ASSY SUPPLIER CODE: V1FF12 SPECIFICATION NUMBER: BACJ40A20-26 | 002004 006999 | 1 |
| | 55 | 14J29200 | . CLAMP- SUPPLIER CODE: V5T400 SPECIFICATION NUMBER: BACC10GY200 OPTIONAL PART: 4385AF200 V94581 PDVC1137200 V14242 NM102701200 V8W928 | 002004 006100 107107 121503 904999 | 6 |
| | 55 | 14J29200E | . CLAMP- SUPPLIER CODE: V5T400 SPECIFICATION NUMBER: BACC10GY200E OPTIONAL PART: PDVC137200E V14242 4385AF200E V94581 NM102701200E V8W928 | 101106 108120 504903 | 6 |
| | 60 | BACC10GF32C | . CLAMP | 101106 108120 504903 | 2 |
| | 60 | BACC10GF32CH | . CLAMP- | 002004 006100 107107 121503 904999 | 2 |
| | MISSING ITEM NUMBERS NOT APPLICABLE | | | | |

- ITEM NOT ILLUSTRATED

21-61-07-05

21-61-07
FIG. 05
PAGE 2
JAN 20/09

BRI

 **BOEING**
757
PARTS CATALOG (MAINTENANCE)

| FIG ITEM | PART NUMBER | 1 2 3 4 5 6 7 | NOMENCLATURE | EFFECT FROM TO | UNITS PER ASSY |
|----------|---------------|---------------|--|--|----------------|
| 5 | | | ATTACHING PARTS | | |
| - 65 | BACB30NM3K2 | | .BOLT | 002004 006999 | 2 |
| - 70 | AN960KD10L | | .WASHER | 002004 006100 107107 121503 904999 | 4 |
| - 70 | NAS1149D0332J | | .WASHER | 101106 108120 504903 | 4 |
| - 75 | MS21042L3 | | .NUT | 002004 006999 | 2 |
| | | | -----*----- | | |
| 80 | 96 | | .CLAMP | 002004 | 1 |
| | | | SUPPLIER CODE: V7Z588 | 006999 | |
| | | | SPECIFICATION NUMBER: STBC10GG210 | | |
| | | | OPTIONAL PART: WWD210H V66295 | | |
| | | | ATTACHING PARTS | | |
| - 85 | BACS12FA3K7 | | .SCREW | 002004 006999 | 2 |
| - 90 | AN960KD10L | | .WASHER | 002004 006100 107107 121503 904999 | 4 |
| - 90 | NAS1149D0332J | | .WASHER | 101106 108120 504903 | 4 |
| - 95 | MS21042L3 | | .NUT | 002004 006999 | 2 |
| | | | -----*----- | | |
| 100 | S392H32 | | .CLAMP | 002004 | 1 |
| | | | SUPPLIER CODE: V18076 | 006999 | |
| | | | SPECIFICATION NUMBER: BACC10BU32H | | |
| | | | OPTIONAL PART: 393CS32HT V83930 JM44LC24S32BW V22175 TA04C44S32HA V84971 | | |

MISSING ITEM NUMBERS NOT APPLICABLE

- ITEM NOT ILLUSTRATED

BRI

21-61-07-05

BOEING PROPRIETARY - Copyright © - Unpublished Work - See title page for details.

21-61-07
FIG. 05
PAGE 3
JAN 20/09



757

PARTS CATALOG (MAINTENANCE)

| FIG ITEM | PART NUMBER | 1 2 3 4 5 6 7 | NOMENCLATURE | EFFECT FROM TO | UNITS PER ASSY |
|----------|---------------|---------------|-----------------|--|----------------|
| 5 | | | ATTACHING PARTS | | |
| - 105 | BACB30NM3K2 | | .BOLT | 002004 006999 | 1 |
| - 110 | AN960KD10L | | .WASHER | 002004 006100 107107 121503 904999 | 2 |
| - 110 | NAS1149D0332J | | .WASHER | 101106 108120 504903 | 2 |
| - 115 | MS21042L3 | | .NUT | 002004 006999 | 1 |
| | | | -----*----- | | |
| 120 | 213N2015-2 | | .GASKET | 002004 006999 | 4 |
| | | | ATTACHING PARTS | | |
| - 125 | BACB30NM3K3 | | .BOLT | 002004 006999 | 8 |
| - 130 | AN960KD10L | | .WASHER | 002004 006100 107107 121503 904999 | 8 |
| - 130 | NAS1149D0332J | | .WASHER | 101106 108120 504903 | 8 |
| | | | -----*----- | | |
| 135 | 213N2015-1 | | .GASKET | 002004 006999 | 1 |
| | | | ATTACHING PARTS | | |
| - 140 | BACB30NM3K3 | | .BOLT | 002004 006999 | 6 |
| - 145 | AN960KD10L | | .WASHER | 002004 006100 107107 121503 904999 | 6 |
| - 145 | NAS1149D0332J | | .WASHER | 101106 108120 504903 | 6 |
| | | | -----*----- | | |
| 150 | 213N2015-3 | | .GASKET | 002004 006999 | 1 |
| | | | ATTACHING PARTS | | |
| - 155 | BACB30NM3K6 | | .BOLT | 002004 006999 | 8 |

MISSING ITEM NUMBERS NOT APPLICABLE

- ITEM NOT ILLUSTRATED

21-61-07-05

21-61-07
FIG. 05
PAGE 4
JAN 20/09

BRI



757

PARTS CATALOG (MAINTENANCE)

| FIG ITEM | PART NUMBER | 1 2 3 4 5 6 7 | NOMENCLATURE | EFFECT FROM TO | UNITS PER ASSY |
|----------|---------------|---------------|---|--|----------------|
| 5 | | | | | |
| - 160 | AN960KD10L | . | WASHER | 002004 006100 107107 121503 904999 | 16 |
| - 160 | NAS1149D0332J | . | WASHER | 101106 108120 504903 | 16 |
| - 165 | MS21042L3 | . | NUT | 002004 006999 | 8 |
| | | -----* | | | |
| 170 | 215N3081-3 | . | GASKET | 002004 006999 | 4 |
| | | | ATTACHING PARTS | | |
| - 175 | BACB30NM3K2 | . | BOLT | 002004 006999 | 32 |
| - 180 | AN960KD10L | . | WASHER | 002004 006100 107107 121503 904999 | 32 |
| - 180 | NAS1149D0332J | . | WASHER | 101106 108120 504903 | 32 |
| | | -----* | | | |
| 185 | 504-150 | . | SLEEVE- | 002004 006999 | 1 |
| | | | SUPPLIER CODE: V00624 | | |
| | | | OPTIONAL PART: BACS13N150A | | |
| 185 | BACS13N150A | . | SLEEVE- | 002004 006999 | 1 |
| | | | OPTIONAL PART: 504-150 V00624 | | |
| 190 | 504-200 | . | SLEEVE- | 002004 006999 | 4 |
| | | | SUPPLIER CODE: V00624 | | |
| | | | OPTIONAL PART: BACS13N200A | | |
| 190 | SS4-200A | . | SLEEVE- | 101106 108120 504903 | 4 |
| | | | SUPPLIER CODE: V94581 | | |
| | | | SPECIFICATION NUMBER: BACS13N200A | | |
| | | | OPTIONAL PART: 42737-200A V98625 504-200 V00624 | | |

MISSING ITEM NUMBERS NOT APPLICABLE

- ITEM NOT ILLUSTRATED

21-61-07-05

21-61-07
FIG. 05
PAGE 5
JAN 20/09

BRI



757

PARTS CATALOG (MAINTENANCE)

| FIG ITEM | PART NUMBER | 1 2 3 4 5 6 7 | NOMENCLATURE | EFFECT FROM TO | UNITS PER ASSY |
|-------------|-------------|---------------|--|-------------------|----------------------|
| 5 | | | | | |
| 195 | 42535-150S | . | COUPLING- SUPPLIER CODE: V00624 | 002004 006999 | 1 |
| 200 | 42535-200S | . | COUPLING- SUPPLIER CODE: V00624 | 002004 006999 | 4 |
| 205 | 213N2232-1 | . | MUFFLER ASSY- OPTIONAL PART: 213N2232-11 | 002004 006999 | 2 |
| 205 | 213N2232-11 | . | MUFFLER ASSY- OPTIONAL PART: 213N2232-1 | 002004 006999 | 2 |
| 210 | 213N2034-3 | . | NOZZLE ASSY | 002004 006999 | 2 |
| 215 | 213N2034-11 | . | NOZZLE ASSY | 002004 006999 | 2 |
| 220 | 213N2034-1 | . | NOZZLE ASSY | 002004 006999 | 1 |
| 225 | 398786-3 | . | VALVE ASSY-MODULATING SUPPLIER CODE: V59364 SPECIFICATION NUMBER: S210T130-61 SB DATA FROM A CMM: POST 21-1330 PRE 21-1352 COMPONENT MAINT MANUAL REF: 21-61-17 | 002004 006999 | 3 |
| 225 | 398786-4 | . | VALVE ASSY-MODULATING SUPPLIER CODE: V59364 SPECIFICATION NUMBER: S210T130-70 SB DATA FROM A CMM: POST 21-1352 PRE 21-1367 COMPONENT MAINT MANUAL REF: 21-61-17 | 002004 006999 | 3 |

MISSING ITEM NUMBERS NOT APPLICABLE

- ITEM NOT ILLUSTRATED

BRI

21-61-07-05

BOEING PROPRIETARY - Copyright © - Unpublished Work - See title page for details.

21-61-07
FIG. 05
PAGE 6
JAN 20/09



757

PARTS CATALOG (MAINTENANCE)

| FIG ITEM | PART NUMBER | 1 2 3 4 5 6 7 | NOMENCLATURE | EFFECT FROM TO | UNITS PER ASSY |
|----------|-------------|---------------|---|------------------|----------------|
| 5 225 | 398786-5 | . | VALVE ASSY-MODULATING SUPPLIER CODE: V59364 SPECIFICATION NUMBER: S210T130-74 SB DATA FROM A CMM: POST 21-1367 ELECTRICAL EQUIP NUMBER: 0000V1 0000V2 0000V3 COMPONENT MAINT MANUAL REF: 21-61-17 | 002004 006999 | 3 |
| 225 | 398786-2 | . | VALVE ASSY-MODULATING SUPPLIER CODE: V59364 SPECIFICATION NUMBER: S210T130-34 SB DATA FROM A CMM: PRE 21-1330 COMPONENT MAINT MANUAL REF: 21-61-17 | 002004 006999 | 3 |
| 226 | 2022522-3 | .. | ACTUATOR ASSY-ROTARY ELECTROMECHANICAL SUPPLIER CODE: V70210 SB DATA FROM A CMM: POST 21-1330 PRE 21-1352 COMPONENT MAINT MANUAL REF: 21-51-22 | 002004 006999 | 1 |

MISSING ITEM NUMBERS NOT APPLICABLE

- ITEM NOT ILLUSTRATED

BRI

21-61-07-05

BOEING PROPRIETARY - Copyright © - Unpublished Work - See title page for details.

21-61-07
FIG. 05
PAGE 7
JAN 20/09



757

PARTS CATALOG (MAINTENANCE)

| FIG ITEM | PART NUMBER | 1 2 3 4 5 6 7 | NOMENCLATURE | EFFECT FROM TO | UNITS PER ASSY |
|----------|-------------|---------------|---|------------------|----------------|
| 5 226 | 2022522-4 | | .. ACTUATOR ASSY-ROTARY ELECTROMECHANICAL SUPPLIER CODE: V70210 SB DATA FROM A CMM: POST 21-1352 PRE 21-1365 COMPONENT MAINT MANUAL REF: 21-51-22 POST SERVICE BULLETIN: 398786-21-1352 V59364 2022522-21-2450 V70210 REWORKED BY SB: 2022522-21-2500 V70210 2022522-21-2520 V70210 POST SERVICE LETTER: 21-017 | 002004 006999 | 1 |
| 226 | 2022522-4 | | .. ACTUATOR ASSY-ROTARY ELECTROMECHANICAL SUPPLIER CODE: V70210 SB DATA FROM A CMM: POST 21-1365 PRE 21-1367 COMPONENT MAINT MANUAL REF: 21-51-22 POST SERVICE BULLETIN: 398786-21-1352 V59364 2022522-21-2450 V70210 REWORKED BY SB: 2022522-21-2500 V70210 2022522-21-2520 V70210 POST SERVICE LETTER: 21-017 | 002004 006999 | 1 |

MISSING ITEM NUMBERS NOT APPLICABLE

- ITEM NOT ILLUSTRATED

BRI

21-61-07-05

BOEING PROPRIETARY - Copyright © - Unpublished Work - See title page for details.

21-61-07
 FIG. 05
 PAGE 8
 JAN 20/09



757

PARTS CATALOG (MAINTENANCE)

| FIG ITEM | PART NUMBER | 1 2 3 4 5 6 7 | NOMENCLATURE | EFFECT FROM TO | UNITS PER ASSY |
|----------|-------------|---------------|---|------------------|----------------|
| 5 | | | | | |
| 226 | 2022522-2 | .. | ACTUATOR ASSY-ROTARY ELECTROMECHANICAL SUPPLIER CODE: V70210 SB DATA FROM A CMM: PRE 21-1330 COMPONENT MAINT MANUAL REF: 21-51-22 | 002004 006999 | 1 |
| 226 | 2022522-5 | .. | ACTUATOR ASSY-ROTARY ELECTROMECHANICAL SUPPLIER CODE: V70210 SB DATA FROM A CMM: POST 21-1367 CONFIG CHG DATA FROM A CMM: REPLS 2022522-3 COMPONENT MAINT MANUAL REF: 21-51-22 | 002004 006999 | 1 |
| 228 | MS9033-06 | .. | BOLT | 002004 006999 | 4 |
| 231 | AN960C10 | .. | WASHER | 002004 006999 | 4 |
| 232 | 112072-91 | .. | WASHER-THRUST SUPPLIER CODE: V59364 | 002004 006999 | 4 |
| 233 | 2046075-5 | ... | PLATE-ID SERIES 1 SUPPLIER CODE: V70210 USED ON: 2022522-3 | 002004 006999 | 1 |
| 233 | 2046075-6 | ... | PLATE-ID SERIES 1 SUPPLIER CODE: V70210 USED ON: 2022522-4 | 002004 006999 | 1 |
| 233 | 2046075-7 | ... | PLATE-ID SERIES 2 SUPPLIER CODE: V70210 USED ON: 2022522-4 | 002004 006999 | 1 |

MISSING ITEM NUMBERS NOT APPLICABLE

- ITEM NOT ILLUSTRATED

21-61-07-05

21-61-07
FIG. 05
PAGE 9
JAN 20/09

BRI



757

PARTS CATALOG (MAINTENANCE)

| FIG ITEM | PART NUMBER | 1 2 3 4 5 6 7 | NOMENCLATURE | EFFECT FROM TO | UNITS PER ASSY |
|----------|---------------|---------------|---|------------------|----------------|
| 5 | | | | | |
| 233 | 2046075-8 | ... | PLATE-ID SERIES 1 SUPPLIER CODE: V70210 USED ON: 2022522-5 | 002004 006999 | 1 |
| 233 | 2046075-2 | ... | PLATE-ID SERIES 1 SUPPLIER CODE: V70210 USED ON: 2022522-5 | 002004 006999 | 1 |
| 233 | 2046075-3 | ... | PLATE-ID SERIES 2 SUPPLIER CODE: V70210 USED ON: 2022522-2 | 002004 006999 | 1 |
| 233 | 2046075-4 | ... | PLATE-ID SERIES 3 SUPPLIER CODE: V70210 USED ON: 2022522-2 | 002004 006999 | 1 |
| 234 | AN565AC4H3 | ... | SETSCREW | 002004 006999 | 1 |
| 236 | 533058-1 | ... | POINTER-POSITION DIAL SUPPLIER CODE: V70210 | 002004 006999 | 1 |
| 238 | S8157CR74-063 | ... | WASHER- SUPPLIER CODE: V70210 | 002004 006999 | 1 |
| 241 | 533053-1 | ... | RETAINER-SEAL SUPPLIER CODE: V70210 | 002004 006999 | 1 |
| 242 | MS24677-7 | ... | SCREW | 002004 006999 | 4 |
| 244 | S8157N14-015 | ... | WASHER- SUPPLIER CODE: V70210 | 002004 006999 | 4 |
| 246 | MS20426AD4-4 | ... | RIVET | 002004 006999 | 2 |
| 248 | 519606-1 | ... | CAPACITOR-FIXED SUPPLIER CODE: V70210 | 002004 006999 | 1 |
| 251 | 533062-1 | ... | COVER-SWITCH BOX SUPPLIER CODE: V70210 | 002004 006999 | 1 |

MISSING ITEM NUMBERS NOT APPLICABLE

- ITEM NOT ILLUSTRATED

21-61-07-05

21-61-07
FIG. 05
PAGE 10
JAN 20/09

BRI

BOEING PROPRIETARY - Copyright © - Unpublished Work - See title page for details.



757

PARTS CATALOG (MAINTENANCE)

| FIG ITEM | PART NUMBER | 1 2 3 4 5 6 7 | NOMENCLATURE | EFFECT FROM TO | UNITS PER ASSY |
|----------|-------------|---------------|---|------------------|----------------|
| 5 | | | | | |
| 252 | 533063-1 | ... | LABEL-DIRECTIONAL SUPPLIER CODE: V70210 | 002004 006999 | 1 |
| 253 | 2041179-1 | ... | DECAL- SUPPLIER CODE: V70210 | 002004 006999 | 1 |
| 254 | MS24665-86 | ... | PIN | 002004 006999 | 1 |
| 256 | 532027-4 | ... | PIN-STRAIGHT-HEADED SUPPLIER CODE: V70210 | 002004 006999 | 1 |
| 257 | 533191-1 | ... | KNOB-MANUAL DRIVE SUPPLIER CODE: V70210 | 002004 006999 | 1 |
| 258 | S8154-6C003 | ... | WASHER- SUPPLIER CODE: V70210 | 002004 006999 | AR |
| 259 | S8154-6C005 | ... | WASHER- SUPPLIER CODE: V70210 | 002004 006999 | AR |
| 260 | S8154-6C010 | ... | WASHER- SUPPLIER CODE: V70210 | 002004 006999 | AR |
| 261 | 516038-1 | ... | MOTOR-AC SUPPLIER CODE: V70210 COMPONENT MAINT MANUAL REF: 21-51-24 OPTIONAL PART: 46362-1 V70210 USED ON: 2022522-3 2022522-4 2022522-2 | 002004 006999 | 1 |
| 261 | 516038-3 | ... | MOTOR-AC SUPPLIER CODE: V70210 COMPONENT MAINT MANUAL REF: 21-51-24 USED ON: 2022522-4 2022522-5 POST SERVICE BULLETIN: V70210 | 002004 006999 | 1 |

MISSING ITEM NUMBERS NOT APPLICABLE

- ITEM NOT ILLUSTRATED

BRI

21-61-07-05

BOEING PROPRIETARY - Copyright © - Unpublished Work - See title page for details.

21-61-07
FIG. 05
PAGE 11
JAN 20/09



757

PARTS CATALOG (MAINTENANCE)

| FIG ITEM | PART NUMBER | 1 2 3 4 5 6 7 | NOMENCLATURE | EFFECT FROM TO | UNITS PER ASSY |
|----------|---------------|---------------|--|------------------|----------------|
| 5 262 | 46362-1 | | ...MOTOR-AC SUPPLIER CODE: V70210 COMPONENT MAINT MANUAL REF: 21-62-02 OPTIONAL PART: 516038-1 V70210 USED ON: 2022522-3 2022522-4 2022522-2 ATTACHING PARTS | 002004 006999 | 1 |
| 264 | MS24677-7 | | ...SCREW -----*----- | 002004 006999 | 2 |
| 265 | 2046083-1 | |PLATE-IDENT SUPPLIER CODE: V70210 USED ON: 516038-1 | 002004 006999 | 1 |
| 265 | 2046083-4 | |PLATE-IDENT SUPPLIER CODE: V70210 USED ON: 516038-3 | 002004 006999 | 1 |
| 265 | S8875M2P2 | |PLATE-IDENT SUPPLIER CODE: V70210 USED ON: 46362-1 | 002004 006999 | 1 |
| 266 | 606668-5 | | ...CONNECTOR- SUPPLIER CODE: V70210 ATTACHING PARTS | 002004 006999 | 1 |
| 268 | MS24677-1 | | ...SCREW -----*----- | 002004 006999 | 4 |
| 271 | 880291-1 | | ..SHIELD-MOISTURE SUPPLIER CODE: V59364 | 002004 006999 | 1 |
| 272 | 880345-1 | | ..SPACER-SLEEVE SUPPLIER CODE: V59364 | 002004 006999 | 1 |
| 274 | S8157N106-005 | | ..WASHER- SUPPLIER CODE: V59364 | 002004 006999 | AR |

MISSING ITEM NUMBERS NOT APPLICABLE

- ITEM NOT ILLUSTRATED

21-61-07-05

21-61-07
FIG. 05
PAGE 12
JAN 20/09

BRI

BOEING PROPRIETARY - Copyright © - Unpublished Work - See title page for details.



757

PARTS CATALOG (MAINTENANCE)

| FIG ITEM | PART NUMBER | 1 2 3 4 5 6 7 | NOMENCLATURE | EFFECT FROM TO | UNITS PER ASSY |
|----------|---------------|---------------|--|--|----------------|
| 5 | | | | | |
| - 276 | S8157N106-010 | .. | WASHER- SUPPLIER CODE: V59364 | 002004 006999 | AR |
| - 278 | S8157N106-016 | .. | WASHER- SUPPLIER CODE: V59364 | 002004 006999 | AR |
| - 280 | S8157N106-063 | .. | WASHER- SUPPLIER CODE: V59364 | 002004 006999 | AR |
| 285 | MS51861-1C | .. | SCREW | 002004 006999 | 2 |
| 290 | S8846B2P1A | .. | NAMEPLATE-IDENT SUPPLIER CODE: V70210 CONFIG CHG DATA FROM A CMM: REPLD BY S3005-1 | 002004 006999 | 1 |
| 290 | S3005-1 | .. | PLATE-IDENT SUPPLIER CODE: V70210 CONFIG CHG DATA FROM A CMM: REPLD BY S3033-1 REPLS S8846B2P1A | 002004 006999 | 1 |
| 290 | S3033-1 | .. | PLATE-IDENT SUPPLIER CODE: V59364 CONFIG CHG DATA FROM A CMM: REPLS S3005-1 | 002004 006999 | 1 |
| 295 | 859520-13 | .. | PLATE-IDENT SUPPLIER CODE: V70210 CONFIG CHG DATA FROM A CMM: SUSPD BY 859520-28 | 002004 006999 | 1 |
| 295 | 859520-28 | .. | PLATE-IDENT SUPPLIER CODE: V70210 CONFIG CHG DATA FROM A CMM: SUPERSEDES 859520-13 | 002004 006999 | 1 |
| 297 | S9002A1J | .. | PLATE-CAUTION SUPPLIER CODE: V70210 | 002004 006999 | 1 |
| 300 | BACB30NM4K9 | . | BOLT | 002004 006999 | 1 |
| 305 | BACB30NM4K10 | . | BOLT | 002004 006999 | 1 |
| 310 | AN960KD416L | . | WASHER | 002004 006100 107107 121503 904999 | 4 |

MISSING ITEM NUMBERS NOT APPLICABLE

- ITEM NOT ILLUSTRATED

21-61-07-05

21-61-07
FIG. 05
PAGE 13
JAN 20/09

BRI



757

PARTS CATALOG (MAINTENANCE)

| FIG ITEM | PART NUMBER | 1 2 3 4 5 6 7 | NOMENCLATURE | EFFECT FROM TO | UNITS PER ASSY |
|----------|---------------|---------------|--|--|----------------|
| 5 | | | | | |
| 310 | NAS1149D0416J | . | WASHER | 101106 108120 504903 | 4 |
| 315 | MS21042L4 | . | NUT | 002004 006999 | 2 |
| 320 | 65B41247-157 | . | ROD ASSY- | 002004 006999 | 1 |
| 325 | 213N2230-1 | . | DUCT ASSY- OPTIONAL PART: 213N2230-5 | 002004 006999 | 1 |
| 325 | 213N2230-5 | . | DUCT ASSY- OPTIONAL PART: 213N2230-1 | 002004 006999 | 1 |
| 330 | 213N2234-1 | . | DUCT ASSY- | 002004 006999 | 1 |
| 330 | 213N2234-10 | . | DUCT ASSY- | 002004 006999 | 1 |
| 335 | 213N2233-1 | . | DUCT ASSY- OPTIONAL PART: 213N2233-6 | 002004 006999 | 1 |
| 335 | 213N2233-6 | . | DUCT ASSY- OPTIONAL PART: 213N2233-1 | 002004 006999 | 1 |
| 340 | 213N2234-2 | . | DUCT ASSY | 002004 006999 | 1 |
| 345 | 213N2235-1 | . | DUCT ASSY | 002004 006999 | 1 |
| 350 | 213N2236-1 | . | DUCT ASSY | 002004 006999 | 1 |
| 355 | BACS12FA3K7 | . | SCREW | 002004 006999 | 2 |
| 360 | AN960KD10L | . | WASHER | 002004 006100 107107 121503 904999 | 4 |
| 360 | NAS1149D0332J | . | WASHER | 101106 108120 504903 | 4 |
| 365 | MS21042L3 | . | NUT | 002004 006999 | 2 |
| 370 | 214T3424-11 | . | SUPPORT | 002004 006999 | 1 |
| 375 | 213N2239-1 | . | BRACKET ASSY | 002004 006999 | 1 |

MISSING ITEM NUMBERS NOT APPLICABLE

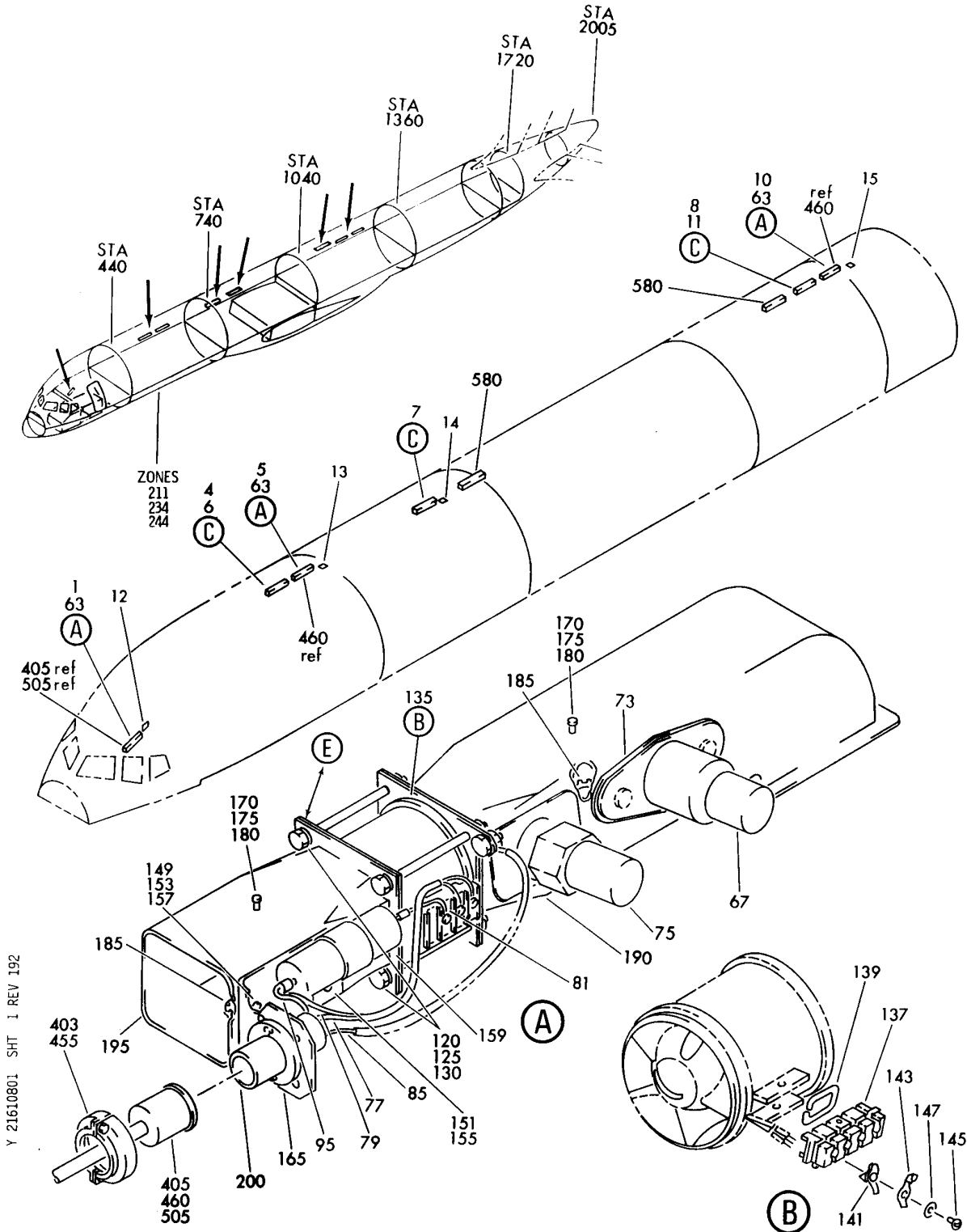
- ITEM NOT ILLUSTRATED

BRI

21-61-07-05

21-61-07
FIG. 05
PAGE 14
JAN 20/09

BOEING
757
PARTS CATALOG (MAINTENANCE)



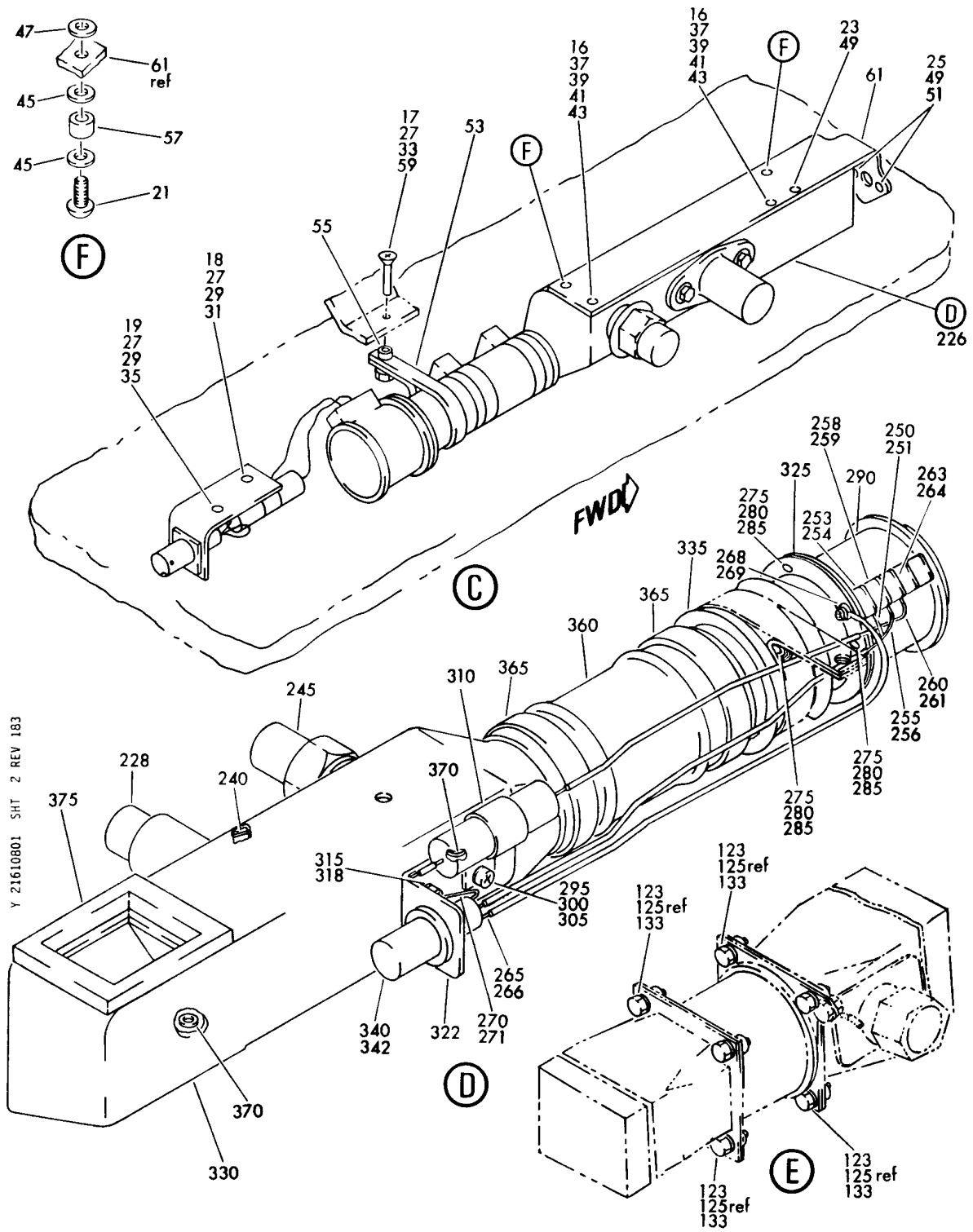
SENSOR INSTL-MAIN AND FLIGHT DECK COMPT TEMP
FIGURE 1 (SHEET 1)

21-61-08-01

BRI
MAY 28/07

21-61-08-01
PAGE 0


BOEING
 757
PARTS CATALOG (MAINTENANCE)



SENSOR INSTL-MAIN AND FLIGHT DECK COMPT TEMP
 FIGURE 1 (SHEET 2)

21-61-08-01



757

PARTS CATALOG (MAINTENANCE)

| FIG ITEM | PART NUMBER | 1 2 3 4 5 6 7 | NOMENCLATURE | EFFECT FROM TO | UNITS PER ASSY |
|----------|--------------|---------------|---|--|----------------|
| 1 | | | SENSOR INSTL-MAIN AND FLIGHT DECK COMPT TEMP | 002004 006100 107107 121503 904999 | |
| 1 | 215N1001-1 | | SENSOR INSTL-FLIGHT DECK COMPT TEMP FOR NHA SEE: 21-00-00-04 | 002004 006100 107107 121503 904999 | RF |
| 5 | 215N1001-2 | | SENSOR INSTL-PASS. COMPT TEMP POSITION DATA: FWD FOR NHA SEE: 21-00-00-04 | 107107 | RF |
| 6 | 215N1001-2 | | SENSOR INSTL-PASS. COMPT TEMP POSITION DATA: FWD VARIABLE DRAWING REF: 215N1001-7 FOR NHA SEE: 21-00-00-04 | 002004 006100 121503 904999 | RF |
| 10 | 215N1001-3 | | SENSOR INSTL-PASS. COMPT TEMP POSITION DATA: AFT FOR NHA SEE: 21-00-00-04 | 107107 | RF |
| 11 | 215N1001-3 | | SENSOR INSTL-PASS. COMPT TEMP POSITION DATA: AFT VARIABLE DRAWING REF: 215N1001-8 FOR NHA SEE: 21-00-00-04 | 002004 006100 121503 904999 | RF |
| 12 | BAC27NEC0061 | | .MARKER-ALUMINUM FOIL PLACARD CONTENT: FLIGHT DECK CABIN ZONE TEMP SENSOR MODULE M10452 USED ON: 215N1001-1 | 002004 006100 107107 121503 904999 | 1 |

MISSING ITEM NUMBERS NOT APPLICABLE

- ITEM NOT ILLUSTRATED

21-61-08-01

21-61-08
FIG. 01
PAGE 1
JAN 20/09

BRI



757

PARTS CATALOG (MAINTENANCE)

| FIG ITEM | PART NUMBER | 1 2 3 4 5 6 7 | NOMENCLATURE | EFFECT FROM TO | UNITS PER ASSY |
|----------|-------------|---------------|---|--|----------------|
| 1 | 13 | BAC27NEC0062 | .MARKER-ALUMINUM FOIL POSITION DATA: FWD CABIN ONE TEMP PLACARD CONTENT: SENSOR MODULE M10025 USED ON: 215N1001-2 | 002004 006100 107107 121503 904999 | 1 |
| | 15 | BAC27NEC0063 | .MARKER-ALUMINUM FOIL PLACARD CONTENT: AFT CABIN ZONE TEMP SENSOR MODULE M10024 USED ON: 215N1001-3 | 002004 006100 107107 121503 904999 | 1 |
| | 16 | BACS12FA3K7 | .SCREW- | 002004 006100 121503 904999 | 2 |
| | 17 | BACS12FA3K12 | .SCREW- | 002004 006100 121503 904999 | 1 |
| | 27 | AN960JD10L | .WASHER- | 002004 006100 121503 904999 | 3 |
| | 29 | AN960JD10 | .WASHER- | 002004 006100 121503 904999 | 2 |
| | 53 | MS25281R28 | .CLAMP- | 002004 006100 121503 904999 | 1 |
| | 55 | NAS43DD3-12FC | .SPACER- | 002004 006100 121503 904999 | 1 |
| | 63 | 215N1002-15 | .SENSOR ASSY-(AIR CONDITIONING ONLY) SUPPLIER CODE: V89954 ELECTRICAL EQUIP NUMBER: M10452 USED ON: 215N1001-1 FUNCTIONAL REFERENCE: PLACARDS AND MARKINGS FOR DETAILS SEE 11-35-80-01 | 107107 904949 952952 | 1 |

MISSING ITEM NUMBERS NOT APPLICABLE

- ITEM NOT ILLUSTRATED

21-61-08-01

21-61-08
FIG. 01
PAGE 2
JAN 20/09

BRI



757

PARTS CATALOG (MAINTENANCE)

| FIG ITEM | PART NUMBER | 1 2 3 4 5 6 7 | NOMENCLATURE | EFFECT FROM TO | UNITS PER ASSY |
|----------|-------------|---------------|--|--|----------------|
| 1 63 | 215N1002-15 | | . SENSOR ASSY-(AIR CONDITIONING ONLY) SUPPLIER CODE: V89954 ELECTRICAL EQUIP NUMBER: M10024 M10025 USED ON: 215N1001-2 215N1001-3 FUNCTIONAL REFERENCE: PLACARDS AND MARKINGS FOR DETAILS SEE 11-35-80-01 | 107107 | 1 |
| 63 | 215N1002-34 | | . SENSOR ASSY-(AIR CONDITIONING ONLY) SUPPLIER CODE: V89954 ELECTRICAL EQUIP NUMBER: M10452 USED ON: 215N1001-1 FUNCTIONAL REFERENCE: PLACARDS AND MARKINGS FOR DETAILS SEE 11-35-80-01 | 002004 006100 107107 121503 904999 | 1 |
| 63 | 215N1002-34 | | . SENSOR ASSY-(AIR CONDITIONING ONLY) SUPPLIER CODE: V89954 ELECTRICAL EQUIP NUMBER: M10024 M10025 USED ON: 215N1001-2 215N1001-3 FUNCTIONAL REFERENCE: PLACARDS AND MARKINGS FOR DETAILS SEE 11-35-80-01 | 107107 | 1 |
| 67 | 624018-1 | | .. SENSOR ASSY-TEMP CAB. AIR SUPPLIER CODE: V07217 SPECIFICATION NUMBER: S210T130-21 ELECTRICAL EQUIP NUMBER: TS0001 COMPONENT MAINT MANUAL REF: 21-61-01 | 107107 | 1 |

MISSING ITEM NUMBERS NOT APPLICABLE

- ITEM NOT ILLUSTRATED

21-61-08-01

21-61-08
FIG. 01
PAGE 3
JAN 20/09

BRI



757

PARTS CATALOG (MAINTENANCE)

| FIG ITEM | PART NUMBER | 1 2 3 4 5 6 7 | NOMENCLATURE | EFFECT FROM TO | UNITS PER ASSY |
|----------|-------------|---------------|--|--------------------------------------|----------------|
| 1 | 67 624018-1 | | .. SENSOR ASSY-TEMP CAB. AIR SUPPLIER CODE: V07217 SPECIFICATION NUMBER: S210T130-21 ELECTRICAL EQUIP NUMBER: TS0001 COMPONENT MAINT MANUAL REF: 21-61-01 ATTACHING PARTS | 002004 006100 121503 904999 | 1 |
| - 69 | NAS1801-3D8 | | .. SCREW- | 107107 | 2 |
| - 69 | NAS1801-3D8 | | .. SCREW | 002004 006100 121503 904999 | 2 |
| - 71 | AN960PD10L | | .. WASHER | 107107 | 2 |
| - 71 | AN960PD10L | | .. WASHER | 002004 006100 121503 904999 | 2 |
| | | | -----*----- | | |
| 73 | 1025400-1 | | ... GASKET- SUPPLIER CODE: V07217 | 107107 | 1 |
| 73 | 1025400-1 | | ... GASKET- SUPPLIER CODE: V07217 | 002004 006100 121503 904999 | 1 |
| 75 | 1122027 | | .. DETECTOR-TEMP SUPPLIER CODE: V60678 ELECTRICAL EQUIP NUMBER: TS0002 | 002004 006100 121503 904999 | 1 |
| 75 | 1122027 | | .. DETECTOR-TEMP SUPPLIER CODE: V60678 ELECTRICAL EQUIP NUMBER: TS0002 | 107107 | 1 |
| 77 | 215N1002-2 | | .. WIRE ASSY- SUPPLIER CODE: V89954 | 107107 | 1 |
| 77 | 215N1002-2 | | .. WIRE ASSY- SUPPLIER CODE: V89954 | 002004 006100 121503 904999 | 1 |
| 79 | 215N1002-3 | | .. WIRE ASSY- SUPPLIER CODE: V89954 | 107107 | 1 |

MISSING ITEM NUMBERS NOT APPLICABLE

- ITEM NOT ILLUSTRATED

21-61-08-01

21-61-08
FIG. 01
PAGE 4
JAN 20/09

BRI



757

PARTS CATALOG (MAINTENANCE)

| FIG ITEM | PART NUMBER | 1 2 3 4 5 6 7 | NOMENCLATURE | EFFECT FROM TO | UNITS PER ASSY |
|----------|---------------|---------------|--|--------------------------------------|----------------|
| 1 | | | | | |
| 79 | 215N1002-3 | | ..WIRE ASSY- SUPPLIER CODE: V89954 | 002004 006100 121503 904999 | 1 |
| 81 | 215N1002-4 | | ..WIRE ASSY- SUPPLIER CODE: V89954 | 107107 | 1 |
| 81 | 215N1002-4 | | ..WIRE ASSY- SUPPLIER CODE: V89954 | 002004 006100 121503 904999 | 1 |
| 85 | 215N1002-5 | | ..WIRE ASSY- SUPPLIER CODE: V89954 | 107107 | 1 |
| 85 | 215N1002-5 | | ..WIRE ASSY- SUPPLIER CODE: V89954 | 002004 006100 121503 904999 | 1 |
| 95 | 215N1002-6 | | ..WIRE-COLOR WHITE SUPPLIER CODE: V89954 | 107107 | 1 |
| 95 | 215N1002-6 | | ..WIRE-COLOR WHITE SUPPLIER CODE: V89954 | 002004 006100 121503 904999 | 1 |
| 120 | NAS1801-04-30 | | ..SCREW- QUALIFIED OPTIONAL DATA: (NAS600-30P OPT TO NAS1801-04-30 OPT TO 215N1002-82 | 107107 | 4 |
| 120 | NAS600-30P | | ..SCREW- QUALIFIED OPTIONAL DATA: (NAS600-30P OPT TO NAS1801-04-30 OPT TO 215N1002-82 | 107107 | 4 |
| 120 | NAS1801-04-30 | | ..SCREW- QUALIFIED OPTIONAL DATA: (NAS600-30P OPT TO NAS1801-04-30 OPT TO 215N1002-82 | 002004 006100 121503 904999 | 4 |
| 120 | NAS600-30P | | ..SCREW- QUALIFIED OPTIONAL DATA: (NAS600-30SP OPT TO NAS1801-04-30 OPT TO 215N1002-82 | 002004 006100 121503 904999 | 4 |

MISSING ITEM NUMBERS NOT APPLICABLE

- ITEM NOT ILLUSTRATED

21-61-08-01

21-61-08
FIG. 01
PAGE 5
JAN 20/09

BRI



757

PARTS CATALOG (MAINTENANCE)

| FIG ITEM | PART NUMBER | 1 2 3 4 5 6 7 | NOMENCLATURE | EFFECT FROM TO | UNITS PER ASSY |
|----------|--------------|---------------|--|--------------------------------------|----------------|
| 1 | | | | | |
| - 121 | 215N1002-82 | .. | KIT ASSY-SUB SUPPLIER CODE: V89954 QUALIFIED OPTIONAL DATA: (NAS600-30P OPT TO NAS1801-04-30 OPT TO 215N1002-82) | 107107 | 1 |
| - 121 | 215N1002-82 | .. | KIT ASSY-SUB SUPPLIER CODE: V89954 QUALIFIED OPTIONAL DATA: (NAS600-30P OPT TO NAS1801-04-30 OPT TO 215N1002-82) | 002004 006100 121503 904999 | 1 |
| 123 | NAS1801-04-6 | ... | SCREW | 107107 | 8 |
| 123 | NAS1801-04-6 | ... | SCREW | 002004 006100 121503 904999 | 8 |
| 125 | NAS620A4L | ... | WASHER- | 002004 006100 121503 904999 | 8 |
| 125 | NAS620A4L | ... | WASHER- | 107107 | 8 |
| 130 | 92-1660-40 | ... | NUT- SUPPLIER CODE: V72962 SPECIFICATION NUMBER: BACN10DN40 OPTIONAL PART: 92-1660-440 V15653 | 002004 006100 121503 904999 | 4 |
| 130 | 92-1660-40 | ... | NUT- SUPPLIER CODE: V72962 SPECIFICATION NUMBER: BACN10DN40 OPTIONAL PART: 92-1660-440 V15653 | 107107 | 4 |
| 133 | 271166 | ... | CLAMP- SUPPLIER CODE: V82877 | 107107 | 8 |
| 133 | 271166 | ... | CLAMP- SUPPLIER CODE: V82877 | 002004 006100 121503 904999 | 8 |

MISSING ITEM NUMBERS NOT APPLICABLE

- ITEM NOT ILLUSTRATED

21-61-08-01

21-61-08
FIG. 01
PAGE 6
JAN 20/09

BRI



757

PARTS CATALOG (MAINTENANCE)

| FIG ITEM | PART NUMBER | 1 2 3 4 5 6 7 | NOMENCLATURE | EFFECT FROM TO | UNITS PER ASSY |
|----------|-------------|---------------|---|--------------------------------------|----------------|
| 1 | | | | | |
| 135 | 024116 | .. | FAN ASSY-VANEAXIAL SUPPLIER CODE: V82877 ELECTRICAL EQUIP NUMBER: M00001 COMPONENT MAINT MANUAL REF: 21-61-02 | 107107 | 1 |
| 135 | 024116 | .. | FAN ASSY-VANEAXIAL SUPPLIER CODE: V82877 ELECTRICAL EQUIP NUMBER: M00001 COMPONENT MAINT MANUAL REF: 21-61-02 | 002004 006100 121503 904999 | 1 |
| 137 | 200033 | ... | BOARD-TERMINAL SUPPLIER CODE: V82877 | 107107 | 1 |
| 137 | 200033 | ... | BOARD-TERMINAL SUPPLIER CODE: V82877 | 002004 006100 121503 904999 | 1 |
| 139 | 476231 | ... | CLIP-RETAINING SUPPLIER CODE: V82877 | 107107 | 1 |
| 139 | 476231 | ... | CLIP-RETAINING SUPPLIER CODE: V82877 | 002004 006100 121503 904999 | 1 |
| 141 | 477012 | ... | -----*----- TERMINAL-LUG SUPPLIER CODE: V82877 | 107107 | 3 |
| 141 | 477012 | ... | TERMINAL-LUG SUPPLIER CODE: V82877 | 002004 006100 121503 904999 | 3 |
| 143 | 476280 | ... | TERMINAL-LUG SUPPLIER CODE: V82877 | 107107 | 3 |
| 143 | 476280 | ... | TERMINAL-LUG SUPPLIER CODE: V82877 | 002004 006100 121503 904999 | 3 |
| 145 | 251443 | ... | ATTACHING PARTS SCREW-MACH SUPPLIER CODE: V82877 | 107107 | 3 |

MISSING ITEM NUMBERS NOT APPLICABLE

- ITEM NOT ILLUSTRATED

21-61-08-01

21-61-08
FIG. 01
PAGE 7
JAN 20/09

BRI



757

PARTS CATALOG (MAINTENANCE)

| FIG ITEM | PART NUMBER | 1 2 3 4 5 6 7 | NOMENCLATURE | EFFECT FROM TO | UNITS PER ASSY |
|----------|--------------|---------------|---|--------------------------------------|----------------|
| 1 | | | | | |
| 145 | 251443 | ... | SCREW-MACH SUPPLIER CODE: V82877 | 002004 006100 121503 904999 | 3 |
| 147 | 251302 | ... | WASHER-LOCK SUPPLIER CODE: V82877 | 107107 | 3 |
| 147 | 251302 | ... | WASHER-LOCK SUPPLIER CODE: V82877 | 002004 006100 121503 904999 | 3 |
| | | | -----*----- | | |
| 149 | NAS1801-3-5 | .. | SCREW | 107107 | 1 |
| 149 | NAS1801-3-5 | .. | SCREW | 002004 006100 121503 904999 | 1 |
| 151 | NAS1801-06-6 | .. | SCREW | 107107 | 1 |
| 151 | NAS1801-06-6 | .. | SCREW | 002004 006100 121503 904999 | 1 |
| 153 | AN960PD10L | .. | WASHER | 107107 | 1 |
| 153 | AN960PD10L | .. | WASHER | 002004 006100 121503 904999 | 1 |
| 155 | AN960PD6L | .. | WASHER | 107107 | 1 |
| 155 | AN960PD6L | .. | WASHER | 002004 006100 121503 904999 | 1 |

MISSING ITEM NUMBERS NOT APPLICABLE

- ITEM NOT ILLUSTRATED

BRI

21-61-08-01

BOEING PROPRIETARY - Copyright © - Unpublished Work - See title page for details.

21-61-08
FIG. 01
PAGE 8
JAN 20/09



757

PARTS CATALOG (MAINTENANCE)

| FIG ITEM | PART NUMBER | 1 2 3 4 5 6 7 | NOMENCLATURE | EFFECT FROM TO | UNITS PER ASSY |
|----------|----------------|---------------|--|--------------------------------------|----------------|
| 1 157 | BRH10A3 | .. | NUT SUPPLIER CODE: V52828 SPECIFICATION NUMBER: BACN10JC3 OPTIONAL PART: H10-3BAC V15653 NS202101-02 V80539 RMLH9075-3W V72962 VN303A02 V92215 96-02 V80539 T6S1032J V11815 | 107107 | 1 |
| 157 | BRH10A3 | .. | NUT SUPPLIER CODE: V52828 SPECIFICATION NUMBER: BACN10JC3 OPTIONAL PART: H10-3BAC V15653 NS202101-02 V80539 RMLH9075-3W V72962 VN303A02 V92215 96-02 V80539 T6S1032J V11815 | 002004 006100 121503 904999 | 1 |
| 159 | 259P3349330T13 | .. | CAPACITOR- SUPPLIER CODE: V56289 OPTIONAL PART: 720P334X9400S13 V56289 720PA12 V56289 | 107107 | 1 |

MISSING ITEM NUMBERS NOT APPLICABLE

- ITEM NOT ILLUSTRATED

BRI

21-61-08-01

BOEING PROPRIETARY - Copyright © - Unpublished Work - See title page for details.

21-61-08
FIG. 01
PAGE 9
JAN 20/09



757

PARTS CATALOG (MAINTENANCE)

| FIG ITEM | PART NUMBER | 1 2 3 4 5 6 7 | NOMENCLATURE | EFFECT FROM TO | UNITS PER ASSY |
|----------|-----------------|---------------|---|--------------------------------------|----------------|
| 1 | | | | | |
| 159 | 259P3349330T13 | .. | CAPACITOR- SUPPLIER CODE: V56289 OPTIONAL PART: 720P334X9400S13 V56289 720PA12 V56289 | 002004 006100 121503 904999 | 1 |
| 159 | 720P334X9400S13 | .. | CAPACITOR- SUPPLIER CODE: V56289 OPTIONAL PART: 259P3349330T13 V56289 720PA12 V56289 | 002004 006100 121503 904999 | 1 |
| 159 | 720P334X9400S13 | .. | CAPACITOR- SUPPLIER CODE: V56289 OPTIONAL PART: 259P3349330T13 V56289 720PA12 V56289 | 107107 | 1 |
| 159 | 720PA12 | .. | CAPACITOR- SUPPLIER CODE: V56289 OPTIONAL PART: 259P3349330T13 V56289 720P334X9400S13 V56289 | 107107 | 1 |
| 159 | 720PA12 | .. | CAPACITOR- SUPPLIER CODE: V56289 OPTIONAL PART: 720P334X9400S13 V56289 259P3349330T13 V56289 | 002004 006100 121503 904999 | 1 |
| 165 | 215N1004-1 | .. | BRACKET-SPRT | 107107 | 1 |
| 165 | 215N1004-1 | .. | BRACKET-SPRT | 002004 006100 121503 904999 | 1 |

MISSING ITEM NUMBERS NOT APPLICABLE

- ITEM NOT ILLUSTRATED

21-61-08-01

21-61-08
FIG. 01
PAGE 10
JAN 20/09

BRI

BOEING PROPRIETARY - Copyright © - Unpublished Work - See title page for details.



757

PARTS CATALOG (MAINTENANCE)

| FIG ITEM | PART NUMBER | 1 2 3 4 5 6 7 | NOMENCLATURE | EFFECT FROM TO | UNITS PER ASSY |
|----------|--------------|---------------|---|--|----------------|
| 1 | | | | | |
| 170 | 82-99-341-16 | .. | STUD- SUPPLIER CODE: V94222 SPECIFICATION NUMBER: BACS21AP160RP | 002004 006100 121503 904999 | 2 |
| 170 | 82-99-341-16 | .. | STUD- SUPPLIER CODE: V94222 SPECIFICATION NUMBER: BACS21AP160RP | 107107 | 2 |
| 175 | BACR12AG2C | .. | RING | 107107 | 2 |
| 175 | BACR12AG2C | .. | RING | 002004 006100 121503 904999 | 2 |
| 180 | BACW10BN4P | .. | WASHER | 107107 | 2 |
| 180 | BACW10BN4P | .. | WASHER | 002004 006100 121503 904999 | 2 |
| 185 | AMD630-703 | .. | BUTTON- SUPPLIER CODE: V96144 MISCELLANEOUS DATA: REPLACED BY BACP20B43 FULLY INTERCHANGEABLE. BACP20B43 NOT DOCUMENTED. OPTIONAL PART: BACP20B43 SFHP5006S01WH V96144 | 107107 | 2 |
| 185 | AMD630-703 | .. | BUTTON- SUPPLIER CODE: V96144 MISCELLANEOUS DATA: REPLACED BY BACP20B43 FULLY INTERCHANGEABLE. BACP20B43 NOT DOCUMENTED. OPTIONAL PART: BACP20B43 SFHP5006S01WH V96144 | 002004 006100 107107 121503 904999 | 2 |

MISSING ITEM NUMBERS NOT APPLICABLE

- ITEM NOT ILLUSTRATED

BRI

21-61-08-01

21-61-08
FIG. 01
PAGE 11
JAN 20/09



757

PARTS CATALOG (MAINTENANCE)

| FIG ITEM | PART NUMBER | 1 2 3 4 5 6 7 | NOMENCLATURE | EFFECT FROM TO | UNITS PER ASSY |
|----------|---------------|---------------|--|--|----------------|
| 1 185 | D3161PLC | .. | BUTTON- SUPPLIER CODE: V57771 SPECIFICATION NUMBER: BACP20B43 OPTIONAL PART: SS48152 V83058 AMD630-703 V96144 SFHP5006S01WH V96144 | 002004 006100 121503 904999 | 2 |
| 185 | D3161PLC | .. | BUTTON- SUPPLIER CODE: V57771 SPECIFICATION NUMBER: BACP20B43 OPTIONAL PART: SS48152 V83058 AMD630-703 V96144 SFHP5006S01WH V96144 | 002004 006100 107107 121503 904999 | 2 |
| 185 | SFHP5006S01WH | .. | BUTTON- SUPPLIER CODE: V12324 MISCELLANEOUS DATA: REPLACED BY BACP20B43 FULLY INTERCHANGEABLE. BACP20B43 NOT DOCUMENTED. OPTIONAL PART: BACP20B43 AMD630-703 V96144 | 107107 | 2 |
| 185 | SFHP5006S01WH | .. | BUTTON- SUPPLIER CODE: V12324 MISCELLANEOUS DATA: REPLACED BY BACP20B43 FULLY INTERCHANGEABLE. BACP20B43 NOT DOCUMENTED. OPTIONAL PART: BACP20B43 AMD630-703 V96144 | 002004 006100 107107 121503 904999 | 2 |

MISSING ITEM NUMBERS NOT APPLICABLE

- ITEM NOT ILLUSTRATED

21-61-08-01

21-61-08
FIG. 01
PAGE 12
JAN 20/09

BRI



757

PARTS CATALOG (MAINTENANCE)

| FIG ITEM | PART NUMBER | 1 2 3 4 5 6 7 | NOMENCLATURE | EFFECT FROM TO | UNITS PER ASSY |
|----------|--------------|---------------|--|--------------------------------------|----------------|
| 1 | | | | | |
| 190 | 215N1003-12 | .. | DUCT ASSY | 002004 006100 121503 904999 | 1 |
| 190 | 215N1003-12 | .. | DUCT ASSY- | 107107 | 1 |
| 195 | 215N1003-13 | .. | DUCT ASSY | 002004 006100 121503 904999 | 1 |
| 195 | 215N1003-13 | .. | DUCT ASSY- | 107107 | 1 |
| 200 | BACC45FN8-3P | .. | CONNECTOR | 107107 | 1 |
| 200 | BACC45FN8-3P | .. | CONNECTOR | 002004 006100 121503 904999 | 1 |
| | | | ATTACHING PARTS | | |
| - 205 | NAS1801-04-5 | .. | SCREW | 002004 006100 121503 904999 | 2 |
| - 205 | NAS1801-04-5 | .. | SCREW- | 107107 | 2 |
| - 210 | AN960PD4L | .. | WASHER | 107107 | 2 |
| - 210 | AN960PD4L | .. | WASHER | 002004 006100 121503 904999 | 2 |
| - 215 | BRH10A04 | .. | NUT | 107107 | 2 |
| | | | SUPPLIER CODE: V52828 | | |
| | | | SPECIFICATION NUMBER: BACN10JCO4 | | |
| | | | OPTIONAL PART: NS202101-40 V80539 RMLH9075-40W V72962 VN303A40 V92215 96-40 V80539 T6S440J V11815 H10-04BAC V15653 | | |

MISSING ITEM NUMBERS NOT APPLICABLE

- ITEM NOT ILLUSTRATED

BRI

21-61-08-01

21-61-08
FIG. 01
PAGE 13
JAN 20/09



757

PARTS CATALOG (MAINTENANCE)

| FIG ITEM | PART NUMBER | 1 2 3 4 5 6 7 | NOMENCLATURE | EFFECT FROM TO | UNITS PER ASSY |
|------------|-------------|---------------|---|--------------------------------------|----------------|
| 1 - 215 | BRH10A04 | | . . NUT SUPPLIER CODE: V52828 SPECIFICATION NUMBER: BACN10JCO4 OPTIONAL PART: NS202101-40 V80539 RMLH9075-40W V72962 VN303A40 V92215 96-40 V80539 T6S440J V11815 H10-04BAC V15653 -----*----- | 002004 006100 121503 904999 | 2 |
| 226 | 215N1002-28 | | . SENSOR ASSY-(AIR CONDITIONING ONLY) (VARIABLE) SUPPLIER CODE: V89954 ELECTRICAL EQUIP NUMBER: M10024 M10025 FUNCTIONAL REFERENCE: PLACARDS AND MARKINGS FOR DETAILS SEE 11-35-80-01 | 904949 952952 | 1 |
| 226 | 215N1002-35 | | . SENSOR ASSY-(AIR CONDITIONING ONLY) (VARIABLE) SUPPLIER CODE: V89954 ELECTRICAL EQUIP NUMBER: M10024 M10025 QUALIFIED I/W DATA: 215N1002-35 I/W -76 T/W 215N1004-5 BRACKET AY FUNCTIONAL REFERENCE: PLACARDS AND MARKINGS FOR DETAILS SEE 11-35-80-01 | 002004 006100 121503 904999 | 1 |

MISSING ITEM NUMBERS NOT APPLICABLE

- ITEM NOT ILLUSTRATED

21-61-08-01

21-61-08
 FIG. 01
 PAGE 14
 JAN 20/09

BRI



757

PARTS CATALOG (MAINTENANCE)

| FIG ITEM | PART NUMBER | 1 2 3 4 5 6 7 | NOMENCLATURE | EFFECT FROM TO | UNITS PER ASSY |
|----------|-------------|---------------|--|--------------------------------------|----------------|
| 1 228 | 624018-1 | | .. SENSOR ASSY-TEMP CAB. AIR SUPPLIER CODE: V07217 SPECIFICATION NUMBER: S210T130-21 ELECTRICAL EQUIP NUMBER: TS0001 COMPONENT MAINT MANUAL REF: 21-61-01 ATTACHING PARTS | 002004 006100 121503 904999 | 1 |
| - 230 | NAS1801-3D8 | | .. SCREW- USED ON: 215N1002-78 | 002004 006100 121503 904999 | 2 |
| - 235 | AN960PD10L | | .. WASHER- | 002004 006100 121503 904999 | 2 |
| - 235 | AN960JD10L | | .. WASHER- | 002004 006100 121503 904999 | 2 |
| 240 | 1025400-1 | | -----*----- ... GASKET- SUPPLIER CODE: V07217 | 002004 006100 121503 904999 | 1 |
| 245 | 1122027 | | .. DETECTOR-TEMP SUPPLIER CODE: V60678 ELECTRICAL EQUIP NUMBER: TS0002 | 002004 006100 121503 904999 | 1 |
| 250 | 215N1002-18 | | .. WIRE ASSY- SUPPLIER CODE: V89954 | 002004 006100 121503 904999 | 1 |
| 253 | 329636 | | ... TERMINAL- SUPPLIER CODE: V00779 | 002004 006100 121503 904999 | 1 |
| 255 | 215N1002-19 | | .. WIRE ASSY- SUPPLIER CODE: V89954 | 002004 006100 121503 904999 | 1 |
| 258 | 329636 | | ... TERMINAL- SUPPLIER CODE: V00779 | 002004 006100 121503 904999 | 1 |

MISSING ITEM NUMBERS NOT APPLICABLE

- ITEM NOT ILLUSTRATED

21-61-08-01

21-61-08
FIG. 01
PAGE 15
JAN 20/09

BRI



757

PARTS CATALOG (MAINTENANCE)

| FIG ITEM | PART NUMBER | 1 2 3 4 5 6 7 | NOMENCLATURE | EFFECT FROM TO | UNITS PER ASSY |
|----------|--------------|---------------|---|--------------------------------------|----------------|
| 1 | | | | | |
| 260 | 215N1002-20 | .. | WIRE ASSY- SUPPLIER CODE: V89954 | 002004 006100 121503 904999 | 1 |
| 263 | 329636 | ... | TERMINAL- SUPPLIER CODE: V00779 | 002004 006100 121503 904999 | 1 |
| 265 | 215N1002-21 | .. | WIRE ASSY- SUPPLIER CODE: V89954 | 002004 006100 121503 904999 | 1 |
| 268 | 52273-1 | ... | TERMINAL SUPPLIER CODE: V00779 SPECIFICATION NUMBER: BACT12AR201 | 002004 006100 121503 904999 | 1 |
| 270 | 215N1002-26 | .. | WIRE-COLOR WHITE SUPPLIER CODE: V89954 | 002004 006100 121503 904999 | 1 |
| 275 | NAS1801-04-7 | .. | SCREW- | 002004 006100 121503 904999 | 3 |
| 280 | NAS620A4L | .. | WASHER- | 002004 006100 121503 904999 | 3 |
| 285 | 271166 | .. | CLAMP- SUPPLIER CODE: V82877 | 002004 006100 121503 904999 | 3 |
| 286 | 024116 | .. | FAN ASSY-VANEAXIAL SUPPLIER CODE: V82877 ELECTRICAL EQUIP NUMBER: M00001 COMPONENT MAINT MANUAL REF: 21-61-02 | 002004 006100 121503 904999 | 1 |
| 287 | 200033 | ... | BOARD-TERMINAL SUPPLIER CODE: V82877 | 002004 006100 121503 904999 | 1 |

MISSING ITEM NUMBERS NOT APPLICABLE

- ITEM NOT ILLUSTRATED

21-61-08-01

21-61-08
FIG. 01
PAGE 16
JAN 20/09

BRI

BOEING PROPRIETARY - Copyright © - Unpublished Work - See title page for details.



757

PARTS CATALOG (MAINTENANCE)

| FIG ITEM | PART NUMBER | 1 2 3 4 5 6 7 | NOMENCLATURE | EFFECT FROM TO | UNITS PER ASSY |
|----------|--------------|---------------|--|--------------------------------------|----------------|
| 1 | | | | | |
| 288 | 476231 | | ATTACHING PARTS ...CLIP-RETAINING SUPPLIER CODE: V82877 | 002004 006100 121503 904999 | 1 |
| 289 | 477012 | | -----*----- ...TERMINAL-LUG SUPPLIER CODE: V82877 | 002004 006100 121503 904999 | 3 |
| 290 | 476280 | | ...TERMINAL-LUG SUPPLIER CODE: V82877 | 002004 006100 121503 904999 | 3 |
| 291 | 251443 | | ATTACHING PARTS ...SCREW-MACH SUPPLIER CODE: V82877 | 002004 006100 121503 904999 | 3 |
| 292 | 251302 | | ...WASHER-LOCK SUPPLIER CODE: V82877 | 002004 006100 121503 904999 | 3 |
| 295 | NAS1801-06-8 | | -----*----- ..SCREW- | 002004 006100 121503 904999 | 1 |
| 300 | AN960JD6L | | ..WASHER | 002004 006100 121503 904999 | 1 |

MISSING ITEM NUMBERS NOT APPLICABLE

- ITEM NOT ILLUSTRATED

BRI

21-61-08-01

BOEING PROPRIETARY - Copyright © - Unpublished Work - See title page for details.

21-61-08
FIG. 01
PAGE 17
JAN 20/09



757

PARTS CATALOG (MAINTENANCE)

| FIG ITEM | PART NUMBER | 1 2 3 4 5 6 7 | NOMENCLATURE | EFFECT FROM TO | UNITS PER ASSY |
|----------|-----------------|---------------|--|--------------------------------------|----------------|
| 1 305 | BRH10A06 | . . | NUT SUPPLIER CODE: V52828 SPECIFICATION NUMBER: BACN10JCO6 OPTIONAL PART: H10-06BAC V15653 RMLH9075-62W V72962 VN303A62 V92215 96-62 V80539 NS202101-62 V80539 T6S632J V11815 | 002004 006100 121503 904999 | 1 |
| 310 | 259P3349330T13 | . . | CAPACITOR- SUPPLIER CODE: V56289 OPTIONAL PART: 720P334X9400S13 V56289 720PA12 V56289 | 002004 006100 121503 904999 | 1 |
| 310 | 720P334X9400S13 | . . | CAPACITOR- SUPPLIER CODE: V56289 OPTIONAL PART: 259P3349330T13 V56289 720PA12 V56289 | 002004 006100 121503 904999 | 1 |
| 310 | 720PA12 | . . | CAPACITOR- SUPPLIER CODE: V56289 OPTIONAL PART: 259P3349330T13 V56289 720P334X9400S13 V56289 | 002004 006100 121503 904999 | 1 |
| 315 | NAS1801-3-7 | . . | SCREW | 002004 006100 121503 904999 | 1 |

MISSING ITEM NUMBERS NOT APPLICABLE

- ITEM NOT ILLUSTRATED

21-61-08-01

21-61-08
FIG. 01
PAGE 18
JAN 20/09

BRI



757

PARTS CATALOG (MAINTENANCE)

| FIG ITEM | PART NUMBER | 1 2 3 4 5 6 7 | NOMENCLATURE | EFFECT FROM TO | UNITS PER ASSY |
|----------|--------------|---------------|-----------------------------------|--------------------------------------|----------------|
| 1 | | | | | |
| 318 | AN960JD10L | .. | WASHER | 002004 006100 121503 904999 | 1 |
| 322 | 215N1004-2 | .. | BRACKET-SPRT | 002004 006100 121503 904999 | 1 |
| 325 | 215N1004-3 | .. | FLANGE- | 002004 006100 121503 904999 | 1 |
| 330 | 215N1003-16 | .. | DUCT ASSY- | 002004 006100 121503 904999 | 1 |
| 335 | 215N1003-18 | .. | DUCT ASSY- | 002004 006100 121503 904999 | 1 |
| 340 | BACC45FN8-3P | .. | CONNECTOR | 002004 006100 121503 904999 | 1 |
| | | | ATTACHING PARTS | | |
| - 345 | NAS1801-04-5 | .. | SCREW- USED ON: 215N1002-76 | 002004 006100 121503 904999 | 1 |
| - 350 | AN960PD4L | .. | WASHER- | 002004 006100 121503 904999 | 2 |
| - 350 | AN960JD4L | .. | WASHER- | 002004 006100 121503 904999 | 2 |
| - 355 | MS21042L04 | .. | NUT- | 002004 006100 121503 904999 | 1 |
| | | | -----*----- | | |
| 360 | BACD4OR06A31 | .. | SLEEVE- | 002004 006100 121503 904999 | 1 |

MISSING ITEM NUMBERS NOT APPLICABLE

- ITEM NOT ILLUSTRATED

BRI

21-61-08-01

21-61-08
FIG. 01
PAGE 19
JAN 20/09



757

PARTS CATALOG (MAINTENANCE)

| FIG ITEM | PART NUMBER | 1 2 3 4 5 6 7 | NOMENCLATURE | EFFECT FROM TO | UNITS PER ASSY |
|----------|----------------|---------------|------------------------------------|--------------------------------------|----------------|
| 1 | | | | | |
| 365 | NAS1922-0150-1 | . . | CLAMP- | 002004 006100 121503 904999 | 2 |
| - 400 | 286N2072-003 | | WIRE BUNDLE ASSY | 121503 904949 | RF |
| - 400 | 286N2072-004 | | WIRE BUNDLE ASSY- | 107107 | RF |
| - 400 | 286N2072-005 | | WIRE BUNDLE ASSY- | 002004 | RF |
| | | | REWORKED BY SB: 33-0039 | 006100 950999 | |
| 405 | BACC45FT8A3S | . . | CONNECTOR- | 002004 | 1 |
| | | | ELECTRICAL EQUIP NUMBER: D04350 | 006100 107107 | |
| | | | WIRING DIAGRAM REF: 216111 | 121503 904999 | |
| - 450 | 286N4006-013 | | WIRE BUNDLE ASSY | 107107 | RF |
| - 450 | 286N4006-015 | | WIRE BUNDLE ASSY | 002004 | RF |
| | | | | 006100 950999 | |
| - 450 | 286N2706-002 | | WIRE BUNDLE ASSY- | 121503 | RF |
| | | | | 904949 | |
| - 451 | 286N4106-019 | | WIRE BUNDLE ASSY | 107107 | RF |
| - 451 | 286N2716-002 | | WIRE BUNDLE ASSY- | 121503 | RF |
| | | | | 904949 | |
| - 451 | 286N2728-001 | | WIRE BUNDLE ASSY | 002004 | RF |
| | | | | 006100 950999 | |
| 460 | BACC45FT10-5S | . . | CONNECTOR- | 002004 | 2 |
| | | | ELECTRICAL EQUIP NUMBER: D02568 | 006100 107107 | |
| | | | D02582 | 121503 | |
| | | | WIRING DIAGRAM REF: 216121 | 904999 | |
| | | | 216131 | | |
| - 500 | 286N3634-002 | | WIRE BUNDLE ASSY | 121503 | RF |
| | | | | 904949 | |
| - 501 | 286N3634-020 | | WIRE BUNDLE ASSY | 107107 | RF |
| - 501 | 286N3634-022 | | WIRE BUNDLE ASSY | 002004 | RF |
| | | | | 006100 950999 | |
| 505 | BACC45FT8A3S | . . | CONNECTOR- | 002004 | 1 |
| | | | ELECTRICAL EQUIP NUMBER: D02584 | 006100 107107 | |
| | | | WIRING DIAGRAM REF: 216131 | 121503 904999 | |
| - 550 | 286N3632-002 | | WIRE BUNDLE ASSY | 121503 | RF |
| | | | | 904949 | |
| - 550 | 286N3632-017 | | WIRE BUNDLE ASSY | 107107 | RF |

MISSING ITEM NUMBERS NOT APPLICABLE

- ITEM NOT ILLUSTRATED

BRI

21-61-08-01

21-61-08
FIG. 01
PAGE 20
JAN 20/09



757

PARTS CATALOG (MAINTENANCE)

| FIG ITEM | PART NUMBER | 1 2 3 4 5 6 7 | NOMENCLATURE | EFFECT FROM TO | UNITS PER ASSY |
|----------|--------------|---------------|---|--|----------------|
| 1 | | | | | |
| - 551 | 286N3632-019 | | WIRE BUNDLE ASSY | 002004 006100 950999 | RF |
| - 555 | 286N3634-002 | | WIRE BUNDLE ASSY | 121503 904949 | RF |
| - 556 | 286N3634-020 | | WIRE BUNDLE ASSY | 107107 | RF |
| - 556 | 286N3634-022 | | WIRE BUNDLE ASSY | 002004 006100 950999 | RF |
| - 560 | FC3406D12S3S | | .CONNECTOR- SUPPLIER CODE: V28680 SPECIFICATION NUMBER: BACC63BW12S3S OPTIONAL PART: WFB612S3S V17549 ELECTRICAL EQUIP NUMBER: D03156 D03158 WIRING DIAGRAM REF: 216511 | 002004 006100 107107 121503 904999 | 1 |

MISSING ITEM NUMBERS NOT APPLICABLE

- ITEM NOT ILLUSTRATED

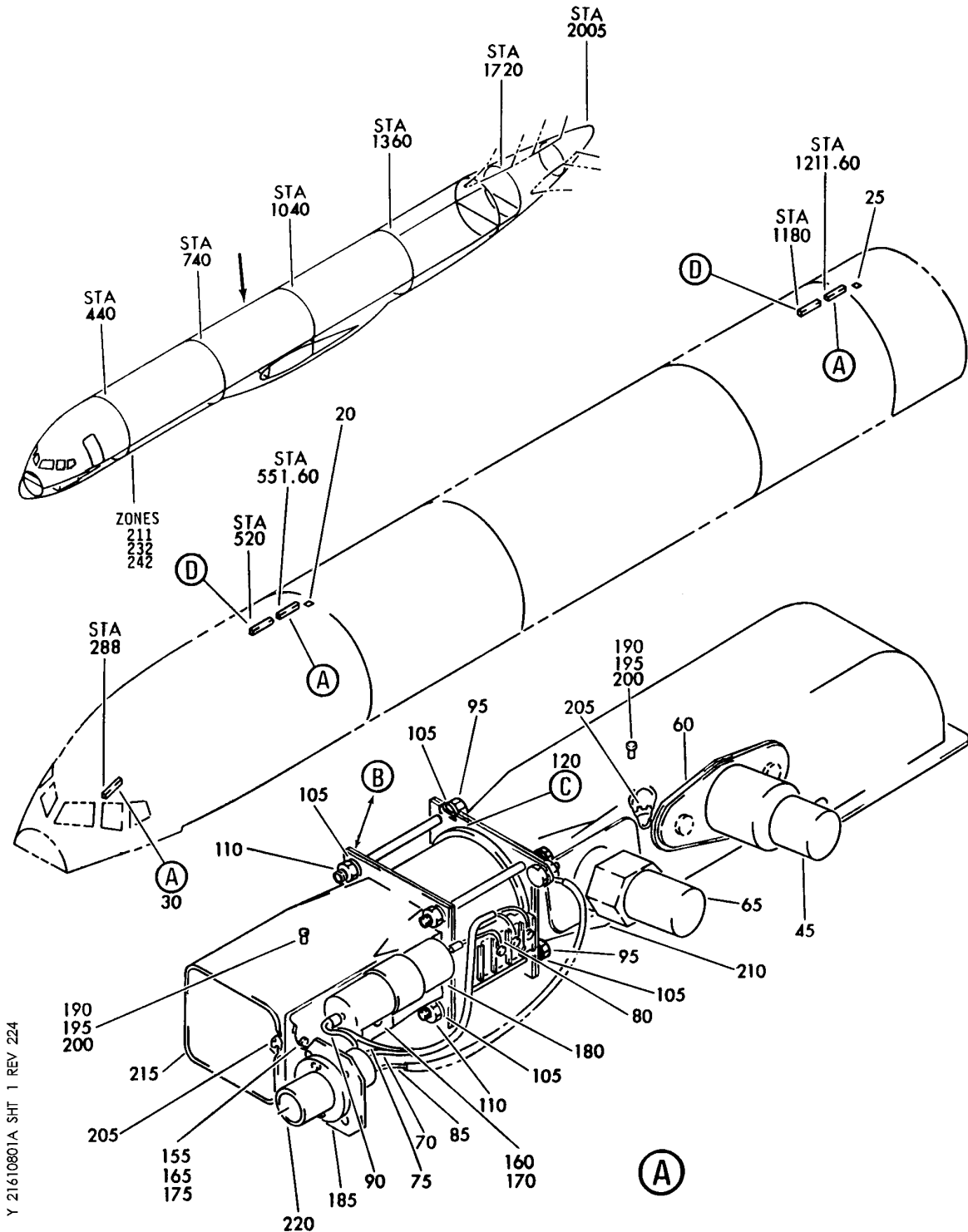
BRI

21-61-08-01

BOEING PROPRIETARY - Copyright © - Unpublished Work - See title page for details.

21-61-08
FIG. 01
PAGE 21
JAN 20/09

BOEING
757
PARTS CATALOG (MAINTENANCE)



Y 21610801A SHT 1 REV 224

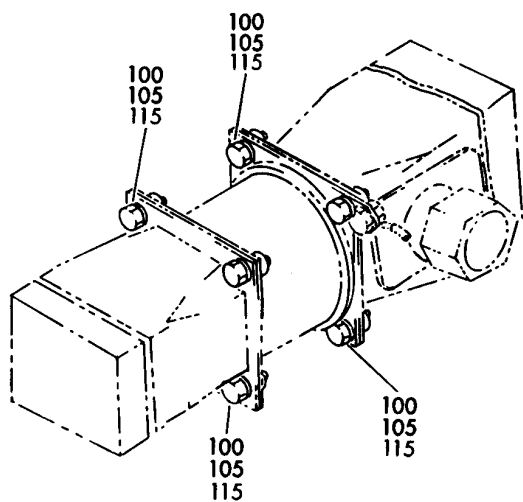
SENSOR INSTL-MAIN AND FLIGHT DECK COMPT TEMP
FIGURE 1A (SHEET 1)

21-61-08-01A

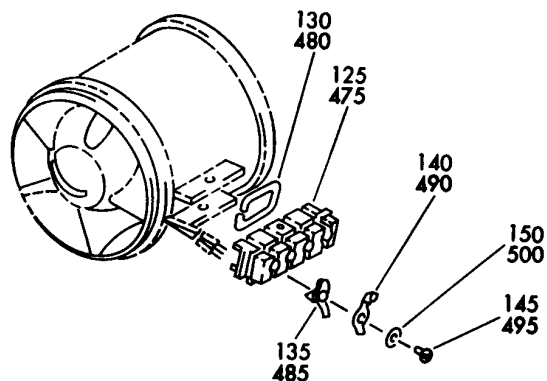
BRI
MAY 28/07

21-61-08-01A
PAGE 0

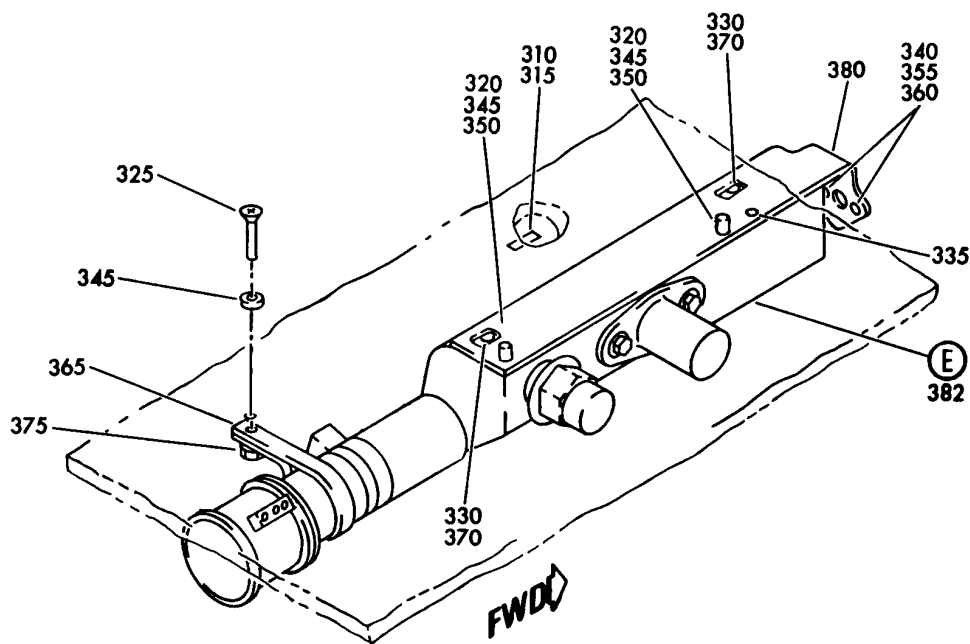
BOEING
757
PARTS CATALOG (MAINTENANCE)



(B)



(C)



(D)

Y 21610801A SHT 2 REV 181

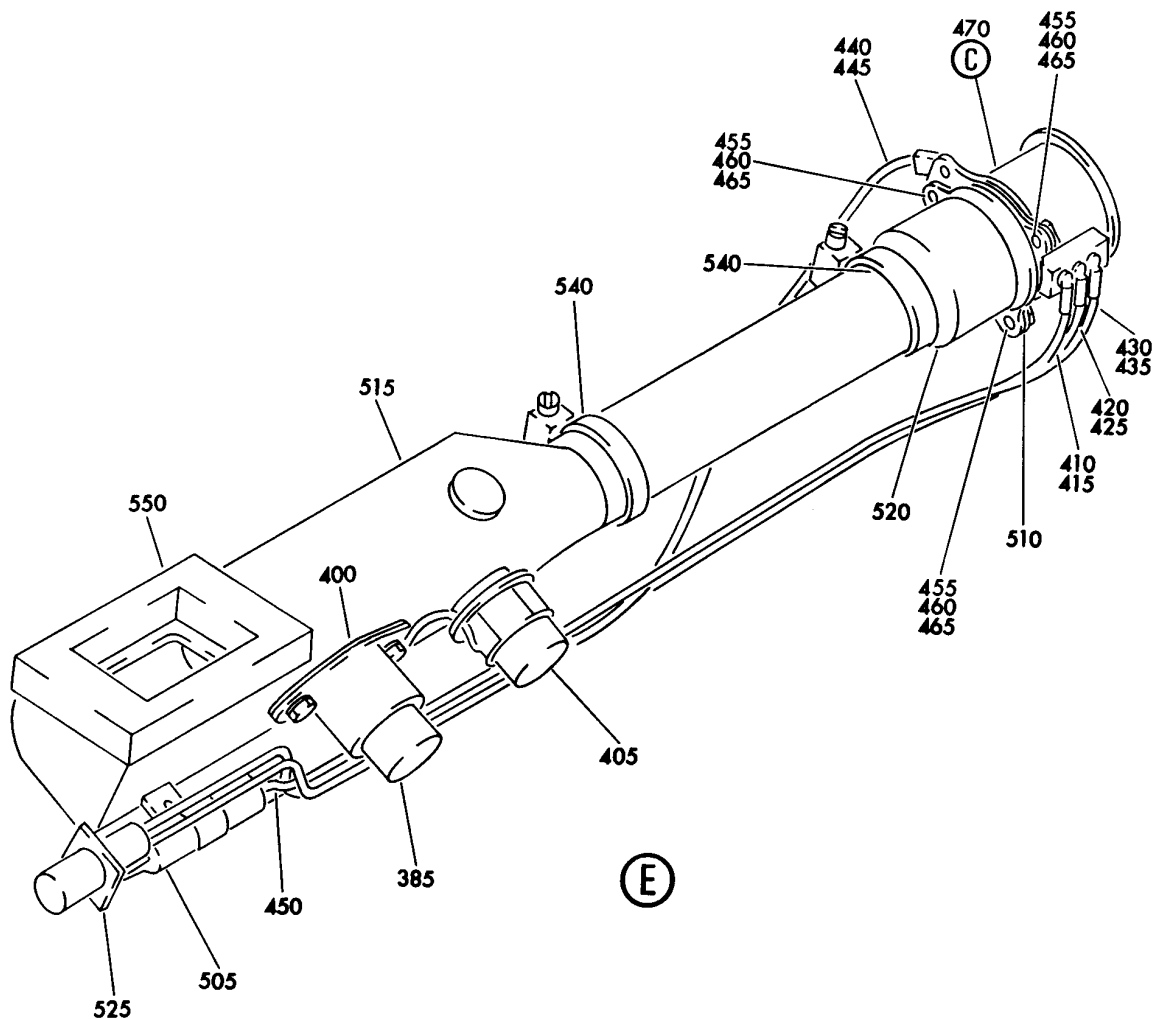
SENSOR INSTL-MAIN AND FLIGHT DECK COMPT TEMP
FIGURE 1A (SHEET 2)

21-61-08-01A

BRI
MAY 28/07

21-61-08-01A
PAGE 0A

BOEING
757
PARTS CATALOG (MAINTENANCE)



Y 21610801A SHT 3 REV 1B1

SENSOR INSTL-MAIN AND FLIGHT DECK COMPT TEMP
FIGURE 1A (SHEET 3)

21-61-08-01A

BRI
MAY 28/07

21-61-08-01A
PAGE 0B

BOEING
757
PARTS CATALOG (MAINTENANCE)

| FIG ITEM | PART NUMBER | 1 2 3 4 5 6 7 | NOMENCLATURE | EFFECT FROM TO | UNITS PER ASSY |
|----------|--------------|---------------|---|----------------------------|----------------|
| 1 A | | | SENSOR INSTL-MAIN AND FLIGHT DECK COMPT TEMP | 101106 108120 504903 | |
| - 1 | 215N1001-16 | | SENSOR INSTL-TEMP POSITION DATA: STA 288 FOR NHA SEE: 21-00-00-14 | 101102 108120 504903 | RF |
| - 1 | MODREF5424 | | SENSOR INSTL-TEMP MODULE NUMBER: 215N1001-16 REV A POSITION DATA: STA 288 | 103106 | 1 |
| 15 | BAC27NEC0061 | | .MARKER-ALUMINUM FOIL PLACARD CONTENT: FLIGHT DECK CABIN ZONE TEMP SENSOR MODULE M10452 USED ON: 215N1001-16 MODREF5424 | 101106 108120 504903 | 1 |
| 30 | 215N1002-34 | | .SENSOR ASSY-(AIR CONDITIONING ONLY) SUPPLIER CODE: V89954 ELECTRICAL EQUIP NUMBER: M10452 FUNCTIONAL REFERENCE: PLACARDS AND MARKINGS FOR DETAILS SEE 11-35-80-01A | 101106 108120 504903 | 1 |
| 45 | 624018-1 | | ..SENSOR ASSY-TEMP CAB. AIR SUPPLIER CODE: V07217 SPECIFICATION NUMBER: S210T130-21 ELECTRICAL EQUIP NUMBER: TS0001 COMPONENT MAINT MANUAL REF: 21-61-01 ATTACHING PARTS | 101106 108120 504903 | 1 |
| - 50 | NAS1801-3D8 | | ..SCREW | 101106 108120 504903 | 2 |
| - 55 | AN960PD10L | | ..WASHER | 101106 108120 504903 | 2 |
| | | | -----*----- | | |

MISSING ITEM NUMBERS NOT APPLICABLE

- ITEM NOT ILLUSTRATED

BRI

21-61-08-01A

BOEING PROPRIETARY - Copyright © - Unpublished Work - See title page for details.

21-61-08
FIG. 01A
PAGE 1
JAN 20/09



757

PARTS CATALOG (MAINTENANCE)

| FIG ITEM | PART NUMBER | 1 2 3 4 5 6 7 | NOMENCLATURE | EFFECT FROM TO | UNITS PER ASSY |
|----------|---------------|---------------|--|----------------------------|----------------|
| 1 A | | | | | |
| 60 | 1025400-1 | ... | GASKET- SUPPLIER CODE: V07217 | 101106 108120 504903 | 1 |
| 65 | 1122027 | .. | DETECTOR-TEMP SUPPLIER CODE: V60678 ELECTRICAL EQUIP NUMBER: TS0002 | 101106 108120 504903 | 1 |
| 70 | 215N1002-2 | .. | WIRE ASSY- SUPPLIER CODE: V89954 | 101106 108120 504903 | 1 |
| 75 | 215N1002-3 | .. | WIRE ASSY- SUPPLIER CODE: V89954 | 101106 108120 504903 | 1 |
| 80 | 215N1002-4 | .. | WIRE ASSY- SUPPLIER CODE: V89954 | 101106 108120 504903 | 1 |
| 85 | 215N1002-5 | .. | WIRE ASSY- SUPPLIER CODE: V89954 | 101106 108120 504903 | 1 |
| 90 | 215N1002-6 | .. | WIRE-COLOR WHITE SUPPLIER CODE: V89954 | 101106 108120 504903 | 1 |
| 95 | NAS1801-04-30 | .. | SCREW- QUALIFIED OPTIONAL DATA: (NAS600-30P OPT TO NAS1801-04-30 OPT TO 215N1002-82) | 101106 108120 504903 | 4 |
| 95 | NAS600-30P | .. | SCREW- QUALIFIED OPTIONAL DATA: (NAS600-30P OPT TO NAS1801-04-30 OPT TO 215N1002-82) | 101106 108120 504903 | 4 |
| - 97 | 215N1002-82 | .. | KIT ASSY-SUB SUPPLIER CODE: V89954 QUALIFIED OPTIONAL DATA: (NAS600-30P OPT TO NAS1801-04-30 OPT TO 215N1002-82) | 101106 108120 504903 | 1 |
| 100 | NAS1801-04-6 | ... | SCREW | 101106 108120 504903 | 8 |
| 105 | NAS620A4L | ... | WASHER- | 101106 108120 504903 | 8 |

MISSING ITEM NUMBERS NOT APPLICABLE

- ITEM NOT ILLUSTRATED

21-61-08-01A

21-61-08
FIG. 01A
PAGE 2
JAN 20/09

BRI

BOEING PROPRIETARY - Copyright © - Unpublished Work - See title page for details.

BOEING
757
PARTS CATALOG (MAINTENANCE)

| FIG ITEM | PART NUMBER | 1 2 3 4 5 6 7 | NOMENCLATURE | EFFECT FROM TO | UNITS PER ASSY |
|-----------|--------------|---------------|---|----------------------------|----------------|
| 1A 110 | 92-1660-40 | ... | NUT- SUPPLIER CODE: V72962 SPECIFICATION NUMBER: BACN10DN40 OPTIONAL PART: 92-1660-440 V15653 | 101106 108120 504903 | 4 |
| 115 | 271166 | ... | CLAMP- SUPPLIER CODE: V82877 | 101106 108120 504903 | 8 |
| 120 | 024116 | .. | FAN ASSY-VANEAXIAL SUPPLIER CODE: V82877 ELECTRICAL EQUIP NUMBER: M00001 COMPONENT MAINT MANUAL REF: 21-61-02 | 101106 108120 504903 | 1 |
| 125 | 200033 | ... | BOARD-TERMINAL SUPPLIER CODE: V82877 | 101106 108120 504903 | 1 |
| 130 | 476231 | ... | CLIP-RETAINING SUPPLIER CODE: V82877 | 101106 108120 504903 | 1 |
| 135 | 477012 | ... | TERMINAL-LUG SUPPLIER CODE: V82877 | 101106 108120 504903 | 3 |
| 140 | 476280 | ... | TERMINAL-LUG SUPPLIER CODE: V82877 | 101106 108120 504903 | 3 |
| 145 | 251443 | ... | SCREW-MACH SUPPLIER CODE: V82877 | 101106 108120 504903 | 3 |
| 150 | 251302 | ... | WASHER-LOCK SUPPLIER CODE: V82877 | 101106 108120 504903 | 3 |
| 155 | NAS1801-3-5 | .. | SCREW | 101106 108120 504903 | 1 |
| 160 | NAS1801-06-6 | .. | SCREW | 101106 108120 504903 | 1 |
| 165 | AN960PD10L | .. | WASHER | 101106 108120 504903 | 1 |

MISSING ITEM NUMBERS NOT APPLICABLE

— ITEM NOT ILLUSTRATED

BRI

21-61-08-01A

BOEING PROPRIETARY - Copyright © - Unpublished Work - See title page for details.

21-61-08
FIG. 01A
PAGE 3
JAN 20/09

BOEING
757
PARTS CATALOG (MAINTENANCE)

| FIG ITEM | PART NUMBER | 1 2 3 4 5 6 7 | NOMENCLATURE | EFFECT FROM TO | UNITS PER ASSY |
|-----------|-----------------|---------------|--|----------------------------|----------------|
| 1A 170 | AN960PD6L | .. | WASHER | 101106 108120 504903 | 1 |
| 175 | BRH10A3 | .. | NUT SUPPLIER CODE: V52828 SPECIFICATION NUMBER: BACN10JC3 OPTIONAL PART: H10-3BAC V15653 NS202101-02 V80539 RMLH9075-3W V72962 VN303A02 V92215 96-02 V80539 T6S1032J V11815 | 101106 108120 504903 | 1 |
| 180 | 259P3349330T13 | .. | CAPACITOR- SUPPLIER CODE: V56289 OPTIONAL PART: 720P334X9400S13 V56289 720PA12 V56289 | 101106 108120 504903 | 1 |
| 180 | 720P334X9400S13 | .. | CAPACITOR- SUPPLIER CODE: V56289 OPTIONAL PART: 259P3349330T13 V56289 720PA12 V56289 | 101106 108120 504903 | 1 |
| 180 | 720PA12 | .. | CAPACITOR- SUPPLIER CODE: V56289 OPTIONAL PART: 259P3349330T13 V56289 720P334X9400S13 V56289 | 101106 108120 504903 | 1 |
| 185 | 215N1004-1 | .. | BRACKET-SPRT | 101106 108120 504903 | 1 |

MISSING ITEM NUMBERS NOT APPLICABLE

— ITEM NOT ILLUSTRATED

BRI

21-61-08-01A

BOEING PROPRIETARY - Copyright © - Unpublished Work - See title page for details.

21-61-08
FIG. 01A
PAGE 4
JAN 20/09



757

PARTS CATALOG (MAINTENANCE)

| FIG ITEM | PART NUMBER | 1 2 3 4 5 6 7 | NOMENCLATURE | EFFECT FROM TO | UNITS PER ASSY |
|-----------|---------------|---------------|---|----------------------------|----------------|
| 1A 190 | 82-99-341-16 | .. | STUD- SUPPLIER CODE: V94222 SPECIFICATION NUMBER: BACS21AP16ORP | 101106 108120 504903 | 2 |
| 195 | BACR12AG2C | .. | RING | 101106 108120 504903 | 2 |
| 200 | BACW10BN4P | .. | WASHER | 101106 108120 504903 | 2 |
| 205 | AMD630-703 | .. | BUTTON- SUPPLIER CODE: V96144 MISCELLANEOUS DATA: REPLACED BY BACP20B43 FULLY INTERCHANGEABLE. BACP20B43 NOT DOCUMENTED. OPTIONAL PART: BACP20B43 SFHP5006S01WH V96144 | 101106 108120 504903 | 2 |
| 205 | D3161PLC | .. | BUTTON- SUPPLIER CODE: V57771 SPECIFICATION NUMBER: BACP20B43 OPTIONAL PART: SS48152 V83058 AMD630-703 V96144 SFHP5006S01WH V96144 | 101106 108120 504903 | 2 |
| 205 | SFHP5006S01WH | .. | BUTTON- SUPPLIER CODE: V12324 MISCELLANEOUS DATA: REPLACED BY BACP20B43 FULLY INTERCHANGEABLE. BACP20B43 NOT DOCUMENTED. OPTIONAL PART: BACP20B43 AMD630-703 V96144 | 101106 108120 504903 | 2 |

MISSING ITEM NUMBERS NOT APPLICABLE

- ITEM NOT ILLUSTRATED

21-61-08-01A

21-61-08
FIG. 01A
PAGE 5
JAN 20/09

BRI

BOEING PROPRIETARY - Copyright © - Unpublished Work - See title page for details.

BOEING
757
PARTS CATALOG (MAINTENANCE)

| FIG ITEM | PART NUMBER | 1 2 3 4 5 6 7 | NOMENCLATURE | EFFECT FROM TO | UNITS PER ASSY |
|----------|--------------|---------------|--|----------------------------|----------------|
| 1A | | | | | |
| 210 | 215N1003-12 | .. | DUCT ASSY | 101106 108120 504903 | 1 |
| 215 | 215N1003-13 | .. | DUCT ASSY | 101106 108120 504903 | 1 |
| 220 | BACC45FN8-3P | .. | CONNECTOR | 101106 108120 504903 | 1 |
| | | | ATTACHING PARTS | | |
| - 225 | NAS1801-04-5 | .. | SCREW | 101106 108120 504903 | 2 |
| - 230 | AN960PD4L | .. | WASHER | 101106 108120 504903 | 2 |
| - 235 | BRH10A04 | .. | NUT | 101106 108120 504903 | 2 |
| | | | SUPPLIER CODE: V52828 | | |
| | | | SPECIFICATION NUMBER: BACN10JCO4 | | |
| | | | OPTIONAL PART: NS202101-40 | | |
| | | | V80539 | | |
| | | | RMLH9075-40W | | |
| | | | V72962 | | |
| | | | VN303A40 | | |
| | | | V92215 | | |
| | | | 96-40 | | |
| | | | V80539 | | |
| | | | T6S440J | | |
| | | | V11815 | | |
| | | | H10-04BAC | | |
| | | | V15653 | | |
| | | | -----*----- | | |
| - 300 | 215N1001-17 | | SENSOR INSTL-TEMP POSITION DATA: STA 520.00 | 101102 108120 504903 | RF |
| | | | FOR NHA SEE: 21-00-00-12 | | |
| - 305 | 215N1001-18 | | SENSOR INSTL-TEMP POSITION DATA: STA 1180.00 | 101102 108120 504903 | RF |
| | | | FOR NHA SEE: 21-00-00-12 | | |

MISSING ITEM NUMBERS NOT APPLICABLE

- ITEM NOT ILLUSTRATED

BRI

21-61-08-01A

BOEING PROPRIETARY - Copyright © - Unpublished Work - See title page for details.

21-61-08
FIG. 01A
PAGE 6
JAN 20/09



757

PARTS CATALOG (MAINTENANCE)

| FIG ITEM | PART NUMBER | 1 2 3 4 5 6 7 | NOMENCLATURE | EFFECT FROM TO | UNITS PER ASSY |
|----------|---------------|---------------|--|----------------------------|----------------|
| 1 A | | | | | |
| 310 | BAC27NEC0062 | | .MARKER-ALUMINUM FOIL POSITION DATA: FWD CABIN ONE TEMP PLACARD CONTENT: SENSOR MODULE M10025 USED ON: 215N1001-17 MODREF5425 | 101102 108120 504903 | 1 |
| 315 | BAC27NEC0063 | | .MARKER-ALUMINUM FOIL PLACARD CONTENT: AFT CABIN ZONE TEMP SENSOR MODULE M10024 USED ON: 215N1001-18 MODREF5426 | 101102 108120 504903 | 1 |
| 320 | BACS12FA3K8 | | .SCREW | 101102 108120 504903 | 2 |
| 325 | BACS12ER08K18 | | .SCREW | 101102 108120 504903 | 1 |
| 330 | NAS8201A5 | | .SCREW | 101102 108120 504903 | 2 |
| 335 | NAS1801-06-4 | | .SCREW | 101102 108120 504903 | 1 |
| 340 | NAS1801-04-5 | | .SCREW | 101102 108120 504903 | 2 |
| 345 | NAS1149D0332J | | .WASHER | 101102 108120 504903 | 3 |
| 350 | BACW10P269AL | | .WASHER | 101102 108120 504903 | 2 |
| 355 | NAS1149DN416J | | .WASHER | 101102 108120 504903 | 2 |

MISSING ITEM NUMBERS NOT APPLICABLE

- ITEM NOT ILLUSTRATED

21-61-08-01A

21-61-08
FIG. 01A
PAGE 7
JAN 20/09

BRI

BOEING PROPRIETARY - Copyright © - Unpublished Work - See title page for details.



757

PARTS CATALOG (MAINTENANCE)

| FIG ITEM | PART NUMBER | 1 2 3 4 5 6 7 | NOMENCLATURE | EFFECT FROM TO | UNITS PER ASSY |
|-----------|--------------|---------------|--|----------------------------|----------------|
| 1A 360 | BRH10C04D | . | NUT SUPPLIER CODE: V52828 SPECIFICATION NUMBER: BACN10JC04CD OPTIONAL PART: H51650-04BAC V15653 102LH9075-40W V72962 NS202486-40 V80539 T6C440JCD V11815 T6C440JCD V11815 | 101102 108120 504903 | 1 |
| 365 | MS25281R24 | . | CLAMP | 101102 108120 504903 | 1 |
| 370 | NAS43DD3-8FC | . | SPACER | 101102 108120 504903 | 2 |
| 375 | MS21042L08 | . | NUT | 101102 108120 504903 | 1 |
| 380 | 215N1004-5 | . | BRACKET ASSY | 101102 108120 504903 | 1 |
| 382 | 215N1002-78 | . | SENSOR ASSY-(AIR CONDITIONING ONLY) SUPPLIER CODE: V89954 ELECTRICAL EQUIP NUMBER: M10024 M10025 FUNCTIONAL REFERENCE: PLACARDS AND MARKINGS FOR DETAILS SEE 11-35-80-01A | 101102 108120 504903 | 1 |

MISSING ITEM NUMBERS NOT APPLICABLE

- ITEM NOT ILLUSTRATED

BRI

21-61-08-01A

BOEING PROPRIETARY - Copyright © - Unpublished Work - See title page for details.

21-61-08
FIG. 01A
PAGE 8
JAN 20/09

 **BOEING**
757
PARTS CATALOG (MAINTENANCE)

| FIG ITEM | PART NUMBER | 1 2 3 4 5 6 7 | NOMENCLATURE | EFFECT FROM TO | UNITS PER ASSY |
|-----------|---------------|---------------|---|----------------------------|----------------|
| 1A 382 | 215N1002-76 | . | SENSOR ASSY-(AIR CONDITIONING ONLY) SUPPLIER CODE: V89954 ELECTRICAL EQUIP NUMBER: M10024 M10025 FUNCTIONAL REFERENCE: PLACARDS AND MARKINGS FOR DETAILS SEE 11-35-80-01A | 101102 108120 504903 | 1 |
| 385 | 624018-1 | .. | SENSOR ASSY-TEMP CAB. AIR SUPPLIER CODE: V07217 SPECIFICATION NUMBER: S210T130-21 ELECTRICAL EQUIP NUMBER: TS0001 COMPONENT MAINT MANUAL REF: 21-61-01 ATTACHING PARTS | 101102 108120 504903 | 1 |
| - 390 | NAS1801-3D8 | .. | SCREW- USED ON: 215N1002-78 | 101102 108120 504903 | 2 |
| - 390 | NAS1801-04D8 | .. | SCREW- USED ON: 215N1002-76 | 101102 108120 504903 | 2 |
| - 395 | NAS1149D0332J | .. | WASHER | 101102 108120 504903 | 2 |
| 400 | 1025400-1 | ... | GASKET- SUPPLIER CODE: V07217 | 101102 108120 504903 | 1 |
| 405 | 1122027 | .. | DETECTOR-TEMP SUPPLIER CODE: V60678 ELECTRICAL EQUIP NUMBER: TS0002 | 101102 108120 504903 | 1 |
| 410 | 215N1002-72 | .. | WIRE ASSY- SUPPLIER CODE: V89954 | 101102 108120 504903 | 1 |
| 415 | 329636 | ... | TERMINAL- SUPPLIER CODE: V00779 | 101102 108120 504903 | 1 |
| 420 | 215N1002-73 | .. | WIRE ASSY- SUPPLIER CODE: V89954 | 101102 108120 504903 | 1 |

MISSING ITEM NUMBERS NOT APPLICABLE

- ITEM NOT ILLUSTRATED

BRI

21-61-08-01A

BOEING PROPRIETARY - Copyright © - Unpublished Work - See title page for details.

21-61-08
FIG. 01A
PAGE 9
JAN 20/09



757

PARTS CATALOG (MAINTENANCE)

| FIG ITEM | PART NUMBER | 1 2 3 4 5 6 7 | NOMENCLATURE | EFFECT FROM TO | UNITS PER ASSY |
|----------|---------------|---------------|---|----------------------------|----------------|
| 1 A | | | | | |
| 425 | 329636 | ... | TERMINAL- SUPPLIER CODE: V00779 | 101102 108120 504903 | 1 |
| 430 | 215N1002-74 | .. | WIRE ASSY- SUPPLIER CODE: V89954 | 101102 108120 504903 | 1 |
| 435 | 329636 | ... | TERMINAL- SUPPLIER CODE: V00779 | 101102 108120 504903 | 1 |
| 440 | 215N1002-75 | .. | WIRE ASSY- SUPPLIER CODE: V89954 | 101102 108120 504903 | 1 |
| 445 | 52273-1 | ... | TERMINAL SUPPLIER CODE: V00779 SPECIFICATION NUMBER: BACT12AR201 | 101102 108120 504903 | 1 |
| 450 | 215N1002-71 | .. | WIRE-COLOR WHITE SUPPLIER CODE: V89954 | 101102 108120 504903 | 1 |
| 455 | NAS1801-04-6 | .. | SCREW- | 101102 108120 504903 | 3 |
| 460 | NAS1149DN416J | .. | WASHER- | 101102 108120 504903 | 3 |
| 465 | 271166 | .. | CLAMP- SUPPLIER CODE: V82877 | 101102 108120 504903 | 3 |
| 470 | 024116 | .. | FAN ASSY-VANEAXIAL SUPPLIER CODE: V82877 ELECTRICAL EQUIP NUMBER: M00001 COMPONENT MAINT MANUAL REF: 21-61-02 | 101102 108120 504903 | 1 |
| 475 | 200033 | ... | BOARD-TERMINAL SUPPLIER CODE: V82877 | 101102 108120 504903 | 1 |
| 480 | 476231 | ... | CLIP-RETAINING SUPPLIER CODE: V82877 | 101102 108120 504903 | 1 |
| 485 | 477012 | ... | TERMINAL-LUG SUPPLIER CODE: V82877 | 101102 108120 504903 | 3 |

MISSING ITEM NUMBERS NOT APPLICABLE

- ITEM NOT ILLUSTRATED

21-61-08-01A

21-61-08
FIG. 01A
PAGE 10
JAN 20/09

BRI

BOEING PROPRIETARY - Copyright © - Unpublished Work - See title page for details.



757

PARTS CATALOG (MAINTENANCE)

| FIG ITEM | PART NUMBER | 1 2 3 4 5 6 7 | NOMENCLATURE | EFFECT FROM TO | UNITS PER ASSY |
|----------|-----------------|---------------|---|----------------------------|----------------|
| 1 A | | | | | |
| 490 | 476280 | ... | TERMINAL-LUG SUPPLIER CODE: V82877 ATTACHING PARTS | 101102 108120 504903 | 3 |
| 495 | 251443 | ... | SCREW-MACH SUPPLIER CODE: V82877 | 101102 108120 504903 | 3 |
| 500 | 251302 | ... | WASHER-LOCK SUPPLIER CODE: V82877 | 101102 108120 504903 | 3 |
| | | -----* | | | |
| 505 | 259P3349330T13 | .. | CAPACITOR- SUPPLIER CODE: V56289 OPTIONAL PART: 720P334X9400S13 V56289 720PA12 V56289 | 101102 108120 504903 | 1 |
| 505 | 720P334X9400S13 | .. | CAPACITOR- SUPPLIER CODE: V56289 OPTIONAL PART: 259P3349330T13 V56289 720PA12 V56289 | 101102 108120 504903 | 1 |
| 505 | 720PA12 | .. | CAPACITOR- SUPPLIER CODE: V56289 OPTIONAL PART: 259P3349330T13 V56289 720P334X9400S13 V56289 | 101102 108120 504903 | 1 |
| 510 | 215N1004-4 | .. | FLANGE | 101102 108120 504903 | 1 |
| 515 | 215N1003-27 | .. | DUCT ASSY | 101102 108120 504903 | 1 |
| 520 | 215N1003-31 | .. | DUCT ASSY | 101102 108120 504903 | 1 |
| 525 | BACC45FN8-3P | .. | CONNECTOR | 101102 108120 504903 | 1 |

MISSING ITEM NUMBERS NOT APPLICABLE

- ITEM NOT ILLUSTRATED

21-61-08-01A

21-61-08
FIG. 01A
PAGE 11
JAN 20/09

BRI

BOEING PROPRIETARY - Copyright © - Unpublished Work - See title page for details.



757

PARTS CATALOG (MAINTENANCE)

| FIG ITEM | PART NUMBER | 1 2 3 4 5 6 7 | NOMENCLATURE | EFFECT FROM TO | UNITS PER ASSY |
|----------|----------------|---------------|---|----------------------------|----------------|
| 1 A | | | ATTACHING PARTS | | |
| - 530 | NAS1801-04-5 | .. | SCREW- USED ON: 215N1002-76 | 101102 108120 504903 | 1 |
| - 530 | NAS1801-3D8 | .. | SCREW- USED ON: 215N1002-78 | 101102 108120 504903 | 1 |
| - 532 | NAS1149DN416J | .. | WASHER | 101102 108120 504903 | 2 |
| | | | -----*----- | | |
| 535 | BACD40R05A60 | .. | SLEEVE | 101102 108120 504903 | 1 |
| 540 | NAS1922-0125-3 | .. | CLAMP | 101102 108120 504903 | 2 |
| 545 | NAS1149D0332J | .. | WASHER | 101102 108120 504903 | 2 |
| 550 | 215N1005-1 | .. | SEAL-BELLOW SUPPLIER CODE: V89954 | 101102 108120 504903 | 1 |

MISSING ITEM NUMBERS NOT APPLICABLE

- ITEM NOT ILLUSTRATED

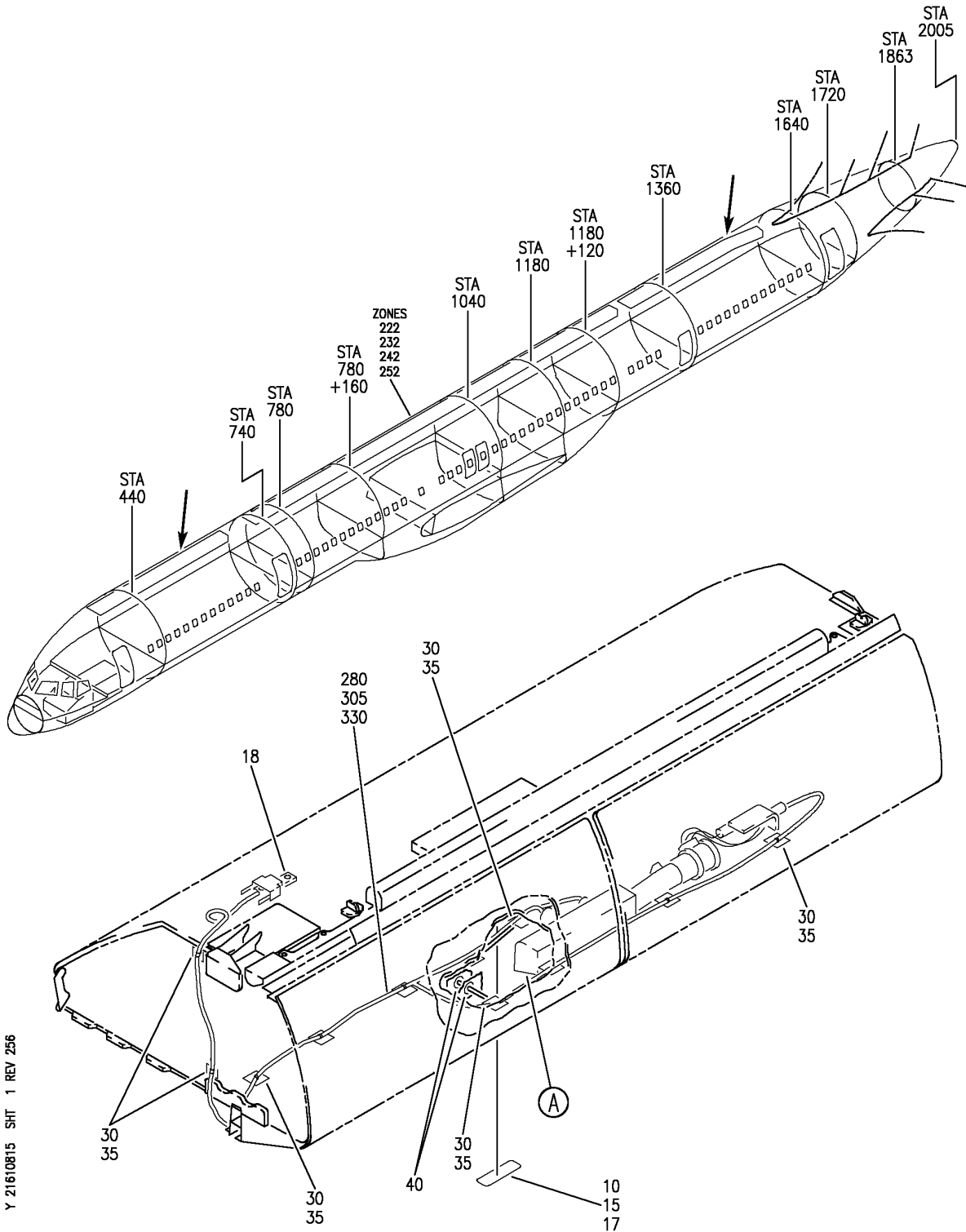
BRI

21-61-08-01A

BOEING PROPRIETARY - Copyright © - Unpublished Work - See title page for details.

21-61-08
FIG. 01A
PAGE 12
JAN 20/09

BOEING
757
PARTS CATALOG (MAINTENANCE)



Y 21610815 SH1 1 REV 256

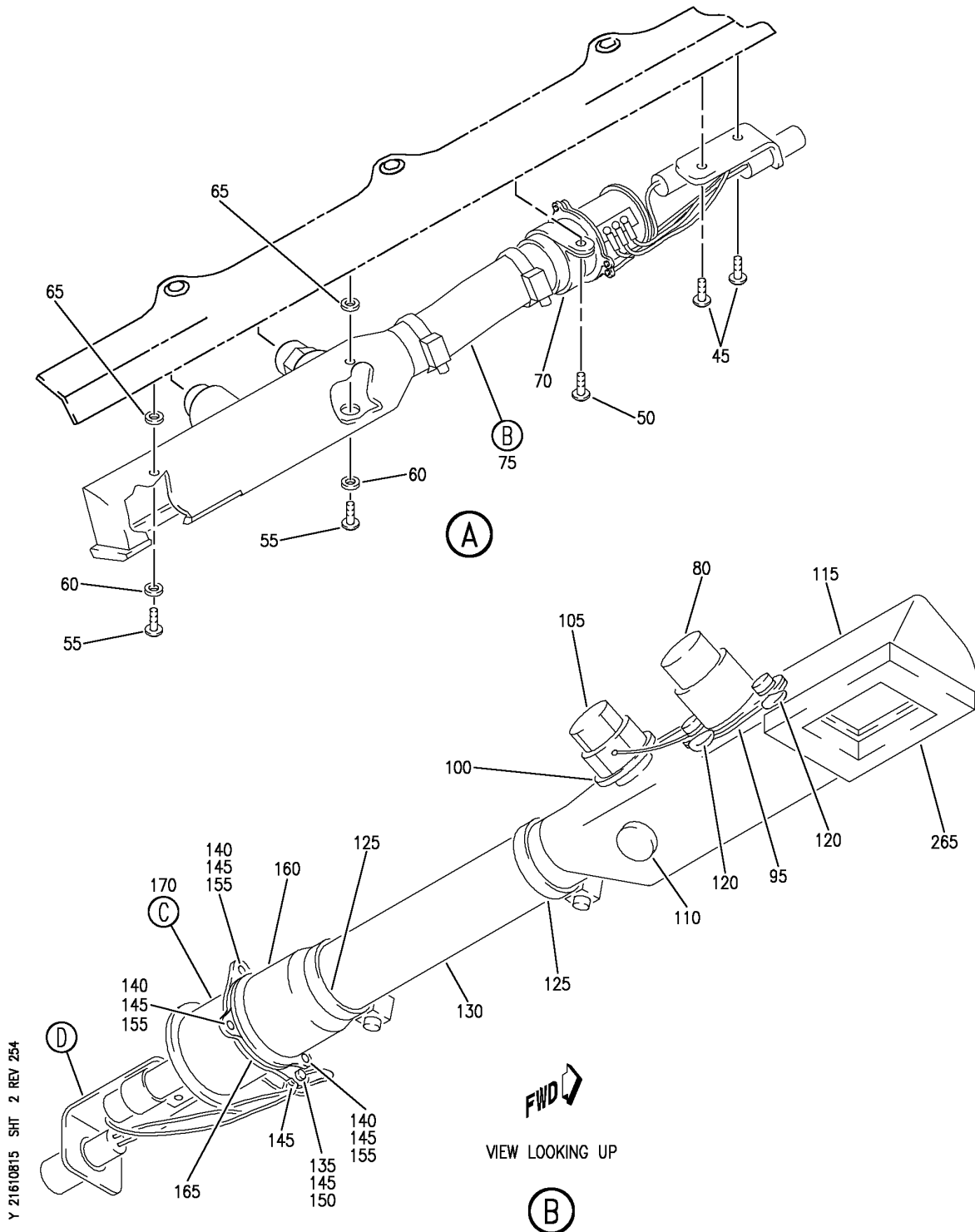
BIN ASSY-BIG 80 IN. (AIR CONDITIONING ONLY)
FIGURE 15 (SHEET 1)

21-61-08-15

BRI
JAN 20/09

21-61-08-15
PAGE 0

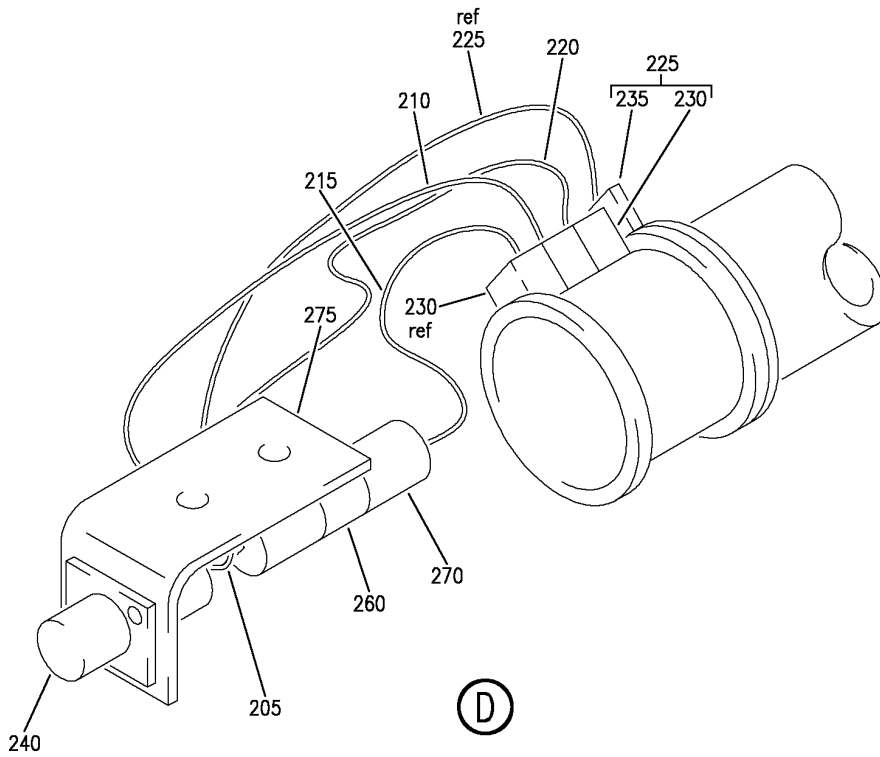
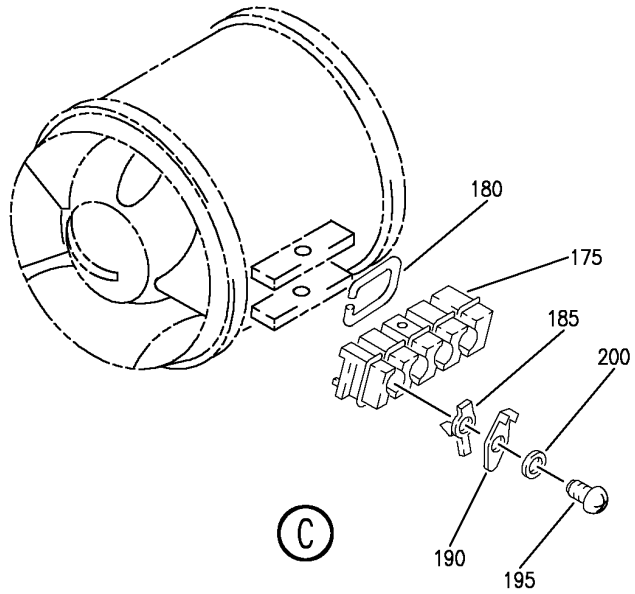
BOEING
757
PARTS CATALOG (MAINTENANCE)



BIN ASSY-BIG 80 IN. (AIR CONDITIONING ONLY)
FIGURE 15 (SHEET 2)

21-61-08-15

BOEING
757
PARTS CATALOG (MAINTENANCE)



Y 21610815 SHT 3 REV 254

BIN ASSY-BIG 80 IN. (AIR CONDITIONING ONLY)
FIGURE 15 (SHEET 3)

21-61-08-15

BRI
JAN 20/09

21-61-08-15
PAGE 08



757

PARTS CATALOG (MAINTENANCE)

| FIG ITEM | PART NUMBER | 1 2 3 4 5 6 7 | NOMENCLATURE | EFFECT FROM TO | UNITS PER ASSY |
|----------|---------------|---------------|---|----------------|----------------|
| 15 | | | BIN ASSY-BIG 80 IN. (AIR CONDITIONING ONLY) | 103106 | |
| - 3 | 412A1057-22B | | BIN ASSY-BIG 80 IN. STD XSEC CLG EE DIV MCD DR LOCK DR 757 TEMP SENS BN (AIR CONDITIONING ONLY) POSITION DATA: RH FWD LWR FOR NHA/OTHER SYS DET SEE: 25-28-00-75 | 103106 | RF |
| 10 | BAC27NEC210 | | .MARKER- PLACARD CONTENT: FWD CABIN ZONE TEMP SENSOR MODULE M10025 (YRW) USED ON: 412A1057-6B 412A1057-22B | 103106 | 1 |
| 18 | BACT44E1S | | .CONNECTOR ATTACHING PARTS | 103106 | 1 |
| - 20 | NAS623-3-1 | | .SCREW | 103106 | 2 |
| - 25 | NAS620A10L | | .WASHER | 103106 | 2 |
| | | | -----*----- | | |
| 30 | PLT1MXMR | | .STRAP SUPPLIER CODE: V06383 SPECIFICATION NUMBER: BACS38K9 | 103106 | 11 |
| 35 | MB3 | | .BASE- SUPPLIER CODE: V09922 | 103106 | 11 |
| 40 | NAS557-14B | | .GROMMET | 103106 | 2 |
| 45 | BACS12FA3K4 | | .SCREW | 103106 | 2 |
| 50 | BACS12FA3K7 | | .SCREW | 103106 | 1 |
| 55 | BACS12FA3K6 | | .SCREW | 103106 | 2 |
| 60 | NAS1149D0332J | | .WASHER | 103106 | 2 |
| 65 | NAS1149D0363J | | .WASHER | 103106 | 2 |
| 70 | MS25281R24 | | .CLAMP | 103106 | 1 |
| 75 | 215N1002-80 | | .SENSOR ASSY-TEMP SUPPLIER CODE: V89954 FUNCTIONAL REFERENCE: PLACARDS AND MARKINGS FOR DETAILS SEE 11-35-07-86A | 103106 | 1 |

MISSING ITEM NUMBERS NOT APPLICABLE

- ITEM NOT ILLUSTRATED

21-61-08-15

21-61-08
FIG. 15
PAGE 1
JAN 20/09

BRI



757

PARTS CATALOG (MAINTENANCE)

| FIG ITEM | PART NUMBER | 1 2 3 4 5 6 7 | NOMENCLATURE | EFFECT FROM TO | UNITS PER ASSY |
|----------|---------------|---------------|--|----------------|----------------|
| 15 | | | | | |
| 80 | 624018-1 | | .. SENSOR ASSY-TEMP CAB. AIR SUPPLIER CODE: V07217 SPECIFICATION NUMBER: S210T130-21 COMPONENT MAINT MANUAL REF: 21-61-01 ATTACHING PARTS | 103106 | 1 |
| - 85 | NAS1801-3D8 | | .. SCREW | 103106 | 2 |
| - 90 | NAS1149D0332J | | .. WASHER -----*----- | 103106 | 2 |
| 95 | 1025400-1 | | ... GASKET- SUPPLIER CODE: V07217 | 103106 | 1 |
| 100 | 69-78616-1 | | .. WASHER- SUPPLIER CODE: V89954 | 103106 | 1 |
| 105 | 1122027 | | .. DETECTOR-TEMP SUPPLIER CODE: V60678 | 103106 | 1 |
| 110 | AMD630-703 | | .. BUTTON- SUPPLIER CODE: V96144 MISCELLANEOUS DATA: REPLACED BY BACP20B43 FULLY INTERCHANGEABLE. BACP20B43 NOT DOCUMENTED. OPTIONAL PART: SFHP5006S01WH V96144 BACP20B43 | 103106 | 1 |
| 110 | D3161PLC | | .. BUTTON- SUPPLIER CODE: V57771 SPECIFICATION NUMBER: BACP20B43 OPTIONAL PART: SS48152 V83058 SFHP5006S01WH V96144 AMD630-703 V96144 | 103106 | 1 |

MISSING ITEM NUMBERS NOT APPLICABLE

- ITEM NOT ILLUSTRATED

21-61-08-15

21-61-08
FIG. 15
PAGE 2
JAN 20/09

BRI



757

PARTS CATALOG (MAINTENANCE)

| FIG ITEM | PART NUMBER | 1 2 3 4 5 6 7 | NOMENCLATURE | EFFECT FROM TO | UNITS PER ASSY |
|-----------|----------------|---------------|--|----------------|----------------|
| 15 110 | SFHP5006S01WH | .. | BUTTON- SUPPLIER CODE: V12324 MISCELLANEOUS DATA: REPLACED BY BACP20B43 FULLY INTERCHANGEABLE. BACP20B43 NOT DOCUMENTED. OPTIONAL PART: BACP20B43 AMD630-703 V96144 | 103106 | 1 |
| 115 | 215N1003-27 | .. | DUCT ASSY | 103106 | 1 |
| 120 | 6041-3BR225 | ... | INSERT- SUPPLIER CODE: V01556 | 103106 | 2 |
| 125 | NAS1922-0125-3 | .. | CLAMP | 103106 | 2 |
| 130 | BACD40R05A43 | .. | SLEEVE | 103106 | 1 |
| 135 | NAS1801-04-5 | .. | SCREW | 103106 | 1 |
| 140 | NAS1801-04-6 | .. | SCREW | 103106 | 3 |
| 145 | NAS1149DN416J | .. | WASHER | 103106 | 5 |
| 150 | BRH10C04D | .. | NUT SUPPLIER CODE: V52828 SPECIFICATION NUMBER: BACN10JCO4CD OPTIONAL PART: H51650-04BAC V15653 102LH9075-40W V72962 NS202486-40 V80539 T6C440JCD V11815 T6C440JCD V11815 | 103106 | 1 |
| 155 | 271166 | .. | CLAMP- SUPPLIER CODE: V82877 | 103106 | 3 |
| 160 | 215N1003-31 | .. | DUCT ASSY | 103106 | 1 |
| 165 | 215N1004-4 | .. | FLANGE | 103106 | 1 |
| 170 | 024116 | .. | FAN ASSY-VANEAXIAL SUPPLIER CODE: V82877 COMPONENT MAINT MANUAL REF: 21-61-02 | 103106 | 1 |

MISSING ITEM NUMBERS NOT APPLICABLE

- ITEM NOT ILLUSTRATED

21-61-08-15

21-61-08
FIG. 15
PAGE 3
JAN 20/09

BRI



757

PARTS CATALOG (MAINTENANCE)

| FIG ITEM | PART NUMBER | 1 2 3 4 5 6 7 | NOMENCLATURE | EFFECT FROM TO | UNITS PER ASSY |
|----------|-------------|---------------|---|----------------|----------------|
| 15 | | | | | |
| 175 | 200033 | ... | BOARD-TERMINAL SUPPLIER CODE: V82877 ATTACHING PARTS | 103106 | 1 |
| 180 | 476231 | ... | CLIP-RETAINING SUPPLIER CODE: V82877 -----*----- | 103106 | 1 |
| 185 | 477012 | ... | TERMINAL-LUG SUPPLIER CODE: V82877 | 103106 | 3 |
| 190 | 476280 | ... | TERMINAL-LUG SUPPLIER CODE: V82877 ATTACHING PARTS | 103106 | 3 |
| 195 | 251443 | ... | SCREW-MACH SUPPLIER CODE: V82877 | 103106 | 3 |
| 200 | 251302 | ... | WASHER-LOCK SUPPLIER CODE: V82877 -----*----- | 103106 | 3 |
| 205 | 213A4101-10 | .. | WIRE- SUPPLIER CODE: V89954 | 103106 | 1 |
| 210 | 213A4101-4 | .. | WIRE ASSY- SUPPLIER CODE: V89954 | 103106 | 1 |
| 215 | 213A4101-2 | .. | WIRE ASSY- SUPPLIER CODE: V89954 | 103106 | 1 |
| 220 | 213A4101-6 | .. | WIRE ASSY- SUPPLIER CODE: V89954 | 103106 | 1 |
| 225 | 213A4101-8 | .. | WIRE ASSY- SUPPLIER CODE: V89954 | 103106 | 1 |
| 230 | 329636 | ... | TERMINAL- SUPPLIER CODE: V00779 USED ON: 213A4101-4 213A4101-2 213A4101-6 | 103106 | 1 |

MISSING ITEM NUMBERS NOT APPLICABLE

- ITEM NOT ILLUSTRATED

BRI

21-61-08-15

BOEING PROPRIETARY - Copyright © - Unpublished Work - See title page for details.

21-61-08
FIG. 15
PAGE 4
JAN 20/09



757

PARTS CATALOG (MAINTENANCE)

| FIG ITEM | PART NUMBER | 1 2 3 4 5 6 7 | NOMENCLATURE | EFFECT FROM TO | UNITS PER ASSY |
|-----------|-----------------|---------------|--|----------------|----------------|
| 15 235 | 52273-1 | | ... TERMINAL- SUPPLIER CODE: V00779 SPECIFICATION NUMBER: BACT12AR201 USED ON: 213A4101-8 | 103106 | 1 |
| 240 | BACC45FN8-3P | | .. CONNECTOR ATTACHING PARTS | 103106 | 1 |
| - 245 | NAS1801-04-5 | | .. SCREW | 103106 | 2 |
| - 250 | NAS1149DN416J | | .. WASHER | 103106 | 2 |
| - 255 | BRH10C04D | | .. NUT SUPPLIER CODE: V52828 SPECIFICATION NUMBER: BACN10JCO4CD OPTIONAL PART: H51650-04BAC V15653 102LH9075-40W V72962 NS202486-40 V80539 T6C440JCD V11815 T6C440JCD V11815 -----*----- | 103106 | 2 |
| 260 | BACS38K9C | | .. CLAMP | 103106 | 1 |
| 265 | 215N1005-2 | | .. SEAL-BELLOW SUPPLIER CODE: V89954 | 103106 | 1 |
| 270 | 720PA12 | | .. CAPACITOR- SUPPLIER CODE: V56289 OPTIONAL PART: 259P3349330T13 V56289 720P334X9400S13 V56289 | 103106 | 1 |
| 270 | 720P334X9400S13 | | .. CAPACITOR- SUPPLIER CODE: V56289 OPTIONAL PART: 259P3349330T13 V56289 720PA12 V56289 | 103106 | 1 |

MISSING ITEM NUMBERS NOT APPLICABLE

- ITEM NOT ILLUSTRATED

21-61-08-15

21-61-08
FIG. 15
PAGE 5
JAN 20/09

BRI



757

PARTS CATALOG (MAINTENANCE)

| FIG ITEM | PART NUMBER | 1 2 3 4 5 6 7 | NOMENCLATURE | EFFECT FROM TO | UNITS PER ASSY |
|-----------|----------------|---------------|--|----------------|----------------|
| 15 270 | 259P3349330T13 | | ..CAPACITOR- SUPPLIER CODE: V56289 OPTIONAL PART: 720PA12 V56289 720P334X9400S13 V56289 | 103106 | 1 |
| 275 | 215N1004-2 | | ..BRACKET | 103106 | 1 |
| 280 | 286N0702-701 | | .WIRE BUNDLE ASSY- USED ON: 412A1057-6B 412A1057-22B | 103106 | 1 |
| - 285 | C0909A08C03SN | | ..CONNECTOR- SUPPLIER CODE: V13556 SPECIFICATION NUMBER: BACC63BN8C3S OPTIONAL PART: 48-63N8C3S V02660 ELECTRICAL EQUIP NUMBER: D10618 WIRING DIAGRAM REF: 216121 | 103106 | 1 |
| - 290 | BACC45FT10-5S | | ..CONNECTOR- ELECTRICAL EQUIP NUMBER: D10620 WIRING DIAGRAM REF: 216121 | 103106 | 1 |
| - 295 | 017832-3000 | | ..PLUG- SUPPLIER CODE: V58795 ELECTRICAL EQUIP NUMBER: D10622 WIRING DIAGRAM REF: 216511 | 103106 | 1 |
| - 300 | BACC65AK241P | | ..RECEPTACLE- ELECTRICAL EQUIP NUMBER: D42770J WIRING DIAGRAM REF: 216121 | 103106 | 1 |

MISSING ITEM NUMBERS NOT APPLICABLE

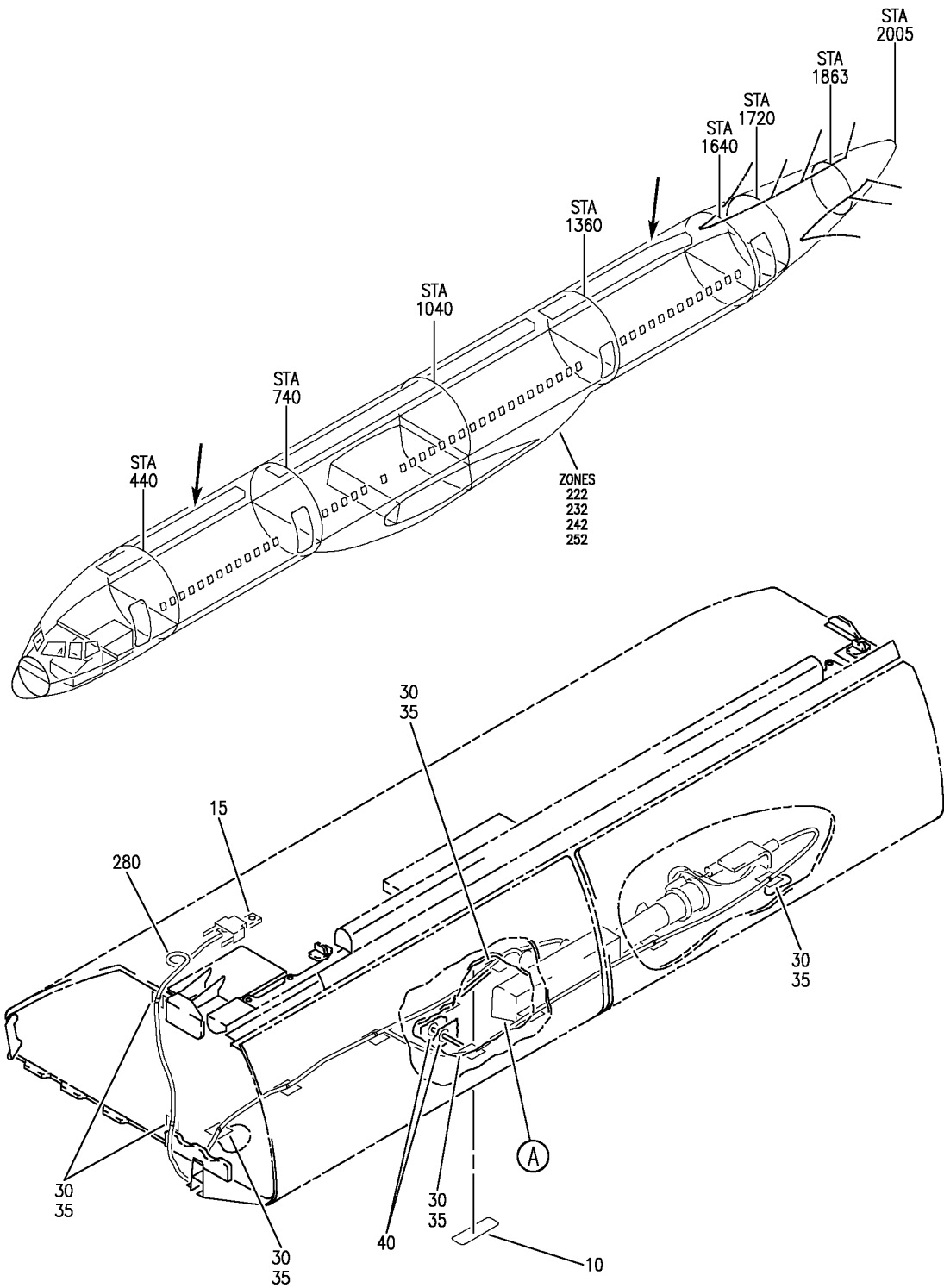
- ITEM NOT ILLUSTRATED

21-61-08-15

21-61-08
FIG. 15
PAGE 6
JAN 20/09

BRI

BOEING
757
PARTS CATALOG (MAINTENANCE)



Y 21610816 SHT 1 REV 257

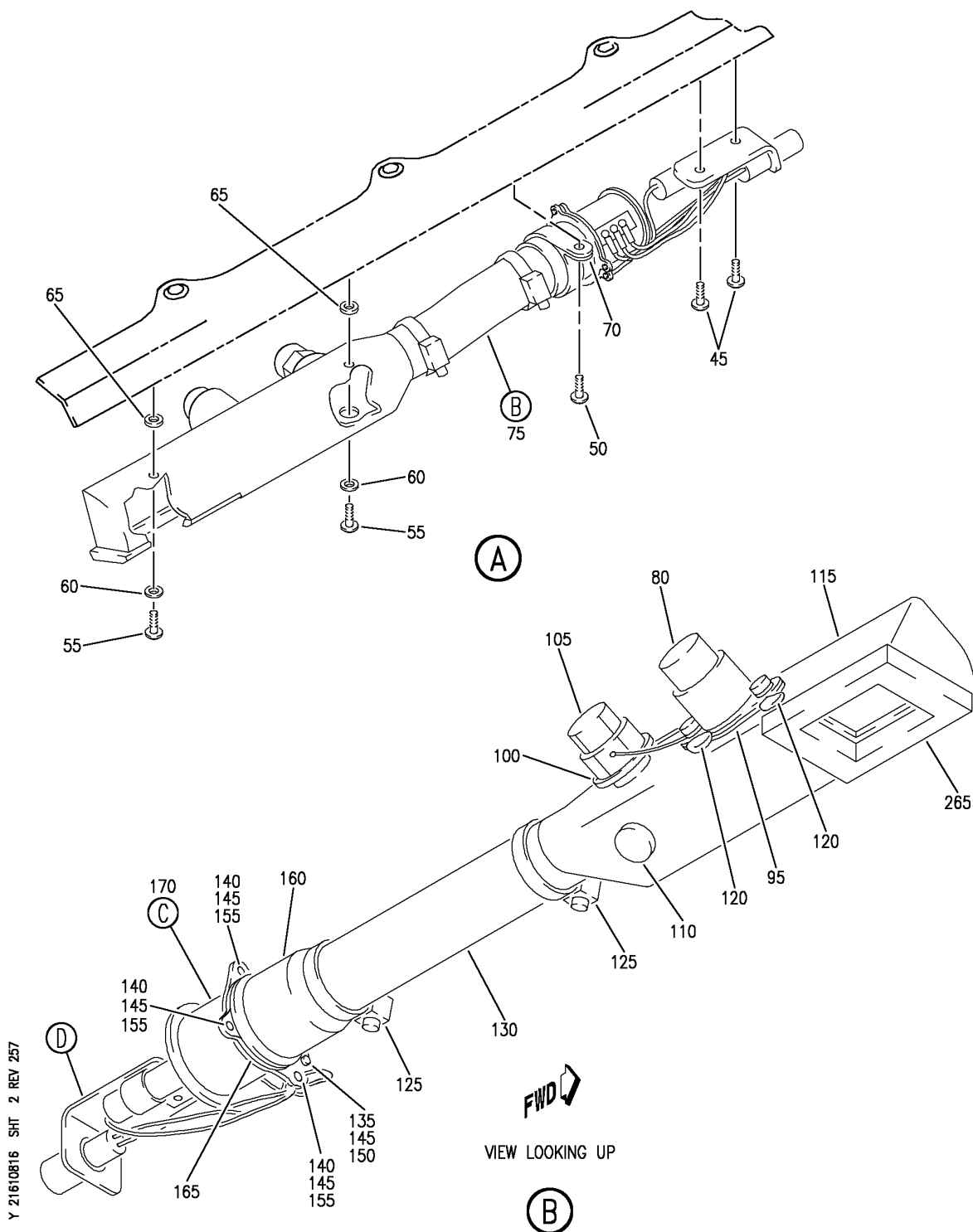
BIN ASSY-BIG 60 IN. (AIR CONDITIONING ONLY)
FIGURE 16 (SHEET 1)

21-61-08-16

BRI
JAN 20/09

21-61-08-16
PAGE 0

BOEING
757
PARTS CATALOG (MAINTENANCE)



Y 21610816 SH1 2 REV 257

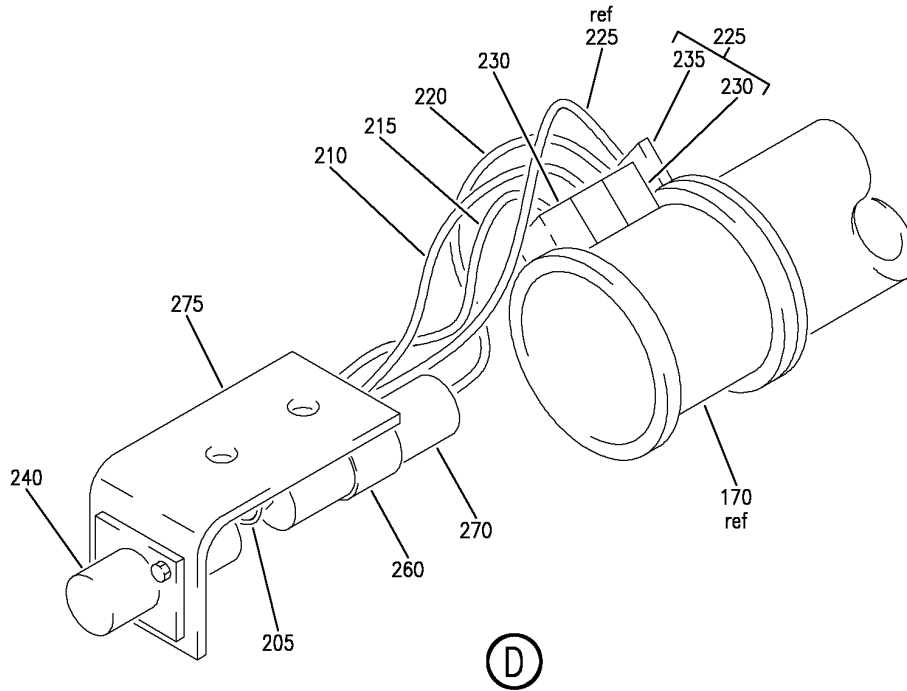
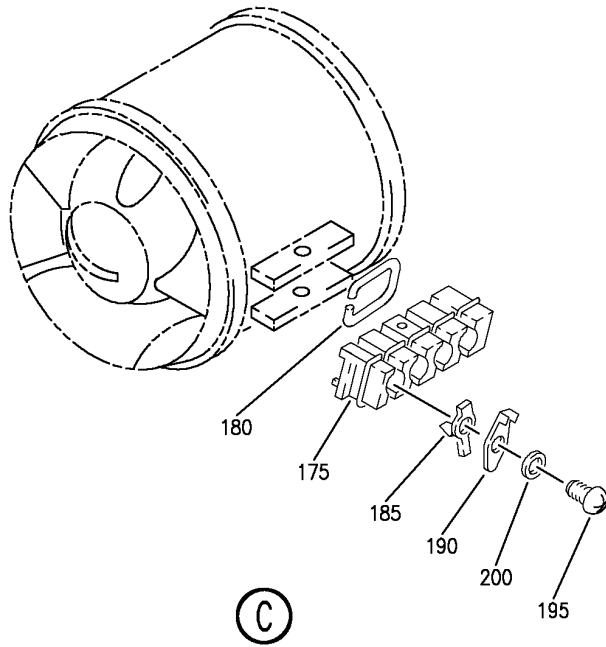
BIN ASSY-BIG 60 IN. (AIR CONDITIONING ONLY)
FIGURE 16 (SHEET 2)

21-61-08-16

BRI
JAN 20/09

21-61-08-16
PAGE 0A

BOEING
757
PARTS CATALOG (MAINTENANCE)



Y 21610816 SH1 3 REV 257

BIN ASSY-BIG 60 IN. (AIR CONDITIONING ONLY)
FIGURE 16 (SHEET 3)

21-61-08-16

BRI
JAN 20/09

21-61-08-16
PAGE 0B

 **BOEING**
757
PARTS CATALOG (MAINTENANCE)

| FIG ITEM | PART NUMBER | 1 2 3 4 5 6 7 | NOMENCLATURE | EFFECT FROM TO | UNITS PER ASSY |
|----------|---------------|---------------|---|----------------|----------------|
| 16 | | | BIN ASSY-BIG 60 IN. (AIR CONDITIONING ONLY) | 103106 | |
| - 1 | 412A1057-26B | | BIN ASSY-BIG 60 IN. STD XSEC PASS ONLY TEMP SENSOR NO AISLE LIGHT BN (AIR CONDITIONING ONLY) POSITION DATA: RH FOR NHA/OTHER SYS DET SEE: 25-28-00-86A | 103106 | RF |
| 10 | BAC27NEC211 | | .MARKER- PLACARD CONTENT: AFT CABIN ZONE TEMP SENSOR MODULE M10024 (YRV) | 103106 | 1 |
| 15 | BACT44E1S | | .CONNECTOR ATTACHING PARTS | 103106 | 1 |
| - 20 | NAS623-3-1 | | .SCREW | 103106 | 2 |
| - 25 | NAS620A10L | | .WASHER | 103106 | 2 |
| | | | -----*----- | | |
| 30 | PLT1MXMR | | .STRAP SUPPLIER CODE: V06383 SPECIFICATION NUMBER: BACS38K9 | 103106 | 11 |
| 35 | MB3 | | .BASE- SUPPLIER CODE: V09922 | 103106 | 11 |
| 40 | NAS557-14B | | .GROMMET | 103106 | 2 |
| 45 | BACS12FA3K4 | | .SCREW | 103106 | 2 |
| 50 | BACS12FA3K7 | | .SCREW | 103106 | 1 |
| 55 | BACS12FA3K6 | | .SCREW | 103106 | 2 |
| 60 | NAS1149D0332J | | .WASHER | 103106 | 2 |
| 65 | NAS1149D0363J | | .WASHER | 103106 | 2 |
| 70 | MS25281R24 | | .CLAMP | 103106 | 1 |
| 75 | 215N1002-80 | | .SENSOR ASSY-TEMP SUPPLIER CODE: V89954 FUNCTIONAL REFERENCE: PLACARDS AND MARKINGS FOR DETAILS SEE 11-35-07-86A | 103106 | 1 |
| 80 | 624018-1 | | ..SENSOR ASSY-TEMP CAB. AIR SUPPLIER CODE: V07217 SPECIFICATION NUMBER: S210T130-21 COMPONENT MAINT MANUAL REF: 21-61-01 | 103106 | 1 |

MISSING ITEM NUMBERS NOT APPLICABLE

- ITEM NOT ILLUSTRATED

BRI

21-61-08-16

BOEING PROPRIETARY - Copyright © - Unpublished Work - See title page for details.

21-61-08
FIG. 16
PAGE 1
JAN 20/09



757

PARTS CATALOG (MAINTENANCE)

| FIG ITEM | PART NUMBER | 1 2 3 4 5 6 7 | NOMENCLATURE | EFFECT FROM TO | UNITS PER ASSY |
|----------|---------------|---------------|--|----------------|----------------|
| 16 | | | ATTACHING PARTS | | |
| - 85 | NAS1801-3D8 | .. | SCREW | 103106 | 2 |
| - 90 | NAS1149D0332J | .. | WASHER | 103106 | 2 |
| | | | -----*----- | | |
| 95 | 1025400-1 | ... | GASKET- | 103106 | 1 |
| | | | SUPPLIER CODE: V07217 | | |
| 100 | 69-78616-1 | .. | WASHER- | 103106 | 1 |
| | | | SUPPLIER CODE: V89954 | | |
| 105 | 1122027 | .. | DETECTOR-TEMP | 103106 | 1 |
| | | | SUPPLIER CODE: V60678 | | |
| 110 | AMD630-703 | .. | BUTTON- | 103106 | 1 |
| | | | SUPPLIER CODE: V96144 | | |
| | | | MISCELLANEOUS DATA: REPLACED BY BACP20B43 FULLY INTERCHANGEABLE. BACP20B43 NOT DOCUMENTED. OPTIONAL PART: SFHP5006S01WH V96144 BACP20B43 | | |
| 110 | D3161PLC | .. | BUTTON- | 103106 | 1 |
| | | | SUPPLIER CODE: V57771 | | |
| | | | SPECIFICATION NUMBER: BACP20B43 | | |
| | | | OPTIONAL PART: SS48152 V83058 SFHP5006S01WH V96144 AMD630-703 V96144 | | |
| 110 | SFHP5006S01WH | .. | BUTTON- | 103106 | 1 |
| | | | SUPPLIER CODE: V12324 | | |
| | | | MISCELLANEOUS DATA: REPLACED BY BACP20B43 FULLY INTERCHANGEABLE. BACP20B43 NOT DOCUMENTED. OPTIONAL PART: BACP20B43 AMD630-703 V96144 | | |

MISSING ITEM NUMBERS NOT APPLICABLE

- ITEM NOT ILLUSTRATED

21-61-08-16

21-61-08
FIG. 16
PAGE 2
JAN 20/09

BRI



757

PARTS CATALOG (MAINTENANCE)

| FIG ITEM | PART NUMBER | 1 2 3 4 5 6 7 | NOMENCLATURE | EFFECT FROM TO | UNITS PER ASSY |
|----------|----------------|---------------|--|----------------|----------------|
| 16 | | | | | |
| 115 | 215N1003-27 | .. | DUCT ASSY | 103106 | 1 |
| 120 | 6041-3BR225 | ... | INSERT- SUPPLIER CODE: V01556 | 103106 | 2 |
| 125 | NAS1922-0125-3 | .. | CLAMP | 103106 | 2 |
| 130 | BACD40R05A43 | .. | SLEEVE | 103106 | 1 |
| 135 | NAS1801-04-5 | .. | SCREW | 103106 | 1 |
| 140 | NAS1801-04-6 | .. | SCREW | 103106 | 3 |
| 145 | NAS1149DN416J | .. | WASHER | 103106 | 5 |
| 150 | BRH10C04D | .. | NUT SUPPLIER CODE: V52828 SPECIFICATION NUMBER: BACN10JCO4CD OPTIONAL PART: H51650-04BAC V15653 102LH9075-40W V72962 NS202486-40 V80539 T6C440JCD V11815 T6C440JCD V11815 | 103106 | 1 |
| 155 | 271166 | .. | CLAMP- SUPPLIER CODE: V82877 | 103106 | 3 |
| 160 | 215N1003-31 | .. | DUCT ASSY | 103106 | 1 |
| 165 | 215N1004-4 | .. | FLANGE | 103106 | 1 |
| 170 | 024116 | .. | FAN ASSY-VANEAXIAL SUPPLIER CODE: V82877 COMPONENT MAINT MANUAL REF: 21-61-02 | 103106 | 1 |
| 175 | 200033 | ... | BOARD-TERMINAL SUPPLIER CODE: V82877 | 103106 | 1 |
| 180 | 476231 | ... | CLIP-RETAINING SUPPLIER CODE: V82877 -----*----- | 103106 | 1 |
| 185 | 477012 | ... | TERMINAL-LUG SUPPLIER CODE: V82877 | 103106 | 3 |
| 190 | 476280 | ... | TERMINAL-LUG SUPPLIER CODE: V82877 | 103106 | 3 |

MISSING ITEM NUMBERS NOT APPLICABLE

- ITEM NOT ILLUSTRATED

21-61-08-16

21-61-08
FIG. 16
PAGE 3
JAN 20/09

BRI



757

PARTS CATALOG (MAINTENANCE)

| FIG ITEM | PART NUMBER | 1 2 3 4 5 6 7 | NOMENCLATURE | EFFECT FROM TO | UNITS PER ASSY |
|----------|---------------|---------------|---|----------------|----------------|
| 16 | | | ATTACHING PARTS | | |
| 195 | 251443 | ... | SCREW-MACH SUPPLIER CODE: V82877 | 103106 | 3 |
| 200 | 251302 | ... | WASHER-LOCK SUPPLIER CODE: V82877 | 103106 | 3 |
| | | | -----*----- | | |
| 205 | 213A4101-10 | .. | WIRE- SUPPLIER CODE: V89954 | 103106 | 1 |
| 210 | 213A4101-4 | .. | WIRE ASSY- SUPPLIER CODE: V89954 | 103106 | 1 |
| 215 | 213A4101-2 | .. | WIRE ASSY- SUPPLIER CODE: V89954 | 103106 | 1 |
| 220 | 213A4101-6 | .. | WIRE ASSY- SUPPLIER CODE: V89954 | 103106 | 1 |
| 225 | 213A4101-8 | .. | WIRE ASSY- SUPPLIER CODE: V89954 | 103106 | 1 |
| 230 | 329636 | ... | TERMINAL- SUPPLIER CODE: V00779 USED ON: 213A4101-4 213A4101-2 213A4101-6 | 103106 | 1 |
| 235 | 52273-1 | ... | TERMINAL- SUPPLIER CODE: V00779 SPECIFICATION NUMBER: BACT12AR201 USED ON: 213A4101-8 | 103106 | 1 |
| 240 | BACC45FN8-3P | .. | CONNECTOR ATTACHING PARTS | 103106 | 1 |
| - 245 | NAS1801-04-5 | .. | SCREW | 103106 | 2 |
| - 250 | NAS1149DN416J | .. | WASHER | 103106 | 2 |

MISSING ITEM NUMBERS NOT APPLICABLE

- ITEM NOT ILLUSTRATED

21-61-08-16

21-61-08
FIG. 16
PAGE 4
JAN 20/09

BRI

BOEING PROPRIETARY - Copyright © - Unpublished Work - See title page for details.

 **BOEING**
757
PARTS CATALOG (MAINTENANCE)

| FIG ITEM | PART NUMBER | 1 2 3 4 5 6 7 | NOMENCLATURE | EFFECT FROM TO | UNITS PER ASSY |
|-------------|-----------------|---------------|---|----------------|----------------|
| 16 - 255 | BRH10C04D | .. | NUT SUPPLIER CODE: V52828 SPECIFICATION NUMBER: BACN10JCO4CD OPTIONAL PART: H51650-04BAC V15653 102LH9075-40W V72962 NS202486-40 V80539 T6C440JCD V11815 T6C440JCD V11815 -----*----- | 103106 | 2 |
| 260 | BACS38K9C | .. | CLAMP | 103106 | 1 |
| 265 | 215N1005-2 | .. | SEAL-BELLOW SUPPLIER CODE: V89954 | 103106 | 1 |
| 270 | 720PA12 | .. | CAPACITOR- SUPPLIER CODE: V56289 OPTIONAL PART: 259P3349330T13 V56289 720P334X9400S13 V56289 | 103106 | 1 |
| 270 | 720P334X9400S13 | .. | CAPACITOR- SUPPLIER CODE: V56289 OPTIONAL PART: 259P3349330T13 V56289 720PA12 V56289 | 103106 | 1 |
| 270 | 259P3349330T13 | .. | CAPACITOR- SUPPLIER CODE: V56289 OPTIONAL PART: 720PA12 V56289 720P334X9400S13 V56289 | 103106 | 1 |
| 275 | 215N1004-2 | .. | BRACKET | 103106 | 1 |
| 280 | 286N0710-601 | . | WIRE BUNDLE ASSY | 103106 | 1 |

MISSING ITEM NUMBERS NOT APPLICABLE

- ITEM NOT ILLUSTRATED

BRI

21-61-08-16

BOEING PROPRIETARY - Copyright © - Unpublished Work - See title page for details.

21-61-08
FIG. 16
PAGE 5
JAN 20/09



757

PARTS CATALOG (MAINTENANCE)

| FIG ITEM | PART NUMBER | 1 2 3 4 5 6 7 | NOMENCLATURE | EFFECT FROM TO | UNITS PER ASSY |
|-------------|---------------|---------------|--|-------------------|----------------------|
| 16 - 285 | BACC45FT8A3S | | ..CONNECTOR- ELECTRICAL EQUIP NUMBER: D10772 WIRING DIAGRAM REF: 216131 | 103106 | 1 |
| - 290 | BACC45FT10-5S | | ..CONNECTOR- ELECTRICAL EQUIP NUMBER: D10770 WIRING DIAGRAM REF: 216131 | 103106 | 1 |
| - 295 | 017832-3000 | | ..PLUG- SUPPLIER CODE: V58795 ELECTRICAL EQUIP NUMBER: D10774 WIRING DIAGRAM REF: 216511 | 103106 | 1 |
| - 300 | BACC65AK241P | | ..RECEPTACLE- ELECTRICAL EQUIP NUMBER: D42910J WIRING DIAGRAM REF: 216131 | 103106 | 1 |

MISSING ITEM NUMBERS NOT APPLICABLE

- ITEM NOT ILLUSTRATED

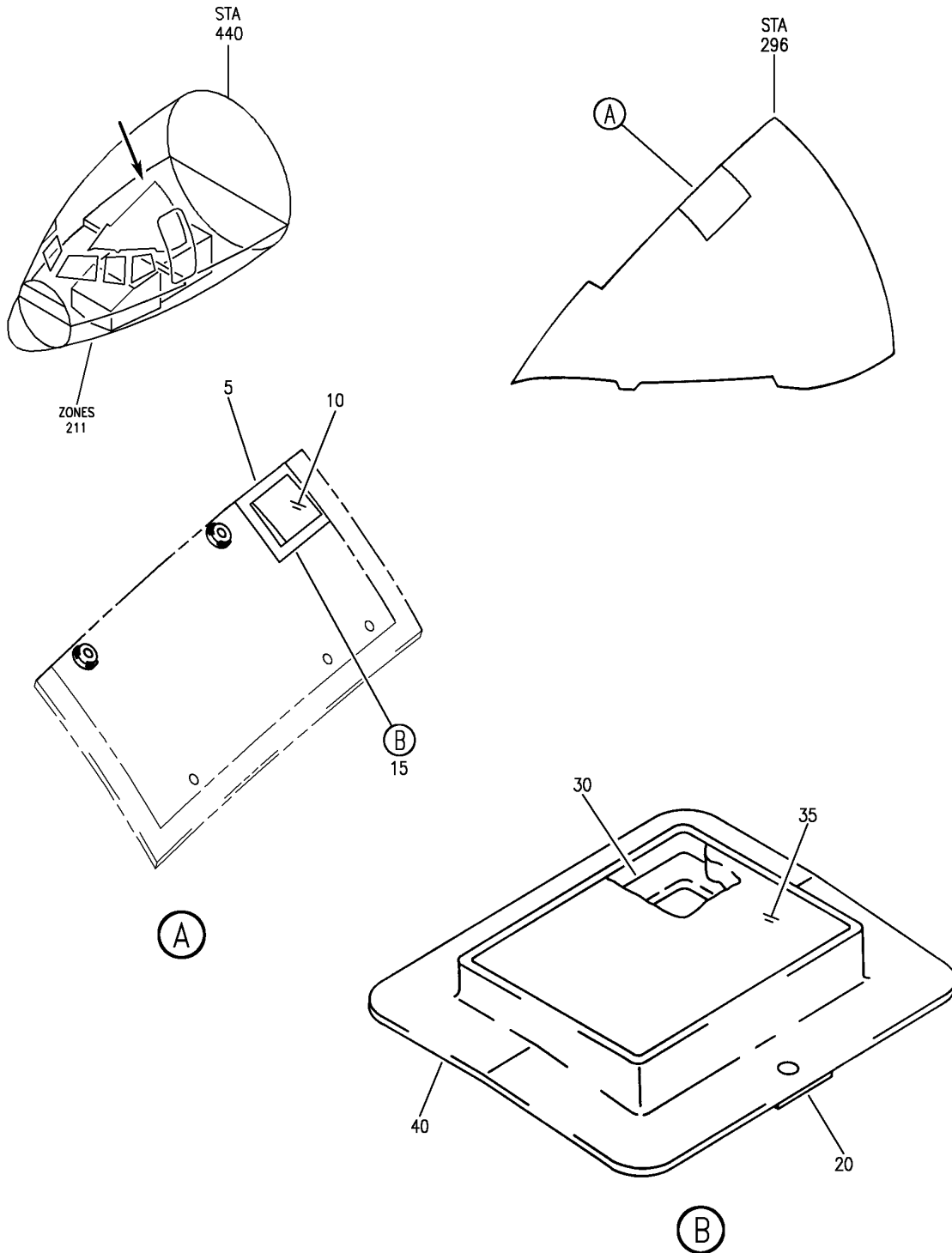
BRI

21-61-08-16

BOEING PROPRIETARY - Copyright © - Unpublished Work - See title page for details.

21-61-08
FIG. 16
PAGE 6
JAN 20/09

BOEING
757
PARTS CATALOG (MAINTENANCE)



Y 21615101 REV 311

PANEL ASSY-TEMP SENSOR ACCESS (PRIMARY (ZONE) TEMPERATURE CONTROL SYSTEM ONLY)
FIGURE 1

21-61-51-01

BRI
MAY 28/07

21-61-51-01
PAGE 0



757

PARTS CATALOG (MAINTENANCE)

| FIG ITEM | PART NUMBER | 1 2 3 4 5 6 7 | NOMENCLATURE | EFFECT FROM TO | UNITS PER ASSY |
|----------|---------------|---------------|--|--|----------------|
| 1 | | | PANEL ASSY-TEMP SENSOR ACCESS (PRIMARY (ZONE) TEMPERATURE CONTROL SYSTEM ONLY) | 002004 006010 107107 121503 904999 | |
| - 1 | 232N1632-7 | | PANEL ASSY-TEMP SENSOR ACCESS (PRIMARY (ZONE) TEMPERATURE CONTROL SYSTEM ONLY) FOR NHA SEE: 25-14-01-01 | 002004 006010 107107 121503 904999 | RF |
| | 5 232N1632-5 | | .GASKET | 002004 006010 107107 121503 904999 | 1 |
| | 10 232N1632-4 | | .SCREEN- OPTIONAL PART: 285W0755-2 V89954 USED ON: 232N1632-6 232N1632-7 | 002004 006010 107107 121503 904999 | 1 |
| | 10 285W0755-2 | | .SCREEN- SUPPLIER CODE: V89954 OPTIONAL PART: 232N1632-4 USED ON: 232N1632-6 232N1632-7 | 002004 006010 107107 121503 904999 | 1 |
| | 15 232N1635-1 | | .FILTER ASSY- | 002004 006010 107107 121503 904999 | 1 |
| | 15 232N1635-3 | | .FILTER ASSY- | 002004 006010 107107 121503 904999 | 1 |
| | 20 232N1636-2 | | ..SPRING- | 002004 006010 107107 121503 904999 | 1 |

MISSING ITEM NUMBERS NOT APPLICABLE

- ITEM NOT ILLUSTRATED

BRI

21-61-51-01

21-61-51
FIG. 01
PAGE 1
JAN 20/09



757

PARTS CATALOG (MAINTENANCE)

| FIG ITEM | PART NUMBER | 1 2 3 4 5 6 7 | NOMENCLATURE | EFFECT FROM TO | UNITS PER ASSY |
|-------------|-------------|---------------|--|--|----------------------|
| 1 | | | ATTACHING PARTS | | |
| - 25 | BACR15BB3A | | ..RIVET- SIZE DETERMINED ON INSTL. | 002004 006010 107107 121503 904999 | 1 |
| 30 | 232N1638-2 | | -----*----- ..GRILL- | 002004 006010 107107 121503 904999 | 1 |
| 35 | 232N1635-2 | | ..FILTER- MANUFACTURED FROM: 3/16 X 1.5 X 1.9 SCOTT FILTER FOAM GRADE 45 PPI GREV FLAME RETARDANT | 002004 006010 107107 121503 904999 | 1 |
| 40 | 232N1637-2 | | ..ADAPTER- | 002004 006010 107107 121503 904999 | 1 |

MISSING ITEM NUMBERS NOT APPLICABLE

- ITEM NOT ILLUSTRATED

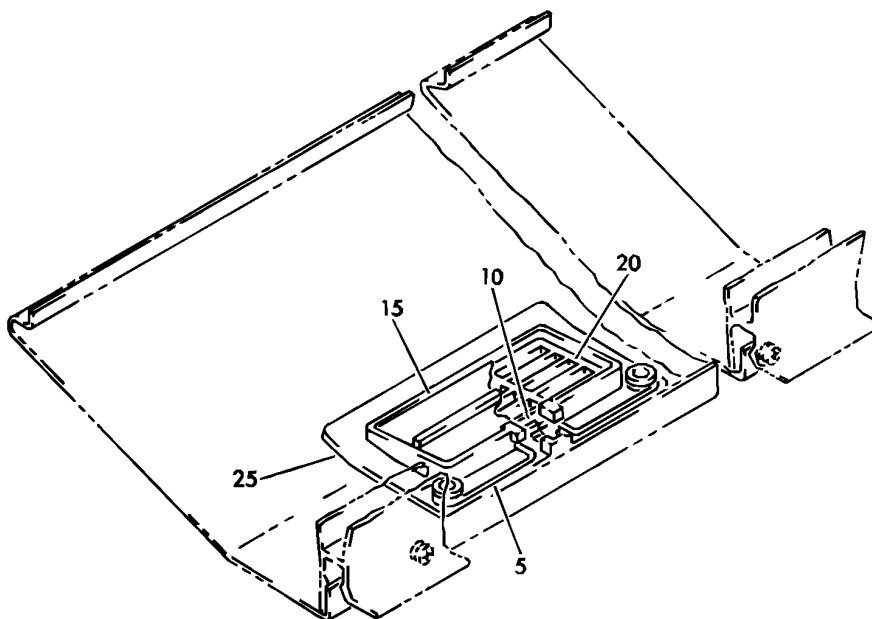
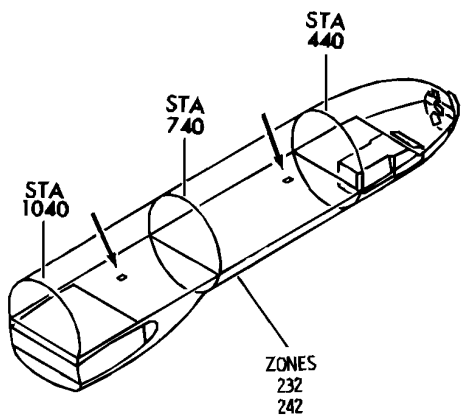
BRI

21-61-51-01

BOEING PROPRIETARY - Copyright © - Unpublished Work - See title page for details.

21-61-51
FIG. 01
PAGE 2
JAN 20/09

BOEING
757
PARTS CATALOG (MAINTENANCE)



Y 21615102 SHT 1 REV 241

BULLNOSE ASSY-EMER EQPT (AIR CONDITIONING ONLY)
FIGURE 2

21-61-51-02

BRI
JAN 20/09

21-61-51-02
PAGE 0



**757
PARTS CATALOG (MAINTENANCE)**

| FIG ITEM | PART NUMBER | 1 2 3 4 5 6 7 | NOMENCLATURE | EFFECT FROM TO | UNITS PER ASSY |
|-------------|--------------|---------------|--|-------------------|----------------------|
| 2 | | | BULLNOSE ASSY-EMER EQPT (AIR CONDITIONING ONLY) | 107107 | |
| - 1 | 412N1124-1SP | | BULLNOSE ASSY-EMER EQPT (AIR CONDITIONING ONLY) FOR NHA/OTHER SYS DET SEE: 25-28-00-04B 25-28-00-07A | 107107 | RF |
| 5 | 412N1125-1 | | .SPRING | 107107 | 1 |
| 10 | 412N1125-2 | | .SPRING | 107107 | 1 |
| 15 | 412N1124-20 | | .FILTER | 107107 | 1 |
| 20 | 412N1122-1 | | .GRILLE- | 107107 | 1 |
| 20 | 412N1122-2 | | .GRILLE- | 107107 | 1 |
| 25 | 412N1123-3 | | .RETAINER- | 107107 | 1 |

MISSING ITEM NUMBERS NOT APPLICABLE

- ITEM NOT ILLUSTRATED

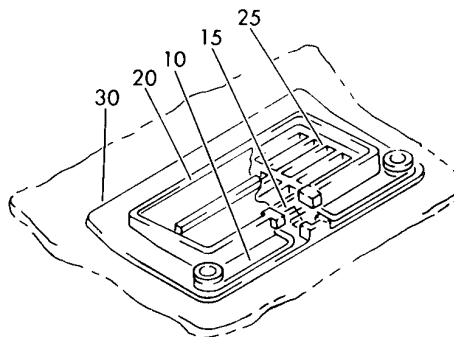
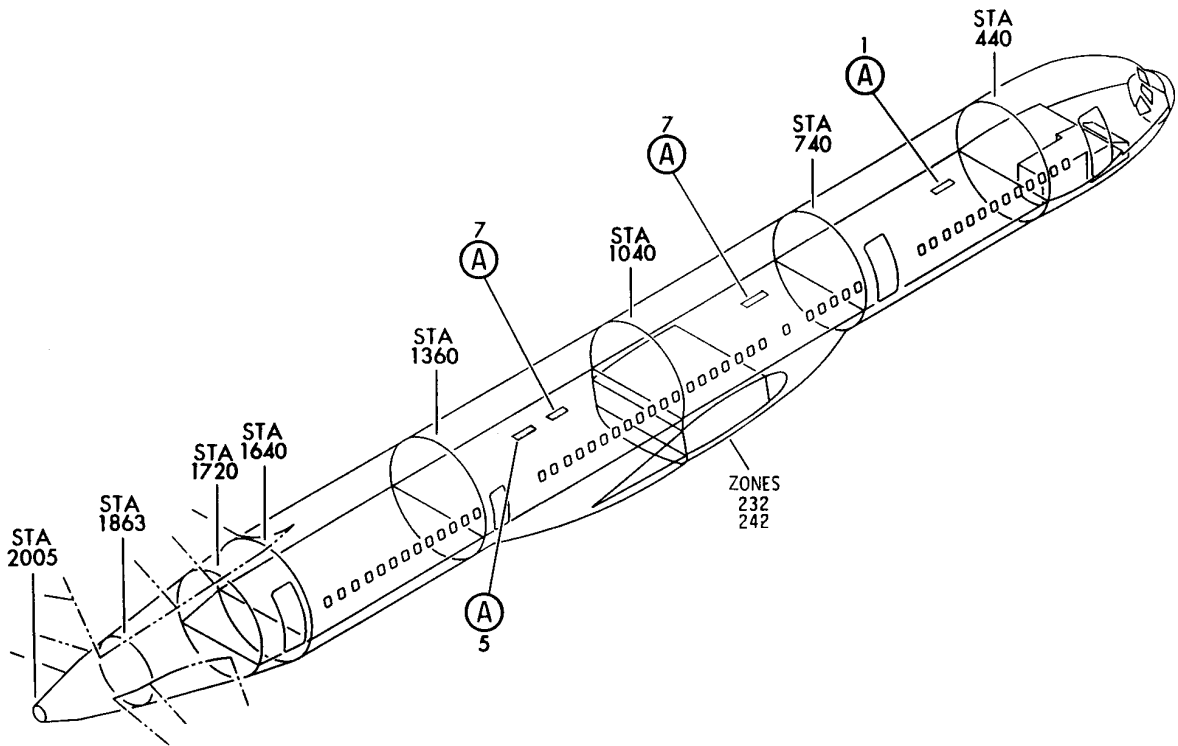
BRI

21-61-51-02

BOEING PROPRIETARY - Copyright © - Unpublished Work - See title page for details.

21-61-51
FIG. 02
PAGE 1
JAN 20/09

BOEING
757
PARTS CATALOG (MAINTENANCE)



(A)

Y 21615104 REV 192

BULLNOSE ASSY-EMER EQPT (FWD AND MID SECT.) (AIR CONDITIONING ONLY)
FIGURE 4

21-61-51-04

BRI
JAN 20/08

21-61-51-04
PAGE 0



757

PARTS CATALOG (MAINTENANCE)

| FIG ITEM | PART NUMBER | 1 2 3 4 5 6 7 | NOMENCLATURE | EFFECT FROM TO | UNITS PER ASSY |
|----------|-------------|---------------|---|----------------------------|----------------|
| R | 4 | | BULLNOSE ASSY-EMER EQPT (FWD AND MID SECT.) (AIR CONDITIONING ONLY) | 002004 006100 950999 | |
| | 1 | 412N1168-5SP | BULLNOSE ASSY-EMER EQPT (AIR CONDITIONING ONLY) POSITION DATA: FWD SECT. FOR NHA/OTHER SYS DET SEE: 25-28-00-72Y | 950951 | RF |
| | 5 | 412N1168-5SP | BULLNOSE ASSY-EMER EQPT (AIR CONDITIONING ONLY) POSITION DATA: MID SECT. FOR NHA/OTHER SYS DET SEE: 25-28-00-72Z | 950951 | RF |
| | 10 | 412N1125-1 | .SPRING | 950951 | 1 |
| | 15 | 412N1125-2 | .SPRING | 950951 | 1 |
| | 20 | 412N1168-7 | .FILTER- | 950951 | 1 |
| | 20 | 412N1124-20 | .FILTER- | 950951 | 1 |
| | 25 | 412N1122-2 | .GRILLE- | 002004 006100 950999 | 1 |
| | 30 | 412N1123-3 | .RETAINER | 950951 | 1 |

MISSING ITEM NUMBERS NOT APPLICABLE

- ITEM NOT ILLUSTRATED

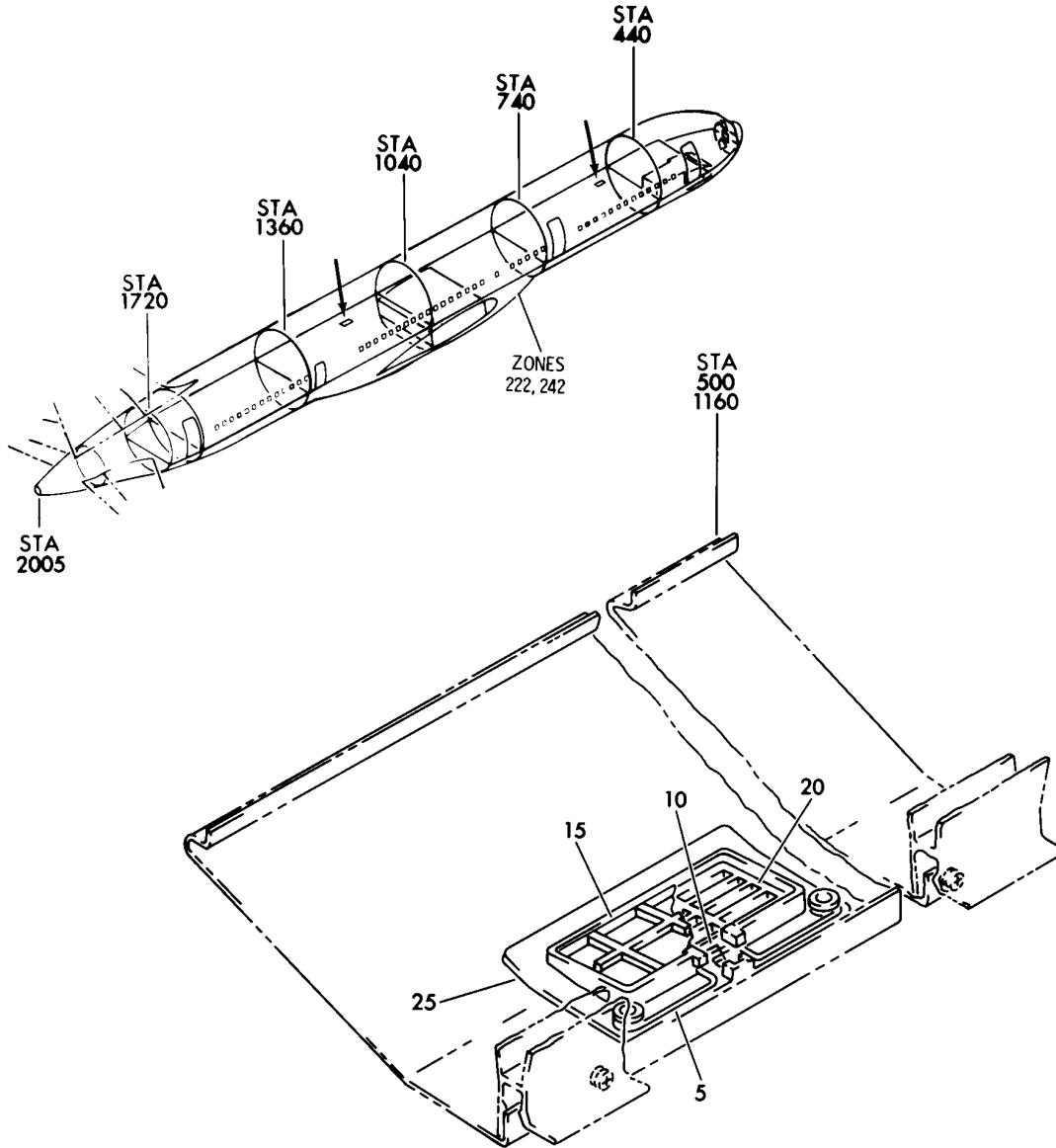
BRI

21-61-51-04

BOEING PROPRIETARY - Copyright © - Unpublished Work - See title page for details.

21-61-51
FIG. 04
PAGE 1
MAY 20/09

BOEING
757
PARTS CATALOG (MAINTENANCE)



Y 21615105 SHT 1 REV 098

BULLNOSE ASSY-TEMP SENSOR PROVISION (AIR CONDITIONING ONLY)
FIGURE 5

BRI
MAY 28/07

21-61-51-05

21-61-51-05
PAGE 0



757

PARTS CATALOG (MAINTENANCE)

| FIG ITEM | PART NUMBER | 1 2 3 4 5 6 7 | NOMENCLATURE | EFFECT FROM TO | UNITS PER ASSY |
|----------|--------------|---------------|--|--|----------------|
| 5 | | | BULLNOSE ASSY-TEMP SENSOR PROVISION (AIR CONDITIONING ONLY) | 002004 006017 121503 904949 952999 | |
| 1 | 412N1128-5SP | | BULLNOSE ASSY-TEMP SENSOR PROVISION (AIR CONDITIONING ONLY) FOR NHA/OTHER SYS DET SEE: 25-28-00-23A 25-28-00-23B | 904949 | RF |
| 1 | 412N1168-5SP | | BULLNOSE ASSY-TEMP SENSOR PROVISION (AIR CONDITIONING ONLY) FOR NHA/OTHER SYS DET SEE: 25-28-00-23A 25-28-00-23B 25-28-00-72J 25-28-00-72K 25-28-00-72R 25-28-00-72U 25-28-00-72Y 25-28-00-72Z | 002004 006017 121503 952999 | RF |
| 5 | 412N1125-1 | | .SPRING | 002004 006017 904949 952999 | 1 |
| 10 | 412N1125-2 | | .SPRING | 002004 006017 904949 952999 | 1 |
| 15 | 412N1128-7 | | .FILTER- | 904949 | 1 |
| 15 | 412N1168-7 | | .FILTER- | 002004 006017 121503 952999 | 1 |
| 15 | 412N1124-20 | | .FILTER- | 904949 | 1 |
| 15 | 412N1124-20 | | .FILTER- | 002004 006017 121503 952999 | 1 |
| 20 | 412N1122-2 | | .GRILLE- | 002004 006017 904949 952999 | 1 |
| 25 | 412N1123-3 | | .RETAINER | 002004 006017 904949 952999 | 1 |

MISSING ITEM NUMBERS NOT APPLICABLE

- ITEM NOT ILLUSTRATED

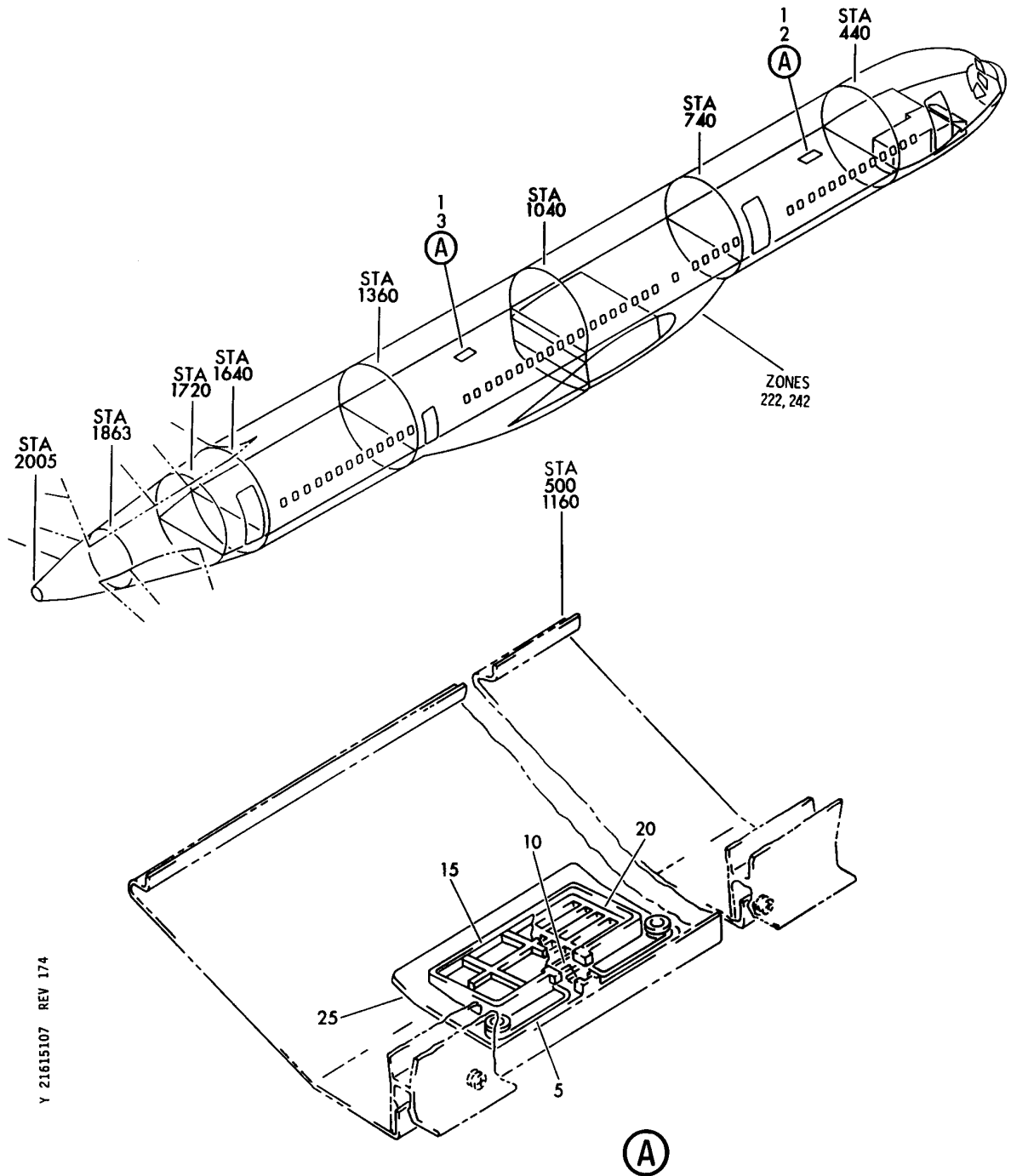
R
R
R
R
R

BRI

21-61-51-05

21-61-51
FIG. 05
PAGE 1
MAY 20/09

BOEING
757
PARTS CATALOG (MAINTENANCE)



BULLNOSE ASSY-EMER EQPT (AIR CONDITIONING ONLY)
FIGURE 7

21-61-51-07

BRI
MAY 28/07

21-61-51-07
PAGE 0



757

PARTS CATALOG (MAINTENANCE)

| FIG ITEM | PART NUMBER | 1 2 3 4 5 6 7 | NOMENCLATURE | EFFECT FROM TO | UNITS PER ASSY |
|----------|---------------|---------------|---|----------------------------|----------------|
| 7 | | | BULLNOSE ASSY-EMER EQPT (AIR CONDITIONING ONLY) | 018102 108120 504903 | |
| 1 | 412N1168-69SP | | BULLNOSE ASSY-EMER EQPT (AIR CONDITIONING ONLY) FOR NHA/OTHER SYS DET SEE: 25-28-00-33 | 018100 | RF |
| 1 | 412N1168-72SP | | BULLNOSE ASSY-EMER EQPT (AIR CONDITIONING ONLY) FOR NHA/OTHER SYS DET SEE: 25-28-00-50 25-28-00-50A 25-28-00-57 25-28-00-59 | 101102 108120 504903 | RF |
| 5 | 412N1125-1 | | .SPRING | 018102 108120 504903 | 1 |
| 10 | 412N1125-2 | | .SPRING | 018102 108120 504903 | 1 |
| 15 | 412N1168-7 | | .FILTER | 018102 108120 504903 | 1 |
| 20 | 412N1122-3SP | | .GRILLE | 018102 108120 504903 | 1 |
| 25 | 412N1123-3 | | .RETAINER | 018102 108120 504903 | 1 |

MISSING ITEM NUMBERS NOT APPLICABLE

- ITEM NOT ILLUSTRATED

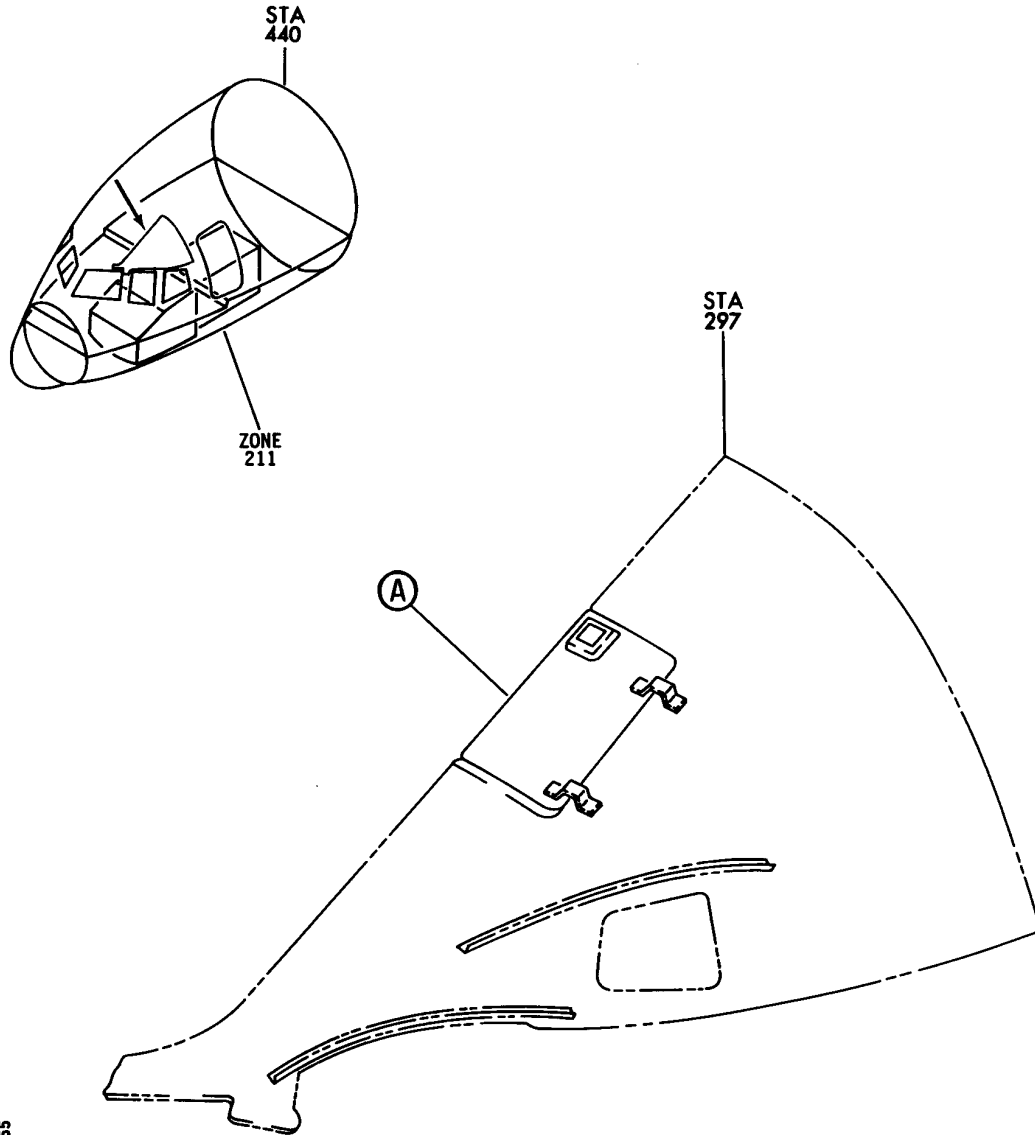
BRI

21-61-51-07

BOEING PROPRIETARY - Copyright © - Unpublished Work - See title page for details.

21-61-51
FIG. 07
PAGE 1
JAN 20/09

BOEING
757
PARTS CATALOG (MAINTENANCE)



Y 21615108 SHT 1 REV 155

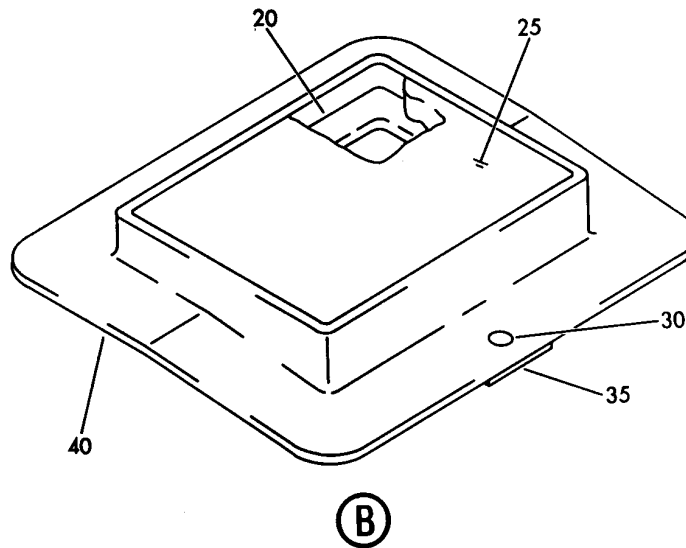
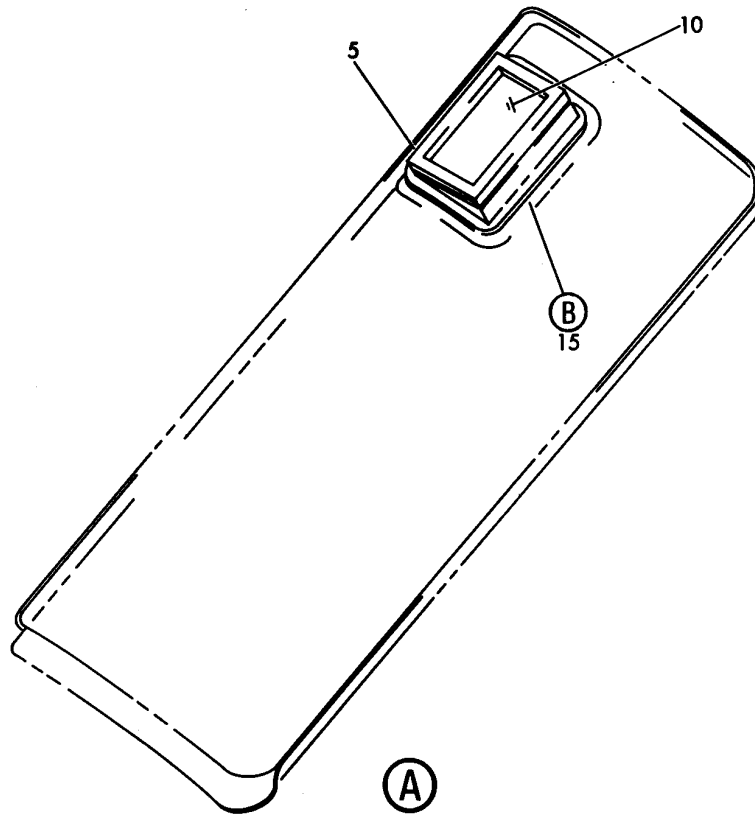
PANEL ASSY-TEMP SENSOR ACCESS
FIGURE 8 (SHEET 1)

21-61-51-08

BRI
MAY 28/07

21-61-51-08
PAGE 0

BOEING
757
PARTS CATALOG (MAINTENANCE)



Y 21615108 SHT 2 REV 155

PANEL ASSY-TEMP SENSOR ACCESS
FIGURE 8 (SHEET 2)

21-61-51-08

BRI
MAY 28/07

21-61-51-08
PAGE 0A



757

PARTS CATALOG (MAINTENANCE)

| FIG ITEM | PART NUMBER | 1 2 3 4 5 6 7 | NOMENCLATURE | EFFECT FROM TO | UNITS PER ASSY |
|----------|-------------|---------------|--|----------------------------|----------------|
| 8 | | | PANEL ASSY-TEMP SENSOR ACCESS | 011106 108120 504903 | |
| - 1 | 232N1732-1 | | PANEL ASSY-TEMP SENSOR ACCESS FOR NHA SEE: 25-14-01-02 | 011106 108120 504903 | RF |
| 5 | 232N1732-5 | | .GASKET | 011106 108120 504903 | 1 |
| 10 | 232N1732-4 | | .SCREEN | 011106 108120 504903 | 1 |
| 15 | 232N1635-3 | | .FILTER ASSY | 011106 108120 504903 | 1 |
| 20 | 232N1638-2 | | ..GRILL | 011106 108120 504903 | 1 |
| 25 | 232N1635-2 | | ..FILTER- MANUFACTURED FROM: 3/16 X 1.5 X 1.9 SCOTT FILTER FOAM GRADE 45 PPI GREV FLAME RETARDANT | 011106 108120 504903 | 1 |
| 30 | BACR15BB3A | | ..RIVET- SIZE DETERMINED ON INSTL. | 011106 108120 504903 | 1 |
| 35 | 232N1636-2 | | ..SPRING | 011106 108120 504903 | 1 |
| 40 | 232N1637-2 | | ..ADAPTER | 011106 108120 504903 | 1 |

MISSING ITEM NUMBERS NOT APPLICABLE

- ITEM NOT ILLUSTRATED

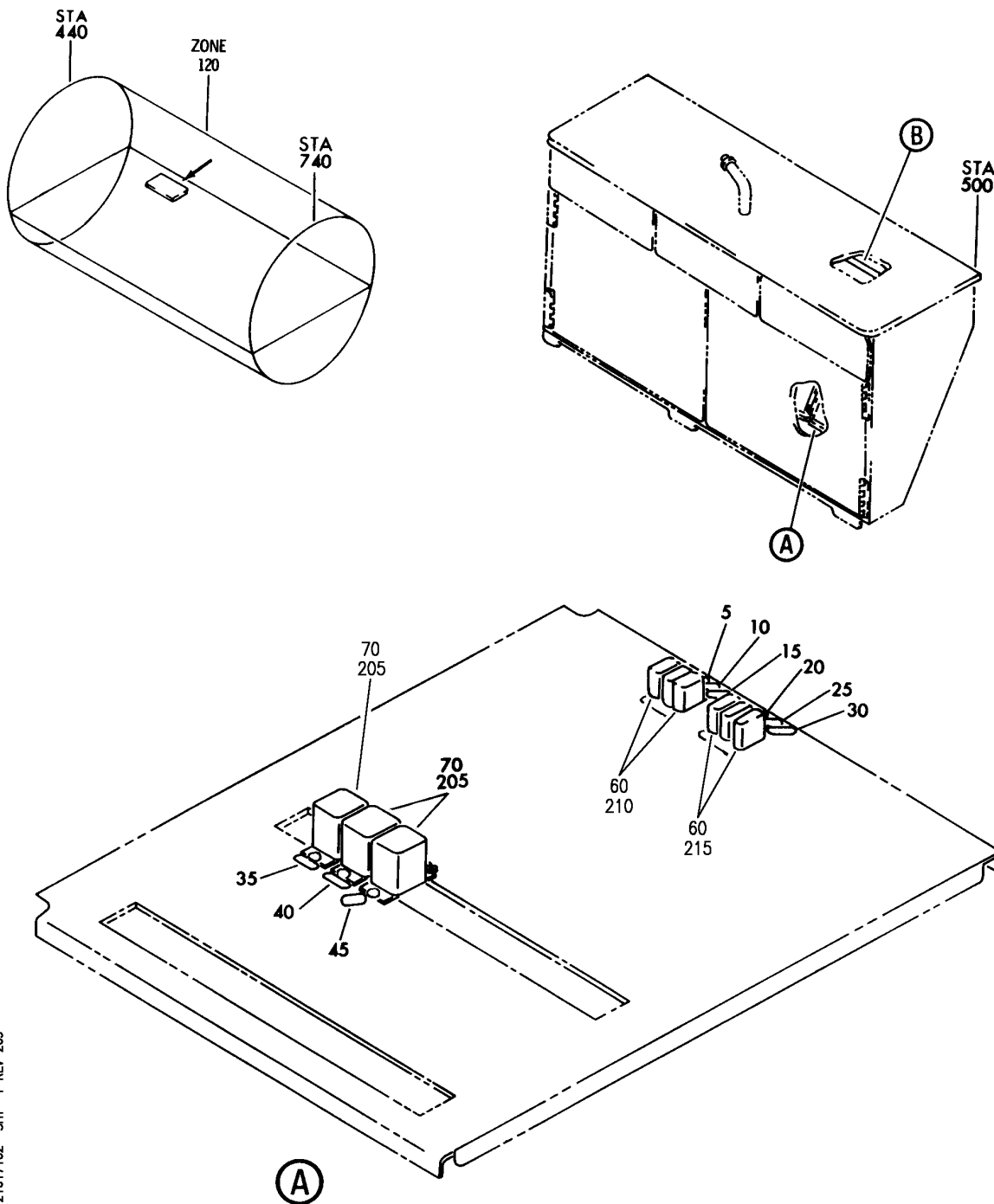
BRI

21-61-51-08

BOEING PROPRIETARY - Copyright © - Unpublished Work - See title page for details.

21-61-51
FIG. 08
PAGE 1
JAN 20/09

BOEING
757
PARTS CATALOG (MAINTENANCE)



Y 21617102 SHT 1 REV 269

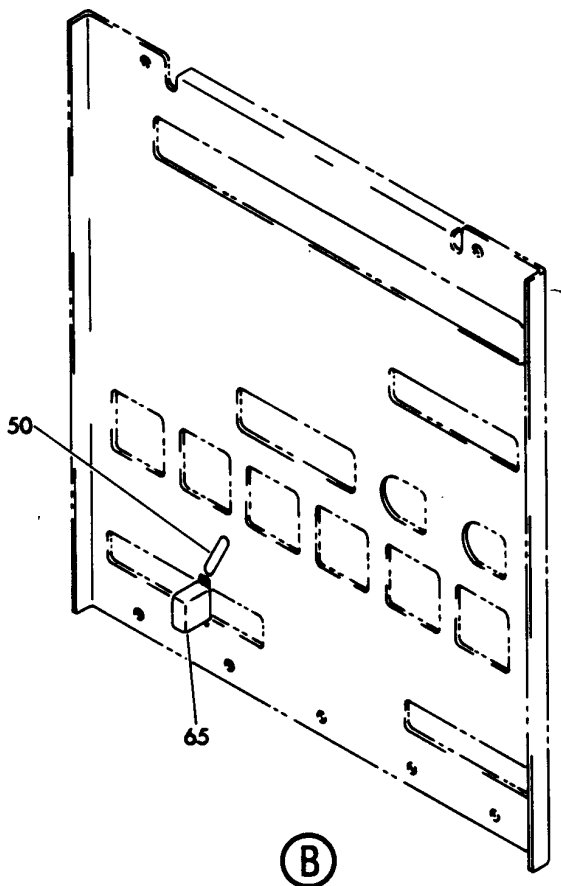
PANEL ASSY-P37 MISC RELAY R (PRIMARY ZONE TEMPERATURE CONTROL SYSTEM ONLY)
FIGURE 2 (SHEET 1)

21-61-71-02

BRI
MAY 28/07

21-61-71-02
PAGE 0

BOEING
757
PARTS CATALOG (MAINTENANCE)



Y 21817102 SHT 2 REV 069

PANEL ASSY-P37 MISC RELAY R (PRIMARY ZONE TEMPERATURE CONTROL SYSTEM ONLY)
FIGURE 2 (SHEET 2)

BRI
MAY 28/07

21-61-71-02

21-61-71-02
PAGE 0A



757

PARTS CATALOG (MAINTENANCE)

| FIG ITEM | PART NUMBER | 1 2 3 4 5 6 7 | NOMENCLATURE | EFFECT FROM TO | UNITS PER ASSY |
|----------|--------------|---------------|---|--|----------------|
| 2 | | | PANEL ASSY-P37 MISC RELAY R (PRIMARY ZONE TEMPERATURE CONTROL SYSTEM ONLY) | 002004 006100 107107 121503 904999 | |
| - 1 | 284N1127-1 | | PANEL ASSY-P37 MISC RELAY (PRIMARY ZONE TEMPERATURE CONTROL SYSTEM ONLY) POSITION DATA: R VARIABLE DRAWING REF: 284N1127-5028 284N1127-5039 284N1127-5063 284N1127-5064 284N1127-5068 REWORKED BY SB: 33-0039 34-0200 REWORKED BY ALERT SB: 27A0130 FOR NHA/OTHER SYS DET SEE: 31-01-37-01B | 002004 006100 107107 121503 904999 | RF |
| 5 | BAC27NEX1026 | | .DECAL- PLACARD CONTENT: K10311 | 002004 006100 107107 121503 904999 | 1 |
| 10 | BAC27NEX1027 | | .DECAL- PLACARD CONTENT: K10312 | 002004 006100 107107 121503 904999 | 1 |
| 15 | BAC27NEX1028 | | .DECAL- PLACARD CONTENT: K10313 | 002004 006100 107107 121503 904999 | 1 |
| 20 | BAC27NEX1042 | | .DECAL- PLACARD CONTENT: K10362 | 002004 006100 107107 121503 904999 | 1 |
| 25 | BAC27NEX1043 | | .DECAL- PLACARD CONTENT: K10363 | 002004 006100 107107 121503 904999 | 1 |

MISSING ITEM NUMBERS NOT APPLICABLE

- ITEM NOT ILLUSTRATED

21-61-71-02

21-61-71
FIG. 02
PAGE 1
JAN 20/09

BRI



757

PARTS CATALOG (MAINTENANCE)

| FIG ITEM | PART NUMBER | 1 2 3 4 5 6 7 | NOMENCLATURE | EFFECT FROM TO | UNITS PER ASSY |
|----------|-----------------|---------------|--|--|----------------|
| 2 | 30 BAC27NEX1044 | .DECAL- | PLACARD CONTENT: K10364 | 002004 006100 107107 121503 904999 | 1 |
| | 35 BAC27TEX0334 | .DECAL- | PLACARD CONTENT: K238 | 002004 006100 107107 121503 904999 | 1 |
| | 40 BAC27TEX0335 | .DECAL- | PLACARD CONTENT: K239 | 002004 006100 107107 121503 904999 | 1 |
| | 45 BAC27TEX0336 | .DECAL- | PLACARD CONTENT: K240 | 002004 006100 107107 121503 904999 | 1 |
| | 60 W260F4AM11 | .RELAY- | SUPPLIER CODE: VF0219 SPECIFICATION NUMBER: BACR13CD2 OPTIONAL PART: BR16S233 V09026 EE4AA005 V35344 3SAV1338A2 V01526 HFW1206K03 V58614 HFW1204K01 V71482 ELECTRICAL EQUIP NUMBER: K10311 K10312 K10313 K10362 K10363 K10364 | 002004 006100 107107 121503 904999 | 6 |

MISSING ITEM NUMBERS NOT APPLICABLE

- ITEM NOT ILLUSTRATED

21-61-71-02

21-61-71
FIG. 02
PAGE 2
JAN 20/09

BRI



757

PARTS CATALOG (MAINTENANCE)

| FIG ITEM | PART NUMBER | 1 2 3 4 5 6 7 | NOMENCLATURE | EFFECT FROM TO | UNITS PER ASSY |
|----------|--------------|---------------|---|--|----------------|
| 2 70 | ES410-1538 | | .RELAY- SUPPLIER CODE: V99699 SPECIFICATION NUMBER: BACR13CG2AB OPTIONAL PART: KD4L018 V35344 BR230DS0115 V56623 KD4L036 V58657 FCA410-63 V78290 ELECTRICAL EQUIP NUMBER: K00238 K00239 K00240 | 002004 006100 107107 121503 904999 | 3 |
| - 200 | 286N1270-002 | | WIRE BUNDLE ASSY- REWORKED BY ALERT SB: 27A0130 34A0222 | 121503 904949 | RF |
| - 200 | 286N1270-003 | | WIRE BUNDLE ASSY- REWORKED BY ALERT SB: 34A0222 | 107107 | RF |
| - 200 | 286N1270-005 | | WIRE BUNDLE ASSY- REWORKED BY SB: 33-0039 34-0200 REWORKED BY ALERT SB: 27A0130 34A0222 | 002004 006100 950999 | RF |
| 205 | BACS16W1 | | .SOCKET- ELECTRICAL EQUIP NUMBER: D02548 D02562 D02576 WIRING DIAGRAM REF: 216111 216121 216131 | 002004 006100 107107 121503 904999 | 3 |

MISSING ITEM NUMBERS NOT APPLICABLE

- ITEM NOT ILLUSTRATED

BRI

21-61-71-02

BOEING PROPRIETARY - Copyright © - Unpublished Work - See title page for details.

21-61-71
FIG. 02
PAGE 3
JAN 20/09



757

PARTS CATALOG (MAINTENANCE)

| FIG ITEM | PART NUMBER | 1 2 3 4 5 6 7 | NOMENCLATURE | EFFECT FROM TO | UNITS PER ASSY |
|----------|-------------|---------------|---|--|----------------|
| 2 210 | RSE120026 | | .SOCKET- SUPPLIER CODE: V58982 SPECIFICATION NUMBER: BACS16AG1 OPTIONAL PART: 451120-026 V58982 ELECTRICAL EQUIP NUMBER: D04196 D04198 D04200 WIRING DIAGRAM REF: 326111 216121 326111 | 002004 006100 950999 | 3 |
| 215 | RSE120026 | | .SOCKET- SUPPLIER CODE: V58982 SPECIFICATION NUMBER: BACS16AG1 OPTIONAL PART: 451120-026 V58982 ELECTRICAL EQUIP NUMBER: D04344 D04346 D04348 WIRING DIAGRAM REF: 303311 216111 326111 | 002004 006100 107107 121503 904999 | 3 |

MISSING ITEM NUMBERS NOT APPLICABLE

- ITEM NOT ILLUSTRATED

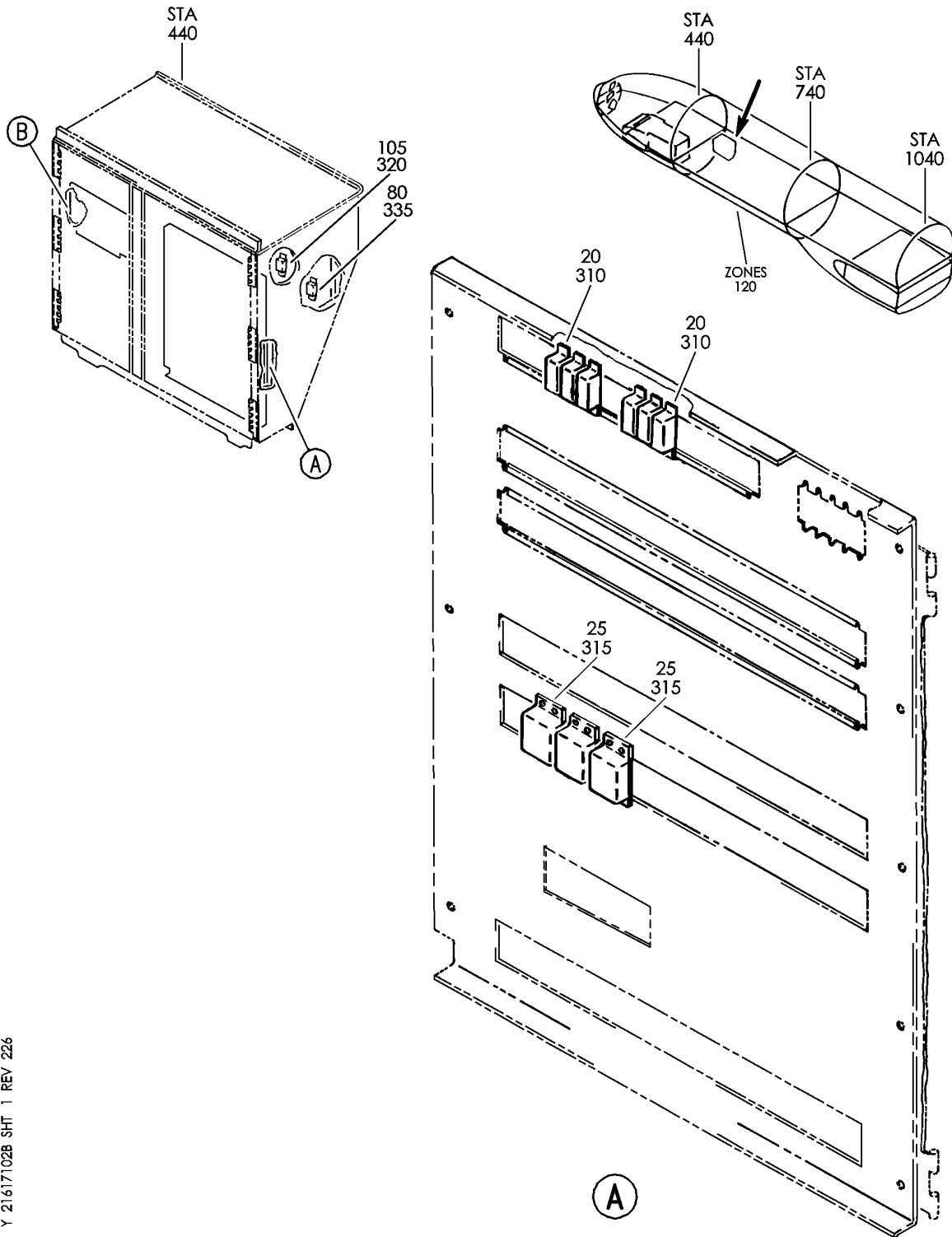
BRI

21-61-71-02

BOEING PROPRIETARY - Copyright © - Unpublished Work - See title page for details.

21-61-71
FIG. 02
PAGE 4
JAN 20/09

BOEING
757
PARTS CATALOG (MAINTENANCE)



Y 21617102B SHT 1 REV 226

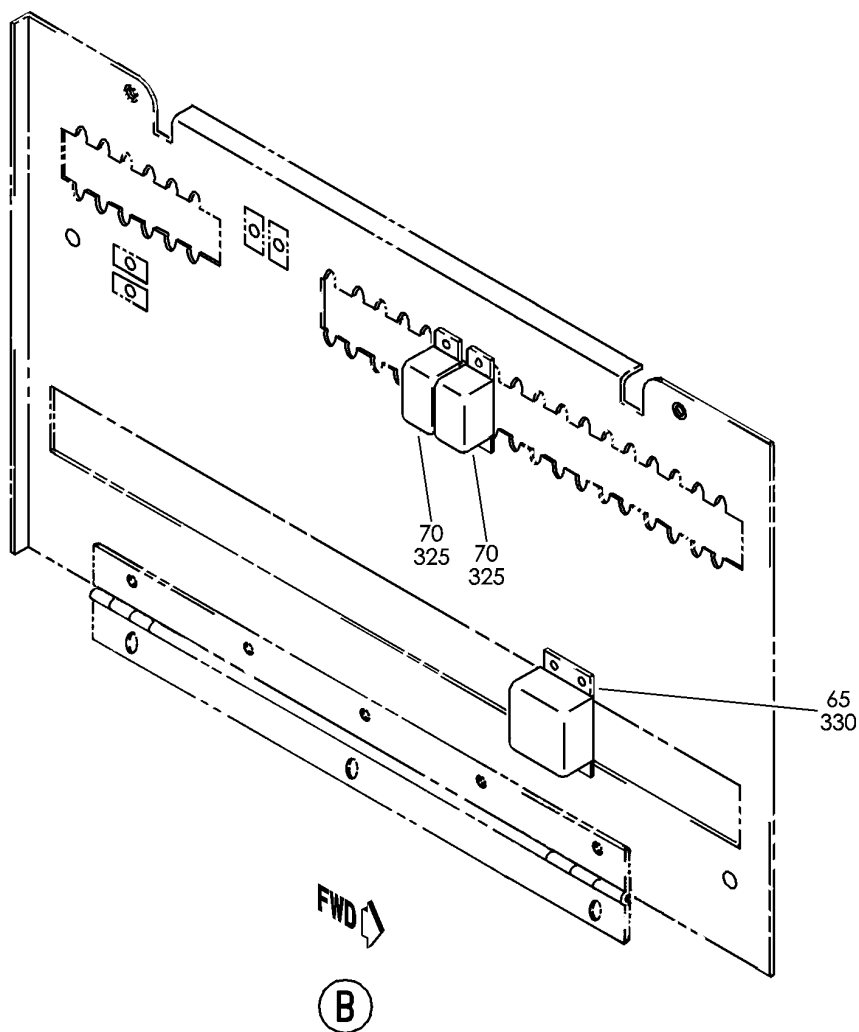
PACKAGE ASSY-OPTION P37 MISC RELAY (PRIMARY ZONE TEMPERATURE CONTROL SYSTEM ONLY)
FIGURE 2B (SHEET 1)

BRI
MAY 28/07

21-61-71-02B

21-61-71-02B
PAGE 0

BOEING
757
PARTS CATALOG (MAINTENANCE)



Y 21617102B SHT. 2 REV 226

PACKAGE ASSY-OPTION P37 MISC RELAY (PRIMARY ZONE TEMPERATURE CONTROL SYSTEM ONLY)
FIGURE 2B (SHEET 2)

BRI
MAY 28/07

21-61-71-02B

21-61-71-02B
PAGE 0A



757

PARTS CATALOG (MAINTENANCE)

| FIG ITEM | PART NUMBER | 1 2 3 4 5 6 7 | NOMENCLATURE | EFFECT FROM TO | UNITS PER ASSY |
|----------|---------------|---------------|---|------------------|----------------|
| 2B | | | PACKAGE ASSY-OPTION P37 MISC RELAY (PRIMARY ZONE TEMPERATURE CONTROL SYSTEM ONLY) | 101102 504903 | |
| - 1 | 284N1127-1041 | | PACKAGE ASSY-OPTION P 37 MISC RELAY (PRIMARY ZONE TEMPERATURE CONTROL SYSTEM ONLY) MISCELLANEOUS DATA: 757 MAJOR MODEL REWORKED BY ALERT SB: 27A0130 FOR NHA/OTHER SYS DET SEE: 31-01-37-02 | 101102 504903 | RF |
| 20 | W260F4AM11 | | .RELAY- SUPPLIER CODE: VF0219 SPECIFICATION NUMBER: BACR13CD2 OPTIONAL PART: BR16S233 V09026 EE4AA005 V35344 3SAV1338A2 V01526 HFW1206K03 V58614 HFW1204K01 V71482 ELECTRICAL EQUIP NUMBER: K10311 K10312 K10313 K10362 K10363 K10364 | 101102 504903 | 6 |

MISSING ITEM NUMBERS NOT APPLICABLE

- ITEM NOT ILLUSTRATED

BRI

21-61-71-02B

BOEING PROPRIETARY - Copyright © - Unpublished Work - See title page for details.

21-61-71
FIG. 02B
PAGE 1
JAN 20/09



757

PARTS CATALOG (MAINTENANCE)

| FIG ITEM | PART NUMBER | 1 2 3 4 5 6 7 | NOMENCLATURE | EFFECT FROM TO | UNITS PER ASSY |
|----------|--------------|---------------|---|------------------|----------------|
| 2B 25 | ES410-1538 | | .RELAY- SUPPLIER CODE: V99699 SPECIFICATION NUMBER: BACR13CG2AB OPTIONAL PART: KD4L018 V35344 BR230DS0115 V56623 KD4L036 V58657 FCA410-63 V78290 ELECTRICAL EQUIP NUMBER: K00238 K00239 K00240 | 101102 504903 | 3 |
| - 300 | 286N1270-336 | | WIRE BUNDLE ASSY- REWORKED BY ALERT SB: 34A0222 27A0130 | 504903 | RF |
| - 301 | 286N1270-361 | | WIRE BUNDLE ASSY- REWORKED BY ALERT SB: 34A0222 27A0130 | 101101 | RF |
| - 302 | 286N1270-399 | | WIRE BUNDLE ASSY- REWORKED BY ALERT SB: 34A0222 27A0130 | 102102 | RF |

MISSING ITEM NUMBERS NOT APPLICABLE

- ITEM NOT ILLUSTRATED

BRI

21-61-71-02B

BOEING PROPRIETARY - Copyright © - Unpublished Work - See title page for details.

21-61-71
FIG. 02B
PAGE 2
JAN 20/09



757

PARTS CATALOG (MAINTENANCE)

| FIG ITEM | PART NUMBER | 1 2 3 4 5 6 7 | NOMENCLATURE | EFFECT FROM TO | UNITS PER ASSY |
|-------------|-------------|---------------|---|-------------------|----------------------|
| 2B 310 | RSE120026 | | .SOCKET- SUPPLIER CODE: V58982 SPECIFICATION NUMBER: BACS16AG1 OPTIONAL PART: 451120-026 V58982 ELECTRICAL EQUIP NUMBER: D04196 D04198 D04200 D04344 D04346 D04348 WIRING DIAGRAM REF: 326111 216121 303311 216111 | 101102 504903 | 6 |
| 315 | BACS16W1 | | .SOCKET- ELECTRICAL EQUIP NUMBER: D02548 D02562 D02576 WIRING DIAGRAM REF: 216111 216121 216131 | 101102 504903 | 3 |

MISSING ITEM NUMBERS NOT APPLICABLE

- ITEM NOT ILLUSTRATED

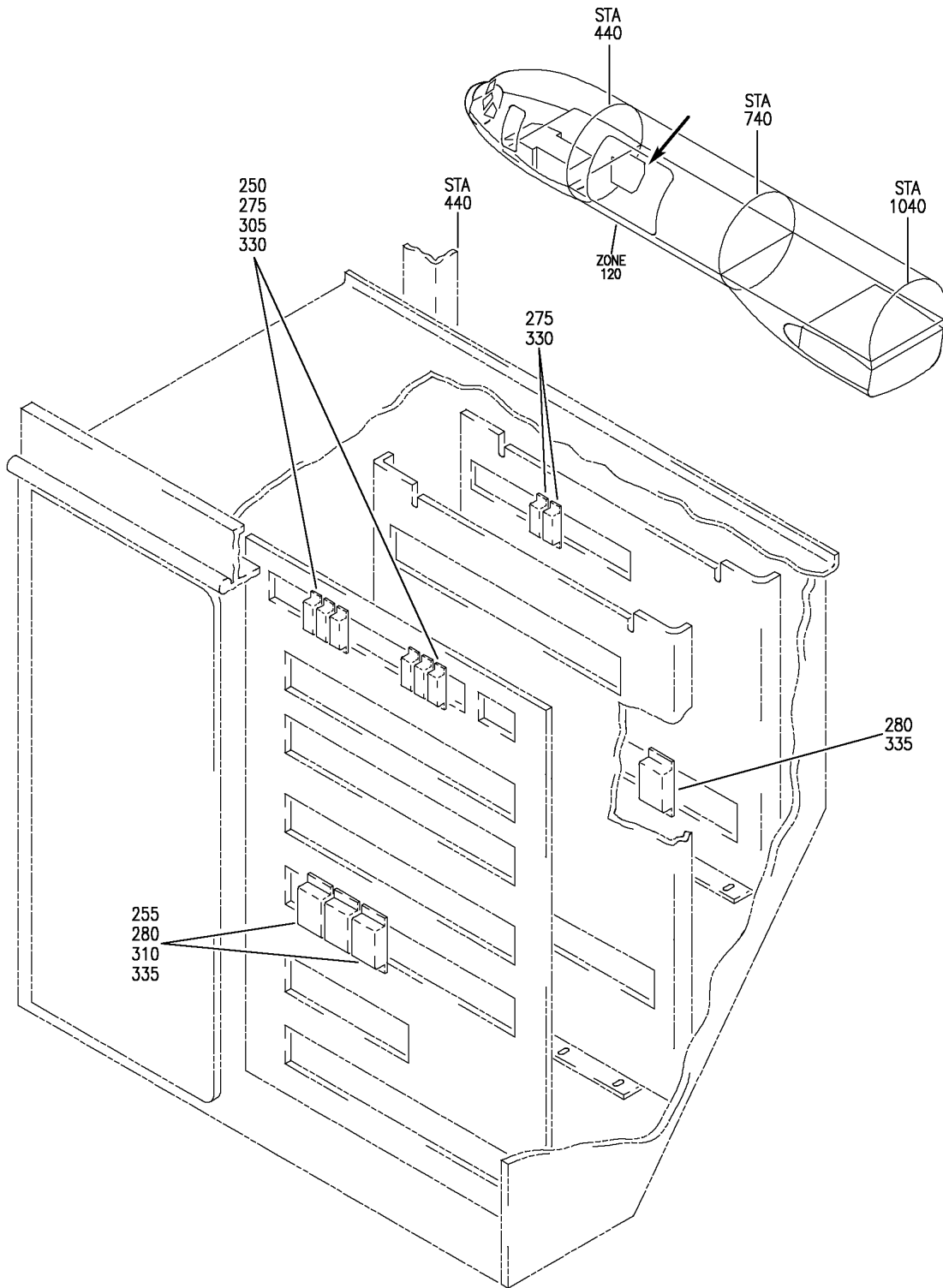
BRI

21-61-71-02B

BOEING PROPRIETARY - Copyright © - Unpublished Work - See title page for details.

21-61-71
FIG. 02B
PAGE 3
JAN 20/09

BOEING
757
PARTS CATALOG (MAINTENANCE)



Y 21617102D REV 330

PANEL INSTL-P37 R MISC RELAY (PRIMARY (ZONE) TEMPERATURE CONTROL SYSTEM ONLY)
 FIGURE 2D

21-61-71-02D

BRI
 JAN 20/09

21-61-71-02D
 PAGE 0



757
PARTS CATALOG (MAINTENANCE)

| FIG ITEM | PART NUMBER | 1 2 3 4 5 6 7 | NOMENCLATURE | EFFECT FROM TO | UNITS PER ASSY |
|-------------|-------------|---------------|--|-------------------|----------------------|
| 2D | | | PANEL INSTL-P37 R MISC RELAY (PRIMARY (ZONE) TEMPERATURE CONTROL SYSTEM ONLY) | 103106 108120 | |

MISSING ITEM NUMBERS NOT APPLICABLE

- ITEM NOT ILLUSTRATED

BRI

21-61-71-02D

BOEING PROPRIETARY - Copyright © - Unpublished Work - See title page for details.

21-61-71
FIG. 02D
PAGE 1
JAN 20/09



**757
PARTS CATALOG (MAINTENANCE)**

| FIG ITEM | PART NUMBER | 1 2 3 4 5 6 7 | NOMENCLATURE | EFFECT FROM TO | UNITS PER ASSY |
|-------------------------------------|--------------|---------------|---|-------------------|----------------------|
| 2D - 1 | MODREF185037 | | PANEL INSTL-P37 R MISC RELAY (PRIMARY (ZONE) TEMPERATURE CONTROL SYSTEM ONLY) MODULE NUMBER: 284N1127-169 REV D FOR OTHER SYS DETAILS SEE: 11-36-12-02A 21-25-71-02D 21-44-71-02D 21-45-31-01D 21-51-55-01D 21-58-71-02D 23-31-51-05 24-21-51-05 24-51-01-02 24-51-02-03 24-51-58-02D 27-62-71-03D 28-22-71-03D 29-21-71-01D 30-11-71-02D 30-21-71-03D 30-31-71-02D 30-32-71-02D 30-33-71-02D 30-34-51-01D 31-01-37-10 31-31-71-02D 32-09-02-04D 32-42-71-02D 32-61-71-02D 33-43-55-01D 33-51-71-01D 34-12-71-02D 34-25-50-01D 34-61-52-01D 35-21-71-02D 36-11-71-02D 38-15-71-02D 73-21-55-01D 74-31-71-02D 76-11-71-02D 77-12-71-01D 78-34-71-02D 78-36-71-02D 80-11-71-02D | 106106 | 1 |
| MISSING ITEM NUMBERS NOT APPLICABLE | | | | | |

- ITEM NOT ILLUSTRATED

21-61-71-02D

21-61-71
FIG. 02D
PAGE 2
JAN 20/09

BRI



757

PARTS CATALOG (MAINTENANCE)

| FIG ITEM | PART NUMBER | 1 2 3 4 5 6 7 | NOMENCLATURE | EFFECT FROM TO | UNITS PER ASSY |
|-------------|--------------|---------------|--|-------------------|----------------------|
| 2D - 3 | 284N1127-118 | | PANEL INSTL-P37 R MISC RELAY (PRIMARY (ZONE) TEMPERATURE CONTROL SYSTEM ONLY) FOR NHA/OTHER SYS DET SEE: 24-00-58-05C | 108108 | RF |
| - 4 | 284N1127-139 | | PANEL INSTL-P37 R MISC RELAY (PRIMARY (ZONE) TEMPERATURE CONTROL SYSTEM ONLY) FOR NHA/OTHER SYS DET SEE: 24-00-58-05C | 109120 | RF |

MISSING ITEM NUMBERS NOT APPLICABLE

- ITEM NOT ILLUSTRATED

BRI

21-61-71-02D

BOEING PROPRIETARY - Copyright © - Unpublished Work - See title page for details.

21-61-71
FIG. 02D
PAGE 3
JAN 20/09



757

PARTS CATALOG (MAINTENANCE)

| FIG ITEM | PART NUMBER | 1 2 3 4 5 6 7 | NOMENCLATURE | EFFECT FROM TO | UNITS PER ASSY |
|-----------|-------------|---------------|---|----------------|----------------|
| 2D - 8 | MODREF31945 | | PANEL INSTL-P37 R MISC RELAY (PRIMARY (ZONE) TEMPERATURE CONTROL SYSTEM ONLY) MODULE NUMBER: 284N1127-169 REV B FOR OTHER SYS DETAILS SEE: 11-36-12-02A 21-25-71-02D 21-44-71-02D 21-45-31-01D 21-51-55-01D 21-58-71-02D 23-31-51-05 24-21-51-05 24-51-01-02 24-51-02-03 24-51-58-02D 27-62-71-03D 28-22-71-03D 29-21-71-01D 30-11-71-02D 30-21-71-03D 30-31-71-02D 30-32-71-02D 30-33-71-02D 30-34-51-01D 31-01-37-10 31-31-71-02D 32-09-02-04D 32-42-71-02D 32-61-71-02D 33-43-55-01D 33-51-71-01D 34-12-71-02D 34-25-50-01D 34-61-52-01D 35-21-71-02D 36-11-71-02D 38-15-71-02D 73-21-55-01D 74-31-71-02D 76-11-71-02D 77-12-71-01D 78-34-71-02D 78-36-71-02D 80-11-71-02D | 103103 | 1 |

MISSING ITEM NUMBERS NOT APPLICABLE

- ITEM NOT ILLUSTRATED

BRI

21-61-71-02D

BOEING PROPRIETARY - Copyright © - Unpublished Work - See title page for details.

21-61-71
 FIG. 02D
 PAGE 4
 JAN 20/09



757

PARTS CATALOG (MAINTENANCE)

| FIG ITEM | PART NUMBER | 1 2 3 4 5 6 7 | NOMENCLATURE | EFFECT FROM TO | UNITS PER ASSY |
|-----------|-------------|---------------|---|----------------|----------------|
| 2D - 9 | MODREF34305 | | PANEL INSTL-P37 R MISC RELAY (PRIMARY (ZONE) TEMPERATURE CONTROL SYSTEM ONLY) MODULE NUMBER: 284N1127-169 REV C FOR OTHER SYS DETAILS SEE: 11-36-12-02A 21-25-71-02D 21-44-71-02D 21-45-31-01D 21-51-55-01D 21-58-71-02D 23-31-51-05 24-21-51-05 24-51-01-02 24-51-02-03 24-51-58-02D 27-62-71-03D 28-22-71-03D 29-21-71-01D 30-11-71-02D 30-21-71-03D 30-31-71-02D 30-32-71-02D 30-33-71-02D 30-34-51-01D 31-01-37-10 31-31-71-02D 32-09-02-04D 32-42-71-02D 32-61-71-02D 33-43-55-01D 33-51-71-01D 34-12-71-02D 34-25-50-01D 34-61-52-01D 35-21-71-02D 36-11-71-02D 38-15-71-02D 73-21-55-01D 74-31-71-02D 76-11-71-02D 77-12-71-01D 78-34-71-02D 78-36-71-02D 80-11-71-02D | 104105 | 1 |

MISSING ITEM NUMBERS NOT APPLICABLE

- ITEM NOT ILLUSTRATED

BRI

21-61-71-02D

BOEING PROPRIETARY - Copyright © - Unpublished Work - See title page for details.

21-61-71
FIG. 02D
PAGE 5
JAN 20/09



757

PARTS CATALOG (MAINTENANCE)

| FIG ITEM | PART NUMBER | 1 2 3 4 5 6 7 | NOMENCLATURE | EFFECT FROM TO | UNITS PER ASSY |
|-----------|--------------|---------------|---|------------------|----------------|
| 2D 250 | W260F4AM11 | | .RELAY- SUPPLIER CODE: VF0219 SPECIFICATION NUMBER: BACR13CD2 OPTIONAL PART: BR16S233 V09026 EE4AA005 V35344 3SAV1338A2 V01526 HFW1206K03 V58614 HFW1204K01 V71482 ELECTRICAL EQUIP NUMBER: K10311 K10312 K10313 K10362 K10363 K10364 | 103106 108120 | 6 |
| 255 | ES410-1538 | | .RELAY- SUPPLIER CODE: V99699 SPECIFICATION NUMBER: BACR13CG2AB OPTIONAL PART: KD4L018 V35344 BR230DS0115 V56623 KD4L036 V58657 FCA410-63 V78290 ELECTRICAL EQUIP NUMBER: K00238 K00239 K00240 | 103106 108120 | 3 |
| - 300 | 286N1270-360 | | WIRE BUNDLE ASSY- REWORKED BY ALERT SB: 34A022 | 108120 | RF |
| - 302 | 286N1270-602 | | WIRE BUNDLE ASSY | 103106 | RF |

MISSING ITEM NUMBERS NOT APPLICABLE

- ITEM NOT ILLUSTRATED

21-61-71-02D

21-61-71
FIG. 02D
PAGE 6
JAN 20/09

BRI



757

PARTS CATALOG (MAINTENANCE)

| FIG ITEM | PART NUMBER | 1 2 3 4 5 6 7 | NOMENCLATURE | EFFECT FROM TO | UNITS PER ASSY |
|-----------|-------------|---------------|---|------------------|----------------|
| 2D 305 | RSE120026 | | .SOCKET- SUPPLIER CODE: V58982 SPECIFICATION NUMBER: BACS16AG1 OPTIONAL PART: 451120-026 V58982 ELECTRICAL EQUIP NUMBER: D04196 D04198 D04200 D04344 D04346 D04348 WIRING DIAGRAM REF: 216111 216121 216131 303311 326111 | 103106 108120 | 6 |
| 310 | BACS16W1 | | .SOCKET- ELECTRICAL EQUIP NUMBER: D02548 D02562 D02576 WIRING DIAGRAM REF: 216111 216121 216131 | 103106 108120 | 3 |

MISSING ITEM NUMBERS NOT APPLICABLE

- ITEM NOT ILLUSTRATED

BRI

21-61-71-02D

BOEING PROPRIETARY - Copyright © - Unpublished Work - See title page for details.

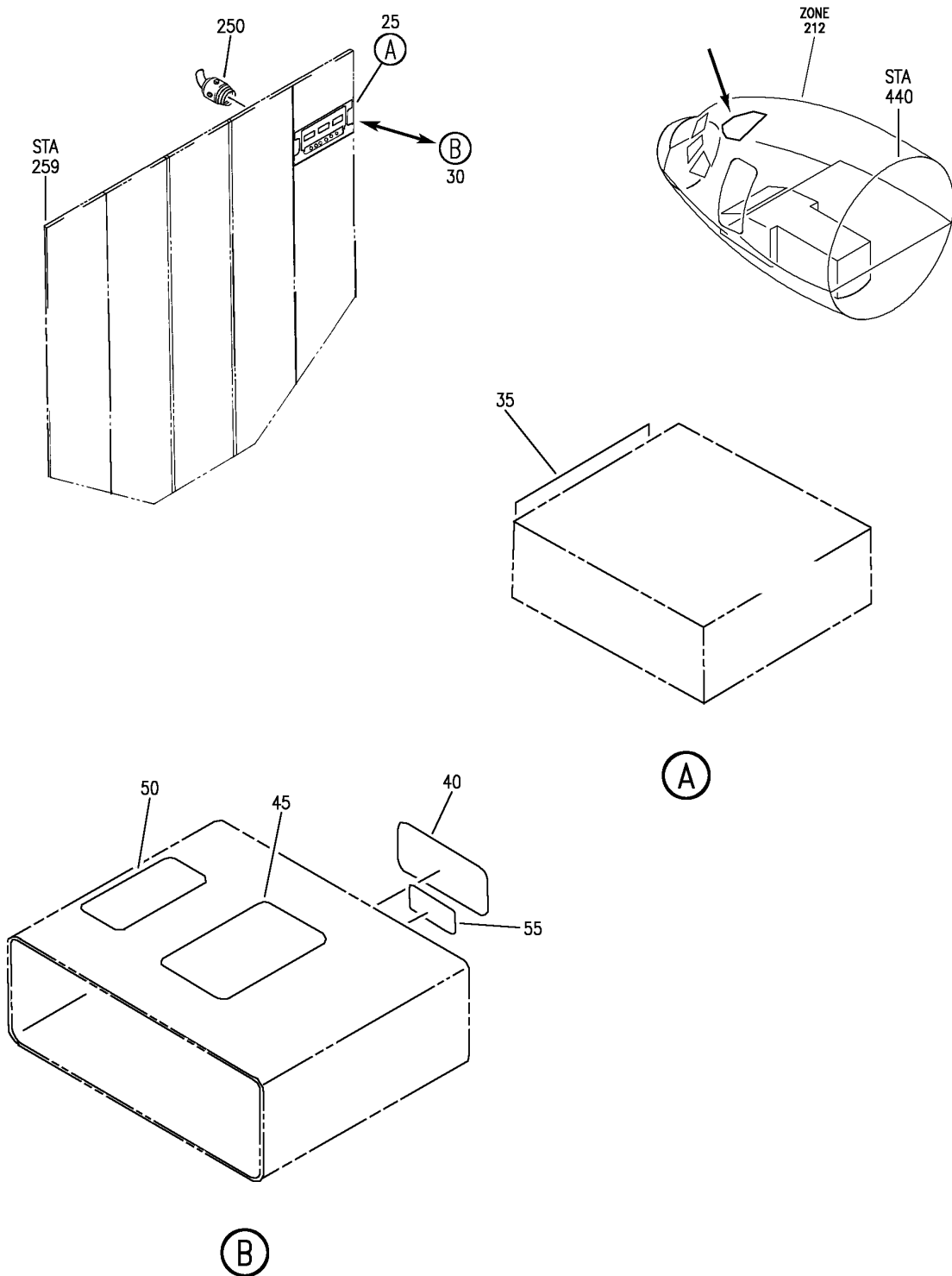
21-61-71
FIG. 02D
PAGE 7
JAN 20/09

CABIN TEMPERATURE INDICATION SYSTEM

BRI
MAY 28/07

21-65-00
SECTION TITLE
PAGE 1

BOEING
757
PARTS CATALOG (MAINTENANCE)



Y 21655101 REV 285

PANEL INSTL-P5 OVHD (CABIN (ZONE) TEMPERATURE INDICATOR SYSTEM ONLY)
FIGURE 1

21-65-51-01

BRI
MAY 28/07

21-65-51-01
PAGE 0



757

PARTS CATALOG (MAINTENANCE)

| FIG ITEM | PART NUMBER | 1 2 3 4 5 6 7 | NOMENCLATURE | EFFECT FROM TO | UNITS PER ASSY |
|----------|--------------|---------------|--|--|----------------|
| 1 | | | PANEL INSTL-P5 OVHD (CABIN (ZONE) TEMPERATURE INDICATOR SYSTEM ONLY) | 002004 006999 | |
| - 2 | 233N3103-136 | | PANEL INSTL-P5 OVHD (CABIN (ZONE) TEMPERATURE INDICATOR SYSTEM ONLY) FOR NHA/OTHER SYS DET SEE: 25-10-00-15E | 504903 | RF |
| - 5 | 233N3101-1 | | PANEL INSTL-P5 OVHD (CABIN (ZONE) TEMPERATURE INDICATOR SYSTEM ONLY) VARIABLE DRAWING REF: 233N3101-5005 233N3101-5025 233N3101-5041 233N3101-5042 233N3101-5045 233N3101-5142 FOR NHA/OTHER SYS DET SEE: 25-10-00-05A | 002004 006100 107107 121503 904949 952999 | RF |
| - 5 | 233N3101-1 | | PANEL INSTL-P5 OVHD (CABIN (ZONE) TEMPERATURE INDICATOR SYSTEM ONLY) FOR NHA/OTHER SYS DET SEE: 25-10-00-05A | 950951 | RF |
| - 6 | MODREF170180 | | PANEL INSTL-P5 OVHD (CABIN (ZONE) TEMPERATURE INDICATOR SYSTEM ONLY) MODULE NUMBER: 233N3103-353 REV B FOR OTHER SYS DETAILS SEE: 11-31-10-12 21-25-55-03 21-31-01-02 21-33-51-03 21-51-54-03 21-58-19-10 21-58-51-03 21-61-04-03 22-21-01-04 22-24-51-02 23-24-01-01 23-32-00-11 23-42-02-02 23-71-05-02 24-11-52-05 24-22-01-03 24-31-01-10 24-31-03-09 | 106106 | 1 |

MISSING ITEM NUMBERS NOT APPLICABLE

- ITEM NOT ILLUSTRATED

21-65-51-01

21-65-51
FIG. 01
PAGE 1
JAN 20/09

BRI



757

PARTS CATALOG (MAINTENANCE)

| FIG ITEM | PART NUMBER | 1 2 3 4 5 6 7 | NOMENCLATURE | EFFECT FROM TO | UNITS PER ASSY |
|----------|-------------|---------------|---|----------------|----------------|
| 1 | | | 24-33-04-01 24-41-51-04 24-51-62-01 26-18-51-04 27-21-53-02 27-41-55-01 27-61-51-03 27-62-52-02 28-22-51-02 28-41-04-01 28-41-51-03 29-11-02-03 29-11-05-04 29-11-52-07 29-21-54-03 29-31-00-01 29-32-51-03 29-33-52-03 30-11-51-03 30-21-51-03 30-31-51-02 30-32-51-01 30-33-51-02 30-41-51-03 30-42-51-03 31-12-11-84 31-12-11-84 A 32-42-52-03 33-11-03-03 33-11-51-17 33-13-01-65 33-13-02-03 33-16-51-03 33-24-51-02 33-41-52-04 33-42-01-04 33-42-02-04 33-42-52-04 33-43-51-04 33-44-51-05 33-45-53-03 33-51-08-05 34-21-02-01 35-21-51-04 36-11-04-01 36-21-00-01 36-21-02-05 36-22-51-03 49-41-00-02 | | |

MISSING ITEM NUMBERS NOT APPLICABLE

- ITEM NOT ILLUSTRATED

BRI

21-65-51-01

BOEING PROPRIETARY - Copyright © - Unpublished Work - See title page for details.

21-65-51
FIG. 01
PAGE 2
JAN 20/09



757

PARTS CATALOG (MAINTENANCE)

| FIG ITEM | PART NUMBER | 1 2 3 4 5 6 7 | NOMENCLATURE | EFFECT FROM TO | UNITS PER ASSY |
|-------------------------------------|--------------|---------------|---|----------------|----------------|
| 1 | | | 49-52-00-01 49-70-00-01 52-51-51-03 52-71-51-02 73-21-52-02 74-31-51-05 75-32-00-01 80-11-09-02 | | |
| - 8 | 233N3103-59 | | PANEL INSTL-P5 OVHD (CABIN (ZONE) TEMPERATURE INDICATOR SYSTEM ONLY) FOR NHA/OTHER SYS DET SEE: 25-10-00-15E | 108120 | RF |
| - 8 | 233N3103-132 | | PANEL INSTL-P5 OVHD (CABIN (ZONE) TEMPERATURE INDICATOR SYSTEM ONLY) FOR NHA/OTHER SYS DET SEE: 25-10-00-15E | 101102 | RF |
| - 11 | MODREF33760 | | PANEL INSTL-P5 OVHD (CABIN (ZONE) TEMPERATURE INDICATOR SYSTEM ONLY) MODULE NUMBER: 233N3103-351 REV C FOR OTHER SYS DETAILS SEE: 11-31-10-12 21-25-55-03 21-31-01-02 21-33-51-03 21-51-54-03 21-58-19-10 21-58-51-03 21-61-04-03 22-21-01-04 22-24-51-02 23-24-01-01 23-32-00-11 23-42-02-02 23-71-05-02 24-11-52-05 24-22-01-03 24-31-01-10 24-31-03-09 24-33-04-01 24-41-51-04 24-51-62-01 26-18-51-04 27-21-53-02 27-41-55-01 27-61-51-03 | 103103 | 1 |
| MISSING ITEM NUMBERS NOT APPLICABLE | | | | | |

- ITEM NOT ILLUSTRATED

21-65-51-01

21-65-51
FIG. 01
PAGE 3
JAN 20/09

BRI



757

PARTS CATALOG (MAINTENANCE)

| FIG ITEM | PART NUMBER | 1 2 3 4 5 6 7 | NOMENCLATURE | EFFECT FROM TO | UNITS PER ASSY |
|-------------------------------------|-------------|---------------|---|-------------------|----------------------|
| 1 | | | 27-62-52-02 28-22-51-02 28-41-04-01 28-41-51-03 29-11-02-03 29-11-05-04 29-11-52-07 29-21-54-03 29-31-00-01 29-32-51-03 29-33-52-03 30-11-51-03 30-21-51-03 30-31-51-02 30-32-51-01 30-33-51-02 30-41-51-03 30-42-51-03 31-12-11-91 31-12-11-91 A 32-42-52-03 33-11-03-03 33-11-51-17 33-13-01-65 33-13-02-03 33-16-51-03 33-24-51-02 33-41-52-04 33-42-01-04 33-42-02-04 33-42-52-04 33-43-51-04 33-44-51-05 33-45-53-03 33-51-08-05 34-21-02-01 35-21-51-04 36-11-04-01 36-21-00-01 36-21-02-05 36-22-51-03 49-41-00-02 49-52-00-01 49-70-00-01 52-51-51-03 52-71-51-02 73-21-52-02 74-31-51-05 75-32-00-01 | | |
| MISSING ITEM NUMBERS NOT APPLICABLE | | | | | |

- ITEM NOT ILLUSTRATED

BR I

21-65-51-01

BOEING PROPRIETARY - Copyright © - Unpublished Work - See title page for details.

21-65-51
FIG. 01
PAGE 4
JAN 20/09



757

PARTS CATALOG (MAINTENANCE)

| FIG ITEM | PART NUMBER | 1 2 3 4 5 6 7 | NOMENCLATURE | EFFECT FROM TO | UNITS PER ASSY |
|-------------------------------------|-------------|---------------|---|----------------|----------------|
| 1 | | | | | |
| - 11 | MODREF34038 | | 80-11-09-02 PANEL INSTL-P5 OVHD (CABIN (ZONE) TEMPERATURE INDICATOR SYSTEM ONLY) MODULE NUMBER: 233N3103-351 REV D FOR OTHER SYS DETAILS SEE: 11-31-10-12 21-25-55-03 21-31-01-02 21-33-51-03 21-51-54-03 21-58-19-10 21-58-51-03 21-61-04-03 22-21-01-04 22-24-51-02 23-24-01-01 23-32-00-11 23-42-02-02 23-71-05-02 24-11-52-05 24-22-01-03 24-31-01-10 24-31-03-09 24-33-04-01 24-41-51-04 24-51-62-01 26-18-51-04 27-21-53-02 27-41-55-01 27-61-51-03 27-62-52-02 28-22-51-02 28-41-04-01 28-41-51-03 29-11-02-03 29-11-05-04 29-11-52-07 29-21-54-03 29-31-00-01 29-32-51-03 29-33-52-03 30-11-51-03 30-21-51-03 30-31-51-02 30-32-51-01 30-33-51-02 30-41-51-03 | 104105 | 1 |
| MISSING ITEM NUMBERS NOT APPLICABLE | | | | | |

- ITEM NOT ILLUSTRATED

21-65-51-01

21-65-51
FIG. 01
PAGE 5
JAN 20/09

BRI



757

PARTS CATALOG (MAINTENANCE)

| FIG ITEM | PART NUMBER | 1 2 3 4 5 6 7 | NOMENCLATURE | EFFECT FROM TO | UNITS PER ASSY |
|----------|-------------|---------------|--|------------------|----------------|
| 1 | | | 30-42-51-03 31-12-11-91 31-12-11-91A 32-42-52-03 33-11-03-03 33-11-51-17 33-13-01-65 33-13-02-03 33-16-51-03 33-24-51-02 33-41-52-04 33-42-01-04 33-42-02-04 33-42-52-04 33-43-51-04 33-44-51-05 33-45-53-03 33-51-08-05 34-21-02-01 35-21-51-04 36-11-04-01 36-21-00-01 36-21-02-05 36-22-51-03 49-41-00-02 49-52-00-01 49-70-00-01 52-51-51-03 52-71-51-02 73-21-52-02 74-31-51-05 75-32-00-01 80-11-09-02 | | |
| 25 | 20-210-01 | | .INDICATOR ASSY-COMPT TEMP SUPPLIER CODE: V35012 SPECIFICATION NUMBER: S231N211-2 ELECTRICAL EQUIP NUMBER: M10078 COMPONENT MAINT MANUAL REF: 21-65-01 FUNCTIONAL REFERENCE: LIGHTS FOR DETAILS SEE 33-13-51-56 | 002004 006999 | 1 |

MISSING ITEM NUMBERS NOT APPLICABLE

- ITEM NOT ILLUSTRATED

BRI

21-65-51-01

BOEING PROPRIETARY - Copyright © - Unpublished Work - See title page for details.

21-65-51
FIG. 01
PAGE 6
JAN 20/09



757

PARTS CATALOG (MAINTENANCE)

| FIG ITEM | PART NUMBER | 1 2 3 4 5 6 7 | NOMENCLATURE | EFFECT FROM TO | UNITS PER ASSY |
|----------|--------------|---------------|--|----------------------------|----------------|
| 1 30 | 2263-01-1 | | .INDICATOR ASSY-COMPT TEMP SUPPLIER CODE: V52013 FUNCTIONAL DESCRIPTION: INDICATOR SHOWS COMPARTMENT TEMPERATURE FOR EA OF THE THREE CABIN ZONES SPECIFICATION NUMBER: S231N211-3 ELECTRICAL EQUIP NUMBER: M10078 COMPONENT MAINT MANUAL REF: 21-61-02 FUNCTIONAL REFERENCE: LIGHTS FOR DETAILS SEE 33-13-51-56 | 002004 006999 | 1 |
| 35 | 102330-001 | | ..NAMEPLATE- SUPPLIER CODE: V35012 USED ON: 20-210-01 | 002004 006999 | 1 |
| 40 | 501466-001 | | ..PLATE-IDENT SUPPLIER CODE: V52013 USED ON: 2263-01-1 | 002004 006999 | 1 |
| 45 | 501571-001 | | ..LABEL-ESD SUPPLIER CODE: V52013 USED ON: 2263-01-1 | 002004 006999 | 1 |
| 50 | 500203-001 | | ..LABEL-MOD SUPPLIER CODE: V52013 USED ON: 2263-01-1 | 002004 006999 | 1 |
| 55 | 501890-001 | | ..LABEL-PMA SUPPLIER CODE: V52013 USED ON: 2263-01-1 | 002004 006999 | 1 |
| - 200 | 286N2066-006 | | WIRE BUNDLE ASSY- | 121503 904949 | RF |
| - 200 | 286N2066-007 | | WIRE BUNDLE ASSY | 107107 | RF |
| - 200 | 286N2066-008 | | WIRE BUNDLE ASSY- | 002004 006100 950999 | RF |

MISSING ITEM NUMBERS NOT APPLICABLE

- ITEM NOT ILLUSTRATED

21-65-51-01

21-65-51
FIG. 01
PAGE 7
JAN 20/09

BRI



757

PARTS CATALOG (MAINTENANCE)

| FIG ITEM | PART NUMBER | 1 2 3 4 5 6 7 | NOMENCLATURE | EFFECT FROM TO | UNITS PER ASSY |
|-------------|----------------|---------------|------------------------------------|-------------------|----------------------|
| 1 | | | | | |
| - 201 | 286N2066-334 | | WIRE BUNDLE ASSY | 101102 | RF |
| - 201 | 286N2066-010 | | WIRE BUNDLE ASSY | 504903 | RF |
| - 203 | 286N2066-346 | | WIRE BUNDLE ASSY | 108120 | RF |
| - 205 | 286N2066-602 | | WIRE BUNDLE ASSY | 103106 | RF |
| 250 | BACC45FT14A15S | | .CONNECTOR- | 002004 | 1 |
| | | | ELECTRICAL EQUIP NUMBER: D03578 | 006999 | |
| | | | WIRING DIAGRAM REF: 216511 | | |

MISSING ITEM NUMBERS NOT APPLICABLE

- ITEM NOT ILLUSTRATED

BRI

21-65-51-01

BOEING PROPRIETARY - Copyright © - Unpublished Work - See title page for details.

21-65-51
FIG. 01
PAGE 8
JAN 20/09