

MODIFICATION EMBODIMENT INSTRUCTIONS

TITLE: ACTIVATION OF THE OPTION PIN WIRE FOR THRUST LIMIT OPTION
3

DATE COMPILED: 16.06.09

MODIFICATION NO.: **AES-757-1495**

PROJECT NO.: 1495

EFFECTIVITY: A/C TYPE REG. INDICATE AS SERIAL NO.
APPLICABLE

REFER TO SECTION D1 FOR AIRCRAFT EFFECTIVITIES

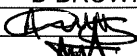

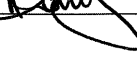

This Modification Embodiment Instruction and/or associated MEI's as listed in documents required (Section E refers) is issued for production engineering purposes only and introduces Modification Summary AES-757-1495 the contents of which override information contained in this MEI.

Differences resulting from existing repairs, variation in build standard or corrosion to be reported to AES Ltd Design Department.

Manufacturing processes and inspection and installation procedures are the responsibility of THOMSON AIRWAYS.

PRE-REQUISITE REQUIREMENTS	ENSURE THRUST MANAGEMENT COMPUTER P/N S241T200-305 OR LATER IS INSTALLED.
-----------------------------------	--

THE TECHNICAL INFORMATION CONTAINED IN THIS DOCUMENT HAS BEEN APPROVED UNDER THE AUTHORITY OF EASA DESIGN ORGANISATION APPROVAL NO EASA.21J.036

ISSUE	1	2	3	4	5
DRN:	3365				
DATE	16-06-09				
COMPILED BY:	D BROWN				
CHECKED BY:					
CVE / APPROVAL DESIGN					
CVE / APPROVAL STRESS					
CVE / APPROVAL SYSTEMS					

MODIFICATION EMBODIMENT INSTRUCTIONS

A. REVISION DETAILS

WRITE BELOW A BRIEF SUMMARY OF THE CHANGES WHICH HAVE BEEN INTRODUCED AT THE STATED REVISION:

ISSUE	DESCRIPTION
1	NEW ISSUE

MODIFICATION EMBODIMENT INSTRUCTIONS

B. CONTENTS

A.	REVISION DETAILS.....	2
B.	CONTENTS	3
D1.	EFFECTIVITIES.....	4
D2.	ACCOMPLISHMENT INSTRUCTIONS – PREPARATION.....	5
D3.	ACCOMPLISHMENT INSTRUCTIONS – SHELF E2-3 REWORK	7
D4.	ACCOMPLISHMENT INSTRUCTIONS – TESTING / CLOSE UP	10
E.	DOCUMENTS REQUIRED	14
F.	SPECIAL TOOLS REQUIRED	15
G.	ESTIMATED TIME REQUIRED	15
H.	PARTS PRE-LOAD LIST	16
I.	PARTS REMOVED & RE-CERTIFICATION CONTROL SHEET.....	17
J.	MEI - REPORT SHEET.....	18
	QUERY NOTE BLANK.....	19

MODIFICATION EMBODIMENT INSTRUCTIONS

D1. EFFECTIVITIES

A/C Reg	Tail #	Serial No.	PRE MOD AES-757-1495 THRUST LIMIT Option	POST MOD AES-757-1495 THRUST LIMIT Option
G-BYAH	NB426	26966	05	03
G-BYAI	NB427	26967	05	03
G-BYAL	NB430	25626	05	03
G-BYAO	NB432	27235	05	03
G-BYAP	NB433	27236	05	03
G-BYAT	NB436	27208	05	03
G-BYAU	NB437	27220	05	03
G-BYAW	NB438	27234	05	03
G-BYAX	NT431	28834	05	03
G-BYAY	NT432	28836	05	03

MODIFICATION EMBODIMENT INSTRUCTIONS

D2. ACCOMPLISHMENT INSTRUCTIONS – PREPARATION

INDICATE
A/C REG:

Certifies that the work specified, except as otherwise stated, was carried out in accordance with PART 145 and in respect to that work the aircraft/aircraft component is considered ready for Release to Service.

	MECH SIG.	INSP STAMP
[All instructions stated within this section of the embodiment instructions are to be carried out in accordance with the relevant sections of the Aircraft Maintenance and Structural Repair Manual]	N/A	N/A
D2.1 Do the Maintenance Control Display Panel (MCDP) "Ground Test - 57 TMC CONFIG/OPT". Refer to 757 AMM Subject 22-00-02/201, "Autoflight BITE - Maintenance Practices". Make sure the MCDP reads: "57 THRST LIM OPT 05" THIS IS A VERIFICATION TEST PRIOR TO ACCOMPLISHING THE MODIFICATION. IF THE MCDP DOES NOT READ '57 THRST LIM OPT 05 CONTACT AES DESIGN BEFORE PROCEEDING WITH THE REST OF THIS MODIFICATION.		
D2.2 Inspect P/N of Thrust Management Computer on E2-3 shelf and ensure TMC P/N S241T200-305 or later is installed.		
D2.3 Remove aircraft power 24-22-00 PB 201.		

MODIFICATION EMBODIMENT INSTRUCTIONS

D2. ACCOMPLISHMENT INSTRUCTIONS – PREPARATION

**INDICATE
A/C REG:**

Certifies that the work specified, except as otherwise stated, was carried out in accordance with PART 145 and in respect to that work the aircraft/aircraft component is considered ready for Release to Service.

	MECH SIG.	INSP STAMP
[All instructions stated within this section of the embodiment instructions are to be carried out in accordance with the relevant sections of the Aircraft Maintenance and Structural Repair Manual]	N/A	N/A
D2.4 Open these circuit breakers and attach DO-NOT-CLOSE tags: On the overhead panel, P11: (a) 11A5, STBY ATT IND (b) 11A9, STBY ILS IND (c) 11C4, EFIS DSPL SW LEFT (IF INSTALLED) (d) 11A17, AUTOFLIGHT WARN (e) 11F14 or 11F16, TMC AC (f) 11F15 or 11F17, TMC DC (g) 11F16 or 11F18, TMC SERVO (h) 11E19, or 11E20, FLIGHT CONT CMPTR PWR CENTER (i) 11F4, GND PROX CMPTR (j) 11A3, ILS CENTER or MMR C (k) 11E10, ILS L or MMR L (l) 11F9 or 11F10, EFIS INSTR COMPARATOR (IF INSTALLED) (m) 11F9 or 11F8, EFIS SYM GEN C		
END		

MODIFICATION EMBODIMENT INSTRUCTIONS

D3. ACCOMPLISHMENT INSTRUCTIONS – SHELF E2-3 REWORK

**INDICATE
A/C REG:**

Certifies that the work specified, except as otherwise stated, was carried out in accordance with PART 145 and in respect to that work the aircraft/aircraft component is considered ready for Release to Service.

				MECH SIG.	INSP STAMP
[All instructions stated within this section of the embodiment instructions are to be carried out in accordance with the relevant sections of the Aircraft Maintenance and Structural Repair Manual]				N/A	N/A
D3.1	Gain access to E/E bay, shelf E2-3. The following units may be removed to gain better access to the back of the rack.				
<u>IDENT</u>	<u>DESCRIPTION</u>	<u>REMOVAL</u>	<u>SERIAL NO.</u>		
M917	ILS PROC UNIT	34-24-02 P401	_____		
M149	EFIS SYM GEN C	34-22-01 P401	_____		
M183	TMC	22-31-01 P401	_____		
M140	FCC C	22-11-01 P401	_____		
M147	GND PROX CMPTR	34-46-01/P401	_____		
M11249	MMR L (IF INSTALLED)	34-31-01 P401	_____		
M11251	MMR C (IF INSTALLED)	34-31-01 P401	_____		
M157	ILS C (IF INSTALLED)	34-31-01 P401	_____		
M156	ILS L (IF INSTALLED)	34-31-01 P401	_____		
M1060	EFIS INSTR COMP (IF INSTALLED)	34-25-01 P401	_____		
Check for serviceability and tag all removed units. Route to safe storage.					
Remove E2-3 rack if required for access.					
Route E2-3 shelf to workshop for rework					

MODIFICATION EMBODIMENT INSTRUCTIONS

D3. ACCOMPLISHMENT INSTRUCTIONS – SHELF E2-3 REWORK

INDICATE
A/C REG:

Certifies that the work specified, except as otherwise stated, was carried out in accordance with PART 145 and in respect to that work the aircraft/aircraft component is considered ready for Release to Service.

	MECH SIG.	INSP STAMP
[All instructions stated within this section of the embodiment instructions are to be carried out in accordance with the relevant sections of the Aircraft Maintenance and Structural Repair Manual]	N/A	N/A
<p>D3.2 <u>REF WDM 22-32-14:</u></p> <p>Using the reference WDM locate existing wire W1175-0102-22. Remove from connector D383A Pin F9, retain for re-termination.</p> <p>Using reference WDM locate existing wire W1175-0098-22. Remove from connector D383A Pin K5, retain for re-termination.</p> <p>Route wire W1175-0102-22 to connector D383A Pin K5 and terminate.</p> <p>Route wire W1175-0098-22 to connector D383A Pin F9 and terminate.</p> <p>Carry out IR and OR checks on new and disturbed wiring.</p> <p>Follow existing routes W1175..</p>		

MODIFICATION EMBODIMENT INSTRUCTIONS

D3. ACCOMPLISHMENT INSTRUCTIONS – SHELF E2-3 REWORK

**INDICATE
A/C REG:**

Certifies that the work specified, except as otherwise stated, was carried out in accordance with PART 145 and in respect to that work the aircraft/aircraft component is considered ready for Release to Service.

		MECH SIG.	INSP STAMP																																	
[All instructions stated within this section of the embodiment instructions are to be carried out in accordance with the relevant sections of the Aircraft Maintenance and Structural Repair Manual]		N/A	N/A																																	
D3.3	Re-install E2-3 rack if removed for access. Install all removed LRU's as follows:																																			
	<table border="1"> <thead> <tr> <th><u>IDENT</u></th> <th><u>DESCRIPTION</u></th> <th><u>INSTALLATION</u></th> </tr> </thead> <tbody> <tr> <td>M917</td> <td>ILS PROC UNIT</td> <td>34-24-02 P401</td> </tr> <tr> <td>M149</td> <td>EFIS SYM GEN C</td> <td>34-22-01 P401</td> </tr> <tr> <td>M183</td> <td>TMC</td> <td>22-31-01 P401</td> </tr> <tr> <td>M140</td> <td>FCC C</td> <td>22-11-01 P401</td> </tr> <tr> <td>M147</td> <td>GND PROX CMPTR</td> <td>34-46-01/P401</td> </tr> <tr> <td>M11249</td> <td>MMR L (IF INSTALLED)</td> <td>34-31-01 P401</td> </tr> <tr> <td>M11251</td> <td>MMR C (IF INSTALLED)</td> <td>34-31-01 P401</td> </tr> <tr> <td>M157</td> <td>ILS C (IF INSTALLED)</td> <td>34-31-01 P401</td> </tr> <tr> <td>M156</td> <td>ILS L (IF INSTALLED)</td> <td>34-31-01 P401</td> </tr> <tr> <td>M1060</td> <td>EFIS INSTR COMP (IF INSTALLED)</td> <td>34-25-01 P401</td> </tr> </tbody> </table>	<u>IDENT</u>	<u>DESCRIPTION</u>	<u>INSTALLATION</u>	M917	ILS PROC UNIT	34-24-02 P401	M149	EFIS SYM GEN C	34-22-01 P401	M183	TMC	22-31-01 P401	M140	FCC C	22-11-01 P401	M147	GND PROX CMPTR	34-46-01/P401	M11249	MMR L (IF INSTALLED)	34-31-01 P401	M11251	MMR C (IF INSTALLED)	34-31-01 P401	M157	ILS C (IF INSTALLED)	34-31-01 P401	M156	ILS L (IF INSTALLED)	34-31-01 P401	M1060	EFIS INSTR COMP (IF INSTALLED)	34-25-01 P401		
<u>IDENT</u>	<u>DESCRIPTION</u>	<u>INSTALLATION</u>																																		
M917	ILS PROC UNIT	34-24-02 P401																																		
M149	EFIS SYM GEN C	34-22-01 P401																																		
M183	TMC	22-31-01 P401																																		
M140	FCC C	22-11-01 P401																																		
M147	GND PROX CMPTR	34-46-01/P401																																		
M11249	MMR L (IF INSTALLED)	34-31-01 P401																																		
M11251	MMR C (IF INSTALLED)	34-31-01 P401																																		
M157	ILS C (IF INSTALLED)	34-31-01 P401																																		
M156	ILS L (IF INSTALLED)	34-31-01 P401																																		
M1060	EFIS INSTR COMP (IF INSTALLED)	34-25-01 P401																																		
END																																				

MODIFICATION EMBODIMENT INSTRUCTIONS

D4. ACCOMPLISHMENT INSTRUCTIONS – TESTING / CLOSE UP

**INDICATE
A/C REG:**

Certifies that the work specified, except as otherwise stated, was carried out in accordance with PART 145 and in respect to that work the aircraft/aircraft component is considered ready for Release to Service.

	MECH SIG.	INSP STAMP						
[All instructions stated within this section of the embodiment instructions are to be carried out in accordance with the relevant sections of the Aircraft Maintenance]								
D4.1 Supply electrical power (Ref 24-22-00/201).								
D4.2 Remove DO-NOT-CLOSE tags and reset circuit breakers opened in step D2.4.								
D4.3 Carry out re-racking tests of the following units as follows: <div style="margin-left: 40px;"> <table style="border: none;"> <tr> <td style="text-align: center;"><u>IDENT</u></td> <td style="text-align: center;"><u>DESCRIPTION</u></td> <td style="text-align: center;"><u>TEST</u></td> </tr> <tr> <td style="text-align: center;">M917</td> <td style="text-align: center;">ILS PROC UNIT</td> <td style="text-align: center;">34-24-02 P401</td> </tr> </table> </div>	<u>IDENT</u>	<u>DESCRIPTION</u>	<u>TEST</u>	M917	ILS PROC UNIT	34-24-02 P401		
<u>IDENT</u>	<u>DESCRIPTION</u>	<u>TEST</u>						
M917	ILS PROC UNIT	34-24-02 P401						
D4.4 Carry out re-racking tests of the following units as follows: <div style="margin-left: 40px;"> <table style="border: none;"> <tr> <td style="text-align: center;"><u>IDENT</u></td> <td style="text-align: center;"><u>DESCRIPTION</u></td> <td style="text-align: center;"><u>TEST</u></td> </tr> <tr> <td style="text-align: center;">M149</td> <td style="text-align: center;">EFIS SYM GEN C</td> <td style="text-align: center;">34-22-01 P401</td> </tr> </table> </div>	<u>IDENT</u>	<u>DESCRIPTION</u>	<u>TEST</u>	M149	EFIS SYM GEN C	34-22-01 P401		
<u>IDENT</u>	<u>DESCRIPTION</u>	<u>TEST</u>						
M149	EFIS SYM GEN C	34-22-01 P401						
D4.5 Carry out re-racking tests of the following units as follows: <div style="margin-left: 40px;"> <table style="border: none;"> <tr> <td style="text-align: center;"><u>IDENT</u></td> <td style="text-align: center;"><u>DESCRIPTION</u></td> <td style="text-align: center;"><u>TEST</u></td> </tr> <tr> <td style="text-align: center;">M183</td> <td style="text-align: center;">TMC</td> <td style="text-align: center;">22-31-01 P401</td> </tr> </table> </div>	<u>IDENT</u>	<u>DESCRIPTION</u>	<u>TEST</u>	M183	TMC	22-31-01 P401		
<u>IDENT</u>	<u>DESCRIPTION</u>	<u>TEST</u>						
M183	TMC	22-31-01 P401						
D4.6 Carry out re-racking tests of the following units as follows: <div style="margin-left: 40px;"> <table style="border: none;"> <tr> <td style="text-align: center;"><u>IDENT</u></td> <td style="text-align: center;"><u>DESCRIPTION</u></td> <td style="text-align: center;"><u>TEST</u></td> </tr> <tr> <td style="text-align: center;">M140</td> <td style="text-align: center;">FCC C</td> <td style="text-align: center;">22-11-01 P401</td> </tr> </table> </div>	<u>IDENT</u>	<u>DESCRIPTION</u>	<u>TEST</u>	M140	FCC C	22-11-01 P401		
<u>IDENT</u>	<u>DESCRIPTION</u>	<u>TEST</u>						
M140	FCC C	22-11-01 P401						

MODIFICATION EMBODIMENT INSTRUCTIONS

D4. ACCOMPLISHMENT INSTRUCTIONS – TESTING / CLOSE UP

**INDICATE
A/C REG:**

Certifies that the work specified, except as otherwise stated, was carried out in accordance with PART 145 and in respect to that work the aircraft/aircraft component is considered ready for Release to Service.

			MECH SIG.	INSP STAMP
D4.7	Carry out re-racking tests of the following units as follows:			
	<u>IDENT</u> <u>DESCRIPTION</u> <u>TEST</u>			
	M147 GND PROX CMPTR 34-46-01/P401			
D4.8	Carry out re-racking tests of the following units as follows:			
	<u>IDENT</u> <u>DESCRIPTION</u> <u>TEST</u>			
	M11249 MMR L (IF INSTALLED) 34-31-01 P401			
D4.9	Carry out re-racking tests of the following units as follows:			
	<u>IDENT</u> <u>DESCRIPTION</u> <u>TEST</u>			
	M11251 MMR C (IF INSTALLED) 34-31-01 P401			
D4.10	Carry out re-racking tests of the following units as follows:			
	<u>IDENT</u> <u>DESCRIPTION</u> <u>TEST</u>			
	M157 ILS C (IF INSTALLED) 34-31-01 P401			
D4.11	Carry out re-racking tests of the following units as follows:			
	<u>IDENT</u> <u>DESCRIPTION</u> <u>TEST</u>			
	M156 ILS L (IF INSTALLED) 34-31-01 P401			
D4.12	Carry out re-racking tests of the following units as follows:			
	<u>IDENT</u> <u>DESCRIPTION</u> <u>TEST</u>			
	M1060 EFIS INSTR COMP (IF INSTALLED) 34-25-01 P401			

MODIFICATION EMBODIMENT INSTRUCTIONS

D4. ACCOMPLISHMENT INSTRUCTIONS – TESTING / CLOSE UP

INDICATE
A/C REG:

Certifies that the work specified, except as otherwise stated, was carried out in accordance with PART 145 and in respect to that work the aircraft/aircraft component is considered ready for Release to Service.

		MECH SIG.	INSP STAMP
D4.13	Do the Maintenance Control Display Panel (MCDP) "Ground Test - 57 TMC CONFIG/OPT". Refer to 757 AMM Subject 22-00-02/201, "Autoflight BITE - Maintenance Practices". Make sure the MCDP reads: "57 THRST LIM OPT 03"		
D4.14	Remove electrical power (Ref 24-22-00/201) if not required. Close all panels removed/opened for access and return the aircraft to a serviceable condition.		

MODIFICATION EMBODIMENT INSTRUCTIONS

D4. ACCOMPLISHMENT INSTRUCTIONS – TESTING / CLOSE UP

**INDICATE
A/C REG:**

Certifies that the work specified, except as otherwise stated, was carried out in accordance with PART 145 and in respect to that work the aircraft/aircraft component is considered ready for Release to Service.

	MECH SIG.	INSP STAMP
<p>D4.15 In compliance with EASA 21A.33 (d) it is the installer's responsibility post completion of these instructions to complete the statement below and to return the completed signed document either by e-mail (scanned pdf) or by fax to AES design department. Use e-mail address anton.heissig@aesglobal.co.uk</p> <p><u>CONFORMANCE STATEMENT:</u></p> <p>I declare that this document has been completed in full with no deviations.</p> <p>YES / NO (delete as applicable)</p> <p>If NO please enter below a list of the deviations referring to AES Query note numbers:</p> <p>DEVIATIONS (if applicable):</p>		
<p>END</p>		

MODIFICATION EMBODIMENT INSTRUCTIONS

E. DOCUMENTS REQUIRED

The following existing drawings/documents are required for embodiment of Modification Summary AES-757-1495.

<u>Drawing No</u>	<u>Title</u>	<u>SOURCE</u>
22-32-14	THRUST MANAGEMENT SYSTEM – PROGRAM PINS	BOEING WDM

MODIFICATION EMBODIMENT INSTRUCTIONS

F. SPECIAL TOOLS REQUIRED

<u>PART NUMBER</u>	<u>DESCRIPTION</u>	<u>VENDOR</u>	<u>COMMENTS</u>
		NONE	

G. ESTIMATED TIME REQUIRED

It is estimated this modification will take 15 hours.



www.aesglobal.co.uk
TEL: 44 (0)1376 344960
FAX: 44 (0)1376 569297

AES Limited
6 Freeport Office Village
Century Drive
Braintree
Essex
CM77 8YG

MEI-1343

ISSUE 1, JUNE 2009

Page 16 of 19

MODIFICATION EMBODIMENT INSTRUCTIONS

H. PARTS PRE-LOAD LIST (MOD. NUMBER: AES-757-1495)

ITEM NO	PART NUMBER	QTY RQD	DESCRIPTION	USED ON	ADD/REWORK	REMARKS / VENDOR	ALT PART NUMBER	OWNER	REVISION
---------	-------------	---------	-------------	---------	------------	------------------	-----------------	-------	----------

NO ADDITIONAL ITEMS REQUIRED



www.aesglobal.co.uk
TEL: 44 (0)1376 344960
FAX: 44 (0)1376 569297

AES Limited
6 Freeport Office Village
Century Drive
Braintree
Essex
CM77 8YG

MEI-1343

ISSUE 1, JUNE 2009

Page 17 of 19

MODIFICATION EMBODIMENT INSTRUCTIONS

I. PARTS REMOVED & RE-CERTIFICATION CONTROL SHEET

A/C REG. :

ITEM NO	PART NUMBER	SERIAL NUMBER	QTY	DESCRIPTION	REMARKS / VENDOR	ALT PART NUMBER	COMMENTS I.E. SERVICEABLE / UNSERVICEABLE	BATCH NUMBER	DATE / INSPECTION STAMP
---------	-------------	---------------	-----	-------------	------------------	-----------------	---	--------------	-------------------------

NONE



www.aesglobal.co.uk
TEL: 44 (0)1376 344960
FAX: 44 (0)1376 569297

AES Limited
6 Freeport Office Village
Century Drive
Braintree
Essex
CM77 8YG

MEI-1343

ISSUE 1, JUNE 2009

Page 18 of 19

MODIFICATION EMBODIMENT INSTRUCTIONS

J. MEI - REPORT SHEET

THE MEI REPORT SHEET IS PROVIDED FOR THE PURPOSE OF COMMUNICATING TO AES DESIGN OFFICE ANY IMPROVEMENTS / SUGGESTIONS ARISING FROM THE EMBODIMENT OF THE MODIFICATION.

REPORT SHEET	MEI No: MEI-1343 MOD No: AES-757-1495
AIRCRAFT TYPE:	
REGISTRATION AND SERIAL NUMBER:	
LOCATION:	
COMMENTS:	
PREPARED BY / DATE: _____	

MODIFICATION EMBODIMENT INSTRUCTIONS

QUERY NOTE		AES REF No.: QN-AES-.....-.....-..... (COMPLETED BY AES STAFF ONLY)	
AIRCRAFT TYPE:.....		APPLICANTS NAME:.....	
REGISTRATION:.....		DATE:.....	
LOCATION:.....		APPLICANTS FAX No:.....	
DRAWING (S) / P/N AFFECTED:		APPLICANTS TEL No:.....	
GIVE FULL DETAILS, INCLUDE OR ATTACH RELEVANT SKETCHES			

DESIGN RESPONSE TO QUERY NOTE			
THE TECHNICAL INFORMATION CONTAINED IN THIS DOCUMENT HAS BEEN APPROVED UNDER THE AUTHORITY OF EASA DESIGN ORGANISATION APPROVAL NO EASA.21J.036			
DRAWING (S) TO BE AMENDED YES / NO		DATE AMENDED:	
(AEROSPACE ENGINEERING SOLUTIONS LIMITED DESIGN OFFICE USE ONLY)		MECH SIG.	INSP STAMP:
Certifies that the work specified, except as otherwise stated, was carried out in accordance with PART 145 and in respect to that work the aircraft/aircraft component is considered ready for Release to Service.			
COMPILED BY:		DESIGN APPROVED BY:	

**B757 MANUAL SUPPLEMENT - ATP 3510
SECTION 2 CHAPTER 22
CONTROL PAGE - INITIAL ISSUE**

- A. File the attached Temporary Revision/Alerts in the Manual Supplement in ATA Chapter/Section/Subject/Page sequence
- B. File this Control Page in front of the Chapter TRs/Alerts.
- C. The following list shows active TRs/Alerts together with TRs/Alerts added by this control page.

Chapter Section Subject	Page	TR/Alert No.
22-11-02-01	1	* BA.22-506
22-14-01-01	1	* BA.22-507

- D. Remove and Destroy the following TRs/Alerts:

* Indicates TRs/Alerts issued with this control page

**ATP
TEMPORARY
REVISION**

BRITISH AIRWAYS

B757 (NB322)

TR Page 1 of 1
10 August, 1997

ILLUSTRATED PARTS CATALOGUE

TEMPORARY REVISION No. 22-506

THIS TEMPORARY REVISION IS ISSUED BY BRITISH AIRWAYS ENGINEERING (TECHNICAL INFORMATION SERVICES, G2, TBA, S401, P. O. BOX 10, HEATHROW AIRPORT, HOUNSLOW, MIDDLESEX TW6 2JA) AND COMPLIES WITH BCAR'S CHAPTER A5-3, B5-3 AND/OR TSS No. 0-2 AS REQUIRED. CAA DESIGN APPROVAL No. DAI/8566/78.



For CHIEF ENGINEER QUALITY AND TRAINING

Manual Reference 22-11-02-01 Page 1

REASON FOR REVISION

Replacement of MCP

ACTION

Fig Item	Part Number	Nomenclature	Effect	Units/ Assy
1 10	622-5391-002	PANEL ASSY-MODE CONT (M00090) replaces P/N 622-4717-003 after MOD 22F094	002	RF

Originator: P J ROPER
Reference: 22F094
Workbook: CV 22-30

22-11-02-01
Page 1

**ATP
TEMPORARY
REVISION**

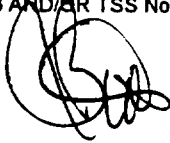
BRITISH AIRWAYS

B757 NB322

TR Page 1 of 1
21 August, 1997

**ILLUSTRATED PARTS CATALOGUE
TEMPORARY REVISION No. 22-507**

THIS TEMPORARY REVISION IS ISSUED BY BRITISH AIRWAYS ENGINEERING (TECHNICAL INFORMATION SERVICES, G2, TBA, S401, P. O. BOX 10, HEATHROW AIRPORT, HOUNSLOW, MIDDLESEX TW6 2JA) AND COMPLIES WITH BCAR'S CHAPTER A5-3, B5-3 AND/OR TSS No. 0-2 AS REQUIRED. CAA DESIGN APPROVAL No. DA1/8566/78.



For CHIEF ENGINEER QUALITY AND TRAINING

Manual Reference 22-14-01-01 Page 1

REASON FOR REVISION

Main instrument panels reworked to standardise to BA Fleet.

ACTION

Fig Item	Part Number	Nomenclature	Effect	Units/ Assy
01 5	622-5374-003	. ANNUNCIATOR-AUTO. LDG STATUS REPLACES P/N 622-5374-002 AFTER MOD 39G001.	002002	2

Originator: C L ANSTEY
Reference: 39G001
Workbook: CV 39-12

22-14-01-01
Page 1



757
PARTS CATALOG (MAINTENANCE)

CH-SECT-UNIT-FIG	PAGE NO.	DATE	CH-SECT-UNIT-FIG	PAGE NO.	DATE
*22	1	MAY 20/09	22-11-02- 1	2	JAN 20/09
*22	2	MAY 20/09	22-11-02- 1	3	JAN 20/09
*22	3	MAY 20/09	22-11-02- 1	4	JAN 20/09
*22	4	MAY 20/09	22-11-02- 1	5	JAN 20/09
*22	5	MAY 20/09	22-11-02- 1	6	JAN 20/09
*22	6	MAY 20/09	22-11-02- 1	7	JAN 20/09
22-11-00	1	MAY 28/07	22-11-02- 1	8	JAN 20/09
22-11-01- 1	0	MAY 28/07	22-11-02- 1	9	JAN 20/09
22-11-01- 1	0A	MAY 28/07	22-11-02- 1	10	JAN 20/09
22-11-01- 1	0B	MAY 28/07	22-11-02- 1	11	JAN 20/09
22-11-01- 1	0C	MAY 28/07	22-11-02- 1	12	JAN 20/09
22-11-01- 1	1	JAN 20/09	22-11-02- 1	13	JAN 20/09
22-11-01- 1	2	JAN 20/09	22-11-02- 1	14	JAN 20/09
22-11-01- 1	3	JAN 20/09	22-11-02- 1	15	JAN 20/09
22-11-01- 1	4	JAN 20/09	22-11-02- 1	16	JAN 20/09
22-11-01- 1	5	JAN 20/09	22-11-02- 1	17	JAN 20/09
22-11-01- 1	6	JAN 20/09	22-11-02- 1	18	JAN 20/09
22-11-01- 1	7	JAN 20/09	22-11-02- 1	19	JAN 20/09
22-11-01- 1	8	JAN 20/09	22-11-02- 1	20	JAN 20/09
22-11-01- 1	9	JAN 20/09	22-11-02- 1	21	JAN 20/09
22-11-01- 1	10	JAN 20/09	22-11-02- 1	22	JAN 20/09
22-11-01- 1	11	JAN 20/09	22-11-02- 1	23	JAN 20/09
22-11-01- 1	12	JAN 20/09	22-11-02- 1	24	JAN 20/09
22-11-01- 1	13	JAN 20/09	22-11-02- 1	25	JAN 20/09
22-11-01- 1	14	JAN 20/09	22-11-02- 1	26	JAN 20/09
22-11-01- 1	15	JAN 20/09	22-11-02- 1	27	JAN 20/09
22-11-01- 1	16	JAN 20/09	22-11-02- 1	28	JAN 20/09
22-11-01- 1	17	JAN 20/09	22-11-02- 1	29	JAN 20/09
22-11-01- 1	18	JAN 20/09	22-11-02- 1	30	JAN 20/09
22-11-01- 1	19	JAN 20/09	22-11-02- 1	31	JAN 20/09
22-11-01- 1	20	JAN 20/09	22-11-02- 1	32	JAN 20/09
22-11-01- 1B	0	MAY 28/07	22-11-02- 1	33	JAN 20/09
22-11-01- 1B	0A	MAY 28/07	22-11-02- 1	34	JAN 20/09
22-11-01- 1B	0B	MAY 28/07	22-11-02- 1	35	JAN 20/09
22-11-01- 1B	0C	MAY 28/07	22-11-02- 1	36	JAN 20/09
22-11-01- 1B	0D	MAY 28/07	22-11-02- 1A	0	MAY 28/07
22-11-01- 1B	1	JAN 20/09	22-11-02- 1A	0A	MAY 28/07
22-11-01- 1B	2	JAN 20/09	22-11-02- 1A	1	JAN 20/09
22-11-01- 1B	3	JAN 20/09	22-11-02- 1A	2	JAN 20/09
22-11-01- 1B	4	JAN 20/09	22-11-02- 1A	3	JAN 20/09
22-11-01- 8	0	JAN 20/09	22-11-02- 1A	4	JAN 20/09
22-11-01- 8	0A	JAN 20/09	22-11-02- 1A	5	JAN 20/09
22-11-01- 8	1	JAN 20/09	22-11-02- 1A	6	JAN 20/09
22-11-01- 8	2	JAN 20/09	22-11-02- 1A	7	JAN 20/09
22-11-01- 8	3	JAN 20/09	22-11-02- 1A	8	JAN 20/09
22-11-01- 8	4	JAN 20/09	22-11-02- 1A	9	JAN 20/09
22-11-01- 8	5	JAN 20/09	22-11-02- 1A	10	JAN 20/09
22-11-02- 1	0	MAY 20/08	22-11-02- 1A	11	JAN 20/09
22-11-02- 1	0A	MAY 28/07	22-11-02- 1A	12	JAN 20/09
22-11-02- 1	0B	MAY 28/07	22-11-02- 1A	13	JAN 20/09
22-11-02- 1	1	JAN 20/09	22-11-02- 1A	14	JAN 20/09

* THE ASTERISK INDICATES PAGES CHANGED OR ADDED BY THE CURRENT REVISION



757

PARTS CATALOG (MAINTENANCE)

CH-SECT-UNIT-FIG	PAGE NO.	DATE	CH-SECT-UNIT-FIG	PAGE NO.	DATE
22-11-02- 1A	15	JAN 20/09	22-11-02- 2	37	JAN 20/09
22-11-02- 1A	16	JAN 20/09	22-11-02- 2	38	JAN 20/09
22-11-02- 1A	17	JAN 20/09	22-11-02- 2	39	JAN 20/09
22-11-02- 1A	18	JAN 20/09	22-11-02- 2	40	JAN 20/09
22-11-02- 1A	19	JAN 20/09	22-11-02- 2	41	JAN 20/09
22-11-02- 1A	20	JAN 20/09	22-11-02- 2	42	JAN 20/09
22-11-02- 1A	21	JAN 20/09	22-11-02- 3	0	JAN 20/09
22-11-02- 1A	22	JAN 20/09	22-11-02- 3	1	JAN 20/09
22-11-02- 1A	23	JAN 20/09	22-11-02- 3	2	JAN 20/09
22-11-02- 1A	24	JAN 20/09	22-11-02- 3	3	JAN 20/09
22-11-02- 1A	25	JAN 20/09	22-11-02- 3	4	JAN 20/09
22-11-02- 1A	26	JAN 20/09	22-11-03- 1	0	MAY 28/07
22-11-02- 2	0	MAY 28/07	22-11-03- 1	1	JAN 20/09
22-11-02- 2	0A	MAY 28/07	22-11-03- 1	2	JAN 20/09
22-11-02- 2	0B	MAY 28/07	22-12-00	1	MAY 28/07
22-11-02- 2	1	JAN 20/09	22-12-01- 1	0	MAY 28/07
22-11-02- 2	2	JAN 20/09	22-12-01- 1	1	JAN 20/09
22-11-02- 2	3	JAN 20/09	22-12-01- 1	2	JAN 20/09
22-11-02- 2	4	JAN 20/09	22-12-01- 1	3	JAN 20/09
22-11-02- 2	5	JAN 20/09	22-12-01- 1	4	JAN 20/09
22-11-02- 2	6	JAN 20/09	22-12-01- 1	5	JAN 20/09
22-11-02- 2	7	JAN 20/09	22-12-01- 1	6	JAN 20/09
22-11-02- 2	8	JAN 20/09	22-12-01- 1	7	JAN 20/09
22-11-02- 2	9	JAN 20/09	22-12-01- 1	8	JAN 20/09
22-11-02- 2	10	JAN 20/09	22-12-01- 1	9	JAN 20/09
22-11-02- 2	11	JAN 20/09	22-12-01- 1	10	JAN 20/09
22-11-02- 2	12	JAN 20/09	22-12-01- 2	0	MAY 28/07
22-11-02- 2	13	JAN 20/09	22-12-01- 2	1	JAN 20/09
22-11-02- 2	14	JAN 20/09	22-12-01- 2	2	JAN 20/09
22-11-02- 2	15	JAN 20/09	22-12-01- 2	3	JAN 20/09
22-11-02- 2	16	JAN 20/09	22-12-01- 2	4	JAN 20/09
22-11-02- 2	17	JAN 20/09	22-12-01- 2	5	JAN 20/09
22-11-02- 2	18	JAN 20/09	22-12-01- 2	6	JAN 20/09
22-11-02- 2	19	JAN 20/09	22-12-01- 2	7	JAN 20/09
22-11-02- 2	20	JAN 20/09	22-12-01- 2	8	JAN 20/09
22-11-02- 2	21	JAN 20/09	22-12-01- 2	9	JAN 20/09
22-11-02- 2	22	JAN 20/09	22-12-01- 2	10	JAN 20/09
22-11-02- 2	23	JAN 20/09	*22-12-01- 2	11	MAY 20/09
22-11-02- 2	24	JAN 20/09	*22-12-01- 2	12	MAY 20/09
22-11-02- 2	25	JAN 20/09	*22-12-01- 2	13	MAY 20/09
22-11-02- 2	26	JAN 20/09	*22-12-01- 2	14	MAY 20/09
22-11-02- 2	27	JAN 20/09	*22-12-01- 2	15	MAY 20/09
22-11-02- 2	28	JAN 20/09	*22-12-01- 2	16	MAY 20/09
22-11-02- 2	29	JAN 20/09	*22-12-01- 2	17	MAY 20/09
22-11-02- 2	30	JAN 20/09	*22-12-01- 2	18	MAY 20/09
22-11-02- 2	31	JAN 20/09	*22-12-01- 2	19	MAY 20/09
22-11-02- 2	32	JAN 20/09	*22-12-01- 2	20	MAY 20/09
22-11-02- 2	33	JAN 20/09	*22-12-01- 2	21	MAY 20/09
22-11-02- 2	34	JAN 20/09	*22-12-02- 1	0	MAY 20/09
22-11-02- 2	35	JAN 20/09	*22-12-02- 1	0A	MAY 20/09
22-11-02- 2	36	JAN 20/09	22-12-02- 1	1	JAN 20/09

* THE ASTERISK INDICATES PAGES CHANGED OR ADDED BY THE CURRENT REVISION



757

PARTS CATALOG (MAINTENANCE)

CH-SECT-UNIT-FIG	PAGE NO.	DATE	CH-SECT-UNIT-FIG	PAGE NO.	DATE
22-12-02- 1	2	JAN 20/09	22-13-01- 1	5	JAN 20/09
22-12-02- 1	3	JAN 20/09	22-13-01- 2	0	MAY 28/07
22-12-02- 1	4	JAN 20/09	22-13-01- 2	1	SEP 20/08
22-12-02- 1	5	JAN 20/09	22-13-01- 2	2	SEP 20/08
22-12-02- 1	6	JAN 20/09	22-13-01- 2	3	SEP 20/08
22-12-02- 1	7	JAN 20/09	22-13-01- 2	4	SEP 20/08
22-12-02- 1	8	JAN 20/09	22-13-02- 1	0	MAY 28/07
22-12-02- 1	9	JAN 20/09	22-13-02- 1	0A	MAY 28/07
22-12-02- 1	10	JAN 20/09	22-13-02- 1	1	SEP 20/08
22-12-02- 1	11	JAN 20/09	22-13-02- 1	2	SEP 20/08
22-12-02- 1	12	JAN 20/09	22-13-02- 1	3	SEP 20/08
22-12-02- 1	13	JAN 20/09	22-13-02- 1	4	SEP 20/08
22-12-02- 1	14	JAN 20/09	22-13-02- 1	5	SEP 20/08
22-12-02- 1	15	JAN 20/09	22-13-02- 1	6	SEP 20/08
22-12-02- 1	16	JAN 20/09	22-13-02- 1	7	SEP 20/08
22-12-02- 1	17	JAN 20/09	22-13-02- 1	8	SEP 20/08
22-12-02- 1	18	JAN 20/09	22-13-02- 1	9	SEP 20/08
*22-12-02- 1	19	MAY 20/09	22-13-02- 1	10	SEP 20/08
*22-12-02- 1	20	MAY 20/09	22-13-02- 1	11	SEP 20/08
*22-12-02- 1	21	MAY 20/09	22-13-02- 1	12	SEP 20/08
*22-12-02- 1	22	MAY 20/09	22-13-02- 1	13	SEP 20/08
*22-12-02- 1	23	MAY 20/09	22-13-02- 1	14	SEP 20/08
*22-12-02- 1	24	MAY 20/09	22-13-02- 1	15	SEP 20/08
*22-12-02- 1	25	MAY 20/09	22-13-02- 1	16	SEP 20/08
*22-12-02- 1	26	MAY 20/09	22-13-02- 1	17	JAN 20/09
*22-12-02- 1	27	MAY 20/09	22-13-02- 1	18	JAN 20/09
22-12-03- 1	0	JAN 20/09	22-13-02- 1	19	JAN 20/09
22-12-03- 1	1	JAN 20/09	22-13-03- 1	0	MAY 28/07
22-12-03- 1	2	JAN 20/09	22-13-03- 1	1	JAN 20/09
22-12-03- 1	3	JAN 20/09	22-13-03- 1	2	JAN 20/09
22-12-04- 2	0	MAY 28/07	22-13-03- 1	3	JAN 20/09
22-12-04- 2	0A	MAY 28/07	22-13-03- 1	4	JAN 20/09
22-12-04- 2	0B	MAY 28/07	22-13-03- 1	5	JAN 20/09
22-12-04- 2	1	JAN 20/09	22-13-03-10	0	MAY 28/07
22-12-04- 2	2	JAN 20/09	22-13-03-10	0A	MAY 28/07
22-12-04- 2	3	SEP 20/08	22-13-03-10	1	SEP 20/08
22-12-04- 2	4	JAN 20/09	22-13-03-10	2	SEP 20/08
22-12-04- 2	5	SEP 20/08	22-13-03-10	3	SEP 20/08
22-12-04- 2	6	JAN 20/09	22-13-03-10	4	JAN 20/09
22-12-04- 2	7	JAN 20/09	*22-13-03-10	5	MAY 20/09
22-12-04- 2	8	JAN 20/09	22-13-03-10	6	SEP 20/08
22-12-04- 2	9	JAN 20/09	22-13-03-10	7	SEP 20/08
22-12-51- 1	0	MAY 28/07	22-13-04- 1	0	MAY 28/07
22-12-51- 1	1	JAN 20/09	22-13-04- 1	0A	MAY 28/07
22-12-51- 1	2	JAN 20/09	22-13-04- 1	1	SEP 20/08
22-13-00	1	MAY 28/07	22-13-04- 1	2	SEP 20/08
22-13-01- 1	0	MAY 28/07	22-13-04- 1	3	SEP 20/08
22-13-01- 1	1	JAN 20/09	22-13-04- 1	4	SEP 20/08
22-13-01- 1	2	JAN 20/09	22-13-04- 1	5	SEP 20/08
22-13-01- 1	3	SEP 20/08	22-13-04- 1	6	SEP 20/08
22-13-01- 1	4	SEP 20/08	22-13-04- 1	7	SEP 20/08

* THE ASTERISK INDICATES PAGES CHANGED OR ADDED BY THE CURRENT REVISION


BOEING
 757
PARTS CATALOG (MAINTENANCE)

CH-SECT-UNIT-FIG	PAGE NO.	DATE	CH-SECT-UNIT-FIG	PAGE NO.	DATE
22-13-04- 1	8	SEP 20/08	22-14-01- 3	1	JAN 20/09
22-13-04- 1	9	SEP 20/08	22-14-01- 3	2	JAN 20/09
22-13-04- 1	10	SEP 20/08	22-14-01- 3	3	JAN 20/09
*22-13-04- 1	11	MAY 20/09	22-14-01- 3	4	JAN 20/09
*22-13-04- 1	12	MAY 20/09	22-14-01- 3	5	JAN 20/09
*22-13-04- 1	13	MAY 20/09	22-14-01- 3	6	JAN 20/09
*22-13-04- 1	14	MAY 20/09	22-14-01- 3	7	JAN 20/09
*22-13-04- 1	15	MAY 20/09	22-14-01- 3	8	JAN 20/09
*22-13-04- 1	16	MAY 20/09	22-14-01- 3	9	JAN 20/09
*22-13-04- 1	17	MAY 20/09	22-14-01- 3	10	JAN 20/09
*22-13-04- 1	18	MAY 20/09	22-14-01- 3	11	JAN 20/09
*22-13-04- 1	19	MAY 20/09	22-14-01- 3	12	JAN 20/09
22-13-05- 1	0	MAY 28/07	22-14-01- 3	13	JAN 20/09
22-13-05- 1	0A	MAY 28/07	22-14-01- 3	14	JAN 20/09
22-13-05- 1	1	SEP 20/08	22-14-01- 3	15	JAN 20/09
22-13-05- 1	2	SEP 20/08	22-14-01- 3	16	JAN 20/09
22-13-05- 1	3	SEP 20/08	22-21-00	1	MAY 28/07
*22-13-05- 1	4	MAY 20/09	22-21-01- 1	0	MAY 28/07
*22-13-05- 1	5	MAY 20/09	22-21-01- 1	1	JAN 20/09
*22-13-05- 1	6	MAY 20/09	22-21-01- 1	2	JAN 20/09
*22-13-05- 1	7	MAY 20/09	22-21-01- 1	3	JAN 20/09
22-13-51-15	0	MAY 28/07	22-21-01- 1	4	JAN 20/09
22-13-51-15	1	JAN 20/09	22-21-01- 1	5	JAN 20/09
22-13-51-15	2	JAN 20/09	22-21-01- 1	6	JAN 20/09
22-13-51-15	3	JAN 20/09	22-21-01- 2	0	MAY 28/07
*22-13-51-15	4	MAY 20/09	*22-21-01- 2	1	MAY 20/09
*22-13-51-15	5	MAY 20/09	22-21-01- 2	2	JAN 20/09
22-13-51-15	6	JAN 20/09	22-21-01- 2	3	JAN 20/09
22-13-51-15	7	JAN 20/09	22-21-01- 2	4	JAN 20/09
22-13-51-15	8	JAN 20/09	22-21-01- 2	5	JAN 20/09
22-13-51-15	9	JAN 20/09	22-21-01- 2	0	MAY 28/07
22-14-00	1	MAY 28/07	22-21-01- 4	0	MAY 28/07
22-14-01- 1	0	MAY 28/07	22-21-01- 4	1	JAN 20/09
22-14-01- 1	1	JAN 20/09	22-21-01- 4	2	JAN 20/09
22-14-01- 1	2	JAN 20/09	22-21-01- 4	3	JAN 20/09
22-14-01- 1	3	JAN 20/09	22-21-01- 4	4	JAN 20/09
22-14-01- 1	4	JAN 20/09	22-21-01- 4	5	JAN 20/09
22-14-01- 1	5	JAN 20/09	22-21-01- 4	6	JAN 20/09
22-14-01- 1	6	JAN 20/09	22-21-01- 4	7	MAY 20/09
22-14-01- 1	7	JAN 20/09	22-21-01- 4	8	JAN 20/09
22-14-01- 1	8	JAN 20/09	22-21-01- 4	9	JAN 20/09
22-14-01- 1	9	JAN 20/09	22-21-01- 4	10	JAN 20/09
22-14-01- 2	0	MAY 28/07	22-21-01- 4	11	JAN 20/09
22-14-01- 2	0A	MAY 28/07	*22-21-02- 1	0	MAY 20/09
22-14-01- 2	1	JAN 20/09	22-21-02- 1	1	JAN 20/09
22-14-01- 2	2	JAN 20/09	22-21-02- 1	2	JAN 20/09
22-14-01- 2	3	JAN 20/09	22-21-02- 1	3	JAN 20/09
22-14-01- 2	4	JAN 20/09	22-21-02- 1	4	JAN 20/09
22-14-01- 3	0	MAY 28/07	22-21-02- 1	5	JAN 20/09
22-14-01- 3	0A	MAY 28/07	22-21-02- 1	6	JAN 20/09
22-14-01- 3	0B	MAY 28/07	*22-21-02- 1	7	MAY 20/09
			22-21-02- 1	8	JAN 20/09

* THE ASTERISK INDICATES PAGES CHANGED OR ADDED BY THE CURRENT REVISION

BRI
MAY 20/09

22 - LIST OF EFFECTIVE PAGES
PAGE 4



757

PARTS CATALOG (MAINTENANCE)

CH-SECT-UNIT-FIG	PAGE NO.	DATE	CH-SECT-UNIT-FIG	PAGE NO.	DATE
*22-21-02- 1	9	MAY 20/09	*22-21-03- 1	30	MAY 20/09
*22-21-02- 1	10	MAY 20/09	*22-21-03- 1	31	MAY 20/09
*22-21-02- 1	11	MAY 20/09	*22-21-03- 1	32	MAY 20/09
22-21-02- 2	0	MAY 28/07	22-21-04- 1	0	MAY 28/07
22-21-02- 2	1	JAN 20/09	22-21-04- 1	0A	MAY 28/07
22-21-02- 2	2	JAN 20/09	22-21-04- 1	0B	MAY 28/07
22-21-02- 2	3	JAN 20/09	22-21-04- 1	0C	MAY 28/07
22-21-02- 2	4	JAN 20/09	22-21-04- 1	0D	MAY 28/07
22-21-02- 2	5	JAN 20/09	22-21-04- 1	1	JAN 20/09
22-21-02- 2	6	JAN 20/09	22-21-04- 1	2	JAN 20/09
*22-21-02- 2	7	MAY 20/09	22-21-04- 1	3	JAN 20/09
*22-21-02- 2	8	MAY 20/09	22-21-04- 1	4	JAN 20/09
*22-21-02- 2	9	MAY 20/09	*22-21-04- 1	5	MAY 20/09
*22-21-02- 2	10	MAY 20/09	22-21-04- 1	6	JAN 20/09
*22-21-02- 2	11	MAY 20/09	22-21-04- 1	7	JAN 20/09
*22-21-02- 2	12	MAY 20/09	22-21-04- 1	8	JAN 20/09
*22-21-02- 2	13	MAY 20/09	22-21-04- 1	9	JAN 20/09
*22-21-02- 2	14	MAY 20/09	22-21-04- 1	10	JAN 20/09
*22-21-02- 2	15	MAY 20/09	22-21-04- 1	11	JAN 20/09
*22-21-02- 2	16	MAY 20/09	22-21-04- 1	12	JAN 20/09
22-21-03- 1	0	MAY 28/07	22-21-04- 1	13	JAN 20/09
22-21-03- 1	0A	MAY 28/07	22-21-04- 1	14	JAN 20/09
22-21-03- 1	1	JAN 20/09	22-21-04- 1	15	JAN 20/09
22-21-03- 1	2	JAN 20/09	22-21-04- 1	16	JAN 20/09
22-21-03- 1	3	JAN 20/09	22-21-04- 1	17	JAN 20/09
22-21-03- 1	4	JAN 20/09	22-21-04- 1	18	JAN 20/09
22-21-03- 1	5	JAN 20/09	22-21-04- 1	19	JAN 20/09
22-21-03- 1	6	JAN 20/09	22-21-04- 1	20	JAN 20/09
22-21-03- 1	7	JAN 20/09	22-21-04- 1	21	JAN 20/09
*22-21-03- 1	8	MAY 20/09	22-21-04- 1	22	JAN 20/09
*22-21-03- 1	9	MAY 20/09	22-21-04- 1	23	JAN 20/09
*22-21-03- 1	10	MAY 20/09	22-21-04- 1	24	JAN 20/09
*22-21-03- 1	11	MAY 20/09	22-21-04- 1	25	JAN 20/09
*22-21-03- 1	12	MAY 20/09	22-21-04- 1	26	JAN 20/09
*22-21-03- 1	13	MAY 20/09	22-21-04- 1	27	JAN 20/09
*22-21-03- 1	14	MAY 20/09	22-21-04- 1	28	JAN 20/09
*22-21-03- 1	15	MAY 20/09	22-21-04- 1	29	JAN 20/09
*22-21-03- 1	16	MAY 20/09	22-21-04- 1	30	JAN 20/09
*22-21-03- 1	17	MAY 20/09	22-21-04- 1	31	JAN 20/09
*22-21-03- 1	18	MAY 20/09	22-21-04- 1	32	JAN 20/09
*22-21-03- 1	19	MAY 20/09	22-21-04- 1	33	JAN 20/09
*22-21-03- 1	20	MAY 20/09	22-21-04- 1	34	JAN 20/09
*22-21-03- 1	21	MAY 20/09	22-21-04- 1	35	JAN 20/09
*22-21-03- 1	22	MAY 20/09	22-21-04- 1	36	JAN 20/09
*22-21-03- 1	23	MAY 20/09	22-21-04- 1	37	JAN 20/09
*22-21-03- 1	24	MAY 20/09	22-21-04- 1	38	JAN 20/09
*22-21-03- 1	25	MAY 20/09	22-21-04- 1	39	JAN 20/09
*22-21-03- 1	26	MAY 20/09	22-21-04- 1	40	JAN 20/09
*22-21-03- 1	27	MAY 20/09	22-21-04- 1	41	JAN 20/09
*22-21-03- 1	28	MAY 20/09	22-21-04- 1	42	JAN 20/09
*22-21-03- 1	29	MAY 20/09	22-21-04- 1	43	JAN 20/09

* THE ASTERISK INDICATES PAGES CHANGED OR ADDED BY THE CURRENT REVISION



757

PARTS CATALOG (MAINTENANCE)

CH-SECT-UNIT-FIG	PAGE NO.	DATE	CH-SECT-UNIT-FIG	PAGE NO.	DATE
22-21-04- 1	44	JAN 20/09	22-24-01- 1	10	JAN 20/09
22-21-04- 1	45	JAN 20/09	22-24-01- 1	11	JAN 20/09
22-21-04- 1	46	JAN 20/09	22-24-01- 1	12	JAN 20/09
22-21-04- 1	47	JAN 20/09	22-24-01- 1	13	JAN 20/09
22-21-04- 1	48	JAN 20/09	22-24-01- 1	14	JAN 20/09
22-21-04- 1	49	JAN 20/09	22-24-01- 1	15	JAN 20/09
22-21-04- 1	50	JAN 20/09	22-24-01- 1	16	JAN 20/09
22-21-04- 1B	0	MAY 28/07	22-24-01- 1	17	JAN 20/09
22-21-04- 1B	0A	MAY 28/07	22-24-01- 1	18	JAN 20/09
22-21-04- 1B	0B	MAY 28/07	22-24-01- 1	19	JAN 20/09
22-21-04- 1B	0C	MAY 28/07	22-24-01- 1	20	JAN 20/09
22-21-04- 1B	0D	MAY 28/07	22-24-01- 1	21	JAN 20/09
22-21-04- 1B	1	JAN 20/09	22-24-01- 1	22	JAN 20/09
22-21-04- 1B	2	JAN 20/09	22-24-01- 1	23	JAN 20/09
22-21-04- 1B	3	JAN 20/09	22-24-01- 1	24	JAN 20/09
22-21-04- 1B	4	JAN 20/09	22-24-01- 1	25	JAN 20/09
22-21-04- 1B	5	JAN 20/09	22-24-01- 1	26	JAN 20/09
22-21-04- 1B	6	JAN 20/09	22-24-01- 1	27	JAN 20/09
22-21-04- 8	0	JAN 20/09	22-24-01- 1	28	JAN 20/09
22-21-04- 8	0A	JAN 20/09	22-24-01- 1	29	JAN 20/09
22-21-04- 8	1	JAN 20/09	22-24-01- 1B	0	MAY 28/07
22-21-04- 8	2	JAN 20/09	22-24-01- 1B	0A	MAY 28/07
22-21-04- 8	3	JAN 20/09	22-24-01- 1B	0B	MAY 28/07
22-21-05- 1	0	SEP 28/07	22-24-01- 1B	0C	MAY 28/07
22-21-05- 1	1	JAN 20/09	22-24-01- 1B	1	JAN 20/09
22-21-05- 1	2	JAN 20/09	22-24-01- 1B	2	JAN 20/09
22-21-05- 1	3	JAN 20/09	22-24-01- 1B	3	JAN 20/09
22-21-51- 1	0	MAY 28/07	22-24-01- 1B	4	JAN 20/09
22-21-51- 1	1	JAN 20/09	22-24-01- 1B	5	JAN 20/09
22-21-51- 1	2	JAN 20/09	22-24-01- 1B	6	JAN 20/09
22-21-51- 1	3	JAN 20/09	22-24-01- 1B	7	JAN 20/09
22-21-51- 8	0	JAN 20/09	22-24-01- 1B	8	JAN 20/09
22-21-51- 8	0A	JAN 20/09	22-24-01- 1B	9	JAN 20/09
22-21-51- 8	1	JAN 20/09	22-24-01- 1B	10	JAN 20/09
22-21-51- 8	2	JAN 20/09	22-24-01- 1B	11	JAN 20/09
22-21-51- 8	3	JAN 20/09	22-24-01- 1B	12	JAN 20/09
22-24-00	1	MAY 28/07	22-24-01- 1B	13	JAN 20/09
22-24-01- 1	0	MAY 28/07	22-24-01- 1B	14	JAN 20/09
22-24-01- 1	0A	MAY 28/07	22-24-01- 1B	15	JAN 20/09
22-24-01- 1	0B	MAY 28/07	22-24-01- 1B	16	JAN 20/09
22-24-01- 1	0C	MAY 28/07	22-24-01- 1B	17	JAN 20/09
22-24-01- 1	0D	MAY 28/07	22-24-01- 1B	18	JAN 20/09
22-24-01- 1	1	JAN 20/09	22-24-01- 1B	19	JAN 20/09
22-24-01- 1	2	JAN 20/09	22-24-01- 1B	20	JAN 20/09
22-24-01- 1	3	JAN 20/09	22-24-01- 1B	21	JAN 20/09
22-24-01- 1	4	JAN 20/09	22-24-01- 1B	22	JAN 20/09
22-24-01- 1	5	JAN 20/09	22-24-01- 1B	23	JAN 20/09
22-24-01- 1	6	JAN 20/09	22-24-01- 1B	24	JAN 20/09
22-24-01- 1	7	JAN 20/09	22-24-01- 1B	25	JAN 20/09
22-24-01- 1	8	JAN 20/09	22-24-01- 1B	26	JAN 20/09
22-24-01- 1	9	JAN 20/09	22-24-01- 1B	27	JAN 20/09

* THE ASTERISK INDICATES PAGES CHANGED OR ADDED BY THE CURRENT REVISION



757
PARTS CATALOG (MAINTENANCE)

CH-SECT-UNIT-FIG	PAGE NO.	DATE	CH-SECT-UNIT-FIG	PAGE NO.	DATE
22-24-01- 1B	28	JAN 20/09	22-31-01- 1	23	JAN 20/09
22-24-01- 1B	29	JAN 20/09	22-31-01- 1	24	JAN 20/09
22-24-01- 1B	30	JAN 20/09	22-31-01- 1	25	JAN 20/09
22-24-01- 1B	31	JAN 20/09	22-31-01- 1	26	JAN 20/09
22-24-01- 1B	32	JAN 20/09	22-31-01- 1	27	JAN 20/09
22-24-01- 1B	33	JAN 20/09	22-31-01- 1	28	JAN 20/09
22-24-01- 1B	34	JAN 20/09	22-31-01- 1B	0	MAY 28/07
22-24-51- 1	0	MAY 28/07	22-31-01- 1B	0A	MAY 28/07
22-24-51- 1	1	JAN 20/09	22-31-01- 1B	1	JAN 20/09
22-24-51- 1	2	JAN 20/09	22-31-01- 1B	2	JAN 20/09
22-24-51- 1	3	JAN 20/09	22-31-01- 1B	3	JAN 20/09
22-24-51- 1	4	JAN 20/09	22-31-01- 1B	4	JAN 20/09
22-24-51- 2	0	MAY 28/07	22-31-01- 1B	5	JAN 20/09
22-24-51- 2	1	JAN 20/09	22-31-01- 8	0	JAN 20/09
22-24-51- 2	2	JAN 20/09	22-31-01- 8	0A	JAN 20/09
22-24-51- 2	3	JAN 20/09	22-31-01- 8	1	JAN 20/09
22-24-51- 2	4	JAN 20/09	22-31-01- 8	2	JAN 20/09
22-24-51- 2	5	JAN 20/09	22-31-01- 8	3	JAN 20/09
22-24-51- 2	6	JAN 20/09	22-31-01- 8	4	JAN 20/09
22-24-51- 2	7	JAN 20/09	22-31-01- 8	5	JAN 20/09
22-24-51- 2	8	JAN 20/09	22-31-01- 8	6	JAN 20/09
22-24-51- 2	9	JAN 20/09	22-31-02- 1	0	MAY 28/07
22-24-51- 8	0	JAN 20/09	22-31-02- 1	0A	MAY 28/07
22-24-51- 8	0A	JAN 20/09	22-31-02- 1	1	JAN 20/09
22-24-51- 8	1	JAN 20/09	22-31-02- 1	2	JAN 20/09
22-24-51- 8	2	JAN 20/09	22-31-02- 1	3	JAN 20/09
22-24-51- 8	3	JAN 20/09	22-31-02- 1	4	JAN 20/09
22-31-00	1	MAY 28/07	22-31-02- 1	5	JAN 20/09
22-31-01- 1	0	MAY 28/07	22-31-02- 1	6	JAN 20/09
22-31-01- 1	1	JAN 20/09	22-31-02- 1	7	JAN 20/09
*22-31-01- 1	2	MAY 20/09	22-31-02- 2	0	MAY 28/07
22-31-01- 1	3	JAN 20/09	22-31-02- 2	1	JAN 20/09
*22-31-01- 1	4	MAY 20/09	22-31-02- 2	2	JAN 20/09
22-31-01- 1	5	JAN 20/09	22-31-02- 2	3	JAN 20/09
22-31-01- 1	6	JAN 20/09	22-31-02- 3	0	MAY 28/07
22-31-01- 1	7	JAN 20/09	22-31-02- 3	0A	MAY 28/07
22-31-01- 1	8	JAN 20/09	22-31-02- 3	1	JAN 20/09
22-31-01- 1	9	JAN 20/09	22-31-02- 3	2	JAN 20/09
22-31-01- 1	10	JAN 20/09	22-32-00	1	MAY 28/07
22-31-01- 1	11	JAN 20/09	22-32-01- 1	0	MAY 28/07
22-31-01- 1	12	JAN 20/09	22-32-01- 1	0A	MAY 28/07
22-31-01- 1	13	JAN 20/09	22-32-01- 1	0B	MAY 28/07
22-31-01- 1	14	JAN 20/09	22-32-01- 1	1	JAN 20/09
22-31-01- 1	15	JAN 20/09	22-32-01- 1	2	JAN 20/09
22-31-01- 1	16	JAN 20/09	*22-32-01- 1	3	MAY 20/09
22-31-01- 1	17	JAN 20/09	*22-32-01- 1	4	MAY 20/09
22-31-01- 1	18	JAN 20/09	22-32-51- 5	0	MAY 28/07
22-31-01- 1	19	JAN 20/09	22-32-51- 5	0A	MAY 28/07
22-31-01- 1	20	JAN 20/09	22-32-51- 5	0B	MAY 28/07
22-31-01- 1	21	JAN 20/09	22-32-51- 5	0C	MAY 28/07
22-31-01- 1	22	JAN 20/09	22-32-51- 5	0D	MAY 28/07

* THE ASTERISK INDICATES PAGES CHANGED OR ADDED BY THE CURRENT REVISION

BRI
MAY 20/09

22 - LIST OF EFFECTIVE PAGES
PAGE 7


BOEING
 757
PARTS CATALOG (MAINTENANCE)

CH-SECT-UNIT-FIG	PAGE NO.	DATE	CH-SECT-UNIT-FIG	PAGE NO.	DATE
22-32-51- 5	0E	MAY 28/07	22-41-01- 1	5	JAN 20/09
22-32-51- 5	1	JAN 20/09	22-41-01- 1B	0	MAY 28/07
22-32-51- 5	2	JAN 20/09	22-41-01- 1B	0A	MAY 28/07
22-32-51- 5	3	JAN 20/09	22-41-01- 1B	1	JAN 20/09
22-32-51- 5	4	JAN 20/09	22-41-01- 1B	2	JAN 20/09
22-32-51- 5	5	JAN 20/09	22-41-01- 8	0	JAN 20/09
22-32-51- 5	6	JAN 20/09	22-41-01- 8	1	JAN 20/09
22-32-51- 5	7	JAN 20/09	22-41-01- 8	2	JAN 20/09
22-32-51- 5	8	JAN 20/09	22-41-51- 1	0	JAN 20/09
22-32-51- 5	9	JAN 20/09	22-41-51- 1	1	JAN 20/09
22-32-51- 5	10	JAN 20/09			
22-32-51- 5	11	JAN 20/09			
22-32-51- 5	12	JAN 20/09			
*22-32-51- 5	13	MAY 20/09			
22-32-51- 5	14	JAN 20/09			
22-32-51- 5	15	JAN 20/09			
*22-32-51- 5	16	MAY 20/09			
22-32-51- 5	17	JAN 20/09			
*22-32-51- 5	18	MAY 20/09			
22-32-51- 5	19	JAN 20/09			
22-32-51- 5	20	JAN 20/09			
22-32-51- 5	21	JAN 20/09			
22-32-51- 5	22	JAN 20/09			
22-32-51- 5	23	JAN 20/09			
22-32-51- 5	24	JAN 20/09			
22-32-51- 5	25	JAN 20/09			
22-32-51- 5	26	JAN 20/09			
22-32-51- 5	27	JAN 20/09			
22-32-51- 5	28	JAN 20/09			
22-32-52- 1	0	MAY 28/07			
22-32-52- 1	1	JAN 20/09			
22-34-00	1	MAY 28/07			
22-34-51- 1	0	MAY 28/07			
22-34-51- 1	1	JAN 20/09			
22-34-51- 1	2	JAN 20/09			
22-34-51- 1	3	JAN 20/09			
22-34-51- 2	0	MAY 28/07			
22-34-51- 2	1	JAN 20/09			
22-34-51- 2	2	JAN 20/09			
22-34-51- 2	3	JAN 20/09			
22-34-51- 2	4	JAN 20/09			
22-34-51- 2	5	JAN 20/09			
22-34-51- 2	6	JAN 20/09			
22-34-51- 2	7	JAN 20/09			
22-41-00	1	MAY 28/07			
22-41-01- 1	0	MAY 28/07			
22-41-01- 1	0A	MAY 28/07			
22-41-01- 1	1	JAN 20/09			
22-41-01- 1	2	JAN 20/09			
22-41-01- 1	3	JAN 20/09			
22-41-01- 1	4	JAN 20/09			

* THE ASTERISK INDICATES PAGES CHANGED OR ADDED BY THE CURRENT REVISION

BRI
MAY 20/09

22 - LIST OF EFFECTIVE PAGES
PAGE 8


BOEING
 757
PARTS CATALOG (MAINTENANCE)

CHAPTER 22 — AUTOFLIGHT

TABLE OF CONTENTS

SUBJECT	CC-SS-UU	FIGURE	EFFECT
AUTOPILOT FLIGHT DIRECTOR SYSTEM (AFDS)	22-11-00		
EQUIPMENT AND SOFTWARE INSTL -MAIN	22-11-01	08	103106
ELECTRONICS EQPT CTR FLIGHT CONT			108120
COMPUTER			
EQUIPMENT AND SOFTWARE INSTL-MAIN	22-11-01	01B	101102
ELECTRONICS EQPT CTR (AUTOPILOT/ FLIGHT DIRECTOR POWER ONLY)			
EQUIPMENT INSTL-MAIN ELECTRONICS EQPT	22-11-01	01	002004
CTR (AUTOPILOT/FLIGHT DIRECTOR POWER			006100
ONLY)			107107
			121999
PANEL AND SWITCH GUARD ASSY	22-11-02	01A	002004
			006120
			950999
PANEL INSTL-CAPT AND FIRST OFFICER FWD	22-11-02	01	002004
(AUTOPILOT FLIGHT DIRECTOR POWER ONLY)			006100
			107107
			121503
			904999
PANEL INSTL-CONT (AUTOPILOT/FLIGHT	22-11-02	03	103106
DIRECTOR POWER ONLY)			
SWITCH GUARD AND AUTOPILOT INSTL	22-11-02	02	101102
			108120
			504903
WHEEL ASSY-CONT COLUMN (AUTOFLIGHT ONLY)	22-11-03	01	002004
			006999
AUTOPILOT FLIGHT DIRECTOR PITCH CHANNEL	22-12-00		
CRANK AND SHAFT ASSY-(AUTOFLIGHT ONLY)	22-12-03	01	103105
			107120
SERVO ASSY-AUTOPILOT PITCH CONT	22-12-01	01	002004
			006105
			107999
SERVO ASSY-AUTOPILOT PITCH CONT (APCS	22-12-02	01	002004
ELECTROHYDRAULIC SERVOVALVE AND			006105
SOLENOID VALVES ONLY)			107999
SERVO ASSY-AUTOPILOT PITCH CONT	22-12-01	02	002004
(AUTOPILOT PITCH CONTROL SERVO ONLY)			006105
			107999



757
PARTS CATALOG (MAINTENANCE)

CHAPTER 22 — AUTOFLIGHT

TABLE OF CONTENTS

SUBJECT	CC-SS-UU	FIGURE	EFFECT
STRUCTURE ASSY AND SUPPORT INSTL-CONT STAND (AUTOPILOT/FLIGHT DIRECTION PITCH CHANNEL ONLY)	22-12-51	01	002004 006999
UNIT ASSY-FEEL AND CENTERING (AUTOPILOT ONLY)	22-12-04	02	002004 006999
AUTOPILOT FLIGHT DIRECTOR ROLL AND YAW CHANNEL	22-13-00		
PLUMBING INSTL-VERT. FIN SECT. 70 HYDR (AUTOPILOT ROLLOUT GUIDANCE SERVO ONLY)	22-13-51	15	002004 006999
SERVO ASSY-AUTOPILOT LATERAL CONT (AILERON CONTROL FORCE TRANSDUCER ONLY)	22-13-05	01	002004 006999
SERVO ASSY-AUTOPILOT LATERAL CONT (ALCS ELECTROHYDRAULIC SERVOVALVE AND SOLENOID VALVES ONLY)	22-13-04	01	002004 006999
SERVO ASSY-AUTOPILOT LATERAL CONT (AUTOPILOT LATERAL SERVO CONTROL ONLY)	22-13-03	10	002004 006999
SERVO ASSY-AUTOPILOT ROLLOUT GUIDANCE (ARGS ELECTROHYDRAULIC SERVOVALVE AND SOLENOID VALVE ONLY)	22-13-02	01	002004 006999
SERVO ASSY-AUTOPILOT ROLLOUT GUIDANCE (AUTOPILOT ROLLOUT GUIDANCE ONLY)	22-13-01	02	002004 006999
SERVO INSTL-AUTOPILOT LATERAL CONT	22-13-03	01	101106 108120 504903
SERVO INSTL-RUDDER CONTROLS ROLLOUT GUIDANCE	22-13-01	01	002004 006999
AUTOPILOT FLIGHT DIRECTOR WARNING	22-14-00		
PANEL INSTL-CAPT AND FIRST OFFICER (AUTOPILOT/FLIGHT DIRECTOR WARNING AND ANNUNCIATION ONLY)	22-14-01	01	002010 107107 121503 904999
PANEL INSTL-CAPT AND FIRST OFFICER FWD (AUTOPILOT FLIGHT DIRECTOR WARNING AND ANNUNCIATION ONLY)	22-14-01	02	011100
PANEL INSTL-P1-1, P1-3 AND P3-1 (AUTOPILOT/FLIGHT DIRECTOR WARNING AND ANNUNCIATION ONLY)	22-14-01	03	101106 108120 504903

 **BOEING**
757
PARTS CATALOG (MAINTENANCE)

CHAPTER 22 — AUTOFLIGHT

TABLE OF CONTENTS

SUBJECT	CC-SS-UU	FIGURE	EFFECT
YAW DAMPER SYSTEM	22-21-00		
ACCELEROMETER INSTL- YAW DAMPER (AUTOFLIGHT ONLY)	22-21-05	01	002004 006106 108999
EQUIPMENT INSTL-MAIN ELECTRONICS EQPT CTR (YAW DAMPER SYSTEM ONLY)	22-21-04	01	002004 006100 107107 121999
EQUIPMENT INSTL-MAIN ELECTRONICS EQPT CTR (YAW DAMPER SYSTEM ONLY)	22-21-04	01B	101102
EQUIPMENT INSTL-MAIN ELECTRONICS EQPT CTR (YAW DAMPER SYSTEM ONLY)	22-21-04	08	103106 108120
EQUIPMENT INSTL-MAIN ELECTRONICS EQPT CTR YAW DAMPER STAB. TRIM	22-21-51	08	103106
LINKAGE INSTL-RUD CONT YAW DAMPER AND SUMMING (AUTO FLIGHT ONLY)	22-21-02	01	002004 006999
PANEL INSTL-P5 OVERHEAD (YAW DAMPER SYSTEM ONLY)	22-21-01	02	002004 006100 121503 904999
PANEL INSTL-P5 OVHD (YAW DAMPER SYSTEM ONLY)	22-21-01	01	002004 006010 107107 121503 904999
PANEL INSTL-P5 OVHD (YAW DAMPER SYSTEM ONLY)	22-21-01	04	101106 108120 504903
PANEL INSTL-P61 R SIDEWALL (YAW DAMPER SYSTEM ONLY)	22-21-51	01	002004 006999
SERVO ASSY-YAW DAMPER (ELECTROHYDROLIC SERVOVALVE AND SOLENOID VALVE ONLY)	22-21-03	01	002004 006999
SERVO ASSY-YAW DAMPER (YAW DAMPER SERVO ONLY)	22-21-02	02	002004 006999
MACH TRIM / SPEED STABILITY SYSTEM	22-24-00		
EQUIPMENT INSTL-MAIN ELECTRONICS EQPT CTR (MACH TRIM/SPEED STABILITY SYSTEM ONLY)	22-24-01	01	002004 006100 107107 121999


BOEING
 757
PARTS CATALOG (MAINTENANCE)

CHAPTER 22 — AUTOFLIGHT

TABLE OF CONTENTS

SUBJECT	CC-SS-UU	FIGURE	EFFECT
EQUIPMENT INSTL-MAIN ELECTRONICS EQPT CTR (MACH TRIM/SPEED STABILITY SYSTEM ONLY)	22-24-01	01B	101102
EQUIPMENT INSTL-MAIN ELECTRONICS EQPT CTR (MACH TRIM/SPEED STABILITY SYSTEM ONLY)	22-24-51	08	103106 108120
PANEL INSTL-P5 OVHD (MACH TRIM/SPEED STABILITY SYSTEM ONLY)	22-24-51	01	002004 006100 107107 121503 904999
PANEL INSTL-P5 OVHD (MACH TRIM/SPEED STABILITY SYSTEM ONLY)	22-24-51	02	101106 108120 504903


BOEING
 757
PARTS CATALOG (MAINTENANCE)

CHAPTER 22 — AUTOFLIGHT

TABLE OF CONTENTS

SUBJECT	CC-SS-UU	FIGURE	EFFECT
THRUST MANAGEMENT POWER	22-31-00		
EQUIPMENT INSTL-MAIN ELECTRONICS EQPT CTR (THRUST MANAGEMENT POWER ONLY)	22-31-01	01	002004 006100 107107 121999
EQUIPMENT INSTL-MAIN ELECTRONICS EQPT CTR (THRUST MANAGEMENT POWER ONLY)	22-31-01	01B	101102
EQUIPMENT INSTL-MAIN ELECTRONICS EQPT CTR THRUST MANAGEMENT COMPUTER	22-31-01	08	103106 108120
PANEL INSTL-CAPT AND FIRST OFFICER FWD (THRUST MANAGEMENT POWER ONLY)	22-31-02	02	002010 107107 121503 904999
PANEL INSTL-CAPT AND FIRST OFFICER FWD (THRUST MANAGEMENT POWER ONLY)	22-31-02	03	011100
PANEL INSTL-P3-1 (THRUST MANAGEMENT POWER ONLY)	22-31-02	01	101106 108120 504903
THRUST MANAGEMENT SYSTEM	22-32-00		
AUTO THROTTLE ASSY-(AUTOTHROTTLE SERVOMOTOR GENERATOR ONLY)	22-32-01	01	002004 006999
AUTO THROTTLE INSTL-	22-32-51	05	002004 006999
WIRE BUNDLE ASSY AND SUPPORT INSTL-CONT STAND (THRUST MANAGEMENT SYSTEM ONLY)	22-32-52	01	002004 006999
THRUST MANAGEMENT WARNING	22-34-00		
PANEL INSTL-CAPT AND FIRST OFFICER FWD (THRUST MANAGEMENT WARNING AND ANNUNCIATION ONLY)	22-34-51	01	002004 006010 107107 121503 904999
PANEL INSTL-CAPT AND FIRST OFFICER FWD AND P1-3 (THRUST MANAGEMENT WARNING AND ANNUNCIATION ONLY)	22-34-51	02	011106 108120 504903


BOEING
 757
PARTS CATALOG (MAINTENANCE)

CHAPTER 22 — AUTOFLIGHT

TABLE OF CONTENTS

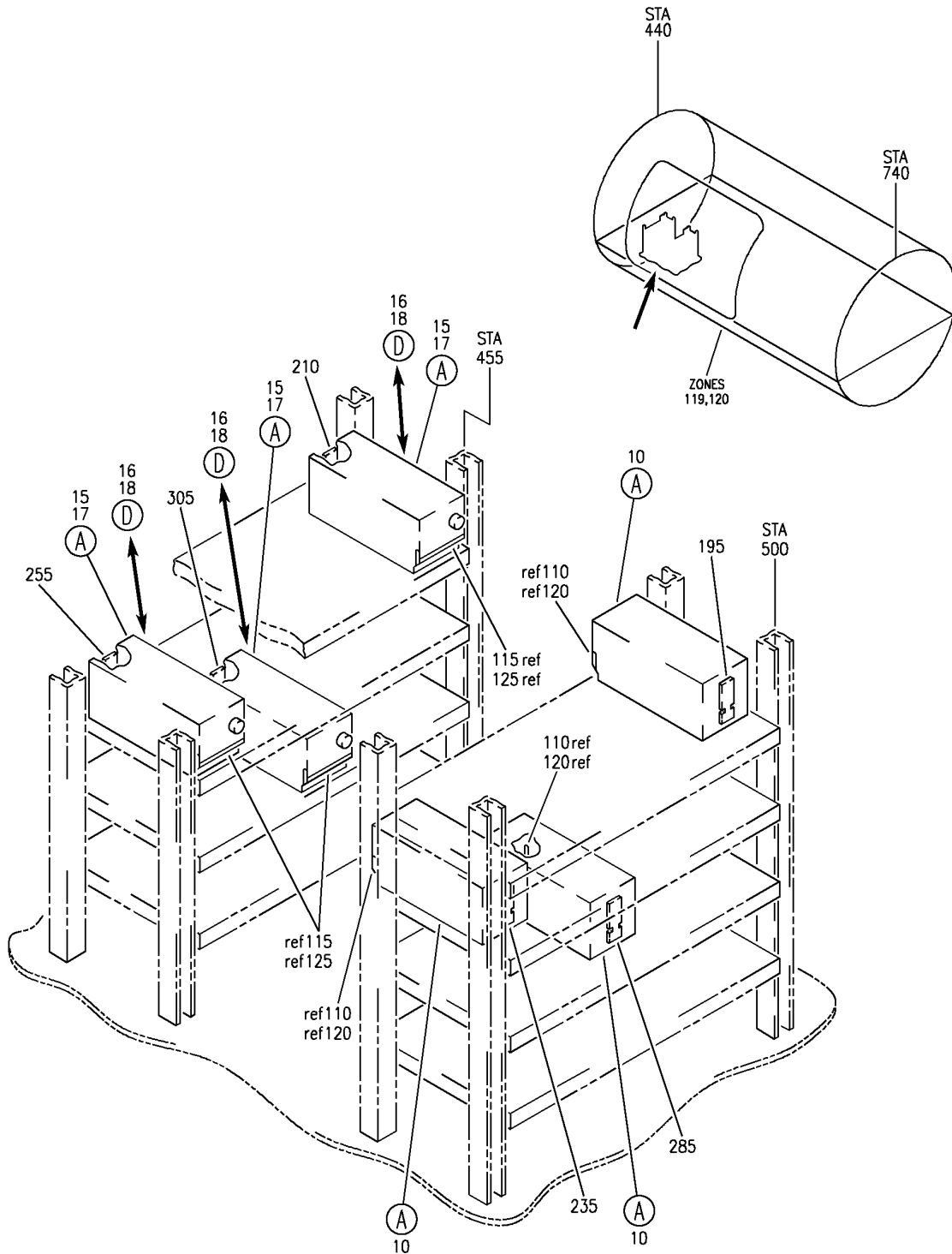
SUBJECT	CC-SS-UU	FIGURE	EFFECT
MAINTENANCE MONITOR	22-41-00		
EQUIPMENT INSTL-MAIN ELECTRONICS EQPT	22-41-01	01	002004
CTR (SYSTEM MONITOR ONLY)			006100
			107107
			121999
EQUIPMENT INSTL-MAIN ELECTRONICS EQPT	22-41-01	01B	101102
CTR (SYSTEM MONITOR ONLY)			
EQUIPMENT INSTL-MAIN ELECTRONICS EQPT	22-41-01	08	103106
CTR MAINT CONT AND DISPLAY			108120
PANEL INSTL-P61 R SIDEWALL	22-41-51	01	950951
(MAINTENANCE MONITOR ONLY)			

AUTOPILOT FLIGHT DIRECTOR SYSTEM (AFDS)

BRI
MAY 28/07

22-11-00
SECTION TITLE
PAGE 1

BOEING
757
PARTS CATALOG (MAINTENANCE)



Y 22110101 SHT 1 REV 289

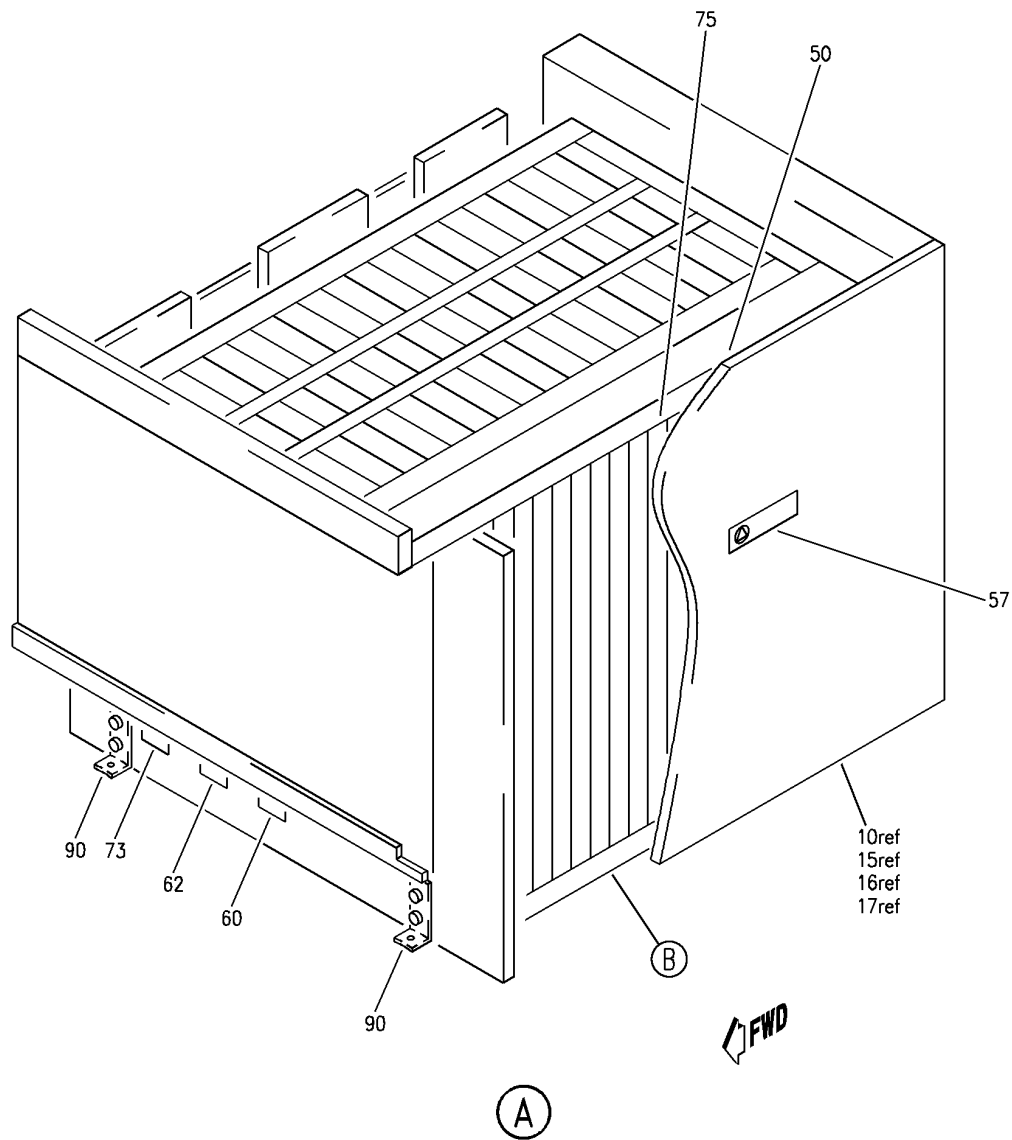
EQUIPMENT INSTL-MAIN ELECTRONICS EQPT CTR (AUTOPILOT/FLIGHT DIRECTOR POWER ONLY)
 FIGURE 1 (SHEET 1)

22-11-01-01

BRI
 MAY 28/07

22-11-01-01
 PAGE 0

BOEING
757
PARTS CATALOG (MAINTENANCE)



Y 22110101 SHT 2 REV 289

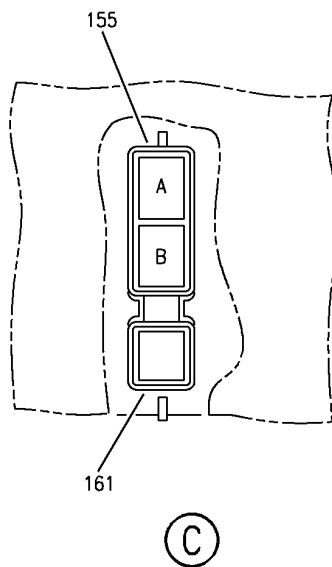
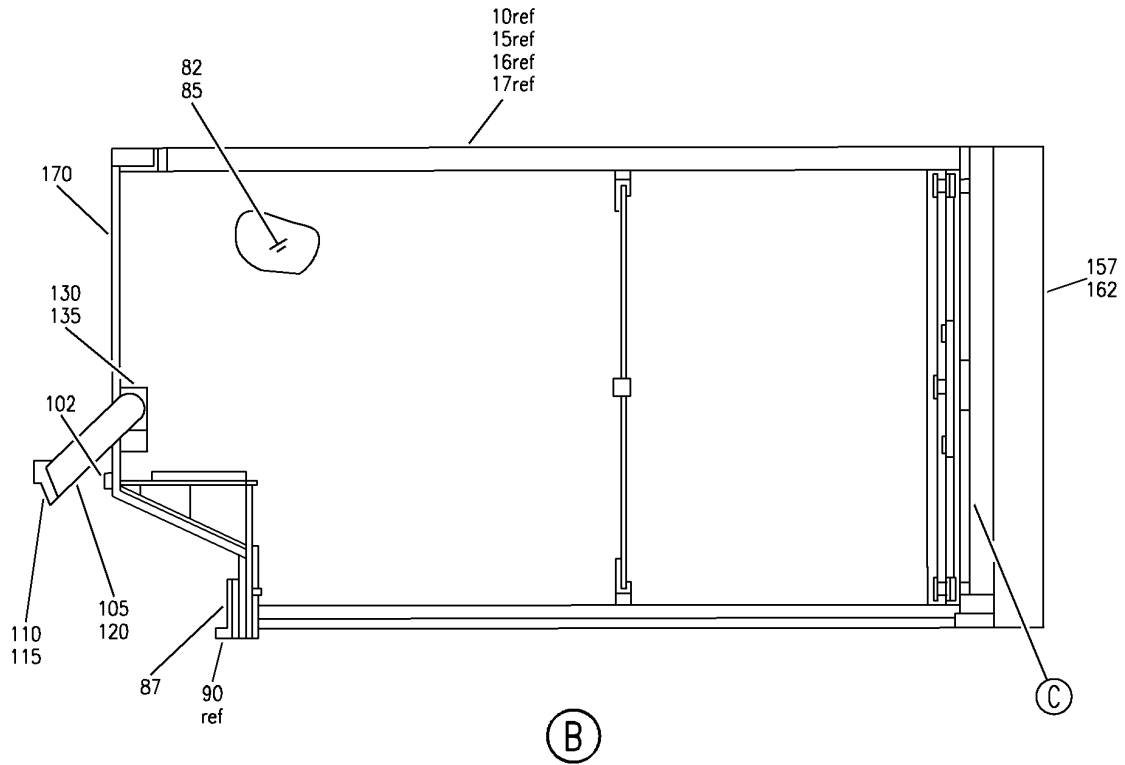
EQUIPMENT INSTL-MAIN ELECTRONICS EQPT CTR (AUTOPILOT/FLIGHT DIRECTOR POWER ONLY)
FIGURE 1 (SHEET 2)

22-11-01-01

BRI
MAY 28/07

22-11-01-01
PAGE 0A

BOEING
757
PARTS CATALOG (MAINTENANCE)



Y 22110101 SHT 3 REV 289

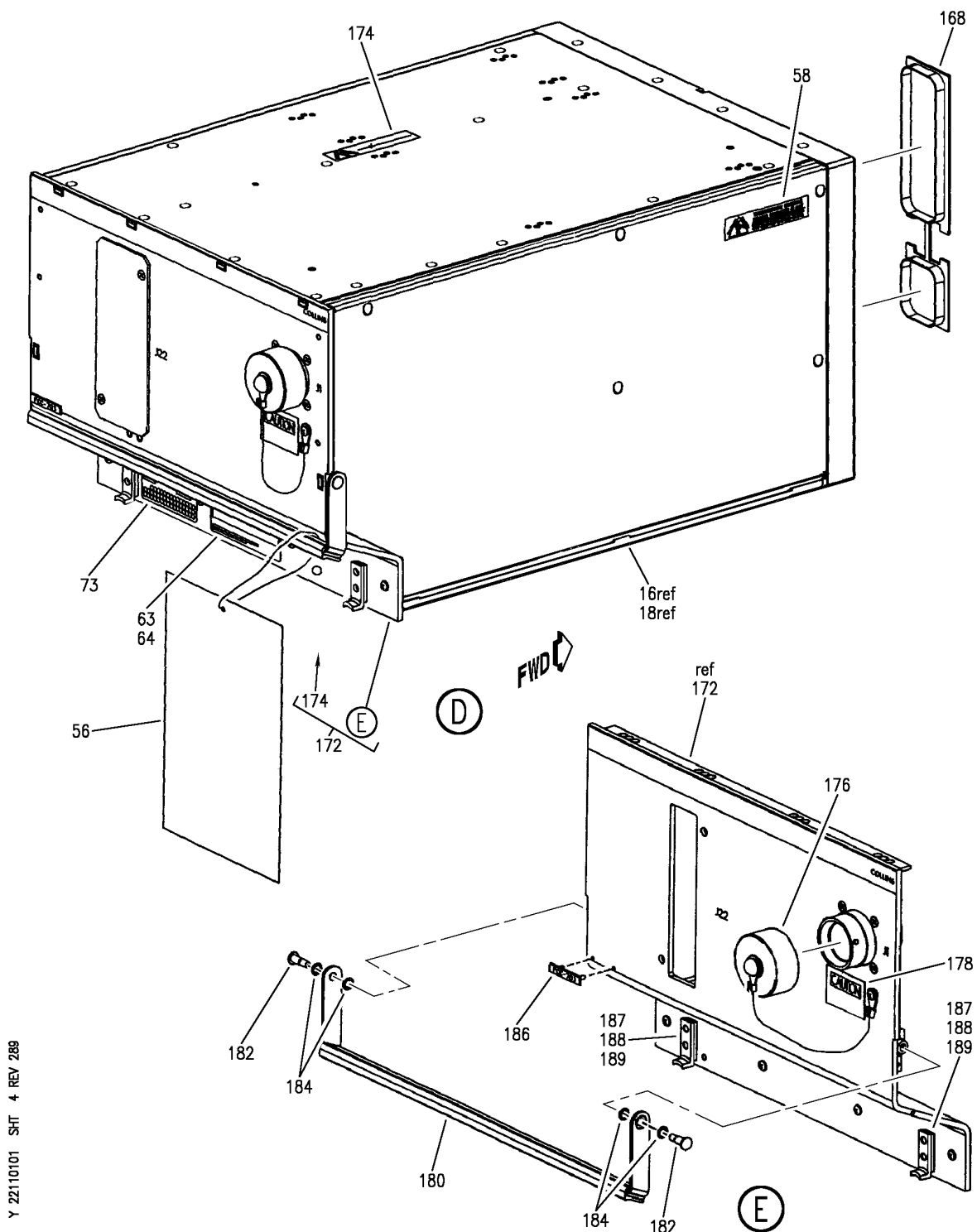
EQUIPMENT INSTL-MAIN ELECTRONICS EQPT CTR (AUTOPILOT/FLIGHT DIRECTOR POWER ONLY)
FIGURE 1 (SHEET 3)

BRI
MAY 28/07

22-11-01-01

22-11-01-01
PAGE 0B

BOEING
757
PARTS CATALOG (MAINTENANCE)



Y 22110101 SHIT 4 REV 289

EQUIPMENT INSTL-MAIN ELECTRONICS EQPT CTR (AUTOPILOT/FLIGHT DIRECTOR POWER ONLY)
FIGURE 1 (SHEET 4)

22-11-01-01

BRI
MAY 28/07

22-11-01-01
PAGE 0C



757

PARTS CATALOG (MAINTENANCE)

FIG ITEM	PART NUMBER	1 2 3 4 5 6 7	NOMENCLATURE	EFFECT FROM TO	UNITS PER ASSY
1			EQUIPMENT INSTL-MAIN ELECTRONICS EQPT CTR (AUTOPILOT/FLIGHT DIRECTOR POWER ONLY)	002004 006100 107107 121999	
- 2	284N1307-33		EQUIPMENT INSTL-MAIN ELECTRONICS EQPT CTR (AUTOPILOT/FLIGHT DIRECTOR POWER ONLY) FOR NHA/OTHER SYS DET SEE: 24-00-58-01	107107	RF
- 2	284N1800-32		EQUIPMENT INSTL-MAIN ELECTRONICS EQPT CTR (AUTOPILOT/FLIGHT DIRECTOR POWER ONLY) FOR NHA/OTHER SYS DET SEE: 24-00-58-01	952999	RF
- 4	284N1800-16		EQUIPMENT INSTL-MAIN ELECTRONICS EQPT CTR (AUTOPILOT/FLIGHT DIRECTOR POWER ONLY) FOR NHA/OTHER SYS DET SEE: 24-00-58-01	121503 904949	RF
- 5	284N1800-34		EQUIPMENT INSTL-MAIN ELECTRONICS EQPT CTR (AUTOPILOT/FLIGHT DIRECTOR POWER ONLY) FOR NHA/OTHER SYS DET SEE: 24-00-58-01	002004 006100	RF
- 5	284N1800-38		EQUIPMENT INSTL-MAIN ELECTRONICS EQPT CTR (AUTOPILOT/FLIGHT DIRECTOR POWER ONLY) FOR NHA/OTHER SYS DET SEE: 24-00-58-01	950951	RF
- 8	284N1800-88		EQUIPMENT INSTL-MAIN ELECTRONICS EQPT CTR (AUTOPILOT/FLIGHT DIRECTOR POWER ONLY) FOR NHA/OTHER SYS DET SEE: 24-00-58-01	505505	RF
- 9	284N1800-190		EQUIPMENT INSTL-MAIN ELECTRONICS EQPT CTR (AUTOPILOT/FLIGHT DIRECTOR POWER ONLY) FOR NHA/OTHER SYS DET SEE: 24-00-58-05E	504504 506903	RF

MISSING ITEM NUMBERS NOT APPLICABLE

- ITEM NOT ILLUSTRATED

22-11-01-01

22-11-01
FIG. 01
PAGE 1
JAN 20/09

BRI



757

PARTS CATALOG (MAINTENANCE)

FIG ITEM	PART NUMBER	1 2 3 4 5 6 7	NOMENCLATURE	EFFECT FROM TO	UNITS PER ASSY
1 15	622-8757-105		.COMPUTER ASSY-FLIGHT CONT SUPPLIER CODE: V4V792 SPECIFICATION NUMBER: S241T100-135 ELECTRICAL EQUIP NUMBER: M00139 M00140 M00141 COMPONENT MAINT MANUAL REF: 22-11-85 QUALIFIED I/W DATA: S241T100-135/ 622-8757-105 OR S241T100-136/ 622-8757-106 ARE FULLY INTERCHANGEABLE WITH S241T100-151/ 822-1261-101 EXCEPT WHEN THE INTERMIX DISABLE OPTION OR INTERLOCK PIN 3 IS WIRED PRE SERVICE BULLETIN: 22-0077	002004 006100 950951	3
15	622-8757-103		.COMPUTER ASSY-FLIGHT CONT SUPPLIER CODE: V4V792 SPECIFICATION NUMBER: S241T100-133 ELECTRICAL EQUIP NUMBER: M00139 M00140 M00141 COMPONENT MAINT MANUAL REF: 22-11-85 QUALIFIED I/W DATA: 622-8757-103, 622-8757-104 I/W 622-4591-512 FOR ACFT W/ CUSTOMER OPTION CODE 3 ACTIVATED.FOR ACFT WITH CUSTOMER OPTION 6 ACTIVATED,622-8757-103 622-8757-104 MUST BE INSTALLED. PRE SERVICE BULLETIN: 22-0077	002004 006100 950951	3

MISSING ITEM NUMBERS NOT APPLICABLE

- ITEM NOT ILLUSTRATED

BRI

22-11-01-01

22-11-01
FIG. 01
PAGE 2
JAN 20/09



757

PARTS CATALOG (MAINTENANCE)

FIG ITEM	PART NUMBER	1 2 3 4 5 6 7	NOMENCLATURE	EFFECT FROM TO	UNITS PER ASSY
1 15	622-8757-104		.COMPUTER ASSY-FLIGHT CONT SUPPLIER CODE: V4V792 SPECIFICATION NUMBER: S241T100-134 ELECTRICAL EQUIP NUMBER: M00139 M00140 M00141 COMPONENT MAINT MANUAL REF: 22-11-85 QUALIFIED I/W DATA: 622-8757-103, 622-8757-104 I/W 622-4591-512 FOR ACFT WITH OPTION CODE 3 ACTIVATED. FOR ACFT WITH CUSTOMER OPTION 6 ACTIVATED, 622-8757-103, 622-8757-104 MUST BE INSTALLED PRE SERVICE BULLETIN: 22-0077	002004 006100 950951	3
15	622-4591-511		.COMPUTER ASSY-FLIGHT CONT REF AD 90-11-10 SUPPLIER CODE: V4V792 SPECIFICATION NUMBER: S241T100-108 MISCELLANEOUS DATA: AMENDMENT 39-6904.) ELECTRICAL EQUIP NUMBER: M00139 M00140 M00141 COMPONENT MAINT MANUAL REF: 22-11-81 QUALIFIED I/W DATA: 622-4591-511 IS INTERCHANGEABLE WITH 622-4591-512 AND IF 622-4591-511 IS RE-INSTALLED IT NEGATES THE INTENT OF S/B 757-22-0024.622-4591-511 IS NOT INTERCHANGEABLE WITH 622-4591-512 AFTER S/B 757-22-0032 INCORPORATED.	904949	3

MISSING ITEM NUMBERS NOT APPLICABLE

- ITEM NOT ILLUSTRATED

BRI

22-11-01-01

22-11-01
FIG. 01
PAGE 3
JAN 20/09



757

PARTS CATALOG (MAINTENANCE)

FIG ITEM	PART NUMBER	1 2 3 4 5 6 7	NOMENCLATURE	EFFECT FROM TO	UNITS PER ASSY
1 16	622-4591-512		<p>.COMPUTER ASSY-FLIGHT CONT SUPPLIER CODE: V4V792 SPECIFICATION NUMBER: S241T100-109 MISCELLANEOUS DATA: FCC S241T100-109 IS NOT INTERCHANGEABLE OR INTERMIXABLE WITH FCC S241T100-108 OR ANY PRIOR DASH NUMBER ELECTRICAL EQUIP NUMBER: M00139 M00140 M00141 COMPONENT MAINT MANUAL REF: 22-11-81 QUALIFIED I/W DATA: 622-4591-511 IS INTERCHANGEABLE WITH 622-4591-512 AND IF 622-4591-511 IS RE-INSTALLED IT NEGATES THE INTENT OF S/B 757-22-0024.622-4591-511 IS NOT INTERCHANGEABLE WITH 622-4591-512 AFTER S/B 757-22-0032 IS INCORPORATED. 622-8757-103, 622-8757-104 I/W 622-4591-512 FOR ACFT W/ CUSTOMER OPTION CODE 3 ACTIVATED.FOR ACFT WITH CUSTOMER OPTION 6 ACTIVATED,622-8757-103 622-8757-104 MUST BE INSTALLED. 622-4591-512 IS I/W 622-622-8757-106 WHEN CUSTOMER OPTION 3 IS WIRED POST SERVICE BULLETIN: 22-0024 PRE SERVICE BULLETIN: 22-0073R1 REFERENCE SERVICE BULLETIN: 22-0064 QUALIFIED SB I/W DATA:</p>	107107 121503 952999	3

MISSING ITEM NUMBERS NOT APPLICABLE

- ITEM NOT ILLUSTRATED

22-11-01-01

22-11-01
FIG. 01
PAGE 4
JAN 20/09

BRI



757

PARTS CATALOG (MAINTENANCE)

FIG ITEM	PART NUMBER	1 2 3 4 5 6 7	NOMENCLATURE	EFFECT FROM TO	UNITS PER ASSY
1			THE FLIGHT CONTROL COMPUTERS S241T100-106, -108 AND -109 ARE NOT INTERCHANGEABLE WITH THE -133 OR NEWER FCC'S AFTER INCORPORATION OF SB 757-22-0061. POST SERVICE BULLETIN: FCC-701-22-23 V4V792		
16	622-8757-106		.COMPUTER ASSY-FLIGHT CONT SUPPLIER CODE: V4V792 SPECIFICATION NUMBER: S241T100-136 ELECTRICAL EQUIP NUMBER: M00139 M00140 M00141 COMPONENT MAINT MANUAL REF: 22-11-85 QUALIFIED I/W DATA: 622-8757-105 OR 622-8757-106 ARE FULLY INTERCHANGEABLE WITH 822-1261-101 EXCEPT WHEN THE INTERMIX DISABLE OPTION IS ACTIVATED (INTERLOCK PIN 5 IS WIRED) WHICH REQUIRES INSTALLATION OF 822-1261-101. PRE SERVICE BULLETIN: 22-0077	002004 006100 950951	3
16	622-4591-512		.COMPUTER ASSY-FLIGHT CONT SUPPLIER CODE: V4V792 SPECIFICATION NUMBER: S241T100-109 MISCELLANEOUS DATA: FCC S241T100-109 IS NOT INTERCHANGEABLE OR INTERMIXABLE WITH FCC S241T100-108 OR ANY PRIOR DASH NUMBER COMPONENT MAINT MANUAL REF: 22-11-81 PRE SERVICE BULLETIN: 22-0073R1	107107	3

MISSING ITEM NUMBERS NOT APPLICABLE

- ITEM NOT ILLUSTRATED

22-11-01-01

22-11-01
FIG. 01
PAGE 5
JAN 20/09

BRI



757

PARTS CATALOG (MAINTENANCE)

FIG ITEM	PART NUMBER	1 2 3 4 5 6 7	NOMENCLATURE	EFFECT FROM TO	UNITS PER ASSY
1 16	822-1261-101		.COMPUTER ASSY-FLIGHT CONT SUPPLIER CODE: V4V792 FUNCTIONAL DESCRIPTION: INTEGRATES SIGNAL OR INPUT FROM VARIOUS SYSTEMS TO PROVIDE AUTOPILOT FLIGHT DIRECTOR FUNCTIONS AUTO- LAND AND ROLLOUT GUIDANCE SPECIFICATION NUMBER: S241T100-151 ELECTRICAL EQUIP NUMBER: M00139 M00140 M00141 COMPONENT MAINT MANUAL REF: 22-11-93 QUALIFIED I/W DATA: 622-8757-105 OR 622-8757-106 AREFULLY INTERCHANGEABLE WITH 822-1261-101 EXCEPT WHEN THE INTERMIX DISABLE OPTION IS ACTIVATED (INTERLOCK PIN 5 IS WIRED) WHICH REQUIRES INSTALLATION OF 822-1261-101. POST SERVICE BULLETIN: 22-0077	009009 504903	3

MISSING ITEM NUMBERS NOT APPLICABLE

- ITEM NOT ILLUSTRATED

BRI

22-11-01-01

BOEING PROPRIETARY - Copyright © - Unpublished Work - See title page for details.

22-11-01
FIG. 01
PAGE 6
JAN 20/09



757

PARTS CATALOG (MAINTENANCE)

FIG ITEM	PART NUMBER	1 2 3 4 5 6 7	NOMENCLATURE	EFFECT FROM TO	UNITS PER ASSY
1 18	822-1261-101		.COMPUTER ASSY-FLIGHT CONT SUPPLIER CODE: V4V792 FUNCTIONAL DESCRIPTION: INTEGRATES SIGNAL OR INPUT FROM VARIOUS SYSTEMS TO PROVIDE AUTOPILOT FLIGHT DIRECTOR FUNCTIONS AUTO- LAND AND ROLLOUT GUIDANCE SPECIFICATION NUMBER: S241T100-151 MISCELLANEOUS DATA: INTERCHANGEABLE WITH 622-8757-103 622-8757-104 622-8757-105 622-8757-106 ELECTRICAL EQUIP NUMBER: M00139 M00140 M00141 COMPONENT MAINT MANUAL REF: 22-11-93 QUALIFIED I/W DATA: 622-8757-105 OR 622-8757-106 ARE FULLY INTERCHANGEABLE WITH 822-1261-101 EXCEPT WHEN THE INTERMIX DISABLE OPTION IS ACTIVATED (INTERLOCK PIN 5 IS WIRED) WHICH REQUIRES INSTALLATION OF 822-1261-101. POST SERVICE BULLETIN: 22-0073R1 POST AIRLINE MOD: TPCR5-22-IPC-05-0116 VUPS	107107	3

MISSING ITEM NUMBERS NOT APPLICABLE

- ITEM NOT ILLUSTRATED

BRI

22-11-01-01

BOEING PROPRIETARY - Copyright © - Unpublished Work - See title page for details.

22-11-01
FIG. 01
PAGE 7
JAN 20/09



757

PARTS CATALOG (MAINTENANCE)

FIG ITEM	PART NUMBER	1 2 3 4 5 6 7	NOMENCLATURE	EFFECT FROM TO	UNITS PER ASSY
1 50	280-2745-020		.. LABEL-ESDS WARNING SUPPLIER CODE: V12998 CONFIG CHG DATA FROM A CMM: SUPSD BY 280-2745-140 USED ON: 622-4591-505 622-4591-506 622-4591-507 622-4591-508 622-4591-511 622-4591-512	107107 121503 904949 952999	1
- 55	280-2745-140		.. LABEL-ESDS WARNING SUPPLIER CODE: V12998 CONFIG CHG DATA FROM A CMM: SUPERSEDES 280-2745-020 USED ON: 622-4591-505 622-4591-506 622-4591-507 622-4591-508 622-4591-511 622-4591-512	107107 121503 904949 952999	3
56	838-7009-160		.. TAG-SOFTWARE IDENT SUPPLIER CODE: V4V792 USED ON: 822-1261-101	009009 504903	1
57	280-2745-120		.. LABEL-ESDS WARNING SUPPLIER CODE: V12998 USED ON: 622-8757-103 622-8757-104 622-8757-105 622-8757-106	002004 006100 107107 121503 904999	3
58	280-2745-120		.. LABEL-ESDS WARNING SUPPLIER CODE: V12998 USED ON: 822-1261-101	009009 504903	1

MISSING ITEM NUMBERS NOT APPLICABLE

- ITEM NOT ILLUSTRATED

BRI

22-11-01-01

22-11-01
FIG. 01
PAGE 8
JAN 20/09



757

PARTS CATALOG (MAINTENANCE)

FIG ITEM	PART NUMBER	1 2 3 4 5 6 7	NOMENCLATURE	EFFECT FROM TO	UNITS PER ASSY
1	60 646-0030-001		.. PLATE-IDENT SUPPLIER CODE: V4V792 USED ON: 622-4591-505 622-4591-506 622-4591-507 622-4591-508 622-4591-511 622-4591-512	107107 121503 904949 952999	1
	62 685-7225-001		.. PLATE-IDENT SUPPLIER CODE: V4V792 CONFIG CHG DATA FROM A CMM: SUPSD BY 685-7225-006 SUPSD BY 685-7225-007 685-7225-008 USED ON: 622-8757-103 622-8757-104 622-8757-105	002004 006100 107107 121503 904999	1
	62 685-7225-006		.. PLATE-IDENT SUPPLIER CODE: V4V792 CONFIG CHG DATA FROM A CMM: SUPERSEDES 685-7225-001 USED ON: 622-8757-103	002004 006100 950951	1
	62 685-7225-007		.. PLATE-IDENT SUPPLIER CODE: V4V792 CONFIG CHG DATA FROM A CMM: SUPERSEDES 685-7225-001 USED ON: 622-8757-104	002004 006100 950951	1
	62 685-7225-008		.. PLATE-IDENT SUPPLIER CODE: V4V792 CONFIG CHG DATA FROM A CMM: SUPERSEDES 685-7225-001 USED ON: 622-8757-105	002004 006100 107107 121503 904999	1
	62 685-7225-009		.. PLATE-IDENT SUPPLIER CODE: V4V792 USED ON: 622-8757-106	002004 006100 950951	1

MISSING ITEM NUMBERS NOT APPLICABLE

- ITEM NOT ILLUSTRATED

22-11-01-01

22-11-01
FIG. 01
PAGE 9
JAN 20/09

BRI



757

PARTS CATALOG (MAINTENANCE)

FIG ITEM	PART NUMBER	1 2 3 4 5 6 7	NOMENCLATURE	EFFECT FROM TO	UNITS PER ASSY
1					
63	829-0262-002	..	PLATE-IDENT SUPPLIER CODE: V4V792 CONFIG CHG DATA FROM A CMM: SUPSD BY 829-0262-003 USED ON: 822-1261-101	009009 504903	1
63	829-0262-003	..	PLATE-IDENT SUPPLIER CODE: V4V792 CONFIG CHG DATA FROM A CMM: SUPERSEDES 829-0262-002 USED ON: 822-1261-101 ATTACHING PARTS	009009 504903	1
- 65	MS51957-1B	..	SCREW	002004 006100 107107 121503 904999	2
- 70	MS35338-134	..	WASHER	002004 006100 107107 121503 904999	2
73	829-0200-001	..	-----*----- PLATE-IDENT SUPPLIER CODE: V4V792 USED ON: 622-8757-103 622-8757-104 622-8757-105 622-8757-106 822-1261-101	002004 006100 504903 950951	1
75	629-7339-001	..	LABEL- SUPPLIER CODE: V4V792 USED ON: 622-4591-506 622-4591-507 622-4591-508 622-4591-511 622-4591-512	107107 121503 904949 952999	2

MISSING ITEM NUMBERS NOT APPLICABLE

- ITEM NOT ILLUSTRATED

BRI

22-11-01-01

BOEING PROPRIETARY - Copyright © - Unpublished Work - See title page for details.

22-11-01
FIG. 01
PAGE 10
JAN 20/09



757

PARTS CATALOG (MAINTENANCE)

FIG ITEM	PART NUMBER	1 2 3 4 5 6 7	NOMENCLATURE	EFFECT FROM TO	UNITS PER ASSY
1 - 80	280-3778-100		.. LABEL-INFORMATION SUPPLIER CODE: V12998 OPTIONAL SUPPLIER CODE: 12998 USED ON: 622-4591-505 622-4591-506 622-4591-507 622-4591-508 622-4591-511 622-4591-512	107107 121503 904949 952999	1
82	280-3778-100		.. LABEL-INFORMATION SUPPLIER CODE: V93108 OPTIONAL SUPPLIER CODE: 12998 USED ON: 622-8757-103 622-8757-104 622-8757-105 622-8757-106	002004 006100 107107 121503 904999	1
87	629-6836-256		.. STRIP-IDENT SUPPLIER CODE: V4V792 USED ON: 622-8757-103 622-8757-104 622-8757-105 622-8757-106	002004 006100 107107 121503 904999	1
90	768-3436-001		.. HOLD DOWN- SUPPLIER CODE: V4V792 CONFIG CHG DATA FROM A CMM: SUPSD BY 827-0107-002 USED ON: 622-4591-504 622-4591-505 622-4591-506 622-4591-507 622-4591-508 622-4591-511 622-4591-512 622-4591-003 622-4591-004	107107 121503 904949 952999	2

MISSING ITEM NUMBERS NOT APPLICABLE

- ITEM NOT ILLUSTRATED

22-11-01-01

22-11-01
FIG. 01
PAGE 11
JAN 20/09

BRI



757

PARTS CATALOG (MAINTENANCE)

FIG ITEM	PART NUMBER	1 2 3 4 5 6 7	NOMENCLATURE	EFFECT FROM TO	UNITS PER ASSY
1	90 768-3436-001		..HOLD DOWN- SUPPLIER CODE: V4V792 CONFIG CHG DATA FROM A CMM: SUPSD BY 827-0107-002 USED ON: 622-8757-103 622-8757-104 622-8757-105 622-8757-106	002004 006100 107107 121503 904999	2
	90 827-0107-002		..HOOK-HOLDDOWN SUPPLIER CODE: V4V792 CONFIG CHG DATA FROM A CMM: SUPERSEDES 768-3436-001 USED ON: 622-8757-103 622-8757-104 622-8757-105 622-8757-106	002004 006100 107107 121503 904999	2
-	95 MS20426AD5-7		ATTACHING PARTS ..RIVET	002004 006100 107107 121503 904999	4
			-----*-----		
-	100 641-8914-002		..SHIM- SUPPLIER CODE: V4V792 CONFIG CHG DATA FROM A CMM: SUPSD BY 641-8914-001	002004 006100 107107 121503 904999	2
-	100 641-8914-001		..SHIM- SUPPLIER CODE: V4V792 CONFIG CHG DATA FROM A CMM: SUPSDS 641-8914-002	002004 006100 107107 121503 904999	2

MISSING ITEM NUMBERS NOT APPLICABLE

- ITEM NOT ILLUSTRATED

22-11-01-01

22-11-01
FIG. 01
PAGE 12
JAN 20/09

BRI



757

PARTS CATALOG (MAINTENANCE)

FIG ITEM	PART NUMBER	1 2 3 4 5 6 7	NOMENCLATURE	EFFECT FROM TO	UNITS PER ASSY
1 105	651-2408-008		..HANDLE ASSY- SUPPLIER CODE: V4V792 USED ON: 622-4591-505 622-4591-506 622-4591-507 622-4591-508 622-4591-511 622-4591-512 622-8757-103 622-8757-104 622-8757-105 622-8757-106	002004 006100 107107 121503 904999	1
115	768-3386-005		...BAR-GRIP SUPPLIER CODE: V4V792	002004 006100 107107 121503 904999	1
125	768-3387-023		...STRAP-HANDLE SUPPLIER CODE: V4V792	002004 006100 107107 121503 904999	1
125	768-3387-023		...STRAP-HANDLE SUPPLIER CODE: V4V792	002004 006100 107107 121503 904999	1
130	647-5866-002		..NUTPLATE- SUPPLIER CODE: V4V792 POSITION DATA: LEFT USED ON: 622-4591-505 622-4591-506 622-4591-507 622-4591-508 622-4591-511 622-4591-512	107107 121503 904949 952999	1

MISSING ITEM NUMBERS NOT APPLICABLE

- ITEM NOT ILLUSTRATED

22-11-01-01

22-11-01
FIG. 01
PAGE 13
JAN 20/09

BRI

BOEING PROPRIETARY - Copyright © - Unpublished Work - See title page for details.



757

PARTS CATALOG (MAINTENANCE)

FIG ITEM	PART NUMBER	1 2 3 4 5 6 7	NOMENCLATURE	EFFECT FROM TO	UNITS PER ASSY
1 135	651-2082-001		..NUTPLATE- SUPPLIER CODE: V4V792 POSITION DATA: RIGHT USED ON: 622-4591-505 622-4591-506 622-4591-507 622-4591-508 622-4591-511 622-4591-512 ATTACHING PARTS	107107 121503 904949 952999	1
- 140	651-2411-001		..SCREW- SUPPLIER CODE: V4V792 CONFIG CHG DATA FROM A CMM: SUPSD BY 652-5421-001	107107 121503 904949 952999	2
- 140	652-5421-001		..SCREW- SUPPLIER CODE: V4V792 CONFIG CHG DATA FROM A CMM: SUPERSEDES 651-2411-001	107107 121503 904949 952999	2
- 145	768-3178-001		..WASHER- SUPPLIER CODE: V4V792	107107 121503 904949 952999	4
- 151	MS21042-06		..NUT-	107107 121503 904949 952999	2
155	025-1157-001		-----*----- ..CAP-PROTECTIVE SUPPLIER CODE: V71468 CONFIG CHG DATA FROM A CMM: SUPSD BY 211600-2 OPTIONAL PART: 4041437-5 V58960 USED ON: 622-4591-505 622-4591-506 622-4591-507 622-4591-508 622-4591-511 622-4591-512	107107 121503 904949 952999	1

MISSING ITEM NUMBERS NOT APPLICABLE

- ITEM NOT ILLUSTRATED

BRI

22-11-01-01

22-11-01
FIG. 01
PAGE 14
JAN 20/09



757

PARTS CATALOG (MAINTENANCE)

FIG ITEM	PART NUMBER	1 2 3 4 5 6 7	NOMENCLATURE	EFFECT FROM TO	UNITS PER ASSY
1 157	025-1157-001		..CAP-PROTECTIVE SUPPLIER CODE: V71468 CONFIG CHG DATA FROM A CMM: SUPSD BY 211600-2 OPTIONAL PART: 4041437-5 V58960 USED ON: 622-8757-103 622-8757-104 622-8757-105 622-8757-106	002004 006100 107107 121503 904999	1
161	025-1158-001		..CAP-PROTECTIVE SUPPLIER CODE: V71468 CONFIG CHG DATA FROM A CMM: SUPSD BY 211600-2 OPTIONAL PART: 4041437-6 V58960 USED ON: 622-4591-505 622-4591-506 622-4591-507 622-4591-508 622-4591-511 622-4591-512	107107 121503 904949 952999	1
162	025-1158-001		..CAP-PROTECTIVE SUPPLIER CODE: V71468 CONFIG CHG DATA FROM A CMM: SUPSD BY 211600-2 OPTIONAL PART: 4041437-6 V58960 USED ON: 622-8757-103 622-8757-104 622-8757-105 622-8757-106	002004 006100 107107 121503 904999	1

MISSING ITEM NUMBERS NOT APPLICABLE

- ITEM NOT ILLUSTRATED

BRI

22-11-01-01

BOEING PROPRIETARY - Copyright © - Unpublished Work - See title page for details.

22-11-01
 FIG. 01
 PAGE 15
 JAN 20/09



757

PARTS CATALOG (MAINTENANCE)

FIG ITEM	PART NUMBER	1 2 3 4 5 6 7	NOMENCLATURE	EFFECT FROM TO	UNITS PER ASSY
1					
- 165	211600-2		..CAP-PROTECTIVE SUPPLIER CODE: V00779 CONFIG CHG DATA FROM A CMM: SUPERSEDES 025-1157-001 SUPERSEDES 025-1158-001 USED ON: 622-4591-505 622-4591-506 622-4591-507 622-4591-508 622-4591-511 622-4591-512	107107 121503 904949 952999	1
- 167	211600-2		..CAP-DUST SUPPLIER CODE: V00779 CONFIG CHG DATA FROM A CMM: SUPERSEDES 025-1157-001 SUPERSEDES 025-1158-001 USED ON: 622-8757-103 622-8757-104 622-8757-105 622-8757-106	002004 006100 107107 121503 904999	1
168	211600-2		..CAP-DUST SUPPLIER CODE: V00779 USED ON: 822-1261-101	009009 504903	1
170	333-1148-000		..NUT- SUPPLIER CODE: V4V792	002004 006100 107107 121503 904999	2
172	830-6886-001		..CHASSIS ASSY- A1 SUPPLIER CODE: V4V792 CONFIG CHG DATA FROM A CMM: SUPSD BY 830-6886-002 USED ON: 822-1261-101	009009 504903	1

MISSING ITEM NUMBERS NOT APPLICABLE

- ITEM NOT ILLUSTRATED

22-11-01-01

22-11-01
FIG. 01
PAGE 16
JAN 20/09

BRI



757

PARTS CATALOG (MAINTENANCE)

FIG ITEM	PART NUMBER	1 2 3 4 5 6 7	NOMENCLATURE	EFFECT FROM TO	UNITS PER ASSY
1					
172	830-6886-002	..	CHASSIS ASSY- A1 SUPPLIER CODE: V4V792 CONFIG CHG DATA FROM A CMM: SUPERSEDES 830-6886-001 USED ON: 822-1261-101	009009 504903	1
174	280-2745-120	...	LABEL-ESDS WARNING SUPPLIER CODE: V12998	009009 504903	1
176	859-6620-060	...	COVER-ELEC CONN. SUPPLIER CODE: V4V792 MISCELLANEOUS DATA: GLENAIR INC. PART NO. 660-020C18U3-5-01 V06324	009009 504903	1
178	280-1368-010	...	LABEL-PRESSURE SENSITIVE SUPPLIER CODE: V12998	009009 504903	1
180	651-2408-008	...	HANDLE ASSY- SUPPLIER CODE: V4V792 ATTACHING PARTS	009009 504903	1
182	652-5421-001	...	SCREW- SUPPLIER CODE: V4V792	009009 504903	2
184	768-3178-001	...	WASHER- SUPPLIER CODE: V4V792 -----*-----	009009 504903	4
186	830-6897-001	...	STRIP-IDENT SUPPLIER CODE: V4V792	009009 504903	1
187	768-3436-001	...	HOLD DOWN- SUPPLIER CODE: V4V792 ATTACHING PARTS	009009 504903	2
188	MS20426AD5-7	...	RIVET -----*-----	009009 504903	4
189	641-8914-002	...	SHIM- SUPPLIER CODE: V4V792	009009 504903	2
- 200	286N1171-001		WIRE BUNDLE ASSY- (AUTOPILOT/FLIGHT DIRECTOR POWER ONLY) REWORKED BY ALERT SB: 34A0222	121503 904949	RF

MISSING ITEM NUMBERS NOT APPLICABLE

- ITEM NOT ILLUSTRATED

22-11-01-01

22-11-01
FIG. 01
PAGE 17
JAN 20/09

BRI

BOEING PROPRIETARY - Copyright © - Unpublished Work - See title page for details.



757

PARTS CATALOG (MAINTENANCE)

FIG ITEM	PART NUMBER	1 2 3 4 5 6 7	NOMENCLATURE	EFFECT FROM TO	UNITS PER ASSY
1					
- 200	286N1171-002		WIRE BUNDLE ASSY- (AUTOPILOT/FLIGHT DIRECTOR POWER ONLY) REWORKED BY SB: 34-0132 REWORKED BY ALERT SB: 34A022	107107	RF
- 200	286N1171-006		WIRE BUNDLE ASSY- REWORKED BY SB: 31-0127R1 34-0132 34-0200 REWORKED BY ALERT SB: 34A022	002004 006100 950999	RF
- 203	286N1171-359		WIRE BUNDLE ASSY- REWORKED BY ALERT SB: 34A022	504504 506506	RF
- 203	286N1171-383		WIRE BUNDLE ASSY- REWORKED BY ALERT SB: 34A022	505505	RF
- 203	286N1171-441		WIRE BUNDLE ASSY- REWORKED BY ALERT SB: 34A022	507903	RF
210	BKA21C0701		.CONNECTOR- SUPPLIER CODE: V71468 SPECIFICATION NUMBER: BACC66H21C0701 OPTIONAL PART: S621C0701 V59610 NIC66H21C0701 V00779 ELECTRICAL EQUIP NUMBER: D00035 WIRING DIAGRAM REF: 221112	002004 006100 107107 121999	1
- 250	286N1173-001		WIRE BUNDLE ASSY- REWORKED BY ALERT SB: 34A022	121503 904949	RF
- 250	286N1173-002		WIRE BUNDLE ASSY- REWORKED BY SB: 34-0132 REWORKED BY ALERT SB: 34A022	107107	RF

MISSING ITEM NUMBERS NOT APPLICABLE

- ITEM NOT ILLUSTRATED

22-11-01-01

22-11-01
FIG. 01
PAGE 18
JAN 20/09

BRI



757

PARTS CATALOG (MAINTENANCE)

FIG ITEM	PART NUMBER	1 2 3 4 5 6 7	NOMENCLATURE	EFFECT FROM TO	UNITS PER ASSY
1					
- 250	286N1173-006		WIRE BUNDLE ASSY- REWORKED BY SB: 31-0127R1 34-0132 34-0200 REWORKED BY ALERT SB: 34A0222	002004 006100 950999	RF
- 253	286N1173-384		WIRE BUNDLE ASSY- REWORKED BY ALERT SB: 34A0222	505505	RF
- 253	286N1173-359		WIRE BUNDLE ASSY- REWORKED BY ALERT SB: 34A0222	504504 506506	RF
- 254	286N1173-441		WIRE BUNDLE ASSY- REWORKED BY ALERT SB: 34A0222	507903	RF
255	BKA21C0701		.CONNECTOR- SUPPLIER CODE: V71468 SPECIFICATION NUMBER: BACC66H21C0701 OPTIONAL PART: S621C0701 V59610 NIC66H21C0701 V00779 ELECTRICAL EQUIP NUMBER: D00075 WIRING DIAGRAM REF: 221121 320911	002004 006100 107107 121999	1
- 300	286N1175-001		WIRE BUNDLE ASSY- REWORKED BY SB: 22-0063	121503 904949	RF
- 300	286N1175-002		WIRE BUNDLE ASSY-	107107	RF
- 300	286N1175-006		WIRE BUNDLE ASSY- REWORKED BY SB: 22-0063 34-0200	002004 006100 950999	RF
- 301	286N1175-379		WIRE BUNDLE ASSY	506506	RF
- 301	286N1175-381		WIRE BUNDLE ASSY	505505	RF
- 301	286N1175-383		WIRE BUNDLE ASSY	504504	RF
- 302	286N1175-387		WIRE BUNDLE ASSY	507903	RF

MISSING ITEM NUMBERS NOT APPLICABLE

- ITEM NOT ILLUSTRATED

22-11-01-01

22-11-01
FIG. 01
PAGE 19
JAN 20/09

BRI



757

PARTS CATALOG (MAINTENANCE)

FIG ITEM	PART NUMBER	1 2 3 4 5 6 7	NOMENCLATURE	EFFECT FROM TO	UNITS PER ASSY
1 305	BKA21C0701		.CONNECTOR- SUPPLIER CODE: V71468 SPECIFICATION NUMBER: BACC66H21C0701 OPTIONAL PART: S621C0701 V59610 NIC66H21C0701 V00779 ELECTRICAL EQUIP NUMBER: D00055 WIRING DIAGRAM REF: 221131	002004 006100 107107 121999	1

MISSING ITEM NUMBERS NOT APPLICABLE

- ITEM NOT ILLUSTRATED

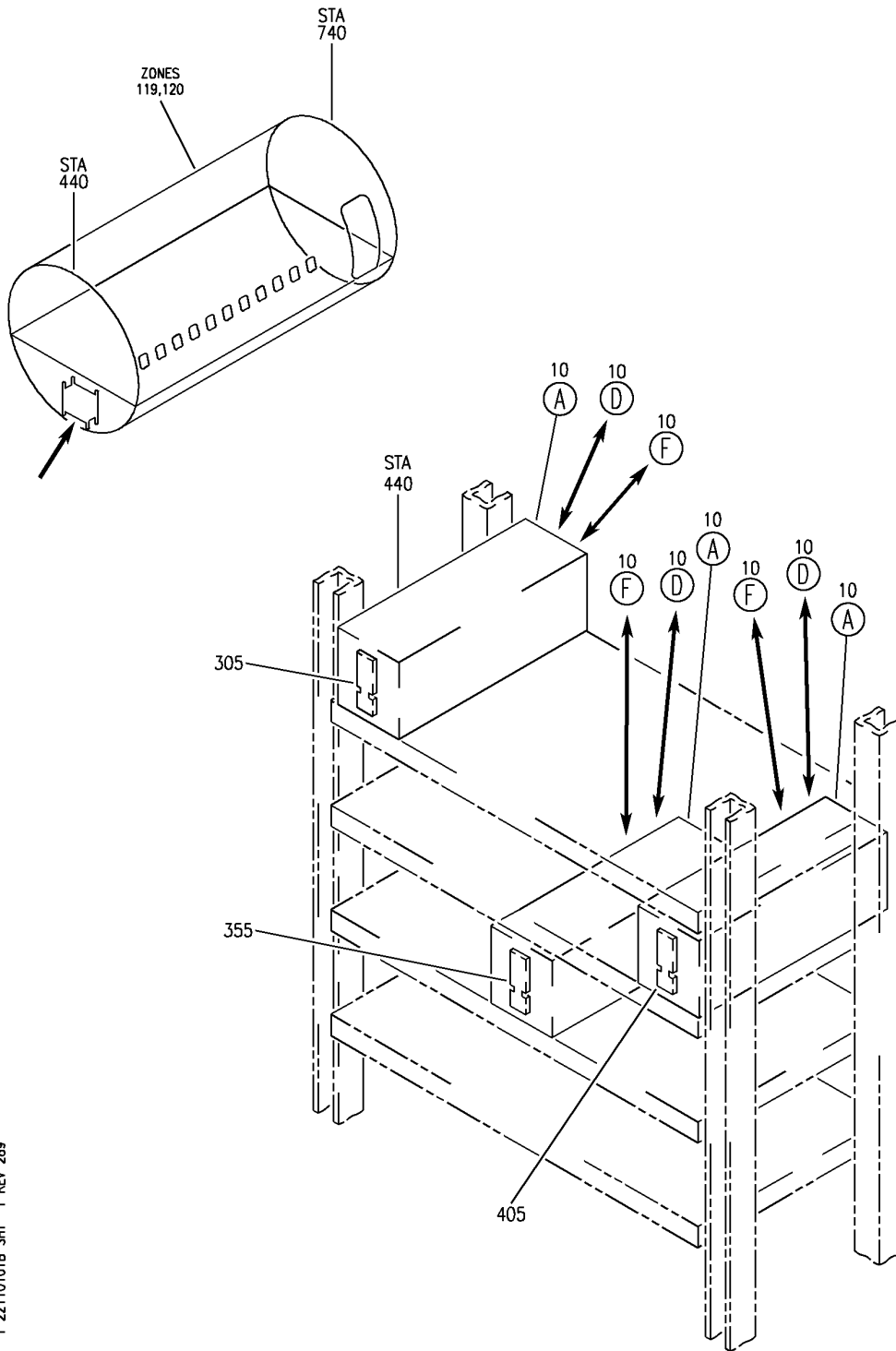
BRI

22-11-01-01

BOEING PROPRIETARY - Copyright © - Unpublished Work - See title page for details.

22-11-01
FIG. 01
PAGE 20
JAN 20/09

BOEING
757
PARTS CATALOG (MAINTENANCE)



Y 22110101B SHT 1 REV 289

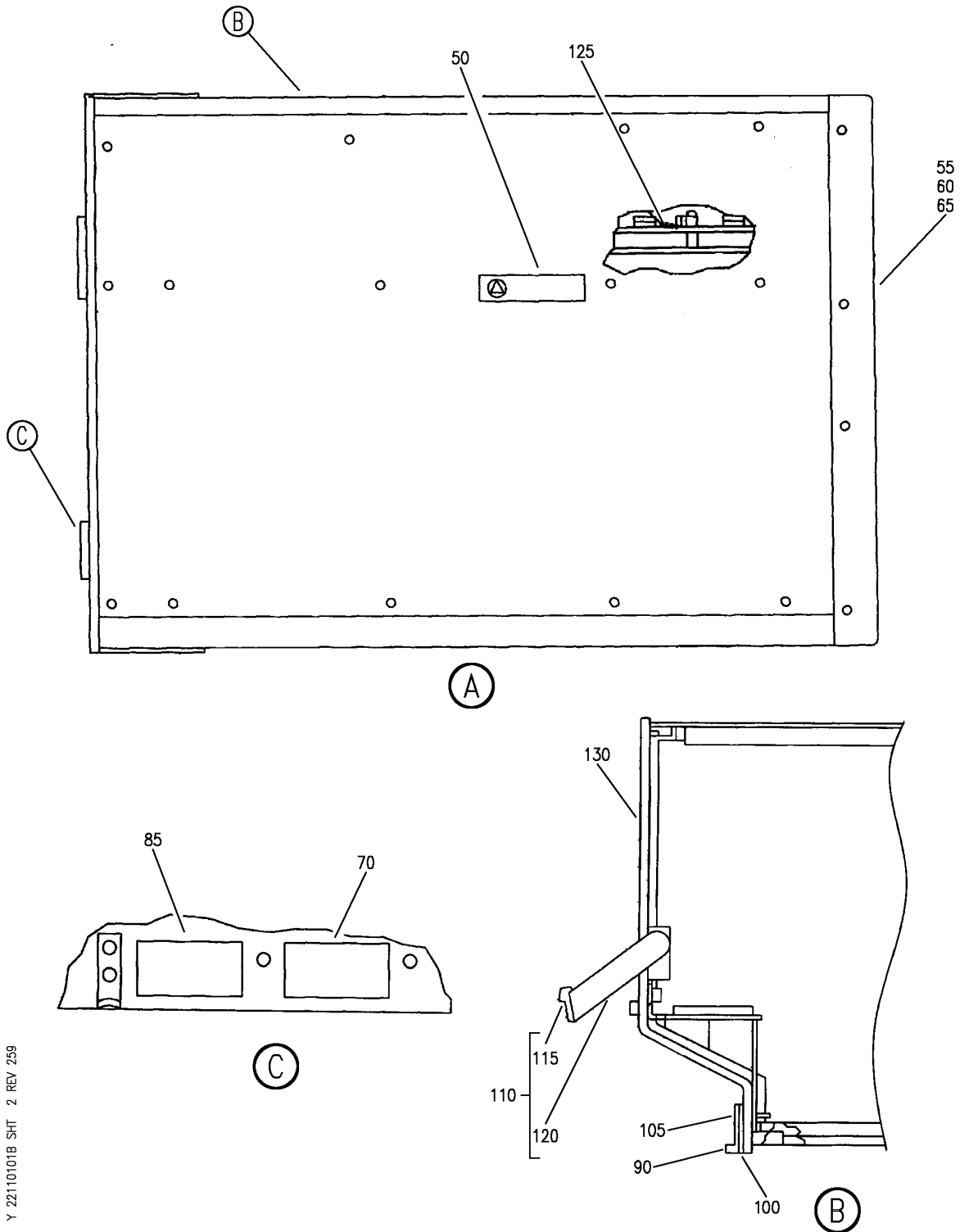
EQUIPMENT AND SOFTWARE INSTL-MAIN ELECTRONICS EQPT CTR (AUTOPILOT/ FLIGHT DIRECTOR POWER ONLY)
FIGURE 1B (SHEET 1)

BRI
MAY 28/07

22-11-01-01B

22-11-01-01B
PAGE 0

BOEING
757
PARTS CATALOG (MAINTENANCE)



Y 22110101B SHT 2 REV 259

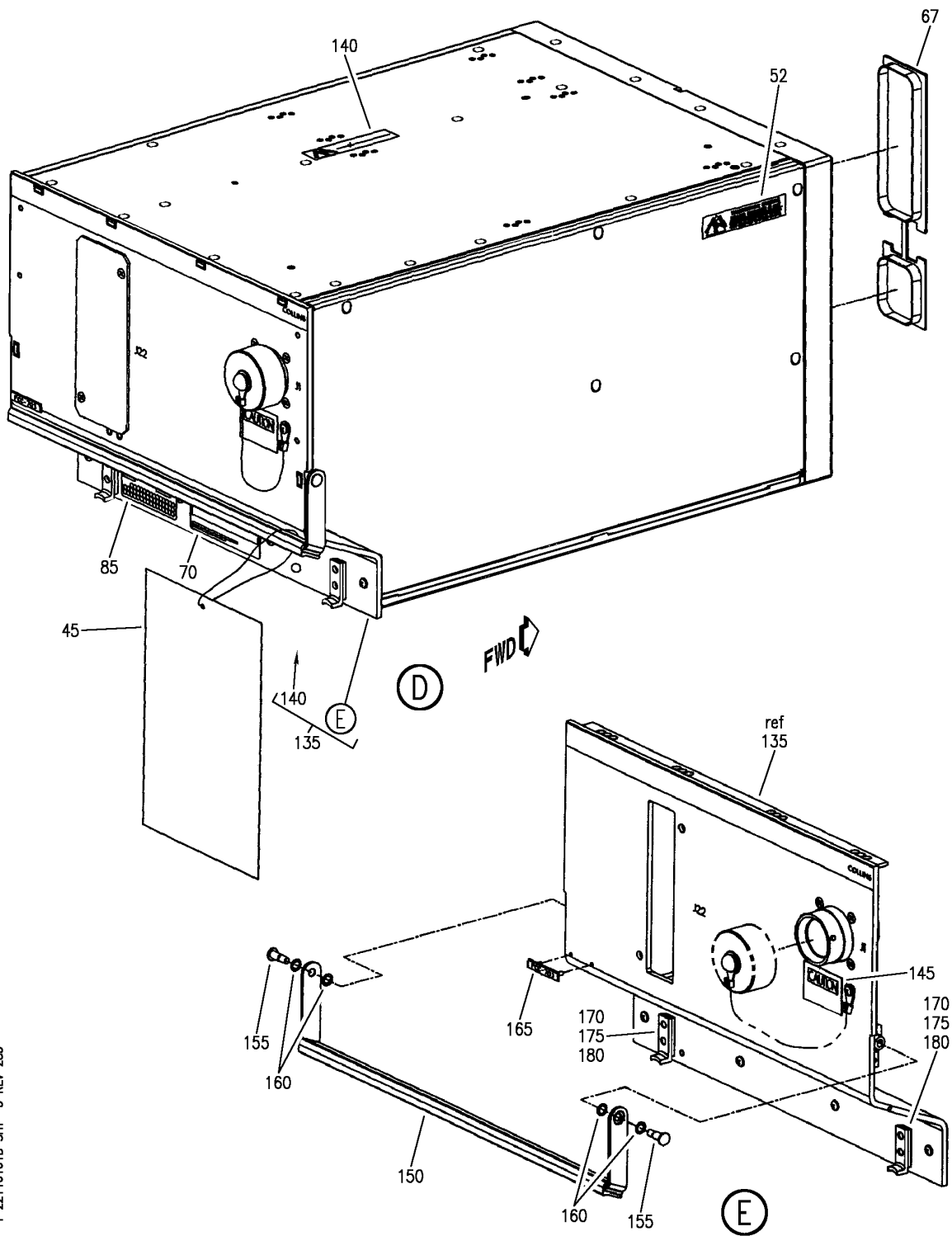
EQUIPMENT AND SOFTWARE INSTL-MAIN ELECTRONICS EQPT CTR (AUTOPILOT/ FLIGHT DIRECTOR POWER ONLY)
FIGURE 1B (SHEET 2)

BRI
MAY 28/07

22-11-01-01B

22-11-01-01B
PAGE 0A

BOEING
757
PARTS CATALOG (MAINTENANCE)



Y 22110101B SHT 3 REV 285

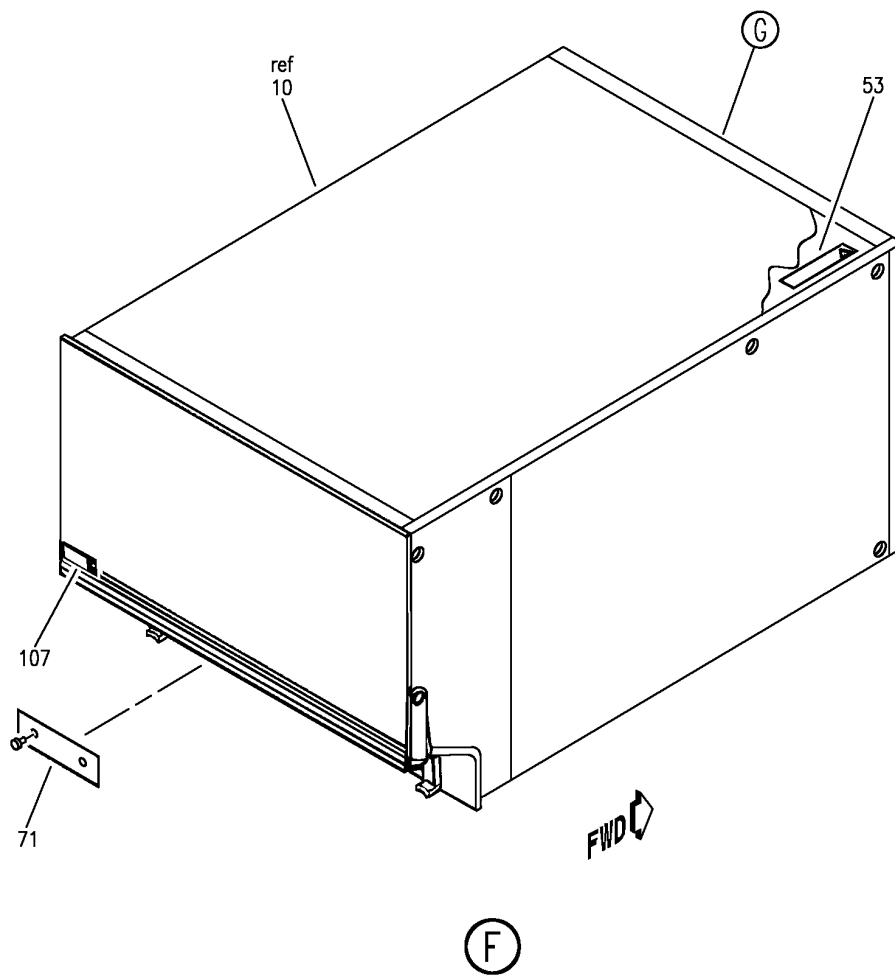
EQUIPMENT AND SOFTWARE INSTL-MAIN ELECTRONICS EQPT CTR (AUTOPILOT/ FLIGHT DIRECTOR POWER ONLY)
FIGURE 1B (SHEET 3)

BRI
MAY 28/07

22-11-01-01B

22-11-01-01B
PAGE 0B

BOEING
757
PARTS CATALOG (MAINTENANCE)



Y 22110101B SHT 4 REV 289

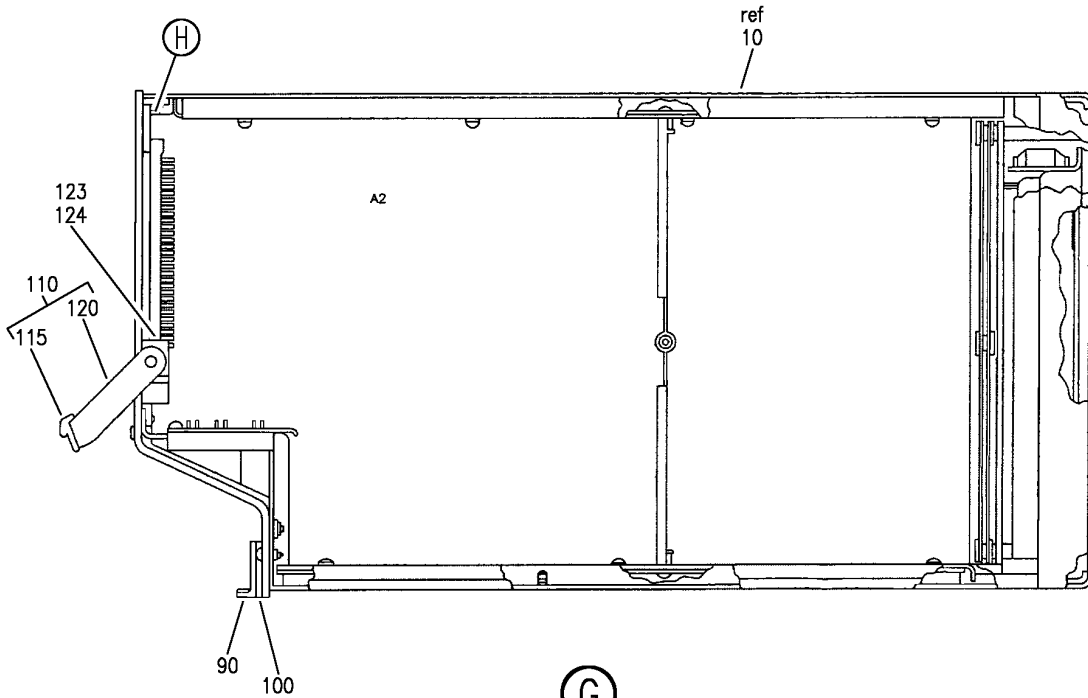
EQUIPMENT AND SOFTWARE INSTL-MAIN ELECTRONICS EQPT CTR (AUTOPILOT/ FLIGHT DIRECTOR POWER ONLY)
FIGURE 1B (SHEET 4)

BRI
MAY 28/07

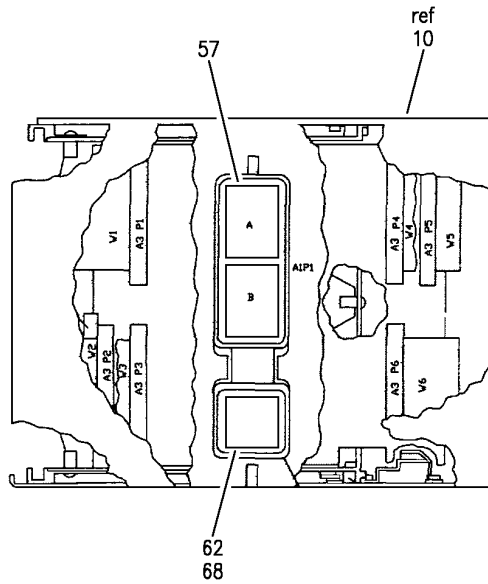
22-11-01-01B

22-11-01-01B
PAGE 0C

BOEING
757
PARTS CATALOG (MAINTENANCE)



(G)



(H)

Y 22110101B SHT 5 REV 289

EQUIPMENT AND SOFTWARE INSTL-MAIN ELECTRONICS EQPT CTR (AUTOPILOT/ FLIGHT DIRECTOR POWER ONLY)
FIGURE 1B (SHEET 5)

BRI
MAY 28/07

22-11-01-01B

22-11-01-01B
PAGE 0D



757

PARTS CATALOG (MAINTENANCE)

FIG ITEM	PART NUMBER	1 2 3 4 5 6 7	NOMENCLATURE	EFFECT FROM TO	UNITS PER ASSY
1B			EQUIPMENT AND SOFTWARE INSTL-MAIN ELECTRONICS EQPT CTR (AUTOPILOT/ FLIGHT DIRECTOR POWER ONLY)	101102	
- 2	284N1800-140		EQUIPMENT INSTL-MAIN ELECTRONICS EQPT CTR (AUTOPILOT/FLIGHT DIRECTOR POWER ONLY) FOR NHA/OTHER SYS DET SEE: 24-00-58-05E	101101	RF
- 2	284N1800-141		EQUIPMENT INSTL-MAIN ELECTRONICS EQPT CTR (AUTOPILOT/FLIGHT DIRECTOR POWER ONLY) FOR NHA/OTHER SYS DET SEE: 24-00-58-05E	102102	RF
10	822-1261-101		.COMPUTER ASSY-FLIGHT CONT SUPPLIER CODE: V4V792 FUNCTIONAL DESCRIPTION: INTEGRATES SIGNAL OR INPUT FROM VARIOUS SYSTEMS TO PROVIDE AUTOPILOT FLIGHT DIRECTOR FUNCTIONS AUTO- LAND AND ROLLOUT GUIDANCE SPECIFICATION NUMBER: S241T100-151 ELECTRICAL EQUIP NUMBER: M00139 M00140 M00141 COMPONENT MAINT MANUAL REF: 22-11-93 QUALIFIED I/W DATA: 622-8757-105 OR 622-8757-106 ARE FULLY INTERCHANGEABLE WITH 822-1261-101 EXCEPT WHEN THE INTERMIX DISABLE OPTION IS ACTIVATED (INTERLOCK PIN 5 IS WIRED) WHICH REQUIRES INSTALLATION OF 822-1261-101.	101102	3

MISSING ITEM NUMBERS NOT APPLICABLE

- ITEM NOT ILLUSTRATED

22-11-01-01B

22-11-01
FIG. 01B
PAGE 1
JAN 20/09

BRI



757

PARTS CATALOG (MAINTENANCE)

FIG ITEM	PART NUMBER	1 2 3 4 5 6 7	NOMENCLATURE	EFFECT FROM TO	UNITS PER ASSY
1B					
45	838-7009-160		..TAG-SOFTWARE IDENT SUPPLIER CODE: V4V792 USED ON: 822-1261-101	101102	1
52	280-2745-120		..LABEL-ESDS WARNING SUPPLIER CODE: V12998 USED ON: 822-1261-101	101102	1
67	211600-2		..CAP-DUST SUPPLIER CODE: V00779 USED ON: 822-1261-101	101102	1
70	829-0262-002		..PLATE-IDENT SUPPLIER CODE: V4V792 CONFIG CHG DATA FROM A CMM: SUPSD BY 829-0262-003 USED ON: 822-1261-101	101102	1
70	829-0262-003		..PLATE-IDENT SUPPLIER CODE: V4V792 CONFIG CHG DATA FROM A CMM: SUPERSEDES 829-0262-002 USED ON: 822-1261-101	101102	1
85	829-0200-001		..PLATE-IDENT SUPPLIER CODE: V4V792 USED ON: 622-8757-103 622-8757-104 622-8757-105 622-8757-106 822-1261-101	101102	1
135	830-6886-001		..CHASSIS ASSY- A1 SUPPLIER CODE: V4V792 CONFIG CHG DATA FROM A CMM: SUPSD BY 830-6886-002 USED ON: 822-1261-101	101102	1

MISSING ITEM NUMBERS NOT APPLICABLE

- ITEM NOT ILLUSTRATED

22-11-01-01B

22-11-01
FIG. 01B
PAGE 2
JAN 20/09

BRI

BOEING PROPRIETARY - Copyright © - Unpublished Work - See title page for details.



757

PARTS CATALOG (MAINTENANCE)

FIG ITEM	PART NUMBER	1 2 3 4 5 6 7	NOMENCLATURE	EFFECT FROM TO	UNITS PER ASSY
1B 135	830-6886-002		.. CHASSIS ASSY- A1 SUPPLIER CODE: V4V792 CONFIG CHG DATA FROM A CMM: SUPERSEDES 830-6886-001 USED ON: 822-1261-101	101102	1
140	280-2745-120		... LABEL-ESDS WARNING SUPPLIER CODE: V12998	101102	1
145	280-1368-010		... LABEL-PRESSURE SENSITIVE SUPPLIER CODE: V12998	101102	1
150	651-2408-008		... HANDLE ASSY- SUPPLIER CODE: V4V792 ATTACHING PARTS	101102	1
155	652-5421-001		... SCREW- SUPPLIER CODE: V4V792	101102	2
160	768-3178-001		... WASHER- SUPPLIER CODE: V4V792	101102	4
165	830-6897-001		... STRIP-IDENT SUPPLIER CODE: V4V792 -----*-----	101102	1
170	768-3436-001		... HOLD DOWN- SUPPLIER CODE: V4V792 ATTACHING PARTS	101102	2
175	MS20426AD5-7		... RIVET -----*-----	101102	4
180	641-8914-002		... SHIM- SUPPLIER CODE: V4V792	101102	2
- 300	286N1171-353		WIRE BUNDLE ASSY- REWORKED BY ALERT SB: 34A022	101101	RF
- 300	286N1171-355		WIRE BUNDLE ASSY- REWORKED BY ALERT SB: 34A022	102102	RF
- 350	286N1175-351		WIRE BUNDLE ASSY	101101	RF
- 350	286N1175-353		WIRE BUNDLE ASSY	102102	RF
- 400	286N1173-353		WIRE BUNDLE ASSY- REWORKED BY ALERT SB: 34A022	101101	RF

MISSING ITEM NUMBERS NOT APPLICABLE

- ITEM NOT ILLUSTRATED

22-11-01-01B

22-11-01
FIG. 01B
PAGE 3
JAN 20/09

BRI

BOEING PROPRIETARY - Copyright © - Unpublished Work - See title page for details.



757

PARTS CATALOG (MAINTENANCE)

FIG ITEM	PART NUMBER	1 2 3 4 5 6 7	NOMENCLATURE	EFFECT FROM TO	UNITS PER ASSY
1B - 400	286N1173-354		WIRE BUNDLE ASSY- REWORKED BY ALERT SB: 34A0222	102102	RF

MISSING ITEM NUMBERS NOT APPLICABLE

- ITEM NOT ILLUSTRATED

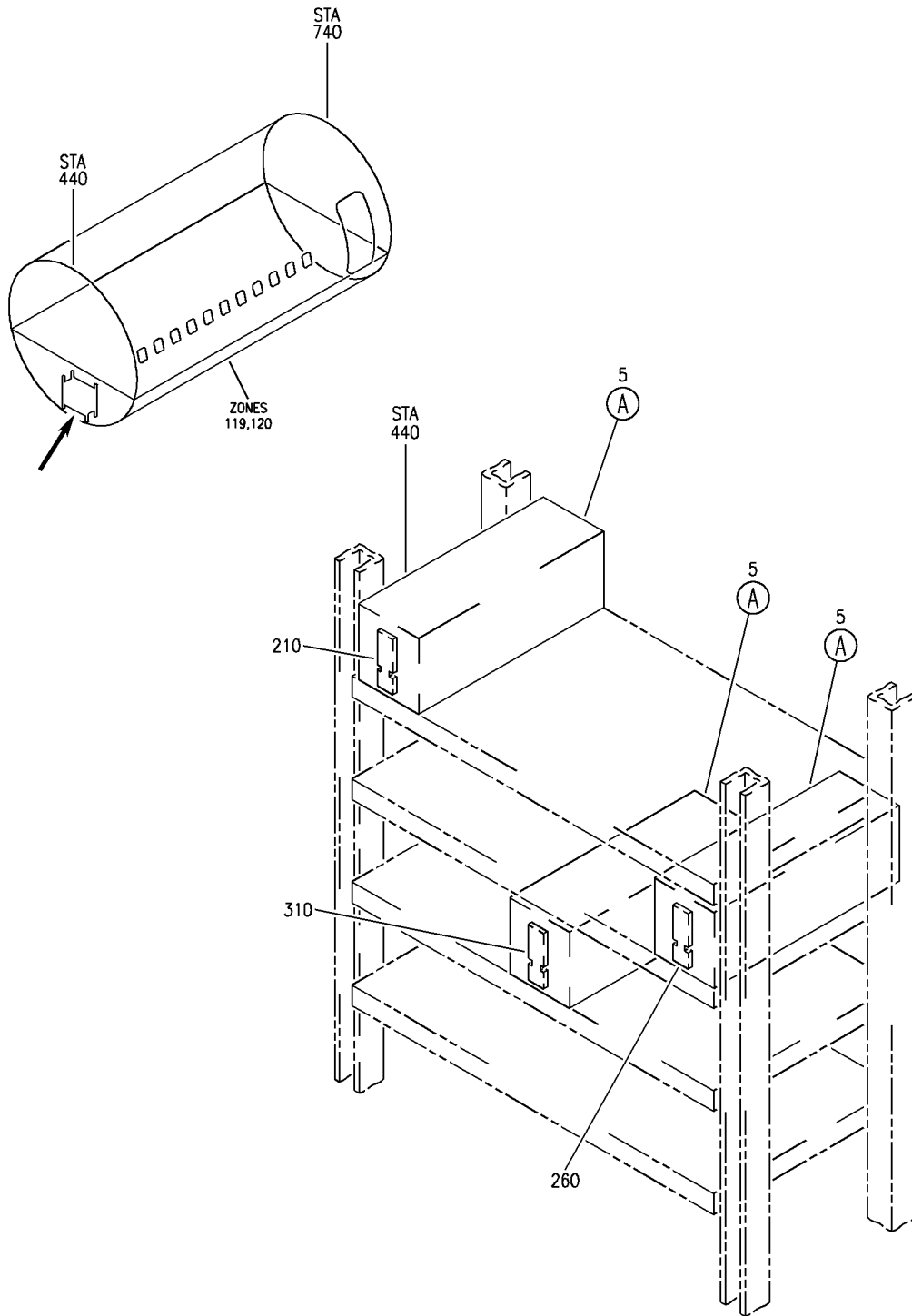
BRI

22-11-01-01B

BOEING PROPRIETARY - Copyright © - Unpublished Work - See title page for details.

22-11-01
FIG. 01B
PAGE 4
JAN 20/09

BOEING
757
PARTS CATALOG (MAINTENANCE)



Y 22110108 SHT 1 REV 285

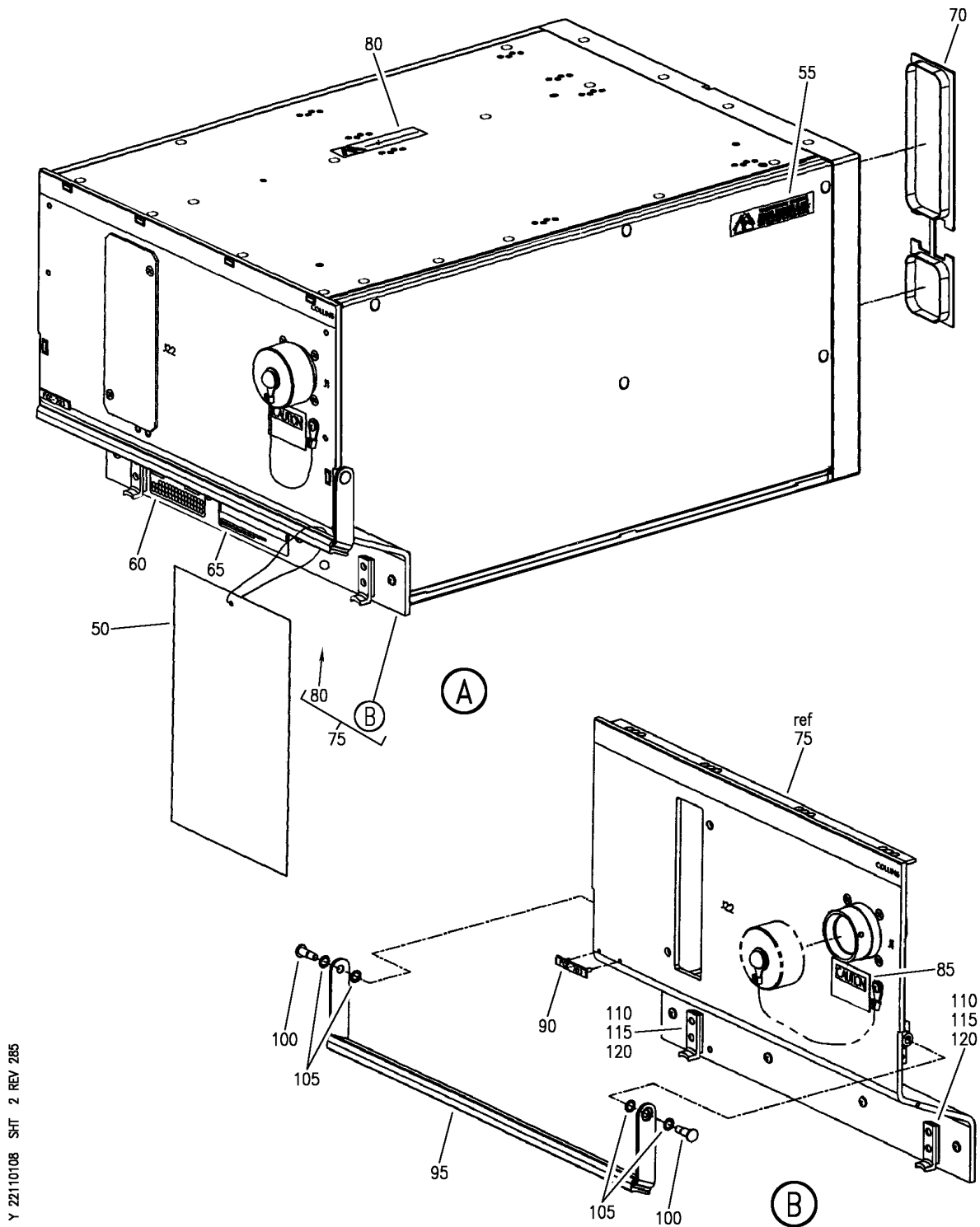
EQUIPMENT AND SOFTWARE INSTL -MAIN ELECTRONICS EQPT CTR FLIGHT CONT COMPUTER
FIGURE 8 (SHEET 1)

BRI
JAN 20/09

22-11-01-08

22-11-01-08
PAGE 0

BOEING
757
PARTS CATALOG (MAINTENANCE)



Y 22110108 SH1 2 REV 285

EQUIPMENT AND SOFTWARE INSTL -MAIN ELECTRONICS EQPT CTR FLIGHT CONT COMPUTER
FIGURE 8 (SHEET 2)

BRI
JAN 20/09

22-11-01-08

22-11-01-08
PAGE 0A



**757
PARTS CATALOG (MAINTENANCE)**

FIG ITEM	PART NUMBER	1 2 3 4 5 6 7	NOMENCLATURE	EFFECT FROM TO	UNITS PER ASSY
8			EQUIPMENT AND SOFTWARE INSTL -MAIN ELECTRONICS EQPT CTR FLIGHT CONT COMPUTER	103106 108120	
- 1	284N4000-220000		EQUIPMENT INSTL-MAIN ELECTRONICS EQPT CTR FLIGHT CONT COMPUTER FOR NHA SEE: 24-00-58-05F	108120	RF
- 1	MODREF22645		EQUIPMENT INSTL-MAIN ELECTRONICS EQPT CTR FLIGHT CONT COMPUTER MODULE NUMBER: 284N4000-220000 REV B	103106	1

MISSING ITEM NUMBERS NOT APPLICABLE

- ITEM NOT ILLUSTRATED

BRI

22-11-01-08

BOEING PROPRIETARY - Copyright © - Unpublished Work - See title page for details.

22-11-01
FIG. 08
PAGE 1
JAN 20/09



757

PARTS CATALOG (MAINTENANCE)

FIG ITEM	PART NUMBER	1 2 3 4 5 6 7	NOMENCLATURE	EFFECT FROM TO	UNITS PER ASSY
8	5 822-1261-101		.COMPUTER ASSY- SUPPLIER CODE: V4V792 FUNCTIONAL DESCRIPTION: INTEGRATES SIGNAL OR INPUT FROM VARIOUS SYSTEMS TO PROVIDE AUTOPILOT FLIGHT DIRECTOR FUNCTIONS AUTO- LAND AND ROLLOUT GUIDANCE SPECIFICATION NUMBER: S241T100-151 ELECTRICAL EQUIP NUMBER: M00139 M00140 M00141 COMPONENT MAINT MANUAL REF: 22-11-93 QUALIFIED I/W DATA: S241T100-135/ 622-8757-105 AND S241T100-151/ 822-1261-101 ARE FULLY INTERCHANGEABLE EXCEPT WHEN THE INTERMIX DISABLE OPTION OR INTERLOCK PIN 3 IS WIRED. S241T100-151/ 822-1261-101 CAN ALWAYS REPLACE S241T100-136/ 622-8757-106 EXCEPT WHEN THE INTERMIX DISABLE OPTION OR INTERLOCK PIN 3 IS WIRED. SOFTWARE DRAWING REF: 22-11-01-08	103106 108120	3
	50 838-7009-160		..TAG-SOFTWARE IDENT SUPPLIER CODE: V4V792	103106 108120	1
	55 280-2745-120		..LABEL-ESDS WARNING SUPPLIER CODE: V12998	103106 108120	1
	60 829-0200-001		..PLATE-IDENT SUPPLIER CODE: V4V792	103106 108120	1

MISSING ITEM NUMBERS NOT APPLICABLE

- ITEM NOT ILLUSTRATED

22-11-01-08

22-11-01
FIG. 08
PAGE 2
JAN 20/09

BRI



757

PARTS CATALOG (MAINTENANCE)

FIG ITEM	PART NUMBER	1 2 3 4 5 6 7	NOMENCLATURE	EFFECT FROM TO	UNITS PER ASSY
8					
65	829-0262-002	..	PLATE-IDENT SUPPLIER CODE: V4V792 CONFIG CHG DATA FROM A CMM: SUPSD BY 829-0262-003	103106 108120	1
65	829-0262-003	..	PLATE-IDENT SUPPLIER CODE: V4V792 CONFIG CHG DATA FROM A CMM: SUPERSEDES 829-0262-002	103106 108120	1
70	211600-2	..	CAP-DUST SUPPLIER CODE: V00779	103106 108120	1
75	830-6886-001	..	CHASSIS ASSY- A1 SUPPLIER CODE: V4V792 CONFIG CHG DATA FROM A CMM: SUPSD BY 830-6886-002	103106 108120	1
75	830-6886-002	..	CHASSIS ASSY- A1 SUPPLIER CODE: V4V792 CONFIG CHG DATA FROM A CMM: SUPERSEDES 830-6886-001	103106 108120	1
80	280-2745-120	...	LABEL-ESDS WARNING SUPPLIER CODE: V12998	103106 108120	1
85	280-1368-010	...	LABEL-PRESSURE SENSITIVE SUPPLIER CODE: V12998 ATTACHING PARTS	103106 108120	1
90	830-6897-001	...	STRIP-IDENT SUPPLIER CODE: V4V792 -----*-----	103106 108120	1
95	651-2408-008	...	HANDLE ASSY- SUPPLIER CODE: V4V792 ATTACHING PARTS	103106 108120	1
100	652-5421-001	...	SCREW- SUPPLIER CODE: V4V792	103106 108120	2
105	768-3178-001	...	WASHER- SUPPLIER CODE: V4V792 -----*-----	103106 108120	4

MISSING ITEM NUMBERS NOT APPLICABLE

- ITEM NOT ILLUSTRATED

22-11-01-08

22-11-01
FIG. 08
PAGE 3
JAN 20/09

BRI

BOEING PROPRIETARY - Copyright © - Unpublished Work - See title page for details.



757

PARTS CATALOG (MAINTENANCE)

FIG ITEM	PART NUMBER	1 2 3 4 5 6 7	NOMENCLATURE	EFFECT FROM TO	UNITS PER ASSY
8					
110	768-3436-001		...HOLD DOWN- SUPPLIER CODE: V4V792	103106 108120	2
115	MS20426AD5-7		ATTACHING PARTS ...RIVET	103106 108120	4
120	641-8914-002		-----*----- ...SHIM- SUPPLIER CODE: V4V792	103106 108120	2
- 203	286N1171-405		WIRE BUNDLE ASSY- REWORKED BY ALERT SB: 34A0222	108120	RF
210	BKA21C0701		.CONNECTOR- SUPPLIER CODE: V71468 SPECIFICATION NUMBER: BACC66H21C0701 OPTIONAL PART: S621C0701 V59610 NIC66H21C0701 V00779 ELECTRICAL EQUIP NUMBER: D00035 WIRING DIAGRAM REF: 221112	108120	1
- 253	286N1173-434		WIRE BUNDLE ASSY- REWORKED BY ALERT SB: 34A0222	108120	RF
260	BKA21C0701		.CONNECTOR- SUPPLIER CODE: V71468 SPECIFICATION NUMBER: BACC66H21C0701 OPTIONAL PART: S621C0701 V59610 NIC66H21C0701 V00779 ELECTRICAL EQUIP NUMBER: D00075 WIRING DIAGRAM REF: 221121	108120	1
- 302	286N1175-401		WIRE BUNDLE ASSY-	108120	RF

MISSING ITEM NUMBERS NOT APPLICABLE

- ITEM NOT ILLUSTRATED

22-11-01-08

22-11-01
FIG. 08
PAGE 4
JAN 20/09

BRI



757
PARTS CATALOG (MAINTENANCE)

FIG ITEM	PART NUMBER	1 2 3 4 5 6 7	NOMENCLATURE	EFFECT FROM TO	UNITS PER ASSY
8 310	BKA21C0701		.CONNECTOR- SUPPLIER CODE: V71468 SPECIFICATION NUMBER: BACC66H21C0701 OPTIONAL PART: S621C0701 V59610 NIC66H21C0701 V00779 ELECTRICAL EQUIP NUMBER: D00055 WIRING DIAGRAM REF: 221131	108120	1

MISSING ITEM NUMBERS NOT APPLICABLE

- ITEM NOT ILLUSTRATED

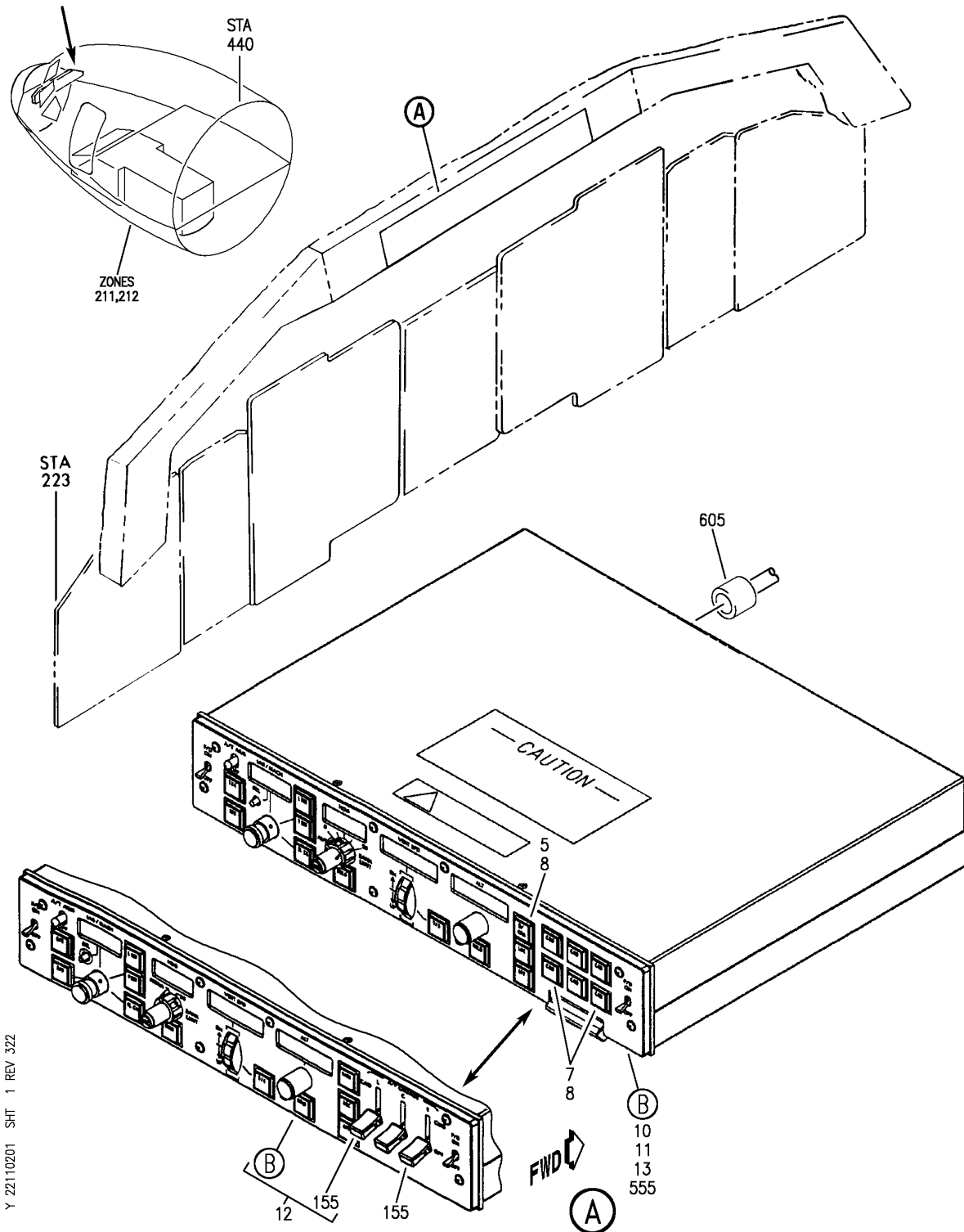
BRI

22-11-01-08

BOEING PROPRIETARY - Copyright © - Unpublished Work - See title page for details.

22-11-01
FIG. 08
PAGE 5
JAN 20/09

BOEING
757
PARTS CATALOG (MAINTENANCE)



Y 22110201 SH1 1 REV 322

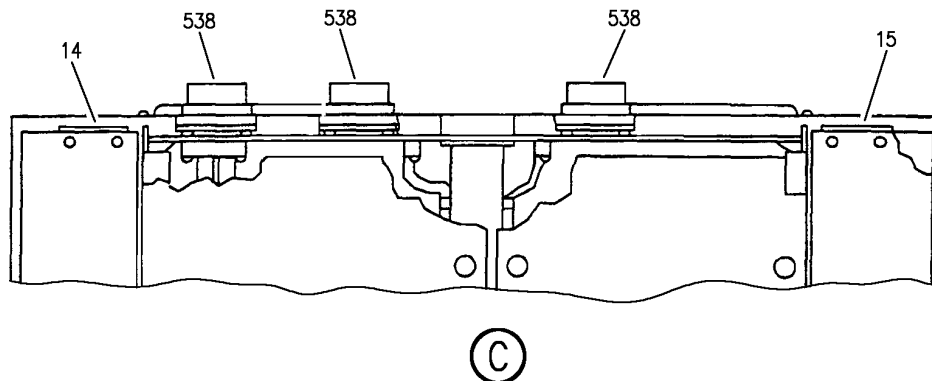
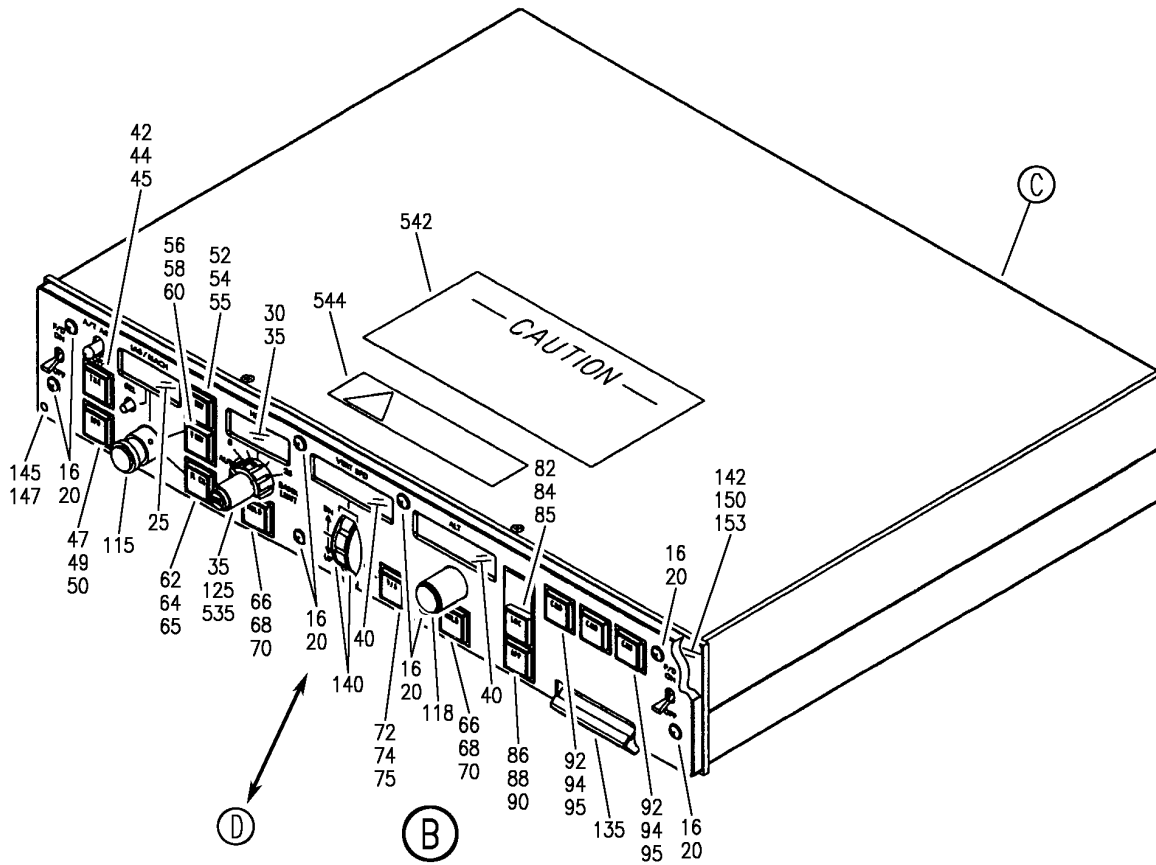
PANEL INSTL-CAPT AND FIRST OFFICER FWD (AUTOPILOT FLIGHT DIRECTOR POWER ONLY)
FIGURE 1 (SHEET 1)

22-11-02-01

BRI
MAY 20/08

22-11-02-01
PAGE 0

BOEING
757
PARTS CATALOG (MAINTENANCE)



Y 22110201 SHT 2 REV 287

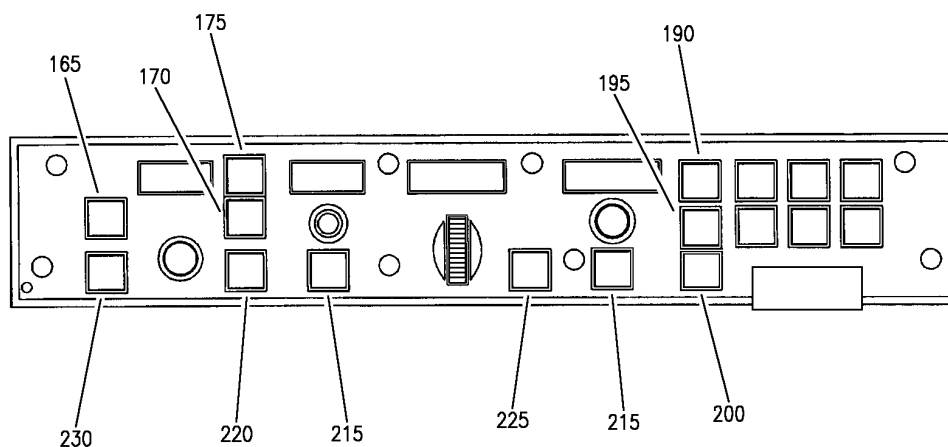
PANEL INSTL-CAPT AND FIRST OFFICER FWD (AUTOPILOT FLIGHT DIRECTOR POWER ONLY)
FIGURE 1 (SHEET 2)

22-11-02-01

BRI
MAY 28/07

22-11-02-01
PAGE 0A

BOEING
757
PARTS CATALOG (MAINTENANCE)



(D)

Y 22110201 SH1 3 REV 275

PANEL INSTL-CAPT AND FIRST OFFICER FWD (AUTOPILOT FLIGHT DIRECTOR POWER ONLY)
FIGURE 1 (SHEET 3)

BRI
MAY 28/07

22-11-02-01

22-11-02-01
PAGE 0B



757

PARTS CATALOG (MAINTENANCE)

FIG ITEM	PART NUMBER	1 2 3 4 5 6 7	NOMENCLATURE	EFFECT FROM TO	UNITS PER ASSY
1			PANEL INSTL-CAPT AND FIRST OFFICER FWD (AUTOPILOT FLIGHT DIRECTOR POWER ONLY)	002004 006100 107107 121503 904999	RF
- 1	233N2101-1		PANEL INSTL-CAPT AND FIRST OFFICER (AUTOPILOT FLIGHT DIRECTOR POWER ONLY) POSITION DATA: FWD VARIABLE DRAWING REF: 233N2101-5003 233N2101-5004 233N2101-5037 233N2101-5039 233N2101-5041 FOR NHA/OTHER SYS DET SEE: 25-10-00-05A	002004 006100 107107 121503 904999	RF
7	646-5068-001		.GUARD-SWITCH SUPPLIER CODE: V4V792 SPECIFICATION NUMBER: S241T100-404 COMPONENT MAINT MANUAL REF: 22-11-71	002004 006100 950999	3
10	622-4717-003		.PANEL ASSY-MODE CONT MCP-701 SUPPLIER CODE: V4V792 SPECIFICATION NUMBER: S241T100-202 S241T100-201 ELECTRICAL EQUIP NUMBER: M00090 COMPONENT MAINT MANUAL REF: 22-11-71 PRE SERVICE BULLETIN: 34-0399 34-0399R1 PRE ALERT SB: 22A0049 PRE SERVICE BULLETIN: MCP-701-22-22 V4V792 FOR DETAILS SEE: 22-11-02-01A	002004 006100 107107 950999	1

MISSING ITEM NUMBERS NOT APPLICABLE

- ITEM NOT ILLUSTRATED

BRI

22-11-02-01

22-11-02
FIG. 01
PAGE 1
JAN 20/09



757

PARTS CATALOG (MAINTENANCE)

FIG ITEM	PART NUMBER	1 2 3 4 5 6 7	NOMENCLATURE	EFFECT FROM TO	UNITS PER ASSY
1 10	622-4717-004		.PANEL ASSY-MODE CONT MCP-701 SUPPLIER CODE: V4V792 FUNCTIONAL DESCRIPTION: PROVIDES PRIMARY INTERFACE BETWEEN THE FLIGHT CREW AND THE AUTOPILOT/FLIGHT DIRECTOR AND THRUST MANAGEMENT SYSTEMS SPECIFICATION NUMBER: S241T100-211 ELECTRICAL EQUIP NUMBER: M00090 COMPONENT MAINT MANUAL REF: 22-11-71 QUALIFIED I/W DATA: S241T100-211/ 622-4717-004 MCP IS TWO WAY INTERCHANGEABLE WITH S241T100-231/ 822-1492-101 MCP IF BCRS AND CWS MODE HAVE BEEN DE-ACTIVATED ON THE AIRPLANE S241T100-211/ 622-4717-004 MCP IS TWO WAY INTERCHANGEABLE WITH S241T100-232/ 822-1492-102 MCP IF CWS HAS BEEN DE-ACTIVATED ON THE AIRPLANE PRE SERVICE BULLETIN: 34-0399 34-0399R1 POST ALERT SB: 22A0049 POST SERVICE BULLETIN: MCP-701-22-22 V4V792 FOR DETAILS SEE: 22-11-02-01A	002004 006100 107107 950999	1

MISSING ITEM NUMBERS NOT APPLICABLE

- ITEM NOT ILLUSTRATED

BRI

22-11-02-01

22-11-02
FIG. 01
PAGE 2
JAN 20/09



757

PARTS CATALOG (MAINTENANCE)

FIG ITEM	PART NUMBER	1 2 3 4 5 6 7	NOMENCLATURE	EFFECT FROM TO	UNITS PER ASSY
1 11	822-1492-102		.PANEL ASSY-MODE CONT MCP-705 SUPPLIER CODE: V4V792 SPECIFICATION NUMBER: S241T100-232 ELECTRICAL EQUIP NUMBER: M00090 COMPONENT MAINT MANUAL REF: 22-12-78 QUALIFIED I/W DATA: 822-1492-101 AND 822-1492-102 ARE TWO-WAY REPLACEABLE WHEN BACK COURSE (BCRS) MODE PUSHBUTTON IS REPLACED BY A SWITCH GUARD. POST SERVICE BULLETIN: 34-0399R1 FOR DETAILS SEE: 22-11-02-01A	009009	1
12	622-5391-002		.PANEL ASSY-MODE CONT MCP-702 SUPPLIER CODE: V4V792 SPECIFICATION NUMBER: S241T100-251 ELECTRICAL EQUIP NUMBER: M00090 COMPONENT MAINT MANUAL REF: 22-11-71 PRE ALERT SB: 22A0049 PRE SERVICE BULLETIN: MCP-702-22-22R1 V4V792	121503 904949	1

MISSING ITEM NUMBERS NOT APPLICABLE

- ITEM NOT ILLUSTRATED

BRI

22-11-02-01

22-11-02
FIG. 01
PAGE 3
JAN 20/09



757

PARTS CATALOG (MAINTENANCE)

FIG ITEM	PART NUMBER	1 2 3 4 5 6 7	NOMENCLATURE	EFFECT FROM TO	UNITS PER ASSY
1					
12	622-5391-003		.PANEL ASSY-MODE CONT MCP-702 SUPPLIER CODE: V4V792 SPECIFICATION NUMBER: S241T100-252 ELECTRICAL EQUIP NUMBER: M00090 COMPONENT MAINT MANUAL REF: 22-11-71 POST ALERT SB: 22A0049 POST SERVICE BULLETIN: MCP-702-22-22 V4V792	121503 904949	1
14	609-3929-001		..PLATE-MOD SUPPLIER CODE: V4V792 CONFIG CHG DATA FROM A CMM: SUPSD BY 609-3929-003 USED ON: 622-5391-002	121503 904949	1
14	609-3929-003		..PLATE-MOD SUPPLIER CODE: V4V792 CONFIG CHG DATA FROM A CMM: SUPERSEDES 609-3929-001 USED ON: 622-5391-002	121503 904949	1
15	646-0151-003		..PLATE-IDENT SUPPLIER CODE: V4V792	121503 904949	1
16	G45BROWNFLANGE		..FASTENER-FLANGE SUPPLIER CODE: V06097	121503 904949	8
- 17	G45-14		..SCREW-CAPTIVE BRN SUPPLIER CODE: V06097 MISCELLANEOUS DATA: ROCKWELL COLLINS 012-0501-010	121503 904949	8
20	G45-2		..COLLAR-FASTENER SUPPLIER CODE: V06097	121503 904949	8
25	192-0502-020		..WINDOW-GLASS SUPPLIER CODE: V66083	121503 904949	1

MISSING ITEM NUMBERS NOT APPLICABLE

- ITEM NOT ILLUSTRATED

BRI

22-11-02-01

22-11-02
FIG. 01
PAGE 4
JAN 20/09



757

PARTS CATALOG (MAINTENANCE)

FIG ITEM	PART NUMBER	1 2 3 4 5 6 7	NOMENCLATURE	EFFECT FROM TO	UNITS PER ASSY
1					
30	192-0502-010	..	WINDOW-GLASS SUPPLIER CODE: V66083	121503 904949	1
35	754-8208-001	..	WASHER- SUPPLIER CODE: V4V792	121503 904949	2
40	192-0502-030	..	WINDOW-GLASS SUPPLIER CODE: V66083	121503 904949	2
- 110	LP57XE26K2	..	SETSCREW-SELF-LOCKING SUPPLIER CODE: V03038 CONFIG CHG DATA FROM A CMM: SUPSD BY M81CR256-2E MISCELLANEOUS DATA: ROCKWELL COLLINS SPEC # 325-0275-010	121503 904949	4
- 110	M81CR256-2E	..	SETSCREW- CONFIG CHG DATA FROM A CMM: SUPERSEDES LP57XE26K2 MISCELLANEOUS DATA: ROCKWEL COLLINS 335-0210-000	121503 904949	4
- 111	MS51957-14B	..	SCREW	121503 904949	2
- 112	553-5022-003	..	WASHER- SUPPLIER CODE: V4V792	121503 904949	2
115	647-5919-001	..	KNOB- SUPPLIER CODE: V4V792 CONFIG CHG DATA FROM A CMM: SUPSD BY 676-0098-001 USED ON: 622-5391-002	121503 904949	1
115	676-0098-001	..	KNOB- SUPPLIER CODE: V4V792 CONFIG CHG DATA FROM A CMM: SUPERSEDES 647-5919-001 USED ON: 622-5391-002	121503 904949	1

MISSING ITEM NUMBERS NOT APPLICABLE

- ITEM NOT ILLUSTRATED

BRI

22-11-02-01

22-11-02
FIG. 01
PAGE 5
JAN 20/09



757

PARTS CATALOG (MAINTENANCE)

FIG ITEM	PART NUMBER	1 2 3 4 5 6 7	NOMENCLATURE	EFFECT FROM TO	UNITS PER ASSY
1					
115	676-0098-001	..	KNOB- SUPPLIER CODE: V4V792 USED ON: 622-8780-101 622-8780-102 622-8780-103 622-5391-003	121503 904949	1
118	647-5919-001	..	KNOB- SUPPLIER CODE: V4V792	121503 904949	1
- 120	LP57XE26K2	..	SETSCREW-SELF-LOCKING SUPPLIER CODE: V03038 CONFIG CHG DATA FROM A CMM: SUPSD BY M81CR256-2E MISCELLANEOUS DATA: ROCKWELL COLLINS 335-0275-010	121503 904949	2
- 120	M81CR256-2E	..	SETSCREW- CONFIG CHG DATA FROM A CMM: SUPERSEDES LP57XE26K2 MISCELLANEOUS DATA: ROCKWELL COLLINS SCD 335-0210-000	121503 904949	2
125	647-5899-001	..	KNOB-BANK ANGLE SUPPLIER CODE: V4V792	121503 904949	1
140	641-9809-001	..	GUARD-THUMBWHEEL SUPPLIER CODE: V4V792 CONFIG CHG DATA FROM A CMM: SUPSD BY 830-3815-001	121503 904949	2
140	830-3815-001	..	GUARD-THUMBWHEEL SUPPLIER CODE: V4V792 CONFIG CHG DATA FROM A CMM: SUPERSEDES 641-9809-001	121503 904949	2
142	754-8205-001	..	BOARD-CKT SUPPLIER CODE: V4V792 ATTACHING PARTS	121503 904949	1
- 143	342-0141-001	..	SCREW- SUPPLIER CODE: V77250 -----*-----	121503 904949	17
147	G30-5	..	INSERT-SCREW THREAD SUPPLIER CODE: V06097	121503 904949	17

MISSING ITEM NUMBERS NOT APPLICABLE

- ITEM NOT ILLUSTRATED

22-11-02-01

22-11-02
FIG. 01
PAGE 6
JAN 20/09

BRI



757

PARTS CATALOG (MAINTENANCE)

FIG ITEM	PART NUMBER	1 2 3 4 5 6 7	NOMENCLATURE	EFFECT FROM TO	UNITS PER ASSY
1 153	BCREF106221		.. LAMP- OVERLENGTH PART NUMBER: MS90451-6832AS15 MISCELLANEOUS DATA: ROCKWELL COLLINS SCD 262-1337-020	121503 904949	30
155	647-9062-003		.. KNOB-ENGAGE LEVER SUPPLIER CODE: V4V792 USED ON: 622-8780-102 ATTACHING PARTS	121503 904949	3
- 160	LP57XE40K2		.. SETSCREW-SELF-LOCKING SUPPLIER CODE: V03038 MISCELLANEOUS DATA: ROCKWELL COLLINS 335-0275-070 -----*-----	121503 904949	6
165	851-35277-513		.. SWITCH ASSY-PUSHBUTTON MATCHED SWITCH AND LENS EPR S1 SUPPLIER CODE: V96182 SB DATA FROM A CMM: POST MCP-702-22-22 CONFIG CHG DATA FROM A CMM: SUPSD BY 266-7569-160 MISCELLANEOUS DATA: ROCKWELL COLLINS SCD 266-7034-290 OPTIONAL PART: 266-7569-160 V08719 851-37839-513 V96182 851-35277-512 V96182 266-7569-180 V08719 851-37839-512 V96182 851-37839-501 V96182 851-37839-526 V96182 USED ON: 622-5391-002	121503 904949	1

MISSING ITEM NUMBERS NOT APPLICABLE

- ITEM NOT ILLUSTRATED

BRI

22-11-02-01

22-11-02
FIG. 01
PAGE 7
JAN 20/09



757

PARTS CATALOG (MAINTENANCE)

FIG ITEM	PART NUMBER	1 2 3 4 5 6 7	NOMENCLATURE	EFFECT FROM TO	UNITS PER ASSY
1 165	266-7569-160		.. SWITCH ASSY-PUSHBUTTON EPR S1 SUPPLIER CODE: V08719 CONFIG CHG DATA FROM A CMM: SUPERSEDES 851-35277-513 SUPSD BY 851-37839-513 MISCELLANEOUS DATA: ROCKWELL COLLINS SCD 266-7034-290 OPTIONAL PART: 266-7569-180 V08719 851-37839-512 V96182 851-37839-501 V96182 851-37839-526 V96182 851-37839-513 V96182 851-35277-513 V96182 851-35277-512 V96182	121503 904949	1
165	851-37839-513		.. SWITCH ASSY-PUSHBUTTON EPR S1 SUPPLIER CODE: V96182 CONFIG CHG DATA FROM A CMM: SUPERSEDES 266-7569-160 MISCELLANEOUS DATA: ROCKWELL COLLINS SCD 837-0034-290 OPTIONAL PART: 266-7569-160 V08719 266-7569-180 V08719 851-37839-512 V96182 851-37839-501 V96182 851-37839-526 V96182 851-35277-513 V96182 851-35277-512 V96182	121503 904949	1

MISSING ITEM NUMBERS NOT APPLICABLE

- ITEM NOT ILLUSTRATED

BRI

22-11-02-01

BOEING PROPRIETARY - Copyright © - Unpublished Work - See title page for details.

22-11-02
FIG. 01
PAGE 8
JAN 20/09



757

PARTS CATALOG (MAINTENANCE)

FIG ITEM	PART NUMBER	1 2 3 4 5 6 7 NOMENCLATURE	EFFECT FROM TO	UNITS PER ASSY
1 165	851-35277-512	.. SWITCH ASSY-PUSHBUTTON EPR S1 CUSTOMER INSTALLED OPTION SUPPLIER CODE: V96182 SB DATA FROM A CMM: POST MCP-702-22-22 CONFIG CHG DATA FROM A CMM: SUPSD BY 266-7569-180 MISCELLANEOUS DATA: ROCKWELL COLLINS SCD 266-7034-180 OPTIONAL PART: 851-35277-513 V96182 266-7569-180 V08719 851-37839-512 V96182 851-37839-501 V96182 851-37839-526 V96182 266-7569-160 V08719 851-37839-513 V96182 USED ON: 622-5391-002	121503 904949	1

MISSING ITEM NUMBERS NOT APPLICABLE

- ITEM NOT ILLUSTRATED

BRI

22-11-02-01

BOEING PROPRIETARY - Copyright © - Unpublished Work - See title page for details.

22-11-02
FIG. 01
PAGE 9
JAN 20/09



757

PARTS CATALOG (MAINTENANCE)

FIG ITEM	PART NUMBER	1 2 3 4 5 6 7	NOMENCLATURE	EFFECT FROM TO	UNITS PER ASSY
1 165	266-7569-180		.. SWITCH ASSY-PUSHBUTTON N1 S1 SUPPLIER CODE: V08719 CONFIG CHG DATA FROM A CMM: SUPERSEDES 851-35277-512 SUPSD BY 851-37839-512 OPTIONAL PART: 266-7569-160 V08719 851-37839-513 V96182 851-37839-512 V96182 851-37839-501 V96182 851-37839-526 V96182 851-35277-513 V96182 851-35277-512 V96182	121503 904949	1
165	851-37839-512		.. SWITCH ASSY-PUSHBUTTON EPR S1 CUSTOMER INSTALLED OPTION SUPPLIER CODE: V96182 CONFIG CHG DATA FROM A CMM: SUPERSEDES 266-7569-180 MISCELLANEOUS DATA: ROCKWELL COLLINS SCD 837-0034-180 OPTIONAL PART: 266-7569-160 V08719 266-7569-180 V08719 851-37839-513 V96182 851-37839-501 V96182 851-37839-526 V96182 851-35277-513 V96182 851-35277-512 V96182	121503 904949	1

MISSING ITEM NUMBERS NOT APPLICABLE

- ITEM NOT ILLUSTRATED

BRI

22-11-02-01

BOEING PROPRIETARY - Copyright © - Unpublished Work - See title page for details.

22-11-02
FIG. 01
PAGE 10
JAN 20/09



757

PARTS CATALOG (MAINTENANCE)

FIG ITEM	PART NUMBER	1 2 3 4 5 6 7	NOMENCLATURE	EFFECT FROM TO	UNITS PER ASSY
1 165	851-37839-501		.. SWITCH ASSY-PUSHBUTTON THR S1 CUSTOMER INSTALLED OPTION SUPPLIER CODE: V96182 MISCELLANEOUS DATA: ROCKWELL COLLINS SCD 837-0034-070 OPTIONAL PART: 266-7569-160 V08719 266-7569-180 V08719 851-37839-513 V96182 851-37839-512 V96182 851-37839-526 V96182 851-35277-513 V96182 851-35277-512 V96182	121503 904949	1
165	851-37839-526		.. SWITCH ASSY-PUSHBUTTON N1/EPR S1 CUSTOMER INSTALLED OPTION SUPPLIER CODE: V96182 MISCELLANEOUS DATA: ROCKWELL COLLINS SCD 837-0034-420 OPTIONAL PART: 266-7569-160 V08719 266-7569-180 V08719 851-37839-513 V96182 851-37839-512 V96182 851-37839-501 V96182 851-35277-513 V96182 851-35277-512 V96182	121503 904949	1

MISSING ITEM NUMBERS NOT APPLICABLE

- ITEM NOT ILLUSTRATED

22-11-02-01

22-11-02
FIG. 01
PAGE 11
JAN 20/09

BRI



757

PARTS CATALOG (MAINTENANCE)

FIG ITEM	PART NUMBER	1 2 3 4 5 6 7	NOMENCLATURE	EFFECT FROM TO	UNITS PER ASSY
1 170	851-35277-504	..	SWITCH ASSY-PUSHBUTTON V NAV S4 MATCHED SWITCH AND LENS SUPPLIER CODE: V96182 SB DATA FROM A CMM: POST MCP-702-22-22 CONFIG CHG DATA FROM A CMM: SUPSD BY 266-7569-080 MISCELLANEOUS DATA: ROCKWELL COLLINS SCD 266-7034-100 OPTIONAL PART: 266-7569-080 V08719 851-37839-504 V96182 USED ON: 622-5391-002	121503 904949	1
170	266-7569-080	..	SWITCH ASSY-PUSHBUTTON V NAV S4 SUPPLIER CODE: V08719 CONFIG CHG DATA FROM A CMM: SUPSD BY 851-37839-504 SUPERSEDES 851-35277-504 OPTIONAL PART: 851-37839-504 V96182 851-35277-504 V96182	121503 904949	1
170	851-37839-504	..	SWITCH ASSY-PUSHBUTTON V NAV S4 SUPPLIER CODE: V96182 CONFIG CHG DATA FROM A CMM: SUPERSEDES 266-7569-080 MISCELLANEOUS DATA: ROCKWELL COLLINS SCD 837-0034-100 OPTIONAL PART: 266-7569-080 V08719 851-35277-504 V96182	121503 904949	1

MISSING ITEM NUMBERS NOT APPLICABLE

- ITEM NOT ILLUSTRATED

BRI

22-11-02-01

BOEING PROPRIETARY - Copyright © - Unpublished Work - See title page for details.

22-11-02
FIG. 01
PAGE 12
JAN 20/09



757

PARTS CATALOG (MAINTENANCE)

FIG ITEM	PART NUMBER	1 2 3 4 5 6 7	NOMENCLATURE	EFFECT FROM TO	UNITS PER ASSY
1 175	851-35277-503		.. SWITCH ASSY-PUSHBUTTON L NAV S3 MATCHED SWITCH AND LENS SUPPLIER CODE: V96182 SB DATA FROM A CMM: POST MCP-702-22-22 CONFIG CHG DATA FROM A CMM: SUPSD BY 266-7569-070 MISCELLANEOUS DATA: ROCKWELL COLLINS SCD 266-7034-090 OPTIONAL PART: 851-37839-503 V96182 266-7569-070 V08719 USED ON: 622-5391-002	121503 904949	1
175	266-7569-070		.. SWITCH ASSY-PUSHBUTTON L NAV S3 SUPPLIER CODE: V08719 CONFIG CHG DATA FROM A CMM: SUPERSEDES 851-35277-503 SUPSD BY 851-37839-503 OPTIONAL PART: 851-37839-503 V96182 851-35277-502 V96182	121503 904949	1
175	851-37839-503		.. SWITCH ASSY-PUSHBUTTON L NAV S3 SUPPLIER CODE: V96182 CONFIG CHG DATA FROM A CMM: SUPERSEDES 266-7569-070 MISCELLANEOUS DATA: ROCKWELL COLLINS SPD 837-0034-090 OPTIONAL PART: 266-7569-070 V08719 851-35277-503 V96182	121503 904949	1

MISSING ITEM NUMBERS NOT APPLICABLE

- ITEM NOT ILLUSTRATED

22-11-02-01

22-11-02
FIG. 01
PAGE 13
JAN 20/09

BRI



757

PARTS CATALOG (MAINTENANCE)

FIG ITEM	PART NUMBER	1 2 3 4 5 6 7	NOMENCLATURE	EFFECT FROM TO	UNITS PER ASSY
1 190	851-35277-514		.. SWITCH ASSY-PUSHBUTTON B/CRS S9 MATCHED SWITCH AND LENS SUPPLIER CODE: V96182 SB DATA FROM A CMM: POST MCP-702-22-22 CONFIG CHG DATA FROM A CMM: SUPSD BY 266-2569-190 MISCELLANEOUS DATA: ROCKWELL COLLINS SCD 266-7034-300 OPTIONAL PART: 266-7569-190 V08719 851-37839-514 V96182 851-35277-515 V96182 266-7569-150 V08719 851-37839-515 V96182 USED ON: 622-5391-002	121503 904949	1
190	266-7569-190		.. SWITCH ASSY-PUSHBUTTON BARO S9 SUPPLIER CODE: V08719 CONFIG CHG DATA FROM A CMM: SUPERSEDES 851-35277-514 SUPSD BY 851-37839-514 OPTIONAL PART: 851-37839-514 V96182 266-7569-150 V08719 851-37839-515 V96182 851-35277-514 V96182 851-35277-515 V96182	121503 904949	1

MISSING ITEM NUMBERS NOT APPLICABLE

- ITEM NOT ILLUSTRATED

BRI

22-11-02-01

BOEING PROPRIETARY - Copyright © - Unpublished Work - See title page for details.

22-11-02
FIG. 01
PAGE 14
JAN 20/09



757

PARTS CATALOG (MAINTENANCE)

FIG ITEM	PART NUMBER	1 2 3 4 5 6 7	NOMENCLATURE	EFFECT FROM TO	UNITS PER ASSY
1 190	851-37839-514		.. SWITCH ASSY-PUSHBUTTON B/CRS S9 SUPPLIER CODE: V96182 CONFIG CHG DATA FROM A CMM: SUPERSEDES 266-7569-190 MISCELLANEOUS DATA: ROCKWELL COLLINS SCD 837-0034-300 OPTIONAL PART: 266-7569-190 V08719 266-7569-150 V08719 851-37839-515 V96182 851-35277-514 V96182 851-35277-515 V96182	121503 904949	1
190	851-37839-515		.. SWITCH ASSY-PUSHBUTTON B/CRS S9 SUPPLIER CODE: V96182 CONFIG CHG DATA FROM A CMM: SUPERSEDES 266-7569-150 MISCELLANEOUS DATA: ROCKWELL COLLINS SCD 837-0034-310 OPTIONAL PART: 266-7569-190 V08719 851-37839-514 V96182 266-7569-150 V08719 851-35277-514 V96182 851-35277-515 V96182	121503 904949	1

MISSING ITEM NUMBERS NOT APPLICABLE

- ITEM NOT ILLUSTRATED

BRI

22-11-02-01

BOEING PROPRIETARY - Copyright © - Unpublished Work - See title page for details.

22-11-02
FIG. 01
PAGE 15
JAN 20/09



757

PARTS CATALOG (MAINTENANCE)

FIG ITEM	PART NUMBER	1 2 3 4 5 6 7	NOMENCLATURE	EFFECT FROM TO	UNITS PER ASSY
1 190	266-7569-150		.. SWITCH ASSY-PUSHBUTTON B/CRS S9 CUSTOMER INSTALLED OPTION SUPPLIER CODE: V08719 CONFIG CHG DATA FROM A CMM: SUPSD BY 851-37839-515 SUPERSEDES 851-35277-515 OPTIONAL PART: 266-7569-190 V08719 851-37839-514 V96182 851-37839-515 V96182 851-35277-514 V96182 851-35277-515 V96182	121503 904949	1
190	851-35277-515		.. SWITCH ASSY-PUSHBUTTON B/CRS S9 MATCHED SWITCH AND LENS SUPPLIER CODE: V96182 SB DATA FROM A CMM: POST MCP-702-22-22 CONFIG CHG DATA FROM A CMM: SUPSD BY 266-7569-150 MISCELLANEOUS DATA: ROCKWELL COLLINS SCD 266-7034-310 OPTIONAL PART: 851-35277-514 V96182 266-7569-190 V08719 851-37839-514 V96182 USED ON: 622-5391-002	121503 904949	1

MISSING ITEM NUMBERS NOT APPLICABLE

- ITEM NOT ILLUSTRATED

BRI

22-11-02-01

BOEING PROPRIETARY - Copyright © - Unpublished Work - See title page for details.

22-11-02
FIG. 01
PAGE 16
JAN 20/09



757

PARTS CATALOG (MAINTENANCE)

FIG ITEM	PART NUMBER	1 2 3 4 5 6 7	NOMENCLATURE	EFFECT FROM TO	UNITS PER ASSY
1 195	851-35277-507		.. SWITCH ASSY-PUSHBUTTON LOC S10 MATCHED SWITCH AND LENS SUPPLIER CODE: V96182 SB DATA FROM A CMM: POST MCP-702-22-22 CONFIG CHG DATA FROM A CMM: SUPSD BY 266-7569-110 MISCELLANEOUS DATA: ROCKWELL COLLINS SCD 266-7034-130 ELECTRICAL EQUIP NUMBER: S00010 OPTIONAL PART: 266-7569-110 V08719 851-37839-507 V96182 USED ON: 622-5391-002	121503 904949	1
195	266-7569-110		.. SWITCH ASSY-PUSHBUTTON LOC S10 SUPPLIER CODE: V08719 CONFIG CHG DATA FROM A CMM: SUPSD BY 851-37839-507 SUPERSEDES 851-35277-507 ELECTRICAL EQUIP NUMBER: S00010 OPTIONAL PART: 851-37839-507 V96182 851-35277-507 V96182	121503 904949	1
195	851-37839-507		.. SWITCH ASSY-PUSHBUTTON LOC S10 SUPPLIER CODE: V96182 CONFIG CHG DATA FROM A CMM: SUPERSEDES 266-7569-110 MISCELLANEOUS DATA: ROCKWELL COLLINS SCD 837-0034-130 OPTIONAL PART: 266-7569-110 V96182 851-35277-507 V96182	121503 904949	1

MISSING ITEM NUMBERS NOT APPLICABLE

- ITEM NOT ILLUSTRATED

22-11-02-01

22-11-02
FIG. 01
PAGE 17
JAN 20/09

BRI



757

PARTS CATALOG (MAINTENANCE)

FIG ITEM	PART NUMBER	1 2 3 4 5 6 7	NOMENCLATURE	EFFECT FROM TO	UNITS PER ASSY
1 200	851-35277-508		.. SWITCH ASSY-PUSHBUTTON APP S11 MATCHED SWITCH AND LENS SUPPLIER CODE: V96182 SB DATA FROM A CMM: POST MCP-702-22-22 CONFIG CHG DATA FROM A CMM: SUPSD BY 266-7569-120 MISCELLANEOUS DATA: ROCKWELL COLLINS SCD 266-7034-140 OPTIONAL PART: 266-7569-120 V08719 851-37839-508 V96182 USED ON: 622-5391-002	121503 904949	1
200	266-7569-120		.. SWITCH ASSY-PUSHBUTTON APP S11 SUPPLIER CODE: V08719 CONFIG CHG DATA FROM A CMM: SUPSD BY 851-37839-508 SUPERSEDES 851-35277-508 ELECTRICAL EQUIP NUMBER: S00011 OPTIONAL PART: 851-37839-508 V96182 851-35277-508 V96182	121503 904949	1
200	851-37839-508		.. SWITCH ASSY-PUSHBUTTON APP S11 SUPPLIER CODE: V96182 CONFIG CHG DATA FROM A CMM: SUPERSEDES 266-7569-120 MISCELLANEOUS DATA: ROCKWELL COLLINS SCD 837-0034-140 OPTIONAL PART: 266-7569-120 V08719 851-35277-508 V96182	121503 904949	1

MISSING ITEM NUMBERS NOT APPLICABLE

- ITEM NOT ILLUSTRATED

BRI

22-11-02-01

BOEING PROPRIETARY - Copyright © - Unpublished Work - See title page for details.

22-11-02
FIG. 01
PAGE 18
JAN 20/09



757

PARTS CATALOG (MAINTENANCE)

FIG ITEM	PART NUMBER	1 2 3 4 5 6 7	NOMENCLATURE	EFFECT FROM TO	UNITS PER ASSY
1 215	851-35277-505		.. SWITCH ASSY-PUSHBUTTON HOLD S6 S8 MATCHED SWITCH AND LENS SUPPLIER CODE: V96182 SB DATA FROM A CMM: POST MCP-702-22-22 CONFIG CHG DATA FROM A CMM: SUPSD BY 266-7569-090 MISCELLANEOUS DATA: ROCKWELL COLLINS SCD 266-7034-110 OPTIONAL PART: 266-7569-090 V08719 851-37839-505 V96182 USED ON: 622-5391-002	121503 904949	2
215	266-7569-090		.. SWITCH ASSY-PUSHBUTTON HOLD S6 S8 SUPPLIER CODE: V08719 CONFIG CHG DATA FROM A CMM: SUPSD BY 85137839-505 SUPSEDES 851-35277-505 OPTIONAL PART: 851-37839-505 V96182 851-35277-505 V96182	121503 904949	2
215	851-37839-505		.. SWITCH ASSY-PUSHBUTTON HOLD S6 S8 SUPPLIER CODE: V96182 CONFIG CHG DATA FROM A CMM: SUPERSEDES 266-7569-090 MISCELLANEOUS DATA: ROCKWELL COLLINS SCD 266-7034-110 OPTIONAL PART: 266-7569-090 V08719 851-35277-505 V96182	121503 904949	2

MISSING ITEM NUMBERS NOT APPLICABLE

- ITEM NOT ILLUSTRATED

BRI

22-11-02-01

BOEING PROPRIETARY - Copyright © - Unpublished Work - See title page for details.

22-11-02
FIG. 01
PAGE 19
JAN 20/09



757

PARTS CATALOG (MAINTENANCE)

FIG ITEM	PART NUMBER	1 2 3 4 5 6 7	NOMENCLATURE	EFFECT FROM TO	UNITS PER ASSY
1 220	851-35277-510		.. SWITCH ASSY-PUSHBUTTON FL CH S5 MATCHED SWITCH AND LENS SUPPLIER CODE: V96182 SB DATA FROM A CMM: POST MCP-702-22-22 CONFIG CHG DATA FROM A CMM: SUPSD BY 266-7569-140 MISCELLANEOUS DATA: ROCKWELL COLLINS SCD 266-7034-160 OPTIONAL PART: 851-37839-510 V96182 266-7569-140 V08719 USED ON: 622-5391-002	121503 904949	1
220	266-7569-140		.. SWITCH ASSY-PUSHBUTTON FL CH S5 SUPPLIER CODE: V08719 CONFIG CHG DATA FROM A CMM: SUPSD BY 851-37839-510 SUPERSEDES 851-35277-510 OPTIONAL PART: 851-37839-510 V96182 851-35277-510 V96182	121503 904949	1
220	851-37839-510		.. SWITCH ASSY-PUSHBUTTON FL CH S5 SUPPLIER CODE: V96182 CONFIG CHG DATA FROM A CMM: SUPERSEDES 266-7569-140 MISCELLANEOUS DATA: ROCKWELL COLLINS SCD 837-0034-160 OPTIONAL PART: 266-7569-140 V08719 851-35277-510 V96182	121503 904949	1

MISSING ITEM NUMBERS NOT APPLICABLE

- ITEM NOT ILLUSTRATED

BRI

22-11-02-01

BOEING PROPRIETARY - Copyright © - Unpublished Work - See title page for details.

22-11-02
FIG. 01
PAGE 20
JAN 20/09



757

PARTS CATALOG (MAINTENANCE)

FIG ITEM	PART NUMBER	1 2 3 4 5 6 7	NOMENCLATURE	EFFECT FROM TO	UNITS PER ASSY
1 225	851-35277-506		..SWITCH ASSY-PUSHBUTTON V/S S7 MATCHED SWITCH AND LENS SUPPLIER CODE: V96182 SB DATA FROM A CMM: POST MCP-702-22-22 CONFIG CHG DATA FROM A CMM: SUPSD BY 266-7569-100 MISCELLANEOUS DATA: ROCKWELL COLLINS SCD 266-7034-120 OPTIONAL PART: 266-7569-100 V08719 851-37839-506 V96182 USED ON: 622-5391-002	121503 904949	1
225	266-7569-100		..SWITCH ASSY-PUSHBUTTON V/S S7 SUPPLIER CODE: V08719 CONFIG CHG DATA FROM A CMM: SUPSD BY 851-37839-506 SUPERDES 851-35277-506 OPTIONAL PART: 851-37839-506 V96182 851-35277-506 V96182	121503 904949	1
225	851-37839-506		..SWITCH ASSY-PUSHBUTTON V/S S7 MATCHED SWITCH AND LENS SUPPLIER CODE: V96182 CONFIG CHG DATA FROM A CMM: SUPERSEDES 266-7569-100 MISCELLANEOUS DATA: ROCKWELL COLLINS SCD 266-7034-120 OPTIONAL PART: 266-7569-100 V08719 851-35277-506 V96182 USED ON: 622-5391-002	121503 904949	1

MISSING ITEM NUMBERS NOT APPLICABLE

- ITEM NOT ILLUSTRATED

22-11-02-01

22-11-02
FIG. 01
PAGE 21
JAN 20/09

BRI



757

PARTS CATALOG (MAINTENANCE)

FIG ITEM	PART NUMBER	1 2 3 4 5 6 7	NOMENCLATURE	EFFECT FROM TO	UNITS PER ASSY
1 230	851-35277-502		.. SWITCH ASSY-PUSHBUTTON SPD S2 MATCHED SWITCH AND LENS SUPPLIER CODE: V96182 SB DATA FROM A CMM: POST MCP-702-22-22 CONFIG CHG DATA FROM A CMM: SUPSD BY 266-7569-060 MISCELLANEOUS DATA: ROCKWELL COLLINS SCD 266-7034-080 OPTIONAL PART: 266-7569-060 V08719 851-37839-502 V96182 USED ON: 622-5391-002	121503 904949	1
230	266-7569-060		.. SWITCH ASSY-PUSHBUTTON SPD S2 SUPPLIER CODE: V08719 CONFIG CHG DATA FROM A CMM: SUPSEDES 851-35277-502 SUPSD BY 851-37839-502 OPTIONAL PART: 851-37839-502 V96812 851-35277-502 V96182	121503 904949	1
230	851-37839-502		.. SWITCH-PUSHBUTTON SPD S2 SUPPLIER CODE: V96182 CONFIG CHG DATA FROM A CMM: SUPERSEDES 266-7569-060 MISCELLANEOUS DATA: ROCKWELL COLLINS SCD 837-0034-080 OPTIONAL PART: 266-7569-060 V08719 851-35277-502 V96182	121503 904949	1

MISSING ITEM NUMBERS NOT APPLICABLE

- ITEM NOT ILLUSTRATED

22-11-02-01

22-11-02
FIG. 01
PAGE 22
JAN 20/09

BRI



757

PARTS CATALOG (MAINTENANCE)

FIG ITEM	PART NUMBER	1 2 3 4 5 6 7	NOMENCLATURE	EFFECT FROM TO	UNITS PER ASSY
1 - 235	851-35277-002		... SWITCH-MODULE SUPPLIER CODE: V96182 SB DATA FROM A CMM: POST MCP-702-22-22 MISCELLANEOUS DATA: ROCKWELL COLLINS SCD 266-7034-020 USED ON: 851-35277-513 851-35277-512 851-35277-502 851-35277-503 851-35277-504 851-35277-510 851-35277-505 851-35277-506 851-35277-514 851-35277-515 851-35277-507 851-35277-508	121503 904949	1
- 235	10648C08-201		... SWITCH-MODULE SUPPLIER CODE: V08719 MISCELLANEOUS DATA: ROCKWELL COLLINS SCD 266-7569-020 USED ON: 266-7569-160 266-7569-180 266-7569-060 266-7569-070 266-7569-080 266-7569-140 266-7569-090 266-7569-100 266-7569-190 266-7569-150 266-7569-110 266-7569-120	121503 904949	1

MISSING ITEM NUMBERS NOT APPLICABLE

- ITEM NOT ILLUSTRATED

BRI

22-11-02-01

BOEING PROPRIETARY - Copyright © - Unpublished Work - See title page for details.

22-11-02
FIG. 01
PAGE 23
JAN 20/09



757

PARTS CATALOG (MAINTENANCE)

FIG ITEM	PART NUMBER	1 2 3 4 5 6 7	NOMENCLATURE	EFFECT FROM TO	UNITS PER ASSY
1					
- 235	851-37839-003		... SWITCH-MODULE SUPPLIER CODE: V96182 MISCELLANEOUS DATA: ROCKWELL COLLINS SCD 837-0034-030 USED ON: 851-37839-513 851-37839-512 851-37839-526 851-37839-501 851-37839-502 851-37839-503 851-37839-504 851-37839-510 851-37839-505 851-37839-506 851-37839-514 851-37839-515 851-37839-507 851-37839-508	121503 904949	1
- 240	851-35277-101		... LENS-ILLUM SUPPLIER CODE: V96182 SB DATA FROM A CMM: POST MCP-702-22-22 MISCELLANEOUS DATA: ROCKWELL COLLINS SCD 266-7035-010 USED ON: 851-35277-513	121503 904949	1
- 240	10648C06-101		... LENS-ILLUM SUPPLIER CODE: V08719 MISCELLANEOUS DATA: ROCKWELL COLLINS 266-7146-010 USED ON: 266-7569-160	121503 904949	1

MISSING ITEM NUMBERS NOT APPLICABLE

- ITEM NOT ILLUSTRATED

BRI

22-11-02-01

BOEING PROPRIETARY - Copyright © - Unpublished Work - See title page for details.

22-11-02
FIG. 01
PAGE 24
JAN 20/09



757

PARTS CATALOG (MAINTENANCE)

FIG ITEM	PART NUMBER	1 2 3 4 5 6 7	NOMENCLATURE	EFFECT FROM TO	UNITS PER ASSY
1					
- 240	851-35277-112	...	LENS-ILLUM SUPPLIER CODE: V96182 SPECIFICATION NUMBER: S241T100-501 SB DATA FROM A CMM: POST MCP-702-22-22 MISCELLANEOUS DATA: ROCKWELL COLLINS SCD 266-7035-120 USED ON: 851-35277-512	121503 904949	1
- 240	851-37839-101	...	LENS-ILLUM SUPPLIER CODE: V96182 MISCELLANEOUS DATA: ROCKWELL COLLINS SCD 837-0035-010 USED ON: 851-37839-513	121503 904949	1
- 240	10648C06-112	...	LENS-ILLUM SUPPLIER CODE: V08719 SPECIFICATION NUMBER: S241T100-501 MISCELLANEOUS DATA: ROCKWELL COLLINS SCD 266-7146-120	121503 904949	1
- 240	851-37839-112	...	LENS-ILLUM SUPPLIER CODE: V96182 MISCELLANEOUS DATA: ROCKWELL COLLINS SCD 837-0035-120	121503 904949	1
- 240	851-37839-130	...	LENS-ILLUM SUPPLIER CODE: V96182 MISCELLANEOUS DATA: ROCKWELL COLLINS SCD 837-0035-300 USED ON: 851-37839-501	121503 904949	1
- 240	851-37839-119	...	LENS-ILLUM SUPPLIER CODE: V96182 MISCELLANEOUS DATA: ROCKWELL COLLINS SCD 837-0035-190	121503 904949	1

MISSING ITEM NUMBERS NOT APPLICABLE

- ITEM NOT ILLUSTRATED

22-11-02-01

22-11-02
FIG. 01
PAGE 25
JAN 20/09

BRI



757

PARTS CATALOG (MAINTENANCE)

FIG ITEM	PART NUMBER	1 2 3 4 5 6 7	NOMENCLATURE	EFFECT FROM TO	UNITS PER ASSY
1 - 245	851-35277-104	...	LENS-ILLUM SUPPLIER CODE: V96182 SB DATA FROM A CMM: POST MCP-702-22-22 MISCELLANEOUS DATA: ROCKWELL COLLINS SCD 266-7035-040 USED ON: 851-35277-504	121503 904949	1
- 245	10648C06-104	...	LENS-ILLUM SUPPLIER CODE: V08719 MISCELLANEOUS DATA: ROCKWELL COLLINS SCD 266-7146-040 USED ON: 266-7569-080	121503 904949	1
- 245	851-37839-104	...	LENS-ILLUM SUPPLIER CODE: V96182 MISCELLANEOUS DATA: ROCKWELL COLLINS SCD 837-0035-040 USED ON: 851-37839-504	121503 904949	1
- 250	851-35277-103	...	LENS-ILLUM SUPPLIER CODE: V96182 SB DATA FROM A CMM: POST MCP-702-22-22 MISCELLANEOUS DATA: ROCKWELL COLLINS SCD 266-7035-030 USED ON: 851-35277-503	121503 904949	1
- 250	10648C06-103	...	LENS-ILLUM SUPPLIER CODE: V08719 MISCELLANEOUS DATA: ROCKWELL COLLINS 266-7146-030 USED ON: 851-35277-501	121503 904949	1

MISSING ITEM NUMBERS NOT APPLICABLE

- ITEM NOT ILLUSTRATED

22-11-02-01

22-11-02
FIG. 01
PAGE 26
JAN 20/09

BRI



757

PARTS CATALOG (MAINTENANCE)

FIG ITEM	PART NUMBER	1 2 3 4 5 6 7	NOMENCLATURE	EFFECT FROM TO	UNITS PER ASSY
1					
- 250	851-37839-103	...	LENS-ILLUM SUPPLIER CODE: V96182 MISCELLANEOUS DATA: ROCKWELL COLLINS 837-0035-030 USED ON: 851-37839-503	121503 904949	1
- 255	851-35277-114	...	LENS-ILLUM SUPPLIER CODE: V96182 SB DATA FROM A CMM: POST MCP-702-22-22 MISCELLANEOUS DATA: ROCKWELL COLLINS SCD 266-7035-140 USED ON: 851-35277-515	121503 904949	1
- 255	10648C06-114	...	LENS-ILLUM SUPPLIER CODE: V08719 MISCELLANEOUS DATA: ROCKWELL COLLINS SCD 266-7146-140	121503 904949	1
- 255	851-37839-114	...	LENS-ILLUM SUPPLIER CODE: V96182 MISCELLANEOUS DATA: ROCKWELL COLLINS SCD 837-0035-140	121503 904949	1
- 260	851-35277-113	...	LENS-ILLUM SUPPLIER CODE: V96182 SB DATA FROM A CMM: POST MCP-702-22-22 MISCELLANEOUS DATA: ROCKWELL COLLINS SCD 266-7035-130 USED ON: 851-35277-514	121503 904949	1
- 260	10648C06-113	...	LENS-ILLUM SUPPLIER CODE: V08719 MISCELLANEOUS DATA: ROCKWELL COLLINS SCD 266-7146-130 USED ON: 266-7569-190	121503 904949	1

MISSING ITEM NUMBERS NOT APPLICABLE

- ITEM NOT ILLUSTRATED

22-11-02-01

22-11-02
FIG. 01
PAGE 27
JAN 20/09

BRI



757

PARTS CATALOG (MAINTENANCE)

FIG ITEM	PART NUMBER	1 2 3 4 5 6 7	NOMENCLATURE	EFFECT FROM TO	UNITS PER ASSY
1					
- 260	851-37839-113	...	LENS-ILLUM SUPPLIER CODE: V96182 MISCELLANEOUS DATA: ROCKWELL COLLINS SCD 837-0035-130 USED ON: 851-37839-514	121503 904949	1
- 265	851-35277-107	...	LENS-ILLUM SUPPLIER CODE: V96182 SB DATA FROM A CMM: POST MCP-702-22-22 MISCELLANEOUS DATA: ROCKWELL COLLINS SCD 266-7035-070 USED ON: 851-35277-507	121503 904949	1
- 265	10648C06-107	...	LENS-ILLUM SUPPLIER CODE: V08719 MISCELLANEOUS DATA: ROCKWELL COLLINS 266-7146-070 USED ON: 266-7569-110	121503 904949	1
- 265	851-37839-107	...	LENS-ILLUM SUPPLIER CODE: V96182 MISCELLANEOUS DATA: ROCKWELL COLLINS SCD 837-0035-070 USED ON: 851-37839-507	121503 904949	1
- 270	851-35277-108	...	LENS-ILLUM SUPPLIER CODE: V96182 SB DATA FROM A CMM: POST MCP-702-22-22 MISCELLANEOUS DATA: ROCKWELL COLLINS SCD 266-7035-030 USED ON: 851-35277-508	121503 904949	1

MISSING ITEM NUMBERS NOT APPLICABLE

- ITEM NOT ILLUSTRATED

BRI

22-11-02-01

22-11-02
FIG. 01
PAGE 28
JAN 20/09



757

PARTS CATALOG (MAINTENANCE)

FIG ITEM	PART NUMBER	1 2 3 4 5 6 7	NOMENCLATURE	EFFECT FROM TO	UNITS PER ASSY
1					
- 270	10648C06-108	...	LENS-ILLUM SUPPLIER CODE: V08719 MISCELLANEOUS DATA: ROCKWELL COLLINS 266-7146-080 USED ON: 266-7569-120	121503 904949	1
- 270	851-37839-108	...	LENS-ILLUM SUPPLIER CODE: V96182 MISCELLANEOUS DATA: ROCKWELL COLLINS SCD 837-0035-080 USED ON: 851-37839-508	121503 904949	1
- 285	851-35277-105	...	LENS-ILLUM SUPPLIER CODE: V96182 SB DATA FROM A CMM: POST MCP-702-22-22 MISCELLANEOUS DATA: ROCKWELL COLLINS SCD 266-7035-050 USED ON: 851-35277-505	121503 904949	1
- 285	10648C06-105	...	LENS-ILLUM SUPPLIER CODE: V08719 MISCELLANEOUS DATA: ROCKWELL COLLIS 266-7146-050 USED ON: 266-7569-090	121503 904949	1
- 285	851-37839-105	...	LENS-ILLUM SUPPLIER CODE: V96182 MISCELLANEOUS DATA: ROCKWELL COLLINS SCD 837-0035-050 USED ON: 851-37839-505	121503 904949	1

MISSING ITEM NUMBERS NOT APPLICABLE

- ITEM NOT ILLUSTRATED

22-11-02-01

22-11-02
FIG. 01
PAGE 29
JAN 20/09

BRI



757

PARTS CATALOG (MAINTENANCE)

FIG ITEM	PART NUMBER	1 2 3 4 5 6 7	NOMENCLATURE	EFFECT FROM TO	UNITS PER ASSY
1					
- 290	851-35277-111	...	LENS-ILLUM SUPPLIER CODE: V96182 SB DATA FROM A CMM: POST MCP-702-22-22 MISCELLANEOUS DATA: ROCKWELL COLLINS SCD 266-7035-110 USED ON: 851-35277-510	121503 904949	1
- 290	10648C06-111	...	LENS-ILLUM SUPPLIER CODE: V08719 MISCELLANEOUS DATA: ROCKWELL COLLINS SCD 266-7146-110 USED ON: 266-7569-140	121503 904949	1
- 290	851-37839-111	...	LENS-ILLUM SUPPLIER CODE: V96182 MISCELLANEOUS DATA: ROCKWELL COLLINS SCD 837-0035-110 USED ON: 851-37839-510	121503 904949	1
- 295	851-35277-106	...	LENS-ILLUM SUPPLIER CODE: V96182 SB DATA FROM A CMM: POST MCP-702-22-22 MISCELLANEOUS DATA: ROCKWELL COLLINS SCD 266-7035-060 USED ON: 851-35277-506	121503 904949	1
- 295	10648C06-106	...	LENS-ILLUM SUPPLIER CODE: V08719 MISCELLANEOUS DATA: ROCKWELL COLLINS 266-7146-060 USED ON: 266-7569-100	121503 904949	1

MISSING ITEM NUMBERS NOT APPLICABLE

- ITEM NOT ILLUSTRATED

22-11-02-01

22-11-02
FIG. 01
PAGE 30
JAN 20/09

BRI



757

PARTS CATALOG (MAINTENANCE)

FIG ITEM	PART NUMBER	1 2 3 4 5 6 7	NOMENCLATURE	EFFECT FROM TO	UNITS PER ASSY
1					
- 295	851-37839-106	...	LENS-ILLUM SUPPLIER CODE: V96182 MISCELLANEOUS DATA: ROCKWELL COLLINS SCD 837-0035-060	121503 904949	1
- 301	851-35277-102	...	LENS-ILLUM SUPPLIER CODE: V96182 SB DATA FROM A CMM: POST MCP-702-22-22 MISCELLANEOUS DATA: ROCKWELL COLLINS SCD 266-7035-020 USED ON: 851-35277-502	121503 904949	1
- 301	10648C06-102	...	LENS-ILLUM SUPPLIER CODE: V08719 MISCELLANEOUS DATA: ROCKWELL COLLINS 266-7146-020 USED ON: 266-7569-060	121503 904949	1
- 301	851-37839-102	...	LENS-ILLUM SUPPLIER CODE: V96182 MISCELLANEOUS DATA: ROCKWELL COLLINS SCD 837-0035-020 USED ON: 851-37839-502	121503 904949	1

MISSING ITEM NUMBERS NOT APPLICABLE

- ITEM NOT ILLUSTRATED

BRI

22-11-02-01

BOEING PROPRIETARY - Copyright © - Unpublished Work - See title page for details.

22-11-02
FIG. 01
PAGE 31
JAN 20/09



757

PARTS CATALOG (MAINTENANCE)

FIG ITEM	PART NUMBER	1 2 3 4 5 6 7	NOMENCLATURE	EFFECT FROM TO	UNITS PER ASSY
1 - 305	MS24515-685AS15	LAMP-5V SB DATA FROM A CMM: POST MCP-702-22-22 USED ON: 10648C06-101 10648C06-102 10648C06-103 10648C06-104 10648C06-105 10648C06-106 10648C06-107 10648C06-108 851-35277-101 851-35277-102 851-35277-103 851-35277-104 851-35277-105 851-35277-106 851-35277-107 851-35277-108 851-35277-111 851-35277-112 851-35277-113 851-35277-114	121503 904949	2
- 305	OL685AS15-297	LAMP-5V SUPPLIER CODE: VS3774 MISCELLANEOUS DATA: ROCKWELL COLLINS PART NO 836-0030-010 OPTIONAL PART: MS24515-685AS15 USED ON: 851-37839-101 851-37839-102 851-37839-103 851-37839-104 851-37839-105 851-37839-106 851-37839-107 851-37839-108 851-37839-111 851-37839-112 851-37839-113 851-37839-114 851-37839-119 851-37839-130	121503 904949	2

MISSING ITEM NUMBERS NOT APPLICABLE

- ITEM NOT ILLUSTRATED

BRI

22-11-02-01

BOEING PROPRIETARY - Copyright © - Unpublished Work - See title page for details.

22-11-02
FIG. 01
PAGE 32
JAN 20/09



757

PARTS CATALOG (MAINTENANCE)

FIG ITEM	PART NUMBER	1 2 3 4 5 6 7	NOMENCLATURE	EFFECT FROM TO	UNITS PER ASSY
1 - 305	MS24515-685AS15	LAMP-5V OPTIONAL PART: OL685AS15-297 V31869 USED ON: 851-37839-101 851-37839-102 851-37839-103 851-37839-104 851-37839-105 851-37839-106 851-37839-107 851-37839-108 851-37839-111 851-37839-112 851-37839-113 851-37839-114 851-37839-119 851-37839-130	121503 904949	2
- 306	OL387AS10	LAMP-28V SUPPLIER CODE: VD0034 MISCELLANEOUS DATA: ROCKWELL COLLINS PART NO 262-2807-020 OPTIONAL PART: OL387AS15-297 VD0034 USED ON: 851-37839-101 851-37839-102 851-37839-103 851-37839-104 851-37839-105 851-37839-106 851-37839-107 851-37839-108 851-37839-111 851-37839-112 851-37839-113 851-37839-114 851-37839-119 851-37839-130	121503 904949	2

MISSING ITEM NUMBERS NOT APPLICABLE

- ITEM NOT ILLUSTRATED

BRI

22-11-02-01

BOEING PROPRIETARY - Copyright © - Unpublished Work - See title page for details.

22-11-02
FIG. 01
PAGE 33
JAN 20/09



757

PARTS CATALOG (MAINTENANCE)

FIG ITEM	PART NUMBER	1 2 3 4 5 6 7 NOMENCLATURE	EFFECT FROM TO	UNITS PER ASSY
1 - 306	OL387AS15-297 LAMP-28V SUPPLIER CODE: VD0034 MISCELLANEOUS DATA: ROCKWELL COLLINS PART NO 262-2807-030 OPTIONAL PART: OL387AS10 VD0034 USED ON: 851-37839-101 851-37839-102 851-37839-103 851-37839-104 851-37839-105 851-37839-106 851-37839-107 851-37839-108 851-37839-111 851-37839-112 851-37839-113 851-37839-114 851-37839-119 851-37839-130	121503 904949	2

MISSING ITEM NUMBERS NOT APPLICABLE

- ITEM NOT ILLUSTRATED

BRI

22-11-02-01

BOEING PROPRIETARY - Copyright © - Unpublished Work - See title page for details.

22-11-02
FIG. 01
PAGE 34
JAN 20/09



757

PARTS CATALOG (MAINTENANCE)

FIG ITEM	PART NUMBER	1 2 3 4 5 6 7	NOMENCLATURE	EFFECT FROM TO	UNITS PER ASSY
1 - 306	OL387AS10	LAMP-28V SUPPLIER CODE: VD0034 SB DATA FROM A CMM: POST MCP-702-22-22 MISCELLANEOUS DATA: ROCKWELL COLLINS SCD 262-2807-020 USED ON: 10648C06-101 10648C06-102 10648C06-103 10648C06-104 10648C06-105 10648C06-106 10648C06-107 10648C06-108 10648C06-111 10648C06-112 10648C06-113 10648C06-114 851-35277-101 851-35277-102 851-35277-103 851-35277-104 851-35277-105 851-35277-106 851-35277-107 851-35277-108 851-35277-111 851-35277-112 851-35277-113 851-35277-114	121503 904949	2
535	651-2606-001	..	SHAFT-DRIVE HDG KNOB SUPPLIER CODE: V4V792 OPTIONAL PART: 647-5895-001 V4V792	121503 904949	1
535	647-5895-001	..	SHAFT-DRIVE HDG KNOB SUPPLIER CODE: V4V792 OPTIONAL PART: 651-2606-001 V4V792	121503 904949	1

MISSING ITEM NUMBERS NOT APPLICABLE

- ITEM NOT ILLUSTRATED

22-11-02-01

22-11-02
FIG. 01
PAGE 35
JAN 20/09

BRI



757

PARTS CATALOG (MAINTENANCE)

FIG ITEM	PART NUMBER	1 2 3 4 5 6 7	NOMENCLATURE	EFFECT FROM TO	UNITS PER ASSY
1 538	CEP20		..COVER-DUST SUPPLIER CODE: V99017 MISCELLANEOUS DATA: ROCKWELL COLLINS PART NO 359-7602-130	121503 904949	3
- 540	280-1368-030		..LABEL- SUPPLIER CODE: V12998	121503 904949	1
542	647-9847-001		..LABEL-CAUTION SUPPLIER CODE: V4V792	121503 904949	1
544	280-2745-020		..LABEL-WARNING ESDS SUPPLIER CODE: V12998 CONFIG CHG DATA FROM A CMM: SUPSD BY 280-2745-140	121503 904949	1
544	280-2745-140		..LABEL-WARNING ESDS SUPPLIER CODE: V12998 CONFIG CHG DATA FROM A CMM: SUPERSEDES 280-2745-020	121503 904949	1
555	822-1492-102		.PANEL ASSY-MODE CONT MCP-705 SUPPLIER CODE: V4V792 SPECIFICATION NUMBER: S241T100-232 ELECTRICAL EQUIP NUMBER: M00090 COMPONENT MAINT MANUAL REF: 22-12-78 POST SERVICE BULLETIN: 34-0399 FOR DETAILS SEE: 22-11-02-01A	107107	1
- 600	286N2041-001		WIRE BUNDLE ASSY	121503 904949	RF
605	BACC45FT18A31S		.CONNECTOR- ELECTRICAL EQUIP NUMBER: D00037 WIRING DIAGRAM REF: 221112	002004 006100 107107 121503 904999	1

MISSING ITEM NUMBERS NOT APPLICABLE

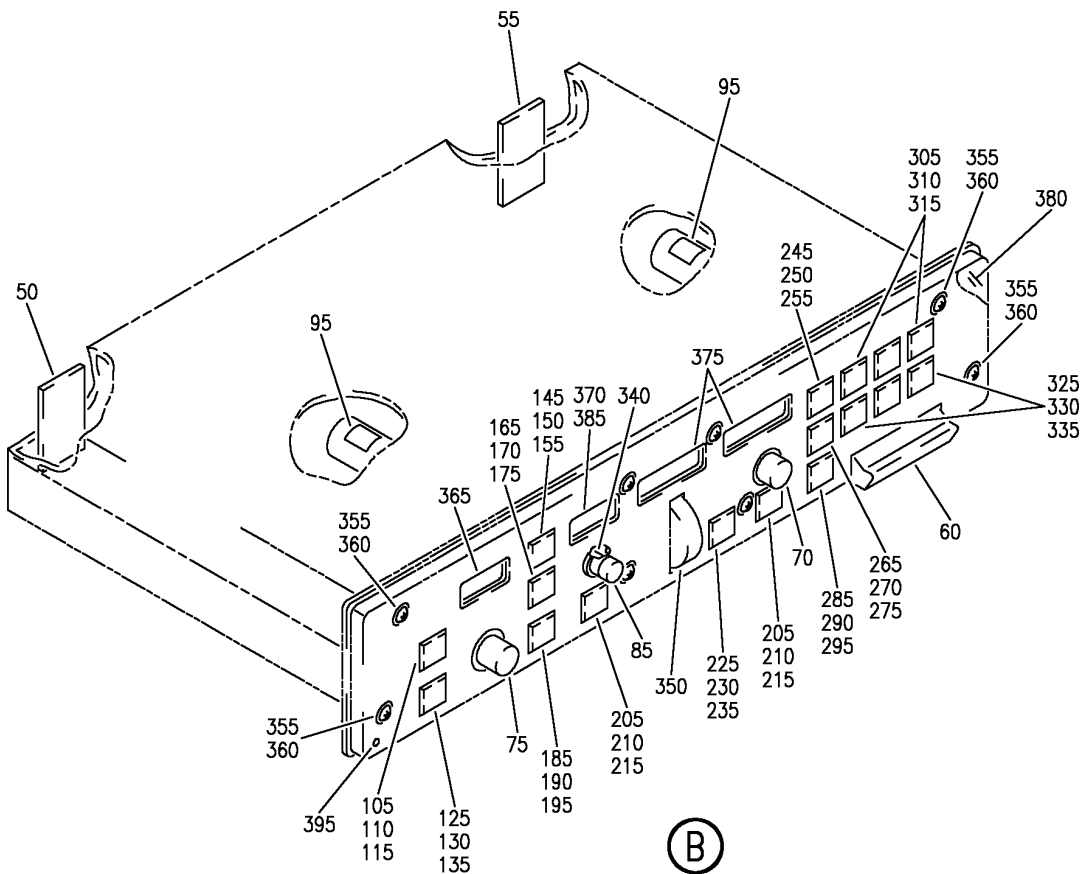
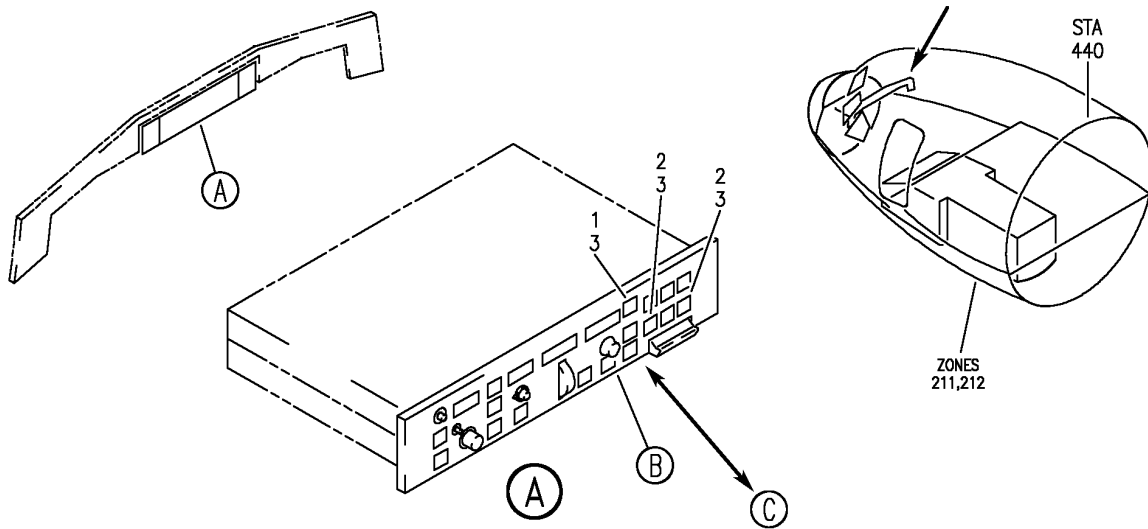
- ITEM NOT ILLUSTRATED

BRI

22-11-02-01

22-11-02
FIG. 01
PAGE 36
JAN 20/09

BOEING
757
PARTS CATALOG (MAINTENANCE)



Y 22110201A SHT 1 REV 275

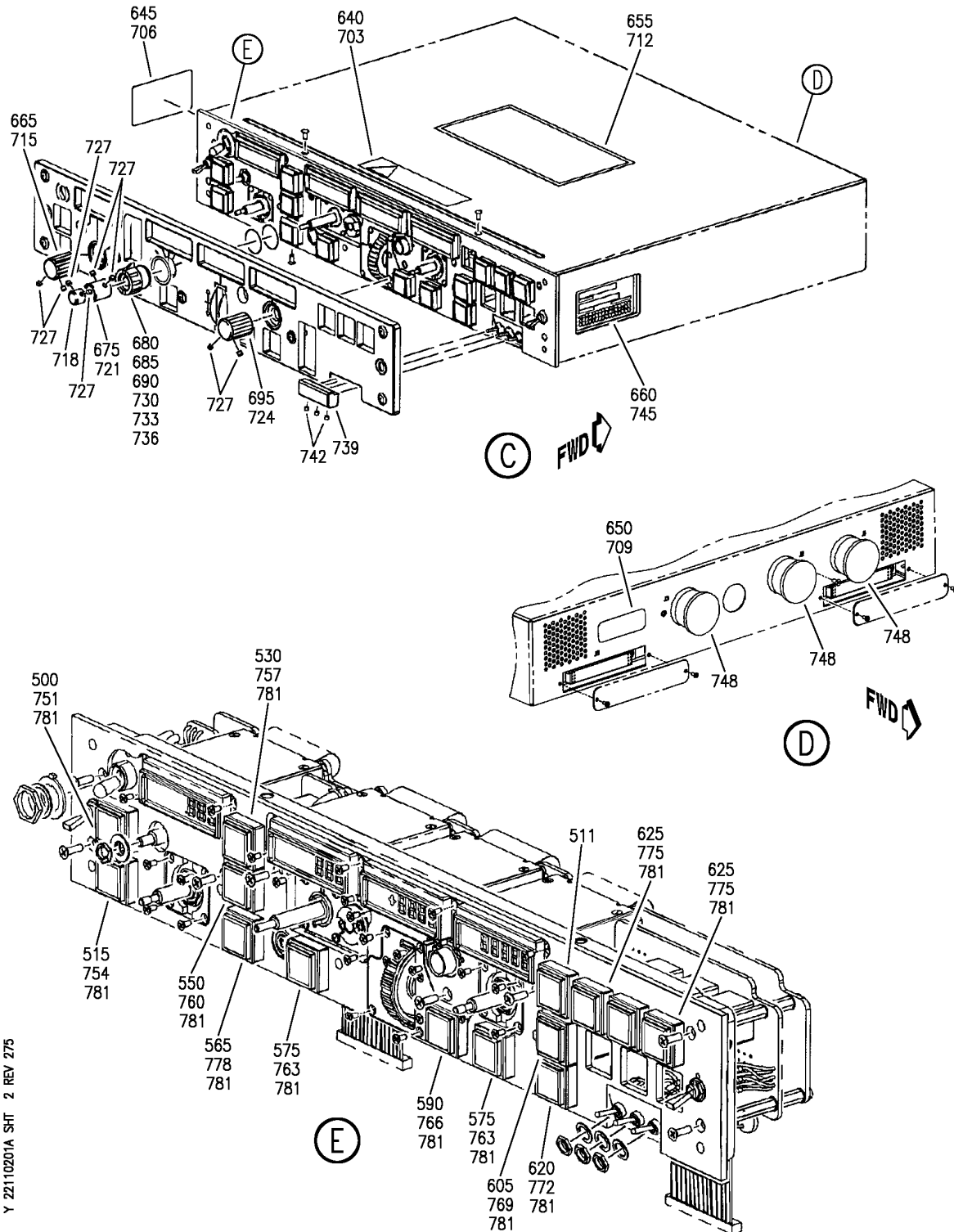
PANEL AND SWITCH GUARD ASSY
FIGURE 1A (SHEET 1)

22-11-02-01A

BRI
MAY 28/07

22-11-02-01A
PAGE 0

BOEING
757
PARTS CATALOG (MAINTENANCE)



Y 22110201A SHT 2 REV 275

PANEL AND SWITCH GUARD ASSY
FIGURE 1A (SHEET 2)

22-11-02-01A

BRI
MAY 28/07

22-11-02-01A
PAGE 0A



757

PARTS CATALOG (MAINTENANCE)

FIG ITEM	PART NUMBER	1 2 3 4 5 6 7	NOMENCLATURE	EFFECT FROM TO	UNITS PER ASSY
1 A			PANEL AND SWITCH GUARD ASSY	002004 006120 950999	
2	646-5068-001		GUARD-SWITCH SUPPLIER CODE: V4V792 SPECIFICATION NUMBER: S241T100-404 COMPONENT MAINT MANUAL REF: 22-11-71	002004 006100 950999	RF
- 5	622-4717-003		PANEL ASSY-MODE CONT SUPPLIER CODE: V4V792 SPECIFICATION NUMBER: S241T100-202 S241T100-201 ELECTRICAL EQUIP NUMBER: M00090 COMPONENT MAINT MANUAL REF: 22-11-71 PRE SERVICE BULLETIN: 34-0399 PRE ALERT SB: 22A0049 PRE SERVICE BULLETIN: MCP-701-22-22 V4V792 REWORKED BY SB: MCP-701-22-19 V4V792 FOR NHA SEE: 22-11-02-01	002004 006100 107107 950999	RF

MISSING ITEM NUMBERS NOT APPLICABLE

- ITEM NOT ILLUSTRATED

BRI

22-11-02-01A

BOEING PROPRIETARY - Copyright © - Unpublished Work - See title page for details.

22-11-02
FIG. 01A
PAGE 1
JAN 20/09



757

PARTS CATALOG (MAINTENANCE)

FIG ITEM	PART NUMBER	1 2 3 4 5 6 7 NOMENCLATURE	EFFECT FROM TO	UNITS PER ASSY
1 A - 10	622-4717-004	PANEL ASSY-MODE CONT SUPPLIER CODE: V4V792 FUNCTIONAL DESCRIPTION: PROVIDES PRIMARY INTERFACE BETWEEN THE FLIGHT CREW AND THE AUTOPILOT/FLIGHT DIRECTOR AND THRUST MANAGEMENT SYSTEMS SPECIFICATION NUMBER: S241T100-211 ELECTRICAL EQUIP NUMBER: M00090 COMPONENT MAINT MANUAL REF: 22-11-71 QUALIFIED I/W DATA: S241T100-211/ 622-4717-004 MCP IS TWO WAY INTERCHANGEABLE WITH S241T100-231/ 822-1492-101 MCP IF BCRS AND CWS MODE HAVE BEEN DE-ACTIVATED ON THE AIRPLANE S241T100-211/ 622-4717-004 MCP IS TWO WAY INTERCHANGEABLE WITH S241T100-232/ 822-1492-102 MCP IF CWS HAS BEEN DE-ACTIVATED ON THE AIRPLANE PRE SERVICE BULLETIN: 34-0399 POST ALERT SB: 22A0049 POST SERVICE BULLETIN: MCP-701-22-22 V4V792 FOR NHA SEE: 22-11-02-01	002004 006100 107107 950999	RF

MISSING ITEM NUMBERS NOT APPLICABLE

- ITEM NOT ILLUSTRATED

22-11-02-01A

22-11-02
FIG. 01A
PAGE 2
JAN 20/09

BRI



757

PARTS CATALOG (MAINTENANCE)

FIG ITEM	PART NUMBER	1 2 3 4 5 6 7	NOMENCLATURE	EFFECT FROM TO	UNITS PER ASSY
1 A - 10	622-4717-004		PANEL ASSY-MODE CONT SUPPLIER CODE: V4V792 FUNCTIONAL DESCRIPTION: PROVIDES PRIMARY INTERFACE BETWEEN THE FLIGHT CREW AND THE AUTOPILOT/FLIGHT DIRECTOR AND THRUST MANAGEMENT SYSTEMS SPECIFICATION NUMBER: S241T100-211 ELECTRICAL EQUIP NUMBER: M00090 COMPONENT MAINT MANUAL REF: 22-11-71 QUALIFIED I/W DATA: S241T100-211/ 622-4717-004 MCP IS TWO WAY INTERCHANGEABLE WITH S241T100-231/ 822-1492-101 MCP IF BCRS AND CWS MODE HAVE BEEN DE-ACTIVATED ON THE AIRPLANE S241T100-211/ 622-4717-004 MCP IS TWO WAY INTERCHANGEABLE WITH S241T100-232/ 822-1492-102 MCP IF CWS HAS BEEN DE-ACTIVATED ON THE AIRPLANE FOR NHA SEE: 22-11-02-02	101102 108120	RF
50	609-3929-001		.PLATE-MOD SUPPLIER CODE: V4V792 CONFIG CHG DATA FROM A CMM: SUPSD BY 609-3929-003 USED ON: 622-4717-003	002004 006100 107107 950999	1
50	609-3929-003		.PLATE-MOD SUPPLIER CODE: V4V792 CONFIG CHG DATA FROM A CMM: SUPERSEDES 609-3929-001 USED ON: 622-4717-003	002004 006100 107107 950999	1

MISSING ITEM NUMBERS NOT APPLICABLE

- ITEM NOT ILLUSTRATED

22-11-02-01A

22-11-02
FIG. 01A
PAGE 3
JAN 20/09

BRI



757

PARTS CATALOG (MAINTENANCE)

FIG ITEM	PART NUMBER	1 2 3 4 5 6 7	NOMENCLATURE	EFFECT FROM TO	UNITS PER ASSY
1 A					
55	646-0029-003		.PLATE-IDENT SUPPLIER CODE: V4V792 SB DATA FROM A CMM: POST MCP-71-22-22	002004 006102 107120 950999	1
60	647-5888-001		.KNOB-MULTIPLE SWITCH SUPPLIER CODE: V4V792	002004 006102 107120 950999	1
- 65	LP57XE40K4		ATTACHING PARTS .SETSCREW- SUPPLIER CODE: V03038	002004 006102 107120 950999	3
70	647-5919-001		-----*----- .KNOB- SUPPLIER CODE: V4V792	002004 006102 107120 950999	1
75	647-5919-001		.KNOB- SUPPLIER CODE: V4V792 CONFIG CHG DATA FROM A CMM: SUPSD BY 676-0098-001 USED ON: 622-4717-003 622-4717-004	002004 006100 107107 950999	1
75	676-0098-001		.KNOB- SUPPLIER CODE: V4V792 CONFIG CHG DATA FROM A CMM: SUPERSEDES 647-5919-001 ATTACHING PARTS	002004 006102 107120 950999	1
- 80	LP57XE26K2		.SETSCREW- SUPPLIER CODE: V03038 CONFIG CHG DATA FROM A CMM: SUPSD BY 335-0210-000	002004 006102 107120 950999	4
- 80	335-0210-000		.SETSCREW- SUPPLIER CODE: V74445 CONFIG CHG DATA FROM A CMM: SUPERSEDES LP57XE26K2 -----*-----	002004 006102 107120 950999	4

MISSING ITEM NUMBERS NOT APPLICABLE

- ITEM NOT ILLUSTRATED

22-11-02-01A

22-11-02
FIG. 01A
PAGE 4
JAN 20/09

BRI

BOEING
757
PARTS CATALOG (MAINTENANCE)

FIG ITEM	PART NUMBER	1 2 3 4 5 6 7	NOMENCLATURE	EFFECT FROM TO	UNITS PER ASSY
1A					
85	647-5899-001		.KNOB-BANK ANGLE SUPPLIER CODE: V4V792 USED ON: 622-4717-003 622-4717-004 ATTACHING PARTS	002004 006100 107107 950999	1
- 90	LP57XE26K2		.SETSCREW- SUPPLIER CODE: V03038 CONFIG CHG DATA FROM A CMM: 335-0210-000 USED ON: 622-4717-003	002004 006100 107107 950999	2
- 90	335-0210-000		.SETSCREW- SUPPLIER CODE: V74445 CONFIG CHG DATA FROM A CMM: SUPERSEDES LP57XE26K2 -----*-----	002004 006102 107120 950999	2
95	280-1368-030		.LABEL-PRESSURE SENSITIVE SUPPLIER CODE: V12998	002004 006102 107120 950999	2
105	851-37839-101		.LENS-EPR SUPPLIER CODE: V96182 MISCELLANEOUS DATA: ROCKWELL COLLINS SCD 837-0035-010	002004 006102 107120 950999	1
110	OL685AS15-297		..LAMP-5V SUPPLIER CODE: VS3774 MISCELLANEOUS DATA: ROCKWELL COLLINS SCD 836-0030-010 OPTIONAL PART: MS24515-685AS15	002004 006102 107120 950999	2
110	MS24515-685AS15		..LAMP-5V MISCELLANEOUS DATA: ROCKWELL COLLINS SCD 262-1884-000 OPTIONAL PART: OL685AS15-297 V31869	002004 006102 107120 950999	2

MISSING ITEM NUMBERS NOT APPLICABLE

- ITEM NOT ILLUSTRATED

BRI

22-11-02-01A

BOEING PROPRIETARY - Copyright © - Unpublished Work - See title page for details.

22-11-02
FIG. 01A
PAGE 5
JAN 20/09

 **BOEING**
757
PARTS CATALOG (MAINTENANCE)

FIG ITEM	PART NUMBER	1 2 3 4 5 6 7	NOMENCLATURE	EFFECT FROM TO	UNITS PER ASSY
1A 115	OL387AS10	..	LAMP-28V SUPPLIER CODE: VD0034 MISCELLANEOUS DATA: ROCKWELL COLLINS SCD 262-2807-020 OPTIONAL PART: OL387AS15-297 VD0034	002004 006102 107120 950999	2
115	OL387AS15-297	..	LAMP-28V SUPPLIER CODE: VD0034 MISCELLANEOUS DATA: ROCKWELL COLLINS SCD 262-2807-030 OPTIONAL PART: OL387AS10 VD0034	002004 006102 107120 950999	2
125	851-37839-102	.L	LENS-SPD SUPPLIER CODE: V96182 MISCELLANEOUS DATA: ROCKWELL COLLINS SCD 837-0035-020	002004 006102 107120 950999	1
130	OL685AS15-297	..	LAMP-5V SUPPLIER CODE: VS3774 MISCELLANEOUS DATA: ROCKWELL COLLINS SCD 836-0030-010 OPTIONAL PART: MS24515-685AS15 V96906	002004 006102 107120 950999	2
130	MS24515-685AS15	..	LAMP-5V MISCELLANEOUS DATA: ROCKWELL COLLINS SCD 262-1884-000 OPTIONAL PART: OL685AS15-297 V31869	002004 006102 107120 950999	2
135	OL387AS10	..	LAMP-28V SUPPLIER CODE: VD0034 MISCELLANEOUS DATA: ROCKWELL COLLINS SCD 262-2807-020 OPTIONAL PART: OL387AS15-297 VD0034	002004 006102 107120 950999	2

MISSING ITEM NUMBERS NOT APPLICABLE

— ITEM NOT ILLUSTRATED

BRI

22-11-02-01A

BOEING PROPRIETARY - Copyright © - Unpublished Work - See title page for details.

22-11-02
FIG. 01A
PAGE 6
JAN 20/09



757

PARTS CATALOG (MAINTENANCE)

FIG ITEM	PART NUMBER	1 2 3 4 5 6 7	NOMENCLATURE	EFFECT FROM TO	UNITS PER ASSY
1A 135	OL387AS15-297	..	LAMP-28V SUPPLIER CODE: VD0034 MISCELLANEOUS DATA: ROCKWELL COLLINS SCD 262-2807-030 OPTIONAL PART: OL387AS10 VD0034	002004 006102 107120 950999	2
145	851-37839-103	.L	LENS-L NAV SUPPLIER CODE: V96182 MISCELLANEOUS DATA: ROCKWELL COLLINS SCD 837-0035-030	002004 006102 107120 950999	1
150	OL685AS15-297	..	LAMP-5V SUPPLIER CODE: VS3774 MISCELLANEOUS DATA: ROCKWELL COLLINS SCD 836-0030-010 OPTIONAL PART: MS24515-685AS15 V96906	002004 006102 107120 950999	2
150	MS24515-685AS15	..	LAMP-5V MISCELLANEOUS DATA: ROCKWELL COLLINS SCD 262-1884-000 OPTIONAL PART: OL685AS15-297 V31869	002004 006102 107120 950999	2
155	OL387AS10	..	LAMP-28V SUPPLIER CODE: VD0034 MISCELLANEOUS DATA: ROCKWELL COLLINS SCD 262-2807-020 OPTIONAL PART: OL387AS15-297 VD0034	002004 006102 107120 950999	2
155	OL387AS15-297	..	LAMP-28V SUPPLIER CODE: VD0034 MISCELLANEOUS DATA: ROCKWELL COLLINS SCD 262-2807-030 OPTIONAL PART: OL387AS10 VD0034	002004 006102 107120 950999	2

MISSING ITEM NUMBERS NOT APPLICABLE

- ITEM NOT ILLUSTRATED

22-11-02-01A

22-11-02
FIG. 01A
PAGE 7
JAN 20/09

BRI

BOEING PROPRIETARY - Copyright © - Unpublished Work - See title page for details.



757

PARTS CATALOG (MAINTENANCE)

FIG ITEM	PART NUMBER	1 2 3 4 5 6 7	NOMENCLATURE	EFFECT FROM TO	UNITS PER ASSY
1A 165	851-37839-104	.	LENS-V NAV SUPPLIER CODE: V96182 MISCELLANEOUS DATA: ROCKWELL COLLINS SCD 837-0035-040	002004 006102 107120 950999	1
170	OL685AS15-297	..	LAMP-5V SUPPLIER CODE: VS3774 MISCELLANEOUS DATA: ROCKWELL COLLINS SCD 836-0030-010 OPTIONAL PART: MS24515-685AS15	002004 006102 107120 950999	2
170	MS24515-685AS15	..	LAMP-5V MISCELLANEOUS DATA: ROCKWELL COLLINS SCD 262-1884-000 OPTIONAL PART: OL685AS15-297 V31869	002004 006102 107120 950999	2
175	OL387AS10	..	LAMP-28V SUPPLIER CODE: VD0034 MISCELLANEOUS DATA: ROCKWELL COLLINS SCD 262-2807-020 OPTIONAL PART: OL387AS15-297 VD0034	002004 006102 107120 950999	2
175	OL387AS15-297	..	LAMP-28V SUPPLIER CODE: VD0034 MISCELLANEOUS DATA: ROCKWELL COLLINS SCD 262-2807-030 OPTIONAL PART: OL387AS10 VD0034	002004 006102 107120 950999	2
185	851-37839-111	.	LENS-FL CH SUPPLIER CODE: V96182 MISCELLANEOUS DATA: ROCKWELL COLLINS SCD 837-0035-110	002004 006102 107120 950999	1

MISSING ITEM NUMBERS NOT APPLICABLE

- ITEM NOT ILLUSTRATED

22-11-02-01A

22-11-02
FIG. 01A
PAGE 8
JAN 20/09

BRI

BOEING PROPRIETARY - Copyright © - Unpublished Work - See title page for details.



757

PARTS CATALOG (MAINTENANCE)

FIG ITEM	PART NUMBER	1 2 3 4 5 6 7	NOMENCLATURE	EFFECT FROM TO	UNITS PER ASSY
1A 190	OL685AS15-297	..	LAMP-5V SUPPLIER CODE: VS3774 MISCELLANEOUS DATA: ROCKWELL COLLINS SCD 836-0030-010 OPTIONAL PART: MS24515-685AS15	002004 006102 107120 950999	2
190	MS24515-685AS15	..	LAMP-5V MISCELLANEOUS DATA: ROCKWELL COLLINS SCD 262-1884-000 OPTIONAL PART: OL685AS15-297 V31869	002004 006102 107120 950999	2
195	OL387AS10	..	LAMP-28V SUPPLIER CODE: VDO034 MISCELLANEOUS DATA: ROCKWELL COLLINS SCD 262-2807-020 OPTIONAL PART: OL387AS15-297 VDO034	002004 006102 107120 950999	2
195	OL387AS15-297	..	LAMP-28V SUPPLIER CODE: VDO034 MISCELLANEOUS DATA: ROCKWELL COLLINS SCD 262-2807-030 OPTIONAL PART: OL387AS10 VDO034	002004 006102 107120 950999	2
205	851-37839-105	.L	LENS-HOLD SUPPLIER CODE: V96182 MISCELLANEOUS DATA: ROCKWELL COLLINS SCD 837-0035-050	002004 006102 107120 950999	2
210	OL685AS15-297	..	LAMP-5V SUPPLIER CODE: VS3774 MISCELLANEOUS DATA: ROCKWELL COLLINS SCD 836-0030-010 OPTIONAL PART: MS24515-685AS15	002004 006102 107120 950999	2

MISSING ITEM NUMBERS NOT APPLICABLE

- ITEM NOT ILLUSTRATED

22-11-02-01A

22-11-02
FIG. 01A
PAGE 9
JAN 20/09

BRI

BOEING PROPRIETARY - Copyright © - Unpublished Work - See title page for details.



757

PARTS CATALOG (MAINTENANCE)

FIG ITEM	PART NUMBER	1 2 3 4 5 6 7	NOMENCLATURE	EFFECT FROM TO	UNITS PER ASSY
1A 210	MS24515-685AS15	..	LAMP-5V MISCELLANEOUS DATA: ROCKWELL COLLINS SCD 262-1884-000 OPTIONAL PART: OL685AS15-297 V31869	002004 006102 107120 950999	2
215	OL387AS10	..	LAMP-28V SUPPLIER CODE: VD0034 MISCELLANEOUS DATA: ROCKWELL COLLINS SCD 262-2807-020 OPTIONAL PART: OL387AS15-297 VD0034	002004 006102 107120 950999	2
215	OL387AS15-297	..	LAMP-28V SUPPLIER CODE: VD0034 MISCELLANEOUS DATA: ROCKWELL COLLINS SCD 262-2807-030 OPTIONAL PART: OL387AS10 VD0034	002004 006102 107120 950999	2
225	851-37839-106	.L	LENS-V/S SUPPLIER CODE: V96182 MISCELLANEOUS DATA: ROCKWELL COLLINS SCD 837-0035-060	002004 006102 107120 950999	1
230	OL685AS15-297	..	LAMP-5V SUPPLIER CODE: VS3774 MISCELLANEOUS DATA: ROCKWELL COLLINS SCD 836-0030-010 OPTIONAL PART: MS24515-685AS15 USED ON: 851-37839-106	002004 006102 107120 950999	2
230	MS24515-685AS15	..	LAMP-5V MISCELLANEOUS DATA: ROCKWELL COLLINS SCD 262-1884-000 OPTIONAL PART: OL685AS15-297 V31869	002004 006102 107120 950999	2

MISSING ITEM NUMBERS NOT APPLICABLE

- ITEM NOT ILLUSTRATED

22-11-02-01A

22-11-02
FIG. 01A
PAGE 10
JAN 20/09

BRI

BOEING PROPRIETARY - Copyright © - Unpublished Work - See title page for details.

 **BOEING**
757
PARTS CATALOG (MAINTENANCE)

FIG ITEM	PART NUMBER	1 2 3 4 5 6 7	NOMENCLATURE	EFFECT FROM TO	UNITS PER ASSY
1A 235	OL387AS10	..	LAMP-28V SUPPLIER CODE: VD0034 MISCELLANEOUS DATA: ROCKWELL COLLINS SCD 262-2807-020 OPTIONAL PART: OL387AS15-297 VD0034	002004 006102 107120 950999	2
235	OL387AS15-297	..	LAMP-28V SUPPLIER CODE: VD0034 MISCELLANEOUS DATA: ROCKWELL COLLINS SCD 262-2807-030 OPTIONAL PART: OL387AS10 VD0034	002004 006102 107120 950999	2
245	851-37839-114	.L	LENS-B/CRS SUPPLIER CODE: V96182 MISCELLANEOUS DATA: ROCKWELL COLLINS SCD 837-0035-140	002004 006102 107120 950999	1
250	OL685AS15-297	..	LAMP-5V SUPPLIER CODE: VS3774 MISCELLANEOUS DATA: ROCKWELL COLLINS SCD 836-0030-010 OPTIONAL PART: MS24515-685AS15	002004 006102 107120 950999	2
250	MS24515-685AS15	..	LAMP-5V MISCELLANEOUS DATA: ROCKWELL COLLINS SCD 262-1884-000 OPTIONAL PART: OL685AS15-297 V31869	002004 006102 107120 950999	2
255	OL387AS10	..	LAMP-28V SUPPLIER CODE: VD0034 MISCELLANEOUS DATA: ROCKWELL COLLINS SCD 262-2807-020 OPTIONAL PART: OL387AS15-297 VD0034	002004 006102 107120 950999	2

MISSING ITEM NUMBERS NOT APPLICABLE

— ITEM NOT ILLUSTRATED

BRI

22-11-02-01A

BOEING PROPRIETARY - Copyright © - Unpublished Work - See title page for details.

22-11-02
FIG. 01A
PAGE 11
JAN 20/09



757

PARTS CATALOG (MAINTENANCE)

FIG ITEM	PART NUMBER	1 2 3 4 5 6 7	NOMENCLATURE	EFFECT FROM TO	UNITS PER ASSY
1A 255	OL387AS15-297	..	LAMP-28V SUPPLIER CODE: VD0034 MISCELLANEOUS DATA: ROCKWELL COLLINS SCD 262-2807-030 OPTIONAL PART: OL387AS10 VD0034	002004 006102 107120 950999	2
265	851-37839-107	.L	LENS-LOC SUPPLIER CODE: V96182 MISCELLANEOUS DATA: ROCKWELL COLLINS SCD 837-0035-070	002004 006102 107120 950999	1
270	OL685AS15-297	..	LAMP-5V SUPPLIER CODE: VS3774 MISCELLANEOUS DATA: ROCKWELL COLLINS SCD 836-0030-010 OPTIONAL PART: MS24515-685AS15	002004 006102 107120 950999	2
270	MS24515-685AS15	..	LAMP-5V MISCELLANEOUS DATA: ROCKWELL COLLINS SCD 262-1884-000 OPTIONAL PART: OL685AS15-297 V31869	002004 006102 107120 950999	2
275	OL387AS10	..	LAMP-28V SUPPLIER CODE: VD0034 MISCELLANEOUS DATA: ROCKWELL COLLINS SCD 262-2807-020 OPTIONAL PART: OL387AS15-297 VD0034	002004 006102 107120 950999	2
275	OL387AS15-297	..	LAMP-28V SUPPLIER CODE: VD0034 MISCELLANEOUS DATA: ROCKWELL COLLINS SCD 262-2807-030 OPTIONAL PART: OL387AS10 VD0034	002004 006102 107120 950999	2

MISSING ITEM NUMBERS NOT APPLICABLE

- ITEM NOT ILLUSTRATED

22-11-02-01A

22-11-02
FIG. 01A
PAGE 12
JAN 20/09

BRI

BOEING PROPRIETARY - Copyright © - Unpublished Work - See title page for details.



757

PARTS CATALOG (MAINTENANCE)

FIG ITEM	PART NUMBER	1 2 3 4 5 6 7	NOMENCLATURE	EFFECT FROM TO	UNITS PER ASSY
1A 285	851-37839-108	. LENS-APP	SUPPLIER CODE: V96182 MISCELLANEOUS DATA: ROCKWELL COLLINS SCD 837-0035-080	002004 006102 107120 950999	1
290	OL685AS15-297	.. LAMP-5V	SUPPLIER CODE: VS3774 MISCELLANEOUS DATA: ROCKWELL COLLINS SCD 836-0030-010 OPTIONAL PART: MS24515-685AS15	002004 006102 107120 950999	2
290	MS24515-685AS15	.. LAMP-5V	MISCELLANEOUS DATA: ROCKWELL COLLINS SCD 262-1884-000 OPTIONAL PART: OL685AS15-297 V31869	002004 006102 107120 950999	2
295	OL387AS10	.. LAMP-28V	SUPPLIER CODE: VD0034 MISCELLANEOUS DATA: ROCKWELL COLLINS SCD 262-2807-020 OPTIONAL PART: OL387AS15-297 VD0034	002004 006102 107120 950999	2
295	OL387AS15-297	.. LAMP-28V	SUPPLIER CODE: VD0034 MISCELLANEOUS DATA: ROCKWELL COLLINS SCD 262-2807-030 OPTIONAL PART: OL387AS10 VD0034	002004 006102 107120 950999	2
305	851-37839-109	. LENS-CMD	SUPPLIER CODE: V96182 MISCELLANEOUS DATA: ROCKWELL COLLINS SCD 837-0035-090	002004 006102 107120 950999	3

MISSING ITEM NUMBERS NOT APPLICABLE

- ITEM NOT ILLUSTRATED

22-11-02-01A

22-11-02
FIG. 01A
PAGE 13
JAN 20/09

BRI



757

PARTS CATALOG (MAINTENANCE)

FIG ITEM	PART NUMBER	1 2 3 4 5 6 7	NOMENCLATURE	EFFECT FROM TO	UNITS PER ASSY
1A					
310	OL685AS15-297	..	LAMP-5V SUPPLIER CODE: VS3774 MISCELLANEOUS DATA: ROCKWELL COLLINS SCD 836-0030-010 OPTIONAL PART: MS24515-685AS15	002004 006102 107120 950999	2
310	MS24515-685AS15	..	LAMP-5V MISCELLANEOUS DATA: ROCKWELL COLLINS SCD 262-1884-000	002004 006102 107120 950999	2
315	OL387AS10	..	LAMP-28V SUPPLIER CODE: VD0034 MISCELLANEOUS DATA: ROCKWELL COLLINS SCD 262-2807-020 OPTIONAL PART: OL387AS15-297 VD0034	002004 006102 107120 950999	2
315	OL387AS15-297	..	LAMP-28V SUPPLIER CODE: VD0034 MISCELLANEOUS DATA: ROCKWELL COLLINS SCD 262-2807-030 OPTIONAL PART: OL387AS10 VD0034	002004 006102 107120 950999	2
325	851-37839-110	.L	LENS-CWS SUPPLIER CODE: V96182 MISCELLANEOUS DATA: ROCKWELL COLLINS SCD 837-0035-100	002004 006102 107120 950999	3
330	OL685AS15-297	..	LAMP-5V SUPPLIER CODE: VS3774 MISCELLANEOUS DATA: ROCKWELL COLLINS SCD 836-0030-010 OPTIONAL PART: MS24515-685AS15 V96906	002004 006102 107120 950999	2
330	MS24515-685AS15	..	LAMP-5V MISCELLANEOUS DATA: ROCKWELL COLLINS SCD 262-1884-000	002004 006102 107120 950999	2

MISSING ITEM NUMBERS NOT APPLICABLE

- ITEM NOT ILLUSTRATED

22-11-02-01A

22-11-02
FIG. 01A
PAGE 14
JAN 20/09

BRI

BOEING PROPRIETARY - Copyright © - Unpublished Work - See title page for details.



757

PARTS CATALOG (MAINTENANCE)

FIG ITEM	PART NUMBER	1 2 3 4 5 6 7	NOMENCLATURE	EFFECT FROM TO	UNITS PER ASSY
1A 335	OL387AS10	..	LAMP-28V SUPPLIER CODE: VDO034 MISCELLANEOUS DATA: ROCKWELL COLLINS SCD 262-2807-020 OPTIONAL PART: OL387AS15-297 VDO034	002004 006102 107120 950999	2
335	OL387AS15-297	..	LAMP-28V SUPPLIER CODE: VDO034 MISCELLANEOUS DATA: ROCKWELL COLLINS SCD 262-2807-030	002004 006102 107120 950999	2
340	651-2606-001	.	SHAFT-DRIVE HDG KNOB SUPPLIER CODE: V4V792	002004 006102 107120 950999	1
350	641-9809-001	.	GUARD-THUMBWHEEL SUPPLIER CODE: V4V792 CONFIG CHG DATA FROM A CMM: SUPSD BY 830-3815-001	002004 006102 107120 950999	2
350	830-3815-001	.	GUARD-THUMBWHEEL SUPPLIER CODE: V4V792 CONFIG CHG DATA FROM A CMM: SUPERSEDES 641-3815-001	002004 006102 107120 950999	2
355	G45-13	.	FASTENER- SUPPLIER CODE: V06097 MISCELLANEOUS DATA: ROCKWELL COLLINS SCD 012-0501-020	002004 006102 107120 950999	8
360	G45-2	.	COLLAR- SUPPLIER CODE: V06097 MISCELLANEOUS DATA: ROCKWELL COLLINS SCD 012-0501-070	002004 006102 107120 950999	8
365	192-0502-020	.	WINDOW-GLASS SUPPLIER CODE: V66083	002004 006102 107120 950999	1
370	192-0502-010	.	WINDOW-GLASS SUPPLIER CODE: V66083	002004 006102 107120 950999	1

MISSING ITEM NUMBERS NOT APPLICABLE

- ITEM NOT ILLUSTRATED

22-11-02-01A

22-11-02
FIG. 01A
PAGE 15
JAN 20/09

BRI

BOEING PROPRIETARY - Copyright © - Unpublished Work - See title page for details.



757

PARTS CATALOG (MAINTENANCE)

FIG ITEM	PART NUMBER	1 2 3 4 5 6 7	NOMENCLATURE	EFFECT FROM TO	UNITS PER ASSY
1A 375	192-0502-030	.	WINDOW-GLASS SUPPLIER CODE: V66083	002004 006102 107120 950999	2
380	BCREF106221	.	LAMP-INCANDESCENT OVERLENGTH PART NUMBER: MS90451-6832AS15 MISCELLANEOUS DATA: ROCKWELL COLLINS SCD 262-1337-020	002004 006102 107120 950999	30
385	754-8208-001	.	WASHER-LT SUPPLIER CODE: V4V792	002004 006102 107120 950999	1
- 390	342-0141-000	.	SCREW- SUPPLIER CODE: V77250	002004 006102 107120 950999	18
395	G30-5	.	INSERT- SUPPLIER CODE: V06097	002004 006102 107120 950999	18
- 495	822-1492-102		PANEL ASSY-MODE CONT SUPPLIER CODE: V4V792 SPECIFICATION NUMBER: S241T100-232 ELECTRICAL EQUIP NUMBER: M00090 COMPONENT MAINT MANUAL REF: 22-12-78 QUALIFIED I/W DATA: 822-1492-101 AND 822-1492-102 ARE TWO-WAY REPLACEABLE WHEN BACK COURSE (BCRS) MODE PUSHBUTTON IS REPLACED BY A SWITCH GUARD. POST SERVICE BULLETIN: 34-0399 FOR NHA SEE: 22-11-02-01	107107	RF
500	851-39371-213	.	SWITCH-(THR) A1S1 SUPPLIER CODE: V96182 MISCELLANEOUS DATA: ROCKWELL COLLINS SCD 266-0322-130	107107	1

MISSING ITEM NUMBERS NOT APPLICABLE

- ITEM NOT ILLUSTRATED

22-11-02-01A

22-11-02
FIG. 01A
PAGE 16
JAN 20/09

BRI



757

PARTS CATALOG (MAINTENANCE)

FIG ITEM	PART NUMBER	1 2 3 4 5 6 7	NOMENCLATURE	EFFECT FROM TO	UNITS PER ASSY
1A					
- 505	851-39371-111	..	LENS-THR SUPPLIER CODE: V96182 MISCELLANEOUS DATA: ROCKWELL COLLINS SCD 837-0018-120	107107	1
- 510	OL685AS15-297	...	LAMP-5V SUPPLIER CODE: VS3774 MISCELLANEOUS DATA: ROCKWELL COLLINS SCD 836-0030-010 OPTIONAL PART: MS24515-685AS15	107107	2
- 510	MS24515-685AS15	...	LAMP-5V MISCELLANEOUS DATA: ROCKWELL COLLINS SCD 262-1884-000 OPTIONAL PART: OL685AS15-297 V31869	107107	2
511	851-39371-228	.SWITCH ASSY-(B/CRS) A1S9	SUPPLIER CODE: V96182 MISCELLANEOUS DATA: ROCKWELL COLLINS SCD 266-0322-280	107107	1
- 512	851-39371-126	..	LENS-PB ILLUM B/CRS SUPPLIER CODE: V96182 MISCELLANEOUS DATA: ROCKWELL COLLINS SCD 837-0018-270	107107	1
- 513	OL685AS15-297	...	LAMP-5V SUPPLIER CODE: VS3774 OPTIONAL PART: MS24515-685AS15	107107	2
- 513	MS24515-685AS15	...	LAMP-5V OPTIONAL PART: OL685AS15-297 V31869	107107	2
515	851-39371-214	.SWITCH-PB(SPD) A1S2	SUPPLIER CODE: V96182 MISCELLANEOUS DATA: ROCKWELL COLLINS SCD 266-0322-140	107107	1

MISSING ITEM NUMBERS NOT APPLICABLE

- ITEM NOT ILLUSTRATED

22-11-02-01A

22-11-02
FIG. 01A
PAGE 17
JAN 20/09

BRI



757

PARTS CATALOG (MAINTENANCE)

FIG ITEM	PART NUMBER	1 2 3 4 5 6 7	NOMENCLATURE	EFFECT FROM TO	UNITS PER ASSY
1A					
- 520	851-39371-112	..	LENS-PB, SPD SUPPLIER CODE: V96182 MISCELLANEOUS DATA: ROCKWELL COLLINS SCD 837-0018-130	107107	1
- 525	OL685AS15-297	...	LAMP-5V SUPPLIER CODE: VS3774 MISCELLANEOUS DATA: ROCKWELL COLLINS SCD 836-0030-010 OPTIONAL PART: MS24515-685AS15	107107	2
- 525	MS24515-685AS15	...	LAMP-5V MISCELLANEOUS DATA: ROCKWELL COLLINS SCD 262-1884-000 OPTIONAL PART: OL685AS15-297 V31869	107107	2
530	851-39371-215	.S	SWITCH-(L NAV) A1S3 SUPPLIER CODE: V96182 MISCELLANEOUS DATA: ROCKWELL COLLINS SCD 266-0322-150	107107	1
- 535	851-39371-113	..	LENS-L NAV SUPPLIER CODE: V96182 MISCELLANEOUS DATA: ROCKWELL COLLINS SCD 837-0018-140	107107	1
- 540	OL685AS15-297	...	LAMP-5V SUPPLIER CODE: VS3774 OPTIONAL PART: MS24515-685AS15	107107	2
- 540	MS24515-685AS15	...	LAMP-5V OPTIONAL PART: OL685AS15-297 V31869	107107	2
550	851-39371-216	.S	SWITCH-(V NAV) A1S4 SUPPLIER CODE: V96182 MISCELLANEOUS DATA: ROCKWELL COLLINS SCD 266-0322-160	107107	1

MISSING ITEM NUMBERS NOT APPLICABLE

- ITEM NOT ILLUSTRATED

22-11-02-01A

22-11-02
FIG. 01A
PAGE 18
JAN 20/09

BRI



757

PARTS CATALOG (MAINTENANCE)

FIG ITEM	PART NUMBER	1 2 3 4 5 6 7	NOMENCLATURE	EFFECT FROM TO	UNITS PER ASSY
1 A					
- 555	851-39371-114	..	LENS-V NAV SUPPLIER CODE: V96182 MISCELLANEOUS DATA: ROCKWELL COLLINS SCD 837-0018-150	107107	1
- 560	OL685AS15-297	...	LAMP-5V SUPPLIER CODE: VS3774 MISCELLANEOUS DATA: ROCKWELL COLLINS SCD 836-0030-010 OPTIONAL PART: MS24515-685AS15	107107	2
- 560	MS24515-685AS15	...	LAMP-5V MISCELLANEOUS DATA: ROCKWELL COLLINS SCD 262-1884-000 OPTIONAL PART: OL685AS15-297 V31869	107107	2
565	851-39371-225	.S	SWITCH-(FLCH) A1S5 SUPPLIER CODE: V96182 MISCELLANEOUS DATA: ROCKWELL COLLINS SCD 266-0322-250	107107	1
- 570	851-39371-123	..	LENS-FL CH SUPPLIER CODE: V96182 MISCELLANEOUS DATA: ROCKWELL COLLINS SCD 837-0018-240	107107	1
575	851-39371-217	.S	SWITCH-(HOLD) A1S6 A1S8 SUPPLIER CODE: V96182 MISCELLANEOUS DATA: ROCKWELL COLLINS SCD 266-0322-170	107107	2
- 580	851-39371-115	..	LENS-HOLD SUPPLIER CODE: V96182 MISCELLANEOUS DATA: ROCKWELL COLLINS SCD 837-0018-160	107107	1

MISSING ITEM NUMBERS NOT APPLICABLE

- ITEM NOT ILLUSTRATED

22-11-02-01A

22-11-02
FIG. 01A
PAGE 19
JAN 20/09

BRI

BOEING PROPRIETARY - Copyright © - Unpublished Work - See title page for details.



757

PARTS CATALOG (MAINTENANCE)

FIG ITEM	PART NUMBER	1 2 3 4 5 6 7	NOMENCLATURE	EFFECT FROM TO	UNITS PER ASSY
1A - 585	OL685AS15-297	...	LAMP-5V SUPPLIER CODE: VS3774 MISCELLANEOUS DATA: ROCKWELL COLLINS SCD 836-0030-010 OPTIONAL PART: MS24515-685AS15	107107	2
- 585	MS24515-685AS15	...	LAMP-5V MISCELLANEOUS DATA: ROCKWELL COLLINS SCD 262-1884-000 OPTIONAL PART: OL685AS15-297 V31869	107107	2
590	851-39371-219	.SWITCH-(V/S) A1S7	SUPPLIER CODE: V96182 MISCELLANEOUS DATA: ROCKWELL COLLINS SCD 266-0322-190	107107	1
- 595	851-39371-117	..LENS-PB ILLUM V/S	SUPPLIER CODE: V96182 MISCELLANEOUS DATA: ROCKWELL COLLINS SCD 837-0018-180	107107	1
- 600	MS24515-685AS15	...	LAMP-5V MISCELLANEOUS DATA: ROCKWELL COLLINS SCD 262-1884-000 OPTIONAL PART: OL685AS15-297 V31869	107107	2
- 600	OL685AS15-297	...	LAMP-5V SUPPLIER CODE: VS3774 MISCELLANEOUS DATA: ROCKWELL COLLINS SCD 836-0030-010 OPTIONAL PART: MS24515-685AS15	107107	2
605	851-39371-220	.SWITCH-(LOC) A1S10	SUPPLIER CODE: V96182 MISCELLANEOUS DATA: ROCKWELL COLLINS SCD 266-0322-200	107107	1

MISSING ITEM NUMBERS NOT APPLICABLE

- ITEM NOT ILLUSTRATED

22-11-02-01A

22-11-02
FIG. 01A
PAGE 20
JAN 20/09

BRI



757

PARTS CATALOG (MAINTENANCE)

FIG ITEM	PART NUMBER	1 2 3 4 5 6 7	NOMENCLATURE	EFFECT FROM TO	UNITS PER ASSY
1A - 610	851-39371-118	..	LENS-PB, ILLUM-LOC SUPPLIER CODE: V96182 MISCELLANEOUS DATA: ROCKWELL COLLINS SCD 837-0018-190	107107	1
- 615	OL685AS15-297	...	LAMP-5V SUPPLIER CODE: VS3774 MISCELLANEOUS DATA: ROCKWELL COLLINS SCD 836-0030-010 OPTIONAL PART: MS24515-685AS15	107107	2
- 615	MS24515-685AS15	...	LAMP-5V MISCELLANEOUS DATA: ROCKWELL COLLINS SCD 262-1884-000 OPTIONAL PART: OL685AS15-297 V31869	107107	2
620	851-39371-222	.S	WITCH-(APP) A1S11 SUPPLIER CODE: V96182 MISCELLANEOUS DATA: ROCKWELL COLLINS SCD 266-0322-220	107107	1
625	851-39371-223	.S	WITCH-(CMD) A1S12 A1S14 A1S16 SUPPLIER CODE: V96182 MISCELLANEOUS DATA: ROCKWELL COLLINS SCD 266-0322-230	107107	3
- 630	851-39371-121	..	LENS-CMD SUPPLIER CODE: V96182 MISCELLANEOUS DATA: ROCKWELL COLLINS SCD 837-0018-220	107107	1
- 635	OL685AS15-297	...	LAMP-5V SUPPLIER CODE: VS3774 MISCELLANEOUS DATA: ROCKWELL COLLINS SCD 836-0030-010 OPTIONAL PART: MS24515-685AS15	107107	2

MISSING ITEM NUMBERS NOT APPLICABLE

- ITEM NOT ILLUSTRATED

22-11-02-01A

22-11-02
FIG. 01A
PAGE 21
JAN 20/09

BRI



757

PARTS CATALOG (MAINTENANCE)

FIG ITEM	PART NUMBER	1 2 3 4 5 6 7	NOMENCLATURE	EFFECT FROM TO	UNITS PER ASSY
1 A - 635	MS24515-685AS15	. . .	LAMP-5V MISCELLANEOUS DATA: ROCKWELL COLLINS SCD 262-1884-000 OPTIONAL PART: OL685AS15-297 V31869	107107	2
640	280-2745-140	. LABEL-ESDS WARNING	SUPPLIER CODE: V12998	107107	1
645	829-0355-003	. PLATE-IDENT	SUPPLIER CODE: V4V792	107107	1
645	829-0355-004	. PLATE-IDENT	SUPPLIER CODE: V4V792	107107	1
650	838-7020-010	. LABEL-CAUTION	SUPPLIER CODE: V4V792	107107	1
655	647-9847-001	. LABEL-CAUTION	SUPPLIER CODE: V4V792	107107	1
660	829-0200-007	. PLATE-IDENT	SUPPLIER CODE: V4V792	107107	1
665	830-3377-020	. KNOB-CTRL	SPEED INDICATOR SUPPLIER CODE: V4V792	107107	1
- 670	MS51963-9	. SETSCREW-CD, PL STL	MISCELLANEOUS DATA: ROCKWELL COLLINS SCD 382-5020-000 (4V792)	107107	2
675	830-3370-020	. KNOB-CTRL	DIRECTION INDICATOR SUPPLIER CODE: V4V792	107107	1
680	830-3202-020	. KNOB ASSY-BANK LIMIT	SUPPLIER CODE: V4V792	107107	1
685	830-3202-012	. . KNOB-POINTER	SUPPLIER CODE: V4V792	107107	1
690	830-3202-004	. . KNOB-SHELL	SUPPLIER CODE: V4V792	107107	1

MISSING ITEM NUMBERS NOT APPLICABLE

- ITEM NOT ILLUSTRATED

22-11-02-01A

22-11-02
FIG. 01A
PAGE 22
JAN 20/09

BRI

BOEING PROPRIETARY - Copyright © - Unpublished Work - See title page for details.



757

PARTS CATALOG (MAINTENANCE)

FIG ITEM	PART NUMBER	1 2 3 4 5 6 7	NOMENCLATURE	EFFECT FROM TO	UNITS PER ASSY
1A 695	830-3377-030		.KNOB-CONTROL ALTITUDE INDICATOR SUPPLIER CODE: V4V792	107107	1
- 700	822-1492-102		PANEL ASSY-MODE CONT MCP-705 SUPPLIER CODE: V4V792 SPECIFICATION NUMBER: S241T100-232 ELECTRICAL EQUIP NUMBER: M00090 COMPONENT MAINT MANUAL REF: 22-12-78 QUALIFIED I/W DATA: S241T100-211/ 622-4717-004 MCP IS TWO WAY INTERCHANGEABLE WITH S241T100-232/ 822-1492-102 MCP IF CWS HAS BEEN DE-ACTIVATED ON THE AIRPLANE FOR NHA SEE: 22-11-02-03	103106	RF
703	280-2745-140		.LABEL-ESDS WARNING SUPPLIER CODE: V12998	103106	1
706	829-0355-004		.PLATE-IDENT SUPPLIER CODE: V4V792	103106	1
709	838-7020-010		.LABEL-IDENT SUPPLIER CODE: V12998	103106	1
712	647-9847-001		.LABEL-CAUTION SUPPLIER CODE: V4V792	103106	1
715	830-3377-020		.KNOB-CONT SPEED IND SUPPLIER CODE: V4V792	103106	1
718	830-3369-001		.PUSHBUTTON- SUPPLIER CODE: V4V792	103106	1
721	830-3370-020		.KNOB-CONT DIR IND SUPPLIER CODE: V4V792	103106	1
724	830-3377-030		.KNOB-CONT ALTITUDE IND SUPPLIER CODE: V4V792	103106	1

MISSING ITEM NUMBERS NOT APPLICABLE

- ITEM NOT ILLUSTRATED

22-11-02-01A

22-11-02
FIG. 01A
PAGE 23
JAN 20/09

BRI

BOEING PROPRIETARY - Copyright © - Unpublished Work - See title page for details.



757

PARTS CATALOG (MAINTENANCE)

FIG ITEM	PART NUMBER	1 2 3 4 5 6 7	NOMENCLATURE	EFFECT FROM TO	UNITS PER ASSY
1 A			ATTACHING PARTS		
727	MS51963-9		. SETSCREW	103106	8
			-----*-----		
730	830-3202-020		. KNOB ASSY-BLANK LIMIT	103106	1
			SUPPLIER CODE: V4V792		
733	830-3202-012		.. KNOB-POINTER	103106	1
			SUPPLIER CODE: V4V792		
736	830-3202-004		.. KNOB-SHELL	103106	1
			SUPPLIER CODE: V4V792		
739	830-3201-002		. BAR-SWITCH	103106	1
			SUPPLIER CODE: V4V792		
			ATTACHING PARTS		
742	MS51963-9		. SETSCREW-	103106	3
			MISCELLANEOUS DATA: ROCKWELL COLLINS SCD 262-1884-000		
			OPTIONAL PART: OL685AS15-297 V31869		
			-----*-----		
745	829-0200-007		. PLATE-IND	103106	1
			SUPPLIER CODE: V4V792		
748	CEP20		. COVER-CONN. DUST	103106	3
			SUPPLIER CODE: V99017		
			MISCELLANEOUS DATA: ROCKWELL COLLINS SCD 359-7602-130		
751	851-39371-111		. LENS-THR A1 S1	103106	1
			SUPPLIER CODE: V96182		
			MISCELLANEOUS DATA: ROCKWELL COLLINS PART NO 837-0018-120		
754	851-39371-112		. LENS-SPD A1 S2	103106	1
			SUPPLIER CODE: V96182		
			MISCELLANEOUS DATA: ROCKWELL COLLINS PART NO 837-0018-130		

MISSING ITEM NUMBERS NOT APPLICABLE

- ITEM NOT ILLUSTRATED

22-11-02-01A

22-11-02
FIG. 01A
PAGE 24
JAN 20/09

BRI

BOEING PROPRIETARY - Copyright © - Unpublished Work - See title page for details.



757

PARTS CATALOG (MAINTENANCE)

FIG ITEM	PART NUMBER	1 2 3 4 5 6 7	NOMENCLATURE	EFFECT FROM TO	UNITS PER ASSY
1A 757	851-39371-113		.LENS-L NAV 1A S3 SUPPLIER CODE: V96182 MISCELLANEOUS DATA: ROCKWELL COLLINS PART NO 837-0018-140	103106	1
760	851-39371-114		.LENS-V NAV 1A S4 SUPPLIER CODE: V96182 MISCELLANEOUS DATA: ROCKWELL COLLINS PART NO 837-0018-150	103106	1
763	851-39371-115		.LENS-HOLD A1 S6 S8 SUPPLIER CODE: V96182 MISCELLANEOUS DATA: ROCKWELL COLLINS PART NO 837-0018-160	103106	2
766	851-39371-117		.LENS-V/S A1 S7 SUPPLIER CODE: V96182 MISCELLANEOUS DATA: ROCKWELL COLLINS PART NO 837-0018-180	103106	1
769	851-39371-118		.LENS-LOC A1 S10 SUPPLIER CODE: V96182 MISCELLANEOUS DATA: ROCKWELL COLLINS PART NO 837-0018-190	103106	1
772	851-39371-120		.LENS-APP A1 S11 SUPPLIER CODE: V96182 MISCELLANEOUS DATA: ROCKWELL COLLINS PART NO 837-0018-210	103106	1
775	851-39371-121		.LENS-CMD A1 S12 S14 S16 SUPPLIER CODE: V96182 MISCELLANEOUS DATA: ROCKWELL COLLINS PART NO 837-0018-220	103106	3
778	851-39371-123		.LENS-FL CH A1 S5 SUPPLIER CODE: V96182 MISCELLANEOUS DATA: ROCKWELL COLLINS PART NO 837-0018-240	103106	1

MISSING ITEM NUMBERS NOT APPLICABLE

- ITEM NOT ILLUSTRATED

BRI

22-11-02-01A

BOEING PROPRIETARY - Copyright © - Unpublished Work - See title page for details.

22-11-02
FIG. 01A
PAGE 25
JAN 20/09



757

PARTS CATALOG (MAINTENANCE)

FIG ITEM	PART NUMBER	1 2 3 4 5 6 7	NOMENCLATURE	EFFECT FROM TO	UNITS PER ASSY
1 A 781	OL685AS15-297	..	LAMP-5V SUPPLIER CODE: VS3774 MISCELLANEOUS DATA: ROCKWELL COLLINS SCD 836-0030-010 OPTIONAL PART: MS24515-685AS15	103106	2
781	MS24515-685AS15	..	LAMP-5V OPTIONAL PART: OL685AS15-297 V31869	103106	2

MISSING ITEM NUMBERS NOT APPLICABLE

- ITEM NOT ILLUSTRATED

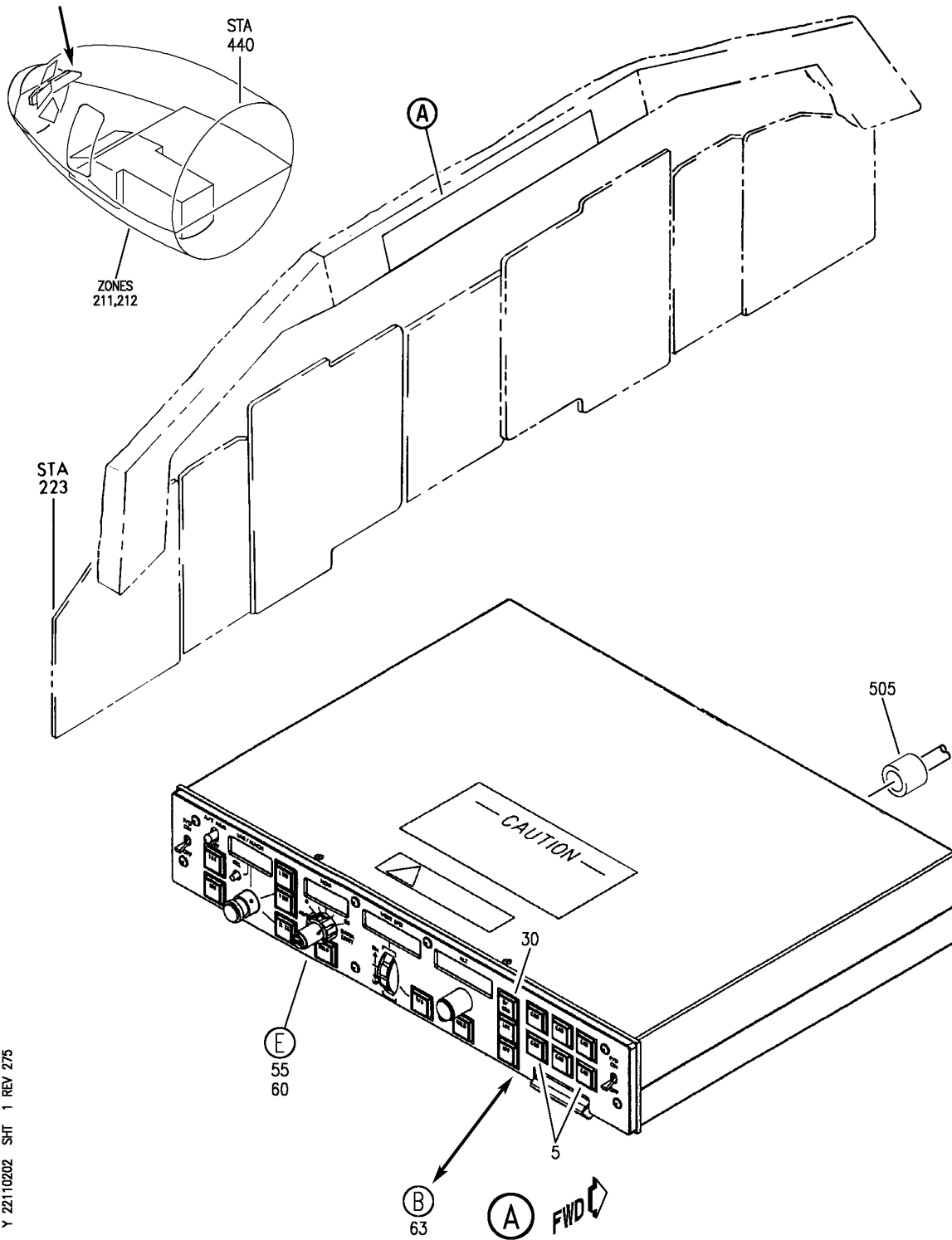
BRI

22-11-02-01A

BOEING PROPRIETARY - Copyright © - Unpublished Work - See title page for details.

22-11-02
FIG. 01A
PAGE 26
JAN 20/09

BOEING
757
PARTS CATALOG (MAINTENANCE)



Y 22110202 SHT 1 REV 275

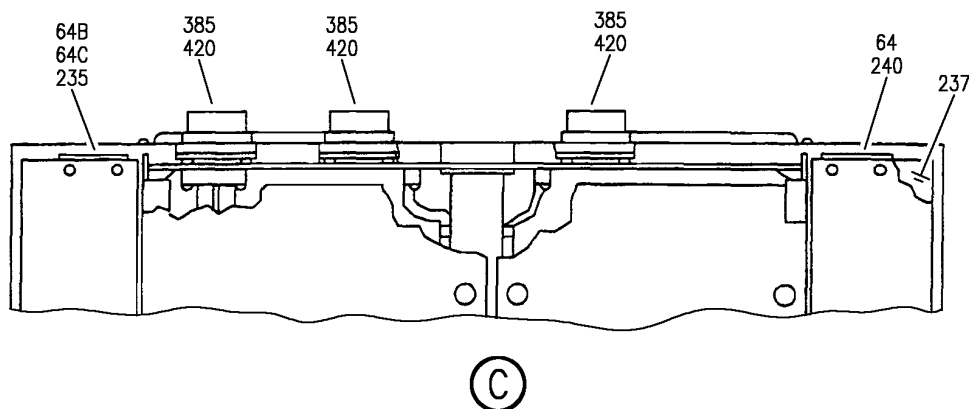
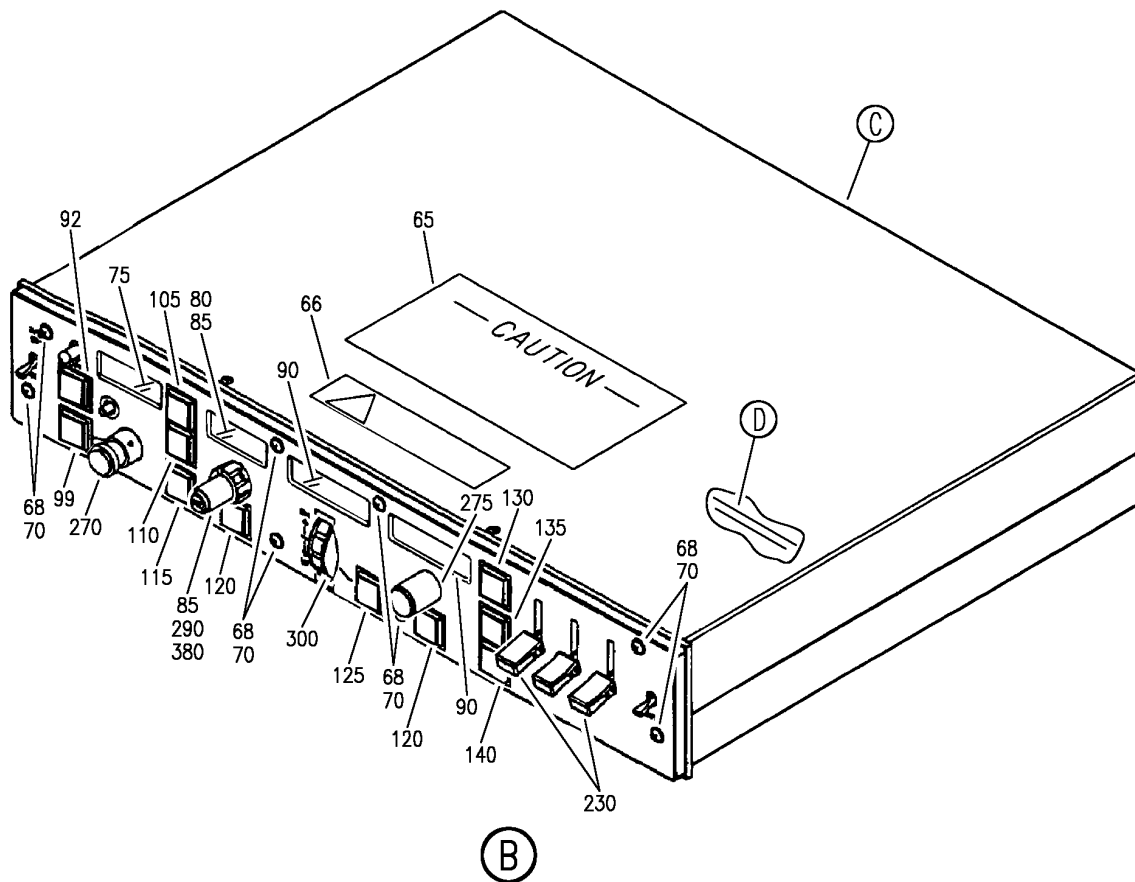
SWITCH GUARD AND AUTOPILOT INSTL
FIGURE 2 (SHEET 1)

22-11-02-02

BRI
MAY 28/07

22-11-02-02
PAGE 0

BOEING
757
PARTS CATALOG (MAINTENANCE)



Y 22110202 SHT 2 REV 299

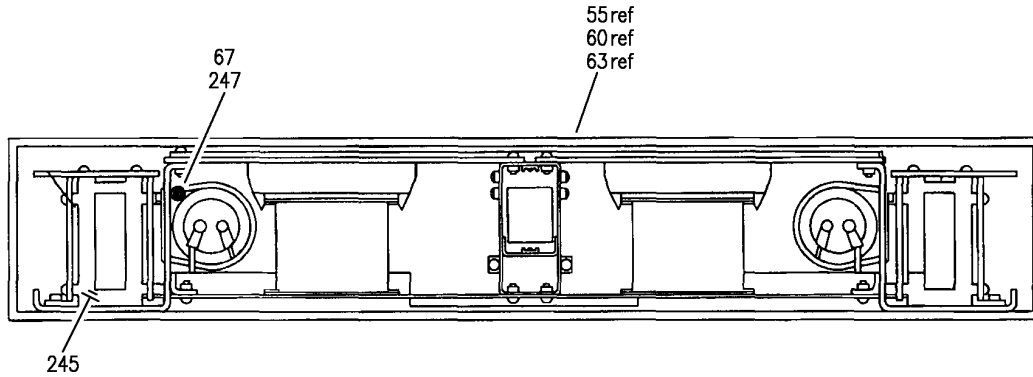
SWITCH GUARD AND AUTOPILOT INSTL
FIGURE 2 (SHEET 2)

22-11-02-02

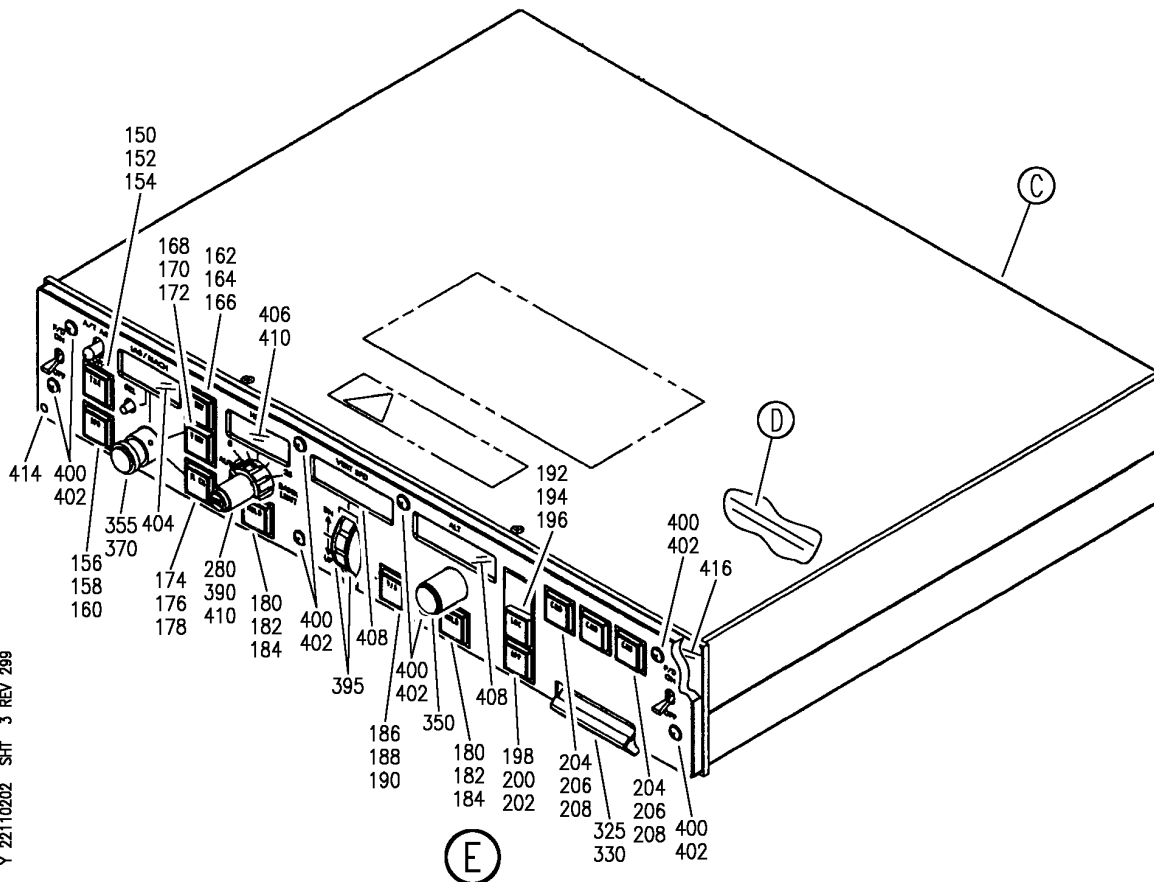
BRI
MAY 28/07

22-11-02-02
PAGE 0A

BOEING
757
PARTS CATALOG (MAINTENANCE)



(D)



Y 22110202 SH1 3 REV 299

SWITCH GUARD AND AUTOPILOT INSTL
FIGURE 2 (SHEET 3)

22-11-02-02

BRI
MAY 28/07

22-11-02-02
PAGE 0B



757

PARTS CATALOG (MAINTENANCE)

FIG ITEM	PART NUMBER	1 2 3 4 5 6 7	NOMENCLATURE	EFFECT FROM TO	UNITS PER ASSY
2			SWITCH GUARD AND AUTOPILOT INSTL	101102 108120	
- 1	233N2103-36		SWITCH GUARD INSTL- FOR NHA SEE: 25-10-00-15B	504903 101102 108120	RF
5	646-5068-001		.GUARD-SWITCH SUPPLIER CODE: V4V792 SPECIFICATION NUMBER: S241T100-404 COMPONENT MAINT MANUAL REF: 22-11-71	101102 108120	3
- 50	233N2103-34		AUTOPILOT INSTL- FOR NHA SEE: 25-10-00-15B	101102 108120	RF
- 50	233N2103-56		AUTOPILOT INSTL- FOR NHA SEE: 25-10-00-15B	504903	RF

MISSING ITEM NUMBERS NOT APPLICABLE

- ITEM NOT ILLUSTRATED

BRI

22-11-02-02

BOEING PROPRIETARY - Copyright © - Unpublished Work - See title page for details.

22-11-02
FIG. 02
PAGE 1
JAN 20/09



757

PARTS CATALOG (MAINTENANCE)

FIG ITEM	PART NUMBER	1 2 3 4 5 6 7	NOMENCLATURE	EFFECT FROM TO	UNITS PER ASSY
2 55	622-4717-004		.PANEL ASSY-MODE CONT MCP-701 SUPPLIER CODE: V4V792 FUNCTIONAL DESCRIPTION: PROVIDES PRIMARY INTERFACE BETWEEN THE FLIGHT CREW AND THE AUTOPILOT/FLIGHT DIRECTOR AND THRUST MANAGEMENT SYSTEMS SPECIFICATION NUMBER: S241T100-211 ELECTRICAL EQUIP NUMBER: M00090 COMPONENT MAINT MANUAL REF: 22-11-71 QUALIFIED I/W DATA: S241T100-211/ 622-4717-004 MCP IS TWO WAY INTERCHANGEABLE WITH S241T100-231/ 822-1492-101 MCP IF BCRS AND CWS MODE HAVE BEEN DE-ACTIVATED ON THE AIRPLANE S241T100-211/ 622-4717-004 MCP IS TWO WAY INTERCHANGEABLE WITH S241T100-232/ 822-1492-102 MCP IF CWS HAS BEEN DE-ACTIVATED ON THE AIRPLANE FOR DETAILS SEE: 22-11-02-01A	101102 108120	1
63	622-5391-003		.PANEL ASSY-MODE CONT MCP-702 SUPPLIER CODE: V4V792 SPECIFICATION NUMBER: S241T100-252 ELECTRICAL EQUIP NUMBER: M00090 COMPONENT MAINT MANUAL REF: 22-11-71	504903	1

MISSING ITEM NUMBERS NOT APPLICABLE

- ITEM NOT ILLUSTRATED

BRI

22-11-02-02

22-11-02
FIG. 02
PAGE 2
JAN 20/09



757

PARTS CATALOG (MAINTENANCE)

FIG ITEM	PART NUMBER	1 2 3 4 5 6 7	NOMENCLATURE	EFFECT FROM TO	UNITS PER ASSY
2					
63	622-5391-002	.	PANEL ASSY-MODE CONT MCP-702 SUPPLIER CODE: V4V792 SPECIFICATION NUMBER: S241T100-251 ELECTRICAL EQUIP NUMBER: M00090 COMPONENT MAINT MANUAL REF: 22-11-71	504903	1
64	646-0151-003	..	PLATE-ID SUPPLIER CODE: V4V792	504903	1
64B	609-3929-001	..	PLATE-MOD SUPPLIER CODE: V4V792 CONFIG CHG DATA FROM A CMM: SUPSD BY 609-3929-003 USED ON: 622-5391-002	504903	1
64C	609-3929-003	..	PLATE-MOD SUPPLIER CODE: V4V792 CONFIG CHG DATA FROM A CMM: SUPERSEDES 609-3929-001 USED ON: 622-5391-002	504903	1
65	647-9847-001	..	LABEL-CAUTION SUPPLIER CODE: V4V792	504903	1
66	280-2745-020	..	LABEL-ESDS WARNING SUPPLIER CODE: V12998 CONFIG CHG DATA FROM A CMM: SUPSD BY 280-2745-140	504903	1
66	280-2745-140	..	LABEL-ESDS WARNING SUPPLIER CODE: V12998 CONFIG CHG DATA FROM A CMM: SUPERSEDES 280-2745-020	504903	1
67	280-1368-030	..	LABEL- SUPPLIER CODE: V12998	504903	2
68	G45-13	..	FASTENER- SUPPLIER CODE: V06097 MISCELLANEOUS DATA: ROCKWELL COLLINS # 012-0501-020	504903	8

MISSING ITEM NUMBERS NOT APPLICABLE

- ITEM NOT ILLUSTRATED

22-11-02-02

22-11-02
FIG. 02
PAGE 3
JAN 20/09

BRI



757

PARTS CATALOG (MAINTENANCE)

FIG ITEM	PART NUMBER	1 2 3 4 5 6 7	NOMENCLATURE	EFFECT FROM TO	UNITS PER ASSY
2					
70	G45-2		.. COLLAR- SUPPLIER CODE: V06097 MISCELLANEOUS DATA: ROCKWELL COLLINS # 012-0501-070	504903	8
75	192-0502-020		.. WINDOW-GLASS SUPPLIER CODE: V66083	504903	1
80	192-0502-010		.. WINDOW-GLASS SUPPLIER CODE: V66083	504903	1
85	754-8208-001		.. WASHER-LT SUPPLIER CODE: V4V792	504903	2
90	192-0502-030		.. WINDOW-GLASS SUPPLIER CODE: V66083	504903	2
92	837-0034-420		.. SWITCH ASSY-PUSHBUTTON N1/EPR S1 CUSTOMER INSTALLED OPTION SUPPLIER CODE: V4V792	504903	1
92	851-37839-513		.. SWITCH ASSY-PUSHBUTTON EPR S1 SUPPLIER CODE: V96182 CONFIG CHG DATA FROM A CMM: SUPERSEDES 266-7569-160 MISCELLANEOUS DATA: ROCKWELL COLLINS SCD 837-0034-290 OPTIONAL PART: 266-7569-160 V08719 266-7569-180 V08719 851-37839-512 V96182 851-37839-501 V96182 851-37839-526 V96182 851-35277-513 V96182 851-35277-512 V96182	504903	1

MISSING ITEM NUMBERS NOT APPLICABLE

- ITEM NOT ILLUSTRATED

22-11-02-02

22-11-02
FIG. 02
PAGE 4
JAN 20/09

BRI



757

PARTS CATALOG (MAINTENANCE)

FIG ITEM	PART NUMBER	1 2 3 4 5 6 7	NOMENCLATURE	EFFECT FROM TO	UNITS PER ASSY
2 92	266-7569-160		.. SWITCH ASSY-PUSHBUTTON EPR S1 SUPPLIER CODE: V08719 CONFIG CHG DATA FROM A CMM: SUPSD BY 851-37839-513 SUPERSEDES 851-35277-513 OPTIONAL PART: 266-7569-180 V08719 851-37839-512 V96182 851-37839-501 V96182 851-37839-526 V96182 851-37839-513 V96182 851-35277-513 V96182 851-35277-512 V96182	504903	1
92	266-7569-180		.. SWITCH ASSY-PUSHBUTTON N1 S1 SUPPLIER CODE: V08719 CONFIG CHG DATA FROM A CMM: SUPSD BY 851-37839-512 OPTIONAL PART: 266-7569-160 V08719 851-37839-513 V96182 851-37839-512 V96182 851-37839-501 V96182 851-37839-526 V96182 851-35277-513 V96182 851-35277-512 V96182	504903	1

MISSING ITEM NUMBERS NOT APPLICABLE

- ITEM NOT ILLUSTRATED

BRI

22-11-02-02

BOEING PROPRIETARY - Copyright © - Unpublished Work - See title page for details.

22-11-02
FIG. 02
PAGE 5
JAN 20/09



757

PARTS CATALOG (MAINTENANCE)

FIG ITEM	PART NUMBER	1 2 3 4 5 6 7	NOMENCLATURE	EFFECT FROM TO	UNITS PER ASSY
2 92	851-37839-512		.. SWITCH ASSY-PUSHBUTTON N1 S1 CUSTOMER INSALLED OPTION SUPPLIER CODE: V96182 CONFIG CHG DATA FROM A CMM: SUPERSEDES 266-7569-180 MISCELLANEOUS DATA: ROCKWELL COLLINS SCD 837-0034-180 OPTIONAL PART: 266-7569-160 V08719 266-7569-180 V08719 851-37839-513 V96182 851-37839-501 V96182 851-37839-526 V96182 851-35277-513 V96182 851-35277-512 V96182	504903	1
92	851-37839-501		.. SWITCH ASSY-PUSHBUTTON THR S1 CUSTOMER INSTALLED OPTION SUPPLIER CODE: V96182 MISCELLANEOUS DATA: ROCKWELL COLLINS SCD 837-0034-070 OPTIONAL PART: 266-7569-160 V08719 266-7569-180 V08719 851-37839-513 V96182 851-37839-512 V96182 851-37839-526 V96182 851-35277-513 V96182 851-35277-512 V96182	504903	1

MISSING ITEM NUMBERS NOT APPLICABLE

- ITEM NOT ILLUSTRATED

BRI

22-11-02-02

22-11-02
 FIG. 02
 PAGE 6
 JAN 20/09



757

PARTS CATALOG (MAINTENANCE)

FIG ITEM	PART NUMBER	1 2 3 4 5 6 7	NOMENCLATURE	EFFECT FROM TO	UNITS PER ASSY
2 92	851-37839-526		.. SWITCH ASSY-PUSHBUTTON EPR S1 CUSTOMER INSTALLED OPTION SUPPLIER CODE: V96182 MISCELLANEOUS DATA: ROCKWELL COLLINS SCD 837-0034-420 OPTIONAL PART: 266-7569-160 V08719 266-7569-180 V08719 851-37839-513 V96182 851-37839-512 V96182 851-37839-501 V96182 851-35277-513 V96182 851-35277-512 V96182	504903	1
92	851-35277-513		.. SWITCH ASSY-PUSHBUTTON SUPPLIER CODE: V96182 SB DATA FROM A CMM: POST MCP-702-22-22 CONFIG CHG DATA FROM A CMM: SUPSD BY 266-7569-180 MISCELLANEOUS DATA: ROCKWELL COLLINS SCD 266-7034-290 OPTIONAL PART: 266-7569-160 V08719 266-7569-180 V08719 851-37839-513 V96182 851-37839-512 V96182 851-37839-501 V96182 851-37839-526 V96182 851-35277-512 V96182	504903	1

MISSING ITEM NUMBERS NOT APPLICABLE

- ITEM NOT ILLUSTRATED

22-11-02-02

22-11-02
FIG. 02
PAGE 7
JAN 20/09

BRI



757

PARTS CATALOG (MAINTENANCE)

FIG ITEM	PART NUMBER	1 2 3 4 5 6 7	NOMENCLATURE	EFFECT FROM TO	UNITS PER ASSY
2 92	851-35277-512		.. SWITCH ASSY-PUSHBUTTON SUPPLIER CODE: V96182 SB DATA FROM A CMM: POST MCP-702-22-22 CONFIG CHG DATA FROM A CMM: SUPSD BY 266-7569-180 MISCELLANEOUS DATA: ROCKWELL COLLINS SCD 266-7034-180 OPTIONAL PART: 266-7569-160 V08719 266-7569-180 V08719 851-37839-513 V96182 851-37839-512 V96182 851-37839-501 V96182 851-37839-526 V96182 851-35277-513 V96182	504903	1
- 93	851-37839-101		... LENS-EPR SUPPLIER CODE: V96182 MISCELLANEOUS DATA: ROCKWELL COLLINS SCD 837-0035-010 USED ON: 851-37839-513	504903	1
- 93	10648C06-101		... LENS-EPR SUPPLIER CODE: V08719 MISCELLANEOUS DATA: ROCKWELL COLLINS SCD 266-7146-010 USED ON: 266-7569-160	504903	1

MISSING ITEM NUMBERS NOT APPLICABLE

- ITEM NOT ILLUSTRATED

BRI

22-11-02-02

22-11-02
 FIG. 02
 PAGE 8
 JAN 20/09



757

PARTS CATALOG (MAINTENANCE)

FIG ITEM	PART NUMBER	1 2 3 4 5 6 7	NOMENCLATURE	EFFECT FROM TO	UNITS PER ASSY
2 - 93	10648C06-112	...	LENS-N1 SUPPLIER CODE: V08719 SPECIFICATION NUMBER: S241T100-501 MISCELLANEOUS DATA: ROCKWELL COLLINS SCD 266-7146-120 USED ON: 266-7569-180	504903	1
- 93	851-37839-112	...	LENS-N1 SUPPLIER CODE: V96182 MISCELLANEOUS DATA: ROCKWELL COLLINS SCD 837-0035-120 USED ON: 851-37839-512	504903	1
- 93	851-37839-130	...	LENS-THR SUPPLIER CODE: V96182 MISCELLANEOUS DATA: ROCKWELL COLLINS SCD 837-0033-300 USED ON: 851-37839-501	504903	1
- 93	851-37839-119	...	LENS-N1 EPR SUPPLIER CODE: V96182 MISCELLANEOUS DATA: ROCKWELL COLLINS SCD 837-0035-190 USED ON: 851-37839-526	504903	1
- 93	851-35277-101	...	LENS-N1 EPR SUPPLIER CODE: V96182 SB DATA FROM A CMM: POST MCP-702-22-22 MISCELLANEOUS DATA: ROCKWELL COLLINS SCD 266-7035-010 USED ON: 851-35277-513	504903	1

MISSING ITEM NUMBERS NOT APPLICABLE

- ITEM NOT ILLUSTRATED

22-11-02-02

22-11-02
FIG. 02
PAGE 9
JAN 20/09

BRI



757

PARTS CATALOG (MAINTENANCE)

FIG ITEM	PART NUMBER	1 2 3 4 5 6 7	NOMENCLATURE	EFFECT FROM TO	UNITS PER ASSY
2 - 93	851-35277-112	...	LENS-N1 SUPPLIER CODE: V96182 SPECIFICATION NUMBER: S241T100-501 SB DATA FROM A CMM: POST MCP-702-22-22 MISCELLANEOUS DATA: ROCKWELL COLLINS SCD 266-7035-120 USED ON: 851-35277-512	504903	1
- 94	MS24515-685AS15	LAMP-5V SB DATA FROM A CMM: POST MCP-702-22-22 USED ON: 10648C06-101 10648C06-112 851-35277-101 851-35277-112	504903	2
- 94	MS24515-685AS15	LAMP-5V OPTIONAL PART: OL685AS15-297 V31869 USED ON: 851-37839-101 851-37839-112 851-37839-130 851-37839-119	504903	2
- 94	OL685AS15-297	LAMP-5V SUPPLIER CODE: VS3774 MISCELLANEOUS DATA: ROCKWELL COLLINS PART NO 836-0030-010 OPTIONAL PART: MS24515-685AS15 USED ON: 851-37839-101 851-37839-112 851-37839-130 851-37839-119	504903	2

MISSING ITEM NUMBERS NOT APPLICABLE

- ITEM NOT ILLUSTRATED

22-11-02-02

22-11-02
FIG. 02
PAGE 10
JAN 20/09

BRI



757

PARTS CATALOG (MAINTENANCE)

FIG ITEM	PART NUMBER	1 2 3 4 5 6 7	NOMENCLATURE	EFFECT FROM TO	UNITS PER ASSY
2 - 95	OL387AS10	LAMP-28V SUPPLIER CODE: VD0034 MISCELLANEOUS DATA: ROCKWELL COLLINS SCD 262-2807-020 OPTIONAL PART: OL387AS15-297 VD0034 USED ON: 851-37839-101 851-37839-112 851-37839-130 851-37839-119	504903	2
- 95	OL387AS15-297	LAMP-28V SUPPLIER CODE: VD0034 MISCELLANEOUS DATA: ROCKWELL COLLINS SCD 262-2807-030 OPTIONAL PART: OL387AS10 VD0034 USED ON: 851-37839-101 851-37839-112 851-37839-130 851-37839-119	504903	2
- 95	OL387AS10	LAMP-28V SUPPLIER CODE: VD0034 SB DATA FROM A CMM: POST MCP-702-22-22 MISCELLANEOUS DATA: ROCKWELL COLLINS SCD 262-2807-030 USED ON: 10648C06-101 10648C06-112 851-35277-101 851-35277-112	504903	2

MISSING ITEM NUMBERS NOT APPLICABLE

- ITEM NOT ILLUSTRATED

22-11-02-02

22-11-02
FIG. 02
PAGE 11
JAN 20/09

BRI



757

PARTS CATALOG (MAINTENANCE)

FIG ITEM	PART NUMBER	1 2 3 4 5 6 7	NOMENCLATURE	EFFECT FROM TO	UNITS PER ASSY
2 99	266-7569-060		.. SWITCH ASSY-PUSHBUTTON SPD S2 SUPPLIER CODE: V08719 CONFIG CHG DATA FROM A CMM: SUPSD BY 851-37839-502 SUPERSEDES 851-35277-502 OPTIONAL PART: 851-37839-502 V96182 851-35277-502 V96182	504903	1
99	851-37839-502		.. SWITCH-PUSHBUTTON SPD S2 SUPPLIER CODE: V96182 CONFIG CHG DATA FROM A CMM: SUPERSEDES 266-7569-060 MISCELLANEOUS DATA: ROCKWELL COLLINS SCD 837-0034-080 OPTIONAL PART: 266-7569-060 V08719 851-35277-502 V96182	504903	1
99	851-35277-502		.. SWITCH ASSY-PUSHBUTTON SPD S2 SUPPLIER CODE: V96182 SB DATA FROM A CMM: POST MCP-702-22-22 CONFIG CHG DATA FROM A CMM: SUPSD BY 266-7569-060 MISCELLANEOUS DATA: ROCKWELL COLLINS SCD 266-7034-080 OPTIONAL PART: 266-7569-060 V08719 851-37839-502 V96182	504903	1

MISSING ITEM NUMBERS NOT APPLICABLE

- ITEM NOT ILLUSTRATED

BRI

22-11-02-02

22-11-02
FIG. 02
PAGE 12
JAN 20/09



757

PARTS CATALOG (MAINTENANCE)

FIG ITEM	PART NUMBER	1 2 3 4 5 6 7	NOMENCLATURE	EFFECT FROM TO	UNITS PER ASSY
2					
- 101	10648C06-102	...	LENS- SUPPLIER CODE: V08719 MISCELLANEOUS DATA: ROCKWELL COLLINS SCD 266-7146-020 USED ON: 266-7569-060	504903	1
- 101	851-37839-102	...	LENS- SUPPLIER CODE: V96182 MISCELLANEOUS DATA: ROCKWELL COLLINS SCD 837-0035-020 USED ON: 851-37839-502	504903	1
- 101	851-35277-102	...	LENS- SUPPLIER CODE: V96182 SB DATA FROM A CMM: POST MCP-702-22-22 MISCELLANEOUS DATA: ROCKWELL COLLINS SCD 266-7035-020 USED ON: 851-35277-502	504903	1
- 102	MS24515-685AS15	LAMP-5V OPTIONAL PART: OL685AS15-297 V31869 USED ON: 851-37839-102	504903	2
- 102	OL387AS15-297	LAMP-5V SUPPLIER CODE: VD0034 MISCELLANEOUS DATA: ROCKWELL COLLINS SCD 836-0030-010 OPTIONAL PART: MS24515-685AS15 USED ON: 851-37839-102	504903	2
- 102	MS24515-685AS15	LAMP-5V SB DATA FROM A CMM: POST MCP-702-22-22 USED ON: 10648C06-102 851-35277-102	504903	2

MISSING ITEM NUMBERS NOT APPLICABLE

- ITEM NOT ILLUSTRATED

22-11-02-02

22-11-02
FIG. 02
PAGE 13
JAN 20/09

BRI



757

PARTS CATALOG (MAINTENANCE)

FIG ITEM	PART NUMBER	1 2 3 4 5 6 7	NOMENCLATURE	EFFECT FROM TO	UNITS PER ASSY
2					
- 103	387AS15	BULB-INCANDESCENT SUPPLIER CODE: V08806	504903	2
- 103	OL387AS10	LAMP-28V SUPPLIER CODE: VD0034 MISCELLANEOUS DATA: ROCKWELL COLLINS SCD 262-2807-020 OPTIONAL PART: OL387AS15-297 VD0034 USED ON: 851-37839-102	504903	2
- 103	OL387AS10	LAMP-28V SUPPLIER CODE: VD0034 SB DATA FROM A CMM: POST MCP-702-22-22 MISCELLANEOUS DATA: ROCKWELL COLLINS SCD 262-2807-020 USED ON: 10648C06-102 851-35277-102	504903	2
- 103	OL387AS15-297	LAMP-28V SUPPLIER CODE: VD0034 MISCELLANEOUS DATA: ROCKWELL COLLINS SCD 262-2807-030 OPTIONAL PART: OL387AS10 VD0034 USED ON: 851-37839-102	504903	2
105	266-7569-070	..	SWITCH ASSY-PUSHBUTTON L NAV S3 SUPPLIER CODE: V08719 CONFIG CHG DATA FROM A CMM: SUPSD BY 851-37839-503 OPTIONAL PART: 851-37839-503 V96182 851-35277-503 V96182	504903	1

MISSING ITEM NUMBERS NOT APPLICABLE

- ITEM NOT ILLUSTRATED

22-11-02-02

22-11-02
FIG. 02
PAGE 14
JAN 20/09

BRI



757

PARTS CATALOG (MAINTENANCE)

FIG ITEM	PART NUMBER	1 2 3 4 5 6 7	NOMENCLATURE	EFFECT FROM TO	UNITS PER ASSY
2 105	851-35277-503	..	SWITCH ASSY-PUSHBUTTON L NAV S3 SUPPLIER CODE: V96182 SB DATA FROM A CMM: POST MCP-702-22-22 CONFIG CHG DATA FROM A CMM: SUPSD BY 266-7569-070 OPTIONAL PART: 266-7569-070 V08719 851-37839-503 V96182	504903	1
105	851-37839-503	..	SWITCH ASSY-PUSHBUTTON L NAV S3 SUPPLIER CODE: V96182 CONFIG CHG DATA FROM A CMM: SUPERSEDES 266-7569-070 MISCELLANEOUS DATA: ROCKWELL COLLINS SCD 837-0034-090 OPTIONAL PART: 266-7569-070 V08719 851-35277-503 V96182	504903	1
- 106	851-37839-103	...	LENS- SUPPLIER CODE: V96182 MISCELLANEOUS DATA: ROCKWELL COLLINS SCD 837-0035-030 USED ON: 851-37839-503	504903	1
- 106	10648C06-103	...	LENS- SUPPLIER CODE: V08719 MISCELLANEOUS DATA: ROCKWELL COLLINS SCD 266-7146-030 USED ON: 266-7569-070	504903	1

MISSING ITEM NUMBERS NOT APPLICABLE

- ITEM NOT ILLUSTRATED

22-11-02-02

22-11-02
FIG. 02
PAGE 15
JAN 20/09

BRI



757

PARTS CATALOG (MAINTENANCE)

FIG ITEM	PART NUMBER	1 2 3 4 5 6 7	NOMENCLATURE	EFFECT FROM TO	UNITS PER ASSY
2 - 106	851-35277-103	...	LENS- SUPPLIER CODE: V96182 SB DATA FROM A CMM: POST MCP-702-22-22 MISCELLANEOUS DATA: ROCKWELL COLLINS SCD 266-7035-030 USED ON: 851-35277-503	504903	1
- 107	OL685AS15-297	LAMP-5V SUPPLIER CODE: VS3774 MISCELLANEOUS DATA: ROCKWELL COLLINS PART NO 836-0030-010 OPTIONAL PART: MS24515-685AS15 USED ON: 851-37839-103	504903	2
- 107	MS24515-685AS15	LAMP-5V OPTIONAL PART: OL685AS15-297 V31869 USED ON: 851-37839-103	504903	2
- 107	MS24515-685AS15	LAMP-5V SB DATA FROM A CMM: POST MCP-702-22-22 USED ON: 10648C06-103 851-35277-103	504903	2
- 108	OL387AS10	LAMP-28V SUPPLIER CODE: VD0034 MISCELLANEOUS DATA: ROCKWELL COLLINS SCD 262-2807-020 OPTIONAL PART: OL387AS15-297 VD0034 USED ON: 851-37839-103	504903	2

MISSING ITEM NUMBERS NOT APPLICABLE

- ITEM NOT ILLUSTRATED

22-11-02-02

22-11-02
FIG. 02
PAGE 16
JAN 20/09

BRI



757

PARTS CATALOG (MAINTENANCE)

FIG ITEM	PART NUMBER	1 2 3 4 5 6 7	NOMENCLATURE	EFFECT FROM TO	UNITS PER ASSY
2 - 108	OL387AS15-297	LAMP-28V SUPPLIER CODE: VD0034 MISCELLANEOUS DATA: ROCKWELL COLLINS SCD 262-2807-030 OPTIONAL PART: OL387AS10 VD0034 USED ON: 851-37839-103	504903	2
- 108	OL387AS10	LAMP-28V SUPPLIER CODE: VD0034 SB DATA FROM A CMM: POST MCP-702-22-22 MISCELLANEOUS DATA: ROCKWELL COLLINS SCD 262-2807-020 USED ON: 10648C06-103 851-35277-103	504903	2
110	851-35277-504	..	SWITCH ASSY-PUSHBUTTON V NAV S4 SUPPLIER CODE: V91682 SB DATA FROM A CMM: POST MCP-702-22-22 CONFIG CHG DATA FROM A CMM: SUPSD BY 266-7569-080 MISCELLANEOUS DATA: ROCKWELL COLLINS SCD 266-0734-100 OPTIONAL PART: 266-7569-080 V08719 851-37839-504 V96182	504903	1
110	266-7569-080	..	SWITCH ASSY-PUSHBUTTON V NAV S4 SUPPLIER CODE: V08719 CONFIG CHG DATA FROM A CMM: SUPSD BY 851-37839-504 OPTIONAL PART: 851-37839-504 V96182 851-35277-504 V96182	504903	1

MISSING ITEM NUMBERS NOT APPLICABLE

- ITEM NOT ILLUSTRATED

22-11-02-02

22-11-02
FIG. 02
PAGE 17
JAN 20/09

BRI



757

PARTS CATALOG (MAINTENANCE)

FIG ITEM	PART NUMBER	1 2 3 4 5 6 7	NOMENCLATURE	EFFECT FROM TO	UNITS PER ASSY
2 110	851-37839-504		.. SWITCH ASSY-PUSHBUTTON V NAV S4 SUPPLIER CODE: V96182 CONFIG CHG DATA FROM A CMM: SUPSDS 266-7569-080 MISCELLANEOUS DATA: ROCKWELL COLLINS SCD 837-0034-100 OPTIONAL PART: 266-7569-080 V08719 851-35277-504 V96182	504903	1
- 111	851-37839-104		... LENS- SUPPLIER CODE: V96182 MISCELLANEOUS DATA: ROCKWELL COLLINS SCD 837-0035-040 USED ON: 851-37839-504	504903	1
- 111	10648C06-104		... LENS- SUPPLIER CODE: V08719 MISCELLANEOUS DATA: ROCKWELL COLLINS SCD 266-7146-040 USED ON: 266-7569-080	504903	1
- 111	851-35277-104		... LENS- SUPPLIER CODE: V96182 SB DATA FROM A CMM: POST MCP-702-22-22 MISCELLANEOUS DATA: ROCKWELL COLLINS SCD 266-7035-040 USED ON: 851-35277-504	504903	1

MISSING ITEM NUMBERS NOT APPLICABLE

- ITEM NOT ILLUSTRATED

22-11-02-02

22-11-02
FIG. 02
PAGE 18
JAN 20/09

BRI



757

PARTS CATALOG (MAINTENANCE)

FIG ITEM	PART NUMBER	1 2 3 4 5 6 7	NOMENCLATURE	EFFECT FROM TO	UNITS PER ASSY
2 - 112	OL685AS15-297	LAMP-5V SUPPLIER CODE: VS3774 MISCELLANEOUS DATA: ROCKWELL COLLINS SCD 836-0030-010 OPTIONAL PART: MS24515-685AS15 USED ON: 851-37839-104	504903	2
- 112	MS24515-685AS15	LAMP-5V MISCELLANEOUS DATA: ROCKWELL COLLINS SCD 262-1884-000 OPTIONAL PART: OL685AS15-297 V31869 USED ON: 851-37839-104	504903	2
- 112	MS24515-685AS15	LAMP-5V SB DATA FROM A CMM: POST MCP-702-22-22 MISCELLANEOUS DATA: ROCKWELL COLLINS SCD 262-1884-000 USED ON: 10648C06-104 851-35277-104	504903	2
- 113	OL387AS10	LAMP-28V SUPPLIER CODE: VD0034 MISCELLANEOUS DATA: ROCKWELL COLLINS SCD 262-2807-020 OPTIONAL PART: OL387AS15-297 VD0034 USED ON: 851-37839-104	504903	2

MISSING ITEM NUMBERS NOT APPLICABLE

- ITEM NOT ILLUSTRATED

22-11-02-02

22-11-02
FIG. 02
PAGE 19
JAN 20/09

BRI



757

PARTS CATALOG (MAINTENANCE)

FIG ITEM	PART NUMBER	1 2 3 4 5 6 7	NOMENCLATURE	EFFECT FROM TO	UNITS PER ASSY
2 - 113	OL387AS15-297	LAMP-28V SUPPLIER CODE: VD0034 MISCELLANEOUS DATA: ROCKWELL COLLINS SCD 262-2807-030 OPTIONAL PART: OL387AS10 VD0034 USED ON: 851-37839-104	504903	2
- 113	OL387AS10	LAMP-28V SUPPLIER CODE: VD0034 SB DATA FROM A CMM: POST MCP-702-22-22 MISCELLANEOUS DATA: ROCKWELL COLLINS SCD 262-2807-020 USED ON: 10648C06-104 851-35277-104	504903	2
115	266-7569-140	..	SWITCH ASSY-PUSHBUTTON FL CH S5 SUPPLIER CODE: V08719 CONFIG CHG DATA FROM A CMM: SUPSD BY 851-37839-510 OPTIONAL PART: 851-37839-510 V96182 851-35277-510 V96182	504903	1
115	851-35277-510	..	SWITCH ASSY-PUSHBUTTON FL CH S5 SUPPLIER CODE: V96182 SB DATA FROM A CMM: POST MCP-702-22-22 CONFIG CHG DATA FROM A CMM: SUPSD BY 266-7569-140 MISCELLANEOUS DATA: ROCKWELL COLLINS SCD 266-7034-160 OPTIONAL PART: 851-37839-510 V96182 266-7569-140 V08719	504903	1

MISSING ITEM NUMBERS NOT APPLICABLE

- ITEM NOT ILLUSTRATED

22-11-02-02

22-11-02
FIG. 02
PAGE 20
JAN 20/09

BRI



757

PARTS CATALOG (MAINTENANCE)

FIG ITEM	PART NUMBER	1 2 3 4 5 6 7	NOMENCLATURE	EFFECT FROM TO	UNITS PER ASSY
2 115	851-37839-510		..SWITCH ASSY-PUSHBUTTON FL CH S5 SUPPLIER CODE: V96182 CONFIG CHG DATA FROM A CMM: SUPSDS 266-7569-140 MISCELLANEOUS DATA: ROCKWELL COLLINS SCD 837-0034-160 OPTIONAL PART: 266-7569-140 V08715 851-35277-510 V96182	504903	1
- 116	851-37839-111		...LENS- SUPPLIER CODE: V96182 MISCELLANEOUS DATA: ROCKWELL COLLINS SCD 837-0035-110 USED ON: 851-37839-510	504903	1
- 116	10648C06-111		...LENS- SUPPLIER CODE: V08719 MISCELLANEOUS DATA: ROCKWELL COLLINS SCD 266-7146-110 USED ON: 266-7569-140	504903	1
- 116	851-35277-111		...LENS- SUPPLIER CODE: V96182 SB DATA FROM A CMM: POST MCP-702-22-22 MISCELLANEOUS DATA: ROCKWELL COLLINS SCD 266-7035-110 USED ON: 851-35277-510	504903	1

MISSING ITEM NUMBERS NOT APPLICABLE

- ITEM NOT ILLUSTRATED

22-11-02-02

22-11-02
FIG. 02
PAGE 21
JAN 20/09

BRI

 **BOEING**
757
PARTS CATALOG (MAINTENANCE)

FIG ITEM	PART NUMBER	1 2 3 4 5 6 7	NOMENCLATURE	EFFECT FROM TO	UNITS PER ASSY
2 - 117	OL685AS15-297	LAMP-5V SUPPLIER CODE: VS3774 MISCELLANEOUS DATA: ROCKWELL COLLINS SCD 836-0030-010 OPTIONAL PART: MS24515-685AS15 USED ON: 851-37839-111	504903	2
- 117	MS24515-685AS15	LAMP-5V MISCELLANEOUS DATA: ROCKWELL COLLINS SCD 262-1884-000 OPTIONAL PART: OL685AS15-297 V31869 USED ON: 851-37839-111	504903	2
- 117	MS24515-685AS15	LAMP-5V MISCELLANEOUS DATA: ROCKWELL COLLINS SCD 262-1884-000 USED ON: 10648C06-111 851-35277-111	504903	2
- 118	OL387AS10	LAMP-28V SUPPLIER CODE: VD0034 MISCELLANEOUS DATA: ROCKWELL COLLINS SCD 262-2807-020 OPTIONAL PART: OL387AS15-297 VD0034 USED ON: 851-37839-111	504903	2
- 118	OL387AS15-297	LAMP-28V SUPPLIER CODE: VD0034 MISCELLANEOUS DATA: ROCKWELL COLLINS SCD 262-2807-030 OPTIONAL PART: OL387AS10 VD0034 USED ON: 851-37839-111	504903	2

MISSING ITEM NUMBERS NOT APPLICABLE

- ITEM NOT ILLUSTRATED

BRI

22-11-02-02

22-11-02
FIG. 02
PAGE 22
JAN 20/09



757

PARTS CATALOG (MAINTENANCE)

FIG ITEM	PART NUMBER	1 2 3 4 5 6 7	NOMENCLATURE	EFFECT FROM TO	UNITS PER ASSY
2 - 118	OL387AS10	LAMP-28V SUPPLIER CODE: VD0034 SB DATA FROM A CMM: POST MCP-702-22-22 MISCELLANEOUS DATA: ROCKWELL COLLINS SCD 262-2807-020 USED ON: 10648C06-111 851-35277-111	504903	2
120	266-7569-090	..	SWITCH ASSY-PUSHBUTTON HOLD S6 S8 SUPPLIER CODE: V08719 CONFIG CHG DATA FROM A CMM: SUPSD BY 851-37839-505 OPTIONAL PART: 851-37839-505 V96182 851-35277-505 V96182	504903	2
120	851-35277-505	..	SWITCH ASSY-PUSHBUTTON HOLD S6 S8 SUPPLIER CODE: V96182 SB DATA FROM A CMM: POST MCP-702-22-22 CONFIG CHG DATA FROM A CMM: SUPSD BY 266-7569-090 MISCELLANEOUS DATA: ROCKWELL COLLINS SCD 266-7034-110 OPTIONAL PART: 266-7569-090 V08719 851-37839-505 V96182	504903	2

MISSING ITEM NUMBERS NOT APPLICABLE

- ITEM NOT ILLUSTRATED

BRI

22-11-02-02

BOEING PROPRIETARY - Copyright © - Unpublished Work - See title page for details.

22-11-02
FIG. 02
PAGE 23
JAN 20/09



757

PARTS CATALOG (MAINTENANCE)

FIG ITEM	PART NUMBER	1 2 3 4 5 6 7	NOMENCLATURE	EFFECT FROM TO	UNITS PER ASSY
2 120	851-37839-505		.. SWITCH ASSY-PUSHBUTTON HOLD S6 S8 SUPPLIER CODE: V96182 CONFIG CHG DATA FROM A CMM: SUPSEDES 266-7569-090 MISCELLANEOUS DATA: ROCKWELL COLLINS SCD 837-0034-110 OPTIONAL PART: 266-7569-090 V08719 851-35277-505 V96182	504903	2
- 121	851-35277-105		... LENS- SUPPLIER CODE: V96182 SB DATA FROM A CMM: POST MCP-702-22-22 MISCELLANEOUS DATA: ROCKWELL COLLINS SCD 266-7035-050 USED ON: 851-35277-505	504903	1
- 121	851-37839-105		... LENS- SUPPLIER CODE: V96182 MISCELLANEOUS DATA: ROCKWELL COLLINS SCD 837-0035-050 USED ON: 851-37839-505	504903	1
- 121	10648C06-105		... LENS- SUPPLIER CODE: V08719 MISCELLANEOUS DATA: ROCKWELL COLLINS SCD 266-7146-050 USED ON: 266-7569-090	504903	1

MISSING ITEM NUMBERS NOT APPLICABLE

- ITEM NOT ILLUSTRATED

22-11-02-02

22-11-02
FIG. 02
PAGE 24
JAN 20/09

BRI

 **BOEING**
757
PARTS CATALOG (MAINTENANCE)

FIG ITEM	PART NUMBER	1 2 3 4 5 6 7	NOMENCLATURE	EFFECT FROM TO	UNITS PER ASSY
2 - 122	OL685AS15-297	LAMP-5V SUPPLIER CODE: VS3774 MISCELLANEOUS DATA: ROCKWELL COLLINS SCD 836-0030-010 OPTIONAL PART: MS24515-685AS15 USED ON: 851-37839-105	504903	2
- 122	MS24515-685AS15	LAMP-5V MISCELLANEOUS DATA: ROCKWELL COLLINS SCD 262-1884-000 OPTIONAL PART: OL685AS15-297 V31869 USED ON: 851-37839-105	504903	2
- 122	MS24515-685AS15	LAMP-5V SB DATA FROM A CMM: POST MCP-702-22-22 MISCELLANEOUS DATA: ROCKWELL COLLINS SCD 262-1884-000 USED ON: 10648C06-105 851-35277-105	504903	2
- 123	OL387AS10	LAMP-28V SUPPLIER CODE: VD0034 MISCELLANEOUS DATA: ROCKWELL COLLINS SCD 262-2807-020 OPTIONAL PART: OL387AS15-297 VD0034 USED ON: 851-37839-105	504903	2

MISSING ITEM NUMBERS NOT APPLICABLE

- ITEM NOT ILLUSTRATED

BRI

22-11-02-02

BOEING PROPRIETARY - Copyright © - Unpublished Work - See title page for details.

22-11-02
FIG. 02
PAGE 25
JAN 20/09



757

PARTS CATALOG (MAINTENANCE)

FIG ITEM	PART NUMBER	1 2 3 4 5 6 7	NOMENCLATURE	EFFECT FROM TO	UNITS PER ASSY
2 - 123	OL387AS15-297	LAMP-28V SUPPLIER CODE: VD0034 MISCELLANEOUS DATA: ROCKWELL COLLINS SCD 262-2807-030 OPTIONAL PART: OL387AS10 VD0034 USED ON: 851-37839-105	504903	2
- 123	OL387AS10	LAMP-28V SUPPLIER CODE: VD0034 MISCELLANEOUS DATA: ROCKWELL COLLINS SCD 262-2807-020 USED ON: 10648C06-105 851-35277-105	504903	2
125	266-7569-100	..	SWITCH ASSY-PUSHBUTTON V/S S7 SUPPLIER CODE: V08719 CONFIG CHG DATA FROM A CMM: SUPSD BY 851-37839-506 OPTIONAL PART: 851-37839-506 V96182 851-35277-506 V96182	504903	1
125	851-35277-506	..	SWITCH ASSY-PUSHBUTTON V/S S7 SUPPLIER CODE: V96182 CONFIG CHG DATA FROM A CMM: SUPSD BY 266-7569-100 MISCELLANEOUS DATA: ROCKWELL COLLINS SCD 266-7034-120 OPTIONAL PART: 266-7569-100 V08719 851-37839-506 V96182	504903	1

MISSING ITEM NUMBERS NOT APPLICABLE

- ITEM NOT ILLUSTRATED

22-11-02-02

22-11-02
FIG. 02
PAGE 26
JAN 20/09

BRI



757

PARTS CATALOG (MAINTENANCE)

FIG ITEM	PART NUMBER	1 2 3 4 5 6 7	NOMENCLATURE	EFFECT FROM TO	UNITS PER ASSY
2 125	851-37839-506	..	SWITCH ASSY-PUSHBUTTON V/S S7 SUPPLIER CODE: V96182 CONFIG CHG DATA FROM A CMM: SUPERSEDES 266-7569-100 MISCELLANEOUS DATA: ROCKWELL COLLINS SCD 837-0034-120 OPTIONAL PART: 266-7569-100 V08719 851-35277-506 V96182	504903	1
- 126	851-37839-106	...	LENS- SUPPLIER CODE: V96182 MISCELLANEOUS DATA: ROCKWELL COLLINS SCD 837-0035-060 USED ON: 851-37839-506	504903	1
- 126	10648C06-106	...	LENS- SUPPLIER CODE: V08719 MISCELLANEOUS DATA: ROCKWELL COLLINS SCD 266-7146-060 USED ON: 266-7569-100	504903	1
- 126	851-35277-106	...	LENS- SUPPLIER CODE: V96182 SB DATA FROM A CMM: POST MCP-702-22-22 MISCELLANEOUS DATA: ROCKWELL COLLINS SCD 266-0735-060 USED ON: 851-35277-506	504903	1

MISSING ITEM NUMBERS NOT APPLICABLE

- ITEM NOT ILLUSTRATED

BRI

22-11-02-02

BOEING PROPRIETARY - Copyright © - Unpublished Work - See title page for details.

22-11-02
FIG. 02
PAGE 27
JAN 20/09



757

PARTS CATALOG (MAINTENANCE)

FIG ITEM	PART NUMBER	1 2 3 4 5 6 7	NOMENCLATURE	EFFECT FROM TO	UNITS PER ASSY
2 - 127	OL685AS15-297	LAMP-5V SUPPLIER CODE: VS3774 MISCELLANEOUS DATA: ROCKWELL COLLINS SCD 836-0030-010 OPTIONAL PART: MS24515-685AS15 USED ON: 851-37839-106	504903	2
- 127	MS24515-685AS15	LAMP-5V MISCELLANEOUS DATA: ROCKWELL COLLINS SCD 262-1884-000 OPTIONAL PART: OL685AS15-297 V31869 USED ON: 851-37839-106	504903	2
- 127	MS24515-685AS15	LAMP-5V SB DATA FROM A CMM: POST MCP-702-22-22 MISCELLANEOUS DATA: ROCKWELL COLLINS SCD 262-1884-000 USED ON: 10648C06-106 851-35277-106	504903	2
- 128	OL387AS10	LAMP-28V SUPPLIER CODE: VD0034 MISCELLANEOUS DATA: ROCKWELL COLLINS SCD 262-2807-020 OPTIONAL PART: OL387AS15-297 VD0034 USED ON: 851-37839-106	504903	2

MISSING ITEM NUMBERS NOT APPLICABLE

- ITEM NOT ILLUSTRATED

BRI

22-11-02-02

22-11-02
FIG. 02
PAGE 28
JAN 20/09



757

PARTS CATALOG (MAINTENANCE)

FIG ITEM	PART NUMBER	1 2 3 4 5 6 7	NOMENCLATURE	EFFECT FROM TO	UNITS PER ASSY
2 - 128	OL387AS15-297	LAMP-28V SUPPLIER CODE: VD0034 MISCELLANEOUS DATA: ROCKWELL COLLINS SCD 262-2807-030 OPTIONAL PART: OL387AS10 VD0034 USED ON: 851-37839-106	504903	2
- 128	OL387AS10	LAMP-28V SUPPLIER CODE: VD0034 SB DATA FROM A CMM: POST MCP-702-22-22 MISCELLANEOUS DATA: ROCKWELL COLLINS SCD 262-2807-020 USED ON: 10648C06-106 851-35277-106	504903	2
130	266-7569-150	..	SWITCH ASSY-PUSHBUTTON B/CRS S9 CUSTOMER INSTALLED OPTION SUPPLIER CODE: V08719 CONFIG CHG DATA FROM A CMM: SUPSD BY 851-37839-515 OPTIONAL PART: 266-7569-190 V08719 851-37839-514 V96182 851-37839-515 V96182 851-35277-514 V96182 851-35277-515 V96182	504903	1

MISSING ITEM NUMBERS NOT APPLICABLE

- ITEM NOT ILLUSTRATED

BRI

22-11-02-02

BOEING PROPRIETARY - Copyright © - Unpublished Work - See title page for details.

22-11-02
FIG. 02
PAGE 29
JAN 20/09



757

PARTS CATALOG (MAINTENANCE)

FIG ITEM	PART NUMBER	1 2 3 4 5 6 7	NOMENCLATURE	EFFECT FROM TO	UNITS PER ASSY
2 130	851-37839-515	..	SWITCH ASSY-PUSHBUTTON B/CRS S9 SUPPLIER CODE: V96182 CONFIG CHG DATA FROM A CMM: SUPERSEDES 266-7569-150 MISCELLANEOUS DATA: ROCKWELL COLLINS SCD 837-0034-310 OPTIONAL PART: 266-7569-190 V08719 851-37839-514 V96182 266-7569-150 V08719 851-35277-514 V96182 851-35277-515 V96182	504903	1
130	851-37839-514	..	SWITCH ASSY-PUSHBUTTON B/CRS S9 SUPPLIER CODE: V96182 CONFIG CHG DATA FROM A CMM: SUPERSEDES 266-7569-190 MISCELLANEOUS DATA: ROCKWELL COLLINS SCD 837-0034-300 OPTIONAL PART: 266-7569-190 V08719 851-37839-515 V96182 266-7569-150 V08719 851-35277-514 V96182 851-35277-515 V96182	504903	1

MISSING ITEM NUMBERS NOT APPLICABLE

- ITEM NOT ILLUSTRATED

BRI

22-11-02-02

BOEING PROPRIETARY - Copyright © - Unpublished Work - See title page for details.

22-11-02
FIG. 02
PAGE 30
JAN 20/09



757

PARTS CATALOG (MAINTENANCE)

FIG ITEM	PART NUMBER	1 2 3 4 5 6 7	NOMENCLATURE	EFFECT FROM TO	UNITS PER ASSY
2 130	851-35277-514	..	SWITCH ASSY-PUSHBUTTON B/CRS S9 SUPPLIER CODE: V96182 CONFIG CHG DATA FROM A CMM: SUPSD BY 266-7569-190 MISCELLANEOUS DATA: ROCKWELL COLLINS SCD 266-7034-300 OPTIONAL PART: 266-7569-190 V08719 851-37839-515 V96182 266-7569-150 V08719 851-37839-514 V96182 851-35277-515 V96182	504903	1
130	266-7569-190	..	SWITCH ASSY-PUSHBUTTON BARO S9 SUPPLIER CODE: V08719 CONFIG CHG DATA FROM A CMM: SUPSD BY 851-37839-514 OPTIONAL PART: 851-37839-514 V96182 266-7569-150 V08719 851-37839-515 V96182 851-35277-514 V96182 851-35277-515 V96182	504903	1

MISSING ITEM NUMBERS NOT APPLICABLE

- ITEM NOT ILLUSTRATED

BRI

22-11-02-02

BOEING PROPRIETARY - Copyright © - Unpublished Work - See title page for details.

22-11-02
FIG. 02
PAGE 31
JAN 20/09



757

PARTS CATALOG (MAINTENANCE)

FIG ITEM	PART NUMBER	1 2 3 4 5 6 7	NOMENCLATURE	EFFECT FROM TO	UNITS PER ASSY
2 130	851-35277-515		.. SWITCH ASSY-PUSHBUTTON B/CRS S9 SUPPLIER CODE: V08719 SB DATA FROM A CMM: POST MCP-702-22-22 CONFIG CHG DATA FROM A CMM: SUPSD BY 266-7569-150 OPTIONAL PART: 266-7569-190 V08719 851-37839-515 V96182 266-7569-150 V08719 851-37839-514 V96182 851-35277-514 V96182	504903	1
- 131	851-37839-113		...LENS- SUPPLIER CODE: V96182 MISCELLANEOUS DATA: ROCKWELL COLLINS SCD 837-0035-130 USED ON: 851-37839-514	504903	1
- 131	10648C06-114		...LENS- SUPPLIER CODE: V08719 MISCELLANEOUS DATA: ROCKWELL COLLINS SCD 266-7146-140 USED ON: 266-7569-150	504903	1
- 131	10648C06-113		...LENS- SUPPLIER CODE: V08719 MISCELLANEOUS DATA: ROCKWELL COLLINS SCD 266-7146-130 USED ON: 266-7569-190	504903	1

MISSING ITEM NUMBERS NOT APPLICABLE

- ITEM NOT ILLUSTRATED

BRI

22-11-02-02

22-11-02
FIG. 02
PAGE 32
JAN 20/09



757

PARTS CATALOG (MAINTENANCE)

FIG ITEM	PART NUMBER	1 2 3 4 5 6 7	NOMENCLATURE	EFFECT FROM TO	UNITS PER ASSY
2					
- 131	851-37839-114	...	LENS- SUPPLIER CODE: V96182 MISCELLANEOUS DATA: ROCKWELL COLLINS SCD 837-0035-140 USED ON: 851-37839-515	504903	1
- 131	851-35277-113	...	LENS- SUPPLIER CODE: V96182 SB DATA FROM A CMM: POST MCP-702-22-22 MISCELLANEOUS DATA: ROCKWELL COLLINS SCD 266-7035-130 USED ON: 851-35277-514	504903	1
- 131	851-35277-114	...	LENS- SUPPLIER CODE: V96182 SB DATA FROM A CMM: POST MCP-702-22-22 MISCELLANEOUS DATA: ROCKWELL COLLINS SCD 266-7035-140 USED ON: 851-35277-515	504903	1
- 132	OL685AS15-297	LAMP-5V SUPPLIER CODE: VS3774 MISCELLANEOUS DATA: ROCKWELL COLLINS SCD 836-0030-010 OPTIONAL PART: MS24515-685AS15 USED ON: 851-37839-113 851-37839-114	504903	2
- 132	MS24515-685AS15	LAMP-5V MISCELLANEOUS DATA: ROCKWELL COLLINS SCD 262-1884-000 OPTIONAL PART: OL685AS15-297 V31869 USED ON: 851-37839-113 851-37839-114	504903	2

MISSING ITEM NUMBERS NOT APPLICABLE

- ITEM NOT ILLUSTRATED

22-11-02-02

22-11-02
FIG. 02
PAGE 33
JAN 20/09

BRI



757

PARTS CATALOG (MAINTENANCE)

FIG ITEM	PART NUMBER	1 2 3 4 5 6 7	NOMENCLATURE	EFFECT FROM TO	UNITS PER ASSY
2					
- 132	MS24515-685AS15	LAMP-5V MISCELLANEOUS DATA: ROCKWELL COLLINS SCD 262-1884-000 USED ON: 10648C06-113 10648C06-114 851-35277-113 851-35277-114	504903	2
- 133	OL387AS10	LAMP-28V SUPPLIER CODE: VD0034 MISCELLANEOUS DATA: ROCKWELL COLLINS SCD 262-2807-020 OPTIONAL PART: OL387AS15-297 VD0034 USED ON: 851-37839-113 851-37839-114	504903	2
- 133	OL387AS15-297	LAMP-28V SUPPLIER CODE: VD0034 MISCELLANEOUS DATA: ROCKWELL COLLINS SCD 262-1884-030 OPTIONAL PART: OL387AS10 VD0034 USED ON: 851-37839-113 851-37839-114	504903	2
- 133	OL387AS10	LAMP-28V SUPPLIER CODE: VD0034 SB DATA FROM A CMM: POST MCP-702-22-22 MISCELLANEOUS DATA: ROCKWELL COLLINS SCD 262-2807-020 USED ON: 10648C06-113 10648C06-114 851-35277-113 851-35277-114	504903	2

MISSING ITEM NUMBERS NOT APPLICABLE

- ITEM NOT ILLUSTRATED

BRI

22-11-02-02

22-11-02
FIG. 02
PAGE 34
JAN 20/09



757

PARTS CATALOG (MAINTENANCE)

FIG ITEM	PART NUMBER	1 2 3 4 5 6 7	NOMENCLATURE	EFFECT FROM TO	UNITS PER ASSY
2 135	266-7569-110		..SWITCH ASSY-PUSHBUTTON LOC S10 SUPPLIER CODE: V08719 CONFIG CHG DATA FROM A CMM: SUPSD BY 851-37839-507 OPTIONAL PART: 851-37839-507 V96182 851-35277-507 V96182	504903	1
135	851-37839-507		..SWITCH ASSY-PUSHBUTTON LOC S10 SUPPLIER CODE: V96182 CONFIG CHG DATA FROM A CMM: SUPERSEDES 266-7569-110 MISCELLANEOUS DATA: ROCKWELL COLLINS SCD 837-0034-130 OPTIONAL PART: 266-7569-110 V08719 851-35277-507 V96182	504903	1
- 136	851-37839-107		...LENS-ILLUM SUPPLIER CODE: V96182 MISCELLANEOUS DATA: ROCKWELL COLLINS SCD 837-0035-070 USED ON: 851-37839-507	504903	1
- 136	10648C06-107		...LENS-ILLUM SUPPLIER CODE: V08719 MISCELLANEOUS DATA: ROCKWELL COLLINS SCD 266-7146-070 USED ON: 266-7569-110	504903	1
- 136	851-35277-107		...LENS-ILLUM SUPPLIER CODE: V96182 MISCELLANEOUS DATA: ROCKWELL COLLINS SCD 266-7035-070 USED ON: 851-35277-507	504903	1

MISSING ITEM NUMBERS NOT APPLICABLE

- ITEM NOT ILLUSTRATED

22-11-02-02

22-11-02
FIG. 02
PAGE 35
JAN 20/09

BRI



757

PARTS CATALOG (MAINTENANCE)

FIG ITEM	PART NUMBER	1 2 3 4 5 6 7	NOMENCLATURE	EFFECT FROM TO	UNITS PER ASSY
2 - 137	OL685AS15-297	LAMP-5V SUPPLIER CODE: VS3774 MISCELLANEOUS DATA: ROCKWELL COLLINS SCD 836-0030-010 OPTIONAL PART: MS24515-685AS15 USED ON: 851-37839-107	504903	2
- 137	MS24515-685AS15	LAMP-5V MISCELLANEOUS DATA: ROCKWELL COLLINS SCD 262-1884-000 OPTIONAL PART: OL685AS15-297 V31869 USED ON: 851-37839-107	504903	2
- 137	MS24515-685AS15	LAMP-5V SB DATA FROM A CMM: POST MCP-702-22-22 MISCELLANEOUS DATA: ROCKWELL COLLINS SCD 262-1884-000 USED ON: 10648C06-107 851-35277-107	504903	2
- 138	OL387AS10	LAMP-28V SUPPLIER CODE: VD0034 MISCELLANEOUS DATA: ROCKWELL COLLINS SCD 262-2807-020 OPTIONAL PART: OL387AS15-297 VD0034 USED ON: 851-37839-107	504903	2

MISSING ITEM NUMBERS NOT APPLICABLE

- ITEM NOT ILLUSTRATED

BRI

22-11-02-02

22-11-02
FIG. 02
PAGE 36
JAN 20/09



757

PARTS CATALOG (MAINTENANCE)

FIG ITEM	PART NUMBER	1 2 3 4 5 6 7	NOMENCLATURE	EFFECT FROM TO	UNITS PER ASSY
2 - 138	OL387AS15-297	LAMP-28V SUPPLIER CODE: VD0034 MISCELLANEOUS DATA: ROCKWELL COLLINS SCD 262-2807-030 OPTIONAL PART: OL387AS10 VD0034 USED ON: 851-37839-107	504903	2
- 138	OL387AS10	LAMP-28V SUPPLIER CODE: VD0034 SB DATA FROM A CMM: POST MCP-702-22-22 MISCELLANEOUS DATA: ROCKWELL COLLINS SCD 262-2807-020 USED ON: 266-7569-110 851-35277-107	504903	2
140	266-7569-120	..	SWITCH ASSY-PUSHBUTTON APP S11 SUPPLIER CODE: V08719 CONFIG CHG DATA FROM A CMM: SUPSD BY 851-37839-508 OPTIONAL PART: 851-37839-508 V96182 851-35277-508 V96182	504903	1
140	851-35277-508	..	SWITCH ASSY-PUSHBUTTON APP S11 SUPPLIER CODE: V96182 CONFIG CHG DATA FROM A CMM: SUPSD BY 266-7569-120 MISCELLANEOUS DATA: ROCKWELL COLLINS SCD 266-7034-140 OPTIONAL PART: 266-7569-120 V08719 851-37839-508 V96182	504903	1

MISSING ITEM NUMBERS NOT APPLICABLE

- ITEM NOT ILLUSTRATED

22-11-02-02

22-11-02
FIG. 02
PAGE 37
JAN 20/09

BRI



757

PARTS CATALOG (MAINTENANCE)

FIG ITEM	PART NUMBER	1 2 3 4 5 6 7	NOMENCLATURE	EFFECT FROM TO	UNITS PER ASSY
2 140	851-37839-508		..SWITCH ASSY-PUSHBUTTON APP S11 SUPPLIER CODE: V96182 CONFIG CHG DATA FROM A CMM: SUPERSEDES 266-7569-120 MISCELLANEOUS DATA: ROCKWELL COLLINS SCD 837-0034-140 OPTIONAL PART: 266-7569-120 V08719 851-35277-508 V96182	504903	1
- 141	851-37839-108		...LENS- SUPPLIER CODE: V96182 MISCELLANEOUS DATA: ROCKWELL COLLINS SCD 837-0035-080 USED ON: 851-37839-508	504903	1
- 141	10648C06-108		...LENS- SUPPLIER CODE: V08719 MISCELLANEOUS DATA: ROCKWELL COLLINS SCD 266-7146-080 USED ON: 266-7569-120	504903	1
- 141	851-35277-108		...LENS- SUPPLIER CODE: V96182 SB DATA FROM A CMM: POST MCP-702-22-22 MISCELLANEOUS DATA: ROCKWELL COLLINS SCD 266-7035-080 USED ON: 851-35277-508	504903	1

MISSING ITEM NUMBERS NOT APPLICABLE

- ITEM NOT ILLUSTRATED

22-11-02-02

22-11-02
FIG. 02
PAGE 38
JAN 20/09

BRI



757

PARTS CATALOG (MAINTENANCE)

FIG ITEM	PART NUMBER	1 2 3 4 5 6 7	NOMENCLATURE	EFFECT FROM TO	UNITS PER ASSY
2 - 142	OL685AS15-297	LAMP-5V SUPPLIER CODE: VS3774 MISCELLANEOUS DATA: ROCKWELL COLLINS SCD 836-0030-010 OPTIONAL PART: MS24515-685AS15 USED ON: 851-37839-108	504903	2
- 142	MS24515-685AS15	LAMP-5V MISCELLANEOUS DATA: ROCKWELL COLLINS SCD 262-1884-000 OPTIONAL PART: OL685AS15-297 V31869 USED ON: 851-37839-108	504903	2
- 142	MS24515-685AS15	LAMP-5V SB DATA FROM A CMM: POST MCP-702-22-22 MISCELLANEOUS DATA: ROCKWELL COLLINS SCD 262-1884-000 USED ON: 10648C06-108 851-35277-108	504903	2
- 143	OL387AS10	LAMP-28V SUPPLIER CODE: VD0034 MISCELLANEOUS DATA: ROCKWELL COLLINS SCD 262-2807-020 OPTIONAL PART: OL387AS15-297 VD0034 USED ON: 851-37839-108	504903	2

MISSING ITEM NUMBERS NOT APPLICABLE

- ITEM NOT ILLUSTRATED

BRI

22-11-02-02

22-11-02
FIG. 02
PAGE 39
JAN 20/09

 **BOEING**
757
PARTS CATALOG (MAINTENANCE)

FIG ITEM	PART NUMBER	1 2 3 4 5 6 7	NOMENCLATURE	EFFECT FROM TO	UNITS PER ASSY
2					
- 143	OL387AS15-297	LAMP-28V SUPPLIER CODE: VD0034 MISCELLANEOUS DATA: ROCKWELL COLLINS SCD 262-2807-030 OPTIONAL PART: OL387AS10 VD0034 USED ON: 851-37839-108	504903	2
- 143	OL387AS10	LAMP-28V SUPPLIER CODE: VD0034 MISCELLANEOUS DATA: ROCKWELL COLLINS SCD 262-2807-020 USED ON: 10648C06-108 851-35277-002	504903	2
230	647-9062-003	..	KNOB-ENGAGE LEVER SUPPLIER CODE: V4V792 ATTACHING PARTS	504903	3
- 232	LP57XE40K2	..	SETSCREW- SUPPLIER CODE: V03038 MISCELLANEOUS DATA: ROCKWELL COLLINS SCD 335-0275-070	504903	6
270	676-0098-001	..	-----*----- KNOB- SUPPLIER CODE: V4V792 USED ON: 622-5391-003	504903	1
270	647-5919-001	..	KNOB- SUPPLIER CODE: V4V792 CONFIG CHG DATA FROM A CMM: SUPSD BY 676-0098-001 USED ON: 622-5391-002	504903	1

MISSING ITEM NUMBERS NOT APPLICABLE

- ITEM NOT ILLUSTRATED

BRI

22-11-02-02

BOEING PROPRIETARY - Copyright © - Unpublished Work - See title page for details.

22-11-02
FIG. 02
PAGE 40
JAN 20/09



757

PARTS CATALOG (MAINTENANCE)

FIG ITEM	PART NUMBER	1 2 3 4 5 6 7	NOMENCLATURE	EFFECT FROM TO	UNITS PER ASSY
2 270	676-0098-001 KNOB- SUPPLIER CODE: V4V792 CONFIG CHG DATA FROM A CMM: SUPERSEDES 647-5919-001 USED ON: 622-5391-002	504903	1
275	647-5919-001 KNOB- SUPPLIER CODE: V4V792 ATTACHING PARTS	504903	1
- 277	LP57XE26K2 SETSCREW-SELF-LOCKING SUPPLIER CODE: V03038 CONFIG CHG DATA FROM A CMM: SUPSD BY 335-0210-000	504903	4
- 277	335-0210-000 SETSCREW- SUPPLIER CODE: V74445 CONFIG CHG DATA FROM A CMM: SUPERSEDES LP57XE26K2 -----*-----	504903	4
290	647-5899-001 KNOB-BANK ANGLE SUPPLIER CODE: V4V792 ATTACHING PARTS	504903	1
- 295	335-0210-000 SETSCREW- SUPPLIER CODE: V74445 -----*-----	504903	2
300	641-9809-001 GUARD-THUMBWHEEL SUPPLIER CODE: V4V792 CONFIG CHG DATA FROM A CMM: SUPSD BY 830-3815-001	504903	1
300	830-3815-001 GUARD-THUMBWHEEL SUPPLIER CODE: V4V792 CONFIG CHG DATA FROM A CMM: SUPERSEDES 641-9809-001	504903	1
- 305	MS51957-14B SCREW	504903	2
- 307	553-5022-003 WASHER- SUPPLIER CODE: V4V792	504903	2
- 308	342-0141-000 SCREW- SUPPLIER CODE: V77250	504903	17

MISSING ITEM NUMBERS NOT APPLICABLE

- ITEM NOT ILLUSTRATED

22-11-02-02

22-11-02
FIG. 02
PAGE 41
JAN 20/09

BRI



757

PARTS CATALOG (MAINTENANCE)

FIG ITEM	PART NUMBER	1 2 3 4 5 6 7	NOMENCLATURE	EFFECT FROM TO	UNITS PER ASSY
2					
- 310	G30-5		.. INSERT-SCREW THREAD SUPPLIER CODE: V06097	504903	17
- 320	262-1337-020		.. LAMP- SUPPLIER CODE: V61342	504903	30
380	647-5895-001		.. SHAFT-DRIVE SUPPLIER CODE: V4V792 OPTIONAL PART: 651-2606-001 V4V792	504903	1
380	651-2606-001		.. SHAFT-DRIVE SUPPLIER CODE: V4V792 OPTIONAL PART: 647-5895-001 V4V792	504903	1
385	CEP20		.. COVER-DUST SUPPLIER CODE: V99017 MISCELLANEOUS DATA: ROCKWELL COLLINS SCD 359-7602-130	504903	3
- 501	286N2041-319		WIRE BUNDLE ASSY-	101102	RF
- 501	286N2041-320		WIRE BUNDLE ASSY-	101102	RF
- 501	286N2041-326		WIRE BUNDLE ASSY	108120	
- 501	286N2041-328		WIRE BUNDLE ASSY-	504903	RF
505	BACC45FT18A31S		.CONNECTOR- ELECTRICAL EQUIP NUMBER: D00037 WIRING DIAGRAM REF: 221112	108120	1
				504903	

MISSING ITEM NUMBERS NOT APPLICABLE

- ITEM NOT ILLUSTRATED

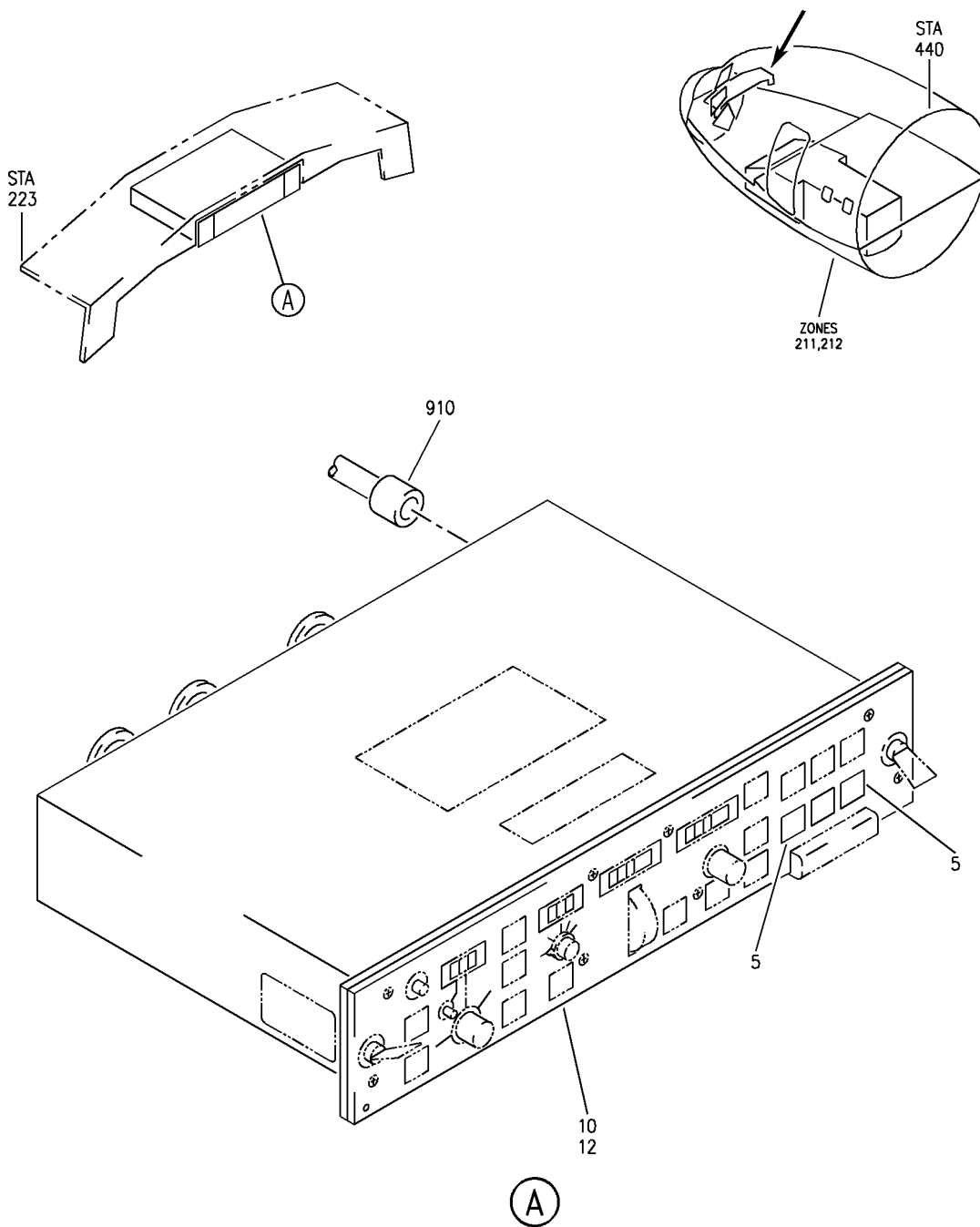
BRI

22-11-02-02

BOEING PROPRIETARY - Copyright © - Unpublished Work - See title page for details.

22-11-02
FIG. 02
PAGE 42
JAN 20/09

BOEING
757
PARTS CATALOG (MAINTENANCE)



Y 22110203 REV 284

PANEL INSTL-CONT (AUTOPILOT/FLIGHT DIRECTOR POWER ONLY)
FIGURE 3

22-11-02-03

BRI
JAN 20/09

22-11-02-03
PAGE 0



757

PARTS CATALOG (MAINTENANCE)

FIG ITEM	PART NUMBER	1 2 3 4 5 6 7	NOMENCLATURE	EFFECT FROM TO	UNITS PER ASSY
3			PANEL INSTL-CONT (AUTOPILOT/FLIGHT DIRECTOR POWER ONLY)	103106	RF

MISSING ITEM NUMBERS NOT APPLICABLE

- ITEM NOT ILLUSTRATED

BRI

22-11-02-03

BOEING PROPRIETARY - Copyright © - Unpublished Work - See title page for details.

22-11-02
FIG. 03
PAGE 1
JAN 20/09



757

PARTS CATALOG (MAINTENANCE)

FIG ITEM	PART NUMBER	1 2 3 4 5 6 7	NOMENCLATURE	EFFECT FROM TO	UNITS PER ASSY
3 - 2	MODREF31741		PANEL INSTL-CONT (AUTOPILOT/FLIGHT DIRECTOR POWER ONLY) MODULE NUMBER: 233N2103-425 REV A FOR OTHER SYS DETAILS SEE: 11-31-01-38 22-14-01-03 22-31-02-01 22-34-51-02 26-17-51-05 27-51-57-03 27-58-00-02 27-81-00-01 29-21-55-02 31-11-11-19 31-11-16-01 31-11-26-38 31-25-01-03 31-41-52-02 31-51-52-02 32-35-52-03 32-41-52-02 32-42-55-03 32-46-00-01 32-61-51-03 33-13-57-01A 33-16-52-03 34-12-01-03 34-13-01-03 34-13-02-01 34-13-05-01 34-13-06-01 34-16-51-03 34-21-02-02 34-22-02-02 34-22-05-01A 34-22-06-01 34-24-01-03 34-32-00-02 34-46-51-02 34-51-02-02 34-57-00-01 34-61-01-07 34-61-02-02 77-41-01-01 79-33-51-05	103105	1

MISSING ITEM NUMBERS NOT APPLICABLE

- ITEM NOT ILLUSTRATED

22-11-02-03

22-11-02
 FIG. 03
 PAGE 2
 JAN 20/09

BRI



757

PARTS CATALOG (MAINTENANCE)

FIG ITEM	PART NUMBER	1 2 3 4 5 6 7	NOMENCLATURE	EFFECT FROM TO	UNITS PER ASSY
3 - 3	MODREF104335		PANEL INSTL-CONT (AUTOPILOT/FLIGHT DIRECTOR POWER ONLY) MODULE NUMBER: 233N2103-425 REV B FOR OTHER SYS DETAILS SEE: 11-31-01-38 22-14-01-03 22-31-02-01 22-34-51-02 26-17-51-05 27-51-57-03 27-58-00-02 27-81-00-01 29-21-55-02 31-11-11-19 31-11-16-01 31-11-26-38 31-25-01-03 31-41-52-02 31-51-52-02 32-35-52-03 32-41-52-02 32-42-55-03 32-46-00-01 32-61-51-03 33-13-57-01 A 33-16-52-03 34-12-01-03 34-13-01-03 34-13-02-01 34-13-05-01 34-13-06-01 34-16-51-03 34-21-02-02 34-22-02-02 34-22-05-01 A 34-22-06-01 34-24-01-03 34-32-00-02 34-46-51-02 34-51-02-02 34-57-00-01 34-61-01-07 34-61-02-02 77-41-01-01 79-33-51-05	106106	1

MISSING ITEM NUMBERS NOT APPLICABLE

- ITEM NOT ILLUSTRATED

BRI

22-11-02-03

BOEING PROPRIETARY - Copyright © - Unpublished Work - See title page for details.

22-11-02
FIG. 03
PAGE 3
JAN 20/09



757

PARTS CATALOG (MAINTENANCE)

FIG ITEM	PART NUMBER	1 2 3 4 5 6 7	NOMENCLATURE	EFFECT FROM TO	UNITS PER ASSY
3 12	822-1492-102		.PANEL ASSY-MODE CONT MCP-705 SUPPLIER CODE: V4V792 SPECIFICATION NUMBER: S241T100-232 ELECTRICAL EQUIP NUMBER: M00090 COMPONENT MAINT MANUAL REF: 22-12-78 QUALIFIED I/W DATA: S241T100-211/ 622-4717-004 MCP IS TWO WAY INTERCHANGEABLE WITH S241T100-232/ 822-1492-102 MCP IF CWS HAS BEEN DE-ACTIVATED ON THE AIRPLANE 822-1492-101 AND 822-1492-102 ARE TWO-WAY REPLACEABLE WHEN BACK COURSE (BCRS) MODE PUSHBUTTON IS REPLACED BY A SWITCH GUARD. FOR DETAILS SEE: 22-11-02-01A	103106	1
- 900 910	286N2041-701 BACC45FT18A31S		WIRE BUNDLE ASSY- .CONNECTOR- ELECTRICAL EQUIP NUMBER: D00037 WIRING DIAGRAM REF: 221112	103106 103106	RF 1

MISSING ITEM NUMBERS NOT APPLICABLE

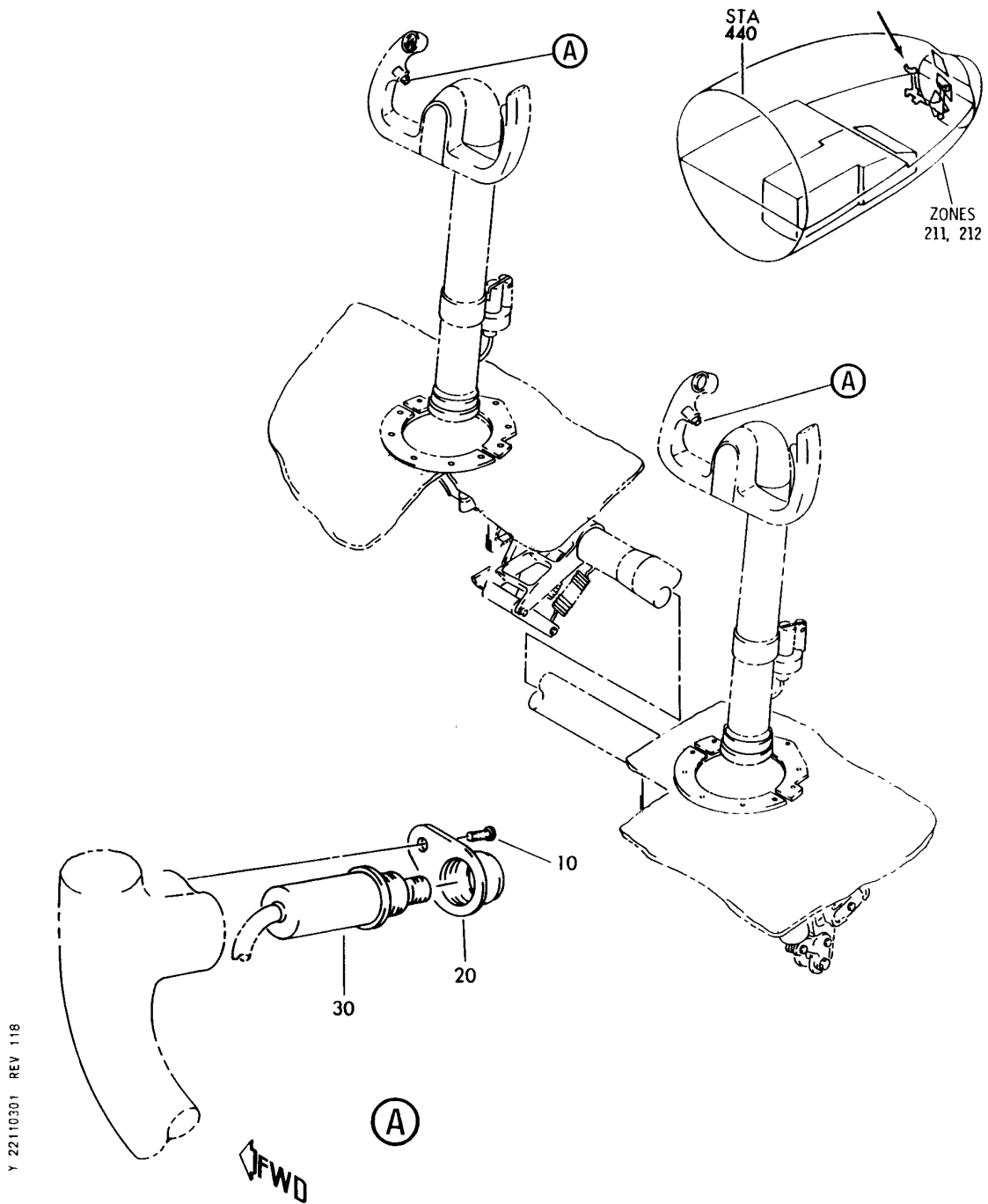
- ITEM NOT ILLUSTRATED

BRI

22-11-02-03

22-11-02
FIG. 03
PAGE 4
JAN 20/09

BOEING
757
PARTS CATALOG (MAINTENANCE)



WHEEL ASSY-CONT COLUMN (AUTOFLIGHT ONLY)
FIGURE 1

22-11-03-01

BRI
MAY 28/07

22-11-03-01
PAGE 0



757

PARTS CATALOG (MAINTENANCE)

FIG ITEM	PART NUMBER	1 2 3 4 5 6 7	NOMENCLATURE	EFFECT FROM TO	UNITS PER ASSY
1			WHEEL ASSY-CONT COLUMN (AUTOFLIGHT ONLY)	002004 006999	
- 1	251N1140-1		WHEEL ASSY-CONT COLUMN (AUTOFLIGHT ONLY) FOR NHA/OTHER SYS DET SEE: 27-11-02-01	950952	RF
- 1	251N1140-5		WHEEL ASSY-CONT COLUMN (AUTOFLIGHT ONLY) FOR NHA/OTHER SYS DET SEE: 27-11-02-01	002004 006949 953999	RF
- 1	251N1140-7		WHEEL ASSY-CONT COLUMN (AUTOFLIGHT ONLY) FOR NHA/OTHER SYS DET SEE: 27-11-02-01	950952	RF
- 1	251N1140-9		WHEEL ASSY-CONT COLUMN (AUTOFLIGHT ONLY) FOR NHA/OTHER SYS DET SEE: 27-11-02-01	002004 006949 953999	RF
- 1	251N1140-17		WHEEL ASSY-CONT COLUMN (AUTOFLIGHT ONLY) FOR NHA/OTHER SYS DET SEE: 27-11-02-01	950952	RF
- 1	251N1140-19		WHEEL ASSY-CONT COLUMN (AUTOFLIGHT ONLY) FOR NHA/OTHER SYS DET SEE: 27-11-02-01	002004 006949 953999	RF
- 5	251N1140-2		WHEEL ASSY-CONT COLUMN (AUTOFLIGHT ONLY) FOR NHA/OTHER SYS DET SEE: 27-11-02-01	950952	RF
- 5	251N1140-6		WHEEL ASSY-CONT COLUMN (AUTOFLIGHT ONLY) FOR NHA/OTHER SYS DET SEE: 27-11-02-01	002004 006949 953999	RF
- 5	251N1140-8		WHEEL ASSY-CONT COLUMN (AUTOFLIGHT ONLY) FOR NHA/OTHER SYS DET SEE: 27-11-02-01	950952	RF
- 5	251N1140-10		WHEEL ASSY-CONT COLUMN (AUTOFLIGHT ONLY) FOR NHA/OTHER SYS DET SEE: 27-11-02-01	002004 006949 953999	RF
- 5	251N1140-18		WHEEL ASSY-CONT COLUMN (AUTOFLIGHT ONLY) FOR NHA/OTHER SYS DET SEE: 27-11-02-01	950952	RF

MISSING ITEM NUMBERS NOT APPLICABLE

- ITEM NOT ILLUSTRATED

22-11-03-01

22-11-03
FIG. 01
PAGE 1
JAN 20/09

BRI



757

PARTS CATALOG (MAINTENANCE)

FIG ITEM	PART NUMBER	1 2 3 4 5 6 7	NOMENCLATURE	EFFECT FROM TO	UNITS PER ASSY
1					
- 5	251N1140-20		WHEEL ASSY-CONT COLUMN (AUTOFLIGHT ONLY) FOR NHA/OTHER SYS DET SEE: 27-11-02-01	002004 006949 953999	RF
10	NAS600-7B		.SCREW- USED ON: 251N1140-1 251N1140-2 251N1140-5 251N1140-6 251N1140-7 251N1140-8 251N1140-9 251N1140-10 251N1140-11 251N1140-12	002004 006999	1
10	BACS12CK04H7		.SCREW- USED ON: 251N1140-17 251N1140-18 251N1140-19 251N1140-20 251N1140-21 251N1140-22	002004 006999	1
20	69B82799-2		.PLATE	002004 006999	1
30	721101A1		.SWITCH-AUTOPILOT DISENGAGE SUPPLIER CODE: V07150 OPTIONAL PART: SW43896 V97564	002004 006999	1
30	SW43896		.SWITCH-AUTOPILOT DISENGAGE SUPPLIER CODE: V07150 OPTIONAL PART: 721101A1 V54753	002004 006999	1

MISSING ITEM NUMBERS NOT APPLICABLE

- ITEM NOT ILLUSTRATED

BRI

22-11-03-01

BOEING PROPRIETARY - Copyright © - Unpublished Work - See title page for details.

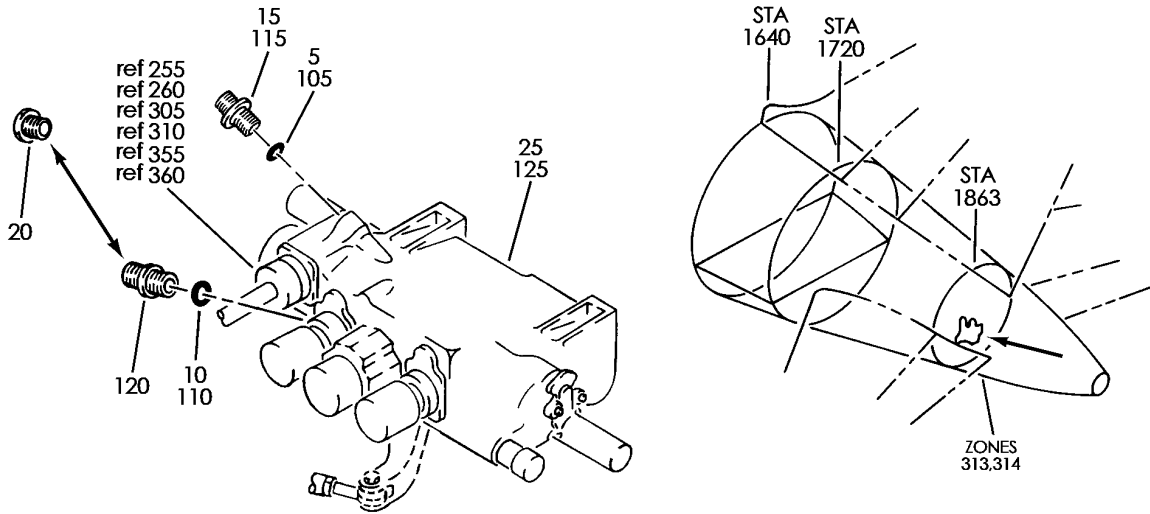
22-11-03
FIG. 01
PAGE 2
JAN 20/09

AUTOPILOT FLIGHT DIRECTOR PITCH CHANNEL

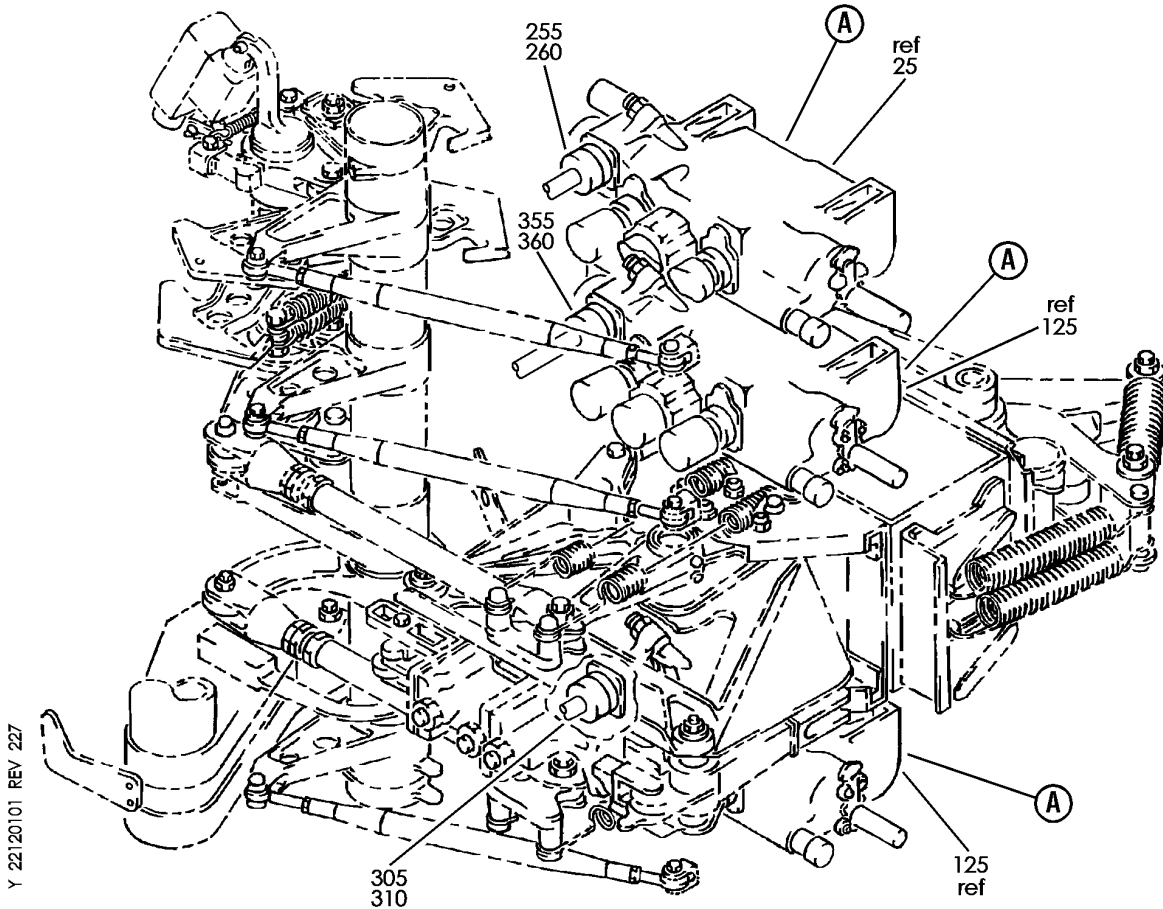
BRI
MAY 28/07

22-12-00
SECTION TITLE
PAGE 1

BOEING
757
PARTS CATALOG (MAINTENANCE)



(A)



Y 22120101 REV 22Z

SERVO ASSY-AUTOPILOT PITCH CONT
FIGURE 1

22-12-01-01

BRI
MAY 28/07

22-12-01-01
PAGE 0



757

PARTS CATALOG (MAINTENANCE)

FIG ITEM	PART NUMBER	1 2 3 4 5 6 7	NOMENCLATURE	EFFECT FROM TO	UNITS PER ASSY
1			SERVO ASSY-AUTOPILOT PITCH CONT	002004 006105 107999	
- 1	251N2814-1		SERVO ASSY-AUTOPILOT PITCH CONT POSITION DATA: L FOR NHA SEE: 27-31-53-01	107107	RF
- 1	251N2814-3		SERVO ASSY-AUTOPILOT PITCH CONT BASIC POSITION DATA: L FOR NHA SEE: 27-31-53-01	002004 006017 121503 904999	RF
- 1	251N2814-7		SERVO ASSY-AUTOPILOT PITCH CONT BASIC POSITION DATA: L FOR NHA SEE: 27-31-53-01	018105 108120 504903	RF
5	NAS1612-6		.PACKING-	002004 006105 107999	1
10	NAS1612-4		.PACKING-	002004 006105 107999	1
15	BACU24K6		.UNION	002004 006105 107999	1

MISSING ITEM NUMBERS NOT APPLICABLE

- ITEM NOT ILLUSTRATED

BRI

22-12-01-01

22-12-01
FIG. 01
PAGE 1
JAN 20/09



757

PARTS CATALOG (MAINTENANCE)

FIG ITEM	PART NUMBER	1 2 3 4 5 6 7	NOMENCLATURE	EFFECT FROM TO	UNITS PER ASSY
1 20	AFP2326-4		.REDUCER SUPPLIER CODE: V30974 SPECIFICATION NUMBER: BACR17E6-4 OPTIONAL PART: AP10276-4 V01673 BC916T6-4 V50948 DB0R17E6-4 V14798 ER21916T6-4 V88334 ER31916-6-4 V88334 F23-6-4 V73197 2-01075T6-4 V11328 31778-6-4 V14397 US2114-6-4 V50808 AP1027T6-4 V01673 US21146-4 V50808 317786-4 V14397	002004 006105 107999	1
25	163100-102		.SERVO ASSY- SUPPLIER CODE: V19156 SPECIFICATION NUMBER: S251N212-3 ELECTRICAL EQUIP NUMBER: M00271 COMPONENT MAINT MANUAL REF: 22-12-02 OPTIONAL PART: 163100-105 V19156 FOR DETAILS SEE: 22-12-01-02 22-12-02-01	002004 006105 107999	1

MISSING ITEM NUMBERS NOT APPLICABLE

- ITEM NOT ILLUSTRATED

BRI

22-12-01-01

BOEING PROPRIETARY - Copyright © - Unpublished Work - See title page for details.

22-12-01
FIG. 01
PAGE 2
JAN 20/09



757

PARTS CATALOG (MAINTENANCE)

FIG ITEM	PART NUMBER	1 2 3 4 5 6 7	NOMENCLATURE	EFFECT FROM TO	UNITS PER ASSY
1 25	163100-105		.SERVO ASSY- SUPPLIER CODE: V19156 SPECIFICATION NUMBER: S251N212-3 ELECTRICAL EQUIP NUMBER: M00271 COMPONENT MAINT MANUAL REF: 22-12-02 OPTIONAL PART: 163100-102 V19156 FOR DETAILS SEE: 22-12-01-02 22-12-02-01	002004 006105 107999	1
25	163100-103		.SERVO ASSY- SUPPLIER CODE: V19156 SPECIFICATION NUMBER: S251N212-4 ELECTRICAL EQUIP NUMBER: M00271 COMPONENT MAINT MANUAL REF: 22-12-02 OPTIONAL PART: 163100-104 V19156 FOR DETAILS SEE: 22-12-01-02 22-12-02-01	002004 006105 107999	1
25	163100-104		.SERVO ASSY- SUPPLIER CODE: V19156 SPECIFICATION NUMBER: S251N212-4 ELECTRICAL EQUIP NUMBER: M00271 COMPONENT MAINT MANUAL REF: 22-12-02 OPTIONAL PART: 163100-103 V19156 FOR DETAILS SEE: 22-12-01-02 22-12-02-01	002004 006105 107999	1

MISSING ITEM NUMBERS NOT APPLICABLE

- ITEM NOT ILLUSTRATED

BRI

22-12-01-01

22-12-01
FIG. 01
PAGE 3
JAN 20/09



757

PARTS CATALOG (MAINTENANCE)

FIG ITEM	PART NUMBER	1 2 3 4 5 6 7	NOMENCLATURE	EFFECT FROM TO	UNITS PER ASSY
1 25	163100-107		.SERVO ASSY- SUPPLIER CODE: V19156 SPECIFICATION NUMBER: S251N212-6 ELECTRICAL EQUIP NUMBER: M00271 COMPONENT MAINT MANUAL REF: 22-12-02 FOR DETAILS SEE: 22-12-01-02 22-12-02-01	002004 006105 107999	1
25	163100-106		.SERVO ASSY- SUPPLIER CODE: V19156 SPECIFICATION NUMBER: S251N212-5 ELECTRICAL EQUIP NUMBER: M00271 COMPONENT MAINT MANUAL REF: 22-12-02 FOR DETAILS SEE: 22-12-01-02 22-12-02-01	002004 006105 107999	1
25	163100-101		.SERVO ASSY- SUPPLIER CODE: V19156 SPECIFICATION NUMBER: S251N212-2 MISCELLANEOUS DATA: SPARE FOR S251N212-2 LOCATED IN THE LEFT SERVO POSITION IS 251N2814-1. SPARE FOR S251N212-2 LOCATED IN THE CENTER OR RIGHT SERVO POSITION IS S251N212-2 OR 251N2814-2 ELECTRICAL EQUIP NUMBER: M00271 COMPONENT MAINT MANUAL REF: 22-12-02 FOR DETAILS SEE: 22-12-01-02 22-12-02-01	002004 006105 107999	1

MISSING ITEM NUMBERS NOT APPLICABLE

- ITEM NOT ILLUSTRATED

22-12-01-01

22-12-01
FIG. 01
PAGE 4
JAN 20/09

BRI



757

PARTS CATALOG (MAINTENANCE)

FIG ITEM	PART NUMBER	1 2 3 4 5 6 7	NOMENCLATURE	EFFECT FROM TO	UNITS PER ASSY
1					
- 100	251N2814-2		SERVO ASSY-AUTOPILOT PITCH CONT POSITION DATA: CTR AND R FOR NHA SEE: 27-31-53-01	107107	RF
- 100	251N2814-4		SERVO ASSY-AUTOPILOT PITCH CONT BASIC POSITION DATA: CTR AND R FOR NHA SEE: 27-31-53-01	002004 006017 121503 904999	RF
- 100	251N2814-8		SERVO ASSY-AUTOPILOT PITCH CONT BASIC POSITION DATA: CTR AND R FOR NHA SEE: 27-31-53-01	018105 108120 504903	RF
105	NAS1612-6		.PACKING-	002004 006105 107999	1
110	NAS1612-4		.PACKING-	002004 006105 107999	1
115	BACU24K6		.UNION	002004 006105 107999	1
120	BACU24K4		.UNION	002004 006105 107999	1
125	163100-102		.SERVO ASSY- SUPPLIER CODE: V19156 SPECIFICATION NUMBER: S251N212-3 ELECTRICAL EQUIP NUMBER: M00272 M00273 COMPONENT MAINT MANUAL REF: 22-12-02 OPTIONAL PART: 163100-105 V19156 FOR DETAILS SEE: 22-12-01-02 22-12-02-01	002004 006105 107999	1

MISSING ITEM NUMBERS NOT APPLICABLE

- ITEM NOT ILLUSTRATED

BRI

22-12-01-01

22-12-01
FIG. 01
PAGE 5
JAN 20/09



757

PARTS CATALOG (MAINTENANCE)

FIG ITEM	PART NUMBER	1 2 3 4 5 6 7	NOMENCLATURE	EFFECT FROM TO	UNITS PER ASSY
1 125	163100-105		.SERVO ASSY- SUPPLIER CODE: V19156 SPECIFICATION NUMBER: S251N212-3 ELECTRICAL EQUIP NUMBER: M00272 M00273 COMPONENT MAINT MANUAL REF: 22-12-02 OPTIONAL PART: 163100-102 V19156 FOR DETAILS SEE: 22-12-01-02 22-12-02-01	002004 006105 107999	1
125	163100-103		.SERVO ASSY- SUPPLIER CODE: V19156 SPECIFICATION NUMBER: S251N212-4 ELECTRICAL EQUIP NUMBER: M00272 M00273 COMPONENT MAINT MANUAL REF: 22-12-02 OPTIONAL PART: 163100-104 V19156 FOR DETAILS SEE: 22-12-01-02 22-12-02-01	002004 006105 107999	1
125	163100-104		.SERVO ASSY- SUPPLIER CODE: V19156 SPECIFICATION NUMBER: S251N212-4 ELECTRICAL EQUIP NUMBER: M00272 M00273 COMPONENT MAINT MANUAL REF: 22-12-02 OPTIONAL PART: 163100-103 V19156 FOR DETAILS SEE: 22-12-01-02 22-12-02-01	002004 006105 107999	1

MISSING ITEM NUMBERS NOT APPLICABLE

- ITEM NOT ILLUSTRATED

22-12-01-01

22-12-01
FIG. 01
PAGE 6
JAN 20/09

BRI



757

PARTS CATALOG (MAINTENANCE)

FIG ITEM	PART NUMBER	1 2 3 4 5 6 7	NOMENCLATURE	EFFECT FROM TO	UNITS PER ASSY
1 125	163100-107		.SERVO ASSY- SUPPLIER CODE: V19156 SPECIFICATION NUMBER: S251N212-6 ELECTRICAL EQUIP NUMBER: M00272 M00273 COMPONENT MAINT MANUAL REF: 22-12-02 FOR DETAILS SEE: 22-12-01-02 22-12-02-01	002004 006105 107999	1
125	163100-106		.SERVO ASSY- SUPPLIER CODE: V19156 SPECIFICATION NUMBER: S251N212-5 ELECTRICAL EQUIP NUMBER: M00272 M00273 COMPONENT MAINT MANUAL REF: 22-12-02 FOR DETAILS SEE: 22-12-01-02 22-12-02-01	002004 006105 107999	1
125	163100-101		.SERVO ASSY- SUPPLIER CODE: V19156 SPECIFICATION NUMBER: S251N212-2 MISCELLANEOUS DATA: SPARE FOR S251N212-2 LOCATED IN THE LEFT SERVO POSITION IS 251N2814-1. SPARE FOR S251N212-2 LOCATED IN THE CENTER OR RIGHT SERVO POSITION IS S251N212-2 OR 251N2814-2 ELECTRICAL EQUIP NUMBER: M00272 M00273 COMPONENT MAINT MANUAL REF: 22-12-02 FOR DETAILS SEE: 22-12-01-02 22-12-02-01	002004 006105 107999	1

MISSING ITEM NUMBERS NOT APPLICABLE

- ITEM NOT ILLUSTRATED

22-12-01-01

22-12-01
FIG. 01
PAGE 7
JAN 20/09

BRI



757

PARTS CATALOG (MAINTENANCE)

FIG ITEM	PART NUMBER	1 2 3 4 5 6 7	NOMENCLATURE	EFFECT FROM TO	UNITS PER ASSY
1					
- 250	286N2801-002		WIRE BUNDLE ASSY	002004 006100 107107 121503 904999	RF
- 250	286N2801-303		WIRE BUNDLE ASSY	101102 108120	RF
- 250	286N2801-307		WIRE BUNDLE ASSY	504903	RF
- 250	286N2801-601		WIRE BUNDLE ASSY	103105	RF
255	BCREFA0332		.CONNECTOR- OVERLENGTH PART NUMBER: BACC63BP22A19SNL ELECTRICAL EQUIP NUMBER: D00029 WIRING DIAGRAM REF: 221111	002004 006102 107999	1
255	BACC63BP22C19SN		.CONNECTOR- ELECTRICAL EQUIP NUMBER: D00029 WIRING DIAGRAM REF: 221111	103105	1
260	GS3417-22C		.CLAMP- SUPPLIER CODE: V06324 SPECIFICATION NUMBER: BACC10HF22 OPTIONAL PART: S2125-22-8 V07418 ELECTRICAL EQUIP NUMBER: D00029T WIRING DIAGRAM REF: 221111	002004 006102 107999	1
260	S3819-22-65		.CLAMP- SUPPLIER CODE: V07418 SPECIFICATION NUMBER: BACC10KD22 OPTIONAL PART: 620AS028NF22L V06324 ELECTRICAL EQUIP NUMBER: D00029T WIRING DIAGRAM REF: 221111	103105	1

MISSING ITEM NUMBERS NOT APPLICABLE

- ITEM NOT ILLUSTRATED

BRI

22-12-01-01

22-12-01
FIG. 01
PAGE 8
JAN 20/09



757

PARTS CATALOG (MAINTENANCE)

FIG ITEM	PART NUMBER	1 2 3 4 5 6 7	NOMENCLATURE	EFFECT FROM TO	UNITS PER ASSY
1					
- 300	286N2811-002		WIRE BUNDLE ASSY	002004 006100 107107 121503 904999	RF
- 300	286N2811-303		WIRE BUNDLE ASSY	101102 108120	RF
- 300	286N2811-307		WIRE BUNDLE ASSY	504903	RF
305	BCREFA0332		.CONNECTOR- OVERLENGTH PART NUMBER: BACC63BP22A19SNL ELECTRICAL EQUIP NUMBER: D00069 WIRING DIAGRAM REF: 221121	002004 006102 107999	1
310	GS3418-22CD		.CLAMP- SUPPLIER CODE: V06324 SPECIFICATION NUMBER: BACC10HG22 OPTIONAL PART: S2126-22-8 V07418 ELECTRICAL EQUIP NUMBER: D00069T WIRING DIAGRAM REF: 221121	002004 006102 107999	1
- 350	286N2821-002		WIRE BUNDLE ASSY	107107 904949	RF
- 350	286N2821-005		WIRE BUNDLE ASSY	002004 006100 950999	RF
- 350	286N2821-016		WIRE BUNDLE ASSY	121503	RF
- 350	286N2821-307		WIRE BUNDLE ASSY	504903	RF
- 350	286N2821-309		WIRE BUNDLE ASSY	101102 108120	RF
- 351	286N2821-601		WIRE BUNDLE ASSY	103105	RF
355	BCREFA0332		.CONNECTOR- OVERLENGTH PART NUMBER: BACC63BP22A19SNL ELECTRICAL EQUIP NUMBER: D00049 WIRING DIAGRAM REF: 221131	002004 006102 107999	1
355	BACC63BP22C19SN		.CONNECTOR- ELECTRICAL EQUIP NUMBER: D00049 WIRING DIAGRAM REF: 221131	103105	1

MISSING ITEM NUMBERS NOT APPLICABLE

- ITEM NOT ILLUSTRATED

BRI

22-12-01-01

22-12-01
FIG. 01
PAGE 9
JAN 20/09



757

PARTS CATALOG (MAINTENANCE)

FIG ITEM	PART NUMBER	1 2 3 4 5 6 7	NOMENCLATURE	EFFECT FROM TO	UNITS PER ASSY
1 360	GS3418-22CD	.CLAMP-	SUPPLIER CODE: V06324 SPECIFICATION NUMBER: BACC10HG22 OPTIONAL PART: S2126-22-8 V07418 ELECTRICAL EQUIP NUMBER: D00049T WIRING DIAGRAM REF: 221131	107107 904949	1
360	900-555L22-34	.CLAMP-	SUPPLIER CODE: V31461 SPECIFICATION NUMBER: BACC10HG22A OPTIONAL PART: 6000-124-1022 V14283 S2252-22-8 V07418 G8994M22 V06324 G899422 V06324 ELECTRICAL EQUIP NUMBER: D00049T WIRING DIAGRAM REF: 221131	002004 006102 108903 950999	1
360	620AA028NF22L	.CLAMP-	SUPPLIER CODE: V06324 SPECIFICATION NUMBER: BACC10KE22 OPTIONAL PART: S3820-22-65 V07418 ELECTRICAL EQUIP NUMBER: D00049T WIRING DIAGRAM REF: 221131	103105	1

MISSING ITEM NUMBERS NOT APPLICABLE

- ITEM NOT ILLUSTRATED

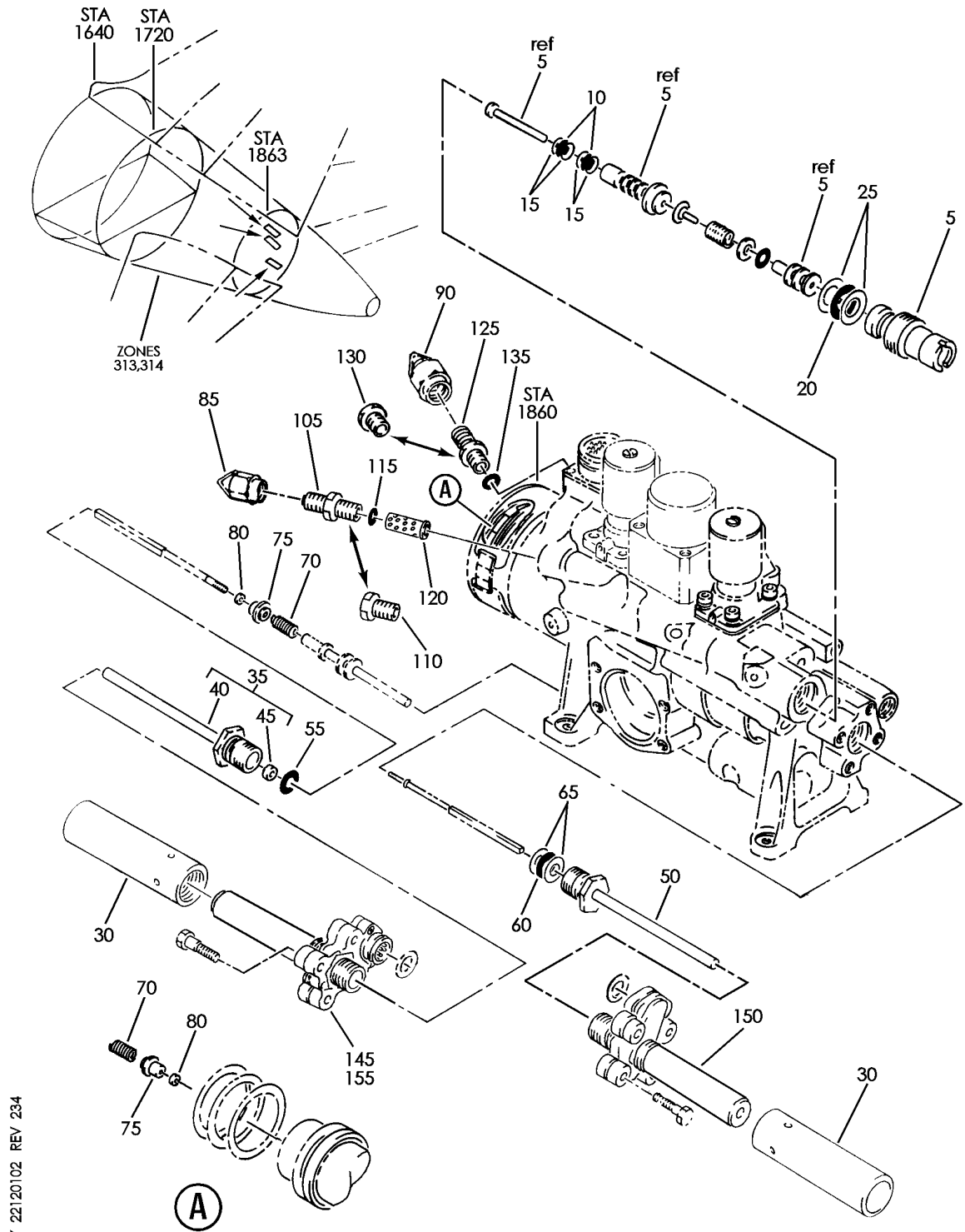
BRI

22-12-01-01

BOEING PROPRIETARY - Copyright © - Unpublished Work - See title page for details.

22-12-01
FIG. 01
PAGE 10
JAN 20/09

BOEING
757
PARTS CATALOG (MAINTENANCE)



Y 22120102 REV 234

SERVO ASSY-AUTOPILOT PITCH CONT (AUTOPILOT PITCH CONTROL SERVO ONLY)
FIGURE 2

22-12-01-02

BRI
MAY 28/07

22-12-01-02
PAGE 0



757

PARTS CATALOG (MAINTENANCE)

FIG ITEM	PART NUMBER	1 2 3 4 5 6 7	NOMENCLATURE	EFFECT FROM TO	UNITS PER ASSY
2			SERVO ASSY-AUTOPILOT PITCH CONT (AUTOPILOT PITCH CONTROL SERVO ONLY)	002004 006105 107999	
- 1	163100-101		SERVO ASSY-AUTOPILOT PITCH CONT (AUTOPILOT PITCH CONTROL SERVO ONLY) SUPPLIER CODE: V19156 POSITION DATA: CTR AND R SPECIFICATION NUMBER: S251N212-2 MISCELLANEOUS DATA: SPARE FOR S251N212-2 LOCATED IN THE CENTER OR RIGHT SERVO POSITION IS S251N212-2 OR 251N2814-2 ELECTRICAL EQUIP NUMBER: M00272 M00273 COMPONENT MAINT MANUAL REF: 22-12-02 FOR NHA SEE: 27-31-53-01	107107	RF
- 1	163100-102		SERVO ASSY-AUTOPILOT PITCH CONT (AUTOPILOT PITCH CONTROL SERVO ONLY) SUPPLIER CODE: V19156 POSITION DATA: CTR AND R SPECIFICATION NUMBER: S251N212-3 ELECTRICAL EQUIP NUMBER: M00272 M00273 COMPONENT MAINT MANUAL REF: 22-12-02 OPTIONAL PART: 163100-105 V19156 FOR NHA SEE: 27-31-53-01	107107	RF

MISSING ITEM NUMBERS NOT APPLICABLE

- ITEM NOT ILLUSTRATED

BRI

22-12-01-02

22-12-01
FIG. 02
PAGE 1
JAN 20/09



757

PARTS CATALOG (MAINTENANCE)

FIG ITEM	PART NUMBER	1 2 3 4 5 6 7	NOMENCLATURE	EFFECT FROM TO	UNITS PER ASSY
2 - 1	163100-103		SERVO ASSY-AUTOPILOT PITCH CONT (AUTOPILOT PITCH CONTROL SERVO ONLY) SUPPLIER CODE: V19156 POSITION DATA: CTR AND R SPECIFICATION NUMBER: S251N212-4 ELECTRICAL EQUIP NUMBER: M00272 M00273 COMPONENT MAINT MANUAL REF: 22-12-02 OPTIONAL PART: 163100-104 V19156 FOR NHA SEE: 27-31-53-01	107107	RF
- 1	163100-104		SERVO ASSY-AUTOPILOT PITCH CONT (AUTOPILOT PITCH CONTROL SERVO ONLY) SUPPLIER CODE: V19156 POSITION DATA: CTR AND R SPECIFICATION NUMBER: S251N212-4 ELECTRICAL EQUIP NUMBER: M00272 M00273 COMPONENT MAINT MANUAL REF: 22-12-02 OPTIONAL PART: 163100-103 V19156 FOR NHA SEE: 27-31-53-01	107107	RF

MISSING ITEM NUMBERS NOT APPLICABLE

- ITEM NOT ILLUSTRATED

BRI

22-12-01-02

BOEING PROPRIETARY - Copyright © - Unpublished Work - See title page for details.

22-12-01
FIG. 02
PAGE 2
JAN 20/09



757

PARTS CATALOG (MAINTENANCE)

FIG ITEM	PART NUMBER	1 2 3 4 5 6 7	NOMENCLATURE	EFFECT FROM TO	UNITS PER ASSY
2 - 1	163100-105		SERVO ASSY-AUTOPILOT PITCH CONT (AUTOPILOT PITCH CONTROL SERVO ONLY) SUPPLIER CODE: V19156 POSITION DATA: CTR AND R SPECIFICATION NUMBER: S251N212-3 ELECTRICAL EQUIP NUMBER: M00272 M00273 COMPONENT MAINT MANUAL REF: 22-12-02 OPTIONAL PART: 163100-102 V19156 FOR NHA SEE: 27-31-53-01	107107	RF
- 1	163100-106		SERVO ASSY-AUTOPILOT PITCH CONT (AUTOPILOT PITCH CONTROL SERVO ONLY) SUPPLIER CODE: V19156 POSITION DATA: CTR AND R SPECIFICATION NUMBER: S251N212-5 ELECTRICAL EQUIP NUMBER: M00272 M00273 COMPONENT MAINT MANUAL REF: 22-12-02 FOR NHA SEE: 27-31-53-01	107107	RF

MISSING ITEM NUMBERS NOT APPLICABLE

- ITEM NOT ILLUSTRATED

BRI

22-12-01-02

22-12-01
FIG. 02
PAGE 3
JAN 20/09



757

PARTS CATALOG (MAINTENANCE)

FIG ITEM	PART NUMBER	1 2 3 4 5 6 7	NOMENCLATURE	EFFECT FROM TO	UNITS PER ASSY
2 - 1	163100-107		SERVO ASSY-AUTOPILOT PITCH CONT (AUTOPILOT PITCH CONTROL SERVO ONLY) SUPPLIER CODE: V19156 POSITION DATA: CTR AND R SPECIFICATION NUMBER: S251N212-6 ELECTRICAL EQUIP NUMBER: M00272 M00273 COMPONENT MAINT MANUAL REF: 22-12-02 FOR NHA SEE: 27-31-53-01	107107	RF
- 2	163100-101		SERVO ASSY-AUTOPILOT PITCH CONT (AUTOPILOT PITCH CONTROL SERVO ONLY) SUPPLIER CODE: V19156 POSITION DATA: L CTR AND R SPECIFICATION NUMBER: S251N212-2 MISCELLANEOUS DATA: SPARE FOR S251N212-2 LOCATED IN THE LEFT SERVO POSITION IS 251N2814-1. SPARE FOR S251N212-2 LOCATED IN THE CENTER OR RIGHT SERVO POSITION IS S251N212-2 OR 251N2814-2 ELECTRICAL EQUIP NUMBER: M00271 M00272 M00273 COMPONENT MAINT MANUAL REF: 22-12-02 FOR NHA SEE: 22-12-01-01	002004 006105 108999	RF

MISSING ITEM NUMBERS NOT APPLICABLE

- ITEM NOT ILLUSTRATED

BRI

22-12-01-02

22-12-01
FIG. 02
PAGE 4
JAN 20/09



757

PARTS CATALOG (MAINTENANCE)

FIG ITEM	PART NUMBER	1 2 3 4 5 6 7	NOMENCLATURE	EFFECT FROM TO	UNITS PER ASSY
2 -	2 163100-102		SERVO ASSY-AUTOPILOT PITCH CONT (AUTOPILOT PITCH CONTROL SERVO ONLY) SUPPLIER CODE: V19156 POSITION DATA: L CTR AND R SPECIFICATION NUMBER: S251N212-3 ELECTRICAL EQUIP NUMBER: M00271 M00272 M00273 COMPONENT MAINT MANUAL REF: 22-12-02 OPTIONAL PART: 163100-105 V19156 FOR NHA SEE: 22-12-01-01	002004 006105 108999	RF
-	2 163100-103		SERVO ASSY-AUTOPILOT PITCH CONT (AUTOPILOT PITCH CONTROL SERVO ONLY) SUPPLIER CODE: V19156 POSITION DATA: L CTR AND R SPECIFICATION NUMBER: S251N212-4 ELECTRICAL EQUIP NUMBER: M00271 M00272 M00273 COMPONENT MAINT MANUAL REF: 22-12-02 OPTIONAL PART: 163100-104 V19156 FOR NHA SEE: 22-12-01-01	002004 006105 108999	RF

MISSING ITEM NUMBERS NOT APPLICABLE

- ITEM NOT ILLUSTRATED

BRI

22-12-01-02

22-12-01
FIG. 02
PAGE 5
JAN 20/09



757

PARTS CATALOG (MAINTENANCE)

FIG ITEM	PART NUMBER	1 2 3 4 5 6 7	NOMENCLATURE	EFFECT FROM TO	UNITS PER ASSY
2 -	2 163100-104		SERVO ASSY-AUTOPILOT PITCH CONT (AUTOPILOT PITCH CONTROL SERVO ONLY) SUPPLIER CODE: V19156 POSITION DATA: L CTR AND R SPECIFICATION NUMBER: S251N212-4 ELECTRICAL EQUIP NUMBER: M00271 M00272 M00273 COMPONENT MAINT MANUAL REF: 22-12-02 OPTIONAL PART: 163100-103 V19156 FOR NHA SEE: 22-12-01-01	002004 006105 108999	RF
-	2 163100-105		SERVO ASSY-AUTOPILOT PITCH CONT (AUTOPILOT PITCH CONTROL SERVO ONLY) SUPPLIER CODE: V19156 POSITION DATA: L CTR AND R SPECIFICATION NUMBER: S251N212-3 ELECTRICAL EQUIP NUMBER: M00271 M00272 M00273 COMPONENT MAINT MANUAL REF: 22-12-02 OPTIONAL PART: 163100-102 V19156 FOR NHA SEE: 27-31-53-01	002004 006105 108999	RF

MISSING ITEM NUMBERS NOT APPLICABLE

- ITEM NOT ILLUSTRATED

BRI

22-12-01-02

22-12-01
FIG. 02
PAGE 6
JAN 20/09



757

PARTS CATALOG (MAINTENANCE)

FIG ITEM	PART NUMBER	1 2 3 4 5 6 7	NOMENCLATURE	EFFECT FROM TO	UNITS PER ASSY
2 -	2 163100-106		SERVO ASSY-AUTOPILOT PITCH CONT (AUTOPILOT PITCH CONTROL SERVO ONLY) SUPPLIER CODE: V19156 POSITION DATA: L CTR AND R SPECIFICATION NUMBER: S251N212-5 ELECTRICAL EQUIP NUMBER: M00271 M00272 M00273 COMPONENT MAINT MANUAL REF: 22-12-02 FOR NHA SEE: 22-12-01-01	002004 006105 108999	RF
-	2 163100-107		SERVO ASSY-AUTOPILOT PITCH CONT (AUTOPILOT PITCH CONTROL SERVO ONLY) SUPPLIER CODE: V19156 POSITION DATA: L CTR AND R SPECIFICATION NUMBER: S251N212-6 ELECTRICAL EQUIP NUMBER: M00271 M00272 M00273 COMPONENT MAINT MANUAL REF: 22-12-02 FOR NHA SEE: 22-12-01-01	002004 006105 108999	RF

MISSING ITEM NUMBERS NOT APPLICABLE

- ITEM NOT ILLUSTRATED

BRI

22-12-01-02

22-12-01
FIG. 02
PAGE 7
JAN 20/09



757

PARTS CATALOG (MAINTENANCE)

FIG ITEM	PART NUMBER	1 2 3 4 5 6 7	NOMENCLATURE	EFFECT FROM TO	UNITS PER ASSY
2 -	3 163100-102		SERVO ASSY-AUTOPILOT PITCH CONT (AUTOPILOT PITCH CONTROL SERVO ONLY) SUPPLIER CODE: V19156 POSITION DATA: L SPECIFICATION NUMBER: S251N212-3 ELECTRICAL EQUIP NUMBER: M00271 COMPONENT MAINT MANUAL REF: 22-12-02 OPTIONAL PART: 163100-105 V19156 FOR NHA SEE: 22-12-01-01	107107	RF
-	3 163100-105		SERVO ASSY-AUTOPILOT PITCH CONT (AUTOPILOT PITCH CONTROL SERVO ONLY) SUPPLIER CODE: V19156 POSITION DATA: L SPECIFICATION NUMBER: S251N212-3 ELECTRICAL EQUIP NUMBER: M00271 COMPONENT MAINT MANUAL REF: 22-12-02 OPTIONAL PART: 163100-102 V19156 FOR NHA SEE: 22-12-01-01	107107	RF

MISSING ITEM NUMBERS NOT APPLICABLE

- ITEM NOT ILLUSTRATED

BRI

22-12-01-02

22-12-01
FIG. 02
PAGE 8
JAN 20/09



757

PARTS CATALOG (MAINTENANCE)

FIG ITEM	PART NUMBER	1 2 3 4 5 6 7	NOMENCLATURE	EFFECT FROM TO	UNITS PER ASSY
2 - 3	163100-103		SERVO ASSY-AUTOPILOT PITCH CONT (AUTOPILOT PITCH CONTROL SERVO ONLY) SUPPLIER CODE: V19156 POSITION DATA: L SPECIFICATION NUMBER: S251N212-4 ELECTRICAL EQUIP NUMBER: M00271 COMPONENT MAINT MANUAL REF: 22-12-02 OPTIONAL PART: 163100-104 V19156 FOR NHA SEE: 22-12-01-01	107107	RF
- 3	163100-104		SERVO ASSY-AUTOPILOT PITCH CONT (AUTOPILOT PITCH CONTROL SERVO ONLY) SUPPLIER CODE: V19156 POSITION DATA: L SPECIFICATION NUMBER: S251N212-4 ELECTRICAL EQUIP NUMBER: M00271 COMPONENT MAINT MANUAL REF: 22-12-02 OPTIONAL PART: 163100-103 V19156 FOR NHA SEE: 22-12-01-01	107107	RF

MISSING ITEM NUMBERS NOT APPLICABLE

- ITEM NOT ILLUSTRATED

BRI

22-12-01-02

22-12-01
FIG. 02
PAGE 9
JAN 20/09



757

PARTS CATALOG (MAINTENANCE)

FIG ITEM	PART NUMBER	1 2 3 4 5 6 7	NOMENCLATURE	EFFECT FROM TO	UNITS PER ASSY
2 -	3 163100-106		SERVO ASSY-AUTOPILOT PITCH CONT (AUTOPILOT PITCH CONTROL SERVO ONLY) SUPPLIER CODE: V19156 POSITION DATA: L SPECIFICATION NUMBER: S251N212-5 ELECTRICAL EQUIP NUMBER: M00271 COMPONENT MAINT MANUAL REF: 22-12-02 FOR NHA SEE: 22-12-01-01	107107	RF
-	3 163100-107		SERVO ASSY-AUTOPILOT PITCH CONT (AUTOPILOT PITCH CONTROL SERVO ONLY) SUPPLIER CODE: V19156 POSITION DATA: L SPECIFICATION NUMBER: S251N212-6 ELECTRICAL EQUIP NUMBER: M00271 COMPONENT MAINT MANUAL REF: 22-12-02 FOR NHA SEE: 22-12-01-01	107107	RF

MISSING ITEM NUMBERS NOT APPLICABLE

- ITEM NOT ILLUSTRATED

BRI

22-12-01-02

22-12-01
FIG. 02
PAGE 10
JAN 20/09

BOEING
757
PARTS CATALOG (MAINTENANCE)

FIG ITEM	PART NUMBER	1 2 3 4 5 6 7	NOMENCLATURE	EFFECT FROM TO	UNITS PER ASSY
R R R R R R R R R R R R	2				
	15	MS27595-012	.RETAINER-	002004	4
			OPTIONAL PART:	006105	
			BACR12BP012	107999	
			BACR12BM012		
			MS28774-012		
	15	C11236-012B	.RING-	002004	4
			SUPPLIER CODE:	006105	
			V26879	107999	
			SPECIFICATION NUMBER:		
			BACR12BM012		
			OPTIONAL PART:		
		RMR12BM012			
		V94878			
		STF800-012			
		V02107			
		S30294-012-1			
		V97820			
		TF450-012A			
		V07128			
		2100-012			
		V26303			
		MS27595-012			
		MS28774-012			
		BACR12BP012			
15	MS28774-012	.RING-	002004	4	
		OPTIONAL PART:	006105		
		BACR12BP012	107999		
		BACR12BM012			
		MS27595-012			
20	NAS1611-018	.PACKING-	002004	1	
			006105		
			107999		

MISSING ITEM NUMBERS NOT APPLICABLE

— ITEM NOT ILLUSTRATED

BRI

22-12-01-02

BOEING PROPRIETARY - Copyright © - Unpublished Work - See title page for details.

22-12-01
FIG. 02
PAGE 12
MAY 20/09



**757
PARTS CATALOG (MAINTENANCE)**

FIG ITEM	PART NUMBER	1 2 3 4 5 6 7	NOMENCLATURE	EFFECT FROM TO	UNITS PER ASSY	
R R R R R R R R R R	25	S30310-018	.RING- SUPPLIER CODE: V09257 SPECIFICATION NUMBER: BACR12BP018 OPTIONAL PART: DW969516-018 V02886 RM9157BU018 V94878 STS900-018 V02107 TF456-018 V07128 2150-018 V26303 C11237-018 V26879 MS27595-018	002004 006105 107999	2	
	25	MS27595-018	.RETAINER- OPTIONAL PART: BACR12BP018	002004 006105 107999	2	
	30	163038-001	.SLEEVE-PROTECTOR LVDT SUPPLIER CODE: V19156	002004 006105 107999	2	
	35	163024-100	.DIAPHRAGM ASSY- SUPPLIER CODE: V19156 QUALIFIED OPTIONAL DATA: GM6958-101 QTY 2 IS OPTIONAL TO 1 GM8468-1 WITH 163034-001 AND 1 GM8468-2 WITH 163024-100 USED ON: 163100-101 163100-102 163100-103 163100-104 163100-105	002004 006105 107999	1	
	40	163024-001	..DIAPHRAGM- SUPPLIER CODE: V19156	002004 006105 107999	1	
	45	911271-001	..BEARING- SUPPLIER CODE: V19156	002004 006105 107999	1	

MISSING ITEM NUMBERS NOT APPLICABLE

— ITEM NOT ILLUSTRATED

22-12-01-02

22-12-01
FIG. 02
PAGE 13
MAY 20/09

BRI



757

PARTS CATALOG (MAINTENANCE)

FIG ITEM	PART NUMBER	1 2 3 4 5 6 7	NOMENCLATURE	EFFECT FROM TO	UNITS PER ASSY	
R R R R R R R R R R	2 50 163034-001		.DIAPHRAGM- SUPPLIER CODE: V19156 QUALIFIED OPTIONAL DATA: GM6958-101 QTY 2 IS OPTIONAL TO 1 GM8468-1 WITH 163034-001 AND 1 GM8468-2 WITH 163024-100 USED ON: 163100-101 163100-102 163100-103 163100-104 163100-105	002004 006105 107999	1	
	55 NAS1611-115		.PACKING-	002004 006105 107999	1	
	60 NAS1611-116		.PACKING-	002004 006105 107999	1	
	65 C11237-116		.RING- SUPPLIER CODE: V26879 SPECIFICATION NUMBER: BACR12BP116 OPTIONAL PART: DW969516-116 V02886 RM9157BU116 V94878 STS900-116 V02107 S30310-116 V97820 TF456-116 V07128 2150-116 V26303 MS27595-116	002004 006105 107999	2	
	65 MS27595-116		.RETAINER- OPTIONAL PART: BACR12BP116	002004 006105 107999	2	
	70 163039-002		.SPRING-LVDT LOCK SUPPLIER CODE: V19156	002004 006105 107999	2	
	75 163014-001		.RING- SUPPLIER CODE: V19156	002004 006105 107999	2	

MISSING ITEM NUMBERS NOT APPLICABLE

- ITEM NOT ILLUSTRATED

22-12-01-02

22-12-01
FIG. 02
PAGE 14
MAY 20/09

BRI



757

PARTS CATALOG (MAINTENANCE)

FIG ITEM	PART NUMBER	1 2 3 4 5 6 7	NOMENCLATURE	EFFECT FROM TO	UNITS PER ASSY
R R R R R R R R R R R R R R R R	2				
	80	163015-001	.RING-SPLIT COLLET	002004	2
			SUPPLIER CODE:	006105	
			V19156	107999	
	85	AP1008-04D	.CAP-	002004	1
			SUPPLIER CODE:	006105	
			V01673	107999	
			SPECIFICATION NUMBER:		
			BACC14AD04D		
			OPTIONAL PART:		
			US2103-04D		
			V50808		
			POSITION DATA:		
			CTR AND R		
			MS21914-4D		
			USED ON:		
		163100-101			
85	MS21914-4D	.CAP ASSY-	002004	1	
		POSITION DATA:	006105		
		CTR AND R	107999		
		OPTIONAL PART:			
		BACC14AD04D			
		USED ON:			
		163100-101			
90	AP1008-06D	.CAP ASSY-	002004	1	
		SUPPLIER CODE:	006105		
		V01673	107999		
		SPECIFICATION NUMBER:			
		BACC14AD06D			
		OPTIONAL PART:			
		DBOC14AD06D			
		V14798			
		FER22661-06D			
		V14397			
		2-02813-06D			
		V11328			
		4690009-06D			
		V50948			
		AFP241-06D			
		V30974			
		US2103-06D			
		V50808			
		POSITION DATA:			
		CTR AND R			
		MS21914-6D			
		USED ON:			
		163100-101			

MISSING ITEM NUMBERS NOT APPLICABLE

- ITEM NOT ILLUSTRATED

BRI

22-12-01-02

22-12-01
FIG. 02
PAGE 15
MAY 20/09



757

PARTS CATALOG (MAINTENANCE)

FIG ITEM	PART NUMBER	1 2 3 4 5 6 7	NOMENCLATURE	EFFECT FROM TO	UNITS PER ASSY	
R R R R R R R R R R	2					
	90	MS21914-6D	.CAP ASSY- POSITION DATA: CTR AND R OPTIONAL PART: BACC14AD06D USED ON: 163100-101	002004 006105 107999	1	
	- 95	163130-100	.MOD PISTON ASSY- SUPPLIER CODE: V19156	002004 006105 107999	1	
	- 100	163130-200	..PISTON- SUPPLIER CODE: V19156	002004 006105 107999	1	
	105	BACU24K4	.UNION- USED ON: 163100-101	002004 006105 107999	1	
	110	MS21913D4	.PLUG- OPTIONAL PART: BACP20AU4D USED ON: 163100-102 163100-103 163100-104 163100-105 163100-106 163100-107	002004 006105 107999	1	

MISSING ITEM NUMBERS NOT APPLICABLE

- ITEM NOT ILLUSTRATED

BRI

22-12-01-02

BOEING PROPRIETARY - Copyright © - Unpublished Work - See title page for details.

22-12-01
FIG. 02
PAGE 16
MAY 20/09

BOEING
757
PARTS CATALOG (MAINTENANCE)

FIG ITEM	PART NUMBER	1 2 3 4 5 6 7	NOMENCLATURE	EFFECT FROM TO	UNITS PER ASSY
R R	2 110	AP1016D4	.PLUG- SUPPLIER CODE: V01673 SPECIFICATION NUMBER: BACP20AU4D OPTIONAL PART: 31794-4D V14397 4120-587204D V50948 AFP952-04D V30974 AP1016-04D V01673 ER0806-4D V88334 2-02700-4D V11328 AP10164D V01673 DB0P20AU4D V14798 AP1016D04 V01673 MS21913D4 USED ON: 163100-102 163100-103 163100-104 163100-105 163100-106 163100-107	002004 006105 107999	1
	115	NAS1612-4	.PACKING-	002004 006105 107999	1
	120	FSHX0507600B	.FILTER-SCREEN SUPPLIER CODE: V92555 SPECIFICATION NUMBER: S250N211-1 OPTIONAL PART: 25786 V18350 3121-516 V05CK7 1745030-03 V90005	002004 006105 107999	1

MISSING ITEM NUMBERS NOT APPLICABLE

— ITEM NOT ILLUSTRATED

BRI

22-12-01-02

BOEING PROPRIETARY - Copyright © - Unpublished Work - See title page for details.

22-12-01
FIG. 02
PAGE 17
MAY 20/09

BOEING
757
PARTS CATALOG (MAINTENANCE)

FIG ITEM	PART NUMBER	1 2 3 4 5 6 7	NOMENCLATURE	EFFECT FROM TO	UNITS PER ASSY
R R R R R R R R R R R R R R R R R R R R	2 120	1745030-03	. FILTER-SCREEN SUPPLIER CODE: V90005 SPECIFICATION NUMBER: S250N211-1 OPTIONAL PART: FSHX0507600B V92555 25786 V18350 3121-516 V05CK7	002004 006105 107999	1
	120	25786	. FILTER-SCREEN SUPPLIER CODE: V18350 SPECIFICATION NUMBER: S250N211-1 OPTIONAL PART: 3121-516 V05CK7 FSHX0507600B V92555 1745030-03 V90005	002004 006105 107999	1
	125	BACU24K6	. UNION- POSITION DATA: CTR AND R USED ON: 163100-101	002004 006105 107999	1
	130	MS21913D6	. PLUG- OPTIONAL PART: BACP20AU6D USED ON: 163100-102 163100-103 163100-104 163100-105 163100-106 163100-107	002004 006105 107999	1

MISSING ITEM NUMBERS NOT APPLICABLE

— ITEM NOT ILLUSTRATED

BRI

22-12-01-02

BOEING PROPRIETARY - Copyright © - Unpublished Work - See title page for details.

22-12-01
FIG. 02
PAGE 18
MAY 20/09

BOEING
757
PARTS CATALOG (MAINTENANCE)

FIG ITEM	PART NUMBER	1 2 3 4 5 6 7	NOMENCLATURE	EFFECT FROM TO	UNITS PER ASSY
R R	2 130	AP1016D6	.PLUG- SUPPLIER CODE: V01673 SPECIFICATION NUMBER: BACP20AU6D OPTIONAL PART: ER0806-6D V88334 2-02700-6D V11328 AP10166D V01673 4120-587206D V50948 31794-6D V14397 AFP952-06D V30974 AP1016-06D V01673 DB0P20AU6D V14798 AP1016D06 V01673 MS21913D6 USED ON: 163100-102 163100-103 163100-104 163100-105 163100-106 163100-107	002004 006105 107999	1
	135	NAS1612-6	.PACKING-	002004 006105 107999	1
	- 140	MS90376-24Y	.CAP- USED WITH: BACC45FM2219P	002004 006105 107999	1

MISSING ITEM NUMBERS NOT APPLICABLE

- ITEM NOT ILLUSTRATED

BRI

22-12-01-02

BOEING PROPRIETARY - Copyright © - Unpublished Work - See title page for details.

22-12-01
FIG. 02
PAGE 19
MAY 20/09



757

PARTS CATALOG (MAINTENANCE)

FIG ITEM	PART NUMBER	1 2 3 4 5 6 7	NOMENCLATURE	EFFECT FROM TO	UNITS PER ASSY
R R	2 145	GM6958-101	.TRANSDUCER ASSY-LINEAR VAR DIFF SUPPLIER CODE: V22863 SPECIFICATION NUMBER: 10-60810-45 QUALIFIED OPTIONAL DATA: GM6958-101 QTY 2 IS OPTIONAL TO 1 GM8468-1 WITH 163034-001 AND 1 GM8468-2 WITH 163024-100 USED ON: 163100-101 163100-102 163100-103 163100-104 163100-105	002004 006105 107999	2
	150	GM8468-1	.TRANSDUCER ASSY-LINEAR VAR DIFF SUPPLIER CODE: V22863 SPECIFICATION NUMBER: S251N123-1 QUALIFIED OPTIONAL DATA: GM6958-101 QTY 2 IS OPTIONAL TO 1 GM8468-1 WITH 163034-001 AND 1 GM8468-2 WITH 163024-100 USED ON: 163100-101 163100-102 163100-103 163100-104 163100-105	002004 006105 107999	1
	150	GM8468-1	.TRANSDUCER ASSY-LINEAR VAR DIFF SUPPLIER CODE: V22863 SPECIFICATION NUMBER: S251N123-1 USED ON: 163100-106 163100-107	002004 006105 107999	1

MISSING ITEM NUMBERS NOT APPLICABLE

- ITEM NOT ILLUSTRATED

22-12-01-02

22-12-01
FIG. 02
PAGE 20
MAY 20/09

BRI



757

PARTS CATALOG (MAINTENANCE)

FIG ITEM	PART NUMBER	1 2 3 4 5 6 7	NOMENCLATURE	EFFECT FROM TO	UNITS PER ASSY
R R	2 155		.TRANSDUCER ASSY-LINEAR VAR DIFF SUPPLIER CODE: V22863 SPECIFICATION NUMBER: S251N123-2 USED ON: 163100-106 163100-107	002004 006105 107999	1
	155	GM8468-2	.TRANSDUCER ASSY-LINEAR VAR DIFF SUPPLIER CODE: V22863 SPECIFICATION NUMBER: S251N123-2 QUALIFIED OPTIONAL DATA: GM6958-101 QTY 2 IS OPTIONAL TO 1 GM8468-1 WITH 163034-001 AND 1 GM8468-2 WITH 163024-100 USED ON: 163100-101 163100-102 163100-103 163100-104 163100-105	002004 006105 107999	1

MISSING ITEM NUMBERS NOT APPLICABLE

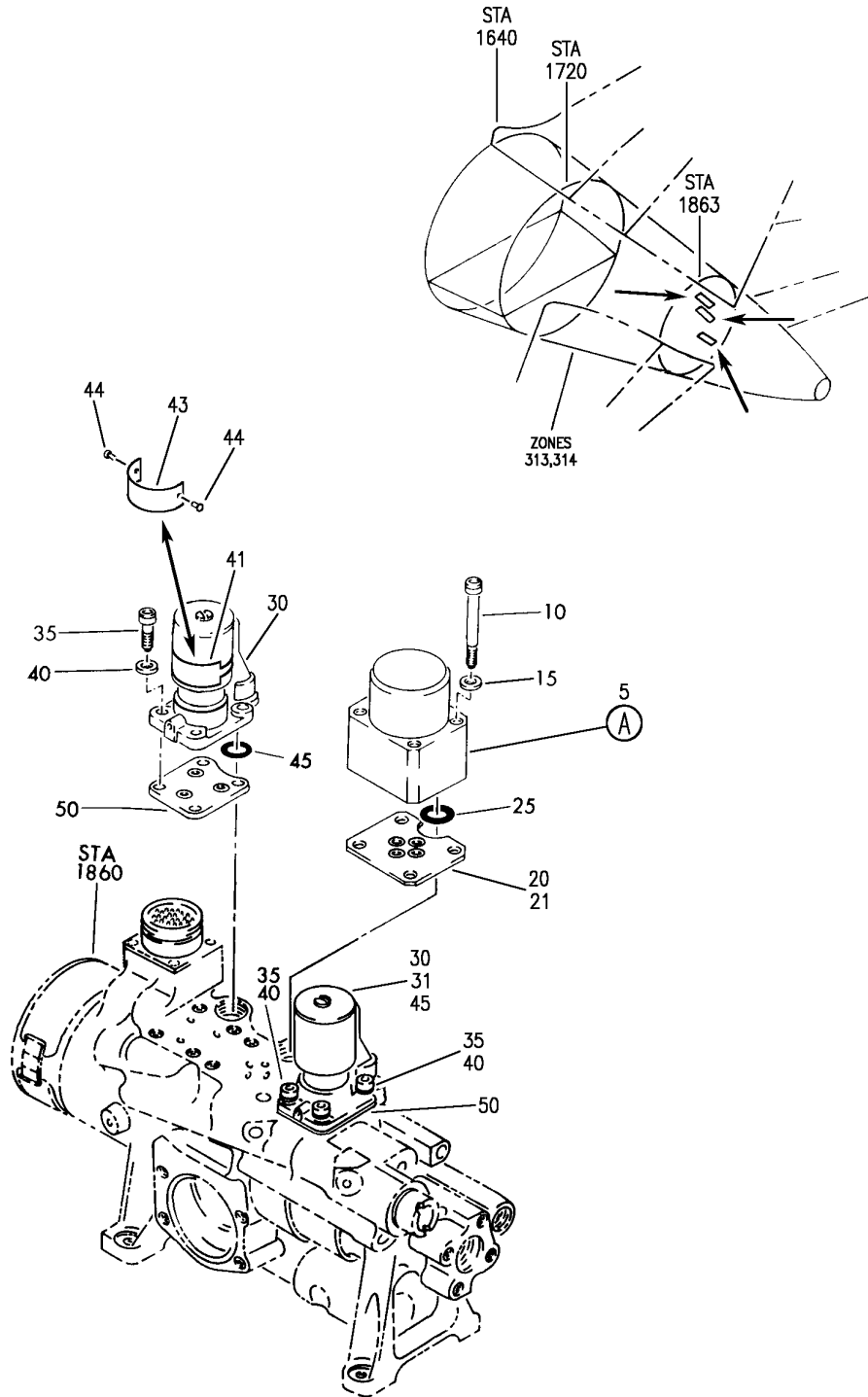
- ITEM NOT ILLUSTRATED

22-12-01-02

22-12-01
FIG. 02
PAGE 21
MAY 20/09

BRI

BOEING
757
PARTS CATALOG (MAINTENANCE)



Y 22120201 SHT 1 REV 333

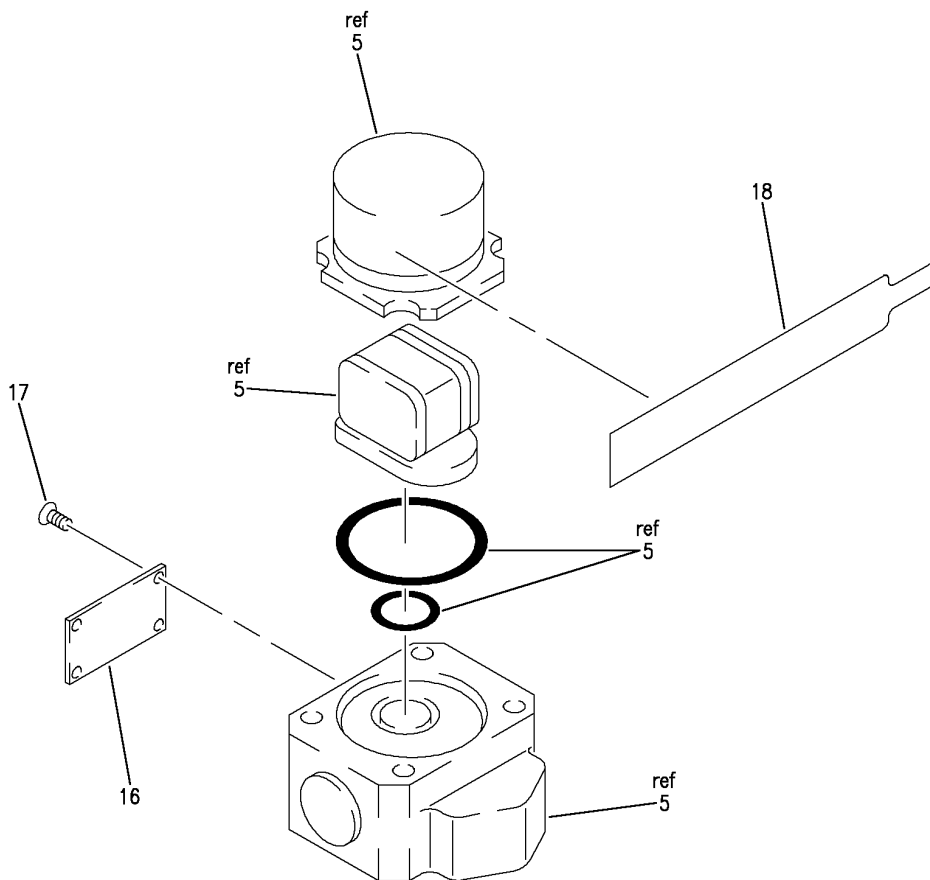
SERVO ASSY-AUTOPILOT PITCH CONT (APCS ELECTROHYDRAULIC SERVOVALVE AND SOLENOID VALVES ONLY)
FIGURE 1 (SHEET 1)

22-12-02-01

BRI
MAY 20/09

22-12-02-01
PAGE 0

BOEING
757
PARTS CATALOG (MAINTENANCE)



(A)

Y 22120201 SH1 2 REV 333

SERVO ASSY-AUTOPILOT PITCH CONT (APCS ELECTROHYDRAULIC SERVOVALVE AND SOLENOID VALVES ONLY)
FIGURE 1 (SHEET 2)

BRI
MAY 20/09

22-12-02-01

22-12-02-01
PAGE 0A



757

PARTS CATALOG (MAINTENANCE)

FIG ITEM	PART NUMBER	1 2 3 4 5 6 7	NOMENCLATURE	EFFECT FROM TO	UNITS PER ASSY
1			SERVO ASSY-AUTOPILOT PITCH CONT (APCS ELECTROHYDRAULIC SERVOVALVE AND SOLENOID VALVES ONLY)	002004 006105 107999	
- 1	163100-101		SERVO ASSY-AUTOPILOT PITCH CONT (APCS ELECTROHYDRAULIC SERVOVALVE AND SOLENOID VALVES ONLY) SUPPLIER CODE: V19156 POSITION DATA: CENTER AND RIGHT SPECIFICATION NUMBER: S251N212-2 MISCELLANEOUS DATA: SPARE FOR S251N212-2 LOCATED IN THE CENTER OR RIGHT SERVO POSITION IS S251N212-2 OR 251N2814-2 ELECTRICAL EQUIP NUMBER: M00272 M00273 COMPONENT MAINT MANUAL REF: 22-12-02 FOR NHA SEE: 27-31-53-01	107107	RF
- 1	163100-102		SERVO ASSY-AUTOPILOT PITCH CONT (APCS ELECTROHYDRAULIC SERVOVALVE AND SOLENOID VALVES ONLY) SUPPLIER CODE: V19156 POSITION DATA: CENTER AND RIGHT SPECIFICATION NUMBER: S251N212-3 ELECTRICAL EQUIP NUMBER: M00272 M00273 COMPONENT MAINT MANUAL REF: 22-12-02 OPTIONAL PART: 163100-105 V19156 FOR NHA SEE: 27-31-53-01	107107	RF

MISSING ITEM NUMBERS NOT APPLICABLE

- ITEM NOT ILLUSTRATED

22-12-02-01

22-12-02
FIG. 01
PAGE 1
JAN 20/09

BRI



757

PARTS CATALOG (MAINTENANCE)

FIG ITEM	PART NUMBER	1 2 3 4 5 6 7	NOMENCLATURE	EFFECT FROM TO	UNITS PER ASSY
1					
- 1	163100-103		SERVO ASSY-AUTOPILOT PITCH CONT (APCS ELECTROHYDRAULIC SERVOVALVE AND SOLENOID VALVES ONLY) SUPPLIER CODE: V19156 POSITION DATA: CENTER AND RIGHT SPECIFICATION NUMBER: S251N212-4 ELECTRICAL EQUIP NUMBER: M00272 M00273 COMPONENT MAINT MANUAL REF: 22-12-02 OPTIONAL PART: 163100-104 V19156 FOR NHA SEE: 27-31-53-01	107107	RF
- 1	163100-105		SERVO ASSY-AUTOPILOT PITCH CONT (APCS ELECTROHYDRAULIC SERVOVALVE AND SOLENOID VALVES ONLY) SUPPLIER CODE: V19156 POSITION DATA: CENTER AND RIGHT SPECIFICATION NUMBER: S251N212-3 ELECTRICAL EQUIP NUMBER: M00272 M00273 COMPONENT MAINT MANUAL REF: 22-12-02 OPTIONAL PART: 163100-102 V19156 FOR NHA SEE: 27-31-53-01	107107	RF

MISSING ITEM NUMBERS NOT APPLICABLE

- ITEM NOT ILLUSTRATED

BRI

22-12-02-01

BOEING PROPRIETARY - Copyright © - Unpublished Work - See title page for details.

22-12-02
FIG. 01
PAGE 2
JAN 20/09



757

PARTS CATALOG (MAINTENANCE)

FIG ITEM	PART NUMBER	1 2 3 4 5 6 7	NOMENCLATURE	EFFECT FROM TO	UNITS PER ASSY
1					
- 1	163100-107		SERVO ASSY-AUTOPILOT PITCH CONT (APCS ELECTROHYDRAULIC SERVOVALVE AND SOLENOID VALVES ONLY) SUPPLIER CODE: V19156 POSITION DATA: CENTER AND RIGHT SPECIFICATION NUMBER: S251N212-6 ELECTRICAL EQUIP NUMBER: M00272 M00273 COMPONENT MAINT MANUAL REF: 22-12-02 FOR NHA SEE: 27-31-53-01	107107	RF
- 1	163100-104		SERVO ASSY-AUTOPILOT PITCH CONT (APCS ELECTROHYDRAULIC SERVOVALVE AND SOLENOID VALVES ONLY) SUPPLIER CODE: V19156 POSITION DATA: CENTER AND RIGHT SPECIFICATION NUMBER: S251N212-4 ELECTRICAL EQUIP NUMBER: M00272 M00273 COMPONENT MAINT MANUAL REF: 22-12-02 OPTIONAL PART: 163100-103 V19156 FOR NHA SEE: 27-31-53-01	107107	RF

MISSING ITEM NUMBERS NOT APPLICABLE

- ITEM NOT ILLUSTRATED

BRI

22-12-02-01

BOEING PROPRIETARY - Copyright © - Unpublished Work - See title page for details.

22-12-02
FIG. 01
PAGE 3
JAN 20/09



757

PARTS CATALOG (MAINTENANCE)

FIG ITEM	PART NUMBER	1 2 3 4 5 6 7	NOMENCLATURE	EFFECT FROM TO	UNITS PER ASSY
1	163100-106		SERVO ASSY-AUTOPILOT PITCH CONT (APCS ELECTROHYDRAULIC SERVOVALVE AND SOLENOID VALVES ONLY) SUPPLIER CODE: V19156 POSITION DATA: CENTER AND RIGHT SPECIFICATION NUMBER: S251N212-5 COMPONENT MAINT MANUAL REF: 22-12-02 FOR NHA SEE: 22-12-01-01	107107	RF
- 2	163100-101		SERVO ASSY-AUTOPILOT PITCH CONT (APCS ELECTROHYDRAULIC SERVOVALVE AND SOLENOID VALVES ONLY) SUPPLIER CODE: V19156 POSITION DATA: L CTR R SPECIFICATION NUMBER: S251N212-2 MISCELLANEOUS DATA: (SPARE FOR S251N212-2 LOCATED IN THE LEFT SERVO POSITION IS 251N2814-1. SPARE FOR S251N212-2 LOCATED IN THE CENTER OR RIGHT SERVO POSITION IS S251N212-2 OR 251N2814-2) ELECTRICAL EQUIP NUMBER: M00271 M00272 M00723 COMPONENT MAINT MANUAL REF: 22-12-02 FOR NHA SEE: 22-12-01-01	002004 006105 108999	RF

MISSING ITEM NUMBERS NOT APPLICABLE

- ITEM NOT ILLUSTRATED

BRI

22-12-02-01

22-12-02
FIG. 01
PAGE 4
JAN 20/09



757

PARTS CATALOG (MAINTENANCE)

FIG ITEM	PART NUMBER	1 2 3 4 5 6 7	NOMENCLATURE	EFFECT FROM TO	UNITS PER ASSY
1					
- 2	163100-102		SERVO ASSY-AUTOPILOT PITCH CONT (APCS ELECTROHYDRAULIC SERVOVALVE AND SOLENOID VALVES ONLY) SUPPLIER CODE: V19156 POSITION DATA: L CTR R SPECIFICATION NUMBER: S251N212-3 ELECTRICAL EQUIP NUMBER: M00271 M00272 M00723 COMPONENT MAINT MANUAL REF: 22-12-02 OPTIONAL PART: 163100-105 V19156 FOR NHA SEE: 22-12-01-01	002004 006105 108999	RF
- 2	163100-103		SERVO ASSY-AUTOPILOT PITCH CONT (APCS ELECTROHYDRAULIC SERVOVALVE AND SOLENOID VALVES ONLY) SUPPLIER CODE: V19156 POSITION DATA: L CTR R SPECIFICATION NUMBER: S251N212-4 ELECTRICAL EQUIP NUMBER: M00271 M00272 M00723 COMPONENT MAINT MANUAL REF: 22-12-02 OPTIONAL PART: 163100-104 V19156 FOR NHA SEE: 22-12-01-01	002004 006105 108999	RF

MISSING ITEM NUMBERS NOT APPLICABLE

- ITEM NOT ILLUSTRATED

BRI

22-12-02-01

22-12-02
FIG. 01
PAGE 5
JAN 20/09



757

PARTS CATALOG (MAINTENANCE)

FIG ITEM	PART NUMBER	1 2 3 4 5 6 7	NOMENCLATURE	EFFECT FROM TO	UNITS PER ASSY
1					
- 2	163100-105		SERVO ASSY-AUTOPILOT PITCH CONT (APCS ELECTROHYDRAULIC SERVOVALVE AND SOLENOID VALVES ONLY) SUPPLIER CODE: V19156 POSITION DATA: L CTR R SPECIFICATION NUMBER: S251N212-3 ELECTRICAL EQUIP NUMBER: M00271 M00272 M00723 COMPONENT MAINT MANUAL REF: 22-12-02 OPTIONAL PART: 163100-102 V19156 FOR NHA SEE: 22-12-01-01	002004 006105 108999	RF
- 2	163100-104		SERVO ASSY-AUTOPILOT PITCH CONT (APCS ELECTROHYDRAULIC SERVOVALVE AND SOLENOID VALVES ONLY) SUPPLIER CODE: V19156 POSITION DATA: L CTR R SPECIFICATION NUMBER: S251N212-4 ELECTRICAL EQUIP NUMBER: M00271 M00272 M00723 COMPONENT MAINT MANUAL REF: 22-12-02 OPTIONAL PART: 163100-103 V19156 FOR NHA SEE: 22-12-01-01	002004 006105 108999	RF

MISSING ITEM NUMBERS NOT APPLICABLE

- ITEM NOT ILLUSTRATED

BRI

22-12-02-01

22-12-02
FIG. 01
PAGE 6
JAN 20/09



757

PARTS CATALOG (MAINTENANCE)

FIG ITEM	PART NUMBER	1 2 3 4 5 6 7	NOMENCLATURE	EFFECT FROM TO	UNITS PER ASSY
1					
- 2	163100-107		SERVO ASSY-AUTOPILOT PITCH CONT (APCS ELECTROHYDRAULIC SERVOVALVE AND SOLENOID VALVES ONLY) SUPPLIER CODE: V19156 POSITION DATA: L CTR R SPECIFICATION NUMBER: S251N212-6 ELECTRICAL EQUIP NUMBER: M00271 M00272 M00723 COMPONENT MAINT MANUAL REF: 22-12-02 FOR NHA SEE: 22-12-01-01	002004 006105 108999	RF
- 2	163100-106		SERVO ASSY-AUTOPILOT PITCH CONT (APCS ELECTROHYDRAULIC SERVOVALVE AND SOLENOID VALVES ONLY) SUPPLIER CODE: V19156 POSITION DATA: L CTR R SPECIFICATION NUMBER: S251N212-5 ELECTRICAL EQUIP NUMBER: M00271 M00272 M00723 COMPONENT MAINT MANUAL REF: 22-12-02 FOR NHA SEE: 22-12-01-01	002004 006105 108999	RF

MISSING ITEM NUMBERS NOT APPLICABLE

- ITEM NOT ILLUSTRATED

BRI

22-12-02-01

22-12-02
FIG. 01
PAGE 7
JAN 20/09



757

PARTS CATALOG (MAINTENANCE)

FIG ITEM	PART NUMBER	1 2 3 4 5 6 7	NOMENCLATURE	EFFECT FROM TO	UNITS PER ASSY
1 -	3 163100-102		SERVO ASSY-AUTOPILOT PITCH CONT (AUTOPILOT PITCH CONTROL SERVO ONLY) SUPPLIER CODE: V19156 POSITION DATA: L SPECIFICATION NUMBER: S251N212-3 ELECTRICAL EQUIP NUMBER: M00271 COMPONENT MAINT MANUAL REF: 22-12-02 OPTIONAL PART: 163100-105 V19156 FOR NHA SEE: 22-12-01-01	107107	RF
-	3 163100-105		SERVO ASSY-AUTOPILOT PITCH CONT (AUTOPILOT PITCH CONTROL SERVO ONLY) SUPPLIER CODE: V19156 POSITION DATA: L SPECIFICATION NUMBER: S251N212-3 ELECTRICAL EQUIP NUMBER: M00271 COMPONENT MAINT MANUAL REF: 22-12-02 OPTIONAL PART: 163100-102 V19156 FOR NHA SEE: 22-12-01-01	107107	RF

MISSING ITEM NUMBERS NOT APPLICABLE

- ITEM NOT ILLUSTRATED

BRI

22-12-02-01

BOEING PROPRIETARY - Copyright © - Unpublished Work - See title page for details.

22-12-02
FIG. 01
PAGE 8
JAN 20/09



757

PARTS CATALOG (MAINTENANCE)

FIG ITEM	PART NUMBER	1 2 3 4 5 6 7	NOMENCLATURE	EFFECT FROM TO	UNITS PER ASSY
1 -	3 163100-103		SERVO ASSY-AUTOPILOT PITCH CONT (AUTOPILOT PITCH CONTROL SERVO ONLY) SUPPLIER CODE: V19156 POSITION DATA: L SPECIFICATION NUMBER: S251N212-4 ELECTRICAL EQUIP NUMBER: M00271 COMPONENT MAINT MANUAL REF: 22-12-02 OPTIONAL PART: 163100-104 V19156 FOR NHA SEE: 22-12-01-01	107107	RF
-	3 163100-104		SERVO ASSY-AUTOPILOT PITCH CONT (AUTOPILOT PITCH CONTROL SERVO ONLY) SUPPLIER CODE: V19156 POSITION DATA: L SPECIFICATION NUMBER: S251N212-4 ELECTRICAL EQUIP NUMBER: M00271 COMPONENT MAINT MANUAL REF: 22-12-02 OPTIONAL PART: 163100-103 V19156 FOR NHA SEE: 22-12-01-01	107107	RF

MISSING ITEM NUMBERS NOT APPLICABLE

- ITEM NOT ILLUSTRATED

BRI

22-12-02-01

BOEING PROPRIETARY - Copyright © - Unpublished Work - See title page for details.

22-12-02
FIG. 01
PAGE 9
JAN 20/09



757

PARTS CATALOG (MAINTENANCE)

FIG ITEM	PART NUMBER	1 2 3 4 5 6 7	NOMENCLATURE	EFFECT FROM TO	UNITS PER ASSY
1 -	3 163100-106		SERVO ASSY-AUTOPILOT PITCH CONT (AUTOPILOT PITCH CONTROL SERVO ONLY) SUPPLIER CODE: V19156 POSITION DATA: L SPECIFICATION NUMBER: S251N212-5 ELECTRICAL EQUIP NUMBER: M00271 COMPONENT MAINT MANUAL REF: 22-12-02 FOR NHA SEE: 22-12-01-01	107107	RF
-	3 163100-107		SERVO ASSY-AUTOPILOT PITCH CONT (AUTOPILOT PITCH CONTROL SERVO ONLY) SUPPLIER CODE: V19156 POSITION DATA: L SPECIFICATION NUMBER: S251N212-6 ELECTRICAL EQUIP NUMBER: M00271 COMPONENT MAINT MANUAL REF: 22-12-02 FOR NHA SEE: 22-12-01-01	107107	RF

MISSING ITEM NUMBERS NOT APPLICABLE

- ITEM NOT ILLUSTRATED

BRI

22-12-02-01

BOEING PROPRIETARY - Copyright © - Unpublished Work - See title page for details.

22-12-02
FIG. 01
PAGE 10
JAN 20/09



757

PARTS CATALOG (MAINTENANCE)

FIG ITEM	PART NUMBER	1 2 3 4 5 6 7	NOMENCLATURE	EFFECT FROM TO	UNITS PER ASSY
1 - 3	163100-101		SERVO ASSY-AUTOPILOT PITCH CONT (AUTOPILOT PITCH CONTROL SERVO ONLY) SUPPLIER CODE: V19156 POSITION DATA: L SPECIFICATION NUMBER: S251N212-2 MISCELLANEOUS DATA: SPARE FOR S251N212-2 LOCATED IN THE LEFT SERVO POSITION IS 251N2814-1. ELECTRICAL EQUIP NUMBER: M00271 COMPONENT MAINT MANUAL REF: 22-12-02 FOR NHA SEE: 22-12-01-01	107107	RF

MISSING ITEM NUMBERS NOT APPLICABLE

- ITEM NOT ILLUSTRATED

BRI

22-12-02-01

BOEING PROPRIETARY - Copyright © - Unpublished Work - See title page for details.

22-12-02
FIG. 01
PAGE 11
JAN 20/09



757

PARTS CATALOG (MAINTENANCE)

FIG ITEM	PART NUMBER	1 2 3 4 5 6 7	NOMENCLATURE	EFFECT FROM TO	UNITS PER ASSY
1 5	75130		.SERVOVALVE-ELECTRO HYDR SUPPLIER CODE: V49695 SPECIFICATION NUMBER: 10-60813-1 COMPONENT MAINT MANUAL REF: 27-09-01 OPTIONAL PART: 0893701 V93835 OPTIONAL PART: 22280710 V81873 A71882-1 V94697 73016 V49695 A71882-2 V94697 22280710-001 V81873 A71882-003 V94697 USED ON: 163100-101 163100-102 163100-103 163100-104 163100-105 163100-106 163100-107	002004 006105 107999	1

MISSING ITEM NUMBERS NOT APPLICABLE

- ITEM NOT ILLUSTRATED

BRI

22-12-02-01

BOEING PROPRIETARY - Copyright © - Unpublished Work - See title page for details.

22-12-02
FIG. 01
PAGE 12
JAN 20/09



757

PARTS CATALOG (MAINTENANCE)

FIG ITEM	PART NUMBER	1 2 3 4 5 6 7	NOMENCLATURE	EFFECT FROM TO	UNITS PER ASSY
1 5	22280710		.SERVOVALVE-ELECTRO HYDR SUPPLIER CODE: V81873 FUNCTIONAL DESCRIPTION: THIS VALVE DELIVERS A HYDRAULIC FLOW PROPORTIONAL TO AN ELECTRIC INPUT SPECIFICATION NUMBER: S252T001-3 COMPONENT MAINT MANUAL REF: 27-10-03 OPTIONAL PART: 22280710-001 V81873 OPTIONAL PART: 75130 V49695 73016 V49695 A71882-1 V94697 A71882-2 V94697 A71882-003 V94697 0893701 V93835 USED ON: 163100-103 163100-104 163100-107	002004 006105 107999	1

MISSING ITEM NUMBERS NOT APPLICABLE

- ITEM NOT ILLUSTRATED

BRI

22-12-02-01

BOEING PROPRIETARY - Copyright © - Unpublished Work - See title page for details.

22-12-02
FIG. 01
PAGE 13
JAN 20/09



757

PARTS CATALOG (MAINTENANCE)

FIG ITEM	PART NUMBER	1 2 3 4 5 6 7	NOMENCLATURE	EFFECT FROM TO	UNITS PER ASSY
1 5	73016		.SERVOVALVE-ELECTRO HYDR SUPPLIER CODE: V49695 FUNCTIONAL DESCRIPTION: THIS VALVE DELIVERS A HYDRAULIC FLOW PROPORTIONAL TO AN ELECTRIC INPUT SPECIFICATION NUMBER: S252T001-4 COMPONENT MAINT MANUAL REF: 22-21-01 OPTIONAL PART: 22280710 V81873 A71882-2 V94697 75130 V49695 22280710-001 V81873 A71882-1 V94697 A71882-003 V94697 0893701 V93835 USED ON: 163100-103 163100-104 163100-107	002004 006105 107999	1

MISSING ITEM NUMBERS NOT APPLICABLE

- ITEM NOT ILLUSTRATED

BRI

22-12-02-01

BOEING PROPRIETARY - Copyright © - Unpublished Work - See title page for details.

22-12-02
FIG. 01
PAGE 14
JAN 20/09



757

PARTS CATALOG (MAINTENANCE)

FIG ITEM	PART NUMBER	1 2 3 4 5 6 7	NOMENCLATURE	EFFECT FROM TO	UNITS PER ASSY
1 5	A71882-1		.SERVOVALVE-ELECTRO HYDR SUPPLIER CODE: V94697 FUNCTIONAL DESCRIPTION: THIS VALVE DELIVERS A HYDRAULIC FLOW PROPORTIONAL TO AN ELECTRIC INPUT SPECIFICATION NUMBER: S252T001-5 CONFIG CHG DATA FROM A CMM: REPLD BY A71882-2 COMPONENT MAINT MANUAL REF: 22-10-02 OPTIONAL PART: A71882-2 V94697 A71882-003 V94697 OPTIONAL PART: 75130 V49695 73016 V49695 22280710 V81873 22280710-001 V81873 0893701 V93835 USED ON: 163100-103 163100-104 163100-107 POST SERVICE LETTER: 27-055	002004 006105 107999	1

MISSING ITEM NUMBERS NOT APPLICABLE

- ITEM NOT ILLUSTRATED

BRI

22-12-02-01

BOEING PROPRIETARY - Copyright © - Unpublished Work - See title page for details.

22-12-02
FIG. 01
PAGE 15
JAN 20/09



757

PARTS CATALOG (MAINTENANCE)

FIG ITEM	PART NUMBER	1 2 3 4 5 6 7	NOMENCLATURE	EFFECT FROM TO	UNITS PER ASSY
1 5	22280710-001		.SERVOVALVE-ELECTRO HYDR SUPPLIER CODE: V81873 FUNCTIONAL DESCRIPTION: THIS VALVE DELIVERS A HYDRAULIC FLOW PROPORTIONAL TO AN ELECTRIC INPUT SPECIFICATION NUMBER: S252T001-3 COMPONENT MAINT MANUAL REF: 22-10-01 OPTIONAL PART: 22280710 V81873 OPTIONAL PART: 75130 V49695 73016 V49695 A71882-1 V94697 A71882-2 V94697 A71882-003 V94697 0893701 V93835 USED ON: 163100-103 163100-104 163100-107 POST SERVICE LETTER: 27-055	002004 006105 107999	1

MISSING ITEM NUMBERS NOT APPLICABLE

- ITEM NOT ILLUSTRATED

BRI

22-12-02-01

BOEING PROPRIETARY - Copyright © - Unpublished Work - See title page for details.

22-12-02
FIG. 01
PAGE 16
JAN 20/09



757

PARTS CATALOG (MAINTENANCE)

FIG ITEM	PART NUMBER	1 2 3 4 5 6 7	NOMENCLATURE	EFFECT FROM TO	UNITS PER ASSY
1 5	0893701		.SERVOVALVE-ELECTRO HYDR SUPPLIER CODE: V93835 SPECIFICATION NUMBER: 10-60813-1 COMPONENT MAINT MANUAL REF: 27-09-01 OPTIONAL PART: 75130 V49695 OPTIONAL PART: A71882-1 V94697 A71882-2 V94697 A71882-003 V94697 73016 V49695 22280710 V81873 22280710-001 V81873 USED ON: 163100-101 163100-102 163100-103 163100-104 163100-105 163100-106 163100-107	002004 006105 107999	1

MISSING ITEM NUMBERS NOT APPLICABLE

- ITEM NOT ILLUSTRATED

BRI

22-12-02-01

BOEING PROPRIETARY - Copyright © - Unpublished Work - See title page for details.

22-12-02
FIG. 01
PAGE 17
JAN 20/09



757

PARTS CATALOG (MAINTENANCE)

FIG ITEM	PART NUMBER	1 2 3 4 5 6 7	NOMENCLATURE	EFFECT FROM TO	UNITS PER ASSY
1 5	A71882-003		.SERVOVALVE-ELECTRO HYDR SUPPLIER CODE: V94697 FUNCTIONAL DESCRIPTION: THIS VALVE DELIVERS A HYDRAULIC FLOW PROPORTIONAL TO AN ELECTRIC INPUT SPECIFICATION NUMBER: S252T001-5 CONFIG CHG DATA FROM A CMM: REPLS A71882-2 COMPONENT MAINT MANUAL REF: 22-10-02 OPTIONAL PART: A71882-2 V94697 A71882-1 V94697 OPTIONAL PART: 75130 V49695 0893701 V93835 73016 V49695 22280710 V81873 22280710-001 V81873 USED ON: 163100-103 163100-104 163100-107	002004 006105 107999	1

MISSING ITEM NUMBERS NOT APPLICABLE

- ITEM NOT ILLUSTRATED

BRI

22-12-02-01

BOEING PROPRIETARY - Copyright © - Unpublished Work - See title page for details.

22-12-02
FIG. 01
PAGE 18
JAN 20/09



757

PARTS CATALOG (MAINTENANCE)

FIG ITEM	PART NUMBER	1 2 3 4 5 6 7	NOMENCLATURE	EFFECT FROM TO	UNITS PER ASSY
1	5 A71882-2		.SERVOVALVE-ELECTRO HYDR SUPPLIER CODE: V94697 FUNCTIONAL DESCRIPTION: THIS VALVE DELIVERS A HYDRAULIC FLOW PROPORTIONAL TO AN ELECTRIC INPUT SPECIFICATION NUMBER: S252T001-5 CONFIG CHG DATA FROM A CMM: REPLD BY A71882-003 REPLS A71882-1 COMPONENT MAINT MANUAL REF: 22-10-02 OPTIONAL PART: A71882-1 V94697 A71882-003 V94697 OPTIONAL PART: 75130 V49695 73016 V49695 0893701 V93835 22280710 V81873 22280710-001 V81873 USED ON: 163100-103 163100-104 163100-107 ATTACHING PARTS	002004 006105 107999	1
R	10 NAS1351-4H28P		.SCREW- OPTIONAL PART: NAS1351N4H28P	002004 006105 107999	4
R	10 NAS1351N4H28P		.SCREW- OPTIONAL PART: NAS1351-4H28P	002004 006105 107999	4
R	15 401-67478-07		.WASHER- SUPPLIER CODE: V19156 -----*-----	002004 006105 107999	4

MISSING ITEM NUMBERS NOT APPLICABLE

- ITEM NOT ILLUSTRATED

22-12-02-01

22-12-02
FIG. 01
PAGE 19
MAY 20/09

BRI



757

PARTS CATALOG (MAINTENANCE)

FIG ITEM	PART NUMBER	1 2 3 4 5 6 7	NOMENCLATURE	EFFECT FROM TO	UNITS PER ASSY
1	16 75859		.. PLATE-IDENT SUPPLIER CODE: V49695 USED ON: 75130	002004 006105 107999	1
R	16 73700		.. PLATE-IDENT SUPPLIER CODE: V49695 USED ON: 73016	002004 006105 107999	1
R	17 MS21318-1		.. SCREW- USED ON: 73016 75130	002004 006105 107999	4
R	18 76950		.. PLATE-FLUID IDENT BMS 3-11 SUPPLIER CODE: V49695 OPTIONAL PART: 76951 V49695 76952 V49695 USED ON: 75130	002004 006105 107999	1
R	18 76951		.. PLATE-FLUID IDENT DMS 2014 SUPPLIER CODE: V49695 OPTIONAL PART: 76950 V49695 76952 V49695 USED ON: 75130	002004 006105 107999	1
R	18 76952		.. PLATE-FLUID IDENT LAC C-34-1224 SUPPLIER CODE: V49695 OPTIONAL PART: 76950 V49695 76951 V49695 USED ON: 75130	002004 006105 107999	1

MISSING ITEM NUMBERS NOT APPLICABLE

- ITEM NOT ILLUSTRATED

BRI

22-12-02-01

22-12-02
FIG. 01
PAGE 20
MAY 20/09

 **BOEING**
757
PARTS CATALOG (MAINTENANCE)

FIG ITEM	PART NUMBER	1 2 3 4 5 6 7	NOMENCLATURE	EFFECT FROM TO	UNITS PER ASSY
R R R R R R R R R R R R	1 20	069000198-1	.PLATE-GSKT SUPPLIER CODE: V05939 SPECIFICATION NUMBER: 69-20185-1 OPTIONAL PART: 828109-1 V83259 054861 V83259 054861-1 V83259 BA1841 V95272 OPTIONAL PART: GRC185 V15623	002004 006105 107999	1
	20	054861-1	.PLATE- SUPPLIER CODE: V83259 SPECIFICATION NUMBER: 69-20185-1 OPTIONAL PART: 069000198-1 V05939 054861 V83259 828109-1 V83259 BA1841 V95272 OPTIONAL PART: GRC185 V15623	002004 006105 107999	1
	20	GRC185	.PLATE- SUPPLIER CODE: V15623 OPTIONAL PART: 069000198-1 V05939 054861-1 V83259	002004 006105 107999	1
	25	NAS1611-112	.PACKING-U-CUP OPTIONAL PART: 920312-112 V19156	002004 006105 107999	1

MISSING ITEM NUMBERS NOT APPLICABLE

— ITEM NOT ILLUSTRATED

BRI

22-12-02-01

22-12-02
FIG. 01
PAGE 21
MAY 20/09



757

PARTS CATALOG (MAINTENANCE)

FIG ITEM	PART NUMBER	1 2 3 4 5 6 7	NOMENCLATURE	EFFECT FROM TO	UNITS PER ASSY
R R R R R R R R R R R R	1 25	920312-112	.SEAL-U-CUP SUPPLIER CODE: V19156 OPTIONAL PART: NAS1611-112	002004 006105 107999	1
	30	45080-1	.VALVE ASSY-SOL. SUPPLIER CODE: V99643 FUNCTIONAL DESCRIPTION: ELECTRICALLY OPERATED VALVE PROVIDES HYDRAULIC PRESSURE SPECIFICATION NUMBER: 10-60811-8 COMPONENT MAINT MANUAL REF: 29-09-05 OPTIONAL PART: 59600-5011 V92003 59600-5007 V92003 45080 V99643 881600-1001 V92003	002004 006105 107999	2
	30	59600-5011	.VALVE ASSY-SOL. SUPPLIER CODE: V92003 FUNCTIONAL DESCRIPTION: ELECTRICALLY OPERATED VALVE PROVIDES HYDRAULIC PRESSURE SPECIFICATION NUMBER: 10-60811-9 COMPONENT MAINT MANUAL REF: 29-10-02 OPTIONAL PART: 45080-1 V99643 59600-5007 V92003 45080 V99643 881600-1001 V92003	002004 006105 107999	2

MISSING ITEM NUMBERS NOT APPLICABLE

- ITEM NOT ILLUSTRATED

BRI

22-12-02-01

22-12-02
FIG. 01
PAGE 22
MAY 20/09



757

PARTS CATALOG (MAINTENANCE)

FIG ITEM	PART NUMBER	1 2 3 4 5 6 7	NOMENCLATURE	EFFECT FROM TO	UNITS PER ASSY
1					
R	30	881600-1001	.VALVE ASSY-SOL. SUPPLIER CODE: V92003 FUNCTIONAL DESCRIPTION: ELECTRICALLY OPERATED VALVE PROVIDES HYDRAULIC PRESSURE SPECIFICATION NUMBER: 10-60811-13 COMPONENT MAINT MANUAL REF: 27-09-03 OPTIONAL PART: 45080 V99643 45080-1 V99643 59600-5007 V92003 59600-5011 V92003	002004 006105 107999	2
R	35	NAS1351-4H12P	.ATTACHING PARTS .SCREW- OPTIONAL PART: NAS1351N4H12P	002004 006105 107999	8
R	35	NAS1351N4H12P	.SCREW- OPTIONAL PART: NAS1351-4H12P	002004 006105 107999	8
R	40	NAS620A416L	.WASHER	002004 006105 107999	8
R	41	59610-3	-----*----- ..NAMEPLATE- SUPPLIER CODE: V99643 USED ON: 59600-5007	002004 006105 107999	1
R	41	59610-9	..NAMEPLATE- SUPPLIER CODE: V99643 USED ON: 59600-5011	002004 006105 107999	1
R	41	25027	..NAMEPLATE- SUPPLIER CODE: V99643 USED ON: 45080	002004 006105 107999	1

MISSING ITEM NUMBERS NOT APPLICABLE

- ITEM NOT ILLUSTRATED

22-12-02-01

22-12-02
FIG. 01
PAGE 24
MAY 20/09

BRI

BOEING
757
PARTS CATALOG (MAINTENANCE)

FIG ITEM	PART NUMBER	1 2 3 4 5 6 7	NOMENCLATURE	EFFECT FROM TO	UNITS PER ASSY
R R R R R R R R R R	1 41	25027-3	..NAMEPLATE- SUPPLIER CODE: V99643 USED ON: 45080-1	002004 006105 107999	1
	43	881601-1	..NAMEPLATE- SUPPLIER CODE: V92003 USED ON: 881600-1001 ATTACHING PARTS	002004 006105 107999	1
	44	047-90NSX062	..SCREW- SUPPLIER CODE: V92003 -----*-----	002004 006105 107999	2
	45	NAS1611-112	.PACKING-U-CUP OPTIONAL PART: 920312-112 V19156	002004 006105 107999	2
	45	920312-112	.SEAL- SUPPLIER CODE: V19156 OPTIONAL PART: NAS1611-112	002004 006105 107999	2
	50	069000197-1	.PLATE-GSKT SUPPLIER CODE: V05939 SPECIFICATION NUMBER: 69-20184-1 OPTIONAL PART: 828108-1 V83259 071261 V83259 071261-1 V83259 BA1837 V95272 OPTIONAL PART: 920385-001 V19156 GRC184 V15623	002004 006105 107999	2

MISSING ITEM NUMBERS NOT APPLICABLE

— ITEM NOT ILLUSTRATED

BRI

22-12-02-01

BOEING PROPRIETARY - Copyright © - Unpublished Work - See title page for details.

22-12-02
FIG. 01
PAGE 25
MAY 20/09

 **BOEING**
757
PARTS CATALOG (MAINTENANCE)

FIG ITEM	PART NUMBER	1 2 3 4 5 6 7	NOMENCLATURE	EFFECT FROM TO	UNITS PER ASSY
R R	1 50	920385-001	.PLATE-GSKT SUPPLIER CODE: V19156 OPTIONAL PART: 069000197-1 V05939 GRC184 V15623 BA1837 V95272 071261 V83259	002004 006105 107999	2
	50	BA1837	.PLATE-GSKT SUPPLIER CODE: V95272 SPECIFICATION NUMBER: 69-20184-1 OPTIONAL PART: 069000197-1 V83259 071261 V83259 071261-1 V83259 828108-1 V83259 OPTIONAL PART: GRC184 V15623 920385-001 V19156	002004 006105 107999	2

MISSING ITEM NUMBERS NOT APPLICABLE

— ITEM NOT ILLUSTRATED

BRI

22-12-02-01

BOEING PROPRIETARY - Copyright © - Unpublished Work - See title page for details.

22-12-02
FIG. 01
PAGE 26
MAY 20/09



757

PARTS CATALOG (MAINTENANCE)

FIG ITEM	PART NUMBER	1 2 3 4 5 6 7	NOMENCLATURE	EFFECT FROM TO	UNITS PER ASSY
R R	1 50	071261	.PLATE-GSKT SUPPLIER CODE: V83259 SPECIFICATION NUMBER: 69-20184-1 OPTIONAL PART: 069000197-1 V83259 BA1837 V95272 071261-1 V83259 828108-1 V83259 OPTIONAL PART: GRC184 V15623 920385-001 V19156	002004 006105 107999	2
	50	GRC184	.PLATE-GSKT SUPPLIER CODE: V15623 OPTIONAL PART: 069000197-1 V05939 920385-001 V19156 BA1837 V95272 071261 V83259	002004 006105 107999	2

MISSING ITEM NUMBERS NOT APPLICABLE

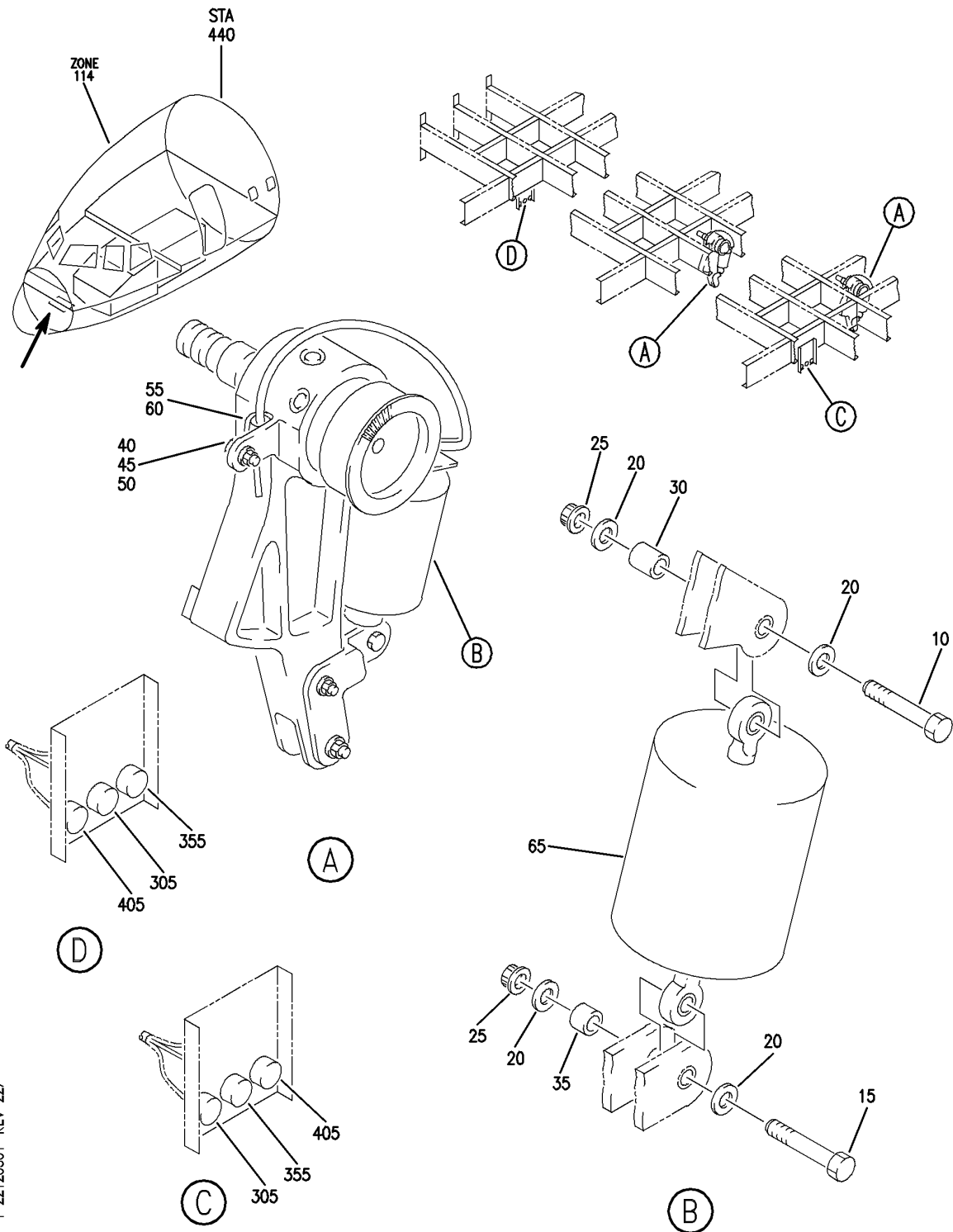
- ITEM NOT ILLUSTRATED

22-12-02-01

22-12-02
FIG. 01
PAGE 27
MAY 20/09

BRI

BOEING
757
PARTS CATALOG (MAINTENANCE)



Y 22120301 REV 227

CRANK AND SHAFT ASSY-(AUTOFLIGHT ONLY)
FIGURE 1

22-12-03-01

BRI
JAN 20/09

22-12-03-01
PAGE 0



757

PARTS CATALOG (MAINTENANCE)

FIG ITEM	PART NUMBER	1 2 3 4 5 6 7	NOMENCLATURE	EFFECT FROM TO	UNITS PER ASSY
1			CRANK AND SHAFT ASSY- (AUTOFLIGHT ONLY)	103105 107120	
- 1	251N1235-17		CRANK AND SHAFT ASSY-BASIC (AUTOFLIGHT ONLY) POSITION DATA: PILOT SIDE COMPONENT MAINT MANUAL REF: 27-31-36 FOR NHA/OTHER SYS DET SEE: 27-31-10-01	107107	RF
- 1	251N1235-47		CRANK AND SHAFT ASSY- (AUTOFLIGHT ONLY) POSITION DATA: PILOT SIDE COMPONENT MAINT MANUAL REF: 27-31-36 FOR NHA/OTHER SYS DET SEE: 27-31-10-01	108120	RF
- 1	251N1235-65		CRANK AND SHAFT ASSY- (AUTOFLIGHT ONLY) POSITION DATA: PILOT SIDE FOR NHA/OTHER SYS DET SEE: 27-31-10-01	103105	RF
- 5	251N1235-18		CRANK AND SHAFT ASSY-BASIC (AUTOFLIGHT ONLY) POSITION DATA: CO-PILOT SIDE COMPONENT MAINT MANUAL REF: 27-31-36 FOR NHA/OTHER SYS DET SEE: 27-31-10-01	107107	RF
- 5	251N1235-48		CRANK AND SHAFT ASSY- (AUTOFLIGHT ONLY) POSITION DATA: CO-PILOT SIDE COMPONENT MAINT MANUAL REF: 27-31-36 FOR NHA/OTHER SYS DET SEE: 27-31-10-01	108120	RF
- 5	251N1235-66		CRANK AND SHAFT ASSY- (AUTOFLIGHT ONLY) POSITION DATA: CO-PILOT SIDE FOR NHA/OTHER SYS DET SEE: 27-31-10-01	103105	RF
10	NAS6603-15		.BOLT	103105 107120	1
15	NAS6603-12		.BOLT	107107	1

MISSING ITEM NUMBERS NOT APPLICABLE

- ITEM NOT ILLUSTRATED

22-12-03-01

22-12-03
FIG. 01
PAGE 1
JAN 20/09

BRI



757

PARTS CATALOG (MAINTENANCE)

FIG ITEM	PART NUMBER	1 2 3 4 5 6 7	NOMENCLATURE	EFFECT FROM TO	UNITS PER ASSY
1					
15	NAS6603-13	.	BOLT	103105 108120	1
20	AN960JD10	.	WASHER	107107	4
20	AN960-10	.	WASHER	103105 108120	4
25	PLH53CD	.	NUT	103105 107120	2
			SUPPLIER CODE: VF0224		
			SPECIFICATION NUMBER: BACN10YR3CD		
			OPTIONAL PART: H52732-3CD V15653		
30	BACB28X3C030	.	BUSHING	107107	1
30	NAS75-3-012	.	BUSHING	103105 108120	1
35	BACB28X3C020	.	BUSHING	107107	1
35	NAS75-3-008	.	BUSHING	103105 108120	1
40	NAS623-3-5	.	SCREW	103105 107120	1
45	NAS1149D0363J	.	WASHER	103105 107120	1
50	PLH53CD	.	NUT	103105 107120	1
			SUPPLIER CODE: VF0224		
			SPECIFICATION NUMBER: BACN10YR3CD		
			OPTIONAL PART: H52732-3CD V15653		
55	BACC10DK5	.	CLAMP	107107	1
55	BACC10DK3	.	CLAMP	108120	1
60	N2088	.	PLUG	103105 107120	1
			SUPPLIER CODE: V75345		
			SPECIFICATION NUMBER: BACP20BA1		
			OPTIONAL PART: SZ7105 V95272 4841 V84914		

MISSING ITEM NUMBERS NOT APPLICABLE

- ITEM NOT ILLUSTRATED

22-12-03-01

22-12-03
FIG. 01
PAGE 2
JAN 20/09

BRI



757

PARTS CATALOG (MAINTENANCE)

FIG ITEM	PART NUMBER	1 2 3 4 5 6 7	NOMENCLATURE	EFFECT FROM TO	UNITS PER ASSY
1 65	GM6931-2		.TRANSDUCER ASSY- SUPPLIER CODE: V22863 SPECIFICATION NUMBER: S253T401-2 ELECTRICAL EQUIP NUMBER: TS00014 TS00015	107107	1
65	GM10242		.TRANSDUCER ASSY- SUPPLIER CODE: V22863 FUNCTIONAL DESCRIPTION: TRANSMIT PRIMARY FLIGHT CONTROL DATA TO THE DIGITAL DATA ACQUISITION UNIT (DFDAV) OR ACTURATOR CONTROL ELECTRONICE (ACE) FOR FLIGHT DATA RECORDING. SPECIFICATION NUMBER: S253T401-3 ELECTRICAL EQUIP NUMBER: TS00014 TS00015 COMPONENT MAINT MANUAL REF: 22-10-06	108120	1
- 300	286N2355-002		WIRE BUNDLE ASSY	107107	RF
305	BACC45FN12-12S		.CONNECTOR- ELECTRICAL EQUIP NUMBER: D00019 D00021 WIRING DIAGRAM REF: 221111	107107	2
- 350	286N2359-001		WIRE BUNDLE ASSY	107107	RF
355	BACC45FN12-12S7		.CONNECTOR- ELECTRICAL EQUIP NUMBER: D00039 D00041 WIRING DIAGRAM REF: 221131	107107	2
- 400	286N2357-002		WIRE BUNDLE ASSY	107107	RF
405	BACC45FN12-12S9		.CONNECTOR- ELECTRICAL EQUIP NUMBER: D00059 D00061 WIRING DIAGRAM REF: 221121	107107	2

MISSING ITEM NUMBERS NOT APPLICABLE

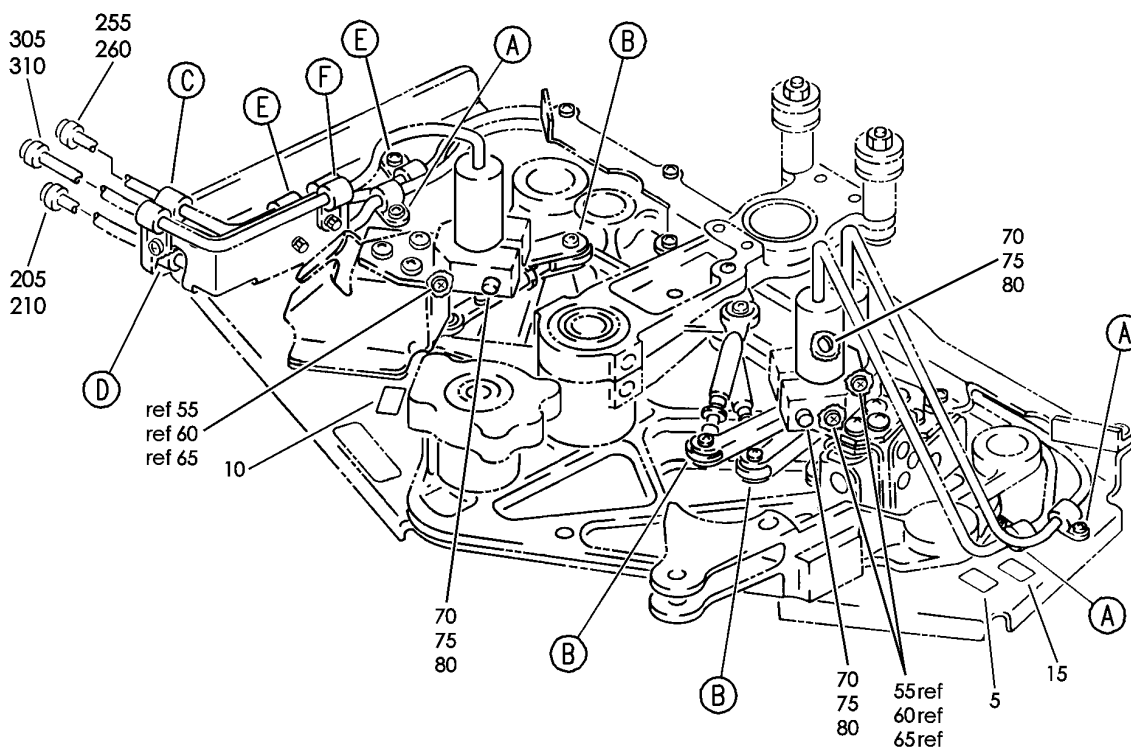
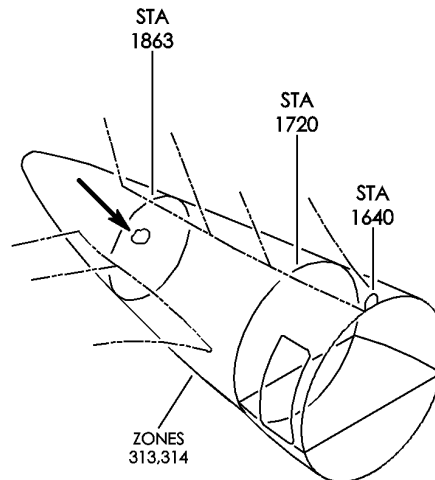
- ITEM NOT ILLUSTRATED

22-12-03-01

22-12-03
FIG. 01
PAGE 3
JAN 20/09

BRI

BOEING
757
PARTS CATALOG (MAINTENANCE)



Y 22120402 SHT 1 REV 228

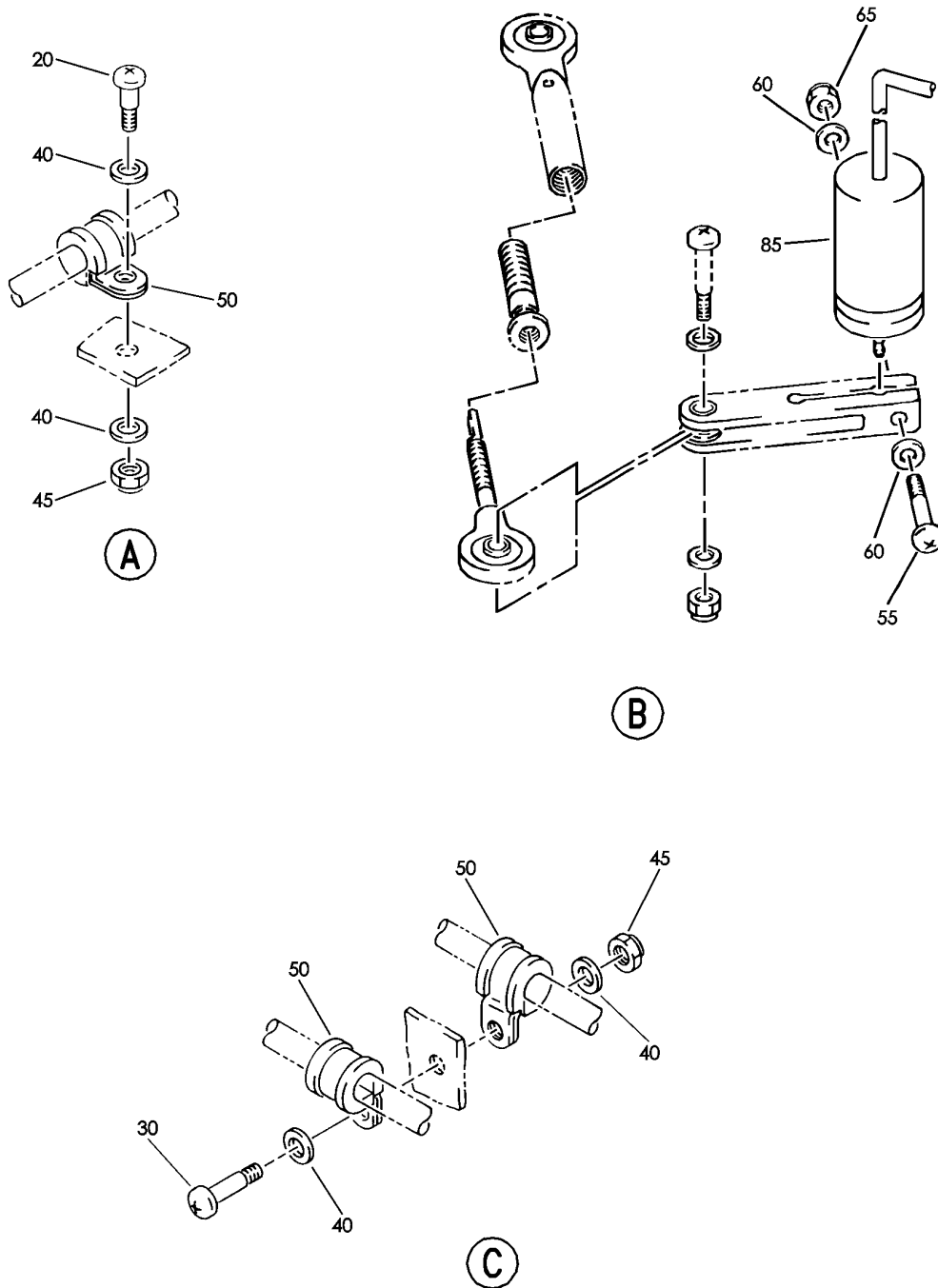
UNIT ASSY-FEEL AND CENTERING (AUTOPILOT ONLY)
FIGURE 2 (SHEET 1)

22-12-04-02

BRI
MAY 28/07

22-12-04-02
PAGE 0

BOEING
757
PARTS CATALOG (MAINTENANCE)



Y 22120402 SHT 2 REV 228

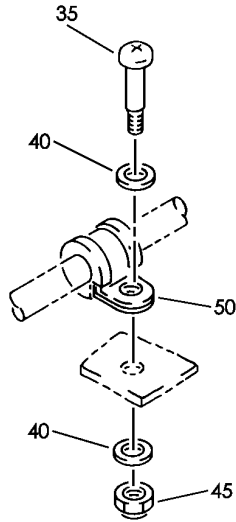
UNIT ASSY-FEEL AND CENTERING (AUTOPILOT ONLY)
FIGURE 2 (SHEET 2)

22-12-04-02

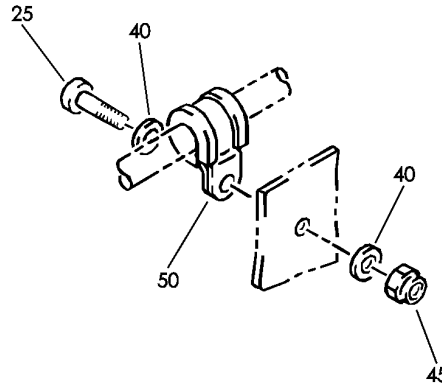
BRI
MAY 28/07

22-12-04-02
PAGE 0A

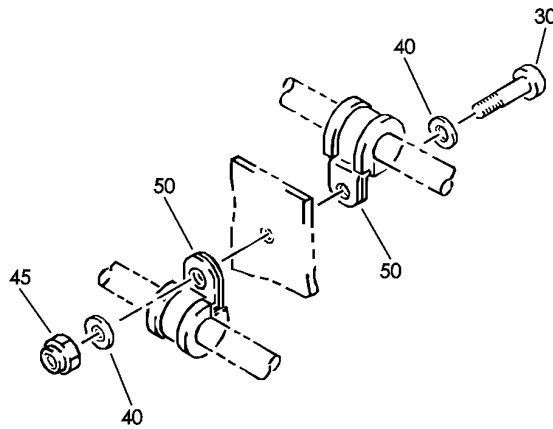
BOEING
757
PARTS CATALOG (MAINTENANCE)



(D)



(E)



(F)

Y 22120402 SHT 3 REV 228

UNIT ASSY-FEEL AND CENTERING (AUTOPILOT ONLY)
FIGURE 2 (SHEET 3)

22-12-04-02

BRI
MAY 28/07

22-12-04-02
PAGE 0B



757

PARTS CATALOG (MAINTENANCE)

FIG ITEM	PART NUMBER	1 2 3 4 5 6 7	NOMENCLATURE	EFFECT FROM TO	UNITS PER ASSY
2			UNIT ASSY-FEEL AND CENTERING (AUTOPILOT ONLY)	002004 006999	
- 1	251N2241-14		UNIT ASSY-FEEL AND CENTERING (AUTOPILOT ONLY) COMPONENT MAINT MANUAL REF: 27-31-10 FOR NHA/OTHER SYS DET SEE: 27-31-53-01	002004 006100 103107 121503 904999	RF
- 1	251N2241-18		UNIT ASSY-FEEL AND CENTERING (AUTOPILOT ONLY) COMPONENT MAINT MANUAL REF: 27-31-10 FOR NHA/OTHER SYS DET SEE: 27-31-53-01	002004 006100 103107 121503 904999	RF
- 1	251N2241-19		UNIT ASSY-FEEL AND CENTERING (AUTOPILOT ONLY) COMPONENT MAINT MANUAL REF: 27-31-10 FOR NHA/OTHER SYS DET SEE: 27-31-53-01	002004 006100 103107 121503 904999	RF
- 1	251N2241-20		UNIT ASSY-FEEL AND CENTERING (AUTOPILOT ONLY) COMPONENT MAINT MANUAL REF: 27-31-10 FOR NHA/OTHER SYS DET SEE: 27-31-53-01	002004 006100 103107 121503 904999	RF
- 1	251N2241-23		UNIT ASSY-FEEL AND CENTERING (AUTOPILOT ONLY) COMPONENT MAINT MANUAL REF: 27-31-10 OPTIONAL PART: 251N2241-20 FOR NHA/OTHER SYS DET SEE: 27-31-53-01	002004 006100 103107 121503 904999	RF
- 1	251N2241-25		UNIT ASSY-FEEL AND CENTERING (AUTOPILOT ONLY) COMPONENT MAINT MANUAL REF: 27-31-10 FOR NHA/OTHER SYS DET SEE: 27-31-53-01	002004 006100 103107 121503 904999	RF

MISSING ITEM NUMBERS NOT APPLICABLE

- ITEM NOT ILLUSTRATED

22-12-04-02

22-12-04
FIG. 02
PAGE 1
JAN 20/09

BRI



757

PARTS CATALOG (MAINTENANCE)

FIG ITEM	PART NUMBER	1 2 3 4 5 6 7	NOMENCLATURE	EFFECT FROM TO	UNITS PER ASSY
2					
- 1	251N2241-26		UNIT ASSY-FEEL AND CENTERING (AUTOPILOT ONLY) COMPONENT MAINT MANUAL REF: 27-31-10 FOR NHA/OTHER SYS DET SEE: 27-31-53-01	002004 006100 103107 121503 904999	RF
- 1	251N2241-27		UNIT ASSY-FEEL AND CENTERING (AUTOPILOT ONLY) COMPONENT MAINT MANUAL REF: 27-31-10 FOR NHA/OTHER SYS DET SEE: 27-31-53-01	002004 006100 103107 121503 904999	RF
- 1	251N2241-28		UNIT ASSY-FEEL AND CENTERING (AUTOPILOT ONLY) COMPONENT MAINT MANUAL REF: 27-31-10 OPTIONAL PART: 251N2241-29 FOR NHA/OTHER SYS DET SEE: 27-31-53-01	002004 006100 103107 121503 904999	RF
- 1	251N2241-29		UNIT ASSY-FEEL AND CENTERING (AUTOPILOT ONLY) COMPONENT MAINT MANUAL REF: 27-31-10 OPTIONAL PART: 251N2241-28 FOR NHA/OTHER SYS DET SEE: 27-31-53-01	002004 006100 103107 121503 904999	RF
- 1	251N2241-30		CENTERING ASSY-FEEL (AUTOPILOT ONLY) COMPONENT MAINT MANUAL REF: 27-31-10 FOR NHA/OTHER SYS DET SEE: 27-31-53-01	002004 006100 103107 121503 904999	RF
- 1	251N2241-31		UNIT ASSY-FEEL AND CENTERING (AUTOPILOT ONLY) COMPONENT MAINT MANUAL REF: 27-31-10 FOR NHA/OTHER SYS DET SEE: 27-31-53-01	002004 006100 103107 121503 904999	RF

MISSING ITEM NUMBERS NOT APPLICABLE

- ITEM NOT ILLUSTRATED

22-12-04-02

22-12-04
FIG. 02
PAGE 2
JAN 20/09

BRI



757

PARTS CATALOG (MAINTENANCE)

FIG ITEM	PART NUMBER	1 2 3 4 5 6 7	NOMENCLATURE	EFFECT FROM TO	UNITS PER ASSY
2	5 BAC27NCT0214		.DECAL- PLACARD CONTENT: TRANSDUCER TS5151 USED ON: 251N2241-18 251N2241-19 251N2241-20 251N2241-23 251N2241-25 251N2241-26 251N2241-27 251N2241-28 251N2241-29 251N2241-30 251N2241-31 251N2241-32	002004 006999	1
	10 BAC27NCT0215		.DECAL- PLACARD CONTENT: TRANSDUCER TS5152 USED ON: 251N2241-18 251N2241-19 251N2241-20 251N2241-23 251N2241-25 251N2241-26 251N2241-27 251N2241-28 251N2241-29 251N2241-30 251N2241-31 251N2241-32	002004 006999	1
	15 BAC27NCT0216		.DECAL- PLACARD CONTENT: TRANSDUCER TS5153 USED ON: 251N2241-18 251N2241-19 251N2241-20 251N2241-23 251N2241-25 251N2241-26 251N2241-27 251N2241-28 251N2241-29 251N2241-30 251N2241-31 251N2241-32	002004 006999	1

MISSING ITEM NUMBERS NOT APPLICABLE

- ITEM NOT ILLUSTRATED

BRI

22-12-04-02

22-12-04
FIG. 02
PAGE 3
SEP 20/08



757

PARTS CATALOG (MAINTENANCE)

FIG ITEM	PART NUMBER	1 2 3 4 5 6 7	NOMENCLATURE	EFFECT FROM TO	UNITS PER ASSY
2					
20	BACB30LK3-3	.BOLT-		002004 006999	3
25	BACB30LK3-4	.BOLT-		002004 006999	2
30	BACB30LK3-5	.BOLT-		002004 006999	2
35	BACB30LK3-6	.BOLT-		002004 006999	1
40	NAS1149D0363J	.WASHER-		002004 006999	16
45	BRH10C3D	.NUT-		002004 006999	8
			SUPPLIER CODE: V52828		
			SPECIFICATION NUMBER: BACN10JC3CD		
			OPTIONAL PART: T6C1032JCD		
			V11815		
			NS202486-02		
			V80539		
			102LH9075-3W		
			V72962		
			H51650-3BAC		
			V15653		
50	JM44LC13WS3R	.CLAMP-		002004 006999	10
			SUPPLIER CODE: V22175		
			SPECIFICATION NUMBER: BACC10GE3		
			OPTIONAL PART: 509S3		
			V83930		
			S714WH3		
			V18076		
			TA12C32WS3		
			V84971		
55	BACB30LK3-9	.BOLT-		002004 006999	3
60	NAS1149D0363J	.WASHER-		002004 006999	6

MISSING ITEM NUMBERS NOT APPLICABLE

- ITEM NOT ILLUSTRATED

22-12-04-02

22-12-04
FIG. 02
PAGE 4
JAN 20/09

BRI



757

PARTS CATALOG (MAINTENANCE)

FIG ITEM	PART NUMBER	1 2 3 4 5 6 7	NOMENCLATURE	EFFECT FROM TO	UNITS PER ASSY
2	65 BRH10C3D	.NUT-	SUPPLIER CODE: V52828 SPECIFICATION NUMBER: BACN10JC3CD OPTIONAL PART: T6C1032JCD V11815 NS202486-02 V80539 102LH9075-3W V72962 H51650-3BAC V15653	002004 006999	3
	70 BACB30LK3-24	.BOLT-		002004 006999	3
	75 NAS1149D0363J	.WASHER-		002004 006999	3
	80 BRH10C3D	.NUT-	SUPPLIER CODE: V52828 SPECIFICATION NUMBER: BACN10JC3CD OPTIONAL PART: T6C1032JCD V11815 NS202486-02 V80539 102LH9075-3W V72962 H51650-3BAC V15653	002004 006999	3
	85 U91A	.TRANSDUCER-	SUPPLIER CODE: V19710 SPECIFICATION NUMBER: S251N222-1 ELECTRICAL EQUIP NUMBER: TS5151 TS5152 TS5153 USED ON: 251N2241-14 251N2241-18 251N2241-19 251N2241-20 251N2241-23 251N2241-26	002004 006999	3

MISSING ITEM NUMBERS NOT APPLICABLE

- ITEM NOT ILLUSTRATED

BRI

22-12-04-02

BOEING PROPRIETARY - Copyright © - Unpublished Work - See title page for details.

22-12-04
FIG. 02
PAGE 5
SEP 20/08



757

PARTS CATALOG (MAINTENANCE)

FIG ITEM	PART NUMBER	1 2 3 4 5 6 7	NOMENCLATURE	EFFECT FROM TO	UNITS PER ASSY
2 85	U91B		. TRANSDUCER- SUPPLIER CODE: V19710 SPECIFICATION NUMBER: S251N222-2 ELECTRICAL EQUIP NUMBER: TS5151 TS5152 TS5153 USED ON: 251N2241-25 251N2241-27 251N2241-28 251N2241-29 251N2241-30 251N2241-31 251N2241-32	002004 006999	3
- 200	286N2801-002		WIRE BUNDLE ASSY	002004 006100 107107 121503 904999	RF
- 200	286N2801-303		WIRE BUNDLE ASSY	101102 108120	RF
- 200	286N2801-307		WIRE BUNDLE ASSY	504903	RF
- 200	286N2801-601		WIRE BUNDLE ASSY	103106	RF
205	BACC63BV14A7SN		. CONNECTOR- ELECTRICAL EQUIP NUMBER: D00913 WIRING DIAGRAM REF: 221111	002004 006102 107999	1
205	R071114F7SN		. CONNECTOR- SUPPLIER CODE: V41118 SPECIFICATION NUMBER: BACC63BV14F7SN ELECTRICAL EQUIP NUMBER: D00913 WIRING DIAGRAM REF: 221111	103106	1

MISSING ITEM NUMBERS NOT APPLICABLE

- ITEM NOT ILLUSTRATED

22-12-04-02

22-12-04
FIG. 02
PAGE 6
JAN 20/09

BRI



757

PARTS CATALOG (MAINTENANCE)

FIG ITEM	PART NUMBER	1 2 3 4 5 6 7	NOMENCLATURE	EFFECT FROM TO	UNITS PER ASSY
2 210	GS3417-14C		.CLAMP- SUPPLIER CODE: V06324 SPECIFICATION NUMBER: BACC10HF14 OPTIONAL PART: S2125-14-8 V07418 ELECTRICAL EQUIP NUMBER: D00913T WIRING DIAGRAM REF: 221111	002004 006102 107999	1
210	S3819-14-65		.CLAMP- SUPPLIER CODE: V07418 SPECIFICATION NUMBER: BACC10KD14 OPTIONAL PART: 620AS028NF14L V06324 ELECTRICAL EQUIP NUMBER: D00913T WIRING DIAGRAM REF: 221111	103106	1
- 250	286N2811-002		WIRE BUNDLE ASSY	002004 006100 107107 121503 904999	RF
- 250	286N2811-303		WIRE BUNDLE ASSY	101102 108120	RF
- 250	286N2811-307		WIRE BUNDLE ASSY	504903	RF
- 250	286N2811-601		WIRE BUNDLE ASSY	103106	RF
255	BACC63BV14A7SN		.CONNECTOR- ELECTRICAL EQUIP NUMBER: D00831 WIRING DIAGRAM REF: 221121	002004 006102 107999	1
255	R071114F7SN		.CONNECTOR- SUPPLIER CODE: V41118 SPECIFICATION NUMBER: BACC63BV14F7SN ELECTRICAL EQUIP NUMBER: D00831 WIRING DIAGRAM REF: 221121	103106	1

MISSING ITEM NUMBERS NOT APPLICABLE

- ITEM NOT ILLUSTRATED

22-12-04-02

22-12-04
FIG. 02
PAGE 7
JAN 20/09

BRI



757

PARTS CATALOG (MAINTENANCE)

FIG ITEM	PART NUMBER	1 2 3 4 5 6 7	NOMENCLATURE	EFFECT FROM TO	UNITS PER ASSY
2 260	GS3417-14C		.CLAMP- SUPPLIER CODE: V06324 SPECIFICATION NUMBER: BACC10HF14 OPTIONAL PART: S2125-14-8 V07418 ELECTRICAL EQUIP NUMBER: D00831T WIRING DIAGRAM REF: 221121	002004 006102 107999	1
260	S3819-14-65		.CLAMP- SUPPLIER CODE: V07418 SPECIFICATION NUMBER: BACC10KD14 OPTIONAL PART: 620AS028NF14L V06324 ELECTRICAL EQUIP NUMBER: D00831T WIRING DIAGRAM REF: 221121	103106	1
- 300	286N2821-002		WIRE BUNDLE ASSY	107107 904949	RF
- 300	286N2821-005		WIRE BUNDLE ASSY	002004 006100 950999	RF
- 300	286N2821-016		WIRE BUNDLE ASSY	121503	RF
- 300	286N2821-307		WIRE BUNDLE ASSY	504903	RF
- 300	286N2821-309		WIRE BUNDLE ASSY	101102 108120	RF
- 301 305	286N2821-601 BACC63BV14A7SN		WIRE BUNDLE ASSY .CONNECTOR- ELECTRICAL EQUIP NUMBER: D00833 WIRING DIAGRAM REF: 221131	103106 002004 006102 107999	RF 1
305	R071114F7SN		.CONNECTOR- SUPPLIER CODE: V41118 SPECIFICATION NUMBER: BACC63BV14F7SN ELECTRICAL EQUIP NUMBER: D00833 WIRING DIAGRAM REF: 221131	103106	1

MISSING ITEM NUMBERS NOT APPLICABLE

- ITEM NOT ILLUSTRATED

22-12-04-02

22-12-04
FIG. 02
PAGE 8
JAN 20/09

BRI



757

PARTS CATALOG (MAINTENANCE)

FIG ITEM	PART NUMBER	1 2 3 4 5 6 7	NOMENCLATURE	EFFECT FROM TO	UNITS PER ASSY
2 310	GS3417-14C	.CLAMP-	SUPPLIER CODE: V06324 SPECIFICATION NUMBER: BACC10HF14 OPTIONAL PART: S2125-14-8 V07418 ELECTRICAL EQUIP NUMBER: D00833T WIRING DIAGRAM REF: 221131	002004 006102 107999	1
310	S3819-14-65	.CLAMP-	SUPPLIER CODE: V07418 SPECIFICATION NUMBER: BACC10KD14 OPTIONAL PART: 620AS028NF14L V06324 ELECTRICAL EQUIP NUMBER: D00833T WIRING DIAGRAM REF: 221131	103106	1

MISSING ITEM NUMBERS NOT APPLICABLE

- ITEM NOT ILLUSTRATED

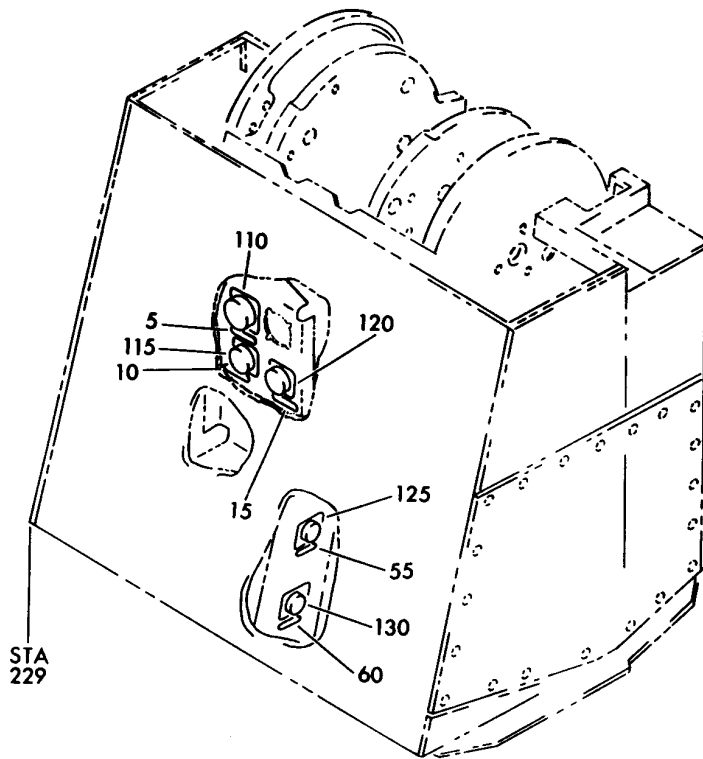
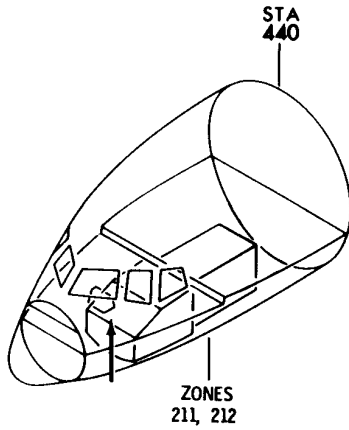
BRI

22-12-04-02

BOEING PROPRIETARY - Copyright © - Unpublished Work - See title page for details.

22-12-04
FIG. 02
PAGE 9
JAN 20/09

BOEING
757
PARTS CATALOG (MAINTENANCE)



Y 22125101 REV 086

STRUCTURE ASSY AND SUPPORT INSTL-CONT STAND (AUTOPILOT/FLIGHT DIRECTION PITCH CHANNEL ONLY)

FIGURE 1

22-12-51-01

BRI
MAY 28/07

22-12-51-01
PAGE 0



757

PARTS CATALOG (MAINTENANCE)

FIG ITEM	PART NUMBER	1 2 3 4 5 6 7	NOMENCLATURE	EFFECT FROM TO	UNITS PER ASSY
1			STRUCTURE ASSY AND SUPPORT INSTL-CONT STAND (AUTOPILOT/FLIGHT DIRECTION PITCH CHANNEL ONLY)	002004 006999	
- 1	254N1051-8		STRUCTURE ASSY-CONT STAND (AUTOPILOT/FLIGHT DIRECTION PITCH CHANNEL ONLY) FOR NHA/OTHER SYS DET SEE: 76-11-04-02	006106 108120 504903 950951 953999	RF
- 1	254N1051-6		STRUCTURE ASSY-CONT STAND (AUTOPILOT/FLIGHT DIRECTION PITCH CHANNEL ONLY) FOR NHA/OTHER SYS DET SEE: 76-11-04-02	107107 904949	RF
- 1	254N1051-7		STRUCTURE ASSY-CONT STAND (AUTOPILOT/FLIGHT DIRECTION PITCH CHANNEL ONLY) FOR NHA/OTHER SYS DET SEE: 76-11-04-02	002004 121503 952952	RF
5	BAC27NEL0122		.DECAL- PLACARD CONTENT: D40501J	002004 006999	1
10	BAC27NEL0123		.DECAL- PLACARD CONTENT: D40495J	002004 006999	1
15	BAC27NEL0427		.DECAL- PLACARD CONTENT: D40503J	002004 006999	1
- 50	254N1114-1		SUPPORT INSTL-CONT STAND ELEC DISC PANEL AND WIRE (AUTOPILOT/FLIGHT DIRECTION PITCH CHANNEL ONLY) FOR NHA/OTHER SYS DET SEE: 76-11-04-02	002004 006999	RF
55	BAC27NEL0143		.DECAL- PLACARD CONTENT: D40893J	002004 006999	1
60	BAC27NEL0144		.DECAL- PLACARD CONTENT: D40895J	002004 006999	1

MISSING ITEM NUMBERS NOT APPLICABLE

- ITEM NOT ILLUSTRATED

22-12-51-01

22-12-51
FIG. 01
PAGE 1
JAN 20/09

BRI



757

PARTS CATALOG (MAINTENANCE)

FIG ITEM	PART NUMBER	1 2 3 4 5 6 7	NOMENCLATURE	EFFECT FROM TO	UNITS PER ASSY
1					
- 105	254N1115-7		WIRE BUNDLE ASSY-CONT STAND (AUTOPILOT/FLIGHT DIRECTION PITCH CHANNEL ONLY) OPTIONAL PART: 254N1115-9 FOR NHA/OTHER SYS DET SEE: 76-11-04-02	002004 006100 121503 950999	RF
- 105	254N1115-5		WIRE BUNDLE ASSY-CONT STAND (AUTOPILOT/FLIGHT DIRECTION PITCH CHANNEL ONLY) FOR NHA/OTHER SYS DET SEE: 76-11-04-02	107107 904949	RF
- 105	254N1115-9		WIRE BUNDLE ASSY-CONT STAND (AUTOPILOT/FLIGHT DIRECTION PITCH CHANNEL ONLY) OPTIONAL PART: 254N1115-7 FOR NHA/OTHER SYS DET SEE: 76-11-04-02	006100 950951 953999	RF
- 105	254N1115-11		WIRE BUNDLE ASSY-CONT STAND (AUTOPILOT/FLIGHT DIRECTION PITCH CHANNEL ONLY) FOR NHA/OTHER SYS DET SEE: 76-11-04-02	101106 108120 504903	RF
110	BACC45FN20-41P8		.CONNECTOR- ELECTRICAL EQUIP NUMBER: D40501J	002004 006999	1
115	BACC45FN16-24P6		.CONNECTOR- ELECTRICAL EQUIP NUMBER: D40495J	002004 006999	1
120	BACC45FN16-24P		.CONNECTOR- ELECTRICAL EQUIP NUMBER: D40503J	002004 006999	1
125	BACC45FN12B12S		.CONNECTOR- ELECTRICAL EQUIP NUMBER: D40893J	002004 006999	1
130	BACC45FN12B12S9		.CONNECTOR- ELECTRICAL EQUIP NUMBER: D40895J	002004 006999	1

MISSING ITEM NUMBERS NOT APPLICABLE

- ITEM NOT ILLUSTRATED

22-12-51-01

22-12-51
FIG. 01
PAGE 2
JAN 20/09

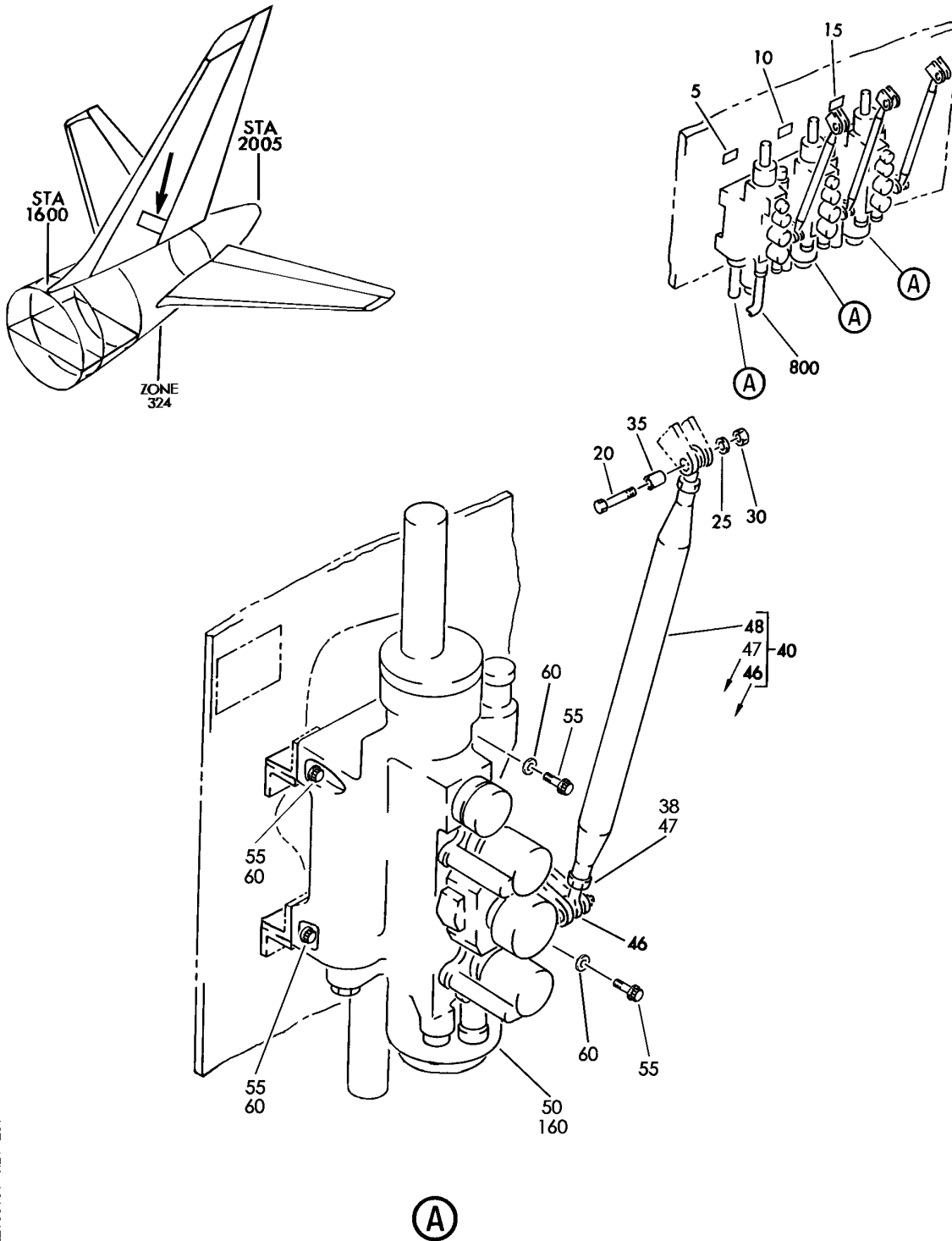
BRI

AUTOPILOT FLIGHT DIRECTOR ROLL AND YAW CHANNEL

BRI
MAY 28/07

22-13-00
SECTION TITLE
PAGE 1

BOEING
757
PARTS CATALOG (MAINTENANCE)



Y 22130101 REV 231

SERVO INSTL-RUDDER CONTROLS ROLLOUT GUIDANCE
FIGURE 1

22-13-01-01

BRI
MAY 28/07

22-13-01-01
PAGE 0



757

PARTS CATALOG (MAINTENANCE)

FIG ITEM	PART NUMBER	1 2 3 4 5 6 7	NOMENCLATURE	EFFECT FROM TO	UNITS PER ASSY
1			SERVO INSTL-RUDDER CONTROLS ROLLOUT GUIDANCE	002004 006999	
- 1	251N3003-1		SERVO INSTL-RUDDER CONTROLS ROLLOUT GUIDANCE FOR NHA SEE: 27-21-54-01	002004 006100 107107 121503 904999	RF
- 1	251N3003-4		SERVO INSTL-RUDDER CONTROLS ROLLOUT GUIDANCE FOR NHA SEE: 27-20-00-01	101102 108120 504903	RF
- 1	MODREF7442		SERVO INSTL-RUDDER CONTROLS ROLLOUT GUIDANCE MODULE NUMBER: 251N3003-4 REV A	103106	1
5	BAC27NCT0162		.MARKER-ALUMINUM FOIL- PLACARD CONTENT: RUDDER AUTOPILOT LEFT M00277	002004 006999	1
10	BAC27NCT0161		.MARKER-ALUMINUM FOIL- PLACARD CONTENT: RUDDER AUTOPILOT CENTER M00278	002004 006999	1
15	BAC27NCT0160		.MARKER-ALUMINUM FOIL- PLACARD CONTENT: RUDDER AUTOPILOT RIGHT M00279	002004 006999	1
20	BACB30NF4-15		.BOLT-	002004 006999	3
25	AN960PD416L		.WASHER-	002004 006999	3
30	BRH10A4		.NUT- SUPPLIER CODE: V52828 SPECIFICATION NUMBER: BACN10JC4 OPTIONAL PART: T6S428J V11815 96-048 V80539 VN303A048 V92215 RMLH9075-4W V72962 NS202101-048 V80539 H10-4BAC V15653	002004 006999	3

MISSING ITEM NUMBERS NOT APPLICABLE

- ITEM NOT ILLUSTRATED

22-13-01-01

22-13-01
FIG. 01
PAGE 1
JAN 20/09

BRI



757

PARTS CATALOG (MAINTENANCE)

FIG ITEM	PART NUMBER	1 2 3 4 5 6 7	NOMENCLATURE	EFFECT FROM TO	UNITS PER ASSY
1					
35	250N2008-2	.	BUSHING-	002004 006999	3
38	AN316-7R	.	NUT-	002004 006999	3
40	250N2004-304	.	ROD ASSY- COMPONENT MAINT MANUAL REF: 27-00-12	002004 006999	3
40	250N2004-334	.	ROD ASSY- COMPONENT MAINT MANUAL REF: 27-00-12	002004 006999	3
46	REP4M6-5FS428	..	BEARING SUPPLIER CODE: V73134 SPECIFICATION NUMBER: BACB10AD12 OPTIONAL PART: HHRE4M6-2 V38443 REP4M6-5E9171B V21335 ABR4M103 VS0352 REP4M6-2CP62 VF0222 REP4M6-5FS428 V21335 REB4M6-21 V92563 DBM4-6B1-501 V77896 ABR4M103B V15860 REP4M6-012J V73134	002004 006999	1
47	AN316-6R	..	NUT	002004 006999	1
48	250N2005-304	..	TUBE- USED ON: 250N2004-304	002004 006999	1
48	250N2005-358	..	TUBE- USED ON: 250N2004-334	002004 006999	1

MISSING ITEM NUMBERS NOT APPLICABLE

- ITEM NOT ILLUSTRATED

BRI

22-13-01-01

22-13-01
FIG. 01
PAGE 2
JAN 20/09



757

PARTS CATALOG (MAINTENANCE)

FIG ITEM	PART NUMBER	1 2 3 4 5 6 7	NOMENCLATURE	EFFECT FROM TO	UNITS PER ASSY
1 50	163200-100		.SERVO ASSY-AUTOPILOT SUPPLIER CODE: V19156 SPECIFICATION NUMBER: S251N312-1 ELECTRICAL EQUIP NUMBER: M00277 M00278 M00279 COMPONENT MAINT MANUAL REF: 22-13-02 OPTIONAL PART: 163200-103 V19156 FOR DETAILS SEE: 22-13-01-02 22-13-02-01	002004 006999	3
50	163200-101		.SERVO ASSY-AUTOPILOT SUPPLIER CODE: V19156 SPECIFICATION NUMBER: S251N312-2 ELECTRICAL EQUIP NUMBER: M00277 M00278 M00279 COMPONENT MAINT MANUAL REF: 22-13-02 OPTIONAL PART: 163200-102 V19156 FOR DETAILS SEE: 22-13-01-02 22-13-02-01	002004 006999	3

MISSING ITEM NUMBERS NOT APPLICABLE

- ITEM NOT ILLUSTRATED

BRI

22-13-01-01

BOEING PROPRIETARY - Copyright © - Unpublished Work - See title page for details.

22-13-01
FIG. 01
PAGE 3
SEP 20/08



757

PARTS CATALOG (MAINTENANCE)

FIG ITEM	PART NUMBER	1 2 3 4 5 6 7	NOMENCLATURE	EFFECT FROM TO	UNITS PER ASSY
1 50	163200-103		.SERVO ASSY-AUTOPILOT SUPPLIER CODE: V19156 SPECIFICATION NUMBER: S251N312-1 ELECTRICAL EQUIP NUMBER: M00277 M00278 M00279 COMPONENT MAINT MANUAL REF: 22-13-02 OPTIONAL PART: 163200-100 V19156 FOR DETAILS SEE: 22-13-01-02 22-13-02-01	002004 006999	3
50	163200-102		.SERVO ASSY-AUTOPILOT SUPPLIER CODE: V19156 SPECIFICATION NUMBER: S251N312-2 ELECTRICAL EQUIP NUMBER: M00277 M00278 M00279 COMPONENT MAINT MANUAL REF: 22-13-02 OPTIONAL PART: 163200-101 V19156 FOR DETAILS SEE: 22-13-01-02 22-13-02-01	002004 006999	3
50	163200-104		.SERVO ASSY-AUTOPILOT SUPPLIER CODE: V19156 SPECIFICATION NUMBER: S251N312-3 ELECTRICAL EQUIP NUMBER: M00277 M00278 M00279 COMPONENT MAINT MANUAL REF: 22-13-02 FOR DETAILS SEE: 22-13-01-02 22-13-02-01	002004 006999	3

MISSING ITEM NUMBERS NOT APPLICABLE

- ITEM NOT ILLUSTRATED

22-13-01-01

22-13-01
FIG. 01
PAGE 4
SEP 20/08

BRI



757

PARTS CATALOG (MAINTENANCE)

FIG ITEM	PART NUMBER	1 2 3 4 5 6 7	NOMENCLATURE	EFFECT FROM TO	UNITS PER ASSY
1 50	163200-105		.SERVO ASSY-AUTOPILOT SUPPLIER CODE: V19156 SPECIFICATION NUMBER: S251N312-4 ELECTRICAL EQUIP NUMBER: M00277 M00278 M00279 COMPONENT MAINT MANUAL REF: 22-13-02 FOR DETAILS SEE: 22-13-01-02 22-13-02-01 ATTACHING PARTS	002004 006999	3
55	BACB30MR4K8		.BOLT-	002004 006999	12
60	BACW10BN4AC		.WASHER-	002004 006999	12
- 165	BACB30MR4K8		.BOLT	002004 006102 107999	12
- 170	BACW10BN4AC		.WASHER	002004 006102 107999	12
800			-----*----- ILLUSTRATION REFERENCE: PLUMBING INSTL-VERT. FIN SECT. 70 HYDR (AUTOPILOT ROLLOUT GUIDANCE SERVO ONLY) 22-13-51-15	002004 006100 107107 121503 904999	RF

MISSING ITEM NUMBERS NOT APPLICABLE

- ITEM NOT ILLUSTRATED

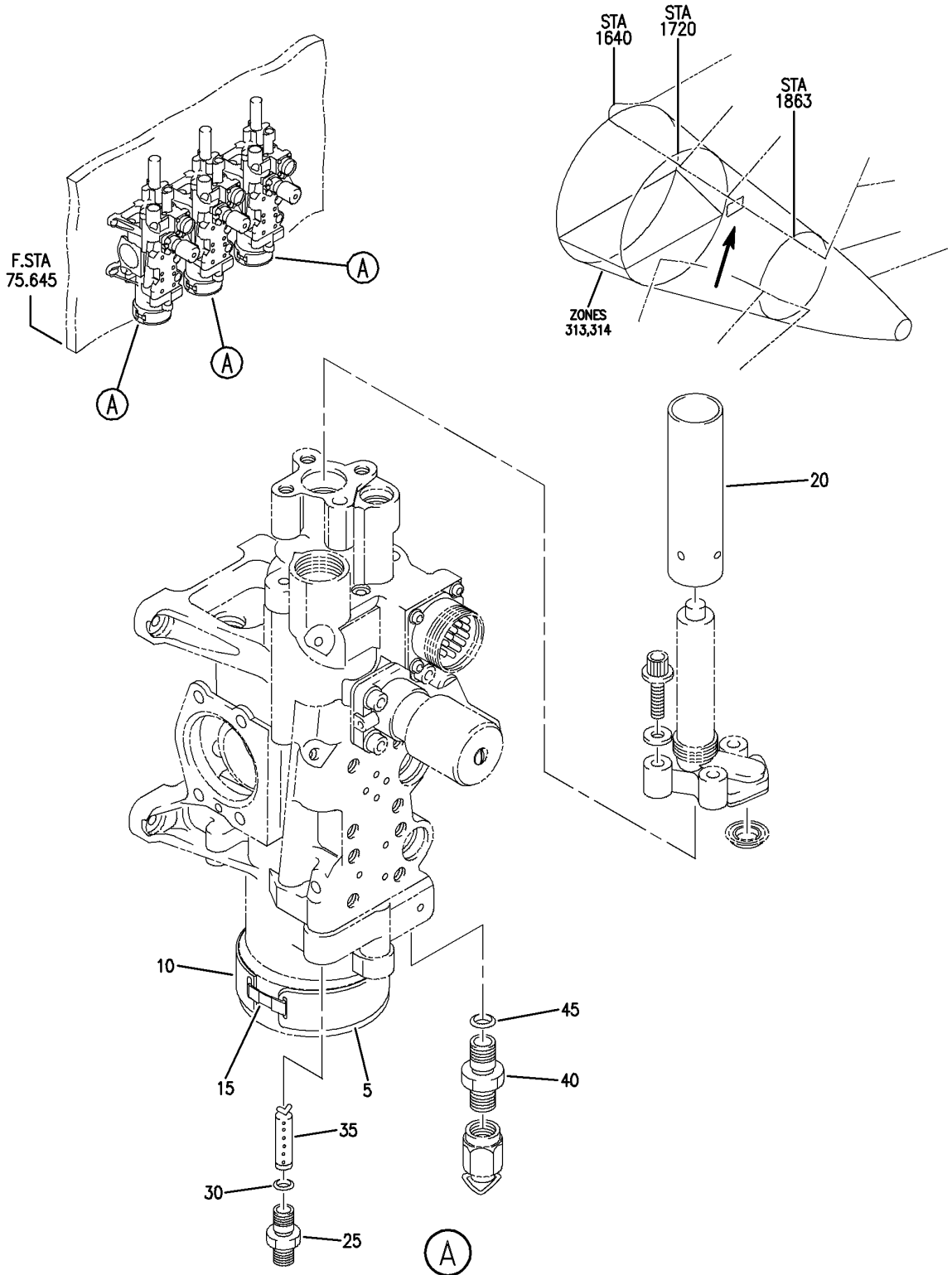
BRI

22-13-01-01

BOEING PROPRIETARY - Copyright © - Unpublished Work - See title page for details.

22-13-01
FIG. 01
PAGE 5
JAN 20/09

BOEING
757
PARTS CATALOG (MAINTENANCE)



Y 22130102 REV 230

SERVO ASSY-AUTOPILOT ROLLOUT GUIDANCE (AUTOPILOT ROLLOUT GUIDANCE ONLY)
FIGURE 2

22-13-01-02

BRI
MAY 28/07

22-13-01-02
PAGE 0



757

PARTS CATALOG (MAINTENANCE)

FIG ITEM	PART NUMBER	1 2 3 4 5 6 7	NOMENCLATURE	EFFECT FROM TO	UNITS PER ASSY
2			SERVO ASSY-AUTOPILOT ROLLOUT GUIDANCE (AUTOPILOT ROLLOUT GUIDANCE ONLY)	002004 006999	
- 1	163200-100		SERVO ASSY-AUTOPILOT ROLLOUT GUIDANCE (AUTOPILOT ROLLOUT GUIDANCE ONLY) SUPPLIER CODE: V19156 SPECIFICATION NUMBER: S251N312-1 ELECTRICAL EQUIP NUMBER: M00277 M00278 M00279 COMPONENT MAINT MANUAL REF: 22-13-02 OPTIONAL PART: 163200-103 V19156 FOR NHA/ADDITIONAL DET SEE: 22-13-01-01	002004 006999	RF
- 1	163200-101		SERVO ASSY-AUTOPILOT ROLLOUT GUIDANCE (AUTOPILOT ROLLOUT GUIDANCE ONLY) SUPPLIER CODE: V19156 SPECIFICATION NUMBER: S251N312-2 ELECTRICAL EQUIP NUMBER: M00277 M00278 M00279 COMPONENT MAINT MANUAL REF: 22-13-02 OPTIONAL PART: 163200-102 V19156 FOR NHA/ADDITIONAL DET SEE: 22-13-01-01	002004 006999	RF

MISSING ITEM NUMBERS NOT APPLICABLE

- ITEM NOT ILLUSTRATED

BRI

22-13-01-02

22-13-01
FIG. 02
PAGE 1
SEP 20/08



757

PARTS CATALOG (MAINTENANCE)

FIG ITEM	PART NUMBER	1 2 3 4 5 6 7	NOMENCLATURE	EFFECT FROM TO	UNITS PER ASSY
2 - 1	163200-102		SERVO ASSY-AUTOPILOT ROLLOUT GUIDANCE (AUTOPILOT ROLLOUT GUIDANCE ONLY) SUPPLIER CODE: V19156 SPECIFICATION NUMBER: S251N312-2 ELECTRICAL EQUIP NUMBER: M00277 M00278 M00279 COMPONENT MAINT MANUAL REF: 22-13-02 OPTIONAL PART: 163200-101 V19156 FOR NHA/ADDITIONAL DET SEE: 22-13-01-01	002004 006999	RF
- 1	163200-103		SERVO ASSY-AUTOPILOT ROLLOUT GUIDANCE (AUTOPILOT ROLLOUT GUIDANCE ONLY) SUPPLIER CODE: V19156 SPECIFICATION NUMBER: S251N312-1 ELECTRICAL EQUIP NUMBER: M00277 M00278 M00279 COMPONENT MAINT MANUAL REF: 22-13-02 OPTIONAL PART: 163200-100 V19156 FOR NHA/ADDITIONAL DET SEE: 22-13-01-01	002004 006999	RF

MISSING ITEM NUMBERS NOT APPLICABLE

- ITEM NOT ILLUSTRATED

BRI

22-13-01-02

BOEING PROPRIETARY - Copyright © - Unpublished Work - See title page for details.

22-13-01
FIG. 02
PAGE 2
SEP 20/08



757

PARTS CATALOG (MAINTENANCE)

FIG ITEM	PART NUMBER	1 2 3 4 5 6 7	NOMENCLATURE	EFFECT FROM TO	UNITS PER ASSY
2 -	1 163200-104		SERVO ASSY-AUTOPILOT ROLLOUT GUIDANCE (AUTOPILOT ROLLOUT GUIDANCE ONLY) SUPPLIER CODE: V19156 SPECIFICATION NUMBER: S251N312-3 ELECTRICAL EQUIP NUMBER: M00277 M00278 M00279 COMPONENT MAINT MANUAL REF: 22-13-02 FOR NHA/ADDITIONAL DET SEE: 22-13-01-01	002004 006999	RF
-	1 163200-105		SERVO ASSY-AUTOPILOT ROLLOUT GUIDANCE (AUTOPILOT ROLLOUT GUIDANCE ONLY) SUPPLIER CODE: V19156 SPECIFICATION NUMBER: S251N312-4 ELECTRICAL EQUIP NUMBER: M00277 M00278 M00279 COMPONENT MAINT MANUAL REF: 22-13-02 FOR NHA/ADDITIONAL DET SEE: 22-13-01-01	002004 006999	RF
	5 163042-003		.NAMEPLATE- SUPPLIER CODE: V19156	002004 006999	1
	10 163042-020		.PLATE-MOD SUPPLIER CODE: V19156	002004 006999	1
	15 69-35587-5		.STRAP-NAMEPLATE	002004 006999	AR
	20 163038-001		.SLEEVE-PROTECTOR LVDT SUPPLIER CODE: V19156	002004 006999	2
	25 BACU24K4		.UNION	002004 006999	1
	30 NAS1612-4		.PACKING-	002004 006999	1

MISSING ITEM NUMBERS NOT APPLICABLE

- ITEM NOT ILLUSTRATED

22-13-01-02

22-13-01
FIG. 02
PAGE 3
SEP 20/08

BRI



757

PARTS CATALOG (MAINTENANCE)

FIG ITEM	PART NUMBER	1 2 3 4 5 6 7	NOMENCLATURE	EFFECT FROM TO	UNITS PER ASSY
2					
35	FSHX0507600B	.	FILTER-SCREEN SUPPLIER CODE: V92555 SPECIFICATION NUMBER: S250N211-1 OPTIONAL PART: 25786 V18350 3121-516 V05CK7	002004 006999	1
35	1745030-03	.	FILTER-SCREEN SUPPLIER CODE: V90005 SPECIFICATION NUMBER: S250N211-1	002004 006999	1
35	25786	.	FILTER-SCREEN SUPPLIER CODE: V18350 SPECIFICATION NUMBER: S250N211-1 OPTIONAL PART: 3121-516 V05CK7	002004 006999	1
40	BACU24K6	.	UNION	002004 006999	1
45	NAS1612-6	.	PACKING-	002004 006999	1

MISSING ITEM NUMBERS NOT APPLICABLE

- ITEM NOT ILLUSTRATED

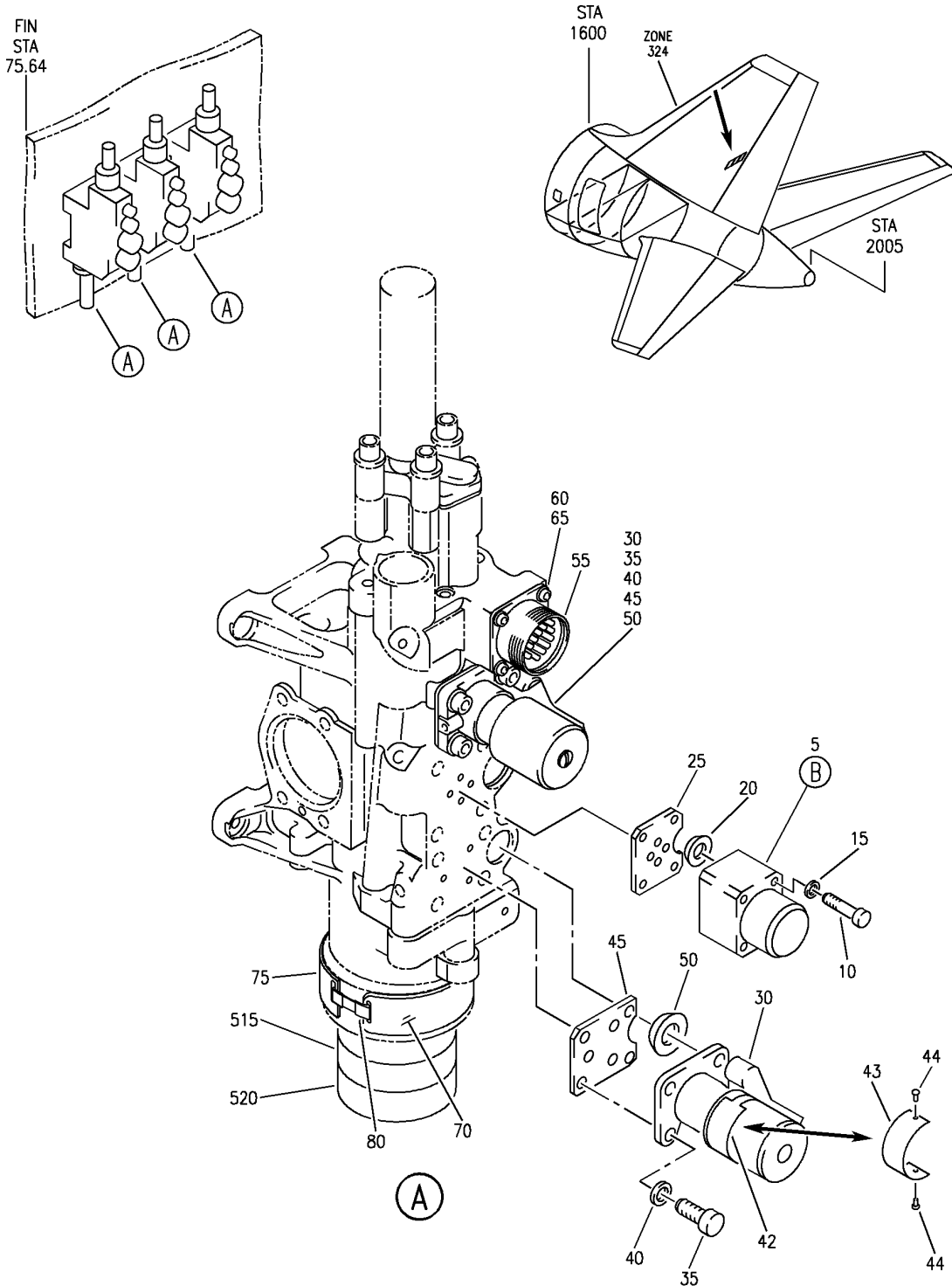
BRI

22-13-01-02

BOEING PROPRIETARY - Copyright © - Unpublished Work - See title page for details.

22-13-01
FIG. 02
PAGE 4
SEP 20/08

BOEING
757
PARTS CATALOG (MAINTENANCE)



Y 22130201 SHT 1 REV 305

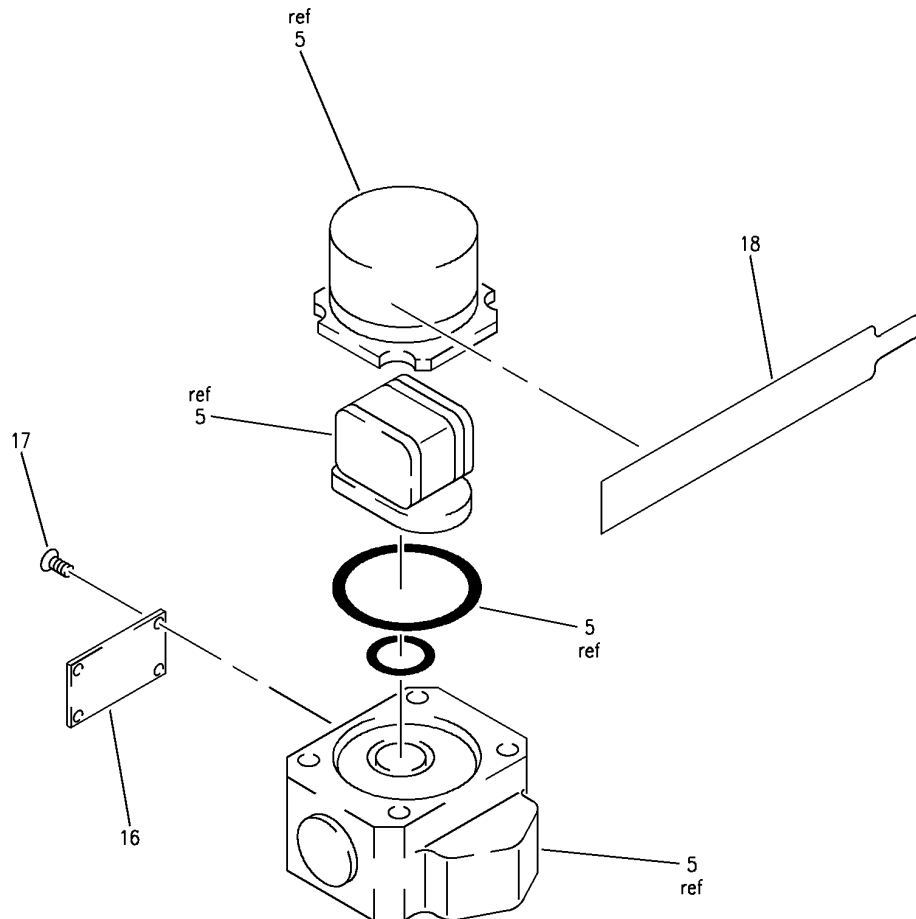
SERVO ASSY-AUTOPILOT ROLLOUT GUIDANCE (ARGS ELECTROHYDRAULIC SERVOVALVE AND SOLENOID VALVE ONLY)
FIGURE 1 (SHEET 1)

BRI
MAY 28/07

22-13-02-01

22-13-02-01
PAGE 0

BOEING
757
PARTS CATALOG (MAINTENANCE)



(B)

Y 22130201 SHT 2 REV 281

SERVO ASSY-AUTOPILOT ROLLOUT GUIDANCE (ARGS ELECTROHYDRAULIC SERVOVALVE AND SOLENOID VALVE ONLY)
FIGURE 1 (SHEET 2)

BRI
MAY 28/07

22-13-02-01

22-13-02-01
PAGE 0A



757

PARTS CATALOG (MAINTENANCE)

FIG ITEM	PART NUMBER	1 2 3 4 5 6 7	NOMENCLATURE	EFFECT FROM TO	UNITS PER ASSY
1			SERVO ASSY-AUTOPILOT ROLLOUT GUIDANCE (ARGS ELECTROHYDRAULIC SERVOVALVE AND SOLENOID VALVE ONLY)	002004 006999	
- 1	163200-100		SERVO ASSY-AUTOPILOT ROLLOUT GUIDANCE (AUTOPILOT ELECTROHYDRAULIC SERVOVALVE AND SOLENOID VALVES ONLY) SUPPLIER CODE: V19156 SPECIFICATION NUMBER: S251N312-1 ELECTRICAL EQUIP NUMBER: M00277 M00278 M00279 COMPONENT MAINT MANUAL REF: 22-13-02 OPTIONAL PART: 163200-103 V19156 FOR NHA/ADDITIONAL DET SEE: 22-13-01-01	002004 006999	RF
- 1	163200-101		SERVO ASSY-AUTOPILOT ROLLOUT GUIDANCE (AUTOPILOT ELECTROHYDRAULIC SERVOVALVE AND SOLENOID VALVES ONLY) SUPPLIER CODE: V19156 SPECIFICATION NUMBER: S251N312-2 ELECTRICAL EQUIP NUMBER: M00277 M00278 M00279 COMPONENT MAINT MANUAL REF: 22-13-02 OPTIONAL PART: 163200-102 V19156 FOR NHA/ADDITIONAL DET SEE: 22-13-01-01	002004 006999	RF

MISSING ITEM NUMBERS NOT APPLICABLE

- ITEM NOT ILLUSTRATED

22-13-02-01

22-13-02
FIG. 01
PAGE 1
SEP 20/08

BRI



757

PARTS CATALOG (MAINTENANCE)

FIG ITEM	PART NUMBER	1 2 3 4 5 6 7	NOMENCLATURE	EFFECT FROM TO	UNITS PER ASSY
1	163200-102		SERVO ASSY-AUTOPILOT ROLLOUT GUIDANCE (AUTOPILOT ELECTROHYDRAULIC SERVOVALVE AND SOLENOID VALVES ONLY) SUPPLIER CODE: V19156 SPECIFICATION NUMBER: S251N312-2 ELECTRICAL EQUIP NUMBER: M00277 M00278 M00279 COMPONENT MAINT MANUAL REF: 22-13-02 OPTIONAL PART: 163200-101 V19156 FOR NHA/ADDITIONAL DET SEE: 22-13-01-01	002004 006999	RF
- 1	163200-103		SERVO ASSY-AUTOPILOT ROLLOUT GUIDANCE (AUTOPILOT ELECTROHYDRAULIC SERVOVALVE AND SOLENOID VALVES ONLY) SUPPLIER CODE: V19156 SPECIFICATION NUMBER: S251N312-1 ELECTRICAL EQUIP NUMBER: M00277 M00278 M00279 COMPONENT MAINT MANUAL REF: 22-13-02 OPTIONAL PART: 163200-100 V19156 FOR NHA/ADDITIONAL DET SEE: 22-13-01-01	002004 006999	RF

MISSING ITEM NUMBERS NOT APPLICABLE

- ITEM NOT ILLUSTRATED

22-13-02-01

22-13-02
FIG. 01
PAGE 2
SEP 20/08

BRI



757

PARTS CATALOG (MAINTENANCE)

FIG ITEM	PART NUMBER	1 2 3 4 5 6 7	NOMENCLATURE	EFFECT FROM TO	UNITS PER ASSY
1	163200-104		SERVO ASSY-AUTOPILOT ROLLOUT GUIDANCE (AUTOPILOT ELECTROHYDRAULIC SERVOVALVE AND SOLENOID VALVES ONLY) SUPPLIER CODE: V19156 SPECIFICATION NUMBER: S251N312-3 ELECTRICAL EQUIP NUMBER: M00277 M00278 M00279 COMPONENT MAINT MANUAL REF: 22-13-02 FOR NHA/ADDITIONAL DET SEE: 22-13-01-01	002004 006999	RF
- 1		163200-105	SERVO ASSY-AUTOPILOT ROLLOUT GUIDANCE (AUTOPILOT ELECTROHYDRAULIC SERVOVALVE AND SOLENOID VALVES ONLY) SUPPLIER CODE: V19156 SPECIFICATION NUMBER: S251N312-4 ELECTRICAL EQUIP NUMBER: M00277 M00278 M00279 COMPONENT MAINT MANUAL REF: 22-13-02 FOR NHA/ADDITIONAL DET SEE: 22-13-01-01	002004 006999	RF

MISSING ITEM NUMBERS NOT APPLICABLE

- ITEM NOT ILLUSTRATED

22-13-02-01

22-13-02
FIG. 01
PAGE 3
SEP 20/08

BRI



757

PARTS CATALOG (MAINTENANCE)

FIG ITEM	PART NUMBER	1 2 3 4 5 6 7	NOMENCLATURE	EFFECT FROM TO	UNITS PER ASSY
1 5	75130		.SERVOVALVE-ELECTRO HYDR SUPPLIER CODE: V49695 SPECIFICATION NUMBER: 10-60813-1 COMPONENT MAINT MANUAL REF: 27-09-01 OPTIONAL PART: 0893701 V93835 OPTIONAL PART: A71882-1 V94697 22280710 V81873 22280710-001 V81873 A71882-2 V94697 73016 V49695 A71882-003 V94697 USED ON: 163200-100 163200-101 163200-102 163200-103 163200-104 163200-105	002004 006999	1

MISSING ITEM NUMBERS NOT APPLICABLE

- ITEM NOT ILLUSTRATED

BRI

22-13-02-01

BOEING PROPRIETARY - Copyright © - Unpublished Work - See title page for details.

22-13-02
FIG. 01
PAGE 4
SEP 20/08



757

PARTS CATALOG (MAINTENANCE)

FIG ITEM	PART NUMBER	1 2 3 4 5 6 7	NOMENCLATURE	EFFECT FROM TO	UNITS PER ASSY
1 5	0893701		.SERVOVALVE-ELECTRO HYDR SUPPLIER CODE: V93835 SPECIFICATION NUMBER: 10-60813-1 COMPONENT MAINT MANUAL REF: 27-09-01 OPTIONAL PART: 75130 V49695 OPTIONAL PART: A71882-1 V94697 22280710 V81873 22280710-001 V81873 73016 V49695 A71882-2 V94697 A71882-003 V94697 USED ON: 163200-100 163200-101 163200-102 163200-103 163200-104 163200-105	002004 006999	1

MISSING ITEM NUMBERS NOT APPLICABLE

- ITEM NOT ILLUSTRATED

BRI

22-13-02-01

BOEING PROPRIETARY - Copyright © - Unpublished Work - See title page for details.

22-13-02
FIG. 01
PAGE 5
SEP 20/08



**757
PARTS CATALOG (MAINTENANCE)**

FIG ITEM	PART NUMBER	1 2 3 4 5 6 7	NOMENCLATURE	EFFECT FROM TO	UNITS PER ASSY
1 5	22280710		.SERVOVALVE-ELECTRO HYDR SUPPLIER CODE: V81873 FUNCTIONAL DESCRIPTION: THIS VALVE DELIVERS A HYDRAULIC FLOW PROPORTIONAL TO AN ELECTRIC INPUT SPECIFICATION NUMBER: S252T001-3 COMPONENT MAINT MANUAL REF: 27-10-03 OPTIONAL PART: 22280710-001 V81873 OPTIONAL PART: 75130 V49695 0893701 V93835 73016 V49695 A71882-1 V94697 A71882-2 V94697 A71882-003 V94697 USED ON: 163200-101 163200-102 163200-105	002004 006999	1

MISSING ITEM NUMBERS NOT APPLICABLE

— ITEM NOT ILLUSTRATED

BRI

22-13-02-01

BOEING PROPRIETARY - Copyright © - Unpublished Work - See title page for details.

22-13-02
FIG. 01
PAGE 6
SEP 20/08



757

PARTS CATALOG (MAINTENANCE)

FIG ITEM	PART NUMBER	1 2 3 4 5 6 7	NOMENCLATURE	EFFECT FROM TO	UNITS PER ASSY
1 5	22280710-001		.SERVOVALVE-ELECTRO HYDR SUPPLIER CODE: V81873 FUNCTIONAL DESCRIPTION: THIS VALVE DELIVERS A HYDRAULIC FLOW PROPORTIONAL TO AN ELECTRIC INPUT SPECIFICATION NUMBER: S252T001-3 COMPONENT MAINT MANUAL REF: 22-10-01 OPTIONAL PART: 22280710 V81873 OPTIONAL PART: 75130 V49695 0893701 V93835 73016 V49695 A71882-1 V94697 A71882-2 V94697 A71882-003 V94697 USED ON: 163200-101 163200-102 163200-105	002004 006999	1

MISSING ITEM NUMBERS NOT APPLICABLE

- ITEM NOT ILLUSTRATED

BRI

22-13-02-01

BOEING PROPRIETARY - Copyright © - Unpublished Work - See title page for details.

22-13-02
FIG. 01
PAGE 7
SEP 20/08



757

PARTS CATALOG (MAINTENANCE)

FIG ITEM	PART NUMBER	1 2 3 4 5 6 7	NOMENCLATURE	EFFECT FROM TO	UNITS PER ASSY
1 5	73016		.SERVOVALVE-ELECTRO HYDR SUPPLIER CODE: V49695 FUNCTIONAL DESCRIPTION: THIS VALVE DELIVERS A HYDRAULIC FLOW PROPORTIONAL TO AN ELECTRIC INPUT SPECIFICATION NUMBER: S252T001-4 COMPONENT MAINT MANUAL REF: 22-21-01 OPTIONAL PART: 75130 V49695 0893701 V93835 22280710 V81873 22280710-001 V81873 A71882-1 V94697 A71882-2 V94697 A71882-003 V94697 USED ON: 163200-101 163200-102 163200-105	002004 006999	1

MISSING ITEM NUMBERS NOT APPLICABLE

- ITEM NOT ILLUSTRATED

BRI

22-13-02-01

BOEING PROPRIETARY - Copyright © - Unpublished Work - See title page for details.

22-13-02
FIG. 01
PAGE 8
SEP 20/08



757

PARTS CATALOG (MAINTENANCE)

FIG ITEM	PART NUMBER	1 2 3 4 5 6 7	NOMENCLATURE	EFFECT FROM TO	UNITS PER ASSY
1 5	A71882-1		.SERVOVALVE-ELECTRO HYDR SUPPLIER CODE: V94697 FUNCTIONAL DESCRIPTION: THIS VALVE DELIVERS A HYDRAULIC FLOW PROPORTIONAL TO AN ELECTRIC INPUT SPECIFICATION NUMBER: S252T001-5 CONFIG CHG DATA FROM A CMM: REPLD BY A71882-2 COMPONENT MAINT MANUAL REF: 22-10-02 OPTIONAL PART: A71882-2 V94697 A71882-003 V94697 OPTIONAL PART: 75130 V49695 0893701 V93835 22280710 V81873 22280710-001 V81873 73016 V49695 USED ON: 163200-101 163200-102 163200-105	002004 006999	1

MISSING ITEM NUMBERS NOT APPLICABLE

- ITEM NOT ILLUSTRATED

BRI

22-13-02-01

BOEING PROPRIETARY - Copyright © - Unpublished Work - See title page for details.

22-13-02
FIG. 01
PAGE 9
SEP 20/08



757

PARTS CATALOG (MAINTENANCE)

FIG ITEM	PART NUMBER	1 2 3 4 5 6 7	NOMENCLATURE	EFFECT FROM TO	UNITS PER ASSY
1 5	A71882-2		.SERVOVALVE-ELECTRO HYDR SUPPLIER CODE: V94697 FUNCTIONAL DESCRIPTION: THIS VALVE DELIVERS A HYDRAULIC FLOW PROPORTIONAL TO AN ELECTRIC INPUT SPECIFICATION NUMBER: S252T001-5 CONFIG CHG DATA FROM A CMM: REPLS A71882-1 REPLD BY A71882-003 COMPONENT MAINT MANUAL REF: 22-10-02 OPTIONAL PART: A71882-1 V94697 A71882-003 V94697 OPTIONAL PART: 75130 V49695 0893701 V93835 22280710 V81873 22280710-001 V81873 73016 V49695 USED ON: 163200-101 163200-102 163200-105	002004 006999	1

MISSING ITEM NUMBERS NOT APPLICABLE

- ITEM NOT ILLUSTRATED

BRI

22-13-02-01

BOEING PROPRIETARY - Copyright © - Unpublished Work - See title page for details.

22-13-02
 FIG. 01
 PAGE 10
 SEP 20/08



757

PARTS CATALOG (MAINTENANCE)

FIG ITEM	PART NUMBER	1 2 3 4 5 6 7	NOMENCLATURE	EFFECT FROM TO	UNITS PER ASSY
1	5 A71882-003		.SERVOVALVE-ELECTRO HYDR SUPPLIER CODE: V94697 FUNCTIONAL DESCRIPTION: THIS VALVE DELIVERS A HYDRAULIC FLOW PROPORTIONAL TO AN ELECTRIC INPUT SPECIFICATION NUMBER: S252T001-5 CONFIG CHG DATA FROM A CMM: REPLS A71882-2 COMPONENT MAINT MANUAL REF: 22-10-02 OPTIONAL PART: A71882-1 V94697 A71882-2 V94697 OPTIONAL PART: 75130 V49695 0893701 V93835 22280710 V81873 22280710-001 V81873 73016 V49695 USED ON: 163200-101 163200-102 163200-105 ATTACHING PARTS	002004 006999	1
	10 NAS1351N4H28P		.SCREW- OPTIONAL PART: NAS1351-4H28P	002004 006999	4
	10 NAS1351-4H28P		.SCREW- OPTIONAL PART: NAS1351N4H28P	002004 006999	4
	15 401-67478-07		.WASHER- SUPPLIER CODE: V19156 -----*-----	002004 006999	4

MISSING ITEM NUMBERS NOT APPLICABLE

- ITEM NOT ILLUSTRATED

22-13-02-01

22-13-02
FIG. 01
PAGE 11
SEP 20/08

BRI



757

PARTS CATALOG (MAINTENANCE)

FIG ITEM	PART NUMBER	1 2 3 4 5 6 7	NOMENCLATURE	EFFECT FROM TO	UNITS PER ASSY
1					
16	75859		.. PLATE-IDENT SUPPLIER CODE: V49695 USED ON: 75130	002004 006999	1
16	73700		.. PLATE-IDENT SUPPLIER CODE: V49695 USED ON: 73016	002004 006999	1
17	MS21318-1		ATTACHING PARTS .. SCREW- USED ON: 75130 73016	002004 006999	4
18	76950		-----*----- .. PLATE-FLUID IDENT BMS 3-11 SUPPLIER CODE: V49695 OPTIONAL PART: 76951 V49695 76952 V49695 USED ON: 75130	002004 006999	1
18	76951		.. PLATE-FLUID IDENT DMS 2014 SUPPLIER CODE: V49695 OPTIONAL PART: 76950 V49695 76952 V49695 USED ON: 75130	002004 006999	1
18	76952		.. PLATE-FLUID IDENT LAC C-34-1224 SUPPLIER CODE: V49695 OPTIONAL PART: 76950 V49695 76951 V49695 USED ON: 75130	002004 006999	1

MISSING ITEM NUMBERS NOT APPLICABLE

- ITEM NOT ILLUSTRATED

BRI

22-13-02-01

BOEING PROPRIETARY - Copyright © - Unpublished Work - See title page for details.

22-13-02
FIG. 01
PAGE 12
SEP 20/08



757

PARTS CATALOG (MAINTENANCE)

FIG ITEM	PART NUMBER	1 2 3 4 5 6 7	NOMENCLATURE	EFFECT FROM TO	UNITS PER ASSY
1	20 920312-112		.SEAL-U CUP SUPPLIER CODE: V19156 OPTIONAL PART: NAS1611-112	002004 006999	1
	20 NAS1611-112		.PACKING-0 RING OPTIONAL PART: 920312-112 V19156	002004 006999	1
	25 069000198-1		.PLATE-GSKT SUPPLIER CODE: V05939 SPECIFICATION NUMBER: 69-20185-1 OPTIONAL PART: BA1841 V95272 054861 V83259 054861-1 V83259 828109-1 V83259	002004 006999	1
	30 45080-1		.VALVE ASSY-SOL. SUPPLIER CODE: V99643 FUNCTIONAL DESCRIPTION: ELECTRICALLY OPERATED VALVE PROVIDES HYDRAULIC PRESSURE SPECIFICATION NUMBER: 10-60811-8 COMPONENT MAINT MANUAL REF: 29-09-05 OPTIONAL PART: 59600-5011 V92003 59600-5007 V92003 45080 V99643 881600-1001 V92003	002004 006999	2

MISSING ITEM NUMBERS NOT APPLICABLE

- ITEM NOT ILLUSTRATED

BRI

22-13-02-01

BOEING PROPRIETARY - Copyright © - Unpublished Work - See title page for details.

22-13-02
FIG. 01
PAGE 13
SEP 20/08



**757
PARTS CATALOG (MAINTENANCE)**

FIG ITEM	PART NUMBER	1 2 3 4 5 6 7	NOMENCLATURE	EFFECT FROM TO	UNITS PER ASSY
1 30	45080		.VALVE ASSY-SOL. SUPPLIER CODE: V99643 SPECIFICATION NUMBER: 10-60811-3 COMPONENT MAINT MANUAL REF: 29-09-05 OPTIONAL PART: 59600-5007 V92003 OPTIONAL PART: 45080-1 V99643 59600-5011 V92003 881600-1001 V92003	002004 006999	2
30	59600-5007		.VALVE ASSY-SOL. SUPPLIER CODE: V92003 SPECIFICATION NUMBER: 10-60811-3 COMPONENT MAINT MANUAL REF: 29-10-02 OPTIONAL PART: 45080 V99643 OPTIONAL PART: 45080-1 V99643 59600-5011 V92003 881600-1001 V92003	002004 006999	2

MISSING ITEM NUMBERS NOT APPLICABLE

— ITEM NOT ILLUSTRATED

BRI

22-13-02-01

BOEING PROPRIETARY - Copyright © - Unpublished Work - See title page for details.

22-13-02
FIG. 01
PAGE 14
SEP 20/08



757

PARTS CATALOG (MAINTENANCE)

FIG ITEM	PART NUMBER	1 2 3 4 5 6 7	NOMENCLATURE	EFFECT FROM TO	UNITS PER ASSY
1 30	59600-5011		.VALVE ASSY-SOL. SUPPLIER CODE: V92003 FUNCTIONAL DESCRIPTION: ELECTRICALLY OPERATED VALVE PROVIDES HYDRAULIC PRESSURE SPECIFICATION NUMBER: 10-60811-9 COMPONENT MAINT MANUAL REF: 29-10-02 OPTIONAL PART: 45080-1 V99643 59600-5007 V92003 45080 V99643 881600-1001 V92003	002004 006999	2
30	881600-1001		.VALVE ASSY-SOL. SUPPLIER CODE: V92003 FUNCTIONAL DESCRIPTION: ELECTRICALLY OPERATED VALVE PROVIDES HYDRAULIC PRESSURE SPECIFICATION NUMBER: 10-60811-13 COMPONENT MAINT MANUAL REF: 27-09-03 OPTIONAL PART: 45080 V99643 45080-1 V99643 59600-5007 V92003 59600-5011 V92003	002004 006999	2
35	NAS1351N4H12P		ATTACHING PARTS .SCREW- OPTIONAL PART: NAS1351-4H12P	002004 006999	8
35	NAS1351-4H12P		.SCREW- OPTIONAL PART: NAS1351N4H12P	002004 006999	8

MISSING ITEM NUMBERS NOT APPLICABLE

- ITEM NOT ILLUSTRATED

22-13-02-01

22-13-02
FIG. 01
PAGE 15
SEP 20/08

BRI

BOEING
757
PARTS CATALOG (MAINTENANCE)

FIG ITEM	PART NUMBER	1 2 3 4 5 6 7	NOMENCLATURE	EFFECT FROM TO	UNITS PER ASSY
1					
40	NAS620A416L	.	WASHER	002004 006999	8
			-----*-----		
42	25027	..	NAMEPLATE- SUPPLIER CODE: V99643 USED ON: 45080-1	002004 006999	1
42	25027-3	..	NAMEPLATE- SUPPLIER CODE: V99643 USED ON: 45080-1	002004 006999	1
42	59610-3	..	NAMEPLATE- SUPPLIER CODE: V99643 USED ON: 59600-5007	002004 006999	1
42	59610-9	..	NAMEPLATE- SUPPLIER CODE: V99643 USED ON: 59600-5011	002004 006999	1
43	881601-1	..	NAMEPLATE- SUPPLIER CODE: V92003 USED ON: 881600-1001	002004 006999	1
			ATTACHING PARTS		
44	047-90NSX062	..	SCREW- SUPPLIER CODE: V92003 -----*-----	002004 006999	2

MISSING ITEM NUMBERS NOT APPLICABLE

— ITEM NOT ILLUSTRATED

BRI

22-13-02-01

BOEING PROPRIETARY - Copyright © - Unpublished Work - See title page for details.

22-13-02
FIG. 01
PAGE 16
SEP 20/08

 **BOEING**
757
PARTS CATALOG (MAINTENANCE)

FIG ITEM	PART NUMBER	1 2 3 4 5 6 7	NOMENCLATURE	EFFECT FROM TO	UNITS PER ASSY
1					
45	069000197-1		.PLATE-GSKT SUPPLIER CODE: V05939 SPECIFICATION NUMBER: 69-20184-1 OPTIONAL PART: 071261 V83259 071261-1 V83259 828108-1 V83259 BA1837 V95272 OPTIONAL PART: 920385-001 V19156	002004 006999	2
45	920385-001		.PLATE-GSKT SUPPLIER CODE: V19156 OPTIONAL PART: 069000197-1	002004 006999	2
50	920312-112		.SEAL-U CUP SUPPLIER CODE: V19156 OPTIONAL PART: NAS1611-112	002004 006999	2
50	NAS1611-112		.PACKING-0 RING OPTIONAL PART: 920312-112 V19156	002004 006999	2
55	BACC45FM22-19P		.CONNECTOR	002004 006999	1
60	NAS1190-04P6NH		ATTACHING PARTS .SCREW	002004 006999	4
65	NAS620A4L		.WASHER	002004 006999	4
70	163042-003		-----*----- .NAMEPLATE- SUPPLIER CODE: V19156	002004 006999	1
75	163042-020		.PLATE-MOD SUPPLIER CODE: V19156	002004 006999	1
80	69-35587-5		.STRAP-NAMEPLATE	002004 006999	AR

MISSING ITEM NUMBERS NOT APPLICABLE

— ITEM NOT ILLUSTRATED

BRI

22-13-02-01

BOEING PROPRIETARY - Copyright © - Unpublished Work - See title page for details.

22-13-02
FIG. 01
PAGE 17
JAN 20/09



757

PARTS CATALOG (MAINTENANCE)

FIG ITEM	PART NUMBER	1 2 3 4 5 6 7	NOMENCLATURE	EFFECT FROM TO	UNITS PER ASSY
1					
- 500	286N3101-002		WIRE BUNDLE ASSY	107107 121503 904949	RF
- 500	286N3101-003		WIRE BUNDLE ASSY	002004 006100 950999	RF
- 500	286N3101-302		WIRE BUNDLE ASSY	108120	RF
- 500	286N3101-304		WIRE BUNDLE ASSY	101102	RF
- 500	286N3101-306		WIRE BUNDLE ASSY	504903	RF
- 505	286N3121-002		WIRE BUNDLE ASSY	002004 006100 107107 950999	RF
- 505	286N3121-003		WIRE BUNDLE ASSY	121503 904949	RF
- 505	286N3121-303		WIRE BUNDLE ASSY	101102 108120	RF
- 505	286N3121-305		WIRE BUNDLE ASSY	504903	RF
- 510	286N3111-002		WIRE BUNDLE ASSY	107107	RF
- 510	286N3111-003		WIRE BUNDLE ASSY	121503 904949	RF
- 510	286N3111-004		WIRE BUNDLE ASSY	002004 006100 950999	RF
- 510	286N3111-302		WIRE BUNDLE ASSY	108120	RF
- 510	286N3111-304		WIRE BUNDLE ASSY	101102	RF
- 510	286N3111-306		WIRE BUNDLE ASSY	504903	RF
515	GS3418-22CD		.CLAMP- SUPPLIER CODE: V06324 SPECIFICATION NUMBER: BACC10HG2 OPTIONAL PART: S2126-22-8 V07418 ELECTRICAL EQUIP NUMBER: D00031T D00051T D00071T WIRING DIAGRAM REF: 221111 221121 221131	002004 006102 107999	1

MISSING ITEM NUMBERS NOT APPLICABLE

- ITEM NOT ILLUSTRATED

22-13-02-01

22-13-02
FIG. 01
PAGE 18
JAN 20/09

BRI



757

PARTS CATALOG (MAINTENANCE)

FIG ITEM	PART NUMBER	1 2 3 4 5 6 7	NOMENCLATURE	EFFECT FROM TO	UNITS PER ASSY
1 520	BCREFA0332		.CONNECTOR- OVERLENGTH PART NUMBER: BACC63BP22A19SNL ELECTRICAL EQUIP NUMBER: D00031 D00051 D00071 WIRING DIAGRAM REF: 221111 221121 221131	002004 006102 107999	1

MISSING ITEM NUMBERS NOT APPLICABLE

- ITEM NOT ILLUSTRATED

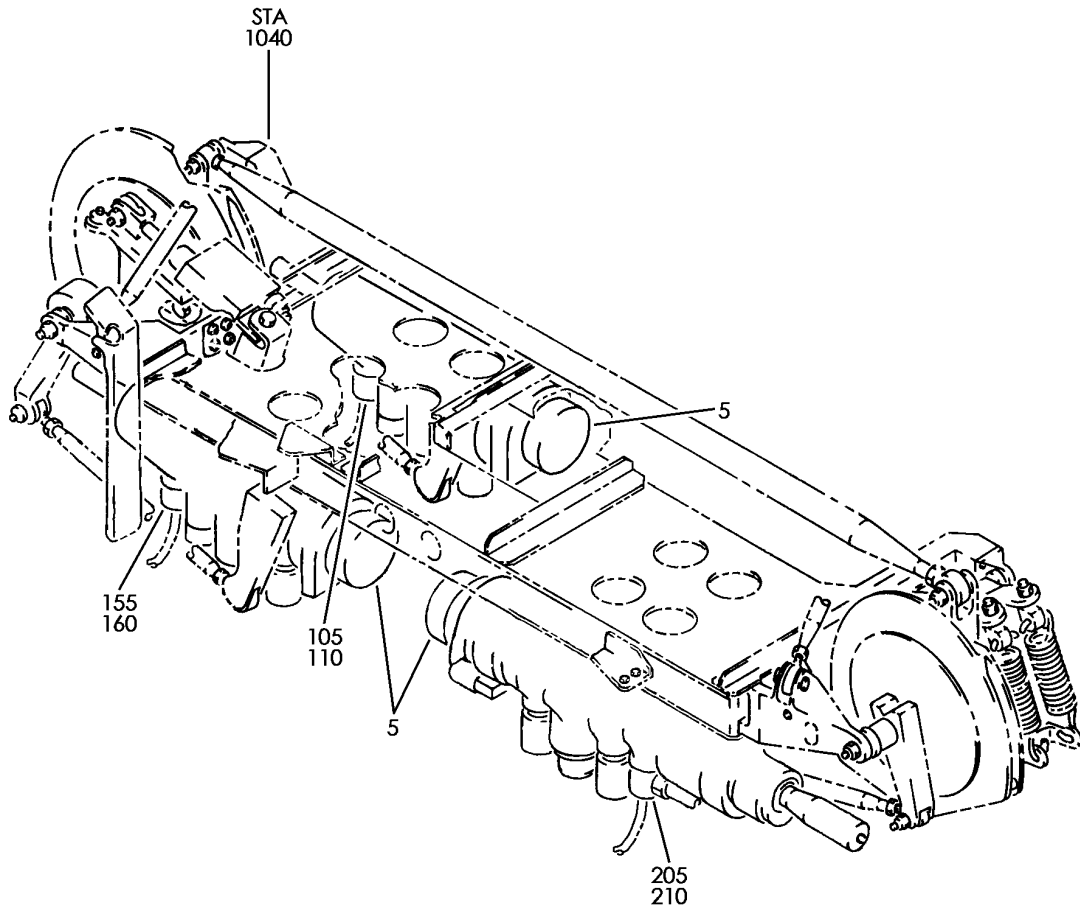
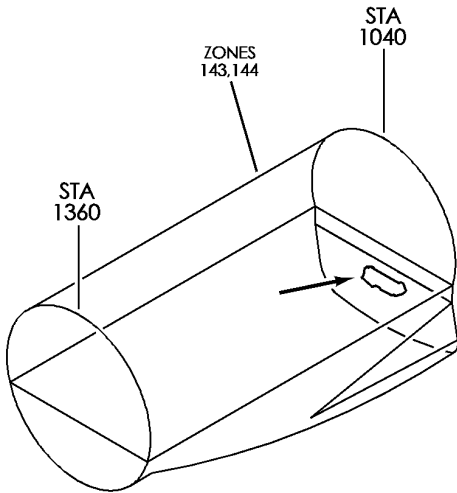
BRI

22-13-02-01

BOEING PROPRIETARY - Copyright © - Unpublished Work - See title page for details.

22-13-02
FIG. 01
PAGE 19
JAN 20/09

BOEING
757
PARTS CATALOG (MAINTENANCE)



Y 22130301 REV 229

SERVO INSTL-AUTOPILOT LATERAL CONT
FIGURE 1

22-13-03-01

BRI
MAY 28/07

22-13-03-01
PAGE 0



757

PARTS CATALOG (MAINTENANCE)

FIG ITEM	PART NUMBER	1 2 3 4 5 6 7	NOMENCLATURE	EFFECT FROM TO	UNITS PER ASSY
1			SERVO INSTL-AUTOPILOT LATERAL CONT	101106 108120 504903	
- 1	251N1023-6		SERVO INSTL-AUTOPILOT LATERAL CONT FOR NHA SEE: 27-00-00-01	101102 108120 504903	RF
- 1	MODREF7150		SERVO INSTL-AUTOPILOT LATERAL CONT MODULE NUMBER: 251N1023-6 REV A	103106	1
5	163000-108		.SERVO ASSY-LATERAL SUPPLIER CODE: V19156 SPECIFICATION NUMBER: S251N115-6 ELECTRICAL EQUIP NUMBER: M10040 M10041 M10042 COMPONENT MAINT MANUAL REF: 22-13-03 FOR DETAILS SEE: 22-13-03-10 22-13-04-01 22-13-05-01	101106 108120 504903	3
5	163000-107		.SERVO ASSY-LATERAL SUPPLIER CODE: V19156 SPECIFICATION NUMBER: S251N115-5 ELECTRICAL EQUIP NUMBER: M10040 M10041 M10042 COMPONENT MAINT MANUAL REF: 22-13-03 FOR DETAILS SEE: 22-13-03-10 22-13-04-01 22-13-05-01	101106 108120 504903	3

MISSING ITEM NUMBERS NOT APPLICABLE

- ITEM NOT ILLUSTRATED

BRI

22-13-03-01

22-13-03
FIG. 01
PAGE 1
JAN 20/09



757

PARTS CATALOG (MAINTENANCE)

FIG ITEM	PART NUMBER	1 2 3 4 5 6 7	NOMENCLATURE	EFFECT FROM TO	UNITS PER ASSY
1	5 163000-105		.SERVO ASSY-LATERAL SUPPLIER CODE: V19156 SPECIFICATION NUMBER: S251N115-4 ELECTRICAL EQUIP NUMBER: M10040 M10041 M10042 COMPONENT MAINT MANUAL REF: 22-13-03 OPTIONAL PART: 163000-104 V19156 FOR DETAILS SEE: 22-13-03-10 22-13-04-01 22-13-05-01	101106 108120 504903	3
	5 163000-106		.SERVO ASSY-LATERAL GUIDANCE CONT SUPPLIER CODE: V19156 SPECIFICATION NUMBER: S251N115-3 ELECTRICAL EQUIP NUMBER: M10040 M10041 M10042 COMPONENT MAINT MANUAL REF: 22-13-03 OPTIONAL PART: 163000-103 V19156 FOR DETAILS SEE: 22-13-03-10 22-13-04-01 22-13-05-01	101106 108120 504903	3

MISSING ITEM NUMBERS NOT APPLICABLE

- ITEM NOT ILLUSTRATED

BRI

22-13-03-01

22-13-03
FIG. 01
PAGE 2
JAN 20/09



757

PARTS CATALOG (MAINTENANCE)

FIG ITEM	PART NUMBER	1 2 3 4 5 6 7	NOMENCLATURE	EFFECT FROM TO	UNITS PER ASSY
1 5	163000-104		.SERVO ASSY-LATERAL GUIDANCE CONT SUPPLIER CODE: V19156 SPECIFICATION NUMBER: S251N115-4 ELECTRICAL EQUIP NUMBER: M10040 M10041 M10042 COMPONENT MAINT MANUAL REF: 22-13-03 OPTIONAL PART: 163000-105 V19156 FOR DETAILS SEE: 22-13-03-10 22-13-04-01 22-13-05-01	101106 108120 504903	3
5	163000-103		.SERVO ASSY-LATERAL SUPPLIER CODE: V19156 SPECIFICATION NUMBER: S251N115-3 ELECTRICAL EQUIP NUMBER: M10040 M10041 M10042 COMPONENT MAINT MANUAL REF: 22-13-03 OPTIONAL PART: 163000-106 V19156 FOR DETAILS SEE: 22-13-03-10 22-13-04-01 22-13-05-01	101106 108120 504903	3
- 100	286N2414-303		WIRE BUNDLE ASSY	101102 108120	RF
- 100	286N2414-310		WIRE BUNDLE ASSY	504903	RF
- 100	286N2414-601		WIRE BUNDLE ASSY	103106	RF
105	BCREFA0332		.CONNECTOR- OVERLENGTH PART NUMBER: BACC63BP22A19SNL ELECTRICAL EQUIP NUMBER: D00025 WIRING DIAGRAM REF: 221111	101106 108120 504903	1

MISSING ITEM NUMBERS NOT APPLICABLE

- ITEM NOT ILLUSTRATED

22-13-03-01

22-13-03
FIG. 01
PAGE 3
JAN 20/09

BRI



757

PARTS CATALOG (MAINTENANCE)

FIG ITEM	PART NUMBER	1 2 3 4 5 6 7	NOMENCLATURE	EFFECT FROM TO	UNITS PER ASSY
1					
110	G899322		.CLAMP- SUPPLIER CODE: V06324 SPECIFICATION NUMBER: BACC10HF22A OPTIONAL PART: G8993M22 V06324 S2251-22-8 V07418 6000-123-0022 V14283 900-555F22-34 V31461 GS3417-22C V06324 S2125-22-8 V07418 ELECTRICAL EQUIP NUMBER: D00025T WIRING DIAGRAM REF: 221111	101106 108120 504903	1
- 150	286N2418-309		WIRE BUNDLE ASSY	101102	RF
- 150	286N2418-312		WIRE BUNDLE ASSY	108120	RF
- 150	286N2418-314		WIRE BUNDLE ASSY	504903	RF
- 153	286N5812-601		WIRE BUNDLE ASSY	103106	1
155	BCREFA0332		.CONNECTOR- OVERLENGTH PART NUMBER: BACC63BP22A19SNL ELECTRICAL EQUIP NUMBER: D00045 WIRING DIAGRAM REF: 221131	101106 108120 504903	1
160	GS3417-22C		.CLAMP- SUPPLIER CODE: V06324 SPECIFICATION NUMBER: BACC10HF22 OPTIONAL PART: S2125-22-8 V07418 ELECTRICAL EQUIP NUMBER: D00045T WIRING DIAGRAM REF: 221131	101106 108120 504903	1
- 200	286N2410-303		WIRE BUNDLE ASSY	101102	RF
- 200	286N2410-307		WIRE BUNDLE ASSY	108120	RF
- 200	286N2410-308		WIRE BUNDLE ASSY	504903	RF
- 200	286N2410-601		WIRE BUNDLE ASSY	103106	RF

MISSING ITEM NUMBERS NOT APPLICABLE

- ITEM NOT ILLUSTRATED

22-13-03-01

22-13-03
FIG. 01
PAGE 4
JAN 20/09

BRI



757

PARTS CATALOG (MAINTENANCE)

FIG ITEM	PART NUMBER	1 2 3 4 5 6 7	NOMENCLATURE	EFFECT FROM TO	UNITS PER ASSY
1 205	BCREFA0332		.CONNECTOR- OVERLENGTH PART NUMBER: BACC63BP22A19SNL ELECTRICAL EQUIP NUMBER: D00065 WIRING DIAGRAM REF: 221122	101106 108120 504903	1
210	GS3417-22C		.CLAMP- SUPPLIER CODE: V06324 SPECIFICATION NUMBER: BACC10HF22 OPTIONAL PART: S2125-22-8 V07418 ELECTRICAL EQUIP NUMBER: D00065T WIRING DIAGRAM REF: 221122	101106 108120 504903	1

MISSING ITEM NUMBERS NOT APPLICABLE

- ITEM NOT ILLUSTRATED

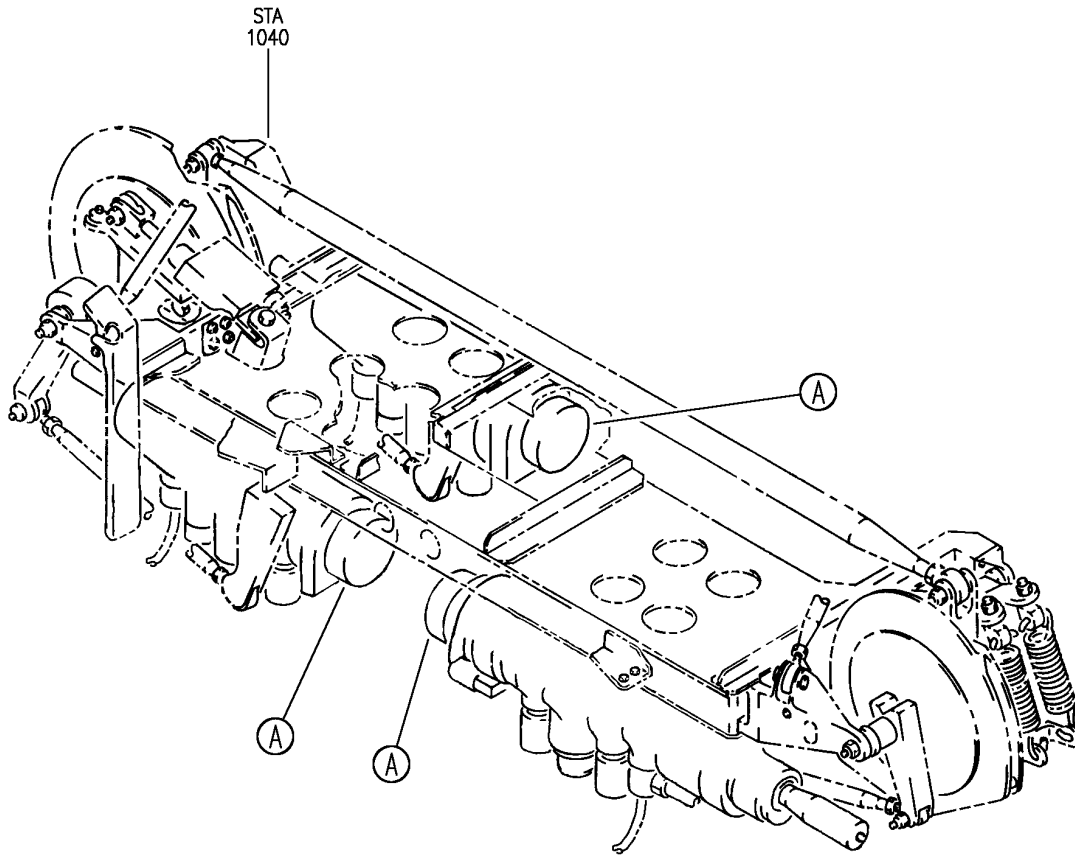
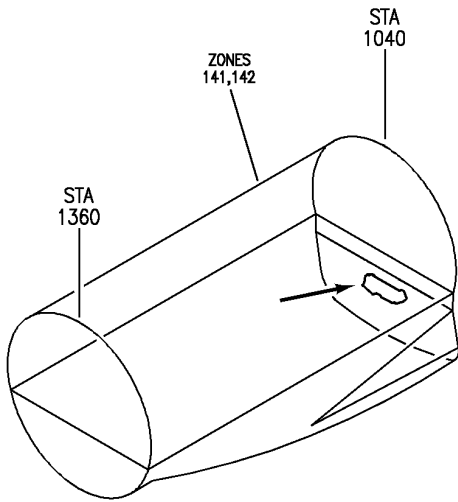
BRI

22-13-03-01

BOEING PROPRIETARY - Copyright © - Unpublished Work - See title page for details.

22-13-03
FIG. 01
PAGE 5
JAN 20/09

BOEING
757
PARTS CATALOG (MAINTENANCE)



Y 22130310 SH1 1 REV 258

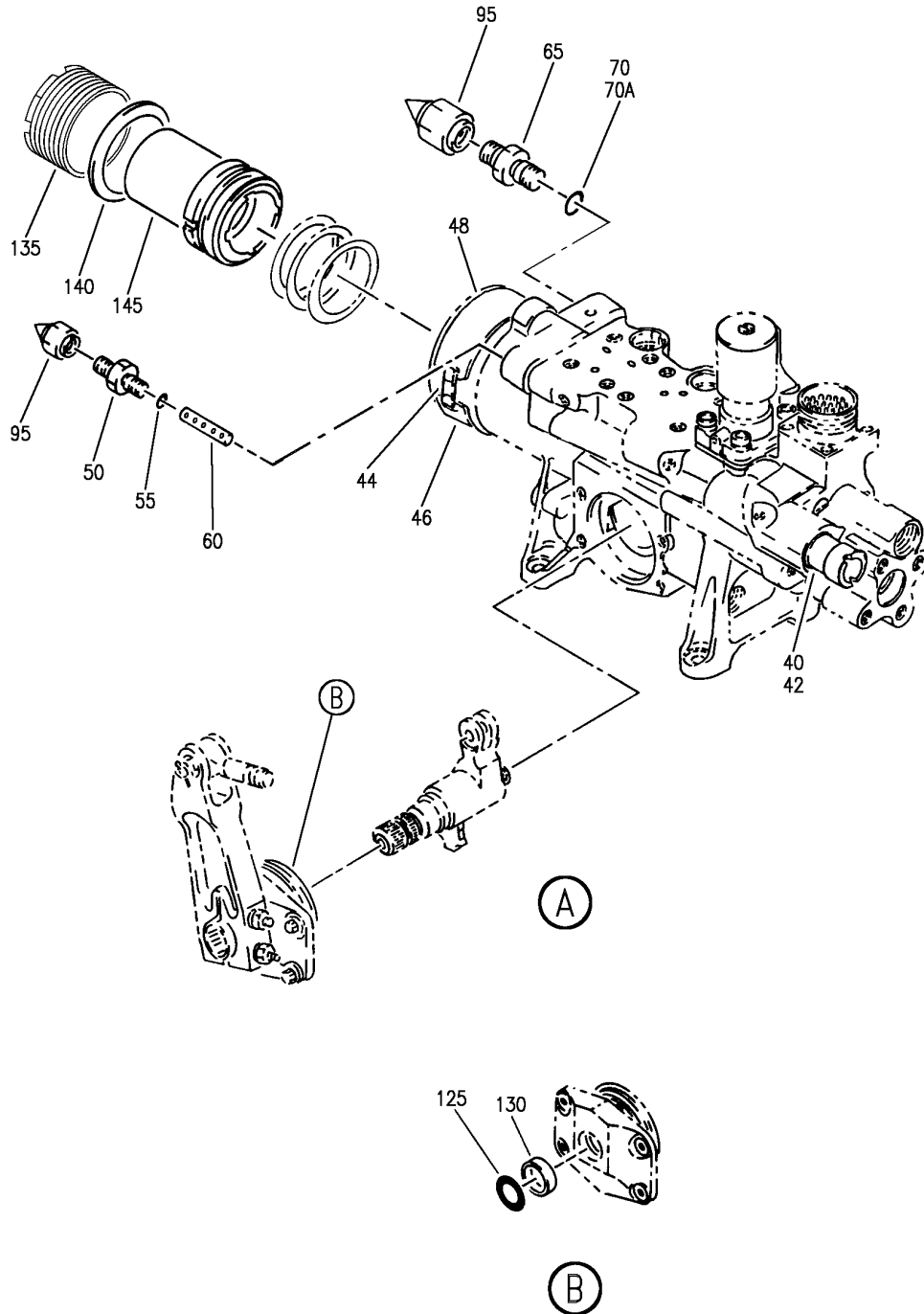
SERVO ASSY-AUTOPILOT LATERAL CONT (AUTOPILOT LATERAL SERVO CONTROL ONLY)
FIGURE 10 (SHEET 1)

BRI
MAY 28/07

22-13-03-10

22-13-03-10
PAGE 0

BOEING
757
PARTS CATALOG (MAINTENANCE)



Y 22130310 SHT 2 REV 297

SERVO ASSY-AUTOPILOT LATERAL CONT (AUTOPILOT LATERAL SERVO CONTROL ONLY)
FIGURE 10 (SHEET 2)

22-13-03-10

BRI
MAY 28/07

22-13-03-10
PAGE 0A



757

PARTS CATALOG (MAINTENANCE)

FIG ITEM	PART NUMBER	1 2 3 4 5 6 7	NOMENCLATURE	EFFECT FROM TO	UNITS PER ASSY
10			SERVO ASSY-AUTOPILOT LATERAL CONT (AUTOPILOT LATERAL SERVO CONTROL ONLY)	002004 006999	
- 1	163000-103		SERVO ASSY-AUTOPILOT LATERAL CONT (AUTOPILOT LATERAL SERVO CONTROL ONLY) SUPPLIER CODE: V19156 SPECIFICATION NUMBER: S251N115-3 ELECTRICAL EQUIP NUMBER: M10040 M10041 M10042 COMPONENT MAINT MANUAL REF: 22-13-03 OPTIONAL PART: 163000-106 V19156 FOR NHA/ADDITIONAL DET SEE: 22-13-03-01 27-11-14-02	002004 006999	RF
- 1	163000-104		SERVO ASSY-AUTOPILOT LATERAL CONT (AUTOPILOT LATERAL SERVO CONTROL ONLY) SUPPLIER CODE: V19156 SPECIFICATION NUMBER: S251N115-4 ELECTRICAL EQUIP NUMBER: M10040 M10041 M10042 COMPONENT MAINT MANUAL REF: 22-13-03 OPTIONAL PART: 163000-105 V19156 FOR NHA/ADDITIONAL DET SEE: 22-13-03-01 27-11-14-02	002004 006999	RF

MISSING ITEM NUMBERS NOT APPLICABLE

- ITEM NOT ILLUSTRATED

BRI

22-13-03-10

22-13-03
FIG. 10
PAGE 1
SEP 20/08



757

PARTS CATALOG (MAINTENANCE)

FIG ITEM	PART NUMBER	1 2 3 4 5 6 7	NOMENCLATURE	EFFECT FROM TO	UNITS PER ASSY
10 - 1	163000-105		SERVO ASSY-AUTOPILOT LATERAL CONT (AUTOPILOT LATERAL SERVO CONTROL ONLY) SUPPLIER CODE: V19156 SPECIFICATION NUMBER: S251N115-4 ELECTRICAL EQUIP NUMBER: M10040 M10041 M10042 COMPONENT MAINT MANUAL REF: 22-13-03 OPTIONAL PART: 163000-104 V19156 FOR NHA/ADDITIONAL DET SEE: 22-13-03-01 27-11-14-02	002004 006999	RF
- 1	163000-106		SERVO ASSY-AUTOPILOT LATERAL CONT (AUTOPILOT LATERAL SERVO CONTROL ONLY) SUPPLIER CODE: V19156 SPECIFICATION NUMBER: S251N115-3 ELECTRICAL EQUIP NUMBER: M10040 M10041 M10042 COMPONENT MAINT MANUAL REF: 22-13-03 OPTIONAL PART: 163000-103 V19156 FOR NHA/ADDITIONAL DET SEE: 22-13-03-01 27-11-14-02	002004 006999	RF

MISSING ITEM NUMBERS NOT APPLICABLE

- ITEM NOT ILLUSTRATED

22-13-03-10

22-13-03
FIG. 10
PAGE 2
SEP 20/08

BRI



757

PARTS CATALOG (MAINTENANCE)

FIG ITEM	PART NUMBER	1 2 3 4 5 6 7	NOMENCLATURE	EFFECT FROM TO	UNITS PER ASSY
10					
- 1	163000-107		SERVO ASSY-AUTOPILOT LATERAL CONT (AUTOPILOT LATERAL SERVO CONTROL ONLY) SUPPLIER CODE: V19156 SPECIFICATION NUMBER: S251N115-5 ELECTRICAL EQUIP NUMBER: M10040 M10041 M10042 COMPONENT MAINT MANUAL REF: 22-13-03 FOR NHA/ADDITIONAL DET SEE: 22-13-03-01 27-11-14-02	002004 006999	RF
- 1	163000-108		SERVO ASSY-AUTOPILOT LATERAL CONT (AUTOPILOT LATERAL SERVO CONTROL ONLY) SUPPLIER CODE: V19156 SPECIFICATION NUMBER: S251N115-6 ELECTRICAL EQUIP NUMBER: M10040 M10041 M10042 COMPONENT MAINT MANUAL REF: 22-13-03 FOR NHA/ADDITIONAL DET SEE: 22-13-03-01 27-11-14-02	002004 006999	RF
40	69-35587-14		.STRAP-NAMEPLATE	002004 006999	1
42	163042-010		.NAMEPLATE- SUPPLIER CODE: V19156	002004 006999	1
44	69-35587-5		.STRAP-NAMEPLATE	002004 006999	AR
46	163042-020		.PLATE-MODIFICATION SUPPLIER CODE: V19156	002004 006999	1
48	163042-001		.NAMEPLATE- SUPPLIER CODE: V19156	002004 006999	1

MISSING ITEM NUMBERS NOT APPLICABLE

- ITEM NOT ILLUSTRATED

22-13-03-10

22-13-03
FIG. 10
PAGE 3
SEP 20/08

BRI



757

PARTS CATALOG (MAINTENANCE)

FIG ITEM	PART NUMBER	1 2 3 4 5 6 7	NOMENCLATURE	EFFECT FROM TO	UNITS PER ASSY
10 50	AFP2326-4	.	REDUCER SUPPLIER CODE: V30974 SPECIFICATION NUMBER: BACR17E6-4 OPTIONAL PART: AP10276-4 V01673 BC916T6-4 V50948 DB0R17E6-4 V14798 ER21916T6-4 V88334 ER31916-6-4 V88334 F23-6-4 V73197 2-01075T6-4 V11328 31778-6-4 V14397 US2114-6-4 V50808 AP1027T6-4 V01673 US21146-4 V50808 317786-4 V14397	002004 006999	1
55	NAS1612-4	.	PACKING-	002004 006999	1
60	FSHX0507600B	.	FILTER-SCREEN SUPPLIER CODE: V92555 SPECIFICATION NUMBER: S250N211-1 OPTIONAL PART: 25786 V18350 3121-516 V05CK7	002004 006999	1
65	BACU24K6	.	UNION	002004 006999	1
70	NAS1612-6	.	PACKING-	002004 006999	1

MISSING ITEM NUMBERS NOT APPLICABLE

- ITEM NOT ILLUSTRATED

22-13-03-10

22-13-03
FIG. 10
PAGE 4
JAN 20/09

BRI



757
PARTS CATALOG (MAINTENANCE)

FIG ITEM	PART NUMBER	1 2 3 4 5 6 7	NOMENCLATURE	EFFECT FROM TO	UNITS PER ASSY
10					
R	- 85	163010-102	.MANIFOLD ASSY- SUPPLIER CODE: V19156 OPTIONAL PART: 163010-103 V19156 USED ON: 163000-105 163000-106 163000-107 163000-108	002004 006999	1
R	- 85	163010-101	.MANIFOLD- SUPPLIER CODE: V19156 USED ON: 163000-102 163000-103 163000-104	002004 006999	1
R	- 85	163010-103	.MANIFOLD- SUPPLIER CODE: V19156 OPTIONAL PART: 163010-102 V19156 USED ON: 163000-105 163000-106 163000-107 163000-108	002004 006999	1
R	- 90	MS90376-24Y	.CAP-PROTECTIVE	002004 006999	1

MISSING ITEM NUMBERS NOT APPLICABLE

- ITEM NOT ILLUSTRATED

22-13-03-10

22-13-03
FIG. 10
PAGE 5
MAY 20/09

BRI



757

PARTS CATALOG (MAINTENANCE)

FIG ITEM	PART NUMBER	1 2 3 4 5 6 7	NOMENCLATURE	EFFECT FROM TO	UNITS PER ASSY
10					
95	AP1008-06D		.CAP ASSY- SUPPLIER CODE: V01673 SPECIFICATION NUMBER: BACC14AD06D OPTIONAL PART: DBOC14AD06D V14798 FER22661-06D V14397 2-02813-06D V11328 4690009-06D V50948 AFP241-06D V30974 US2103-06D V50808 MS21914-6D	002004 006999	2
95	MS21914-6D		.CAP ASSY- OPTIONAL PART: BACC14AD06D	002004 006999	2
- 100	US1		.SEAL-IDENTIFICATION SUPPLIER CODE: V87733	002004 006999	4
125	NAS1611-210		.PACKING-	002004 006999	1
130	S11589-210		.CAP-SEAL I.D. SUPPLIER CODE: V97820 OPTIONAL PART: TF1031M210 V97820	002004 006999	1
130	TF1031M210		.CAP-SEAL I.D. SUPPLIER CODE: V97820 OPTIONAL PART: S11589-210 V97820	002004 006999	1
135	163022-001		.RETAINER-NUT SUPPLIER CODE: V19156	002004 006999	1
140	163035-003		.WASHER- SUPPLIER CODE: V19156	002004 006999	1
145	163023-003		.RETAINER-TVL STOP SUPPLIER CODE: V19156	002004 006999	1

MISSING ITEM NUMBERS NOT APPLICABLE

- ITEM NOT ILLUSTRATED

22-13-03-10

22-13-03
FIG. 10
PAGE 6
SEP 20/08

BRI



757

PARTS CATALOG (MAINTENANCE)

FIG ITEM	PART NUMBER	1 2 3 4 5 6 7	NOMENCLATURE	EFFECT FROM TO	UNITS PER ASSY
10 - 150	163030-100		.PISTON- SUPPLIER CODE: V19156	002004 006999	1

MISSING ITEM NUMBERS NOT APPLICABLE

- ITEM NOT ILLUSTRATED

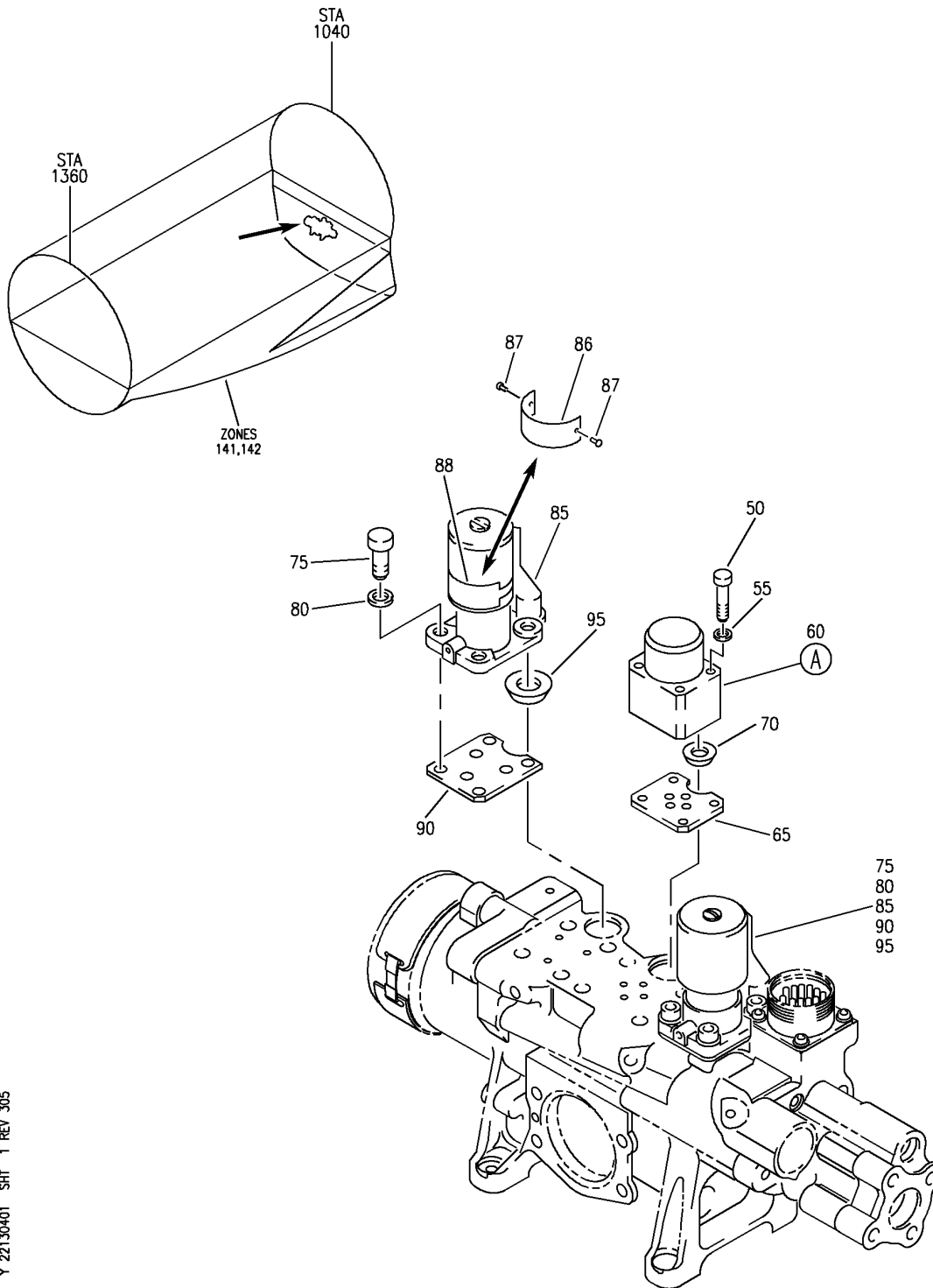
BRI

22-13-03-10

BOEING PROPRIETARY - Copyright © - Unpublished Work - See title page for details.

22-13-03
FIG. 10
PAGE 7
SEP 20/08

BOEING
757
PARTS CATALOG (MAINTENANCE)



Y 22130401 SHT 1 REV 305

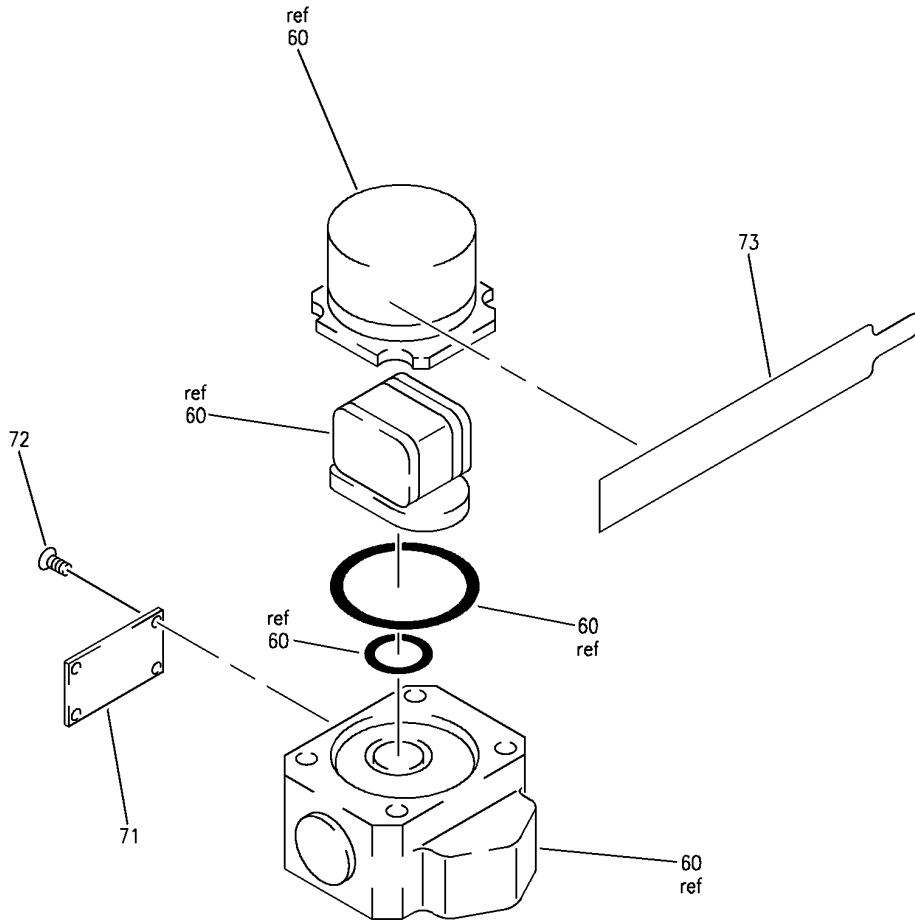
SERVO ASSY-AUTOPILOT LATERAL CONT (ALCS ELECTROHYDRAULIC SERVOVALVE AND SOLENOID VALVES ONLY)
FIGURE 1 (SHEET 1)

BRI
MAY 28/07

22-13-04-01

22-13-04-01
PAGE 0

BOEING
757
PARTS CATALOG (MAINTENANCE)



(A)

Y 22130401 SHT 2 REV 281

SERVO ASSY-AUTOPILOT LATERAL CONT (ALCS ELECTROHYDRAULIC SERVOVALVE AND SOLENOID VALVES ONLY)
FIGURE 1 (SHEET 2)

BRI
MAY 28/07

22-13-04-01

22-13-04-01
PAGE 0A



757

PARTS CATALOG (MAINTENANCE)

FIG ITEM	PART NUMBER	1 2 3 4 5 6 7	NOMENCLATURE	EFFECT FROM TO	UNITS PER ASSY
1			SERVO ASSY-AUTOPILOT LATERAL CONT (ALCS ELECTROHYDRAULIC SERVOVALVE AND SOLENOID VALVES ONLY)	002004 006999	
- 1	163000-103		SERVO ASSY-AUTOPILOT LATERAL CONT (ALCS ELECTROHYDRAULIC SERVOVALVE AND SOLENOID VALVES ONLY) SUPPLIER CODE: V19156 SPECIFICATION NUMBER: S251N115-3 ELECTRICAL EQUIP NUMBER: M10040 M10041 M10042 COMPONENT MAINT MANUAL REF: 22-13-03 OPTIONAL PART: 163000-106 V19156 FOR NHA/ADDITIONAL DET SEE: 22-13-03-01 27-11-14-02	002004 006999	RF
- 1	163000-104		SERVO ASSY-AUTOPILOT LATERAL CONT (ALCS ELECTROHYDRAULIC SERVOVALVE AND SOLENOID VALVES ONLY) SUPPLIER CODE: V19156 SPECIFICATION NUMBER: S251N115-4 ELECTRICAL EQUIP NUMBER: M10040 M10041 M10042 COMPONENT MAINT MANUAL REF: 22-13-03 OPTIONAL PART: 163000-105 V19156 FOR NHA/ADDITIONAL DET SEE: 22-13-03-01 27-11-14-02	002004 006999	RF

MISSING ITEM NUMBERS NOT APPLICABLE

- ITEM NOT ILLUSTRATED

22-13-04-01

22-13-04
FIG. 01
PAGE 1
SEP 20/08

BRI



757

PARTS CATALOG (MAINTENANCE)

FIG ITEM	PART NUMBER	1 2 3 4 5 6 7	NOMENCLATURE	EFFECT FROM TO	UNITS PER ASSY
1 -	1 163000-105		SERVO ASSY-AUTOPILOT LATERAL CONT (ALCS ELECTROHYDRAULIC SERVOVALVE AND SOLENOID VALVES ONLY) SUPPLIER CODE: V19156 SPECIFICATION NUMBER: S251N115-4 ELECTRICAL EQUIP NUMBER: M10040 M10041 M10042 COMPONENT MAINT MANUAL REF: 22-13-03 OPTIONAL PART: 163000-104 V19156 FOR NHA/ADDITIONAL DET SEE: 22-13-03-01 27-11-14-02	002004 006999	RF
-	1 163000-106		SERVO ASSY-AUTOPILOT LATERAL CONT (ALCS ELECTROHYDRAULIC SERVOVALVE AND SOLENOID VALVES ONLY) SUPPLIER CODE: V19156 SPECIFICATION NUMBER: S251N115-3 ELECTRICAL EQUIP NUMBER: M10040 M10041 M10042 COMPONENT MAINT MANUAL REF: 22-13-03 OPTIONAL PART: 163000-103 V19156 FOR NHA/ADDITIONAL DET SEE: 22-13-03-01 27-11-14-02	002004 006999	RF

MISSING ITEM NUMBERS NOT APPLICABLE

- ITEM NOT ILLUSTRATED

22-13-04-01

22-13-04
FIG. 01
PAGE 2
SEP 20/08

BRI



757

PARTS CATALOG (MAINTENANCE)

FIG ITEM	PART NUMBER	1 2 3 4 5 6 7	NOMENCLATURE	EFFECT FROM TO	UNITS PER ASSY
1					
- 1	163000-107		SERVO ASSY-AUTOPILOT LATERAL CONT (ALCS ELECTROHYDRAULIC SERVOVALVE AND SOLENOID VALVES ONLY) SUPPLIER CODE: V19156 SPECIFICATION NUMBER: S251N115-5 ELECTRICAL EQUIP NUMBER: M10040 M10041 M10042 COMPONENT MAINT MANUAL REF: 22-13-03 FOR NHA/ADDITIONAL DET SEE: 22-13-03-01 27-11-14-02	002004 006999	RF
- 1	163000-108		SERVO ASSY-AUTOPILOT LATERAL CONT (ALCS ELECTROHYDRAULIC SERVOVALVE AND SOLENOID VALVES ONLY) SUPPLIER CODE: V19156 SPECIFICATION NUMBER: S251N115-6 ELECTRICAL EQUIP NUMBER: M10040 M10041 M10042 COMPONENT MAINT MANUAL REF: 22-13-03 FOR NHA/ADDITIONAL DET SEE: 22-13-03-01 27-11-14-02	002004 006999	RF
50	NAS1351N4H28P		.SCREW- OPTIONAL PART: NAS1351-4H28P	002004 006999	4
50	NAS1351-4H28P		.SCREW- OPTIONAL PART: NAS1351N4H28P	002004 006999	4
55	401-67478-07		.WASHER- SUPPLIER CODE: V19156	002004 006999	4

MISSING ITEM NUMBERS NOT APPLICABLE

- ITEM NOT ILLUSTRATED

22-13-04-01

22-13-04
FIG. 01
PAGE 3
SEP 20/08

BRI



757

PARTS CATALOG (MAINTENANCE)

FIG ITEM	PART NUMBER	1 2 3 4 5 6 7	NOMENCLATURE	EFFECT FROM TO	UNITS PER ASSY
1 60	75130		.SERVOVALVE- SUPPLIER CODE: V49695 SPECIFICATION NUMBER: 10-60813-1 COMPONENT MAINT MANUAL REF: 27-09-01 OPTIONAL PART: 0893701 V93835 OPTIONAL PART: 22280710 V81873 22280710-001 V81873 73016 V49695 A71882-1 V94697 A71882-2 V94697 A71882-003 V94697 USED ON: 163000-102 163000-103 163000-104 163000-105 163000-106 163000-107 163000-108	002004 006999	1

MISSING ITEM NUMBERS NOT APPLICABLE

- ITEM NOT ILLUSTRATED

BRI

22-13-04-01

BOEING PROPRIETARY - Copyright © - Unpublished Work - See title page for details.

22-13-04
FIG. 01
PAGE 4
SEP 20/08



757

PARTS CATALOG (MAINTENANCE)

FIG ITEM	PART NUMBER	1 2 3 4 5 6 7	NOMENCLATURE	EFFECT FROM TO	UNITS PER ASSY
1 60	22280710		.SERVOVALVE- SUPPLIER CODE: V81873 FUNCTIONAL DESCRIPTION: THIS VALVE DELIVERS A HYDRAULIC FLOW PROPORTIONAL TO AN ELECTRIC INPUT SPECIFICATION NUMBER: S252T001-3 COMPONENT MAINT MANUAL REF: 27-10-03 OPTIONAL PART: 22280710-001 V81873 OPTIONAL PART: 75130 V49695 0893701 V93835 73016 V49695 A71882-1 V94697 A71882-2 V94697 A71882-003 V94697 USED ON: 163000-104 163000-105 163000-108	002004 006999	1

MISSING ITEM NUMBERS NOT APPLICABLE

- ITEM NOT ILLUSTRATED

BRI

22-13-04-01

BOEING PROPRIETARY - Copyright © - Unpublished Work - See title page for details.

22-13-04
FIG. 01
PAGE 5
SEP 20/08



757

PARTS CATALOG (MAINTENANCE)

FIG ITEM	PART NUMBER	1 2 3 4 5 6 7 NOMENCLATURE	EFFECT FROM TO	UNITS PER ASSY
1 60	73016	.SERVOVALVE- SUPPLIER CODE: V49695 FUNCTIONAL DESCRIPTION: THIS VALVE DELIVERS A HYDRAULIC FLOW PROPORTIONAL TO AN ELECTRIC INPUT SPECIFICATION NUMBER: S252T001-4 COMPONENT MAINT MANUAL REF: 22-21-01 OPTIONAL PART: 75130 V49695 0893701 V93835 22280710 V81873 22280710-001 V81873 A71882-1 V94697 A71882-2 V94697 A71882-003 V94697 USED ON: 163000-104 163000-105 163000-108	002004 006999	1

MISSING ITEM NUMBERS NOT APPLICABLE

- ITEM NOT ILLUSTRATED

BRI

22-13-04-01

BOEING PROPRIETARY - Copyright © - Unpublished Work - See title page for details.

22-13-04
FIG. 01
PAGE 6
SEP 20/08



757

PARTS CATALOG (MAINTENANCE)

FIG ITEM	PART NUMBER	1 2 3 4 5 6 7 NOMENCLATURE	EFFECT FROM TO	UNITS PER ASSY
1 60	A71882-003	.SERVOVALVE-ELECTRO HYDR SUPPLIER CODE: V94697 FUNCTIONAL DESCRIPTION: THIS VALVE DELIVERS A HYDRAULIC FLOW PROPORTIONAL TO AN ELECTRIC INPUT SPECIFICATION NUMBER: S252T001-5 CONFIG CHG DATA FROM A CMM: REPLS A71882-2 COMPONENT MAINT MANUAL REF: 22-10-02 OPTIONAL PART: A71882-1 V94697 A71882-2 V94697 OPTIONAL PART: 75130 V49695 0893701 V93835 22280710 V81873 22280710-001 V81873 73016 V49695 USED ON: 163000-104 163000-105 163000-108	002004 006999	1

MISSING ITEM NUMBERS NOT APPLICABLE

- ITEM NOT ILLUSTRATED

BRI

22-13-04-01

BOEING PROPRIETARY - Copyright © - Unpublished Work - See title page for details.

22-13-04
FIG. 01
PAGE 7
SEP 20/08



757

PARTS CATALOG (MAINTENANCE)

FIG ITEM	PART NUMBER	1 2 3 4 5 6 7	NOMENCLATURE	EFFECT FROM TO	UNITS PER ASSY
1 60	22280710-001		.SERVOVALVE-ELECTRO HYDR SUPPLIER CODE: V81873 FUNCTIONAL DESCRIPTION: THIS VALVE DELIVERS A HYDRAULIC FLOW PROPORTIONAL TO AN ELECTRIC INPUT SPECIFICATION NUMBER: S252T001-3 COMPONENT MAINT MANUAL REF: 22-10-01 OPTIONAL PART: 22280710 V81873 OPTIONAL PART: 75130 V49695 0893701 V93835 73016 V49695 A71882-1 V94697 A71882-2 V94697 A71882-003 V94697 USED ON: 163000-104 163000-105 163000-108	002004 006999	1

MISSING ITEM NUMBERS NOT APPLICABLE

- ITEM NOT ILLUSTRATED

BRI

22-13-04-01

BOEING PROPRIETARY - Copyright © - Unpublished Work - See title page for details.

22-13-04
FIG. 01
PAGE 8
SEP 20/08



757

PARTS CATALOG (MAINTENANCE)

FIG ITEM	PART NUMBER	1 2 3 4 5 6 7	NOMENCLATURE	EFFECT FROM TO	UNITS PER ASSY
1 60	A71882-1		.SERVOVALVE-ELECTRO HYDR SUPPLIER CODE: V94697 FUNCTIONAL DESCRIPTION: THIS VALVE DELIVERS A HYDRAULIC FLOW PROPORTIONAL TO AN ELECTRIC INPUT SPECIFICATION NUMBER: S252T001-5 CONFIG CHG DATA FROM A CMM: REPLD BY A71882-2 COMPONENT MAINT MANUAL REF: 22-10-02 OPTIONAL PART: A71882-2 V94697 A71882-003 V94697 OPTIONAL PART: 75130 V49695 0893701 V93835 22280710 V81873 22280710-001 V81873 73016 V49695 USED ON: 163000-104 163000-105 163000-108	002004 006999	1

MISSING ITEM NUMBERS NOT APPLICABLE

- ITEM NOT ILLUSTRATED

BRI

22-13-04-01

BOEING PROPRIETARY - Copyright © - Unpublished Work - See title page for details.

22-13-04
FIG. 01
PAGE 9
SEP 20/08



757

PARTS CATALOG (MAINTENANCE)

FIG ITEM	PART NUMBER	1 2 3 4 5 6 7 NOMENCLATURE	EFFECT FROM TO	UNITS PER ASSY
1 60	A71882-2	.SERVOVALVE-ELECTRO HYDR SUPPLIER CODE: V94697 FUNCTIONAL DESCRIPTION: THIS VALVE DELIVERS A HYDRAULIC FLOW PROPORTIONAL TO AN ELECTRIC INPUT SPECIFICATION NUMBER: S252T001-5 CONFIG CHG DATA FROM A CMM: REPLS A71882-1 REPLD BY A71882-003 COMPONENT MAINT MANUAL REF: 22-10-02 OPTIONAL PART: A71882-1 V94697 A71882-003 V94697 OPTIONAL PART: 75130 V49695 0893701 V93835 22280710 V81873 22280710-001 V81873 73016 V49695 USED ON: 163000-104 163000-105 163000-108	002004 006999	1

MISSING ITEM NUMBERS NOT APPLICABLE

- ITEM NOT ILLUSTRATED

BRI

22-13-04-01

BOEING PROPRIETARY - Copyright © - Unpublished Work - See title page for details.

22-13-04
FIG. 01
PAGE 10
SEP 20/08



757

PARTS CATALOG (MAINTENANCE)

FIG ITEM	PART NUMBER	1 2 3 4 5 6 7	NOMENCLATURE	EFFECT FROM TO	UNITS PER ASSY
1 60	0893701		.SERVOVALVE-ELECTRO HYDR SUPPLIER CODE: V93835 SPECIFICATION NUMBER: 10-60813-1 COMPONENT MAINT MANUAL REF: 27-09-01 OPTIONAL PART: 75130 V49695 OPTIONAL PART: 22280710 V81873 22280710-001 V81873 73016 V49695 A71882-1 V94697 A71882-2 V94697 A71882-003 V94697 USED ON: 163000-102 163000-103 163000-104 163000-105 163000-106 163000-107 163000-108	002004 006999	1
R R R R R R R R R R R R R R R R R	65 054861-1		.PLATE- SUPPLIER CODE: V83259 SPECIFICATION NUMBER: 69-20185-1 OPTIONAL PART: 069000198-1 V05939 BA1841 V95272 054861 V83259 828109-1 V83259 OPTIONAL PART: GRC185 V15623	002004 006999	1

MISSING ITEM NUMBERS NOT APPLICABLE

- ITEM NOT ILLUSTRATED

22-13-04-01

22-13-04
FIG. 01
PAGE 11
MAY 20/09

BRI



757

PARTS CATALOG (MAINTENANCE)

FIG ITEM	PART NUMBER	1 2 3 4 5 6 7	NOMENCLATURE	EFFECT FROM TO	UNITS PER ASSY
R R	1 65	GRC185	.PLATE- SUPPLIER CODE: V15623 OPTIONAL PART: 054861-1 V83259 069000198-1 V05939	002004 006999	1
	65	069000198-1	.PLATE-GSKT SUPPLIER CODE: V05939 SPECIFICATION NUMBER: 69-20185-1 OPTIONAL PART: 054861 V83259 054861-1 V83259 BA1841 V95272 828109-1 V83259 OPTIONAL PART: GRC185 V15623	002004 006999	1
	70	920312-112	.SEAL-U-CUP SUPPLIER CODE: V19156 OPTIONAL PART: NAS1611-112	002004 006999	1
	70	NAS1611-112	.PACKING-U-CUP OPTIONAL PART: 920312-112 V19156	002004 006999	1
	71	75859	..PLATE-IDENT SUPPLIER CODE: V49695 USED ON: 75130	002004 006999	1
	71	73700	..PLATE-IDENT SUPPLIER CODE: V49695 USED ON: 73016	002004 006999	1
	72	MS21318-1	..SCREW- USED ON: 75130 73016	002004 006999	4
	MISSING ITEM NUMBERS NOT APPLICABLE				

- ITEM NOT ILLUSTRATED

22-13-04-01

22-13-04
FIG. 01
PAGE 12
MAY 20/09

BRI



757

PARTS CATALOG (MAINTENANCE)

FIG ITEM	PART NUMBER	1 2 3 4 5 6 7	NOMENCLATURE	EFFECT FROM TO	UNITS PER ASSY
1	73 76950		..PLATE-FLUID IDENT BMS 3-11 SUPPLIER CODE: V49695 OPTIONAL PART: 76951 V49695 76952 V49695 USED ON: 75130	002004 006999	1
	73 76951		..PLATE-FLUID IDENT DMS 2014 SUPPLIER CODE: V49695 OPTIONAL PART: 76950 V49695 76952 V49695 USED ON: 75130	002004 006999	1
	73 76952		..PLATE-FLUID IDENT LAC C-34-1224 SUPPLIER CODE: V49695 OPTIONAL PART: 76950 V49695 76951 V49695 USED ON: 75130	002004 006999	1
	75 NAS1351N4H12P		.SCREW- OPTIONAL PART: NAS1351-4H12P	002004 006999	8
	75 NAS1351-4H12P		.SCREW- OPTIONAL PART: NAS1351N4H12P	002004 006999	8
	80 NAS620A416L		.WASHER	002004 006999	8

MISSING ITEM NUMBERS NOT APPLICABLE

- ITEM NOT ILLUSTRATED

22-13-04-01

22-13-04
FIG. 01
PAGE 13
MAY 20/09

BRI



757

PARTS CATALOG (MAINTENANCE)

FIG ITEM	PART NUMBER	1 2 3 4 5 6 7	NOMENCLATURE	EFFECT FROM TO	UNITS PER ASSY
R R	1 85	45080-1	.VALVE ASSY-SOLENOID SUPPLIER CODE: V99643 FUNCTIONAL DESCRIPTION: ELECTRICALLY OPERATED VALVE PROVIDES HYDRAULIC PRESSURE SPECIFICATION NUMBER: 10-60811-8 COMPONENT MAINT MANUAL REF: 29-09-05 OPTIONAL PART: 45080 V99643 59600-5011 V92003 59600-5007 V92003 881600-1001 V92003	002004 006999	2
	85	45080	.VALVE ASSY-SOLENOID SUPPLIER CODE: V99643 SPECIFICATION NUMBER: 10-60811-3 COMPONENT MAINT MANUAL REF: 29-09-05 OPTIONAL PART: 59600-5007 V92003 OPTIONAL PART: 45080-1 V99643 59600-5011 V92003 881600-1001 V92003	002004 006999	2

MISSING ITEM NUMBERS NOT APPLICABLE

— ITEM NOT ILLUSTRATED

BRI

22-13-04-01

BOEING PROPRIETARY - Copyright © - Unpublished Work - See title page for details.

22-13-04
FIG. 01
PAGE 14
MAY 20/09

BOEING
757
PARTS CATALOG (MAINTENANCE)

FIG ITEM	PART NUMBER	1 2 3 4 5 6 7	NOMENCLATURE	EFFECT FROM TO	UNITS PER ASSY
1 85	59600-5011		.VALVE ASSY-SOLENOID SUPPLIER CODE: V92003 FUNCTIONAL DESCRIPTION: ELECTRICALLY OPERATED VALVE PROVIDES HYDRAULIC PRESSURE SPECIFICATION NUMBER: 10-60811-9 COMPONENT MAINT MANUAL REF: 29-10-02 OPTIONAL PART: 45080 V99643 45080-1 V99643 881600-1001 V92003 59600-5007 V92003	002004 006999	2
	85 881600-1001		.VALVE ASSY-SOLENOID SUPPLIER CODE: V92003 FUNCTIONAL DESCRIPTION: ELECTRICALLY OPERATED VALVE PROVIDES HYDRAULIC PRESSURE SPECIFICATION NUMBER: 10-60811-13 COMPONENT MAINT MANUAL REF: 27-09-03 OPTIONAL PART: 45080 V99643 45080-1 V99643 59600-5007 V92003 59600-5011 V92003	002004 006999	2

MISSING ITEM NUMBERS NOT APPLICABLE

— ITEM NOT ILLUSTRATED

BRI

22-13-04-01

BOEING PROPRIETARY - Copyright © - Unpublished Work - See title page for details.

22-13-04
FIG. 01
PAGE 15
MAY 20/09

BOEING
757
PARTS CATALOG (MAINTENANCE)

FIG ITEM	PART NUMBER	1 2 3 4 5 6 7	NOMENCLATURE	EFFECT FROM TO	UNITS PER ASSY
R R R R R R R R R R R R	1 85	59600-5007	. VALVE ASSY-SOLENOID SUPPLIER CODE: V92003 FUNCTIONAL DESCRIPTION: ELECTRICALLY OPERATED VALVE PROVIDES HYDRAULIC PRESSURE SPECIFICATION NUMBER: 10-60811-3 COMPONENT MAINT MANUAL REF: 29-10-02 OPTIONAL PART: 45080 V99643 OPTIONAL PART: 45080-1 V99643 59600-5011 V92003 881600-1001 V92003	002004 006999	2
	86	881601-1	.. NAMEPLATE- SUPPLIER CODE: V92003 USED ON: 881600-1001 ATTACHING PARTS	002004 006999	1
	87	047-90NSX062	.. SCREW- SUPPLIER CODE: V92003 -----*-----	002004 006999	2
	88	25027	.. NAMEPLATE- SUPPLIER CODE: V99643 USED ON: 45080	002004 006999	1
	88	25027-3	.. NAMEPLATE- SUPPLIER CODE: V99643 USED ON: 45080-1	002004 006999	1
	88	59610-3	.. NAMEPLATE- SUPPLIER CODE: V99643 USED ON: 59600-5007	002004 006999	1

MISSING ITEM NUMBERS NOT APPLICABLE

— ITEM NOT ILLUSTRATED

BRI

22-13-04-01

BOEING PROPRIETARY - Copyright © - Unpublished Work - See title page for details.

22-13-04
FIG. 01
PAGE 16
MAY 20/09



757

PARTS CATALOG (MAINTENANCE)

FIG ITEM	PART NUMBER	1 2 3 4 5 6 7	NOMENCLATURE	EFFECT FROM TO	UNITS PER ASSY	
R R	1 90	GRC184	.PLATE- SUPPLIER CODE: V15623 OPTIONAL PART: BA1837 V95272 071261 V83259 920385-001 V19156 069000197-1 V05939	002004 006999	2	
	90	920385-001	.PLATE- SUPPLIER CODE: V19156 OPTIONAL PART: BA1837 V95272 071261 V83259 GRC184 V15623 069000197-1 V05939	002004 006999	2	
	90	069000197-1	.PLATE-GSKT SUPPLIER CODE: V05939 SPECIFICATION NUMBER: 69-20184-1 OPTIONAL PART: 071261 V83259 071261-1 V83259 828108-1 V83259 BA1837 V95272 OPTIONAL PART: 920385-001 V19156 GRC184 V15623	002004 006999	2	
	95	920312-112	.SEAL-U-CUP SUPPLIER CODE: V19156 OPTIONAL PART: NAS1611-112	002004 006999	2	
	MISSING ITEM NUMBERS NOT APPLICABLE					
	- ITEM NOT ILLUSTRATED					

22-13-04-01

22-13-04
FIG. 01
PAGE 18
MAY 20/09

BRI



757

PARTS CATALOG (MAINTENANCE)

FIG ITEM	PART NUMBER	1 2 3 4 5 6 7	NOMENCLATURE	EFFECT FROM TO	UNITS PER ASSY
1 95	NAS1611-112		.PACKING-U CUP OPTIONAL PART: 920312-112 V19156	002004 006999	2

MISSING ITEM NUMBERS NOT APPLICABLE

- ITEM NOT ILLUSTRATED

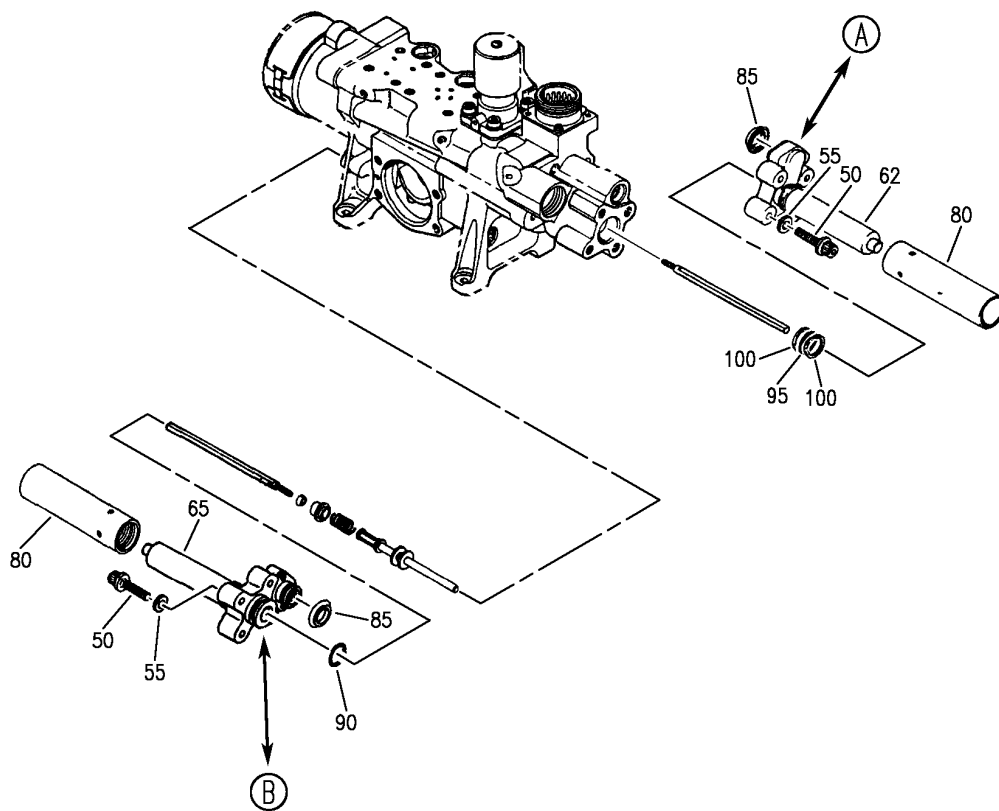
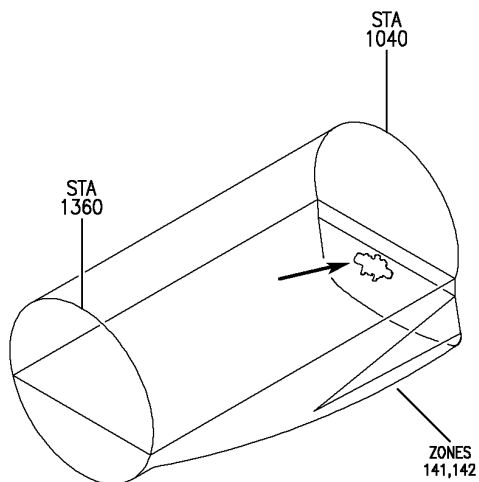
BRI

22-13-04-01

BOEING PROPRIETARY - Copyright © - Unpublished Work - See title page for details.

22-13-04
FIG. 01
PAGE 19
MAY 20/09

BOEING
757
PARTS CATALOG (MAINTENANCE)



Y 22130501 SHT 1 REV 258

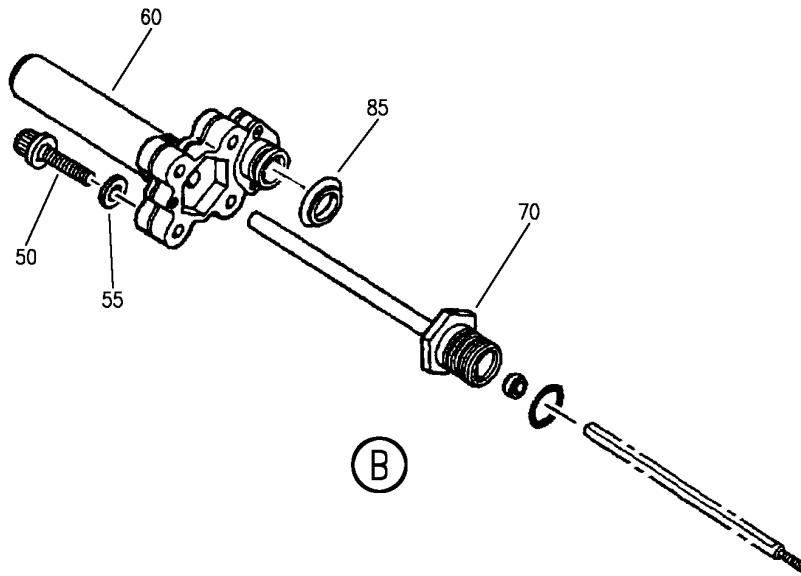
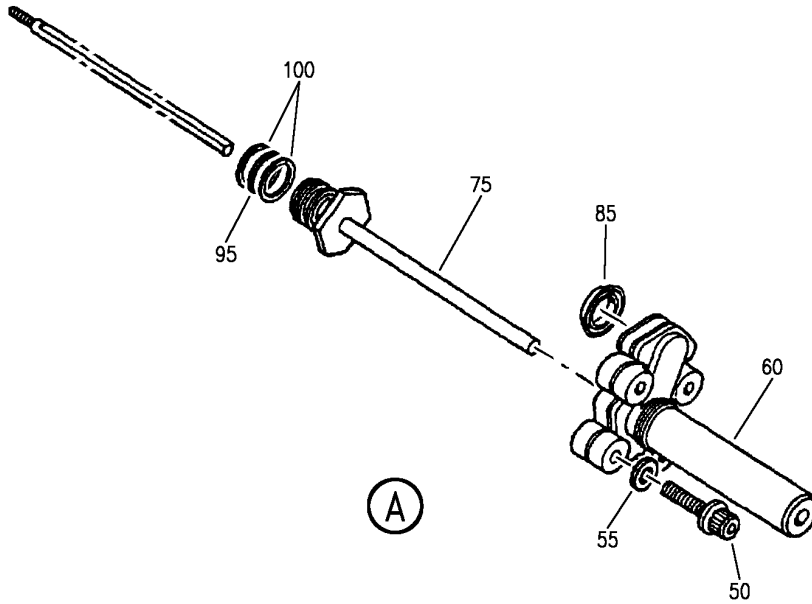
SERVO ASSY-AUTOPILOT LATERAL CONT (AILERON CONTROL FORCE TRANSDUCER ONLY)
FIGURE 1 (SHEET 1)

22-13-05-01

BRI
MAY 28/07

22-13-05-01
PAGE 0

BOEING
757
PARTS CATALOG (MAINTENANCE)



Y 22130501 SH1 2 REV 258

SERVO ASSY-AUTOPILOT LATERAL CONT (AILERON CONTROL FORCE TRANSDUCER ONLY)
FIGURE 1 (SHEET 2)

BRI
MAY 28/07

22-13-05-01

22-13-05-01
PAGE 0A



757

PARTS CATALOG (MAINTENANCE)

FIG ITEM	PART NUMBER	1 2 3 4 5 6 7	NOMENCLATURE	EFFECT FROM TO	UNITS PER ASSY
1			SERVO ASSY-AUTOPILOT LATERAL CONT (AILERON CONTROL FORCE TRANSDUCER ONLY)	002004 006999	
- 1	163000-103		SERVO ASSY-AUTOPILOT LATERAL CONT (AILERON CONTROL FORCE TRANSDUCER ONLY) SUPPLIER CODE: V19156 SPECIFICATION NUMBER: S251N115-3 ELECTRICAL EQUIP NUMBER: M10040 M10041 M10042 COMPONENT MAINT MANUAL REF: 22-13-03 OPTIONAL PART: 163000-106 V19156 FOR NHA/ADDITIONAL DET SEE: 22-13-03-01 27-11-14-02	002004 006999	RF
- 1	163000-104		SERVO ASSY-AUTOPILOT LATERAL CONT (AILERON CONTROL FORCE TRANSDUCER ONLY) SUPPLIER CODE: V19156 SPECIFICATION NUMBER: S251N115-4 ELECTRICAL EQUIP NUMBER: M10040 M10041 M10042 COMPONENT MAINT MANUAL REF: 22-13-03 OPTIONAL PART: 163000-105 V19156 FOR NHA/ADDITIONAL DET SEE: 22-13-03-01 27-11-14-02	002004 006999	RF

MISSING ITEM NUMBERS NOT APPLICABLE

- ITEM NOT ILLUSTRATED

22-13-05-01

22-13-05
FIG. 01
PAGE 1
SEP 20/08

BRI



757

PARTS CATALOG (MAINTENANCE)

FIG ITEM	PART NUMBER	1 2 3 4 5 6 7	NOMENCLATURE	EFFECT FROM TO	UNITS PER ASSY
1 -	1 163000-105		SERVO ASSY-AUTOPILOT LATERAL CONT(AILERON CONTROL FORCE TRANSDUCER ONLY) SUPPLIER CODE: V19156 SPECIFICATION NUMBER: S251N115-4 ELECTRICAL EQUIP NUMBER: M10040 M10041 M10042 COMPONENT MAINT MANUAL REF: 22-13-03 OPTIONAL PART: 163000-104 V19156 FOR NHA/ADDITIONAL DET SEE: 22-13-03-01 27-11-14-02	002004 006999	RF
-	1 163000-106		SERVO ASSY-AUTOPILOT LATERAL CONT (AILERON CONTROL FORCE TRANSDUCER ONLY) SUPPLIER CODE: V19156 SPECIFICATION NUMBER: S251N115-3 ELECTRICAL EQUIP NUMBER: M10040 M10041 M10042 COMPONENT MAINT MANUAL REF: 22-13-03 OPTIONAL PART: 163000-103 V19156 FOR NHA/ADDITIONAL DET SEE: 22-13-03-01 27-11-14-02	002004 006999	RF

MISSING ITEM NUMBERS NOT APPLICABLE

- ITEM NOT ILLUSTRATED

BRI

22-13-05-01

BOEING PROPRIETARY - Copyright © - Unpublished Work - See title page for details.

22-13-05
FIG. 01
PAGE 2
SEP 20/08



757

PARTS CATALOG (MAINTENANCE)

FIG ITEM	PART NUMBER	1 2 3 4 5 6 7	NOMENCLATURE	EFFECT FROM TO	UNITS PER ASSY
1					
- 1	163000-107		SERVO ASSY-AUTOPILOT LATERAL CONT (AILERON CONTROL FORCE TRANSDUCER ONLY) SUPPLIER CODE: V19156 SPECIFICATION NUMBER: S251N115-5 ELECTRICAL EQUIP NUMBER: M10040 M10041 M10042 COMPONENT MAINT MANUAL REF: 22-13-03 FOR NHA/ADDITIONAL DET SEE: 22-13-03-01 27-11-14-02	002004 006999	RF
- 1	163000-108		SERVO ASSY-AUTOPILOT LATERAL CONT (AILERON CONTROL FORCE TRANSDUCER ONLY) SUPPLIER CODE: V19156 SPECIFICATION NUMBER: S251N115-6 ELECTRICAL EQUIP NUMBER: M10040 M10041 M10042 COMPONENT MAINT MANUAL REF: 22-13-03 FOR NHA/ADDITIONAL DET SEE: 22-13-03-01 27-11-14-02	002004 006999	RF
50	MS9218-11		.BOLT	002004 006999	8
55	NAS620C416L		.WASHER	002004 006999	8

MISSING ITEM NUMBERS NOT APPLICABLE

- ITEM NOT ILLUSTRATED

22-13-05-01

22-13-05
FIG. 01
PAGE 3
SEP 20/08

BRI

PARTS CATALOG (MAINTENANCE)

FIG ITEM	PART NUMBER	1 2 3 4 5 6 7	NOMENCLATURE	EFFECT FROM TO	UNITS PER ASSY
1	60 GM6958-101		.TRANSDUCER ASSY-LVDT SUPPLIER CODE: V22863 QUALIFIED OPTIONAL DATA: GM6958-101 QTY 2 IS OPTIONAL TO 1 GM8468-1 WITH 163034-001 AND 1 GM8468-2 WITH 163024-100 USED ON: 163000-103 163000-104 163000-105 163000-106 163000-102	002004 006999	2
	62 GM8468-1		.TRANSDUCER ASSY-LVDT SUPPLIER CODE: V22863 SPECIFICATION NUMBER: S251N123-1 QUALIFIED OPTIONAL DATA: GM6958-101 QTY 2 IS OPTIONAL TO 1 GM8468-1 WITH 163034-001 AND 1 GM8468-2 WITH 163024-100 USED ON: 163000-102 163000-103 163000-104 163000-105 163000-106	002004 006999	1
	62 GM8468-1		.TRANSDUCER ASSY-LVDT SUPPLIER CODE: V22863 SPECIFICATION NUMBER: S251N123-1 USED ON: 163000-107 163000-108	002004 006999	1

MISSING ITEM NUMBERS NOT APPLICABLE

- ITEM NOT ILLUSTRATED

22-13-05-01

 22-13-05
 FIG. 01
 PAGE 4
 MAY 20/09

B R I



757

PARTS CATALOG (MAINTENANCE)

FIG ITEM	PART NUMBER	1 2 3 4 5 6 7	NOMENCLATURE	EFFECT FROM TO	UNITS PER ASSY
R R	1 65	GM8468-2	.TRANSDUCER ASSY-LVDT SUPPLIER CODE: V22863 SPECIFICATION NUMBER: S251N123-2 QUALIFIED OPTIONAL DATA: GM6958-101 QTY 2 IS OPTIONAL TO 1 GM8468-1 WITH 163034-001 AND 1 GM8468-2 WITH 163024-100 USED ON: 163000-102 163000-103 163000-104 163000-105 163000-106	002004 006999	1
	65	GM8468-2	.TRANSDUCER ASSY-LVDT SUPPLIER CODE: V22863 SPECIFICATION NUMBER: S251N123-2 USED ON: 163000-107 163000-108	002004 006999	1
	70	163024-100	.DIAPHRAGM ASSY- SUPPLIER CODE: V19156 QUALIFIED OPTIONAL DATA: GM6958-101 QTY 2 IS OPTIONAL TO 1 GM8468-1 WITH 163034-001 AND 1 GM8468-2 WITH 163024-100 USED ON: 163000-102 163000-103 163000-104 163000-105 163000-106	002004 006999	1

MISSING ITEM NUMBERS NOT APPLICABLE

- ITEM NOT ILLUSTRATED

22-13-05-01

22-13-05
FIG. 01
PAGE 5
MAY 20/09

BRI



757

PARTS CATALOG (MAINTENANCE)

FIG ITEM	PART NUMBER	1 2 3 4 5 6 7	NOMENCLATURE	EFFECT FROM TO	UNITS PER ASSY
1					
75	163034-001		.DIAPHRAGM- SUPPLIER CODE: V19156 QUALIFIED OPTIONAL DATA: GM6958-101 QTY 2 IS OPTIONAL TO 1 GM8468-1 WITH 163034-001 AND 1 GM8468-2 WITH 163024-100 USED ON: 163000-102 163000-103 163000-104 163000-105 163000-106	002004 006999	1
80	163038-001		.SLEEVE-LVDT PROTECTOR SUPPLIER CODE: V19156	002004 006999	2
85	920312-015		.SEAL-U-CUP SUPPLIER CODE: V19156 OPTIONAL PART: NAS1611-015	002004 006999	2
85	NAS1611-015		.PACKING- OPTIONAL PART: 920312-015 V19156	002004 006999	2
90	NAS1611-115		.PACKING-	002004 006999	1
95	NAS1611-116		.PACKING-	002004 006999	1
100	C11237-116		.RING-BACKUP SUPPLIER CODE: V26879 SPECIFICATION NUMBER: BACR12BP116 OPTIONAL PART: DW969516-116 V02886 RM9157BU116 V94878 STS900-116 V02107 S30310-116 V97820 TF456-116 V07128 2150-116 V26303 MS27595-116	002004 006999	2

MISSING ITEM NUMBERS NOT APPLICABLE

- ITEM NOT ILLUSTRATED

22-13-05-01

22-13-05
FIG. 01
PAGE 6
MAY 20/09

BRI



757

PARTS CATALOG (MAINTENANCE)

FIG ITEM	PART NUMBER	1 2 3 4 5 6 7	NOMENCLATURE	EFFECT FROM TO	UNITS PER ASSY
1 100	MS27595-116		.RETAINER-BACKUP OPTIONAL PART: BACR12BP116	002004 006999	2

MISSING ITEM NUMBERS NOT APPLICABLE

- ITEM NOT ILLUSTRATED

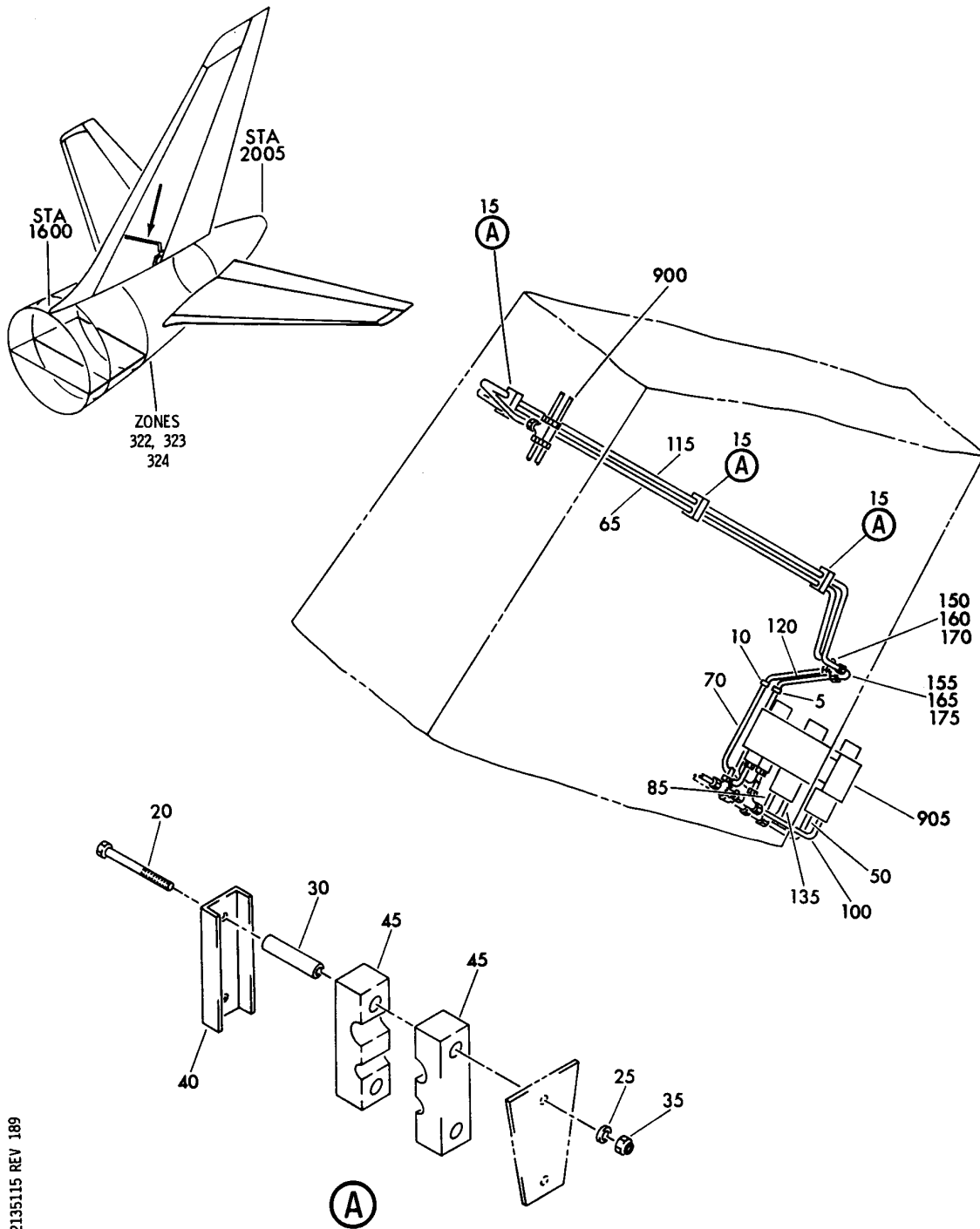
BRI

22-13-05-01

BOEING PROPRIETARY - Copyright © - Unpublished Work - See title page for details.

22-13-05
FIG. 01
PAGE 7
MAY 20/09

BOEING
757
PARTS CATALOG (MAINTENANCE)



Y 22135115 REV 189

PLUMBING INSTL-VERT. FIN SECT. 70 HYDR (AUTOPILOT ROLLOUT GUIDANCE SERVO ONLY)
FIGURE 15

22-13-51-15

BRI
MAY 28/07

22-13-51-15
PAGE 0



757

PARTS CATALOG (MAINTENANCE)

FIG ITEM	PART NUMBER	1 2 3 4 5 6 7	NOMENCLATURE	EFFECT FROM TO	UNITS PER ASSY
15			PLUMBING INSTL-VERT. FIN SECT. 70 HYDR (AUTOPILOT ROLLOUT GUIDANCE SERVO ONLY)	002004 006999	RF
- 1	271N6701-1		PLUMBING INSTL-VERT. FIN SECT. 70 HYDR (AUTOPILOT ROLLOUT GUIDANCE SERVO ONLY) FOR NHA SEE: 29-00-51-04	002004 006100 107107 121503 904999	RF
- 1	271N6701-3		PLUMBING INSTL-VERT. FIN SECT. 70 HYDR (AUTOPILOT ROLLOUT GUIDANCE SERVO ONLY) FOR NHA/OTHER SYS DET SEE: 27-00-00-03	101102 504903	RF
- 1	271N6701-4		PLUMBING INSTL-VERT. FIN SECT. 70 HYDR (AUTOPILOT ROLLOUT GUIDANCE SERVO ONLY) FOR NHA/OTHER SYS DET SEE: 27-00-00-03	108120	RF
- 1	MODREF31932		PLUMBING INSTL-VERT. FIN SECT. 70 HYDR (AUTOPILOT ROLLOUT GUIDANCE SERVO ONLY) MODULE NUMBER: 271N6701-5 REV B FOR OTHER SYS DETAILS SEE: 27-21-51-15 27-41-51-15	103106	1
5	TA0910005H106		.CLAMP SUPPLIER CODE: V84971 SPECIFICATION NUMBER: BACC10HC06C	002004 006999	1
- 7	NAS1801-3		ATTACHING PARTS .SCREW-	002004 006999	2
- 8	AN960KD10L		.WASHER	002004 006999	AR

MISSING ITEM NUMBERS NOT APPLICABLE

- ITEM NOT ILLUSTRATED

22-13-51-15

22-13-51
FIG. 15
PAGE 1
JAN 20/09

BRI



757

PARTS CATALOG (MAINTENANCE)

FIG ITEM	PART NUMBER	1 2 3 4 5 6 7	NOMENCLATURE	EFFECT FROM TO	UNITS PER ASSY
15 - 9	BRH10A3		.NUT SUPPLIER CODE: V52828 SPECIFICATION NUMBER: BACN10JC3 OPTIONAL PART: H10-3BAC V15653 NS202101-02 V80539 RMLH9075-3W V72962 VN303A02 V92215 96-02 V80539 T6S1032J V11815 -----*-----	002004 006999	2
10	M85052-2-4		.CLAMP ATTACHING PARTS	002004 006999	1
- 12	NAS1801-3		.SCREW-	002004 006999	1
- 13	AN960KD10L		.WASHER	002004 006999	AR
- 14	BRH10A3		.NUT SUPPLIER CODE: V52828 SPECIFICATION NUMBER: BACN10JC3 OPTIONAL PART: H10-3BAC V15653 NS202101-02 V80539 RMLH9075-3W V72962 VN303A02 V92215 96-02 V80539 T6S1032J V11815 -----*-----	002004 006999	1
15	270N2000-143		.CLAMP ASSY-BLK	002004 006999	3
20	NAS1801-3-24		..SCREW-	002004 006999	2

MISSING ITEM NUMBERS NOT APPLICABLE

- ITEM NOT ILLUSTRATED

22-13-51-15

22-13-51
FIG. 15
PAGE 2
JAN 20/09

BRI



757

PARTS CATALOG (MAINTENANCE)

FIG ITEM	PART NUMBER	1 2 3 4 5 6 7	NOMENCLATURE	EFFECT FROM TO	UNITS PER ASSY
15					
25	AN960PD10L	..	WASHER	002004 006999	2
30	NAS43DD3-59	..	SPACER	002004 006999	2
35	BRH10A3	..	NUT	002004 006999	2
			SUPPLIER CODE: V52828		
			SPECIFICATION NUMBER: BACN10JC3		
			OPTIONAL PART: H10-3BAC		
			V15653		
			NS202101-02		
			V80539		
			RMLH9075-3W		
			V72962		
			VN303A02		
			V92215		
			96-02		
			V80539		
			T6S1032J		
			V11815		
40	270N2000-704	..	CHANNEL	002004 006999	1
45	270N2000-597	..	BLOCK	002004 006999	2
50	271N6701-1004	.TUBE ASSY-PRESSURE SYS		107107	1
		POSITION DATA:			
		L			
		TUBING MATERIAL:			
		.250 IN. OD			
		.016 IN. WALL			
		11.2 IN. LG TITANIUM			
		BMS7-234			
		TI-3AL-2.5V COLD			
		WORKED, STRESS			
		RELIEVED TUBING			
50	271N6701-1083	.TUBE ASSY-PRESSURE SYS		002004	1
		POSITION DATA:		006106	
		L		108999	
		TUBING MATERIAL:			
		.250 IN. OD.			
		.016 IN. WALL			
		10.80 IN. LG TITANIUM			
		BMS 7-234			
		TI-3AL-2.5V COLD			
		WORKED, STRESS			
		RELIEVED TUBING			

MISSING ITEM NUMBERS NOT APPLICABLE

- ITEM NOT ILLUSTRATED

22-13-51-15

22-13-51
FIG. 15
PAGE 3
JAN 20/09

BRI



757

PARTS CATALOG (MAINTENANCE)

FIG ITEM	PART NUMBER	1 2 3 4 5 6 7	NOMENCLATURE	EFFECT FROM TO	UNITS PER ASSY
15					
- 55	AS1581T04	..	SLEEVE	002004 006999	2
- 60	BACN10YA4	..	NUT-	107107	2
- 60	BACN10YA4	..	NUT-	002004 006106 108999	2
65	271N6701-1057	.TUBE ASSY-PRESSURE SYS POSITION DATA: R TUBING MATERIAL: .250 IN. OD .016 IN. WALL 54.60 IN. LG TITANIUM BMS 7-234 TI-3AL-2.5V COLD WORKED, STRESS RELIEVED TUBING		107107	1
65	271N6701-1087	.TUBE ASSY-PRESSURE SYS POSITION DATA: R TUBING MATERIAL: .250 IN. OD .016 IN. WALL 55.30 IN. LG TITANIUM BMS 7-234 TI-3AL-2.5V COLD WORKED, STRESS RELIEVED TUBING		002004 006106 108999	1
70	271N6701-1034	.TUBE ASSY-PRESSURE SYS POSITION DATA: R TUBING MATERIAL: .250 IN. OD .016 IN. WALL 30.90 IN. LG TITANIUM BMS 7-234 TI-3AL-2.5V COLD WORKED, STRESS RELIEVED TUBING		002004 006999	1
- 75	AS1581T04	..	SLEEVE	002004 006999	2
- 78	BACN10YA4N	..	NUT- USED ON: 271N6701-1034	002004 006106 108999	2
- 80	BACN10YA4	..	NUT-	107107	2
- 80	BACN10YA4N	..	NUT- USED ON: 271N6701-1087	002004 006106 108999	2

MISSING ITEM NUMBERS NOT APPLICABLE

- ITEM NOT ILLUSTRATED

22-13-51-15

22-13-51
FIG. 15
PAGE 4
MAY 20/09

BRI

BOEING
757
PARTS CATALOG (MAINTENANCE)

FIG ITEM	PART NUMBER	1 2 3 4 5 6 7	NOMENCLATURE	EFFECT FROM TO	UNITS PER ASSY
15					
85	271N6701-1020		.TUBE ASSY-PRESSURE SYS POSITION DATA: CTR TUBING MATERIAL: .250 IN. OD .016 IN. WALL 8.80 IN. LG TITANIUM BMS 7-234 TI-3AL-2.5V COLD WORKED, STRESS RELIEVED TUBING	107107	1
85	271N6701-1085		.TUBE ASSY-PRESSURE SYS POSITION DATA: CTR TUBING MATERIAL: .250 IN. OD .016 IN. WALL 8.50 IN. LG TITANIUM BMS 7-234 TI-3AL-2.5V COLD WORKED, STRESS RELIEVED TUBING	002004 006106 108999	1
-	90 AS1581T04		..SLEEVE	002004 006999	2
R	-	95 BACN10YA4	..NUT	107107	2
R	-	95 BACN10YA4N	..NUT	002004 006106 108999	2
R					
100	271N6701-1011		.TUBE ASSY-RETURN SYS POSITION DATA: L TUBING MATERIAL: .375 IN. OD .035 IN. WALL 12.10 IN. LG ALUMINUM AMS 4083 6061 T6 TUBING	107107	1
100	271N6701-1084		.TUBE ASSY-RETURN SYS POSITION DATA: L TUBING MATERIAL: .375 IN. OD .035 IN. WALL 11.30 IN. LG ALUMINUM AMS 4083 6061 T6 TUBING	002004 006100 121503 904999	1

MISSING ITEM NUMBERS NOT APPLICABLE

- ITEM NOT ILLUSTRATED

BRI

22-13-51-15

BOEING PROPRIETARY - Copyright © - Unpublished Work - See title page for details.

22-13-51
FIG. 15
PAGE 5
MAY 20/09



757

PARTS CATALOG (MAINTENANCE)

FIG ITEM	PART NUMBER	1 2 3 4 5 6 7	NOMENCLATURE	EFFECT FROM TO	UNITS PER ASSY
15 100	271N6701-1094	.	TUBE ASSY-RETURN SYS POSITION DATA: L TUBING MATERIAL: .375 IN. OD .035 IN. WALL 11.80 IN. LG ALUMINUM AMS 4083 6061 T6 TUBING	101106 108120 504903	1
- 105	AP2097HP06	..	SLEEVE SUPPLIER CODE: V01673 SPECIFICATION NUMBER: BACS13BX06HP OPTIONAL PART: 2-02903-06HP V11328 35235VN06 V08199 AFP175V06P V30974 DBOS13BX06HP V14798	002004 006999	2
- 110	MS21921-6D	..	NUT- OPTIONAL PART: BACN10YLO6	002004 006100 121503 904999	2
- 110	BACN10YLO6	..	NUT- OPTIONAL PART: MS21921-6D	002004 006100 121503 904999	2
- 110 115	BACN10YLO6 271N6701-1058	..	NUT TUBE ASSY-RETURN SYS POSITION DATA: R TUBING MATERIAL: .375 IN. OD .035 IN. WALL 59.50 IN. LG ALUMINUM AMS 4083 6061 T6 TUBING	107107 107107	2 1

MISSING ITEM NUMBERS NOT APPLICABLE

- ITEM NOT ILLUSTRATED

BRI

22-13-51-15

22-13-51
FIG. 15
PAGE 6
JAN 20/09



757

PARTS CATALOG (MAINTENANCE)

FIG ITEM	PART NUMBER	1 2 3 4 5 6 7	NOMENCLATURE	EFFECT FROM TO	UNITS PER ASSY
15 115	271N6701-1088		.TUBE ASSY-RETURN SYS POSITION DATA: R TUBING MATERIAL: .375 IN. OD .035 IN. WALL 60.60 IN. LG ALUMINUM AMS 4083 6061 T6 TUBING	002004 006106 108999	1
120	271N6701-1041		.TUBE ASSY-RETURN SYS POSITION DATA: R TUBING MATERIAL: .375 IN. OD .035 IN. WALL 36.70 IN. LG ALUMINUM AMS 4083 6061 T6 TUBING	002004 006999	1
- 125	AP2097HP06		..SLEEVE SUPPLIER CODE: V01673 SPECIFICATION NUMBER: BACS13BX06HP OPTIONAL PART: 2-02903-06HP V11328 35235VN06 V08199 AFP175V06P V30974 DBOS13BX06HP V14798	002004 006999	2
- 130	MS21921-6D		..NUT- OPTIONAL PART: BACN10YL06	002004 006999	2
- 130	BACN10YL06		..NUT- OPTIONAL PART: MS21921-6D	002004 006999	2
135	271N6701-1026		.TUBE ASSY-RETURN SYS POSITION DATA: CTR TUBING MATERIAL: .375 IN. OD .035 IN. WALL 9.90 IN. LG ALUMINUM AMS 4083 6061 T6 TUBING	107107	1

MISSING ITEM NUMBERS NOT APPLICABLE

- ITEM NOT ILLUSTRATED

22-13-51-15

22-13-51
FIG. 15
PAGE 7
JAN 20/09

BRI



757

PARTS CATALOG (MAINTENANCE)

FIG ITEM	PART NUMBER	1 2 3 4 5 6 7	NOMENCLATURE	EFFECT FROM TO	UNITS PER ASSY
15 135	271N6701-1086	.	TUBE ASSY-RETURN SYS POSITION DATA: CTR TUBING MATERIAL: .375 IN. IN .035 IN. WALL 9.70 IN. LG ALUMINUM AMS 4083 6061 T6 TUBING	002004 006106 108999	1
- 140	AP2097HP06	..	SLEEVE SUPPLIER CODE: V01673 SPECIFICATION NUMBER: BACS13BX06HP OPTIONAL PART: 2-02903-06HP V11328 35235VN06 V08199 AFP175V06P V30974 DBOS13BX06HP V14798	002004 006999	2
- 145	MS21921-6D	..	NUT- OPTIONAL PART: BACN10YL06	002004 006999	2
- 145	BACN10YL06	..	NUT- OPTIONAL PART: MS21921-6D	002004 006999	2
150	BACE21BN0404J	.	ELBOW	002004 006106 108999	1
150	BACE21BN0404T	.	ELBOW-	107107	1
155	MS21908D6	.	ELBOW-	107107	1
155	MS21908W6	.	ELBOW-	002004 006106 108999	1
160	AN924-4J	.	NUT-	002004 006999	1
165	AN924-6D	.	NUT	002004 006999	1
170	AN960PD716L	.	WASHER-	002004 006999	1
175	AN960PD916	.	WASHER	002004 006999	1

MISSING ITEM NUMBERS NOT APPLICABLE

- ITEM NOT ILLUSTRATED

22-13-51-15

22-13-51
FIG. 15
PAGE 8
JAN 20/09

BRI

BOEING PROPRIETARY - Copyright © - Unpublished Work - See title page for details.



757

PARTS CATALOG (MAINTENANCE)

FIG ITEM	PART NUMBER	1 2 3 4 5 6 7	NOMENCLATURE	EFFECT FROM TO	UNITS PER ASSY
15 900			ILLUSTRATION REFERENCE: PLUMBING INSTL-VERT. FIN SECT. 70 HYDR (RUDDER AND RUDDER TRIM ONLY) 27-21-51-15	002004 006999	RF
905			ILLUSTRATION REFERENCE: SERVO INSTL-RUDDER CONTROLS ROLLOUT GUIDANCE 22-13-01-01	002004 006999	RF

MISSING ITEM NUMBERS NOT APPLICABLE

- ITEM NOT ILLUSTRATED

BRI

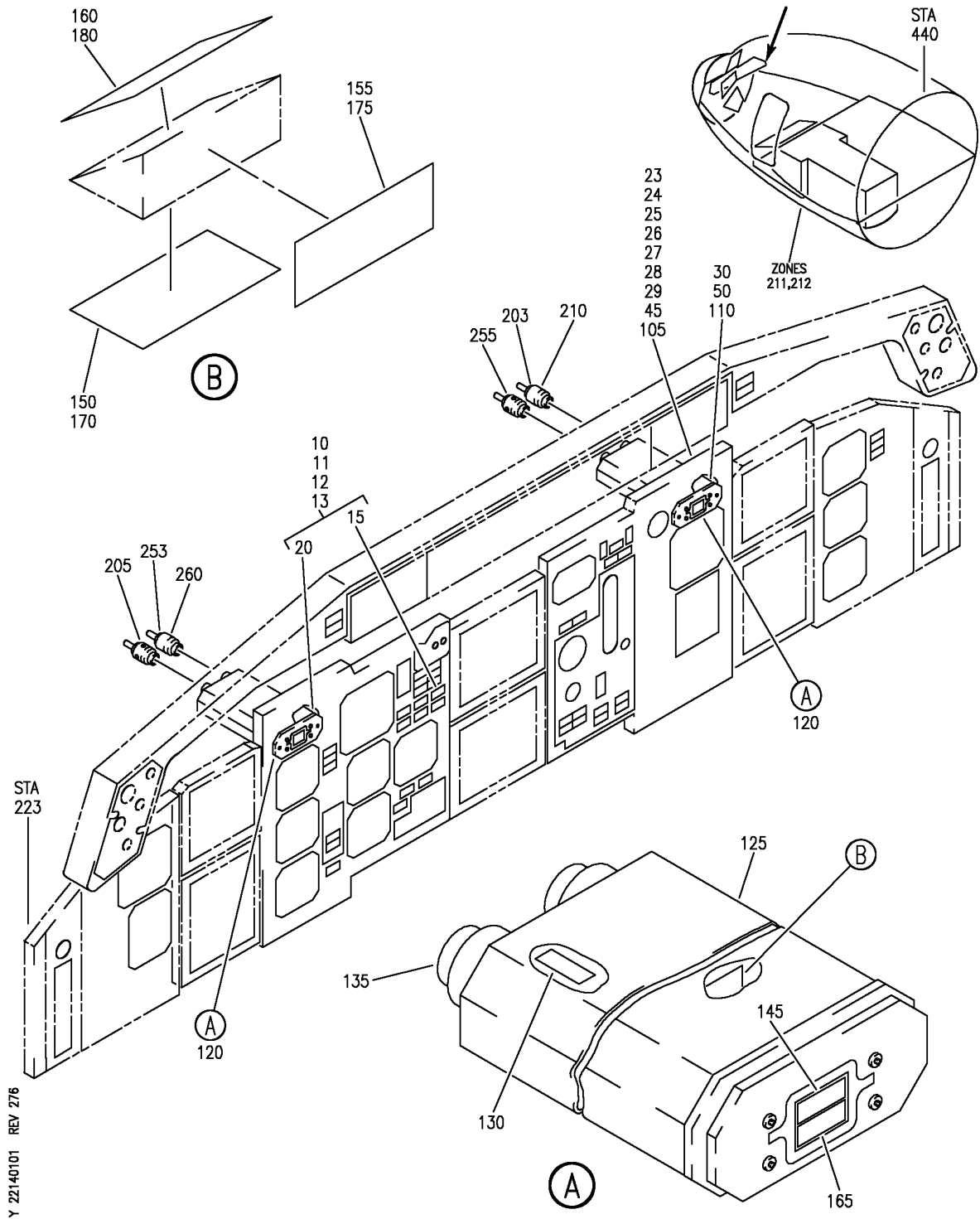
22-13-51-15

BOEING PROPRIETARY - Copyright © - Unpublished Work - See title page for details.

22-13-51
FIG. 15
PAGE 9
JAN 20/09

AUTOPILOT FLIGHT DIRECTOR WARNING

BOEING
757
PARTS CATALOG (MAINTENANCE)



Y 22140101 REV 276

PANEL INSTL-CAPT AND FIRST OFFICER (AUTOPILOT/FLIGHT DIRECTOR WARNING AND ANNUNCIATION ONLY)

FIGURE 1

22-14-01-01

BRI
MAY 28/07

22-14-01-01
PAGE 0



757

PARTS CATALOG (MAINTENANCE)

FIG ITEM	PART NUMBER	1 2 3 4 5 6 7	NOMENCLATURE	EFFECT FROM TO	UNITS PER ASSY
1			PANEL INSTL-CAPT AND FIRST OFFICER (AUTOPILOT/FLIGHT DIRECTOR WARNING AND ANNUNCIATION ONLY)	002010 107107 121503 904999	
- 1	233N2101-1		PANEL INSTL-CAPT AND FIRST OFFICER (AUTOPILOT FLIGHT DIRECTOR WARNING AND ANNUNCIATION ONLY) POSITION DATA: FWD VARIABLE DRAWING REF: 233N2101-5003 233N2101-5004 233N2101-5037 233N2101-5039 233N2101-5041 FOR NHA/OTHER SYS DET SEE: 25-10-00-05A	002004 006010 107107 121503 904999	RF
11	233N2221-51		.MODULE ASSY-P1-3	002004 006010 950999	RF
12	233N2221-59		.MODULE ASSY-P1-3	107107	RF
12	233N2221-62		.MODULE ASSY-P1-3	121503 904949	RF
15	BCREF8565		..LIGHT ASSY-IND SUPPLIER CODE: V81590 OVERLENGTH PART NUMBER: 434-674-1031-2226 SPECIFICATION NUMBER: S231T300-2226 ELECTRICAL EQUIP NUMBER: L00269 OPTIONAL PART: BCREF6229 V81590 USED ON: 233N2221-15 233N2221-16 233N2221-17 233N2221-23 233N2221-24 233N2221-25 233N2221-26 233N2221-27 233N2221-28 233N2221-29 233N2221-30 233N2221-31	002004 006010 107107 121503 904999	1

MISSING ITEM NUMBERS NOT APPLICABLE

- ITEM NOT ILLUSTRATED

22-14-01-01

22-14-01
FIG. 01
PAGE 1
JAN 20/09

BRI



757

PARTS CATALOG (MAINTENANCE)

FIG ITEM	PART NUMBER	1 2 3 4 5 6 7 NOMENCLATURE	EFFECT FROM TO	UNITS PER ASSY
1		233N2221-32 233N2221-33 233N2221-34 233N2221-35 233N2221-36 233N2221-37 233N2221-39 233N2221-40 233N2221-41 233N2221-43 233N2221-44 233N2221-45 233N2221-46 233N2221-48 233N2221-49 233N2221-51 233N2221-52 233N2221-54 233N2221-55 233N2221-56 233N2221-58 233N2221-59 233N2221-61 233N2221-62 233N2221-63 233N2221-64 233N2221-65 233N2221-66 FOR DETAILS SEE: 33-14-70-03 ..LIGHT ASSY-IND SUPPLIER CODE: V81590 OVERLENGTH PART NUMBER: 434-674-1005-1226 SPECIFICATION NUMBER: S231T300-1226 ELECTRICAL EQUIP NUMBER: L00269 OPTIONAL PART: BCREf8565 V81590 USED ON: 233N2221-15 233N2221-16 233N2221-17 233N2221-23 233N2221-24 233N2221-25 MISSING ITEM NUMBERS NOT APPLICABLE	002004 006010 107107 121503 904999	1
15	BCREF6229			

- ITEM NOT ILLUSTRATED

22-14-01-01

22-14-01
FIG. 01
PAGE 2
JAN 20/09

BRI



757

PARTS CATALOG (MAINTENANCE)

FIG ITEM	PART NUMBER	1 2 3 4 5 6 7	NOMENCLATURE	EFFECT FROM TO	UNITS PER ASSY
1			233N2221-26 233N2221-27 233N2221-28 233N2221-29 233N2221-30 233N2221-31 233N2221-32 233N2221-33 233N2221-34 233N2221-35 233N2221-36 233N2221-37 233N2221-39 233N2221-40 233N2221-41 233N2221-43 233N2221-44 233N2221-45 233N2221-46 233N2221-48 233N2221-49 233N2221-51 233N2221-52 233N2221-54 233N2221-55 233N2221-56 233N2221-58 233N2221-59 233N2221-61 233N2221-62 233N2221-63 233N2221-64 233N2221-65 233N2221-66 FOR DETAILS SEE: 33-14-70-03		
20	123-10D		.. CLAMP- SUPPLIER CODE: V33463 OPTIONAL PART: 123-3215G V28277	002004 006010 107107 121503 904999	1
20	123-3215G		.. CLAMP- SUPPLIER CODE: V33463 OPTIONAL PART: 123-10D V28277	002004 006010 107107 121503 904999	1

MISSING ITEM NUMBERS NOT APPLICABLE

- ITEM NOT ILLUSTRATED

BRI

22-14-01-01

22-14-01
 FIG. 01
 PAGE 3
 JAN 20/09



757

PARTS CATALOG (MAINTENANCE)

FIG ITEM	PART NUMBER	1 2 3 4 5 6 7	NOMENCLATURE	EFFECT FROM TO	UNITS PER ASSY
1					
25	233N2222-53	.	MODULE ASSY-P3-1 PRE ALERT SB: 33A0044	107107	RF
26	233N2222-1077	.	MODULE ASSY-P3-1 POST ALERT SB: 33A0044	002010 950951 953999	RF
27	233N2222-77	.	MODULE ASSY-P3-1 PRE SERVICE BULLETIN: 34-0200 PRE ALERT SB: 33A0044	002004 006010 950999	RF
27	233N2222-85	.	MODULE ASSY-P3-1 PRE ALERT SB: 33A0044R1	121503 904949	RF
28	233N2222-1053	.	MODULE ASSY-P3-1 POST ALERT SB: 33A0044	107107	RF
29	233N2222-1085	.	MODULE ASSY-P3-1 POST ALERT SB: 33A0044R1	121503 904949	RF
30	123-10D	..	CLAMP- SUPPLIER CODE: V33463	002010 107107 121503 904999 952952	1
- 100	233N2222-329	.	MODULE ASSY- COMPONENT MAINT MANUAL REF: 31-11-49 POST SERVICE BULLETIN: 34-0200 PRE ALERT SB: 33A0044	952952	RF
- 100	233N2222-1329	.	MODULE ASSY- COMPONENT MAINT MANUAL REF: 31-11-49 POST ALERT SB: 33A0044	952952	RF
105	233N2222-111	..	MODULE ASSY- PRE ALERT SB: 33A0044	952952	1
105	233N2222-1111	..	MODULE ASSY- POST ALERT SB: 33A0044	952952	1
110	123-10D	...	CLAMP- SUPPLIER CODE: V33463	952952	1

MISSING ITEM NUMBERS NOT APPLICABLE

- ITEM NOT ILLUSTRATED

BRI

22-14-01-01

22-14-01
FIG. 01
PAGE 4
JAN 20/09



757

PARTS CATALOG (MAINTENANCE)

FIG ITEM	PART NUMBER	1 2 3 4 5 6 7	NOMENCLATURE	EFFECT FROM TO	UNITS PER ASSY
1 120	622-5374-002	.	INDICATOR ASSY-AUTOLAND STATUS SUPPLIER CODE: V4V792 SPECIFICATION NUMBER: S241T120-1 ELECTRICAL EQUIP NUMBER: N00070 N00071 COMPONENT MAINT MANUAL REF: 22-14-70	002004 006010 107107 950999	2
120	622-5374-003	.	INDICATOR ASSY-AUTOLAND STATUS SUPPLIER CODE: V4V792 SPECIFICATION NUMBER: S241T120-2 ELECTRICAL EQUIP NUMBER: N00070 N00071 COMPONENT MAINT MANUAL REF: 22-14-70	121503 904949	2
125	280-2745-120	..	LABEL-ESDS WARNING SUPPLIER CODE: V12998	002004 006010 107107 121503 904999	1
130	646-0120-001	..	PLATE-IDENT SUPPLIER CODE: V4V792	002004 006010 107107 121503 904999	1
135	CEC14	..	CAP-CONNECTOR SUPPLIER CODE: V99017 MISCELLANEOUS DATA: 359-4097-130 ROCKWELL COLLINS P/N	002004 006010 107107 121503 904999	1
- 140	MS90376-16YF	..	COVER-CONNECTOR	002004 006010 107107 121503 904999	1
145	646-4992-139	..	INDICATOR-THREE POSITION SUPPLIER CODE: V4V792	002004 006010 107107 950999	1

MISSING ITEM NUMBERS NOT APPLICABLE

- ITEM NOT ILLUSTRATED

22-14-01-01

22-14-01
FIG. 01
PAGE 5
JAN 20/09

BRI

 **BOEING**
757
PARTS CATALOG (MAINTENANCE)

FIG ITEM	PART NUMBER	1 2 3 4 5 6 7	NOMENCLATURE	EFFECT FROM TO	UNITS PER ASSY
1					
145	646-4992-142	..	INDICATOR-THREE POSITION SUPPLIER CODE: V4V792	121503 904949	1
150	646-4990-001	...	LABEL-PRISM SUPPLIER CODE: V4V792	002004 006010 107107 121503 904999	1
155	646-4990-224	...	LABEL-PRISM SUPPLIER CODE: V4V792	002004 006010 107107 950999	1
155	646-4990-227	...	LABEL-PRISM SUPPLIER CODE: V4V792 CONFIG CHG DATA FROM A CMM: SUPSD BY 646-4990-231	121503 904949	1
155	646-4990-231	...	LABEL-PRISM SUPPLIER CODE: V4V792 CONFIG CHG DATA FROM A CMM: SUPSDS 646-4990-227	121503 904949	1
160	646-4990-225	...	LABEL-PRISM SUPPLIER CODE: V4V792	002004 006010 107107 950999	1
160	646-4990-226	...	LABEL-PRISM SUPPLIER CODE: V4V792 CONFIG CHG DATA FROM A CMM: SUPSD BY 646-4990-230	121503 904949	1
160	646-4990-230	...	LABEL-PRISM SUPPLIER CODE: V4V792 CONFIG CHG DATA FROM A CMM: SUPSDS 646-4990-226	121503 904949	1
165	646-4992-140	..	INDICATOR-THREE POSITION SUPPLIER CODE: V4V792	002004 006010 107107 950999	1
165	646-4992-143	..	INDICATOR-THREE POSITION SUPPLIER CODE: V4V792	121503 904949	1
170	646-4990-001	...	LABEL-PRISM SUPPLIER CODE: V4V792	002004 006010 107107 121503 904999	1

MISSING ITEM NUMBERS NOT APPLICABLE

— ITEM NOT ILLUSTRATED

BRI

22-14-01-01

22-14-01
FIG. 01
PAGE 6
JAN 20/09



757

PARTS CATALOG (MAINTENANCE)

FIG ITEM	PART NUMBER	1 2 3 4 5 6 7	NOMENCLATURE	EFFECT FROM TO	UNITS PER ASSY
1					
175	646-4990-231	...	LABEL-PRISM SUPPLIER CODE: V4V792 CONFIG CHG DATA FROM A CMM: SUPSD BY 646-4990-227	002004 006010 107107 950999	1
175	646-4990-232	...	LABEL-PRISM SUPPLIER CODE: V4V792	121503 904949	1
175	646-4990-227	...	LABEL-PRISM SUPPLIER CODE: V4V792 CONFIG CHG DATA FROM A CMM: SUPSDS 646-4990-231	002004 006010 107107 950999	1
180	646-4990-230	...	LABEL-PRISM SUPPLIER CODE: V4V792 CONFIG CHG DATA FROM A CMM: SUPSD BY 646-4990-226	002004 006010 107107 950999	1
180	646-4990-226	...	LABEL-PRISM SUPPLIER CODE: V4V792	121503 904949	1
180	646-4990-226	...	LABEL-PRISM SUPPLIER CODE: V4V792 CONFIG CHG DATA FROM A CMM: SUPSDS 646-4990-230	002004 006010 107107 950999	1
- 185	280-2745-040	..	LABEL-ESDS WARNING SUPPLIER CODE: V12998	002004 006010 107107 121503 904999	1
- 200	286N0001-002		WIRE BUNDLE ASSY- REWORKED BY ALERT SB: 34A022	121503 904949	RF
- 200	286N0001-003		WIRE BUNDLE ASSY- REWORKED BY ALERT SB: 34A022	107107	RF
- 200	286N0001-005		WIRE BUNDLE ASSY- REWORKED BY ALERT SB: 34A022	002004 006010 950999	RF
203	BACC10GH12	.	CLAMP- ELECTRICAL EQUIP NUMBER: D00401T WIRING DIAGRAM REF: 221411	002004 006010 107107 121503 904999	1

MISSING ITEM NUMBERS NOT APPLICABLE

- ITEM NOT ILLUSTRATED

22-14-01-01

22-14-01
FIG. 01
PAGE 7
JAN 20/09

BRI



757

PARTS CATALOG (MAINTENANCE)

FIG ITEM	PART NUMBER	1 2 3 4 5 6 7	NOMENCLATURE	EFFECT FROM TO	UNITS PER ASSY
1					
205	BACC45FT14A15S	.	CONNECTOR- ELECTRICAL EQUIP NUMBER: D00485 WIRING DIAGRAM REF: 221411	002004 006010 107107 121503 904999	1
210	C0909A12-12S102	.	CONNECTOR- SUPPLIER CODE: V13556 SPECIFICATION NUMBER: BACC63BN12-12S OPTIONAL PART: 48-63N12-12S V02660 C0909A12-12SN V13556 ELECTRICAL EQUIP NUMBER: D00401 WIRING DIAGRAM REF: 221411	107107	1
210	BACC45FT12-12S	.	CONNECTOR- ELECTRICAL EQUIP NUMBER: D00401 WIRING DIAGRAM REF: 221411	002004 006010 121503 904999	1
- 250	286N0003-002		WIRE BUNDLE ASSY- REWORKED BY ALERT SB: 34A0222	121503 904949	RF
- 250	286N0003-003		WIRE BUNDLE ASSY- REWORKED BY ALERT SB: 34A0222	107107	RF
- 250	286N0003-005		WIRE BUNDLE ASSY- REWORKED BY SB: 34-0200 REWORKED BY ALERT SB: 34A0222	002004 006010 950999	RF
253	BACC10GH12	.	CLAMP- ELECTRICAL EQUIP NUMBER: D00403T WIRING DIAGRAM REF: 221411	002004 006010 107107 121503 904999	1
255	BACC45FT14A15S	.	CONNECTOR- ELECTRICAL EQUIP NUMBER: D00487 WIRING DIAGRAM REF: 221421	002004 006010 107107 121503 904999	1

MISSING ITEM NUMBERS NOT APPLICABLE

- ITEM NOT ILLUSTRATED

22-14-01-01

22-14-01
FIG. 01
PAGE 8
JAN 20/09

BRI



757

PARTS CATALOG (MAINTENANCE)

FIG ITEM	PART NUMBER	1 2 3 4 5 6 7	NOMENCLATURE	EFFECT FROM TO	UNITS PER ASSY
1 260	BACC45FT12-12S		.CONNECTOR- ELECTRICAL EQUIP NUMBER: D00403 WIRING DIAGRAM REF: 221421	002004 006010 107107 121503 904999	1

MISSING ITEM NUMBERS NOT APPLICABLE

- ITEM NOT ILLUSTRATED

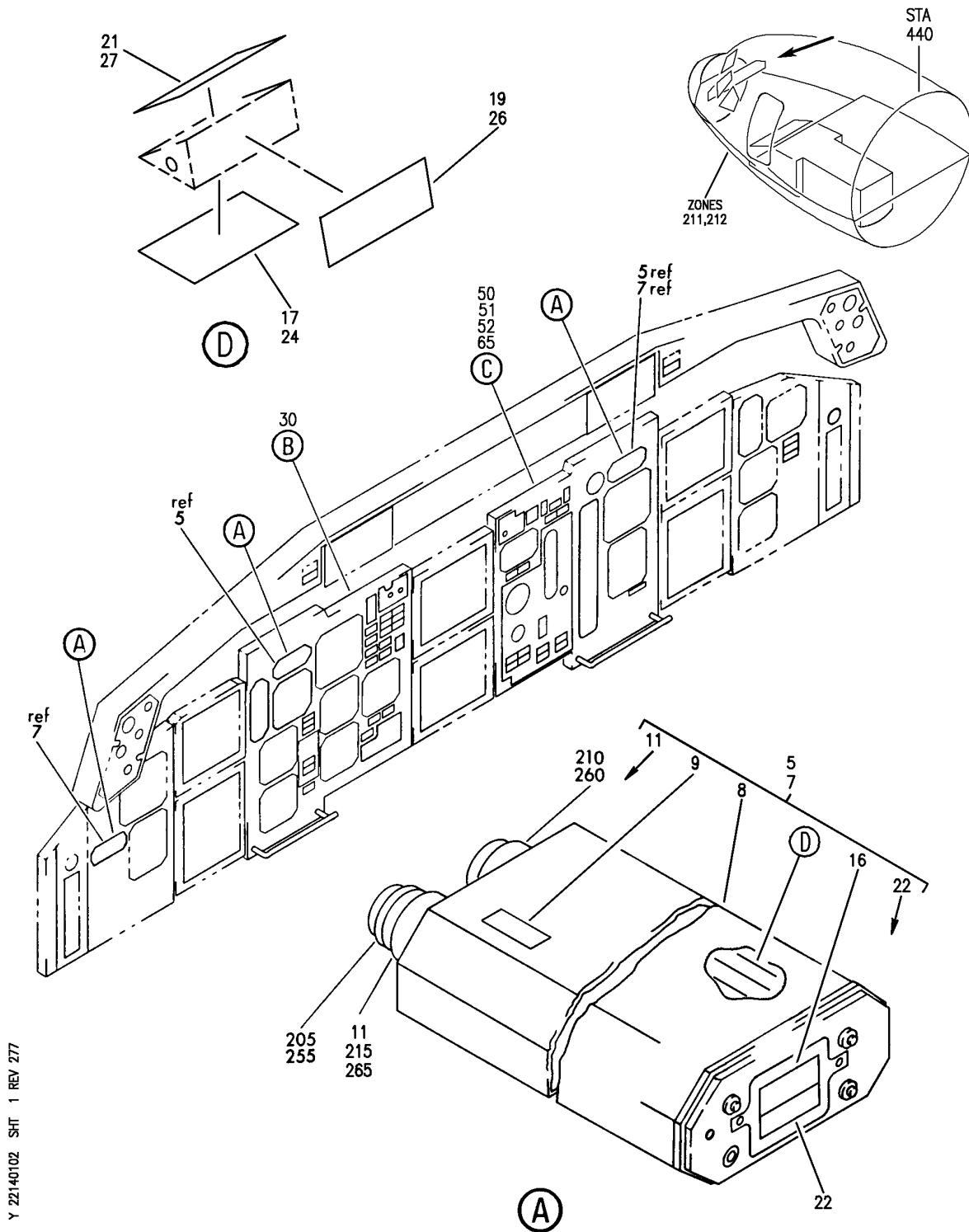
BRI

22-14-01-01

BOEING PROPRIETARY - Copyright © - Unpublished Work - See title page for details.

22-14-01
FIG. 01
PAGE 9
JAN 20/09

BOEING
757
PARTS CATALOG (MAINTENANCE)



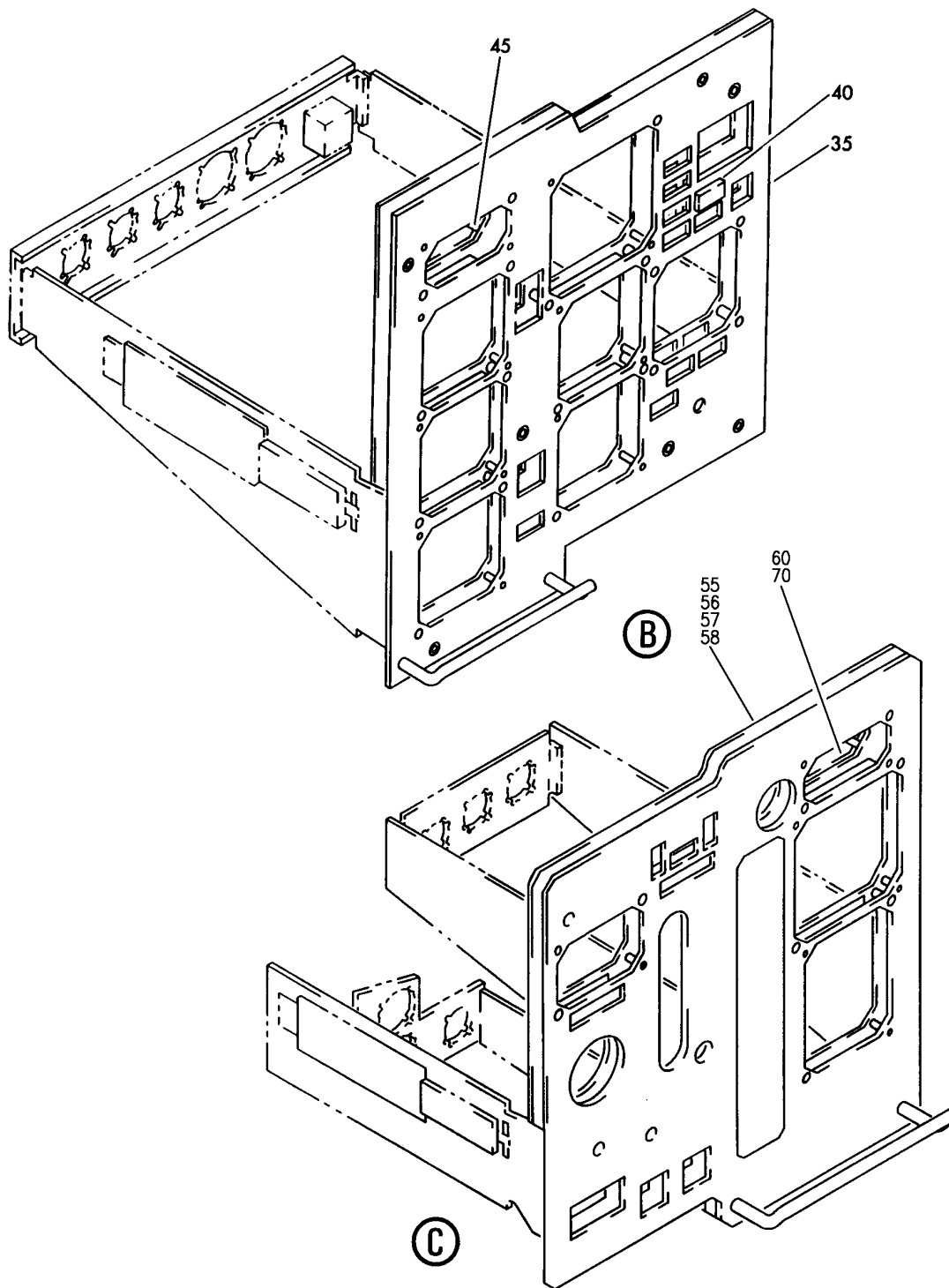
PANEL INSTL-CAPT AND FIRST OFFICER FWD (AUTOPILOT FLIGHT DIRECTOR WARNING AND ANNUNCIATION ONLY)
FIGURE 2 (SHEET 1)

BRI
MAY 28/07

22-14-01-02

22-14-01-02
PAGE 0

BOEING
757
PARTS CATALOG (MAINTENANCE)



Y 22140102 SHT 2 REV 277

PANEL INSTL-CAPT AND FIRST OFFICER FWD (AUTOPILOT FLIGHT DIRECTOR WARNING AND ANNUNCIATION ONLY)
FIGURE 2 (SHEET 2)

BRI
MAY 28/07

22-14-01-02

22-14-01-02
PAGE 0A



757

PARTS CATALOG (MAINTENANCE)

FIG ITEM	PART NUMBER	1 2 3 4 5 6 7	NOMENCLATURE	EFFECT FROM TO	UNITS PER ASSY
2			PANEL INSTL-CAPT AND FIRST OFFICER FWD (AUTOPILOT FLIGHT DIRECTOR WARNING AND ANNUNCIATION ONLY)	011100	
- 1	233N2101-1		PANEL INSTL-CAPT AND FIRST OFFICER (AUTOPILOT FLIGHT DIRECTOR WARNING AND ANNUNCIATION ONLY) POSITION DATA: FWD VARIABLE DRAWING REF: 233N2101-5039 FOR NHA/OTHER SYS DET SEE: 25-10-00-05A	011100	RF
5	622-5374-002		. INDICATOR ASSY-AUTOLAND STATUS SUPPLIER CODE: V4V792 SPECIFICATION NUMBER: S241T120-1 ELECTRICAL EQUIP NUMBER: N00070 N00071 COMPONENT MAINT MANUAL REF: 22-14-70	011100	2
8	280-2745-120		.. LABEL-ESDS WARNING SUPPLIER CODE: V12998	011100	1
9	646-0120-001		.. PLATE-IDENT SUPPLIER CODE: V4V792	011100	1
11	CEC14		.. CAP-CONNECTOR SUPPLIER CODE: V99017 MISCELLANEOUS DATA: 359-4097-130 ROCKWELL COLLINS P/N	011100	1
- 13	MS90376-16YF		.. COVER-CONNECTOR	011100	1
16	646-4992-139		.. INDICATOR-THREE POSITION SUPPLIER CODE: V4V792	011100	1
17	646-4990-001		... LABEL-PRISM SUPPLIER CODE: V4V792	011100	1
19	646-4990-224		... LABEL-PRISM SUPPLIER CODE: V4V792	011100	1

MISSING ITEM NUMBERS NOT APPLICABLE

- ITEM NOT ILLUSTRATED

22-14-01-02

22-14-01
FIG. 02
PAGE 1
JAN 20/09

BRI



757

PARTS CATALOG (MAINTENANCE)

FIG ITEM	PART NUMBER	1 2 3 4 5 6 7	NOMENCLATURE	EFFECT FROM TO	UNITS PER ASSY
2					
21	646-4990-225	...	LABEL-PRISM SUPPLIER CODE: V4V792	011100	1
22	646-4992-140	..	INDICATOR-THREE POSITION SUPPLIER CODE: V4V792	011100	1
24	646-4990-001	...	LABEL-PRISM SUPPLIER CODE: V4V792	011100	1
26	646-4990-231	...	LABEL-PRISM SUPPLIER CODE: V4V792	011100	1
26	646-4990-227	...	LABEL-PRISM SUPPLIER CODE: V4V792 CONFIG CHG DATA FROM A CMM: SUPSD BY 646-4990-227	011100	1
27	646-4990-230	...	LABEL-PRISM SUPPLIER CODE: V4V792 CONFIG CHG DATA FROM A CMM: SUPSDS 646-4990-231	011100	1
27	646-4990-226	...	LABEL-PRISM SUPPLIER CODE: V4V792 CONFIG CHG DATA FROM A CMM: SUPSDS 646-4990-230	011100	1
- 29	280-2745-040	..	LABEL-ESDS WARNING SUPPLIER CODE: V12998	011100	1
30	233N2221-301	.MODULE	ASSY-P1-3 COMPONENT MAINT MANUAL REF: 31-11-48	011100	RF
35	233N2221-51	..MODULE	ASSY-	011100	1
40	BCREF8565	...	LIGHT ASSY-IND SUPPLIER CODE: V81590 OVERLENGTH PART NUMBER: 434-674-1031-2226 SPECIFICATION NUMBER: S231T300-2226 OPTIONAL PART: BCREF6229 V81590 FOR DETAILS SEE: 33-14-70-03	011100	1

MISSING ITEM NUMBERS NOT APPLICABLE

- ITEM NOT ILLUSTRATED

22-14-01-02

22-14-01
FIG. 02
PAGE 2
JAN 20/09

BRI



757

PARTS CATALOG (MAINTENANCE)

FIG ITEM	PART NUMBER	1 2 3 4 5 6 7	NOMENCLATURE	EFFECT FROM TO	UNITS PER ASSY
2					
40	BCREF6229		...LIGHT ASSY-IND SUPPLIER CODE: V81590 OVERLENGTH PART NUMBER: 434-674-1005-1226 SPECIFICATION NUMBER: S231T300-1226 ELECTRICAL EQUIP NUMBER: L00269 OPTIONAL PART: BCREF8565 V81590 FOR DETAILS SEE: 33-14-70-03	011100	1
45	123-10D		...CLAMP- SUPPLIER CODE: V33463 OPTIONAL PART: 123-3215G V28277	011100	1
45	123-3215G		...CLAMP- SUPPLIER CODE: V33463 OPTIONAL PART: 123-10D V28277	011100	1
50	233N2222-301		.MODULE ASSY-P3-1 COMPONENT MAINT MANUAL REF: 31-11-49 PRE ALERT SB: 33A0044	011100	RF
50	233N2222-1301		.MODULE ASSY-P3-1 COMPONENT MAINT MANUAL REF: 31-11-49 POST ALERT SB: 33A0044	011100	RF
55	233N2222-77		..MODULE ASSY- PRE ALERT SB: 33A0044	011100	1
55	233N2222-1077		..MODULE ASSY- POST ALERT SB: 33A0044	011100	1
60	123-10D		...CLAMP- SUPPLIER CODE: V33463	011100	1
- 200	286N0001-005		WIRE BUNDLE ASSY- REWORKED BY ALERT SB: 34A0222	011100	RF

MISSING ITEM NUMBERS NOT APPLICABLE

- ITEM NOT ILLUSTRATED

22-14-01-02

22-14-01
FIG. 02
PAGE 3
JAN 20/09

BRI



757

PARTS CATALOG (MAINTENANCE)

FIG ITEM	PART NUMBER	1 2 3 4 5 6 7	NOMENCLATURE	EFFECT FROM TO	UNITS PER ASSY
2 205	BACC10GH12	.CLAMP-	ELECTRICAL EQUIP NUMBER: D00401T WIRING DIAGRAM REF: 221411	011100	1
210	BACC45FT14A15S	.CONNECTOR-	ELECTRICAL EQUIP NUMBER: D00485 WIRING DIAGRAM REF: 221411	011100	1
215	BACC45FT12-12S	.CONNECTOR-	ELECTRICAL EQUIP NUMBER: D00401 WIRING DIAGRAM REF: 221411	011100	1
- 250	286N0003-005	WIRE BUNDLE ASSY-	REWORKED BY ALERT SB: 34A0222	011100	RF
255	BACC10GH12	.CLAMP-	ELECTRICAL EQUIP NUMBER: D00403T WIRING DIAGRAM REF: 221411	011100	1
260	BACC45FT14A15S	.CONNECTOR-	ELECTRICAL EQUIP NUMBER: D00487 WIRING DIAGRAM REF: 221421	011100	1
265	BACC45FT12-12S	.CONNECTOR-	ELECTRICAL EQUIP NUMBER: D00403 WIRING DIAGRAM REF: 221421	011100	1

MISSING ITEM NUMBERS NOT APPLICABLE

- ITEM NOT ILLUSTRATED

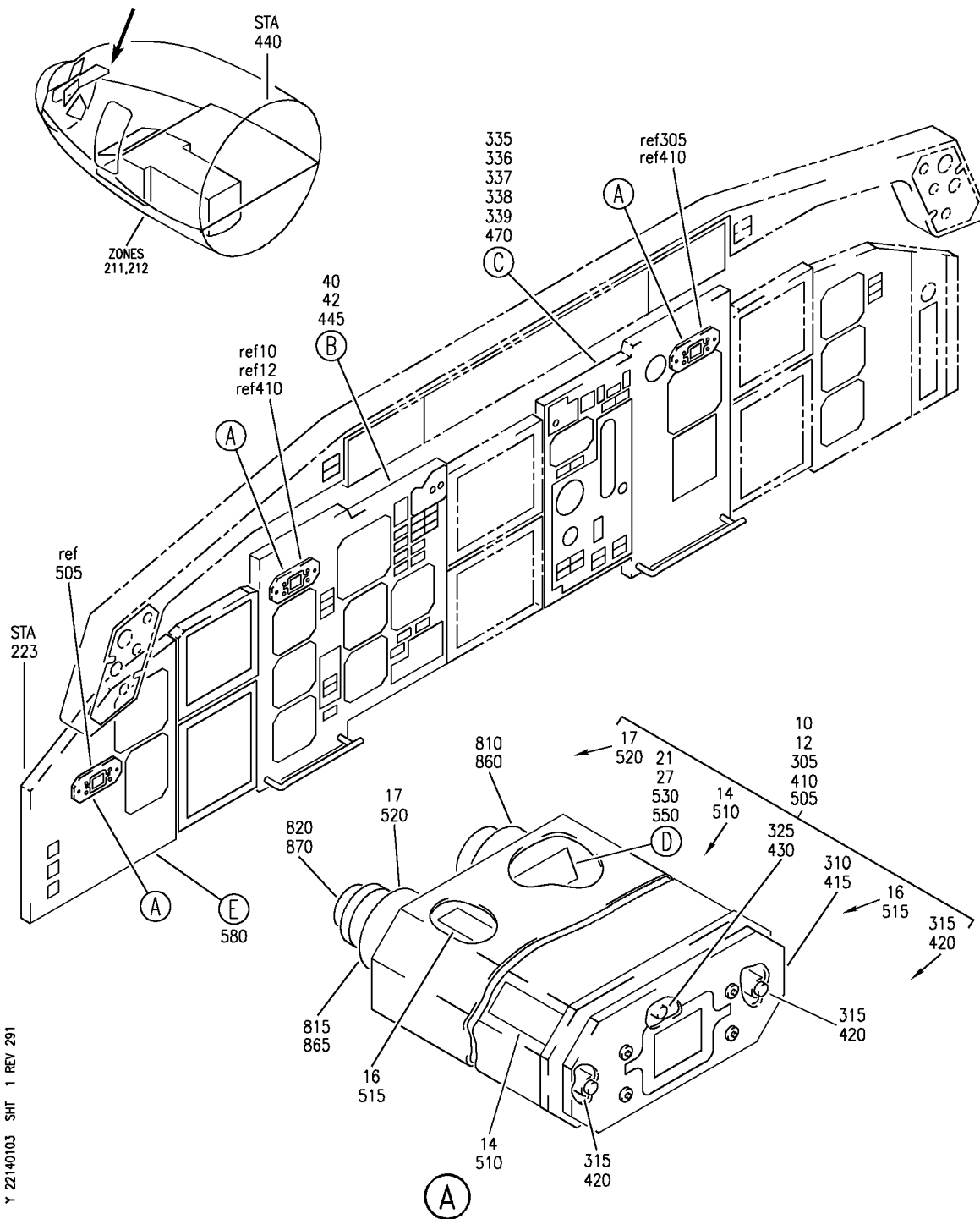
BRI

22-14-01-02

BOEING PROPRIETARY - Copyright © - Unpublished Work - See title page for details.

22-14-01
FIG. 02
PAGE 4
JAN 20/09

BOEING
757
PARTS CATALOG (MAINTENANCE)



Y 22140103 SHT 1 REV 291

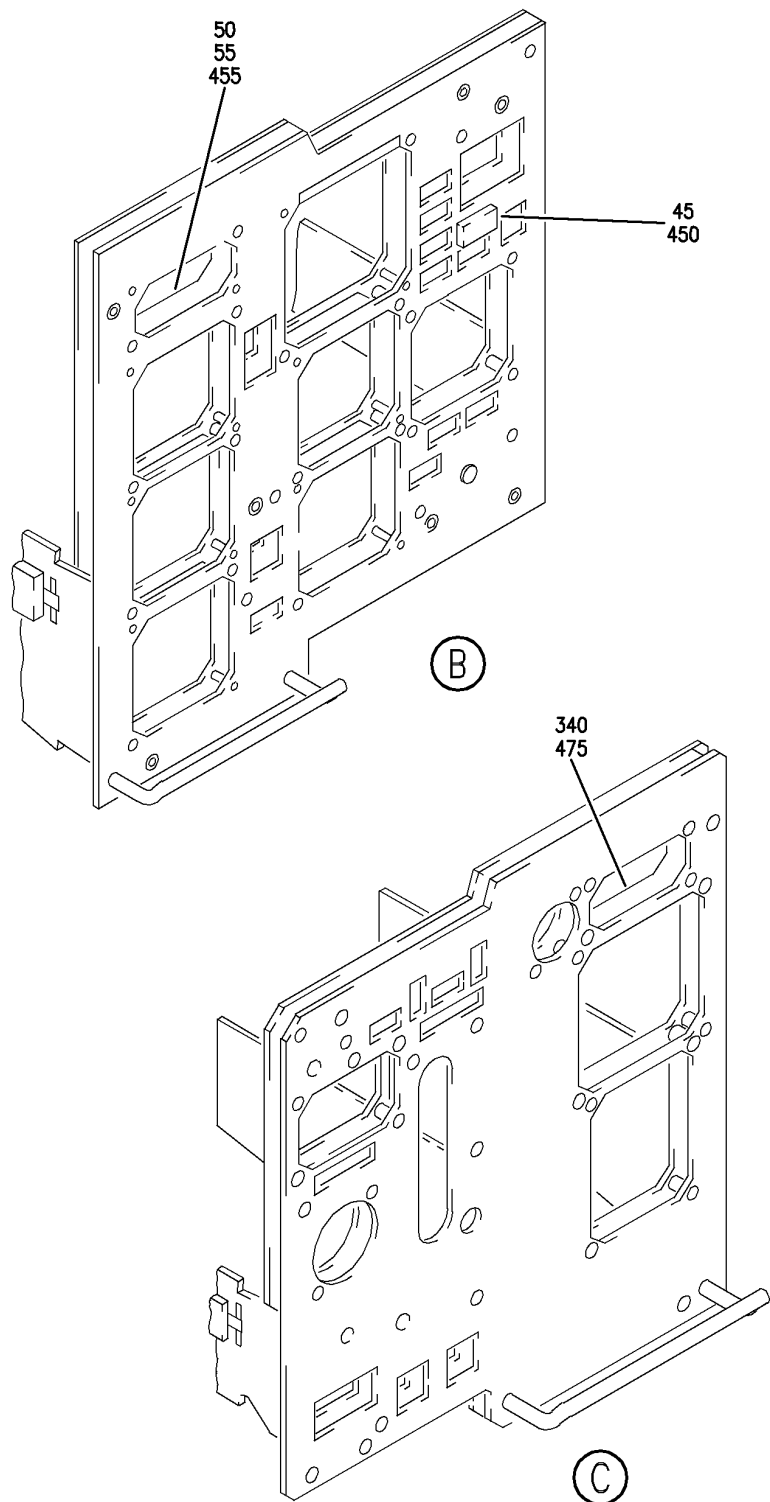
PANEL INSTL-P1-1, P1-3 AND P3-1 (AUTOPILOT/FLIGHT DIRECTOR WARNING AND ANNUNCIATION ONLY)
FIGURE 3 (SHEET 1)

BRI
MAY 28/07

22-14-01-03

22-14-01-03
PAGE 0

BOEING
757
PARTS CATALOG (MAINTENANCE)



Y 22140103 SHT 2 REV 247

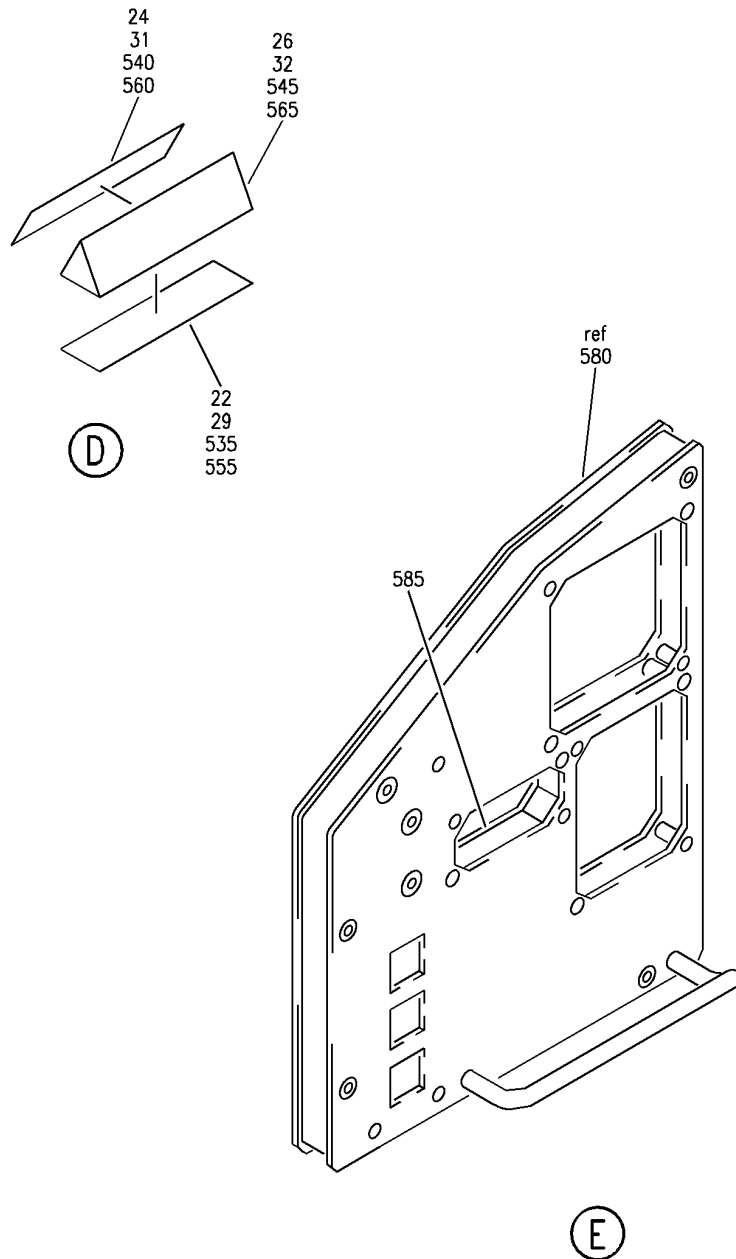
PANEL INSTL-P1-1, P1-3 AND P3-1 (AUTOPILOT/FLIGHT DIRECTOR WARNING AND ANNUNCIATION ONLY)
FIGURE 3 (SHEET 2)

BRI
MAY 28/07

22-14-01-03

22-14-01-03
PAGE 0A

BOEING
757
PARTS CATALOG (MAINTENANCE)



Y 22140103 SH1 3 REV 291

PANEL INSTL-P1-1, P1-3 AND P3-1 (AUTOPILOT/FLIGHT DIRECTOR WARNING AND ANNUNCIATION ONLY)
FIGURE 3 (SHEET 3)

BRI
MAY 28/07

22-14-01-03

22-14-01-03
PAGE 0B



757

PARTS CATALOG (MAINTENANCE)

FIG ITEM	PART NUMBER	1 2 3 4 5 6 7	NOMENCLATURE	EFFECT FROM TO	UNITS PER ASSY
3			PANEL INSTL-P1-1, P1-3 AND P3-1 (AUTOPILOT/FLIGHT DIRECTOR WARNING AND ANNUNCIATION ONLY)	101106 108120 504903	
- 1	233N2103-10		PANEL INSTL-P1-3 (AUTOPILOT/FLIGHT DIRECTOR WARNING AND ANNUNCIATION ONLY)	108120	RF
- 1	233N2103-72		FOR NHA/OTHER SYS DET SEE: 25-10-00-15B PANEL INSTL-P1-3 (AUTOPILOT/FLIGHT DIRECTOR WARNING AND ANNUNCIATION ONLY)	101102	RF
- 2	233N2103-280		FOR NHA SEE: 25-10-00-15B PANEL INSTL-P1-3 (AUTOPILOT/FLIGHT DIRECTOR WARNING AND ANNUNCIATION ONLY)	504903	RF
10	622-5374-002		. INDICATOR ASSY-AUTOLAND STATUS SUPPLIER CODE: V4V792 SPECIFICATION NUMBER: S241T120-1 ELECTRICAL EQUIP NUMBER: N00070 COMPONENT MAINT MANUAL REF: 22-14-70	101102 108120	1
10	622-5374-003		. INDICATOR ASSY-AUTOLAND STATUS SUPPLIER CODE: V4V792 SPECIFICATION NUMBER: S241T120-2 ELECTRICAL EQUIP NUMBER: N00070 COMPONENT MAINT MANUAL REF: 22-14-70	504903	1
14	280-2745-120		.. LABEL-ESDS WARNING SUPPLIER CODE: V12998	101102 108120 504903	1
16	646-0120-001		.. PLATE-IDENT SUPPLIER CODE: V4V792	101102 108120 504903	1

MISSING ITEM NUMBERS NOT APPLICABLE

- ITEM NOT ILLUSTRATED

22-14-01-03

22-14-01
FIG. 03
PAGE 1
JAN 20/09

BRI



757

PARTS CATALOG (MAINTENANCE)

FIG ITEM	PART NUMBER	1 2 3 4 5 6 7	NOMENCLATURE	EFFECT FROM TO	UNITS PER ASSY
3					
17	CEC14		..CAP-CONNECTOR SUPPLIER CODE: V99017 MISCELLANEOUS DATA: 359-4097-130 ROCKWELL COLLINS P/N	101102 108120 504903	1
- 19	MS90376-16YF		..COVER-CONNECTOR	101102 108120 504903	1
21	646-4992-139		..INDICATOR-THREE POSITION SUPPLIER CODE: V4V792	101102 108120	1
21	646-4992-142		..INDICATOR-THREE POSITION SUPPLIER CODE: V4V792	504903	1
22	646-4990-001		...LABEL-PRISM SUPPLIER CODE: V4V792	101102 108120 504903	1
24	646-4990-224		...LABEL-PRISM SUPPLIER CODE: V4V792	101102 108120	1
24	646-4990-227		...LABEL-PRISM SUPPLIER CODE: V4V792	504903	1
24	646-4990-231		...LABEL-PRISM SUPPLIER CODE: V4V792 CONFIG CHG DATA FROM A CMM: SUPSD BY 646-4990-231	504903	1
26	646-4990-225		...LABEL-PRISM SUPPLIER CODE: V4V792 CONFIG CHG DATA FROM A CMM: SUPSDS 646-4990-227	101102 108120	1
26	646-4990-226		...LABEL-PRISM SUPPLIER CODE: V4V792 CONFIG CHG DATA FROM A CMM: SUPSDS 646-4990-227	504903	1
26	646-4990-230		...LABEL-PRISM SUPPLIER CODE: V4V792 CONFIG CHG DATA FROM A CMM: SUPSDS 646-4990-226	504903	1
27	646-4992-140		..INDICATOR-THREE POSITION SUPPLIER CODE: V4V792	101102 108120	1

MISSING ITEM NUMBERS NOT APPLICABLE

- ITEM NOT ILLUSTRATED

22-14-01-03

22-14-01
FIG. 03
PAGE 2
JAN 20/09

BRI



757

PARTS CATALOG (MAINTENANCE)

FIG ITEM	PART NUMBER	1 2 3 4 5 6 7	NOMENCLATURE	EFFECT FROM TO	UNITS PER ASSY
3					
27	646-4992-143	..	INDICATOR-THREE POSITION SUPPLIER CODE: V4V792	504903	1
29	646-4990-001	...	LABEL-PRISM SUPPLIER CODE: V4V792	101102 108120	1
31	646-4990-231	...	LABEL-PRISM SUPPLIER CODE: V4V792 CONFIG CHG DATA FROM A CMM: SUPSD BY 646-4990-227	504903 101102 108120	1
31	646-4990-232	...	LABEL-PRISM SUPPLIER CODE: V4V792	504903	1
31	646-4990-227	...	LABEL-PRISM SUPPLIER CODE: V4V792 CONFIG CHG DATA FROM A CMM: SUPSDS 646-4990-231	101102 108120	1
32	646-4990-230	...	LABEL-PRISM SUPPLIER CODE: V4V792 CONFIG CHG DATA FROM A CMM: SUPSD BY 646-4990-226	101102 108120	1
32	646-4990-226	...	LABEL-PRISM SUPPLIER CODE: V4V792	504903	1
32	646-4990-226	...	LABEL-PRISM SUPPLIER CODE: V4V792 CONFIG CHG DATA FROM A CMM: SUPSDS 646-4990-230	101102 108120	1
- 34	280-2745-040	..	LABEL-ESDS WARNING SUPPLIER CODE: V12998	101102 108120 504903	1
- 35	233N2221-301	.MODULE ASSY-	COMPONENT MAINT MANUAL REF: 31-11-48	101102 108120	RF
- 35	RR92002-134A101	.MODULE ASSY-	POST RAPID REVISION: RR92002-134A	504504 506506	RF
- 35	233N2221-317	.MODULE ASSY-	COMPONENT MAINT MANUAL REF: 31-11-48	505505 507903	RF
- 35	233N2221-326	.MODULE ASSY-	COMPONENT MAINT MANUAL REF: 31-11-48	101102 108120	RF

MISSING ITEM NUMBERS NOT APPLICABLE

- ITEM NOT ILLUSTRATED

22-14-01-03

22-14-01
FIG. 03
PAGE 3
JAN 20/09

BRI



757

PARTS CATALOG (MAINTENANCE)

FIG ITEM	PART NUMBER	1 2 3 4 5 6 7	NOMENCLATURE	EFFECT FROM TO	UNITS PER ASSY
3					
- 35	233N2221-320		.MODULE ASSY- COMPONENT MAINT MANUAL REF: 31-11-48	101102 108120	RF
- 35	233N2221-328		.MODULE ASSY- COMPONENT MAINT MANUAL REF: 31-11-48	101102 108120	RF
40	233N2221-51		..MODULE ASSY- USED ON: 233N2221-301	101102 108120	1
40	233N2221-81		..MODULE ASSY- USED ON: 233N2221-320 233N2221-326 233N2221-328	101102 108120	1
40	233N2221-74		..MODULE ASSY-	504903	1
45	BCREF8565		...LIGHT ASSY-IND AUTO PILOT SUPPLIER CODE: V81590 OVERLENGTH PART NUMBER: 434-674-1031-2226 SPECIFICATION NUMBER: S231T300-2226 OPTIONAL PART: BCREF6229 V81590 FOR DETAILS SEE: 33-14-70-03	101102 108120 504903	1
45	BCREF6229		...LIGHT ASSY-IND AUTO PILOT SUPPLIER CODE: V81590 OVERLENGTH PART NUMBER: 434-674-1005-1226 SPECIFICATION NUMBER: S231T300-1226 ELECTRICAL EQUIP NUMBER: L00269 OPTIONAL PART: BCREF8565 V81590 FOR DETAILS SEE: 33-14-70-03	101102 108120 504903	1
50	123-10D		...CLAMP- SUPPLIER CODE: V33463 OPTIONAL PART: 123-3215G V28277	101102 108120 504903	1

MISSING ITEM NUMBERS NOT APPLICABLE

- ITEM NOT ILLUSTRATED

22-14-01-03

22-14-01
FIG. 03
PAGE 4
JAN 20/09

BRI



757

PARTS CATALOG (MAINTENANCE)

FIG ITEM	PART NUMBER	1 2 3 4 5 6 7	NOMENCLATURE	EFFECT FROM TO	UNITS PER ASSY
3 50	123-3215G		...CLAMP- SUPPLIER CODE: V33463 OPTIONAL PART: 123-10D V28277	101102 108120 504903	1
- 300	233N2103-17		PANEL INSTL-P3-1 (AUTOPILOT/FLIGHT DIRECTOR WARNING AND ANNUNCIATION ONLY) FOR NHA/OTHER SYS DET SEE: 25-10-00-15B	101101	RF
- 300	233N2103-371		PANEL INSTL-P3-1 (AUTOPILOT/FLIGHT DIRECTOR WARNING AND ANNUNCIATION ONLY) FOR NHA/OTHER SYS DET SEE: 25-10-00-15B	108120	RF
- 302	233N2103-217		PANEL INSTL-P3-1 (AUTOPILOT/FLIGHT DIRECTOR WARNING AND ANNUNCIATION ONLY) FOR NHA/OTHER SYS DET SEE: 25-10-00-15B	102102	RF
- 302	233N2103-254		PANEL INSTL-P3-1 (AUTOPILOT/FLIGHT DIRECTOR WARNING AND ANNUNCIATION ONLY) FOR NHA/OTHER SYS DET SEE: 25-10-00-15B	504903	RF
305	622-5374-002		.INDICATOR ASSY-AUTOLAND STATUS SUPPLIER CODE: V4V792 SPECIFICATION NUMBER: S241T120-1 ELECTRICAL EQUIP NUMBER: N00071 COMPONENT MAINT MANUAL REF: 22-14-70	101102 108120	1

MISSING ITEM NUMBERS NOT APPLICABLE

- ITEM NOT ILLUSTRATED

22-14-01-03

22-14-01
FIG. 03
PAGE 5
JAN 20/09

BRI



757

PARTS CATALOG (MAINTENANCE)

FIG ITEM	PART NUMBER	1 2 3 4 5 6 7	NOMENCLATURE	EFFECT FROM TO	UNITS PER ASSY
3 305	622-5374-003	.	INDICATOR ASSY-AUTOLAND STATUS SUPPLIER CODE: V4V792 SPECIFICATION NUMBER: S241T120-2 ELECTRICAL EQUIP NUMBER: N00071 COMPONENT MAINT MANUAL REF: 22-14-70	504903	1
310	754-0511-001	..	PANEL-EDGELIT SUPPLIER CODE: V13499	101102 108120	1
310	754-0511-002	..	PANEL-EDGELIT SUPPLIER CODE: V13499	504903	1
315	G42-22	...	FASTENER-COLLAR SUPPLIER CODE: V06097 ATTACHING PARTS	101102 108120 504903	2
- 320	G42SCREWBROWN	...	FASTENER-CPTV SCR SUPPLIER CODE: V06097 -----*-----	101102 108120 504903	2
325	MS90451-7132	...	LAMP	101102 108120 504903	5
- 330	233N2222-301	.	MODULE ASSY- COMPONENT MAINT MANUAL REF: 31-11-49 PRE ALERT SB: 33A0044	101101	RF
- 330	233N2222-321	.	MODULE ASSY- COMPONENT MAINT MANUAL REF: 31-11-49 PRE ALERT SB: 33A0044	102102	RF
- 330	233N2222-347	.	MODULE ASSY- COMPONENT MAINT MANUAL REF: 31-11-49 PRE ALERT SB: 33A0044	504903	RF
- 331	233N2222-326	.	MODULE ASSY- COMPONENT MAINT MANUAL REF: 31-11-49 PRE ALERT SB: 33A0044	504903	RF

MISSING ITEM NUMBERS NOT APPLICABLE

- ITEM NOT ILLUSTRATED

22-14-01-03

22-14-01
FIG. 03
PAGE 6
JAN 20/09

BRI



757

PARTS CATALOG (MAINTENANCE)

FIG ITEM	PART NUMBER	1 2 3 4 5 6 7	NOMENCLATURE	EFFECT FROM TO	UNITS PER ASSY
3					
- 331	233N2222-334		.MODULE ASSY- COMPONENT MAINT MANUAL REF: 31-11-49 PRE ALERT SB: 33A0044	504903	RF
- 331	233N2222-329		.MODULE ASSY- COMPONENT MAINT MANUAL REF: 31-11-49 PRE ALERT SB: 33A0044	102102	RF
- 331	233N2222-1342		.MODULE ASSY- COMPONENT MAINT MANUAL REF: 31-11-49 POST ALERT SB: 33A0044	102102 108120	RF
- 331	233N2222-342		.MODULE ASSY- COMPONENT MAINT MANUAL REF: 31-11-49 PRE ALERT SB: 33A0044	102102 108120	RF
- 332	233N2222-1301		.MODULE ASSY- COMPONENT MAINT MANUAL REF: 31-11-49 POST ALERT SB: 33A0044	101101	RF
- 332	233N2222-1329		.MODULE ASSY- COMPONENT MAINT MANUAL REF: 31-11-49 POST ALERT SB: 33A0044	102102	RF
- 332	233N2222-1321		.MODULE ASSY- COMPONENT MAINT MANUAL REF: 31-11-49 POST ALERT SB: 33A0044	102102	RF
- 333	233N2222-1326		.MODULE ASSY- COMPONENT MAINT MANUAL REF: 31-11-49 POST ALERT SB: 33A0044	504903	RF
- 333	233N2222-1334		.MODULE ASSY- COMPONENT MAINT MANUAL REF: 31-11-49 POST ALERT SB: 33A0044	504903	RF

MISSING ITEM NUMBERS NOT APPLICABLE

- ITEM NOT ILLUSTRATED

22-14-01-03

22-14-01
FIG. 03
PAGE 7
JAN 20/09

BRI



757

PARTS CATALOG (MAINTENANCE)

FIG ITEM	PART NUMBER	1 2 3 4 5 6 7	NOMENCLATURE	EFFECT FROM TO	UNITS PER ASSY
3					
- 333	233N2222-1347		.MODULE ASSY- COMPONENT MAINT MANUAL REF: 31-11-49 POST ALERT SB: 33A0044	504903	RF
335	233N2222-77		..MODULE ASSY- PRE ALERT SB: 33A0044	101101	1
335	233N2222-100		..MODULE ASSY- USED ON: 233N2222-321 PRE ALERT SB: 33A0044	102102	1
335	233N2222-105		..MODULE ASSY- USED ON: 233N2222-326 PRE ALERT SB: 33A0044	504903	1
336	233N2222-111		..MODULE ASSY- USED ON: 233N2222-329 PRE ALERT SB: 33A0044	102102	1
336	233N2222-116		..MODULE ASSY- USED ON: 233N2222-334 PRE ALERT SB: 33A0044	504903	1
336	233N2222-122		..MODULE ASSY- USED ON: 233N2222-342 PRE ALERT SB: 33A0044	102102 108120	1
336	233N2222-127		..MODULE ASSY- USED ON: 233N2222-347 PRE ALERT SB: 33A0044	504903	1
337	233N2222-1077		..MODULE ASSY- POST ALERT SB: 33A0044	101101	1
337	233N2222-1100		..MODULE ASSY- USED ON: 233N2222-1321 POST ALERT SB: 33A0044	102102	1

MISSING ITEM NUMBERS NOT APPLICABLE

- ITEM NOT ILLUSTRATED

22-14-01-03

22-14-01
FIG. 03
PAGE 8
JAN 20/09

BRI



757

PARTS CATALOG (MAINTENANCE)

FIG ITEM	PART NUMBER	1 2 3 4 5 6 7	NOMENCLATURE	EFFECT FROM TO	UNITS PER ASSY
3					
337	233N2222-1111	..	MODULE ASSY- USED ON: 233N2222-1329 POST ALERT SB: 33A0044	102102	1
337	233N2222-1122	..	MODULE ASSY- USED ON: 233N2222-1342 POST ALERT SB: 33A0044	102102 108120	1
338	233N2222-1105	..	MODULE ASSY- USED ON: 233N2222-1326 POST ALERT SB: 33A0044	504903	1
338	233N2222-1116	..	MODULE ASSY- USED ON: 233N2222-1334 POST ALERT SB: 33A0044	504903	1
338	233N2222-1127	..	MODULE ASSY- USED ON: 233N2222-1347 POST ALERT SB: 33A0044	504903	1
340	123-10D	...	CLAMP- SUPPLIER CODE: V33463	101102 108120 504903	1

MISSING ITEM NUMBERS NOT APPLICABLE

- ITEM NOT ILLUSTRATED

BRI

22-14-01-03

BOEING PROPRIETARY - Copyright © - Unpublished Work - See title page for details.

22-14-01
FIG. 03
PAGE 9
JAN 20/09



757

PARTS CATALOG (MAINTENANCE)

FIG ITEM	PART NUMBER	1 2 3 4 5 6 7	NOMENCLATURE	EFFECT FROM TO	UNITS PER ASSY
3 - 402	MODREF31741		PANEL INSTL-P1-3 AND P3-1 (AUTOPILOT/FLIGHT DIRECTOR WARNING AND ANNUNCIATION ONLY) MODULE NUMBER: 233N2103-425 REV A FOR OTHER SYS DETAILS SEE: 11-31-01-38 22-11-02-03 22-31-02-01 22-34-51-02 26-17-51-05 27-51-57-03 27-58-00-02 27-81-00-01 29-21-55-02 31-11-11-19 31-11-16-01 31-11-26-38 31-25-01-03 31-41-52-02 31-51-52-02 32-35-52-03 32-41-52-02 32-42-55-03 32-46-00-01 32-61-51-03 33-13-57-01A 33-16-52-03 34-12-01-03 34-13-01-03 34-13-02-01 34-13-05-01 34-13-06-01 34-16-51-03 34-21-02-02 34-22-02-02 34-22-05-01A 34-22-06-01 34-24-01-03 34-32-00-02 34-46-51-02 34-51-02-02 34-57-00-01 34-61-01-07 34-61-02-02 77-41-01-01 79-33-51-05	103105	1

MISSING ITEM NUMBERS NOT APPLICABLE

- ITEM NOT ILLUSTRATED

22-14-01-03

22-14-01
FIG. 03
PAGE 10
JAN 20/09

BRI



757

PARTS CATALOG (MAINTENANCE)

FIG ITEM	PART NUMBER	1 2 3 4 5 6 7	NOMENCLATURE	EFFECT FROM TO	UNITS PER ASSY
3 - 402	MODREF104335		PANEL INSTL-P1-3 AND P3-1 (AUTOPILOT/FLIGHT DIRECTOR WARNING AND ANNUNCIATION ONLY) MODULE NUMBER: 233N2103-425 REV B FOR OTHER SYS DETAILS SEE: 11-31-01-38 22-11-02-03 22-31-02-01 22-34-51-02 26-17-51-05 27-51-57-03 27-58-00-02 27-81-00-01 29-21-55-02 31-11-11-19 31-11-16-01 31-11-26-38 31-25-01-03 31-41-52-02 31-51-52-02 32-35-52-03 32-41-52-02 32-42-55-03 32-46-00-01 32-61-51-03 33-13-57-01A 33-16-52-03 34-12-01-03 34-13-01-03 34-13-02-01 34-13-05-01 34-13-06-01 34-16-51-03 34-21-02-02 34-22-02-02 34-22-05-01A 34-22-06-01 34-24-01-03 34-32-00-02 34-46-51-02 34-51-02-02 34-57-00-01 34-61-01-07 34-61-02-02 77-41-01-01 79-33-51-05	106106	1

MISSING ITEM NUMBERS NOT APPLICABLE

- ITEM NOT ILLUSTRATED

22-14-01-03

22-14-01
FIG. 03
PAGE 11
JAN 20/09

BRI



757

PARTS CATALOG (MAINTENANCE)

FIG ITEM	PART NUMBER	1 2 3 4 5 6 7	NOMENCLATURE	EFFECT FROM TO	UNITS PER ASSY
3 410	622-5374-002	.	INDICATOR ASSY-AUTOLAND STATUS SUPPLIER CODE: V4V792 SPECIFICATION NUMBER: S241T120-1 ELECTRICAL EQUIP NUMBER: N00070 N00071 COMPONENT MAINT MANUAL REF: 22-14-70	103106	2
415	754-0511-001	..	PANEL-EDGE LIT SUPPLIER CODE: V13499	103106	1
420	G42-22	...	FASTENER-COLLAR SUPPLIER CODE: V06097	103106	2
- 425	G42SCREWBROWN	...	FASTENER-CPTV SCR SUPPLIER CODE: V06097 -----*-----	103106	2
430	MS90451-7132	...	LAMP	103106	5
- 440	233N2221-325	.	MODULE ASSY-P1-3 COMPONENT MAINT MANUAL REF: 31-11-48	103106	RF
445	233N2221-81	..	MODULE ASSY- USED ON: 233N2221-320 233N2221-326 233N2221-328	103106	1

MISSING ITEM NUMBERS NOT APPLICABLE

- ITEM NOT ILLUSTRATED

22-14-01-03

22-14-01
FIG. 03
PAGE 12
JAN 20/09

BRI



757

PARTS CATALOG (MAINTENANCE)

FIG ITEM	PART NUMBER	1 2 3 4 5 6 7	NOMENCLATURE	EFFECT FROM TO	UNITS PER ASSY
3 450	BCREF8565		...LIGHT ASSY-IND AUTO PILOT SUPPLIER CODE: V81590 OVERLENGTH PART NUMBER: 434-674-1031-2226 SPECIFICATION NUMBER: S231T300-2226 OPTIONAL PART: BCREf6229 V81590 USED ON: 233N2221-51 233N2221-70 233N2221-72 233N2221-81 233N2221-83 FOR DETAILS SEE: 33-14-70-03	103106	1
450	BCREF6229		...LIGHT ASSY-IND AUTO PILOT SUPPLIER CODE: V81590 OVERLENGTH PART NUMBER: 434-674-1005-1226 SPECIFICATION NUMBER: S231T300-1226 ELECTRICAL EQUIP NUMBER: L00269 OPTIONAL PART: BCREf8565 V81590 USED ON: 233N2221-51 233N2221-70 233N2221-72 233N2221-81 FOR DETAILS SEE: 33-14-70-03	103106	1
455	123-10D		...CLAMP- SUPPLIER CODE: V33463 OPTIONAL PART: 123-3215G V28277	103106	1

MISSING ITEM NUMBERS NOT APPLICABLE

- ITEM NOT ILLUSTRATED

22-14-01-03

22-14-01
 FIG. 03
 PAGE 13
 JAN 20/09

BRI



757

PARTS CATALOG (MAINTENANCE)

FIG ITEM	PART NUMBER	1 2 3 4 5 6 7	NOMENCLATURE	EFFECT FROM TO	UNITS PER ASSY
3 455	123-3215G		...CLAMP- SUPPLIER CODE: V33463 OPTIONAL PART: 123-10D V28277	103106	1
- 466	233N2222-379		.MODULE ASSY-P3-1 COMPONENT MAINT MANUAL REF: 31-11-49	103106	RF
470	233N2222-153		..MODULE ASSY-	103106	1
475	123-10D		...CLAMP- SUPPLIER CODE: V33463 OPTIONAL PART: 123-3215G V28277	103106	1
475	123-3215G		...CLAMP- SUPPLIER CODE: V33463 OPTIONAL PART: 123-10D V28277 USED ON: 233N2222-135 233N2222-136 233N2222-146 233N2222-149 233N2222-151 233N2222-152 233N2222-153 233N2222-155 233N2222-157	103106	1
- 801	286N0001-357		WIRE BUNDLE ASSY- REWORKED BY ALERT SB: 34A022	505505 507903	1
- 802	286N0001-361		WIRE BUNDLE ASSY- REWORKED BY ALERT SB: 34A022	101101	1
- 802	286N0001-365		WIRE BUNDLE ASSY- REWORKED BY ALERT SB: 34A022	102102	1
- 803	286N0001-382		WIRE BUNDLE ASSY- REWORKED BY ALERT SB: 34A022	504504 506506	1
- 804	286N0001-392		WIRE BUNDLE ASSY- REWORKED BY ALERT SB: 34A022	108120	1
- 806	286N0001-709		WIRE BUNDLE ASSY-	103106	1

MISSING ITEM NUMBERS NOT APPLICABLE

- ITEM NOT ILLUSTRATED

22-14-01-03

22-14-01
FIG. 03
PAGE 14
JAN 20/09

BRI



757

PARTS CATALOG (MAINTENANCE)

FIG ITEM	PART NUMBER	1 2 3 4 5 6 7	NOMENCLATURE	EFFECT FROM TO	UNITS PER ASSY
3					
810	BACC45FT14A15S	.	CONNECTOR- ELECTRICAL EQUIP NUMBER: D00485 WIRING DIAGRAM REF: 221411	101106 108120 504903	1
815	C0909A12-12S102	.	CONNECTOR- SUPPLIER CODE: V13556 SPECIFICATION NUMBER: BACC63BN12-12S OPTIONAL PART: 48-63N12-12S V02660 C0909A12-12SN V13556 ELECTRICAL EQUIP NUMBER: D00401 WIRING DIAGRAM REF: 221411	108120	1
815	BACC45FT12-12S	.	CONNECTOR- ELECTRICAL EQUIP NUMBER: D00401 WIRING DIAGRAM REF: 221411	101106 504903	1
820	BACC10GH12	.	CLAMP- ELECTRICAL EQUIP NUMBER: D00401T WIRING DIAGRAM REF: 221411	101106 108120 504903	1
- 850	286N0003-384		WIRE BUNDLE ASSY- REWORKED BY ALERT SB: 34A0222	108120	1
- 850	286N0003-323		WIRE BUNDLE ASSY- REWORKED BY ALERT SB: 34A0222	101101	1
- 851	286N0003-355		WIRE BUNDLE ASSY- REWORKED BY ALERT SB: 34A0222	504903	1
- 852	286N0003-359		WIRE BUNDLE ASSY- REWORKED BY ALERT SB: 34A0222	102102	1
- 857	286N0003-601		WIRE BUNDLE ASSY	103106	1
860	BACC45FT14A15S	.	CONNECTOR- ELECTRICAL EQUIP NUMBER: D00487 WIRING DIAGRAM REF: 221421	101106 108120 504903	1

MISSING ITEM NUMBERS NOT APPLICABLE

- ITEM NOT ILLUSTRATED

22-14-01-03

22-14-01
FIG. 03
PAGE 15
JAN 20/09

BRI



757

PARTS CATALOG (MAINTENANCE)

FIG ITEM	PART NUMBER	1 2 3 4 5 6 7	NOMENCLATURE	EFFECT FROM TO	UNITS PER ASSY
3					
865	BACC45FT12-12S	.	CONNECTOR- ELECTRICAL EQUIP NUMBER: D00403 WIRING DIAGRAM REF: 221421	103106 108120 504903	1
865	BACC45FT12A12S	.	CONNECTOR- ELECTRICAL EQUIP NUMBER: D00403 WIRING DIAGRAM REF: 221421	101102	1
870	BACC10GH12	.	CLAMP- ELECTRICAL EQUIP NUMBER: D00403T WIRING DIAGRAM REF: 221421	103106 108120 504903	1

MISSING ITEM NUMBERS NOT APPLICABLE

- ITEM NOT ILLUSTRATED

BRI

22-14-01-03

BOEING PROPRIETARY - Copyright © - Unpublished Work - See title page for details.

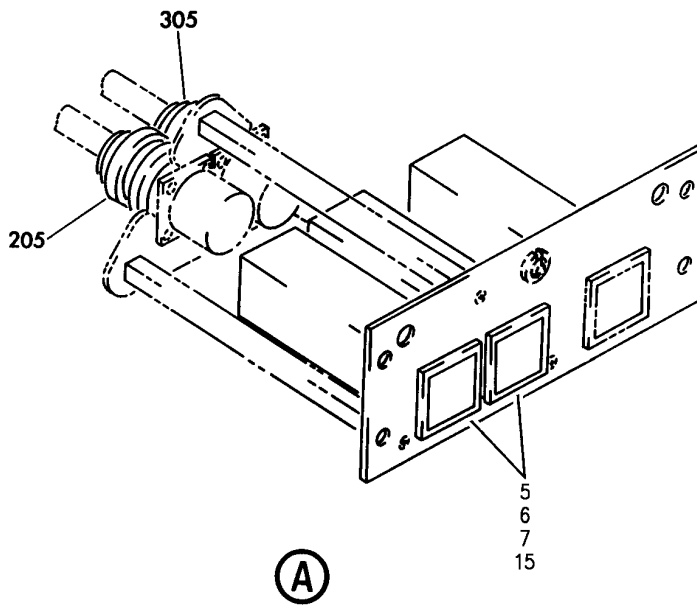
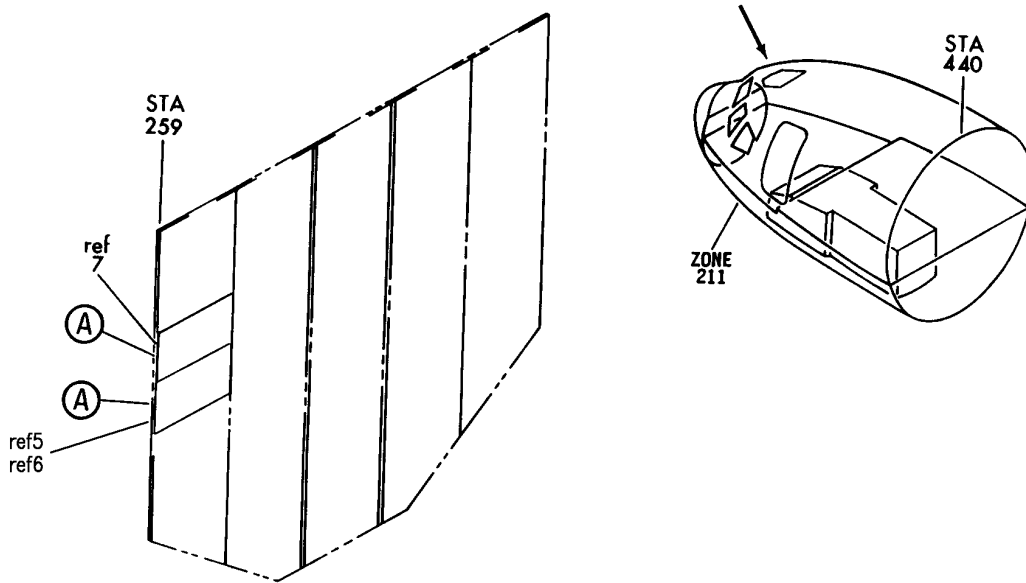
22-14-01
FIG. 03
PAGE 16
JAN 20/09

YAW DAMPER SYSTEM

BRI
MAY 28/07

22-21-00
SECTION TITLE
PAGE 1

BOEING
757
PARTS CATALOG (MAINTENANCE)



Y 22210101 REV 278

PANEL INSTL-P5 OVHD (YAW DAMPER SYSTEM ONLY)
FIGURE 1

22-21-01-01

BRI
MAY 28/07

22-21-01-01
PAGE 0



757

PARTS CATALOG (MAINTENANCE)

FIG ITEM	PART NUMBER	1 2 3 4 5 6 7	NOMENCLATURE	EFFECT FROM TO	UNITS PER ASSY
1			PANEL INSTL-P5 OVHD (YAW DAMPER SYSTEM ONLY)	002004 006010 107107 121503 904999	
- 1	233N3101-1		PANEL INSTL-P5 OVHD (YAW DAMPER SYSTEM ONLY) VARIABLE DRAWING REF: 233N3101-5005 233N3101-5025 233N3101-5041 233N3101-5042 233N3101-5045 FOR NHA/OTHER SYS DET SEE: 25-10-00-05A	002004 006010 107107 121503 904999	RF
5	233N3216-18		.PANEL ASSY- SUPPLIER CODE: V89954 ELECTRICAL EQUIP NUMBER: M10250 COMPONENT MAINT MANUAL REF: 22-21-71 QUALIFIED I/W DATA: 233N3216-15, -19, -23, -24, -25 ARE ALL INTERCHANGEABLE EXCEPT SUBJECT TO CUSTOMER PREFERENCE PRE ALERT SB: 33A0044	107107	RF

MISSING ITEM NUMBERS NOT APPLICABLE

- ITEM NOT ILLUSTRATED

BRI

22-21-01-01

22-21-01
FIG. 01
PAGE 1
JAN 20/09



757

PARTS CATALOG (MAINTENANCE)

FIG ITEM	PART NUMBER	1 2 3 4 5 6 7	NOMENCLATURE	EFFECT FROM TO	UNITS PER ASSY
1	5 233N3216-20		.PANEL ASSY- SUPPLIER CODE: V89954 MISCELLANEOUS DATA: FOR SPARES PROCURE NEXT HIGHER ASSY ELECTRICAL EQUIP NUMBER: M10250 COMPONENT MAINT MANUAL REF: 22-21-71 QUALIFIED I/W DATA: 233N3216-14 -18 -20 -21 -22 ARE ALL INTERCHANGEABLE EXCEPT SUBJECT TO CUSTOMER PREFERENCE THE 233N3216-300 PANEL ASSY IS I/W THE 233N3216-20 PANEL ASSY T/W THE S233T100-1075 LIGHTPLATE PRE ALERT SB: 33A0044	002004 006010 950999	RF
	5 233N3216-22		.PANEL ASSY- SUPPLIER CODE: V89954 ELECTRICAL EQUIP NUMBER: M10250 COMPONENT MAINT MANUAL REF: 22-21-71 QUALIFIED I/W DATA: 233N3216-14 -18 -20 -21 -22 ARE ALL INTERCHANGEABLE EXCEPT SUBJECT TO CUSTOMER PREFERENCE PRE ALERT SB: 33A0044R1	121503 904949	RF
	5 233N3216-1020		.PANEL ASSY- SUPPLIER CODE: V89954 ELECTRICAL EQUIP NUMBER: M10250 COMPONENT MAINT MANUAL REF: 22-21-71 POST ALERT SB: 33A0044	002004 006010 950999	RF

MISSING ITEM NUMBERS NOT APPLICABLE

- ITEM NOT ILLUSTRATED

22-21-01-01

22-21-01
FIG. 01
PAGE 2
JAN 20/09

BRI



757

PARTS CATALOG (MAINTENANCE)

FIG ITEM	PART NUMBER	1 2 3 4 5 6 7	NOMENCLATURE	EFFECT FROM TO	UNITS PER ASSY
1					
5	233N3216-1018		.PANEL ASSY- SUPPLIER CODE: V89954 ELECTRICAL EQUIP NUMBER: M10250 COMPONENT MAINT MANUAL REF: 22-21-71 POST ALERT SB: 33A0044	107107	RF
6	233N3216-1022		.PANEL ASSY- SUPPLIER CODE: V89954 ELECTRICAL EQUIP NUMBER: M10250 COMPONENT MAINT MANUAL REF: 22-21-71 POST ALERT SB: 33A0044R1	121503 904949	RF
15	BCREF7606		..SWITCH ASSY-LIGHTED PUSH BUTTON IND ON/INOP SUPPLIER CODE: V81590 OVERLENGTH PART NUMBER: 433-673-1001-1016 SPECIFICATION NUMBER: S231T290-1016 MISCELLANEOUS DATA: WHEN REPLACING THE PUSHBUTTON SWITCH ASSY OR THE MASTER MODULE WITHIN, VERIFY THAT A CONFIG D MASTER MODULE P/N 13206-001 IS INSTALLED IN LIEU OF ANY EARLIER CONFIGURATION MASTER MODULES. REFERENCE SERVICE BULLETIN: 33A0044 REWORKED BY SB: 433-33-05 V81590 FOR DETAILS SEE: 33-13-00-16	107107	2

MISSING ITEM NUMBERS NOT APPLICABLE

- ITEM NOT ILLUSTRATED

BRI

22-21-01-01

22-21-01
FIG. 01
PAGE 3
JAN 20/09



757

PARTS CATALOG (MAINTENANCE)

FIG ITEM	PART NUMBER	1 2 3 4 5 6 7	NOMENCLATURE	EFFECT FROM TO	UNITS PER ASSY
1 15	BCREFA0505		.. SWITCH ASSY-LIGHTED PUSH BUTTON IND SUPPLIER CODE: V81590 OVERLENGTH PART NUMBER: 433-673-1004-4016 SPECIFICATION NUMBER: S231T290-4016 MISCELLANEOUS DATA: WHEN REPLACING THE PUSHBUTTON SWITCH ASSY OR THE MASTER MODULE WITHIN, VERIFY THAT A CONFIG D MASTER MODULE P/N 13206-001 IS INSTALLED IN LIEU OF ANY EARLIER CONFIGURATION MASTER MODULES. OPTIONAL PART: 851-35100-5016 V96182 REFERENCE SERVICE BULLETIN: 33A0044 REWORKED BY SB: 433-33-05 V81590 PRE SERVICE LETTER: 33-027 FOR DETAILS SEE: 33-13-00-46	002004 006010 107107 121503 904999	2
15	851-30768-3016		.. SWITCH ASSY-LIGHTED PUSH BUTTON IND ON/INOP SUPPLIER CODE: V96182 SPECIFICATION NUMBER: S231T290-3016 OPTIONAL PART: 851-35100-5016 V96182 FOR DETAILS SEE: 33-13-00-36	002004 006010 107107 121503 904999	2

MISSING ITEM NUMBERS NOT APPLICABLE

- ITEM NOT ILLUSTRATED

BRI

22-21-01-01

BOEING PROPRIETARY - Copyright © - Unpublished Work - See title page for details.

22-21-01
 FIG. 01
 PAGE 4
 JAN 20/09



757

PARTS CATALOG (MAINTENANCE)

FIG ITEM	PART NUMBER	1 2 3 4 5 6 7	NOMENCLATURE	EFFECT FROM TO	UNITS PER ASSY
1	15 851-35100-5016		..SWITCH ASSY-LIGHTED PUSH BUTTON IND SUPPLIER CODE: V96182 SPECIFICATION NUMBER: S231T290-5016 OPTIONAL PART: BCREFA0505 V81590 851-30768-3016 V96182	002004 006010 107107 121503 904999	2
	15 851-30768-2016		..SWITCH ASSY-LIGHTED PUSH BUTTON IND SUPPLIER CODE: V96182 SPECIFICATION NUMBER: S231T290-2016 FOR DETAILS SEE: 33-13-00-26	002004 006010 107107 121503 904999	2
	15 4336731004-4216		..SWITCH ASSY-LIGHTED PUSH BUTTON IND SUPPLIER CODE: V81590 SPECIFICATION NUMBER: S231T290-4216 POST SERVICE LETTER: 33-027	002004 006010 107107 121503 904999	1
- 200	286N2078		WIRE BUNDLE ASSY-(YAW DAMPER SYSTEM ONLY)	002004 006010 107107 121503 904999	RF
- 200	286N2078-003		WIRE BUNDLE ASSY-(YAW DAMPER SYSTEM ONLY)	121503 904949	RF
- 200	286N2078-004		WIRE BUNDLE ASSY-(YAW DAMPER SYSTEM ONLY)	107107	RF
- 200	286N2078-005		WIRE BUNDLE ASSY-(YAW DAMPER SYSTEM ONLY)	002004 006010 950999	RF
	205 BACC45FT12A12S7		.CONNECTOR- ELECTRICAL EQUIP NUMBER: D03511 WIRING DIAGRAM REF: 222111 243311	002004 006010 107107 121503 904999	1
- 300	286N2072-003		WIRE BUNDLE ASSY-(YAW DAMPER SYSTEM ONLY)	121503 904949	RF
- 300	286N2072-004		WIRE BUNDLE ASSY-(YAW DAMPER SYSTEM ONLY)	107107	RF

MISSING ITEM NUMBERS NOT APPLICABLE

- ITEM NOT ILLUSTRATED

22-21-01-01

22-21-01
FIG. 01
PAGE 5
JAN 20/09

BRI



757

PARTS CATALOG (MAINTENANCE)

FIG ITEM	PART NUMBER	1 2 3 4 5 6 7	NOMENCLATURE	EFFECT FROM TO	UNITS PER ASSY
1 - 300	286N2072-005		WIRE BUNDLE ASSY-(YAW DAMPER SYSTEM ONLY) REWORKED BY SB: 33-0039	002004 006010 950999	RF
305	BACC45FT14A15S7		.CONNECTOR- ELECTRICAL EQUIP NUMBER: D03513 WIRING DIAGRAM REF: 222121	002004 006010 107107 121503 904999	1

MISSING ITEM NUMBERS NOT APPLICABLE

- ITEM NOT ILLUSTRATED

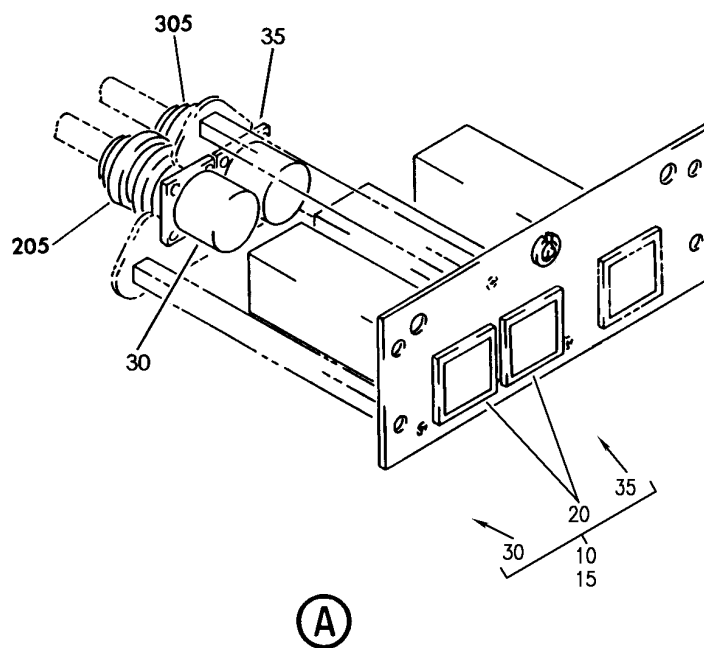
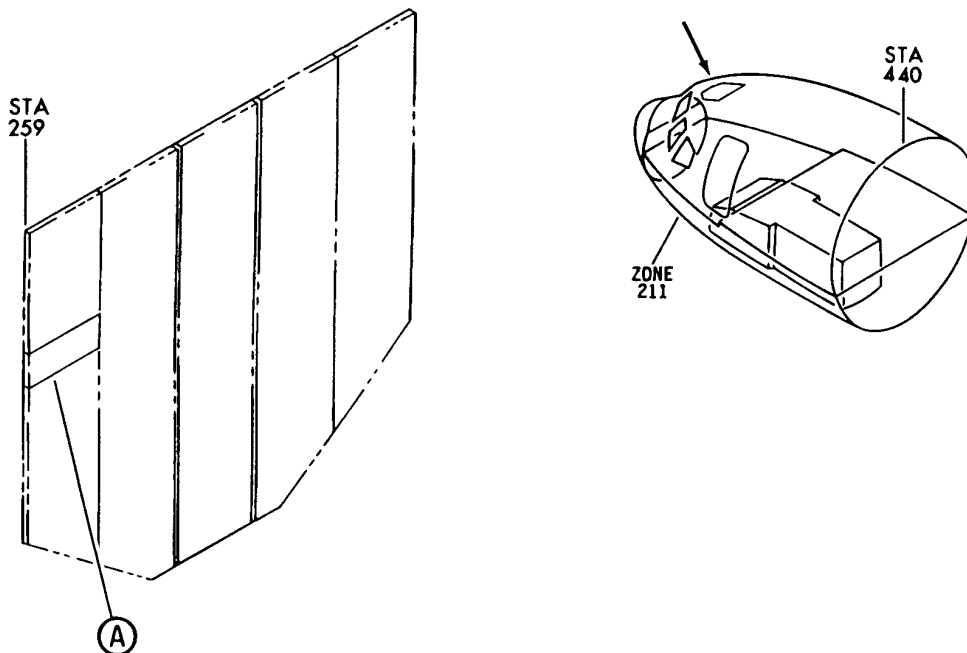
BRI

22-21-01-01

BOEING PROPRIETARY - Copyright © - Unpublished Work - See title page for details.

22-21-01
FIG. 01
PAGE 6
JAN 20/09

BOEING
757
PARTS CATALOG (MAINTENANCE)



Y 22210102 REV 278

PANEL INSTL-P5 OVERHEAD (YAW DAMPER SYSTEM ONLY)
FIGURE 2

22-21-01-02

BRI
MAY 28/07

22-21-01-02
PAGE 0

 **BOEING**
757
PARTS CATALOG (MAINTENANCE)

FIG ITEM	PART NUMBER	1 2 3 4 5 6 7	NOMENCLATURE	EFFECT FROM TO	UNITS PER ASSY
2			PANEL INSTL-P5 OVERHEAD (YAW DAMPER SYSTEM ONLY)	002004 006100 121503 904999	
- 1	233N3101-1		PANEL INSTL-P5 OVERHEAD (YAW DAMPER SYSTEM ONLY) VARIABLE DRAWING REF: 233N3101-5142 FOR NHA/OTHER SYS DET SEE: 25-10-00-05A	011100	RF
- 5	233N3216-300		.PANEL ASSY- SUPPLIER CODE: V89954 ELECTRICAL EQUIP NUMBER: M10250 COMPONENT MAINT MANUAL REF: 22-21-71 QUALIFIED I/W DATA: THE 233N3216-300 PANEL ASSY IS I/W THE 233N3216-20 PANEL ASSY T/W THE S233T100-1075 LIGHTPLATE PRE ALERT SB: 33A0044	011100	RF
- 5	233N3216-1300		.PANEL ASSY- SUPPLIER CODE: V89954 ELECTRICAL EQUIP NUMBER: M10250 COMPONENT MAINT MANUAL REF: 22-21-71 POST ALERT SB: 33A0044	011100	RF
- 5	233N3216-309		.PANEL ASSY- SUPPLIER CODE: V89954 ELECTRICAL EQUIP NUMBER: M10250 COMPONENT MAINT MANUAL REF: 22-21-71	011100	RF

R
R
R
R
R
R

MISSING ITEM NUMBERS NOT APPLICABLE

- ITEM NOT ILLUSTRATED

BRI

22-21-01-02

BOEING PROPRIETARY - Copyright © - Unpublished Work - See title page for details.

22-21-01
FIG. 02
PAGE 1
MAY 20/09



757

PARTS CATALOG (MAINTENANCE)

FIG ITEM	PART NUMBER	1 2 3 4 5 6 7	NOMENCLATURE	EFFECT FROM TO	UNITS PER ASSY
2 10	233N3216-20		..PANEL ASSY- SUPPLIER CODE: V89954 MISCELLANEOUS DATA: FOR SPARES PROCURE NEXT HIGHER ASSY ELECTRICAL EQUIP NUMBER: M10250 COMPONENT MAINT MANUAL REF: 22-21-71 QUALIFIED I/W DATA: THE 233N3216-300 PANEL ASSY IS I/W THE 233N3216-20 PANEL ASSY T/W THE S233T100-1075 LIGHTPLATE PRE ALERT SB: 33A0044	011100	1
10	233N3216-1020		..PANEL ASSY- SUPPLIER CODE: V89954 ELECTRICAL EQUIP NUMBER: M10250 COMPONENT MAINT MANUAL REF: 22-21-71 POST ALERT SB: 33A0044	011100	1
10	233N3216-35		..PANEL ASSY- SUPPLIER CODE: V89954 MISCELLANEOUS DATA: FOR SPARES PROCURE NEXT HIGHER ASSY ELECTRICAL EQUIP NUMBER: M10250 COMPONENT MAINT MANUAL REF: 22-21-71 USED ON: 233N3216-309	011100	1

MISSING ITEM NUMBERS NOT APPLICABLE

- ITEM NOT ILLUSTRATED

BRI

22-21-01-02

BOEING PROPRIETARY - Copyright © - Unpublished Work - See title page for details.

22-21-01
FIG. 02
PAGE 2
JAN 20/09



757

PARTS CATALOG (MAINTENANCE)

FIG ITEM	PART NUMBER	1 2 3 4 5 6 7	NOMENCLATURE	EFFECT FROM TO	UNITS PER ASSY
2 20	BCREFA0505		...SWITCH ASSY-LIGHTED PUSH BUTTON IND SUPPLIER CODE: V81590 OVERLENGTH PART NUMBER: 433-673-1004-4016 SPECIFICATION NUMBER: S231T290-4016 MISCELLANEOUS DATA: WHEN REPLACING THE PUSHBUTTON SWITCH ASSY OR THE MASTER MODULE WITHIN, VERIFY THAT A CONFIG D MASTER MODULE P/N 13206-001 IS INSTALLED IN LIEU OF ANY EARLIER CONFIGURATION MASTER MODULES. OPTIONAL PART: 851-35100-5016 V96182 USED ON: 233N3215-20 233N3216-21 233N3216-24 233N3216-25 233N3216-1020 233N3216-1021 233N3216-1024 REFERENCE SERVICE BULLETIN: 33A0044 REWORKED BY SB: 433-33-05 V81590 FOR DETAILS SEE: 33-13-00-46	011100	2
20	851-30768-2016		...SWITCH ASSY-LIGHTED PUSH BUTTON IND SUPPLIER CODE: V96182 SPECIFICATION NUMBER: S231T290-2016 FOR DETAILS SEE: 33-13-00-26	011100	2

MISSING ITEM NUMBERS NOT APPLICABLE

- ITEM NOT ILLUSTRATED

BRI

22-21-01-02

BOEING PROPRIETARY - Copyright © - Unpublished Work - See title page for details.

22-21-01
 FIG. 02
 PAGE 3
 JAN 20/09



757

PARTS CATALOG (MAINTENANCE)

FIG ITEM	PART NUMBER	1 2 3 4 5 6 7	NOMENCLATURE	EFFECT FROM TO	UNITS PER ASSY
2	20 851-30768-3016		...SWITCH ASSY-LIGHTED PUSH BUTTON IND ON/INOP SUPPLIER CODE: V96182 SPECIFICATION NUMBER: S231T290-3016 FOR DETAILS SEE: 33-13-00-36	011100	2
	20 851-35100-5016		...SWITCH ASSY-LIGHTED PUSH BUTTON IND SUPPLIER CODE: V96182 SPECIFICATION NUMBER: S231T290-5016 OPTIONAL PART: BCREFA0505 V81590 USED ON: 233N3216-20 233N3216-24 233N3216-1020 233N3216-1024	011100	2
	20 4336731004-4216		...SWITCH ASSY-LIGHTED PUSH BUTTON IND SUPPLIER CODE: V81590 SPECIFICATION NUMBER: S231T290-4216 USED ON: 233N3216-35	011100	2
	35 BACC45FN14-15P7		...CONNECTOR ATTACHING PARTS	011100	1
-	40 NAS1801-04-5		...SCREW- USED ON: 233N3216-20 233N3216-21 233N3216-24 233N3216-1020 233N3216-1021 233N3216-1024	011100	6
-	40 BACS12CK04U5		...SCREW- USED ON: 233N3216-35	011100	6

MISSING ITEM NUMBERS NOT APPLICABLE

- ITEM NOT ILLUSTRATED

22-21-01-02

22-21-01
FIG. 02
PAGE 4
JAN 20/09

BRI



757

PARTS CATALOG (MAINTENANCE)

FIG ITEM	PART NUMBER	1 2 3 4 5 6 7	NOMENCLATURE	EFFECT FROM TO	UNITS PER ASSY
2 - 45	K19798-04		. . . NUT SUPPLIER CODE: V15653 SPECIFICATION NUMBER: BACN10NW1 OPTIONAL PART: RMA4812-160-40 V72962 293162 V60119 -----*-----	011100	6
- 200	286N2078-003		WIRE BUNDLE ASSY-	121503 904949	RF
- 200	286N2078-005		WIRE BUNDLE ASSY-	002004 006100 950999	RF
205	BACC45FT12A12S7		.CONNECTOR- ELECTRICAL EQUIP NUMBER: D03511 WIRING DIAGRAM REF: 222111 243311	011100	1
- 300	286N2072-003		WIRE BUNDLE ASSY	121503 904949	RF
- 300	286N2072-005		WIRE BUNDLE ASSY- REWORKED BY SB: 33-0039	002004 006100 950999	RF
305	BACC45FT14A15S7		.CONNECTOR- ELECTRICAL EQUIP NUMBER: D03513 WIRING DIAGRAM REF: 222121	011100	1

MISSING ITEM NUMBERS NOT APPLICABLE

- ITEM NOT ILLUSTRATED

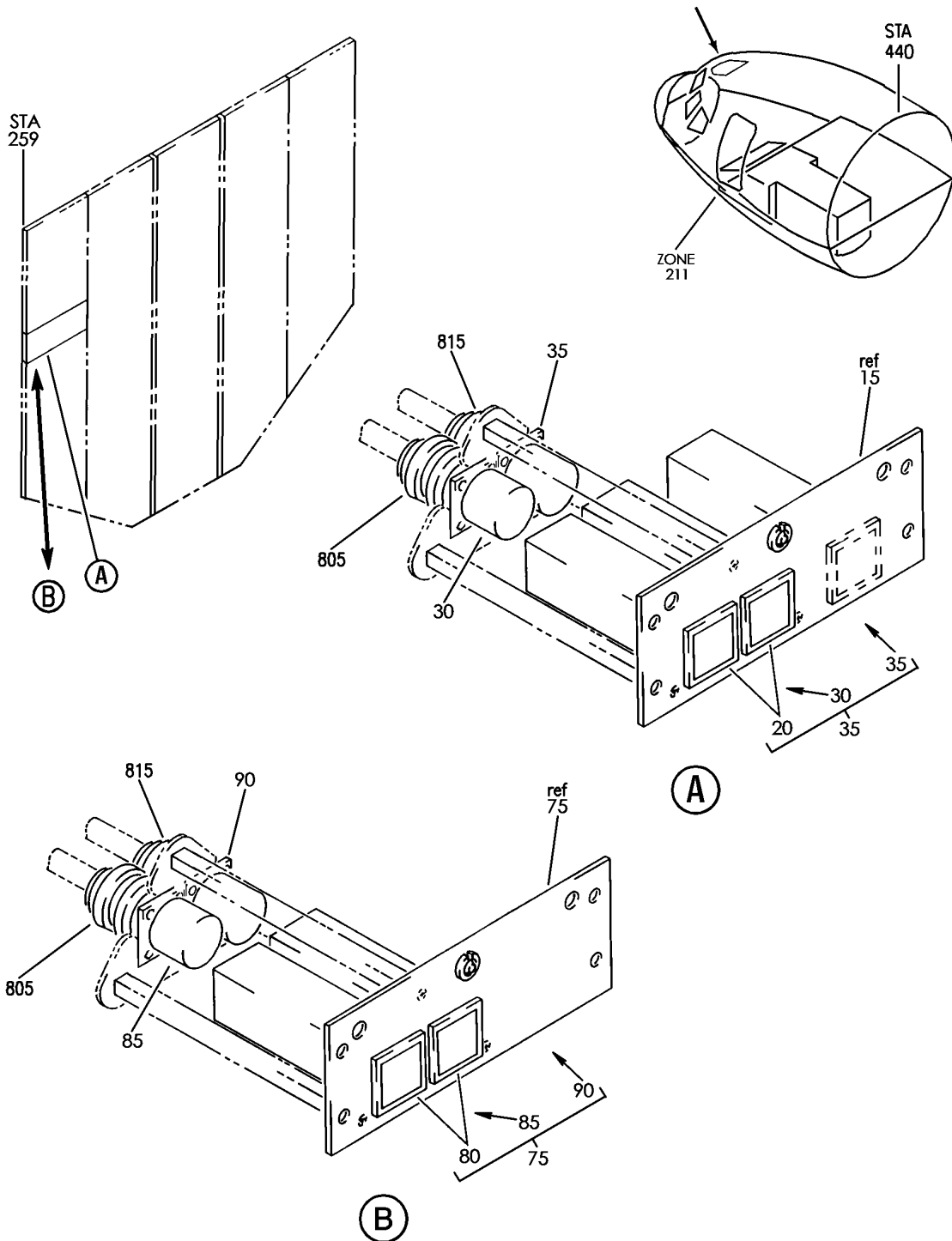
BRI

22-21-01-02

BOEING PROPRIETARY - Copyright © - Unpublished Work - See title page for details.

22-21-01
FIG. 02
PAGE 5
JAN 20/09


BOEING
 757
PARTS CATALOG (MAINTENANCE)



Y 22210104 REV 244

PANEL INSTL-P5 OVHD (YAW DAMPER SYSTEM ONLY)
 FIGURE 4

22-21-01-04

BRI
 MAY 28/07

22-21-01-04
 PAGE 0



757

PARTS CATALOG (MAINTENANCE)

FIG ITEM	PART NUMBER	1 2 3 4 5 6 7	NOMENCLATURE	EFFECT FROM TO	UNITS PER ASSY
4			PANEL INSTL-P5 OVHD (YAW DAMPER SYSTEM ONLY)	101106 108120 504903	
- 3	233N3103-132		PANEL INSTL-P5 OVHD (YAW DAMPER SYSTEM ONLY) FOR NHA/OTHER SYS DET SEE: 25-10-00-15E	101102	RF
- 3	233N3103-136		PANEL INSTL-P5 OVHD (YAW DAMPER SYSTEM ONLY) FOR NHA/OTHER SYS DET SEE: 25-10-00-15E	504903	RF
- 6	233N3103-59		PANEL INSTL-P5 OVHD (YAW DAMPER SYSTEM ONLY) FOR NHA/OTHER SYS DET SEE: 25-10-00-15E	108120	RF
- 9	MODREF170180		PANEL INSTL-P5 OVHD (YAW DAMPER SYSTEM ONLY) MODULE NUMBER: 233N3103-353 REV B FOR OTHER SYS DETAILS SEE: 11-31-10-12 21-25-55-03 21-31-01-02 21-33-51-03 21-51-54-03 21-58-19-10 21-58-51-03 21-61-04-03 21-65-51-01 22-24-51-02 23-24-01-01 23-32-00-11 23-42-02-02 23-71-05-02 24-11-52-05 24-22-01-03 24-31-01-10 24-31-03-09 24-33-04-01 24-41-51-04 24-51-62-01 26-18-51-04 27-21-53-02 27-41-55-01 27-61-51-03 27-62-52-02 28-22-51-02 28-41-04-01 28-41-51-03	106106	1

MISSING ITEM NUMBERS NOT APPLICABLE

- ITEM NOT ILLUSTRATED

22-21-01-04

22-21-01
FIG. 04
PAGE 1
JAN 20/09

BRI



757

PARTS CATALOG (MAINTENANCE)

FIG ITEM	PART NUMBER	1 2 3 4 5 6 7	NOMENCLATURE	EFFECT FROM TO	UNITS PER ASSY
4			29-11-02-03 29-11-05-04 29-11-52-07 29-21-54-03 29-31-00-01 29-32-51-03 29-33-52-03 30-11-51-03 30-21-51-03 30-31-51-02 30-32-51-01 30-33-51-02 30-41-51-03 30-42-51-03 31-12-11-84 31-12-11-84 A 32-42-52-03 33-11-03-03 33-11-51-17 33-13-01-65 33-13-02-03 33-16-51-03 33-24-51-02 33-41-52-04 33-42-01-04 33-42-02-04 33-42-52-04 33-43-51-04 33-44-51-05 33-45-53-03 33-51-08-05 34-21-02-01 35-21-51-04 36-11-04-01 36-21-00-01 36-21-02-05 36-22-51-03 49-41-00-02 49-52-00-01 49-70-00-01 52-51-51-03 52-71-51-02 73-21-52-02 74-31-51-05 75-32-00-01 80-11-09-02		
- 10	MODREF33760		PANEL INSTL-P5 OVHD (YAW DAMPER SYSTEM ONLY) MODULE NUMBER:	103103	1

MISSING ITEM NUMBERS NOT APPLICABLE

- ITEM NOT ILLUSTRATED

22-21-01-04

22-21-01
 FIG. 04
 PAGE 2
 JAN 20/09

BRI



757

PARTS CATALOG (MAINTENANCE)

FIG ITEM	PART NUMBER	1 2 3 4 5 6 7	NOMENCLATURE	EFFECT FROM TO	UNITS PER ASSY
4			233N3103-351 REV C FOR OTHER SYS DETAILS SEE: 11-31-10-12 21-25-55-03 21-31-01-02 21-33-51-03 21-51-54-03 21-58-19-10 21-58-51-03 21-61-04-03 21-65-51-01 22-24-51-02 23-24-01-01 23-32-00-11 23-42-02-02 23-71-05-02 24-11-52-05 24-22-01-03 24-31-01-10 24-31-03-09 24-33-04-01 24-41-51-04 24-51-62-01 26-18-51-04 27-21-53-02 27-41-55-01 27-61-51-03 27-62-52-02 28-22-51-02 28-41-04-01 28-41-51-03 29-11-02-03 29-11-05-04 29-11-52-07 29-21-54-03 29-31-00-01 29-32-51-03 29-33-52-03 30-11-51-03 30-21-51-03 30-31-51-02 30-32-51-01 30-33-51-02 30-41-51-03 30-42-51-03 31-12-11-91 31-12-11-91A 32-42-52-03 33-11-03-03		

MISSING ITEM NUMBERS NOT APPLICABLE

- ITEM NOT ILLUSTRATED

22-21-01-04

22-21-01
FIG. 04
PAGE 3
JAN 20/09

BRI



757

PARTS CATALOG (MAINTENANCE)

FIG ITEM	PART NUMBER	1 2 3 4 5 6 7	NOMENCLATURE	EFFECT FROM TO	UNITS PER ASSY
4			33-11-51-17 33-13-01-65 33-13-02-03 33-16-51-03 33-24-51-02 33-41-52-04 33-42-01-04 33-42-02-04 33-42-52-04 33-43-51-04 33-44-51-05 33-45-53-03 33-51-08-05 34-21-02-01 35-21-51-04 36-11-04-01 36-21-00-01 36-21-02-05 36-22-51-03 49-41-00-02 49-52-00-01 49-70-00-01 52-51-51-03 52-71-51-02 73-21-52-02 74-31-51-05 75-32-00-01 80-11-09-02		
- 10	MODREF34038		PANEL INSTL-P5 OVHD (YAW DAMPER SYSTEM ONLY) MODULE NUMBER: 233N3103-351 REV D FOR OTHER SYS DETAILS SEE: 11-31-10-12 21-25-55-03 21-31-01-02 21-33-51-03 21-51-54-03 21-58-19-10 21-58-51-03 21-61-04-03 21-65-51-01 22-24-51-02 23-24-01-01 23-32-00-11 23-42-02-02 23-71-05-02 24-11-52-05 24-22-01-03	104105	1

MISSING ITEM NUMBERS NOT APPLICABLE

- ITEM NOT ILLUSTRATED

22-21-01-04

22-21-01
FIG. 04
PAGE 4
JAN 20/09

BRI



757

PARTS CATALOG (MAINTENANCE)

FIG ITEM	PART NUMBER	1 2 3 4 5 6 7 NOMENCLATURE	EFFECT FROM TO	UNITS PER ASSY
4		24-31-01-10 24-31-03-09 24-33-04-01 24-41-51-04 24-51-62-01 26-18-51-04 27-21-53-02 27-41-55-01 27-61-51-03 27-62-52-02 28-22-51-02 28-41-04-01 28-41-51-03 29-11-02-03 29-11-05-04 29-11-52-07 29-21-54-03 29-31-00-01 29-32-51-03 29-33-52-03 30-11-51-03 30-21-51-03 30-31-51-02 30-32-51-01 30-33-51-02 30-41-51-03 30-42-51-03 31-12-11-91 31-12-11-91 A 32-42-52-03 33-11-03-03 33-11-51-17 33-13-01-65 33-13-02-03 33-16-51-03 33-24-51-02 33-41-52-04 33-42-01-04 33-42-02-04 33-42-52-04 33-43-51-04 33-44-51-05 33-45-53-03 33-51-08-05 34-21-02-01 35-21-51-04 36-11-04-01 36-21-00-01 36-21-02-05		

MISSING ITEM NUMBERS NOT APPLICABLE

- ITEM NOT ILLUSTRATED

22-21-01-04

22-21-01
FIG. 04
PAGE 5
JAN 20/09

BRI



757

PARTS CATALOG (MAINTENANCE)

FIG ITEM	PART NUMBER	1 2 3 4 5 6 7	NOMENCLATURE	EFFECT FROM TO	UNITS PER ASSY
4			36-22-51-03 49-41-00-02 49-52-00-01 49-70-00-01 52-51-51-03 52-71-51-02 73-21-52-02 74-31-51-05 75-32-00-01 80-11-09-02		
- 70	233N3216-300	.	PANEL ASSY-YAW DAMPER SUPPLIER CODE: V89954 ELECTRICAL EQUIP NUMBER: M10250 COMPONENT MAINT MANUAL REF: 22-21-71 QUALIFIED I/W DATA: THE 233N3216-300 PANEL ASSY IS I/W THE 233N3216-20 PANEL ASSY T/W THE S233T100-1075 LIGHTPLATE PRE ALERT SB: 33A0044	108120 504903	RF
- 70	233N3216-306	.	PANEL ASSY-YAW DAMPER SUPPLIER CODE: V89954 ELECTRICAL EQUIP NUMBER: M10250 COMPONENT MAINT MANUAL REF: 22-21-71 PRE ALERT SB: 33A0044	101102	RF
- 70	233N3216-1300	.	PANEL ASSY-YAW DAMPER SUPPLIER CODE: V89954 ELECTRICAL EQUIP NUMBER: M10250 COMPONENT MAINT MANUAL REF: 22-21-71 POST ALERT SB: 33A0044	108120 504903	RF

MISSING ITEM NUMBERS NOT APPLICABLE

- ITEM NOT ILLUSTRATED

BRI

22-21-01-04

22-21-01
FIG. 04
PAGE 6
JAN 20/09



757

PARTS CATALOG (MAINTENANCE)

FIG ITEM	PART NUMBER	1 2 3 4 5 6 7	NOMENCLATURE	EFFECT FROM TO	UNITS PER ASSY
4					
- 70	233N3216-1306		.PANEL ASSY-YAW DAMPER SUPPLIER CODE: V89954 ELECTRICAL EQUIP NUMBER: M10250 COMPONENT MAINT MANUAL REF: 22-21-71 POST ALERT SB: 33A0044	101102	RF
R					
- 70	233N3216-309		.PANEL ASSY-YAW DAMPER SUPPLIER CODE: V89954 ELECTRICAL EQUIP NUMBER: M10250 COMPONENT MAINT MANUAL REF: 22-21-71	101106 108120 504903	RF
R					
R					
R					
R					
R					
	75	233N3216-20	..PANEL ASSY- SUPPLIER CODE: V89954 MISCELLANEOUS DATA: FOR SPARES PROCURE NEXT HIGHER ASSY COMPONENT MAINT MANUAL REF: 22-21-71 QUALIFIED I/W DATA: THE 233N3216-300 PANEL ASSY IS I/W THE 233N3216-20 PANEL ASSY T/W THE S233T100-1075 LIGHTPLATE PRE ALERT SB: 33A0044	108120 504903	1
	75	233N3216-26	..PANEL ASSY- SUPPLIER CODE: V89954 MISCELLANEOUS DATA: FOR SPARES PROCURE NEXT HIGHER ASSY COMPONENT MAINT MANUAL REF: 22-21-71 USED ON: 233N3216-306 PRE ALERT SB: 33A0044	101102	1

MISSING ITEM NUMBERS NOT APPLICABLE

- ITEM NOT ILLUSTRATED

22-21-01-04

22-21-01
FIG. 04
PAGE 7
MAY 20/09

BRI



757

PARTS CATALOG (MAINTENANCE)

FIG ITEM	PART NUMBER	1 2 3 4 5 6 7	NOMENCLATURE	EFFECT FROM TO	UNITS PER ASSY
4 75	233N3216-35		..PANEL ASSY- SUPPLIER CODE: V89954 MISCELLANEOUS DATA: FOR SPARES PROCURE NEXT HIGHER ASSY COMPONENT MAINT MANUAL REF: 22-21-71 USED ON: 233N3216-309	101106 108120 504903	1
75	233N3216-1020		..PANEL ASSY- SUPPLIER CODE: V89954 COMPONENT MAINT MANUAL REF: 22-21-71 USED ON: 233N3216-1300 POST ALERT SB: 33A0044	108120 504903	1
75	233N3216-1026		..PANEL ASSY- SUPPLIER CODE: V89954 COMPONENT MAINT MANUAL REF: 22-21-71 USED ON: 233N3216-1306 POST ALERT SB: 33A0044	101102	1

MISSING ITEM NUMBERS NOT APPLICABLE

- ITEM NOT ILLUSTRATED

22-21-01-04

22-21-01
FIG. 04
PAGE 8
JAN 20/09

BRI



757

PARTS CATALOG (MAINTENANCE)

FIG ITEM	PART NUMBER	1 2 3 4 5 6 7	NOMENCLATURE	EFFECT FROM TO	UNITS PER ASSY
4 80	BCREFA0505		...SWITCH ASSY-LIGHTED PUSH BUTTON IND SUPPLIER CODE: V81590 OVERLENGTH PART NUMBER: 433-673-1004-4016 SPECIFICATION NUMBER: S231T290-4016 MISCELLANEOUS DATA: WHEN REPLACING THE PUSHBUTTON SWITCH ASSY OR THE MASTER MODULE WITHIN, VERIFY THAT A CONFIG D MASTER MODULE P/N 13206-001 IS INSTALLED IN LIEU OF ANY EARLIER CONFIGURATION MASTER MODULES. OPTIONAL PART: 851-35100-5016 V96182 USED ON: 233N3216-20 233N3216-21 233N3216-26 233N3216-27 233N3216-1020 233N3216-1021 233N3216-1026 233N3216-1027 REFERENCE SERVICE BULLETIN: 33A0044 REWORKED BY SB: 433-33-05 V81590 FOR DETAILS SEE: 33-13-00-46	101102 108120 504903	2
80	851-35100-5016		...SWITCH ASSY-LIGHTED PUSH BUTTON IND SUPPLIER CODE: V96182 SPECIFICATION NUMBER: S231T290-5016 OPTIONAL PART: BCREFA0505 V81590 USED ON: 233N3216-20 233N3216-1020	108120 504903	2

MISSING ITEM NUMBERS NOT APPLICABLE

- ITEM NOT ILLUSTRATED

22-21-01-04

22-21-01
FIG. 04
PAGE 9
JAN 20/09

BRI



757

PARTS CATALOG (MAINTENANCE)

FIG ITEM	PART NUMBER	1 2 3 4 5 6 7	NOMENCLATURE	EFFECT FROM TO	UNITS PER ASSY
4					
80	851-30768-3016	...	SWITCH ASSY-LIGHTED PUSH BUTTON IND ON/INOP SUPPLIER CODE: V96182 SPECIFICATION NUMBER: S231T290-3016 FOR DETAILS SEE: 33-13-00-36	108120 504903	2
80	851-30768-2016	...	SWITCH ASSY-LIGHTED PUSH BUTTON IND SUPPLIER CODE: V96182 SPECIFICATION NUMBER: S231T290-2016 FOR DETAILS SEE: 33-13-00-26	108120 504903	2
80	4336731004-4216	...	SWITCH ASSY-LIGHTED PUSH BUTTON IND ON/INOP SUPPLIER CODE: V81590 SPECIFICATION NUMBER: S231T290-4216 USED ON: 233N3216-35	101106	2
85	BACC45FN12-12P7	...	CONNECTOR	101106 108120 504903	1
90	BACC45FN14-15P7	...	CONNECTOR	101106 108120 504903	1
- 95	BACS12CB04-5	...	ATTACHING PARTS SCREW- USED ON: 233N3216-26 233N3216-27 233N3216-1026 233N3216-1027	101102	6
- 95	NAS1801-04-5	...	SCREW- USED ON: 233N3216-20 233N3216-21 233N3216-1020 233N3216-1021	108120 504903	6
- 95	BACS12CK04U5	...	SCREW- USED ON: 233N3216-35	101106 108120 504903	6

MISSING ITEM NUMBERS NOT APPLICABLE

- ITEM NOT ILLUSTRATED

22-21-01-04

22-21-01
FIG. 04
PAGE 10
JAN 20/09

BRI



757

PARTS CATALOG (MAINTENANCE)

FIG ITEM	PART NUMBER	1 2 3 4 5 6 7	NOMENCLATURE	EFFECT FROM TO	UNITS PER ASSY
4					
- 100	K19798-04		...NUT SUPPLIER CODE: V15653 SPECIFICATION NUMBER: BACN10NW1 OPTIONAL PART: RMA4812-160-40 V72962 293162 V60119 -----*-----	101106 108120 504903	6
- 801	286N2078-328		WIRE BUNDLE ASSY	504903	RF
- 801	286N2078-330		WIRE BUNDLE ASSY	101102	RF
- 801	286N2078-331		WIRE BUNDLE ASSY	108120	RF
- 802	286N2078-601		WIRE BUNDLE ASSY	103106	RF
805	BACC45FT12A12S7		.CONNECTOR- ELECTRICAL EQUIP NUMBER: D03511 WIRING DIAGRAM REF: 222111	101106 108120 504903	1
- 811	286N2072-343		WIRE BUNDLE ASSY	101102	RF
- 811	286N2072-345		WIRE BUNDLE ASSY	504903	RF
- 812	286N2072-355		WIRE BUNDLE ASSY	108120	RF
- 813	286N2072-701		WIRE BUNDLE ASSY	103106	RF
815	BACC45FT14A15S7		.CONNECTOR- ELECTRICAL EQUIP NUMBER: D03513 WIRING DIAGRAM REF: 222121	101106 108120 504903	1

MISSING ITEM NUMBERS NOT APPLICABLE

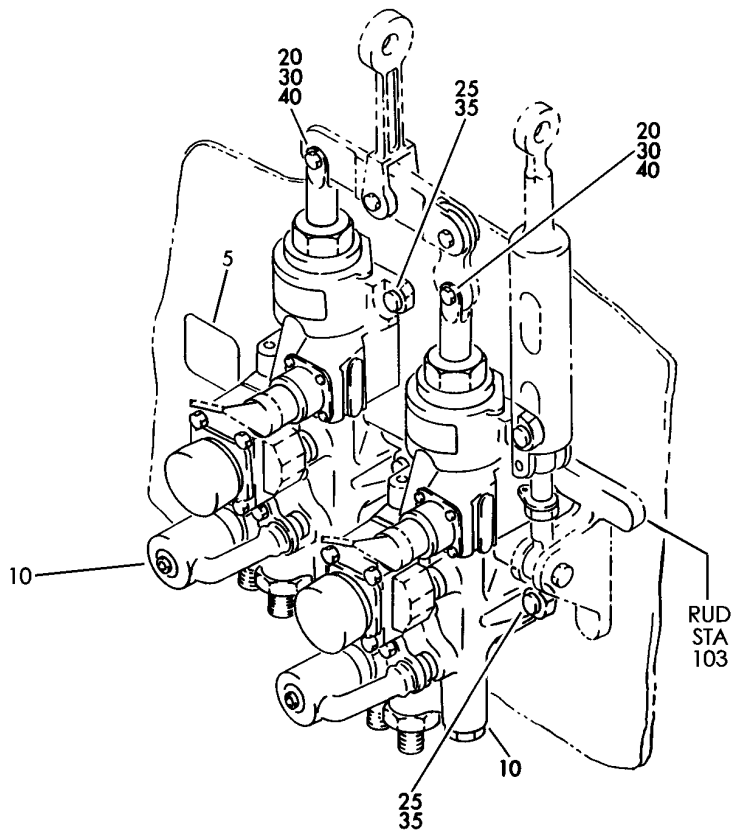
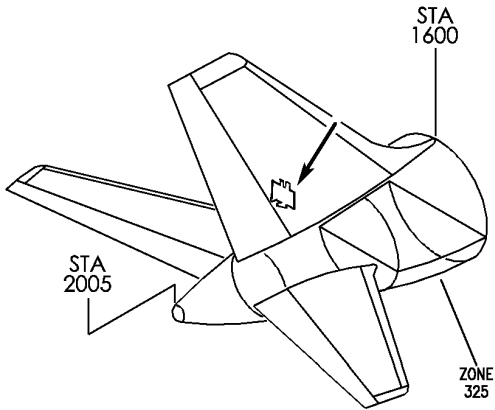
- ITEM NOT ILLUSTRATED

BRI

22-21-01-04

22-21-01
FIG. 04
PAGE 11
JAN 20/09

BOEING
757
PARTS CATALOG (MAINTENANCE)



Y 22210201 REV 335

LINKAGE INSTL-RUD CONT YAW DAMPER AND SUMMING (AUTO FLIGHT ONLY)
FIGURE 1

22-21-02-01

BRI
MAY 20/09

22-21-02-01
PAGE 0



757

PARTS CATALOG (MAINTENANCE)

FIG ITEM	PART NUMBER	1 2 3 4 5 6 7	NOMENCLATURE	EFFECT FROM TO	UNITS PER ASSY
1			LINKAGE INSTL-RUD CONT YAW DAMPER AND SUMMING (AUTO FLIGHT ONLY)	002004 006999	
- 1	251N3004-3		LINKAGE INSTL-RUD CONT YAW DAMPER AND SUMMING (AUTO FLIGHT ONLY) FOR NHA/OTHER SYS DET SEE: 27-21-54-01	002004 006010 107107 121503 904999	RF
- 1	251N3004-7		LINKAGE INSTL-RUD CONT YAW DAMPER AND SUMMING (AUTO FLIGHT ONLY) FOR NHA/OTHER SYS DET SEE: 27-21-54-01	011017	RF
- 1	251N3004-9		LINKAGE INSTL-RUD CONT YAW DAMPER AND SUMMING (AUTO FLIGHT ONLY) FOR NHA/OTHER SYS DET SEE: 27-21-54-01	018100	RF
- 1	251N3004-11		LINKAGE INSTL-RUD CONT YAW DAMPER AND SUMMING (AUTO FLIGHT ONLY) FOR NHA/OTHER SYS DET SEE: 27-21-54-01	101102 108120 504903	RF
- 1	MODREF32113		LINKAGE INSTL-RUD CONT YAW DAMPER AND SUMMING (AUTO FLIGHT ONLY) MODULE NUMBER: 251N3004-11 REV B FOR OTHER SYS DETAILS SEE: 27-21-17-01	103106	1
5	BAC27NCT0137		.DECAL- PLACARD CONTENT: YAW DAMPER M509 LEFT M510 RIGHT	002004 006999	1

MISSING ITEM NUMBERS NOT APPLICABLE

- ITEM NOT ILLUSTRATED

BRI

22-21-02-01

22-21-02
FIG. 01
PAGE 1
JAN 20/09



757

PARTS CATALOG (MAINTENANCE)

FIG ITEM	PART NUMBER	1 2 3 4 5 6 7	NOMENCLATURE	EFFECT FROM TO	UNITS PER ASSY
1 10	1529200-1		.SERVO ASSY-YAW DAMPER SUPPLIER CODE: VS4980 SPECIFICATION NUMBER: S251N313-1 ELECTRICAL EQUIP NUMBER: M00509 M00510 COMPONENT MAINT MANUAL REF: 22-21-02 QUALIFIED I/W DATA: S251N313-1 (1529200-1) IS FULLY INTERCHANGEABLE WITH S252T704-18 (1540500-7 & -11), S252T704-17 (1540500-5 & -9), S252T704-16 (1540500-3), S252T704-15 (1540500-1), S252T704-14 (1536600-7) AND S252T704-13 (1536600-5) BUT S251N313-1 (1529200-1) IS A LOW RATE SERVO WHICH WILL REDUCE RIDE QUALITY. FOR DETAILS SEE: 22-21-02-02 22-21-03-01	107107	2
10	1536600-1		.SERVO ASSY-YAW DAMPER SUPPLIER CODE: VS4980 SPECIFICATION NUMBER: S252T704-11 MISCELLANEOUS DATA: 767-SL-27-104-A/ 757-SL-27-093-A ELECTRICAL EQUIP NUMBER: M00509 M00510 COMPONENT MAINT MANUAL REF: 22-21-03 FOR DETAILS SEE: 22-21-02-02 22-21-03-01	904949	2

MISSING ITEM NUMBERS NOT APPLICABLE

- ITEM NOT ILLUSTRATED

BRI

22-21-02-01

22-21-02
FIG. 01
PAGE 2
JAN 20/09



757

PARTS CATALOG (MAINTENANCE)

FIG ITEM	PART NUMBER	1 2 3 4 5 6 7	NOMENCLATURE	EFFECT FROM TO	UNITS PER ASSY
1 10	1536600-5		.SERVO ASSY-YAW DAMPER SUPPLIER CODE: VS4980 SPECIFICATION NUMBER: S252T704-13 MISCELLANEOUS DATA: M/W 75130 SERVO VALVE V75250 767-SL-27-104-A/ 757-SL-27-093-A ELECTRICAL EQUIP NUMBER: M00509 M00510 COMPONENT MAINT MANUAL REF: 22-21-03 QUALIFIED I/W DATA: S251N313-1 (1529200-1) IS FULLY INTERCHANGEABLE WITH S252T704-18 (1540500-7 & -11), S252T704-17 (1540500-5 & -9), S252T704-16 (1540500-3), S252T704-15 (1540500-1), S252T704-14 (1536600-7) AND S252T704-13 (1536600-5) BUT S251N313-1 (1529200-1) IS A LOW RATE SERVO WHICH WILL REDUCE RIDE QUALITY. FOR DETAILS SEE: 22-21-02-02 22-21-03-01	002004 006106 108999	2

MISSING ITEM NUMBERS NOT APPLICABLE

- ITEM NOT ILLUSTRATED

22-21-02-01

22-21-02
FIG. 01
PAGE 3
JAN 20/09

BRI



757

PARTS CATALOG (MAINTENANCE)

FIG ITEM	PART NUMBER	1 2 3 4 5 6 7 NOMENCLATURE	EFFECT FROM TO	UNITS PER ASSY
1 10	1536600-7	.SERVO ASSY-YAW DAMPER SUPPLIER CODE: VS4980 SPECIFICATION NUMBER: S252T704-14 ELECTRICAL EQUIP NUMBER: M00509 M00510 COMPONENT MAINT MANUAL REF: 22-21-03 QUALIFIED I/W DATA: S251N313-1 (1529200-1) IS FULLY INTERCHANGEABLE WITH S252T704-18 (1540500-7 & -11), S252T704-17 (1540500-5 & -9), S252T704-16 (1540500-3), S252T704-15 (1540500-1), S252T704-14 (1536600-7) AND S252T704-13 (1536600-5) BUT S251N313-1 (1529200-1) IS A LOW RATE SERVO WHICH WILL REDUCE RIDE QUALITY. FOR DETAILS SEE: 22-21-02-02 22-21-03-01	002004 006106 108999	2

MISSING ITEM NUMBERS NOT APPLICABLE

- ITEM NOT ILLUSTRATED

BRI

22-21-02-01

BOEING PROPRIETARY - Copyright © - Unpublished Work - See title page for details.

22-21-02
FIG. 01
PAGE 4
JAN 20/09



757

PARTS CATALOG (MAINTENANCE)

FIG ITEM	PART NUMBER	1 2 3 4 5 6 7 NOMENCLATURE	EFFECT FROM TO	UNITS PER ASSY
1 10	1540500-1	.SERVO ASSY-YAW DAMPER SUPPLIER CODE: VS4980 SPECIFICATION NUMBER: S252T704-15 MISCELLANEOUS DATA: (M/W 75130 SERVO VALVE (V75250)) ELECTRICAL EQUIP NUMBER: M00509 M00510 COMPONENT MAINT MANUAL REF: 22-21-04 QUALIFIED I/W DATA: S251N313-1 (1529200-1) IS FULLY INTERCHANGEABLE WITH S252T704-18 (1540500-7 & -11), S252T704-17 (1540500-5 & -9), S252T704-16 (1540500-3), S252T704-15 (1540500-1), S252T704-14 (1536600-7) AND S252T704-13 (1536600-5) BUT S251N313-1 (1529200-1) IS A LOW RATE SERVO WHICH WILL REDUCE RIDE QUALITY FOR DETAILS SEE: 22-21-02-02 22-21-03-01	002004 006106 108999	2

MISSING ITEM NUMBERS NOT APPLICABLE

- ITEM NOT ILLUSTRATED

BRI

22-21-02-01

BOEING PROPRIETARY - Copyright © - Unpublished Work - See title page for details.

22-21-02
FIG. 01
PAGE 5
JAN 20/09



757

PARTS CATALOG (MAINTENANCE)

FIG ITEM	PART NUMBER	1 2 3 4 5 6 7 NOMENCLATURE	EFFECT FROM TO	UNITS PER ASSY
1 10	1540500-3	.SERVO ASSY-YAW DAMPER SUPPLIER CODE: VS4980 SPECIFICATION NUMBER: S252T704-16 ELECTRICAL EQUIP NUMBER: M00509 M00510 COMPONENT MAINT MANUAL REF: 22-21-04 QUALIFIED I/W DATA: S251N313-1 (1529200-1) IS FULLY INTERCHANGEABLE WITH S252T704-18 (1540500-7 & -11), S252T704-17 (1540500-5 & -9), S252T704-16 (1540500-3), S252T704-15 (1540500-1), S252T704-14 (1536600-7) AND S252T704-13 (1536600-5) BUT S251N313-1 (1529200-1) IS A LOW RATE SERVO WHICH WILL REDUCE RIDE QUALITY. FOR DETAILS SEE: 22-21-02-02 22-21-03-01	002004 006106 108999	2

MISSING ITEM NUMBERS NOT APPLICABLE

- ITEM NOT ILLUSTRATED

BRI

22-21-02-01

BOEING PROPRIETARY - Copyright © - Unpublished Work - See title page for details.

22-21-02
FIG. 01
PAGE 6
JAN 20/09



757

PARTS CATALOG (MAINTENANCE)

FIG ITEM	PART NUMBER	1 2 3 4 5 6 7 NOMENCLATURE	EFFECT FROM TO	UNITS PER ASSY
1 10	1540500-5	.SERVO ASSY-YAW DAMPER SUPPLIER CODE: VS4980 SPECIFICATION NUMBER: S252T704-17 ELECTRICAL EQUIP NUMBER: M00509 M00510 COMPONENT MAINT MANUAL REF: 22-21-04 QUALIFIED I/W DATA: S251N313-1 (1529200-1) IS FULLY INTERCHANGEABLE WITH S252T704-18 (1540500-7 & -11), S252T704-17 (1540500-5 & -9), S252T704-16 (1540500-3), S252T704-15 (1540500-1), S252T704-14 (1536600-7) AND S252T704-13 (1536600-5) BUT S251N313-1 (1529200-1) IS A LOW RATE SERVO WHICH WILL REDUCE RIDE QUALITY. OPTIONAL PART: 1540500-9 VS4980 FOR DETAILS SEE: 22-21-02-02 22-21-03-01	002004 006106 108999	2

MISSING ITEM NUMBERS NOT APPLICABLE

- ITEM NOT ILLUSTRATED

BRI

22-21-02-01

BOEING PROPRIETARY - Copyright © - Unpublished Work - See title page for details.

22-21-02
FIG. 01
PAGE 8
JAN 20/09

BOEING
757
PARTS CATALOG (MAINTENANCE)

FIG ITEM	PART NUMBER	1 2 3 4 5 6 7	NOMENCLATURE	EFFECT FROM TO	UNITS PER ASSY
1 10	1540500-11		.SERVO ASSY-YAW DAMPER SUPPLIER CODE: VS4980 SPECIFICATION NUMBER: S252T704-18 ELECTRICAL EQUIP NUMBER: M00509 M00510 QUALIFIED I/W DATA: S251N313-1 (1529200-1) IS FULLY INTERCHANGEABLE WITH S252T704-18 (1540500-7 & -11), S252T704-17 (1540500-5 & -9), S252T704-16 (1540500-3), S252T704-15 (1540500-1), S252T704-14 (1536600-7) AND S252T704-13 (1536600-5) BUT S251N313-1 (1529200-1) IS A LOW RATE SERVO WHICH WILL REDUCE RIDE QUALITY. OPTIONAL PART: 1540500-7 VS4980 FOR DETAILS SEE: 22-21-02-02 22-21-03-01	002004 006106 108999	2
R R R R R R R R R R R R	10	1540500-13	.SERVO ASSY-YAW DAMPER SUPPLIER CODE: VOFRZ6 FUNCTIONAL DESCRIPTION: ACTUATES THE RUDDER TO DAMPEN UNDESIRABLE SIDESLIP AND ROLLING MOTION. ELECTRICAL EQUIP NUMBER: M00509 M00510 FOR DETAILS SEE: 22-21-02-02 22-21-03-01	002004 006106 108999	2

MISSING ITEM NUMBERS NOT APPLICABLE

— ITEM NOT ILLUSTRATED

BRI

22-21-02-01

BOEING PROPRIETARY - Copyright © - Unpublished Work - See title page for details.

22-21-02
FIG. 01
PAGE 10
MAY 20/09



757

PARTS CATALOG (MAINTENANCE)

FIG ITEM	PART NUMBER	1 2 3 4 5 6 7	NOMENCLATURE	EFFECT FROM TO	UNITS PER ASSY
R R R R R R R R R R	10	1540500-15	.SERVO ASSY-YAW DAMPER SUPPLIER CODE: VOFRZ6 ELECTRICAL EQUIP NUMBER: M00509 M00510 FOR DETAILS SEE: 22-21-02-02 22-21-03-01 ATTACHING PARTS	002004 006106 108999	2
	20	BACB30NF4-8	.BOLT-	002004 006999	2
	25	BACB30NR4K7	.BOLT	002004 006999	8
	30	AN960-416	.WASHER-	002004 006100 107107 121503 904999	2
	30	NAS1149F0463P	.WASHER	101106 108120 504903	2
	35	AN960KD416L	.WASHER	002004 006100 107107 121503 904999	8
	35	NAS1149D0416J	.WASHER	101106 108120 504903	8
	40	MS21042L4	.NUT-	002004 006100 107107 121503 904999	2
	40	PLH54CD	.NUT SUPPLIER CODE: VF0224 SPECIFICATION NUMBER: BACN10YR4CD OPTIONAL PART: H52732-4CD V15653 -----*-----	101106 108120 504903	2

MISSING ITEM NUMBERS NOT APPLICABLE

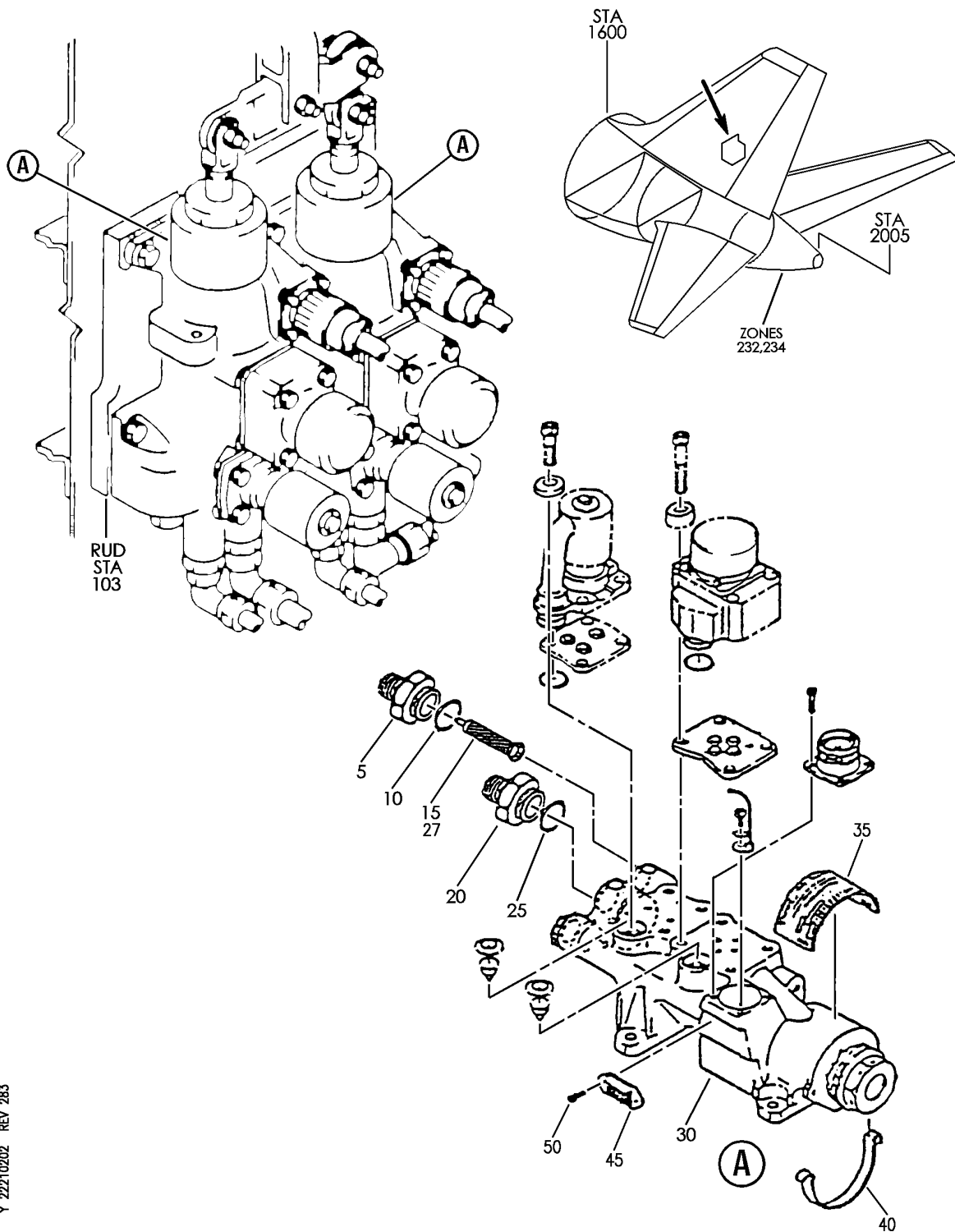
- ITEM NOT ILLUSTRATED

22-21-02-01

22-21-02
FIG. 01
PAGE 11
MAY 20/09

BRI

BOEING
757
PARTS CATALOG (MAINTENANCE)



Y 22210202 REV 253

SERVO ASSY-YAW DAMPER (YAW DAMPER SERVO ONLY)
FIGURE 2

22-21-02-02

BRI
MAY 28/07

22-21-02-02
PAGE 0



757

PARTS CATALOG (MAINTENANCE)

FIG ITEM	PART NUMBER	1 2 3 4 5 6 7	NOMENCLATURE	EFFECT FROM TO	UNITS PER ASSY
2			SERVO ASSY-YAW DAMPER (YAW DAMPER SERVO ONLY)	002004	
- 1	1529200-1		SERVO ASSY-YAW DAMPER (YAW DAMPER SERVO ONLY) SUPPLIER CODE: VS4980 SPECIFICATION NUMBER: S251N313-1 ELECTRICAL EQUIP NUMBER: M00509 M00510 COMPONENT MAINT MANUAL REF: 22-21-02 QUALIFIED I/W DATA: S251N313-1 (1529200-1) IS FULLY INTERCHANGEABLE WITH S252T704-18 (1540500-7 & -11), S252T704-17 (1540500-5 & -9), S252T704-16 (1540500-3), S252T704-15 (1540500-1), S252T704-14 (1536600-7) AND S252T704-13 (1536600-5) BUT S251N313-1 (1529200-1) IS A LOW RATE SERVO WHICH WILL REDUCE RIDE QUALITY. FOR NHA/ADDITIONAL DET SEE: 22-21-02-01	006999 107107	RF
- 1	1536600-1		SERVO ASSY-YAW DAMPER (YAW DAMPER SERVO ONLY) SUPPLIER CODE: VS4980 SPECIFICATION NUMBER: S252T704-11 MISCELLANEOUS DATA: 767-SL-27-104-A/ 757-SL-27-093-A ELECTRICAL EQUIP NUMBER: M00509 M00510 COMPONENT MAINT MANUAL REF: 22-21-03 FOR NHA/ADDITIONAL DET SEE: 22-21-02-01	904949	RF

MISSING ITEM NUMBERS NOT APPLICABLE

- ITEM NOT ILLUSTRATED

BRI

22-21-02-02

22-21-02
FIG. 02
PAGE 1
JAN 20/09



757

PARTS CATALOG (MAINTENANCE)

FIG ITEM	PART NUMBER	1 2 3 4 5 6 7	NOMENCLATURE	EFFECT FROM TO	UNITS PER ASSY
2 - 1	1536600-5		SERVO ASSY-YAW DAMPER (YAW DAMPER SERVO ONLY) SUPPLIER CODE: VS4980 SPECIFICATION NUMBER: S252T704-13 MISCELLANEOUS DATA: M/W 75130 SERVO VALVE V75250 767-SL-27-104-A/ 757-SL-27-093-A ELECTRICAL EQUIP NUMBER: M00509 M00510 COMPONENT MAINT MANUAL REF: 22-21-03 QUALIFIED I/W DATA: S251N313-1 (1529200-1) IS FULLY INTERCHANGEABLE WITH S252T704-18 (1540500-7 & -11), S252T704-17 (1540500-5 & -9), S252T704-16 (1540500-3), S252T704-15 (1540500-1), S252T704-14 (1536600-7) AND S252T704-13 (1536600-5) BUT S251N313-1 (1529200-1) IS A LOW RATE SERVO WHICH WILL REDUCE RIDE QUALITY. FOR NHA/ADDITIONAL DET SEE: 22-21-02-01	002004 006106 108999	RF

MISSING ITEM NUMBERS NOT APPLICABLE

- ITEM NOT ILLUSTRATED

BRI

22-21-02-02

BOEING PROPRIETARY - Copyright © - Unpublished Work - See title page for details.

22-21-02
FIG. 02
PAGE 2
JAN 20/09



757

PARTS CATALOG (MAINTENANCE)

FIG ITEM	PART NUMBER	1 2 3 4 5 6 7	NOMENCLATURE	EFFECT FROM TO	UNITS PER ASSY
2 - 1	1536600-7		SERVO ASSY-YAW DAMPER (YAW DAMPER SERVO ONLY) SUPPLIER CODE: VS4980 SPECIFICATION NUMBER: S252T704-14 ELECTRICAL EQUIP NUMBER: M00509 M00510 COMPONENT MAINT MANUAL REF: 22-21-03 QUALIFIED I/W DATA: S251N313-1 (1529200-1) IS FULLY INTERCHANGEABLE WITH S252T704-18 (1540500-7 & -11), S252T704-17 (1540500-5 & -9), S252T704-16 (1540500-3), S252T704-15 (1540500-1), S252T704-14 (1536600-7) AND S252T704-13 (1536600-5) BUT S251N313-1 (1529200-1) IS A LOW RATE SERVO WHICH WILL REDUCE RIDE QUALITY. FOR NHA/ADDITIONAL DET SEE: 22-21-02-01	002004 006106 108999	RF

MISSING ITEM NUMBERS NOT APPLICABLE

- ITEM NOT ILLUSTRATED

BRI

22-21-02-02

BOEING PROPRIETARY - Copyright © - Unpublished Work - See title page for details.

22-21-02
FIG. 02
PAGE 3
JAN 20/09



757

PARTS CATALOG (MAINTENANCE)

FIG ITEM	PART NUMBER	1 2 3 4 5 6 7	NOMENCLATURE	EFFECT FROM TO	UNITS PER ASSY
2 - 1	1540500-1		SERVO ASSY-YAW DAMPER (YAW DAMPER SERVO ONLY) SUPPLIER CODE: VS4980 SPECIFICATION NUMBER: S252T704-15 ELECTRICAL EQUIP NUMBER: M00509 M00510 COMPONENT MAINT MANUAL REF: 22-21-04 QUALIFIED I/W DATA: S251N313-1 (1529200-1) IS FULLY INTERCHANGEABLE WITH S252T704-18 (1540500-7 & -11), S252T704-17 (1540500-5 & -9), S252T704-16 (1540500-3), S252T704-15 (1540500-1), S252T704-14 (1536600-7) AND S252T704-13 (1536600-5) BUT S251N313-1 (1529200-1) IS A LOW RATE SERVO WHICH WILL REDUCE RIDE QUALITY FOR NHA/ADDITIONAL DET SEE: 22-21-02-01	002004 006106 108999	RF

MISSING ITEM NUMBERS NOT APPLICABLE

- ITEM NOT ILLUSTRATED

BRI

22-21-02-02

BOEING PROPRIETARY - Copyright © - Unpublished Work - See title page for details.

22-21-02
FIG. 02
PAGE 4
JAN 20/09



757

PARTS CATALOG (MAINTENANCE)

FIG ITEM	PART NUMBER	1 2 3 4 5 6 7	NOMENCLATURE	EFFECT FROM TO	UNITS PER ASSY
2 - 1	1540500-3		SERVO ASSY-YAW DAMPER (YAW DAMPER SERVO ONLY) SUPPLIER CODE: VS4980 SPECIFICATION NUMBER: S252T704-16 ELECTRICAL EQUIP NUMBER: M00509 M00510 COMPONENT MAINT MANUAL REF: 22-21-04 QUALIFIED I/W DATA: S251N313-1 (1529200-1) IS FULLY INTERCHANGEABLE WITH S252T704-18 (1540500-7 & -11), S252T704-17 (1540500-5 & -9), S252T704-16 (1540500-3), S252T704-15 (1540500-1), S252T704-14 (1536600-7) AND S252T704-13 (1536600-5) BUT S251N313-1 (1529200-1) IS A LOW RATE SERVO WHICH WILL REDUCE RIDE QUALITY. FOR NHA/ADDITIONAL DET SEE: 22-21-02-01	002004 006106 108999	RF

MISSING ITEM NUMBERS NOT APPLICABLE

- ITEM NOT ILLUSTRATED

BRI

22-21-02-02

22-21-02
FIG. 02
PAGE 5
JAN 20/09



757

PARTS CATALOG (MAINTENANCE)

FIG ITEM	PART NUMBER	1 2 3 4 5 6 7	NOMENCLATURE	EFFECT FROM TO	UNITS PER ASSY
2 - 1	1540500-5		SERVO ASSY-YAW DAMPER (YAW DAMPER SERVO ONLY) SUPPLIER CODE: VS4980 SPECIFICATION NUMBER: S252T704-17 ELECTRICAL EQUIP NUMBER: M00509 M00510 COMPONENT MAINT MANUAL REF: 22-21-04 QUALIFIED I/W DATA: S251N313-1 (1529200-1) IS FULLY INTERCHANGEABLE WITH S252T704-18 (1540500-7 & -11), S252T704-17 (1540500-5 & -9), S252T704-16 (1540500-3), S252T704-15 (1540500-1), S252T704-14 (1536600-7) AND S252T704-13 (1536600-5) BUT S251N313-1 (1529200-1) IS A LOW RATE SERVO WHICH WILL REDUCE RIDE QUALITY. OPTIONAL PART: 1540500-9 VS4980 FOR NHA/ADDITIONAL DET SEE: 22-21-02-01	002004 006106 108999	RF

MISSING ITEM NUMBERS NOT APPLICABLE

- ITEM NOT ILLUSTRATED

BRI

22-21-02-02

BOEING PROPRIETARY - Copyright © - Unpublished Work - See title page for details.

22-21-02
FIG. 02
PAGE 6
JAN 20/09

BOEING
757
PARTS CATALOG (MAINTENANCE)

FIG ITEM	PART NUMBER	1 2 3 4 5 6 7	NOMENCLATURE	EFFECT FROM TO	UNITS PER ASSY
2 - 1	1540500-7		SERVO ASSY-YAW DAMPER (YAW DAMPER SERVO ONLY) SUPPLIER CODE: VS4980 SPECIFICATION NUMBER: S252T704-18 MISCELLANEOUS DATA: PREFERRED ELECTRICAL EQUIP NUMBER: M00509 M00510 COMPONENT MAINT MANUAL REF: 22-21-04 QUALIFIED I/W DATA: S251N313-1 (1529200-1) IS FULLY INTERCHANGEABLE WITH S252T704-18 (1540500-7 & -11), S252T704-17 (1540500-5 & -9), S252T704-16 (1540500-3), S252T704-15 (1540500-1), S252T704-14 (1536600-7) AND S252T704-13 (1536600-5) BUT S251N313-1 (1529200-1) IS A LOW RATE SERVO WHICH WILL REDUCE RIDE QUALITY. OPTIONAL PART: 1540500-11 VS4980 FOR NHA/ADDITIONAL DET SEE: 22-21-02-01	002004 006106 108999	RF

MISSING ITEM NUMBERS NOT APPLICABLE

- ITEM NOT ILLUSTRATED

BRI

22-21-02-02

BOEING PROPRIETARY - Copyright © - Unpublished Work - See title page for details.

22-21-02
FIG. 02
PAGE 7
MAY 20/09

 **BOEING**
757
PARTS CATALOG (MAINTENANCE)

FIG ITEM	PART NUMBER	1 2 3 4 5 6 7	NOMENCLATURE	EFFECT FROM TO	UNITS PER ASSY	
R R R R R R R R R R R R R R R R R	2 - 1	1540500-9	SERVO ASSY-YAW DAMPER (YAW DAMPER SERVO ONLY) SUPPLIER CODE: VS4980 FUNCTIONAL DESCRIPTION: ACTUATES THE RUDDER TO DAMPEN UNDESIRABLE SIDESLIP AND ROLLING MOTION. SPECIFICATION NUMBER: S252T704-17 ELECTRICAL EQUIP NUMBER: M00509 M00510 COMPONENT MAINT MANUAL REF: 22-21-04 QUALIFIED I/W DATA: S251N313-1 (1529200-1) IS FULLY INTERCHANGEABLE WITH S252T704-18 (1540500-7 & -11), S252T704-17 (1540500-5 & -9), S252T704-16 (1540500-3), S252T704-15 (1540500-1), S252T704-14 (1536600-7) AND S252T704-13 (1536600-5) BUT S251N313-1 (1529200-1) IS A LOW RATE SERVO WHICH WILL REDUCE RIDE QUALITY. OPTIONAL PART: 1540500-5 VS4980 FOR NHA/ADDITIONAL DET SEE: 22-21-02-01	002004 006106 108999	RF	
	MISSING ITEM NUMBERS NOT APPLICABLE					

- ITEM NOT ILLUSTRATED

BRI

22-21-02-02

BOEING PROPRIETARY - Copyright © - Unpublished Work - See title page for details.

22-21-02
FIG. 02
PAGE 8
MAY 20/09



**757
PARTS CATALOG (MAINTENANCE)**

FIG ITEM	PART NUMBER	1 2 3 4 5 6 7	NOMENCLATURE	EFFECT FROM TO	UNITS PER ASSY
2 - 1	1540500-11		SERVO ASSY-YAW DAMPER (YAW DAMPER SERVO ONLY) SUPPLIER CODE: VS4980 SPECIFICATION NUMBER: S252T704-18 ELECTRICAL EQUIP NUMBER: M00509 M00510 QUALIFIED I/W DATA: S251N313-1 (1529200-1) IS FULLY INTERCHANGEABLE WITH S252T704-18 (1540500-7 & -11), S252T704-17 (1540500-5 & -9), S252T704-16 (1540500-3), S252T704-15 (1540500-1), S252T704-14 (1536600-7) AND S252T704-13 (1536600-5) BUT S251N313-1 (1529200-1) IS A LOW RATE SERVO WHICH WILL REDUCE RIDE QUALITY. OPTIONAL PART: 1540500-7 VS4980 FOR NHA/ADDITIONAL DET SEE: 22-21-02-01	002004 006106 108999	RF
R R R R R R R R R R R	1 1540500-13		SERVO ASSY-YAW DAMPER SUPPLIER CODE: VOFRZ6 FUNCTIONAL DESCRIPTION: ACTUATES THE RUDDER TO DAMPEN UNDESIRABLE SIDESLIP AND ROLLING MOTION. ELECTRICAL EQUIP NUMBER: M00509 M00510 FOR NHA/ADDITIONAL DET SEE: 22-21-02-01	002004 006106 108999	RF

MISSING ITEM NUMBERS NOT APPLICABLE

- ITEM NOT ILLUSTRATED

BRI

22-21-02-02

BOEING PROPRIETARY - Copyright © - Unpublished Work - See title page for details.

22-21-02
FIG. 02
PAGE 9
MAY 20/09

BOEING
757
PARTS CATALOG (MAINTENANCE)

FIG ITEM	PART NUMBER	1 2 3 4 5 6 7	NOMENCLATURE	EFFECT FROM TO	UNITS PER ASSY
R R R R R R	2 1	1540500-15	SERVO ASSY-YAW DAMPER SUPPLIER CODE: VOFRZ6 ELECTRICAL EQUIP NUMBER: M00509 M00510 FOR NHA/ADDITIONAL DET SEE: 22-21-02-01	002004 006106 108999	RF
	5	MS21902-4T	.UNION- OPTIONAL PART: BACU24K4 USED ON: 1529200-1 1536600-1 1536600-3 1536600-5 1536600-7	002004 006999	1
	5	BACU24K4	.UNION- OPTIONAL PART: MS21902-4T USED ON: 1536600-1 1536600-3 1536600-5 1536600-7 1529200-1	002004 006999	1
	5	MS21902-6T	.UNION- USED ON: 1540500-1 1540500-3 1540500-5 1540500-7 1540500-9 1540500-11	002004 006106 108999	1
	10	NAS1612-4	.PACKING- USED ON: 1529200-1 1536600-1 1536600-3 1536600-5 1536600-7	002004 006999	1

MISSING ITEM NUMBERS NOT APPLICABLE

— ITEM NOT ILLUSTRATED

BRI

22-21-02-02

BOEING PROPRIETARY - Copyright © - Unpublished Work - See title page for details.

22-21-02
FIG. 02
PAGE 10
MAY 20/09



757

PARTS CATALOG (MAINTENANCE)

FIG ITEM	PART NUMBER	1 2 3 4 5 6 7	NOMENCLATURE	EFFECT FROM TO	UNITS PER ASSY
2	10 NAS1602-906		.PACKING- OPTIONAL PART: NAS1612-6 NAS1612-6A USED ON: 1540500-1 1540500-3 1540500-5 1540500-7 1540500-9 1540500-11	002004 006106 108999	1
	10 NAS1612-6		.PACKING- OPTIONAL PART: NAS1602-906 USED ON: 1540500-1 1540500-3 1540500-5 1540500-7 1540500-9 1540500-11	002004 006106 108999	1
	15 FSHX0507600B		.FILTER-SCREEN SUPPLIER CODE: V92555 SPECIFICATION NUMBER: S250N211-1 OPTIONAL PART: 25786 V18350 3121-516 V05CK7 USED ON: 1529200-1 1536600-1 1536600-3 1536600-5 1536600-7	002004 006999	1
	15 1745030-03		.FILTER-SCREEN SUPPLIER CODE: V90005 SPECIFICATION NUMBER: S250N211-1 USED ON: 1529200-1 1536600-1 1536600-3 1536600-5 1536600-7	002004 006999	1

MISSING ITEM NUMBERS NOT APPLICABLE

- ITEM NOT ILLUSTRATED

BRI

22-21-02-02

BOEING PROPRIETARY - Copyright © - Unpublished Work - See title page for details.

22-21-02
FIG. 02
PAGE 11
MAY 20/09



757

PARTS CATALOG (MAINTENANCE)

FIG ITEM	PART NUMBER	1 2 3 4 5 6 7	NOMENCLATURE	EFFECT FROM TO	UNITS PER ASSY
2	15 25786		. FILTER-SCREEN SUPPLIER CODE: V18350 SPECIFICATION NUMBER: S250N211-1 OPTIONAL PART: 3121-516 V05CK7 USED ON: 1529200-1 1536600-1 1536600-3 1536600-5 1536600-7	002004 006999	1
	20 MS21902-6T		. UNION- OPTIONAL PART: BACU24K6 USED ON: 1529200-1 1536600-1 1536600-3 1536600-5 1536600-7	002004 006999	1
	20 MS21902-4T		. UNION- USED ON: 1540500-1 1540500-3 1540500-5 1540500-7 1540500-9 1540500-11	002004 006106 108999	1
	20 BACU24K6		. UNION- OPTIONAL PART: MS21902-6T USED ON: 1536600-1 1536600-3 1536600-5 1536600-7 1529200-1	002004 006999	1
	25 NAS1612-6		. PACKING- USED ON: 1536600-1 1536600-3 1536600-5 1536600-7 1529200-1	002004 006999	1

MISSING ITEM NUMBERS NOT APPLICABLE

- ITEM NOT ILLUSTRATED

BRI

22-21-02-02

22-21-02
FIG. 02
PAGE 12
MAY 20/09



757

PARTS CATALOG (MAINTENANCE)

FIG ITEM	PART NUMBER	1 2 3 4 5 6 7	NOMENCLATURE	EFFECT FROM TO	UNITS PER ASSY
2	25 NAS1602-904		.PACKING- OPTIONAL PART: NAS1612-4 NAS1612-4A USED ON: 1540500-1 1540500-3 1540500-5 1540500-7 1540500-9 1540500-11	002004 006106 108999	1
	25 NAS1612-4		.PACKING- OPTIONAL PART: NAS1602-904 USED ON: 1540500-1 1540500-3 1540500-5 1540500-7 1540500-9 1540500-11	002004 006106 108999	1
	27 FSHX0507600B		.FILTER-SCREEN SUPPLIER CODE: V92555 SPECIFICATION NUMBER: S250N211-1 OPTIONAL PART: 25786 V18350 3121-516 V05CK7 USED ON: 1540500-1 1540500-3 1540500-5 1540500-7 1540500-9 1540500-11	002004 006106 108999	1

MISSING ITEM NUMBERS NOT APPLICABLE

- ITEM NOT ILLUSTRATED

BRI

22-21-02-02

BOEING PROPRIETARY - Copyright © - Unpublished Work - See title page for details.

22-21-02
FIG. 02
PAGE 13
MAY 20/09



757

PARTS CATALOG (MAINTENANCE)

FIG ITEM	PART NUMBER	1 2 3 4 5 6 7	NOMENCLATURE	EFFECT FROM TO	UNITS PER ASSY
2					
27	1745030-03		. FILTER-SCREEN SUPPLIER CODE: V90005 SPECIFICATION NUMBER: S250N211-1 USED ON: 1540500-1 1540500-3 1540500-5 1540500-7 1540500-9 1540500-11	002004 006106 108999	1
27	25786		. FILTER-SCREEN SUPPLIER CODE: V18350 SPECIFICATION NUMBER: S250N211-1 OPTIONAL PART: 3121-516 V05CK7 USED ON: 1540500-1 1540500-3 1540500-5 1540500-7 1540500-9 1540500-11	002004 006106 108999	1
30	1540520-1		. BODY ASSY- SUPPLIER CODE: VS4980 USED ON: 1540500-1 1540500-3 1540500-5 1540500-7 1540500-9 1540500-11 1536600-1 1536600-3 1536600-5 1536600-7	002004 006106 108999	1
30	1529220		. BODY ASSY- SUPPLIER CODE: VS4980 USED ON: 1529200-1	107107	1

MISSING ITEM NUMBERS NOT APPLICABLE

- ITEM NOT ILLUSTRATED

BRI

22-21-02-02

BOEING PROPRIETARY - Copyright © - Unpublished Work - See title page for details.

22-21-02
FIG. 02
PAGE 14
MAY 20/09



757

PARTS CATALOG (MAINTENANCE)

FIG ITEM	PART NUMBER	1 2 3 4 5 6 7	NOMENCLATURE	EFFECT FROM TO	UNITS PER ASSY
2					
35	1527117-3		.PLATE-NAME SUPPLIER CODE: VS4980 OPTIONAL PART: 1527120-3 VS4980	107107	1
35	1527120-3		.PLATE-NAME SUPPLIER CODE: VS4980 OPTIONAL PART: 1527117-3 VS4980	107107	1
35	1527117-5		.PLATE-NAME SUPPLIER CODE: VS4980 OPTIONAL PART: 1527120-5 VS4980 USED ON: 1536600-1 1536600-3 1536600-5 1536600-7	002004 006106 108999	1
35	1527120-5		.PLATE-NAME SUPPLIER CODE: VS4980 OPTIONAL PART: 1527117-5 VS4980 USED ON: 1536600-1 1536600-3 1536600-5 1536600-7	002004 006106 108999	1
35	1527120-7		.PLATE-NAME SUPPLIER CODE: VS4980 USED ON: 1540500-1 1540500-3 1540500-5 1540500-7 1540500-9 1540500-11	002004 006106 108999	1
40	1527143		.STRAP-NAME PLATE SUPPLIER CODE: VS4980	002004 006999	1

MISSING ITEM NUMBERS NOT APPLICABLE

- ITEM NOT ILLUSTRATED

22-21-02-02

22-21-02
FIG. 02
PAGE 15
MAY 20/09

BRI



757

PARTS CATALOG (MAINTENANCE)

FIG ITEM	PART NUMBER	1 2 3 4 5 6 7	NOMENCLATURE	EFFECT FROM TO	UNITS PER ASSY
2					
45	1527144		.PLATE-MOD SUPPLIER CODE: VS4980 USED ON: 1536600-1 1536600-3 1536600-5 1536600-7 1529200-1	002004 006999	1
45	1540508		.PLATE-MOD SUPPLIER CODE: VS4980 USED ON: 1540500-1 1540500-3 1540500-5 1540500-7 1540500-9 1540500-11 ATTACHING PARTS	002004 006106 108999	1
50	NAS1352-04H4P		.SCREW- USED WITH: 1527144	002004 006999	2
50	NAS1352-04H4P		.SCREW- OPTIONAL PART: NAS1352N04H4P USED WITH: 1540508	002004 006106 108999	2
50	NAS1352N04H4P		.SCREW- OPTIONAL PART: NAS1352-04H4P USED WITH: 1540508 -----*-----	002004 006106 108999	2

MISSING ITEM NUMBERS NOT APPLICABLE

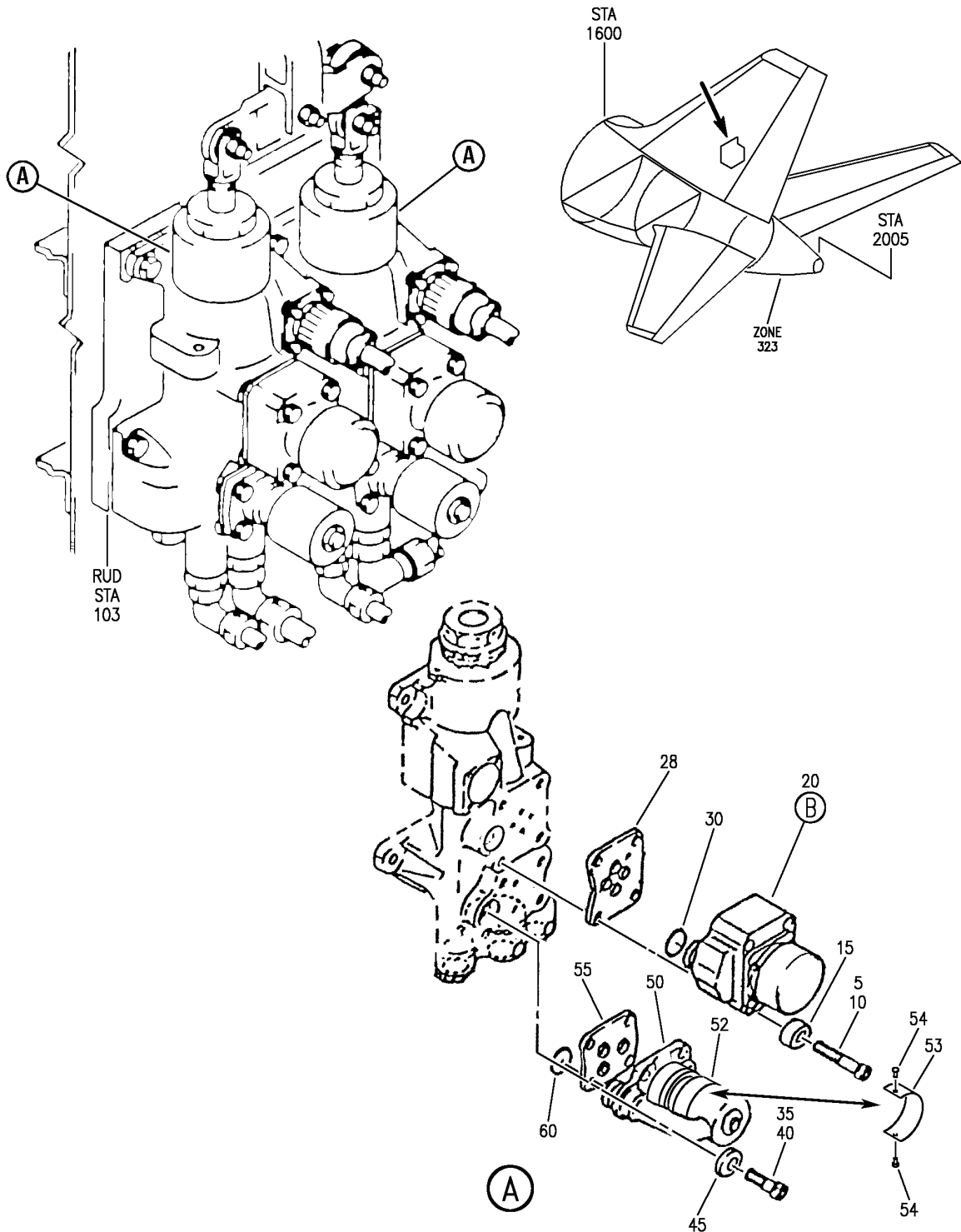
- ITEM NOT ILLUSTRATED

22-21-02-02

22-21-02
FIG. 02
PAGE 16
MAY 20/09

BRI

BOEING
757
PARTS CATALOG (MAINTENANCE)



Y 22210301 SHT 1 REV 305

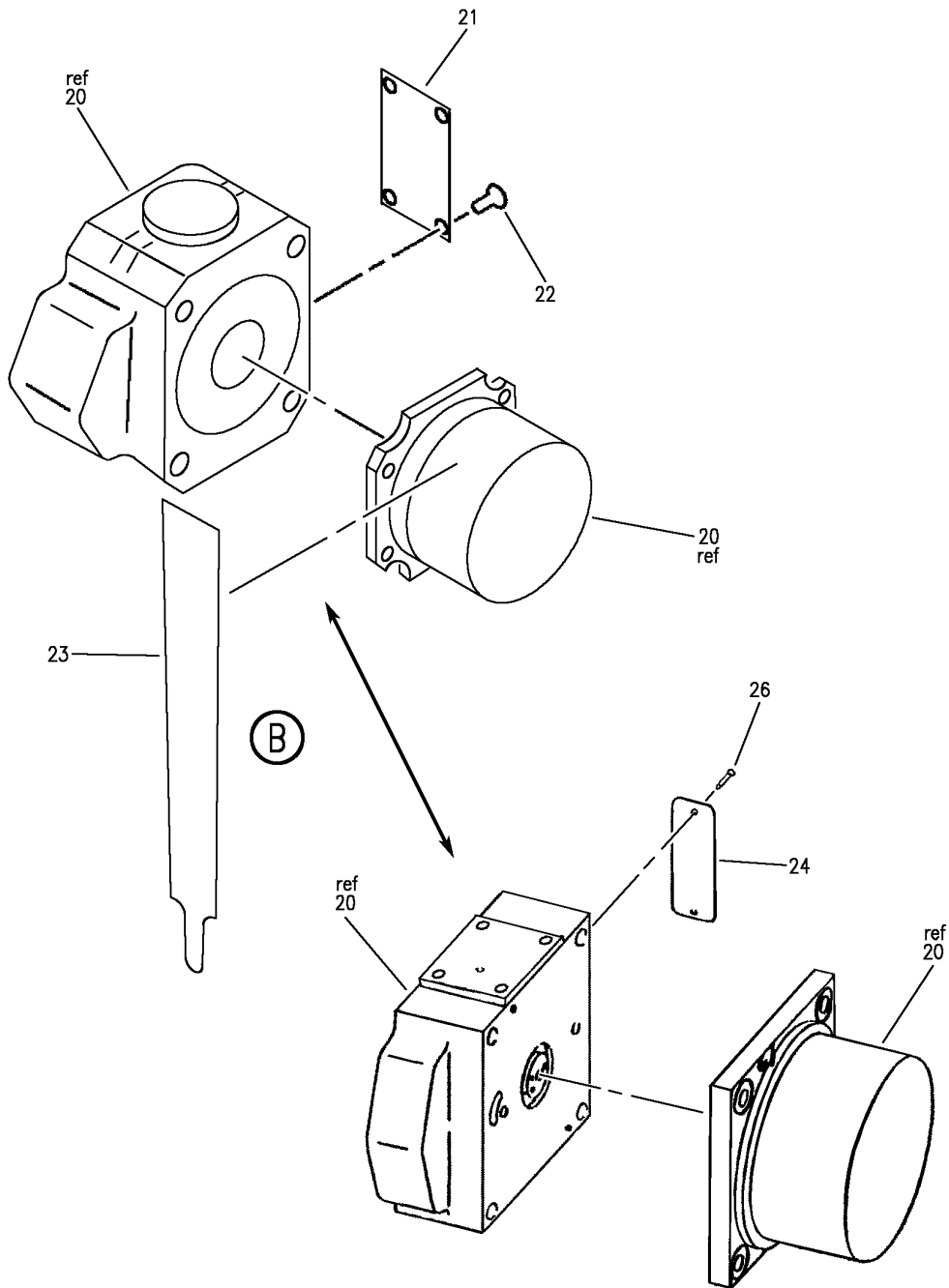
SERVO ASSY-YAW DAMPER (ELECTROHYDROLIC SERVOVALVE AND SOLENOID VALVE ONLY)
FIGURE 1 (SHEET 1)

22-21-03-01

BRI
MAY 28/07

22-21-03-01
PAGE 0

BOEING
757
PARTS CATALOG (MAINTENANCE)



Y 22210301 SHIT 2 REV 283

SERVO ASSY-YAW DAMPER (ELECTROHYDROLIC SERVOVALVE AND SOLENOID VALVE ONLY)
FIGURE 1 (SHEET 2)

BRI
MAY 28/07

22-21-03-01

22-21-03-01
PAGE 0A



757

PARTS CATALOG (MAINTENANCE)

FIG ITEM	PART NUMBER	1 2 3 4 5 6 7	NOMENCLATURE	EFFECT FROM TO	UNITS PER ASSY
1			SERVO ASSY-YAW DAMPER (ELECTROHYDROLIC SERVOVALVE AND SOLENOID VALVE ONLY)	002004 006999	
- 1	1529200-1		SERVO ASSY-YAW DAMPER (ELECTROHYDROLIC SERVOVALVE AND SOLENOID VALVE ONLY) SUPPLIER CODE: VS4980 SPECIFICATION NUMBER: S251N313-1 ELECTRICAL EQUIP NUMBER: M00509 M00510 COMPONENT MAINT MANUAL REF: 22-21-02 QUALIFIED I/W DATA: S251N313-1 (1529200-1) IS FULLY INTERCHANGEABLE WITH S252T704-18 (1540500-7 & -11), S252T704-17 (1540500-5 & -9), S252T704-16 (1540500-3), S252T704-15 (1540500-1), S252T704-14 (1536600-7) AND S252T704-13 (1536600-5) BUT S251N313-1 (1529200-1) IS A LOW RATE SERVO WHICH WILL REDUCE RIDE QUALITY. FOR NHA/ADDITIONAL DET SEE: 22-21-02-01	107107	RF

MISSING ITEM NUMBERS NOT APPLICABLE

- ITEM NOT ILLUSTRATED

BRI

22-21-03-01

BOEING PROPRIETARY - Copyright © - Unpublished Work - See title page for details.

22-21-03
FIG. 01
PAGE 1
JAN 20/09



757

PARTS CATALOG (MAINTENANCE)

FIG ITEM	PART NUMBER	1 2 3 4 5 6 7	NOMENCLATURE	EFFECT FROM TO	UNITS PER ASSY
1 - 1	1536600-1		SERVO ASSY-YAW DAMPER (ELECTROHYDROLIC SERVOVALVE AND SOLENOID VALVE ONLY) SUPPLIER CODE: VS4980 SPECIFICATION NUMBER: S252T704-11 MISCELLANEOUS DATA: 767-SL-27-104-A/ 757-SL-27-093-A ELECTRICAL EQUIP NUMBER: M00509 M00510 COMPONENT MAINT MANUAL REF: 22-21-03 FOR NHA/ADDITIONAL DET SEE: 22-21-02-01	904949	RF

MISSING ITEM NUMBERS NOT APPLICABLE

- ITEM NOT ILLUSTRATED

BRI

22-21-03-01

BOEING PROPRIETARY - Copyright © - Unpublished Work - See title page for details.

22-21-03
FIG. 01
PAGE 2
JAN 20/09



757

PARTS CATALOG (MAINTENANCE)

FIG ITEM	PART NUMBER	1 2 3 4 5 6 7	NOMENCLATURE	EFFECT FROM TO	UNITS PER ASSY
1 - 1	1536600-5		SERVO ASSY-YAW DAMPER (ELECTROHYDROLIC SERVOVALVE AND SOLENOID VALVE ONLY) SUPPLIER CODE: VS4980 SPECIFICATION NUMBER: S252T704-13 MISCELLANEOUS DATA: M/W 75130 SERVO VALVE V75250 767-SL-27-104-A/ 757-SL-27-093-A ELECTRICAL EQUIP NUMBER: M00509 M00510 COMPONENT MAINT MANUAL REF: 22-21-03 QUALIFIED I/W DATA: S251N313-1 (1529200-1) IS FULLY INTERCHANGEABLE WITH S252T704-18 (1540500-7 & -11), S252T704-17 (1540500-5 & -9), S252T704-16 (1540500-3), S252T704-15 (1540500-1), S252T704-14 (1536600-7) AND S252T704-13 (1536600-5) BUT S251N313-1 (1529200-1) IS A LOW RATE SERVO WHICH WILL REDUCE RIDE QUALITY. FOR NHA/ADDITIONAL DET SEE: 22-21-02-01	002004 006106 108999	RF

MISSING ITEM NUMBERS NOT APPLICABLE

- ITEM NOT ILLUSTRATED

BRI

22-21-03-01

BOEING PROPRIETARY - Copyright © - Unpublished Work - See title page for details.

22-21-03
FIG. 01
PAGE 3
JAN 20/09



757

PARTS CATALOG (MAINTENANCE)

FIG ITEM	PART NUMBER	1 2 3 4 5 6 7	NOMENCLATURE	EFFECT FROM TO	UNITS PER ASSY
1 - 1	1536600-7		SERVO ASSY-YAW DAMPER (ELECTROHYDROLIC SERVOVALVE AND SOLENOID VALVE ONLY) SUPPLIER CODE: VS4980 SPECIFICATION NUMBER: S252T704-14 ELECTRICAL EQUIP NUMBER: M00509 M00510 COMPONENT MAINT MANUAL REF: 22-21-03 QUALIFIED I/W DATA: S251N313-1 (1529200-1) IS FULLY INTERCHANGEABLE WITH S252T704-18 (1540500-7 & -11), S252T704-17 (1540500-5 & -9), S252T704-16 (1540500-3), S252T704-15 (1540500-1), S252T704-14 (1536600-7) AND S252T704-13 (1536600-5) BUT S251N313-1 (1529200-1) IS A LOW RATE SERVO WHICH WILL REDUCE RIDE QUALITY FOR NHA/ADDITIONAL DET SEE: 22-21-02-01	002004 006106 108999	RF

MISSING ITEM NUMBERS NOT APPLICABLE

- ITEM NOT ILLUSTRATED

BRI

22-21-03-01

BOEING PROPRIETARY - Copyright © - Unpublished Work - See title page for details.

22-21-03
FIG. 01
PAGE 4
JAN 20/09



757

PARTS CATALOG (MAINTENANCE)

FIG ITEM	PART NUMBER	1 2 3 4 5 6 7	NOMENCLATURE	EFFECT FROM TO	UNITS PER ASSY
1 - 1	1540500-1		SERVO ASSY-YAW DAMPER (ELECTROHYDROLIC SERVOVALVE AND SOLENOID VALVE ONLY) SUPPLIER CODE: VS4980 SPECIFICATION NUMBER: S252T704-15 ELECTRICAL EQUIP NUMBER: M00509 M00510 COMPONENT MAINT MANUAL REF: 22-21-04 QUALIFIED I/W DATA: S251N313-1 (1529200-1) IS FULLY INTERCHANGEABLE WITH S252T704-18 (1540500-7 & -11), S252T704-17 (1540500-5 & -9), S252T704-16 (1540500-3), S252T704-15 (1540500-1), S252T704-14 (1536600-7) AND S252T704-13 (1536600-5) BUT S251N313-1 (1529200-1) IS A LOW RATE SERVO WHICH WILL REDUCE RIDE QUALITY. FOR NHA/ADDITIONAL DET SEE: 22-21-02-01	002004 006106 108999	RF

MISSING ITEM NUMBERS NOT APPLICABLE

- ITEM NOT ILLUSTRATED

BRI

22-21-03-01

BOEING PROPRIETARY - Copyright © - Unpublished Work - See title page for details.

22-21-03
FIG. 01
PAGE 5
JAN 20/09



757

PARTS CATALOG (MAINTENANCE)

FIG ITEM	PART NUMBER	1 2 3 4 5 6 7	NOMENCLATURE	EFFECT FROM TO	UNITS PER ASSY
1 - 1	1540500-3		SERVO ASSY-YAW DAMPER (ELECTROHYDROLIC SERVOVALVE AND SOLENOID VALVE ONLY) SUPPLIER CODE: VS4980 SPECIFICATION NUMBER: S252T704-16 ELECTRICAL EQUIP NUMBER: M00509 M00510 COMPONENT MAINT MANUAL REF: 22-21-04 QUALIFIED I/W DATA: S251N313-1 (1529200-1) IS FULLY INTERCHANGEABLE WITH S252T704-18 (1540500-7 & -11), S252T704-17 (1540500-5 & -9), S252T704-16 (1540500-3), S252T704-15 (1540500-1), S252T704-14 (1536600-7) AND S252T704-13 (1536600-5) BUT S251N313-1 (1529200-1) IS A LOW RATE SERVO WHICH WILL REDUCE RIDE QUALITY. FOR NHA/ADDITIONAL DET SEE: 22-21-02-01	002004 006106 108999	RF

MISSING ITEM NUMBERS NOT APPLICABLE

- ITEM NOT ILLUSTRATED

BRI

22-21-03-01

BOEING PROPRIETARY - Copyright © - Unpublished Work - See title page for details.

22-21-03
FIG. 01
PAGE 6
JAN 20/09



757

PARTS CATALOG (MAINTENANCE)

FIG ITEM	PART NUMBER	1 2 3 4 5 6 7	NOMENCLATURE	EFFECT FROM TO	UNITS PER ASSY
1 - 1	1540500-5		SERVO ASSY-YAW DAMPER (ELECTROHYDROLIC SERVOVALVE AND SOLENOID VALVE ONLY) SUPPLIER CODE: VS4980 SPECIFICATION NUMBER: S252T704-17 ELECTRICAL EQUIP NUMBER: M00509 M00510 COMPONENT MAINT MANUAL REF: 22-21-04 QUALIFIED I/W DATA: S251N313-1 (1529200-1) IS FULLY INTERCHANGEABLE WITH S252T704-18 (1540500-7 & -11), S252T704-17 (1540500-5 & -9), S252T704-16 (1540500-3), S252T704-15 (1540500-1), S252T704-14 (1536600-7) AND S252T704-13 (1536600-5) BUT S251N313-1 (1529200-1) IS A LOW RATE SERVO WHICH WILL REDUCE RIDE QUALITY. OPTIONAL PART: 1540500-9 VS4980 FOR NHA/ADDITIONAL DET SEE: 22-21-02-01	002004 006106 108999	RF

MISSING ITEM NUMBERS NOT APPLICABLE

- ITEM NOT ILLUSTRATED

BRI

22-21-03-01

BOEING PROPRIETARY - Copyright © - Unpublished Work - See title page for details.

22-21-03
FIG. 01
PAGE 7
JAN 20/09

BOEING
757
PARTS CATALOG (MAINTENANCE)

FIG ITEM	PART NUMBER	1 2 3 4 5 6 7	NOMENCLATURE	EFFECT FROM TO	UNITS PER ASSY
1	1540500-9		SERVO ASSY-YAW DAMPER (ELECTROHYDROLIC SERVOVALVE AND SOLENOID VALVE ONLY) SUPPLIER CODE: VS4980 FUNCTIONAL DESCRIPTION: ACTUATES THE RUDDER TO DAMPEN UNDESIRABLE SIDESLIP AND ROLLING MOTION. SPECIFICATION NUMBER: S252T704-17 ELECTRICAL EQUIP NUMBER: M00509 M00510 COMPONENT MAINT MANUAL REF: 22-21-04 QUALIFIED I/W DATA: S251N313-1 (1529200-1) IS FULLY INTERCHANGEABLE WITH S252T704-18 (1540500-7 & -11), S252T704-17 (1540500-5 & -9), S252T704-16 (1540500-3), S252T704-15 (1540500-1), S252T704-14 (1536600-7) AND S252T704-13 (1536600-5) BUT S251N313-1 (1529200-1) IS A LOW RATE SERVO WHICH WILL REDUCE RIDE QUALITY. OPTIONAL PART: 1540500-5 VS4980 FOR NHA/ADDITIONAL DET SEE: 22-21-02-01	002004 006106 108999	RF

MISSING ITEM NUMBERS NOT APPLICABLE

- ITEM NOT ILLUSTRATED

BRI

22-21-03-01

BOEING PROPRIETARY - Copyright © - Unpublished Work - See title page for details.

22-21-03
FIG. 01
PAGE 9
MAY 20/09



757

PARTS CATALOG (MAINTENANCE)

FIG ITEM	PART NUMBER	1 2 3 4 5 6 7	NOMENCLATURE	EFFECT FROM TO	UNITS PER ASSY
1	1540500-11		SERVO ASSY-YAW DAMPER (ELECTROHYDROLIC SERVOVALVE AND SOLENOID VALVE ONLY) SUPPLIER CODE: VS4980 SPECIFICATION NUMBER: S252T704-18 ELECTRICAL EQUIP NUMBER: M00509 M00510 QUALIFIED I/W DATA: S251N313-1 (1529200-1) IS FULLY INTERCHANGEABLE WITH S252T704-18 (1540500-7 & -11), S252T704-17 (1540500-5 & -9), S252T704-16 (1540500-3), S252T704-15 (1540500-1), S252T704-14 (1536600-7) AND S252T704-13 (1536600-5) BUT S251N313-1 (1529200-1) IS A LOW RATE SERVO WHICH WILL REDUCE RIDE QUALITY. OPTIONAL PART: 1540500-7 VS4980 FOR NHA/ADDITIONAL DET SEE: 22-21-02-01	002004 006106 108999	RF
1	1540500-13		SERVO ASSY-YAW DAMPER SUPPLIER CODE: VOFRZ6 FUNCTIONAL DESCRIPTION: ACTUATES THE RUDDER TO DAMPEN UNDESIRABLE SIDESLIP AND ROLLING MOTION. ELECTRICAL EQUIP NUMBER: M00509 M00510 FOR NHA/ADDITIONAL DET SEE: 22-21-02-01	002004 006106 108999	RF

R
R
R
R
R
R
R
R
R
R
R

MISSING ITEM NUMBERS NOT APPLICABLE

- ITEM NOT ILLUSTRATED

22-21-03-01

22-21-03
FIG. 01
PAGE 10
MAY 20/09

BRI



757

PARTS CATALOG (MAINTENANCE)

FIG ITEM	PART NUMBER	1 2 3 4 5 6 7	NOMENCLATURE	EFFECT FROM TO	UNITS PER ASSY
R R R R R R R	1	1540500-15	SERVO ASSY-YAW DAMPER SUPPLIER CODE: VOFRZ6 ELECTRICAL EQUIP NUMBER: M00509 M00510 FOR NHA/ADDITIONAL DET SEE: 22-21-02-01	002004 006106 108999	RF
	5	NAS1351N4H28P	.SCREW- OPTIONAL PART: NAS1351-4H28P USED ON: 1540500-1 1540500-3 1540500-5 1540500-7 1540500-9 1540500-11	002004 006106 108999	4
	5	NAS1351-4H28P	.SCREW- OPTIONAL PART: NAS1351N4H28P USED ON: 1540500-1 1540500-3 1540500-5 1540500-7 1540500-9 1540500-11	002004 006106 108999	4
	5	NAS1351N4H28P	.SCREW- QUALIFIED OPTIONAL DATA: NAS1351N4H28P OPT TO BACB30LE2H24 USED WITH 1529208 USED ON: 1529200-1 1536600-1 1536600-3 1536600-5 1536600-7	002004 006999	4

MISSING ITEM NUMBERS NOT APPLICABLE

- ITEM NOT ILLUSTRATED

22-21-03-01

22-21-03
FIG. 01
PAGE 11
MAY 20/09

BRI



757

PARTS CATALOG (MAINTENANCE)

FIG ITEM	PART NUMBER	1 2 3 4 5 6 7	NOMENCLATURE	EFFECT FROM TO	UNITS PER ASSY
1	10 BACB30LE4H24		.BOLT- QUALIFIED OPTIONAL DATA: NAS1351N4H28P OPT TO BACB30LE2H24 USED WITH 1529208 USED ON: 1529200-1 1536600-1 1536600-3 1536600-5 1536600-7	002004 006999	4
	15 1529208		.SPACER- SUPPLIER CODE: VS4980 USED ON: 1529200-1 1536600-1 1536600-3 1536600-5 1536600-7	002004 006999	4

MISSING ITEM NUMBERS NOT APPLICABLE

- ITEM NOT ILLUSTRATED

BRI

22-21-03-01

BOEING PROPRIETARY - Copyright © - Unpublished Work - See title page for details.

22-21-03
FIG. 01
PAGE 12
MAY 20/09



757

PARTS CATALOG (MAINTENANCE)

FIG ITEM	PART NUMBER	1 2 3 4 5 6 7	NOMENCLATURE	EFFECT FROM TO	UNITS PER ASSY
1 20	75130		.SERVOVALVE-FLOW CONT SUPPLIER CODE: V49695 SPECIFICATION NUMBER: 10-60813-1 COMPONENT MAINT MANUAL REF: 27-09-01 OPTIONAL PART: 0893701 V93835 OPTIONAL PART: 22280710 V81873 22280710-001 V81873 73016 V49695 A71882-1 V94697 A71882-2 V94697 A71882-003 V94697 USED ON: 1529200-1 1536600-1 1536600-3 1536600-5 1536600-7 1540500-1 1540500-3 1540500-5 1540500-7 1540500-9 1540500-11	002004 006999	1

MISSING ITEM NUMBERS NOT APPLICABLE

- ITEM NOT ILLUSTRATED

BRI

22-21-03-01

BOEING PROPRIETARY - Copyright © - Unpublished Work - See title page for details.

22-21-03
FIG. 01
PAGE 13
MAY 20/09

 BOEING
757
PARTS CATALOG (MAINTENANCE)

FIG ITEM	PART NUMBER	1 2 3 4 5 6 7	NOMENCLATURE	EFFECT FROM TO	UNITS PER ASSY
R R R R R R R R R R R R R R R R R R R R	1 20	22280710-001	.SERVOVALVE-ELECTRO HYDR SUPPLIER CODE: V81873 FUNCTIONAL DESCRIPTION: THIS VALVE DELIVERS A HYDRAULIC FLOW PROPORTIONAL TO AN ELECTRIC INPUT SPECIFICATION NUMBER: S252T001-3 COMPONENT MAINT MANUAL REF: 22-10-01 OPTIONAL PART: 22280710 V81873 OPTIONAL PART: 75130 V49695 0893701 V93835 73016 V49695 A71882-1 V94697 A71882-2 V94697 A71882-003 V94697 USED ON: 1529200-1 1536600-1 1536600-5 1540500-1 1540500-5 1540500-9	002004 006999	1

MISSING ITEM NUMBERS NOT APPLICABLE

— ITEM NOT ILLUSTRATED

22-21-03-01

22-21-03
FIG. 01
PAGE 14
MAY 20/09

BRI



757

PARTS CATALOG (MAINTENANCE)

FIG ITEM	PART NUMBER	1 2 3 4 5 6 7	NOMENCLATURE	EFFECT FROM TO	UNITS PER ASSY
1 20	73016		.SERVOVALVE-ELECTRO HYDR SUPPLIER CODE: V49695 FUNCTIONAL DESCRIPTION: THIS VALVE DELIVERS A HYDRAULIC FLOW PROPORTIONAL TO AN ELECTRIC INPUT SPECIFICATION NUMBER: S252T001-4 COMPONENT MAINT MANUAL REF: 22-21-01 OPTIONAL PART: 75130 V49695 0893701 V93835 22280710 V81873 22280710-001 V81873 A71882-1 V94697 A71882-2 V94697 A71882-003 V94697 USED ON: 1529200-1 1536600-1 1536600-3 1536600-5 1536600-7 1540500-1 1540500-3 1540500-5 1540500-7 1540500-9 1540500-11	002004 006999	1

MISSING ITEM NUMBERS NOT APPLICABLE

- ITEM NOT ILLUSTRATED

BRI

22-21-03-01

22-21-03
FIG. 01
PAGE 15
MAY 20/09



757

PARTS CATALOG (MAINTENANCE)

FIG ITEM	PART NUMBER	1 2 3 4 5 6 7	NOMENCLATURE	EFFECT FROM TO	UNITS PER ASSY
1 20	A71882-1		.SERVOVALVE-ELECTRO HYDR SUPPLIER CODE: V94697 FUNCTIONAL DESCRIPTION: THIS VALVE DELIVERS A HYDRAULIC FLOW PROPORTIONAL TO AN ELECTRIC INPUT SPECIFICATION NUMBER: S252T001-5 COMPONENT MAINT MANUAL REF: 22-10-02 OPTIONAL PART: A71882-2 V94697 A71882-003 V94697 OPTIONAL PART: 75130 V49695 0893701 V93835 22280710 V81873 22280710-001 V81873 73016 V49695 USED ON: 1529200-1 1536600-1 1536600-5 1540500-1 1540500-5 1540500-9	002004 006999	1

MISSING ITEM NUMBERS NOT APPLICABLE

- ITEM NOT ILLUSTRATED

BRI

22-21-03-01

BOEING PROPRIETARY - Copyright © - Unpublished Work - See title page for details.

22-21-03
FIG. 01
PAGE 16
MAY 20/09



757

PARTS CATALOG (MAINTENANCE)

FIG ITEM	PART NUMBER	1 2 3 4 5 6 7	NOMENCLATURE	EFFECT FROM TO	UNITS PER ASSY
1 20	A71882-2		.SERVOVALVE-ELECTRO HYDR SUPPLIER CODE: V94697 FUNCTIONAL DESCRIPTION: THIS VALVE DELIVERS A HYDRAULIC FLOW PROPORTIONAL TO AN ELECTRIC INPUT SPECIFICATION NUMBER: S252T001-5 COMPONENT MAINT MANUAL REF: 22-10-02 OPTIONAL PART: A71882-1 V94697 A71882-003 V94697 OPTIONAL PART: 75130 V49695 0893701 V93835 22280710 V81873 22280710-001 V81873 73016 V49695 USED ON: 1529200-1 1536600-1 1536600-5 1540500-1 1540500-5 1540500-9 POST SERVICE BULLETIN: V94697	002004 006999	1

MISSING ITEM NUMBERS NOT APPLICABLE

- ITEM NOT ILLUSTRATED

BRI

22-21-03-01

BOEING PROPRIETARY - Copyright © - Unpublished Work - See title page for details.

22-21-03
FIG. 01
PAGE 17
MAY 20/09



757

PARTS CATALOG (MAINTENANCE)

FIG ITEM	PART NUMBER	1 2 3 4 5 6 7	NOMENCLATURE	EFFECT FROM TO	UNITS PER ASSY
1 20	0893701	.	SERVOVALVE-ELECTRO HYDR SUPPLIER CODE: V93835 SPECIFICATION NUMBER: 10-60813-1 COMPONENT MAINT MANUAL REF: 27-09-01 OPTIONAL PART: 75130 V49695 OPTIONAL PART: 22280710 V81873 22280710-001 V81873 73016 V49695 A71882-1 V94697 A71882-2 V94697 A71882-003 V94697 USED ON: 1529200-1 1536600-1 1536600-3 1536600-5 1536600-7 1540500-1 1540500-3 1540500-5 1540500-7 1540500-9 1540500-11	002004 006999	1

MISSING ITEM NUMBERS NOT APPLICABLE

- ITEM NOT ILLUSTRATED

BRI

22-21-03-01

BOEING PROPRIETARY - Copyright © - Unpublished Work - See title page for details.

22-21-03
FIG. 01
PAGE 18
MAY 20/09



757

PARTS CATALOG (MAINTENANCE)

FIG ITEM	PART NUMBER	1 2 3 4 5 6 7 NOMENCLATURE	EFFECT FROM TO	UNITS PER ASSY
1 20	22280710	.SERVOVALVE-ELECTRO HYDR SUPPLIER CODE: V81873 FUNCTIONAL DESCRIPTION: THIS VALVE DELIVERS A HYDRAULIC FLOW PROPORTIONAL TO AN ELECTRIC INPUT SPECIFICATION NUMBER: S252T001-3 COMPONENT MAINT MANUAL REF: 27-10-03 OPTIONAL PART: 22280710-001 V81873 OPTIONAL PART: 75130 V49695 0893701 V93835 73016 V49695 A71882-1 V94697 A71882-2 V94697 A71882-003 V94697 USED ON: 1529200-1 1536600-1 1536600-5 1540500-1 1540500-5 1540500-9	002004 006999	1

MISSING ITEM NUMBERS NOT APPLICABLE

- ITEM NOT ILLUSTRATED

BRI

22-21-03-01

BOEING PROPRIETARY - Copyright © - Unpublished Work - See title page for details.

22-21-03
FIG. 01
PAGE 19
MAY 20/09



757

PARTS CATALOG (MAINTENANCE)

FIG ITEM	PART NUMBER	1 2 3 4 5 6 7	NOMENCLATURE	EFFECT FROM TO	UNITS PER ASSY
1 20	A71882-003	.	SERVOVALVE-ELECTRO HYDR SUPPLIER CODE: V94697 FUNCTIONAL DESCRIPTION: THIS VALVE DELIVERS A HYDRAULIC FLOW PROPORTIONAL TO AN ELECTRIC INPUT SPECIFICATION NUMBER: S252T001-5 COMPONENT MAINT MANUAL REF: 22-10-02 OPTIONAL PART: A71882-1 V94697 A71882-2 V94697 OPTIONAL PART: 75130 V49695 0893701 V93835 22280710 V81873 22280710-001 V81873 73016 V49695 USED ON: 1529200-1 1536600-1 1536600-5 1540500-1 1540500-5 1540500-9	002004 006999	1
21	75859	..	PLATE-IDENT SUPPLIER CODE: V49695 USED ON: 75130	002004 006999	1
21	73700	..	PLATE-IDENT SUPPLIER CODE: V49695 USED ON: 73016	002004 006999	1
22	MS21318-1	..	SCREW- USED ON: 75130 73016	002004 006999	4

MISSING ITEM NUMBERS NOT APPLICABLE

- ITEM NOT ILLUSTRATED

22-21-03-01

22-21-03
FIG. 01
PAGE 20
MAY 20/09

BRI



757

PARTS CATALOG (MAINTENANCE)

FIG ITEM	PART NUMBER	1 2 3 4 5 6 7	NOMENCLATURE	EFFECT FROM TO	UNITS PER ASSY
1	23 76950		..PLATE-FLUID IDENT BMS 3-11 SUPPLIER CODE: V49695 OPTIONAL PART: 76951 V49695 76952 V49695 USED ON: 75130	002004 006999	1
	23 76951		..PLATE-FLUID IDENT DMS 2014 SUPPLIER CODE: V49695 OPTIONAL PART: 76950 V49695 76952 V49695 USED ON: 75130	002004 006999	1
	23 76952		..PLATE-FLUID IDENT DMS 2014 SUPPLIER CODE: V49695 OPTIONAL PART: 76950 V49695 76951 V49695 USED ON: 75130	002004 006999	1
	24 A71884-1		..PLATE-IDENT SUPPLIER CODE: V94697 USED ON: A71882-1	002004 006999	1
	24 B93294-1		..PLATE-IDENT SUPPLIER CODE: V94697 USED ON: A71882-2	002004 006999	1

MISSING ITEM NUMBERS NOT APPLICABLE

- ITEM NOT ILLUSTRATED

BRI

22-21-03-01

BOEING PROPRIETARY - Copyright © - Unpublished Work - See title page for details.

22-21-03
FIG. 01
PAGE 21
MAY 20/09



**757
PARTS CATALOG (MAINTENANCE)**

FIG ITEM	PART NUMBER	1 2 3 4 5 6 7	NOMENCLATURE	EFFECT FROM TO	UNITS PER ASSY
1			ATTACHING PARTS		
26	090-10441		.. SCREW-IDENT SUPPLIER CODE: V94697 USED ON: A71882-1 A71882-2	002004 006999	1
28	069000198-1		-----*----- . PLATE-GSKT SUPPLIER CODE: V05939 SPECIFICATION NUMBER: 69-20185-1 OPTIONAL PART: 054861 V83259 054861-1 V83259 BA1841 V95272 828109-1 V83259 OPTIONAL PART: 069000198-3 V05939	002004 006999	1
28	069000198-3		. PLATE-GSKT SUPPLIER CODE: V05939 SPECIFICATION NUMBER: 69-20185-3 OPTIONAL PART: 828109-3 V83259 OPTIONAL PART: 069000198-1 V05939	002004 006999	1
30	NAS1611-112		. PACKING- OPTIONAL PART: NAS1601-112 USED ON: 1540500-1 1540500-3 1540500-5 1540500-7 1540500-9 1540500-11	002004 006106 108999	1

MISSING ITEM NUMBERS NOT APPLICABLE

— ITEM NOT ILLUSTRATED

BRI

22-21-03-01

BOEING PROPRIETARY - Copyright © - Unpublished Work - See title page for details.

22-21-03
FIG. 01
PAGE 22
MAY 20/09



757

PARTS CATALOG (MAINTENANCE)

FIG ITEM	PART NUMBER	1 2 3 4 5 6 7	NOMENCLATURE	EFFECT FROM TO	UNITS PER ASSY
1					
30	NAS1601-112		.PACKING- OPTIONAL PART: NAS1611-112 USED ON: 1540500-1 1540500-3 1540500-5 1540500-7 1540500-9 1540500-11	002004 006106 108999	1
30	NAS1611-112		.PACKING- USED ON: 1529200-1 1536600-1 1536600-3 1536600-5 1536600-7	002004 006999	1
35	BACB30LE4H4		.BOLT- OPTIONAL PART: NAS1351N4H12P USED ON: 1529200-1 1536600-1 1536600-3 1536600-5 1536600-7	002004 006999	4
40	NAS1351N4H12P		.SCREW- OPTIONAL PART: NAS1351-4H12P USED ON: 1540500-1 1540500-3 1540500-5 1540500-7 1540500-9 1540500-11	002004 006106 108999	4
40	NAS1351N4H12P		.SCREW- OPTIONAL PART: BACB30LE4H4 USED ON: 1529200-1 1536600-1 1536600-3 1536600-5 1536600-7	002004 006999	4

MISSING ITEM NUMBERS NOT APPLICABLE

- ITEM NOT ILLUSTRATED

22-21-03-01

22-21-03
FIG. 01
PAGE 23
MAY 20/09

BRI

BOEING PROPRIETARY - Copyright © - Unpublished Work - See title page for details.



757

PARTS CATALOG (MAINTENANCE)

FIG ITEM	PART NUMBER	1 2 3 4 5 6 7	NOMENCLATURE	EFFECT FROM TO	UNITS PER ASSY
1	40 NAS1351-4H12P		. SCREW- OPTIONAL PART: NAS1351N4H12P USED ON: 1540500-1 1540500-3 1540500-5 1540500-7 1540500-9 1540500-11	002004 006106 108999	4
	45 BACW10BN4SC		. WASHER- OPTIONAL PART: 1536605 VS4980 USED ON: 1529200-1 1536600-1 1536600-3 1536600-5 1536600-7	002004 006999	4
	45 1536605		. WASHER- SUPPLIER CODE: VS4980 OPTIONAL PART: BACW10BN4SC USED ON: 1529200-1 1536600-1 1536600-3 1536600-5 1536600-7	002004 006999	4

MISSING ITEM NUMBERS NOT APPLICABLE

- ITEM NOT ILLUSTRATED

BRI

22-21-03-01

BOEING PROPRIETARY - Copyright © - Unpublished Work - See title page for details.

22-21-03
FIG. 01
PAGE 24
MAY 20/09



757

PARTS CATALOG (MAINTENANCE)

FIG ITEM	PART NUMBER	1 2 3 4 5 6 7	NOMENCLATURE	EFFECT FROM TO	UNITS PER ASSY
1 50	45080		.VALVE ASSY-SOL SUPPLIER CODE: V99643 SPECIFICATION NUMBER: 10-60811-3 COMPONENT MAINT MANUAL REF: 29-09-05 OPTIONAL PART: 59600-5007 V92003 OPTIONAL PART: 45080-1 V99643 59600-5007 V92003 59600-5011 V92003 881600-1001 V92003 USED ON: 1529200-1	107107	1
50	59600-5007		.VALVE ASSY-SOL SUPPLIER CODE: V92003 FUNCTIONAL DESCRIPTION: ELECTRICALLY OPERATED VALVE PROVIDES HYDRAULIC PRESSURE SPECIFICATION NUMBER: 10-60811-3 COMPONENT MAINT MANUAL REF: 29-10-02 OPTIONAL PART: 45080 V99643 OPTIONAL PART: 45080 V99643 45080-1 V99643 59600-5011 V92003 881600-1001 V92003 USED ON: 1529200-1	107107	1

MISSING ITEM NUMBERS NOT APPLICABLE

- ITEM NOT ILLUSTRATED

22-21-03-01

22-21-03
FIG. 01
PAGE 25
MAY 20/09

BRI



757

PARTS CATALOG (MAINTENANCE)

FIG ITEM	PART NUMBER	1 2 3 4 5 6 7	NOMENCLATURE	EFFECT FROM TO	UNITS PER ASSY
1 50	45080-1	.	VALVE ASSY-SOL SUPPLIER CODE: V99643 FUNCTIONAL DESCRIPTION: ELECTRICALLY OPERATED VALVE PROVIDES HYDRAULIC PRESSURE SPECIFICATION NUMBER: 10-60811-8 COMPONENT MAINT MANUAL REF: 29-09-05 OPTIONAL PART: 59600-5011 V92003 881600-1001 V92003 45080 V99643 59600-5007 V92003 USED ON: 1529200-1	107107	1
50	59600-5011	.	VALVE ASSY-SOL SUPPLIER CODE: V92003 FUNCTIONAL DESCRIPTION: ELECTRICALLY OPERATED VALVE PROVIDES HYDRAULIC PRESSURE SPECIFICATION NUMBER: 10-60811-9 COMPONENT MAINT MANUAL REF: 29-10-02 OPTIONAL PART: 45080-1 V99643 881600-1001 V92003 45080 V99643 59600-5007 V92003 USED ON: 1529200-1	107107	1

MISSING ITEM NUMBERS NOT APPLICABLE

- ITEM NOT ILLUSTRATED

BRI

22-21-03-01

BOEING PROPRIETARY - Copyright © - Unpublished Work - See title page for details.

22-21-03
FIG. 01
PAGE 26
MAY 20/09



757

PARTS CATALOG (MAINTENANCE)

FIG ITEM	PART NUMBER	1 2 3 4 5 6 7	NOMENCLATURE	EFFECT FROM TO	UNITS PER ASSY
1	50 881600-1001		.VALVE ASSY-SOL SUPPLIER CODE: V92003 FUNCTIONAL DESCRIPTION: ELECTRICALLY OPERATED VALVE PROVIDES HYDRAULIC PRESSURE SPECIFICATION NUMBER: 10-60811-13 COMPONENT MAINT MANUAL REF: 27-09-03 OPTIONAL PART: 45080-1 V99643 59600-5011 V92003 59600-5007 V92003 45080 V99463 USED ON: 1529200-1	107107	1
50	45080-1		.VALVE ASSY-SOL SUPPLIER CODE: V99643 FUNCTIONAL DESCRIPTION: ELECTRICALLY OPERATED VALVE PROVIDES HYDRAULIC PRESSURE SPECIFICATION NUMBER: 10-60811-8 COMPONENT MAINT MANUAL REF: 29-09-05 OPTIONAL PART: 59600-5011 V92003 881600-1001 V92003 USED ON: 1536600-1 1536600-3 1536600-5 1536600-7 1540500-1 1540500-3 1540500-5 1540500-7 1540500-9 1540500-11	002004 006106 108999	1

MISSING ITEM NUMBERS NOT APPLICABLE

- ITEM NOT ILLUSTRATED

BRI

22-21-03-01

BOEING PROPRIETARY - Copyright © - Unpublished Work - See title page for details.

22-21-03
FIG. 01
PAGE 27
MAY 20/09



757

PARTS CATALOG (MAINTENANCE)

FIG ITEM	PART NUMBER	1 2 3 4 5 6 7	NOMENCLATURE	EFFECT FROM TO	UNITS PER ASSY
1 50	59600-5011		. VALVE ASSY-SOL SUPPLIER CODE: V92003 FUNCTIONAL DESCRIPTION: ELECTRICALLY OPERATED VALVE PROVIDES HYDRAULIC PRESSURE SPECIFICATION NUMBER: 10-60811-9 COMPONENT MAINT MANUAL REF: 29-10-02 OPTIONAL PART: 45080-1 V99643 881600-1001 V92003 USED ON: 1536600-1 1536600-3 1536600-5 1536600-7 1540500-1 1540500-3 1540500-5 1540500-7 1540500-9 1540500-11	002004 006106 108999	1

MISSING ITEM NUMBERS NOT APPLICABLE

- ITEM NOT ILLUSTRATED

BRI

22-21-03-01

BOEING PROPRIETARY - Copyright © - Unpublished Work - See title page for details.

22-21-03
FIG. 01
PAGE 28
MAY 20/09

 **BOEING**
757
PARTS CATALOG (MAINTENANCE)

FIG ITEM	PART NUMBER	1 2 3 4 5 6 7	NOMENCLATURE	EFFECT FROM TO	UNITS PER ASSY
1 50	881600-1001	.	VALVE ASSY-SOL SUPPLIER CODE: V92003 FUNCTIONAL DESCRIPTION: ELECTRICALLY OPERATED VALVE PROVIDES HYDRAULIC PRESSURE SPECIFICATION NUMBER: 10-60811-13 COMPONENT MAINT MANUAL REF: 27-09-03 OPTIONAL PART: 45080-1 V99643 59600-5011 V92003 USED ON: 1536600-1 1536600-3 1536600-5 1536600-7 1540500-1 1540500-3 1540500-5 1540500-7 1540500-9 1540500-11	002004 006106 108999	1
52	25027	..	NAMEPLATE- SUPPLIER CODE: V99643 USED ON: 45080	107107	1
52	25027-3	..	NAMEPLATE- SUPPLIER CODE: V99643 USED ON: 45080-1	107107	1
52	25027-3	..	NAMEPLATE- SUPPLIER CODE: V99643 USED ON: 45080-1	002004 006106 108999	1
52	59610-3	..	NAMEPLATE- SUPPLIER CODE: V99643 USED ON: 59600-5007	107107	1

MISSING ITEM NUMBERS NOT APPLICABLE

— ITEM NOT ILLUSTRATED

BRI

22-21-03-01

BOEING PROPRIETARY - Copyright © - Unpublished Work - See title page for details.

22-21-03
FIG. 01
PAGE 29
MAY 20/09



757

PARTS CATALOG (MAINTENANCE)

FIG ITEM	PART NUMBER	1 2 3 4 5 6 7	NOMENCLATURE	EFFECT FROM TO	UNITS PER ASSY
1					
52	59610-9		..NAMEPLATE- SUPPLIER CODE: V99643 USED ON: 59600-5011	002004 006999	1
53	881601-1		..NAMEPLATE- SUPPLIER CODE: V92003 USED ON: 881600-1001 ATTACHING PARTS	002004 006999	1
54	047-90NSX062		..SCREW- SUPPLIER CODE: V92003 -----*-----	002004 006999	2
55	069000197-1		.PLATE-GSKT SUPPLIER CODE: V05939 SPECIFICATION NUMBER: 69-20184-1 OPTIONAL PART: 071261 V83259 071261-1 V83259 828108-1 V83259 BA1837 V95272 OPTIONAL PART: 069000197-2 V05939 USED ON: 1536600-1 1536600-3 1536600-5 1536600-7 1540500-1 1540500-3 1540500-5 1540500-7 1540500-9 1540500-11	002004 006106 108999	1

MISSING ITEM NUMBERS NOT APPLICABLE

- ITEM NOT ILLUSTRATED

BRI

22-21-03-01

BOEING PROPRIETARY - Copyright © - Unpublished Work - See title page for details.

22-21-03
FIG. 01
PAGE 30
MAY 20/09



757

PARTS CATALOG (MAINTENANCE)

FIG ITEM	PART NUMBER	1 2 3 4 5 6 7	NOMENCLATURE	EFFECT FROM TO	UNITS PER ASSY
1 55	069000197-1		.PLATE-GSKT SUPPLIER CODE: V05939 SPECIFICATION NUMBER: 69-20184-1 OPTIONAL PART: 071261 V83259 071261-1 V83259 828108-1 V83259 BA1837 V95272 USED ON: 1529200-1	107107	1
55	069000197-2		.PLATE-GSKT SUPPLIER CODE: V05939 SPECIFICATION NUMBER: 69-20184-2 OPTIONAL PART: 828108-2 V83259 USED ON: 1529200-1	107107	1
55	069000197-2		.PLATE-GSKT SUPPLIER CODE: V05939 SPECIFICATION NUMBER: 69-20184-2 OPTIONAL PART: 828108-2 V83259 OPTIONAL PART: 069000197-1 V05939 USED ON: 1536600-1 1536600-3 1536600-5 1536600-7 1540500-1 1540500-3 1540500-5 1540500-7 1540500-9 1540500-11	002004 006106 108999	1

MISSING ITEM NUMBERS NOT APPLICABLE

- ITEM NOT ILLUSTRATED

22-21-03-01

22-21-03
FIG. 01
PAGE 31
MAY 20/09

BRI



757

PARTS CATALOG (MAINTENANCE)

FIG ITEM	PART NUMBER	1 2 3 4 5 6 7	NOMENCLATURE	EFFECT FROM TO	UNITS PER ASSY
1 60	NAS1611-112		.PACKING- OPTIONAL PART: NAS1601-112 USED ON: 1540500-1 1540500-3 1540500-5 1540500-7 1540500-9 1540500-11	002004 006106 108999	1
60	NAS1601-112		.PACKING- OPTIONAL PART: NAS1611-112 USED ON: 1540500-1 1540500-3 1540500-5 1540500-7 1540500-9 1540500-11	002004 006106 108999	1
60	NAS1611-112		.PACKING- USED ON: 1529200-1 1536600-1 1536600-3 1536600-5 1536600-7	002004 006999	1

MISSING ITEM NUMBERS NOT APPLICABLE

- ITEM NOT ILLUSTRATED

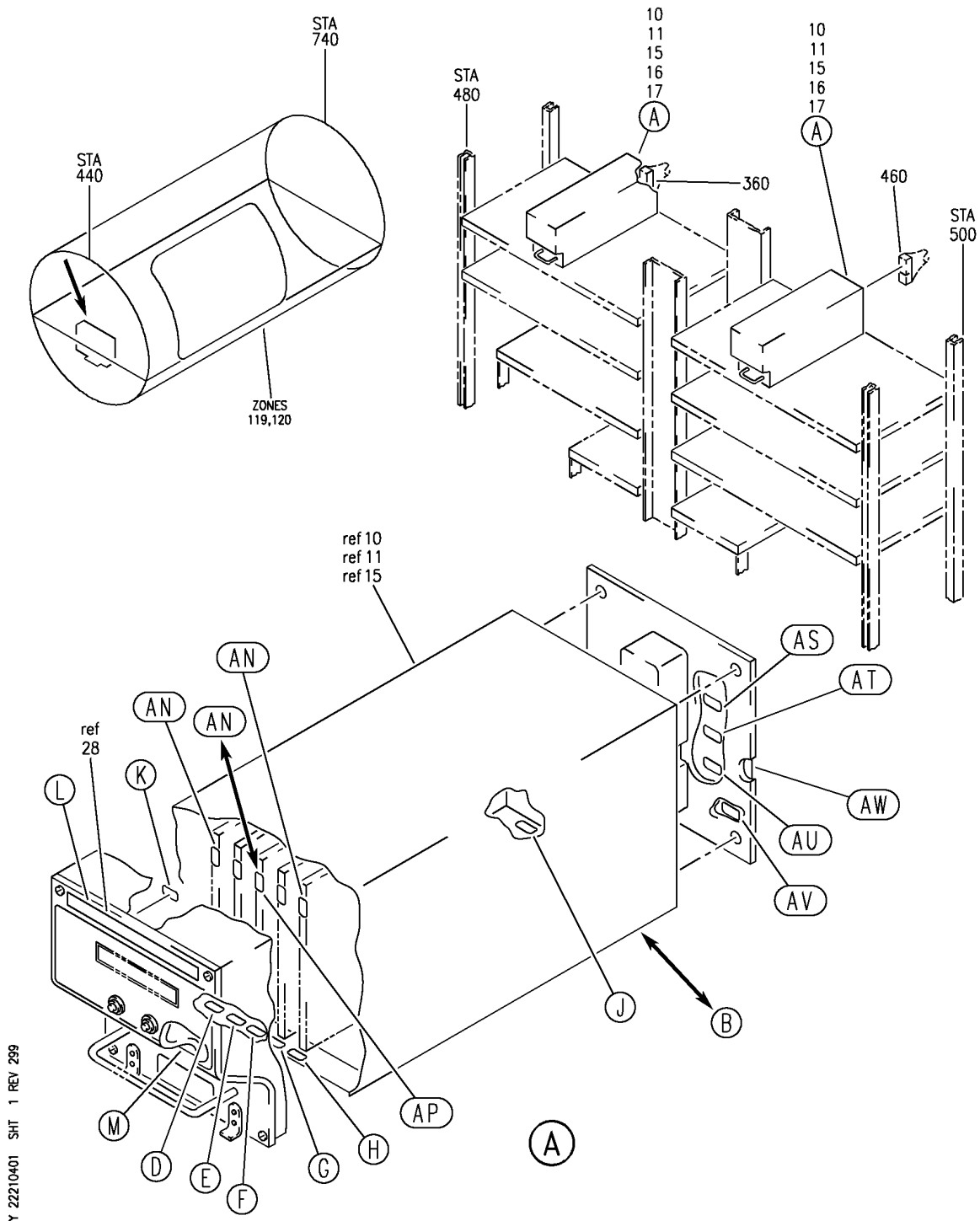
BRI

22-21-03-01

BOEING PROPRIETARY - Copyright © - Unpublished Work - See title page for details.

22-21-03
FIG. 01
PAGE 32
MAY 20/09

BOEING
757
PARTS CATALOG (MAINTENANCE)



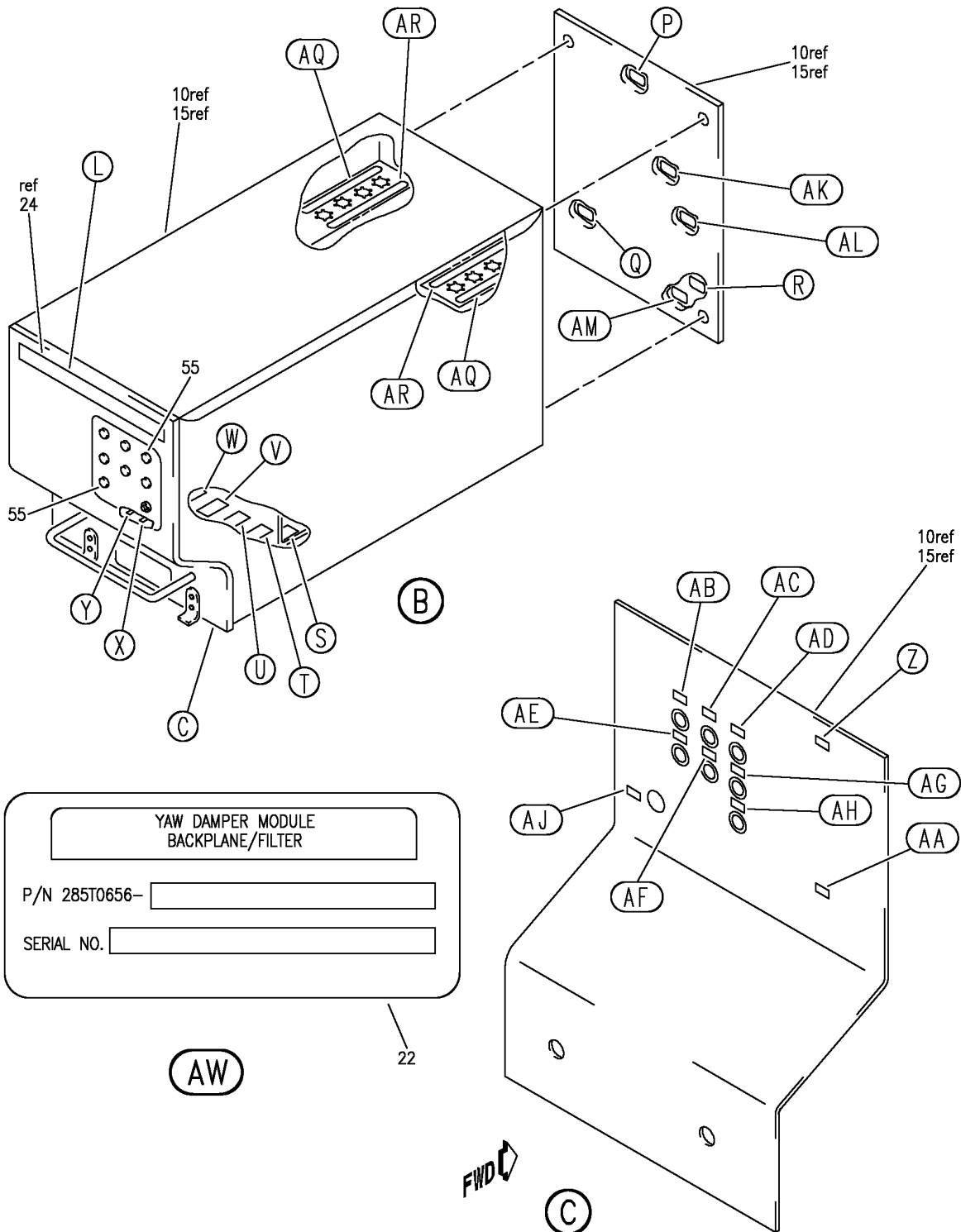
EQUIPMENT INSTL-MAIN ELECTRONICS EQPT CTR (YAW DAMPER SYSTEM ONLY)
FIGURE 1 (SHEET 1)

22-21-04-01

BRI
MAY 28/07

22-21-04-01
PAGE 0

BOEING
757
PARTS CATALOG (MAINTENANCE)



Y 22210401 SH1 2 REV 274

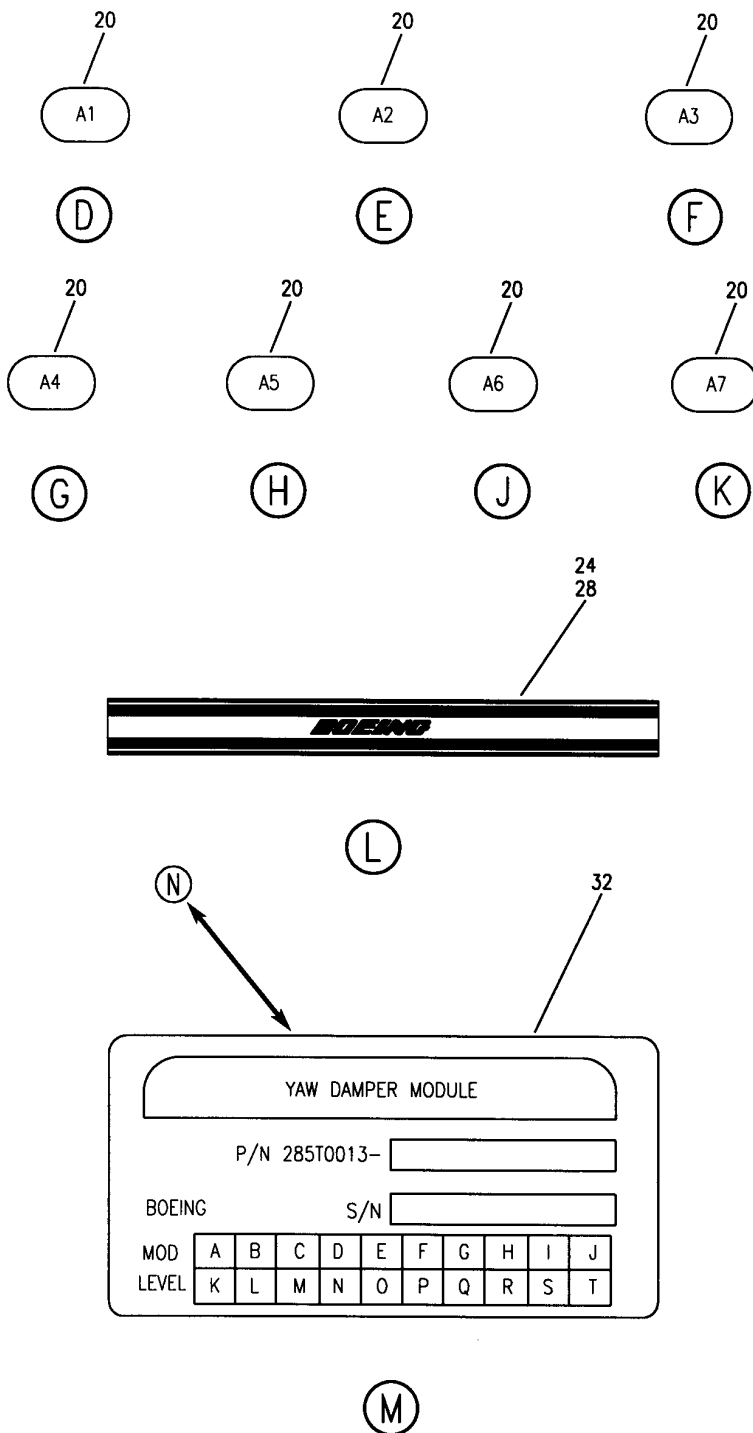
EQUIPMENT INSTL-MAIN ELECTRONICS EQPT CTR (YAW DAMPER SYSTEM ONLY)
FIGURE 1 (SHEET 2)

22-21-04-01

BRI
MAY 28/07

22-21-04-01
PAGE 0A


BOEING
 757
PARTS CATALOG (MAINTENANCE)



Y 22210401 SHT 3 REV 210

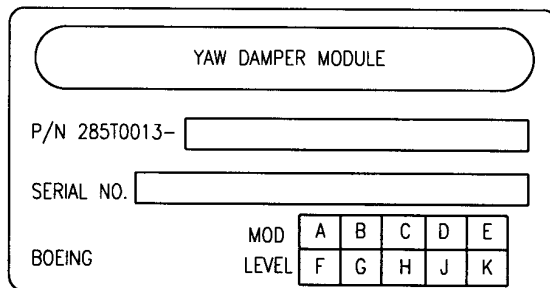
EQUIPMENT INSTL-MAIN ELECTRONICS EQPT CTR (YAW DAMPER SYSTEM ONLY)
 FIGURE 1 (SHEET 3)

22-21-04-01

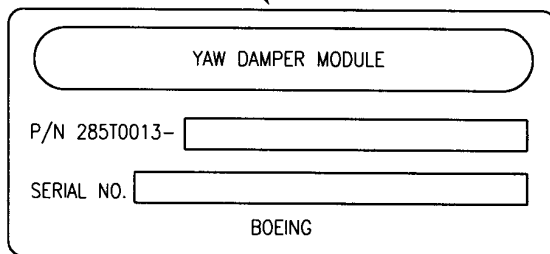
BRI
 MAY 28/07

22-21-04-01
 PAGE 0B

BOEING
757
PARTS CATALOG (MAINTENANCE)

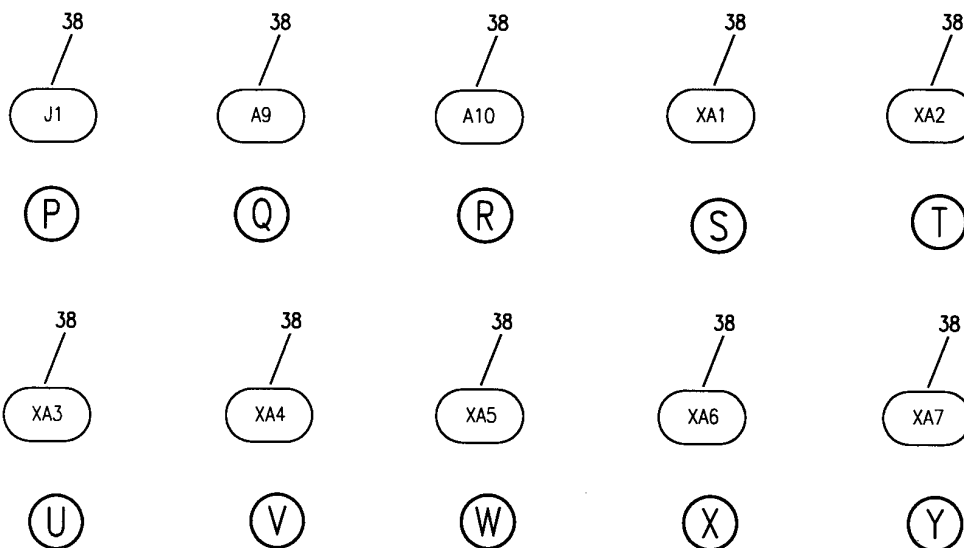


34



36

(N)



Y 22210401 SH1 4 REV 210

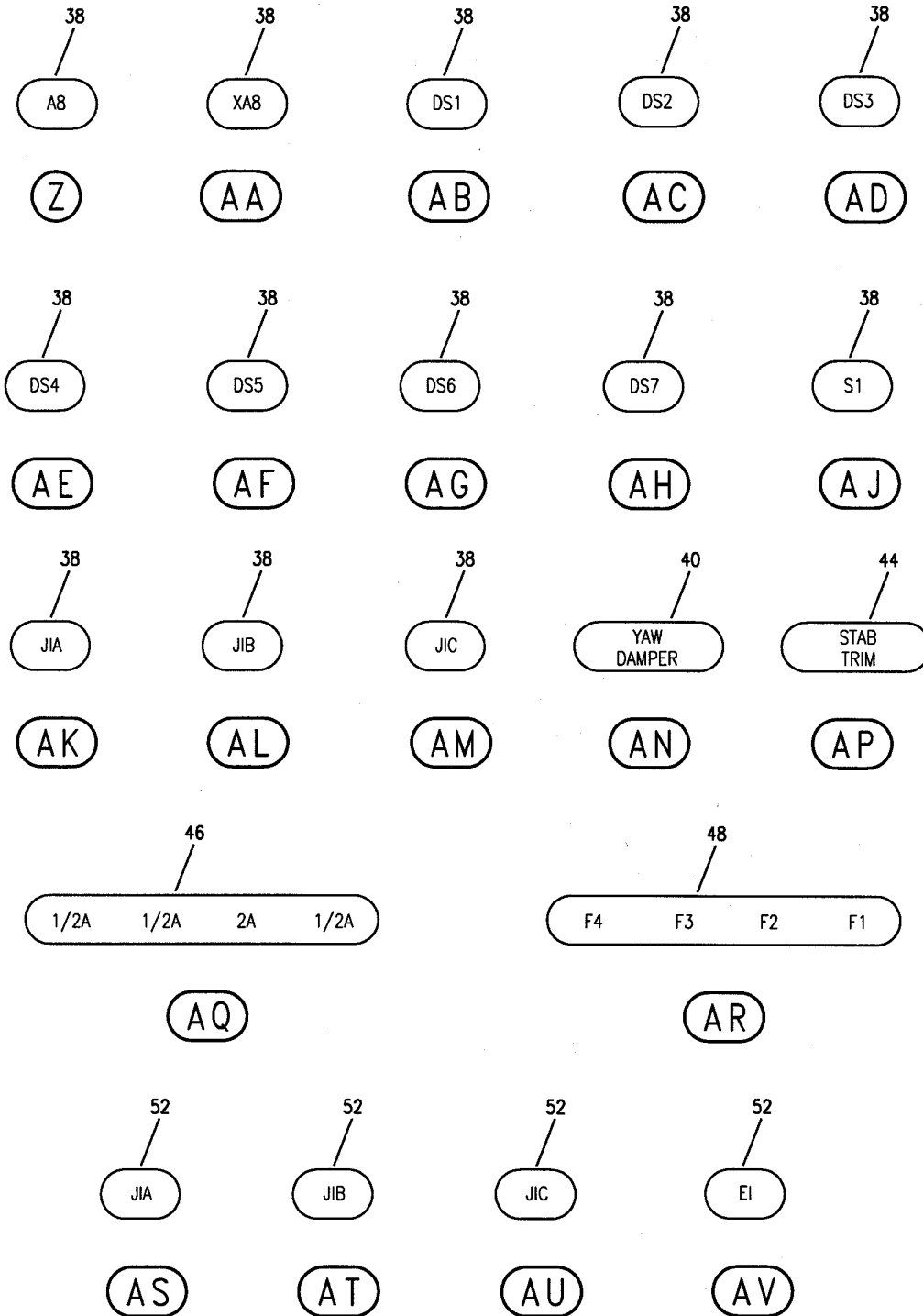
EQUIPMENT INSTL-MAIN ELECTRONICS EQPT CTR (YAW DAMPER SYSTEM ONLY)
FIGURE 1 (SHEET 4)

22-21-04-01

BRI
MAY 28/07

22-21-04-01
PAGE 0C

BOEING
757
PARTS CATALOG (MAINTENANCE)



Y 22210401 SHT 5 REV 210

EQUIPMENT INSTL-MAIN ELECTRONICS EQPT CTR (YAW DAMPER SYSTEM ONLY)
FIGURE 1 (SHEET 5)

22-21-04-01

BRI
MAY 28/07

22-21-04-01
PAGE 0D



757

PARTS CATALOG (MAINTENANCE)

FIG ITEM	PART NUMBER	1 2 3 4 5 6 7	NOMENCLATURE	EFFECT FROM TO	UNITS PER ASSY
1			EQUIPMENT INSTL-MAIN ELECTRONICS EQPT CTR (YAW DAMPER SYSTEM ONLY)	002004 006100 107107 121999	
- 2	284N1307-33		EQUIPMENT INSTL-MAIN ELECTRONICS EQPT CTR (YAW DAMPER SYSTEM ONLY) FOR NHA/OTHER SYS DET SEE: 24-00-58-01	107107	RF
- 3	284N1800-16		EQUIPMENT INSTL-MAIN ELECTRONICS EQPT CTR (YAW DAMPER SYSTEM ONLY) FOR NHA/OTHER SYS DET SEE: 24-00-58-01	121503 904949	RF
- 4	284N1800-32		EQUIPMENT INSTL-MAIN ELECTRONICS EQPT CTR (YAW DAMPER SYSTEM ONLY) FOR NHA/OTHER SYS DET SEE: 24-00-58-01	952999	RF
- 4	284N1800-34		EQUIPMENT INSTL-MAIN ELECTRONICS EQPT CTR (YAW DAMPER SYSTEM ONLY) FOR NHA/OTHER SYS DET SEE: 24-00-58-01	002004 006100	RF
- 5	284N1800-38		EQUIPMENT INSTL-MAIN ELECTRONICS EQPT CTR (YAW DAMPER SYSTEM ONLY)	950951	RF
- 6	284N1800-88		EQUIPMENT INSTL-MAIN ELECTRONICS EQPT CTR (YAW DAMPER SYSTEM ONLY) FOR NHA/OTHER SYS DET SEE: 24-00-58-05E	505505	RF
- 7	284N1800-190		EQUIPMENT INSTL-MAIN ELECTRONICS EQPT CTR (YAW DAMPER SYSTEM ONLY) FOR NHA/OTHER SYS DET SEE: 24-00-58-05E	504504 506903	RF
15	285T0013-126		.MODULE ASSY-YAW DAMPER SUPPLIER CODE: V89954 ELECTRICAL EQUIP NUMBER: M00522 M00523 COMPONENT MAINT MANUAL REF: 22-21-31	002004 006100 121999	2

MISSING ITEM NUMBERS NOT APPLICABLE

- ITEM NOT ILLUSTRATED

22-21-04-01

22-21-04
FIG. 01
PAGE 1
JAN 20/09

BRI



757

PARTS CATALOG (MAINTENANCE)

FIG ITEM	PART NUMBER	1 2 3 4 5 6 7	NOMENCLATURE	EFFECT FROM TO	UNITS PER ASSY
1					
15	285T0013-102		.MODULE ASSY-YAW DAMPER SUPPLIER CODE: V89954 ELECTRICAL EQUIP NUMBER: M00522 M00523 COMPONENT MAINT MANUAL REF: 22-21-51	002004 006100 121999	2
15	285T0013-103		.MODULE ASSY-YAW DAMPER SUPPLIER CODE: V89954 ELECTRICAL EQUIP NUMBER: M00522 M00523 COMPONENT MAINT MANUAL REF: 22-21-51	002004 006100 121999	2
15	285T0013-107		.MODULE ASSY-YAW DAMPER SUPPLIER CODE: V89954 ELECTRICAL EQUIP NUMBER: M00522 M00523 COMPONENT MAINT MANUAL REF: 22-21-51	002004 006100 121999	2
15	285T0013-106		.MODULE ASSY-YAW DAMPER SUPPLIER CODE: V89954 ELECTRICAL EQUIP NUMBER: M00522 M00523 COMPONENT MAINT MANUAL REF: 22-21-51	002004 006100 121999	2
15	285T0013-105		.MODULE ASSY-YAW DAMPER SUPPLIER CODE: V89954 ELECTRICAL EQUIP NUMBER: M00522 M00523 COMPONENT MAINT MANUAL REF: 22-21-51	002004 006100 121999	2
15	285T0013-109		.MODULE ASSY-YAW DAMPER SUPPLIER CODE: V89954 ELECTRICAL EQUIP NUMBER: M00522 M00523 COMPONENT MAINT MANUAL REF: 22-21-51	002004 006100 121999	2

MISSING ITEM NUMBERS NOT APPLICABLE

- ITEM NOT ILLUSTRATED

22-21-04-01

22-21-04
FIG. 01
PAGE 2
JAN 20/09

BRI



757

PARTS CATALOG (MAINTENANCE)

FIG ITEM	PART NUMBER	1 2 3 4 5 6 7	NOMENCLATURE	EFFECT FROM TO	UNITS PER ASSY
1					
15	285T0013-123		.MODULE ASSY-YAW DAMPER SUPPLIER CODE: V89954 ELECTRICAL EQUIP NUMBER: M00522 M00523 COMPONENT MAINT MANUAL REF: 22-21-31	002004 006100 121999	2
15	285T0013-122		.MODULE ASSY-YAW DAMPER SUPPLIER CODE: V89954 ELECTRICAL EQUIP NUMBER: M00522 M00523 COMPONENT MAINT MANUAL REF: 22-21-31	002004 006100 121999	2
15	285T0013-125		.MODULE ASSY-YAW DAMPER SUPPLIER CODE: V89954 ELECTRICAL EQUIP NUMBER: M00522 M00523 COMPONENT MAINT MANUAL REF: 22-21-31	002004 006100 121999	2
15	285T0013-124		.MODULE ASSY-YAW DAMPER SUPPLIER CODE: V89954 ELECTRICAL EQUIP NUMBER: M00522 M00523 COMPONENT MAINT MANUAL REF: 22-21-51	002004 006100 121999	2
15	285T0013-102		.MODULE ASSY-YAW DAMPER SUPPLIER CODE: V89954 ELECTRICAL EQUIP NUMBER: M00522 M00523 COMPONENT MAINT MANUAL REF: 22-21-51	107107	2
15	285T0013-103		.MODULE ASSY-YAW DAMPER SUPPLIER CODE: V89954 ELECTRICAL EQUIP NUMBER: M00522 M00523 COMPONENT MAINT MANUAL REF: 22-21-51	107107	2

MISSING ITEM NUMBERS NOT APPLICABLE

- ITEM NOT ILLUSTRATED

22-21-04-01

22-21-04
FIG. 01
PAGE 3
JAN 20/09

BRI



757

PARTS CATALOG (MAINTENANCE)

FIG ITEM	PART NUMBER	1 2 3 4 5 6 7	NOMENCLATURE	EFFECT FROM TO	UNITS PER ASSY
1	15 285T0013-107		.MODULE ASSY-YAW DAMPER SUPPLIER CODE: V89954 ELECTRICAL EQUIP NUMBER: M00522 M00523 COMPONENT MAINT MANUAL REF: 22-21-51	107107	2
	16 285T0013-106		.MODULE ASSY-YAW DAMPER SUPPLIER CODE: V89954 ELECTRICAL EQUIP NUMBER: M00522 M00523 COMPONENT MAINT MANUAL REF: 22-21-51	107107	2
	16 285T0013-105		.MODULE ASSY-YAW DAMPER SUPPLIER CODE: V89954 ELECTRICAL EQUIP NUMBER: M00522 M00523 COMPONENT MAINT MANUAL REF: 22-21-51	107107	2
	16 285T0013-109		.MODULE ASSY-YAW DAMPER SUPPLIER CODE: V89954 ELECTRICAL EQUIP NUMBER: M00522 M00523 COMPONENT MAINT MANUAL REF: 22-21-51	107107	2
	16 285T0013-123		.MODULE ASSY-YAW DAMPER SUPPLIER CODE: V89954 ELECTRICAL EQUIP NUMBER: M00522 M00523 COMPONENT MAINT MANUAL REF: 22-21-51	107107	2
	16 285T0013-122		.MODULE ASSY-YAW DAMPER SUPPLIER CODE: V89954 ELECTRICAL EQUIP NUMBER: M00522 M00523 COMPONENT MAINT MANUAL REF: 22-21-31	107107	2

MISSING ITEM NUMBERS NOT APPLICABLE

- ITEM NOT ILLUSTRATED

22-21-04-01

22-21-04
FIG. 01
PAGE 4
JAN 20/09

BRI



757

PARTS CATALOG (MAINTENANCE)

FIG ITEM	PART NUMBER	1 2 3 4 5 6 7	NOMENCLATURE	EFFECT FROM TO	UNITS PER ASSY
1	16 285T0013-125		.MODULE ASSY-YAW DAMPER SUPPLIER CODE: V89954 ELECTRICAL EQUIP NUMBER: M00522 M00523	107107	2
	16 285T0013-124		.MODULE ASSY-YAW DAMPER SUPPLIER CODE: V89954 ELECTRICAL EQUIP NUMBER: M00522 M00523 COMPONENT MAINT MANUAL REF: 22-21-31	107107	2
	17 285T0013-25		.MODULE ASSY-YAW DAMPER SUPPLIER CODE: V89954 ELECTRICAL EQUIP NUMBER: M00522 M00523 COMPONENT MAINT MANUAL REF: 22-21-31	002004 006100 121999	RF
	17 285T0013-126		.MODULE ASSY-YAW DAMPER SUPPLIER CODE: V89954 ELECTRICAL EQUIP NUMBER: M00522 M00523 COMPONENT MAINT MANUAL REF: 22-21-31	107107	2
	20 BAC27TEX3918		..DECALSET- SUPPLIER CODE: V89954 PLACARD CONTENT: A1 THRU A7 USED ON: 285T0013-122 285T0013-123 285T0013-124 285T0013-125 285T0013-126	002004 006100 107107 121999	1

MISSING ITEM NUMBERS NOT APPLICABLE

- ITEM NOT ILLUSTRATED

BRI

22-21-04-01

BOEING PROPRIETARY - Copyright © - Unpublished Work - See title page for details.

22-21-04
FIG. 01
PAGE 5
MAY 20/09



757

PARTS CATALOG (MAINTENANCE)

FIG ITEM	PART NUMBER	1 2 3 4 5 6 7	NOMENCLATURE	EFFECT FROM TO	UNITS PER ASSY
1	24 BAC27TEX2946	..	DECAL- SUPPLIER CODE: V89954 OPTIONAL PART: BAC27TEX3649 V89954 USED ON: 285T0013-102 285T0013-103 285T0013-105 285T0013-108 285T0013-110	002004 006100 107107 121999	1
	24 BAC27TEX3649	..	DECAL- SUPPLIER CODE: V89954 OPTIONAL PART: BAC27TEX2946 V89954 USED ON: 285T0013-102 285T0013-103 285T0013-105 285T0013-108 285T0013-110	002004 006100 107107 121999	1
	24 BAC27TEX2946	..	DECAL- SUPPLIER CODE: V89954 QUALIFIED OPTIONAL DATA: OPT BAC27TEX3649 USED ASSOCIATED ITEMS USED ON: 285T0013-107 USED ON: 285T0013-106	002004 006100 107107 121999	1
	24 BAC27TEX2946	..	DECAL- SUPPLIER CODE: V89954 USED ON: 285T0013-109	002004 006100 107107 121999	1

MISSING ITEM NUMBERS NOT APPLICABLE

- ITEM NOT ILLUSTRATED

22-21-04-01

22-21-04
FIG. 01
PAGE 6
JAN 20/09

BRI



757

PARTS CATALOG (MAINTENANCE)

FIG ITEM	PART NUMBER	1 2 3 4 5 6 7	NOMENCLATURE	EFFECT FROM TO	UNITS PER ASSY
1	24 BAC27TEX3649		..DECAL- SUPPLIER CODE: V89954 QUALIFIED OPTIONAL DATA: OPT BAC27TEX2946 USED WITH ASSOCIATED ITEMS OPTIONAL PART: BAC27TEX2946 V89954 USED ON: 285T0013-107 USED ON: 285T0013-106	002004 121503 904949 952952	1
	28 BAC27TEX3650		..DECAL-LOGO SUPPLIER CODE: V89954 USED ON: 285T0013-122 285T0013-123 285T0013-124 285T0013-125 285T0013-126	002004 006100 107107 121999	1
	32 BAC27TEX4099		..MARKER-ALUMINUM FOIL QUALIFIED OPTIONAL DATA: OPT BAC27TEX4487 USED WITH ASSOCIATED ITEMS USED ON: 285T0013-124 285T0013-125 285T0013-126	002004 006100 107107 121999	1
	34 BAC27TEX4487		..MARKER-ALUMINUM FOIL SUPPLIER CODE: V89954 QUALIFIED OPTIONAL DATA: OPT BAC27TEX4099 USED WITH ASSOCIATED ITEMS USED ON: 285T0013-124 285T0013-125 285T0013-126	002004 006100 107107 121999	1

MISSING ITEM NUMBERS NOT APPLICABLE

- ITEM NOT ILLUSTRATED

22-21-04-01

22-21-04
FIG. 01
PAGE 7
JAN 20/09

BRI



757

PARTS CATALOG (MAINTENANCE)

FIG ITEM	PART NUMBER	1 2 3 4 5 6 7	NOMENCLATURE	EFFECT FROM TO	UNITS PER ASSY
1	36 BAC27TEX1923		..MARKER-ALUMINUM FOIL SUPPLIER CODE: V89954 USED ON: 285T0013-122 285T0013-123 USED ON: 285T0013-102 285T0013-103 285T0013-105 285T0013-106 285T0013-108 285T0013-110	002004 006100 107107 121999	1
	36 BAC27TEX1923		..MARKER-ALUMINUM FOIL SUPPLIER CODE: V89954 QUALIFIED OPTIONAL DATA: OPT BAC27TEX4487 USED WITH ASSOCIATED ITEMS USED ON: 285T0013-107 285T0013-109	002004 006100 107107 121999	1
	36 BAC27TEX4487		..MARKER-ALUMINUM FOIL SUPPLIER CODE: V89954 QUALIFIED OPTIONAL DATA: OPT BAC27TEX1923 USED WITH ASSOCIATED ITEMS USED ON: 285T0013-107 285T0013-109	002004 006100 107107 121999	1
	38 BAC27TEX3314		..DECALSET-INCLUDES DECALS IDENTIFIED ON ILLUSTRATION SUPPLIER CODE: V89954 USED ON: 285T0013-107 285T0013-109 USED ON: 285T0013-106 ATTACHING PARTS	002004 006100 107107 121999	1
	40 BAC27TEX1958		..DECAL- SUPPLIER CODE: V89954 PLACARD CONTENT: YAW DAMPER -----*-----	002004 006100 107107 121999	1

MISSING ITEM NUMBERS NOT APPLICABLE

- ITEM NOT ILLUSTRATED

22-21-04-01

22-21-04
FIG. 01
PAGE 8
JAN 20/09

BRI



757

PARTS CATALOG (MAINTENANCE)

FIG ITEM	PART NUMBER	1 2 3 4 5 6 7	NOMENCLATURE	EFFECT FROM TO	UNITS PER ASSY
1					
44	BAC27TEX1957		..DECAL- SUPPLIER CODE: V89954 PLACARD CONTENT: STAB TRIM USED ON: 285T0013-122 285T0013-123 285T0013-124	002004 006100 107107 121999	1
46	BAC27TEX3350		..DECAL- SUPPLIER CODE: V89954 PLACARD CONTENT: 1/2A 1/2A 1/2A 2A 1/2A USED ON: 285T0013-107 285T0013-109 USED ON: 285T0013-105 285T0013-106 285T0013-108 285T0013-110	002004 006100 107107 121999	1
48	BAC27TEX3351		..DECAL- SUPPLIER CODE: V89954 PLACARD CONTENT: F4 F3 F2 F1 USED ON: 285T0013-107 285T0013-109 USED ON: 285T0013-105 285T0013-106 285T0013-108 285T0013-110	002004 006100 107107 121999	1
52	BAC27TEX3327		ATTACHING PARTS ..DECALSET-INCLUDES DECALS IDENTIFIED ON ILLUSTRATION USED ON: 285T0013-122 285T0013-123 285T0013-124 -----*-----	002004 006100 107107 121999	1

MISSING ITEM NUMBERS NOT APPLICABLE

- ITEM NOT ILLUSTRATED

22-21-04-01

22-21-04
FIG. 01
PAGE 9
JAN 20/09

BRI



757

PARTS CATALOG (MAINTENANCE)

FIG ITEM	PART NUMBER	1 2 3 4 5 6 7	NOMENCLATURE	EFFECT FROM TO	UNITS PER ASSY
1	55 BHGD21T24YBLK		..INDICATOR- SUPPLIER CODE: V07479 USED ON: 285T0013-105 285T0013-102 285T0013-103	002004 006100 107107 121999	7
- 60	285T0640-4		..PRINTED CIRCUIT ASSY- FAULT DISPLAY SUPPLIER CODE: V89954 COMPONENT MAINT MANUAL REF: 22-21-36 USED ON: 285T0013-122 285T0013-123 285T0013-124 285T0013-125 285T0013-126	002004 006100 107107 121999	1
- 65	285T0641-10		..PRINTED CIRCUIT ASSY- MONITOR CPU SUPPLIER CODE: V89954 COMPONENT MAINT MANUAL REF: 22-21-37 OPTIONAL PART: 285T0641-24 V89954 USED ON: 285T0013-122	002004 006100 107107 121999	1
- 65	285T0641-30		..PRINTED CIRCUIT ASSY- MONITOR CPU SUPPLIER CODE: V89954 COMPONENT MAINT MANUAL REF: 22-21-37 OPTIONAL PART: 285T0641-31 V89954 285T0641-41 V89954 USED ON: 285T0013-123	002004 006100 107107 121999	1

MISSING ITEM NUMBERS NOT APPLICABLE

- ITEM NOT ILLUSTRATED

22-21-04-01

22-21-04
FIG. 01
PAGE 10
JAN 20/09

BRI



757

PARTS CATALOG (MAINTENANCE)

FIG ITEM	PART NUMBER	1 2 3 4 5 6 7	NOMENCLATURE	EFFECT FROM TO	UNITS PER ASSY
1					
- 65	285T0641-24		..PRINTED CIRCUIT ASSY- MONITOR CPU SUPPLIER CODE: V89954 COMPONENT MAINT MANUAL REF: 22-21-37 OPTIONAL PART: 285T0641-10 V89954 USED ON: 285T0013-122	002004 006100 107107 121999	1
- 65	285T0641-31		..PRINTED CIRCUIT ASSY- MONITOR CPU SUPPLIER CODE: V89954 COMPONENT MAINT MANUAL REF: 22-21-37 OPTIONAL PART: 285T0641-30 V89954 285T0641-41 V89954 USED ON: 285T0013-123	002004 006100 107107 121999	1
- 65	285T0641-41		..PRINTED CIRCUIT ASSY- MONITOR CPU SUPPLIER CODE: V89954 COMPONENT MAINT MANUAL REF: 22-21-37 OPTIONAL PART: 285T0641-30 V89954 285T0641-31 V89954 USED ON: 285T0013-123	002004 006100 107107 121999	1
- 65	285T0641-48		..PRINTED CIRCUIT ASSY- MONITOR CPU SUPPLIER CODE: V89954 COMPONENT MAINT MANUAL REF: 22-21-37 QUALIFIED OPTIONAL DATA: OPT 285T0641-46, -51, -57, 285T0741-101 USED WITH ASSOCIATED ITEMS USED ON: 285T0013-124	002004 006100 107107 121999	1

MISSING ITEM NUMBERS NOT APPLICABLE

- ITEM NOT ILLUSTRATED

22-21-04-01

22-21-04
FIG. 01
PAGE 11
JAN 20/09

BRI



757

PARTS CATALOG (MAINTENANCE)

FIG ITEM	PART NUMBER	1 2 3 4 5 6 7	NOMENCLATURE	EFFECT FROM TO	UNITS PER ASSY
1					
- 65	285T0641-46		..PRINTED CIRCUIT ASSY- MONITOR CPU SUPPLIER CODE: V89954 COMPONENT MAINT MANUAL REF: 22-21-37 QUALIFIED OPTIONAL DATA: OPT 285T0641-48, -51, -57, 285T0741-101 USED WITH ASSOCIATED ITEMS USED ON: 285T0013-124	002004 006100 107107 121999	1
- 65	285T0641-51		..PRINTED CIRCUIT ASSY- MOD A MONITOR CPU SUPPLIER CODE: V89954 COMPONENT MAINT MANUAL REF: 22-21-37 QUALIFIED OPTIONAL DATA: OPT 285T0641-46, -48, -57, 285T0741-101 USED WITH ASSOCIATED ITEMS USED ON: 285T0013-124	002004 006100 107107 121999	1
- 65	285T0641-57		..PRINTED CIRCUIT ASSY- MOD B MONITOR CPU SUPPLIER CODE: V89954 COMPONENT MAINT MANUAL REF: 22-21-37 QUALIFIED OPTIONAL DATA: OPT 285T0641-46, -48, -51, 285T0741-101 USED WITH ASSOCIATED ITEMS USED ON: 285T0013-124	002004 006100 107107 121999	1
- 65	285T0741-101		..PRINTED CIRCUIT ASSY- MOD B MONITOR CPU SUPPLIER CODE: V89954 COMPONENT MAINT MANUAL REF: 22-21-37 QUALIFIED OPTIONAL DATA: OPT 285T0641-46, -48, -51, -57 USED WITH ASSOCIATED ITEMS USED ON: 285T0013-124	002004 006100 107107 121999	1

MISSING ITEM NUMBERS NOT APPLICABLE

- ITEM NOT ILLUSTRATED

22-21-04-01

22-21-04
FIG. 01
PAGE 12
JAN 20/09

BRI



757

PARTS CATALOG (MAINTENANCE)

FIG ITEM	PART NUMBER	1 2 3 4 5 6 7	NOMENCLATURE	EFFECT FROM TO	UNITS PER ASSY
1					
- 65	285T0641-62		..PRINTED CIRCUIT ASSY- MONITOR CPU SUPPLIER CODE: V89954 COMPONENT MAINT MANUAL REF: 22-21-37 QUALIFIED OPTIONAL DATA: OPT 285T0741-102, -103 USED WITH ASSOCIATED ITEMS USED ON: 285T0013-125	002004 006100 107107 121999	1
- 65	285T0741-102		..PRINTED CIRCUIT ASSY- MONITOR CPU SUPPLIER CODE: V89954 COMPONENT MAINT MANUAL REF: 22-21-37 QUALIFIED OPTIONAL DATA: OPT 285T0641-62, 285T0741-103 USED WITH ASSOCIATED ITEMS USED ON: 285T0013-125	002004 006100 107107 121999	1
- 65	285T0741-103		..PRINTED CIRCUIT ASSY- MONITOR CPU SUPPLIER CODE: V89954 COMPONENT MAINT MANUAL REF: 22-21-37 QUALIFIED OPTIONAL DATA: OPT 285T0641-62, 285T0741-102 USED WITH ASSOCIATED ITEMS USED ON: 285T0013-125	002004 006100 107107 121999	1
- 65	285T0641-65		..PRINTED CIRCUIT ASSY- MONITOR CPU SUPPLIER CODE: V89954 COMPONENT MAINT MANUAL REF: 22-21-37 QUALIFIED OPTIONAL DATA: OPT 285T0741-104, -105 USED WITH ASSOCIATED ITEMS USED ON: 285T0013-126	002004 006100 121999	1

MISSING ITEM NUMBERS NOT APPLICABLE

- ITEM NOT ILLUSTRATED

22-21-04-01

22-21-04
FIG. 01
PAGE 13
JAN 20/09

BRI



757

PARTS CATALOG (MAINTENANCE)

FIG ITEM	PART NUMBER	1 2 3 4 5 6 7	NOMENCLATURE	EFFECT FROM TO	UNITS PER ASSY
1					
- 65	285T0741-104		..PRINTED CIRCUIT ASSY- MONITOR CPU SUPPLIER CODE: V89954 COMPONENT MAINT MANUAL REF: 22-21-43 QUALIFIED OPTIONAL DATA: OPT 285T0641-65, 285T0741-105 USED WITH ASSOCIATED ITEMS USED ON: 285T0013-126	002004 006100 121999	1
- 65	285T0741-105		..PRINTED CIRCUIT ASSY- MONITOR CPU SUPPLIER CODE: V89954 COMPONENT MAINT MANUAL REF: 22-21-43 QUALIFIED OPTIONAL DATA: OPT 285T0641-65, 285T0741-104 USED WITH ASSOCIATED ITEMS USED ON: 285T0013-126	002004 006100 121999	1
- 70	285T0642-9		..PRINTED CIRCUIT ASSY- RCVR/XMTR SUPPLIER CODE: V89954 COMPONENT MAINT MANUAL REF: 22-21-38 OPTIONAL PART: 285T0642-17 V89954 USED ON: 285T0013-123	002004 006100 107107 121999	1
- 70	285T0642-17		..PRINTED CIRCUIT ASSY- RCVR/XMTR SUPPLIER CODE: V89954 COMPONENT MAINT MANUAL REF: 22-21-38 OPTIONAL PART: 285T0642-9 V89954 USED ON: 285T0013-123	002004 006100 107107 121999	1

MISSING ITEM NUMBERS NOT APPLICABLE

- ITEM NOT ILLUSTRATED

BRI

22-21-04-01

22-21-04
FIG. 01
PAGE 14
JAN 20/09



757

PARTS CATALOG (MAINTENANCE)

FIG ITEM	PART NUMBER	1 2 3 4 5 6 7	NOMENCLATURE	EFFECT FROM TO	UNITS PER ASSY
1					
- 70	285T0642-32		..PRINTED CIRCUIT ASSY- RCVR/XMTR SUPPLIER CODE: V89954 COMPONENT MAINT MANUAL REF: 22-21-38 QUALIFIED OPTIONAL DATA: OPT 285T0642-28, -33 285T0742-101 USED WITH ASSOCIATED ITEMS USED ON: 285T0013-125 285T0013-126	002004 006100 107107 121999	1
- 70	285T0742-101		..PRINTED CIRCUIT ASSY- RCVR/XMTR SUPPLIER CODE: V89954 QUALIFIED OPTIONAL DATA: OPT 285T0642-28, -32, -33 USED WITH ASSOCIATED ITEMS USED ON: 285T0013-125 285T0013-126	002004 006100 107107 121999	1
- 70	285T0642-28		..PRINTED CIRCUIT ASSY- RCVR/XMTR SUPPLIER CODE: V89954 COMPONENT MAINT MANUAL REF: 22-21-38 QUALIFIED OPTIONAL DATA: OPT 285T0642-32, -33 285T0742-101 USED WITH ASSOCIATED ITEMS USED ON: 285T0013-125 285T0013-126	002004 006100 107107 121999	1
- 70	285T0642-38		..PRINTED CIRCUIT ASSY- RCVR/XMTR SUPPLIER CODE: V89954 COMPONENT MAINT MANUAL REF: 22-21-38 QUALIFIED OPTIONAL DATA: OPT 285T0742-102, -103 USED WITH ASSOCIATED ITEMS USED ON: 285T0013-126	002004 006100 121999	1

MISSING ITEM NUMBERS NOT APPLICABLE

- ITEM NOT ILLUSTRATED

22-21-04-01

22-21-04
FIG. 01
PAGE 15
JAN 20/09

BRI



757

PARTS CATALOG (MAINTENANCE)

FIG ITEM	PART NUMBER	1 2 3 4 5 6 7	NOMENCLATURE	EFFECT FROM TO	UNITS PER ASSY
1					
- 70	285T0742-102		..PRINTED CIRCUIT ASSY- RCVR/XMTR SUPPLIER CODE: V89954 COMPONENT MAINT MANUAL REF: 22-21-38 QUALIFIED OPTIONAL DATA: OPT 285T0642-38, 285T0742-103 USED WITH ASSOCIATED ITEMS	002004 006100 121999	1
- 70	285T0742-103		..PRINTED CIRCUIT ASSY- RCVR/XMTR SUPPLIER CODE: V89954 COMPONENT MAINT MANUAL REF: 22-21-38 QUALIFIED OPTIONAL DATA: OPT 285T0642-38, 285T0742-102 USED WITH ASSOCIATED ITEMS USED ON: 285T0013-126	002004 006100 121999	1
- 70	285T0642-9		..PRINTED CIRCUIT ASSY- RCVR/XMTR SUPPLIER CODE: V89954 COMPONENT MAINT MANUAL REF: 22-21-38 USED ON: 285T0013-122	002004 006100 107107 121999	1
- 70	285T0642-17		..PRINTED CIRCUIT ASSY- RCVR/XMTR SUPPLIER CODE: V89954 COMPONENT MAINT MANUAL REF: 22-21-38 QUALIFIED OPTIONAL DATA: OPT 285T0642-28 USED WITH ASSOCIATED ITEMS USED ON: 285T0013-124	002004 006100 107107 121999	1

MISSING ITEM NUMBERS NOT APPLICABLE

- ITEM NOT ILLUSTRATED

22-21-04-01

22-21-04
FIG. 01
PAGE 16
JAN 20/09

BRI



757

PARTS CATALOG (MAINTENANCE)

FIG ITEM	PART NUMBER	1 2 3 4 5 6 7	NOMENCLATURE	EFFECT FROM TO	UNITS PER ASSY
1					
- 70	285T0642-28		..PRINTED CIRCUIT ASSY- RCVR/XMTR SUPPLIER CODE: V89954 COMPONENT MAINT MANUAL REF: 22-21-38 QUALIFIED OPTIONAL DATA: OPT 285T0642-17 USED WITH ASSOCIATED ITEMS USED ON: 285T0013-124	002004 006100 107107 121999	1
- 70	285T0642-33		..PRINTED CIRCUIT ASSY- RCVR/XMTR SUPPLIER CODE: V89954 COMPONENT MAINT MANUAL REF: 22-21-38 QUALIFIED OPTIONAL DATA: OPT 285T0642-28, -32 285T0742-101 USED WITH ASSOCIATED ITEMS USED ON: 285T0013-125 285T0013-126	002004 006100 107107 121999	1
- 70	285T0642-17		..PRINTED CIRCUIT ASSY- RCVR/XMTR SUPPLIER CODE: V89954 COMPONENT MAINT MANUAL REF: 22-21-38 USED ON: 285T0013-122	002004 006100 107107 121999	1
- 75	285T0372-20		..PRINTED CIRCUIT ASSY-MON MICROPROCESSOR SUPPLIER CODE: V89954 COMPONENT MAINT MANUAL REF: 22-21-63 OPTIONAL PART: 285T0372-21 V89954 USED ON: 285T0013-102	002004 006100 107107 121999	1

MISSING ITEM NUMBERS NOT APPLICABLE

- ITEM NOT ILLUSTRATED

22-21-04-01

22-21-04
FIG. 01
PAGE 17
JAN 20/09

BRI



757

PARTS CATALOG (MAINTENANCE)

FIG ITEM	PART NUMBER	1 2 3 4 5 6 7	NOMENCLATURE	EFFECT FROM TO	UNITS PER ASSY
1					
- 75	285T0372-21		..PRINTED CIRCUIT ASSY-MON MICROPROCESSOR SUPPLIER CODE: V89954 COMPONENT MAINT MANUAL REF: 22-21-63 OPTIONAL PART: 285T0372-20 V89954 USED ON: 285T0013-102	002004 006100 107107 121999	1
- 75	285T0372-23		..PRINTED CIRCUIT ASSY-MON MICROPROCESSOR SUPPLIER CODE: V89954 COMPONENT MAINT MANUAL REF: 22-21-63 OPTIONAL PART: 285T0372-28 V89954 285T0372-31 V89954 USED ON: 285T0013-103	002004 006100 107107 121999	1
- 75	285T0372-28		..PRINTED CIRCUIT ASSY-MON MICROPROCESSOR SUPPLIER CODE: V89954 COMPONENT MAINT MANUAL REF: 22-21-63 OPTIONAL PART: 285T0372-23 V89954 285T0372-31 V89954 USED ON: 285T0013-103	002004 006100 107107 121999	1

MISSING ITEM NUMBERS NOT APPLICABLE

- ITEM NOT ILLUSTRATED

22-21-04-01

22-21-04
FIG. 01
PAGE 18
JAN 20/09

BRI



757

PARTS CATALOG (MAINTENANCE)

FIG ITEM	PART NUMBER	1 2 3 4 5 6 7	NOMENCLATURE	EFFECT FROM TO	UNITS PER ASSY
1					
- 75	285T0372-31		..PRINTED CIRCUIT ASSY-MON MICROPROCESSOR SUPPLIER CODE: V89954 COMPONENT MAINT MANUAL REF: 22-21-63 OPTIONAL PART: 285T0372-23 V89954 285T0372-28 V89954 USED ON: 285T0013-103	002004 006100 107107 121999	1
- 75	285T0372-32		..PRINTED CIRCUIT ASSY-MON MICROPROCESSOR SUPPLIER CODE: V89954 COMPONENT MAINT MANUAL REF: 22-21-63 QUALIFIED OPTIONAL DATA: OPT 285T0372-35 USED WITH ASSOCIATED ITEMS USED ON: 285T0013-106	002004 006100 107107 121999	1
- 75	285T0372-35		..PRINTED CIRCUIT ASSY-MON MICROPROCESSOR SUPPLIER CODE: V89954 COMPONENT MAINT MANUAL REF: 22-21-63 QUALIFIED OPTIONAL DATA: OPT 285T0372-32 USED WITH ASSOCIATED ITEMS USED ON: 285T0013-106	002004 006100 107107 121999	1
- 75	285T0372-37		..PRINTED CIRCUIT ASSY-MON MICROPROCESSOR SUPPLIER CODE: V89954 COMPONENT MAINT MANUAL REF: 22-21-63 USED ON: 285T0013-107 USED ON: 285T0013-108	002004 006100 107107 121999	1

MISSING ITEM NUMBERS NOT APPLICABLE

- ITEM NOT ILLUSTRATED

22-21-04-01

22-21-04
FIG. 01
PAGE 19
JAN 20/09

BRI



757

PARTS CATALOG (MAINTENANCE)

FIG ITEM	PART NUMBER	1 2 3 4 5 6 7	NOMENCLATURE	EFFECT FROM TO	UNITS PER ASSY
1					
- 75	285T0372-39		..PRINTED CIRCUIT ASSY-MON MICROPROCESSOR SUPPLIER CODE: V89954 COMPONENT MAINT MANUAL REF: 22-21-63 USED ON: 285T0013-109 USED ON: 285T0013-110	002004 006100 107107 121999	1
- 75	285T0372-32		..PRINTED CIRCUIT ASSY-MON MICROPROCESSOR SUPPLIER CODE: V89954 COMPONENT MAINT MANUAL REF: 22-21-63 USED ON: 285T0013-105	002004 006100 107107 121999	1
- 75	285T0372-35		..PRINTED CIRCUIT ASSY-MON MICROPROCESSOR SUPPLIER CODE: V89954 COMPONENT MAINT MANUAL REF: 22-21-63 USED ON: 285T0013-105	002004 006100 107107 121999	1
- 80	285T0643-34		..PRINTED CIRCUIT ASSY- ANALOG BOARD SUPPLIER CODE: V89954 COMPONENT MAINT MANUAL REF: 22-21-39 USED ON: 285T0013-123	002004 006100 107107 121999	1
- 80	285T0643-15		..PRINTED CIRCUIT ASSY- ANALOG BOARD SUPPLIER CODE: V89954 COMPONENT MAINT MANUAL REF: 22-21-39 USED ON: 285T0013-123	002004 006100 107107 121999	1

MISSING ITEM NUMBERS NOT APPLICABLE

- ITEM NOT ILLUSTRATED

22-21-04-01

22-21-04
FIG. 01
PAGE 20
JAN 20/09

BRI



757

PARTS CATALOG (MAINTENANCE)

FIG ITEM	PART NUMBER	1 2 3 4 5 6 7	NOMENCLATURE	EFFECT FROM TO	UNITS PER ASSY
1					
- 80	285T0643-30		..PRINTED CIRCUIT ASSY- ANALOG BOARD SUPPLIER CODE: V89954 COMPONENT MAINT MANUAL REF: 22-21-39 OPTIONAL PART: 285T0643-15 V89954 285T0643-34 V89954 USED ON: 285T0013-123	002004 006100 107107 121999	1
- 80	285T0643-33		..PRINTED CIRCUIT ASSY- ANALOG BOARD SUPPLIER CODE: V89954 COMPONENT MAINT MANUAL REF: 22-21-39 QUALIFIED OPTIONAL DATA: OPT 285T0643-34 USED WITH ASSOCIATED ITEMS USED ON: 285T0013-124 285T0013-125 285T0013-126	002004 006100 107107 121999	1
- 80	285T0643-34		..PRINTED CIRCUIT ASSY- ANALOG BOARD SUPPLIER CODE: V89954 COMPONENT MAINT MANUAL REF: 22-21-39 QUALIFIED OPTIONAL DATA: OPT 285T0643-33 USED WITH ASSOCIATED ITEMS USED ON: 285T0013-124 285T0013-125 285T0013-126	002004 006100 107107 121999	1
- 80	285T0643-15		..PRINTED CIRCUIT ASSY- ANALOG BOARD SUPPLIER CODE: V89954 COMPONENT MAINT MANUAL REF: 22-21-39 USED ON: 285T0013-122	002004 006100 107107 121999	1

MISSING ITEM NUMBERS NOT APPLICABLE

- ITEM NOT ILLUSTRATED

22-21-04-01

22-21-04
FIG. 01
PAGE 21
JAN 20/09

BRI



757

PARTS CATALOG (MAINTENANCE)

FIG ITEM	PART NUMBER	1 2 3 4 5 6 7	NOMENCLATURE	EFFECT FROM TO	UNITS PER ASSY
1					
- 85	285T0373-11		..PRINTED CIRCUIT ASSY-MON IN AND OUT SUPPLIER CODE: V89954 COMPONENT MAINT MANUAL REF: 22-21-64 OPTIONAL PART: 285T0373-19 V89954 USED ON: 285T0013-102	002004 006100 107107 121999	1
- 85	285T0373-19		..PRINTED CIRCUIT ASSY-MON IN AND OUT SUPPLIER CODE: V89954 COMPONENT MAINT MANUAL REF: 22-21-64 OPTIONAL PART: 285T0373-11 V89954 USED ON: 285T0013-102	002004 006100 107107 121999	1
- 85	285T0373-23		..PRINTED CIRCUIT ASSY-MON IN AND OUT SUPPLIER CODE: V89954 COMPONENT MAINT MANUAL REF: 22-21-64 OPTIONAL PART: 285T0373-24 V89954 USED ON: 285T0013-103	002004 006100 107107 121999	1
- 85	285T0373-24		..PRINTED CIRCUIT ASSY-MON IN AND OUT SUPPLIER CODE: V89954 COMPONENT MAINT MANUAL REF: 22-21-64 OPTIONAL PART: 285T0373-23 V89954 USED ON: 285T0013-103	002004 006100 107107 121999	1

MISSING ITEM NUMBERS NOT APPLICABLE

- ITEM NOT ILLUSTRATED

22-21-04-01

22-21-04
FIG. 01
PAGE 22
JAN 20/09

BRI



757

PARTS CATALOG (MAINTENANCE)

FIG ITEM	PART NUMBER	1 2 3 4 5 6 7	NOMENCLATURE	EFFECT FROM TO	UNITS PER ASSY
1 - 85	285T0373-27		..PRINTED CIRCUIT ASSY-MON IN AND OUT SUPPLIER CODE: V89954 COMPONENT MAINT MANUAL REF: 22-21-64 OPTIONAL PART: 285T0373-29 V89954 285T0373-31 V89954 USED ON: 285T0013-105 285T0013-108 285T0013-110	002004 006100 107107 121999	1
- 85	285T0373-29		..PRINTED CIRCUIT ASSY-MON IN AND OUT SUPPLIER CODE: V89954 COMPONENT MAINT MANUAL REF: 22-21-64 OPTIONAL PART: 285T0373-27 V89954 285T0373-31 V89954 USED ON: 285T0013-105 285T0013-108 285T0013-110	002004 006100 107107 121999	1
- 85	285T0373-31		..PRINTED CIRCUIT ASSY-MON IN AND OUT SUPPLIER CODE: V89954 COMPONENT MAINT MANUAL REF: 22-21-64 OPTIONAL PART: 285T0373-27 V89954 285T0373-29 V89954 USED ON: 285T0013-105 285T0013-108 285T0013-110	002004 006100 107107 121999	1

MISSING ITEM NUMBERS NOT APPLICABLE

- ITEM NOT ILLUSTRATED

22-21-04-01

22-21-04
FIG. 01
PAGE 23
JAN 20/09

BRI



757

PARTS CATALOG (MAINTENANCE)

FIG ITEM	PART NUMBER	1 2 3 4 5 6 7	NOMENCLATURE	EFFECT FROM TO	UNITS PER ASSY
1					
- 85	285T0373-33		..PRINTED CIRCUIT ASSY-MON IN AND OUT SUPPLIER CODE: V89954 COMPONENT MAINT MANUAL REF: 22-21-64 USED ON: 285T0013-105 285T0013-108 285T0013-110	002004 006100 107107 121999	1
- 85	285T0373-27		..PRINTED CIRCUIT ASSY-MON IN AND OUT SUPPLIER CODE: V89954 COMPONENT MAINT MANUAL REF: 22-21-64 QUALIFIED OPTIONAL DATA: OPT 285T0373-29 -31 -33 USED WITH ASSOCIATED ITEMS USED ON: 285T0013-107 285T0013-109 USED ON: 285T0013-106	002004 006100 107107 121999	1
- 85	285T0373-29		..PRINTED CIRCUIT ASSY-MON IN AND OUT SUPPLIER CODE: V89954 COMPONENT MAINT MANUAL REF: 22-21-64 QUALIFIED OPTIONAL DATA: OPT 285T0373-27 -31 -33 USED WITH ASSOCIATED ITEMS USED ON: 285T0013-107 285T0013-109 USED ON: 285T0013-106	002004 006100 107107 121999	1

MISSING ITEM NUMBERS NOT APPLICABLE

- ITEM NOT ILLUSTRATED

22-21-04-01

22-21-04
FIG. 01
PAGE 24
JAN 20/09

BRI



757

PARTS CATALOG (MAINTENANCE)

FIG ITEM	PART NUMBER	1 2 3 4 5 6 7	NOMENCLATURE	EFFECT FROM TO	UNITS PER ASSY
1 - 85	285T0373-31		..PRINTED CIRCUIT ASSY-MON IN AND OUT SUPPLIER CODE: V89954 COMPONENT MAINT MANUAL REF: 22-21-64 QUALIFIED OPTIONAL DATA: OPT 285T0373-27 -29 -33 USED WITH ASSOCIATED ITEMS USED ON: 285T0013-107 285T0013-109 USED ON: 285T0013-106	002004 006100 107107 121999	1
- 85	285T0373-33		..PRINTED CIRCUIT ASSY-MON IN AND OUT SUPPLIER CODE: V89954 COMPONENT MAINT MANUAL REF: 22-21-64 QUALIFIED OPTIONAL DATA: OPT 285T0373-27 -29 -31 USED WITH ASSOCIATED ITEMS USED ON: 285T0013-107 285T0013-109 USED ON: 285T0013-106	002004 006100 107107 121999	1
- 90	285T0644-18		..PRINTED CIRCUIT ASSY- INPUT/OUTPUT SUPPLIER CODE: V89954 COMPONENT MAINT MANUAL REF: 22-21-40 USED ON: 285T0013-122 285T0013-123	002004 006100 107107 121999	1

MISSING ITEM NUMBERS NOT APPLICABLE

- ITEM NOT ILLUSTRATED

BRI

22-21-04-01

22-21-04
FIG. 01
PAGE 25
JAN 20/09



757

PARTS CATALOG (MAINTENANCE)

FIG ITEM	PART NUMBER	1 2 3 4 5 6 7	NOMENCLATURE	EFFECT FROM TO	UNITS PER ASSY
1					
- 90	285T0644-21		..PRINTED CIRCUIT ASSY- MOD A INPUT/OUTPUT SUPPLIER CODE: V89954 COMPONENT MAINT MANUAL REF: 22-21-40 QUALIFIED OPTIONAL DATA: OPT 285T0644-26 -27 USED WITH ASSOCIATED ITEMS USED ON: 285T0013-124 285T0013-125 285T0013-126	002004 006100 107107 121999	1
- 90	285T0644-27		..PRINTED CIRCUIT ASSY- MOD A INPUT/OUTPUT SUPPLIER CODE: V89954 COMPONENT MAINT MANUAL REF: 22-21-40 QUALIFIED OPTIONAL DATA: OPT 285T0644-21 -26 USED WITH ASSOCIATED ITEMS USED ON: 285T0013-124 285T0013-125 285T0013-126	002004 006100 107107 121999	1
- 90	285T0644-21		..PRINTED CIRCUIT ASSY- MOD A INPUT/OUTPUT SUPPLIER CODE: V89954 COMPONENT MAINT MANUAL REF: 22-21-40 USED ON: 285T0013-122 285T0013-123	002004 006100 107107 121999	1
- 90	285T0644-26		..PRINTED CIRCUIT ASSY- SUPPLIER CODE: V89954 COMPONENT MAINT MANUAL REF: 22-21-40 QUALIFIED OPTIONAL DATA: OPT 285T0644-21 -27 USED WITH ASSOCIATED ITEMS USED ON: 285T0013-124 285T0013-125 285T0013-126	002004 006100 107107 121999	1

MISSING ITEM NUMBERS NOT APPLICABLE

- ITEM NOT ILLUSTRATED

22-21-04-01

22-21-04
FIG. 01
PAGE 26
JAN 20/09

BRI



757

PARTS CATALOG (MAINTENANCE)

FIG ITEM	PART NUMBER	1 2 3 4 5 6 7	NOMENCLATURE	EFFECT FROM TO	UNITS PER ASSY
1 - 95	285T0371-11		..PRINTED CIRCUIT ASSY-MON RCVR SUPPLIER CODE: V89954 COMPONENT MAINT MANUAL REF: 22-21-62 OPTIONAL PART: 285T0371-19 V89954 285T0371-20 V89954 USED ON: 285T0013-102 285T0013-103 285T0013-105	002004 006100 107107 121999	2
- 95	285T0371-19		..PRINTED CIRCUIT ASSY-MON RCVR SUPPLIER CODE: V89954 COMPONENT MAINT MANUAL REF: 22-21-62 OPTIONAL PART: 285T0371-11 V89954 285T0371-20 V89954 USED ON: 285T0013-102 285T0013-103 285T0013-105	002004 006100 107107 121999	2
- 95	285T0371-20		..PRINTED CIRCUIT ASSY-MON RCVR SUPPLIER CODE: V89954 COMPONENT MAINT MANUAL REF: 22-21-62 OPTIONAL PART: 285T0371-11 V89954 285T0371-19 V89954 USED ON: 285T0013-102 285T0013-103 285T0013-105	002004 006100 107107 121999	2

MISSING ITEM NUMBERS NOT APPLICABLE

- ITEM NOT ILLUSTRATED

BRI

22-21-04-01

22-21-04
FIG. 01
PAGE 27
JAN 20/09



757

PARTS CATALOG (MAINTENANCE)

FIG ITEM	PART NUMBER	1 2 3 4 5 6 7	NOMENCLATURE	EFFECT FROM TO	UNITS PER ASSY
1					
- 95	285T0371-24		..PRINTED CIRCUIT ASSY-MON RCVR SUPPLIER CODE: V89954 COMPONENT MAINT MANUAL REF: 22-21-62 QUALIFIED OPTIONAL DATA: OPT 285T0371-11, -19 -20 USED WITH ASSOCIATED ITEMS USED ON: 285T0013-106	002004 006100 107107 121999	2
- 95	285T0371-31		..PRINTED CIRCUIT ASSY-MON RCVR SUPPLIER CODE: V89954 COMPONENT MAINT MANUAL REF: 22-21-62 QUALIFIED OPTIONAL DATA: OPT 285T0371-20, -24, -32 USED WITH ASSOCIATED ITEMS USED ON: 285T0013-107 285T0013-109 USED ON: 285T0013-108 285T0013-110	002004 006100 107107 121999	2
- 95	285T0371-32		..PRINTED CIRCUIT ASSY-MON RCVR SUPPLIER CODE: V89954 COMPONENT MAINT MANUAL REF: 22-21-62 QUALIFIED OPTIONAL DATA: OPT 285T0371-20, -24 -31 USED WITH ASSOCIATED ITEMS USED ON: 285T0013-107 285T0013-109 USED ON: 285T0013-108 285T0013-110	002004 006100 107107 121999	2

MISSING ITEM NUMBERS NOT APPLICABLE

- ITEM NOT ILLUSTRATED

22-21-04-01

22-21-04
FIG. 01
PAGE 28
JAN 20/09

BRI



757

PARTS CATALOG (MAINTENANCE)

FIG ITEM	PART NUMBER	1 2 3 4 5 6 7	NOMENCLATURE	EFFECT FROM TO	UNITS PER ASSY
1					
- 95	285T0371-11		..PRINTED CIRCUIT ASSY-MON RCVR SUPPLIER CODE: V89954 COMPONENT MAINT MANUAL REF: 22-21-62 QUALIFIED OPTIONAL DATA: OPT 285T0371-19, -20, -24 USED WITH ASSOCIATED ITEMS USED ON: 285T0013-106	002004 006100 107107 121999	2
- 95	285T0371-19		..PRINTED CIRCUIT ASSY-MON RCVR SUPPLIER CODE: V89954 COMPONENT MAINT MANUAL REF: 22-21-62 QUALIFIED OPTIONAL DATA: OPT 285T0371-11, -20, -24 USED WITH ASSOCIATED ITEMS USED ON: 285T0013-106	002004 006100 107107 121999	2
- 95	285T0371-20		..PRINTED CIRCUIT ASSY-MON RCVR SUPPLIER CODE: V89954 COMPONENT MAINT MANUAL REF: 22-21-62 QUALIFIED OPTIONAL DATA: OPT 285T0371-11, -19, -24 USED WITH ASSOCIATED ITEMS USED ON: 285T0013-106	002004 006100 107107 121999	2
- 95	285T0371-20		..PRINTED CIRCUIT ASSY-MON RCVR SUPPLIER CODE: V89954 COMPONENT MAINT MANUAL REF: 22-21-62 QUALIFIED OPTIONAL DATA: OPT 285T0371-24, -31, -32 USED WITH ASSOCIATED ITEMS USED ON: 285T0013-107 285T0013-109	002004 006100 107107 121999	2

MISSING ITEM NUMBERS NOT APPLICABLE

- ITEM NOT ILLUSTRATED

22-21-04-01

22-21-04
FIG. 01
PAGE 29
JAN 20/09

BRI



757

PARTS CATALOG (MAINTENANCE)

FIG ITEM	PART NUMBER	1 2 3 4 5 6 7	NOMENCLATURE	EFFECT FROM TO	UNITS PER ASSY
1 - 95	285T0371-24		..PRINTED CIRCUIT ASSY-MON RCVR SUPPLIER CODE: V89954 COMPONENT MAINT MANUAL REF: 22-21-62 QUALIFIED OPTIONAL DATA: OPT 285T0371-20, -31 -32 USED WITH ASSOCIATED ITEMS USED ON: 285T0013-107 285T0013-109 USED ON: 285T0013-108 285T0013-110	002004 006100 107107 121999	2
- 100	285T0645-10		..PRINTED CIRCUIT ASSY-CONT CPU SUPPLIER CODE: V89954 COMPONENT MAINT MANUAL REF: 22-21-41 OPTIONAL PART: 285T0645-16 V89954 USED ON: 285T0013-122	002004 006100 107107 121999	1
- 100	285T0645-16		..PRINTED CIRCUIT ASSY-CONT CPU SUPPLIER CODE: V89954 COMPONENT MAINT MANUAL REF: 22-21-41 OPTIONAL PART: 285T0645-10 V89954 USED ON: 285T0013-122	002004 006100 107107 121999	1

MISSING ITEM NUMBERS NOT APPLICABLE

- ITEM NOT ILLUSTRATED

BRI

22-21-04-01

22-21-04
FIG. 01
PAGE 30
JAN 20/09



757

PARTS CATALOG (MAINTENANCE)

FIG ITEM	PART NUMBER	1 2 3 4 5 6 7	NOMENCLATURE	EFFECT FROM TO	UNITS PER ASSY
1 - 100	285T0645-24		..PRINTED CIRCUIT ASSY-CONT CPU SUPPLIER CODE: V89954 COMPONENT MAINT MANUAL REF: 22-21-41 OPTIONAL PART: 285T0645-25 V89954 285T0645-35 V89954 USED ON: 285T0013-123	002004 006100 107107 121999	1
- 100	285T0645-25		..PRINTED CIRCUIT ASSY-CONT CPU SUPPLIER CODE: V89954 COMPONENT MAINT MANUAL REF: 22-21-41 OPTIONAL PART: 285T0645-24 V89954 285T0645-35 V89954 USED ON: 285T0013-123	002004 006100 107107 121999	1
- 100	285T0645-35		..PRINTED CIRCUIT ASSY-CONT CPU SUPPLIER CODE: V89954 COMPONENT MAINT MANUAL REF: 22-21-41 OPTIONAL PART: 285T0645-24 V89954 285T0645-25 V89954 USED ON: 285T0013-123	002004 006100 107107 121999	1

MISSING ITEM NUMBERS NOT APPLICABLE

- ITEM NOT ILLUSTRATED

22-21-04-01

22-21-04
FIG. 01
PAGE 31
JAN 20/09

BRI



757

PARTS CATALOG (MAINTENANCE)

FIG ITEM	PART NUMBER	1 2 3 4 5 6 7	NOMENCLATURE	EFFECT FROM TO	UNITS PER ASSY
1					
- 100	285T0645-38		..PRINTED CIRCUIT ASSY-CONT CPU SUPPLIER CODE: V89954 COMPONENT MAINT MANUAL REF: 22-21-41 QUALIFIED OPTIONAL DATA: OPT 285T0645-40, -43, -50, 285T0745-101 USED WITH ASSOCIATED ITEMS USED ON: 285T0013-124	002004 006100 107107 121999	1
- 100	285T0645-40		..PRINTED CIRCUIT ASSY-CONT CPU SUPPLIER CODE: V89954 COMPONENT MAINT MANUAL REF: 22-21-41 QUALIFIED OPTIONAL DATA: OPT 285T0645-38, -43, -50, 285T0745-101 USED WITH ASSOCIATED ITEMS USED ON: 285T0013-124	002004 006100 107107 121999	1
- 100	285T0645-43		..PRINTED CIRCUIT ASSY-CONT MOD A CPU SUPPLIER CODE: V89954 COMPONENT MAINT MANUAL REF: 22-21-41 QUALIFIED OPTIONAL DATA: OPT 285T0645-38, -40, -50, 285T0745-101 USED WITH ASSOCIATED ITEMS USED ON: 285T0013-124	002004 006100 107107 121999	1
- 100	285T0645-50		..PRINTED CIRCUIT ASSY-CONT MOD B CPU SUPPLIER CODE: V89954 COMPONENT MAINT MANUAL REF: 22-21-41 QUALIFIED OPTIONAL DATA: OPT 285T0645-38, -40, -43, 285T0745-101 USED WITH ASSOCIATED ITEMS USED ON: 285T0013-124	002004 006100 107107 121999	1

MISSING ITEM NUMBERS NOT APPLICABLE

- ITEM NOT ILLUSTRATED

22-21-04-01

22-21-04
FIG. 01
PAGE 32
JAN 20/09

BRI



757

PARTS CATALOG (MAINTENANCE)

FIG ITEM	PART NUMBER	1 2 3 4 5 6 7	NOMENCLATURE	EFFECT FROM TO	UNITS PER ASSY
1					
- 100	285T0745-101		..PRINTED CIRCUIT ASSY-CONT MOD B CPU SUPPLIER CODE: V89954 COMPONENT MAINT MANUAL REF: 22-21-41 QUALIFIED OPTIONAL DATA: OPT 285T0645-38, -40, -43, -50 USED WITH ASSOCIATED ITEMS USED ON: 285T0013-124	002004 006100 107107 121999	1
- 100	285T0645-54		..PRINTED CIRCUIT ASSY-CONT CPU SUPPLIER CODE: V89954 COMPONENT MAINT MANUAL REF: 22-21-41 QUALIFIED OPTIONAL DATA: OPT 285T0745-102 USED WITH ASSOCIATED ITEMS USED ON: 285T0013-125	002004 006100 107107 121999	1
- 100	285T0745-102		..PRINTED CIRCUIT ASSY-CONT CPU SUPPLIER CODE: V89954 COMPONENT MAINT MANUAL REF: 22-21-41 QUALIFIED OPTIONAL DATA: OPT285T0645-54 USED WITH ASSOCIATED ITEMS USED ON: 285T0013-125	002004 006100 107107 121999	1
- 100	285T0645-57		..PRINTED CIRCUIT ASSY-CONT CPU SUPPLIER CODE: V89954 COMPONENT MAINT MANUAL REF: 22-21-41 QUALIFIED OPTIONAL DATA: OPT 285T0645-58, 285T0745-103, -104, -105 USED WITH ASSOCIATED ITEMS USED ON: 285T0013-126	002004 006100 121999	1

MISSING ITEM NUMBERS NOT APPLICABLE

- ITEM NOT ILLUSTRATED

22-21-04-01

22-21-04
FIG. 01
PAGE 33
JAN 20/09

BRI



757

PARTS CATALOG (MAINTENANCE)

FIG ITEM	PART NUMBER	1 2 3 4 5 6 7	NOMENCLATURE	EFFECT FROM TO	UNITS PER ASSY
1					
- 100	285T0745-103	..	PRINTED CIRCUIT ASSY-CONT CPU SUPPLIER CODE: V89954 COMPONENT MAINT MANUAL REF: 22-21-41 QUALIFIED OPTIONAL DATA: OPT 285T0645-57, -58, 285T0745-104, -104 USED WITH ASSOCIATED ITEMS USED ON: 285T0013-126	002004 006100 121999	1
- 100	285T0645-58	..	PRINTED CIRCUIT ASSY-CONT CPU SUPPLIER CODE: V89954 COMPONENT MAINT MANUAL REF: 22-21-41 QUALIFIED OPTIONAL DATA: OPT 285T0645-57, 285T0745-103, -104, -105 USED WITH ASSOCIATED ITEMS USED ON: 285T0013-126	002004 006100 121999	1
- 100	285T0745-104	..	PRINTED CIRCUIT ASSY-CONT CPU SUPPLIER CODE: V89954 COMPONENT MAINT MANUAL REF: 22-21-41 QUALIFIED OPTIONAL DATA: OPT 285T0645-57, -58 285T0745-104, -105 USED WITH ASSOCIATED ITEMS USED ON: 285T0013-126	002004 006100 121999	1
- 100	285T0745-105	..	PRINTED CIRCUIT ASSY-CONT CPU SUPPLIER CODE: V89954 COMPONENT MAINT MANUAL REF: 22-21-41 QUALIFIED OPTIONAL DATA: OPT 285T0645-57, -58 285T0745-103, -104 USED WITH ASSOCIATED ITEMS USED ON: 285T0013-126	002004 006100 121999	1

MISSING ITEM NUMBERS NOT APPLICABLE

- ITEM NOT ILLUSTRATED

22-21-04-01

22-21-04
FIG. 01
PAGE 34
JAN 20/09

BRI



757

PARTS CATALOG (MAINTENANCE)

FIG ITEM	PART NUMBER	1 2 3 4 5 6 7	NOMENCLATURE	EFFECT FROM TO	UNITS PER ASSY
1					
- 105	285T0374-16		..FILTER ASSY-UNIT EMI SUPPLIER CODE: V89954 COMPONENT MAINT MANUAL REF: 22-21-65 QUALIFIED OPTIONAL DATA: OPT 285T0374-12 USED WITH ASSOCIATED ITEMS USED ON: 285T0013-107 285T0013-109 USED ON: 285T0013-106	107107	2
- 105	285T0374-8		..FILTER ASSY-UNIT EMI SUPPLIER CODE: V89954 COMPONENT MAINT MANUAL REF: 22-21-65 USED ON: 285T0013-102 285T0013-103	002004 006100 107107 121999	2
- 105	285T0374-12		..FILTER ASSY-UNIT EMI SUPPLIER CODE: V89954 COMPONENT MAINT MANUAL REF: 22-21-65 QUALIFIED OPTIONAL DATA: OPT 285T0374-16 USED WITH ASSOCIATED ITEMS USED ON: 285T0013-107 285T0013-109 USED ON: 285T0013-106	002004 006100 107107 121999	2
- 105	285T0374-16		..FILTER ASSY-UNIT EMI SUPPLIER CODE: V89954 COMPONENT MAINT MANUAL REF: 22-21-65 USED ON: 285T0013-105 285T0013-108 285T0013-110	002004 006100 107107 121999	2

MISSING ITEM NUMBERS NOT APPLICABLE

- ITEM NOT ILLUSTRATED

BRI

22-21-04-01

22-21-04
FIG. 01
PAGE 35
JAN 20/09



757

PARTS CATALOG (MAINTENANCE)

FIG ITEM	PART NUMBER	1 2 3 4 5 6 7	NOMENCLATURE	EFFECT FROM TO	UNITS PER ASSY
1					
- 105	285T0374-12		..FILTER ASSY-UNIT EMI SUPPLIER CODE: V89954 COMPONENT MAINT MANUAL REF: 22-21-65 USED ON: 285T0013-105 285T0013-108 285T0013-110	002004 006100 107107 121999	2
- 110	285T0375-20		..PRINTED CIRCUIT ASSY- MICROCOMPUTER SUPPLIER CODE: V89954 COMPONENT MAINT MANUAL REF: 22-21-26 OPTIONAL PART: 285T0375-21 V89954 USED ON: 285T0013-102	002004 006100 107107 121999	1
- 110	285T0375-21		..PRINTED CIRCUIT ASSY- MICROCOMPUTER SUPPLIER CODE: V89954 COMPONENT MAINT MANUAL REF: 22-21-26 OPTIONAL PART: 285T0375-20 V89954 USED ON: 285T0013-102	002004 006100 107107 121999	1
- 110	285T0375-27		..PRINTED CIRCUIT ASSY- MICROCOMPUTER SUPPLIER CODE: V89954 COMPONENT MAINT MANUAL REF: 22-21-26 OPTIONAL PART: 285T0375-33 V89954 285T0375-28 V89954 285T0375-36 V89954 USED ON: 285T0013-103	002004 006100 107107 121999	1

MISSING ITEM NUMBERS NOT APPLICABLE

- ITEM NOT ILLUSTRATED

BRI

22-21-04-01

22-21-04
FIG. 01
PAGE 36
JAN 20/09



757

PARTS CATALOG (MAINTENANCE)

FIG ITEM	PART NUMBER	1 2 3 4 5 6 7	NOMENCLATURE	EFFECT FROM TO	UNITS PER ASSY
1					
- 110	285T0375-33		..PRINTED CIRCUIT ASSY- MICROCOMPUTER SUPPLIER CODE: V89954 COMPONENT MAINT MANUAL REF: 22-21-66 OPTIONAL PART: 285T0375-27 V89954 285T0375-28 V89954 285T0375-36 V89954 USED ON: 285T0013-103	002004 006100 107107 121999	1
- 110	285T0375-28		..PRINTED CIRCUIT ASSY- MICROCOMPUTER SUPPLIER CODE: V89954 COMPONENT MAINT MANUAL REF: 22-21-66 OPTIONAL PART: 285T0375-27 V89954 285T0375-33 V89954 285T0375-36 V89954 USED ON: 285T0013-103	002004 006100 107107 121999	1
- 110	285T0375-36		..PRINTED CIRCUIT ASSY- MICROCOMPUTER SUPPLIER CODE: V89954 COMPONENT MAINT MANUAL REF: 22-21-66 OPTIONAL PART: 285T0375-27 V89954 285T0375-28 V89954 285T0375-33 V89954 USED ON: 285T0013-103	002004 006100 107107 121999	1

MISSING ITEM NUMBERS NOT APPLICABLE

- ITEM NOT ILLUSTRATED

22-21-04-01

22-21-04
FIG. 01
PAGE 37
JAN 20/09

BRI



757

PARTS CATALOG (MAINTENANCE)

FIG ITEM	PART NUMBER	1 2 3 4 5 6 7	NOMENCLATURE	EFFECT FROM TO	UNITS PER ASSY
1					
- 110	285T0375-38		..PRINTED CIRCUIT ASSY- MICROCOMPUTER SUPPLIER CODE: V89954 COMPONENT MAINT MANUAL REF: 22-21-66 QUALIFIED OPTIONAL DATA: OPT 285T0375-40 USED WITH ASSOCIATED ITEMS USED ON: 285T0013-106	002004 006100 107107 121999	1
- 110	285T0375-40		..PRINTED CIRCUIT ASSY- MICROCOMPUTER SUPPLIER CODE: V89954 COMPONENT MAINT MANUAL REF: 22-21-66 QUALIFIED OPTIONAL DATA: OPT 285T0375-38 USED WITH ASSOCIATED ITEMS USED ON: 285T0013-106	002004 006100 107107 121999	1
- 110	285T0375-42		..PRINTED CIRCUIT ASSY- MICROCOMPUTER SUPPLIER CODE: V89954 COMPONENT MAINT MANUAL REF: 22-21-66 USED ON: 285T0013-107 USED ON: 285T0013-108	002004 006100 107107 121999	1
- 110	285T0375-44		..PRINTED CIRCUIT ASSY- MICROCOMPUTER SUPPLIER CODE: V89954 COMPONENT MAINT MANUAL REF: 22-21-66 USED ON: 285T0013-109 USED ON: 285T0013-110	002004 006100 107107 121999	1

MISSING ITEM NUMBERS NOT APPLICABLE

- ITEM NOT ILLUSTRATED

22-21-04-01

22-21-04
FIG. 01
PAGE 38
JAN 20/09

BRI



757

PARTS CATALOG (MAINTENANCE)

FIG ITEM	PART NUMBER	1 2 3 4 5 6 7	NOMENCLATURE	EFFECT FROM TO	UNITS PER ASSY
1					
- 110	285T0375-38		..PRINTED CIRCUIT ASSY- MICROCOMPUTER SUPPLIER CODE: V89954 COMPONENT MAINT MANUAL REF: 22-21-66 USED ON: 285T0013-105	002004 006100 107107 121999	1
- 110	285T0375-40		..PRINTED CIRCUIT ASSY- MICROCOMPUTER SUPPLIER CODE: V89954 COMPONENT MAINT MANUAL REF: 22-21-66 USED ON: 285T0013-105	002004 006100 107107 121999	1
- 115	285T0376-11		..PRINTED CIRCUIT ASSY-IN AND OUT SUPPLIER CODE: V89954 COMPONENT MAINT MANUAL REF: 22-21-67 OPTIONAL PART: 285T0376-19 V89954 USED ON: 285T0013-102	002004 006100 107107 121999	1
- 115	285T0376-19		..PRINTED CIRCUIT ASSY-IN AND OUT SUPPLIER CODE: V89954 COMPONENT MAINT MANUAL REF: 22-21-67 OPTIONAL PART: 285T0376-11 V89954 USED ON: 285T0013-102	002004 006100 107107 121999	1

MISSING ITEM NUMBERS NOT APPLICABLE

- ITEM NOT ILLUSTRATED

22-21-04-01

22-21-04
FIG. 01
PAGE 39
JAN 20/09

BRI



757

PARTS CATALOG (MAINTENANCE)

FIG ITEM	PART NUMBER	1 2 3 4 5 6 7	NOMENCLATURE	EFFECT FROM TO	UNITS PER ASSY
1 - 115	285T0376-21		..PRINTED CIRCUIT ASSY-IN AND OUT SUPPLIER CODE: V89954 COMPONENT MAINT MANUAL REF: 22-21-67 OPTIONAL PART: 285T0376-20 V89954 285T0376-23 V89954 USED ON: 285T0013-103	002004 006100 107107 121999	1
- 115	285T0376-20		..PRINTED CIRCUIT ASSY-IN AND OUT SUPPLIER CODE: V89954 COMPONENT MAINT MANUAL REF: 22-21-67 OPTIONAL PART: 285T0376-21 V89954 285T0376-23 V89954 USED ON: 285T0013-103	002004 006100 107107 121999	1
- 115	285T0376-23		..PRINTED CIRCUIT ASSY-IN AND OUT SUPPLIER CODE: V89954 COMPONENT MAINT MANUAL REF: 22-21-67 OPTIONAL PART: 285T0376-20 V89954 285T0376-21 V89954 USED ON: 285T0013-103	002004 006100 107107 121999	1

MISSING ITEM NUMBERS NOT APPLICABLE

- ITEM NOT ILLUSTRATED

22-21-04-01

22-21-04
FIG. 01
PAGE 40
JAN 20/09

BRI



757

PARTS CATALOG (MAINTENANCE)

FIG ITEM	PART NUMBER	1 2 3 4 5 6 7	NOMENCLATURE	EFFECT FROM TO	UNITS PER ASSY
1					
- 115	285T0376-24		..PRINTED CIRCUIT ASSY-IN AND OUT SUPPLIER CODE: V89954 COMPONENT MAINT MANUAL REF: 22-21-67 QUALIFIED OPTIONAL DATA: OPT 285T0376-25 USED WITH ASSOCIATED ITEMS USED ON: 285T0013-107 285T0013-109 USED ON: 285T0013-106	002004 006100 107107 121999	1
- 115	285T0376-25		..PRINTED CIRCUIT ASSY-IN AND OUT SUPPLIER CODE: V89954 COMPONENT MAINT MANUAL REF: 22-21-67 QUALIFIED OPTIONAL DATA: OPT 285T0376-24 USED WITH ASSOCIATED ITEMS USED ON: 285T0013-107 285T0013-109 USED ON: 285T0013-106	002004 006100 107107 121999	1
- 115	285T0376-24		..PRINTED CIRCUIT ASSY-IN AND OUT SUPPLIER CODE: V89954 COMPONENT MAINT MANUAL REF: 22-21-67 USED ON: 285T0013-105 285T0013-108 285T0013-110	002004 006100 107107 121999	1
- 115	285T0376-25		..PRINTED CIRCUIT ASSY-IN AND OUT SUPPLIER CODE: V89954 COMPONENT MAINT MANUAL REF: 22-21-67 USED ON: 285T0013-105 285T0013-108 285T0013-110	002004 006100 107107 121999	1

MISSING ITEM NUMBERS NOT APPLICABLE

- ITEM NOT ILLUSTRATED

22-21-04-01

22-21-04
FIG. 01
PAGE 41
JAN 20/09

BRI



757

PARTS CATALOG (MAINTENANCE)

FIG ITEM	PART NUMBER	1 2 3 4 5 6 7	NOMENCLATURE	EFFECT FROM TO	UNITS PER ASSY
1					
- 120	285T0377-23		..PRINTED CIRCUIT ASSY- SERVO DEMOD AND RELAYS SUPPLIER CODE: V89954 COMPONENT MAINT MANUAL REF: 22-21-68 OPTIONAL PART: 285T0377-24 V89954 USED ON: 285T0013-102	002004 006100 107107 121999	1
- 120	285T0377-24		..PRINTED CIRCUIT ASSY- SERVO DEMOD AND RELAYS SUPPLIER CODE: V89954 COMPONENT MAINT MANUAL REF: 22-21-68 OPTIONAL PART: 285T0377-23 V89954 USED ON: 285T0013-102	002004 006100 107107 121999	1
- 120	285T0377-26		..PRINTED CIRCUIT ASSY- SERVO DEMOD AND RELAYS SUPPLIER CODE: V89954 COMPONENT MAINT MANUAL REF: 22-21-68 OPTIONAL PART: 285T0377-28 V89954 USED ON: 285T0013-103	002004 006100 107107 121999	1
- 120	285T0377-28		..PRINTED CIRCUIT ASSY- SERVO DEMOD AND RELAYS SUPPLIER CODE: V89954 COMPONENT MAINT MANUAL REF: 22-21-68 OPTIONAL PART: 285T0377-26 V89954 USED ON: 285T0013-103	002004 006100 107107 121999	1

MISSING ITEM NUMBERS NOT APPLICABLE

- ITEM NOT ILLUSTRATED

22-21-04-01

22-21-04
FIG. 01
PAGE 42
JAN 20/09

BRI



757

PARTS CATALOG (MAINTENANCE)

FIG ITEM	PART NUMBER	1 2 3 4 5 6 7	NOMENCLATURE	EFFECT FROM TO	UNITS PER ASSY
1					
- 120	285T0377-33		..PRINTED CIRCUIT ASSY- SERVO DEMOD AND RELAYS SUPPLIER CODE: V89954 COMPONENT MAINT MANUAL REF: 22-21-68 QUALIFIED OPTIONAL DATA: OPT 285T0377-34 -36 USED WITH ASSOCIATED ITEMS OPTIONAL PART: 285T0377-34 V89954 USED ON: 285T0013-106	002004 006100 107107 121999	1
- 120	285T0377-34		..PRINTED CIRCUIT ASSY- SERVO DEMOD AND RELAYS SUPPLIER CODE: V89954 COMPONENT MAINT MANUAL REF: 22-21-68 QUALIFIED OPTIONAL DATA: OPT 285T0377-33,-36 USED WITH ASSOCIATED ITEMS USED ON: 285T0013-106	002004 006100 107107 121999	1
- 120	285T0377-37		..PRINTED CIRCUIT ASSY- SERVO DEMOD AND RELAYS SUPPLIER CODE: V89954 COMPONENT MAINT MANUAL REF: 22-21-68 OPTIONAL PART: 285T0377-39 V89954 USED ON: 285T0013-109	002004 006100 107107 121999	1
- 120	285T0377-39		..PRINTED CIRCUIT ASSY- SERVO DEMOD AND RELAYS SUPPLIER CODE: V89954 COMPONENT MAINT MANUAL REF: 22-21-68 OPTIONAL PART: 285T0377-37 V89954 USED ON: 285T0013-109	002004 006100 107107 121999	1

MISSING ITEM NUMBERS NOT APPLICABLE

- ITEM NOT ILLUSTRATED

22-21-04-01

22-21-04
FIG. 01
PAGE 43
JAN 20/09

BRI



757

PARTS CATALOG (MAINTENANCE)

FIG ITEM	PART NUMBER	1 2 3 4 5 6 7	NOMENCLATURE	EFFECT FROM TO	UNITS PER ASSY
1					
- 120	285T0377-36		..PRINTED CIRCUIT ASSY- SERVO DEMOD AND RELAYS SUPPLIER CODE: V89954 COMPONENT MAINT MANUAL REF: 22-21-68 QUALIFIED OPTIONAL DATA: OPT 285T0377-33, -34 USED WITH ASSOCIATED ITEMS USED ON: 285T0013-106	002004 006100 107107 121999	1
- 120	285T0377-33		..PRINTED CIRCUIT ASSY- SERVO DEMOD AND RELAYS SUPPLIER CODE: V89954 COMPONENT MAINT MANUAL REF: 22-21-68 OPTIONAL PART: 285T0377-34 V89954 USED ON: 285T0013-105	002004 006100 107107 121999	1
- 120	285T0377-34		..PRINTED CIRCUIT ASSY- SERVO DEMOD AND RELAYS SUPPLIER CODE: V89954 COMPONENT MAINT MANUAL REF: 22-21-68 OPTIONAL PART: 285T0377-33 V89954 USED ON: 285T0013-105	002004 006100 107107 121999	1
- 120	285T0377-37		..PRINTED CIRCUIT ASSY- SERVO DEMOD AND RELAYS SUPPLIER CODE: V89954 COMPONENT MAINT MANUAL REF: 22-21-68 QUALIFIED OPTIONAL DATA: OPT 285T0377-39 USED WITH ASSOCIATED ITEMS USED ON: 285T0013-107	002004 006100 107107 121999	1

MISSING ITEM NUMBERS NOT APPLICABLE

- ITEM NOT ILLUSTRATED

22-21-04-01

22-21-04
FIG. 01
PAGE 44
JAN 20/09

BRI



757

PARTS CATALOG (MAINTENANCE)

FIG ITEM	PART NUMBER	1 2 3 4 5 6 7	NOMENCLATURE	EFFECT FROM TO	UNITS PER ASSY
1					
- 120	285T0377-39		..PRINTED CIRCUIT ASSY- SERVO DEMOD AND RELAYS SUPPLIER CODE: V89954 COMPONENT MAINT MANUAL REF: 22-21-68 QUALIFIED OPTIONAL DATA: OPT 285T0377-37 USED WITH ASSOCIATED ITEMS USED ON: 285T0013-107	002004 006100 107107 121999	1
- 125	285T0378-9		..PRINTED CIRCUIT ASSY- SUPPLIER CODE: V89954 COMPONENT MAINT MANUAL REF: 22-21-69 QUALIFIED OPTIONAL DATA: OPT 285T0378-8 USED WITH ASSOCIATED ITEMS) USED ON: 285T0013-106 285T0013-107 285T0013-109	002004 006100 107107 121999	1
- 125	285T0378-5		..PRINTED CIRCUIT ASSY- SUPPLIER CODE: V89954 COMPONENT MAINT MANUAL REF: 22-21-69 OPTIONAL PART: 285T0378-8 V89954 USED ON: 285T0013-105 285T0013-102 285T0013-103 285T0013-108 285T0013-110	002004 006100 107107 121999	1

MISSING ITEM NUMBERS NOT APPLICABLE

- ITEM NOT ILLUSTRATED

22-21-04-01

22-21-04
FIG. 01
PAGE 45
JAN 20/09

BRI



757

PARTS CATALOG (MAINTENANCE)

FIG ITEM	PART NUMBER	1 2 3 4 5 6 7	NOMENCLATURE	EFFECT FROM TO	UNITS PER ASSY
1					
- 125	285T0378-8		..PRINTED CIRCUIT ASSY- SUPPLIER CODE: V89954 COMPONENT MAINT MANUAL REF: 22-21-69 OPTIONAL PART: 285T0378-5 V89954 USED ON: 285T0013-102 285T0013-103 285T0013-105 285T0013-108 285T0013-110	002004 006100 107107 121999	1
- 125	285T0378-9		..PRINTED CIRCUIT ASSY- SUPPLIER CODE: V89954 COMPONENT MAINT MANUAL REF: 22-21-69 USED ON: 285T0013-102 285T0013-103 285T0013-105 285T0013-108 285T0013-110	002004 006100 107107 121999	1
- 125	285T0378-8		..PRINTED CIRCUIT ASSY- SUPPLIER CODE: V89954 COMPONENT MAINT MANUAL REF: 22-21-69 OPTIONAL PART: 285T0378-5 V89954 USED ON: 285T0013-102 285T0013-103 285T0013-105 285T0013-108 285T0013-110	002004 006100 107107 121999	1
- 130	285T0656-2		..FILTER ASSY-BACKPLANE SUPPLIER CODE: V89954 COMPONENT MAINT MANUAL REF: 22-21-31 USED ON: 285T0013-122 285T0013-123	002004 006100 107107 121999	1

MISSING ITEM NUMBERS NOT APPLICABLE

- ITEM NOT ILLUSTRATED

22-21-04-01

22-21-04
FIG. 01
PAGE 46
JAN 20/09

BRI



757

PARTS CATALOG (MAINTENANCE)

FIG ITEM	PART NUMBER	1 2 3 4 5 6 7	NOMENCLATURE	EFFECT FROM TO	UNITS PER ASSY
1					
- 130	285T0656-4	..	FILTER ASSY-BACKPLANE SUPPLIER CODE: V89954 COMPONENT MAINT MANUAL REF: 22-21-31 QUALIFIED OPTIONAL DATA: OPT 285T0656-6, -8, -9, USED WITH ASSOCIATED ITEMS USED ON: 285T0013-125	002004 006100 107107 121999	1
- 130	285T0656-6	..	FILTER ASSY-BACKPLANE SUPPLIER CODE: V89954 COMPONENT MAINT MANUAL REF: 22-21-31 QUALIFIED OPTIONAL DATA: OPT 285T0656-4, -8, -9 USED WITH ASSOCIATED ITEMS USED ON: 285T0013-125	002004 006100 107107 121999	1
- 130	285T0656-8	..	FILTER ASSY-BACKPLANE SUPPLIER CODE: V89954 COMPONENT MAINT MANUAL REF: 22-21-31 QUALIFIED OPTIONAL DATA: OPT285T0656-4, -6, -9 USED WITH ASSOCIATED ITEMS USED ON: 285T0013-125	002004 006100 107107 121999	1
- 130	285T0656-4	..	FILTER ASSY-BACKPLANE SUPPLIER CODE: V89954 COMPONENT MAINT MANUAL REF: 22-21-31 USED ON: 285T0013-124	002004 006100 107107 121999	1
- 130	285T0656-6	..	FILTER ASSY-BACKPLANE SUPPLIER CODE: V89954 COMPONENT MAINT MANUAL REF: 22-21-31 USED ON: 285T0013-124	002004 006100 107107 121999	1

MISSING ITEM NUMBERS NOT APPLICABLE

- ITEM NOT ILLUSTRATED

BRI

22-21-04-01

22-21-04
FIG. 01
PAGE 47
JAN 20/09



757

PARTS CATALOG (MAINTENANCE)

FIG ITEM	PART NUMBER	1 2 3 4 5 6 7	NOMENCLATURE	EFFECT FROM TO	UNITS PER ASSY
1					
- 130	285T0656-8		.. FILTER ASSY-BACKPLANE SUPPLIER CODE: V89954 COMPONENT MAINT MANUAL REF: 22-21-31 USED ON: 285T0013-124	002004 006100 107107 121999	1
- 130	285T0656-8		.. FILTER ASSY-BACKPLANE SUPPLIER CODE: V89954 COMPONENT MAINT MANUAL REF: 22-21-31 QUALIFIED OPTIONAL DATA: OPT 285T0656-9 USED WITH ASSOCIATED ITEMS USED ON: 285T0013-126	002004 006100 121999	1
- 130	285T0656-9		.. FILTER ASSY-BACKPLANE SUPPLIER CODE: V89954 COMPONENT MAINT MANUAL REF: 22-21-31 QUALIFIED OPTIONAL DATA: OPT 285T0656-8 USED WITH ASSOCIATED ITEMS USED ON: 285T0013-126	002004 006100 121999	1
- 130	285T0656-9		.. FILTER ASSY-BACKPLANE SUPPLIER CODE: V89954 COMPONENT MAINT MANUAL REF: 22-21-31 QUALIFIED OPTIONAL DATA: OPT 285T0656-4, -6, -8 USED WITH ASSOCIATED ITEMS USED ON: 285T0013-125	002004 006100 107107 121999	1
- 130	285T0656-8		.. FILTER ASSY-BACKPLANE SUPPLIER CODE: V89954 COMPONENT MAINT MANUAL REF: 22-21-31	002004 006100 121503 904999	1

MISSING ITEM NUMBERS NOT APPLICABLE

- ITEM NOT ILLUSTRATED

BRI

22-21-04-01

22-21-04
FIG. 01
PAGE 48
JAN 20/09



757

PARTS CATALOG (MAINTENANCE)

FIG ITEM	PART NUMBER	1 2 3 4 5 6 7	NOMENCLATURE	EFFECT FROM TO	UNITS PER ASSY
1					
- 135	285T0260-20		.. ENCLOSURE ASSY- SUPPLIER CODE: V89954 COMPONENT MAINT MANUAL REF: 24-09-93 USED ON: 285T0013-102 285T0013-103	002004 006100 107107 121999	1
- 140	285T0260-32		.. ENCLOSURE ASSY- SUPPLIER CODE: V89954 COMPONENT MAINT MANUAL REF: 24-09-93 QUALIFIED OPTIONAL DATA: OPT 285T0260-37 USED WITH ASSOCIATED ITEMS USED ON: 285T0013-107 285T0013-109 USED ON: 285T0013-106	002004 006100 107107 121999	1
- 140	285T0260-35		.. ENCLOSURE ASSY- SUPPLIER CODE: V89954 COMPONENT MAINT MANUAL REF: 24-09-93 QUALIFIED OPTIONAL DATA: OPT 285T0260-37 USED WITH ASSOCIATED ITEMS USED ON: 285T0013-105 285T0013-108 285T0013-110	002004 006100 107107 121999	1
- 140	285T0260-37		.. ENCLOSURE ASSY- SUPPLIER CODE: V89954 COMPONENT MAINT MANUAL REF: 24-09-93 QUALIFIED OPTIONAL DATA: OPT 285T0260-32, -35 USED WITH ASSOCIATED ITEMS USED ON: 285T0013-107 285T0013-109 USED ON: 285T0013-106	002004 006100 107107 121999	1

MISSING ITEM NUMBERS NOT APPLICABLE

- ITEM NOT ILLUSTRATED

22-21-04-01

22-21-04
FIG. 01
PAGE 49
JAN 20/09

BRI



757

PARTS CATALOG (MAINTENANCE)

FIG ITEM	PART NUMBER	1 2 3 4 5 6 7	NOMENCLATURE	EFFECT FROM TO	UNITS PER ASSY
1					
- 400	286N1165-004		WIRE BUNDLE ASSY	107107 121503 904949	RF
- 400	286N1165-005		WIRE BUNDLE ASSY	002004 006100 950999	RF
- 401	286N1165-323		WIRE BUNDLE ASSY	504903	RF
405	BKA21C1101		.CONNECTOR- SUPPLIER CODE: V71468 SPECIFICATION NUMBER: BACC66H21C1101 OPTIONAL PART: S621C1101 V59610 NIC66H21C1101 V00779 ELECTRICAL EQUIP NUMBER: D00351 WIRING DIAGRAM REF: 222121	002004 006100 107107 121999	1
- 410	286N1265-004		WIRE BUNDLE ASSY-	107107 121503 904949	RF
- 410	286N1265-005		WIRE BUNDLE ASSY- REWORKED BY SB: 34-0200	002004 006100 950999	RF
- 411	286N1265-321		WIRE BUNDLE ASSY	504903	RF
415	BKA21C1101		.CONNECTOR- SUPPLIER CODE: V71468 SPECIFICATION NUMBER: BACC66H21C1101 OPTIONAL PART: S621C1101 V59610 NIC66H21C1101 V00779 ELECTRICAL EQUIP NUMBER: D00349 WIRING DIAGRAM REF: 222111	002004 006100 107107 121999	1

MISSING ITEM NUMBERS NOT APPLICABLE

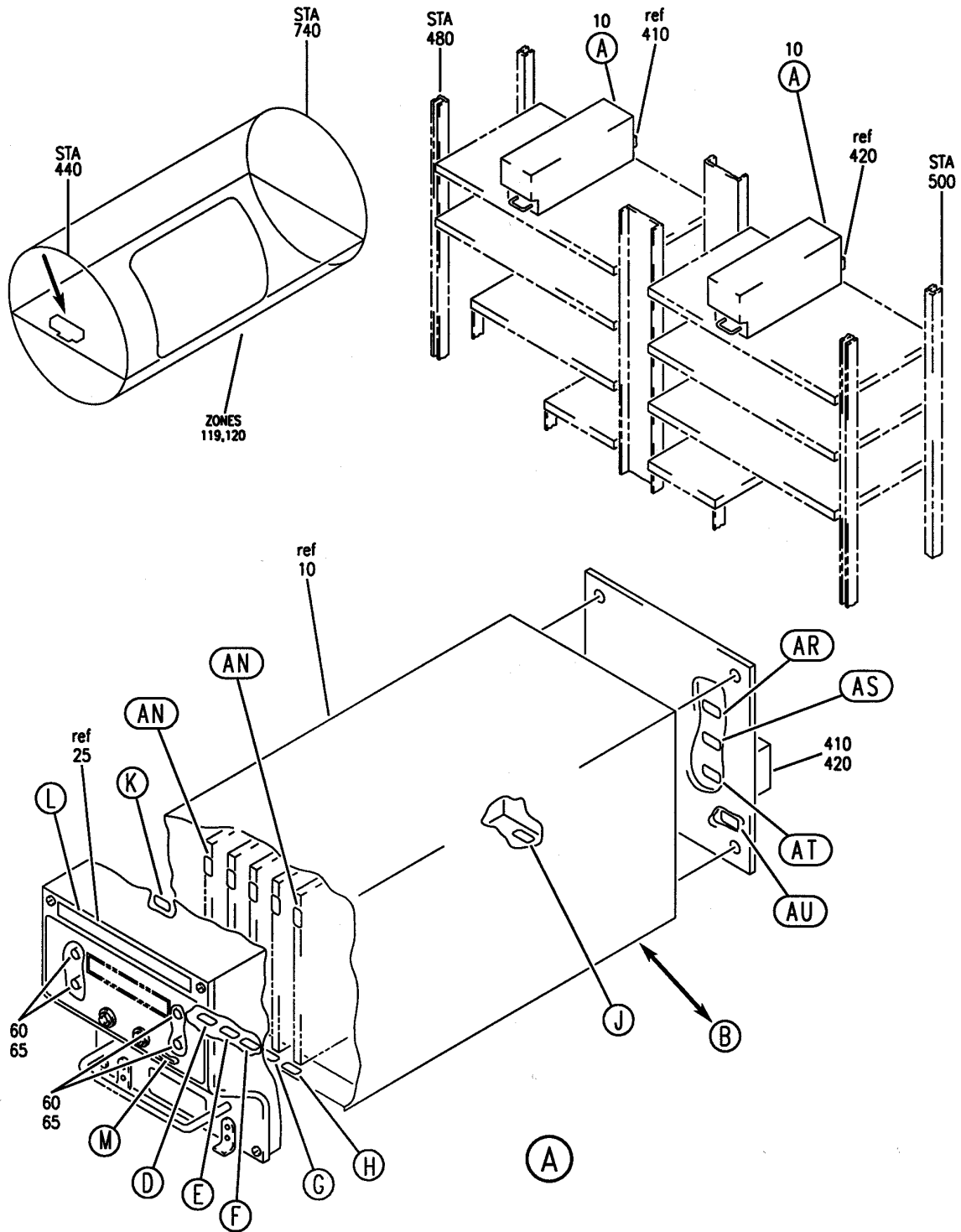
- ITEM NOT ILLUSTRATED

22-21-04-01

22-21-04
FIG. 01
PAGE 50
JAN 20/09

BRI


BOEING
 757
PARTS CATALOG (MAINTENANCE)



Y 22210401B SHT 1 REV 219

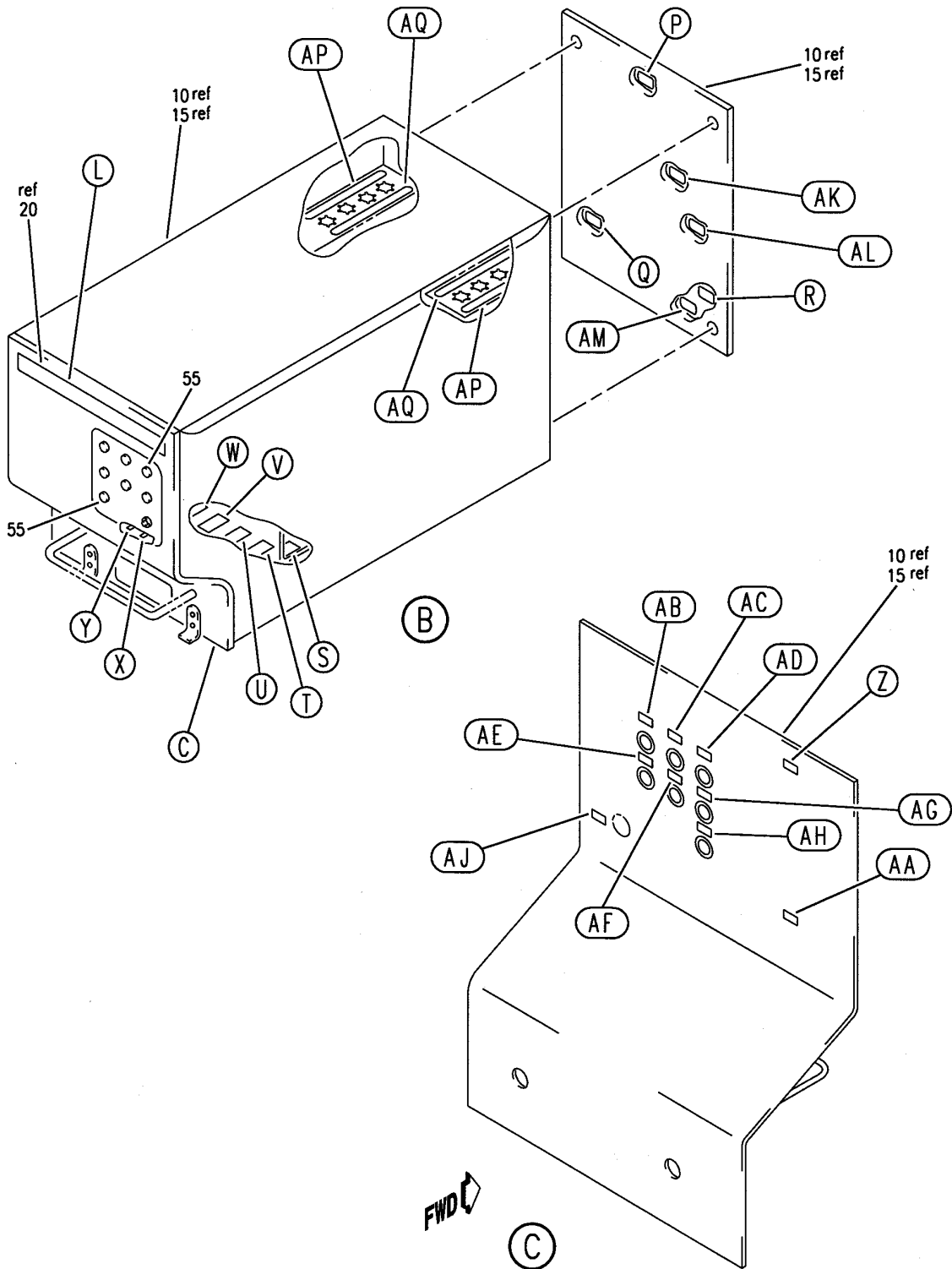
EQUIPMENT INSTL-MAIN ELECTRONICS EQPT CTR (YAW DAMPER SYSTEM ONLY)
 FIGURE 1B (SHEET 1)

22-21-04-01B

BRI
 MAY 28/07

22-21-04-01B
 PAGE 0

BOEING
757
PARTS CATALOG (MAINTENANCE)



Y 22210401B SHT 2 REV 210

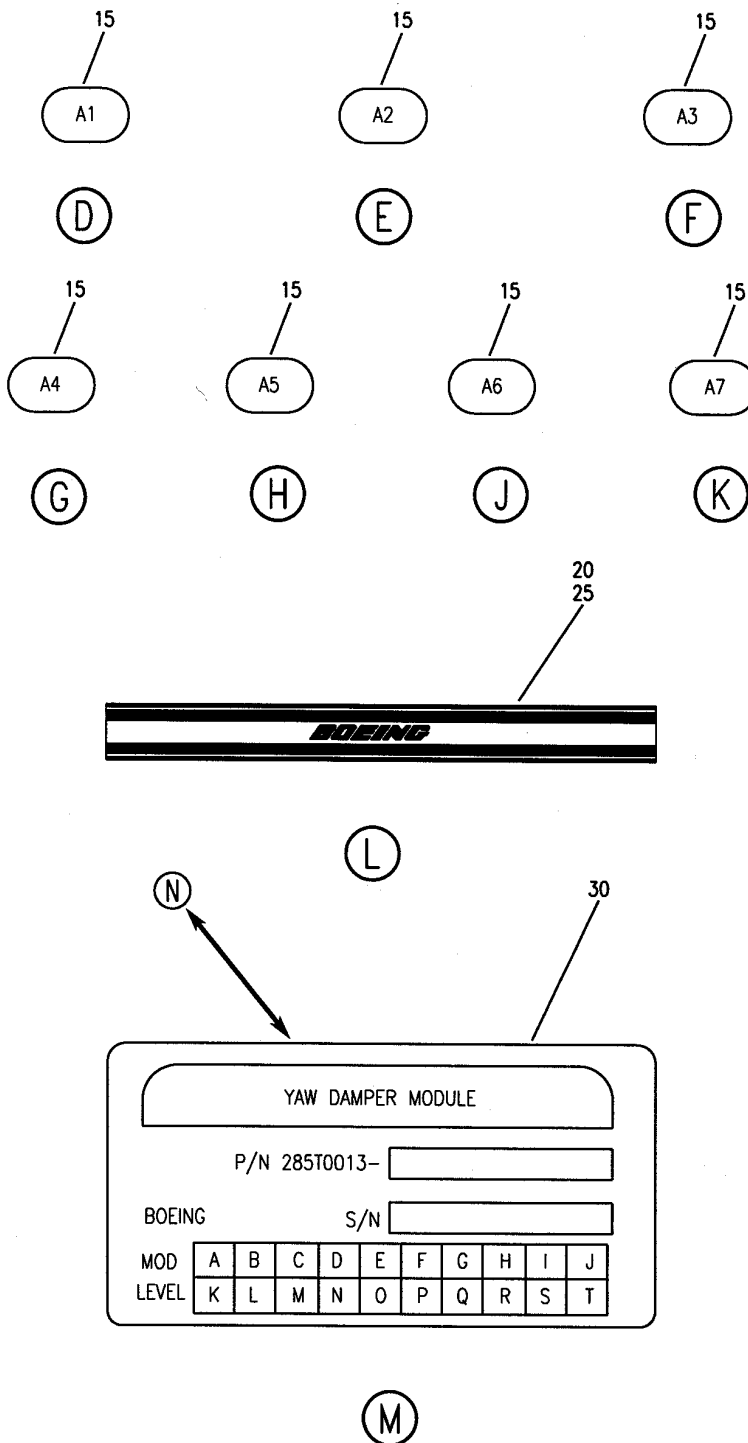
EQUIPMENT INSTL-MAIN ELECTRONICS EQPT CTR (YAW DAMPER SYSTEM ONLY)
FIGURE 1B (SHEET 2)

22-21-04-01B

BRI
MAY 28/07

22-21-04-01B
PAGE 0A

BOEING
757
PARTS CATALOG (MAINTENANCE)



Y 22210401B SHT 3 REV 210

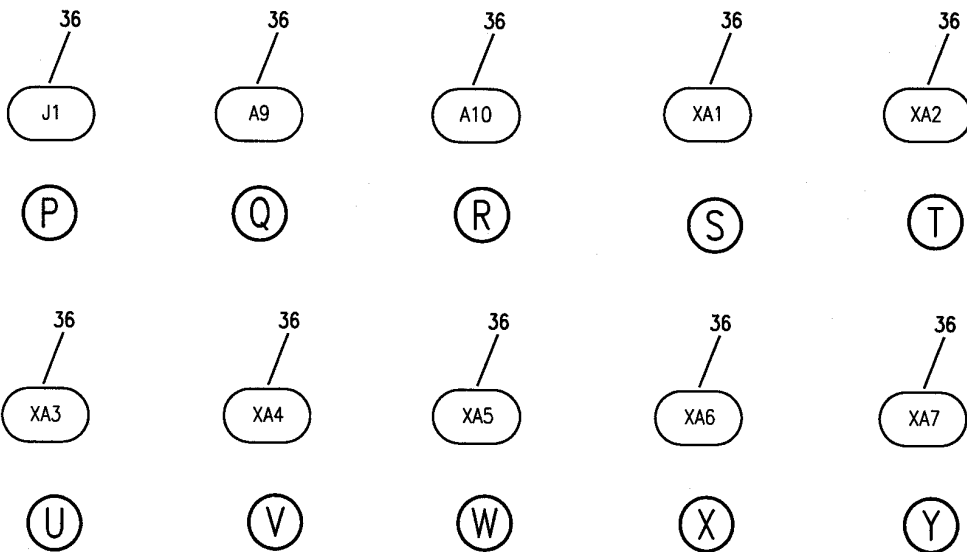
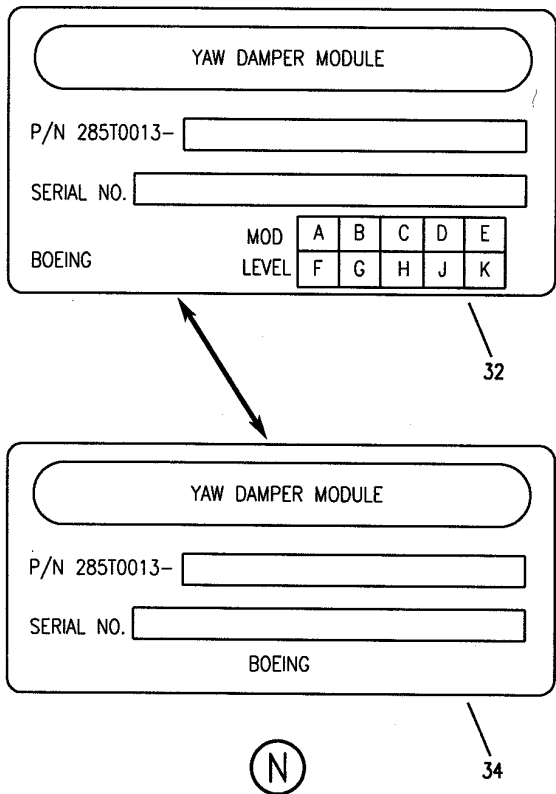
EQUIPMENT INSTL-MAIN ELECTRONICS EQPT CTR (YAW DAMPER SYSTEM ONLY)
FIGURE 1B (SHEET 3)

22-21-04-01B

BRI
MAY 28/07

22-21-04-01B
PAGE 0B

BOEING
757
PARTS CATALOG (MAINTENANCE)



Y 22210401B SHT 4 REV 210

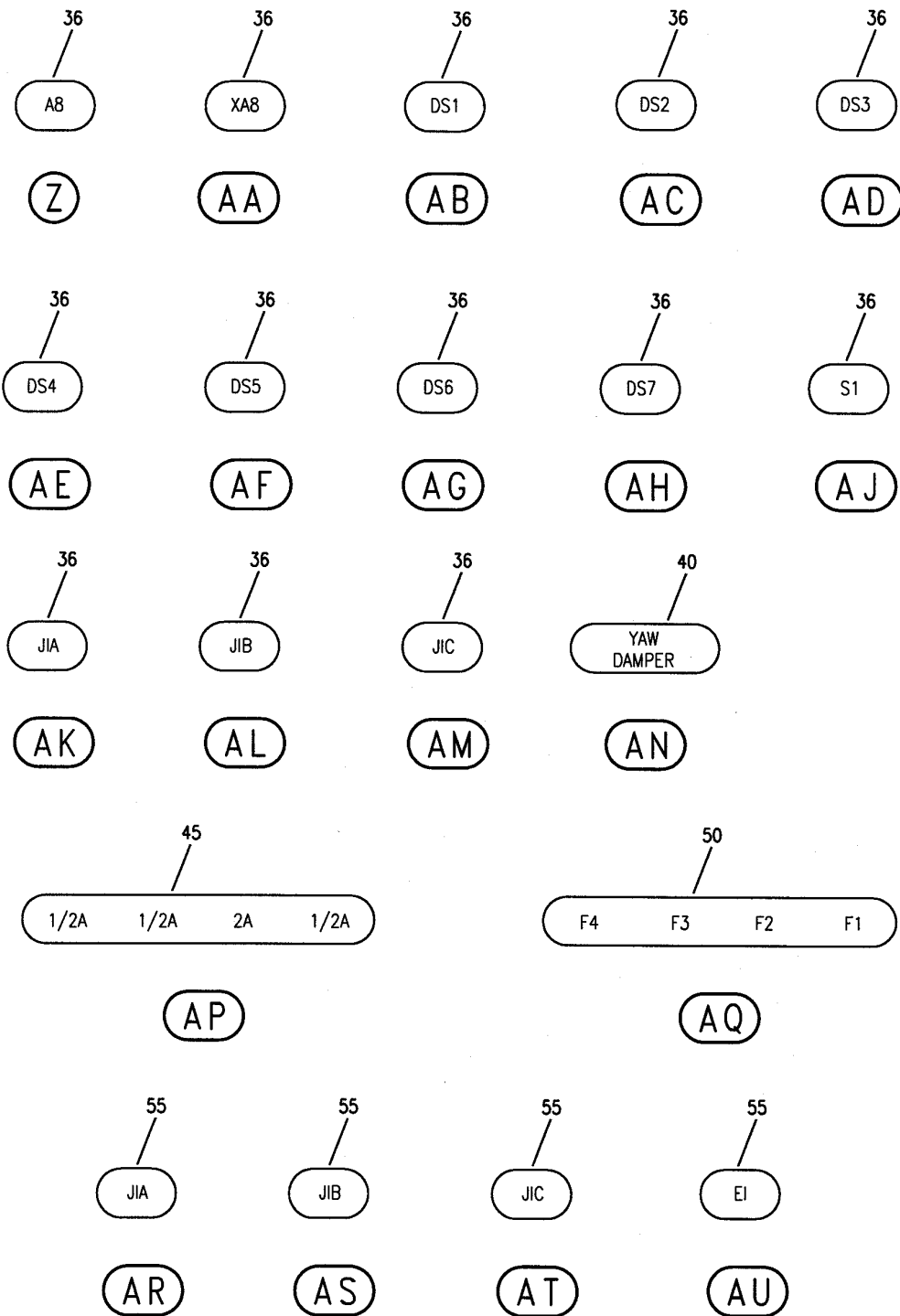
EQUIPMENT INSTL-MAIN ELECTRONICS EQPT CTR (YAW DAMPER SYSTEM ONLY)
FIGURE 1B (SHEET 4)

22-21-04-01B

BRI
MAY 28/07

22-21-04-01B
PAGE 0C

BOEING
757
PARTS CATALOG (MAINTENANCE)



Y 22210401B SHT 5 REV 210

EQUIPMENT INSTL-MAIN ELECTRONICS EQPT CTR (YAW DAMPER SYSTEM ONLY)
FIGURE 1B (SHEET 5)

22-21-04-01B

BRI
MAY 28/07

22-21-04-01B
PAGE 0D



757

PARTS CATALOG (MAINTENANCE)

FIG ITEM	PART NUMBER	1 2 3 4 5 6 7	NOMENCLATURE	EFFECT FROM TO	UNITS PER ASSY
1B			EQUIPMENT INSTL-MAIN ELECTRONICS EQPT CTR (YAW DAMPER SYSTEM ONLY)	101102	
- 3	284N1800-140		EQUIPMENT INSTL-MAIN ELECTRONICS EQPT CTR (YAW DAMPER SYSTEM ONLY)	101101	RF
- 3	284N1800-141		FOR NHA/OTHER SYS DET SEE: 24-00-58-05E EQUIPMENT INSTL-MAIN ELECTRONICS EQPT CTR (YAW DAMPER SYSTEM ONLY)	102102	RF
10	285T0013-126		FOR NHA/OTHER SYS DET SEE: 24-00-58-05E .MODULE ASSY-YAW DAMPER SUPPLIER CODE: V89954 ELECTRICAL EQUIP NUMBER: M00522 M00523 COMPONENT MAINT MANUAL REF: 22-21-31	101102	2
10	285T0013-102		.MODULE ASSY-YAW DAMPER SUPPLIER CODE: V89954 ELECTRICAL EQUIP NUMBER: M00522 M00523 COMPONENT MAINT MANUAL REF: 22-21-51	101102	2
10	285T0013-103		.MODULE ASSY-YAW DAMPER SUPPLIER CODE: V89954 ELECTRICAL EQUIP NUMBER: M00522 M00523 COMPONENT MAINT MANUAL REF: 22-21-51	101102	2
10	285T0013-105		.MODULE ASSY-YAW DAMPER SUPPLIER CODE: V89954 ELECTRICAL EQUIP NUMBER: M00522 M00523 COMPONENT MAINT MANUAL REF: 22-21-51	101102	2

MISSING ITEM NUMBERS NOT APPLICABLE

- ITEM NOT ILLUSTRATED

22-21-04-01B

22-21-04
FIG. 01B
PAGE 1
JAN 20/09

BRI



757

PARTS CATALOG (MAINTENANCE)

FIG ITEM	PART NUMBER	1 2 3 4 5 6 7	NOMENCLATURE	EFFECT FROM TO	UNITS PER ASSY
1B					
10	285T0013-106		.MODULE ASSY-YAW DAMPER SUPPLIER CODE: V89954 ELECTRICAL EQUIP NUMBER: M00522 M00523 COMPONENT MAINT MANUAL REF: 22-21-51	101102	2
10	285T0013-107		.MODULE ASSY-YAW DAMPER SUPPLIER CODE: V89954 ELECTRICAL EQUIP NUMBER: M00522 M00523 COMPONENT MAINT MANUAL REF: 22-21-51	101102	2
10	285T0013-109		.MODULE ASSY-YAW DAMPER SUPPLIER CODE: V89954 ELECTRICAL EQUIP NUMBER: M00522 M00523 COMPONENT MAINT MANUAL REF: 22-21-51	101102	2
10	285T0013-122		.MODULE ASSY-YAW DAMPER SUPPLIER CODE: V89954 ELECTRICAL EQUIP NUMBER: M00522 M00523 COMPONENT MAINT MANUAL REF: 22-21-31	101102	2
10	285T0013-123		.MODULE ASSY-YAW DAMPER SUPPLIER CODE: V89954 ELECTRICAL EQUIP NUMBER: M00522 M00523 COMPONENT MAINT MANUAL REF: 22-21-31	101102	2
10	285T0013-124		.MODULE ASSY-YAW DAMPER SUPPLIER CODE: V89954 ELECTRICAL EQUIP NUMBER: M00522 M00523 COMPONENT MAINT MANUAL REF: 22-21-31	101102	2

MISSING ITEM NUMBERS NOT APPLICABLE

- ITEM NOT ILLUSTRATED

22-21-04-01B

22-21-04
FIG. 01B
PAGE 2
JAN 20/09

BRI



757

PARTS CATALOG (MAINTENANCE)

FIG ITEM	PART NUMBER	1 2 3 4 5 6 7	NOMENCLATURE	EFFECT FROM TO	UNITS PER ASSY
1B 10	285T0013-125		.MODULE ASSY-YAW DAMPER SUPPLIER CODE: V89954 ELECTRICAL EQUIP NUMBER: M00522 M00523 COMPONENT MAINT MANUAL REF: 22-21-31	101102	2
10	285T0013-25		.MODULE ASSY-YAW DAMPER SUPPLIER CODE: V89954 ELECTRICAL EQUIP NUMBER: M00522 M00523 COMPONENT MAINT MANUAL REF: 22-21-31	101102	RF
15	BAC27TEX3918		..DECALSET- SUPPLIER CODE: V89954 PLACARD CONTENT: A1 THRU A7 USED ON: 285T0013-122 285T0013-123 285T0013-124 285T0013-125 285T0013-126	101102	1
20	BAC27TEX2946		..DECAL- SUPPLIER CODE: V89954 OPTIONAL PART: BAC27TEX3649 V89954 USED ON: 285T0013-102 285T0013-103 285T0013-105 285T0013-106 285T0013-107 285T0013-109	101102	1

MISSING ITEM NUMBERS NOT APPLICABLE

- ITEM NOT ILLUSTRATED

22-21-04-01B

22-21-04
FIG. 01B
PAGE 3
JAN 20/09

BRI

BOEING PROPRIETARY - Copyright © - Unpublished Work - See title page for details.



757

PARTS CATALOG (MAINTENANCE)

FIG ITEM	PART NUMBER	1 2 3 4 5 6 7	NOMENCLATURE	EFFECT FROM TO	UNITS PER ASSY
1B 20	BAC27TEX3649	..	DECAL- SUPPLIER CODE: V89954 OPTIONAL PART: BAC27TEX2946 V89954 USED ON: 285T0013-102 285T0013-103 285T0013-105 285T0013-106 285T0013-107 285T0013-109	101102	1
25	BAC27TEX3650	..	DECAL-LOGO SUPPLIER CODE: V89954 USED ON: 285T0013-122 285T0013-123 285T0013-124 285T0013-125 285T0013-126	101102	1
30	BAC27TEX4099	..	MARKER-ALUMINUM FOIL OPTIONAL PART: BAC27TEX4487 V89954 USED ON: 285T0013-124 285T0013-125 285T0013-126	101102	1
32	BAC27TEX4487	..	MARKER-ALUMINUM FOIL SUPPLIER CODE: V89954 OPTIONAL PART: BAC27TEX4099 USED ON: 285T0013-124 285T0013-125 285T0013-126	101102	1
34	BAC27TEX1923	..	MARKER-ALUMINUM FOIL SUPPLIER CODE: V89954 USED ON: 285T0013-102 285T0013-103 285T0013-105 285T0013-122 285T0013-123	101102	1

MISSING ITEM NUMBERS NOT APPLICABLE

- ITEM NOT ILLUSTRATED

22-21-04-01B

22-21-04
FIG. 01B
PAGE 4
JAN 20/09

BRI

BOEING PROPRIETARY - Copyright © - Unpublished Work - See title page for details.



757

PARTS CATALOG (MAINTENANCE)

FIG ITEM	PART NUMBER	1 2 3 4 5 6 7	NOMENCLATURE	EFFECT FROM TO	UNITS PER ASSY
1B					
36	BAC27TEX3314	..	DECALSET-INCLUDES DECALS IDENTIFIED ON ILLUSTRATION SUPPLIER CODE: V89954	101102	1
40	BAC27TEX1958	..	DECAL- SUPPLIER CODE: V89954 PLACARD CONTENT: YAW DAMPER	101102	1
45	BAC27TEX3350	..	DECAL- SUPPLIER CODE: V89954 PLACARD CONTENT: 1/2A 1/2A 1/2A 2A 1/2A	101102	1
50	BAC27TEX3351	..	DECAL- SUPPLIER CODE: V89954 PLACARD CONTENT: F4 F3 F2 F1	101102	1
55	BAC27TEX3327	..	DECALSET-INCLUDES DECALS IDENTIFIED ON ILLUSTRATION	101102	1
60	NAS1801-3-16	..	SCREW	101102	4
65	NAS42DD6-38	..	SPACER	101102	4
- 400	286N1165-318		WIRE BUNDLE ASSY	101102	RF
410	BKA21C1101	.	CONNECTOR- SUPPLIER CODE: V71468 SPECIFICATION NUMBER: BACC66H21C1101 OPTIONAL PART: S621C1101 V59610 NIC66H21C1101 V00779 ELECTRICAL EQUIP NUMBER: D00351 WIRING DIAGRAM REF: 222121	101102	1
- 415	286N1265-303		WIRE BUNDLE ASSY	101102	RF

MISSING ITEM NUMBERS NOT APPLICABLE

- ITEM NOT ILLUSTRATED

22-21-04-01B

22-21-04
FIG. 01B
PAGE 5
JAN 20/09

BRI

BOEING PROPRIETARY - Copyright © - Unpublished Work - See title page for details.



757

PARTS CATALOG (MAINTENANCE)

FIG ITEM	PART NUMBER	1 2 3 4 5 6 7	NOMENCLATURE	EFFECT FROM TO	UNITS PER ASSY
1B 420	BKA21C1101		.CONNECTOR- SUPPLIER CODE: V71468 SPECIFICATION NUMBER: BACC66H21C1101 OPTIONAL PART: S621C1101 V59610 NIC66H21C1101 V00779 ELECTRICAL EQUIP NUMBER: D00349 WIRING DIAGRAM REF: 222111	101102	1

MISSING ITEM NUMBERS NOT APPLICABLE

- ITEM NOT ILLUSTRATED

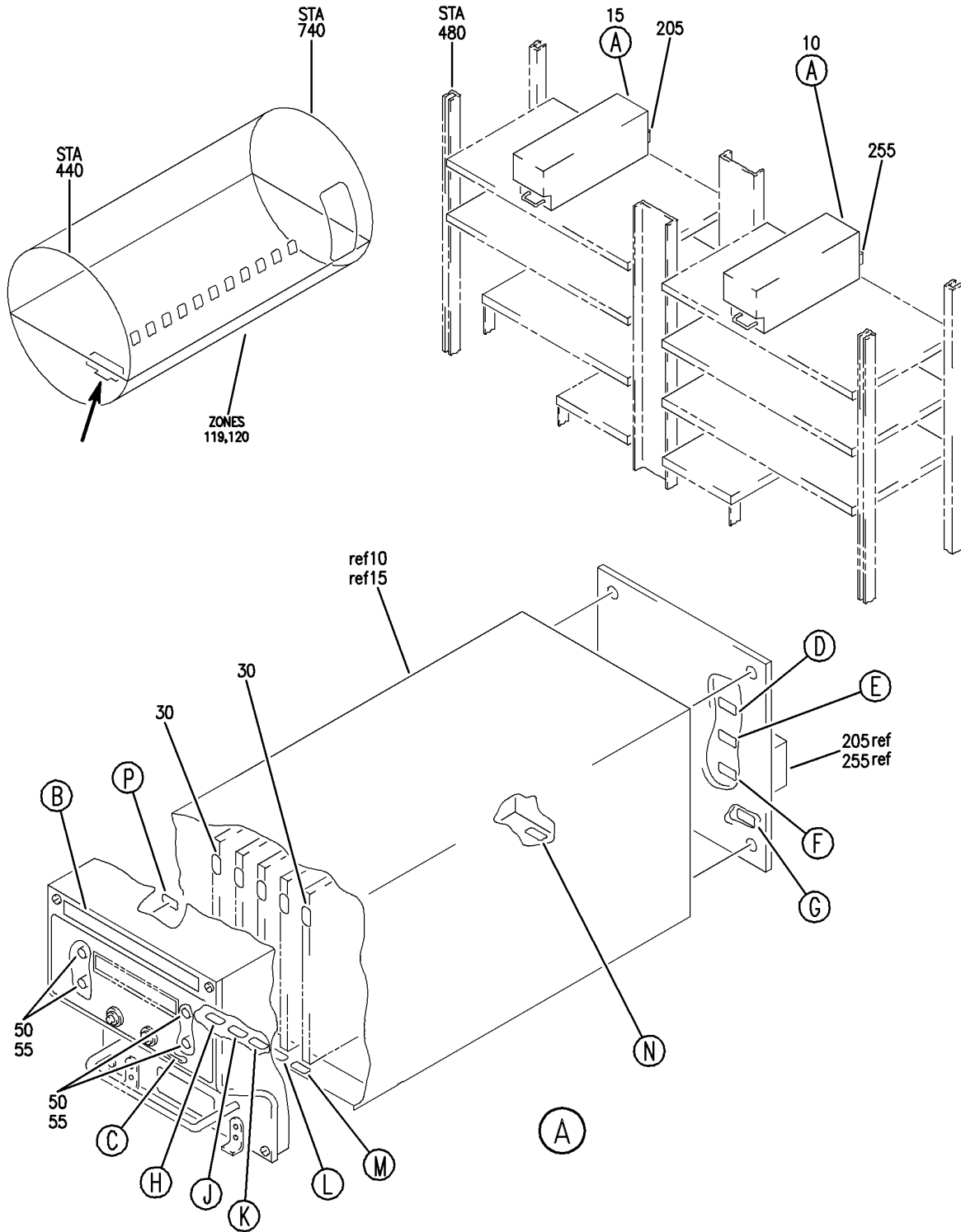
BRI

22-21-04-01B

BOEING PROPRIETARY - Copyright © - Unpublished Work - See title page for details.

22-21-04
FIG. 01B
PAGE 6
JAN 20/09

BOEING
757
PARTS CATALOG (MAINTENANCE)



Y 22210408 SHT 1 REV 222

EQUIPMENT INSTL-MAIN ELECTRONICS EQPT CTR (YAW DAMPER SYSTEM ONLY)
FIGURE 8 (SHEET 1)

BRI
JAN 20/09

22-21-04-08

22-21-04-08
PAGE 0

BOEING
757
PARTS CATALOG (MAINTENANCE)



(B)

25

YAW DAMPER MODULE

P/N 285T0013-

BOEING S/N

MOD	A	B	C	D	E	F	G	H	I	J
LEVEL	K	L	M	N	O	P	Q	R	S	T

35

YAW DAMPER MODULE

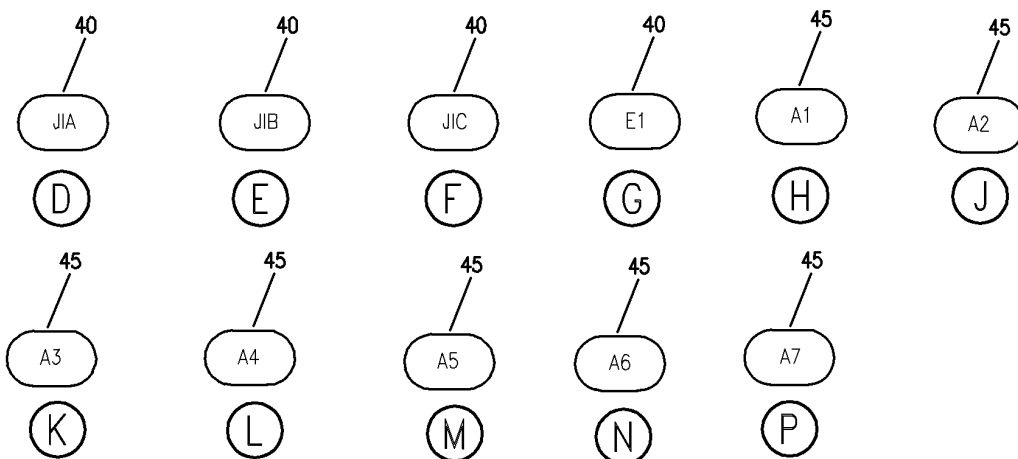
P/N 285T0013-

SERIAL NO.

BOEING

MOD	A	B	C	D	E
LEVEL	F	G	H	J	K

(C)



Y 22210408 SHT 2 REV 222

EQUIPMENT INSTL-MAIN ELECTRONICS EQPT CTR (YAW DAMPER SYSTEM ONLY)
FIGURE 8 (SHEET 2)

22-21-04-08

BRI
JAN 20/09

22-21-04-08
PAGE 0A



757

PARTS CATALOG (MAINTENANCE)

FIG ITEM	PART NUMBER	1 2 3 4 5 6 7	NOMENCLATURE	EFFECT FROM TO	UNITS PER ASSY
8			EQUIPMENT INSTL-MAIN ELECTRONICS EQPT CTR (YAW DAMPER SYSTEM ONLY)	103106 108120	
- 1	284N4000-220003		EQUIPMENT INSTL-MAIN ELECTRONICS EQPT CTR (YAW DAMPER SYSTEM ONLY) FOR NHA/ADDITIONAL DET SEE: 24-00-58-05A	106106 108120	RF
- 5	284N4000-220004		EQUIPMENT INSTL-MAIN ELECTRONICS EQPT CTR (YAW DAMPER SYSTEM ONLY) FOR NHA/ADDITIONAL DET SEE: 24-00-58-05A	106106 108120	RF
10	285T0013-126		.MODULE ASSY- SUPPLIER CODE: V89954 ELECTRICAL EQUIP NUMBER: M00522 COMPONENT MAINT MANUAL REF: 22-21-31 USED ON: 284N4000-220003 MODREF9642 FUNCTIONAL REFERENCE: PLACARDS AND MARKINGS FOR DETAILS SEE 11-36-03-08	103106 108120	1
15	285T0013-126		.MODULE ASSY- SUPPLIER CODE: V89954 ELECTRICAL EQUIP NUMBER: M00523 COMPONENT MAINT MANUAL REF: 22-21-31 USED ON: 284N4000-220004 MODREF9643 FUNCTIONAL REFERENCE: PLACARDS AND MARKINGS FOR DETAILS SEE 11-36-03-08	103106 108120	1
20	BAC27TEX3650		..DECAL-LOGO SUPPLIER CODE: V89954	103106 108120	1
25	BAC27TEX4099		..MARKER-ALUMINUM FOIL OPTIONAL PART: BAC27TEX4487 V89954	103106 108120	1

MISSING ITEM NUMBERS NOT APPLICABLE

- ITEM NOT ILLUSTRATED

22-21-04-08

22-21-04
FIG. 08
PAGE 1
JAN 20/09

BRI



757

PARTS CATALOG (MAINTENANCE)

FIG ITEM	PART NUMBER	1 2 3 4 5 6 7	NOMENCLATURE	EFFECT FROM TO	UNITS PER ASSY
8					
30	BAC27TEX1958	..	DECAL- SUPPLIER CODE: V89954 PLACARD CONTENT: YAW DAMPER	103106 108120	5
35	BAC27TEX4487	..	MARKER-ALUMINUM FOIL SUPPLIER CODE: V89954 OPTIONAL PART: BAC27TEX4099	103106 108120	1
40	BAC27TEX3327	..	DECALSET-INCLUDES DECALS IDENTIFIED ON ILLUSTRATION	103106 108120	1
45	BAC27TEX3918	..	DECALSET- SUPPLIER CODE: V89954 PLACARD CONTENT: A1 THRU A7	103106 108120	1
50	NAS1801-3-16	..	SCREW	103106 108120	4
55	NAS42DD6-38	..	SPACER	103106 108120	4
- 200	286N1165-320		WIRE BUNDLE ASSY	108120	RF
205	BKA21C1101	.	CONNECTOR- SUPPLIER CODE: V71468 SPECIFICATION NUMBER: BACC66H21C1101 OPTIONAL PART: S621C1101 V59610 NIC66H21C1101 V00779 ELECTRICAL EQUIP NUMBER: D00351 WIRING DIAGRAM REF: 222121	108120	1
- 250	286N1265-328		WIRE BUNDLE ASSY	108120	RF

MISSING ITEM NUMBERS NOT APPLICABLE

- ITEM NOT ILLUSTRATED

22-21-04-08

22-21-04
FIG. 08
PAGE 2
JAN 20/09

BRI

BOEING PROPRIETARY - Copyright © - Unpublished Work - See title page for details.



757

PARTS CATALOG (MAINTENANCE)

FIG ITEM	PART NUMBER	1 2 3 4 5 6 7	NOMENCLATURE	EFFECT FROM TO	UNITS PER ASSY
8 255	BKA21C1101		.CONNECTOR- SUPPLIER CODE: V71468 SPECIFICATION NUMBER: BACC66H21C1101 OPTIONAL PART: S621C1101 V59610 NIC66H21C1101 V00779 ELECTRICAL EQUIP NUMBER: D00349 WIRING DIAGRAM REF: 222111	108120	1

MISSING ITEM NUMBERS NOT APPLICABLE

- ITEM NOT ILLUSTRATED

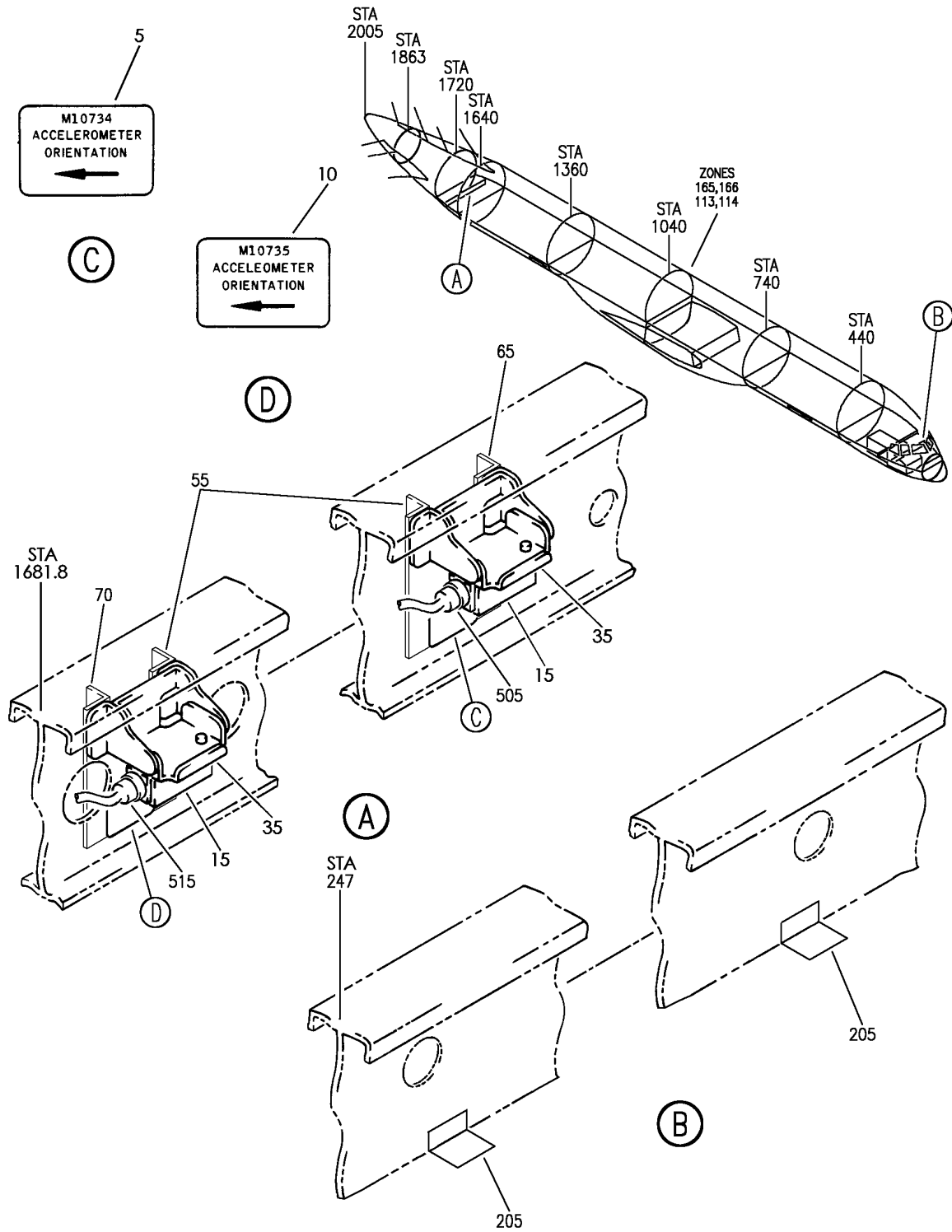
BRI

22-21-04-08

BOEING PROPRIETARY - Copyright © - Unpublished Work - See title page for details.

22-21-04
FIG. 08
PAGE 3
JAN 20/09


BOEING
 757
PARTS CATALOG (MAINTENANCE)



Y 22210501 REV 315

ACCELEROMETER INSTL- YAW DAMPER (AUTOFLIGHT ONLY)
 FIGURE 1

22-21-05-01

BRI
SEP 28/07

22-21-05-01
 PAGE 0

BOEING
757
PARTS CATALOG (MAINTENANCE)

FIG ITEM	PART NUMBER	1 2 3 4 5 6 7	NOMENCLATURE	EFFECT FROM TO	UNITS PER ASSY
1			ACCELEROMETER INSTL- YAW DAMPER (AUTOFLIGHT ONLY)	002004 006106 108999	
- 1	284N1702-1		ACCELEROMETER INSTL-YAW DAMPER (AUTOFLIGHT ONLY) FOR NHA/OTHER SYS DET SEE: 24-00-58-01B 24-00-58-05A	002004 006102 108999	RF
- 1	MODREF9129		ACCELEROMETER INSTL-YAW DAMPER (AUTOFLIGHT ONLY) MODULE NUMBER: 284N1702-1 REV A FOR OTHER SYS DETAILS SEE: 11-38-51-01	103106	1
5	BAC27NEX2220		.DECAL- PLACARD CONTENT: M10734 ACCELEROMETER ORIENTATION	002004 006106 108999	RF
10	BAC27NEX2221		.DECAL- PLACARD CONTENT: M10735 ACCELEROMETER ORIENTATION	002004 006106 108999	RF
15	9000003-1		.ACCELEROMETER- SUPPLIER CODE: V96774 FUNCTIONAL DESCRIPTION: SENSES LATERAL ACCELERATION OF THE AFT FUSELAGE, & TRANSMITS THAT AS AN ANALOG DC VOLTAGE TO THE YAW DAMPER MODULE ELECTRICAL EQUIP NUMBER: M10734 M10735 COMPONENT MAINT MANUAL REF: 27-20-02	002004 006106 108999	2
- 20	NAS1801-06-5		ATTACHING PARTS .SCREW	002004 006106 108999	6
- 25	NAS620-6L		.WASHER	002004 006106 108999	6
- 30	MS35338-41		.WASHER	002004 006106 108999	6
			-----*-----		

MISSING ITEM NUMBERS NOT APPLICABLE

- ITEM NOT ILLUSTRATED

BRI

22-21-05-01

22-21-05
FIG. 01
PAGE 1
JAN 20/09

 **BOEING**
757
PARTS CATALOG (MAINTENANCE)

FIG ITEM	PART NUMBER	1 2 3 4 5 6 7	NOMENCLATURE	EFFECT FROM TO	UNITS PER ASSY
1	35 284N1705-1		.BRACKET ASSY	002004 006106 108999	2
- 40	L8005K4		ATTACHING PARTS .BOLT SUPPLIER CODE: V06725 SPECIFICATION NUMBER: BACB30MY5K4	002004 006106 108999	8
- 45	HL70-5		.COLLAR SUPPLIER CODE: V5M902 SPECIFICATION NUMBER: BACC30M5 OPTIONAL PART: HL70-5 V73197 HL70-5 V92215 66014-5 V56878 HL70-5 V56878	002004 006106 108999	8
- 200	284N1702-2		-----*----- ACCELEROMETER INSTL-YAW DAMPER (AUTOFLIGHT ONLY) FOR NHA SEE: 24-00-58-05	101102 504903	RF
205	284N1705-5		.BRACKET-	101102 504903	2
- 210	BACR15BB5ADC		ATTACHING PARTS .RIVET- SIZE DETERMINED ON INSTL.	101102 504903	8
- 500	286N2647-001		-----*----- WIRE BUNDLE ASSY-	002004 006010 950999	RF
- 500	286N2647-002		WIRE BUNDLE ASSY	121503 904949	RF
- 500	286N2647-005		WIRE BUNDLE ASSY	011100 504903	RF
- 500	286N2647-301		WIRE BUNDLE ASSY	101102	RF
- 500	286N2647-302		WIRE BUNDLE ASSY	108120	RF
- 503	286N5929-701		WIRE BUNDLE ASSY	103106	RF
505	BACC45FT12A12S		.CONNECTOR- ELECTRICAL EQUIP NUMBER: D01357 WIRING DIAGRAM REF: 222111	002004 006106 108999	1

MISSING ITEM NUMBERS NOT APPLICABLE

- ITEM NOT ILLUSTRATED

BRI

22-21-05-01

22-21-05
FIG. 01
PAGE 2
JAN 20/09



757

PARTS CATALOG (MAINTENANCE)

FIG ITEM	PART NUMBER	1 2 3 4 5 6 7	NOMENCLATURE	EFFECT FROM TO	UNITS PER ASSY
1					
- 510	286N2649-001		WIRE BUNDLE ASSY-	002004 006010 950999	RF
- 510	286N2649-004		WIRE BUNDLE ASSY	121503 904949	RF
- 510	286N2649-006		WIRE BUNDLE ASSY	011100 504903	RF
- 510	286N2649-301		WIRE BUNDLE ASSY	101102	RF
- 510	286N2649-302		WIRE BUNDLE ASSY	108120	RF
- 513	286N5957-701		WIRE BUNDLE ASSY	103106	RF
515	BACC45FT12A12S		.CONNECTOR- ELECTRICAL EQUIP NUMBER: D01359 WIRING DIAGRAM REF: 222121	002004 006106 108999	1

MISSING ITEM NUMBERS NOT APPLICABLE

- ITEM NOT ILLUSTRATED

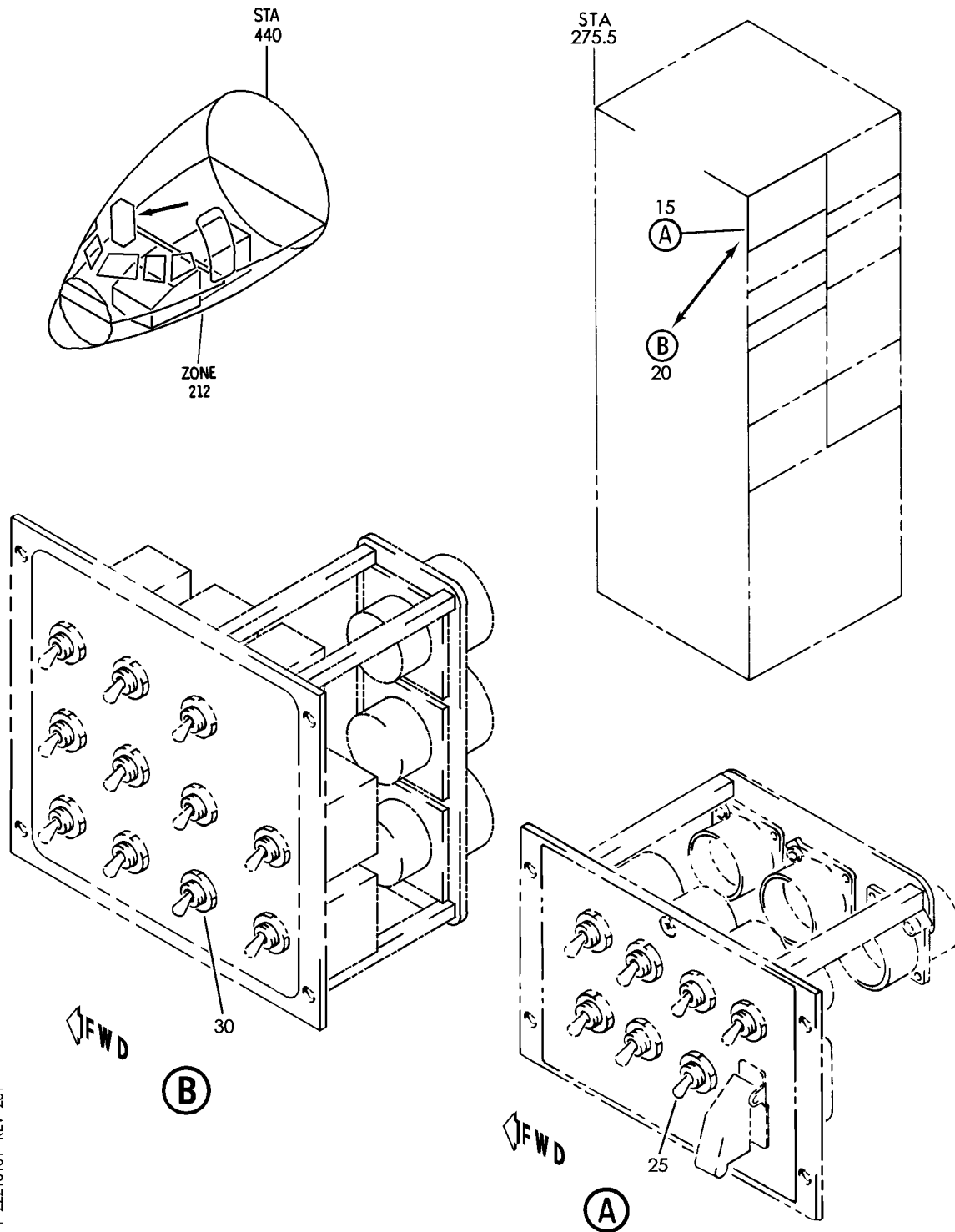
BRI

22-21-05-01

BOEING PROPRIETARY - Copyright © - Unpublished Work - See title page for details.

22-21-05
FIG. 01
PAGE 3
JAN 20/09

BOEING
757
PARTS CATALOG (MAINTENANCE)



Y 22215101 REV 231

PANEL INSTL-P61 R SIDEWALL (YAW DAMPER SYSTEM ONLY)
FIGURE 1

22-21-51-01

BRI
MAY 28/07

22-21-51-01
PAGE 0



757

PARTS CATALOG (MAINTENANCE)

FIG ITEM	PART NUMBER	1 2 3 4 5 6 7	NOMENCLATURE	EFFECT FROM TO	UNITS PER ASSY
1			PANEL INSTL-P61 R SIDEWALL (YAW DAMPER SYSTEM ONLY)	002004 006999	
- 1	233N7401-1		PANEL INSTL-P61 SIDEWALL (YAW DAMPER SYSTEM ONLY) POSITION DATA: R VARIABLE DRAWING REF: 233N7401-5004 233N7401-5005 233N7401-5036 233N7401-5038 233N7401-5042 FOR NHA/OTHER SYS DET SEE: 25-10-00-05A	002004 006100 107107 121503 904999	RF
- 1	233N7403-158		PANEL INSTL-P61 SIDEWALL (YAW DAMPER SYSTEM ONLY) POSITION DATA: R FOR NHA/OTHER SYS DET SEE: 25-10-00-15B	108120	RF
- 2	233N7403-28		PANEL INSTL-P61 SIDEWALL (YAW DAMPER SYSTEM ONLY) POSITION DATA: R FOR NHA/OTHER SYS DET SEE: 25-10-00-15B	101101	RF
- 3	233N7403-117		PANEL INSTL-P61 SIDEWALL (YAW DAMPER SYSTEM ONLY) POSITION DATA: R FOR NHA/OTHER SYS DET SEE: 25-10-00-15B	504903	RF
- 3	233N7403-128		PANEL INSTL-P61 SIDEWALL (YAW DAMPER SYSTEM ONLY) POSITION DATA: R FOR NHA/OTHER SYS DET SEE: 25-10-00-15B	102102	RF

MISSING ITEM NUMBERS NOT APPLICABLE

- ITEM NOT ILLUSTRATED

BRI

22-21-51-01

BOEING PROPRIETARY - Copyright © - Unpublished Work - See title page for details.

22-21-51
FIG. 01
PAGE 1
JAN 20/09



**757
PARTS CATALOG (MAINTENANCE)**

FIG ITEM	PART NUMBER	1 2 3 4 5 6 7	NOMENCLATURE	EFFECT FROM TO	UNITS PER ASSY
1 -	8 MODREF33342		PANEL INSTL- (YAW DAMPER SYSTEM ONLY) MODULE NUMBER: 233N7403-171 REV A FOR OTHER SYS DETAILS SEE: 11-32-01-98 21-58-51-04 23-41-52-01 24-22-73-02 26-18-53-02 26-21-52-01 26-22-52-01 26-23-52-03 27-23-51-02 28-41-51-04 29-22-52-01 30-11-52-01 30-41-51-04 31-14-16-87 31-31-04-01 31-41-53-01 31-51-51-01 34-12-54-01 34-21-51-02 34-46-51-05 34-61-53-03	103106	1
	15 233N7501-23		.PANEL ASSY-TEST SUPPLIER CODE: V89954 NOT APPROVED FOR ETOPS. SB DATA FROM A CMM: PRE 233N7501-31-01 PRE 233N7501-31-03 ELECTRICAL EQUIP NUMBER: M10398 COMPONENT MAINT MANUAL REF: 31-51-61	504903 950951	RF
	15 233N7501-35		.PANEL ASSY-TEST SUPPLIER CODE: V89954 ELECTRICAL EQUIP NUMBER: M10398 COMPONENT MAINT MANUAL REF: 31-51-61 POST SERVICE BULLETIN: 24-0048	107107 904949 952952	RF

MISSING ITEM NUMBERS NOT APPLICABLE

- ITEM NOT ILLUSTRATED

BRI

22-21-51-01

BOEING PROPRIETARY - Copyright © - Unpublished Work - See title page for details.

22-21-51
FIG. 01
PAGE 2
JAN 20/09



757

PARTS CATALOG (MAINTENANCE)

FIG ITEM	PART NUMBER	1 2 3 4 5 6 7	NOMENCLATURE	EFFECT FROM TO	UNITS PER ASSY
1 15	233N7501-36		.PANEL ASSY-TEST SUPPLIER CODE: V89954 SB DATA FROM A CMM: POST 233N7501-31-03 ELECTRICAL EQUIP NUMBER: M10398 COMPONENT MAINT MANUAL REF: 31-51-61 QUALIFIED I/W DATA: 233N7501-36 CAN REPLACE 233N7501-35,BUT 233N7501-35 CANNOT REPLACE 233N7501-36 IF VICKER HMG, 520850 OR 3022008-000 IS INSTALLED.	002004 006102 108503 953999	RF
20	233N7501-41		.PANEL ASSY-TEST SUPPLIER CODE: V89954 ELECTRICAL EQUIP NUMBER: M10398 COMPONENT MAINT MANUAL REF: 31-51-61	103106	RF
25	64AT22-7		..SWITCH- SUPPLIER CODE: V91929 SPECIFICATION NUMBER: BACS30EM44 OPTIONAL PART: 64AT11-7 V91929 A3-1110-04-1 V81640 A3-1110-04 V81640 ELECTRICAL EQUIP NUMBER: S00007	002004 006102 107999	1
30	64AT22-7		..SWITCH-TG SUPPLIER CODE: V91929	103106	1

MISSING ITEM NUMBERS NOT APPLICABLE

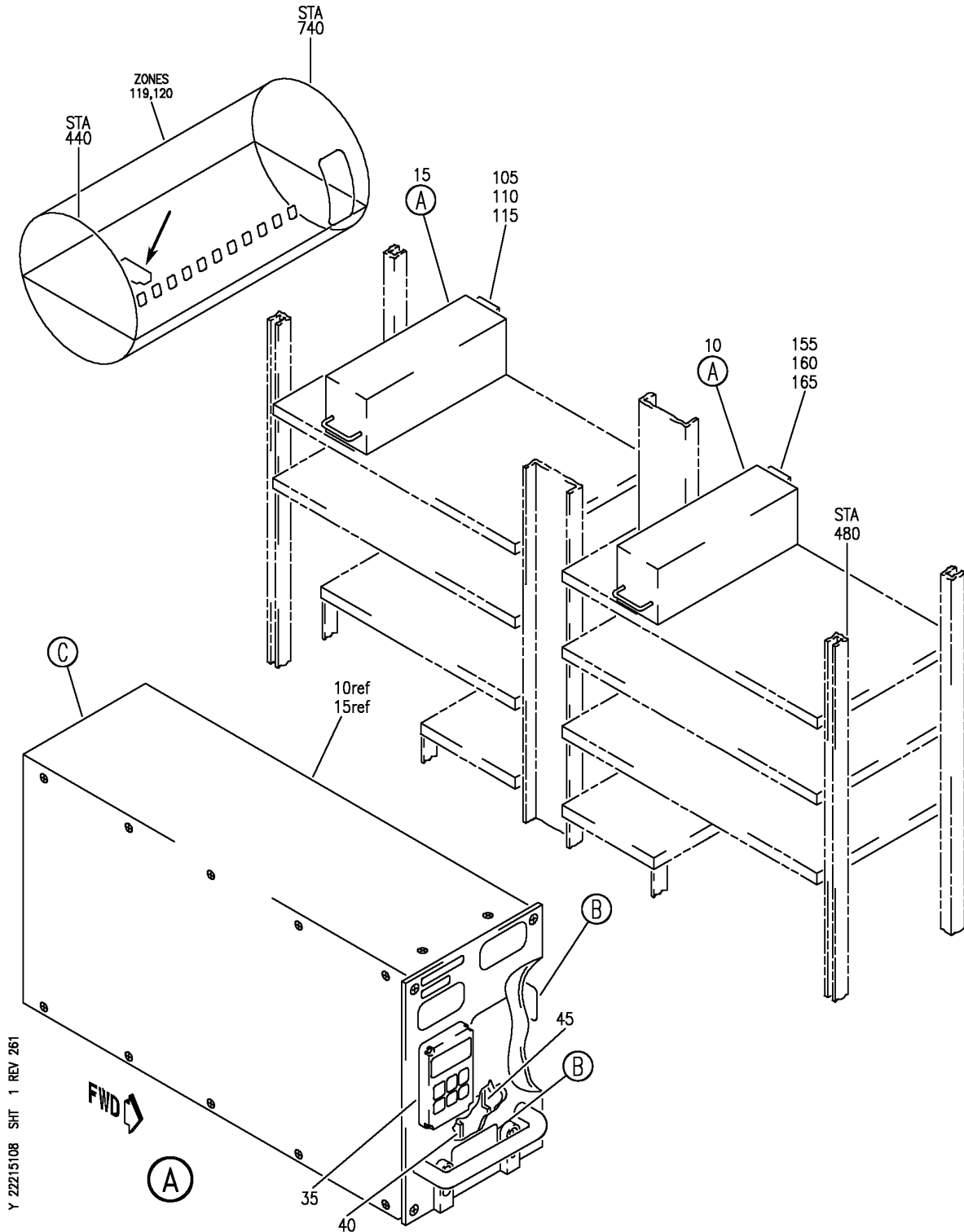
- ITEM NOT ILLUSTRATED

BRI

22-21-51-01

22-21-51
FIG. 01
PAGE 3
JAN 20/09


BOEING
 757
PARTS CATALOG (MAINTENANCE)



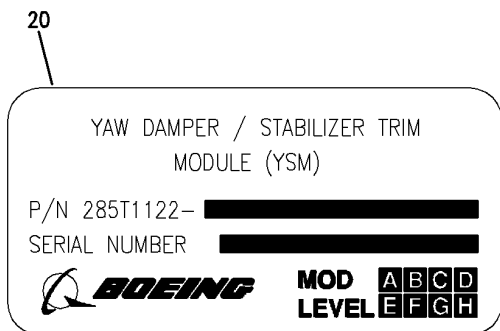
EQUIPMENT INSTL-MAIN ELECTRONICS EQPT CTR YAW DAMPER STAB. TRIM
 FIGURE 8 (SHEET 1)

22-21-51-08

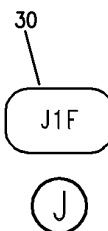
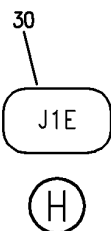
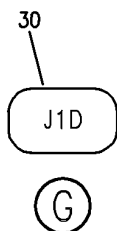
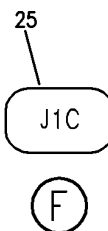
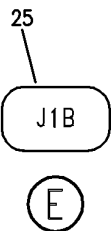
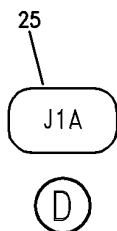
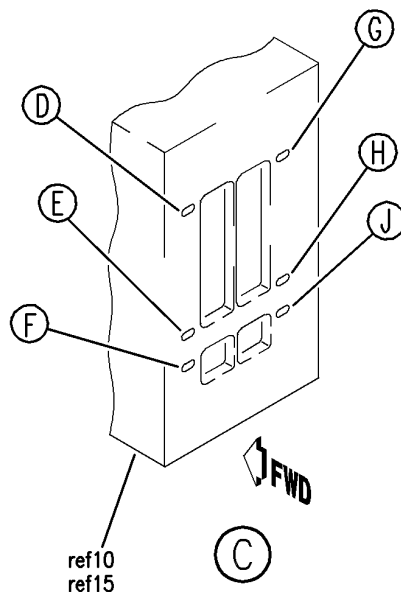
BRI
 JAN 20/09

22-21-51-08
 PAGE 0


BOEING
 757
PARTS CATALOG (MAINTENANCE)



(B)



Y 22215108 SHI 2 REV 222

EQUIPMENT INSTL-MAIN ELECTRONICS EQPT CTR YAW DAMPER STAB. TRIM
FIGURE 8 (SHEET 2)

22-21-51-08

BRI
JAN 20/09

22-21-51-08
PAGE 0A



757

PARTS CATALOG (MAINTENANCE)

FIG ITEM	PART NUMBER	1 2 3 4 5 6 7	NOMENCLATURE	EFFECT FROM TO	UNITS PER ASSY
8			EQUIPMENT INSTL-MAIN ELECTRONICS EQPT CTR YAW DAMPER STAB. TRIM	103106	
- 1	MODREF9645		EQUIPMENT INSTL-MAIN ELECTRONICS EQPT CTR YAW DAMPER STAB. TRIM	103106	1
- 5	MODREF9646		MODULE NUMBER: 284N4000-220009 REV A	103106	1
10	285T1122-102		EQUIPMENT INSTL-MAIN ELECTRONICS EQPT CTR YAW DAMPER STAB. TRIM MODULE NUMBER: 284N4000-220010 REV A .MODULE ASSY-(YAW DAMPER SYSTEM ONLY) SUPPLIER CODE: V89954 ELECTRICAL EQUIP NUMBER: M11482 QUALIFIED I/W DATA: TWO 285T1122-102 ARE INTERCHANGEABLE WITH TWO 285T1122-101. THE 285T1122-101 AND 285T1122-102 CANNOT BE INTERMIXED PER SERVICE BULLETIN 757-27-0131. USED ON: 284N4000-220009 MODREF9645 FUNCTIONAL REFERENCE: PLACARDS AND MARKINGS FOR DETAILS SEE 11-36-03-08	103106	1

MISSING ITEM NUMBERS NOT APPLICABLE

- ITEM NOT ILLUSTRATED

BRI

22-21-51-08

22-21-51
FIG. 08
PAGE 1
JAN 20/09



757

PARTS CATALOG (MAINTENANCE)

FIG ITEM	PART NUMBER	1 2 3 4 5 6 7	NOMENCLATURE	EFFECT FROM TO	UNITS PER ASSY
8 15	285T1122-102		.MODULE ASSY-(YAW DAMPER SYSTEM ONLY) SUPPLIER CODE: V89954 ELECTRICAL EQUIP NUMBER: M11482 QUALIFIED I/W DATA: TWO 285T1122-102 ARE INTERCHANGEABLE WITH TWO 285T1122-101. THE 285T1122-101 AND 285T1122-102 CANNOT BE INTERMIXED PER SERVICE BULLETIN 757-27-0131. USED ON: 284N4000-220010 MODREF9646 FUNCTIONAL REFERENCE: PLACARDS AND MARKINGS FOR DETAILS SEE 11-36-03-08	103106	1
20	BAC27DEX6747		..MARKER-ALUMINUM FOIL	103106	2
25	BAC27TEX3327		..DECALSET-INCLUDES DECALS IDENTIFIED ON THE ILLUSTRATION ELECTRICAL EQUIP NUMBER: J0001A J0001B J0001C	103106	3
30	BAC27WEX00014		..DECALSET-INCLUDES DECALS IDENTIFIED ON THE ILLUSTRATION SUPPLIER CODE: V89954 ELECTRICAL EQUIP NUMBER: J0001D J0001E J0001F	103106	3
35	69-73010-2		..MODULE ASSY-BITE SUPPLIER CODE: V89954	103106	1
40	285T1123-2		..PW ASSY- SUPPLIER CODE: V89954	103106	1
45	285T1123-3		..PW ASSY- SUPPLIER CODE: V89954	103106	1
- 100	286N1165-601		WIRE BUNDLE ASSY	103106	RF

MISSING ITEM NUMBERS NOT APPLICABLE

- ITEM NOT ILLUSTRATED

22-21-51-08

22-21-51
FIG. 08
PAGE 2
JAN 20/09

BRI



757

PARTS CATALOG (MAINTENANCE)

FIG ITEM	PART NUMBER	1 2 3 4 5 6 7	NOMENCLATURE	EFFECT FROM TO	UNITS PER ASSY
8					
110	BCREF46943		.CONNECTOR- OVERLENGTH PART NUMBER: BACC66K39F81AA01 ELECTRICAL EQUIP NUMBER: D03933 WIRING DIAGRAM REF: 222121	103106	1
115	S280W601-116		.BACKSHELL-GND ELECTRICAL EQUIP NUMBER: D03933T D03933U WIRING DIAGRAM REF: 222121	103106	2
- 150	286N1265-601		WIRE BUNDLE ASSY	103106	RF
160	BCREF46943		.CONNECTOR- OVERLENGTH PART NUMBER: BACC66K39F81AA01 ELECTRICAL EQUIP NUMBER: D03931 WIRING DIAGRAM REF: 222121	103106	1
165	S280W601-116		.BACKSHELL-GND ELECTRICAL EQUIP NUMBER: D03931T D03931U WIRING DIAGRAM REF: 222111	103106	2

MISSING ITEM NUMBERS NOT APPLICABLE

- ITEM NOT ILLUSTRATED

BRI

22-21-51-08

BOEING PROPRIETARY - Copyright © - Unpublished Work - See title page for details.

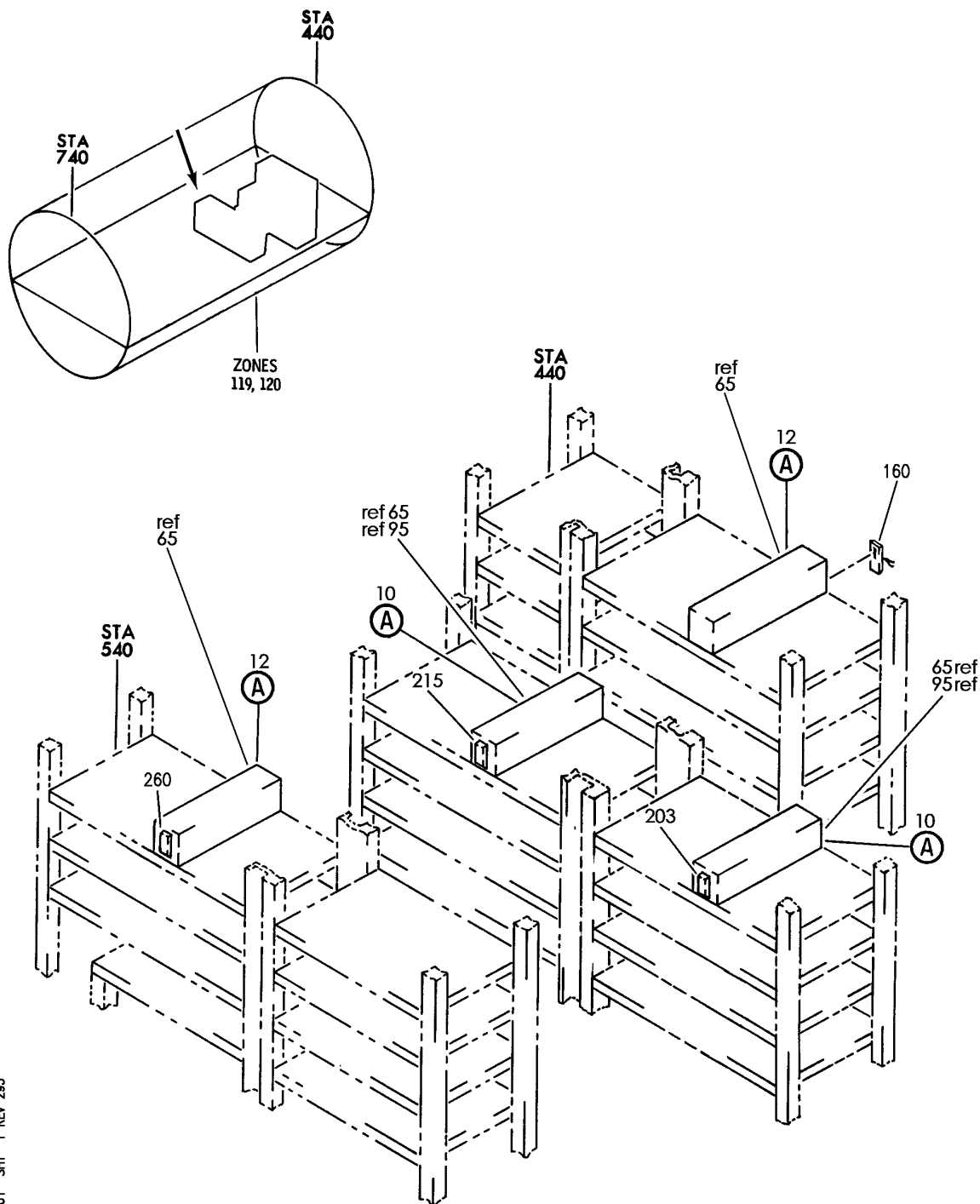
22-21-51
FIG. 08
PAGE 3
JAN 20/09

MACH TRIM / SPEED STABILITY SYSTEM

BRI
MAY 28/07

22-24-00
SECTION TITLE
PAGE 1

BOEING
757
PARTS CATALOG (MAINTENANCE)



Y 22240101 SH1 1 REV 295

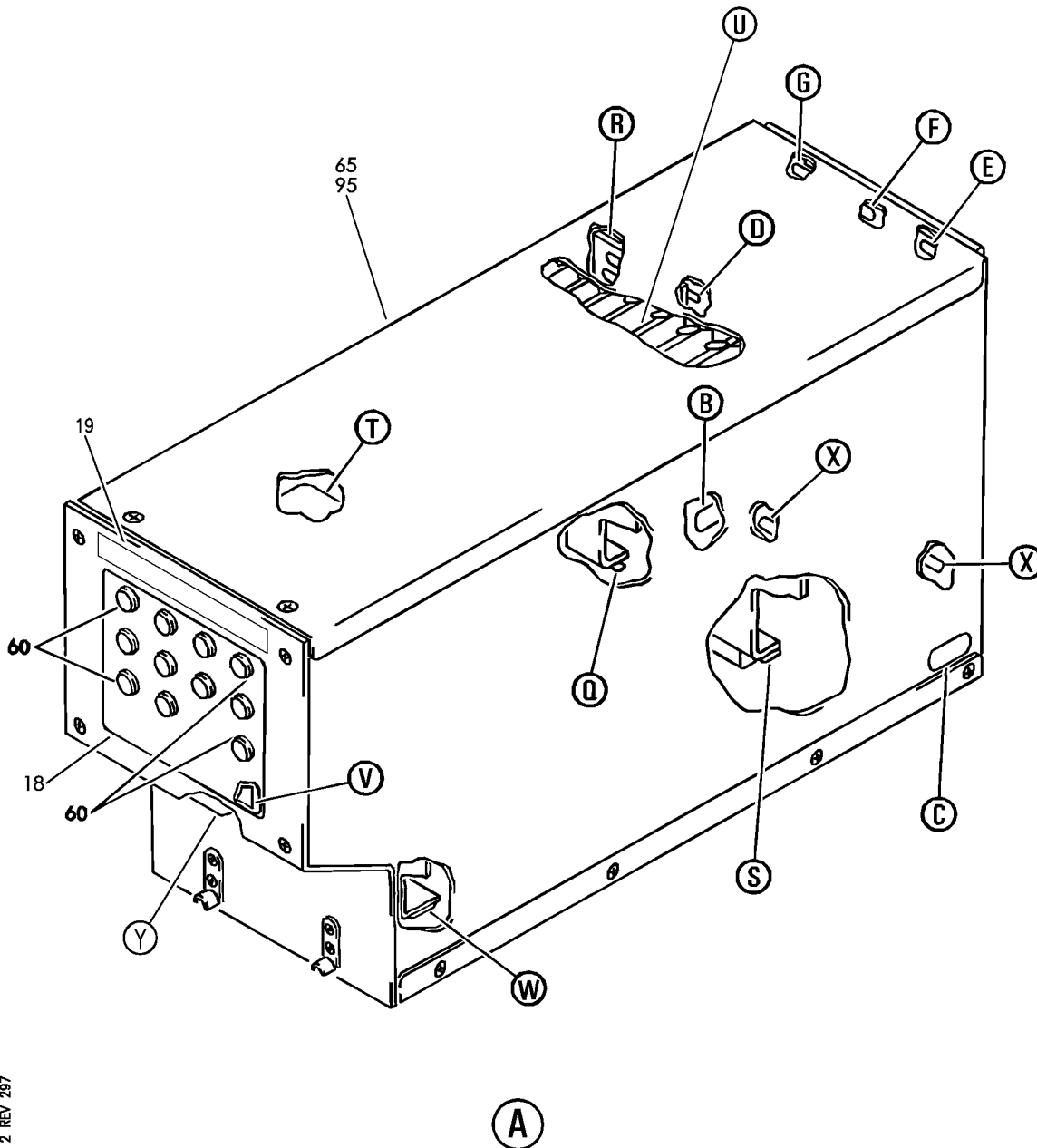
EQUIPMENT INSTL-MAIN ELECTRONICS EQPT CTR (MACH TRIM/SPEED STABILITY SYSTEM ONLY)
FIGURE 1 (SHEET 1)

BRI
MAY 28/07

22-24-01-01

22-24-01-01
PAGE 0

BOEING
757
PARTS CATALOG (MAINTENANCE)



Y 22240101 SH1 2 REV 297

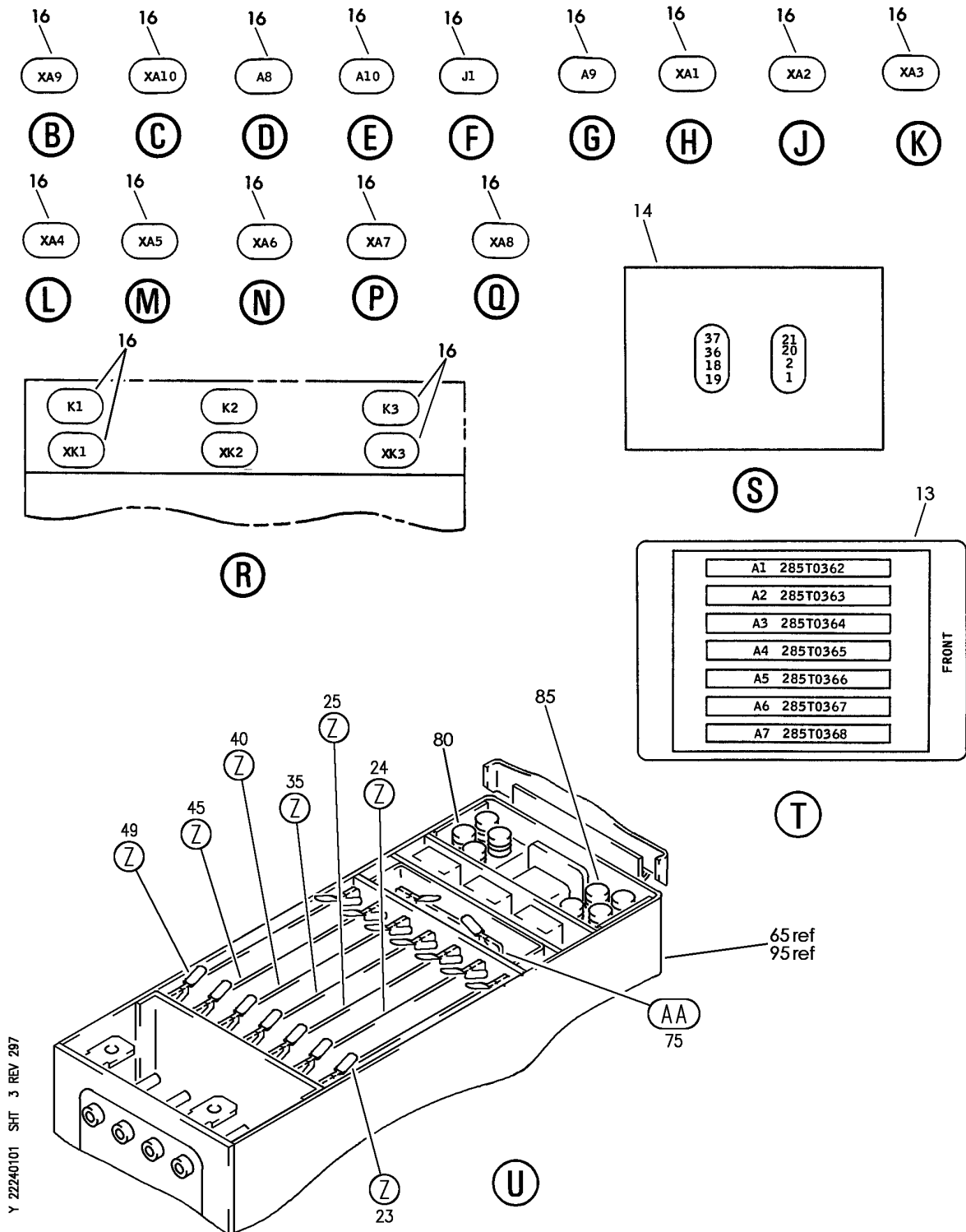
EQUIPMENT INSTL-MAIN ELECTRONICS EQPT CTR (MACH TRIM/SPEED STABILITY SYSTEM ONLY)
FIGURE 1 (SHEET 2)

22-24-01-01

BRI
MAY 28/07

22-24-01-01
PAGE 0A

BOEING
757
PARTS CATALOG (MAINTENANCE)



Y 22240101 SHT. 3 REV 297

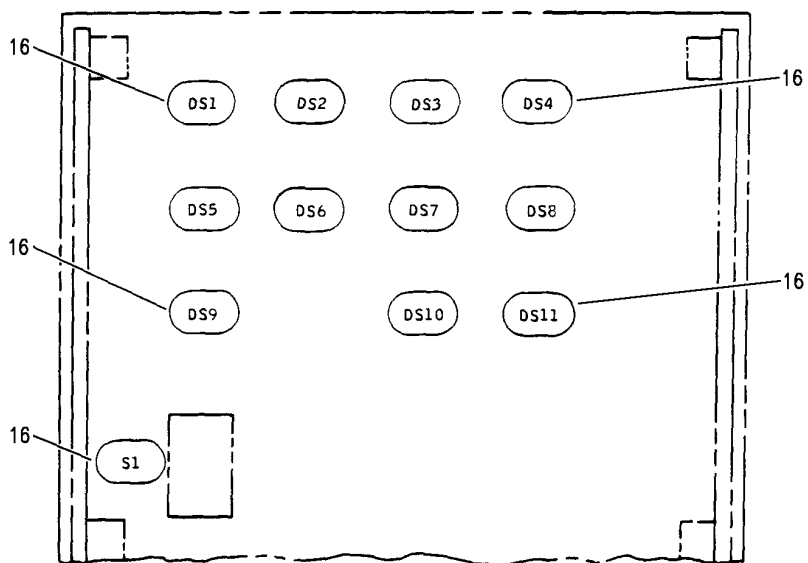
EQUIPMENT INSTL-MAIN ELECTRONICS EQPT CTR (MACH TRIM/SPEED STABILITY SYSTEM ONLY)
FIGURE 1 (SHEET 3)

22-24-01-01

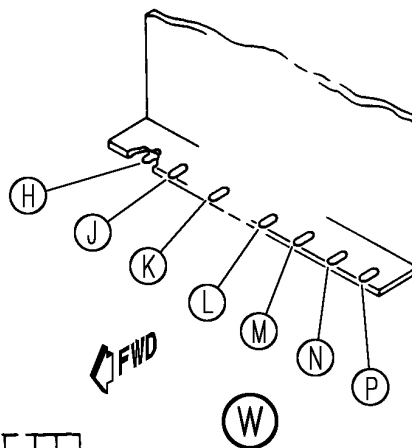
BRI
MAY 28/07

22-24-01-01
PAGE 0B

BOEING
757
PARTS CATALOG (MAINTENANCE)



V

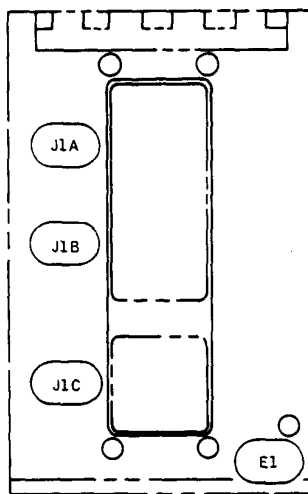


W

STAB TRIM/AIL LOCK/ EL ASYM MODULE													
P/N 285T0015-	<input type="text"/>												
SERIAL NO.	<input type="text"/>												
THE BOEING COMPANY	<table border="1"> <tr> <td>MOD</td> <td>A</td> <td>B</td> <td>C</td> <td>D</td> <td>E</td> </tr> <tr> <td>LEVEL</td> <td>F</td> <td>G</td> <td>H</td> <td>J</td> <td>K</td> </tr> </table>	MOD	A	B	C	D	E	LEVEL	F	G	H	J	K
MOD	A	B	C	D	E								
LEVEL	F	G	H	J	K								

15

Y



X

Y 22240101 SH1 4 REV 295

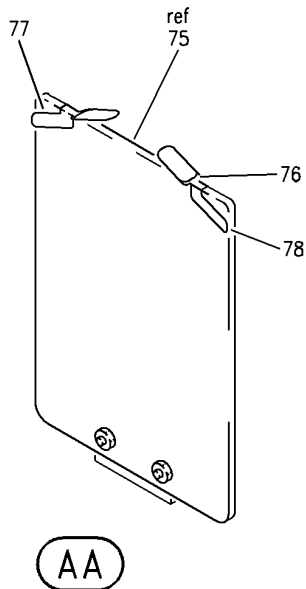
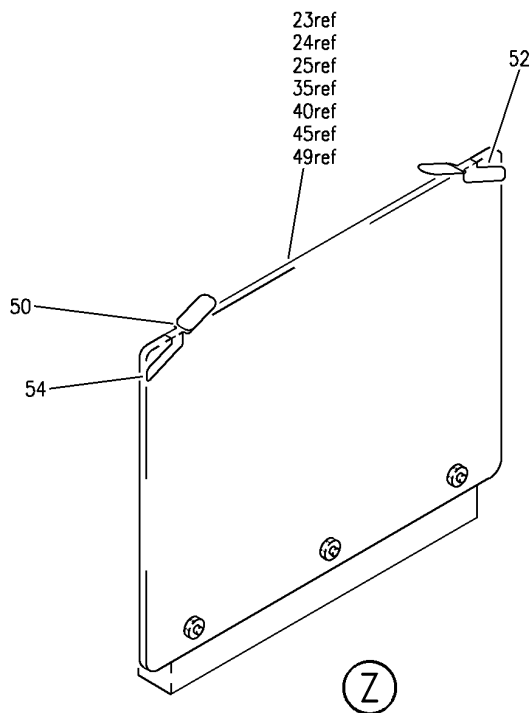
EQUIPMENT INSTL-MAIN ELECTRONICS EQPT CTR (MACH TRIM/SPEED STABILITY SYSTEM ONLY)
FIGURE 1 (SHEET 4)

BRI
MAY 28/07

22-24-01-01

22-24-01-01
PAGE 0C

BOEING
757
PARTS CATALOG (MAINTENANCE)



Y 22240101 SHT 5 REV 297

EQUIPMENT INSTL-MAIN ELECTRONICS EQPT CTR (MACH TRIM/SPEED STABILITY SYSTEM ONLY)
FIGURE 1 (SHEET 5)

BRI
MAY 28/07

22-24-01-01

22-24-01-01
PAGE 0D



757

PARTS CATALOG (MAINTENANCE)

FIG ITEM	PART NUMBER	1 2 3 4 5 6 7	NOMENCLATURE	EFFECT FROM TO	UNITS PER ASSY
1			EQUIPMENT INSTL-MAIN ELECTRONICS EQPT CTR (MACH TRIM/SPEED STABILITY SYSTEM ONLY)	002004 006100 107107 121999	
- 2	284N1307-33		EQUIPMENT INSTL-MAIN ELECTRONICS EQPT CTR (MACH TRIM/SPEED STABILITY SYSTEM ONLY) FOR NHA/OTHER SYS DET SEE: 24-00-58-01	107107	RF
- 2	284N1800-32		EQUIPMENT INSTL-MAIN ELECTRONICS EQPT CTR (MACH TRIM/SPEED STABILITY SYSTEM ONLY) FOR NHA/OTHER SYS DET SEE: 24-00-58-01	952999	RF
- 4	284N1800-16		EQUIPMENT INSTL-MAIN ELECTRONICS EQPT CTR (MACH TRIM/SPEED STABILITY SYSTEM ONLY) FOR NHA/OTHER SYS DET SEE: 24-00-58-01	121503 904949	RF
- 5	284N1800-34		EQUIPMENT INSTL-MAIN ELECTRONICS EQPT CTR (MACH TRIM/SPEED STABILITY SYSTEM ONLY) FOR NHA/OTHER SYS DET SEE: 24-00-58-01	002004 006100	RF
- 5	284N1800-38		EQUIPMENT INSTL-MAIN ELECTRONICS EQPT CTR (MACH TRIM/SPEED STABILITY SYSTEM ONLY)	950951	RF
- 7	284N1800-190		EQUIPMENT INSTL-MAIN ELECTRONICS EQPT CTR (MACH TRIM/SPEED STABILITY SYSTEM ONLY) FOR NHA/OTHER SYS DET SEE: 24-00-58-05E	504504 506903	RF
- 7	284N1800-88		EQUIPMENT INSTL-MAIN ELECTRONICS EQPT CTR (MACH TRIM/SPEED STABILITY SYSTEM ONLY) FOR NHA/OTHER SYS DET SEE: 24-00-58-05E	505505	RF

MISSING ITEM NUMBERS NOT APPLICABLE

- ITEM NOT ILLUSTRATED

22-24-01-01

22-24-01
FIG. 01
PAGE 1
JAN 20/09

BRI



757

PARTS CATALOG (MAINTENANCE)

FIG ITEM	PART NUMBER	1 2 3 4 5 6 7	NOMENCLATURE	EFFECT FROM TO	UNITS PER ASSY
1					
10	285T0015-107		.MODULE ASSY-STAB. TRIM AND AIL. LOCKOUT SUPPLIER CODE: V89954 ELECTRICAL EQUIP NUMBER: M00524 M00525 COMPONENT MAINT MANUAL REF: 27-41-51	107107	2
10	285T0015-114		.MODULE ASSY-STAB. TRIM AND AIL. LOCKOUT SUPPLIER CODE: V89954 ELECTRICAL EQUIP NUMBER: M00524 M00525 COMPONENT MAINT MANUAL REF: 27-41-51	107107	2
10	285T0015-113		.MODULE ASSY-STAB. TRIM AND AIL. LOCKOUT SUPPLIER CODE: V89954 ELECTRICAL EQUIP NUMBER: M00524 M00525 COMPONENT MAINT MANUAL REF: 27-41-51	107107	2
10	285T0015-116		.MODULE ASSY-STAB. TRIM AND AIL. LOCKOUT SUPPLIER CODE: V89954 ELECTRICAL EQUIP NUMBER: M00524 M00525 COMPONENT MAINT MANUAL REF: 27-41-51	107107	2
10	285T0015-107		.MODULE ASSY-STAB. TRIM AND AIL. LOCKOUT SUPPLIER CODE: V89954 ELECTRICAL EQUIP NUMBER: M00524 M00525 COMPONENT MAINT MANUAL REF: 27-41-51	002004 006100 121999	2

MISSING ITEM NUMBERS NOT APPLICABLE

- ITEM NOT ILLUSTRATED

BRI

22-24-01-01

BOEING PROPRIETARY - Copyright © - Unpublished Work - See title page for details.

22-24-01
FIG. 01
PAGE 2
JAN 20/09



757

PARTS CATALOG (MAINTENANCE)

FIG ITEM	PART NUMBER	1 2 3 4 5 6 7	NOMENCLATURE	EFFECT FROM TO	UNITS PER ASSY
1					
10	285T0015-114		.MODULE ASSY-STAB. TRIM AND AIL. LOCKOUT SUPPLIER CODE: V89954 ELECTRICAL EQUIP NUMBER: M00524 M00525 COMPONENT MAINT MANUAL REF: 27-41-51	002004 006100 121999	2
10	285T0015-113		.MODULE ASSY-STAB. TRIM AND AIL. LOCKOUT SUPPLIER CODE: V89954 ELECTRICAL EQUIP NUMBER: M00524 M00525 COMPONENT MAINT MANUAL REF: 27-41-51	002004 006100 121999	2
10	285T0015-116		.MODULE ASSY-STAB. TRIM AND AIL. LOCKOUT SUPPLIER CODE: V89954 ELECTRICAL EQUIP NUMBER: M00524 M00525 COMPONENT MAINT MANUAL REF: 27-41-51	002004 006100 121999	2
10	285T0015-117		.MODULE ASSY-STAB. TRIM AND AIL. LOCKOUT SUPPLIER CODE: V89954 ELECTRICAL EQUIP NUMBER: M00524 M00525 COMPONENT MAINT MANUAL REF: 27-41-51	002004 006100 121999	2
13	BAC27TEX2109		..DECAL- SUPPLIER CODE: V89954	002004 006100 107107 121999	1
14	BAC27TEX3365		..DECAL- SUPPLIER CODE: V89954 USED ON: 285T0015-114 285T0015-116	002004 006100 107107 121999	1

MISSING ITEM NUMBERS NOT APPLICABLE

- ITEM NOT ILLUSTRATED

22-24-01-01

22-24-01
FIG. 01
PAGE 3
JAN 20/09

BRI



757

PARTS CATALOG (MAINTENANCE)

FIG ITEM	PART NUMBER	1 2 3 4 5 6 7	NOMENCLATURE	EFFECT FROM TO	UNITS PER ASSY
1	15 BAC27TEX2118	..	DECAL- SUPPLIER CODE: V89954 QUALIFIED OPTIONAL DATA: OPT BAC27TEX4486 USED WITH ASSOCIATED ITEMS USED ON: 285T0015-114 285T0015-116	002004 006100 107107 121999	1
	15 BAC27TEX4486	..	DECAL- SUPPLIER CODE: V89954 QUALIFIED OPTIONAL DATA: OPT BAC27TEX2118 USED WITH ASSOCIATED ITEMS USED ON: 285T0015-114 285T0015-116	002004 006100 107107 121999	1
	16 BAC27TEX3316	..	DECALSET-INCLUDES DECALS IDENTIFIED ON THE ILLUSTRATION SUPPLIER CODE: V89954 USED ON: 285T0015-114 285T0015-116	002004 006100 107107 121999	1
	18 BAC27TEX3441	..	DECAL- SUPPLIER CODE: V89954 USED ON: 285T0015-113 285T0015-114 285T0015-116	002004 006100 107107 121999	1
	19 BAC27TEX3649	..	DECAL- SUPPLIER CODE: V89954	002004 006100 107107 121999	1
	20 BAC27TEX2118	..	DECAL- SUPPLIER CODE: V89954 USED ON: 285T0015-107 285T0015-113	002004 006100 107107 121999	1

MISSING ITEM NUMBERS NOT APPLICABLE

- ITEM NOT ILLUSTRATED

BRI

22-24-01-01

22-24-01
FIG. 01
PAGE 4
JAN 20/09



757

PARTS CATALOG (MAINTENANCE)

FIG ITEM	PART NUMBER	1 2 3 4 5 6 7	NOMENCLATURE	EFFECT FROM TO	UNITS PER ASSY
1 23	285T0362-23		..PRINTED CIRCUIT ASSY-ARM MC-SAM SUPPLIER CODE: V89954 COMPONENT MAINT MANUAL REF: 27-41-52 OPTIONAL PART: 285T0362-24 V89954 285T0362-29 V89954 USED ON: 285T0015-107	002004 006100 107107 121999	1
23	285T0362-24		..PRINTED CIRCUIT ASSY-ARM MC-SAM SUPPLIER CODE: V89954 COMPONENT MAINT MANUAL REF: 27-41-52 OPTIONAL PART: 285T0362-23 V89954 285T0362-29 V89954 USED ON: 285T0015-107	002004 006100 107107 121999	1
23	285T0362-29		..PRINTED CIRCUIT ASSY-ARM MC-SAM SUPPLIER CODE: V89954 COMPONENT MAINT MANUAL REF: 27-41-52 OPTIONAL PART: 285T0362-23 V89954 285T0362-24 V89954 USED ON: 285T0015-107	002004 006100 107107 121999	1

MISSING ITEM NUMBERS NOT APPLICABLE

- ITEM NOT ILLUSTRATED

22-24-01-01

22-24-01
FIG. 01
PAGE 5
JAN 20/09

BRI



757

PARTS CATALOG (MAINTENANCE)

FIG ITEM	PART NUMBER	1 2 3 4 5 6 7	NOMENCLATURE	EFFECT FROM TO	UNITS PER ASSY
1 23	285T0362-38		..PRINTED CIRCUIT ASSY-ARM MC-SAM SUPPLIER CODE: V89954 COMPONENT MAINT MANUAL REF: 27-41-52 QUALIFIED OPTIONAL DATA: OPT 285T0362-40, -47, -48 USED WITH ASSOCIATED ITEMS USED ON: 285T0015-114	002004 006100 107107 121999	1
23	285T0362-40		..PRINTED CIRCUIT ASSY-ARM MC-SAM SUPPLIER CODE: V89954 COMPONENT MAINT MANUAL REF: 27-41-52 QUALIFIED OPTIONAL DATA: OPT 285T0362-38, -47, -48 USED WITH ASSOCIATED ITEMS USED ON: 285T0015-114	002004 006100 107107 121999	1
23	285T0362-43		..PRINTED CIRCUIT ASSY-ARM MC-SAM SUPPLIER CODE: V89954 COMPONENT MAINT MANUAL REF: 27-41-52 QUALIFIED OPTIONAL DATA: OPT 285T0362-43, -49, -63, -64, -67, -68 USED WITH ASSOCIATED ITEMS	002004 006100 107107 121999	1
23	285T0362-49		..PRINTED CIRCUIT ASSY-ARM MC-SAM SUPPLIER CODE: V89954 COMPONENT MAINT MANUAL REF: 27-41-52 QUALIFIED OPTIONAL DATA: OPT 285T0362-43, -49, -63, -64, -67, -68 USED WITH ASSOCIATED ITEMS USED ON: 285T0015-116	002004 006100 107107 121999	1

MISSING ITEM NUMBERS NOT APPLICABLE

- ITEM NOT ILLUSTRATED

22-24-01-01

22-24-01
FIG. 01
PAGE 6
JAN 20/09

BRI



757

PARTS CATALOG (MAINTENANCE)

FIG ITEM	PART NUMBER	1 2 3 4 5 6 7	NOMENCLATURE	EFFECT FROM TO	UNITS PER ASSY
1	23 285T0362-47		..PRINTED CIRCUIT ASSY-ARM MC-SAM SUPPLIER CODE: V89954 COMPONENT MAINT MANUAL REF: 27-41-52 QUALIFIED OPTIONAL DATA: OPT 285T0362-38, -40, -48 USED WITH ASSOCIATED ITEMS USED ON: 285T0015-114	002004 006100 107107 121999	1
	23 285T0362-48		..PRINTED CIRCUIT ASSY-ARM MC-SAM SUPPLIER CODE: V89954 COMPONENT MAINT MANUAL REF: 27-41-52 QUALIFIED OPTIONAL DATA: OPT 285T0362-38, -40, -47 USED WITH ASSOCIATED ITEMS USED ON: 285T0015-114	002004 006100 107107 121999	1
	23 285T0362-64		..PRINTED CIRCUIT ASSY-ARM MC-SAM SUPPLIER CODE: V89954 COMPONENT MAINT MANUAL REF: 27-41-52 QUALIFIED OPTIONAL DATA: OPT 285T0362-43, -49, -63, -64, -67, -68 USED WITH ASSOCIATED ITEMS USED ON: 285T0015-116	002004 006100 107107 121999	1
	23 285T0362-67		..PRINTED CIRCUIT ASSY-ARM MC-SAM SUPPLIER CODE: V89954 COMPONENT MAINT MANUAL REF: 27-41-52 QUALIFIED OPTIONAL DATA: OPT 285T0362-43, -49, -63, -64, -67, -68 USED WITH ASSOCIATED ITEMS USED ON: 285T0015-116	002004 006100 107107 121999	1

MISSING ITEM NUMBERS NOT APPLICABLE

- ITEM NOT ILLUSTRATED

22-24-01-01

22-24-01
FIG. 01
PAGE 7
JAN 20/09

BRI



757

PARTS CATALOG (MAINTENANCE)

FIG ITEM	PART NUMBER	1 2 3 4 5 6 7	NOMENCLATURE	EFFECT FROM TO	UNITS PER ASSY
1	23 285T0362-63		..PRINTED CIRCUIT ASSY-ARM MC-SAM SUPPLIER CODE: V89954 COMPONENT MAINT MANUAL REF: 27-41-52 QUALIFIED OPTIONAL DATA: OPT 285T0362-43, -49, -63, -64, -67, -68 USED WITH ASSOCIATED ITEMS USED ON: 285T0015-116	002004 006100 107107 121999	1
	23 285T0362-38		..PRINTED CIRCUIT ASSY-ARM MC-SAM SUPPLIER CODE: V89954 COMPONENT MAINT MANUAL REF: 27-41-52 USED ON: 285T0015-113	002004 006100 107107 121999	1
	23 285T0362-68		..PRINTED CIRCUIT ASSY-ARM MC-SAM SUPPLIER CODE: V89954 COMPONENT MAINT MANUAL REF: 27-41-52 QUALIFIED OPTIONAL DATA: OPT 285T0362-43, -49, -63, -64, -67, -68 USED WITH ASSOCIATED ITEMS USED ON: 285T0015-116	002004 006100 107107 121999	1
	24 285T0363-37		..PRINTED CIRCUIT ASSY-ARM MUX SUPPLIER CODE: V89954 COMPONENT MAINT MANUAL REF: 27-41-53 QUALIFIED OPTIONAL DATA: OPT 285T0363-17, -19 USED WITH ASSOCIATED ITEMS USED ON: 285T0015-114	002004 006100 107107 121999	1

MISSING ITEM NUMBERS NOT APPLICABLE

- ITEM NOT ILLUSTRATED

BRI

22-24-01-01

22-24-01
FIG. 01
PAGE 8
JAN 20/09



757

PARTS CATALOG (MAINTENANCE)

FIG ITEM	PART NUMBER	1 2 3 4 5 6 7	NOMENCLATURE	EFFECT FROM TO	UNITS PER ASSY
1 24	285T0363-19		..PRINTED CIRCUIT ASSY-ARM MUX SUPPLIER CODE: V89954 COMPONENT MAINT MANUAL REF: 27-41-53 QUALIFIED OPTIONAL DATA: OPT 285T0363-17, -37 USED WITH ASSOCIATED ITEMS USED ON: 285T0015-114	002004 006100 107107 121999	1
24	285T0363-17		..PRINTED CIRCUIT ASSY-ARM MUX SUPPLIER CODE: V89954 COMPONENT MAINT MANUAL REF: 27-41-53 QUALIFIED OPTIONAL DATA: OPT 285T0363-19, -37 USED WITH ASSOCIATED ITEMS USED ON: 285T0015-114	002004 006100 107107 121999	1
24	285T0363-40		..PRINTED CIRCUIT ASSY-ARM MUX SUPPLIER CODE: V89954 COMPONENT MAINT MANUAL REF: 27-41-53 QUALIFIED OPTIONAL DATA: OPT 285T0363-42, -43, USED WITH ASSOCIATED ITEMS USED ON: 285T0015-116	002004 006100 107107 121999	1
24	285T0363-42		..PRINTED CIRCUIT ASSY-ARM MUX SUPPLIER CODE: V89954 COMPONENT MAINT MANUAL REF: 27-41-53 QUALIFIED OPTIONAL DATA: OPT 285T0363-40, -43 USED WITH ASSOCIATED ITEMS USED ON: 285T0015-116	002004 006100 107107 121999	1

MISSING ITEM NUMBERS NOT APPLICABLE

- ITEM NOT ILLUSTRATED

22-24-01-01

22-24-01
FIG. 01
PAGE 9
JAN 20/09

BRI



757

PARTS CATALOG (MAINTENANCE)

FIG ITEM	PART NUMBER	1 2 3 4 5 6 7	NOMENCLATURE	EFFECT FROM TO	UNITS PER ASSY
1	24 285T0363-43		..PRINTED CIRCUIT ASSY-ARM MUX SUPPLIER CODE: V89954 COMPONENT MAINT MANUAL REF: 27-41-53 QUALIFIED OPTIONAL DATA: (OPT 285T0363-40, -42 USED WITH ASSOCIATED ITEMS USED ON: 285T0015-116	002004 006100 107107 121999	1
	24 285T0363-19		..PRINTED CIRCUIT ASSY-ARM MUX SUPPLIER CODE: V89954 COMPONENT MAINT MANUAL REF: 27-41-53 USED ON: 285T0015-107 285T0015-113	002004 006100 107107 121999	1
	24 285T0363-17		..PRINTED CIRCUIT ASSY-ARM MUX SUPPLIER CODE: V89954 COMPONENT MAINT MANUAL REF: 27-41-53 USED ON: 285T0015-107 285T0015-113	002004 006100 107107 121999	1
	25 285T0364-37		..PRINTED CIRCUIT ASSY- MANUAL TRIM SAM SUPPLIER CODE: V89954 COMPONENT MAINT MANUAL REF: 27-41-54 QUALIFIED OPTIONAL DATA: OPT 285T0364-23, -24, AND -29 USED WITH ASSOCIATED ITEMS USED ON: 285T0015-114 285T0015-116	002004 006100 107107 121999	1

MISSING ITEM NUMBERS NOT APPLICABLE

- ITEM NOT ILLUSTRATED

BRI

22-24-01-01

22-24-01
FIG. 01
PAGE 10
JAN 20/09



757

PARTS CATALOG (MAINTENANCE)

FIG ITEM	PART NUMBER	1 2 3 4 5 6 7	NOMENCLATURE	EFFECT FROM TO	UNITS PER ASSY
1 25	285T0364-23		..PRINTED CIRCUIT ASSY- MANUAL TRIM SAM SUPPLIER CODE: V89954 COMPONENT MAINT MANUAL REF: 27-41-54 QUALIFIED OPTIONAL DATA: OPT 285T0364-24, -29, -37 USED WITH ASSOCIATED ITEMS USED ON: 285T0015-114 285T0015-116	002004 006100 107107 121999	1
25	285T0364-24		..PRINTED CIRCUIT ASSY- MANUAL TRIM SAM SUPPLIER CODE: V89954 COMPONENT MAINT MANUAL REF: 27-41-54 QUALIFIED OPTIONAL DATA: OPT 285T0364-23, -29, -37 USED WITH ASSOCIATED ITEMS USED ON: 285T0015-114 285T0015-116	002004 006100 107107 121999	1
25	285T0364-29		..PRINTED CIRCUIT ASSY- MANUAL TRIM SAM SUPPLIER CODE: V89954 COMPONENT MAINT MANUAL REF: 27-41-54 QUALIFIED OPTIONAL DATA: OPT 285T0364-23, -24, -37 USED WITH ASSOCIATED ITEMS USED ON: 285T0015-114 285T0015-116	002004 006100 107107 121999	1
25	285T0364-23		..PRINTED CIRCUIT ASSY- MANUAL TRIM SAM SUPPLIER CODE: V89954 COMPONENT MAINT MANUAL REF: 27-41-54 USED ON: 285T0015-107 285T0015-113	002004 006100 107107 121999	1

MISSING ITEM NUMBERS NOT APPLICABLE

- ITEM NOT ILLUSTRATED

22-24-01-01

22-24-01
FIG. 01
PAGE 11
JAN 20/09

BRI



757

PARTS CATALOG (MAINTENANCE)

FIG ITEM	PART NUMBER	1 2 3 4 5 6 7	NOMENCLATURE	EFFECT FROM TO	UNITS PER ASSY
1	25 285T0364-24		..PRINTED CIRCUIT ASSY- MANUAL TRIM SAM SUPPLIER CODE: V89954 COMPONENT MAINT MANUAL REF: 27-41-54 USED ON: 285T0015-107 285T0015-113	002004 006100 107107 121999	1
	25 285T0364-29		..PRINTED CIRCUIT ASSY- MANUAL TRIM SAM SUPPLIER CODE: V89954 COMPONENT MAINT MANUAL REF: 27-41-54 USED ON: 285T0015-107 285T0015-113	002004 006100 107107 121999	1
	25 285T0364-38		..PRINTED CIRCUIT ASSY- MANUAL TRIM SAM SUPPLIER CODE: V89954 COMPONENT MAINT MANUAL REF: 27-41-54 QUALIFIED OPTIONAL DATA: OPT 285T0364-39, -40, -41 USED WITH ASSOCIATED ITEMS USED ON: 285T0015-116	002004 006100 107107 121999	1
	25 285T0364-39		..PRINTED CIRCUIT ASSY- MANUAL TRIM SAM SUPPLIER CODE: V89954 COMPONENT MAINT MANUAL REF: 27-41-54 QUALIFIED OPTIONAL DATA: OPT 285T0364-38, -40, -41 USED WITH ASSOCIATED ITEMS USED ON: 285T0015-116	002004 006100 107107 121999	1

MISSING ITEM NUMBERS NOT APPLICABLE

- ITEM NOT ILLUSTRATED

BRI

22-24-01-01

22-24-01
FIG. 01
PAGE 12
JAN 20/09



757

PARTS CATALOG (MAINTENANCE)

FIG ITEM	PART NUMBER	1 2 3 4 5 6 7	NOMENCLATURE	EFFECT FROM TO	UNITS PER ASSY
1 25	285T0364-40		..PRINTED CIRCUIT ASSY- MANUAL TRIM SAM SUPPLIER CODE: V89954 COMPONENT MAINT MANUAL REF: 27-41-54 QUALIFIED OPTIONAL DATA: OPT 285T0364-38, -39, -41 USED WITH ASSOCIATED ITEMS USED ON: 285T0015-116	002004 006100 107107 121999	1
25	285T0364-41		..PRINTED CIRCUIT ASSY- MANUAL TRIM SAM SUPPLIER CODE: V89954 COMPONENT MAINT MANUAL REF: 27-41-54 QUALIFIED OPTIONAL DATA: OPT 285T0364-38, -39, -40 USED WITH ASSOCIATED ITEMS USED ON: 285T0015-116	002004 006100 107107 121999	1
35	285T0365-39		..PRINTED CIRCUIT ASSY-AIL. LOCKOUT SAM STATIC SENSITIVE PART SUPPLIER CODE: V89954 COMPONENT MAINT MANUAL REF: 27-41-55 QUALIFIED OPTIONAL DATA: OPT 285T0365-37, -38, -40 USED WITH ASSOCIATED ITEMS USED ON: 285T0015-114 285T0015-116	002004 006100 107107 121999	1

MISSING ITEM NUMBERS NOT APPLICABLE

- ITEM NOT ILLUSTRATED

BRI

22-24-01-01

22-24-01
FIG. 01
PAGE 13
JAN 20/09



757

PARTS CATALOG (MAINTENANCE)

FIG ITEM	PART NUMBER	1 2 3 4 5 6 7	NOMENCLATURE	EFFECT FROM TO	UNITS PER ASSY
1 35	285T0365-40		..PRINTED CIRCUIT ASSY-AIL. LOCKOUT SAM STATIC SENSITIVE PART SUPPLIER CODE: V89954 COMPONENT MAINT MANUAL REF: 27-41-55 QUALIFIED OPTIONAL DATA: OPT 285T0365-37, -38, -39 USED WITH ASSOCIATED ITEMS USED ON: 285T0015-114 285T0015-116	002004 006100 107107 121999	1
35	285T0365-34		..PRINTED CIRCUIT ASSY-AIL. LOCKOUT SAM SUPPLIER CODE: V89954 COMPONENT MAINT MANUAL REF: 27-41-55 OPTIONAL PART: 285T0365-32 V89954 285T0365-33 V89954 USED ON: 285T0015-107	002004 006100 107107 121999	1
35	285T0365-32		..PRINTED CIRCUIT ASSY-AIL. LOCKOUT SAM SUPPLIER CODE: V89954 COMPONENT MAINT MANUAL REF: 27-41-55 OPTIONAL PART: 285T0365-33 V89954 285T0365-34 V89954 USED ON: 285T0015-107	002004 006100 107107 121999	1

MISSING ITEM NUMBERS NOT APPLICABLE

- ITEM NOT ILLUSTRATED

BRI

22-24-01-01

BOEING PROPRIETARY - Copyright © - Unpublished Work - See title page for details.

22-24-01
FIG. 01
PAGE 14
JAN 20/09



757

PARTS CATALOG (MAINTENANCE)

FIG ITEM	PART NUMBER	1 2 3 4 5 6 7	NOMENCLATURE	EFFECT FROM TO	UNITS PER ASSY
1 35	285T0365-33		..PRINTED CIRCUIT ASSY-AIL. LOCKOUT SAM SUPPLIER CODE: V89954 COMPONENT MAINT MANUAL REF: 27-41-55 OPTIONAL PART: 285T0365-32 V89954 285T0365-34 V89954 USED ON: 285T0015-107	002004 006100 107107 121999	1
35	285T0365-37		..PRINTED CIRCUIT ASSY-AIL. LOCKOUT SAM SUPPLIER CODE: V89954 COMPONENT MAINT MANUAL REF: 27-41-55 QUALIFIED OPTIONAL DATA: OPT 285T0365-38, -39, -40 USED WITH ASSOCIATED ITEMS USED ON: 285T0015-114 285T0015-116	002004 006100 107107 121999	1
35	285T0365-38		..PRINTED CIRCUIT ASSY-AIL. LOCKOUT SAM SUPPLIER CODE: V89954 COMPONENT MAINT MANUAL REF: 27-41-55 QUALIFIED OPTIONAL DATA: OPT 285T0365-37, -39, -40 USED WITH ASSOCIATED ITEMS USED ON: 285T0015-114 285T0015-116	002004 006100 107107 121999	1
35	285T0365-38		..PRINTED CIRCUIT ASSY-AIL. LOCKOUT SAM SUPPLIER CODE: V89954 COMPONENT MAINT MANUAL REF: 27-41-55 USED ON: 285T0015-113	002004 006100 107107 121999	1

MISSING ITEM NUMBERS NOT APPLICABLE

- ITEM NOT ILLUSTRATED

BRI

22-24-01-01

22-24-01
FIG. 01
PAGE 15
JAN 20/09



757

PARTS CATALOG (MAINTENANCE)

FIG ITEM	PART NUMBER	1 2 3 4 5 6 7	NOMENCLATURE	EFFECT FROM TO	UNITS PER ASSY
1	35 285T0365-37		..PRINTED CIRCUIT ASSY-AIL. LOCKOUT SAM SUPPLIER CODE: V89954 COMPONENT MAINT MANUAL REF: 27-41-55 USED ON: 285T0015-113	002004 006100 107107 121999	1
	40 285T0366-37		..PRINTED CIRCUIT ASSY- CONT MUX SUPPLIER CODE: V89954 COMPONENT MAINT MANUAL REF: 27-41-56 QUALIFIED OPTIONAL DATA: OPT 285T0366-17, -19 USED WITH ASSOCIATED ITEMS USED ON: 285T0015-114	002004 006100 107107 121999	1
	40 285T0366-19		..PRINTED CIRCUIT ASSY- CONT MUX SUPPLIER CODE: V89954 COMPONENT MAINT MANUAL REF: 27-41-56 QUALIFIED OPTIONAL DATA: OPT 285T0366-17, -37 USED WITH ASSOCIATED ITEMS USED ON: 285T0015-114	002004 006100 107107 121999	1
	40 285T0366-17		..PRINTED CIRCUIT ASSY- CONT MUX SUPPLIER CODE: V89954 COMPONENT MAINT MANUAL REF: 27-41-56 QUALIFIED OPTIONAL DATA: OPT 285T0366-19, -37 USED WITH ASSOCIATED ITEMS USED ON: 285T0015-114	002004 006100 107107 121999	1

MISSING ITEM NUMBERS NOT APPLICABLE

- ITEM NOT ILLUSTRATED

BRI

22-24-01-01

22-24-01
FIG. 01
PAGE 16
JAN 20/09



757

PARTS CATALOG (MAINTENANCE)

FIG ITEM	PART NUMBER	1 2 3 4 5 6 7	NOMENCLATURE	EFFECT FROM TO	UNITS PER ASSY
1	40 285T0366-38		..PRINTED CIRCUIT ASSY- CONT MUX SUPPLIER CODE: V89954 COMPONENT MAINT MANUAL REF: 27-41-56 QUALIFIED OPTIONAL DATA: OPT 285T0366-42, -44 USED WITH ASSOCIATED ITEMS USED ON: 285T0015-116	002004 006100 107107 121999	1
	40 285T0366-42		..PRINTED CIRCUIT ASSY- CONT MUX SUPPLIER CODE: V89954 COMPONENT MAINT MANUAL REF: 27-41-56 QUALIFIED OPTIONAL DATA: OPT 285T0366-38, -44 USED WITH ASSOCIATED ITEMS USED ON: 285T0015-116	002004 006100 107107 121999	1
	40 285T0366-44		..PRINTED CIRCUIT ASSY- CONT MUX SUPPLIER CODE: V89954 COMPONENT MAINT MANUAL REF: 27-41-56 QUALIFIED OPTIONAL DATA: OPT 285T0366-38, -42 USED WITH ASSOCIATED ITEMS USED ON: 285T0015-116	002004 006100 107107 121999	1
	40 285T0366-19		..PRINTED CIRCUIT ASSY- CONT MUX SUPPLIER CODE: V89954 COMPONENT MAINT MANUAL REF: 27-41-56 USED ON: 285T0015-107 285T0015-113	002004 006100 107107 121999	1

MISSING ITEM NUMBERS NOT APPLICABLE

- ITEM NOT ILLUSTRATED

BRI

22-24-01-01

22-24-01
FIG. 01
PAGE 17
JAN 20/09



757

PARTS CATALOG (MAINTENANCE)

FIG ITEM	PART NUMBER	1 2 3 4 5 6 7	NOMENCLATURE	EFFECT FROM TO	UNITS PER ASSY
1 40	285T0366-17		..PRINTED CIRCUIT ASSY- CONT MUX SUPPLIER CODE: V89954 COMPONENT MAINT MANUAL REF: 27-41-56 USED ON: 285T0015-107 285T0015-113	002004 006100 107107 121999	1
45	285T0367-34		..PRINTED CIRCUIT ASSY- SUPPLIER CODE: V89954 COMPONENT MAINT MANUAL REF: 27-41-57 QUALIFIED OPTIONAL DATA: OPT 285T0367-17, -19, -38 USED WITH ASSOCIATED ITEMS USED ON: 285T0015-114 285T0015-116	002004 006100 107107 121999	1
45	285T0367-34		..PRINTED CIRCUIT ASSY- SUPPLIER CODE: V89954 COMPONENT MAINT MANUAL REF: 27-41-57 USED ON: 285T0015-107 285T0015-113	002004 006100 107107 121999	1
45	285T0367-38		..PRINTED CIRCUIT ASSY- SUPPLIER CODE: V89954 COMPONENT MAINT MANUAL REF: 27-41-57 QUALIFIED OPTIONAL DATA: OPT 285T0367-17, -19 AND -34 USED WITH ASSOCIATED ITEMS USED ON: 285T0015-114 285T0015-116	002004 006100 107107 121999	1

MISSING ITEM NUMBERS NOT APPLICABLE

- ITEM NOT ILLUSTRATED

BRI

22-24-01-01

22-24-01
FIG. 01
PAGE 18
JAN 20/09



757

PARTS CATALOG (MAINTENANCE)

FIG ITEM	PART NUMBER	1 2 3 4 5 6 7	NOMENCLATURE	EFFECT FROM TO	UNITS PER ASSY
1					
45	285T0367-19		..PRINTED CIRCUIT ASSY- SUPPLIER CODE: V89954 COMPONENT MAINT MANUAL REF: 27-41-57 QUALIFIED OPTIONAL DATA: OPT 285T0367-19, -34, -38 USED WITH ASSOCIATED ITEMS USED ON: 285T0015-114 285T0015-116	002004 006100 107107 121999	1
45	285T0367-17		..PRINTED CIRCUIT ASSY- SUPPLIER CODE: V89954 COMPONENT MAINT MANUAL REF: 27-41-57 QUALIFIED OPTIONAL DATA: OPT 285T0367-19, -34, -38 USED WITH ASSOCIATED ITEMS USED ON: 285T0015-114 285T0015-116	002004 006100 107107 121999	1
45	285T0367-19		..PRINTED CIRCUIT ASSY- SUPPLIER CODE: V89954 COMPONENT MAINT MANUAL REF: 27-41-57 USED ON: 285T0015-107 285T0015-113	002004 006100 107107 121999	1
45	285T0367-17		..PRINTED CIRCUIT ASSY- SUPPLIER CODE: V89954 COMPONENT MAINT MANUAL REF: 27-41-57 USED ON: 285T0015-107 285T0015-113	002004 006100 107107 121999	1

MISSING ITEM NUMBERS NOT APPLICABLE

- ITEM NOT ILLUSTRATED

BRI

22-24-01-01

22-24-01
FIG. 01
PAGE 19
JAN 20/09



757

PARTS CATALOG (MAINTENANCE)

FIG ITEM	PART NUMBER	1 2 3 4 5 6 7	NOMENCLATURE	EFFECT FROM TO	UNITS PER ASSY
1					
45	285T0367-39		..PRINTED CIRCUIT ASSY- SUPPLIER CODE: V89954 COMPONENT MAINT MANUAL REF: 27-41-57 QUALIFIED OPTIONAL DATA: OPT 285T0367-40, -41, -42 USED WITH ASSOCIATED ITEMS USED ON: 285T0015-116	002004 006100 107107 121999	1
45	285T0367-40		..PRINTED CIRCUIT ASSY- SUPPLIER CODE: V89954 COMPONENT MAINT MANUAL REF: 27-41-57 QUALIFIED OPTIONAL DATA: OPT 285T0367-39, -41, -42 USED WITH ASSOCIATED ITEMS USED ON: 285T0015-116	002004 006100 107107 121999	1
45	285T0367-41		..PRINTED CIRCUIT ASSY- SUPPLIER CODE: V89954 COMPONENT MAINT MANUAL REF: 27-41-57 QUALIFIED OPTIONAL DATA: OPT 285T0367-39, -40, -42 USED WITH ASSOCIATED ITEMS USED ON: 285T0015-116	002004 006100 107107 121999	1
45	285T0367-42		..PRINTED CIRCUIT ASSY- SUPPLIER CODE: V89954 COMPONENT MAINT MANUAL REF: 27-41-57 QUALIFIED OPTIONAL DATA: OPT 285T0367-39, -40, -41 USED WITH ASSOCIATED ITEMS USED ON: 285T0015-116	002004 006100 107107 121999	1

MISSING ITEM NUMBERS NOT APPLICABLE

- ITEM NOT ILLUSTRATED

22-24-01-01

22-24-01
FIG. 01
PAGE 20
JAN 20/09

BRI



757

PARTS CATALOG (MAINTENANCE)

FIG ITEM	PART NUMBER	1 2 3 4 5 6 7	NOMENCLATURE	EFFECT FROM TO	UNITS PER ASSY
1	45 285T0367-38		..PRINTED CIRCUIT ASSY- SUPPLIER CODE: V89954 COMPONENT MAINT MANUAL REF: 27-41-57 USED ON: 285T0015-107 285T0015-113	002004 006100 107107 121999	1
	49 285T0368-23		..PRINTED CIRCUIT ASSY-CONT SUPPLIER CODE: V89954 COMPONENT MAINT MANUAL REF: 27-41-58 OPTIONAL PART: 285T0368-24 V89954 285T0368-29 V89954 USED ON: 285T0015-107	002004 006100 107107 121999	1
	49 285T0368-24		..PRINTED CIRCUIT ASSY-CONT SUPPLIER CODE: V89954 COMPONENT MAINT MANUAL REF: 27-41-58 OPTIONAL PART: 285T0368-23 V89954 285T0368-29 V89954 USED ON: 285T0015-107	002004 006100 107107 121999	1
	49 285T0368-29		..PRINTED CIRCUIT ASSY-CONT SUPPLIER CODE: V89954 COMPONENT MAINT MANUAL REF: 27-41-58 OPTIONAL PART: 285T0368-23 V89954 285T0368-24 V89954 USED ON: 285T0015-107	002004 006100 107107 121999	1

MISSING ITEM NUMBERS NOT APPLICABLE

- ITEM NOT ILLUSTRATED

22-24-01-01

22-24-01
FIG. 01
PAGE 21
JAN 20/09

BRI



757

PARTS CATALOG (MAINTENANCE)

FIG ITEM	PART NUMBER	1 2 3 4 5 6 7	NOMENCLATURE	EFFECT FROM TO	UNITS PER ASSY
1					
49	285T0368-39	..	PRINTED CIRCUIT ASSY-CONT SUPPLIER CODE: V89954 COMPONENT MAINT MANUAL REF: 27-41-58 QUALIFIED OPTIONAL DATA: OPT 285T0368-44, -55, -57 USED WITH ASSOCIATED ITEMS USED ON: 285T0015-114	002004 006100 107107 121999	1
49	285T0368-44	..	PRINTED CIRCUIT ASSY-CONT SUPPLIER CODE: V89954 COMPONENT MAINT MANUAL REF: 27-41-58 QUALIFIED OPTIONAL DATA: OPT 285T0368-39, -55, -57 USED WITH ASSOCIATED ITEMS USED ON: 285T0015-114	002004 006100 107107 121999	1
49	285T0368-47	..	PRINTED CIRCUIT ASSY-CONT SUPPLIER CODE: V89954 COMPONENT MAINT MANUAL REF: 27-41-58 QUALIFIED OPTIONAL DATA: OPT 285T0368-58, -60, -61 USED WITH ASSOCIATED ITEMS USED ON: 285T0015-116	002004 006100 107107 121999	1
49	285T0368-55	..	PRINTED CIRCUIT ASSY-CONT SUPPLIER CODE: V89954 COMPONENT MAINT MANUAL REF: 27-41-58 QUALIFIED OPTIONAL DATA: OPT 285T0368-39, -44, -57 USED WITH ASSOCIATED ITEMS USED ON: 285T0015-114	002004 006100 107107 121999	1

MISSING ITEM NUMBERS NOT APPLICABLE

- ITEM NOT ILLUSTRATED

22-24-01-01

22-24-01
FIG. 01
PAGE 22
JAN 20/09

BRI



757

PARTS CATALOG (MAINTENANCE)

FIG ITEM	PART NUMBER	1 2 3 4 5 6 7	NOMENCLATURE	EFFECT FROM TO	UNITS PER ASSY
1					
49	285T0368-57	..	PRINTED CIRCUIT ASSY-CONT SUPPLIER CODE: V89954 COMPONENT MAINT MANUAL REF: 27-41-58 QUALIFIED OPTIONAL DATA: OPT 285T0368-39, -44, -55 USED WITH ASSOCIATED ITEMS USED ON: 285T0015-114	002004 006100 107107 121999	1
49	285T0368-58	..	PRINTED CIRCUIT ASSY-CONT SUPPLIER CODE: V89954 COMPONENT MAINT MANUAL REF: 27-41-58 QUALIFIED OPTIONAL DATA: OPT 285T0368-47, -60, -61 USED WITH ASSOCIATED ITEMS USED ON: 285T0015-116	002004 006100 107107 121999	1
49	285T0368-60	..	PRINTED CIRCUIT ASSY-CONT SUPPLIER CODE: V89954 COMPONENT MAINT MANUAL REF: 27-41-58 QUALIFIED OPTIONAL DATA: OPT 285T0368-47, -58, -61 USED WITH ASSOCIATED ITEMS USED ON: 285T0015-116	002004 006100 107107 121999	1
49	285T0368-61	..	PRINTED CIRCUIT ASSY-CONT SUPPLIER CODE: V89954 COMPONENT MAINT MANUAL REF: 27-41-58 QUALIFIED OPTIONAL DATA: OPT 285T0368-47, -58, -60 USED WITH ASSOCIATED ITEMS USED ON: 285T0015-116	002004 006100 107107 121999	1

MISSING ITEM NUMBERS NOT APPLICABLE

- ITEM NOT ILLUSTRATED

22-24-01-01

22-24-01
FIG. 01
PAGE 23
JAN 20/09

BRI



757

PARTS CATALOG (MAINTENANCE)

FIG ITEM	PART NUMBER	1 2 3 4 5 6 7	NOMENCLATURE	EFFECT FROM TO	UNITS PER ASSY
1					
49	285T0368-39	..	PRINTED CIRCUIT ASSY-CONT SUPPLIER CODE: V89954 COMPONENT MAINT MANUAL REF: 27-41-58 USED ON: 285T0015-113	002004 006100 107107 121999	1
50	BAC27TEX1957	...	DECAL- SUPPLIER CODE: V89954 PLACARD CONTENT: STAB TRIM	002004 006100 107107 121999	1
52	71-2RA	...	EXTRACTOR- SUPPLIER CODE: V18915	002004 006100 107107 121999	1
54	71-2LA	...	EXTRACTOR- SUPPLIER CODE: V18915	002004 006100 107107 121999	1
60	BHGD21T24YBLK	..	INDICATOR- SUPPLIER CODE: V07479 USED ON: 285T0015-107 285T0015-113	002004 006100 107107 121999	11
65	285T0260-33	..	ENCLOSURE ASSY- SUPPLIER CODE: V89954 COMPONENT MAINT MANUAL REF: 24-09-04 USED ON: 285T0015-113	002004 006100 107107 121999	1
65	285T0260-24	..	ENCLOSURE ASSY- SUPPLIER CODE: V89954 COMPONENT MAINT MANUAL REF: 24-09-04 USED ON: 285T0015-107	002004 006100 107107 121999	1

MISSING ITEM NUMBERS NOT APPLICABLE

- ITEM NOT ILLUSTRATED

BRI

22-24-01-01

22-24-01
FIG. 01
PAGE 24
JAN 20/09



757

PARTS CATALOG (MAINTENANCE)

FIG ITEM	PART NUMBER	1 2 3 4 5 6 7	NOMENCLATURE	EFFECT FROM TO	UNITS PER ASSY
1 75	285T0455-11		..PRINTED CIRCUIT ASSY-SAM RELAY CARD SUPPLIER CODE: V89954 COMPONENT MAINT MANUAL REF: 27-41-59 QUALIFIED OPTIONAL DATA: OPT 285T0455-5, -7 USED WITH ASSOCIATED ITEMS USED ON: 285T0015-114 285T0015-116	002004 006100 107107 121999	1
75	285T0455-7		..PRINTED CIRCUIT ASSY-SAM RELAY CARD SUPPLIER CODE: V89954 COMPONENT MAINT MANUAL REF: 27-41-59 QUALIFIED OPTIONAL DATA: OPT 285T0455-5, -11 USED WITH ASSOCIATED ITEMS USED ON: 285T0015-114 285T0015-116	002004 006100 107107 121999	1
75	285T0455-5		..PRINTED CIRCUIT ASSY-SAM RELAY CARD SUPPLIER CODE: V89954 COMPONENT MAINT MANUAL REF: 27-41-59 QUALIFIED OPTIONAL DATA: OPT 285T0455-7, -11 USED WITH ASSOCIATED ITEMS USED ON: 285T0015-114 285T0015-116	002004 006100 107107 121999	1
75	285T0455-11		..PRINTED CIRCUIT ASSY-SAM RELAY CARD SUPPLIER CODE: V89954 COMPONENT MAINT MANUAL REF: 27-41-59 USED ON: 285T0015-107 285T0015-113	002004 006100 107107 121999	1

MISSING ITEM NUMBERS NOT APPLICABLE

- ITEM NOT ILLUSTRATED

22-24-01-01

22-24-01
FIG. 01
PAGE 25
JAN 20/09

BRI



757

PARTS CATALOG (MAINTENANCE)

FIG ITEM	PART NUMBER	1 2 3 4 5 6 7	NOMENCLATURE	EFFECT FROM TO	UNITS PER ASSY
1	75 285T0455-7		..PRINTED CIRCUIT ASSY-SAM RELAY CARD SUPPLIER CODE: V89954 COMPONENT MAINT MANUAL REF: 27-41-59 USED ON: 285T0015-107 285T0015-113	002004 006100 107107 121999	1
	75 285T0455-5		..PRINTED CIRCUIT ASSY-SAM RELAY CARD SUPPLIER CODE: V89954 COMPONENT MAINT MANUAL REF: 27-41-59 USED ON: 285T0015-107 285T0015-113	002004 006100 107107 121999	1
	76 BAC27TEX1957		...DECAL- SUPPLIER CODE: V89954 PLACARD CONTENT: STAB TRIM	002004 006100 107107 121999	1
	77 71-2RA		...EXTRACTOR- SUPPLIER CODE: V18915	002004 006100 107107 121999	1
	78 71-2LA		...EXTRACTOR- SUPPLIER CODE: V18915	002004 006100 107107 121999	1
	80 285T0461-8		..FUSE ASSY-SAM MODULE SUPPLIER CODE: V89954 COMPONENT MAINT MANUAL REF: 27-41-60 QUALIFIED OPTIONAL DATA: OPT 285T0461-5 USED WITH ASSOCIATED ITEMS USED ON: 285T0015-114 285T0015-116	002004 006100 107107 121999	1

MISSING ITEM NUMBERS NOT APPLICABLE

- ITEM NOT ILLUSTRATED

22-24-01-01

22-24-01
FIG. 01
PAGE 26
JAN 20/09

BRI



757

PARTS CATALOG (MAINTENANCE)

FIG ITEM	PART NUMBER	1 2 3 4 5 6 7	NOMENCLATURE	EFFECT FROM TO	UNITS PER ASSY
1 80	285T0461-5		.. FUSE ASSY-SAM MODULE SUPPLIER CODE: V89954 COMPONENT MAINT MANUAL REF: 27-41-60 QUALIFIED OPTIONAL DATA: OPT 285T0461-8 USED WITH ASSOCIATED ITEMS USED ON: 285T0015-114 285T0015-116	002004 006100 107107 121999	1
80	285T0461-5		.. FUSE ASSY-SAM MODULE SUPPLIER CODE: V89954 COMPONENT MAINT MANUAL REF: 27-41-60 USED ON: 285T0015-107 285T0015-113	002004 006100 107107 121999	1
85	285T0461-9		.. FUSE ASSY-SAM MODULE SUPPLIER CODE: V89954 COMPONENT MAINT MANUAL REF: 27-41-60 QUALIFIED OPTIONAL DATA: OPT 285T0461-6 USED WITH ASSOCIATED ITEMS USED ON: 285T0015-114 285T0015-116	002004 006100 107107 121999	1
85	285T0461-6		.. FUSE ASSY-SAM MODULE SUPPLIER CODE: V89954 COMPONENT MAINT MANUAL REF: 27-41-60 QUALIFIED OPTIONAL DATA: OPT 285T0461-9 USED WITH ASSOCIATED ITEMS USED ON: 285T0015-114 285T0015-116	002004 006100 107107 121999	1
85	285T0461-6		.. FUSE ASSY-SAM MODULE SUPPLIER CODE: V89954 COMPONENT MAINT MANUAL REF: 27-41-60 USED ON: 285T0015-107 285T0015-113	002004 006100 107107 121999	1

MISSING ITEM NUMBERS NOT APPLICABLE

- ITEM NOT ILLUSTRATED

22-24-01-01

22-24-01
FIG. 01
PAGE 27
JAN 20/09

BRI



757

PARTS CATALOG (MAINTENANCE)

FIG ITEM	PART NUMBER	1 2 3 4 5 6 7	NOMENCLATURE	EFFECT FROM TO	UNITS PER ASSY
1	95 285T0260-34		.. ENCLOSURE ASSY- SUPPLIER CODE: V89954 COMPONENT MAINT MANUAL REF: 24-09-04 QUALIFIED OPTIONAL DATA: OPT 285T0260-39 USED WITH ASSOCIATED ITEMS USED ON: 285T0015-114 285T0015-116	002004 006100 107107 121999	1
	95 285T0260-39		.. ENCLOSURE ASSY- SUPPLIER CODE: V89954 COMPONENT MAINT MANUAL REF: 24-09-04 QUALIFIED OPTIONAL DATA: OPT 285T0260-34 USED WITH ASSOCIATED ITEMS USED ON: 285T0015-114 285T0015-116	002004 006100 107107 121999	1
- 100	CTSS20-20		.. CONTACT- SUPPLIER CODE: V11139 SPECIFICATION NUMBER: 280-30001-31 OPTIONAL PART: 316-2020-192 V55104 M39029-22-192 USED ON: 285T0015-107	002004 006100 107107 121999	20
- 100	M39029-22-192		.. CONTACT- OPTIONAL PART: CTSS20-20 V11139 316-2020-192 V55104 USED ON: 285T0015-107	002004 006100 107107 121999	20

MISSING ITEM NUMBERS NOT APPLICABLE

- ITEM NOT ILLUSTRATED

22-24-01-01

22-24-01
FIG. 01
PAGE 28
JAN 20/09

BRI



757

PARTS CATALOG (MAINTENANCE)

FIG ITEM	PART NUMBER	1 2 3 4 5 6 7	NOMENCLATURE	EFFECT FROM TO	UNITS PER ASSY
1					
- 100	316-2020-192		.. CONTACT- SUPPLIER CODE: V55104 OPTIONAL PART: CTSS20-20 V11139 M39029-22-192 USED ON: 285T0015-107	002004 006100 107107 121999	20
- 200	286N1165-004		WIRE BUNDLE ASSY	107107 121503 904949	RF
- 200	286N1165-005		WIRE BUNDLE ASSY	002004 006100 950999	RF
- 201	286N1165-323		WIRE BUNDLE ASSY	504903	RF
203	BACC66H21C1901		.CONNECTOR- ELECTRICAL EQUIP NUMBER: D00675 WIRING DIAGRAM REF: 222421	002004 006100 107107 121999	1
- 205	286N1265-004		WIRE BUNDLE ASSY-	107107 121503 904949	RF
- 205	286N1265-005		WIRE BUNDLE ASSY- REWORKED BY SB: 34-0200	002004 006100 950999	RF
- 206	286N1265-321		WIRE BUNDLE ASSY	504903	RF
215	BACC66H21C1901		.CONNECTOR- ELECTRICAL EQUIP NUMBER: D00705 WIRING DIAGRAM REF: 222411	002004 006100 107107 121999	1

MISSING ITEM NUMBERS NOT APPLICABLE

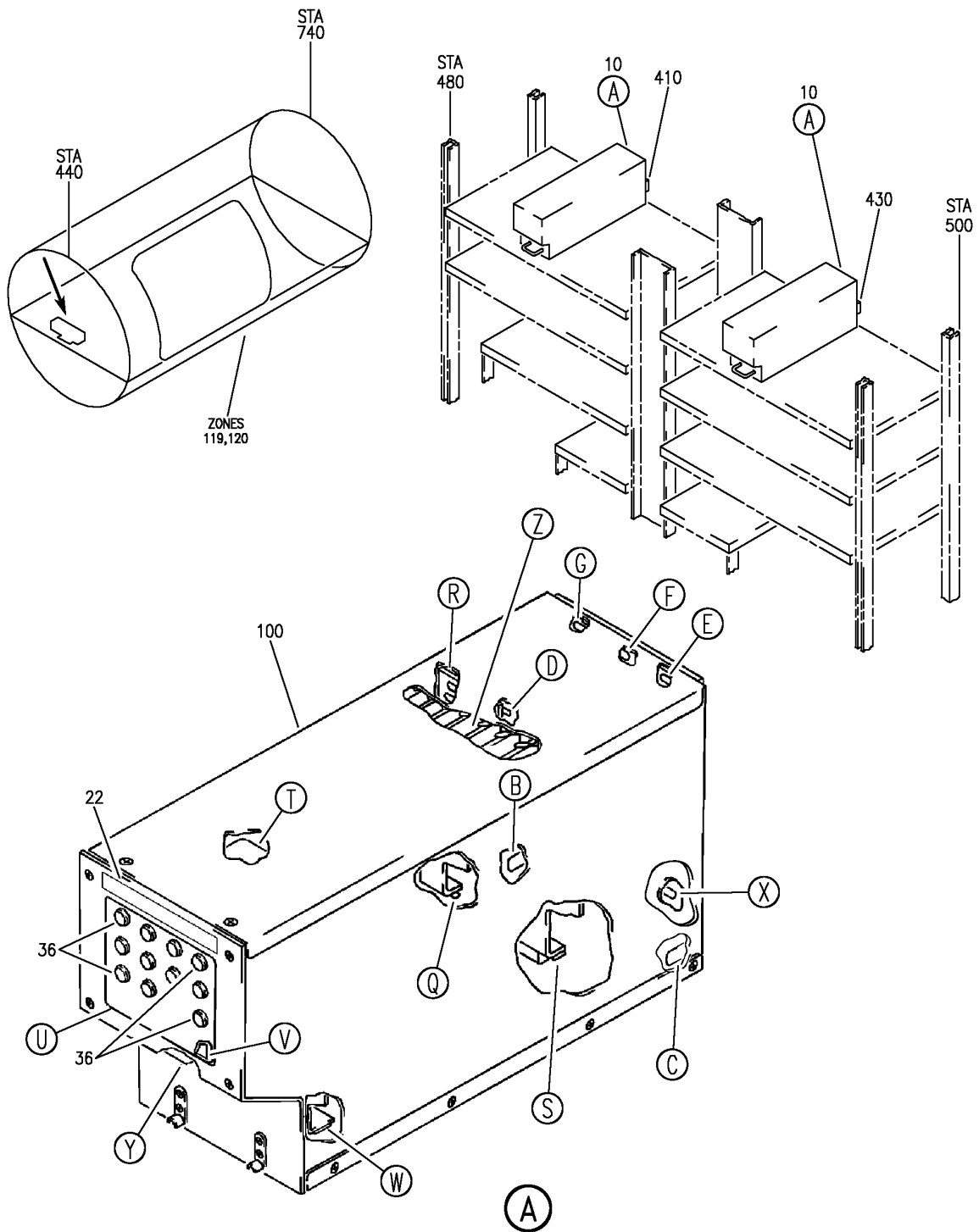
- ITEM NOT ILLUSTRATED

BRI

22-24-01-01

22-24-01
FIG. 01
PAGE 29
JAN 20/09

BOEING
757
PARTS CATALOG (MAINTENANCE)



Y 22240101B SHT 1 REV 297

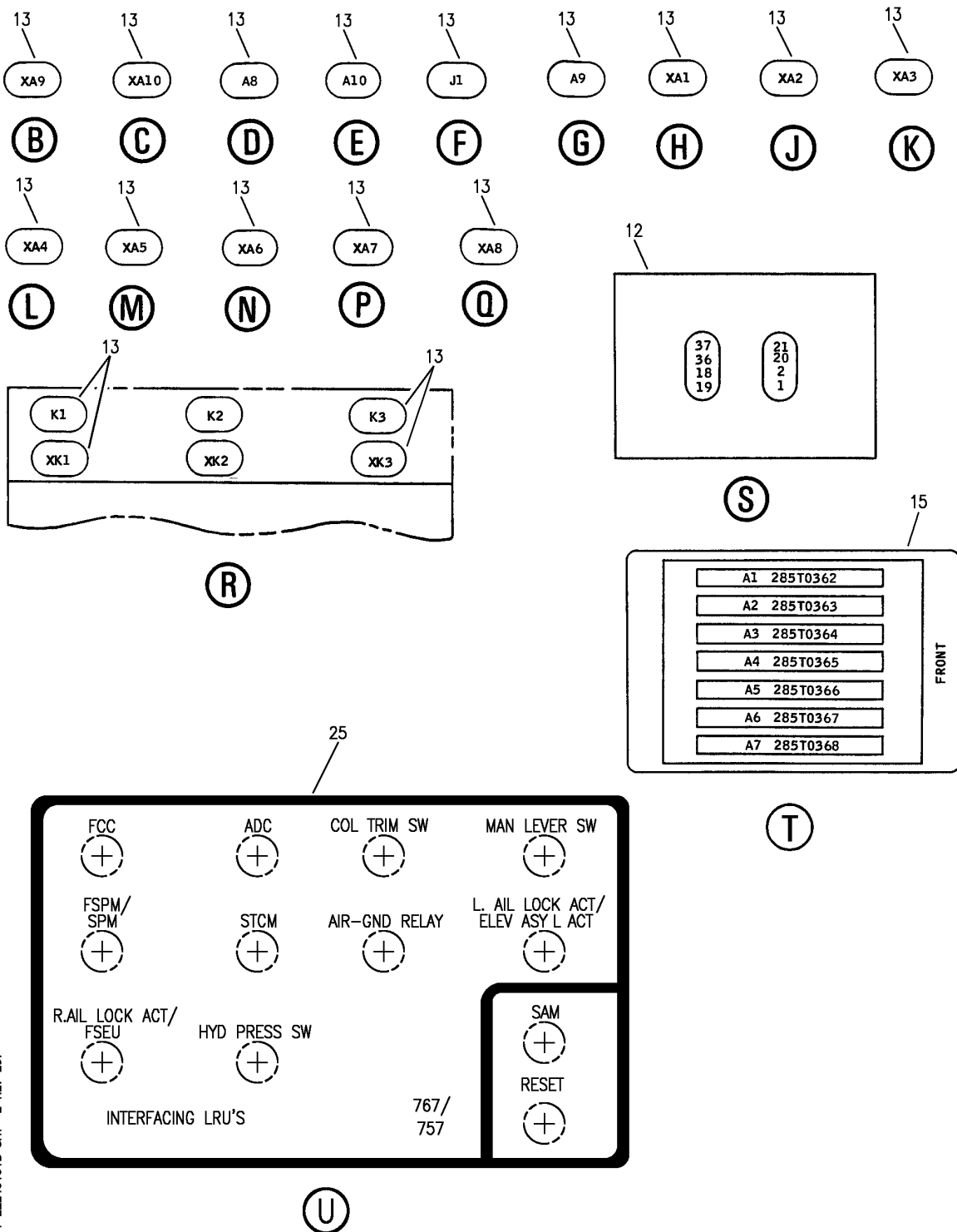
EQUIPMENT INSTL-MAIN ELECTRONICS EQPT CTR (MACH TRIM/SPEED STABILITY SYSTEM ONLY)
FIGURE 1B (SHEET 1)

BRI
MAY 28/07

22-24-01-01B

22-24-01-01B
PAGE 0

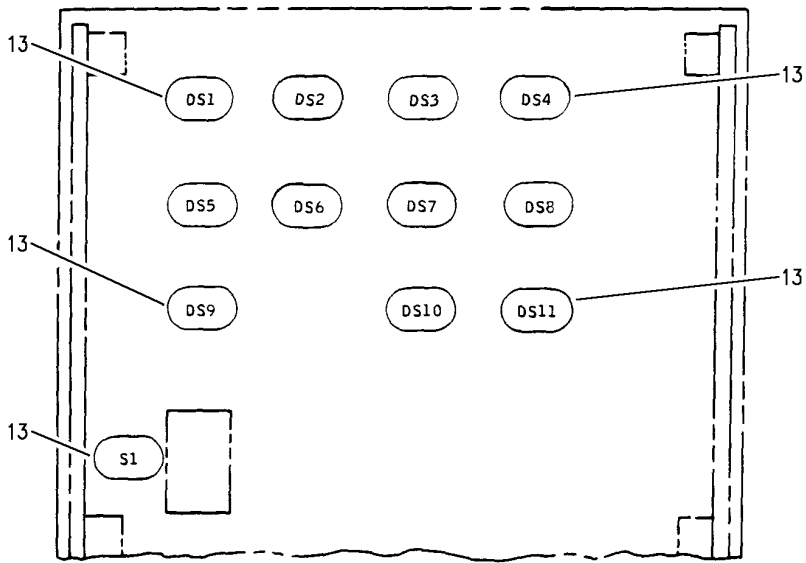
BOEING
757
PARTS CATALOG (MAINTENANCE)



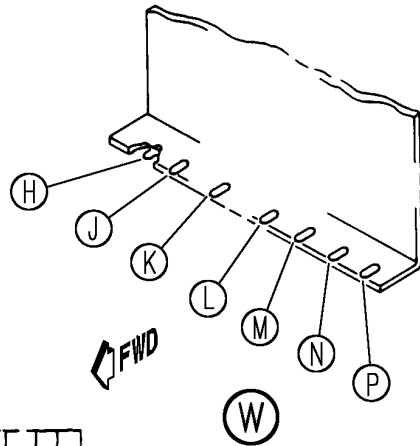
Y 22240101B SHT 2 REV 297

EQUIPMENT INSTL-MAIN ELECTRONICS EQPT CTR (MACH TRIM/SPEED STABILITY SYSTEM ONLY)
FIGURE 1B (SHEET 2)

BOEING
757
PARTS CATALOG (MAINTENANCE)



V

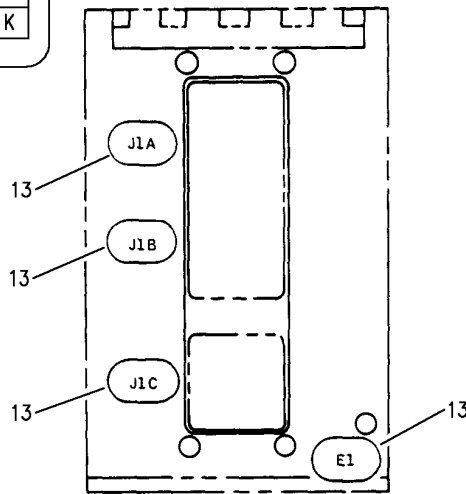


W

STAB TRIM/AIL LOCK/ EL ASYM MODULE													
P/N 285T0015-													
SERIAL NO.													
THE BOEING COMPANY	<table border="1"> <tr> <td>MOD</td> <td>A</td> <td>B</td> <td>C</td> <td>D</td> <td>E</td> </tr> <tr> <td>LEVEL</td> <td>F</td> <td>G</td> <td>H</td> <td>J</td> <td>K</td> </tr> </table>	MOD	A	B	C	D	E	LEVEL	F	G	H	J	K
MOD	A	B	C	D	E								
LEVEL	F	G	H	J	K								

20

Y



X

Y 22240101B SHT 3 REV 297

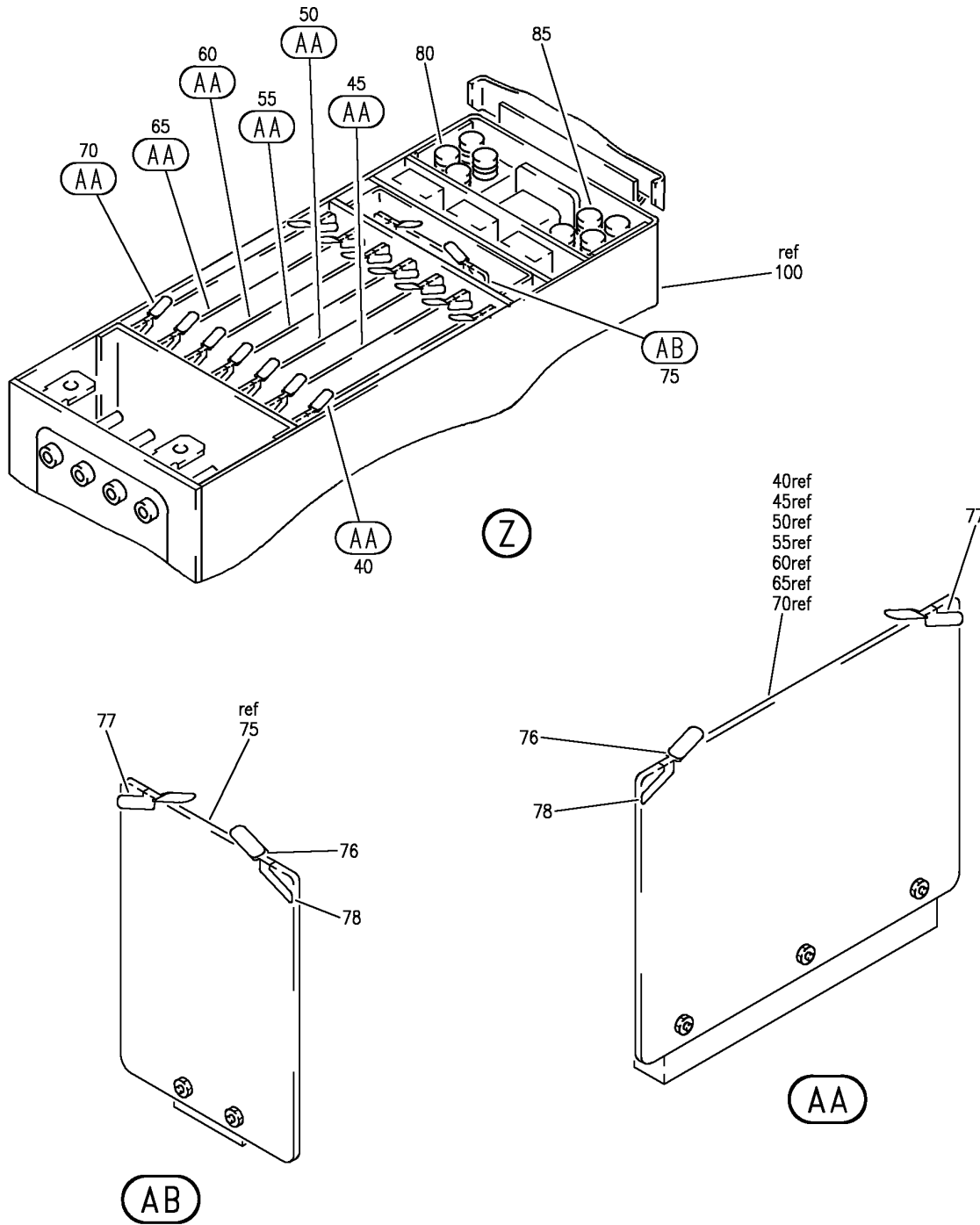
EQUIPMENT INSTL-MAIN ELECTRONICS EQPT CTR (MACH TRIM/SPEED STABILITY SYSTEM ONLY)
FIGURE 1B (SHEET 3)

BRI
MAY 28/07

22-24-01-01B

22-24-01-01B
PAGE 0B

BOEING
757
PARTS CATALOG (MAINTENANCE)



Y 22240101B SHT 4 REV 297

EQUIPMENT INSTL-MAIN ELECTRONICS EQPT CTR (MACH TRIM/SPEED STABILITY SYSTEM ONLY)
FIGURE 1B (SHEET 4)

BRI
MAY 28/07

22-24-01-01B

22-24-01-01B
PAGE 0C



757

PARTS CATALOG (MAINTENANCE)

FIG ITEM	PART NUMBER	1 2 3 4 5 6 7	NOMENCLATURE	EFFECT FROM TO	UNITS PER ASSY
1B			EQUIPMENT INSTL-MAIN ELECTRONICS EQPT CTR (MACH TRIM/SPEED STABILITY SYSTEM ONLY)	101102	
- 3	284N1800-140		EQUIPMENT INSTL-MAIN ELECTRONICS EQPT CTR (MACH TRIM/SPEED STABILITY SYSTEM ONLY)	101101	RF
- 3	284N1800-141		FOR NHA/OTHER SYS DET SEE: 24-00-58-05E EQUIPMENT INSTL-MAIN ELECTRONICS EQPT CTR (MACH TRIM/SPEED STABILITY SYSTEM ONLY)	102102	RF
10	285T0015-116		FOR NHA/OTHER SYS DET SEE: 24-00-58-05E .MODULE ASSY-STAB. TRIM AND AIL. LOCKOUT SUPPLIER CODE: V89954 ELECTRICAL EQUIP NUMBER: M00524 M00525 COMPONENT MAINT MANUAL REF: 27-41-51	101102	2
10	285T0015-107		.MODULE ASSY-STAB. TRIM AND AIL. LOCKOUT SUPPLIER CODE: V89954 ELECTRICAL EQUIP NUMBER: M00524 M00525 COMPONENT MAINT MANUAL REF: 27-41-51	101102	2
10	285T0015-117		.MODULE ASSY-STAB. TRIM AND AIL. LOCKOUT SUPPLIER CODE: V89954 ELECTRICAL EQUIP NUMBER: M00524 M00525 COMPONENT MAINT MANUAL REF: 27-41-51	101102	2

MISSING ITEM NUMBERS NOT APPLICABLE

- ITEM NOT ILLUSTRATED

22-24-01-01B

22-24-01
FIG. 01B
PAGE 1
JAN 20/09

BRI



757

PARTS CATALOG (MAINTENANCE)

FIG ITEM	PART NUMBER	1 2 3 4 5 6 7	NOMENCLATURE	EFFECT FROM TO	UNITS PER ASSY
1B					
10	285T0015-113		.MODULE ASSY-STAB. TRIM AND AIL. LOCKOUT SUPPLIER CODE: V89954 ELECTRICAL EQUIP NUMBER: M00524 M00525 COMPONENT MAINT MANUAL REF: 27-41-51	101102	2
10	285T0015-114		.MODULE ASSY-STAB. TRIM AND AIL. LOCKOUT SUPPLIER CODE: V89954 ELECTRICAL EQUIP NUMBER: M00524 M00525 COMPONENT MAINT MANUAL REF: 27-41-51	101102	2
12	BAC27TEX3365		..DECAL- SUPPLIER CODE: V89954 USED ON: 285T0015-113 285T0015-114 285T0015-116 285T0015-117	101102	1
13	BAC27TEX3316		..DECALSET-INCLUDES DECALS IDENTIFIED ON THE ILLUSTRATION SUPPLIER CODE: V89954 USED ON: 285T0015-114 285T0015-116 285T0015-117	101102	1
15	BAC27TEX2109		..DECAL- SUPPLIER CODE: V89954	101102	1
20	BAC27TEX2118		..DECAL- SUPPLIER CODE: V89954 QUALIFIED OPTIONAL DATA: OPT BAC27TEX4486 USED WITH ASSOCIATED ITEMS USED ON: 285T0015-114 285T0015-116 285T0015-117	101102	1

MISSING ITEM NUMBERS NOT APPLICABLE

- ITEM NOT ILLUSTRATED

BRI

22-24-01-01B

BOEING PROPRIETARY - Copyright © - Unpublished Work - See title page for details.

22-24-01
FIG. 01B
PAGE 2
JAN 20/09



757

PARTS CATALOG (MAINTENANCE)

FIG ITEM	PART NUMBER	1 2 3 4 5 6 7	NOMENCLATURE	EFFECT FROM TO	UNITS PER ASSY
1B 20	BAC27TEX4486	..	DECAL- SUPPLIER CODE: V89954 QUALIFIED OPTIONAL DATA: OPT BAC27TEX2118 USED WITH ASSOCIATED ITEMS USED ON: 285T0015-114 285T0015-116 285T0015-117	101102	1
20	BAC27TEX2118	..	DECAL- SUPPLIER CODE: V89954 USED ON: 285T0015-107 285T0015-113	101102	1
22	BAC27TEX3649	..	DECAL- SUPPLIER CODE: V89954 PLACARD CONTENT: BAE SYSTEMS	101102	1
25	BAC27TEX3441	..	DECAL- SUPPLIER CODE: V89954 USED ON: 285T0015-113 285T0015-114 285T0015-116 285T0015-117	101102	1
36	BHGD21T24YBLK	..	INDICATOR- SUPPLIER CODE: V07479 USED ON: 285T0015-107 285T0015-113	101102	11
40	285T0362-43	..	PRINTED CIRCUIT ASSY-ARM MC-SAM SUPPLIER CODE: V89954 COMPONENT MAINT MANUAL REF: 27-41-52 QUALIFIED OPTIONAL DATA: OPT 285T0362-43, -49, -63, -64, -67, -68 USED WITH ASSOCIATED ITEMS USED ON: 285T0015-116	101102	1

MISSING ITEM NUMBERS NOT APPLICABLE

- ITEM NOT ILLUSTRATED

22-24-01-01B

22-24-01
FIG. 01B
PAGE 3
JAN 20/09

BRI



757

PARTS CATALOG (MAINTENANCE)

FIG ITEM	PART NUMBER	1 2 3 4 5 6 7	NOMENCLATURE	EFFECT FROM TO	UNITS PER ASSY
1B 40	285T0362-49		..PRINTED CIRCUIT ASSY-ARM MC-SAM SUPPLIER CODE: V89954 COMPONENT MAINT MANUAL REF: 27-41-52 QUALIFIED OPTIONAL DATA: OPT 285T0362-43, -49, -63, -64, -67, -68 USED WITH ASSOCIATED ITEMS USED ON: 285T0015-116	101102	1
40	285T0362-63		..PRINTED CIRCUIT ASSY-ARM MC-SAM SUPPLIER CODE: V89954 COMPONENT MAINT MANUAL REF: 27-41-52 QUALIFIED OPTIONAL DATA: OPT 285T0362-43, -49, -63, -64, -67, -68 USED WITH ASSOCIATED ITEMS USED ON: 285T0015-116	101102	1
40	285T0362-64		..PRINTED CIRCUIT ASSY-ARM MC-SAM SUPPLIER CODE: V89954 COMPONENT MAINT MANUAL REF: 27-41-52 QUALIFIED OPTIONAL DATA: OPT 285T0362-43, -49, -63, -64, -67, -68 USED WITH ASSOCIATED ITEMS USED ON: 285T0015-116	101102	1
40	285T0362-67		..PRINTED CIRCUIT ASSY-ARM MC-SAM SUPPLIER CODE: V89954 COMPONENT MAINT MANUAL REF: 27-41-52 QUALIFIED OPTIONAL DATA: OPT 285T0362-43, -49, -63, -64, -67, -68 USED WITH ASSOCIATED ITEMS USED ON: 285T0015-116	101102	1

MISSING ITEM NUMBERS NOT APPLICABLE

- ITEM NOT ILLUSTRATED

22-24-01-01B

22-24-01
FIG. 01B
PAGE 4
JAN 20/09

BRI



757

PARTS CATALOG (MAINTENANCE)

FIG ITEM	PART NUMBER	1 2 3 4 5 6 7	NOMENCLATURE	EFFECT FROM TO	UNITS PER ASSY
1B 40	285T0362-68		..PRINTED CIRCUIT ASSY-ARM MC-SAM SUPPLIER CODE: V89954 COMPONENT MAINT MANUAL REF: 27-41-52 QUALIFIED OPTIONAL DATA: OPT 285T0362-43, -49, -63, -64, -67, -68 USED WITH ASSOCIATED ITEMS USED ON: 285T0015-116	101102	1
40	285T0362-23		..PRINTED CIRCUIT ASSY-ARM MC-SAM SUPPLIER CODE: V89954 COMPONENT MAINT MANUAL REF: 27-41-52 OPTIONAL PART: 285T0362-24 V89954 285T0362-29 V89954 USED ON: 285T0015-107	101102	1
40	285T0362-24		..PRINTED CIRCUIT ASSY-ARM MC-SAM SUPPLIER CODE: V89954 COMPONENT MAINT MANUAL REF: 27-41-52 OPTIONAL PART: 285T0362-23 V89954 285T0362-29 V89954 USED ON: 285T0015-107	101102	1

MISSING ITEM NUMBERS NOT APPLICABLE

- ITEM NOT ILLUSTRATED

22-24-01-01B

22-24-01
FIG. 01B
PAGE 5
JAN 20/09

BRI



757

PARTS CATALOG (MAINTENANCE)

FIG ITEM	PART NUMBER	1 2 3 4 5 6 7	NOMENCLATURE	EFFECT FROM TO	UNITS PER ASSY
1B 40	285T0362-29		..PRINTED CIRCUIT ASSY-ARM MC-SAM SUPPLIER CODE: V89954 COMPONENT MAINT MANUAL REF: 27-41-52 OPTIONAL PART: 285T0362-23 V89954 285T0362-24 V89954 USED ON: 285T0015-107	101102	1
40	285T0362-38		..PRINTED CIRCUIT ASSY-ARM MC-SAM SUPPLIER CODE: V89954 COMPONENT MAINT MANUAL REF: 27-41-52 USED ON: 285T0015-113 285T0015-117	101102	1
40	285T0362-38		..PRINTED CIRCUIT ASSY-ARM MC-SAM SUPPLIER CODE: V89954 COMPONENT MAINT MANUAL REF: 27-41-52 QUALIFIED OPTIONAL DATA: OPT 285T0362-38, -40, -47, -48 USED WITH ASSOCIATED ITEMS USED ON: 285T0015-114	101102	1
40	285T0362-40		..PRINTED CIRCUIT ASSY-ARM MC-SAM SUPPLIER CODE: V89954 COMPONENT MAINT MANUAL REF: 27-41-52 QUALIFIED OPTIONAL DATA: OPT 285T0362-38, -40, -47, -48 USED WITH ASSOCIATED ITEMS USED ON: 285T0015-114	101102	1

MISSING ITEM NUMBERS NOT APPLICABLE

- ITEM NOT ILLUSTRATED

22-24-01-01B

22-24-01
FIG. 01B
PAGE 6
JAN 20/09

BRI



757

PARTS CATALOG (MAINTENANCE)

FIG ITEM	PART NUMBER	1 2 3 4 5 6 7	NOMENCLATURE	EFFECT FROM TO	UNITS PER ASSY
1B 40	285T0362-47		..PRINTED CIRCUIT ASSY-ARM MC-SAM SUPPLIER CODE: V89954 COMPONENT MAINT MANUAL REF: 27-41-52 QUALIFIED OPTIONAL DATA: OPT 285T0362-38, -40, -47, -48 USED WITH ASSOCIATED ITEMS USED ON: 285T0015-114	101102	1
40	285T0362-48		..PRINTED CIRCUIT ASSY-ARM MC-SAM SUPPLIER CODE: V89954 COMPONENT MAINT MANUAL REF: 27-41-52 QUALIFIED OPTIONAL DATA: OPT 285T0362-38, -40, -47, -48 USED WITH ASSOCIATED ITEMS USED ON: 285T0015-114	101102	1
45	285T0363-40		..PRINTED CIRCUIT ASSY-ARM MUX SUPPLIER CODE: V89954 COMPONENT MAINT MANUAL REF: 27-41-53 QUALIFIED OPTIONAL DATA: OPT 285T0363-40, -42, -43, USED WITH ASSOCIATED ITEMS USED ON: 285T0015-116	101102	1
45	285T0363-42		..PRINTED CIRCUIT ASSY-ARM MUX SUPPLIER CODE: V89954 COMPONENT MAINT MANUAL REF: 27-41-53 QUALIFIED OPTIONAL DATA: OPT 285T0363-40, -42, -43, USED WITH ASSOCIATED ITEMS USED ON: 285T0015-116	101102	1

MISSING ITEM NUMBERS NOT APPLICABLE

- ITEM NOT ILLUSTRATED

22-24-01-01B

22-24-01
FIG. 01B
PAGE 7
JAN 20/09

BRI

BOEING PROPRIETARY - Copyright © - Unpublished Work - See title page for details.



757

PARTS CATALOG (MAINTENANCE)

FIG ITEM	PART NUMBER	1 2 3 4 5 6 7	NOMENCLATURE	EFFECT FROM TO	UNITS PER ASSY
1B 45	285T0363-43		..PRINTED CIRCUIT ASSY-ARM MUX SUPPLIER CODE: V89954 COMPONENT MAINT MANUAL REF: 27-41-53 QUALIFIED OPTIONAL DATA: OPT 285T0363-40, -42, -43, USED WITH ASSOCIATED ITEMS USED ON: 285T0015-116	101102	1
45	285T0363-17		..PRINTED CIRCUIT ASSY-ARM MUX SUPPLIER CODE: V89954 COMPONENT MAINT MANUAL REF: 27-41-53 OPTIONAL PART: 285T0363-19 V89954 USED ON: 285T0015-107 285T0015-113 285T0015-117	101102	1
45	285T0363-19		..PRINTED CIRCUIT ASSY-ARM MUX SUPPLIER CODE: V89954 COMPONENT MAINT MANUAL REF: 27-41-53 OPTIONAL PART: 285T0363-17 V89954 USED ON: 285T0015-107 285T0015-113 285T0015-117	101102	1

MISSING ITEM NUMBERS NOT APPLICABLE

- ITEM NOT ILLUSTRATED

BRI

22-24-01-01B

BOEING PROPRIETARY - Copyright © - Unpublished Work - See title page for details.

22-24-01
FIG. 01B
PAGE 8
JAN 20/09



757

PARTS CATALOG (MAINTENANCE)

FIG ITEM	PART NUMBER	1 2 3 4 5 6 7	NOMENCLATURE	EFFECT FROM TO	UNITS PER ASSY
1B 45	285T0363-17		..PRINTED CIRCUIT ASSY-ARM MUX SUPPLIER CODE: V89954 COMPONENT MAINT MANUAL REF: 27-41-53 QUALIFIED OPTIONAL DATA: OPT 285T0363-17, -19, -37 USED WITH ASSOCIATED ITEMS USED ON: 285T0015-114	101102	1
45	285T0363-19		..PRINTED CIRCUIT ASSY-ARM MUX SUPPLIER CODE: V89954 COMPONENT MAINT MANUAL REF: 27-41-53 QUALIFIED OPTIONAL DATA: OPT 285T0363-17, -19, -37 USED WITH ASSOCIATED ITEMS USED ON: 285T0015-114	101102	1
45	285T0363-37		..PRINTED CIRCUIT ASSY-ARM MUX SUPPLIER CODE: V89954 COMPONENT MAINT MANUAL REF: 27-41-53 QUALIFIED OPTIONAL DATA: OPT 285T0363-17, -19, -37 USED WITH ASSOCIATED ITEMS USED ON: 285T0015-114	101102	1
50	285T0364-23		..PRINTED CIRCUIT ASSY- MANUAL TRIM SAM SUPPLIER CODE: V89954 COMPONENT MAINT MANUAL REF: 27-41-54 QUALIFIED OPTIONAL DATA: OPT 285T0364-23, -24, -29, -37, -38, -40, -41 USED WITH ASSOCIATED ITEMS USED ON: 285T0015-116	101102	1

MISSING ITEM NUMBERS NOT APPLICABLE

- ITEM NOT ILLUSTRATED

22-24-01-01B

22-24-01
FIG. 01B
PAGE 9
JAN 20/09

BRI

BOEING PROPRIETARY - Copyright © - Unpublished Work - See title page for details.



757

PARTS CATALOG (MAINTENANCE)

FIG ITEM	PART NUMBER	1 2 3 4 5 6 7	NOMENCLATURE	EFFECT FROM TO	UNITS PER ASSY
1B 50	285T0364-24		..PRINTED CIRCUIT ASSY- MANUAL TRIM SAM SUPPLIER CODE: V89954 COMPONENT MAINT MANUAL REF: 27-41-54 QUALIFIED OPTIONAL DATA: OPT 285T0364-23, -24, -29, -37, -38, -40, -41 USED WITH ASSOCIATED ITEMS USED ON: 285T0015-116	101102	1
50	285T0364-29		..PRINTED CIRCUIT ASSY- MANUAL TRIM SAM SUPPLIER CODE: V89954 COMPONENT MAINT MANUAL REF: 27-41-54 QUALIFIED OPTIONAL DATA: OPT 285T0364-23, -24, -29, -37, -38, -40, -41 USED WITH ASSOCIATED ITEMS USED ON: 285T0015-116	101102	1
50	285T0364-37		..PRINTED CIRCUIT ASSY- MANUAL TRIM SAM SUPPLIER CODE: V89954 COMPONENT MAINT MANUAL REF: 27-41-54 QUALIFIED OPTIONAL DATA: OPT 285T0364-23, -24, -29, -37, -38, -40, -41 USED WITH ASSOCIATED ITEMS USED ON: 285T0015-116	101102	1

MISSING ITEM NUMBERS NOT APPLICABLE

- ITEM NOT ILLUSTRATED

22-24-01-01B

22-24-01
FIG. 01B
PAGE 10
JAN 20/09

BRI



757

PARTS CATALOG (MAINTENANCE)

FIG ITEM	PART NUMBER	1 2 3 4 5 6 7	NOMENCLATURE	EFFECT FROM TO	UNITS PER ASSY
1B 50	285T0364-38		..PRINTED CIRCUIT ASSY- MANUAL TRIM SAM SUPPLIER CODE: V89954 COMPONENT MAINT MANUAL REF: 27-41-54 QUALIFIED OPTIONAL DATA: OPT 285T0364-23, -24, -29, -37, -38, -40, -41 USED WITH ASSOCIATED ITEMS USED ON: 285T0015-116	101102	1
50	285T0364-39		..PRINTED CIRCUIT ASSY- MANUAL TRIM SAM SUPPLIER CODE: V89954 COMPONENT MAINT MANUAL REF: 27-41-54 QUALIFIED OPTIONAL DATA: OPT 285T0364-23, -24, -29, -37, -38, -40, -41 USED WITH ASSOCIATED ITEMS USED ON: 285T0015-116	101102	1
50	285T0364-40		..PRINTED CIRCUIT ASSY- MANUAL TRIM SAM SUPPLIER CODE: V89954 COMPONENT MAINT MANUAL REF: 27-41-54 QUALIFIED OPTIONAL DATA: OPT 285T0364-23, -24, -29, -37, -38, -40, -41 USED WITH ASSOCIATED ITEMS USED ON: 285T0015-116	101102	1

MISSING ITEM NUMBERS NOT APPLICABLE

- ITEM NOT ILLUSTRATED

22-24-01-01B

22-24-01
FIG. 01B
PAGE 11
JAN 20/09

BRI



757

PARTS CATALOG (MAINTENANCE)

FIG ITEM	PART NUMBER	1 2 3 4 5 6 7	NOMENCLATURE	EFFECT FROM TO	UNITS PER ASSY
1B 50	285T0364-41		..PRINTED CIRCUIT ASSY- MANUAL TRIM SAM SUPPLIER CODE: V89954 COMPONENT MAINT MANUAL REF: 27-41-54 QUALIFIED OPTIONAL DATA: OPT 285T0364-23, -24, -29, -37, -38, -40, -41 USED WITH ASSOCIATED ITEMS USED ON: 285T0015-116	101102	1
50	285T0364-23		..PRINTED CIRCUIT ASSY- MANUAL TRIM SAM SUPPLIER CODE: V89954 COMPONENT MAINT MANUAL REF: 27-41-54 OPTIONAL PART: 285T0364-24 V89954 285T0364-29 V89954 USED ON: 285T0015-107 285T0015-113 285T0015-117	101102	1
50	285T0364-24		..PRINTED CIRCUIT ASSY- MANUAL TRIM SAM SUPPLIER CODE: V89954 COMPONENT MAINT MANUAL REF: 27-41-54 OPTIONAL PART: 285T0364-23 V89954 285T0364-29 V89954 USED ON: 285T0015-107 285T0015-113 285T0015-117	101102	1

MISSING ITEM NUMBERS NOT APPLICABLE

- ITEM NOT ILLUSTRATED

22-24-01-01B

22-24-01
FIG. 01B
PAGE 12
JAN 20/09

BRI

BOEING PROPRIETARY - Copyright © - Unpublished Work - See title page for details.



757

PARTS CATALOG (MAINTENANCE)

FIG ITEM	PART NUMBER	1 2 3 4 5 6 7	NOMENCLATURE	EFFECT FROM TO	UNITS PER ASSY
1B 50	285T0364-29		..PRINTED CIRCUIT ASSY- MANUAL TRIM SAM SUPPLIER CODE: V89954 COMPONENT MAINT MANUAL REF: 27-41-54 OPTIONAL PART: 285T0364-23 V89954 285T0364-24 V89954 USED ON: 285T0015-107 285T0015-113 285T0015-117	101102	1
50	285T0364-23		..PRINTED CIRCUIT ASSY- MANUAL TRIM SAM SUPPLIER CODE: V89954 COMPONENT MAINT MANUAL REF: 27-41-54 QUALIFIED OPTIONAL DATA: OPT 285T0364-23, -24, -29, -37 USED WITH ASSOCIATED ITEMS USED ON: 285T0015-114	101102	1
50	285T0364-24		..PRINTED CIRCUIT ASSY- MANUAL TRIM SAM SUPPLIER CODE: V89954 COMPONENT MAINT MANUAL REF: 27-41-54 QUALIFIED OPTIONAL DATA: OPT 285T0364-23, -24, -29, -37 USED WITH ASSOCIATED ITEMS USED ON: 285T0015-114	101102	1

MISSING ITEM NUMBERS NOT APPLICABLE

- ITEM NOT ILLUSTRATED

22-24-01-01B

22-24-01
FIG. 01B
PAGE 13
JAN 20/09

BRI



757

PARTS CATALOG (MAINTENANCE)

FIG ITEM	PART NUMBER	1 2 3 4 5 6 7	NOMENCLATURE	EFFECT FROM TO	UNITS PER ASSY
1B 50	285T0364-29		..PRINTED CIRCUIT ASSY- MANUAL TRIM SAM SUPPLIER CODE: V89954 COMPONENT MAINT MANUAL REF: 27-41-54 QUALIFIED OPTIONAL DATA: OPT 285T0364-23, -24, -29, -37 USED WITH ASSOCIATED ITEMS USED ON: 285T0015-114	101102	1
50	285T0364-37		..PRINTED CIRCUIT ASSY- MANUAL TRIM SAM SUPPLIER CODE: V89954 COMPONENT MAINT MANUAL REF: 27-41-54 QUALIFIED OPTIONAL DATA: OPT 285T0364-23, -24, -29, -37 USED WITH ASSOCIATED ITEMS USED ON: 285T0015-114	101102	1
55	285T0365-37		..PRINTED CIRCUIT ASSY-AIL. LOCKOUT SAM STATIC SENSITIVE PART SUPPLIER CODE: V89954 COMPONENT MAINT MANUAL REF: 27-41-55 QUALIFIED OPTIONAL DATA: OPT 285T0365-37, -38, -39, -40 USED WITH ASSOCIATED ITEMS USED ON: 285T0015-116	101102	1

MISSING ITEM NUMBERS NOT APPLICABLE

- ITEM NOT ILLUSTRATED

22-24-01-01B

22-24-01
FIG. 01B
PAGE 14
JAN 20/09

BRI



757

PARTS CATALOG (MAINTENANCE)

FIG ITEM	PART NUMBER	1 2 3 4 5 6 7	NOMENCLATURE	EFFECT FROM TO	UNITS PER ASSY
1B - 55	285T0365-38		..PRINTED CIRCUIT ASSY-AIL. LOCKOUT SAM STATIC SENSITIVE PART SUPPLIER CODE: V89954 COMPONENT MAINT MANUAL REF: 27-41-55 QUALIFIED OPTIONAL DATA: OPT 285T0365-37, -38, -39, -40 USED WITH ASSOCIATED ITEMS USED ON: 285T0015-116	101102	1
55	285T0365-39		..PRINTED CIRCUIT ASSY-AIL. LOCKOUT SAM STATIC SENSITIVE PART SUPPLIER CODE: V89954 COMPONENT MAINT MANUAL REF: 27-41-55 QUALIFIED OPTIONAL DATA: OPT 285T0365-37, -38, -39, -40 USED WITH ASSOCIATED ITEMS USED ON: 285T0015-116	101102	1
55	285T0365-40		..PRINTED CIRCUIT ASSY-AIL. LOCKOUT SAM STATIC SENSITIVE PART SUPPLIER CODE: V89954 COMPONENT MAINT MANUAL REF: 27-41-55 QUALIFIED OPTIONAL DATA: OPT 285T0365-37, -38, -39, -40 USED WITH ASSOCIATED ITEMS	101102	1

MISSING ITEM NUMBERS NOT APPLICABLE

- ITEM NOT ILLUSTRATED

BRI

22-24-01-01B

BOEING PROPRIETARY - Copyright © - Unpublished Work - See title page for details.

22-24-01
FIG. 01B
PAGE 15
JAN 20/09



757

PARTS CATALOG (MAINTENANCE)

FIG ITEM	PART NUMBER	1 2 3 4 5 6 7	NOMENCLATURE	EFFECT FROM TO	UNITS PER ASSY
1B 55	285T0365-32		..PRINTED CIRCUIT ASSY-AIL. LOCKOUT SAM SUPPLIER CODE: V89954 COMPONENT MAINT MANUAL REF: 27-41-55 OPTIONAL PART: 285T0365-33 V89954 285T0365-34 V89954 USED ON: 285T0015-107	101102	1
55	285T0365-33		..PRINTED CIRCUIT ASSY-AIL. LOCKOUT SAM SUPPLIER CODE: V89954 COMPONENT MAINT MANUAL REF: 27-41-55 OPTIONAL PART: 285T0365-32 V89954 285T0365-34 V89954 USED ON: 285T0015-107	101102	1
55	285T0365-34		..PRINTED CIRCUIT ASSY-AIL. LOCKOUT SAM SUPPLIER CODE: V89954 COMPONENT MAINT MANUAL REF: 27-41-55 OPTIONAL PART: 285T0365-32 V89954 285T0365-33 V89954 USED ON: 285T0015-107	101102	1

MISSING ITEM NUMBERS NOT APPLICABLE

- ITEM NOT ILLUSTRATED

22-24-01-01B

22-24-01
FIG. 01B
PAGE 16
JAN 20/09

BRI



757

PARTS CATALOG (MAINTENANCE)

FIG ITEM	PART NUMBER	1 2 3 4 5 6 7	NOMENCLATURE	EFFECT FROM TO	UNITS PER ASSY
1B 55	285T0365-37		..PRINTED CIRCUIT ASSY-AIL. LOCKOUT SAM SUPPLIER CODE: V89954 COMPONENT MAINT MANUAL REF: 27-41-55 OPTIONAL PART: 285T0365-38 V89954 USED ON: 285T0015-113 285T0015-117	101102	1
55	285T0365-38		..PRINTED CIRCUIT ASSY-AIL. LOCKOUT SAM SUPPLIER CODE: V89954 COMPONENT MAINT MANUAL REF: 27-41-55 OPTIONAL PART: 285T0365-37 V89954 USED ON: 285T0015-113 285T0015-117	101102	1
55	285T0365-37		..PRINTED CIRCUIT ASSY-AIL. LOCKOUT SAM SUPPLIER CODE: V89954 COMPONENT MAINT MANUAL REF: 27-41-55 QUALIFIED OPTIONAL DATA: OPT 285T0365-37, -38, -39, USED WITH ASSOCIATED ITEMS USED ON: 285T0015-114	101102	1
55	285T0365-38		..PRINTED CIRCUIT ASSY-AIL. LOCKOUT SAM SUPPLIER CODE: V89954 COMPONENT MAINT MANUAL REF: 27-41-55 QUALIFIED OPTIONAL DATA: OPT 285T0365-37, -38, -39, USED WITH ASSOCIATED ITEMS USED ON: 285T0015-114	101102	1

MISSING ITEM NUMBERS NOT APPLICABLE

- ITEM NOT ILLUSTRATED

22-24-01-01B

22-24-01
FIG. 01B
PAGE 17
JAN 20/09

BRI



757

PARTS CATALOG (MAINTENANCE)

FIG ITEM	PART NUMBER	1 2 3 4 5 6 7	NOMENCLATURE	EFFECT FROM TO	UNITS PER ASSY
1B 55	285T0365-39		..PRINTED CIRCUIT ASSY-AIL. LOCKOUT SAM STATIC SENSITIVE PART SUPPLIER CODE: V89954 COMPONENT MAINT MANUAL REF: 27-41-55 QUALIFIED OPTIONAL DATA: OPT 285T0365-37, -38, -39, USED WITH ASSOCIATED ITEMS USED ON: 285T0015-114	101102	1
60	285T0366-38		..PRINTED CIRCUIT ASSY- CONT MUX SUPPLIER CODE: V89954 COMPONENT MAINT MANUAL REF: 27-41-56 QUALIFIED OPTIONAL DATA: OPT 285T0366-38, -42, -44, USED WITH ASSOCIATED ITEMS USED ON: 285T0015-116	101102	1
60	285T0366-42		..PRINTED CIRCUIT ASSY- CONT MUX SUPPLIER CODE: V89954 COMPONENT MAINT MANUAL REF: 27-41-56 QUALIFIED OPTIONAL DATA: OPT 285T0366-38, -42, -44, USED WITH ASSOCIATED ITEMS USED ON: 285T0015-116	101102	1
60	285T0366-44		..PRINTED CIRCUIT ASSY- CONT MUX SUPPLIER CODE: V89954 COMPONENT MAINT MANUAL REF: 27-41-56 QUALIFIED OPTIONAL DATA: OPT 285T0366-38, -42, -44, USED WITH ASSOCIATED ITEMS USED ON: 285T0015-116	101102	1

MISSING ITEM NUMBERS NOT APPLICABLE

- ITEM NOT ILLUSTRATED

22-24-01-01B

22-24-01
FIG. 01B
PAGE 18
JAN 20/09

BRI



757

PARTS CATALOG (MAINTENANCE)

FIG ITEM	PART NUMBER	1 2 3 4 5 6 7	NOMENCLATURE	EFFECT FROM TO	UNITS PER ASSY
1B 60	285T0366-17		..PRINTED CIRCUIT ASSY- CONT MUX SUPPLIER CODE: V89954 COMPONENT MAINT MANUAL REF: 27-41-56 OPTIONAL PART: 285T0366-19 V89954 USED ON: 285T0015-107 285T0015-113 285T0015-117	101102	1
60	285T0366-19		..PRINTED CIRCUIT ASSY- CONT MUX SUPPLIER CODE: V89954 COMPONENT MAINT MANUAL REF: 27-41-56 OPTIONAL PART: 285T0366-17 V89954 USED ON: 285T0015-107 285T0015-113 285T0015-117	101102	1
60	285T0366-17		..PRINTED CIRCUIT ASSY- CONT MUX SUPPLIER CODE: V89954 COMPONENT MAINT MANUAL REF: 27-41-56 QUALIFIED OPTIONAL DATA: OPT 285T0366-17, -19, -37 USED WITH ASSOCIATED ITEMS USED ON: 285T0015-114	101102	1

MISSING ITEM NUMBERS NOT APPLICABLE

- ITEM NOT ILLUSTRATED

22-24-01-01B

22-24-01
FIG. 01B
PAGE 19
JAN 20/09

BRI



757

PARTS CATALOG (MAINTENANCE)

FIG ITEM	PART NUMBER	1 2 3 4 5 6 7	NOMENCLATURE	EFFECT FROM TO	UNITS PER ASSY
1B 60	285T0366-19		..PRINTED CIRCUIT ASSY- CONT MUX SUPPLIER CODE: V89954 COMPONENT MAINT MANUAL REF: 27-41-56 QUALIFIED OPTIONAL DATA: OPT 285T0366-17, -19, -37 USED WITH ASSOCIATED ITEMS USED ON: 285T0015-114	101102	1
60	285T0366-37		..PRINTED CIRCUIT ASSY- CONT MUX SUPPLIER CODE: V89954 COMPONENT MAINT MANUAL REF: 27-41-56 QUALIFIED OPTIONAL DATA: OPT 285T0366-17, -19, -37 USED WITH ASSOCIATED ITEMS USED ON: 285T0015-114	101102	1
65	285T0367-17		..PRINTED CIRCUIT ASSY- SUPPLIER CODE: V89954 COMPONENT MAINT MANUAL REF: 27-41-57 QUALIFIED OPTIONAL DATA: OPT 285T0367-17, -19, -34, -38, -39, -40, -41, -42 USED WITH ASSOCIATED ITEMS USED ON: 285T0015-116	101102	1
65	285T0367-19		..PRINTED CIRCUIT ASSY- SUPPLIER CODE: V89954 COMPONENT MAINT MANUAL REF: 27-41-57 QUALIFIED OPTIONAL DATA: OPT 285T0367-17, -19, -34, -38, -39, -40, -41, -42 USED WITH ASSOCIATED ITEMS USED ON: 285T0015-116	101102	1

MISSING ITEM NUMBERS NOT APPLICABLE

- ITEM NOT ILLUSTRATED

22-24-01-01B

22-24-01
FIG. 01B
PAGE 20
JAN 20/09

BRI



757

PARTS CATALOG (MAINTENANCE)

FIG ITEM	PART NUMBER	1 2 3 4 5 6 7	NOMENCLATURE	EFFECT FROM TO	UNITS PER ASSY
1B 65	285T0367-34		..PRINTED CIRCUIT ASSY- SUPPLIER CODE: V89954 COMPONENT MAINT MANUAL REF: 27-41-57 QUALIFIED OPTIONAL DATA: OPT 285T0367-17, -19, -34, -38, -39, -40, -41, -42 USED WITH ASSOCIATED ITEMS USED ON: 285T0015-116	101102	1
65	285T0367-38		..PRINTED CIRCUIT ASSY- SUPPLIER CODE: V89954 COMPONENT MAINT MANUAL REF: 27-41-57 QUALIFIED OPTIONAL DATA: OPT 285T0367-17, -19, -34, -38, -39, -40, -41, -42 USED WITH ASSOCIATED ITEMS USED ON: 285T0015-116	101102	1
65	285T0367-39		..PRINTED CIRCUIT ASSY- SUPPLIER CODE: V89954 COMPONENT MAINT MANUAL REF: 27-41-57 QUALIFIED OPTIONAL DATA: OPT 285T0367-17, -19, -34, -38, -39, -40, -41, -42 USED WITH ASSOCIATED ITEMS USED ON: 285T0015-116	101102	1
65	285T0367-40		..PRINTED CIRCUIT ASSY- SUPPLIER CODE: V89954 COMPONENT MAINT MANUAL REF: 27-41-57 QUALIFIED OPTIONAL DATA: OPT 285T0367-17, -19, -34, -38, -39, -40, -41, -42 USED WITH ASSOCIATED ITEMS USED ON: 285T0015-116	101102	1

MISSING ITEM NUMBERS NOT APPLICABLE

- ITEM NOT ILLUSTRATED

22-24-01-01B

22-24-01
FIG. 01B
PAGE 21
JAN 20/09

BRI



757

PARTS CATALOG (MAINTENANCE)

FIG ITEM	PART NUMBER	1 2 3 4 5 6 7	NOMENCLATURE	EFFECT FROM TO	UNITS PER ASSY
1B 65	285T0367-41		..PRINTED CIRCUIT ASSY- SUPPLIER CODE: V89954 COMPONENT MAINT MANUAL REF: 27-41-57 QUALIFIED OPTIONAL DATA: OPT 285T0367-17, -19, -34, -38, -39, -40, -41, -42 USED WITH ASSOCIATED ITEMS USED ON: 285T0015-116	101102	1
65	285T0367-42		..PRINTED CIRCUIT ASSY- SUPPLIER CODE: V89954 COMPONENT MAINT MANUAL REF: 27-41-57 QUALIFIED OPTIONAL DATA: OPT 285T0367-17, -19, -34, -38, -39, -40, -41, -42 USED WITH ASSOCIATED ITEMS USED ON: 285T0015-116	101102	1
65	285T0367-17		..PRINTED CIRCUIT ASSY- SUPPLIER CODE: V89954 COMPONENT MAINT MANUAL REF: 27-41-57 OPTIONAL PART: 285T0367-19 V89954 285T0367-34 V89954 USED ON: 285T0015-107 285T0015-113 285T0015-117	101102	1

MISSING ITEM NUMBERS NOT APPLICABLE

- ITEM NOT ILLUSTRATED

22-24-01-01B

22-24-01
FIG. 01B
PAGE 22
JAN 20/09

BRI

BOEING PROPRIETARY - Copyright © - Unpublished Work - See title page for details.



757

PARTS CATALOG (MAINTENANCE)

FIG ITEM	PART NUMBER	1 2 3 4 5 6 7	NOMENCLATURE	EFFECT FROM TO	UNITS PER ASSY
1B 65	285T0367-19		..PRINTED CIRCUIT ASSY- SUPPLIER CODE: V89954 COMPONENT MAINT MANUAL REF: 27-41-57 OPTIONAL PART: 285T0367-17 V89954 285T0367-34 V89954 USED ON: 285T0015-107 285T0015-113 285T0015-117	101102	1
65	285T0367-34		..PRINTED CIRCUIT ASSY- SUPPLIER CODE: V89954 COMPONENT MAINT MANUAL REF: 27-41-57 OPTIONAL PART: 285T0367-17 V89954 285T0367-19 V89954 USED ON: 285T0015-107 285T0015-113 285T0015-117	101102	1
65	285T0367-17		..PRINTED CIRCUIT ASSY- SUPPLIER CODE: V89954 COMPONENT MAINT MANUAL REF: 27-41-57 QUALIFIED OPTIONAL DATA: OPT 285T0367-17, -19, -34, -38 USED WITH ASSOCIATED ITEMS USED ON: 285T0015-114	101102	1

MISSING ITEM NUMBERS NOT APPLICABLE

- ITEM NOT ILLUSTRATED

BRI

22-24-01-01B

BOEING PROPRIETARY - Copyright © - Unpublished Work - See title page for details.

22-24-01
FIG. 01B
PAGE 23
JAN 20/09



757

PARTS CATALOG (MAINTENANCE)

FIG ITEM	PART NUMBER	1 2 3 4 5 6 7	NOMENCLATURE	EFFECT FROM TO	UNITS PER ASSY
1B 65	285T0367-19	..	PRINTED CIRCUIT ASSY- SUPPLIER CODE: V89954 COMPONENT MAINT MANUAL REF: 27-41-57 QUALIFIED OPTIONAL DATA: OPT 285T0367-17, -19, -34, -38 USED WITH ASSOCIATED ITEMS USED ON: 285T0015-114	101102	1
65	285T0367-34	..	PRINTED CIRCUIT ASSY- SUPPLIER CODE: V89954 COMPONENT MAINT MANUAL REF: 27-41-57 QUALIFIED OPTIONAL DATA: OPT 285T0367-17, -19, -34, -38 USED WITH ASSOCIATED ITEMS USED ON: 285T0015-114	101102	1
65	285T0367-38	..	PRINTED CIRCUIT ASSY- SUPPLIER CODE: V89954 COMPONENT MAINT MANUAL REF: 27-41-57 QUALIFIED OPTIONAL DATA: OPT 285T0367-17, -19, -34, -38 USED WITH ASSOCIATED ITEMS USED ON: 285T0015-114	101102	1
65	285T0367-38	..	PRINTED CIRCUIT ASSY- SUPPLIER CODE: V89954 COMPONENT MAINT MANUAL REF: 27-41-57 USED ON: 285T0015-107 285T0015-113 285T0015-117	101102	1

MISSING ITEM NUMBERS NOT APPLICABLE

- ITEM NOT ILLUSTRATED

22-24-01-01B

22-24-01
FIG. 01B
PAGE 24
JAN 20/09

BRI



757

PARTS CATALOG (MAINTENANCE)

FIG ITEM	PART NUMBER	1 2 3 4 5 6 7	NOMENCLATURE	EFFECT FROM TO	UNITS PER ASSY
1B					
70	285T0368-47	..	PRINTED CIRCUIT ASSY-CONT SUPPLIER CODE: V89954 COMPONENT MAINT MANUAL REF: 27-41-58 QUALIFIED OPTIONAL DATA: OPT 285T0368-47, -58, -60, -61 USED WITH ASSOCIATED ITEMS USED ON: 285T0015-116	101102	1
70	285T0368-58	..	PRINTED CIRCUIT ASSY-CONT SUPPLIER CODE: V89954 COMPONENT MAINT MANUAL REF: 27-41-58 QUALIFIED OPTIONAL DATA: OPT 285T0368-47, -58, -60, -61 USED WITH ASSOCIATED ITEMS USED ON: 285T0015-116	101102	1
70	285T0368-60	..	PRINTED CIRCUIT ASSY-CONT SUPPLIER CODE: V89954 COMPONENT MAINT MANUAL REF: 27-41-58 QUALIFIED OPTIONAL DATA: OPT 285T0368-47, -58, -60, -61 USED WITH ASSOCIATED ITEMS USED ON: 285T0015-116	101102	1
70	285T0368-61	..	PRINTED CIRCUIT ASSY-CONT SUPPLIER CODE: V89954 COMPONENT MAINT MANUAL REF: 27-41-58 QUALIFIED OPTIONAL DATA: OPT 285T0368-47, -58, -60, -61 USED WITH ASSOCIATED ITEMS USED ON: 285T0015-116	101102	1

MISSING ITEM NUMBERS NOT APPLICABLE

- ITEM NOT ILLUSTRATED

22-24-01-01B

22-24-01
FIG. 01B
PAGE 25
JAN 20/09

BRI

BOEING PROPRIETARY - Copyright © - Unpublished Work - See title page for details.



757

PARTS CATALOG (MAINTENANCE)

FIG ITEM	PART NUMBER	1 2 3 4 5 6 7	NOMENCLATURE	EFFECT FROM TO	UNITS PER ASSY
1B 70	285T0368-23		..PRINTED CIRCUIT ASSY-CONT SUPPLIER CODE: V89954 COMPONENT MAINT MANUAL REF: 27-41-58 OPTIONAL PART: 285T0368-24 V89954 285T0368-29 V89954 USED ON: 285T0015-107	101102	1
70	285T0368-24		..PRINTED CIRCUIT ASSY-CONT SUPPLIER CODE: V89954 COMPONENT MAINT MANUAL REF: 27-41-58 OPTIONAL PART: 285T0368-23 V89954 285T0368-29 V89954 USED ON: 285T0015-107	101102	1
70	285T0368-29		..PRINTED CIRCUIT ASSY-CONT SUPPLIER CODE: V89954 COMPONENT MAINT MANUAL REF: 27-41-58 OPTIONAL PART: 285T0368-23 V89954 285T0368-24 V89954 USED ON: 285T0015-107	101102	1
70	285T0368-39		..PRINTED CIRCUIT ASSY-CONT SUPPLIER CODE: V89954 COMPONENT MAINT MANUAL REF: 27-41-58 USED ON: 285T0015-113	101102	1

MISSING ITEM NUMBERS NOT APPLICABLE

- ITEM NOT ILLUSTRATED

BRI

22-24-01-01B

BOEING PROPRIETARY - Copyright © - Unpublished Work - See title page for details.

22-24-01
FIG. 01B
PAGE 26
JAN 20/09



757

PARTS CATALOG (MAINTENANCE)

FIG ITEM	PART NUMBER	1 2 3 4 5 6 7	NOMENCLATURE	EFFECT FROM TO	UNITS PER ASSY
1B					
70	285T0368-39	..	PRINTED CIRCUIT ASSY-CONT SUPPLIER CODE: V89954 COMPONENT MAINT MANUAL REF: 27-41-58 QUALIFIED OPTIONAL DATA: OPT 285T0368-39, -44, -55, -57 USED WITH ASSOCIATED USED ON: 285T0015-114	101102	1
70	285T0368-44	..	PRINTED CIRCUIT ASSY-CONT SUPPLIER CODE: V89954 COMPONENT MAINT MANUAL REF: 27-41-58 QUALIFIED OPTIONAL DATA: OPT 285T0368-39, -44, -55, -57 USED WITH ASSOCIATED USED ON: 285T0015-114	101102	1
70	285T0368-55	..	PRINTED CIRCUIT ASSY-CONT SUPPLIER CODE: V89954 COMPONENT MAINT MANUAL REF: 27-41-58 QUALIFIED OPTIONAL DATA: OPT 285T0368-39, -44, -55, -57 USED WITH ASSOCIATED USED ON: 285T0015-114	101102	1
70	285T0368-57	..	PRINTED CIRCUIT ASSY-CONT SUPPLIER CODE: V89954 COMPONENT MAINT MANUAL REF: 27-41-58 QUALIFIED OPTIONAL DATA: OPT 285T0368-39, -44, -55, -57 USED WITH ASSOCIATED USED ON: 285T0015-114	101102	1

MISSING ITEM NUMBERS NOT APPLICABLE

- ITEM NOT ILLUSTRATED

22-24-01-01B

22-24-01
FIG. 01B
PAGE 27
JAN 20/09

BRI

BOEING PROPRIETARY - Copyright © - Unpublished Work - See title page for details.



757

PARTS CATALOG (MAINTENANCE)

FIG ITEM	PART NUMBER	1 2 3 4 5 6 7	NOMENCLATURE	EFFECT FROM TO	UNITS PER ASSY
1B 75	285T0455-11		..PRINTED CIRCUIT ASSY-SAM RELAY CARD SUPPLIER CODE: V89954 COMPONENT MAINT MANUAL REF: 27-41-59 QUALIFIED OPTIONAL DATA: OPT 285T0455-5, -7, -11 USED WITH ASSOCIATED USED ON: 285T0015-116	101102	1
75	285T0455-5		..PRINTED CIRCUIT ASSY-SAM RELAY CARD SUPPLIER CODE: V89954 COMPONENT MAINT MANUAL REF: 27-41-59 QUALIFIED OPTIONAL DATA: OPT 285T0455-5, -7, -11 USED WITH ASSOCIATED USED ON: 285T0015-116	101102	1
75	285T0455-7		..PRINTED CIRCUIT ASSY-SAM RELAY CARD SUPPLIER CODE: V89954 COMPONENT MAINT MANUAL REF: 27-41-59 QUALIFIED OPTIONAL DATA: OPT 285T0455-5, -7, -11 USED WITH ASSOCIATED USED ON: 285T0015-116	101102	1
75	285T0455-11		..PRINTED CIRCUIT ASSY-SAM RELAY CARD SUPPLIER CODE: V89954 COMPONENT MAINT MANUAL REF: 27-41-59 QUALIFIED OPTIONAL DATA: OPT 285T0455-5, -7, -11 USED WITH ASSOCIATED USED ON: 285T0015-114	101102	1

MISSING ITEM NUMBERS NOT APPLICABLE

- ITEM NOT ILLUSTRATED

22-24-01-01B

22-24-01
FIG. 01B
PAGE 28
JAN 20/09

BRI



757

PARTS CATALOG (MAINTENANCE)

FIG ITEM	PART NUMBER	1 2 3 4 5 6 7	NOMENCLATURE	EFFECT FROM TO	UNITS PER ASSY
1B 75	285T0455-5		..PRINTED CIRCUIT ASSY-SAM RELAY CARD SUPPLIER CODE: V89954 COMPONENT MAINT MANUAL REF: 27-41-59 QUALIFIED OPTIONAL DATA: OPT 285T0455-5, -7, -11 USED WITH ASSOCIATED USED ON: 285T0015-114	101102	1
75	285T0455-7		..PRINTED CIRCUIT ASSY-SAM RELAY CARD SUPPLIER CODE: V89954 COMPONENT MAINT MANUAL REF: 27-41-59 QUALIFIED OPTIONAL DATA: OPT 285T0455-5, -7, -11 USED WITH ASSOCIATED USED ON: 285T0015-114	101102	1
75	285T0455-5		..PRINTED CIRCUIT ASSY-SAM RELAY CARD SUPPLIER CODE: V89954 COMPONENT MAINT MANUAL REF: 27-41-59 OPTIONAL PART: 285T0455-7 V89954 285T0455-11 V89954 USED ON: 285T0015-107 285T0015-113	101102	1

MISSING ITEM NUMBERS NOT APPLICABLE

- ITEM NOT ILLUSTRATED

22-24-01-01B

22-24-01
FIG. 01B
PAGE 29
JAN 20/09

BRI



757

PARTS CATALOG (MAINTENANCE)

FIG ITEM	PART NUMBER	1 2 3 4 5 6 7	NOMENCLATURE	EFFECT FROM TO	UNITS PER ASSY
1B 75	285T0455-7		..PRINTED CIRCUIT ASSY-SAM RELAY CARD SUPPLIER CODE: V89954 COMPONENT MAINT MANUAL REF: 27-41-59 OPTIONAL PART: 285T0455-5 V89954 285T0455-11 V89954 USED ON: 285T0015-107 285T0015-113	101102	1
75	285T0455-11		..PRINTED CIRCUIT ASSY-SAM RELAY CARD SUPPLIER CODE: V89954 COMPONENT MAINT MANUAL REF: 27-41-59 OPTIONAL PART: 285T0455-5 V89954 285T0455-7 V89954 USED ON: 285T0015-107 285T0015-113	101102	1
76	BAC27TEX1957		...DECAL- SUPPLIER CODE: V89954 PLACARD CONTENT: STAB TRIM	101102	1
77	71-2RA		...EXTRACTOR- SUPPLIER CODE: V18915	101102	1
78	71-2LA		...EXTRACTOR- SUPPLIER CODE: V18915	101102	1
80	285T0461-5		..FUSE ASSY-SAM MODULE SUPPLIER CODE: V89954 COMPONENT MAINT MANUAL REF: 27-41-60 QUALIFIED OPTIONAL DATA: OPT 285T0461-8 USED WITH ASSOCIATED USED ON: 285T0015-116	101102	1

MISSING ITEM NUMBERS NOT APPLICABLE

- ITEM NOT ILLUSTRATED

22-24-01-01B

22-24-01
FIG. 01B
PAGE 30
JAN 20/09

BRI

BOEING PROPRIETARY - Copyright © - Unpublished Work - See title page for details.



757

PARTS CATALOG (MAINTENANCE)

FIG ITEM	PART NUMBER	1 2 3 4 5 6 7	NOMENCLATURE	EFFECT FROM TO	UNITS PER ASSY
1B 80	285T0461-8		.. FUSE ASSY-SAM MODULE SUPPLIER CODE: V89954 COMPONENT MAINT MANUAL REF: 27-41-60 QUALIFIED OPTIONAL DATA: OPT 285T0461-5 USED WITH ASSOCIATED USED ON: 285T0015-116	101102	1
80	285T0461-5		.. FUSE ASSY-SAM MODULE SUPPLIER CODE: V89954 COMPONENT MAINT MANUAL REF: 27-41-60 USED ON: 285T0015-107 285T0015-113	101102	1
80	285T0461-5		.. FUSE ASSY-SAM MODULE SUPPLIER CODE: V89954 COMPONENT MAINT MANUAL REF: 27-41-60 QUALIFIED OPTIONAL DATA: OPT 285T0461-8 USED WITH ASSOCIATED USED ON: 285T0015-114	101102	1
80	285T0461-8		.. FUSE ASSY-SAM MODULE SUPPLIER CODE: V89954 COMPONENT MAINT MANUAL REF: 27-41-60 QUALIFIED OPTIONAL DATA: OPT 285T0461-5 USED WITH ASSOCIATED USED ON: 285T0015-114	101102	1
85	285T0461-6		.. FUSE ASSY-SAM MODULE SUPPLIER CODE: V89954 COMPONENT MAINT MANUAL REF: 27-41-60 QUALIFIED OPTIONAL DATA: OPT 285T0461-9 USED WITH ASSOCIATED USED ON: 285T0015-116	101102	1

MISSING ITEM NUMBERS NOT APPLICABLE

- ITEM NOT ILLUSTRATED

22-24-01-01B

22-24-01
FIG. 01B
PAGE 31
JAN 20/09

BRI



757

PARTS CATALOG (MAINTENANCE)

FIG ITEM	PART NUMBER	1 2 3 4 5 6 7	NOMENCLATURE	EFFECT FROM TO	UNITS PER ASSY
1B 85	285T0461-9	..	FUSE ASSY-SAM MODULE SUPPLIER CODE: V89954 COMPONENT MAINT MANUAL REF: 27-41-60 QUALIFIED OPTIONAL DATA: OPT 285T0461-6 USED WITH ASSOCIATED USED ON: 285T0015-116	101102	1
85	285T0461-6	..	FUSE ASSY-SAM MODULE SUPPLIER CODE: V89954 COMPONENT MAINT MANUAL REF: 27-41-60 USED ON: 285T0015-107 285T0015-113	101102	1
85	285T0461-6	..	FUSE ASSY-SAM MODULE SUPPLIER CODE: V89954 COMPONENT MAINT MANUAL REF: 27-41-60 QUALIFIED OPTIONAL DATA: OPT 285T0461-9 USED WITH ASSOCIATED USED ON: 285T0015-114	101102	1
85	285T0461-9	..	FUSE ASSY-SAM MODULE SUPPLIER CODE: V89954 COMPONENT MAINT MANUAL REF: 27-41-60 QUALIFIED OPTIONAL DATA: OPT 285T0461-6 USED WITH ASSOCIATED USED ON: 285T0015-114	101102	1
- 90	CTSS20-20	..	CONTACT- SUPPLIER CODE: V11139 SPECIFICATION NUMBER: 280-30001-31 OPTIONAL PART: 316-2020-192 V55104 M39029-22-192	101102	20

MISSING ITEM NUMBERS NOT APPLICABLE

- ITEM NOT ILLUSTRATED

22-24-01-01B

22-24-01
FIG. 01B
PAGE 32
JAN 20/09

BRI



757

PARTS CATALOG (MAINTENANCE)

FIG ITEM	PART NUMBER	1 2 3 4 5 6 7	NOMENCLATURE	EFFECT FROM TO	UNITS PER ASSY
1B					
- 90	M39029-22-192	..	CONTACT- OPTIONAL PART: CTSS20-20 V11139 316-2020-192 V55104	101102	20
- 90	316-2020-192	..	CONTACT- SUPPLIER CODE: V55104 OPTIONAL PART: CTSS20-20 V11139 M39029-22-192	101102	20
100	285T0260-24	..	ENCLOSURE ASSY- SUPPLIER CODE: V89954 COMPONENT MAINT MANUAL REF: 24-09-04 USED ON: 285T0015-107	101102	1
100	285T0260-33	..	ENCLOSURE ASSY- SUPPLIER CODE: V89954 COMPONENT MAINT MANUAL REF: 24-09-04 USED ON: 285T0015-113 285T0015-117	101102	1
100	285T0260-34	..	ENCLOSURE ASSY- SUPPLIER CODE: V89954 COMPONENT MAINT MANUAL REF: 24-09-04 QUALIFIED OPTIONAL DATA: OPT 285T0260-39 USED WITH ASSOCIATED ITEMS USED ON: 285T0015-114	101102	1
100	285T0260-39	..	ENCLOSURE ASSY- SUPPLIER CODE: V89954 COMPONENT MAINT MANUAL REF: 24-09-04 QUALIFIED OPTIONAL DATA: OPT 285T0260-34 USED WITH ASSOCIATED ITEMS USED ON: 285T0015-114	101102	1

MISSING ITEM NUMBERS NOT APPLICABLE

- ITEM NOT ILLUSTRATED

22-24-01-01B

22-24-01
FIG. 01B
PAGE 33
JAN 20/09

BRI

BOEING PROPRIETARY - Copyright © - Unpublished Work - See title page for details.



757

PARTS CATALOG (MAINTENANCE)

FIG ITEM	PART NUMBER	1 2 3 4 5 6 7	NOMENCLATURE	EFFECT FROM TO	UNITS PER ASSY
1B 100	285T0260-34		.. ENCLOSURE ASSY- SUPPLIER CODE: V89954 COMPONENT MAINT MANUAL REF: 24-09-04 QUALIFIED OPTIONAL DATA: OPT 285T0260-39 USED WITH ASSOCIATED ITEMS USED ON: 285T0015-116	101102	1
100	285T0260-39		.. ENCLOSURE ASSY- SUPPLIER CODE: V89954 COMPONENT MAINT MANUAL REF: 24-09-04 QUALIFIED OPTIONAL DATA: OPT 285T0260-34 USED WITH ASSOCIATED ITEMS USED ON: 285T0015-116	101102	1
- 400	286N1165-318		WIRE BUNDLE ASSY	101102	RF
410	BACC66H21C1901		.CONNECTOR- ELECTRICAL EQUIP NUMBER: M00525 WIRING DIAGRAM REF: 222421	101102	1
- 420	286N1265-303		WIRE BUNDLE ASSY	101102	RF
430	BACC66H21C1901		.CONNECTOR- ELECTRICAL EQUIP NUMBER: D00705 WIRING DIAGRAM REF: 222411	101102	1

MISSING ITEM NUMBERS NOT APPLICABLE

- ITEM NOT ILLUSTRATED

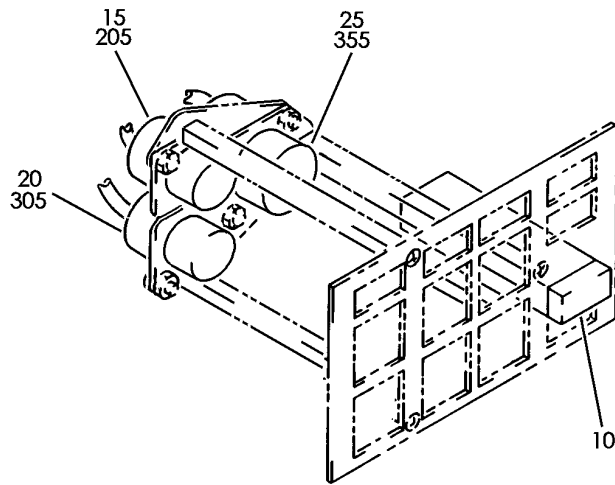
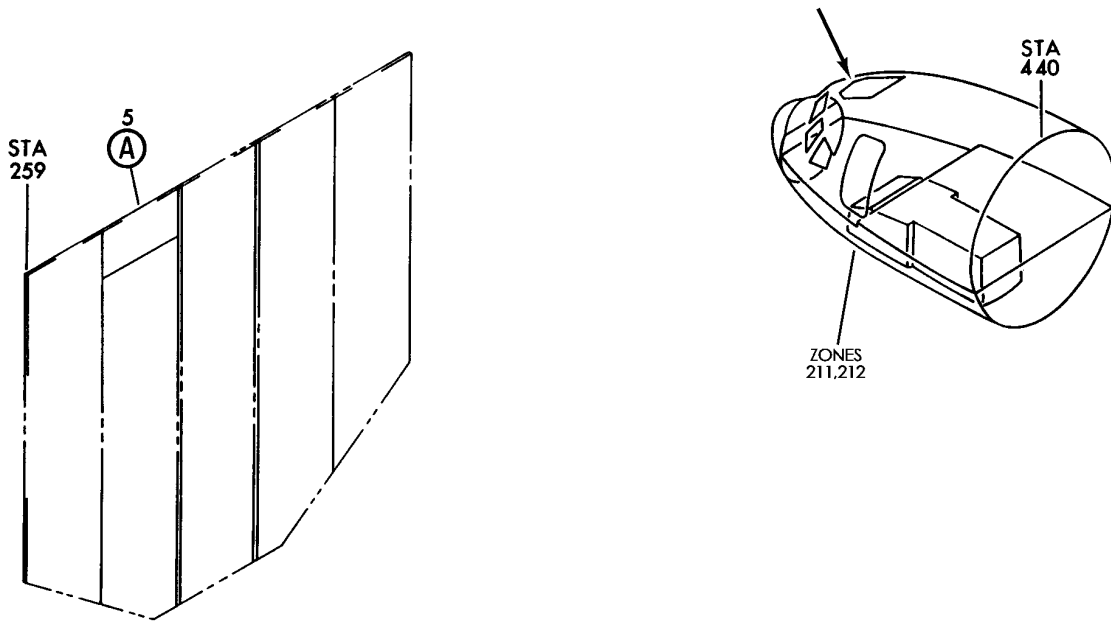
BRI

22-24-01-01B

BOEING PROPRIETARY - Copyright © - Unpublished Work - See title page for details.

22-24-01
FIG. 01B
PAGE 34
JAN 20/09

BOEING
757
PARTS CATALOG (MAINTENANCE)



(A)

Y 22245101 REV 219

PANEL INSTL-P5 OVHD (MACH TRIM/SPEED STABILITY SYSTEM ONLY)
FIGURE 1

22-24-51-01

BRI
MAY 28/07

22-24-51-01
PAGE 0



757

PARTS CATALOG (MAINTENANCE)

FIG ITEM	PART NUMBER	1 2 3 4 5 6 7	NOMENCLATURE	EFFECT FROM TO	UNITS PER ASSY
1			PANEL INSTL-P5 OVHD (MACH TRIM/SPEED STABILITY SYSTEM ONLY)	002004 006100 107107 121503 904999	
- 1	233N3101-1		PANEL INSTL-P5 OVHD (MACH TRIM/SPEED STABILITY SYSTEM ONLY) VARIABLE DRAWING REF: 233N3101-5005 233N3101-5025 233N3101-5041 233N3101-5042 233N3101-5045 233N3101-5142 FOR NHA/OTHER SYS DET SEE: 25-10-00-05A	002004 006100 107107 121503 904949 952999	RF
- 1	233N3101-1		PANEL INSTL-P5 OVHD (MACH TRIM/SPEED STABILITY SYSTEM ONLY) FOR NHA/OTHER SYS DET SEE: 25-10-00-05A	950951	RF
5	233N3202-21		.PANEL ASSY-ANN. SUPPLIER CODE: V89954 MISCELLANEOUS DATA: FOR SPARES PROCURE DETAIL PARTS ELECTRICAL EQUIP NUMBER: M10394 COMPONENT MAINT MANUAL REF: 33-16-71	002004 006100	RF
5	233N3202-10		.PANEL ASSY-ANN. SUPPLIER CODE: V89954 ELECTRICAL EQUIP NUMBER: M10394 COMPONENT MAINT MANUAL REF: 33-16-71	950951	RF
5	233N3202-15		.PANEL ASSY-ANN. SUPPLIER CODE: V89954 NOT APPROVED FOR ETOPS. ELECTRICAL EQUIP NUMBER: M10394 COMPONENT MAINT MANUAL REF: 33-16-71	950951	RF

MISSING ITEM NUMBERS NOT APPLICABLE

- ITEM NOT ILLUSTRATED

22-24-51-01

22-24-51
FIG. 01
PAGE 1
JAN 20/09

BRI



757

PARTS CATALOG (MAINTENANCE)

FIG ITEM	PART NUMBER	1 2 3 4 5 6 7	NOMENCLATURE	EFFECT FROM TO	UNITS PER ASSY
1	5 233N3202-17		.PANEL ASSY-ANN. SUPPLIER CODE: V89954 MISCELLANEOUS DATA: FOR SPARES PROCURE DETAIL PARTS ELECTRICAL EQUIP NUMBER: M10394 COMPONENT MAINT MANUAL REF: 33-16-71	121503 904949 952999	RF
	5 233N3202-17		.PANEL ASSY-ANN. (CUSTOMER FURNISHED) SUPPLIER CODE: V89954 MISCELLANEOUS DATA: FOR SPARES PROCURE DETAIL PARTS ELECTRICAL EQUIP NUMBER: M10394 COMPONENT MAINT MANUAL REF: 33-16-71 POST SERVICE BULLETIN: 24-0048	107107	RF
	10 BCREf6143		..LIGHT ASSY-MACH SPEED TRIM IND SUPPLIER CODE: V81590 OVERLENGTH PART NUMBER: 434-674-1005-1067 SPECIFICATION NUMBER: S231T300-1067 OPTIONAL PART: BCREF8917 V81590 FOR DETAILS SEE: 33-14-70-02	002004 006100 107107 121503 904999	1
	10 BCREf8917		..LIGHT ASSY-MACH SPEED TRIM IND SUPPLIER CODE: V81590 OVERLENGTH PART NUMBER: 434-674-1031-2067 SPECIFICATION NUMBER: S231T300-2067 OPTIONAL PART: BCREF6143 V81590 FOR DETAILS SEE: 33-14-70-02	002004 006100 107107 121503 904999	1

MISSING ITEM NUMBERS NOT APPLICABLE

- ITEM NOT ILLUSTRATED

22-24-51-01

22-24-51
FIG. 01
PAGE 2
JAN 20/09

BRI



757

PARTS CATALOG (MAINTENANCE)

FIG ITEM	PART NUMBER	1 2 3 4 5 6 7	NOMENCLATURE	EFFECT FROM TO	UNITS PER ASSY
1					
15	BACC45FN14-12P7	..	CONNECTOR	002004 006100 107107 121503 904999	1
20	BACC45FN14-12P9	..	CONNECTOR	002004 006100 107107 121503 904999	1
25	BACC45FN20-41P8	..	CONNECTOR	002004 006100 107107 121503 904999	1
- 30	MS51957-14	..	ATTACHING PARTS SCREW	002004 006100 107107 121503 904999	6
- 35	K19798-04	..	NUT SUPPLIER CODE: V15653 SPECIFICATION NUMBER: BACN10NW1 OPTIONAL PART: RMA4812-160-40 V72962 293162 V60119 -----*-----	002004 006100 107107 121503 904999	6
- 200	286N2064-003		WIRE BUNDLE ASSY	121503 904949	RF
- 200	286N2064-004		WIRE BUNDLE ASSY-	107107	RF
- 200	286N2064-005		WIRE BUNDLE ASSY- REWORKED BY SB: 33-0039	002004 006100 950999	RF
205	BACC45FT14D12S7	. .	CONNECTOR- ELECTRICAL EQUIP NUMBER: D03564 WIRING DIAGRAM REF: 303111	002004 006100 107107 121503 904999	1
- 300	286N2156-003		WIRE BUNDLE ASSY-	121503 904949	RF
- 300	286N2156-004		WIRE BUNDLE ASSY	107107	RF
- 300	286N2156-005		WIRE BUNDLE ASSY-	002004 006100 950999	RF

MISSING ITEM NUMBERS NOT APPLICABLE

- ITEM NOT ILLUSTRATED

22-24-51-01

22-24-51
FIG. 01
PAGE 3
JAN 20/09

BRI



757

PARTS CATALOG (MAINTENANCE)

FIG ITEM	PART NUMBER	1 2 3 4 5 6 7	NOMENCLATURE	EFFECT FROM TO	UNITS PER ASSY
1 305	BACC45FT14D12S9		.CONNECTOR- ELECTRICAL EQUIP NUMBER: D03562 WIRING DIAGRAM REF: 276112	002004 006100 107107 121503 904999	1
- 350	286N2072-003		WIRE BUNDLE ASSY	121503 904949	RF
- 350	286N2072-004		WIRE BUNDLE ASSY-	107107	RF
- 350	286N2072-005		WIRE BUNDLE ASSY- REWORKED BY SB: 33-0039	002004 006100 950999	RF
355	BACC45FT20D41S8		.CONNECTOR- ELECTRICAL EQUIP NUMBER: D03566 WIRING DIAGRAM REF: 527111	002004 006100 107107 121503 904999	1

MISSING ITEM NUMBERS NOT APPLICABLE

- ITEM NOT ILLUSTRATED

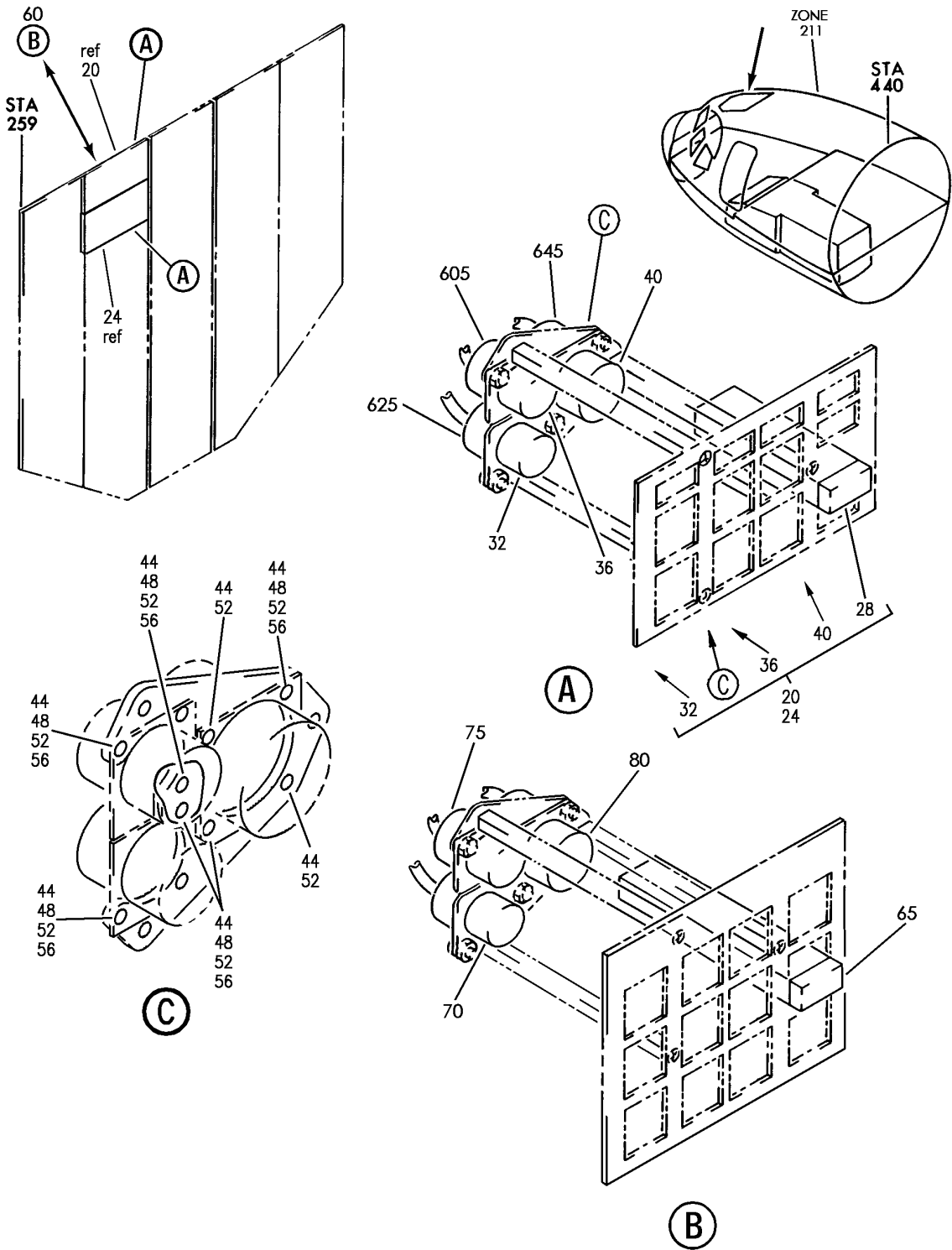
BRI

22-24-51-01

BOEING PROPRIETARY - Copyright © - Unpublished Work - See title page for details.

22-24-51
FIG. 01
PAGE 4
JAN 20/09

BOEING
757
PARTS CATALOG (MAINTENANCE)



Y 22245102 REV 259

PANEL INSTL-P5 OVHD (MACH TRIM/SPEED STABILITY SYSTEM ONLY)
FIGURE 2

22-24-51-02

BRI
MAY 28/07

22-24-51-02
PAGE 0



757

PARTS CATALOG (MAINTENANCE)

FIG ITEM	PART NUMBER	1 2 3 4 5 6 7	NOMENCLATURE	EFFECT FROM TO	UNITS PER ASSY
2			PANEL INSTL-P5 OVHD (MACH TRIM/SPEED STABILITY SYSTEM ONLY)	101106 108120 504903	
- 3	233N3103-132		PANEL INSTL-P5 OVHD (MACH TRIM/SPEED STABILITY SYSTEM ONLY) FOR NHA/OTHER SYS DET SEE: 25-10-00-15E	101102	RF
- 3	233N3103-136		PANEL INSTL-P5 OVHD (MACH TRIM/SPEED STABILITY SYSTEM ONLY) FOR NHA/OTHER SYS DET SEE: 25-10-00-15E	504903	RF
- 6	233N3103-59		PANEL INSTL-P5 OVHD (MACH TRIM/SPEED STABILITY SYSTEM ONLY) FOR NHA/OTHER SYS DET SEE: 25-10-00-15E	108120	RF
- 10	MODREF170180		PANEL INSTL-P5 OVHD (MACH TRIM/SPEED STABILITY SYSTEM ONLY) MODULE NUMBER: 233N3103-353 REV B FOR OTHER SYS DETAILS SEE: 11-31-10-12 21-25-55-03 21-31-01-02 21-33-51-03 21-51-54-03 21-58-19-10 21-58-51-03 21-61-04-03 21-65-51-01 22-21-01-04 23-24-01-01 23-32-00-11 23-42-02-02 23-71-05-02 24-11-52-05 24-22-01-03 24-31-01-10 24-31-03-09 24-33-04-01 24-41-51-04 24-51-62-01 26-18-51-04 27-21-53-02 27-41-55-01 27-61-51-03	106106	1

MISSING ITEM NUMBERS NOT APPLICABLE

- ITEM NOT ILLUSTRATED

22-24-51-02

22-24-51
FIG. 02
PAGE 1
JAN 20/09

BRI



757

PARTS CATALOG (MAINTENANCE)

FIG ITEM	PART NUMBER	1 2 3 4 5 6 7 NOMENCLATURE	EFFECT FROM TO	UNITS PER ASSY
2		27-62-52-02 28-22-51-02 28-41-04-01 28-41-51-03 29-11-02-03 29-11-05-04 29-11-52-07 29-21-54-03 29-31-00-01 29-32-51-03 29-33-52-03 30-11-51-03 30-21-51-03 30-31-51-02 30-32-51-01 30-33-51-02 30-41-51-03 30-42-51-03 31-12-11-84 31-12-11-84 A 32-42-52-03 33-11-03-03 33-11-51-17 33-13-01-65 33-13-02-03 33-16-51-03 33-24-51-02 33-41-52-04 33-42-01-04 33-42-02-04 33-42-52-04 33-43-51-04 33-44-51-05 33-45-53-03 33-51-08-05 34-21-02-01 35-21-51-04 36-11-04-01 36-21-00-01 36-21-02-05 36-22-51-03 49-41-00-02 49-52-00-01 49-70-00-01 52-51-51-03 52-71-51-02 73-21-52-02 74-31-51-05 75-32-00-01		

MISSING ITEM NUMBERS NOT APPLICABLE

- ITEM NOT ILLUSTRATED

22-24-51-02

22-24-51
FIG. 02
PAGE 2
JAN 20/09

BRI



757

PARTS CATALOG (MAINTENANCE)

FIG ITEM	PART NUMBER	1 2 3 4 5 6 7	NOMENCLATURE	EFFECT FROM TO	UNITS PER ASSY
2					
- 10	MODREF33760		80-11-09-02 PANEL INSTL-P5 OVHD (MACH TRIM/SPEED STABILITY SYSTEM ONLY) MODULE NUMBER: 233N3103-351 REV C FOR OTHER SYS DETAILS SEE: 11-31-10-12 21-25-55-03 21-31-01-02 21-33-51-03 21-51-54-03 21-58-19-10 21-58-51-03 21-61-04-03 21-65-51-01 22-21-01-04 23-32-00-11 23-42-02-02 23-71-05-02 24-11-52-05 24-22-01-03 24-31-01-10 24-31-03-09 24-33-04-01 24-41-51-04 24-51-62-01 26-18-51-04 27-21-53-02 27-41-55-01 27-61-51-03 27-62-52-02 28-22-51-02 28-41-04-01 28-41-51-03 29-11-02-03 29-11-05-04 29-11-52-07 29-21-54-03 29-31-00-01 29-32-51-03 29-33-52-03 30-11-51-03 30-21-51-03 30-31-51-02 30-32-51-01 30-33-51-02 30-41-51-03 30-42-51-03	103103	1

MISSING ITEM NUMBERS NOT APPLICABLE

- ITEM NOT ILLUSTRATED

BRI

22-24-51-02

BOEING PROPRIETARY - Copyright © - Unpublished Work - See title page for details.

22-24-51
FIG. 02
PAGE 3
JAN 20/09



757

PARTS CATALOG (MAINTENANCE)

FIG ITEM	PART NUMBER	1 2 3 4 5 6 7	NOMENCLATURE	EFFECT FROM TO	UNITS PER ASSY
2			31-12-11-91 31-12-11-91A 32-42-52-03 33-11-03-03 33-11-51-17 33-13-01-65 33-13-02-03 33-16-51-03 33-24-51-02 33-41-52-04 33-42-01-04 33-42-02-04 33-42-52-04 33-43-51-04 33-44-51-05 33-45-53-03 33-51-08-05 34-21-02-01 35-21-51-04 36-11-04-01 36-21-00-01 36-21-02-05 36-22-51-03 49-41-00-02 49-52-00-01 49-70-00-01 52-51-51-03 52-71-51-02 73-21-52-02 74-31-51-05 75-32-00-01 80-11-09-02		
- 10	MODREF34038		PANEL INSTL-P5 OVHD (MACH TRIM/SPEED STABILITY SYSTEM ONLY) MODULE NUMBER: 233N3103-351 REV D FOR OTHER SYS DETAILS SEE: 11-31-10-12 21-25-55-03 21-31-01-02 21-33-51-03 21-51-54-03 21-58-19-10 21-58-51-03 21-61-04-03 21-65-51-01 22-21-01-04 23-32-00-11	104105	1
MISSING ITEM NUMBERS NOT APPLICABLE					

- ITEM NOT ILLUSTRATED

22-24-51-02

22-24-51
 FIG. 02
 PAGE 4
 JAN 20/09

BRI



757

PARTS CATALOG (MAINTENANCE)

FIG ITEM	PART NUMBER	1 2 3 4 5 6 7	NOMENCLATURE	EFFECT FROM TO	UNITS PER ASSY
2			23-42-02-02 23-71-05-02 24-11-52-05 24-22-01-03 24-31-01-10 24-31-03-09 24-33-04-01 24-41-51-04 24-51-62-01 26-18-51-04 27-21-53-02 27-41-55-01 27-61-51-03 27-62-52-02 28-22-51-02 28-41-04-01 28-41-51-03 29-11-02-03 29-11-05-04 29-11-52-07 29-21-54-03 29-31-00-01 29-32-51-03 29-33-52-03 30-11-51-03 30-21-51-03 30-31-51-02 30-32-51-01 30-33-51-02 30-41-51-03 30-42-51-03 31-12-11-91 31-12-11-91 A 32-42-52-03 33-11-03-03 33-11-51-17 33-13-01-65 33-13-02-03 33-16-51-03 33-24-51-02 33-41-52-04 33-42-01-04 33-42-02-04 33-42-52-04 33-43-51-04 33-44-51-05 33-45-53-03 33-51-08-05 34-21-02-01		

MISSING ITEM NUMBERS NOT APPLICABLE

- ITEM NOT ILLUSTRATED

BRI

22-24-51-02

BOEING PROPRIETARY - Copyright © - Unpublished Work - See title page for details.

22-24-51
FIG. 02
PAGE 5
JAN 20/09



757

PARTS CATALOG (MAINTENANCE)

FIG ITEM	PART NUMBER	1 2 3 4 5 6 7	NOMENCLATURE	EFFECT FROM TO	UNITS PER ASSY
2			35-21-51-04 36-11-04-01 36-21-00-01 36-21-02-05 36-22-51-03 49-41-00-02 49-52-00-01 49-70-00-01 52-51-51-03 52-71-51-02 73-21-52-02 74-31-51-05 75-32-00-01 80-11-09-02		
20	233N3202-15		.PANEL ASSY-ANN. LIGHTS SUPPLIER CODE: V89954 NOT APPROVED FOR ETOPS. ELECTRICAL EQUIP NUMBER: M10394 COMPONENT MAINT MANUAL REF: 33-16-71	504903	RF
20	233N3202-17		.PANEL ASSY-ANN. LIGHTS SUPPLIER CODE: V89954 ELECTRICAL EQUIP NUMBER: M10394 COMPONENT MAINT MANUAL REF: 33-16-71	101105 108120	RF
28	BCREF6143		..LIGHT ASSY-MACH SPEED TRIM IND SUPPLIER CODE: V81590 OVERLENGTH PART NUMBER: 434-674-1005-1067 SPECIFICATION NUMBER: S231T300-1067 OPTIONAL PART: BCREF8917 V81590 FOR DETAILS SEE: 33-14-70-02	101105 108120 504903	1

MISSING ITEM NUMBERS NOT APPLICABLE

- ITEM NOT ILLUSTRATED

BRI

22-24-51-02

BOEING PROPRIETARY - Copyright © - Unpublished Work - See title page for details.

22-24-51
FIG. 02
PAGE 6
JAN 20/09

 **BOEING**
757
PARTS CATALOG (MAINTENANCE)

FIG ITEM	PART NUMBER	1 2 3 4 5 6 7	NOMENCLATURE	EFFECT FROM TO	UNITS PER ASSY
2					
28	BCREF8917		..LIGHT ASSY-MACH SPEED TRIM IND SUPPLIER CODE: V81590 OVERLENGTH PART NUMBER: 434-674-1031-2067 SPECIFICATION NUMBER: S231T300-2067 OPTIONAL PART: BCREF6143 V81590 FOR DETAILS SEE: 33-14-70-02	101105 108120 504903	1
32	BACC45FN14-12P9		..CONNECTOR	101105 108120 504903	1
36	BACC45FN14-12P7		..CONNECTOR	101105 108120 504903	1
40	BACC45FN20-41P8		..CONNECTOR	101105 108120 504903	1
44	BACS12CB04-5		ATTACHING PARTS ..SCREW	101105 108120 504903	8
52	K19798-04		..NUT SUPPLIER CODE: V15653 SPECIFICATION NUMBER: BACN10NW1 OPTIONAL PART: RMA4812-160-40 V72962 293162 V60119 -----*-----	101105 108120 504903	8
60	233N3202-82		.PANEL ASSY-ANN. LIGHTS SUPPLIER CODE: V89954 ELECTRICAL EQUIP NUMBER: M10394 COMPONENT MAINT MANUAL REF: 33-16-71	106106	RF

MISSING ITEM NUMBERS NOT APPLICABLE

— ITEM NOT ILLUSTRATED

BRI

22-24-51-02

BOEING PROPRIETARY - Copyright © - Unpublished Work - See title page for details.

22-24-51
FIG. 02
PAGE 7
JAN 20/09

 **BOEING**
757
PARTS CATALOG (MAINTENANCE)

FIG ITEM	PART NUMBER	1 2 3 4 5 6 7	NOMENCLATURE	EFFECT FROM TO	UNITS PER ASSY
2					
65	BCREF8917		..LIGHT ASSY-MACH SPEED TRIM IND SUPPLIER CODE: V81590 OVERLENGTH PART NUMBER: 434-674-1031-2067 SPECIFICATION NUMBER: S231T300-2067 FOR DETAILS SEE: 33-14-70-02	106106	1
65	BCREF6143		..LIGHT ASSY-MACH SPEED TRIM IND SUPPLIER CODE: V81590 OVERLENGTH PART NUMBER: 434-674-1005-1067 SPECIFICATION NUMBER: S231T300-1067 FOR DETAILS SEE: 33-14-70-02	106106	1
70	BACC45FN14-15P		..CONNECTOR	106106	1
75	BACC45FN14-15P6		..CONNECTOR	106106	1
80	BACC45FN20-41P8		..CONNECTOR	106106	1
			ATTACHING PARTS		
- 85	BACS12HN04-5		..SCREW	106106	6
- 90	K19798-04		..NUT SUPPLIER CODE: V15653 SPECIFICATION NUMBER: BACN10NW1 OPTIONAL PART: RMA4812-160-40 V72962 293162 V60119	106106	6
			-----*-----		
- 601	286N2064-341		WIRE BUNDLE ASSY	504903	RF
- 601	286N2064-342		WIRE BUNDLE ASSY	101102	RF
- 601	286N2064-343		WIRE BUNDLE ASSY	108120	RF
- 602	286N2064-701		WIRE BUNDLE ASSY	103106	RF
605	BACC45FT14D12S7		.CONNECTOR- ELECTRICAL EQUIP NUMBER: D03564 WIRING DIAGRAM REF: 303111	101102 108120 504903	1

MISSING ITEM NUMBERS NOT APPLICABLE

- ITEM NOT ILLUSTRATED

BRI

22-24-51-02

BOEING PROPRIETARY - Copyright © - Unpublished Work - See title page for details.

22-24-51
FIG. 02
PAGE 8
JAN 20/09



757

PARTS CATALOG (MAINTENANCE)

FIG ITEM	PART NUMBER	1 2 3 4 5 6 7	NOMENCLATURE	EFFECT FROM TO	UNITS PER ASSY
2 605	BACC45FT14D15S6		.CONNECTOR- ELECTRICAL EQUIP NUMBER: D03564 WIRING DIAGRAM REF: 303111	103106	1
- 621	286N2156-326		WIRE BUNDLE ASSY	101102	RF
- 621	286N2156-331		WIRE BUNDLE ASSY	504903	RF
- 622	286N2156-335		WIRE BUNDLE ASSY-	108120	RF
- 622	286N2156-601		WIRE BUNDLE ASSY	103106	RF
625	BACC45FT14D12S9		.CONNECTOR- ELECTRICAL EQUIP NUMBER: D03562 WIRING DIAGRAM REF: 276112	101102 108120 504903	1
625	BACC45FT14D15S		.CONNECTOR- ELECTRICAL EQUIP NUMBER: D03562 WIRING DIAGRAM REF: 276112	103106	1
- 641	286N2072-343		WIRE BUNDLE ASSY	101102	RF
- 641	286N2072-345		WIRE BUNDLE ASSY	504903	RF
- 642	286N2072-355		WIRE BUNDLE ASSY-	108120	RF
- 643	286N2072-701		WIRE BUNDLE ASSY	103106	RF
645	BACC45FT20D41S8		.CONNECTOR- ELECTRICAL EQUIP NUMBER: D03566 WIRING DIAGRAM REF: 527111	101106 108120 504903	1

MISSING ITEM NUMBERS NOT APPLICABLE

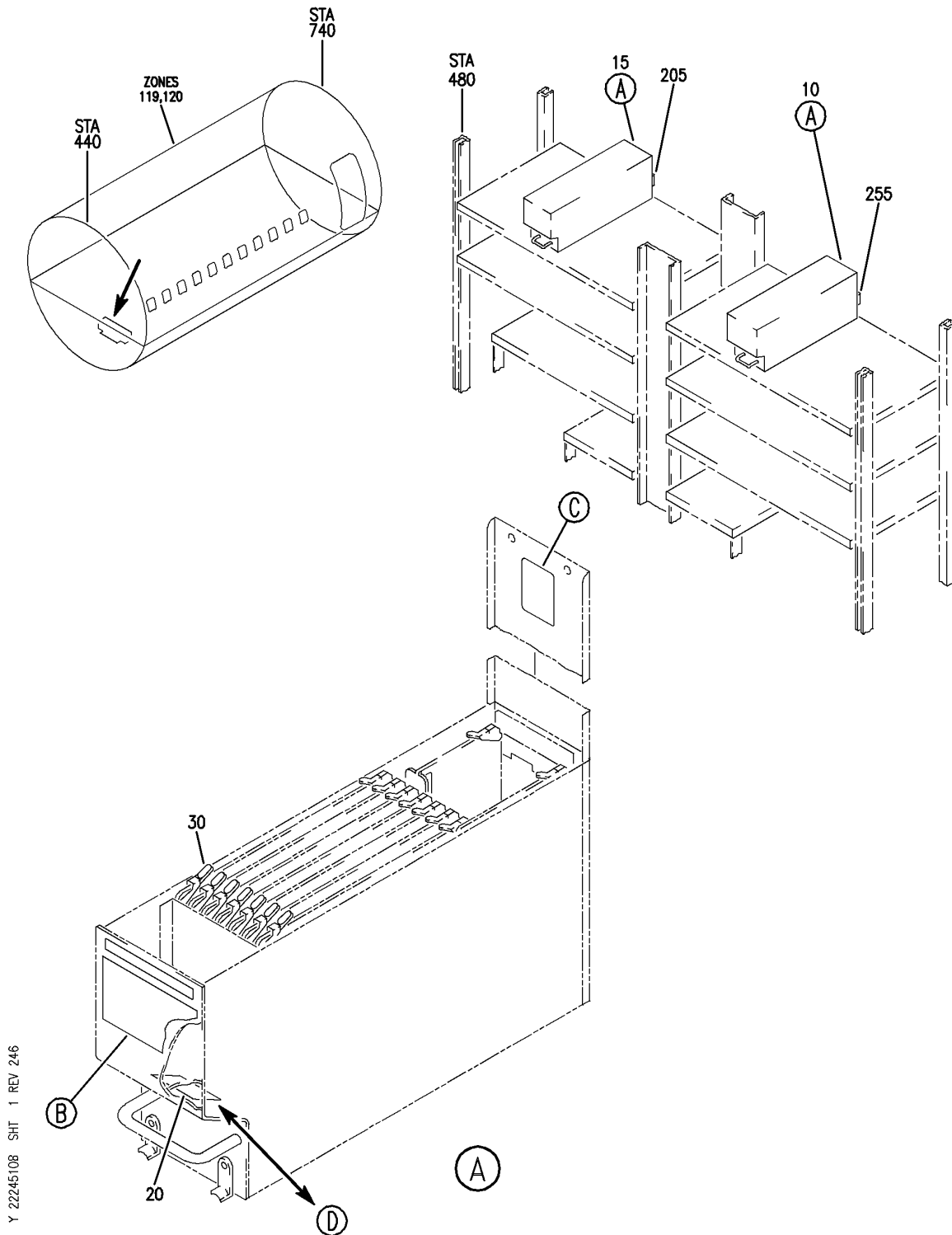
- ITEM NOT ILLUSTRATED

22-24-51-02

22-24-51
FIG. 02
PAGE 9
JAN 20/09

BRI

BOEING
757
PARTS CATALOG (MAINTENANCE)



Y 22245108 SHT 1 REV 246

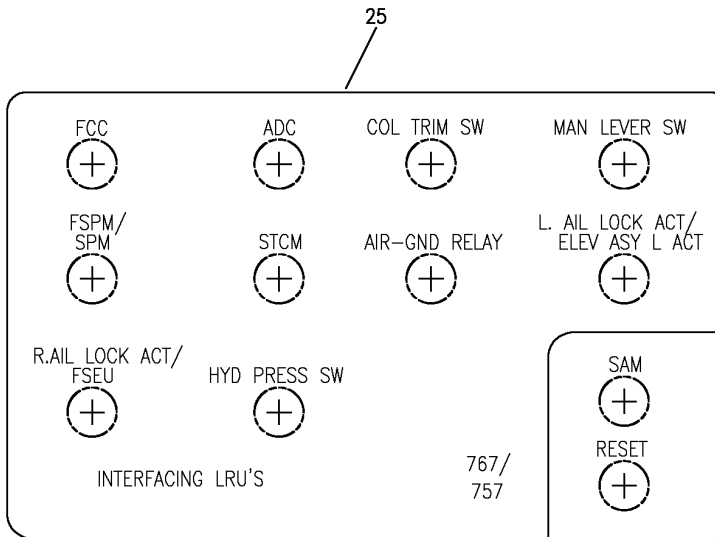
EQUIPMENT INSTL-MAIN ELECTRONICS EQPT CTR (MACH TRIM/SPEED STABILITY SYSTEM ONLY)
FIGURE 8 (SHEET 1)

BRI
JAN 20/09

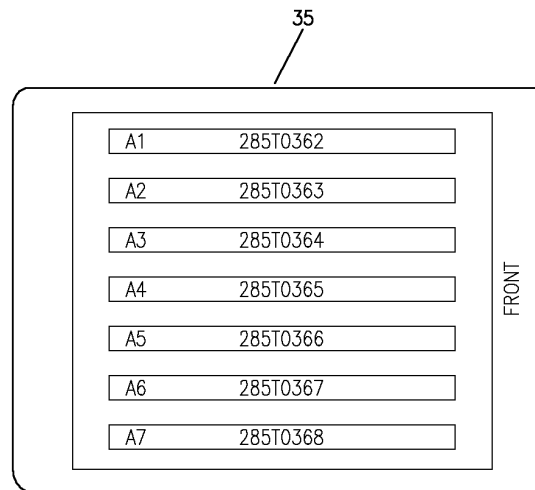
22-24-51-08

22-24-51-08
PAGE 0

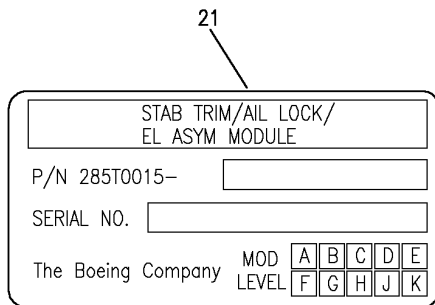
BOEING
757
PARTS CATALOG (MAINTENANCE)



ⓑ



Ⓒ



Ⓓ

Y 22245108 SHT 2 REV 246

EQUIPMENT INSTL-MAIN ELECTRONICS EQPT CTR (MACH TRIM/SPEED STABILITY SYSTEM ONLY)
FIGURE 8 (SHEET 2)

22-24-51-08

BRI
JAN 20/09

22-24-51-08
PAGE 0A



757

PARTS CATALOG (MAINTENANCE)

FIG ITEM	PART NUMBER	1 2 3 4 5 6 7	NOMENCLATURE	EFFECT FROM TO	UNITS PER ASSY
8			EQUIPMENT INSTL-MAIN ELECTRONICS EQPT CTR (MACH TRIM/SPEED STABILITY SYSTEM ONLY)	103106 108120	
- 1	284N4000-220003		EQUIPMENT INSTL-MAIN ELECTRONICS EQPT CTR (MACH TRIM/SPEED STABILITY SYSTEM ONLY) FOR NHA/ADDITIONAL DET SEE: 24-00-58-05A	106106 108120	RF
- 5	284N4000-220004		EQUIPMENT INSTL-MAIN ELECTRONICS EQPT CTR (MACH TRIM/SPEED STABILITY SYSTEM ONLY) FOR NHA/ADDITIONAL DET SEE: 24-00-58-05A	106106 108120	RF
10	285T0015-116		.MODULE ASSY- SUPPLIER CODE: V89954 ELECTRICAL EQUIP NUMBER: M00524 COMPONENT MAINT MANUAL REF: 27-41-51 USED ON: 284N4000-220003 MODREF9642	103106 108120	1
15	285T0015-116		.MODULE ASSY- SUPPLIER CODE: V89954 ELECTRICAL EQUIP NUMBER: M00525 COMPONENT MAINT MANUAL REF: 27-41-51 USED ON: 284N4000-220004 MODREF9643	103106 108120	1
20	BAC27TEX2118		..DECAL- SUPPLIER CODE: V89954 OPTIONAL PART: BAC27TEX4486 V89954	103106 108120	1
21	BAC27TEX4486		..DECAL- SUPPLIER CODE: V89954 OPTIONAL PART: BAC27TEX2118 V89954	103106 108120	1

MISSING ITEM NUMBERS NOT APPLICABLE

- ITEM NOT ILLUSTRATED

22-24-51-08

22-24-51
FIG. 08
PAGE 1
JAN 20/09

BRI



757

PARTS CATALOG (MAINTENANCE)

FIG ITEM	PART NUMBER	1 2 3 4 5 6 7	NOMENCLATURE	EFFECT FROM TO	UNITS PER ASSY
8					
25	BAC27TEX3441	..	DECAL- SUPPLIER CODE: V89954	103106 108120	1
30	BAC27TEX1957	..	DECAL- SUPPLIER CODE: V89954 PLACARD CONTENT: STAB TRIM	103106 108120	1
35	BAC27TEX2109	..	DECAL- SUPPLIER CODE: V89954	103106 108120	1
- 60	285T0367-17	..	PRINTED CIRCUIT ASSY- SUPPLIER CODE: V89954 COMPONENT MAINT MANUAL REF: 27-41-57 OPTIONAL PART: 285T0367-19 V89954 285T0367-34 V89954 285T0367-38 V89954	103106 108120	1
- 60	285T0367-19	..	PRINTED CIRCUIT ASSY- SUPPLIER CODE: V89954 COMPONENT MAINT MANUAL REF: 27-41-57 OPTIONAL PART: 285T0367-34 V89954 285T0367-38 V89954 285T0367-17 V89954	103106 108120	1
- 60	285T0367-34	..	PRINTED CIRCUIT ASSY- SUPPLIER CODE: V89954 COMPONENT MAINT MANUAL REF: 27-41-57 OPTIONAL PART: 285T0367-17 V89954 285T0367-19 V89954 285T0367-38 V89954	103106 108120	1

MISSING ITEM NUMBERS NOT APPLICABLE

- ITEM NOT ILLUSTRATED

22-24-51-08

22-24-51
FIG. 08
PAGE 2
JAN 20/09

BRI



757

PARTS CATALOG (MAINTENANCE)

FIG ITEM	PART NUMBER	1 2 3 4 5 6 7	NOMENCLATURE	EFFECT FROM TO	UNITS PER ASSY
8					
- 60	285T0367-38		..PRINTED CIRCUIT ASSY- SUPPLIER CODE: V89954 COMPONENT MAINT MANUAL REF: 27-41-57 OPTIONAL PART: 285T0367-17 V89954 285T0367-19 V89954 285T0367-34 V89954	103106 108120	1
- 200	286N1165-320		WIRE BUNDLE ASSY	108120	RF
205	BACC66H21C1901		.CONNECTOR- ELECTRICAL EQUIP NUMBER: D00675 WIRING DIAGRAM REF: 222421	108120	1
- 250	286N1265-328		WIRE BUNDLE ASSY	108120	RF
255	BACC66H21C1901		.CONNECTOR- ELECTRICAL EQUIP NUMBER: D00705 WIRING DIAGRAM REF: 222411	108120	1

MISSING ITEM NUMBERS NOT APPLICABLE

- ITEM NOT ILLUSTRATED

BRI

22-24-51-08

BOEING PROPRIETARY - Copyright © - Unpublished Work - See title page for details.

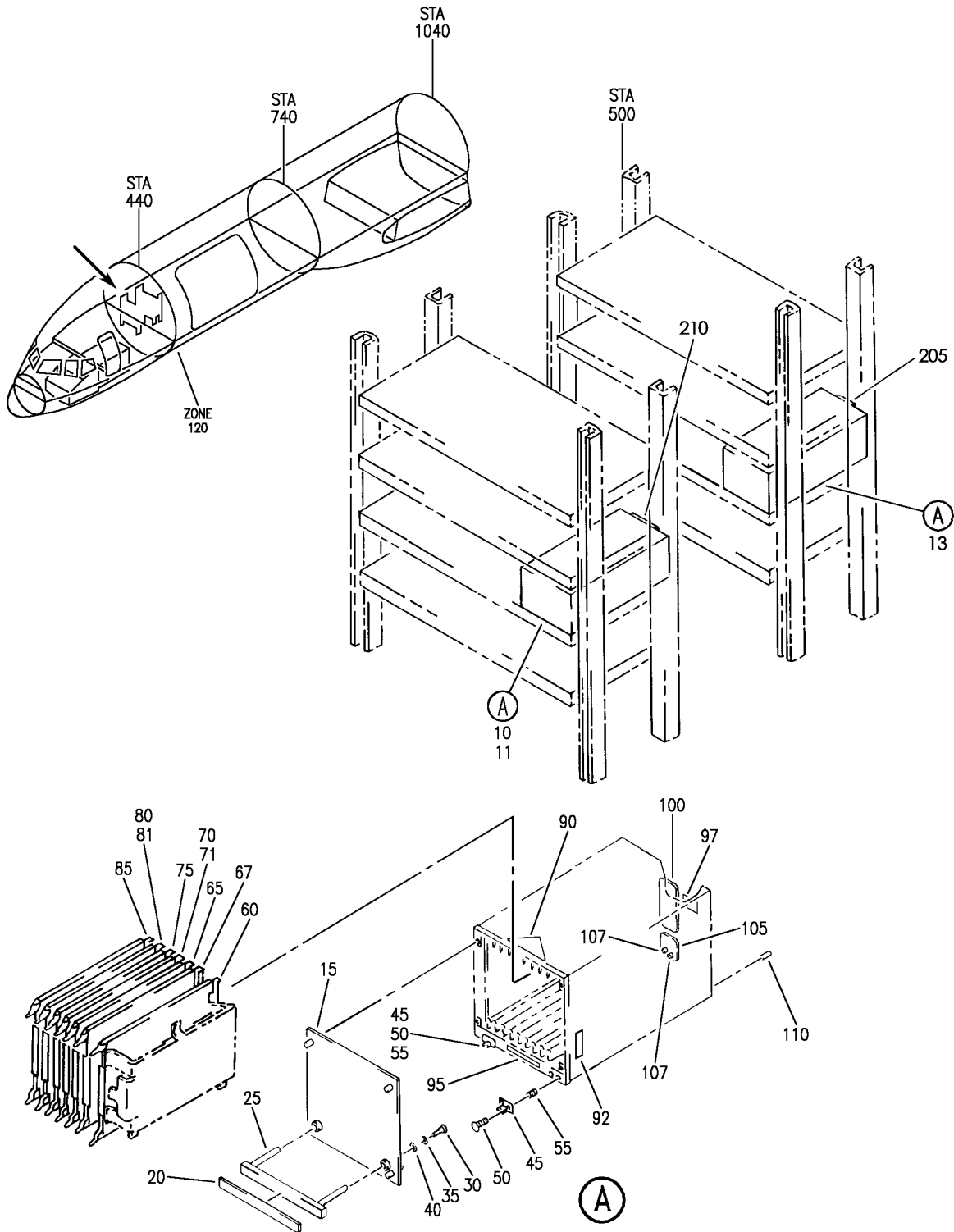
22-24-51
FIG. 08
PAGE 3
JAN 20/09

THRUST MANAGEMENT POWER

BRI
MAY 28/07

22-31-00
SECTION TITLE
PAGE 1

BOEING
757
PARTS CATALOG (MAINTENANCE)



Y 22310101 REV 277

EQUIPMENT INSTL-MAIN ELECTRONICS EQPT CTR (THRUST MANAGEMENT POWER ONLY)
FIGURE 1

22-31-01-01

BRI
MAY 28/07

22-31-01-01
PAGE 0



757

PARTS CATALOG (MAINTENANCE)

FIG ITEM	PART NUMBER	1 2 3 4 5 6 7	NOMENCLATURE	EFFECT FROM TO	UNITS PER ASSY
1			EQUIPMENT INSTL-MAIN ELECTRONICS EQPT CTR (THRUST MANAGEMENT POWER ONLY)	002004 006100 107107 121999	
- 2	284N1307-33		EQUIPMENT INSTL-MAIN ELECTRONICS EQPT CTR (THRUST MANAGEMENT POWER ONLY) FOR NHA/OTHER SYS DET SEE: 24-00-58-01	107107	RF
- 2	284N1800-32		EQUIPMENT INSTL-MAIN ELECTRONICS EQPT CTR (THRUST MANAGEMENT POWER ONLY) FOR NHA/OTHER SYS DET SEE: 24-00-58-01	952999	RF
- 4	284N1800-16		EQUIPMENT INSTL-MAIN ELECTRONICS EQPT CTR (THRUST MANAGEMENT POWER ONLY) FOR NHA/OTHER SYS DET SEE: 24-00-58-01	121503 904949	RF
- 5	284N1800-34		EQUIPMENT INSTL-MAIN ELECTRONICS EQPT CTR (THRUST MANAGEMENT POWER ONLY) FOR NHA/OTHER SYS DET SEE: 24-00-58-01	002004 006100	RF
- 5	284N1800-38		EQUIPMENT INSTL-MAIN ELECTRONICS EQPT CTR (THRUST MANAGEMENT POWER ONLY) FOR NHA/OTHER SYS DET SEE: 24-00-58-01	950951	RF
- 8	284N1800-88		EQUIPMENT INSTL-MAIN ELECTRONICS EQPT CTR (THRUST MANAGEMENT POWER ONLY) FOR NHA/OTHER SYS DET SEE: 24-00-58-05E	505505	RF
- 9	284N1800-190		EQUIPMENT INSTL-MAIN ELECTRONICS EQPT CTR (THRUST MANAGEMENT POWER ONLY) FOR NHA/OTHER SYS DET SEE: 24-00-58-05E	504504 506903	RF

MISSING ITEM NUMBERS NOT APPLICABLE

- ITEM NOT ILLUSTRATED

22-31-01-01

22-31-01
FIG. 01
PAGE 1
JAN 20/09

BRI



757

PARTS CATALOG (MAINTENANCE)

FIG ITEM	PART NUMBER	1 2 3 4 5 6 7	NOMENCLATURE	EFFECT FROM TO	UNITS PER ASSY
1 10	948E414G2		.COMPUTER ASSY-THRUST MANAGEMENT SUPPLIER CODE: V89954 SPECIFICATION NUMBER: S241T200-1414 ELECTRICAL EQUIP NUMBER: M00183 COMPONENT MAINT MANUAL REF: 22-32-04 QUALIFIED I/W DATA: S241T200-1414 (948E414G2) CAN REPLACE S241T200-1416 (948E416G1) FOR RB211-535C, -535E4 OR -535E4B ENGINES ONLY. OTHERWISE, S241T200-1416 (948E416G1) MUST BE USED. POST ALERT SB: 22A0052 POST SERVICE BULLETIN: 757/TMS/948E414G1-22-04 V07482	002004 006100 121503 505505 904949 952952	1
R R R R R R R R R	10	948E410G2	.COMPUTER ASSY-THRUST MANAGEMENT SUPPLIER CODE: V89954 SPECIFICATION NUMBER: S241T200-1410 ELECTRICAL EQUIP NUMBER: M00183 POST ALERT SB: 22A0052	107107	1

MISSING ITEM NUMBERS NOT APPLICABLE

- ITEM NOT ILLUSTRATED

22-31-01-01

22-31-01
FIG. 01
PAGE 2
MAY 20/09

BRI



757

PARTS CATALOG (MAINTENANCE)

FIG ITEM	PART NUMBER	1 2 3 4 5 6 7	NOMENCLATURE	EFFECT FROM TO	UNITS PER ASSY
1 10	948E414G1		.COMPUTER ASSY-THRUST MANAGEMENT SUPPLIER CODE: V89954 SPECIFICATION NUMBER: S241T200-414 MISCELLANEOUS DATA: PREFERENCE/ACCEPTANCE OF ELECTRICAL EQUIP NUMBER: M00183 COMPONENT MAINT MANUAL REF: 22-32-04 QUALIFIED I/W DATA: 948E406G1 I/W 948E414G1 UNTIL ACTIVATION OF PIN SELECTABLE OPTIONS ON THE 948E414G1 AT WHICH TIME 948E414G1 MUST BE INSTALLED 948E412G2 I/W 948E414G1 UNTIL ACTIVATION OF PIN SELECTABLE OPTIONS ON THE 948E414G1 AT WHICH TIME 948E414G1 MUST BE INSTALLED PRE ALERT SB: 22A0052 PRE SERVICE BULLETIN: 757/TMS/948E414G1-22-04 V07482	002004 006100 904949	1
11	948E503G2		.COMPUTER ASSY-THRUST MANAGEMENT SUPPLIER CODE: V89954 SPECIFICATION NUMBER: S241T200-1503 ELECTRICAL EQUIP NUMBER: M00183 COMPONENT MAINT MANUAL REF: 22-32-05	002004 006100	1

MISSING ITEM NUMBERS NOT APPLICABLE

- ITEM NOT ILLUSTRATED

BRI

22-31-01-01

22-31-01
FIG. 01
PAGE 3
JAN 20/09



757

PARTS CATALOG (MAINTENANCE)

FIG ITEM	PART NUMBER	1 2 3 4 5 6 7	NOMENCLATURE	EFFECT FROM TO	UNITS PER ASSY
1 11	948E416G1		.COMPUTER ASSY-THRUST MANAGEMENT SUPPLIER CODE: V89954 SPECIFICATION NUMBER: S241T200-1416 ELECTRICAL EQUIP NUMBER: M00183 COMPONENT MAINT MANUAL REF: 22-32-04 QUALIFIED I/W DATA: S241T200-1416 (948E416G1) CAN REPLACE S241T200-1418 (948E418G1) FOR RB211-535C, -535E4 OR -535E4B ENGINES ONLY. OTHERWISE, S241T200-1418 (948E418G1) MUST BE USED. S241T200-1414 (948E414G2) CAN REPLACE S241T200-1416 (948E416G1) FOR RB211-535C, -535E4 OR -535E4B ENGINES ONLY. OTHERWISE, S241T200-1416 (948E416G1) MUST BE USED. TMC OLDER THAN 948E416G1 (SUCH AS 948E414G2 FOR ONE) ARE NOT CERTIFIED FOR 757-300 POST AIRLINE MOD: TPCR 5-22-IPC-99-0121 VUPS	505505	1
11	S241T200-1412		.COMPUTER ASSY-THRUST MANAGEMENT COMPONENT MAINT MANUAL REF: 22-32-04 POST ALERT SB: 22A0052	002004 006100	1

MISSING ITEM NUMBERS NOT APPLICABLE

- ITEM NOT ILLUSTRATED

BRI

22-31-01-01

BOEING PROPRIETARY - Copyright © - Unpublished Work - See title page for details.

22-31-01
FIG. 01
PAGE 4
MAY 20/09



757

PARTS CATALOG (MAINTENANCE)

FIG ITEM	PART NUMBER	1 2 3 4 5 6 7	NOMENCLATURE	EFFECT FROM TO	UNITS PER ASSY
1	15 143D6139G2		.. COVER-FRONT SUPPLIER CODE: V89954 USED ON: 937E405G1 948E406G1 948E406G2 948E410G1 948E412G2 948E414G1 948E414G2 948E501G2 948E501G3 948E502G2 948E502G3 948E503G1 948E503G2	002004 006100 121503 904949 952952	1
	20 NP251286P1		.. PLATE-IDENT SUPPLIER CODE: V09172 USED ON: 937E405G1 948E406G1 948E406G2 948E410G1 948E412G2 948E414G1 948E414G2 948E501G2 948E501G3 948E502G2 948E502G3 948E503G1 948E503G2	002004 006100 121503 904949 952952	1

MISSING ITEM NUMBERS NOT APPLICABLE

- ITEM NOT ILLUSTRATED

BRI

22-31-01-01

BOEING PROPRIETARY - Copyright © - Unpublished Work - See title page for details.

22-31-01
FIG. 01
PAGE 5
JAN 20/09



757

PARTS CATALOG (MAINTENANCE)

FIG ITEM	PART NUMBER	1 2 3 4 5 6 7	NOMENCLATURE	EFFECT FROM TO	UNITS PER ASSY
1					
25	188C1109G1		.. HANDLE- SUPPLIER CODE: V89954 USED ON: 937E405G1 948E406G1 948E406G2 948E410G1 948E412G2 948E414G1 948E414G2 948E501G2 948E501G3 948E502G2 948E502G3 948E503G1 948E503G2 ATTACHING PARTS	002004 006100 121503 904949 952952	1
30	MS35206-245		.. SCREW	002004 006100 121503 904949 952952	2
35	MS35338-42		.. WASHER	002004 006100 121503 904949 952952	2
40	NAS620-8		.. WASHER	002004 006100 121503 904949 952952	2
45	178C4396P1		-----*----- .. HOOK-SPRT SUPPLIER CODE: V89954 ATTACHING PARTS	002004 006100 121503 904949 952952	2
50	MS24693S26		.. SCREW -----*-----	002004 006100 121503 904949 952952	4

MISSING ITEM NUMBERS NOT APPLICABLE

- ITEM NOT ILLUSTRATED

22-31-01-01

22-31-01
FIG. 01
PAGE 6
JAN 20/09

BRI

BOEING PROPRIETARY - Copyright © - Unpublished Work - See title page for details.



757

PARTS CATALOG (MAINTENANCE)

FIG ITEM	PART NUMBER	1 2 3 4 5 6 7	NOMENCLATURE	EFFECT FROM TO	UNITS PER ASSY
1					
55	MS21209C0615	..	INSERT	002004 006100 121503 904949 952952	4
60	937E439G1	..	MODULE-PWR SUPPLY ESDS SUPPLIER CODE: V89954 CONFIG CHG DATA FROM A CMM: REPLS 937E219G9 COMPONENT MAINT MANUAL REF: 22-32-09 USED ON: 948E414G1	002004 006100 904949	1
60	937E219G9	..	MODULE-PWR SUPPLY ESDS SUPPLIER CODE: V89954 CONFIG CHG DATA FROM A CMM: REPLD BY 937E439G1 COMPONENT MAINT MANUAL REF: 22-32-09 USED ON: 948E406G1 948E410G1 948E412G2 948E414G1 948E501G2 948E502G2 948E503G1	002004 006100 904949	1
60	937E219G11	..	MODULE-PWR SUPPLY ESDS SUPPLIER CODE: V89954 CONFIG CHG DATA FROM A CMM: REPLD BY 937E439G3 COMPONENT MAINT MANUAL REF: 22-32-09 USED ON: 948E406G2 948E414G2 948E501G3 948E502G3 948E503G2	002004 006100 904949 952952	1

MISSING ITEM NUMBERS NOT APPLICABLE

- ITEM NOT ILLUSTRATED

BRI

22-31-01-01

22-31-01
FIG. 01
PAGE 7
JAN 20/09



757

PARTS CATALOG (MAINTENANCE)

FIG ITEM	PART NUMBER	1 2 3 4 5 6 7	NOMENCLATURE	EFFECT FROM TO	UNITS PER ASSY
1 60	937E439G3		..MODULE-PWR SUPPLY ESDS SUPPLIER CODE: V89954 CONFIG CHG DATA FROM A CMM: REPLS 937E219G11 COMPONENT MAINT MANUAL REF: 22-32-09 USED ON: 948E406G2 948E414G2 948E501G3 948E502G3 948E503G2	002004 006100 904949 952952	1
65	937E213G5		..CARD ASSY-CKT, ANALOG I/O ESDS SUPPLIER CODE: V89954 CONFIG CHG DATA FROM A CMM: REPLD BY 937E213G7 COMPONENT MAINT MANUAL REF: 22-32-12 USED ON: 948E406G1 948E406G2 948E410G1 948E412G2 948E414G1 948E414G2 948E501G2 948E501G3 948E502G2 948E502G3 948E503G1 948E503G2	002004 006100 121503 904949 952952	1

MISSING ITEM NUMBERS NOT APPLICABLE

- ITEM NOT ILLUSTRATED

BRI

22-31-01-01

BOEING PROPRIETARY - Copyright © - Unpublished Work - See title page for details.

22-31-01
 FIG. 01
 PAGE 8
 JAN 20/09



757

PARTS CATALOG (MAINTENANCE)

FIG ITEM	PART NUMBER	1 2 3 4 5 6 7	NOMENCLATURE	EFFECT FROM TO	UNITS PER ASSY
1 65	937E213G7		..CARD ASSY-CKT, ANALOG I/O ESDS SUPPLIER CODE: V89954 CONFIG CHG DATA FROM A CMM: REPLS 937E213G5 COMPONENT MAINT MANUAL REF: 22-32-12 USED ON: 948E406G1 948E406G2 948E410G1 948E412G2 948E414G1 948E414G2 948E501G2 948E501G3 948E502G2 948E502G3 948E503G1 948E503G2	002004 006100 121503 904949 952952	1
67	937E212G6		..CARD ASSY-CKT, SYS INTFC, A2, ESDS SUPPLIER CODE: V89954 CONFIG CHG DATA FROM A CMM: REPLD BY 937E212G9 COMPONENT MAINT MANUAL REF: 22-31-10 USED ON: 937E405G1 948E406G1 948E406G2 948E410G1 948E412G2 948E414G1 948E414G2 948E501G2 948E501G3 948E502G2 948E502G3 948E503G1 948E503G2	002004 006100 121503 904949 952952	1

MISSING ITEM NUMBERS NOT APPLICABLE

- ITEM NOT ILLUSTRATED

BRI

22-31-01-01

BOEING PROPRIETARY - Copyright © - Unpublished Work - See title page for details.

22-31-01
 FIG. 01
 PAGE 9
 JAN 20/09



757

PARTS CATALOG (MAINTENANCE)

FIG ITEM	PART NUMBER	1 2 3 4 5 6 7	NOMENCLATURE	EFFECT FROM TO	UNITS PER ASSY
1 67	937E212G7		..CARD ASSY-CKT, SYS INTFC, A2, ESDS SUPPLIER CODE: V89954 CONFIG CHG DATA FROM A CMM: REPLD BY 937E212G9 COMPONENT MAINT MANUAL REF: 22-31-10 USED ON: 937E405G1 948E406G1 948E406G2 948E410G1 948E412G2 948E414G1 948E414G2 948E501G2 948E501G3 948E502G2 948E502G3 948E503G1 948E503G2	002004 006100 121503 904949 952952	1
67	937E212G8		..CARD ASSY-CKT, SYS INTFC, A2, ESDS SUPPLIER CODE: V89954 CONFIG CHG DATA FROM A CMM: REPLD BY 937E212G9 COMPONENT MAINT MANUAL REF: 22-31-10 USED ON: 937E405G1 948E406G1 948E406G2 948E410G1 948E412G2 948E414G1 948E414G2 948E501G2 948E501G3 948E502G2 948E502G3 948E503G1 948E503G2	002004 006100 121503 904949 952952	1

MISSING ITEM NUMBERS NOT APPLICABLE

- ITEM NOT ILLUSTRATED

BRI

22-31-01-01

BOEING PROPRIETARY - Copyright © - Unpublished Work - See title page for details.

22-31-01
 FIG. 01
 PAGE 10
 JAN 20/09



757

PARTS CATALOG (MAINTENANCE)

FIG ITEM	PART NUMBER	1 2 3 4 5 6 7	NOMENCLATURE	EFFECT FROM TO	UNITS PER ASSY
1 67	937E212G9		..CARD ASSY-CKT, SYS INTFC, A2, ESDS SUPPLIER CODE: V89954 CONFIG CHG DATA FROM A CMM: REPLS 937E212G4 REPLS 937E212G5 REPLS 937E212G6 REPLS 937E212G7 REPLS 937E212G8 REPLS 937E212G10 REPLS 937E212G11 COMPONENT MAINT MANUAL REF: 22-31-10 USED ON: 937E405G1 948E406G1 948E406G2 948E410G1 948E412G2 948E414G1 948E414G2 948E501G2 948E501G3 948E502G2 948E502G3 948E503G1 948E503G2	002004 006100 121503 904949 952952	1
67	937E212G10		..CARD ASSY-CKT, SYS INTFC, A2, ESDS SUPPLIER CODE: V89954 CONFIG CHG DATA FROM A CMM: REPLD BY 937E212G9 COMPONENT MAINT MANUAL REF: 22-31-10 USED ON: 937E405G1 948E406G1 948E406G2 948E410G1 948E412G2 948E414G1 948E414G2 948E501G2 948E501G3 948E503G1 948E503G2	002004 006100 121503 904949 952952	1

MISSING ITEM NUMBERS NOT APPLICABLE

- ITEM NOT ILLUSTRATED

22-31-01-01

22-31-01
 FIG. 01
 PAGE 11
 JAN 20/09

BRI



757

PARTS CATALOG (MAINTENANCE)

FIG ITEM	PART NUMBER	1 2 3 4 5 6 7	NOMENCLATURE	EFFECT FROM TO	UNITS PER ASSY
1 67	937E212G11		..CARD ASSY-CKT, SYS INTFC, A2, ESDS SUPPLIER CODE: V89954 CONFIG CHG DATA FROM A CMM: REPLD BY 937E212G9 COMPONENT MAINT MANUAL REF: 22-31-10 USED ON: 937E405G1 948E406G1 948E406G2 948E410G1 948E412G2 948E414G1 948E414G2 948E501G2 948E501G3 948E503G1 948E503G2	002004 006100 121503 904949 952952	1
70	937E214G34		..CARD ASSY-CKT, ARNIC 429 DITS ESDS SUPPLIER CODE: V89954 CONFIG CHG DATA FROM A CMM: REPLD BY 937E214G61 COMPONENT MAINT MANUAL REF: 22-31-07 USED ON: 948E503G1 948E503G2	002004 006100	1
70	937E214G36		..CARD ASSY-CKT, ARNIC 429 DITS ESDS SUPPLIER CODE: V89954 CONFIG CHG DATA FROM A CMM: REPLD BY 937E214G61 COMPONENT MAINT MANUAL REF: 22-31-07 USED ON: 948E503G1 948E503G2	002004 006100	1

MISSING ITEM NUMBERS NOT APPLICABLE

- ITEM NOT ILLUSTRATED

BRI

22-31-01-01

22-31-01
FIG. 01
PAGE 12
JAN 20/09



757

PARTS CATALOG (MAINTENANCE)

FIG ITEM	PART NUMBER	1 2 3 4 5 6 7	NOMENCLATURE	EFFECT FROM TO	UNITS PER ASSY
1 70	937E214G38		..CARD ASSY-CKT, ARNIC 429 DITS ESDS SUPPLIER CODE: V89954 CONFIG CHG DATA FROM A CMM: REPLD BY 937E214G61 COMPONENT MAINT MANUAL REF: 22-31-07 USED ON: 937E405G1 948E410G1 948E412G2 948E414G1 948E414G2 948E502G2 948E502G3 948E503G1 948E503G2	002004 006100 121503 904949 952952	1
70	937E214G40		..CARD ASSY-CKT, ARNIC 429 DITS ESDS SUPPLIER CODE: V89954 CONFIG CHG DATA FROM A CMM: REPLD BY 937E214G61 COMPONENT MAINT MANUAL REF: 22-31-07 USED ON: 937E405G1 948E410G1 948E412G2 948E414G1 948E414G2 948E502G2 948E502G3 948E503G1 948E503G2	002004 006100 121503 904949 952952	1

MISSING ITEM NUMBERS NOT APPLICABLE

- ITEM NOT ILLUSTRATED

BRI

22-31-01-01

BOEING PROPRIETARY - Copyright © - Unpublished Work - See title page for details.

22-31-01
FIG. 01
PAGE 13
JAN 20/09



757

PARTS CATALOG (MAINTENANCE)

FIG ITEM	PART NUMBER	1 2 3 4 5 6 7	NOMENCLATURE	EFFECT FROM TO	UNITS PER ASSY
1 70	937E214G46		..CARD ASSY-CKT, ARNIC 429 DITS ESDS SUPPLIER CODE: V89954 CONFIG CHG DATA FROM A CMM: REPLD BY 937E214G61 COMPONENT MAINT MANUAL REF: 22-31-07 USED ON: 937E405G1 948E410G1 948E412G2 948E414G1 948E414G2 948E502G2 948E502G3 948E503G1 948E503G2	002004 006100 121503 904949 952952	1
70	937E214G48		..CARD ASSY-CKT, ARNIC 429 DITS ESDS SUPPLIER CODE: V89954 CONFIG CHG DATA FROM A CMM: REPLD BY 937E214G61 COMPONENT MAINT MANUAL REF: 22-31-07 USED ON: 937E405G1 948E410G1 948E412G2 948E414G1 948E414G2 948E502G2 948E502G3 948E503G1 948E503G2	002004 006100 121503 904949 952952	1
70	937E214G58		..CARD ASSY-CKT, ARNIC 429 DITS ESDS SUPPLIER CODE: V89954 CONFIG CHG DATA FROM A CMM: REPLD BY 937E214G61 COMPONENT MAINT MANUAL REF: 22-31-07 USED ON: 948E503G1 948E503G2	002004 006100	1

MISSING ITEM NUMBERS NOT APPLICABLE

- ITEM NOT ILLUSTRATED

22-31-01-01

22-31-01
FIG. 01
PAGE 14
JAN 20/09

BRI



757

PARTS CATALOG (MAINTENANCE)

FIG ITEM	PART NUMBER	1 2 3 4 5 6 7	NOMENCLATURE	EFFECT FROM TO	UNITS PER ASSY
1 70	937E214G59		..CARD ASSY-CKT, ARNIC 429 DITS ESDS SUPPLIER CODE: V89954 CONFIG CHG DATA FROM A CMM: REPLD BY 937E214G61 COMPONENT MAINT MANUAL REF: 22-31-07 USED ON: 948E503G1 948E503G2	002004 006100	1
70	937E214G60		..CARD ASSY-CKT, ARNIC 429 DITS ESDS SUPPLIER CODE: V89954 CONFIG CHG DATA FROM A CMM: REPLD BY 937E214G61 COMPONENT MAINT MANUAL REF: 22-31-07 USED ON: 948E501G3 948E502G2 948E502G3 948E503G1 948E503G2	002004 006100 121503 904949 952952	1

MISSING ITEM NUMBERS NOT APPLICABLE

- ITEM NOT ILLUSTRATED

22-31-01-01

22-31-01
FIG. 01
PAGE 15
JAN 20/09

BRI



757

PARTS CATALOG (MAINTENANCE)

FIG ITEM	PART NUMBER	1 2 3 4 5 6 7	NOMENCLATURE	EFFECT FROM TO	UNITS PER ASSY
1 70	937E214G61		..CARD ASSY-CKT, ARNIC 429 DITS ESDS SUPPLIER CODE: V89954 CONFIG CHG DATA FROM A CMM: REPLS 937E214G26 REPLS 937E214G30 REPLS 937E214G32 REPLS 937E214G34 REPLS 937E214G36 REPLS 937E214G38 REPLS 937E214G40 REPLS 937E214G46 REPLS 937E214G48 REPLS 937E214G53 REPLS 937E214G55 REPLS 937E214G58 REPLS 937E214G60 REPLD BY 937E214G64 COMPONENT MAINT MANUAL REF: 22-31-07 USED ON: 937E405G1 948E406G1 948E406G2 948E410G1 948E412G2 948E414G1 948E414G2 948E501G2 948E501G3 948E502G2 948E502G3 948E503G1 948E503G2	002004 006100 121503 904949 952952	1

MISSING ITEM NUMBERS NOT APPLICABLE

- ITEM NOT ILLUSTRATED

BRI

22-31-01-01

BOEING PROPRIETARY - Copyright © - Unpublished Work - See title page for details.

22-31-01
FIG. 01
PAGE 16
JAN 20/09



757

PARTS CATALOG (MAINTENANCE)

FIG ITEM	PART NUMBER	1 2 3 4 5 6 7	NOMENCLATURE	EFFECT FROM TO	UNITS PER ASSY
1	70 937E214G64		..CARD ASSY-CKT, ARNIC 429 DITS ESDS SUPPLIER CODE: V89954 CONFIG CHG DATA FROM A CMM: REPLS 937E214G61 REPLD BY 937E214G65 COMPONENT MAINT MANUAL REF: 22-31-07 USED ON: 948E406G2 948E414G2 948E501G3 948E502G3 948E503G2	002004 006100 904949 952952	1
	70 937E214G65		..CARD ASSY-CKT, ARNIC 429 DITS ESDS SUPPLIER CODE: V89954 CONFIG CHG DATA FROM A CMM: REPLS 937E214G64 COMPONENT MAINT MANUAL REF: 22-31-07 USED ON: 948E406G2 948E414G2 948E501G3 948E502G3 948E503G2	002004 006100 904949 952952	1
	71 937E214G26		..CARD ASSY-CKT, ARNIC 429 DITS, ESDS SUPPLIER CODE: V89954 CONFIG CHG DATA FROM A CMM: REPLD BY 937E214G61 COMPONENT MAINT MANUAL REF: 22-31-07 USED ON: 948E410G1 948E406G2	002004 006100 904949 952952	1

MISSING ITEM NUMBERS NOT APPLICABLE

- ITEM NOT ILLUSTRATED

22-31-01-01

22-31-01
FIG. 01
PAGE 17
JAN 20/09

BRI



757

PARTS CATALOG (MAINTENANCE)

FIG ITEM	PART NUMBER	1 2 3 4 5 6 7	NOMENCLATURE	EFFECT FROM TO	UNITS PER ASSY
1 75	937E215G2		..CARD ASSY-CKT, ARNIC 429 DITS EXP ESDS SUPPLIER CODE: V89954 CONFIG CHG DATA FROM A CMM: REPLD BY 937E215G6 COMPONENT MAINT MANUAL REF: 22-31-10 USED ON: 937E405G1 948E406G1 948E406G2 948E410G1 948E412G2 948E414G1 948E414G2 948E501G2 948E501G3 948E502G2 948E502G3 948E503G1 948E503G2	002004 006100 121503 904949 952952	1
75	937E215G6		..CARD ASSY-CKT, ARNIC 429 DITS EXP ESDS SUPPLIER CODE: V89954 CONFIG CHG DATA FROM A CMM: REPLS 937E215G2 COMPONENT MAINT MANUAL REF: 22-31-10 USED ON: 937E405G1 948E406G1 948E406G2 948E410G1 948E412G2 948E414G1 948E414G2 948E501G2 948E501G3 948E502G2 948E502G3 948E503G1 948E503G2	002004 006100 121503 904949 952952	1

MISSING ITEM NUMBERS NOT APPLICABLE

- ITEM NOT ILLUSTRATED

BRI

22-31-01-01

22-31-01
 FIG. 01
 PAGE 18
 JAN 20/09



757

PARTS CATALOG (MAINTENANCE)

FIG ITEM	PART NUMBER	1 2 3 4 5 6 7	NOMENCLATURE	EFFECT FROM TO	UNITS PER ASSY
1	80 971E716G609		..CARD ASSY-CKT, MEM, EEPROM, A6, ESDS SUPPLIER CODE: V89954 CONFIG CHG DATA FROM A CMM: REPLD BY 971E716G659 COMPONENT MAINT MANUAL REF: 22-32-08 USED ON: 948E503G1 948E503G2	002004 006100	1
	80 971E716G659		..CARD ASSY-CKT, MEM, EEPROM, A6, ESDS SUPPLIER CODE: V89954 CONFIG CHG DATA FROM A CMM: REPLS 971E716G609 COMPONENT MAINT MANUAL REF: 22-32-08 USED ON: 948E503G1 948E503G2	002004 006100	1
	81 971E716G413		..CARD ASSY-CKT, MEM, EEPROM, A6, ESDS SUPPLIER CODE: V89954 CONFIG CHG DATA FROM A CMM: REPLD BY 971E716G463 COMPONENT MAINT MANUAL REF: 22-31-40 USED ON: 937E405G1 948E410G1	107107	1
	81 971E716G418		..CARD ASSY-CKT, MEM, EEPROM, A6, ESDS SUPPLIER CODE: V89954 CONFIG CHG DATA FROM A CMM: REPLD BY 971E716G468 COMPONENT MAINT MANUAL REF: 22-31-40 USED ON: 948E414G1 948E414G2	002004 006100 121503 904949 952952	1

MISSING ITEM NUMBERS NOT APPLICABLE

- ITEM NOT ILLUSTRATED

BRI

22-31-01-01

22-31-01
FIG. 01
PAGE 19
JAN 20/09



757

PARTS CATALOG (MAINTENANCE)

FIG ITEM	PART NUMBER	1 2 3 4 5 6 7	NOMENCLATURE	EFFECT FROM TO	UNITS PER ASSY
1 81	971E716G463		..CARD ASSY-CKT, MEM, EEPROM, A6, ESDS SUPPLIER CODE: V89954 CONFIG CHG DATA FROM A CMM: REPLS 937E216G412 REPLS 937E216G413 REPLS 971E716G413 COMPONENT MAINT MANUAL REF: 22-31-40 USED ON: 937E405G1 948E410G1	107107	1
81	971E716G467		..CARD ASSY-CKT, MEM, EEPROM, A6, ESDS SUPPLIER CODE: V89954 CONFIG CHG DATA FROM A CMM: REPLS 937E216G416 REPLS 937E216G417 REPLS 971E716G417 COMPONENT MAINT MANUAL REF: 22-31-40 USED ON: 948E412G2	107107	1
81	971E716G468		..CARD ASSY-CKT, MEM, EEPROM, A6, ESDS SUPPLIER CODE: V89954 CONFIG CHG DATA FROM A CMM: REPLS 971E716G418 COMPONENT MAINT MANUAL REF: 22-31-40 USED ON: 948E414G1 948E414G2	002004 006100 121503 904949 952952	1

MISSING ITEM NUMBERS NOT APPLICABLE

- ITEM NOT ILLUSTRATED

22-31-01-01

22-31-01
FIG. 01
PAGE 20
JAN 20/09

BRI



757

PARTS CATALOG (MAINTENANCE)

FIG ITEM	PART NUMBER	1 2 3 4 5 6 7	NOMENCLATURE	EFFECT FROM TO	UNITS PER ASSY
1 85	937E217G2		..CARD ASSY-CKT, CPU/TIMING ESDS SUPPLIER CODE: V89954 CONFIG CHG DATA FROM A CMM: REPLD BY 937E217G4 COMPONENT MAINT MANUAL REF: 22-31-27 USED ON: 937E405G1 948E406G1 948E406G2 948E410G1 948E412G2 948E414G1 948E414G2 948E501G2 948E501G3 948E502G2 948E502G3 948E503G1 948E503G2	002004 006100 121503 904949 952952	1
85	937E217G3		..CARD ASSY-CKT, CPU/TIMING ESDS SUPPLIER CODE: V89954 CONFIG CHG DATA FROM A CMM: REPLD BY 937E217G4 COMPONENT MAINT MANUAL REF: 22-31-27 USED ON: 937E405G1 948E406G1 948E406G2 948E410G1 948E412G2 948E414G1 948E414G2 948E501G2 948E501G3 948E502G2 948E502G3 948E503G1 948E503G2	002004 006100 121503 904949 952952	1

MISSING ITEM NUMBERS NOT APPLICABLE

- ITEM NOT ILLUSTRATED

BRI

22-31-01-01

BOEING PROPRIETARY - Copyright © - Unpublished Work - See title page for details.

22-31-01
 FIG. 01
 PAGE 21
 JAN 20/09



757

PARTS CATALOG (MAINTENANCE)

FIG ITEM	PART NUMBER	1 2 3 4 5 6 7	NOMENCLATURE	EFFECT FROM TO	UNITS PER ASSY
1 85	937E217G4		..CARD ASSY-CKT, CPU/TIMING ESDS SUPPLIER CODE: V89954 CONFIG CHG DATA FROM A CMM: REPLS 937E217G2 REPLS 937E217G3 REPLD BY 937E217G5 COMPONENT MAINT MANUAL REF: 22-31-27 USED ON: 937E405G1 948E406G1 948E406G2 948E410G1 948E412G2 948E414G1 948E414G2 948E501G2 948E501G3 948E502G2 948E502G3 948E503G1 948E503G2	002004 006100 121503 904949 952952	1
85	937E217G5		..CARD ASSY-CKT, CPU/TIMING ESDS SUPPLIER CODE: V89954 CONFIG CHG DATA FROM A CMM: REPLS 937E217G4 REPLD BY 937E217G6 COMPONENT MAINT MANUAL REF: 22-31-14 USED ON: 948E406G2 948E414G2 948E501G3 948E502G3 948E503G2	002004 006100 904949 952952	1

MISSING ITEM NUMBERS NOT APPLICABLE

- ITEM NOT ILLUSTRATED

BRI

22-31-01-01

BOEING PROPRIETARY - Copyright © - Unpublished Work - See title page for details.

22-31-01
 FIG. 01
 PAGE 22
 JAN 20/09



757

PARTS CATALOG (MAINTENANCE)

FIG ITEM	PART NUMBER	1 2 3 4 5 6 7	NOMENCLATURE	EFFECT FROM TO	UNITS PER ASSY
1 85	937E217G6		..CARD ASSY-CKT, CPU/TIMING ESDS SUPPLIER CODE: V89954 CONFIG CHG DATA FROM A CMM: REPLS 937E217G5 COMPONENT MAINT MANUAL REF: 22-31-14 USED ON: 948E406G2 948E414G2 948E501G3 948E502G3 948E503G2	002004 006100 904949 952952	1
90	144A9906P1		..PLATE-INSTR SUPPLIER CODE: V89954 USED ON: 937E405G1 948E406G1 948E406G2 948E410G1 948E412G2 948E414G1 948E414G2 948E501G2 948E501G3 948E502G2 948E502G3 948E503G1 948E503G2	002004 006100 121503 904949 952952	1
92	361A9909P1		..PLATE-IDENT SUPPLIER CODE: V89954 USED ON: 948E503G2	002004 006100	1
95	178C4722P134		..PLATE-IDENT SUPPLIER CODE: V89954 USED ON: 948E414G1	002004 006100 904949	1
95	178C4722P216		..PLATE-IDENT SUPPLIER CODE: V89954 USED ON: 948E501G3	002004 006100 121503 505505 904949 952952	1

MISSING ITEM NUMBERS NOT APPLICABLE

- ITEM NOT ILLUSTRATED

22-31-01-01

22-31-01
FIG. 01
PAGE 23
JAN 20/09

BRI



757

PARTS CATALOG (MAINTENANCE)

FIG ITEM	PART NUMBER	1 2 3 4 5 6 7	NOMENCLATURE	EFFECT FROM TO	UNITS PER ASSY
1					
95	178C4722P234	..	PLATE-IDENT SUPPLIER CODE: V89954 USED ON: 948E414G2	002004 006100 121503 904949 952952	1
95	178C4722P231	..	PLATE-IDENT SUPPLIER CODE: V89954 USED ON: 948E503G2	002004 006100	1
97	312A1169P1	..	PLATE-INSTR SUPPLIER CODE: V89954 USED ON: 937E405G1 948E406G1 948E406G2 948E410G1 948E412G2 948E414G1 948E414G2 948E501G2 948E501G3 948E502G2 948E502G3 948E503G1 948E503G2	002004 006100 121503 904949 952952	1
100	BKAD2-3ABR	..	CAP-PROTECTIVE SUPPLIER CODE: V71468 CONFIG CHG DATA FROM A CMM: REPLD BY 8660-1407 USED ON: 937E405G1 948E406G1 948E406G2 948E410G1 948E412G2 948E414G1 948E414G2 948E501G2 948E501G3 948E502G2 948E502G3 948E503G1 948E503G2	002004 006100 121503 904949 952952	1

MISSING ITEM NUMBERS NOT APPLICABLE

- ITEM NOT ILLUSTRATED

BRI

22-31-01-01

BOEING PROPRIETARY - Copyright © - Unpublished Work - See title page for details.

22-31-01
FIG. 01
PAGE 24
JAN 20/09



757

PARTS CATALOG (MAINTENANCE)

FIG ITEM	PART NUMBER	1 2 3 4 5 6 7	NOMENCLATURE	EFFECT FROM TO	UNITS PER ASSY
1 100	8660-1407		..CAP-PROTECTIVE SUPPLIER CODE: V59610 CONFIG CHG DATA FROM A CMM: REPLS BKAD2-3ABR OPTIONAL PART: 312A1177P1 V89954 USED ON: 937E401G2 937E402G2 937E405G1 948E406G1 948E406G2	002004 006100 121503 904949 952952	1
100	8660-1407		..CAP-PROTECTIVE SUPPLIER CODE: V59610 CONFIG CHG DATA FROM A CMM: REPLS BKAD2-3ABR REPD BY 620995015 OPTIONAL PART: 312A1177P1 V89954 USED ON: 948E501G2 948E502G2 948E502G3 948E503G1 948E503G2	002004 006100	1
100	620995015		..CAP-PROTECTIVE SUPPLIER CODE: VOFAD5 CONFIG CHG DATA FROM A CMM: REPLS 8660-1407 USED ON: 948E501G3 948E502G2 948E502G3 948E503G1 948E503G2	002004 006100	1

MISSING ITEM NUMBERS NOT APPLICABLE

- ITEM NOT ILLUSTRATED

BRI

22-31-01-01

BOEING PROPRIETARY - Copyright © - Unpublished Work - See title page for details.

22-31-01
 FIG. 01
 PAGE 25
 JAN 20/09



757

PARTS CATALOG (MAINTENANCE)

FIG ITEM	PART NUMBER	1 2 3 4 5 6 7	NOMENCLATURE	EFFECT FROM TO	UNITS PER ASSY
1 105	BKAD2-3CR		..CAP-PROTECTIVE SUPPLIER CODE: V71468 CONFIG CHG DATA FROM A CMM: REPLD BY 8660-1406 OPTIONAL PART: 312A1177P2 V89954 USED ON: 937E405G1 948E406G1 948E406G2 948E410G1 948E412G2 948E414G1 948E414G2 948E501G2 948E501G3 948E502G2 948E502G3 948E503G1 948E503G2	002004 006100 121503 904949 952952	1
105	8660-1406		..CAP-PROTECTIVE SUPPLIER CODE: V59610 CONFIG CHG DATA FROM A CMM: REPLS BKAD2-3CR OPTIONAL PART: 312A1177P2 V89954 USED ON: 937E405G1 948E406G1 948E406G2 948E410G1 948E412G2 948E414G1 948E414G2	002004 006100 121503 904949 952952	1

MISSING ITEM NUMBERS NOT APPLICABLE

- ITEM NOT ILLUSTRATED

BRI

22-31-01-01

BOEING PROPRIETARY - Copyright © - Unpublished Work - See title page for details.

22-31-01
 FIG. 01
 PAGE 26
 JAN 20/09



757

PARTS CATALOG (MAINTENANCE)

FIG ITEM	PART NUMBER	1 2 3 4 5 6 7	NOMENCLATURE	EFFECT FROM TO	UNITS PER ASSY
1 105	8660-1406		..CAP-PROTECTIVE SUPPLIER CODE: V59610 CONFIG CHG DATA FROM A CMM: REPLS BKAD2-3CR REPLD BY 620995016 OPTIONAL PART: 312A1177P2 V89954 USED ON: 948E501G2 948E501G3 948E502G2 948E502G3 948E503G1 948E503G2	002004 006100	1
105	620995016		..CAP-PROTECTIVE SUPPLIER CODE: VOFAD5 CONFIG CHG DATA FROM A CMM: REPLS 8660-1406 USED ON: 948E501G3 948E502G2 948E502G3 948E503G1 948E503G2	002004 006100	1
107	172B5339P1		..PLUG- SUPPLIER CODE: V89954 USED ON: 937E405G1 948E406G1 948E406G2 948E410G1 948E412G2 948E414G1 948E414G2 948E501G2 948E501G3 948E502G2 948E502G3 948E503G1 948E503G2	002004 006100 121503 904949 952952	2

MISSING ITEM NUMBERS NOT APPLICABLE

- ITEM NOT ILLUSTRATED

BRI

22-31-01-01

BOEING PROPRIETARY - Copyright © - Unpublished Work - See title page for details.

22-31-01
FIG. 01
PAGE 27
JAN 20/09



757

PARTS CATALOG (MAINTENANCE)

FIG ITEM	PART NUMBER	1 2 3 4 5 6 7	NOMENCLATURE	EFFECT FROM TO	UNITS PER ASSY
1 110	MS9390-170		..PIN- USED ON: 937E405G1 948E406G1 948E406G2 948E410G1 948E412G2 948E414G1 948E414G2 948E501G2 948E501G3 948E502G2 948E502G3 948E503G1 948E503G2	002004 006100 121503 904949 952952	2
- 200	286N1175-001		WIRE BUNDLE ASSY- REWORKED BY SB: 22-0063	121503 904949	RF
- 200	286N1175-002		WIRE BUNDLE ASSY-	107107	RF
- 200	286N1175-006		WIRE BUNDLE ASSY- REWORKED BY SB: 22-0063 34-0200	002004 006100 950999	RF
- 203	286N1175-379		WIRE BUNDLE ASSY	506506	RF
- 203	286N1175-381		WIRE BUNDLE ASSY	505505	RF
- 203	286N1175-387		WIRE BUNDLE ASSY	507903	RF
210	BACC66H21C2401		.CONNECTOR- ELECTRICAL EQUIP NUMBER: D00383 WIRING DIAGRAM REF: 223211	002004 006100 107107 121999	1

MISSING ITEM NUMBERS NOT APPLICABLE

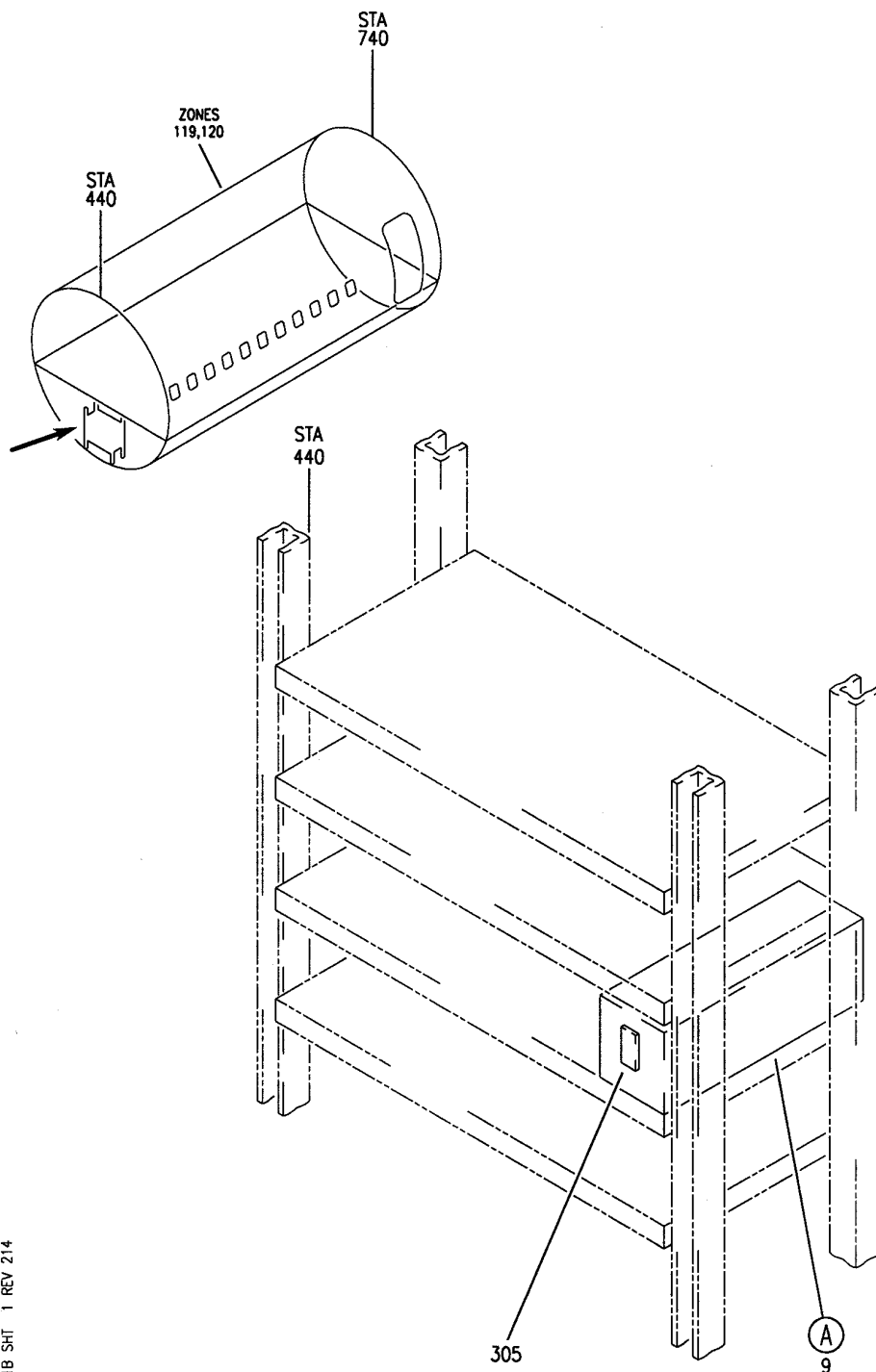
- ITEM NOT ILLUSTRATED

22-31-01-01

22-31-01
FIG. 01
PAGE 28
JAN 20/09

BRI

BOEING
757
PARTS CATALOG (MAINTENANCE)



Y 22310101B SHT 1 REV 214

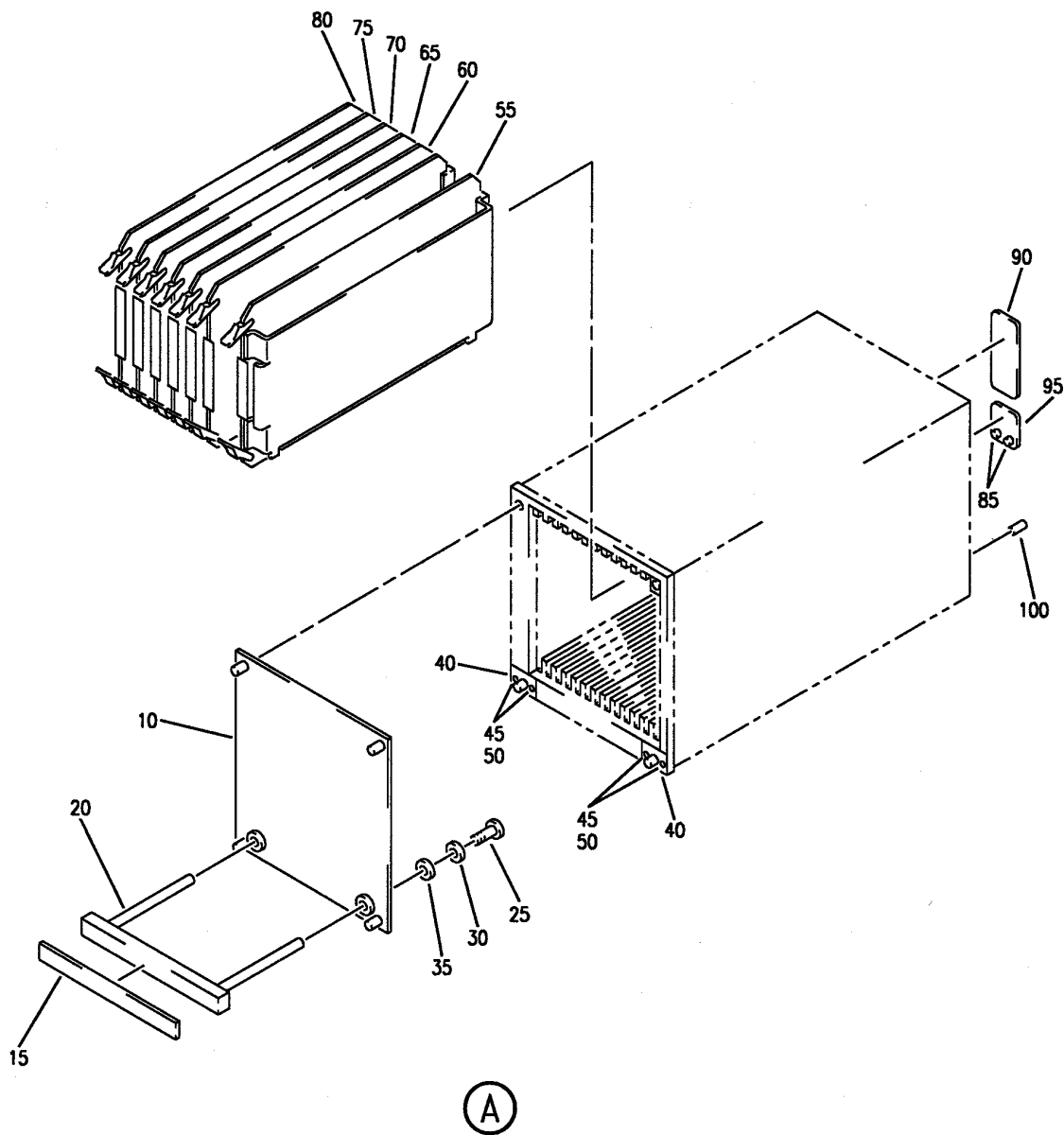
EQUIPMENT INSTL-MAIN ELECTRONICS EQPT CTR (THRUST MANAGEMENT POWER ONLY)
FIGURE 1B (SHEET 1)

BRI
MAY 28/07

22-31-01-01B

22-31-01-01B
PAGE 0

BOEING
757
PARTS CATALOG (MAINTENANCE)



Y 22310101B SHT 2 REV 217

EQUIPMENT INSTL-MAIN ELECTRONICS EQPT CTR (THRUST MANAGEMENT POWER ONLY)
FIGURE 1B (SHEET 2)

22-31-01-01B

BRI
MAY 28/07

22-31-01-01B
PAGE 0A



757

PARTS CATALOG (MAINTENANCE)

FIG ITEM	PART NUMBER	1 2 3 4 5 6 7	NOMENCLATURE	EFFECT FROM TO	UNITS PER ASSY
1B			EQUIPMENT INSTL-MAIN ELECTRONICS EQPT CTR (THRUST MANAGEMENT POWER ONLY)	101102	
- 2	284N1800-140		EQUIPMENT INSTL-MAIN ELECTRONICS EQPT CTR (THRUST MANAGEMENT POWER ONLY) FOR NHA/OTHER SYS DET SEE: 24-00-58-05E	101101	RF
- 2	284N1800-141		EQUIPMENT INSTL-MAIN ELECTRONICS EQPT CTR (THRUST MANAGEMENT POWER ONLY) FOR NHA/OTHER SYS DET SEE: 24-00-58-05E	102102	RF
9	948E414G2		.COMPUTER ASSY-THRUST MANAGEMENT SUPPLIER CODE: V89954 SPECIFICATION NUMBER: S241T200-1414 ELECTRICAL EQUIP NUMBER: M00183 COMPONENT MAINT MANUAL REF: 22-32-04 QUALIFIED I/W DATA: S241T200-1414 (948E414G2) CAN REPLACE S241T200-1416 (948E416G1) FOR RB211-535C, -535E4 OR -535E4B ENGINES ONLY. OTHERWISE, S241T200-1416 (948E416G1) MUST BE USED.	101101	1

MISSING ITEM NUMBERS NOT APPLICABLE

- ITEM NOT ILLUSTRATED

BRI

22-31-01-01B

BOEING PROPRIETARY - Copyright © - Unpublished Work - See title page for details.

22-31-01
FIG. 01B
PAGE 1
JAN 20/09

 **BOEING**
757
PARTS CATALOG (MAINTENANCE)

FIG ITEM	PART NUMBER	1 2 3 4 5 6 7	NOMENCLATURE	EFFECT FROM TO	UNITS PER ASSY
1B 9	948E416G1	.	COMPUTER ASSY-THRUST MANAGEMENT SUPPLIER CODE: V89954 SPECIFICATION NUMBER: S241T200-1416 ELECTRICAL EQUIP NUMBER: M00183 COMPONENT MAINT MANUAL REF: 22-32-04 QUALIFIED I/W DATA: S241T200-1416 (948E416G1) CAN REPLACE S241T200-1418 (948E418G1) FOR RB211-535C, -535E4 OR -535E4B ENGINES ONLY. OTHERWISE, S241T200-1418 (948E418G1) MUST BE USED. S241T200-1414 (948E414G2) CAN REPLACE S241T200-1416 (948E416G1) FOR RB211-535C, -535E4 OR -535E4B ENGINES ONLY. OTHERWISE, S241T200-1416 (948E416G1) MUST BE USED. TMC OLDER THAN 948E416G1 (SUCH AS 948E414G2 FOR ONE) ARE NOT CERTIFIED FOR 757-300	102102	1
10	143D6139G2	..	COVER-FRONT SUPPLIER CODE: V89954	101102	1
15	NP251286P1	..	PLATE-IDENT SUPPLIER CODE: V09172	101102	1
20	188C1109G1	..	HANDLE- SUPPLIER CODE: V89954	101102	1
25	MS35206-245	..	SCREW	101102	2
30	MS35338-42	..	WASHER	101102	2
35	NAS620-8	..	WASHER	101102	2
			-----*		

MISSING ITEM NUMBERS NOT APPLICABLE

— ITEM NOT ILLUSTRATED

BRI

22-31-01-01B

BOEING PROPRIETARY - Copyright © - Unpublished Work - See title page for details.

22-31-01
FIG. 01B
PAGE 2
JAN 20/09



757

PARTS CATALOG (MAINTENANCE)

FIG ITEM	PART NUMBER	1 2 3 4 5 6 7	NOMENCLATURE	EFFECT FROM TO	UNITS PER ASSY
1B					
40	178C4396P1	..	H00K-SPRT SUPPLIER CODE: V89954 ATTACHING PARTS	101102	2
45	MS24693S26	..	SCREW -----*-----	101102	4
50	MS21209C0615	..	INSERT	101102	4
55	937E219G5	..	MODULE-PWR SUPPLY ESDS SUPPLIER CODE: V89954 COMPONENT MAINT MANUAL REF: 22-31-33	101102	1
60	937E213G5	..	CARD ASSY-CKT, ANALOG I/O ESDS SUPPLIER CODE: V89954 CONFIG CHG DATA FROM A CMM: REPLD BY 937E213G7 COMPONENT MAINT MANUAL REF: 22-31-05	101102	1
60	937E213G7	..	CARD ASSY-CKT, ANALOG I/O ESDS SUPPLIER CODE: V89954 CONFIG CHG DATA FROM A CMM: REPLS 937E213G5 COMPONENT MAINT MANUAL REF: 22-31-05	101102	1
65	937E214G24	..	CARD ASSY-CKT, ARNIC 429 DITS ESDS SUPPLIER CODE: V89954 COMPONENT MAINT MANUAL REF: 22-31-36	101102	1
70	937E215G2	..	CARD ASSY-CKT, ARNIC 429 DITS EXP ESDS SUPPLIER CODE: V89954 CONFIG CHG DATA FROM A CMM: REPLD BY 937E215G6 COMPONENT MAINT MANUAL REF: 22-31-10	101102	1

MISSING ITEM NUMBERS NOT APPLICABLE

- ITEM NOT ILLUSTRATED

22-31-01-01B

22-31-01
FIG. 01B
PAGE 3
JAN 20/09

BRI

BOEING PROPRIETARY - Copyright © - Unpublished Work - See title page for details.



757

PARTS CATALOG (MAINTENANCE)

FIG ITEM	PART NUMBER	1 2 3 4 5 6 7	NOMENCLATURE	EFFECT FROM TO	UNITS PER ASSY
1B					
70	937E215G6	..	CARD ASSY-CKT, ARNIC 429 DITS EXP ESDS SUPPLIER CODE: V89954 CONFIG CHG DATA FROM A CMM: REPLS 937E215G2 COMPONENT MAINT MANUAL REF: 22-31-10	101102	1
75	937E216G504	..	CARD ASSY-CKT, MEM, 4K RAM, 28K PROM MAX ESDS SUPPLIER CODE: V89954 CONFIG CHG DATA FROM A CMM: REPLD BY 937E216G505 COMPONENT MAINT MANUAL REF: 22-31-40	101102	1
75	937E216G505	..	CARD ASSY-CKT, MEM, 4K RAM, 28K PROM MAX ESDS REPLS 937E216G504 SUPPLIER CODE: V89954	101102	1
80	937E217G2	..	CARD ASSY-CKT, CPU/TIMING ESDS SUPPLIER CODE: V89954 CONFIG CHG DATA FROM A CMM: REPLD BY 937E217G4 COMPONENT MAINT MANUAL REF: 22-31-27	101102	1
80	937E217G3	..	CARD ASSY-CKT, CPU/TIMING ESDS SUPPLIER CODE: V89954 CONFIG CHG DATA FROM A CMM: REPLD BY 937E217G4 COMPONENT MAINT MANUAL REF: 22-31-27	101102	1
80	937E217G4	..	CARD ASSY-CKT, CPU/TIMING ESDS SUPPLIER CODE: V89954 CONFIG CHG DATA FROM A CMM: REPLS 937E217G2 AND 937E217G3 COMPONENT MAINT MANUAL REF: 22-31-27	101102	1
85	172B5339P1	..	PLUG- SUPPLIER CODE: V89954	101102	2

MISSING ITEM NUMBERS NOT APPLICABLE

- ITEM NOT ILLUSTRATED

22-31-01-01B

22-31-01
FIG. 01B
PAGE 4
JAN 20/09

BRI

BOEING PROPRIETARY - Copyright © - Unpublished Work - See title page for details.



757

PARTS CATALOG (MAINTENANCE)

FIG ITEM	PART NUMBER	1 2 3 4 5 6 7	NOMENCLATURE	EFFECT FROM TO	UNITS PER ASSY
1B					
90	BKAD2-3ABR	..	CAP-PROTECTIVE SUPPLIER CODE: V71468 OPTIONAL PART: 8660-1407 V59610	101102	1
90	8660-1407	..	CAP-PROTECTIVE SUPPLIER CODE: V59610 OPTIONAL PART: 312A1177P1 V89954 OPTIONAL PART: BKAD2-3ABR V71468	101102	1
95	BKAD2-3CR	..	CAP-PROTECTIVE SUPPLIER CODE: V71468 OPTIONAL PART: 312A1177P2 V89954 OPTIONAL PART: 8660-1406 V59610	101102	1
95	8660-1406	..	CAP-PROTECTIVE SUPPLIER CODE: V59610 OPTIONAL PART: 312A1177P2 V89954 OPTIONAL PART: BKAD2-3CR V71468	101102	1
100	MS9390-170	..	PIN	101102	2
- 300	286N1175-351		WIRE BUNDLE ASSY-	101101	RF
- 301	286N1175-353		WIRE BUNDLE ASSY-	102102	RF
305	BACC66H21C2401	.	CONNECTOR- ELECTRICAL EQUIP NUMBER: D00383 WIRING DIAGRAM REF: 223211	101102	1

MISSING ITEM NUMBERS NOT APPLICABLE

- ITEM NOT ILLUSTRATED

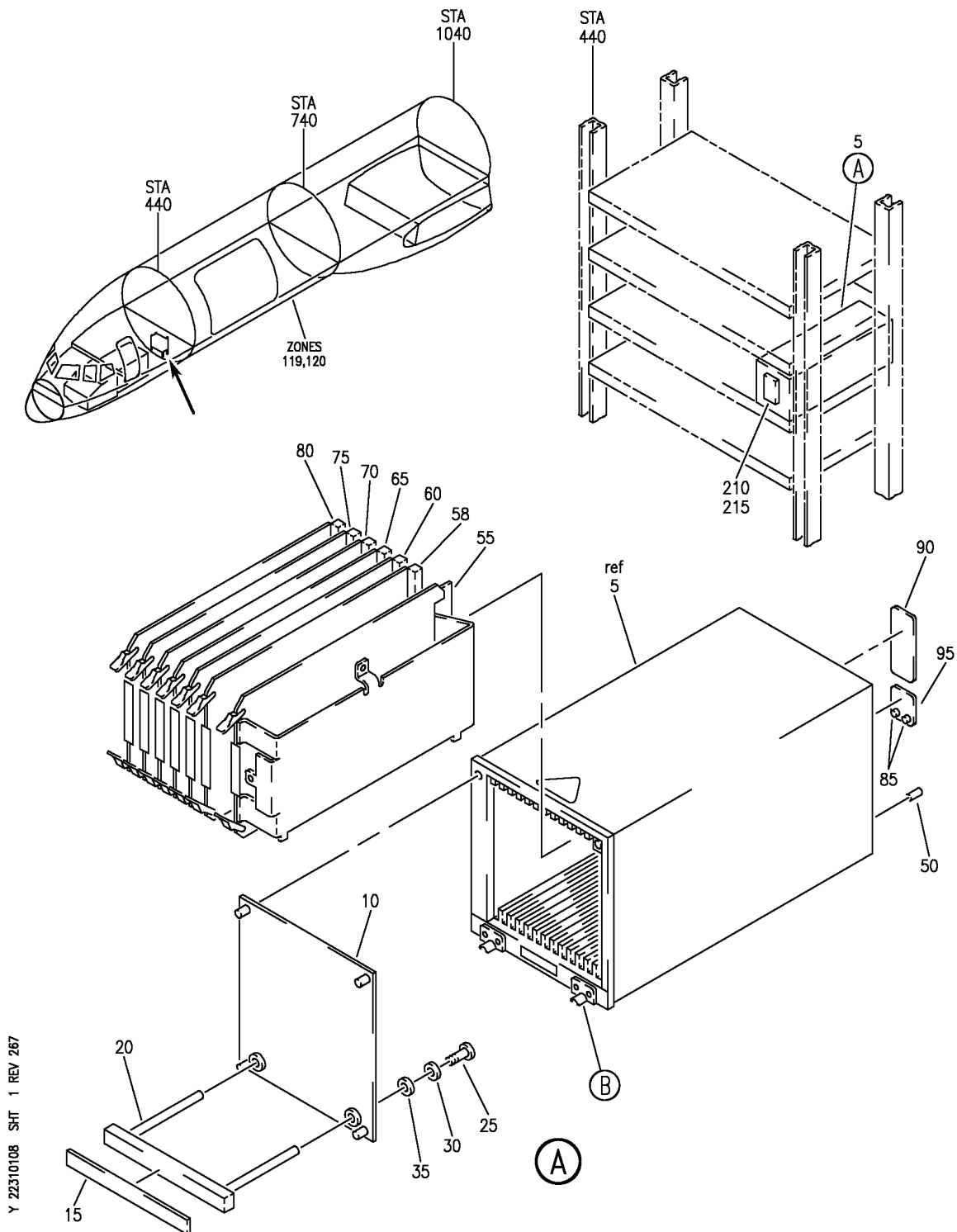
22-31-01-01B

22-31-01
FIG. 01B
PAGE 5
JAN 20/09

BRI

BOEING PROPRIETARY - Copyright © - Unpublished Work - See title page for details.

BOEING
757
PARTS CATALOG (MAINTENANCE)



Y 22310108 SHT 1 REV 267

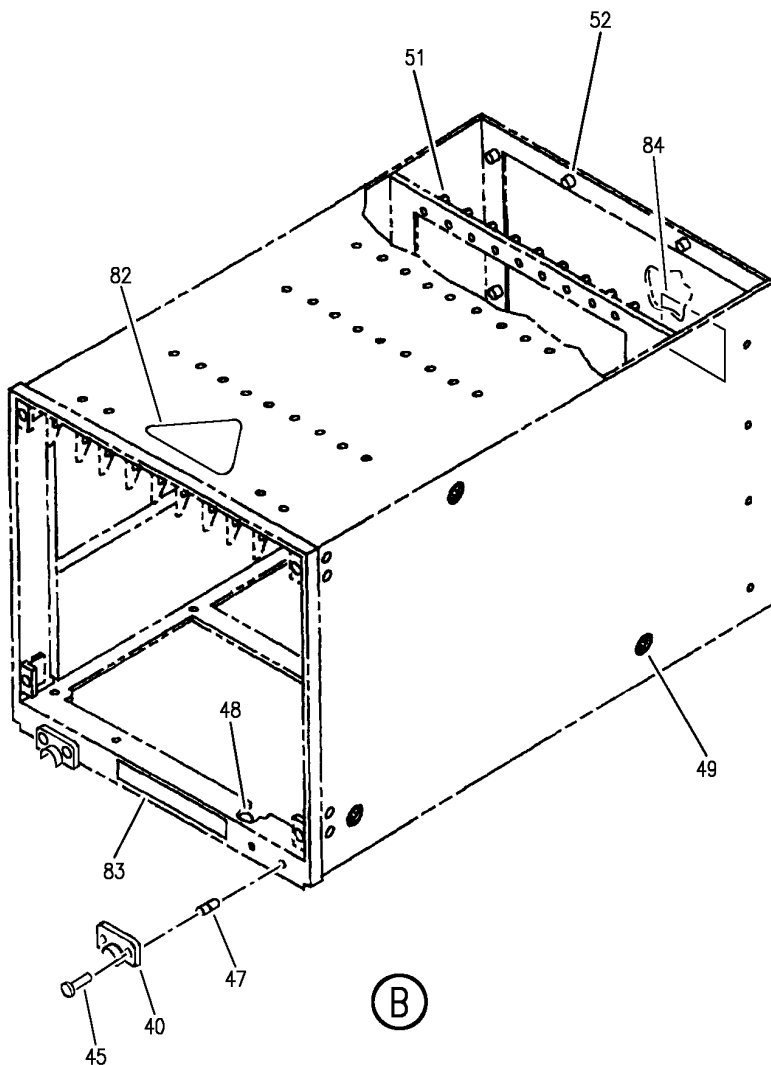
EQUIPMENT INSTL-MAIN ELECTRONICS EQPT CTR THRUST MANAGEMENT COMPUTER
FIGURE 8 (SHEET 1)

22-31-01-08

BRI
JAN 20/09

22-31-01-08
PAGE 0

BOEING
757
PARTS CATALOG (MAINTENANCE)



Y 22310108 SH1 2 REV 267

EQUIPMENT INSTL-MAIN ELECTRONICS EQPT CTR THRUST MANAGEMENT COMPUTER
FIGURE 8 (SHEET 2)

22-31-01-08

BRI
JAN 20/09

22-31-01-08
PAGE 0A



757

PARTS CATALOG (MAINTENANCE)

FIG ITEM	PART NUMBER	1 2 3 4 5 6 7	NOMENCLATURE	EFFECT FROM TO	UNITS PER ASSY
8			EQUIPMENT INSTL-MAIN ELECTRONICS EQPT CTR THRUST MANAGEMENT COMPUTER	103106 108120	
- 1	284N4000-220005		EQUIPMENT INSTL-MAIN ELECTRONICS EQPT CTR THRUST MANAGEMENT COMPUTER	108120	RF
- 1	MODREF9644		FOR NHA SEE: 24-00-58-05F EQUIPMENT INSTL-MAIN ELECTRONICS EQPT CTR THRUST MANAGEMENT COMPUTER MODULE NUMBER: 284N4000-220005 REV A	103106	1

MISSING ITEM NUMBERS NOT APPLICABLE

- ITEM NOT ILLUSTRATED

BRI

22-31-01-08

BOEING PROPRIETARY - Copyright © - Unpublished Work - See title page for details.

22-31-01
FIG. 08
PAGE 1
JAN 20/09



757

PARTS CATALOG (MAINTENANCE)

FIG ITEM	PART NUMBER	1 2 3 4 5 6 7	NOMENCLATURE	EFFECT FROM TO	UNITS PER ASSY
8	5 948E416G1		.COMPUTER ASSY- SUPPLIER CODE: V89954 SPECIFICATION NUMBER: S241T200-1416 ELECTRICAL EQUIP NUMBER: M00183 COMPONENT MAINT MANUAL REF: 22-32-04 QUALIFIED I/W DATA: S241T200-1416 (948E416G1) CAN REPLACE S241T200-1418 (948E418G1) FOR RB211-535C, -535E4 OR -535E4B ENGINES ONLY. OTHERWISE, S241T200-1418 (948E418G1) MUST BE USED. S241T200-1414 (948E414G2) CAN REPLACE S241T200-1416 (948E416G1) FOR RB211-535C, -535E4 OR -535E4B ENGINES ONLY. OTHERWISE, S241T200-1416 (948E416G1) MUST BE USED. TMC OLDER THAN 948E416G1 (SUCH AS 948E414G2 FOR ONE) ARE NOT CERTIFIED FOR 757-300 REFERENCE AIRLINE MOD: TPCR 5-22-IPC-99-0121 VUPS	103106 108120	1
	10 143D6139G2		..COVER-FRONT SUPPLIER CODE: V89954	103106 108120	1
	15 NP251286P1		..PLATE-IDENT SUPPLIER CODE: V09172	103106 108120	1
	20 188C1109G1		..HANDLE- SUPPLIER CODE: V89954	103106 108120	1
	25 MS35206-245		ATTACHING PARTS ..SCREW	103106 108120	2
	30 MS35338-42		..WASHER	103106 108120	2

MISSING ITEM NUMBERS NOT APPLICABLE

- ITEM NOT ILLUSTRATED

22-31-01-08

22-31-01
FIG. 08
PAGE 2
JAN 20/09

BRI



757

PARTS CATALOG (MAINTENANCE)

FIG ITEM	PART NUMBER	1 2 3 4 5 6 7	NOMENCLATURE	EFFECT FROM TO	UNITS PER ASSY
8					
35	NAS620-8	..	WASHER	103106 108120	2
			-----*-----		
40	178C4396P1	..	HOOK-SPRT SUPPLIER CODE: V89954 ATTACHING PARTS	103106 108120	2
45	MS24693S26	..	SCREW	103106 108120	4
			-----*-----		
47	MS21209C0615	..	INSERT	103106 108120	4
48	M45938-1-5C	..	NUT- SUPPLIER CODE: V81349	103106 108120	10
49	PF32-632-30CN	..	FASTENER-PNL SUPPLIER CODE: V46384	103106 108120	3
50	MS9390-170	..	PIN-	103106 108120	2
51	FHS256-10	..	STUD- SUPPLIER CODE: V46384	103106 108120	18
52	M45938-7-2	..	NUT	103106 108120	10
55	937E439G3	..	MODULE-PWR SUPPLY SUPPLIER CODE: V89954 CONFIG CHG DATA FROM A CMM: REPLS 937E219G11 COMPONENT MAINT MANUAL REF: 22-31-09	103106 108120	1
58	937E212G9	..	CARD ASSY-CKT, SYS INTFC SUPPLIER CODE: V89954 CONFIG CHG DATA FROM A CMM: REPLS 937E212G6, 937E212G7, 937E212G8, 937E212G10, 937E212G11 COMPONENT MAINT MANUAL REF: 22-32-10	103106 108120	1
60	937E213G7	..	CARD ASSY-CKT, ANALOG I/O SUPPLIER CODE: V89954 CONFIG CHG DATA FROM A CMM: REPLS 937E213G5 COMPONENT MAINT MANUAL REF: 22-32-12	103106 108120	1

MISSING ITEM NUMBERS NOT APPLICABLE

- ITEM NOT ILLUSTRATED

22-31-01-08

22-31-01
FIG. 08
PAGE 3
JAN 20/09

BRI



757

PARTS CATALOG (MAINTENANCE)

FIG ITEM	PART NUMBER	1 2 3 4 5 6 7	NOMENCLATURE	EFFECT FROM TO	UNITS PER ASSY
8					
65	937E214G61		..CARD ASSY-CKT, ARNIC 429 DITS ESDS SUPPLIER CODE: V89954 CONFIG CHG DATA FROM A CMM: REPLS 937E214G38, 937E214G40, 937E214G46, 937E214G48, 937E214G34, 937E214G36, 937E214G58 937E214G59, 937E214G60 REPLD BY 937E214G64 AND 937E214G65 CM 22-32-24 COMPONENT MAINT MANUAL REF: 22-32-07	103106 108120	1
65	937E214G65		..CARD ASSY-CKT, ARNIC 429 DITS ESDS SUPPLIER CODE: V89954 CONFIG CHG DATA FROM A CMM: REPLS 937E214G61 AND 937E214G64 COMPONENT MAINT MANUAL REF: 22-32-07	103106 108120	1
70	937E215G6		..CARD ASSY-CKT, ARNIC 429 DITS EXP SUPPLIER CODE: V89954 CONFIG CHG DATA FROM A CMM: REPLS 937E215G2 COMPONENT MAINT MANUAL REF: 22-32-13	103106 108120	1
75	971E716G470		..CARD ASSY-CKT, MEMORY EEPROM SUPPLIER CODE: V89954 COMPONENT MAINT MANUAL REF: 22-32-08	103106 108120	1
80	937E217G5		..CARD ASSY-CKT, CPU/TIMING ESDS SUPPLIER CODE: V89954 CONFIG CHG DATA FROM A CMM: REPLS 937E217G4 REPLD BY 937E217G6 COMPONENT MAINT MANUAL REF: 22-31-27	103106 108120	1

MISSING ITEM NUMBERS NOT APPLICABLE

- ITEM NOT ILLUSTRATED

22-31-01-08

22-31-01
FIG. 08
PAGE 4
JAN 20/09

BRI



757

PARTS CATALOG (MAINTENANCE)

FIG ITEM	PART NUMBER	1 2 3 4 5 6 7	NOMENCLATURE	EFFECT FROM TO	UNITS PER ASSY
8					
80	937E217G6		..CARD ASSY-CKT, CPU/TIMING ESDS SUPPLIER CODE: V89954 CONFIG CHG DATA FROM A CMM: REPLS 937E217G5 COMPONENT MAINT MANUAL REF: 22-31-27	103106 108120	1
82	144A9906P1		..PLATE-INSTR SUPPLIER CODE: V89954	103106 108120	1
83	178C4722P239		..PLATE-IDENT SUPPLIER CODE: V89954	103106 108120	1
84	312A1169P1		..PLATE-INSTR SUPPLIER CODE: V89954	103106 108120	1
85	172B5339P1		..PLUG- SUPPLIER CODE: V89954	103106 108120	2
90	BKAD2-3ABR		..CAP-PROTECTIVE SUPPLIER CODE: V71468 CONFIG CHG DATA FROM A CMM: REPLD BY 8660-1407	103106 108120	1
90	8660-1407		..CAP-PROTECTIVE SUPPLIER CODE: V59610 CONFIG CHG DATA FROM A CMM: REPLS BKAD2-3ABR OPTIONAL PART: 312A1177P1 V89954	103106 108120	1
95	BKAD2-3CR		..CAP-PROTECTIVE SUPPLIER CODE: V71468 CONFIG CHG DATA FROM A CMM: REPLD BY 8660-1406 OPTIONAL PART: 312A1177P2 V89954	103106 108120	1
95	8660-1406		..CAP-PROTECTIVE SUPPLIER CODE: V59610 CONFIG CHG DATA FROM A CMM: REPLS BKAD2-3CR OPTIONAL PART: 312A1177P2 V89954	103106 108120	1

MISSING ITEM NUMBERS NOT APPLICABLE

- ITEM NOT ILLUSTRATED

22-31-01-08

22-31-01
FIG. 08
PAGE 5
JAN 20/09

BRI



757

PARTS CATALOG (MAINTENANCE)

FIG ITEM	PART NUMBER	1 2 3 4 5 6 7	NOMENCLATURE	EFFECT FROM TO	UNITS PER ASSY
8					
- 203	286N1175-602		WIRE BUNDLE ASSY-	103105	RF
- 203	286N1175-604		WIRE BUNDLE ASSY-	106106	RF
210	BACC66H21C2401		.CONNECTOR-	103106	1
			ELECTRICAL EQUIP NUMBER: D00383	108120	
			WIRING DIAGRAM REF: 223211		
215	RBGP48-116N		.BLOCK-	103106	1
			SUPPLIER CODE: V09922		
			SPECIFICATION NUMBER: S280W601-116		
			ELECTRICAL EQUIP NUMBER: D00383T		
			WIRING DIAGRAM REF: 223211		

MISSING ITEM NUMBERS NOT APPLICABLE

- ITEM NOT ILLUSTRATED

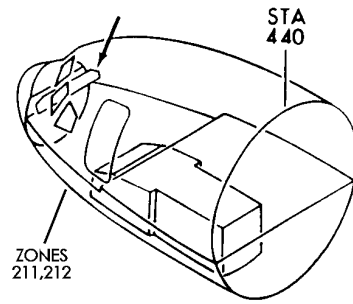
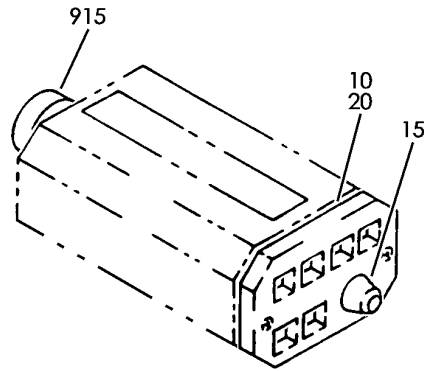
BRI

22-31-01-08

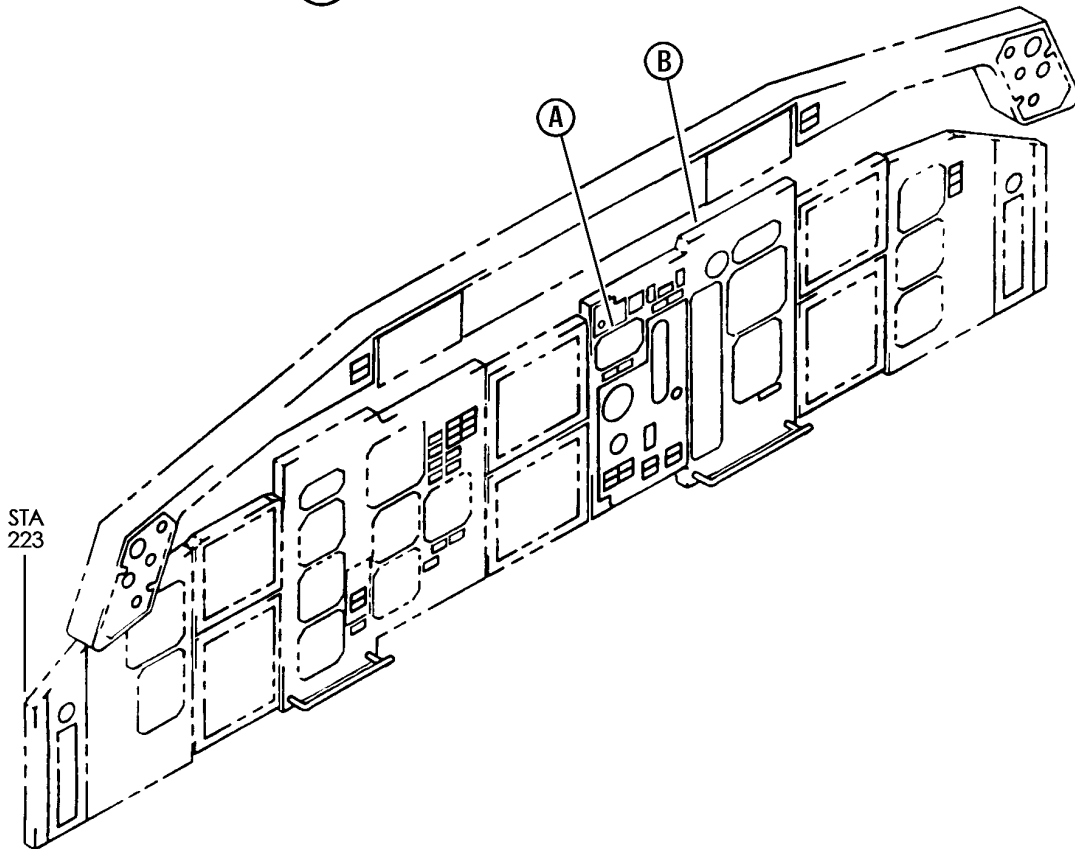
BOEING PROPRIETARY - Copyright © - Unpublished Work - See title page for details.

22-31-01
FIG. 08
PAGE 6
JAN 20/09

BOEING
757
PARTS CATALOG (MAINTENANCE)



(A)



Y 22310201 SHT 1 REV 234

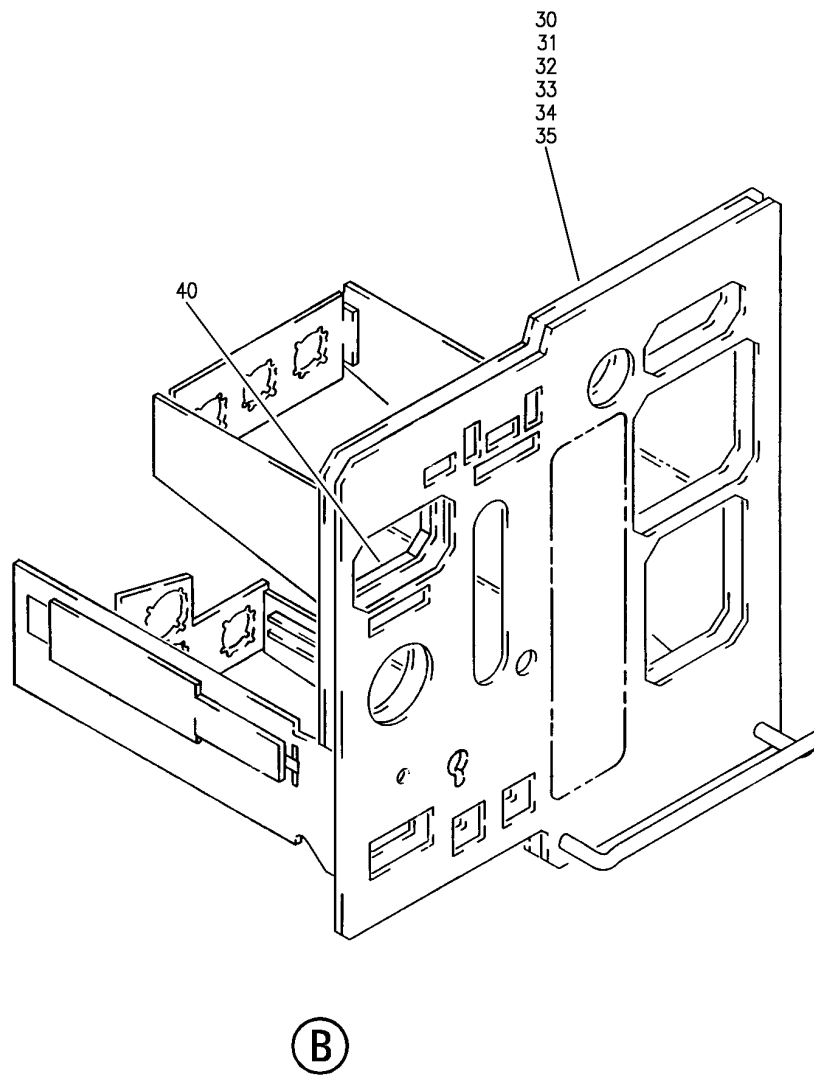
PANEL INSTL-P3-1 (THRUST MANAGEMENT POWER ONLY)
FIGURE 1 (SHEET 1)

22-31-02-01

BRI
MAY 28/07

22-31-02-01
PAGE 0

BOEING
757
PARTS CATALOG (MAINTENANCE)



Y 22310201 SH1 2 REV 278

PANEL INSTL-P3-1 (THRUST MANAGEMENT POWER ONLY)
FIGURE 1 (SHEET 2)

22-31-02-01

BRI
MAY 28/07

22-31-02-01
PAGE 0A



757

PARTS CATALOG (MAINTENANCE)

FIG ITEM	PART NUMBER	1 2 3 4 5 6 7	NOMENCLATURE	EFFECT FROM TO	UNITS PER ASSY
1			PANEL INSTL-P3-1 (THRUST MANAGEMENT POWER ONLY)	101106 108120 504903	
- 1	233N2103-17		PANEL INSTL-P3-1 (THRUST MANAGEMENT POWER ONLY) FOR NHA/OTHER SYS DET SEE: 25-10-00-15B	101101	RF
- 1	233N2103-217		PANEL INSTL-P3-1 (THRUST MANAGEMENT POWER ONLY) FOR NHA/OTHER SYS DET SEE: 25-10-00-15B	102102	RF
- 1	233N2103-254		PANEL INSTL-P3-1 (THRUST MANAGEMENT POWER ONLY) FOR NHA/OTHER SYS DET SEE: 25-10-00-15B	504903	RF
- 3	233N2103-371		PANEL INSTL-P3-1 (THRUST MANAGEMENT POWER ONLY) FOR NHA/OTHER SYS DET SEE: 25-10-00-15B	108120	RF

MISSING ITEM NUMBERS NOT APPLICABLE

- ITEM NOT ILLUSTRATED

BRI

22-31-02-01

BOEING PROPRIETARY - Copyright © - Unpublished Work - See title page for details.

22-31-02
FIG. 01
PAGE 1
JAN 20/09



757

PARTS CATALOG (MAINTENANCE)

FIG ITEM	PART NUMBER	1 2 3 4 5 6 7	NOMENCLATURE	EFFECT FROM TO	UNITS PER ASSY
1 - 7	MODREF31741		PANEL INSTL-P3-1 (THRUST MANAGEMENT POWER ONLY) MODULE NUMBER: 233N2103-425 REV A FOR OTHER SYS DETAILS SEE: 11-31-01-38 22-11-02-03 22-14-01-03 22-34-51-02 26-17-51-05 27-51-57-03 27-58-00-02 27-81-00-01 29-21-55-02 31-11-11-19 31-11-16-01 31-11-26-38 31-25-01-03 31-41-52-02 31-51-52-02 32-35-52-03 32-41-52-02 32-42-55-03 32-46-00-01 32-61-51-03 33-13-57-01A 33-16-52-03 34-12-01-03 34-13-01-03 34-13-02-01 34-13-05-01 34-13-06-01 34-16-51-03 34-21-02-02 34-22-02-02 34-22-05-01A 34-22-06-01 34-24-01-03 34-32-00-02 34-46-51-02 34-51-02-02 34-57-00-01 34-61-01-07 34-61-02-02 77-41-01-01 79-33-51-05	103105	1

MISSING ITEM NUMBERS NOT APPLICABLE

- ITEM NOT ILLUSTRATED

22-31-02-01

22-31-02
FIG. 01
PAGE 2
JAN 20/09

BRI



757

PARTS CATALOG (MAINTENANCE)

FIG ITEM	PART NUMBER	1 2 3 4 5 6 7	NOMENCLATURE	EFFECT FROM TO	UNITS PER ASSY
1 - 7	MODREF104335		PANEL INSTL-P3-1 (THRUST MANAGEMENT POWER ONLY) MODULE NUMBER: 233N2103-425 REV B FOR OTHER SYS DETAILS SEE: 11-31-01-38 22-11-02-03 22-14-01-03 22-34-51-02 26-17-51-05 27-51-57-03 27-58-00-02 27-81-00-01 29-21-55-02 31-11-11-19 31-11-16-01 31-11-26-38 31-25-01-03 31-41-52-02 31-51-52-02 32-35-52-03 32-41-52-02 32-42-55-03 32-46-00-01 32-61-51-03 33-13-57-01A 33-16-52-03 34-12-01-03 34-13-01-03 34-13-02-01 34-13-05-01 34-13-06-01 34-16-51-03 34-21-02-02 34-22-02-02 34-22-05-01A 34-22-06-01 34-24-01-03 34-32-00-02 34-46-51-02 34-51-02-02 34-57-00-01 34-61-01-07 34-61-02-02 77-41-01-01 79-33-51-05	106106	1

MISSING ITEM NUMBERS NOT APPLICABLE

- ITEM NOT ILLUSTRATED

BRI

22-31-02-01

22-31-02
 FIG. 01
 PAGE 3
 JAN 20/09



757

PARTS CATALOG (MAINTENANCE)

FIG ITEM	PART NUMBER	1 2 3 4 5 6 7	NOMENCLATURE	EFFECT FROM TO	UNITS PER ASSY
1					
10	143D6354G2		.PANEL ASSY-THRUST MODE SELECTOR SUPPLIER CODE: V89954 FUNCTIONAL DESCRIPTION: ALLOWS CREW TO SELECT THRUST LIMIT COMPUTATION MODES SPECIFICATION NUMBER: S241T200-154 ELECTRICAL EQUIP NUMBER: M10258 COMPONENT MAINT MANUAL REF: 22-31-24	101106 108120 504903	1
15	RD239-127		. . KNOB- SUPPLIER CODE: V81590	101106 108120 504903	1
- 25	233N2222-301		.MODULE ASSY- COMPONENT MAINT MANUAL REF: 31-11-49 PRE ALERT SB: 33A0044	101101	RF
- 25	233N2222-321		.MODULE ASSY- COMPONENT MAINT MANUAL REF: 31-11-49 PRE ALERT SB: 33A0044	102102	RF
- 25	233N2222-326		.MODULE ASSY- COMPONENT MAINT MANUAL REF: 31-11-49 PRE ALERT SB: 33A0044	504903	RF
- 25	233N2222-329		.MODULE ASSY- COMPONENT MAINT MANUAL REF: 31-11-49 PRE ALERT SB: 33A0044	102102	RF
- 25	233N2222-334		.MODULE ASSY- COMPONENT MAINT MANUAL REF: 31-11-49 PRE ALERT SB: 33A0044	504903	RF
- 26	233N2222-342		.MODULE ASSY- COMPONENT MAINT MANUAL REF: 31-11-49 PRE ALERT SB: 33A0044	102102 108120	RF

MISSING ITEM NUMBERS NOT APPLICABLE

- ITEM NOT ILLUSTRATED

22-31-02-01

22-31-02
FIG. 01
PAGE 4
JAN 20/09

BRI



757

PARTS CATALOG (MAINTENANCE)

FIG ITEM	PART NUMBER	1 2 3 4 5 6 7	NOMENCLATURE	EFFECT FROM TO	UNITS PER ASSY
1					
- 26	233N2222-347		.MODULE ASSY- COMPONENT MAINT MANUAL REF: 31-11-49 PRE ALERT SB: 33A0044	504903	RF
- 27	233N2222-1342		.MODULE ASSY- COMPONENT MAINT MANUAL REF: 31-11-49 POST ALERT SB: 33A0044	102102 108120	RF
- 28	233N2222-379		.MODULE ASSY- COMPONENT MAINT MANUAL REF: 31-11-49	103106	RF
- 28	233N2222-1301		.MODULE ASSY- COMPONENT MAINT MANUAL REF: 31-11-49 POST ALERT SB: 33A0044	101101	RF
- 28	233N2222-1321		.MODULE ASSY- COMPONENT MAINT MANUAL REF: 31-11-49 POST ALERT SB: 33A0044	102102	RF
- 28	233N2222-1329		.MODULE ASSY- COMPONENT MAINT MANUAL REF: 31-11-49 POST ALERT SB: 33A0044	102102	RF
- 28	233N2222-1326		.MODULE ASSY- COMPONENT MAINT MANUAL REF: 31-11-49 POST ALERT SB: 33A0044	504903	RF
- 29	233N2222-1334		.MODULE ASSY- COMPONENT MAINT MANUAL REF: 31-11-49 POST ALERT SB: 33A0044	504903	RF
- 29	233N2222-1347		.MODULE ASSY- COMPONENT MAINT MANUAL REF: 31-11-49 POST ALERT SB: 33A0044	504903	RF
30	233N2222-77		..MODULE ASSY- PRE ALERT SB: 33A0044	101101	RF

MISSING ITEM NUMBERS NOT APPLICABLE

- ITEM NOT ILLUSTRATED

22-31-02-01

22-31-02
FIG. 01
PAGE 5
JAN 20/09

BRI

BOEING PROPRIETARY - Copyright © - Unpublished Work - See title page for details.



757

PARTS CATALOG (MAINTENANCE)

FIG ITEM	PART NUMBER	1 2 3 4 5 6 7	NOMENCLATURE	EFFECT FROM TO	UNITS PER ASSY
1					
30	233N2222-100		..MODULE ASSY- USED ON: 233N2222-321 PRE ALERT SB: 33A0044	102102	RF
30	233N2222-105		..MODULE ASSY- USED ON: 233N2222-326 PRE ALERT SB: 33A0044	504903	RF
30	233N2222-111		..MODULE ASSY- USED ON: 233N2222-329 PRE ALERT SB: 33A0044	102102	RF
30	233N2222-116		..MODULE ASSY- USED ON: 233N2222-334 PRE ALERT SB: 33A0044	504903	RF
31	233N2222-122		..MODULE ASSY- USED ON: 233N2222-342 PRE ALERT SB: 33A0044	102102 108120	RF
31	233N2222-127		..MODULE ASSY- USED ON: 233N2222-347 PRE ALERT SB: 33A0044	504903	RF
32	233N2222-153		..MODULE ASSY-	103106	RF
33	233N2222-1077		..MODULE ASSY- POST ALERT SB: 33A0044	101101	RF
33	233N2222-1100		..MODULE ASSY- USED ON: 233N2222-1321 POST ALERT SB: 33A0044	102102	RF
33	233N2222-1111		..MODULE ASSY- USED ON: 233N2222-1329 POST ALERT SB: 33A0044	102102	RF
33	233N2222-1122		..MODULE ASSY- USED ON: 233N2222-1342 POST ALERT SB: 33A0044	102102 108120	RF

MISSING ITEM NUMBERS NOT APPLICABLE

- ITEM NOT ILLUSTRATED

22-31-02-01

22-31-02
FIG. 01
PAGE 6
JAN 20/09

BRI



757

PARTS CATALOG (MAINTENANCE)

FIG ITEM	PART NUMBER	1 2 3 4 5 6 7	NOMENCLATURE	EFFECT FROM TO	UNITS PER ASSY
1					
33	233N2222-1105	..	MODULE ASSY- USED ON: 233N2222-1326 POST ALERT SB: 33A0044	504903	RF
33	233N2222-1116	..	MODULE ASSY- USED ON: 233N2222-1334 POST ALERT SB: 33A0044	504903	RF
34	233N2222-1127	..	MODULE ASSY- USED ON: 233N2222-1347 POST ALERT SB: 33A0044	504903	RF
40	123-3222G	...	CLAMP- SUPPLIER CODE: V33463	101106 108120 504903	1
- 901	286N0003-323		WIRE BUNDLE ASSY- REWORKED BY ALERT SB: 34A0222	101101	RF
- 902	286N0003-355		WIRE BUNDLE ASSY- REWORKED BY ALERT SB: 34A0222	504903	RF
- 902	286N0003-359		WIRE BUNDLE ASSY- REWORKED BY ALERT SB: 34A0222	102102	RF
- 904	286N0003-384		WIRE BUNDLE ASSY- REWORKED BY ALERT SB: 34A0222	108120	RF
- 907	286N0003-601		WIRE BUNDLE ASSY	103106	RF
915	BACC45FT18A31S	.	CONNECTOR- ELECTRICAL EQUIP NUMBER: D00397 WIRING DIAGRAM REF: 223112	101106 108120 504903	1

MISSING ITEM NUMBERS NOT APPLICABLE

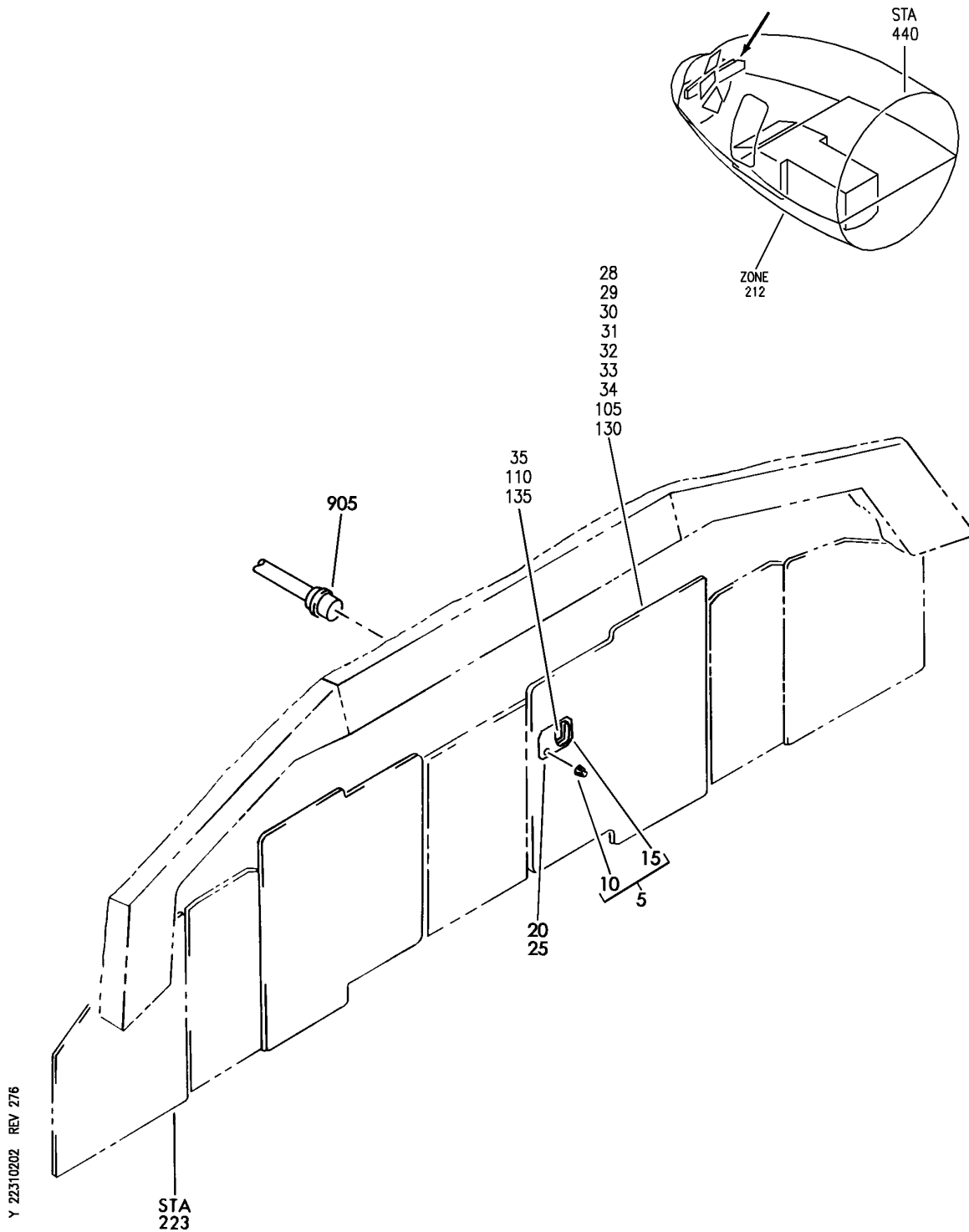
- ITEM NOT ILLUSTRATED

22-31-02-01

22-31-02
FIG. 01
PAGE 7
JAN 20/09

BRI

BOEING
757
PARTS CATALOG (MAINTENANCE)



Y 22310202 REV 276

PANEL INSTL-CAPT AND FIRST OFFICER FWD (THRUST MANAGEMENT POWER ONLY)
FIGURE 2

22-31-02-02

BRI
MAY 28/07

22-31-02-02
PAGE 0



757

PARTS CATALOG (MAINTENANCE)

FIG ITEM	PART NUMBER	1 2 3 4 5 6 7	NOMENCLATURE	EFFECT FROM TO	UNITS PER ASSY
2			PANEL INSTL-CAPT AND FIRST OFFICER FWD (THRUST MANAGEMENT POWER ONLY)	002010 107107 121503 904999	
- 1	233N2101-1		PANEL INSTL-CAPT AND FIRST OFFICER (THRUST MANAGEMENT POWER ONLY) POSITION DATA: FWD VARIABLE DRAWING REF: 233N2101-5003 233N2101-5004 233N2101-5037 233N2101-5039 233N2101-5041 FOR NHA/OTHER SYS DET SEE: 25-10-00-05A	002004 006010 107107 121503 904999	RF
5	143D6354G2		.PANEL ASSY-THRUST MODE SELECT SUPPLIER CODE: V89954 FUNCTIONAL DESCRIPTION: ALLOWS CREW TO SELECT THRUST LIMIT COMPUTATION MODES SPECIFICATION NUMBER: S241T200-154 ELECTRICAL EQUIP NUMBER: M10258 COMPONENT MAINT MANUAL REF: 22-31-24	002004 006010 107107 121503 904999	1
10	RD239-127		..KNOB- SUPPLIER CODE: V81590	002004 006010 107107 121503 904999	1
15	143D6470P1		..LIGHTPLATE- SUPPLIER CODE: V89954	002004 006010 107107 121503 904999	1
28	233N2222-1053		.MODULE ASSY-P3-1 POST ALERT SB: 33A0044	107107	RF
29	233N2222-1085		.MODULE ASSY-P3-1 POST ALERT SB: 33A0044R1	121503 904949	RF

MISSING ITEM NUMBERS NOT APPLICABLE

- ITEM NOT ILLUSTRATED

22-31-02-02

22-31-02
FIG. 02
PAGE 1
JAN 20/09

BRI



757

PARTS CATALOG (MAINTENANCE)

FIG ITEM	PART NUMBER	1 2 3 4 5 6 7	NOMENCLATURE	EFFECT FROM TO	UNITS PER ASSY
2					
31	233N2222-53		.MODULE ASSY-P3-1 PRE ALERT SB: 33A0044	107107	RF
31	233N2222-77		.MODULE ASSY-P3-1 PRE SERVICE BULLETIN: 34-0200 PRE ALERT SB: 33A0044	002004 006010 950999	RF
32	233N2222-85		.MODULE ASSY-P3-1 PRE ALERT SB: 33A0044R1	121503 904949	RF
32	233N2222-1077		.MODULE ASSY-P3-1 POST ALERT SB: 33A0044	002010 950951 953999	RF
35	123-3222G		..CLAMP- SUPPLIER CODE: V33463	002010 107107 121503 904999 952952	1
- 100	233N2222-329		.MODULE ASSY- COMPONENT MAINT MANUAL REF: 31-11-49 POST SERVICE BULLETIN: 34-0200 PRE ALERT SB: 33A0044		RF
- 100	233N2222-1329		.MODULE ASSY- COMPONENT MAINT MANUAL REF: 31-11-49 POST ALERT SB: 33A0044	952952	RF
105	233N2222-111		..MODULE ASSY- PRE ALERT SB: 33A0044	952952	RF
105	233N2222-1111		..MODULE ASSY- POST ALERT SB: 33A0044	952952	RF
110	123-3222G		...CLAMP- SUPPLIER CODE: V33463	952952	1
- 900	286N0003-002		WIRE BUNDLE ASSY- REWORKED BY SB: 34-0200 REWORKED BY ALERT SB: 34A0222	121503 904949	RF
- 900	286N0003-003		WIRE BUNDLE ASSY- REWORKED BY ALERT SB: 34A0222	107107	RF

MISSING ITEM NUMBERS NOT APPLICABLE

- ITEM NOT ILLUSTRATED

22-31-02-02

22-31-02
FIG. 02
PAGE 2
JAN 20/09

BRI



757

PARTS CATALOG (MAINTENANCE)

FIG ITEM	PART NUMBER	1 2 3 4 5 6 7	NOMENCLATURE	EFFECT FROM TO	UNITS PER ASSY
2 - 900	286N0003-005		WIRE BUNDLE ASSY- REWORKED BY SB: 34-0200 REWORKED BY ALERT SB: 34A022	002004 006010 950999	RF
905	BACC45FT18A31S		.CONNECTOR- ELECTRICAL EQUIP NUMBER: D00397 WIRING DIAGRAM REF: 223112	002004 006010 107107 121503 904999	1

MISSING ITEM NUMBERS NOT APPLICABLE

- ITEM NOT ILLUSTRATED

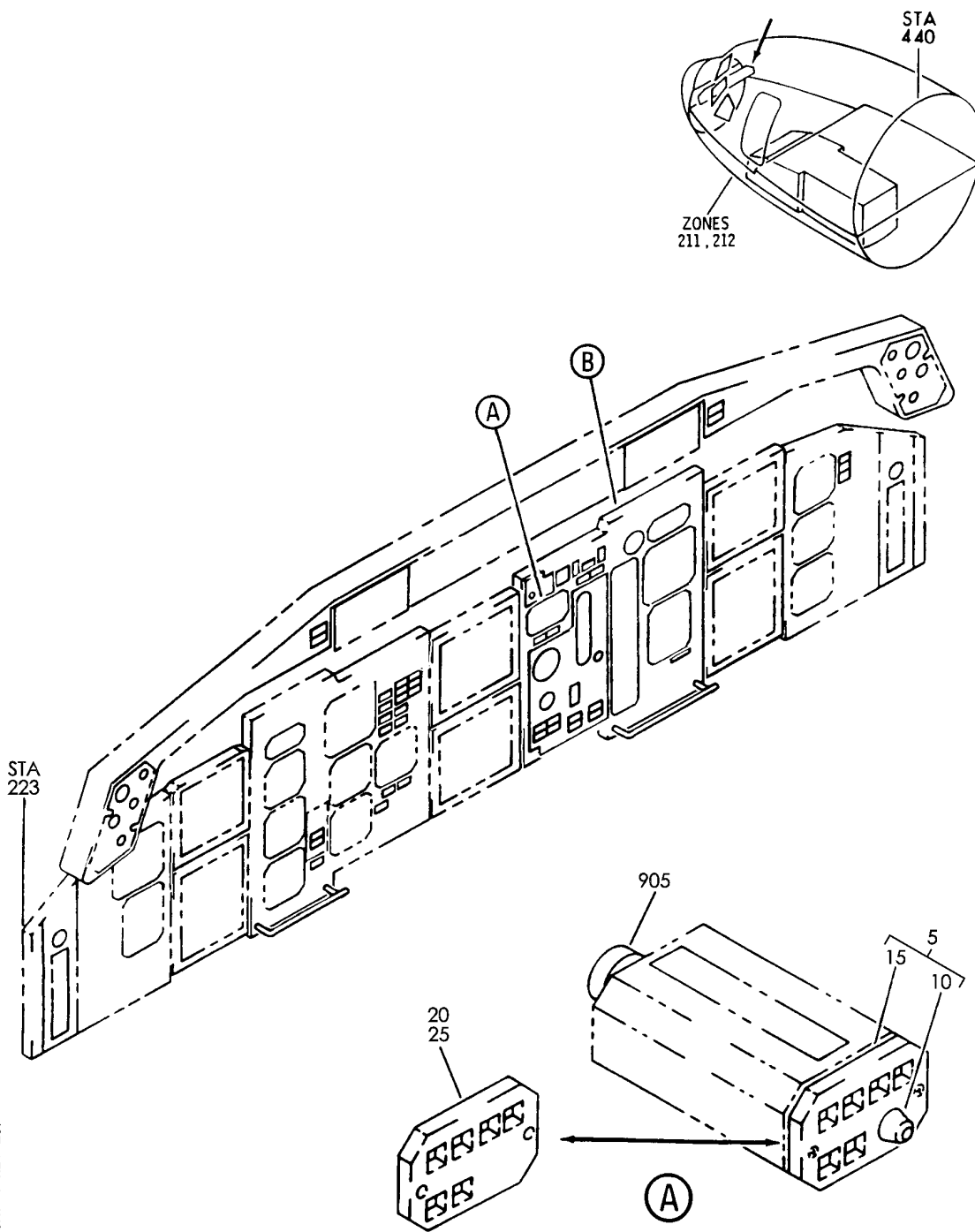
BRI

22-31-02-02

BOEING PROPRIETARY - Copyright © - Unpublished Work - See title page for details.

22-31-02
FIG. 02
PAGE 3
JAN 20/09

BOEING
757
PARTS CATALOG (MAINTENANCE)



Y 22310203 SHT 1 REV 239

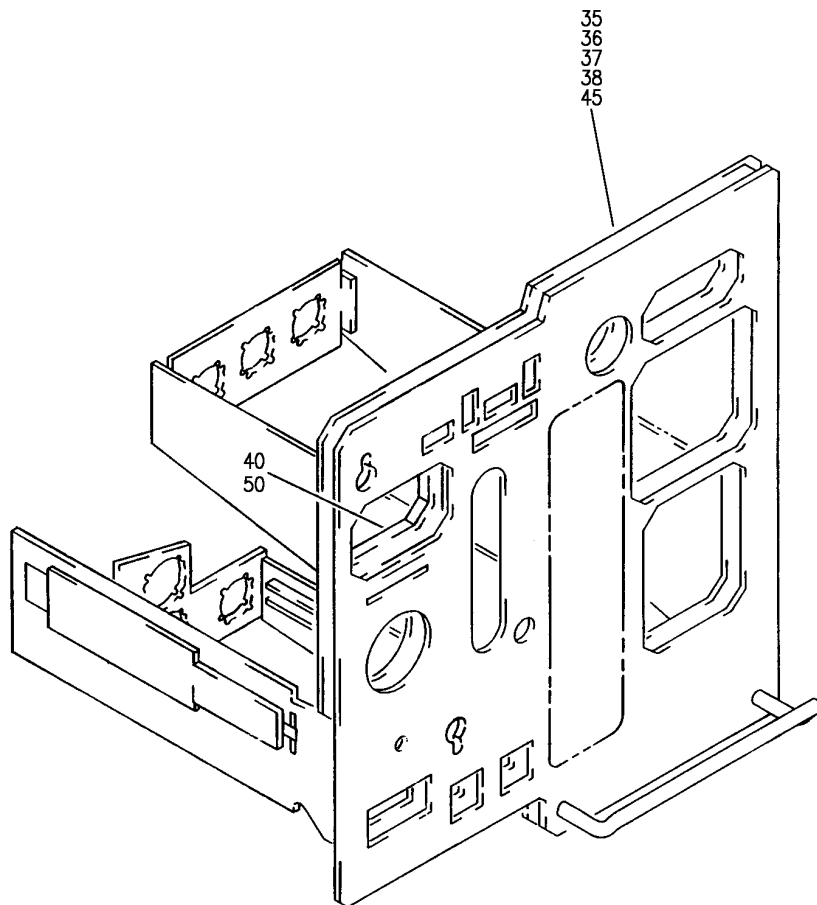
PANEL INSTL-CAPT AND FIRST OFFICER FWD (THRUST MANAGEMENT POWER ONLY)
FIGURE 3 (SHEET 1)

22-31-02-03

BRI
MAY 28/07

22-31-02-03
PAGE 0

BOEING
757
PARTS CATALOG (MAINTENANCE)



(B)

Y 22310203 SH1 2 REV 277

PANEL INSTL-CAPT AND FIRST OFFICER FWD (THRUST MANAGEMENT POWER ONLY)
FIGURE 3 (SHEET 2)

BRI
MAY 28/07

22-31-02-03

22-31-02-03
PAGE 0A



757

PARTS CATALOG (MAINTENANCE)

FIG ITEM	PART NUMBER	1 2 3 4 5 6 7	NOMENCLATURE	EFFECT FROM TO	UNITS PER ASSY
3			PANEL INSTL-CAPT AND FIRST OFFICER FWD (THRUST MANAGEMENT POWER ONLY)	011100	
- 1	233N2101-1		PANEL INSTL-CAPT AND FIRST OFFICER (THRUST MANAGEMENT POWER ONLY)	011100	RF
			POSITION DATA: FWD VARIABLE DRAWING REF: 233N2101-5039 FOR NHA/OTHER SYS DET SEE: 25-10-00-05A		
5	143D6354G2		.PANEL ASSY-THRUST MODE SELECT SUPPLIER CODE: V89954 FUNCTIONAL DESCRIPTION: ALLOWS CREW TO SELECT THRUST LIMIT COMPUTATION MODES SPECIFICATION NUMBER: S241T200-154 ELECTRICAL EQUIP NUMBER: M10258 COMPONENT MAINT MANUAL REF: 22-31-24	011100	1
10	RD239-127		..KNOB- SUPPLIER CODE: V81590	011100	1
15	143D6470P1		..LIGHTPLATE- SUPPLIER CODE: V89954	011100	1
- 30	233N2222-301		.MODULE ASSY-P3-1 COMPONENT MAINT MANUAL REF: 31-11-49 PRE ALERT SB: 33A0044	011100	RF
- 31	233N2222-1301		.MODULE ASSY-P3-1 COMPONENT MAINT MANUAL REF: 31-11-49 POST ALERT SB: 33A0044	011100	RF
35	233N2222-77		..MODULE ASSY- PRE ALERT SB: 33A0044	011100	RF
35	233N2222-1077		..MODULE ASSY- POST ALERT SB: 33A0044	011100	RF

MISSING ITEM NUMBERS NOT APPLICABLE

- ITEM NOT ILLUSTRATED

22-31-02-03

22-31-02
FIG. 03
PAGE 1
JAN 20/09

BRI



757

PARTS CATALOG (MAINTENANCE)

FIG ITEM	PART NUMBER	1 2 3 4 5 6 7	NOMENCLATURE	EFFECT FROM TO	UNITS PER ASSY
3 40	123-3222G		. . . CLAMP- SUPPLIER CODE: V33463	011100	1
- 900	286N0003-005		WIRE BUNDLE ASSY- REWORKED BY ALERT SB: 34A0222	011100	RF
905	BACC45FT18A31S		. CONNECTOR- ELECTRICAL EQUIP NUMBER: D00397 WIRING DIAGRAM REF: 223112	011100	1

MISSING ITEM NUMBERS NOT APPLICABLE

- ITEM NOT ILLUSTRATED

BRI

22-31-02-03

BOEING PROPRIETARY - Copyright © - Unpublished Work - See title page for details.

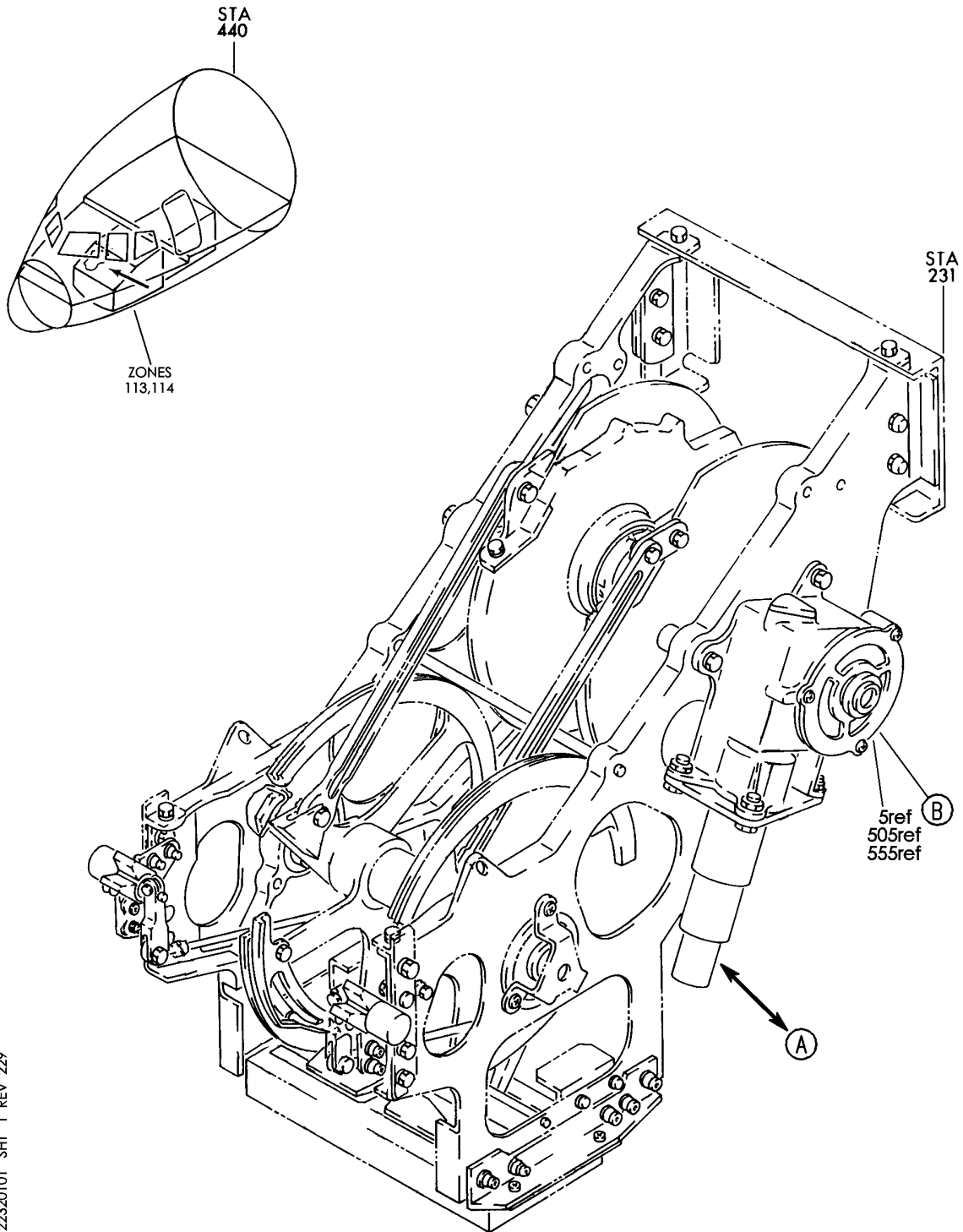
22-31-02
FIG. 03
PAGE 2
JAN 20/09

THRUST MANAGEMENT SYSTEM

BRI
MAY 28/07

22-32-00
SECTION TITLE
PAGE 1

BOEING
757
PARTS CATALOG (MAINTENANCE)



Y 22320101 SHT 1 REV 229

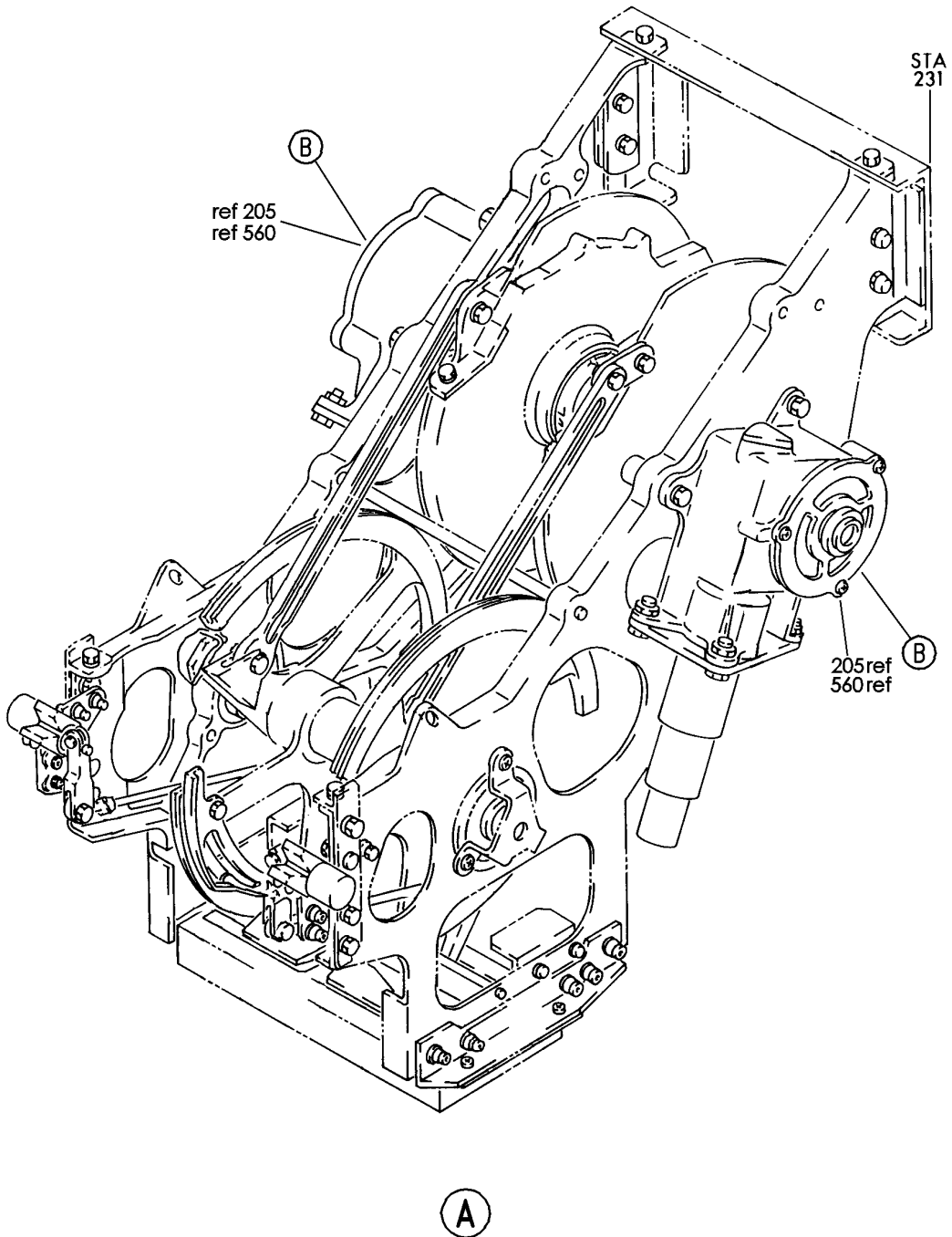
AUTO THROTTLE ASSY-(AUTOTHROTTLE SERVO MOTOR GENERATOR ONLY)
FIGURE 1 (SHEET 1)

22-32-01-01

BRI
MAY 28/07

22-32-01-01
PAGE 0

BOEING
757
PARTS CATALOG (MAINTENANCE)



Y 22320101 SHT 2 REV 229

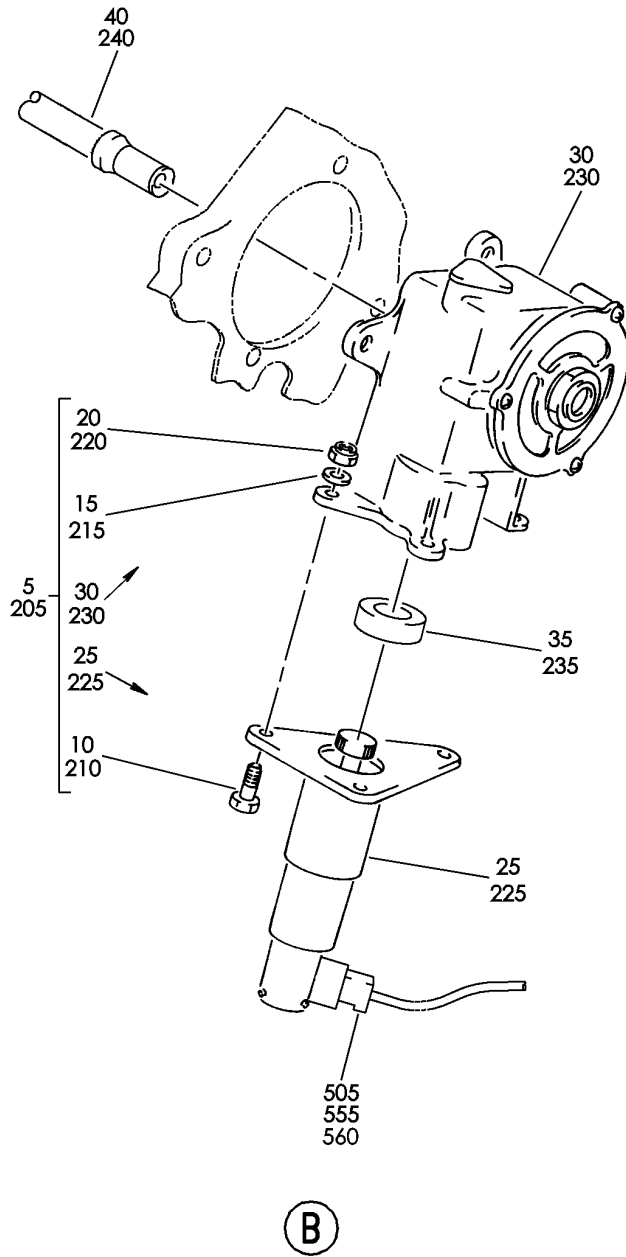
AUTO THROTTLE ASSY-(AUTOTHROTTLE SERVO MOTOR GENERATOR ONLY)
FIGURE 1 (SHEET 2)

22-32-01-01

BRI
MAY 28/07

22-32-01-01
PAGE 0A

BOEING
757
PARTS CATALOG (MAINTENANCE)



Y 22320101 SHT 3 REV 229

AUTO THROTTLE ASSY-(AUTOTHROTTLE SERVO MOTOR GENERATOR ONLY)
FIGURE 1 (SHEET 3)

22-32-01-01

BRI
MAY 28/07

22-32-01-01
PAGE 0B



757

PARTS CATALOG (MAINTENANCE)

FIG ITEM	PART NUMBER	1 2 3 4 5 6 7	NOMENCLATURE	EFFECT FROM TO	UNITS PER ASSY
1			AUTO THROTTLE ASSY- (AUTOTHROTTLE SERVOMOTOR GENERATOR ONLY)	002004 006999	
- 1	254N1058-12		AUTO THROTTLE ASSY- (AUTOTHROTTLE SERVOMOTOR GENERATOR ONLY) COMPONENT MAINT MANUAL REF: 22-32-25 FOR NHA/OTHER SYS DET SEE: 22-32-51-05	002004 121503 904949 952952	RF
- 1	254N1058-13		AUTO THROTTLE ASSY- (AUTOTHROTTLE SERVOMOTOR GENERATOR ONLY) COMPONENT MAINT MANUAL REF: 22-32-25 POST SERVICE BULLETIN: 78-0032 FOR NHA/OTHER SYS DET SEE: 22-32-51-05	006120 504903 950951 953999	RF
- 1	254N1058-14		AUTO THROTTLE ASSY- (AUTOTHROTTLE SERVOMOTOR GENERATOR ONLY) COMPONENT MAINT MANUAL REF: 22-32-25 FOR NHA/OTHER SYS DET SEE: 22-32-51-05	006106 108120 504903 950951 953999	RF
5	253T7121-1		. GEARBOX AND SERVO ASSY	002004 006999	1
10	BACB30NR4K9		.. BOLT	002004 006999	3
15	NAS1149D0463J		.. WASHER	002004 006999	3
20	BRH10C4D		.. NUT SUPPLIER CODE: V52828 SPECIFICATION NUMBER: BACN10JC4CD OPTIONAL PART: T6C428JCD V11815 NS202486-048 V80539 102LH9075-4W V72962 H51650-4BAC V15653	002004 006999	3

MISSING ITEM NUMBERS NOT APPLICABLE

- ITEM NOT ILLUSTRATED

BRI

22-32-01-01

22-32-01
FIG. 01
PAGE 1
JAN 20/09



757

PARTS CATALOG (MAINTENANCE)

FIG ITEM	PART NUMBER	1 2 3 4 5 6 7	NOMENCLATURE	EFFECT FROM TO	UNITS PER ASSY
1	25 P76200A		..MOTOR-SERVO SUPPLIER CODE: V19710 POSITION DATA: L SPECIFICATION NUMBER: S253T409-4 ELECTRICAL EQUIP NUMBER: M00229 COMPONENT MAINT MANUAL REF: 22-32-01 OPTIONAL PART: AC2A V51761	002004 006999	1
	25 AC2A		..MOTOR-SERVO SUPPLIER CODE: V51761 POSITION DATA: L SPECIFICATION NUMBER: S253T409-1 ELECTRICAL EQUIP NUMBER: M00229 COMPONENT MAINT MANUAL REF: 22-32-01 OPTIONAL PART: P76200A V19710	002004 006999	1
	30 253T7114-1		..GEARBOX ASSY- FUNCTIONAL DESCRIPTION: TO INCREASE OR DECREASE OF SPEED COMPONENT MAINT MANUAL REF: 22-32-31	002004 006999	1

MISSING ITEM NUMBERS NOT APPLICABLE

- ITEM NOT ILLUSTRATED

BRI

22-32-01-01

BOEING PROPRIETARY - Copyright © - Unpublished Work - See title page for details.

22-32-01
FIG. 01
PAGE 2
JAN 20/09



757

PARTS CATALOG (MAINTENANCE)

FIG ITEM	PART NUMBER	1 2 3 4 5 6 7	NOMENCLATURE	EFFECT FROM TO	UNITS PER ASSY
1 35	B538DDFS428	...	BEARING- SUPPLIER CODE: V06144 SPECIFICATION NUMBER: BACB10CF10PP OPTIONAL PART: B538DDFS101 V06144 T338E VK8455 B538SSG27 V30163 B538DDFS428 V21335 B538DD V38443 B538-2TS V43991 B538FS101 V06144 B538DDP V21760 B538DDNJC V06144 MISCELLANEOUS DATA: BACB10FU10J IS THE PREFERRED SPARE	002004 006999	1
	35 SSMB538DDSD624	...	BEARING- SUPPLIER CODE: V83086 SPECIFICATION NUMBER: BACB10FU10J OPTIONAL PART: PACMB538DDFS428 V21335 AMB538DDNJC V06144 PACMB538DDFS428 V06144	002004 006999	1

MISSING ITEM NUMBERS NOT APPLICABLE

- ITEM NOT ILLUSTRATED

BRI

22-32-01-01

BOEING PROPRIETARY - Copyright © - Unpublished Work - See title page for details.

22-32-01
FIG. 01
PAGE 3
MAY 20/09



757

PARTS CATALOG (MAINTENANCE)

FIG ITEM	PART NUMBER	1 2 3 4 5 6 7	NOMENCLATURE	EFFECT FROM TO	UNITS PER ASSY
1					
40	253T7113-5		.SHAFT ASSY-QUILL OPTIONAL PART: 253T7113-2 USED ON: 254N1058-7 254N1058-8 254N1058-9 254N1058-10 254N1058-12 254N1058-13 POST SERVICE BULLETIN: 78-0032	002004 006999	1
40	253T7113-2		.SHAFT ASSY-QUILL OPTIONAL PART: 253T7113-5 USED ON: 254N1058-7 254N1058-8 254N1058-9 254N1058-10 254N1058-12	002004 121503 904949 952952	1
40	253T7113-9		.SHAFT ASSY-QUILL USED ON: 254N1058-14 254N1058-15	006106 108120 504903 950951 953999	1
- 550	286N2355-002		WIRE BUNDLE ASSY	002004 006100 107107 950999	RF
- 550	286N2355-003		WIRE BUNDLE ASSY	121503 904949	RF
- 550	286N2355-314		WIRE BUNDLE ASSY	504903	RF
- 550	286N2355-321		WIRE BUNDLE ASSY	101102	RF
- 551	286N2355-334		WIRE BUNDLE ASSY	108120	RF
555	MS3126F16-26S		.PLUG- ELECTRICAL EQUIP NUMBER: D00399 WIRING DIAGRAM REF: 223111	002004 006102 107999	1

MISSING ITEM NUMBERS NOT APPLICABLE

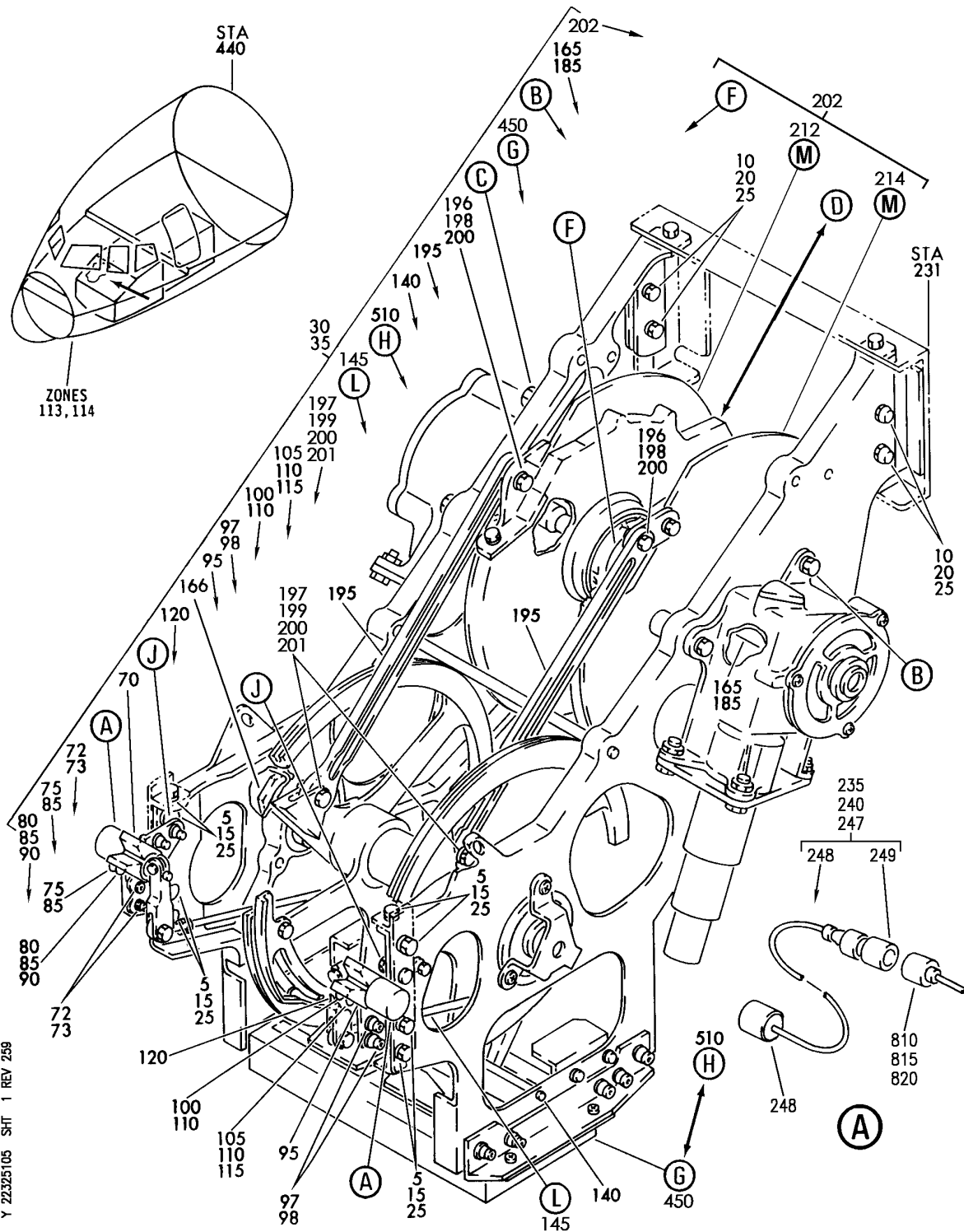
- ITEM NOT ILLUSTRATED

22-32-01-01

22-32-01
FIG. 01
PAGE 4
MAY 20/09

BRI

BOEING
757
PARTS CATALOG (MAINTENANCE)



Y 22325105 SH1 1 REV 259

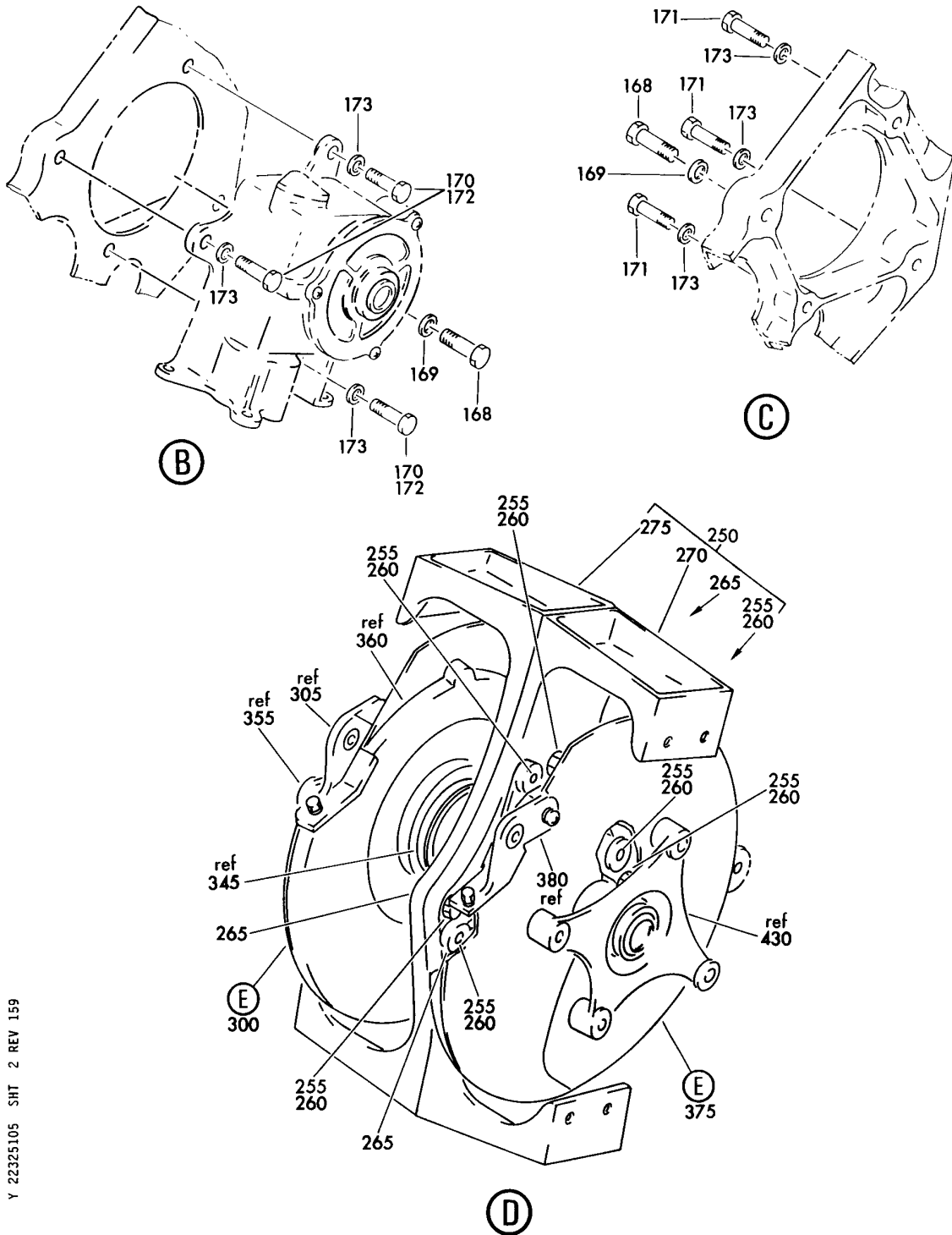
AUTO THROTTLE INSTL-
FIGURE 5 (SHEET 1)

22-32-51-05

BRI
MAY 28/07

22-32-51-05
PAGE 0

BOEING
757
PARTS CATALOG (MAINTENANCE)



Y 22325105 SH1 2 REV 159

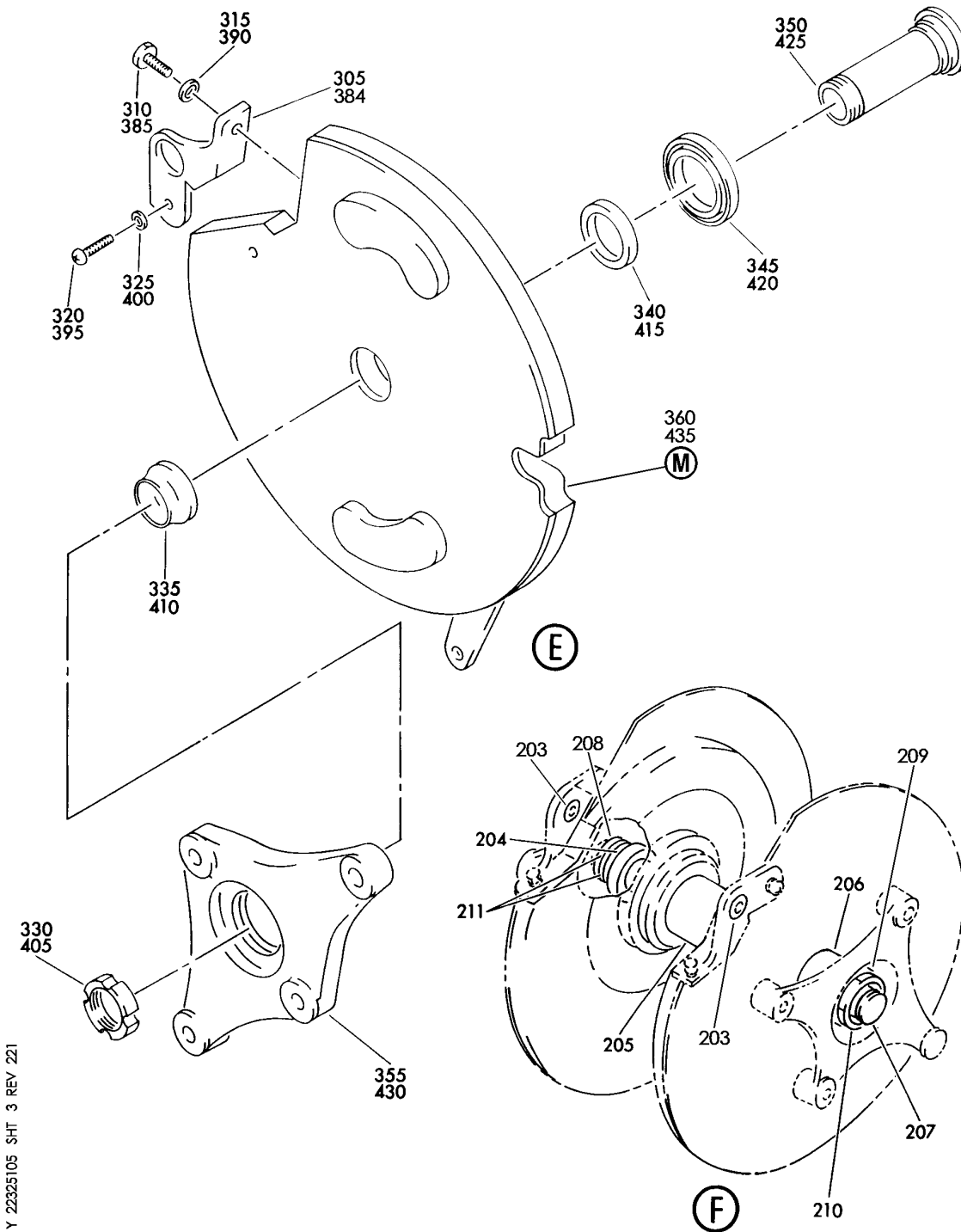
AUTO THROTTLE INSTL-
FIGURE 5 (SHEET 2)

22-32-51-05

BRI
MAY 28/07

22-32-51-05
PAGE 0A

BOEING
757
PARTS CATALOG (MAINTENANCE)



Y 22325105 SHT 3 REV 221

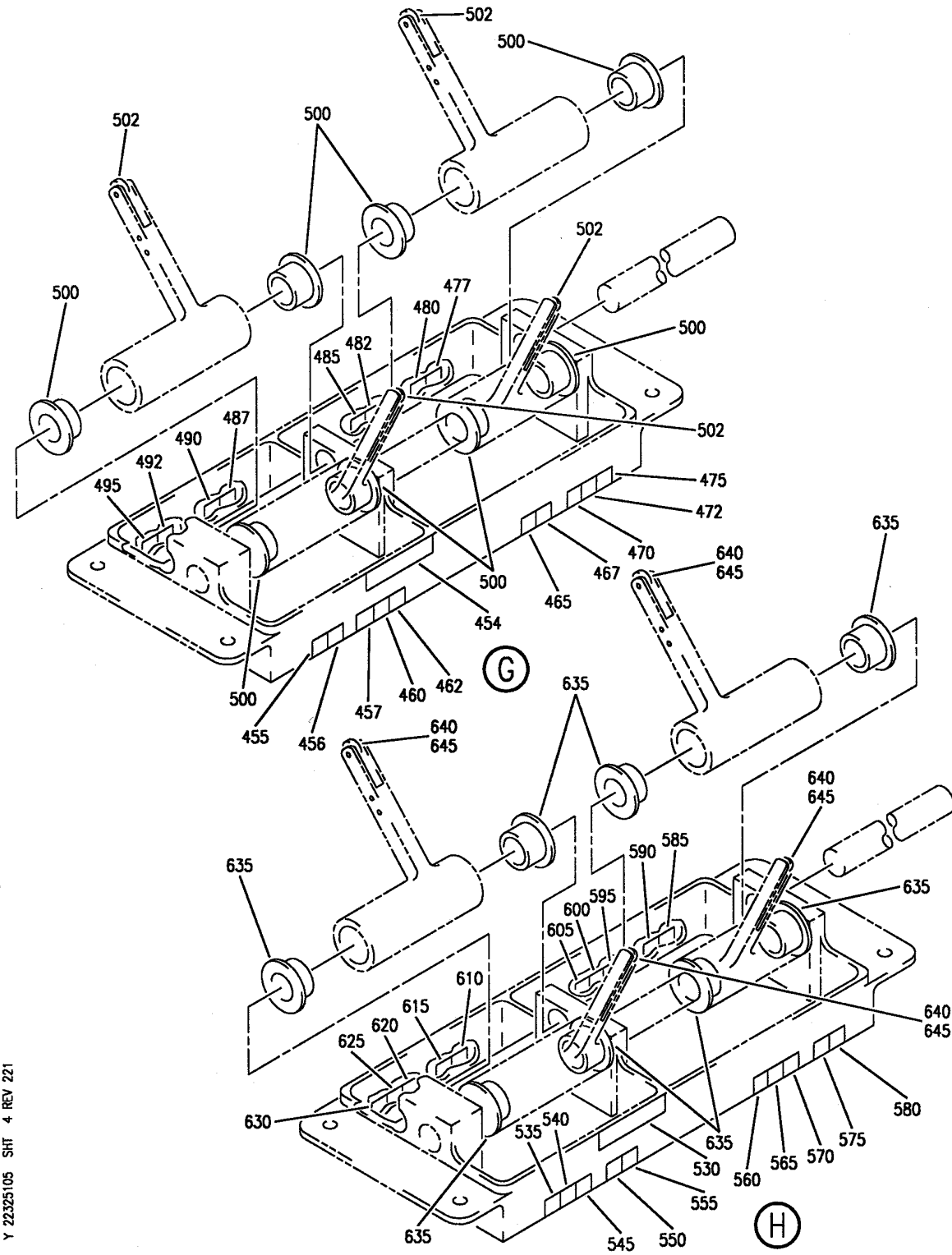
AUTO THROTTLE INSTL-
FIGURE 5 (SHEET 3)

22-32-51-05

BRI
MAY 28/07

22-32-51-05
PAGE 0B

BOEING
757
PARTS CATALOG (MAINTENANCE)



Y 22325105 SH1 4 REV 221

AUTO THROTTLE INSTL-
FIGURE 5 (SHEET 4)

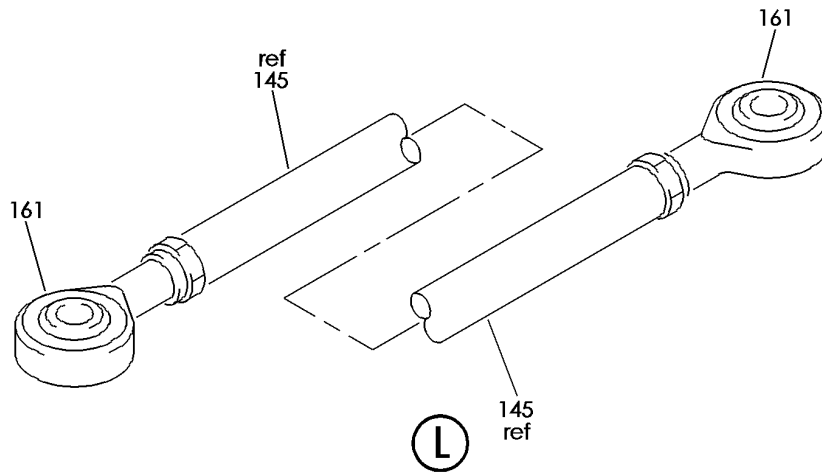
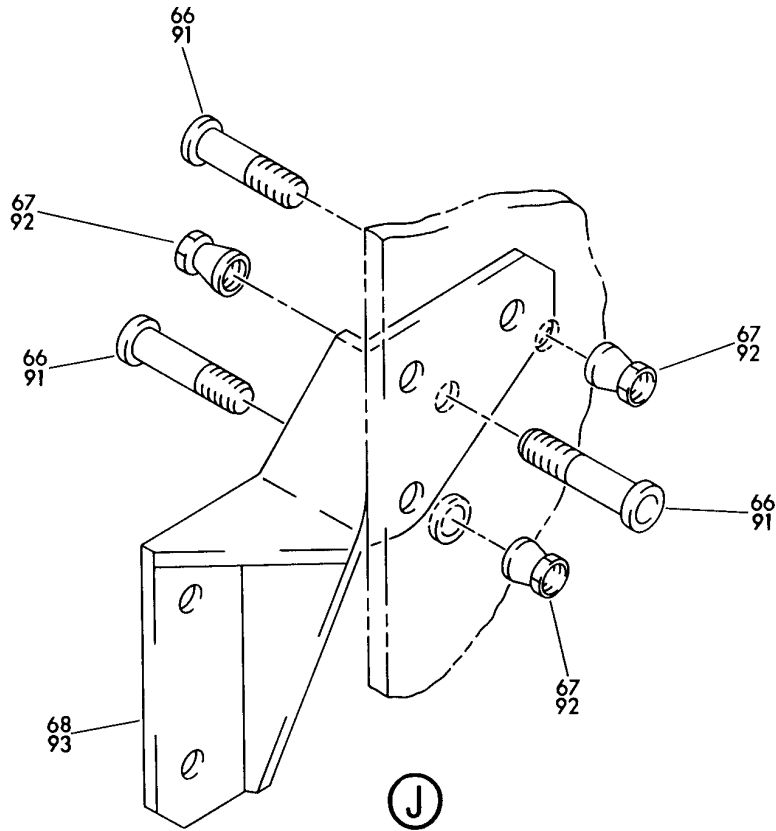
22-32-51-05

BRI
MAY 28/07

22-32-51-05
PAGE 0C

BOEING PROPRIETARY - Copyright © - Unpublished Work - See title page for details.

BOEING
757
PARTS CATALOG (MAINTENANCE)



Y 22325105 SHT 5 REV 230

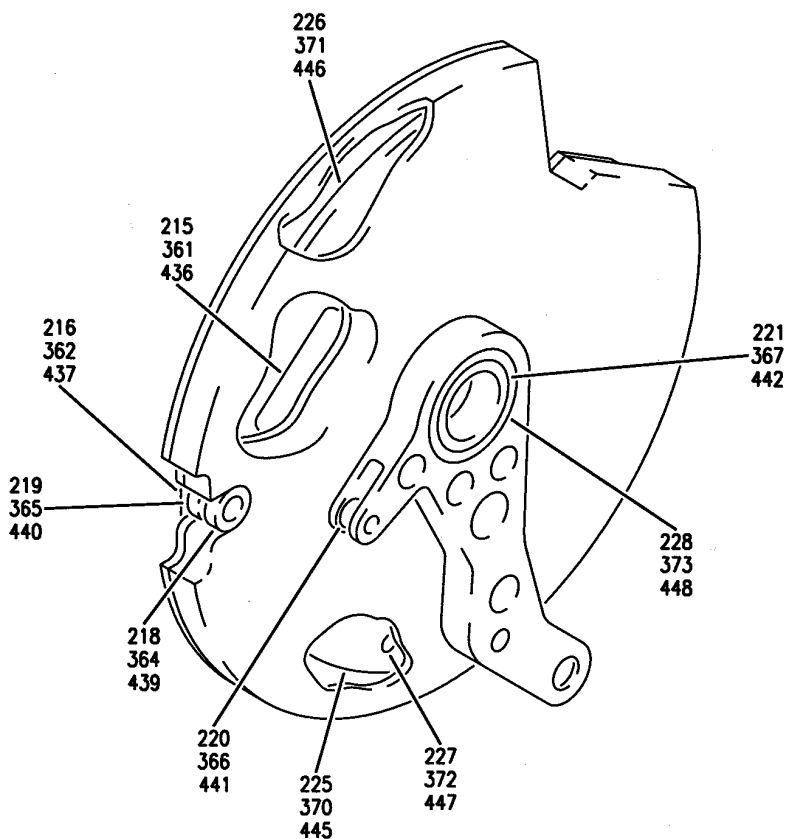
AUTO THROTTLE INSTL-
FIGURE 5 (SHEET 5)

22-32-51-05

BRI
MAY 28/07

22-32-51-05
PAGE 0D

BOEING
757
PARTS CATALOG (MAINTENANCE)



(M)

Y 22325105 SHT 6 REV 221

AUTO THROTTLE INSTL-
FIGURE 5 (SHEET 6)

22-32-51-05

BRI
MAY 28/07

22-32-51-05
PAGE 0E

 **BOEING**
757
PARTS CATALOG (MAINTENANCE)

FIG ITEM	PART NUMBER	1 2 3 4 5 6 7	NOMENCLATURE	EFFECT FROM TO	UNITS PER ASSY
5			AUTO THROTTLE INSTL-	002004	
- 1	254N1002-7		AUTO THROTTLE INSTL- FOR NHA SEE: 76-11-57-01	006999 107107	RF
- 1	254N1002-8		AUTO THROTTLE INSTL- FOR NHA SEE: 76-11-57-01	107107	RF
- 1	254N1002-12		AUTO THROTTLE INSTL- FOR NHA SEE: 76-11-57-01	002004 121503 904949 952952	RF
- 1	254N1002-18		AUTO THROTTLE INSTL- FOR NHA SEE: 76-11-57-01	006010 950951 953999	RF
- 1	254N1002-20		AUTO THROTTLE INSTL- FOR NHA SEE: 76-11-57-01 76-11-00-01	011102 108120 504903	RF
- 1	MODREF8797		AUTO THROTTLE INSTL- MODULE NUMBER: 254N1002-20 REV A	103106	1
5	NAS6604-6		.BOLT	002004 006999	8
10	NAS6604-5		.BOLT-	002004 006999	4
15	AN960PD416L		.WASHER-	002004 006010 101102 107999	8
15	AN960JD416L		.WASHER-	002004 006010 101102 107999	8
15	NAS1149D0416J		.WASHER-	011106 108120 504903	8
20	AN960PD416		.WASHER-	002004 006010 101102 107999	4
20	AN960JD416		.WASHER-	002004 006010 101102 107999	4

MISSING ITEM NUMBERS NOT APPLICABLE

- ITEM NOT ILLUSTRATED

BRI

22-32-51-05

BOEING PROPRIETARY - Copyright © - Unpublished Work - See title page for details.

22-32-51
FIG. 05
PAGE 1
JAN 20/09



757

PARTS CATALOG (MAINTENANCE)

FIG ITEM	PART NUMBER	1 2 3 4 5 6 7	NOMENCLATURE	EFFECT FROM TO	UNITS PER ASSY
5					
20	NAS1149D0463J	.	WASHER-	006106 108120 504903 950951 953999	4
25	PLH54CD	.	NUT- SUPPLIER CODE: VF0224 SPECIFICATION NUMBER: BACN10YR4CD OPTIONAL PART: H52732-4CD V15653	002004 006999	12
30	254N1058-12	.	AUTO THROTTLE ASSY- COMPONENT MAINT MANUAL REF: 22-32-25 FUNCTIONAL REFERENCE: AUTOFLIGHT FOR DETAILS SEE 22-32-01-01	002004 904949 952952	1
30	254N1058-13	.	AUTO THROTTLE ASSY- COMPONENT MAINT MANUAL REF: 22-32-25 POST SERVICE BULLETIN: 78-0032 78-0032R4 FUNCTIONAL REFERENCE: AUTOFLIGHT FOR DETAILS SEE 22-32-01-01	006903 950951 953999	1
30	254N1058-14	.	AUTO THROTTLE ASSY- COMPONENT MAINT MANUAL REF: 22-32-25 FUNCTIONAL REFERENCE: AUTOFLIGHT FOR DETAILS SEE 22-32-01-01	006120 504903 950951 953999	1
70	65B80863-8	..	BRACKET ASSY- USED ON: 254N1058-9 254N1058-12 254N1058-13	002004 006100 107107 121503 904999	1

MISSING ITEM NUMBERS NOT APPLICABLE

- ITEM NOT ILLUSTRATED

22-32-51-05

22-32-51
FIG. 05
PAGE 2
JAN 20/09

BRI

BOEING PROPRIETARY - Copyright © - Unpublished Work - See title page for details.



757

PARTS CATALOG (MAINTENANCE)

FIG ITEM	PART NUMBER	1 2 3 4 5 6 7	NOMENCLATURE	EFFECT FROM TO	UNITS PER ASSY
5	70 65B80863-18		..BRACKET ASSY- OPTIONAL PART: 65B80863-28 USED ON: 254N1058-8 254N1058-10 254N1058-12 254N1058-13	107107	1
	70 65B80863-28		..BRACKET ASSY- OPTIONAL PART: 65B80863-18 USED ON: 254N1058-8 254N1058-10 254N1058-12 254N1058-13 254N1058-14	011120 504903	1
	72 BACB30MY5K		ATTACHING PARTS ..BOLT- SIZE DETERMINED ON INSTL.	002004 107107 121503 904949 952952	2
	72 L8005K3		..BOLT- SUPPLIER CODE: V06725 SPECIFICATION NUMBER: BACB30MY5K3	006010 950951 953999	2
	72 BACB30MY6K		..BOLT- SIZE DETERMINED ON INSTL.	011106 108120 504903	2
	73 HL70-5		..COLLAR- SUPPLIER CODE: V5M902 SPECIFICATION NUMBER: BACC30M5 OPTIONAL PART: HL70-5 V73197 HL70-5 V92215 66014-5 V56878 HL70-5 V56878	002004 006010 107107 121503 904999	2

MISSING ITEM NUMBERS NOT APPLICABLE

- ITEM NOT ILLUSTRATED

22-32-51-05

22-32-51
FIG. 05
PAGE 3
JAN 20/09

BRI



757

PARTS CATALOG (MAINTENANCE)

FIG ITEM	PART NUMBER	1 2 3 4 5 6 7	NOMENCLATURE	EFFECT FROM TO	UNITS PER ASSY
5	73 HL79-6		.. COLLAR- SUPPLIER CODE: V5M902 SPECIFICATION NUMBER: BACC30M6 OPTIONAL PART: HL79-6 V73197 HL79-6 V92215 66014-6 V56878 HL79-6 V56878	011106 108120 504903	2
	75 NAS623-3-14		.. SCREW- OPTIONAL PART: NAS1351C3-20	002004 006999	1
	75 NAS1351C3-20		.. SCREW- OPTIONAL PART: NAS623-3-14	011106 108120 504903	1
	80 NAS623-3-19		.. SCREW- USED WITH: BACN10JC3	002004 006999	1
	85 BACW10AT23AS		.. WASHER	002004 006999	2
	90 BRH10A3		.. NUT- SUPPLIER CODE: V52828 SPECIFICATION NUMBER: BACN10JC3 OPTIONAL PART: H10-3BAC V15653 NS202101-02 V80539 RMLH9075-3W V72962 VN303A02 V92215 96-02 V80539 T6S1032J V11815	002004 107107 121503 904949 952952	1

MISSING ITEM NUMBERS NOT APPLICABLE

- ITEM NOT ILLUSTRATED

22-32-51-05

22-32-51
FIG. 05
PAGE 4
JAN 20/09

BRI



757

PARTS CATALOG (MAINTENANCE)

FIG ITEM	PART NUMBER	1 2 3 4 5 6 7	NOMENCLATURE	EFFECT FROM TO	UNITS PER ASSY
5	90 PLH53CD		..NUT- SUPPLIER CODE: VF0224 SPECIFICATION NUMBER: BACN10YR3CD OPTIONAL PART: H52732-3CD V15653 -----*-----	006106 108120 504903 950951 953999	1
	95 65B80863-9		..BRACKET ASSY- USED ON: 254N1058-7	002004 006100 107107 121503 904999	1
	95 65B80863-17		..BRACKET ASSY- OPTIONAL PART: 65B80863-27 USED ON: 254N1058-8	107107	1
	95 65B80863-27		..BRACKET ASSY- OPTIONAL PART: 65B80863-17 USED ON: 254N1058-8 254N1058-14	011120 504903	1
	95 65B80863-9		..BRACKET ASSY- USED ON: 254N1058-12 254N1058-13 USED ON: 254N1058-9 254N1090-12 254N1090-13 ATTACHING PARTS	002004 006100 107107 121503 904999	1
	97 BACB30MY5K		..BOLT- SIZE DETERMINED ON INSTL.	002004 107107 121503 904949 952952	2
	97 L8005K3		..BOLT- SUPPLIER CODE: V06725 SPECIFICATION NUMBER: BACB30MY5K3	006010 950951 953999	2
	97 BACB30MY6K		..BOLT- SIZE DETERMINED ON INSTL.	011106 108120 504903	2

MISSING ITEM NUMBERS NOT APPLICABLE

- ITEM NOT ILLUSTRATED

22-32-51-05

22-32-51
FIG. 05
PAGE 5
JAN 20/09

BRI



757

PARTS CATALOG (MAINTENANCE)

FIG ITEM	PART NUMBER	1 2 3 4 5 6 7	NOMENCLATURE	EFFECT FROM TO	UNITS PER ASSY
5	98 HL70-5		.. COLLAR- SUPPLIER CODE: V5M902 SPECIFICATION NUMBER: BACC30M5 OPTIONAL PART: HL70-5 V73197 HL70-5 V92215 66014-5 V56878 HL70-5 V56878	002004 006010 107107 121503 904999	2
	98 HL79-6		.. COLLAR- SUPPLIER CODE: V5M902 SPECIFICATION NUMBER: BACC30M6 OPTIONAL PART: HL79-6 V73197 HL79-6 V92215 66014-6 V56878 HL79-6 V56878	011106 108120 504903	2
	100 NAS623-3-14		.. SCREW- OPTIONAL PART: NAS1351C3-20	002004 006999	1
	100 NAS1351C3-20		.. SCREW- OPTIONAL PART: NAS623-3-14	011106 108120 504903	1
	105 NAS623-3-19		.. SCREW- OPTIONAL PART: NAS1351C3-24 USED WITH: BACN10JC3	002004 006999	1
	105 NAS1351C3-24		.. SCREW- OPTIONAL PART: NAS623-3-19	011106 108120 504903	1
	110 BACW10AT23AS		.. WASHER	002004 006999	2

MISSING ITEM NUMBERS NOT APPLICABLE

- ITEM NOT ILLUSTRATED

22-32-51-05

22-32-51
FIG. 05
PAGE 6
JAN 20/09

BRI

BOEING PROPRIETARY - Copyright © - Unpublished Work - See title page for details.



757

PARTS CATALOG (MAINTENANCE)

FIG ITEM	PART NUMBER	1 2 3 4 5 6 7	NOMENCLATURE	EFFECT FROM TO	UNITS PER ASSY
5 115	BRH10A3	..NUT-	SUPPLIER CODE: V52828 SPECIFICATION NUMBER: BACN10JC3 OPTIONAL PART: H10-3BAC V15653 NS202101-02 V80539 RMLH9075-3W V72962 VN303A02 V92215 96-02 V80539 T6S1032J V11815	107107	1
115	PLH53CD	..NUT-	SUPPLIER CODE: VFO224 SPECIFICATION NUMBER: BACN10YR3CD OPTIONAL PART: H52732-3CD V15653 -----*-----	006106 108120 504903 950951 953999	1
120	253T7428-2	..CRANK-		002004 006999	2
- 125	NAS6603-8	..BOLT-	ATTACHING PARTS	002004 107107 121503 904949 952952	2
- 125	NAS6603-6	..BOLT-		006106 108120 504903 950951 953999	2
- 130	AN960PD10L	..WASHER-		002004 107107 121503 904949 952952	2

MISSING ITEM NUMBERS NOT APPLICABLE

- ITEM NOT ILLUSTRATED

22-32-51-05

22-32-51
FIG. 05
PAGE 7
JAN 20/09

BRI

BOEING
757
PARTS CATALOG (MAINTENANCE)

FIG ITEM	PART NUMBER	1 2 3 4 5 6 7	NOMENCLATURE	EFFECT FROM TO	UNITS PER ASSY
5					
- 130	AN960JD10LL	..	WASHER-	006106 108120 504903 950951 953999	2
- 135	BRH10A3	..	NUT- SUPPLIER CODE: V52828 SPECIFICATION NUMBER: BACN10JC3 OPTIONAL PART: H10-3BAC V15653 NS202101-02 V80539 RMLH9075-3W V72962 VN303A02 V92215 96-02 V80539 T6S1032J V11815	002004 107107 121503 904949 952952	2
- 135	PLH53CD	..	NUT- SUPPLIER CODE: VF0224 SPECIFICATION NUMBER: BACN10YR3CD OPTIONAL PART: H52732-3CD V15653 -----*-----	006106 108120 504903 950951 953999	2
140	253T7413-1	..	GUARD-CABLE	002004 006999	2
145	69B82839-10	..	ROD ASSY- ATTACHING PARTS	002004 006999	2
- 150	NAS6603-12	..	BOLT	002004 006999	2
- 155	AN960PD10L	..	WASHER-	002004 107107 121503 904949 952952	2
- 155	AN960JD10LL	..	WASHER-	006106 108120 504903 950951 953999	2

MISSING ITEM NUMBERS NOT APPLICABLE

- ITEM NOT ILLUSTRATED

BRI

22-32-51-05

BOEING PROPRIETARY - Copyright © - Unpublished Work - See title page for details.

22-32-51
FIG. 05
PAGE 8
JAN 20/09



757

PARTS CATALOG (MAINTENANCE)

FIG ITEM	PART NUMBER	1 2 3 4 5 6 7	NOMENCLATURE	EFFECT FROM TO	UNITS PER ASSY
5 - 160	BRH10A3	..	NUT- SUPPLIER CODE: V52828 SPECIFICATION NUMBER: BACN10JC3 OPTIONAL PART: H10-3BAC V15653 NS202101-02 V80539 RMLH9075-3W V72962 VN303A02 V92215 96-02 V80539 T6S1032J V11815	002004 107107 121503 904949 952952	2
- 160	PLH53CD	..	NUT- SUPPLIER CODE: VF0224 SPECIFICATION NUMBER: BACN10YR3CD OPTIONAL PART: H52732-3CD V15653	006106 108120 504903 950951 953999	2
161	KBE3-61	---	BEARING-ROD END SUPPLIER CODE: V97613 OPTIONAL PART: AW3-5 V56644	002004 006999	4
161	AW3-5	---	BEARING-ROD END SUPPLIER CODE: V56644 OPTIONAL PART: KBE3-61 V97613	002004 006999	4
166	BR9275-1632	..	NUT- SUPPLIER CODE: V72962	002004 006999	1
168	BACB30NF6-12	..	BOLT	002004 006999	2
169	AN960PD616L	..	WASHER-	002004 006999	2
169	AN960JD616L	..	WASHER-	002004 006999	2

MISSING ITEM NUMBERS NOT APPLICABLE

- ITEM NOT ILLUSTRATED

22-32-51-05

22-32-51
FIG. 05
PAGE 9
JAN 20/09

BRI



757

PARTS CATALOG (MAINTENANCE)

FIG ITEM	PART NUMBER	1 2 3 4 5 6 7	NOMENCLATURE	EFFECT FROM TO	UNITS PER ASSY
5					
170	BACB30NF4-16	..	BOLT-	011100 107107	3
171	BACB30NF4-12	..	BOLT-	011100 107107	3
173	AN960PD416L	..	WASHER-	002004 006999	6
173	AN960JD416L	..	WASHER-	002004 006999	6
185	253T7113-5	..	SHAFT ASSY-QUILL OPTIONAL PART: 253T7113-2 USED ON: 254N1058-7 254N1058-8 254N1058-9 254N1058-10 254N1058-12 254N1058-13	002004 006010 107107 121503 904999	1
185	253T7113-2	..	SHAFT ASSY-QUILL OPTIONAL PART: 253T7113-5 USED ON: 254N1058-7 254N1058-8 254N1058-9 254N1058-10 254N1058-12	002004 107107 121503 904949 952952	1
185	253T7113-9	..	SHAFT ASSY-QUILL	011106 108120 504903	1
195	65B80903-1	..	LINK ASSY-CLUTCH	002004 006010 107107 121503 904999	2
195	65B80903-6	..	LINK ASSY-CLUTCH	011106 108120 504903	2
			ATTACHING PARTS		
196	BACB30LU4-12	..	BOLT	002004 006999	2
197	BACB30NF4-11	..	BOLT	002004 006999	2
198	BACW10Q4	..	WASHER	002004 006999	2
199	AN960PD416L	..	WASHER-	002004 006999	2
199	AN960JD416L	..	WASHER-	002004 006999	2

MISSING ITEM NUMBERS NOT APPLICABLE

- ITEM NOT ILLUSTRATED

22-32-51-05

22-32-51
FIG. 05
PAGE 10
JAN 20/09

BRI



757

PARTS CATALOG (MAINTENANCE)

FIG ITEM	PART NUMBER	1 2 3 4 5 6 7	NOMENCLATURE	EFFECT FROM TO	UNITS PER ASSY
5 200	PLH54CD	..	NUT- SUPPLIER CODE: VF0224 SPECIFICATION NUMBER: BACN10YR4CD OPTIONAL PART: H52732-4CD V15653	006106 108120 504903 950951 953999	4
200	BRH10A4	..	NUT- SUPPLIER CODE: V52828 SPECIFICATION NUMBER: BACN10JC4 OPTIONAL PART: T6S428J V11815 96-048 V80539 VN303A048 V92215 RMLH9075-4W V72962 NS202101-048 V80539 H10-4BAC V15653	002004 107107 121503 904949 952952	4
201	KSP4AFS428	---	*----- ... BEARING SUPPLIER CODE: V21335 SPECIFICATION NUMBER: BACB10AC4A OPTIONAL PART: HHKSP4A V38443 KSP4AE9440A V21335 KSP4A2TS V43991 KSP4AG27 V30163	002004 006999	2
202	253T7200-5	..	PACK ASSY-CLUTCH COMPONENT MAINT MANUAL REF: 22-32-41	107107	1
202	253T7200-7	..	PACK ASSY-CLUTCH COMPONENT MAINT MANUAL REF: 22-32-41	107107	1

MISSING ITEM NUMBERS NOT APPLICABLE

- ITEM NOT ILLUSTRATED

22-32-51-05

22-32-51
FIG. 05
PAGE 11
JAN 20/09

BRI



757

PARTS CATALOG (MAINTENANCE)

FIG ITEM	PART NUMBER	1 2 3 4 5 6 7	NOMENCLATURE	EFFECT FROM TO	UNITS PER ASSY
5					
202	253T7200-9	..	PACK ASSY-CLUTCH COMPONENT MAINT MANUAL REF: 22-32-41	002004 006999	1
203	KSP4AFS428	...	BEARING SUPPLIER CODE: V21335 SPECIFICATION NUMBER: BACB10AC4A OPTIONAL PART: HHKSP4A V38443 KSP4AE9440A V21335 KSP4A2TS V43991 KSP4AG27 V30163	002004 006999	1
204	253T7220-2	...	SPACER	002004 006999	1
205	253T7214-1	...	SPACER	002004 006999	1
206	253T7220-1	...	SPACER	002004 006999	1
207	253T7215-1	...	SHAFT- QUALIFIED I/W DATA: 253T7215-2 TOGETHER WITH 2 EA BACW10P210AL WASHERS I/W 253T7215-1	107107	1
207	253T7215-2	...	SHAFT- QUALIFIED I/W DATA: 253T7215-2 TOGETHER WITH 2 EA BACW10P210AL WASHERS I/W 253T7215-1	002004 006106 108999	1

MISSING ITEM NUMBERS NOT APPLICABLE

- ITEM NOT ILLUSTRATED

BRI

22-32-51-05

BOEING PROPRIETARY - Copyright © - Unpublished Work - See title page for details.

22-32-51
FIG. 05
PAGE 12
JAN 20/09

 **BOEING**
757
PARTS CATALOG (MAINTENANCE)

FIG ITEM	PART NUMBER	1 2 3 4 5 6 7	NOMENCLATURE	EFFECT FROM TO	UNITS PER ASSY
5 208	B541DDNJC	...	BEARING SUPPLIER CODE: V06144 SPECIFICATION NUMBER: BACB10CF17PP OPTIONAL PART: B541-2TS V43991 B541DDFS428 V21335 B541SSG27 V30163 T341E VK8455 B541DDFS101 V06144 B541DD V38443 B541FS101 V06144 B541DDP V21760 B541DDFS428 V06144	002004 006999	1
	209	B541DDNJC	...	BEARING SUPPLIER CODE: V06144 SPECIFICATION NUMBER: BACB10CF17PP OPTIONAL PART: B541-2TS V43991 B541DDFS428 V21335 B541SSG27 V30163 T341E VK8455 B541DDFS101 V06144 B541DD V38443 B541FS101 V06144 B541DDP V21760 B541DDFS428 V06144	002004 006999

MISSING ITEM NUMBERS NOT APPLICABLE

— ITEM NOT ILLUSTRATED

BRI

22-32-51-05

BOEING PROPRIETARY - Copyright © - Unpublished Work - See title page for details.

22-32-51
FIG. 05
PAGE 13
MAY 20/09

 **BOEING**
757
PARTS CATALOG (MAINTENANCE)

FIG ITEM	PART NUMBER	1 2 3 4 5 6 7	NOMENCLATURE	EFFECT FROM TO	UNITS PER ASSY
5					
210	BR9247-1718	...	NUT- SUPPLIER CODE: V72962 OPTIONAL PART: SL2778-2 V97393	002004 006999	1
210	SL2778-2	...	NUT- SUPPLIER CODE: V97393 OPTIONAL PART: BR9247-1718 V72962	002004 006999	1
211	BACW10P210AL	...	WASHER	002004 006999	2
212	253T7201-5	...	CLUTCH ASSY- COMPONENT MAINT MANUAL REF: 22-32-51 OPTIONAL PART: 253T7201-11	002004 006999	1
212	253T7201-11	...	CLUTCH ASSY- COMPONENT MAINT MANUAL REF: 22-32-51 OPTIONAL PART: 253T7201-5	002004 006999	1
214	253T7201-6	...	CLUTCH ASSY- COMPONENT MAINT MANUAL REF: 22-32-51 OPTIONAL PART: 253T7201-12	002004 006999	1
214	253T7201-12	...	CLUTCH ASSY- COMPONENT MAINT MANUAL REF: 22-32-51 OPTIONAL PART: 253T7201-6	002004 006999	1
215	BAC27ECT291	NAMEPLATE	002004 006999	1
216	BAC27ECT464	DECAL-VINYL	002004 006999	1

MISSING ITEM NUMBERS NOT APPLICABLE

— ITEM NOT ILLUSTRATED

BRI

22-32-51-05

BOEING PROPRIETARY - Copyright © - Unpublished Work - See title page for details.

22-32-51
FIG. 05
PAGE 14
JAN 20/09



757

PARTS CATALOG (MAINTENANCE)

FIG ITEM	PART NUMBER	1 2 3 4 5 6 7	NOMENCLATURE	EFFECT FROM TO	UNITS PER ASSY
5 - 217	MB542DD	BEARING- SUPPLIER CODE: V40920 SPECIFICATION NUMBER: 60B00179-17 OPTIONAL PART: MB542DDA4022 V60380 MB542DD009M V40920 OPTIONAL PART: BACB10AS21	002004 006999	1
- 217	MB542DD009M	BEARING- SUPPLIER CODE: V40920 SPECIFICATION NUMBER: 60B00179-17 OPTIONAL PART: MB542DDA4022 V60380 OPTIONAL PART: BACB10AS21	002004 006999	1

MISSING ITEM NUMBERS NOT APPLICABLE

- ITEM NOT ILLUSTRATED

22-32-51-05

22-32-51
FIG. 05
PAGE 15
JAN 20/09

BRI



757

PARTS CATALOG (MAINTENANCE)

FIG ITEM	PART NUMBER	1 2 3 4 5 6 7	NOMENCLATURE	EFFECT FROM TO	UNITS PER ASSY	
R R R R R R R R R R R R R R R	5 - 217	MB542DDFS428BEARING- SUPPLIER CODE: V06144 SPECIFICATION NUMBER: BACB10AS21 OPTIONAL PART: LLMB542 V38443 MB542-2TS V43991 MB542DDFS428 V21335 MB542TT V43991 MB542DDG20 V38443 MT342E VK8455 MB542DDL196 V40920 MB542DD V06144 MB542DDNJC V06144 MB542DSD610 V83086 MB542DD009M V40920 MB542DD V40920	002004 006999	1	
	218	69B81372-1BUSHING	002004 006999	1	
	219	69B81372-2BUSHING	002004 006999	1	
	220	69B81950-2BUSHING	002004 006999	1	
	MISSING ITEM NUMBERS NOT APPLICABLE					

- ITEM NOT ILLUSTRATED

22-32-51-05

22-32-51
FIG. 05
PAGE 16
MAY 20/09

BRI



757

PARTS CATALOG (MAINTENANCE)

FIG ITEM	PART NUMBER	1 2 3 4 5 6 7	NOMENCLATURE	EFFECT FROM TO	UNITS PER ASSY
5 221	KJN34-3	BEARING- SUPPLIER CODE: V97613 SPECIFICATION NUMBER: 10-60516-377 OPTIONAL PART: 90874 V09455 DBAF34-034 V81376 YTS807 V77896 FBJW68TF72-8 V21335 NHLF34-201A V15860 FBR34A08BAC V73134 AJF34A102 VS0352	002004 006999	1
225	65B80818-10	SUPPORT- QUALIFIED I/W DATA: 65B80818-10 TOGETHER WITH 65B80818-11 I/W 65B80818-7 TOGETHER WITH 65B80818-8	002004 006999	1
225	65B80818-7	SUPPORT- QUALIFIED I/W DATA: 65B80818-10 TOGETHER WITH 65B80818-11 I/W 65B80818-7 TOGETHER WITH 65B80818-8	002004 006999	1
225	65B80818-12	SUPPORT	002004 006999	1
226	65B80818-11	SUPPORT- QUALIFIED I/W DATA: 65B80818-10 TOGETHER WITH 65B80818-11 I/W 65B80818-7 TOGETHER WITH 65B80818-8	002004 006999	1
226	65B80818-8	SUPPORT- QUALIFIED I/W DATA: 65B80818-10 TOGETHER WITH 65B80818-11 I/W 65B80818-7 TOGETHER WITH 65B80818-8	002004 006999	1
226	65B80818-13	SUPPORT	002004 006999	1

MISSING ITEM NUMBERS NOT APPLICABLE

- ITEM NOT ILLUSTRATED

22-32-51-05

22-32-51
FIG. 05
PAGE 17
JAN 20/09

BRI

BOEING
757
PARTS CATALOG (MAINTENANCE)

FIG ITEM	PART NUMBER	1 2 3 4 5 6 7	NOMENCLATURE	EFFECT FROM TO	UNITS PER ASSY
5					
227	69B84019-1	BUSHING	002004 006999	1
228	B545DDFS428	BEARING	002004 006999	1
			SUPPLIER CODE: V06144		
			SPECIFICATION NUMBER: BACB10CF33PP		
			OPTIONAL PART: B545-2TS		
			V43991		
			B545DDFS428		
			V21335		
			B545SSG27		
			V30163		
			T345E		
			VK8455		
			B545DD		
			V38443		
			B545DDFS101		
			V06144		
			B545FS101		
			V06144		
			B545DDP		
			V21760		
			B545DDNJC		
			V06144		
235	253T7122-3	..	RESOLVER ASSY-	002004	1
			ELECTRICAL EQUIP NUMBER: M10490	107107 121503	
			OPTIONAL PART: 253T7122-5	904949 952952	
			USED ON: 254N1058-7		
			254N1058-8		
			254N1058-9		
			254N1058-10		
			254N1058-12		

MISSING ITEM NUMBERS NOT APPLICABLE

— ITEM NOT ILLUSTRATED

BRI

22-32-51-05

BOEING PROPRIETARY - Copyright © - Unpublished Work - See title page for details.

22-32-51
FIG. 05
PAGE 18
MAY 20/09



757

PARTS CATALOG (MAINTENANCE)

FIG ITEM	PART NUMBER	1 2 3 4 5 6 7	NOMENCLATURE	EFFECT FROM TO	UNITS PER ASSY
5 235	253T7122-5		..RESOLVER ASSY- ELECTRICAL EQUIP NUMBER: M10490 OPTIONAL PART: 253T7122-3 USED ON: 254N1058-7 254N1058-8 254N1058-9 254N1058-10 254N1058-12 254N1058-13 254N1058-14	002004 006105 107999	1
240	253T7122-3		..RESOLVER ASSY- ELECTRICAL EQUIP NUMBER: M10491 OPTIONAL PART: 253T7122-5 USED ON: 254N1058-7 254N1058-8 254N1058-9 254N1058-10 254N1058-12	002004 107107 121503 904949 952952	1
240	253T7122-5		..RESOLVER ASSY- ELECTRICAL EQUIP NUMBER: M10491 OPTIONAL PART: 253T7122-3 USED ON: 254N1058-7 254N1058-8 254N1058-9 254N1058-10 254N1058-12 254N1058-13 254N1058-14	002004 006105 107999	1
247	253T7122-5		..RESOLVER ASSY- ELECTRICAL EQUIP NUMBER: M10490 M10491 USED ON: 254N1058-7 254N1058-8 254N1058-9 254N1058-10 254N1058-12 254N1058-13 254N1058-14	106106	2

MISSING ITEM NUMBERS NOT APPLICABLE

- ITEM NOT ILLUSTRATED

BRI

22-32-51-05

22-32-51
FIG. 05
PAGE 19
JAN 20/09



757

PARTS CATALOG (MAINTENANCE)

FIG ITEM	PART NUMBER	1 2 3 4 5 6 7	NOMENCLATURE	EFFECT FROM TO	UNITS PER ASSY
5 248	CU41093009		...RESOLVER- SUPPLIER CODE: V05088 SPECIFICATION NUMBER: S331T001-5 ELECTRICAL EQUIP NUMBER: TS0171 COMPONENT MAINT MANUAL REF: 39-40-01	002004 006999	1
249	C0909A10C05PN		...CONNECTOR SUPPLIER CODE: V13556 SPECIFICATION NUMBER: BACC63BN10C5P OPTIONAL PART: 48-63N10C5P V02660 R071210C5P V41118	002004 006999	1
450	254N1184-1		..PACK ASSY-SWITCH COMPONENT MAINT MANUAL REF: 22-32-37 ATTACHING PARTS	002004 904949 952952	1
- 451	NAS623-3-4		..SCREW	002004 121503 904949 952952	4
- 452	AN960PD10L		..WASHER-	002004 121503 904949 952952	4

MISSING ITEM NUMBERS NOT APPLICABLE

- ITEM NOT ILLUSTRATED

BRI

22-32-51-05

22-32-51
FIG. 05
PAGE 20
JAN 20/09



757

PARTS CATALOG (MAINTENANCE)

FIG ITEM	PART NUMBER	1 2 3 4 5 6 7	NOMENCLATURE	EFFECT FROM TO	UNITS PER ASSY
5 - 453	BRH10A3		..NUT- SUPPLIER CODE: V52828 SPECIFICATION NUMBER: BACN10JC3 OPTIONAL PART: H10-3BAC V15653 NS202101-02 V80539 RMLH9075-3W V72962 VN303A02 V92215 96-02 V80539 T6S1032J V11815 -----*-----	002004 121503 904949 952952	4
454	BAC27NEL0268		...DECAL- PLACARD CONTENT: M966	002004 121503 904949 952952	1
455	BAC27TCT0164		...DECAL- PLACARD CONTENT: S12	002004 121503 904949 952952	1
456	BAC27TCT0015		...DECAL- PLACARD CONTENT: S4	002004 121503 904949 952952	1
457	BAC27TCT0012		...DECAL- PLACARD CONTENT: S1	002004 121503 904949 952952	1
460	BAC27TCT0013		...DECAL- PLACARD CONTENT: S2	002004 121503 904949 952952	1
462	BAC27TCT0014		...DECAL- PLACARD CONTENT: S3	002004 121503 904949 952952	1
465	BAC27TCT0168		...DECAL- PLACARD CONTENT: S16	002004 121503 904949 952952	1

MISSING ITEM NUMBERS NOT APPLICABLE

- ITEM NOT ILLUSTRATED

22-32-51-05

22-32-51
FIG. 05
PAGE 21
JAN 20/09

BRI

 **BOEING**
757
PARTS CATALOG (MAINTENANCE)

FIG ITEM	PART NUMBER	1 2 3 4 5 6 7	NOMENCLATURE	EFFECT FROM TO	UNITS PER ASSY
5					
467	BAC27TCT0167	...	DECAL- PLACARD CONTENT: S15	002004 121503 904949 952952	1
470	BAC27TCT0016	...	DECAL- PLACARD CONTENT: S5	002004 121503 904949 952952	1
472	BAC27TCT0017	...	DECAL- PLACARD CONTENT: S6	002004 121503 904949 952952	1
475	BAC27TCT0031	...	DECAL- PLACARD CONTENT: S7	002004 121503 904949 952952	1
477	BAC27TCT0310	...	DECAL- PLACARD CONTENT: S20	002004 121503 904949 952952	1
480	BAC27TCT0032	...	DECAL- PLACARD CONTENT: S8	002004 121503 904949 952952	1
482	BAC27TCT0166	...	DECAL- PLACARD CONTENT: S14	002004 121503 904949 952952	1
485	BAC27TCT0298	...	DECAL- PLACARD CONTENT: S18	002004 121503 904949 952952	1
487	BAC27TCT0309	...	DECAL- PLACARD CONTENT: S19	002004 121503 904949 952952	1
490	BAC27TCT0163	...	DECAL- PLACARD CONTENT: S11	002004 121503 904949 952952	1
492	BAC27TCT0034	...	DECAL- PLACARD CONTENT: S10	002004 121503 904949 952952	1
495	BAC27TCT0292	...	DECAL- PLACARD CONTENT: S17	002004 121503 904949 952952	1

MISSING ITEM NUMBERS NOT APPLICABLE

— ITEM NOT ILLUSTRATED

BRI

22-32-51-05

BOEING PROPRIETARY - Copyright © - Unpublished Work - See title page for details.

22-32-51
FIG. 05
PAGE 22
JAN 20/09



757

PARTS CATALOG (MAINTENANCE)

FIG ITEM	PART NUMBER	1 2 3 4 5 6 7	NOMENCLATURE	EFFECT FROM TO	UNITS PER ASSY
5 500	HJF049		...BUSHING- SUPPLIER CODE: V09455 SPECIFICATION NUMBER: 10-60516-334A OPTIONAL PART: AJF06PH1C4H VS0352 ADLF06-4010 V15860 OPTIONAL PART: ADLF06-4010 V15860	002004 121503 904949 952952	8
500	ADLF06-4010		...BUSHING- SUPPLIER CODE: V15860 SPECIFICATION NUMBER: 10-60516-334 OPTIONAL PART: DBMF6-222 V81376 80559 V09455 AJF06PH104 V50294 503-0306-010 V77896 OPTIONAL PART: HJF049 V09455	002004 121503 904949 952952	8
502	BCREF11098		...BEARING- SUPPLIER CODE: V83086 OVERLENGTH PART NUMBER: SSR1-618EEHA7P25LDP OPTIONAL PART: SR2-6EE V83086 S618CE V83086	002004 121503 904949 952952	4
502	S618CE		...BEARING- SUPPLIER CODE: V83086 OPTIONAL PART: BCREF11098 V83086 SR2-6EE V83086	002004 121503 904949 952952	4

MISSING ITEM NUMBERS NOT APPLICABLE

- ITEM NOT ILLUSTRATED

22-32-51-05

22-32-51
FIG. 05
PAGE 23
JAN 20/09

BRI



757

PARTS CATALOG (MAINTENANCE)

FIG ITEM	PART NUMBER	1 2 3 4 5 6 7	NOMENCLATURE	EFFECT FROM TO	UNITS PER ASSY
5					
502	SR2-6EE	...	BEARING- SUPPLIER CODE: V83086 OPTIONAL PART: BCREF11098 V83086 S618CE7 V83086	002004 121503 904949 952952	4
510	254N1184-3	..	PACK ASSY-SWITCH COMPONENT MAINT MANUAL REF: 22-32-37 POST SERVICE BULLETIN: 78-0032	006106 108903 950951 953999	1
510	254N1184-8	..	PACK ASSY-SWITCH	006106 108903 950951 953999	1
- 515	NAS623-3-4	..	ATTACHING PARTS SCREW	006106 108903 950951 953999	4
- 520	AN960JD10LL	..	WASHER-	006106 108903 950951 953999	4
- 525	PLH53CD	..	NUT- SUPPLIER CODE: VF0224 SPECIFICATION NUMBER: BACN10YR3CD OPTIONAL PART: H52732-3CD V15653 -----*-----	006106 108903 950951 953999	4
530	BAC27NEL0268	...	DECAL- PLACARD CONTENT: M966	006106 108903 950951 953999	1
535	BAC27TCT0164	...	DECAL- PLACARD CONTENT: S12	006106 108903 950951 953999	1
540	BAC27NCT0296	...	DECAL- PLACARD CONTENT: S23	006106 108903 950951 953999	1

MISSING ITEM NUMBERS NOT APPLICABLE

- ITEM NOT ILLUSTRATED

22-32-51-05

22-32-51
FIG. 05
PAGE 24
JAN 20/09

BRI



757

PARTS CATALOG (MAINTENANCE)

FIG ITEM	PART NUMBER	1 2 3 4 5 6 7	NOMENCLATURE	EFFECT FROM TO	UNITS PER ASSY
5					
545	BAC27NCT0294	...	DECAL- PLACARD CONTENT: S21	006106 108903 950951 953999	1
550	BAC27TCT0292	...	DECAL- PLACARD CONTENT: S17	006106 108903 950951 953999	1
555	BAC27TCT0034	...	DECAL- PLACARD CONTENT: S10	006106 108903 950951 953999	1
560	BAC27TCT0168	...	DECAL- PLACARD CONTENT: S16	006106 108903 950951 953999	1
565	BAC27NCT0297	...	DECAL- PLACARD CONTENT: S24	006106 108903 950951 953999	1
570	BAC27NCT0295	...	DECAL- PLACARD CONTENT: S22	006106 108903 950951 953999	1
575	BAC27TCT0298	...	DECAL- PLACARD CONTENT: S18	006106 108903 950951 953999	1
580	BAC27TCT0166	...	DECAL- PLACARD CONTENT: S14	006106 108903 950951 953999	1
585	BAC27TCT0310	...	DECAL- PLACARD CONTENT: S20	006106 108903 950951 953999	1
590	BAC27TCT0032	...	DECAL- PLACARD CONTENT: S8	006106 108903 950951 953999	1
595	BAC27TCT0031	...	DECAL- PLACARD CONTENT: S7	006106 108903 950951 953999	1
600	BAC27TCT0017	...	DECAL- PLACARD CONTENT: S6	006106 108903 950951 953999	1

MISSING ITEM NUMBERS NOT APPLICABLE

- ITEM NOT ILLUSTRATED

22-32-51-05

22-32-51
FIG. 05
PAGE 25
JAN 20/09

BRI

BOEING PROPRIETARY - Copyright © - Unpublished Work - See title page for details.



757

PARTS CATALOG (MAINTENANCE)

FIG ITEM	PART NUMBER	1 2 3 4 5 6 7	NOMENCLATURE	EFFECT FROM TO	UNITS PER ASSY
5					
605	BAC27TCT0016	...	DECAL- PLACARD CONTENT: S5	006106 108903 950951 953999	1
610	BAC27TCT0309	...	DECAL- PLACARD CONTENT: S19	006106 108903 950951 953999	1
615	BAC27TCT0163	...	DECAL- PLACARD CONTENT: S11	006106 108903 950951 953999	1
620	BAC27TCT0014	...	DECAL- PLACARD CONTENT: S3	006106 108903 950951 953999	1
625	BAC27TCT0013	...	DECAL- PLACARD CONTENT: S2	006106 108903 950951 953999	1
630	BAC27TCT0012	...	DECAL- PLACARD CONTENT: S1	006106 108903 950951 953999	1
635	HJF049	...	BUSHING- SUPPLIER CODE: V09455 SPECIFICATION NUMBER: 10-60516-334A OPTIONAL PART: AJF06PH1C4H VS0352 ADLF06-4010 V15860 OPTIONAL PART: ADLF06-4010 V15860	006106 108903 950951 953999	8

MISSING ITEM NUMBERS NOT APPLICABLE

- ITEM NOT ILLUSTRATED

22-32-51-05

22-32-51
FIG. 05
PAGE 26
JAN 20/09

BRI



757

PARTS CATALOG (MAINTENANCE)

FIG ITEM	PART NUMBER	1 2 3 4 5 6 7	NOMENCLATURE	EFFECT FROM TO	UNITS PER ASSY
5 635	ADLF06-4010		...BUSHING- SUPPLIER CODE: V15860 SPECIFICATION NUMBER: 10-60516-334 OPTIONAL PART: DBMF6-222 V81376 80559 V09455 AJF06PH104 V50294 503-0306-010 V77896 OPTIONAL PART: HJF049 V09455	006106 108903 950951 953999	8
640	BCREF11098		...BEARING- SUPPLIER CODE: V83086 OVERLENGTH PART NUMBER: SSR1-618EEHA7P25LDP OPTIONAL PART: SR2-6EE V83086 S618CE7 V83086	006106 108903 950951 953999	4
640	S618CE		...BEARING- SUPPLIER CODE: V83086 OPTIONAL PART: BCREF11098 V83086 SR2-6EE V83086	006106 108903 950951 953999	4
640	SR2-6EE		...BEARING- SUPPLIER CODE: V83086 OPTIONAL PART: BCREF11098 V83086 S618CE7 V83086	006106 108903 950951 953999	4

MISSING ITEM NUMBERS NOT APPLICABLE

- ITEM NOT ILLUSTRATED

BRI

22-32-51-05

22-32-51
FIG. 05
PAGE 27
JAN 20/09



757

PARTS CATALOG (MAINTENANCE)

FIG ITEM	PART NUMBER	1 2 3 4 5 6 7	NOMENCLATURE	EFFECT FROM TO	UNITS PER ASSY
5					
645	BCREF11098	...	BEARING- SUPPLIER CODE: V83086 OVERLENGTH PART NUMBER: SSR1-618EEHA7P25LDP OPTIONAL PART: S618CE V83086	006106 108903 950951 953999	4
645	S618CE	...	BEARING- SUPPLIER CODE: V83086 OPTIONAL PART: BCREF11098 V83086	006106 108903 950951 953999	4
- 800	286N4228-013		WIRE BUNDLE ASSY	107107 121503 904949	RF
- 800	286N4228-015		WIRE BUNDLE ASSY-	002004 006100 950999	RF
- 801	286N4228-329		WIRE BUNDLE ASSY	101102	RF
- 801	286N4228-355		WIRE BUNDLE ASSY	108120	RF
- 801	286N4228-340		WIRE BUNDLE ASSY	504903	RF
- 802	286N6662-601		WIRE BUNDLE ASSY	103105	RF
- 805	286N4236-010		WIRE BUNDLE ASSY	107107 121503 904949	RF
- 805	286N4236-015		WIRE BUNDLE ASSY	002004 006100 950999	RF
- 806	286N4236-326		WIRE BUNDLE ASSY	101102	RF
- 806	286N4236-346		WIRE BUNDLE ASSY	108120	RF
- 806	286N4236-340		WIRE BUNDLE ASSY	504903	RF
- 807	286N6670-701		WIRE BUNDLE ASSY	103105	RF
815	BACC45FN10A5S	.	CONNECTOR- ELECTRICAL EQUIP NUMBER: D04734 WIRING DIAGRAM REF: 732112	002004 006105 107999	1
820	BACC45FN10D5S	.	CONNECTOR- ELECTRICAL EQUIP NUMBER: D04736 WIRING DIAGRAM REF: 732122	002004 006105 107999	1

MISSING ITEM NUMBERS NOT APPLICABLE

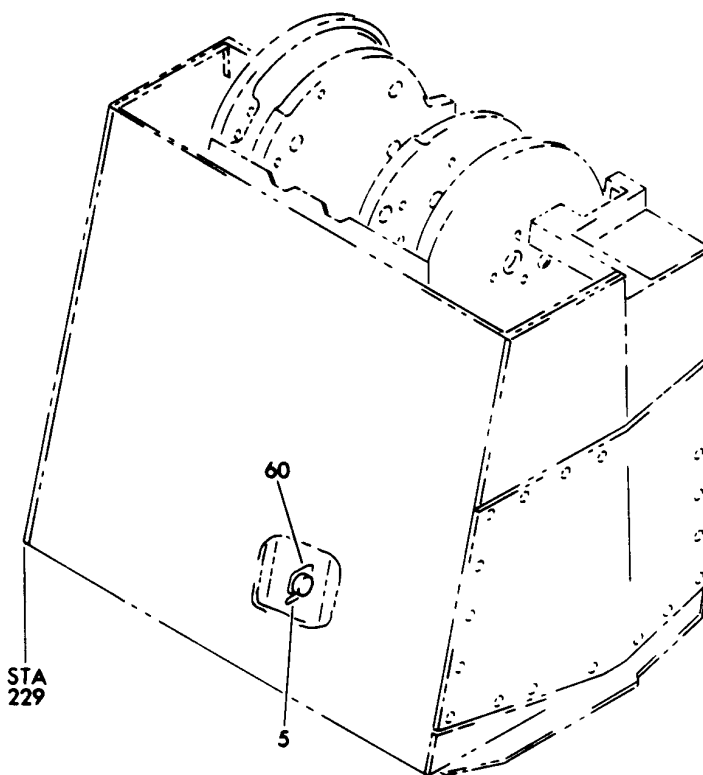
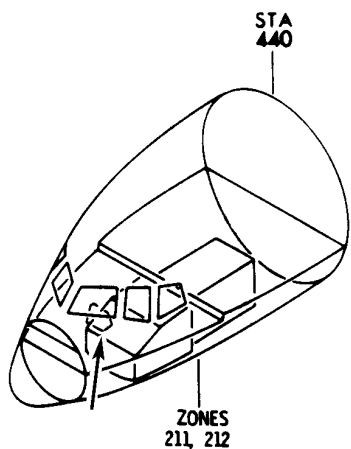
- ITEM NOT ILLUSTRATED

22-32-51-05

22-32-51
FIG. 05
PAGE 28
JAN 20/09

BRI

BOEING
757
PARTS CATALOG (MAINTENANCE)



Y 22325201 REV 298

WIRE BUNDLE ASSY AND SUPPORT INSTL-CONT STAND (THRUST MANAGEMENT SYSTEM ONLY)

FIGURE 1

22-32-52-01

BRI
MAY 28/07

22-32-52-01
PAGE 0



757

PARTS CATALOG (MAINTENANCE)

FIG ITEM	PART NUMBER	1 2 3 4 5 6 7	NOMENCLATURE	EFFECT FROM TO	UNITS PER ASSY
1			WIRE BUNDLE ASSY AND SUPPORT INSTL-CONT STAND (THRUST MANAGEMENT SYSTEM ONLY)	002004 006999	
- 1	254N1114-1		SUPPORT INSTL-CONT STAND ELEC DISC PANEL AND WIRE (THRUST MANAGEMENT SYSTEM ONLY) FOR NHA/OTHER SYS DET SEE: 76-11-04-02	002004 006999	RF
5	BAC27NEL0145		.DECAL- PLACARD CONTENT: D40897J	002004 006999	1
- 55	254N1115-9		WIRE BUNDLE ASSY-CONT STAND (THRUST MANAGEMENT SYSTEM ONLY) OPTIONAL PART: 254N1115-7 FOR NHA/OTHER SYS DET SEE: 76-11-04-02	006008 950951 953999	RF
- 55	254N1115-5		WIRE BUNDLE ASSY-CONT STAND (THRUST MANAGEMENT SYSTEM ONLY) FOR NHA/OTHER SYS DET SEE: 76-11-04-02	107107 904949	RF
- 55	254N1115-7		WIRE BUNDLE ASSY-CONT STAND (THRUST MANAGEMENT SYSTEM ONLY) OPTIONAL PART: 254N1115-9 FOR NHA/OTHER SYS DET SEE: 76-11-04-02	002004 006100 121503 950999	RF
- 55	254N1115-11		WIRE BUNDLE ASSY-CONT STAND (THRUST MANAGEMENT SYSTEM ONLY) FOR NHA/OTHER SYS DET SEE: 76-11-04-02	101106 108120 504903	RF
60	BACC45FN14B15S		.CONNECTOR- ELECTRICAL EQUIP NUMBER: D40897J	002004 006999	1

MISSING ITEM NUMBERS NOT APPLICABLE

- ITEM NOT ILLUSTRATED

22-32-52-01

22-32-52
FIG. 01
PAGE 1
JAN 20/09

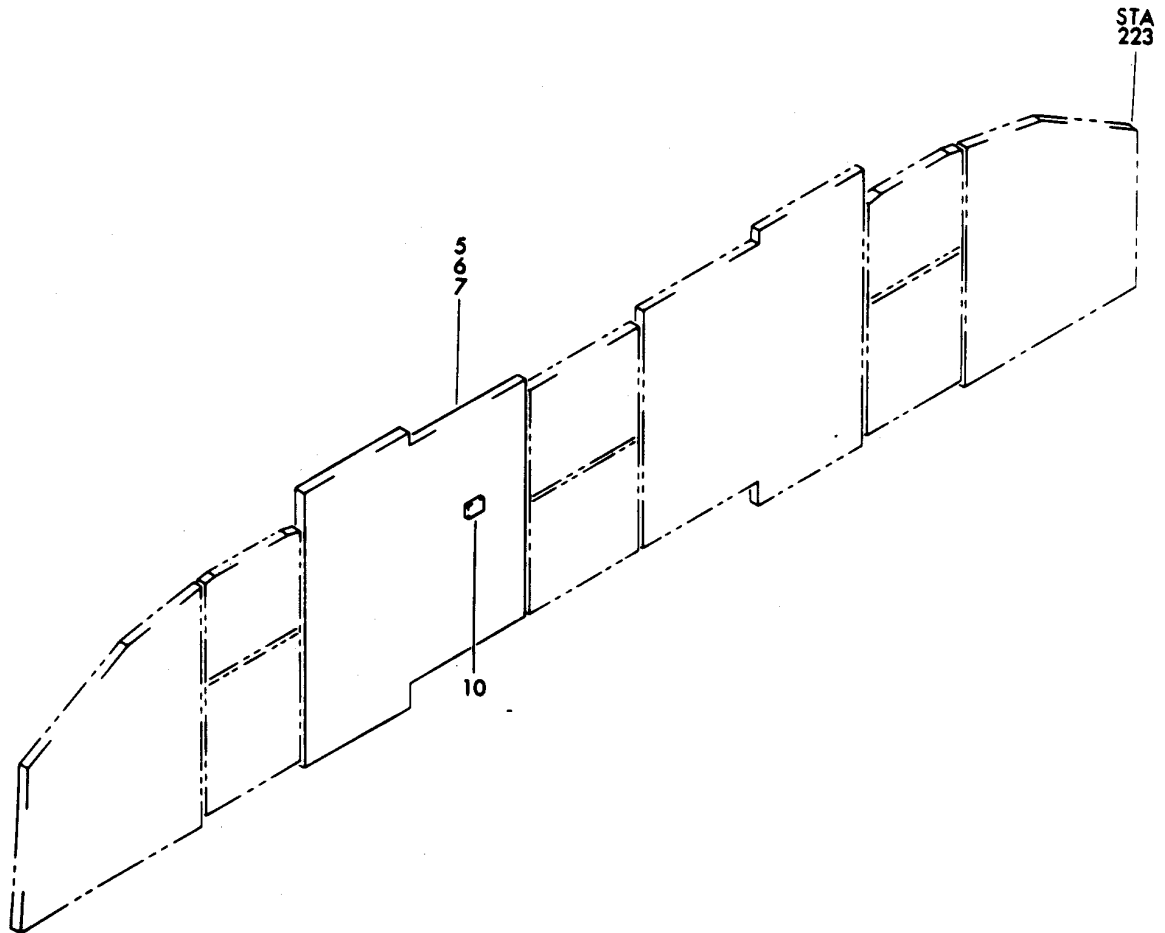
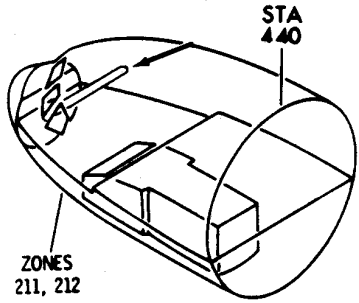
BRI

THRUST MANAGEMENT WARNING

BRI
MAY 28/07

22-34-00
SECTION TITLE
PAGE 1

BOEING
757
PARTS CATALOG (MAINTENANCE)



Y 22348101 SHT 1 REV 078

PANEL INSTL-CAPT AND FIRST OFFICER FWD (THRUST MANAGEMENT WARNING AND ANNUNCIATION ONLY)

FIGURE 1

22-34-51-01

BRI
MAY 28/07

22-34-51-01
PAGE 0



757

PARTS CATALOG (MAINTENANCE)

FIG ITEM	PART NUMBER	1 2 3 4 5 6 7	NOMENCLATURE	EFFECT FROM TO	UNITS PER ASSY
1			PANEL INSTL-CAPT AND FIRST OFFICER FWD (THRUST MANAGEMENT WARNING AND ANNUNCIATION ONLY)	002004 006010 107107 121503 904999	
- 1	233N2101-1		PANEL INSTL-CAPT AND FIRST OFFICER (THRUST MANAGEMENT WARNING AND ANNUNCIATION ONLY) POSITION DATA: FWD VARIABLE DRAWING REF: 233N2101-5003 233N2101-5004 233N2101-5037 233N2101-5039 233N2101-5041 FOR NHA/OTHER SYS DET SEE: 25-10-00-05A	002004 006010 107107 121503 904999	RF
6	233N2221-51		.MODULE ASSY-P1-3	002004 006010 950999	RF
7	233N2221-59		.MODULE ASSY-P1-3	107107	RF
7	233N2221-62		.MODULE ASSY-P1-3	121503 904949	RF
10	BCREF8564		..LIGHT ASSY-A/T DISC SUPPLIER CODE: V81590 OVERLENGTH PART NUMBER: 434-674-1031-2225 SPECIFICATION NUMBER: S231T300-2225 OPTIONAL PART: BCREF6228 V81590 USED ON: 233N2221-15 233N2221-16 233N2221-17 233N2221-23 233N2221-24 233N2221-25 233N2221-26 233N2221-27 233N2221-28 233N2221-29 233N2221-30 233N2221-31 233N2221-32	002004 006010 107107 121503 904999	1

MISSING ITEM NUMBERS NOT APPLICABLE

- ITEM NOT ILLUSTRATED

22-34-51-01

22-34-51
FIG. 01
PAGE 1
JAN 20/09

BRI



757

PARTS CATALOG (MAINTENANCE)

FIG ITEM	PART NUMBER	1 2 3 4 5 6 7 NOMENCLATURE	EFFECT FROM TO	UNITS PER ASSY
1		233N2221-33 233N2221-34 233N2221-35 233N2221-36 233N2221-37 233N2221-39 233N2221-40 233N2221-41 233N2221-43 233N2221-44 233N2221-45 233N2221-46 233N2221-48 233N2221-49 233N2221-51 233N2221-52 233N2221-54 233N2221-55 233N2221-56 233N2221-58 233N2221-59 233N2221-61 233N2221-62 233N2221-63 233N2221-64 233N2221-65 233N2221-66 FOR DETAILS SEE: 33-14-70-03 ..LIGHT ASSY-A/T DISC SUPPLIER CODE: V81590 OVERLENGTH PART NUMBER: 434-674-1005-1225 SPECIFICATION NUMBER: S231T300-1225 ELECTRICAL EQUIP NUMBER: L00486 OPTIONAL PART: BCREf8564 V81590 USED ON: 233N2221-15 233N2221-16 233N2221-17 233N2221-23 233N2221-24 233N2221-25 233N2221-26 MISSING ITEM NUMBERS NOT APPLICABLE	002004 006010 107107 121503 904999	1
10	BCREF6228			

- ITEM NOT ILLUSTRATED

22-34-51-01

22-34-51
FIG. 01
PAGE 2
JAN 20/09

BRI



757

PARTS CATALOG (MAINTENANCE)

FIG ITEM	PART NUMBER	1 2 3 4 5 6 7	NOMENCLATURE	EFFECT FROM TO	UNITS PER ASSY
1			233N2221-27 233N2221-28 233N2221-29 233N2221-30 233N2221-31 233N2221-32 233N2221-33 233N2221-34 233N2221-35 233N2221-36 233N2221-37 233N2221-39 233N2221-40 233N2221-41 233N2221-43 233N2221-44 233N2221-45 233N2221-46 233N2221-48 233N2221-49 233N2221-51 233N2221-52 233N2221-54 233N2221-55 233N2221-56 233N2221-58 233N2221-59 233N2221-61 233N2221-62 233N2221-63 233N2221-64 233N2221-65 233N2221-66 FOR DETAILS SEE: 33-14-70-03		

MISSING ITEM NUMBERS NOT APPLICABLE

- ITEM NOT ILLUSTRATED

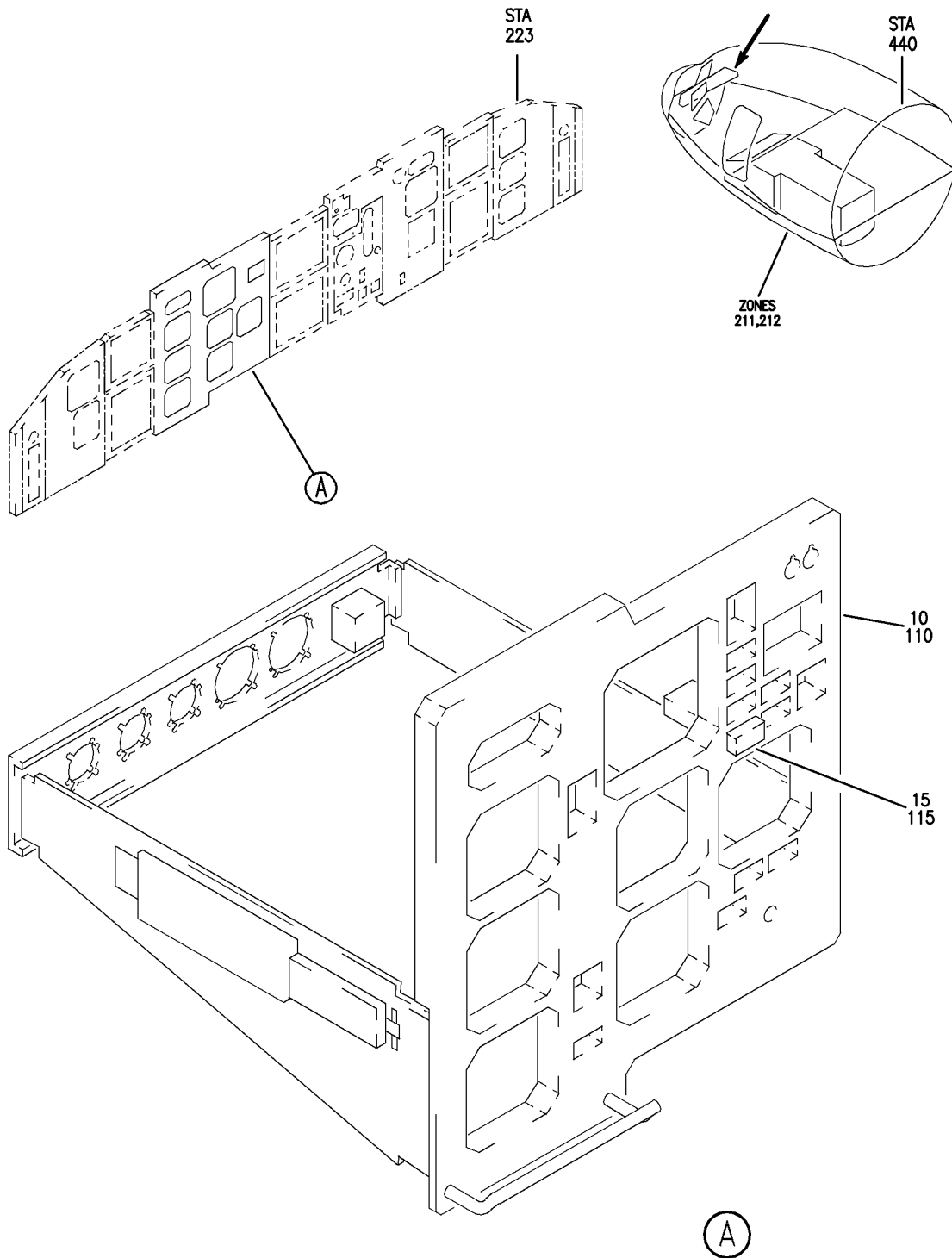
BRI

22-34-51-01

BOEING PROPRIETARY - Copyright © - Unpublished Work - See title page for details.

22-34-51
FIG. 01
PAGE 3
JAN 20/09

BOEING
757
PARTS CATALOG (MAINTENANCE)



Y 22345102 REV 234

PANEL INSTL-CAPT AND FIRST OFFICER FWD AND P1-3 (THRUST MANAGEMENT WARNING AND ANNUNCIATION ONLY)
FIGURE 2

22-34-51-02

BRI
MAY 28/07

22-34-51-02
PAGE 0



757

PARTS CATALOG (MAINTENANCE)

FIG ITEM	PART NUMBER	1 2 3 4 5 6 7	NOMENCLATURE	EFFECT FROM TO	UNITS PER ASSY
2			PANEL INSTL-CAPT AND FIRST OFFICER FWD AND P1-3 (THRUST MANAGEMENT WARNING AND ANNUNCIATION ONLY)	011106 108120 504903	
- 1	233N2101-1		PANEL INSTL-CAPT AND FIRST OFFICER (THRUST MANAGEMENT WARNING AND ANNUNCIATION ONLY) POSITION DATA: FWD VARIABLE DRAWING REF: 233N2101-5039 FOR NHA/OTHER SYS DET SEE: 25-10-00-05A	011100	RF
- 5	233N2221-301		.MODULE ASSY-P1-3 COMPONENT MAINT MANUAL REF: 31-11-48	011100	RF
10	233N2221-51		..MODULE ASSY-	011100	RF
15	BCREF8564		...LIGHT ASSY-A/T DISC SUPPLIER CODE: V81590 OVERLENGTH PART NUMBER: 434-674-1031-2225 SPECIFICATION NUMBER: S231T300-2225 OPTIONAL PART: BCREF6228 V81590 FOR DETAILS SEE: 33-14-70-03	011100	1
15	BCREF6228		...LIGHT ASSY-A/T DISC SUPPLIER CODE: V81590 OVERLENGTH PART NUMBER: 434-674-1005-1225 SPECIFICATION NUMBER: S231T300-1225 ELECTRICAL EQUIP NUMBER: L00486 OPTIONAL PART: BCREF8564 V81590 FOR DETAILS SEE: 33-14-70-03	011100	1

MISSING ITEM NUMBERS NOT APPLICABLE

- ITEM NOT ILLUSTRATED

BRI

22-34-51-02

BOEING PROPRIETARY - Copyright © - Unpublished Work - See title page for details.

22-34-51
FIG. 02
PAGE 1
JAN 20/09



757

PARTS CATALOG (MAINTENANCE)

FIG ITEM	PART NUMBER	1 2 3 4 5 6 7	NOMENCLATURE	EFFECT FROM TO	UNITS PER ASSY
2 - 100	233N2103-10		PANEL INSTL-P1-3 (THRUST MANAGEMENT WARNING AND ANNUNCIATION ONLY) FOR NHA/OTHER SYS DET SEE: 25-10-00-15B	108120	RF
- 100	233N2103-72		PANEL INSTL-P1-3 (THRUST MANAGEMENT WARNING AND ANNUNCIATION ONLY) FOR NHA/OTHER SYS DET SEE: 25-10-00-15B	101102	RF
- 100	233N2103-280		PANEL INSTL-P1-3 (THRUST MANAGEMENT WARNING AND ANNUNCIATION ONLY) FOR NHA/OTHER SYS DET SEE: 25-10-00-15B	504903	RF

MISSING ITEM NUMBERS NOT APPLICABLE

- ITEM NOT ILLUSTRATED

BRI

22-34-51-02

BOEING PROPRIETARY - Copyright © - Unpublished Work - See title page for details.

22-34-51
FIG. 02
PAGE 2
JAN 20/09



757

PARTS CATALOG (MAINTENANCE)

FIG ITEM	PART NUMBER	1 2 3 4 5 6 7	NOMENCLATURE	EFFECT FROM TO	UNITS PER ASSY
2 - 104	MODREF31741		PANEL INSTL-P1-3 (THRUST MANAGEMENT WARNING AND ANNUNCIATION ONLY) MODULE NUMBER: 233N2103-425 REV A FOR OTHER SYS DETAILS SEE: 11-31-01-38 22-11-02-03 22-14-01-03 22-31-02-01 26-17-51-05 27-51-57-03 27-58-00-02 27-81-00-01 29-21-55-02 31-11-11-19 31-11-16-01 31-11-26-38 31-25-01-03 31-41-52-02 31-51-52-02 32-35-52-03 32-41-52-02 32-42-55-03 32-46-00-01 32-61-51-03 33-13-57-01A 33-16-52-03 34-12-01-03 34-13-01-03 34-13-02-01 34-13-05-01 34-13-06-01 34-16-51-03 34-21-02-02 34-22-02-02 34-22-05-01A 34-22-06-01 34-24-01-03 34-32-00-02 34-46-51-02 34-51-02-02 34-57-00-01 34-61-01-07 34-61-02-02 77-41-01-01 79-33-51-05	103105	1

MISSING ITEM NUMBERS NOT APPLICABLE

- ITEM NOT ILLUSTRATED

22-34-51-02

22-34-51
FIG. 02
PAGE 3
JAN 20/09

BRI



757

PARTS CATALOG (MAINTENANCE)

FIG ITEM	PART NUMBER	1 2 3 4 5 6 7	NOMENCLATURE	EFFECT FROM TO	UNITS PER ASSY
2 - 104	MODREF104335		PANEL INSTL-P1-3 (THRUST MANAGEMENT WARNING AND ANNUNCIATION ONLY) MODULE NUMBER: 233N2103-425 REV B FOR OTHER SYS DETAILS SEE: 11-31-01-38 22-11-02-03 22-14-01-03 22-31-02-01 26-17-51-05 27-51-57-03 27-58-00-02 27-81-00-01 29-21-55-02 31-11-11-19 31-11-16-01 31-11-26-38 31-25-01-03 31-41-52-02 31-51-52-02 32-35-52-03 32-41-52-02 32-42-55-03 32-46-00-01 32-61-51-03 33-13-57-01A 33-16-52-03 34-12-01-03 34-13-01-03 34-13-02-01 34-13-05-01 34-13-06-01 34-16-51-03 34-21-02-02 34-22-02-02 34-22-05-01A 34-22-06-01 34-24-01-03 34-32-00-02 34-46-51-02 34-51-02-02 34-57-00-01 34-61-01-07 34-61-02-02 77-41-01-01 79-33-51-05	106106	1

MISSING ITEM NUMBERS NOT APPLICABLE

- ITEM NOT ILLUSTRATED

BRI

22-34-51-02

BOEING PROPRIETARY - Copyright © - Unpublished Work - See title page for details.

22-34-51
FIG. 02
PAGE 4
JAN 20/09



757

PARTS CATALOG (MAINTENANCE)

FIG ITEM	PART NUMBER	1 2 3 4 5 6 7	NOMENCLATURE	EFFECT FROM TO	UNITS PER ASSY
2					
- 105	233N2221-301		.MODULE ASSY- COMPONENT MAINT MANUAL REF: 31-11-48	101102 108120	RF
- 105	233N2221-317		.MODULE ASSY- COMPONENT MAINT MANUAL REF: 31-11-48	505505 507903	RF
- 105	RR92002-134A101		.MODULE ASSY- POST RAPID REVISION: RR92002-134A	504504 506506	RF
- 105	233N2221-320		.MODULE ASSY- COMPONENT MAINT MANUAL REF: 31-11-48	101102 108120	RF
- 105	233N2221-325		.MODULE ASSY- COMPONENT MAINT MANUAL REF: 31-11-48	103106	RF
- 105	233N2221-326		.MODULE ASSY- COMPONENT MAINT MANUAL REF: 31-11-48	101102 108120	RF
- 106	233N2221-328		.MODULE ASSY- COMPONENT MAINT MANUAL REF: 31-11-48	101102 108120	RF
110	233N2221-51		..MODULE ASSY- USED ON: 233N2221-301	101102 108120	RF
110	233N2221-74		..MODULE ASSY	504903	RF
110	233N2221-81		..MODULE ASSY- USED ON: 233N2221-320 233N2221-326 233N2221-328	101106 108120	RF

MISSING ITEM NUMBERS NOT APPLICABLE

- ITEM NOT ILLUSTRATED

22-34-51-02

22-34-51
FIG. 02
PAGE 5
JAN 20/09

BRI

BOEING PROPRIETARY - Copyright © - Unpublished Work - See title page for details.



757

PARTS CATALOG (MAINTENANCE)

FIG ITEM	PART NUMBER	1 2 3 4 5 6 7	NOMENCLATURE	EFFECT FROM TO	UNITS PER ASSY
2 115	BCREF8564		...LIGHT ASSY-A/T DISC IND SUPPLIER CODE: V81590 OVERLENGTH PART NUMBER: 434-674-1031-2225 SPECIFICATION NUMBER: S231T300-2225 OPTIONAL PART: BCREF6228 V81590 USED ON: 233N2221-49 233N2221-51 233N2221-54 233N2221-70 233N2221-71 233N2221-72 233N2221-73 233N2221-74 233N2221-75 233N2221-80 233N2221-81 233N2221-83 FOR DETAILS SEE: 33-14-70-03	101106 108120 504903	1

MISSING ITEM NUMBERS NOT APPLICABLE

- ITEM NOT ILLUSTRATED

BRI

22-34-51-02

BOEING PROPRIETARY - Copyright © - Unpublished Work - See title page for details.

22-34-51
FIG. 02
PAGE 6
JAN 20/09



757

PARTS CATALOG (MAINTENANCE)

FIG ITEM	PART NUMBER	1 2 3 4 5 6 7	NOMENCLATURE	EFFECT FROM TO	UNITS PER ASSY
2 115	BCREF6228		...LIGHT ASSY-A/T DISC IND SUPPLIER CODE: V81590 OVERLENGTH PART NUMBER: 434-674-1005-1225 SPECIFICATION NUMBER: S231T300-1225 ELECTRICAL EQUIP NUMBER: L00486 OPTIONAL PART: BCREF8564 V81590 USED ON: 233N2221-49 233N2221-51 233N2221-54 233N2221-70 233N2221-71 233N2221-72 233N2221-74 233N2221-75 233N2221-80 233N2221-81 FOR DETAILS SEE: 33-14-70-03	101106 108120 504903	1

MISSING ITEM NUMBERS NOT APPLICABLE

- ITEM NOT ILLUSTRATED

BRI

22-34-51-02

BOEING PROPRIETARY - Copyright © - Unpublished Work - See title page for details.

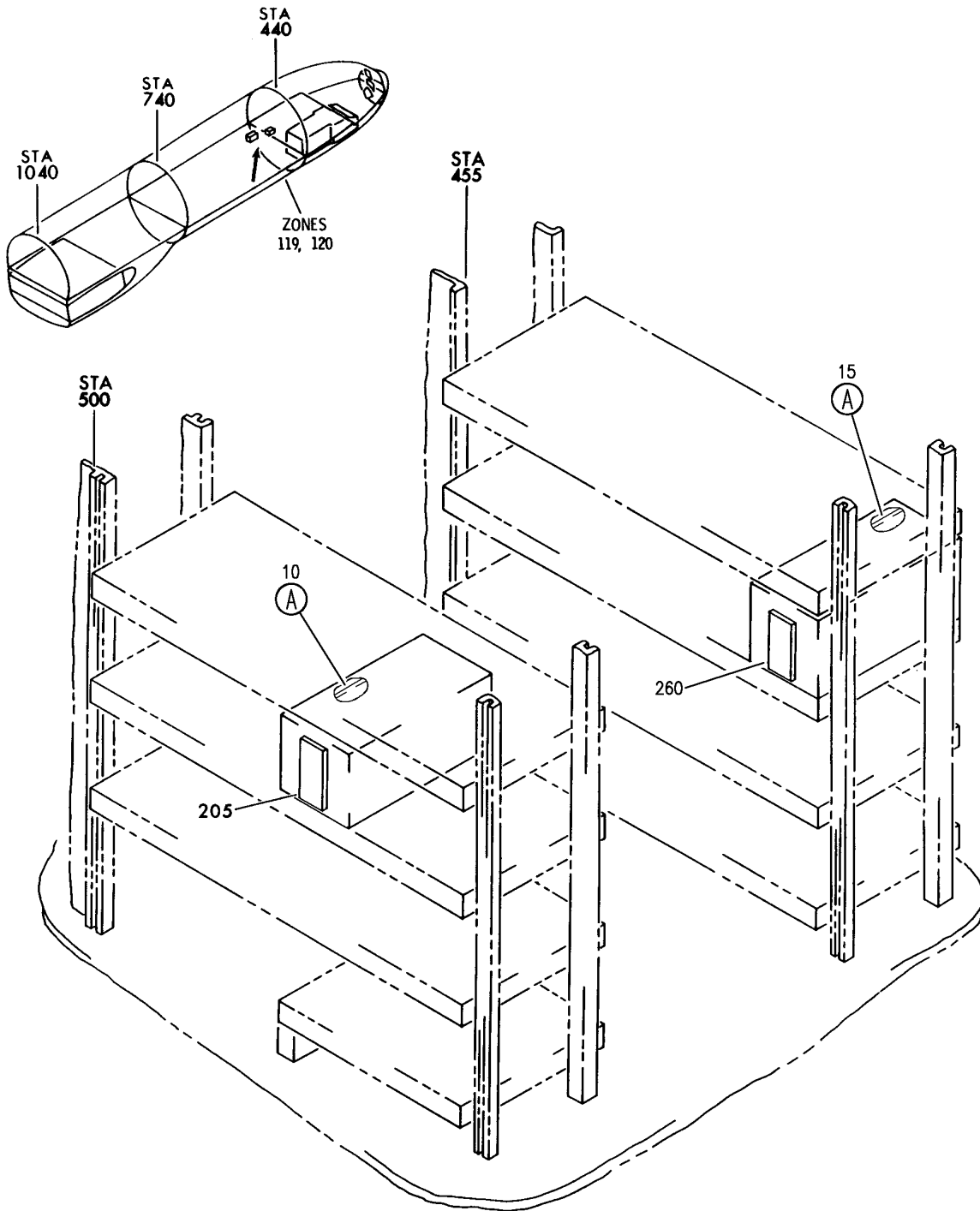
22-34-51
FIG. 02
PAGE 7
JAN 20/09

MAINTENANCE MONITOR

BRI
MAY 28/07

22-41-00
SECTION TITLE
PAGE 1

BOEING
757
PARTS CATALOG (MAINTENANCE)



Y 22410101 SH1 1 REV 255

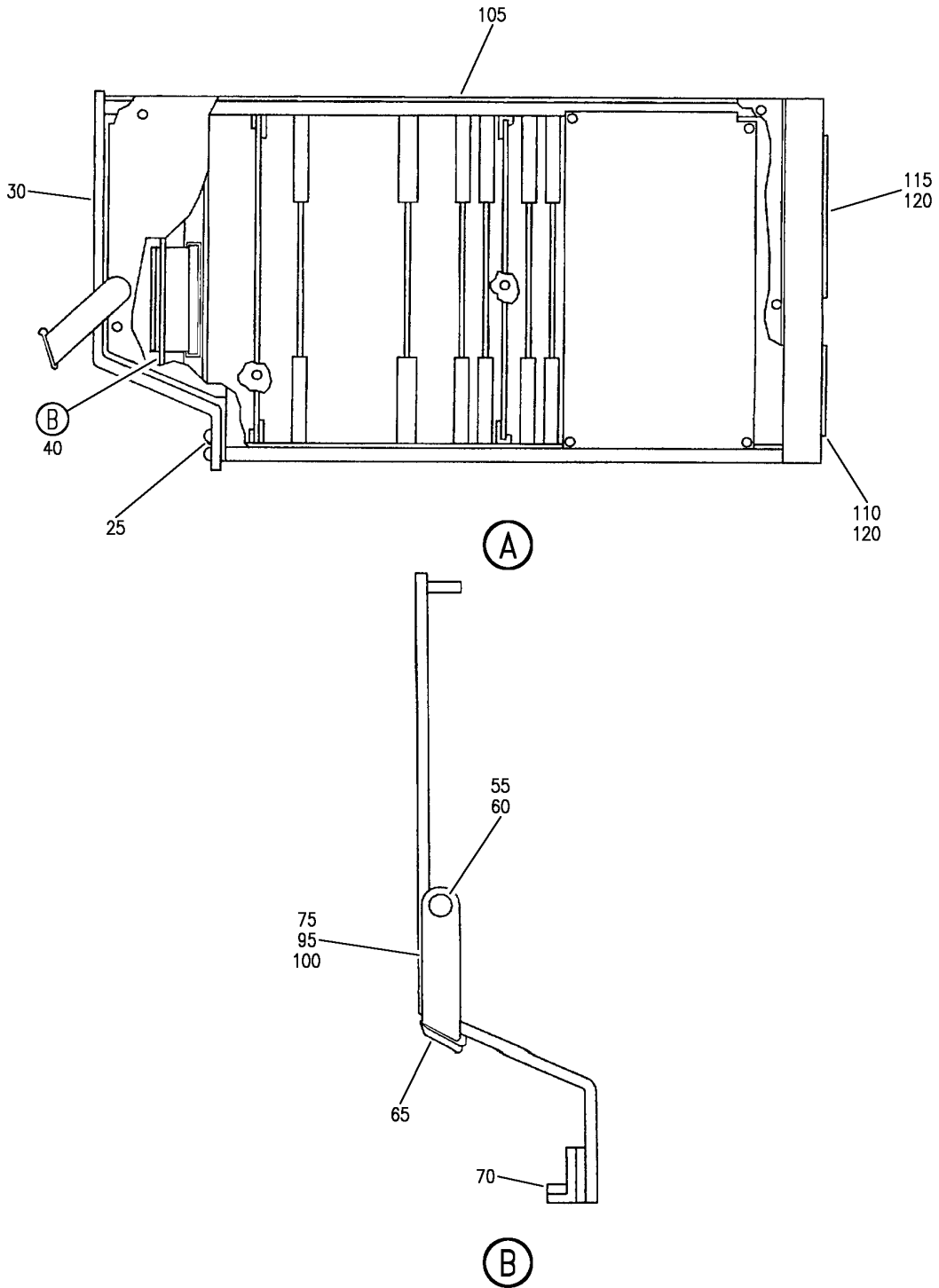
EQUIPMENT INSTL-MAIN ELECTRONICS EQPT CTR (SYSTEM MONITOR ONLY)
FIGURE 1 (SHEET 1)

22-41-01-01

BRI
MAY 28/07

22-41-01-01
PAGE 0

BOEING
757
PARTS CATALOG (MAINTENANCE)



Y 22410101 SH1 2 REV 255

EQUIPMENT INSTL-MAIN ELECTRONICS EQPT CTR (SYSTEM MONITOR ONLY)
 FIGURE 1 (SHEET 2)

22-41-01-01

BRI
 MAY 28/07

22-41-01-01
 PAGE 0A



757

PARTS CATALOG (MAINTENANCE)

FIG ITEM	PART NUMBER	1 2 3 4 5 6 7	NOMENCLATURE	EFFECT FROM TO	UNITS PER ASSY
1			EQUIPMENT INSTL-MAIN ELECTRONICS EQPT CTR (SYSTEM MONITOR ONLY)	002004 006100 107107 121999	
- 2	284N1307-33		EQUIPMENT INSTL-MAIN ELECTRONICS EQPT CTR (SYSTEM MONITOR ONLY) FOR NHA/OTHER SYS DET SEE: 24-00-58-01	107107	RF
- 2	284N1800-32		EQUIPMENT INSTL-MAIN ELECTRONICS EQPT CTR (SYSTEM MONITOR ONLY) FOR NHA/OTHER SYS DET SEE: 24-00-58-01	952999	RF
- 4	284N1800-16		EQUIPMENT INSTL-MAIN ELECTRONICS EQPT CTR (SYSTEM MONITOR ONLY) FOR NHA/OTHER SYS DET SEE: 24-00-58-01	121503 904949	RF
- 5	284N1800-34		EQUIPMENT INSTL-MAIN ELECTRONICS EQPT CTR (SYSTEM MONITOR ONLY) FOR NHA/OTHER SYS DET SEE: 24-00-58-01	002004 006100	RF
- 5	284N1800-38		EQUIPMENT INSTL-MAIN ELECTRONICS EQPT CTR (SYSTEM MONITOR ONLY) FOR NHA/OTHER SYS DET SEE: 24-00-58-01	950951	RF
- 7	284N1800-88		EQUIPMENT INSTL-MAIN ELECTRONICS EQPT CTR (SYSTEM MONITOR ONLY) FOR NHA/OTHER SYS DET SEE: 24-00-58-05E	505505	RF
- 7	284N1800-190		EQUIPMENT INSTL-MAIN ELECTRONICS EQPT CTR (SYSTEM MONITOR ONLY) FOR NHA/OTHER SYS DET SEE: 24-00-58-05E	504504 506903	RF
10	622-4593-505		.PANEL ASSY-MAINT CONT AND DISPLAY SUPPLIER CODE: V4V792 SPECIFICATION NUMBER: S241T100-303 ELECTRICAL EQUIP NUMBER: M00168 COMPONENT MAINT MANUAL REF: 22-41-70	107107 904949	1

MISSING ITEM NUMBERS NOT APPLICABLE

- ITEM NOT ILLUSTRATED

22-41-01-01

22-41-01
FIG. 01
PAGE 1
JAN 20/09

BRI



757

PARTS CATALOG (MAINTENANCE)

FIG ITEM	PART NUMBER	1 2 3 4 5 6 7	NOMENCLATURE	EFFECT FROM TO	UNITS PER ASSY
1					
10	622-4593-506		.PANEL ASSY-MAINT CONT AND DISPLAY SUPPLIER CODE: V4V792 SPECIFICATION NUMBER: S241T100-304 ELECTRICAL EQUIP NUMBER: M00168 COMPONENT MAINT MANUAL REF: 22-41-70	107107 904949	1
10	622-4593-507		.PANEL ASSY-MAINT CONT AND DISPLAY SUPPLIER CODE: V4V792 SPECIFICATION NUMBER: S241T100-305 ELECTRICAL EQUIP NUMBER: M00168 COMPONENT MAINT MANUAL REF: 22-41-70	002004 006100 107107 121503 904999	1
10	622-4593-508		.PANEL ASSY-MAINT CONT AND DISPLAY SUPPLIER CODE: V4V792 SPECIFICATION NUMBER: S241T100-306 ELECTRICAL EQUIP NUMBER: M00168 COMPONENT MAINT MANUAL REF: 22-41-70	002004 006100 107107 121999	1
10	622-4593-509		.PANEL ASSY-MAINT CONT AND DISPLAY SUPPLIER CODE: V4V792 SPECIFICATION NUMBER: S241T100-307 ELECTRICAL EQUIP NUMBER: M00168 COMPONENT MAINT MANUAL REF: 22-41-70	002004 006100 107107 121999	1
25	646-0031-001		..PLATE-IDENT SUPPLIER CODE: V4V792	002004 006100 107107 121999	1
30	642-6660-001		..PLATE-INSTR SUPPLIER CODE: V4V792	107107 904949	1

MISSING ITEM NUMBERS NOT APPLICABLE

- ITEM NOT ILLUSTRATED

22-41-01-01

22-41-01
FIG. 01
PAGE 2
JAN 20/09

BRI



757

PARTS CATALOG (MAINTENANCE)

FIG ITEM	PART NUMBER	1 2 3 4 5 6 7	NOMENCLATURE	EFFECT FROM TO	UNITS PER ASSY
1	30 642-6660-002		.. PLATE-INSTR SUPPLIER CODE: V4V792	002004 006100 107107 121999	1
-	35 MS51957-1B		ATTACHING PARTS .. SCREW-	002004 006100 107107 121999	8
	40 647-5821-001		-----*----- .. PANEL ASSY-FRONT SUPPLIER CODE: V4V792 ATTACHING PARTS	107107 904949	1
-	45 MS24693-6B		.. SCREW-	107107 904949	3
-	50 MS51957-14B		.. SCREW-	107107 904949	4
	55 647-5866-002		-----*----- ... NUTPLATE-RIGHT SUPPLIER CODE: V4V792	107107 904949	1
	60 651-2082-001		... NUTPLATE-LEFT SUPPLIER CODE: V4V792	107107 904949	1
	65 768-3386-004		... BAR- SUPPLIER CODE: V4V792	107107 904949	1
	70 768-3436-001		... HOLD DOWN- SUPPLIER CODE: V4V792	107107 904949	1
	75 768-3387-006		... STRAP- SUPPLIER CODE: V4V792	107107 904949	1
	75 651-2408-006		CONFIG CHG DATA FROM A CMM: SPSD BY 651-2408-006 ... HANDLE ASSY- SUPPLIER CODE: V4V792	107107 904949	1
	80 651-2411-001		CONFIG CHG DATA FROM A CMM: SPSDS 768-3387-006 ATTACHING PARTS ... SCREW- SUPPLIER CODE: V4V792	107107 904949	2
			CONFIG CHG DATA FROM A CMM: SUPSD BY 652-5421-001		

MISSING ITEM NUMBERS NOT APPLICABLE

- ITEM NOT ILLUSTRATED

22-41-01-01

22-41-01
FIG. 01
PAGE 3
JAN 20/09

BRI



757

PARTS CATALOG (MAINTENANCE)

FIG ITEM	PART NUMBER	1 2 3 4 5 6 7	NOMENCLATURE	EFFECT FROM TO	UNITS PER ASSY
1	80 652-5421-001	...	SCREW- SUPPLIER CODE: V4V792 CONFIG CHG DATA FROM A CMM: SUPSDS 651-2411-001	107107 904949	2
-	85 768-3178-001	...	WASHER- SUPPLIER CODE: V4V792	107107 904949	4
-	90 MS21042-06	...	NUT	107107 904949	2
			-----*-----		
	95 768-3386-004	BAR- SUPPLIER CODE: V4V792 USED ON: 651-2408-006	107107 904949	1
	100 768-3387-022	STRAP- SUPPLIER CODE: V4V792 USED ON: 651-2408-006	107107 904949	1
	105 280-2745-020	..	LABEL- SUPPLIER CODE: V12998 CONFIG CHG DATA FROM A CMM: SUPSD BY 280-2745-120	002004 006100 107107 121999	2
	105 280-2745-120	..	LABEL- SUPPLIER CODE: V12998 CONFIG CHG DATA FROM A CMM: SUPSDS 280-2745-020	002004 006100 107107 121999	2
	110 025-1158-001	..	CAP- SUPPLIER CODE: V71468 CONFIG CHG DATA FROM A CMM: SUPSD BY 211600-2 OPTIONAL PART: 4041437-6 V58960	002004 006100 107107 121999	1
	115 025-1157-001	..	CAP- SUPPLIER CODE: V71468 CONFIG CHG DATA FROM A CMM: SUPSD BY 211600-2 OPTIONAL PART: 4041437-5 V58960	002004 006100 107107 121999	1

MISSING ITEM NUMBERS NOT APPLICABLE

- ITEM NOT ILLUSTRATED

22-41-01-01

22-41-01
FIG. 01
PAGE 4
JAN 20/09

BRI



757

PARTS CATALOG (MAINTENANCE)

FIG ITEM	PART NUMBER	1 2 3 4 5 6 7	NOMENCLATURE	EFFECT FROM TO	UNITS PER ASSY
1	211600-2		. . CAP-	002004	2
120			SUPPLIER CODE:	006100	
			V00779	107107	
			CONFIG CHG DATA FROM A CMM:	121999	
			SUPSDS 025-1158-001		
			SUPSDS 025-1157-001		
- 200	286N1423-360		WIRE BUNDLE ASSY	505505	RF
- 200	286N1423-001		WIRE BUNDLE ASSY	121503	RF
				904949	
- 200	286N1423-005		WIRE BUNDLE ASSY	107107	RF
- 200	286N1423-006		WIRE BUNDLE ASSY-	002004	RF
				006100	
				950951	
- 201	286N1423-015		WIRE BUNDLE ASSY-	952999	RF
- 203	286N1423-338		WIRE BUNDLE ASSY	504504	RF
				506903	
205	BACC66H21C1701		. CONNECTOR-	002004	1
			ELECTRICAL EQUIP NUMBER:	006100	
			D00079	107107	
			WIRING DIAGRAM REF:	121999	
			224111		

MISSING ITEM NUMBERS NOT APPLICABLE

- ITEM NOT ILLUSTRATED

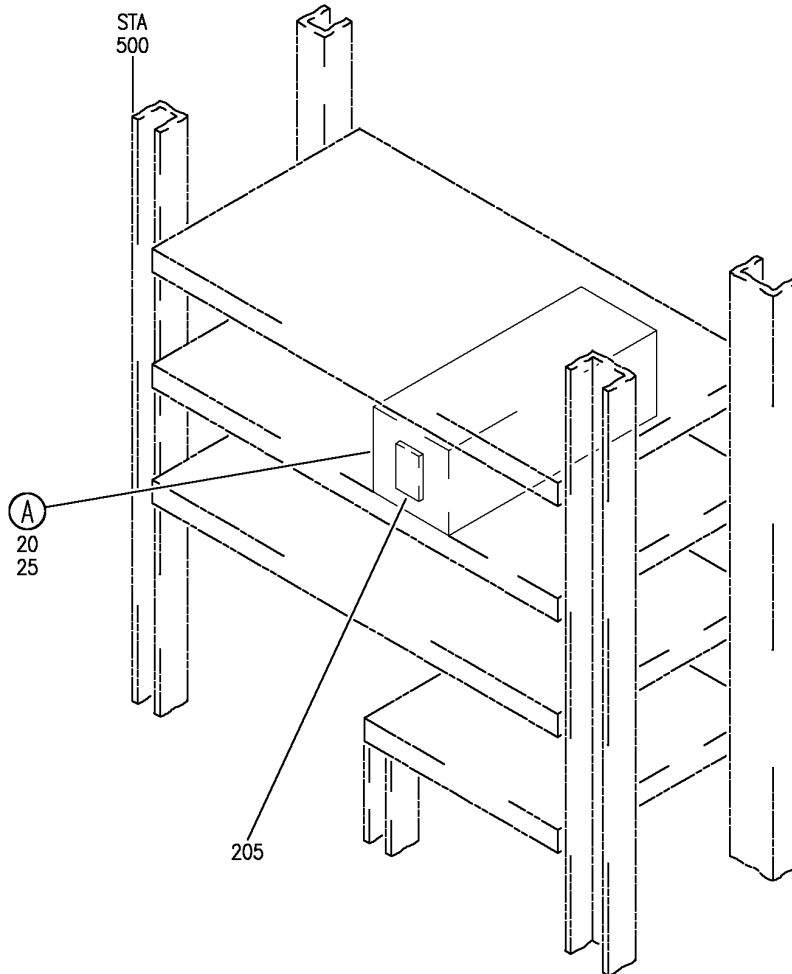
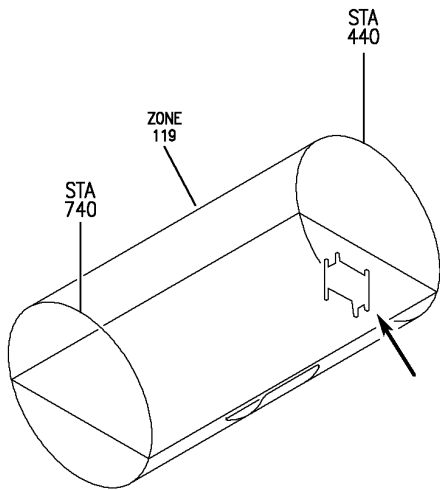
BRI

22-41-01-01

BOEING PROPRIETARY - Copyright © - Unpublished Work - See title page for details.

22-41-01
FIG. 01
PAGE 5
JAN 20/09

BOEING
757
PARTS CATALOG (MAINTENANCE)



Y 22410101B SHT 1 REV 254

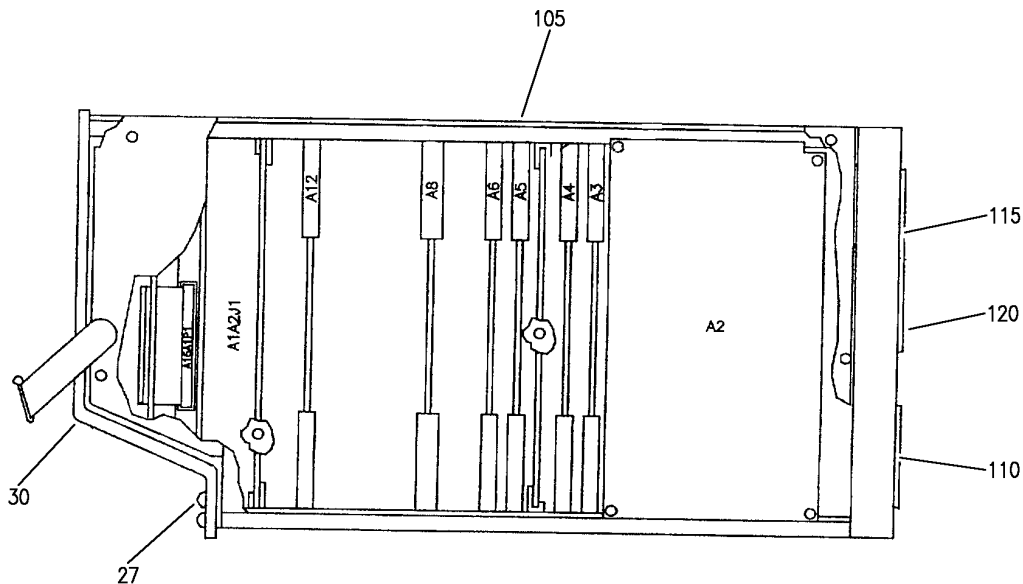
EQUIPMENT INSTL-MAIN ELECTRONICS EQPT CTR (SYSTEM MONITOR ONLY)
FIGURE 1B (SHEET 1)

22-41-01-01B

BRI
MAY 28/07

22-41-01-01B
PAGE 0

BOEING
757
PARTS CATALOG (MAINTENANCE)



(A)

Y 22410101B SHT 2 REV 280

EQUIPMENT INSTL-MAIN ELECTRONICS EQPT CTR (SYSTEM MONITOR ONLY)
FIGURE 1B (SHEET 2)

22-41-01-01B

BRI
MAY 28/07

22-41-01-01B
PAGE 0A

BOEING PROPRIETARY - Copyright © - Unpublished Work - See title page for details.



757

PARTS CATALOG (MAINTENANCE)

FIG ITEM	PART NUMBER	1 2 3 4 5 6 7	NOMENCLATURE	EFFECT FROM TO	UNITS PER ASSY
1B			EQUIPMENT INSTL-MAIN ELECTRONICS EQPT CTR (SYSTEM MONITOR ONLY)	101102	
- 2	284N1800-140		EQUIPMENT INSTL-MAIN ELECTRONICS EQPT CTR (SYSTEM MONITOR ONLY) FOR NHA/OTHER SYS DET SEE: 24-00-58-05E	101101	RF
- 2	284N1800-141		EQUIPMENT INSTL-MAIN ELECTRONICS EQPT CTR (SYSTEM MONITOR ONLY) FOR NHA/OTHER SYS DET SEE: 24-00-58-05E	102102	RF
20	622-4593-507		.PANEL ASSY-MAINT CONT AND DISPLAY SUPPLIER CODE: V4V792 SPECIFICATION NUMBER: S241T100-305 ELECTRICAL EQUIP NUMBER: M00168 COMPONENT MAINT MANUAL REF: 22-41-11	101102	1
25	622-4593-509		.PANEL ASSY-MAINT CONT AND DISPLAY SUPPLIER CODE: V4V792 SPECIFICATION NUMBER: S241T100-307 ELECTRICAL EQUIP NUMBER: M00168 COMPONENT MAINT MANUAL REF: 22-41-70	101102	RF
27	646-0031-001		..PLATE-IDENT SUPPLIER CODE: V4V792	101102	1
30	642-6660-002		..PLATE-INSTR SUPPLIER CODE: V4V792	101102	1
- 35	MS51957-1B		ATTACHING PARTS ..SCREW- -----*-----	101102	8
105	280-2745-020		..LABEL- SUPPLIER CODE: V12998 CONFIG CHG DATA FROM A CMM: SUPSD BY 280-2745-120	101102	2

MISSING ITEM NUMBERS NOT APPLICABLE

- ITEM NOT ILLUSTRATED

22-41-01-01B

22-41-01
FIG. 01B
PAGE 1
JAN 20/09

BRI

BOEING PROPRIETARY - Copyright © - Unpublished Work - See title page for details.



757

PARTS CATALOG (MAINTENANCE)

FIG ITEM	PART NUMBER	1 2 3 4 5 6 7	NOMENCLATURE	EFFECT FROM TO	UNITS PER ASSY
1B 105	280-2745-120		.. LABEL- SUPPLIER CODE: V12998 CONFIG CHG DATA FROM A CMM: SUPSDS 280-2745-020	101102	2
110	025-1158-001		.. CAP- SUPPLIER CODE: V71468 CONFIG CHG DATA FROM A CMM: SUPSD BY 211600-2 OPTIONAL PART: 4041437-6 V58960	101102	1
115	025-1157-001		.. CAP- SUPPLIER CODE: V71468 CONFIG CHG DATA FROM A CMM: SUPSD BY 211600-2 OPTIONAL PART: 4041437-5 V58960	101102	1
120	211600-2		.. CAP- SUPPLIER CODE: V00779 CONFIG CHG DATA FROM A CMM: SUPSDS 025-1158-001 SUPSDS 025-1157-001	101102	2
- 200	286N1423-340		WIRE BUNDLE ASSY	101101	RF
- 201	286N1423-340		WIRE BUNDLE ASSY	101101	RF
- 201	286N1423-344		WIRE BUNDLE ASSY	102102	RF
205	BACC66H21C1701		.CONNECTOR- ELECTRICAL EQUIP NUMBER: D00079 WIRING DIAGRAM REF: 224111	101102	1

MISSING ITEM NUMBERS NOT APPLICABLE

- ITEM NOT ILLUSTRATED

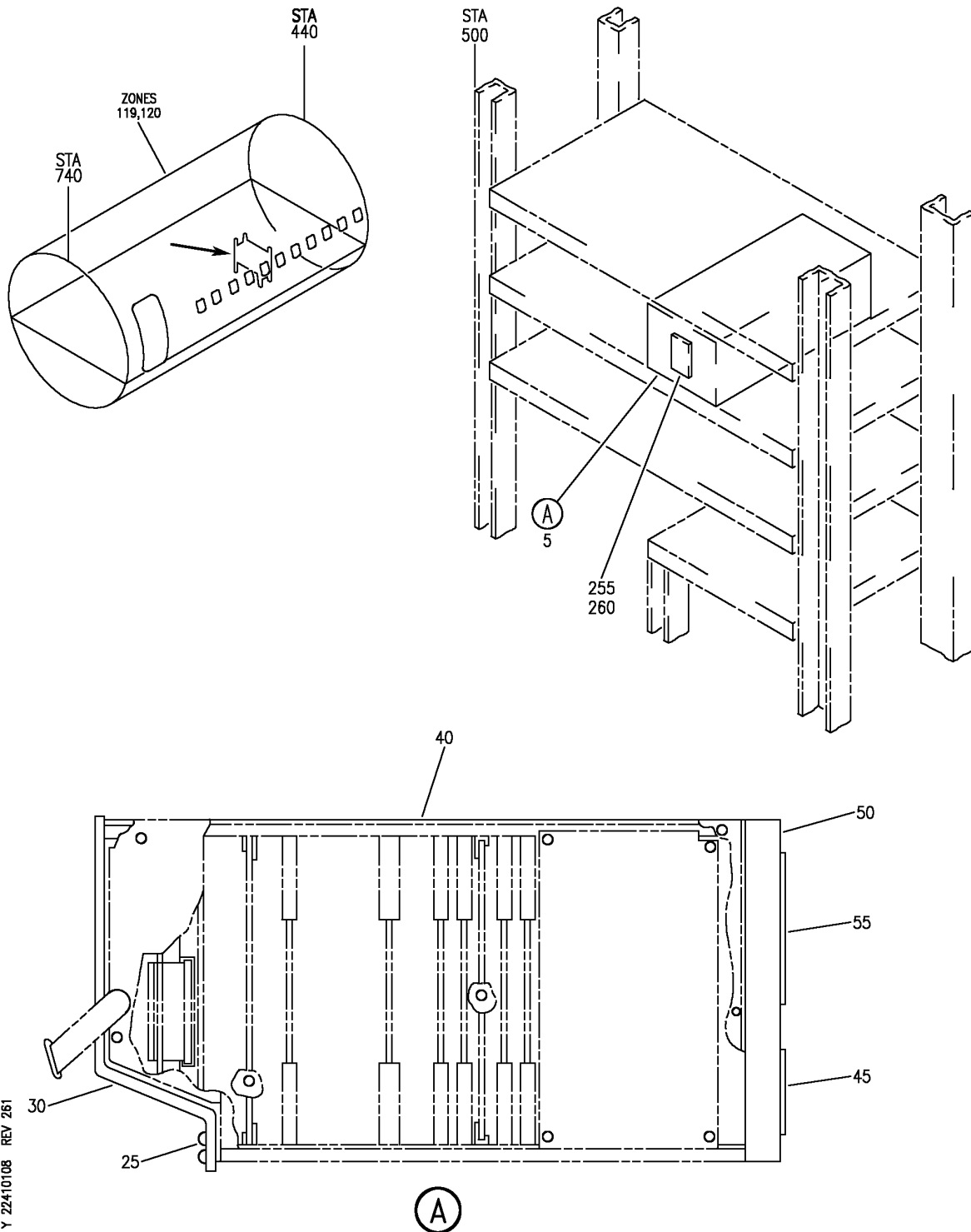
22-41-01-01B

22-41-01
FIG. 01B
PAGE 2
JAN 20/09

BRI

BOEING PROPRIETARY - Copyright © - Unpublished Work - See title page for details.

BOEING
757
PARTS CATALOG (MAINTENANCE)



Y 22410108 REV 261

EQUIPMENT INSTL-MAIN ELECTRONICS EQPT CTR MAINT CONT AND DISPLAY
FIGURE 8

22-41-01-08

BRI
JAN 20/09

22-41-01-08
PAGE 0



757

PARTS CATALOG (MAINTENANCE)

FIG ITEM	PART NUMBER	1 2 3 4 5 6 7	NOMENCLATURE	EFFECT FROM TO	UNITS PER ASSY
8			EQUIPMENT INSTL-MAIN ELECTRONICS EQPT CTR MAINT CONT AND DISPLAY	103106 108120	
- 1	284N4000-220001		EQUIPMENT INSTL-MAIN ELECTRONICS EQPT CTR MAINT CONT AND DISPLAY	108120	RF
- 1	MODREF9640		FOR NHA SEE: 24-00-58-05 EQUIPMENT INSTL-MAIN ELECTRONICS EQPT CTR MAINT CONT AND DISPLAY	103106	1
5	622-4593-508		MODULE NUMBER: 284N4000-220001 REV A .PANEL ASSY- SUPPLIER CODE: V4V792 SPECIFICATION NUMBER: S241T100-306 ELECTRICAL EQUIP NUMBER: M00168 COMPONENT MAINT MANUAL REF: 22-41-70	103106 108120	1
5	622-4593-509		.PANEL ASSY-MAINT CONT AND DISPLAY SUPPLIER CODE: V4V792 SPECIFICATION NUMBER: S241T100-307 ELECTRICAL EQUIP NUMBER: M00168 COMPONENT MAINT MANUAL REF: 22-41-70	103106 108120	RF
25	646-0031-001		..PLATE-IDENT SUPPLIER CODE: V4V792	103106 108120	1
30	642-6660-002		..PLATE-INSTR SUPPLIER CODE: V4V792	103106 108120	1
- 35	MS51957-1B		ATTACHING PARTS ..SCREW-	103106 108120	8
40	280-2745-020		-----*----- ..LABEL- SUPPLIER CODE: V12998 CONFIG CHG DATA FROM A CMM: SUPSD BY 280-2745-120	103106 108120	2

MISSING ITEM NUMBERS NOT APPLICABLE

- ITEM NOT ILLUSTRATED

22-41-01-08

22-41-01
FIG. 08
PAGE 1
JAN 20/09

BRI



757

PARTS CATALOG (MAINTENANCE)

FIG ITEM	PART NUMBER	1 2 3 4 5 6 7	NOMENCLATURE	EFFECT FROM TO	UNITS PER ASSY
8					
40	280-2745-120	.. LABEL-	SUPPLIER CODE: V12998 CONFIG CHG DATA FROM A CMM: SUPSDS 280-2745-020	103106 108120	2
45	025-1158-001	.. CAP-	SUPPLIER CODE: V71468 CONFIG CHG DATA FROM A CMM: SUPSD BY 211600-2 OPTIONAL PART: 4041437-6 V58960	103106 108120	1
50	025-1157-001	.. CAP-	SUPPLIER CODE: V71468 CONFIG CHG DATA FROM A CMM: SUPSD BY 211600-2 OPTIONAL PART: 4041437-5 V58960	103106 108120	1
55	211600-2	.. CAP-	SUPPLIER CODE: V00779 CONFIG CHG DATA FROM A CMM: SUPSDS 025-1158-001 SUPSDS 025-1157-001	103106 108120	2
- 201	286N1423-383	WIRE BUNDLE ASSY-		108108	RF
- 202	286N1423-369	WIRE BUNDLE ASSY-		109120	RF
- 202	286N1423-601	WIRE BUNDLE ASSY-		103105	RF
- 203	286N1423-602	WIRE BUNDLE ASSY-		106106	RF
255	BACC66H21C1701	.CONNECTOR-	ELECTRICAL EQUIP NUMBER: D00079 WIRING DIAGRAM REF: 224111	103106 108120	1
260	S280W601-116	.BACKSHELL-GND	ELECTRICAL EQUIP NUMBER: D00079T WIRING DIAGRAM REF: 224111	103106	1

MISSING ITEM NUMBERS NOT APPLICABLE

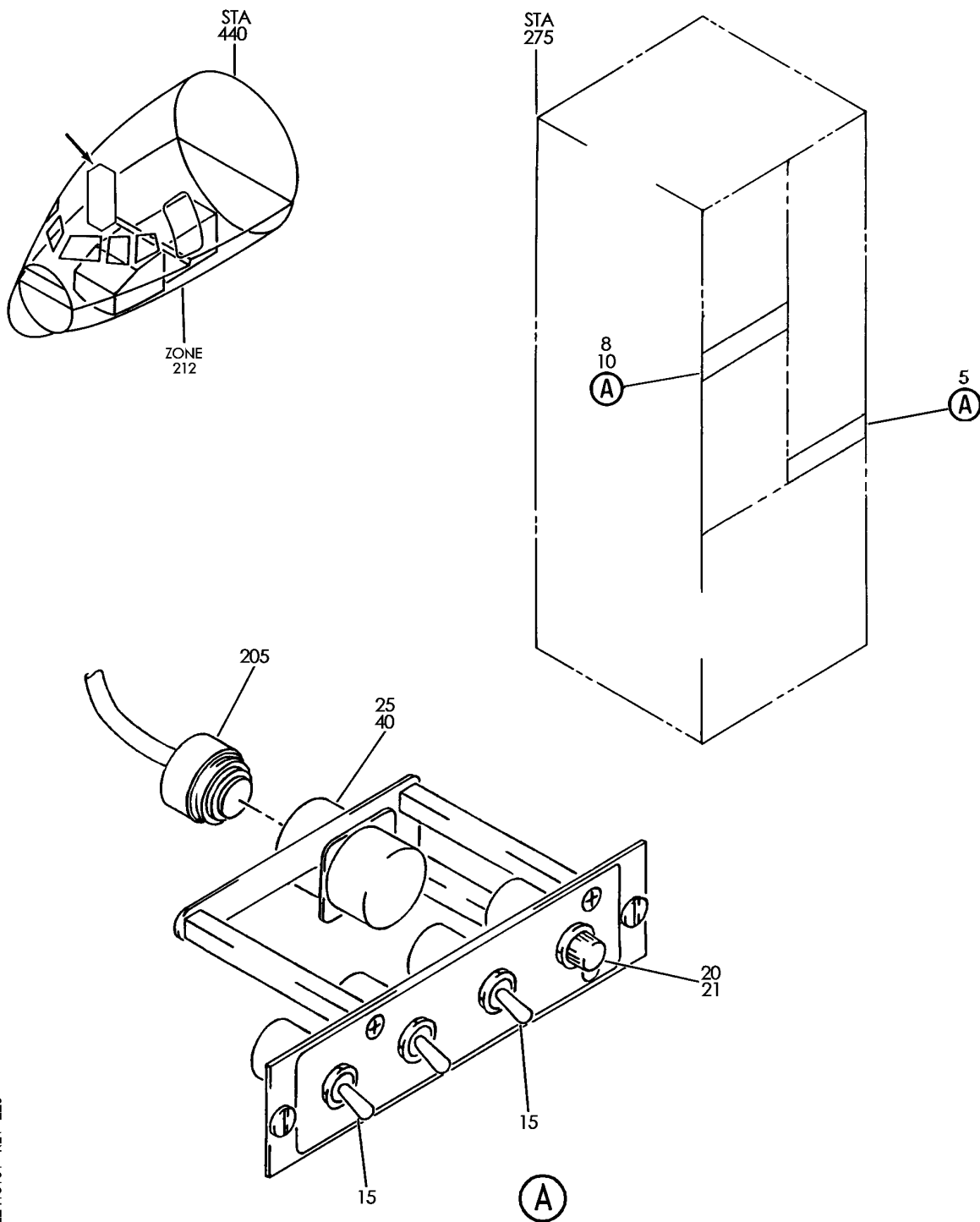
- ITEM NOT ILLUSTRATED

22-41-01-08

22-41-01
FIG. 08
PAGE 2
JAN 20/09

BRI

BOEING
757
PARTS CATALOG (MAINTENANCE)



Y 22415101 REV 220

PANEL INSTL-P61 R SIDEWALL (MAINTENANCE MONITOR ONLY)
FIGURE 1

22-41-51-01

BRI
JAN 20/09

22-41-51-01
PAGE 0



757

PARTS CATALOG (MAINTENANCE)

FIG ITEM	PART NUMBER	1 2 3 4 5 6 7	NOMENCLATURE	EFFECT FROM TO	UNITS PER ASSY
1			PANEL INSTL-P61 R SIDEWALL (MAINTENANCE MONITOR ONLY)	950951	
- 1	233N7401-1		PANEL INSTL-P61 SIDEWALL (MAINTENANCE MONITOR ONLY) POSITION DATA: R VARIABLE DRAWING REF: 233N7401-5042 REWORKED BY AIRLINE MOD: E02293R098 VALP FOR NHA/OTHER SYS DET SEE: 25-10-00-05A	950951	RF
10	233N7511-1		.PANEL ASSY-MAINT CONT DISPLAY SUPPLIER CODE: V89954 ELECTRICAL EQUIP NUMBER: M10489 COMPONENT MAINT MANUAL REF: 22-41-01	950951	RF
15	13AT26		..SWITCH-TOGGLE SUPPLIER CODE: V91929	950951	3
20	2PB11T2		..SWITCH-ROTARY SUPPLIER CODE: V91929	950951	1
25	BACC45FN16-24P8		..CONNECTOR ATTACHING PARTS	950951	1
- 30	NAS1801-04-5		..SCREW-	950951	3
- 35	K19798-04		..NUT SUPPLIER CODE: V15653 SPECIFICATION NUMBER: BACN10NW1 OPTIONAL PART: RMA4812-160-40 V72962 293162 V60119	950951	3
- 200	286N2353-001		WIRE BUNDLE ASSY	950951	RF
205	BACC45FT16A24S8		.CONNECTOR- ELECTRICAL EQUIP NUMBER: D00933 WIRING DIAGRAM REF: 224113	950951	1

MISSING ITEM NUMBERS NOT APPLICABLE

- ITEM NOT ILLUSTRATED

22-41-51-01

22-41-51
FIG. 01
PAGE 1
JAN 20/09

BRI