



757-204/236
ILLUSTRATED PARTS CATALOGUE
CHAPTER 23 – COMMUNICATIONS

THOMSONFLY CUSTOMISATIONS



757-204/236

PUBLICATION REVISION
ILLUSTRATED PARTS CATALOGUE

CHAPTER 23 – COMMUNICATIONS

EFFECTIVE PAGES

CH-SECT-UNIT-FIG	PAGE NO.	DATE	CH-SECT-UNIT-FIG	PAGE NO.	DATE
* 23 CONTENTS	1	AUG 03	* 23-79-01-01	2	JUN 03
23-11-02-01	0	MAY 02	* 23-79-02-01	0	JUN 03
23-11-02-01	8	MAY 02	* 23-79-02-01	1	JUN 03
23-12-00-01	0	MAY 02	* 23-79-03-01	0	JUN 03
23-12-00-01	1	MAY 02	* 23-79-03-01	1	JUN 03
23-12-00-02	0	MAY 02	* 23-79-03-01	2	JUN 03
23-12-00-02	1	MAY 02	* 23-79-03-01	3	JUN 03
23-12-00-03	0	MAY 02			
23-12-00-03	1	MAY 02			
23-12-00-04	0	MAY 02			
23-12-00-04	1	MAY 02			
23-12-01-01	0	MAY 02			
23-12-01-01	1	MAY 02			
23-12-02-01	0	MAY 02			
23-12-02-01	1	MAY 02			
23-32-00-02	1	NOV 00			
23-32-00-02	4	NOV 00			
23-32-05-01	0	MAY 02			
23-32-05-01	1	MAY 02			
23-32-53-09	0	MAY 02			
23-32-53-09	0C	MAY 02			
23-32-53-09	1	NOV 02			
23-32-54-08	0	JUN 03			
23-32-54-08	1	JUN 03			
23-33-00-01	0	NOV 00			
23-33-00-01	1	NOV 00			
23-33-01-01	0	NOV 00			
23-33-01-01	1	NOV 00			
23-34-03-01B	0	MAY 02			
23-34-03-01B	1	MAY 02			
23-42-51-10	0	JAN 03			
23-42-51-10	4	JAN 03			
23-42-51-10A	0	JAN 03			
23-42-51-10A	1	JAN 03			
23-71-01-01	1	NOV 00			
23-71-05-01	1	NOV 00			
* 23-79-01-01	0	JUN 03			
* 23-79-01-01	1	JUN 03			

* INDICATES PAGES CHANGED OR ADDED BY THE CURRENT REVISION

757-204/236

PUBLICATION REVISION
ILLUSTRATED PARTS CATALOGUE

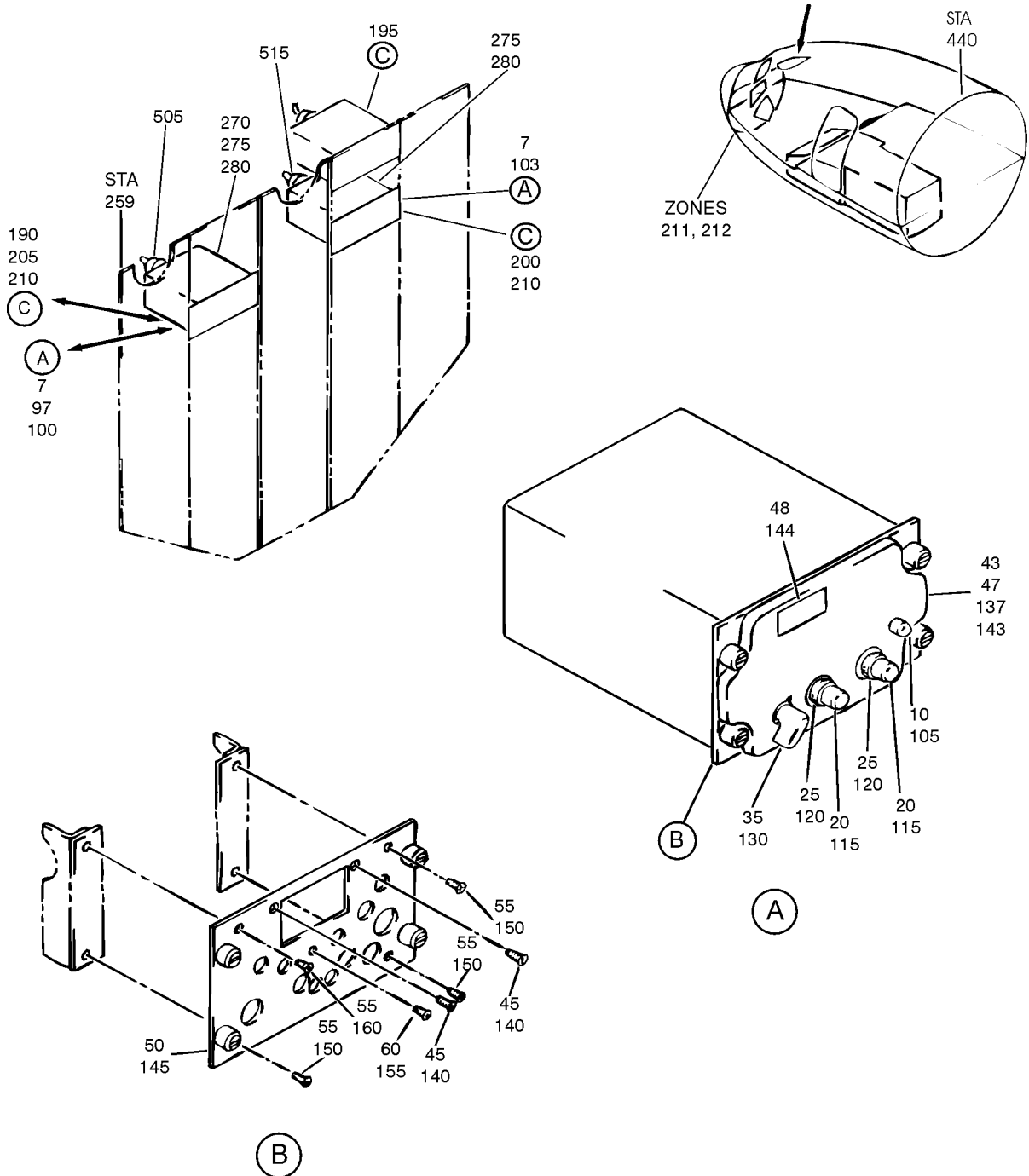
CHAPTER 23 – COMMUNICATIONS

TABLE OF CONTENTS

<u>SUBJECT</u> <u>FIGURE</u>	<u>CHAPTER</u> <u>SECTION</u> <u>UNIT</u>	
HF COMMUNICATIONS SYSTEM	23-11-00	
PANEL INSTN – P5 OVHD	23-11-02	01
VHF ANTI-BLOCKING SYSTEM (CONTRAN)	23-12-00	
PANEL P3-1	23-12-00	01
MAJOR EQUIPMENT CENTRE	23-12-00	02
INSTN ON SHELF E4-2	23-12-00	03
CONTRAN LRU	23-12-00	04
VHF COMMS UPGRADE TO 8.33 KHZ CHANNEL SPACING		
EQUIPMENT INSTN-MAIN ELECTRONICS	23-12-01	01
PANEL INSTL – P8 ELECTRONIC	23-12-02	01
PASSENGER INFORMATION DISPLAY SYSTEM	23-32-00	
VIDEO INSTL – MONITOR LCD	23-32-00	02
INSTN PREVIEW MONITOR	23-32-05	01
VIDEO PLAYER	23-32-53	09
MONITOR INSTN – VIDEO	23-32-54	08
PASSENGER INFORMATION DISPLAY SYSTEM	23-33-00	
EQUIPMENT INSTN	23-33-00	01
INDICATOR LIGHT INSTL	23-33-01	01
PASSENGER ENTERTAINMENT SYSTEM	23-34-00	
ENTERTAINMENT TAPE REPRODUCER	23-34-03	01B
CABIN INTERPHONE SYSTEM (CIS)	23-42-00	
FURNISHINGS INSTL – FLIGHT DECK MISC (COMMUNICATIONS ONLY)	23-42-51	10
FURNISHINGS INSTL – FLIGHT DECK MISC (COMMUNICATIONS ONLY)	23-42-51	10A
COCKPIT VOICE RECORDER SYSTEM	23-71-00	
COCKPIT CONTROL PANEL	23-71-01	01
VOICE RECORDER	23-71-01	
VHF COMMUNICATION SYSTEM PANEL P8	23-71-05	01
MAIN ELECTRONIC EQUIPMENT CENTRE	23-79-00	
A EQUIPMENT INSTL – MAIN ELECTRONIC EQUIPMENT CENTRE (VIDEO SURVEILLANCE SYSTEM ONLY)	23-79-01	01
A EQUIPMENT INSTL – FLIGHT DECK (VIDEO SURVEILLANCE SYSTEM ONLY)	23-79-02	01
A EQUIPMENT INSTL – MAIN CABIN ENTRY (VIDEO SURVEILLANCE SYSTEM ONLY)	23-79-03	01

757-204/236

PUBLICATION REVISION
ILLUSTRATED PARTS CATALOGUE



PANEL INSTL – P5 OVHD (HF COMMUNICATION SYSTEM ONLY)
 FIGURE 1 (SHEET 1)

23-11-02-01

757-204/236

PUBLICATION REVISION

ILLUSTRATED PARTS CATALOGUE

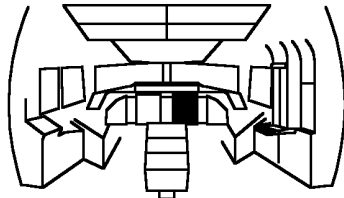
FIG. ITEM	PART NUMBER	DESCRIPTION	EFFECT FROM -TO	UNITS PER ASSY
01		HF COMMUNICATIONS SYSTEM	ALL	RF
		<u>MOD/757/1112 ISSUE 1</u>		
*520	913-0930	DUAL TONE MULTI-FREQUENCY MICROPHONE	ALL	1

* Not Illustrated

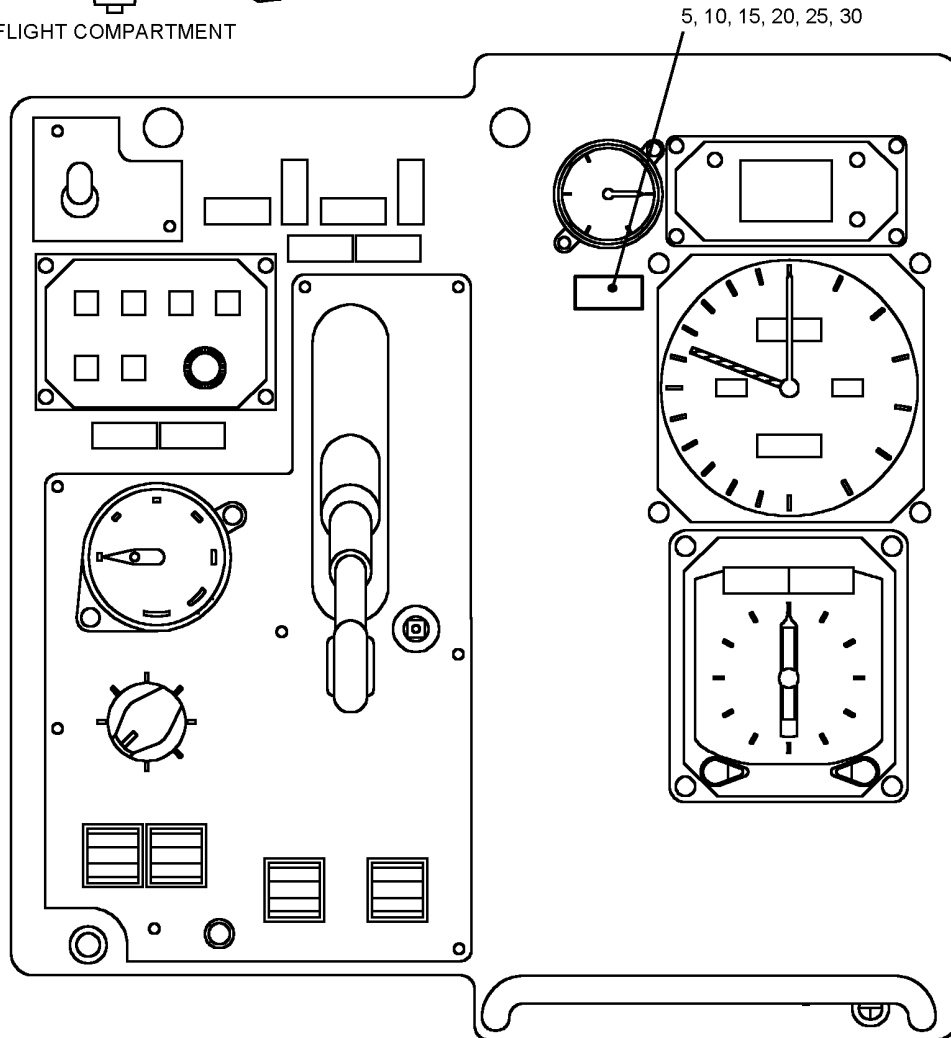
757-204/236

PUBLICATION REVISION

ILLUSTRATED PARTS CATALOGUE



FLIGHT COMPARTMENT



PANEL P3-1

PANEL P3-1
FIGURE 1

757-204/236

PUBLICATION REVISION

ILLUSTRATED PARTS CATALOGUE

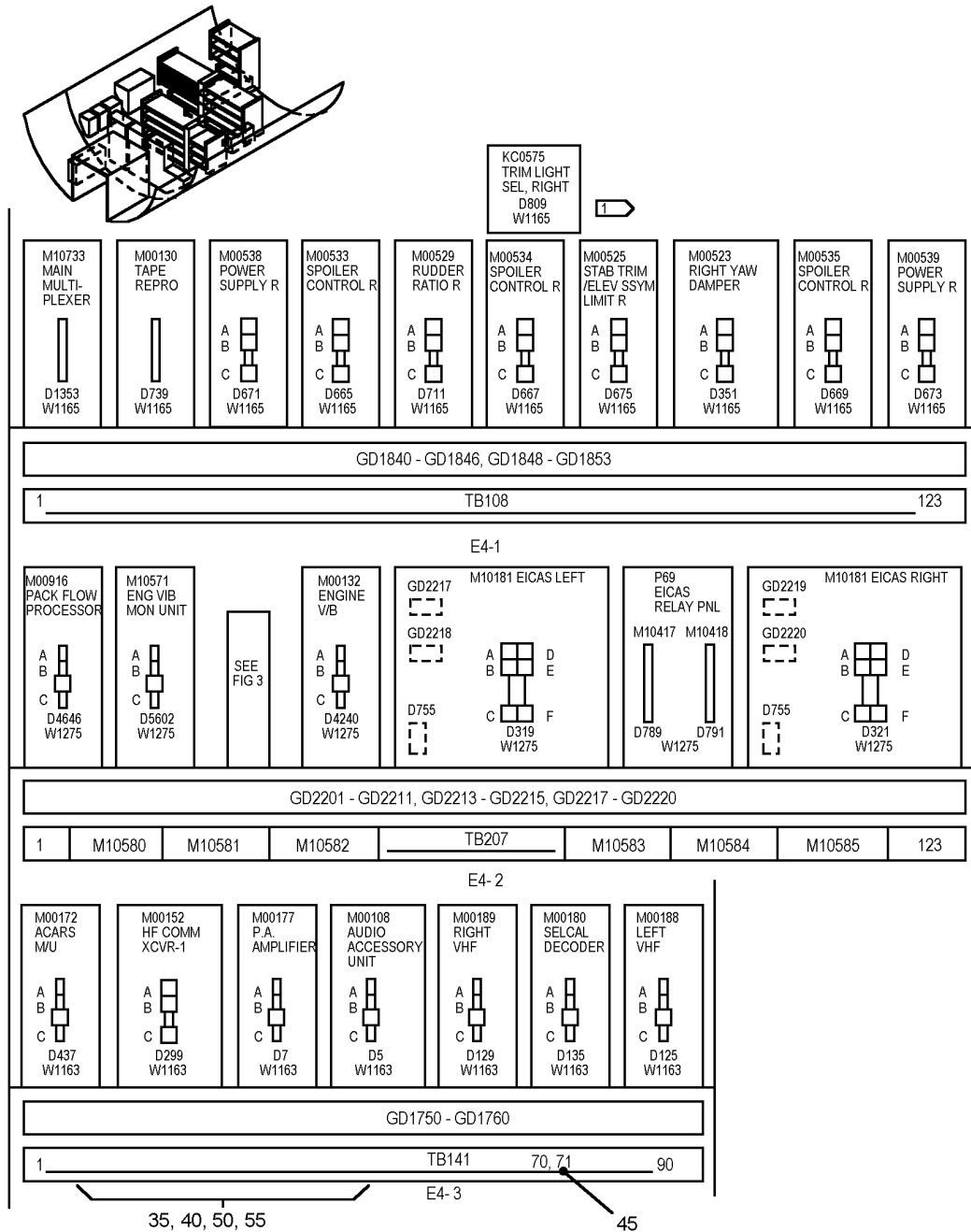
FIG. ITEM	PART NUMBER	DESCRIPTION	EFFECT FROM -TO	UNITS PER ASSY
01		INSTALLATION OF VHF ANTI-BLOCKING SYSTEM (CONTRAN)	002 - 004 006 - 010 011 - 018	RF
		<u>MOD/757/1131 ISSUE:3</u>		
5	434-674-4951-1015	. LIGHT ASSEMBLY, ANNUNCIATOR		1
10	757-1210-272	. DECAL "L9001"		1
15	M39029-1-101	. CONTACT PIN		3
20	BACC45FN14-15P	. CONNECTOR, RECEPTACLE		1
25	BACC45FT14A-15S	. CONNECTOR, PLUG		1
30	MB-3	. CABLE CLIP, SELF ADHESIVE		AR

* Not Illustrated

757-204/236

PUBLICATION REVISION

ILLUSTRATED PARTS CATALOGUE



MAJOR EQUIPMENT CENTRE, SHELVES
FIGURE 2

757-204/236

PUBLICATION REVISION

ILLUSTRATED PARTS CATALOGUE

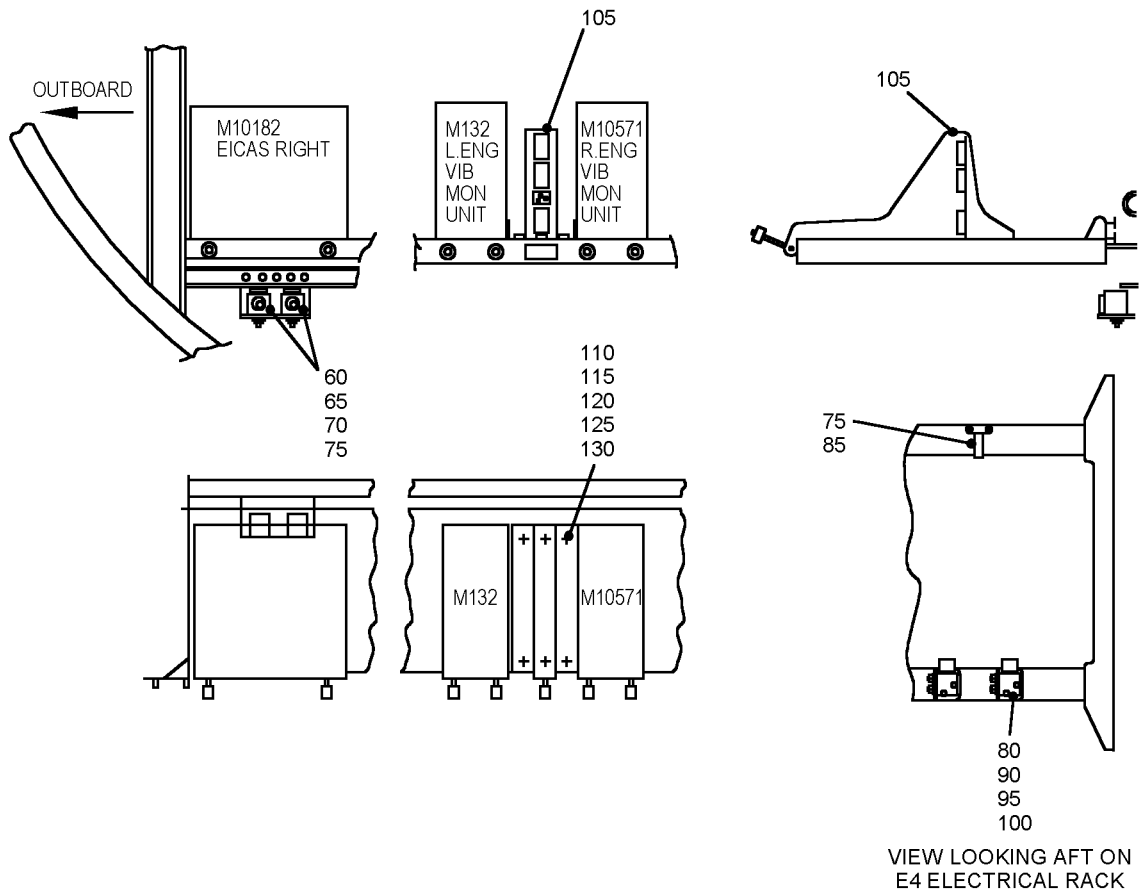
FIG. ITEM	PART NUMBER	DESCRIPTION	EFFECT FROM -TO	UNITS PER ASSY
02		INSTALLATION OF VHF ANTI-BLOCKING SYSTEM (CONTRAN)	002 - 004 006 - 010 011 - 018	RF
		<u>MOD/757/1131 ISSUE:3</u>		
35	BACC47 CNIS	. CONTACT, PIN		31
40	BACC47 EFI	. CONTACT PIN		8
45	BACM 15C 3B	. TERMINAL BLOCK 'TYPE Y'		1
50	BACC47 CPIS	. CONTACT, SOCKET		30
55	M39029/11-145	. CONTACT, PIN		18

* Not Illustrated

757-204/236

PUBLICATION REVISION

ILLUSTRATED PARTS CATALOGUE



INSTALLATION ON SHELF E4-2 (CONTRAN LRV AND RELAYS)
FIGURE 3

757-204/236

PUBLICATION REVISION

ILLUSTRATED PARTS CATALOGUE

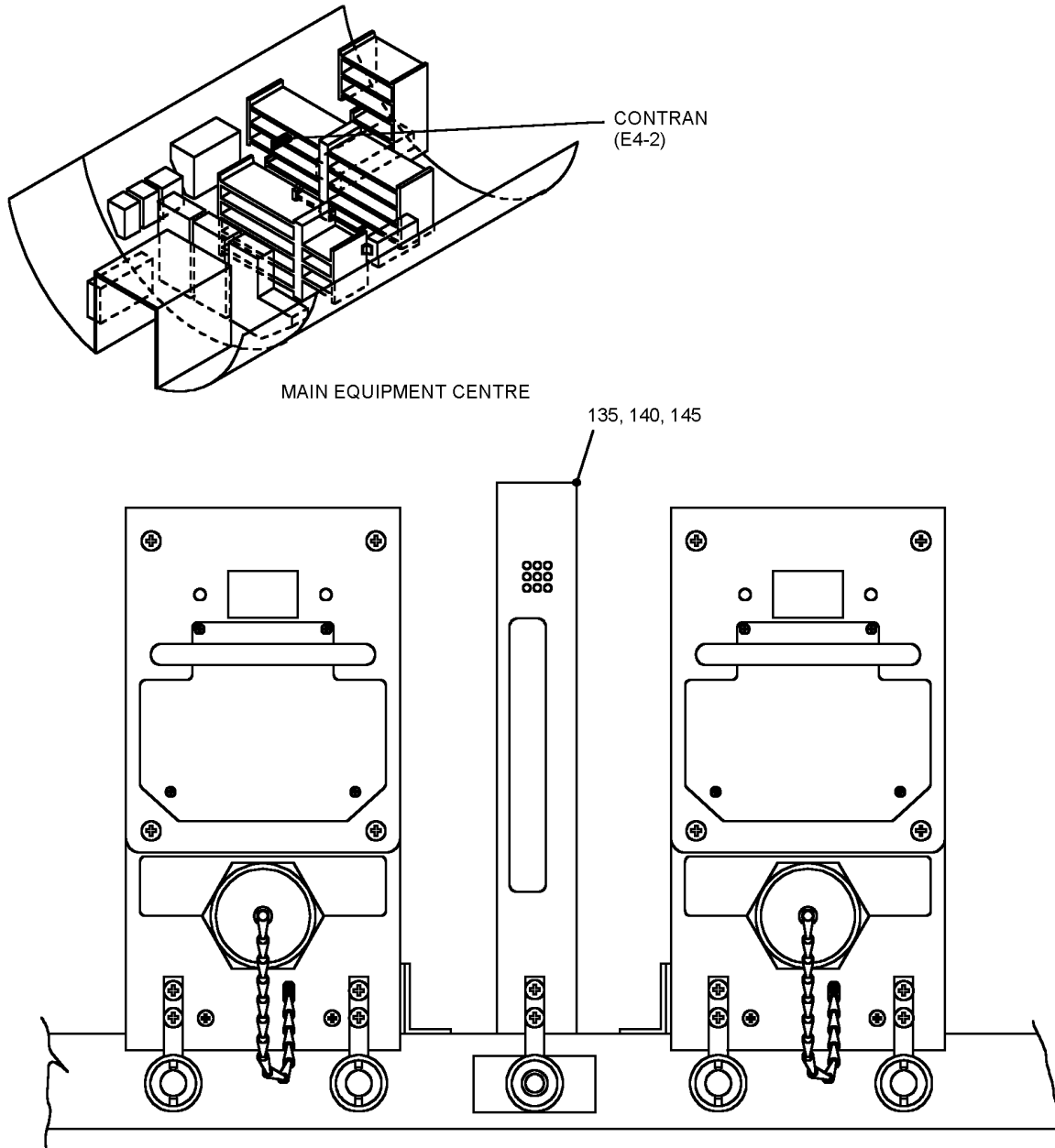
FIG. ITEM	PART NUMBER	DESCRIPTION	EFFECT FROM -TO	UNITS PER ASSY
03		INSTALLATION OF VHF ANTI-BLOCKING SYSTEM (CONTRAN)	002 - 004 006 - 010 011 - 018	RF
		<u>MOD/757/1131 ISSUE:3</u>		
60	750960-02	. RELAY MODULE ***		2
		ATTACHING PARTS		
65	BACN10JC06CD	.. NUT SELF LOCKING		4
70	AN960-6	.. WASHER, FLAT ***		4
75	BACN 10GH3A14	. NUT SPACER PLATE		1
80	757-1215-000	. MOUNTING BRACKET ***		1
		ATTACHING PARTS		
85	BACR15BB4AD6	.. RIVET, UNIVERSAL HEAD		2
90	BACR15BB5AD7	.. RIVET, UNIVERSAL HEAD ***		5
95	757-1210-270	. DECAL "K9000"		1
100	757-1210-271	. DECAL "K9001"		1
105	20374	. MOUNTING TRAY ***		1
		ATTACHING PARTS		
110	NAS 1801-3-10	.. SCREW		1
115	AN960 PD 10 L	.. WASHER		2
120	BACN 10JC3	.. NUT - SELF LOCKING		1
125	NAS514P832-10	.. SCREW		1
130	BACN 10JC08C	.. NUT - SELF-LOCKING		1

* Not Illustrated

757-204/236

PUBLICATION REVISION

ILLUSTRATED PARTS CATALOGUE



CONTRAN LRU
FIGURE 4

757-204/236

PUBLICATION REVISION

ILLUSTRATED PARTS CATALOGUE

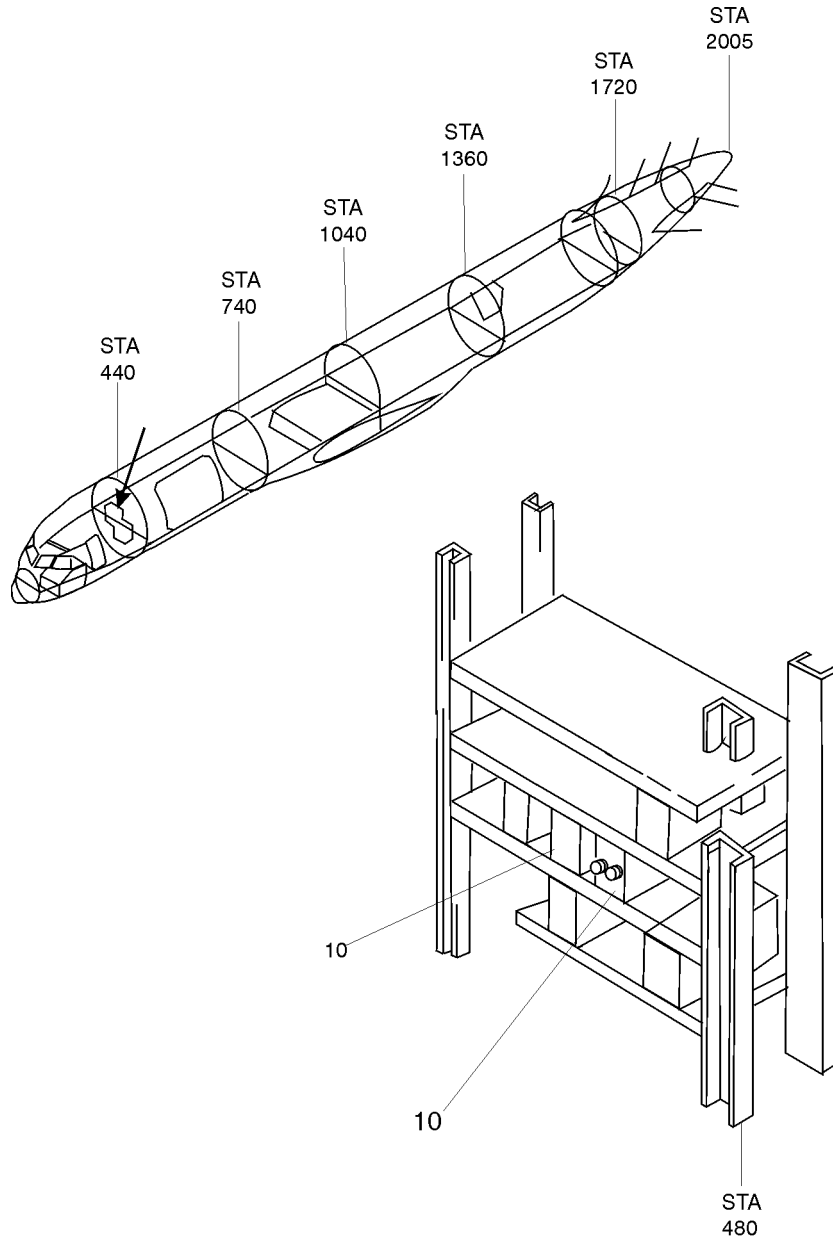
FIG. ITEM	PART NUMBER	DESCRIPTION	EFFECT FROM -TO	UNITS PER ASSY
04		INSTALLATION OF VHF ANTI-BLOCKING SYSTEM (CONTRAN)	002 - 004 006 - 010 011 - 018	RF
		<u>MOD/757/1131 ISSUE:3</u>		
135	299370-0100	. CONTRAN L.R.U.		1
140	757-1210-269	. DECAL "D9009"		1
145	757-1210-273Q	. DECAL "M9003 CONTRAN"		1

* Not Illustrated

757-204/236

PUBLICATION REVISION

ILLUSTRATED PARTS CATALOGUE



EQUIPMENT INSTL – MAIN ELECTRONICS (VHF COMMUNICATION SYSTEM ONLY)
FIGURE 1

757-204/236

PUBLICATION REVISION

ILLUSTRATED PARTS CATALOGUE

FIG. ITEM	PART NUMBER	DESCRIPTION	EFFECT FROM -TO	UNITS PER ASSY
01		VHF COMMUNICATION SYSTEM	002- 018,112,113,115	RF
		<u>MOD/757/1179 ISSUE 2</u>		
10	064-50002-0101	VHF TRANSCEIVER RTA-83B	002- 018,112,113,115	2
10	064-50000-0110	VHF TRANSCEIVER RTA-44D	002- 018,112,113,115	2
*	BACC47CP1S	CONTACT SOCKET	002- 018,112,113,115	2
*	BACC47EF1	CONTACT	002- 018,112,113,115	2
*	BACC47DE4A	CONTACT	002- 018,112,113,115	4

* Not Illustrated

REV. NO: 30
DATE: MAY 02

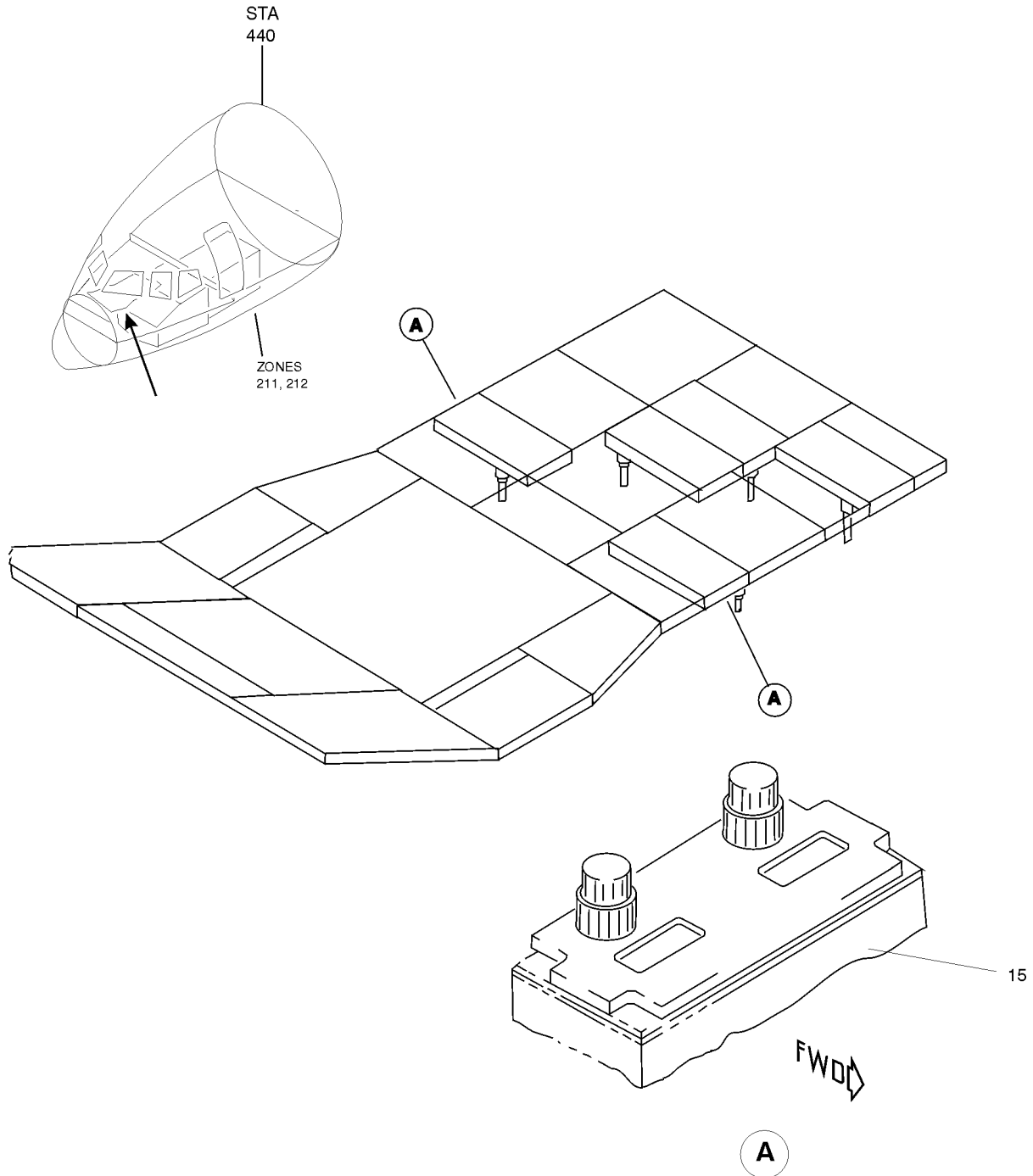
23-12-01-01

23-12-01-01
FIG. 1
PAGE 1

757-204/236

PUBLICATION REVISION

ILLUSTRATED PARTS CATALOGUE



PANEL INSTL - P8 ELECTRONIC (VHF COMMUNICATION SYSTEM ONLY)
FIGURE 1

23-12-02-01

757-204/236

PUBLICATION REVISION

ILLUSTRATED PARTS CATALOGUE

FIG. ITEM	PART NUMBER	DESCRIPTION	EFFECT FROM -TO	UNITS PER ASSY
02		VHF COMMUNICATION SYSTEM	002- 018,112,113,115	RF
		<u>MOD/757/1179 ISSUE 2</u>		
15	G7400-03	. CONTROL PANEL	002- 018,112,113,115	2
15	G7400-27	. CONTROL PANEL	002- 018,112,113,115	2
*	BACC47CP1A	. CONTACT SOCKET	002- 018,112,113,115	2
*	BACC47CP1S	. CONTACT SOCKET	002- 018,112,113,115	2
*	BACC47EF1	. CONTACT	002- 018,112,113,115	2
*	BACC47DE4A	. CONTACT	002- 018,112,113,115	4

* Not Illustrated

REV. NO: 30
DATE: MAY 02

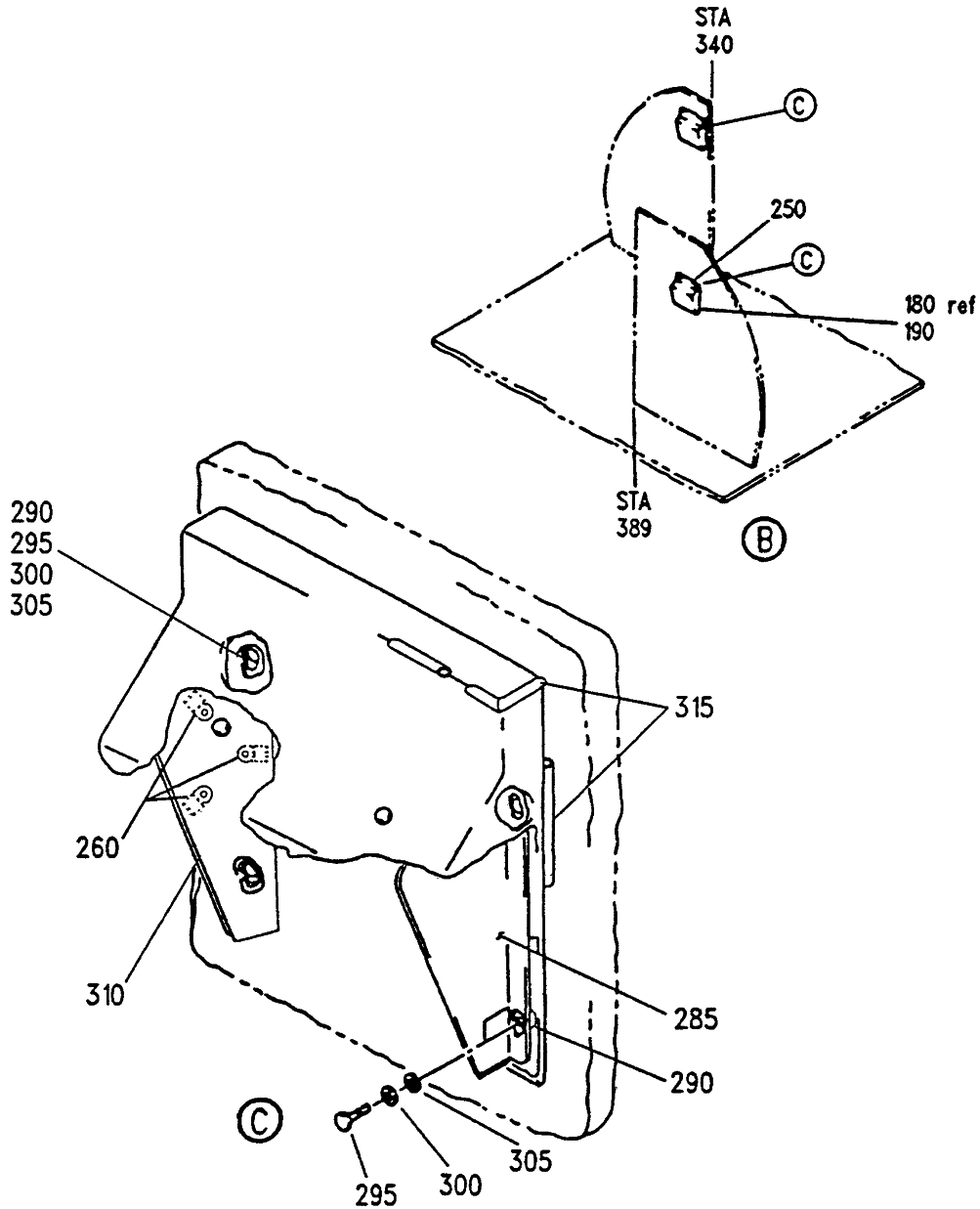
23-12-02-01

23-12-02-01
FIG. 1
PAGE 1

757-204/236

PUBLICATION REVISION

ILLUSTRATED PARTS CATALOGUE



VIDEO INSTL – MONITOR LCD
FIGURE 2 (SHEET 2)

23-32-00-02

REV. NO: 29

DATE: NOV 00

DISK FILE REF: 320002.DOC

23-32-00-02

PAGE 1

757-204/236

PUBLICATION REVISION

ILLUSTRATED PARTS CATALOGUE

FIG. ITEM	PART NUMBER	DESCRIPTION	EFFECT FROM -TO	UNITS PER ASSY
2		VIDEO INSTL - MONITOR LCD <u>MOD/757/1046 ISSUE:A</u>		RF
2	-	57-25-0055	002 - 004 006 - 899	RF
*	250	57-25-0057 <u>MOD/757/1105 ISSUE:3</u> <u>MOD/757/1110 ISSUE:B</u> <u>MOD/757/1118 ISSUE:B</u>		1
2	-	757-1141 757-1194		RF RF
*	255	BACG20ZB1275		1
	260	BACC10DK4		3
		ATTACHING PARTS		
*	265	BACB30FN6-2		3
*	270	AN960JD10L		3
*	275	BACN10JC3		3

*	280	MS21266-1N		A/R
	285	606950-0001		1
		ATTACHING PARTS		
	290	757-1193-000		2
	295	NAS1801-3-10		2
	300	AN960-10		2
	305	MS35338-43		2

	310	606950-0002		1
		ATTACHING PARTS		
	290	757-1193-000		2
	295	NAS1801-3-10		2
	300	AN960-10		2
	305	MS35338-43		2

	315	5279020000		A/R
*	320	RTV157-GREY		A/R
*	325	MS21266-1N		A/R
*	330	757-1191-000		1

* Not Illustrated

23-32-00-02

REV. NO: 29

DATE: NOV 00

DISK FILE REF: 320002.DOC

23-32-00

FIG. 2
PAGE 4

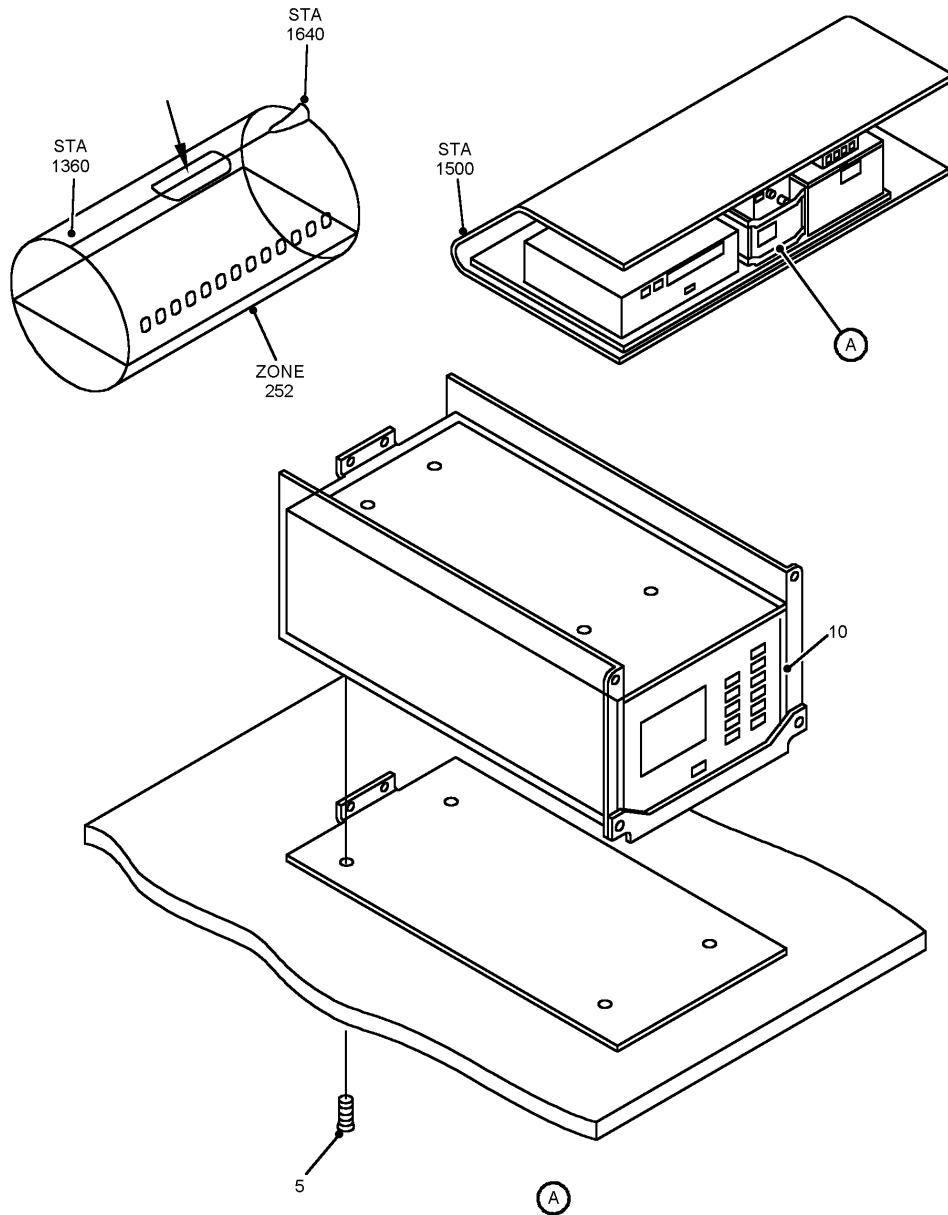


Britannia

757-204/236

PUBLICATION REVISION

ILLUSTRATED PARTS CATALOGUE



INSTALLATION OF VIDEO PREVIEW MONITOR
FIGURE 1

23-32-05-01

REV. NO: 30
DATE: MAY 02

23-32-05-01
FIG 1
PAGE 0



Britannia

757-204/236

PUBLICATION REVISION

ILLUSTRATED PARTS CATALOGUE

FIG. ITEM	PART NUMBER	DESCRIPTION	EFFECT FROM -TO	UNITS PER ASSY
01		VIDEO PREVIEW MONITOR <u>MOD/757/1216 ISSUE 1</u>	101-102	RF
5	BACS12ER3K7	. SCREW	101-102	4
10	607824-0002	. MONITOR VIDEO PREVIEW	101-102	1

* Not Illustrated

REV. NO: 30
DATE: MAY 02

23-32-05-01

23-32-05-01
FIG. 1
PAGE 1

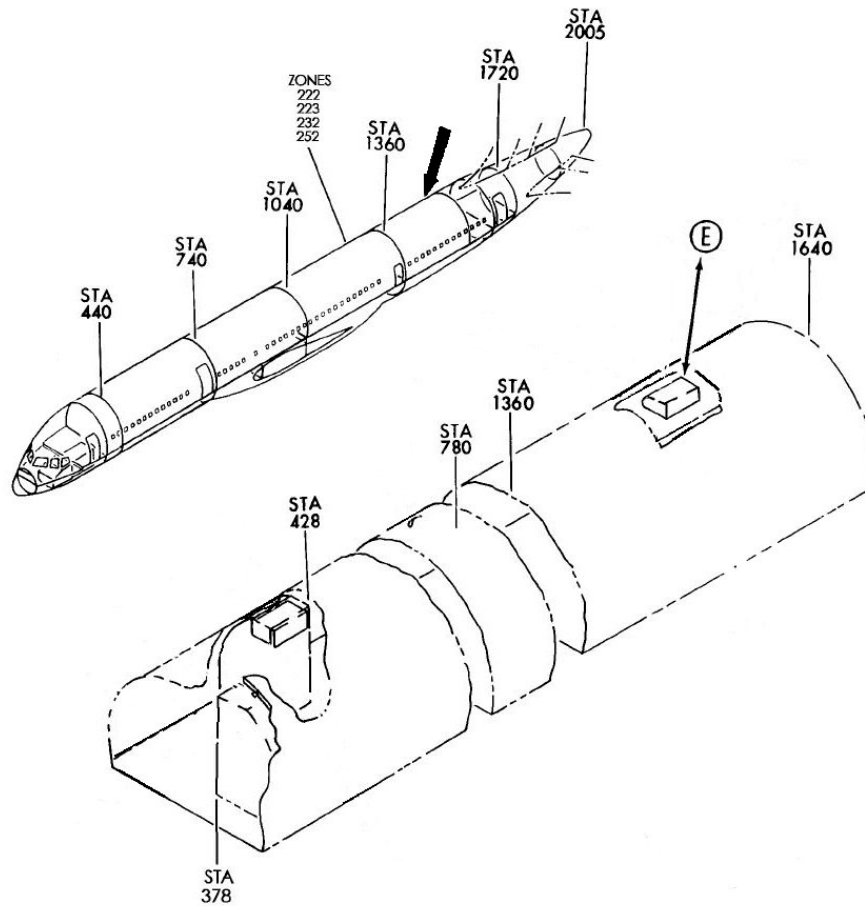


Britannia

757-204/236

PUBLICATION REVISION

ILLUSTRATED PARTS CATALOGUE



EQUIPMENT INSTALLATION - VIDEO
FIGURE 9

23-32-53-09

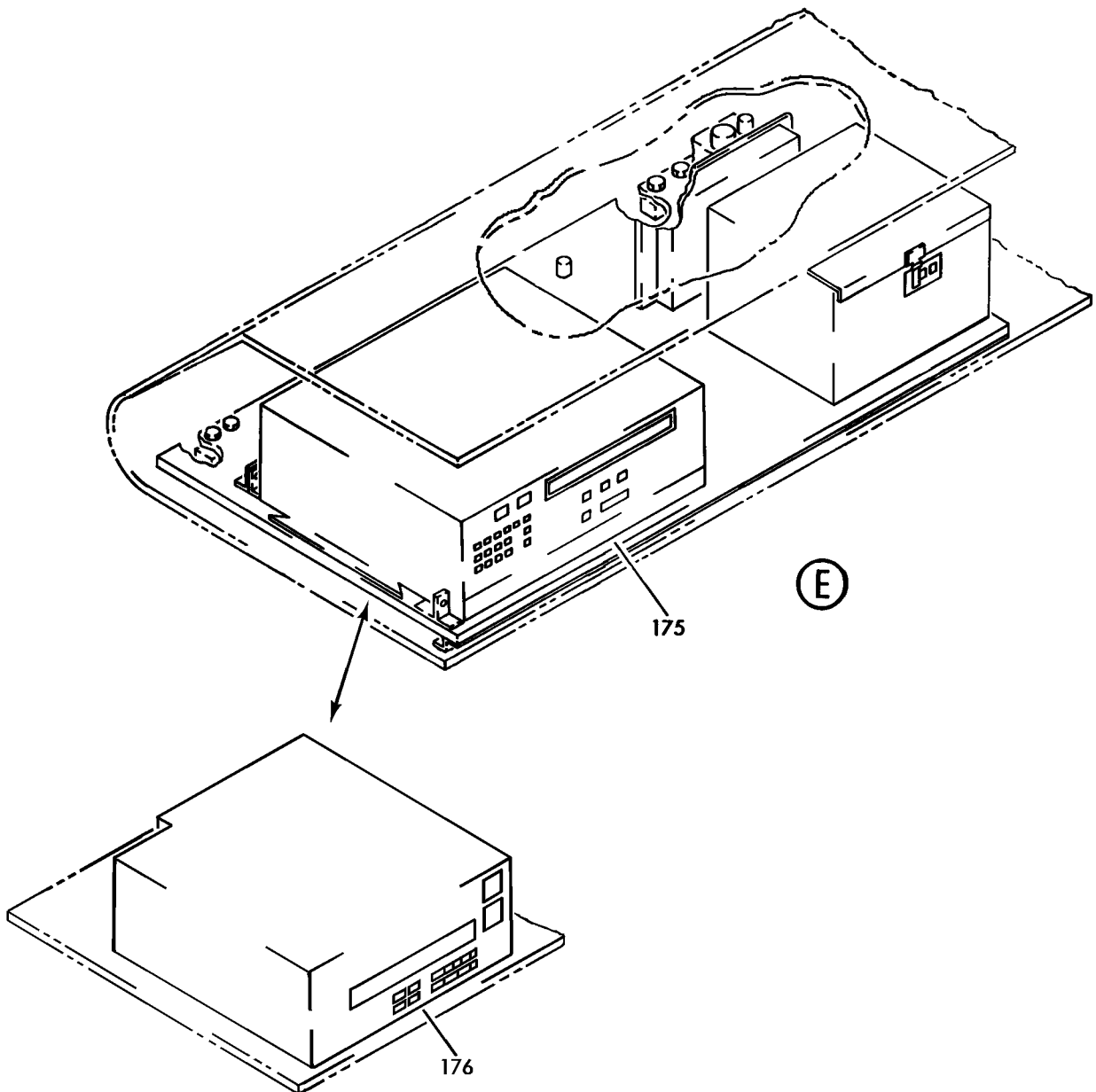


Britannia

757-204/236

PUBLICATION REVISION

ILLUSTRATED PARTS CATALOGUE



EQUIPMENT INSTALLATION - VIDEO

23-32-53-09

REV. NO: 30
DATE: MAY 02

23-32-53-09
FIG 09
PAGE 0C



Britannia

757-204/236

PUBLICATION REVISION

ILLUSTRATED PARTS CATALOGUE

FIG. ITEM	PART NUMBER	DESCRIPTION	EFFECT FROM -TO	UNITS PER ASSY
0C		EQUIPMENT INSTALLATION - VIDEO <u>MOD/757/1233 ISSUE 1</u>	ALL	RF
175	495320-0002	. PLAYER VIDEO – HUGHES AVICOM	ALL	1
176	613797-0004	. PLAYER VIDEO – ROCKWELL COLLINS (ORIGINAL BOEING EQUIPMENT)	101 - 102	1

* Not Illustrated

REV. NO: 30
DATE: MAY 02

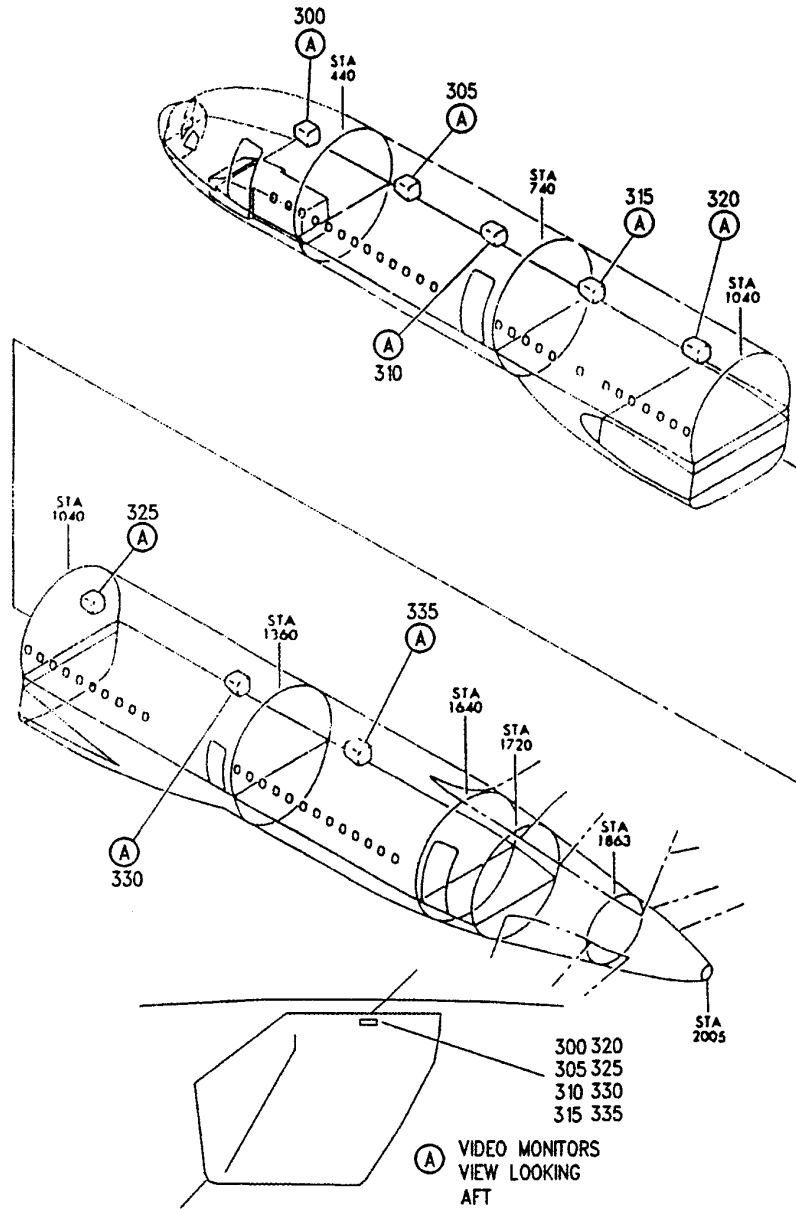
23-32-53-09

23-32-53-09
FIG. 9
PAGE 1

757-204/236

PUBLICATION REVISION

ILLUSTRATED PARTS CATALOGUE



VIDEO INSTL - MONITOR
FIGURE 8 (SHEET 1)

23-32-54-08

REV. NO: 29

DATE: NOV 00

DISK FILE REF: 325408.DOC

23-32-54-08

PAGE 0

757-204/236

PUBLICATION REVISION

ILLUSTRATED PARTS CATALOGUE

FIG. ITEM	PART NUMBER	DESCRIPTION	EFFECT FROM -TO	UNITS PER ASSY
8		MONITOR INSTN - VIDEO		RF
		<u>MOD/757/1098 ISSUE:A</u>		
8	300	757-1210-156 . DECAL - 'MONITOR 1'	002 - 004 006 - 899	1
	305	757-1210-157 . DECAL - 'MONITOR 2'		1
	310	757-1210-158 . DECAL - 'MONITOR 3'		1
	315	757-1210-159 . DECAL - 'MONITOR 4'		1
	320	757-1210-160 . DECAL - 'MONITOR 5'		1
	325	757-1210-161 . DECAL - 'MONITOR 6'		1
	330	757-1210-162 . DECAL - 'MONITOR 7'		1
	335	757-1210-163 . DECAL - 'MONITOR 8'		1

* Not Illustrated

23-32-54-08

23-32-54

REV. NO: 29

FIG. 8
PAGE 1

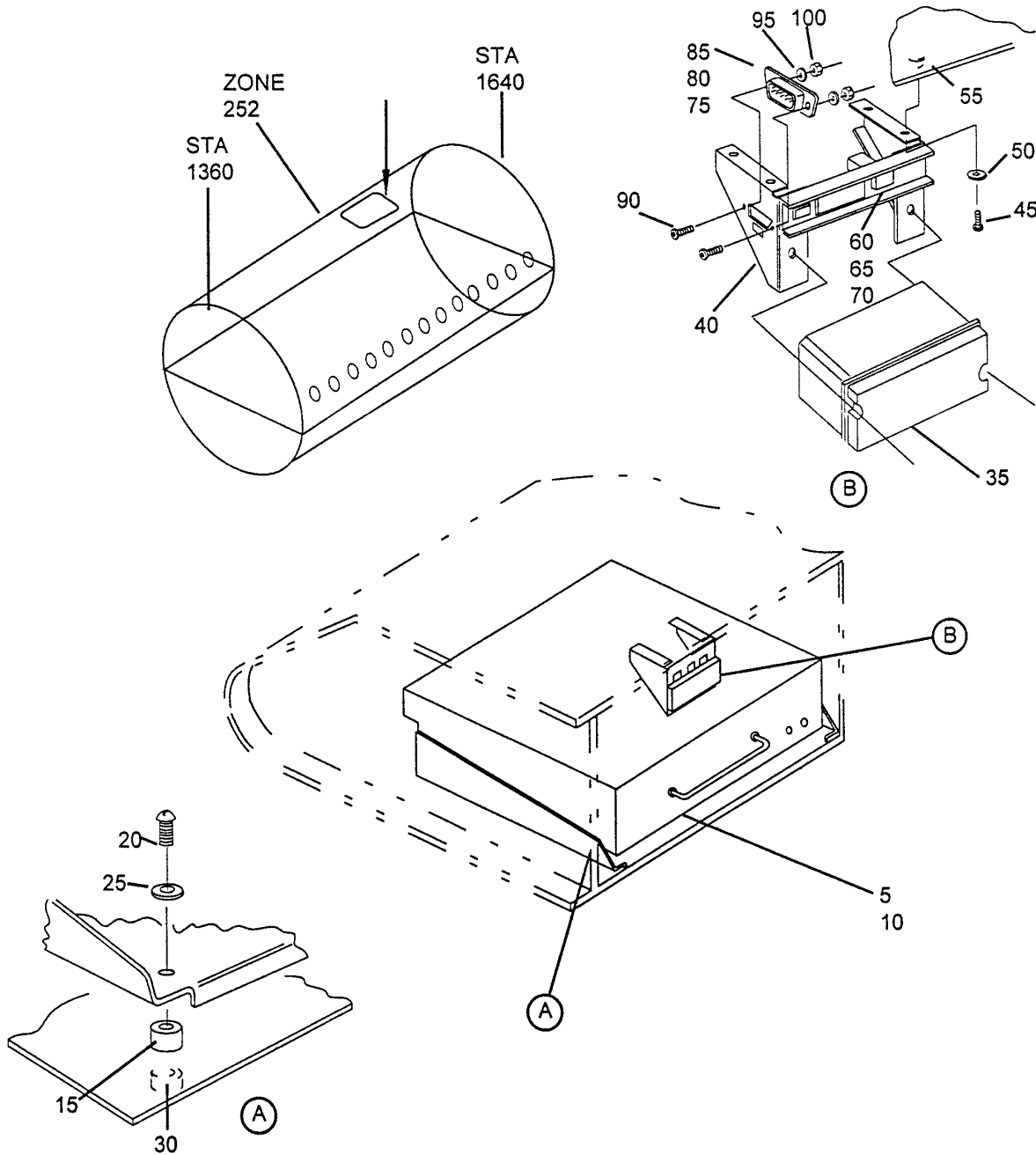
DATE: NOV 00

DISK FILE REF: 325408.DOC

757-204/236

PUBLICATION REVISION

ILLUSTRATED PARTS CATALOGUE



EQUIPMENT INSTN - PASSENGER INFORMATION DISPLAY SYSTEM
FIGURE 1

23-33-00-01

REV. NO: 29

DATE: NOV 00

DISK FILE REF: 330001.DOC

23-33-00-01

PAGE 0

757-204/236

PUBLICATION REVISION

ILLUSTRATED PARTS CATALOGUE

FIG. ITEM	PART NUMBER	DESCRIPTION	EFFECT FROM -TO	UNITS PER ASSY
1		EQUIPMENT INSTN - PASSENGER INFORMATION DISPLAY SYSTEM <u>MOD/757/1033 ISSUE:1</u>		RF
1	57-23-0011	INSTN. - VIDEO INTERFACE UNIT AND CONTROLLER	002 - 004 006 - 899	RF
5	MIB305-013	. UNIT VIDEO INTERFACE (INTERCHANGEABLE WITH MIB305-113)		1
5	MIB305-113	. UNIT VIDEO INTERFACE (INTERCHANGEABLE WITH MIB305-013)		1
10	MIB305-010	. TRAY MOUNTING <u>ATTACHING PARTS</u>		1
15	57-23-0009	. SPACER		4
20	NAS602-18P	. SCREW		4
25	AN960PD8	. WASHER		4
30	NAS1836-08-11	. INSERT ***		4
35	MIB307-013	. CONTROLLER		1
40	57-23-0007	. BRACKET-MOUNTING <u>ATTACHING PARTS</u>		1
45	NAS602-6P	. SCREW		4
50	AN960PD8	. WASHER		4
55	NAS1836-08-11	. INSERT ***		4
60	AML21CBA2AD	. SWITCH		1
65	AML51C30W	. LENS		1
70	AML91LA85	. LAMP		1
75	DB-60-20	. DUST CAP		1
80	DBMA-25P	. CONNECTOR		1
85	DB19678-2	. JUNCTION SHELL <u>ATTACHING PARTS</u>		1
90	NAS600-5P	. SCREW		2
95	AN960PD4	. WASHER		2
100	BACN10JC04	. NUT ***		2

* Not Illustrated

23-33-00-01

23-33-00

REV. NO: 29

FIG. 1
PAGE 1

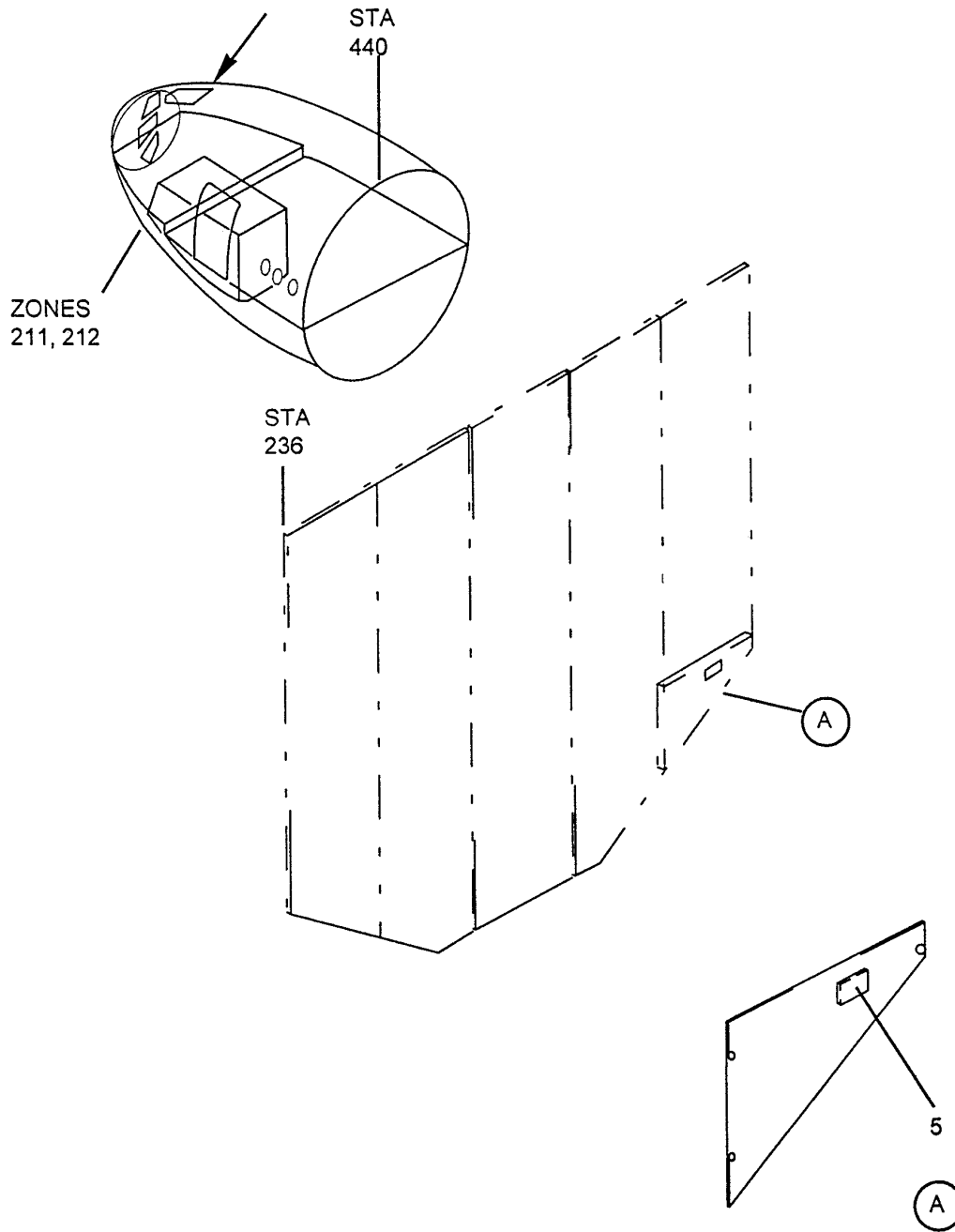
DATE: NOV 00

DISK FILE REF: 330001.DOC

757-204/236

PUBLICATION REVISION

ILLUSTRATED PARTS CATALOGUE



INDICATOR LIGHT INSTN. (VIDEO ON)

FIGURE 1

23-33-01-01

REV. NO: 29

DATE: NOV 00

DISK FILE REF: 330101.DOC

23-33-01-01

PAGE 0

757-204/236

PUBLICATION REVISION

ILLUSTRATED PARTS CATALOGUE

FIG. ITEM	PART NUMBER	DESCRIPTION	EFFECT FROM -TO	UNITS PER ASSY
1		INDICATOR LIGHT INSTN. (VIDEO ON)		
		<u>MOD/757/1033 ISSUE:1</u>		
1	57-23-0013	INSTN. - 'VIDEO ON' INDICTAOR LIGHT	002 - 004	RF
5	434-674-1031-2114	. LIGHT ASSEMBLY	006 - 899	1

* Not Illustrated

23-33-01-01

REV. NO: 29

DATE: NOV 00

DISK FILE REF: 330101.DOC

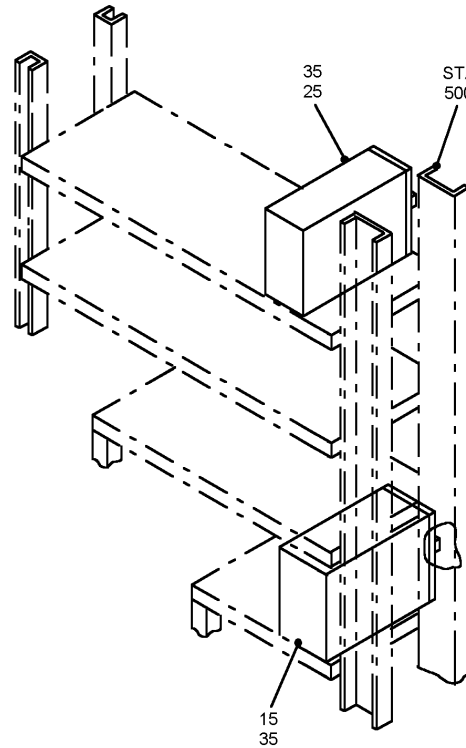
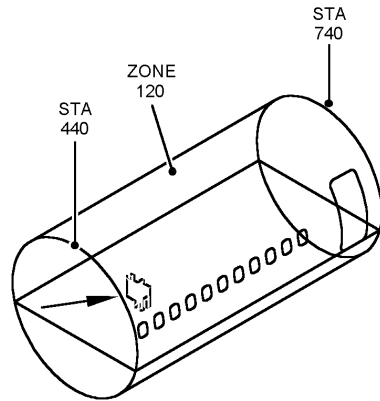
23-33-01

FIG. 1
PAGE 1

757-204/236

PUBLICATION REVISION

ILLUSTRATED PARTS CATALOGUE



EQUIPMENT INSTL – MAIN ELECTRONIC EQPT CTR (ENTERTAINMENT REPRODUCERS ONLY)
FIGURE 1B

757-204/236

PUBLICATION REVISION

ILLUSTRATED PARTS CATALOGUE

FIG. ITEM	PART NUMBER	DESCRIPTION	EFFECT FROM -TO	UNITS PER ASSY
01B		ENTERTAINMENT TAPE REPRODUCER <u>MOD/757/1133 ISSUE 2</u>	002 - 102	RF
15	RD-AX7002-01	. TAPE CASSETTE REPRODUCER	002 - 018	1
25	RD-AX7002-01	. TAPE CASSETTE REPRODUCER	101 - 102	1
35	RD-AX7094-04	. CD MUSIC REPRODUCER	002 - 018	1

* Not Illustrated

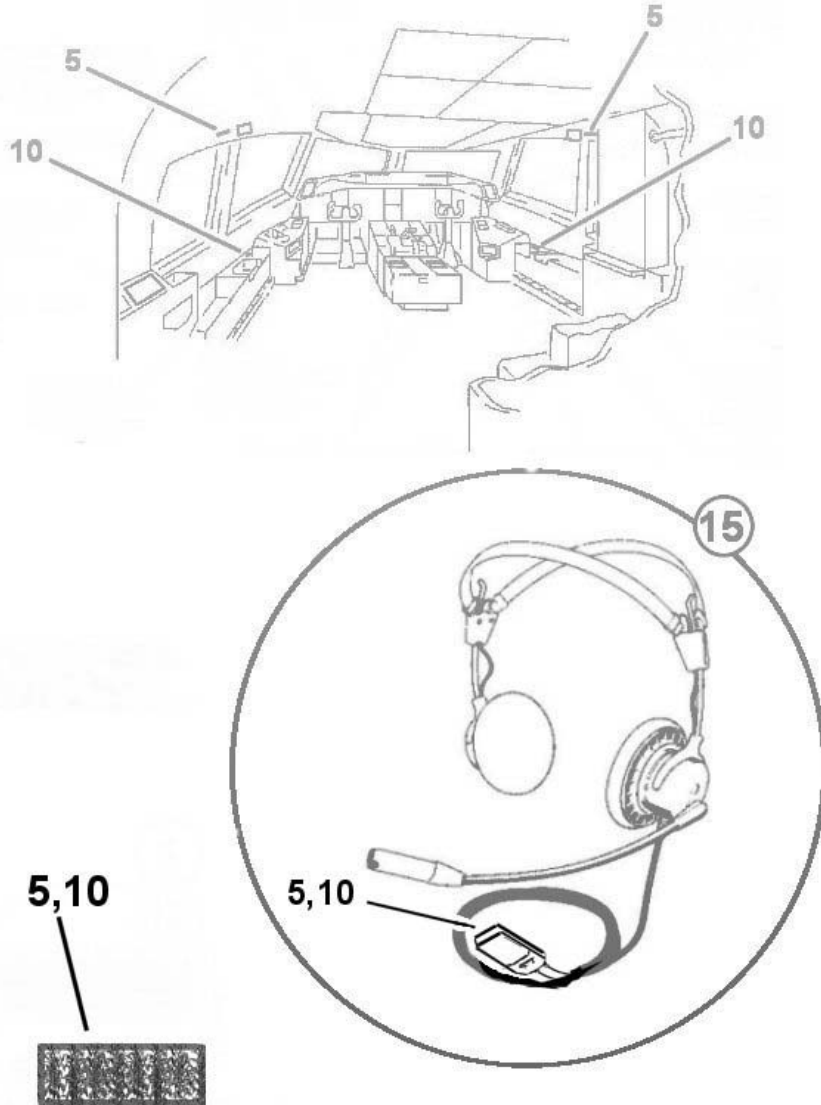
REV. NO: 30
DATE: MAY 02

23-34-03-01B

23-34-03-01B
FIG. 1B
PAGE 1

757-204/236

PUBLICATION REVISION
ILLUSTRATED PARTS CATALOGUE



FURNISHINGS INSTL-FLIGHT DECK MISC (COMMUNICATIONS ONLY)
FIGURE 10



757-204/236

PUBLICATION REVISION
ILLUSTRATED PARTS CATALOGUE

FIG. ITEM	PART NUMBER	DESCRIPTION	EFFECT FROM - TO	UNITS PER ASSY
10		FURNISHING INSTL-FLIGHT DECK MISC (COMMUNICATIONS ONLY) <u>MOD/757/1264 ISSUE: 1</u>		RF
5	058025330115	2-INCH VELCRO	011 - 018	2
10	058025330115	2-INCH VELCRO	002 - 004 006 - 010	2 2
15	045-230-115	ANR HEADSET	002 - 004 006 - 018	2 2

* Not Illustrated

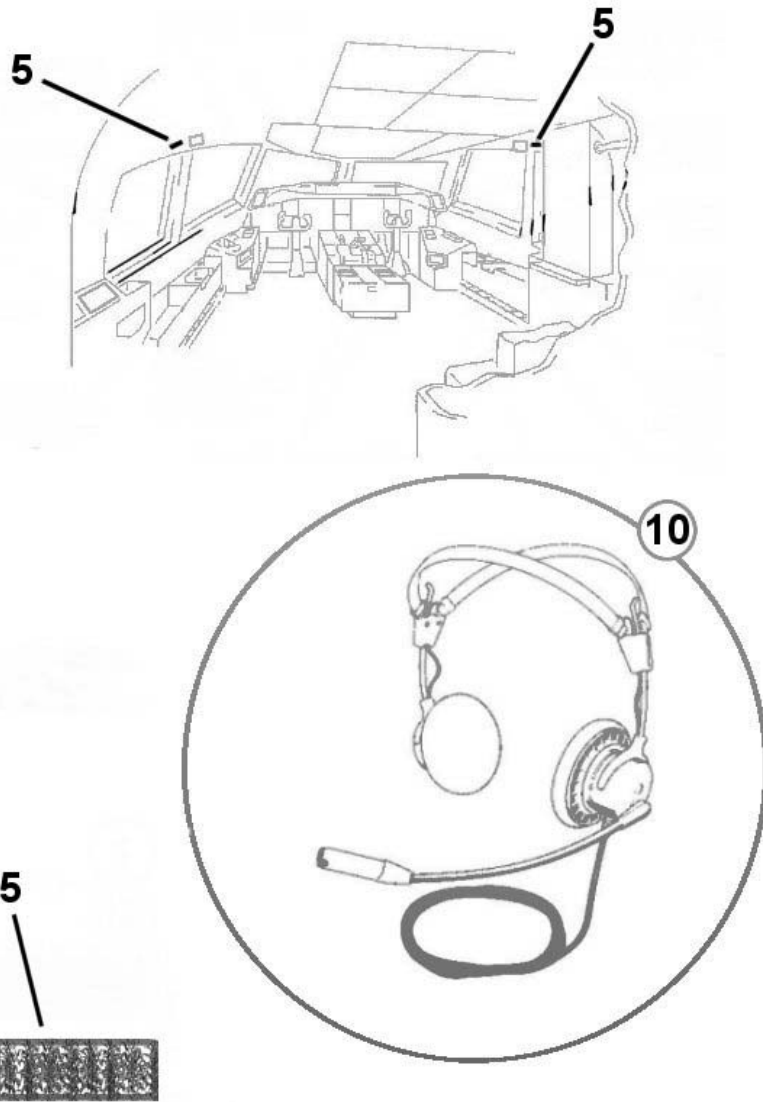
23-42-51-10

REV. NO: 32
DATE: JAN 03

23-42-51
FIG. 10
PAGE 4

757-204/236

PUBLICATION REVISION
ILLUSTRATED PARTS CATALOGUE



FURNISHINGS INSTL-FLIGHT DECK MISC (COMMUNICATIONS ONLY)
FIGURE 10A

23-42-51-10A



757-204/236

PUBLICATION REVISION
ILLUSTRATED PARTS CATALOGUE

FIG. ITEM	PART NUMBER	DESCRIPTION	EFFECT FROM -TO	UNITS PER ASSY
10A		FURNISHING INSTL-FLIGHT DECK MISC (COMMUNICATIONS ONLY) <u>MOD/757/1264 ISSUE: 1</u>		RF
5	058025330115	2-INCH VELCRO	101 - 102	2
10	045-230-115	ANR HEADSET	101 - 102	2

* Not Illustrated

23-42-51-10A

REV. NO: 32
DATE: JAN 03

23-42-51
FIG. 10A
PAGE 1

757-204/236

PUBLICATION REVISION

ILLUSTRATED PARTS CATALOGUE

FIG. ITEM	PART NUMBER	DESCRIPTION	EFFECT FROM -TO	UNITS PER ASSY
01		SUPPORT AND RECORDER INSTL - VOICE (COMMUNICATIONS ONLY)		
		<u>MOD/757/1102 ISSUE:2</u>		
170	980-6005-076	. RECORDER ASSY (RPL BY 980-6020-001)	002 - 004 006 - 899	1
170	980-6005-079	. RECORDER ASSY (RPL BY 980-6020-001)		1
170	980-6020-001	. RECORDER ASSY (RPL BY 980-6005-076 OR 980-6005-079) QUALIFIED I/W DATA: 980-6020-001 I/W WHEN USED WITH PANEL 980-6116-002 REF: 23-71-05-01		1

* Not Illustrated

23-71-01

23-71-01-01

REV. NO: 29

FIG. 1
PAGE 1

DATE: NOV 00

DISK FILE REF: 710101.DOC

757-204/236

PUBLICATION REVISION

ILLUSTRATED PARTS CATALOGUE

FIG. ITEM	PART NUMBER	DESCRIPTION	EFFECT FROM - TO	UNITS PER ASSY
01		PANEL INSTL-P5 OVERHEAD (VOICE RECORDER SYSTEM ONLY)		
		<u>MOD/757/1102 ISSUE:2</u>		
5	980-6109-028	. RECORDER ASSY (RPL BY 980-6116-002)	002 - 004 006 - 899	1
5	980-6005-079	. RECORDER ASSY (RPLS BY 980-6109-028) USE I/W 980-6020-001 - RECORDER ASSY REF: 23-71-01-01		1

* Not Illustrated

23-71-05

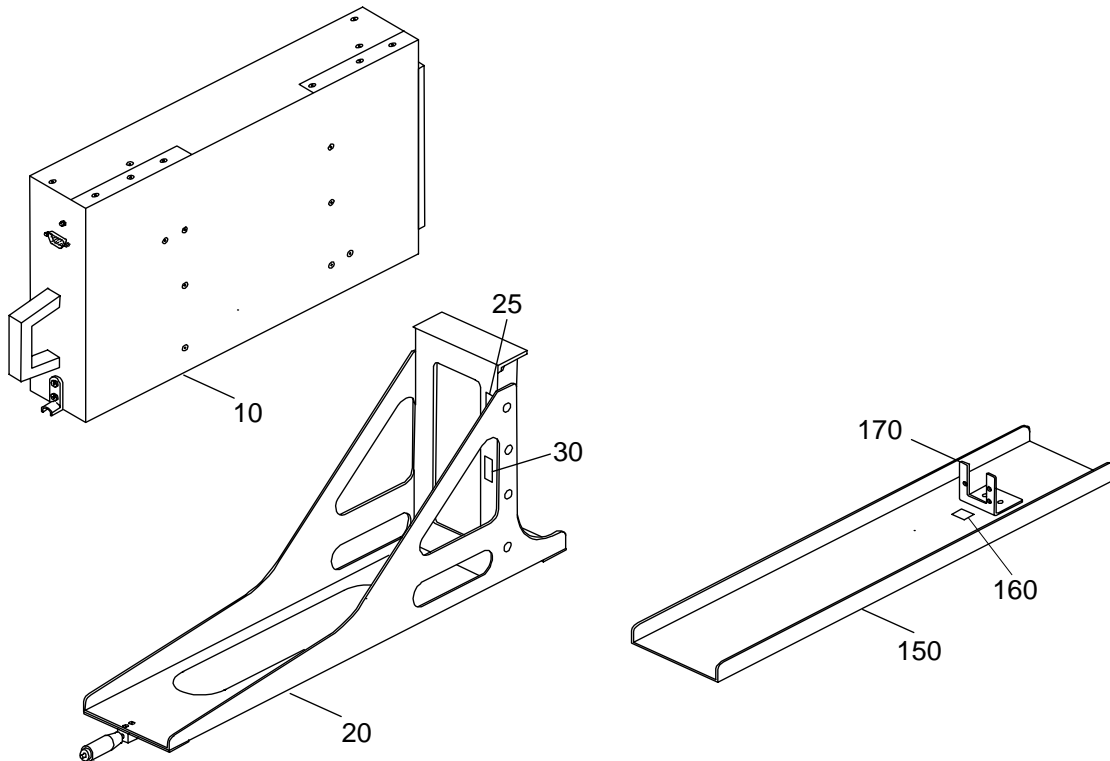
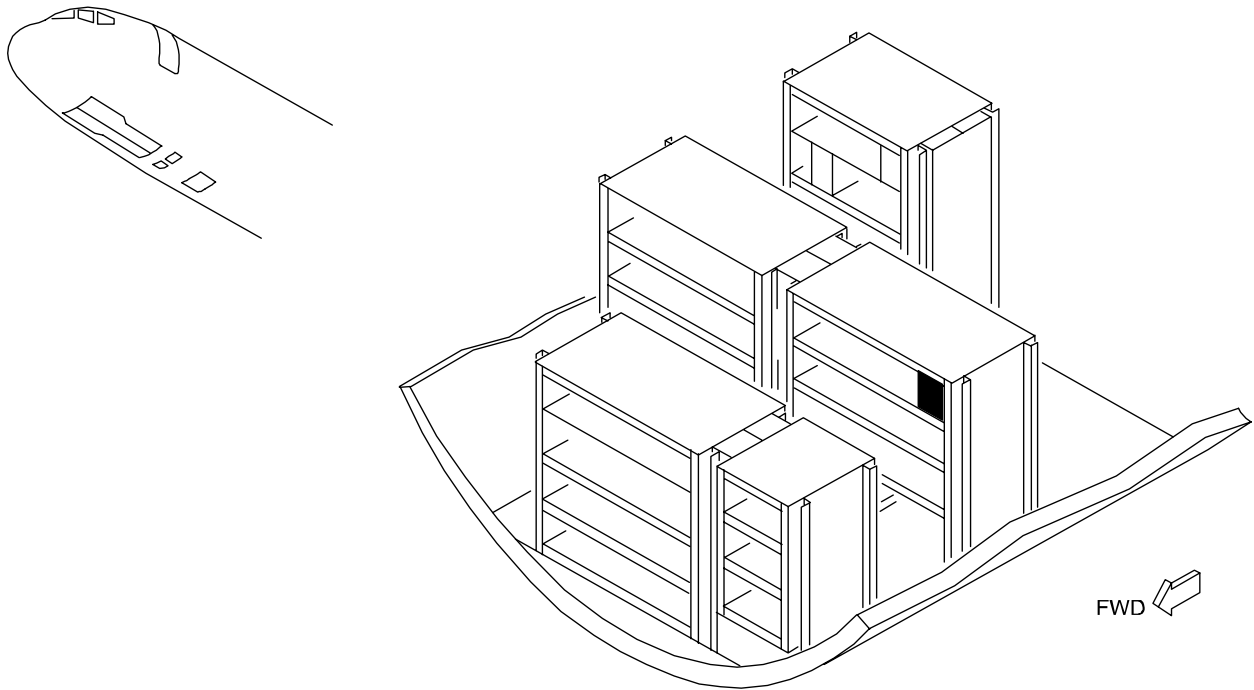
23-71-05-01

REV. NO: 29

FIG. 1
PAGE 1

DATE: NOV 00

DISK FILE REF: 710501.DOC



EQUIPMENT INSTL-MAIN ELECTRONIC EQUIP. CTR (VIDEO SURVEILLANCE SYSTEM ONLY)
FIGURE 1

CDS757-010

 **BOEING**
757
PARTS CATALOG (MAINTENANCE)



FIG. ITEM	PART NUMBER	1 2 3 4 5 6 7	NOMENCLATURE	EFFECT FROM TO	UNITS PER ASSY
1	234-03-1033		EQUIPMENT INSTL-MAIN ELECTRONIC EQUIP. CTR		
- 1	234-03-4024-1		INSTL-VIDEO SWITCH TRAY		RF
10	FV-0510N50RB-0		• UNIT-VIDEO SWITCHING SUPPLIER CODE: AD AEROSPACE		1
- 15	234-02-8006-10		• DECAL-M9103 PLASTIC FILM		1
20	234-02-4024-5		• ASSY-TRAY SUPPLIER CODE: 1UHX1		1
25	234-02-8006-8		• DECAL-D9103A PLASTIC FILM		1
30	234-02-8006-15		• DECAL-D9103B PLASTIC FILM		1
- 35	4508		• FOAM SEAL ATTACHING PARTS		2
- 43	MS35207-264		•• SCREW		2
- 45	MS24693S272		•• SCREW		2
- 47	NAS1149F0332P		•• WASHER		6
- 49	MS21042L3		•• NUT -----*-----		4
- 50	234-03-7006-101		•• WIRE BUNDLE ASSY-		RF
- 55	BKAD1-125-30001FO		•• CONNECTOR- ELECTRICAL EQUIPMENT NUMBER: D9103 ATTACHING PARTS		1
-	MS35206-231		••• SCREW		4
-	MS21042L6		••• NUT		4
- 60	BACC45FN18-31S7		•• CONNECTOR- ELECTRICAL EQUIPMENT NUMBER: D9113J		1
- 65	BACC45FN18-31S8		•• CONNECTOR- ELECTRICAL EQUIPMENT NUMBER: D9114J		1
-70	BACC10GH18		•• BACKSHELL		2
- 75	234-03-7006-110		•• WIRE BUNDLE ASSY- -----*-----		RF
- 80	234-03-7006-102		•• WIRE BUNDLE ASSY-		RF
- 85	BACC45FT18-31P7		•• CONNECTOR- ELECTRICAL EQUIPMENT NUMBER: D9113P -----*-----		1
- 90	234-03-7001-103		•• WIRE BUNDLE ASSY-		RF
- 95	BACC45FT18-31P8		•• CONNECTOR- ELECTRICAL EQUIPMENT NUMBER: D9114P		1
-100	DEMA-9S		•• CONNECTOR- ELECTRICAL EQUIPMENT NUMBER: D9104		1
- 103	D20419		•• SCREWLOCK		2
- 105	M24308/21-1		•• BACKSHELL		1

- ITEM NOT ILLUSTRATED

23-79-01-01



BOEING
757
PARTS CATALOG (MAINTENANCE)

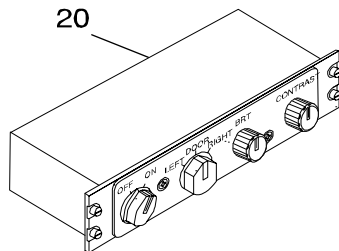
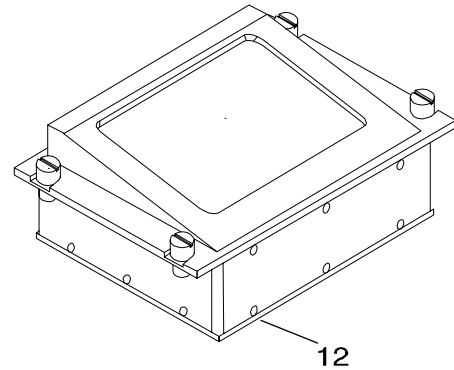
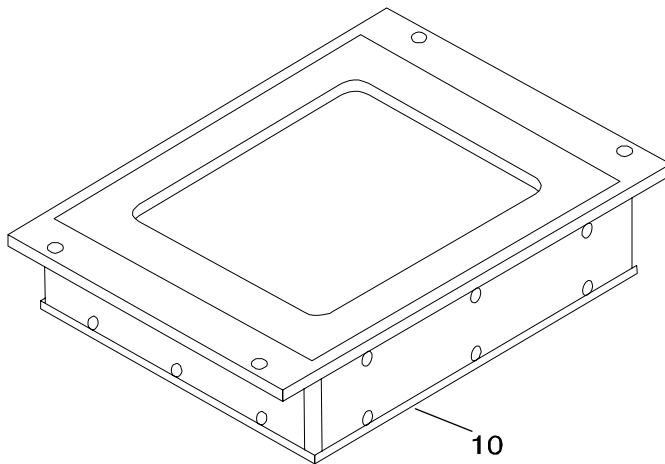
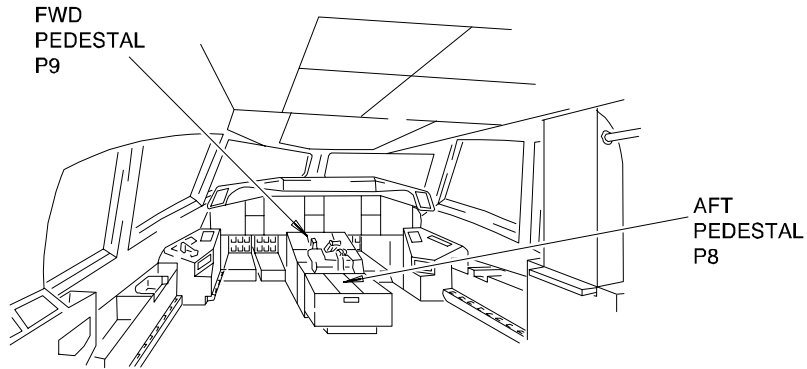


FIG. ITEM	PART NUMBER	1 2 3 4 5 6 7	NOMENCLATURE	EFFECT FROM TO	UNITS PER ASSY
1 -110	DEMA-9S		•• CONNECTOR- ELECTRICAL EQUIPMENT NUMBER: D9107		1
- 113	D20419		•• SCREWLOCK		2
- 115	M24308/21-1		•• BACKSHELL		1
-120	DEMA-9S		•• CONNECTOR- ELECTRICAL EQUIPMENT NUMBER: D9110		1
- 123	D20419		•• SCREWLOCK		2
- 125	M24308/21-1		•• BACKSHELL		1
-130	DEMA-9S		•• CONNECTOR- ELECTRICAL EQUIPMENT NUMBER: D9104		1
- 133	D20418-2		•• SCREWLOCK		2
- 135	DE110693-1		•• BACKSHELL -----*-----		1
- 140	234-03-4024-3		INSTL-FILLER TRAY		RF
150	234-03-4024-7		• ASSY-TRAY SUPPLIER CODE: 1UHX1 ATTACHING PARTS		1
- 153	MS35207-264		•• SCREW		4
- 155	NAS1149F0332P		•• WASHER		8
- 157	MS21042L3		•• NUT -----*-----		4
160	234-02-8006-29		•• DECAL-K9100 PLASTIC FILM		1
170	25-MMA-106-7		•• BRACKET-RELAY MOUNTING SUPPLIER CODE: 1UHX1 ATTACHING PARTS		1
- 173	MS35207-262		•• SCREW		2
- 175	NAS1149F0332P		•• WASHER		4
- 177	MS21042L3		•• NUT -----*-----		2
- 180	M83536/16-022M		• RELAY- ELECTRICAL EQUIPMENT NUMBER: K9100 -----*-----		1
- 190	234-03-7006-111		•• WIRE BUNDLE ASSY		RF
- 195	M12883/40-01		•• BASE-RELAY ELECTRICAL EQUIPMENT NUMBER: D9115P -----*-----		1

- ITEM NOT ILLUSTRATED

23-79-01-01

23-79-01
FIG. 1
PAGE 2
Dec 22/03
Rev 1



CDS757-011

EQUIPMENT INSTL-FLIGHT DECK (VIDEO SURVEILLANCE SYSTEM ONLY)
FIGURE 1


BOEING
 757
 PARTS CATALOG (MAINTENANCE)

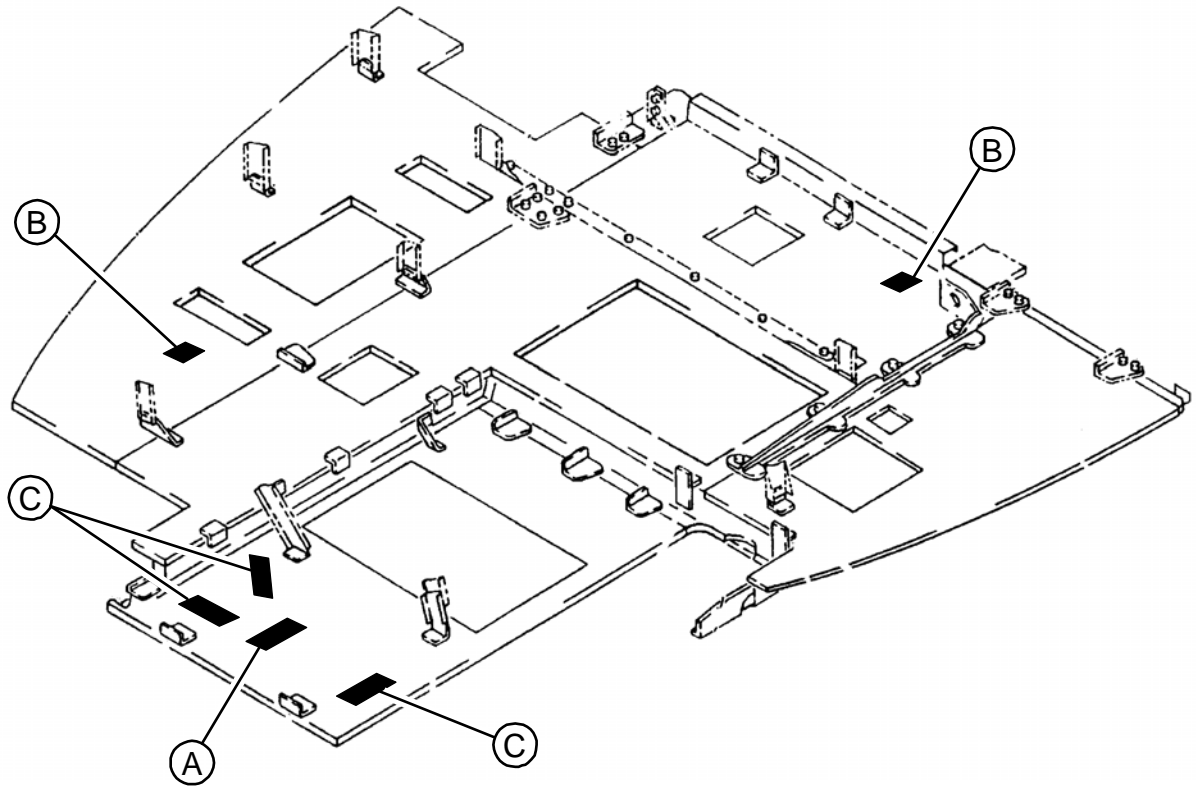
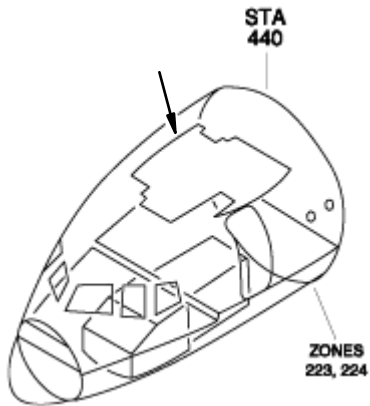


FIG. ITEM	PART NUMBER	1 2 3 4 5 6 7	NOMENCLATURE	EFFECT FROM TO	UNITS PER ASSY
1	234-03-1013		EQUIPMENT INSTL-FLIGHT DECK		
10	FV-0840N-(x)(x)		• MONITOR-LCD 6-INCH SUPPLIER CODE: AD AEROSPACE		1
12	FV-0830N-(X)		• MONITOR-LCD 4-INCH SUPPLIER CODE: AD AEROSPACE		1
- 15	234-03-8023-3		• PLATE-ADAPTER, LCD MONITOR 4-INCH SUPPLIER CODE: 1UHX1		1
20	FV-1060-1		• PANEL-CONTROL SUPPLIER CODE: AD AEROSPACE -----*-----		1
- 30	234-03-7006-109		• • WIRE BUNDLE ASSY		RF
- 35	MS27484T-12F-8SN		• CONNECTOR ELECTRICAL EQUIPMENT NUMBER: D9102		1
- 37	620FS012M12		• BACKSHELL -----*-----		1
- 40	234-03-7006-105		• • WIRE BUNDLE ASSY		RF
- 45	MS27484T-12F-35SN		• CONNECTOR ELECTRICAL EQUIPMENT NUMBER: D9101		1
- 47	620FS012M12		• BACKSHELL -----*-----		1
- 50	234-02-8007-9		• BLANKING PLATE -----*-----		1
- 100	7274-11-2		• CIRCUIT BREAKER- ELECTRICAL EQUIPMENT NUMBER: C9001		1
- 110	234-02-8006-1		• DECAL-FLIGHTVU SYSTEM PLASTIC FILM		1
- 120	234-02-8006-2		• DECAL-C9001 PLASTIC FILM -----*-----		1

- ITEM NOT ILLUSTRATED

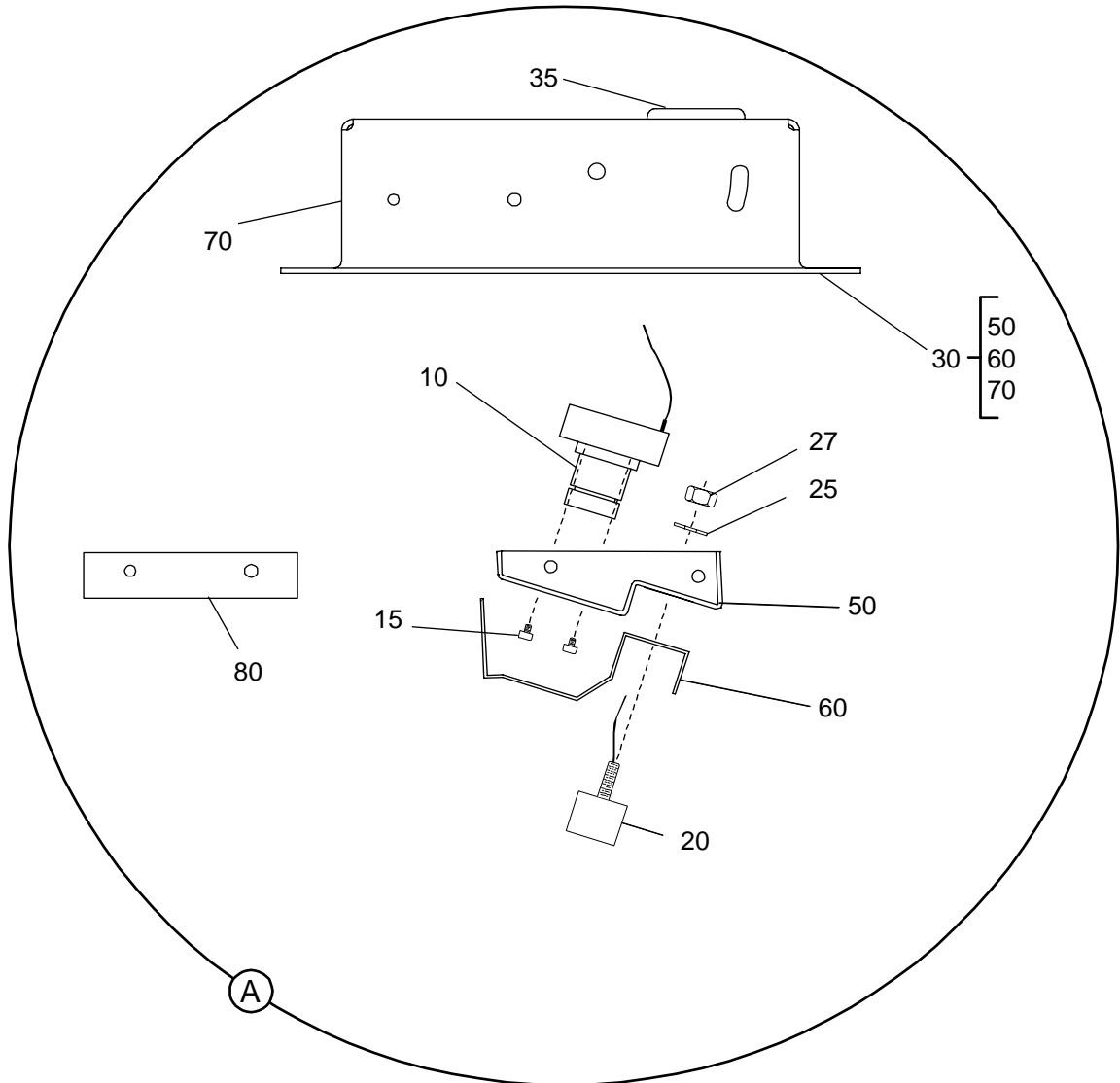
23-79-02-01

23-79-02
 FIG. 1
 PAGE 1
 Dec 22/03
 Rev 1



CDS757-012

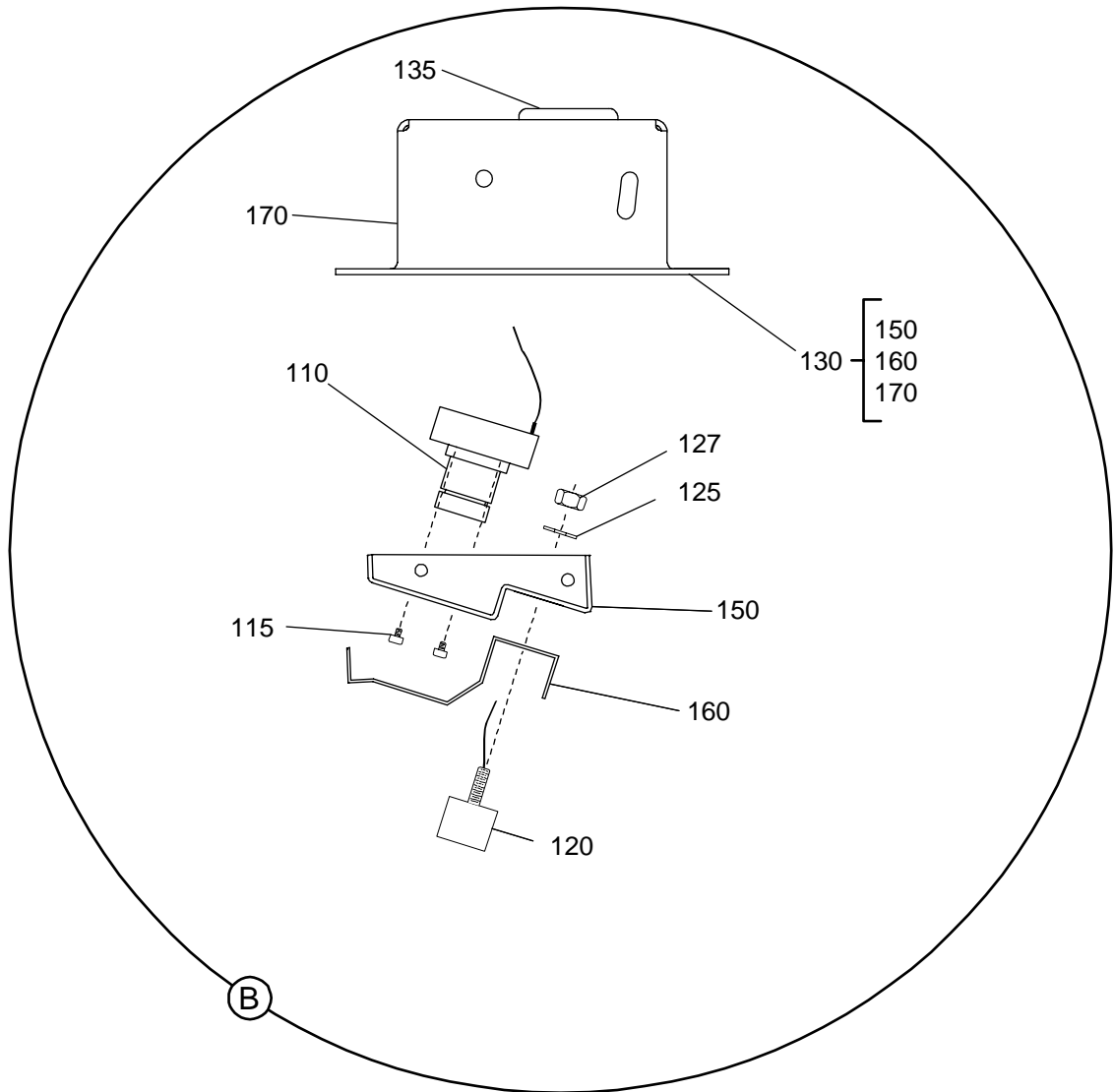
EQUIPMENT INSTL-MAIN CABIN ENTRY (VIDEO SURVEILLANCE SYSTEM ONLY)
FIGURE 1 (SHEET 1)



EQUIPMENT INSTL-MAIN CABIN ENTRY (VIDEO SURVEILLANCE SYSTEM ONLY)
FIGURE 1 (SHEET 2)

CDS757-013

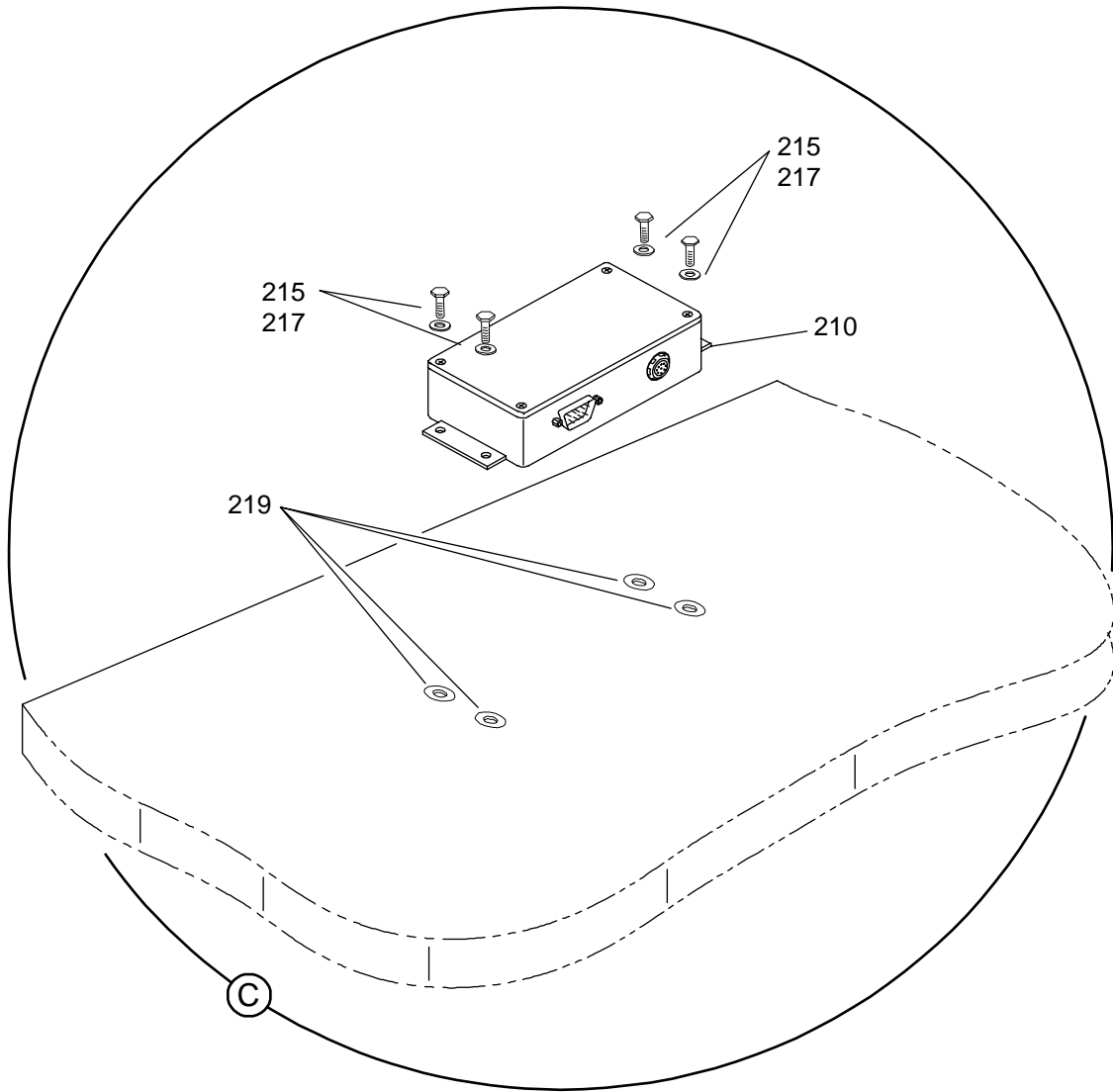
23-79-03-01



CDS757-014

EQUIPMENT INSTL-MAIN CABIN ENTRY (VIDEO SURVEILLANCE SYSTEM ONLY)
FIGURE 1 (SHEET 3)

23-79-03-01



CDS757-015

EQUIPMENT INSTL-MAIN CABIN ENTRY (VIDEO SURVEILLANCE SYSTEM ONLY)
FIGURE 1 (SHEET 4)

23-79-03-01

FIG. ITEM	PART NUMBER	1 2 3 4 5 6 7	NOMENCLATURE	EFFECT FROM TO	UNITS PER ASSY
1			EQUIPMENT INSTL-MAIN CABIN ENTRY		
- 1	234-03-4017		FLIGHTVU CAMERA INSTALLATION		RF
- 5	234-03-4017-1		INSTL-CAMERA NO. 1		1
10	FV-0405N1M9		• CAMERA - VIDEO SURVEILLANCE SUPPLIER CODE: AD AEROSPACE		1
			ATTACHING PARTS		
15	717-9583		•• SCREW		4
20	FV-1038-3		• ILLUMINATOR-IR SUPPLIER CODE: AD AEROSPACE		1
			ATTACHING PARTS		
25	NAS1149FN632P		•• WASHER		2
27	MS21083N06		•• LOCK-NUT		2
30	234-03-8002-3		• ASSY-CAMERA HOUSING, LONG SUPPLIER CODE: 1UHX1		1
35	BG2285		• GROMMET		1
- 40	234-03-8004-3		• ASSY-RETAINER PLATE, LONG ATTACHING PARTS		1
- 45	MS24693-S54		•• SCREW		4
50	234-03-8002-5		•• ASSY-CAMERA BRACKET, LONG SUPPLIER CODE: 1UHX1		1
			ATTACHING PARTS		
- 55	NAS1149FN632P		••• WASHER		4
- 57	NAS1801-06-5		••• BOLT		4
60	234-03-8002-15		•• COVER-CAMERA, LONG SUPPLIER CODE: 1UHX1		1
70	234-03-8002-9		•• HOUSING-CAMERA, LONG SUPPLIER CODE: 1UHX1		1
80	234-03-8002-7		•• ASSY-HOUSING COVER SUPPLIER CODE: 1UHX1		1
			ATTACHING PARTS		
- 85	MS35206-213		••• SCREW		4
- 90	AC-FV20-2-1.0		• CABLE-CAMERA SUPPLIER CODE: AD AEROSPACE -----*-----		1
- 100	234-03-4017-3		INSTL-CAMERA NO. 2		1
- 105	234-03-4017-5		INSTL-CAMERA NO. 3		1
110	FV-0405N1M9		• CAMERA - VIDEO SURVEILLANCE SUPPLIER CODE: AD AEROSPACE		1

- ITEM NOT ILLUSTRATED



BOEING
757
PARTS CATALOG (MAINTENANCE)



FIG. ITEM	PART NUMBER	1 2 3 4 5 6 7	NOMENCLATURE	EFFECT FROM TO	UNITS PER ASSY
1			ATTACHING PARTS		
115	717-9583		•• SCREW		4
120	FV-1038-3		• ILLUMINATOR-IR SUPPLIER CODE: AD AEROSPACE		1
125	NAS1149FN632P		ATTACHING PARTS		
127	MS21083N06		•• WASHER		2
130	234-03-8001-3		•• LOCK-NUT		2
			• ASSY-CAMERA HOUSING, SHORT SUPPLIER CODE: 1UHX1		1
135	BG2285		• GROMMET		1
- 140	234-03-8004-5		• ASSY-RETAINER PLATE, SHORT		1
			ATTACHING PARTS		
- 145	MS24693-S50		•• SCREW		4
- 147	MS24693-S54		•• SCREW		4
150	234-03-8001-5		•• ASSY-CAMERA BRACKET, SHORT SUPPLIER CODE: 1UHX1		1
			ATTACHING PARTS		
- 155	NAS1149FN632P		••• WASHER		4
- 157	NAS1801-06-5		••• BOLT		4
160	234-03-8001-13		•• COVER-CAMERA, SHORT SUPPLIER CODE: 1UHX1		1
170	234-03-8001-7		•• HOUSING-CAMERA, SHORT SUPPLIER CODE: 1UHX1		1
- 180	AC-FV20-2-1.0		• CABLE-CAMERA NO. 2 SUPPLIER CODE: AD AEROSPACE		1
- 190	AC-FV20-2-2.0		• CABLE-CAMERA NO. 3 SUPPLIER CODE: AD AEROSPACE -----*-----		1
- 200	234-03-4017-7		INSTL-CAMERA CONTROL UNIT		1
210	FV-0950N-9-50RB		• UNIT-CAMERA CONTROL SUPPLIER CODE: AD AEROSPACE		1
			ATTACHING PARTS		
215	NAS1801-08-5		•• SCREW		4
217	NAS1149FN832P		•• WASHER		4
219	SL2334-08A3		•• INSERT		4
- 220	234-02-8006-16		• DECAL-M9104/CCU # 1 D9104 PLASTIC FILM		1
- 230	234-02-8006-17		• DECAL-M9107/CCU # 2 D9107 PLASTIC FILM		1
- 240	234-02-8006-14		• DECAL-M9110/CCU # 3 D9110		1

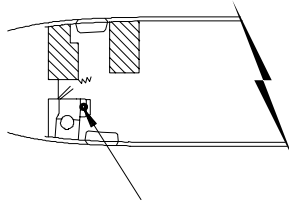
- ITEM NOT ILLUSTRATED

23-79-03-01

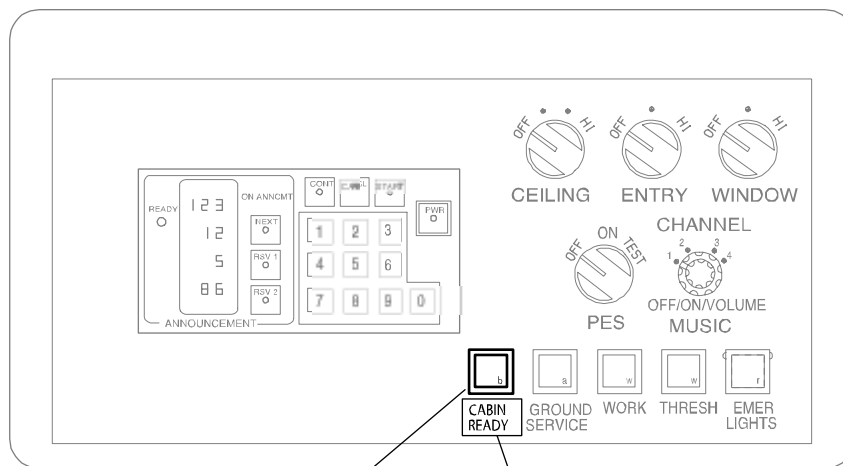
23-79-03
FIG. 1
PAGE 2
Dec 22/03
Rev 1

FIG. ITEM	PART NUMBER	1 2 3 4 5 6 7	NOMENCLATURE	EFFECT FROM TO	UNITS PER ASSY
1			PLASTIC FILM -----*-----		
-300	234-03-1013-03-1.04		INSTL-CABIN READY ANNUNCIATION		1
-310	92-42-11-H6-63708		• MODULE-ANNUNCIATOR/SWITCH ELECTRICAL EQUIPMENT NUMBER: S9200		1
-313	234-02-8006-27		• DECAL-S9200 PLASTIC FILM		1
-317	234-02-8006-28		• DECAL-CABIN READY PLASTIC FILM -----*-----		1
-320	234-03-7006-112		• WIRE BUNDLE ASSY-		RF
-325	18-200		•• CONNECTOR- ELECTRICAL EQUIPMENT NUMBER: S9200		1
-330	DEMA-9S		•• CONNECTOR- ELECTRICAL EQUIPMENT NUMBER: D9117P		1
-333	D20419		•• SCREWLOCK-		2
-335	DE110963-1		•• BACKSHELL- -----*-----		1
-340	234-03-7006-113		• WIRE BUNDLE ASSY-		RF
-350	DEMA-9S		•• CONNECTOR- ELECTRICAL EQUIPMENT NUMBER: D9116P		1
-353	D20419		•• SCREWLOCK-		2
-355	DE110963-1		•• BACKSHELL-		1
-360	234-02-8022-1		• BRACKET- SUPPLIER CODE: 1UHX1 ATTACHING PARTS		1
-363	MS35206-242		•• SCREW		2
-365	SL2334-08A3		•• INSERT		2
-370	DEMA-9S		•• CONNECTOR- ELECTRICAL EQUIPMENT NUMBER: D9117J		1
-373	D20418-2		•• STUD-		2
-375	DE110963-1		•• BACKSHELL-		1
-380	234-02-8022-1		• BRACKET- SUPPLIER CODE: 1UHX1 ATTACHING PARTS		1
-383	MS35206-242		•• SCREW		2
-385	SL2334-08A3		•• INSERT -----*-----		2

- ITEM NOT ILLUSTRATED

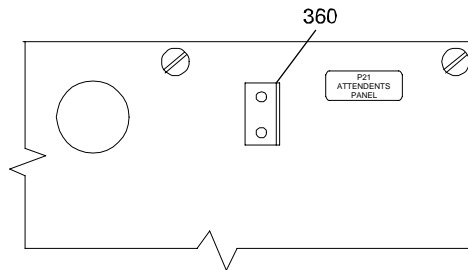


HANDSET AND
FORWARD ATTENDANT'S
PANEL



310 317

CABIN READY ANNUNCIATOR / SWITCH
(OPTIONAL)
FORWARD ATTENDANT'S PANEL



P21 COVER PANEL REMOVED

CDS757-016

EQUIPMENT INSTL-MAIN CABIN ENTRY (VIDEO SURVEILLANCE SYSTEM ONLY)
FIGURE 1

23-79-04-01

FIG. ITEM	PART NUMBER	1 2 3 4 5 6 7	NOMENCLATURE	EFFECT FROM TO	UNITS PER ASSY
1					
- 300	234-03-1013		INSTL-CABIN READY ANNUNCIATION		1
310	92-42-11-H6-63708		• MODULE-ANNUNCIATOR/SWITCH ELECTRICAL EQUIPMENT NUMBER: S9200		1
- 313	234-02-8006-27		• DECAL-S9200 PLASTIC FILM		1
317	234-02-8006-28		• DECAL-CABIN READY PLASTIC FILM		1
			-----*-----		
- 320	234-03-7006-112		• WIRE BUNDLE ASSY-		RF
- 325	18-200		•• CONNECTOR- ELECTRICAL EQUIPMENT NUMBER: S9200		1
- 330	DEMA-9S		•• CONNECTOR- ELECTRICAL EQUIPMENT NUMBER: D9117P		1
- 333	D20419		•• SCREWLOCK-		2
- 335	DE110963-1		•• BACKSHELL-		1
			-----*-----		
- 340	234-03-7006-113		• WIRE BUNDLE ASSY-		RF
- 350	DEMA-9S		•• CONNECTOR- ELECTRICAL EQUIPMENT NUMBER: D9116P		1
- 353	D20419		•• SCREWLOCK-		2
- 355	DE110963-1		•• BACKSHELL-		1
360	234-02-8022-1		• BRACKET- SUPPLIER CODE: 1UHX1		1
			ATTACHING PARTS		
- 363	MS35206-242		•• SCREW		2
- 365	SL2334-08A3		•• INSERT		2
- 370	DEMA-9S		•• CONNECTOR- ELECTRICAL EQUIPMENT NUMBER: D9117J		1
- 373	D20418-2		•• STUD-		2
- 375	DE110963-1		•• BACKSHELL-		1
- 387	234-02-8006-31		DECAL - D9116J PLASTIC FILM		1
			-----*-----		

- ITEM NOT ILLUSTRATED

23-79-04-01



aerospace engineering solutions

www.aesglobal.co.uk

Tel: +44 (0) 1376 344960

Fax: +44 (0) 1376 569297

EUROPEAN AVIATION SAFETY

AGENCY

PART21 APPR: EASA.21J.036

MODIFICATION TITLE:
**INTRODUCTION OF LCD MONITORS
 (BIG BIN END CAP)**

MODIFICATION No.
AES-757-930
PARTS A, B, C & D
ISSUE 3
Page 1 of 7

A/C TYPE: B757	A/C VARIANT: -28A	A/C REG: G-OOBC G-OOBD G-OOBE G-OOBF	A/C SERIAL No: 33098 (NJ001) 33099 (NJ002) 33100 (NJ003) 33101 (NJ004)
-------------------	----------------------	--	--

Retro. Action:
SEE SHT. YES/NO

Project No.: **0930**

Certificate of Airworthiness Category:
LARGE AEROPLANE
 Performance Group: **TURBINE JET**

EASA Class:
MAJOR: SIGNIFICANT
NOT SIGNIFICANT
MINOR

Reason for Modification:
TO SUIT THE OPERATORS REQUIREMENTS (FIRST CHOICE AIRWAYS)

ATA: **23, 25** Reports: **AES-TR-0331**

WEIGHT CHANGE
SEE SECTION 5.5.1

ELECTRICAL LOAD
SEE SECTION 5.5.2

NOISE
SEE SECTION 5.3.1

DOCUMENTS
SEE SECTION 11.0

DECLARATION OF COMPLIANCE

I hereby certify that this modification defines all the changes associated with this certificate.

The technical information contained in this document has been approved under the authority of
 EASA Design Organisation Approval No EASA.21J.036.

I further certify that, with the exceptions listed below, the design of this modification complies with the airworthiness and
 environmental protection requirements applicable to the subject aircraft or component.

EXCEPTIONS - NONE

COMPLIANCE ESTABLISHED WITH: CS/FAR 25.29, 25.301, 25.303, 25.305, 25.307, 25.561, 25.601, 25.603, 25.605, 25.607, 25.789,
 25.791, 25.853, 25.1301, 25.1309, 25.1351, 25.1357, 25.1360, 25.1431, 25.1519, and 25.1529.
 JAR OPS 1.731

APPROVAL STATUS

COMPLETE/INCOMPLETE (see section 10)

CAA Exemption No.:

EASA STC No.: **NOT APPLICABLE**

ISSUE	1	2	3					
DRN No.	2511	2646	3043					
APPROVAL DATE	MAE 28.09.07	MAE 30.11.07	<i>MAE</i> 3-9-08					

ISSUE	RAISE ISSUE DETAIL						SHEETS AFFECTED	
3	REFER TO RAISE IN ISSUE DETAILS PAGE 2							
ISSUE	DATE	COMPILED	CVE / APP STRUCTURES	CVE / APP DESIGN	CVE / APP SYSTEMS	DOCUMENTS AFFECTED	SEE SHT	
1	25.09.07	D BROWN	MAE	AMD	ALH	MMEL MAINT-MANUAL	5	
2	28.11.07	WESTSMITH	MAE	AMD	ALH	WDM REPAIR-MANUAL		
3	02.09.07	PANCHAL	<i>MAE</i>	<i>AMD</i>	<i>ALH</i>	FLIGHT-MANUAL CREW-MANUAL		
						MAINT. SCHEDULE PART CATALOGUE*		
							* OPERATORS RESPONSIBILITY	

RAISE IN ISSUE DETAILS

ISSUE	DETAILS	SHEETS
1	INITIAL ISSUE	ALL
2	MOD NOW RAISED IN 3 PARTS (PREV INTENT REFERRED TO AS PART A). AMENDMENTS TO PARA'S 1.0, 2.0, 5.5.1. SEC 11.1 AND 11.2 AMENDED TO ADD EFFECTIVITY MATRIX	ALL 1, 2, 3, 4 6
3	AES-757-930 PART D ADDED. AMENDMENTS TO PARA'S 1.2, 1.6, 2.4, 5.5.1. SEC 11.1 and 11.2 (MATRIX EXTENDED TO INCLUDED PART D) SEC 11.2, MEI-1187 ADDED	1, 2, 3, 4 7 7

DETAILS OF MODIFICATION

1.0 Introduction

- 1.1 This modification introduces 2 LCD monitors in the bin end cap assemblies at door 2 enabling the passengers in the mid cabin to view video presentations.
- 1.2 This modification is raised in parts to facilitate progressive embodiment as described below. (Issue 1 of this modification was not raised in parts, the design and documentation covered under Part A of this modification was taken from Issue 1, Parts B, C and D have been added at customers request.)
- 1.3 **AES-757-930 Part A:** 2 LCD monitors and associated bracketry in the overhead bin end cap assemblies at door 2 are introduced enabling the passengers in the mid cabin to view video presentations
- 1.4 **AES-757-930 Part B:** The monitors introduced in the overhead bin end caps under cover of Part A of this modification are removed and blanking plates are introduced.
- 1.5 **AES-757-930 Part C:** The modified overhead bin end caps are removed at door 2. Replacement (original) items are refitted in these 2 locations to return the aircraft back to build condition in this area.
- 1.6 **AES-757-930 Part D:** The blanking plates introduced under cover of Part B of this modification are removed and the LCD monitors (originally introduced under cover of Part A of this modification) and re-introduced.

2.0 Modification Definition

2.1 AES-757-930 Part A

- 2.1.1 Panasonic LCD Monitor P/No RD-AV7091-01 (alt P/No RD-AV7093-01) are installed within the void in the bin end cap assembly on the left and right hand end cap assembly at STA 680.
- 2.1.2 The monitor utilises the electrical interface connections from the existing PSU mounted LCD monitors installed at STA 650 which are no longer required in the reduced passenger density configuration used for "Round the

World” operations.

2.1.3 Aluminium alloy brackets and edge bezels are introduced to secure the monitor in position.

2.2 **AES-757-930 Part B**

2.2.1 The monitors introduced in the overhead bin end caps under cover of Part A of this modification are removed and an aluminium alloy blanking plate is introduced. Drawing 1955-233-757 refers. The existing metallic support brackets are retained in the bin end cap for repeat installation.

2.3 **AES-757-930 Part C**

2.3.1 Details to follow at later issue of this modification.

2.4 **AES-757-930 Part D**

2.4.1 The blanking plates introduced under cover of Part B of this modification are removed and the LCD monitors (originally introduced under cover of Part A of this modification) and re-introduced. This part is used for subsequent installations once the mechanical provisions have been installed and facilitates a means to control material movement.

3.0 **Approval Procedures**

3.1 This modification certification/approval/validation has been carried out in accordance with EASA Part 21.

4.0 **Basis of Certification/Validation/Approval**

4.1 **Certification/Validation/Approval Basis For The Aircraft/Modification**

4.1.1 The certification basis of the aircraft (B757) is FAR 25 (state of design is U.S.A.) with Amendment 25-1 through 25-45 and additional amendments applicable as defined in the FAA TCDS A2NM Rev 25.

4.1.2 Refer to AES report AES-TR-0331 for the applicable CS25 (Amendment 2) design requirements, which are addressed by this modification. These meet or exceed the applicable FAR's determined from the type certification basis, which are addressed.

4.2 Design Requirements For Certificate Of Airworthiness

4.2.1 Not Applicable

4.3 Environmental Requirements

4.3.1 Aircraft Environmental requirements (Aircraft Noise) are detailed in ICAO Annex 16 Volume 1 Chapter 3 (for Subsonic Jet Aeroplanes with an initial C of A application between 6th Oct 1977 and 1st January 2006).

4.3.2 Aircraft Environmental requirements (Aircraft Engine Emissions) are detailed in ICAO Annex 16 Volume II.

4.4 Design Requirements Associated With operational Approvals

4.4.1 Refer to AES report AES-TR-0331 for the JAR OPS-1 (Amendment 13) operational design requirements, which are addressed by this modification.

5.0 Compliance with the Basis of Certification/Validation/Approval

5.1 Compliance with the Certification/Validation/Approval Basis for the Aircraft/Modification.

5.1.1 Embodiment of this modification does not affect the certification basis of the aircraft.

5.1.2 Refer to AES report AES-TR-0331 for design compliance statements.

5.2 Compliance With Design Requirements For Certificate Of Airworthiness

Not Applicable.

5.3 Compliance with Environmental Requirements

5.3.1 Embodiment of this modification does not affect requirements pertinent to environmental protection.

5.4 Compliance with Design Requirements Associated with Operational Approvals

5.1.1 Refer to AES report AES-TR-0331 for design compliance statements associated with operational approvals.

5.5 Required (Amendments to) Manuals and other Documents Including Mandatory Placards.

5.5.1 Weight:

AES-757-757-930 Part A: Embodiment of **Part A** of this modification results in a weight increase of 7.27kg (16lbs) acting at STA 682 (moment change of +4960kg.in)

AES-757-757-930 Part B: Embodiment of **Part B** of this modification results in a weight reduction of 5.0kg (11lbs) acting at STA 682 (moment change of -3410kg.in)

AES-757-757-930 Part C: Details to follow

AES-757-757-930 Part D: Embodiment of **Part D** of this modification results in a weight increase of 5.0kg (11lbs) acting at STA 682 (moment change of +3410kg.in)

5.5.2 Electrical Load Demand:

Embodiment of this modification introduces a negligible load change. Emergency discharge and battery times are unaffected.

5.5.3 Aircraft Flight Manual (AFM): The AFM is not affected by this modification.

5.5.4 Wiring Diagram Manual (WDM): The existing Wiring Diagram Manual is not affected by this modification.

5.5.5 Aircraft Maintenance Manual (AMM): The existing Aircraft Maintenance Manual is not affected by this modification.

5.5.6 Illustrated Parts Catalogue (IPC): A supplement to the IPC may be produced or the data produced via this modification can be used to supplement the existing manuals.

5.5.7 Component Maintenance Manuals (CMM):

The Applicable Panasonic CMM for LCD Monitor RD-AV7091-01 is 23-32-45

The Applicable Panasonic CMM for LCD Monitor RD-AV7093-01 is 40-20-31

6.0 **Conditions Affecting This Approval**

6.1 The compatibility of this modification, with other previously approved modifications installed on the particular aircraft, must be verified by the installer. Where the potential for interactions between modifications exists, the advice of the Design Organisation/Agency shall be sought.

7.0 **Continued Airworthiness**

7.1 The influence of the modification on Airworthiness Directive, Service Bulletin eligibility and other data must be considered and the publications monitored accordingly. The maintenance schedule for the aircraft should include reference to this material additional to the original design. Co-ordination is the responsibility of the operator.

8.0 **Survey**

8.1 None required

9.0 **Authorisation of Release to Service**

9.1 In addition to the actions required by the procedures for release to service following maintenance or modification, the following actions must be completed prior to signing the Certificate of Release to Service:

- a) All actions and ground test procedures specified by the modification instructions must be completed satisfactorily.
- b) It must be verified that the documents or amendments to documents, above are as specified, including any changes specified under Section 8 above.

10.0 **Approval**

10.1 This Minor modification AES-757-930 (MCA-AES-757-930) and related instructions has been approved under the authority of EASA Design Organisation Approval no. EASA.21J.036.

11.0 **Documents Required**

11.1 **Documents introduced and required**

<u>Drawing Number</u>	<u>Issue</u>	<u>Title</u>	<u>AES-757-930</u>			
			Part A	Part B	Part C	Part D
1871-233-757	1	DRG: LCD MONITOR INSTALLATION BIG BIN END CAP.	X			X
1955-233-757	1	DRG: LCD MONITOR REMOVAL FROM BIG BIN END CAP.		X		X

11.2 **Reports/Documents introduced and required**

<u>Document Number</u>	<u>Issue</u>	<u>Title</u>	<u>AES-757-930</u>			
			Part A	Part B	Part C	Part D
MEI-987	1	MEI: INSTALLATION OF LCD MONITOR INSTALLATION – BIG BIN END CAP.	X			
MEI-1030	1	MEI: REMOVAL OF LCD MONITOR INSTALLATION – BIG BIN END CAP.		X		
MEI-1187	1	MEI: REMOVAL OF BLANKING CAPS AND RE-INSTALLATION OF LCD MONITORS–BIG BIN END CAP.				X
AES-TR-0331	1	TECHNICAL REPORT: COMPLIANCE WITH REQUIREMENTS FOR AES-757-930	X	X	X	

11.3 **Query Notes**

Status 'EMBODIED': Query Note is embodied directly onto aircraft and is subsequently incorporated into relevant design documents / test reports.

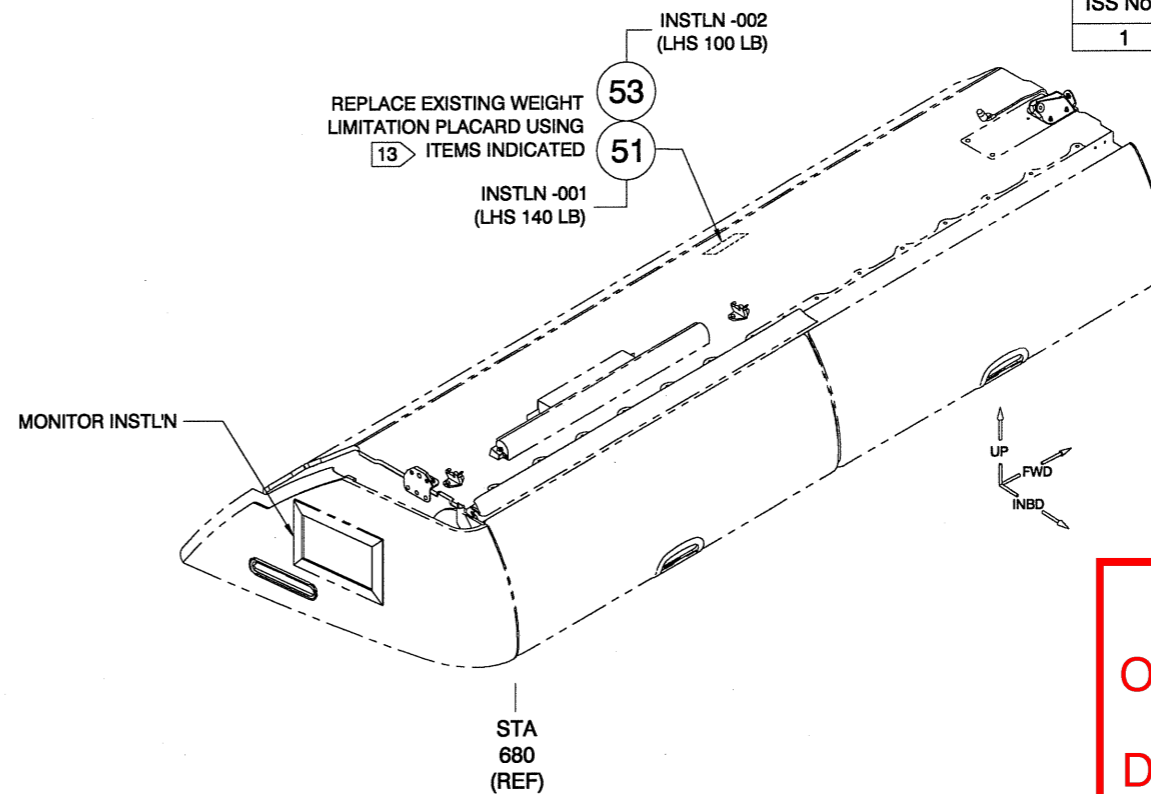
Status 'ACTIVE': Query Note required for direct embodiment in conjunction with applicable design documents (i.e. Query Note not incorporated into relevant design document).

<u>Document Number</u>	<u>Title</u>	<u>Status</u>
QN-AES-757-930-01	ALT ANCHOR NUT P/No	ACTIVE

REVISIONS				
DRG ISS No.	RELEASE DOC.	ISSUE DATE:	DRG CHANGE	APP BY:
1	2396	20/9/07	NEW	[Signature]

NOTES:

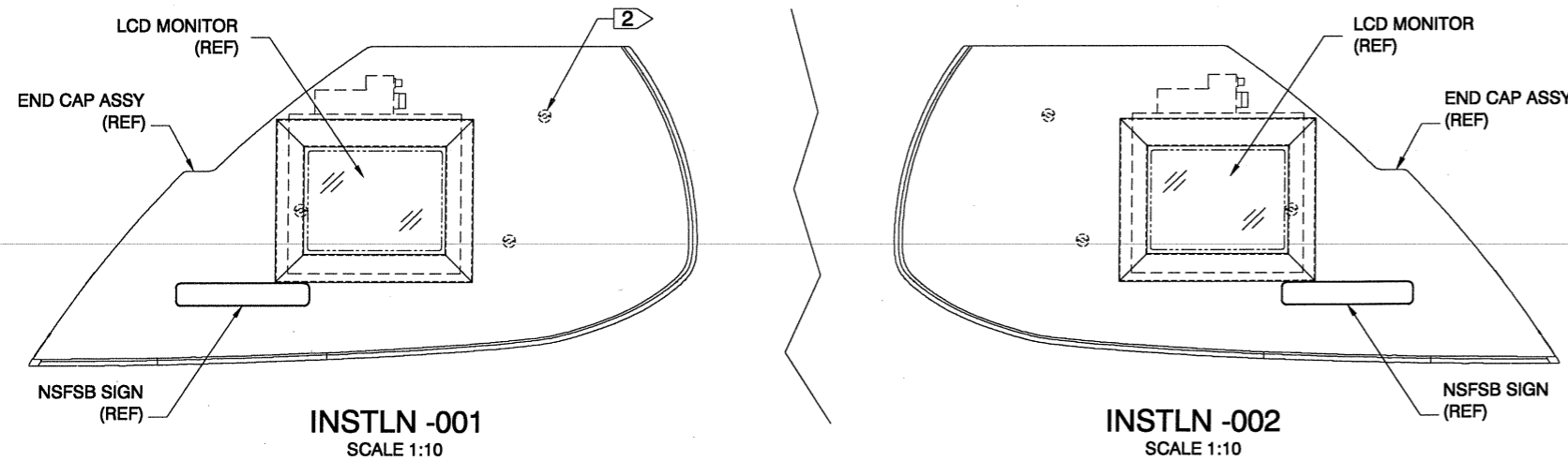
- 1 THIS DRAWING DETAILS THE REWORK TO THE END CAPS OF THE DOOR 2 (FWD SIDE) OVERHEAD STOWAGE COMPARTMENTS TO ACCOMMODATE AN LCD SCREEN. READ IN CONJUNCTION WITH MEI-987.
- 2 REMOVE THE EXISTING ENDCAP BY LOCATING THE THREE CSK 1/4" FASTENERS FROM WITHIN THE INSIDE OF THE BIN. UNSCREW AND CAREFULLY REMOVE THE END CAP SUPPORTING IT IN THE PROCESS.
- 3 WITH THE CAP REMOVED SLAVE FIT THE SUPPORTING ANGLES (HORIZONTAL AND VERTICAL) IN POSITION AND SECURE TOGETHER (NOT TO THE END CAP STRUCTURE), MARK ON THE END CAP STRUCTURE WHERE THEY WILL BE FITTED.
- 4 TRIM / REMOVE THE EXISTING FOLDED PORTION OF THE CLOSOUT PANEL (ALSO SEE MEI)
- 5 LOCATE THE LCD MONITOR MOUNTING BRACKETS AND ENSURE THAT THE MONITOR (OR TEMPLATE) DOES NOT INTERFERE WITH THE END CAP ASSY, ALLOW APPROX 0.10/0.12 GAP BETWEEN THE FRONT OF THE SCREEN AND THE INNER FACE OF THE END CAP PANEL (THIS WILL ENSURE THE PICTURE FRAME ASSY HAS A SNUG FIT). SECURE IN PLACE WHEN LOCATED.
- 6 BOND THE SUPPORTING ANGLES TOGETHER USING ARALDITE 420A/B ADHESIVE, ENSURE FAY SURFACES ARE GREASE FREE, CLEAN AND FREE OF ANY TREATMENT/PAINT. ONCE BONDED THE ASSEMBLED PARTS CAN BE PRIMED AND PAINTED (ALOCROM 1200 + 1 COAT BMS 10-11 TYPE 1 PRIMER OR SIMILAR). RE-APPLY THE PART NUMBER ON THE PAINTED SURFACES PER FN10. DO NOT COAT THE BASE OF THE ANGLES WHICH WILL MATE WITH THE FACES OF THE CLOSOUT PANEL AND THE BIN CAP ASSY. BOND THE ANGLES IN POSITION TO PROVIDE ADDITIONAL SUPPORT TO THE BIN END CAP PANEL.
- 7 PRODUCE CUTOUT IN THE END CAP ASSY USING THE TEMPLATE ITEM -101. USING 1" STRIPS OF S/A VELCRO (HOOK AND LOOP) AROUND THE PERIPHERY OF THE CUTOUT AT THE CORNERS SECURE THE PICTURE FRAME IN POSITION, THE GAP BETWEEN FRAME AND LCD SCREEN SHOULD NO LESS THAN 0.040"
- 8 STORE MIX AND APPLY ADHESIVE IAW MANUFACTURERS DATA SHEETS. ENSURE AREAS TO BE BONDED ARE CLEAN AND FREE OF DIRT AND GREASE, REMOVE ANY PAINT OR PROTECTIVE TREATMENT LOCAL TO THE CONTACT SURFACES
- 9 INSTALL INSERTS IN DIA 0.452/0.457 TO A DEPTH OF 0.22 (DO NOT DRILL THROUGH PANEL, INSERT SHOULD LIE FLUSH WITH OPEN FACE).
- 10 PART MARK ITEM WHERE SHOWN IN BLACK USING INDELIBLE INK. PART MARK DETAILS TO INCLUDE P/No, MANUFACTURER, DATE OF MANUFACTURE AND THE LETTERS E.P.A (EUROPEAN PART APPROVAL).
- 11 ITEM 5 (FRAME ASSY) TO BE TREATAED (ALOCROM 1200) PRIMED (BMS10-11 TYPE 1 OR SIMILAR) AND PAINTED WHITE (BAC7636) TO MATCH THE BIN END CAP.
 ALL OTHER FABRICATED PARTS SHALL BE SUPPLIED WITHOUT ANY FINISH. THEY MUST BE CLEAN AND FREE OF SHARP EDGES AND BURRS. NONE TO BE TREATED AT THIS STAGE DUE TO ADHESIVE BONDING REQUIREMENTS DURING INSTALLATION. (TREATMENT AND FINISH APPLIED AT INSTALLATION STAGE, SEE FN 6)
- 12 REFER TO VIEW-X-X, SHT 4 FOR POSITIONING OF INSERTS AND BRACKETS
- 13 THE EXISTING WEIGHT LIMITATION PLACARD REQUIRES REPLACING. USE ITEMS INDICATED.
 PLACARD: USE S/A POLYCARBONATE, BLACK CHARACTERS ON A WHITE BACKGROUND, SEE DETAILS FOR FURTHER INFORMATION
- 14 WELD SPEC: BAEP 4521 GROUP 3



INSTALLATION -001 (LH MONITOR INSTALLATION AS DRN)

INSTALLATION -002 (RH MONITOR INSTALLATION OPP HAND)

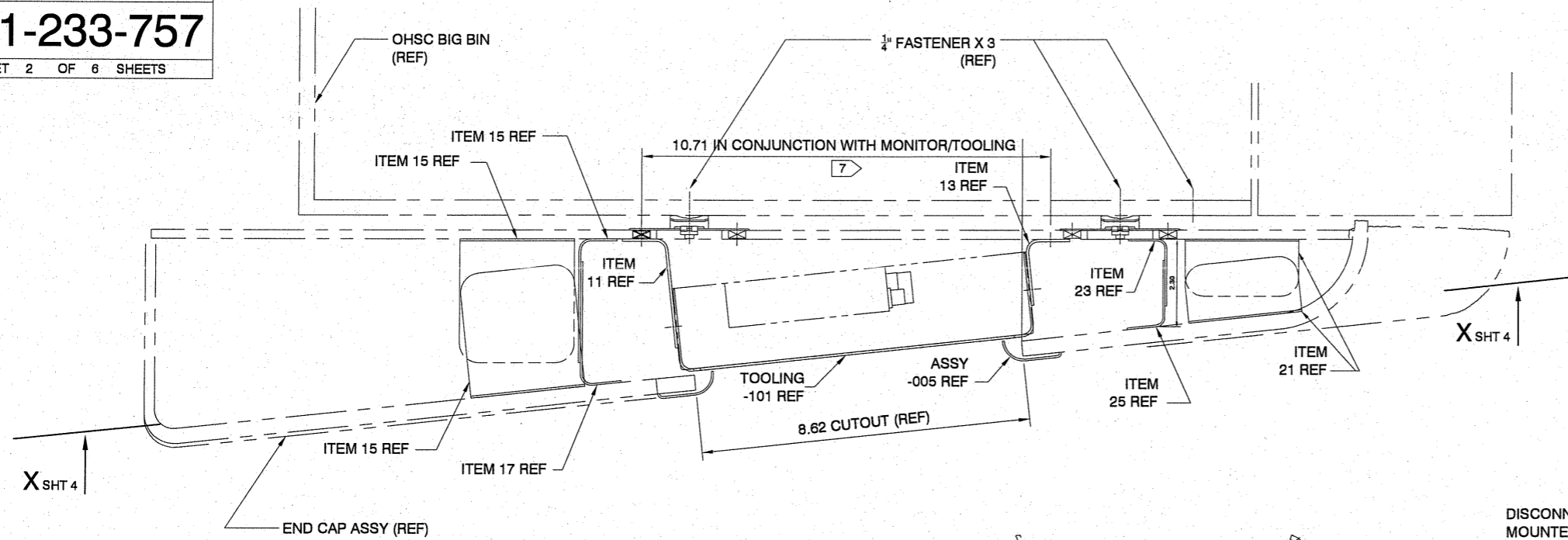
AES LTD
OFFICIAL ISSUE
 DATE: 20.09.2007
COPY



QTY	UNIT	ITEM No.	PART NUMBER	ITEM ISS	KEYWORD/DESCRIPTION	MATERIAL	SPECIFICATION	DIMENSIONS	TREATMENT	NOTE
1	1	101		-101	JIG TEMPLATE		2024-T3	QQ-A-250/5	0.063	
1	1	-53		-053	1 PLACARD_100 lb LIMIT	OR SIMILAR				FN13
	1	-51		-051	1 PLACARD_140 lb LIMIT	OR SIMILAR				FN13
1FT	1FT	49			VELCRO LOOP 1"					
1FT	1FT	47			VELCRO HOOK 1"					
A/R	A/R	45			ARALDITE 420A/B	ADHESIVE				
A/R	A/R	43			TY-25M	TIE WRAP				
A/R	A/R	41			227-996	TIE BASE (SELF ADHESIVE)	EST 10 OFF			
8	8	39			NAS1149DN632J	WASHER No 6 (.032")				
8	8	37			NAS1149D0332J	WASHR No 10 (.032")				
4	4	35			NAS1801-06-07	SCREW, 0.43 LG (6-32)				
8	8	33			NAS1801-3-4	SCREW, 0.25 LG (10-32)				
8	8	31			NAS1836-3-07	INSERT, 0.217 LG				
1	1	29			RD-AV7093-01	LCD MONITOR	ALT P/No	RD-AV7091-01		
1	1	25		-025	1 INBD VERTICAL ANGLE		2024-T3	QQ-A-250/5	0.050	
1	1	23		-023	1 INBD VERTICAL ANGLE		2024-T3	QQ-A-250/5	0.050	
2	2	21		-021	1 INBD HORIZONTAL ANGLE		2024-T3	QQ-A-250/5	0.050	
0	0	19		-019	1 OUTBD VERTICAL ANGLE		2024-T3	QQ-A-250/5	0.050	
1	1	17		-017	1 OUTBD VERTICAL ANGLE		2024-T3	QQ-A-250/5	0.050	
3	3	15		-015	1 OUTBD HORIZ ANGLE		2024-T3	QQ-A-250/5	0.050	
1	1	13		-013	1 INBD MTG BRACKET		2024-T3	QQ-A-250/5	0.063	
1	1	11		-011	1 OUTBD MTG BRACKET		2024-T3	QQ-A-250/5	0.063	
2		9		-009	1 TOP/BOTTOM MEMBER		6061-T6 OR T0	QQ-A-250/5	.063	FN5
2		7		-007	1 SIDE MEMBER		6061-T6 OR T0	QQ-A-250/5	.063	FN5
1	1	5		-005	1 PICTURE FRAME ASSY					
		3		-002	1 RH MONITOR INSTLN					
		1		-001	1 LH MONITOR INSTLN					

No. OFF	No. OFF	No. OFF	MAP REF	ITEM No.	PART NUMBER	ITEM ISS	KEYWORD/DESCRIPTION	MATERIAL	SPECIFICATION	DIMENSIONS	TREATMENT	NOTE
A/D	A/D	A/D	HAND	ISS	DRAWN BY: C. ACKROYD DATE: JULY 2007 MODIFICATION No: AES-757-930			OR REMARKS				
1	1	1	ISS		CHECKED BY: [Signature] SCALE: 1:10 AT A3 U.O.S. LIMITS: ± 0.02 U.O.S. SURFACE FINISH: N/A			EASA APP.: EASA.21J.036 THIRD ANGLE PROJECTION: [Symbol] DIMENSIONS IN: INCHES				
PART NUMBER				TITLE: LCD MONITOR INSTLN BIG BIN END CAP								
1871-233-757-005	1871-233-757-002	1871-233-757-001	©2007 ALL RIGHTS RESERVED. THE INFORMATION CONTAINED HEREIN IS PROPRIETARY TO AEROSPACE ENGINEERING SOLUTIONS LIMITED AND SHALL NOT BE REPRODUCED OR DISCLOSED WITHOUT THE OWNERS WRITTEN PERMISSION.									
PT No		NHA		No. OFF		EFFECTIVITY						
-001		AES-757-930		1		B 757-200 (BIG BINS)						
-003		AES-757-930		1		B 757-200 (BIG BINS)						
1871-233-757												
SHEET 1 OF 6 SHEETS												

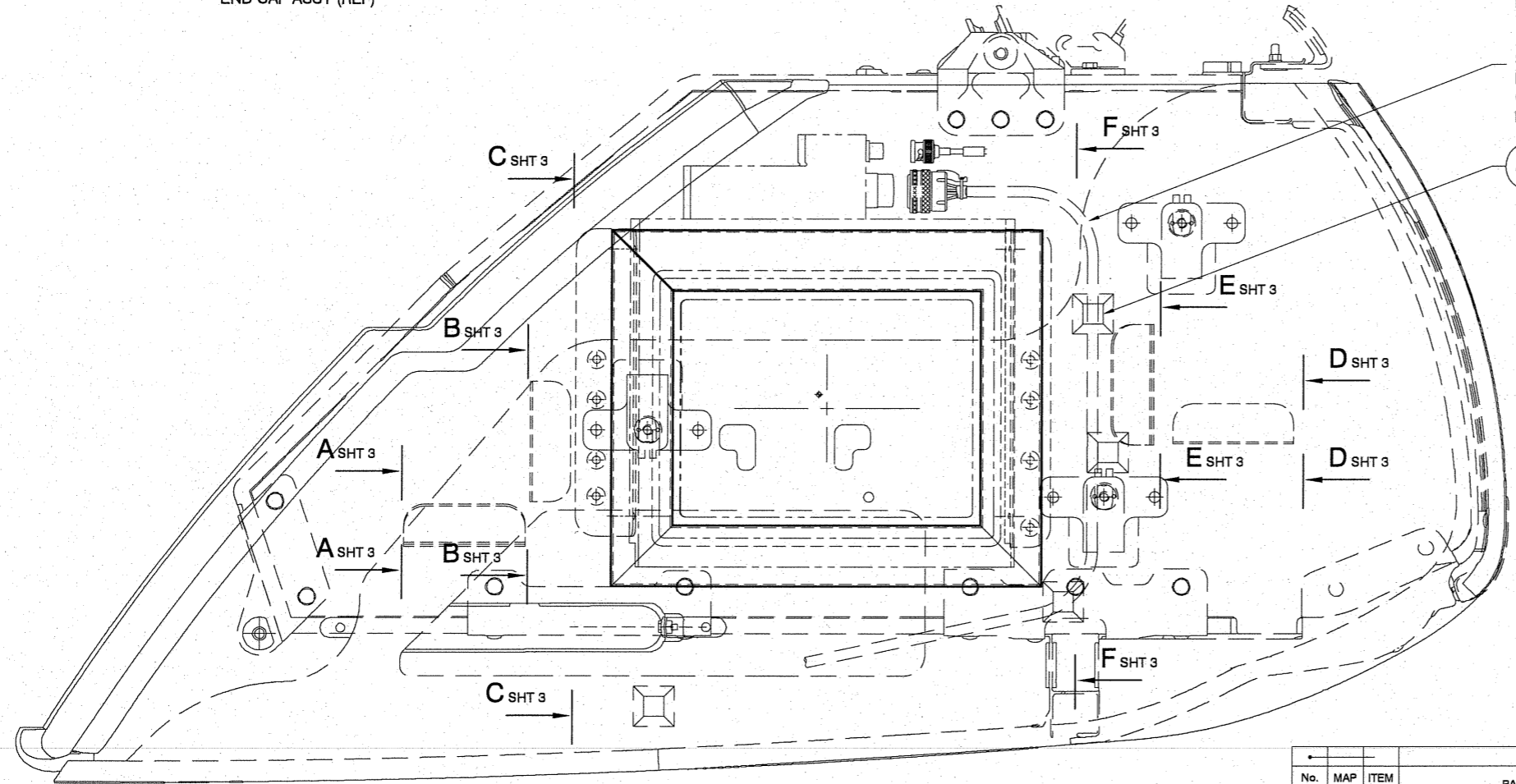
REVISIONS				
DRG ISS No.	RELEASE DOC.	ISSUE DATE:	DRG CHANGE	APP BY:
1	2396		NEW	



DISCONNECT HARNESS FROM AFT PSU MOUNTED LCD MONITOR, ROUTE AFT ALONG THE AIR CONDITING RAIL AND THEN INBOARD AS SHOWN HERE (APPROXIMATE ROUTE SHOWN) USE TIE WRAPS AND BASE AS REQUIRED TO PREVENT ANY ABRASION / CHAFFING. ENSURE DRIP LOOP IS PRESENT PRIOR TO ENTERING MONITOR

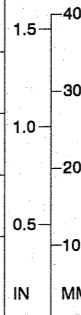
43 A/R

AES LTD
OFFICIAL ISSUE
DATE: 20.09.2007
COPY

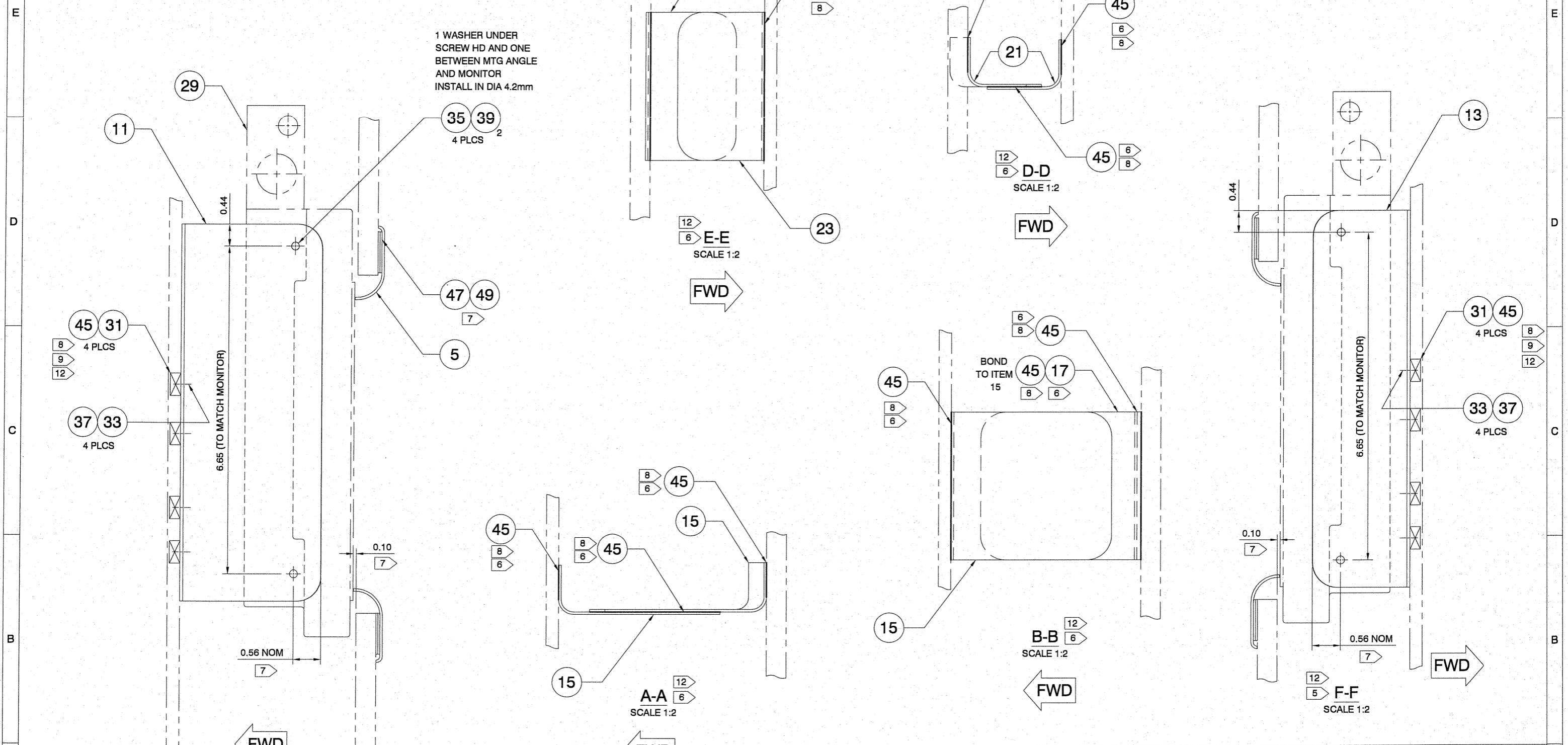


INSTL'N -001 (AS SHOWN)
-002 OPP HAND
 VIEW LOOKING FORWARD ONTO LH BIN END CAP (DOOR 2)
 SEE SHEET 4 FOR LOCATING DETAILS
 SCALE 1:4

No. OFF	MAP REF	ITEM No.	PART NUMBER	ITEM ISS	KEYWORD/DESCRIPTION	MATERIAL	SPECIFICATION	DIMENSIONS	TREATMENT	NOTE
1	ISS				SEE SHT 1					
AD HAND		DRAWN BY: C. ACKROYD		DATE: JULY 2007	MODIFICATION No: AES-757-930	OR REMARKS ©2007 ALL RIGHTS RESERVED. THE INFORMATION CONTAINED HEREIN IS PROPRIETARY TO AEROSPACE ENGINEERING SOLUTIONS LIMITED AND SHALL NOT BE REPRODUCED OR DISCLOSED WITHOUT THE OWNERS WRITTEN PERMISSION.				
1		CHECKED BY: [Signature]		SCALE: 1:4 AT A3 U.O.S.	EASA APP.: EASA.21J.036	PT No NHA No. OFF EFFECTIVITY SEE SHT 1				
1871-233-757-001		STRESS: [Signature]		LIMITS: ± 0.02 U.O.S.	THIRD ANGLE PROJECTION: [Symbol]	DIMENSIONS IN: INCHES				
PART NUMBER		APPROVED: [Signature]		SURFACE FINISH: N/A	TITLE: LCD MONITOR INSTLN BIG BIN END CAP					
1871-233-757-001		TITL:		1871-233-757 SHEET 2 OF 6 SHEETS						



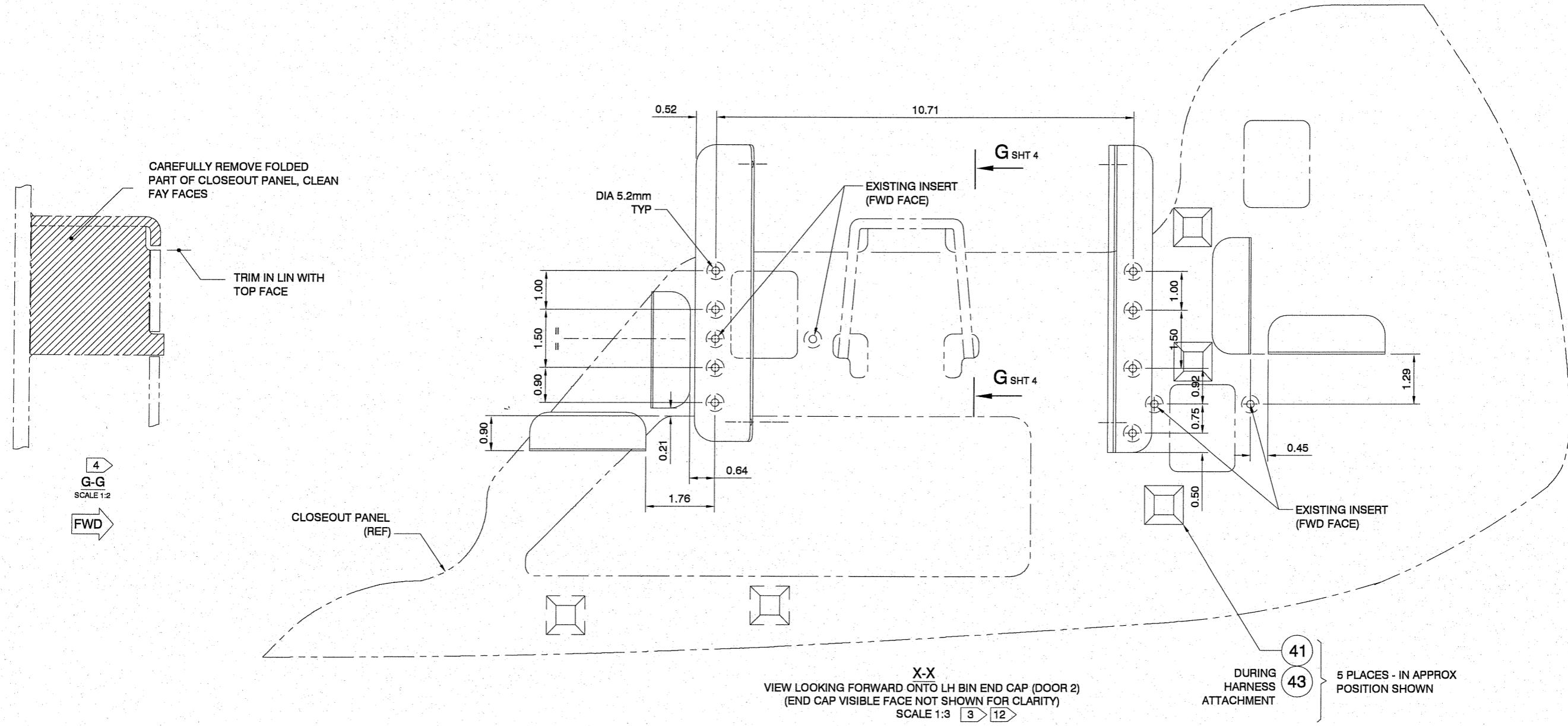
REVISIONS				
DRG ISS No.	RELEASE DOC.	ISSUE DATE:	DRG CHANGE	APP BY:
1	2396	20/9/07	NEW	MA



AES LTD
OFFICIAL ISSUE
DATE: 20.09.2007
COPY

No. OFF	MAP REF	ITEM No.	PART NUMBER	ITEM ISS	KEYWORD/DESCRIPTION	MATERIAL	SPECIFICATION	DIMENSIONS	TREATMENT	NOTE
1	ISS				SEE SHT 1					
DRAWN BY: C. ACKROYD						DATE: JULY 2007		MODIFICATION No: AES-757-930		
CHECKED BY: <i>[Signature]</i>						SCALE: 1:2 AT A3 U.O.S.		EASA APP.: EASA.21J.036		
STRESS: <i>[Signature]</i>						LIMITS: ± 0.02 U.O.S.		THIRD ANGLE PROJECTION:		
APPROVED: <i>[Signature]</i>						SURFACE FINISH: N/A		DIMENSIONS IN: INCHES		
TITLE: LCD MONITOR INSTLN BIG BIN END CAP										
PART NUMBER: 1871-233-757-001										
						1.5-40		PT No NHA No. OFF EFFECTIVITY		
						1.0-30		SEE SHT 1		
						0.5-20				
						0.1-10				
						0-0				
						IN MM				
						1871-233-757				
						SHEET 3 OF 6 SHEETS				

REVISIONS				
DRG ISS No.	RELEASE DOC.	ISSUE DATE:	DRG CHANGE	APP BY:
1	2396	20/09/07	NEW	<i>NHA</i>

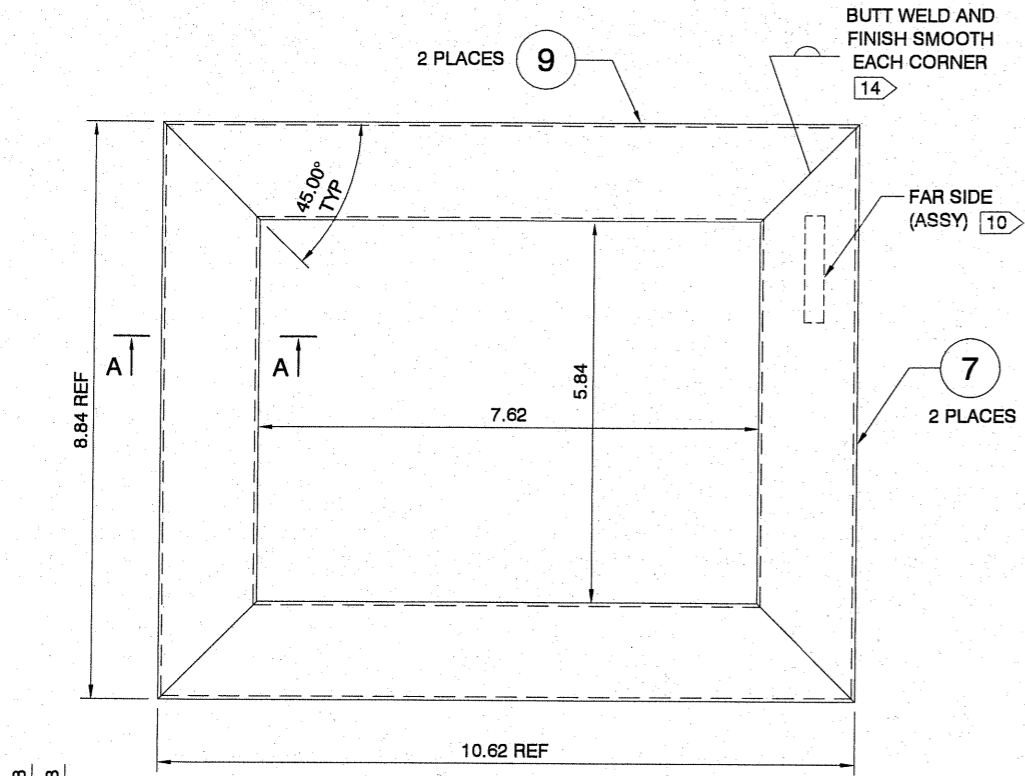


4
G-G
SCALE 1:2
FWD

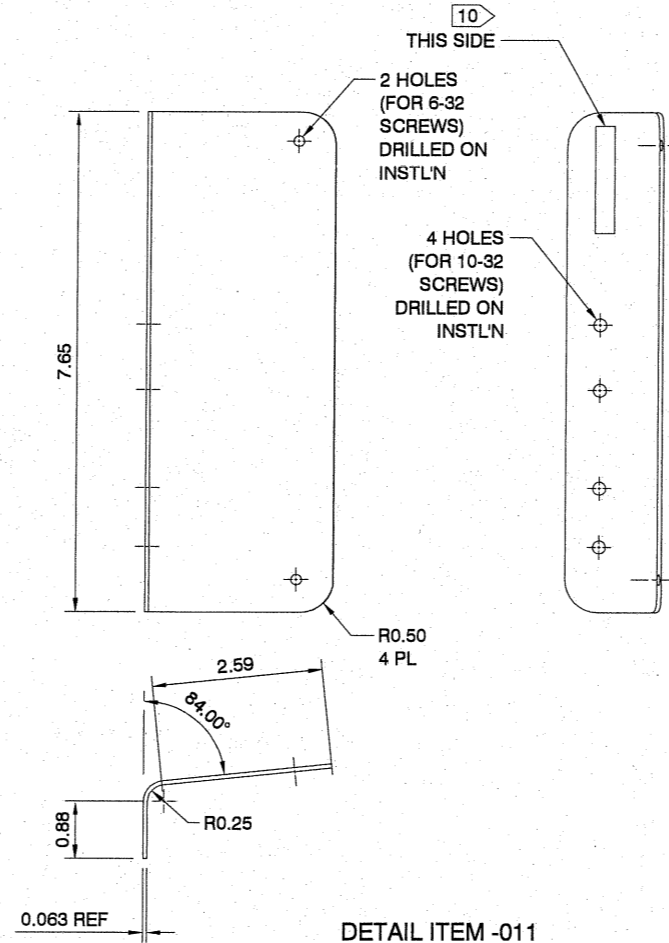
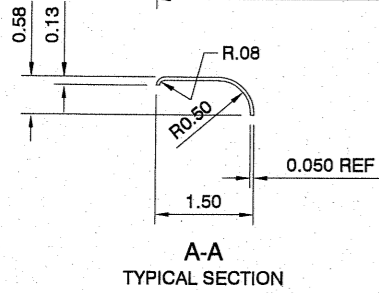
AES LTD
OFFICIAL ISSUE
DATE: 20.09.2007
COPY

No. OFF	MAP REF	ITEM No.	PART NUMBER	ITEM ISS	KEYWORD/DESCRIPTION	MATERIAL	SPECIFICATION	DIMENSIONS	TREATMENT	NOTE
1	ISS				SEE SHT 1					
DRAWN BY:		DATE:		MODIFICATION No:		OR REMARKS				
C. ACKROYD		JULY 2007		AES-757-930		©2007 ALL RIGHTS RESERVED. THE INFORMATION CONTAINED HEREIN IS PROPRIETARY TO AEROSPACE ENGINEERING SOLUTIONS LIMITED AND SHALL NOT BE REPRODUCED OR DISCLOSED WITHOUT THE OWNERS WRITTEN PERMISSION.				
CHECKED BY:		SCALE:		EASA APP.: EASA.21J.036		PT No	NHA	No. OFF	EFFECTIVITY	
<i>[Signature]</i>		1:3 AT A3		U.O.S.		SEE SHT 1				
STRESS:		LIMITS:		THIRD ANGLE PROJECTION:						
<i>[Signature]</i>		± 0.02								
APPROVED:		SURFACE FINISH:		DIMENSIONS IN:						
<i>[Signature]</i>		N/A		INCHES						
TITLE:		LCD MONITOR INSTLN BIG BIN END CAP								
1871-233-757-001		PART NUMBER								
				1871-233-757						
				SHEET 4 OF 6 SHEETS						

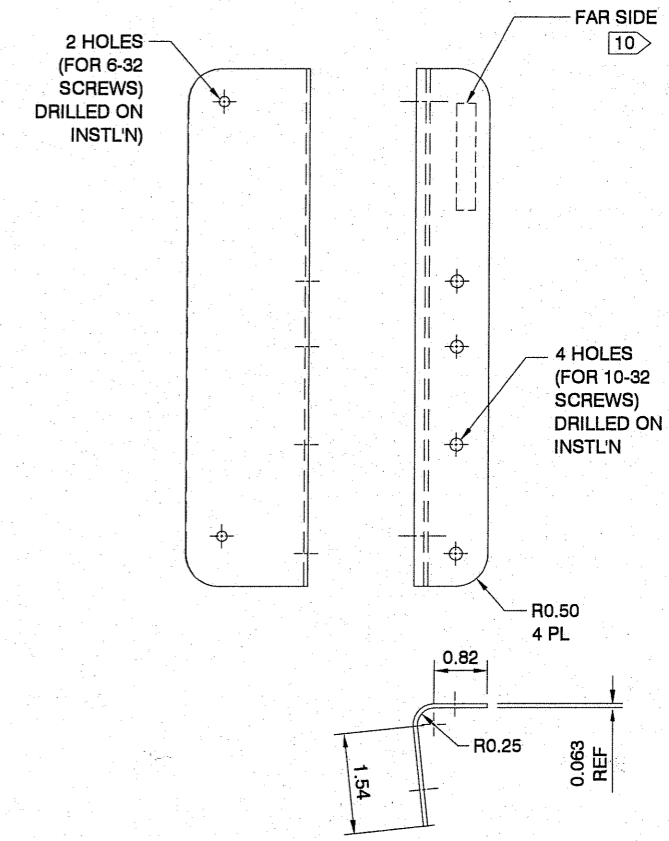
REVISIONS				
DRG ISS No.	RELEASE DOC.	ISSUE DATE:	DRG CHANGE	APP BY:
1	2396	20/09/07	NEW	<i>WJ</i>



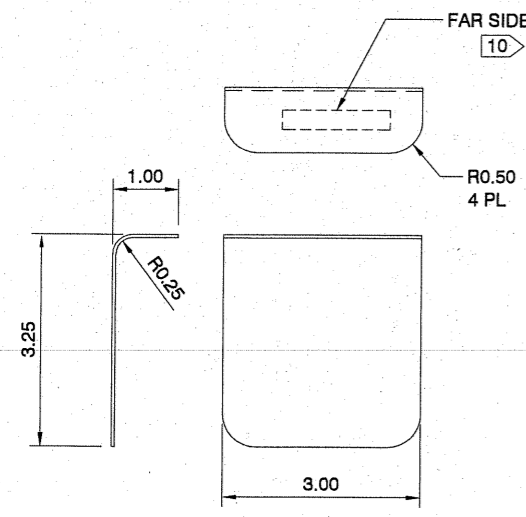
ASSY -005
 PICTURE FRAME
 SCALE 1:3



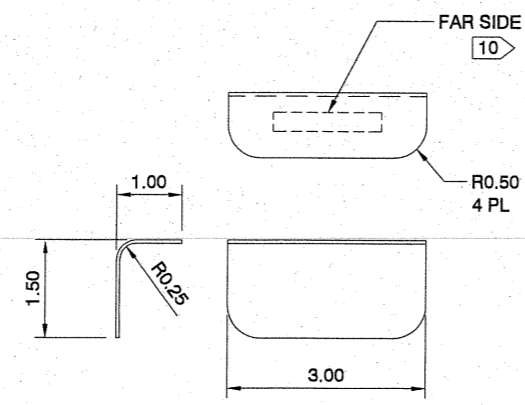
DETAIL ITEM -011
 OUTBD MTG BRACKET
 SCALE 1:3



DETAIL ITEM -013
 INBD MTG BRACKET
 SCALE 1:3



DETAIL ITEM -015
 OUTBD ANGLE (HORIZ)
 SCALE 1:3

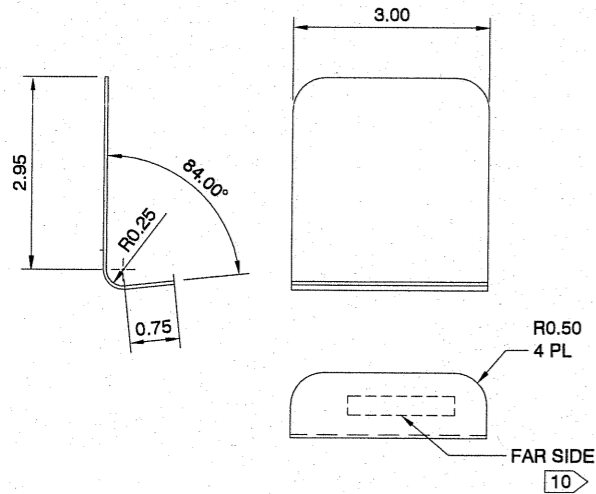


DETAIL ITEM -021
 INBD ANGLE (HORIZ)
 SCALE 1:3

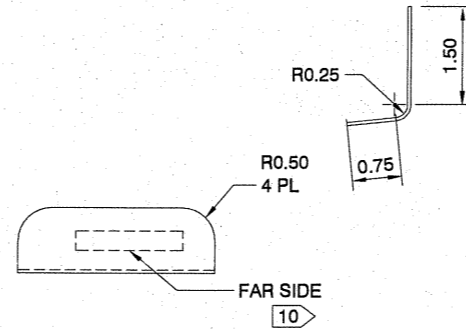
AES LTD
OFFICIAL ISSUE
DATE: 20.09.2007
COPY

No. OFF	MAP REF	ITEM No.	PART NUMBER	ITEM ISS	KEYWORD/DESCRIPTION	MATERIAL	SPECIFICATION	DIMENSIONS	TREATMENT	NOTE
1	ISS				SEE SHT 1					
DRAWN BY:		DATE:		MODIFICATION No:		©2007 ALL RIGHTS RESERVED. THE INFORMATION CONTAINED HEREIN IS PROPRIETARY TO AEROSPACE ENGINEERING SOLUTIONS LIMITED AND SHALL NOT BE REPRODUCED OR DISCLOSED WITHOUT THE OWNERS WRITTEN PERMISSION. PT No NHA No. OFF EFFECTIVITY SEE SHT 1 DIMENSIONS IN: INCHES THIRD ANGLE PROJECTION:				
C. ACKROYD		JULY 2007		AES-757-930						
CHECKED BY:		SCALE:		EASA APP.: EASA.21J.036						
<i>[Signature]</i>		1:3 AT A3		U.O.S.						
STRESS:		LIMITS:		SURFACE FINISH:						
<i>[Signature]</i>		± 0.02		N/A						
APPROVED:		SURFACE FINISH:		DIMENSIONS IN:						
<i>[Signature]</i>		N/A		INCHES						
TITLE:		LCD MONITOR INSTLN BIG BIN END CAP								
1871-233-757-001		PART NUMBER								

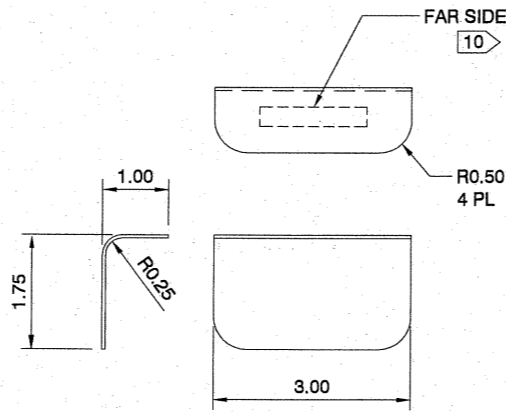
REVISIONS				
DRG ISS No.	RELEASE DOC.	ISSUE DATE:	DRG CHANGE	APP BY:
1	2396	20/09/07	NEW	MA



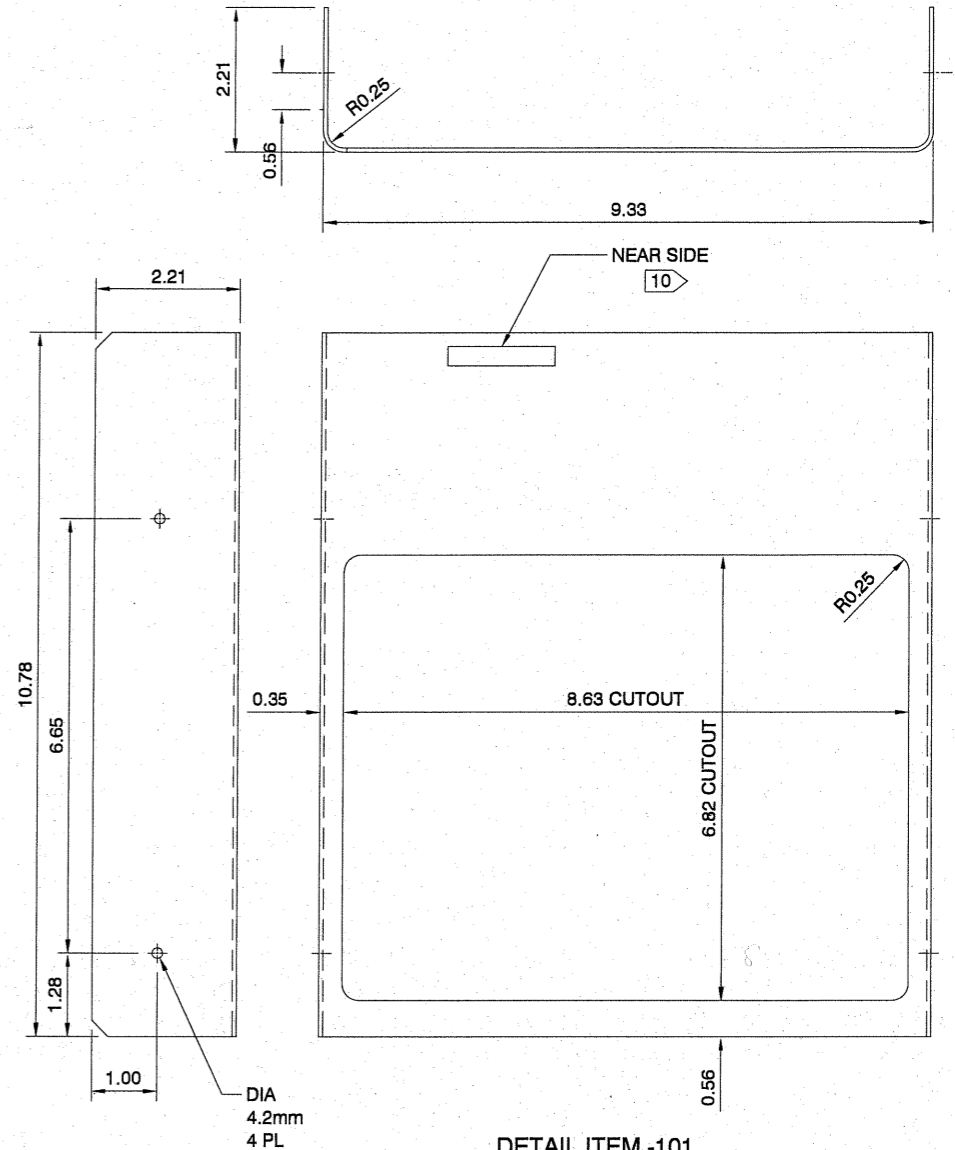
DETAIL ITEM -017
 OUTBD MTG BRACKET (VERTICAL)
 SCALE 1:3



DETAIL ITEM -025
 INBD MTG BRACKET (VERTICAL)
 SCALE 1:3

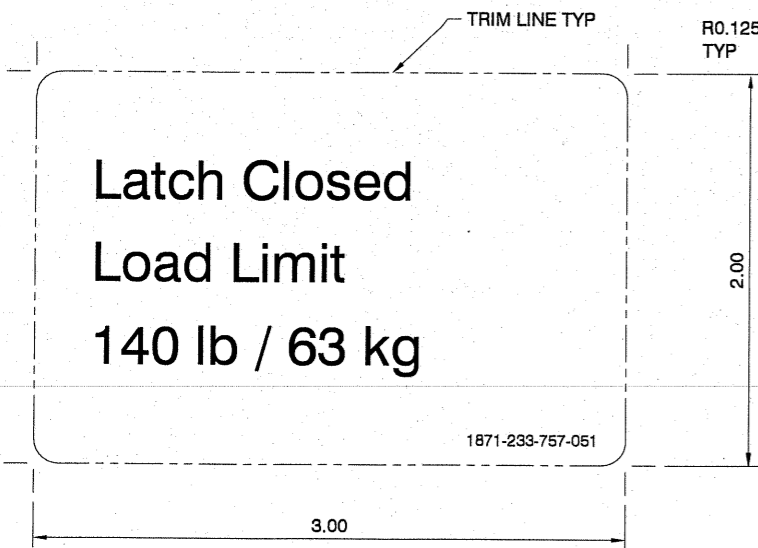


DETAIL ITEM -023
 INBD MTG BRACKET (VERTICAL)
 SCALE 1:3



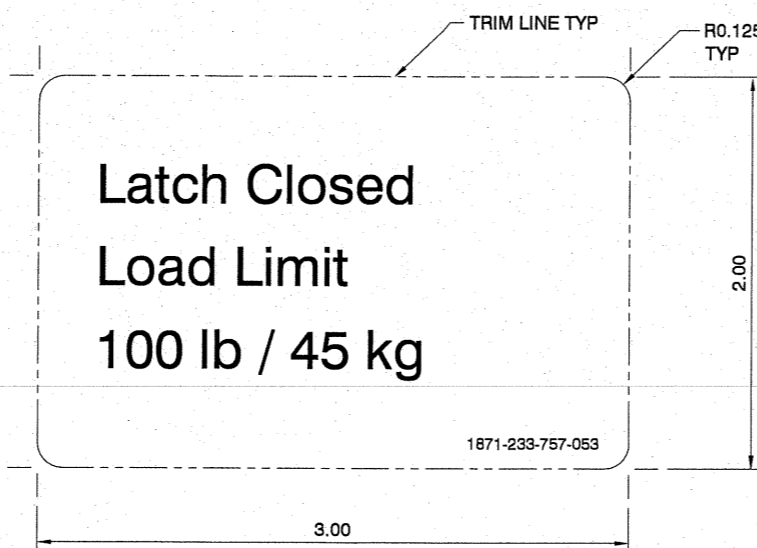
DETAIL ITEM -101
 INSTLN TOOLING
 SCALE 1:3

AES LTD
OFFICIAL ISSUE
DATE: 20.09.2007
COPY



DETAIL ITEM -051 13

PLACARD
 MATERIAL: S/A POLYCARBONATE (F/R)
 TEXT SIZE (APPROX 0.20" / 0.06")
 BLACK TEXT ON WHITE BACKGROUND
 FONT: SWISS 721BT OR SIMILAR
 LOCATE TEXT IN APPROX POSITION
 SCALE 1:1



DETAIL ITEM -053 13

PLACARD
 MATERIAL: S/A POLYCARBONATE (F/R)
 TEXT SIZE (APPROX 0.20" / 0.06")
 BLACK TEXT ON WHITE BACKGROUND
 FONT: SWISS 721BT OR SIMILAR
 LOCATE TEXT IN APPROX POSITION
 SCALE 1:1

No. OFF	MAP REF	ITEM No.	PART NUMBER	ITEM ISS	KEYWORD/DESCRIPTION	MATERIAL	SPECIFICATION	DIMENSIONS	TREATMENT	NOTE
1	ISS									
DRAWN BY: C. ACKROYD						DATE: JULY 2007		MODIFICATION No: AES-757-854		
CHECKED BY: <i>[Signature]</i>						SCALE: 1:3 AT A3		EASA APP.: EASA.21J.036		
STRESS: <i>[Signature]</i>						LIMITS: ± 0.02		THIRD ANGLE PROJECTION:		
APPROVED: <i>[Signature]</i>						SURFACE FINISH: N/A		DIMENSIONS IN: INCHES		
TITLE: LCD MONITOR INSTLN BIG BIN END CAP										
PART NUMBER: 1871-233-757-001										
MATERIAL: S/A POLYCARBONATE (F/R)										
SPECIFICATION: SEE SHT 1										
DIMENSIONS: 3.00 x 2.00										
TREATMENT: SEE SHT 1										
NOTE: 1871-233-757										

TABLE 1

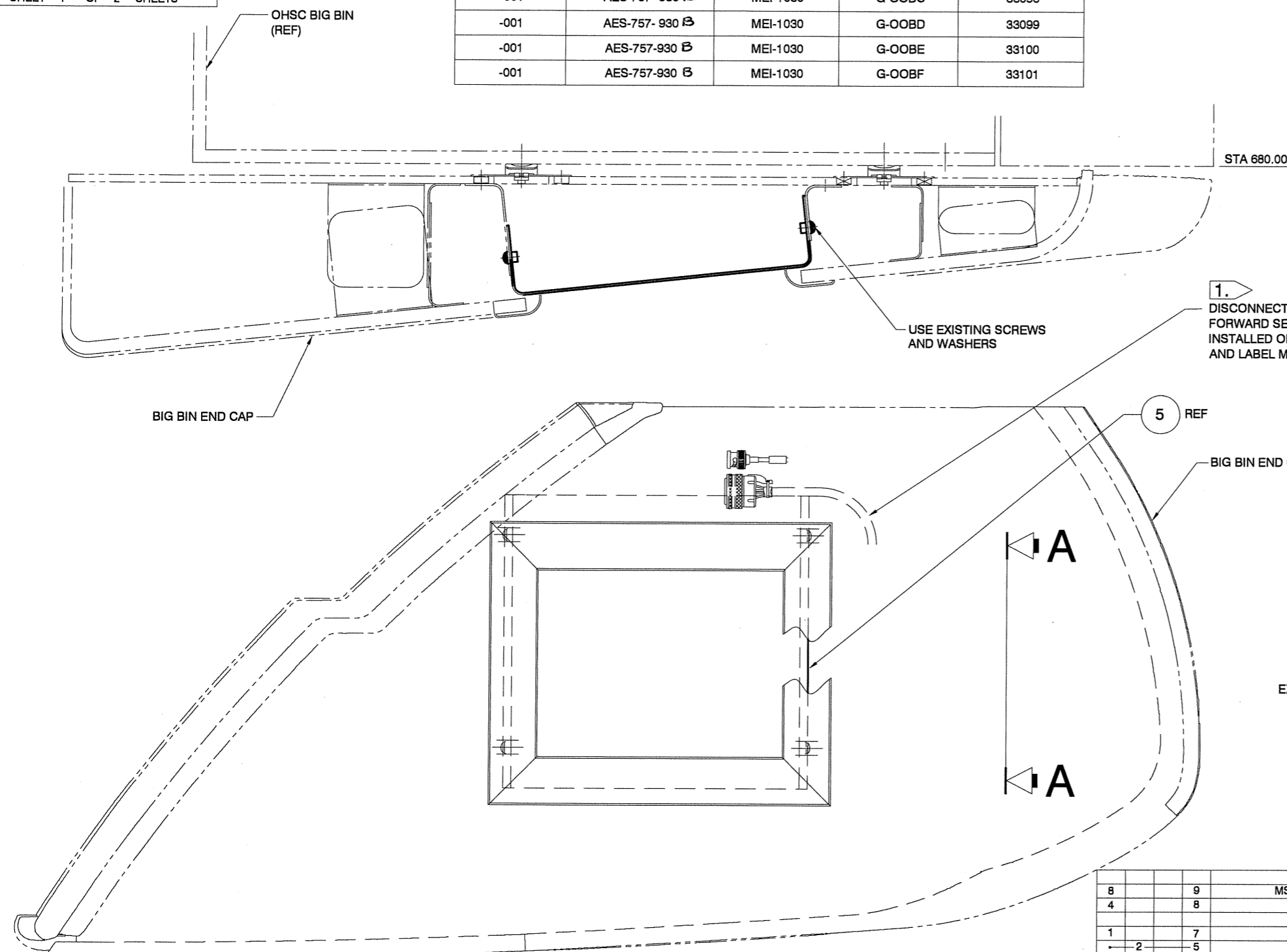
ASSEMBLY	MOD. No.	MEI. No.	REG.	SER. No.
-001	AES-757-930 B	MEI-1030	G-OOBC	33098
-001	AES-757-930 B	MEI-1030	G-OOBD	33099
-001	AES-757-930 B	MEI-1030	G-OOBE	33100
-001	AES-757-930 B	MEI-1030	G-OOBF	33101

REVISIONS				
DRG ISS No.	RELEASE DOC.	ISSUE DATE:	DRG CHANGE	APP BY:
1	2599	09.11.07	NEW	MJ

NOTE:

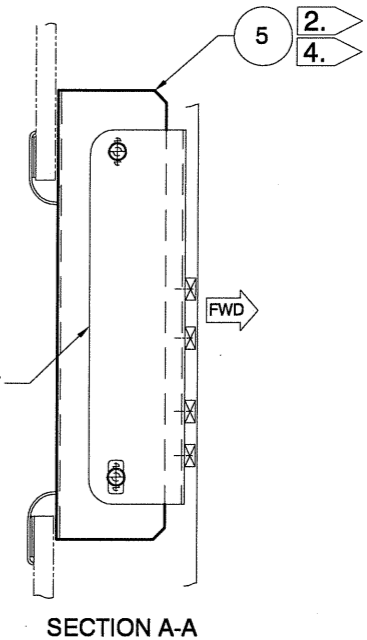
1. READ IN CONJUNCTION WITH MOD AND MEI DOCUMENTS INDICATED IN TABLE 1. THIS DRG REMOVES THE EXISTING LCD MONITOR INSTALLED IN THE BIN END CAPS FORWARD OF DOOR 2L AND 2R.
2. REMOVE LCD MONITOR + HARNESS.
3. MANUFACTURE ITEM 5.
4. RIVET A/NUTS IN POSITION (ITEMS 7+8). INSTALL PER SRM CH.51-40-02.
5. POSITION BLANKING PLATE (ITEM 5) IN PLACE OF LCD MONITOR - LEAVE NO GAPS.
6. FINISH TO MATCH OHSC.
7. PART MARK WITH INDELIBLE INK WHERE SHOWN

AES LTD
OFFICIAL ISSUE
 DATE: 09.11.2007
COPY



1. DISCONNECT HARNESS FROM LCD MONITOR, IN FORWARD SECTION. REMOVE MONITOR INSTALLED ON END PANEL FROM OHSC. BAG AND LABEL MONITOR AND RETURN TO STORES.

5. REF
 BIG BIN END CAP



INSTL'N -001 (L/H + R/H)
 LHS SHOWN (RHS SIMILAR)
 VIEW LOOKING FORWARD ONTO LH BIN END CAP (DOOR 2)
 SCALE 1:4

QTY	NO. OFF	MAP REF	ITEM No.	PART NUMBER	ITEM ISS	KEYWORD/DESCRIPTION	MATERIAL	SPECIFICATION	DIMENSIONS	TREATMENT	NOTE
8			9	MS20426AD3-5		RIVET C'SK HD		Ø3/32"			
4			8	MF1000-06		ANCHOR NUT		6-32UNC			
1			7	-007		BLANKING PLATE	2024 T3	QO-A-250/5	0.050" THK		
2			5	-005		BLANKING PLATE ASSY					
1			-1	-001		BLANKING PLATE INSTALLATION					

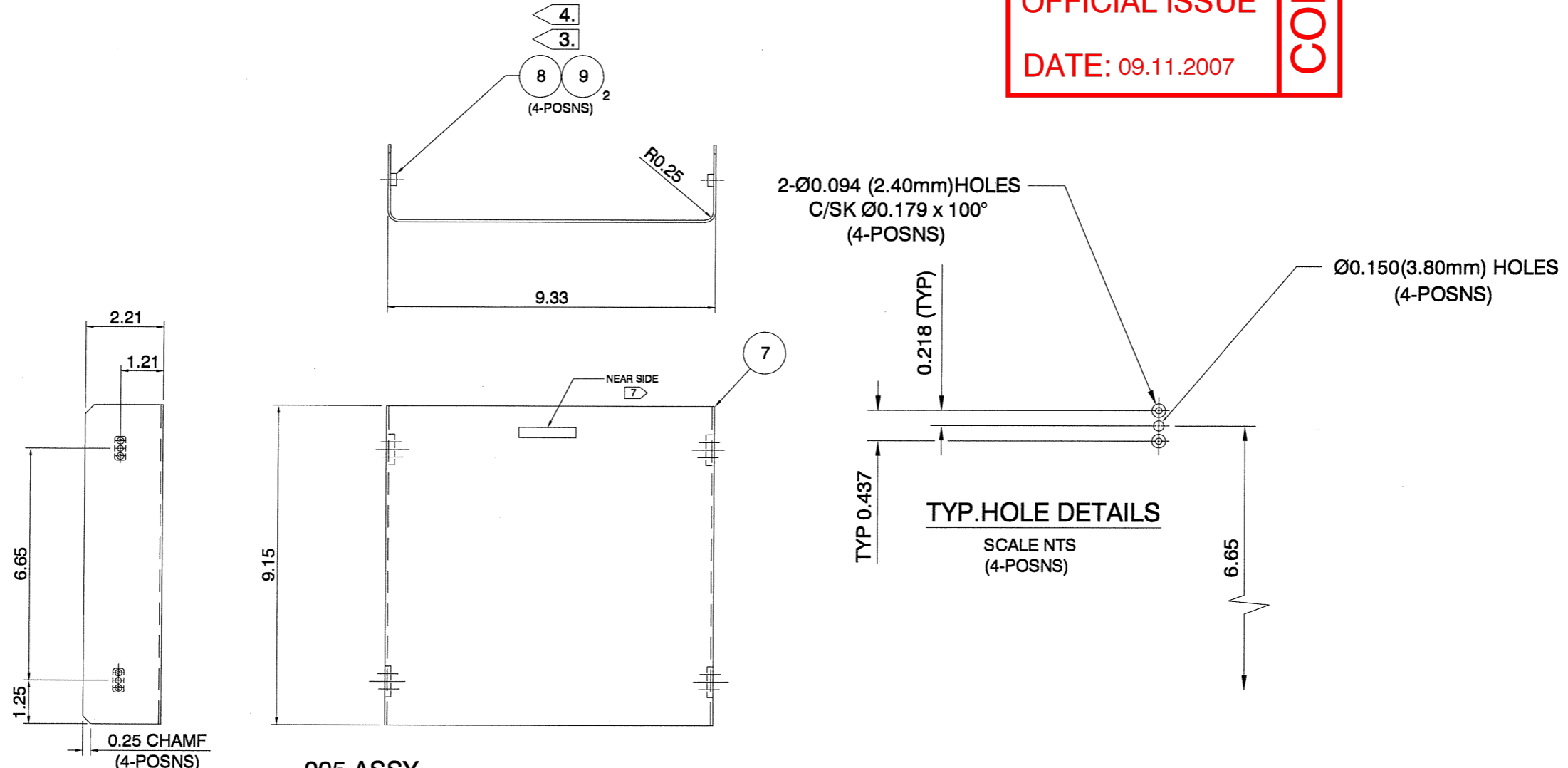
AVD	AVD	HAND	ISS	DRAWN BY:	DATE:	MODIFICATION No:
1	1	ISS		WESTSMITH	OCT 2007	SEE TABLE 1

PT No	NHA	No. OFF	EFFECTIVITY
-001	SEE TABLE 1.	1	G-OOBC G-OOBD G-OOBE G-OOBF

1955-233-757-005	1955-233-757-001	PART NUMBER	CHECKED BY:	SCALE:	EASA APP.: EASA.21J.036
			APPROVED:	LIMITS:	THIRD ANGLE PROJECTION:
				± 0.02	INCHES
				SURFACE FINISH: N/A	
LCD MONITOR REMOVAL BIG BIN END CAP					

REVISIONS				
DRG ISS No.	RELEASE DOC.	ISSUE DATE:	DRG CHANGE	APP BY:
1	2599	09-11-07	NEW	WA

AES LTD
OFFICIAL ISSUE
DATE: 09.11.2007
COPY



-005 ASSY
 MAT: AL.ALLOY 2024 T3 x 0.050 THK.
 FINISH: ETCHPRIME + FINISH WHITE (BAC7636)
 SCALE 1:4

No. OFF	MAP REF	ITEM No.	PART NUMBER	ITEM ISS	KEYWORD/DESCRIPTION	MATERIAL	SPECIFICATION	DIMENSIONS	TREATMENT	NOTE
1	ISS				SEE SHT 1					
A/D		HAND	DRAWN BY:	DATE:	MODIFICATION No:	©2007 ALL RIGHTS RESERVED. THE INFORMATION CONTAINED HEREIN IS PROPRIETARY TO AEROSPACE ENGINEERING SOLUTIONS LIMITED AND SHALL NOT BE REPRODUCED OR DISCLOSED WITHOUT THE OWNERS WRITTEN PERMISSION. OR REMARKS PT No NHA No. OFF EFFECTIVITY -001 SEE TABLE 1. 1 G-OBC G-OBD G-OBE G-OBF 1955-233-757 SHEET 2 OF 2 SHEETS				
1		ISS	WESTSMITH	OCT 2007	SEE TABLE 1					
			CHECKED BY:	SCALE:	EASA APP.: EASA.21J.036					
			STRASSER	SEE DRG	U.O.S.					
			APPROVER:	LIMITS:	THIRD ANGLE PROJECTION:					
				± 0.02	U.O.S.					
				SURFACE FINISH:	DIMENSIONS IN:					
				N/A	INCHES					
			TITLE:							
			LCD MONITOR REMOVAL BIG BIN END CAP							

BOEING 757 MONARCH

AIR 2000

757-28A

PARTS CATALOGUE

Passenger Entertainment Audio System

EFFECTIVITY

Aircraft incorporating M.A.E.L.
modification MON/757/1069.

23-34-00
Section Title
Page MON 1
26.4.89

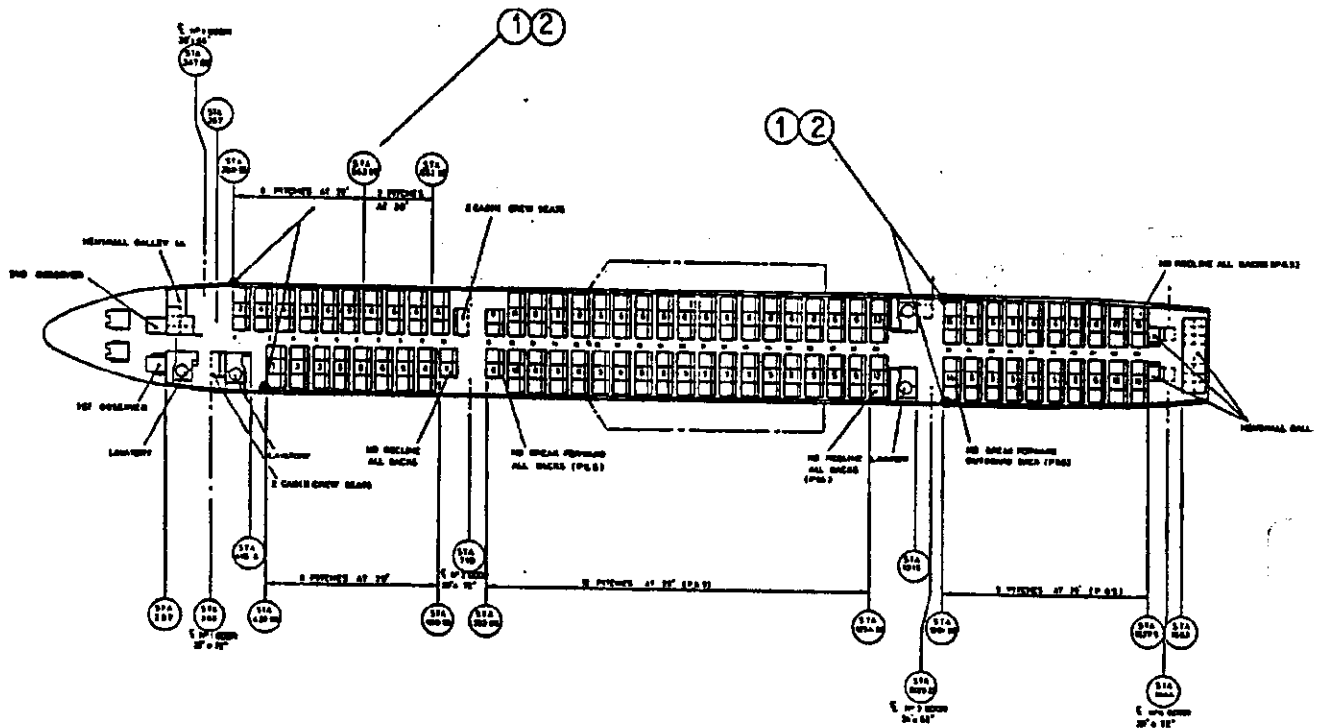
BOEING 757

MONARCH

AIR 2000

757-28A

PARTS CATALOGUE



- ③ S.E.B. TO S.E.B. CABLE BETWEEN EACH SEAT EXCEPT AT DOOR 2 PORT AND STARBOARD
- ④ S.E.B. TO S.E.B. CABLE BETWEEN SEATS AT DOOR 2 ONLY PORT AND STARBOARD.

SIDEWALL TERMINATIONS AND SEAT INTERCONNECTING CABLES
PASSENGER ENTERTAINMENT AUDIO SYSTEM
FIGURE 1
23-34-01-01

ACTIVITY
craft incorporating MAEL Mod
1/757/1069.

23-34-01
Figure 1
Page MON 0
26:4:89

BOEING 757

MONARCH

AIR 2000

757-28A

PARTS CATALOGUE

Fig.	Item	Part Number	Description	Units per Assy
1	1	RD-AX4911	Termination Plug	4
	2	RD-AM6839-3	Sidewall to S.E.B. Cable	4
	3	RD-AM6826-1	S.E.B. to S.E.B. Cable	71
	4	RD-AM6826-3	S.G.B. to S.E.B. Cable	2

Items 1 to 4 supplied by Matsushita Avionic Systems.

EFFECTIVITY

Aircraft incorporating M.A.E.L.
modification MON/757/1069.

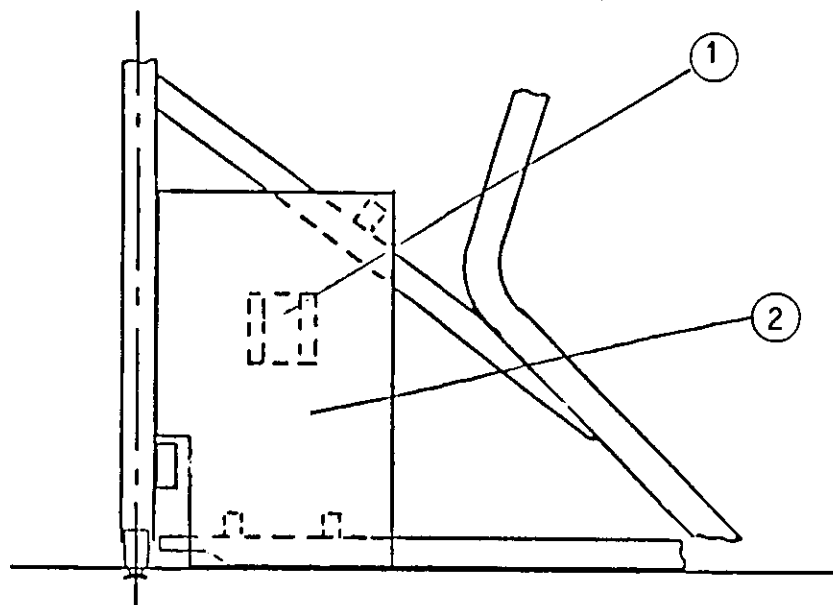
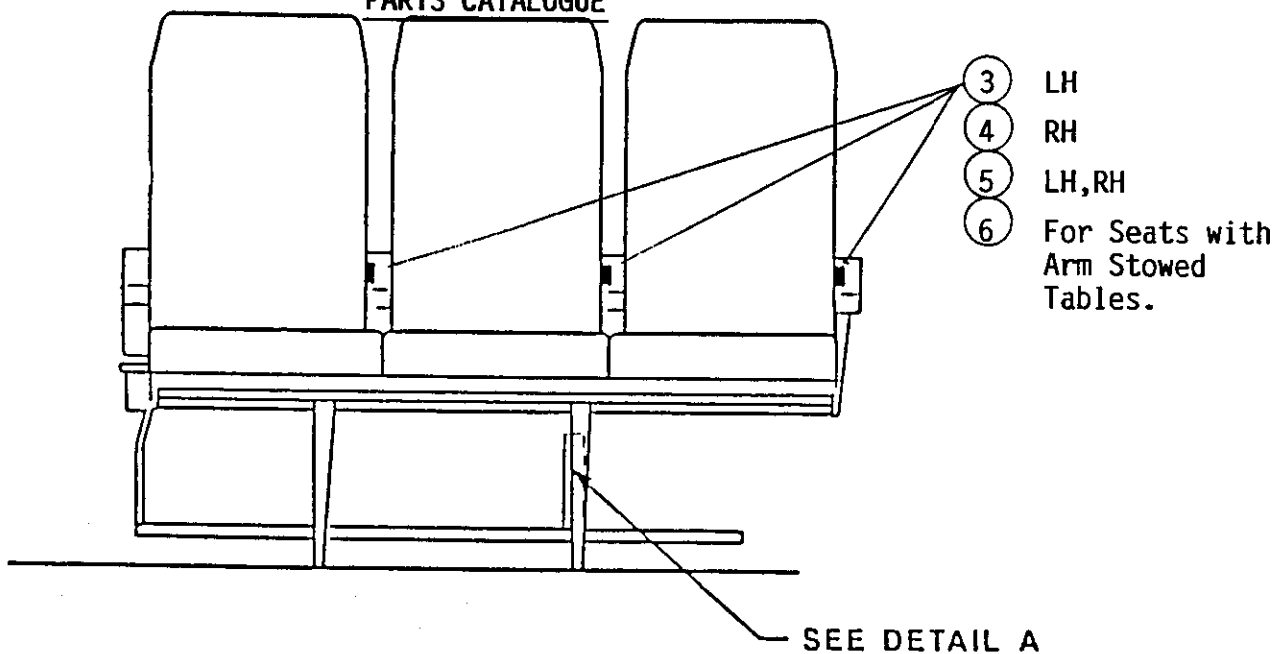
23-34-01
Figure 1
Page MON 1
26.4.89

BOEING 757 Monarch

AIR 2000

757-28A

PARTS CATALOGUE



DETAIL A

AUDIO COMPONENTS FOR TRIPLE SEAT
PASSENGER ENTERTAINMENT AUDIO SYSTEM

FIGURE 2
23-34-01-02

EFFECTIVITY

Aircraft incorporating M.A.E.L.
modification MON/757/1069.

23-34-01
Figure 2
Page MON 0
26.4.89

BOEING 757

Monarch

AIR 2000

757-28A

PARTS CATALOGUE

Fig.	Item	Part Number	Description	Units per Assy
2	1	KD16-434	Mounting Bracket LH, RH.	74
	2	RD-AX4312	Seat Electronics Box.	74
	3	RD-AX 6639	Digital PCU Left.	108
	4	RD-AX 6640	Digital PCU Right.	114
	5	RD-AM6977-22	Seat Harness Triple	74
	6	KD-16-435	Mounting Bracket LH, RH. (For Seats with Arm Stowed Tables)	8

Items supplied by Matsushita Avionic Systems.

EFFECTIVITY

Aircraft Incorporating M.A.E.L.
modification MON/757/1069.

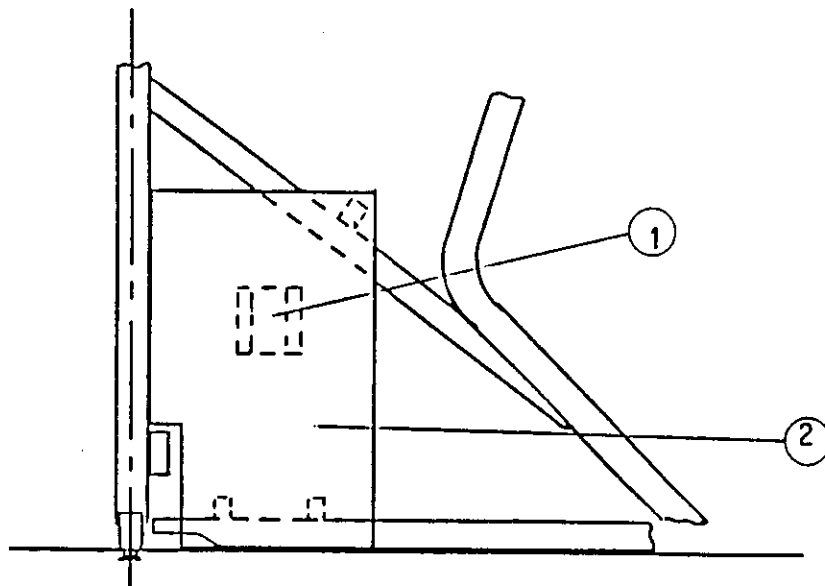
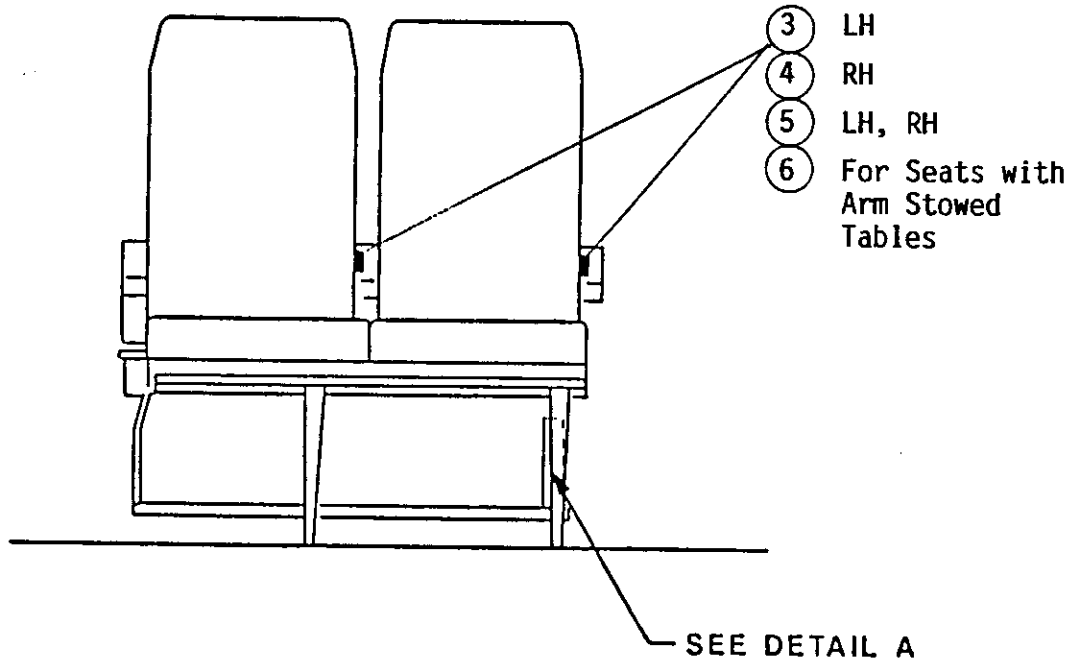
23-34-01
Figure 2
Page MON 1
26.4.89

BOEING 757 Monarch

AIR 2000

757-28A

PARTS CATALOGUE



DETAIL A

AUDIO COMPONENTS FOR DOUBLE SEAT
PASSENGER ENTERTAINMENT AUDIO SYSTEM
FIGURE 3
23-34-01-03

EFFECTIVITY

Aircraft incorporating M.A.E.L.
modification MON/757/1069.

23-34-01
Figure 3
Page MON 0
26.4.89

BOEING 757

Monarch

AIR 2000
757-28A
PARTS CATALOGUE

Fig.	Item	Part Number	Description	Units per Assy
3	1	KD-16-434	Mounting Bracket LH, RH.	3
	2	RD-AX 4312	Seat Electronics Box.	3
	3	RD-AX 6639	Digital PCU Left.	4
	4	RD-AX 6640	Digital PCU Right.	2
	5	RD-AM6976-36	Seat Harness Double.	3
	6	KD-16-435	Mounting Bracket LH, RH. (For Seats with Arm Stowed Tables)	4

Items 2,3,4 and 5 supplied by
Matsushita Avionic Systems.

EFFECTIVITY

Aircraft incorporating M.A.E.L.
modification MON/757/1069.

23-34-01
Figure 3
Page MON 1
26.4.89

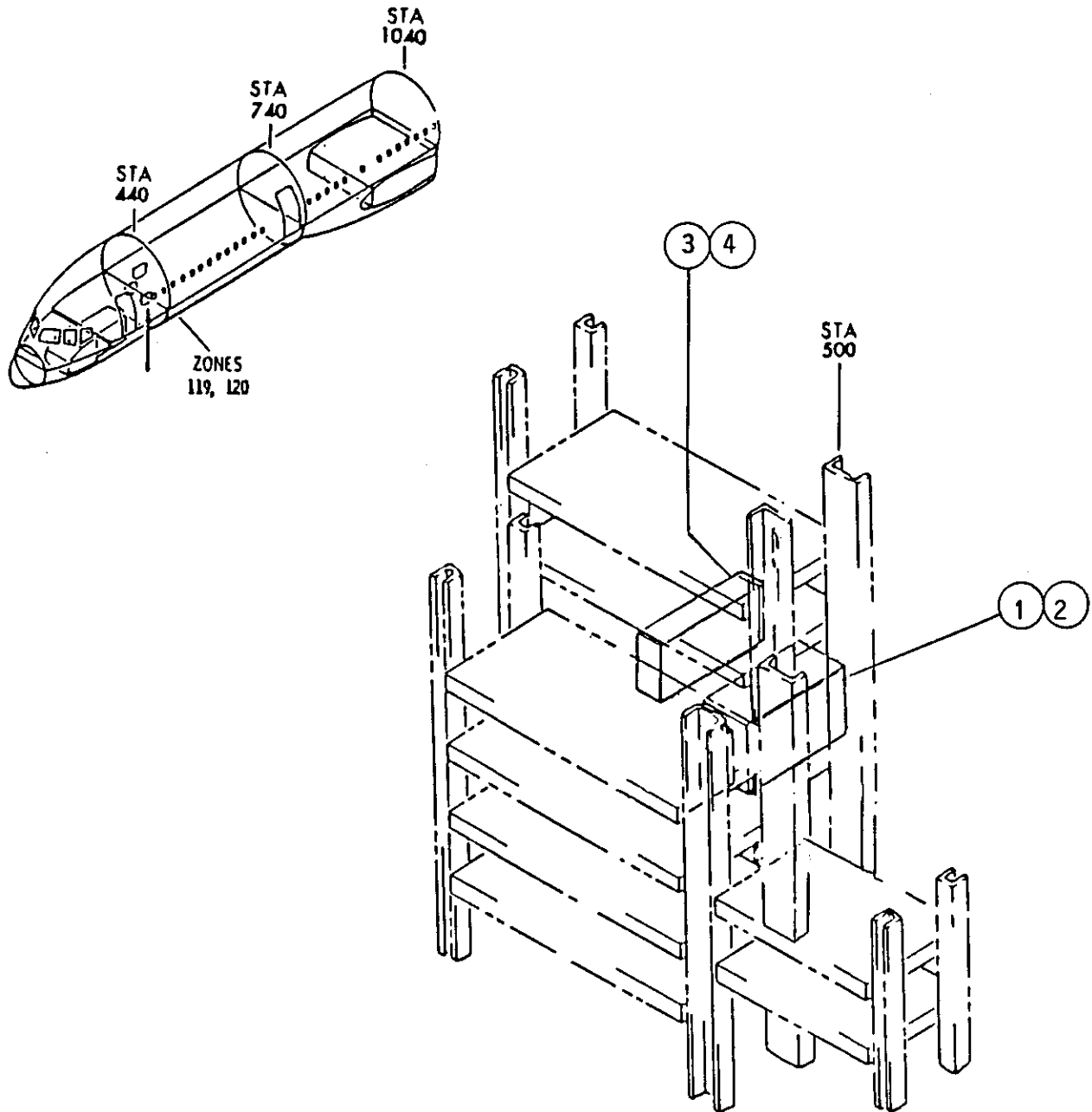
BOEING 757

Monarch

AIR 2000

757-28A

PARTS CATALOGUE



EQUIPMENT INST - MAIN ELECTRONIC CTR
PASSENGER ENTERTAINMENT AUDIO SYSTEM

FIGURE 4

23-34-01-04

EFFECTIVITY

Aircraft incorporating M.A.E.L.
modification MON/757/1069.

23-34-01
Figure 4
Page MON 0
26.4.89

BOEING 757

Monarch

AIR 2000
757-28A
PARTS CATALOGUE

Fig.	Item	Part Number	Description	Units per Assy
4	1	RD-AX7002-01	Tape Reproducer	1
	2	131-1405-052	Mounting Tray	1
	3	RD-AX 1017	Main Multiplexer	1
	4	111-1201-012	Mounting Tray	1

Items supplied by Matsushita Avionics Systems.

EFFECTIVITY

Aircraft incorporating M.A.E.L.
modification MON/757/1069.

23-34-01
Figure 4
Page MON 1
26.4.89

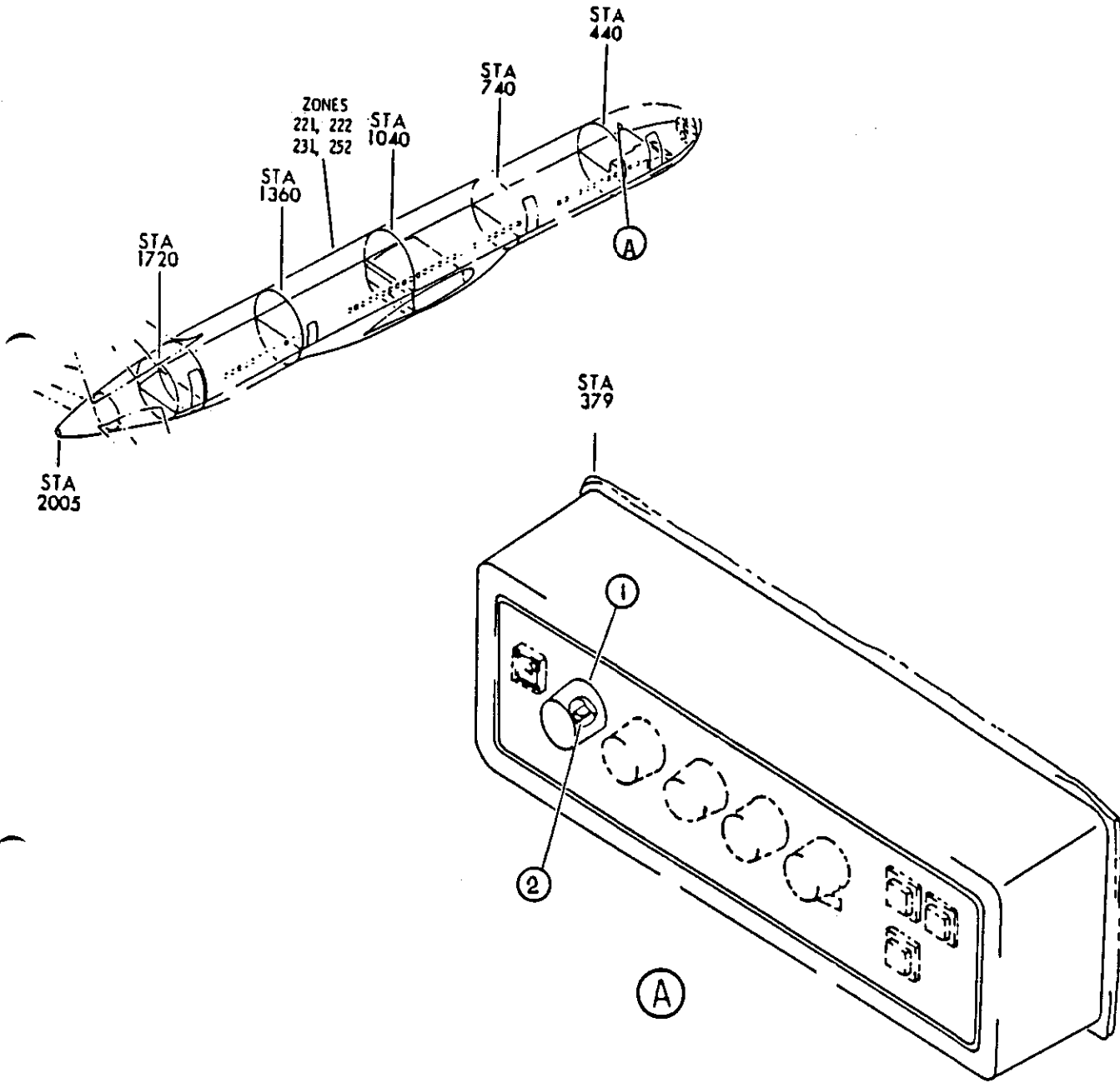
BOEING 757

Monarch

AIR 2000

757-28A

PARTS CATALOGUE



CONTROL ON P21 ATTENDANT PANEL
PASSENGER ENTERTAINMENT AUDIO SYSTEM
FIGURE 5
23-34-01-05

EFFECTIVITY

Aircraft incorporating M.A.E.L.
modification MON/757/1069.

23-34-01
Figure 5
Page MON 0
26.4.89

BOEING 757

Monarch

AIR 2000
757-28A
PARTS CATALOGUE

Fig.	Item	Part Number	Description	Units per Assy
5	1	RD 409-01	Knob	1
	2	44YY26078	Switch	1

Items supplied by Matsushita Avionic Systems.

EFFECTIVITY

Aircraft incorporating M.A.E.L.
modification MON/757/1069.

23-34-01
Figure 5
Page MON 1
26.4.89

BOEING 757

Monarch

AIR 2000

757-28A

PARTS CATALOGUE

Section		Unit/Figure
23-34	Passenger Entertainment Audio System	
	Sidewall Terminations and Seat Interconnecting Cables	01.01
	Audio Components for Triple Seat	01.02
	Audio Components for Double Seat	01.03
	Equipment Installation in Main Electronics Centre	01.04
	Control on P21 Attendant Panel	01.05

EFFECTIVITY

Aircraft incorporating M.A.E.L.
modification MON/757/1069.

Contents 23
Page MON 4
26.4.89

Monarch **BOEING 757**

AIR 2000

757-28A

PARTS CATALOGUE

CHAPTER 23 - COMMUNICATIONS

PASSENGER ENTERTAINMENT VIDEO SYSTEM

EFFECTIVITY

*G-000A, G-000B, G-000C &
G-000D.*
*Modifications MON/757/1018
MON/757/1182
MON/757/23/1658
MON/757/23/1349*

*23-32-00
SECTION TITLE
PAGE MON 1
3.12.92*

Monarch **BOEING 757**

AIR 2000

757-28A

PARTS CATALOGUE

CHAPTER 23 - COMMUNICATIONS

FIG.	ITEM	PART NUMBER	DESCRIPTION	QTY PER AIRCRAFT
1	-	600958-0001	Video Monitor	7
	-	495320-0002	VTR Player	1
	-	491801-0003	Control Unit	1
	-	492146-0009	Distribution Amplifier	2
	-	601961-0001	Preview Monitor	1
	-	489909-0001	Tape Stowage Unit	1
	-	BACC18AD10	Circuit Breaker	1
	-	BACC18AD5	Circuit Breaker	2
	-	605667-0002	6" LCD Monitor (Alternate to 4.3" LCD Monitor, Part N° 601585-0001).	2
	-	490751-0000	Relay	1

EFFECTIVITY

G-000A, G-000B, G-000C &
G-000D.
Modifications MON/757/1018
MON/757/1182
MON/757/23/1658
MON/757/23/1349

23-32-52
FIG 1
PAGE MON 1
3.12.92

BOEING 757 AIR 2000 Monarch

757-28A

PARTS CATALOGUE

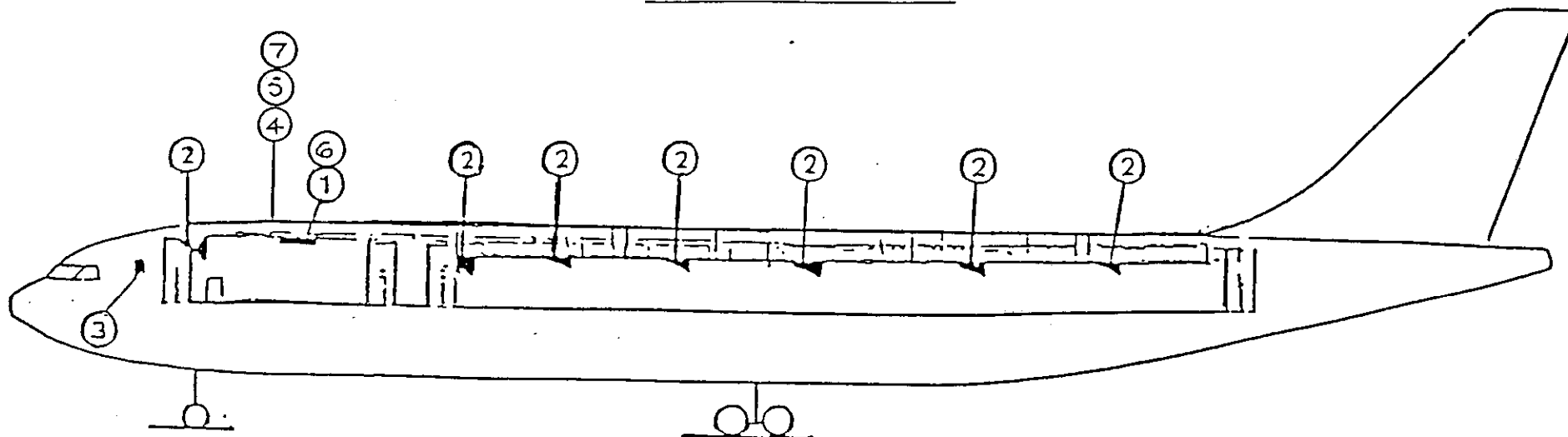
PASSENGER ENTERTAINMENT VIDEO SYSTEM

EFFECTIVITY

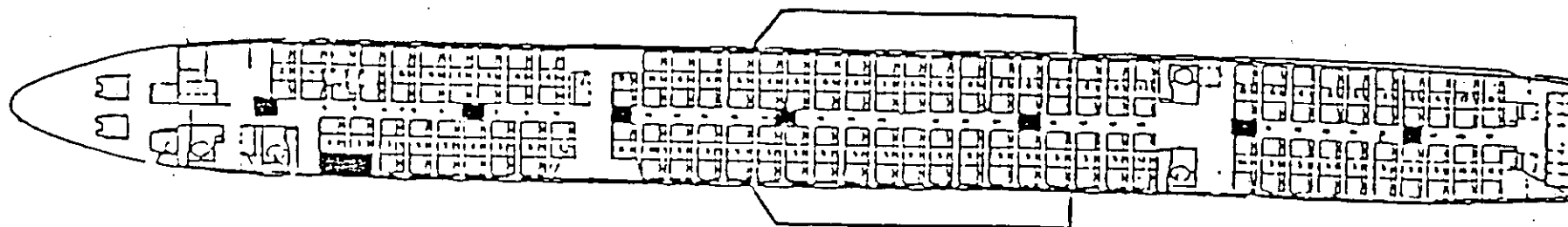
Aircraft incorporating M.A.E.L. Mods
MON/757/1018 & 1182.

23-35-00
Section Title
Page MON 1
10.1.90

VIDEO SYSTEM COMPONENTS



1. V.C.P. CONTROL CENTRE.
2. 14" COLOUR MONITORS.
3. VIDEO CIRCUIT BREAKERS.
4. 4.3" VIDEO DISPLAY MONITOR.
5. PRE-VIEW MONITOR.
6. SYSTEM CONTROL UNIT.
7. VIDEO DISTRIBUTION AMPLIFIER.



23-35-01
Fig MON 1
Page MON 0
10.1.90

BOEING 757

AIR 2000

Monarch

757-28A

PARTS CATALOGUE

Fig	Item	Part Number	Description	Units per Assy
1	1	495320-0002	Cassette Player	1
	2	600958-0001	Video Monitor 14"	7
	3	BACC 18AD5	Video Circuit Breaker	2
		BACC 18AD10	Video Circuit Breaker	1
	4	601585-0001	Video Monitor 4.3"	1
	5	493022-0001	Video Monitor Pre-View	1
	6	491801-0003	System Control Unit	1
7	492146-0009	Video Distribution Amplifier	2	
1	482662-0001	Dummy Load	1	

ACTIVITY

Aircraft incorporating M.A.E.L.
Mods MON/757/1018 & 1182.

23-35-01
Fig MON 2
Page MON 1
10.1.90

BOEING 757

Monarch

AIR 2000

757-28A

PARTS CATALOGUE

Fig. Item	Part Number	Description	Units per Assy
2 —	417N 3010-3A	Loudspeaker Assembly.	1

EFFECTIVITY

G-000A, G-000B, G-000C, G-000D.
Modification MON/757/1441.

23-31-02
Fig MON 2
Page MON 2
29.8.91

Monarch **BOEING 757**

AIR 2000

757-28A

PARTS CATALOGUE

CHAPTER 23 - COMMUNICATIONS

PASSENGER ENTERTAINMENT VIDEO SYSTEM

EFFECTIVITY

*G-000A, G-000B, G-000C &
G-000D.*
*Modifications MON/757/1018
MON/757/1182
MON/757/23/1658
MON/757/23/1349*

*23-32-00
SECTION TITLE
PAGE MON 1
3.12.92*

Monarch **BOEING 757**

AIR 2000

757-28A

PARTS CATALOGUE

CHAPTER 23 - COMMUNICATIONS

FIG.	ITEM	PART NUMBER	DESCRIPTION	QTY PER AIRCRAFT
1	-	600958-0001	Video Monitor	7
	-	495320-0002	VTR Player	1
	-	491801-0003	Control Unit	1
	-	492146-0009	Distribution Amplifier	2
	-	601961-0001	Preview Monitor	1
	-	489909-0001	Tape Stowage Unit	1
	-	BACC18AD10	Circuit Breaker	1
	-	BACC18AD5	Circuit Breaker	2
	-	605667-0002	6" LCD Monitor (Alternate to 4.3" LCD Monitor, Part N° 601585-0001).	2
	-	490751-0000	Relay	1

EFFECTIVITY

G-000A, G-000B, G-000C & G-000D.
 Modifications MON/757/1018
 MON/757/1182
 MON/757/23/1658
 MON/757/23/1349

23-32-52
 FIG 1
 PAGE MON 1
 3.12.92

BOEING 757

Monarch

AIR 2000

757-28A

PARTS CATALOGUE

Fig.	Item	Part Number	Description	Units per Assy
1	1	MIB302-010	Video Interface Unit.	1
	2	MIB210-010	Controller.	1

EFFECTIVITY

G-000A, G-000B, G-000C, G-000D.
Modification MON/757/1430.

23-35-02
Fig MON 1
Page MON 1
3.7.91

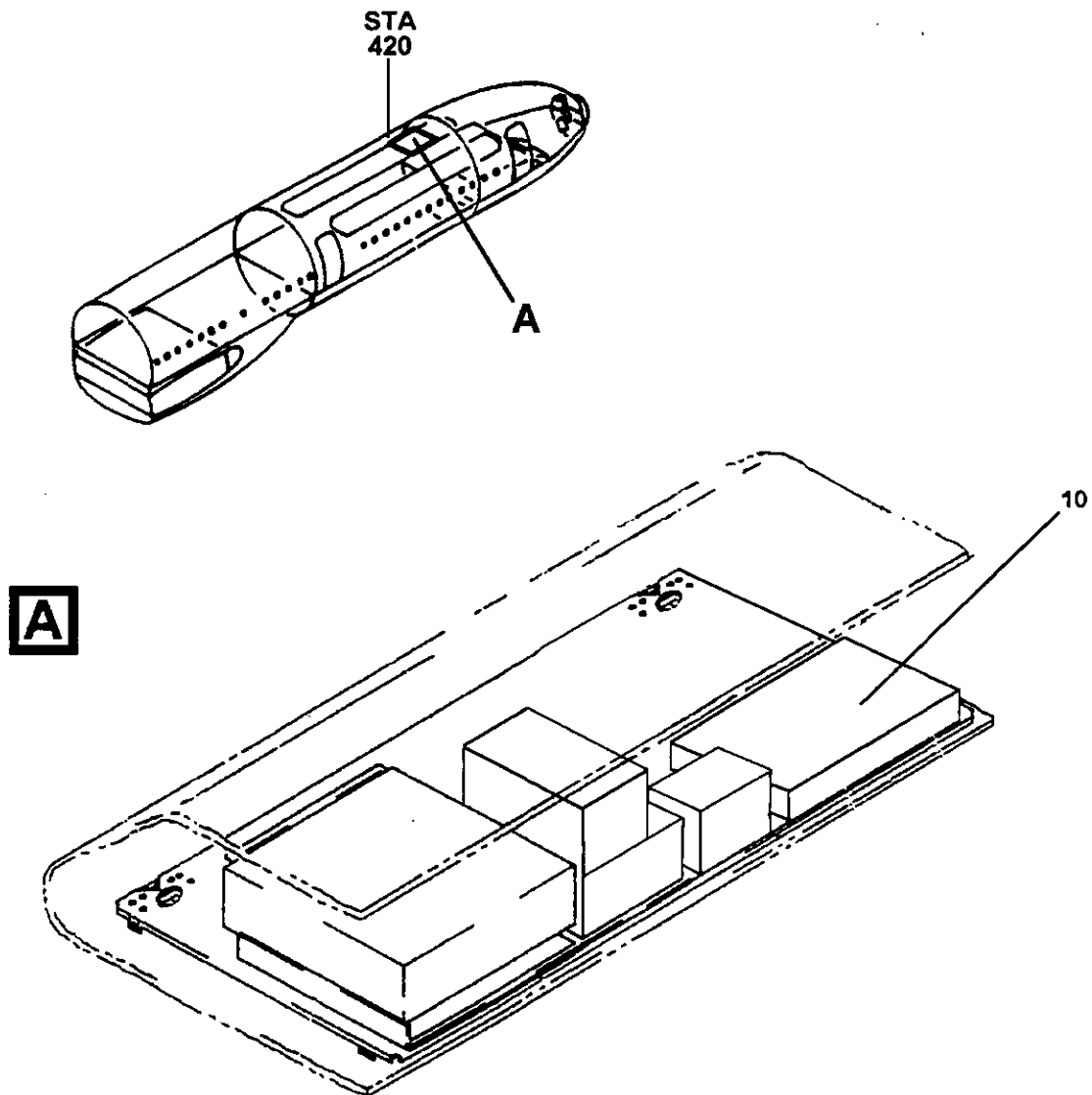
Monarch *BOEING 757*

AIR 2000

757-236

PARTS CATALOGUE

CHAPTER 23 - COMMUNICATIONS



Passenger Entertainment System (VIDEO) - Interface unit Inst'l

Figure 5

EFFECTIVITY

G-000S & G-000T

Modification MON/757/23/1430

23-32-53

Fig 5

Page MON 0

5.6.95

Monarch *BOEING 757*

AIR 2000

757-236

PARTS CATALOGUE

CHAPTER 23 - COMMUNICATIONS

FIG.	ITEM	PART NUMBER	DESCRIPTION	EFFECT FROM TO	QTY PER AIRCRAFT
5	10	MIB302-022	INTERFACE UNIT	107107 113113	1

EFFECTIVITY

G-000S & G-000T

Modification MON/757/23/1430

23-32-53

Fig 5

Page MON 1

5.6.95

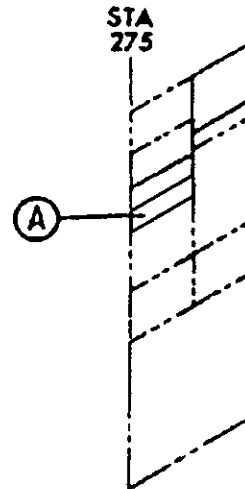
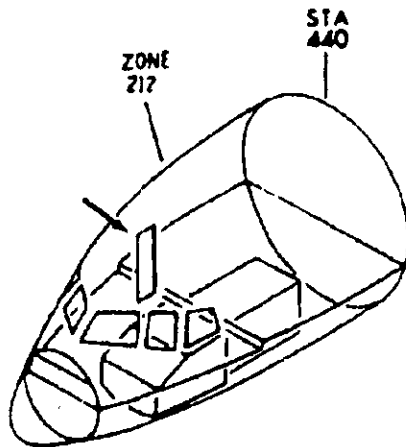
Monarch *BOEING 757*

AIR 2000

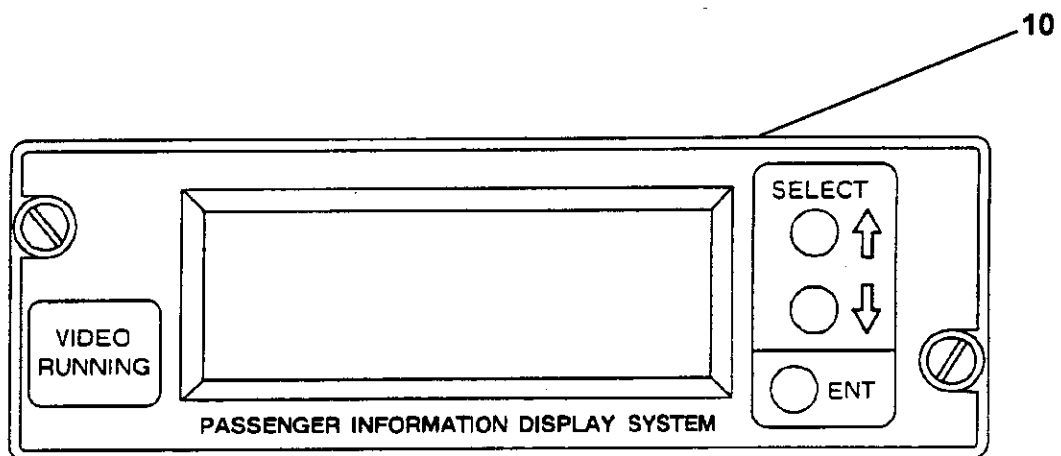
757-236

PARTS CATALOGUE

CHAPTER 23 - COMMUNICATIONS



A



Passenger Entertainment System (VIDEO) - Controller Inst'l at P61

Figure 6

EFFECTIVITY

G-000S & G-000T

Modification MON/757/23/1430

23-32-53

Fig 6

Page MON 0

5.6.95

Monarch *BOEING 757*

AIR 2000

757-236

PARTS CATALOGUE

CHAPTER 23 - COMMUNICATIONS

FIG.	ITEM	PART NUMBER	DESCRIPTION	EFFECT FROM TO	QTY PER AIRCRAFT
6	10	MIB307-022	CONTROLLER	107107 113113	1

EFFECTIVITY

G-000S & G-000T

Modification MON/757/23/1430

23-32-53

Fig 6

Page MON 1

5.6.95

Monarch **BOEING 757**

AIR 2000

757-28A

PARTS CATALOGUE

CHAPTER 23 - COMMUNICATIONS

FIG.	ITEM	PART NUMBER	DESCRIPTION	QTY PER AIRCRAFT
11	-	M1B302-010	Video Interface Unit	1
	-	M1B210-010	Controller	1
	-	DAMA15S	Connector	2
	-	DBMA25P	Connector	1
	-	BACC18AD3	Circuit Breaker	1
	-	KC59-152	Co-Axial Connector	4

EFFECTIVITY

G-000A, G-000B, G-000C & G-000D.

Modification MON/757/23/1430.

23-32-53

FIG 11

PAGE MON 1

4.12.92

Monarch **BOEING 757**

AIR 2000

757-28A

PARTS CATALOGUE

CHAPTER 23 - COMMUNICATIONS

PASSENGER ENTERTAINMENT VIDEO SYSTEM

EFFECTIVITY

*G-000A, G-000B, G-000C &
G-000D.*
*Modifications MON/757/1018
MON/757/1182
MON/757/23/1658
MON/757/23/1349*

*23-32-00
SECTION TITLE
PAGE MON 1
3.12.92*

Monarch **BOEING 757**

AIR 2000

757-28A

PARTS CATALOGUE

CHAPTER 23 - COMMUNICATIONS

FIG.	ITEM	PART NUMBER	DESCRIPTION	QTY PER AIRCRAFT
1	-	600958-0001	Video Monitor	7
	-	495320-0002	VTR Player	1
	-	491801-0003	Control Unit	1
	-	492146-0009	Distribution Amplifier	2
	-	601961-0001	Preview Monitor	1
	-	489909-0001	Tape Stowage Unit	1
	-	BACC18AD10	Circuit Breaker	1
	-	BACC18AD5	Circuit Breaker	2
	-	605667-0002	6" LCD Monitor (Alternate to 4.3" LCD Monitor, Part N° 601585-0001).	2
	-	490751-0000	Relay	1

EFFECTIVITY

G-000A, G-000B, G-000C & G-000D.
 Modifications MON/757/1018
 MON/757/1182
 MON/757/23/1658
 MON/757/23/1349

23-32-52
 FIG 1
 PAGE MON 1
 3.12.92

Monarch **BOEING 757**

AIR 2000

757-28A

PARTS CATALOGUE

CHAPTER 23 - COMMUNICATIONS

FIG. ITEM	PART NUMBER	DESCRIPTION	QTY PER AIRCRAFT
1 --	RS 404-862	ATTENUATOR (TO BE INSTALLED IN THE SIGNAL LINE TO THE 6" MONITORS)	2

EFFECTIVITY

G-000A, G-000B, G-000C
& G-000D

Modification MON/757/23/1776

23-32-52

Fig 1
Page MON 1A
29.9.93

Monarch *BOEING 757*

AIR 2000

757-28A

PARTS CATALOGUE

CHAPTER 23 - COMMUNICATIONS

FIG.	ITEM	PART NUMBER	DESCRIPTION	QTY PER ASSY
2	80	411N2331-129	PANEL	RF
		411N2331-300	PANEL	RF
	85	MON-25-22-834-5	SPEAKER COVER	1
	90	MON-25-22-834-6	RETAINER RING	1
	95	NAS1836-3-07	INSERT	3
	100	BACS12FA3K5	SCREW	3
	105	REDUX 410NA	ADHESIVE	AS REQ'D

EFFECTIVITY

000A, G-000B, G-000C & G-000D

Modification MON/757/25/1831

23-31-05

Fig 2

Page MON 1

22.6.94

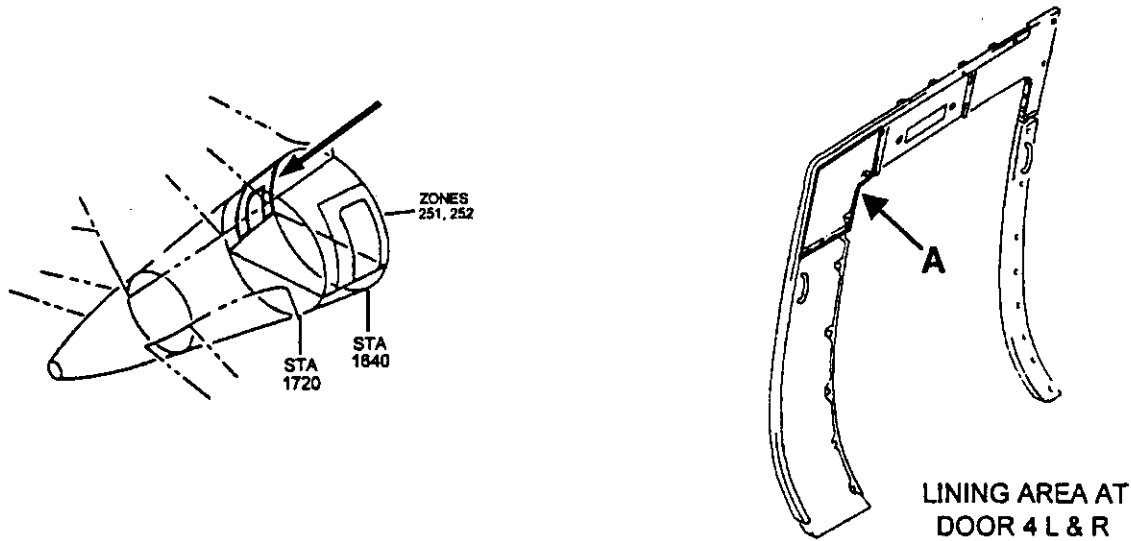
Monarch *BOEING 757*

AIR 2000

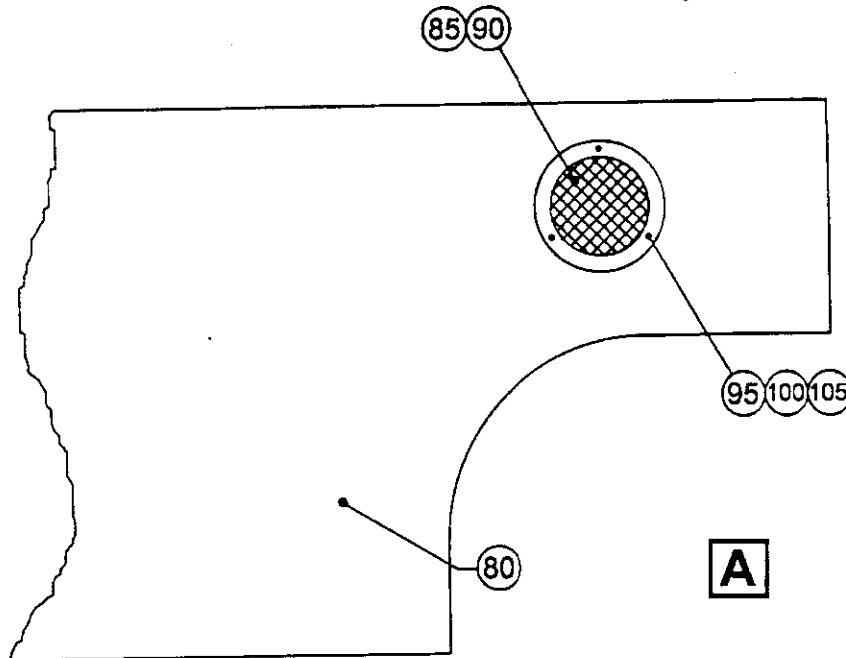
757-2Y0

PARTS CATALOGUE

CHAPTER 23 - COMMUNICATIONS



LINING AREA AT
DOOR 4 L & R



REMOVEABLE COVER TO AFT SPEAKERS INSTALLATION

Figure 2

EFFECTIVITY

G-000U & G-000X

Modification MON/757/25/1831

23-31-05

Fig 2

Page MON 0

29.12.93

Monarch *BOEING 757*

AIR 2000

757-2Y0

PARTS CATALOGUE

CHAPTER 23 - COMMUNICATIONS

FIG.	ITEM	PART NUMBER	DESCRIPTION	QTY PER ASSY
2	80	411N2331-129	PANEL	RF
		411N2331-300	PANEL	RF
	85	MON-25-22-834-5	SPEAKER COVER	1
	90	MON-25-22-834-6	RETAINER RING	1
	95	NAS1836-3-07	INSERT	3
	100	BACS12FA3K5	SCREW	3
	105	REDUX 410NA	ADHESIVE	AS REQ'D

EFFECTIVITY

000U & G-000X

Modification MON/757/25/1831

23-31-05

Fig 2

Page MON 1

22.6.94

BOEING 757

Parts Catalog (Maintenance)

CHAPTER 23 - COMMUNICATIONS

AIR 2000 CUSTOMISATIONS NB322

757 MANUAL SUPPLEMENT - ATP.2860

SECTION 2 CHAPTER 23

CONTROL PAGE ISSUE 5

- A. File the attached Temporary Revisions/Alerts in the Manual supplement in ATA Chapter/Section/Subject/Page sequence.
- B. File this control page in front of the chapter TRs/Alerts.
- C. The following list shows active TRs/Alerts together with TRs/Alerts added by this control page.

Chapter Section Subject	Page	TR/Alert No.	Distribution (Ref.P.TEC.01.02 Para 5)
23-12-02-01	1	23-502	ATP
23-32-52-01	1	* BA 23-506	ATP
23-42-51-10	1	23-501	ATP

- D. Remove and Destroy the following TR's/Alerts:

23-32-52-01	1	23-503	ATP
-------------	---	--------	-----

* - TR's/Alerts issued with this control page

ATP TEMPORARY REVISION

A/C NA351, NA352

TR Page 1 of 1
5 June 1992

757
ILLUSTRATED PARTS CATALOGUE

This Temporary Revision complies with BCAR Chapter A5-3, B5-3 and/or TSS No. 0-2 as appropriate.
for Chief Engineer (Technical & Quality Services) CAA Design Approval No.
DAI/8566/78

H. Chalchik

TEMPORARY REVISION. No 23-502

Manual Reference 23-12-02-01 Page 1

REASON FOR REVISION

Mod 23C064 replaces the VHF Control Panel.

ACTION

Read the following:

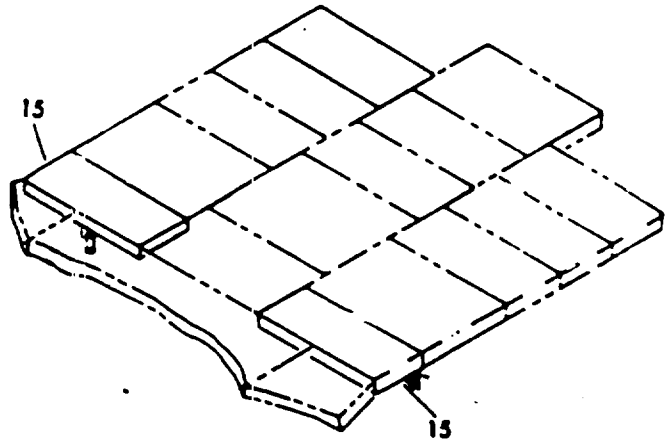
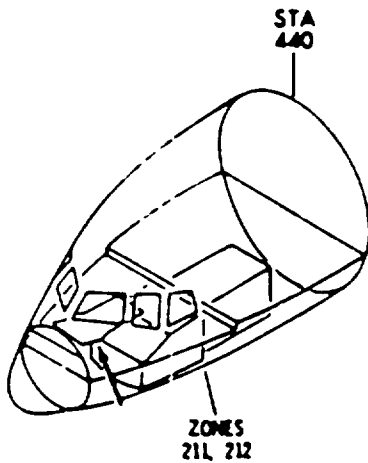


Fig.	Item	Part Number	Nomenclature 1234567	Effect from to	Units
1	15	G6317-02A	. PANEL VHF CONTROLLER (VK6807) replaces Pt No G6317 after Mod 23C064 (M00078 & M00079)	120121	2
	15	G6317-03	. PANEL VHF CONTROLLER replaces Pt No G6317-02A (VK6807) Mod 23D152	120121	2

Originator: J. HARRISON
Reference: MOD 23C064
Workbook: 23-277 CV

23-12-02-01
Page 1

**ATP
TEMPORARY
REVISION**

A/C NA351 & NA352

TR Page 1 of 1

BOEING 757 236

14 April 1993

ILLUSTRATED PARTS CATALOGUE

THIS TEMPORARY REVISION IS ISSUED BY BRITISH AIRWAYS TECHNICAL SERVICES AND COMPLIES WITH BCAR'S CHAPTER A5-3, B5-3 AND/OR TSS NO.0.2 AS REQUIRED. CAA DESIGN APPROVAL NO.DAI/8566/78



FOR CHIEF ENGINEER TECHNICAL AND QUALITY SERVICES

TEMPORARY REVISION No 23-506

Manual Reference 23-32-52-01 Page 1

REASON FOR REVISION

Mod 23F117 installs a 4.3" LCD Monitor on the bulkhead forward of seat row one right.
This TR replaces TR 23-503, Apl BUDZ added.

ACTION

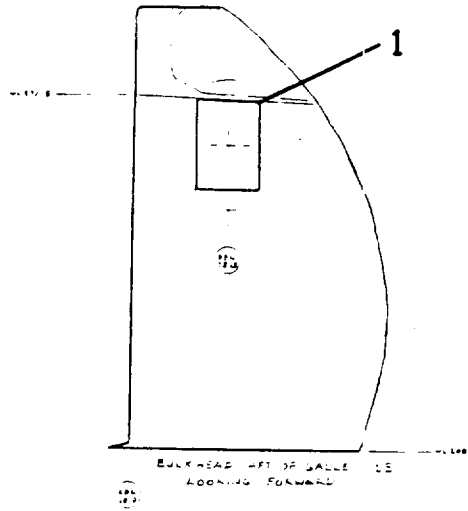


Fig.Item	Part Number	Nomenclature 1234567	Effect from to	Units
1	REF 2-62819	INSTALLATION-MONITOR		REF
	1 601585-0001	.MONITOR AVM 4.3" seat row one right	120121	1
	-2 603151	.SHROUD (Bulkhead -uncut)	120121	1
	-3 603297	.COVER (Front shroud uncut)	120121	1
	-4 603298-0001	.BRACKET SHROUD SUPPORT	120121	2

- NOT ILLUSTRATED

Effectivity
Apls 120 & 121

Originator: J.S McILVEEN
Reference: 23D117
Workbook: 23-300 CV

23-32-52-01
Page 1

ATP TEMPORARY REVISION

A/C NA351, NA352

TR Page 1 of 1
4 June 1992

757
ILLUSTRATED PARTS CATALOGUE

This Temporary Revision complies with BCAR Chapter A5-3, B5-3 and/or TSS No. 0-2 as appropriate.
for Chief Engineer (Technical & Quality Services) CAA Design Approval No.
DAI/8566/78



TEMPORARY REVISION. No 23-501

Manual Reference 23-42-51-10 Page 1

REASON FOR REVISION

Mod 23C062 adds a spare crew headset.
Mod 23D234 installs hand held microphones and holders in the Captains and First Officers position to allow flight interphone communication to be made without using the boom mic.

ACTION

Read the following:

Fig.Item	Part Number	Nomenclature	Effect	Units
		1234567	from to	
10				
-5	602-4182	. HANDMIKE (customer furnished) after Mod 23D234 (V81134)	120121	2
-10	8474	. HOLDER after Mod 23D234	120121	2
-55	HME410KA	. HEADSET SENNHEISER after Mod 23C062	120121	AR

Originator: J.HARRISON
Reference: MOD 23D234 & 23C062
Workbook: 23-276 & 279 CV

23-42-51-10
Page 501

BOEING 757

Parts Catalog (Maintenance)

CHAPTER 23 - COMMUNICATIONS

AIR 2000 CUSTOMISATIONS NA352

**B757 MANUAL SUPPLEMENT - ATP 3510
SECTION 2 CHAPTER 23
CONTROL PAGE - ISSUE 5**

- A. File the attached Temporary Revision/Alerts in the Manual Supplement in ATA Chapter/Section/Subject/Page sequence
- B. File this Control Page in front of the Chapter TRs/Alerts.
- C. The following list shows active TRs/Alerts together with TRs/Alerts added by this control page.

Chapter Section Subject	Page	TR/Alert No.
23-12-01-01	1	BA.23-576
23-12-01-01	3	BA.23-580
23-12-02-01	1	BA.23-567
23-12-02-01	3	BA.23-579
23-22-00	1	BA.23-581
23-31-06-1	1	* BA.23-592
23-42-51-12	1	BA.23-589
23-51-01-01	1	BA.23-568
23-51-02-05	1	BA.23-572
23-51-03-01	1	BA.23-569
23-71-01-01	1	BA.23-570
23-71-05-01	1	BA.23-571

- D. Remove and Destroy the following TRs/Alerts:

23-31-01-01	1	BA 23-583
-------------	---	-----------

* Indicates TRs/Alerts issued with this control page

**ATP
TEMPORARY
REVISION**

BRITISH AIRWAYS

B757 NB322

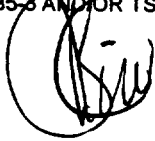
TR Page 1 of 1

18 August, 1997

ILLUSTRATED PARTS CATALOGUE

TEMPORARY REVISION No. 23-576

THIS TEMPORARY REVISION IS ISSUED BY BRITISH AIRWAYS ENGINEERING (TECHNICAL INFORMATION SERVICES, G2, TBA, S401, P. O. BOX 10, HEATHROW AIRPORT, HOUNSLOW, MIDDLESEX TW6 2JA) AND COMPLIES WITH BCAR'S CHAPTER A5-3, B5-3 AND/OR TSS No. 0-2 AS REQUIRED. CAA DESIGN APPROVAL No. DAI/8566/78.



For CHIEF ENGINEER QUALITY AND TRAINING

Manual Reference 23-12-01-01 Page 1

REASON FOR REVISION

FDR Replacement

ACTION

Fig Item	Part Number	Nomenclature	Effect	Units /Assy
1 -8	622-5219-004	.TRANSCEIVER-(CUSTOMER FURNISHED) (V4V792) PREFERRED FIT 622-5219-004 IS INTERCHANGEABLE AND INTERMIXABLE WITH 2041237-4412 (M00188,M00190) (REF CMM 23-12-74)	002002	3
-9	2041237-4412	.TRANSCEIVER-(CUSTOMER FURNISHED) (V27914) 2041237-4412 IS INTERCHANGEABLE AND INTERMIXABLE WITH 622-5219-004 (M00188,M00190) (REF CMM 23-20-33)	002002	3

Originator: D TREEVES
Reference: 757/W/MCR/DT/970534
Workbook: CV 23-387

23-12-01-01
Page 1

**ATP
TEMPORARY
REVISION**

BRITISH AIRWAYS

B757 (NB322)

TR Page 1 of 1
12 August, 1997

ILLUSTRATED PARTS CATALOGUE
TEMPORARY REVISION No. 23-567

THIS TEMPORARY REVISION IS ISSUED BY BRITISH AIRWAYS ENGINEERING (TECHNICAL INFORMATION SERVICES, G2, TBA, S401, P. O. BOX 10, HEATHROW AIRPORT, HOUNSLOW, MIDDLESEX TW6 2JA) AND COMPLIES WITH BCAR'S CHAPTER A5-3, B5-3 AND/OR TSS No. 0-2 AS REQUIRED. CAA DESIGN APPROVAL No. DAI/8566/78.

For CHIEF ENGINEER QUALITY AND TRAINING

Manual Reference 23-12-02-01 Page 1

REASON FOR REVISION

The VHF controllers are replaced with the BA preferred fit.

ACTION

Fig	Item	Part Number	Nomenclature	Effect	Units/ Assy
1	76	G6317-03	.PANEL ASSY-VHF CONT REPLACES P/N 622-6831-002 AFTER EOC-757-023G270	002	3

Originator: D L ROSE
Reference: EOC-757-023G270
Workbook: CV 23-378

23-12-02-01
Page 1

**ATP
TEMPORARY
REVISION**

A/C NB322

B757

TR Page 1 of 1
14 January, 1998

ILLUSTRATED PARTS CATALOGUE

TEMPORARY REVISION No. 23-580

THIS TEMPORARY REVISION IS ISSUED BY BRITISH AIRWAYS ENGINEERING (TECHNICAL INFORMATION SERVICES, G2, TBA, S401, P. O. BOX 10, HEATHROW AIRPORT, HOUNSLOW, MIDDLESEX TW6 2JA) AND COMPLIES WITH BCAR'S CHAPTER A5-3, B5-3 AND/OR TSS No. 0-2 AS REQUIRED. CAA DESIGN APPROVAL No. DAI/8566/78.

 For CHIEF ENGINEER QUALITY AND TRAINING

Manual Reference 23-12-01-01 Page 3

REASON FOR REVISION

To add updated information for 8.33kHz VHF separation equipment.

ACTION

Please read the following for new part numbers:-

Fig Item	Part Number	Nomenclature	Effect	Units/ Assy
1 55	EVR716-01-0200A	.TRANSCEIVER- VHF POST MOD 23G225	002002	3

Originator: E Hoare
Reference: 23G225
Workbook: CC 23-005

23-12-01-01
Page 3

**ATP
TEMPORARY
REVISION**

A/C NB322

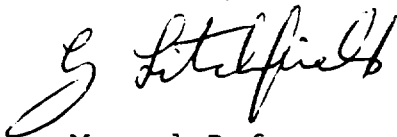
B757

TR Page 1 of 1
14 January, 1998

ILLUSTRATED PARTS CATALOGUE

TEMPORARY REVISION No. 23-579

THIS TEMPORARY REVISION IS ISSUED BY BRITISH AIRWAYS ENGINEERING (TECHNICAL INFORMATION SERVICES, G2, TBA, S401, P. O. BOX 10, HEATHROW AIRPORT, HOUNSLOW, MIDDLESEX TW6 2JA) AND COMPLIES WITH BCAR'S CHAPTER A5-3, B5-3 AND/OR TSS No. 0-2 AS REQUIRED. CAA DESIGN APPROVAL No. DAI/8566/78.

 For CHIEF ENGINEER QUALITY AND TRAINING

Manual Reference 23-12-02-01 Page 3

REASON FOR REVISION

To add updated information for 8.33kHz VHF separation equipment.

ACTION

Please read the following for new part numbers:-

Fig Item	Part Number	Nomenclature	Effect	Units/ Assy
1 76	G7406-07	.PANEL ASSY- VHF POST MOD 23G225	002002	3

Originator: E Hoare
Reference: 23G225
Workbook: CC 23-005

23-12-02-01
Page 3

←

**ATP
TEMPORARY
REVISION**


A/C NB322

B757

TR Page 1 of 1
23 February, 1998

ILLUSTRATED PARTS CATALOGUE
TEMPORARY REVISION No. 23-581

THIS TEMPORARY REVISION IS ISSUED BY BRITISH AIRWAYS ENGINEERING (TECHNICAL INFORMATION SERVICES, G2, TBA, S401, P. O. BOX 10, HEATHROW AIRPORT, HOUNSLOW, MIDDLESEX TW6 2JA) AND COMPLIES WITH BCAR'S CHAPTER A5-3, B5-3 AND/OR TSS No. 0-2 AS REQUIRED. CAA DESIGN APPROVAL No. DAI/8566/78.



For CHIEF ENGINEER QUALITY AND TRAINING

Manual Reference 23-22-00 Page 1

REASON FOR REVISION

To list parts fitted to the ACARS system.

ACTION

Please read the following parts as fitted by mod EOC-757-023G246 to the ACARS system:

Fig Item	Part Number	Nomenclature	Effect	Units /Assy
10	2231500-5 (TBC)	LEFT ACARS MU- M172	NB322	1
20	2-62460	SHORTING PLUG	NB322	1
30	284T0026-18	TRAY	NB322	2
40	BACC66H21C0901	RACK AND PANEL CONNECTOR	NB322	1
50	BACC66F11C22	RACK AND PANEL CONNECTOR	NB322	1
60	BAC27NEX0472	DECAL D437	NB322	1
70	BAC27NEX2226	DECAL M172	NB322	1
80	BAC27NEX0722	DECAL POS 19	NB322	1
90	BAC27NEX0706	DECAL POS 3	NB322	1
100	BAC27NEX0747	DECAL POS 44	NB322	1
110	BAC27NEX0746	DECAL POS 43 (E4-2)	NB322	1
120	RDAC1203-7B3	PRINTER	NB322	1
130	BACR13CG2AB	ACARS/VHF RELAY	NB322	1
140	BACS16W1A	RELAY BASE	NB322	1
150	A77-23-0019A	DECAL RELAY	NB322	1
160	BACC18AD2	CIRCUIT BREAKER 2.5A	NB322	4

Originator: R Kinnell
Reference: EOC-757-023G246
Workbook: CC 23-007

23-22-00
Page 1

**ATP
TEMPORARY
REVISION**

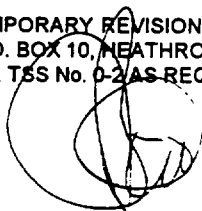
NB322(PEP)

B757

TR Page 1 of 1
25 November, 1998

**ILLUSTRATED PARTS CATALOGUE
TEMPORARY REVISION No. 23-592**

THIS TEMPORARY REVISION IS ISSUED BY BRITISH AIRWAYS ENGINEERING (TECHNICAL INFORMATION SERVICES, G2, TBA, S401, P. O. BOX 10, HEATHROW AIRPORT, HOUNSLOW, MIDDLESEX TW6 2JA) AND COMPLIES WITH BCAR'S CHAPTER A5-3, B5-3 AND/OR TSS No. 0-2 AS REQUIRED. CAA DESIGN APPROVAL No. DAI/8566/78.



For CHIEF ENGINEER QUALITY AND TRAINING

Manual Reference 23-31-06-1 Page 1

REASON FOR REVISION

To list new PRA tape part numbers.

ACTION

Please read below for the latest PRA tape data for Machine/Tape Type RDAX7308 Tape Cassette:

Part Number	Nomenclature	Effect	Units/ Assy
7308-757JANFEB	PRE RECORDED ANNOUNCEMENT TAPE JAN-FEB	002	1
7308-757MARAPR	PRE RECORDED ANNOUNCEMENT TAPE MAR-APR	002	1
7308-757MAYJUN	PRE RECORDED ANNOUNCEMENT TAPE MAY-JUN	002	1
7308-757JULAug	PRE RECORDED ANNOUNCEMENT TAPE JUL-AUG	002	1
7308-757SEPNOV	PRE RECORDED ANNOUNCEMENT TAPE SEP-NOV	002	1
7308-757DEC	PRE RECORDED ANNOUNCEMENT TAPE DEC	002	1

Originator: R.Sharpe
Reference: 0000003411
Workbook: SS 23-032

23-31-06-1
Page 1

←

**ATP
TEMPORARY
REVISION**

BRITISH AIRWAYS

B757 (NB322)

TR Page 1 of 1

15 July, 1998

ILLUSTRATED PARTS CATALOGUE

TEMPORARY REVISION No. 23-589

THIS TEMPORARY REVISION IS ISSUED BY BRITISH AIRWAYS ENGINEERING (TECHNICAL INFORMATION SERVICES, G2, TBA, S401, P. O. BOX 10, HEATHROW AIRPORT, HOUNSLOW, MIDDLESEX TW6 2JA) AND COMPLIES WITH BCAR'S CHAPTER A5-3, B5-3 AND/OR TSS No. 0-2 AS REQUIRED. CAA DESIGN APPROVAL No. DA1/8566/78.



For CHIEF ENGINEER QUALITY AND TRAINING

Manual Reference 23-42-51-12 Page 1

REASON FOR REVISION

To list the part numbers for ANR headsets and the flight deck spares kit.

ACTION

Add these part numbers:

Fig Item	Part Number	Nomenclature	Effect	Units/ Assy
12 -135	HMEC25BA	.SENNHEISER ANR HEADSETS	ALL	3
-140	HME410KAUK	.SENNHEISER HEADSET	"	1
-145	LR6	..AA BATTERIES	"	8
-150	8X12X500G	..POLYTHENE BAG	"	1
-155	HZP1410	..HYGIENIC EAR PADS	"	6
-160	MZW414	..MIC COVERS	"	3
-165	VDU000	..A/C INSTRUMENT CLEANER	"	12
-170	SANICOM3205	..ANTISEPTIC WIPE	"	12
-175	BACC10DK2	..P-CLAMP	"	1
-180	TH107-02	..ACARS PAPER ROLL	"	1

- NOT ILLUSTRATED.

Originator: G.Kerr
Reference: 757-W-MCR-GK-98-368 23-42-51-12
Workbook: SS 23-024/CV 23-372 Page 1

**ATP
TEMPORARY
REVISION**

BRITISH AIRWAYS

B757 (NB322)

TR Page 1 of 1
13 August, 1997

ILLUSTRATED PARTS CATALOGUE
TEMPORARY REVISION No. 23-568

THIS TEMPORARY REVISION IS ISSUED BY BRITISH AIRWAYS ENGINEERING (TECHNICAL INFORMATION SERVICES, G2, TBA, S401, P. O. BOX 10, HEATHROW AIRPORT, HOUNSLOW, MIDDLESEX TW6 2JA) AND COMPLIES WITH BCAR'S CHAPTER A5-3, B5-3 AND/OR TSS No. 0-2 AS REQUIRED. CAA DESIGN APPROVAL No. DAI/8566/78.



For CHIEF ENGINEER QUALITY AND TRAINING

Manual Reference 23-51-01-01 Page 1

REASON FOR REVISION

The ASP is replaced with the BA preferred fit.

ACTION

Fig Item	Part Number	Nomenclature	Effect	Units/ Assy
01 14	5051-1-3	.PANEL ASSY AUDIO SELECTOR (M00070) REPLACES P/N DE394-10/20 AFTER MOD 23D175.	002	RF

Originator: E Hoare
Reference: 23D175
Workbook: CV 23-373

23-51-01-01
Page 1

**ATP
TEMPORARY
REVISION**

BRITISH AIRWAYS

B757 (NB322)

TR Page 1 of 1
13 August, 1997

ILLUSTRATED PARTS CATALOGUE

TEMPORARY REVISION No. 23-572

THIS TEMPORARY REVISION IS ISSUED BY BRITISH AIRWAYS ENGINEERING (TECHNICAL INFORMATION SERVICES, G2, TBA, S401, P. O. BOX 10, HEATHROW AIRPORT, HOUNSLOW, MIDDLESEX TW6 2JA) AND COMPLIES WITH BCAR'S CHAPTER A5-3, B5-3 AND/OR TSS No. 0-2 AS REQUIRED. CAA DESIGN APPROVAL No. DA1/8566/78.

For CHIEF ENGINEER QUALITY AND TRAINING

Manual Reference 23-51-02-05 Page 1

REASON FOR REVISION

To add aural warning speaker CB clip

ACTION

Fig Item	Part Number	Nomenclature	Effect	Units/ Assy
05 -361	20266-4	.CLIP, CIRCUIT BREAKER ORANGE on P11-1 B16 & P11-2 H35 AFTER MOD 24G007	002	2

- NOT ILLUSTRATED

Originator: D TREEVES
Reference: 24G007
Workbook: CV 24-153

23-51-02-05
Page 1

←

**ATP
TEMPORARY
REVISION**

BRITISH AIRWAYS

B757 (NB322)

TR Page 1 of 1
13 August, 1997

ILLUSTRATED PARTS CATALOGUE
TEMPORARY REVISION No. 23-569

THIS TEMPORARY REVISION IS ISSUED BY BRITISH AIRWAYS ENGINEERING (TECHNICAL INFORMATION SERVICES, G2, TBA, S401, P. O. BOX 10, HEATHROW AIRPORT, HOUNSLOW, MIDDLESEX TW6 2JA) AND COMPLIES WITH BCAR'S CHAPTER A5-3, B5-3 AND/OR TSS No. 0-2 AS REQUIRED. CAA DESIGN APPROVAL No. DAI/8566/78.

For CHIEF ENGINEER QUALITY AND TRAINING

Manual Reference 23-51-03-01 Page 1

REASON FOR REVISION

The Interphone switches are changed to standardise with the BA fleet.

ACTION

Fig	Item	Part Number	Nomenclature	Effect	Units/ Assy
01	25	251N1241-4	.TRIGGER- (CAPTAIN & F/O) REPLACES P/N 251N1241-1 AFTER MOD 23G244.	002	1
	30	69-63433-7 or 69-63433-11	.SWITCH MOUNT-CLAMP (CAPTAIN) AFTER MOD 23G244.	002	1
	30	69-63433-8 or 69-63433-12	.SWITCH MOUNT-CLAMP (F/O) AFTER MOD 23G244.	002	1

Originator: E Hoare
Reference: 23G244
Workbook: CV 23-375

23-51-03-01
Page 1

**ATP
TEMPORARY
REVISION**

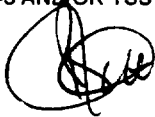
BRITISH AIRWAYS

B757 (NB322)

TR Page 1 of 1
13 August, 1997

ILLUSTRATED PARTS CATALOGUE
TEMPORARY REVISION No. 23-570

THIS TEMPORARY REVISION IS ISSUED BY BRITISH AIRWAYS ENGINEERING (TECHNICAL INFORMATION SERVICES, G2, TBA, S401, P. O. BOX 10, HEATHROW AIRPORT, HOUNSLOW, MIDDLESEX TW6 2JA) AND COMPLIES WITH BCAR'S CHAPTER A5-3, B5-3 AND/OR TSS No. 0-2 AS REQUIRED. CAA DESIGN APPROVAL No. DAI/8566/78.



For CHIEF ENGINEER QUALITY AND TRAINING

Manual Reference 23-71-01-01 Page 1

REASON FOR REVISION

CVR Replacement

ACTION

Fig Item	Part Number	Nomenclature	Effect	Units/ Assy
01 170	93A100-80	.RECORDER ASSY CVR (M00201) REPLACES P/N 980-6005-076 AFTER MOD 23G245	002	1

Originator: M HANIM
Reference: 23G245
Workbook: CV 23-382

23-71-01-01
Page 1

←

**ATP
TEMPORARY
REVISION**

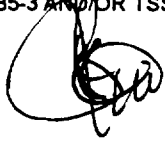
BRITISH AIRWAYS

B757 (NB322)

TR Page 1 of 1
13 August, 1997

**ILLUSTRATED PARTS CATALOGUE
TEMPORARY REVISION No. 23-571**

THIS TEMPORARY REVISION IS ISSUED BY BRITISH AIRWAYS ENGINEERING (TECHNICAL INFORMATION SERVICES, G2, TBA, S401, P. O. BOX 10, HEATHROW AIRPORT, HOUNSLOW, MIDDLESEX TW6 2JA) AND COMPLIES WITH BCAR'S CHAPTER A5-3, B5-3 AND/OR TSS No. 0-2 AS REQUIRED. CAA DESIGN APPROVAL No. DAI/8566/78.



For CHIEF ENGINEER QUALITY AND TRAINING

Manual Reference 23-71-05-01 Page 1

REASON FOR REVISION

CVR Replacement

ACTION

Fig Item	Part Number	Nomenclature	Effect	Units/ Assy
01 6	93A152-50	.PANEL VOICE RECORDER M00050 REPLACES P/N 980-6109-017 AFTER MOD 23G245	002	1

Originator: M HANIM
Reference: 23G245
Workbook: CV 23-382

23-71-05-01
Page 1

←

AES Limited

PUBLICATION REVISION

Document No. AES-TP-0022

**Supplement to the
 Boeing 757-200
 Technical Publications**

TRANSMITTAL SHEET

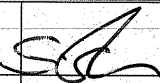
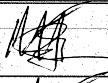
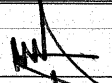
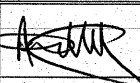
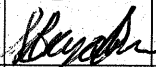

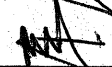
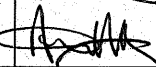


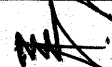

**THE TECHNICAL INFORMATION CONTAINED IN THIS DOCUMENT
 HAS BEEN APPROVED UNDER THE AUTHORITY OF
 EASA DESIGN ORGANISATION APPROVAL No. EASA.21J.036**

Reason for Issue: To introduce a supplement to the Aircraft Maintenance Manual, Wiring Diagram Manual and Illustrated Parts Catalogue to cover the introduction of an Airshow System under cover of AES modifications AES-757-088, AES-757-123, AES-757-217 and AES-757-277.

Project No.: 847

DRN: 2479

Revision No.: Issue 1

Manual & Chapter	Prepared by	Responsible for design	Date	Certification Verification Engineer / Approval		
				Stress	Design	Systems
AMM – 23-32	R McColl		Aug 31/2007			
WDM – 23-32	T N Gaunt		Aug 31/2007			
IPC – 11-06, 23-32, 23-38	T N Gaunt		Aug 31/2007			

EFFECTIVITY

(AES-TP-0022) 25268 (NB322),
 27146 (NB506), 27147 (NB507), 29941 (NT404),
 29942 (NT405), 29943 (NT406), 29944 (NT407),

TRANSMITTAL

INTRODUCTION - GENERAL

- 1 This modification introduces a Digital Interface Unit (DIU) and Random Access Device (RAD) to provide random access video and audio information (for example, points of interest) for an Airshow 420 system. The information is displayed on the aircraft video monitors for passenger entertainment. This technical publication supplement describes the installed equipment, and gives the removal, installation and test procedures for the equipment.
- 2 Technical publications which are affected and which should be used with this supplement are the:
 - Aircraft Maintenance Manual
 - Wiring Diagram Manual
 - Illustrated Parts Catalogue.
- 3 Manuals which are not listed are not affected (for example the Structural Repair Manual).
- 4 Aircraft applicability and effectivity codes are given in the table below (in effectivity order).

Registration	Manufacturer's serial number (variant No).	Customer effectivity code	Cust eff code terminator
G-OOBJ	27147 (NB507)	002	-
G-OOBI	27146 (NB506)	006	-
G-CPEU	29941 (NT404)	504	-
G-OOBG	29942 (NT405)	505	-
G-CPEV	29943 (NT406)	506	-
G-OOBH	29944 (NT407)	507	-
G-CPEP	25268 (NB322)	952	999

EFFECTIVITY

(AES-TP-0022) 25268 (NB322),
27146 (NB506), 27147 (NB507), 29941 (NT404),
29942 (NT405), 29943 (NT406), 29944 (NT407),

TRANSMITTAL

LIST OF EFFECTIVE PAGES

CH-SECT-UNIT-FIG	PAGE No.	DATE	CH-SECT-UNIT-FIG	PAGE No.	DATE
EFFECTIVE PAGES	i	AUG 31/07			
REVISIONS	ii	AUG 31/07			
INTRODUCTION	ii	AUG 31/07			
CONTENTS	iv	AUG 31/07			
11-34-03-05	0	AUG 31/07			
11-34-03-05	1	AUG 31/07			
11-34-03-43	0	AUG 31/07			
11-34-03-43	1	AUG 31/07			
11-34-03-79	0	AUG 31/07			
11-34-03-79	1	AUG 31/07			
23-32-51-01	0	AUG 31/07			
23-32-51-01	1	AUG 31/07			
23-32-51-01	2	AUG 31/07			
23-32-51-01	3	AUG 31/07			
23-32-51-01	4	AUG 31/07			
23-32-51-02A	0	AUG 31/07			
23-32-51-02A	1	AUG 31/07			
23-32-51-02B	0	AUG 31/07			
23-38-01-02B	1	AUG 31/07			
23-38-01-01	0	AUG 31/07			
23-38-01-01	1	AUG 31/07			
23-38-01-01	2	AUG 31/07			
23-38-01-01	3	AUG 31/07			

EFFECTIVITY

(AES-TP-0022) 25268 (NB322),
 27146 (NB506), 27147 (NB507), 29941 (NT404),
 29942 (NT405), 29943 (NT406), 29944 (NT407),

IPC SUPP - LEP



RECORD OF REVISIONS

REV No.	INSERTION DATE	BY	REV No.	INSERTION DATE	BY	REV No.	INSERTION DATE	BY

EFFECTIVITY

(AES-TP-0022) 25268 (NB322),
27146 (NB506), 27147 (NB507), 29941 (NT404),
29942 (NT405), 29943 (NT406), 29944 (NT407),

IPC SUPP - INTRO

Boeing 757-200
First Choice Airways

Technical
Publications Supplement

INTRODUCTION OF THE
AIRSHOW SYSTEM

AES modifications AES-757-088,
AES-757-123, AES-757-217 and AES-757-277

ILLUSTRATED PARTS CATALOG
INTRODUCTION



This section supplements the aircraft illustrated parts catalog.

EFFECTIVITY

(AES-TP-0022) 25268 (NB322),
27146 (NB506), 27147 (NB507), 29941 (NT404),
29942 (NT405), 29943 (NT406), 29944 (NT407),

IPC SUPP - INTRO

Page iii
Aug 31 /2007

TABLE OF CONTENTS

SUBJECT	CHAPTER SECTION UNIT	FIGURE	EFFECT
PANEL ASSY-P11-2 CB – ROW H (PLACARDS AND MARKINGS ONLY)	11-34-03	05	504549
PANEL ASSY-P11-2 CB – ROW H (PLACARDS AND MARKINGS ONLY)	11-34-03	43	952999
PANEL ASSY-P11-2 CB – ROW H (PLACARDS AND MARKINGS ONLY)	11-34-03	79	002006
RANDOM ACCESS DEVICE - E6 AFT EQPT CTR	23-32-51	1	002002 006006 504507 952999
CABIN CONTROL UNIT INSTALLATION	23-32-51	2A	952999
CABIN CONTROL UNIT INSTALLATION	23-32-51	2B	002002 006006 504507 952999
DIGITAL INTERFACE UNIT - E6 AFT EQPT CTR	23-38-01	1	002002 006006 504507 952999

- Not illustrated

EFFECTIVITY

(AES-TP-0022) 25268 (NB322),
 27146 (NB506), 27147 (NB507), 29941 (NT404),
 29942 (NT405), 29943 (NT406), 29944 (NT407),

IPC SUPP - TOC

Boeing 757-200
First Choice Airways

Technical
Publications Supplement

INTRODUCTION OF THE
AIRSHOW SYSTEM

AES modifications AES-757-088,
AES-757-123, AES-757-217 and AES-757-277

ILLUSTRATED PARTS CATALOG



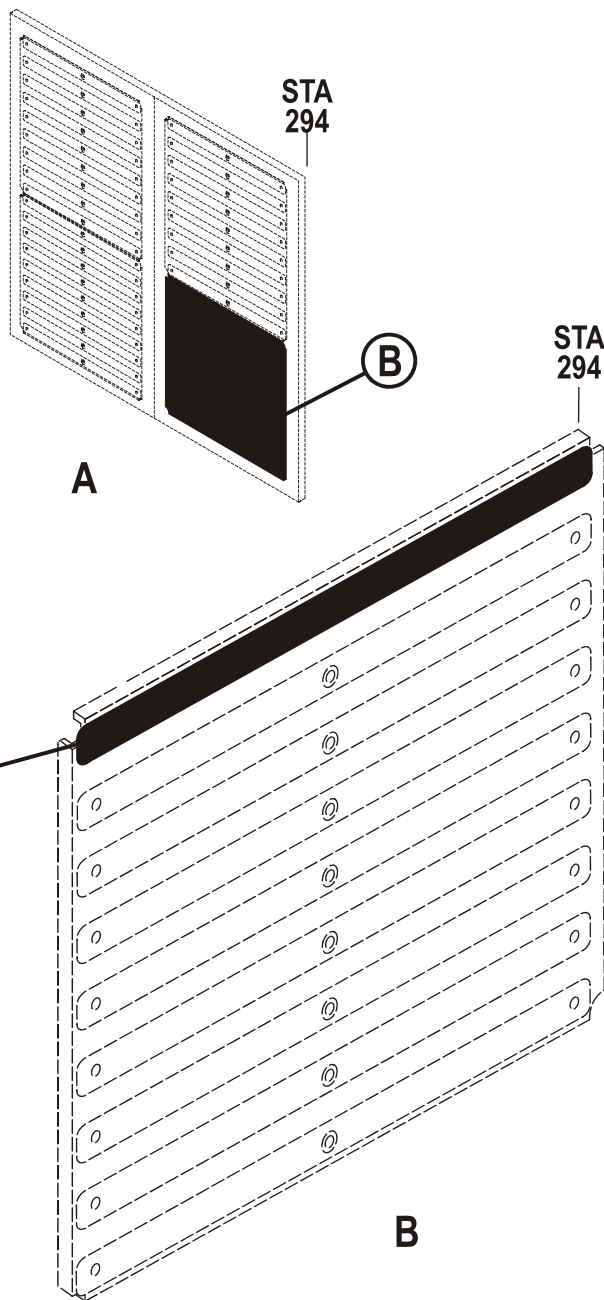
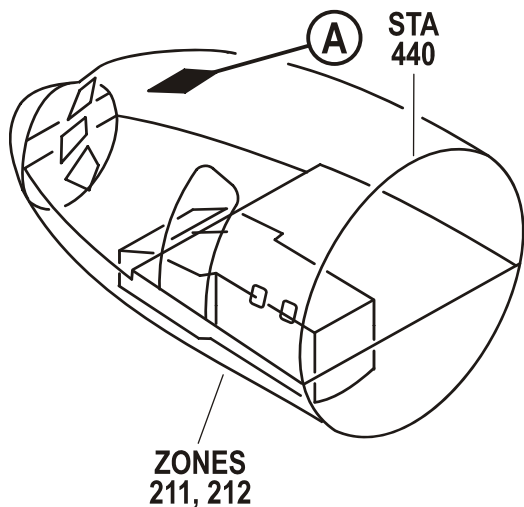
INTENTIONALLY LEFT IN BLANK

EFFECTIVITY

(AES-TP-0022)	25268 (NB322), 27146 (NB506), 27147 (NB507), 29941 (NT404), 29942 (NT405), 29943 (NT406), 29944 (NT407),
----------------------	--

IPC SUPP - TOC

Page v
Aug 31 /2007



CH

PANEL ASSY-P11-2 CB – ROW H (PLACARDS AND MARKINGS ONLY)

FIGURE 5

EFFECTIVITY

(AES-TP-0022)

29941 (NT404), 29942 (NT405),
 29943 (NT406), 29944 (NT407),

IPC SUPP - 11-34-03-05

0364-113-757

ILLUSTRATED PARTS CATALOG

FIG ITEM	PART No.	1 2 3 4 5 6 7 NOMENCLATURE	EFF. FROM TO	QTY
05		PANEL ASSY-P11-2 CB (PLACARDS AND MARKINGS ONLY)	504549	
- 1	0364-113-757-003	LIGHTPLATE INSTL – ROW H (PLACARDS AND MARKINGS ONLY)	504549	RF
805	0364-113-757-001	. LIGHTPLATE ASSY-	504549	

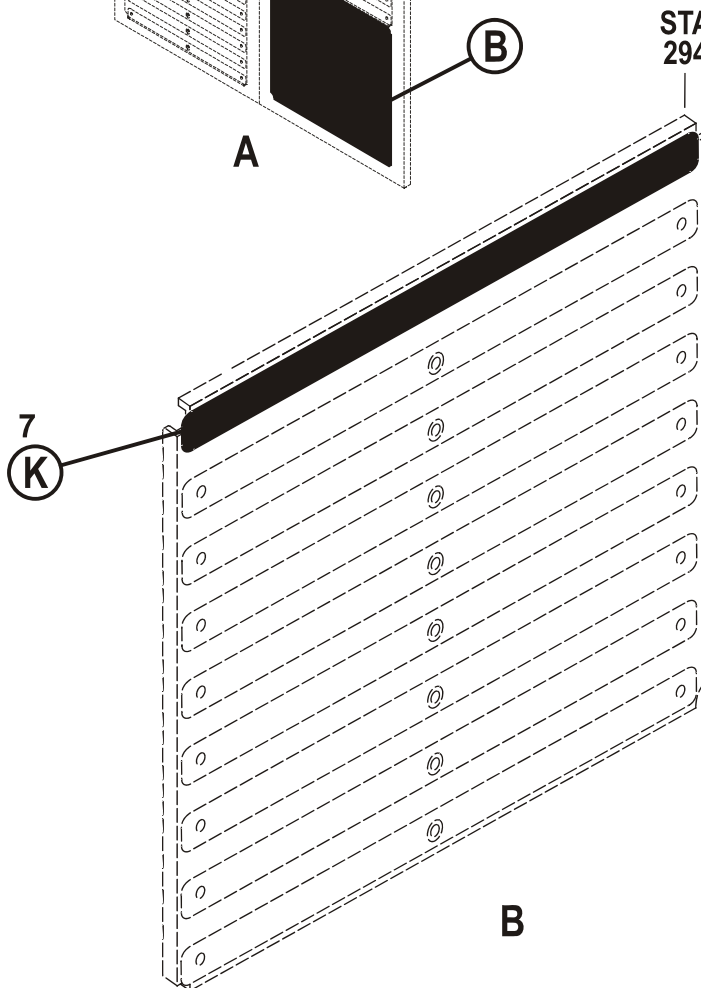
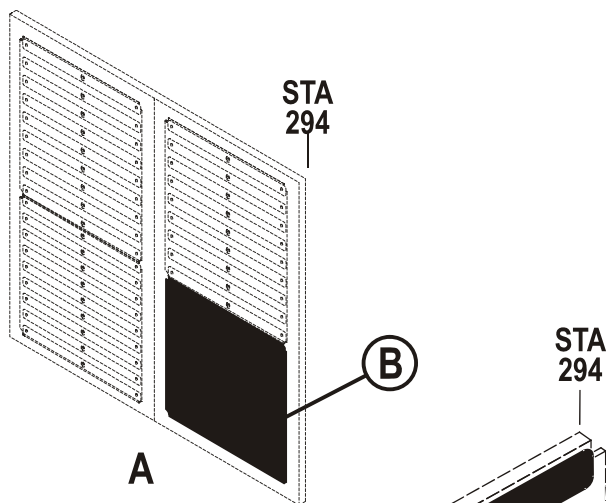
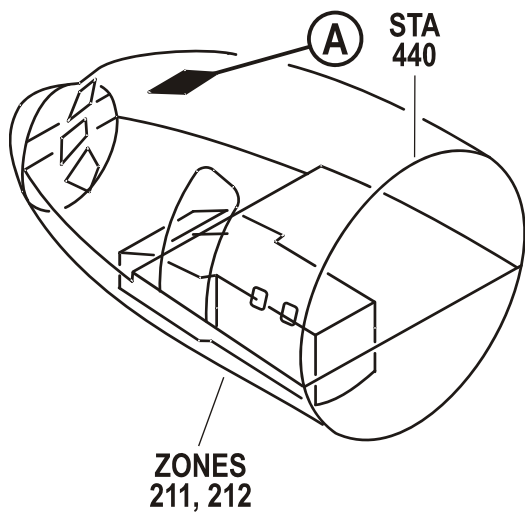
- Not illustrated

EFFECTIVITY

(AES-TP-0022)

29941 (NT404), 29942 (NT405),
 29943 (NT406), 29944 (NT407),

IPC SUPP - 11-34-03-05



K

PANEL ASSY-P11-2 CB – ROW H (PLACARDS AND MARKINGS ONLY)
 FIGURE 43

EFFECTIVITY

(AES-TP-0022)
 25268 (NB322)

IPC SUPP - 11-34-03-43

0580-113-757

ILLUSTRATED PARTS CATALOG

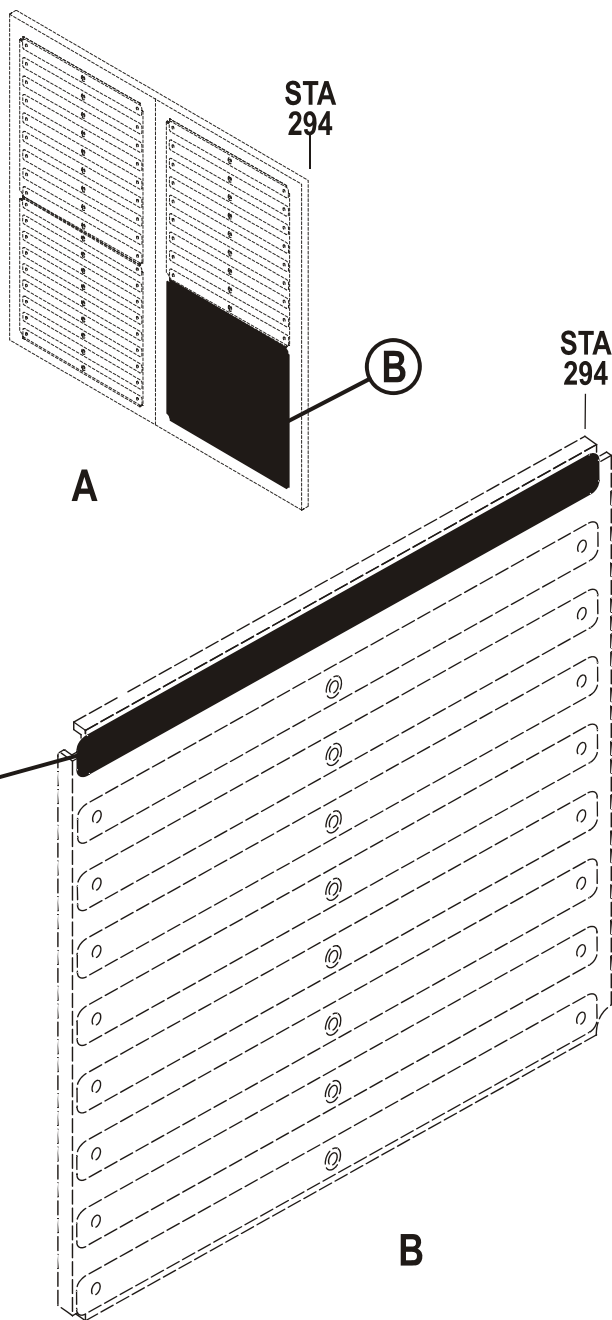
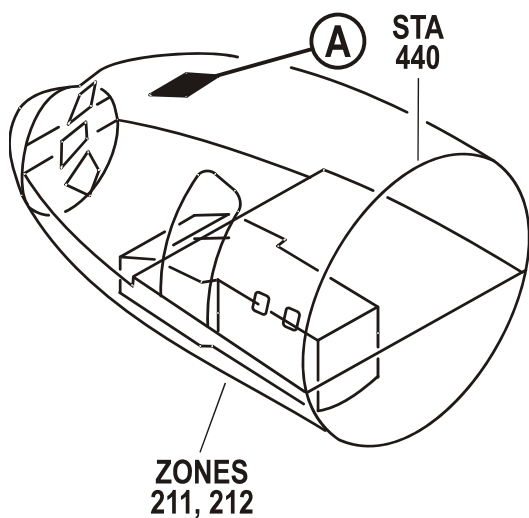
FIG ITEM	PART No.	1 2 3 4 5 6 7 NOMENCLATURE	EFF. FROM TO	QTY
43		PANEL ASSY-P11-2 CB (PLACARDS AND MARKINGS ONLY)	952999	
- 1	0580-113-757-003	LIGHTPLATE INSTL – ROW H (PLACARDS AND MARKINGS ONLY)	952999	RF
7	0580-113-757-001	. LIGHTPLATE ASSY-	952999	

- Not illustrated

EFFECTIVITY

(AES-TP-0022)
 25268 (NB322)

IPC SUPP - 11-34-03-43



C

PANEL ASSY-P11-2 CB – ROW H (PLACARDS AND MARKINGS ONLY)
 FIGURE 79

EFFECTIVITY

(AES-TP-0022)

27146 (NB506), 27147 (NB507)

IPC SUPP - 11-34-03-79

0881-113-757

FIG ITEM	PART No.	1 2 3 4 5 6 7 NOMENCLATURE	EFF. FROM TO	QTY
79		PANEL ASSY-P11-2 CB (PLACARDS AND MARKINGS ONLY)	002006	
- 1	0881-113-757-003	LIGHTPLATE INSTL – ROW H (PLACARDS AND MARKINGS ONLY)	002006	RF
50	0881-113-757-001	. LIGHTPLATE ASSY-	002006	

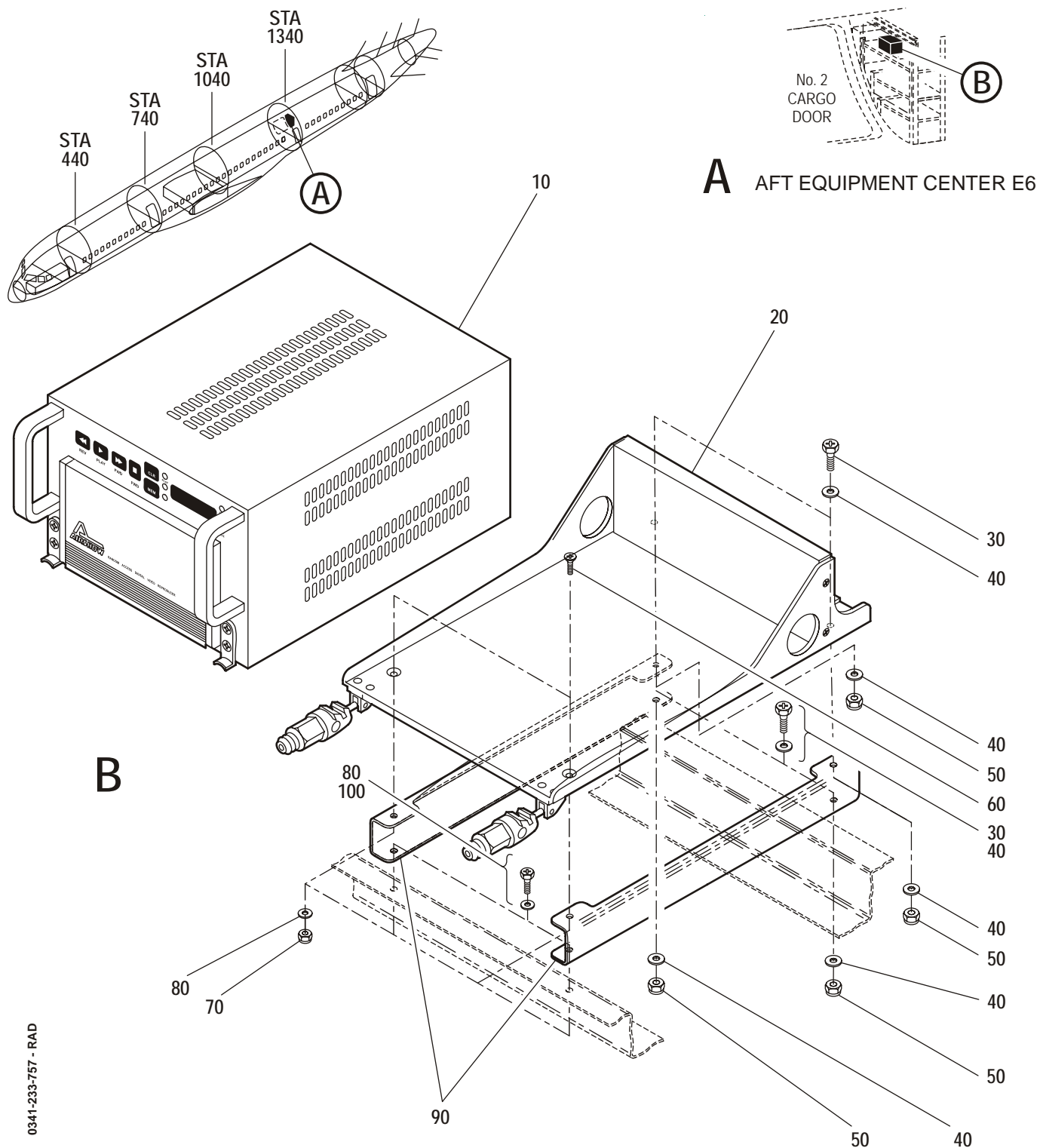
- Not illustrated

EFFECTIVITY

(AES-TP-0022)

27146 (NB506), 27147 (NB507)

IPC SUPP - 11-34-03-79



RANDOM ACCESS DEVICE - E6 AFT EQPT CTR
 FIGURE 1

EFFECTIVITY

(AES-TP-0022)
 25268 (NB322)

IPC SUPP - 23-32-51-01

0341-233-757 - RAD

ILLUSTRATED PARTS CATALOG

FIG ITEM	PART No.	1 2 3 4 5 6 7 NOMENCLATURE	EFF. FROM TO	QTY
1 5	0341-233-757-001	AIRSHOW EQUIPMENT INSTLN (DIU AND RAD ONLY) - E6 AFT EQUIPMENT CENTER	002002 006006 504507 952999	RF
10	915020	.RANDOM ACCESS DEVICE (RAD) CMM REF. 44-21-40 VENDOR V70093	002002 006006 504507 952999	1
20	914088-1	.¾ ATR TRAY (RAD)	002002 006006 504507 952999	1
30	NAS1801-3-8	..SCREW, 10-32 HEX HEAD	002002 006006 504507 952999	2
40	NAS1149DO316J	..WASHER, No 10 (ELEC COND)	002002 006006 504507 952999	4
50	BACN10YR3CD	. . STIFF NUT, 10-32	002002 006006 504507 952999	2
60	BACS12GX08A8	. . SCREW, 8-32	002002 006006 504507 952999	2
70	BACN10YR08CD	. . STIFF NUT, 8-32	002002 006006 504507 952999	4
80	NAS1149DN816J	. . WASHER, No 8 (ELEC COND)	002002 006006 504507 952999	6

- Not illustrated

EFFECTIVITY

(AES-TP-0022)

25268 (NB322)

IPC SUPP - 23-32-51-01

ILLUSTRATED PARTS CATALOG

FIG ITEM	PART No.	1 2 3 4 5 6 7 NOMENCLATURE	EFF. FROM TO	QTY
90	0257-233-757-007	. . CHANNEL	002002 006006 504507 952999	2
100	NAS1801-08-7	. . SCREW, 8-32, HEX HEAD	002002 006006 504507 952999	2
-110	RM3P32C4S32 C4S32C4S-0005	. . CONNECTOR (RAD)	002002 006006 504507 952999	1

- Not illustrated

EFFECTIVITY

(AES-TP-0022)
 25268 (NB322)

IPC SUPP - 23-32-51-01

Boeing 757-200
First Choice Airways

Technical
Publications Supplement

INTRODUCTION OF THE
AIRSHOW SYSTEM

AES modifications AES-757-088,
AES-757-123, AES-757-217 and AES-757-277

ILLUSTRATED PARTS CATALOG



INTENTIONALLY LEFT BLANK

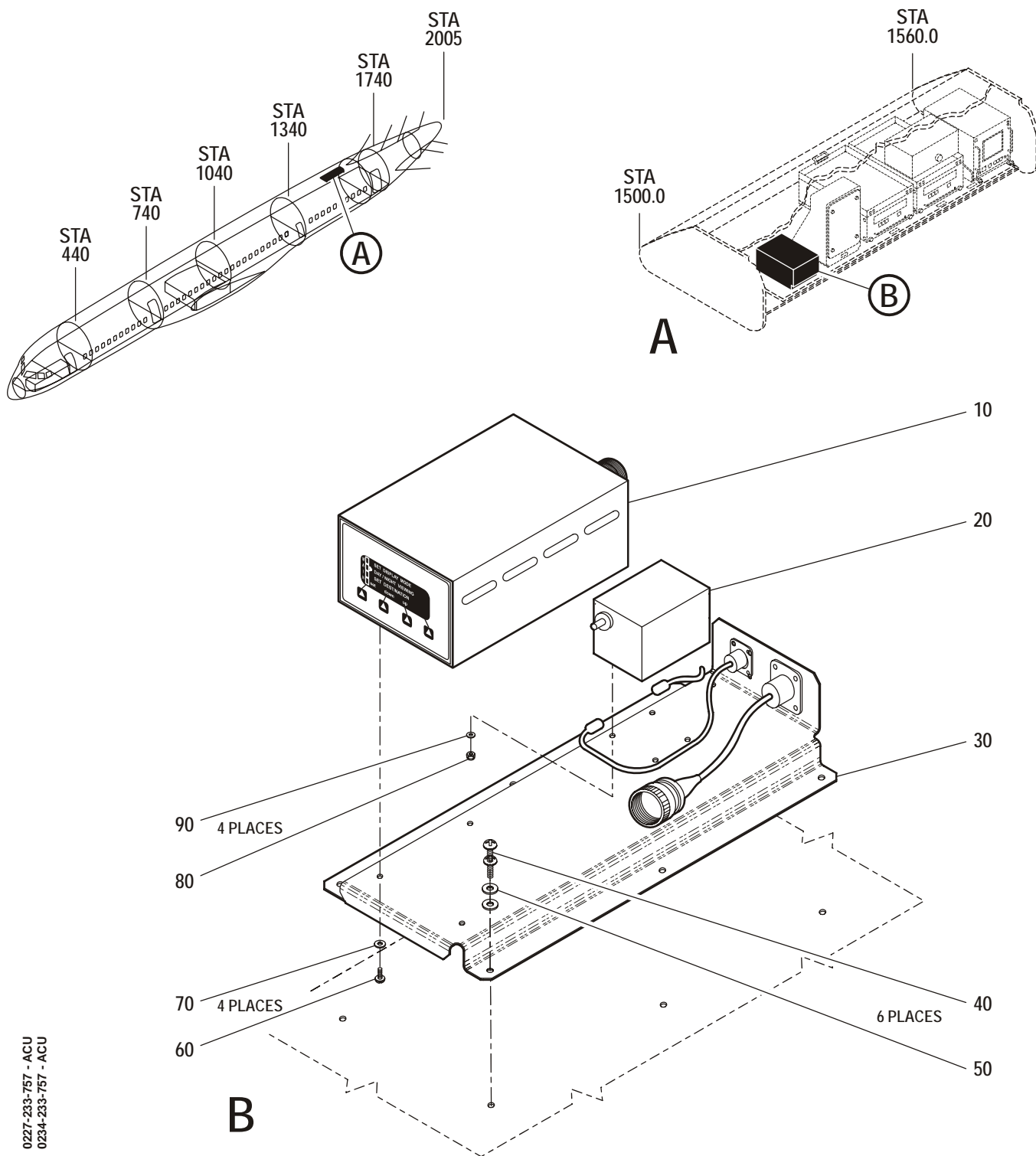
EFFECTIVITY

(AES-TP-0022)

25268 (NB322)

IPC SUPP - 23-32-51-01

Page 3
Aug 31 /2007



0227-233-757 - ACU
 0234-233-757 - ACU

CABIN CONTROL UNIT INSTALLATION
 FIGURE 2A

EFFECTIVITY

(AES-TP-0022)
 25268 (NB322)

IPC SUPP - 23-32-51-02A

ILLUSTRATED PARTS CATALOG

FIG ITEM	PART No.	1 2 3 4 5 6 7 NOMENCLATURE	EFF. FROM TO	QTY
2A				
5	0234-233-757-001	MOUNTING BRACKET ASSY, CABIN CONTROL UNIT	952999	RF
10	931004	.CABIN CONTROL UNIT CMM REF. 44-21-40 VENDOR V70093	952999	1
20	0014PB	.VIDEO BALANCING TRANSFORMER	952999	1
30	0234-233-757-009	.MOUNTING BRACKET	952999	1
40	NAS602-4P	..SCREW, 10-32 PAN HD 0.312 LONG	952999	6
50	NAS1149DN0332J	..WASHER, No.10 (ELEC COND)	952999	6
60	NAS602-4P	..8-32 PAN HD 0.25 LONG	952999	4
70	NAS1149DN832J	..WASHER, No.8 (ELEC COND)	952999	4
80	MS21042LO6	..STIFFNUT, 6-32	952999	4
90	NAS1149DN632J	..WASHER, No.6 (ELEC COND)	952999	4

- Not illustrated

EFFECTIVITY

(AES-TP-0022)

25268 (NB322)

IPC SUPP - 23-32-51-02A

Boeing 757-200 First Choice Airways

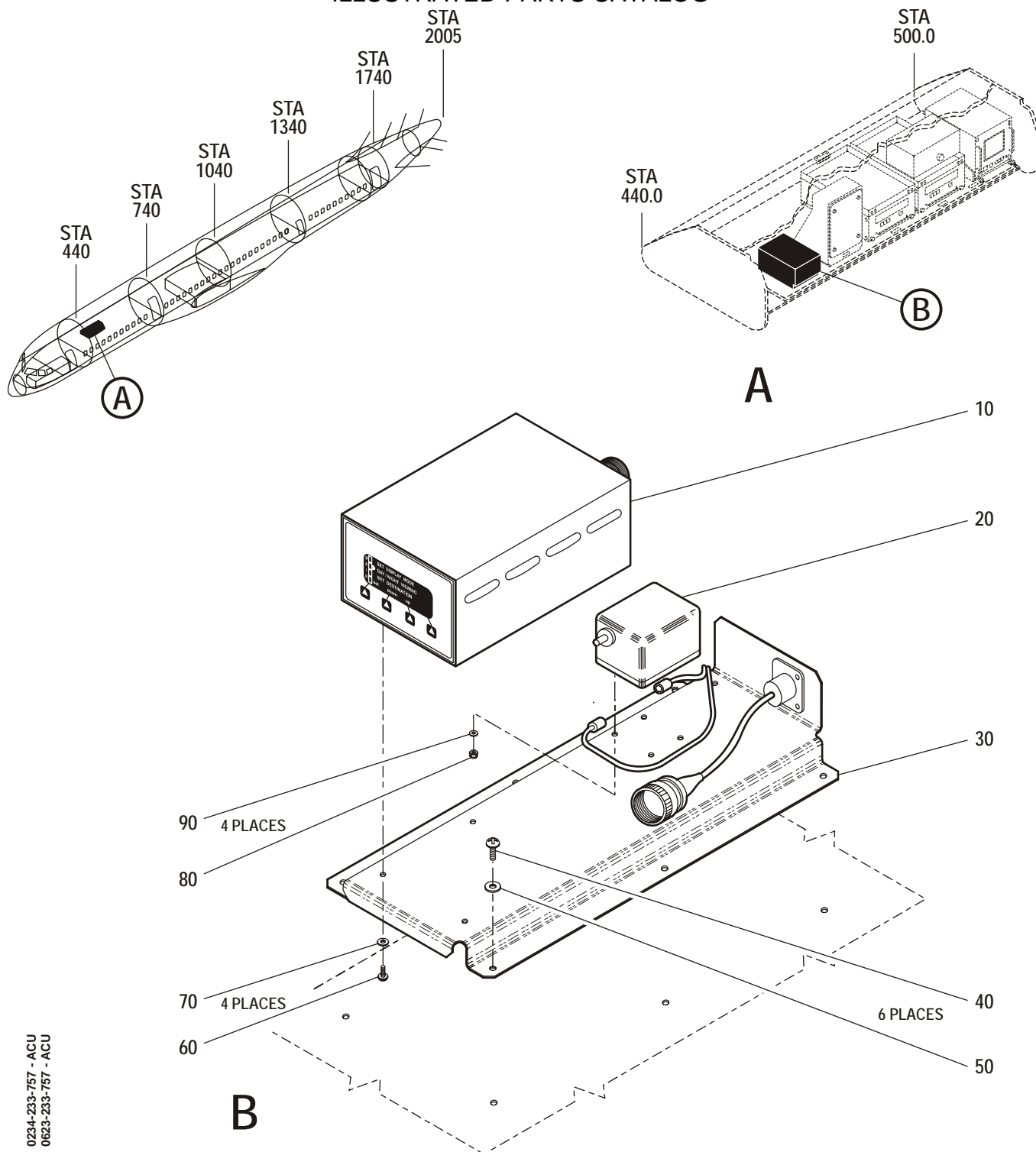
Technical
Publications Supplement

INTRODUCTION OF THE AIRSHOW SYSTEM

AES modifications AES-757-088,
AES-757-123, AES-757-217 and AES-757-277



ILLUSTRATED PARTS CATALOG



0234-233-757 - ACU
0623-233-757 - ACU

CABIN CONTROL UNIT INSTALLATION
FIGURE 2B

EFFECTIVITY

(AES-TP-0022)

27146 (NB506), 27147 (NB507), 29941 (NT404),
29942 (NT405), 29943 (NT406), 29944 (NT407),

IPC SUPP - 23-32-51-02B

ILLUSTRATED PARTS CATALOG

FIG ITEM	PART No.	1 2 3 4 5 6 7 NOMENCLATURE	EFF. FROM TO	QTY
2B 5	0234-233-757-003	MOUNTING BRACKET ASSY, CABIN CONTROL UNIT	002002 006006 504507	RF
10	931004	.CABIN CONTROL UNIT CMM REF. 41-21-40 VENDORS V70093	002002 006006 504507	1
20	264-1S	.VIDEO BALANCING TRANSFORMER	002002 006006 504507	1
30	0234-233-757-011	.MOUNTING BRACKET	002002 006006 504507	1
40	NAS602-4P	. .SCREW, 10-32 PAN HD 0.312 LONG	002002 006006 504507	6
50	NAS1149DN0332J	. .WASHER, No.10 (ELEC COND)	002002 006006 504507	6
60	NAS602-4P	. .SCREW, 8-32 PAN HD 0.25 LONG	002002 006006 504507	4
70	NAS1149DN832J	. .WASHER, No.8 (ELEC COND)	002002 006006 504507	4
80	MS21042LO6	. .STIFFNUT, 6-32	002002 006006 504507	4
90	NAS1149DN632J	. .WASHER, No.6 (ELEC COND)	002002 006006 504507	4

- Not illustrated

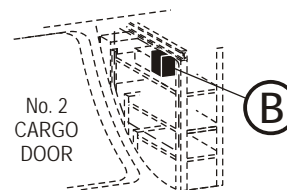
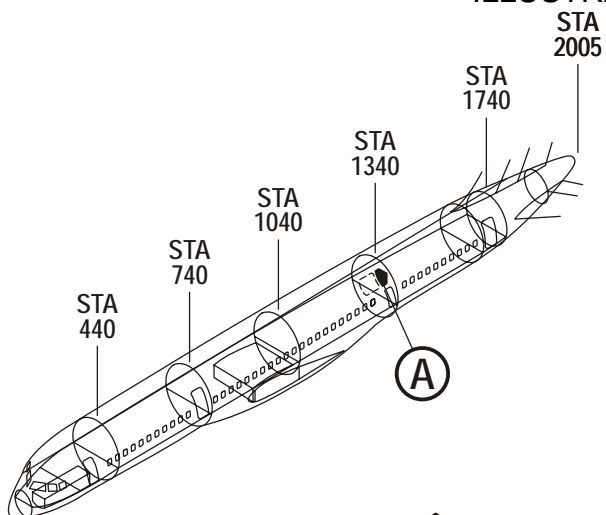
EFFECTIVITY

(AES-TP-0022)

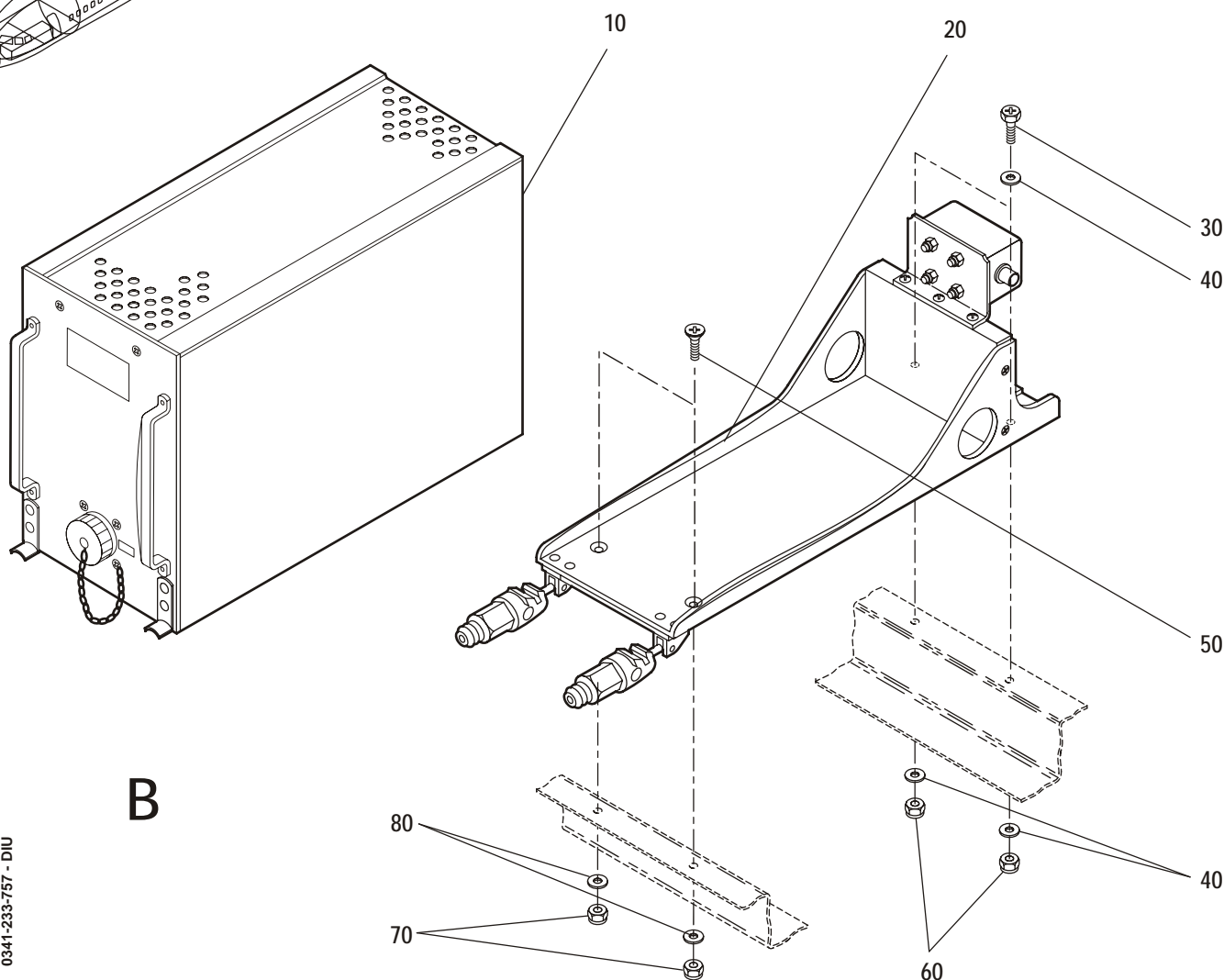
27146 (NB506), 27147 (NB507), 29941 (NT404).
 29942 (NT405), 29943 (NT406), 29944 (NT407),

IPC SUPP - 23-32-51-02B

ILLUSTRATED PARTS CATALOG



A AFT EQUIPMENT CENTER E6



0341-233-757 - DIU

DIGITAL INTERFACE UNIT - E6 EQUIPMENT INSTALLATION
FIGURE 1

EFFECTIVITY

(AES-TP-0022) 25268 (NB322),
 27146 (NB506), 27147 (NB507), 29941 (NT404),
 29942 (NT405), 29943 (NT406), 29944 (NT407),

IPC SUPP - 23-38-01

ILLUSTRATED PARTS CATALOG

FIG ITEM	PART No.	1 2 3 4 5 6 7 NOMENCLATURE	EFF. FROM TO	QTY
1				
5	0341-233-757-001	AIRSHOW EQUIPMENT INSTALLATION (DIU AND RAD ONLY) - E6 AFT EQUIPMENT CENTER	002002 006006 504507 952999	RF
10	. 921006	. DIGITAL INTERFACE UNIT CMM REF. 41-21-40 VENDORS V70093	002002 006006 504507 952999	1
20	914023-3	. ½ ATR TRAY (DIU) FORCED COOLING	002002 006006 504507 952999	1
30	NAS1801-3-8	. . SCREW, 10-32 HEX HEAD	002002 006006 504507 952999	2
40	NAS1149DO316J	. . WASHER, No 10 (ELEC COND)	002002 006006 504507 952999	4
50	BACS12GX08A8	. . SCREW, 8-32	002002 006006 504507 952999	2
60	BACN10YR3CD	. . STIFF NUT, 10-32	002002 006006 504507 952999	2
70	BACN10YR08CD	. . STIFF NUT, 8-32	002002 006006 504507 952999	2
80	NAS1149DO816J	. . WASHER, No 8 (ELEC COND)	002002 006006 504507 952999	6

- Not illustrated

EFFECTIVITY

(AES-TP-0022) 25268 (NB322),
 27146 (NB506), 27147 (NB507), 29941 (NT404),
 29942 (NT405), 29943 (NT406), 29944 (NT407),

IPC SUPP - 23-38-01

ILLUSTRATED PARTS CATALOG

FIG ITEM	PART No.	1 2 3 4 5 6 7 NOMENCLATURE	EFF. FROM TO	QTY
80	NAS1149DO816J	. . WASHER, No 8 (ELEC COND)	002002 006006 504507 952999	6
-90	RM3P32C2S67 S32C2S-0001	. . CONNECTOR	002002 006006 504507 952999	1

- Not illustrated

EFFECTIVITY

(AES-TP-0022) 25268 (NB322),
 27146 (NB506), 27147 (NB507), 29941 (NT404),
 29942 (NT405), 29943 (NT406), 29944 (NT407),

IPC SUPP - 23-38-01

**Boeing 757-200 INTRODUCTION OF PASSENGER
First Choice Airways ENTERTAINMENT SYSTEM**

*Technical
Publications Supplement*

*AES modifications AES-757-105,
AES-757-194 and AES-757-284*



AES Limited

PUBLICATION REVISION

Document No. AES-TP-0019

**Supplement to the
Boeing 757-200
Technical Publications**

TRANSMITTAL SHEET

**THE TECHNICAL INFORMATION CONTAINED IN THIS DOCUMENT
HAS BEEN APPROVED UNDER THE AUTHORITY OF
EASA DESIGN ORGANISATION APPROVAL No. EASA.21J.036**

Reason for Issue: To introduce a supplement to the Aircraft Maintenance Manual, Wiring Diagram Manual and Illustrated Parts Catalog to cover the introduction of an Passenger Entertainment System installed under cover of AES modifications AES-757-105, AES-757-194 and AES-757-284.

Project No.: 0818

DRN: 2447

Revision No.: Initial issue

EFFECTIVITY

(AES-TP-0019)

27146 (NB506), 27147 (NB507), 29941 (NT404),
29942 (NT405), 29943 (NT406), 29944 (NT407),

TRANSMITTAL

Page i
Aug 15/2007

Boeing 757-200 INTRODUCTION OF PASSENGER First Choice Airways ENTERTAINMENT SYSTEM

Technical
Publications Supplement

AES modifications AES-757-105,
AES-757-194 and AES-757-284



Manual & Chapter	Prepared by	Responsible for design	Date	Customer Verification Engineer / Approval		
				Stress	Design	Systems
AMM						
23-31	N GAUNT	<i>[Signature]</i>	15.8.07	<i>[Signature]</i>	<i>[Signature]</i>	<i>[Signature]</i>
23-32	N GAUNT	<i>[Signature]</i>	15.8.07	<i>[Signature]</i>	<i>[Signature]</i>	<i>[Signature]</i>
23-34	N GAUNT	<i>[Signature]</i>	15.08.07	<i>[Signature]</i>	<i>[Signature]</i>	<i>[Signature]</i>
WDM						
23-31	N GAUNT	<i>[Signature]</i>	15.8.07	N/A	<i>[Signature]</i>	<i>[Signature]</i>
23-32	N GAUNT	<i>[Signature]</i>	15.8.07	N/A	<i>[Signature]</i>	<i>[Signature]</i>
23-34	N GAUNT	<i>[Signature]</i>	15.08.07	N/A	<i>[Signature]</i>	<i>[Signature]</i>
IPC						
23-31	N GAUNT	<i>[Signature]</i>	15.8.07	<i>[Signature]</i>	<i>[Signature]</i>	<i>[Signature]</i>
23-32	N GAUNT	<i>[Signature]</i>	15.8.07	<i>[Signature]</i>	<i>[Signature]</i>	<i>[Signature]</i>
23-34	N GAUNT	<i>[Signature]</i>	15.08.07	<i>[Signature]</i>	<i>[Signature]</i>	<i>[Signature]</i>

EFFECTIVITY

(AES-TP-0019)

27146 (NB506), 27147 (NB507), 29941 (NT404),
29942 (NT405), 29943 (NT406), 29944 (NT407),

TRANSMITTAL

Page ii
Aug 15/2007

AIRCRAFT ILLUSTRATED PARTS CATALOG

LIST OF EFFECTIVE PAGES

CHAP-SECT-UNIT	PAGE No.	DATE	CHAP-SECT-UNIT	PAGE No.	DATE
EFFECTIVE PAGES	i	Aug 15/2007	23-32-08	2	Aug 15/2007
REVISIONS	ii	Aug 15/2007	23-32-08	3	Aug 15/2007
INTRODUCTION	iii	Aug 15/2007	23-32-08	4	Aug 15/2007
CONTENTS	iv	Aug 15/2007	23-34-01	1	Aug 15/2007
23-31-06	1	Aug 15/2007	23-34-01	1	Aug 15/2007
23-31-06	2	Aug 15/2007	23-34-01	3	Aug 15/2007
23-31-06	3	Aug 15/2007	23-34-01	4	Aug 15/2007
23-31-06	4	Aug 15/2007	23-34-02	1	Aug 15/2007
23-32-03	1	Aug 15/2007	23-34-02	2	Aug 15/2007
23-32-03	2	Aug 15/2007	23-34-02	3	Aug 15/2007
23-32-03	3	Aug 15/2007	23-34-02	4	Aug 15/2007
23-32-03	4	Aug 15/2007	23-34-03	1	Aug 15/2007
23-32-04	1	Aug 15/2007	23-34-03	2	Aug 15/2007
23-32-04	2	Aug 15/2007	23-34-03	3	Aug 15/2007
23-32-04	3	Aug 15/2007	23-34-03	4	Aug 15/2007
23-32-04	4	Aug 15/2007			
23-32-05	1	Aug 15/2007			
23-32-05	2	Aug 15/2007			
23-32-05	3	Aug 15/2007			
23-32-05	4	Aug 15/2007			
23-32-06	1	Aug 15/2007			
23-32-06	2	Aug 15/2007			
23-32-06	3	Aug 15/2007			
23-32-06	4	Aug 15/2007			
23-32-07	1	Aug 15/2007			
23-32-07	2	Aug 15/2007			
23-32-07	3	Aug 15/2007			
23-32-07	4	Aug 15/2007			
23-32-08	1	Aug 15/2007			

EFFECTIVITY

27146 (NB506), 27147 (NB507),
29941 (NT404), 29942 (NT405),
29943 (NT406), 29944 (NT407)

IPC SUPP--LEP

AIRCRAFT WIRING DIAGRAM MANUAL

RECORD OF REVISIONS

REV No.	INSERTION DATE	BY	REV No.	INSERTION DATE	BY	REV No.	INSERTION DATE	BY

EFFECTIVITY

27146 (NB506), 27147 (NB507), 29941 (NT404), 29942 (NT405), 29943 (NT406), 29944 (NT407)
--

AIRCRAFT ILLUSTRATED PARTS CATALOG

INTRODUCTION

- 1 This section supplements the manufacturer's aircraft illustrated parts catalog.
- 2 Aircraft applicability and effectivity codes are given in the table below (in customer effectivity code order).

Registration	Manufacturer's serial number (variant No).	Customer effectivity code	Customer effectivity code terminator
G-OOBJ	27147 (NB507)	002	-
G-OOBI	27146 (NB506)	006	-
G-CPEU	29941 (NT404)	504	-
G-OOBG	29942 (NT405)	505	-
G-CPEV	29943 (NT406)	506	-
G-OOBH	29944 (NT407)	507	-

EFFECTIVITY

27146 (NB506), 27147 (NB507),
29941 (NT404), 29942 (NT405),
29943 (NT406), 29944 (NT407)

IPC SUPP--INTRO

AIRCRAFT ILLUSTRATED PARTS CATALOG

TABLE OF CONTENTS

SUBJECT	CHAPTER SECTION UNIT	PAGEBLOCK
PRE-RECORDED ANNOUNCEMENT MODULE (PRAM)	23-31-06	1
PROGRAMMABLE SYSTEM CONTROL UNIT	23-32-03	1
VIDEO TAPE REPRODUCER	23-32-04	1
VIDEO DISTRIBUTION UNIT	23-32-05	1
FIXED OVERHEAD LCD MONITOR	23-32-06	1
FIXED BULKHEAD LCD MONITOR	23-32-07	1
RETRACTABLE OVERHEAD LCD MONITOR	23-32-08	1
MAIN MULTIPLEXER	23-34-01	1
CD PLAYER	23-34-02	1
BUILT-IN TEST EQUIPMENT (BITE) PANEL	23-34-03	1

EFFECTIVITY

27146 (NB506), 27147 (NB507),
29941 (NT404), 29942 (NT405),
29943 (NT406), 29944 (NT407)

IPC SUPP--TOC

PRE-RECORDED ANNOUNCEMENT MODULE (PRAM)

INTRODUCTION

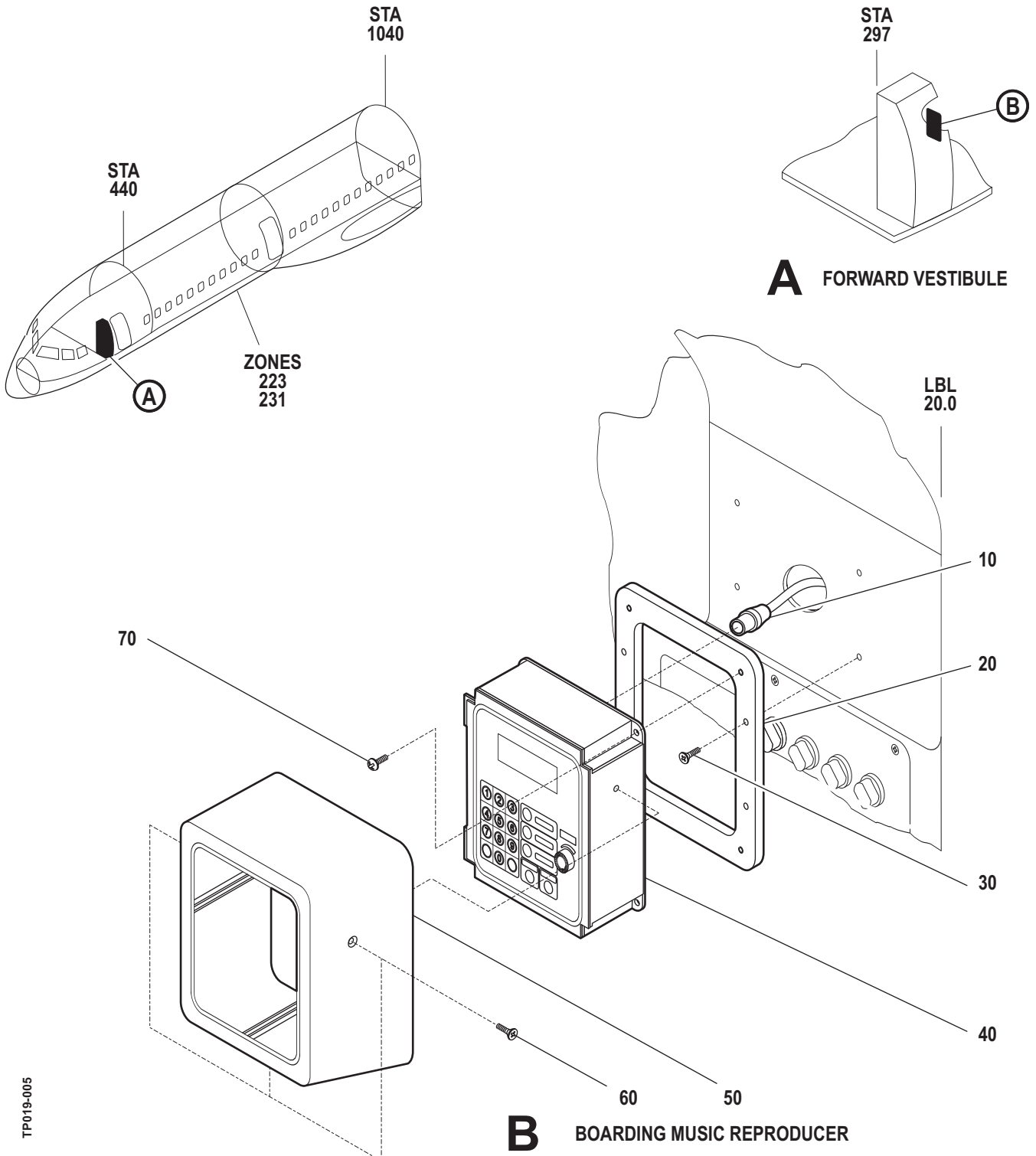
- 1 This document supplements this pageblock of the aircraft illustrated parts catalog.

EFFECTIVITY

27146 (NB506), 27147 (NB507),
29941 (NT404), 29942 (NT405),
29943 (NT406), 29944 (NT407)

IPC SUPP - 23-31-06

Page 1
Aug 15/2007



TP019-005

Fig 1 BOARDING MUSIC TAPE REPRODUCER

EFFECTIVITY

27146 (NB506), 27147 (NB507),
29941 (NT404), 29942 (NT405),
29943 (NT406), 29944 (NT407)

IPC SUPP - 23-31-06

FIG ITEM	PART NO.	NOMENCLATURE 1 2 3 4 5 6 7	EFF.		QTY
			FROM	TO	
1	0354-233-757-001	PRE-RECORDED ANNOUNCEMENT MODULE (PRAM)	002002 006006 504507		
10	BACC45FT16-24S	. CONNECTOR, PLUG ELECTRICAL EQUIP. CODE: AES-D9111	002002 006006 504507		1
20	0354-233-757-005	. MOUNTING PANEL ASSY.	002002 006006 504507		1
30	MS24693-A50	. SCREW, 100 deg. COUNTERSINK HEAD, 8-32	002002 006006 504507		4
40	RD-AX7360-02	. SOLID STATE WALL MOUNTED PRAM SUPPLIER CODE: V0FF57 ELECTRICAL EQUIP. CODE: AES-M90041 COMPONENT MAINTENANCE MANUAL REF: 23-31-18	002002 006006 504507		1
50	R6KM452ZA	. . COVER	002002 006006 504507		1
60	R6XXS28P13H	. . SCREW	002002 006006 504507		3
70	NAS602-4	. SCREW, PAN HEAD, 8-32	002002 006006 504507		4
-80	0354-233-757-009	. SPACER	002002 006006 504507		1

- Not illustrated

EFFECTIVITY

27146 (NB506), 27147 (NB507),
29941 (NT404), 29942 (NT405),
29943 (NT406), 29944 (NT407)

Boeing 757-200

First Choice Airways

*AES modifications AES-757-105,
AES-757-194 and AES-757-284*

ILLUSTRATED PARTS CATALOG

Technical Publications Supplement AES-TP-019

**INTRODUCTION OF A PASSENGER
ENTERTAINMENT (VIDEO) SYSTEM**



INTENTIONALLY LEFT BLANK

EFFECTIVITY

IPC SUPP - 23-31-06

Page 4
Aug 15/2007

SYSTEM CONTROL UNIT

INTRODUCTION

- 1 This document supplements this pageblock of the aircraft illustrated parts catalog.

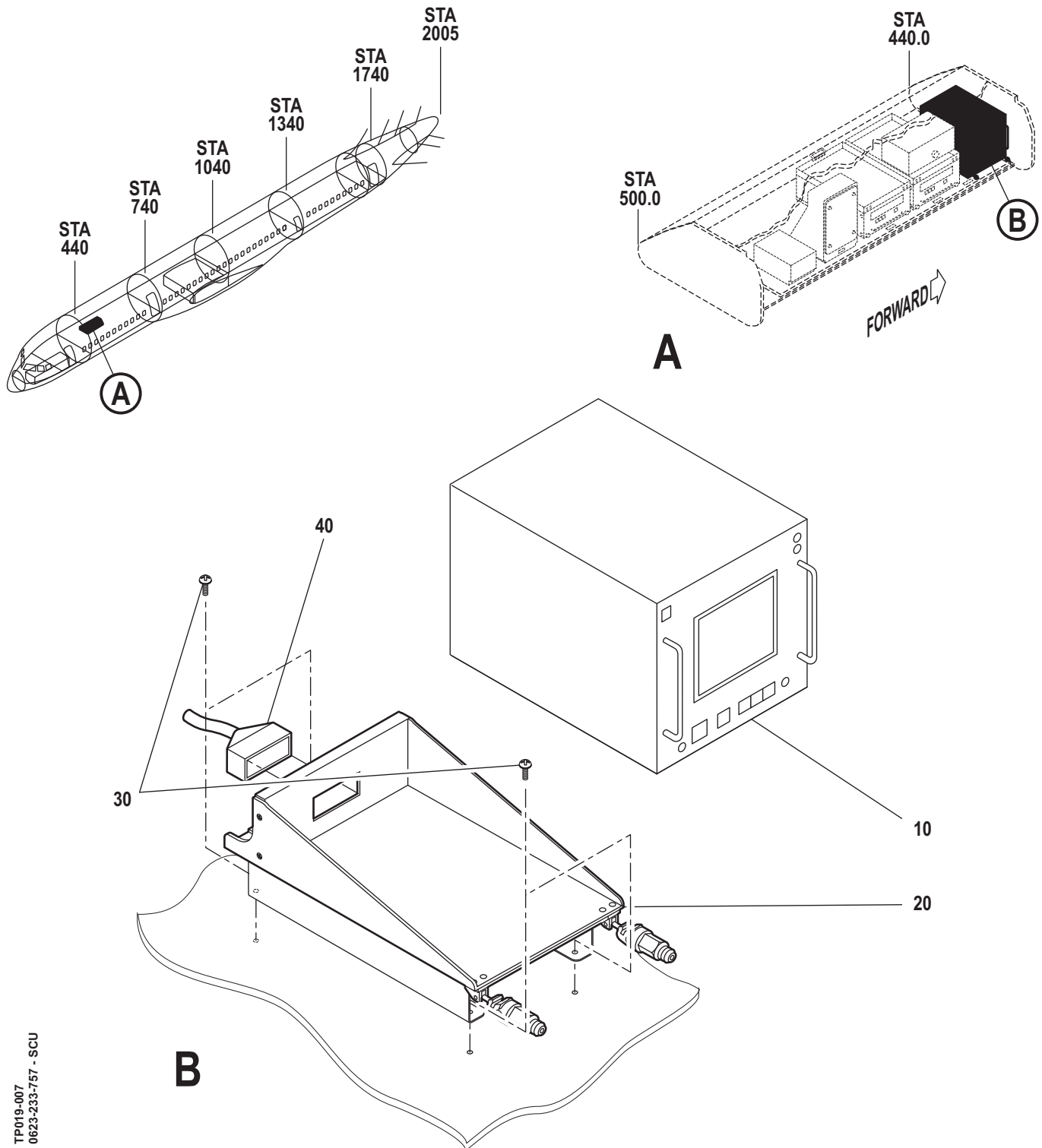
EFFECTIVITY

27146 (NB506), 27147 (NB507),
29941 (NT404), 29942 (NT405),
29943 (NT406), 29944 (NT407)

IPC SUPP - 23-32-03

Page 1
Aug 15/2007

**INTRODUCTION OF A PASSENGER
ENTERTAINMENT (VIDEO) SYSTEM**



TP019-007
0623-233-757 - SCU

Fig 1 SYSTEM CONTROL UNIT

EFFECTIVITY

27146 (NB506), 27147 (NB507),
29941 (NT404), 29942 (NT405),
29943 (NT406), 29944 (NT407)

IPC SUPP - 23-32-03

FIG ITEM	PART NO.	NOMENCLATURE 1 2 3 4 5 6 7	EFF.		QTY
			FROM	TO	
1	0623-233-757-005	PROGRAMMABLE SYSTEM CONTROL UNIT, VIDEO SYSTEM	002002	006006	
			507507		
1	0346-233-757-005		504504	506506	
10	RD-AV3007-05	UNIT, VIDEO SYSTEM CONTROL SUPPLIER CODE: V0FF57 ELECTRICAL EQUIP CODE: AES-M90013 COMPONENT MAINT MANUAL REF:44-21-07	002002	006006	1
			504507		
20	RD-AV9104	. TRAY, VIDEO SYSTEM CONTROL UNIT SUPPLIER CODE: V0FF57	002002	006006	1
			504507		
30	BACS12FA3K6	. . SCREW, WASHER HEAD - 10-32	002002	006006	4
			504507		
40	DPX2MA32W4SD106P6 7S33B0068	. CONNECTOR ELECTRICAL EQUIP CODE: AES-D9050	002002	006006	1
			504507		

- Not illustrated

EFFECTIVITY

27146 (NB506), 27147 (NB507),
29941 (NT404), 29942 (NT405),
29943 (NT406), 29944 (NT407)

Boeing 757-200

First Choice Airways

*AES modifications AES-757-105,
AES-757-194 and AES-757-284*

ILLUSTRATED PARTS CATALOG

Technical Publications Supplement AES-TP-019

**INTRODUCTION OF A PASSENGER
ENTERTAINMENT (VIDEO) SYSTEM**



INTENTIONALLY LEFT BLANK

EFFECTIVITY

IPC SUPP - 23-32-03

Page 4
Aug 15/2007

VIDEO CASSETTE PLAYER

INTRODUCTION

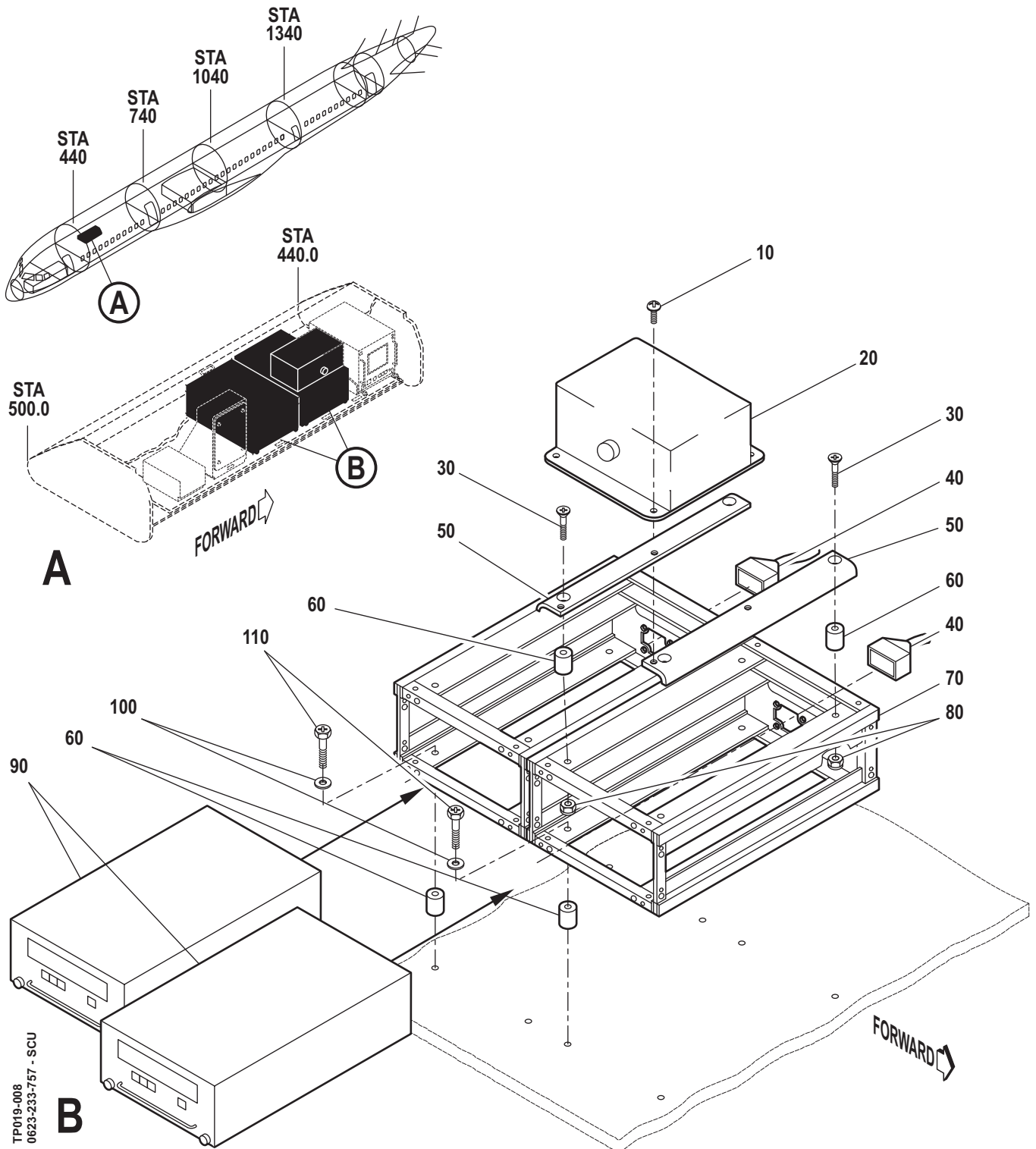
- 1 This document supplements this pageblock of the aircraft illustrated parts catalog.

EFFECTIVITY

27146 (NB506), 27147 (NB507),
29941 (NT404), 29942 (NT405),
29943 (NT406), 29944 (NT407)

IPC SUPP - 23-32-04

Page 1
Aug 15/2007



TP019-008
0623-233-757 - SCU

Fig 1 VIDEO CASSETTE PLAYER INSTALLATION

EFFECTIVITY

27146 (NB506), 27147 (NB507),
29941 (NT404), 29942 (NT405),
29943 (NT406), 29944 (NT407)

IPC SUPP - 23-32-04

FIG ITEM	PART NO.	NOMENCLATURE	EFF.		QTY
			FROM	TO	
1	0623-233-757-005	VIDEO EQUIPMENT ASSEMBLY	002002		
			006006		
			505505		
			507507		
1	0346-233-757-005		504504		
			506506		
10	BACS12ER3K6	. . SCREW, 10-32, 100 DEG CSK HEAD	002002		4
			006006		
			504507		
20	RD-AV9115	. STOWAGE, CASSETTE SUPPLIER CODE: V0FF57	002002		1
			006006		
			504507		
30	BACS12ER3K12	. . . SCREW, 10-32, 100 DEG CSK HEAD	002002		4
			006006		
			504507		
40	DPXBMA67-33S0001	. CONNECTOR SUPPLIER CODE: ITT CANNON ELECTRICAL EQUIP CODE-VCR1: AES-D9051 ELECTRICAL EQUIP CODE-VCR2: AES-D9052	002002		2
			006006		
			504507		
50	106206	. . ADAPTER, MOUNTING - STOWAGE, CASSETTE SUPPLIER CODE: V0FF57	002002		2
			006006		
			504507		
60	NAS43DD3-22FC	. . . SPACER	002002		12
			006006		
			504507		
70	105004	. TRAY ASSEMBLY - DUAL SUPPLIER CODE: V0FF57	002002		1
			006006		
			504507		
80	MS21042-3	. . . NUT, SELF LOCKING	002002		4
			006006		
			504507		
90	RD-AV1217-01	PLAYER - VIDEO CASSETTE SUPPLIER CODE: V0FF57 ELECTRICAL EQUIP CODE-VCR1: AES-M90014 ELECTRICAL EQUIP CODE-VCR2: AES-M90015 COMPONENT MAINT MANUAL REF: 23-37-02	002002		2
			006006		
			504507		
100	NAS1149DO316H	. . WASHER, PLAIN	002002		8
			006006		
			504507		

- Not illustrated

EFFECTIVITY

27146 (NB506), 27147 (NB507),
29941 (NT404), 29942 (NT405),
29943 (NT406), 29944 (NT407)

Boeing 757-200

First Choice Airways

AES modifications AES-757-105,
AES-757-194 and AES-757-284

ILLUSTRATED PARTS CATALOG

Technical Publications Supplement AES-TP-019

INTRODUCTION OF A PASSENGER ENTERTAINMENT (VIDEO) SYSTEM



FIG ITEM	PART NO.	NOMENCLATURE							EFF. FROM TO		QTY
		1	2	3	4	5	6	7			
110	NAS1801-3-11	.	.	SCREW							8
									002002		
									006006		
									504507		

- Not illustrated

EFFECTIVITY

27146 (NB506), 27147 (NB507),
29941 (NT404), 29942 (NT405),
29943 (NT406), 29944 (NT407)

IPC SUPP - 23-32-04

VIDEO DISTRIBUTION UNIT

INTRODUCTION

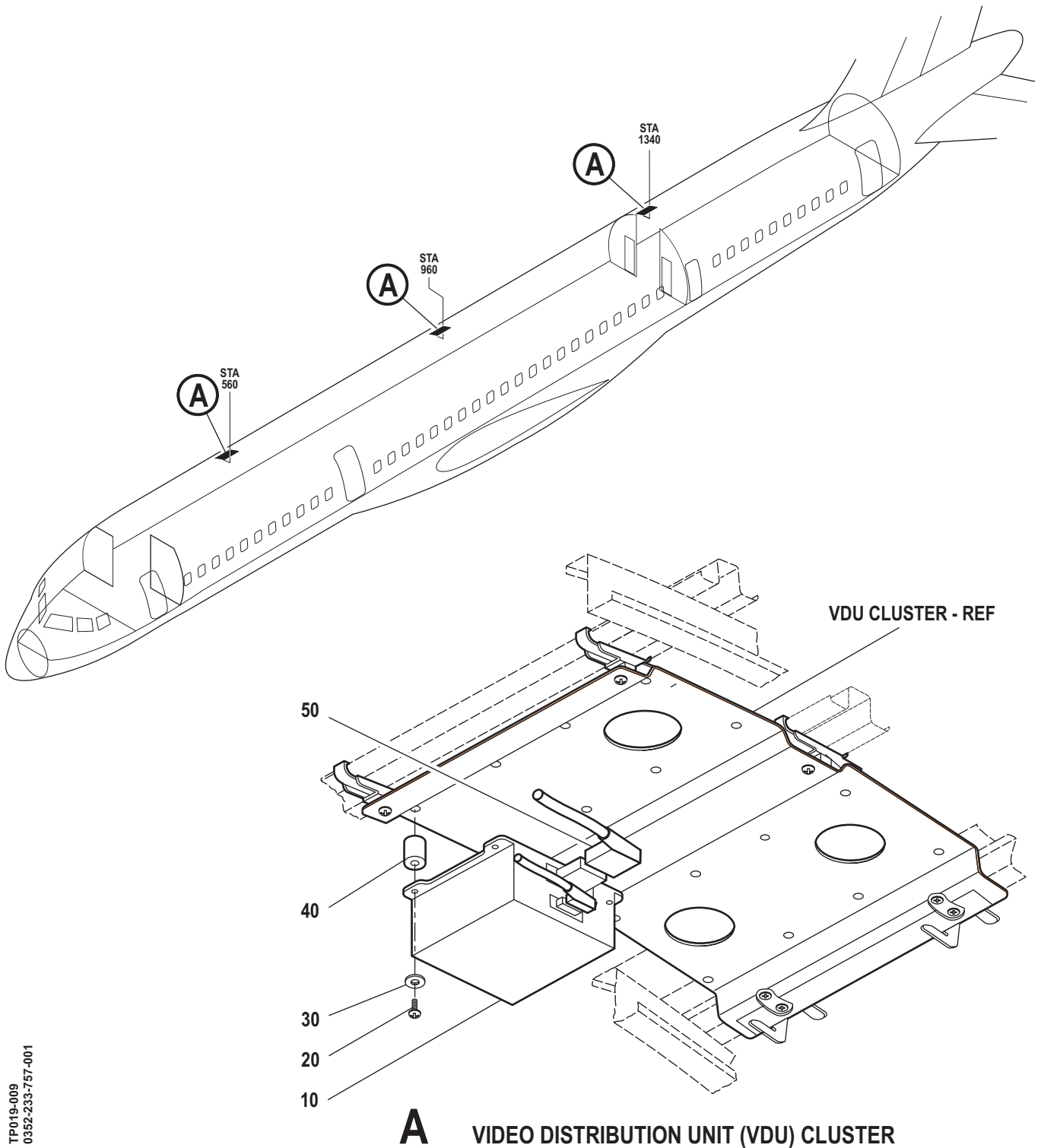
- 1 This document supplements this pageblock of the aircraft illustrated parts catalog.

EFFECTIVITY

27146 (NB506), 27147 (NB507),
29941 (NT404), 29942 (NT405),
29943 (NT406), 29944 (NT407)

IPC SUPP - 23-32-05

Page 1
Aug 15/2007



A VIDEO DISTRIBUTION UNIT (VDU) CLUSTER
Fig 1 VIDEO DISTRIBUTION UNIT

TP019-009
0352-233-757-001

EFFECTIVITY

27146 (NB506), 27147 (NB507),
29941 (NT404), 29942 (NT405),
29943 (NT406), 29944 (NT407)

FIG ITEM	PART NO.	NOMENCLATURE 1 2 3 4 5 6 7	EFF.		QTY
			FROM	TO	
1	0352-233-757-001	VIDEO EQUIPMENT INSTALLATION (VDU CLUSTER)	002002		
			006006		
			504507		
10	RD-AV4002-10	. VIDEO DISTRIBUTION UNIT SUPPLIER CODE: V0FF57 ELECTRICAL EQUIP CODES: AES-M90017, AES-M90020, AES-M90021, AES-M90022, AES-M90024, AES-M90027, AES-M90029, AES-M90030, AES-M90032, AES-M90034, AES-M90037, AES-M90038, COMPONENT MAINT MANUAL REF: 23-32-13	002002		12
			006006		
			504507		
20	BACS12GU3K17	. . SCREW,	002002		24
			006006		
			504507		
20	BACS12GU3K9	. . SCREW,	002002		24
			006006		
			504507		
30	NAS1149DO332J	. . WASHER	002002		48
			006006		
			504507		
40	BACS18R50B	. . SPACER	002002		24
			006006		
			504507		
50	CAMA11W1PEK87	. CONNECTOR SUPPLIER CODE: V71771 ELECTRICAL EQUIP CODES: AES-D9056P1, AES-D9057P2, AES-D9062P1, AES-D9065P1, AES-D9068P2, AES-D9073P1, AES-D9074P2, AES-D9081P1, AES-D9084P1, AES-D9085P2, AES-D9090P1, COMPLIANT WITH CAA AD005-02-2000 REV 2	504507		11
50	CAMA11W1PEK87	.CONNECTOR SUPPLIER CODE: V71771 ELECTRICAL EQUIP CODES: AES-D9056P1, AES-D9057P2, AES-D9062P1, AES-D9065P1, AES-D9068P2, AES-D9073P1, AES-D9074P2, AES-D9081P1, AES-D9084P1, AES-D9085P2, AES-D9090P1, AES-D9175P2 COMPLIANT WITH CAA AD005-02-2000 REV 2	002002		12
			006006		

- Not illustrated

EFFECTIVITY

27146 (NB506), 27147 (NB507),
29941 (NT404), 29942 (NT405),
29943 (NT406), 29944 (NT407)

Boeing 757-200

First Choice Airways

*AES modifications AES-757-105,
AES-757-194 and AES-757-284*

ILLUSTRATED PARTS CATALOG

Technical Publications Supplement AES-TP-019

**INTRODUCTION OF A PASSENGER
ENTERTAINMENT (VIDEO) SYSTEM**



INTENTIONALLY LEFT BLANK

EFFECTIVITY

IPC SUPP - 23-32-05

Page 4
Aug 15/2007

FIXED OVERHEAD LCD MONITOR

INTRODUCTION

- 1 This document supplements this pageblock of the aircraft illustrated parts catalog.

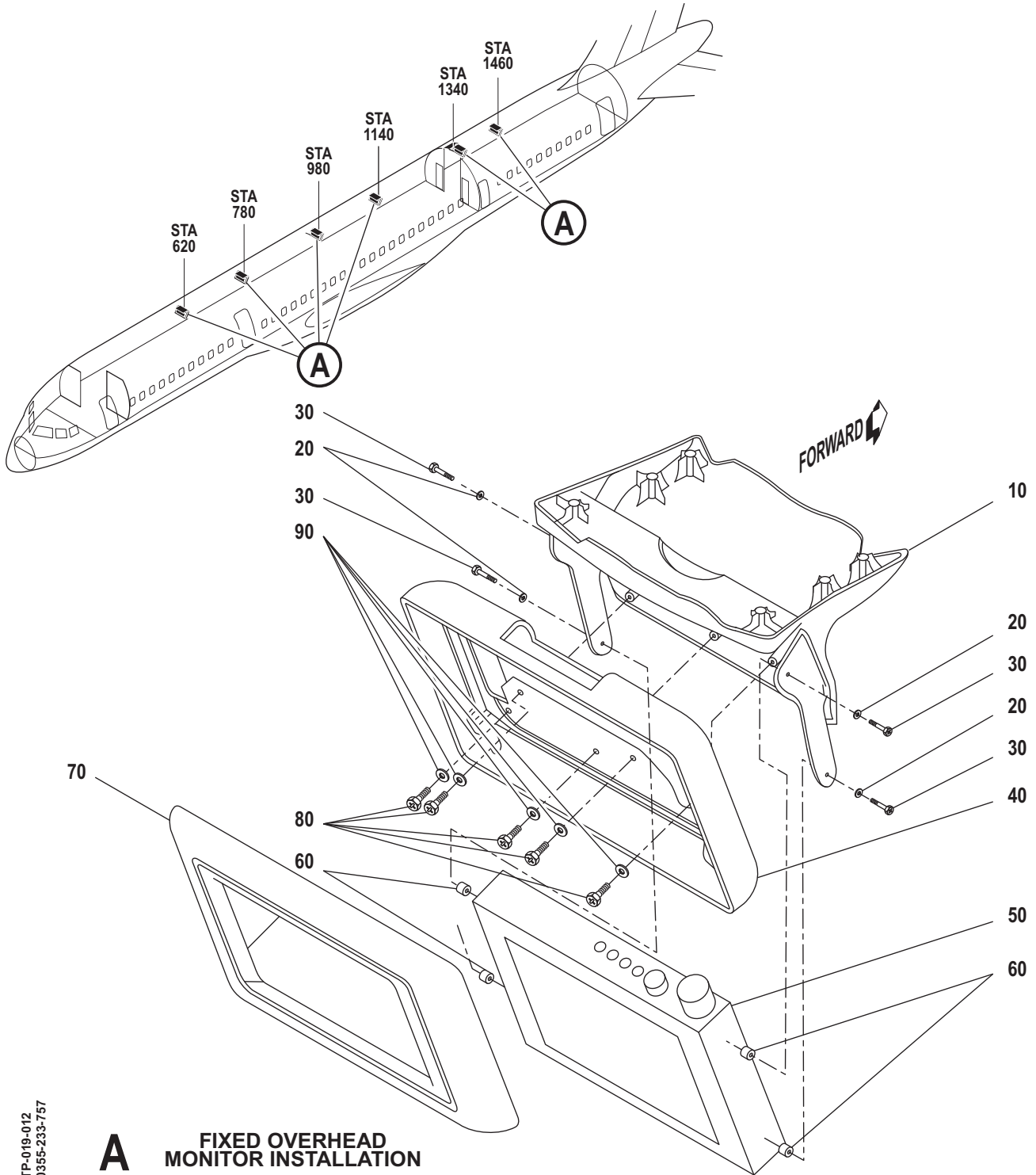
EFFECTIVITY

27146 (NB506), 27147 (NB507),
29941 (NT404), 29942 (NT405),
29943 (NT406), 29944 (NT407)

IPC SUPP - 23-32-06

Page 1
Aug 15/2007

**INTRODUCTION OF A PASSENGER
ENTERTAINMENT (VIDEO) SYSTEM**



A **FIXED OVERHEAD
MONITOR INSTALLATION**

Fig 1 FIXED OVERHEAD LCD MONITOR

TP-019-012
0355-233-757

EFFECTIVITY

27146 (NB506), 27147 (NB507),
29941 (NT404), 29942 (NT405),
29943 (NT406), 29944 (NT407)

IPC SUPP - 23-32-06

FIG ITEM	PART NO.	NOMENCLATURE 1 2 3 4 5 6 7	EFF.		QTY
			FROM	TO	
1	0355-233-757-001	MONITOR INSTALLATION, OVERHEAD (MAIN CABIN)	504507		1
1	0800-233-757-001		002002 006006		1
10	477W1120-31B	. CARRIAGE ASSEMBLY	002002 006006 504507		6
20	NAS1149D632J	. . WASHER	002002 006006 504507		4
30	BACB30LK06-7	. . BOLT, 6-32	002002 006006 504507		4
40	0381-233-757-003	. REAR SHROUD ASSEMBLY	002002 006006 504507		1
50	RD-AV7143-01	MONITOR, 13.8 INCH - LCD, FIXED SUPPLIER CODE: V0FF57 ELECTRICAL EQUIP CODE: tbd COMPONENT MAINT MANUAL REF: 23-32-98	002002 006006 504507		1
60	BACS18K8-14W	. . SPACER	002002 006006 504507		4
70	0381-233-757-005	. FRONT SHROUD ASSEMBLY	002002 006006 504507		1
80	BACB30LK3-2	. . BOLT, 10-32	002002 006006 504507		5
90	NAS1149D332J	. . WASHER	002002 006006 504507		5
- Not illustrated					

EFFECTIVITY
27146 (NB506), 27147 (NB507),
29941 (NT404), 29942 (NT405),
29943 (NT406), 29944 (NT407)

Boeing 757-200

First Choice Airways

*AES modifications AES-757-105,
AES-757-194 and AES-757-284*

ILLUSTRATED PARTS CATALOG

Technical Publications Supplement AES-TP-019

**INTRODUCTION OF A PASSENGER
ENTERTAINMENT (VIDEO) SYSTEM**



INTENTIONALLY LEFT BLANK

EFFECTIVITY

IPC SUPP - 23-32-06

Page 4
Aug 15/2007

FIXED BULKHEAD LCD MONITOR

INTRODUCTION

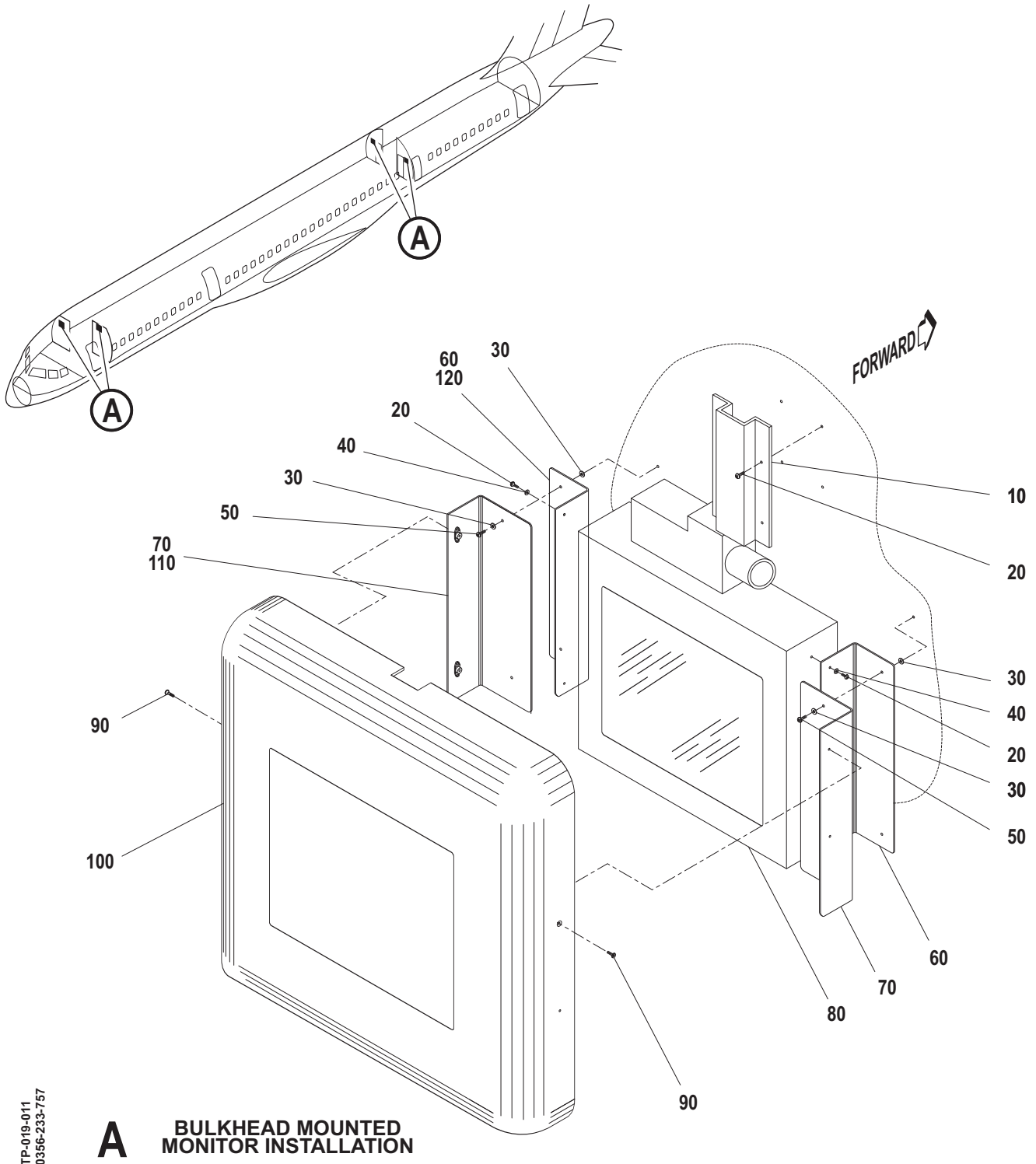
- 1 This document supplements this pageblock of the aircraft illustrated parts catalog.

EFFECTIVITY

27146 (NB506), 27147 (NB507),
29941 (NT404), 29942 (NT405),
29943 (NT406), 29944 (NT407)

IPC SUPP - 23-32-07

Page 1
Aug 15/2007



TP-019-011
0356-233-757

Fig 1 FIXED BULKHEAD LCD MONITOR

EFFECTIVITY

27146 (NB506), 27147 (NB507),
29941 (NT404), 29942 (NT405),
29943 (NT406), 29944 (NT407)

IPC SUPP - 23-32-07

FIG ITEM	PART NO.	NOMENCLATURE 1 2 3 4 5 6 7	EFF.		QTY
			FROM	TO	
1	0829-233-757-001	MONITOR INSTALLATION - BULKHEADS	002002		1
			006006		
1	0356-233-757-001		504507		1
10	0829-233-757-013	. . COVER - TOP HAT SECTION (LAV C AND LAV D ONLY)	002002		1
			006006		
10	0356-233-757-013		504507		1
20	NAS601-4	. . . SCREW, PAN HEAD - 6-32	002002		8
			006006		
			504507		
30	NAS1149DO332J	. . . WASHER	002002		8
			006006		
			504507		
40	NAS1149DO632J	. . . WASHER	002002		4
			006006		
			504507		
50	NAS601-4	. . . SCREW, PAN HEAD - 6-32	002002		4
			006006		
			504507		
60	0185-233-757-013	. . BRACKET (EXCEPT RIGHT FRONT)	002002		2
			006006		
			504507		
60	0356-233-757-012	. . BRACKET (RIGHT FRONT ONLY)	504507		1
60	0829-233-757-012	. . BRACKET (RIGHT FRONT ONLY)	002002		1
			006006		
70	0185-233-757-067	. . BRACKET ASSEMBLY (EXCEPT RIGHT FRONT)	002002		2
			006006		
			504507		
70	0356-233-757-008	. . BRACKET ASSEMBLY (RIGHT FRONT ONLY)	504507		1
70	0829-233-757-008	. . BRACKET ASSEMBLY (RIGHT FRONT ONLY)	002002		1
			006006		
80	RD-AV7093-01	. MONITOR - 9.3 INCH LCD SUPPLIER CODE: V0FF57 ELECTRICAL EQUIP CODE: VARIOUS COMPONENT MAINT MANUAL REF: 44-20-31	002002		1
			006006		


- Not illustrated

EFFECTIVITY

27146 (NB506), 27147 (NB507),
29941 (NT404), 29942 (NT405),
29943 (NT406), 29944 (NT407)

FIG ITEM	PART NO.	NOMENCLATURE 1 2 3 4 5 6 7	EFF.		QTY
			FROM	TO	
80	RD-AV7093-01	. MONITOR - 9.3 INCH LCD SUPPLIER CODE: V0FF57 ELECTRICAL EQUIP CODE: VARIOUS COMPONENT MAINT MANUAL REF: 44-20-31	504507		1
90	NAS517-2-2	. . . SCREW, 100 DEG. CSK. HD - 8-32	002002 006006 504507		4
100	300-1200	. . SHROUD ASSEMBLY	002002 006006 504507		4
110	0356-233-757-007	. . BRACKET	504507		1
110	0829-233-757-007	. . BRACKET	002002 006006		1
120	0356-233-757-011	. . BRACKET ASSEMBLY	504507		1
120	0829-233-757-011	. . BRACKET ASSEMBLY	002002 006006		1

- Not illustrated

EFFECTIVITY 

RETRACTABLE OVERHEAD LCD MONITOR

INTRODUCTION

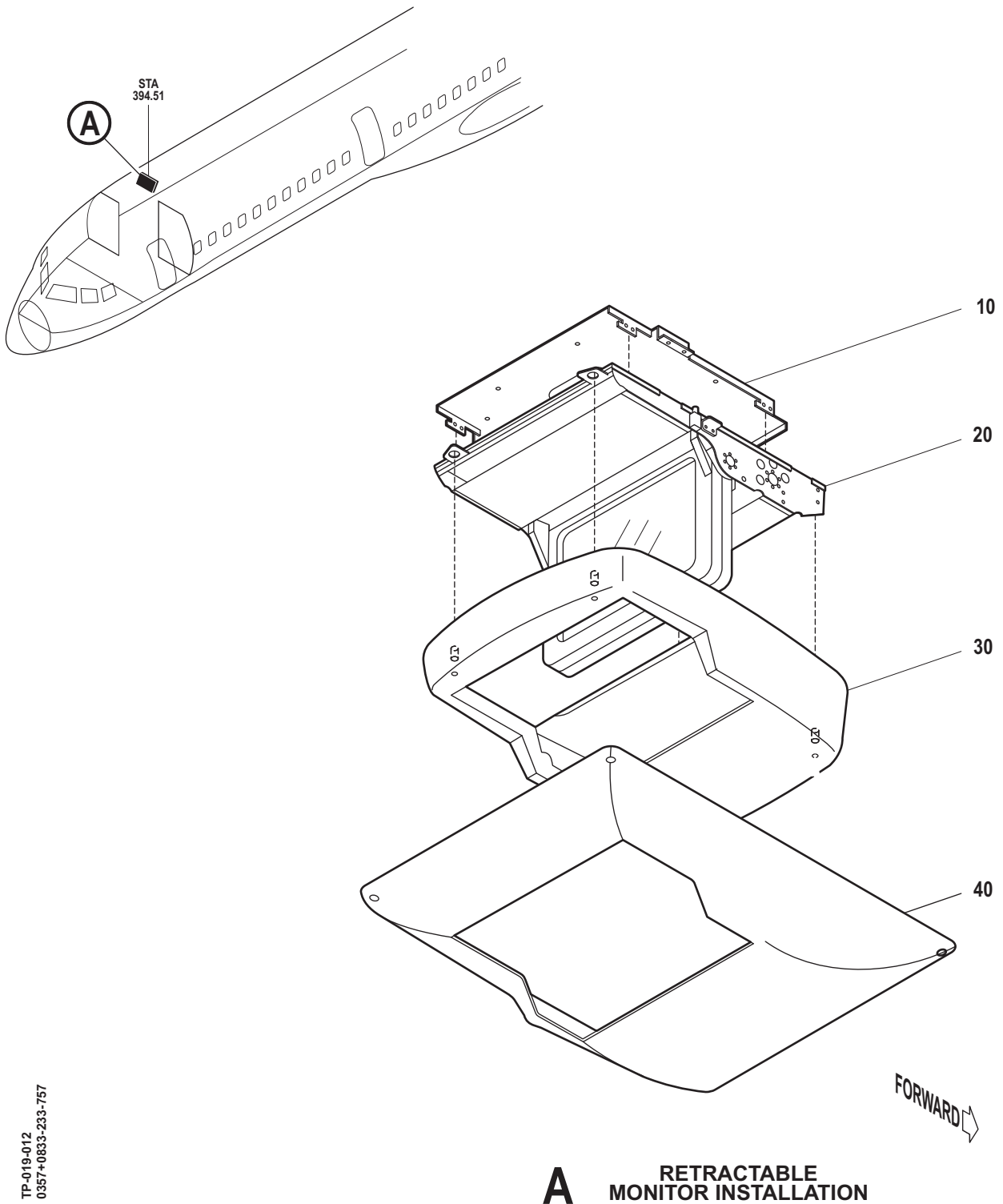
- 1 This document supplements this pageblock of the aircraft illustrated parts catalog.

EFFECTIVITY

27146 (NB506), 27147 (NB507),
29941 (NT404), 29942 (NT405),
29943 (NT406), 29944 (NT407)

IPC SUPP - 23-32-08

Page 1
Aug 15/2007



TP-019-012
0357+0833-233-757

**A RETRACTABLE
MONITOR INSTALLATION**

Fig 1 RETRACTABLE OVERHEAD LCD MONITOR

EFFECTIVITY

27146 (NB506), 27147 (NB507),
29941 (NT404), 29942 (NT405),
29943 (NT406), 29944 (NT407)

IPC SUPP - 23-32-08

FIG ITEM	PART NO.	NOMENCLATURE	EFF.		QTY
			FROM	TO	
1	0357-233-757	RETRACTABLE OVERHEAD LCD MONITOR	504507		1
1	0833-233-757		002002		1
			006006		
10	RDAM4940-01	. . BRACKET	002002		1
			006006		
			504507		
20	A298510-1A	. MONITOR - 14 INCH RETRACTABLE SUPPLIER CODE: V0FF57 ELECTRICAL EQUIP CODE: AES-M90019 COMPONENT MAINT MANUAL REF: 23-32-99	002002		1
			006006		
			504507		
30	A298510-1A	. . SHROUD	002002		1
			006006		
			504507		
40	417N 7301-103B	. CLOSE-OUT ASSEMBLY	002002		1
			006006		
			504507		

- Not illustrated

EFFECTIVITY

27146 (NB506), 27147 (NB507),
29941 (NT404), 29942 (NT405),
29943 (NT406), 29944 (NT407)

IPC SUPP - 23-32-08

Boeing 757-200

First Choice Airways

*AES modifications AES-757-105,
AES-757-194 and AES-757-284*

ILLUSTRATED PARTS CATALOG

Technical Publications Supplement AES-TP-019

**INTRODUCTION OF A PASSENGER
ENTERTAINMENT (VIDEO) SYSTEM**



INTENTIONALLY LEFT BLANK

EFFECTIVITY

IPC SUPP - 23-32-08

Page 4
Aug 15/2007

MAIN MULTIPLEXER

INTRODUCTION

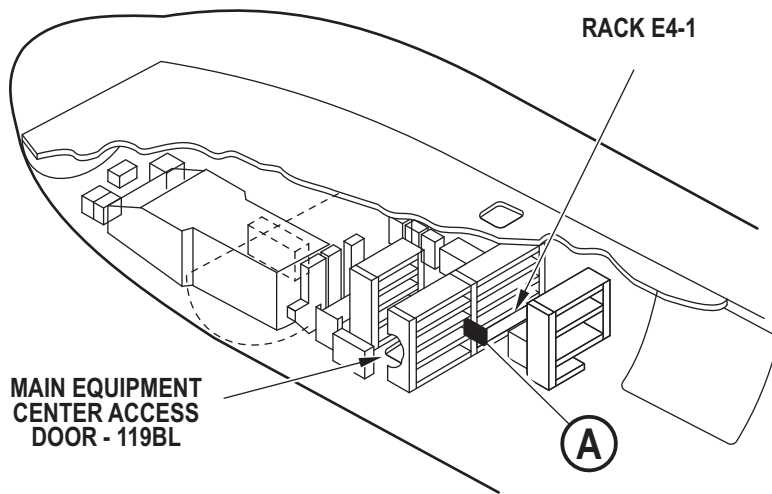
- 1 This document supplements this pageblock of the aircraft illustrated parts

EFFECTIVITY

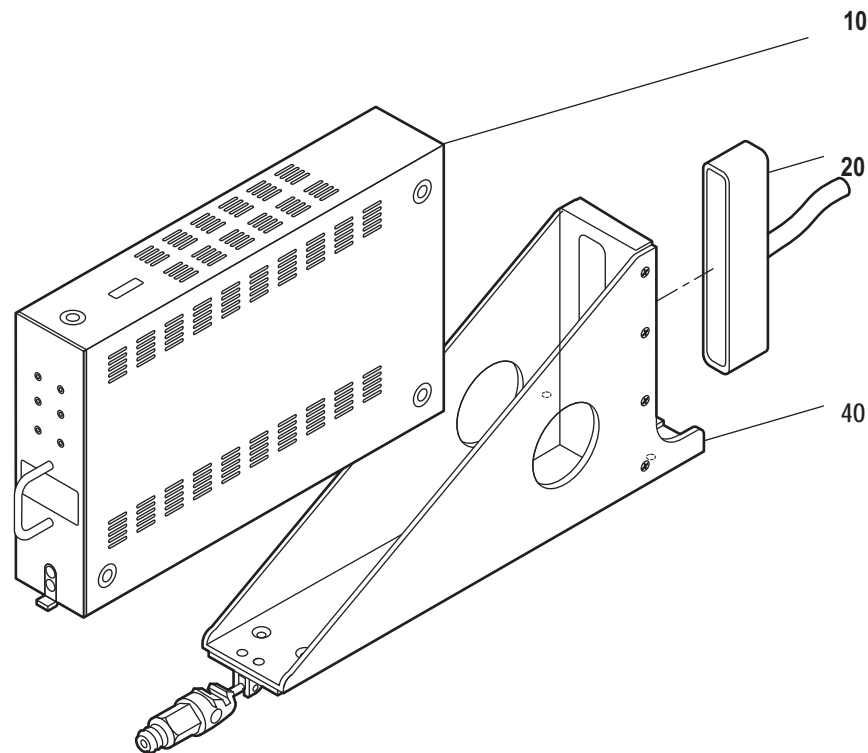
27146 (NB506), 27147 (NB507),
29941 (NT404), 29942 (NT405),
29943 (NT406), 29944 (NT407)

IPC SUPP - 23-34-01

Page 1
Aug 15/2007



MAIN EQUIPMENT CENTER



A MAIN MULTIPLEXER

Fig 1 MAIN MULTIPLEXER

TP-019-014

EFFECTIVITY

27146 (NB506), 27147 (NB507),
29941 (NT404), 29942 (NT405),
29943 (NT406), 29944 (NT407)

IPC SUPP - 23-34-01

FIG ITEM	PART NO.	NOMENCLATURE	EFF.		QTY
			FROM	TO	
1	---	IFE INSTALLATION	002002		
			006006		
			504507		
10	RD-AX1302-12	MULTIPLEXER - MAIN SUPPLIER CODE: V0FF57 ELECTRICAL EQUIP CODE: AES-M90043 COMPONENT MAINT MANUAL REF: 23-34-58	002002		1
			006006		
			504507		
20	BACC66F11F02AA01	. . CONNECTOR ELECTRICAL EQUIP CODE: AES-D9108	002002		1
			006006		
			504507		
-30	527-187MA5B5C4	. . EMI BACKSHELL	002002		1
			006006		
			504507		
40	6064-001	. RACK SUPPLIER CODE: ECS ELECTRONICS	002002		1
			006006		
			504507		

- Not illustrated

EFFECTIVITY

27146 (NB506), 27147 (NB507),
29941 (NT404), 29942 (NT405),
29943 (NT406), 29944 (NT407)

Boeing 757-200

First Choice Airways

*AES modifications AES-757-105,
AES-757-194 and AES-757-284*

ILLUSTRATED PARTS CATALOG

Technical Publications Supplement AES-TP-019

**INTRODUCTION OF A PASSENGER
ENTERTAINMENT (VIDEO) SYSTEM**



INTENTIONALLY LEFT BLANK

EFFECTIVITY

IPC SUPP - 23-34-01

Page 4
Aug 15/2007

CD PLAYER

INTRODUCTION

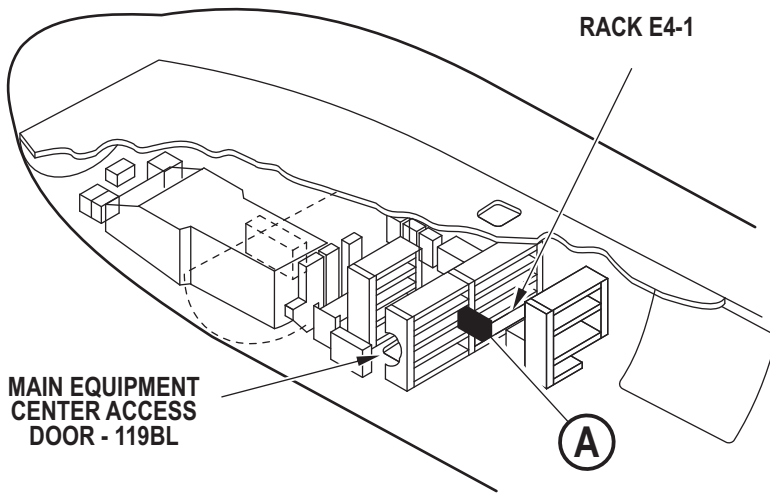
- 1 This document supplements this pageblock of the aircraft illustrated parts

EFFECTIVITY

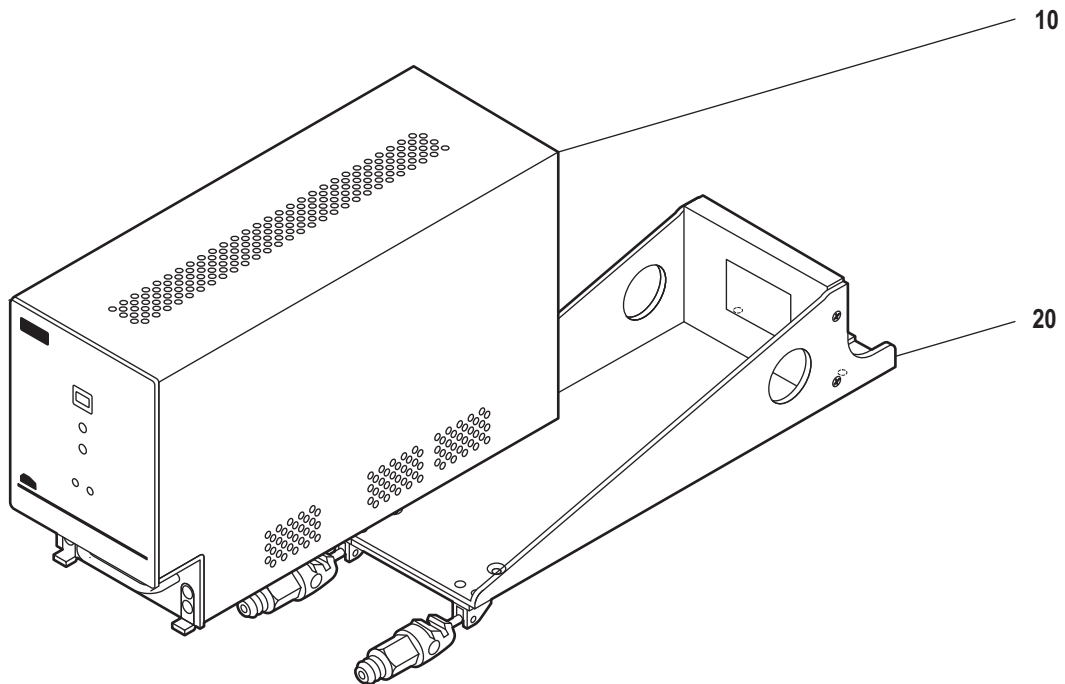
27146 (NB506), 27147 (NB507),
29941 (NT404), 29942 (NT405),
29943 (NT406), 29944 (NT407)

IPC SUPP - 23-34-02

Page 1
Aug 15/2007



MAIN EQUIPMENT CENTER



A CD PLAYER

Fig 1 CD PLAYER

TP-019-015

EFFECTIVITY

27146 (NB506), 27147 (NB507),
29941 (NT404), 29942 (NT405),
29943 (NT406), 29944 (NT407)

FIG ITEM	PART NO.	NOMENCLATURE							EFF. FROM TO		QTY
		1	2	3	4	5	6	7			
1	---	IFE INSTALLATION							002002		
									006006		
									504507		
10	RD-AX7095-01	CD PLAYER							002002		1
		SUPPLIER CODE: V0FF57							006006		
		ELECTRICAL EQUIP CODE: AES-M90048							504507		
		COMPONENT MAINT MANUAL REF: 23-34-34									
20	EXISTING BUILD	RACK							002002		1
									006006		
									504507		

- Not illustrated

EFFECTIVITY

27146 (NB506), 27147 (NB507),
29941 (NT404), 29942 (NT405),
29943 (NT406), 29944 (NT407)

Boeing 757-200

First Choice Airways

*AES modifications AES-757-105,
AES-757-194 and AES-757-284*

ILLUSTRATED PARTS CATALOG

Technical Publications Supplement AES-TP-019

**INTRODUCTION OF A PASSENGER
ENTERTAINMENT (VIDEO) SYSTEM**



INTENTIONALLY LEFT BLANK

EFFECTIVITY

IPC SUPP - 23-34-02

Page 4
Aug 15/2007

BUILT-IN TEST EQUIPMENT (BITE) PANEL

INTRODUCTION

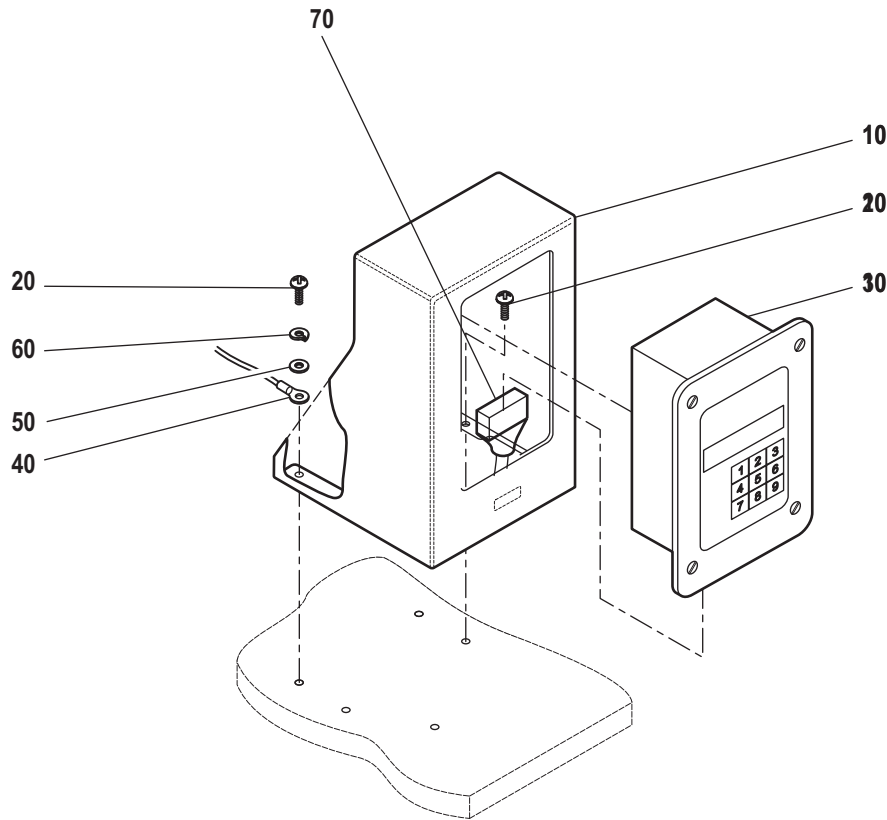
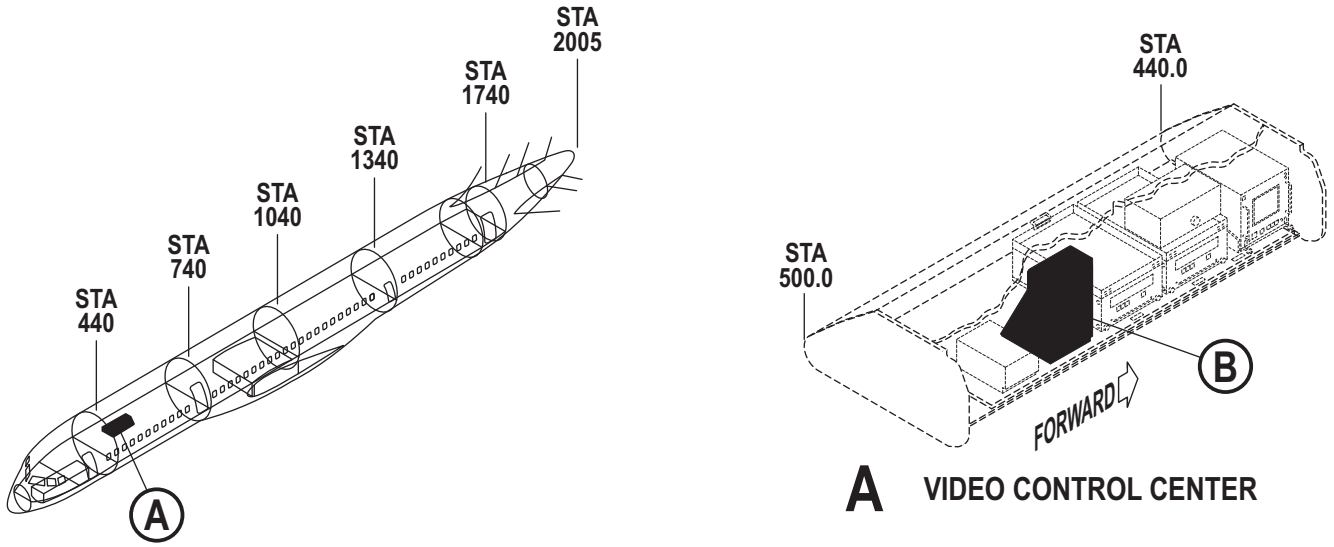
- 1 This document supplements this pageblock of the aircraft illustrated parts catalog.

EFFECTIVITY

27146 (NB506), 27147 (NB507),
29941 (NT404), 29942 (NT405),
29943 (NT406), 29944 (NT407)

IPC SUPP - 23-34-03

**INTRODUCTION OF A PASSENGER
ENTERTAINMENT (VIDEO) SYSTEM**



B BUILT-IN TEST EQUIPMENT PANEL

Fig 1 Built-In Test Equipment (BITE) panel

TP019-010

EFFECTIVITY

27146 (NB506), 27147 (NB507),
29941 (NT404), 29942 (NT405),
29943 (NT406), 29944 (NT407)

FIG ITEM	PART NO.	NOMENCLATURE 1 2 3 4 5 6 7	EFF.		QTY
			FROM	TO	
1	0346-233-757-005	VIDEO EQUIPMENT ASSEMBLY	504504	506506	1
1	0623-233-757-005		002002	006006	1
			505505	507507	
10	417A736344B	. BRACKET ASSEMBLY, MOUNTNG	002002	006006	1
			504507		
20	BACS12FA3K6	. . SCREW, WASHER-HEAD, 10-32	002002	006006	5
			504507		
30	RD-AM8131-1	. PANEL, BUILT-IN TEST EQUIPMENT SUPPLIER CODE: V0FF57 ELECTRICAL EQUIP CODE: AES-M900052 COMPONENT MAINT MANUAL REF: 23-31-14	002002	006006	1
			504507		
40	0623-233-757-102	. . LEAD, STATIC BOND - BITE PANEL	002002	006006	1
			504507		
50	NAS1149DO316H	. . WASHER, PLAIN	002002	006006	1
			504507		
60	MS35338-43	. . WASHER, LOCK	002002	006006	1
			504507		
70	DAMA155	. . CONNECTOR	002002	006006	1
			504507		
-80	557S073NF232S	. . . BACKSHELL - EMI	002002	006006	1
			504507		

- Not illustrated

EFFECTIVITY

27146 (NB506), 27147 (NB507),
29941 (NT404), 29942 (NT405),
29943 (NT406), 29944 (NT407)

Boeing 757-200

First Choice Airways

*AES modifications AES-757-105,
AES-757-194 and AES-757-284*

ILLUSTRATED PARTS CATALOG

Technical Publications Supplement AES-TP-019

**INTRODUCTION OF A PASSENGER
ENTERTAINMENT (VIDEO) SYSTEM**



INTENTIONALLY LEFT BLANK

EFFECTIVITY

IPC SUPP - 23-34-03

Page 4
Aug 15/2007

B757 - First Choice Airways

Aircraft Technical
Publications Supplement

INTRODUCTION OF 8.33 KHZ CHANNEL SPACING COMPLIANCE FOR VHF COMMUNICATION SYSTEM



AES modifications AES- 757-226 and AES-757-282

AES Limited

PUBLICATION REVISION

Document No. AES-TP-0049

Supplement to the
Boeing B757-200
Technical Publications

TRANSMITTAL SHEET

THE TECHNICAL INFORMATION CONTAINED IN THIS DOCUMENT
HAS BEEN APPROVED UNDER THE AUTHORITY OF
EASA DESIGN ORGANISATION APPROVAL No. EASA.21J.036

Reason for Issue: To introduce a supplement to the Aircraft Illustrated Parts Catalog and Wiring Diagram Manual to cover the "Introduction of 8.33Khz channel spacing compliance for VHF communication system" introduced under cover of AES modification AES 757-226 and AES 757-282.

Project No.: 0927

DRN: 2484

Revision No.: Issue 1

Manual & Chapter	Prepared by	Responsible for design	Date	Certification Verification Engineer / Approval		
				Stress	Design	Systems
IPC – 23-12	D. Orjuela	<i>[Signature]</i>	11/09/2007	<i>[Signature]</i>	<i>[Signature]</i>	<i>[Signature]</i>
WDM – 23-12	D.Orjuela	<i>[Signature]</i>	11/09/2007	<i>[Signature]</i>	<i>[Signature]</i>	<i>[Signature]</i>

EFFECTIVITY

(AES-TP-0049)

27146(NB506), 27147(NB507)
29942(NT405), 29944(NT407)

TRANSMITTAL

Page i
11/SEP/2007

AES modifications AES- 757-226 and AES-757-282

INTRODUCTION - GENERAL

- 1.1 AES 757-226 introduces Gables G7400-27 VHF Communication controllers, VHF-900B (P/N 822-1047-003) transceivers and installs wiring for compliance with 8.33 Khz channel spacing requirements.
- 1.2 AES 757-282 introduces Gables G7406-07 VHF Communication controllers, VHF-900B (P/N 822-1047-003) transceivers and installs wiring for compliance with 8.33 Khz channel spacing requirements.
- 2 The only technical publications which are affected and which should be used with this supplement are the Illustrated Parts Catalogue and Wiring Diagram Manual.
- 3 Manuals which are not listed are not affected (for example the Structural Repair Manual).
- 4 Aircraft applicability and effectivity codes are given in the table below.

Registration	Manufacturer's serial number (MSN)	Cust Eff Code
G-OOBG	29942	505
G-OOBH	29944	507
G-OOBI	27146	006
G-OOBJ	27147	002

EFFECTIVITY**(AES-TP-0049)**27146(NB506), 27147(NB507)
29942(NT405), 29944(NT407)**INTRO - GENERAL**Page ii
11/SEP/2007

AES modifications AES- 757-226 and AES-757-282
ILLUSTRATED PART CATALOGUE

LIST OF EFFECTIVE PAGES

CH-SECT-UNIT-FIG	PAGE No.	DATE	CH-SECT-UNIT-FIG	PAGE No.	DATE
EFFECTIVE PAGES	I	11Sep/2007			
REVISIONS	II	11Sep/2007			
INTRODUCTION	III	11Sep/2007			
CONTENTS	IV	11Sep/2007			
23-12-01	0	11Sep/2007			
23-12-01	1	11Sep/2007			
23-12-02	0	11Sep/2007			
23-12-02	1	11Sep/2007			

EFFECTIVITY**(AES-TP-0049)**27146(NB506), 27147(NB507)
29942(NT405), 29944(NT407)**IPC SUPP - LEP**Page I
11/SEP/2007

B757 - First Choice Airways

Aircraft Technical
Publications Supplement

INTRODUCTION OF 8.33 KHZ CHANNEL SPACING COMPLIANCE FOR VHF COMMUNICATION SYSTEM



AES modifications AES- 757-226 and AES-757-282
ILLUSTRATED PART CATALOGUE

RECORD OF REVISIONS

REV No.	INSERTION DATE	BY	REV No.	INSERTION DATE	BY	REV No.	INSERTION DATE	BY

EFFECTIVITY

(AES-TP-0049)

27146(NB506), 27147(NB507)
29942(NT405), 29944(NT407)

IPC SUPP – REVISIONS

Page II
11/SEP/2007

B757 - First Choice Airways

Aircraft Technical
Publications Supplement

INTRODUCTION OF 8.33 KHZ CHANNEL SPACING COMPLIANCE FOR VHF COMMUNICATION SYSTEM



AES modifications AES- 757-226 and AES-757-282
ILLUSTRATED PART CATALOGUE

INTRODUCTION

- 1 This section supplements the manufacturer's aircraft illustrated parts catalog.
- 2 For aircraft applicability, and effectivity codes, refer to page ii of this supplement.

EFFECTIVITY

(AES-TP-0049)

27146(NB506), 27147(NB507)

29942(NT405), 29944(NT407)

IPC SUPP - INTRO

Page III

11/SEP/2007

AES modifications AES- 757-226 and AES-757-282
ILUSTRATED PART CATALOGUE

TABLE OF CONTENTS

SUBJECT	CHAPTER SECTION UNIT	FIGURE	EFFECT
VHF TRANSCEIVER INSTALLATION	23-12-01	01	002002 006006 505505 507507
VHF CONTROL PANEL	23-12-02	01	002002 006006 505505 507507

EFFECTIVITY**(AES-TP-0049)**27146(NB506), 27147(NB507)
29942(NT405), 29944(NT407)**IPC SUPP - TOC**Page IV
11/SEP/2007

B757 - First Choice Airways

Aircraft Technical
Publications Supplement

INTRODUCTION OF 8.33 KHZ CHANNEL SPACING COMPLIANCE FOR VHF COMMUNICATION SYSTEM



AES modifications AES- 757-226 and AES-757-282
ILLUSTRATED PART CATALOGUE

INTENTIONALLY LEFT IN BLANK

EFFECTIVITY

(AES-TP-0049)

27146(NB506), 27147(NB507)
29942(NT405), 29944(NT407)

IPC SUPP - TOC

Page V
11/SEP/2007

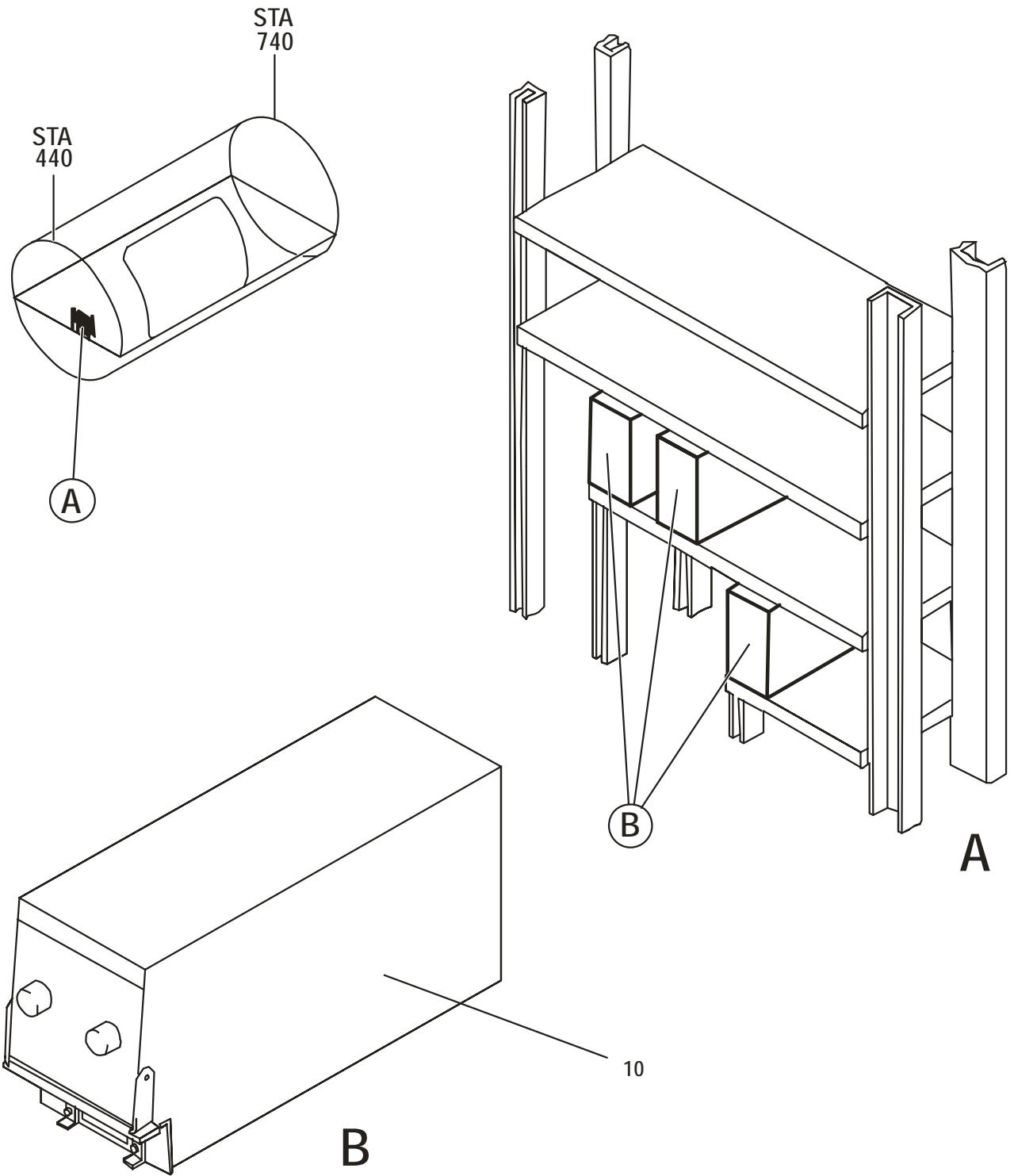
B757 - First Choice Airways

Aircraft Technical
Publications Supplement

INTRODUCTION OF 8.33 KHZ CHANNEL SPACING COMPLIANCE FOR VHF COMMUNICATION SYSTEM



AES modifications AES- 757-226 and AES-757-282 ILLUSTRATED PART CATALOGUE



MEI - 226/402
TP049-002

VHF TRANSCEIVER INSTALLATION
FIG 1.

EFFECTIVITY

(AES-TP-0049)
27146(NB506), 27147(NB507)
29942(NT405), 29944(NT407)

IPC SUPP-23-12-01

AES modifications AES- 757-226 and AES-757-282 ILUSTRATED PART CATALOGUE

FIG ITEM	PART No.	1 2 3 4 5 6 7 NOMENCLATURE	EFF. FROM TO	QTY
-1	MEI -266-001	INTRODUCTION OF 8.33KHZ CHANNEL SPACING FOR VHF COMMUNICATION SYSTEM	505505 507507	REF
-2	MEI -402-001	INTRODUCTION OF 8.33KHZ CHANNEL SPACING FOR VHF COMMUNICATION SYSTEM	002002 006006	REF
10	822-1047-003	VHF TRANSCEIVER –VHF -900B SUPPLIER CODE: V4V792 FUNCTIONAL DESCRIPTION: PROVIDES HIGH QUALITY VOICE AND DATA COMMUNICATION WITH GROUND STATIONS OR OTHER AIRPLANES AT SHORT TO MEDIUM RANGE. ELECTRICAL EQUIP. NUMBER: M00188, M00189, M00190 COMPONENT MAINT MANUAL REF: 23-12-91	002002 006006 505505 507507	3

-Not Illustrated

EFFECTIVITY

(AES-TP-0049)

27146(NB506), 27147(NB507)
29942(NT405), 29944(NT407)

IPC SUPP-23-12-01

B757 - First Choice Airways

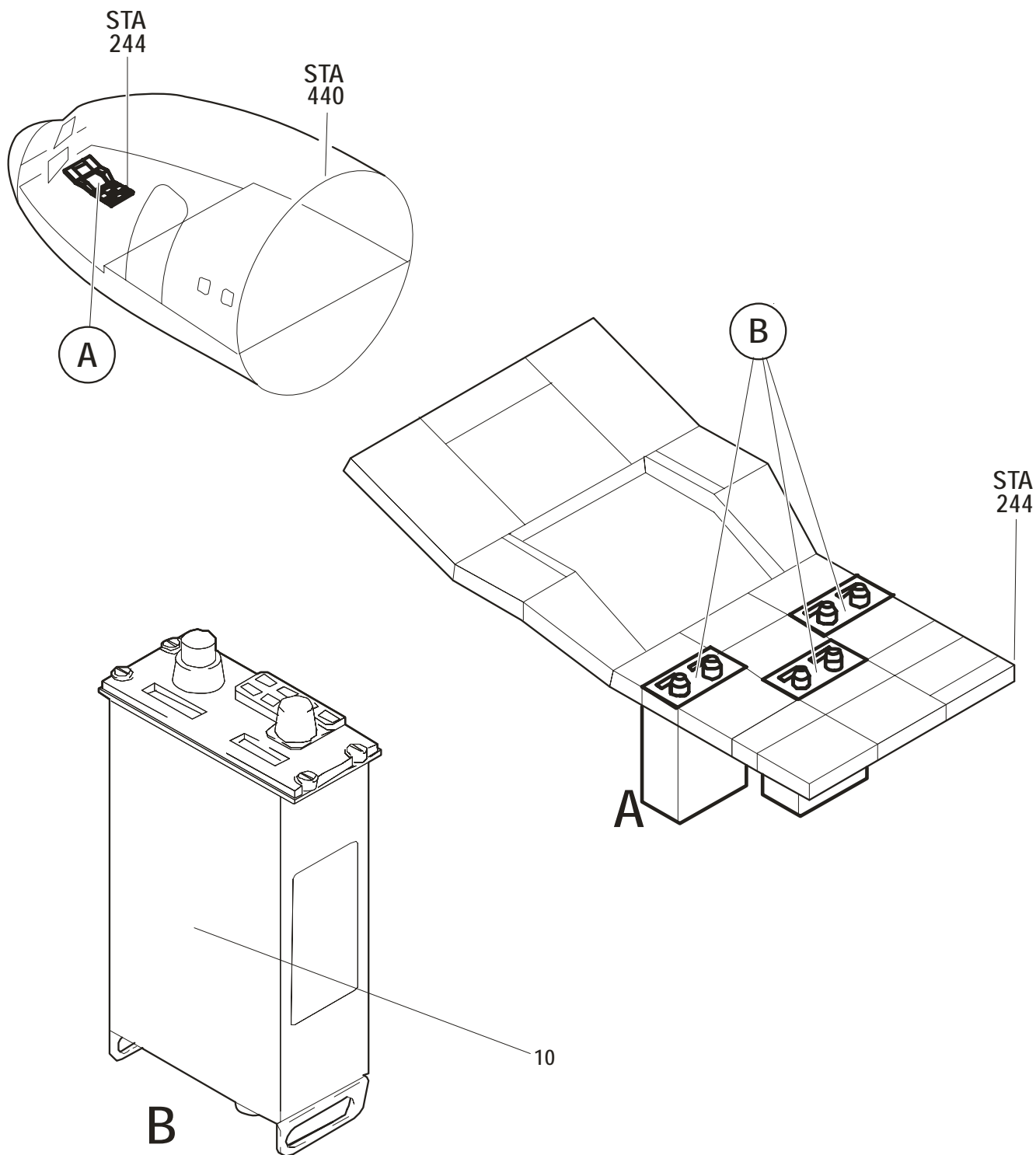
Aircraft Technical
Publications Supplement

INTRODUCTION OF 8.33 KHZ CHANNEL SPACING COMPLIANCE FOR VHF COMMUNICATION SYSTEM



AES modifications AES- 757-226 and AES-757-282

ILLUSTRATED PART CATALOGUE



MEI - 226/402
TP049-001

VHF CONTROL PANEL
FIG. 1

EFFECTIVITY

(AES-TP-0049)

27146(NB506), 27147(NB507)
29942(NT405), 29944(NT407)

IPC SUPP-23-12-02

AES modifications AES- 757-226 and AES-757-282
ILUSTRATED PART CATALOGUE

FIG ITEM	PART No.	1 2 3 4 5 6 7 NOMENCLATURE	EFF. FROM TO	QTY
-1	MEI -266-001	INTRODUCTION OF 8.33KHZ CHANNEL SPACING FOR VHF COMMUNICATION SYSTEM	505505 507507	REF
-2	MEI -402-001	INTRODUCTION OF 8.33KHZ CHANNEL SPACING FOR VHF COMMUNICATION SYSTEM	002002 006006	REF
10	G7400-27	VHF CONTROL PANEL SUPPLIER CODE: V99837 ELECTRICAL EQUIP NUMBER: M00079, M00080, M00078 COMPONENT MAINT MANUAL: 23-10-28	505505 507507	3
10	G7406-07	VHF CONTROL PANEL SUPPLIER CODE: V99837 ELECTRICAL EQUIP NUMBER: M00079, M00080, M00078 COMPONENT MAINT MANUAL: 23-12-73	002002 006006	3

-Not Illustrated

EFFECTIVITY

(AES-TP-0049)

27146(NB506), 27147(NB507)
29942(NT405), 29944(NT407)

IPC SUPP-23-12-02

AES Limited

PUBLICATION REVISION

Document No. AES-TP-0034

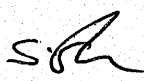

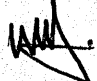
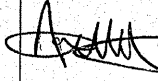
TRANSMITTAL SHEET
 THE TECHNICAL INFORMATION CONTAINED IN THIS DOCUMENT
 HAS BEEN APPROVED UNDER THE AUTHORITY OF
 EASA DESIGN ORGANISATION APPROVAL No. EASA.21J.036

Project No.: 0912
 DRN: 2514
 Issue: 1

Reason for Issue: To introduce supplements to the aircraft technical publications listed in the introduction of this transmittal.

This is the Introduction of latched R/T switches under cover of AES modifications AES-757-301.

AIRCRAFT TECHNICAL PUBLICATION SUPPLEMENT - CERTIFICATION

Manual & Chapter	Prepared by	Responsible for design	Date	Customer Verification Engineer / Approval		
				Stress	Design	Systems
Illustrated Parts Catalog 23-51	T N Gaunt		27/9/07			

EFFECTIVITY

27146 (NB506), 27147 (NB507),

TRANSMITTAL

INTRODUCTION - GENERAL

- 1 This modification covers the Introduction of latched R/T switches to the subject aircraft.
- 2 The only technical publication which is affected and which should be used with this supplement is the illustrated parts catalogue.
- 3 Aircraft effectivity details are given in the table below.

Manufacturer's Serial Number (MSN)	Registration	Variable Number	Customer Effectivity Code
27146	G-OOBI	NB506	006
27147	G-OOBJ	NB507	002

EFFECTIVITY

27146 (NB506), 27147 (NB507),

TRANSMITTAL

AIRCRAFT ILLUSTRATED PARTS CATALOG
LIST OF EFFECTIVE PAGES

CHAP-SECT-UNIT	PAGE No.	DATE	CHAP-SECT-UNIT	PAGE No.	DATE
EFFECTIVE PAGES	i	Sep 27/2007			
REVISIONS	ii	Sep 27/2007			
INTRODUCTION	iii	Sep 27/2007			
CONTENTS	iv	Sep 27/2007			
23-51-03	1	Sep 27/2007			
23-51-03	2	Sep 27/2007			
23-51-03	3	Sep 27/2007			
23-51-03	4	Sep 27/2007			

EFFECTIVITY
27146 (NB506), 27147 (NB507),

IPC SUPP--LEP

AIRCRAFT ILLUSTRATED PARTS CATALOG

RECORD OF REVISIONS

REV No.	INSERTION DATE	BY	REV No.	INSERTION DATE	BY	REV No.	INSERTION DATE	BY

EFFECTIVITY
27146 (NB506), 27147 (NB507),

IPC SUPP--REV

AIRCRAFT ILLUSTRATED PARTS CATALOG

INTRODUCTION

- 1 This section supplements the manufacturer's aircraft illustrated parts catalog.
- 2 Aircraft effectivity details are given in the table below.

Manufacturer's Serial Number (MSN)	Registration	Variable Number	Customer Effectivity Code
27146	G-OOBI	NB506	006
27147	G-OOBJ	NB507	002

EFFECTIVITY

27146 (NB506), 27147 (NB507),

IPC SUPP--INTRO

AIRCRAFT ILLUSTRATED PARTS CATALOG
TABLE OF CONTENTS

SUBJECT	CHAPTER SECTION UNIT	PAGEBLOCK
LATCHED R/T SWITCH	23-51-03	1

EFFECTIVITY
27146 (NB506), 27147 (NB507),

IPC SUPP--TOC

LATCHED R/T SWITCH

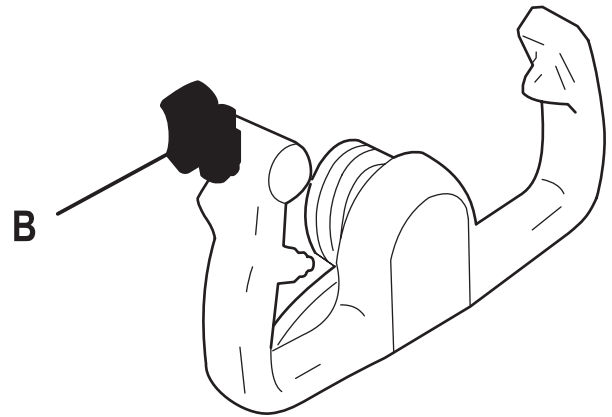
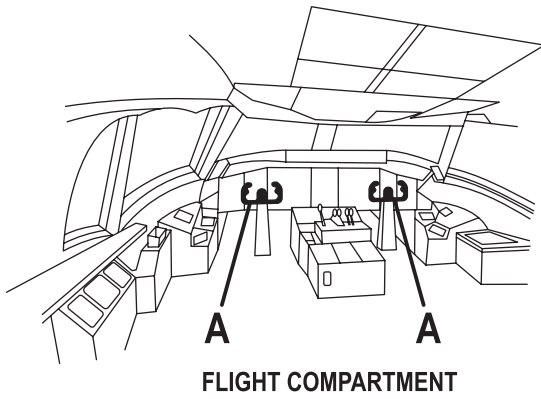
INTRODUCTION

- 1 This document supplements this pageblock of the aircraft illustrated parts catalog

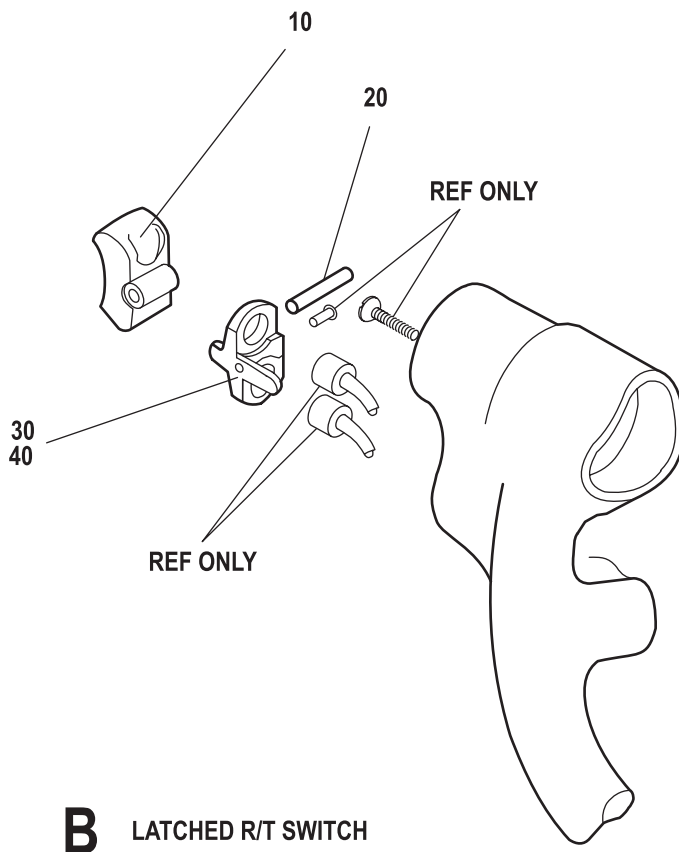
EFFECTIVITY

27146 (NB506), 27147 (NB507),

IPC SUPP 23-51-03



A CONTROL WHEEL
(LEFT SHOWN, RIGHT OPPOSITE)



B LATCHED R/T SWITCH

TP34-001
AES MEI - 398

Fig 1 Latched R/T switch installation

EFFECTIVITY

27146 (NB506), 27147 (NB507),

IPC SUPP 23-51-03

FIG ITEM	PART NO.	NOMENCLATURE 1 2 3 4 5 6 7	EFF.		QTY PER ASSY
			FROM	TO	
-1		WHEEL ASSY-CONT COLUMN (COMMUNICATIONS ONLY)			
10	251N1241-4	. TRIGGER ASSY- QUALIFIED IW DATA: 251N1241-5 TOGETHER WITH 3066-1 OR BACC12C3 CAN REPLACE OR BE REPLACED BY 251N1241-2	002002 006006		1
20	251N1283-1	. PIN	002002 006006		1
30	69-63433-7	. SWITCH MOUNT-CLAMP, LEFT CONTROL WHEEL OPTIONAL PARTS: 69-63433-11 69-63433-13	002002 006006		1
40	69-63433-8	. SWITCH MOUNT-CLAMP, RIGHT CONTROL WHEEL OPTIONAL PARTS: 69-63433-12 69-63433-14	002002 006006		1

- Not illustrated

EFFECTIVITY

27146 (NB506), 27147 (NB507),

INTENTIONALLY LEFT BLANK

EFFECTIVITY

27146 (NB506), 27147 (NB507),

IPC SUPP 23-51-03

Page 4
Sep 27/2007



www.aesglobal.com

JAR21 APPR: CAA.JA.02304

MODIFICATION TITLE:
REVIEW AND APPROVAL OF ENTRY IN
SERVICE MODIFICATIONS

MODIFICATION No.
AES-757-247
PART A-N ISSUE 2
Page 1 of 13

A/C TYPE: B757	A/C VARIANT: SEE SECTION 2.0	A/C REG: SEE SECTION 2.0	A/C SERIAL No.: SEE SECTION 2.0
----------------	------------------------------	--------------------------	---------------------------------

Retro. Action:
SEE SHT. YES/NO

Certificate of Airworthiness Category:
PUBLIC TRANSPORT - PASSENGER

Classification:
MAJOR/MINOR

Project No.: **0158**

Performance Group: **TURBINE JET**

ATA: 23, 34

Reason for Modification:
TO SUIT THE OPERATOR'S REQUIREMENTS PRIOR TO ENTRY INTO SERVICE

Reports:
NONE

WEIGHT CHANGE
SEE SECTION 5.5.1

ELECTRICAL LOAD
SEE SECTION 5.5.2

NOISE
SEE SECTION 5.3

DOCUMENTS
SEE SECTION 11.0

CERTIFICATE OF DESIGN

I hereby certify that this modification defines all the changes associated with this certificate.

The technical information contained in this document has been approved under the authority of
JAA Design Organisation Approval No CAA.JA.02304

I further certify that, with the exceptions listed below, the design of this modification complies with the requirements specified by the CAA as the certification basis for this type of aircraft and with any additional requirements notified by the CAA in respect of the particular modification.

EXCEPTIONS

NONE

APPROVAL STATUS
COMPLETE/INCOMPLETE (see section 10)

CAA STC No.: NOT APPLICABLE

JAA STC No.: NOT APPLICABLE

ISSUE	1	2					
DRN No.	0613	0709					
APPROVAL DATE	M A E 19.03.04	M A E 14.04.04					

ISSUE	RAISE ISSUE DETAIL	SHEETS AFFECTED
2	PARA 1.2 PART N ADDED, PARA 2.15 ADDED, PARA 5.1.2.6 ADDED, PARA 11.3 AMENDED	2, 5, 7 12

ISSUE	DATE	COMPILED	CVE / APP STRUCTURES	CVE / APP DESIGN	CVE / APP SYSTEMS	DOCUMENTS AFFECTED	SEE SHT
1	09.02.04	R KENNY / S SHAW	M EVANS	A DOLBY	A HEISSIG	MMEL- MAINT MANUAL*	6
2	14.04.04	M IRVINE	M EVANS	A DOLBY	A HEISSIG	WDM* REPAIR MANUAL FLIGHT MANUAL CREW MANUAL MAINT. SCHEDULE PART CATALOGUE*	6
						* OPERATORS RESPONSIBILITY	

DETAILS OF MODIFICATION

1.0 Introduction

- 1.1 This modification validates various First Choice Airways Engineering Orders (EO's) for embodiment on the subject aircraft prior to Entry into Service (EIS). Validation of the documents is in accordance with JAR 21 procedures.
- 1.2 The modification is split in associated parts as follows to allow progressive embodiment.

Part	Description	Associated EO
A	MODE S TRANSPONDER – SET MODE S ADDRESS (STANDARD PROVISIONS)	EO757-34-023R7
B	SELCAL – CHANGE SELCAL ADDRESS	EO757-23-033R6
C	REACTIVATION OF THE HF1 AND 2 SYSTEMS	EO757-23-038
D	FLIGHT MANAGEMENT COMPUTER – INSTALL AIR2000 STD AIRLINE MODIFIABLE INFORMATION (AMI)	EO757-34-044R1
E	EFIS – INTRODUCTION OF FIRST CHOICE AIRWAYS STANDARD PROVISIONS	EO757-34-046
F	ADDITION OF TECH LOG STOWAGE	REFER TO PARA 2.7
G	LOCKABLE MOBILE PHONE STOWAGE	EO757-25-067
H	INSTL'N OF STOPWATCH (EXISTING MONARCH MODIFICATION)	ATT/757/1248
I	INSTL'N OF SPRING CLIP OB F/O P3-1	EO757-25-119
J	INSTL'N SOAP DISPENSER (LAVATORY)	EO757-25-178
K	INTRODUCTION OF OIL CAN STOWAGE IN FLIGHTDECK	EO757-25-120R3
L	MOD'N TO ATTACHMENT OF ENTRYWAY PRISM SHROUDS	EO757-25-100
M	INSTL'N OF TOOLBOX TO FLIGHTDECK (EXISTING MONARCH MODIFICATION)	MON/757/25/1367
N	ACTIVATION OF THE AIR DATA COMPUTER (ADC) ALTERNATE Vmo/Mmo AIRSPEED LIMITS.	EO757-34-033R2

2.0 Modification Definition

2.1 APPLICABILITY

2.1.1 This modification is effective for the following aircraft:

Current UK Registration	Type	Serial No
G-OOBG	B757-236	29942
G-OOBH	B757-236	29944

2.2 PART A – MODE-S ADDRESS

2.2.1 The Left and Right transponder coding bundle and plugs located on the E3-3 shelf are reworked to introduce the new Mode-S address pin coding. Refer to Section 11 for applicable Engineering Order.

2.3 PART B – SELCAL CODE

2.3.1 The Selcal coding plug located on the E4-3 shelf is reworked to introduce a new Selcal code. Refer to Section 11 for applicable Engineering Order.

2.4 PART C – HF1 & 2 SYSTEM RE-ACTIVATION

2.4.1 The existing HF 1 and 2 systems are re-activated by resetting the existing circuit breakers. Refer to Section 11 for applicable Engineering Order.

2.5 PART D – INSTALLATION OF AMI

2.5.1 The existing Airline Modifiable Information (AMI) installed by the previous operator is replaced with First Choice standard AMI software. Refer to Section 11 for applicable Engineering Order.

2.6 PART E – EFIS – INTRODUCTION OF FIRST CHOICE AIRWAYS STANDARD PROVISIONS

2.6.1 The existing EADI presentation is changed to reflect the new operators (First Choice) fleet standard display options (RAD ALT presentation to digital format with rising runway, Flight Mode Annunciation at top and Split Axis flight Director bars). Refer to Section 11 for applicable Engineering Order.

2.7 PART F – ADDITION OF TECH LOG STOWAGE

2.7.1 To be included at subsequent issue

2.8 PART G – INTRODUCTION OF A LOCKABLE MOBILE PHONE STOWAGE

2.8.1 An aluminium alloy constructed, lockable mobile phone stowage is introduced to the forward face of the Galley 1A within the Flightdeck to store and protect a mobile phone with its battery removed. The stowage is designed and manufactured by MGR Foamtex (DAI/9138/88). The location of the stowage indicated on the reference Engineering Order (EO757-25-067) is not suitable due to the equipment arrangement on the bulkhead and is to be installed as indicated on AES DRG 0701-256-757.

2.9 PART H – INSTALLATION OF STOPWATCH

2.9.1 A Commercial audible stopwatch is fitted to the Flightdeck via a small formed bracket to assist in various exercises such as (fuel cross feed pump timings etc). The bracket location indicated on the reference Monarch modification (ATT-757-1248REVC) is not suitable, and is to be installed as indicated on AES DRG 0701-256-757.

2.10 PART I – INSTALLATION OF SPRING CLIP ON FIRST OFFICERS P3-1 PANEL

2.10.1 An operator supplied spring clip is secured to the First Officer's P3-1 panel to hold a take off /landing card. The location of the spring clip is identified in the engineering order.

2.11 PART J – INSTALLATION OF SOAP DISPENSER (LAVATORY)

2.11.1 A Soap Dispensing retaining plate assembly is introduced to lavatories within the subject aircraft. The soap dispenser plate is installed to provide a secure means of soap dispenser attachment to the lavatory sink.

2.12 PART K – INTRODUCTION OF OIL CAN STOWAGE IN FLIGHTDECK

2.12.1 A closed lid oil can stowage is secured to the flight deck floor forward of STA 297 outboard of the 2nd observers seat. The attachment method and location of fasteners has been reviewed and found acceptable.

2.13 PART L – MOD'N TO ATTACHMENT OF ENTRYWAY PRISM SHROUDS

2.13.1 The method of attachment of the entry and service door prism shrouds is improved. The existing Velcro attachment method is replaced using a screw and insert arrangement.

2.14 PART M – INSTL'N OF TOOLBOX TO FLIGHTDECK

2.14.1 An operator supplied toolbox is secured to the aft bulkhead within the Flightdeck. The box is attached using an aluminium plate sandwiching the toolbox to the bulkhead. The location indicated on the reference Monarch Modification (MON/ATT/25/1367) is now unsuitable due to floor mounted supernumerary seat in the flight deck and is to be installed as indicated on AES DRG 0701-256-757.

2.15 PART N - ACTIVATION OF THE (ADC) ALTERNATE V_{mo}/M_{mo} AIRSPEED LIMITS.

2.15.1 Boeing SB 757-31-0124 is to be carried out on the subject aircrafts and includes the following changes:

- a) Changes the wiring in the Main Equipment Center (MEC), on the E3-4 electronics shelf and the processor unit for the Fuel Quantity Indication System (FQIS).
- b) Changes fourteen fuel measuring sticks in the main and auxiliary fuel tanks.
- c) Installs FMC Operational Program Configuration (OPC) software into the FMC in the flight compartment.
- d) Installs EICAS Operational Program Configuration (OPC) software in the EICAS computers in the MEC.
- e) Test the FQIS, and software tests the EICAS.

The Air Data Computer pin programming is reworked to set the alternate V_{mo}/M_{mo} airspeed limits. EO 757-34-033R2 is to be carried out in lieu of the applicable section for Boeing service bulleting SB 757-31-0124 section 3, part B, subpart 15 "operational test of the Air Data System".

3.0 **Approval Procedures**

3.1 This modification certification/approval/validation has been carried out in accordance with JAR 21.

4.0 **Basis of Certification/Validation/Approval**

4.1 **CAA Certification/Validation/Approval Basis For The Aircraft/Modification**

4.1.1 The certification basis of the aircraft type is FAR25, UK Type Certificate Data Sheet FA28 Issue 5 refers.

4.1.2 The following JAR design requirements (change 16) are addressed within this modification, which meet or exceed the requirements of the aircraft type.

Requirement	Description
JAR 25.869 (a)(4)	Fire Protection: Systems
JAR 25.1301	Function and Installation
JAR 25.1309 (b)	Equipment, Systems and Installations
JAR 25.1353 (a)(b)(d)	Electrical Equipment and Installations

With respect to previously approved minor changes introduced for the subject aircraft:-

JAR 25 Subpart C – Structures
JAR 25 Subpart D – Design and construction.

Which provides the basis for review and introduction on a non-hazard basis.

4.2 Design Requirements For Certificate Of Airworthiness

4.2.1 Not Applicable

4.3 Environmental Requirements

4.3.1 The aircraft noise requirements are detailed in CAA Noise Certificate No. 58 & 77, UK TCDS FA28 refers.

4.4 Design Requirements Associated With operational Approvals

4.4.1 Not Applicable

5.0 Compliance with the Basis of Certification/Validation/Approval

5.1 Compliance with the Certification/Validation/Approval Basis for the Aircraft/Modification.

5.1.1 Embodiment of this modification does not affect the certification basis of the aircraft.

5.1.2.1 **JAR/FAR 25.869(a)(4), JAR/FAR 25.1301, JAR/FAR 25.1309 (b), JAR/FAR 25.1353 (a)(b)(d):**

- AES-757-247 PT A:** The wire used is of a specification approved by the constructor for that aircraft type and application (ref SWPM ATA chapter 20-00-13 – code GA). The functionality of the transponder system remain unchanged as certified by the aircraft constructor at build. A ground test in accordance with the relevant maintenance manual chapter post modification will verify correct program pin coding. The applicable document required for this modification have been previously approved in accordance with Minor modification procedures by the UK CAA form 261 (ref doc no. CAA 9/218/M/5309 refers).
- 5.1.2.2 **AES-757-247 PT B:** The functionality of the SELCAL system remains unchanged as certified by the aircraft constructor at build. A ground test in accordance with the relevant maintenance manual chapter post modification will verify correct program pin coding. The applicable document required for this modification have been previously approved in accordance with Minor modification procedures by the UK CAA form 261 (ref doc no. CAA 9/218/M/5234 refers).
- 5.1.2.3 **AES-757-247 PT C:** The existing HF 1 and 2 systems installed and certified at build by the constructor are re-activated for use by the new operator. Post modification an operational test shall be performed in accordance with the existing maintenance manuals to verify correct operation. The installed HF transceivers are UK CAA approved (Ref UK CAA Approval No. VC00386).
- 5.1.2.4 **AES-757-247 PT D:** Installation of Airline modifiable software does not affect any flight critical aspects of the Flight Management Computers. The applicable document required for this modification have been previously approved in accordance with Minor modification procedures by the UK CAA form 261 (ref doc no. CAA 9/218/M/5375 refers).
- 5.1.2.5 **AES-757-247 PT E:** All changes embodied by this Engineering order have previously been certified by the aircraft constructor at build and are contained within the aircraft maintenance manual. The new display conforms with the operators previously certified fleet standard display.
- 5.1.2.6 **AES-757-247 PT N:** All changes embodied by this Engineering order have previously been certified by the aircraft constructor at build and are contained within the aircraft maintenance manual. The new display conforms with the operators previously certified fleet standard display.

All wiring changes are carried out in accordance with the constructor standard wiring practices ref D6-54446.

- 5.1.3 **JAR 25.301 through JAR 25.333, 25.337, 25.341, 25.561 and**

25.789.

AES-757-247 Part F through Part M. The means of installing equipment to the airplane are common to build standards employed by the aircraft constructor. The overall change in furnishings gross weight attributed by the addition of items is negligible. Items of mass introduced herein satisfy loading conditions attributed to emergency landing and flight inertia.

JAR 25.601, 25.605 and 25.607.

AES-757-247 Part F through Part M. Items of equipment introduced utilize aerospace materials, fasteners and fabrication methods. Continued compliance with these requirements is maintained.

5.1.3.1 **AES-757-247 PT F:** TO BE ADDED AT NEXT REVISION

5.1.3.2 **AES-757-247 PT G:** The Mobile phone stowage has been previously approved without any limitations, conditions or exemptions by UK CAA via Minor Mod No 9/218/M/5139 dated 22 Sept 1997. The additional weight increase attributed introduction of the stowage is within the gross allowable weight of items installed on the forward face of the G1A.

5.1.3.3 **AES-757-247 PT H:** The operator supplied stopwatches are installed outboard of the Captain and First Officer adjacent to the respective oxygen mask stowage units. The units weight less than 0.1lb and are introduced on a non hazard basis. Monarch Modification ATT/757/1248 has been previously approved via UK CAA Minor Mod No 9/217/6459. The additional weight attributed by the introduction of the stopwatches is considered negligible.

5.1.3.4 **AES-757-247 PT I:** The spring clip is secured to the P3-1 Panel to hold the landing / take off card. Engineering Order EO757-25-119 has been previously approved without any limitations, conditions or exemptions via UK CAA Minor Mod No 9/218/M/5285. The additional weight attributed by the introduction of the stopwatches is considered negligible.

5.1.3.5 **AES-757-247 PT J:** The soap dispenser is installed securely to the lavatory sink. Engineering Order EO757-25-178 has been previously approved without any limitations, conditions or exemptions via UK CAA Minor Modification No 9/218/M/5360. The additional weight attributed by the introduction of the stopwatches is considered negligible.

5.1.3.6 **AES-757-247 PT K:** The enclosed oil can stowage is secured to the flight deck floor. The installation is similar to existing Engineering Order

EO757-25-120 which has been previously approved without any limitations, conditions or exemptions via UK CAA Minor Modification No 9/218/M/5286. Appropriate placards are installed [gross weight is approx 12lbs].

5.1.3.7AES-757-247 PT L: The alternative method of attachment of the door entry prisms is an improvement over existing 'velcro' method currently installed. Engineering Order EO757-25-100 has been previously approved without any limitations, conditions or exemptions via UK CAA Minor Modification No 9/218/M/5231.

5.1.3.8AES-757-247 PT M: The operator's fleet standard toolbox (6.7lb in weight) is adequately secured to the Flightdeck aft bulkhead. The modification was originally approved via Monarch Engineering and UK CAA Minor Modification No 9/217/6644. The additional weight increase attributed introduction of the toolbox is within the gross allowable weight of items installed on the forward face of the G1A.

5.2 Compliance With Design Requirements For Certificate Of Airworthiness

5.2.1 Not Applicable.

5.3 Compliance with Environmental Requirements

5.3.1 Embodiment of this modification does not affect the existing noise certificate.

5.4 Compliance with Design Requirements Associated with Operational Approvals

5.4.1 Not Applicable

5.5 Required (Amendments to) Manuals and other Documents Including Mandatory Placards.

5.5.1 Weight: There is a negligible weight increase attributable to this modification. The HF Transceivers are existing in their respective trays.

5.5.2 Electrical Load Demand: The electrical load attributable to the activation of the HF 1 and 2 systems has been accounted for by the constructor at build within the aircraft Electrical Load Summary. The other Engineering Orders do not incur a change in the aircraft electrical load demand. Emergency Flight times and battery discharge times are not adversely affected

- 5.5.3 The Aircraft Flight Manual is not affected by this modification.
- 5.5.4 A supplement to the existing Wiring Diagram Manual (WDM), Maintenance Manual and Illustrated Parts Catalogue may be produced at the operator's discretion, or this data attached to the existing manuals.
- 5.5.5 A supplement to the existing Illustrated Parts Catalogue (IPC) may be produced or this data appended to the existing manuals.

6.0 **Conditions Affecting This Approval**

- 6.1 The compatibility of this modification with other previously approved modifications installed on the particular aircraft, must be verified by the installer. Where the potential for interactions between modifications exists, the advice of the Design Organisation/CAA shall be sought.

7.0 **Continued Airworthiness**

- 7.1 The influence of the modification on Airworthiness Directive, Service Bulletin eligibility and other data must be considered and the publications monitored accordingly. The maintenance schedule for the aircraft should include reference to this material additional to the original design. Co-ordination is the responsibility of the operator.

8.0 **Survey**

- 8.1 No further survey required.

9.0 **Authorisation of Release to Service**

- 9.1 In addition to the actions required by the procedures for release to service following maintenance or modification, the following actions must be completed prior to signing the Certificate of Release to Service:
 - a) All actions and ground test procedures specified by the modification instructions must be completed satisfactorily.
 - b) It must be verified that the documents or amendments to documents, above are as specified, including any changes specified under Section 8 above.

10.0 **Approval**

- 10.1 This Minor modification AES-757-247 (MCA-AES-757-247) and related instructions has been approved under the authority of JAA Design Organisation Approval no. CAA.JA.02304.

11. **Documents Required**

11.1 **New Drawings Introduced**

0754-256-757 – Flight Deck Oil Can Stowage
0701-256-757 – Equipment Installation FlightDeck

11.2 **Existing Drawings Also Required**

NONE

11.3 **Reports/Documents**

AES-757-247 PART A [MODE-S]

<u>Document Number</u>	<u>Issue</u>	<u>Title</u>	<u>EFF'</u>
EO757-34-023R7	7	MODE S TRANSPONDER – SET MODE S ADDRESS (STANDARD PROVISIONS)	G-OOBG (NT405) G-OOBH (NT407)

AES-757-247 PART B [SELCAL]

<u>Document Number</u>	<u>Issue</u>	<u>Title</u>	<u>EFF'</u>
EO757-23-033R6	6	SELCAL – CHANGE SELCAL ADDRESS	G-OOBG (NT405) G-OOBH (NT407)

AES-757-247 PART C [HF1 & 2]

<u>Document Number</u>	<u>Issue</u>	<u>Title</u>	<u>EFF'</u>
EO757-23-038	INITIAL ISSUE	REACTIVATION OF THE HF1 AND 2 SYSTEMS	G-OOBG (NT405) G-OOBH (NT407)

AES-757-247 PART D [INSTALL OF AMI]

<u>Document Number</u>	<u>Issue</u>	<u>Title</u>	<u>EFF'</u>
EO757-34-044R1	1	FLIGHT MANAGEMENT COMPUTER – INSTALL AIR2000 STD AIRLINE MODIFIABLE INFORMATION (AMI)	G-OOBG (NT405) G-OOBH (NT407)

AES-757-247 PART E [EFIS]

<u>Document Number</u>	<u>Issue</u>	<u>Title</u>	<u>EFF'</u>
EO757-34-046	INITIAL ISSUE	EFIS – INTRODUCTION OF FIRST CHOICE AIRWAYS STANDARD PROVISIONS	G-OOBG (NT405) G-OOBH (NT407)

AES-757-247 PART F [TECH LOG STOWAGE INSTL'N]

<u>Document Number</u>	<u>Issue</u>	<u>Title</u>	<u>EFF'</u>
TBD		INSTALLATION OF TECH LOG STOWAGE TO G-CPEU AND G-CPEV (DETAILS TO FOLLOW AT SUBSEQUENT RAISE OF ISSUE)	G-OOBG (NT405) G-OOBH (NT407)

AES-757-247 PART G [LOCKABLE MOBILE PHONE STOWAGE]

<u>Document Number</u>	<u>Issue</u>	<u>Title</u>	<u>EFF'</u>
0701-256-757	1	EQUIPMENT INSTALLATION FLIGHTDECK	G-OOBG (NT405) G-OOBH (NT407)
EO757-25-067	1	STOWAGE INSTALLATION FOR MOBILE PHONE	

AES-757-247 PART H [INSTALLATION OF STOPWATCH]

<u>Document Number</u>	<u>Issue</u>	<u>Title</u>	<u>EFF'</u>
0701-256-757	1	EQUIPMENT INSTALLATION FLIGHTDECK	G-OOBG (NT405) G-OOBH (NT407)
ATT/757/1248	C	INSTALLATION OF STOP WATCH TO FLIGHTDECK	

AES-757-247 PART I [INSTL'N SPRING CLIP OB F/O P3-1]

<u>Document Number</u>	<u>Issue</u>	<u>Title</u>	<u>EFF'</u>
EO757-25-119R3	3	INTRODUCTION OF SPRING CLIP TO HOLD TAKE OFF/LANDING CARD	G-OOBG (NT405) G-OOBH (NT407)

AES-757-247 PART J [INSTL'N SOAP DISPENSER (LAVATORY)]

<u>Document Number</u>	<u>Issue</u>	<u>Title</u>	<u>EFF'</u>
EO757-25-178R1	1	INSTALLATION OF SOAP DISPENSER HOLDERS	G-OOBG (NT405) G-OOBH (NT407)

AES-757-247 PART K [INTRODUCTION OF OIL CAN STOWAGE IN FLIGHTDECK]

<u>Document Number</u>	<u>Issue</u>	<u>Title</u>	<u>EFF'</u>
0754-256-757	1	FLIGHT DECK OIL CAN STOWAGE	G-OOBG (NT405) G-OOBH (NT407)

AES-757-247 PART L [MOD'N TO ATTACHMENT OF ENTRYWAY PRISM SHROUDS]

<u>Document Number</u>	<u>Issue</u>	<u>Title</u>	<u>EFF'</u>
EO757-25-100	1	MODIFICATION TO ATTACHMENT OF ENTRY & SERVICE DOOR PRISM SHROUDS	G-OOBG (NT405) G-OOBH (NT407)

AES-757-247 PART M [INSTL/N OF TOOLBOX TO FLIGHTDECK]

<u>Document Number</u>	<u>Issue</u>	<u>Title</u>	<u>EFF'</u>
701-256-757	1	EQUIPMENT INSTALLATION FLIGHTDECK	G-OOBG (NT405) G-OOBH (NT407)
MON/75725/1367	1A	INSTALLATION OF TOOL BOX ON FLIGHT DECK	

AES-757-247 PART N [Vmo/Mmo AIRSPEED LIMITS]

<u>Document Number</u>	<u>Issue</u>	<u>Title</u>	<u>EFF'</u>
EO757-34-033R2	2	AIR DATA COMPUTER – INTRODUCE UK CAA Vmo/Mmo AIRSPEED LIMITS.	G-OOBG (NT405) G-OOBH (NT407)
SB-757-31-0124		INDICATING/RECORDING SYSTEM - Engine Indicating and Crew Alerting System (EICAS) - Change the Fuel, Oil Quantity, Air Conditioning Pack Flow and the Airplane Weight Indicators from English Units to Metric Units	G-OOBG (NT405) G-OOBH (NT407)

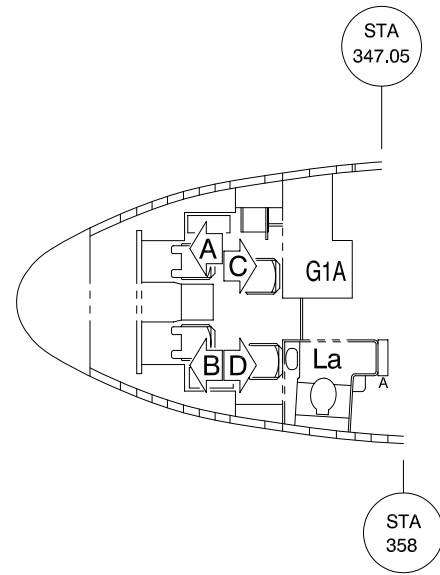
0701-256-757

SHEET 1 OF 3 SHEETS
DRAWING SIMILAR TO

N/A

REVISIONS

DRG ISS No.	RELEASE DOC.	ISSUE DATE:	DRG CHANGE	APP BY:
1	0658	MAR 2004	NEW	M A E



AES LTD
OFFICIAL ISSUE
DATE: 18.03.04
COPY

1 EQUIPMENT INSTALATION (FLIGHTDECK) **1**

NOTES:

- 1** THIS DRG INSTALLS ITEMS OF EQUIPMENT WITHIN THE FLIGHTDECK
- 2** WHEN RELOCATING EXISTING EQUIPMENT RETAIN / SALVAGE EXISTING FASTENERS AND RE-USE WHERE POSSIBLE.
- 3** INSTALL ALL INSERTS IN DIA 0.452/0.457 x 0.35 DEEP. BOND IN POSITION USING ARALDITE 420A/B. STORE, MIX AND APPLY ADHESIVE IAW MANUFACTURERES DATA SHEETS. ENSURE AREAS TO BE BONDED ARE FREE OF DIRT AND GREASE.
- 4** ATTACH PLACARD IN APPROXIMATE POSITION SHOWN.
- 5** PROTECTIVE TREATMENT: APPLY ALOCROME 1200 PER SRM STANDARD PRACTICE. FINISH: PRIME AND PAINT TO MATCH AREA WHERE EQUIPEMENT IS INSTALLED.
- 6** USE THIS EXISTING HOLE AS LOCATING POINT.
- 7** INSTALL MOBILE PHONE STOWAGE P/N 212-01-001 IN ACCORDANCE WITH OPERATOR E.O 757-25-067 AT THE LOCATION SHOWN ON SHEET 2.
- 8** STOPWATCH: INSTALL STOPWATCH P/N 343-420 IN ACCORDANCE WITH OPERATOR E.O. ATT/757/1248 WITH THE FOLLOWING EXCEPTIONS. LOCATION OF STOPWATCH TO BE INDICATED AS ON SHEET 3. (2 PLACES)
- 9** TOOLBOX: INSTALL CREW TOOLBOX ON THE FORWARD FACE OF GALLEY 1A IN ACCORDANCE WITH MODIFICATION MON/757/25/1367 WITH THE FOLLOWING EXCEPTIONS: LOCATION OF STOWAGE TO BE AS INDICATED ON SHEET 2.
- 10** USE BRACKETRY SUPPLIED WITH EQUIPMENT AS TEMPLATE FOR HOLE PATTERN
- 11** INSTALL ALL INSERTS IN DIA 0.452/0.457 X 0.21" DEEP. BOND IN POSITION USING ARALDITE 420A/B. STORE, MIX AND APPLY ADHESIVE IAW MANUFACTURERES DATA SHEETS. ENSURE AREAS TO BE BONDED ARE FREE OF DIRT AND GREASE.

REF	ITEM No.	PART NUMBER	ITEM ISS	KEYWORD / DESCRIPTION	MATERIAL	SPECIFICATION	DIMENSIONS	EST WEIGHT	REMARKS
	105	0701-256-757-105	1	PLATE	AL ALLOY	2024-T3, QQ-A-250/5	*.063 THK		
1	79	806HOOK1INCHSA		FR QUALITY VELCRO 1" HOOK		COLOUR: GREY			
1	77	806LOOP1INCHSA		FR QUALITY VELCRO 1" LOOP		COLOUR: GREY			
4	75	NAS1836-3-07		INSERT, 10/32 0.21" LG					
1	73	69B41608-7		STRAP					
1	71	69B41608-6		STRAP					
1	69	NAS43DD6-62		SPACER					
1	67	NAS43DD4-62		SPACER					
4	65	NAS43DD3-14		SPACER					
2	63	BACW10P168L		WASHER					
2	61	BACS12ER3K5		SCREW 3/16					
1	59	BACS12GU3K20		SCREW 3/16					
4	57	BACS12GU3K8		SCREW 3/16					
1	53	A2000-109		PLACARD FIRE EXT (SYMBOLIC)					
1	51	A2000-250		PLACARD ELT					
2	49	A2000-319		PLACARD SMOKEHOOD					
1	47	A2000-113		PLACARD ARROW					
2	REF 43	E0767-25-097-001		STOPWATCH BRACKET (OPP SUPPLIED)		(REF MOD ATT/757-1248)			
20	41	AN960C10		WASHER NO 10		NAS1149C0863R			
1	37	232N4704-117		SPARE BULB STOWAGE					
24	35	NAS603-6P		SCREW, 10-32, 3/8" LG					
9	33	NAS1149D0316J		WASHER					
30	31	NAS1836-3-11		INSERT, 10-32, 11/32" LG		ALTERNATIVE SL607-3-6			
A/R	29	ARALDITE 420A/B		ADHESIVE					
1	REF 25	551-508-757		TOOLBOX (OPERATOR SUPPLIED)				7.5 LBS	
1	REF 23	212-01-001		MOBILE PHONE STOWAGE		(MGR SUPPLY, REF E0757-25-067)			
2	REF 21	343-420		STOPWATCH		(COML SUPPLY)			
1	19	BA50102-3		BRACKET FIRE EXT.					
1	17	BA51015-3		BCF FIRE EXTINGUISHER		ALT BA51015G3, ALT BA51015S3		4.4 LBS	
1	15	232T4102-2		CRASH AXE COVER ASSY		BOEING			
1	13	42D8331-443		CRASH AXE				2.2 LBS	
1	11	A0861		ELT MOUNTING BRACKET		H R SMITH			
1	9	500-12Y		ELT		H R SMITH		1.3 LBS	
2	7	P2-07-0001-201		TORCH		ALT P/N P2-07-0001-212		1.5 LBS	
2	5	E28183-04		BRACKET SMOKEHOOD					
2	3	E28180-10		SMOKEHOOD				6.6 LBS	

No. OFF	MAP REF	ITEM No.	PART NUMBER	ITEM ISS	KEYWORD / DESCRIPTION	MATERIAL	SPECIFICATION	DIMENSIONS	EST WEIGHT	REMARKS
1	ISS									
A/D	HAND	DRAWN BY:		DATE:	MODIFICATION No:					
1	ISS	B MANDALIA		MAR 2004	AES-757-248					
		CHECKED BY:		SCALE:	JAA APP.: CAA.JA.02304					
		S SHAW		1:100 AT A3 U.O.S.						
		STRESS:		LIMITS:	THIRD ANGLE PROJECTION:					
		M EVANS		N/A U.O.S.						
		APPROVED:		SURFACE FINISH:	DIMENSIONS IN:					
		A DOLBY		N/A	INCHES					
TITLE:						EQUIPMENT INSTALLATION FLIGHTDECK				

0701-256-757-001

PT No: -001

NHA: AES-757-248

No. OFF: 1

EFFECTIVITY: B757-200 FLEET

0701-256-757

SHEET 1 OF 3 SHEETS

©2004 ALL RIGHTS RESERVED. THE INFORMATION CONTAINED HEREIN IS PROPRIETARY TO AEROSPACE ENGINEERING SOLUTIONS LIMITED AND SHALL NOT BE REPRODUCED OR DISCLOSED WITHOUT THE OWNERS WRITTEN PERMISSION.

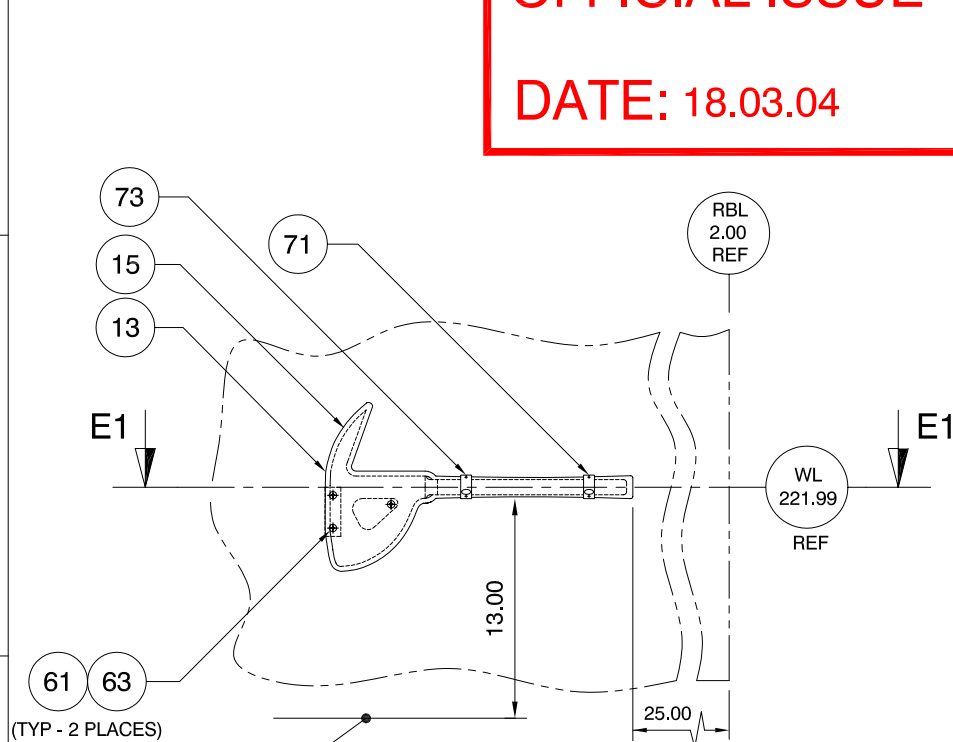
PT No	NHA	No. OFF	EFFECTIVITY
-001	AES-757-248	1	B757-200 FLEET

0701-256-757

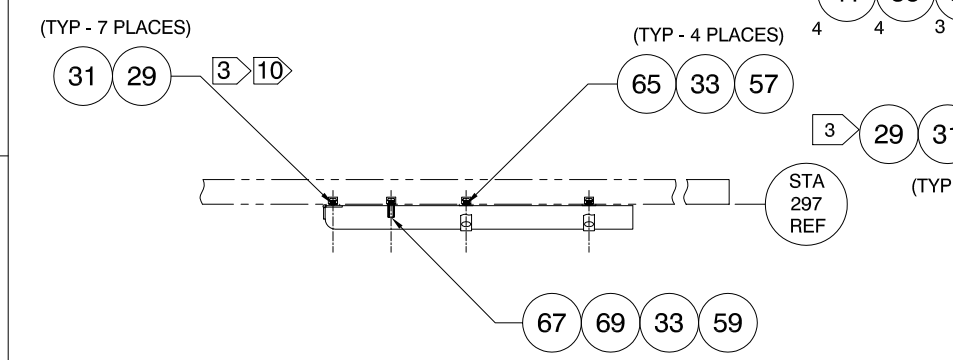
SHEET 2 OF 3 SHEETS
DRAWING SIMILAR TO
N/A

AES LTD
OFFICIAL ISSUE
DATE: 18.03.04
COPY

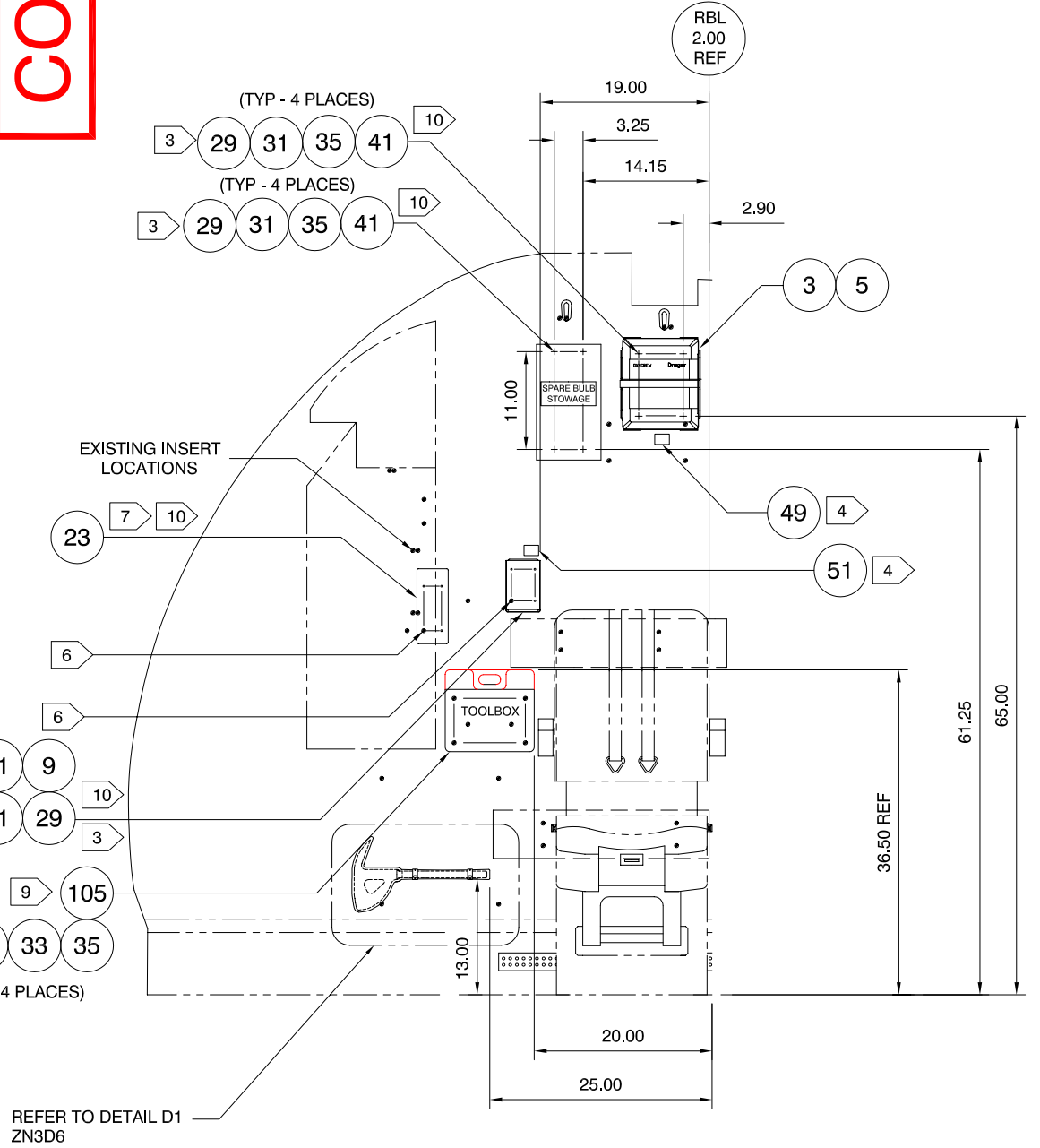
REVISIONS				
DRG ISS No.	RELEASE DOC.	ISSUE DATE:	DRG CHANGE	APP BY:
1	0658	MAR 2004	NEW	M A E



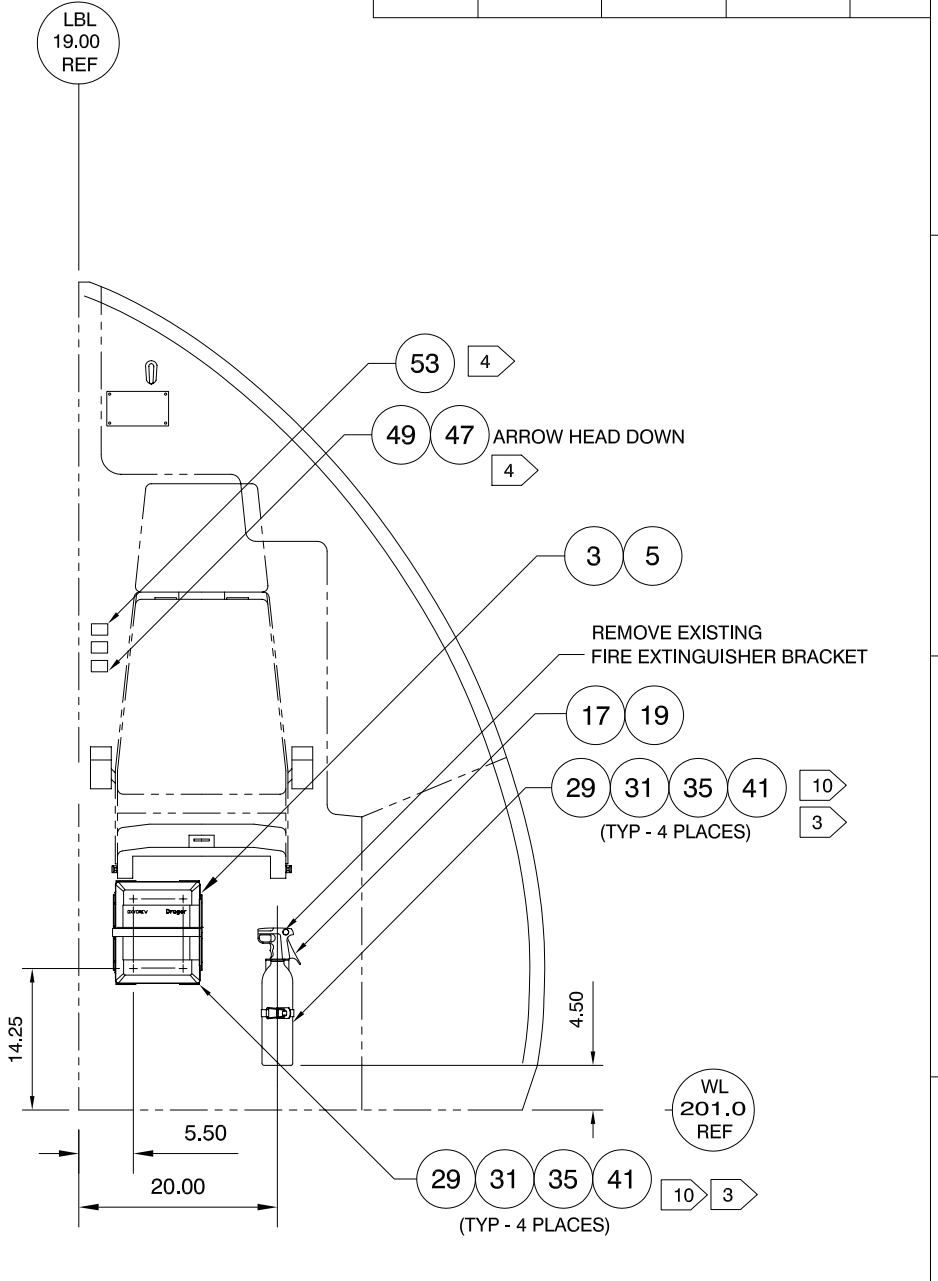
DETAIL D1
FLIGHT DECK CRASH
AXE INSTL'N
SCALE 1:10



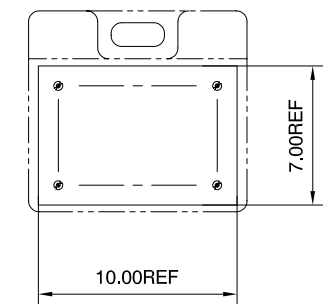
CRASH AXE
INSERT PATTERN
SCALE 1:5



VIEW ON ARROW 'C'
FLIGHTDECK RH BULKHEAD
SCALE 1:20
VIEW LOOKING AFT



VIEW ON ARROW 'D'
FLIGHTDECK LH BULKHEAD
SCALE 1:20
VIEW LOOKING AFT



DETAIL OF ITEM 105 REF
(SEE MOD MON 757/25/1367 FOR DETAILS)
SCALE 1:10

MAP REF	ITEM No.	PART NUMBER	ITEM ISS	KEYWORD / DESCRIPTION	MATERIAL	SPECIFICATION	DIMENSIONS	TREATMENT
1	B MANDALIA			MAR 2004				
1	S SHAW			1:10 AT A3 U.O.S.				
1	M EVANS			±.020 U.O.S.				
1	A DOLBY			N/A				
DRAWN BY: B MANDALIA				DATE: MAR 2004	MODIFICATION No: AES-757-248			
CHECKED BY: S SHAW				SCALE: 1:10 AT A3 U.O.S.	JAA APP.: CAA.JA.02304			
STRESS: M EVANS				LIMITS: ±.020 U.O.S.	THIRD ANGLE PROJECTION:			
APPROVED: A DOLBY				SURFACE FINISH: N/A	DIMENSIONS IN: INCHES			
TITLE: EQUIPMENT INSTALLATION FLIGHTDECK								

©2004 ALL RIGHTS RESERVED. THE INFORMATION CONTAINED HEREIN IS PROPRIETARY TO AEROSPACE ENGINEERING SOLUTIONS LIMITED AND SHALL NOT BE REPRODUCED OR DISCLOSED WITHOUT THE OWNERS WRITTEN PERMISSION.

aes
aerospace engineering solutions

PT No	NHA	No. OFF	EFFECTIVITY
-001	NHA	1	B757-200 FLEET

0701-256-757
SHEET 2 OF 3 SHEETS

0701-256-757

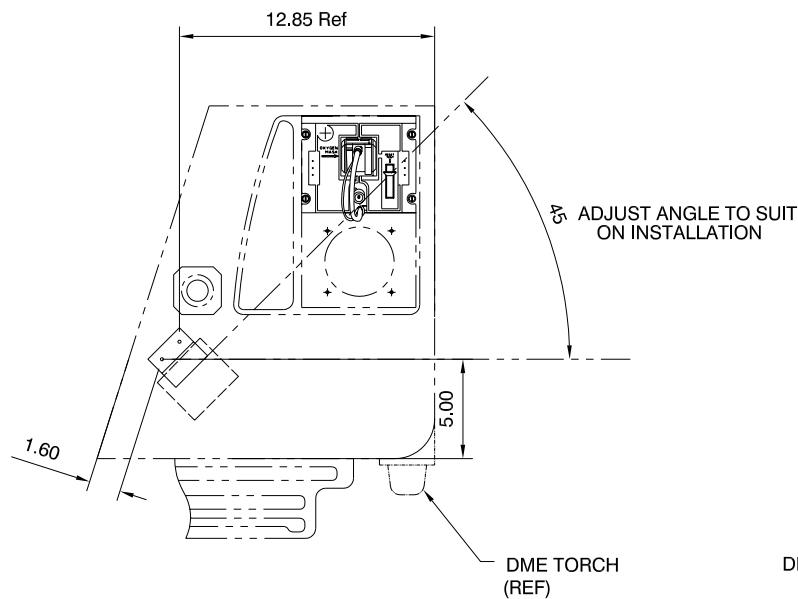
SHEET 3 OF 3 SHEETS

DRAWING SIMILAR TO

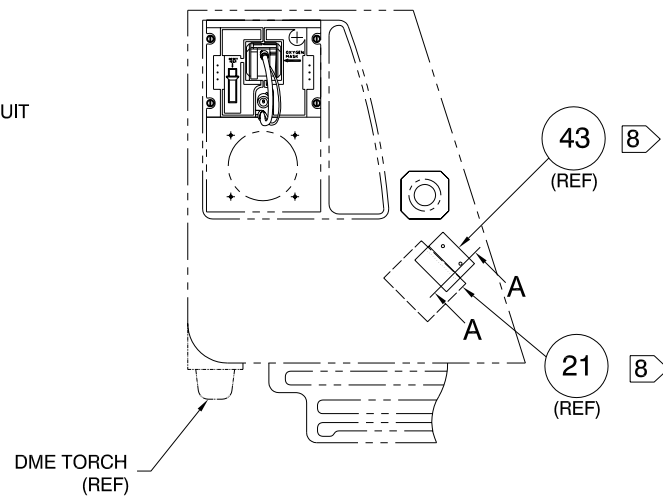
N/A

REVISIONS

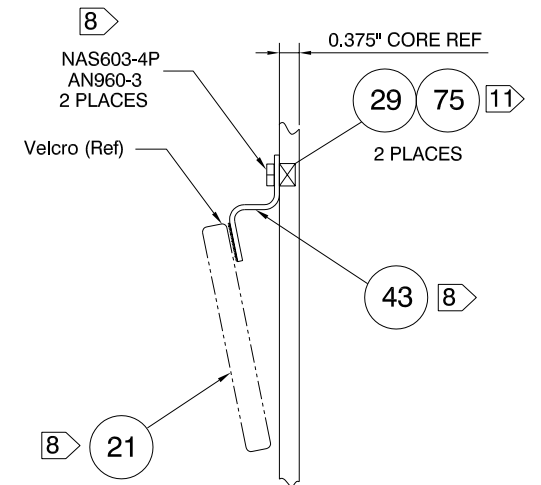
DRG ISS No.	RELEASE DOC.	ISSUE DATE:	DRG CHANGE	APP BY:
1	0658	MAR 2004	NEW	M A E



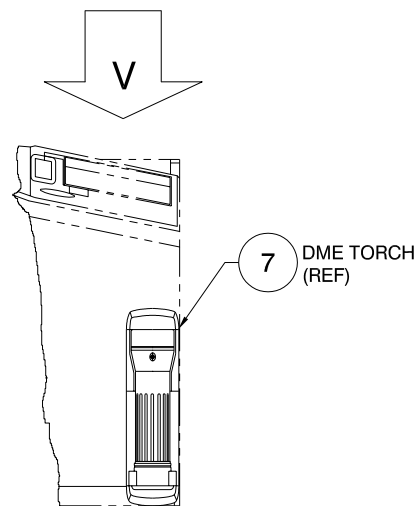
VIEW ON ARROW 'V'
FLIGHTDECK LH



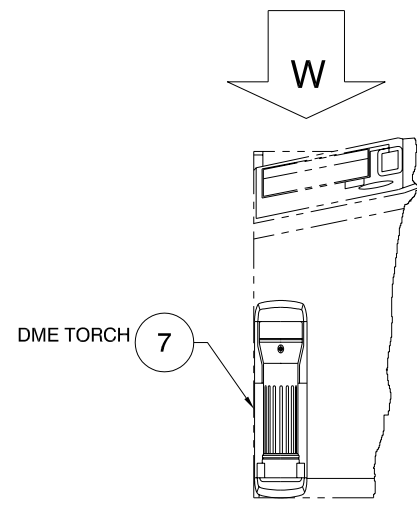
VIEW ON ARROW 'W'
FLIGHTDECK RH
(DIMENSIONS OPPOSITE TO LHS)



SECTION A - A
STOPWATCH BRKT INSTL
RH SIDE SHOWN - LH SIDE OPPOSITE
SCALE 1:1



VIEW ON ARROW 'B'
FLIGHTDECK LH
SCALE 1:10



VIEW ON ARROW 'A'
FLIGHTDECK RH
SCALE 1:10

AES LTD
OFFICIAL ISSUE
DATE: 18.03.04
COPY

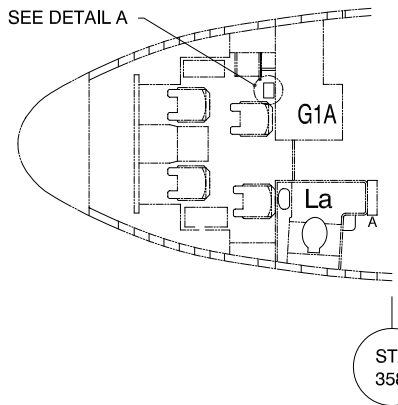
MAP REF	ITEM No.	PART NUMBER	ITEM ISS	KEYWORD / DESCRIPTION	MATERIAL	SPECIFICATION	DIMENSIONS	TREATMENT	OR REMARKS
1				SEE SHEET 1					
0701-256-757-001	DRAWN BY: B MANDALIA		DATE: MAR 2004		MODIFICATION No: AES-757-248				
	CHECKED BY: S SHAW		SCALE: 1:10 AT A3 U.O.S.		JAA APP.: CAA.JA.02304				
	STRESS: M EVANS		LIMITS: ±.020 U.O.S.		THIRD ANGLE PROJECTION:				
	APPROVED: A DOLBY		SURFACE FINISH: N/A		DIMENSIONS IN: INCHES				
TITLE: EQUIPMENT INSTALLATION] FLIGHTDECK									
<small>©2004 ALL RIGHTS RESERVED. THE INFORMATION CONTAINED HEREIN IS PROPRIETARY TO AEROSPACE ENGINEERING SOLUTIONS LIMITED AND SHALL NOT BE REPRODUCED OR DISCLOSED WITHOUT THE OWNERS WRITTEN PERMISSION.</small>									
PT No		NHA		No. OFF		EFFECTIVITY			
SEE SHEET 1									
0701-256-757 SHEET 3 OF 3 SHEETS									

0754-256-757

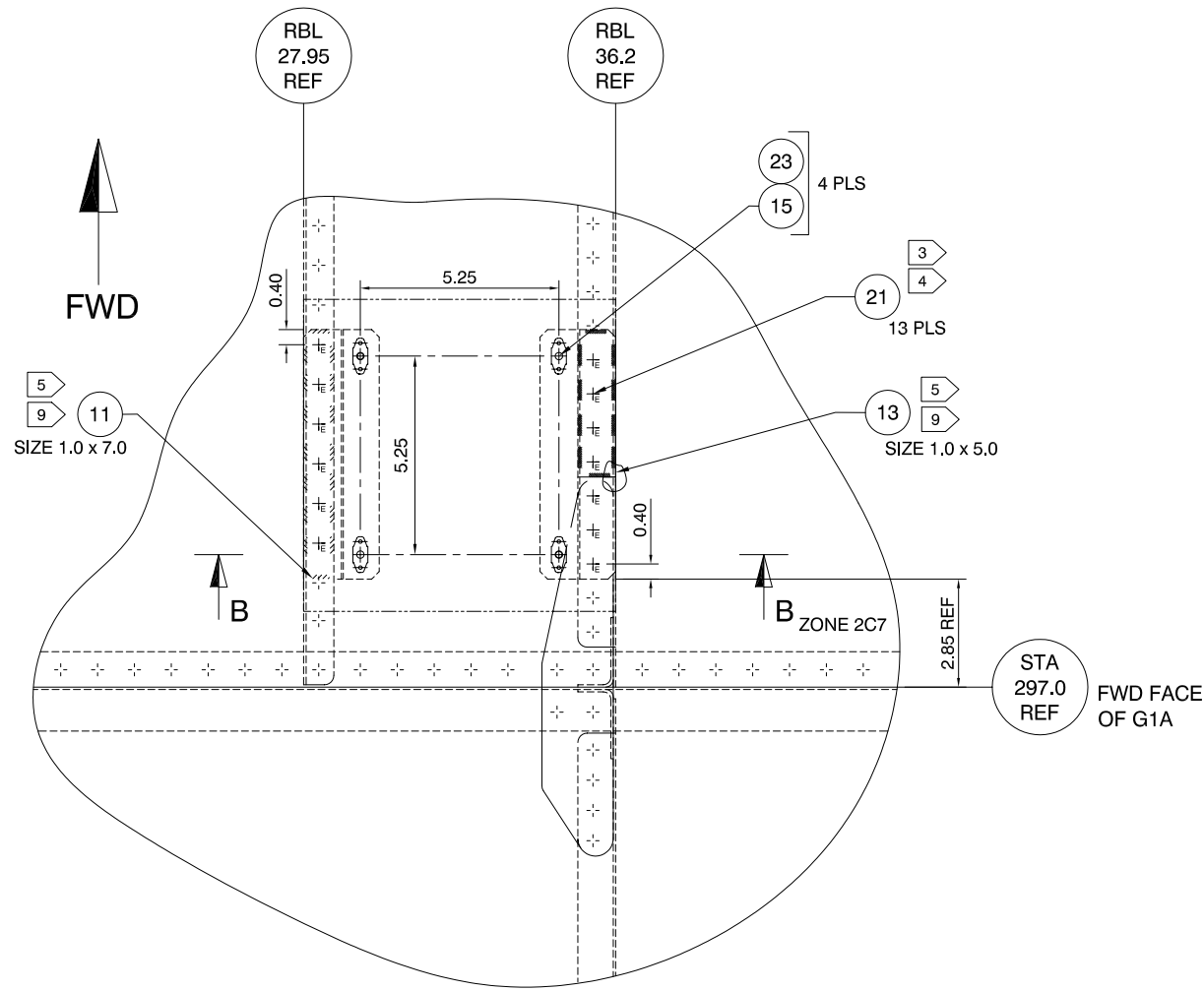
SHEET 1 OF 2 SHEETS
DRAWING SIMILAR TO
N/A

REVISIONS

DRG ISS No.	RELEASE DOC.	ISSUE DATE:	DRG CHANGE	APP BY:
1	0613	MAR 2004	NEW	MAE



1 OIL CAN STOWAGE INSTALLATION
(FLIGHT DECK)
N.T.S



DETAIL A
VIEW LOOKING DOWN ON FLIGHT DECK
ROTATED 90° CW
SCALE 1:5

NOTES:

- 1 THIS DRG SHOWS THE INSTALLATION OF THE OPERATORS 'OIL CAN STOWAGE' AND IS READ INCONJUNCTION WITH F.C.A EO757-25--120R3 (OR LATER REVISION).
- 2 WET ASSEMBLE WITH BMS 5-95 AS PER SRM.
- 3 INSTALL RIVET BURRS AS PER SRM PRIOR TO INSTALLATION OF FASTENERS. TYP 13 PLS.
- 4 INSTALL RIVETS IN EXISTING FASTENER LOCATIONS AS PER SRM. TYP 13 PLS.
- 5 LENGTH OF PACKER TO BE DETERMINED UPON INSTALLATION. MIN EDGE DISTANCE TO BE 2D.
- 6 LENGTH OF 'ZEE' ANGLE TO BE CONFIRMED ON INSTALLATION. MAINTAIN 5.25 PITCH BETWEEN ANCHOR NUTS. THE CENTRE OF THE ANCHOR NUTS TO BE 0.70 FROM THE EDGE OF THE 'ZEE' MAINTAIN 2D EDGE DISTANCE FOR THE ATTACHING RIVETS.
- 7 4 HOLES Ø0.20 IN THE BASE OF THE OIL CAN STOWAGE. ENSURE HOLES ALIGN WITH THE 'ZEE' ANGLES.
- 8 FINISH: ALOCROM 1200 + 1 COAT OF BMS 10-83 PRIMER + 1 COAT TO MATCH COCKPIT FLOOR.
- 9 FINISH: ALOCROM 1200
- 10 PART MARK IN BLACK USING INDELIBLE INK. SHOW MANUFACTURER, DATE, PART NUMBER AND THE LETTERS EPA.

AES LTD
OFFICIAL ISSUE
DATE: 17.03.04
COPY

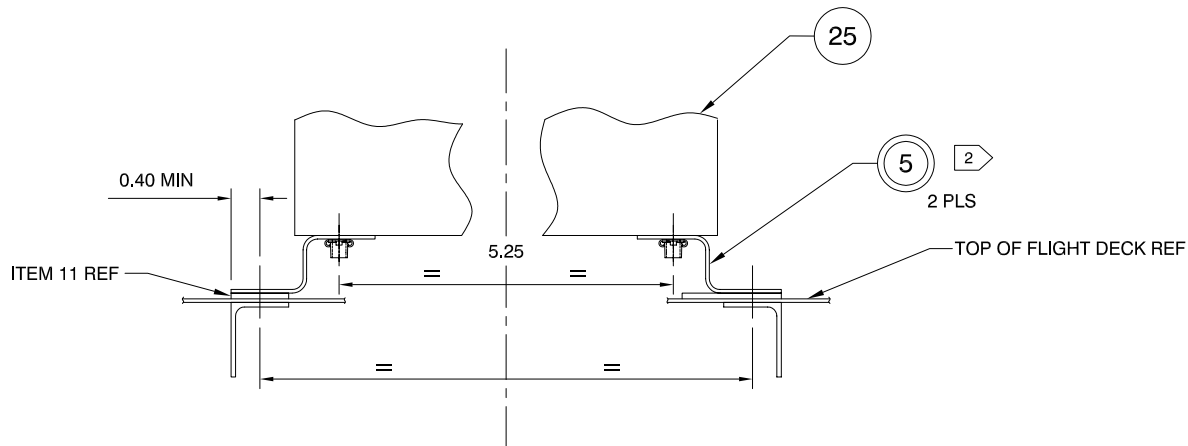
No. OFF	No. OFF	MAP REF	ITEM No.	PART NUMBER	ITEM ISS	KEYWORD / DESCRIPTION	MATERIAL	SPECIFICATION	WIDTH	EST WEIGHT	ALL	
1	25			KD01-156	REF	OIL CAN						
4	23			NAS1149D0363J		WASHER						
13	21			BACR15FT5D()		5/32 RIVET						
4	19			MS20426AD3()		3/32 CSK RIVET						
2	17			BACN10JB3R		ANCHOR NUT						
4	15			NAS623-3-2		SCREW						
1	13			-013	1	PACKER		▲2024-T3, QQ-A-250/5 0.125 THK			9	
1	11			-011	1	PACKER		▲2024-T3, QQ-A-250/5 0.125 THK			9	
1	9			-009	1	ZEE		▲2024-T3, QQ-A-250/5 0.050 THK			8	
	7											
	5			-005	1	ZEE ASSY						
	3											
	1			-001	1	OIL CAN STOWAGE INSTALLATION						
DRAWN BY: S SHAW CHECKED BY: A D B STRESS: M A E APPROVED: M A E TITLE: FLIGHT DECK OIL CAN STOWAGE							DATE: MAR 2004 SCALE: 1:6 AT A3 U.O.S. LIMITS: ±0.10 U.O.S. SURFACE FINISH: N/A		MODIFICATION No: AES-757-247 JAA. APP.: CAA.JA.02304 THIRD ANGLE PROJECTION: DIMENSIONS IN: INCHES		MATERIAL: ALL SPECIFICATION: OR REMARKS WIDTH: 40 EST WEIGHT: 1.5	
0754-256-757-005 0754-256-757-001 PART NUMBER							©2004 ALL RIGHTS RESERVED. THE INFORMATION CONTAINED HEREIN IS PROPRIETARY TO AEROSPACE ENGINEERING SOLUTIONS LIMITED AND SHALL NOT BE REPRODUCED OR DISCLOSED WITHOUT THE OWNERS WRITTEN PERMISSION.		PT No: NHA No. OFF: 757 FCA SERIES FLEET EFFECTIVITY:		0754-256-757 SHEET 1 OF 2 SHEETS	

0754-256-757

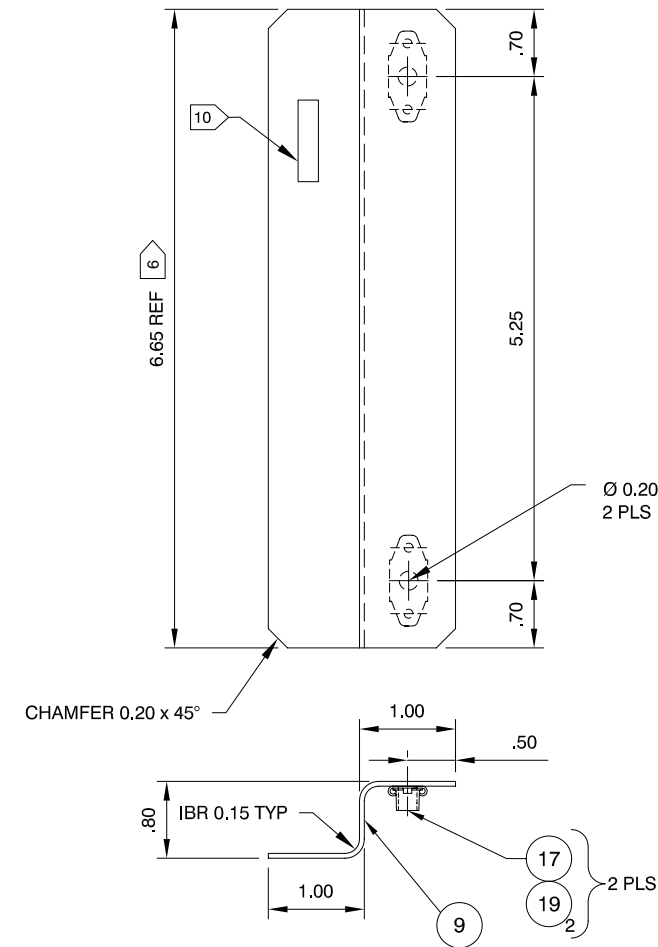
SHEET 2 OF 2 SHEETS
DRAWING SIMILAR TO
N/A

REVISIONS

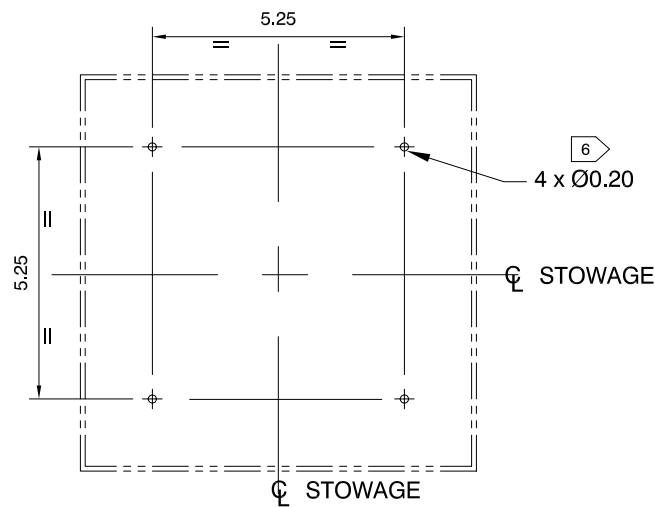
DRG ISS No.	RELEASE DOC.	ISSUE DATE:	DRG CHANGE	APP BY:
1	0613	MAR 2004	NEW	M A E



SECTION B - B
ZONE 1B5
SCALE 1:4



DETAIL OF ASSY 5
(2 OFF REQUIRED)
SCALE 1:2



FOOTPRINT OF OIL CAN STOWAGE

AES LTD
OFFICIAL ISSUE
DATE: 17.03.04

COPY

No. OFF		MAP REF	ITEM No.	PART NUMBER	ITEM ISS	KEYWORD / DESCRIPTION	MATERIAL	SPECIFICATION	WIDTH	EST WEIGHT	
1	1	ISS				SEE SHT 1					
DRAWN BY:		DATE:		MODIFICATION No:		<div style="display: flex; justify-content: space-between;"> <div style="writing-mode: vertical-rl; transform: rotate(180deg);">0754-256-757-005</div> <div style="writing-mode: vertical-rl; transform: rotate(180deg);">0754-256-757-001</div> <div style="writing-mode: vertical-rl; transform: rotate(180deg);">PART NUMBER</div> </div> <p>FLIGHT DECK OIL CAN STOWAGE</p> <p style="text-align: right;">SHEET 2 OF 2 SHEETS</p>					
S SHAW		MAR 2004		AES-757-247							
CHECKED BY:		SCALE:		JAA. APP.: CAA.JA.02304							
A D B		1:6 AT A3 U.O.S.									
STRESS:		LIMITS:		THIRD ANGLE PROJECTION:							
M A E		±0.10 U.O.S.									
APPROVED:		SURFACE FINISH:		DIMENSIONS IN:							
M A E		N/A		INCHES							
TITLE:											

©2004 ALL RIGHTS RESERVED. THE INFORMATION CONTAINED HEREIN IS PROPRIETARY TO AEROSPACE ENGINEERING SOLUTIONS LIMITED AND SHALL NOT BE REPRODUCED OR DISCLOSED WITHOUT THE OWNERS WRITTEN PERMISSION.

PT No	NHA	No. OFF	EFFECTIVITY
	757 FCA SERIES FLEET		

0754-256-757



www.aesglobal.com

JAR21 APPR: CAA.JA.02304

MODIFICATION TITLE:
REVIEW AND APPROVAL OF ENTRY IN
SERVICE MODIFICATIONS

MODIFICATION No.
AES-757-265
PART A – K ISSUE 1
Page 1 of 11

A/C TYPE.: A/C VARIANT: A/C REG:.. A/C SERIAL No.:
B757 B757-28A G-OOBF 33101

Retro. Action:
SEE SHT. YES/NO

Certificate of Airworthiness Category:
PUBLIC TRANSPORT - PASSENGER

Classification:
MAJOR/MINOR

Project No.: 0261

Performance Group: **TURBINE JET**

ATA: 23, 34

Reason for Modification:
TO SUIT THE OPERATOR'S REQUIREMENTS PRIOR TO ENTRY INTO SERVICE

Reports:
NONE

WEIGHT CHANGE
SEE SECTION 5.5.1

ELECTRICAL LOAD
SEE SECTION 5.5.2

NOISE
SEE SECTION 5.3

DOCUMENTS
SEE SECTION 11.0

CERTIFICATE OF DESIGN

I hereby certify that this modification defines all the changes associated with this certificate.

The technical information contained in this document has been approved under the authority of
JAA Design Organisation Approval No CAA.JA.02304

I further certify that, with the exceptions listed below, the design of this modification complies with the requirements specified by the
CAA as the certification basis for this type of aircraft and with any additional requirements notified by the CAA in respect of the
particular modification.

EXCEPTIONS

NONE

APPROVAL STATUS
COMPLETE/INCOMPLETE (see section 10)

CAA STC No.: NOT APPLICABLE

JAA STC No.: NOT APPLICABLE

ISSUE	1						
DRN No.	0714						
APPROVAL DATE	MAE 19.04.04						

ISSUE	RAISE ISSUE DETAIL						SHEETS AFFECTED

ISSUE	DATE	COMPILED	CVE / APP STRUCTURES	CVE / APP DESIGN	CVE / APP SYSTEMS	DOCUMENTS AFFECTED	SEE SHT
1	15.04.04	S SHAW	M EVANS	A DOLBY	N/A	MMEL MAINT MANUAL WDM REPAIR MANUAL FLIGHT MANUAL CREW MANUAL MAINT. SCHEDULE PART CATALOGUE*	8
						* OPERATORS RESPONSIBILITY	

DETAILS OF MODIFICATION
1.0 Introduction

- 1.1 This modification validates various First Choice Airways Engineering Orders (EO's) for embodiment on the subject aircraft prior to Entry into Service (EIS). Validation of the documents is in accordance with JAR 21 procedures.
- 1.2 The modification is split in associated parts as follows to allow progressive embodiment.

Part	Description	Associated Documentation
A	PASSENGER SEAT CONFIGURATION (233 PAX)	0441-252-757
B	TECH LOG STOWAGE (EXISTING MONARCH MODIFICATION)	ATT-757-1060 DOI-195
C	MOBILE PHONE STOWAGE	EO757-25-067
D	SOAP DISPENSER RETAINING PLATE	EO757-25-178
E	INSTLN OF SPRING CLIP	EO757-25-119
F	INTRODUCTION OF OIL CAN STOWAGE IN FLIGHT DECK	EO757-25-120R3
G	MOD'N TO ATTACHMENT OF ENTRYWAY PRISM SHROUDS	EO757-25-100
H	INSTL'N OF STOPWATCH (EXISTING MONARCH MODIFICATION)	ATT/757/1248
I	INSTALLATION OF THERAPEUTIC OXYGEN PLINTH	FLS/B757/1152PTB
J	EMERGENCY EQUIPMENT EXPIRY DATE LABELS	GEN/25/007
K	TOILET DECALS	EO757-11-017

2.0 Modification Definition

2.1 Modification AES-757-149 – Part A – Passenger Seat Configuration (233 PAX)

2.1.1 Boeing configuration LOPA-5724-3021 Rev R and Weber Aircraft LOPA 117680 Rev D refers to the seats installed and installation positions at build.

2.1.2 Existing AES drawing 0441-252-757 combines seat part numbers and locations together onto a drawing standard commensurate with the format used by the operator. The drawing is raised in issue to incorporate G-OOBF

2.1.3 The documentation provides means to control future removal / installation during maintenance inputs.

2.2 PART B – TECH LOG STOWAGE

2.2.1 An aluminium alloy constructed technical log stowage is introduced to the aft face of the centre pedestal. The stowage is designed by Monarch Aircraft engineering as per drg KD01-158. Supplemental AES Design Office Instruction (DOI-195) attaches upper restraining straps and a contents placard. The location of the tech log stowage is as indicated on the reference documentation ATT/757/1060 & DOI195.

2.3 PART C – INTRODUCTION OF A LOCKABLE MOBILE PHONE STOWAGE

2.3.1 An aluminium alloy constructed, lockable mobile phone stowage is introduced to the forward face of the Galley 1A within the Flightdeck to store and protect a mobile phone with its battery removed. The stowage is designed and manufactured by MGR Foamtex (DAI/9138/88).

2.4 PART D – INSTALLATION OF SOAP DISPENSER (LAVATORY)

2.4.1 A Soap Dispensing retaining plate assembly is introduced to lavatories within the subject aircraft. The soap dispenser plate is installed to provide a secure means of soap dispenser attachment to the lavatory sink.

2.5 PART E – INSTALLATION OF SPRING CLIP ON FIRST OFFICERS P3-1 PANEL

2.5.1 An operator supplied spring clip is secured to the First Officer's P3-1 panel to hold a take off /landing card. The location of the spring clip is identified in the engineering order.

2.6 PART F – INTRODUCTION OF OIL CAN STOWAGE IN FLIGHTDECK

2.6.1 A closed lid oil can stowage is secured to the flight deck floor forward of STA 297 outboard of the 2nd observers seat. The attachment method and location of fasteners has been reviewed and found acceptable.

2.7 PART G – MOD'N TO ATTACHMENT OF ENTRYWAY PRISM SHROUDS

2.7.1 The method of attachment of the entry and service door prism shrouds is improved. The existing velcro attachment method is replaced using a screw and insert arrangement.

2.8 PART H – INSTALLATION OF STOPWATCH

2.8.1 A Commercial audible stopwatch is fitted to the Flightdeck via a small formed bracket to assist in various exercises such as (fuel cross feed pump timings etc). The bracket location indicated on the reference Monarch modification (ATT-757-1248REVC) is not suitable, and is to be installed as indicated on AES DRG 0701-256-757.

2.9 PART I – INSTALLATION OF THERAPEUTIC OXYGEN PLINTH

2.9.1 A lightweight composite panel is to be introduced in the Overhead Stowage compartments (OHSC) at STA 1547. The panel to be used for securing medical oxygen bottles in flight. Appropriate placarding is introduced to the stowage compartment.

2.10 PART J – EMERGENCY EQUIPMENT EXPIRY DATE LABELS

2.10.1 Replacement improved expiry date labels are introduced to items of emergency equipment referenced in GEN/25/007 to overcome unnecessary replacement of equipment due to unreliable labelling. The labels do not affect operation of the units themselves.

2.11 PART K – TOILET DECALS

2.11.1 A 'SMOKING IN THE TOILET IS STRICTLY FORBIDDEN' placard is introduced in a prominent position in all lavatories on the operator's aircraft.

3.0 Approval Procedures

3.1 This modification certification/approval/validation has been carried out in accordance with JAR 21.

4.0 Basis of Certification/Validation/Approval

4.1 CAA Certification/Validation/Approval Basis For The Aircraft/Modification

4.1.1 The certification basis of the aircraft type is FAR25, UK Type Certificate Data Sheet FA28 Issue 5 refers.

4.1.2 The following JAR design requirements (change 16) are addressed within this modification, which meet or exceed the requirements of the aircraft type.

Requirement	Description
JAR 25.1541	Markings and Placards - General
JAR 25.1561	Safety Equipment

With respect to previously approved minor changes introduced for the subject aircraft:-

JAR 25 Subpart C – Structures
JAR 25 Subpart D – Design and construction.

Which provides the basis for review and introduction on a non-hazard basis.

4.2 Design Requirements For Certificate Of Airworthiness

4.2.1 Not Applicable

4.3 Environmental Requirements

4.3.1 The aircraft noise requirements are detailed in CAA Noise Certificate No. 58 & 77, UK TCDS FA28 refers.

4.4 Design Requirements Associated With operational Approvals

4.4.1 UK CAA Specification Numbers and Airworthiness Notices:

CAA AWN No 86	Fire Precautions – Aircraft Toilets
CAA ANO Article 66	Smoking in Aircraft

5.0 **Compliance with the Basis of Certification/Validation/Approval**

5.1 **Compliance with the Certification/Validation/Basis for the Aircraft/Modification**

5.1.1 Embodiment of this modification does not affect the certification basis of the aircraft.

5.1.2 **JAR 25.301 through JAR 25.333, 25.337, 25.341, 25.561 and 25.789.**

AES-757-265 Part B though Part I. The means of installing equipment to the airplane are common to build standards employed by the aircraft constructor. The overall change in furnishings gross weight attributed by the addition of items is negligible. Items of mass introduced herein satisfy loading conditions attributed to emergency landing and flight inertia.

JAR 25.601, 25.605 and 25.607.

AES-757-265 Part B though Part I. Items of equipment introduced utilize aerospace materials, fasteners and fabrication methods. Continued compliance with these requirements is maintained.

5.1.3 **AES-757-265 PT B:** The technical log stowage is introduced on a non hazard basis. Emergency egress is unaffected. Restraint straps are introduced to prevent unwanted vertical movement of the contents. The stowage is placarded for 'Technical Log Stowage only' satisfying the requirements of JAR25.1561

5.1.4 **AES-757-265 PT C:** The Mobile phone stowage has been previously approved without any limitations, conditions or exemptions by UK CAA via Minor Mod No 9/218/M/5139 dated 22 Sept 1997. The additional weight increase attributed introduction of the stowage is within the gross allowable weight of items installed on the forward face of the G1A.

5.1.5 **AES-757-265 PT D:** The soap dispenser is installed securely to the lavatory sink. Engineering Order EO757-25-178 has been previously approved without any limitations, conditions or exemptions via UK CAA Minor Modification No 9/218/M/5360. The additional weight attributed by the introduction of the stopwatches is considered negligible.

- 5.1.6 **AES-757-265 PT E:** The spring clip is secured to the P3-1 Panel to hold the landing / take off card. Engineering Order EO757-25-119 has been previously approved without any limitations, conditions or exemptions via UK CAA Minor Mod No 9/218/M/5285. The additional weight attributed by the introduction of the stopwatches is considered negligible.
- 5.1.7 **AES-757-265 PT F:** The enclosed oil can stowage is secured to the flight deck floor. The installation is similar to existing Engineering Order EO757-25-120 which has been previously approved without any limitations, conditions or exemptions via UK CAA Minor Modification No 9/218/M/5286. Appropriate placards are installed [gross weight is approx 12lbs].
- 5.1.8 **AES-757-265 PT G:** The alternative method of attachment of the door entry prisms is an improvement over existing 'velcro' method currently installed. Engineering Order EO757-25-100 has been previously approved without any limitations, conditions or exemptions via UK CAA Minor Modification No 9/218/M/5231
- 5.1.9 **AES-757-265 PT H:** The operator supplied stopwatches are installed outboard of the Captain and First Officer adjacent to the respective oxygen mask stowage units. The units weight less than 0.1lb and are introduced on a non hazard basis. Monarch Modification ATT/757/1248 has been previously approved via UK CAA Minor Mod No 9/217/6459. The additional weight attributed by the introduction of the stopwatches is considered negligible.
- 5.1.10 **AES-757-265 PT I:** The Therapeutic Oxygen Plinth is installed in the OHSC at STA 1547. The basic Plinth weight is 2.2 lbs. With the inflight medical oxygen installed the weight increases to 25.4 lbs. Suitable placarding is installed on the OHSC informing of max stowage weight.
- 5.1.11 **AES-757-265 PT J:** Expiry date labels are introduced to items of emergency equipment that are "lifer". The parts are introduced on a non-hazard basis.
- 5.1.11 **AES-757-265 PT K:** Additional placards installed within each lavatory compartment indicating "Smoking In The Toilets Is Strictly Forbidden" are introduced to further provide compliance with requirements of CAA AWN 83 and CAA Air Navigation Order Article 66.

5.2 Compliance With Design Requirements For Certificate Of Airworthiness

5.2.1 Not Applicable.

5.3 Compliance with Environmental Requirements

5.3.1 Embodiment of this modification does not affect the existing noise certificate.

5.4 Compliance with Design Requirements Associated with Operational Approvals

5.4.1 Not Applicable

5.5 Required (Amendments to) Manuals and other Documents Including Mandatory Placards.

5.5.1 Weight: Embodiment of this modification results in a negligible weight increase.

5.5.2 Electrical Load Demand: Embodiment of this modification does not effect the load demand. Emergency flight and battery discharge times are unaffected.

5.5.3 The Aircraft Flight Manual (AFM), Wiring Diagram Manual (WDM) and the Aircraft maintenance manual (AMM) is not affected by this modification.

5.5.4 A supplement to the existing Illustrated Parts Catalogue (IPC) may be produced or this data appended to the existing manuals.

6.0 Conditions Affecting This Approval

6.1 The compatibility of this modification with other previously approved modifications installed on the particular aircraft, must be verified by the installer. Where the potential for interactions between modifications exists, the advice of the Design Organisation/CAA shall be sought.

7.0 Continued Airworthiness

7.1 The influence of the modification on Airworthiness Directive, Service Bulletin eligibility and other data must be considered and the publications monitored accordingly. The maintenance schedule for the aircraft should include reference to this material additional to the original design. Co-ordination is the responsibility of the operator.

8.0 Survey

8.1 No further survey required.

9.0 **Authorisation of Release to Service**

9.1 In addition to the actions required by the procedures for release to service following maintenance or modification, the following actions must be completed prior to signing the Certificate of Release to Service:

- a) All actions and ground test procedures specified by the modification instructions must be completed satisfactorily.
- b) It must be verified that the documents or amendments to documents, above are as specified, including any changes specified under Section 8 above.

10.0 **Approval**

10.1 This Minor modification AES-757-265 (MCA-AES-757-265) and related instructions has been approved under the authority of JAA Design Organisation Approval no. CAA.JA.02304.

11. **Documents Required**

11.1 **New Drawings Introduced**

NONE

11.2 **Existing Drawings Also Required**

NONE

11.3 **Reports/Documents**

AES-757-265 PART A [233 PAX Config]

<u>Document Number</u>	<u>Issue</u>	<u>Title</u>	<u>EFF'</u>
0441-252-757*	2	233 PAX CONFIGURATION B757-28A	G-OOBF

* Originally Issued Via Mod Summary AES-757-149

AES-757-265 PART B [TECH LOG STOWAGE INSTL'N]

<u>Document Number</u>	<u>Issue</u>	<u>Title</u>	<u>EFF'</u>
ATT/757/1060	1	ADDITIONAL OF TECH LOG STOWAGE	G-OOBF
DOI-195		APPLY RESTRAINT AND PLACARDING FOR STOWAGE	

AES-757-265 PART C [LOCKABLE MOBILE PHONE STOWAGE]

<u>Document Number</u>	<u>Issue</u>	<u>Title</u>	<u>EFF'</u>
EO757-25-067	1	STOWAGE INSTALLATION FOR MOBILE PHONE	G-OOBF
0701-256-757 *	1	EQUIPMENT INSTALLATION FLIGHTDECK	

* Originally introduced via modification AES*757-248

AES-757-265 PART D [INSTL'N SOAP DISPENSER (LAVATORY)]

<u>Document Number</u>	<u>Issue</u>	<u>Title</u>	<u>EFF'</u>
EO757-25-178R1	1	INSTALLATION OF SOAP DISPENSER HOLDERS	G-OOBF

AES-757-247 PART E [INSTL'N SPRING CLIP OB F/O P3-1]

<u>Document Number</u>	<u>Issue</u>	<u>Title</u>	<u>EFF'</u>
EO757-25-119R3	3	INTRODUCTION OF SPRING CLIP TO HOLD TAKE OFF/LANDING CARD	G-OOBF

AES-757-265 PART F [INTRODUCTION OF OIL CAN STOWAGE IN FLIGHTDECK]

<u>Document Number</u>	<u>Issue</u>	<u>Title</u>	<u>EFF'</u>
EO757-25-120R3	R3	INTRODUCTION OF FLIGHT DECK OIL CAN STOWAGE	G-OOBF
0754-256-757 *	1	FLIGHT DECK OIL CAN STOWAGE	G-OOBF

* Originally introduced via modification AES-757-247

AES-757-265 PART G [MOD'N TO ATTACHMENT OF ENTRYWAY PRISM SHROUDS]

<u>Document Number</u>	<u>Issue</u>	<u>Title</u>	<u>EFF'</u>
EO757-25-100	1	MODIFICATION TO ATTACHMENT OF ENTRY & SERVICE DOOR PRISM SHROUDS	G-OOBF

AES-757-265 PART H [INSTALLATION OF STOPWATCH]

<u>Document Number</u>	<u>Issue</u>	<u>Title</u>	<u>EFF'</u>
0701-256-757 *	1	EQUIPMENT INSTALLATION FLIGHTDECK	G-OOBF
ATT/757/1248	C	INSTALLATION OF STOP WATCH TO FLIGHTDECK	

* Originally introduced via modification AES*757-248

AES-757-265 PART I [THERAPEUTIC OXYGEN PLINTH INSTLN]

<u>Document Number</u>	<u>Issue</u>	<u>Title</u>	<u>EFF'</u>
FLS/B757/1152 PTB	INIT ISSUE	INTRODUCTION OF SABRE ELITE OXYGEN PROVISIONS	G-OOBF

AES-757-265 PART J [EMERGENCY EQUIPMENT EXPIRY LABELS]

<u>Document Number</u>	<u>Issue</u>	<u>Title</u>	<u>EFF'</u>
GEN/25/007	2	EMERGENCY EQUIPMENT EXPIRY LABELS	G-OOBF

AES-757-265 PART K [INSTLN NO SMOKING PLACARDS]

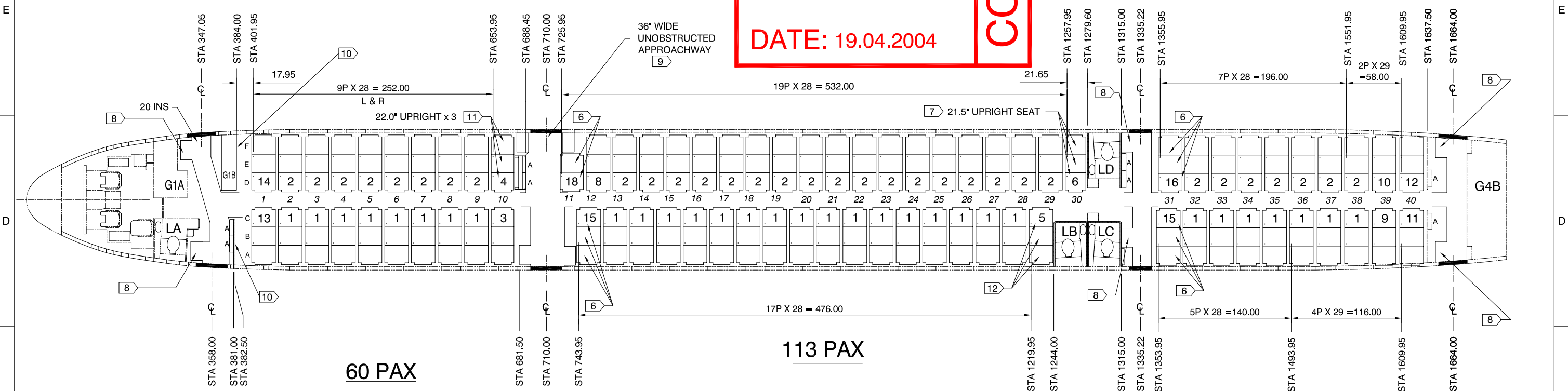
<u>Document Number</u>	<u>Issue</u>	<u>Title</u>	<u>EFF'</u>
EO757-11-017	INIT ISSUE	TO INTRODUCE 'SMOKING IN THE TOILETS IS STRICTLY FORBIDDEN' PLACARDS	G-OOBF

0441-252-757

SHEET 1 OF 2 SHEETS
DRAWING SIMILAR TO
N/A

AES LTD
OFFICIAL ISSUE
DATE: 19.04.2004
COPY

REVISIONS				
DRG ISS No.	RELEASE DOC.	ISSUE DATE:	DRG CHANGE	APP BY:
1	0345	MAR 2003	NEW	M A E
2	0714	APRIL 2004	DCN 0251	MAE

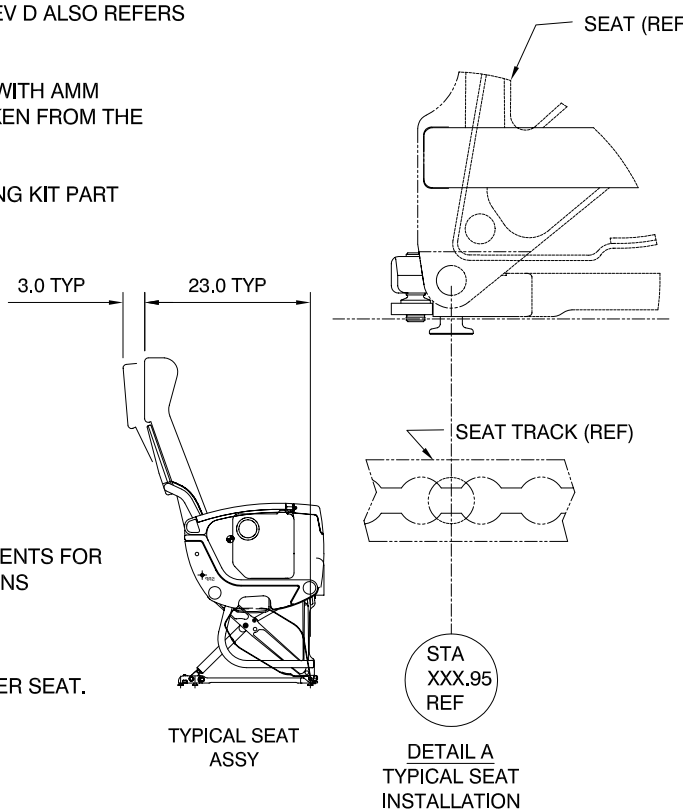


1 INSTL'N -001 (233 PAX @ 28/29" PITCH)

233 PAX CONFIGURATION (INSL-000)

NOTES:

- 1 THIS DRAWING IS TO BE READ IN CONJUNCTION WITH MODIFICATION NUMBER AES-757-149 AND EMBODIMENT INSTRUCTIONS MEI-149 (FOR G-OOBC/BD/BE) & AES-757-256 FOR G-OOBF. (BOEING DRG LOPA-5721-3021 REV R & WEBER DRG 117680 REV D ALSO REFERS AT TIME OF DELIVERY).
- 2 REMOVE & INSTALL ALL PASSENGER SEATS IN ACCORDANCE WITH AMM CH. 25-25-01-201. THE STATION NUMBERS INDICATED ARE TAKEN FROM THE CENTERLINE OF THE FRONT FOOT-STUD. SEE DETAIL A.
- 3 REPLACE OVERHEAD SEAT ROW NUMBERS AS INDICATED USING KIT PART NUMBER A2000-455FS IF REQUIRED.
- 4 VERIFY PASSENGER SERVICE UNITS (PSU'S) ARE POSITIONED THAT THE OXYGEN MASK DROP LIMITS ARE WITHIN THOSE SHOWN IN AMM CH. 25-23-01.
- 5 VERIFY CONTINUED COMPLIANCE WITH CAA AWN 64 IS MAINTAINED AT ALL PASSENGER SEAT PLACES.
- 6 NO BREAK FORWARD
- 7 NO RECLINE
- 8 SPACE AVAILABLE AT EXIT SATISFIES REGULATORY REQUIREMENTS FOR 20 INCH EXIT AISLE PLUS ATTENDANCE SPACE 12.0 INS X 20.0 INS
- 9 THE CAA/JAR/FAR REQUIREMENT IS A MINIMUM DIMENSION OF 36 INS BETWEEN AFT FACE OF DOUBLE ATTENDANT SEAT TO THE FWD CUSHION EDGE OF THE DOUBLE PASSENGER SEAT.
- 10 DELETHALISATION PAD FITTED TO: AFT FACE OF THE 1L WINBREAK. AFT FACE OF GALLEY G1B.
- 11 1.0° RECLINE ON INBOARD AND CENTRE SEAT PLACE.
- 12 2.0° RECLINE ON ALL THREE SEAT PLACES.



ABBREVIATIONS

- DBL DOUBLE
- TPL TRIPLE
- STD STANDARD
- HCAP HANDICAP
- NRW NARROW
- NRWO NARROW OUTBOARD PAX PLACE
- NRT NO REAR TABLES
- SPB SPECIAL BACK
- NRO NO RECLINE OUTBOARD PAX PLACE
- 2.0R 2.0 RECLINE
- IAT IN ARM TRAY
- IATO IN ARM TRAY OUTBOARD PAX PLACE
- NBF NO BREAK FORWARD
- RE REDUCED ENVELOPE
- NNT NARROW NO TABLES
- NO NARROW OUTBOARD
- NB NO BREAKOVER
- NR NO RECLINE
- RCL RECLINE
- LKT LOCKOUT TABLES

No.	MAP OFF	REF	ITEM No.	PART NUMBER	ITEM ISS	KEYWORD / DESCRIPTION	MATERIAL	SPECIFICATION	WIDTH	EST WT (KG)	ALL
1		18		117683-002		SEAT ASSY - DBL IAT NBF (40.43)			40.43"		
1		17									
2		16		117682-004		SEAT ASSY - TPL IAT, NB (59.60)			59.6"		
1		15		117682-003		SEAT ASSY - TPL IAT NB (59.60)			59.6"		
1		14		117682-002		SEAT ASSY - TPL IAT (59.60)			59.6"		
1		13		117682-001		SEAT ASSY - TPL IAT (59.60)			59.6"		
1		12		117681-016		SEAT ASSY - TPL STD HCAP NNT SPB			57.11"		
1		11		117681-015		SEAT ASSY - TPL STD HCAP NNT SPB			57.11"		
1		10		117681-014		SEAT ASSY - TPL STD HCAP NO (57.11)			58.77"		
1		9		117681-013		SEAT ASSY - TPL STD HCAP NO(58.77)			58.77"		
1		8		117681-012		SEAT ASSY - TPL IATO NB STD HCAP			59.6"		
1		7									
1		6		117681-010		SEAT ASSY - TPL STD NT SPB HCAP			59.6"		
1		5		117681-007		SEAT ASSY - TPL STD 2° RCL SPB HCAP			59.6"		
1		4		117681-006		SEAT ASSY - TPL STD LKT HCAP(59.60)			59.6"		
1		3		117681-003		SEAT ASSY - TPL STD HCAP LKT (59.60)			59.6"		
32		2		117681-002		SEAT ASSY - TPL STD HCAP(59.60)			59.6"		
31		1		117681-001		SEAT ASSY - TPL STD HCAP(59.60)			59.6"		
		0		-000	1	233Y PAX INSTALLATION					

0441-252-757-000 PART NUMBER	DRAWN BY: L. DONALD	DATE: MAR, 03	MODIFICATION No: AES-757-149 / 265
	CHECKED BY: A M D	SCALE: 1:105 AT A3 U.O.S.	BCAR APP.: AD/1833/01
	STRESS: M A E	LIMITS: ±.25 U.O.S.	THIRD ANGLE PROJECTION:
	APPROVED: A M D	SURFACE FINISH:	DIMENSIONS IN: INCHES
TITLE: 233 PAX CONFIGURATION B757-28A - (G-OOBC/BD/BE/BF)			

0441-252-757

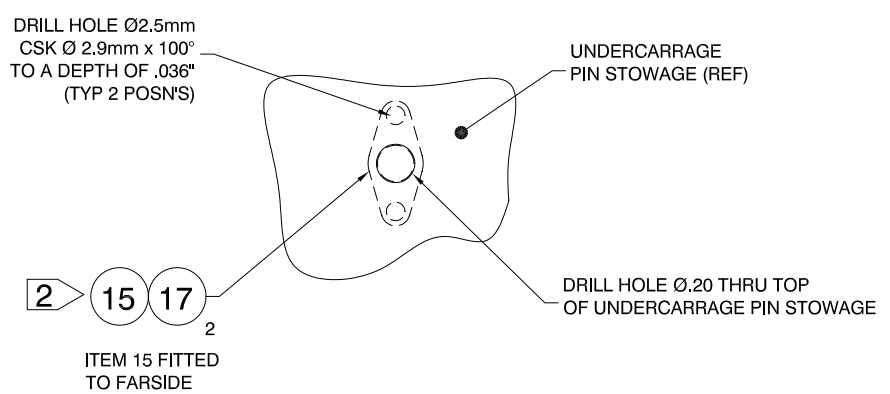
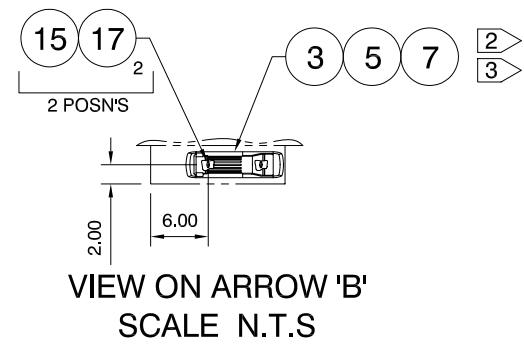
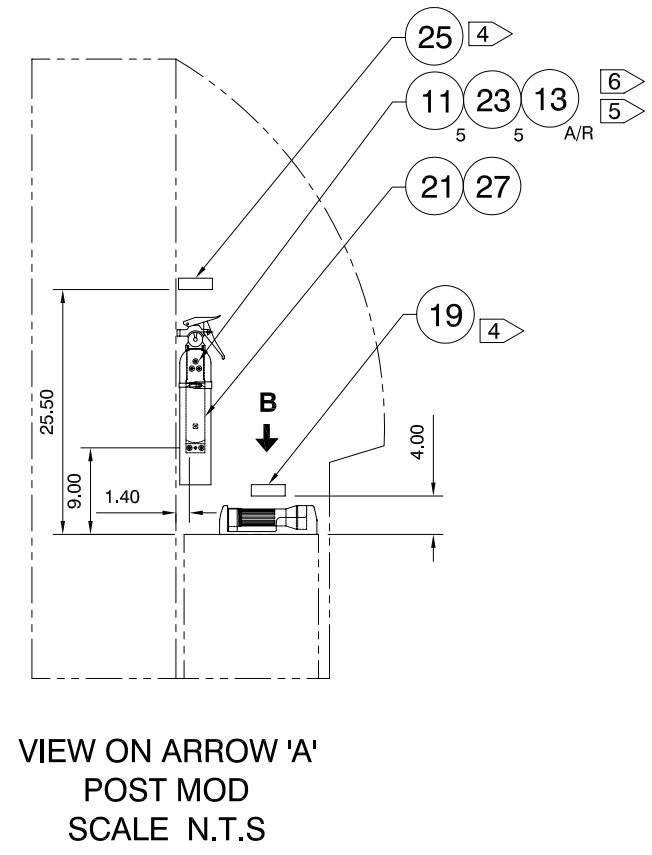
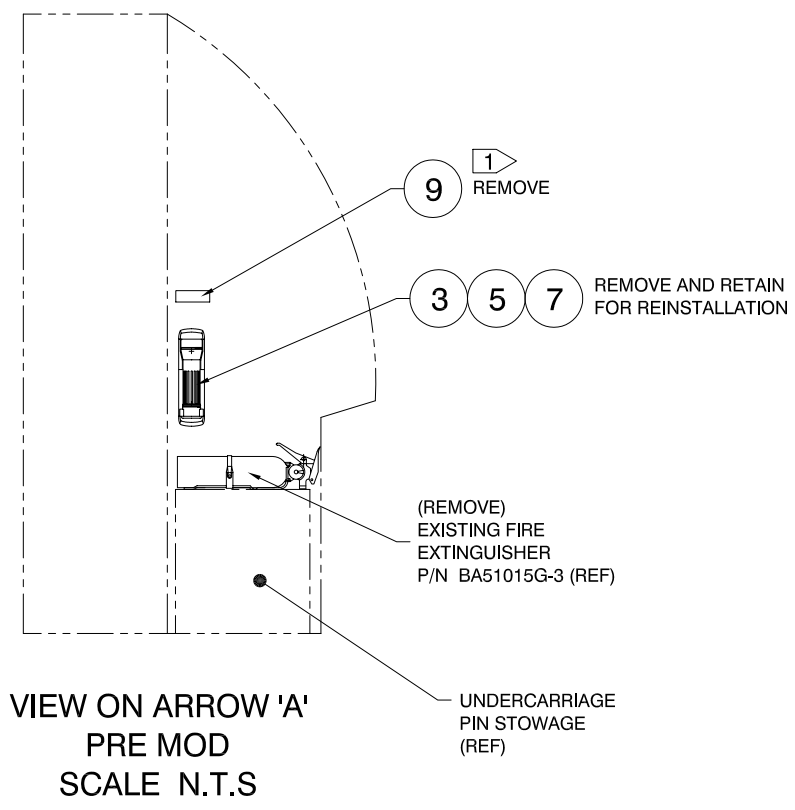
SHEET 1 OF 2 SHEETS

0764-256-146

SHEET 2 OF 2 SHEETS
DRAWING SIMILAR TO
N/A

REVISIONS

DRG ISS No.	RELEASE DOC.	ISSUE DATE:	DRG CHANGE	APP BY:
1	0696	APRIL 2004	NEW	MAE



AES LTD
OFFICIAL ISSUE
DATE: 16:04:2004
COPY

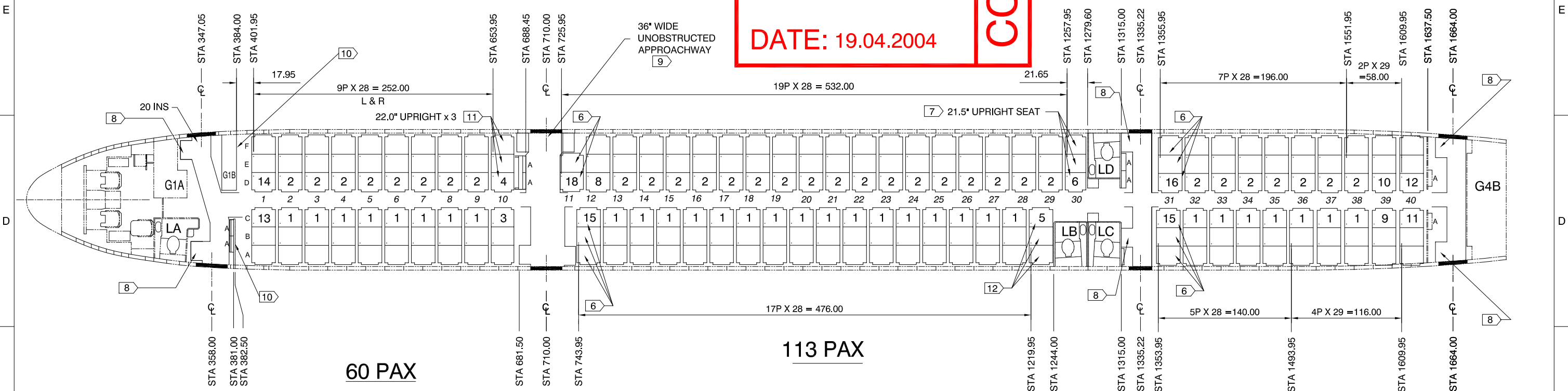
No. OFF	MAP REF	ITEM No.	PART NUMBER	ITEM ISS	KEYWORD / DESCRIPTION	MATERIAL	SPECIFICATION	WIDTH	EST WEIGHT	OR REMARKS								
1	ISS				SEE SHEET 1													
DRAWN BY:		DATE:		MODIFICATION No:		<small>©2004 ALL RIGHTS RESERVED. THE INFORMATION CONTAINED HEREIN IS PROPRIETARY TO AEROSPACE ENGINEERING SOLUTIONS LIMITED AND SHALL NOT BE REPRODUCED OR DISCLOSED WITHOUT THE OWNERS WRITTEN PERMISSION.</small>												
A VOICE		APRIL 2004		SEE SHT 1														
CHECKED BY:		SCALE:		JAR21 APP: CAA.JA.02304														
A H B		NTS AT A3 U.O.S.																
STRESS:		LIMITS:		THIRD ANGLE PROJECTION:		<table border="1" style="width: 100%; text-align: center;"> <tr> <th>PT No</th> <th>NHA</th> <th>No. OFF</th> <th>EFFECTIVITY</th> </tr> <tr> <td> </td> <td> </td> <td> </td> <td> </td> </tr> </table>					PT No	NHA	No. OFF	EFFECTIVITY				
PT No	NHA	No. OFF	EFFECTIVITY															
M A E		±.02 U.O.S.				SEE SHT 1												
APPROVED:		SURFACE FINISH:		DIMENSIONS IN:		0764-256-146 SHEET 2 OF 2 SHEETS												
A M D		N/A		INCHES														
TITLE:		EMERGENCY EQUIPMENT INSTL'N																

0441-252-757

SHEET 1 OF 2 SHEETS
DRAWING SIMILAR TO
N/A

AES LTD
OFFICIAL ISSUE
DATE: 19.04.2004
COPY

REVISIONS				
DRG ISS No.	RELEASE DOC.	ISSUE DATE:	DRG CHANGE	APP BY:
1	0345	MAR 2003	NEW	M A E
2	0714	APRIL 2004	DCN 0251	MAE

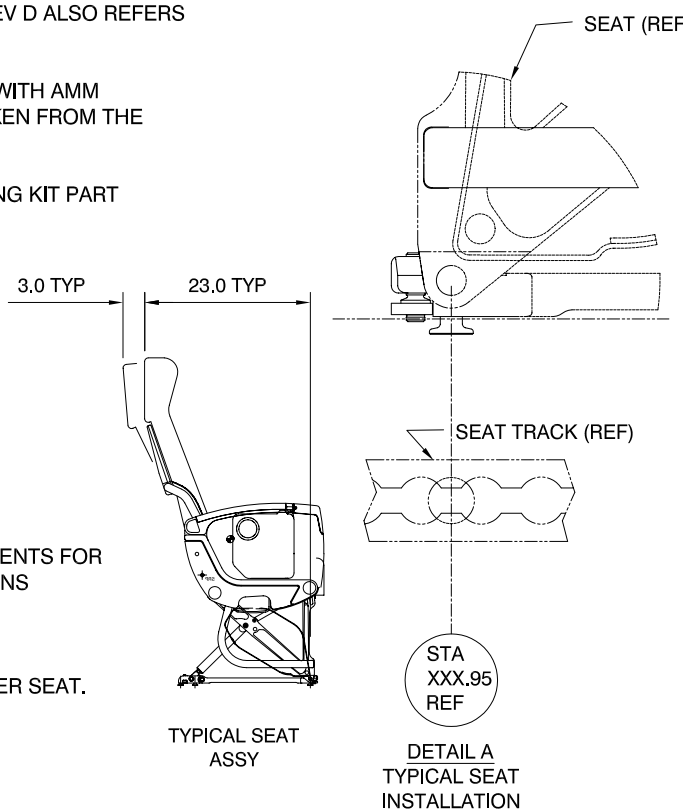


1 INSTL'N -001 (233 PAX @ 28/29" PITCH)

233 PAX CONFIGURATION (INSL-000)

NOTES:

- 1 THIS DRAWING IS TO BE READ IN CONJUNCTION WITH MODIFICATION NUMBER AES-757-149 AND EMBODIMENT INSTRUCTIONS MEI-149 (FOR G-OOBC/BD/BE) & AES-757-256 FOR G-OOBF. (BOEING DRG LOPA-5721-3021 REV R & WEBER DRG 117680 REV D ALSO REFERS AT TIME OF DELIVERY).
- 2 REMOVE & INSTALL ALL PASSENGER SEATS IN ACCORDANCE WITH AMM CH. 25-25-01-201. THE STATION NUMBERS INDICATED ARE TAKEN FROM THE CENTERLINE OF THE FRONT FOOT-STUD. SEE DETAIL A.
- 3 REPLACE OVERHEAD SEAT ROW NUMBERS AS INDICATED USING KIT PART NUMBER A2000-455FS IF REQUIRED.
- 4 VERIFY PASSENGER SERVICE UNITS (PSU'S) ARE POSITIONED THAT THE OXYGEN MASK DROP LIMITS ARE WITHIN THOSE SHOWN IN AMM CH. 25-23-01.
- 5 VERIFY CONTINUED COMPLIANCE WITH CAA AWN 64 IS MAINTAINED AT ALL PASSENGER SEAT PLACES.
- 6 NO BREAK FORWARD
- 7 NO RECLINE
- 8 SPACE AVAILABLE AT EXIT SATISFIES REGULATORY REQUIREMENTS FOR 20 INCH EXIT AISLE PLUS ATTENDANCE SPACE 12.0 INS X 20.0 INS
- 9 THE CAA/JAR/FAR REQUIREMENT IS A MINIMUM DIMENSION OF 36 INS BETWEEN AFT FACE OF DOUBLE ATTENDANT SEAT TO THE FWD CUSHION EDGE OF THE DOUBLE PASSENGER SEAT.
- 10 DELETHALISATION PAD FITTED TO: AFT FACE OF THE 1L WINBREAK. AFT FACE OF GALLEY G1B.
- 11 1.0° RECLINE ON INBOARD AND CENTRE SEAT PLACE.
- 12 2.0° RECLINE ON ALL THREE SEAT PLACES.



ABBREVIATIONS

- DBL DOUBLE
- TPL TRIPLE
- STD STANDARD
- HCAP HANDICAP
- NRW NARROW
- NRWO NARROW OUTBOARD PAX PLACE
- NRT NO REAR TABLES
- SPB SPECIAL BACK
- NRO NO RECLINE OUTBOARD PAX PLACE
- 2.0R 2.0 RECLINE
- IAT IN ARM TRAY
- IATO IN ARM TRAY OUTBOARD PAX PLACE
- NBF NO BREAK FORWARD
- RE REDUCED ENVELOPE
- NNT NARROW NO TABLES
- NO NARROW OUTBOARD
- NB NO BREAKOVER
- NR NO RECLINE
- RCL RECLINE
- LKT LOCKOUT TABLES

No.	MAP OFF	REF	ITEM No.	PART NUMBER	ITEM ISS	KEYWORD / DESCRIPTION	MATERIAL	SPECIFICATION	WIDTH	EST WT (KG)	ALL
1		18		117683-002		SEAT ASSY - DBL IAT NBF (40.43)			40.43"		
1		17									
2		16		117682-004		SEAT ASSY - TPL IAT, NB (59.60)			59.6"		
1		15		117682-003		SEAT ASSY - TPL IAT NB (59.60)			59.6"		
1		14		117682-002		SEAT ASSY - TPL IAT (59.60)			59.6"		
1		13		117682-001		SEAT ASSY - TPL IAT (59.60)			59.6"		
1		12		117681-016		SEAT ASSY - TPL STD HCAP NNT SPB			57.11"		
1		11		117681-015		SEAT ASSY - TPL STD HCAP NNT SPB			57.11"		
1		10		117681-014		SEAT ASSY - TPL STD HCAP NO (57.11)			58.77"		
1		9		117681-013		SEAT ASSY - TPL STD HCAP NO(58.77)			58.77"		
1		8		117681-012		SEAT ASSY - TPL IATO NB STD HCAP			59.6"		
1		7									
1		6		117681-010		SEAT ASSY - TPL STD NT SPB HCAP			59.6"		
1		5		117681-007		SEAT ASSY - TPL STD 2° RCL SPB HCAP			59.6"		
1		4		117681-006		SEAT ASSY - TPL STD LKT HCAP(59.60)			59.6"		
1		3		117681-003		SEAT ASSY - TPL STD HCAP LKT (59.60)			59.6"		
32		2		117681-002		SEAT ASSY - TPL STD HCAP(59.60)			59.6"		
31		1		117681-001		SEAT ASSY - TPL STD HCAP(59.60)			59.6"		
		0		-000	1	233Y PAX INSTALLATION					

0441-252-757-000 PART NUMBER	MAP REF	ISS	DATE:	MAR 03	MODIFICATION No:	AES-757-149 / 265
	DRAWN BY:	L. DONALD	SCALE:	1:105 AT A3 U.O.S.	BCAR APP.: AD/1833/01	
	CHECKED BY:	A M D	LIMITS:	±.25 U.O.S.	THIRD ANGLE PROJECTION:	
	STRESS:	M A E	SURFACE FINISH:		DIMENSIONS IN:	INCHES
APPROVED:			A M D	TITLE:		
			233 PAX CONFIGURATION			
			B757-28A - (G-OOBC/BD/BE/BF)			

aes aerospace engineering solutions

©2003 ALL RIGHTS RESERVED. THE INFORMATION CONTAINED HEREIN IS PROPRIETARY TO AEROSPACE ENGINEERING SOLUTIONS LIMITED AND SHALL NOT BE REPRODUCED OR DISCLOSED WITHOUT THE OWNERS WRITTEN PERMISSION.

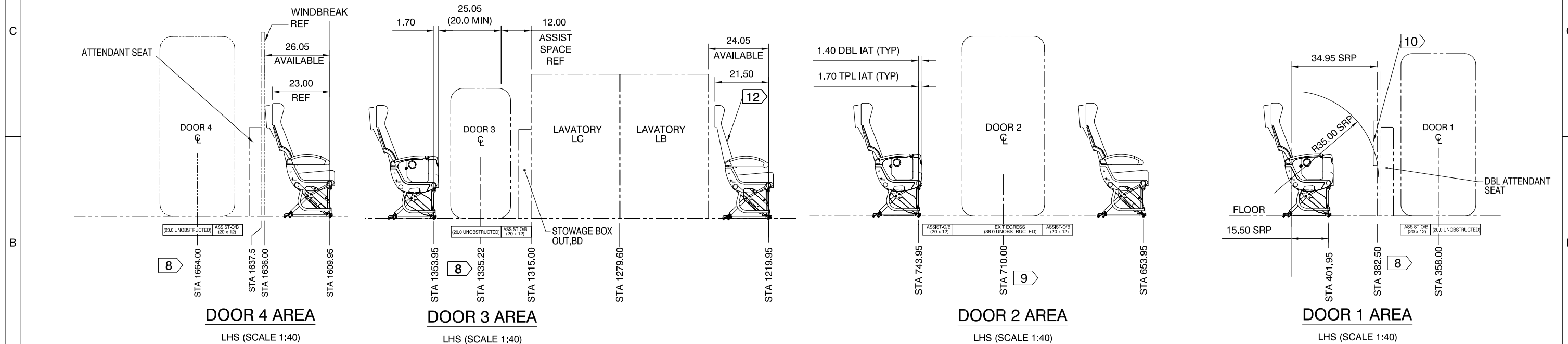
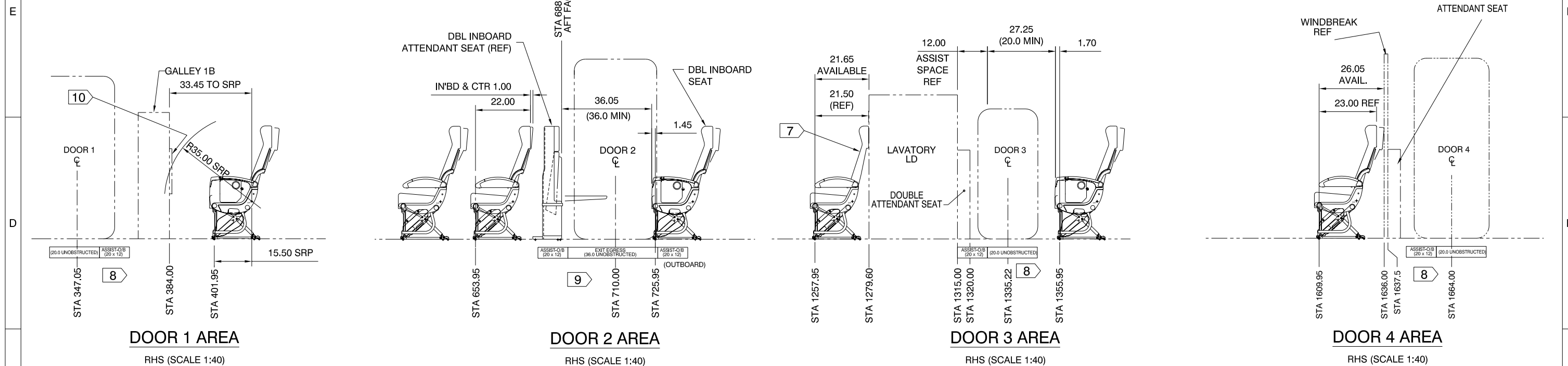
PT No	NHA	No. OFF	EFFECTIVITY
-001	AES-757-149	1	B757-28A (G-OOBC/D/E)
-001	AES-757-265	1	B757-28A (G-OOBF)

0441-252-757
SHEET 1 OF 2 SHEETS

0441-252-757

SHEET 2 OF 2 SHEETS
DRAWING SIMILAR TO
N/A

REVISIONS				
DRG ISS No.	RELEASE DOC.	ISSUE DATE:	DRG CHANGE	APP BY:
1	0345	MAR 2003	NEW	M A E
2	0714	APRIL 2004	DCN 0251	MAE



AES LTD
OFFICIAL ISSUE
DATE: 19.04.2004

COPY

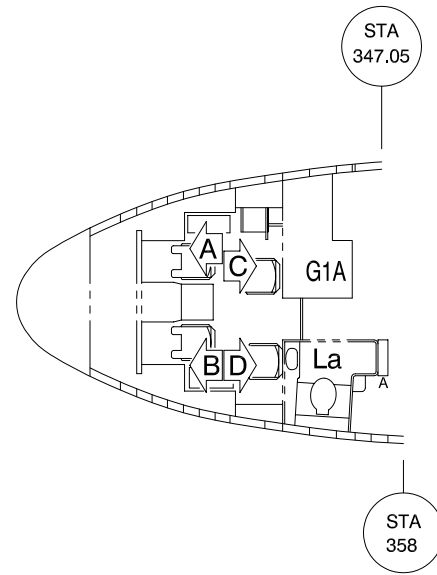
No. OFF	MAP REF	ITEM No.	PART NUMBER	ITEM ISS	SEE SHEET 1	MATERIAL	SPECIFICATION	WIDTH	EST WT (KG)
1	ISS				KEYWORD / DESCRIPTION				
DRAWN BY: L. DONALD						DATE: MAR, 03			
CHECKED BY: A M D						SCALE: 1:40 AT A3 U.O.S.			
STRESS: M A E						LIMITS: ±.25 U.O.S.			
APPROVED: A M D						SURFACE FINISH:			
TITLE: 233 PAX CONFIGURATION B757-236 - (G-OOBC/BD/BE/BF)						DIMENSIONS IN: INCHES			
PART NUMBER: 0441-252-757-000						THIRD ANGLE PROJECTION:			
DRAWING BY: L. DONALD						MODIFICATION No: AES-757-149 / 265			
CHECKED BY: A M D						BCAR APP.: AD/1833/01			
STRESS: M A E						PT No: -001			
APPROVED: A M D						AES-757-149			
TITLE: 233 PAX CONFIGURATION B757-236 - (G-OOBC/BD/BE/BF)						No. OFF: 1			
						EFFECTIVITY: B757-28A (G-OOBC/D/E)			
						-001 AES-757-265			
						1 B757-28A (G-OOBF)			
						0441-252-757			
						SHEET 2 OF 2 SHEETS			

0701-256-757

SHEET 1 OF 3 SHEETS
DRAWING SIMILAR TO
N/A

REVISIONS

DRG ISS No.	RELEASE DOC.	ISSUE DATE:	DRG CHANGE	APP BY:
1	0658	MAR 2004	NEW	M A E



AES LTD

OFFICIAL ISSUE

DATE: 18.03.04

COPY

1 EQUIPMENT INSTALATION
(FLIGHTDECK) 1

NOTES:

- 1 THIS DRG INSTALLS ITEMS OF EQUIPMENT WITHIN THE FLIGHTDECK
- 2 WHEN RELOCATING EXISTING EQUIPMENT RETAIN / SALVAGE EXISTING FASTENERS AND RE-USE WHERE POSSIBLE.
- 3 INSTALL ALL INSERTS IN DIA 0.452/0.457 x 0.35 DEEP. BOND IN POSITION USING ARALDITE 420A/B. STORE, MIX AND APPLY ADHESIVE IAW MANUFACTURERES DATA SHEETS. ENSURE AREAS TO BE BONDED ARE FREE OF DIRT AND GREASE.
- 4 ATTACH PLACARD IN APPROXIMATE POSITION SHOWN.
- 5 PROTECTIVE TREATMENT: APPLY ALOCROME 1200 PER SRM STANDARD PRACTICE. FINISH: PRIME AND PAINT TO MATCH AREA WHERE EQUIPEMENT IS INSTALLED.
- 6 USE THIS EXISTING HOLE AS LOCATING POINT.
- 7 INSTALL MOBILE PHONE STOWAGE P/N 212-01-001 IN ACCORDANCE WITH OPERATOR E.O 757-25-067 AT THE LOCATION SHOWN ON SHEET 2.
- 8 STOPWATCH: INSTALL STOPWATCH P/N 343-420 IN ACCORDANCE WITH OPERATOR E.O. ATT/757/1248 WITH THE FOLLOWING EXCEPTIONS. LOCATION OF STOPWATCH TO BE INDICATED AS ON SHEET 3. (2 PLACES)
- 9 TOOLBOX: INSTALL CREW TOOLBOX ON THE FORWARD FACE OF GALLEY 1A IN ACCORDANCE WITH MODIFICATION MON/757/25/1367 WITH THE FOLLOWING EXCEPTIONS: LOCATION OF STOWAGE TO BE AS INDICATED ON SHEET 2.
- 10 USE BRACKETRY SUPPLIED WITH EQUIPMENT AS TEMPLATE FOR HOLE PATTERN
- 11 INSTALL ALL INSERTS IN DIA 0.452/0.457 X 0.21" DEEP. BOND IN POSITION USING ARALDITE 420A/B. STORE, MIX AND APPLY ADHESIVE IAW MANUFACTURERES DATA SHEETS. ENSURE AREAS TO BE BONDED ARE FREE OF DIRT AND GREASE.

REF	ISS	PART NUMBER	ITEM	DESCRIPTION	MATERIAL	SPECIFICATION	DIMENSIONS	EST WEIGHT	REMARKS
105		0701-256-757-105	1	PLATE	AL ALLOY	2024-T3, QQ-A-250/5	*.063 THK		
1	79	806HOOK1INCHSA		FR QUALITY VELCRO 1" HOOK	COLOUR: GREY				
1	77	806LOOP1INCHSA		FR QUALITY VELCRO 1" LOOP	COLOUR: GREY				
4	75	NAS1836-3-07		INSERT, 10/32 0.21" LG					
1	73	69B41608-7		STRAP					
1	71	69B41608-6		STRAP					
1	69	NAS43DD6-62		SPACER					
1	67	NAS43DD4-62		SPACER					
4	65	NAS43DD3-14		SPACER					
2	63	BACW10P168L		WASHER					
2	61	BACS12ER3K5		SCREW 3/16					
1	59	BACS12GU3K20		SCREW 3/16					
4	57	BACS12GU3K8		SCREW 3/16					
1	53	A2000-109		PLACARD FIRE EXT (SYMBOLIC)					
1	51	A2000-250		PLACARD ELT					
2	49	A2000-319		PLACARD SMOKEHOOD					
1	47	A2000-113		PLACARD ARROW					
2	REF	43	E0767-25-097-001	STOPWATCH BRACKET (OPP SUPPLIED)	(REF MOD ATT/757-1248)				
20	41	AN960C10		WASHER NO 10	NAS1149C0863R				
1	37	232N4704-117		SPARE BULB STOWAGE					
24	35	NAS603-6P		SCREW, 10-32, 3/8" LG					
9	33	NAS1149D0316J		WASHER					
30	31	NAS1836-3-11		INSERT, 10-32, 11/32" LG	ALTERNATIVE SL607-3-6				
A/R	29	ARALDITE 420A/B		ADHESIVE					
1	REF	25	551-508-757	TOOLBOX (OPERATOR SUPPLIED)				7.5 LBS	
1	REF	23	212-01-001	MOBILE PHONE STOWAGE	(MGR SUPPLY, REF E0757-25-067)				
2	REF	21	343-420	STOPWATCH	(COML SUPPLY)				
1	19	BA50102-3		BRACKET FIRE EXT.					
1	17	BA51015-3		BCF FIRE EXTINGUISHER	ALT BA51015G3, ALT BA51015S3			4.4 LBS	
1	15	232T4102-2		CRASH AXE COVER ASSY	BOEING				
1	13	42D8331-443		CRASH AXE				2.2 LBS	
1	11	A0861		ELT MOUNTING BRACKET	H R SMITH				
1	9	500-12Y		ELT	HR SMITH			1.3 LBS	
2	7	P2-07-0001-201		TORCH	ALT P/N P2-07-0001-212			1.5 LBS	
2	5	E28183-04		BRACKET SMOKEHOOD					
2	3	E28180-10		SMOKEHOOD				6.6 LBS	

No. OFF	MAP REF	ITEM No.	PART NUMBER	ITEM ISS	KEYWORD / DESCRIPTION	MATERIAL	SPECIFICATION	DIMENSIONS	EST WEIGHT	REMARKS
		-1	-001	1	EQUIPMENT INSTALLATION					ALL

A/D	HAND	DRAWN BY: B MANDALIA	DATE: MAR 2004	MODIFICATION No: AES-757-248
1	ISS	CHECKED BY: S SHAW	SCALE: 1:100 AT A3 U.O.S.	JAA APP.: CAA.JA.02304
		STRESS: M EVANS	LIMITS: N/A U.O.S.	THIRD ANGLE PROJECTION:
		APPROVED: A DOLBY	SURFACE FINISH: N/A	DIMENSIONS IN: INCHES
TITLE: EQUIPMENT INSTALLATION FLIGHTDECK				

PT No	NHA	No. OFF	EFFECTIVITY
-001	AES-757-248	1	B757-200 FLEET

0701-256-757

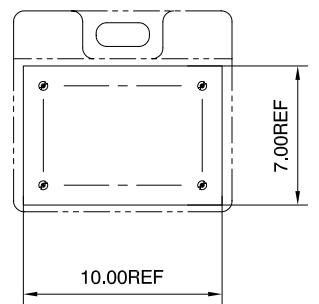
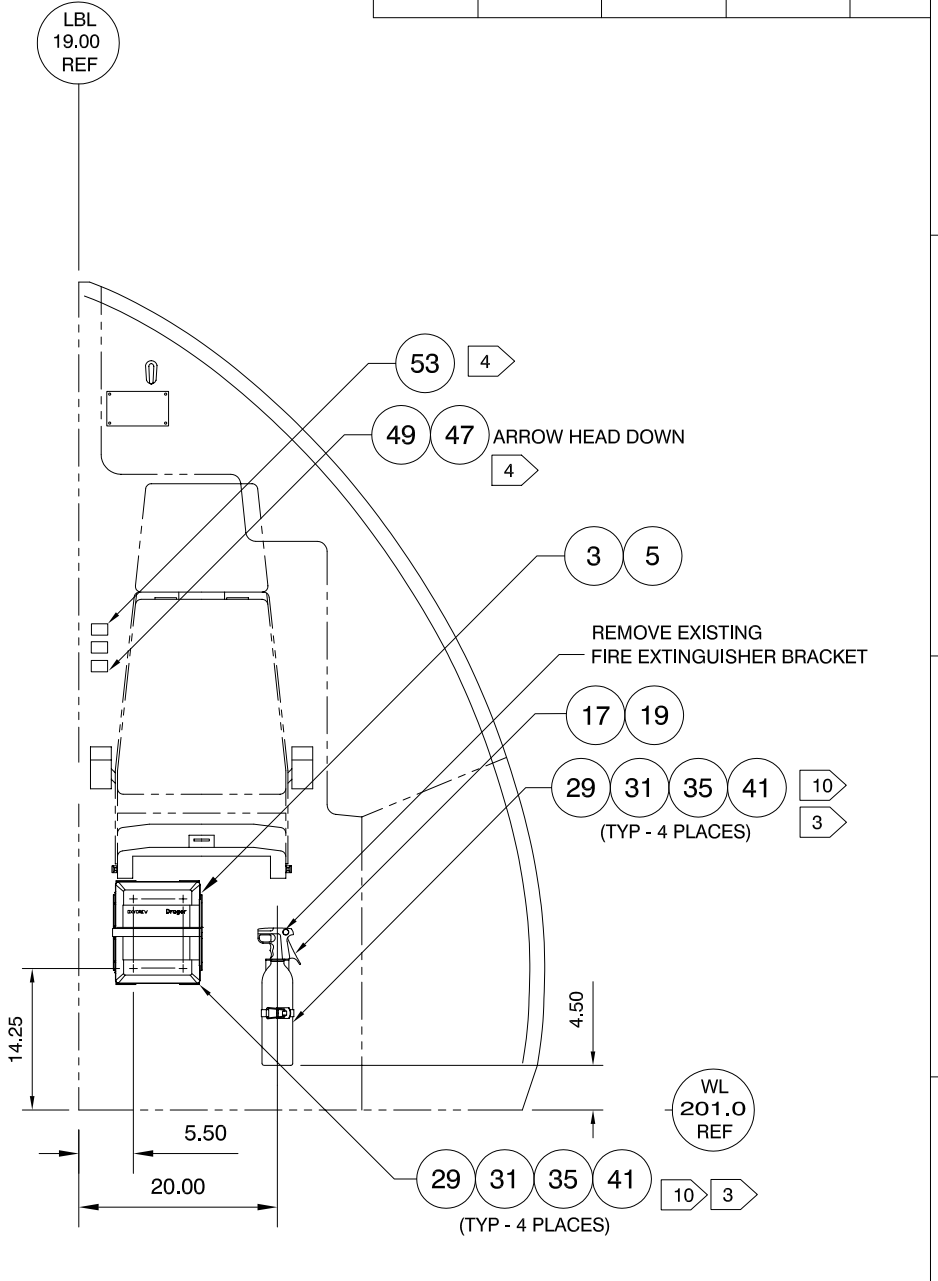
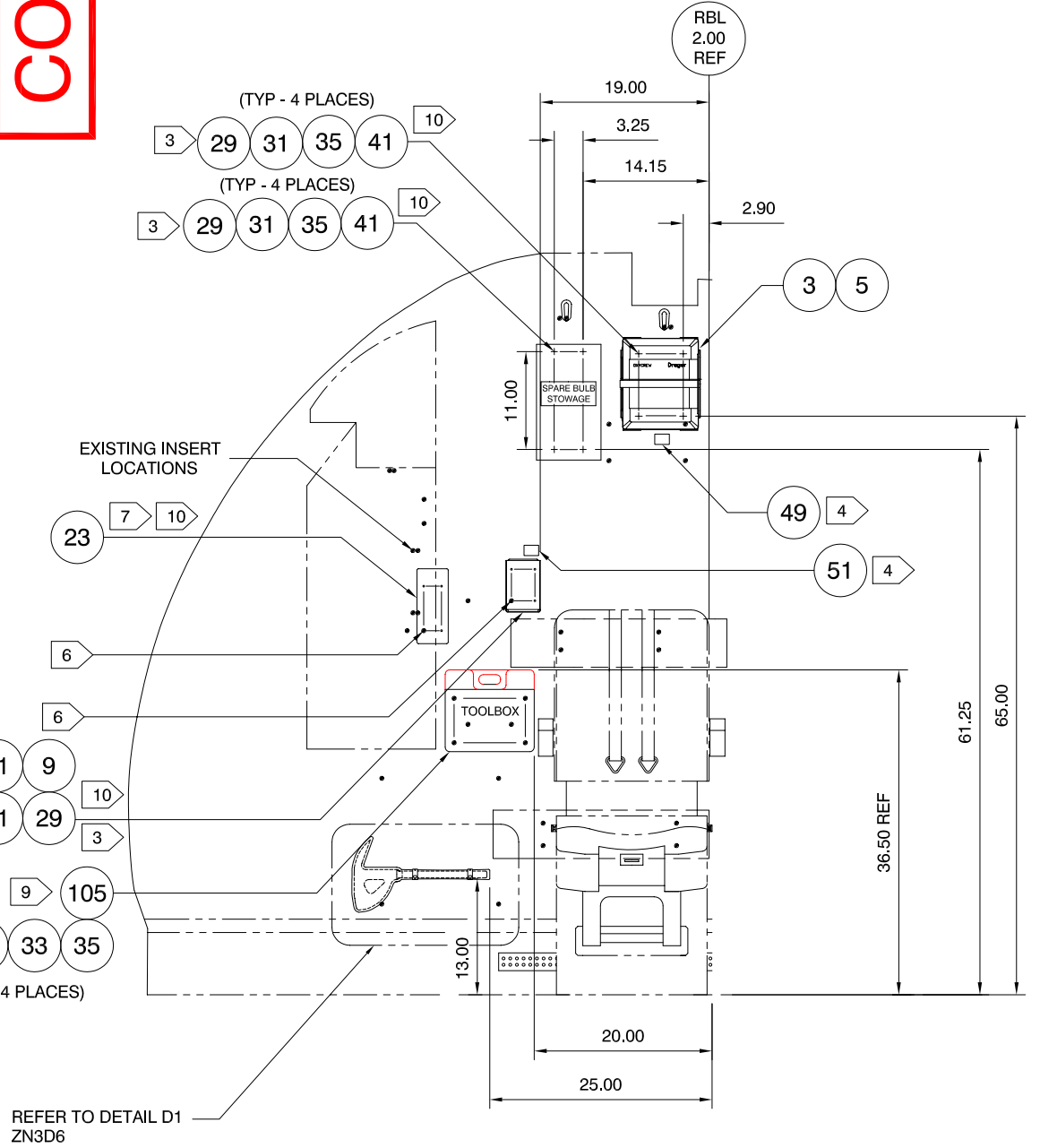
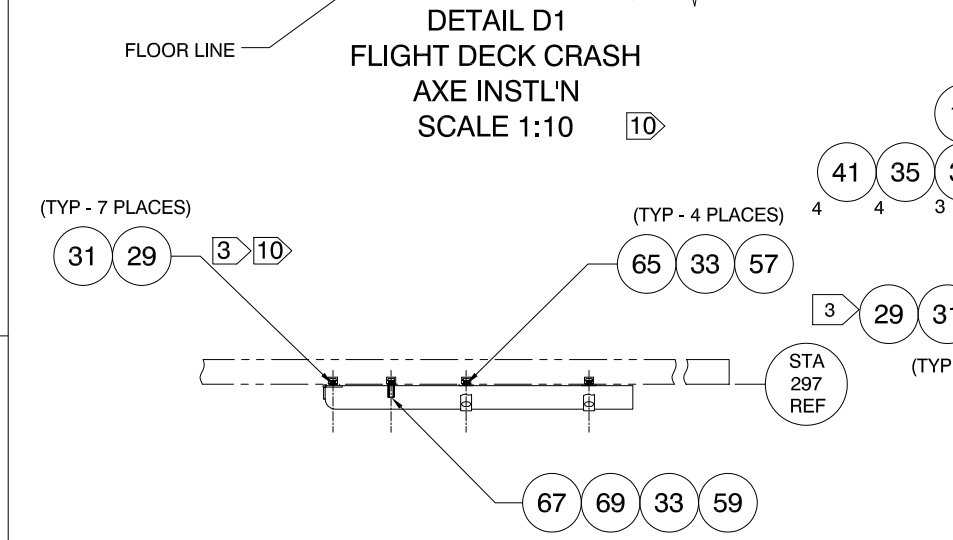
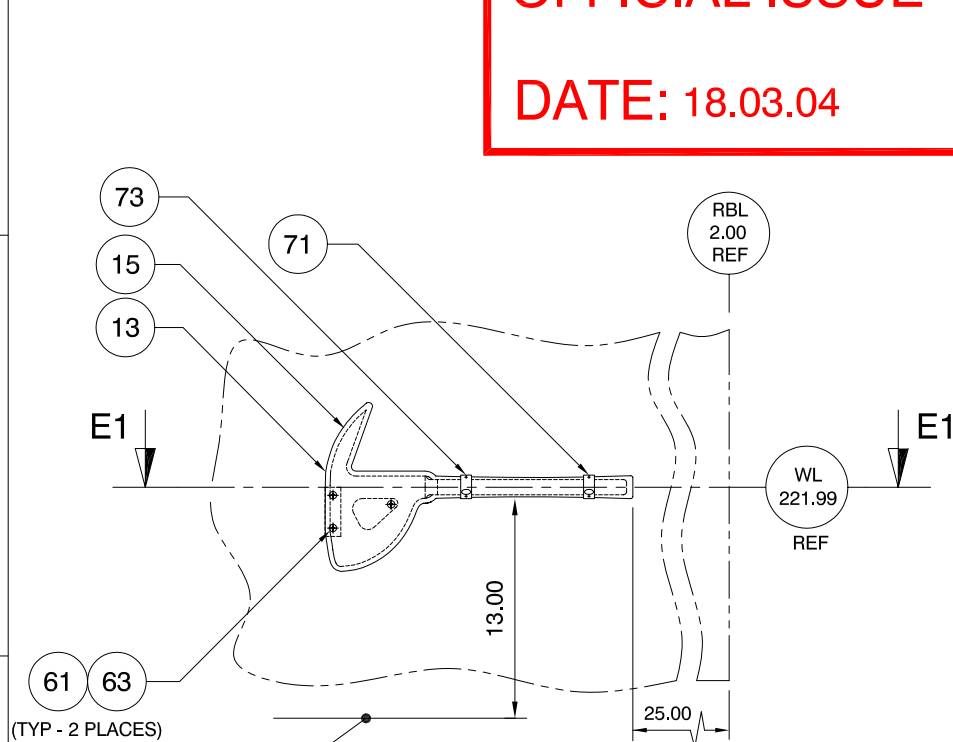
SHEET 1 OF 3 SHEETS

0701-256-757

SHEET 2 OF 3 SHEETS
DRAWING SIMILAR TO
N/A

AES LTD
OFFICIAL ISSUE
DATE: 18.03.04
COPY

REVISIONS				
DRG ISS No.	RELEASE DOC.	ISSUE DATE:	DRG CHANGE	APP BY:
1	0658	MAR 2004	NEW	M A E



MAP REF	ITEM No.	PART NUMBER	ITEM ISS	KEYWORD / DESCRIPTION	MATERIAL	SPECIFICATION	DIMENSIONS	TREATMENT								
1	B MANDALIA		MAR 2004	MODIFICATION No: AES-757-248												
1	S SHAW		SCALE: 1:10 AT A3 U.O.S.	JAA APP.: CAA.JA.02304												
1	M EVANS		LIMITS: ±.020 U.O.S.	THIRD ANGLE PROJECTION:												
1	A DOLBY		SURFACE FINISH: N/A	DIMENSIONS IN: INCHES												
TITLE: EQUIPMENT INSTALLATION FLIGHTDECK					<p>©2004 ALL RIGHTS RESERVED. THE INFORMATION CONTAINED HEREIN IS PROPRIETARY TO AEROSPACE ENGINEERING SOLUTIONS LIMITED AND SHALL NOT BE REPRODUCED OR DISCLOSED WITHOUT THE OWNERS WRITTEN PERMISSION.</p> <p>aes aerospace engineering solutions</p> <table border="1"> <tr> <th>PT No</th> <th>NHA</th> <th>No. OFF</th> <th>EFFECTIVITY</th> </tr> <tr> <td>-001</td> <td>NHA</td> <td>1</td> <td>B757-200 FLEET</td> </tr> </table>				PT No	NHA	No. OFF	EFFECTIVITY	-001	NHA	1	B757-200 FLEET
PT No	NHA	No. OFF	EFFECTIVITY													
-001	NHA	1	B757-200 FLEET													
0701-256-757-001					<p>0701-256-757</p> <p>SHEET 2 OF 3 SHEETS</p>											

0701-256-757

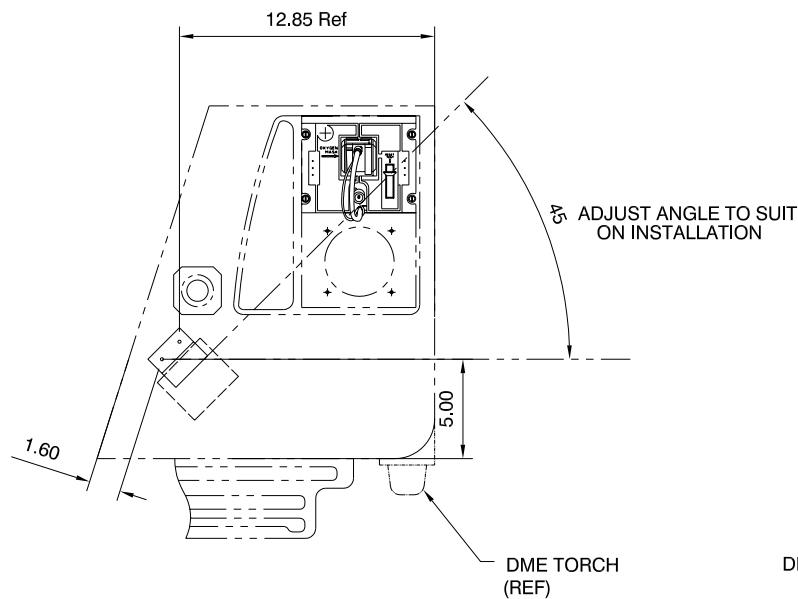
SHEET 3 OF 3 SHEETS

DRAWING SIMILAR TO

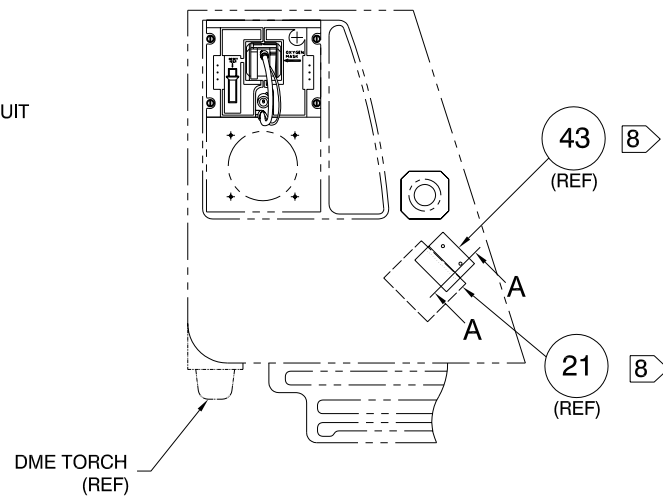
N/A

REVISIONS

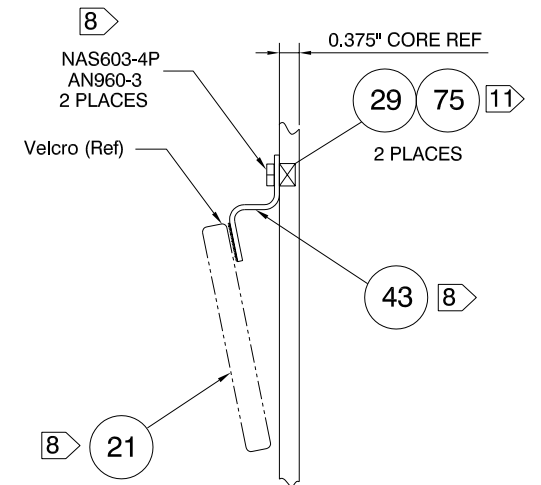
DRG ISS No.	RELEASE DOC.	ISSUE DATE:	DRG CHANGE	APP BY:
1	0658	MAR 2004	NEW	M A E



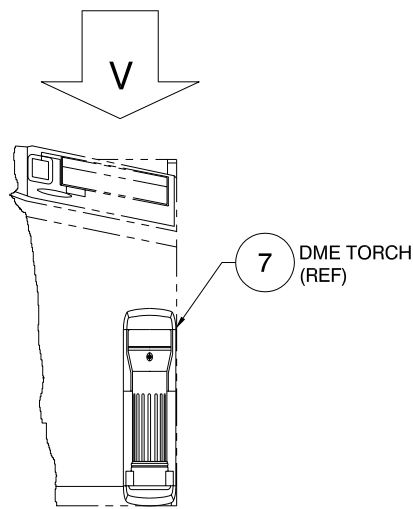
VIEW ON ARROW 'V'
FLIGHTDECK LH



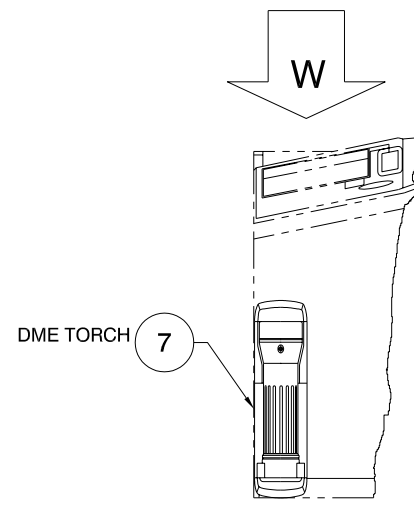
VIEW ON ARROW 'W'
FLIGHTDECK RH
(DIMENSIONS OPPOSITE TO LHS)



SECTION A - A
STOPWATCH BRKT INSTL
RH SIDE SHOWN - LH SIDE OPPOSITE
SCALE 1:1



VIEW ON ARROW 'B'
FLIGHTDECK LH
SCALE 1:10



VIEW ON ARROW 'A'
FLIGHTDECK RH
SCALE 1:10

AES LTD
OFFICIAL ISSUE
DATE: 18.03.04
COPY

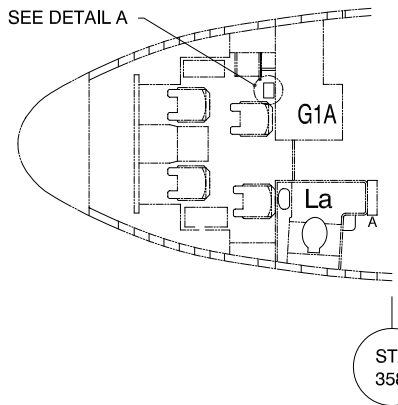
MAP REF	ITEM No.	PART NUMBER	ITEM ISS	KEYWORD / DESCRIPTION	MATERIAL	SPECIFICATION	DIMENSIONS	TREATMENT	OR REMARKS								
1				SEE SHEET 1													
0701-256-757-001	DRAWN BY: B MANDALIA		DATE: MAR 2004		MODIFICATION No: AES-757-248												
	CHECKED BY: S SHAW		SCALE: 1:10 AT A3 U.O.S.		JAA APP.: CAA.JA.02304												
	STRESS: M EVANS		LIMITS: ±.020 U.O.S.		THIRD ANGLE PROJECTION:												
	APPROVED: A DOLBY		SURFACE FINISH: N/A		DIMENSIONS IN: INCHES												
TITLE: EQUIPMENT INSTALLATION] FLIGHTDECK																	
					<small>©2004 ALL RIGHTS RESERVED. THE INFORMATION CONTAINED HEREIN IS PROPRIETARY TO AEROSPACE ENGINEERING SOLUTIONS LIMITED AND SHALL NOT BE REPRODUCED OR DISCLOSED WITHOUT THE OWNERS WRITTEN PERMISSION.</small>												
					<table border="1"> <tr> <th>PT No</th> <th>NHA</th> <th>No. OFF</th> <th>EFFECTIVITY</th> </tr> <tr> <td colspan="4" style="text-align: center;">SEE SHEET 1</td> </tr> </table>					PT No	NHA	No. OFF	EFFECTIVITY	SEE SHEET 1			
PT No	NHA	No. OFF	EFFECTIVITY														
SEE SHEET 1																	
					0701-256-757 SHEET 3 OF 3 SHEETS												

0754-256-757

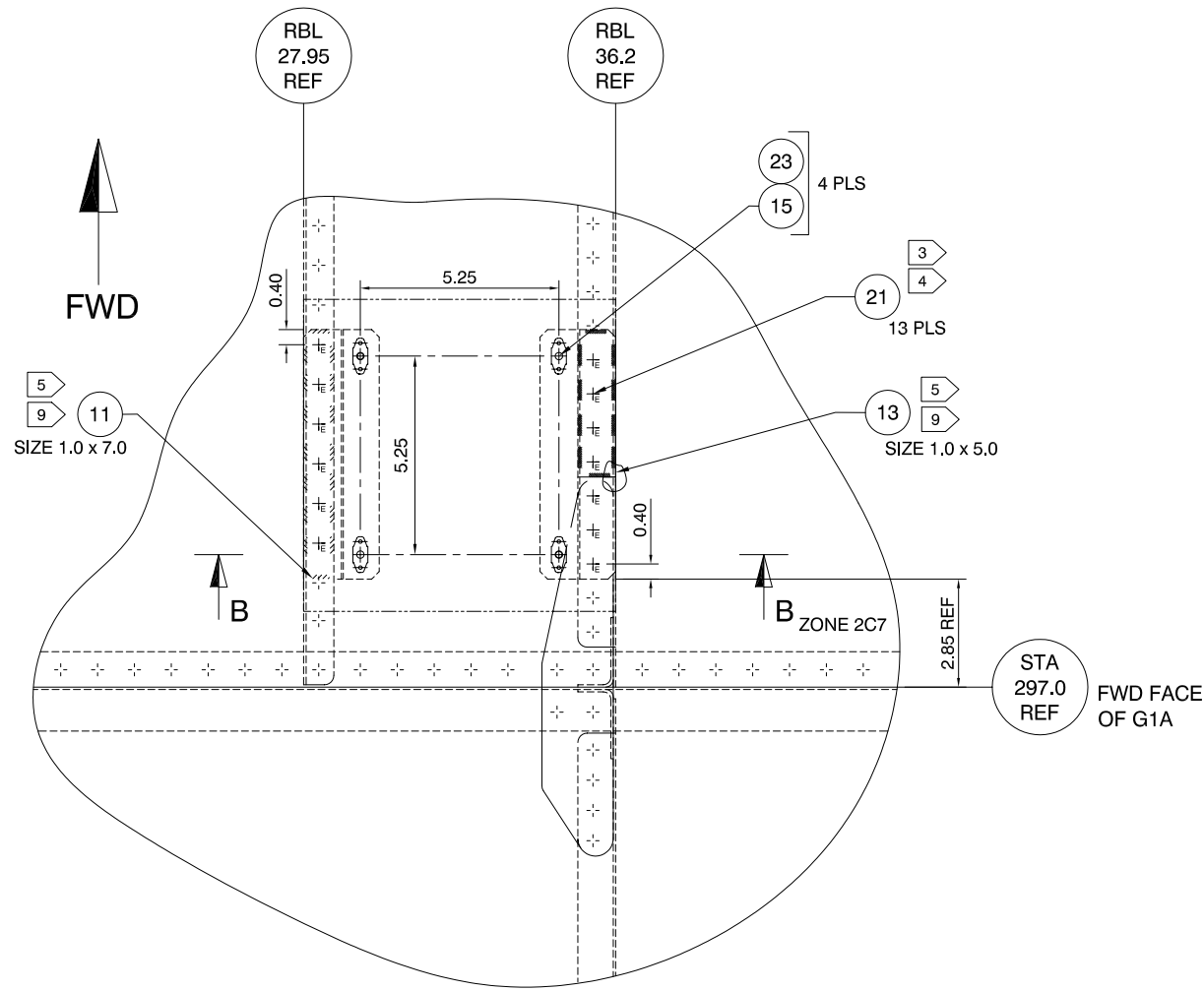
SHEET 1 OF 2 SHEETS
DRAWING SIMILAR TO
N/A

REVISIONS

DRG ISS No.	RELEASE DOC.	ISSUE DATE:	DRG CHANGE	APP BY:
1	0613	MAR 2004	NEW	MAE



1 OIL CAN STOWAGE INSTALLATION
(FLIGHT DECK)
N.T.S



DETAIL A
VIEW LOOKING DOWN ON FLIGHT DECK
ROTATED 90° CW
SCALE 1:5

NOTES:

- 1 THIS DRG SHOWS THE INSTALLATION OF THE OPERATORS 'OIL CAN STOWAGE' AND IS READ INCONJUNCTION WITH F.C.A EO757-25--120R3 (OR LATER REVISION).
- 2 WET ASSEMBLE WITH BMS 5-95 AS PER SRM.
- 3 INSTALL RIVET BURRS AS PER SRM PRIOR TO INSTALLATION OF FASTENERS. TYP 13 PLS.
- 4 INSTALL RIVETS IN EXISTING FASTENER LOCATIONS AS PER SRM. TYP 13 PLS.
- 5 LENGTH OF PACKER TO BE DETERMINED UPON INSTALLATION. MIN EDGE DISTANCE TO BE 2D.
- 6 LENGTH OF 'ZEE' ANGLE TO BE CONFIRMED ON INSTALLATION. MAINTAIN 5.25 PITCH BETWEEN ANCHOR NUTS. THE CENTRE OF THE ANCHOR NUTS TO BE 0.70 FROM THE EDGE OF THE 'ZEE' MAINTAIN 2D EDGE DISTANCE FOR THE ATTACHING RIVETS.
- 7 4 HOLES Ø0.20 IN THE BASE OF THE OIL CAN STOWAGE. ENSURE HOLES ALIGN WITH THE 'ZEE' ANGLES.
- 8 FINISH: ALOCROM 1200 + 1 COAT OF BMS 10-83 PRIMER + 1 COAT TO MATCH COCKPIT FLOOR.
- 9 FINISH: ALOCROM 1200
- 10 PART MARK IN BLACK USING INDELIBLE INK. SHOW MANUFACTURER, DATE, PART NUMBER AND THE LETTERS EPA.

AES LTD
OFFICIAL ISSUE
DATE: 17.03.04
COPY

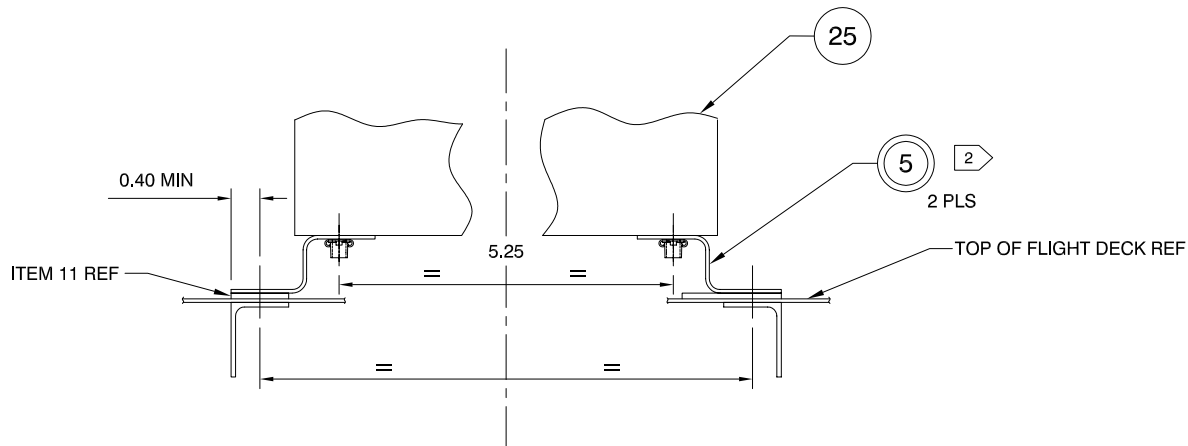
No. OFF	No. OFF	MAP REF	ITEM No.	PART NUMBER	ITEM ISS	KEYWORD / DESCRIPTION	MATERIAL	SPECIFICATION	WIDTH	EST WEIGHT	ALL					
1	25			KD01-156	REF	OIL CAN										
4	23			NAS1149D0363J		WASHER										
13	21			BACR15FT5D()		5/32 RIVET										
4	19			MS20426AD3()		3/32 CSK RIVET										
2	17			BACN10JB3R		ANCHOR NUT										
4	15			NAS623-3-2		SCREW										
1	13			-013	1	PACKER		▲2024-T3, QQ-A-250/5 0.125 THK			9					
1	11			-011	1	PACKER		▲2024-T3, QQ-A-250/5 0.125 THK			9					
1	9			-009	1	ZEE		▲2024-T3, QQ-A-250/5 0.050 THK			8					
	7															
	5			-005	1	ZEE ASSY										
	3															
	1			-001	1	OIL CAN STOWAGE INSTALLATION										
No. OFF							MATERIAL		SPECIFICATION		WIDTH		EST WEIGHT		ALL	
1																
DRAWN BY:							DATE:		MODIFICATION No:		©2004 ALL RIGHTS RESERVED. THE INFORMATION CONTAINED HEREIN IS PROPRIETARY TO AEROSPACE ENGINEERING SOLUTIONS LIMITED AND SHALL NOT BE REPRODUCED OR DISCLOSED WITHOUT THE OWNERS WRITTEN PERMISSION. PT No: NHA No. OFF: 757 FCA SERIES FLEET EFFECTIVITY:					
S SHAW							MAR 2004		AES-757-247							
CHECKED BY:							SCALE:		JAA. APP.: CAA,JA.02304							
A D B							1:6 AT A3 U.O.S.									
STRESS:							LIMITS:		THIRD ANGLE PROJECTION:							
M A E							±0.10 U.O.S.									
APPROVED:							SURFACE FINISH:		DIMENSIONS IN:		0754-256-757 SHEET 1 OF 2 SHEETS					
M A E							N/A		INCHES							
TITLE:							FLIGHT DECK OIL CAN STOWAGE									

0754-256-757

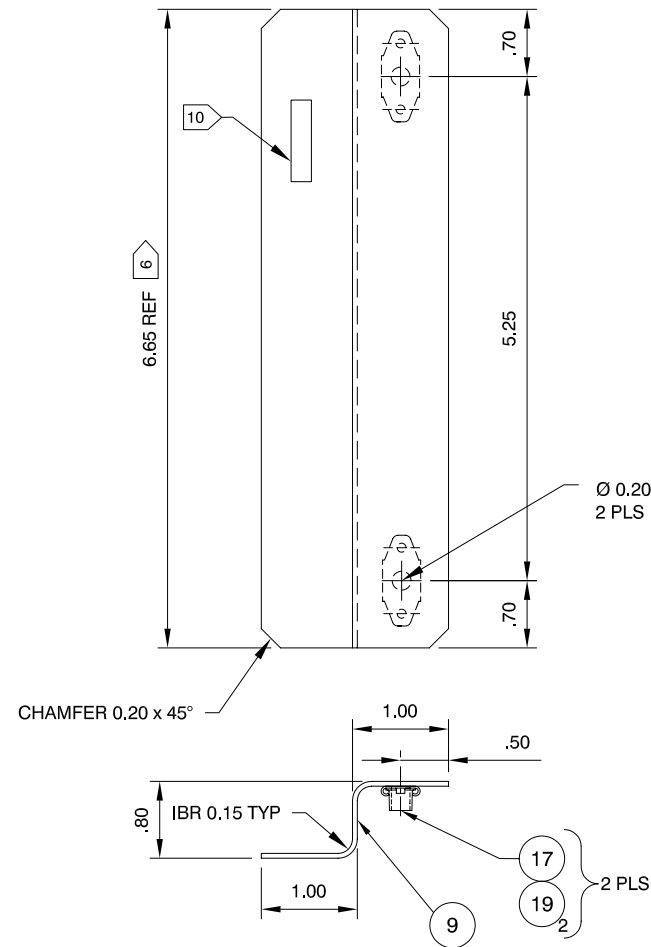
SHEET 2 OF 2 SHEETS
DRAWING SIMILAR TO
N/A

REVISIONS

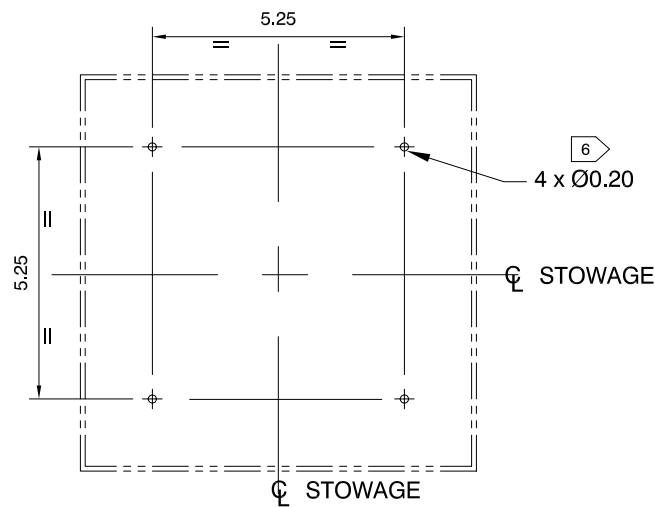
DRG ISS No.	RELEASE DOC.	ISSUE DATE:	DRG CHANGE	APP BY:
1	0613	MAR 2004	NEW	M A E



SECTION B - B
ZONE 1B5
SCALE 1:4



DETAIL OF ASSY 5
(2 OFF REQUIRED)
SCALE 1:2



FOOTPRINT OF OIL CAN STOWAGE

AES LTD
OFFICIAL ISSUE
DATE: 17.03.04

COPY

No. OFF		MAP REF	ITEM No.	PART NUMBER	ITEM ISS	KEYWORD / DESCRIPTION	MATERIAL	SPECIFICATION	WIDTH	EST WEIGHT	OR REMARKS
A/D	A/D	HAND	DRAWN BY:	DATE:	MODIFICATION No:						<p>©2004 ALL RIGHTS RESERVED. THE INFORMATION CONTAINED HEREIN IS PROPRIETARY TO AEROSPACE ENGINEERING SOLUTIONS LIMITED AND SHALL NOT BE REPRODUCED OR DISCLOSED WITHOUT THE OWNERS WRITTEN PERMISSION.</p> <p>aes aerospace engineering solutions</p> <p>PT No: NHA 757 FCA SERIES FLEET</p> <p>0754-256-757 SHEET 2 OF 2 SHEETS</p>
1	1	ISS	S SHAW	MAR 2004	AES-757-247						
			CHECKED BY:	SCALE:	JAA. APP.: CAA,JA.02304						
			A D B	1:6 AT A3 U.O.S.							
			STRESS:	LIMITS:	THIRD ANGLE PROJECTION:						
			M A E	±0.10 U.O.S.							
			APPROVED:	SURFACE FINISH:	DIMENSIONS IN:						
			M A E	N/A	INCHES						
			TITLE:	FLIGHT DECK OIL CAN STOWAGE							

MOD No. AES-757-265

DESIGN ORGANISATION INSTRUCTION

APPLICABILITY: G-OOBF & SUBS	AFFECTED DOCUMENT: MOD SUMMARY
ORIGIN OF QUERY AES DESIGN	AUTHORITY DESIGN
REASON: APPLY RESTRAINT AND PLACARDING FOR STOWAGE	
<p>THIS DOI PROVIDES SUPPLEMENTAL INSTRUCTIONS TO AFFIX A DECAL AND RESTRAINT STRAPS TO THE OPERATOR'S TECHNICAL LOG STOWAGE.</p> <p>AN EXISTING MONARCH MODIFICATION (ATT/757/1060) INTRODUCES A TECH LOG STOWAGE TO THE AFT FACE OF THE CENTRE CONSOLE.</p> <p>1 AFFIX 4 SELF ADHESIVE VELCRO STRAPS (5" x 1") (P/No 806LOOP1INCHSA) TO THE FORWARD AND AFT FACE OF THE TECH LOG STOWAGE IN THE APPROXIMATE POSITIONS SHOWN ON FIGURE 1.</p> <p>2 CUT 2 STRIPS OF VELCRO (1" WIDE, LENGTH TO SUIT, P/No 806HOOK1INCH, WITH 1" WEBBING (P/No P6/A6/0321) STITCHED TO VISIBLE SIDE) TO WRAP AROUND THE TOP OF THE STOWAGE MATING WITH THE LOOP VELCRO INSTALLED ON BOTH SIDES. LEAVE SUFFICIENT SLACK ON THE AFT SIDE TO ENABLE REMOVAL OF THE STRAPS BY WAY OF A STITCHED 2" LOOP IN THE WEBBING. WHEN DETERMINING THE LENGTH OF THE STRAP THE TECH LOG SHOULD BE SLAVE FITTED TO ENSURE SUFFICIENT OVERLAP OF VELCRO.</p> <p>3 WITH THE STOWAGE IS INSTALLED IN POSITION, THE FORWARD STRAPS WILL BE SANDWICHED BETWEEN THE CONSOLE RIM AND STOWAGE ITSELF PREVENTING REMOVAL OF THE STRAP FROM THIS SIDE. WHEN INSTALLED ENSURE THE TECH LOG STOWAGE IS SECURE IN POSITION.</p> <p>4 AFFIX PLACARD P/No A2000-733 "TECHNICAL LOG STOWAGE ONLY" TO THE REAR SIDE OF THE STOWAGE IN THE APPROXIMATE POSITION SHOWN ON FIGURE 1.</p> <p>5 END</p> <p>(NOTE: FIGURE 1 IS SHOWN ON SHEET 2 OF THIS DOI)</p>	

DISTRIBUTION	
PRINTS:	K HUNTER

COMPILED BY:	A DOLBY
APPROVED BY:	
AVIONICS / STRESS:	
DATE:	

MOD No. AES-757-265

DESIGN ORGANISATION INSTRUCTION

APPLICABILITY: G-OOBF & SUBS	AFFECTED DOCUMENT: MOD SUMMARY
ORIGIN OF QUERY AES DESIGN	AUTHORITY DESIGN
REASON: APPLY RESTRAINT AND PLACARDING FOR STOWAGE	
<p style="text-align: center;">VIEW LOOKING FORWARD ON CENTRE CONSOLE</p> <p style="text-align: center;">FIGURE 1</p>	

DISTRIBUTION	
PRINTS:	K HUNTER

COMPILED BY:	A DOLBY
APPROVED BY:	
AVIONICS / STRESS:	
DATE:	



www.aesglobal.com

JAR21 APPR: CAA.JA.02304

MODIFICATION TITLE:
INTRODUCTION OF REPLACEMENT
CARGO BAY FIRE EXTINGUISHER
BOTTLES

MODIFICATION No.
AES-757-335
ISSUE 1
Page 1 of 4

A/C TYPE: B757	A/C VARIANT: -28A	A/C REG: G-OOOC (C-FTDV)	A/C SERIAL No: 24017
-------------------	----------------------	--------------------------------	-------------------------

Retro. Action:
SEE SHT. YES/NO

Certificate of Airworthiness Category:
PUBLIC TRANSPORT - PASSENGER

Classification:
MAJOR/MINOR

Project No.: **0262**

Performance Group: **TURBINE JET**

ATA: 26

Reason for Modification:
TO SUIT OPERATOR REQUIREMENT

Reports:
NONE

WEIGHT CHANGE
SEE SECTION 5.5.1

ELECTRICAL LOAD
SEE SECTION 5.5.2

NOISE
SEE SECTION 5.3.1

DOCUMENTS
SEE SECTION 11.0

CERTIFICATE OF DESIGN

I hereby certify that this modification defines all the changes associated with this certificate.

The technical information contained in this document has been approved under the authority of
JAA Design Organisation Approval No CAA.JA.02304

I further certify that, with the exceptions listed below, the design of this modification complies with the requirements specified by the
CAA as the certification basis for this type of aircraft and with any additional requirements notified by the CAA in respect of the
particular modification.

EXCEPTIONS

NONE

APPROVAL STATUS
COMPLETE/INCOMPLETE (see section 10)

CAA STC No.: (IF APPLICABLE)

JAA STC No.: (IF APPLICABLE)

ISSUE	1						
DRN No.	0870						
APPROVAL DATE	M A E 15.9.04						

ISSUE	RAISE ISSUE DETAIL						SHEETS AFFECTED	
ISSUE	DATE	COMPILED	CVE / APP STRUCTURES	CVE / APP DESIGN	CVE / APP SYSTEMS	DOCUMENTS AFFECTED	SEE SHT	
1	18.08.04	A BATEMAN	M A E	A MD	A L H	MMEL MAINT MANUAL WDM REPAIR MANUAL FLIGHT MANUAL CREW MANUAL MAINT. SCHEDULE PART CATALOGUE*	3	
						* OPERATORS RESPONSIBILITY		

DETAILS OF MODIFICATION

1.0 Introduction

- 1.1 This modification facilitates installation of larger capacity fire extinguisher bottles required when ETOPS operation is increased from 138 to 180 minutes.
- 1.2 The replacement fire bottles are mounted immediately forward of the rear freight bay.

2.0 Modification Definition

- 2.1 The existing cargo fire bottles are removed from the support structure. The angle assembly on the bottle support structure is replaced. The rivets that attach the bottle support structure to the forward bulkhead are replaced with bolts. A stiffener plate is installed on the bottle support structure. New cargo fire extinguisher bottles (P/N S453T201-28) are installed, MEI-451 refers.

3.0 Approval Procedures

- 3.1 This modification certification/approval/validation has been carried out in accordance with JAR 21.

4.0 Basis of Certification/Validation/Approval

4.1 CAA Certification/Validation/Approval Basis For The Aircraft/Modification

For B757-28A aircraft: Reference is made to JAR25 Change 16, which meets or exceeds the type certificate UK TCDS FA28 Issue 5.

The following design requirements are addressed within this modification:

JAR 25.851 (b) Built-In Fire Extinguishers

4.2 Design Requirements For Certificate Of Airworthiness

Not Applicable

4.3 Environmental Requirements

The aircraft noise requirements are detailed in CAA Noise Certificate No. 58 & 77, UK TCDS FA28 refers. Environmental requirements per Chapter 1 of Annex 16, Volume 1, Part II to the Chicago Convention.

4.4 Design Requirements Associated With Operational Approvals

JAA A.C. GAI-20 Guidance Material for Extended Range Operations with Twin-Engine Aeroplanes ETOPS Certification and Operation.

5.0 **Compliance with the Basis of Certification/Validation/Approval**

5.1 **Compliance with the Certification/Validation/Approval Basis for the Aircraft/Modification.**

5.1.1 Embodiment of this modification does not affect the certification basis of the aircraft.

5.1.2 **JAR 25.851 (b):** Increased capacity fire bottles have been installed on other B757-200 aircraft of a similar build standard in the subject area. The aircraft constructor has advised that the configuration of the cargo fire suppression systems is of a similar standard. The intended changes are therefore directly compatible.

5.2 **Compliance With Design Requirements For Certificate Of Airworthiness**

5.2.1 Not Applicable

5.3 **Compliance with Environmental Requirements**

5.3.1 Embodiment of this modification does not affect the existing noise certificate or environmental requirements.

5.4 **Compliance with Design Requirements Associated with Operational Approvals**

5.4.1 **GAI-20 Joint Advisory Material - Advisory Circular** (with respect to cargo bay fire bottles only): The replacement fire bottles, P/N S453T201-28 (33lbs), are identical to bottles installed on the operator's previously 180min ETOPS certified aircraft (S/N 28203, G-OOOY). Therefore, by direct comparison, they satisfy the capacity requirement to provide suppression capability for 180 mins (plus a further 15 minutes as stated in the A.C.)

5.5 **Required (Amendments to) Manuals and other Documents Including Mandatory Placards.**

5.5.1 Embodiment of this modification results in a weight increase of 22 lbs - this includes a full charge in the bottles. The change in moment is +26,180 lbin. Amendment of the weight and balance manual is the responsibility of the operator.

5.5.2 The electrical load analysis remains unaffected as a result of this modification.

5.5.3 The aircraft Flight Manual is not affected by this modification.

5.5.4 A supplement to the existing Illustrated Parts Catalogue has been produced. It is the operator's responsibility to incorporate this supplement within the existing manuals.

5.5.5 Post modification, the fire extinguisher system shall be tested in accordance with the B757 AMM Chapter 26-23-00.

6.0 Conditions Affecting This Approval

- 6.1 The compatibility of this modification with other previously approved modifications installed on the particular aircraft must be verified by the installer. Where the potential for interactions between modifications exists, the advice of the Design Organisation/CAA shall be sought.
- 6.2 The operator shall ensure that SB757-26-0020 has been incorporated prior to embodiment of this modification.

7.0 Continued Airworthiness

- 7.1 The influence of the modification on Airworthiness Directive, Service Bulletin eligibility and other data must be considered and the publications monitored accordingly. The maintenance schedule for the aircraft should include reference to this material additional to the original design. Co-ordination is the responsibility of the operator.

8.0 Survey

- 8.1 No further survey is required.

9.0 Authorisation of Release to Service

- 9.1 In addition to the actions required by the procedures for release to service following maintenance or modification, the following actions must be completed prior to signing the Certificate of Release to Service:
- a) All actions and ground test procedures specified by the modification instructions must be completed satisfactorily.
 - b) It must be verified that the documents or amendments to documents, above are as specified, including any changes specified under Section 8 above.

10.0 Approval

- 10.1 This Minor modification AES-757-335 (MCA-AES-757-335) and related instructions has been approved under the authority of JAA Design Organisation Approval No.: CAA.JA.02304.

11.0 Documents Required

11.1 Reports/Documents

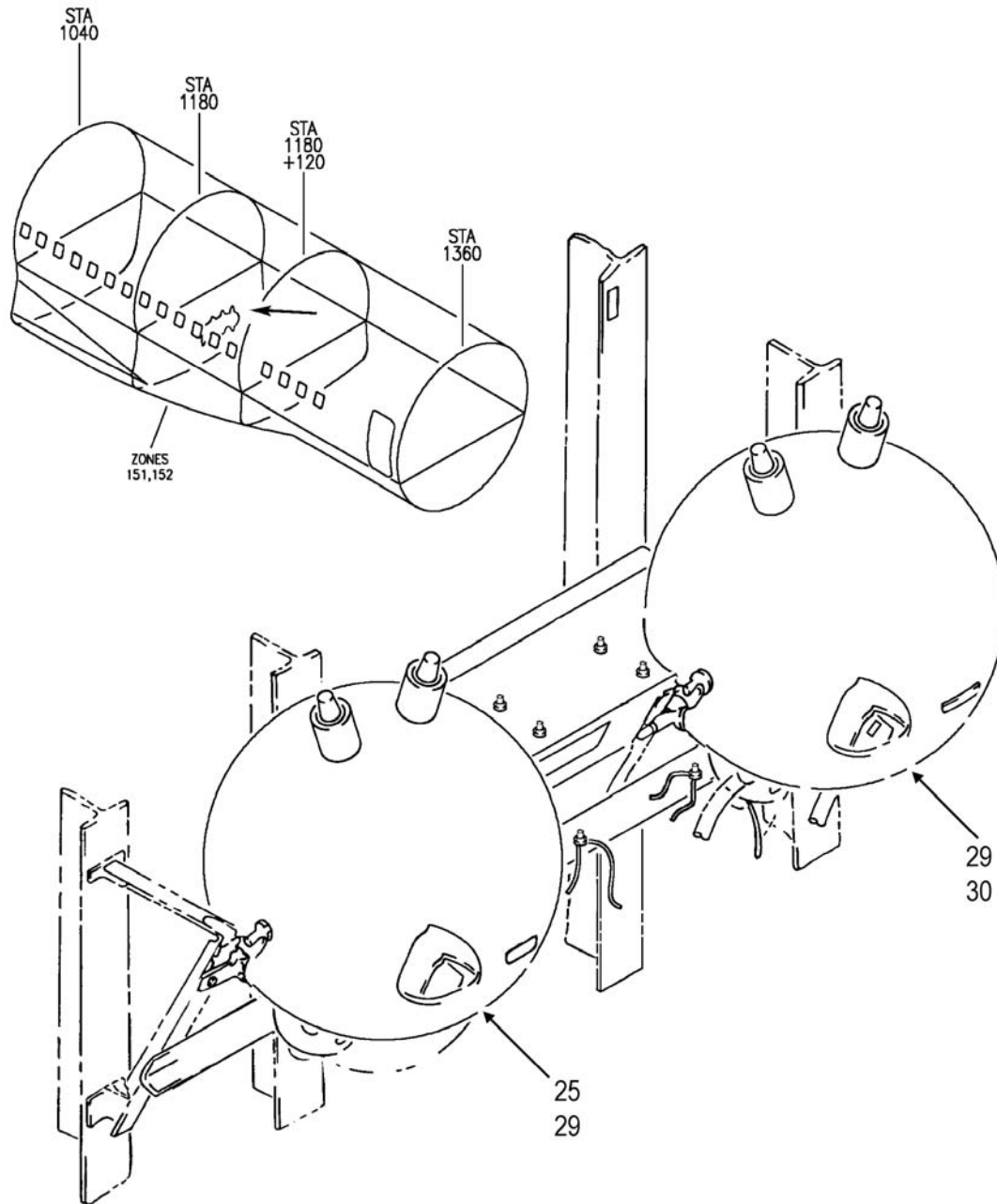
<u>Document Number</u>	<u>Issue</u>	<u>Title</u>
MEI-451	1	INTRODUCTION OF REPLACEMENT CARGO BAY FIRE EXTINGUISHER BOTTLES

BOEING 757



FIRST CHOICE AIRWAYS D6-49286-ATZ

PARTS CATALOG (MAINTENANCE)



BOTTLE AND SUPPORT INSTL - CARGO COMPT FIRE EXT SYS AFT
FIGURE 1 (SHEET 1)

26-23-02-01

SEPT 09/04

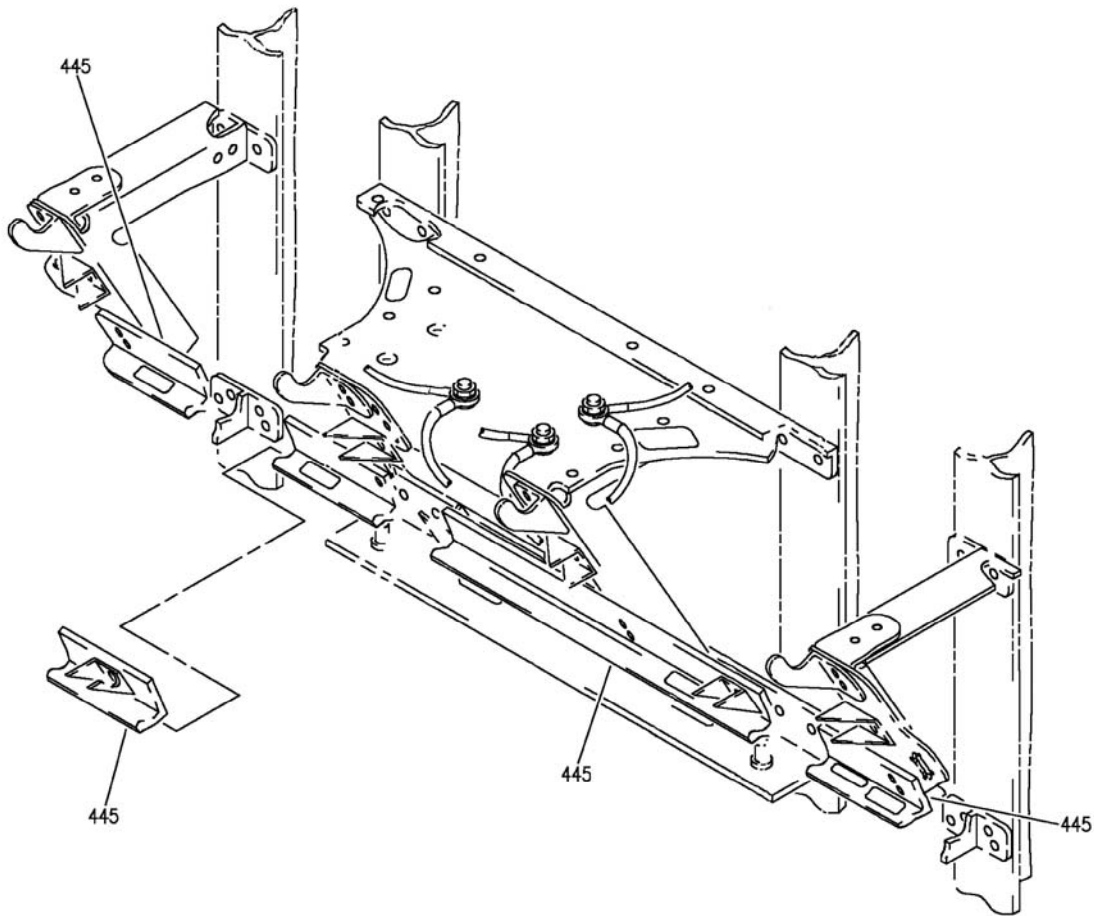
26-23-02-01
PAGE 0

BOEING 757



FIRST CHOICE AIRWAYS D6-49286-ATZ

PARTS CATALOG (MAINTENANCE)



BOTTLE AND SUPPORT INSTL - CARGO COMPT FIRE EXT SYS AFT
FIGURE 1 (SHEET 2)

26-23-02-01

SEPT 09/04

26-23-02-01
PAGE 0A

BOEING 757



FIRST CHOICE AIRWAYS D6-49286-ATZ

PARTS CATALOG (MAINTENANCE)

FIG ITEM	PART NUMBER	NOMENCLATURE	EFFECT FROM TO	UNITS PER ASSY
1	AES-757-335-001	BOTTLE AND SUPPORT INSTL - CARGO COMPT FIRE EXT SYS AFT <u>AES-757-335 MODIFICATION</u> <u>ISSUE 1</u>	003 003	
25	S453T201-26	. EXTINGUISHER (RPL BY S453T201-28)	003 003	1
29	34600010-28	. EXTINGUISHER SUPPLIER CODE: V05167 SPECIFICATION NUMBER: S453T201-28 ELECTRICAL EQUIP NUMBER: M10466 M10467 COMPONENT MAINT MANUAL REF: 26-23-21	003 003	2
30	S453T201-27	. EXTINGUISHER (RPL BY S453T201-28)	003 003	1
445	453N2700-7	.ANGLE ASSY (RPL BY 453N2700-15)	003 003	1
445	453N2700-15	.ANGLE ASSY	003 003	1

26-23-02-01



www.aesglobal.com

JAR21 APPR: CAA.JA.02304

MODIFICATION TITLE:
**INTRODUCTION OF REPLACEMENT
 SOLID STATE COCKPIT VOICE
 RECORDER**

MODIFICATION No.
AES-757-340
ISSUE 1
Page 1 of 6

A/C TYPE:.	A/C VARIANT:	A/C REG:.	A/C SERIAL No.:
B757	757-28A	G-OOOB	23822
B757	757-28A	G-OOOC (C-FTDV)	24017
B757	757-23A	G-OOOG	24292
B757	757-2YO	G-OOOK	25054
B757	757-2YO	G-OOOX	26158
B757	757-2YO	G-CPEP	25268
B757	757-236	G-OOOZ	25593

Retro. Action: SEE SHT. YES/NO	Certificate of Airworthiness Category: PUBLIC TRANSPORT - PASSENGER	Classification: MAJOR/MINOR
Project No.: 0273	Performance Group: TURBINE JET	ATA: 23

Reason for Modification: TO FACILITATE CONTINUED OPERATOR COMPLIANCE WITH JAR-OPS 1.710	Reports: NONE
--	------------------

WEIGHT CHANGE SEE SECTION 5.5.1	ELECTRICAL LOAD SEE SECTION 5.5.2	NOISE SEE SECTION 5.3	DOCUMENTS SEE SECTION 11.0
---	---	---------------------------------	--------------------------------------

CERTIFICATE OF DESIGN

I hereby certify that this modification defines all the changes associated with this certificate.

The technical information contained in this document has been approved under the authority of
 JAA Design Organisation Approval No CAA.JA.02304

I further certify that, with the exceptions listed below, the design of this modification complies with the requirements specified by the
 CAA as the certification basis for this type of aircraft and with any additional requirements notified by the CAA in respect of the
 particular modification.

EXCEPTIONS

NONE

APPROVAL STATUS COMPLETE/INCOMPLETE (see section 10)	CAA STC No.: NOT APPLICABLE
	JAA STC No.: NOT APPLICABLE

ISSUE	1						
DRN No.	0900						
APPROVAL DATE	M A E 17.09.04						

ISSUE	RAISE ISSUE DETAIL	SHEETS AFFECTED
-------	--------------------	-----------------

ISSUE	DATE	COMPILED	CVE / APP STRUCTURES	CVE / APP DESIGN	CVE / APP SYSTEMS	DOCUMENTS AFFECTED	SEE SHT
1	16/09/04	P NOEL	M A E	A M D	A L H	MMEL MAINT MANUAL	4
						WDM REPAIR MANUAL	
						FLIGHT MANUAL CREW MANUAL	
						MAINT. SCHEDULE PART CATALOGUE	4
						* OPERATORS RESPONSIBILITY	

DETAILS OF MODIFICATION

1.0 Introduction

1.1 This modification removes the existing cockpit voice recorder from the E7 rack and installs a new Honeywell 120 minute Solid state Cockpit Voice Recorder. The new SSCVR is compatible with the current Flight deck Area Mic Panel and requires no modification. There is no requirement to remove or add any new or existing wires or looms from the current installation.

2.0 Modification Definition

2.1 The operator has requested this modification to replace the now obsolete Fairchild CVR model A100 with a new Solid State CVR. This modification removes the existing CVR (P/N 93A100-30 or 93A100-80) from the E7 Rack and installs a new 120 minute SSCVR (P/N 980-6022-001).

2.2 The new SSCVR is interchangeable with the current tray and tray connectors.

2.3 The SSCVR is compatible with the existing Area Mic Panel (93A152-50 or 93A152-60) currently fitted on the flight deck.

3.0 Approval Procedures

3.1 This modification certification/approval/validation has been carried out in accordance with JAR 21.

4.0 Basis of Certification/Validation/Approval

4.1 CAA Certification/Validation/Approval Basis For The Aircraft/Modification

4.1.1 The certification basis of the aircraft type is FAR25, UK Type Certificate Data Sheet FA28 refers.

4.1.2 The following JAR/FAR design requirements are addressed within this modification.

Requirement	Description
JAR/FAR 25.1301	Function and Installation
JAR/FAR 25.1309 (b)	Equipment, Systems and Installations
JAR/FAR 25.1457	Cockpit voice recorders

4.2 Design Requirements For Certificate Of Airworthiness

4.2.1 Not Applicable

4.3 Environmental Requirements

4.3.1 The aircraft noise requirements are detailed in CAA Noise Certificate No. 58 & 77, UK TCDS FA28 refers.

4.4 Design Requirements Associated With operational Approvals

4.4.1 The following JAR-OPS Amendment 6 requirements are addressed within this modification.

JAR-OPS 1.700 - Cockpit voice recorders-1

JAR-OPS 1.710 - Cockpit voice recorders-3

5.0 Compliance with the Basis of Certification/Validation/Approval

5.1 Compliance with the Certification/Validation/Approval Basis for the Aircraft/Modification.

5.1.1. Embodiment of this modification does not affect the certification basis of the aircraft.

5.1.2 **JAR/FAR 25.1301/ JAR/FAR 25.1309 (b):** The basic functionality of the cockpit voice recorder system remains unaffected by this modification as certified at build by the aircraft constructor. This modification introduces new Maintenance manual supplements reflecting the amended ground test procedures for the replacement CVR unit (see Para 5.5 for details).

5.1.3 **JAR/FAR 25.1457:** The physical and electrical installation of the CVR remains unchanged from build as certified by the constructor. The new unit is coloured bright orange and contains an integrated Underwater Locating Beacon (ULB). Compliance with the requirement is maintained.

5.1.4 The new SSCVR is UK CAA approved (Approval ref AR01291 refers).

5.1.5 The new SSCVR unit is approved to ED-56a and TSO C-123.

5.1.6 Compatibility with the existing Area Mic panel located in the Flight Deck has been shown through previous equipment constructor testing (ref Honeywell STC no. ST01032SE).

5.1.7 The existing circuit breaker is retained unaltered from build.

5.2 Compliance With Design Requirements For Certificate Of Airworthiness

5.2.1 Not Applicable.

5.3 Compliance with Environmental Requirements

5.3.1 Embodiment of this modification does not affect the existing noise certificate.

5.4 Compliance with Design Requirements Associated with Operational Approvals

5.4.1 The initial C of A issue date for the subject aircraft requires compliance with JAR-OPS 1.710. Installation of the new SSCVR allows for a 2-hour recording capability facilitating additional operator compliance with JAR-OPS 1.700.

5.4.2 The new SSCVR is installed with an integral Underwater Locating Beacon (ULB) maintaining compliance with the requirements of JAR-OPS 1.700 (d).

5.5 Required (Amendments to) Manuals and other Documents Including Mandatory Placards.

5.5.1 Weight: Introduction of the new SSCVR results in a weight decrease of 9.7lbs at Fus. Station 1640.

5.5.2 Electrical Load Demand: In normal operation the new SSCVR results in a power load reduction of 13VA on the 115VAC Bus Right (Section 2) phase B. Emergency Flight times and battery discharge times are not adversely affected.

5.5.3 The Aircraft Flight Manual is not affected by this modification.

5.5.4 A supplement to the existing Aircraft Maintenance Manual (AMM) and Illustrated Parts Catalogue (IPC) has been produced with this modification. It is the operator's responsibility to insert the provided supplements in the applicable manuals and amend the MPD as required to reflect maintenance of the associated system in accordance with the new supplements.

6.0 Conditions Affecting This Approval

6.1 The compatibility of this modification with other previously approved modifications installed on the particular aircraft, must be verified by the installer. Where the potential for interactions between modifications exists, the advice of the Design Organisation/CAA shall be sought.

7.0 Continued Airworthiness

7.1 The influence of the modification on Airworthiness Directive, Service Bulletin eligibility and other data must be considered and the publications monitored accordingly. The maintenance schedule for the aircraft should include reference to this material additional to the original design. Co-ordination is the responsibility of the operator.

8.0 Survey

8.1 No further survey required.

9.0 Authorisation of Release to Service

9.1 In addition to the actions required by the procedures for release to service following maintenance or modification, the following actions must be completed prior to signing the Certificate of Release to Service:

- a) All actions and ground test procedures specified by the modification instructions must be completed satisfactorily.
- b) It must be verified that the documents or amendments to documents, above are as specified, including any changes specified under Section 8 above.

10.0 Approval

10.1 This Minor modification AES-757-340 (MCA-AES-757-340) and related instructions has been approved under the authority of JAA Design Organisation Approval no. CAA.JA.02304.

11. Documents Required

11.1 Documents Introduced

<u>Document Number</u>	<u>Issue</u>	<u>Title</u>
MEI-433	1	INTRODUCTION OF REPLACEMENT SOLID STATE CVR

11.2 Existing Drawings Also Required

<u>Drawing Number</u>	<u>Issue</u>	<u>Title</u>
None		

11.3 Reports/Documents

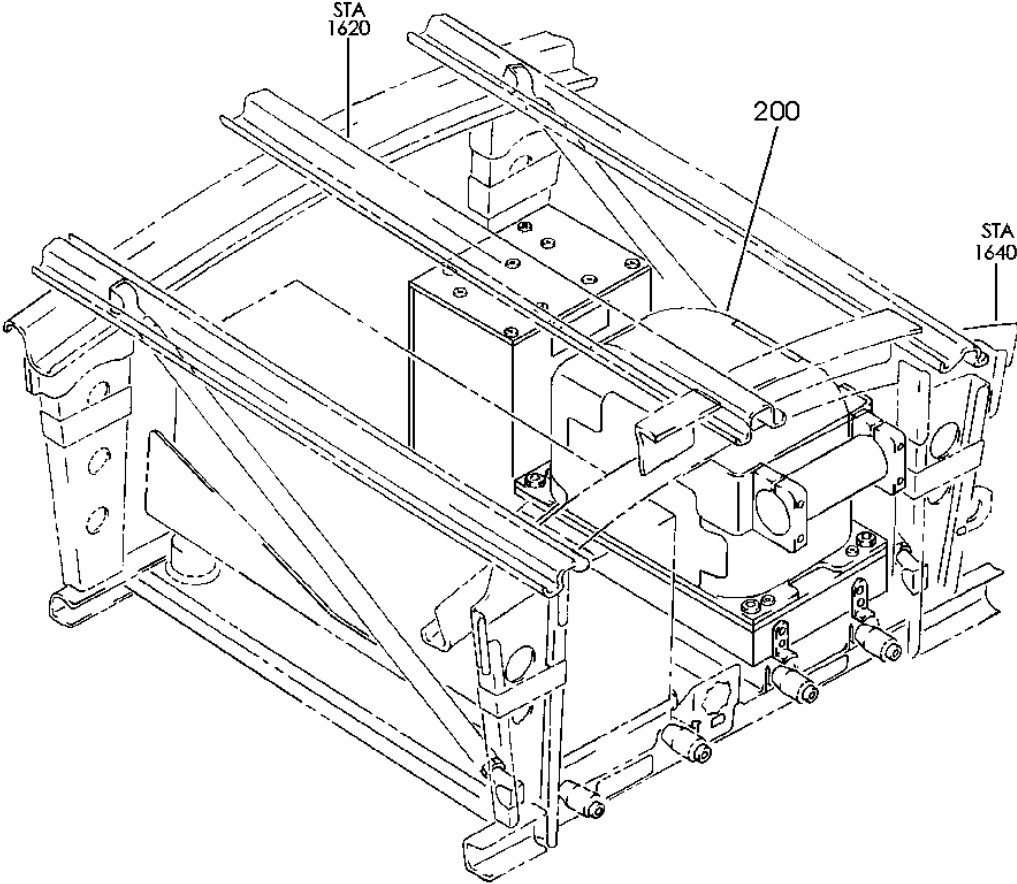
<u>Document Number</u>	<u>Issue</u>	<u>Title</u>	<u>Document Affected</u>
23-71-01-01 AES supplement No 1	1	IPC Consolidated (S/N: 23822, 24017, 24292, 25593, 25054, 26158, 25268)	D6-49286-ATZ (IPC)
23-71-01 P401 AES supplement No 1 & 23-71-01 P501 AES supplement No 1	1	AMM (S/N: 23822, 24017)	D633N116 (AMM)
23-71-01 P401 AES supplement No 1 & 23-71-01 P501 AES supplement No 1	1	AMM (S/N: 24292)	D633N122 (AMM)
23-71-01 P401 AES supplement No 1 & 23-71-01 P501 AES supplement No 1	1	AMM (S/N: 25054, 26158, 25268)	D633N132 (AMM)
23-71-01 P401 AES supplement No 1 & 23-71-01 P501 AES supplement No 1	1	AMM (S/N: 25593)	D633N137 (AMM)

BOEING 757



FIRST CHOICE AIRWAYS D6-49286-ATZ

PARTS CATALOG (MAINTENANCE)



SUPPORT AND RECORDER INSTL – VOICE (COMMUNICATIONS ONLY)
FIGURE 1 (SHEET 1)

23-71-01-01

BOEING 757



FIRST CHOICE AIRWAYS D6-49286-ATZ

PARTS CATALOG (MAINTENANCE)

FIG ITEM	PART NUMBER	NOMENCLATURE	EFFECT FROM TO	UNITS PER ASSY
1		SUPPORT AND RECORDER INSTL – VOICE (COMMUNICATIONS ONLY) FIGURE 1 (SHEET 1)	001001 003003 004005 009009 115120 121503 952999	
<u>AES-757-340 MODIFICATION</u> <u>ISSUE 1</u>				
200	93A100-80	. RECORDER ASSY - (CUSTOMER FURNISHED) (RPL BY 980-6022-001)	001001 003003 004005 952999	1
200	93A100-30	. RECORDER ASSY - (CUSTOMER FURNISHED) (RPL BY 980-6022-001)	009009 115120 121503	1
200	980-6022-001	. RECORDER ASSY - (CUSTOMER FURNISHED) (RPLS 93A100-80 & 93A100-30) SUPPLIER CODE: V97896 FUNCTIONAL DESCRIPTION: RECORDS FOUR SEPARATE CHANNELS OF COCKPIT AUDIO SIMULTANEOUSLY USING SOLID STATE MEMORY ELECTRICAL EQUIPMENT NUMBER: M00201 COMPONENT MAINT MANUAL REF: 23-70-44	001001 003003 004005 009009 115120 121503 952999	1

23-71-01-01

**AIR 2000
MANUAL UPDATE
B757-200**

***AIRWORKS*
COCKPIT DOOR SURVEILLANCE
SYSTEM (CDSS)
INSTALLATION**

**ILLUSTRATED PARTS CATALOG
SUPPLEMENT**

**DOC. NO.: IPC230061
FAA PROJECT NO.: ST10129LA-T**

**REVISION NC
APR 30, 2003**

B757-200

ILLUSTRATED PARTS CATALOG SUPPLEMENT

REVISION RECORD

Retain this record in front of the manual. Upon receipt of a revision, insert the revised pages in the manual; enter the revision number, date filed, and initial.

REVISION NUMBER	REVISION DATE	DATE FILED	BY
Initial Release	Apr 30, 2003	Apr 30, 2003	AirWorks

TEMPORARY REVISION RECORD

TEMPORARY REVISION NUMBER	DATE	DATE OF INCORPORATION INTO MANUAL

SERVICE BULLETIN LIST

SERVICE BULLETIN	DATE	TITLE	DATE OF INCORPORATION INTO MANUAL

B757-200

ILLUSTRATED PARTS CATALOG SUPPLEMENT

LIST OF EFFECTIVE PAGES

<u>Subject</u>	<u>Fig.#</u>	<u>Page</u>	<u>Date</u>	<u>Subject</u>	<u>Fig.#</u>	<u>Page</u>	<u>Date</u>
Title Page		---	Apr 30/03	23-81-00	8	0	Apr 30/03
Revision Record		1	Apr 30/03			1	Apr 30/03
List of Effective Pages		1	Apr 30/03			2	Apr 30/03
						3	Apr 30/03
Introduction		1	Apr 30/03			4	Apr 30/03
						5	Apr 30/03
Numerical Index Alpha-Numeric		1	Apr 30/03				
23-81-00	1	0	Apr 30/03				
23-81-00	2	0	Apr 30/03				
		1	Apr 30/03				
23-81-00	3	0	Apr 30/03				
		1	Apr 30/03				
		2	Apr 30/03				
23-81-00	4	0	Apr 30/03				
		1	Apr 30/03				
23-81-00	5	0	Apr 30/03				
		1	Apr 30/03				
		2	Apr 30/03				
23-81-00	6	0	Apr 30/03				
		1	Apr 30/03				
23-81-00	7	0	Apr 30/03				
		1	Apr 30/03				

B757-200

ILLUSTRATED PARTS CATALOG SUPPLEMENT

INTRODUCTION

1. Purpose

This publication is a supplement to the airplane Illustrated Parts Catalog (IPC) and pertains only to the installation and assemblies of the AirWorks Cockpit Door Surveillance System (CDSS) Installation.

2. Scope

This publication is one of three pertaining to the AirWorks Cockpit Door Surveillance System (CDSS) Installation.

The other manuals are:

- A. Maintenance Manual Supplement
- B. Wiring Diagram Manual Supplement

The three publications must be used together to install the AirWorks Cockpit Door Surveillance System (CDSS) Installation in satisfactory functional condition.

3. Arrangement and Contents

- A. General Arrangement. The general arrangement (Chapter - Section - Unit) numbering corresponds to that of the airplane IPC.

A numerical Index is provided. This index contains all parts numbers that are listed in the detailed parts list.

All part numbers are arranged in alpha-numeric sequence. The corresponding figure number, item number and total quantity required are shown for each part number entry.

This publication illustrates and lists installation of the AirWorks Cockpit Door Surveillance System (CDSS) Installation.

4. How to Use This Publication

- A. The Figure number refers to the corresponding illustration.
- B. The item number corresponds to the item number shown for the part in the illustration. Item numbers are broken in sequence to permit addition of parts when the manual is revised.

B757-200

ILLUSTRATED PARTS CATALOG SUPPLEMENT

- C. Parts with item numbers proceeded by dash (-) are not illustrated.
- D. Attaching parts are captioned ATTACHING PARTS and are listed immediately following the part(s) attached. The ---symbol follows the last item of the attaching parts.
- E. The effectivity code indicates the parts usage relative to the NHA. When the EFF CODE column is blank, the part usage applies to all NHA versions unless otherwise specified in the NOMENCLATURE column.
- F. Installation and assemblies are combined when the majority of their details are identical, or when the assemblies of installation are reverse images such as left-hand and right-hand parts. If detail parts of such installation or assemblies are neither left-hand nor right-hand, and usage is not apparent, such parts are designed (RH) or (LH).
- G. The number in the UNIT PER ASSY column shows the quantity of the part used per one next higher assembly or installation.
- H. Dots found on the first line of nomenclature, preceding the noun, are to highlight the column (or indenture) in which a part appears; thus reflecting direct relationship to the next higher assembly. As an example, a column three (two dots) is a component of the next preceding column two item (one dot) etc.
- I. When part number is known, find number in NUMERICAL INDEX, note figure and item number. Turn to figure and locate part on illustration and in parts list by number.
- J. When part number is unknown, find title of figure in which the part should be shown. Find part on illustrations and refer to the corresponding item number in parts list.

This supplement is to be used in the same manner as the airplane IPC prepared by the manufacturer.

B757-200

ILLUSTRATED PARTS CATALOG SUPPLEMENT

NUMERICAL INDEX

PART NUMBER	AIRLINE PART NUMBER	CH-SECT-UNIT	FIG	ITEM	TOTAL REQ'D
108		23-81-00	5	95	AR
1832		23-81-00	3	45	2
29243-10		23-81-00	8	165	91
3233		23-81-00	4	60	8
76445A14		23-81-00	4	-55	AR
AN960D10		23-81-00	6	15	4
AN960D10		23-81-00	6	30	4
AW230180-02		23-81-00	1	-2	RF
AW230181-02		23-81-00	2	-2	RF
AW230182-02		23-81-00	3	-2	RF
AW230182-101		23-81-00	3	5	1
AW230184-02		23-81-00	4	-2	RF
AW230184-101		23-81-00	4	15	1
AW230185-02		23-81-00	5	-2	RF
AW230186-02		23-81-00	6	-2	RF
AW230187-02		23-81-00	7	-2	RF
AW230188-02		23-81-00	8	-2	RF
AW230401-01		23-81-00	4	30	1
AW230401-03		23-81-00	4	40	1
AW230401-101		23-81-00	4	35	2
AW230401-103		23-81-00	4	5	2
AW230401-105		23-81-00	4	50	8
AW230502-01		23-81-00	5	20	1
AW230502-03		23-81-00	5	45	1
AW230502-05		23-81-00	5	40	1
AW230502-07		23-81-00	5	55	2
AW230502-101		23-81-00	5	50	4
AW230603-101		23-81-00	6	20	1
AW230610-01		23-81-00	1	-1	RF
AW230611-01		23-81-00	1	-5	1
AW230611-01		23-81-00	2	-1	RF
AW230612-01		23-81-00	1	-10	1
AW230612-01		23-81-00	3	-1	RF
AW230613-01		23-81-00	1	-15	1
AW230613-01		23-81-00	4	-1	RF
AW230614-01		23-81-00	1	-20	1
AW230614-01		23-81-00	5	-1	RF
AW230615-01		23-81-00	1	-25	1
AW230615-01		23-81-00	6	-1	RF
AW230616-01		23-81-00	1	-30	1
AW230616-01		23-81-00	7	-1	RF
AW230617-01		23-81-00	1	-35	1
AW230617-01		23-81-00	8	-1	RF

B757-200

ILLUSTRATED PARTS CATALOG SUPPLEMENT

PART NUMBER	AIRLINE PART NUMBER	CH-SECT-UNIT	FIG	ITEM	TOTAL REQ'D
AW230800-01		23-81-00	3	60	1
AW230800-101		23-81-00	3	50	2
AW230800-101		23-81-00	3	75	2
AW230901-01		23-81-00	2	20	1
AW230901-01		23-81-00	3	80	1
AW230901-03		23-81-00	7	5	1
AW230901-11		23-81-00	8	50	1
AW230901-13		23-81-00	8	55	1
AW230901-15		23-81-00	8	60	1
AW230901-17		23-81-00	8	65	1
AW230901-19		23-81-00	8	70	1
AW230901-23		23-81-00	2	15	1
AW230901-25		23-81-00	3	85	1
AW230901-27		23-81-00	8	-170	1
AW230901-53		23-81-00	8	85	1
AW230901-55		23-81-00	8	90	1
AW230901-61		23-81-00	3	90	1
AW231020002-01		23-81-00	3	10	1
AW233020001-103		23-81-00	8	15	1
AW233020002-117		23-81-00	8	20	1
AW233020002-119		23-81-00	8	25	1
AW233020002-121		23-81-00	8	30	1
AW233020003-107		23-81-00	2	10	1
AW233020044-107		23-81-00	8	5	1
AW233020045-101		23-81-00	3	25	1
AW233020048-105		23-81-00	8	10	1
AW233030001-101		23-81-00	4	25	1
AW233030005-01		23-81-00	5	60	2
AW233030006-101		23-81-00	5	5	3
AW233050001-101		23-81-00	6	5	1
BACS38P5		23-81-00	6	35	4
DP420		23-81-00	5	-100	AR
MS21042-04		23-81-00	3	40	4
MS21042-04		23-81-00	3	70	2
MS21042L3		23-81-00	8	100	4
MS25281-F2		23-81-00	8	105	25
MS25281-F4		23-81-00	8	110	32
MS25281-F6		23-81-00	8	115	18
MS25281-F8		23-81-00	8	120	16
MS3320-4		23-81-00	2	5	1
MS3367-7-9		23-81-00	8	-95	30
MS35338-43		23-81-00	8	125	6
MS35650-305T		23-81-00	8	130	3
NAS1149D0316H		23-81-00	8	140	30
NAS1149FN432P		23-81-00	3	20	2

B757-200

ILLUSTRATED PARTS CATALOG SUPPLEMENT

PART NUMBER	AIRLINE PART NUMBER	CH-SECT-UNIT	FIG	ITEM	TOTAL REQ'D
NAS1149FN432P		23-81-00	3	35	8
NAS1149FN432P		23-81-00	3	65	2
NAS1149FN816P		23-81-00	5	15	4
NAS1149FN816P		23-81-00	5	35	4
NAS1149FN816P		23-81-00	5	75	4
NAS1399D4-3		23-81-00	4	10	2
NAS1801-3-16		23-81-00	8	155	9
NAS1801-3-6		23-81-00	8	145	91
NAS1801-3-8		23-81-00	6	10	4
NAS1801-3-8		23-81-00	6	25	4
NAS1801-3-8		23-81-00	8	150	2
NAS1833-08-375		23-81-00	5	25	4
NAS43DD3-24		23-81-00	5	65	4
NAS43DD3-32		23-81-00	8	-135	4
NAS600-6		23-81-00	3	15	2
NAS600-6		23-81-00	3	30	4
NAS601-7		23-81-00	4	45	8
NAS602-11		23-81-00	5	70	4
NAS602-4		23-81-00	5	10	4
PLB4S-C		23-81-00	8	-160	30
X-D4A		23-81-00	3	55	1
YHMM20-2DB8		23-81-00	8	35	1

B757-200

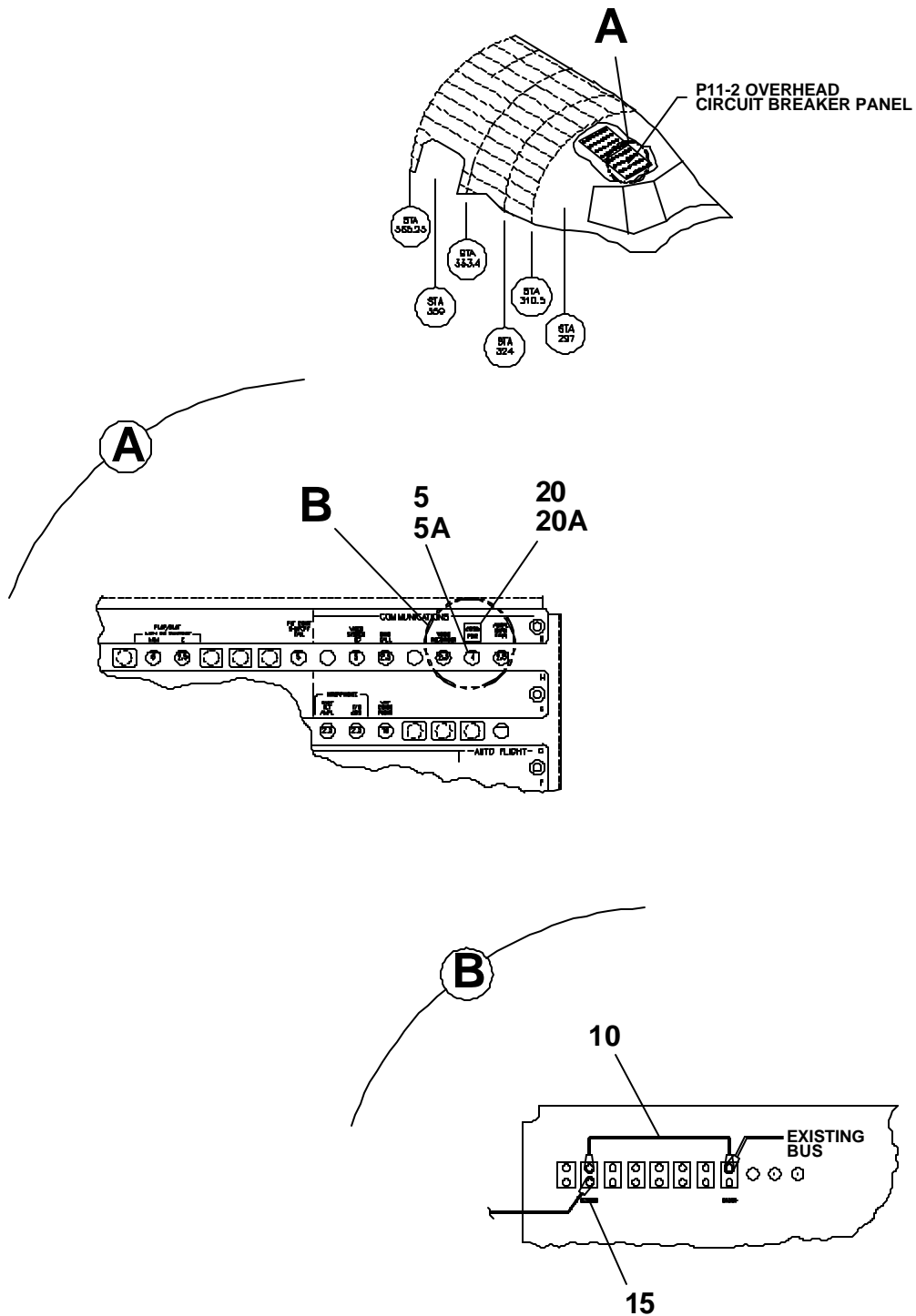
ILLUSTRATED PARTS CATALOG SUPPLEMENT

FIG. ITEM	PART NUMBER	NOMENCLATURE							EFFECT FROM/TO	UNIT PER ASSY
		1	2	3	4	5	6	7		
1 -1	AW230610-01	INSTL – GENERAL ARRANGEMENT, CDSS SYSTEM							NB322 NT404 NT406 NT245 NT246 NJ001 NJ002 NJ003 NA442 NA443 NA447 NB134 NA346 NA397 NB329 NT232 NA352	RF
-5	AW230611-01	.CIRCUIT BREAKER MOD KIT, CDSS SYSTEM								1
-10	AW230612-01	.ON-OFF SWITCH MOD INSTL KIT , CDSS SYSTEM								1
-15	AW230613-01	.COCKPIT MONITOR DISPLAY INSTL KIT, CDSS SYSTEM								1
-20	AW230614-01	.CAMERA INSTL KIT, CDSS SYSTEM								1
-25	AW230615-01	.SYSTEM CONTROL UNIT INSTL, CDSS SYSTEM								1
-30	AW230616-01	.CABIN SECURE MOD KIT, CDSS SYSTEM								1
-35	AW230617-01	.CABLE ROUTING INSTL KIT, CDSS SYSTEM								1

- ITEMS NOT ILLUSTRATED

B757-200

ILLUSTRATED PARTS CATALOG SUPPLEMENT



Instl kit – Circuit Breaker MOD, CDSS System
Figure 2 (Sheet 1 of 1)

B757-200

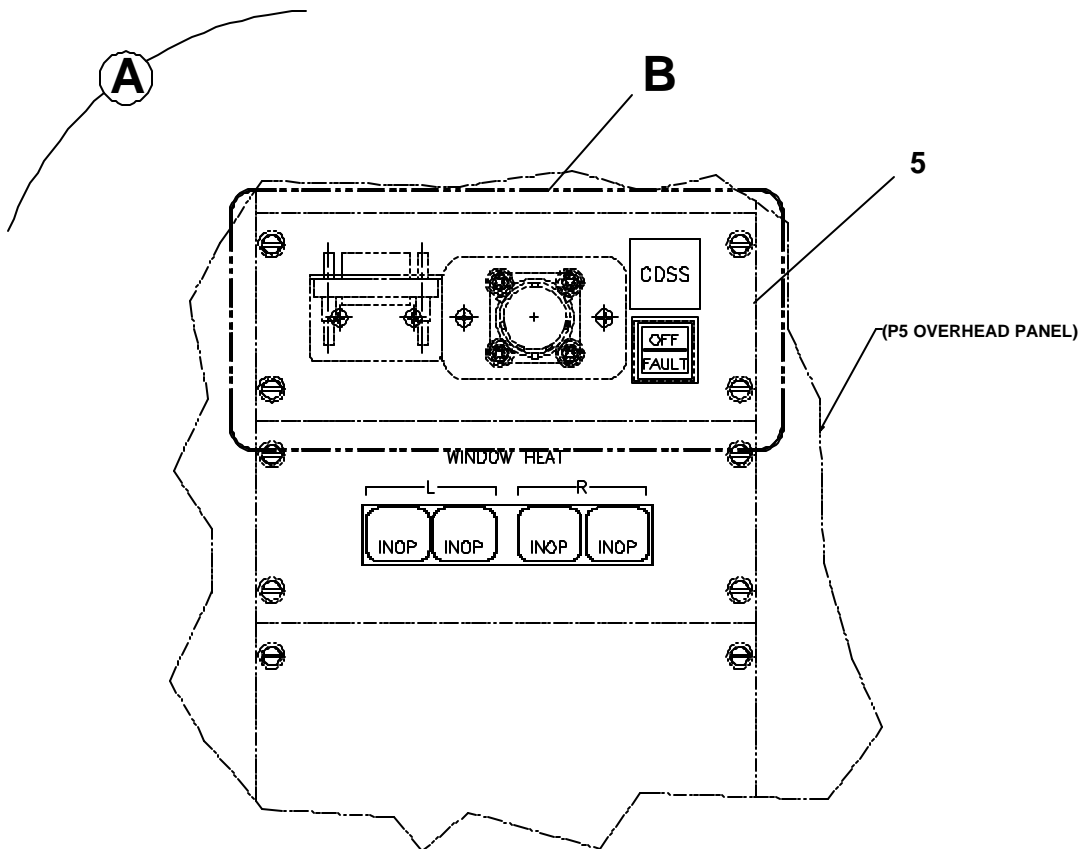
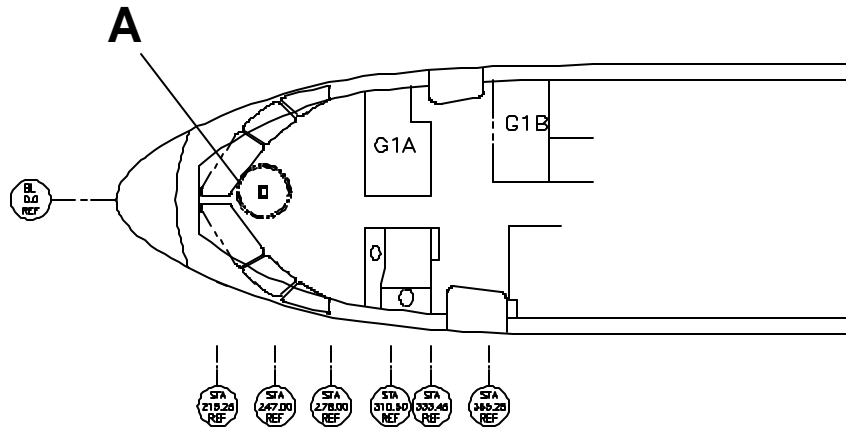
ILLUSTRATED PARTS CATALOG SUPPLEMENT

FIG. ITEM	PART NUMBER	NOMENCLATURE							EFFECT FROM/TO	UNIT PER ASSY
		1	2	3	4	5	6	7		
2 -1	AW230611-01	INSTL KIT – CIRCUIT BREAKER MOD, CDSS SYSTEM							NB322 NT404 NT406 NT245 NT246 NJ001 NJ002 NJ003 NA442 NA443 NA447 NB134 NA346 NA397 NB329 NT232 NA352	RF
5	MS3320-4	.CIRCUIT BREAKER ASSY								1
10	AW233020003-107	.CABLE ASSY – C/B TO C/B JUMPER								1
15	AW230901-23	.PLACARD (C9901)								1
20	AW230901-01	.PLACARD (CDSS)								1

- ITEMS NOT ILLUSTRATED

B757-200

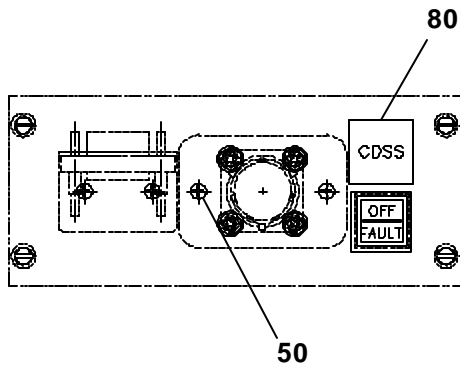
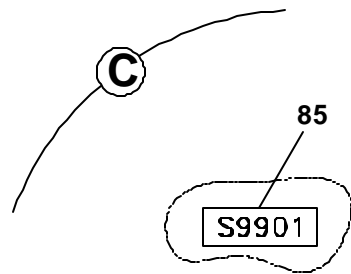
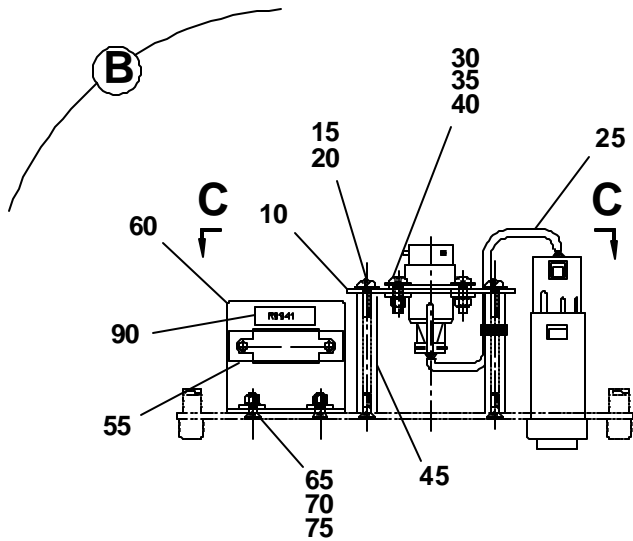
ILLUSTRATED PARTS CATALOG SUPPLEMENT



Instl kit – On-Off Switch, CDSS System
Figure 3 (Sheet 1 of 2)

B757-200

ILLUSTRATED PARTS CATALOG SUPPLEMENT



Instl kit – On-Off Switch, CDSS System
Figure 3 (Sheet 2 of 2)

B757-200

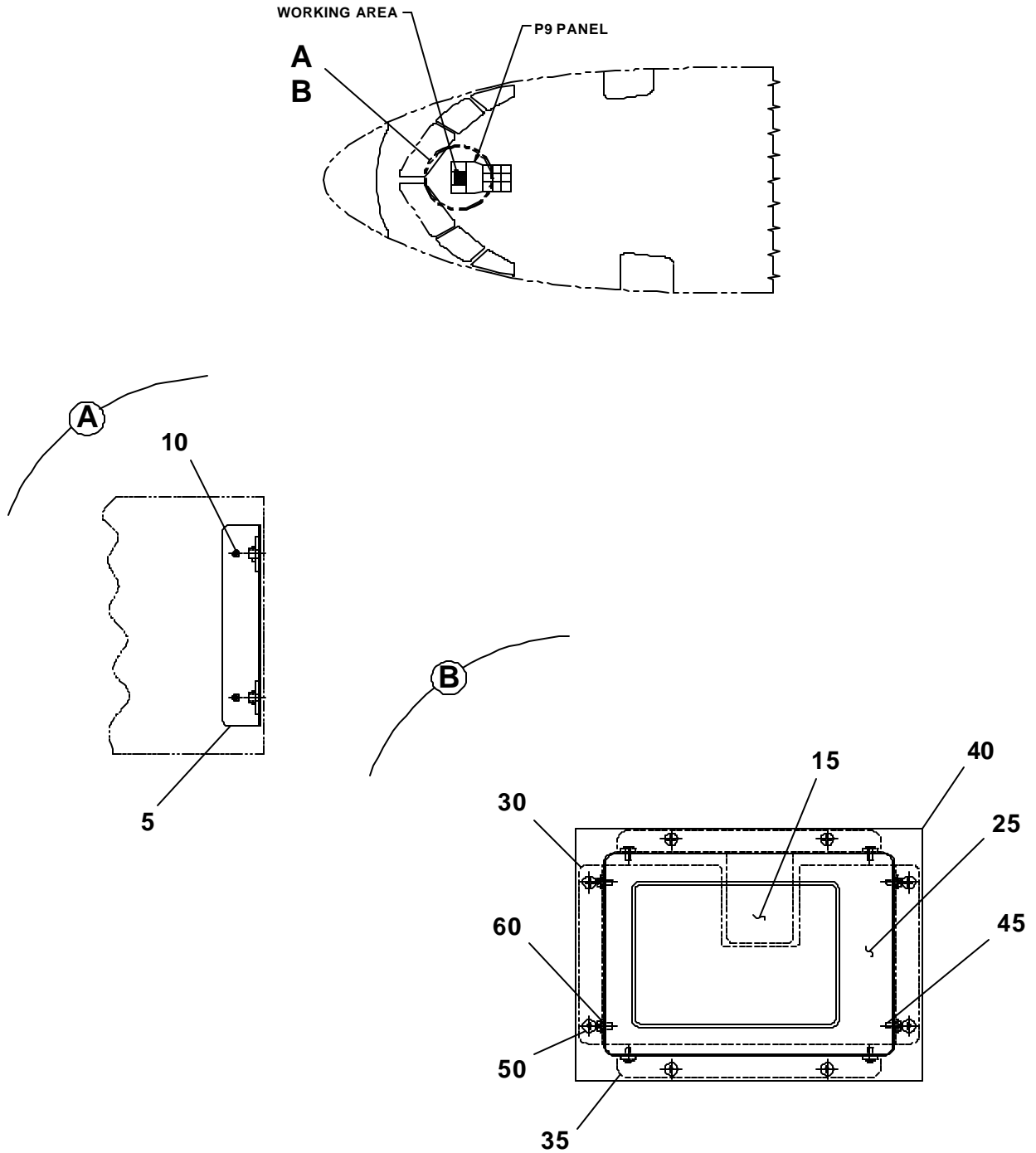
ILLUSTRATED PARTS CATALOG SUPPLEMENT

FIG. ITEM	PART NUMBER	NOMENCLATURE 1 2 3 4 5 6 7	EFFECT FROM/TO	UNIT
				PER ASSY
3 -1	AW230612-01	INSTL KIT – ON-OFF SWITCH MOD, CDSS SYSTEM	NB322 NT404 NT406 NT245 NT246 NJ001 NJ002 NJ003 NA442 NA443 NA447 NB134 NA346 NA397 NB329 NT232 NA352	RF
5	AW230182-101	..PANEL ASSY		1
10	AW231020002-01	..DISCONNECT PLATE ATTACHING PARTS		1
15	NAS600-6	..SCREW		2
20	NAS1149FN432P	..WASHER		2
		---***---		
		ATTACHING PARTS		
25	AW233020045-101	..CABLE ASSY – ON-OFF S/W TO DISC CABLE		1
30	NAS600-6	..SCREW		4
35	NAS1149FN432P	..WASHER		8
40	MS21042-04	..NUT – SELF LOCKING		4
		---***---		
45	1832	..MALE/FEMALE STANDOFF		2
50	AW230800-101	..SCREW ASSY		2
55	X-D4A	..RELAY		1
60	AW230800-01	..BRACKET – RELAY ATTACHING PARTS		1
65	NAS1149FN432P	..WASHER		2
70	MS21042-04	..NUT – SELF LOCKING		2
75	AW230800-101	..SCREW ASSY		2
		---***---		
80	AW230901-01	..PLACARD – CDSS		1
85	AW230901-25	..SYS. DESIGNATOR PLACARD		1
90	AW230901-61	..SYS. DESIGNATOR PLACARD		1

- ITEMS NOT ILLUSTRATED

B757-200

ILLUSTRATED PARTS CATALOG SUPPLEMENT



Instl kit – Cockpit Monitor Display, CDSS System
Figure 4 (Sheet 1 of 1)

B757-200

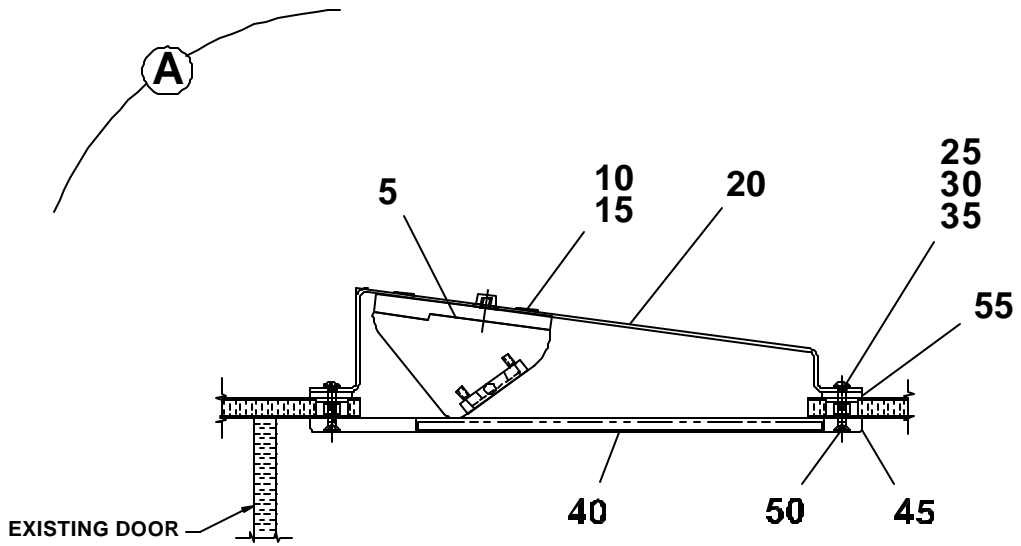
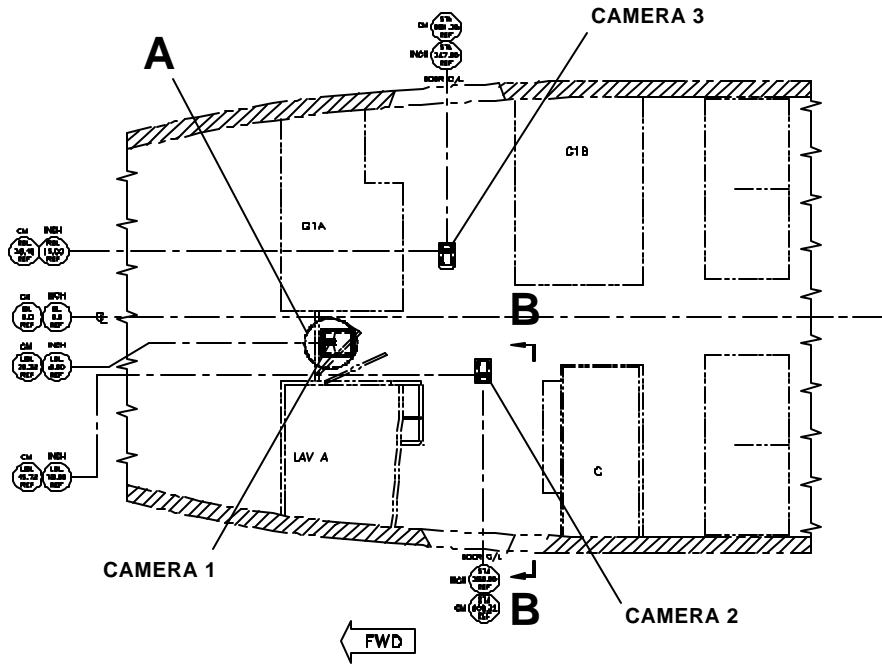
ILLUSTRATED PARTS CATALOG SUPPLEMENT

FIG. ITEM	PART NUMBER	NOMENCLATURE							EFFECT FROM/TO	UNIT PER ASSY
		1	2	3	4	5	6	7		
4 -1	AW230613-01	INSTL KIT – COCKPIT MONITOR DISPLAY, CDSS SYSTEM							NB322 NT404 NT406 NT245 NT246 NJ001 NJ002 NJ003 NA442 NA443 NA447 NB134 NA346 NA397 NB329 NT232 NA352	RF
5	AW230401-103	.ANGLE ASSY ATTACHING PARTS								2
10	NAS1399D4-3	.RIVET ---***---								2
15	AW230184-101	.MONITOR MOUNT ASSY ATTACHING PARTS ---***---								1
25	AW233030001-101	..MONITOR ASSY								1
30	AW230401-01	..MONITOR HOLDER								1
35	AW230401-101	..ANGLE ASSY								2
40	AW230401-03	..FACE PLATE								1
45	NAS601-7	..SCREW								8
50	AW230401-105	..SCREW ASSY								8
-55	76445A14	..TAPE								AR
60	3233	..WASHER - SHOULDER								8

- ITEMS NOT ILLUSTRATED

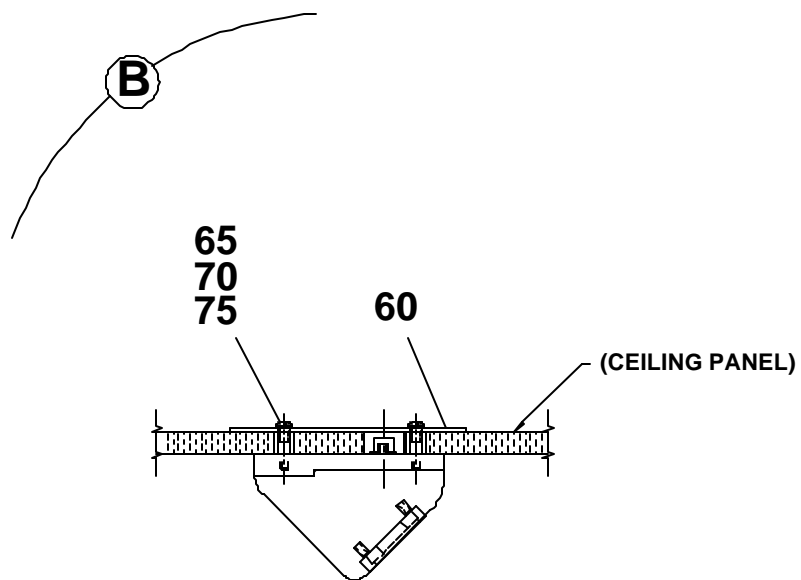
B757-200

ILLUSTRATED PARTS CATALOG SUPPLEMENT



Instl kit – Camera, CDSS System
Figure 5 (Sheet 1 of 2)

B757-200
ILLUSTRATED PARTS CATALOG SUPPLEMENT



Instl kit – Camera, CDSS System
Figure 5 (Sheet 2 of 2)

B757-200

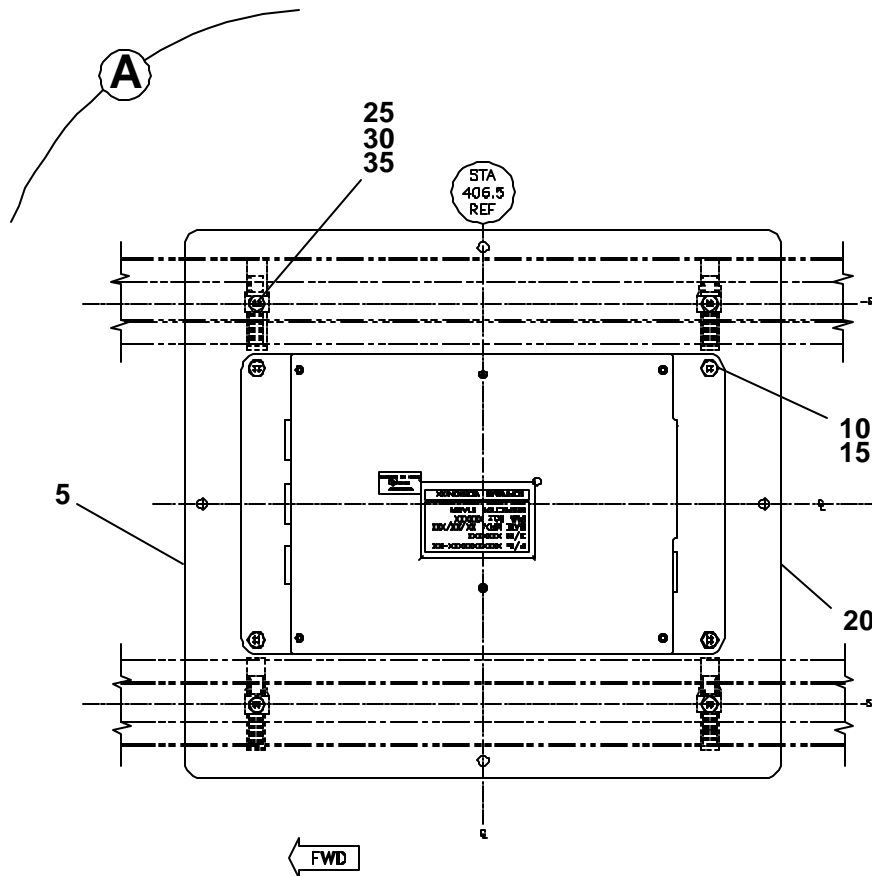
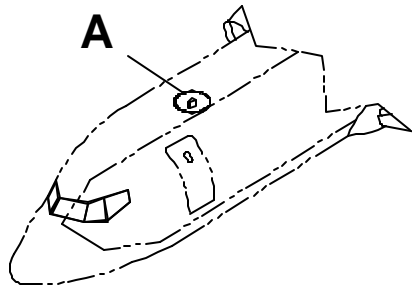
ILLUSTRATED PARTS CATALOG SUPPLEMENT

FIG. ITEM	PART NUMBER	NOMENCLATURE							EFFECT FROM/TO	UNIT PER ASSY
		1	2	3	4	5	6	7		
5 -1	AW230614-01	INSTL KIT – CAMERA, CDSS SYSTEM							NB322 NT404 NT406 NT245 NT246 NJ001 NJ002 NJ003 NA442 NA443 NA447 NB134 NA346 NA397 NB329 NT232 NA352	RF
5	AW233030006-101	.CAMERA TOP ASSY ATTACHING PARTS								3
10	NAS602-4	.SCREW (FOR CAMERA NO. 1 ONLY)								4
15	NAS1149FN816P	.WASHER ---***---								4
20	AW230502-01	.CAMERA MOUNTING BRACKET ATTACHING PARTS								1
25	NAS1833-08-375	.INSERT								4
35	NAS1149FN816P	.WASHER ---***---								4
40	AW230502-05	.LENS								1
45	AW230502-03	.COVER ATTACHING PARTS								1
50	AW230502-101	.SCREW ASSY ---***---								4
55	AW230502-07	.PLATE								2
60	AW233030005-01	.CAMERA MOUNTING DOUBLER ATTACHING PARTS								2
65	NAS43DD3-24	.SPACER								4
70	NAS602-11	.SCREW								4
75	NAS1149FN816P	.WASHER ---***---								4
95	108	.RTV – CLEAR								AR
-100	DP420	.EDGE SEALANT								AR

- ITEMS NOT ILLUSTRATED

B757-200

ILLUSTRATED PARTS CATALOG SUPPLEMENT



Instl kit – System Control Unit, CDSS System
Figure 6 (Sheet 1 of 1)

B757-200

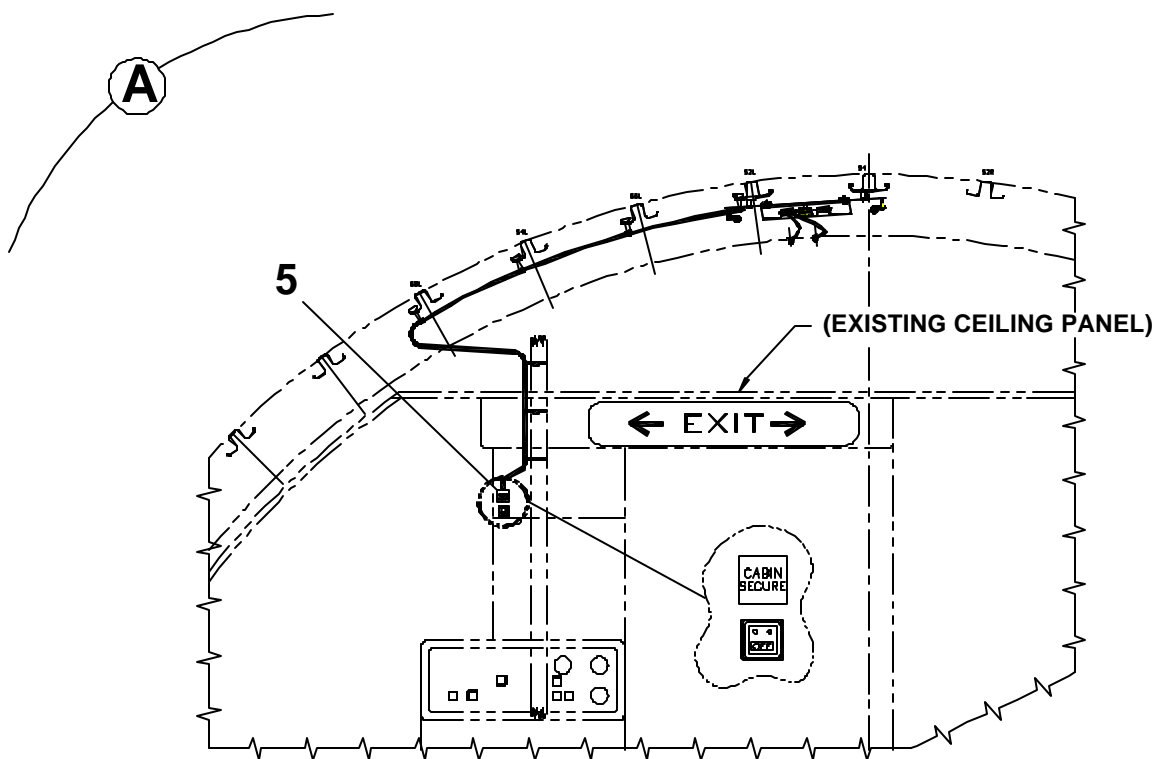
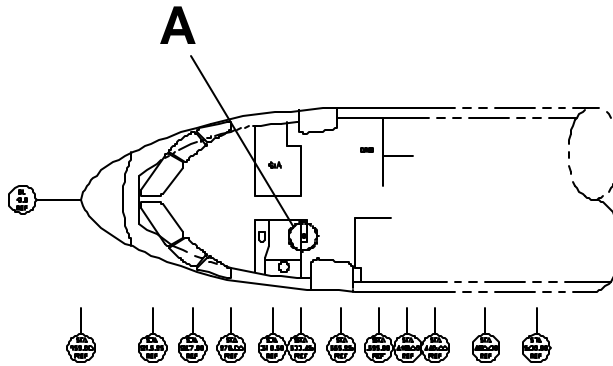
ILLUSTRATED PARTS CATALOG SUPPLEMENT

FIG. ITEM	PART NUMBER	NOMENCLATURE							EFFECT FROM/TO	UNIT PER ASSY
		1	2	3	4	5	6	7		
6 -1	AW230615-01	INSTL KIT – SYSTEM CONTROL UNIT, CDSS SYSTEM							NB322 NT404 NT406 NT245 NT246 NJ001 NJ002 NJ003 NA442 NA443 NA447 NB134 NA346 NA397 NB329 NT232 NA352	RF
5	AW233050001-101	.SYSTEM CONTROL UNIT ASSY ATTACHING PARTS								1
10	NAS1801-3-8	.SCREW								4
15	AN960D10	.WASHER								4
		---***---								
20	AW230603-101	.MOUNTING DOUBLER ASSY ATTACHING PARTS								1
25	NAS1801-3-8	.SCREW								4
30	AN960D10	.WASHER								4
35	BACS38P5	.ATTACHMENT & SUPPORT (CLAMP)								4

- ITEMS NOT ILLUSTRATED

B757-200

ILLUSTRATED PARTS CATALOG SUPPLEMENT



Instl kit – Cabin Secure Switch, CDSS System
Figure 7 (Sheet 1 of 1)

B757-200

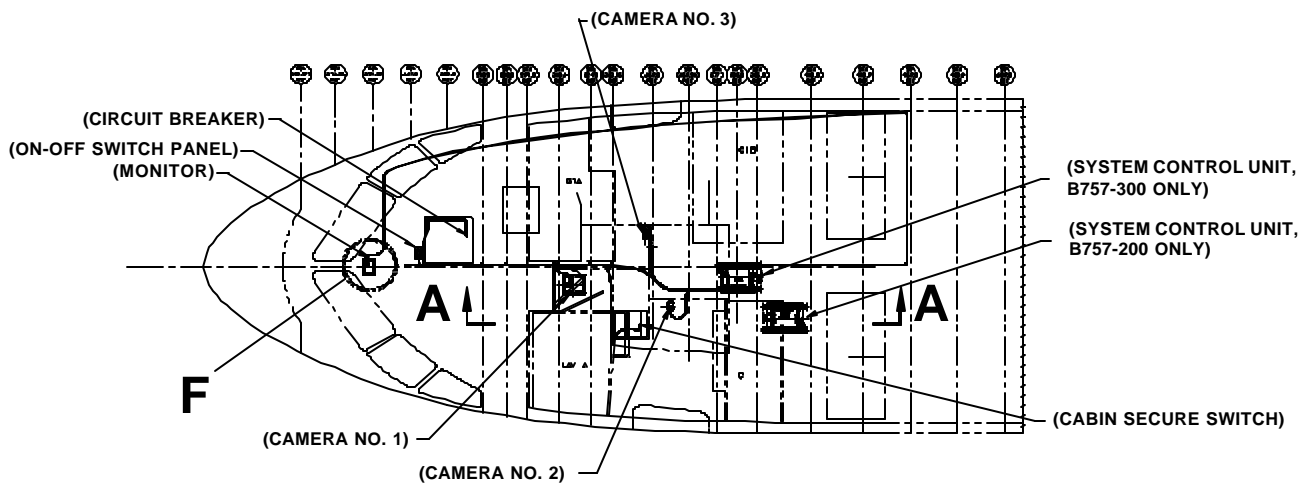
ILLUSTRATED PARTS CATALOG SUPPLEMENT

FIG. ITEM	PART NUMBER	NOMENCLATURE 1 2 3 4 5 6 7	EFFECT FROM/TO	UNIT PER ASSY
7 -1	AW230616-01	INSTL KIT – CABIN SECURE SWITCH, CDSS SYSTEM	NB322 NT404 NT406 NT245 NT246 NJ001 NJ002 NJ003 NA442 NA443 NA447 NB134 NA346 NA397 NB329 NT232 NA352	RF
5	AW230901-03	.PLACARD, CABIN SECURE		1

- ITEMS NOT ILLUSTRATED

B757-200

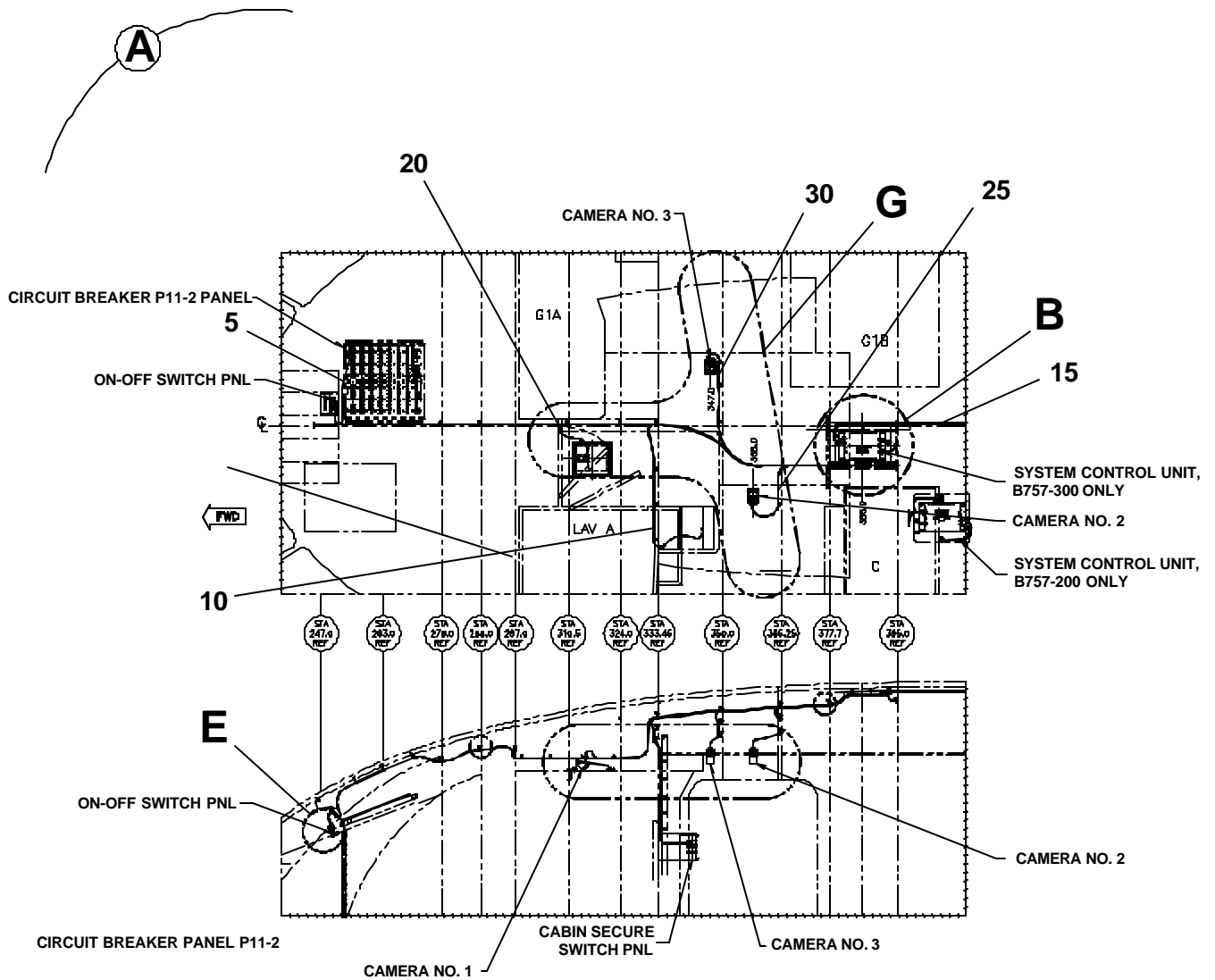
ILLUSTRATED PARTS CATALOG SUPPLEMENT



Instl kit – Cable Routing, CDSS System
Figure 8 (Sheet 1 of 5)

B757-200

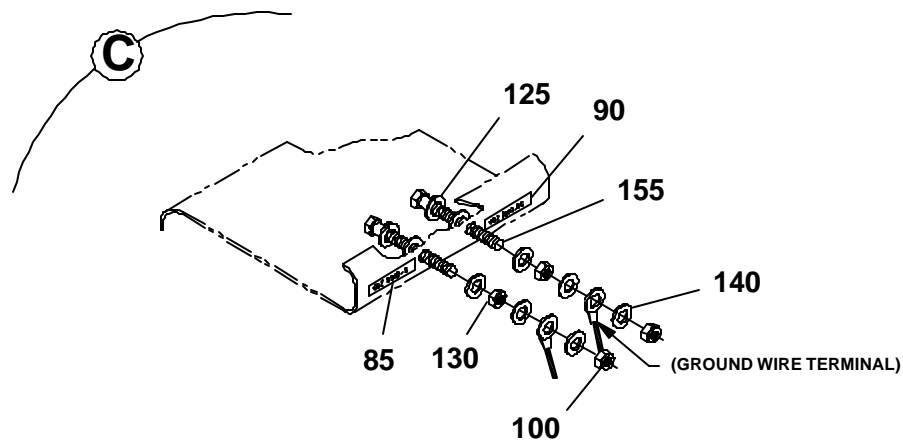
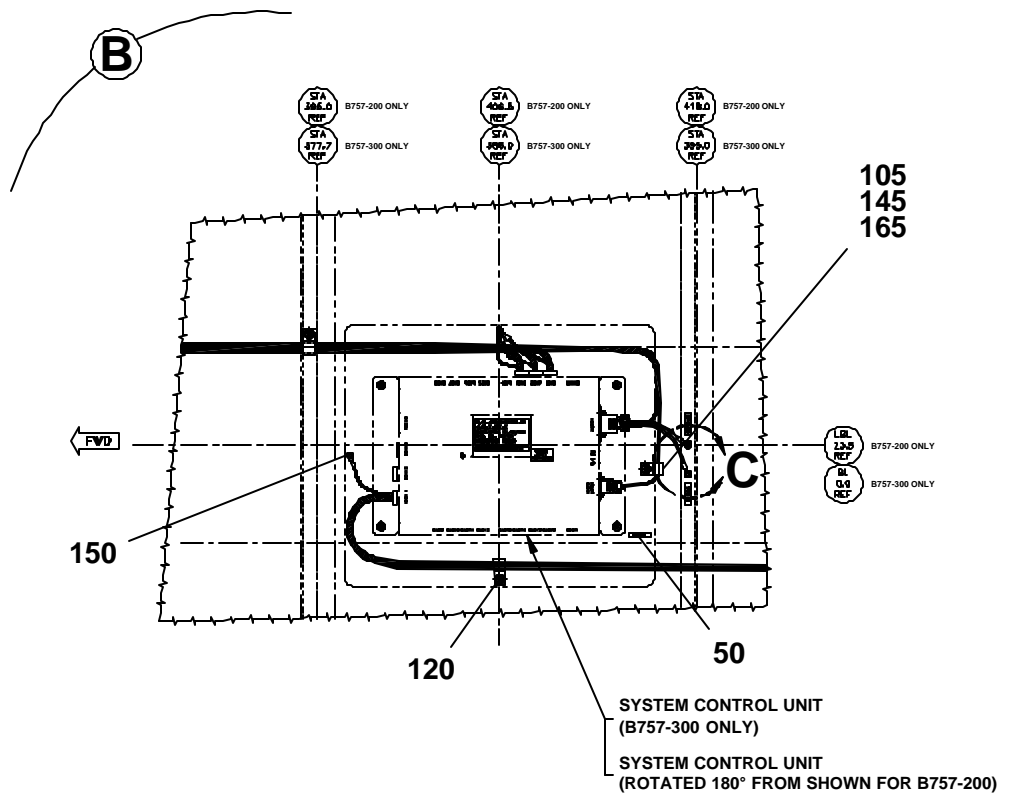
ILLUSTRATED PARTS CATALOG SUPPLEMENT



Instl kit – Cable Routing, CDSS System
Figure 8 (Sheet 2 of 5)

B757-200

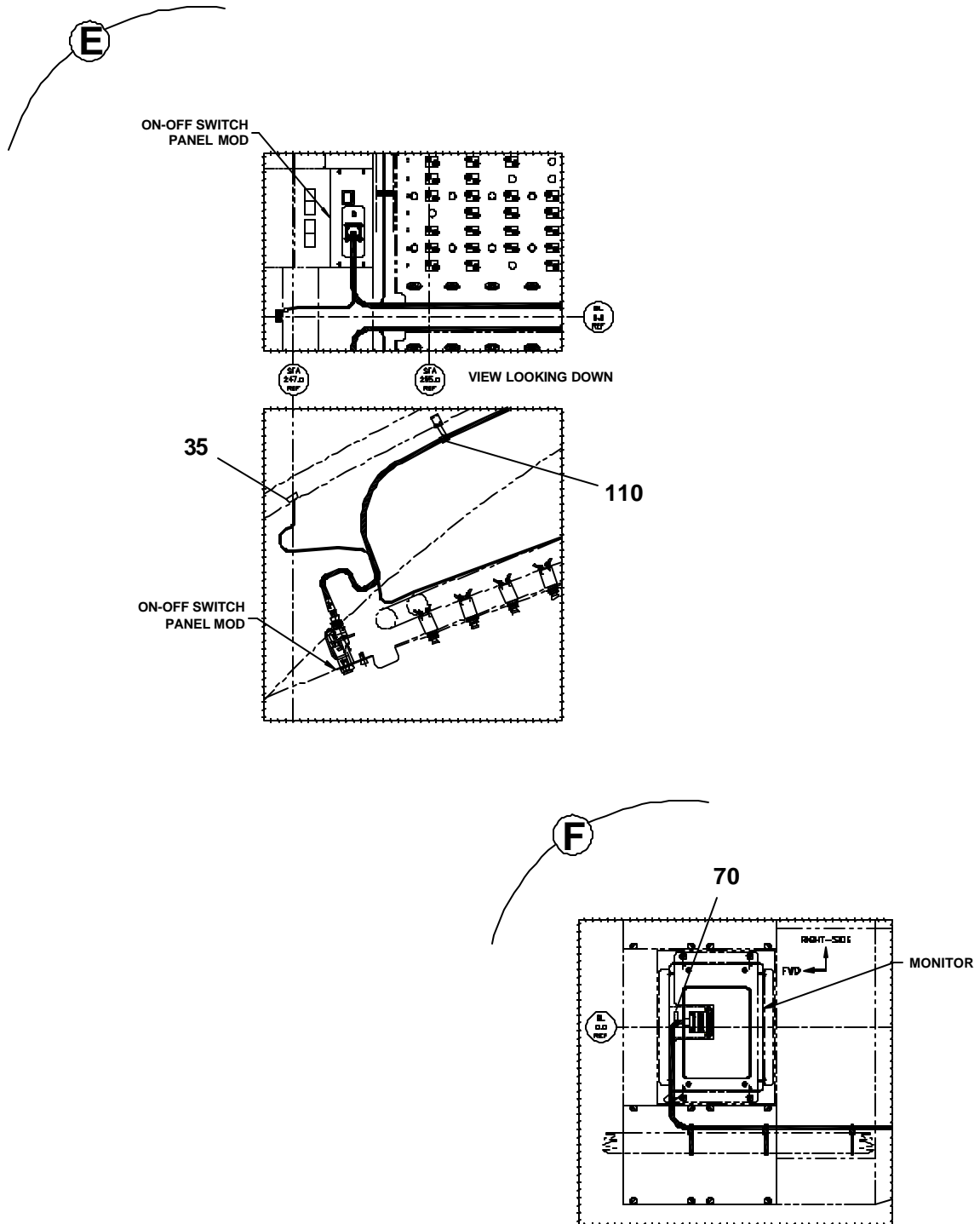
ILLUSTRATED PARTS CATALOG SUPPLEMENT



Instl kit – Cable Routing, CDSS System
Figure 8 (Sheet 3 of 5)

B757-200

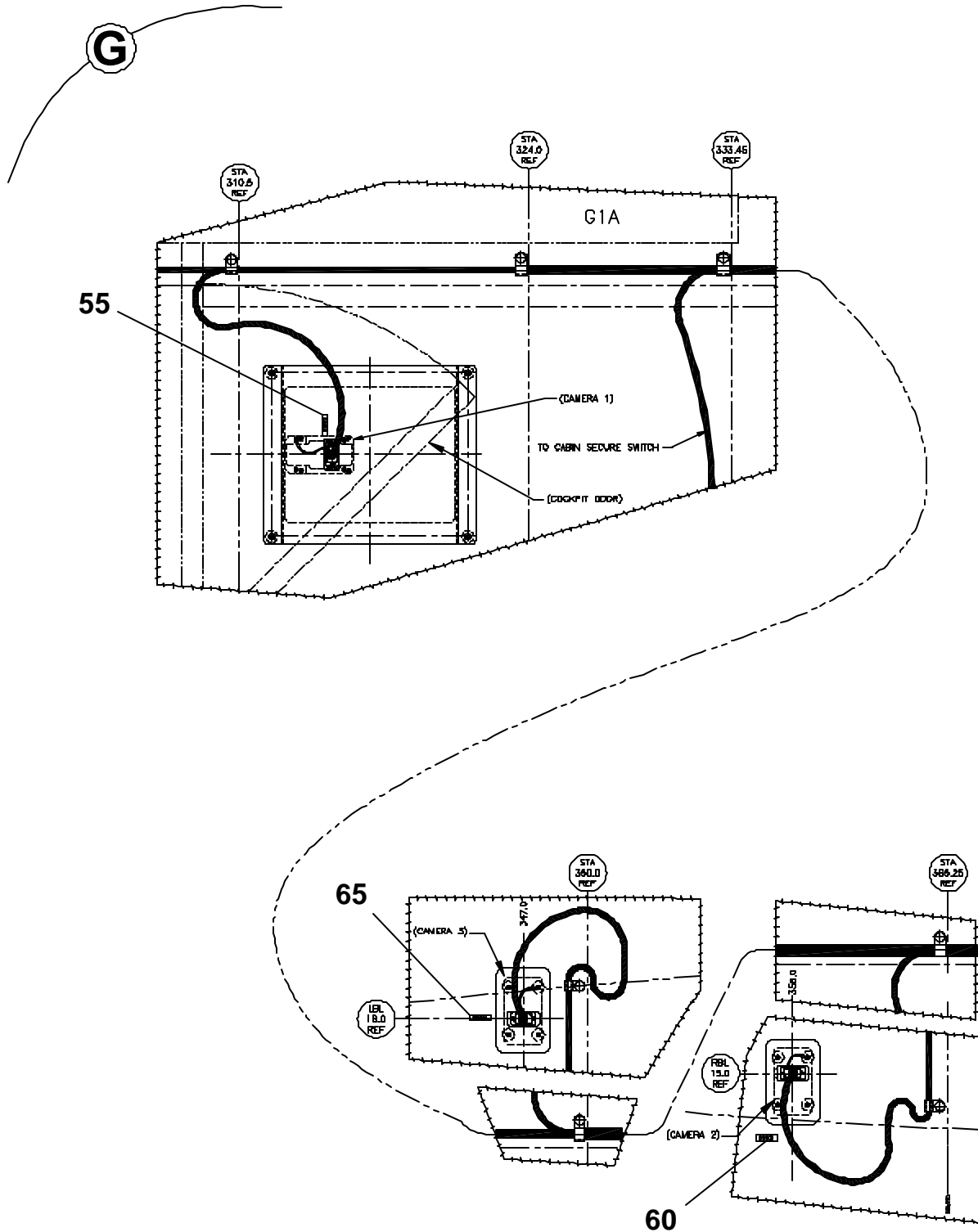
ILLUSTRATED PARTS CATALOG SUPPLEMENT



Instl kit – Cable Routing, CDSS System
Figure 8 (Sheet 4 of 5)

B757-200

ILLUSTRATED PARTS CATALOG SUPPLEMENT



Instl kit – Cable Routing, CDSS System
Figure 8 (Sheet 5 of 5)

B757-200

ILLUSTRATED PARTS CATALOG SUPPLEMENT

FIG. ITEM	PART NUMBER	NOMENCLATURE							EFFECT FROM/TO	UNIT PER ASSY
		1	2	3	4	5	6	7		
8 -1	AW230617-01	INSTL KIT – CABLE ROUTING, CDSS SYSTEM							NB322 NT404 NT406 NT245 NT246 NJ001 NJ002 NJ003 NA442 NA443 NA447 NB134 NA346 NA397 NB329 NT232 NA352	RF
5	AW233020044-107	.CABLE ASSY – SCU ON-OFF DISC								1
10	AW233020048-105	.CABLE ASSY – SCU TO C/R SWITCH								1
15	AW233020001-103	.CABLE ASSY – SCU TO MONITOR								1
20	AW233020002-117	.CABLE ASSY – SCU TO CAMERA 1								1
25	AW233020002-119	.CABLE ASSY – SCU TO CAMERA 2								1
30	AW233020002-121	.CABLE ASSY – SCU TO CAMERA 3								1
35	YHMM20-2DB8	.PIN								1
50	AW230901-11	.PLACARD (B9901) – SYS. CTRL ASSY								1
55	AW230901-13	.PLACARD (B9902) – CAMERA NO. 1								1
60	AW230901-15	.PLACARD (B9903) – CAMERA NO. 2								1
65	AW230901-17	.PLACARD (B9904) – CAMERA NO. 3								1
70	AW230901-19	.PLACARD (B9905) – MONITOR NO. 1								1
85	AW230901-53	.PLACARD (GDZ 9902-S) – CHASSIS GND								1
90	AW230901-55	.PLACARD (GDZ 9901-DC) – DC GND								1
-95	MS3367-7-9	.TIE WRAP								30
100	MS21042L3	.NUT – SELF LOCK								4
105	MS25281-F2	.CLAMP								25
110	MS25281-F4	.CLAMP								32
115	MS25281-F6	.CLAMP								18
120	MS25281-F8	.CLAMP								16
125	MS35338-43	.WASHER								6
130	MS35650-305T	.NUT								3
-135	NAS43DD3-32	.SPACER								4
140	NAS1149D0316H	.WASHER								30
145	NAS1801-3-6	.SCREW								91
150	NAS1801-3-8	.SCREW								2
155	NAS1801-3-16	.SCREW								9
-160	PLB4S-C	.TIE WRAP – DOUBLE LOOP								30
165	29243-10	.SPRING CLIP ASSY								91
-170	AW230901-27	.PLACARD (S9902) – CABIN SECURE								1

- ITEMS NOT ILLUSTRATED



www.aesglobal.com
**EUROPEAN AVIATION
 SAFETY AGENCY**
 PART21 APPR: EASA.21J.036

MODIFICATION TITLE:
 INTRODUCTION OF REPLACEMENT VHF
 PANELS

MODIFICATION No.
AES-757-349
ISSUE 1
Page 1 of 7

A/C TYPE.: A/C VARIANT: A/C REG.: A/C SERIAL No.:
 B757 SEE SECTION 2 SEE SECTION 2 SEE SECTION 2

Retro. Action:
SEE SHT. YES/NO

Certificate of Airworthiness Category:
PUBLIC TRANSPORT - PASSENGER

Classification:
MAJOR/MINOR

Project No.: **0329**

Performance Group: **TURBINE JET**

ATA: 23

Reason for Modification: **TO MEET OPERATOR REQUIREMENTS -- FIRST CHOICE
 AIRWAYS LTD**

Reports: NONE

WEIGHT CHANGE
SEE SECTION 5.5.1

ELECTRICAL LOAD
SEE SECTION 5.5.2

NOISE
SEE SECTION 5.3

DOCUMENTS
SEE SECTION 11.0

CERTIFICATE OF DESIGN

I hereby certify that this modification defines all the changes associated with this certificate.

The technical information contained in this document has been approved under the authority of
 EASA Design Organisation Approval No EASA.21J.036.

I further certify that, with the exceptions listed below, the design of this modification complies with the requirements specified by the
 CAA as the certification basis for this type of aircraft and with any additional requirements notified by the CAA in respect of the
 particular modification.

EXCEPTIONS

NONE

APPROVAL STATUS
COMPLETE/INCOMPLETE (see section 10)

CAA STC No.: NOT APPLICABLE

EASA STC No.: NOT APPLICABLE

ISSUE	1						
DRN No.	0916						
APPROVAL DATE	MAE 18-11-04						

ISSUE	RAISE ISSUE DETAIL					SHEETS AFFECTED	
ISSUE	DATE	COMPILED	CVE / APP STRUCTURES	CVE / APP DESIGN	CVE / APP SYSTEMS	DOCUMENTS AFFECTED	SEE SHT
1	04/10/04	I CORNELL	M EVANS	A DOLBY	A HEISSIG	MMEI MAINT-MANUAL WDM REPAIR-MANUAL FLIGHT-MANUAL CREW-MANUAL MAINT-SCHEDULE PART CATALOGUE	5
						* OPERATORS RESPONSIBILITY	

DETAILS OF MODIFICATION

1.0 Introduction

1.1 This modification introduces Gables G7406-07 VHF Communication controllers in place of the existing Gables G7400-27 or G7400-03 VHF Communications controllers.

2.0 Modification Definition

2.1 Aircraft Effectivity

<u>A/C TYPE</u>	<u>REG.</u>	<u>SERIAL NO.</u>
B757-28A	C-FTDV (G-OOOC)	24017
B757-28A	C-GTBB (G-OOBB)	32447
B757-28A	C-GUBA (G-OOBA)	32446
B757-23A	G-OOOG	24292
B757-236	G-OOOK	25054
B757-2YO	G-OOOX	26158
B757-28A	G-OOOY	28203
B757-236	G-OOOZ	25593
B757-236	G-OOBG	29942
B757-236	G-OOBH	29944

2.2 System Equipment Installation

- 2.2.1 For G-OOBG / G-OOBH, the respective Left, Right and Centre VHF control panels (Part No.G7400-27) located in the flight compartment P8 panel are removed from the aircraft and replaced with Gable controllers (Part No.G7406-07).
- 2.2.2 For G-OOOK, the respective Left, and Right VHF control panels (Part No.G7400-03) located in the flight compartment P8 panel are removed from the aircraft and replaced with Gable controllers (Part No.G7406-07).
- 2.2.3 For all other aircraft effectivities, the respective Left, and Right VHF control panels (Part No.G7400-27) located in the flight compartment P8 panel are removed from the aircraft and replaced with Gable controllers (Part No.G7406-07).

2.3 System Operation

2.3.1 The installed VHF control panel is as described in 23-12-00.

3.0 Approval Procedures

3.1 This modification certification/approval/validation has been carried out in accordance with EASA Part 21.

4.0 Basis of Certification/Validation/Approval

4.1 CAA Certification/Validation/Approval Basis For The Aircraft/Modification

4.1.1 FOR –200 A/C: The certification basis of the aircraft type is FAR 25 Amendment 25-1 through 25-45. UK Type Certificate Data Sheet FA28 issue 5 and FAA TCDS A2NM refer.

2.3.2 The following current design requirements per EASA CS25 at initial issue are addressed within this modification, which exceed the requirements of the type certification basis.

Requirement	Description
CS 25.1301	Function and installation
CS 25.1307(d)	Miscellaneous equipment
CS 25.1309	Equipment, systems and installations
CS 25.1351	Electrical Systems And Equipment General
CS 25.1353	Electrical equipment and installations
CS 25.1357	Circuit protective devices

2.3.3 The certification requirement definition of this modification has been carried out with reference to JAA Temporary Guidance Leaflet (TGL) No. 7 rev 1.

4.2 Design Requirements For Certificate Of Airworthiness

4.2.1 Not applicable

4.3 Environmental Requirements

4.3.1 The aircraft noise requirements are detailed in CAA Noise Type Certificate No. 58 & 77, UK TCDS FA28 refers.

4.3.2 RTCA/DO-160C – Environmental Conditions and Test Procedures for Airborne Equipment

4.4 Design Requirements Associated With operational Approvals

4.4.1 The following current operational requirements per JAR OPS (Amendment 6) are addressed within this modification, which exceed the requirements of the type certification basis.

Requirement	Description
JAR OPS 1.865 (b)	Communication and Navigation equipment for operations under IFR, or under VFR over routes not navigated by reference to visual landmarks

5.0 Compliance with the Basis of Certification/Validation/Approval

5.1 Compliance with the Certification/Validation/Approval Basis for the Aircraft/Modification.

- 5.1.1. Embodiment of this modification does not affect the certification basis of the aircraft.
- 5.1.2. The installed equipment has previously been certified for installation on Boeing B757 aircraft and forms part of the operator's fleet equipment standard.
- 5.1.3. The replacement controllers are directly interchangeable with the removed units and no structural alteration to the aircraft is required (Negligible weight change).
- 5.1.4. **CS /FAR25.1301, 25.1309:** The functionality of the VHF system certified at build remains unaffected. The VHF controllers are approved to TSO-C37d and TSO-C38d.
- 5.1.5. **CS /FAR25.1307(d):** Three two-way radio systems are available on the subject aircraft for G-OOBG/G-OOBH, and two two-way radio system are available for all other effectivities (see section 2). Compliance with the requirement is maintained.
- 5.1.6. **CS /FAR25.1351, CS /FAR25.1357:** The replacement equipment power requirements are equivalent to the build standard equipment. The existing circuit breakers are retained unaltered.
- 5.1.7. **CS /FAR25.1353:** All wiring for the VHF systems was installed at build by the constructor.
- 5.1.8. **JAATGL No.7:** Compliance with the requirement of 8.33KHz operation remains unaffected by this modification.

5.2 Compliance With Design Requirements For Certificate Of Airworthiness

- 5.2.1 Not applicable

5.3 Compliance with Environmental Requirements

- 5.3.1 Embodiment of this modification does not affect the existing noise certificate.

5.3.2 The equipment introduced via this modification is approved to TSO-C37d and TSO-C38d and satisfies the requirements of RTCA/DO-160C.

5.4 Compliance with Design Requirements Associated with Operational Approvals

5.4.1 **JAR OPS 1.865 (b)**: Installation of the replacement VHF equipment maintains compliance with the requirement for a minimum of two two-way radio communication systems.

5.5 Required (Amendments to) Manuals and other Documents Including Mandatory Placards.

5.5.1 Weight

5.5.1.1 There is no significant weight change as a result of this modification.

5.5.2 Electrical Load Analysis

5.5.2.1 There is no significant change to the electrical load demand on the as a result of this modification. The aircraft maintains positive reserves of electrical power. The emergency flight and battery discharge times remain unaffected.

5.5.3 Manuals

5.5.3.1 Illustrated Parts Catalogue (IPC) Supplemental sheets are provided by this modification. It is the operators responsibility to incorporate the supplement provided in the relevant manuals.

5.5.3.2 The Aircraft Flight Manual (AFM) is not affected by this modification.

5.5.3.3 The Minimum Equipment List (MEL) is not affected by this modification.

5.5.4 SFAR 88 Compliance

5.5.4.1 This modification does not affect compliance with SFAR 88 as certified by the constructor at build.

6.0 Conditions Affecting This Approval

6.1 The compatibility of this modification with other previously approved modifications installed on the particular aircraft, must be verified by the installer. Where the potential for interactions between modifications exists, the advice of the Design Organisation/CAA shall be sought.

7.0 Continued Airworthiness

7.1 The influence of the modification on Airworthiness Directive, Service Bulletin eligibility

and other data must be considered and the publications monitored accordingly. The maintenance schedule for the aircraft should include reference to this material additional to the original design. Co-ordination is the responsibility of the operator.

8.0 **Survey**

8.1 There is no requirement for an Aircraft survey following the embodiment of this minor modification.

9.0 **Authorisation of Release to Service**

9.1 In addition to the actions required by the procedures for release to service following maintenance or modification, the following actions must be completed prior to signing the Certificate of Release to Service:

- a) All actions and ground test procedures specified by the modification instructions must be completed satisfactorily.
- b) It must be verified that the documents or amendments to documents, above are as specified, including any changes specified under Section 8 above.

10.0 **Approval**

10.1 This Minor modification AES-757-349 (MCA-AES-757-349) and related instructions has been approved under the authority of EASA Design Organisation Approval no. EASA.21J.036.

11. Documents Required

11.1 New Drawings Introduced

<u>Drawing Number</u>	<u>Issue</u>	<u>Title</u>
-----------------------	--------------	--------------

NONE

11.2 Existing Drawings Also Required

<u>Drawing Number</u>	<u>Issue</u>	<u>Title</u>
-----------------------	--------------	--------------

NONE

11.3 Reports/Documents

<u>Document Number</u>	<u>Issue</u>	<u>Title</u>	<u>Effectively</u>
MEI-457	1	INTRODUCTION OF REPLACEMENT VHF CONTROL PANELS	C-FTDV (G-000C), C-GTBB (G-00BB), C-GUBA (G-00BA), G-000G, G000K, G-000X, G-000Y, G-000Z
MEI-462	1	INTRODUCTION OF REPLACEMENT VHF CONTROL PANELS	G-00BG, G-00BH



www.aesglobal.com
 TEL: 44 (0)1279 818010
 FAX:44 (0)1279 647683

AES Limited
 28 Golds Nurseries Business Park
 Elsenham
 Essex
 CM22 6JX

MEI-457

ISSUE 1, SEPT 2004

Page 1 of 17

MODIFICATION EMBODIMENT INSTRUCTIONS

A. TITLE PAGE

TITLE: INTRODUCTION OF REPLACEMENT VHF CONTROL PANELS

DATE COMPILED: SEPT 2004

MODIFICATION NO.: AES-757-349

PROJECT NO.: 0329

EFFECTIVITY: A/C TYPE REG. INDICATE AS SERIAL NO.
 APPLICABLE

REFER TO SECTION D1 FOR AIRCRAFT EFFECTIVITIES

This document is issued for production engineering purposes.

The definitive design requirements are shown in mod AES-757-349, the contents of which override information contained in this MEI.

Differences resulting from existing repairs, variation in build standard or corrosion to be reported to AES Ltd Design Department.

Manufacturing processes and inspection and installation procedures are the responsibility of FIRST CHOICE AIRWAYS LTD.

ISSUE	1	2	3	4	5	6
DRN:	0916					
DATE	SEPT 2004					
COMPILED BY:	TJH					
CHECKED BY:	IAC					
DESIGN APP:	ALH					

AES Form No: 017
 (Issue 1)



www.aesglobal.com
TEL: 44 (0)1279 818010
FAX:44 (0)1279 647683

AES Limited
28 Golds Nurseries Business Park
Elsenham
Essex
CM22 6JX

MEI-457

ISSUE 1, SEPT 2004

Page 2 of 17

MODIFICATION EMBODIMENT INSTRUCTIONS

B. REVISION DETAILS

WRITE BELOW A BRIEF SUMMARY OF THE CHANGES WHICH HAVE BEEN INTRODUCED AT THE STATED REVISION:

ISSUE	DESCRIPTION
1	NEW ISSUE



www.aesglobal.com
TEL: 44 (0)1279 818010
FAX:44 (0)1279 647683

AES Limited
28 Golds Nurseries Business Park
Elsenham
Essex
CM22 6JX

MEI-457

ISSUE 1, SEPT 2004

Page 3 of 17

MODIFICATION EMBODIMENT INSTRUCTIONS

C. CONTENTS

A.	TITLE PAGE	1
B.	REVISION DETAILS.....	2
C.	CONTENTS	3
D1.	AIRCRAFT EFFECTIVITIES	4
D2.	ACCOMPLISHMENT INSTRUCTIONS – PREPARATION.....	5
D3.	ACCOMPLISHMENT INSTRUCTIONS – INSTALLATION OF REPLACEMENT LEFT VHF COMMS CONTROLLER	6
D4.	ACCOMPLISHMENT INSTRUCTIONS – INSTALLATION OF REPLACEMENT RIGHT VHF COMMS CONTROLLER	7
D5.	ACCOMPLISHMENT INSTRUCTIONS – FUNCTION CHECKS	8
E.	DOCUMENTS REQUIRED	9
F.	SPECIAL TOOLS REQUIRED	10
G.	ESTIMATED TIME REQUIRED.....	10
H.	PARTS REQUIRED LIST	11
I.	PARTS REMOVED LIST	12
J.	WIRE LIST.....	13
K.	WIRING DIAGRAMS	14
L.	MEI - REPORT SHEET.....	15
	APPENDIX A - FIRST CHOICE AIRWAYS RE-CERTIFICATION CONTROL SHEET	16
	QUERY NOTE BLANK.....	17



www.aesglobal.com
TEL: 44 (0)1279 818010
FAX:44 (0)1279 647683

AES Limited
28 Golds Nurseries Business Park
Elsenham
Essex
CM22 6JX

MEI-457

ISSUE 1, SEPT 2004

Page 4 of 17

MODIFICATION EMBODIMENT INSTRUCTIONS

D1. AIRCRAFT EFFECTIVITIES

A/C TYPE	REG.	SERIAL NO.
B757-28A	C-FTDV (G-OOOC)	24017
B757-28A	C-GTBB (G-OOBB)	32447
B757-28A	C-GUBA (G-OOBA)	32446
B757-23A	G-OOOG	24292
B757-236	G-OOOK	25054
B757-2Y0	G-OOOX	26158
B757-28A	G-OOOY	28203
B757-236	G-OOOZ	25593



www.aesglobal.com
 TEL: 44 (0)1279 818010
 FAX:44 (0)1279 647683

AES Limited
 28 Golds Nurseries Business Park
 Elsenham
 Essex
 CM22 6JX

MEI-457

ISSUE 1, SEPT 2004

Page 5 of 17

MODIFICATION EMBODIMENT INSTRUCTIONS

D2. ACCOMPLISHMENT INSTRUCTIONS – PREPARATION

INDICATE
A/C REG:

CERTIFICATE OF RELEASE TO SERVICE:

Certifies that the work specified, except as otherwise stated, was carried out in accordance with J.A.R. 145 and in respect to that work the aircraft/aircraft component is considered ready for Release to Service.

	MECH SIG.	INSP STAMP
[All instructions stated within this section of the embodiment instructions are to be carried out in accordance with the relevant sections of the Aircraft Maintenance and Structural Repair Manual]	N/A	N/A
D2.1 Remove aircraft power IAW AMM 24-22-00 p\Block 201.		
D2.2 Open these circuit breakers in the electrical load circuit breaker panel P11 and attach DO-NOT-CLOSE tags: 11C3 VHF COMM LEFT 11G31 VHF COMM RIGHT		
D2.3 Gain access to the aircraft flight deck and locate the 'Left VHF Communications Control Panel' (M78), installed on the 'Pilots Aft Control Stand' (P8) IAW AMM Chapter 23-12-02 p/block 401.		
D2.4 Gain access to the aircraft flight deck and locate the 'Right VHF Communications Control Panel' (M79), installed on the 'Pilots Aft Control Stand' (P8) IAW AMM Chapter 23-12-02 p/block 401.		
D2.5 END		



www.aesglobal.com
 TEL: 44 (0)1279 818010
 FAX:44 (0)1279 647683

AES Limited
 28 Golds Nurseries Business Park
 Elsenham
 Essex
 CM22 6JX

MEI-457

ISSUE 1, SEPT 2004

Page 6 of 17

MODIFICATION EMBODIMENT INSTRUCTIONS

D3. ACCOMPLISHMENT INSTRUCTIONS – INSTALLATION OF REPLACEMENT LEFT VHF COMMS CONTROLLER

**INDICATE
A/C REG:**

CERTIFICATE OF RELEASE TO SERVICE:
 Certifies that the work specified, except as otherwise stated, was carried out in accordance with J.A.R. 145 and in respect to that work the aircraft/aircraft component is considered ready for Release to Service.

	MECH SIG.	INSP STAMP
[All instructions stated within this section of the embodiment instructions are to be carried out in accordance with the relevant sections of the Aircraft Maintenance and Structural Repair Manual]	N/A	N/A
D3.1 <u>Ref existing WDM Chapter 23-12-11:</u> Locate existing 'Left VHF Controller' (P/N: G7400-03 on G-000K and G7400-27 on all other aircraft affectivities) on 'Pilots Aft Communications Control Panel' (P8). Remove existing controller I.A.W AMM Chapter 23-12-02 p/Block 401. Inspect for serviceability, tag and route to operator's stores		
D3.2 <u>Ref existing WDM Chapter 23-12-11:</u> Install new 'Left VHF Controller' (P/N: G7406-07) IAW AMM Chapter 23-12-02 p/Block 401, at vacated position in the 'Aft Flight Deck Control Panel' (P8).		
D3.3 END		



www.aesglobal.com
 TEL: 44 (0)1279 818010
 FAX:44 (0)1279 647683

AES Limited
 28 Golds Nurseries Business Park
 Elsenham
 Essex
 CM22 6JX

MEI-457

ISSUE 1, SEPT 2004

Page 7 of 17

MODIFICATION EMBODIMENT INSTRUCTIONS

D4. ACCOMPLISHMENT INSTRUCTIONS – INSTALLATION OF REPLACEMENT RIGHT VHF COMMS CONTROLLER **INDICATE A/C REG:**

CERTIFICATE OF RELEASE TO SERVICE:
 Certifies that the work specified, except as otherwise stated, was carried out in accordance with J.A.R. 145 and in respect to that work the aircraft/aircraft component is considered ready for Release to Service.

	MECH SIG.	INSP STAMP
[All instructions stated within this section of the embodiment instructions are to be carried out in accordance with the relevant sections of the Aircraft Maintenance and Structural Repair Manual]	N/A	N/A
D4.1 <u>Ref existing WDM Chapter 23-12-21:</u> Locate existing 'Right VHF Controller' (P/N: G7400-03 on G-OOOK and G7400-27 on all other aircraft affectivities) on 'Pilots Aft Communications Control Panel' (P8). Remove existing controller I.A.W AMM Chapter 23-12-02 p/Block 401. Inspect for serviceability, tag and route to operator's stores		
D4.2 <u>Ref existing WDM Chapter 23-12-21:</u> Install new 'Right VHF Controller' (P/N: G7406-07) IAW AMM Chapter 23-12-02 p/Block 401, at vacated position in the 'Aft Flight Deck Control Panel' (P8).		
D4.3 END		



www.aesglobal.com
 TEL: 44 (0)1279 818010
 FAX:44 (0)1279 647683

AES Limited
 28 Golds Nurseries Business Park
 Elsenham
 Essex
 CM22 6JX

MEI-457

ISSUE 1, SEPT 2004

Page 8 of 17

MODIFICATION EMBODIMENT INSTRUCTIONS

D5. ACCOMPLISHMENT INSTRUCTIONS – FUNCTION CHECKS

**INDICATE
A/C REG:**

CERTIFICATE OF RELEASE TO SERVICE:

Certifies that the work specified, except as otherwise stated, was carried out in accordance with J.A.R. 145 and in respect to that work the aircraft/aircraft component is considered ready for Release to Service.

		MECH SIG.	INSP STAMP
[All instructions stated within this section of the embodiment instructions are to be carried out in accordance with the relevant sections of the Aircraft Maintenance and Structural Repair Manual]		N/A	N/A
D5.1	Remove the DO-NOT-CLOSE tags and close these circuit breakers in the electrical load circuit breaker panel P11: 11C3 VHF COMM LEFT 11G31 VHF COMM RIGHT		
D5.2	Apply aircraft power IAW AMM 24-22-00 p\Block 201.		
D5.3	Carry out Left VHF OPERATIONAL TEST IAW AMM Chapter 23-12-00 p/block 501.		
D5.4	Carry out Right VHF OPERATIONAL TEST IAW AMM Chapter 23-12-00 p/block 501.		
D5.5	If no longer required remove electrical power from the Aircraft.		
D5.6	CLOSE		



www.aesglobal.com
TEL: 44 (0)1279 818010
FAX:44 (0)1279 647683

AES Limited
28 Golds Nurseries Business Park
Elsenham
Essex
CM22 6JX

MEI-457

ISSUE 1, SEPT 2004

Page 9 of 17

MODIFICATION EMBODIMENT INSTRUCTIONS

E. DOCUMENTS REQUIRED

THE FOLLOWING DOCUMENTS ARE REQUIRED FOR EMBODIMENT OF MODIFICATION AES-757-349.
NOTE: REFER TO MODIFICATION SHEET FOR LATEST DRAWING ISSUE.

The following existing drawings/documents are required for embodiment:

<u>Drawing No</u>	<u>Title</u>	<u>SOURCE</u>
ATA 23-12-11	VHF Communications Left	Boeing
ATA 23-12-21	VHF Communications Right	Boeing



www.aesglobal.com
TEL: 44 (0)1279 818010
FAX:44 (0)1279 647683

AES Limited
28 Golds Nurseries Business Park
Elsenham
Essex
CM22 6JX

MEI-457

ISSUE 1, SEPT 2004

Page 10 of 17

MODIFICATION EMBODIMENT INSTRUCTIONS

F. SPECIAL TOOLS REQUIRED

<u>PART NUMBER</u>	<u>DESCRIPTION</u>	<u>VENDOR</u>	<u>COMMENTS</u>
--------------------	--------------------	---------------	-----------------

NONE

G. ESTIMATED TIME REQUIRED

It is estimated that this modification will take approximately 6 man-hours.

This is based on the direct labour cost to do the work. The estimated assume that the work will be done by experienced personal, and may need to be revised upwards to suit operators' circumstances. The estimates do not include the time to prepare, plan or inspect the work. Manufacture and procurement of parts and tools' drying time for paints sealants, etc and general administration work are also not included.



www.aesglobal.com
TEL: 44 (0)1279 818010
FAX: 44 (0)1279 647683

AES Limited
Unit 28, Golds Nursery
Business Park
Elsenham
Essex

MEI-457

ISSUE 1, SEPT 2004

Page 11 of 17

MODIFICATION EMBODIMENT INSTRUCTIONS

H. PARTS REQUIRED LIST KIT NUMBER MEI-457 (MOD. NUMBER: AES-757-349)

ITEM NO	PART NUMBER	QTY RQD	DESCRIPTION	USED ON	ADD/RE MOVE/RE WORK	REMARKS / VENDOR	ALT PART NUMBER	OWNER	REVISION
1	G7406-07	2	VHF CONTROL PANEL	MEI-457	ADD	GABLES		FCA	1



www.aesglobal.com

TEL: 44 (0)1279 818010

FAX: 44 (0)1279 647683

AES Limited
Unit 28, Golds Nursery
Business Park
Elsenham
Essex

MEI-457

ISSUE 1, SEPT 2004

Page 12 of 17

MODIFICATION EMBODIMENT INSTRUCTIONS

I. PARTS REMOVED LIST

ITEM NO	PART NUMBER	QTY RQD	DESCRIPTION	USED ON	ADD/ REMOVE/ REWORK	REMARKS / VENDOR	ALT PART NUMBER	OWNER	REVISION
1	G7400-03	2	VHF CONTROL PANEL		REMOVE	G-000K only / GABLES		FCA	1
2	G7400-27	2	VHF CONTROL PANEL		REMOVE	GABLES		FCA	1



www.aesglobal.com
TEL: 44 (0)1279 818010
FAX: 44 (0)1279 647683

AES Limited
Unit 28, Golds Nursery
Business Park
Elsenham
Essex

MEI-457

ISSUE 1, SEPT 2004

Page 13 of 17

MODIFICATION EMBODIMENT INSTRUCTIONS

J. WIRE LIST

WIRE IDENT	WIRE CODE	GAUGE	LENGTH	WIRE TYPE	USED ON
------------	-----------	-------	--------	-----------	---------

NONE



www.aesglobal.com
TEL: 44 (0)1279 818010
FAX: 44 (0)1279 647683

AES Limited
Unit 28, Golds Nursery
Business Park
Elsenham
Essex

MEI-457

ISSUE 1, SEPT 2004

Page 14 of 17

MODIFICATION EMBODIMENT INSTRUCTIONS

K. WIRING DIAGRAMS

NONE



www.aesglobal.com
TEL: 44 (0)1279 818010
FAX: 44 (0)1279 647683

AES Limited
Unit 28, Golds Nursery
Business Park
Elsenham
Essex

MEI-457

ISSUE 1, SEPT 2004

Page 15 of 17

MODIFICATION EMBODIMENT INSTRUCTIONS

L. MEI - REPORT SHEET

THE MEI REPORT SHEET IS PROVIDED FOR THE PURPOSE OF COMMUNICATING TO AES DESIGN OFFICE ANY IMPROVEMENTS / SUGGESTIONS ARISING FROM THE EMBODIMENT OF THE MODIFICATION.

REPORT SHEET	MEI No: MEI-457 MOD No: AES-757-349
AIRCRAFT TYPE:	
REGISTRATION AND SERIAL NUMBER:	
LOCATION:	
COMMENTS:	
PREPARED BY / DATE: _____	



www.aesglobal.com
 TEL: 44 (0)1279 818010
 FAX: 44 (0)1279 647683

AES Limited
 Unit 28, Golds Nursery
 Business Park
 Elsenham
 Essex

MEI-457
 ISSUE 1, SEPT 2004
 Page 16 of 17

MODIFICATION EMBODIMENT INSTRUCTIONS

APPENDIX A	FIRST CHOICE AIRLINES RE-CERTIFICATION CONTROL SHEET	A/C REG.
-------------------	---	-----------------

PART NUMBER	DESCRIPTION	SERIAL NO.	LOCATION	QTY.	COMMENTS I.E. SERVICEABLE / UNSERVICEABLE	DATE / INSPECTION STAMP



www.aesglobal.com
 TEL: 44 (0)1279 818010
 FAX:44 (0)1279 647683

AES Limited
 28 Golds Nurseries Business Park
 Elsenham
 Essex
 CM22 6JX

MEI-462

ISSUE 1, SEPT 2004

Page 1 of 17

MODIFICATION EMBODIMENT INSTRUCTIONS

A. TITLE PAGE

TITLE: INTRODUCTION OF REPLACEMENT VHF CONTROL PANELS

DATE COMPILED: SEPT 2004

MODIFICATION NO.: AES-757-349

PROJECT NO.: 0329

EFFECTIVITY: A/C TYPE REG. INDICATE AS APPLICABLE SERIAL NO.

B757-236	G-OOBG		29942
B757-236	G-OOBH		29944

This document is issued for production engineering purposes.

The definitive design requirements are shown in mod AES-757-349, the contents of which override information contained in this MEI.

Differences resulting from existing repairs, variation in build standard or corrosion to be reported to AES Ltd Design Department.

Manufacturing processes and inspection and installation procedures are the responsibility of FIRST CHOICE AIRWAYS LTD.

ISSUE	1	2	3	4	5	6
DRN:	0916					
DATE	SEPT 2004					
COMPILED BY:	TJH					
CHECKED BY:	IAC					
DESIGN APP:	ALH					

AES Form No: 017
 (Issue 1)



www.aesglobal.com
TEL: 44 (0)1279 818010
FAX:44 (0)1279 647683

AES Limited
28 Golds Nurseries Business Park
Elsenham
Essex
CM22 6JX

MEI-462

ISSUE 1, SEPT 2004

Page 2 of 17

MODIFICATION EMBODIMENT INSTRUCTIONS

B. REVISION DETAILS

WRITE BELOW A BRIEF SUMMARY OF THE CHANGES WHICH HAVE BEEN INTRODUCED AT THE STATED REVISION:

ISSUE	DESCRIPTION
1	NEW ISSUE



www.aesglobal.com
TEL: 44 (0)1279 818010
FAX:44 (0)1279 647683

AES Limited
28 Golds Nurseries Business Park
Elsenham
Essex
CM22 6JX

MEI-462

ISSUE 1, SEPT 2004

Page 3 of 17

MODIFICATION EMBODIMENT INSTRUCTIONS

C. CONTENTS

A.	TITLE PAGE	1
B.	REVISION DETAILS.....	2
C.	CONTENTS	3
D1.	ACCOMPLISHMENT INSTRUCTIONS – PREPARATION.....	4
D2.	ACCOMPLISHMENT INSTRUCTIONS – INSTALLATION OF REPLACEMENT LEFT VHF COMMS CONTROLLER	5
D3.	ACCOMPLISHMENT INSTRUCTIONS – INSTALLATION OF REPLACEMENT RIGHT VHF COMMS CONTROLLER	6
D4.	ACCOMPLISHMENT INSTRUCTIONS – INSTALLATION OF REPLACEMENT CENTRE VHF COMMS CONTROLLER	7
D5.	ACCOMPLISHMENT INSTRUCTIONS – FUNCTION CHECKS	8
E.	DOCUMENTS REQUIRED	9
F.	SPECIAL TOOLS REQUIRED	10
G.	ESTIMATED TIME REQUIRED.....	10
H.	PARTS REQUIRED LIST	11
I.	PARTS REMOVED LIST	12
J.	WIRE LIST.....	13
K.	WIRING DIAGRAMS	14
L.	MEI - REPORT SHEET.....	15
	APPENDIX A - FIRST CHOICE AIRWAYS RE-CERTIFICATION CONTROL SHEET	16
	QUERY NOTE BLANK.....	17



www.aesglobal.com
 TEL: 44 (0)1279 818010
 FAX:44 (0)1279 647683

AES Limited
 28 Golds Nurseries Business Park
 Elsenham
 Essex
 CM22 6JX

MEI-462

ISSUE 1, SEPT 2004
 Page 4 of 17

MODIFICATION EMBODIMENT INSTRUCTIONS

D1. ACCOMPLISHMENT INSTRUCTIONS – PREPARATION

INDICATE
 A/C REG:

CERTIFICATE OF RELEASE TO SERVICE:		
Certifies that the work specified, except as otherwise stated, was carried out in accordance with J.A.R. 145 and in respect to that work the aircraft/aircraft component is considered ready for Release to Service.		
	MECH SIG.	INSP STAMP
[All instructions stated within this section of the embodiment instructions are to be carried out in accordance with the relevant sections of the Aircraft Maintenance and Structural Repair Manual]	N/A	N/A
D1.1	Remove aircraft power IAW AMM 24-22-00 pBlock 201.	
D1.2	Open these circuit breakers in the electrical load circuit breaker panel P11 and attach DO-NOT-CLOSE tags: 11C3 VHF COMM LEFT 11G4 VHF COMM CENTER 11G31 VHF COMM RIGHT	
D1.3	Gain access to the aircraft flight deck and locate the 'Left VHF Communications Control Panel' (M78), installed on the 'Pilots Aft Control Stand' (P8) IAW AMM Chapter 23-12-02 p/block 401.	
D1.4	Gain access to the aircraft flight deck and locate the 'Right VHF Communications Control Panel' (M79), installed on the 'Pilots Aft Control Stand' (P8) IAW AMM Chapter 23-12-02 p/block 401.	
D1.5	Gain access to the aircraft flight deck and locate the 'Centre VHF Communications Control Panel' (M90), installed on the 'Pilots Aft Control Stand' (P8) IAW AMM Chapter 23-12-02 p/block 401.	
D1.6	END	



www.aesglobal.com
 TEL: 44 (0)1279 818010
 FAX:44 (0)1279 647683

AES Limited
 28 Golds Nurseries Business Park
 Elsenham
 Essex
 CM22 6JX

MEI-462

ISSUE 1, SEPT 2004

Page 5 of 17

MODIFICATION EMBODIMENT INSTRUCTIONS

D2. ACCOMPLISHMENT INSTRUCTIONS – INSTALLATION OF REPLACEMENT LEFT VHF COMMS CONTROLLER

**INDICATE
A/C REG:**

CERTIFICATE OF RELEASE TO SERVICE:

Certifies that the work specified, except as otherwise stated, was carried out in accordance with J.A.R. 145 and in respect to that work the aircraft/aircraft component is considered ready for Release to Service.

		MECH SIG.	INSP STAMP
[All instructions stated within this section of the embodiment instructions are to be carried out in accordance with the relevant sections of the Aircraft Maintenance and Structural Repair Manual]		N/A	N/A
D2.1	<u>Ref existing WDM Chapter 23-12-11:</u> Locate existing 'Left VHF Controller' (P/N: G7400-27) on 'Pilots Aft Communications Control Panel' (P8). Remove existing controller I.A.W AMM Chapter 23-12-02 p/Block 401. Inspect for serviceability, tag and route to operator's stores		
D2.2	<u>Ref existing WDM Chapter 23-12-11:</u> Install new 'Left VHF Controller' (P/N: G7406-07) IAW AMM Chapter 23-12-02 p/Block 401, at vacated position in the 'Aft Flight Deck Control Panel' (P8).		
D2.3	END		



www.aesglobal.com
 TEL: 44 (0)1279 818010
 FAX:44 (0)1279 647683

AES Limited
 28 Golds Nurseries Business Park
 Elsenham
 Essex
 CM22 6JX

MEI-462

ISSUE 1, SEPT 2004

Page 6 of 17

MODIFICATION EMBODIMENT INSTRUCTIONS

D3. ACCOMPLISHMENT INSTRUCTIONS – INSTALLATION OF REPLACEMENT RIGHT VHF COMMS CONTROLLER **INDICATE A/C REG:**

CERTIFICATE OF RELEASE TO SERVICE:
 Certifies that the work specified, except as otherwise stated, was carried out in accordance with J.A.R. 145 and in respect to that work the aircraft/aircraft component is considered ready for Release to Service.

	MECH SIG.	INSP STAMP
[All instructions stated within this section of the embodiment instructions are to be carried out in accordance with the relevant sections of the Aircraft Maintenance and Structural Repair Manual]	N/A	N/A
D3.1 <u>Ref existing WDM Chapter 23-12-21:</u> Locate existing 'Right VHF Controller' (P/N: G7400-27) on 'Pilots Aft Communications Control Panel' (P8). Remove existing controller I.A.W AMM Chapter 23-12-02 p/Block 401 Inspect for serviceability, tag and route to operator's stores.		
D3.2 <u>Ref existing WDM Chapter 23-12-21:</u> Install new 'Right VHF Controller' (P/N: G7406-07) IAW AMM Chapter 23-12-02 p/Block 401, at vacated position in the 'Aft Flight Deck Control Panel' (P8).		
D3.3 END		



www.aesglobal.com
 TEL: 44 (0)1279 818010
 FAX:44 (0)1279 647683

AES Limited
 28 Golds Nurseries Business Park
 Elsenham
 Essex
 CM22 6JX

MEI-462

ISSUE 1, SEPT 2004

Page 7 of 17

MODIFICATION EMBODIMENT INSTRUCTIONS

D4. ACCOMPLISHMENT INSTRUCTIONS – INSTALLATION OF REPLACEMENT CENTRE VHF COMMS CONTROLLER **INDICATE A/C REG:**

CERTIFICATE OF RELEASE TO SERVICE:
 Certifies that the work specified, except as otherwise stated, was carried out in accordance with J.A.R. 145 and in respect to that work the aircraft/aircraft component is considered ready for Release to Service.

	MECH SIG.	INSP STAMP
[All instructions stated within this section of the embodiment instructions are to be carried out in accordance with the relevant sections of the Aircraft Maintenance and Structural Repair Manual]	N/A	N/A
D4.1 <u>Ref existing WDM Chapter 23-12-31:</u> Locate existing 'Centre VHF Controller' (P/N: G7400-27) on 'Pilots Aft Communications Control Panel' (P8). Remove existing controller I.A.W AMM Chapter 23-12-02 p/Block 40. Inspect for serviceability, tag and route to operator's stores		
D4.2 <u>Ref existing WDM Chapter 23-12-31:</u> Install new 'Centre VHF Controller' (P/N: G7406-07) IAW AMM Chapter 23-12-02 p/Block 401, at vacated position in the 'Aft Flight Deck Control Panel' (P8).		
D4.3 END		



www.aesglobal.com
 TEL: 44 (0)1279 818010
 FAX:44 (0)1279 647683

AES Limited
 28 Golds Nurseries Business Park
 Elsenham
 Essex
 CM22 6JX

MEI-462

ISSUE 1, SEPT 2004

Page 8 of 17

MODIFICATION EMBODIMENT INSTRUCTIONS

D5. ACCOMPLISHMENT INSTRUCTIONS – FUNCTION CHECKS

INDICATE
 A/C REG:

CERTIFICATE OF RELEASE TO SERVICE:

Certifies that the work specified, except as otherwise stated, was carried out in accordance with J.A.R. 145 and in respect to that work the aircraft/aircraft component is considered ready for Release to Service.

	MECH SIG.	INSP STAMP
[All instructions stated within this section of the embodiment instructions are to be carried out in accordance with the relevant sections of the Aircraft Maintenance and Structural Repair Manual]	N/A	N/A
D5.1 Remove the DO-NOT-CLOSE tags and close these circuit breakers in the electrical load circuit breaker panel P11: 11C3 VHF COMM LEFT 11G4 VHF COMM CENTER 11G31 VHF COMM RIGHT		
D5.2 Apply aircraft power IAW AMM 24-22-00 p\Block 201.		
D5.3 Carry out Left VHF OPERATIONAL TEST IAW AMM Chapter 23-12-00 p/block 501.		
D5.4 Carry out Right VHF OPERATIONAL TEST IAW AMM Chapter 23-12-00 p/block 501.		
D5.5 Carry out Centre VHF OPERATIONAL TEST IAW AMM Chapter 23-12-00 p/block 501.		
D5.6 If no longer required remove electrical power from the Aircraft.		
D5.7 CLOSE		



www.aesglobal.com
TEL: 44 (0)1279 818010
FAX:44 (0)1279 647683

AES Limited
28 Golds Nurseries Business Park
Elsenham
Essex
CM22 6JX

MEI-462

ISSUE 1, SEPT 2004

Page 9 of 17

MODIFICATION EMBODIMENT INSTRUCTIONS

E. DOCUMENTS REQUIRED

THE FOLLOWING DOCUMENTS ARE REQUIRED FOR EMBODIMENT OF MODIFICATION AES-757-349.
NOTE: REFER TO MODIFICATION SHEET FOR LATEST DRAWING ISSUE.

The following existing drawings/documents are required for embodiment:

<u>Drawing No</u>	<u>Title</u>	<u>SOURCE</u>
ATA 23-12-11	VHF Communications Left	Boeing
ATA 23-12-21	VHF Communications Right	Boeing
ATA 23-12-31	VHF Communications Centre	Boeing



www.aesglobal.com
TEL: 44 (0)1279 818010
FAX:44 (0)1279 647683

AES Limited
28 Golds Nurseries Business Park
Elsenham
Essex
CM22 6JX

MEI-462

ISSUE 1, SEPT 2004

Page 10 of 17

MODIFICATION EMBODIMENT INSTRUCTIONS

F. SPECIAL TOOLS REQUIRED

<u>PART NUMBER</u>	<u>DESCRIPTION</u>	<u>VENDOR</u>	<u>COMMENTS</u>
--------------------	--------------------	---------------	-----------------

NONE

G. ESTIMATED TIME REQUIRED

It is estimated that this modification will take approximately 6 man-hours.

This is based on the direct labour cost to do the work. The estimated assume that the work will be done by experienced personal, and may need to be revised upwards to suit operators' circumstances. The estimates do not include the time to prepare, plan or inspect the work. Manufacture and procurement of parts and tools' drying time for paints sealants, etc and general administration work are also not included.



www.aesglobal.com
TEL: 44 (0)1279 818010
FAX: 44 (0)1279 647683

AES Limited
Unit 28, Golds Nursery
Business Park
Elsenham
Essex

MEI-462

ISSUE 1, SEPT 2004

Page 11 of 17

MODIFICATION EMBODIMENT INSTRUCTIONS

H. PARTS REQUIRED LIST KIT NUMBER MEI-462 (MOD. NUMBER: AES-757-349)

ITEM NO	PART NUMBER	QTY RQD	DESCRIPTION	USED ON	ADD/	REMARKS / VENDOR	ALT PART NUMBER	OWNER	REVISION
1	G7406-07	3	VHF CONTROL PANEL	MEI-462	ADD	GABLES		FCA	1



www.aesglobal.com

TEL: 44 (0)1279 818010
FAX: 44 (0)1279 647683

AES Limited
Unit 28, Golds Nursery
Business Park
Elsenham
Essex

MEI-462

ISSUE 1, SEPT 2004

Page 12 of 17

MODIFICATION EMBODIMENT INSTRUCTIONS

I. PARTS REMOVED LIST

ITEM NO	PART NUMBER	QTY RQD	DESCRIPTION	USED ON	ADD/ REMOVE/ REWORK	REMARKS / VENDOR	ALT PART NUMBER	OWNER	REVISION
1	G7400-27	3	VHF CONTROL PANEL		REMOVE	GABLES		FCA	1



www.aesglobal.com

TEL: 44 (0)1279 818010
FAX: 44 (0)1279 647683

AES Limited
Unit 28, Golds Nursery
Business Park
Elsenham
Essex

MEI-462

ISSUE 1, SEPT 2004

Page 13 of 17

MODIFICATION EMBODIMENT INSTRUCTIONS

J. WIRE LIST

WIRE IDENT	WIRE CODE	GAUGE	LENGTH	WIRE TYPE	USED ON
------------	-----------	-------	--------	-----------	---------

NONE



www.aesglobal.com
TEL: 44 (0)1279 818010
FAX: 44 (0)1279 647683

AES Limited
Unit 28, Golds Nursery
Business Park
Elsenham
Essex

MEI-462

ISSUE 1, SEPT 2004

Page 14 of 17

MODIFICATION EMBODIMENT INSTRUCTIONS

K. WIRING DIAGRAMS

NONE



www.aesglobal.com
TEL: 44 (0)1279 818010
FAX: 44 (0)1279 647683

AES Limited
Unit 28, Golds Nursery
Business Park
Elsenham
Essex

MEI-462

ISSUE 1, SEPT 2004

Page 15 of 17

MODIFICATION EMBODIMENT INSTRUCTIONS

L. MEI - REPORT SHEET

THE MEI REPORT SHEET IS PROVIDED FOR THE PURPOSE OF COMMUNICATING TO AES DESIGN OFFICE ANY IMPROVEMENTS / SUGGESTIONS ARISING FROM THE EMBODIMENT OF THE MODIFICATION.

REPORT SHEET	MEI No: MEI-462 MOD No: AES-757-349
AIRCRAFT TYPE:	
REGISTRATION AND SERIAL NUMBER:	
LOCATION:	
COMMENTS:	
PREPARED BY / DATE: _____	



www.aesglobal.com
TEL: 44 (0)1279 818010
FAX: 44 (0)1279 647683


AES Limited
Unit 28, Golds Nursery
Business Park
Elsenham
Essex

MEI-462
ISSUE 1, SEPT 2004
Page 16 of 17

MODIFICATION EMBODIMENT INSTRUCTIONS

APPENDIX A	FIRST CHOICE AIRLINES RE-CERTIFICATION CONTROL SHEET	A/C REG.
-------------------	---	-----------------

PART NUMBER	DESCRIPTION	SERIAL NO.	LOCATION	QTY.	COMMENTS I.E. SERVICEABLE / UNSERVICEABLE	DATE / INSPECTION STAMP

 www.aesglobal.com EUROPEAN AVIATION SAFETY AGENCY PART21 APPR: EASA.21J.036	MODIFICATION TITLE: INTRODUCTION OF FIXED ELT'S ON FCA B757 FLEET			MODIFICATION No. AES-757-416 PT A, B & C ISSUE 1 Page 1 of 8			
	A/C TYPE:. B757		A/C VARIANT: -200		A/C REG:. SEE SECTION 2		A/C SERIAL No:. SEE SECTION 2
Retro. Action: SEE SHT. YES/NO		Certificate of Airworthiness Category: LARGE AEROPLANE			EASA Class: MAJOR/MINOR		
Project No.: 0396		Performance Group: TURBINE JET			ATA: 23		
Reason for Modification: TO SUIT THE OPERATORS REQUIREMENTS (FIRST CHOICE AIRWAYS Ltd)					Reports: AES-TR-0110 AES-SR-0028		
WEIGHT CHANGE SEE SECTION 5.5.1		ELECTRICAL LOAD SEE SECTION 5.5.2		NOISE SEE SECTION 5.3.1		DOCUMENTS SEE SECTION 11.0	
DECLARATION OF COMPLIANCE							
I hereby certify that this modification defines all the changes associated with this certificate.							
The technical information contained in this document has been approved under the authority of EASA Design Organisation Approval No EASA.21J.036.							
I further certify that, with the exceptions listed below, the design of this modification complies with the requirements specified by the Agency as the certification basis for this type of aircraft and environmental protection requirements together with any additional requirements notified by the Agency in respect of the particular modification.							
EXCEPTIONS							
NONE							
APPROVAL STATUS COMPLETE/INCOMPLETE (see section 10)				CAA STC No.:			
				EASA STC No.: NOT APPLICABLE			
ISSUE	1						
DRN No.	1368						
APPROVAL DATE	21/09/05						
ISSUE	RAISE ISSUE DETAIL					SHEETS AFFECTED	
1	NEW ISSUE						
ISSUE	DATE	COMPILED	CVE / APP STRUCTURES	CVE / APP DESIGN	CVE / APP SYSTEMS	DOCUMENTS AFFECTED	SEE SHT
1	03/08/05	B MANDALIA	M EVANS	A DOLBY	A HEISSIG	MMEL	
						MAINT MANUAL	5
						WDM	5
						REPAIR MANUAL	
						FLIGHT MANUAL	
						CREW MANUAL	
						MAINT. SCHEDULE	
						PART CATALOGUE	5
						* OPERATORS RESPONSIBILITY	

DETAILS OF MODIFICATION

1.0 Introduction

- 1.1 This modification introduces a three frequency fixed automatically activated Emergency Locator Transmitter (ELT) System, consisting of an ELT transmitter, a remote flight deck panel and a transmitting Antenna installed on the fuselage.
- 1.2 This modification is written in three parts A, B & C to facilitate engineering planning. Part A of this modification facilitates manufacture of the associated ELT coding wiring kits. Part B of this modification facilitates the structural installation of the fixed ELT system, including the ELT Antenna installation. Part C of this modification facilitates the electrical installation of the fixed ELT system
- 1.3 Part B of this modification must be embodied prior to or concurrently with Part C of this modification.

2.0 Modification Definition

- 2.1 This modification is applicable to the following aircraft:

NOTE: Registrations shown in brackets [] represent sub-lease registrations.

<u>A/C REG</u>	<u>A/C S/N</u>	<u>A/C VAR</u>	<u>A/C TYPE</u>
G-OOOC [C-FDTV]	24017	NA443	B757-28A
G-OOBB [C-GTBB]	32447	NT246	B757-28A
G-OOBA [C-GUBA]	32446	NT245	B757-28A
G-CPEP	25268	NB322	B757-2YO
G-CPEU [C-FLEU]	29941	NT404	B757-236
G-CPEV	29943	NT406	B757-236
G-OOBG [C-FUBG]	29942	NT405	B757-236
G-OOBH [C-FOBH]	29944	NT407	B757-236
G-OOBI	27146	NB506	B757-2B7
G-OOBJ	27147	NB507	B757-2B7
G-OOOG	24292	NB134	B757-23A
G-OOOK [C-FLOK]	25054	NA346	B757-236
G-OOOX	26158	NB329	B757-2YO
G-OOOZ [C-GOOZ]	25593	NA352	B757-236

2.2 AES-757-416 Part A: ELT Kit Manufacture

2.2.1 The wiring component kit associated with Part C of this modification is manufactured in accordance with the instruction documents detailed in Section 11. These documents are not required for direct work on an aircraft and are shown herein for design traceability purposes only.

2.3 AES-757-416 Part B: Structural Installation

2.3.1 Part B of this modification facilitates structural provision for the installation of an Antenna (P/N 2624-82) located at STA 1510, LBL 5, WL 307. Additional structure is introduced in the aircraft ceiling area at STA 1490 to allow mounting of the ELT Transmitter and Aircraft Identification Module (AIM) unit.

2.4 AES-757-416 Part C: Electrical Installation

2.4.1 The Honeywell Rescue 406(AF) ELT system is a self contained system consisting of a Transmitter Unit (P/N 1152682-1) installed at STA 1490, a Remote Panel (P/N 1153006-1) visible by the Flight Crew and installed in the P5 Overhead panel. An additional aircraft Identification Module (AIM) P/N 1152780-1 is connected to the ELT transmitter. The function of this module is to automatically download specific aircraft identification information into the Transmitter Unit in the form of an external shorting plug configured with the aircraft's 24-bit Mode-S address.

2.4.2 A wiring harness is used to connect the ELT transmitter with the Remote panel located in the Flight Deck.

2.5 Operation

2.5.1 The ELT system is an automatically Activated Transmitter to aid in search and rescue operations. The Transmitter Unit detects that a crash has occurred via activation of an internal G-switch and automatically transmits three separate output signals at 121.5MHz, 243MHz and 406MHz frequencies for reception by the CORPAS-SARSAT system of satellites and other ground based receiving stations. The ELT can also be remotely activated by the Flight Crew from the panel installed in the cockpit.

3.0 Approval Procedures

3.1 This modification certification/approval/validation has been carried out in accordance with EASA Part 21.

4.0 Basis of Certification/Validation/Approval

4.1 **Certification/Validation/Approval Basis For The Aircraft/Modification**

4.1.1 The certification basis of the aircraft (B757) is FAR 25 (state of design in U.S.A.) with Amendment 25-1 through 25-45 and additional amendments applicable as defined in the FAA TCDS A2NM Rev 24.

4.1.2 The design requirements addressed by this modification are detailed within AES Technical Report AES-TR-0110 and AES Stress Report AES-SR-0028.

4.2 Design Requirements For Certificate Of Airworthiness

4.2.1 Not Applicable.

4.3 Environmental Requirements

4.3.1 Aircraft Environmental requirements (Aircraft Noise) are detailed in ICAO Annex 16 Volume 1 Chapter 3 (for Subsonic Jet Aeroplanes with an initial C of A application between 6th Oct 1977 and 1st January 2006.)

4.3.2 Aircraft Environmental requirements (Aircraft Engine Emissions) are detailed in ICAO Annex 16 Volume II.

4.4 Design Requirements Associated With operational Approvals

4.4.1 The design requirements associated with Operational approvals, addressed by this modification are detailed within AES Technical Report AES-TR-0110.

5.0 Compliance with the Basis of Certification/Validation/Approval

5.1 Compliance with the Certification/Validation/Approval Basis for the Aircraft/Modification.

5.1.1 Embodiment of this modification does not affect the certification basis of the aircraft.

5.1.2 Refer to AES Technical Report Number AES-TR-0110 and AES Stress Report AES-SR-0028 for compliance with design requirements.

5.2 Compliance With Design Requirements For Certificate Of Airworthiness

5.2.1 Not Applicable.

5.3 Compliance with Environmental Requirements

5.3.1 Embodiment of this modification does not affect the existing noise certificate or environmental protection requirements.

5.4 Compliance with Design Requirements Associated with Operational Approvals

5.4.1 Refer to AES Technical Report Number AES-TR-0110 for compliance with design requirements associated with operational approvals.

5.5 Required (Amendments to) Manuals and other Documents Including Mandatory Placards.

5.5.1 Weight:

5.5.1.1 The weight increase attributable to the installation of the ELT antenna is approximately 2.3 kg at Fus. Station 1509.

5.5.1.2 The weight increase attributable to the ELT transmitter installation and associated structure is approximately 3.9 kg acting at Fus. Station 1493.

5.5.1.3 The increase in weight attributable to the cable harness installation between the ELT transmitter (Fus Station 1510) and the ELT remote panel (flight deck) is negligible.

5.5.1.4 It is the operator's responsibility to amend the weight and balance manual.

5.5.1.5 The Δ weight change is as follows:

Weight (kg)	Arm (in)	Moment Arm (kg.in)
(+) 6.2	1504.9	(+) 9330.38

5.5.2 The electrical load demand on the aircraft power generating system is negligible. The ELT unit is powered by it's own battery pack and is not connected to the aircraft's power generating system. The only connection is from the aircraft 5VAC lighting circuit for illumination of the remote panel lighted back panel.

5.5.3 Embodiment of this modification does not affect the Aircraft Flight Manual.

5.5.4 AMM, IPC, WDM manual supplements will be prepared for insertion into the operator's existing manuals. AES Transmittal Sheet No. 15 refers.

5.5.5 It is the responsibility of the operator to provide crew procedures for the use of the ELT.

5.5.6 Maintenance: Conduct an external zonal inspection at every '1C' check (18 months) and an internal zonal inspection at every '4C' check (72 months) in conjunction with the Boeing 757 Maintenance Planning Manual and the operator's current check cycle pattern. These inspections must include the existing structure and additional structure introduced for the ELT unit and the ELT Antenna.

6.0 Conditions Affecting This Approval

- 6.1 The compatibility of this modification, with other previously approved modifications installed on the particular aircraft, must be verified by the installer. Where the potential for interactions between modifications exists, the advice of the Design Organisation/Agency shall be sought.
- 6.2 It is the operator's responsibility to ensure that the ELT unit is coded in accordance with ICAO Annex 10 and registered with the National Agency responsible for initiating Search and Rescue.
- 6.3 It is the operator's responsibility to obtain the approval of Transport Canada when embodied on airplanes on the applicable registry.

7.0 Continued Airworthiness

- 7.1 The influence of the modification on Airworthiness Directive, Service Bulletin eligibility and other data must be considered and the publications monitored accordingly. The maintenance schedule for the aircraft should include reference to this material additional to the original design. Co-ordination is the responsibility of the operator.

8.0 Survey

- 8.1 No further survey required.

9.0 Authorisation of Release to Service

- 9.1 In addition to the actions required by the procedures for release to service following maintenance or modification, the following actions must be completed prior to signing the Certificate of Release to Service:
 - a) All actions and ground test procedures specified by the modification instructions must be completed satisfactorily.
 - b) It must be verified that the documents or amendments to documents, above are as specified, including any changes specified under Section 8 above.

10.0 Approval

- 10.1 This Minor modification AES-757-416 and related instructions has been approved under the authority of EASA Design Organisation Approval no. EASA.21J.036. Eligibility for introduction in the Minor category is as stated on MCA-AES-757-416.
- 10.2 Embodiment on airplanes registered in Canada requires the approval of Transport Canada.

11. **Documents Required**

11.1 **AES-757-416 Part A**

11.1.1 New Documents Required: [Associated document required for production purposes only]

THESE DOCUMENTS ARE NOT REQUIRED FOR DIRECT WORK ON AN AIRCRAFT AND ARE SHOWN HEREIN FOR DESIGN TRACEABILITY PURPOSES ONLY.

<u>Document Number</u>	<u>Issue</u>	<u>Title</u>
1154-232-757	3	ELT CODING PLUG
1160-232-757	2	ELT HARNESS MANUFACTURE
MEI-571	2	MANUFACTURE OF ELT ELECTRICAL KIT

11.2 **AES-757-416 Part B**

11.2.1 New Documents Required:

<u>Document Number</u>	<u>Issue</u>	<u>Title</u>
1190-232-757	1	INSTALLATION OF FIXED ELT
1191-232-757	1	INSTALLATION OF ELT ANTENNA
MEI-607	1	MECHANICAL INSTALLATION OF ELT AND ANTENNA

11.3 **AES-757-416 Part C**

11.3.1 New Drawings Required:

<u>Document Number</u>	<u>Issue</u>	<u>Title</u>
1156-232-757	2	W/D: INSTALLATION OF ELT WIRING
1200-113-757	3	ELT DECALS
1190-232-757	1	INSTALLATION OF FIXED ELT
MEI-559	1	ELECTRICAL INSTALLATION OF ELT SYSTEM

11.4 Additional Documents Required

11.4.1 Reports/Documents

<u>Document Number</u>	<u>Issue</u>	<u>Title</u>
AES-TR-0110	1	REGULATORY REQUIREMENT COMPLIANCE ASSOCIATED WITH THE INTRODUCTION OF FIXED AUTOMATIC EMERGENCY LOCATOR TRANSMITTERS (ELT'S)
AES-SR-0028	1	ELT & ANTENNA INSTALLATION B757-200
AES-OPS-SUPPLEMENT No. 2	1	EMERGENCY LOCATOR TRANSMITTER – OPS MANUAL SUPPLEMENT

11.4.2 Technical Publication Supplements

<u>Document Number</u>	<u>Issue</u>	<u>Title</u>
Transmittal sheet 15	1	Supplement Transmittal sheet
23-24-00 P/B 001	1	AMM SUPPLEMENT – Description/Operation
23-24-00 P/B 101	1	AMM SUPPLEMENT – Component index
23-24-00 P/B 501	1	AMM SUPPLEMENT – Adjustment/Test
23-24-01 P/B 401	1	AMM SUPPLEMENT – ELT TX Removal/Install
23-24-02 P/B 401	1	AMM SUPPLEMENT – ELT Antenna Removal/Install
23-24-03 P/B 401	1	AMM SUPPLEMENT – ELT Panel Removal/Install
23-24-04 P/B 401	1	AMM SUPPLEMENT – AIM Removal/Install
23-24-01-01A	1	IPC SUPPLEMENT – ELT Panel Installation
23-24-01-02A	1	IPC SUPPLEMENT – ELT & AIM Installation
23-24-02-01A	1	IPC SUPPLEMENT – ELT Antenna Installation
23-24-11	1	WDM SUPPLEMENT – Emergency Locator Transmitter

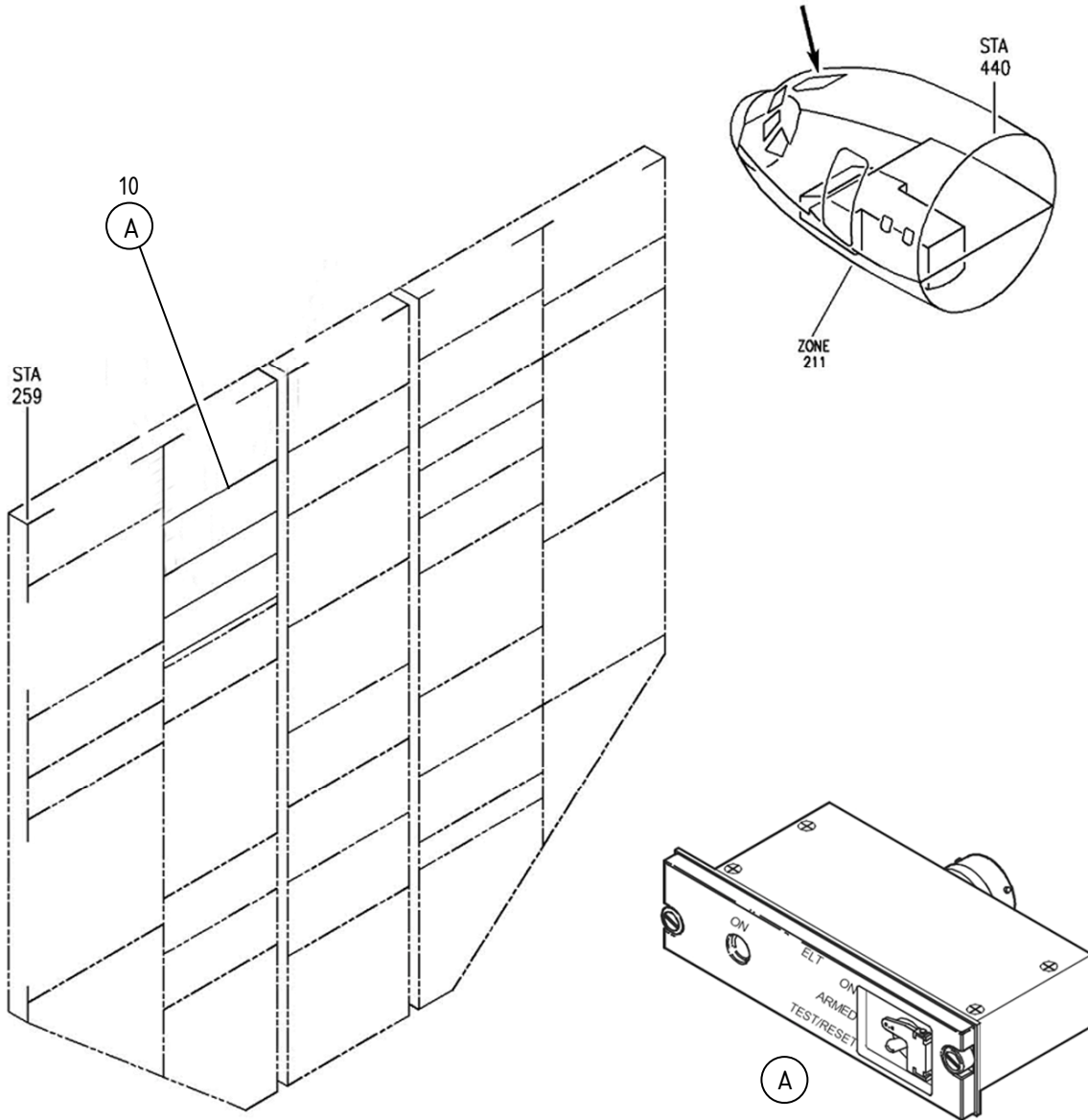
BOEING 757

FIRST CHOICE AIRWAYS



D6-49286-ATZ

PARTS CATALOG (MAINTENANCE)



PANEL INSTL-P5 OVHD (EMERGENCY LOCATOR TRANSMITTER ONLY)
FIGURE 1A

BOEING 757

FIRST CHOICE AIRWAYS



D6-49286-ATZ

PARTS CATALOG (MAINTENANCE)

INTRODUCTION OF ELT SYSTEM

MODIFICATION AES-757-416

<u>FIG</u> <u>ITEM</u>	<u>PART NUMBER</u>	<u>NOMENCLATURE</u>	<u>EFFECT</u> <u>FROM TO</u>	<u>UNITS</u> <u>PER</u> <u>ASSY</u>
01A		PANEL INSTL-P5 OVHD (EMERGENCY LOCATOR TRANSMITTER ONLY)		
10	1153006-1	<u>MODIFICATION AES-757-416</u> REMOTE PANEL ASSY-EMER LOCATOR SUPPLIER CODE: HONEYWELL ASCA INC. ELECTRICAL EQUIPMENT NUMBER: AES-M90077 COMPONENT MAINT MANUAL REF: 23-24-01	002 003 004005 006 009 115120 121503 504 505 506 507949 950 951 952999	1

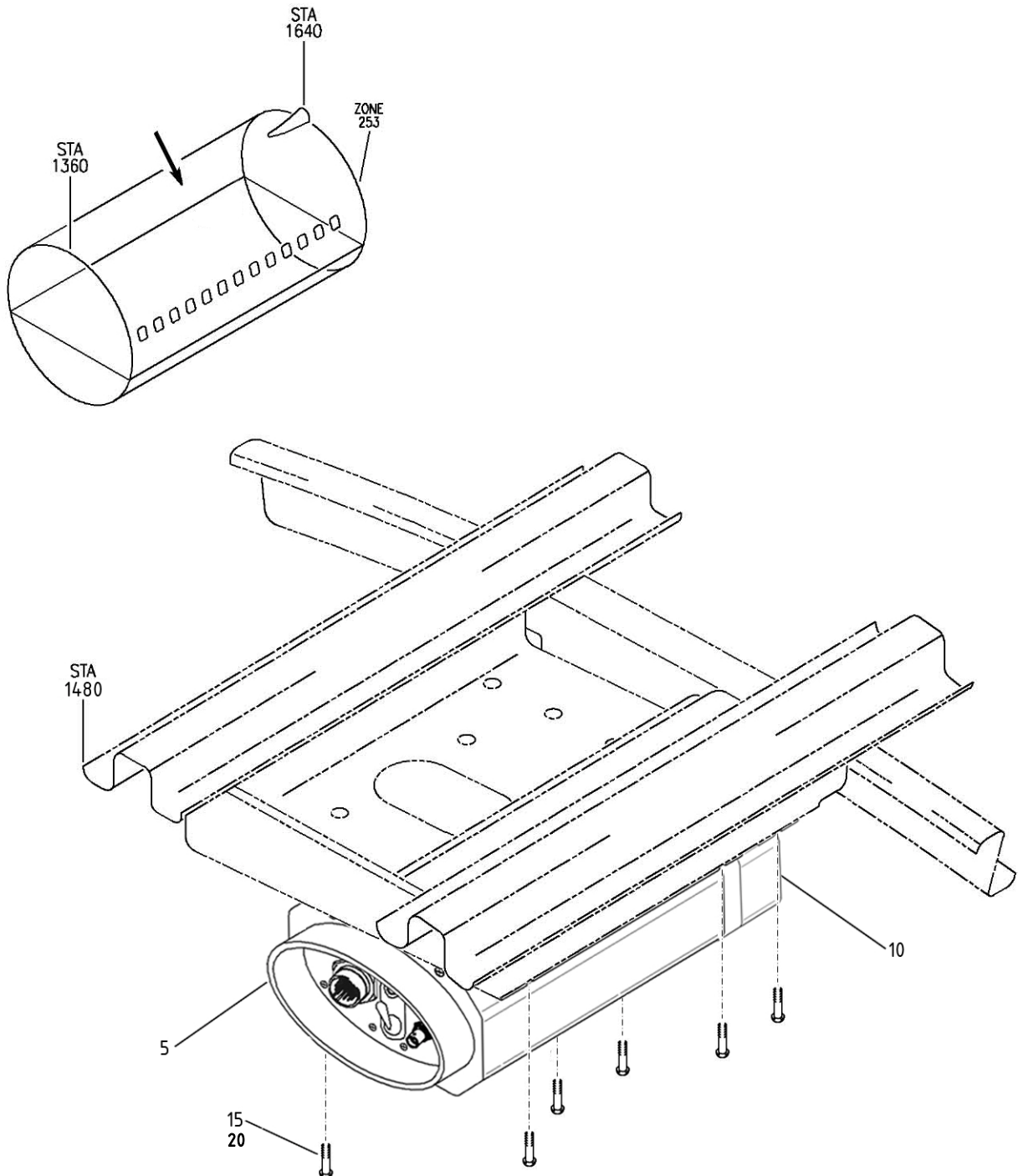
BOEING 757

FIRST CHOICE AIRWAYS



D6-49286-ATZ

PARTS CATALOG (MAINTENANCE)



TRANSMITTER / AIM INSTL-EMER LOCATOR XMTR
FIGURE 2A

BOEING 757

FIRST CHOICE AIRWAYS

D6-49286-ATZ



PARTS CATALOG (MAINTENANCE)

INTRODUCTION OF ELT SYSTEM

MODIFICATION AES-757-416

<u>FIG</u> <u>ITEM</u>	<u>PART NUMBER</u>	<u>NOMENCLATURE</u>	<u>EFFECT</u> <u>FROM TO</u>	<u>UNITS</u> <u>PER</u> <u>ASSY</u>
02A		TRANSMITTER / AIM INSTL-EMER LOCATOR XMTR		
- 1	1190-534-757-003	<u>MODIFICATION AES-757-416</u> TRANSMITTER / AIM INSTL-EMER LOCATOR XMTR INSTALLATION	002 003 004005 006 009 115120 121503 504 505 506 507949 950 951 952999	RF
5	1152682-1	. ELT INTERFACE TRANSMITTER SUPPLIER CODE: HONEYWELL ASCA INC. ELECTRICAL EQUIPMENT NUMBER: AES-M90078 COMPONENT MAINT MAN REF: 23-24-01	002 003 004005 006 009 115120 121503 504 505 506 507949 950 951 952999	1

BOEING 757

FIRST CHOICE AIRWAYS



D6-49286-ATZ

PARTS CATALOG (MAINTENANCE)

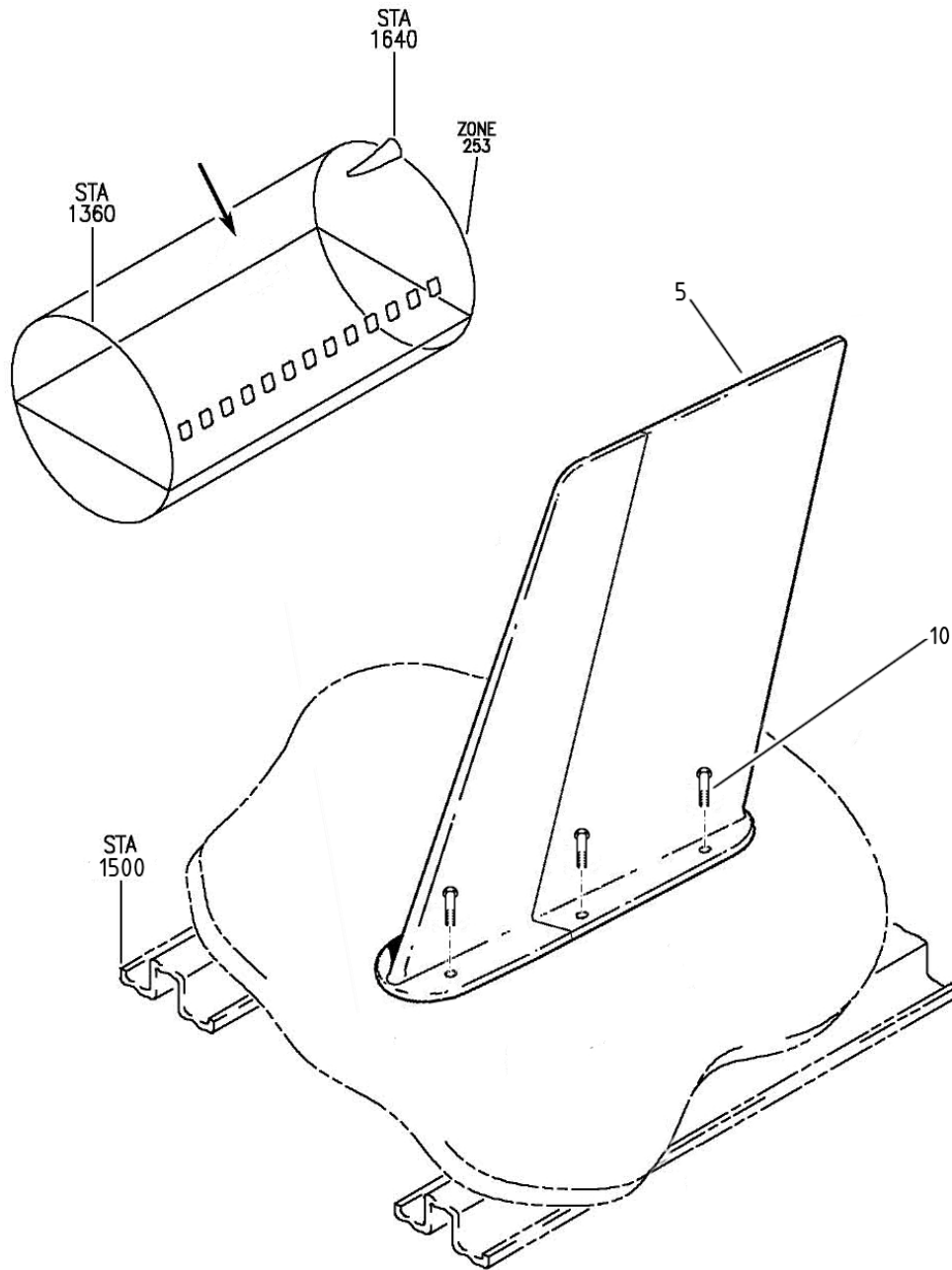
<u>FIG</u> <u>ITEM</u>	<u>PART NUMBER</u>	<u>NOMENCLATURE</u>	<u>EFFECT</u> <u>FROM TO</u>	<u>UNITS</u> <u>PER</u> <u>ASSY</u>
10	1152780-1	. AIRCRAFT IDENTIFICATION MODULE (AIM) SUPPLIER CODE: HONEYWELL ASCA INC. ELECTRICAL EQUIPMENT NUMBER: AES-M90079 COMPONENT MAINT MAN REF: 23-24-01	002 003 004005 006 009 115120 121503 504 505 506 507949 950 951 952999	1
15	NAS6603-5	. BOLT	002 003 004005 006 009 115120 121503 504 505 506 507949 950 951 952999	6
20	NAS1149C0332R	. WASHER	002 003 004005 006 009 115120 121503 504 505 506 507949 950 951 952999	6

- ITEM NOT ILLUSTRATED

23-24-01-02A

23-24-01-02A
Page 2

PARTS CATALOG (MAINTENANCE)



ANTENNA INSTL-EMER LOCATOR XMTR
FIGURE 1A

BOEING 757

FIRST CHOICE AIRWAYS



D6-49286-ATZ

PARTS CATALOG (MAINTENANCE)

INTRODUCTION OF ELT SYSTEM

MODIFICATION AES-757-416

<u>FIG</u> <u>ITEM</u>	<u>PART NUMBER</u>	<u>NOMENCLATURE</u>	<u>EFFECT</u> <u>FROM TO</u>	<u>UNITS</u> <u>PER</u> <u>ASSY</u>
01A		ANTENNA INSTL-EMER LOCATOR XMTR		
		<u>MODIFICATION AES-757-416</u>		
- 1	1191-232-757-001	ANTENNA INSTL-EMER LOCATOR XMTR INSTALLATION	002 003 004005 006 009 115120 121503 504 505 506 507949 950 951 952999	RF
5	2624-82	. ANTENNA- SUPPLIER CODE: HONEYWELL ASCA INC. ELECTRICAL EQUIP NUMBER: AES-M90079 COMPONENT MAINT MAN REF: 23-24-01	002 003 004005 006 009 115120 121503 504 505 506 507949 950 951 952999	1

23-24-02-01A

23-24-02-01A
Page 1

BOEING 757

FIRST CHOICE AIRWAYS



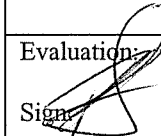
D6-49286-ATZ

PARTS CATALOG (MAINTENANCE)

<u>FIG</u> <u>ITEM</u>	<u>PART NUMBER</u>	<u>NOMENCLATURE</u>	<u>EFFECT</u> <u>FROM TO</u>	<u>UNITS</u> <u>PER</u> <u>ASSY</u>
10	BACB30LH3-11	. BOLT	002 003 004005 006 009 115120 121503 504 505 506 507949 950 951 952999	6

- ITEM NOT ILLUSTRATED

TECHNICAL EVALUATION, PLANNING & MATERIALS BRIEF

Document: EO23G225 Tech Pubs										Issue Date: October 21, 2005																											
Title: Upgrade to 8.33kHz VHF Comm																																					
Task No:										Task Date:																											
Classification: <input type="checkbox"/> MANDATORY <input type="checkbox"/> Safety <input type="checkbox"/> Reliability <input type="checkbox"/> Recommended / Desirable <input type="checkbox"/> Commercial <input type="checkbox"/> Warranty					Cross References:										Purchase Orders:																						
Eff	AP	AR	AS	AT	AU	AW	AE	AF	AH	AV	AN	BK	BL	BM	BN	BO	BA	BB	BC	BD	BE	BF	BG	BH	BI	BJ	EP	EU	EV	OC	OG	OK	OX	OY	OZ		
Acc																																					
Accomplishment Timescale: At next IPC manual revision																																					
Manhours:					Men:					Skill:					Elapsed Time:																						
Specialist Services:																																					
Comments: Please add British Airways EO23G225 Upgrade to 8.33kHz VHF Comms to EP, EU and EV IPC																																					
Weight:					Arm:					Moment:																											
Evaluation: TI/EB/PCR			Airworthiness: AD			Flight Ops: AFM / MEL / CCM			Performance: AFM / W&B			ATA Chapter(s): 23			Manuals: MM / IPC / WDM																						
Evaluation:  Sign:			Materials: Sign:			Planning: Sign:			Approval: Sign:			Digital Doc. Control: Sign:																									
Date: 21/10/05			Date:			Date:			Date:			Date:																									
Planning Task Instruction Index Title Sheet / _____ Worksheets / SB Copy / VSB Copy / Feedback Sheet / Other																																					

BRITISH AIRWAYS

Amendment sheet

Amendment number


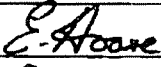


Retrospective action IS NOT required


* delete where necessary

EO 23G225	Issue : I
Drawing ** -	Issue : -


Amendment numbering: The amendment number comprises the Engineering Order or drawing number of the document to which it relates, plus the raised issue number of that document e.g. EOA7375154321 B. Note ** Only complete the line annotated 'drawing amendment number' in those instances where the drawing is not associated with an EO.

EO / Drawing Nr	Issue		Description
	Old	New	
23G225	H	I	SYSTEM WILL RETAIN 70 CHARACTERS AS REASON FOR RE-ISSUE. 3 RD VHF FOR HB-IEE ADDED.
23G225	H	I	Detail changes made Page 1: BA Drg 3-105423 was Iss.D. "Qty 2 only for HB-IEE" deleted at Item 1 of Mats Schedule. "& HB-IEE" moved from adjacent Item 2, Qty 2, to adjacent Item 2, Qty 3, of Mats Schedule. Page 2: Para.4 "For HB-IEE, VHF C Disconnect is D9036" added to NOTES. Page 3: Para.3 NOTE was "For HB-IEE, Centre VHF TxRx not fitted."
3-105423	E	F	Line Nos 9, 10 & 11 were 10, 11 & 12 Line Nos 12, 13 & 14 were 14, 15 & 16 Line Nos 15, 16 & 17 were 18, 19 & 20, HB-IEE deleted from Line 16. New Line Nos 18, 19 & 20 added. Flag Note 2 added.
			Reason / Justification Request from Privatair to add their 3 rd VHF system to the applicability. No design change involved.

TDR Number	A094151			
Design declaration				
"I hereby certify that the above amendment does not invalidate the original design declaration or any subsequent declaration"				
Signature		Name	J.Prior	Date
				6/7/99
	Signature	Name (Print)	Date	Tel. Extn
Compiled by		E.Hoare	06/07/99	33691
Stress checked		N/A		
Approved by		J.Prior	6/7/99	33676
X6082(5th)		EO / Drawing no.	23G225	

 BRITISH AIRWAYS		Source Document A059904				Rev. NOSC		MODIFICATION NO. 23G225				
		Vendor										
TITLE: Upgrade to 8.33kHz VHF Comms						ATA : 23		CLASS M				
<small>Max 30 characters</small>												
APPLICABILITY				Other Operators		Engine/ Component		Quote Serial Nos applicable if not all				
A/C Type		BA Regn.		Regn/Line No.								
B757-238C		G-BIKA to IKD, IKF to IKZ		N/A		N/A						
B757-200E4		G-BMRA to MRJ		N/A								
B757-23A		G-BPEA to PEF, PEI to PEK G-CPEL to PEV		HB-IEE (Privatair) L.No:24527								
Description / Reason : The VHF Comms frequency channel assignments in parts of Europe are becoming increasingly congested. As a result a number of European countries, including the UK, have agreed to implement a change from 25kHz channel spacing to 8.33kHz channel spacing which gives a threefold increase in No.of available channels in the band. The use of the new 8.33kHz channels becomes effective in upper airspace from 7/10/99. This mod introduces three new 8.33kHz VHF Tx/Rx's and associated new VHF Controllers as direct replacements for existing equipment.												
MANDATORY Ref <input type="text" value="ICAO Doc.7030"/> Compliance (Never Exceed) 7 th October 1999				For weight changes > 1 kg per aircraft WEIGHT <input type="text" value="INSIG"/> kg MOMENT <input type="text" value="INSIG"/> kg. ins								
Additional Data/Drawings Required (Note - Any issue numbers to be quoted)								Distribution M/O				
Technical Statement Ref:ESA.23.EH1.0481 BA Drawing 3-105423 Iss. F Wiring Schedule - 8.33kHz VHF Comms earths												
MATERIALS SCHEDULE												
Item	Description	Qty	Existing Part No.	New Part No.								
1.	VHF Transceiver	3	2041237-4412	EVR716-01-0200A								
			622-5219-004		PEP only							
2.	VHF Control Panel	2	G6317-03	G7406-07	IKA-IKZ, MRA-MRJ							
		or 3	G6317-03		PEA-PEF, PEI-PEP & HB-IEE							
		or 3	G7400-06		PEM,N,O,R,S,T.							
		or 3	622-6831-002		PEP							
3.	Earth Wire Modkit	1		23G225A01B01								
CAA Class : <input type="checkbox"/> Major <input checked="" type="checkbox"/> Minor <input type="checkbox"/> Mfr AAN No. <input type="text" value="N/A"/> Approved Engine/APU only				"I hereby certify that the design of this Modification and its installation is in compliance with the UK requirements applicable to this type of aeroplane" NAME D.W.Rose DATE 15/9/97 SIGNATURE As original issue				Attn to Flight Crew <input checked="" type="checkbox"/> Form X7025				
FAA Class : <input type="checkbox"/> Major <input type="checkbox"/> Minor complies with FARs and is approved at issue <input type="text"/> Our record No. <input type="text"/>								Attn to Mfnc Engr <input type="checkbox"/> Form X7030				
								Trial Installation <input type="checkbox"/> Form X7026				
Issue	A	B	C	D	E	F	G	H	I	J	K	L
Date	1/9/97	30/12/97	27/1/88	20/4/98	14/7/98	15/12/98	12/3/99	22/4/99	6/7/99			
Compiled by E.Hoare		Date 1/9/97		Approved by D.W.Rose		Date 15/9/97		No of Sheets 1 OF 4				



 BRITISH AIRWAYS	Continuation sheet 2 Documents and information	MODIFICATION NO. 23G225
---	---	--

ACCOMPLISHMENT INSTRUCTIONS.
PART A. Provision of local earth connections to VHF Controllers. (N/A Reg'ns G-CPEU & PEV)

- Isolate power from the VHF Comms system by tripping the following Circuit Breakers:-
VHF Comm L C3 P11 Panel
VHF Comm R G31 P11 Panel
VHF Comm C G4 P11 Panel
- Gain access to, disconnect and remove the VHF Controllers, L, R & C (where applicable) from the Centre Pedestal.
- Temporarily remove, avoiding electrical disconnection, other Pedestal Control Panels as necessary to gain access to the Ground Blocks located below the Centre Pedestal.
- Add Ground wires from each of the VHF Controller connectors to the Centre Pedestal Ground Blocks using Modkit, Item 3, or locally made up wiring, in accordance with the following table:-

System	END A			WIRE DETAILS			END B	
	Connector	Pin	Part No.	Wire No.	Wire Pt.No.	Lgth	Part No.	Gnd Block
VHF - L	D123	4	BACC47CP1S	W2071-9001-20	SRAT260-02-1-20	5ft	BACC47DE7A	GD82
VHF - R	D127	4	BACC47CP1S	W2073-9001-20	SRAT260-02-1-20	5ft	BACC47DE7A	GD1650
VHF - C	D891 or D90026	4	BACC47CP1S	W2069-9001-20	SRAT260-02-1-20	5ft	BACC47DE7A	GD2303

NOTES: SDI links, Loom Ref:3-105423-4, in Modkit 23G225A01B01 no longer required and may be discarded.

In the event that Ground Block GD1650 is full up then use GD2303.


For HB-IEE, VHF C Disconnect is D9036

- Re-install Control Panels temporarily removed for access in Para.3 above and function check the appropriate systems affected as necessary.
- Re-install the VHF Control Panels removed in A.2 or carry out Part B of this Mod by going to Para B.2
- If Part B of Mod not being carried out concurrently, then reinstate power to the VHF Systems by resetting the CB's tripped in Para.1.
- Carry out a Control Panel Post Installation check per MM 23-12-02 Para.D and a Panel Lighting check, MM 23-12-00 Task 755-009, for each of the VHF Control Panels.

PART B Installation of New-8.33KHz Equipment.

- Isolate power from the VHF Comms system by tripping the following Circuit Breakers:-
VHF Comm L C3 P11 Panel
VHF Comm R G31 P11 Panel
VHF Comm C G4 P11 Panel
- Remove the existing VHF Control Panels, L, R & C (where applicable), from the Centre Pedestal, transpose the positions of ASP L & ASP R with VHF L & VHF R Control Panels respectively and replace with the new Control Panels, Item 2 of Mats.Schedule.
For A/C Reg'ns G-CPEU & PEV new Control Panels are already fitted but the Boeing provisioned wires, TBD, need to be uncapped and stowed and connected to Pin No.4 at each Control Panel connector.

Note: The issue of this sheet is to be aligned with the front sheet of the mod. Amendments to this sheet are to be highlighted, by adding the amendment letter in the left hand margin, adjacent to the line(s) amended.												
Issue	A	B	C	D	E	F	G	H	I	J	K	L
Date	1/9/97	30/12/97	27/1/98	20/4/98	14/7/98	15/12/98	12/3/99	22/4/99	6/7/99			
Compiled by	Date		Approved by				Date		No of Sheets			
E. Hoare	1/9/97		D.W.Rose				15/9/97		2 OF 4			

 BRITISH AIRWAYS	Continuation sheet 3 Documents and information	MODIFICATION NO. 23G225
---	--	--



3. Gain access to and remove the three existing VHF Comms Transceivers L & R located on the E4-3 Rack and C located on the E4-4 Rack in the E/E Bay. Replace with new Transceivers, Item 1 of Mats. Schedule.
 NOTE: For HB-IEE, Centre VHF TxRx is fitted in E6-1 Shelf in Aft Cargo Bay.
4. Reset the circuit breakers tripped in Para.1 and carry out independent Tests of the VHF Comms Systems L, R & C (where applicable) in accordance with MM 23-12-00 SubTasks 755-046, 715-010, 715-011 & 715-014.
 NOTE: There being no operational 8.33KHz Ground Stations at present it is not necessary to specifically check these frequencies.
5. Annotate Form X.7025 - Attention to Flight Crew with: " 8.33khz VHF Comms fitted".

PART C Installation of SDI Programme Pin Links. (Initially covered by EOI-757-2368187)

ENSURE THAT ELECTRICAL POWER IS REMOVED FROM A/C IF SHELF REMOVAL IS DEEMED NECESSARY, OTHERWISE ENSURE THAT AT LEAST THE VHF COMM SYSTEMS CB'S ARE TRIPPED.

1. Remove equipment from and gain access to, the backplate connectors for each of the VHF Transceivers by removing the E4-3 Shelf as necessary.
2. Install new links (Looms assy's 3-105423-4) at the VHF Transceivers backplate connectors i.a.w Drawing Line Entries 4 to 8. as follows:

TxRx	Connector No.	Link
VHF L	D125B	B9 - C9
VHF R	D129B	A9 - C9
VHF C	D847B or D9056B	A9 - B9 - C9
3. Re-install E4-3 shelf and avionic equipment, removed in B.1, and function check all systems disturbed.

PART D Disconnection of redundant Squelch Control wiring.

NOTE: This Part is applicable to A/C Reg'ns G-BPEA to PEE, PEI to PEK & G-CPEN to PEV & HB-IEE and must be carried out prior to or concurrent with Part B of this mod.


1. Isolate power from the VHF Comms system by tripping the following Circuit Breakers:-

VHF Comm L	C3	P11 Panel
VHF Comm R	G31	P11 Panel
VHF Comm C	G4	P11 Panel
2. Gain access to, disconnect and remove the VHF Controllers, L, R & C (where applicable) from the Centre Pedestal.
3. With reference to Drawing No.3-105423, Line Entries 10 to 20, disconnect, cap & stow the squelch control wiring from Pins 5, 6 & 7 of the Controller disconnects as appropriate.
4. Re-install the VHF Controllers removed in Para.D.2.
5. Carry out a Control Panel Post Installation check per MM 23-12-02 Para.D for each of the VHF Controllers.

PART E Installation of New 8.33KHz Equipment (A/C Reg'ns: G-BIKF, IKI, IKR, MRH, PEF & G-CPEN)

NOTE: These A/C, although having previously had new equipment installed per Part B of Mod, have since had the VHF L demodified back to standard per EOI-757-2370474. Additionally, the VHF Control Panels and ASP's need to be transposed and the VHF R & C TxRx's updated to the latest modification standard.

Note: The issue of this sheet is to be aligned with the front sheet of the mod. Amendments to this sheet are to be highlighted, by adding the amendment letter in the left hand margin, adjacent to the line(s) amended.												
Issue	A	B	C	D	E	F	G	H	I	J	K	L
Date	1/9/97	30/12/97	27/1/98	20/4/98	14/7/98	15/12/98	12/3/99	22/4/99	6/7/99			
Compiled by	Date		Approved by				Date		No of Sheets			
E Hoare	1/9/97		D.W.Rose				15/9/97		3 OF 4			

 BRITISH AIRWAYS	Continuation sheet 4 Documents and information	MODIFICATION NO. 23G225
---	--	--

1. Isolate power from the VHF Comms system by tripping the following Circuit Breakers:-
 - VHF Comm L C3 P11 Panel
 - VHF Comm R G31 P11 Panel
 - VHF Comm C G4 P11 Panel
 2. Gain access to and remove the existing VHF L & VHF R (G-BIKI only) Control Panel Pt.No.G6317-03.
 3. Gain access to and transpose the positions of the ASP L & ASP R with VHF L & VHF R Control panels respec. such that the VHF Control Panels are now fwd of the ASP's on the Centre Pedestal.
 4. Install new Gables VHF Control Panel Pt.No.G7406-07 in the VHF L & VHF R (G-BIKI only) position.
 5. Gain access to and remove three existing VHF Comms TxRx's L, R & C from the E2-5 Rack in the E/E Bay and replace with new TxRx's per Item 1 of Mats Schedule.
- NOTE:** Except for G-BIKI only, the L TxRx removed should be an original Allied Signal unit and the R & C TxRx's should be pre Mod 1 EVR 716 units.
All new TxRx's installed should all be EVR716 units at Mod 1.
6. Reset the circuit breakers tripped in Para.1
 7. Carry out independent Tests of the VHF Comms Systems L, R & C in accordance with MM 23-12-00 Tasks 705-011, 705-013, 705-014 & 705-015
 8. Annotate the Attention to Crew Form X.7025, unless previously done, with "8.33KHz VHF Comms fitted".

Note: The issue of this sheet is to be aligned with the front sheet of the mod. Amendments to this sheet are to be highlighted, by adding the amendment letter in the left hand margin, adjacent to the line(s) amended.												
Issue	A	B	C	D	E	F	G	H	I	J	K	L
Date	1/9/97	30/12/97	27/1/98	20/4/98	14/7/98	15/12/98	12/3/99	22/4/99	6/7/99			
Compiled by E. Hoare K6201	Date 1/9/97			Approved by D.W.Rose				Date 15/9/97		No of Sheets 4 OF 4		

AES Limited

PUBLICATION REVISION

Document No. AES-TP-0058

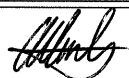


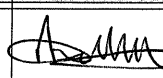
TRANSMITTAL SHEET
 THE TECHNICAL INFORMATION CONTAINED IN THIS DOCUMENT
 HAS BEEN APPROVED UNDER THE AUTHORITY OF
 EASA DESIGN ORGANISATION APPROVAL No. EASA.21J.036

Project No.: 0937
DRN: 2532
Issue: 1

Reason for Issue: To introduce supplements to the aircraft technical publications listed in the introduction of this transmittal.

This is the Introduction of the replacement of the flight deck headsets under cover of AES modification AES-757-937.

AIRCRAFT TECHNICAL PUBLICATION SUPPLEMENT - CERTIFICATION

Manual & Chapter	Prepared by	Responsible for design	Date	Compliance Verification Engineer / Approval		
				Stress	Design	Systems
Illustrated Parts Catalog 23-42	D. Orjuela		16-10-2007			

EFFECTIVITY

24017 (NA443) 32447 (NT246) 25268 (NB322) 29941 (NT404)
 29943 (NT406) 32446 (NT425) 33098 (NJ001) 33099 (NJ002)
 33100 (NJ003) 33101 (NJ004) 29942 (NT405) 29944 (NT407)
 27146 (NB506) 27147 (NB507) 25054 (NA346) 26158 (NB329)
 25593 (NA352)

TRANSMITTAL

INTRODUCTION - GENERAL

- 1 This modification covers the Introduction of the replacement of the flight deck headsets to the subject aircraft.
- 2 The only technical publication which is affected and which should be used with this supplement is the:
 - Illustrated parts catalog.
- 3 Aircraft effectivity details are given in the table below.

Manufacturer's Serial Number (MSN)	Registration	Variable Number	Customer Effectivity Code
24017	G-OOOC	NA443	003
25054	G-OOOK	NA346	115
25268	G-CPEP	NB322	952
25593	G-OOOZ	NA352	121
26158	G-OOOX	NB329	009
27146	G-OOBI	NB506	006
27147	G-OOBJ	NB507	002
29941	G-CPEU	NT404	504
29942	G-OOBG	NT405	505
29943	G-CPEV	NT406	506
29944	G-OOBH	NT407	507
32446	G-OOBA	NT425	950
32447	G-OOBB	NT426	951
33098	G-OOBC	NJ001	101
33099	G-OOBD	NJ002	102
33100	G-OOBE	NJ003	103
33101	G-OOBF	NJ004	104

EFFECTIVITY

24017 (NA443) 32447 (NT246) 25268 (NB322) 29941 (NT404)
 29943 (NT406) 32446 (NT425) 33098 (NJ001) 33099 (NJ002)
 33100 (NJ003) 33101 (NJ004) 29942 (NT405) 29944 (NT407)
 27146 (NB506) 27147 (NB507) 25054 (NA346) 26158 (NB329)
 25593 (NA352)

TRANSMITTAL

AIRCRAFT ILLUSTRATED PARTS CATALOG

LIST OF EFFECTIVE PAGES

CHAP-SECT-UNIT	PAGE No.	DATE	CHAP-SECT-UNIT	PAGE No.	DATE
EFFECTIVE PAGES	i	Nov 08/2007			
REVISIONS	ii	Nov 08/2007			
INTRODUCTION	iii	Nov 08/2007			
CONTENTS	iv	Nov 08/2007			
23-42-51	1	Nov 08/2007			
23-42-51	2	Nov 08/2007			
23-42-51	3	Nov 08/2007			

EFFECTIVITY

24017 (NA443) 32447 (NT246) 25268 (NB322) 29941 (NT404)
 29943 (NT406) 32446 (NT425) 33098 (NJ001) 33099 (NJ002)
 33100 (NJ003) 33101 (NJ004) 29942 (NT405) 29944 (NT407)
 27146 (NB506) 27147 (NB507) 25054 (NA346) 26158 (NB329)
 25593 (NA352)

IPC SUPP--LEP

ILLUSTRATED PARTS CATALOGUE SUPPLEMENT

RECORD OF REVISIONS

REV No.	INSERTION DATE	BY	REV No.	INSERTION DATE	BY	REV No.	INSERTION DATE	BY

EFFECTIVITY

24017 (NA443)	32447 (NT246)	25268 (NB322)	29941 (NT404)
29943 (NT406)	32446 (NT425)	33098 (NJ001)	33099 (NJ002)
33100 (NJ003)	33101 (NJ004)	29942 (NT405)	29944 (NT407)
27146 (NB506)	27147 (NB507)	25054 (NA346)	26158 (NB329)
25593 (NA352)			

IPC SUPP--REV

AIRCRAFT ILLUSTRATED PARTS CATALOG

INTRODUCTION

- 1 This modification introduces a replacement of Active Noise Reduction headsets in the flight deck.
- 2 Aircraft applicability and effectivity codes are given in the table below.

Registration	Manufacturer's serial number (variable No).	Customer effectivity code	Customer effectivity code terminator
G-OOOC	24017	003	-
G-OOOK	25054	115	-
G-CPEP	25268	952	-
G-OOOZ	25593	121	-
G-OOOX	26158	009	-
G-OOBI	27146	006	-
G-OOBJ	27147	002	-
G-CPEU	29941	504	-
G-OOBG	29942	505	-
G-CPEV	29943	506	-
G-OOBH	29944	507	-
G-OOBA	32446	950	-
C-GTBB	32447	951	-
G-OOBC	33098	101	-
G-OOBD	33099	102	-
G-OOBE	33100	103	-
G-OOBF	33101	104	-

EFFECTIVITY

24017 (NA443) 32447 (NT246) 25268 (NB322) 29941 (NT404)
 29943 (NT406) 32446 (NT425) 33098 (NJ001) 33099 (NJ002)
 33100 (NJ003) 33101 (NJ004) 29942 (NT405) 29944 (NT407)
 27146 (NB506) 27147 (NB507) 25054 (NA346) 26158 (NB329)
 25593 (NA352)

IPC SUPP--INTRO

AIRCRAFT ILLUSTRATED PARTS CATALOG
TABLE OF CONTENTS

SUBJECT	CHAPTER SECTION UNIT	PAGEBLOCK
INTRODUCTION OF ANR HEADSET	23-42-51	1

EFFECTIVITY

24017 (NA443) 32447 (NT246) 25268 (NB322) 29941 (NT404)
 29943 (NT406) 32446 (NT425) 33098 (NJ001) 33099 (NJ002)
 33100 (NJ003) 33101 (NJ004) 29942 (NT405) 29944 (NT407)
 27146 (NB506) 27147 (NB507) 25054 (NA346) 26158 (NB329)
 25593 (NA352)

IPC SUPP--TOC

INTRODUCTION OF ACTIVE NOISE REDUCTION HEADSETS

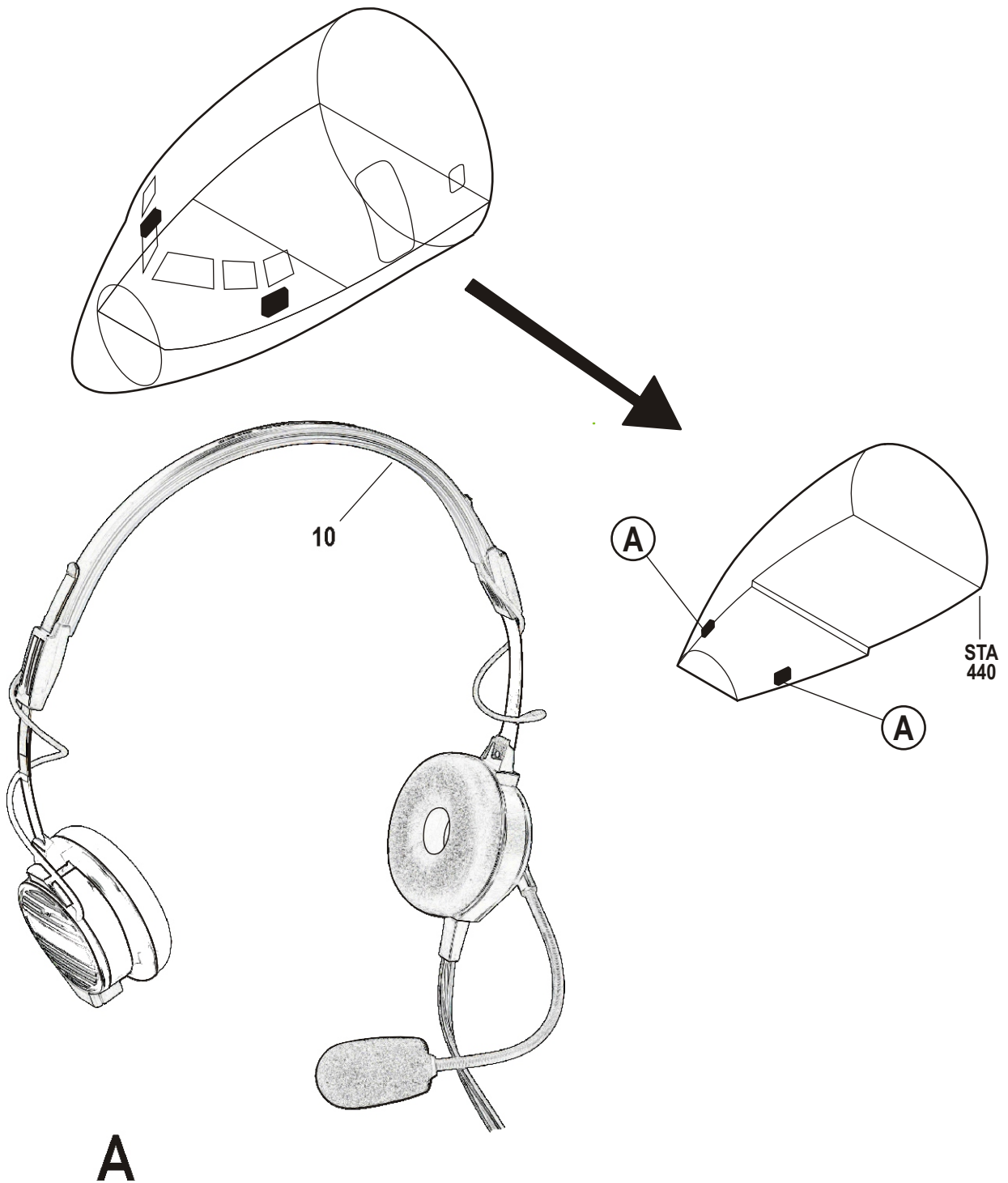
INTRODUCTION

- 1 This document supplements this pageblock of the aircraft illustrated parts catalog.

EFFECTIVITY

24017 (NA443) 32447 (NT246) 25268 (NB322) 29941 (NT404)
29943 (NT406) 32446 (NT425) 33098 (NJ001) 33099 (NJ002)
33100 (NJ003) 33101 (NJ004) 29942 (NT405) 29944 (NT407)
27146 (NB506) 27147 (NB507) 25054 (NA346) 26158 (NB329)
25593 (NA352)

IPC SUPP - 23-42-51



TP 58-001

A

Fig 1 ANR Headset Installation

EFFECTIVITY

24017 (NA443) 32447 (NT246) 25268 (NB322) 29941 (NT404)
 29943 (NT406) 32446 (NT425) 33098 (NJ001) 33099 (NJ002)
 33100 (NJ003) 33101 (NJ004) 29942 (NT405) 29944 (NT407)
 27146 (NB506) 27147 (NB507) 25054 (NA346) 26158 (NB329)
 25593 (NA352)

IPC SUPP - 23-42-51

FIG ITEM	PART NO.	1234567 NOMENCLATURE	EFF. FROM TO	QTY
10	301317-000	AIRMAN 850 HEADSET VENDOR: TELEX COMMUNICATIONS, INC. 1720 EAST 14TH STREET GLENCOE MINNESOTA 53336	002003 006006 009009 101104 115115 121121 504507 950952	2

EFFECTIVITY

24017 (NA443) 32447 (NT246) 25268 (NB322) 29941 (NT404)
 29943 (NT406) 32446 (NT425) 33098 (NJ001) 33099 (NJ002)
 33100 (NJ003) 33101 (NJ004) 29942 (NT405) 29944 (NT407)
 27146 (NB506) 27147 (NB507) 25054 (NA346) 26158 (NB329)
 25593 (NA352)

IPC SUPP - 23-42-51



757

PARTS CATALOG (MAINTENANCE)

CH-SECT-UNIT-FIG	PAGE NO.	DATE	CH-SECT-UNIT-FIG	PAGE NO.	DATE
*23	1	MAY 20/09	23-11-02- 1	0	MAY 28/07
*23	2	MAY 20/09	23-11-02- 1	0A	MAY 28/07
*23	3	MAY 20/09	23-11-02- 1	1	JAN 20/09
*23	4	MAY 20/09	23-11-02- 1	2	JAN 20/09
*23	5	MAY 20/09	23-11-02- 1	3	JAN 20/09
*23	6	MAY 20/09	23-11-02- 1	4	JAN 20/09
*23	7	MAY 20/09	23-11-02- 1	5	JAN 20/09
*23	8	MAY 20/09	23-11-02- 1	6	JAN 20/09
*23	9	MAY 20/09	23-11-02- 1	7	JAN 20/09
*23	10	MAY 20/09	23-11-02- 1	8	JAN 20/09
*23	11	MAY 20/09	23-11-02- 1	9	JAN 20/09
*23	12	MAY 20/09	23-11-02- 1	10	JAN 20/09
*23	13	MAY 20/09	23-11-03- 1	0	MAY 28/07
*23	14	MAY 20/09	23-11-03- 1	0A	MAY 28/07
*23	15	MAY 20/09	23-11-03- 1	0B	MAY 28/07
*23	16	MAY 20/09	23-11-03- 1	0C	MAY 28/07
*23	17	MAY 20/09	23-11-03- 1	0D	MAY 28/07
*23	18	MAY 20/09	23-11-03- 1	0E	MAY 28/07
23-00-00	1	MAY 28/07	23-11-03- 1	0F	MAY 28/07
23-00-51- 2	0	MAY 28/07	23-11-03- 1	0G	MAY 28/07
23-00-51- 2	1	JAN 20/09	23-11-03- 1	1	JAN 20/09
23-00-51- 2	2	JAN 20/09	23-11-03- 1	2	JAN 20/09
23-00-51- 2	3	JAN 20/09	23-11-03- 1	3	JAN 20/09
23-00-51- 2	4	JAN 20/09	23-11-03- 1	4	JAN 20/09
23-00-51- 2	5	JAN 20/09	23-11-03- 1	5	JAN 20/09
23-00-51- 2	6	JAN 20/09	23-11-03- 1	6	JAN 20/09
23-11-00	1	MAY 28/07	23-11-03- 1	7	JAN 20/09
23-11-01- 1	0	MAY 28/07	23-11-03- 1B	0	MAY 28/07
23-11-01- 1	0A	MAY 28/07	23-11-03- 1B	0A	MAY 28/07
23-11-01- 1	0B	MAY 28/07	23-11-03- 1B	0B	MAY 28/07
23-11-01- 1	0C	MAY 28/07	23-11-03- 1B	0C	MAY 28/07
23-11-01- 1	0D	MAY 28/07	23-11-03- 1B	0D	MAY 28/07
23-11-01- 1	1	JAN 20/09	23-11-03- 1B	0E	MAY 28/07
23-11-01- 1	2	JAN 20/09	23-11-03- 1B	1	JAN 20/09
23-11-01- 1	3	JAN 20/09	23-11-03- 1B	2	JAN 20/09
23-11-01- 1	4	JAN 20/09	23-11-03- 1B	3	JAN 20/09
23-11-01- 1	5	JAN 20/09	23-11-03- 1B	4	JAN 20/09
23-11-01- 1	6	JAN 20/09	23-11-03- 1B	4	JAN 20/09
23-11-01- 1	7	JAN 20/09	23-11-03- 2	0	MAY 28/07
23-11-01- 1	8	JAN 20/09	23-11-03- 2	0A	MAY 28/07
23-11-01- 1	9	JAN 20/09	23-11-03- 2	1	JAN 20/09
23-11-01- 1	10	JAN 20/09	23-11-03- 2	2	JAN 20/09
23-11-01- 1A	0	JAN 20/09	23-11-03- 2	3	JAN 20/09
23-11-01- 1A	0A	JAN 20/09	23-11-03- 2	4	JAN 20/09
23-11-01- 1A	0B	JAN 20/09	23-11-03- 2	5	JAN 20/09
23-11-01- 1A	1	JAN 20/09	23-11-03- 8	0	JAN 20/09
23-11-01- 1A	2	JAN 20/09	23-11-03- 8	0A	JAN 20/09
23-11-01- 1A	3	JAN 20/09	23-11-03- 8	0B	JAN 20/09
23-11-01- 1A	4	JAN 20/09	23-11-03- 8	0C	JAN 20/09
23-11-01- 1A	5	JAN 20/09	23-11-03- 8	0D	JAN 20/09
23-11-01- 1A	6	JAN 20/09	23-11-03- 8	0E	JAN 20/09
23-11-01- 1A	6	JAN 20/09	23-11-03- 8	1	JAN 20/09

* THE ASTERISK INDICATES PAGES CHANGED OR ADDED BY THE CURRENT REVISION



757

PARTS CATALOG (MAINTENANCE)

CH-SECT-UNIT-FIG	PAGE NO.	DATE
23-11-03- 8	2	JAN 20/09
23-11-03- 8	3	JAN 20/09
23-11-03- 8	4	JAN 20/09
23-11-03- 8	5	JAN 20/09
23-12-00	1	MAY 28/07
23-12-00- 5	0	JAN 20/09
23-12-00- 5	1	JAN 20/09
23-12-00- 5	2	JAN 20/09
23-12-01- 1	0	JAN 20/08
23-12-01- 1	0A	MAY 28/07
23-12-01- 1	0B	MAY 28/07
23-12-01- 1	0C	MAY 28/07
23-12-01- 1	1	JAN 20/09
23-12-01- 1	2	JAN 20/09
23-12-01- 1	3	JAN 20/09
23-12-01- 1	4	JAN 20/09
23-12-01- 1	5	JAN 20/09
23-12-01- 1	6	JAN 20/09
23-12-01- 1	7	JAN 20/09
23-12-01- 1	8	JAN 20/09
23-12-01- 1	9	JAN 20/09
23-12-01- 1	10	JAN 20/09
23-12-01- 1	11	JAN 20/09
23-12-01- 1	12	JAN 20/09
23-12-01- 1	13	JAN 20/09
23-12-01- 1	14	JAN 20/09
23-12-01- 1	15	JAN 20/09
23-12-01- 1	16	JAN 20/09
23-12-01- 1	17	JAN 20/09
23-12-01- 1B	0	MAY 28/07
23-12-01- 1B	0A	MAY 28/07
23-12-01- 1B	0B	MAY 28/07
23-12-01- 1B	0C	MAY 28/07
23-12-01- 1B	0D	MAY 28/07
23-12-01- 1B	1	JAN 20/09
23-12-01- 1B	2	JAN 20/09
23-12-01- 1B	3	JAN 20/09
23-12-01- 1B	4	JAN 20/09
23-12-01- 8	0	JAN 20/09
23-12-01- 8	0A	JAN 20/09
23-12-01- 8	0B	JAN 20/09
23-12-01- 8	0C	JAN 20/09
23-12-01- 8	1	JAN 20/09
23-12-01- 8	2	JAN 20/09
23-12-01- 8	3	JAN 20/09
23-12-01- 8	4	JAN 20/09
23-12-01- 8	5	JAN 20/09
23-12-02- 1	0	JAN 20/09
23-12-02- 1	0A	MAY 28/07
23-12-02- 1	0B	MAY 28/07
23-12-02- 1	1	JAN 20/09

CH-SECT-UNIT-FIG	PAGE NO.	DATE
23-12-02- 1	2	JAN 20/09
23-12-02- 1	3	JAN 20/09
23-12-02- 1	4	JAN 20/09
23-12-02- 1A	0	JAN 20/09
*23-12-02- 1A	1	MAY 20/09
*23-12-02- 1A	2	MAY 20/09
23-12-02- 1A	3	JAN 20/09
23-12-02- 1A	4	JAN 20/09
23-12-02- 3	0	MAY 28/07
23-12-02- 3	0A	MAY 28/07
23-12-02- 3	0B	MAY 28/07
23-12-02- 3	1	JAN 20/09
23-12-02- 3	2	JAN 20/09
23-12-02- 3	3	JAN 20/09
23-12-02- 3	4	JAN 20/09
*23-12-02- 3	5	MAY 20/09
*23-12-02- 3	6	MAY 20/09
23-12-02-50B	0	MAY 28/07
23-12-02-50B	0A	MAY 28/07
*23-12-02-50B	1	MAY 20/09
*23-12-02-50B	2	MAY 20/09
23-12-03- 1	0	MAY 28/07
23-12-03- 1	1	JAN 20/09
23-12-03- 1	2	JAN 20/09
23-12-03- 1	3	JAN 20/09
23-12-03- 1	4	JAN 20/09
23-12-03- 1	5	JAN 20/09
23-12-03- 3	0	JAN 20/09
23-12-03- 3	1	JAN 20/09
23-12-03- 4	0	JAN 20/09
23-12-03- 4	0A	JAN 20/09
23-12-03- 4	1	JAN 20/09
23-12-03- 4	2	JAN 20/09
23-12-03- 4	3	JAN 20/09
23-21-00	1	MAY 28/07
23-21-01- 1	0	MAY 28/07
23-21-01- 1	1	JAN 20/09
*23-21-01- 1	2	MAY 20/09
*23-21-01- 1	3	MAY 20/09
*23-21-01- 1	4	MAY 20/09
*23-21-01- 1	5	MAY 20/09
*23-21-01- 1	6	MAY 20/09
*23-21-01- 1	7	MAY 20/09
*23-21-01- 1	8	MAY 20/09
*23-21-01- 1	9	MAY 20/09
*23-21-01- 1	10	MAY 20/09
23-21-01- 1B	0	MAY 28/07
*23-21-01- 1B	1	MAY 20/09
*23-21-01- 1B	2	MAY 20/09
*23-21-01- 1B	3	MAY 20/09
23-21-01- 8	0	JAN 20/09

* THE ASTERISK INDICATES PAGES CHANGED OR ADDED BY THE CURRENT REVISION



757

PARTS CATALOG (MAINTENANCE)

CH-SECT-UNIT-FIG	PAGE NO.	DATE
23-21-01- 8	1	JAN 20/09
*23-21-01- 8	2	MAY 20/09
23-21-01- 8	3	JAN 20/09
23-22-00	1	MAY 28/07
23-22-01- 2	0	JAN 20/09
23-22-01- 2	0A	JAN 20/09
23-22-01- 2	0B	JAN 20/09
23-22-01- 2	0C	JAN 20/09
*23-22-01- 2	1	MAY 20/09
23-22-01- 2	2	JAN 20/09
23-22-01- 9	0	JAN 20/09
23-22-01- 9	0A	JAN 20/09
23-22-01- 9	1	JAN 20/09
23-22-01- 9	2	JAN 20/09
23-22-01- 9	3	JAN 20/09
23-22-02- 1	0	MAY 28/07
23-22-02- 1	0A	MAY 28/07
*23-22-02- 1	1	MAY 20/09
23-22-02- 1	2	JAN 20/09
23-22-03- 1	0	MAY 28/07
23-22-03- 1	0A	MAY 28/07
23-22-03- 1	0B	MAY 28/07
*23-22-03- 1	1	MAY 20/09
23-22-03- 2	0	JAN 20/09
*23-22-03- 2	1	MAY 20/09
23-22-04- 1	0	JAN 20/09
23-22-04- 1	0A	JAN 20/09
23-22-04- 1	1	JAN 20/09
23-22-05- 1	0	JAN 20/09
23-22-05- 1	1	JAN 20/09
23-22-05- 1	2	JAN 20/09
23-22-05- 2	0	JAN 20/09
23-22-05- 2	0A	JAN 20/09
23-22-05- 2	1	JAN 20/09
23-22-05- 2	2	JAN 20/09
23-22-08- 1	0	JAN 20/09
*23-22-08- 1	1	MAY 20/09
23-22-51- 1	0	MAY 20/08
23-22-51- 1	0A	MAY 28/07
23-22-51- 1	0B	MAY 28/07
*23-22-51- 1	1	MAY 20/09
23-22-53- 1	0	JAN 20/09
23-22-53- 1	1	JAN 20/09
23-22-53- 1A	0	JAN 20/09
23-22-53- 1A	1	JAN 20/09
23-24-00	1	MAY 28/07
23-24-01- 1	0	JAN 20/09
23-24-01- 1	1	JAN 20/09
23-24-01- 1	2	JAN 20/09
23-24-01- 1	3	JAN 20/09
23-24-01- 1	4	JAN 20/09

CH-SECT-UNIT-FIG	PAGE NO.	DATE
23-24-01- 1	5	JAN 20/09
23-24-01- 1	6	JAN 20/09
23-24-01- 2	0	JAN 20/09
23-24-01- 2	0A	JAN 20/09
23-24-01- 2	0B	JAN 20/09
*23-24-01- 2	1	MAY 20/09
*23-24-01- 2	2	MAY 20/09
23-24-02- 1	0	JAN 20/09
23-24-02- 1	1	JAN 20/09
23-24-03- 1	0	MAY 28/07
23-24-03- 1	0A	MAY 28/07
23-24-03- 1	0B	MAY 28/07
23-24-03- 1	1	JAN 20/09
23-24-03- 1	2	JAN 20/09
23-24-03- 1	3	JAN 20/09
23-24-03- 1	4	JAN 20/09
23-31-00	1	MAY 28/07
23-31-01- 1	0	MAY 28/07
23-31-01- 1	0A	MAY 28/07
23-31-01- 1	0B	MAY 28/07
23-31-01- 1	0C	MAY 28/07
23-31-01- 1	1	JAN 20/09
*23-31-01- 1	2	MAY 20/09
*23-31-01- 1	3	MAY 20/09
*23-31-01- 1	4	MAY 20/09
23-31-01- 1	5	JAN 20/09
23-31-01- 1	6	JAN 20/09
23-31-01- 1	7	JAN 20/09
23-31-01- 1	8	JAN 20/09
23-31-01- 1	9	JAN 20/09
23-31-01- 1	10	JAN 20/09
23-31-01- 1B	0	MAY 28/07
*23-31-01- 1B	1	MAY 20/09
23-31-01- 1B	2	JAN 20/09
23-31-01- 1B	3	JAN 20/09
23-31-01- 8	0	JAN 20/09
23-31-01- 8	0A	JAN 20/09
23-31-01- 8	0B	JAN 20/09
23-31-01- 8	0C	JAN 20/09
*23-31-01- 8	1	MAY 20/09
*23-31-01- 8	2	MAY 20/09
23-31-01- 8	3	JAN 20/09
23-31-01- 8	4	JAN 20/09
23-31-01- 8	5	JAN 20/09
23-31-02- 2	0	JAN 20/09
23-31-02- 2	0A	JAN 20/09
23-31-02- 2	1	JAN 20/09
23-31-02- 2	2	JAN 20/09
23-31-02- 2	3	JAN 20/09
23-31-02- 2	4	JAN 20/09
23-31-02- 2	5	JAN 20/09

* THE ASTERISK INDICATES PAGES CHANGED OR ADDED BY THE CURRENT REVISION



757

PARTS CATALOG (MAINTENANCE)

CH-SECT-UNIT-FIG	PAGE NO.	DATE	CH-SECT-UNIT-FIG	PAGE NO.	DATE
23-31-02-18	0	MAY 28/07	23-31-02-33	6	JAN 20/09
23-31-02-18	0A	MAY 28/07	23-31-02-34A	0	JAN 20/09
23-31-02-18	1	JAN 20/09	23-31-02-34A	1	JAN 20/09
23-31-02-18	2	JAN 20/09	23-31-02-34A	2	JAN 20/09
23-31-02-18	3	JAN 20/09	23-31-02-34A	3	JAN 20/09
23-31-02-18	4	JAN 20/09	23-31-02-34A	4	JAN 20/09
23-31-02-18	5	JAN 20/09	23-31-02-37	0	JAN 20/09
23-31-02-18	6	JAN 20/09	23-31-02-37	1	JAN 20/09
23-31-02-18	7	JAN 20/09	23-31-02-37	2	JAN 20/09
23-31-02-18	8	JAN 20/09	23-31-02-37	3	JAN 20/09
23-31-02-24	0	JAN 20/09	23-31-02-66D	0	JAN 20/09
23-31-02-24	0A	JAN 20/09	23-31-02-66D	1	JAN 20/09
23-31-02-24	0B	JAN 20/09	23-31-02-66D	2	JAN 20/09
23-31-02-24	0C	JAN 20/09	23-31-02-70	0	JAN 20/09
23-31-02-24	1	JAN 20/09	23-31-02-70	1	JAN 20/09
23-31-02-24	2	JAN 20/09	23-31-02-70	2	JAN 20/09
23-31-02-24	3	JAN 20/09	23-31-02-70	3	JAN 20/09
23-31-02-24	4	JAN 20/09	23-31-03- 1	0	JAN 20/09
23-31-02-28	0	MAY 28/07	23-31-03- 1	1	JAN 20/09
23-31-02-28	0A	MAY 28/07	23-31-03- 1	2	JAN 20/09
23-31-02-28	0B	MAY 28/07	23-31-03- 1	3	JAN 20/09
23-31-02-28	0C	MAY 28/07	23-31-03- 2	0	JAN 20/09
23-31-02-28	0D	MAY 28/07	23-31-03- 2	0A	JAN 20/09
23-31-02-28	0E	MAY 28/07	23-31-03- 2	0B	JAN 20/09
23-31-02-28	0F	MAY 28/07	23-31-03- 2	0C	JAN 20/09
23-31-02-28	1	JAN 20/09	23-31-03- 2	0D	JAN 20/09
23-31-02-28	2	JAN 20/09	23-31-03- 2	0E	JAN 20/09
23-31-02-28	3	JAN 20/09	23-31-03- 2	1	JAN 20/09
23-31-02-28	4	JAN 20/09	23-31-03- 2	2	JAN 20/09
23-31-02-28	5	JAN 20/09	23-31-03- 2	3	JAN 20/09
23-31-02-28	6	JAN 20/09	23-31-03- 2	4	JAN 20/09
23-31-02-28	7	JAN 20/09	23-31-03- 2	5	JAN 20/09
23-31-02-31B	0	JAN 20/09	23-31-04- 1	0	MAY 28/07
23-31-02-31B	1	JAN 20/09	23-31-04- 1	0A	MAY 28/07
23-31-02-31B	2	JAN 20/09	23-31-04- 1	0B	MAY 28/07
23-31-02-31B	3	JAN 20/09	23-31-04- 1	0C	MAY 28/07
23-31-02-31B	4	JAN 20/09	23-31-04- 1	0D	MAY 28/07
23-31-02-31B	5	JAN 20/09	23-31-04- 1	1	JAN 20/09
23-31-02-31C	0	JAN 20/09	23-31-04- 1	2	JAN 20/09
23-31-02-31C	1	JAN 20/09	23-31-04- 1	3	JAN 20/09
23-31-02-31C	2	JAN 20/09	23-31-04- 1	4	JAN 20/09
23-31-02-31C	3	JAN 20/09	23-31-04- 1	5	JAN 20/09
23-31-02-33	0	MAY 28/07	23-31-04- 1	6	JAN 20/09
23-31-02-33	0A	MAY 28/07	23-31-04- 1	7	JAN 20/09
23-31-02-33	0B	MAY 28/07	23-31-04- 1	8	JAN 20/09
23-31-02-33	0C	MAY 28/07	23-31-04- 1	9	JAN 20/09
23-31-02-33	1	JAN 20/09	23-31-04- 1	10	JAN 20/09
23-31-02-33	2	JAN 20/09	23-31-04- 1	11	JAN 20/09
23-31-02-33	3	JAN 20/09	23-31-04- 4	0	JAN 20/09
23-31-02-33	4	JAN 20/09	23-31-04- 4	0A	JAN 20/09
23-31-02-33	5	JAN 20/09	23-31-04- 4	0B	JAN 20/09

* THE ASTERISK INDICATES PAGES CHANGED OR ADDED BY THE CURRENT REVISION



757
PARTS CATALOG (MAINTENANCE)

CH-SECT-UNIT-FIG	PAGE NO.	DATE	CH-SECT-UNIT-FIG	PAGE NO.	DATE
23-31-04- 4	1	JAN 20/09	23-31-08- 1	0	JAN 20/09
23-31-04- 4	2	JAN 20/09	23-31-08- 1	0A	JAN 20/09
23-31-05- 1	0	MAY 28/07	23-31-08- 1	1	JAN 20/09
23-31-05- 1	1	JAN 20/09	23-31-08- 1	2	JAN 20/09
23-31-05- 1	2	JAN 20/09	23-31-08- 1A	0	JAN 20/09
23-31-05- 1A	0	MAY 28/07	23-31-08- 1A	1	JAN 20/09
23-31-05- 1A	1	JAN 20/09	23-31-08- 1A	2	JAN 20/09
23-31-05- 2	0	MAY 28/07	23-31-51- 1	0	MAY 28/07
23-31-05- 2	0A	MAY 28/07	23-31-51- 1	0A	MAY 28/07
23-31-05- 2	1	JAN 20/09	23-31-51- 1	0B	MAY 28/07
23-31-05- 2	2	JAN 20/09	23-31-51- 1	1	JAN 20/09
23-31-05- 2	3	JAN 20/09	23-31-51- 1	2	JAN 20/09
23-31-05- 2	4	JAN 20/09	23-31-51- 1	3	JAN 20/09
23-31-05- 2A	0	MAY 28/07	23-31-51- 5	0	JAN 20/09
23-31-05- 2A	1	JAN 20/09	23-31-51- 5	1	JAN 20/09
23-31-05- 2A	2	JAN 20/09	23-31-51- 5	2	JAN 20/09
23-31-05- 5	0	JAN 20/09	23-31-51- 5	3	JAN 20/09
23-31-05- 5	1	JAN 20/09	23-31-51- 5	4	JAN 20/09
23-31-05-10	0	MAY 28/07	23-31-51- 5	5	JAN 20/09
23-31-05-10	1	JAN 20/09	23-31-52- 5	0	MAY 28/07
23-31-05-20	0	MAY 28/07	23-31-52- 5	1	JAN 20/09
23-31-05-20	0A	MAY 28/07	23-31-52- 5	2	JAN 20/09
23-31-05-20	1	JAN 20/09	23-31-52- 5	3	JAN 20/09
23-31-05-20	2	JAN 20/09	23-31-52- 6	0	JAN 20/09
23-31-05-20	3	JAN 20/09	23-31-52- 6	0A	JAN 20/09
23-31-05-20E	0	JAN 20/09	23-31-52- 6	1	JAN 20/09
23-31-05-20E	1	JAN 20/09	23-31-52- 7	0	JAN 20/09
23-31-05-20E	2	JAN 20/09	23-31-52- 7	0A	JAN 20/09
23-31-05-24C	0	JAN 20/09	23-31-52- 7	1	JAN 20/09
23-31-05-24C	1	JAN 20/09	23-31-52- 7	2	JAN 20/09
23-31-05-24C	2	JAN 20/09	23-31-52- 7	3	JAN 20/09
23-31-06- 1	0	JAN 20/09	23-31-54- 1	0	SEP 20/08
*23-31-06- 1	1	MAY 20/09	23-31-54- 1	0A	SEP 20/08
*23-31-06- 1	2	MAY 20/09	23-31-54- 1	1	JAN 20/09
*23-31-06- 1	3	MAY 20/09	23-31-54- 1	2	JAN 20/09
23-31-06- 1A	0	JAN 20/09	23-31-54- 1	3	JAN 20/09
*23-31-06- 1A	1	MAY 20/09	23-31-54- 1	4	JAN 20/09
23-31-06- 2	0	MAY 28/07	23-31-54- 1A	0	MAY 28/07
23-31-06- 2	0A	MAY 28/07	23-31-54- 1A	1	JAN 20/09
23-31-06- 2	0B	MAY 28/07	23-31-54- 1C	0	JAN 20/09
23-31-06- 2	0C	MAY 28/07	23-31-54- 1C	1	JAN 20/09
*23-31-06- 2	1	MAY 20/09	23-31-54- 1C	2	JAN 20/09
23-31-06- 2	2	JAN 20/09	23-31-54- 1C	3	JAN 20/09
23-31-06- 2B	0	MAY 28/07	23-32-00	1	MAY 28/07
23-31-06- 2B	0A	MAY 28/07	23-32-00- 1	0	MAY 28/07
23-31-06- 2B	0B	MAY 28/07	23-32-00- 1	1	JAN 20/09
23-31-06- 2B	1	JAN 20/09	23-32-00- 1	2	JAN 20/09
23-31-06-50	0	JAN 20/09	23-32-00- 1	3	JAN 20/09
23-31-06-50	0A	JAN 20/09	23-32-00- 1	4	JAN 20/09
23-31-06-50	1	JAN 20/09	23-32-00- 1	5	JAN 20/09
23-31-06-50	2	JAN 20/09	23-32-00- 1	6	JAN 20/09

* THE ASTERISK INDICATES PAGES CHANGED OR ADDED BY THE CURRENT REVISION



757

PARTS CATALOG (MAINTENANCE)

CH-SECT-UNIT-FIG	PAGE NO.	DATE
23-32-00-11	0	JAN 20/09
23-32-00-11	1	JAN 20/09
23-32-00-11	2	JAN 20/09
23-32-00-11	3	JAN 20/09
23-32-00-11	4	JAN 20/09
23-32-00-11	5	JAN 20/09
23-32-00-11	6	JAN 20/09
23-32-00-11	7	JAN 20/09
23-32-01- 5	0	MAY 28/07
23-32-01- 5	1	JAN 20/09
23-32-01- 5	2	JAN 20/09
23-32-01- 9	0	MAY 28/07
23-32-01- 9	1	JAN 20/09
23-32-01-12	0	JAN 20/09
23-32-01-12	1	JAN 20/09
23-32-01-12	2	JAN 20/09
23-32-01-32C	0	JAN 20/09
*23-32-01-32C	0A	MAY 20/09
23-32-01-32C	0B	JAN 20/09
23-32-01-32C	0C	JAN 20/09
23-32-01-32C	0D	JAN 20/09
23-32-01-32C	0E	JAN 20/09
23-32-01-32C	0F	JAN 20/09
23-32-01-32C	0G	JAN 20/09
23-32-01-32C	0H	JAN 20/09
23-32-01-32C	0I	JAN 20/09
23-32-01-32C	0J	JAN 20/09
23-32-01-32C	0K	JAN 20/09
23-32-01-32C	0L	JAN 20/09
23-32-01-32C	0M	JAN 20/09
*23-32-01-32C	0N	MAY 20/09
23-32-01-32C	1	JAN 20/09
23-32-01-32C	2	JAN 20/09
23-32-02- 1	0	MAY 28/07
23-32-02- 1	0A	JAN 20/09
23-32-02- 1	1	JAN 20/09
23-32-02- 1	2	JAN 20/09
23-32-02- 1	3	JAN 20/09
23-32-02- 1	4	JAN 20/09
23-32-02- 5	0	MAY 28/07
23-32-02- 5	0A	MAY 28/07
23-32-02- 5	0B	MAY 28/07
23-32-02- 5	0C	MAY 28/07
23-32-02- 5	1	JAN 20/09
23-32-02- 5	2	JAN 20/09
23-32-02- 5	3	JAN 20/09
23-32-02- 5	4	JAN 20/09
23-32-02- 6	0	MAY 28/07
23-32-02- 6	1	JAN 20/09
23-32-02- 6	2	JAN 20/09
23-32-02- 6	3	SEP 20/08

CH-SECT-UNIT-FIG	PAGE NO.	DATE
23-32-02- 6	4	SEP 20/08
23-32-02- 6	5	SEP 20/08
23-32-02- 6	6	SEP 20/08
23-32-02- 6	7	SEP 20/08
23-32-02- 8	0	JAN 20/09
23-32-02- 8	0A	MAY 28/07
23-32-02- 8	0B	MAY 28/07
23-32-02- 8	0C	MAY 28/07
23-32-02- 8	0D	MAY 28/07
23-32-02- 8	1	JAN 20/09
23-32-02- 8	2	JAN 20/09
23-32-02-11	0	JAN 20/09
23-32-02-11	0A	JAN 20/09
23-32-02-11	0B	JAN 20/09
23-32-02-11	1	JAN 20/09
23-32-02-11	2	JAN 20/09
23-32-02-11	3	JAN 20/09
23-32-03- 2	0	MAY 28/07
23-32-03- 2	0A	MAY 28/07
23-32-03- 2	1	JAN 20/09
23-32-05- 1	0	MAY 28/07
*23-32-05- 1	1	MAY 20/09
23-32-07- 6	0	MAY 28/07
23-32-07- 6	0A	MAY 28/07
*23-32-07- 6	1	MAY 20/09
23-32-07-10	0	MAY 28/07
23-32-07-10	0A	MAY 28/07
23-32-07-10	0B	MAY 28/07
23-32-07-10	0C	MAY 28/07
23-32-07-10	0D	MAY 28/07
23-32-07-10	1	JAN 20/09
*23-32-07-10	2	MAY 20/09
*23-32-07-10	3	MAY 20/09
*23-32-07-10	4	MAY 20/09
23-32-07-11	0	JAN 20/09
23-32-07-11	0A	JAN 20/09
23-32-07-11	0B	JAN 20/09
23-32-07-11	0C	JAN 20/09
23-32-07-11	0D	JAN 20/09
23-32-07-11	1	JAN 20/09
*23-32-07-11	2	MAY 20/09
23-32-07-20	0	JAN 20/09
23-32-07-20	0A	JAN 20/09
23-32-07-20	0B	JAN 20/09
23-32-07-20	1	JAN 20/09
23-32-07-20	2	JAN 20/09
23-32-07-55C	0	JAN 20/09
23-32-07-55C	1	JAN 20/09
23-32-08-90	0	JAN 20/09
*23-32-08-90	1	MAY 20/09
23-32-08-90	2	JAN 20/09

* THE ASTERISK INDICATES PAGES CHANGED OR ADDED BY THE CURRENT REVISION



757
PARTS CATALOG (MAINTENANCE)

CH-SECT-UNIT-FIG	PAGE NO.	DATE	CH-SECT-UNIT-FIG	PAGE NO.	DATE
23-32-08-90	3	JAN 20/09	23-32-52- 1	6	JAN 20/09
23-32-09-10	0	JAN 20/09	23-32-52- 1	7	JAN 20/09
23-32-09-10	0A	JAN 20/09	23-32-52- 2	0	MAY 28/07
23-32-09-10	0B	JAN 20/09	23-32-52- 2	0A	MAY 28/07
23-32-09-10	0C	JAN 20/09	23-32-52- 2	0B	MAY 28/07
*23-32-09-10	1	MAY 20/09	23-32-52- 2	0C	MAY 28/07
23-32-09-10	2	JAN 20/09	23-32-52- 2	0D	MAY 28/07
*23-32-09-10	3	MAY 20/09	23-32-52- 2	0E	MAY 28/07
23-32-09-10	4	JAN 20/09	23-32-52- 2	0F	MAY 28/07
23-32-09-11	0	JAN 20/09	23-32-52- 2	1	JAN 20/09
23-32-09-11	0A	JAN 20/09	23-32-52- 2	2	SEP 20/08
23-32-09-11	0B	JAN 20/09	23-32-52- 2	3	JAN 20/09
23-32-09-11	0C	JAN 20/09	23-32-52- 2	4	JAN 20/09
23-32-09-11	0D	JAN 20/09	23-32-52- 2	5	SEP 20/08
23-32-09-11	1	JAN 20/09	23-32-52- 2	6	SEP 20/08
*23-32-09-11	2	MAY 20/09	23-32-52- 2	7	SEP 20/08
23-32-09-11	3	JAN 20/09	23-32-52- 2	8	JAN 20/09
23-32-09-11	4	JAN 20/09	23-32-52- 2	9	SEP 20/08
23-32-09-11	5	JAN 20/09	23-32-52- 2	10	SEP 20/08
23-32-09-13	0	JAN 20/09	23-32-52- 2	11	SEP 20/08
23-32-09-13	0A	JAN 20/09	23-32-52- 2	12	SEP 20/08
23-32-09-13	0B	JAN 20/09	23-32-52- 2	13	SEP 20/08
23-32-09-13	0C	JAN 20/09	23-32-52- 2	14	SEP 20/08
23-32-09-13	0D	JAN 20/09	23-32-52- 2	15	SEP 20/08
23-32-09-13	1	JAN 20/09	23-32-52- 2	16	SEP 20/08
*23-32-09-13	2	MAY 20/09	23-32-52- 2	17	SEP 20/08
*23-32-09-13	3	MAY 20/09	23-32-52- 2	18	SEP 20/08
*23-32-09-13	4	MAY 20/09	23-32-52- 2	19	SEP 20/08
*23-32-09-21A	0	MAY 20/09	23-32-52- 2	20	SEP 20/08
*23-32-09-21A	0A	MAY 20/09	23-32-52- 2	21	JAN 20/09
*23-32-09-21A	0B	MAY 20/09	23-32-52- 2	22	JAN 20/09
*23-32-09-21A	0C	MAY 20/09	23-32-52- 2	23	SEP 20/08
23-32-09-21A	1	JAN 20/09	23-32-52- 2	24	SEP 20/08
*23-32-09-21A	2	MAY 20/09	23-32-52- 2	25	SEP 20/08
*23-32-09-21A	3	MAY 20/09	23-32-52- 2	26	SEP 20/08
*23-32-09-21A	4	MAY 20/09	23-32-52- 2	27	SEP 20/08
*23-32-09-21A	5	MAY 20/09	23-32-52- 2	28	SEP 20/08
*23-32-09-21A	6	MAY 20/09	23-32-52- 2	29	SEP 20/08
*23-32-09-21A	7	MAY 20/09	23-32-52- 2	30	SEP 20/08
23-32-13- 3	0	MAY 28/07	23-32-52- 2	31	SEP 20/08
23-32-13- 3	1	JAN 20/09	23-32-52- 2	32	SEP 20/08
23-32-51- 5	0	JAN 20/09	23-32-52- 6	0	JAN 20/09
23-32-51- 5	1	JAN 20/09	23-32-52- 6	0A	MAY 28/07
23-32-52- 1	0	MAY 28/07	23-32-52- 6	0B	MAY 28/07
23-32-52- 1	0A	MAY 28/07	23-32-52- 6	0C	MAY 28/07
23-32-52- 1	0B	MAY 28/07	23-32-52- 6	0D	MAY 28/07
23-32-52- 1	1	JAN 20/09	23-32-52- 6	0E	MAY 28/07
23-32-52- 1	2	JAN 20/09	23-32-52- 6	0F	MAY 28/07
23-32-52- 1	3	JAN 20/09	23-32-52- 6	1	JAN 20/09
23-32-52- 1	4	JAN 20/09	23-32-52- 6	2	JAN 20/09
23-32-52- 1	5	JAN 20/09	23-32-52- 6	3	JAN 20/09

* THE ASTERISK INDICATES PAGES CHANGED OR ADDED BY THE CURRENT REVISION

BRI
MAY 20/09

23 - LIST OF EFFECTIVE PAGES
PAGE 7


BOEING
 757
PARTS CATALOG (MAINTENANCE)

CH-SECT-UNIT-FIG	PAGE NO.	DATE	CH-SECT-UNIT-FIG	PAGE NO.	DATE
23-32-52- 6	4	JAN 20/09	23-32-52-19	2	JAN 20/09
23-32-52- 6	5	JAN 20/09	23-32-52-19	3	JAN 20/09
23-32-52- 6	6	JAN 20/09	23-32-52-19	4	JAN 20/09
23-32-52- 6	7	JAN 20/09	23-32-52-19	5	JAN 20/09
23-32-52- 6	8	JAN 20/09	23-32-52-19	6	JAN 20/09
23-32-52- 6	9	JAN 20/09	23-32-53- 4	0	MAY 28/07
23-32-52- 6	10	JAN 20/09	23-32-53- 4	1	JAN 20/09
23-32-52- 6	11	JAN 20/09	23-32-53- 4	2	JAN 20/09
23-32-52- 6A	0	MAY 28/07	23-32-53- 6	0	JAN 20/09
23-32-52- 6A	0A	MAY 28/07	23-32-53- 6	0A	JAN 20/09
23-32-52- 6A	0B	MAY 28/07	23-32-53- 6	0B	JAN 20/09
23-32-52- 6A	0C	MAY 28/07	23-32-53- 6	0C	JAN 20/09
23-32-52- 6A	0D	MAY 28/07	23-32-53- 6	0D	JAN 20/09
23-32-52- 6A	0E	MAY 28/07	23-32-53- 6	0E	JAN 20/09
23-32-52- 6A	0F	MAY 28/07	23-32-53- 6	0F	JAN 20/09
23-32-52- 6A	0G	MAY 28/07	23-32-53- 6	0G	JAN 20/09
23-32-52- 6A	0H	MAY 28/07	23-32-53- 6	0H	JAN 20/09
23-32-52- 6A	1	JAN 20/09	23-32-53- 6	0I	JAN 20/09
23-32-52- 6A	2	JAN 20/09	23-32-53- 6	0J	JAN 20/09
23-32-52- 6A	3	JAN 20/09	23-32-53- 6	0K	JAN 20/09
23-32-52- 6A	4	JAN 20/09	23-32-53- 6	1	JAN 20/09
23-32-52- 6A	5	JAN 20/09	23-32-53- 9	0	MAY 28/07
23-32-52- 6A	6	JAN 20/09	23-32-53- 9	0A	MAY 28/07
23-32-52- 6A	7	JAN 20/09	23-32-53- 9	0B	MAY 28/07
23-32-52- 6A	8	JAN 20/09	23-32-53- 9	0C	MAY 28/07
23-32-52- 6A	9	JAN 20/09	23-32-53- 9	0D	MAY 28/07
23-32-52-16	0	JAN 20/09	23-32-53- 9	0E	MAY 28/07
23-32-52-16	0A	JAN 20/09	23-32-53- 9	0F	MAY 28/07
23-32-52-16	0B	JAN 20/09	23-32-53- 9	0G	MAY 28/07
23-32-52-16	0C	JAN 20/09	23-32-53- 9	0H	MAY 28/07
23-32-52-16	0D	JAN 20/09	23-32-53- 9	0I	MAY 28/07
23-32-52-16	0E	JAN 20/09	23-32-53- 9	0J	MAY 28/07
23-32-52-16	1	JAN 20/09	23-32-53- 9	0K	MAY 28/07
23-32-52-16	2	JAN 20/09	23-32-53- 9	0L	MAY 28/07
23-32-52-16	3	JAN 20/09	23-32-53- 9	1	JAN 20/09
23-32-52-16	4	JAN 20/09	23-32-53- 9	2	JAN 20/09
23-32-52-16	5	JAN 20/09	23-32-53- 9	3	JAN 20/09
23-32-52-16	6	JAN 20/09	23-32-53-11A	0	JAN 20/09
23-32-52-16	7	JAN 20/09	23-32-53-11A	0A	JAN 20/09
23-32-52-16	8	JAN 20/09	23-32-53-11A	0B	JAN 20/09
23-32-52-16	9	JAN 20/09	23-32-53-11A	0C	JAN 20/09
23-32-52-16	10	JAN 20/09	23-32-53-11A	0D	JAN 20/09
23-32-52-16	11	JAN 20/09	23-32-53-11A	0E	JAN 20/09
23-32-52-16	12	JAN 20/09	23-32-53-11A	0F	JAN 20/09
23-32-52-16	13	JAN 20/09	23-32-53-11A	0G	JAN 20/09
23-32-52-16	14	JAN 20/09	23-32-53-11A	0H	JAN 20/09
23-32-52-16	15	JAN 20/09	23-32-53-11A	1	JAN 20/09
23-32-52-19	0	JAN 20/09	23-32-53-11A	2	JAN 20/09
23-32-52-19	0A	JAN 20/09	23-32-53-11A	3	JAN 20/09
23-32-52-19	0B	JAN 20/09	23-32-53-11A	4	JAN 20/09
23-32-52-19	1	JAN 20/09	23-32-53-11A	5	JAN 20/09

* THE ASTERISK INDICATES PAGES CHANGED OR ADDED BY THE CURRENT REVISION

BRI
MAY 20/09

23 - LIST OF EFFECTIVE PAGES
PAGE 8



757

PARTS CATALOG (MAINTENANCE)

CH-SECT-UNIT-FIG	PAGE NO.	DATE	CH-SECT-UNIT-FIG	PAGE NO.	DATE
23-32-53-12	0	MAY 28/07	23-34-15- 2	2	JAN 20/09
23-32-53-12	0A	MAY 28/07	23-34-15- 2B	0	MAY 28/07
23-32-53-12	1	JAN 20/09	*23-34-15- 2B	1	MAY 20/09
23-32-53-21A	0	JAN 20/09	23-34-51- 1	0	MAY 28/07
23-32-53-21A	0A	JAN 20/09	23-34-51- 1	0A	MAY 28/07
23-32-53-21A	0B	JAN 20/09	23-34-51- 1	0B	MAY 28/07
23-32-53-21A	0C	JAN 20/09	23-34-51- 1	0C	MAY 28/07
23-32-53-21A	1	JAN 20/09	23-34-51- 1	1	JAN 20/09
23-32-53-21A	2	JAN 20/09	23-34-51- 3	0	JAN 20/09
23-32-53-21A	3	JAN 20/09	23-34-51- 3	1	JAN 20/09
23-32-54- 7	0	MAY 28/07	23-34-51- 4	0	JAN 20/09
23-32-54- 7	1	JAN 20/09	23-34-51- 4	0A	JAN 20/09
23-32-55- 1	0	MAY 28/07	23-34-51- 4	1	JAN 20/09
23-32-55- 1	0A	MAY 28/07	23-34-51- 8	0	MAY 28/07
23-32-55- 1	1	JAN 20/09	23-34-51- 8	1	JAN 20/09
23-32-55- 1	2	JAN 20/09	23-34-51- 8	2	JAN 20/09
23-32-55- 1B	0	MAY 28/07	23-34-52- 1	0	SEP 20/08
23-32-55- 1B	1	JAN 20/09	23-34-52- 1	1	JAN 20/09
23-32-55- 2	0	JAN 20/09	23-34-52- 1	2	JAN 20/09
23-32-55- 2	1	JAN 20/09	23-34-52- 1	3	JAN 20/09
23-32-55- 3B	0	JAN 20/09	23-34-52- 1	4	JAN 20/09
23-32-55- 3B	1	JAN 20/09	23-34-52- 1A	0	MAY 28/07
23-32-55- 3B	2	JAN 20/09	23-34-52- 1A	1	JAN 20/09
23-34-00	1	MAY 28/07	23-34-52- 1A	2	JAN 20/09
23-34-01- 8	0	JAN 20/09	23-34-52- 1C	0	JAN 20/09
23-34-01- 8	1	JAN 20/09	23-34-52- 1C	0A	JAN 20/09
23-34-03- 1	0	MAY 28/07	23-34-52- 1C	1	JAN 20/09
23-34-03- 1	0A	MAY 28/07	23-34-52- 1C	2	JAN 20/09
23-34-03- 1	0B	MAY 28/07	23-34-52- 1C	3	JAN 20/09
23-34-03- 1	0C	MAY 28/07	23-34-53- 1	0	JAN 20/09
*23-34-03- 1	1	MAY 20/09	23-34-53- 1	0A	JAN 20/09
*23-34-03- 1	2	MAY 20/09	23-34-53- 1	1	JAN 20/09
23-34-03- 1	3	JAN 20/09	23-38-00	1	JAN 20/09
23-34-03- 1	4	JAN 20/09	23-38-01- 1	0	JAN 20/09
23-34-03- 1B	0	MAY 28/07	23-38-01- 1	1	JAN 20/09
23-34-03- 1B	0A	MAY 28/07	23-38-01- 1	2	JAN 20/09
23-34-03- 1B	0B	MAY 28/07	23-41-00	1	MAY 28/07
*23-34-03- 1B	1	MAY 20/09	23-41-00- 1	0	MAY 28/07
23-34-03- 1B	2	JAN 20/09	23-41-00- 1	1	JAN 20/09
23-34-03- 1B	3	JAN 20/09	23-41-00- 1	2	JAN 20/09
23-34-03- 8	0	JAN 20/09	23-41-00- 2	0	JAN 20/09
23-34-03- 8	0A	JAN 20/09	23-41-00- 2	1	JAN 20/09
23-34-03- 8	0B	JAN 20/09	23-41-51- 1	0	MAY 28/07
23-34-03- 8	0C	JAN 20/09	23-41-51- 1	1	JAN 20/09
23-34-03- 8	1	JAN 20/09	23-41-51- 1	2	JAN 20/09
23-34-03- 8	2	JAN 20/09	23-41-52- 1	0	MAY 28/07
23-34-11- 5	0	JAN 20/09	23-41-52- 1	1	JAN 20/09
23-34-11- 5	1	JAN 20/09	23-41-52- 1	2	JAN 20/09
23-34-11- 5	2	JAN 20/09	23-41-52- 1	3	JAN 20/09
23-34-15- 2	0	MAY 28/07	23-41-52- 1	4	JAN 20/09
*23-34-15- 2	1	MAY 20/09	23-41-52- 1	5	JAN 20/09

* THE ASTERISK INDICATES PAGES CHANGED OR ADDED BY THE CURRENT REVISION



757

PARTS CATALOG (MAINTENANCE)

CH-SECT-UNIT-FIG	PAGE NO.	DATE
23-41-52- 1	6	JAN 20/09
23-41-52- 2	0	MAY 28/07
23-41-52- 2	1	JAN 20/09
23-41-52- 2	2	JAN 20/09
23-41-53- 1	0	MAY 28/07
23-41-53- 1	0A	MAY 28/07
23-41-53- 1	1	JAN 20/09
23-41-53- 1	2	JAN 20/09
23-41-53- 1	3	JAN 20/09
23-41-53- 1	4	JAN 20/09
23-41-54- 1	0	MAY 28/07
23-41-54- 1	1	JAN 20/09
23-41-54- 1	2	JAN 20/09
23-41-54- 1	3	JAN 20/09
23-41-54- 1B	0	MAY 28/07
23-41-54- 1B	1	JAN 20/09
23-41-54- 1B	2	JAN 20/09
23-41-55- 1	0	MAY 28/07
23-41-55- 1	1	JAN 20/09
23-41-55- 1A	0	MAY 28/07
23-41-55- 1A	1	JAN 20/09
23-41-55- 2	0	MAY 28/07
23-41-55- 2	1	JAN 20/09
23-41-56- 1	0	MAY 28/07
23-41-56- 1	1	JAN 20/09
23-41-56- 1	2	JAN 20/09
23-42-00	1	MAY 28/07
23-42-01- 1	0	MAY 28/07
23-42-01- 1	0A	MAY 28/07
23-42-01- 1	0B	MAY 28/07
23-42-01- 1	1	JAN 20/09
23-42-01- 1	2	JAN 20/09
23-42-01- 1	3	JAN 20/09
23-42-01- 1	4	JAN 20/09
23-42-01- 1	5	JAN 20/09
23-42-01- 1	6	JAN 20/09
23-42-01- 1	7	JAN 20/09
23-42-01- 1B	0	MAY 28/07
23-42-01- 1B	0A	MAY 28/07
23-42-01- 1B	0B	MAY 28/07
23-42-01- 1B	0C	MAY 28/07
23-42-01- 1B	1	JAN 20/09
23-42-01- 1B	2	JAN 20/09
23-42-01- 1B	3	JAN 20/09
23-42-01- 8	0	JAN 20/09
23-42-01- 8	0A	JAN 20/09
23-42-01- 8	0B	JAN 20/09
23-42-01- 8	0C	JAN 20/09
23-42-01- 8	0D	JAN 20/09
23-42-01- 8	1	JAN 20/09
23-42-01- 8	2	JAN 20/09

CH-SECT-UNIT-FIG	PAGE NO.	DATE
23-42-02- 1	0	MAY 28/07
23-42-02- 1	1	JAN 20/09
23-42-02- 2	0	JAN 20/09
23-42-02- 2	1	JAN 20/09
23-42-02- 2	2	JAN 20/09
23-42-02- 2	3	JAN 20/09
23-42-02- 2	4	JAN 20/09
23-42-02- 2	5	JAN 20/09
23-42-02- 2	6	JAN 20/09
23-42-02- 2	7	JAN 20/09
23-42-02- 2	8	JAN 20/09
23-42-02- 2	9	JAN 20/09
23-42-02- 2	10	JAN 20/09
23-42-02- 4	0	JAN 20/09
23-42-02- 4	1	JAN 20/09
23-42-02- 9	0	MAY 28/07
23-42-02- 9	1	JAN 20/09
23-42-02- 9	2	JAN 20/09
23-42-51-10	0	MAY 28/07
23-42-51-10	1	JAN 20/09
23-42-51-10	2	JAN 20/09
23-42-51-10	3	JAN 20/09
23-42-51-10	4	JAN 20/09
23-42-51-10	5	JAN 20/09
23-42-51-10	6	JAN 20/09
23-42-51-10A	0	MAY 28/07
23-42-51-10A	1	JAN 20/09
23-42-51-10A	2	JAN 20/09
23-42-51-12	0	MAY 28/07
23-42-51-12	0A	MAY 28/07
*23-42-51-12	1	MAY 20/09
23-42-51-12	2	JAN 20/09
23-42-51-12	3	JAN 20/09
*23-42-51-12	4	MAY 20/09
23-42-51-12	5	JAN 20/09
23-42-51-12	6	JAN 20/09
23-42-51-50	0	MAY 28/07
23-42-51-50	1	JAN 20/09
23-42-51-50	2	JAN 20/09
23-42-51-50C	0	JAN 20/09
23-42-51-50C	1	JAN 20/09
23-42-51-51	0	JAN 20/09
23-42-51-51	1	JAN 20/09
23-42-51-51D	0	JAN 20/09
23-42-51-51D	1	JAN 20/09
23-42-51-52A	0	MAY 28/07
23-42-51-52A	1	JAN 20/09
23-42-52- 2	0	JAN 20/09
23-42-52- 2	0A	JAN 20/09
23-42-52- 2	0B	JAN 20/09
23-42-52- 2	1	JAN 20/09

* THE ASTERISK INDICATES PAGES CHANGED OR ADDED BY THE CURRENT REVISION



757

PARTS CATALOG (MAINTENANCE)

CH-SECT-UNIT-FIG	PAGE NO.	DATE	CH-SECT-UNIT-FIG	PAGE NO.	DATE
23-42-52- 2	2	JAN 20/09	23-42-52-11A	0D	JAN 20/09
23-42-52- 2	3	JAN 20/09	23-42-52-11A	0E	JAN 20/09
23-42-52- 2	4	JAN 20/09	23-42-52-11A	1	JAN 20/09
23-42-52- 2	5	JAN 20/09	23-42-52-11A	2	JAN 20/09
23-42-52- 6	0	MAY 28/07	23-42-52-11A	3	JAN 20/09
23-42-52- 6	1	JAN 20/09	23-42-52-11A	4	JAN 20/09
23-42-52- 6	2	JAN 20/09	23-42-52-11A	5	JAN 20/09
23-42-52- 6	3	JAN 20/09	23-42-52-11A	6	JAN 20/09
23-42-52- 6	4	JAN 20/09	23-42-52-11A	7	JAN 20/09
23-42-52- 6	5	JAN 20/09	23-42-52-11A	8	JAN 20/09
23-42-52- 6	6	JAN 20/09	23-42-52-11A	9	JAN 20/09
23-42-52- 6	7	JAN 20/09	23-42-52-11A	10	JAN 20/09
23-42-52- 7	0	MAY 28/07	23-42-52-11A	11	JAN 20/09
23-42-52- 7	0A	MAY 28/07	23-42-52-35	0	JAN 20/09
23-42-52- 7	1	JAN 20/09	23-42-52-35	0A	JAN 20/09
23-42-52- 7	2	JAN 20/09	23-42-52-35	0B	JAN 20/09
23-42-52- 7	3	JAN 20/09	23-42-52-35	0C	JAN 20/09
23-42-52- 7	4	JAN 20/09	23-42-52-35	1	JAN 20/09
23-42-52- 7	5	JAN 20/09	23-42-52-35	2	JAN 20/09
23-42-52- 7	6	JAN 20/09	23-42-52-35	3	JAN 20/09
23-42-52- 7	7	JAN 20/09	23-42-52-35	4	JAN 20/09
23-42-52- 7	8	JAN 20/09	23-42-52-35	5	JAN 20/09
23-42-52- 7	9	JAN 20/09	23-42-52-35	6	JAN 20/09
23-42-52- 7	10	JAN 20/09	23-42-52-50	0	JAN 20/09
23-42-52- 7	11	JAN 20/09	23-42-52-50	1	JAN 20/09
23-42-52- 7	12	JAN 20/09	23-42-53- 1	0	MAY 28/07
23-42-52- 7	13	JAN 20/09	23-42-53- 1	0A	JAN 20/09
23-42-52- 8	0	MAY 28/07	23-42-53- 1	1	JAN 20/09
23-42-52- 8	0A	MAY 28/07	23-42-53- 1	2	JAN 20/09
23-42-52- 8	1	JAN 20/09	23-42-53- 1	3	JAN 20/09
23-42-52- 8	2	JAN 20/09	23-42-53- 1	4	JAN 20/09
23-42-52- 8	3	JAN 20/09	23-42-53- 2	0	MAY 28/07
23-42-52- 8	4	JAN 20/09	23-42-53- 2	1	JAN 20/09
23-42-52- 8	5	JAN 20/09	23-42-53- 2	2	JAN 20/09
23-42-52- 8	6	JAN 20/09	23-42-53- 3	0	JAN 20/09
23-42-52- 9	0	MAY 28/07	23-42-53- 3	1	JAN 20/09
23-42-52- 9	0A	MAY 28/07	23-43-00	1	MAY 28/07
23-42-52- 9	1	JAN 20/09	23-43-00- 1	0	MAY 28/07
23-42-52- 9	2	JAN 20/09	23-43-00- 1	0A	MAY 28/07
23-42-52- 9	3	JAN 20/09	23-43-00- 1	1	JAN 20/09
23-42-52- 9	4	JAN 20/09	23-43-00- 1	2	JAN 20/09
23-42-52- 9	5	JAN 20/09	23-43-00- 1	3	JAN 20/09
23-42-52- 9	6	JAN 20/09	23-43-01- 1	0	MAY 28/07
23-42-52- 9	7	JAN 20/09	23-43-01- 1	1	JAN 20/09
23-42-52- 9	8	JAN 20/09	23-43-01- 1	2	JAN 20/09
23-42-52- 9	9	JAN 20/09	23-43-02- 1B	0	MAY 28/07
23-42-52- 9	10	JAN 20/09	23-43-02- 1B	0A	SEP 20/08
23-42-52-11A	0	JAN 20/09	23-43-02- 1B	1	JAN 20/09
23-42-52-11A	0A	JAN 20/09	23-43-02- 1B	2	JAN 20/09
23-42-52-11A	0B	JAN 20/09	23-51-00	1	MAY 28/07
23-42-52-11A	0C	JAN 20/09	23-51-01- 1	0	SEP 20/08

* THE ASTERISK INDICATES PAGES CHANGED OR ADDED BY THE CURRENT REVISION



757
PARTS CATALOG (MAINTENANCE)

CH-SECT-UNIT-FIG	PAGE NO.	DATE	CH-SECT-UNIT-FIG	PAGE NO.	DATE
23-51-01- 1	0A	MAY 28/07	23-51-01- 3	13	JAN 20/09
23-51-01- 1	0B	MAY 28/07	23-51-01- 3	14	JAN 20/09
23-51-01- 1	1	JAN 20/09	23-51-01- 3	15	JAN 20/09
23-51-01- 1	2	JAN 20/09	23-51-01- 3	16	JAN 20/09
23-51-01- 1	3	JAN 20/09	23-51-01- 3	17	JAN 20/09
23-51-01- 1	4	JAN 20/09	23-51-01- 3	18	JAN 20/09
23-51-01- 1	5	JAN 20/09	23-51-01- 4	0	MAY 28/07
23-51-01- 1	6	JAN 20/09	23-51-01- 4	1	JAN 20/09
23-51-01- 1	7	JAN 20/09	23-51-01- 4	2	JAN 20/09
23-51-01- 1	8	JAN 20/09	23-51-01- 4	3	JAN 20/09
23-51-01- 1	9	JAN 20/09	23-51-01- 4	4	JAN 20/09
23-51-01- 1	10	JAN 20/09	23-51-01- 4	5	JAN 20/09
23-51-01- 1	11	JAN 20/09	23-51-01- 4	6	JAN 20/09
23-51-01- 1	12	JAN 20/09	23-51-01- 4	7	JAN 20/09
23-51-01- 1	13	JAN 20/09	23-51-01- 4	8	JAN 20/09
23-51-01- 1	14	JAN 20/09	23-51-01- 4	9	JAN 20/09
23-51-01- 1	15	JAN 20/09	23-51-01- 4	10	JAN 20/09
23-51-01- 1	16	JAN 20/09	23-51-01- 4	11	JAN 20/09
23-51-01- 1	17	JAN 20/09	23-51-01- 4	12	JAN 20/09
23-51-01- 1	18	JAN 20/09	23-51-01- 5	0	MAY 28/07
23-51-01- 1	19	JAN 20/09	23-51-01- 5	0A	MAY 28/07
23-51-01- 1	20	JAN 20/09	23-51-01- 5	0B	MAY 28/07
23-51-01- 1	21	JAN 20/09	23-51-01- 5	0C	MAY 28/07
23-51-01- 1	22	JAN 20/09	23-51-01- 5	1	JAN 20/09
23-51-01- 1	23	JAN 20/09	23-51-01- 5	2	JAN 20/09
23-51-01- 1	24	JAN 20/09	23-51-01- 5	3	JAN 20/09
23-51-01- 1	25	JAN 20/09	23-51-01- 5	4	JAN 20/09
23-51-01- 1	26	JAN 20/09	23-51-01- 5	5	JAN 20/09
23-51-01- 1	27	JAN 20/09	23-51-01- 5	6	JAN 20/09
23-51-01- 2	0	MAY 28/07	23-51-01- 5	7	JAN 20/09
23-51-01- 2	1	JAN 20/09	23-51-01- 5	8	JAN 20/09
23-51-01- 2	2	JAN 20/09	23-51-01- 5	9	JAN 20/09
23-51-01- 2	3	JAN 20/09	23-51-01- 5	10	JAN 20/09
23-51-01- 2B	0	MAY 28/07	23-51-01- 5	11	JAN 20/09
23-51-01- 2B	1	JAN 20/09	23-51-01- 5	12	JAN 20/09
23-51-01- 2B	2	JAN 20/09	23-51-01- 5	13	JAN 20/09
23-51-01- 3	0	MAY 28/07	23-51-01- 5	14	JAN 20/09
23-51-01- 3	0A	MAY 28/07	23-51-01- 5	15	JAN 20/09
23-51-01- 3	0B	MAY 28/07	23-51-01- 5	16	JAN 20/09
23-51-01- 3	1	JAN 20/09	23-51-01- 5	17	JAN 20/09
23-51-01- 3	2	JAN 20/09	23-51-01- 5	18	JAN 20/09
23-51-01- 3	3	JAN 20/09	23-51-01- 5	19	JAN 20/09
23-51-01- 3	4	JAN 20/09	23-51-01- 5	20	JAN 20/09
23-51-01- 3	5	JAN 20/09	23-51-01- 5	21	JAN 20/09
23-51-01- 3	6	JAN 20/09	23-51-01- 5	22	JAN 20/09
23-51-01- 3	7	JAN 20/09	23-51-01- 5	23	JAN 20/09
23-51-01- 3	8	JAN 20/09	23-51-01- 6	0	MAY 28/07
23-51-01- 3	9	JAN 20/09	23-51-01- 6	0A	MAY 28/07
23-51-01- 3	10	JAN 20/09	23-51-01- 6	0B	MAY 28/07
23-51-01- 3	11	JAN 20/09	23-51-01- 6	1	JAN 20/09
23-51-01- 3	12	JAN 20/09	23-51-01- 6	2	JAN 20/09

* THE ASTERISK INDICATES PAGES CHANGED OR ADDED BY THE CURRENT REVISION



757
PARTS CATALOG (MAINTENANCE)

CH-SECT-UNIT-FIG	PAGE NO.	DATE	CH-SECT-UNIT-FIG	PAGE NO.	DATE
23-51-01- 6	3	JAN 20/09	23-51-51- 2	6	JAN 20/09
23-51-01- 6	4	JAN 20/09	23-51-51- 2	7	JAN 20/09
23-51-01- 6	5	JAN 20/09	23-51-51- 2	8	JAN 20/09
23-51-01- 6	6	JAN 20/09	23-51-51- 2	9	JAN 20/09
23-51-01- 6	7	JAN 20/09	23-51-51- 2	10	JAN 20/09
23-51-01- 6	8	JAN 20/09	23-51-51- 2	11	JAN 20/09
23-51-01- 6	9	JAN 20/09	23-51-51- 2	12	JAN 20/09
23-51-01- 6	10	JAN 20/09	23-51-51- 3	0	JAN 20/09
23-51-01- 6	11	JAN 20/09	23-51-51- 3	0A	SEP 28/07
23-51-01- 6	12	JAN 20/09	23-51-51- 3	0B	SEP 28/07
23-51-01- 6	13	JAN 20/09	23-51-51- 3	0C	JAN 20/09
23-51-01- 6	14	JAN 20/09	23-51-51- 3	1	JAN 20/09
23-51-01- 6	15	JAN 20/09	23-51-51- 3	2	JAN 20/09
23-51-01- 6	16	JAN 20/09	23-51-51- 3	3	JAN 20/09
23-51-01- 6	17	JAN 20/09	23-51-51- 3	4	JAN 20/09
23-51-01- 6	18	JAN 20/09	23-51-51- 3	5	JAN 20/09
23-51-01- 6	19	JAN 20/09	23-51-51- 3	6	JAN 20/09
23-51-01- 6	20	JAN 20/09	23-51-51- 3	7	JAN 20/09
23-51-01- 6	21	JAN 20/09	23-51-51- 3	8	JAN 20/09
23-51-01- 6	22	JAN 20/09	23-51-51- 3	9	JAN 20/09
23-51-01- 6	23	JAN 20/09	23-51-51- 5	0	MAY 28/07
23-51-02- 5	0	MAY 28/07	23-51-51- 5	1	JAN 20/09
23-51-02- 5	0A	MAY 28/07	23-51-51- 5B	0	MAY 28/07
23-51-02- 5	1	JAN 20/09	23-51-51- 5B	0A	MAY 28/07
23-51-02- 5	2	JAN 20/09	23-51-51- 5B	1	JAN 20/09
23-51-02- 5	3	JAN 20/09	23-51-51- 5B	2	JAN 20/09
23-51-02- 5	4	JAN 20/09	23-51-51- 5B	3	JAN 20/09
23-51-02- 5	5	JAN 20/09	23-51-51- 5B	4	JAN 20/09
23-51-02- 5	6	JAN 20/09	23-51-51- 5B	5	JAN 20/09
23-51-03- 1	0	MAY 28/07	23-51-51-10	0	JAN 20/09
23-51-03- 1	1	JAN 20/09	23-51-51-10	1	JAN 20/09
23-51-03- 1	2	JAN 20/09	23-51-51-10	2	JAN 20/09
23-51-03- 1	3	JAN 20/09	23-51-51-45	0	MAY 28/07
23-51-03- 1	4	JAN 20/09	23-51-51-45	1	JAN 20/09
23-51-03- 1	5	JAN 20/09	*23-51-51-46	0	MAY 20/09
23-51-03- 1	6	JAN 20/09	23-51-51-46	0A	JAN 20/09
23-51-03- 1	7	JAN 20/09	23-51-51-46	1	JAN 20/09
*23-51-03- 1	8	MAY 20/09	23-51-52- 1	0	MAY 28/07
*23-51-03- 1	9	MAY 20/09	23-51-52- 1	1	JAN 20/09
*23-51-03- 1	10	MAY 20/09	23-51-52- 1	2	JAN 20/09
23-51-51- 2	0	JAN 20/08	23-61-00	1	MAY 28/07
23-51-51- 2	0A	SEP 28/07	23-61-01- 1	0	MAY 28/07
23-51-51- 2	0B	MAY 28/07	23-61-01- 1	0A	MAY 28/07
23-51-51- 2	0C	SEP 20/08	23-61-01- 1	1	JAN 20/09
23-51-51- 2	0D	MAY 28/07	23-61-01- 1	2	JAN 20/09
23-51-51- 2	0E	SEP 28/07	23-61-01- 1	3	JAN 20/09
23-51-51- 2	1	JAN 20/09	23-61-01- 1	4	JAN 20/09
23-51-51- 2	2	JAN 20/09	23-61-01- 1	5	JAN 20/09
23-51-51- 2	3	JAN 20/09	23-61-01- 1	6	JAN 20/09
23-51-51- 2	4	JAN 20/09	23-61-01- 1	7	JAN 20/09
23-51-51- 2	5	JAN 20/09	23-61-01- 1	8	JAN 20/09

* THE ASTERISK INDICATES PAGES CHANGED OR ADDED BY THE CURRENT REVISION



BOEING
757
PARTS CATALOG (MAINTENANCE)

CH-SECT-UNIT-FIG	PAGE NO.	DATE
23-61-01- 2	0	MAY 28/07
23-61-01- 2	1	JAN 20/09
23-61-01- 2	2	JAN 20/09
23-61-01- 2	3	JAN 20/09
23-61-01- 2	4	JAN 20/09
23-61-01- 2	5	JAN 20/09
23-61-01- 2	6	JAN 20/09
23-71-00	1	MAY 28/07
23-71-01- 1	0	MAY 28/07
23-71-01- 1	0A	MAY 28/07
23-71-01- 1	0B	MAY 28/07
23-71-01- 1	0C	MAY 28/07
23-71-01- 1	0D	MAY 28/07
23-71-01- 1	0E	MAY 28/07
23-71-01- 1	0F	MAY 28/07
23-71-01- 1	1	JAN 20/09
23-71-01- 1	2	JAN 20/09
23-71-01- 1	3	JAN 20/09
23-71-01- 1	4	JAN 20/09
23-71-01- 1	5	JAN 20/09
23-71-01- 1	6	JAN 20/09
23-71-01- 1	7	JAN 20/09
23-71-01- 1	8	JAN 20/09
23-71-01- 1	9	JAN 20/09
23-71-01- 1	10	JAN 20/09
23-71-01- 1	11	JAN 20/09
23-71-01- 1	12	JAN 20/09
23-71-01- 1	13	JAN 20/09
23-71-01- 1	14	JAN 20/09
23-71-01- 1	15	JAN 20/09
23-71-01- 1	16	JAN 20/09
23-71-01- 1	17	JAN 20/09
23-71-01- 1	18	JAN 20/09
23-71-01- 1	19	JAN 20/09
23-71-01- 1	20	JAN 20/09
23-71-01- 1	21	JAN 20/09
23-71-01- 1	22	JAN 20/09
23-71-01- 1	23	JAN 20/09
23-71-01- 1	24	JAN 20/09
23-71-03- 1	0	MAY 28/07
23-71-03- 1	0A	MAY 28/07
23-71-03- 1	0B	MAY 28/07
23-71-03- 1	1	JAN 20/09
23-71-03- 1	2	JAN 20/09
23-71-03- 1	3	JAN 20/09
23-71-03- 1	4	JAN 20/09
23-71-03- 1	5	JAN 20/09
23-71-03- 1	6	JAN 20/09
23-71-03- 1	7	JAN 20/09
23-71-03- 1	8	JAN 20/09
23-71-03- 1	9	JAN 20/09

CH-SECT-UNIT-FIG	PAGE NO.	DATE
23-71-03- 1	10	JAN 20/09
23-71-03- 1	11	JAN 20/09
23-71-03- 1	12	JAN 20/09
23-71-03- 1	13	JAN 20/09
23-71-03- 1	14	JAN 20/09
23-71-03- 1	15	JAN 20/09
23-71-03- 1	16	JAN 20/09
23-71-03- 1	17	JAN 20/09
23-71-05- 1	0	MAY 28/07
23-71-05- 1	0A	MAY 28/07
23-71-05- 1	0B	MAY 28/07
23-71-05- 1	0C	MAY 28/07
23-71-05- 1	1	JAN 20/09
23-71-05- 1	2	JAN 20/09
23-71-05- 2	0	MAY 28/07
23-71-05- 2	1	JAN 20/09
23-71-05- 2	2	JAN 20/09
23-71-05- 2	3	JAN 20/09
23-71-05- 2	4	JAN 20/09
23-71-05- 2	5	JAN 20/09
23-71-05- 2	6	JAN 20/09
23-71-05- 2	7	JAN 20/09
23-71-05- 2	8	JAN 20/09
23-71-11- 1B	0	JAN 20/09
23-71-11- 1B	1	JAN 20/09

* THE ASTERISK INDICATES PAGES CHANGED OR ADDED BY THE CURRENT REVISION

BRI
MAY 20/09

23 - LIST OF EFFECTIVE PAGES
PAGE 14

 **BOEING**
757
PARTS CATALOG (MAINTENANCE)

CHAPTER 23 — COMMUNICATIONS

TABLE OF CONTENTS

SUBJECT	CC-SS-UU	FIGURE	EFFECT
COMMUNICATIONS	23-00-00		
PANEL INSTL-MAP LIGHT AND SPKR (COMMUNICATIONS ONLY)	23-00-51	02	011106 108120 504903


BOEING
 757
PARTS CATALOG (MAINTENANCE)

CHAPTER 23 — COMMUNICATIONS

TABLE OF CONTENTS

SUBJECT	CC-SS-UU	FIGURE	EFFECT
HIGH FREQUENCY (HF) COMMUNICATION SYSTEM	23-11-00		
COUPLER INSTL-HF ANTENNA COMM	23-11-01	01A	103106
COUPLER INSTL-VERT. STAB. AND COMM HF ANT.	23-11-01	01	002004 006102 107999
EQUIPMENT INSTL-E6 AFT EQPT CTR (HF COMMUNICATION SYSTEM ONLY)	23-11-03	02	121503 904949
EQUIPMENT INSTL-MAIN ELECTRONICS EQPT CTR (HF COMMUNICATION SYSTEM ONLY)	23-11-03	01	002004 006100 107107 504903 950999
EQUIPMENT INSTL-MAIN ELECTRONICS EQPT CTR (HF COMMUNICATION SYSTEM ONLY)	23-11-03	01B	101102
EQUIPMENT INSTL-MAIN ELECTRONICS EQPT CTR HF XCVR (HF COMMUNICATION SYSTEM ONLY)	23-11-03	08	103106
PANEL INSTL-P5 OVHD (HF COMMUNICATIONS SYSTEM ONLY)	23-11-02	01	002004 006100 107107 121999
VERY HIGH FREQUENCY (VHF) COMMUNICATION SYSTEM	23-12-00		
ANTENNA INSTL- VHF COM CENTER	23-12-03	03	103106
ANTENNA INSTL- VHF COM CENTER	23-12-03	04	103106
ANTENNA INSTL-VHF COMM	23-12-03	01	002004 006105 107999
EQUIPMENT INSTL-MAIN ELECTRONICS AND E6 AFT EQPT CTR (VHF COMMUNICATION SYSTEM ONLY)	23-12-01	01	002004 006100 107107 121999
EQUIPMENT INSTL-MAIN ELECTRONICS EQPT CTR (VHF COMMUNICATION SYSTEM ONLY)	23-12-01	01B	101102
EQUIPMENT INSTL-MAIN ELECTRONICS EQPT CTR VHF COMM XCVR	23-12-01	08	103106 108120
PANEL ASSY-FREQUENCY VHF COMM VFP-712 (COMMUNICATIONS ONLY)	23-12-02	01A	002004 006100 950952


BOEING
 757
PARTS CATALOG (MAINTENANCE)

CHAPTER 23 — COMMUNICATIONS

TABLE OF CONTENTS

SUBJECT	CC-SS-UU	FIGURE	EFFECT
R			
PANEL ASSY-VHF COMM CONT	23-12-02	50B	101102
(COMMUNICATIONS ONLY)			108120
PANEL INSTL-L MISC RELAY P36	23-12-00	05	103106
PANEL INSTL-P8 ELECTRONIC (VHF	23-12-02	01	002004
COMMUNICATION SYSTEM ONLY)			006100
			107107
			121503
			904999
PANEL INSTL-P8,P9,P10 ELECTRONICS (VHF	23-12-02	03	101106
COMMUNICATION SYSTEM ONLY)			108120
			504903



BOEING
757
PARTS CATALOG (MAINTENANCE)

CHAPTER 23 — COMMUNICATIONS

TABLE OF CONTENTS

SUBJECT	CC-SS-UU	FIGURE	EFFECT
SELECTIVE CALLING (SELCAL) SYSTEM	23-21-00		
EQUIPMENT INSTL-MAIN ELECTRONICS EQPT	23-21-01	01	002004
CTR (SELCAL SYSTEM ONLY)			006100
			107107
			121999
EQUIPMENT INSTL-MAIN ELECTRONICS EQPT	23-21-01	01B	101102
CTR (SELCAL SYSTEM ONLY)			
EQUIPMENT INSTL-MAIN ELECTRONICS EQPT	23-21-01	08	103106
CTR SELCAL DECODER			108120
ARINC COMMUNICATIONS ADDRESSING /	23-22-00		
REPORTING SYSTEM			
EQUIPMENT AND SOFTWARE INSTL-MAIN	23-22-01	02	504903
ELECTRONICS EQPT CTR (ACARS ONLY)			950951
EQUIPMENT AND SOFTWARE INSTL-MAIN	23-22-01	09	103106
ELECTRONICS EQPT CTR CMU			
EQUIPMENT INSTL-MAIN ELECTRONICS EQPT	23-22-04	01	504903
CTR (DUAL ACARS SWITCHING UNIT ONLY)			
PANEL ASSY-P36 MISC RELAY (ACARS ONLY)	23-22-53	01	950951
PANEL ASSY-P36 MISC RELAY L (ACARS ONLY)	23-22-53	01A	504903
PANEL INSTL- P8 ELECTRONIC	23-22-02	01	002004
(COMMUNICATION)			006100
			950951
PANEL INSTL-PRINTER (COMMUNICATIONS	23-22-03	02	504903
ONLY)			
PANEL INSTL-P8 ELECTRONIC (ACARS	23-22-05	01	950951
SYSTEM ONLY)			
PANEL INSTL-P8 ELECTRONIC (ACARS	23-22-05	02	504903
SYSTEM ONLY)			
PANEL INSTL-P8 ELECTRONIC (ACARS	23-22-51	01	002004
SYSTEMS ONLY)			006100
PANEL INSTL-P8, P9, P10 ELECTRONICS	23-22-03	01	101102
(ACARS PRINTER ONLY)			
SHELF ASSY-ELECTRONICS EQPT CTR E4-3	23-22-08	01	103106
(COMMUNICATIONS ONLY)			
EMERGENCY LOCATOR TRANSMITTER	23-24-00		
ANTENNA INSTL-EMER LOCATOR XMTR	23-24-02	01	103106
BRACKET INSTL-EMER LOCATOR XMTR (ELT)	23-24-03	01	101106
PANEL INSTL-P5 OVHD (EMERGENCY LOCATOR	23-24-01	01	103106
TRANSMITTER ONLY)			
TRANSMITTER INSTL-EMER LOCATOR XMTR	23-24-01	02	103106



BOEING
757
PARTS CATALOG (MAINTENANCE)

CHAPTER 23 — COMMUNICATIONS

TABLE OF CONTENTS

SUBJECT	CC-SS-UU	FIGURE	EFFECT
PASSENGER ADDRESS (PA) SYSTEM (PAS)	23-31-00		
CABINET ASSY-LT AND UTILITY SEG 290, LAV A (COMMUNICATIONS ONLY)	23-31-05	05	103106
CABINET ASSY-LT AND UTILITY SEG 290, LAV A (COMMUNICATIONS ONLY)	23-31-05	10	101102 108120 504903
CEILING AND PANEL ASSY-(PASSENGER ADDRESS SYSTEM ONLY)	23-31-04	01	002004 006102 107949 952999
CEILING ASSY-ATTENDANT SPEAKER (COMMUNICATIONS ONLY)	23-31-03	01	103105
CEILING ASSY-ATTENDANT SPEAKER (COMMUNICATIONS ONLY)	23-31-03	02	103106
CEILING ASSY-PASS. ADDRESS (PA) SPKR (COMMUNICATION ONLY)	23-31-08	01	103106
CEILING ASSY-PASS. ADDRESS SPEAKER (COMMUNICATIONS ONLY)	23-31-08	01A	103106
CEILING ASSY-SEG 150 (COMMUNICATIONS ONLY)	23-31-05	20	101102 504903
CEILING ASSY-SEG 150 LAV (COMMUNICATIONS ONLY)	23-31-05	20E	108120
CEILING ASSY-SEG 150 LAV (COMMUNICATIONS ONLY)	23-31-05	24C	103106
ELECTRICAL ASSY-LAV (COMMUNICATIONS ONLY)	23-31-05	02	107107 121503 904949 952999
ELECTRICAL ASSY-LAV (COMMUNICATIONS ONLY)	23-31-05	02A	002004 006100 950951
ELECTRICAL ASSY-LAV A (COMMUNICATIONS ONLY)	23-31-05	01	107107 121503 904949 952999
ELECTRICAL ASSY-LAV A (COMMUNICATIONS ONLY)	23-31-05	01A	002004 006100 950951

 **BOEING**
757
PARTS CATALOG (MAINTENANCE)

CHAPTER 23 — COMMUNICATIONS

TABLE OF CONTENTS

SUBJECT	CC-SS-UU	FIGURE	EFFECT
EQUIPMENT INSTL-MAIN ELECTRONICS EQPT CTR (BOARDING MUSIC TAPE REPRODUCER ONLY)	23-31-06	02	002004 006100 107107 504903
EQUIPMENT INSTL-MAIN ELECTRONICS EQPT CTR (BOARDING MUSIC TAPE REPRODUCER ONLY)	23-31-06	02B	101102
EQUIPMENT INSTL-MAIN ELECTRONICS EQPT CTR (PASSENGER ADDRESS AMPLIFIER ONLY)	23-31-01	01	002004 006100 107107 121999
EQUIPMENT INSTL-MAIN ELECTRONICS EQPT CTR (PASSENGER ADDRESS AMPLIFIER ONLY)	23-31-01	01B	101102
EQUIPMENT INSTL-MAIN ELECTRONICS EQPT CTR PASS. ADDRESS AMPLIFIER	23-31-01	08	103106 108120
MODULE ASSY-LAV A (PASSENGER ADDRESS SYSTEM ONLY)	23-31-06	50	103106 108120
OPTION PACKAGE ASSY-P36 MISC RELAY LH (PASSENGER ADDRESS AND ENTERTAINMENT ONLY)	23-31-54	01A	101102 504903
PANEL ASSY (COMMUNICATIONS ONLY)	23-31-02	31C	108120
PANEL ASSY-(PASSENGER ADDRESS SYSTEM ONLY)	23-31-04	04	108120 953999
PANEL ASSY-AFT CLG (COMMUNICATIONS ONLY)	23-31-52	05	002004 006102 108999
PANEL ASSY-DOOR NO. 2 FLAT (COMMUNICATIONS ONLY) (FLYAWAY)	23-31-52	07	504504 506506
PANEL ASSY-FLAT (COMMUNICATIONS ONLY)	23-31-52	06	952999
PANEL ASSY-P36 MISC RELAY L (PASSENGER ADDRESS AND ENTERTAINMENT ONLY)	23-31-54	01	002004 006100 107107 121503 904999
PANEL INSTL-ATTENDANT (COMMUNICATIONS ONLY)	23-31-51	01	002004 006102 107107 504903 952999

 **BOEING**
757
PARTS CATALOG (MAINTENANCE)

CHAPTER 23 — COMMUNICATIONS

TABLE OF CONTENTS

SUBJECT	CC-SS-UU	FIGURE	EFFECT
PANEL INSTL-P36 L MISC RELAY (PASSENGER ADDRESS SYSTEM ONLY)	23-31-54	01C	103106 108120
PANEL INSTL-P37 R MISC RELAY (PASSENGER ADDRESS SYSTEM ONLY)	23-31-51	05	103106 108120
PANEL PLACARD AND SOFTWARE INSTL	23-31-06	01	103106 108120 504903 952999
REPRODUCER-TAPE	23-31-06	01A	108120 952999
SERVICE UNIT AND PANEL ASSY-UNDERBIN AND OVERDOOR PASS. (COMMUNICATIONS ONLY)	23-31-02	02	107107
SERVICE UNIT AND PANEL ASSY-UNDERBIN AND OVERDOOR PASS. (COMMUNICATIONS ONLY)	23-31-02	24	950951
SERVICE UNIT AND PANEL ASSY-UNDERBIN PASS. AND OVERDOOR SPKR SPACER (COMMUNICATIONS ONLY)	23-31-02	18	121503 904949
SERVICE UNIT AND PANEL INSTL-UNDERBIN AND OVERDOOR PASS. (COMMUNICATIONS ONLY)	23-31-02	28	002004 006010 952999
SERVICE UNIT ASSY-PASS. (COMMUNICATIONS ONLY)	23-31-02	31B	103106 108120
SERVICE UNIT ASSY-PASS. (COMMUNICATIONS ONLY)	23-31-02	37	103106 108120
SERVICE UNIT ASSY-PASS. (PASSENGER ADDRESS SYSTEM ONLY)	23-31-02	70	108120
SERVICE UNIT ASSY-PASS. (PSU SPEAKER ONLY)	23-31-02	34A	103106 108120
SERVICE UNIT ASSY-PASS. (PSU SPEAKER ONLY)	23-31-02	66D	504903
SERVICE UNIT INSTL-PASS (PSU SPEAKER ONLY)	23-31-02	33	011102
PASSENGER ENTERTAINMENT SYSTEM (PES) - VIDEO	23-32-00		
EQUIPMENT AND SOFTWARE INSTL	23-32-53	09	002004 006106 504903
EQUIPMENT AND SOFTWARE INSTL-VIDEO	23-32-53	11A	103106
EQUIPMENT INSTL-AUDIO	23-32-53	12	002004 006100


BOEING
 757
PARTS CATALOG (MAINTENANCE)

CHAPTER 23 — COMMUNICATIONS

TABLE OF CONTENTS

SUBJECT	CC-SS-UU	FIGURE	EFFECT
EQUIPMENT INSTL-E6 AFT EQPT CTR RANDOM ACCESS DEVICE	23-32-51	05	103106
EQUIPMENT INSTL-VIDEO	23-32-53	04	121503 904949
EQUIPMENT INSTL-VIDEO	23-32-53	06	504903
EQUIPMENT INSTL-VIDEO	23-32-53	21A	108120
EQUIPMENT INSTL-VIDEO (CONTROL DISTRIBUTION UNIT ONLY)	23-32-03	02	002004 006102
EQUIPMENT INSTL-VIDEO (DISTRIBUTION AMPLIFIER ONLY)	23-32-13	03	002004 006102
EQUIPMENT INSTL-VIDEO (PREVIEW MONITOR ONLY)	23-32-05	01	002004 006102
EQUIPMENT INSTL-VIDEO DISTR	23-32-09	11	108120
EQUIPMENT INSTL-VIDEO DISTR UNIT CLUSTER AND SPRT	23-32-09	21A	103106
EQUIPMENT INSTL-VIDEO DISTRIBUTION UNIT	23-32-09	13	108120
EQUIPMENT INTL-VIDEO DISTRIBUTION UNIT	23-32-09	10	108120
MODULE ASSY-LAV C AND D (PASSENGER ENTERTAINMENT ONLY)	23-32-07	55C	103106
MONITOR ASSY-VIDEO PSU MODULE (COMMUNICATIONS ONLY)	23-32-08	90	103106
MONITOR INSTL	23-32-02	01	121503 904949
MONITOR INSTL-(RETRACTABLE VIDEO MONITOR ONLY)	23-32-01	05	002004 006100 121503 904949
MONITOR INSTL-MATSHUSHITA RETR OVHD MOUNT LCD	23-32-01	12	108120
MONITOR INSTL-MATSUSHITA OVHD MOUNTED LCD	23-32-02	11	108120
MONITOR INSTL-RCI 14" CRT	23-32-02	05	101102
MONITOR INSTL-RETR RCI 14" CRT	23-32-01	09	101102
MONITOR INSTL-VIDEO	23-32-02	08	011100
MONITOR INSTL-VIDEO (STA 460 TO 1460)	23-32-02	06	002004 006010 950999
MONITOR INSTL-WALL MOUNTED MATSUSHITA	23-32-07	11	108120
MONITOR INSTL-WALL MOUNTED VIDEO, 9.0 IN LCD	23-32-07	20	103106



BOEING
757
PARTS CATALOG (MAINTENANCE)

CHAPTER 23 — COMMUNICATIONS

TABLE OF CONTENTS

SUBJECT	CC-SS-UU	FIGURE	EFFECT
PACKAGE ASSY- OPTION P37 MISC RELAY (PASSENGER ENTERTAINMENT VIDEO ONLY)	23-32-55	01B	101102
PACKAGE ASSY-OPTION P37 MISC RELAY (VIDEO SYSTEM ONLY)	23-32-55	02	504903
PANEL ASSY- P36 & P37 MISC RELAY L (PASSENGER ENTERTAINMENT (VIDEO) ONLY)	23-32-55	01	002004 006100 121503 904949 952999
PANEL INSTL-P5 OVHD (PASSENGER ENTERTAINMENT (VIDEO) ONLY)	23-32-00	11	103106 108120 504903
PANEL INSTL-P70 MISC RELAY (COMMUNICATIONS ONLY)	23-32-55	03B	103106
PROVISION AND SEAL INSTL-SECT. 41 AND 46 VIDEO ENTERTAINMENT WIRE	23-32-54	07	002004 006100 121503 904949 952999
SERVICE UNIT INSTL-PASS. (COMMUNICATIONS ONLY)	23-32-01	32C	103106
SUPPORT INSTL-VIDEO	23-32-52	06A	101102 504903
SUPPORT INSTL-VIDEO	23-32-52	19	108120
SUPPORT INSTL-VIDEO MON	23-32-52	01	121503 904949
SUPPORT INSTL-VIDEO MON	23-32-52	06	011100 504903
SUPPORT INSTL-VIDEO MON (STA 460 TO 1460)	23-32-52	02	002004 006010
SUPPORT INSTL-VIDEO MON (STA 520 TO 1460)	23-32-52	16	952999
SYSTEMS INSTL-VIDEO (TOP COLLECTOR)	23-32-00	01	002004 006100 952999
VIDEO INSTL-LCD MONITOR	23-32-07	06	101102
VIDEO INSTL-LCD MONITOR	23-32-07	10	002004 006102

 **BOEING**
757
PARTS CATALOG (MAINTENANCE)

CHAPTER 23 — COMMUNICATIONS

TABLE OF CONTENTS

SUBJECT	CC-SS-UU	FIGURE	EFFECT
PASSENGER ENTERTAINMENT SYSTEM (PES) - AUDIO	23-34-00		
EQUIPMENT INSTL-MAIN ELECTRONICS EQPT CTR (ENTERTAINMENT TAPE REPRODUCER ONLY)	23-34-03	01	002004 006100 121503 904949 952999
EQUIPMENT INSTL-MAIN ELECTRONICS EQPT CTR (ENTERTAINMENT TAPE REPRODUCER ONLY)	23-34-03	01B	101102
EQUIPMENT INSTL-MAIN ELECTRONICS EQPT CTR (MULTIPLEXER ONLY)	23-34-15	02	002004 006100 121503 904949 952999
EQUIPMENT INSTL-MAIN ELECTRONICS EQPT CTR (MULTIPLEXER ONLY)	23-34-15	02B	101102
EQUIPMENT INSTL-MAIN ELECTRONICS EQPT CTR MUX	23-34-01	08	103106 108120
EQUIPMENT INSTL-MAIN ELECTRONICS EQPT CTR PASS. ENTERTAINMENT TAPE REPRODUCER	23-34-03	08	103106 108120
MODULE ASSY-IN FLIGHT ENTERTAINMENT, ATTENDANT PNL (ENTERTAINMENT CONTROL PANEL ONLY)	23-34-11	05	103106
MULTIPLEXER AND SUPPORT INSTL-PASS. ENTERTAINMENT ZONE	23-34-53	01	504903
PACKAGE ASSY-OPTION P36 MISC RELAY L (PASSENGER ENTERTAINMENT MUSIC ONLY)	23-34-52	01A	101102 504903
PANEL ASSY-P36 MISC RELAY L (PASSENGER ENTERTAINMENT MUSIC ONLY)	23-34-52	01	002004 006100 107107 950999
PANEL INSTL-ATTENDANT (PASSENGER ENTERTAINMENT SYSTEM ONLY)	23-34-51	01	121503 904949
PANEL INSTL-ATTENDANT (PASSENGER ENTERTAINMENT SYSTEM ONLY)	23-34-51	03	504903
PANEL INSTL-ATTENDANT (PASSENGER ENTERTAINMENT SYSTEM ONLY)	23-34-51	04	108120
PANEL INSTL-ATTENDANT (PASSENGER ENTERTAINMENT SYSTEM ONLY)	23-34-51	08	002004 006102

 **BOEING**
757
PARTS CATALOG (MAINTENANCE)

CHAPTER 23 — COMMUNICATIONS

TABLE OF CONTENTS

SUBJECT	CC-SS-UU	FIGURE	EFFECT
PANEL INSTL-P36 L MISC RELAY (PASSENGER ENTERTAINMENT MUSIC ONLY)	23-34-52	01C	103106 108120
PASSENGER FLIGHT INFORMATION SYSTEM (PFIDS)	23-38-00		
EQUIPMENT AND SOFTWARE INSTL - E6 AFT EQPT CTR (DIGITAL INTERFACE UNIT ONLY)	23-38-01	01	103106


BOEING
 757
PARTS CATALOG (MAINTENANCE)

CHAPTER 23 — COMMUNICATIONS

TABLE OF CONTENTS

SUBJECT	CC-SS-UU	FIGURE	EFFECT
SERVICE INTERPHONE SYSTEM (SIS)	23-41-00		
EQUIPMENT ASSY-E6 AFT EQPT CTR CB PNL (COMMUNICATIONS ONLY)	23-41-55	01	002004 006100 107107 950999
EQUIPMENT ASSY-E6 AFT EQPT CTR CB PNL OPTION PKG (COMMUNICATIONS ONLY)	23-41-55	01A	101102 108120 504903
EQUIPMENT ASSY-E6 AFT EQPT CTR METER PNL (COMMUNICATIONS ONLY)	23-41-55	02	121503 904949
EQUIPMENT INSTL-CB PNL EQPT CTR AFT (COMMUNICATIONS ONLY)	23-41-00	02	103106
EQUIPMENT INSTL-WING REFUELING PNL ELECTRICAL/ELECTRONICS (SERVICE INTERPHONE SYSTEM ONLY)	23-41-00	01	002004 006999
INTERPHONE INSTL-SECT. 48 AND APU COMPT (COMMUNICATIONS ONLY)	23-41-51	01	002004 006999
PANEL ASSY-P62 AND P63 NLG LDG AND TURNOFF LTS (SERVICE INTERPHONE SYSTEM ONLY)	23-41-54	01B	102106 108120 504903
PANEL INSTL-EQPT CTR SVCE (COMMUNICATIONS ONLY)	23-41-56	01	002004 006999
PANEL INSTL-MAIN WHL WELL ELECTRICAL SVCE	23-41-53	01	002004 006999
PANEL INSTL-P61 R SIDEWALL (SERVICE INTERPHONE SYSTEM ONLY)	23-41-52	01	002004 006106 108903 950999
PANEL INSTL-P61 R SIDEWALL (SERVICE INTERPHONE SYSTEM ONLY)	23-41-52	02	107107 904949
PANEL INSTL-P62 AND P63 NLG LDG AND TURNOFF LTS (SERVICE INTERPHONE SYSTEM ONLY)	23-41-54	01	002004 006101 107107 121503 904999
CABIN INTERPHONE SYSTEM (CIS)	23-42-00		
CEILING AND PANEL ASSY-(CABIN INTERPHONE SYSTEM ONLY)	23-42-53	01	121949


BOEING
 757
PARTS CATALOG (MAINTENANCE)

CHAPTER 23 — COMMUNICATIONS

TABLE OF CONTENTS

SUBJECT	CC-SS-UU	FIGURE	EFFECT
EQUIPMENT INSTL-MAIN ELECTRONICS EQPT CTR (CABIN INTERPHONE SYSTEM ONLY)	23-42-01	01	002004 006100 107107 121999
EQUIPMENT INSTL-MAIN ELECTRONICS EQPT CTR (CABIN INTERPHONE SYSTEM ONLY)	23-42-01	01B	101102
EQUIPMENT INSTL-MAIN ELECTRONICS EQPT CTR AUDIO ACCESS. UNIT	23-42-01	08	103106 108120
FURNISHINGS INSTL-FLIGHT DECK MISC (COMMUNICATIONS ONLY)	23-42-51	10A	101102 504903
FURNISHINGS INSTL-FLIGHT DECK MISC (DETACHABLE EMERGENCY EQPT ONLY) (COMMUNICATIONS ONLY)	23-42-51	10	002004 006100 107107 121503 904999
HANDSET AND HARDNESS INSTL ATTENDANT DOOR NO. 4	23-42-52	09	002004 006102 108999
HANDSET AND HARNESS INSTL ATTENDANT DOOR NO. 2	23-42-52	07	002004 006102 108999
HANDSET INSTL-ATTENDANT	23-42-52	02	107107
HANDSET INSTL-ATTENDANT DOOR NO. 1, LH	23-42-52	06	002004 006102 108999
HANDSET INSTL-ATTENDANT DOOR NO. 3	23-42-52	08	002004 006102 108999
HANDSET INSTL-ATTENDANT 200 PASSENGER, 4 DOOR (COMMUNICATIONS ONLY)	23-42-52	11A	103106
HANDSET INSTL-FWD, WINDSCREEN, DOOR 1, LH (COMMUNICATIONS ONLY)	23-42-52	35	103106
HARNESS INSTL-ATTENDANT PROVISION LAV (CABIN INTERPHONE SYSTEM ONLY)	23-42-52	50	504903
HEADSET-BOOM MIKE	23-42-51	12	108503 904999
MODULE ASSY-LAV (COMMUNICATIONS ONLY)	23-42-51	50	101102 108120
MODULE ASSY-LAV A (CABIN INTERPHONE SYSTEM ONLY)	23-42-51	50C	103106

 **BOEING**
757
PARTS CATALOG (MAINTENANCE)

CHAPTER 23 — COMMUNICATIONS

TABLE OF CONTENTS

SUBJECT	CC-SS-UU	FIGURE	EFFECT
MODULE ASSY-LAV A (CABIN INTERPHONE SYSTEM ONLY)	23-42-51	52A	101102
MODULE ASSY-LAV D (PASSENGER ADDRESS SYSTEM ONLY)	23-42-51	51D	103106
MODULE ASSY-LAV S (COMMUNICATIONS ONLY)	23-42-51	51	108120
PANEL ASSY-DOOR NO. 2 FLAT (CABIN INTERPHONE SYSTEM ONLY) (FLYAWAY)	23-42-53	03	504504 506506
PANEL ASSY-OVERDOOR CHIME SPACER (SERVICE INTERPHONE SYSTEM ONLY)	23-42-53	02	121503 904949
PANEL INSTL-P5 OVHD (CABIN INTERPHONE SYSTEM ONLY)	23-42-02	01	107107 121503 904949
PANEL INSTL-P5 OVHD (CABIN INTERPHONE SYSTEM ONLY)	23-42-02	02	103106 504903 950999
PANEL INSTL-P5 OVHD (CABIN INTERPHONE SYSTEM ONLY)	23-42-02	04	108120
PANEL INSTL-P5 OVHD (CABIN INTERPHONE SYSTEM ONLY)	23-42-02	09	002004 006102
GROUND CREW CALL SYSTEM	23-43-00		
HORN INSTL-NOSE WHL WELL GND CREW CALL	23-43-01	01	002004 006999
PANEL ASSY-P62 AND P63 NLG LDG AND TURNOFF LTS (GROUND CREW CALL SYSTEM ONLY)	23-43-02	01B	102106 108120 504903
PANEL INSTL-P62 AND P63 NLG LDG AND TURNOFF LTS (GROUND CREW CALL SYSTEM ONLY)	23-43-00	01	002004 006101 107107 121503 904999



BOEING
757
PARTS CATALOG (MAINTENANCE)

CHAPTER 23 — COMMUNICATIONS

TABLE OF CONTENTS

SUBJECT	CC-SS-UU	FIGURE	EFFECT
FLIGHT INTERPHONE SYSTEM	23-51-00		
COMMUNICATION, BMHS, HP AND HANDSET	23-51-51	10	103106
INSTL-FLIGHT DECK			108120
HOLDER AND HANDSET INSTL-CONT STAND MIC	23-51-51	46	950951
HOLDER INSTL-CONT STAND MIC	23-51-51	45	121949
INTERPHONE AND HOLDER INSTL FLIGHT	23-51-51	05B	011100
DECK CREW			504903
INTERPHONE INSTL AND HOLDER INSTL-FLT	23-51-51	03	011106
DECK CREW			108120
			504903
INTERPHONE INSTL-FLIGHT DECK CREW	23-51-51	05	101102
INTERPHONE INSTL, HANDMIKE HOLDER	23-51-51	02	002004
INSTL AND HOOK INSTL-FLT DECK CREW			006010
			107107
			121503
			904999
LOUDSPEAKER INSTL-INTPH AND AURAL	23-51-02	05	002004
WARNING			006999
PANEL ASSY-P62 AND P63 NLG LDG AND	23-51-01	02B	102106
TURNOFF LTS (FLIGHT INTERPHONE SYSTEM			108120
ONLY)			504903
PANEL INSTL-AUX (COMMUNICATIONS ONLY)	23-51-01	03	002004
			006100
			107107
			121503
			904999
PANEL INSTL-AUX, P13, P14, P17, AUDIO	23-51-01	06	101106
SELECT PRE-MODULE, PTT (COMMUNICATIONS			108120
ONLY)			504903
PANEL INSTL-P61 R SIDEWALL (AUDIO	23-51-01	04	002004
INTEGRATING ONLY)			006102
			121503
			904949
PANEL INSTL-P62 AND P63 NLG LTS	23-51-01	02	002004
(FLIGHT INTERPHONE SYSTEM ONLY)			006101
			107107
			121503
			904999
PANEL INSTL-P8 ELECTRONIC (FLIGHT	23-51-52	01	121503
INTERPHONE SYSTEM ONLY)			904949

 **BOEING**
757
PARTS CATALOG (MAINTENANCE)

CHAPTER 23 — COMMUNICATIONS

TABLE OF CONTENTS

SUBJECT	CC-SS-UU	FIGURE	EFFECT
PANEL INSTL-P8, P9, P10 ELECTRONICS (AUDIO INTEGRATING ONLY)	23-51-01	05	101106 108120 504903
PANEL INSTL-P8,P9,P10 ELECTRONIC (AUDIO INTEGRATING ONLY)	23-51-01	01	002004 006100 107107 121503 904999
WHEEL ASSY-CONT COLUMN (COMMUNICATIONS ONLY)	23-51-03	01	002004 006999

 **BOEING**
757
PARTS CATALOG (MAINTENANCE)

CHAPTER 23 — COMMUNICATIONS

TABLE OF CONTENTS

SUBJECT	CC-SS-UU	FIGURE	EFFECT
STATIC DISCHARGING	23-61-00		
DISCHARGER INSTL-WING, VERT. AND	23-61-01	01	002004
HORIZ. STAB. STATIC			006999
RUDDER ASSY (STATIC DISGHARGERS ONLY)	23-61-01	02	002004
			006999



BOEING
757
PARTS CATALOG (MAINTENANCE)

CHAPTER 23 — COMMUNICATIONS

TABLE OF CONTENTS

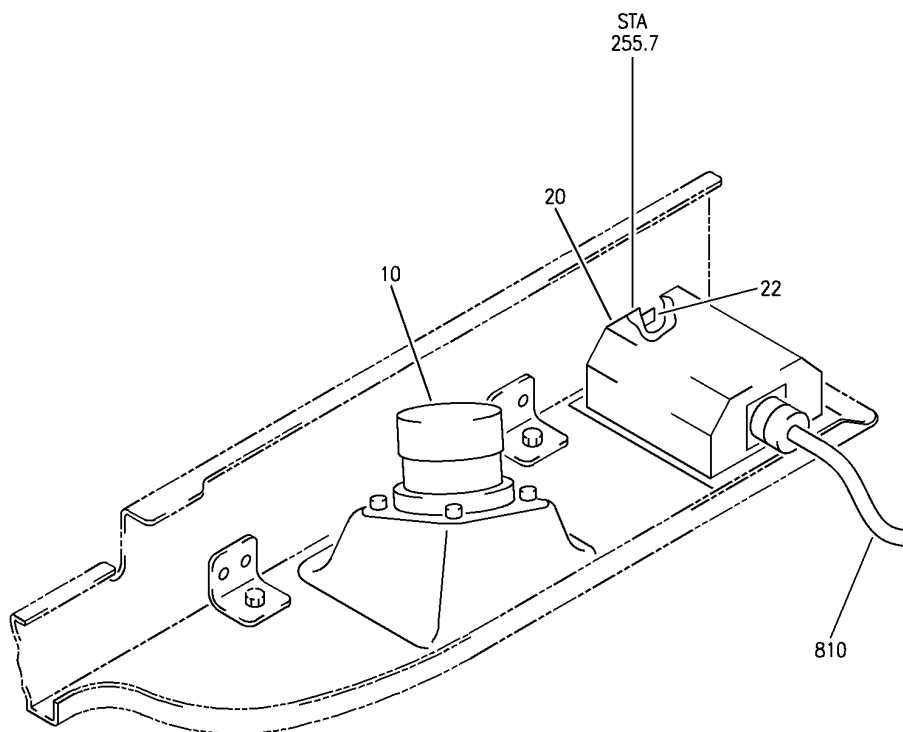
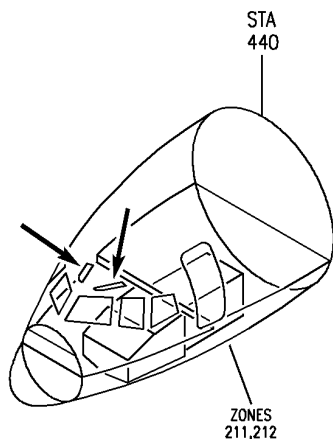
SUBJECT	CC-SS-UU	FIGURE	EFFECT
COCKPIT VOICE RECORDER (CVR) SYSTEM	23-71-00		
PANEL ASSY-P62 AND P63 NLG LDG AND TURNOFF LTS (VOICE RECORDER SYSTEM ONLY)	23-71-11	01B	504903
PANEL INSTL-P5 OVHD (AUDIO AND VIDEO MONITORING ONLY)	23-71-05	01	002004 006100 107107 121503 904999
PANEL INSTL-P5 OVHD (AUDIO AND VIDEO MONITORING ONLY)	23-71-05	02	101106 108120 504903
RECORDER ASSY-COCKPIT VOICE (VOICE RECORDER UNDERWATER LOCATOR BEACON ONLY)	23-71-03	01	002004 006100 104999
SUPPORT AND RECORDER INSTL-VOICE (COMMUNICATIONS ONLY)	23-71-01	01	002004 006999

COMMUNICATIONS

BRI
MAY 28/07

23-00-00
SECTION TITLE
PAGE 1

BOEING
757
PARTS CATALOG (MAINTENANCE)



Y 23005102 REV 302

PANEL INSTL-MAP LIGHT AND SPKR (COMMUNICATIONS ONLY)
FIGURE 2

23-00-51-02

BRI
MAY 28/07

23-00-51-02
PAGE 0



757

PARTS CATALOG (MAINTENANCE)

FIG ITEM	PART NUMBER	1 2 3 4 5 6 7	NOMENCLATURE	EFFECT FROM TO	UNITS PER ASSY
2			PANEL INSTL-MAP LIGHT AND SPKR (COMMUNICATIONS ONLY)	011106 108120 504903	
- 1	232N5030-1		PANEL INSTL-MAP LIGHT AND SPKR CAPT (COMMUNICATIONS ONLY) POSITION DATA: LH FOR NHA/OTHER SYS DET SEE: 25-10-00-05	011017	RF
- 1	232N5030-5		PANEL INSTL-MAP LIGHT AND SPKR CAPT (COMMUNICATIONS ONLY) POSITION DATA: LH FOR NHA/OTHER SYS DET SEE: 25-10-00-05	018100	RF
- 1	232N5030-11		PANEL INSTL-MAP LIGHT AND SPKR CAPT (COMMUNICATIONS ONLY) POSITION DATA: LH FOR NHA/OTHER SYS DET SEE: 25-10-00-05	101101	RF
- 1	232N5030-15		PANEL INSTL-MAP LIGHT AND SPKR CAPT (COMMUNICATIONS ONLY) POSITION DATA: LH FOR NHA/OTHER SYS DET SEE: 25-10-00-10	102102 504903	RF
- 1	232N5030-23		PANEL INSTL-MAP LIGHT AND SPKR CAPT (COMMUNICATIONS ONLY) POSITION DATA: LH FOR NHA/OTHER SYS DET SEE: 25-10-00-10	108120	RF
- 1	MODREF7073		PANEL INSTL-MAP LIGHT AND SPKR CAPT (COMMUNICATIONS ONLY) MODULE NUMBER: 232N5030-23 REV A POSITION DATA: LH FOR OTHER SYS DETAILS SEE: 31-51-11-05	103103	1

MISSING ITEM NUMBERS NOT APPLICABLE

- ITEM NOT ILLUSTRATED

23-00-51-02

23-00-51
FIG. 02
PAGE 1
JAN 20/09

BRI



757

PARTS CATALOG (MAINTENANCE)

FIG ITEM	PART NUMBER	1 2 3 4 5 6 7	NOMENCLATURE	EFFECT FROM TO	UNITS PER ASSY
2					
- 1	MODREF27440		PANEL INSTL-MAP LIGHT AND SPKR CAPT (COMMUNICATIONS ONLY) MODULE NUMBER: 232N5030-23 REV B POSITION DATA: LH FOR OTHER SYS DETAILS SEE: 31-51-11-05	104106	1
- 5	232N5030-2		PANEL INSTL-MAP LIGHT AND SPKR FIRST OFFICER (COMMUNICATIONS ONLY) POSITION DATA: RH FOR NHA/OTHER SYS DET SEE: 25-10-00-05	011017	RF
- 5	232N5030-6		PANEL INSTL-MAP LIGHT AND SPKR AURAL WARNING FIRST OFFICER (COMMUNICATIONS ONLY) POSITION DATA: RH FOR NHA/OTHER SYS DET SEE: 25-10-00-05	018100	RF
- 5	232N5030-12		PANEL INSTL-MAP LIGHT AND SPKR AURAL WARNING FIRST OFFICER (COMMUNICATIONS ONLY) POSITION DATA: RH FOR NHA/OTHER SYS DET SEE: 25-10-00-05	101101	RF
- 5	232N5030-16		PANEL INSTL-MAP LIGHT AND SPKR FIRST OFFICER (COMMUNICATIONS ONLY) POSITION DATA: RH FOR NHA/OTHER SYS DET SEE: 25-10-00-10	102102 504903	RF
- 5	232N5030-24		PANEL INSTL-MAP LIGHT AND SPKR FIRST OFFICER (COMMUNICATIONS ONLY) POSITION DATA: RH FOR NHA/OTHER SYS DET SEE: 25-10-00-10	108120	RF

MISSING ITEM NUMBERS NOT APPLICABLE

- ITEM NOT ILLUSTRATED

BRI

23-00-51-02

BOEING PROPRIETARY - Copyright © - Unpublished Work - See title page for details.

23-00-51
FIG. 02
PAGE 2
JAN 20/09



757

PARTS CATALOG (MAINTENANCE)

FIG ITEM	PART NUMBER	1 2 3 4 5 6 7	NOMENCLATURE	EFFECT FROM TO	UNITS PER ASSY
2					
- 5	MODREF7155		PANEL INSTL-MAP LIGHT AND SPKR FIRST OFFICER (COMMUNICATIONS ONLY) MODULE NUMBER: 232N5030-24 REV A POSITION DATA: RH FOR OTHER SYS DETAILS SEE: 31-51-11-05	103103	1
- 5	MODREF27441		PANEL INSTL-MAP LIGHT AND SPKR FIRST OFFICER (COMMUNICATIONS ONLY) MODULE NUMBER: 232N5030-24 REV B POSITION DATA: RH FOR OTHER SYS DETAILS SEE: 31-51-11-05	104106	1
10	232N5030-3		.PANEL ASSY- POSITION DATA: LH SIDE	011017	RF
10	232N5030-7		.PANEL ASSY- POSITION DATA: LH SIDE	018100	RF
10	232N5030-9		.PANEL ASSY- POSITION DATA: LH SIDE	101101	RF
10	232N5030-13		.PANEL ASSY- POSITION DATA: LH SIDE	102102 504903	RF
10	232N5030-21		.PANEL ASSY- POSITION DATA: LH SIDE	103106 108120	RF
- 15	232N5030-4		.PANEL ASSY- POSITION DATA: RH SIDE	011017	RF
- 15	232N5030-8		.PANEL ASSY- POSITION DATA: RH SIDE	018100	RF
- 15	232N5030-10		.PANEL ASSY- POSITION DATA: RH SIDE	101101	RF
- 15	232N5030-14		.PANEL ASSY- POSITION DATA: RH SIDE	102102 504903	RF
- 15	232N5030-22		.PANEL ASSY- POSITION DATA: RH SIDE	103106 108120	RF

MISSING ITEM NUMBERS NOT APPLICABLE

- ITEM NOT ILLUSTRATED

23-00-51-02

23-00-51
FIG. 02
PAGE 3
JAN 20/09

BRI

BOEING PROPRIETARY - Copyright © - Unpublished Work - See title page for details.

 **BOEING**
757
PARTS CATALOG (MAINTENANCE)

FIG ITEM	PART NUMBER	1 2 3 4 5 6 7	NOMENCLATURE	EFFECT FROM TO	UNITS PER ASSY
2 20	RDAM8304		..SPEAKER ASSY-CKPT SUPPLIER CODE: V54473 FUNCTIONAL DESCRIPTION: COCKPIT SPEAKERS ARE INSTALLED IN THE COCKPIT FOR THE FLIGHT INTERPHONE SYSTEM AND FOR OTHER SYS SPECIFICATION NUMBER: S222T100-202 ELECTRICAL EQUIP NUMBER: B00056 B00057 WIRING DIAGRAM REF: 315111 315112 COMPONENT MAINT MANUAL REF: 23-50-01	011101	1
20	4A3E2		..SPEAKER ASSY-CKPT SUPPLIER CODE: V80248 FUNCTIONAL DESCRIPTION: PROVIDES AMPLIFIED AUDIO TO THE FLIGHT DECK SPECIFICATION NUMBER: S222W220-201 ELECTRICAL EQUIP NUMBER: B23001 B23076 COMPONENT MAINT MANUAL REF: 23-51-01 OPTIONAL PART: 99592-632055-1 V99592	011101 103106 108120	1
20	RDAM8303-01		..SPEAKER ASSY-CKPT SUPPLIER CODE: V0FF57 FUNCTIONAL DESCRIPTION: THE SPEAKERS LOCATED IN THE COCKPIT ARE USED FOR VOICE COMMUNICATION AS PART OF THE FLIGHT INTERPHONE SYSTEM SPECIFICATION NUMBER: S222T100-203 OPTIONAL PART: 99592-632055-1 V99592	011101 103106 108120	1

MISSING ITEM NUMBERS NOT APPLICABLE

— ITEM NOT ILLUSTRATED

BRI

23-00-51-02

BOEING PROPRIETARY - Copyright © - Unpublished Work - See title page for details.

23-00-51
FIG. 02
PAGE 4
JAN 20/09



757

PARTS CATALOG (MAINTENANCE)

FIG ITEM	PART NUMBER	1 2 3 4 5 6 7	NOMENCLATURE	EFFECT FROM TO	UNITS PER ASSY
2					
20	99592-632055	..	SPEAKER ASSY-CKPT SUPPLIER CODE: V99592 FUNCTIONAL DESCRIPTION: PROVIDES AMPLIFIED AUDIO TO THE FLIGHT DECK SPECIFICATION NUMBER: S222W220-201 ELECTRICAL EQUIP NUMBER: B23001 B23076 COMPONENT MAINT MANUAL REF: 23-51-01 OPTIONAL PART: 4A3E2 V80248	102106 108120 504903	1
20	99592-632055-1	..	SPEAKER ASSY-CKPT SUPPLIER CODE: V99592 FUNCTIONAL DESCRIPTION: PROVIDES AMPLIFIED AUDIO TO THE FLIGHT DECK SPECIFICATION NUMBER: S222W220-201 ELECTRICAL EQUIP NUMBER: B23001 B23076 COMPONENT MAINT MANUAL REF: 23-51-01 OPTIONAL PART: RDAM8303-01 V54473	103106 108120	1
22	R6GE4A	...	LABEL-ESD SUPPLIER CODE: V54473 CONFIG CHG DATA FROM A CMM: REPLD BY R6QA229ZA	011101	1
22	R6QA229ZA	...	LABEL-ESD CAUTION SUPPLIER CODE: V54473 CONFIG CHG DATA FROM A CMM: REPLS R6GE4A	011101	1
22	R6QA229ZA	...	LABEL-ESD CAUTION SUPPLIER CODE: V54473	011101 103106 108120	1

MISSING ITEM NUMBERS NOT APPLICABLE

- ITEM NOT ILLUSTRATED

BRI

23-00-51-02

BOEING PROPRIETARY - Copyright © - Unpublished Work - See title page for details.

23-00-51
FIG. 02
PAGE 5
JAN 20/09



757

PARTS CATALOG (MAINTENANCE)

FIG ITEM	PART NUMBER	1 2 3 4 5 6 7	NOMENCLATURE	EFFECT FROM TO	UNITS PER ASSY
2			ATTACHING PARTS		
- 25	BCCREF121246		.. SCREW- SUPPLIER CODE: V12324 OVERLENGTH PART NUMBER: WHS10F12TPKL11BG OPTIONAL PART: BACS12FA3K12BG	011100	4
- 25	BACS12FA3K12BG		.. SCREW- OPTIONAL PART: BCCREF121246 V12324	011100	4
- 25	BACS12FA3K8BG		.. SCREW	101106 108120 504903	4
- 30	NAS43DD4-16FC		.. SPACER -----*-----	011100	4

MISSING ITEM NUMBERS NOT APPLICABLE

- ITEM NOT ILLUSTRATED

BRI

23-00-51-02

BOEING PROPRIETARY - Copyright © - Unpublished Work - See title page for details.

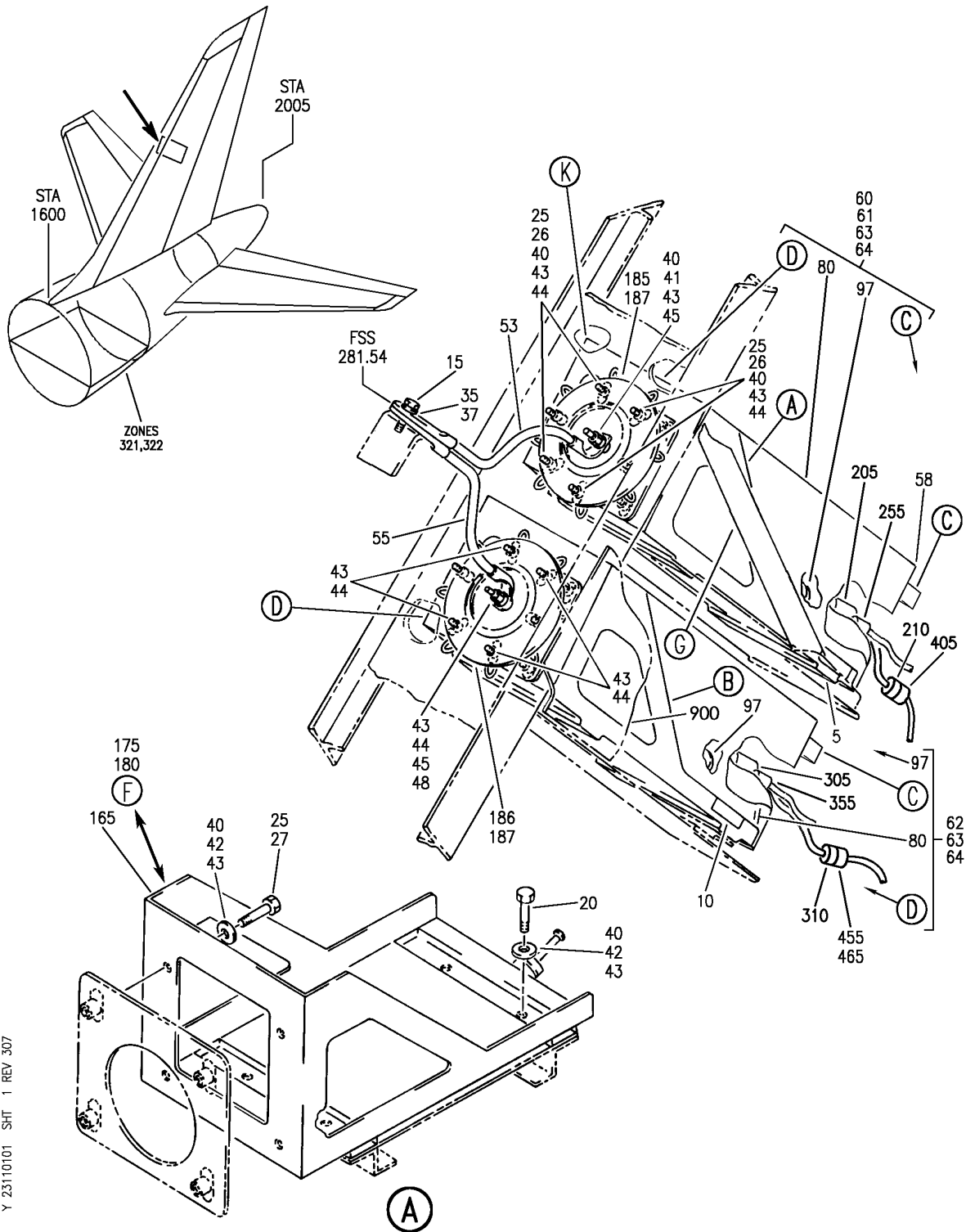
23-00-51
FIG. 02
PAGE 6
JAN 20/09

HIGH FREQUENCY (HF) COMMUNICATION SYSTEM

BRI
MAY 28/07

23-11-00
SECTION TITLE
PAGE 1

BOEING
757
PARTS CATALOG (MAINTENANCE)



Y 23110101 SHT 1 REV 307

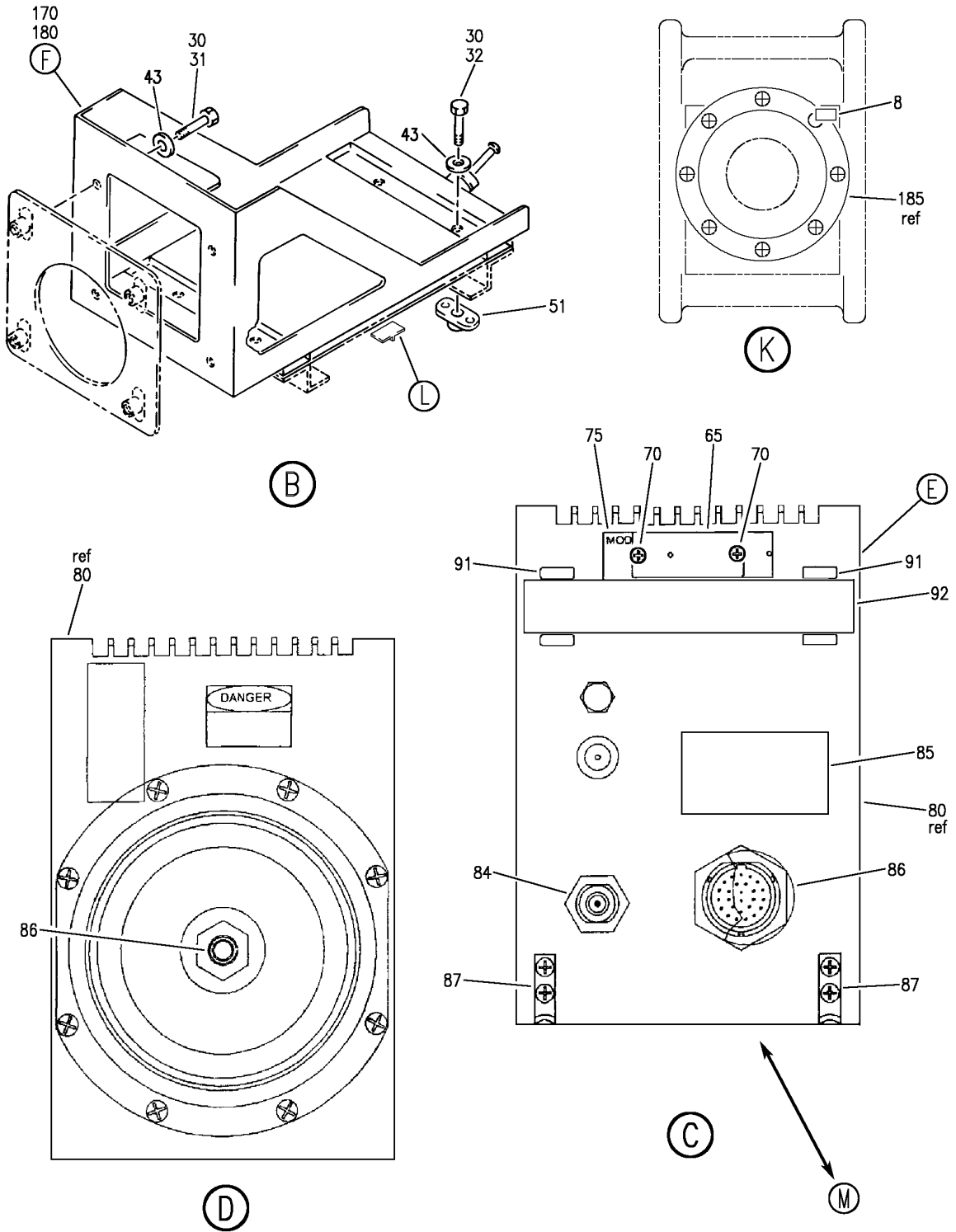
COUPLER INSTL-VERT. STAB. AND COMM HF ANT.
FIGURE 1 (SHEET 1)

23-11-01-01

BRI
MAY 28/07

23-11-01-01
PAGE 0


BOEING
 757
PARTS CATALOG (MAINTENANCE)



Y 23110101 SHT 2 REV 307

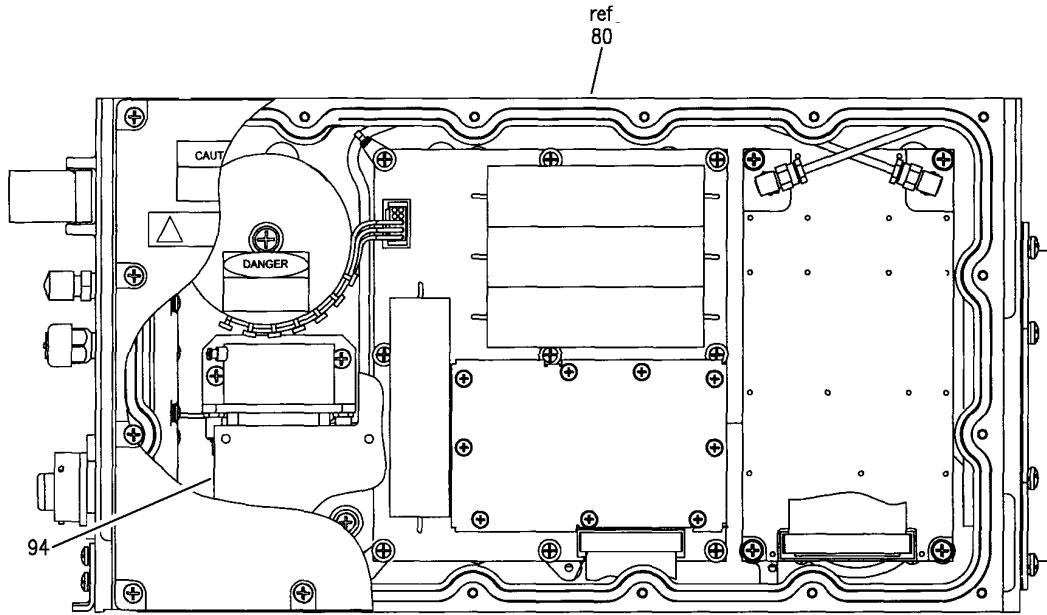
COUPLER INSTL-VERT. STAB. AND COMM HF ANT.
 FIGURE 1 (SHEET 2)

23-11-01-01

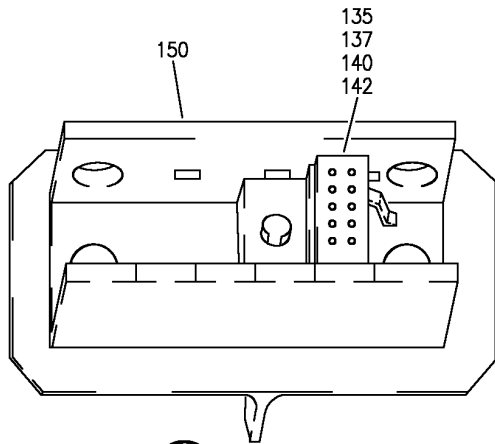
BRI
 MAY 28/07

23-11-01-01
 PAGE 0A

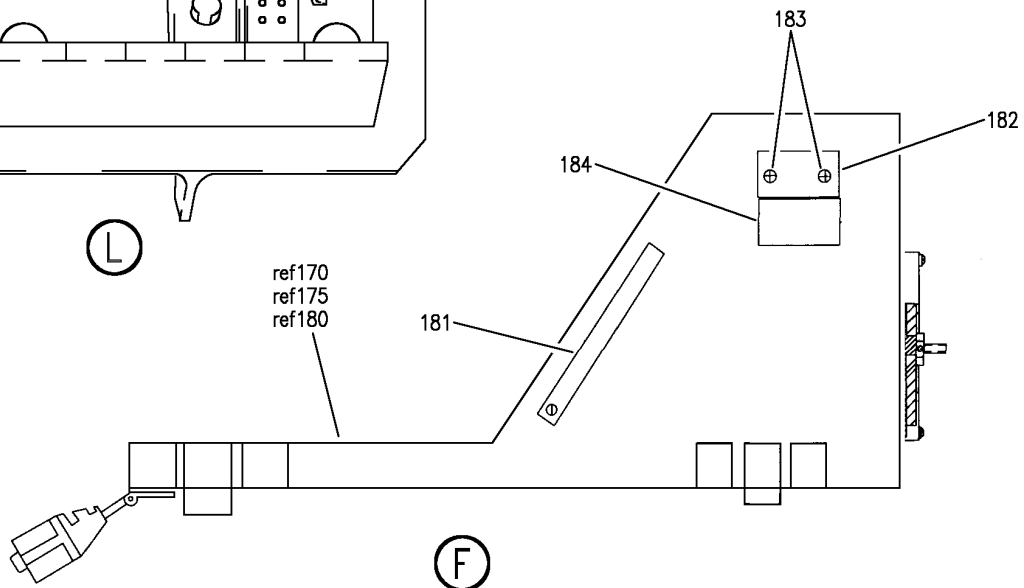
BOEING
757
PARTS CATALOG (MAINTENANCE)



(E)



(L)



(F)

Y 23110101 SHT 3 REV 295

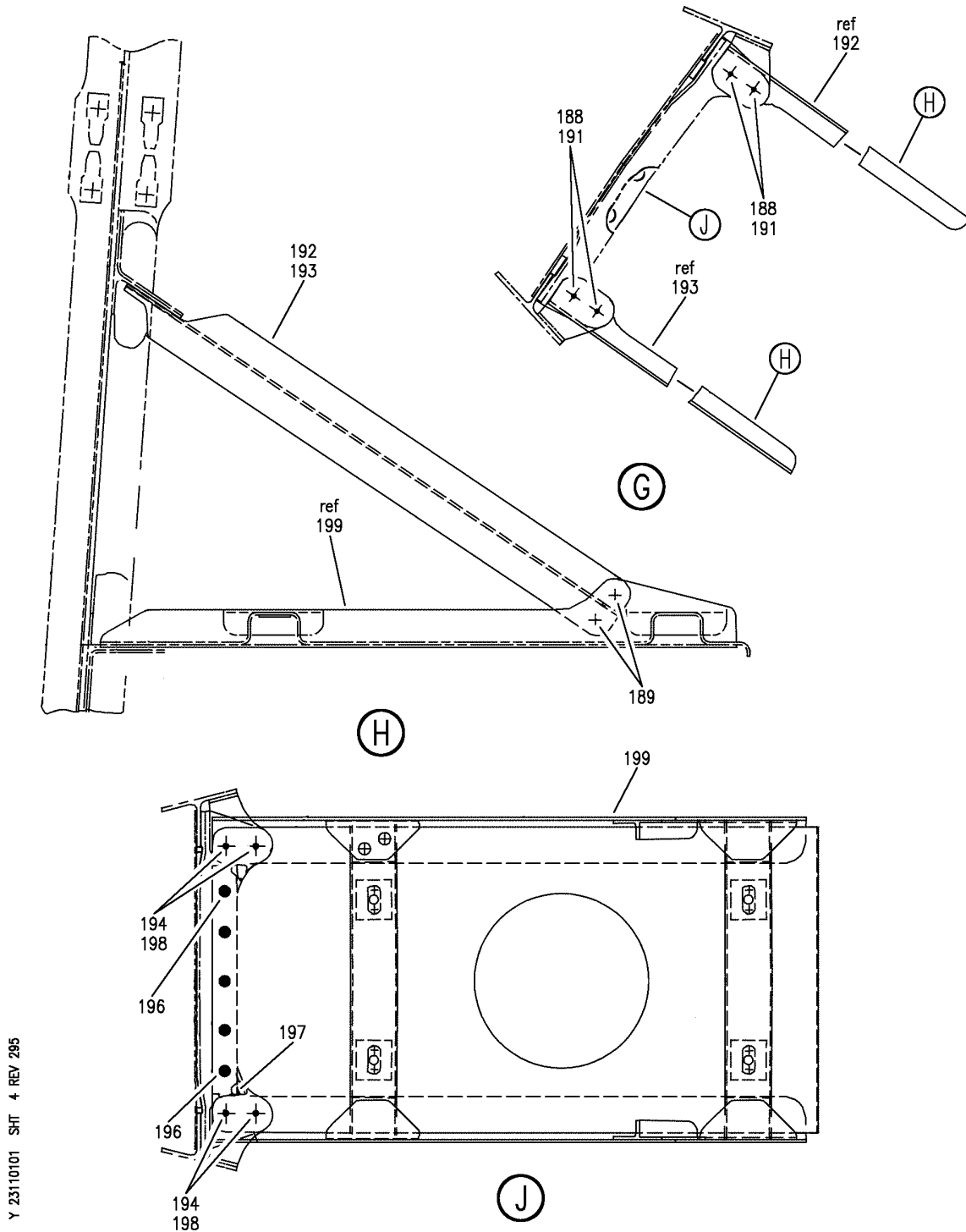
COUPLER INSTL-VERT. STAB. AND COMM HF ANT.
FIGURE 1 (SHEET 3)

23-11-01-01

BRI
MAY 28/07

23-11-01-01
PAGE 0B

BOEING
757
PARTS CATALOG (MAINTENANCE)



Y 23110101 SHIT 4 REV 295

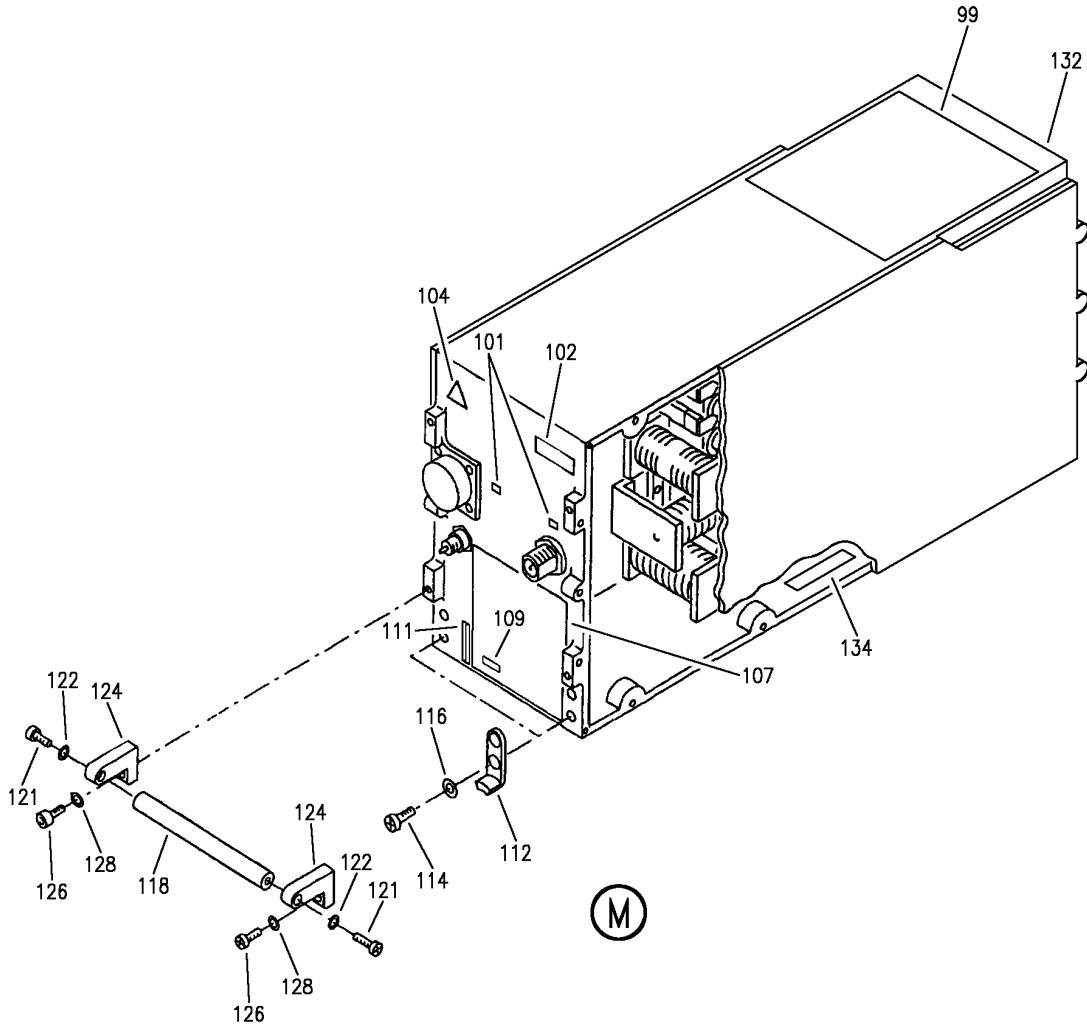
COUPLER INSTL-VERT. STAB. AND COMM HF ANT.
FIGURE 1 (SHEET 4)

23-11-01-01

BRI
MAY 28/07

23-11-01-01
PAGE 0C

BOEING
757
PARTS CATALOG (MAINTENANCE)



Y 23110101 SHIT 5 REV 295

COUPLER INSTL-VERT. STAB. AND COMM HF ANT.
FIGURE 1 (SHEET 5)

23-11-01-01

BRI
MAY 28/07

23-11-01-01
PAGE 0D



757

PARTS CATALOG (MAINTENANCE)

FIG ITEM	PART NUMBER	1 2 3 4 5 6 7	NOMENCLATURE	EFFECT FROM TO	UNITS PER ASSY
1			COUPLER INSTL-VERT. STAB. AND COMM HF ANT.	002004 006102 107999	
- 1	284N1704-1		COUPLER INSTL-VERT. STAB. HF ANT. FOR NHA SEE: 24-00-58-01B	002004 107107 904949 952952	RF
- 1	284N1704-6		COUPLER INSTL-VERT. STAB. HF ANT. FOR NHA SEE: 24-00-58-01B 24-00-58-05E	006102 121503 950951 953999	RF
- 1	284N1704-12		COUPLER INSTL-VERT. STAB. HF ANT. PROVISIONS ONLY FOR NHA SEE: 24-00-58-05E	108120	RF
- 2	284N1704-25		COUPLER INSTL-VERT. STAB. HF ANT. PROVISIONS ONLY FOR NHA SEE: 24-00-58-05E	504903	RF
5	BAC27NEX0689		.DECAL- PLACARD CONTENT: M00241 ANT. COUPLER HF COMM, L	002004 006102 107999	1
10	BAC27NEX0690		.DECAL- PLACARD CONTENT: M00242 ANT. COUPLER HF COMM, R	002004 006102 107999	1
15	BACB30NM4K5		.BOLT-	006102 108903 950951 953999	1
15	BACB30NM4K4		.BOLT-	002004 107107 904949 952952	1
20	BACB30NM3K5		.BOLT-	002004 006102 107999	4
25	BACB30NM3K2		.BOLT-	002004 006102 107999	10
30	BACB30NM3K3		.BOLT-	002004 006102 107999	8
35	AN960KD416		.WASHER-	002004 107107 904949 952952	1

MISSING ITEM NUMBERS NOT APPLICABLE

- ITEM NOT ILLUSTRATED

23-11-01-01

23-11-01
FIG. 01
PAGE 1
JAN 20/09

BRI

BOEING
757
PARTS CATALOG (MAINTENANCE)

FIG ITEM	PART NUMBER	1 2 3 4 5 6 7	NOMENCLATURE	EFFECT FROM TO	UNITS PER ASSY
1	37 NAS1149D0463J	.	WASHER-	006102 108903 950951 953999	1
	43 NAS1149D0363J	.	WASHER-	006102 108903 950951 953999	30
	43 AN960KD10	.	WASHER	002004 107107 904949 952952	30
	45 BRH10A3	.	NUT- SUPPLIER CODE: V52828 SPECIFICATION NUMBER: BACN10JC3 OPTIONAL PART: H10-3BAC V15653 NS202101-02 V80539 RMLH9075-3W V72962 VN303A02 V92215 96-02 V80539 T6S1032J V11815	002004 107107 904949 952952	2
	45 MS21042L3	.	NUT-	006102 108903 950951 953999	2
	51 MF53050-3CD	.	NUTPLATE- SUPPLIER CODE: V15653 SPECIFICATION NUMBER: BACN10JN3CD OPTIONAL PART: BRFM20C3D V52828 102F9201M3 V72962 NS202487-02 V80539 MF51637-3 V15653	006102 108903 950951 953999	4

MISSING ITEM NUMBERS NOT APPLICABLE

- ITEM NOT ILLUSTRATED

BRI

23-11-01-01

BOEING PROPRIETARY - Copyright © - Unpublished Work - See title page for details.

23-11-01
FIG. 01
PAGE 2
JAN 20/09



757

PARTS CATALOG (MAINTENANCE)

FIG ITEM	PART NUMBER	1 2 3 4 5 6 7	NOMENCLATURE	EFFECT FROM TO	UNITS PER ASSY
1			ATTACHING PARTS		
- 52	BACR15BA3AD3C		.RIVET	006102 108903 950951 953999	8
53	284T0736-7		-----*----- .FEEDLINE ASSY-	002004 006102 107999	1
55	284T0736-8		.FEEDLINE ASSY-	002004 006102 107999	1
63	792-6140-001		.COUPLER ASSY- SUPPLIER CODE: V4V792 FUNCTIONAL DESCRIPTION: AUTOMATICALLY TUNES THE IMPEDANCE OF THE HF RADIO TRANSMISSION COAX TO MATCH THE HF ANTENNA IMPEDANCE WITHIN THE OPERATING FREQUENCY BAND. ELECTRICAL EQUIP NUMBER: M00241 M00242 COMPONENT MAINT MANUAL REF: 23-11-04 QUALIFIED I/W DATA: 792-6140-001 INTERCHANGEABLE WITH 822-0987-003 IN SHIPSETS ONLY.	002004 006102 107107 121503 904999	2

MISSING ITEM NUMBERS NOT APPLICABLE

- ITEM NOT ILLUSTRATED

BRI

23-11-01-01

BOEING PROPRIETARY - Copyright © - Unpublished Work - See title page for details.

23-11-01
FIG. 01
PAGE 3
JAN 20/09



757

PARTS CATALOG (MAINTENANCE)

FIG ITEM	PART NUMBER	1 2 3 4 5 6 7	NOMENCLATURE	EFFECT FROM TO	UNITS PER ASSY
1 63	792-6140-001		. COUPLER ASSY-(CUSTOMER FURNISHED) SUPPLIER CODE: V4V792 FUNCTIONAL DESCRIPTION: AUTOMATICALLY TUNES THE IMPEDANCE OF THE HF RADIO TRANSMISSION COAX TO MATCH THE HF ANTENNA IMPEDANCE WITHIN THE OPERATING FREQUENCY BAND. ELECTRICAL EQUIP NUMBER: M00241 M00242 COMPONENT MAINT MANUAL REF: 23-11-04 QUALIFIED I/W DATA: 792-6140-001 INTERCHANGEABLE WITH 822-0987-003 IN SHIPSETS ONLY.	108120 504903	2

MISSING ITEM NUMBERS NOT APPLICABLE

- ITEM NOT ILLUSTRATED

BRI

23-11-01-01

BOEING PROPRIETARY - Copyright © - Unpublished Work - See title page for details.

23-11-01
FIG. 01
PAGE 4
JAN 20/09



757

PARTS CATALOG (MAINTENANCE)

FIG ITEM	PART NUMBER	1 2 3 4 5 6 7	NOMENCLATURE	EFFECT FROM TO	UNITS PER ASSY
1 63	822-0987-003	.	COUPLER ASSY- SUPPLIER CODE: V4V792 FUNCTIONAL DESCRIPTION: AUTOMATICALLY TUNES THE IMPEDANCE OF THE HF RADIO TRANSMISSION COAX TO MATCH THE HF ANTENNA IMPEDANCE WITHIN THE OPERATING FREQUENCY BAND. SB DATA FROM A CMM: POST CPL-920D-23-501 ELECTRICAL EQUIP NUMBER: M00241 M00242 WIRING DIAGRAM REF: 231111 COMPONENT MAINT MANUAL REF: 23-11-92 QUALIFIED I/W DATA: 792-6140-001 INTERCHANGEABLE WITH 822-0987-003 IN SHIPSETS ONLY. FUNCTIONAL REFERENCE: PLACARDS AND MARKINGS FOR DETAILS SEE 11-51-51-01	108120	2
63	822-0987-004	.	COUPLER ASSY-(CUSTOMER FURNISHED) SUPPLIER CODE: V4V792 MISCELLANEOUS DATA: 822-0987-004 IS THE PREFERRED INSTALLED EQUIPMENT ELECTRICAL EQUIP NUMBER: M00241 M00242 COMPONENT MAINT MANUAL REF: 23-11-92 QUALIFIED I/W DATA: 822-0987-004 I/W 822-0987-002 AND 822-0987-003	108120	2
97	MS90376-18YF	..	CAP	002004 006102 107999	1

MISSING ITEM NUMBERS NOT APPLICABLE

- ITEM NOT ILLUSTRATED

23-11-01-01

23-11-01
FIG. 01
PAGE 5
JAN 20/09

BRI



757

PARTS CATALOG (MAINTENANCE)

FIG ITEM	PART NUMBER	1 2 3 4 5 6 7	NOMENCLATURE	EFFECT FROM TO	UNITS PER ASSY
1 170	622-0277-002	.	MOUNT- SUPPLIER CODE: V4V792 COMPONENT MAINT MANUAL REF: 23-11-92 OPTIONAL PART: 822-0169-001 V4V792	002004 006100 107503 904999	1
170	822-0169-001	.	MOUNT- SUPPLIER CODE: V4V792 COMPONENT MAINT MANUAL REF: 23-11-92 OPTIONAL PART: 622-0277-002 V4V792	002004 006100 107503 904999	1
170	822-0169-002	.	MOUNT- SUPPLIER CODE: V4V792 FUNCTIONAL DESCRIPTION: SERVES AS A SHOCK MOUNT FOR THE HF COUPLER COMPONENT MAINT MANUAL REF: 23-11-92 POST SERVICE BULLETIN: 23-0038 POST SERVICE BULLETIN: 790S-5A-23-A V4V792 790S-5-SIL-1-92 V4V792	002004 006100 107503 904999	1
175	622-0277-002	.	MOUNT- SUPPLIER CODE: V4V792 COMPONENT MAINT MANUAL REF: 23-11-04 OPTIONAL PART: 822-0169-001 V4V792	002004 006100 107503 904999	1
175	822-0169-001	.	MOUNT- SUPPLIER CODE: V4V792 COMPONENT MAINT MANUAL REF: 23-11-92 OPTIONAL PART: 622-0277-002 V4V792	002004 006100 107503 904999	1

MISSING ITEM NUMBERS NOT APPLICABLE

- ITEM NOT ILLUSTRATED

BRI

23-11-01-01

23-11-01
FIG. 01
PAGE 6
JAN 20/09



757

PARTS CATALOG (MAINTENANCE)

FIG ITEM	PART NUMBER	1 2 3 4 5 6 7	NOMENCLATURE	EFFECT FROM TO	UNITS PER ASSY
1 175	822-0169-002	.MOUNT-	SUPPLIER CODE: V4V792 FUNCTIONAL DESCRIPTION: SERVES AS A SHOCK MOUNT FOR THE HF COUPLER COMPONENT MAINT MANUAL REF: 23-11-92 POST SERVICE BULLETIN: 23-0038 POST SERVICE BULLETIN: 790S-5A-23-A V4V792 790S-5-SIL-1-92 V4V792	002004 006100 107503 904999	1
180	822-0169-002	.MOUNT-	SUPPLIER CODE: V4V792 FUNCTIONAL DESCRIPTION: SERVES AS A SHOCK MOUNT FOR THE HF COUPLER COMPONENT MAINT MANUAL REF: 23-11-92	002004 107107 904949 952952	2
181	791-0689-001	..PLATE-MOD	SUPPLIER CODE: V4V792 USED ON: 822-0169-001 622-0277-002	002004 006100 107503 904999	1
182	685-7276-000	..PLATE-IDENT	SUPPLIER CODE: V4V792 USED ON: 822-0169-001 822-0169-002	002004 006100 107503 904999	1
182	609-7062-000	..PLATE-IDENT	SUPPLIER CODE: V4V792 USED ON: 622-0277-002	002004 006100 107503 904999	1
183	MS51957-1	..SCREW	ATTACHING PARTS	002004 006100 107503 904999	2
-----*-----					

MISSING ITEM NUMBERS NOT APPLICABLE

- ITEM NOT ILLUSTRATED

23-11-01-01

23-11-01
FIG. 01
PAGE 7
JAN 20/09

BRI

BOEING PROPRIETARY - Copyright © - Unpublished Work - See title page for details.



757

PARTS CATALOG (MAINTENANCE)

FIG ITEM	PART NUMBER	1 2 3 4 5 6 7	NOMENCLATURE	EFFECT FROM TO	UNITS PER ASSY
1					
184	829-0200-012		.. PLATE-IDENT SUPPLIER CODE: V4V792 USED ON: 822-0169-002	002004 006100 107503 904999	1
185	284T0774-1		.SHIELD ASSY-RF	002004 006100 107503 904999	1
185	284T0774-9		.SHIELD ASSY-RF	002004 006100 107503 904999	1
186	284T0774-1		.SHIELD ASSY-RF	002004 006100 107503 904999	1
186	284T0774-9		.SHIELD ASSY-RF	002004 006100 107503 904999	1
187	284T0774-1		.SHIELD ASSY-RF OPTIONAL PART: 284T0774-9	101102 504903	2
187	284T0774-9		.SHIELD ASSY-RF	101102 504903	2
- 201	286N3133-002		WIRE BUNDLE ASSY	121503 904949	1
- 201	286N3133-003		WIRE BUNDLE ASSY	107107	1
- 201	286N3133-004		WIRE BUNDLE ASSY-	002004 006100 952999	1
- 201	286N3133-007		WIRE BUNDLE ASSY	950951	1
- 201	286N3133-032		WIRE BUNDLE ASSY	504903	1
- 202	286N3133-313		WIRE BUNDLE ASSY	101102	1
- 202	286N3133-314		WIRE BUNDLE ASSY	108120	1
205	MS3126F16-26S		.PLUG- ELECTRICAL EQUIP NUMBER: D00307 WIRING DIAGRAM REF: 231111	002004 006102 107999	1
205	MS27484T16B26S		.PLUG- ELECTRICAL EQUIP NUMBER: D91082 WIRING DIAGRAM REF: 231130 POST AIRLINE MOD: D6-49286 VUSF	002004 006102 107999	1

MISSING ITEM NUMBERS NOT APPLICABLE

- ITEM NOT ILLUSTRATED

23-11-01-01

23-11-01
FIG. 01
PAGE 8
JAN 20/09

BRI



757

PARTS CATALOG (MAINTENANCE)

FIG ITEM	PART NUMBER	1 2 3 4 5 6 7	NOMENCLATURE	EFFECT FROM TO	UNITS PER ASSY
1					
- 250	286N3107-002		WIRE BUNDLE ASSY-	107107 121503 904949 952952	1
- 250	286N3107-003		WIRE BUNDLE ASSY-	002004 006007	1
- 250	286N3107-004		WIRE BUNDLE ASSY	008100 950951 953999	1
- 250	286N3107-032		WIRE BUNDLE ASSY	504903	1
- 250	286N3107-302		WIRE BUNDLE ASSY-	101102 108120	1
255	KN59-220		.PLUG- SUPPLIER CODE: V91836 ELECTRICAL EQUIP NUMBER: D00315 WIRING DIAGRAM REF: 231111	008102 108120 504903 950951 953999	1
255	KN59-330M06		.PLUG- SUPPLIER CODE: V91836 ELECTRICAL EQUIP NUMBER: D00315 WIRING DIAGRAM REF: 231111	002004 006007 107107 121503 904949 952952	1
- 301	286N3135-001		WIRE BUNDLE ASSY	952999	1
- 301	286N3135-002		WIRE BUNDLE ASSY	107107	1
- 301	286N3135-003		WIRE BUNDLE ASSY-	002004 006100 121503 904949	1
- 301	286N3135-007		WIRE BUNDLE ASSY	950951	1
- 301	286N3135-032		WIRE BUNDLE ASSY	504903	1
- 302	286N3135-313		WIRE BUNDLE ASSY	101102	1
- 302	286N3135-314		WIRE BUNDLE ASSY	108120	1
305	MS3126F16-26S		.PLUG- ELECTRICAL EQUIP NUMBER: D00309 WIRING DIAGRAM REF: 231121	002004 006102 107999	1
- 350	286N3117-002		WIRE BUNDLE ASSY-	107107 121503 904949 952952	1
- 350	286N3117-003		WIRE BUNDLE ASSY-	002004 006007	1

MISSING ITEM NUMBERS NOT APPLICABLE

- ITEM NOT ILLUSTRATED

23-11-01-01

23-11-01
FIG. 01
PAGE 9
JAN 20/09

BRI



**757
PARTS CATALOG (MAINTENANCE)**

FIG ITEM	PART NUMBER	1 2 3 4 5 6 7	NOMENCLATURE	EFFECT FROM TO	UNITS PER ASSY
1					
- 350	286N3117-004		WIRE BUNDLE ASSY	008100 950951 953999	1
- 350	286N3117-033		WIRE BUNDLE ASSY	504903	1
- 350	286N3117-302		WIRE BUNDLE ASSY-	101102 108120	1
355	KN59-220		.PLUG- SUPPLIER CODE: V91836 ELECTRICAL EQUIP NUMBER: D00317 WIRING DIAGRAM REF: 231121	008102 108120 504903 950951 953999	1
355	KN59-330M06		.PLUG- SUPPLIER CODE: V91836 ELECTRICAL EQUIP NUMBER: D00317 WIRING DIAGRAM REF: 231121	002004 006007 107107 121503 904949 952952	1

MISSING ITEM NUMBERS NOT APPLICABLE

- ITEM NOT ILLUSTRATED

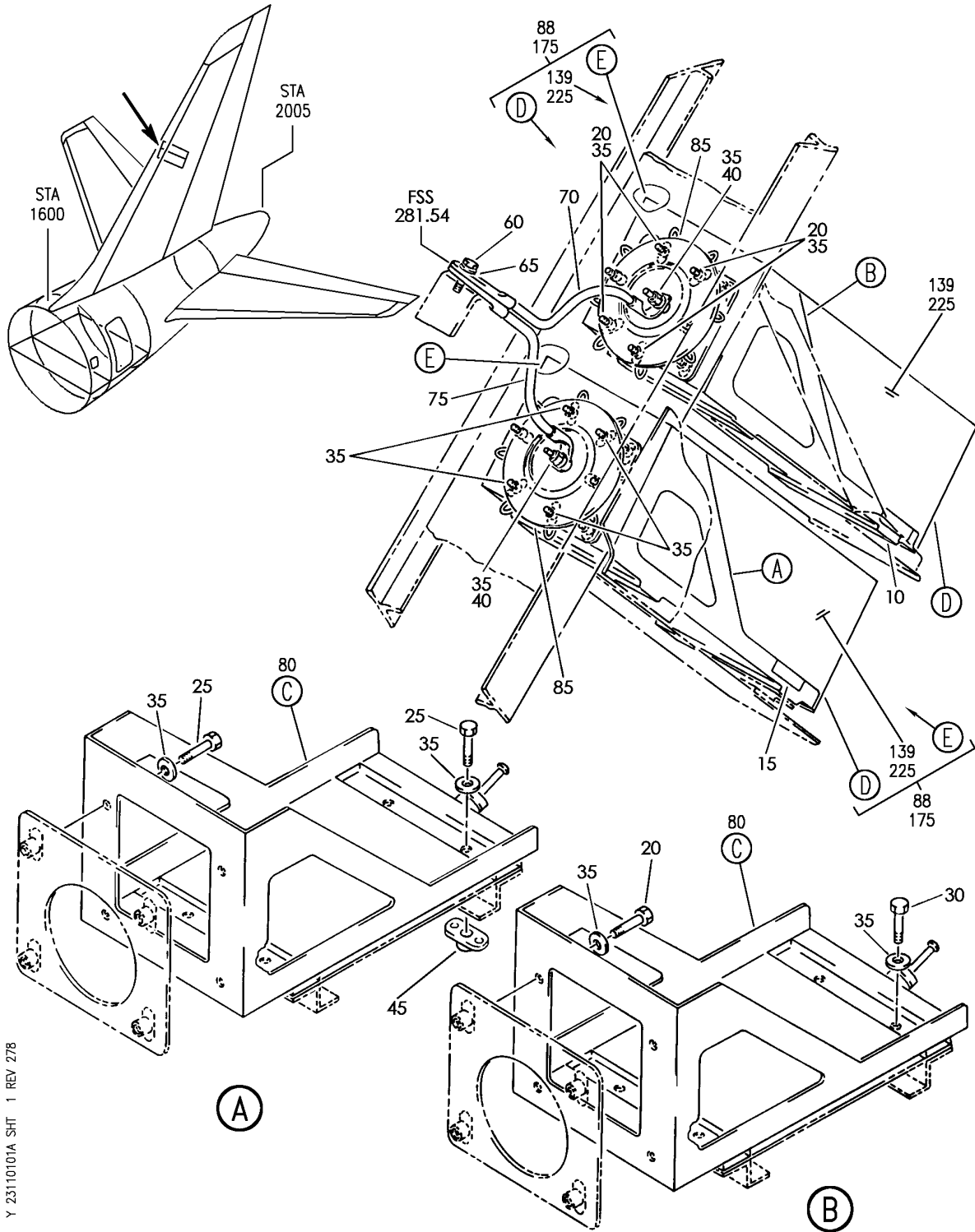
BRI

23-11-01-01

BOEING PROPRIETARY - Copyright © - Unpublished Work - See title page for details.

23-11-01
FIG. 01
PAGE 10
JAN 20/09

BOEING
757
PARTS CATALOG (MAINTENANCE)



Y 23110101A SHT 1 REV 278

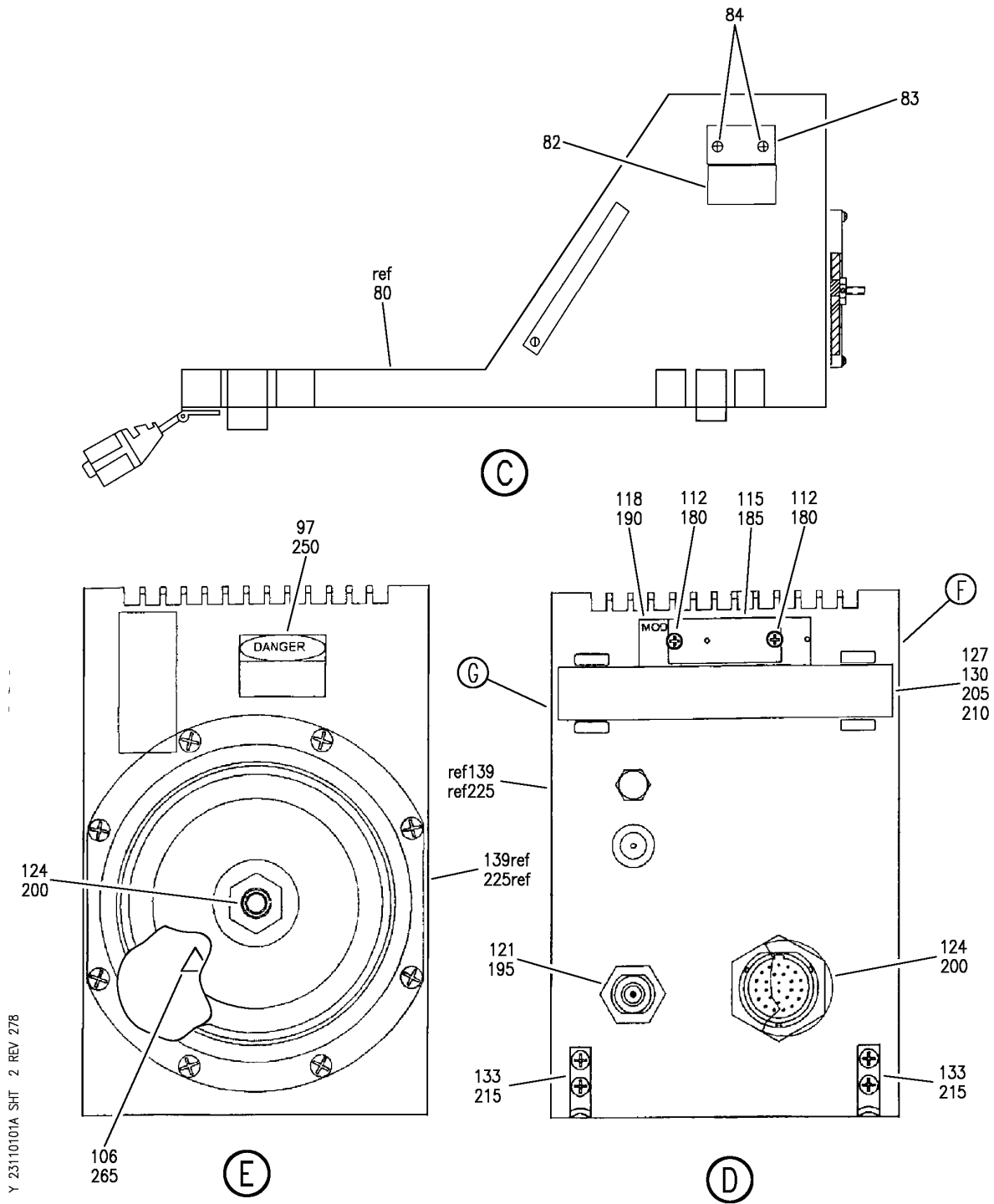
COUPLER INSTL-HF ANTENNA COMM
 FIGURE 1A (SHEET 1)

23-11-01-01A

BRI
 JAN 20/09

23-11-01-01A
 PAGE 0

BOEING
757
PARTS CATALOG (MAINTENANCE)



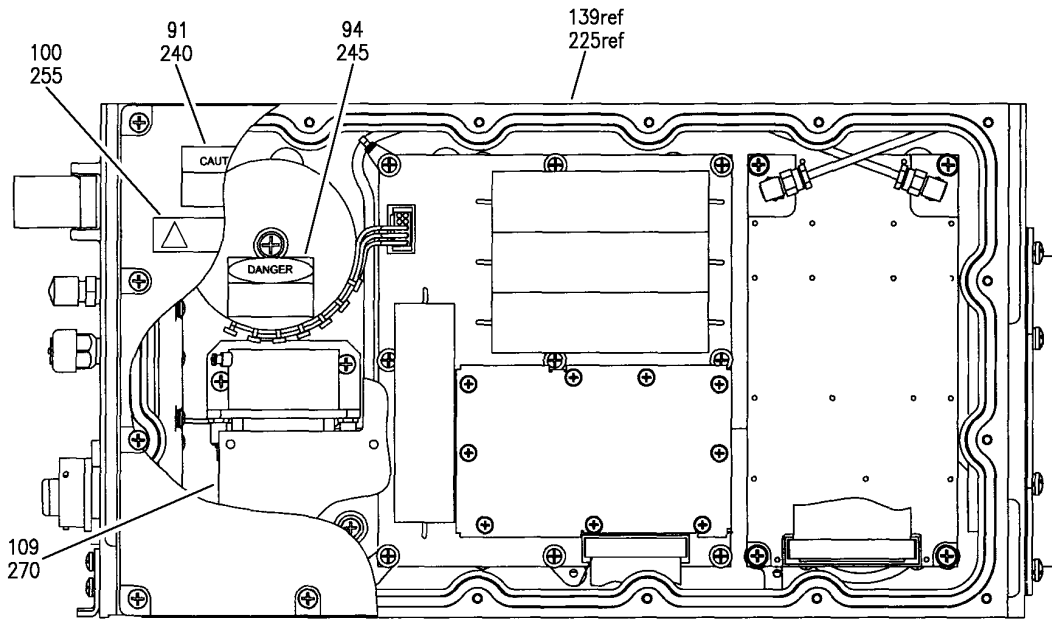
COUPLER INSTL-HF ANTENNA COMM
FIGURE 1A (SHEET 2)

23-11-01-01A

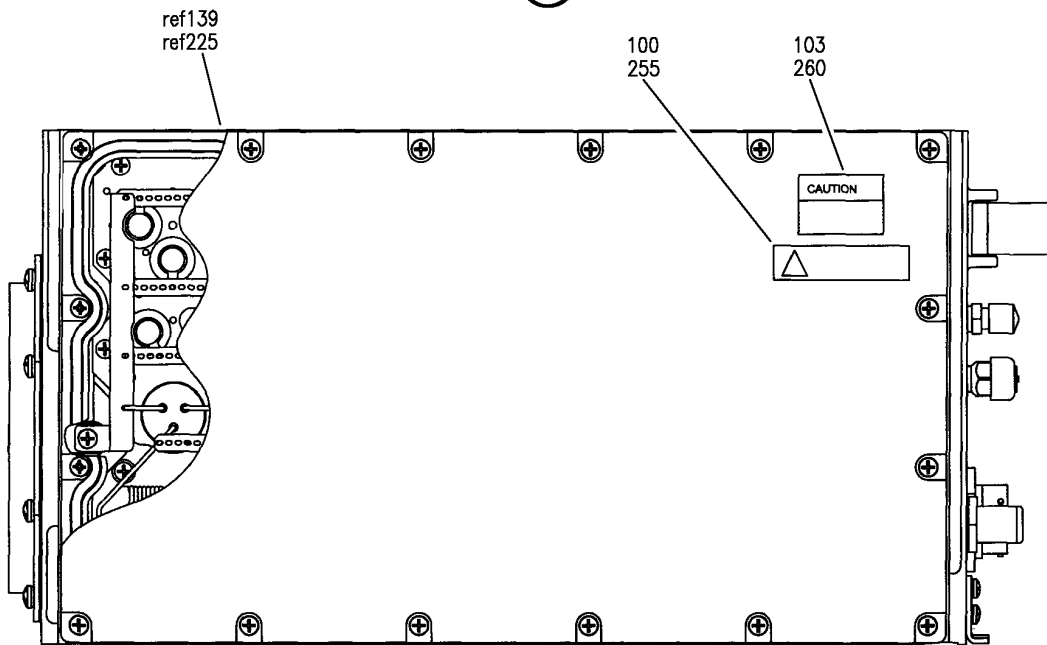
BRI
JAN 20/09

23-11-01-01A
PAGE 0A

BOEING
757
PARTS CATALOG (MAINTENANCE)



(F)



(G)

Y 23110101A SHT 3 REV 278

COUPLER INSTL-HF ANTENNA COMM
FIGURE 1A (SHEET 3)

23-11-01-01A

BRI
JAN 20/09

23-11-01-01A
PAGE 0B



757

PARTS CATALOG (MAINTENANCE)

FIG ITEM	PART NUMBER	1 2 3 4 5 6 7	NOMENCLATURE	EFFECT FROM TO	UNITS PER ASSY
1 A			COUPLER INSTL-HF ANTENNA COMM	103106	
- 1	MODREF9139		COUPLER INSTL-HF ANTENNA MOUNT COMM MODULE NUMBER: 284N1704-43 REV A POSITION DATA: LH	103106	1
- 5	MODREF9140		COUPLER INSTL-HF ANTENNA MOUNT COMM MODULE NUMBER: 284N1704-44 REV A POSITION DATA: RH	103106	1
10	BAC27NEX0689		.DECAL- POSITION DATA: LH SIDE PLACARD CONTENT: M00241 ANTENNA COUPLER HF COMM. L	103106	1
15	BAC27NEX0690		.DECAL- POSITION DATA: RH SIDE PLACARD CONTENT: M00241 ANTENNA COUPLER HF COMM. R	103106	1
20	BACB30NM3K2		.BOLT- POSITION DATA: LH SIDE	103106	10
25	BACB30NM3K3		.BOLT- POSITION DATA: RH SIDE	103106	8
30	BACB30NM3K5		.BOLT- POSITION DATA: LH SIDE	103106	4
35	NAS1149D0363J		.WASHER	103106	15
40	PLH53CD		.NUT SUPPLIER CODE: VF0224 SPECIFICATION NUMBER: BACN10YR3CD OPTIONAL PART: H52732-3CD V15653	103106	1

MISSING ITEM NUMBERS NOT APPLICABLE

- ITEM NOT ILLUSTRATED

23-11-01-01A

23-11-01
FIG. 01A
PAGE 1
JAN 20/09

BRI

BOEING PROPRIETARY - Copyright © - Unpublished Work - See title page for details.



757

PARTS CATALOG (MAINTENANCE)

FIG ITEM	PART NUMBER	1 2 3 4 5 6 7	NOMENCLATURE	EFFECT FROM TO	UNITS PER ASSY
1 A 45	MF53050-3CD		.NUTPLATE- SUPPLIER CODE: V15653 SPECIFICATION NUMBER: BACN10JN3CD OPTIONAL PART: BRFM20C3D V52828 102F9201M3 V72962 NS202487-02 V80539 MF51637-3 V15653 POSITION DATA: RH SIDE ATTACHING PARTS	103106	4
- 50	BACR15BA3AD		.RIVET- POSITION DATA: RH SIDE SIZE DETERMINED ON INSTL. -----*-----	103106	4
60	BACB30NM4K5		.BOLT	103106	1
65	NAS1149D0463J		.WASHER	103106	1
70	284T0736-7		.FEEDLINE ASSY- POSITION DATA: LH SIDE	103106	1
75	284T0736-8		.FEEDLINE ASSY- POSITION DATA: RH SIDE	103106	1
80	822-0169-002		.MOUNT- SUPPLIER CODE: V4V792 FUNCTIONAL DESCRIPTION: SERVES AS A SHOCK MOUNT FOR THE HF COUPLER. COMPONENT MAINT MANUAL REF: 23-11-92	103106	2
82	829-0200-012		..PLATE-IDENT SUPPLIER CODE: V4V792	103106	1
83	685-7276-000		..PLATE-IDENT SUPPLIER CODE: V4V792 ATTACHING PARTS	103106	1
84	MS51957-1		..SCREW -----*-----	103106	1
85	284T0774-9		.SHIELD ASSY-RF	103106	1
85	284T0774-1		.SHIELD ASSY-RF	103106	1

MISSING ITEM NUMBERS NOT APPLICABLE

- ITEM NOT ILLUSTRATED

23-11-01-01A

23-11-01
FIG. 01A
PAGE 2
JAN 20/09

BRI

BOEING PROPRIETARY - Copyright © - Unpublished Work - See title page for details.



757

PARTS CATALOG (MAINTENANCE)

FIG ITEM	PART NUMBER	1 2 3 4 5 6 7	NOMENCLATURE	EFFECT FROM TO	UNITS PER ASSY
1A - 150	MODREF22625		COUPLER INSTL-HF ANTENNA ROCKWELL DIGITAL, COMM MODULE NUMBER: 284N1704-45 REV B POSITION DATA: LH	103106	1
- 160	MODREF22626		COUPLER INSTL-HF ANTENNA ROCKWELL DIGITAL, COMM MODULE NUMBER: 284N1704-46 REV B POSITION DATA: RH	103106	1
175	822-0987-003		. COUPLER ASSY- SUPPLIER CODE: V4V792 FUNCTIONAL DESCRIPTION: AUTOMATICALLY TUNES THE IMPEDANCE OF THE HF RADIO TRANSMISSION COAX TO MATCH THE HF ANTENNA IMPEDANCE WITHIN THE OPERATING FREQUENCY BAND. SB DATA FROM A CMM: POST CPL-920D-23-501 ELECTRICAL EQUIP NUMBER: M00241 M00242 WIRING DIAGRAM REF: 231111 COMPONENT MAINT MANUAL REF: 23-11-92 QUALIFIED I/W DATA: 792-6140-001 INTERCHANGEABLE WITH 822-0987-003 IN SHIPSETS ONLY. FUNCTIONAL REFERENCE: PLACARDS AND MARKINGS FOR DETAILS SEE 11-51-51-01	103106	1

MISSING ITEM NUMBERS NOT APPLICABLE

- ITEM NOT ILLUSTRATED

23-11-01-01A

23-11-01
FIG. 01A
PAGE 3
JAN 20/09

BRI



757

PARTS CATALOG (MAINTENANCE)

FIG ITEM	PART NUMBER	1 2 3 4 5 6 7	NOMENCLATURE	EFFECT FROM TO	UNITS PER ASSY
1A 175	822-0987-004	.	COUPLER ASSY- SUPPLIER CODE: V4V792 FUNCTIONAL DESCRIPTION: AUTOMATICALLY TUNES THE IMPEDANCE OF THE HF RADIO TRANSMISSION COAX TO MATCH THE HF ANTENNA IMPEDANCE WITHIN THE OPERATING FREQUENCY BAND. SB DATA FROM A CMM: POST CPL-920D-23-501 ELECTRICAL EQUIP NUMBER: M00241 M00242 WIRING DIAGRAM REF: 231111 COMPONENT MAINT MANUAL REF: 23-11-92 FUNCTIONAL REFERENCE: PLACARDS AND MARKINGS FOR DETAILS SEE 11-51-51-01	103106	1
180	MS51957-2	..	SCREW	103106	2
185	687-1426-000	..	PLATE-IDENT SUPPLIER CODE: V4V792 CONFIG CHG DATA FROM A CMM: SUPSD BY 687-1426-002	103106	1
185	687-1426-002	..	PLATE-IDENT SUPPLIER CODE: V4V792 CONFIG CHG DATA FROM A CMM: SUPERSEDES 687-1426-000 SUPSD BY 687-1426-003	103106	1
185	687-1426-003	..	PLATE-IDENT SUPPLIER CODE: V4V792 CONFIG CHG DATA FROM A CMM: SUPERSEDES 687-1426-002	103106	1
190	988-4483-001	..	PLATE-DESIGNATION SUPPLIER CODE: V4V792	103106	1

MISSING ITEM NUMBERS NOT APPLICABLE

- ITEM NOT ILLUSTRATED

23-11-01-01A

23-11-01
FIG. 01A
PAGE 4
JAN 20/09

BRI



757

PARTS CATALOG (MAINTENANCE)

FIG ITEM	PART NUMBER	1 2 3 4 5 6 7	NOMENCLATURE	EFFECT FROM TO	UNITS PER ASSY
1A 195	CEC10		..COVER-DUST CAP SUPPLIER CODE: V99017 MISCELLANEOUS DATA: ROCKWELL COLLINS P/N 206-0102-050	103106	1
200	CEC08		..COVER-DUST CAP SUPPLIER CODE: V99017 MISCELLANEOUS DATA: COLLINS PART NO. 206-0102-060 206-0102-120	103106	2
205	MS171505		..PIN	103106	2
210	011-0116-030		..STRAP-WEBBING SUPPLIER CODE: V4V792	103106	1
215	548-9369-002		..BRACKET-MTG SUPPLIER CODE: V4V792 ATTACHING PARTS	103106	2
- 220	MS51957-27		..SCREW -----*-----	103106	4
225	988-2695-001		..COVER-CHASSIS SUPPLIER CODE: V4V792 ATTACHING PARTS	103106	2
- 230	MS51957-30		..SCREW- CONFIG CHG DATA FROM A CMM: SUPSD BY MS51957-29	103106	32
- 230	MS51957-29		..SCREW- CONFIG CHG DATA FROM A CMM: SUPERSEDES MS51957-30	103106	32
- 235	MS15795-805		..WASHER -----*-----	103106	32
240	280-1368-020		..LABEL-PRESSURE SENSITIVE SUPPLIER CODE: V12998	103106	1
245	280-1368-040		..LABEL-PRESSURE SENSITIVE SUPPLIER CODE: VOBU16	103106	1
250	280-1368-840		..LABEL-PRESSURE SENSITIVE SUPPLIER CODE: V12998	103106	1
255	280-2745-020		..LABEL-ESDS WARNING SUPPLIER CODE: V12998	103106	2

MISSING ITEM NUMBERS NOT APPLICABLE

- ITEM NOT ILLUSTRATED

23-11-01-01A

23-11-01
FIG. 01A
PAGE 5
JAN 20/09

BRI

BOEING PROPRIETARY - Copyright © - Unpublished Work - See title page for details.



757

PARTS CATALOG (MAINTENANCE)

FIG ITEM	PART NUMBER	1 2 3 4 5 6 7	NOMENCLATURE	EFFECT FROM TO	UNITS PER ASSY
1 A					
260	280-2755-260		.. LABEL-PRESSURE SENSITIVE SUPPLIER CODE: V12998	103106	1
265	280-2745-010		.. LABEL-ESDS WARNING SUPPLIER CODE: VOBU16	103106	1
270	DAT96-652		.. LABEL-ESDS SUPPLIER CODE: V85480 MISCELLANEOUS DATA: ROCKWELL COLLINS P/N 280-3826-010	103106	1

MISSING ITEM NUMBERS NOT APPLICABLE

- ITEM NOT ILLUSTRATED

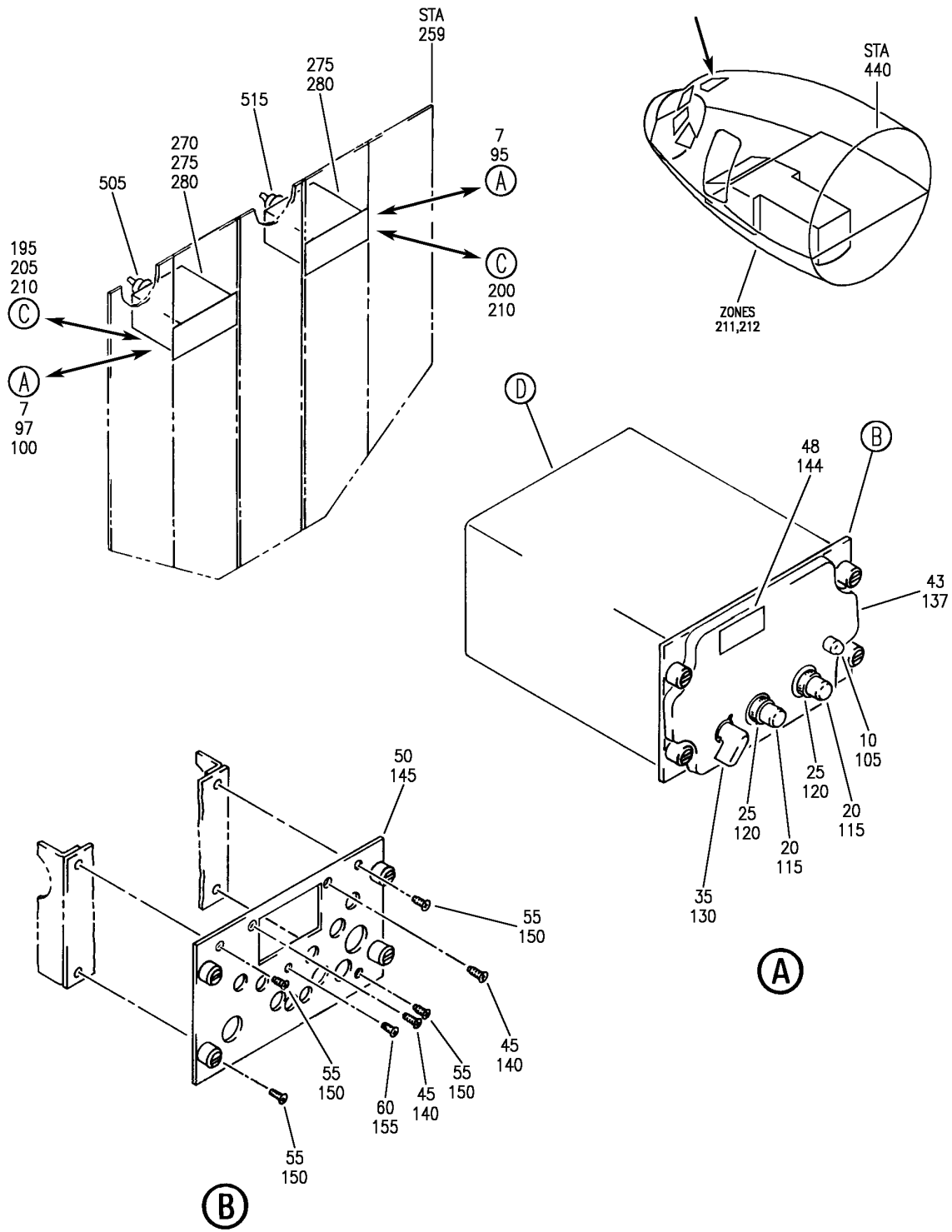
BRI

23-11-01-01A

BOEING PROPRIETARY - Copyright © - Unpublished Work - See title page for details.

23-11-01
FIG. 01A
PAGE 6
JAN 20/09

BOEING
757
PARTS CATALOG (MAINTENANCE)



Y 23110201 SHT 1 REV 298

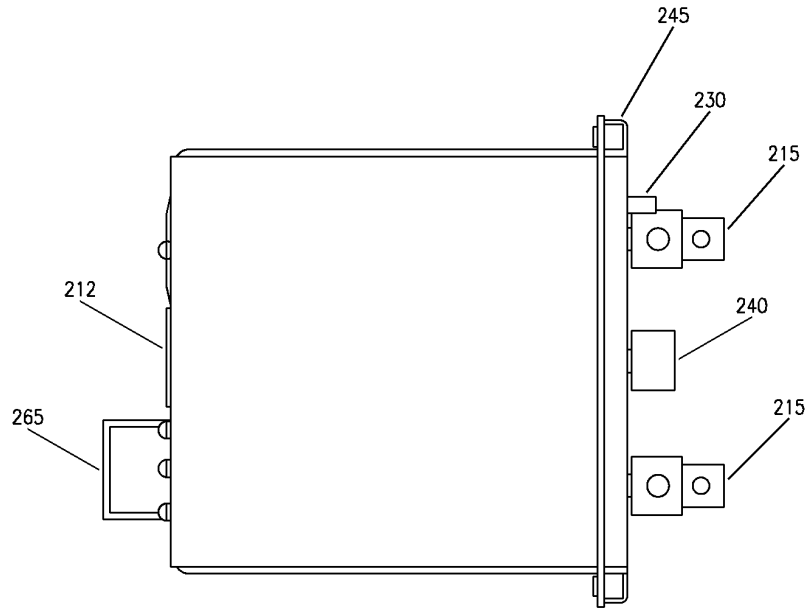
PANEL INSTL-P5 OVHD (HF COMMUNICATIONS SYSTEM ONLY)
FIGURE 1 (SHEET 1)

23-11-02-01

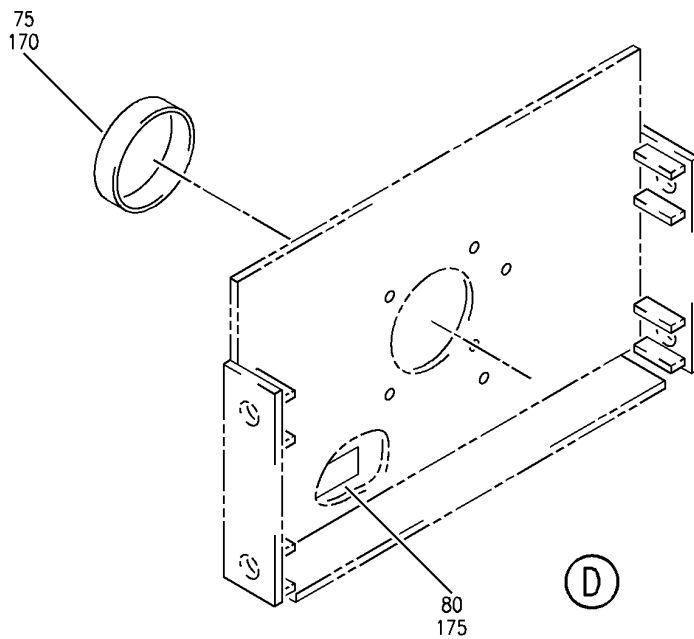
BRI
MAY 28/07

23-11-02-01
PAGE 0

BOEING
757
PARTS CATALOG (MAINTENANCE)



(C)



(D)

Y 23110201 SHT 2 REV 295

PANEL INSTL-P5 OVHD (HF COMMUNICATIONS SYSTEM ONLY)
FIGURE 1 (SHEET 2)

23-11-02-01

BRI
MAY 28/07

23-11-02-01
PAGE 0A

BOEING PROPRIETARY - Copyright © - Unpublished Work - See title page for details.



**757
PARTS CATALOG (MAINTENANCE)**

FIG ITEM	PART NUMBER	1 2 3 4 5 6 7	NOMENCLATURE	EFFECT FROM TO	UNITS PER ASSY
1			PANEL INSTL-P5 OVHD (HF COMMUNICATIONS SYSTEM ONLY)	002004 006100 107107 121999	RF
- 1	233N3101-1		PANEL INSTL-P5 OVHD (HF COMMUNICATIONS SYSTEM ONLY) VARIABLE DRAWING REF: 233N3101-5005 233N3101-5025 233N3101-5041 233N3101-5042 233N3101-5045 233N3101-5142 FOR NHA/OTHER SYS DET SEE: 25-10-00-05A	002004 006100 107107 121503 904999	RF
- 4	233N3103-136		PANEL INSTL-P5 OVHD (HF COMMUNICATIONS SYSTEM ONLY) FOR NHA/OTHER SYS DET SEE: 25-10-00-15E	504903	RF
7	622-5432-002		.PANEL ASSY-HF CONT (CUSTOMER FURNISHED) SUPPLIER CODE: V4V792 ELECTRICAL EQUIP NUMBER: M00082 M00083 COMPONENT MAINT MANUAL REF: 23-10-71 FUNCTIONAL REFERENCE: LIGHTS FOR DETAILS SEE 33-13-51-52A	002004 006100 121903 950999	2
10	757-6590-004		..KNOB-RF/SQL SUPPLIER CODE: V4V792	002004 006100 121903 950999	1
- 15	335-0077-000		ATTACHING PARTS ..SETSCREW-SST 4-48 X 1/8 SUPPLIER CODE: V08664 -----*-----	002004 006100 121903 950999	1

MISSING ITEM NUMBERS NOT APPLICABLE

- ITEM NOT ILLUSTRATED

BRI

23-11-02-01

BOEING PROPRIETARY - Copyright © - Unpublished Work - See title page for details.

23-11-02
FIG. 01
PAGE 1
JAN 20/09



757

PARTS CATALOG (MAINTENANCE)

FIG ITEM	PART NUMBER	1 2 3 4 5 6 7	NOMENCLATURE	EFFECT FROM TO	UNITS PER ASSY
1	20 791-0916-006 KNOB- SUPPLIER CODE: V4V792 OPTIONAL PART: 652-5320-001 V4V792	002004 006100 121903 950999	2
	20 652-5320-001 KNOB- SUPPLIER CODE: V4V792 OPTIONAL PART: 791-0916-006 V4V792	002004 006100 121903 950999	2
	25 608-6381-005 KNOB- SUPPLIER CODE: V4V792 OPTIONAL PART: 608-6381-007 V4V792	002004 006100 121903 950999	2
	25 608-6381-007 KNOB- SUPPLIER CODE: V4V792 OPTIONAL PART: 608-6381-005 V4V792 ATTACHING PARTS	002004 006100 121903 950999	2
-	30 AN565F6H2 SETSCREW	002004 006100 121903 950999	8
	35 757-6592-005	..	-----*----- .. KNOB-SW FUNCTION SUPPLIER CODE: V4V792 ATTACHING PARTS	002004 006100 121903 950999	1
-	40 335-0072-000 SETSCREW-SST 6-40 X 1/8 SUPPLIER CODE: V08664	002004 006100 121903 950999	2
	43 754-0168-002	..	-----*----- .. PANEL-IND LT XMTG SUPPLIER CODE: V4V792	002004 006100 121903 950999	1

MISSING ITEM NUMBERS NOT APPLICABLE

- ITEM NOT ILLUSTRATED

BRI

23-11-02-01

BOEING PROPRIETARY - Copyright © - Unpublished Work - See title page for details.

23-11-02
FIG. 01
PAGE 2
JAN 20/09



757

PARTS CATALOG (MAINTENANCE)

FIG ITEM	PART NUMBER	1 2 3 4 5 6 7	NOMENCLATURE	EFFECT FROM TO	UNITS PER ASSY
1			ATTACHING PARTS		
45	646-4508-001		.. SCREW-LIGHT PANEL SUPPLIER CODE: V4V792	002004 006100 121903 950999	2
48	754-8263-001		-----*----- ... WINDOW- SUPPLIER CODE: V4V792	002004 006100 121903 950999	1
50	642-9852-001		.. PLATE-FRONT SUPPLIER CODE: V4V792	002004 006100 121903 950999	1
55	MS51959-14		ATTACHING PARTS .. SCREW	002004 006100 121903 950999	4
60	MS51959-13		.. SCREW	002004 006100 121903 950999	1
- 65	646-0108-001		-----*----- .. PLATE-IDENT SUPPLIER CODE: V4V792	002004 006100 121903 950999	1
- 70	MS51957-1		ATTACHING PARTS .. SCREW	002004 006100 121903 950999	2
75	MS90376-16Y		-----*----- .. COVER- USED ON: 622-5432-002 USED ON: 622-5432-002	002004 006100 121903 950999	1
80	280-2745-010		.. LABEL- SUPPLIER CODE: V12998 USED ON: 622-5432-002 USED ON: 622-5432-002	002004 006100 121903 950999	1

MISSING ITEM NUMBERS NOT APPLICABLE

- ITEM NOT ILLUSTRATED

23-11-02-01

23-11-02
FIG. 01
PAGE 3
JAN 20/09

BRI



757

PARTS CATALOG (MAINTENANCE)

FIG ITEM	PART NUMBER	1 2 3 4 5 6 7	NOMENCLATURE	EFFECT FROM TO	UNITS PER ASSY
1 97	622-5432-002		.PANEL ASSY-HF CONT SUPPLIER CODE: V4V792 ELECTRICAL EQUIP NUMBER: M00082 COMPONENT MAINT MANUAL REF: 23-10-71 OPTIONAL PART: 622-6827-002 V4V792 FUNCTIONAL REFERENCE: LIGHTS FOR DETAILS SEE 33-13-51-52A	121503	1
97	622-5432-002		.PANEL ASSY-HF CONT (CUSTOMER FURNISHED) SUPPLIER CODE: V4V792 ELECTRICAL EQUIP NUMBER: M00082 COMPONENT MAINT MANUAL REF: 23-10-71 OPTIONAL PART: 622-6827-002 V4V792 FUNCTIONAL REFERENCE: LIGHTS FOR DETAILS SEE 33-13-51-52A	107107 904949	1
105	757-6590-004		..KNOB-RF/SQL SUPPLIER CODE: V4V792 ATTACHING PARTS	107107 121503 904949	1
- 110	335-0077-000		..SETSCREW-SST 4-48 X 1/8 SUPPLIER CODE: V08664 -----*-----	107107 121503 904949	1
115	791-0916-006		..KNOB- SUPPLIER CODE: V4V792 OPTIONAL PART: 652-5320-001 V4V792	107107 121503 904949	2
115	652-5320-001		..KNOB- SUPPLIER CODE: V4V792 OPTIONAL PART: 791-0916-006 V4V792	107107 121503 904949	2

MISSING ITEM NUMBERS NOT APPLICABLE

- ITEM NOT ILLUSTRATED

23-11-02-01

23-11-02
FIG. 01
PAGE 4
JAN 20/09

BRI



757

PARTS CATALOG (MAINTENANCE)

FIG ITEM	PART NUMBER	1 2 3 4 5 6 7	NOMENCLATURE	EFFECT FROM TO	UNITS PER ASSY
1 120	608-6381-005	..	KNOB- SUPPLIER CODE: V4V792 OPTIONAL PART: 608-6381-007 V4V792	107107 121503 904949	2
120	608-6381-007	..	KNOB- SUPPLIER CODE: V4V792 OPTIONAL PART: 608-6381-005 V4V792 ATTACHING PARTS	107107 121503 904949	2
- 125	AN565F6H2	..	SETSCREW -----*-----	107107 121503 904949	8
130	757-6592-005	..	KNOB-SW FUNCTION SUPPLIER CODE: V4V792 ATTACHING PARTS	107107 121503 904949	1
- 135	335-0072-000	..	SETSCREW-SST 6-40 X 1/8 SUPPLIER CODE: V08664 -----*-----	107107 121503 904949	2
137	754-0168-002	..	PANEL-IND LT XMTG SUPPLIER CODE: V4V792 ATTACHING PARTS	107107 121503 904949	1
140	646-4508-001	..	SCREW-LIGHT PANEL SUPPLIER CODE: V4V792 -----*-----	107107 121503 904949	2
144	754-8263-001	...	WINDOW- SUPPLIER CODE: V4V792	107107 121503 904949	1
145	642-9852-001	..	PLATE-FRONT SUPPLIER CODE: V4V792 ATTACHING PARTS	107107 121503 904949	1
150	MS51959-14	..	SCREW	107107 121503 904949	4
155	MS51959-13	..	SCREW -----*-----	107107 121503 904949	1

MISSING ITEM NUMBERS NOT APPLICABLE

- ITEM NOT ILLUSTRATED

BRI

23-11-02-01

23-11-02
FIG. 01
PAGE 5
JAN 20/09



757

PARTS CATALOG (MAINTENANCE)

FIG ITEM	PART NUMBER	1 2 3 4 5 6 7	NOMENCLATURE	EFFECT FROM TO	UNITS PER ASSY
1					
- 160	646-0108-001	..	PLATE-IDENT SUPPLIER CODE: V4V792	107107 121503 904949	1
- 165	MS51957-1	..	SCREW -----*-----	107107 121503 904949	2
170	MS90376-16Y	..	COVER	107107 121503 904949	1
175	280-2745-010	..	LABEL- SUPPLIER CODE: V12998	107107 121503 904949	1
205	622-6827-002	.PANEL ASSY-HF CONT	SUPPLIER CODE: V4V792 ELECTRICAL EQUIP NUMBER: M00082 COMPONENT MAINT MANUAL REF: 23-10-73 OPTIONAL PART: 622-5432-002 V4V792 FUNCTIONAL REFERENCE: LIGHTS FOR DETAILS SEE 33-13-51-52A	121503	1
205	622-6827-002	.PANEL ASSY-HF CONT	(CUSTOMER FURNISHED) SUPPLIER CODE: V4V792 ELECTRICAL EQUIP NUMBER: M00082 COMPONENT MAINT MANUAL REF: 23-10-73 OPTIONAL PART: 622-5432-002 V4V792 FUNCTIONAL REFERENCE: LIGHTS FOR DETAILS SEE 33-13-51-52A	107107 904949	1

MISSING ITEM NUMBERS NOT APPLICABLE

- ITEM NOT ILLUSTRATED

BRI

23-11-02-01

BOEING PROPRIETARY - Copyright © - Unpublished Work - See title page for details.

23-11-02
FIG. 01
PAGE 6
JAN 20/09



757

PARTS CATALOG (MAINTENANCE)

FIG ITEM	PART NUMBER	1 2 3 4 5 6 7	NOMENCLATURE	EFFECT FROM TO	UNITS PER ASSY
1 210	622-6827-002		.PANEL ASSY-HF CONT (CUSTOMER FURNISHED) SUPPLIER CODE: V4V792 ELECTRICAL EQUIP NUMBER: M00082 M00083 COMPONENT MAINT MANUAL REF: 23-10-73 POST RAPID REVISION: RR92035-3 FUNCTIONAL REFERENCE: LIGHTS FOR DETAILS SEE 33-13-51-52A	002004 006100 121903 950999	2
212	651-1840-001		..PLATE-IDENT SUPPLIER CODE: V4V792 USED ON: 622-6827-002 622-6827-021	107107 121503 904949	1
212	651-1840-001		..PLATE-IDENT SUPPLIER CODE: V4V792 USED ON: 622-6827-002 622-6827-022	002004 006100 121903 950999	1
215	281-0673-020		..KNOB-CONCENTRIC SUPPLIER CODE: V86797	107107 121503 904949	2
215	281-0673-020		..KNOB-CONCENTRIC SUPPLIER CODE: V86797	002004 006100 121903 950999	2
- 220	AN565F4H3		ATTACHING PARTS ..SETSCREW	002004 006100 121903 950999	4
- 220	AN565F4H3		..SETSCREW	107107 121503 904949	4
- 225	AN565F6H3		..SETSCREW	002004 006100 121903 950999	4

MISSING ITEM NUMBERS NOT APPLICABLE

- ITEM NOT ILLUSTRATED

23-11-02-01

23-11-02
FIG. 01
PAGE 7
JAN 20/09

BRI

BOEING PROPRIETARY - Copyright © - Unpublished Work - See title page for details.



757

PARTS CATALOG (MAINTENANCE)

FIG ITEM	PART NUMBER	1 2 3 4 5 6 7	NOMENCLATURE	EFFECT FROM TO	UNITS PER ASSY
1					
- 225	AN565F6H3		.. SETSCREW	107107 121503 904949	4
			-----*-----		
230	757-6590-004		.. KNOB-BEIGE SUPPLIER CODE: V4V792	002004 006100 121903 950999	1
230	757-6590-004		.. KNOB-BEIGE SUPPLIER CODE: V4V792 ATTACHING PARTS	107107 121503 904949	1
- 235	328-0148-000		.. SETSCREW- SUPPLIER CODE: V56878	002004 006100 121903 950999	1
- 235	328-0148-000		.. SETSCREW- SUPPLIER CODE: V56878	107107 121503 904949	1
			-----*-----		
240	TT377-101		.. KNOB-TACTILE SUPPLIER CODE: V81590	002004 006100 121903 950999	1
240	TT377-101		.. KNOB-TACTILE SUPPLIER CODE: V81590	107107 121503 904949	1
245	754-0559-001		.. PANEL-LT-BROWN SUPPLIER CODE: V4V792 CONFIG CHG DATA FROM A CMM: SUPSD BY 754-0559-014	002004 006100 121903 950999	1
245	754-0559-001		.. PANEL-LT-BROWN SUPPLIER CODE: V4V792 CONFIG CHG DATA FROM A CMM: SUPSD BY 754-0559-014	107107 121503 904949	1
245	754-0559-014		.. PANEL-LT-BROWN SUPPLIER CODE: V4V792 CONFIG CHG DATA FROM A CMM: SUPERSEDES 754-0559-001	002004 006100 121903 950999	1
245	754-0559-014		.. PANEL-LT-BROWN SUPPLIER CODE: V4V792 CONFIG CHG DATA FROM A CMM: SUPERSEDES 754-0559-001	107107 121503 904949	1

MISSING ITEM NUMBERS NOT APPLICABLE

- ITEM NOT ILLUSTRATED

23-11-02-01

23-11-02
FIG. 01
PAGE 8
JAN 20/09

BRI



757

PARTS CATALOG (MAINTENANCE)

FIG ITEM	PART NUMBER	1 2 3 4 5 6 7	NOMENCLATURE	EFFECT FROM TO	UNITS PER ASSY
1					
- 260	827-1455-001	...	WINDOW- SUPPLIER CODE: V4V792	002004 006100 121903 950999	1
- 260	827-1455-001	...	WINDOW- SUPPLIER CODE: V4V792	107107 121503 904949	1
- 260	827-1455-001	...	WINDOW- SUPPLIER CODE: V4V792 USED ON: 622-6827-002 622-6827-022	002004 006100 121903 950999	1
- 263	840-2027-010	...	WINDOW- SUPPLIER CODE: V4V792 USED ON: 622-6827-002 622-6827-021	107107 121503 904949	2
- 263	840-2027-010	...	WINDOW- SUPPLIER CODE: V4V792 USED ON: 622-6827-002 622-6827-022	002004 006100 121903 950999	2
265	MS90376-16YF	..	COVER- USED ON: 622-6827-002 622-6827-021	107107 121503 904949	1
265	MS90376-16YF	..	COVER- USED ON: 622-6827-002 622-6827-022	002004 006100 121903 950999	1
- 267	778-0993-001	..	MODEL CHART-MOD SUPPLIER CODE: V4V792 USED ON: 622-6827-002 622-6827-021	107107 121503 904949	1
- 267	778-0993-001	..	MODEL CHART-MOD SUPPLIER CODE: V4V792 USED ON: 622-6827-002 622-6827-022	002004 006100 121903 950999	1
- 500	286N2343-004		WIRE BUNDLE ASSY	121503 904949	RF
- 500	286N2343-006		WIRE BUNDLE ASSY	107107 952999	RF

MISSING ITEM NUMBERS NOT APPLICABLE

- ITEM NOT ILLUSTRATED

23-11-02-01

23-11-02
FIG. 01
PAGE 9
JAN 20/09

BRI



757

PARTS CATALOG (MAINTENANCE)

FIG ITEM	PART NUMBER	1 2 3 4 5 6 7	NOMENCLATURE	EFFECT FROM TO	UNITS PER ASSY
1					
- 500	286N2343-007		WIRE BUNDLE ASSY-	002004 006100 950951	RF
- 501	286N2343-314		WIRE BUNDLE ASSY	504505	RF
- 501	286N2343-323		WIRE BUNDLE ASSY	506903	RF
505	BACC45FT14D15S9		.CONNECTOR- ELECTRICAL EQUIP NUMBER: D00311 WIRING DIAGRAM REF: 231111	002004 006100 107107 121999	1
- 510	286N2345-005		WIRE BUNDLE ASSY	121503 904949	RF
- 510	286N2345-006		WIRE BUNDLE ASSY	107107 952999	RF
- 510	286N2345-007		WIRE BUNDLE ASSY-	002004 006100 950951	RF
- 511	286N2345-314		WIRE BUNDLE ASSY	504903	RF
515	BACC45FT14A15S9		.CONNECTOR- ELECTRICAL EQUIP NUMBER: D00313 WIRING DIAGRAM REF: 231121	002004 006100 107107 121999	1

MISSING ITEM NUMBERS NOT APPLICABLE

- ITEM NOT ILLUSTRATED

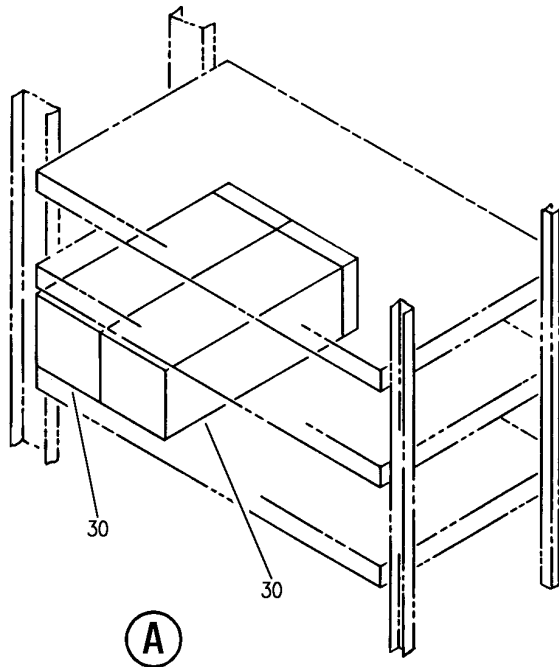
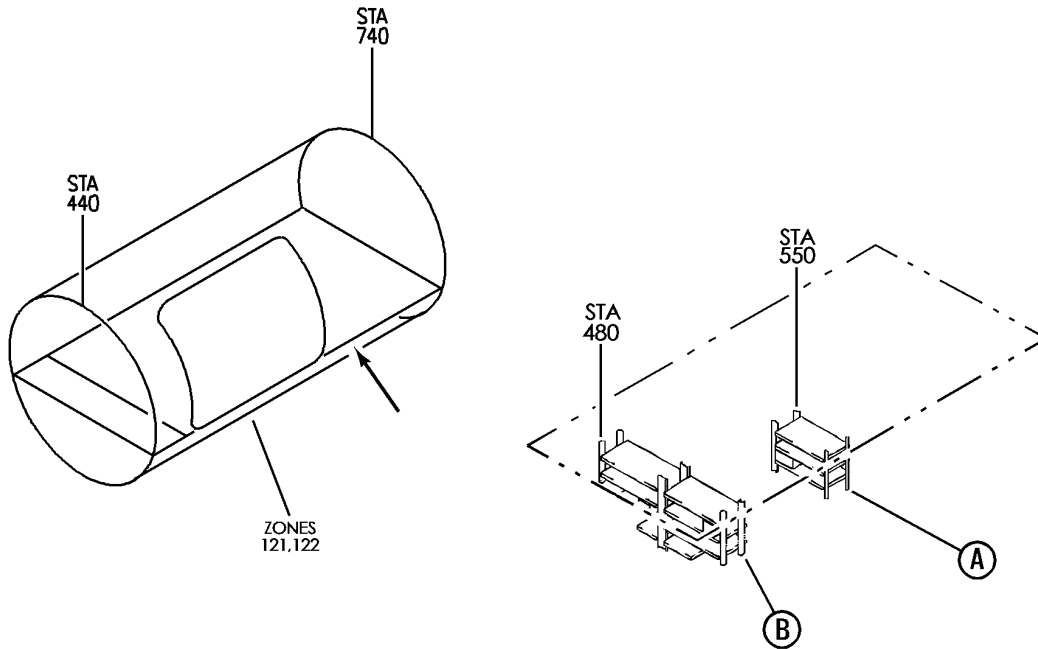
BRI

23-11-02-01

BOEING PROPRIETARY - Copyright © - Unpublished Work - See title page for details.

23-11-02
FIG. 01
PAGE 10
JAN 20/09

BOEING
757
PARTS CATALOG (MAINTENANCE)



Y 23110301 SH1 1 REV 285

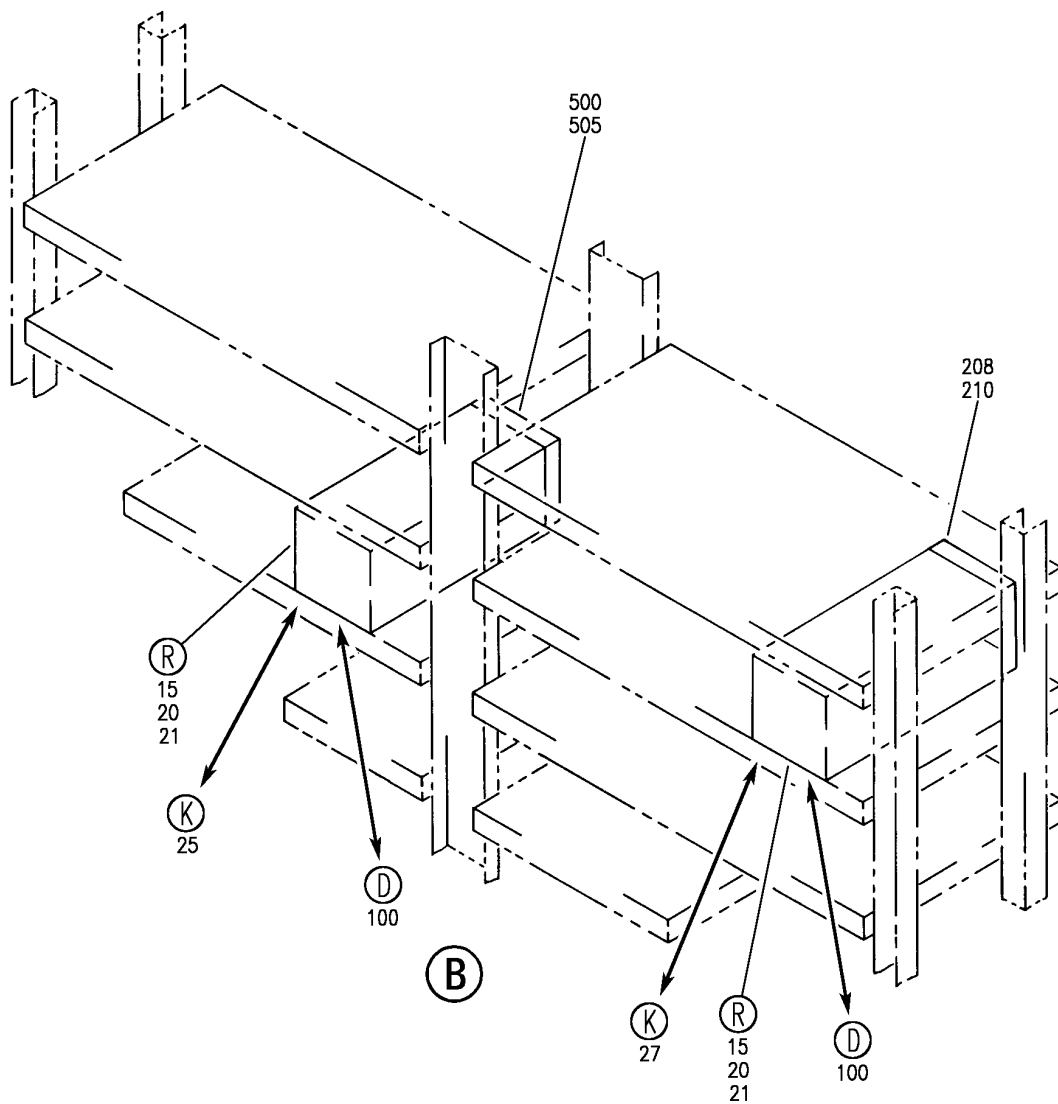
EQUIPMENT INSTL-MAIN ELECTRONICS EQPT CTR (HF COMMUNICATION SYSTEM ONLY)
FIGURE 1 (SHEET 1)

BRI
MAY 28/07

23-11-03-01

23-11-03-01
PAGE 0

BOEING
757
PARTS CATALOG (MAINTENANCE)



Y 23110301 SH1 2 REV 285

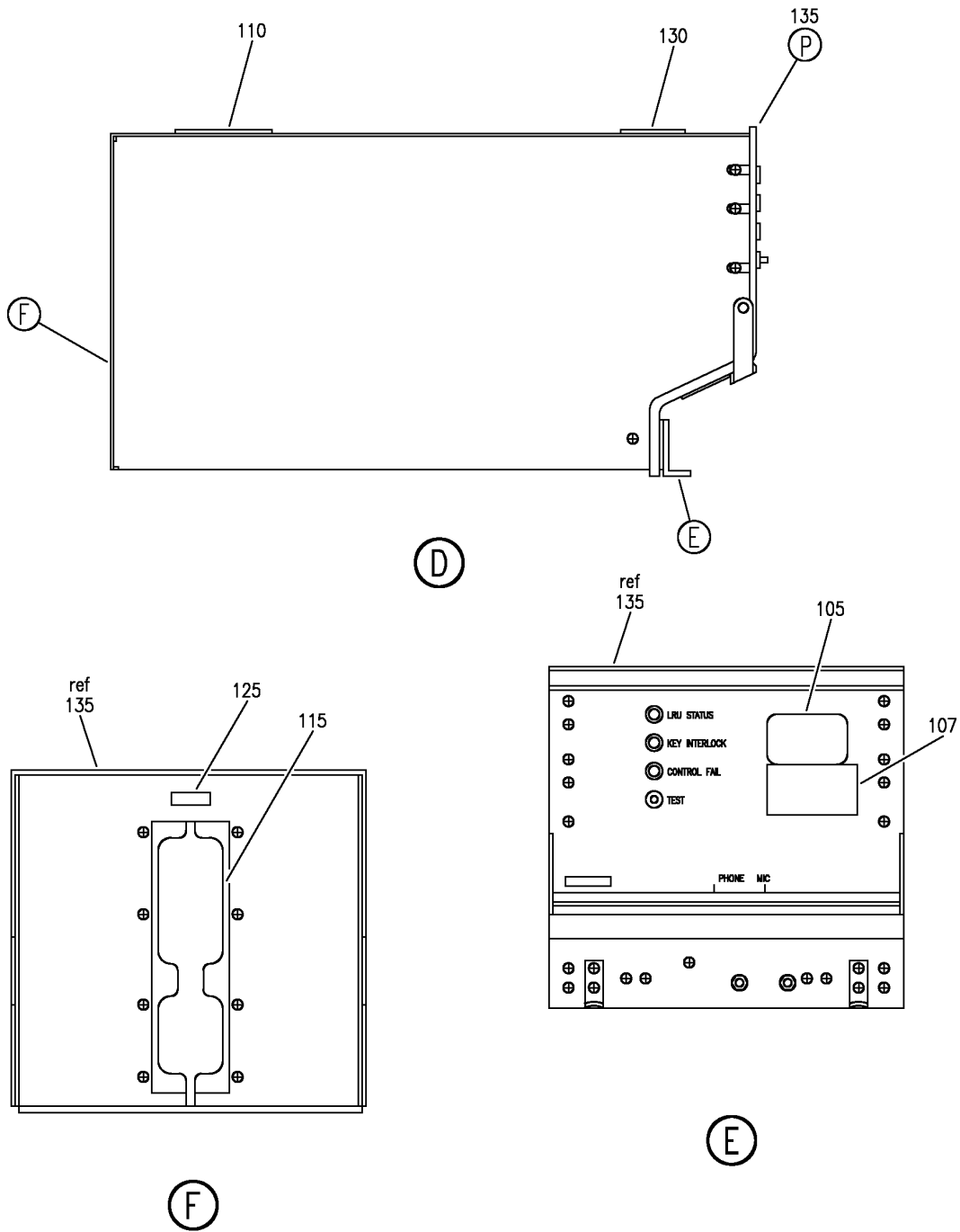
EQUIPMENT INSTL-MAIN ELECTRONICS EQPT CTR (HF COMMUNICATION SYSTEM ONLY)
FIGURE 1 (SHEET 2)

BRI
MAY 28/07

23-11-03-01

23-11-03-01
PAGE 0A

BOEING
757
PARTS CATALOG (MAINTENANCE)



Y 23110301 SH1 3 REV 261

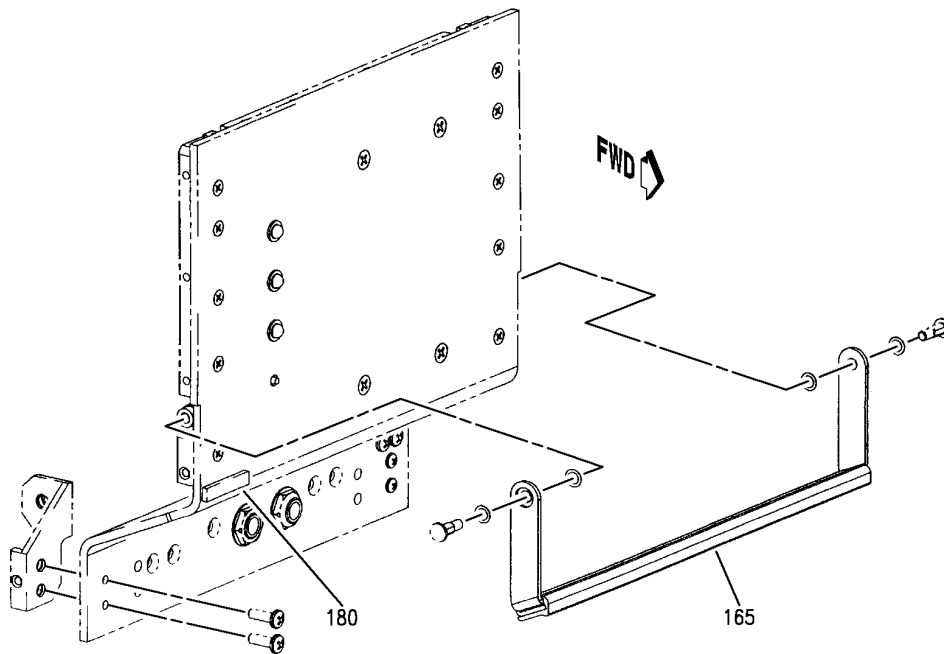
EQUIPMENT INSTL-MAIN ELECTRONICS EQPT CTR (HF COMMUNICATION SYSTEM ONLY)
FIGURE 1 (SHEET 3)

23-11-03-01

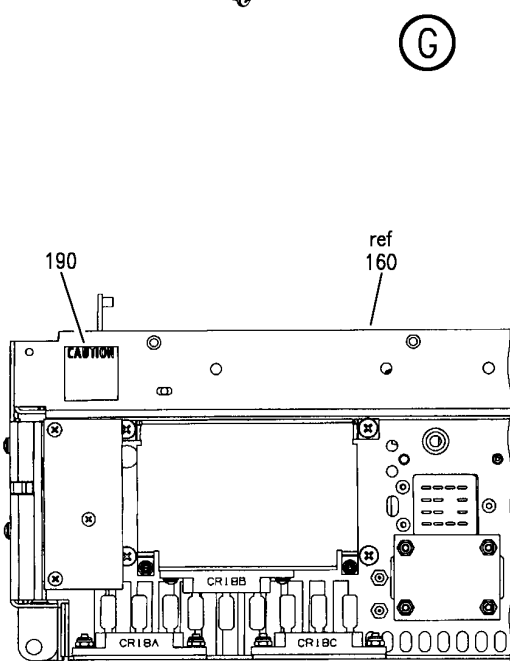
BRI
MAY 28/07

23-11-03-01
PAGE 0B

BOEING
757
PARTS CATALOG (MAINTENANCE)

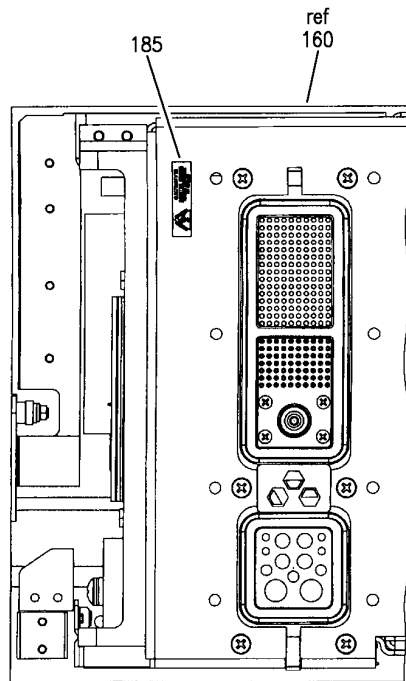


(G)



VIEW LOOKING UP

(J)



(H)

Y 23110301 SH1 4 REV 257

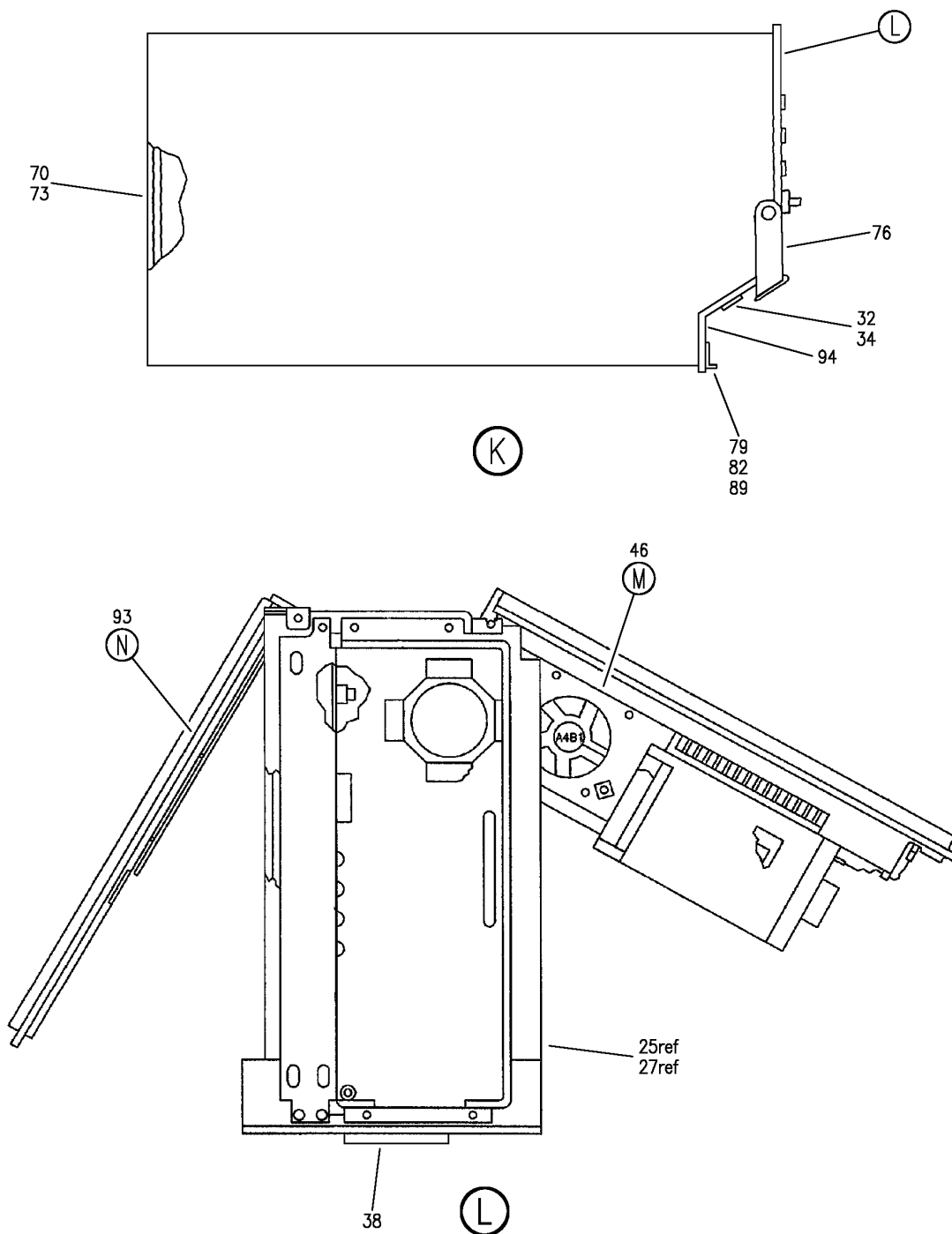
EQUIPMENT INSTL-MAIN ELECTRONICS EQPT CTR (HF COMMUNICATION SYSTEM ONLY)
FIGURE 1 (SHEET 4)

23-11-03-01

BRI
MAY 28/07

23-11-03-01
PAGE 0C

BOEING
757
PARTS CATALOG (MAINTENANCE)



Y 23110301 SHT 5 REV 259

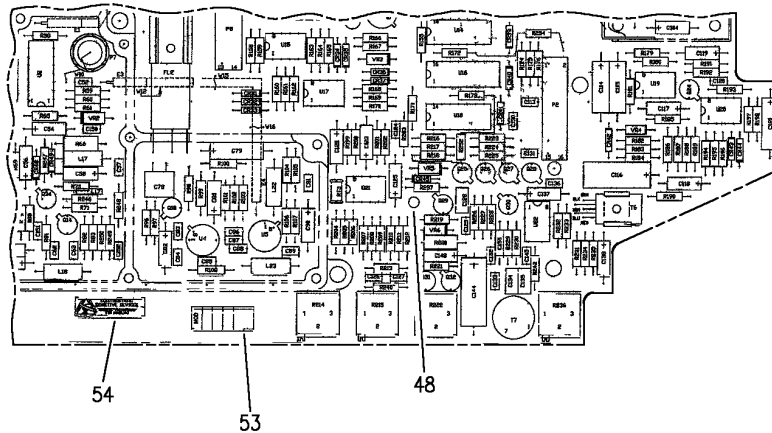
EQUIPMENT INSTL-MAIN ELECTRONICS EQPT CTR (HF COMMUNICATION SYSTEM ONLY)
FIGURE 1 (SHEET 5)

23-11-03-01

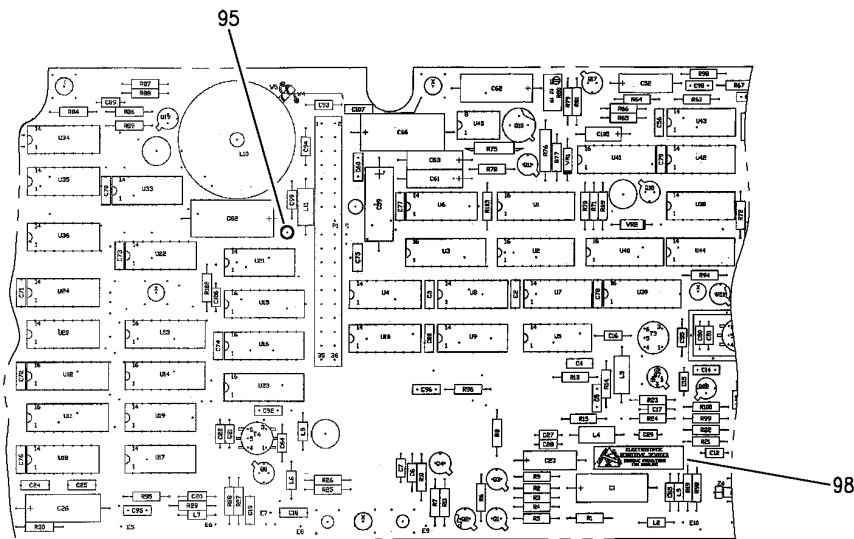
BRI
MAY 28/07

23-11-03-01
PAGE 0D

BOEING
757
PARTS CATALOG (MAINTENANCE)



(M)



(N)

Y 23110301 SH-T 6 REV 259

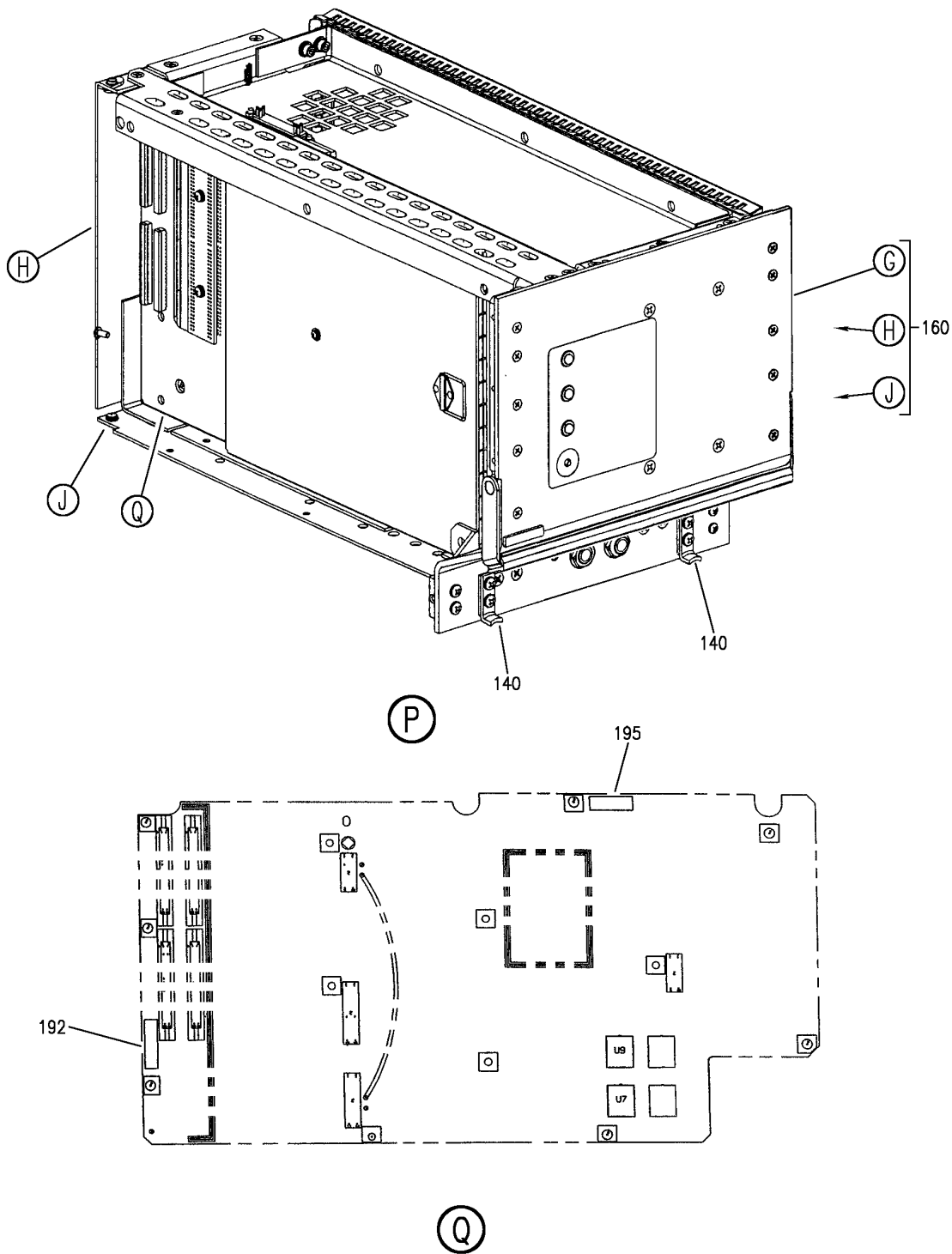
EQUIPMENT INSTL-MAIN ELECTRONICS EQPT CTR (HF COMMUNICATION SYSTEM ONLY)
FIGURE 1 (SHEET 6)

23-11-03-01

BRI
MAY 28/07

23-11-03-01
PAGE 0E

BOEING
757
PARTS CATALOG (MAINTENANCE)



Y 23110301 SHT 7 REV 261

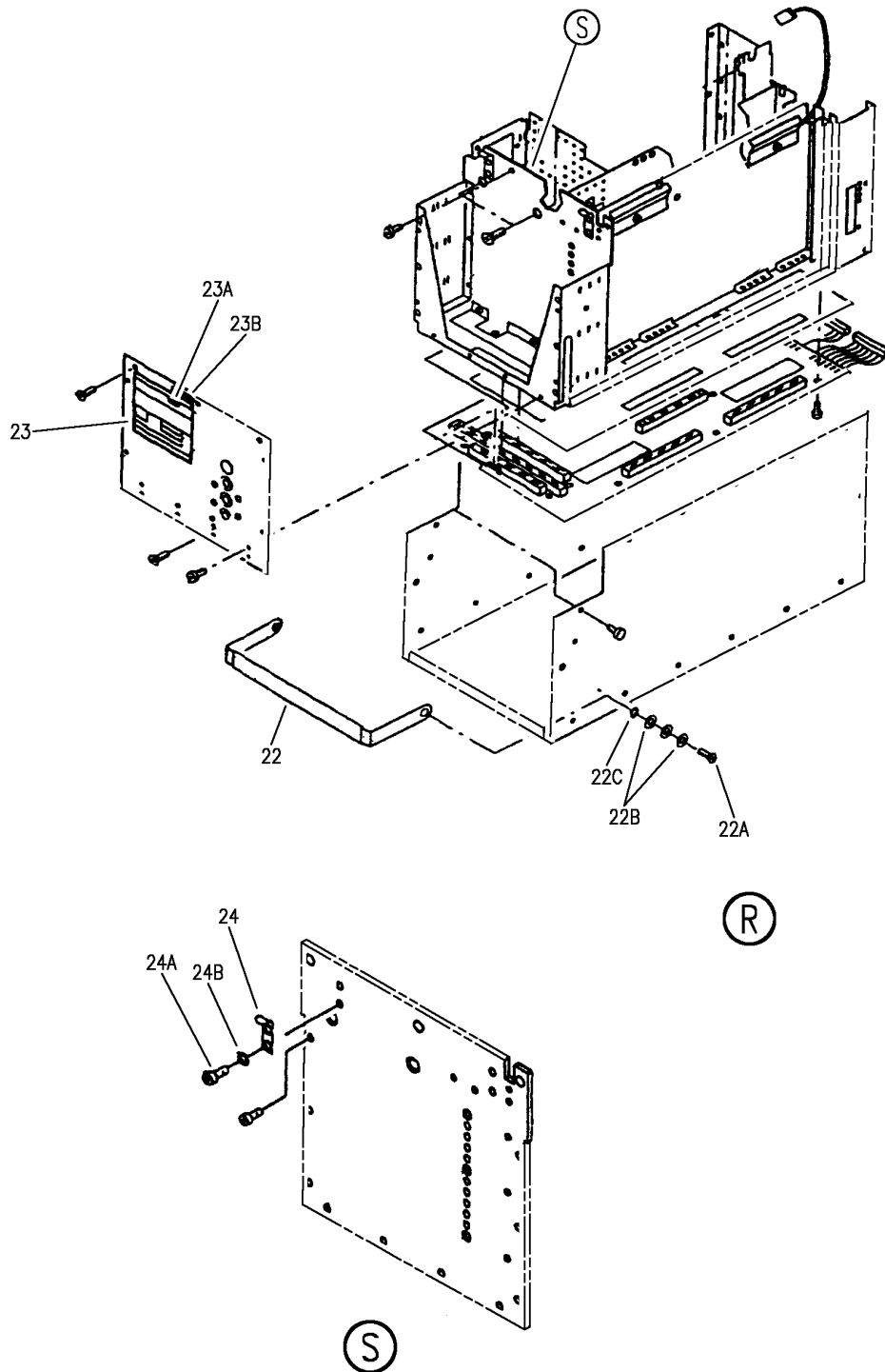
EQUIPMENT INSTL-MAIN ELECTRONICS EQPT CTR (HF COMMUNICATION SYSTEM ONLY)
FIGURE 1 (SHEET 7)

23-11-03-01

BRI
MAY 28/07

23-11-03-01
PAGE OF

BOEING
757
PARTS CATALOG (MAINTENANCE)



Y 23110301 SH1 8 REV 285

EQUIPMENT INSTL-MAIN ELECTRONICS EQPT CTR (HF COMMUNICATION SYSTEM ONLY)
FIGURE 1 (SHEET 8)

23-11-03-01

BRI
MAY 28/07

23-11-03-01
PAGE 06



757

PARTS CATALOG (MAINTENANCE)

FIG ITEM	PART NUMBER	1 2 3 4 5 6 7	NOMENCLATURE	EFFECT FROM TO	UNITS PER ASSY
1			EQUIPMENT INSTL-MAIN ELECTRONICS EQPT CTR (HF COMMUNICATION SYSTEM ONLY)	002004 006100 107107 504903 950999	
- 1	284N1307-33		EQUIPMENT INSTL-MAIN ELECTRONICS EQPT CTR (HF COMMUNICATION SYSTEM ONLY) FOR NHA/OTHER SYS DET SEE: 24-00-58-01	107107	RF
- 3	284N1800-32		EQUIPMENT INSTL-MAIN ELECTRONICS EQPT CTR (HF COMMUNICATION SYSTEM ONLY) FOR NHA/OTHER SYS DET SEE: 24-00-58-01	952999	RF
- 3	284N1800-34		EQUIPMENT INSTL-MAIN ELECTRONICS EQPT CTR (HF COMMUNICATION SYSTEM ONLY) FOR NHA/OTHER SYS DET SEE: 24-00-58-01	002004 006100	RF
- 3	284N1800-38		EQUIPMENT INSTL-MAIN ELECTRONICS EQPT CTR (HF COMMUNICATION SYSTEM ONLY)	950951	RF
- 5	284N1800-88		EQUIPMENT INSTL-MAIN ELECTRONICS EQPT CTR (HF COMMUNICATION SYSTEM ONLY) FOR NHA/OTHER SYS DET SEE: 24-00-58-05E	505505	RF
- 6	284N1800-190		EQUIPMENT INSTL-MAIN ELECTRONICS EQPT CTR (HF COMMUNICATION SYSTEM ONLY) FOR NHA/OTHER SYS DET SEE: 24-00-58-05E	504504 506903	RF

MISSING ITEM NUMBERS NOT APPLICABLE

- ITEM NOT ILLUSTRATED

BRI

23-11-03-01

BOEING PROPRIETARY - Copyright © - Unpublished Work - See title page for details.

23-11-03
FIG. 01
PAGE 1
JAN 20/09



757

PARTS CATALOG (MAINTENANCE)

FIG ITEM	PART NUMBER	1 2 3 4 5 6 7	NOMENCLATURE	EFFECT FROM TO	UNITS PER ASSY
1	15 622-5272-001		.TRANSCEIVER ASSY-TYPE HFS-700 (CUSTOMER FURNISHED) SUPPLIER CODE: V4V792 FUNCTIONAL DESCRIPTION: PROVIDES LONG RANGE TWO-WAY VOICE COMMUNICATION WITH GROUND STATIONS OR OTHER AIRPLANES. ELECTRICAL EQUIP NUMBER: M00152 M00153 COMPONENT MAINT MANUAL REF: 23-10-70	002004 006100 504903 950999	2
	25 622-5272-001		.TRANSCEIVER ASSY-TYPE HFS-700 (CUSTOMER FURNISHED) SUPPLIER CODE: V4V792 FUNCTIONAL DESCRIPTION: PROVIDES LONG RANGE TWO-WAY VOICE COMMUNICATION WITH GROUND STATIONS OR OTHER AIRPLANES. ELECTRICAL EQUIP NUMBER: M00152 COMPONENT MAINT MANUAL REF: 23-10-70	107107	1
	32 646-0097-001		..PLATE-IDENT SUPPLIER CODE: V4V792 CONFIG CHG DATA FROM A CMM: SUPSD BY 646-0097-000	002004 006100 504903 950999	1
	32 646-0097-001		..PLATE-IDENT SUPPLIER CODE: V4V792 CONFIG CHG DATA FROM A CMM: SUPSD BY 646-0097-000	107107	1
	32 646-0097-000		..PLATE-IDENT SUPPLIER CODE: V4V792 CONFIG CHG DATA FROM A CMM: SUPSDS 646-0097-001	002004 006100 504903 950999	1

MISSING ITEM NUMBERS NOT APPLICABLE

- ITEM NOT ILLUSTRATED

23-11-03-01

23-11-03
FIG. 01
PAGE 2
JAN 20/09

BRI



757

PARTS CATALOG (MAINTENANCE)

FIG ITEM	PART NUMBER	1 2 3 4 5 6 7	NOMENCLATURE	EFFECT FROM TO	UNITS PER ASSY
1					
32	646-0097-000		.. PLATE-IDENT SUPPLIER CODE: V4V792 CONFIG CHG DATA FROM A CMM: SUPSDS 646-0097-001	107107	1
34	621-0043-001		.. PLATE-MOD SUPPLIER CODE: V4V792 USED ON: 622-5272-120 622-5272-020	002004 006100 504903 950999	1
34	621-0043-001		.. PLATE-MOD SUPPLIER CODE: V4V792 ATTACHING PARTS	107107	1
- 36	P347-1268-000		.. SCREW- SUPPLIER CODE: V77250	002004 006100 504903 950999	2
- 36	P347-1268-000		.. SCREW- SUPPLIER CODE: V77250 -----*-----	107107	2
38	280-2745-120		.. LABEL-ESDS WARNING SUPPLIER CODE: V12998	002004 006100 504903 950999	1
38	280-2745-120		.. LABEL-ESDS WARNING SUPPLIER CODE: V12998	107107	1
- 40	635-6090-001		.. KNOB-PULL SUPPLIER CODE: V4V792	002004 006100 504903 950999	2
- 40	635-6090-001		.. KNOB-PULL SUPPLIER CODE: V4V792 ATTACHING PARTS	107107	2
- 42	MS51957-13		.. SCREW	002004 006100 504903 950999	2
- 42	MS51957-13		.. SCREW	107107	2
- 44	BCREF10577		.. WASHER- SUPPLIER CODE: V74921 OVERLENGTH PART NUMBER: FBRO-116IDX1-40D	002004 006100 504903 950999	2

MISSING ITEM NUMBERS NOT APPLICABLE

- ITEM NOT ILLUSTRATED

23-11-03-01

23-11-03
FIG. 01
PAGE 3
JAN 20/09

BRI



757

PARTS CATALOG (MAINTENANCE)

FIG ITEM	PART NUMBER	1 2 3 4 5 6 7	NOMENCLATURE	EFFECT FROM TO	UNITS PER ASSY
1 - 44	BCREF10577		.. WASHER- SUPPLIER CODE: V74921 OVERLENGTH PART NUMBER: FBRO-116IDX1-40D -----*-----	107107	2
70	025-1158-001		.. CAP- SUPPLIER CODE: V71468 CONFIG CHG DATA FROM A CMM: SUPSD BY 211600-2 OPTIONAL PART: 4041437-6 V58960 USED ON: 622-5272-120 622-5272-020	002004 006100 504903 950999	1
70	025-1158-001		.. CAP- SUPPLIER CODE: V71468 CONFIG CHG DATA FROM A CMM: SUPSD BY 211600-2 OPTIONAL PART: 4041437-6 V58960	107107	1
70	025-1157-001		.. CAP- SUPPLIER CODE: V71468 CONFIG CHG DATA FROM A CMM: SUPSD BY 211600-2 OPTIONAL PART: 4041437-5 V58960 USED ON: 622-5272-120 622-5272-020	002004 006100 504903 950999	1
70	025-1157-001		.. CAP- SUPPLIER CODE: V71468 CONFIG CHG DATA FROM A CMM: SUPSD BY 211600-2 OPTIONAL PART: 4041437-5 V58960	107107	1

MISSING ITEM NUMBERS NOT APPLICABLE

- ITEM NOT ILLUSTRATED

23-11-03-01

23-11-03
FIG. 01
PAGE 4
JAN 20/09

BRI



757

PARTS CATALOG (MAINTENANCE)

FIG ITEM	PART NUMBER	1 2 3 4 5 6 7	NOMENCLATURE	EFFECT FROM TO	UNITS PER ASSY
1					
70	211600-2	..	CAP- SUPPLIER CODE: V00779 CONFIG CHG DATA FROM A CMM: SUPSDS 025-1158-001 SUPSDS 025-1157-001	002004 006100 504903 950999	1
70	211600-2	..	CAP- SUPPLIER CODE: V00779 CONFIG CHG DATA FROM A CMM: SUPSDS 025-1158-001 SUPSDS 025-1157-001	107107	1
76	629-6836-060	..	STRIP-IDENT SUPPLIER CODE: V4V792	002004 006100 504903 950999	1
76	629-6836-060	..	STRIP-IDENT SUPPLIER CODE: V4V792	107107	1
79	548-9369-012	..	HOOK-HOLD DOWN SUPPLIER CODE: V4V792 CONFIG CHG DATA FROM A CMM: SUPSD BY 548-9369-002	002004 006100 504903 950999	2
79	548-9369-012	..	HOOK-HOLD DOWN SUPPLIER CODE: V4V792 CONFIG CHG DATA FROM A CMM: SUPSD BY 548-9369-002	107107	2
79	548-9369-002	..	BRACKET-MTG SUPPLIER CODE: V4V792 CONFIG CHG DATA FROM A CMM: SUPSD BY 503-4970-001 SUPSDS 548-9369-012	002004 006100 504903 950999	2
79	548-9369-002	..	BRACKET-MTG SUPPLIER CODE: V4V792 CONFIG CHG DATA FROM A CMM: SUPSD BY 503-4970-001 SUPSDS 548-9369-012	107107	2
79	503-4970-001	..	HOOK-HOLDDOWN SUPPLIER CODE: V4V792 CONFIG CHG DATA FROM A CMM: SUPSDS 548-9369-012 SUPSDS 548-9369-002	002004 006100 504903 950999	2

MISSING ITEM NUMBERS NOT APPLICABLE

- ITEM NOT ILLUSTRATED

23-11-03-01

23-11-03
FIG. 01
PAGE 5
JAN 20/09

BRI

BOEING PROPRIETARY - Copyright © - Unpublished Work - See title page for details.



757

PARTS CATALOG (MAINTENANCE)

FIG ITEM	PART NUMBER	1 2 3 4 5 6 7	NOMENCLATURE	EFFECT FROM TO	UNITS PER ASSY
1	79 503-4970-001		..HOOK-HOLDDOWN SUPPLIER CODE: V4V792 CONFIG CHG DATA FROM A CMM: SUPSDS 548-9369-012 SUPSDS 548-9369-002	107107	2
- 83	646-4866-001		..NUT- SUPPLIER CODE: V4V792	002004 006100 504903 950999	2
- 83	646-4866-001		..NUT- SUPPLIER CODE: V4V792 ATTACHING PARTS	107107	2
- 84	MS51957-30		..SCREW	002004 006100 504903 950999	4
- 84	MS51957-30		..SCREW	107107	4
- 87	641-8914-001		..SHIM- SUPPLIER CODE: V4V792	002004 006100 504903 950999	2
- 87	641-8914-001		..SHIM- SUPPLIER CODE: V4V792	107107	2
	89 646-4883-001		..SLIDE- SUPPLIER CODE: V4V792	002004 006100 504903 950999	1
	89 646-4883-001		..SLIDE- SUPPLIER CODE: V4V792 ATTACHING PARTS	107107	1
- 90	MS51957-30		..SCREW	002004 006100 504903 950999	2
- 90	MS51957-30		..SCREW	107107	2
- 92	829-0200-008		..PLATE-MOD SUPPLIER CODE: V4V792	002004 006100 504903 950999	1
- 92	829-0200-008		..PLATE-MOD SUPPLIER CODE: V4V792	107107	1
- 200	286N1423-005		WIRE BUNDLE ASSY	107107	RF

MISSING ITEM NUMBERS NOT APPLICABLE

- ITEM NOT ILLUSTRATED

23-11-03-01

23-11-03
FIG. 01
PAGE 6
JAN 20/09

BRI



757

PARTS CATALOG (MAINTENANCE)

FIG ITEM	PART NUMBER	1 2 3 4 5 6 7	NOMENCLATURE	EFFECT FROM TO	UNITS PER ASSY
1					
- 200	286N1423-006		WIRE BUNDLE ASSY-	002004 006100 950951	RF
- 200	286N1423-015		WIRE BUNDLE ASSY-	952999	RF
- 201	286N1423-338		WIRE BUNDLE ASSY	504504 506903	RF
- 202	286N1423-360		WIRE BUNDLE ASSY	505505	RF
210	BKA125C10AD01		.CONNECTOR- SUPPLIER CODE: V71468 SPECIFICATION NUMBER: BCREFA0645 OPTIONAL PART: S6125C10AD01 V59610 N1C66H125C10AD0 V00779 OVERLENGTH PART NUMBER: BACC66H125C10AD01 ELECTRICAL EQUIP NUMBER: D00301 WIRING DIAGRAM REF: 231121	002004 006100 107107 504903 950999	1
- 250	286N1163-003		WIRE BUNDLE ASSY	107107	RF
- 250	286N1163-006		WIRE BUNDLE ASSY	950951	RF
- 250	286N1163-008		WIRE BUNDLE ASSY-	002004 006100 952999	RF
- 252	286N1163-379		WIRE BUNDLE ASSY	504504	RF
- 252	286N1163-380		WIRE BUNDLE ASSY	506506	RF
- 252	286N1163-384		WIRE BUNDLE ASSY	505505	RF
- 252	286N1163-393		WIRE BUNDLE ASSY	507903	RF
505	BKA125C10AD01		.CONNECTOR- SUPPLIER CODE: V71468 SPECIFICATION NUMBER: BCREFA0645 OPTIONAL PART: S6125C10AD01 V59610 N1C66H125C10AD0 V00779 OVERLENGTH PART NUMBER: BACC66H125C10AD01 ELECTRICAL EQUIP NUMBER: D00299 WIRING DIAGRAM REF: 231111 235114	002004 006100 107107 504903 950999	1

MISSING ITEM NUMBERS NOT APPLICABLE

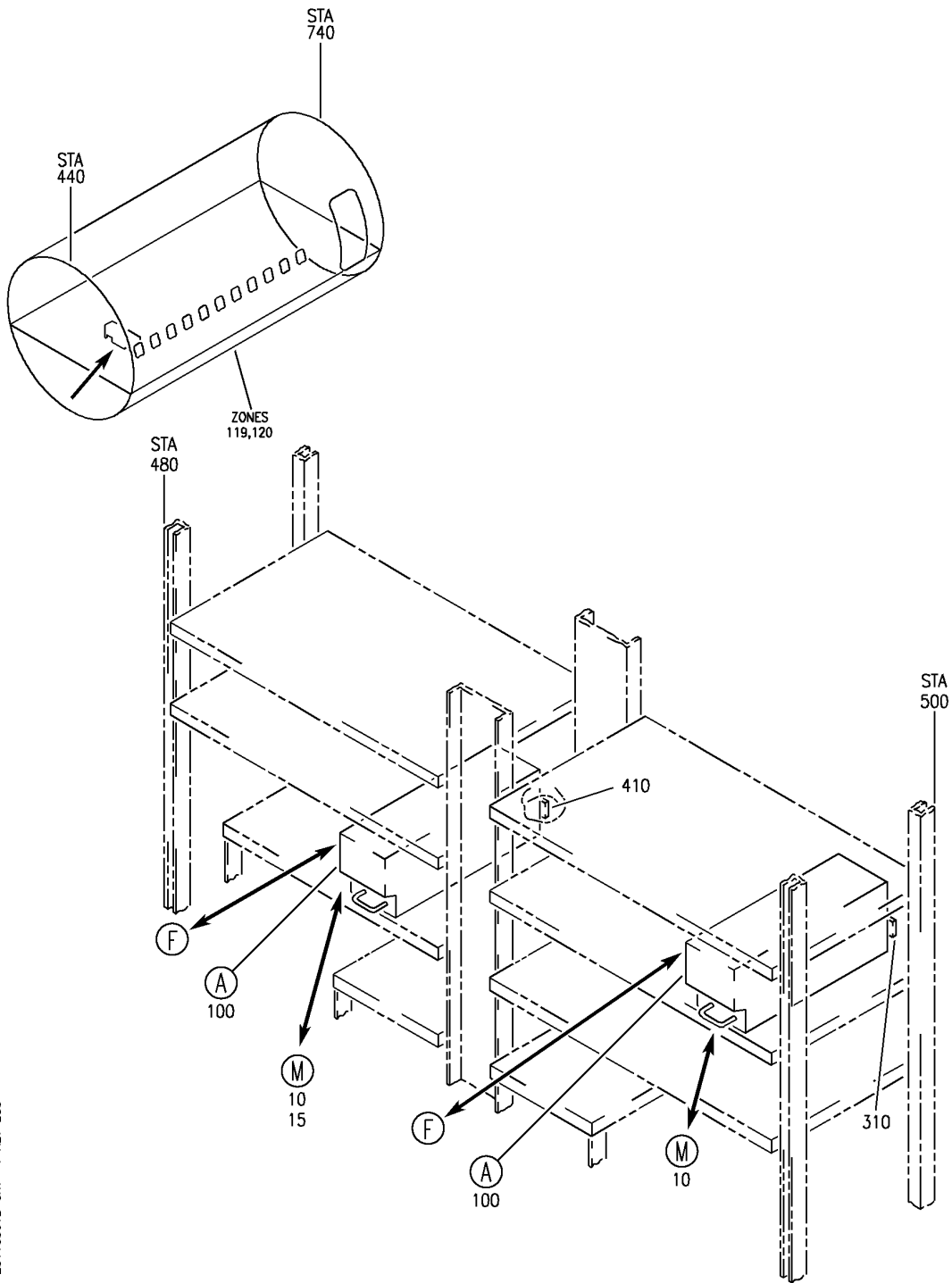
- ITEM NOT ILLUSTRATED

23-11-03-01

23-11-03
FIG. 01
PAGE 7
JAN 20/09

BRI

BOEING
757
PARTS CATALOG (MAINTENANCE)



Y 23110301B SHT 1 REV 285

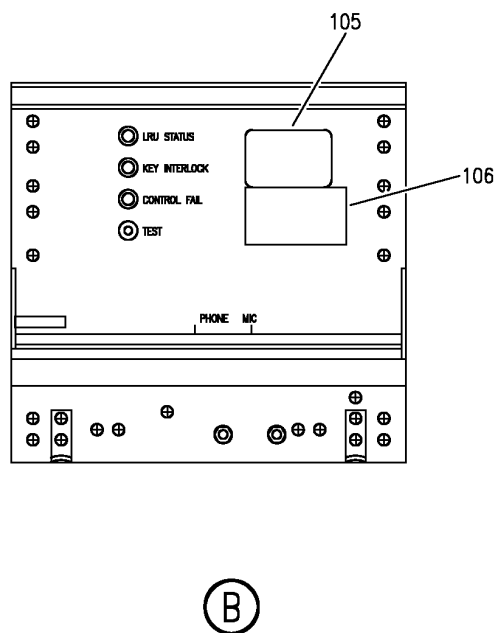
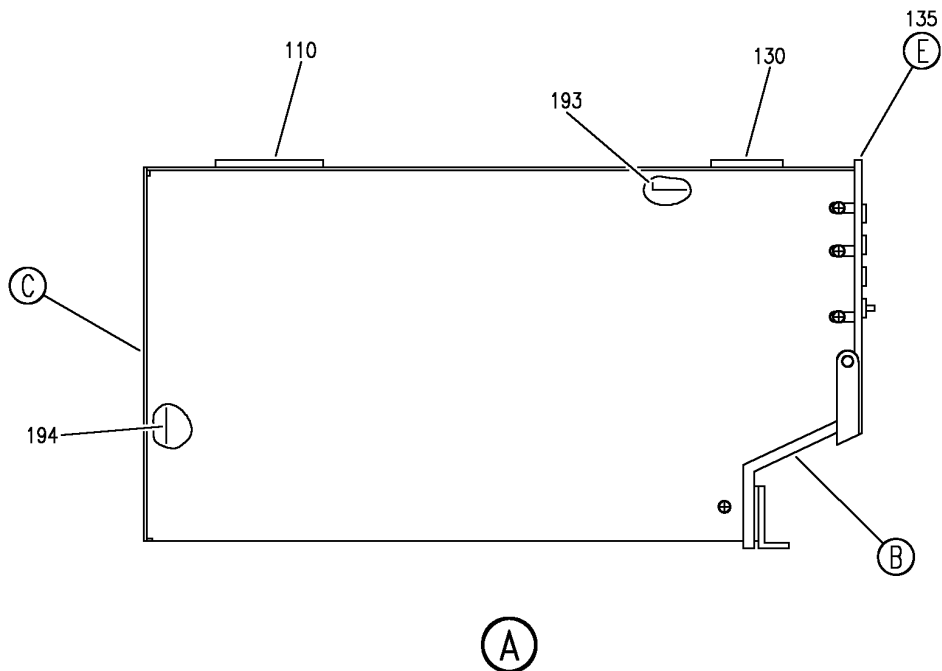
EQUIPMENT INSTL-MAIN ELECTRONICS EQPT CTR (HF COMMUNICATION SYSTEM ONLY)
FIGURE 1B (SHEET 1)

BRI
MAY 28/07

23-11-03-01B

23-11-03-01B
PAGE 0

BOEING
757
PARTS CATALOG (MAINTENANCE)



Y 23110301B SHT 2 REV 261

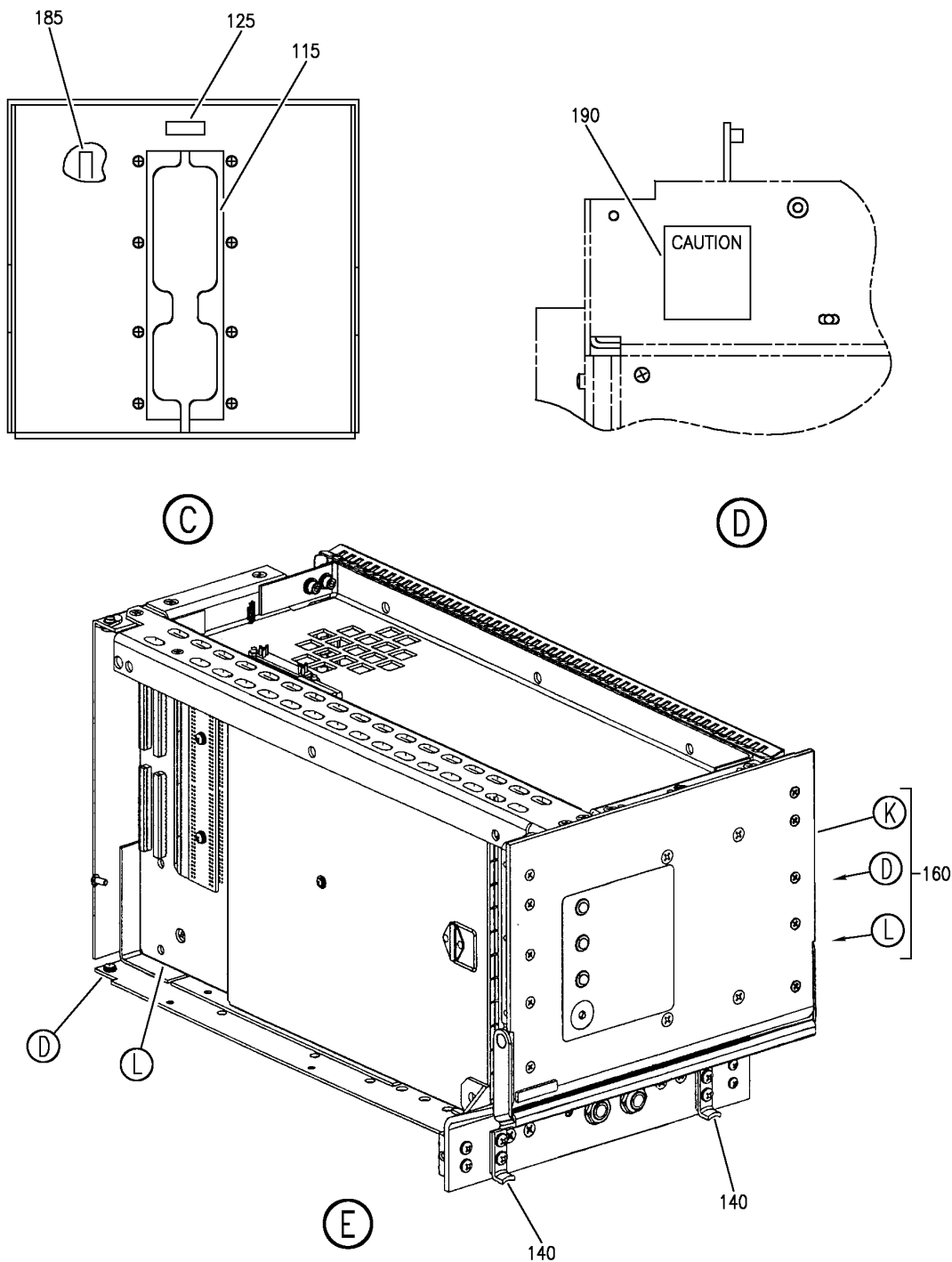
EQUIPMENT INSTL-MAIN ELECTRONICS EQPT CTR (HF COMMUNICATION SYSTEM ONLY)
FIGURE 1B (SHEET 2)

BRI
MAY 28/07

23-11-03-01B

23-11-03-01B
PAGE 0A

BOEING
757
PARTS CATALOG (MAINTENANCE)



Y 23110301B SHT 3 REV 261

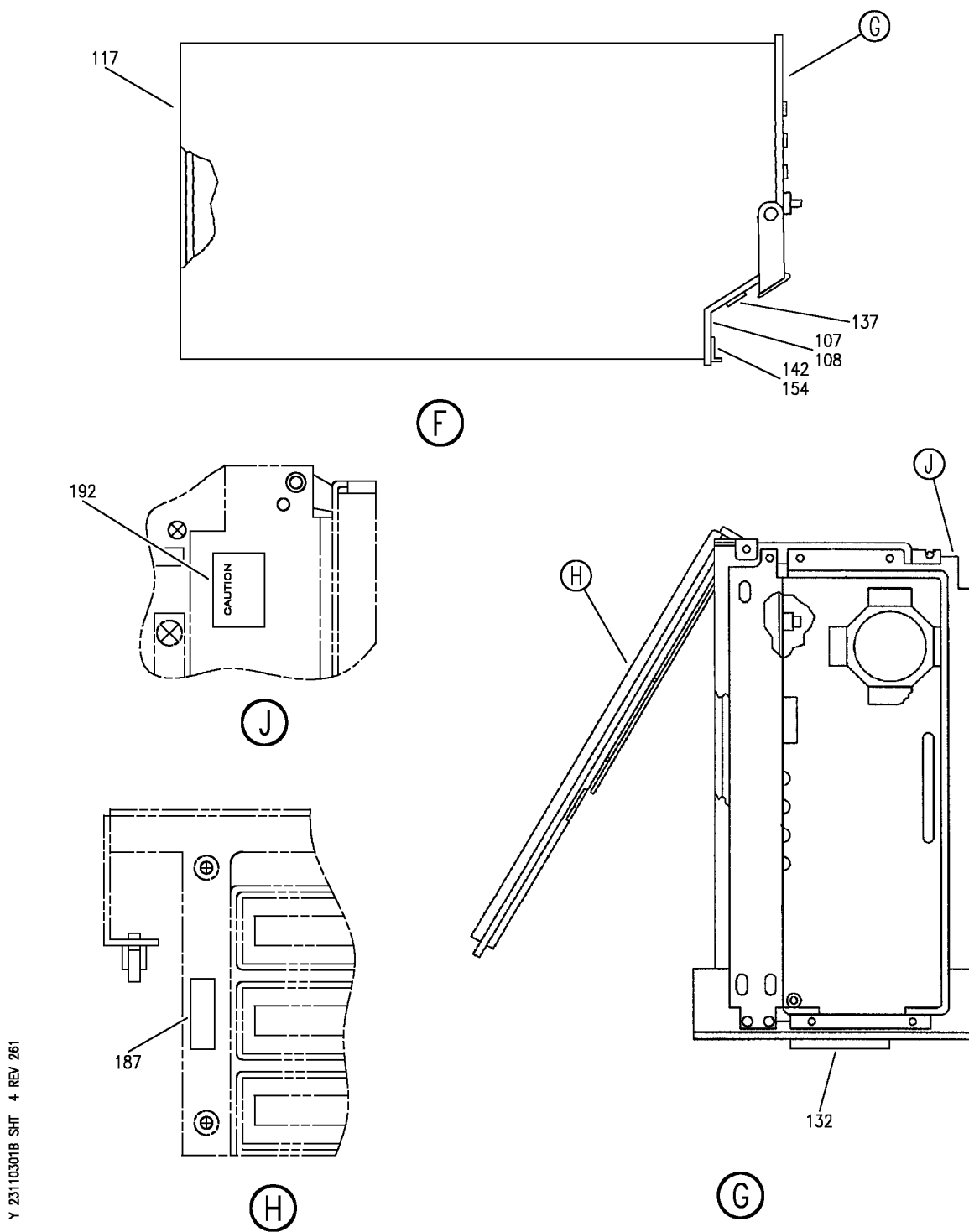
EQUIPMENT INSTL-MAIN ELECTRONICS EQPT CTR (HF COMMUNICATION SYSTEM ONLY)
FIGURE 1B (SHEET 3)

BRI
MAY 28/07

23-11-03-01B

23-11-03-01B
PAGE 0B

BOEING
757
PARTS CATALOG (MAINTENANCE)



Y 23110301B SHT 4 REV 261

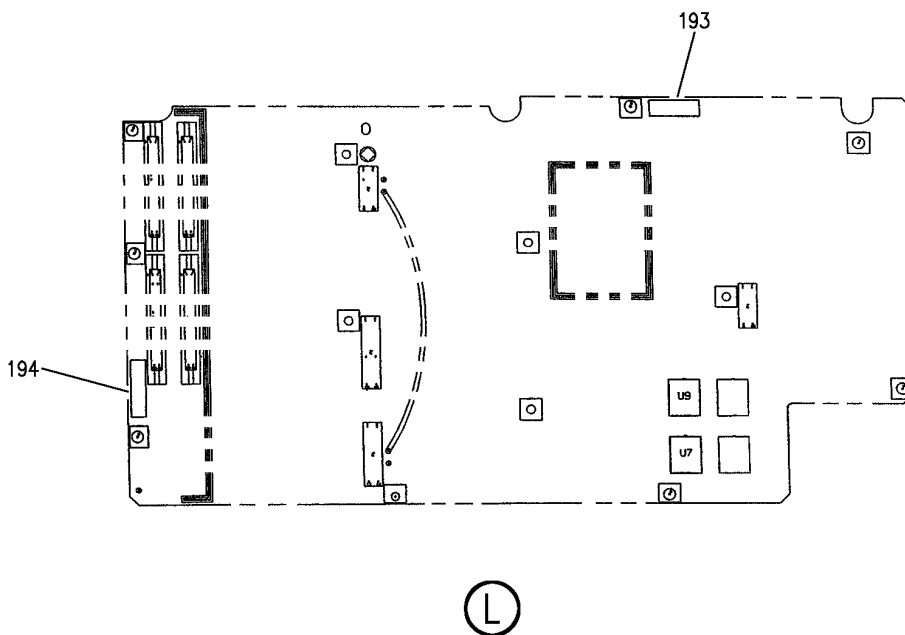
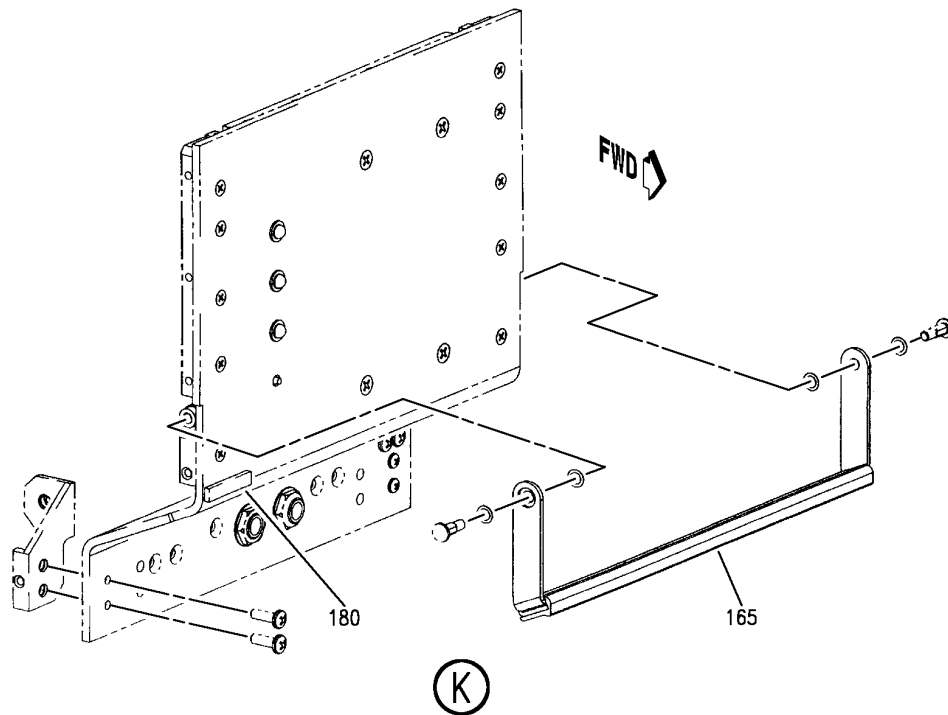
EQUIPMENT INSTL-MAIN ELECTRONICS EQPT CTR (HF COMMUNICATION SYSTEM ONLY)
FIGURE 1B (SHEET 4)

23-11-03-01B

BRI
MAY 28/07

23-11-03-01B
PAGE 0C

BOEING
757
PARTS CATALOG (MAINTENANCE)



Y 23110301B SHT 5 REV 261

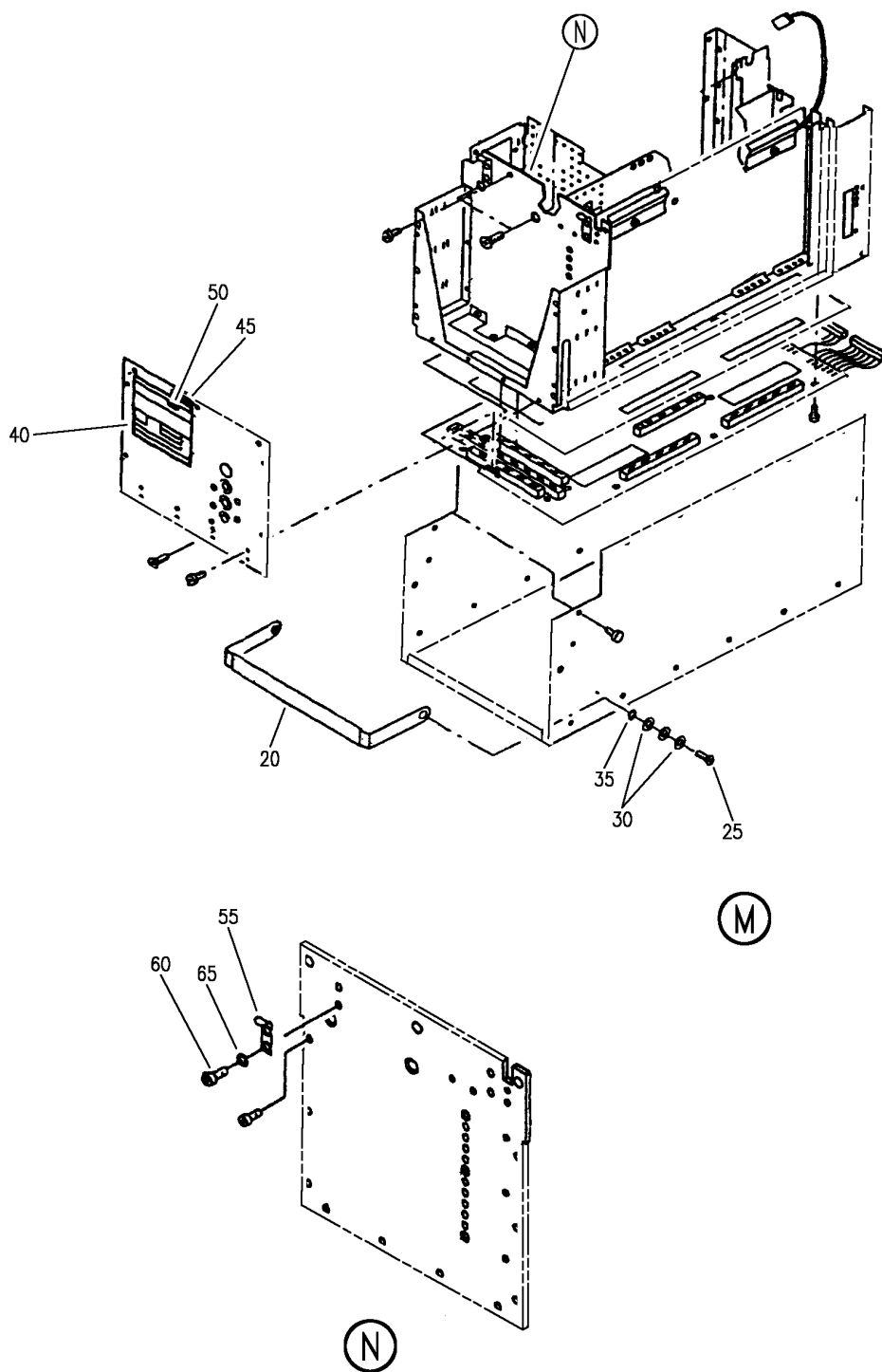
EQUIPMENT INSTL-MAIN ELECTRONICS EQPT CTR (HF COMMUNICATION SYSTEM ONLY)
FIGURE 1B (SHEET 5)

BRI
MAY 28/07

23-11-03-01B

23-11-03-01B
PAGE 0D

BOEING
757
PARTS CATALOG (MAINTENANCE)



Y 23110301 SHT 8 REV 285

EQUIPMENT INSTL-MAIN ELECTRONICS EQPT CTR (HF COMMUNICATION SYSTEM ONLY)
FIGURE 1B (SHEET 6)

BRI
MAY 28/07

23-11-03-01B

23-11-03-01B
PAGE 0E



757

PARTS CATALOG (MAINTENANCE)

FIG ITEM	PART NUMBER	1 2 3 4 5 6 7	NOMENCLATURE	EFFECT FROM TO	UNITS PER ASSY
1B			EQUIPMENT INSTL-MAIN ELECTRONICS EQPT CTR (HF COMMUNICATION SYSTEM ONLY)	101102	
- 2	284N1800-140		EQUIPMENT INSTL-MAIN ELECTRONICS EQPT CTR (HF COMMUNICATION SYSTEM ONLY) FOR NHA/OTHER SYS DET SEE: 24-00-58-05E	101101	RF
- 2	284N1800-141		EQUIPMENT INSTL-MAIN ELECTRONICS EQPT CTR (HF COMMUNICATION SYSTEM ONLY) FOR NHA/OTHER SYS DET SEE: 24-00-58-05E	102102	RF
100	622-5272-001		. TRANSCEIVER ASSY-TYPE HFS-700 (CUSTOMER FURNISHED) SUPPLIER CODE: V4V792 FUNCTIONAL DESCRIPTION: PROVIDES LONG RANGE TWO-WAY VOICE COMMUNICATION WITH GROUND STATIONS OR OTHER AIRPLANES. ELECTRICAL EQUIP NUMBER: M00152 M00153 COMPONENT MAINT MANUAL REF: 23-10-70	101102	2
107	646-0097-001		.. PLATE-IDENT SUPPLIER CODE: V4V792 CONFIG CHG DATA FROM A CMM: SUPSD BY 646-0097-000	101102	1
107	646-0097-000		.. PLATE-IDENT SUPPLIER CODE: V4V792 CONFIG CHG DATA FROM A CMM: SUPSDS 646-0097-001	101102	1
108	621-0043-001		.. PLATE-MOD SUPPLIER CODE: V4V792	101102	1

MISSING ITEM NUMBERS NOT APPLICABLE

- ITEM NOT ILLUSTRATED

23-11-03-01B

23-11-03
FIG. 01B
PAGE 1
JAN 20/09

BRI

BOEING PROPRIETARY - Copyright © - Unpublished Work - See title page for details.



757

PARTS CATALOG (MAINTENANCE)

FIG ITEM	PART NUMBER	1 2 3 4 5 6 7	NOMENCLATURE	EFFECT FROM TO	UNITS PER ASSY
1B			ATTACHING PARTS		
- 109	P347-1268-000		.. SCREW- SUPPLIER CODE: V77250 -----*-----	101102	2
117	025-1158-001		.. CAP- SUPPLIER CODE: V71468 CONFIG CHG DATA FROM A CMM: SUPSD BY 211600-2 MISCELLANEOUS DATA: ITT CANNON PART NO. 370-0505-070 OPTIONAL PART: 4041437-6 V58960	101102	1
117	025-1157-001		.. CAP- SUPPLIER CODE: V71468 CONFIG CHG DATA FROM A CMM: SUPSD BY 211600-2 MISCELLANEOUS DATA: ITT CANNON PART NO. 370-0505-080 OPTIONAL PART: 4041437-5 V58960	101102	1
117	211600-2		.. CAP- SUPPLIER CODE: V00779 CONFIG CHG DATA FROM A CMM: SUPSDS 025-1158-001 SUPSDS 025-1157-001 MISCELLANEOUS DATA: AMP INC. PART NO. 370-0081-020	101102	1
132	280-2745-120		.. LABEL-ESDS WARNING SUPPLIER CODE: V12998	101102	1
137	629-6836-060		... STRIP-IDENT SUPPLIER CODE: V4V792	101102	1
142	548-9369-012		... HOOK-HOLD DOWN SUPPLIER CODE: V4V792 CONFIG CHG DATA FROM A CMM: SUPSD BY 548-9369-002	101102	2

MISSING ITEM NUMBERS NOT APPLICABLE

- ITEM NOT ILLUSTRATED

23-11-03-01B

23-11-03
FIG. 01B
PAGE 2
JAN 20/09

BRI

BOEING PROPRIETARY - Copyright © - Unpublished Work - See title page for details.



757

PARTS CATALOG (MAINTENANCE)

FIG ITEM	PART NUMBER	1 2 3 4 5 6 7	NOMENCLATURE	EFFECT FROM TO	UNITS PER ASSY
1B 142	548-9369-002	...	BRACKET-MTG SUPPLIER CODE: V4V792 CONFIG CHG DATA FROM A CMM: SUPSD BY 503-4970-001	101102	2
142	503-4970-001	...	HOOK-HOLDDOWN SUPPLIER CODE: V4V792 CONFIG CHG DATA FROM A CMM: SUPSDS 548-9369-012 SUPSDS 548-9369-002 ATTACHING PARTS	101102	2
- 147	MS51957-30	...	SCREW- USED WITH: 548-9369-012 646-4866-001	101102	4
- 148	MS51957-30	...	SCREW	101102	2
- 152	641-8914-001	...	SHIM- SUPPLIER CODE: V4V792 USED WITH: 548-9369-012 646-4866-001	101102	2
154	646-4883-001	...	SLIDE- SUPPLIER CODE: V4V792	101102	1
- 157	646-4866-001	...	NUT- SUPPLIER CODE: V4V792 -----*-----	101102	2
187	280-3778-100	LABEL-INFORMATION SUPPLIER CODE: VOBU16 OPTIONAL SUPPLIER CODE: 12998	101102	1
192	646-4522-001	LABEL-CAUTION SUPPLIER CODE: V4V792	101102	1
- 195	829-0200-008	..	PLATE-MOD SUPPLIER CODE: V4V792	101102	1
- 300	286N1423-340		WIRE BUNDLE ASSY	101101	RF
- 300	286N1423-344		WIRE BUNDLE ASSY	102102	RF

MISSING ITEM NUMBERS NOT APPLICABLE

- ITEM NOT ILLUSTRATED

23-11-03-01B

23-11-03
FIG. 01B
PAGE 3
JAN 20/09

BRI

BOEING PROPRIETARY - Copyright © - Unpublished Work - See title page for details.



757

PARTS CATALOG (MAINTENANCE)

FIG ITEM	PART NUMBER	1 2 3 4 5 6 7	NOMENCLATURE	EFFECT FROM TO	UNITS PER ASSY
1B 310	BKA125C10AD01		.CONNECTOR- SUPPLIER CODE: V71468 SPECIFICATION NUMBER: BCREFA0645 OPTIONAL PART: S6125C10AD01 V59610 N1C66H125C10AD0 V00779 OVERLENGTH PART NUMBER: BACC66H125C10AD01 ELECTRICAL EQUIP NUMBER: D00301 WIRING DIAGRAM REF: 231121	101102	1
- 400	286N1163-337		WIRE BUNDLE ASSY	101101	RF
- 400	286N1163-341		WIRE BUNDLE ASSY	102102	RF
410	BKA125C10AD01		.CONNECTOR- SUPPLIER CODE: V71468 SPECIFICATION NUMBER: BCREFA0645 OPTIONAL PART: S6125C10AD01 V59610 N1C66H125C10AD0 V00779 OVERLENGTH PART NUMBER: BACC66H125C10AD01 ELECTRICAL EQUIP NUMBER: D00299 WIRING DIAGRAM REF: 231111	101102	1

MISSING ITEM NUMBERS NOT APPLICABLE

- ITEM NOT ILLUSTRATED

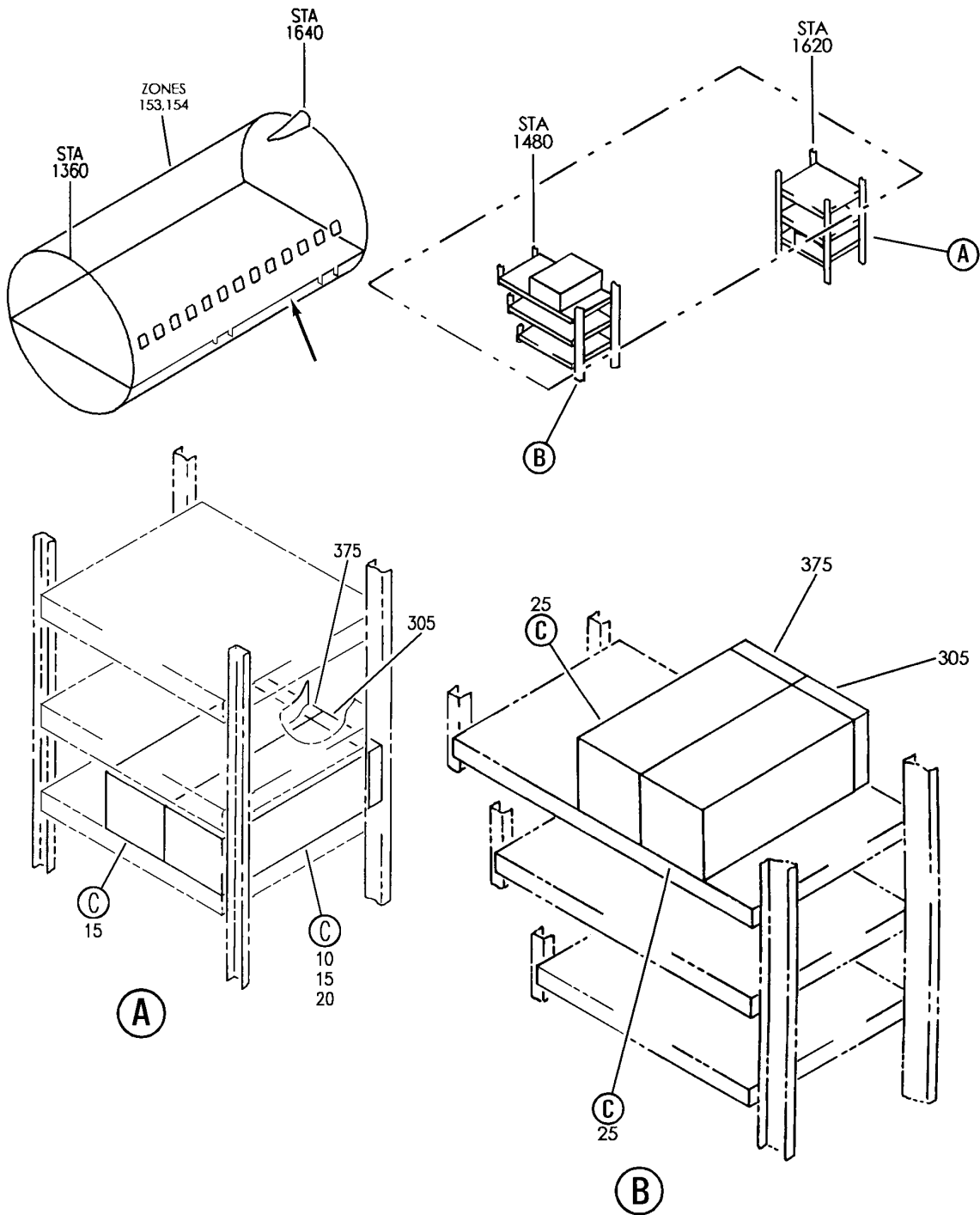
23-11-03-01B

23-11-03
FIG. 01B
PAGE 4
JAN 20/09

BRI

BOEING PROPRIETARY - Copyright © - Unpublished Work - See title page for details.


BOEING
 757
PARTS CATALOG (MAINTENANCE)



Y 23110302 SH1 1 REV 257

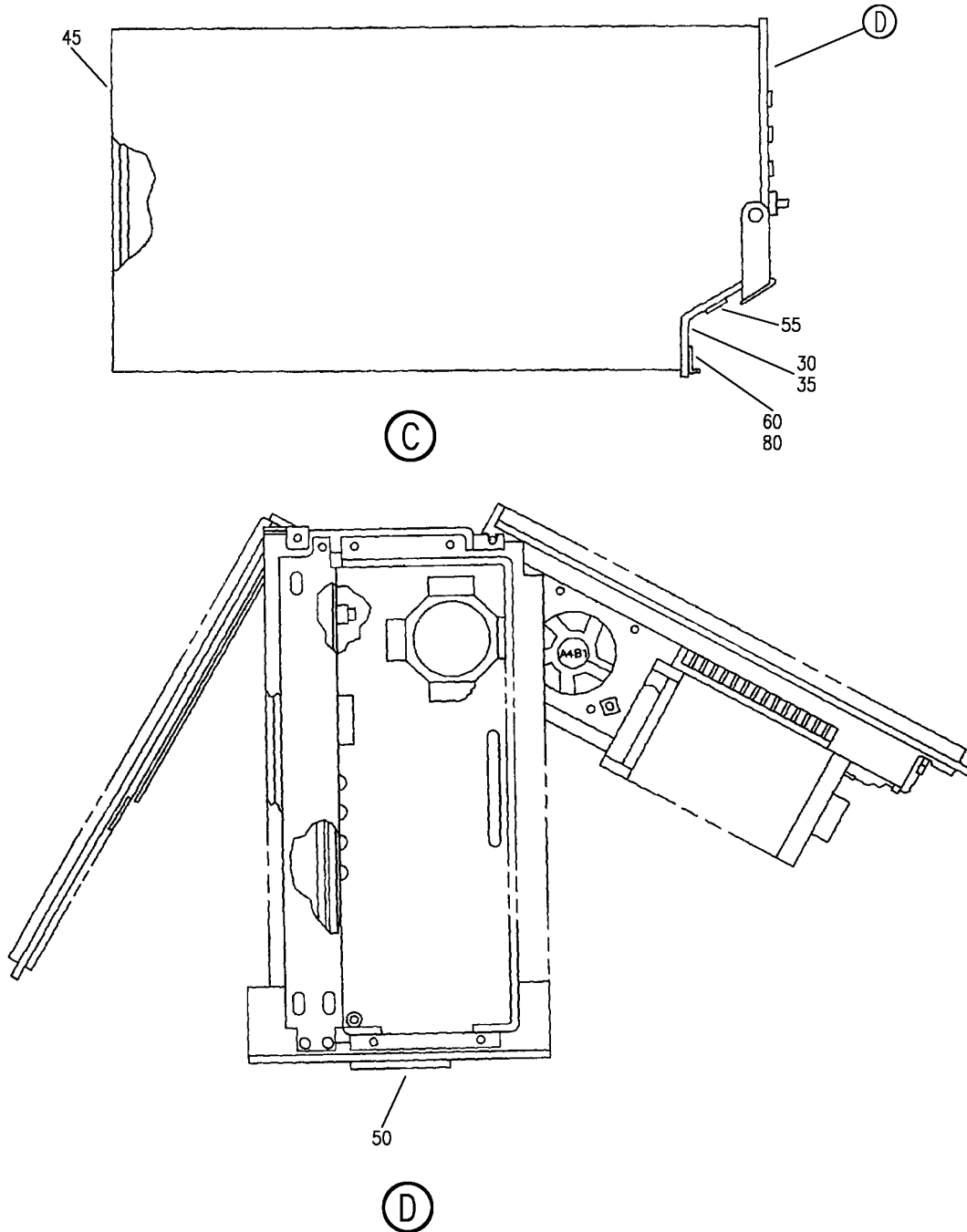
EQUIPMENT INSTL-E6 AFT EQPT CTR (HF COMMUNICATION SYSTEM ONLY)
 FIGURE 2 (SHEET 1)

23-11-03-02

BRI
 MAY 28/07

23-11-03-02
 PAGE 0

BOEING
757
PARTS CATALOG (MAINTENANCE)



Y 23110302 SH1 2 REV 257

EQUIPMENT INSTL-E6 AFT EQPT CTR (HF COMMUNICATION SYSTEM ONLY)
FIGURE 2 (SHEET 2)

23-11-03-02

BRI
MAY 28/07

23-11-03-02
PAGE 0A



757

PARTS CATALOG (MAINTENANCE)

FIG ITEM	PART NUMBER	1 2 3 4 5 6 7	NOMENCLATURE	EFFECT FROM TO	UNITS PER ASSY
2			EQUIPMENT INSTL-E6 AFT EQPT CTR (HF COMMUNICATION SYSTEM ONLY)	121503 904949	
- 1	284N1686-3		EQUIPMENT INSTL-E6 EQPT CTR (HF COMMUNICATION SYSTEM ONLY)	121503 904949	RF
15	622-5272-001		POSITION DATA: AFT FOR NHA/OTHER SYS DET SEE: 24-00-58-01 .TRANSCEIVER ASSY-TYPE HFS-700 (CUSTOMER FURNISHED) SUPPLIER CODE: V4V792 FUNCTIONAL DESCRIPTION: PROVIDES LONG RANGE TWO-WAY VOICE COMMUNICATION WITH GROUND STATIONS OR OTHER AIRPLANES. ELECTRICAL EQUIP NUMBER: M00152 M00153 COMPONENT MAINT MANUAL REF: 23-10-70 POST RAPID REVISION: RR92035-3	121503	2
20	622-5272-001		.TRANSCEIVER ASSY-TYPE HFS-700 (CUSTOMER FURNISHED) SUPPLIER CODE: V4V792 FUNCTIONAL DESCRIPTION: PROVIDES LONG RANGE TWO-WAY VOICE COMMUNICATION WITH GROUND STATIONS OR OTHER AIRPLANES. ELECTRICAL EQUIP NUMBER: M00152 M00153 COMPONENT MAINT MANUAL REF: 23-10-70 POST RAPID REVISION: RR92035-3	904949	1
30	646-0097-001		..PLATE-IDENT SUPPLIER CODE: V4V792 CONFIG CHG DATA FROM A CMM: SUPSD BY 646-0097-000	904949	1

MISSING ITEM NUMBERS NOT APPLICABLE

- ITEM NOT ILLUSTRATED

BRI

23-11-03-02

23-11-03
FIG. 02
PAGE 1
JAN 20/09



757

PARTS CATALOG (MAINTENANCE)

FIG ITEM	PART NUMBER	1 2 3 4 5 6 7	NOMENCLATURE	EFFECT FROM TO	UNITS PER ASSY
2					
30	646-0097-001	..	PLATE-IDENT SUPPLIER CODE: V4V792 CONFIG CHG DATA FROM A CMM: SUPSD BY 646-0097-000	121503	1
30	646-0097-000	..	PLATE-IDENT SUPPLIER CODE: V4V792 CONFIG CHG DATA FROM A CMM: SUPSDS 646-0097-001	904949	1
30	646-0097-000	..	PLATE-IDENT SUPPLIER CODE: V4V792 CONFIG CHG DATA FROM A CMM: SUPSDS 646-0097-001	121503	1
35	621-0043-001	..	PLATE-MOD SUPPLIER CODE: V4V792	904949	1
35	621-0043-001	..	PLATE-KOD SUPPLIER CODE: V4V792	121503	1
- 40	P347-1268-000	..	ATTACHING PARTS SCREW- SUPPLIER CODE: V77250	904949	2
- 40	P347-1268-000	..	SCREW- SUPPLIER CODE: V77250	121503	2
			-----*-----		
45	025-1158-001	..	CAP- SUPPLIER CODE: V71468 CONFIG CHG DATA FROM A CMM: SUPSD BY 211600-2 OPTIONAL PART: 4041437-6 V58960	904949	1
45	025-1158-001	..	CAP- SUPPLIER CODE: V71468 CONFIG CHG DATA FROM A CMM: SUPSD BY 211600-2 OPTIONAL PART: 4041437-6 V58960	121503	1

MISSING ITEM NUMBERS NOT APPLICABLE

- ITEM NOT ILLUSTRATED

BRI

23-11-03-02

23-11-03
FIG. 02
PAGE 2
JAN 20/09



757

PARTS CATALOG (MAINTENANCE)

FIG ITEM	PART NUMBER	1 2 3 4 5 6 7	NOMENCLATURE	EFFECT FROM TO	UNITS PER ASSY
2					
45	025-1157-001	..	CAP- SUPPLIER CODE: V71468 CONFIG CHG DATA FROM A CMM: SUPSD BY 211600-2 OPTIONAL PART: 4041437-5 V58960	904949	1
45	025-1157-001	..	CAP- SUPPLIER CODE: V71468 CONFIG CHG DATA FROM A CMM: SUPSD BY 211600-2 OPTIONAL PART: 4041437-5 V58960	121503	1
45	211600-2	..	CAP- SUPPLIER CODE: V00779 CONFIG CHG DATA FROM A CMM: SUPSDS 025-1158-001 SUPSDS 025-1157-001	904949	1
45	211600-2	..	CAP- SUPPLIER CODE: V00779 CONFIG CHG DATA FROM A CMM: SUPSDS 025-1158-001 SUPSDS 025-1157-001	121503	1
50	280-2745-120	..	LABEL-ESDS WARNING SUPPLIER CODE: V12998	904949	1
50	280-2745-120	..	LABEL-ESDS WARNING SUPPLIER CODE: V12998	121503	1
55	629-6836-060	...	STRIP-IDENT SUPPLIER CODE: V4V792	904949	1
55	629-6836-060	...	STRIP-IDENT SUPPLIER CODE: V4V792	121503	1
60	548-9369-012	...	HOOK-HOLD DOWN SUPPLIER CODE: V4V792 CONFIG CHG DATA FROM A CMM: SUPSD BY 548-9369-002	904949	2

MISSING ITEM NUMBERS NOT APPLICABLE

- ITEM NOT ILLUSTRATED

23-11-03-02

23-11-03
FIG. 02
PAGE 3
JAN 20/09

BRI

BOEING PROPRIETARY - Copyright © - Unpublished Work - See title page for details.



757

PARTS CATALOG (MAINTENANCE)

FIG ITEM	PART NUMBER	1 2 3 4 5 6 7	NOMENCLATURE	EFFECT FROM TO	UNITS PER ASSY
2					
60	548-9369-012	...	HOOK-HOLD DOWN SUPPLIER CODE: V4V792 CONFIG CHG DATA FROM A CMM: SUPSD BY 548-9369-002	121503	2
60	548-9369-002	...	BRACKET-MTG SUPPLIER CODE: V4V792 CONFIG CHG DATA FROM A CMM: SUPSD BY 503-4970-001	904949	2
60	548-9369-002	...	BRACKET-MTG SUPPLIER CODE: V4V792 CONFIG CHG DATA FROM A CMM: SUPSD BY 503-4970-001	121503	2
60	503-4970-001	...	HOOK-HOLDDOWN SUPPLIER CODE: V4V792 CONFIG CHG DATA FROM A CMM: SUPSDS 548-9369-012 SUPSDS 548-9369-002	904949	2
60	503-4970-001	...	HOOK-HOLDDOWN SUPPLIER CODE: V4V792 CONFIG CHG DATA FROM A CMM: SUPSDS 548-9369-012 SUPSDS 548-9369-002	121503	2
- 65	MS51957-30	...	SCREW- USED WITH: 548-9369-012 646-4866-001	904949	4
- 65	MS51957-30	...	SCREW- USED WITH: 548-9369-012 646-4866-001	121503	4
- 70	646-4866-001	...	NUT- SUPPLIER CODE: V4V792	904949	2
- 70	646-4866-001	...	NUT- SUPPLIER CODE: V4V792	121503	2
- 75	641-8914-001	...	SHIM- SUPPLIER CODE: V4V792 USED WITH: 548-9369-012 646-4866-001	904949	2

MISSING ITEM NUMBERS NOT APPLICABLE

- ITEM NOT ILLUSTRATED

23-11-03-02

23-11-03
FIG. 02
PAGE 4
JAN 20/09

BRI



757

PARTS CATALOG (MAINTENANCE)

FIG ITEM	PART NUMBER	1 2 3 4 5 6 7	NOMENCLATURE	EFFECT FROM TO	UNITS PER ASSY
2					
- 75	641-8914-001	...	SHIM- SUPPLIER CODE: V4V792 USED WITH: 548-9369-012 646-4866-001	121503	2
80	646-4883-001	...	SLIDE- SUPPLIER CODE: V4V792	904949	1
80	646-4883-001	...	SLIDE- SUPPLIER CODE: V4V792 ATTACHING PARTS	121503	1
- 85	MS51957-30	...	SCREW	904949	2
- 85	MS51957-30	...	SCREW	121503	2
			-----*-----		
- 90	829-0200-008	..	PLATE-MOD SUPPLIER CODE: V4V792	904949	1
- 90	829-0200-008	..	PLATE-MOD SUPPLIER CODE: V4V792	121503	1
- 300	286N1017-001		WIRE BUNDLE ASSY	121503 904949	RF

MISSING ITEM NUMBERS NOT APPLICABLE

- ITEM NOT ILLUSTRATED

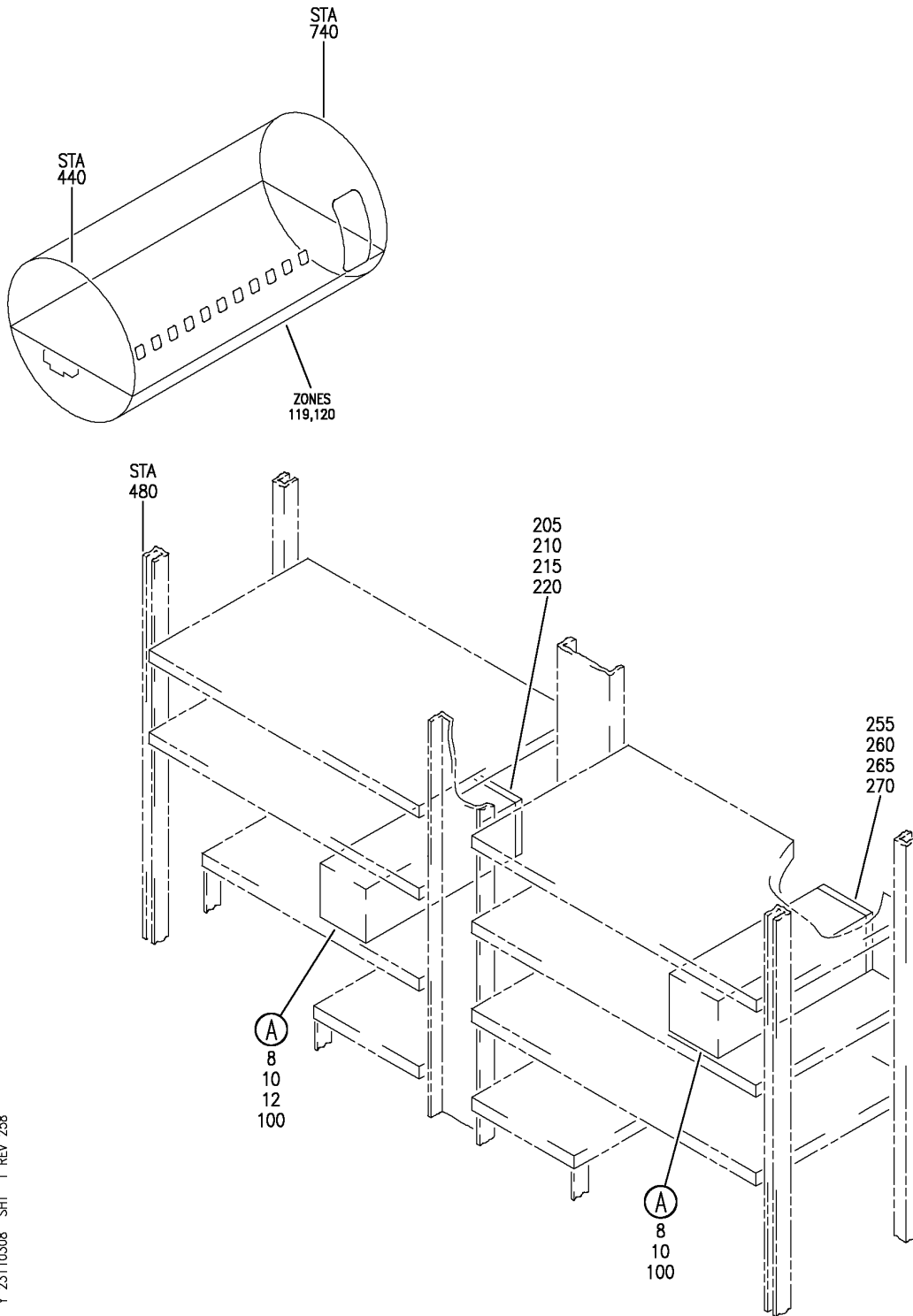
BRI

23-11-03-02

BOEING PROPRIETARY - Copyright © - Unpublished Work - See title page for details.

23-11-03
FIG. 02
PAGE 5
JAN 20/09

BOEING
757
PARTS CATALOG (MAINTENANCE)



Y 23110308 SH1 1 REV 258

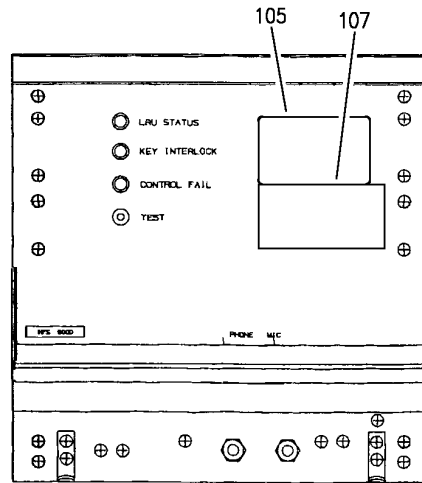
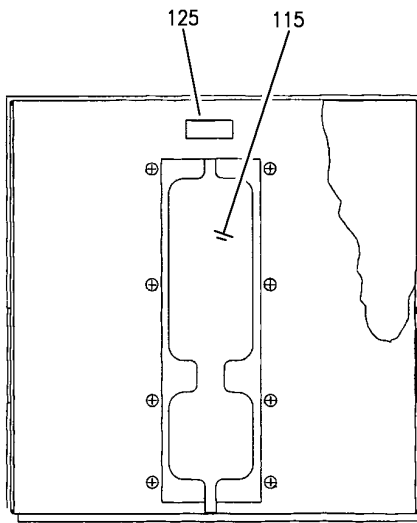
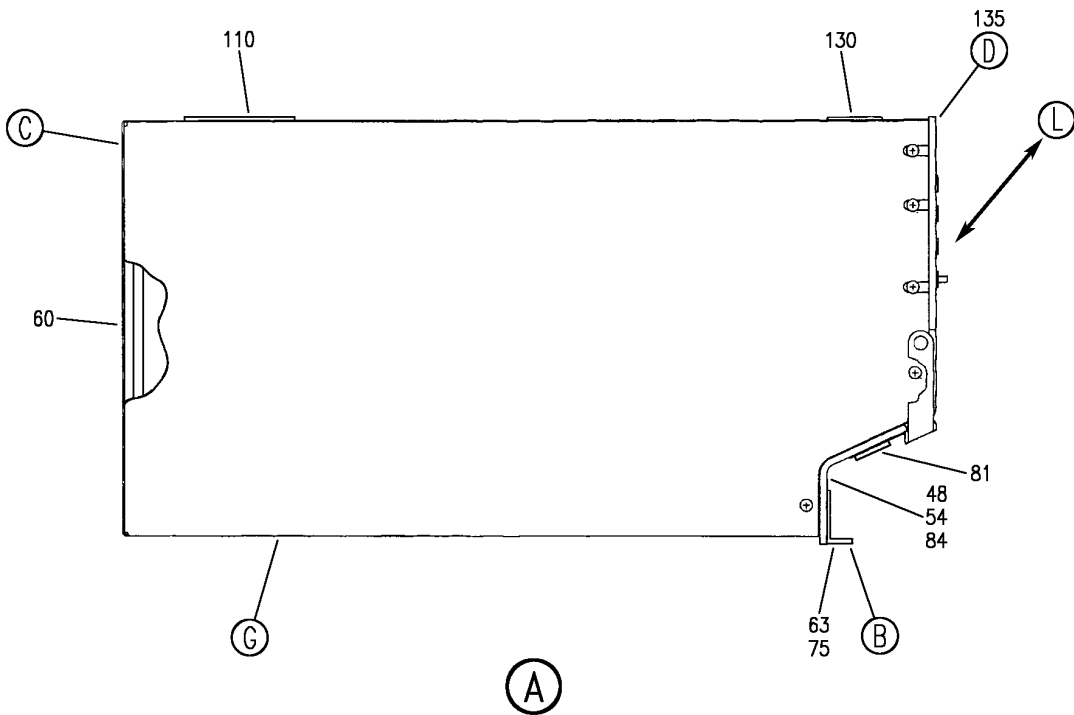
EQUIPMENT INSTL-MAIN ELECTRONICS EQPT CTR HF XCVR (HF COMMUNICATION SYSTEM ONLY)
FIGURE 8 (SHEET 1)

BRI
JAN 20/09

23-11-03-08

23-11-03-08
PAGE 0

BOEING
757
PARTS CATALOG (MAINTENANCE)



Y 23110308 SH1 2 REV 285

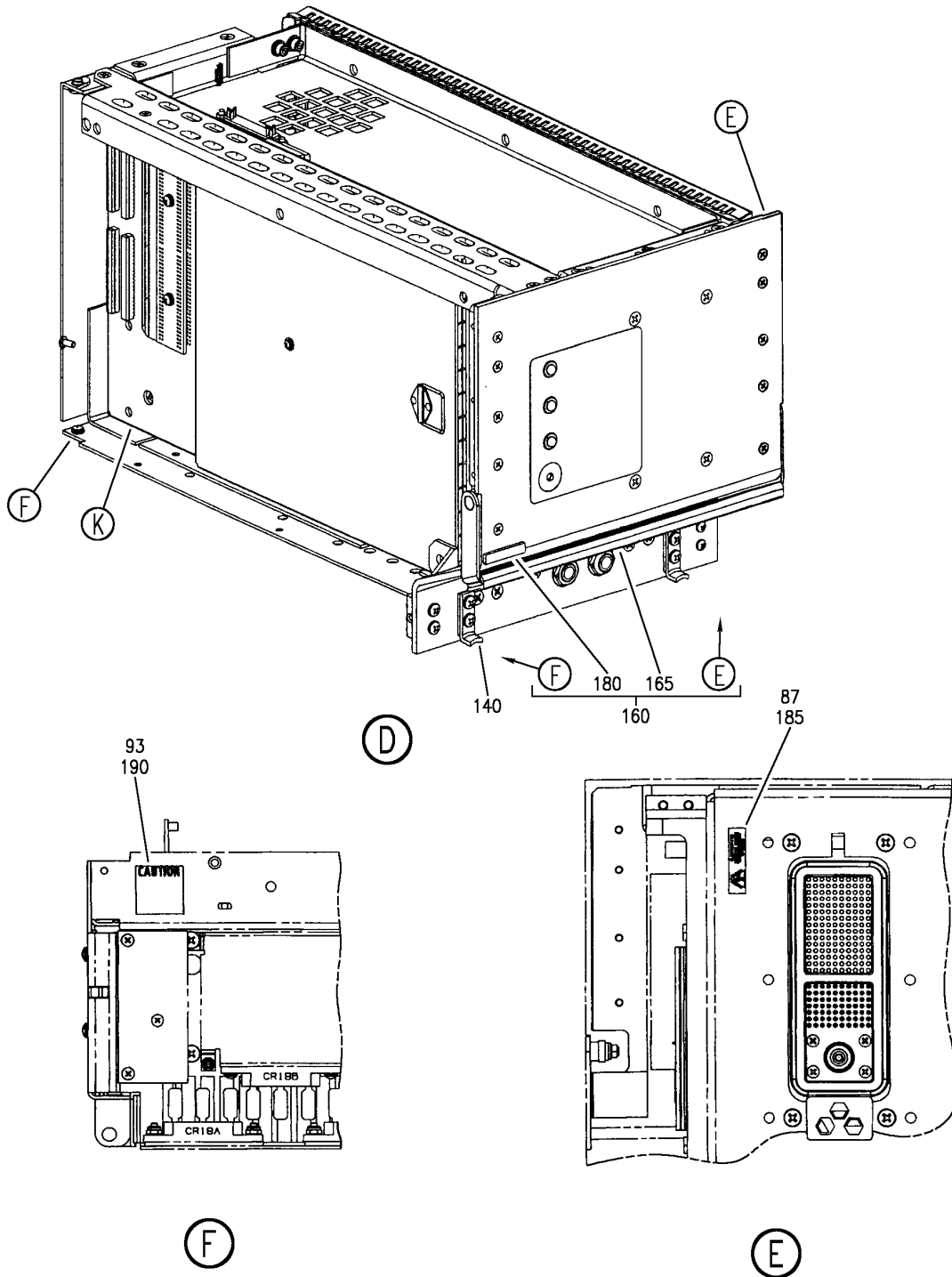
EQUIPMENT INSTL-MAIN ELECTRONICS EQPT CTR HF XCVR (HF COMMUNICATION SYSTEM ONLY)
FIGURE 8 (SHEET 2)

BRI
JAN 20/09

23-11-03-08

23-11-03-08
PAGE 0A

BOEING
757
PARTS CATALOG (MAINTENANCE)



Y 23110308 SHT 3 REV 258

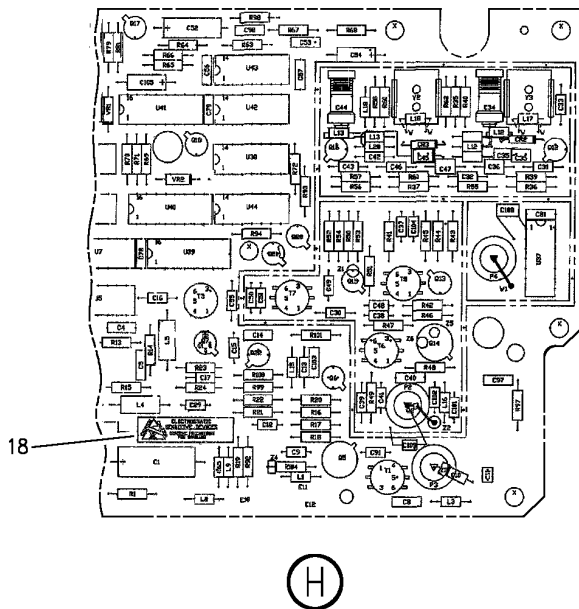
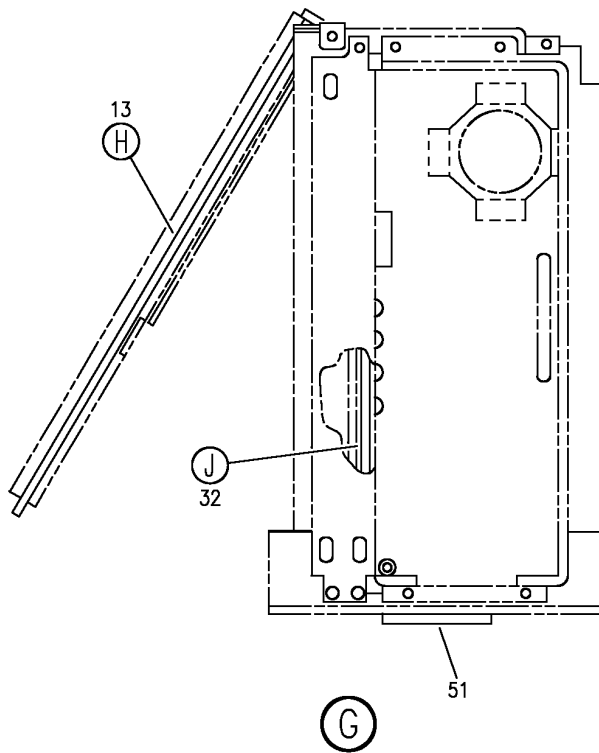
EQUIPMENT INSTL-MAIN ELECTRONICS EQPT CTR HF XCVR (HF COMMUNICATION SYSTEM ONLY)
FIGURE 8 (SHEET 3)

BRI
JAN 20/09

23-11-03-08

23-11-03-08
PAGE 0B

BOEING
757
PARTS CATALOG (MAINTENANCE)



Y 23110308 SH-T 4 REV 285

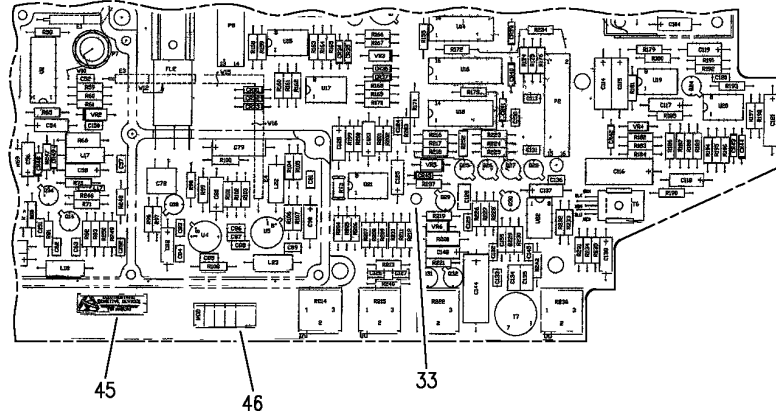
EQUIPMENT INSTL-MAIN ELECTRONICS EQPT CTR HF XCVR (HF COMMUNICATION SYSTEM ONLY)
FIGURE 8 (SHEET 4)

23-11-03-08

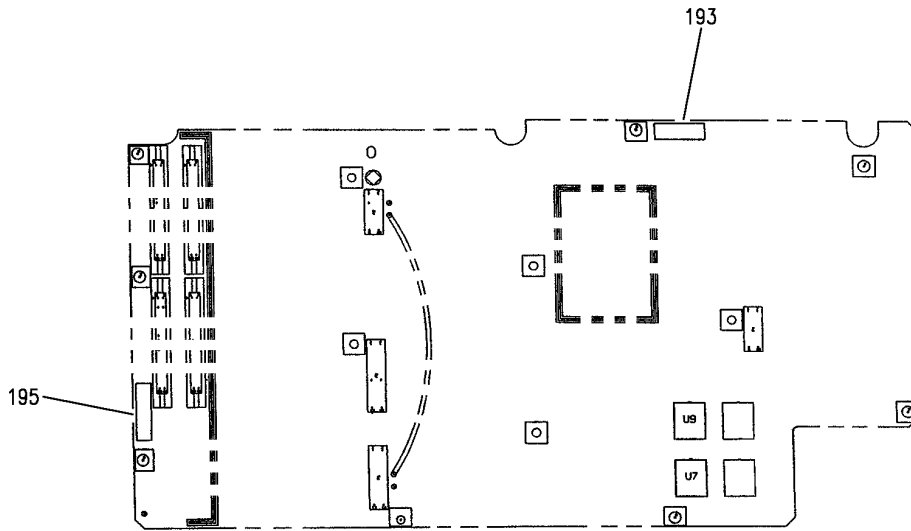
BRI
JAN 20/09

23-11-03-08
PAGE 0C

BOEING
757
PARTS CATALOG (MAINTENANCE)



(J)



(K)

Y 23110308 SH-T 5 REV 259

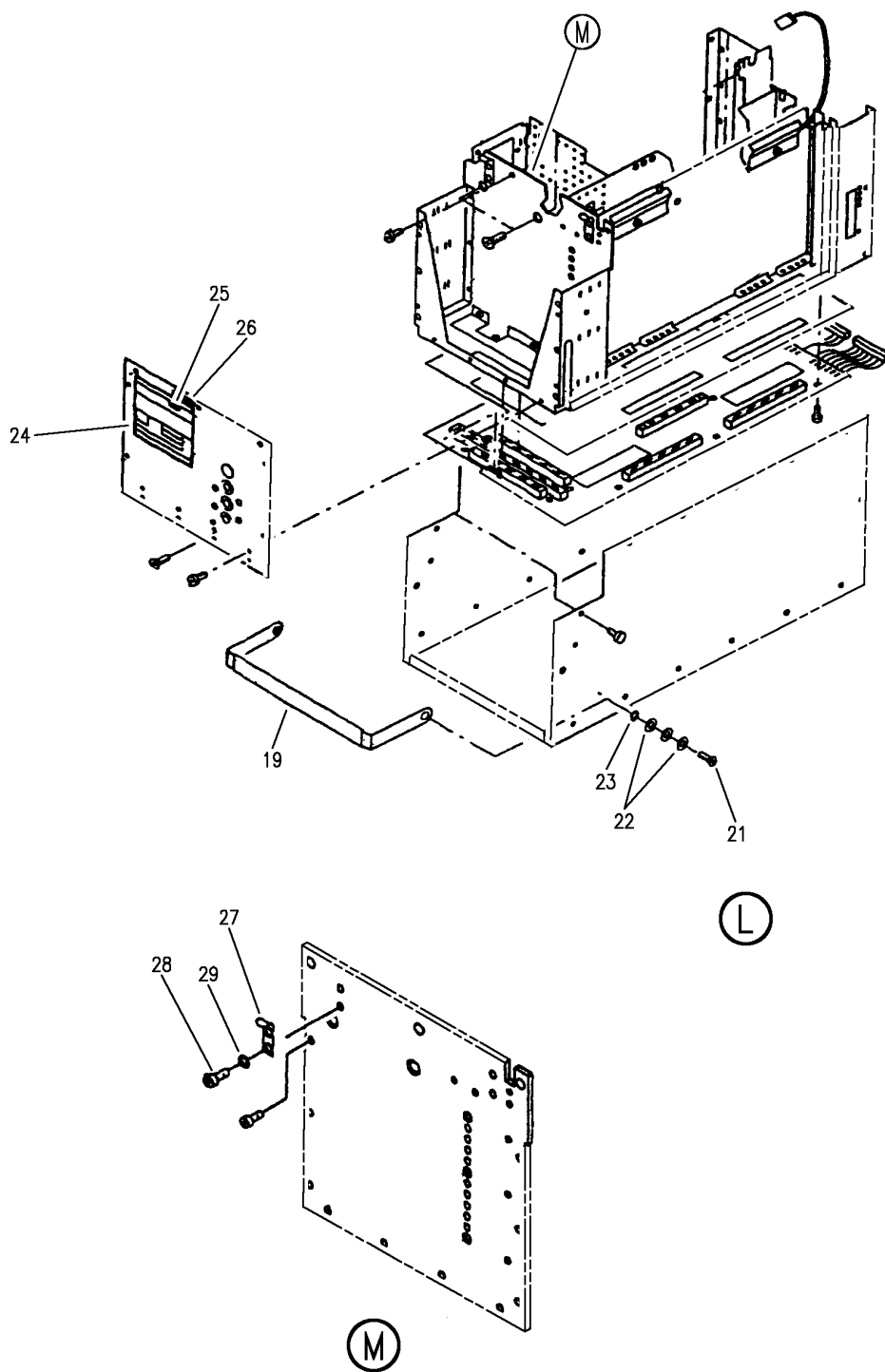
EQUIPMENT INSTL-MAIN ELECTRONICS EQPT CTR HF XCVR (HF COMMUNICATION SYSTEM ONLY)
FIGURE 8 (SHEET 5)

BRI
JAN 20/09

23-11-03-08

23-11-03-08
PAGE 0D

BOEING
757
PARTS CATALOG (MAINTENANCE)



Y 23110308 SH1 6 REV 285

EQUIPMENT INSTL-MAIN ELECTRONICS EQPT CTR HF XCVR (HF COMMUNICATION SYSTEM ONLY)
FIGURE 8 (SHEET 6)

BRI
JAN 20/09

23-11-03-08

23-11-03-08
PAGE 0E



757

PARTS CATALOG (MAINTENANCE)

FIG ITEM	PART NUMBER	1 2 3 4 5 6 7	NOMENCLATURE	EFFECT FROM TO	UNITS PER ASSY
8			EQUIPMENT INSTL-MAIN ELECTRONICS EQPT CTR HF XCVR (HF COMMUNICATION SYSTEM ONLY)	103106	
- 2	MODREF29990		EQUIPMENT INSTL-MAIN ELEX EQPT CTR HF XCVR MODULE NUMBER: 284N4000-230025 REV C	103106	1
- 6	MODREF29991		EQUIPMENT INSTL-MAIN ELEX EQPT CTR HF XCVR MODULE NUMBER: 284N4000-230029 REV C	103106	1
100	822-0990-002		.TRANSCEIVER ASSY- SUPPLIER CODE: V4V792 FUNCTIONAL DESCRIPTION: PROVIDES LONG RANGE TWO-WAY VOICE COMMUNICATION WITH GROUND STATIONS OR OTHER AIRPLANES. ELECTRICAL EQUIP NUMBER: M00152 M00153 COMPONENT MAINT MANUAL REF: 23-11-93	103106	1
100	822-0990-003		.TRANSCEIVER ASSY- (CUSTOMER FURNISHED) SUPPLIER CODE: V4V792 FUNCTIONAL DESCRIPTION: PROVIDES LONG RANGE TWO-WAY VOICE COMMUNICATION WITH GROUND STATIONS OR OTHER AIRPLANES ELECTRICAL EQUIP NUMBER: M00152 M00153 COMPONENT MAINT MANUAL REF: 23-11-93	103106	1

MISSING ITEM NUMBERS NOT APPLICABLE

- ITEM NOT ILLUSTRATED

23-11-03-08

23-11-03
FIG. 08
PAGE 1
JAN 20/09

BRI



757

PARTS CATALOG (MAINTENANCE)

FIG ITEM	PART NUMBER	1 2 3 4 5 6 7	NOMENCLATURE	EFFECT FROM TO	UNITS PER ASSY
8 100	822-0990-003		.TRANSCEIVER ASSY-HF COMM WITH DATA LINK SUPPLIER CODE: V4V792 FUNCTIONAL DESCRIPTION: PROVIDES LONG RANGE TWO-WAY VOICE COMMUNICATION WITH GROUND STATIONS OR OTHER AIRPLANES ELECTRICAL EQUIP NUMBER: M00152 M00153 WIRING DIAGRAM REF: 231111 231121 COMPONENT MAINT MANUAL REF: 23-11-93 POST SERVICE BULLETIN: 23-0079	103106	1
105	829-0254-004		..PLATE-IDENTIFICATION SUPPLIER CODE: V4V792	103106	1
107	829-0200-012		..PLATE-IDENTIFICATION SUPPLIER CODE: V4V792	103106	1
110	838-7020-020		..LABEL-CAUTION SUPPLIER CODE: V12998	103106	1
115	211600-2		..CAP-DUST SUPPLIER CODE: V00779 MISCELLANEOUS DATA: AMP INC. PART NO. 370-0081-020 ATTACHING PARTS	103106	1
- 120	653-2520-001		..SCREW- SUPPLIER CODE: V4V792 -----*-----	103106	8
125	280-2745-120		..LABEL-ESDS WARNING SUPPLIER CODE: V12998	103106	1
130	838-7013-020		..LABEL-ESDS WARNING SUPPLIER CODE: V12998	103106	1
135	653-2813-002		..TRANSMITTER ASSY-RECEIVER SUPPLIER CODE: V4V792	103106	1

MISSING ITEM NUMBERS NOT APPLICABLE

- ITEM NOT ILLUSTRATED

23-11-03-08

23-11-03
FIG. 08
PAGE 2
JAN 20/09

BRI



757

PARTS CATALOG (MAINTENANCE)

FIG ITEM	PART NUMBER	1 2 3 4 5 6 7	NOMENCLATURE	EFFECT FROM TO	UNITS PER ASSY
8					
140	503-4970-001		...HOOK-HOLDDOWN SUPPLIER CODE: V4V792 ATTACHING PARTS	103106	2
- 145	MS51957-30		...SCREW	103106	4
- 150	641-8914-001		...SHIM- SUPPLIER CODE: V4V792	103106	2
- 155	646-4866-001		...NUT- SUPPLIER CODE: V4V792 -----*-----	103106	2
160	653-2810-001		...SUPPLY ASSY-POWER SUPPLIER CODE: V4V792	103106	1
165	651-2408-006		...HANDLE ASSY- SUPPLIER CODE: V4V792 ATTACHING PARTS	103106	1
- 170	652-5421-001	SCREW- SUPPLIER CODE: V4V792	103106	2
- 175	768-3178-001	WASHER- SUPPLIER CODE: V4V792 -----*-----	103106	4
180	628-9776-001	STRIP-IDENTIFICATION SUPPLIER CODE: V4V792	103106	1
185	280-2745-010	LABEL-ESDS WARNING SUPPLIER CODE: V4V792	103106	1
190	646-4522-001	LABEL-CAUTION SUPPLIER CODE: V4V792	103106	1
193	280-2745-010		...LABEL-ESDS WARNING SUPPLIER CODE: V12998	103106	1
195	THT1-457-10		...LABEL- SUPPLIER CODE: V85480 MISCELLANEOUS DATA: ROCKWELL COLLINS P/N 838-7052-040 280-3847-040	103106	1
- 200	286N1163-601		WIRE BUNDLE ASSY	103105	RF

MISSING ITEM NUMBERS NOT APPLICABLE

- ITEM NOT ILLUSTRATED

23-11-03-08

23-11-03
FIG. 08
PAGE 3
JAN 20/09

BRI



757

PARTS CATALOG (MAINTENANCE)

FIG ITEM	PART NUMBER	1 2 3 4 5 6 7	NOMENCLATURE	EFFECT FROM TO	UNITS PER ASSY
8 205	BCREF16764		.CONNECTOR- OVERLENGTH PART NUMBER: BACC66H125C10BG00 ELECTRICAL EQUIP NUMBER: D00299 WIRING DIAGRAM REF: 231111	103105	1
210	RBGP48-116N		.BLOCK- SUPPLIER CODE: V09922 SPECIFICATION NUMBER: S280W601-116 ELECTRICAL EQUIP NUMBER: D00299T WIRING DIAGRAM REF: 231111	103105	1
215	349-1112-002		.CONTACT-COAX SUPPLIER CODE: V71468 SPECIFICATION NUMBER: BACC47EN4A ELECTRICAL EQUIP NUMBER: D00299U WIRING DIAGRAM REF: 231111	103105	1
220	125-95-9		.PLUG- ELECTRICAL EQUIP NUMBER: D00299V WIRING DIAGRAM REF: 231111	103105	1
- 251	286N1423-601		WIRE BUNDLE ASSY	103105	RF
255	BCREF16764		.CONNECTOR- OVERLENGTH PART NUMBER: BACC66H125C10BG00 ELECTRICAL EQUIP NUMBER: D00301 WIRING DIAGRAM REF: 231121	103105	1
260	RBGP48-116N		.BLOCK- SUPPLIER CODE: V09922 SPECIFICATION NUMBER: S280W601-116 ELECTRICAL EQUIP NUMBER: D00301T WIRING DIAGRAM REF: 231121	103105	1

MISSING ITEM NUMBERS NOT APPLICABLE

- ITEM NOT ILLUSTRATED

23-11-03-08

23-11-03
FIG. 08
PAGE 4
JAN 20/09

BRI



757

PARTS CATALOG (MAINTENANCE)

FIG ITEM	PART NUMBER	1 2 3 4 5 6 7	NOMENCLATURE	EFFECT FROM TO	UNITS PER ASSY
8 265	349-1112-002		. CONTACT-COAX SUPPLIER CODE: V71468 SPECIFICATION NUMBER: BACC47EN4A ELECTRICAL EQUIP NUMBER: D00301BU WIRING DIAGRAM REF: 231121	103105	1

MISSING ITEM NUMBERS NOT APPLICABLE

- ITEM NOT ILLUSTRATED

BRI

23-11-03-08

BOEING PROPRIETARY - Copyright © - Unpublished Work - See title page for details.

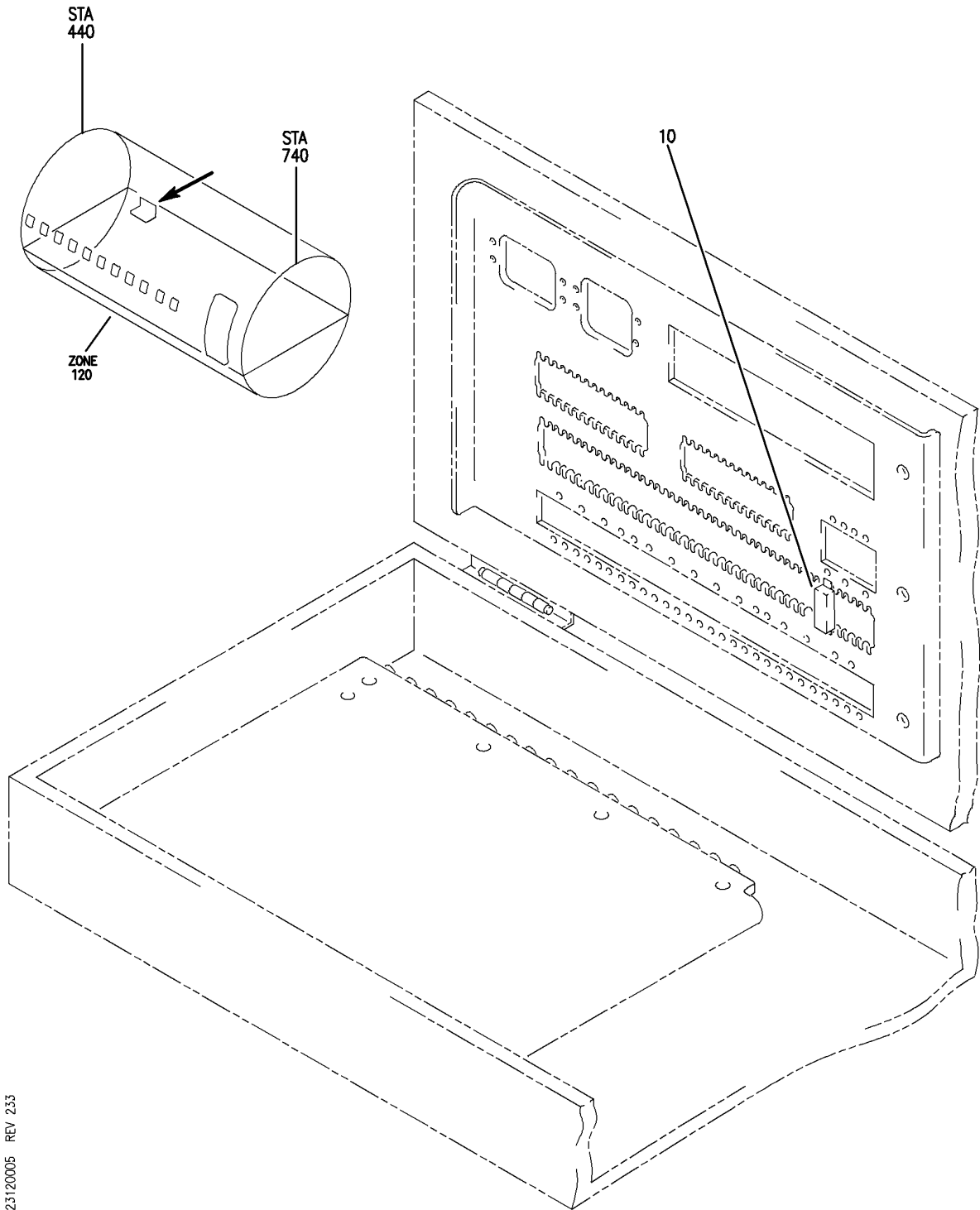
23-11-03
FIG. 08
PAGE 5
JAN 20/09

VERY HIGH FREQUENCY (VHF) COMMUNICATION SYSTEM

BRI
MAY 28/07

23-12-00
SECTION TITLE
PAGE 1

BOEING
757
PARTS CATALOG (MAINTENANCE)



Y 23120005 REV 233

PANEL INSTL-L MISC RELAY P36
FIGURE 5

23-12-00-05

BRI
JAN 20/09

23-12-00-05
PAGE 0



757

PARTS CATALOG (MAINTENANCE)

FIG ITEM	PART NUMBER	1 2 3 4 5 6 7	NOMENCLATURE	EFFECT FROM TO	UNITS PER ASSY
5			PANEL INSTL-L MISC RELAY P36	103106	
- 2	MODREF31944		PANEL INSTL-P36 L MISC RELAY (VHF COMMUNICATION SYSTEM ONLY) MODULE NUMBER: 284N1125-123 REV A FOR OTHER SYS DETAILS SEE: 11-36-08-03C 21-25-71-02C 21-33-71-02C 21-51-56-01C 21-58-71-02C 23-31-54-01C 23-34-52-01C 24-21-51-01A 26-15-71-02C 26-16-71-01C 26-22-71-01C 27-48-52-03C 27-51-71-03C 27-58-71-02C 27-62-71-03C 29-11-71-03C 29-21-71-01C 30-21-71-03C 30-34-51-01C 31-01-36-01 32-09-02-03C 32-35-71-01C 32-42-71-02C 32-44-71-02C 32-61-71-02C 34-12-71-02C 34-21-71-02C 34-22-52-01C 34-61-52-01C 36-11-71-02C 73-21-55-01C 74-31-71-02C 76-11-71-02C 77-12-71-01C 78-34-71-02C 78-36-71-02C 80-11-71-02C	103106	1
MISSING ITEM NUMBERS NOT APPLICABLE					

- ITEM NOT ILLUSTRATED

23-12-00-05

23-12-00
FIG. 05
PAGE 1
JAN 20/09

BRI



757

PARTS CATALOG (MAINTENANCE)

FIG ITEM	PART NUMBER	1 2 3 4 5 6 7	NOMENCLATURE	EFFECT FROM TO	UNITS PER ASSY
5	10 W460F1A		.RELAY- SUPPLIER CODE: VF0219 SPECIFICATION NUMBER: BACR13CE2 OPTIONAL PART: 3SAH5-13-4K1 V01526 3SAH1326A2 V01526 ELECTRICAL EQUIP NUMBER: K10851	103106	1
- 50	286N1260-601		WIRE BUNDLE ASSY	103106	RF
55	RSE120027		.SOCKET-RELAY SUPPLIER CODE: V58982 SPECIFICATION NUMBER: BACS16AF1 OPTIONAL PART: 451120-027 V58982 ELECTRICAL EQUIP NUMBER: D11478 WIRING DIAGRAM REF: 231231	103106	1

MISSING ITEM NUMBERS NOT APPLICABLE

- ITEM NOT ILLUSTRATED

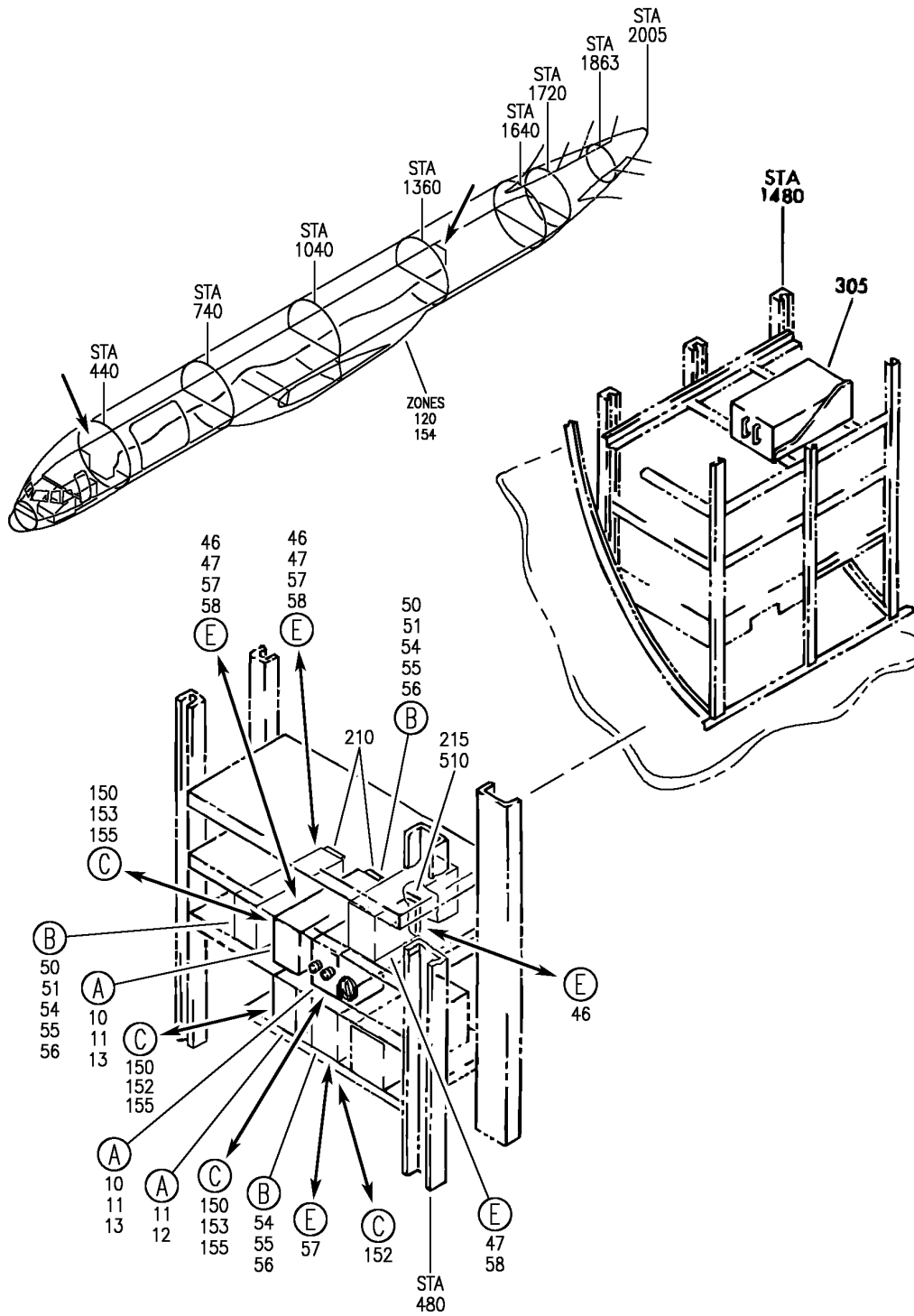
BRI

23-12-00-05

BOEING PROPRIETARY - Copyright © - Unpublished Work - See title page for details.

23-12-00
FIG. 05
PAGE 2
JAN 20/09

BOEING
757
PARTS CATALOG (MAINTENANCE)



Y 23120101 SHT 1 REV 319

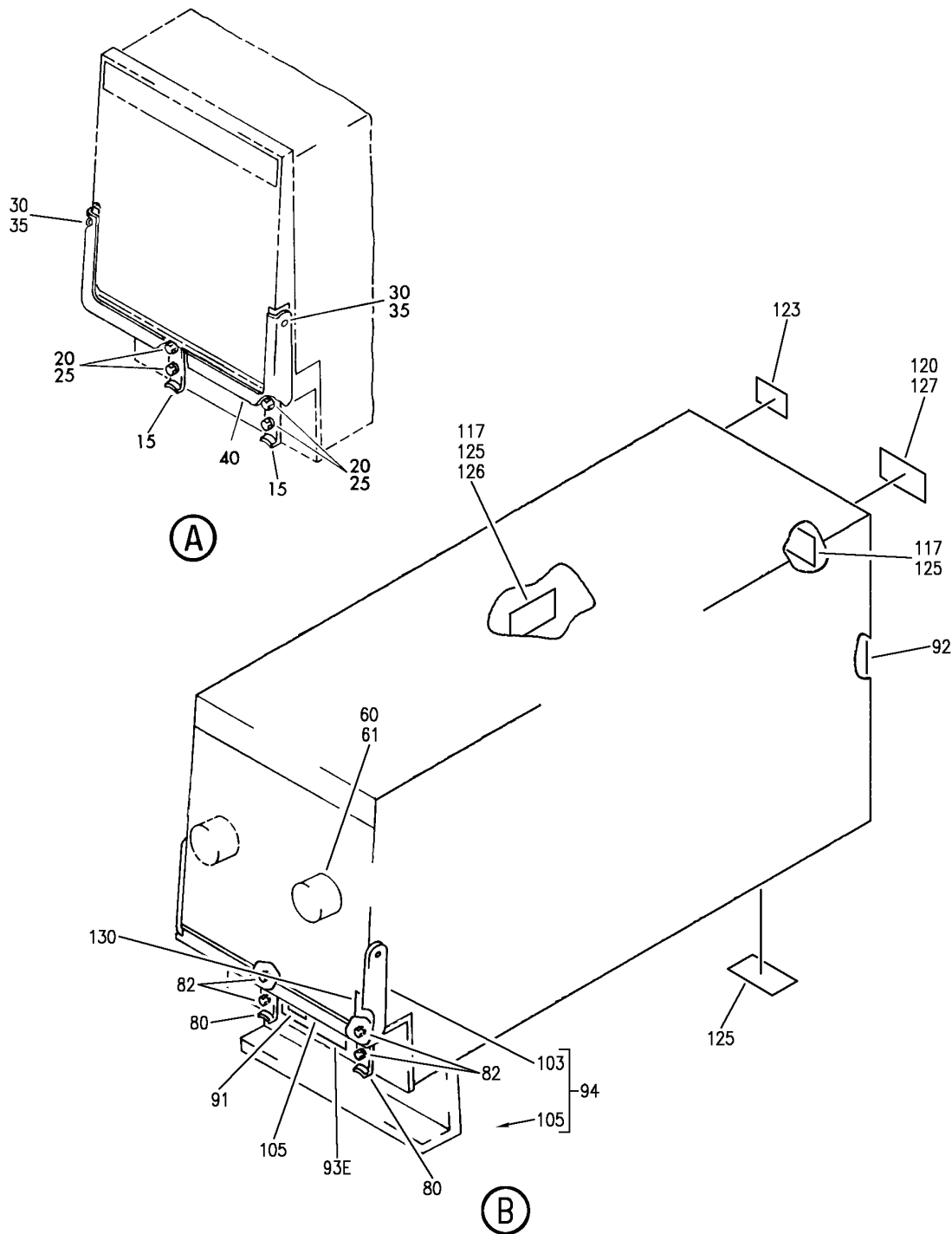
EQUIPMENT INSTL-MAIN ELECTRONICS AND E6 AFT EQPT CTR (VHF COMMUNICATION SYSTEM ONLY)
FIGURE 1 (SHEET 1)

BRI
JAN 20/08

23-12-01-01

23-12-01-01
PAGE 0


BOEING
 757
PARTS CATALOG (MAINTENANCE)



Y 23120101 SH1 2 REV 273

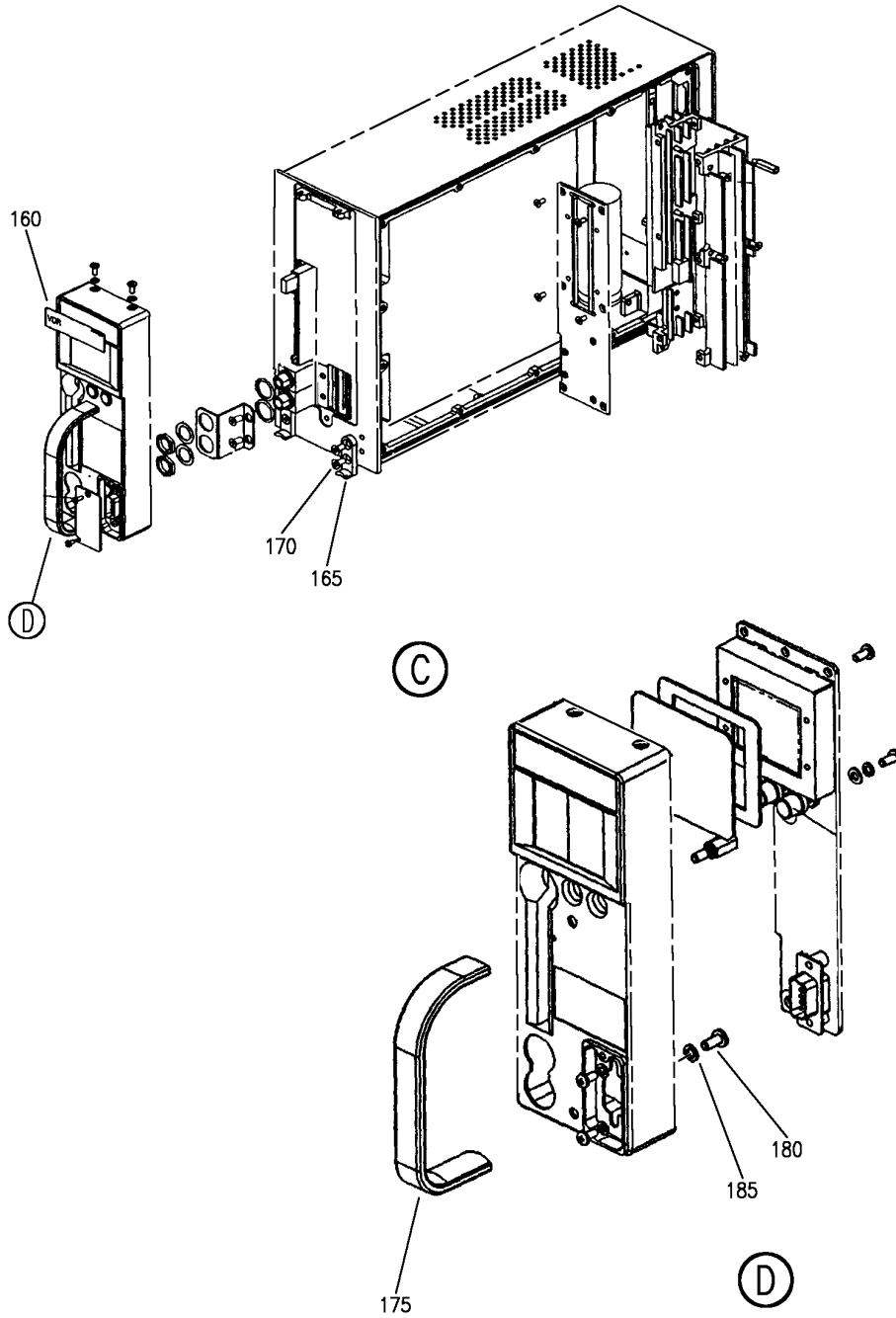
EQUIPMENT INSTL-MAIN ELECTRONICS AND E6 AFT EQPT CTR (VHF COMMUNICATION SYSTEM ONLY)
 FIGURE 1 (SHEET 2)

BRI
 MAY 28/07

23-12-01-01

23-12-01-01
 PAGE 0A


BOEING
 757
PARTS CATALOG (MAINTENANCE)



Y 23120101 SH-T 3 REV 273

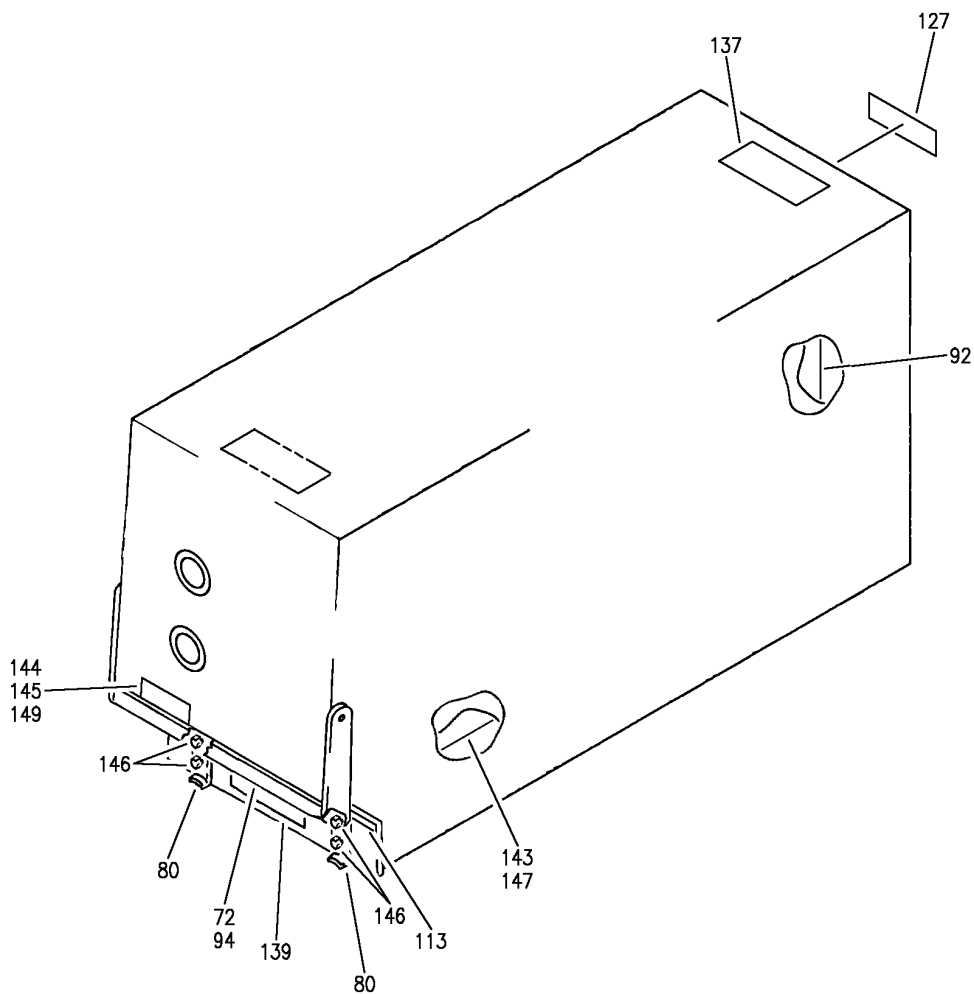
EQUIPMENT INSTL-MAIN ELECTRONICS AND E6 AFT EQPT CTR (VHF COMMUNICATION SYSTEM ONLY)
 FIGURE 1 (SHEET 3)

BRI
 MAY 28/07

23-12-01-01

23-12-01-01
 PAGE 08

BOEING
757
PARTS CATALOG (MAINTENANCE)



(E)

Y 23120101 SHIT 4 REV 276

EQUIPMENT INSTL-MAIN ELECTRONICS AND E6 AFT EQPT CTR (VHF COMMUNICATION SYSTEM ONLY)
FIGURE 1 (SHEET 4)

BRI
MAY 28/07

23-12-01-01

23-12-01-01
PAGE 0C

BOEING PROPRIETARY - Copyright © - Unpublished Work - See title page for details.



757

PARTS CATALOG (MAINTENANCE)

FIG ITEM	PART NUMBER	1 2 3 4 5 6 7	NOMENCLATURE	EFFECT FROM TO	UNITS PER ASSY
1			EQUIPMENT INSTL-MAIN ELECTRONICS AND E6 AFT EQPT CTR (VHF COMMUNICATION SYSTEM ONLY)	002004 006100 107107 121999	
- 2	284N1307-33		EQUIPMENT INSTL-MAIN ELECTRONICS EQPT CTR (VHF COMMUNICATION SYSTEM ONLY) FOR NHA/OTHER SYS DET SEE: 24-00-58-01	107107	RF
- 2	284N1800-32		EQUIPMENT INSTL-MAIN ELECTRONICS EQPT CTR (VHF COMMUNICATION SYSTEM ONLY) FOR NHA/OTHER SYS DET SEE: 24-00-58-01	952999	RF
- 4	284N1800-16		EQUIPMENT INSTL-MAIN ELECTRONICS EQPT CTR (VHF COMMUNICATION SYSTEM ONLY) FOR NHA/OTHER SYS DET SEE: 24-00-58-01	121503 904949	RF
- 5	284N1800-34		EQUIPMENT INSTL-MAIN ELECTRONICS EQPT CTR (VHF COMMUNICATION SYSTEM ONLY) FOR NHA/OTHER SYS DET SEE: 24-00-58-01	002004 006100	RF
- 5	284N1800-38		EQUIPMENT INSTL-MAIN ELECTRONICS EQPT CTR (VHF COMMUNICATION SYSTEM ONLY)	950951	RF
- 6	284N1800-190		EQUIPMENT INSTL-MAIN ELECTRONICS EQPT CTR (VHF COMMUNICATION SYSTEM ONLY) FOR NHA/OTHER SYS DET SEE: 24-00-58-05E	504504 506903	RF
- 7	284N1800-88		EQUIPMENT INSTL-MAIN ELECTRONICS EQPT CTR (VHF COMMUNICATION SYSTEM ONLY) FOR NHA/OTHER SYS DET SEE: 24-00-58-05E	505505	RF

MISSING ITEM NUMBERS NOT APPLICABLE

- ITEM NOT ILLUSTRATED

23-12-01-01

23-12-01
FIG. 01
PAGE 1
JAN 20/09

BRI



757

PARTS CATALOG (MAINTENANCE)

FIG ITEM	PART NUMBER	1 2 3 4 5 6 7	NOMENCLATURE	EFFECT FROM TO	UNITS PER ASSY
1 10	2041237-4412		.TRANSCEIVER ASSY- TYPE RTA-44A (CUSTOMER FURNISHED) SUPPLIER CODE: V97896 SPECIFICATION NUMBER: S220T108-203 ELECTRICAL EQUIP NUMBER: M00188 M00189 COMPONENT MAINT MANUAL REF: 23-20-33 QUALIFIED I/W DATA: 2041237-4406 -4408 -4411 -4412 I/W EXCEPT SUBJECT TO CUSTOMER PREFERENCE THE 2041237-4407, -4411, -4412 AND 622-5219-004 ARE INTERCHANGEABLE EXCEPT SUBJECT TO CUSTOMER PREFERENCE AND IN SHIPSETS ONLY OPTIONAL PART: 2041237-4411 V97896	107107 121503 904949	2

MISSING ITEM NUMBERS NOT APPLICABLE

- ITEM NOT ILLUSTRATED

BRI

23-12-01-01

BOEING PROPRIETARY - Copyright © - Unpublished Work - See title page for details.

23-12-01
FIG. 01
PAGE 2
JAN 20/09



757

PARTS CATALOG (MAINTENANCE)

FIG ITEM	PART NUMBER	1 2 3 4 5 6 7	NOMENCLATURE	EFFECT FROM TO	UNITS PER ASSY
1 10	2041237-4411		.TRANSCEIVER ASSY-TYPE RTA-44A (CUSTOMER FURNISHED) SUPPLIER CODE: V97896 ELECTRICAL EQUIP NUMBER: M00188 M00189 COMPONENT MAINT MANUAL REF: 23-20-33 QUALIFIED I/W DATA: 2041237-4406 -4408 -4411 -4412 I/W EXCEPT SUBJECT TO CUSTOMER PREFERENCE 064-50000-0110 IS I/W 064-50000-0101 EXCEPT 8.33K KHZ CHANNEL SPACING OPERATION REQUIRES A SHIPSET OF 064-50000-0110. THE 2041237-4407, -4411, -4412 AND 622-5219-004 ARE INTERCHANGEABLE EXCEPT SUBJECT TO CUSTOMER PREFERENCE AND IN SHIPSETS ONLY OPTIONAL PART: 2041237-4412 V97896	107107	2

MISSING ITEM NUMBERS NOT APPLICABLE

- ITEM NOT ILLUSTRATED

BRI

23-12-01-01

BOEING PROPRIETARY - Copyright © - Unpublished Work - See title page for details.

23-12-01
FIG. 01
PAGE 3
JAN 20/09



757

PARTS CATALOG (MAINTENANCE)

FIG ITEM	PART NUMBER	1 2 3 4 5 6 7	NOMENCLATURE	EFFECT FROM TO	UNITS PER ASSY
1 11	2041237-4411		.TRANSCEIVER ASSY-TYPE RTA-44A (CUSTOMER FURNISHED) SUPPLIER CODE: V97896 ELECTRICAL EQUIP NUMBER: M00188 M00189 M00190 COMPONENT MAINT MANUAL REF: 23-20-33 QUALIFIED I/W DATA: THE 2041237-4407, -4411, -4412 AND 622-5219-004 ARE INTERCHANGEABLE EXCEPT SUBJECT TO CUSTOMER PREFERENCE AND IN SHIPSETS ONLY 064-50000-0110 CAN BE USED ON -200 WITH ADDITION OF A/C WIRE TO GROUND ON ONE PIN CERTIFIED ON -200, NO BACKWARD I/W	953999	3
11	2041237-4432		.TRANSCEIVER ASSY-VHF COMM (CUSTOMER FURNISHED) SUPPLIER CODE: V97896 ELECTRICAL EQUIP NUMBER: M00188 M00189 M00190 COMPONENT MAINT MANUAL REF: 23-12-34 POST RAPID REVISION: RR92002-141A-A	504903	3
15	39035-0001		..HOOK-HOLD DOWN SUPPLIER CODE: V97896	107107 121503 904949 953999	2
15	39035-0001		..HOOK-HOLD DOWN SUPPLIER CODE: V97896	504903	2
20	MS35216-12		ATTACHING PARTS ..SCREW	107107 121503 904949 953999	4
20	MS35216-12		..SCREW	504903	4

MISSING ITEM NUMBERS NOT APPLICABLE

- ITEM NOT ILLUSTRATED

23-12-01-01

23-12-01
FIG. 01
PAGE 4
JAN 20/09

BRI



757

PARTS CATALOG (MAINTENANCE)

FIG ITEM	PART NUMBER	1 2 3 4 5 6 7	NOMENCLATURE	EFFECT FROM TO	UNITS PER ASSY
1					
25	MS35338-78		.. WASHER	107107 121503 904949 953999	4
25	MS35338-78		.. WASHER	504903	4
30	3611334-0001		.. SCREW- SUPPLIER CODE: V97896	107107 121503 904949 953999	2
30	3611334-0001		.. SCREW- SUPPLIER CODE: V97896	504903	2
35	36028-3458		.. WASHER-SPECIAL SUPPLIER CODE: V97896	107107 121503 904949 953999	2
35	36028-3458		.. WASHER-SPECIAL SUPPLIER CODE: V97896	504903	2
40	3611649-0002		.. HANDLE- SUPPLIER CODE: V97896	107107 121503 904949 953999	1
40	3611649-0002		.. HANDLE- SUPPLIER CODE: V97896	504903	1

MISSING ITEM NUMBERS NOT APPLICABLE

- ITEM NOT ILLUSTRATED

BRI

23-12-01-01

BOEING PROPRIETARY - Copyright © - Unpublished Work - See title page for details.

23-12-01
FIG. 01
PAGE 5
JAN 20/09



757

PARTS CATALOG (MAINTENANCE)

FIG ITEM	PART NUMBER	1 2 3 4 5 6 7 NOMENCLATURE	EFFECT FROM TO	UNITS PER ASSY
1 50	622-5219-004	.TRANSCIVER ASSY-(CUSTOMER FURNISHED) SUPPLIER CODE: V4V792 FUNCTIONAL DESCRIPTION: PROVIDES HIGH QUALITY VOICE AND DATA COMMUNICATION WITH GROUND STATIONS OR OTHER AIRPLANES AT SHORT TO MEDIUM RANGE. ELECTRICAL EQUIP NUMBER: M00188 M00189 COMPONENT MAINT MANUAL REF: 23-12-74 QUALIFIED I/W DATA: 822-0323-002 MAY REPLACE 622-5219-004 IN SHIP SETS AND WITH PROPER SHIP'S WIRING CONFIGURED TO GROUND THE TRANSMIT TIMER.622-5219-004 MAY REPLACE 822-0323-002 FOR AIRCRAFT THAT WERE DELIVERED WITH 822-0323-002 AND IN SHIPSETS ONLY. OPTIONAL PART: 822-0323-002 V4V792	002004 006100	2

MISSING ITEM NUMBERS NOT APPLICABLE

- ITEM NOT ILLUSTRATED

BRI

23-12-01-01

BOEING PROPRIETARY - Copyright © - Unpublished Work - See title page for details.

23-12-01
 FIG. 01
 PAGE 6
 JAN 20/09



757

PARTS CATALOG (MAINTENANCE)

FIG ITEM	PART NUMBER	1 2 3 4 5 6 7	NOMENCLATURE	EFFECT FROM TO	UNITS PER ASSY
1 50	622-5219-004		.TRANSCIVER ASSY- SUPPLIER CODE: V4V792 FUNCTIONAL DESCRIPTION: PROVIDES HIGH QUALITY VOICE AND DATA COMMUNICATION WITH GROUND STATIONS OR OTHER AIRPLANES AT SHORT TO MEDIUM RANGE. ELECTRICAL EQUIP NUMBER: M00188 M00189 COMPONENT MAINT MANUAL REF: 23-12-74 QUALIFIED I/W DATA: 822-0323-002 MAY REPLACE 622-5219-004 IN SHIP SETS AND WITH PROPER SHIP'S WIRING CONFIGURED TO GROUND THE TRANSMIT TIMER.622-5219-004 MAY REPLACE 822-0323-002 FOR AIRCRAFT THAT WERE DELIVERED WITH 822-0323-002 AND IN SHIPSETS ONLY.	002004 006100	2

MISSING ITEM NUMBERS NOT APPLICABLE

- ITEM NOT ILLUSTRATED

BRI

23-12-01-01

BOEING PROPRIETARY - Copyright © - Unpublished Work - See title page for details.

23-12-01
FIG. 01
PAGE 7
JAN 20/09



757

PARTS CATALOG (MAINTENANCE)

FIG ITEM	PART NUMBER	1 2 3 4 5 6 7	NOMENCLATURE	EFFECT FROM TO	UNITS PER ASSY
1 55	622-5219-004		.TRANSCIVER ASSY-(CUSTOMER FURNISHED) SUPPLIER CODE: V4V792 FUNCTIONAL DESCRIPTION: PROVIDES HIGH QUALITY VOICE AND DATA COMMUNICATION WITH GROUND STATIONS OR OTHER AIRPLANES AT SHORT TO MEDIUM RANGE. ELECTRICAL EQUIP NUMBER: M00188 M00189 M00190 COMPONENT MAINT MANUAL REF: 23-12-74 QUALIFIED I/W DATA: 822-0323-002 MAY REPLACE 622-5219-004 IN SHIP SETS AND WITH PROPER SHIP'S WIRING CONFIGURED TO GROUND THE TRANSMIT TIMER.622-5219-004 MAY REPLACE 822-0323-002 FOR AIRCRAFT THAT WERE DELIVERED WITH 822-0323-002 AND IN SHIPSETS ONLY.	952952	3
57	822-0323-001		.TRANSCIVER ASSY-(CUSTOMER FURNISHED) SUPPLIER CODE: V4V792 FUNCTIONAL DESCRIPTION: PROVIDES HIGH QUALITY VOICE AND DATA COMMUNICATION WITH GROUND STATIONS OR OTHER AIRPLANES AT SHORT TO MEDIUM RANGE. ELECTRICAL EQUIP NUMBER: M00188 M00189 M00190 COMPONENT MAINT MANUAL REF: 23-12-91 PRE AIRLINE MOD: E.O.2393R100 VALP	950951	3

MISSING ITEM NUMBERS NOT APPLICABLE

- ITEM NOT ILLUSTRATED

23-12-01-01

23-12-01
FIG. 01
PAGE 8
JAN 20/09

BRI



757

PARTS CATALOG (MAINTENANCE)

FIG ITEM	PART NUMBER	1 2 3 4 5 6 7 NOMENCLATURE	EFFECT FROM TO	UNITS PER ASSY
1 57	822-0323-002	.TRANSCIVER ASSY-(CUSTOMER FURNISHED) SUPPLIER CODE: V4V792 FUNCTIONAL DESCRIPTION: PROVIDES HIGH QUALITY VOICE AND DATA COMMUNICATION WITH GROUND STATIONS OR OTHER AIRPLANES AT SHORT TO MEDIUM RANGE. ELECTRICAL EQUIP NUMBER: M00188 M00189 M00190 COMPONENT MAINT MANUAL REF: 23-12-91 QUALIFIED I/W DATA: 822-0323-002 MAY REPLACE 622-5219-004 IN SHIP SETS AND WITH PROPER SHIP'S WIRING CONFIGURED TO GROUND THE TRANSMIT TIMER.622-5219-004 MAY REPLACE 822-0323-002 FOR AIRCRAFT THAT WERE DELIVERED WITH 822-0323-002 AND IN SHIPSETS ONLY.	950951	3

MISSING ITEM NUMBERS NOT APPLICABLE

- ITEM NOT ILLUSTRATED

BRI

23-12-01-01

BOEING PROPRIETARY - Copyright © - Unpublished Work - See title page for details.

23-12-01
 FIG. 01
 PAGE 9
 JAN 20/09



757

PARTS CATALOG (MAINTENANCE)

FIG ITEM	PART NUMBER	1 2 3 4 5 6 7	NOMENCLATURE	EFFECT FROM TO	UNITS PER ASSY
1 57	622-5219-004	.	TRANSCIVER ASSY-(CUSTOMER FURNISHED) SUPPLIER CODE: V4V792 FUNCTIONAL DESCRIPTION: PROVIDES HIGH QUALITY VOICE AND DATA COMMUNICATION WITH GROUND STATIONS OR OTHER AIRPLANES AT SHORT TO MEDIUM RANGE. ELECTRICAL EQUIP NUMBER: M00188 M00189 M00190 COMPONENT MAINT MANUAL REF: 23-12-74 QUALIFIED I/W DATA: THE 2041237-4407, -4411, -4412 AND 622-5219-004 ARE INTERCHANGEABLE EXCEPT SUBJECT TO CUSTOMER PREFERENCE AND IN SHIPSETS ONLY 822-0323-002 MAY REPLACE 622-5219-004 IN SHIP SETS AND WITH PROPER SHIP'S WIRING CONFIGURED TO GROUND THE TRANSMIT TIMER.622-5219-004 MAY REPLACE 822-0323-002 FOR AIRCRAFT THAT WERE DELIVERED WITH 822-0323-002 AND IN SHIPSETS ONLY. PRE AIRLINE MOD: E.O.2393R100 VALP	950951	3
60	281-0628-270	..	KNOB- SUPPLIER CODE: V86797 CONFIG CHG DATA FROM A CMM: SUPSD BY RB67-0	002004 006100	1
61	281-0628-270	..	KNOB- SUPPLIER CODE: V86797 USED ON: 622-5219-004	002004 006100	1

MISSING ITEM NUMBERS NOT APPLICABLE

- ITEM NOT ILLUSTRATED

23-12-01-01

23-12-01
FIG. 01
PAGE 10
JAN 20/09

BRI



757

PARTS CATALOG (MAINTENANCE)

FIG ITEM	PART NUMBER	1 2 3 4 5 6 7	NOMENCLATURE	EFFECT FROM TO	UNITS PER ASSY
1					
61	281-0628-270	..	KNOB- SUPPLIER CODE: V86797 USED ON: 622-5219-004 622-5219-005 822-0693-004 822-0693-005	950952	1
80	548-9369-002	..	BRACKET-MTG SUPPLIER CODE: V4V792 CONFIG CHG DATA FROM A CMM: SUPSD BY 503-4970-001 USED ON: 622-5219-004	002004 006100	2
80	548-9369-002	..	BRACKET-MTG SUPPLIER CODE: V4V792 CONFIG CHG DATA FROM A CMM: SUPSD BY 503-4970-001 USED ON: 622-5219-004 622-5219-005 822-0693-004 822-0693-005	950952	2
80	503-4970-001	..	HOOK-MTG SUPPLIER CODE: V4V792 CONFIG CHG DATA FROM A CMM: SUPERSEDES 548-9369-002 USED ON: 622-5219-004	002004 006100	2
80	503-4970-001	..	HOOK-MTG SUPPLIER CODE: V4V792 CONFIG CHG DATA FROM A CMM: SUPERSEDES 548-9369-002 USED ON: 622-5219-004 622-5219-005 822-0693-004 822-0693-005	950952	2
- 85	MS51957-30	..	ATTACHING PARTS SCREW	002004 006100	4
- 85	MS51957-30	..	SCREW -----*-----	950952	4

MISSING ITEM NUMBERS NOT APPLICABLE

- ITEM NOT ILLUSTRATED

23-12-01-01

23-12-01
FIG. 01
PAGE 11
JAN 20/09

BRI

BOEING PROPRIETARY - Copyright © - Unpublished Work - See title page for details.



757

PARTS CATALOG (MAINTENANCE)

FIG ITEM	PART NUMBER	1 2 3 4 5 6 7	NOMENCLATURE	EFFECT FROM TO	UNITS PER ASSY
1					
- 90	641-8914-001	..	SHIM- SUPPLIER CODE: V4V792	002004 006100	2
- 90	641-8914-001	..	SHIM- SUPPLIER CODE: V4V792 USED ON: 622-5219-004 622-5219-005 822-0693-004 822-0693-005	950952	2
91	646-0075-001	..	PLATE-IDENT SUPPLIER CODE: V4V792 SB DATA FROM A CMM: VHF-700-23-38 VHF-700-23-39 USED ON: 622-5219-120 622-5219-004 622-5219-005	950952	1
91	646-0075-001	..	PLATE-IDENT SUPPLIER CODE: V4V792 USED ON: 622-5219-004	002004 006100	1
92	211600-1	..	CAP-DUST SUPPLIER CODE: V00779 USED ON: 822-0693-004	002004 006100	1
92	211600-1	..	CAP-DUST SUPPLIER CODE: V00779 USED ON: 822-0693-004 822-0693-005	950952	1
94	651-2408-003	..	HANDLE ASSY- SUPPLIER CODE: V4V792 USED ON: 622-5219-004 622-5219-005 822-0693-004 822-0693-005	950952	1

MISSING ITEM NUMBERS NOT APPLICABLE

- ITEM NOT ILLUSTRATED

BRI

23-12-01-01

23-12-01
FIG. 01
PAGE 12
JAN 20/09



757

PARTS CATALOG (MAINTENANCE)

FIG ITEM	PART NUMBER	1 2 3 4 5 6 7	NOMENCLATURE	EFFECT FROM TO	UNITS PER ASSY
1	94 651-2408-003		..HANDLE ASSY- SUPPLIER CODE: V4V792 USED ON: 622-5219-004	002004 006100	1
-	95 652-5421-001		ATTACHING PARTS ..SCREW- SUPPLIER CODE: V4V792 USED ON: 622-5219-004	950952	2
-	95 652-5421-001		822-0693-004 822-0693-005 ..SCREW- SUPPLIER CODE: V4V792 USED ON: 622-5219-004	002004 006100	2
-	98 768-3178-001		622-5219-004 622-5219-005 822-0693-004 822-0693-005 ..WASHER- SUPPLIER CODE: V4V792 USED ON: 622-5219-004	950952	4
-	98 768-3178-001		622-5219-004 622-5219-005 822-0693-004 822-0693-005 822-0323-001 822-0323-002 ..WASHER- SUPPLIER CODE: V4V792 USED ON: 622-5219-004	002004 006100	4
-	99 310-0007-050		622-5219-004 622-5219-005 822-0693-004 822-0693-005 ..WASHER- SUPPLIER CODE: V79807 USED ON: 622-5219-004	950952	2
-	99 310-0007-050		622-5219-004 622-5219-005 822-0693-004 822-0693-005 ..WASHER- SUPPLIER CODE: V79807 USED ON: 622-5219-004	002004 006100	2

MISSING ITEM NUMBERS NOT APPLICABLE

- ITEM NOT ILLUSTRATED

23-12-01-01

23-12-01
FIG. 01
PAGE 13
JAN 20/09

BRI



757

PARTS CATALOG (MAINTENANCE)

FIG ITEM	PART NUMBER	1 2 3 4 5 6 7	NOMENCLATURE	EFFECT FROM TO	UNITS PER ASSY
1					
- 100	MS21042-06	..	NUT- USED ON: 622-5219-004 622-5219-005 822-0693-004 822-0693-005 822-0323-001 822-0323-002	950952	2
- 100	MS21042-06	..	NUT- USED ON: 622-5219-004	002004 006100	2
- 102	328-0368-000	..	SCREW- SUPPLIER CODE: V08664 USED ON: 622-5219-004	002004 006100	2
- 102	328-0368-000	..	SCREW- SUPPLIER CODE: V08664 USED ON: 622-5219-004 622-5219-005 822-0693-004 822-0693-005	950952	2
103	768-3387-020	...	STRAP-HANDLE SUPPLIER CODE: V4V792 USED ON: 622-5219-004	002004 006100	1
103	768-3387-020	...	STRAP-HANDLE SUPPLIER CODE: V4V792 USED ON: 622-5219-004 622-5219-005 822-0693-004 822-0693-005	950952	1
105	768-3386-002	...	BAR-GRIP SUPPLIER CODE: V4V792 USED ON: 622-5219-004	002004 006100	1

MISSING ITEM NUMBERS NOT APPLICABLE

- ITEM NOT ILLUSTRATED

BRI

23-12-01-01

23-12-01
FIG. 01
PAGE 14
JAN 20/09



757

PARTS CATALOG (MAINTENANCE)

FIG ITEM	PART NUMBER	1 2 3 4 5 6 7	NOMENCLATURE	EFFECT FROM TO	UNITS PER ASSY
1 105	768-3386-002		...BAR-GRIP SUPPLIER CODE: V4V792 USED ON: 622-5219-004 622-5219-005 822-0693-004 822-0693-005	950952	1
123	280-2745-010		..LABEL-ESDS WARNING SUPPLIER CODE: V12998 USED ON: 622-5219-004	002004 006100	1
123	280-2745-010		..LABEL-ESDS WARNING SUPPLIER CODE: V12998 USED ON: 622-5219-004 622-5219-005 822-0693-004 822-0693-005	950952	1
126	280-3778-100		..LABEL- SUPPLIER CODE: VOBU16 OPTIONAL SUPPLIER CODE: 12998 USED ON: 622-5219-004	002004 006100	1
126	280-3778-100		..LABEL- SUPPLIER CODE: VOBU16 OPTIONAL SUPPLIER CODE: 12998 USED ON: 622-5219-004 622-5219-005 822-0693-004 822-0693-005	950952	1
127	280-2745-130		..LABEL-ESDS WARNING SUPPLIER CODE: V12998 USED ON: 822-0693-004 622-5219-004	002004 006100	1

MISSING ITEM NUMBERS NOT APPLICABLE

- ITEM NOT ILLUSTRATED

BRI

23-12-01-01

BOEING PROPRIETARY - Copyright © - Unpublished Work - See title page for details.

23-12-01
FIG. 01
PAGE 15
JAN 20/09



757

PARTS CATALOG (MAINTENANCE)

FIG ITEM	PART NUMBER	1 2 3 4 5 6 7	NOMENCLATURE	EFFECT FROM TO	UNITS PER ASSY
1 127	280-2745-130		.. LABEL-ESDS WARNING SUPPLIER CODE: V12998 USED ON: 822-0693-004 822-0693-005 622-5219-004 622-5219-005	950952	1
130	629-6836-061		.. STRIP-IDENT SUPPLIER CODE: V4V792 USED ON: 622-5219-004	002004 006100	1
130	629-6836-061		.. STRIP-IDENT SUPPLIER CODE: V4V792 USED ON: 622-5219-004 622-5219-005 822-0693-004 822-0693-005	950952	1
- 132	830-2708-001		.. STRIP-IDENT SUPPLIER CODE: V4V792 USED ON: 622-5219-004	002004 006100	1
- 132	830-2708-001		.. STRIP-IDENT SUPPLIER CODE: V4V792 USED ON: 622-5219-004 622-5219-005 822-0693-004 822-0693-005	950952	1
- 135	685-7326-001		.. PLATE-IDENT SUPPLIER CODE: V4V792 USED ON: 622-5219-004	002004 006100	1
- 135	685-7326-001		.. PLATE-IDENT SUPPLIER CODE: V4V792 USED ON: 622-5219-004 622-5219-005 822-0693-004 822-0693-005	950952	1
- 200	286N1163-002		WIRE BUNDLE ASSY	121503 904949	RF

MISSING ITEM NUMBERS NOT APPLICABLE

- ITEM NOT ILLUSTRATED

23-12-01-01

23-12-01
FIG. 01
PAGE 16
JAN 20/09

BRI



757

PARTS CATALOG (MAINTENANCE)

FIG ITEM	PART NUMBER	1 2 3 4 5 6 7	NOMENCLATURE	EFFECT FROM TO	UNITS PER ASSY
1					
- 200	286N1163-003		WIRE BUNDLE ASSY	107107	RF
- 200	286N1163-006		WIRE BUNDLE ASSY	950951	RF
- 200	286N1163-008		WIRE BUNDLE ASSY-	002004	RF
				006100	
				952999	
- 202	286N1163-379		WIRE BUNDLE ASSY	504504	RF
- 202	286N1163-380		WIRE BUNDLE ASSY	506506	RF
- 202	286N1163-384		WIRE BUNDLE ASSY	505505	RF
- 203	286N1163-393		WIRE BUNDLE ASSY	507903	RF
210	BCREF115304		.CONNECTOR-	002004	2
			OVERLENGTH PART NUMBER:	006100	
			BACC66F11C04AB01	107107	
			ELECTRICAL EQUIP NUMBER:	121999	
			D00125		
			D00129		
			WIRING DIAGRAM REF:		
			231211		
- 500	286N1161-006		WIRE BUNDLE ASSY	950951	RF
- 500	286N1161-008		WIRE BUNDLE ASSY	002004	RF
				006100	
				952999	RF
- 502	286N1161-335		WIRE BUNDLE ASSY	504504	RF
- 502	286N1161-356		WIRE BUNDLE ASSY	505505	RF
- 502	286N1161-359		WIRE BUNDLE ASSY	507903	RF
- 502	286N1161-362		WIRE BUNDLE ASSY	506506	RF
510	BCREF115304		.CONNECTOR-	002004	1
			OVERLENGTH PART NUMBER:	006100	
			BACC66F11C04AB01	504903	
			ELECTRICAL EQUIP NUMBER:	950999	
			D00847		
			WIRING DIAGRAM REF:		
			231231		
			232215		

MISSING ITEM NUMBERS NOT APPLICABLE

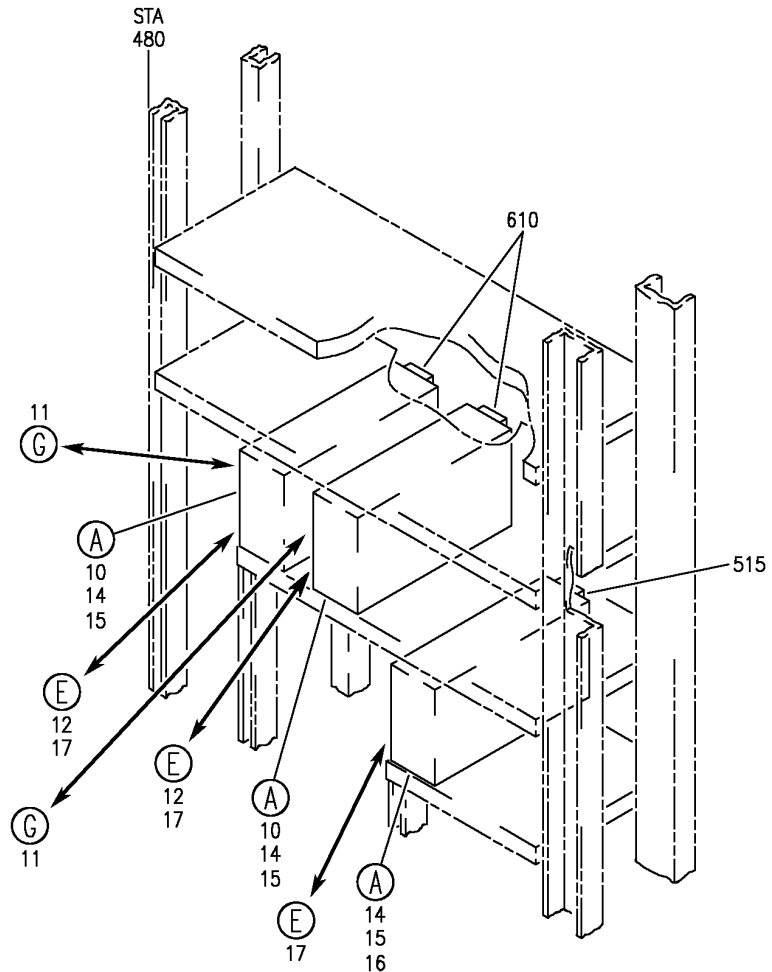
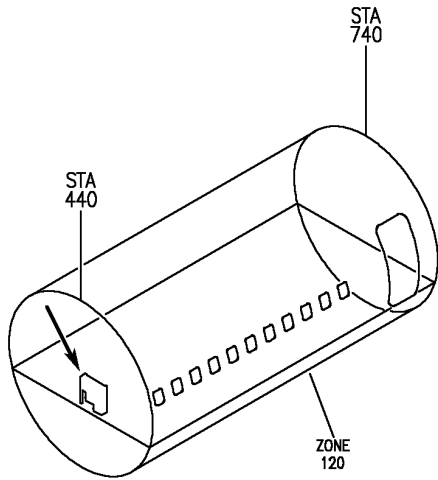
- ITEM NOT ILLUSTRATED

BRI

23-12-01-01

23-12-01
FIG. 01
PAGE 17
JAN 20/09

BOEING
757
PARTS CATALOG (MAINTENANCE)



Y 23120101B SHT 1 REV 273

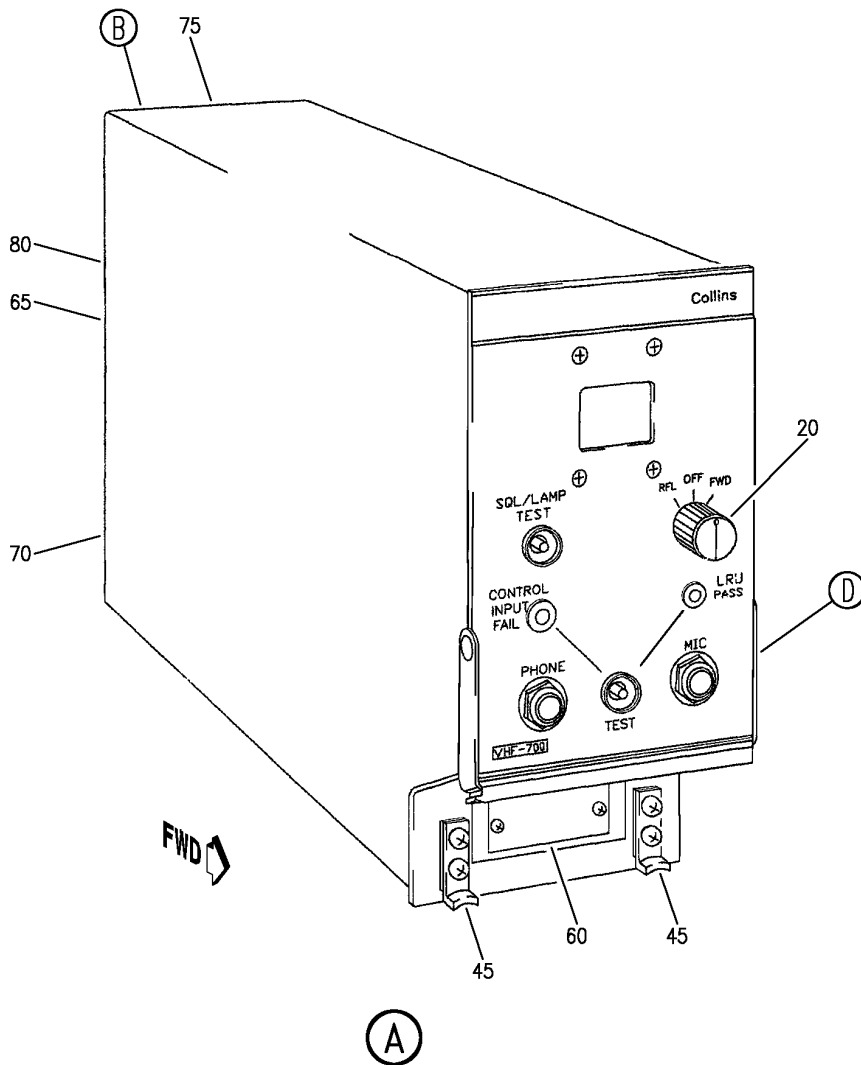
EQUIPMENT INSTL-MAIN ELECTRONICS EQPT CTR (VHF COMMUNICATION SYSTEM ONLY)
FIGURE 1B (SHEET 1)

BRI
MAY 28/07

23-12-01-01B

23-12-01-01B
PAGE 0

BOEING
757
PARTS CATALOG (MAINTENANCE)



Y 23120101B SHT 2 REV 265

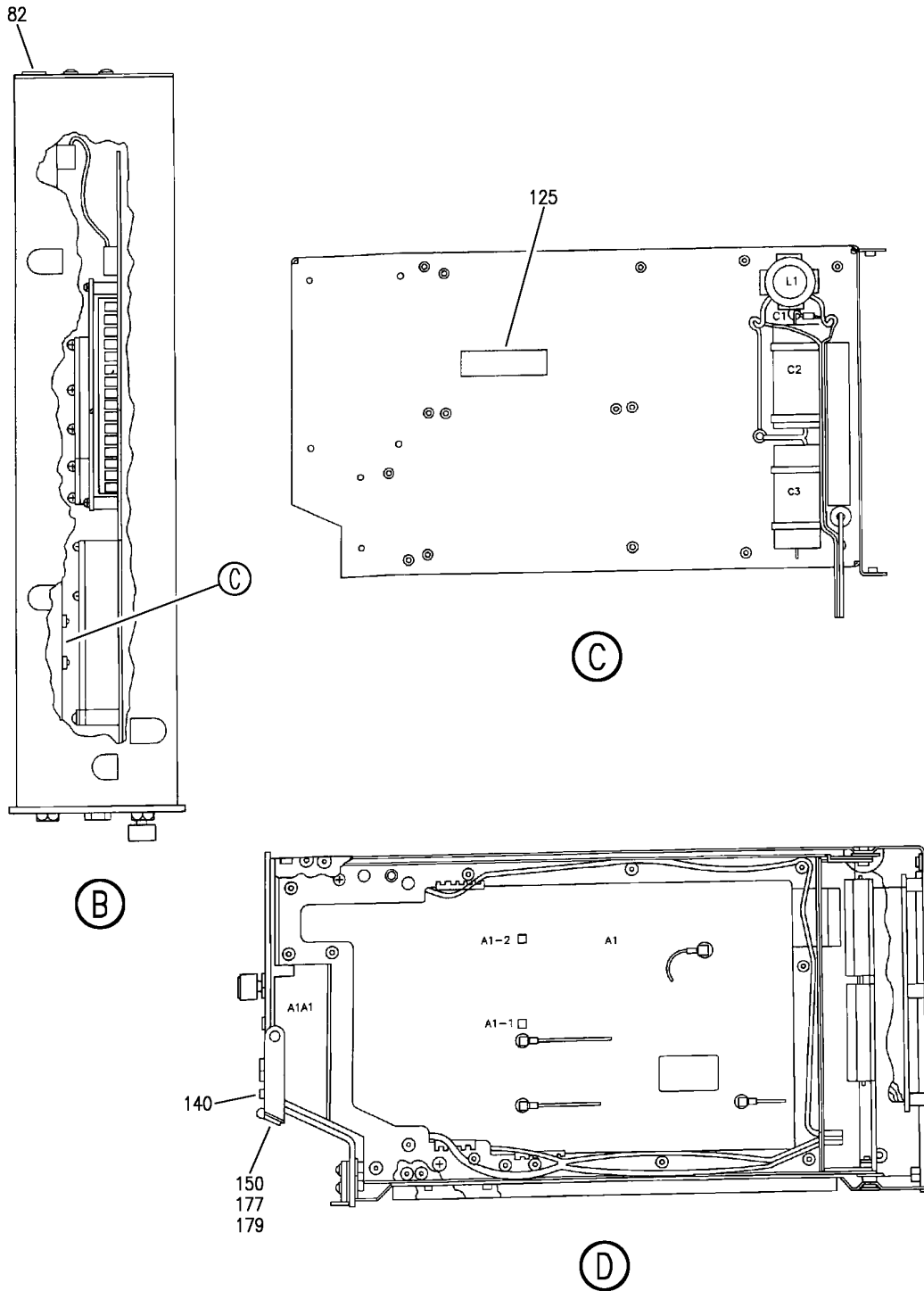
EQUIPMENT INSTL-MAIN ELECTRONICS EQPT CTR (VHF COMMUNICATION SYSTEM ONLY)
FIGURE 1B (SHEET 2)

23-12-01-01B

BRI
MAY 28/07

23-12-01-01B
PAGE 0A

BOEING
757
PARTS CATALOG (MAINTENANCE)



Y 23120101B SHT 3 REV 265

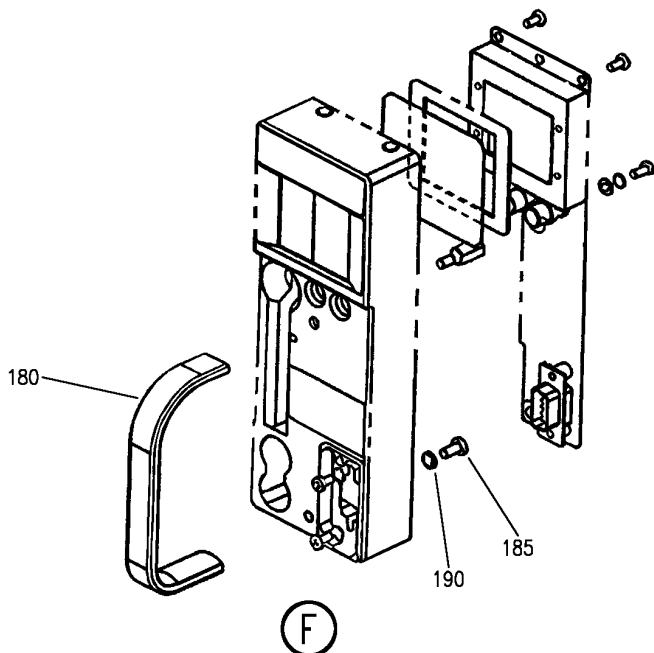
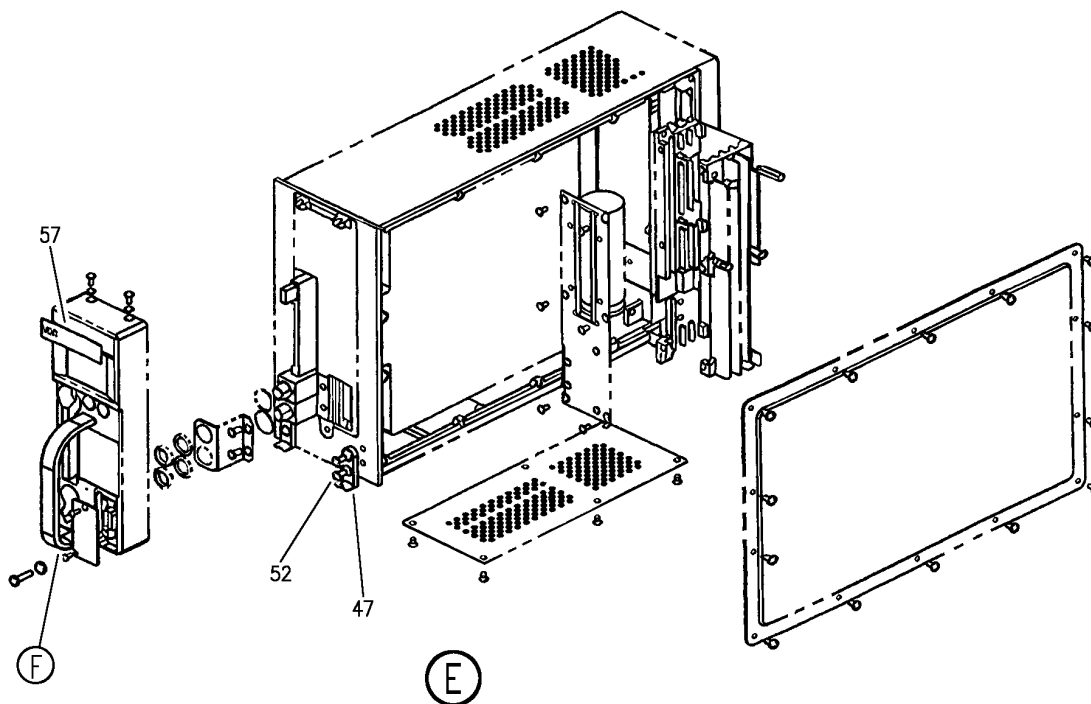
EQUIPMENT INSTL-MAIN ELECTRONICS EQPT CTR (VHF COMMUNICATION SYSTEM ONLY)
FIGURE 1B (SHEET 3)

BRI
MAY 28/07

23-12-01-01B

23-12-01-01B
PAGE 0B

BOEING
757
PARTS CATALOG (MAINTENANCE)



Y 23120101B SHT 4 REV 262

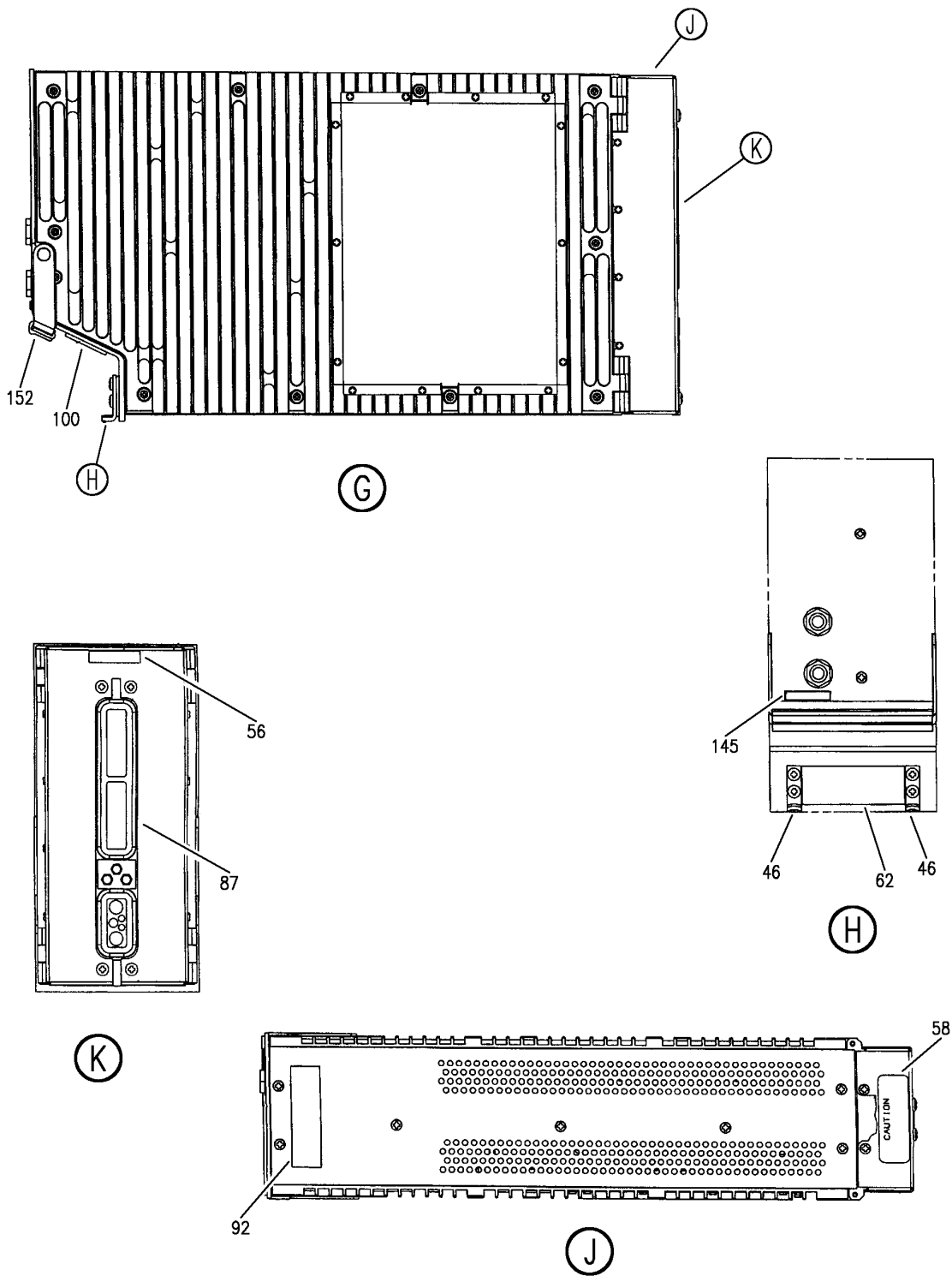
EQUIPMENT INSTL-MAIN ELECTRONICS EQPT CTR (VHF COMMUNICATION SYSTEM ONLY)
FIGURE 1B (SHEET 4)

BRI
MAY 28/07

23-12-01-01B

23-12-01-01B
PAGE 0C


BOEING
 757
PARTS CATALOG (MAINTENANCE)



Y 23120101B SHT 5 REV 273

EQUIPMENT INSTL-MAIN ELECTRONICS EQPT CTR (VHF COMMUNICATION SYSTEM ONLY)
 FIGURE 1B (SHEET 5)

BRI
 MAY 28/07

23-12-01-01B

23-12-01-01B
 PAGE 0D



757

PARTS CATALOG (MAINTENANCE)

FIG ITEM	PART NUMBER	1 2 3 4 5 6 7	NOMENCLATURE	EFFECT FROM TO	UNITS PER ASSY
1B			EQUIPMENT INSTL-MAIN ELECTRONICS EQPT CTR (VHF COMMUNICATION SYSTEM ONLY)	101102	
- 3	284N1800-140		EQUIPMENT INSTL-MAIN ELECTRONICS EQPT CTR (VHF COMMUNICATION SYSTEM ONLY) FOR NHA/OTHER SYS DET SEE: 24-00-58-05E	101101	RF
- 3	284N1800-141		EQUIPMENT INSTL-MAIN ELECTRONICS EQPT CTR (VHF COMMUNICATION SYSTEM ONLY) FOR NHA/OTHER SYS DET SEE: 24-00-58-05E	102102	RF
17	064-50000-0110		.TRANSCEIVER ASSY- SUPPLIER CODE: V97896 FUNCTIONAL DESCRIPTION: PROVIDES HIGH QUALITY VOICE AND DATA COMMUNICATION WITH GROUND STATIONS OR OTHER AIRPLANES AT SHORT TO MEDIUM RANGE. ELECTRICAL EQUIP NUMBER: M00188 M00189 M00190 COMPONENT MAINT MANUAL REF: 23-20-36 QUALIFIED I/W DATA: 064-50000-0110 CAN BE USED ON -200 WITH ADDITION OF A/C WIRE TO GROUND ON ONE PIN CERTIFIED ON -200. NO BACKWARD I/W.	101102	3

MISSING ITEM NUMBERS NOT APPLICABLE

- ITEM NOT ILLUSTRATED

23-12-01-01B

23-12-01
FIG. 01B
PAGE 1
JAN 20/09

BRI

BOEING PROPRIETARY - Copyright © - Unpublished Work - See title page for details.

 **BOEING**
757
PARTS CATALOG (MAINTENANCE)

FIG ITEM	PART NUMBER	1 2 3 4 5 6 7	NOMENCLATURE	EFFECT FROM TO	UNITS PER ASSY
1B 17	064-50000-0101	.	TRANSCEIVER ASSY- SUPPLIER CODE: V97896 FUNCTIONAL DESCRIPTION: PROVIDES HIGH QUALITY VOICE AND DATA COMMUNICATION WITH GROUND STATIONS OR OTHER AIRPLANES AT SHORT TO MEDIUM RANGE. ELECTRICAL EQUIP NUMBER: M00188 M00189 M00190 COMPONENT MAINT MANUAL REF: 23-20-36	101102	3
47	39035-0003	..	HOOK-SPRT SUPPLIER CODE: V27914	101102	2
47	39035-0003	..	HOOK-SPRT SUPPLIER CODE: V27914	101102	2
52	6732-0605	..	ATTACHING PARTS SCREW- SUPPLIER CODE: V27914 OPTIONAL PART: 6732-0607 V97896	101102	4
52	6732-0605	..	SCREW- SUPPLIER CODE: V27914 OPTIONAL PART: 6732-0607 V97896	101102	4
52	6732-0607	..	SCREW- SUPPLIER CODE: V97896 OPTIONAL PART: 6732-0605 V97896	101102	4
52	6732-0607	..	SCREW- SUPPLIER CODE: V27914 OPTIONAL PART: 6732-0605 V97896 -----*-----	101102	4

MISSING ITEM NUMBERS NOT APPLICABLE

— ITEM NOT ILLUSTRATED

BRI

23-12-01-01B

BOEING PROPRIETARY - Copyright © - Unpublished Work - See title page for details.

23-12-01
FIG. 01B
PAGE 2
JAN 20/09



757

PARTS CATALOG (MAINTENANCE)

FIG ITEM	PART NUMBER	1 2 3 4 5 6 7	NOMENCLATURE	EFFECT FROM TO	UNITS PER ASSY
1B					
57	05750012-0001	..	LABEL- SUPPLIER CODE: V27914 OPTIONAL PART: 620-1836-001 V97896	101102	1
57	05750012-0001	..	LABEL- SUPPLIER CODE: V27914 OPTIONAL PART: 620-1836-001 V97896	101102	1
57	620-1836-0011	..	LABEL- SUPPLIER CODE: V97896 OPTIONAL PART: 05750012-0001 V97896	101102	1
57	620-1836-0011	..	LABEL- SUPPLIER CODE: V97896 OPTIONAL PART: 05750012-0001 V97896	101102	1
180	04750436-0001	..	HANDLE- SUPPLIER CODE: V27914	101102	1
180	04750436-0001	..	HANDLE- SUPPLIER CODE: V27914 ATTACHING PARTS	101102	1
185	MS51957-27	..	SCREW	101102	1
185	MS51957-27	..	SCREW	101102	1
190	MS35338-79	..	WASHER	101102	1
190	MS35338-79	..	WASHER	101102	1
- 505	286N1161-319		WIRE BUNDLE ASSY	101102	RF
515	BCREF115304	.	CONNECTOR- OVERLENGTH PART NUMBER: BACC66F11C04AB01 ELECTRICAL EQUIP NUMBER: D00847 WIRING DIAGRAM REF: 231231	101102	1
- 600	286N1163-337		WIRE BUNDLE ASSY	101101	RF
- 600	286N1163-341		WIRE BUNDLE ASSY	102102	RF

MISSING ITEM NUMBERS NOT APPLICABLE

- ITEM NOT ILLUSTRATED

23-12-01-01B

23-12-01
FIG. 01B
PAGE 3
JAN 20/09

BRI

BOEING PROPRIETARY - Copyright © - Unpublished Work - See title page for details.



757
PARTS CATALOG (MAINTENANCE)

FIG ITEM	PART NUMBER	1 2 3 4 5 6 7	NOMENCLATURE	EFFECT FROM TO	UNITS PER ASSY
1B 610	BCREF115304		.CONNECTOR- OVERLENGTH PART NUMBER: BACC66F11C04AB01 ELECTRICAL EQUIP NUMBER: D00125 D00129 WIRING DIAGRAM REF: 231211 231221	101102	2

MISSING ITEM NUMBERS NOT APPLICABLE

- ITEM NOT ILLUSTRATED

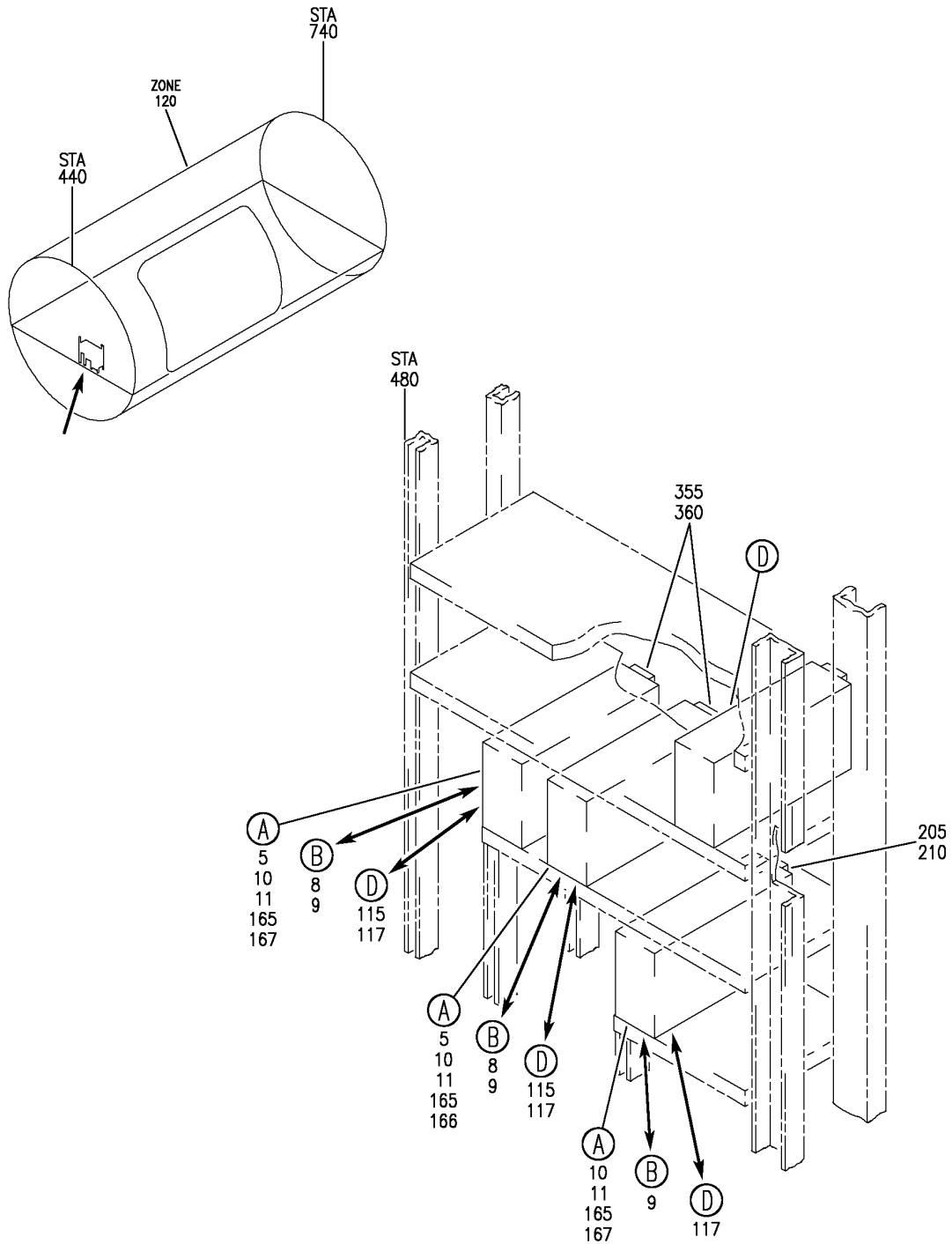
BRI

23-12-01-01B

BOEING PROPRIETARY - Copyright © - Unpublished Work - See title page for details.

23-12-01
FIG. 01B
PAGE 4
JAN 20/09

BOEING
757
PARTS CATALOG (MAINTENANCE)



Y 23120108 SH1 1 REV 326

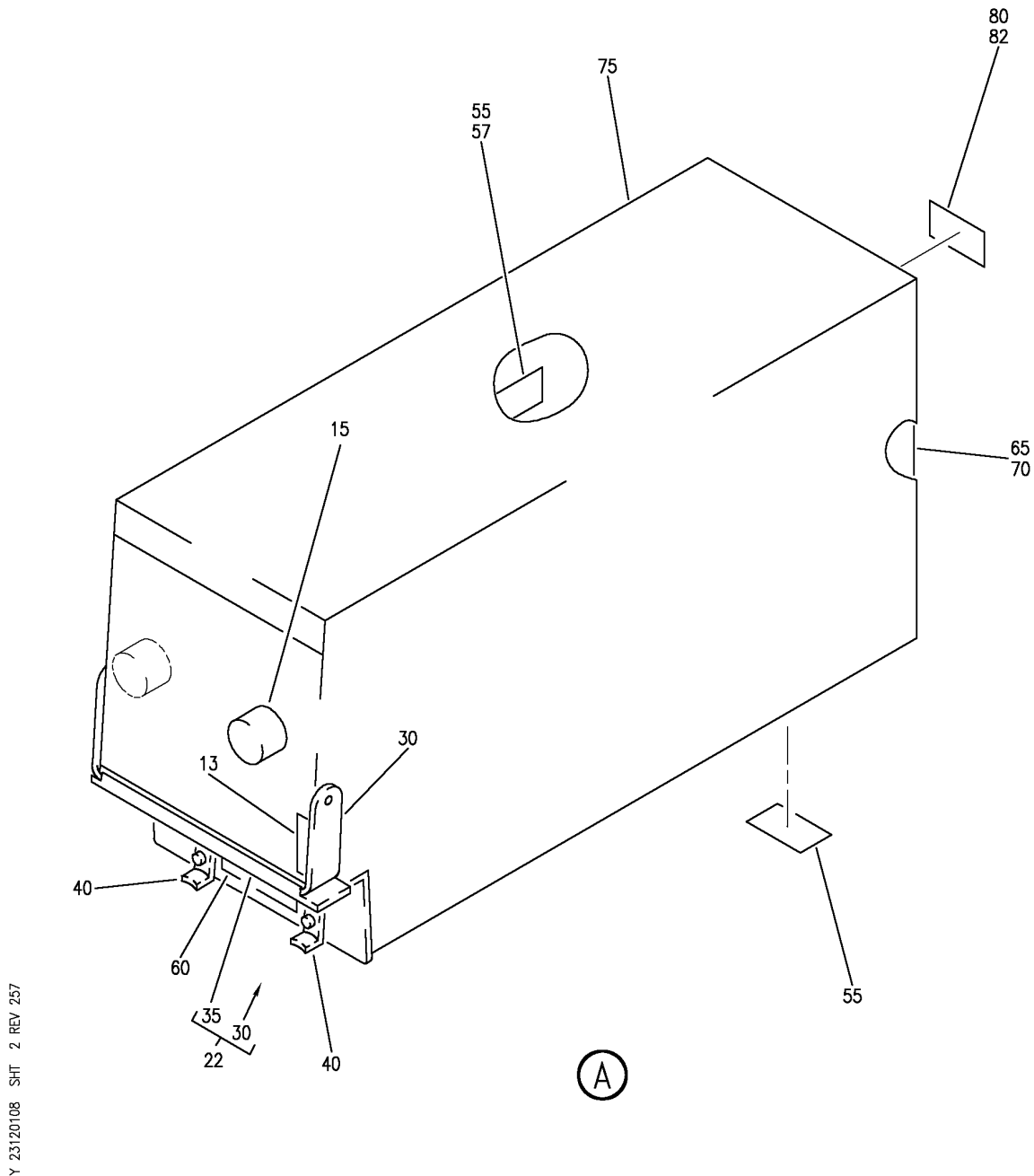
EQUIPMENT INSTL-MAIN ELECTRONICS EQPT CTR VHF COMM XCVR
FIGURE 8 (SHEET 1)

23-12-01-08

BRI
JAN 20/09

23-12-01-08
PAGE 0

BOEING
757
PARTS CATALOG (MAINTENANCE)



Y 23120108 SH1 2 REV 257

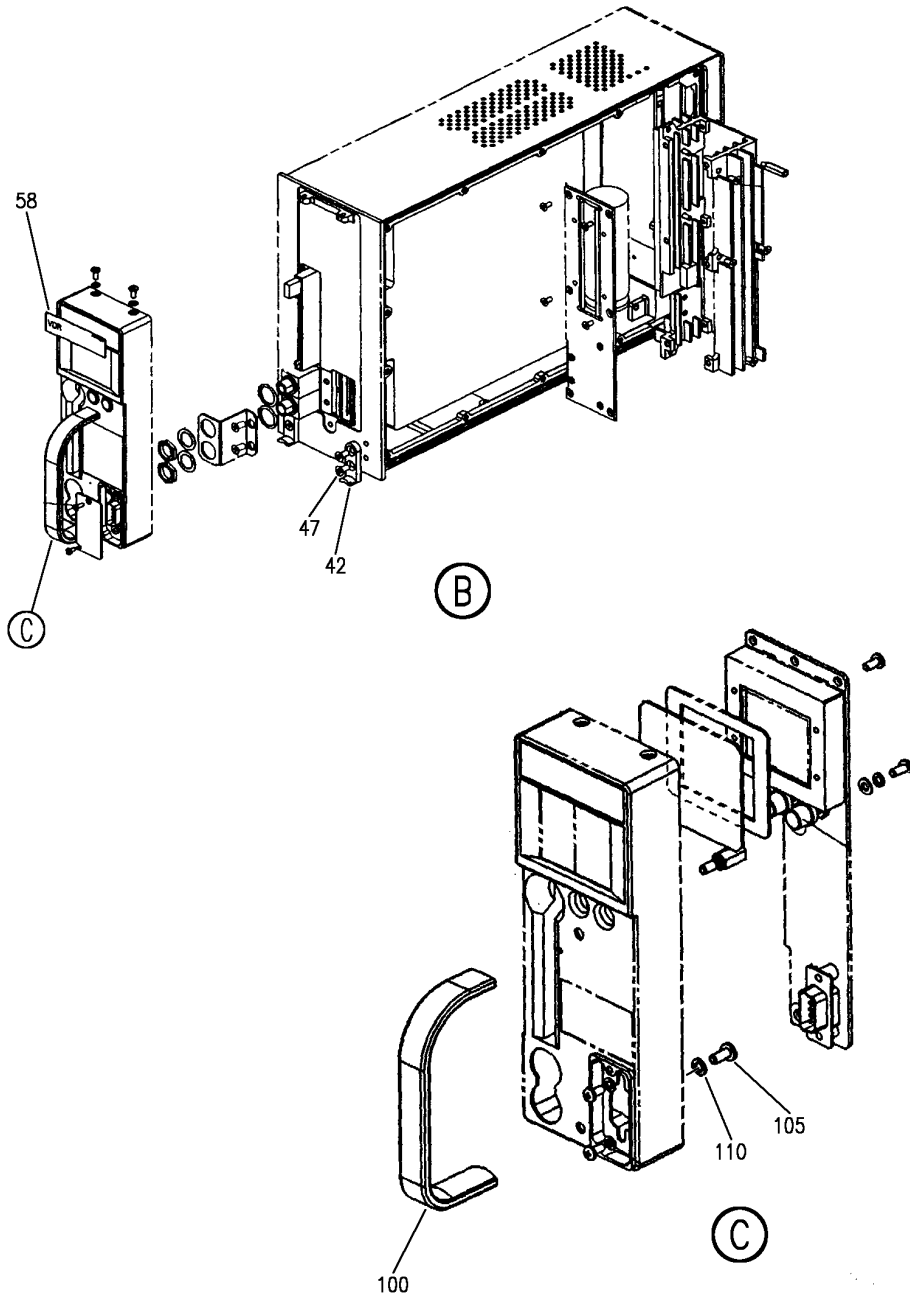
EQUIPMENT INSTL-MAIN ELECTRONICS EQPT CTR VHF COMM XCVR
FIGURE 8 (SHEET 2)

23-12-01-08

BRI
JAN 20/09

23-12-01-08
PAGE 0A

BOEING
757
PARTS CATALOG (MAINTENANCE)



Y 23120108 SH-T 3 REV 262

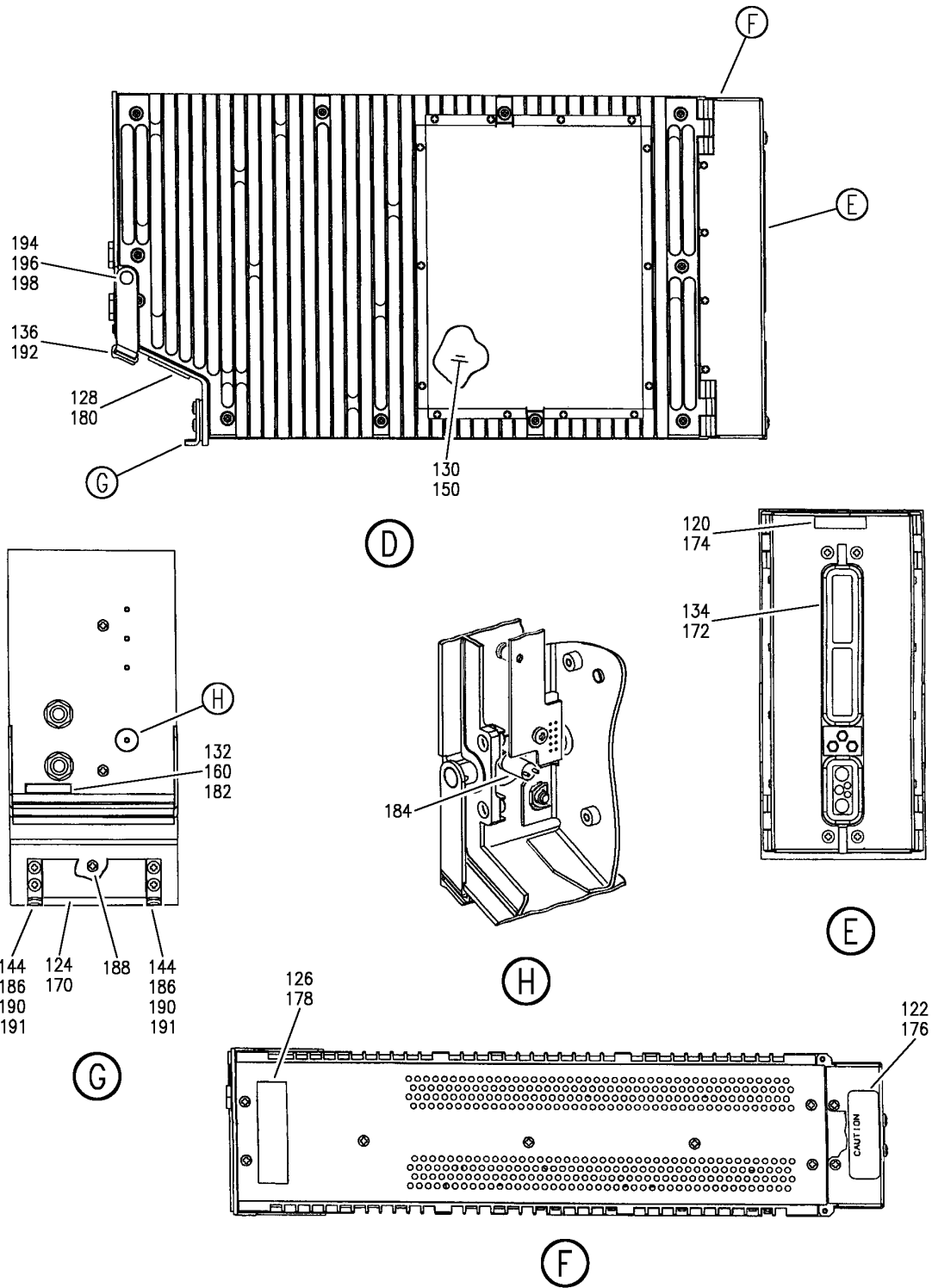
EQUIPMENT INSTL-MAIN ELECTRONICS EQPT CTR VHF COMM XCVR
FIGURE 8 (SHEET 3)

23-12-01-08

BRI
JAN 20/09

23-12-01-08
PAGE 0B

BOEING
757
PARTS CATALOG (MAINTENANCE)



Y 23120108 SH 4 REV 289

EQUIPMENT INSTL-MAIN ELECTRONICS EQPT CTR VHF COMM XCVR
FIGURE 8 (SHEET 4)

23-12-01-08

BRI
JAN 20/09

23-12-01-08
PAGE 0C



757

PARTS CATALOG (MAINTENANCE)

FIG ITEM	PART NUMBER	1 2 3 4 5 6 7	NOMENCLATURE	EFFECT FROM TO	UNITS PER ASSY
8			EQUIPMENT INSTL-MAIN ELECTRONICS EQPT CTR VHF COMM XCVR	103106 108120	
- 1	284N4000-230081		EQUIPMENT INSTL-MAIN ELECTRONICS EQPT CTR VHF COMM XCVR	108120	RF
- 2	MODREF29989		FOR NHA SEE: 24-00-58-05F		
			EQUIPMENT INSTL-MAIN ELECTRONICS EQPT CTR VHF COMM XCVR	103106	1
115	822-1047-003		MODULE NUMBER: 284N4000-230014 REV B .TRANSCIVER ASSY-(CUSTOMER FURNISHED) SUPPLIER CODE: V4V792 FUNCTIONAL DESCRIPTION: PROVIDES HIGH QUALITY VOICE AND DATA COMMUNICATION WITH GROUND STATIONS OR OTHER AIRPLANES AT SHORT TO MEDIUM RANGE. ELECTRICAL EQUIP NUMBER: M00188 M00189	108120	2
115	822-1047-002		COMPONENT MAINT MANUAL REF: 23-12-91 .TRANSCIVER ASSY-(CUSTOMER FURNISHED) SUPPLIER CODE: V4V792 FUNCTIONAL DESCRIPTION: PROVIDES HIGH QUALITY VOICE AND DATA COMMUNICATION WITH GROUND STATIONS OR OTHER AIRPLANES AT SHORT TO MEDIUM RANGE. ELECTRICAL EQUIP NUMBER: M00188 M00189 COMPONENT MAINT MANUAL REF: 23-12-91	108120	2

MISSING ITEM NUMBERS NOT APPLICABLE

- ITEM NOT ILLUSTRATED

23-12-01-08

23-12-01
FIG. 08
PAGE 1
JAN 20/09

BRI



757

PARTS CATALOG (MAINTENANCE)

FIG ITEM	PART NUMBER	1 2 3 4 5 6 7	NOMENCLATURE	EFFECT FROM TO	UNITS PER ASSY
8 117	822-1047-003	.	TRANSCEIVER ASSY- SUPPLIER CODE: V4V792 FUNCTIONAL DESCRIPTION: PROVIDES HIGH QUALITY VOICE AND DATA COMMUNICATION WITH GROUND STATIONS OR OTHER AIRPLANES AT SHORT TO MEDIUM RANGE. ELECTRICAL EQUIP NUMBER: M00188 M00189 M00190 COMPONENT MAINT MANUAL REF: 23-12-91	103106	3
117	822-1047-002	.	TRANSCEIVER ASSY- SUPPLIER CODE: V4V792 FUNCTIONAL DESCRIPTION: PROVIDES HIGH QUALITY VOICE AND DATA COMMUNICATION WITH GROUND STATIONS OR OTHER AIRPLANES AT SHORT TO MEDIUM RANGE. ELECTRICAL EQUIP NUMBER: M00188 M00189 M00190 COMPONENT MAINT MANUAL REF: 23-12-91	103106	3
120	280-2745-130	..	LABEL-ESDS WARNING SUPPLIER CODE: VOBU16	108120	1
120	280-2745-130	..	LABEL-ESDS WARNING SUPPLIER CODE: VOBU16	103106	1
122	838-7020-010	..	LABEL-CAUTION SUPPLIER CODE: V12998	108120	1
122	838-7020-010	..	LABEL-CAUTION SUPPLIER CODE: V12998	103106	1

MISSING ITEM NUMBERS NOT APPLICABLE

- ITEM NOT ILLUSTRATED

23-12-01-08

23-12-01
FIG. 08
PAGE 2
JAN 20/09

BRI



757

PARTS CATALOG (MAINTENANCE)

FIG ITEM	PART NUMBER	1 2 3 4 5 6 7	NOMENCLATURE	EFFECT FROM TO	UNITS PER ASSY
8					
124	829-0267-002		.. PLATE-IDENT SUPPLIER CODE: V4V792 USED ON: 822-1047-002 822-1047-003	108120	1
124	829-0267-002		.. PLATE-IDENT SUPPLIER CODE: V4V792 USED ON: 822-1047-002 822-1047-003	103106	1
126	838-7013-020		.. LABEL-FCC SUPPLIER CODE: V12998 USED ON: 822-0323-002 822-1047-002 822-1047-003	108120	1
126	838-7013-020		.. LABEL-FCC SUPPLIER CODE: V12998 USED ON: 822-0323-002 822-1047-002 822-1047-003	103106	1
134	211600-1		.. CAP-DUST SUPPLIER CODE: V00779 MISCELLANEOUS DATA: ROCKWELL COLLINS P/N 370-0081-010	108120	1
134	211600-1		.. CAP-DUST SUPPLIER CODE: V00779 MISCELLANEOUS DATA: ROCKWELL COLLINS P/N 370-0081-010	103106	1
150	3KG10R		.. LABEL-CAUTION SUPPLIER CODE: V67041 MISCELLANEOUS DATA: ROCKWELL COLLINS P/N 280-2760-010 USED ON: 822-1047-002 822-1047-003	108120	1

MISSING ITEM NUMBERS NOT APPLICABLE

- ITEM NOT ILLUSTRATED

23-12-01-08

23-12-01
FIG. 08
PAGE 3
JAN 20/09

BRI



757

PARTS CATALOG (MAINTENANCE)

FIG ITEM	PART NUMBER	1 2 3 4 5 6 7	NOMENCLATURE	EFFECT FROM TO	UNITS PER ASSY
8 150	3KG10R		.. LABEL-CAUTION SUPPLIER CODE: V67041 MISCELLANEOUS DATA: ROCKWELL COLLINS P/N 280-2760-010 USED ON: 822-1047-002 822-1047-003	103106	1
- 155	DAT115-652-1		.. LABEL-CAUTION SUPPLIER CODE: V67041 MISCELLANEOUS DATA: ROCKWELL COLLINS P/N 280-2760-090 USED ON: 822-1047-002 822-1047-003	108120	1
- 155	DAT115-652-1		.. LABEL-CAUTION SUPPLIER CODE: V67041 MISCELLANEOUS DATA: ROCKWELL COLLINS P/N 280-2760-090 USED ON: 822-1047-002 822-1047-003	103106	1
160	628-9776-005		.. STRIP-IDENT SUPPLIER CODE: V4V792 USED ON: 822-1047-002 822-1047-003	108120	1
160	628-9776-005		.. STRIP-IDENT SUPPLIER CODE: V4V792 USED ON: 822-1047-002 822-1047-003	103106	1
- 201 205	286N1161-601 BCREF115304		WIRE BUNDLE ASSY .CONNECTOR- OVERLENGTH PART NUMBER: BACC66F11C04AB01 ELECTRICAL EQUIP NUMBER: D00847 WIRING DIAGRAM REF: 231231	103106 103106	RF 1

MISSING ITEM NUMBERS NOT APPLICABLE

- ITEM NOT ILLUSTRATED

23-12-01-08

23-12-01
FIG. 08
PAGE 4
JAN 20/09

BRI



757

PARTS CATALOG (MAINTENANCE)

FIG ITEM	PART NUMBER	1 2 3 4 5 6 7	NOMENCLATURE	EFFECT FROM TO	UNITS PER ASSY
8 210	RBGP48-116N		.BLOCK- SUPPLIER CODE: V09922 SPECIFICATION NUMBER: S280W601-116 ELECTRICAL EQUIP NUMBER: D00847T WIRING DIAGRAM REF: 231231	103106	1
- 301	286N1163-398		WIRE BUNDLE ASSY-	108120	RF
- 304	286N1163-601		WIRE BUNDLE ASSY	103106	RF
355	BCREF115304		.CONNECTOR- OVERLENGTH PART NUMBER: BACC66F11C04AB01 ELECTRICAL EQUIP NUMBER: D00125 D00129 WIRING DIAGRAM REF: 231211 231221	108120	2
355	BCREF15988		.CONNECTOR- OVERLENGTH PART NUMBER: BACC66F11C04AE01 ELECTRICAL EQUIP NUMBER: D00125 D00129 WIRING DIAGRAM REF: 231211 231221	103106	2
360	RBGP48-116N		.BLOCK- SUPPLIER CODE: V09922 SPECIFICATION NUMBER: S280W601-116 ELECTRICAL EQUIP NUMBER: D00125T D00129T WIRING DIAGRAM REF: 231211 231221	103106	2

MISSING ITEM NUMBERS NOT APPLICABLE

- ITEM NOT ILLUSTRATED

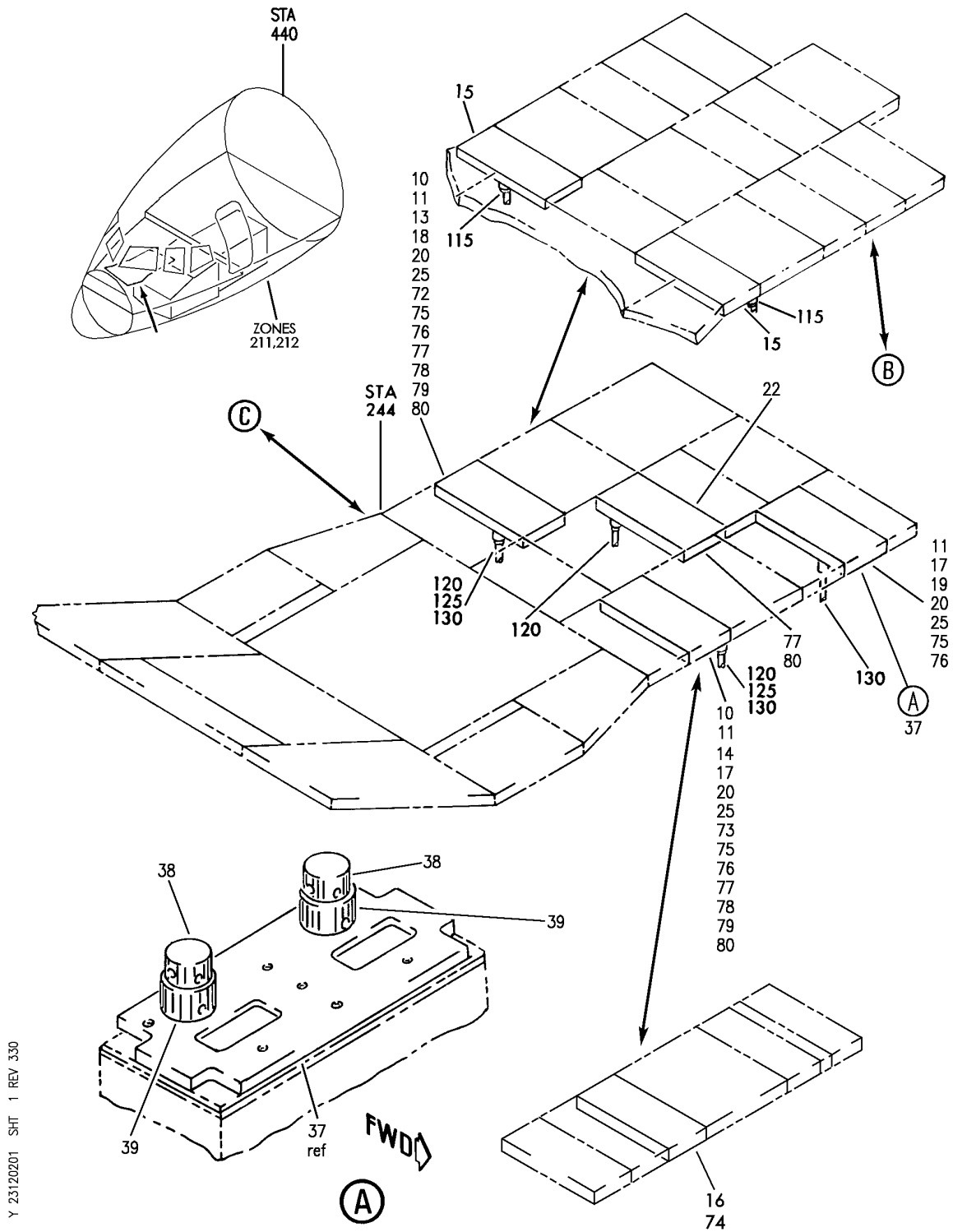
BRI

23-12-01-08

BOEING PROPRIETARY - Copyright © - Unpublished Work - See title page for details.

23-12-01
FIG. 08
PAGE 5
JAN 20/09

BOEING
757
PARTS CATALOG (MAINTENANCE)



Y 23120201 SH-T 1 REV 330

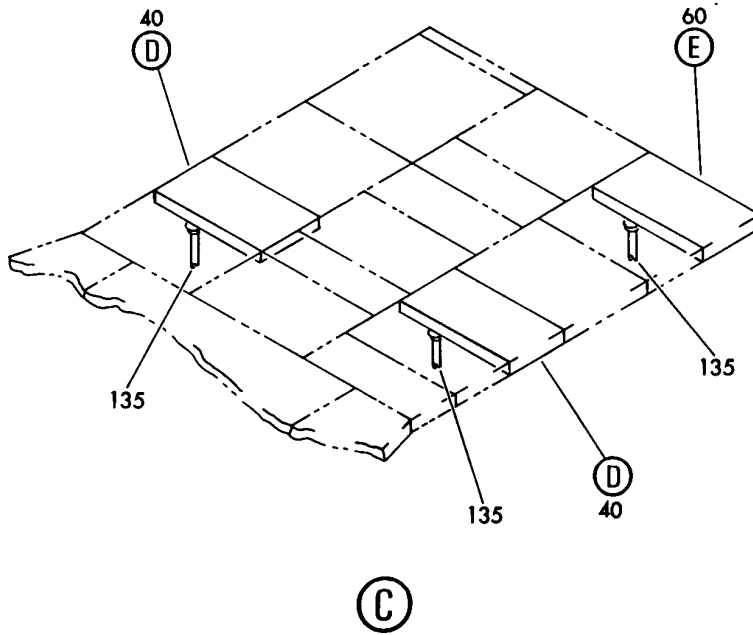
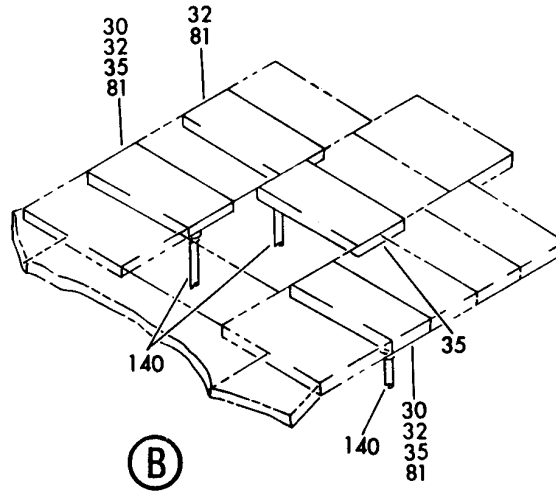
PANEL INSTL-P8 ELECTRONIC (VHF COMMUNICATION SYSTEM ONLY)
FIGURE 1 (SHEET 1)

23-12-02-01

BRI
JAN 20/09

23-12-02-01
PAGE 0

BOEING
757
PARTS CATALOG (MAINTENANCE)



Y 23120201 SHT 2 REV 158

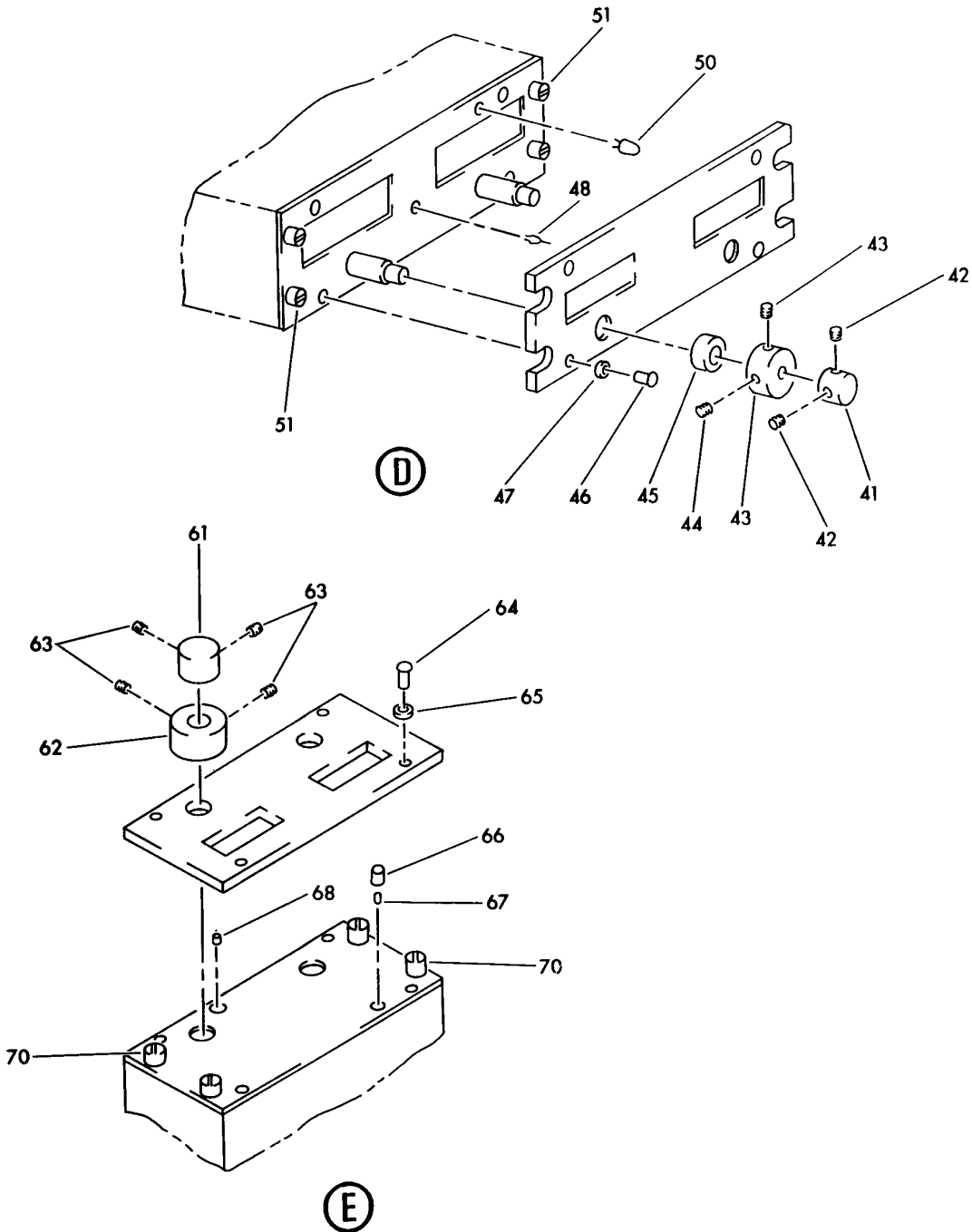
PANEL INSTL-P8 ELECTRONIC (VHF COMMUNICATION SYSTEM ONLY)
FIGURE 1 (SHEET 2)

23-12-02-01

BRI
MAY 28/07

23-12-02-01
PAGE 0A

BOEING
757
PARTS CATALOG (MAINTENANCE)



Y 23120201 SHT 3 REV 154

PANEL INSTL-P8 ELECTRONIC (VHF COMMUNICATION SYSTEM ONLY)
FIGURE 1 (SHEET 3)

BRI
MAY 28/07

23-12-02-01

23-12-02-01
PAGE 0B



757

PARTS CATALOG (MAINTENANCE)

FIG ITEM	PART NUMBER	1 2 3 4 5 6 7	NOMENCLATURE	EFFECT FROM TO	UNITS PER ASSY
1			PANEL INSTL-P8 ELECTRONIC (VHF COMMUNICATION SYSTEM ONLY)	002004 006100 107107 121503 904999	
- 1	233N6101-1		PANEL INSTL-P8 ELECTRONIC (VHF COMMUNICATION SYSTEM ONLY) VARIABLE DRAWING REF: 233N6101-5004 233N6101-5028 233N6101-5041 233N6101-5042 233N6101-5046 FOR NHA/OTHER SYS DET SEE: 25-10-00-05A	002004 006100 107107 121503 904999	RF
10	G6317		.PANEL-VHF CONT (CUSTOMER FURNISHED) SUPPLIER CODE: V99837 ELECTRICAL EQUIP NUMBER: M00078 M00079 COMPONENT MAINT MANUAL REF: 23-11-07 QUALIFIED I/W DATA: 622-6831-001 IS INTERCHANGEABLE WITH G6317 AS A SET ONLY.	107107	2
15	G6317-04		.PANEL-VHF CONT (CUSTOMER FURNISHED) SUPPLIER CODE: V99837 ELECTRICAL EQUIP NUMBER: M00078 M00079 COMPONENT MAINT MANUAL REF: 23-11-07 QUALIFIED I/W DATA: G6317-04 MAY REPLACE G6317 SUBJECT TO CUSTOMER PREFERENCE	121503 904949	2

MISSING ITEM NUMBERS NOT APPLICABLE

- ITEM NOT ILLUSTRATED

BRI

23-12-02-01

BOEING PROPRIETARY - Copyright © - Unpublished Work - See title page for details.

23-12-02
FIG. 01
PAGE 1
JAN 20/09



757

PARTS CATALOG (MAINTENANCE)

FIG ITEM	PART NUMBER	1 2 3 4 5 6 7	NOMENCLATURE	EFFECT FROM TO	UNITS PER ASSY
1 25	G6317		.PANEL-VHF CONT (CUSTOMER FURNISHED) SUPPLIER CODE: V99837 ELECTRICAL EQUIP NUMBER: M00078 M00079 M00080 COMPONENT MAINT MANUAL REF: 23-11-07 QUALIFIED I/W DATA: 622-6831-001 IS INTERCHANGEABLE WITH G6317 AS A SET ONLY.	953999	3
76	622-6831-002		.PANEL ASSY-VHF CONT (CUSTOMER FURNISHED) SUPPLIER CODE: V4V792 ELECTRICAL EQUIP NUMBER: M00078 M00079 M00080 COMPONENT MAINT MANUAL REF: 23-12-73 QUALIFIED I/W DATA: 622-5390-001 622-6831-001 622-6831-002 ALL I/W EXCEPT SUBJECT TO CUSTOMER PREFERENCE FUNCTIONAL REFERENCE: COMMUNICATIONS FOR DETAILS SEE 23-12-02-01A LIGHTS FOR DETAILS SEE 33-13-51-52	952952	3

MISSING ITEM NUMBERS NOT APPLICABLE

- ITEM NOT ILLUSTRATED

BRI

23-12-02-01

BOEING PROPRIETARY - Copyright © - Unpublished Work - See title page for details.

23-12-02
FIG. 01
PAGE 2
JAN 20/09



757

PARTS CATALOG (MAINTENANCE)

FIG ITEM	PART NUMBER	1 2 3 4 5 6 7	NOMENCLATURE	EFFECT FROM TO	UNITS PER ASSY
1 78	622-6831-002		.PANEL ASSY-VHF CONT (CUSTOMER FURNISHED) SUPPLIER CODE: V4V792 ELECTRICAL EQUIP NUMBER: M00078 M00079 COMPONENT MAINT MANUAL REF: 23-12-73 QUALIFIED I/W DATA: 622-5390-001 622-6831-001 622-6831-002 ALL I/W EXCEPT SUBJECT TO CUSTOMER PREFERENCE FUNCTIONAL REFERENCE: COMMUNICATIONS FOR DETAILS SEE 23-12-02-01A LIGHTS FOR DETAILS SEE 33-13-51-52	002004 006100	2
80	622-6831-001		.PANEL ASSY-VHF CONT (CUSTOMER FURNISHED) SUPPLIER CODE: V4V792 ELECTRICAL EQUIP NUMBER: M00078 M00079 M00080 COMPONENT MAINT MANUAL REF: 23-12-73 QUALIFIED I/W DATA: 622-5390-001 622-6831-001 AND 622-6831-002 ARE ALL INTERCHANGEABLE EXCEPT SUBJECT TO CUST PREFERENCE 622-6831-001 IS INTERCHANGEABLE WITH G6317 AS A SET ONLY. FUNCTIONAL REFERENCE: COMMUNICATIONS FOR DETAILS SEE 23-12-02-01A LIGHTS FOR DETAILS SEE 33-13-51-52	950951	3

MISSING ITEM NUMBERS NOT APPLICABLE

- ITEM NOT ILLUSTRATED

23-12-02-01

23-12-02
FIG. 01
PAGE 3
JAN 20/09

BRI



757

PARTS CATALOG (MAINTENANCE)

FIG ITEM	PART NUMBER	1 2 3 4 5 6 7	NOMENCLATURE	EFFECT FROM TO	UNITS PER ASSY
1					
- 100	286N2071-002		WIRE BUNDLE ASSY-(VHF COMMUNICATION SYSTEM ONLY)	002004 006100 107107 121503 904999	RF
- 105	286N2073-002		WIRE BUNDLE ASSY-(VHF COMMUNICATION SYSTEM ONLY)	002004 006100 107107 121503 904949	RF
- 105	286N2073-004		WIRE BUNDLE ASSY-(VHF COMMUNICATION SYSTEM ONLY)	950951	RF
- 105	286N2073-009		WIRE BUNDLE ASSY-(VHF COMMUNICATION SYSTEM ONLY)	952999	RF
- 110	286N2069-003		WIRE BUNDLE ASSY-(VHF COMMUNICATION SYSTEM ONLY)	950999	RF
115	BACC45FT16A24S		.CONNECTOR- ELECTRICAL EQUIP NUMBER: D00123 D00127 WIRING DIAGRAM REF: 231211 231221	002004 006100 107107	1
120	BACC45FT16A24S		.CONNECTOR- ELECTRICAL EQUIP NUMBER: D00123 D00127 D00891 WIRING DIAGRAM REF: 231211 231221 231231	950951	1

MISSING ITEM NUMBERS NOT APPLICABLE

- ITEM NOT ILLUSTRATED

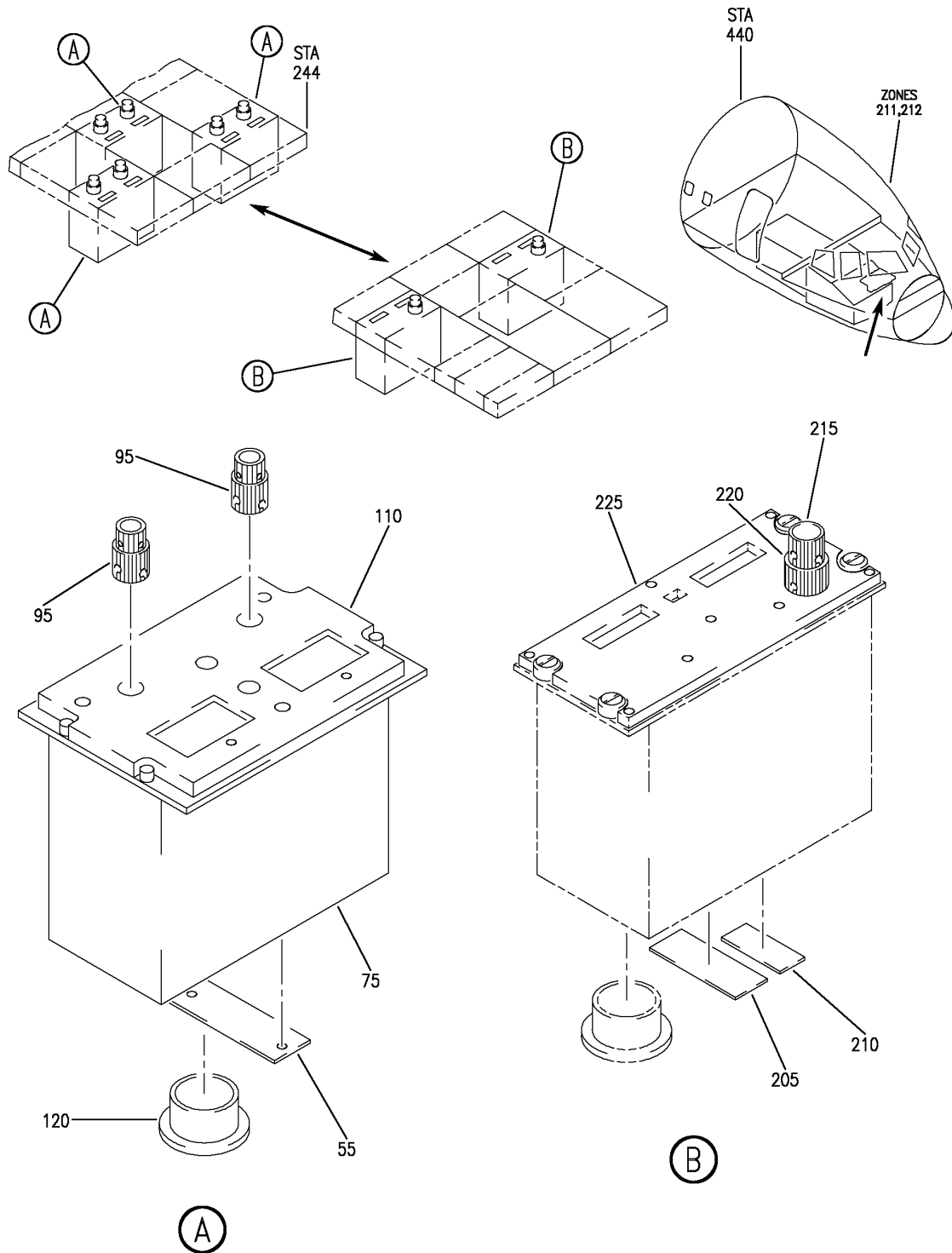
BRI

23-12-02-01

BOEING PROPRIETARY - Copyright © - Unpublished Work - See title page for details.

23-12-02
FIG. 01
PAGE 4
JAN 20/09

BOEING
757
PARTS CATALOG (MAINTENANCE)



Y 23120201A REV 331

PANEL ASSY-FREQUENCY VHF COMM VFP-712 (COMMUNICATIONS ONLY)
FIGURE 1A

23-12-02-01A

BRI
JAN 20/09

23-12-02-01A
PAGE 0



757

PARTS CATALOG (MAINTENANCE)

FIG ITEM	PART NUMBER	1 2 3 4 5 6 7	NOMENCLATURE	EFFECT FROM TO	UNITS PER ASSY
1 A					
R	- 1 622-6831-001		PANEL ASSY-FREQUENCY VHF COMM VFP-712 (COMMUNICATIONS ONLY)	002004 006100 950952	RF
R			PANEL ASSY-FREQUENCY VHF COMM VFP-712 (COMMUNICATIONS ONLY)	002004 006100	
R			SUPPLIER CODE: V4V792		
R			ELECTRICAL EQUIP NUMBER: M00078 M00079		
R			COMPONENT MAINT MANUAL REF: 23-12-73		
R			QUALIFIED I/W DATA: 622-5390-001 622-6831-001 AND 622-6831-002 ARE ALL INTERCHANGEABLE EXCEPT SUBJECT TO CUSTOMER PREFERENCE 622-6831-001 IS INTERCHANGEABLE WITH G6317 AS A SET ONLY. FOR NHA/OTHER SYS DET SEE: 23-12-02-01		
R	- 1 622-6831-002		PANEL ASSY-FREQUENCY VHF COMM VFP-712 (CUMMUNICATION ONLY)	952952	RF
R			SUPPLIER CODE: V4V792		
R			ELECTRICAL EQUIP NUMBER: M00078 M00079 M00080		
R			COMPONENT MAINT MANUAL REF: 23-12-73		
R			QUALIFIED I/W DATA: 622-5390-001 622-6831-001 622-6831-002 ALL I/W EXCEPT SUBJECT TO CUSTOMER PREFERENCE FOR NHA/OTHER SYS DET SEE: 23-12-02-01 23-12-02-03		

MISSING ITEM NUMBERS NOT APPLICABLE

- ITEM NOT ILLUSTRATED

23-12-02-01A

23-12-02
FIG. 01A
PAGE 1
MAY 20/09

BRI

BOEING
757
PARTS CATALOG (MAINTENANCE)

FIG ITEM	PART NUMBER	1 2 3 4 5 6 7	NOMENCLATURE	EFFECT FROM TO	UNITS PER ASSY
R R R R R R R R R R R R R R	1 A - 5	622-6831-001	PANEL ASSY-FREQUENCY VHF COMM VFP-712 (CUMMUNICATION ONLY) SUPPLIER CODE: V4V792 ELECTRICAL EQUIP NUMBER: M00078 M00079 M00080 COMPONENT MAINT MANUAL REF: 23-12-73 QUALIFIED I/W DATA: 622-5390-001 622-6831-001 622-6831-002 ALL I/W EXCEPT SUBJECT TO CUSTOMER PREFERENCE 622-6831-001 IS INTERCHANGEABLE WITH G6317 AS A SET ONLY. FOR NHA/OTHER SYS DET SEE: 23-12-02-01	950951	RF
	55	651-1844-001	.PLATE-IDENT SUPPLIER CODE: V4V792	950952	1
	55	651-1844-001	.PLATE-IDENT SUPPLIER CODE: V4V792	002004 006100	1
	75	778-0993-001	.MODEL CHART-MOD SUPPLIER CODE: V4V792	950952	1
	75	778-0993-001	.MODEL CHART-MOD SUPPLIER CODE: V4V792	002004 006100	1
	95	281-0673-020	.KNOB-CONCENTRIC SUPPLIER CODE: V86797	950952	2
	95	281-0673-020	.KNOB-CONCENTRIC SUPPLIER CODE: V86797	002004 006100	2
	- 100	AN565F4H3	.SETSCREW	950952	4
	- 100	AN565F4H3	.SETSCREW	002004 006100	4
	- 105	AN565F6H3	.SETSCREW	950952	4
	- 105	AN565F6H3	.SETSCREW	002004 006100	4

MISSING ITEM NUMBERS NOT APPLICABLE

- ITEM NOT ILLUSTRATED

23-12-02-01A

23-12-02
FIG. 01A
PAGE 2
MAY 20/09

BRI

BOEING PROPRIETARY - Copyright © - Unpublished Work - See title page for details.



757

PARTS CATALOG (MAINTENANCE)

FIG ITEM	PART NUMBER	1 2 3 4 5 6 7	NOMENCLATURE	EFFECT FROM TO	UNITS PER ASSY
1A					
110	754-0560-004		.PANEL ASSY-LT SUPPLIER CODE: V4V792 CONFIG CHG DATA FROM A CMM: SUPSD BY 754-0560-018	002004 006100 950951	1
110	754-0560-004		.PANEL ASSY-LT SUPPLIER CODE: V4V792 CONFIG CHG DATA FROM A CMM: SUPSD BY 754-0560-018	002004 006100 950951	1
110	754-0560-001		.PANEL ASSY-LT SUPPLIER CODE: V4V792 CONFIG CHG DATA FROM A CMM: SUPSD BY 754-0560-015	952952	1
110	754-0560-001		.PANEL ASSY-LT SUPPLIER CODE: V4V792 CONFIG CHG DATA FROM A CMM: SUPSD BY 754-0560-015	952952	1
110	754-0560-018		.PANEL ASSY-LT SUPPLIER CODE: V4V792 CONFIG CHG DATA FROM A CMM: SUPSDS 754-0560-004	002004 006100 950951	1
110	754-0560-018		.PANEL ASSY-LT SUPPLIER CODE: V4V792 CONFIG CHG DATA FROM A CMM: SUPSDS 754-0560-004	002004 006100 950951	1
110	754-0560-015		.PANEL ASSY-LT SUPPLIER CODE: V4V792 CONFIG CHG DATA FROM A CMM: SUPSDS 754-0560-001	952952	1
110	754-0560-015		.PANEL ASSY-LT SUPPLIER CODE: V4V792 CONFIG CHG DATA FROM A CMM: SUPSDS 754-0560-001	952952	1
- 115	827-4155-001		..WINDOW- SUPPLIER CODE: V4V792 OPTIONAL PART: 840-2027-010 V4V792	950952	2

MISSING ITEM NUMBERS NOT APPLICABLE

- ITEM NOT ILLUSTRATED

23-12-02-01A

23-12-02
FIG. 01A
PAGE 3
JAN 20/09

BRI

BOEING PROPRIETARY - Copyright © - Unpublished Work - See title page for details.



757

PARTS CATALOG (MAINTENANCE)

FIG ITEM	PART NUMBER	1 2 3 4 5 6 7	NOMENCLATURE	EFFECT FROM TO	UNITS PER ASSY
1 A					
- 115	827-4155-001		.. WINDOW- SUPPLIER CODE: V4V792 OPTIONAL PART: 840-2027-010 V4V792	002004 006100	2
- 115	840-2027-010		.. WINDOW- SUPPLIER CODE: V4V792 OPTIONAL PART: 827-4155-001 V4V792	950952	2
- 115	840-2027-010		.. WINDOW- SUPPLIER CODE: V4V792 OPTIONAL PART: 827-4155-001 V4V792	002004 006100	2
120	MS90376-18YF		.CAP-	950952	1
120	MS90376-18YF		.CAP-	002004 006100	1

MISSING ITEM NUMBERS NOT APPLICABLE

- ITEM NOT ILLUSTRATED

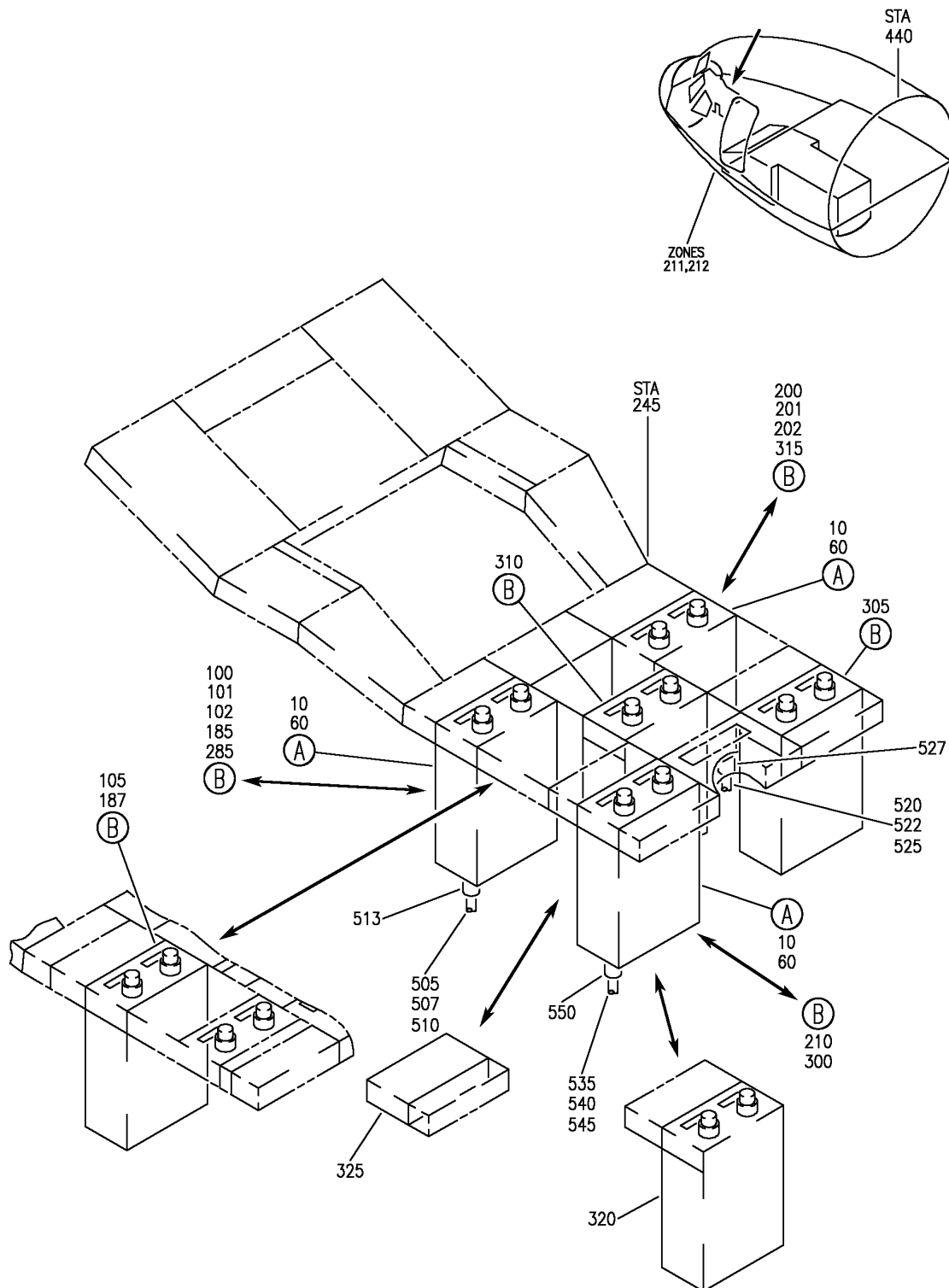
23-12-02-01A

23-12-02
FIG. 01A
PAGE 4
JAN 20/09

BRI

BOEING PROPRIETARY - Copyright © - Unpublished Work - See title page for details.

BOEING
757
PARTS CATALOG (MAINTENANCE)



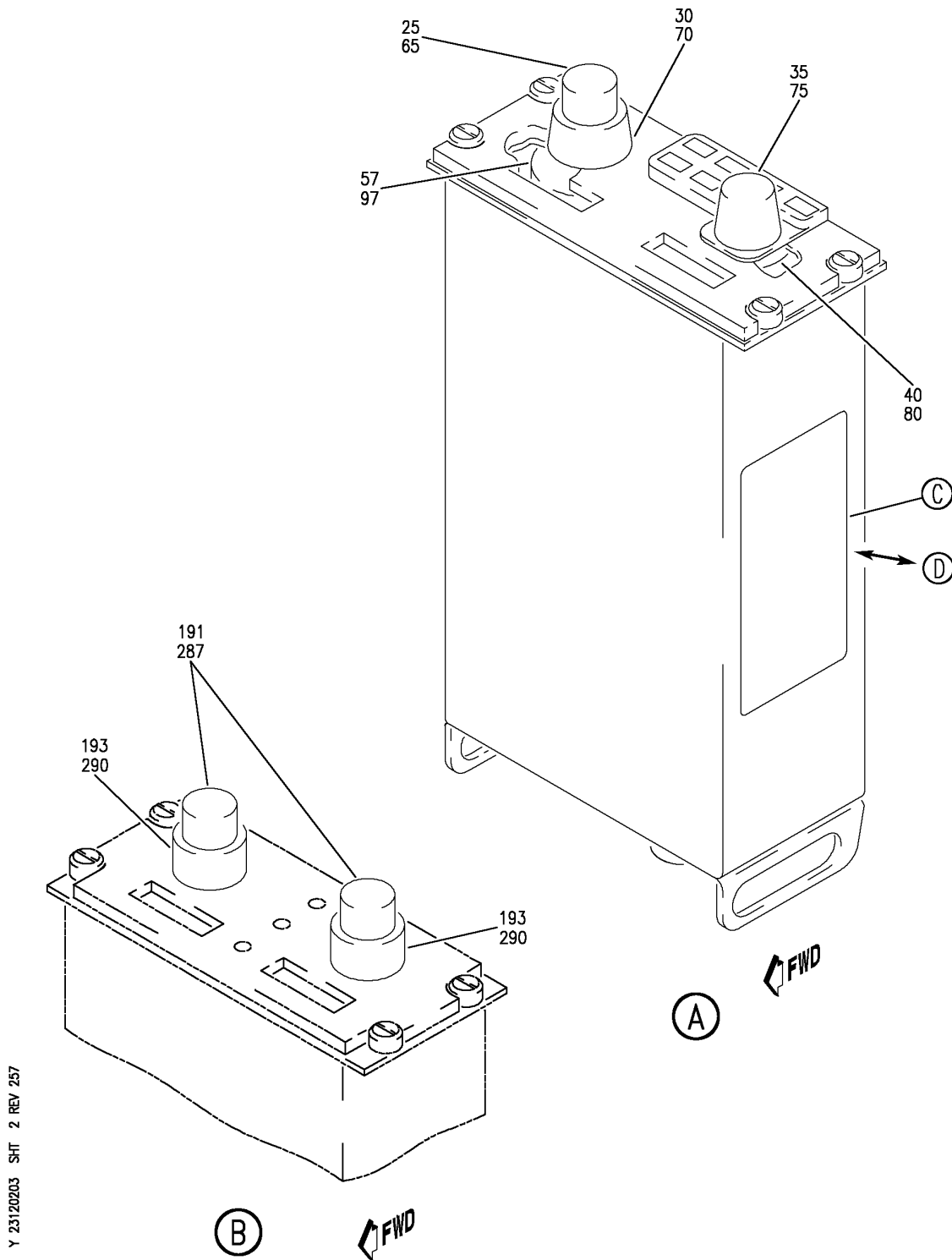
PANEL INSTL-P8,P9,P10 ELECTRONICS (VHF COMMUNICATION SYSTEM ONLY)
FIGURE 3 (SHEET 1)

23-12-02-03

BRI
MAY 28/07

23-12-02-03
PAGE 0

BOEING
757
PARTS CATALOG (MAINTENANCE)



PANEL INSTL-P8,P9,P10 ELECTRONICS (VHF COMMUNICATION SYSTEM ONLY)
FIGURE 3 (SHEET 2)

BRI
MAY 28/07

23-12-02-03

23-12-02-03
PAGE 0A

BOEING
757
PARTS CATALOG (MAINTENANCE)

20
62

RADIO COMMUNICATION PANEL						
P/N 285U0037- [REDACTED]						
SERIAL NO. [REDACTED]						
BOEING MOD	A	B	C	D	E	
LEVEL	F	G	H	J	K	

(C)

64

RADIO COMMUNICATION PANEL						
P/N 285U0037 - [REDACTED]						
SERIAL NO. [REDACTED]						
The Boeing Company	MOD	A	B	C	D	E
	LEVEL	F	G	H	J	K
The Boeing - Irving Company 3131 Story Road West Irving, TX. 75038 200 NM 25 KHZ OR 100 NM 25 KHZ TSO C37d & C38d						

(D)

Y 23120203 SH1 3 REV 255

PANEL INSTL-P8,P9,P10 ELECTRONICS (VHF COMMUNICATION SYSTEM ONLY)
FIGURE 3 (SHEET 3)

BRI
MAY 28/07

23-12-02-03

23-12-02-03
PAGE 08



757

PARTS CATALOG (MAINTENANCE)

FIG ITEM	PART NUMBER	1 2 3 4 5 6 7	NOMENCLATURE	EFFECT FROM TO	UNITS PER ASSY
3			PANEL INSTL-P8,P9,P10 ELECTRONICS (VHF COMMUNICATION SYSTEM ONLY)	101106 108120 504903	
- 1	233N6103-122		PANEL INSTL-P8,P9,P10 ELECTRONICS (VHF COMMUNICATION SYSTEM ONLY) FOR NHA/OTHER SYS DET SEE: 25-10-00-15B	504903	RF
- 3	233N6103-62		PANEL INSTL-P8,P9,P10 ELECTRONICS (VHF COMMUNICATION SYSTEM ONLY) FOR NHA/OTHER SYS DET SEE: 25-10-00-15B	108120	RF
- 3	MODREF33990		PANEL INSTL-P8,P9,P10 ELECTRONICS (VHF COMMUNICATION SYSTEM ONLY) MODULE NUMBER: 233N6103-253 REV B FOR OTHER SYS DETAILS SEE: 11-31-05-66F 23-51-01-05 26-11-02-01 26-11-54-02A 26-12-51-03 26-17-51-06 26-21-01-02 26-22-03-03 26-23-52-04A 27-11-23-03 27-21-23-03 27-28-02-01A 31-11-31-02 31-11-36-78 31-11-41-02 31-41-03-02 33-13-01-07 34-22-02-03 34-31-02-02 34-43-02-02 34-53-02-02 34-57-02-03 34-61-02-03	103106	1

MISSING ITEM NUMBERS NOT APPLICABLE

- ITEM NOT ILLUSTRATED

23-12-02-03

23-12-02
FIG. 03
PAGE 1
JAN 20/09

BRI



757

PARTS CATALOG (MAINTENANCE)

FIG ITEM	PART NUMBER	1 2 3 4 5 6 7	NOMENCLATURE	EFFECT FROM TO	UNITS PER ASSY
3					
- 6	233N6103-28		PANEL INSTL-P8,P9,P10 ELECTRONICS (VHF COMMUNICATION SYSTEM ONLY) FOR NHA/OTHER SYS DET SEE: 25-10-00-15B	101101	RF
- 6	233N6103-128		PANEL INSTL-P8,P9,P10 ELECTRONICS (VHF COMMUNICATION SYSTEM ONLY) FOR NHA/OTHER SYS DET SEE: 25-10-00-15B	102102	RF
60	285U0037-613		.PANEL ASSY-VHF CONT SUPPLIER CODE: V89954 ELECTRICAL EQUIP NUMBER: M10864 M10865 M10866 COMPONENT MAINT MANUAL REF: 23-11-20 QUALIFIED I/W DATA: 285U0037-603 IS ONE WAY INTERCHANGEABLE WITH 285U0037-613 AND NOT INTERMIXABLE ONLY IF SERVICE BULLETIN 747-23-2466 OR 757-23-0057 IS INCORPORATED	103106	3
64	BAC27EEX1382		..MARKER-	103106	1
65	RD239-127		..KNOB- SUPPLIER CODE: V81590	103106	1
70	RC446-102		..KNOB- SUPPLIER CODE: V81590	103106	1
75	TT207-108		..KNOB- SUPPLIER CODE: V81590	103106	1
80	GA1T100F502UA		..POTENTIOMETER- SUPPLIER CODE: V01121	103106	1

MISSING ITEM NUMBERS NOT APPLICABLE

- ITEM NOT ILLUSTRATED

23-12-02-03

23-12-02
FIG. 03
PAGE 2
JAN 20/09

BRI

BOEING PROPRIETARY - Copyright © - Unpublished Work - See title page for details.



757

PARTS CATALOG (MAINTENANCE)

FIG ITEM	PART NUMBER	1 2 3 4 5 6 7	NOMENCLATURE	EFFECT FROM TO	UNITS PER ASSY
3					
- 85	285U0040-18	..	CIRCUIT ASSY- SUPPLIER CODE: V89954 COMPONENT MAINT MANUAL REF: 23-11-22 OPTIONAL PART: 285U0040-19 V89954	103106	1
- 85	285U0040-19	..	CIRCUIT ASSY- SUPPLIER CODE: V89954 COMPONENT MAINT MANUAL REF: 23-11-22 OPTIONAL PART: 285U0040-18 V89954	103106	1
- 90	285U0038-39	..	PC ASSY-PROCESSOR SUPPLIER CODE: V89954	103106	1
- 95	DNM100-082	..	MODULE-LCD SUPPLIER CODE: V65907 SPECIFICATION NUMBER: 900-12376-1 OPTIONAL PART: DNM100-082-01 V65907 DNM100-082-02 V65907 DNM100-082-03 V65907 DNM100-082-04 V65907	103106	1
- 95	DNM100-082-01	..	MODULE-LCD SUPPLIER CODE: V65907 SPECIFICATION NUMBER: 900-12376-1 OPTIONAL PART: DNM100-082 V65907 DNM100-082-02 V65907 DNM100-082-03 V65907 DNM100-082-04 V65907	103106	1

MISSING ITEM NUMBERS NOT APPLICABLE

- ITEM NOT ILLUSTRATED

BRI

23-12-02-03

23-12-02
FIG. 03
PAGE 3
JAN 20/09



757

PARTS CATALOG (MAINTENANCE)

FIG ITEM	PART NUMBER	1 2 3 4 5 6 7	NOMENCLATURE	EFFECT FROM TO	UNITS PER ASSY
3 - 95	DNM100-082-02	..	MODULE-LCD SUPPLIER CODE: V65907 SPECIFICATION NUMBER: 900-12376-1 OPTIONAL PART: DNM100-082 V65907 DNM100-082-01 V65907 DNM100-082-03 V65907 DNM100-082-04 V65907	103106	1
- 95	DNM100-082-03	..	MODULE-LCD SUPPLIER CODE: V65907 SPECIFICATION NUMBER: 900-12376-1 OPTIONAL PART: DNM100-082 V65907 DNM100-082-01 V65907 DNM100-082-02 V65907 DNM100-082-04 V65907	103106	1
- 95	DNM100-082-04	..	MODULE-LCD SUPPLIER CODE: V65907 SPECIFICATION NUMBER: 900-12376-1 OPTIONAL PART: DNM100-082 V65907 DNM100-082-01 V65907 DNM100-082-02 V65907 DNM100-082-03 V65907	103106	1
97	61YY11002-2	..	ENCODER-INCREMENTAL OPTICAL SUPPLIER CODE: V81073 SPECIFICATION NUMBER: 900-12597-2	103106	1

MISSING ITEM NUMBERS NOT APPLICABLE

- ITEM NOT ILLUSTRATED

23-12-02-03

23-12-02
FIG. 03
PAGE 4
JAN 20/09

BRI

 **BOEING**
757
PARTS CATALOG (MAINTENANCE)

FIG ITEM	PART NUMBER	1 2 3 4 5 6 7	NOMENCLATURE	EFFECT FROM TO	UNITS PER ASSY
3					
R	101	G7400-27	.PANEL ASSY-VHF CONT SUPPLIER CODE: V99837 COMPONENT MAINT MANUAL REF: 23-10-28 QUALIFIED I/W DATA: G7400-01 I/W G7400-27 BUT -27 HAS EXPANDED CHANNEL (8.33 MHZ) CAPABILITY	101102 108120	1
R	101	G7406-07	.PANEL-VHF CONT SUPPLIER CODE: V99837 ELECTRICAL EQUIP NUMBER: M00078 COMPONENT MAINT MANUAL REF: 23-12-73	504903	1
R	201	G7400-27	.PANEL ASSY-VHF CONT SUPPLIER CODE: V99837 ELECTRICAL EQUIP NUMBER: M00079 COMPONENT MAINT MANUAL REF: 23-10-28 QUALIFIED I/W DATA: G7400-01 I/W G7400-27 BUT -27 HAS EXPANDED CHANNEL (8.33 MHZ) CAPABILITY	101102 108120	1
R	201	G7406-07	.PANEL-VHF CONT SUPPLIER CODE: V99837 ELECTRICAL EQUIP NUMBER: M00079 COMPONENT MAINT MANUAL REF: 23-12-73	504903	1
R	310	G7406-07	.PANEL-VHF CONT SUPPLIER CODE: V99837 ELECTRICAL EQUIP NUMBER: M00080 COMPONENT MAINT MANUAL REF: 23-12-73	504903	1
R	- 500	286N2071-317	WIRE BUNDLE ASSY	504903	RF
R	- 500	286N2071-318	WIRE BUNDLE ASSY	101102	RF
R	- 501	286N2071-328	WIRE BUNDLE ASSY-	108120	RF
R	- 502	286N2071-706	WIRE BUNDLE ASSY-	103106	RF
MISSING ITEM NUMBERS NOT APPLICABLE					

- ITEM NOT ILLUSTRATED

23-12-02-03

23-12-02
FIG. 03
PAGE 5
MAY 20/09

BRI



757

PARTS CATALOG (MAINTENANCE)

FIG ITEM	PART NUMBER	1 2 3 4 5 6 7	NOMENCLATURE	EFFECT FROM TO	UNITS PER ASSY
3					
505	BACC45FT16A24S	.	CONNECTOR- ELECTRICAL EQUIP NUMBER: D00123 WIRING DIAGRAM REF: 231211	101102 108120 504903	1
510	BACC45FT20A41S	.	CONNECTOR- ELECTRICAL EQUIP NUMBER: D00123 WIRING DIAGRAM REF: 231211	103106	1
- 516	286N2073-322		WIRE BUNDLE ASSY	101102	RF
- 516	286N2073-327		WIRE BUNDLE ASSY	504903	RF
- 517	286N2073-334		WIRE BUNDLE ASSY-	108120	RF
- 518	286N2073-706		WIRE BUNDLE ASSY-	103106	RF
520	BACC45FT16A24S	.	CONNECTOR- ELECTRICAL EQUIP NUMBER: D00127 WIRING DIAGRAM REF: 231221	101102 108120 504903	1
525	BACC45FT20A41S	.	CONNECTOR- ELECTRICAL EQUIP NUMBER: D00127 WIRING DIAGRAM REF: 231221	103106	1
- 531	286N2069-321		WIRE BUNDLE ASSY	504903	RF
- 532	286N2069-706		WIRE BUNDLE ASSY-	103106	RF
535	BACC45FT16A24S	.	CONNECTOR- ELECTRICAL EQUIP NUMBER: D00891 WIRING DIAGRAM REF: 231231	504903	1
540	BACC45FT20A41S	.	CONNECTOR- ELECTRICAL EQUIP NUMBER: D00891 WIRING DIAGRAM REF: 231231	103106	1

MISSING ITEM NUMBERS NOT APPLICABLE

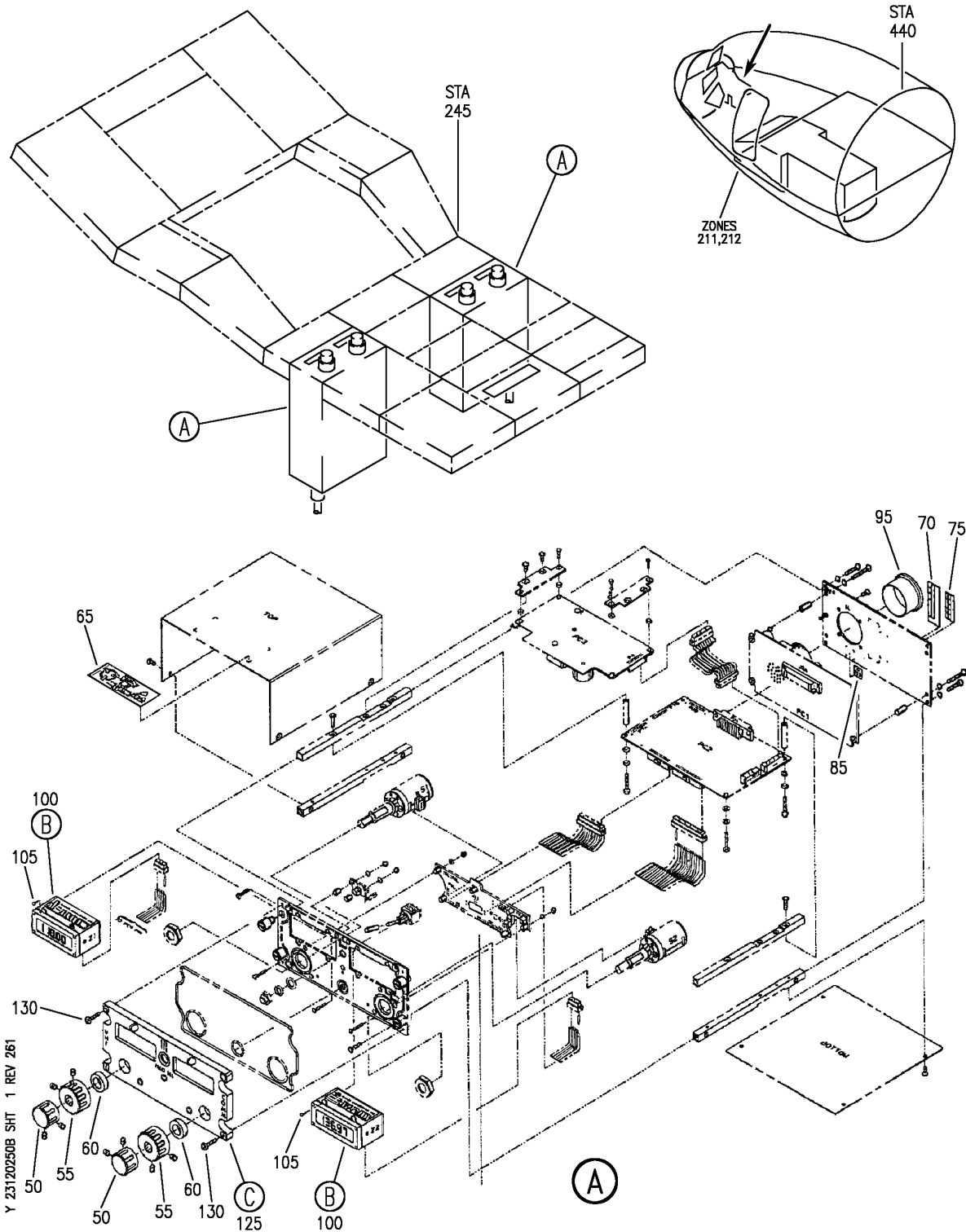
- ITEM NOT ILLUSTRATED

23-12-02-03

23-12-02
FIG. 03
PAGE 6
MAY 20/09

BRI

BOEING
757
PARTS CATALOG (MAINTENANCE)



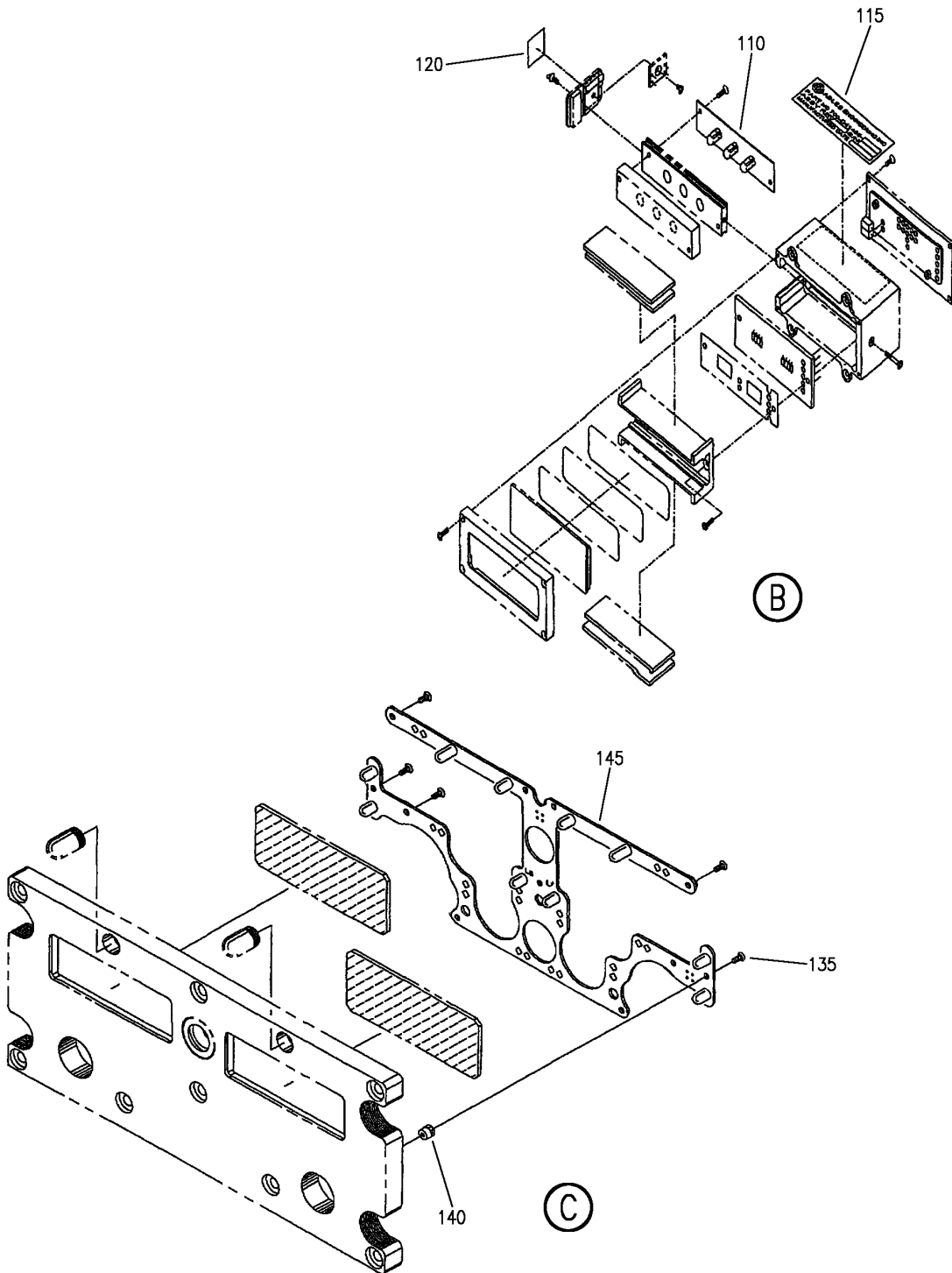
PANEL ASSY-VHF COMM CONT (COMMUNICATIONS ONLY)
FIGURE 50B (SHEET 1)

23-12-02-50B

BRI
MAY 28/07

23-12-02-50B
PAGE 0

BOEING
757
PARTS CATALOG (MAINTENANCE)



Y 23120250B SHT 2 REV 261

PANEL ASSY-VHF COMM CONT (COMMUNICATIONS ONLY)
FIGURE 50B (SHEET 2)

23-12-02-50B

BRI
MAY 28/07

23-12-02-50B
PAGE 0A



757
PARTS CATALOG (MAINTENANCE)

Table with 5 columns: FIG ITEM, PART NUMBER, NOMENCLATURE, EFFECT FROM TO, UNITS PER ASSY. Rows include items 1, 5, 50, 55, 60, 65, 70 with various part numbers and descriptions.

- ITEM NOT ILLUSTRATED

23-12-02-50B

23-12-02
FIG. 50B
PAGE 1
MAY 20/09

BRI

 **BOEING**
757
PARTS CATALOG (MAINTENANCE)

FIG ITEM	PART NUMBER	1 2 3 4 5 6 7	NOMENCLATURE	EFFECT FROM TO	UNITS PER ASSY
50B					
75	600A31593		.NAMEPLATE- SUPPLIER CODE: V70487	101102 108120	1
- 80	600A37973A026		.NAMEPLATE- SUPPLIER CODE: V99837	101102 108120	1
85	600A38451		.LABEL- SUPPLIER CODE: V99837	101102 108120	1
- 90	600A46061-109		.NAMEPLATE- SUPPLIER CODE: V99837	101102 108120	1
95	214-0118		.COVER- SUPPLIER CODE: V99017	101102 108120	1
100	700D41465-001		.LCD ASSY- SUPPLIER CODE: V99837	101102 108120	2
105	600A28496A001		.SCREW- SUPPLIER CODE: V99837	101102 108120	8
110	701-0645-01		..BOARD ASSY-PC SUPPLIER CODE: V99837	101102 108120	1
115	600A41512		..LABEL- SUPPLIER CODE: V99837	101102 108120	1
120	600A38451A		..LABEL- SUPPLIER CODE: V99837	101102 108120	1
125	700B42155C		.PLASTIC ASSY-FRONT SUPPLIER CODE: V99837	101102 108120	1
130	600A41776-003		ATTACHING PARTS .SCREW- SUPPLIER CODE: V99837	101102 108120	8
135	701-0653-04		-----*----- ..BOARD ASSY-PC SUPPLIER CODE: V99837	101102 108120	1
140	600A28496A001		ATTACHING PARTS ..SCREW- SUPPLIER CODE: V99837	101102 108120	11
145	280-0233		..INSERT- SUPPLIER CODE: V99837 -----*-----	101102 108120	RF

MISSING ITEM NUMBERS NOT APPLICABLE

- ITEM NOT ILLUSTRATED

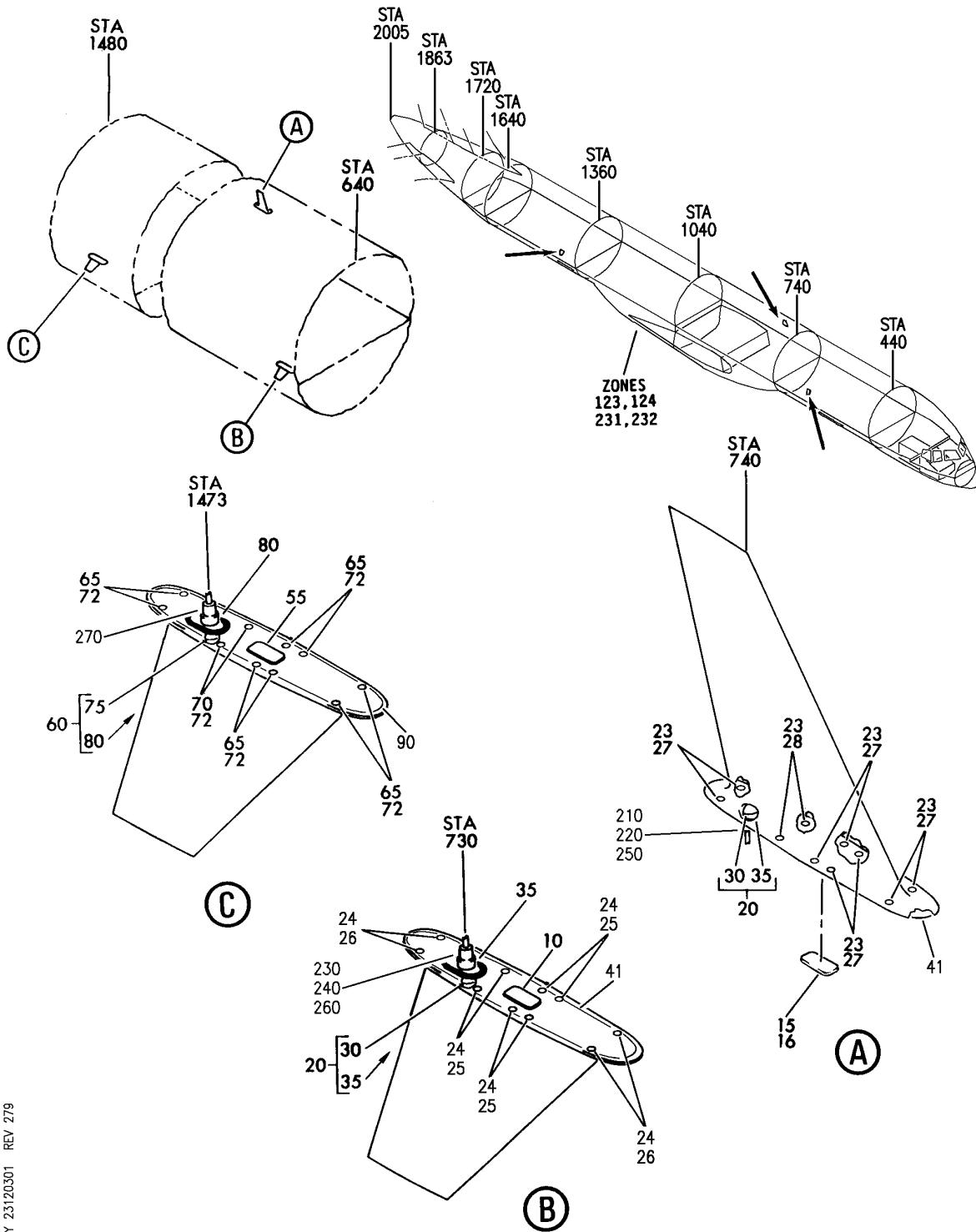
BRI

23-12-02-50B

BOEING PROPRIETARY - Copyright © - Unpublished Work - See title page for details.

23-12-02
FIG. 50B
PAGE 2
MAY 20/09

BOEING
757
PARTS CATALOG (MAINTENANCE)



Y 23120301 REV 279

ANTENNA INSTL-VHF COMM
FIGURE 1

23-12-03-01

BRI
MAY 28/07

23-12-03-01
PAGE 0



757

PARTS CATALOG (MAINTENANCE)

FIG ITEM	PART NUMBER	1 2 3 4 5 6 7	NOMENCLATURE	EFFECT FROM TO	UNITS PER ASSY
1			ANTENNA INSTL-VHF COMM	002004 006105 107999	
- 1	284N1345-4		ANTENNA INSTL-VHF COMM RIGHT SYSTEM POSITION DATA: LWR STA 730 ELECTRICAL EQUIP NUMBER: M00246 FOR NHA SEE: 24-00-58-01B 24-00-58-05	002004 006102 107999	RF
- 5	284N1345-5		ANTENNA INSTL-VHF COMM LEFT SYSTEM POSITION DATA: UPR STA 753 ELECTRICAL EQUIP NUMBER: M00245 FOR NHA SEE: 24-00-58-01B 24-00-58-05	107107 904949	RF
- 5	284N1345-7		ANTENNA INSTL-VHF COMM LEFT SYSTEM POSITION DATA: UPR STA 753 ELECTRICAL EQUIP NUMBER: M00245 FOR NHA SEE: 24-00-58-01B 24-00-58-05	002004 006102 108903 950999	RF
10	BAC27NEX0752		.DECAL- PLACARD CONTENT: M00246 ANTENNA-VHF COMM, R USED ON: 284N1345-1 284N1345-4 MODREF9906	002004 006102 107999	1
15	BAC27NEX0751		.DECAL- PLACARD CONTENT: M00245 ANTENNA-VHF COMM, L USED ON: 284N1345-2 284N1345-5	107107 904949	1

MISSING ITEM NUMBERS NOT APPLICABLE

- ITEM NOT ILLUSTRATED

23-12-03-01

23-12-03
FIG. 01
PAGE 1
JAN 20/09

BRI



757

PARTS CATALOG (MAINTENANCE)

FIG ITEM	PART NUMBER	1 2 3 4 5 6 7	NOMENCLATURE	EFFECT FROM TO	UNITS PER ASSY
1	16 BAC27NEX0751		.DECAL- PLACARD CONTENT: M00245 ANTENNA-VHF COMM, L USED ON: 284N1345-7 MODREF9908	002004 006102 108903 950999	1
	20 DMC50-17		.ANTENNA-VHF SUPPLIER CODE: V00752 FUNCTIONAL DESCRIPTION: PROVIDES COMMUNICATION OPERATION IN A SHORT STUB, BLADE ANTENNA WITH AN OMNIDIRECTIONAL RADIATION PATTERN. ELECTRICAL EQUIP NUMBER: M00245 M00246	002004 006102 107999	1
	20 S65-8262-2		.ANTENNA-VHF SUPPLIER CODE: V13691 ELECTRICAL EQUIP NUMBER: M00245 M00246	002004 006102 107999	1
	23 BACB30NN4K10		ATTACHING PARTS .BOLT- USED ON: 284N1345-7 MODREF9908	002004 006102 108903 950999	10
	27 BACB30NN4K6		.BOLT- USED ON: 284N1345-2 284N1345-5	107107 904949	8
	28 BACB30NN4K8		.BOLT- USED ON: 284N1345-2 284N1345-5	107107 904949	2
	30 MS9068-140		-----*----- ..PACKING-	002004 006102 107999	1
	35 D6-49286-1		..CONNECTOR- SUPPLIER CODE: V91836	002004 006102 107999	1

MISSING ITEM NUMBERS NOT APPLICABLE

- ITEM NOT ILLUSTRATED

23-12-03-01

23-12-03
FIG. 01
PAGE 2
JAN 20/09

BRI

BOEING
757
PARTS CATALOG (MAINTENANCE)

FIG ITEM	PART NUMBER	1 2 3 4 5 6 7	NOMENCLATURE	EFFECT FROM TO	UNITS PER ASSY
1					
- 40	2-59160		..MARKING-ANTI COLLISION SUPPLIER CODE: VK6807 POST AIRLINE MOD: 23C071 VBAA CICB757/IPC/23-3 VBAA	121503 904949	7
- 50	284N1345-3		ANTENNA INSTL-VHF COMM CENTER SYSTEM POSITION DATA: LWR STA 1473 FOR NHA SEE: 24-00-58-01B	952952	RF
- 50	284N1345-6		ANTENNA INSTL-VHF COMM CENTER SYSTEM POSITION DATA: LWR STA 1473 FOR NHA SEE: 24-00-58-01B 24-00-58-05C	002004 006102 504903 950951 953999	RF
- 50	MODREF9907		ANTENNA INSTL-VHF COMM CENTER SYSTEM MODULE NUMBER: 284N1345-6 REV A POSITION DATA: LWR STA 1473	103105	1
55	BAC27NEX1765		.DECAL- PLACARD CONTENT: M00247 ANTENNA-VHF COMM, C	002004 006105 504903 950999	1
60	DMC50-17		.ANTENNA-VHF SUPPLIER CODE: V00752 FUNCTIONAL DESCRIPTION: PROVIDES COMMUNICATION OPERATION IN A SHORT STUB, BLADE ANTENNA WITH AN OMNIDIRECTIONAL RADIATION PATTERN. ELECTRICAL EQUIP NUMBER: M00247	002004 006105 504903 950999	1
60	S65-8262-2		.ANTENNA-VHF SUPPLIER CODE: V13691 ELECTRICAL EQUIP NUMBER: M00247	002004 006105 504903 950999	1
65	BACB30NN4K6		ATTACHING PARTS .BOLT-	952952	8

MISSING ITEM NUMBERS NOT APPLICABLE

- ITEM NOT ILLUSTRATED

BRI

23-12-03-01

23-12-03
FIG. 01
PAGE 3
JAN 20/09



757

PARTS CATALOG (MAINTENANCE)

FIG ITEM	PART NUMBER	1 2 3 4 5 6 7	NOMENCLATURE	EFFECT FROM TO	UNITS PER ASSY
1					
70	BACB30NN4K8	.BOLT-		952952	2
72	BACB30NN4K10	.BOLT-		002004	10
				006105	
				504903	
				950951	
				953999	
		-----*			
75	MS9068-140	..PACKING-		002004	1
				006100	
				103105	
				950999	
80	D6-49286-1	..CONNECTOR-		002004	1
		SUPPLIER CODE:		006105	
		V91836		504903	
				950999	
- 200	286N4071-003	WIRE BUNDLE ASSY-		107107	RF
				121503	
				904949	
- 200	286N4071-004	WIRE BUNDLE ASSY-		002004	RF
				006010	
				950999	
- 200	286N4071-008	WIRE BUNDLE ASSY-		504903	RF
- 200	286N4071-009	WIRE BUNDLE ASSY-		011100	RF
- 200	286N4071-301	WIRE BUNDLE ASSY-		108120	RF
- 200	286N4071-302	WIRE BUNDLE ASSY-		101102	RF
210	KD59-110	.PLUG-		107949	1
		SUPPLIER CODE:			
		V91836			
		ELECTRICAL EQUIP NUMBER:			
		D00131			
		WIRING DIAGRAM REF:			
		231211			
210	KD59-187M06	.PLUG-		002004	1
		SUPPLIER CODE:		006102	
		V91836		950999	
		ELECTRICAL EQUIP NUMBER:			
		D00131			
		WIRING DIAGRAM REF:			
		231211			
- 235	286N4073-001	WIRE BUNDLE ASSY		107107	RF
				121503	
				904949	
- 235	286N4073-002	WIRE BUNDLE ASSY		002004	RF
				006100	
				950999	
- 235	286N4073-301	WIRE BUNDLE ASSY-		108120	RF
- 235	286N4073-302	WIRE BUNDLE ASSY-		101102	RF
- 235	286N4073-305	WIRE BUNDLE ASSY		504903	RF

MISSING ITEM NUMBERS NOT APPLICABLE

- ITEM NOT ILLUSTRATED

23-12-03-01

23-12-03
FIG. 01
PAGE 4
JAN 20/09

BRI



757

PARTS CATALOG (MAINTENANCE)

FIG ITEM	PART NUMBER	1 2 3 4 5 6 7	NOMENCLATURE	EFFECT FROM TO	UNITS PER ASSY
1 240	KD59-110		.PLUG- SUPPLIER CODE: V91836 ELECTRICAL EQUIP NUMBER: D00133 WIRING DIAGRAM REF: 231221	107949	1
240	KD59-187M06		.PLUG- SUPPLIER CODE: V91836 ELECTRICAL EQUIP NUMBER: D00133 WIRING DIAGRAM REF: 231221	002004 006102 950999	1
- 265	286N2619-002		WIRE BUNDLE ASSY	002004 006100 504903 950999	RF
- 265 270	286N2619-301 KD59-186M06		WIRE BUNDLE ASSY .PLUG- SUPPLIER CODE: V91836 ELECTRICAL EQUIP NUMBER: D00169 WIRING DIAGRAM REF: 231231	101102 002004 006102 504903 950999	RF 1

MISSING ITEM NUMBERS NOT APPLICABLE

- ITEM NOT ILLUSTRATED

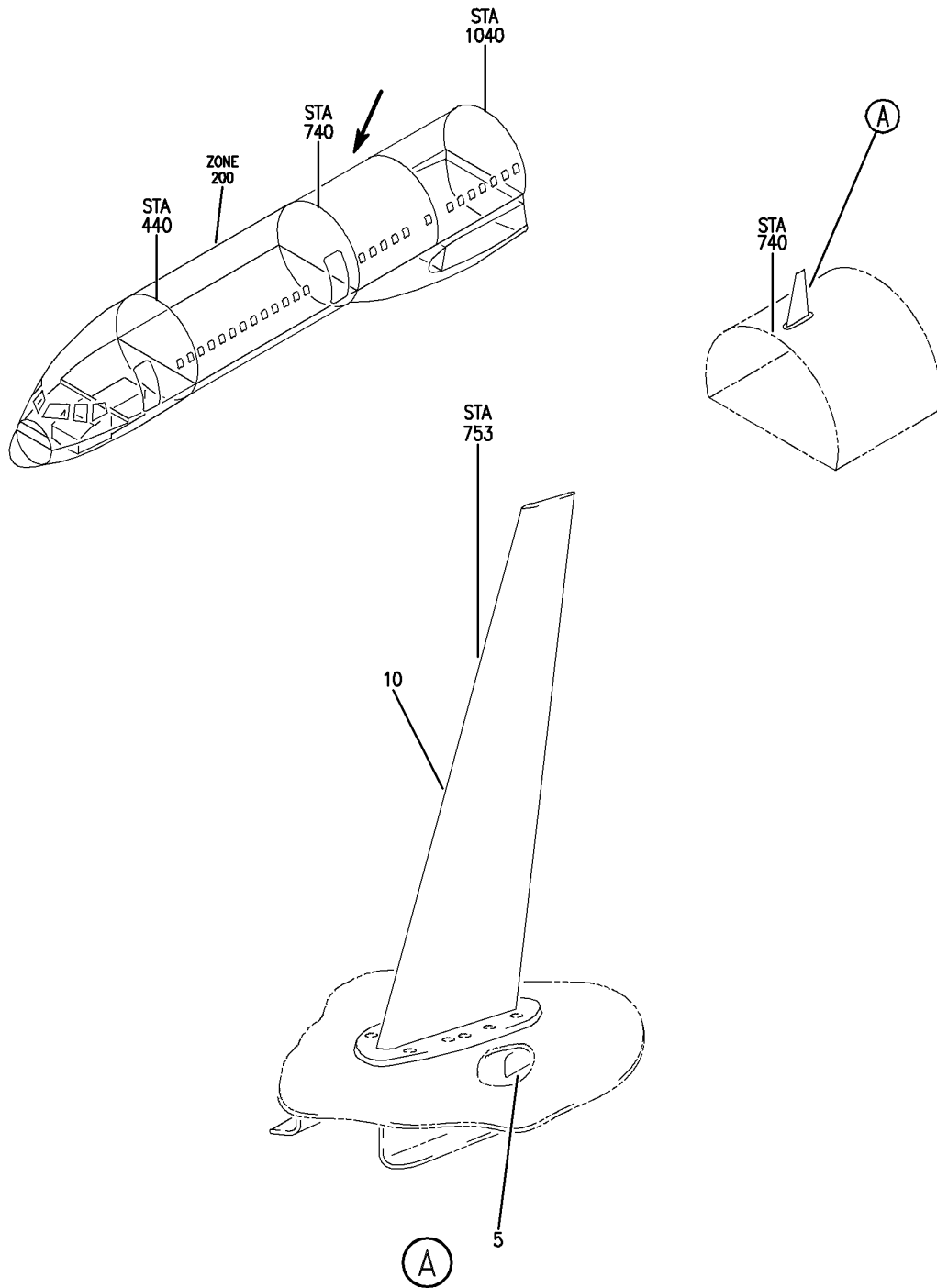
BRI

23-12-03-01

BOEING PROPRIETARY - Copyright © - Unpublished Work - See title page for details.

23-12-03
FIG. 01
PAGE 5
JAN 20/09

BOEING
757
PARTS CATALOG (MAINTENANCE)



Y 23120303 REV 240

ANTENNA INSTL- VHF COM CENTER
FIGURE 3

23-12-03-03

BRI
JAN 20/09

23-12-03-03
PAGE 0



757

PARTS CATALOG (MAINTENANCE)

FIG ITEM	PART NUMBER	1 2 3 4 5 6 7	NOMENCLATURE	EFFECT FROM TO	UNITS PER ASSY
3			ANTENNA INSTL- VHF COM CENTER	103106	
- 1	MODREF9910		ANTENNA INSTL-VHF COMM CENTER MODULE NUMBER: 284N1345-9 REV A POSITION DATA: STA 753	103106	1
	5 BAC27NEX1765		.DECAL- PLACARD CONTENT: M00247 ANTENNA-VHF COMM, C	103106	1
	10 DMC50-17		.ANTENNA-VHF SUPPLIER CODE: V00752 FUNCTIONAL DESCRIPTION: PROVIDES COMMUNICATION OPERATION IN A SHORT STUB, BLADE ANTENNA WITH AN OMNIDIRECTIONAL RADIATION PATTERN. ELECTRICAL EQUIP NUMBER: M00247	103106	1
	10 S65-8262-2		.ANTENNA-VHF SUPPLIER CODE: V13691 ELECTRICAL EQUIP NUMBER: M00247	103106	1
- 15	BACB30NN4K10		ATTACHING PARTS .BOLT -----*-----	103106	10

MISSING ITEM NUMBERS NOT APPLICABLE

- ITEM NOT ILLUSTRATED

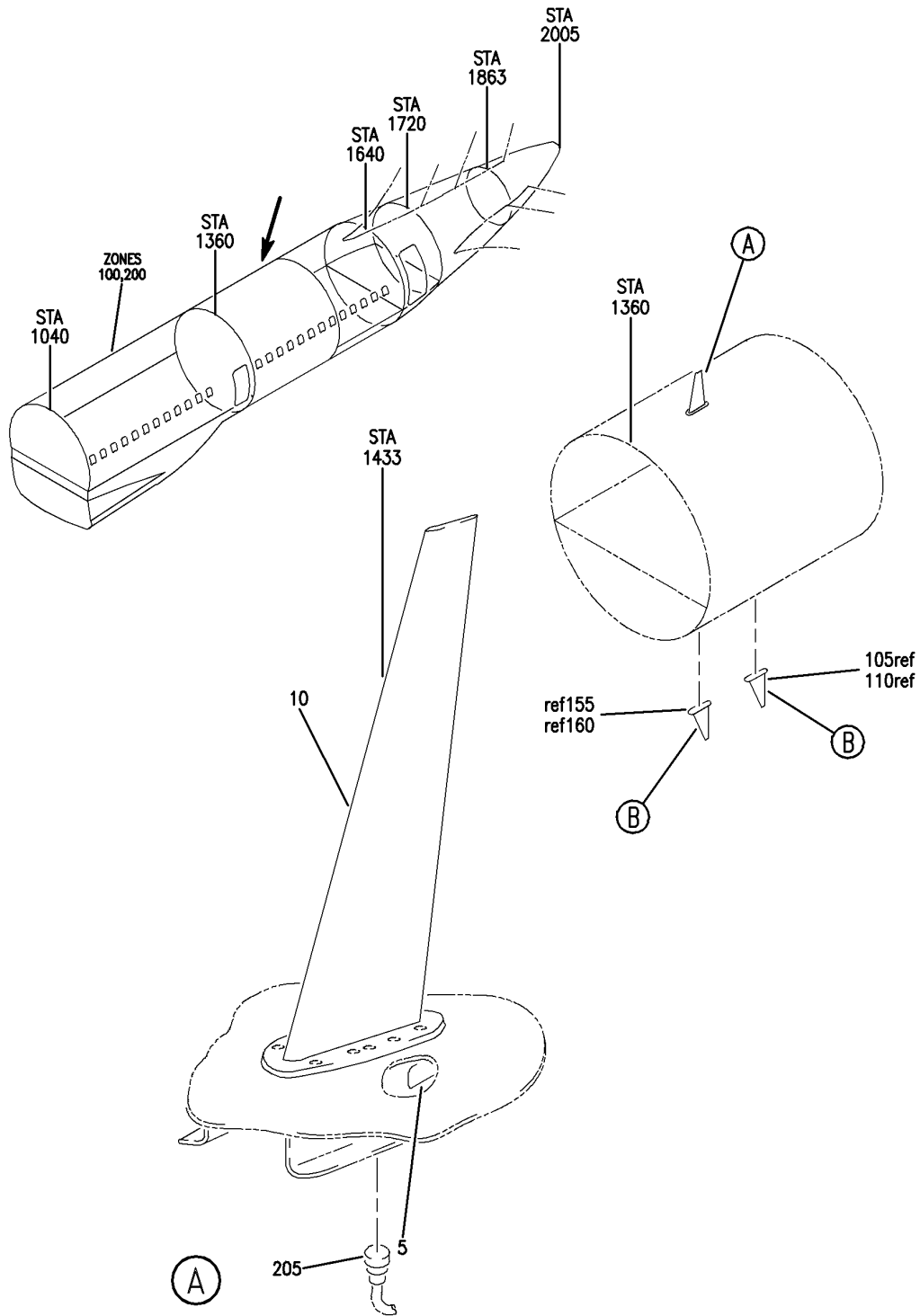
23-12-03-03

23-12-03
FIG. 03
PAGE 1
JAN 20/09

BRI

BOEING PROPRIETARY - Copyright © - Unpublished Work - See title page for details.

BOEING
757
PARTS CATALOG (MAINTENANCE)



Y 23120304 SHIT 1 REV 247

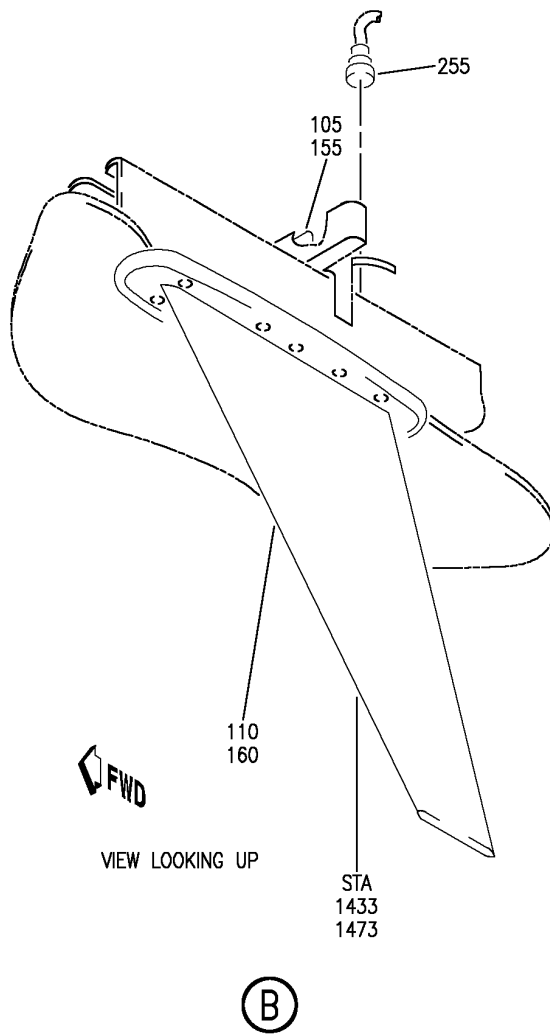
ANTENNA INSTL- VHF COM CENTER
FIGURE 4 (SHEET 1)

23-12-03-04

BRI
JAN 20/09

23-12-03-04
PAGE 0

BOEING
757
PARTS CATALOG (MAINTENANCE)



Y 23120304 SH1 2 REV 247

ANTENNA INSTL- VHF COM CENTER
FIGURE 4 (SHEET 2)

BRI
JAN 20/09

23-12-03-04

23-12-03-04
PAGE 0A

BOEING
757
PARTS CATALOG (MAINTENANCE)

FIG ITEM	PART NUMBER	1 2 3 4 5 6 7	NOMENCLATURE	EFFECT FROM TO	UNITS PER ASSY
4			ANTENNA INSTL- VHF COM CENTER	103106	
- 1	MODREF9830		ANTENNA INSTL-VHF COMM CENTER MODULE NUMBER: 284N1345-10 REV A POSITION DATA: STA 1433	103106	1
	5 BAC27NEX0751		.DECAL- PLACARD CONTENT: M00245 ANTENNA - VHF COMM, L	103106	1
	10 DMC50-17		.ANTENNA-VHF SUPPLIER CODE: V00752 FUNCTIONAL DESCRIPTION: PROVIDES COMMUNICATION OPERATION IN A SHORT STUB, BLADE ANTENNA WITH AN OMNIDIRECTIONAL RADIATION PATTERN. ELECTRICAL EQUIP NUMBER: M00245	103106	1
	10 S65-8262-2		.ANTENNA-VHF SUPPLIER CODE: V13691 ELECTRICAL EQUIP NUMBER: M00245	103106	1
- 15	BACB30NN4K10		ATTACHING PARTS .BOLT	103106	10
- 100	MODREF9831		-----*----- ANTENNA INSTL-VHF COMM CENTER MODULE NUMBER: 284N1345-11 REV A POSITION DATA: STA 1473	103106	1
	105 BAC27NEX0752		.DECAL- PLACARD CONTENT: M00246 ANTENNA - VHF COMM, R	103106	1

MISSING ITEM NUMBERS NOT APPLICABLE

- ITEM NOT ILLUSTRATED

BRI

23-12-03-04

BOEING PROPRIETARY - Copyright © - Unpublished Work - See title page for details.

23-12-03
FIG. 04
PAGE 1
JAN 20/09



757

PARTS CATALOG (MAINTENANCE)

FIG ITEM	PART NUMBER	1 2 3 4 5 6 7	NOMENCLATURE	EFFECT FROM TO	UNITS PER ASSY
4 110	DMC50-17		. ANTENNA-VHF SUPPLIER CODE: V00752 FUNCTIONAL DESCRIPTION: PROVIDES COMMUNICATION OPERATION IN A SHORT STUB, BLADE ANTENNA WITH AN OMNIDIRECTIONAL RADIATION PATTERN. ELECTRICAL EQUIP NUMBER: M00246	103106	1
110	S65-8262-2		. ANTENNA-VHF SUPPLIER CODE: V13691 ELECTRICAL EQUIP NUMBER: M00246 ATTACHING PARTS	103106	1
- 115	BACB30NN4K12		. BOLT -----*-----	103106	10
155	BAC27NEX0752		. DECAL- PLACARD CONTENT: M00246 ANTENNA - VHF COMM, R	103106	1
160	DMC50-17		. ANTENNA-VHF SUPPLIER CODE: V00752 FUNCTIONAL DESCRIPTION: PROVIDES COMMUNICATION OPERATION IN A SHORT STUB, BLADE ANTENNA WITH AN OMNIDIRECTIONAL RADIATION PATTERN. ELECTRICAL EQUIP NUMBER: M00246	103106	1
160	S65-8262-2		. ANTENNA-VHF SUPPLIER CODE: V13691 ELECTRICAL EQUIP NUMBER: M00246 ATTACHING PARTS	103106	1
- 165	BACB30NN4K12		. BOLT -----*-----	103106	10
- 200	286N5961-701		WIRE BUNDLE ASSY	103106	1

MISSING ITEM NUMBERS NOT APPLICABLE

- ITEM NOT ILLUSTRATED

23-12-03-04

23-12-03
FIG. 04
PAGE 2
JAN 20/09

BRI



757

PARTS CATALOG (MAINTENANCE)

FIG ITEM	PART NUMBER	1 2 3 4 5 6 7	NOMENCLATURE	EFFECT FROM TO	UNITS PER ASSY
4 205	796-17-9		.PLUG- SUPPLIER CODE: V05574 ELECTRICAL EQUIP NUMBER: D00131 WIRING DIAGRAM REF: 231211	103106	1

MISSING ITEM NUMBERS NOT APPLICABLE

- ITEM NOT ILLUSTRATED

BRI

23-12-03-04

BOEING PROPRIETARY - Copyright © - Unpublished Work - See title page for details.

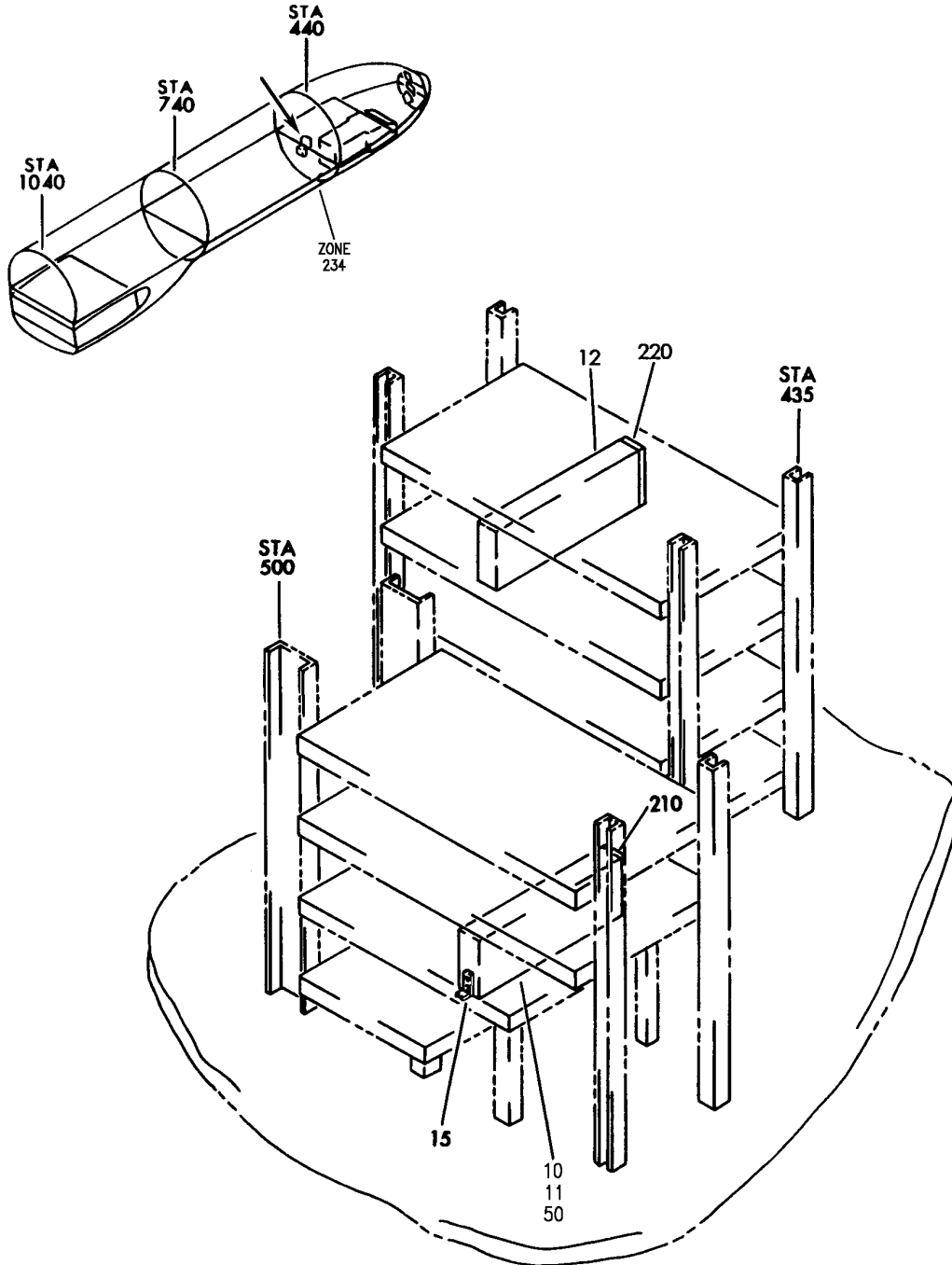
23-12-03
FIG. 04
PAGE 3
JAN 20/09

SELECTIVE CALLING (SELCAL) SYSTEM

BRI
MAY 28/07

23-21-00
SECTION TITLE
PAGE 1

BOEING
757
PARTS CATALOG (MAINTENANCE)



Y 23210101 REV 292

EQUIPMENT INSTL-MAIN ELECTRONICS EQPT CTR (SELCAL SYSTEM ONLY)

FIGURE 1

23-21-01-01

BRI
MAY 28/07

23-21-01-01
PAGE 0



757

PARTS CATALOG (MAINTENANCE)

FIG ITEM	PART NUMBER	1 2 3 4 5 6 7	NOMENCLATURE	EFFECT FROM TO	UNITS PER ASSY
1			EQUIPMENT INSTL-MAIN ELECTRONICS EQPT CTR (SELCAL SYSTEM ONLY)	002004 006100 107107 121999	
- 2	284N1800-190		EQUIPMENT INSTL-MAIN ELECTRONICS EQPT CTR (SELCAL SYSTEM ONLY) FOR NHA/OTHER SYS DET SEE: 24-00-58-05E	504504 506903	RF
- 2	284N1307-33		EQUIPMENT INSTL-MAIN ELECTRONICS EQPT CTR (SELCAL SYSTEM ONLY) FOR NHA/OTHER SYS DET SEE: 24-00-58-01	107107	RF
- 3	284N1800-16		EQUIPMENT INSTL-MAIN ELECTRONICS EQPT CTR (SELCAL SYSTEM ONLY) FOR NHA/OTHER SYS DET SEE: 24-00-58-01	121503 904949	RF
- 4	284N1800-32		EQUIPMENT INSTL-MAIN ELECTRONICS EQPT CTR (SELCAL SYSTEM ONLY) FOR NHA/OTHER SYS DET SEE: 24-00-58-01	952999	RF
- 4	284N1800-34		EQUIPMENT INSTL-MAIN ELECTRONICS EQPT CTR (SELCAL SYSTEM ONLY) FOR NHA/OTHER SYS DET SEE: 24-00-58-01	002004 006100	RF
- 5	284N1800-38		EQUIPMENT INSTL-MAIN ELECTRONICS EQPT CTR (SELCAL SYSTEM ONLY)	950951	RF
- 8	284N1800-88		EQUIPMENT INSTL-MAIN ELECTRONICS EQPT CTR (SELCAL SYSTEM ONLY) FOR NHA/OTHER SYS DET SEE: 24-00-58-05E	505505	RF

MISSING ITEM NUMBERS NOT APPLICABLE

- ITEM NOT ILLUSTRATED

23-21-01-01

23-21-01
FIG. 01
PAGE 1
JAN 20/09

BRI



757

PARTS CATALOG (MAINTENANCE)

FIG ITEM	PART NUMBER	1 2 3 4 5 6 7	NOMENCLATURE	EFFECT FROM TO	UNITS PER ASSY
R R R R R R R R R R	10	NA138-714A	.DECODER ASSY- SUPPLIER CODE: V50012 ELECTRICAL EQUIP NUMBER: M00180 COMPONENT MAINT MANUAL REF: 23-20-02 QUALIFIED I/W DATA: P/N NA138-714A INTERCHANGEABLE WITH P/N SC2253AD01 EXCEPT SUBJECT TO CUSTOMER PREFERENCE	107107	1
	10	NA138-714A	.DECODER ASSY- SUPPLIER CODE: V50012 ELECTRICAL EQUIP NUMBER: M00180 COMPONENT MAINT MANUAL REF: 23-20-02 QUALIFIED I/W DATA: P/N NA138-714A INTERCHANGEABLE WITH P/N SC2253AD01 EXCEPT SUBJECT TO CUSTOMER PREFERENCE	904949	1

MISSING ITEM NUMBERS NOT APPLICABLE

- ITEM NOT ILLUSTRATED

BRI

23-21-01-01

BOEING PROPRIETARY - Copyright © - Unpublished Work - See title page for details.

23-21-01
FIG. 01
PAGE 2
MAY 20/09


BOEING
 757
PARTS CATALOG (MAINTENANCE)

FIG ITEM	PART NUMBER	1 2 3 4 5 6 7	NOMENCLATURE	EFFECT FROM TO	UNITS PER ASSY
R R	1 10	NA138-714B	.DECODER ASSY- SUPPLIER CODE: V30242 FUNCTIONAL DESCRIPTION: PROCESSES INPUT FROM EACH OF THE HF AND VHF COMMUNICATION UNITS TO ENABLE ANNUNCIATION TO THE FLIGHT CREW THAT A GROUND PARTY IS AWAITING VOICE COMMUNICATION. ELECTRICAL EQUIP NUMBER: M00180 COMPONENT MAINT MANUAL REF: 23-20-02 QUALIFIED I/W DATA: NA138-714B I/W 1200008-000 SUBJECT TO CUSTOMER PREFERENCE P/N NA138-714B INTERCHANGEABLE WITH P/N SC2253AD01 EXCEPT SUBJECT TO CUSTOMER PREFERENCE	002004 006100 107107 504903 950999	1
	10	NA138-714B	.DECODER ASSY- SUPPLIER CODE: V30242 FUNCTIONAL DESCRIPTION: PROCESSES INPUT FROM EACH OF THE HF AND VHF COMMUNICATION UNITS TO ENABLE ANNUNCIATION TO THE FLIGHT CREW THAT A GROUND PARTY IS AWAITING VOICE COMMUNICATION. ELECTRICAL EQUIP NUMBER: M00180 COMPONENT MAINT MANUAL REF: 23-20-02 QUALIFIED I/W DATA: P/N NA138-714B INTERCHANGEABLE WITH P/N SC2253AD01 SUBJECT TO CUSTOMER PREFERENCE NA138-714B I/W 1200008-000 SUBJECT TO CUSTOMER PREFERENCE	121503 904949	1

MISSING ITEM NUMBERS NOT APPLICABLE

— ITEM NOT ILLUSTRATED

23-21-01-01

23-21-01
 FIG. 01
 PAGE 3
 MAY 20/09

BRI



757

PARTS CATALOG (MAINTENANCE)

FIG ITEM	PART NUMBER	1 2 3 4 5 6 7	NOMENCLATURE	EFFECT FROM TO	UNITS PER ASSY
1 R	10 SC2253AD01		.DECODER ASSY- SUPPLIER CODE: VF6168 FUNCTIONAL DESCRIPTION: PROCESSES INPUT FROM EACH OF THE HF AND VHF COMMUNICATIONS UNITS TO ENABLE ANNUNCIATION TO THE FLIGHT CREW THAT A GROUND PARTY IS AWAITING VOICE COMMUNICATION. ELECTRICAL EQUIP NUMBER: M00180 COMPONENT MAINT MANUAL REF: 23-22-34 QUALIFIED I/W DATA: P/N NA138-714A INTERCHANGEABLE WITH P/N SC2253AD01 EXCEPT SUBJECT TO CUSTOMER PREFERENCE. P/N NA138-714B INTERCHANGEABLE WITH P/N SC2253AD01 EXCEPT SUBJECT TO CUSTOMER PREFERENCE	002004 006100 107107 504903 950999	1

MISSING ITEM NUMBERS NOT APPLICABLE

— ITEM NOT ILLUSTRATED

23-21-01-01

23-21-01
FIG. 01
PAGE 4
MAY 20/09

BRI

BOEING
757
PARTS CATALOG (MAINTENANCE)

FIG ITEM	PART NUMBER	1 2 3 4 5 6 7	NOMENCLATURE	EFFECT FROM TO	UNITS PER ASSY
R R	1 10	1200008-000	.DECODER ASSY- SUPPLIER CODE: V30242 FUNCTIONAL DESCRIPTION: PROCESSES INPUT FROM EACH OF THE HF AND VHF COMMUNICATION UNITS TO ENABLE ANNUNCIATION TO THE FLIGHT CREW THAT A GROUND PARTY IS AWAITING VOICE COMMUNICATION. COMPONENT MAINT MANUAL REF: 23-20-04 SERVICE BULLETIN OPT DATA: NAS138-714A V50012 NAS138-714B V50012 N1298A V50012 N1298B V50012 QUALIFIED SB I/W DATA: (OPT TO: NA138-714A NA138-714B N1298A N1298B) POST AIRLINE MOD: TPCR5-23-IPC-95-0135 VUPS	002004 006100 107107 504903 950999	1
	10	SL3924AA01	.DECODER ASSY- SUPPLIER CODE: VF6168 FUNCTIONAL DESCRIPTION: PROCESSES INPUT FROM EACH OF THE HF AND VHF COMMUNICATIONS UNITS TO ENABLE ANNUNCIATION TO THE FLIGHT CREW THAT A GROUND PARTY IS AWAITING VOICE COMMUNICATION. COMPONENT MAINT MANUAL REF: 23-20-04	002004 006100 107107 504903 950999	1

MISSING ITEM NUMBERS NOT APPLICABLE

— ITEM NOT ILLUSTRATED

BRI

23-21-01-01

23-21-01
FIG. 01
PAGE 5
MAY 20/09

BOEING PROPRIETARY - Copyright © - Unpublished Work - See title page for details.

BOEING
757
PARTS CATALOG (MAINTENANCE)

FIG ITEM	PART NUMBER	1 2 3 4 5 6 7	NOMENCLATURE	EFFECT FROM TO	UNITS PER ASSY
1	1200008-000		.DECODER ASSY- SUPPLIER CODE: V30242 FUNCTIONAL DESCRIPTION: PROCESSES INPUT FROM EACH OF THE HF AND VHF COMMUNICATION UNITS TO ENABLE ANNUNCIATION TO THE FLIGHT CREW THAT A GROUND PARTY IS AWAITING VOICE COMMUNICATION. ELECTRICAL EQUIP NUMBER: M00180 COMPONENT MAINT MANUAL REF: 23-20-02	121503 904949	1
R	11 NA138-714C		.DECODER ASSY- SUPPLIER CODE: V30242 ELECTRICAL EQUIP NUMBER: M00180 COMPONENT MAINT MANUAL REF: 23-20-02	002004 006100 107107 504903 950999	1
R	11 NA138-714C		.DECODER ASSY- SUPPLIER CODE: V30242 ELECTRICAL EQUIP NUMBER: M00180 COMPONENT MAINT MANUAL REF: 23-20-02	121503 904949	1
R	11 SL3924AA01		.DECODER ASSY- SUPPLIER CODE: VF6168 FUNCTIONAL DESCRIPTION: PROCESSES INPUT FROM EACH OF THE HF AND VHF COMMUNICATIONS UNITS TO ENABLE ANNUNCIATION TO THE FLIGHT CREW THAT A GROUND PARTY IS AWAITING VOICE COMMUNICATION. COMPONENT MAINT MANUAL REF: 23-20-04	121503 904949	1
R					
R					
R					
R					
R					

MISSING ITEM NUMBERS NOT APPLICABLE

— ITEM NOT ILLUSTRATED

BRI

23-21-01-01

BOEING PROPRIETARY - Copyright © - Unpublished Work - See title page for details.

23-21-01
FIG. 01
PAGE 6
MAY 20/09



757

PARTS CATALOG (MAINTENANCE)

FIG ITEM	PART NUMBER	1 2 3 4 5 6 7	NOMENCLATURE	EFFECT FROM TO	UNITS PER ASSY
1 11	SC2253AD01		.DECODER ASSY- SUPPLIER CODE: VF6168 FUNCTIONAL DESCRIPTION: PROCESSES INPUT FROM EACH OF THE HF AND VHF COMMUNICATIONS UNITS TO ENABLE ANNUNCIATION TO THE FLIGHT CREW THAT A GROUND PARTY IS AWAITING VOICE COMMUNICATION. ELECTRICAL EQUIP NUMBER: M00180 COMPONENT MAINT MANUAL REF: 23-22-34 QUALIFIED I/W DATA: P/N NA138-714A INTERCHANGEABLE WITH P/N SC2253AD01 EXCEPT SUBJECT TO CUSTOMER PREFERENCE. P/N NA138-714B INTERCHANGEABLE WITH P/N SC2253AD01 EXCEPT SUBJECT TO CUSTOMER REFERENCE.	121503 904949	1
			TEMPORARY BREAKDOWN FOR: NA138-714B	002004 006100 107107 121999	
	15 4205212K01		..HOOK-SPRT SUPPLIER CODE: V50012	002004 006100 107107 121999	1
-	20 0305685F03		ATTACHING PARTS ..SCREW- SUPPLIER CODE: V50012 -----*-----	002004 006100 107107 121999	2

MISSING ITEM NUMBERS NOT APPLICABLE

- ITEM NOT ILLUSTRATED

23-21-01-01

23-21-01
FIG. 01
PAGE 7
MAY 20/09

BRI

BOEING
757
PARTS CATALOG (MAINTENANCE)

FIG ITEM	PART NUMBER	1 2 3 4 5 6 7	NOMENCLATURE	EFFECT FROM TO	UNITS PER ASSY
1	1200008-000		.DECODER ASSY- SUPPLIER CODE: V30242 FUNCTIONAL DESCRIPTION: PROCESSES INPUT FROM EACH OF THE HF AND VHF COMMUNICATION UNITS TO ENABLE ANNUNCIATION TO THE FLIGHT CREW THAT A GROUND PARTY IS AWAITING VOICE COMMUNICATION. ELECTRICAL EQUIP NUMBER: M00180 COMPONENT MAINT MANUAL REF: 23-20-04	950951	1
50	SL3924AA01		.DECODER ASSY- SUPPLIER CODE: VF6168 FUNCTIONAL DESCRIPTION: PROCESSES INPUT FROM EACH OF THE HF AND VHF COMMUNICATIONS UNITS TO ENABLE ANNUNCIATION TO THE FLIGHT CREW THAT A GROUND PARTY IS AWAITING VOICE COMMUNICATION. COMPONENT MAINT MANUAL REF: 23-20-04	950951	RF
50	NA138-714B		.DECODER ASSY- SUPPLIER CODE: V30242 FUNCTIONAL DESCRIPTION: PROCESSES INPUT FROM EACH OF THE HF AND VHF COMMUNICATION UNITS TO ENABLE ANNUNCIATION TO THE FLIGHT CREW THAT A GROUND PARTY IS AWAITING VOICE COMMUNICATION. ELECTRICAL EQUIP NUMBER: M00180 COMPONENT MAINT MANUAL REF: 23-20-02 QUALIFIED I/W DATA: P/N NA138-714B INTERCHANGEABLE WITH P/N SC2253AD01 EXCEPT SUBJECT TO CUSTOMER PREFERENCE	950951	1

MISSING ITEM NUMBERS NOT APPLICABLE

— ITEM NOT ILLUSTRATED

BRI

23-21-01-01

BOEING PROPRIETARY - Copyright © - Unpublished Work - See title page for details.

23-21-01
FIG. 01
PAGE 8
MAY 20/09



757

PARTS CATALOG (MAINTENANCE)

FIG ITEM	PART NUMBER	1 2 3 4 5 6 7	NOMENCLATURE	EFFECT FROM TO	UNITS PER ASSY
R R R R R R R R R R R	1 50	SC2253AD01	.DECODER ASSY- SUPPLIER CODE: VF6168 FUNCTIONAL DESCRIPTION: PROCESSES INPUT FROM EACH OF THE HF AND VHF COMMUNICATIONS UNITS TO ENABLE ANNUNCIATION TO THE FLIGHT CREW THAT A GROUND PARTY IS AWAITING VOICE COMMUNICATION. ELECTRICAL EQUIP NUMBER: M00180 COMPONENT MAINT MANUAL REF: 23-22-34 QUALIFIED I/W DATA: P/N NA138-714A INTERCHANGEABLE WITH P/N SC2253AD01 EXCEPT SUBJECT TO CUSTOMER PREFERENCE. P/N NA138-714B INTERCHANGEABLE WITH P/N SC2253AD01 EXCEPT SUBJECT TO CUSTOMER PREFERENCE.	950951	1
	50	NA138-714C	.DECODER ASSY- SUPPLIER CODE: V30242 ELECTRICAL EQUIP NUMBER: M00180 COMPONENT MAINT MANUAL REF: 23-20-04	950951	1
	- 200	286N1163-002	WIRE BUNDLE ASSY	121503 904949	RF
	- 200	286N1163-003	WIRE BUNDLE ASSY	107107	RF
	- 200	286N1163-006	WIRE BUNDLE ASSY	950951	RF
	- 200	286N1163-008	WIRE BUNDLE ASSY-	002004 006100 952999	RF
	- 201	286N1163-379	WIRE BUNDLE ASSY	504504	RF
	- 201	286N1163-380	WIRE BUNDLE ASSY	506506	RF
	- 202	286N1163-384	WIRE BUNDLE ASSY	505505	RF
	- 202	286N1163-393	WIRE BUNDLE ASSY	507903	RF

MISSING ITEM NUMBERS NOT APPLICABLE

- ITEM NOT ILLUSTRATED

23-21-01-01

23-21-01
FIG. 01
PAGE 9
MAY 20/09

BRI



757

PARTS CATALOG (MAINTENANCE)

FIG ITEM	PART NUMBER	1 2 3 4 5 6 7	NOMENCLATURE	EFFECT FROM TO	UNITS PER ASSY
1 210	NIC66F11B0301		.CONNECTOR- SUPPLIER CODE: V00779 SPECIFICATION NUMBER: BACC66F11B0301 ELECTRICAL EQUIP NUMBER: D00135 WIRING DIAGRAM REF: 232111	002004 006100 107107 121999	1

MISSING ITEM NUMBERS NOT APPLICABLE

- ITEM NOT ILLUSTRATED

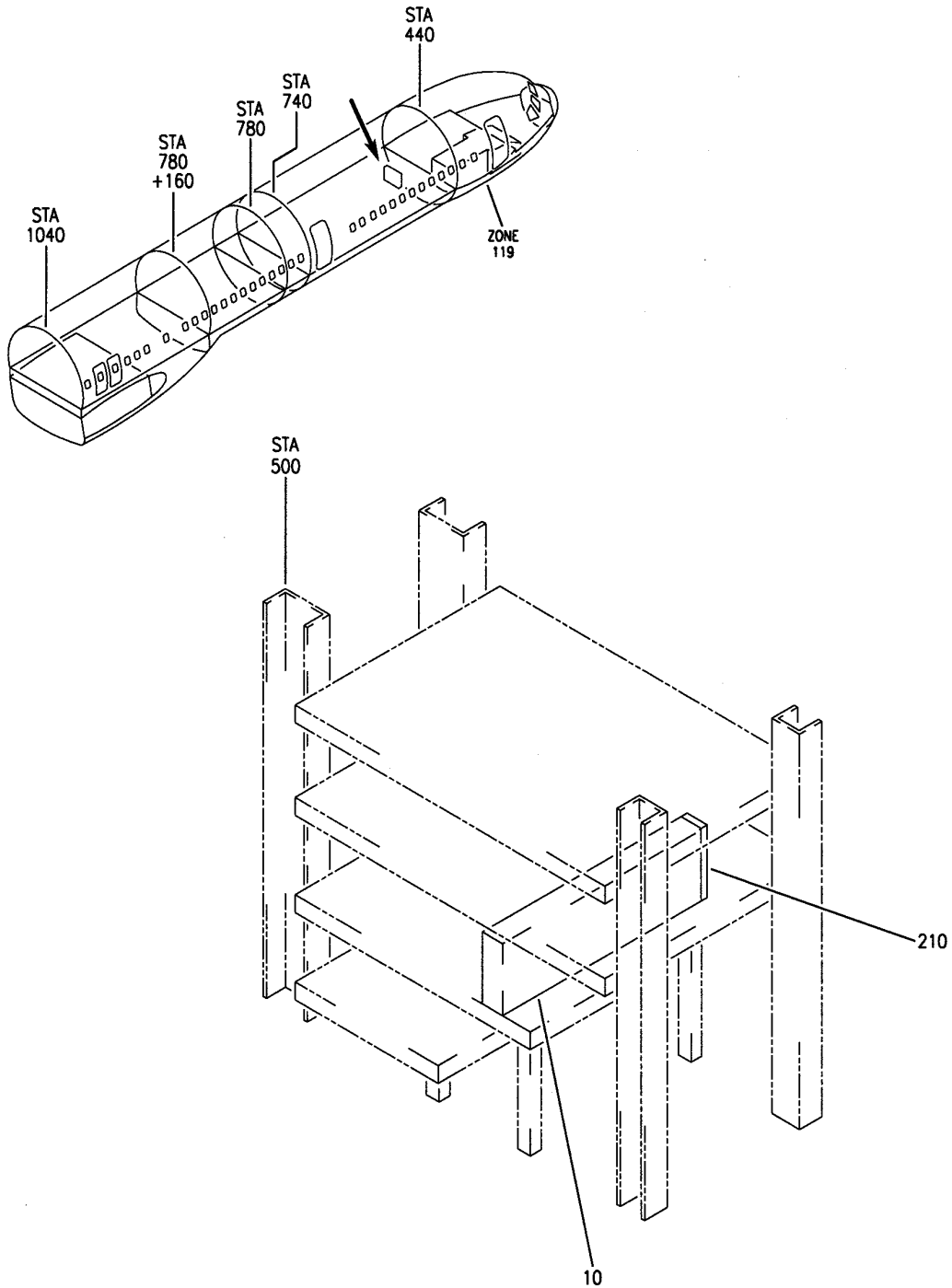
BRI

23-21-01-01

BOEING PROPRIETARY - Copyright © - Unpublished Work - See title page for details.

23-21-01
FIG. 01
PAGE 10
MAY 20/09

BOEING
757
PARTS CATALOG (MAINTENANCE)



Y 23210101B REV 212

EQUIPMENT INSTL-MAIN ELECTRONICS EQPT CTR (SELCAL SYSTEM ONLY)
FIGURE 1B

BRI
MAY 28/07

23-21-01-01B

23-21-01-01B
PAGE 0

 **BOEING**
757
PARTS CATALOG (MAINTENANCE)

FIG ITEM	PART NUMBER	1 2 3 4 5 6 7	NOMENCLATURE	EFFECT FROM TO	UNITS PER ASSY
1B			EQUIPMENT INSTL-MAIN ELECTRONICS EQPT CTR (SELCAL SYSTEM ONLY)	101102	
- 3	284N1800-140		EQUIPMENT INSTL-MAIN ELECTRONICS EQPT CTR (SELCAL SYSTEM ONLY)	101101	RF
- 3	284N1800-141		FOR NHA/OTHER SYS DET SEE: 24-00-58-05E		
			EQUIPMENT INSTL-MAIN ELECTRONICS EQPT CTR (SELCAL SYSTEM ONLY)	102102	RF
			FOR NHA/OTHER SYS DET SEE: 24-00-58-05E		
10	NA138-714B		.DECODER ASSY- SUPPLIER CODE: V30242 FUNCTIONAL DESCRIPTION: PROCESSES INPUT FROM EACH OF THE HF AND VHF COMMUNICATION UNITS TO ENABLE ANNUNCIATION TO THE FLIGHT CREW THAT A GROUND PARTY IS AWAITING VOICE COMMUNICATION. ELECTRICAL EQUIP NUMBER: M00180 COMPONENT MAINT MANUAL REF: 23-20-02 QUALIFIED I/W DATA: P/N NA138-714B INTERCHANGEABLE WITH P/N SC2253AD01 EXCEPT SUBJECT TO CUSTOMER PREFERENCE	101102	1

R
R
R
R
R
R
R
R
R
R
R
R
R
R
R
R
R
R
R
R
R
R

MISSING ITEM NUMBERS NOT APPLICABLE

- ITEM NOT ILLUSTRATED

BRI

23-21-01-01B

BOEING PROPRIETARY - Copyright © - Unpublished Work - See title page for details.

23-21-01
FIG. 01B
PAGE 1
MAY 20/09



757

PARTS CATALOG (MAINTENANCE)

FIG ITEM	PART NUMBER	1 2 3 4 5 6 7	NOMENCLATURE	EFFECT FROM TO	UNITS PER ASSY
1B 10	1200008-000		.DECODER ASSY- SUPPLIER CODE: V30242 FUNCTIONAL DESCRIPTION: PROCESSES INPUT FROM EACH OF THE HF AND VHF COMMUNICATION UNITS TO ENABLE ANNUNCIATION TO THE FLIGHT CREW THAT A GROUND PARTY IS AWAITING VOICE COMMUNICATION. COMPONENT MAINT MANUAL REF: 23-20-04 OPTIONAL PART: NA138-714B V50012	101102	1
	10 SC2253AD01		.DECODER ASSY- SUPPLIER CODE: VF6168 FUNCTIONAL DESCRIPTION: PROCESSES INPUT FROM EACH OF THE HF AND VHF COMMUNICATIONS UNITS TO ENABLE ANNUNCIATION TO THE FLIGHT CREW THAT A GROUND PARTY IS AWAITING VOICE COMMUNICATION. ELECTRICAL EQUIP NUMBER: M00180 COMPONENT MAINT MANUAL REF: 23-22-34 QUALIFIED I/W DATA: P/N NA138-714A INTERCHANGEABLE WITH P/N SC2253AD01 EXCEPT SUBJECT TO CUSTOMER PREFERENCE. P/N NA138-714B INTERCHANGEABLE WITH P/N SC2253AD01 EXCEPT SUBJECT TO CUSTOMER PREFERENCE.	101102	1

MISSING ITEM NUMBERS NOT APPLICABLE

- ITEM NOT ILLUSTRATED

23-21-01-01B

23-21-01
FIG. 01B
PAGE 2
MAY 20/09

BRI



757

PARTS CATALOG (MAINTENANCE)

FIG ITEM	PART NUMBER	1 2 3 4 5 6 7	NOMENCLATURE	EFFECT FROM TO	UNITS PER ASSY
R R R R R R R R R R R R R R R	1B 10	SL3924AA01	.DECODER ASSY- SUPPLIER CODE: VF6168 FUNCTIONAL DESCRIPTION: PROCESSES INPUT FROM EACH OF THE HF AND VHF COMMUNICATIONS UNITS TO ENABLE ANNUNCIATION TO THE FLIGHT CREW THAT A GROUND PARTY IS AWAITING VOICE COMMUNICATION. COMPONENT MAINT MANUAL REF: 23-20-04	101102	1
	10	NA138-714C	.DECODER ASSY- SUPPLIER CODE: V30242 ELECTRICAL EQUIP NUMBER: M00180 COMPONENT MAINT MANUAL REF: 23-20-02	101102	1
	- 200	286N1163-337	WIRE BUNDLE ASSY	101101	RF
	- 200	286N1163-341	WIRE BUNDLE ASSY	102102	RF
	210	NIC66F11B0301	.CONNECTOR- SUPPLIER CODE: V00779 SPECIFICATION NUMBER: BACC66F11B0301 ELECTRICAL EQUIP NUMBER: D00135 WIRING DIAGRAM REF: 232111	101102	1

MISSING ITEM NUMBERS NOT APPLICABLE

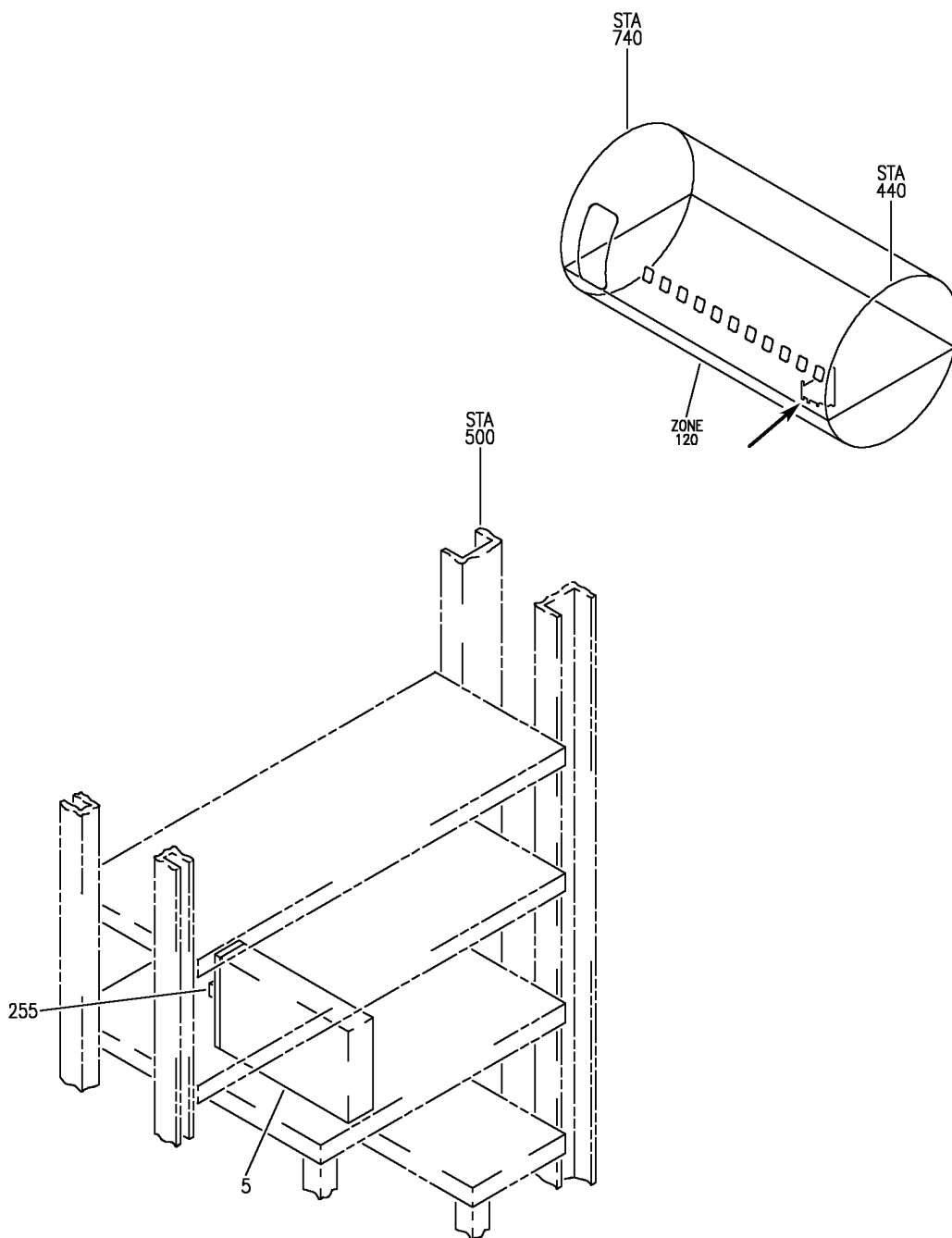
- ITEM NOT ILLUSTRATED

23-21-01-01B

23-21-01
FIG. 01B
PAGE 3
MAY 20/09

BRI

BOEING
757
PARTS CATALOG (MAINTENANCE)



Y 23210108 REV 262

EQUIPMENT INSTL-MAIN ELECTRONICS EQPT CTR SELCAL DECODER
FIGURE 8

23-21-01-08

BRI
JAN 20/09

23-21-01-08
PAGE 0



757

PARTS CATALOG (MAINTENANCE)

FIG ITEM	PART NUMBER	1 2 3 4 5 6 7	NOMENCLATURE	EFFECT FROM TO	UNITS PER ASSY
8			EQUIPMENT INSTL-MAIN ELECTRONICS EQPT CTR SELCAL DECODER	103106 108120	
- 1	284N4000-230008		EQUIPMENT INSTL-MAIN ELECTRONICS EQPT CTR SELCAL DECODER FOR NHA SEE: 24-00-58-05F	108120	RF
- 1	MODREF22654		EQUIPMENT INSTL-MAIN ELECTRONICS EQPT CTR SELCAL DECODER MODULE NUMBER: 284N4000-230013 REV B	103106	1
5	NA138-714B		.DECODER ASSY- SUPPLIER CODE: V30242 FUNCTIONAL DESCRIPTION: PROCESSES INPUT FROM EACH OF THE HF AND VHF COMMUNICATION UNITS TO ENABLE ANNUNCIATION TO THE FLIGHT CREW THAT A GROUND PARTY IS AWAITING VOICE COMMUNICATION. ELECTRICAL EQUIP NUMBER: M00180 COMPONENT MAINT MANUAL REF: 23-20-10	103106 108120	1
5	1200008-000		.DECODER ASSY- SUPPLIER CODE: V30242 FUNCTIONAL DESCRIPTION: PROCESSES INPUT FROM EACH OF THE HF AND VHF COMMUNICATION UNITS TO ENABLE ANNUNCIATION TO THE FLIGHT CREW THAT A GROUND PARTY IS AWAITING VOICE COMMUNICATION. ELECTRICAL EQUIP NUMBER: M00180 COMPONENT MAINT MANUAL REF: 23-20-04	103106 108120	1

MISSING ITEM NUMBERS NOT APPLICABLE

- ITEM NOT ILLUSTRATED

BRI

23-21-01-08

23-21-01
FIG. 08
PAGE 1
JAN 20/09



757

PARTS CATALOG (MAINTENANCE)

FIG ITEM	PART NUMBER	1 2 3 4 5 6 7	NOMENCLATURE	EFFECT FROM TO	UNITS PER ASSY
8	5 SL3924AA01		.DECODER ASSY- SUPPLIER CODE: VF6168 FUNCTIONAL DESCRIPTION: PROCESSES INPUT FROM EACH OF THE HF AND VHF COMMUNICATIONS UNITS TO ENABLE ANNUNCIATION TO THE FLIGHT CREW THAT A GROUND PARTY IS AWAITING VOICE COMMUNICATION. COMPONENT MAINT MANUAL REF: 23-20-04	103106 108120	1
	5 NA138-714C		.DECODER ASSY- SUPPLIER CODE: V30242 FUNCTIONAL DESCRIPTION: PROCESSES INPUT FROM EACH OF THE HF AND VHF COMMUNICATION UNITS TO ENABLE ANNUNCIATION TO THE FLIGHT CREW THAT A GROUND PARTY IS AWAITING VOICE COMMUNICATION. ELECTRICAL EQUIP NUMBER: M00180 COMPONENT MAINT MANUAL REF: 23-20-10	103106 108120	1
	5 SC2253AD01		.DECODER ASSY- SUPPLIER CODE: VF6168 FUNCTIONAL DESCRIPTION: PROCESSES INPUT FROM EACH OF THE HF AND VHF COMMUNICATIONS UNITS TO ENABLE ANNUNCIATION TO THE FLIGHT CREW THAT A GROUND PARTY IS AWAITING VOICE COMMUNICATION. ELECTRICAL EQUIP NUMBER: M00180 COMPONENT MAINT MANUAL REF: 23-22-34	103106 108120	1
	- 201 286N1163-398		WIRE BUNDLE ASSY	108120	RF
- 203 286N1163-601		WIRE BUNDLE ASSY	103106	RF	

R
R
R
R
R
R
R
R
R
R
R
R

MISSING ITEM NUMBERS NOT APPLICABLE

- ITEM NOT ILLUSTRATED

23-21-01-08

23-21-01
FIG. 08
PAGE 2
MAY 20/09

BRI



757

PARTS CATALOG (MAINTENANCE)

FIG ITEM	PART NUMBER	1 2 3 4 5 6 7	NOMENCLATURE	EFFECT FROM TO	UNITS PER ASSY
8 255	BKA11C0301		.CONNECTOR- SUPPLIER CODE: V71468 SPECIFICATION NUMBER: BACC66F11C0301 OPTIONAL PART: S611C0301 V59610 NIC66F11C0301 V00779 ELECTRICAL EQUIP NUMBER: D00135 WIRING DIAGRAM REF: 232111	103106 108120	1

MISSING ITEM NUMBERS NOT APPLICABLE

- ITEM NOT ILLUSTRATED

BRI

23-21-01-08

BOEING PROPRIETARY - Copyright © - Unpublished Work - See title page for details.

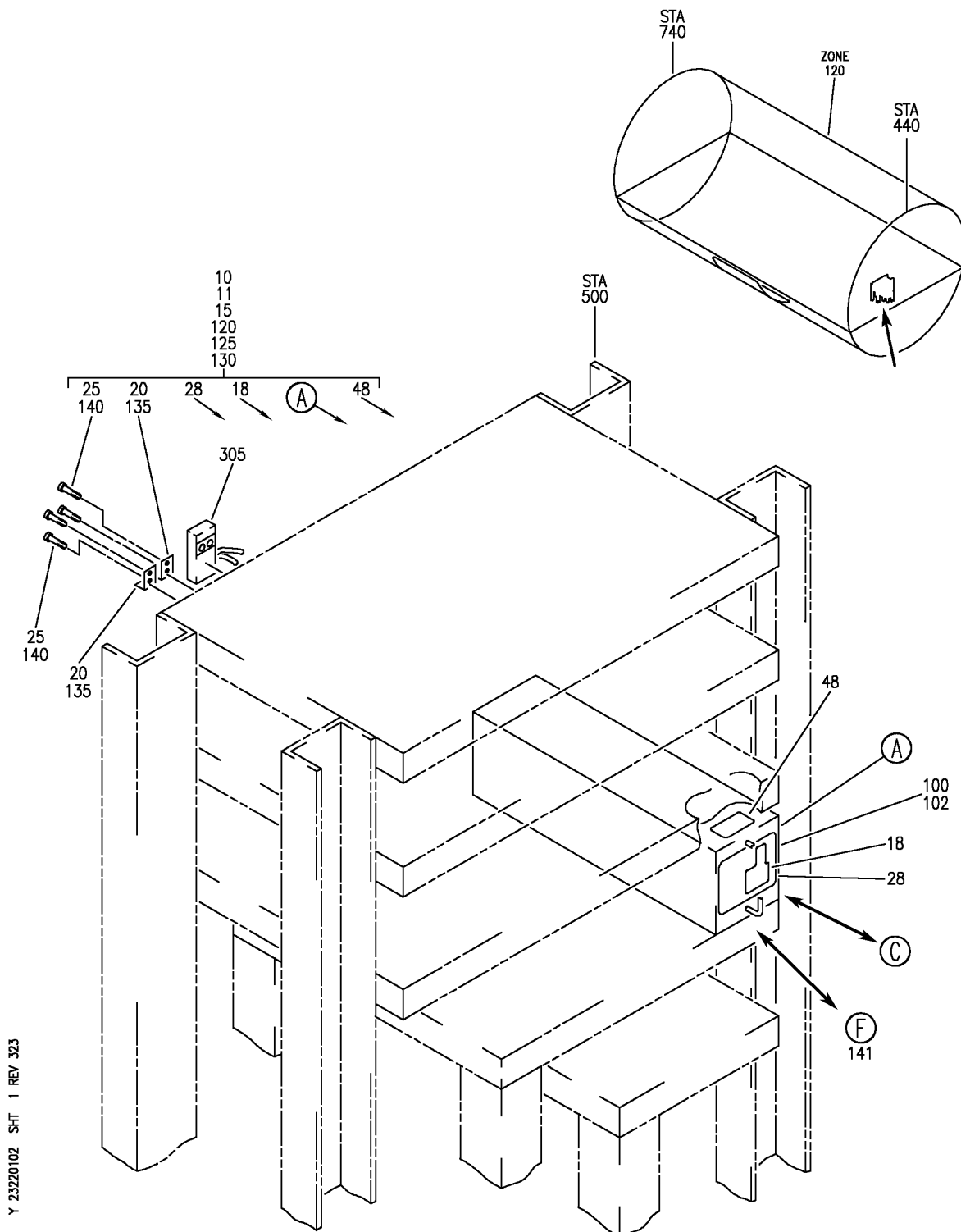
23-21-01
FIG. 08
PAGE 3
JAN 20/09

ARINC COMMUNICATIONS ADDRESSING / REPORTING SYSTEM

BRI
MAY 28/07

23-22-00
SECTION TITLE
PAGE 1

BOEING
757
PARTS CATALOG (MAINTENANCE)



Y 23220102 SH1 1 REV 323

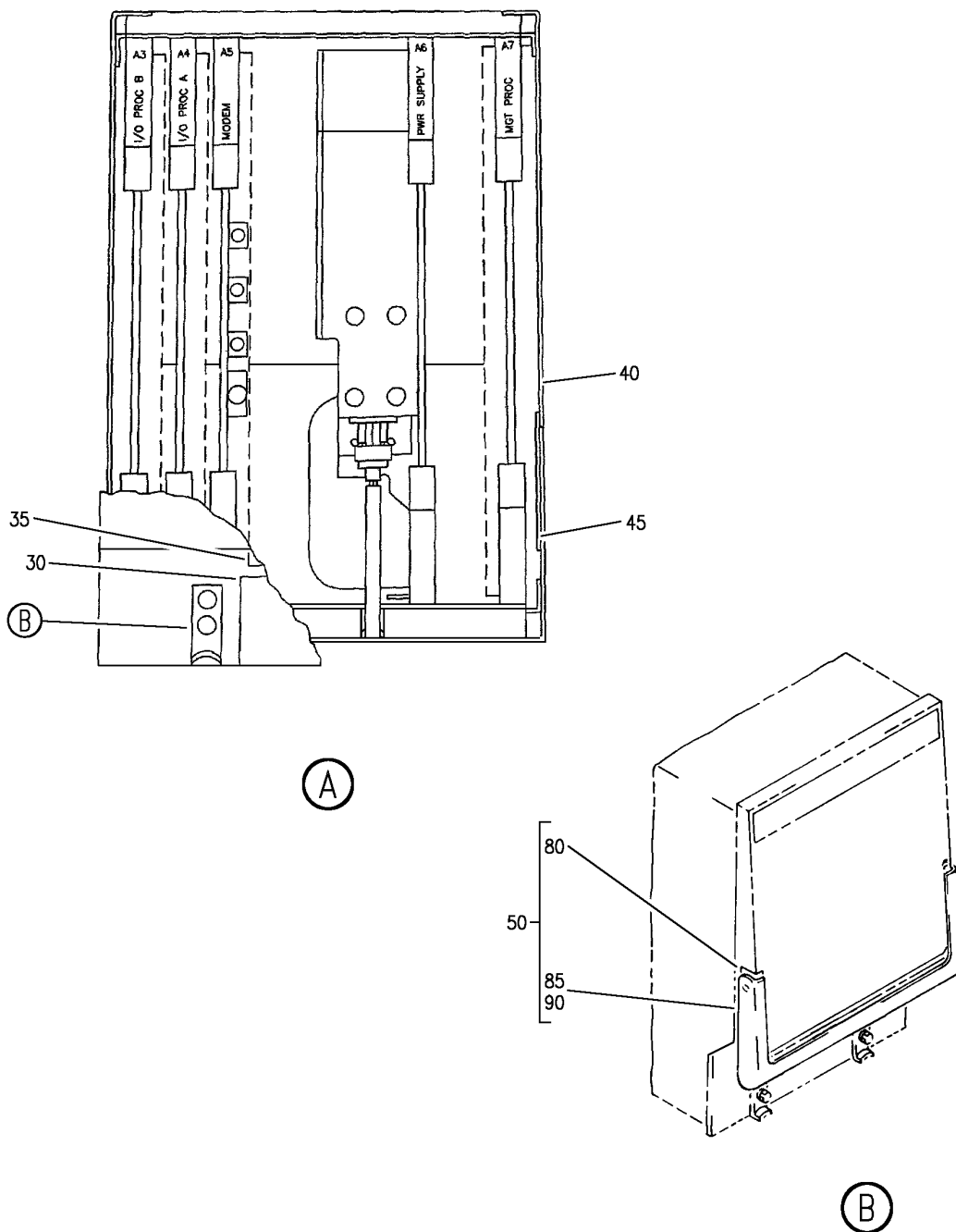
EQUIPMENT AND SOFTWARE INSTL-MAIN ELECTRONICS EQPT CTR (ACARS ONLY)
FIGURE 2 (SHEET 1)

23-22-01-02

BRI
JAN 20/09

23-22-01-02
PAGE 0


BOEING
 757
PARTS CATALOG (MAINTENANCE)



Y 23220102 SHT 2 REV 259

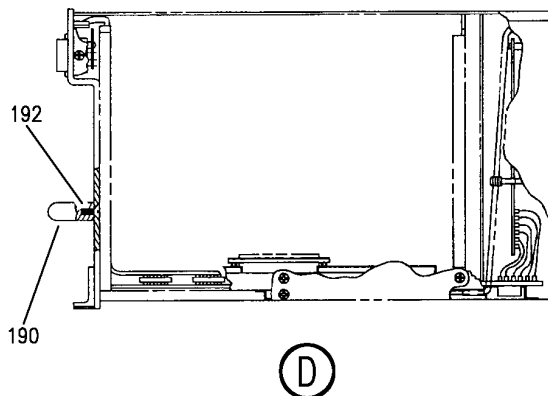
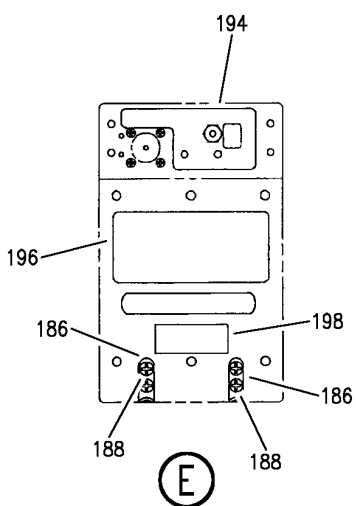
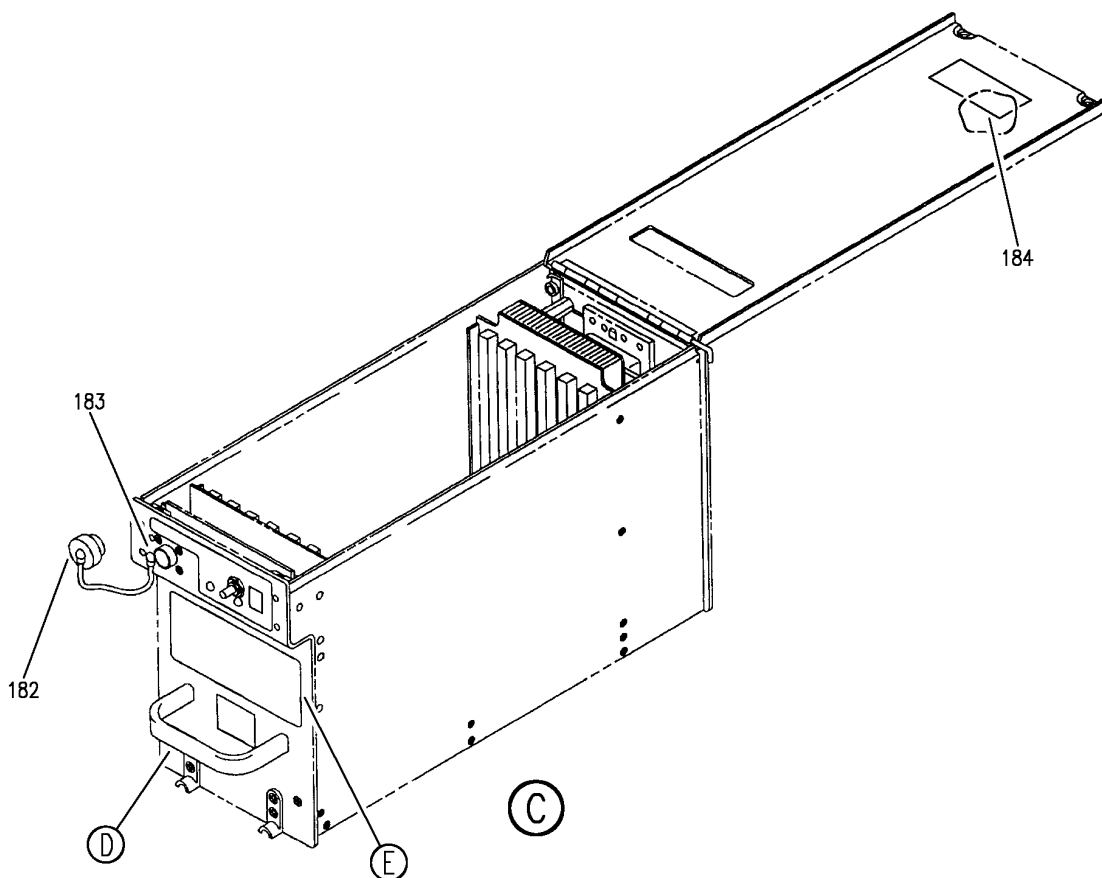
EQUIPMENT AND SOFTWARE INSTL-MAIN ELECTRONICS EQPT CTR (ACARS ONLY)
 FIGURE 2 (SHEET 2)

23-22-01-02

BRI
 JAN 20/09

23-22-01-02
 PAGE 0A

BOEING
757
PARTS CATALOG (MAINTENANCE)



Y 23220102 SH1 3 REV 276

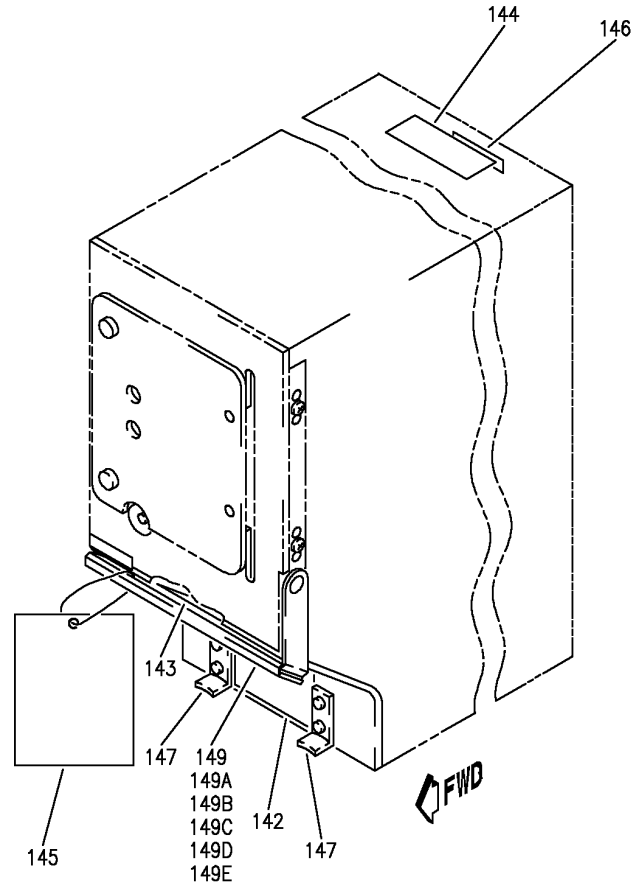
EQUIPMENT AND SOFTWARE INSTL-MAIN ELECTRONICS EQPT CTR (ACARS ONLY)
FIGURE 2 (SHEET 3)

23-22-01-02

BRI
JAN 20/09

23-22-01-02
PAGE 08

BOEING
757
PARTS CATALOG (MAINTENANCE)



(F)

Y 23220102 SH1 4 REV 323

EQUIPMENT AND SOFTWARE INSTL-MAIN ELECTRONICS EQPT CTR (ACARS ONLY)
FIGURE 2 (SHEET 4)

23-22-01-02

BRI
JAN 20/09

23-22-01-02
PAGE 0C



757

PARTS CATALOG (MAINTENANCE)

FIG ITEM	PART NUMBER	1 2 3 4 5 6 7	NOMENCLATURE	EFFECT FROM TO	UNITS PER ASSY
2			EQUIPMENT AND SOFTWARE INSTL-MAIN ELECTRONICS EQPT CTR (ACARS ONLY)	504903 950951	
- 1	284N1800-38		EQUIPMENT INSTL-MAIN ELECTRONICS EQPT CTR (ACARS ONLY) FOR NHA/OTHER SYS DET SEE: 24-00-58-01	950951	RF
- 3	284N1800-88		EQUIPMENT INSTL-MAIN ELECTRONICS EQPT CTR (ACARS ONLY) FOR NHA/OTHER SYS DET SEE: 24-00-58-05E	505505	RF
- 4	284N1800-190		EQUIPMENT INSTL-MAIN ELECTRONICS EQPT CTR (ACARS ONLY) FOR NHA/OTHER SYS DET SEE: 24-00-58-05E	504504 506903	RF
R R R R R R R R	10	2229385-32A	.MANAGEMENT UNIT- SUPPLIER CODE: V98571 ELECTRICAL EQUIP NUMBER: M00172 COMPONENT MAINT MANUAL REF: 23-20-33 POST SERVICE BULLETIN: 2229385-23-90 V98571	950951	1
	15	2231500-5	.MANAGEMENT UNIT-ACARS SUPPLIER CODE: V98571 ELECTRICAL EQUIP NUMBER: M00172 M10772 COMPONENT MAINT MANUAL REF: 23-20-36	504903	2
- 200	286N1163-006		WIRE BUNDLE ASSY	950951	RF
- 201	286N1163-379		WIRE BUNDLE ASSY	504504	RF
- 201	286N1163-380		WIRE BUNDLE ASSY	506506	RF
- 201	286N1163-384		WIRE BUNDLE ASSY	505505	RF
- 202	286N1163-393		WIRE BUNDLE ASSY	507903	RF

MISSING ITEM NUMBERS NOT APPLICABLE

- ITEM NOT ILLUSTRATED

BRI

23-22-01-02

23-22-01
FIG. 02
PAGE 1
MAY 20/09



757

PARTS CATALOG (MAINTENANCE)

FIG ITEM	PART NUMBER	1 2 3 4 5 6 7	NOMENCLATURE	EFFECT FROM TO	UNITS PER ASSY
2 305	BKA21C0901		.CONNECTOR- SUPPLIER CODE: V71468 SPECIFICATION NUMBER: BACC66H21C0901 OPTIONAL PART: S621C0901 V59610 NIC66H21C0901 V00779 ELECTRICAL EQUIP NUMBER: D00437 WIRING DIAGRAM REF: 232213	504903 950951	1

MISSING ITEM NUMBERS NOT APPLICABLE

- ITEM NOT ILLUSTRATED

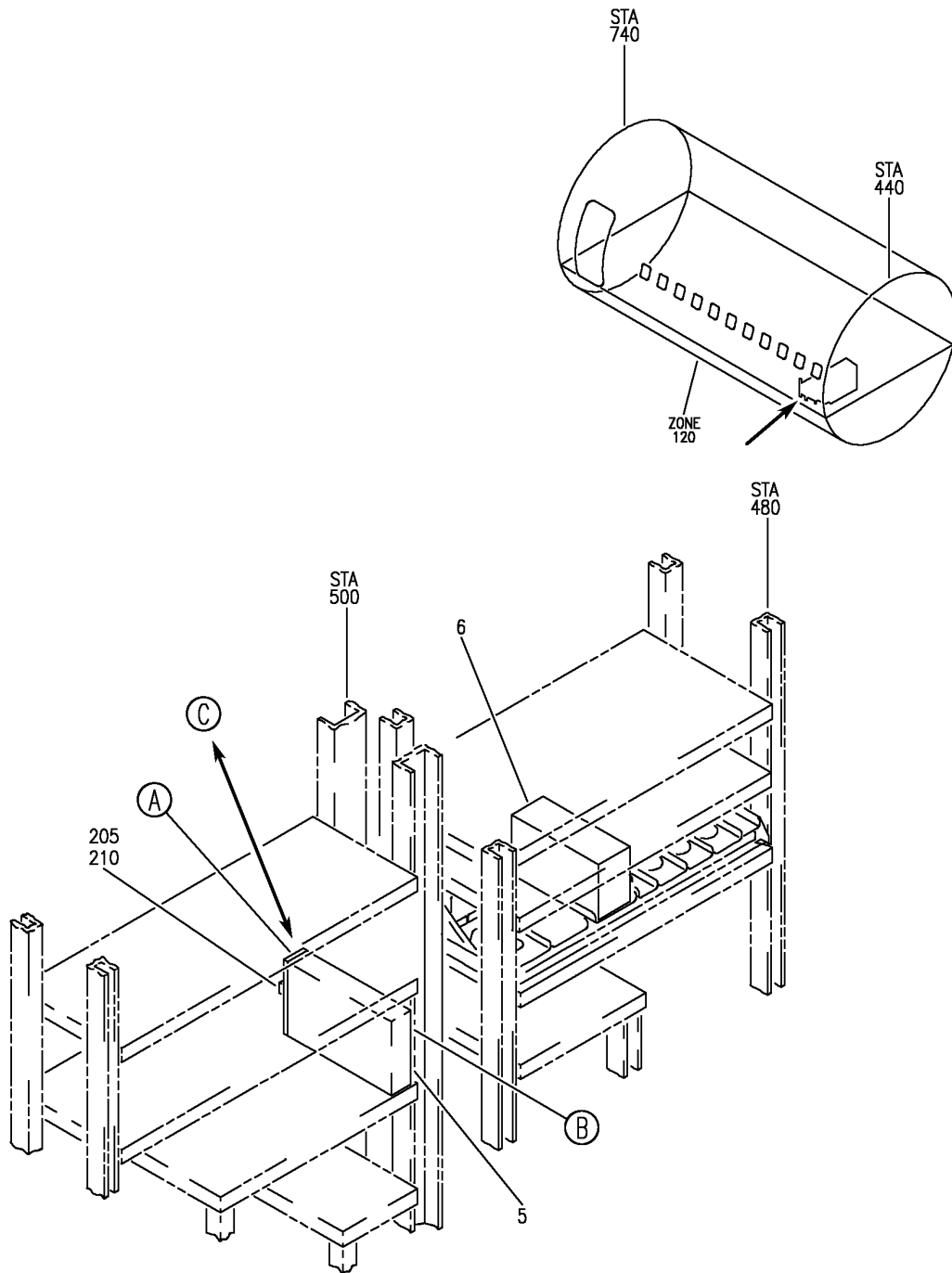
BRI

23-22-01-02

BOEING PROPRIETARY - Copyright © - Unpublished Work - See title page for details.

23-22-01
FIG. 02
PAGE 2
JAN 20/09

BOEING
 757
 PARTS CATALOG (MAINTENANCE)



Y 23220108 SH1 1 REV 323

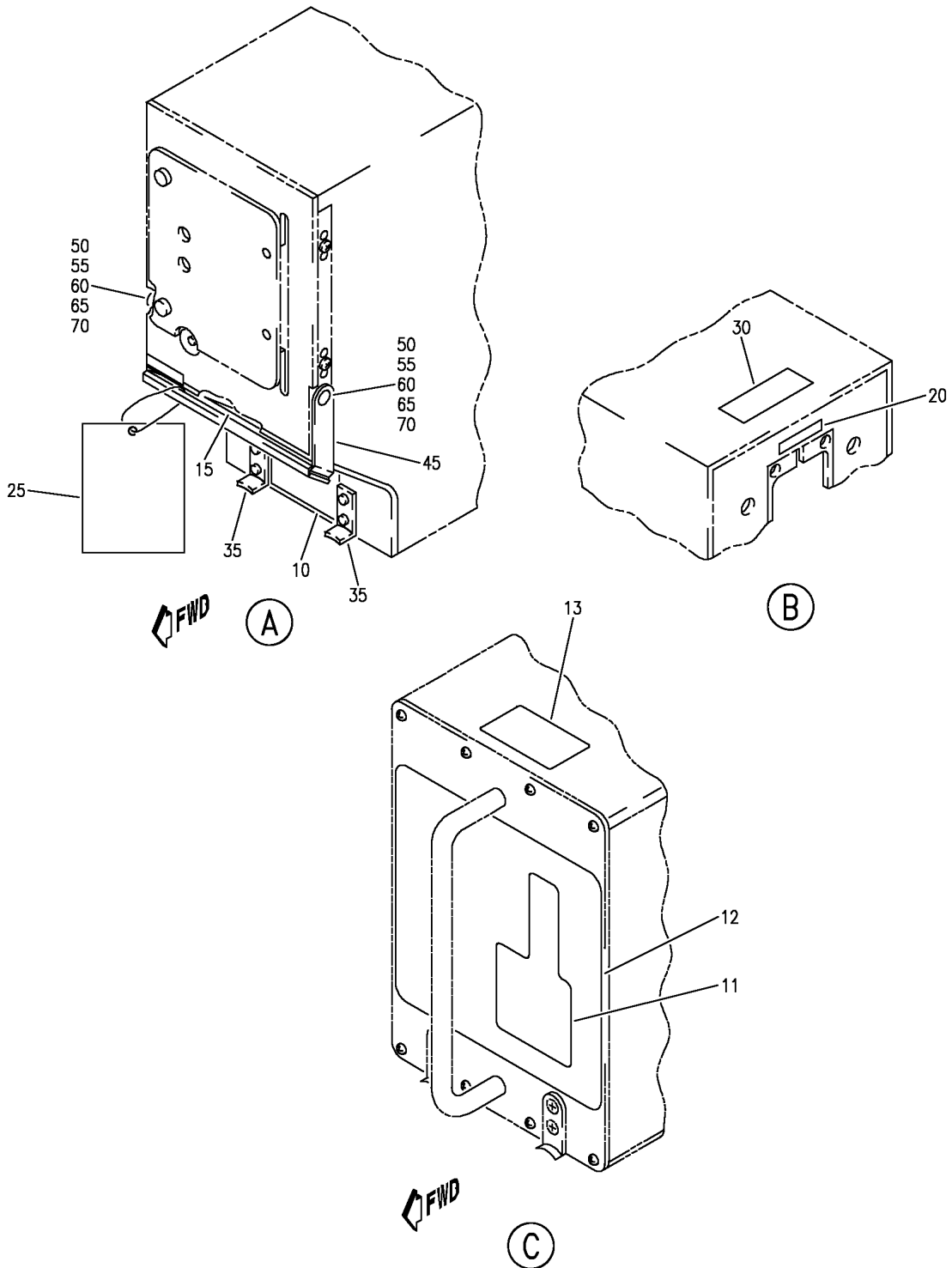
EQUIPMENT AND SOFTWARE INSTL-MAIN ELECTRONICS EQPT CTR CMU
 FIGURE 9 (SHEET 1)

23-22-01-09

BRI
 JAN 20/09

23-22-01-09
 PAGE 0

BOEING
757
PARTS CATALOG (MAINTENANCE)



Y 23220108 SH1 2 REV 323

EQUIPMENT AND SOFTWARE INSTL-MAIN ELECTRONICS EQPT CTR CMU
FIGURE 9 (SHEET 2)

23-22-01-09

BRI
JAN 20/09

23-22-01-09
PAGE 0A



757

PARTS CATALOG (MAINTENANCE)

FIG ITEM	PART NUMBER	1 2 3 4 5 6 7	NOMENCLATURE	EFFECT FROM TO	UNITS PER ASSY
9			EQUIPMENT AND SOFTWARE INSTL-MAIN ELECTRONICS EQPT CTR CMU	103106	
- 1	MODREF31516		EQUIPMENT INSTL-MAIN ELEX EQPT CTR CMU MODULE NUMBER: 284N4000-230093 REV A	103106	1
5	822-1239-101		.MANAGEMENT UNIT- SUPPLIER CODE: V4V792 FUNCTIONAL DESCRIPTION: CONTROLS A THIRD VHF SYSTEM FOR TRANSMISSION AND RECEPTION OF ACARS DIGITAL DATA. ELECTRICAL EQUIP NUMBER: M11740	103106	1
10	829-0325-005		..PLATE-IDENT SUPPLIER CODE: V4V792	103106	1
15	829-0200-007		..PLATE-MOD SUPPLIER CODE: V4V792	103106	1
20	280-2745-130		..LABEL- SUPPLIER CODE: VOBU16	103106	1
25	838-7009-150		..TAG- SUPPLIER CODE: V4V792	103106	1
30	838-7020-010		..LABEL-CAUTION SUPPLIER CODE: V12998	103106	1
35	838-7020-010		..LABEL-CAUTION SUPPLIER CODE: V12998	103106	1
- 40	MS51957-29		ATTACHING PARTS ..SCREW -----*-----	103106	4
45	651-2408-015		..HANDLE ASSY- SUPPLIER CODE: V4V792	103106	1
50	328-0368-000		ATTACHING PARTS ..SCREW- SUPPLIER CODE: V08664	103106	2
55	652-5421-001		..SCREW- SUPPLIER CODE: V4V792	103106	2

MISSING ITEM NUMBERS NOT APPLICABLE

- ITEM NOT ILLUSTRATED

BRI

23-22-01-09

23-22-01
FIG. 09
PAGE 1
JAN 20/09



757

PARTS CATALOG (MAINTENANCE)

FIG ITEM	PART NUMBER	1 2 3 4 5 6 7	NOMENCLATURE	EFFECT FROM TO	UNITS PER ASSY
9	60 768-3179-001		.. SCREW- SUPPLIER CODE: V4V792 CONFIG CHG DATA FROM A CMM: SUPSD BY 768-3178-001	103106	2
	60 768-3178-001		.. WASHER- SUPPLIER CODE: V4V792 CONFIG CHG DATA FROM A CMM: SUPSDS 768-3179-001	103106	4
	65 310-0007-050		.. WASHER- SUPPLIER CODE: V78189	103106	2
	70 MS21042-06		.. NUT -----*-----	103106	2
-	75 768-3386-003		... BAR-GRIP SUPPLIER CODE: V4V792	103106	1
-	80 647-9983-001		... STRAP- SUPPLIER CODE: V4V792	103106	1
-	100 MODREF33986		SOFTWARE INSTL- MODULE NUMBER: 221N3002-250 REV A	103106	1
-	105 832-1748-109		.SOFTWARE-ACARS CORE SUPPLIER CODE: V4V792 MISCELLANEOUS DATA: DISKETTE QTY: 1 DISK USED WITH: 822-1239-101 FOR SPARES PROCURE: 831-4034-109 V4V792	103106	1
-	125 MODREF33988		SOFTWARE INSTL- MODULE NUMBER: 221N3002-260 REV A	103106	RF
-	130 832-1750-101		.SOFTWARE-ACARS CORE SUPPLIER CODE: V4V792 MISCELLANEOUS DATA: DISKETTE QTY: 1 DISK USED WITH: 822-1239-101 FOR SPARES PROCURE: 831-4035-101 V4V792	103106	1
-	200 286N1163-601		WIRE BUNDLE ASSY	103106	RF

MISSING ITEM NUMBERS NOT APPLICABLE

- ITEM NOT ILLUSTRATED

23-22-01-09

23-22-01
FIG. 09
PAGE 2
JAN 20/09

BRI



757

PARTS CATALOG (MAINTENANCE)

FIG ITEM	PART NUMBER	1 2 3 4 5 6 7	NOMENCLATURE	EFFECT FROM TO	UNITS PER ASSY
9 205	BACC66H21C5801		.CONNECTOR- ELECTRICAL EQUIP NUMBER: D04321 WIRING DIAGRAM REF: 232231 232239	103106	1
210	S280W601-116		.BACKSHELL-GND ELECTRICAL EQUIP NUMBER: D04321T WIRING DIAGRAM REF: 232231	103106	1

MISSING ITEM NUMBERS NOT APPLICABLE

- ITEM NOT ILLUSTRATED

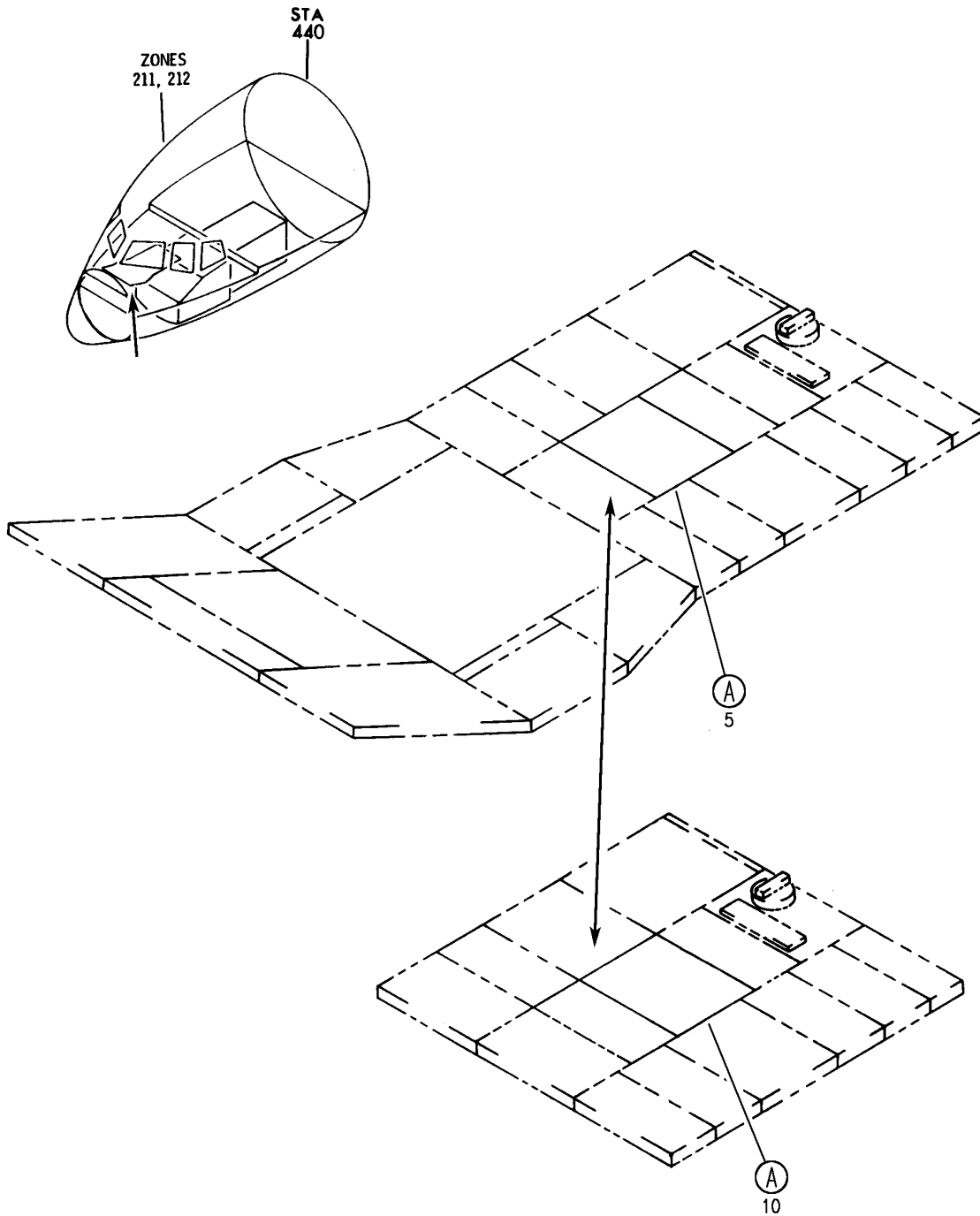
BRI

23-22-01-09

BOEING PROPRIETARY - Copyright © - Unpublished Work - See title page for details.

23-22-01
FIG. 09
PAGE 3
JAN 20/09

BOEING
757
PARTS CATALOG (MAINTENANCE)



Y 23220201 SH1 1 REV 288

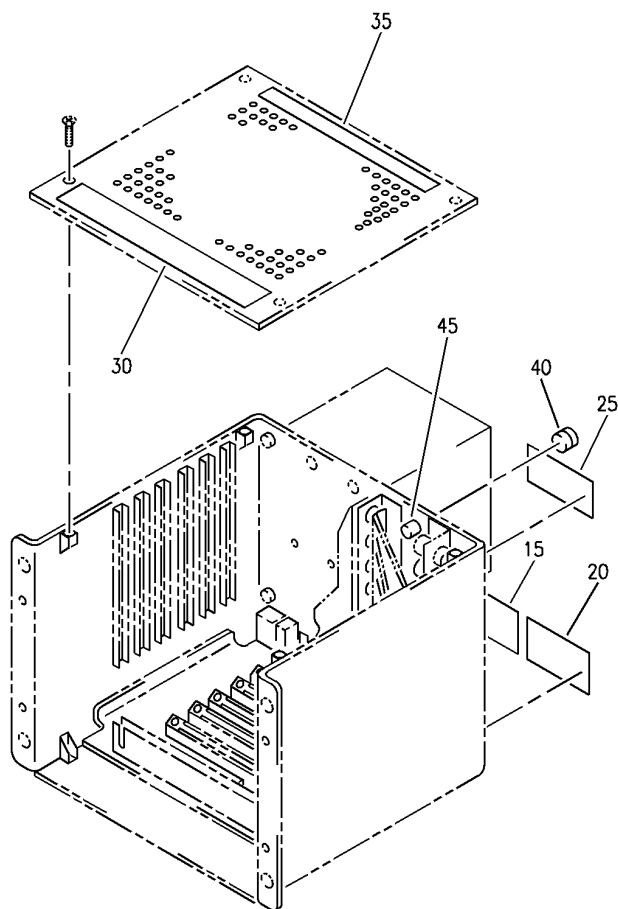
PANEL INSTL- P8 ELECTRONIC (COMMUNICATION)
FIGURE 1 (SHEET 1)

23-22-02-01

BRI
MAY 28/07

23-22-02-01
PAGE 0

BOEING
757
PARTS CATALOG (MAINTENANCE)



(A)

Y 23220201 SHT 2 REV 288

PANEL INSTL- P8 ELECTRONIC (COMMUNICATION)
FIGURE 1 (SHEET 2)

23-22-02-01

BRI
MAY 28/07

23-22-02-01
PAGE 0A



757

PARTS CATALOG (MAINTENANCE)

FIG ITEM	PART NUMBER	1 2 3 4 5 6 7	NOMENCLATURE	EFFECT FROM TO	UNITS PER ASSY
1			PANEL INSTL- P8 ELECTRONIC (COMMUNICATION)	002004 006100 950951	
- 1	233N6101-1		PANEL INSTL-P8 ELECTRONIC (COMMUNICATION) VARIABLE DRAWING REF: 233N6101-5042 233N6101-5046 FOR NHA/OTHER SYS DET SEE: 25-10-00-05A	002004 006100 950951	1
	5 2229346-32		.MANAGEMENT UNIT- INTERACTIVE DISPLAY UNIT SUPPLIER CODE: V98571 ELECTRICAL EQUIP NUMBER: M10893 COMPONENT MAINT MANUAL REF: 31-32-38	950951	1
R R R R R R R R R	10 2229346-7		.MANAGEMENT UNIT- INTERACTIVE DISPLAY UNIT SUPPLIER CODE: V98571 ELECTRICAL EQUIP NUMBER: M10893 COMPONENT MAINT MANUAL REF: 31-60-00 POST RAPID REVISION: RR92034-1	002004 006100	1
	15 2229919		..PLATE-IDENT SUPPLIER CODE: V98571	002004 006100	1
	20 2228514		..LABEL-STATIC SENSITIVE SUPPLIER CODE: V98571	002004 006100	1
	25 2227276		..LABEL-PROGRAM REVISION SUPPLIER CODE: V98571	002004 006100	1
	30 2230281		..LABEL-CAUTION SUPPLIER CODE: V98571	002004 006100	1
	35 2223781-34		..LABEL-PMA SUPPLIER CODE: V98571 CONFIG CHG DATA FROM A CMM: REPLD BY 2223781-36	002004 006100	1

MISSING ITEM NUMBERS NOT APPLICABLE

- ITEM NOT ILLUSTRATED

23-22-02-01

23-22-02
FIG. 01
PAGE 1
MAY 20/09

BRI



757

PARTS CATALOG (MAINTENANCE)

FIG ITEM	PART NUMBER	1 2 3 4 5 6 7	NOMENCLATURE	EFFECT FROM TO	UNITS PER ASSY
1					
35	2223781-36		.. LABEL-PMA SUPPLIER CODE: V98571 CONFIG CHG DATA FROM A CMM: REPLACES 2223781-34	002004 006100	1
40	272002		.. FUSE-F1 SUPPLIER CODE: V75915	002004 006100	1
45	282008A		.. FUSE-HOLDER XF1 SUPPLIER CODE: V75915	002004 006100	1

MISSING ITEM NUMBERS NOT APPLICABLE

- ITEM NOT ILLUSTRATED

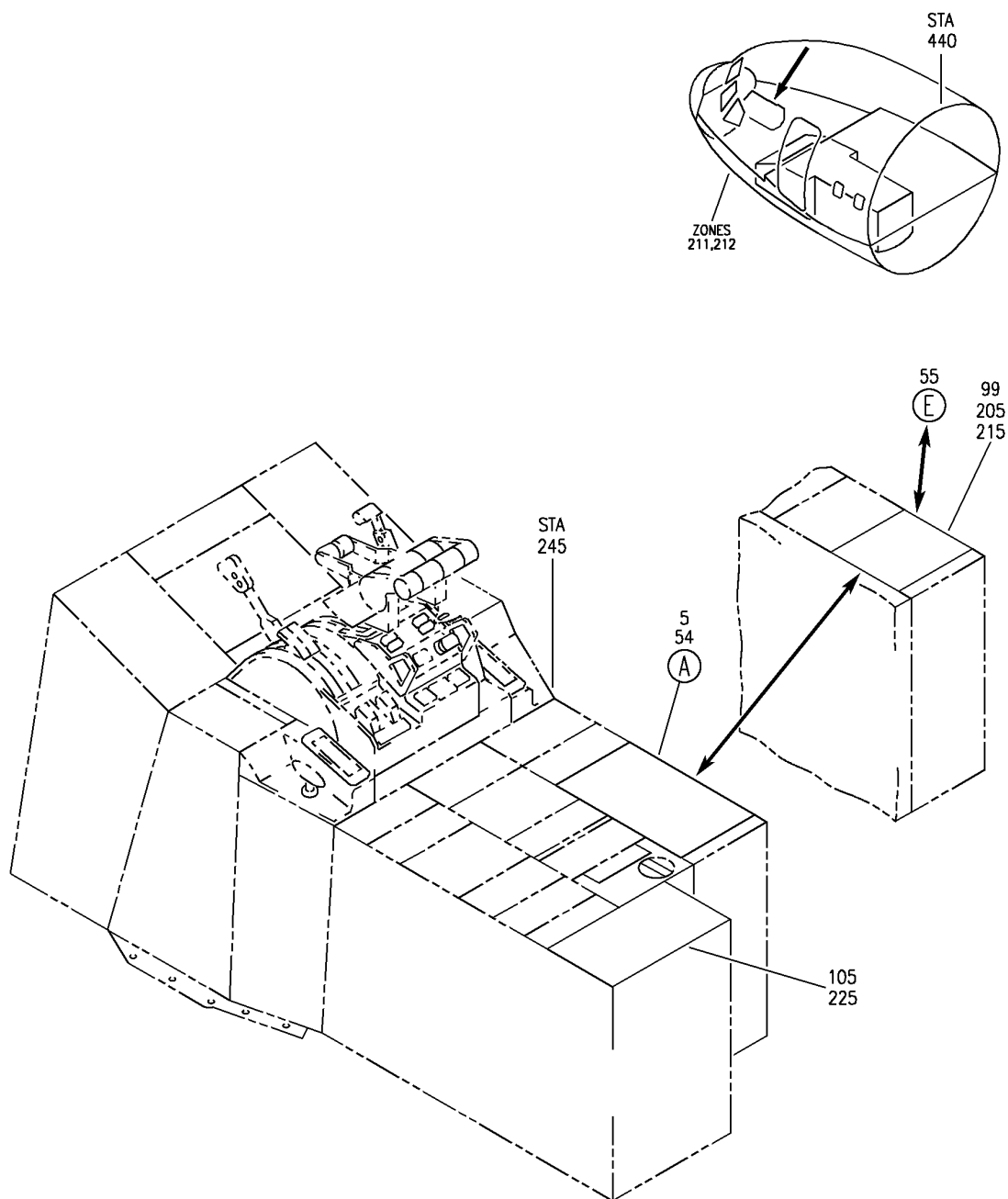
BRI

23-22-02-01

BOEING PROPRIETARY - Copyright © - Unpublished Work - See title page for details.

23-22-02
FIG. 01
PAGE 2
JAN 20/09

BOEING
757
PARTS CATALOG (MAINTENANCE)



Y 23220301 SHT 1 REV 293

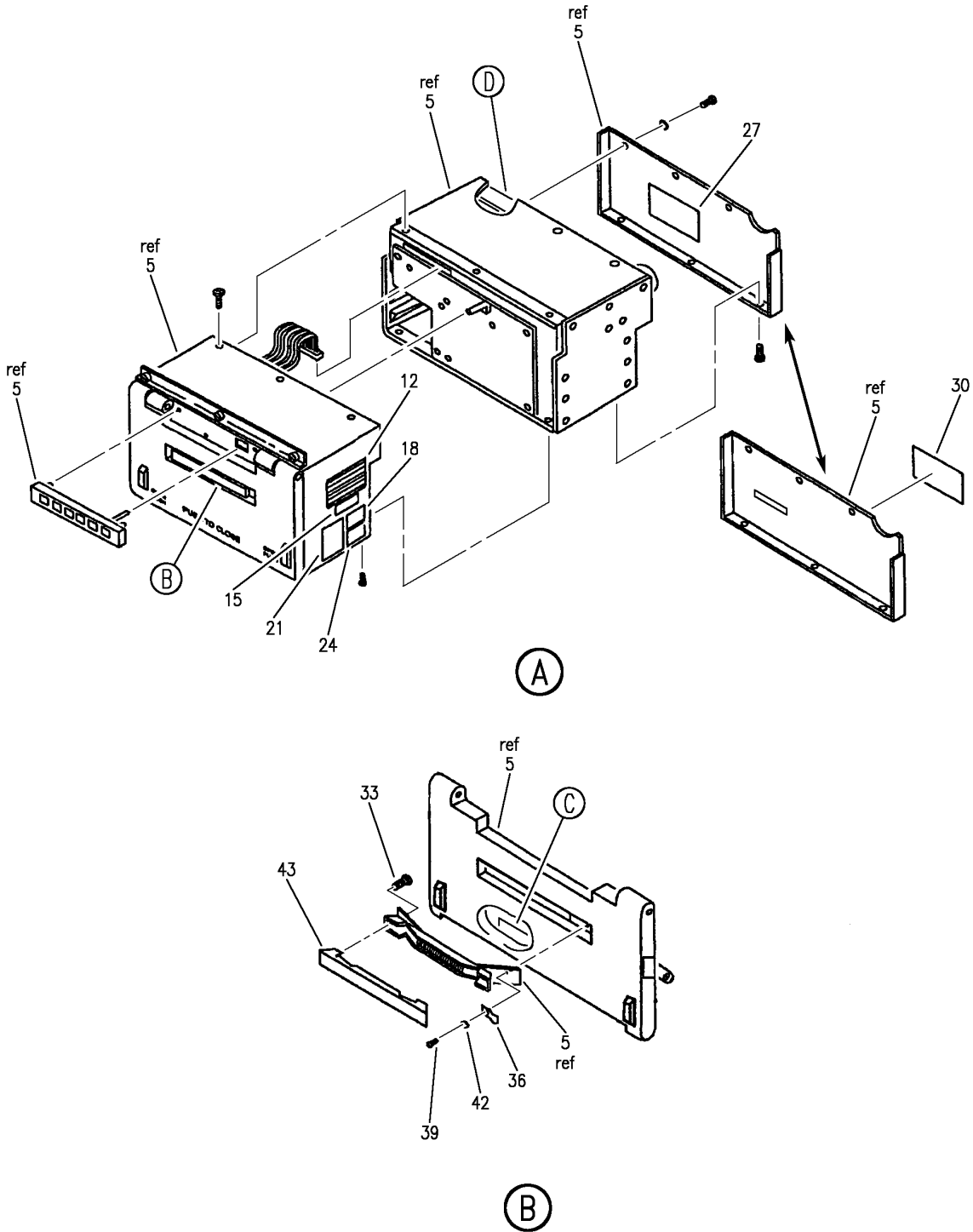
PANEL INSTL-P8, P9, P10 ELECTRONICS (ACARS PRINTER ONLY)
FIGURE 1 (SHEET 1)

23-22-03-01

BRI
MAY 28/07

23-22-03-01
PAGE 0

BOEING
757
PARTS CATALOG (MAINTENANCE)



Y 23220301 SH1 2 REV 286

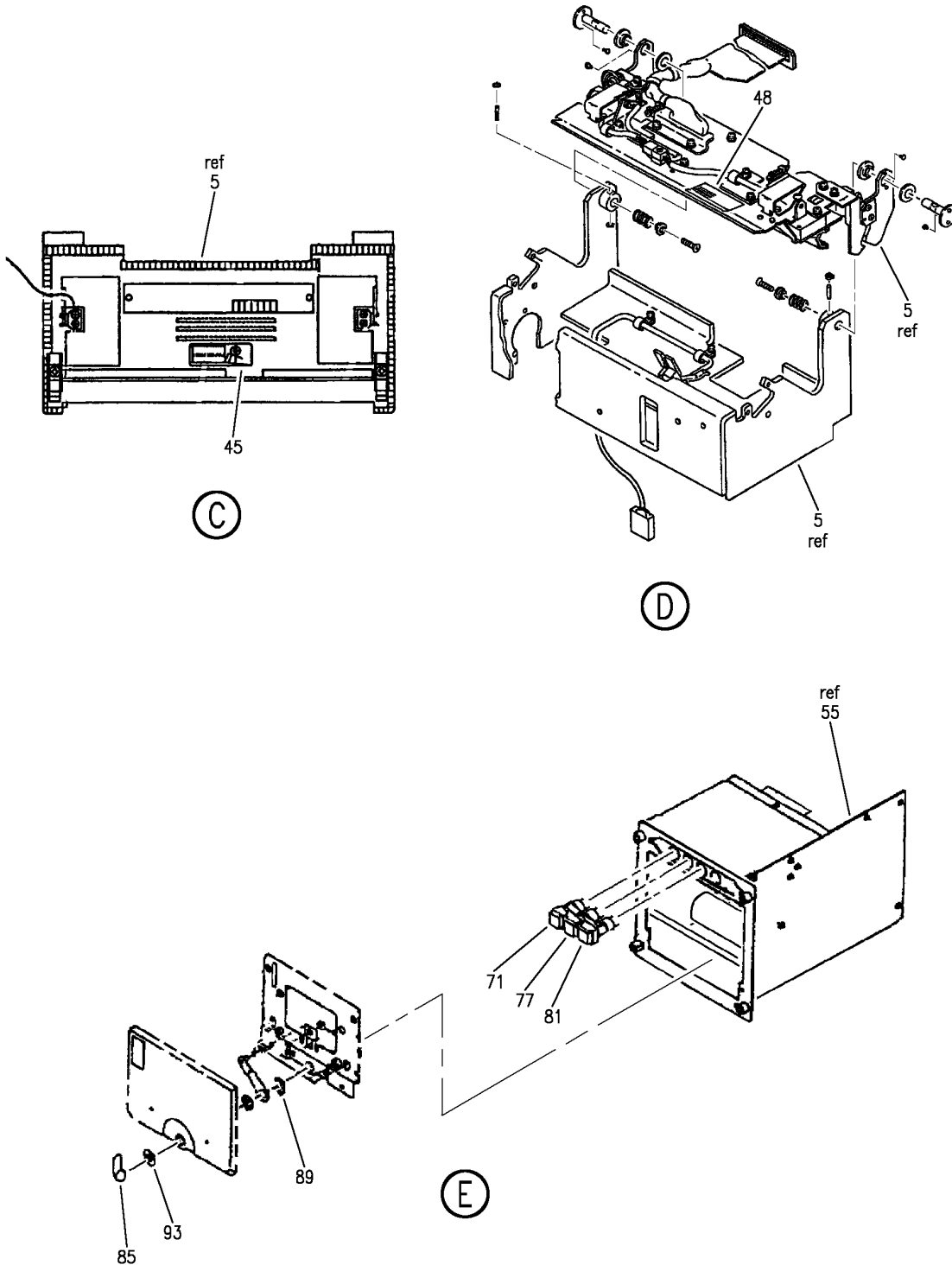
PANEL INSTL-P8, P9, P10 ELECTRONICS (ACARS PRINTER ONLY)
FIGURE 1 (SHEET 2)

23-22-03-01

BRI
MAY 28/07

23-22-03-01
PAGE 0A

BOEING
757
PARTS CATALOG (MAINTENANCE)



Y 23220301 SHT 3 REV 289

PANEL INSTL-P8, P9, P10 ELECTRONICS (ACARS PRINTER ONLY)
FIGURE 1 (SHEET 3)

BRI
MAY 28/07

23-22-03-01

23-22-03-01
PAGE 0B



757

PARTS CATALOG (MAINTENANCE)

FIG ITEM	PART NUMBER	1 2 3 4 5 6 7	NOMENCLATURE	EFFECT FROM TO	UNITS PER ASSY
1			PANEL INSTL-P8, P9, P10 ELECTRONICS (ACARS PRINTER ONLY)	101102	
- 50	233N6103-28		PANEL INSTL-P8, P9, P10 ELECTRONICS (ACARS PRINTER ONLY)	101101	RF
- 50	233N6103-128		FOR NHA/OTHER SYS DET SEE: 25-10-00-15B PANEL INSTL-P8, P9, P10 ELECTRONICS (ACARS PRINTER ONLY)	102102	RF
55	8055515-4506		.PRINTER-MULTI-INPUT SUPPLIER CODE: V97896 ELECTRICAL EQUIP NUMBER: M10386 COMPONENT MAINT MANUAL REF: 31-35-22	101102	1
- 200	286N2079-315		WIRE BUNDLE ASSY	101102	RF
205	MS3126F20-41S		.PLUG- ELECTRICAL EQUIP NUMBER: D00779 WIRING DIAGRAM REF: 313301	101102	1

R
R
R
R
R
R
R

MISSING ITEM NUMBERS NOT APPLICABLE

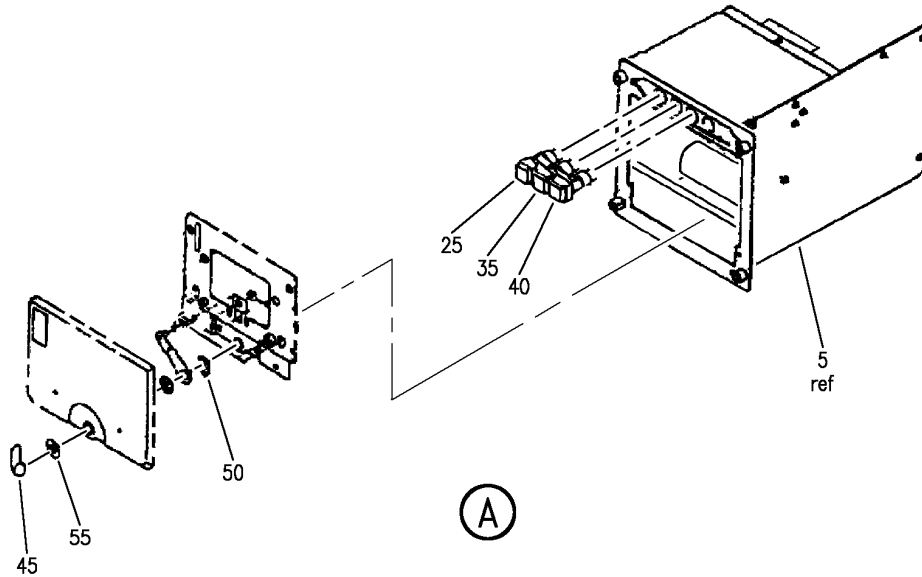
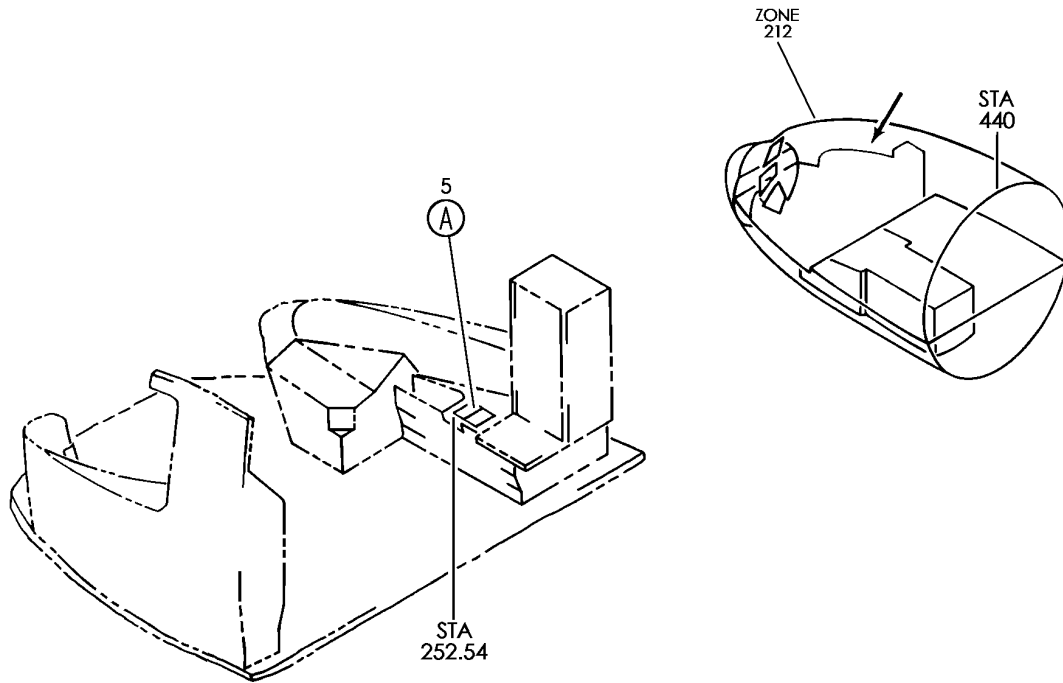
- ITEM NOT ILLUSTRATED

23-22-03-01

23-22-03
FIG. 01
PAGE 1
MAY 20/09

BRI

BOEING
757
PARTS CATALOG (MAINTENANCE)



Y 23220302 REV 289

PANEL INSTL-PRINTER (COMMUNICATIONS ONLY)
FIGURE 2

23-22-03-02

BRI
JAN 20/09

23-22-03-02
PAGE 0



**757
PARTS CATALOG (MAINTENANCE)**

FIG ITEM	PART NUMBER	1 2 3 4 5 6 7	NOMENCLATURE	EFFECT FROM TO	UNITS PER ASSY
2			PANEL INSTL-PRINTER (COMMUNICATIONS ONLY)	504903	
- 1	233N7103-21		PANEL INSTL-PRINTER (COMMUNICATIONS ONLY) FOR NHA/OTHER SYS DET SEE: 25-10-00-15B	504903	RF
R R R R R R R R R	5 RDAC1203-7B3		.PRINTER-ACARS SUPPLIER CODE: VOFF57 ELECTRICAL EQUIP NUMBER: M10386 COMPONENT MAINT MANUAL REF: 23-23-02 QUALIFIED I/W DATA: RDAC1203-7B3 MAY REPLACE BUT NOT BE REPLACED BY THE RDAC1203-5B3.	504903	1
- 10	R6QA112ZA		.. LABEL-PUSH SUPPLIER CODE: VOFF57	504903	1
- 15	R6GE4A		.. LABEL-ESD SUPPLIER CODE: VOFF57	504903	1
- 20	R6QA125ZA		.. LABEL-PUSH SUPPLIER CODE: VOFF57	504903	2
	25 R5WP1A27B		.. SWITCH-PUSH TEST SUPPLIER CODE: VOFF57	504903	1
- 30	R5WP1A27C		.. SWITCH-PUSH SUPPLIER CODE: VOFF57	504903	1
	35 R5WP1A27D		.. SWITCH-PUSH SUPPLIER CODE: VOFF57	504903	1
	40 R5WP1A27E		.. SWITCH-PUSH SUPPLIER CODE: VOFF57	504903	1
	45 R6BS1ZB		.. KNOB-LEVER SUPPLIER CODE: VOFF57	504903	1
	50 R6XUC6FYV		ATTACHING PARTS .. E RING- SUPPLIER CODE: VOFF57	504903	1
	55 R6HR1487ZA		.. WASHER- SUPPLIER CODE: VOFF57 -----*-----	504903	1

MISSING ITEM NUMBERS NOT APPLICABLE

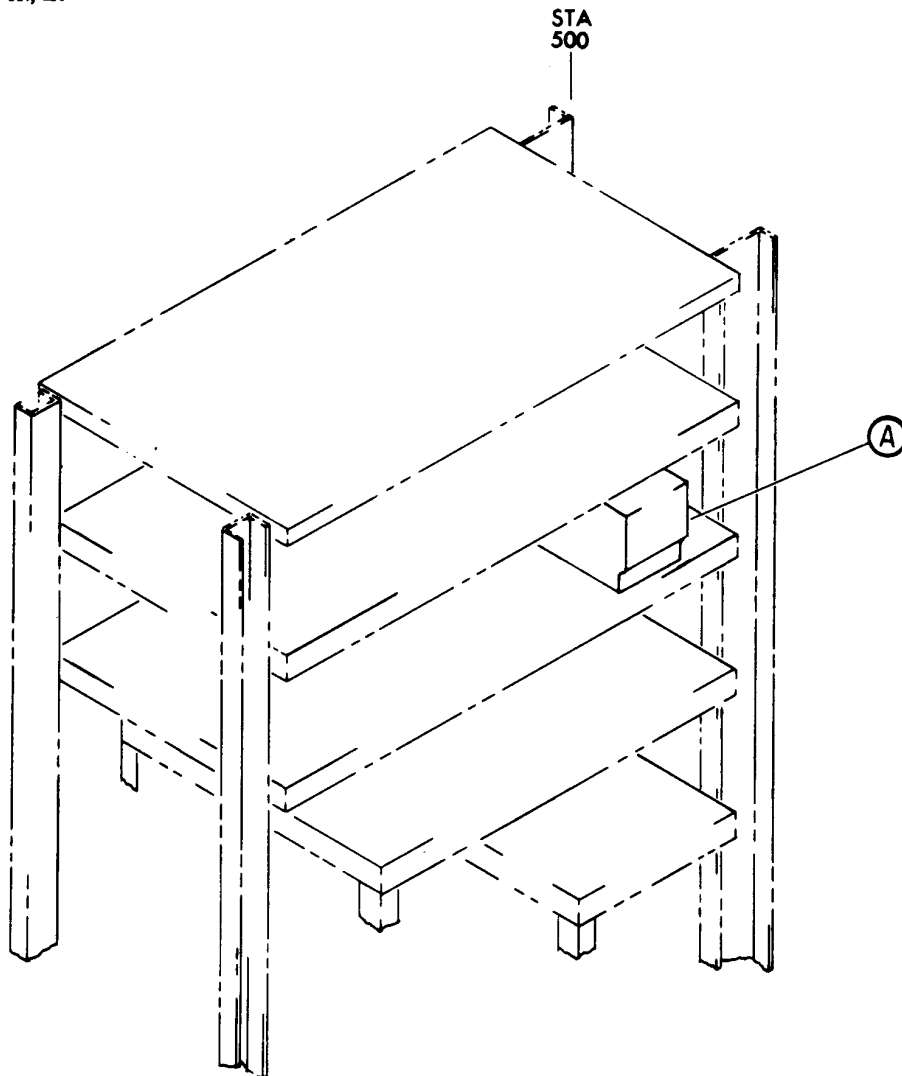
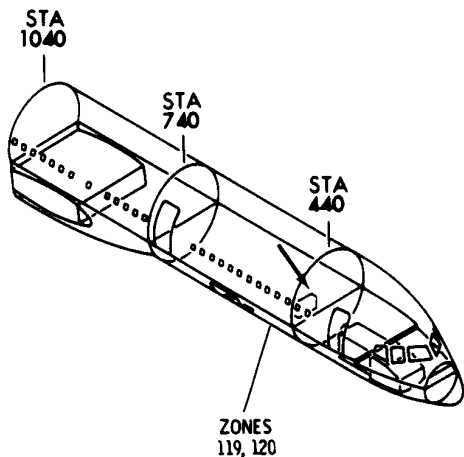
- ITEM NOT ILLUSTRATED

23-22-03-02

23-22-03
FIG. 02
PAGE 1
MAY 20/09

BRI

BOEING
757
PARTS CATALOG (MAINTENANCE)



Y 23220401 SHT 1 REV 094

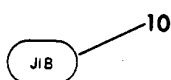
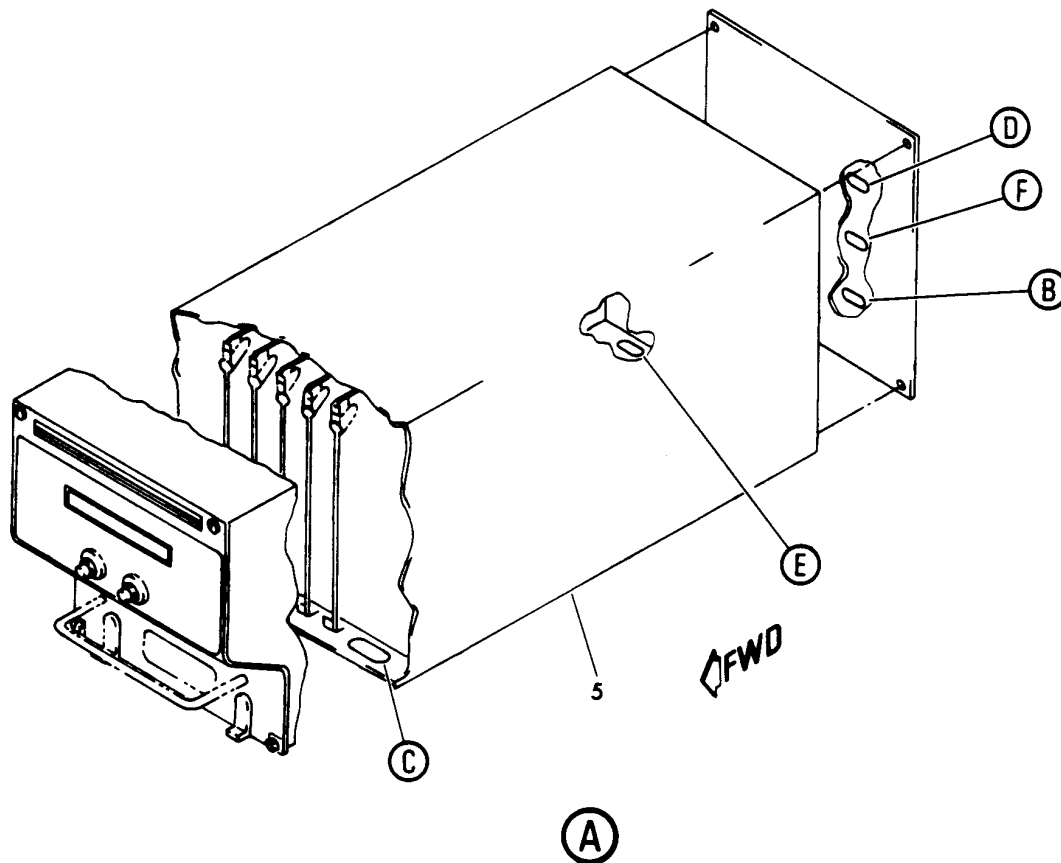
EQUIPMENT INSTL-MAIN ELECTRONICS EQPT CTR (DUAL ACARS SWITCHING UNIT ONLY)
FIGURE 1 (SHEET 1)

23-22-04-01

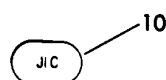
BRI
JAN 20/09

23-22-04-01
PAGE 0

BOEING
757
PARTS CATALOG (MAINTENANCE)



(F)



(B)



(E)



(D)



(C)

Y 23220401 SHT 2 REV 094

EQUIPMENT INSTL-MAIN ELECTRONICS EQPT CTR (DUAL ACARS SWITCHING UNIT ONLY)
FIGURE 1 (SHEET 2)

23-22-04-01

BRI
JAN 20/09

23-22-04-01
PAGE 0A



757

PARTS CATALOG (MAINTENANCE)

FIG ITEM	PART NUMBER	1 2 3 4 5 6 7	NOMENCLATURE	EFFECT FROM TO	UNITS PER ASSY
1			EQUIPMENT INSTL-MAIN ELECTRONICS EQPT CTR (DUAL ACARS SWITCHING UNIT ONLY)	504903	
- 1	284N1800-88		EQUIPMENT INSTL-MAIN ELECTRONICS EQPT CTR (DUAL ACARS SWITCHING UNIT ONLY)	505505	RF
- 1	284N1800-190		FOR NHA/OTHER SYS DET SEE: 24-00-58-05E EQUIPMENT INSTL-MAIN ELECTRONICS EQPT CTR (DUAL ACARS SWITCHING UNIT ONLY)	504504 506903	RF
	5 285U0152-1		FOR NHA/OTHER SYS DET SEE: 24-00-58-05E .MODULE ASSY- SUPPLIER CODE: V89954 ELECTRICAL EQUIP NUMBER: M10774 COMPONENT MAINT MANUAL REF: 23-27-01	504903	1
10	BAC27TEX3327		..DECALSET-INCLUDES DECALS IDENTIFIED ON THE ILLUSTRATION	504903	1

MISSING ITEM NUMBERS NOT APPLICABLE

- ITEM NOT ILLUSTRATED

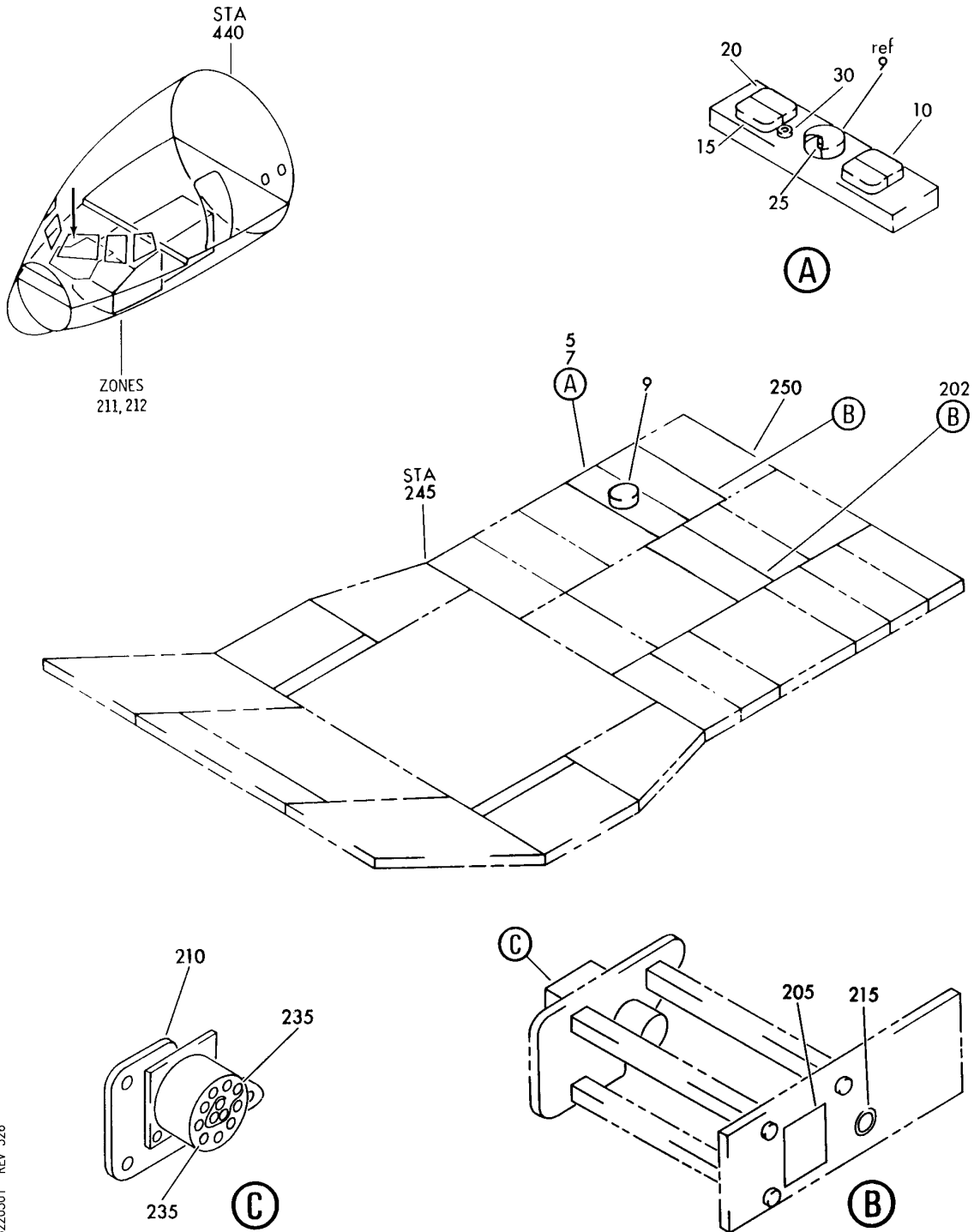
BRI

23-22-04-01

BOEING PROPRIETARY - Copyright © - Unpublished Work - See title page for details.

23-22-04
FIG. 01
PAGE 1
JAN 20/09

BOEING
757
PARTS CATALOG (MAINTENANCE)



Y 23220501 REV 326

PANEL INSTL-P8 ELECTRONIC (ACARS SYSTEM ONLY)
FIGURE 1

23-22-05-01

BRI
JAN 20/09

23-22-05-01
PAGE 0

 **BOEING**
757
PARTS CATALOG (MAINTENANCE)

FIG ITEM	PART NUMBER	1 2 3 4 5 6 7	NOMENCLATURE	EFFECT FROM TO	UNITS PER ASSY
1			PANEL INSTL-P8 ELECTRONIC (ACARS SYSTEM ONLY)	950951	
- 1	233N6101-1		PANEL INSTL-P8 ELECTRONIC (ACARS SYSTEM ONLY) VARIABLE DRAWING REF: 233N6101-5046 FOR NHA/OTHER SYS DET SEE: 25-10-00-05A	950951	RF
202	9X2334873-1		.PANEL ASSY-ACARS SYS SUPPLIER CODE: V8B250 ELECTRICAL EQUIP NUMBER: M140775 POST AIRLINE MOD: E.O.2393R039 VALP	950951	RF
205	MS24524-23		..SWITCH	950951	1
210	BACC45FN12-12P6		..CONNECTOR- SERVICE BULLETIN OPT DATA: ZZBAC1712-12P	950951	1
210	ZZBAC1712-12P		..CONNECTOR- SUPPLIER CODE: V49367 SPECIFICATION NUMBER: BACC45FN12-12P SERVICE BULLETIN OPT DATA: BACC45FN12-12P6 POST AIRLINE MOD: E.O.2393R039 VALP	950951	1
215	800000121-1		..CONNECTOR- SUPPLIER CODE: V05617 ATTACHING PARTS	950951	1
- 220	NAS1801-04-5		..SCREW	950951	3
- 225	K19798-04		..NUT SUPPLIER CODE: V15653 SPECIFICATION NUMBER: BACN10NW1 OPTIONAL PART: RMA4812-160-40 V72962 293162 V60119	950951	3
- 230	233T6209-3		-----*----- ..WIRE BUNDLE ASSY- SUPPLIER CODE: V89954	950951	1

MISSING ITEM NUMBERS NOT APPLICABLE

- ITEM NOT ILLUSTRATED

BRI

23-22-05-01

23-22-05
FIG. 01
PAGE 1
JAN 20/09



757

PARTS CATALOG (MAINTENANCE)

FIG ITEM	PART NUMBER	1 2 3 4 5 6 7	NOMENCLATURE	EFFECT FROM TO	UNITS PER ASSY
1					
235	MS24254-20P		. . . PIN-CONTACT	950951	12
250	9X2334873-1		. PANEL ASSY-VOICE AUTO SWITCH M10967 SUPPLIER CODE: V8B250 POST AIRLINE MOD: E.O.2393R154 VALP	950951	RF

MISSING ITEM NUMBERS NOT APPLICABLE

- ITEM NOT ILLUSTRATED

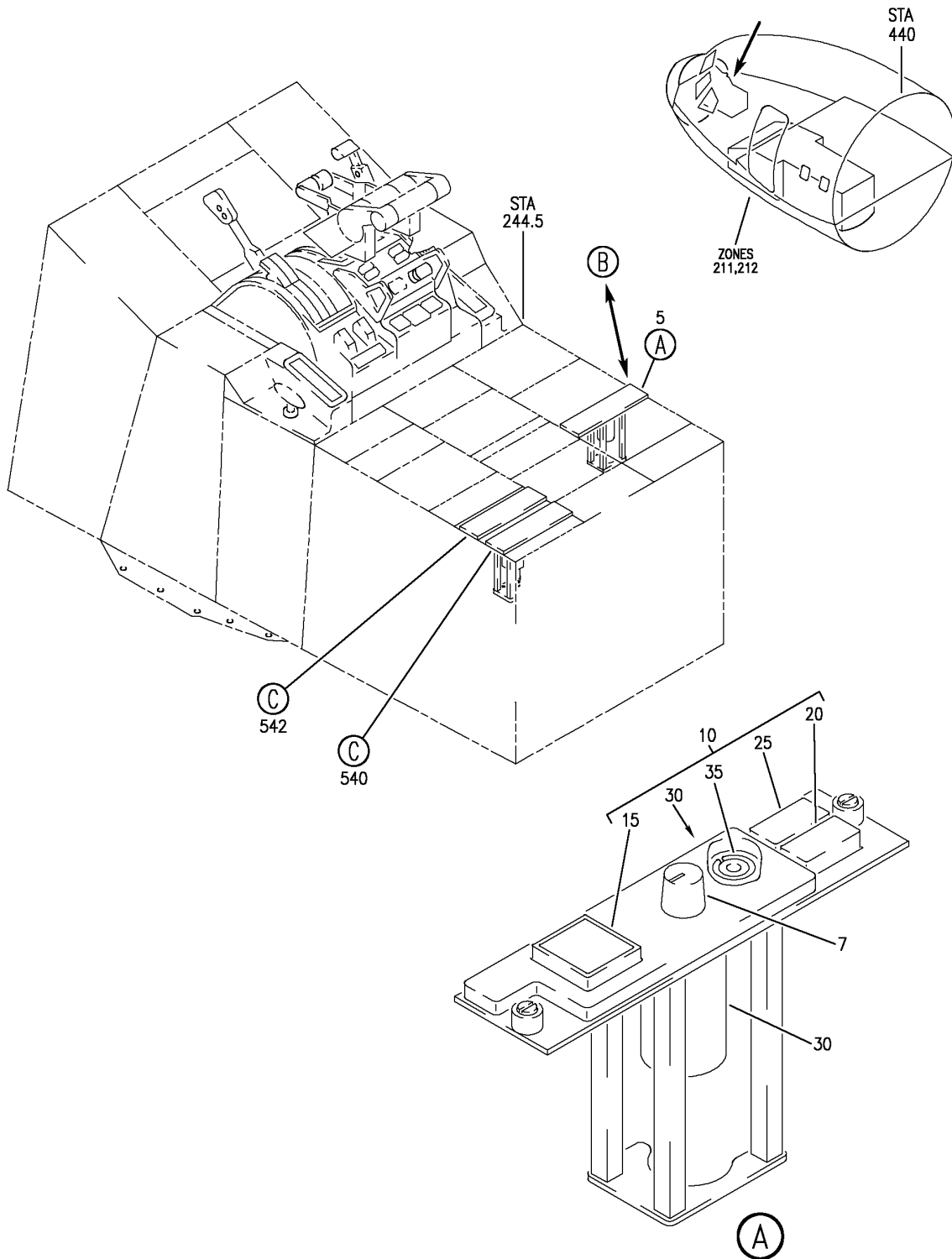
BRI

23-22-05-01

BOEING PROPRIETARY - Copyright © - Unpublished Work - See title page for details.

23-22-05
FIG. 01
PAGE 2
JAN 20/09

BOEING
757
PARTS CATALOG (MAINTENANCE)



Y 23220502 SH-T 1 REV 328

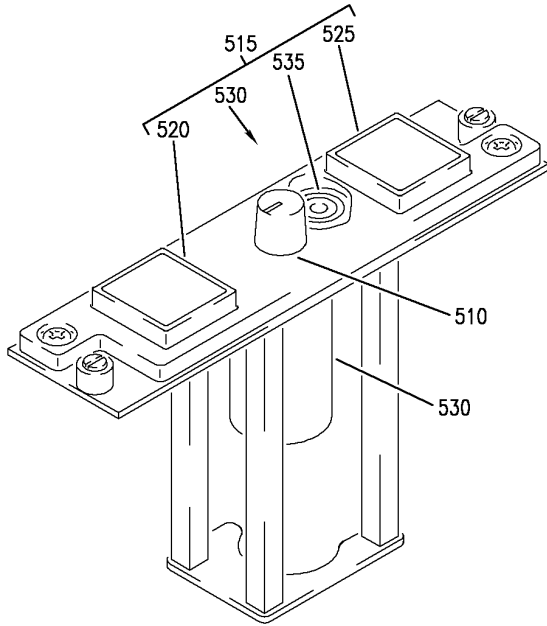
PANEL INSTL-P8 ELECTRONIC (ACARS SYSTEM ONLY)
FIGURE 2 (SHEET 1)

23-22-05-02

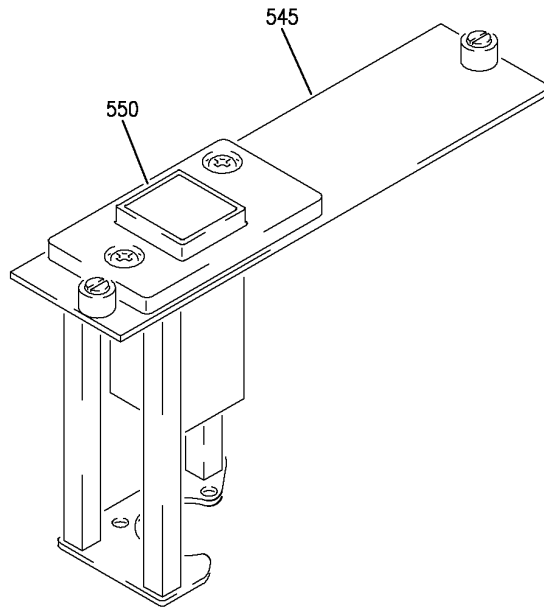
BRI
JAN 20/09

23-22-05-02
PAGE 0

BOEING
757
PARTS CATALOG (MAINTENANCE)



(B)



(C)

Y 23220502 SHT 2 REV 247

PANEL INSTL-P8 ELECTRONIC (ACARS SYSTEM ONLY)
FIGURE 2 (SHEET 2)

23-22-05-02

BRI
JAN 20/09

23-22-05-02
PAGE 0A



757

PARTS CATALOG (MAINTENANCE)

FIG ITEM	PART NUMBER	1 2 3 4 5 6 7	NOMENCLATURE	EFFECT FROM TO	UNITS PER ASSY
2			PANEL INSTL-P8 ELECTRONIC (ACARS SYSTEM ONLY)	504903	
- 500	233N6103-122		PANEL INSTL-P8 ELECTRONIC (ACARS SYSTEM ONLY)	504903	RF
- 505	233N6206-302		FOR NHA/OTHER SYS DET SEE: 25-10-00-15B .PANEL ASSY-ACARS SYS SUPPLIER CODE: V89954	504903	RF
510	TT410-102		..KNOB-PLASTIC SUPPLIER CODE: V81590	504903	1
515	233N6206-6		..PANEL ASSY- SUPPLIER CODE: V89954 ELECTRICAL EQUIP NUMBER: M10775 COMPONENT MAINT MANUAL REF: 23-27-02	504903	1
520	BCREFA1557		...SWITCH ASSY-LIGHTED PUSHBUTTON IND ACARS/ VOICE SUPPLIER CODE: V81590 OVERLENGTH PART NUMBER: 433-673-1004-4109 SPECIFICATION NUMBER: S231T290-4109	504903	1
520	4336731004-4309		...SWITCH ASSY-LIGHTED PUSHBUTTON IND ACARS/ VOICE SUPPLIER CODE: V81590 SPECIFICATION NUMBER: S231T290-4309	504903	1
525	4336731004-4313		...SWITCH ASSY-LIGHTED PUSHBUTTON IND SUPPLIER CODE: V81590 SPECIFICATION NUMBER: S231T290-4313	504903	1
525	BCREF147153		...SWITCH ASSY-LIGHTED PUSHBUTTON IND SUPPLIER CODE: V81590 OVERLENGTH PART NUMBER: 433-673-1004-4113 SPECIFICATION NUMBER: S231T290-4113	504903	1

MISSING ITEM NUMBERS NOT APPLICABLE

- ITEM NOT ILLUSTRATED

BRI

23-22-05-02

23-22-05
FIG. 02
PAGE 1
JAN 20/09



757

PARTS CATALOG (MAINTENANCE)

FIG ITEM	PART NUMBER	1 2 3 4 5 6 7	NOMENCLATURE	EFFECT FROM TO	UNITS PER ASSY
2 530	AA45-2-2BN		... SWITCH- SUPPLIER CODE: V91812	504903	1
535	800000121-1		... CONNECTOR- SUPPLIER CODE: V05617	504903	1

MISSING ITEM NUMBERS NOT APPLICABLE

- ITEM NOT ILLUSTRATED

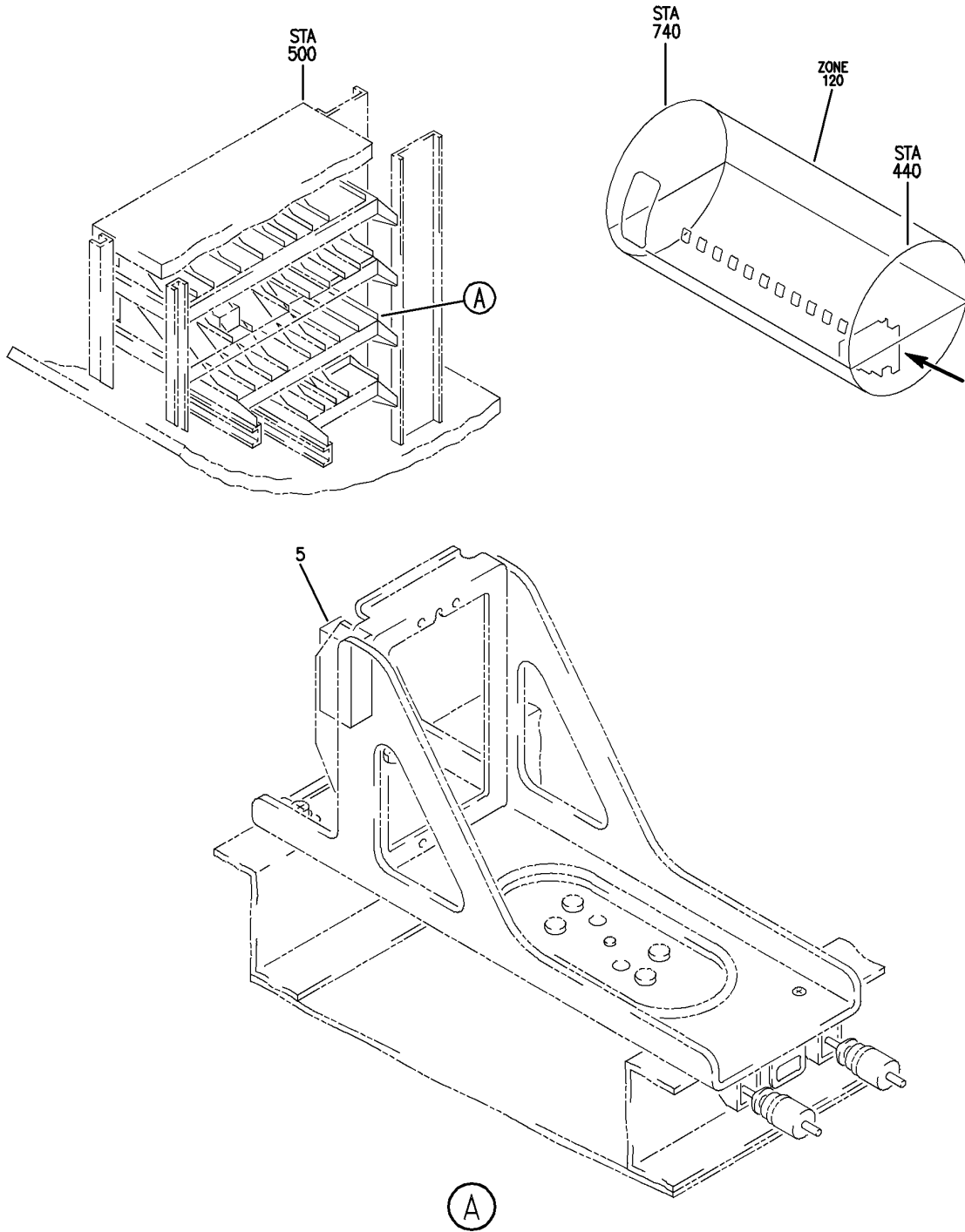
BRI

23-22-05-02

BOEING PROPRIETARY - Copyright © - Unpublished Work - See title page for details.

23-22-05
FIG. 02
PAGE 2
JAN 20/09

BOEING
757
PARTS CATALOG (MAINTENANCE)



Y 23220801 REV 244

SHELF ASSY-ELECTRONICS EQPT CTR E4-3 (COMMUNICATIONS ONLY)
FIGURE 1

23-22-08-01

BRI
JAN 20/09

23-22-08-01
PAGE 0



**757
PARTS CATALOG (MAINTENANCE)**

FIG ITEM	PART NUMBER	1 2 3 4 5 6 7	NOMENCLATURE	EFFECT FROM TO	UNITS PER ASSY
1			SHELF ASSY-ELECTRONICS EQPT CTR E4-3 (COMMUNICATIONS ONLY)	103106	
- 1	MODREF31726		SHELF ASSY-ELECTRONICS EQPT CTR E4-3 (COMMUNICATIONS ONLY) MODULE NUMBER: 284N1543-75 REV A FOR OTHER SYS DETAILS SEE: 25-70-55-16H 31-41-00-01A	103106	1
R R R R R R R R R R R	5 822-1424-001		.MODULE- SUPPLIER CODE: V4V792 FUNCTIONAL DESCRIPTION: PROVIDES KNOWN VALID IDENTIFICATION/ CONFIGUARATION DATA FOR THE SPECIFIC AIRCRAFT ON WHICH IT IS INSTALLED. INTERFACE TO THE APM IS VIA THE REAR CONNECTOR DISCRETE I/O LINES AS DESCRIBED IN ARINC607 ELECTRICAL EQUIP NUMBER: M11748	103106	1
- 10	NAS514P440-14		ATTACHING PARTS .SCREW -----*-----	103106	2

MISSING ITEM NUMBERS NOT APPLICABLE

- ITEM NOT ILLUSTRATED

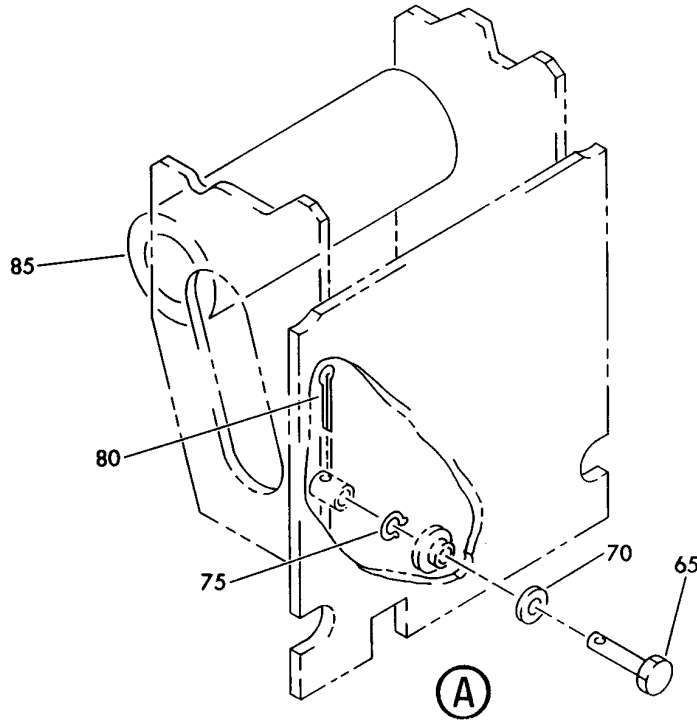
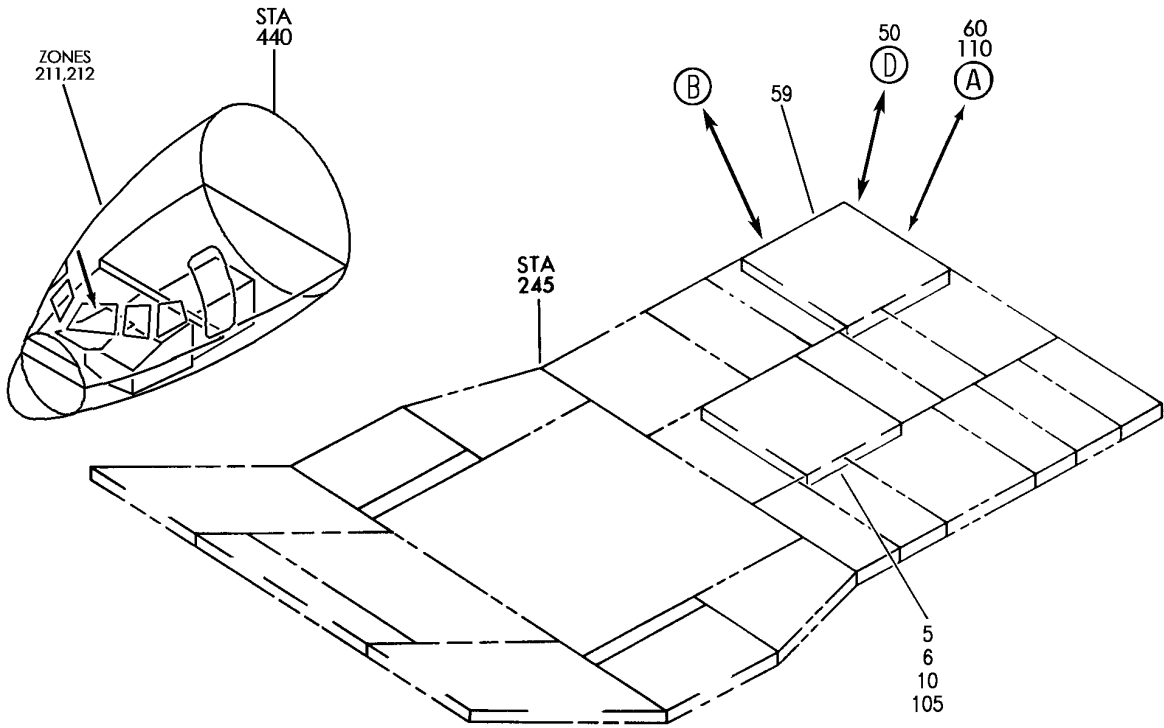
BRI

23-22-08-01

BOEING PROPRIETARY - Copyright © - Unpublished Work - See title page for details.

23-22-08
FIG. 01
PAGE 1
MAY 20/09

BOEING
757
PARTS CATALOG (MAINTENANCE)



Y 23225101_SHT 1 REV 323

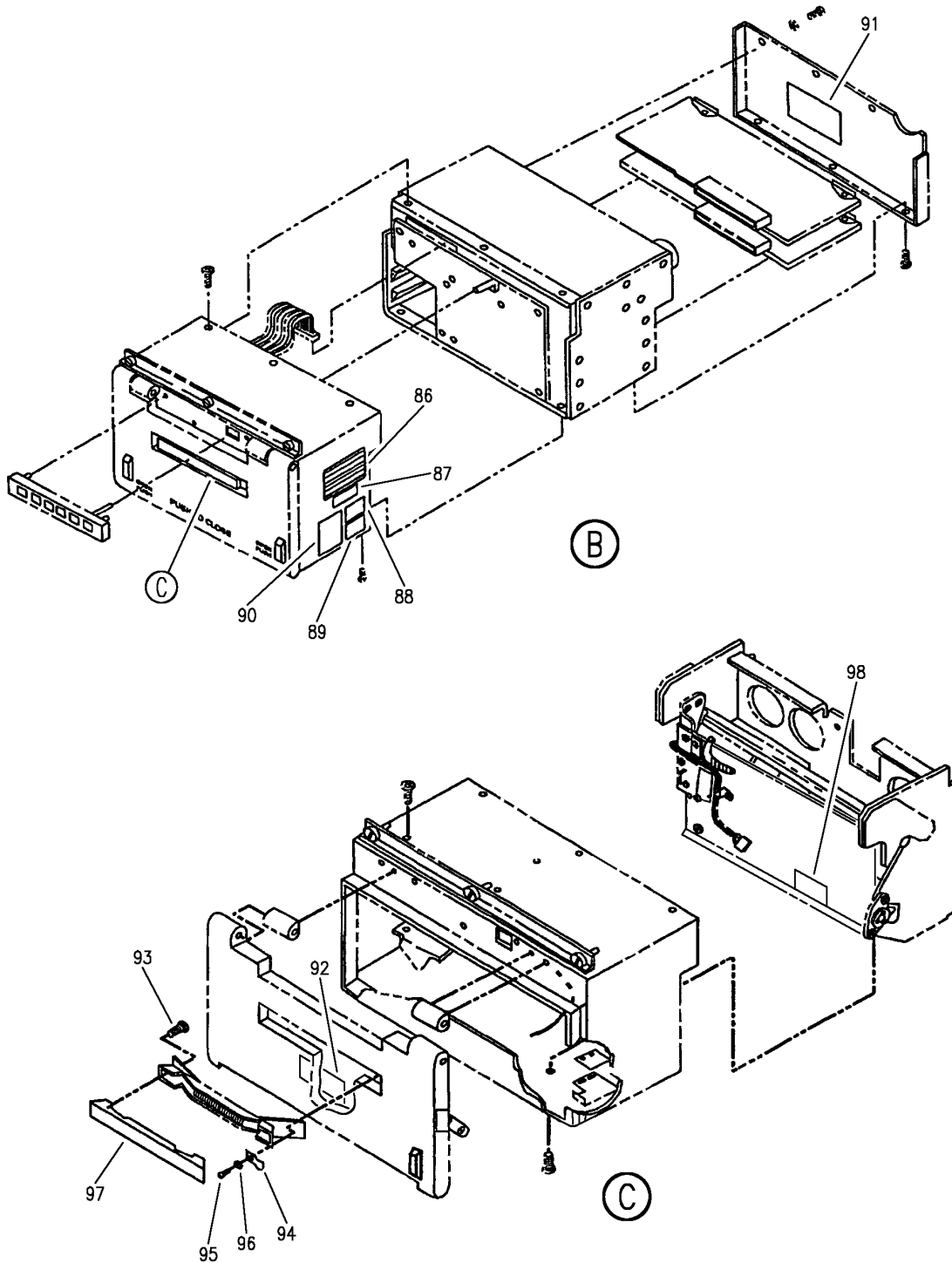
PANEL INSTL-P8 ELECTRONIC (ACARS SYSTEMS ONLY)
FIGURE 1 (SHEET 1)

BRI
MAY 20/08

23-22-51-01

23-22-51-01
PAGE 0

BOEING
757
PARTS CATALOG (MAINTENANCE)



Y 23225101 SH1 2 REV 286

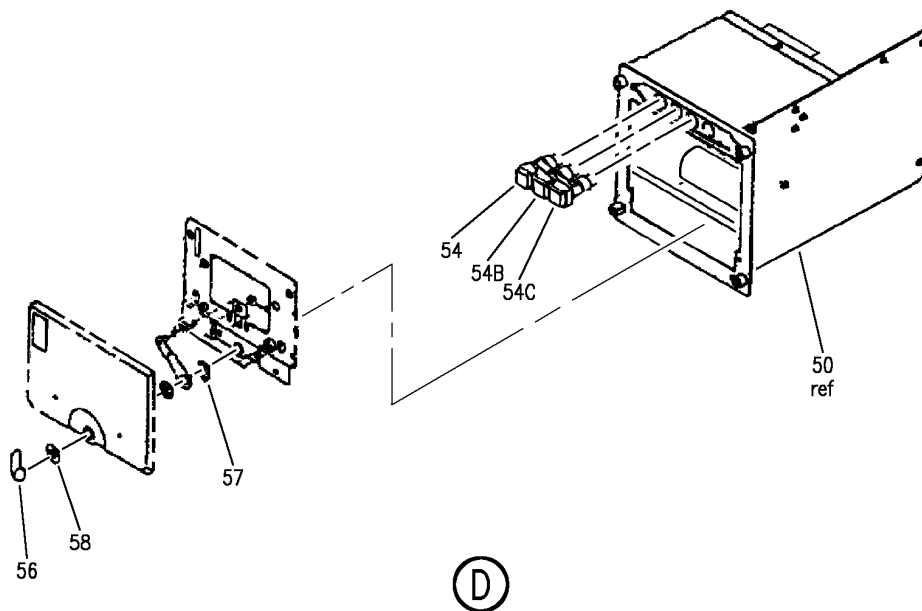
PANEL INSTL-P8 ELECTRONIC (ACARS SYSTEMS ONLY)
FIGURE 1 (SHEET 2)

23-22-51-01

BRI
MAY 28/07

23-22-51-01
PAGE 0A

BOEING
757
PARTS CATALOG (MAINTENANCE)



Y 23225101 SH1 3 REV 289

PANEL INSTL-P8 ELECTRONIC (ACARS SYSTEMS ONLY)
FIGURE 1 (SHEET 3)

23-22-51-01

BRI
MAY 28/07

23-22-51-01
PAGE 0B



757

PARTS CATALOG (MAINTENANCE)

FIG ITEM	PART NUMBER	1 2 3 4 5 6 7	NOMENCLATURE	EFFECT FROM TO	UNITS PER ASSY
1			PANEL INSTL-P8 ELECTRONIC (ACARS SYSTEMS ONLY)	002004 006100	
- 1	233N6101-1		PANEL INSTL-P8 ELECTRONIC (ACARS SYSTEM ONLY)	002004 006100	RF
			VARIABLE DRAWING REF: 233N6101-5042 FOR NHA/OTHER SYS DET SEE: 25-10-00-05A		
R	50	2228472-3	.PRINTER-ACARS SUPPLIER CODE: V98571 ELECTRICAL EQUIP NUMBER: M10386 OPTIONAL PART: 468300-2 V55059	002004 006100	1
R					
R					
R					
R					
R	50	468300-2	.PRINTER-ACARS SUPPLIER CODE: V54418 ELECTRICAL EQUIP NUMBER: M10386 COMPONENT MAINT MANUAL REF: 23-20-02 OPTIONAL PART: 2228472-3 V98571	002004 006100	1
R					
R					
R					
R					
R					
R					
R					

MISSING ITEM NUMBERS NOT APPLICABLE

- ITEM NOT ILLUSTRATED

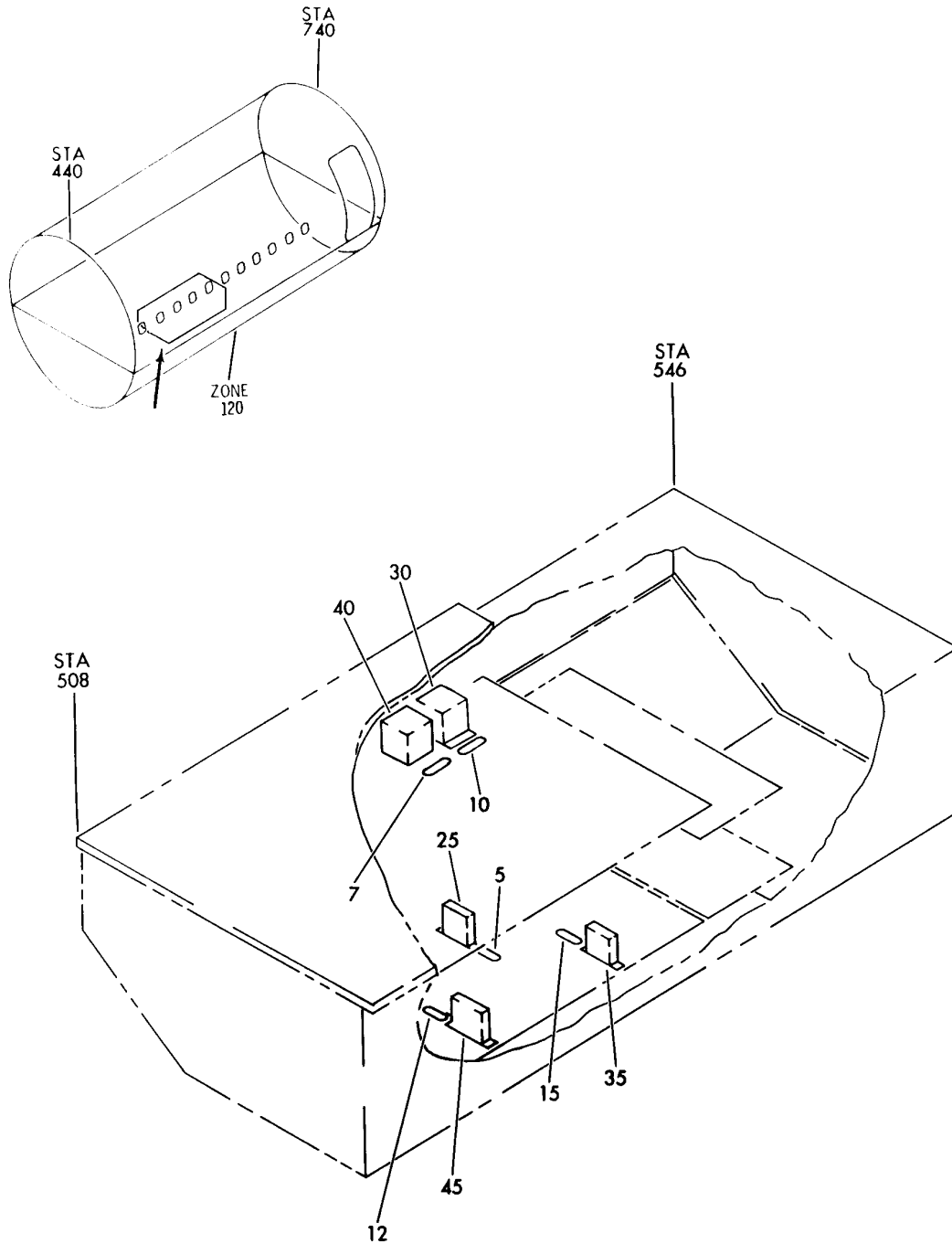
BRI

23-22-51-01

BOEING PROPRIETARY - Copyright © - Unpublished Work - See title page for details.

23-22-51
FIG. 01
PAGE 1
MAY 20/09

BOEING
757
PARTS CATALOG (MAINTENANCE)



Y 23225301 REV 155

PANEL ASSY-P36 MISC RELAY (ACARS ONLY)

FIGURE 1

23-22-53-01

BRI
JAN 20/09

23-22-53-01
PAGE 0



757

PARTS CATALOG (MAINTENANCE)

FIG ITEM	PART NUMBER	1 2 3 4 5 6 7	NOMENCLATURE	EFFECT FROM TO	UNITS PER ASSY
1			PANEL ASSY-P36 MISC RELAY (ACARS ONLY)	950951	
- 1	284N1125-1		PANEL ASSY-P36 MISC RELAY L (ACARS ONLY)	950951	RF
			VARIABLE DRAWING REF: 284N1125-5054		
			REWORKED BY ALERT SB: 27A0130		
			FOR NHA/OTHER SYS DET SEE: 31-01-36-01B		
10	BAC27NEX2827		.DECAL- PLACARD CONTENT: K10730	950951	1
30	ES410-1538		.RELAY- SUPPLIER CODE: V99699 SPECIFICATION NUMBER: BACR13CG2AB OPTIONAL PART: KD4L018 V35344 BR230DS0115 V56623 KD4L036 V58657 FCA410-63 V78290 ELECTRICAL EQUIP NUMBER: K10730	950951	1

MISSING ITEM NUMBERS NOT APPLICABLE

- ITEM NOT ILLUSTRATED

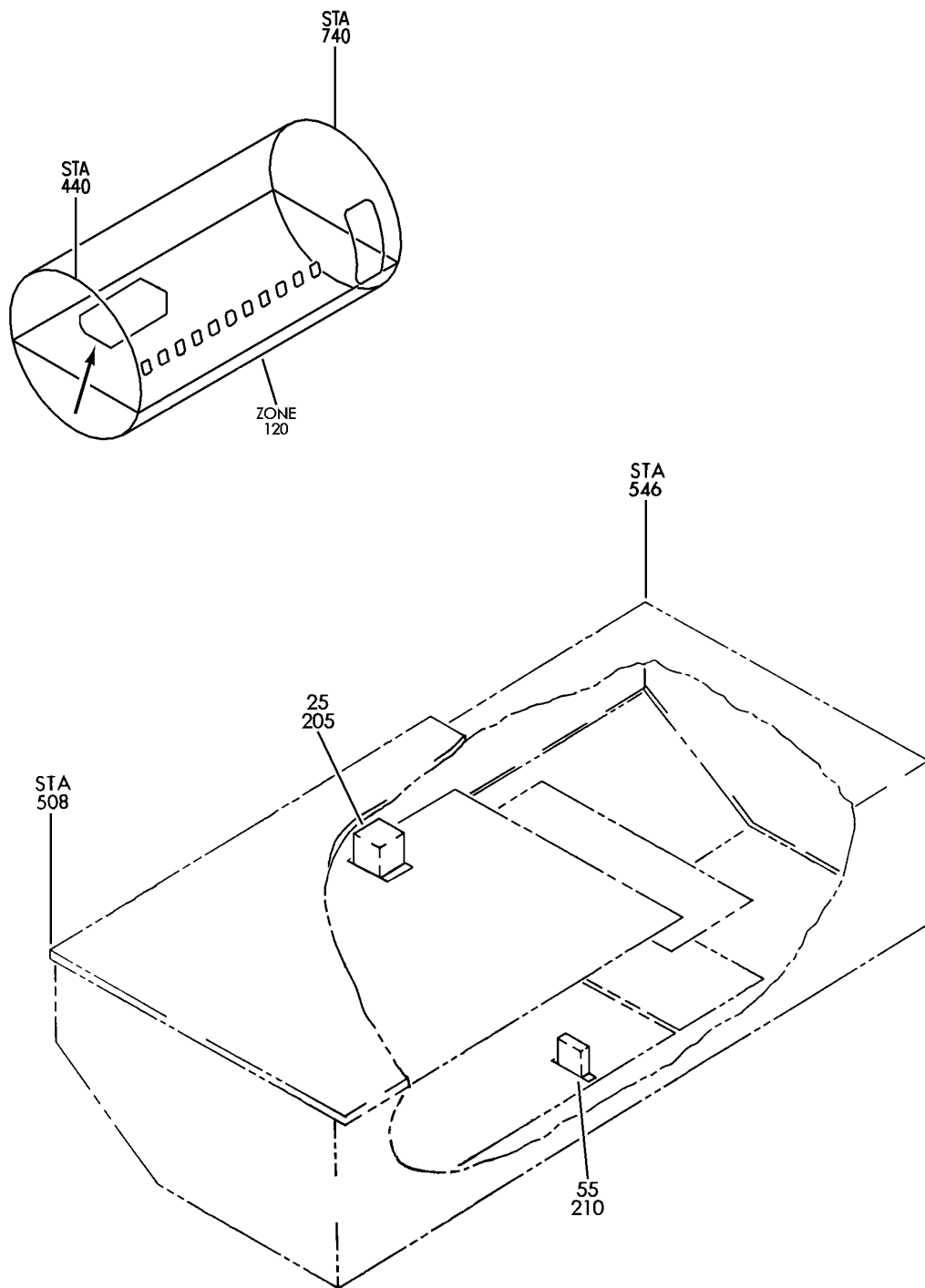
BRI

23-22-53-01

BOEING PROPRIETARY - Copyright © - Unpublished Work - See title page for details.

23-22-53
FIG. 01
PAGE 1
JAN 20/09

BOEING
757
PARTS CATALOG (MAINTENANCE)



Y 23225301A REV 225

PANEL ASSY-P36 MISC RELAY L (ACARS ONLY)
FIGURE 1A

23-22-53-01A

BRI
JAN 20/09

23-22-53-01A
PAGE 0



757

PARTS CATALOG (MAINTENANCE)

FIG ITEM	PART NUMBER	1 2 3 4 5 6 7	NOMENCLATURE	EFFECT FROM TO	UNITS PER ASSY
1 A			PANEL ASSY-P36 MISC RELAY L (ACARS ONLY)	504903	
- 20	284N1125-1032		OPTION PACKAGE ASSY-P36 MISC RELAY L (ACRS ONLY) REWORKED BY ALERT SB: 27A0130 FOR NHA SEE: 31-01-36-05	504903	RF
25	ES410-1538		.RELAY- SUPPLIER CODE: V99699 SPECIFICATION NUMBER: BACR13CG2AB OPTIONAL PART: KD4L018 V35344 BR230DS0115 V56623 KD4L036 V58657 FCA410-63 V78290 ELECTRICAL EQUIP NUMBER: K10739	504903	1
- 200	286N1260-364		WIRE BUNDLE ASSY- REWORKED BY ALERT SB: 27A0130	504903	RF
205	RSF116400		.SOCKET- SUPPLIER CODE: V58982 SPECIFICATION NUMBER: BACS16W1A OPTIONAL PART: 102-009-1 V09922 000300-1539 V05574 ELECTRICAL EQUIP NUMBER: D02329 WIRING DIAGRAM REF: 232211	504903	1

MISSING ITEM NUMBERS NOT APPLICABLE

- ITEM NOT ILLUSTRATED

23-22-53-01A

23-22-53
FIG. 01A
PAGE 1
JAN 20/09

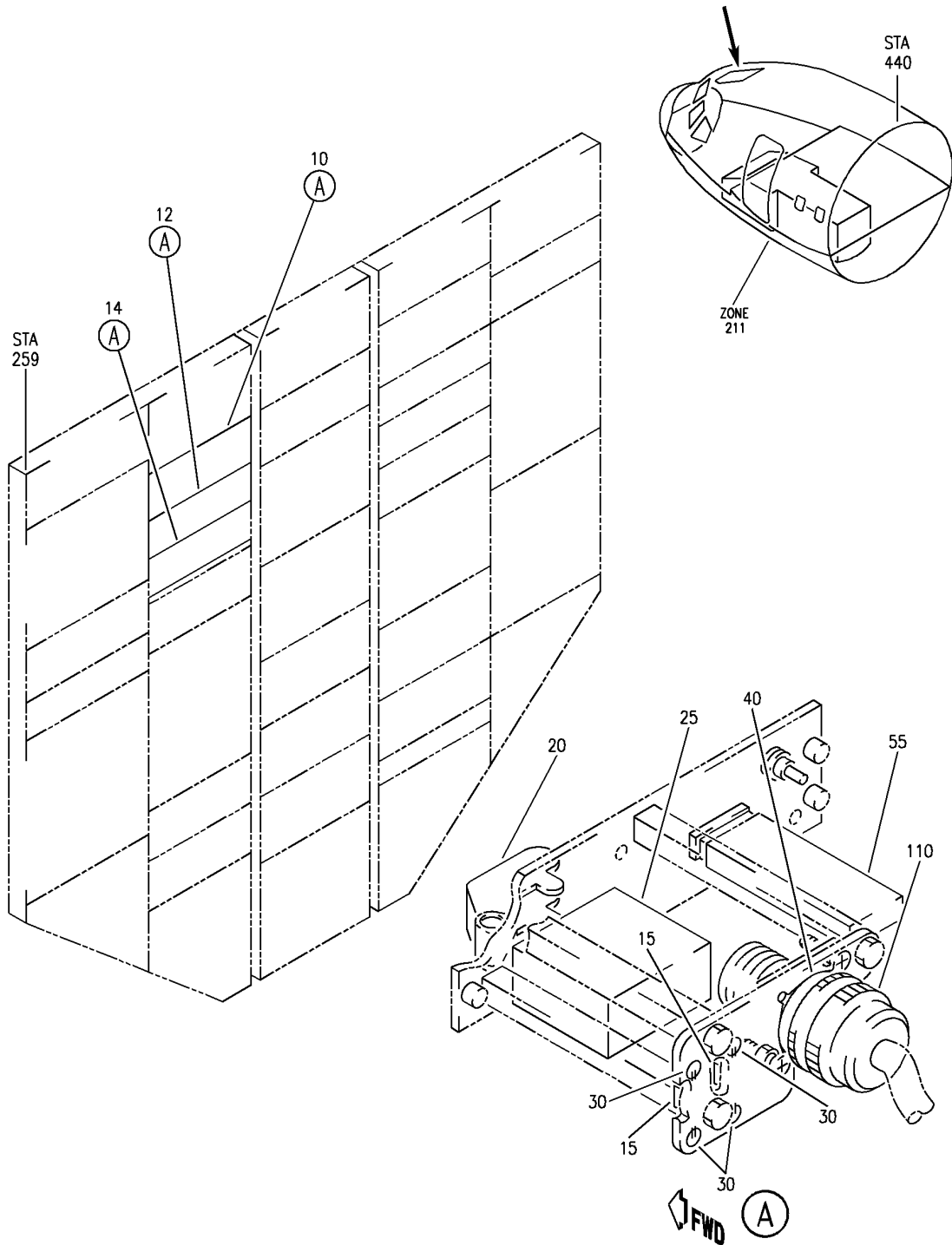
BRI

EMERGENCY LOCATOR TRANSMITTER

BRI
MAY 28/07

23-24-00
SECTION TITLE
PAGE 1

BOEING
757
PARTS CATALOG (MAINTENANCE)



Y 23240101 REV 283

PANEL INSTL-P5 OVHD (EMERGENCY LOCATOR TRANSMITTER ONLY)
FIGURE 1

23-24-01-01

BRI
JAN 20/09

23-24-01-01
PAGE 0



757

PARTS CATALOG (MAINTENANCE)

FIG ITEM	PART NUMBER	1 2 3 4 5 6 7	NOMENCLATURE	EFFECT FROM TO	UNITS PER ASSY
1			PANEL INSTL-P5 OVHD (EMERGENCY LOCATOR TRANSMITTER ONLY)	103106	
- 2	MODREF170180		PANEL INSTL-P5 OVHD (EMERGENCY LOCATOR TRANSMITTER ONLY) MODULE NUMBER: 233N3103-353 REV B FOR OTHER SYS DETAILS SEE: 11-31-10-12 21-25-55-03 21-31-01-02 21-33-51-03 21-51-54-03 21-58-19-10 21-58-51-03 21-61-04-03 21-65-51-01 22-21-01-04 22-24-51-02 23-32-00-11 23-42-02-02 23-71-05-02 24-11-52-05 24-22-01-03 24-31-01-10 24-31-03-09 24-33-04-01 24-41-51-04 24-51-62-01 26-18-51-04 27-21-53-02 27-41-55-01 27-61-51-03 27-62-52-02 28-22-51-02 28-41-04-01 28-41-51-03 29-11-02-03 29-11-05-04 29-11-52-07 29-21-54-03 29-31-00-01 29-32-51-03 29-33-52-03 30-11-51-03 30-21-51-03 30-31-51-02 30-32-51-01	106106	1
MISSING ITEM NUMBERS NOT APPLICABLE					

- ITEM NOT ILLUSTRATED

23-24-01-01

23-24-01
FIG. 01
PAGE 1
JAN 20/09

BRI



757

PARTS CATALOG (MAINTENANCE)

FIG ITEM	PART NUMBER	1 2 3 4 5 6 7	NOMENCLATURE	EFFECT FROM TO	UNITS PER ASSY
1			30-33-51-02 30-41-51-03 30-42-51-03 31-12-11-84 31-12-11-84 A 32-42-52-03 33-11-03-03 33-11-51-17 33-13-01-65 33-13-02-03 33-16-51-03 33-24-51-02 33-41-52-04 33-42-01-04 33-42-02-04 33-42-52-04 33-43-51-04 33-44-51-05 33-45-53-03 33-51-08-05 34-21-02-01 35-21-51-04 36-11-04-01 36-21-00-01 36-21-02-05 36-22-51-03 49-41-00-02 49-52-00-01 49-70-00-01 52-51-51-03 52-71-51-02 73-21-52-02 74-31-51-05 75-32-00-01 80-11-09-02		
- 2	MODREF33760		PANEL INSTL-P5 OVHD (EMERGENCY LOCATOR TRANSMITTER ONLY) MODULE NUMBER: 233N3103-351 REV C FOR OTHER SYS DETAILS SEE: 11-31-10-12 21-25-55-03 21-31-01-02 21-33-51-03 21-51-54-03 21-58-19-10 21-58-51-03 21-61-04-03	103103	1

MISSING ITEM NUMBERS NOT APPLICABLE

- ITEM NOT ILLUSTRATED

BRI

23-24-01-01

BOEING PROPRIETARY - Copyright © - Unpublished Work - See title page for details.

23-24-01
 FIG. 01
 PAGE 2
 JAN 20/09



757

PARTS CATALOG (MAINTENANCE)

FIG ITEM	PART NUMBER	1 2 3 4 5 6 7	NOMENCLATURE	EFFECT FROM TO	UNITS PER ASSY
1			21-65-51-01 22-21-01-04 22-24-51-02 23-32-00-11 23-42-02-02 23-71-05-02 24-11-52-05 24-22-01-03 24-31-01-10 24-31-03-09 24-33-04-01 24-41-51-04 24-51-62-01 26-18-51-04 27-21-53-02 27-41-55-01 27-61-51-03 27-62-52-02 28-22-51-02 28-41-04-01 28-41-51-03 29-11-02-03 29-11-05-04 29-11-52-07 29-21-54-03 29-31-00-01 29-32-51-03 29-33-52-03 30-11-51-03 30-21-51-03 30-31-51-02 30-32-51-01 30-33-51-02 30-41-51-03 30-42-51-03 31-12-11-91 31-12-11-91 A 32-42-52-03 33-11-03-03 33-11-51-17 33-13-01-65 33-13-02-03 33-16-51-03 33-24-51-02 33-41-52-04 33-42-01-04 33-42-02-04 33-42-52-04 33-43-51-04		

MISSING ITEM NUMBERS NOT APPLICABLE

- ITEM NOT ILLUSTRATED

BRI

23-24-01-01

BOEING PROPRIETARY - Copyright © - Unpublished Work - See title page for details.

23-24-01
FIG. 01
PAGE 3
JAN 20/09



757

PARTS CATALOG (MAINTENANCE)

FIG ITEM	PART NUMBER	1 2 3 4 5 6 7	NOMENCLATURE	EFFECT FROM TO	UNITS PER ASSY
1			33-44-51-05 33-45-53-03 33-51-08-05 34-21-02-01 35-21-51-04 36-11-04-01 36-21-00-01 36-21-02-05 36-22-51-03 49-41-00-02 49-52-00-01 49-70-00-01 52-51-51-03 52-71-51-02 73-21-52-02 74-31-51-05 75-32-00-01 80-11-09-02		
- 2	MODREF34038		PANEL INSTL-P5 OVHD (EMERGENCY LOCATOR TRANSMITTER ONLY) MODULE NUMBER: 233N3103-351 REV D FOR OTHER SYS DETAILS SEE: 11-31-10-12 21-25-55-03 21-31-01-02 21-33-51-03 21-51-54-03 21-58-19-10 21-58-51-03 21-61-04-03 21-65-51-01 22-21-01-04 22-24-51-02 23-32-00-11 23-42-02-02 23-71-05-02 24-11-52-05 24-22-01-03 24-31-01-10 24-31-03-09 24-33-04-01 24-41-51-04 24-51-62-01 26-18-51-04 27-21-53-02 27-41-55-01 27-61-51-03	104105	1

MISSING ITEM NUMBERS NOT APPLICABLE

- ITEM NOT ILLUSTRATED

23-24-01-01

23-24-01
 FIG. 01
 PAGE 4
 JAN 20/09

BRI



757

PARTS CATALOG (MAINTENANCE)

FIG ITEM	PART NUMBER	1 2 3 4 5 6 7	NOMENCLATURE	EFFECT FROM TO	UNITS PER ASSY
1			27-62-52-02 28-22-51-02 28-41-04-01 28-41-51-03 29-11-02-03 29-11-05-04 29-11-52-07 29-21-54-03 29-31-00-01 29-32-51-03 29-33-52-03 30-11-51-03 30-21-51-03 30-31-51-02 30-32-51-01 30-33-51-02 30-41-51-03 30-42-51-03 31-12-11-91 31-12-11-91 A 32-42-52-03 33-11-03-03 33-11-51-17 33-13-01-65 33-13-02-03 33-16-51-03 33-24-51-02 33-41-52-04 33-42-01-04 33-42-02-04 33-42-52-04 33-43-51-04 33-44-51-05 33-45-53-03 33-51-08-05 34-21-02-01 35-21-51-04 36-11-04-01 36-21-00-01 36-21-02-05 36-22-51-03 49-41-00-02 49-52-00-01 49-70-00-01 52-51-51-03 52-71-51-02 73-21-52-02 74-31-51-05 75-32-00-01		
MISSING ITEM NUMBERS NOT APPLICABLE					

- ITEM NOT ILLUSTRATED

BR I

23-24-01-01

BOEING PROPRIETARY - Copyright © - Unpublished Work - See title page for details.

23-24-01
FIG. 01
PAGE 5
JAN 20/09



757

PARTS CATALOG (MAINTENANCE)

FIG ITEM	PART NUMBER	1 2 3 4 5 6 7	NOMENCLATURE	EFFECT FROM TO	UNITS PER ASSY
1			80-11-09-02		
- 5	233T3254-300		.MODULE ASSY-EMER LOCATOR XMTR SUPPLIER CODE: V89954 ELECTRICAL EQUIP NUMBER: M08041 COMPONENT MAINT MANUAL REF: 23-24-02	103106	RF
10	233T3254-1		..MODULE ASSY- SUPPLIER CODE: V89954 COMPONENT MAINT MANUAL REF: 23-24-02	103106	1
15	JANTX1N5618		...DIODE	103106	2
20	401-112		...GUARD- SUPPLIER CODE: V33463	103106	1
25	78-4123		...SWITCH- SUPPLIER CODE: V04426	103106	1
30	4443B9		...TERMINAL- SUPPLIER CODE: V88245	103106	4
40	BACC45FN12-12P6		...CONNECTOR ATTACHING PARTS	103106	1
- 45	MS51957-14		...SCREW	103106	2
- 50	BAC10NW1		...NUT	103106	2
			-----*-----		
55	BCREF16727		...LIGHT ASSY- SUPPLIER CODE: V81590 OVERLENGTH PART NUMBER: 434-674-1031-2079 SPECIFICATION NUMBER: S231T300-2079	103106	1

MISSING ITEM NUMBERS NOT APPLICABLE

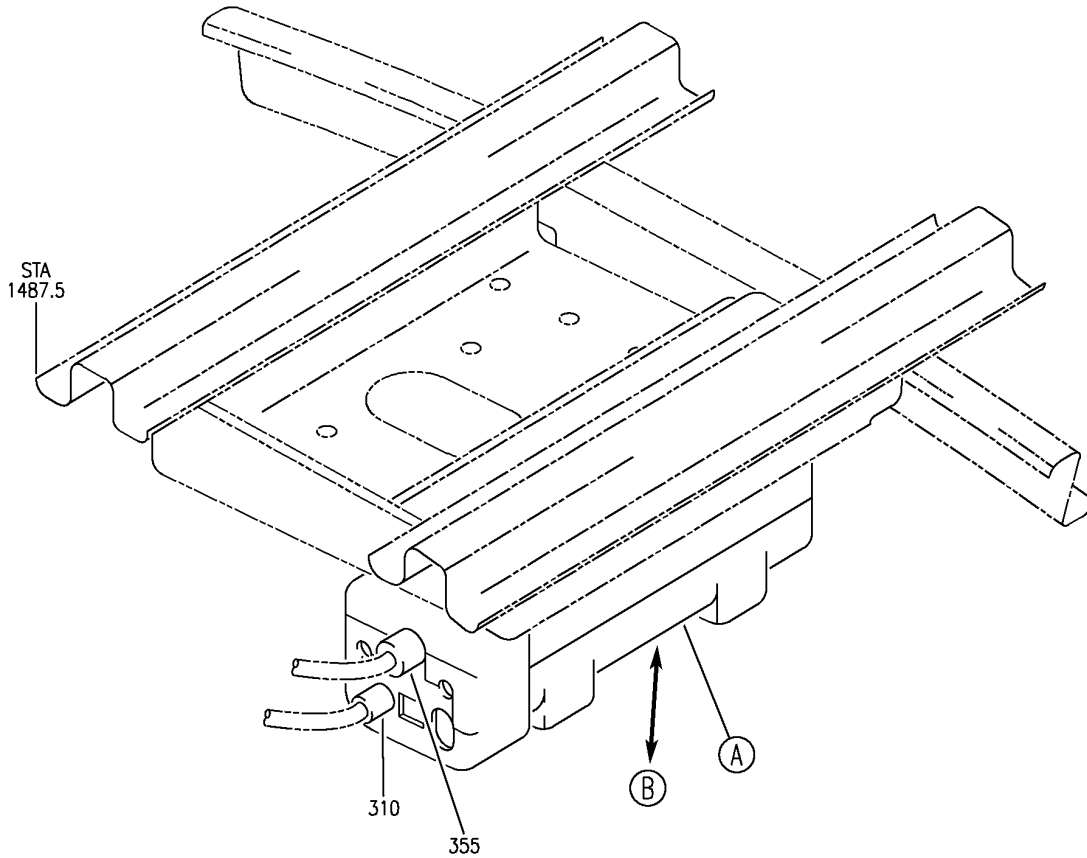
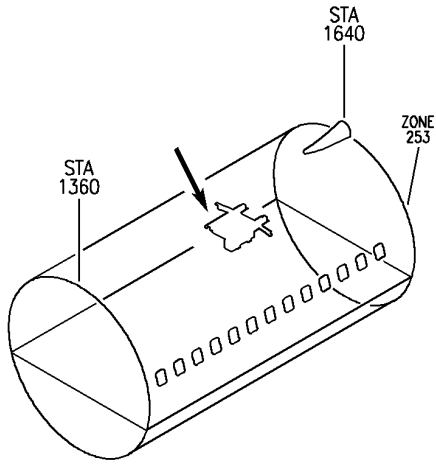
- ITEM NOT ILLUSTRATED

23-24-01-01

23-24-01
FIG. 01
PAGE 6
JAN 20/09

BRI

BOEING
757
PARTS CATALOG (MAINTENANCE)



Y 23240102 SHT 1 REV 283

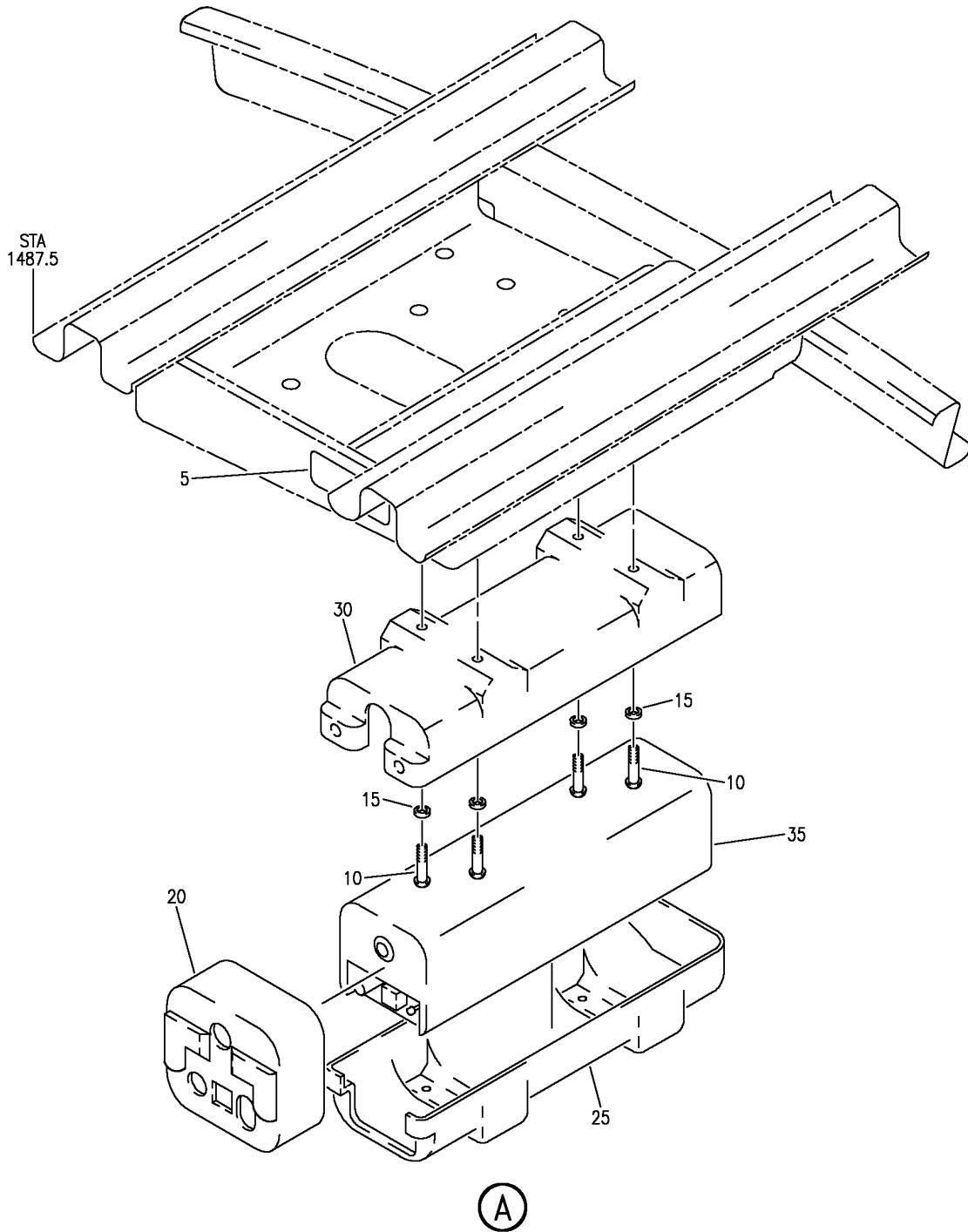
TRANSMITTER INSTL-EMER LOCATOR XMTR
FIGURE 2 (SHEET 1)

23-24-01-02

BRI
JAN 20/09

23-24-01-02
PAGE 0

BOEING
757
PARTS CATALOG (MAINTENANCE)



Y 23240102 SH1 2 REV 280

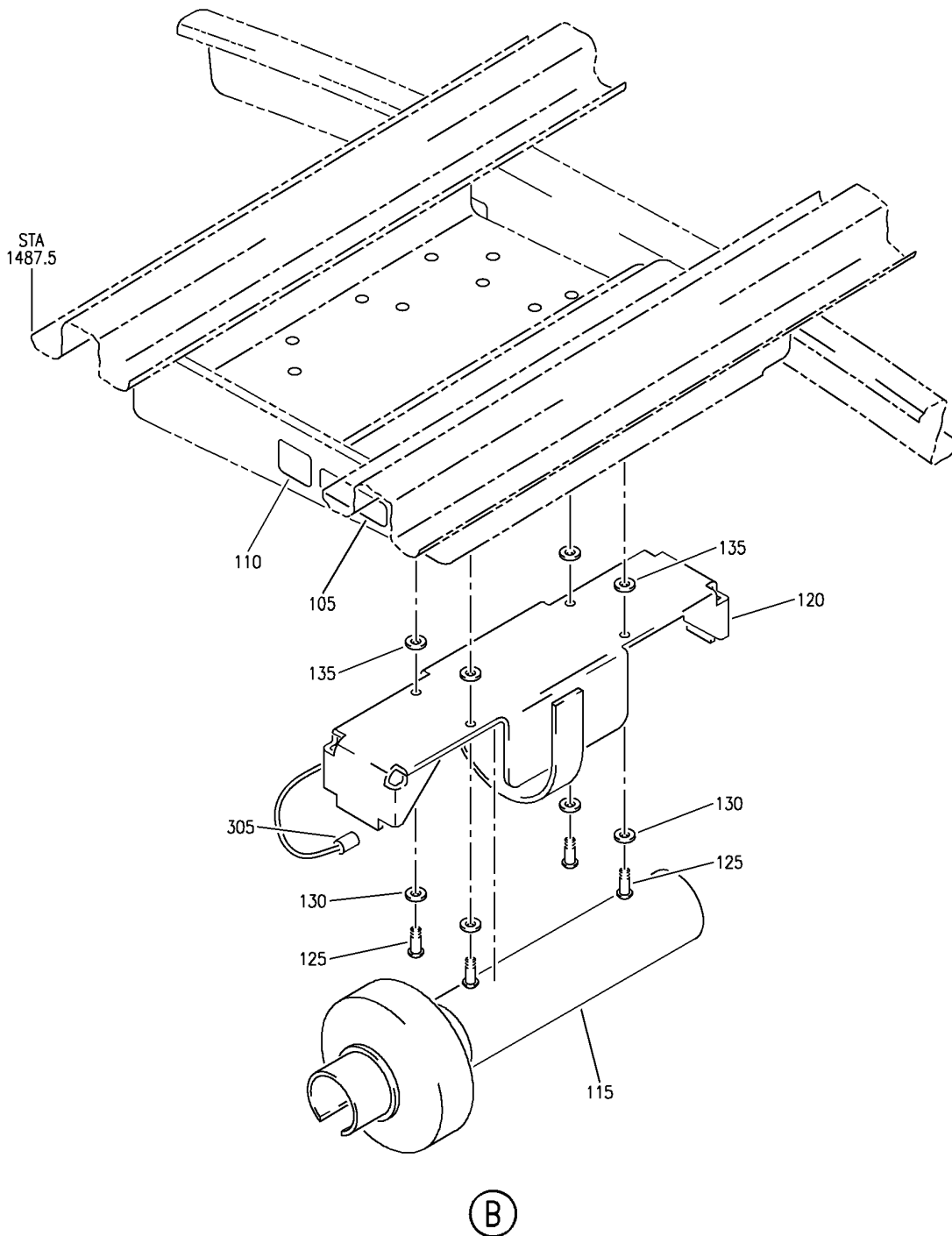
TRANSMITTER INSTL-EMER LOCATOR XMTR
FIGURE 2 (SHEET 2)

23-24-01-02

BRI
JAN 20/09

23-24-01-02
PAGE 0A

BOEING
757
PARTS CATALOG (MAINTENANCE)



Y 23240102 SHT 3 REV 285

TRANSMITTER INSTL-EMER LOCATOR XMTR
FIGURE 2 (SHEET 3)

23-24-01-02

BRI
JAN 20/09

23-24-01-02
PAGE 0B

BOEING
757
PARTS CATALOG (MAINTENANCE)

FIG ITEM	PART NUMBER	1 2 3 4 5 6 7	NOMENCLATURE	EFFECT FROM TO	UNITS PER ASSY
2			TRANSMITTER INSTL-EMER LOCATOR XMTR	103106	
- 1	MODREF22554		TRANSMITTER INSTL-EMER LOCATOR XMTR	103106	RF
	5 BAC27NEX3013		MODULE NUMBER: 284N1230-48 REV B .DECAL-	103106	1
	10 BACB30LK06K4		.PLACARD CONTENT: M11257 ELT EMERGENCY LOCATOR XMTR	103106	4
	15 NAS1149CN632R		.BOLT-	103106	4
	20 452-5052		.WASHER	103106	1
			.CAP ASSY-END SUPPLIER CODE: V91836	103106	1
	25 452-3052		ELECTRICAL EQUIP NUMBER: M11257C .FRAME-TOP MOUNTING	103106	1
			SUPPLIER CODE: V91836		
	30 452-5050		ELECTRICAL EQUIP NUMBER: M11257A .FRAME-BOTTOM MOUNTING	103106	1
			SUPPLIER CODE: V91836		
	35 453-0004		.TRANSMITTER- SUPPLIER CODE: V60253	103106	1
			ELECTRICAL EQUIP NUMBER: M11257		
R	35 453-5004		.TRANSMITTER- SUPPLIER CODE: V60253	103106	1
R			MISCELLANEOUS DATA: SUPPORTS 121.5, 243.0, AND 406.025 MHZ		
R			TRANSMISSION		
R			FOR ALL AIRPLANES		
R			CONFIGURED WITH AN		
R			OPERATIONAL ELT/NAV		
R			INTERFACE UNIT AND		
R			PROGRAMMABLE SWITCH		
R			MODULE, THE ELT 406 MDZ		
R			MESSAGE PROTOCOL MUST BE		
R			STANDARD LOCATION		
R			PROTOCOL (LONG MESSAGE)		
R			ENCODED WITH AIRCRAFT 24		
R			BIT ADDRESS TO BE		
R			COMPATIBLE WITH THE 24		

MISSING ITEM NUMBERS NOT APPLICABLE

- ITEM NOT ILLUSTRATED

23-24-01-02

23-24-01
FIG. 02
PAGE 1
MAY 20/09

BRI



757

PARTS CATALOG (MAINTENANCE)

FIG ITEM	PART NUMBER	1 2 3 4 5 6 7	NOMENCLATURE	EFFECT FROM TO	UNITS PER ASSY
2			<p>BIT ICAO CODE. THE UNIQUE AIRPLANE'S 24-BIT ICAO ADDRESS (MODE-S CODE) WILL AUTOMATICALLY BE ENCODED BY THE ELT/NAV INTERFACE UNIT INTO THE ELT DURING ITS INSTALLATION.</p> <p>NOTE: FOR AIRPLANE'S CONFIGURED WITH AN OPERATIONAL ELT/NAV INTERFACE UNIT, NO OTHER MESSAGE PROTOCOLS ARE COMPATIBLE, INCLUDING STANDARD LOCATION PROTOCOL (LONG MESSAGE) ENCODED WITH ELT SERIAL IDENTIFICATION. IF AN IMPROPERLY PROGRAMMED ELT IS INSTALLED IN AN AIRPLANE CONFIGURED WITH AN OPERATIONAL ELT/NAV INTERFACE UNIT, TWO MINUTES AFTER POWER IS APPLIED, AN ERROR CONDITION WILL BE ANNUNCIATED WITH THE LED ON THE ELT FLASHING RAPIDLY.</p> <p>ELECTRICAL EQUIP NUMBER: M11257</p>		
- 300	286N4067-701		WIRE BUNDLE ASSY	103106	RF
305	755-78-9		.PLUG-	103106	1
			SUPPLIER CODE: VS5065		
			ELECTRICAL EQUIP NUMBER: D02949		
			WIRING DIAGRAM REF: 232411		
- 350	286N4069-701		WIRE BUNDLE ASSY-	103106	RF
355	1525-4-9		.PLUG-	103106	1
			SUPPLIER CODE: V91836		
			ELECTRICAL EQUIP NUMBER: D02951		
			WIRING DIAGRAM REF: 232411		

MISSING ITEM NUMBERS NOT APPLICABLE

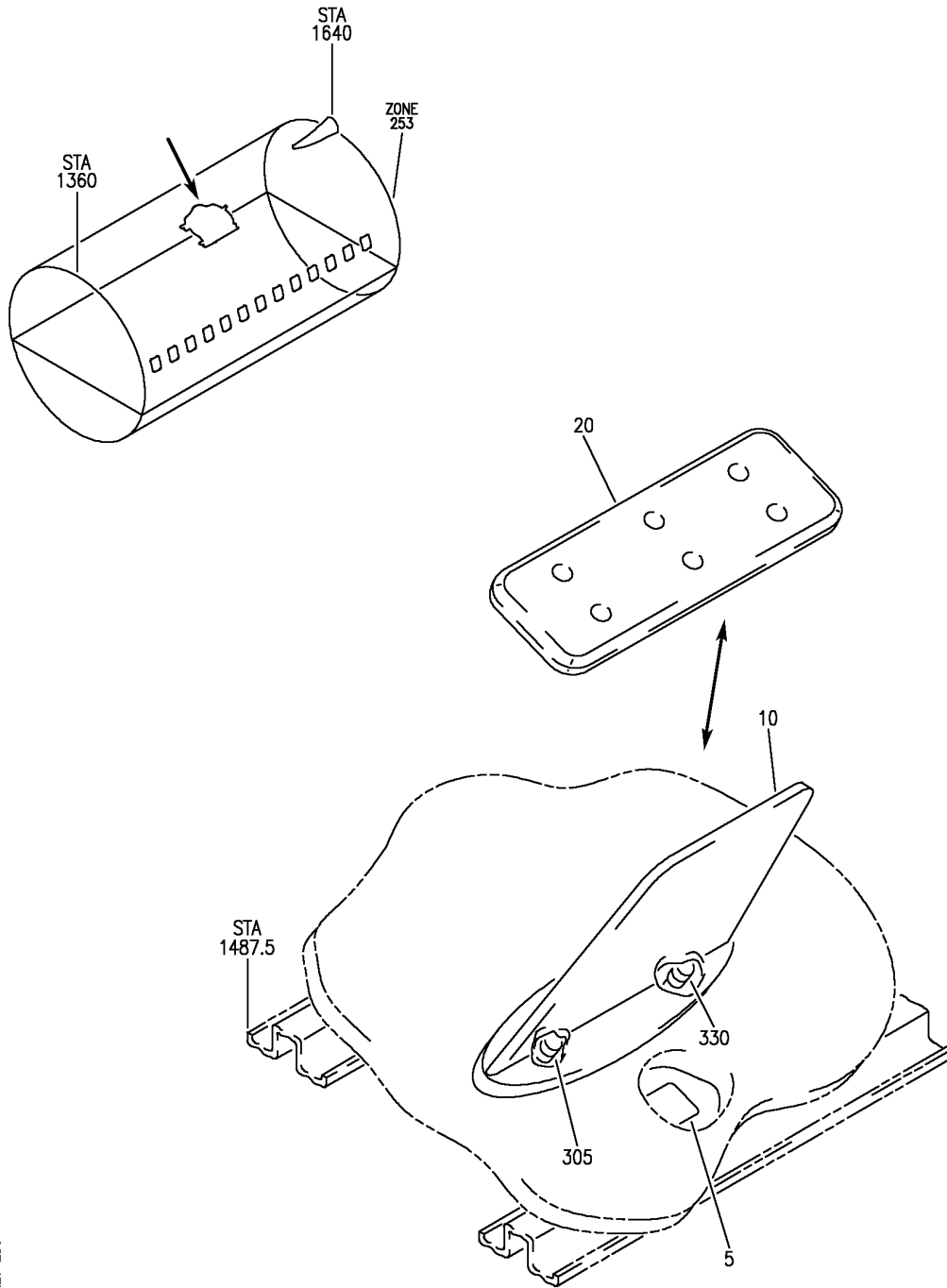
- ITEM NOT ILLUSTRATED

23-24-01-02

23-24-01
FIG. 02
PAGE 2
MAY 20/09

BRI

BOEING
757
PARTS CATALOG (MAINTENANCE)



Y 23240201 REV 260

ANTENNA INSTL-EMER LOCATOR XMTR
FIGURE 1

23-24-02-01

BRI
JAN 20/09

23-24-02-01
PAGE 0



757

PARTS CATALOG (MAINTENANCE)

FIG ITEM	PART NUMBER	1 2 3 4 5 6 7	NOMENCLATURE	EFFECT FROM TO	UNITS PER ASSY
1			ANTENNA INSTL-EMER LOCATOR XMTR	103106	
- 1	MODREF9404		ANTENNA INSTL-EMER LOCATOR XMTR MODULE NUMBER: 284N1230-47 REV A	103106	1
5	BAC27NEX3012		.DECAL- PLACARD CONTENT: M11258 ELT ANTENNA	103106	1
10	110-328-01		.ANTENNA- SUPPLIER CODE: V60253 ELECTRICAL EQUIP NUMBER: M11258	103106	1
- 15	BACB30LH3-10		ATTACHING PARTS .BOLT -----*-----	103106	6
- 300	286N4067-701		WIRE BUNDLE ASSY	103106	RF
305	755-78-9		.PLUG- SUPPLIER CODE: VS5065 ELECTRICAL EQUIP NUMBER: D02953 WIRING DIAGRAM REF: 232411	103106	1
- 320	286N4069-701		WIRE BUNDLE ASSY	103106	RF
330	125-88-9		.PLUG- ELECTRICAL EQUIP NUMBER: D02955 WIRING DIAGRAM REF: 232411	103106	1

MISSING ITEM NUMBERS NOT APPLICABLE

- ITEM NOT ILLUSTRATED

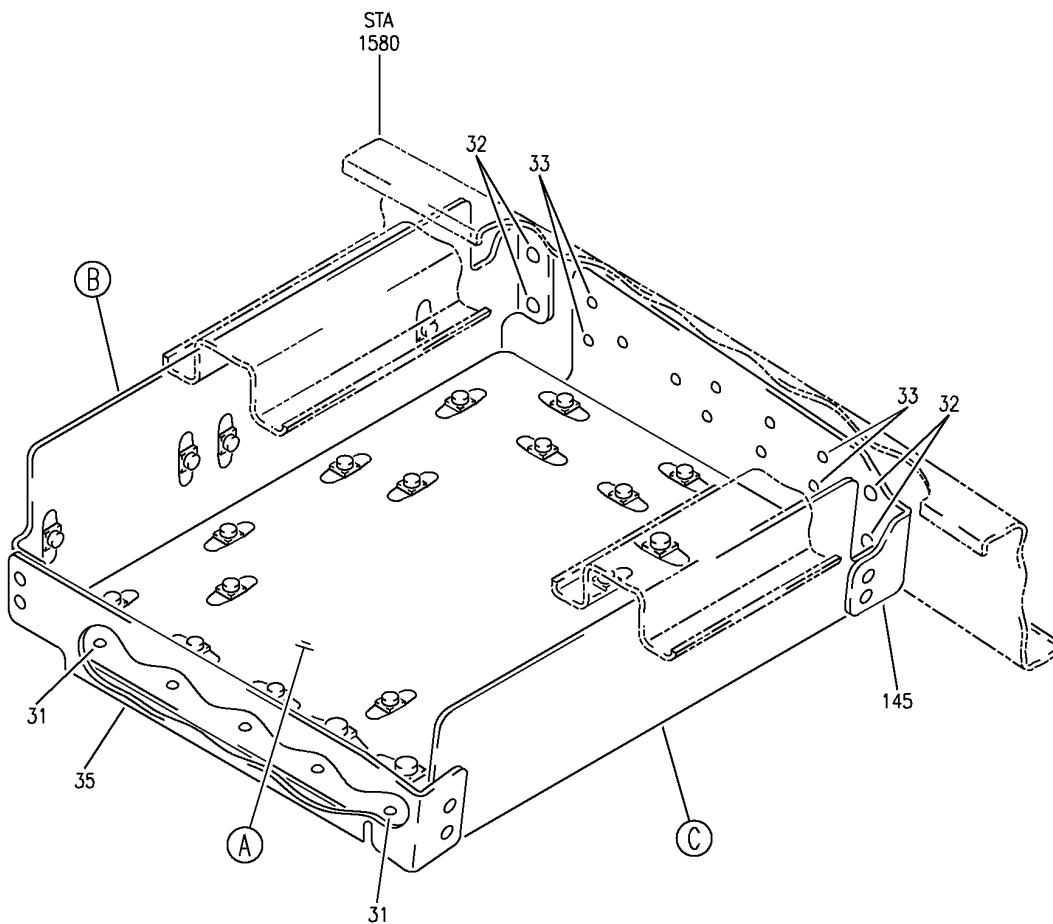
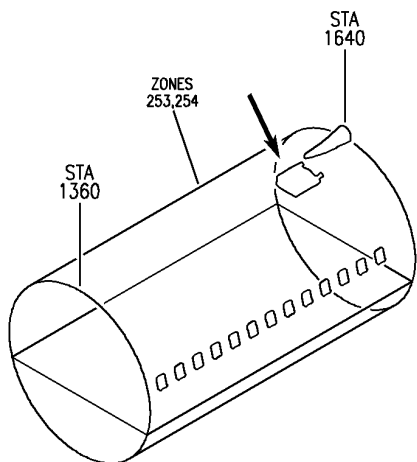
BRI

23-24-02-01

BOEING PROPRIETARY - Copyright © - Unpublished Work - See title page for details.

23-24-02
FIG. 01
PAGE 1
JAN 20/09

BOEING
757
PARTS CATALOG (MAINTENANCE)



Y 23240301 SHT 1 REV 295

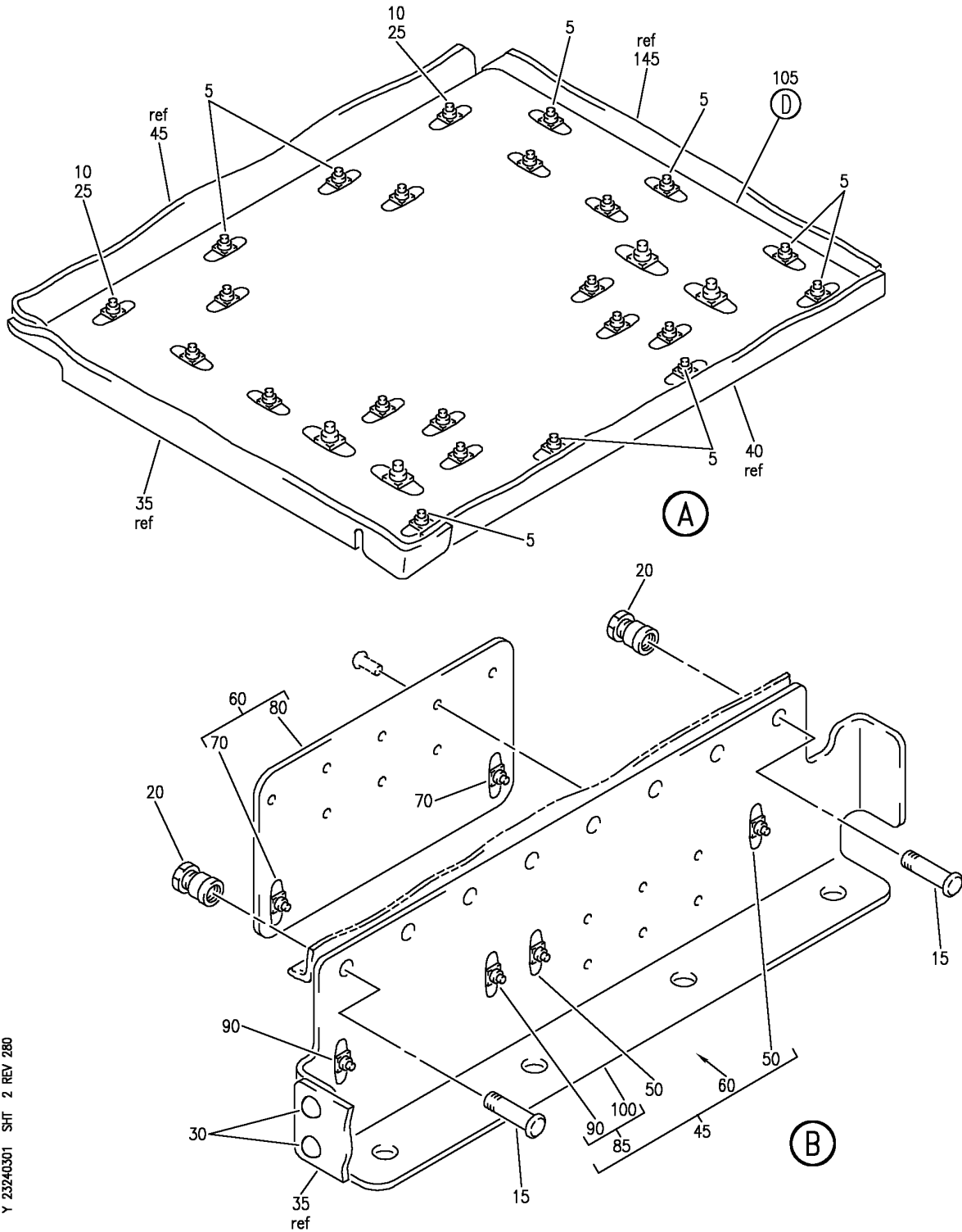
BRACKET INSTL-EMER LOCATOR XMTR (ELT)
FIGURE 1 (SHEET 1)

23-24-03-01

BRI
MAY 28/07

23-24-03-01
PAGE 0

BOEING
757
PARTS CATALOG (MAINTENANCE)



Y 23240301 SHT 2 REV 280

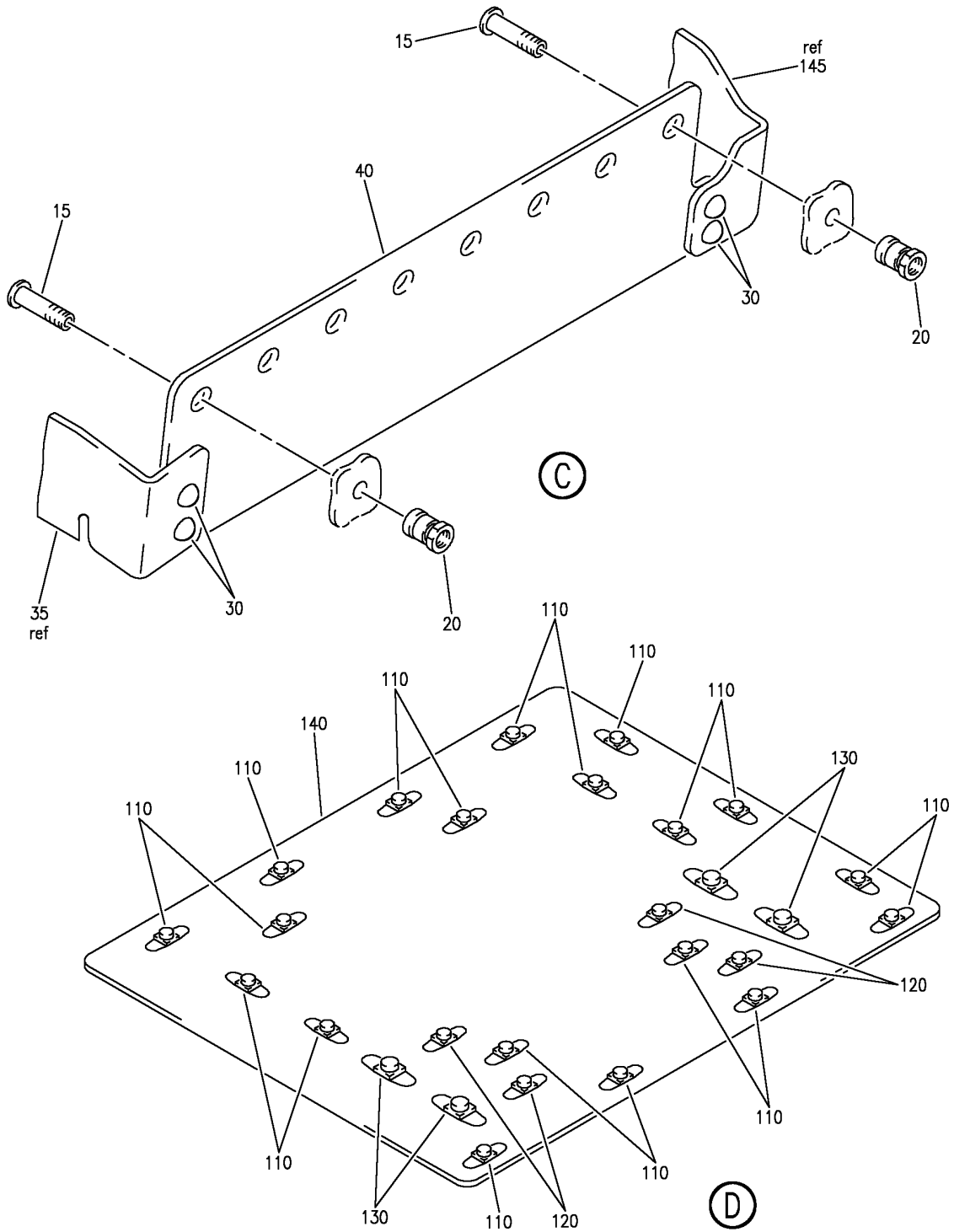
BRACKET INSTL-EMER LOCATOR XMTR (ELT)
FIGURE 1 (SHEET 2)

23-24-03-01

BRI
MAY 28/07

23-24-03-01
PAGE 0A

BOEING
757
PARTS CATALOG (MAINTENANCE)



Y 23240301 SHT 3 REV 280

BRACKET INSTL-EMER LOCATOR XMTR (ELT)
FIGURE 1 (SHEET 3)

23-24-03-01

BRI
MAY 28/07

23-24-03-01
PAGE 0B



757

PARTS CATALOG (MAINTENANCE)

FIG ITEM	PART NUMBER	1 2 3 4 5 6 7	NOMENCLATURE	EFFECT FROM TO	UNITS PER ASSY
1			BRACKET INSTL-EMER LOCATOR XMTR (ELT)	101106	
- 1	284N1230-28		BRACKET INSTL-EMER LOCATOR XMTR (ELT) POSITION DATA: STA 1487 TO STA 1500 FOR NHA SEE: 24-00-58-05C	101102	RF
- 1	MODREF9324		BRACKET INSTL-EMER LOCATOR XMTR (ELT) MODULE NUMBER: 284N1230-45 REV A POSITION DATA: STA 1567 TO STA 1580	103106	1
5	BACB30VF08K2		.BOLT	101106	9
10	BACB30LK2-2		.BOLT	101106	2
15	VL310AG5-3		.BOLT SUPPLIER CODE: V06950 SPECIFICATION NUMBER: BACB30VT5HK3 OPTIONAL PART: VL310AG5-3 V9N513 VL310AG5-3 V97928 WC10K5-3 V60516	101106	16
20	BACC30BL5		.COLLAR SUPPLIER CODE: V73197 SPECIFICATION NUMBER: BACC30BL5 OPTIONAL PART: HST79-5 V92215 HST79CY5 V56878 HST79CY5 V5M902	101106	16
25	NAS1149DN816H		.WASHER	101106	2
30	BACR15FR5E		.RIVET- SIZE DETERMINED ON INSTL.	101106	6
31	BACR15FP5E		.RIVET- SIZE DETERMINED ON INSTL.	101106	5
33	BACR15FT5D		.RIVET- SIZE DETERMINED ON INSTL.	101106	10
35	284N1230-38		.BRACKET	101106	1
40	284N1230-34		.BRACKET	101106	1

MISSING ITEM NUMBERS NOT APPLICABLE

- ITEM NOT ILLUSTRATED

BRI

23-24-03-01

23-24-03
FIG. 01
PAGE 1
JAN 20/09



757

PARTS CATALOG (MAINTENANCE)

FIG ITEM	PART NUMBER	1 2 3 4 5 6 7	NOMENCLATURE	EFFECT FROM TO	UNITS PER ASSY
1					
45	284N1230-31		.BRACKET ASSY	101106	1
50	BRF200C06DD		..NUTPLATE SUPPLIER CODE: V52828 SPECIFICATION NUMBER: BACN10JR06CFD OPTIONAL PART: K51602-06BAC V15653 NS202476-62 V80539 102F9201-62 V72962 T8092C632CD V11815 ATTACHING PARTS	101106	2
- 55	BACR15BA3AD		..RIVET- SIZE DETERMINED ON INSTL. -----*-----	101106	4
60	284N1230-17		..BRACKET ATTACHING PARTS	101106	1
- 65	BACR15BA5AD		..RIVET- SIZE DETERMINED ON INSTL. -----*-----	101106	6
70	BRF200C06DD		...NUTPLATE SUPPLIER CODE: V52828 SPECIFICATION NUMBER: BACN10JR06CFD OPTIONAL PART: K51602-06BAC V15653 NS202476-62 V80539 102F9201-62 V72962 T8092C632CD V11815 ATTACHING PARTS	101106	2
- 75	BACR15BA3AD		...RIVET- SIZE DETERMINED ON INSTL. -----*-----	101106	4
80	284N1230-18		...BRACKET	101106	1
85	284N1230-32		..BRACKET ASSY	101106	1
90	BACR10JR06CFD		...NUTPLATE ATTACHING PARTS	101106	2
- 95	BACR15BA3AD		...RIVET- SIZE DETERMINED ON INSTL. -----*-----	101106	4

MISSING ITEM NUMBERS NOT APPLICABLE

- ITEM NOT ILLUSTRATED

23-24-03-01

23-24-03
FIG. 01
PAGE 2
JAN 20/09

BRI

 **BOEING**
757
PARTS CATALOG (MAINTENANCE)

FIG ITEM	PART NUMBER	1 2 3 4 5 6 7	NOMENCLATURE	EFFECT FROM TO	UNITS PER ASSY
1					
100	284N1230-33		...BRACKET	101106	1
105	284N1230-29		.PLATE ASSY	101106	1
110	BRF200C08D		..NUTPLATE	101106	19
			SUPPLIER CODE: V52828		
			SPECIFICATION NUMBER: BACN10JR08CFD		
			OPTIONAL PART: NS202476-82		
			V80539		
			102F9201-82		
			V72962		
			T8092C832CD		
			V11815		
			K51602-08BAC		
			V15653		
			ATTACHING PARTS		
- 115	BACR15BA3AD		..RIVET-	101106	38
			SIZE DETERMINED ON INSTL.		
			-----*-----		
120	BRF200C06DD		..NUTPLATE	101106	4
			SUPPLIER CODE: V52828		
			SPECIFICATION NUMBER: BACN10JR06CFD		
			OPTIONAL PART: K51602-06BAC		
			V15653		
			NS202476-62		
			V80539		
			102F9201-62		
			V72962		
			T8092C632CD		
			V11815		
			ATTACHING PARTS		
- 125	BACR15BA3AD		..RIVET-	101106	8
			SIZE DETERMINED ON INSTL.		
			-----*-----		

MISSING ITEM NUMBERS NOT APPLICABLE

- ITEM NOT ILLUSTRATED

BRI

23-24-03-01

BOEING PROPRIETARY - Copyright © - Unpublished Work - See title page for details.

23-24-03
FIG. 01
PAGE 3
JAN 20/09



757

PARTS CATALOG (MAINTENANCE)

FIG ITEM	PART NUMBER	1 2 3 4 5 6 7	NOMENCLATURE	EFFECT FROM TO	UNITS PER ASSY
1 130	BRF200C5D		..NUTPLATE SUPPLIER CODE: V52828 SPECIFICATION NUMBER: BACN10JR5CFD OPTIONAL PART: K51602-5BAC V15653 NS202476-054 V80539 102F9201-5 V72962 T8092C524CD V11815 ATTACHING PARTS	101106	4
- 135	BACR15BA4AD		..RIVET- SIZE DETERMINED ON INSTL. -----*-----	101106	8
140	284N1230-30		..PLATE	101106	1
145	284N1230-39		.BRACKET	101106	1

MISSING ITEM NUMBERS NOT APPLICABLE

- ITEM NOT ILLUSTRATED

BRI

23-24-03-01

BOEING PROPRIETARY - Copyright © - Unpublished Work - See title page for details.

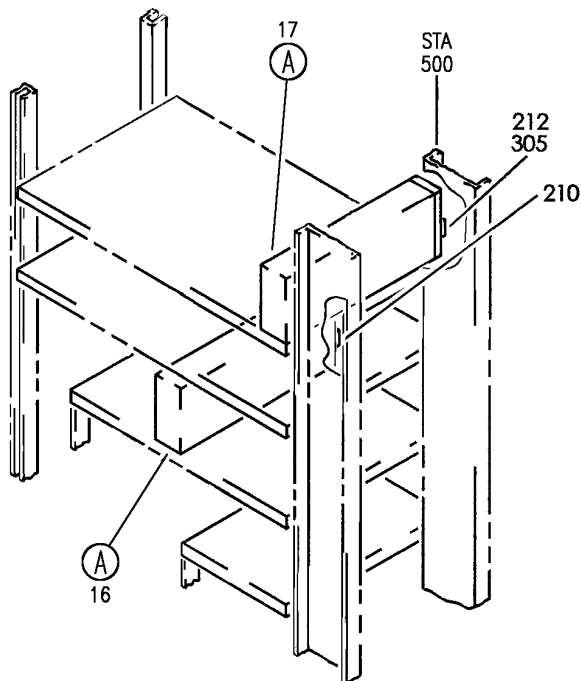
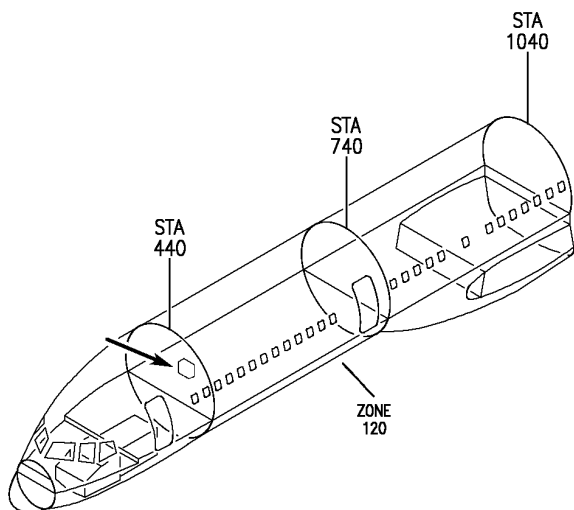
23-24-03
FIG. 01
PAGE 4
JAN 20/09

PASSENGER ADDRESS (PA) SYSTEM (PAS)

BRI
MAY 28/07

23-31-00
SECTION TITLE
PAGE 1

BOEING
757
PARTS CATALOG (MAINTENANCE)



Y 23310101 SH1 1 REV 257

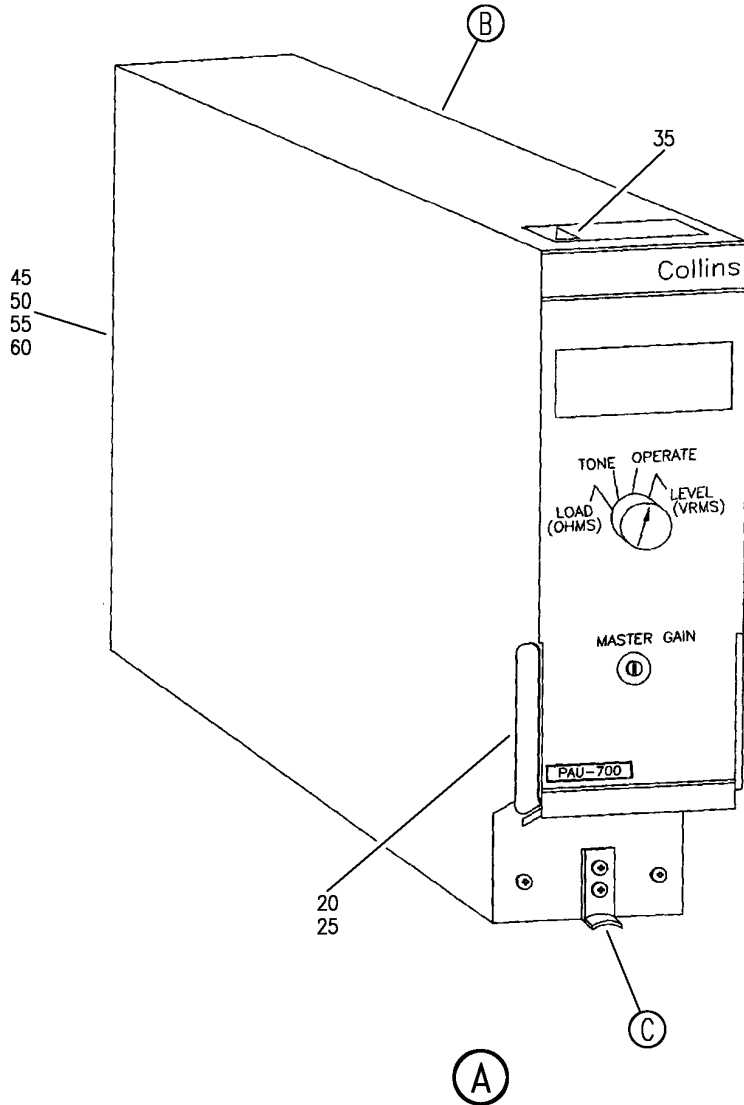
EQUIPMENT INSTL-MAIN ELECTRONICS EQPT CTR (PASSENGER ADDRESS AMPLIFIER ONLY)
FIGURE 1 (SHEET 1)

BRI
MAY 28/07

23-31-01-01

23-31-01-01
PAGE 0

BOEING
757
PARTS CATALOG (MAINTENANCE)



Y 23310101 SH1 2 REV 257

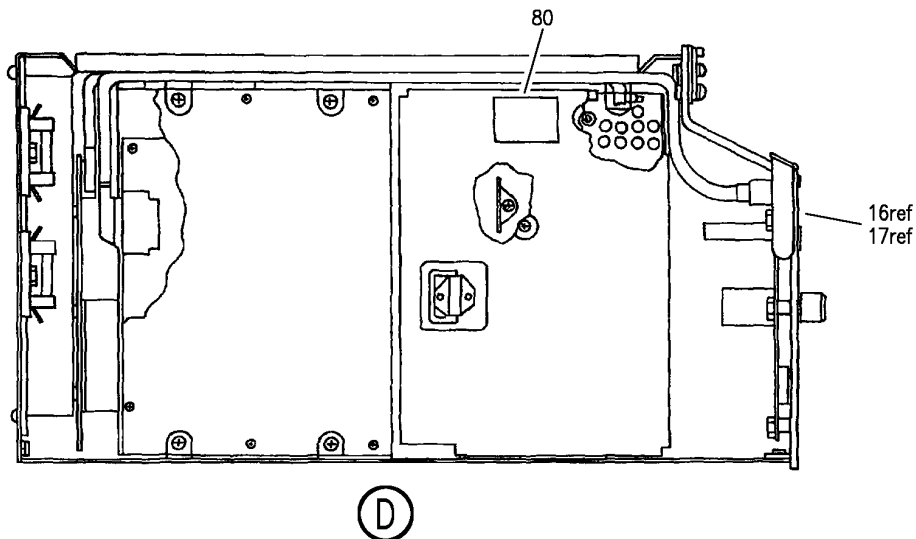
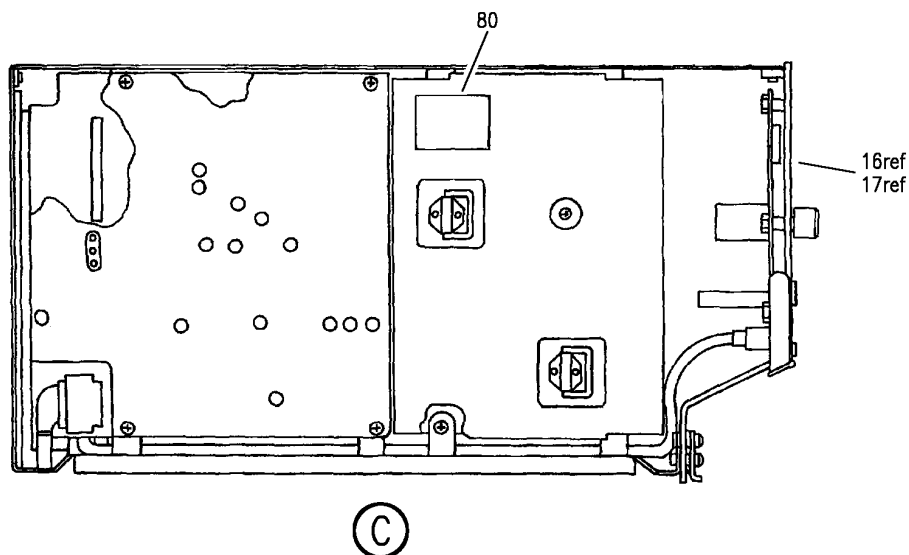
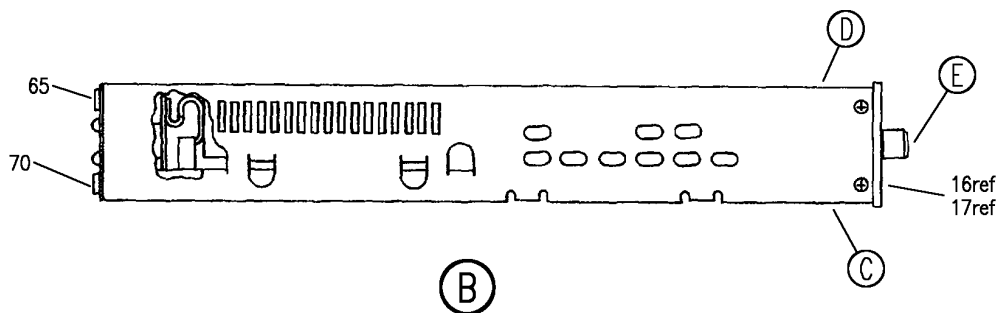
EQUIPMENT INSTL-MAIN ELECTRONICS EQPT CTR (PASSENGER ADDRESS AMPLIFIER ONLY)
FIGURE 1 (SHEET 2)

23-31-01-01

BRI
MAY 28/07

23-31-01-01
PAGE 0A


BOEING
 757
PARTS CATALOG (MAINTENANCE)



Y 23310101 SH1 3 REV 257

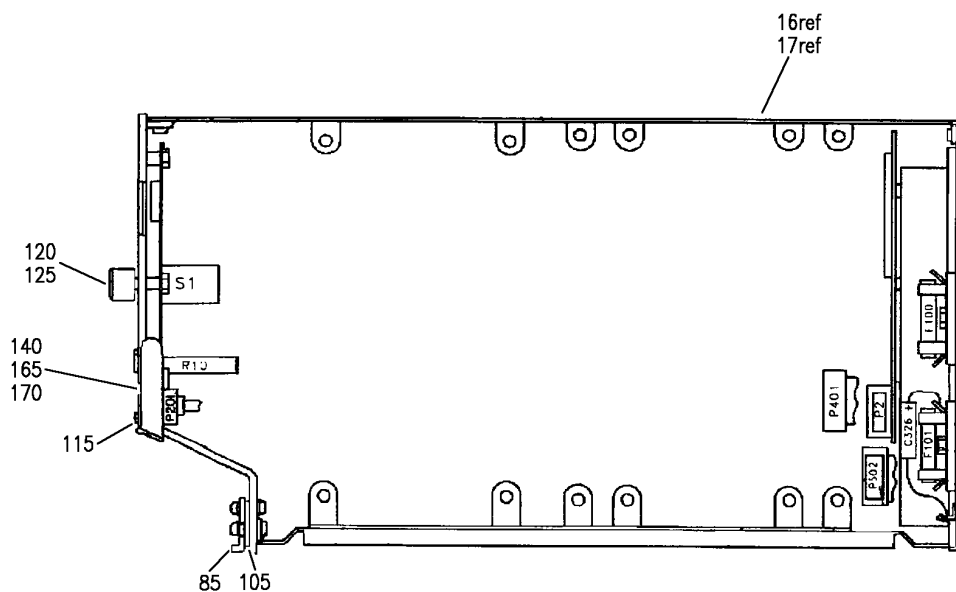
EQUIPMENT INSTL-MAIN ELECTRONICS EQPT CTR (PASSENGER ADDRESS AMPLIFIER ONLY)
 FIGURE 1 (SHEET 3)

23-31-01-01

BRI
 MAY 28/07

23-31-01-01
 PAGE 0B

BOEING
757
PARTS CATALOG (MAINTENANCE)



(E)

Y 23310101 SH- 4 REV 257

EQUIPMENT INSTL-MAIN ELECTRONICS EQPT CTR (PASSENGER ADDRESS AMPLIFIER ONLY)
FIGURE 1 (SHEET 4)

23-31-01-01

BRI
MAY 28/07

23-31-01-01
PAGE 0C



757

PARTS CATALOG (MAINTENANCE)

FIG ITEM	PART NUMBER	1 2 3 4 5 6 7	NOMENCLATURE	EFFECT FROM TO	UNITS PER ASSY
1			EQUIPMENT INSTL-MAIN ELECTRONICS EQPT CTR (PASSENGER ADDRESS AMPLIFIER ONLY)	002004 006100 107107 121999	
- 2	284N1307-33		EQUIPMENT INSTL-MAIN ELECTRONICS EQPT CTR (PASSENGER ADDRESS AMPLIFIER ONLY) FOR NHA/OTHER SYS DET SEE: 24-00-58-01	107107	RF
- 3	284N1800-16		EQUIPMENT INSTL-MAIN ELECTRONICS EQPT CTR (PASSENGER ADDRESS AMPLIFIER ONLY) FOR NHA/OTHER SYS DET SEE: 24-00-58-01	121503 904949	RF
- 4	284N1800-32		EQUIPMENT INSTL-MAIN ELECTRONICS EQPT CTR (PASSENGER ADDRESS AMPLIFIER ONLY) FOR NHA/OTHER SYS DET SEE: 24-00-58-01	952999	RF
- 4	284N1800-34		EQUIPMENT INSTL-MAIN ELECTRONICS EQPT CTR (PASSENGER ADDRESS AMPLIFIER ONLY) FOR NHA/OTHER SYS DET SEE: 24-00-58-01	002004 006100	RF
- 5	284N1800-38		EQUIPMENT INSTL-MAIN ELECTRONICS EQPT CTR (PASSENGER ADDRESS AMPLIFIER ONLY) FOR NHA/OTHER SYS DET SEE: 24-00-58-01	950951	RF
- 5	284N1800-190		EQUIPMENT INSTL-MAIN ELECTRONICS EQPT CTR (PASSENGER ADDRESS AMPLIFIER ONLY) FOR NHA/OTHER SYS DET SEE: 24-00-58-05E	504504 506903	RF
- 7	284N1800-88		EQUIPMENT INSTL-MAIN ELECTRONICS EQPT CTR (PASSENGER ADDRESS AMPLIFIER ONLY) FOR NHA/OTHER SYS DET SEE: 24-00-58-05E	505505	RF

MISSING ITEM NUMBERS NOT APPLICABLE

- ITEM NOT ILLUSTRATED

23-31-01-01

23-31-01
FIG. 01
PAGE 1
JAN 20/09

BRI

 **BOEING**
757
PARTS CATALOG (MAINTENANCE)

FIG ITEM	PART NUMBER	1 2 3 4 5 6 7	NOMENCLATURE	EFFECT FROM TO	UNITS PER ASSY
R R R R R R R	16	256-1	.AMPLIFIER ASSY-PASS. ADDRESS SUPPLIER CODE: V16340 ELECTRICAL EQUIP NUMBER: M00177 COMPONENT MAINT MANUAL REF: 23-31-20	107107	1
	16	256-1	.AMPLIFIER ASSY-PASS. ADDRESS SUPPLIER CODE: V16340 ELECTRICAL EQUIP NUMBER: M00177 COMPONENT MAINT MANUAL REF: 23-31-20	121949	1
	16	256-3	.AMPLIFIER ASSY-PASS. ADDRESS SUPPLIER CODE: V3E2Y8 ELECTRICAL EQUIP NUMBER: M00177 COMPONENT MAINT MANUAL REF: 23-31-20	121949	1
	16	622-5342-001	.AMPLIFIER ASSY-PASS. ADDRESS SUPPLIER CODE: V4V792 ELECTRICAL EQUIP NUMBER: M00177 COMPONENT MAINT MANUAL REF: 23-32-70 QUALIFIED I/W DATA: 256-3 I/W 622-5342-001 EXCEPT SUBJECT TO CUSTOMER PREFERENCE 256-4 I/W 622-5342-001 EXCEPT SUBJECT TO CUSTOMER PREFERENCE OPTIONAL PART: 622-5342-101 V4V792	002004 006100 950999	1

MISSING ITEM NUMBERS NOT APPLICABLE

— ITEM NOT ILLUSTRATED

BRI

23-31-01-01

BOEING PROPRIETARY - Copyright © - Unpublished Work - See title page for details.

23-31-01
FIG. 01
PAGE 2
MAY 20/09

 **BOEING**
757
PARTS CATALOG (MAINTENANCE)

FIG ITEM	PART NUMBER	1 2 3 4 5 6 7	NOMENCLATURE	EFFECT FROM TO	UNITS PER ASSY
R R R R R R R R R R R R R R R	16	256-3	.AMPLIFIER ASSY-PASS. ADDRESS SUPPLIER CODE: V3E2Y8 ELECTRICAL EQUIP NUMBER: M00177 COMPONENT MAINT MANUAL REF: 23-31-20	107107	1
	16	256-4	.AMPLIFIER ASSY-PASS. ADDRESS SUPPLIER CODE: V3E2Y8 ELECTRICAL EQUIP NUMBER: M00177 COMPONENT MAINT MANUAL REF: 23-31-20 QUALIFIED I/W DATA: 256-4 I/W 622-5342-001 EXCEPT PER CUSTOMER PREFERENCE	107107	1
	16	256-4	.AMPLIFIER ASSY-PASS. ADDRESS SUPPLIER CODE: V3E2Y8 ELECTRICAL EQUIP NUMBER: M00177 COMPONENT MAINT MANUAL REF: 23-31-20 QUALIFIED I/W DATA: 256-4 I/W 622-5342-001 EXCEPT PER CUSTOMER PREFERENCE 256-4 I/W 622-5342-101 EXCEPT SUBJECT TO CUSTOMER PREFERENCE. OPTIONAL PART: 622-5342-101 V4V792	121949	1

MISSING ITEM NUMBERS NOT APPLICABLE

— ITEM NOT ILLUSTRATED

BRI

23-31-01-01

BOEING PROPRIETARY - Copyright © - Unpublished Work - See title page for details.

23-31-01
FIG. 01
PAGE 3
MAY 20/09



757

PARTS CATALOG (MAINTENANCE)

FIG ITEM	PART NUMBER	1 2 3 4 5 6 7	NOMENCLATURE	EFFECT FROM TO	UNITS PER ASSY
1 16	622-5342-001		.AMPLIFIER ASSY-PASS. ADDRESS SUPPLIER CODE: V4V792 ELECTRICAL EQUIP NUMBER: M00177 COMPONENT MAINT MANUAL REF: 23-32-70 QUALIFIED I/W DATA: 256-3 I/W 622-5342-001 EXCEPT SUBJECT TO CUSTOMER PREFERENCE 256-4 I/W 622-5342-001 EXCEPT SUBJECT TO CUSTOMER PREFERENCE	121503 904949	1
R R R R R R R R R R R R R R R	16 622-5342-101		.AMPLIFIER ASSY- SUPPLIER CODE: V4V792 FUNCTIONAL DESCRIPTION: SENDS OUT THE HIGHEST PRIORITY AUDIO TO ALL SPEAKERS IN THE PASSENGER COMPARTMENT. ELECTRICAL EQUIP NUMBER: M00177 COMPONENT MAINT MANUAL REF: 23-32-70 QUALIFIED I/W DATA: 256-4 T/W 622-5342-101 EXCEPT SUBJECT TO CUSTOMER PREFERENCE. OPTIONAL PART: 622-5342-001 V4V792	002004 006100 107107 121503 904999	1

MISSING ITEM NUMBERS NOT APPLICABLE

— ITEM NOT ILLUSTRATED

BRI

23-31-01-01

23-31-01
FIG. 01
PAGE 4
MAY 20/09



757

PARTS CATALOG (MAINTENANCE)

FIG ITEM	PART NUMBER	1 2 3 4 5 6 7	NOMENCLATURE	EFFECT FROM TO	UNITS PER ASSY
1 16	622-5342-101		.AMPLIFIER ASSY- SUPPLIER CODE: V4V792 FUNCTIONAL DESCRIPTION: SENDS OUT THE HIGHEST PRIORITY AUDIO TO ALL SPEAKERS IN THE PASSENGER COMPARTMENT. ELECTRICAL EQUIP NUMBER: M00177 COMPONENT MAINT MANUAL REF: 23-32-70 QUALIFIED I/W DATA: 256-4 T/W 622-5342-101 EXCEPT SUBJECT TO CUSTOMER PREFERENCE. OPTIONAL PART: 256-4 V16340	121503 904949	1
20	651-1811-001		..PLATE-IDENT SUPPLIER CODE: V4V792 USED ON: 622-5342-001 622-5342-101	002004 006100 107107 121503 904999	1
25	621-0043-001		..PLATE-MOD SUPPLIER CODE: V4V792 USED ON: 622-5342-001 622-5342-101 ATTACHING PARTS	002004 006100 107107 121503 904999	1
- 30	P347-1268-000		..SCREW- SUPPLIER CODE: V77250	002004 006100 107107 121503 904999	2
35	280-2745-020		-----*----- ..LABEL-ESDS WARNING SUPPLIER CODE: V12998 USED ON: 622-5342-001 622-5342-101	002004 006100 107107 121503 904999	1

MISSING ITEM NUMBERS NOT APPLICABLE

- ITEM NOT ILLUSTRATED

BRI

23-31-01-01

23-31-01
FIG. 01
PAGE 5
JAN 20/09



757

PARTS CATALOG (MAINTENANCE)

FIG ITEM	PART NUMBER	1 2 3 4 5 6 7	NOMENCLATURE	EFFECT FROM TO	UNITS PER ASSY
1					
- 40	280-2745-010		.. LABEL-ESDS WARNING SUPPLIER CODE: V12998 USED ON: 622-5342-001 622-5342-101	002004 006100 107107 121503 904999	1
45	025-1156-001		.. CAP-PROTECTIVE SUPPLIER CODE: V71468 USED ON: 622-5342-001 622-5342-101	002004 006100 107107 121503 904999	1
50	025-1155-001		.. CAP-PROTECTIVE SUPPLIER CODE: V71468 USED ON: 622-5342-001 622-5342-101	002004 006100 107107 121503 904999	1
55	211600-1		.. CAP-DUST SUPPLIER CODE: V00779 USED ON: 622-5342-001 622-5342-101	002004 006100 107107 121503 904999	1
60	280-2745-130		.. LABEL-ESDS WARNING SUPPLIER CODE: V12998 USED ON: 622-5342-001 622-5342-101	002004 006100 107107 121503 904999	1
65	280-1378-020		.. LABEL- SUPPLIER CODE: V12998 USED ON: 622-5342-001 622-5342-101	002004 006100 107107 121503 904999	1
70	280-2745-020		.. LABEL-ESDS WARNING SUPPLIER CODE: V12998 USED ON: 622-5342-001 622-5342-101	002004 006100 107107 121503 904999	1
- 75	280-2745-010		.. LABEL-ESDS WARNING SUPPLIER CODE: V12998 USED ON: 622-5342-001 622-5342-101	002004 006100 107107 121503 904999	1

MISSING ITEM NUMBERS NOT APPLICABLE

- ITEM NOT ILLUSTRATED

BRI

23-31-01-01

23-31-01
FIG. 01
PAGE 6
JAN 20/09



757

PARTS CATALOG (MAINTENANCE)

FIG ITEM	PART NUMBER	1 2 3 4 5 6 7	NOMENCLATURE	EFFECT FROM TO	UNITS PER ASSY
1					
80	280-1368-180		.. LABEL- SUPPLIER CODE: V12998 USED ON: 622-5342-001 622-5342-101	002004 006100 107107 121503 904999	2
85	548-9369-002		.. BRACKET-MTG SUPPLIER CODE: V4V792 USED ON: 622-5342-001 622-5342-101	002004 006100 107107 121503 904999	1
- 90	503-4970-001		.. HOOK-HOLDDOWN SUPPLIER CODE: V4V792 USED ON: 622-5342-001 622-5342-101	002004 006100 107107 121503 904999	1
- 95	MS51957-29		ATTACHING PARTS .. SCREW	002004 006100 107107 121503 904999	1
- 100	MS51957-30		.. SCREW	002004 006100 107107 121503 904999	1
105	641-8914-001		-----*----- .. SHIM-HOLDDOWN SUPPLIER CODE: V4V792 USED ON: 622-5342-001 622-5342-101	002004 006100 107107 121503 904999	1
- 110	MS51957-28B		ATTACHING PARTS .. SCREW	002004 006100 107107 121503 904999	2
115	629-6836-064		-----*----- .. STRIP-IDENT SUPPLIER CODE: V4V792 USED ON: 622-5342-001 622-5342-101	002004 006100 107107 121503 904999	1

MISSING ITEM NUMBERS NOT APPLICABLE

- ITEM NOT ILLUSTRATED

23-31-01-01

23-31-01
FIG. 01
PAGE 7
JAN 20/09

BRI



757

PARTS CATALOG (MAINTENANCE)

FIG ITEM	PART NUMBER	1 2 3 4 5 6 7	NOMENCLATURE	EFFECT FROM TO	UNITS PER ASSY
1 120	281-0628-270		.. KNOB- SUPPLIER CODE: V86797 OPTIONAL PART: 646-4695-001 V4V792 RB67-0 V86797 USED ON: 622-5342-001	002004 006100 107107 121503 904999	1
120	646-4695-001		.. KNOB- SUPPLIER CODE: V4V792 OPTIONAL PART: 281-0628-270 V86797 RB67-0 V86797 USED ON: 622-5342-001	002004 006100 107107 121503 904999	1
120	646-4695-001		.. KNOB- SUPPLIER CODE: V4V792 USED ON: 622-5342-001 622-5342-101	002004 006100 107107 121503 904999	1
120	RB67-0		.. KNOB- SUPPLIER CODE: V86797 OPTIONAL PART: 281-0628-270 V86797 281-0628-270 V4V792 OPTIONAL PART: 646-4695-001 V4V792 281-0628-270 V86797 USED ON: 622-5342-001	002004 006100 107107 121503 904999	1
- 130	281-0628-270		.. KNOB- SUPPLIER CODE: V86797 USED ON: 622-5342-001 622-5342-101	002004 006100 107107 121503 904999	1

MISSING ITEM NUMBERS NOT APPLICABLE

- ITEM NOT ILLUSTRATED

23-31-01-01

23-31-01
FIG. 01
PAGE 8
JAN 20/09

BRI



757

PARTS CATALOG (MAINTENANCE)

FIG ITEM	PART NUMBER	1 2 3 4 5 6 7	NOMENCLATURE	EFFECT FROM TO	UNITS PER ASSY
1			ATTACHING PARTS		
- 135	AN565F4H3		.. SETSCREW	002004 006100 107107 121503 904999	2
140	651-2408-002		-----*----- .. HANDLE ASSY- SUPPLIER CODE: V4V792 USED ON: 622-5342-001 622-5342-101	002004 006100 107107 121503 904999	1
- 145	651-2411-001		ATTACHING PARTS .. SCREW- SUPPLIER CODE: V4V792	002004 006100 107107	2
			CONFIG CHG DATA FROM A CMM: SUPSD BY 652-5421-001	121503 904999	
- 145	652-5421-001		.. SCREW- SUPPLIER CODE: V4V792	002004 006100 107107	2
			CONFIG CHG DATA FROM A CMM: SUPERSEDES 651-2411-001	121503 904999	
- 150	310-0007-050		.. WASHER- SUPPLIER CODE: V79807	002004 006100 107107 121503 904999	2
- 155	768-3178-001		.. WASHER- SUPPLIER CODE: V4V792	002004 006100 107107 121503 904999	4
- 160	MS21042-06		.. NUT	002004 006100 107107 121503 904999	2
165	768-3387-019		-----*----- ... STRAP- SUPPLIER CODE: V4V792	002004 006100 107107 121503 904999	1

MISSING ITEM NUMBERS NOT APPLICABLE

- ITEM NOT ILLUSTRATED

23-31-01-01

23-31-01
FIG. 01
PAGE 9
JAN 20/09

BRI

BOEING PROPRIETARY - Copyright © - Unpublished Work - See title page for details.



757

PARTS CATALOG (MAINTENANCE)

FIG ITEM	PART NUMBER	1 2 3 4 5 6 7	NOMENCLATURE	EFFECT FROM TO	UNITS PER ASSY
1					
170	768-3386-001		. . . BAR-GRIP SUPPLIER CODE: V4V792	002004 006100 107107 121503 904999	1
- 200	286N1163-002		WIRE BUNDLE ASSY	121503 904949	RF
- 200	286N1163-003		WIRE BUNDLE ASSY	107107	RF
- 200	286N1163-006		WIRE BUNDLE ASSY	950951	RF
- 200	286N1163-008		WIRE BUNDLE ASSY	002004 006100 952999	RF
- 203	286N1163-379		WIRE BUNDLE ASSY	504504	RF
- 203	286N1163-380		WIRE BUNDLE ASSY	506506	RF
- 203	286N1163-384		WIRE BUNDLE ASSY	505505	RF
- 203	286N1163-393		WIRE BUNDLE ASSY	507903	RF
210	NIC66F11C0701		. CONNECTOR- SUPPLIER CODE: V00779 SPECIFICATION NUMBER: BACC66F11C0701 ELECTRICAL EQUIP NUMBER: D00007 WIRING DIAGRAM REF: 233111	002004 006100 107107 121999	1

MISSING ITEM NUMBERS NOT APPLICABLE

- ITEM NOT ILLUSTRATED

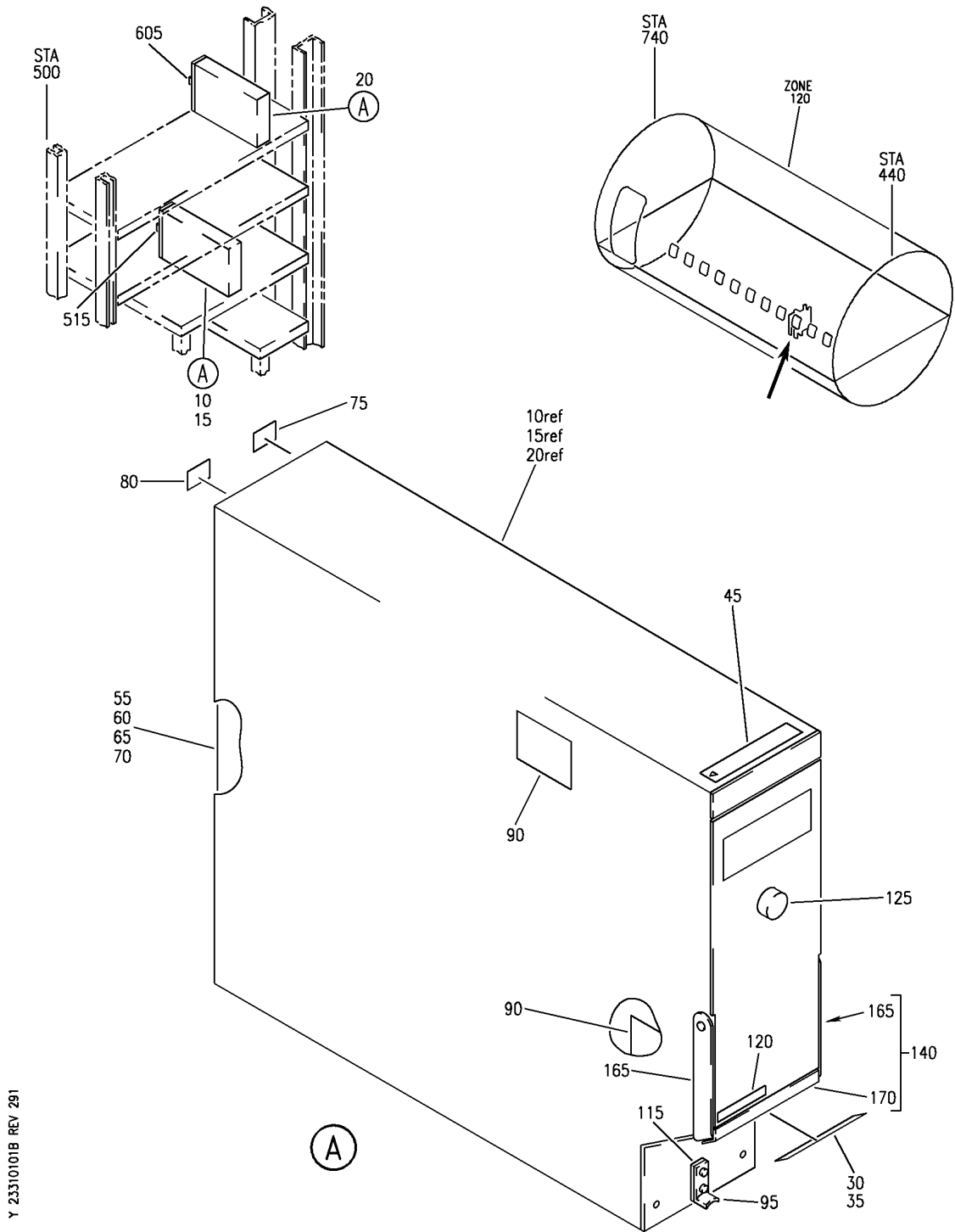
BRI

23-31-01-01

BOEING PROPRIETARY - Copyright © - Unpublished Work - See title page for details.

23-31-01
FIG. 01
PAGE 10
JAN 20/09

BOEING
757
PARTS CATALOG (MAINTENANCE)



Y 23310101B REV 291

EQUIPMENT INSTL-MAIN ELECTRONICS EQPT CTR (PASSENGER ADDRESS AMPLIFIER ONLY)
FIGURE 1B

BRI
MAY 28/07

23-31-01-01B

23-31-01-01B
PAGE 0

 **BOEING**
757
PARTS CATALOG (MAINTENANCE)

FIG ITEM	PART NUMBER	1 2 3 4 5 6 7	NOMENCLATURE	EFFECT FROM TO	UNITS PER ASSY
1B			EQUIPMENT INSTL-MAIN ELECTRONICS EQPT CTR (PASSENGER ADDRESS AMPLIFIER ONLY)	101102	
- 3	284N1800-140		EQUIPMENT INSTL-MAIN ELECTRONICS EQPT CTR (PASSENGER ADDRESS AMPLIFIER ONLY)	101101	RF
- 3	284N1800-141		FOR NHA/OTHER SYS DET SEE: 24-00-58-05E EQUIPMENT INSTL-MAIN ELECTRONICS EQPT CTR (PASSENGER ADDRESS AMPLIFIER ONLY)	102102	RF
10	622-5342-101		.AMPLIFIER ASSY- SUPPLIER CODE: V4V792 FUNCTIONAL DESCRIPTION: SENDS OUT THE HIGHEST PRIORITY AUDIO TO ALL SPEAKERS IN THE PASSENGER COMPARTMENT. ELECTRICAL EQUIP NUMBER: M00177 COMPONENT MAINT MANUAL REF: 23-32-70	101102	1
R					
R					
R					
R					
R					
R					
R					
R					
R					
R					
30	651-1811-001		..PLATE-IDENT SUPPLIER CODE: V4V792	101102	1
35	621-0043-001		..PLATE-MOD SUPPLIER CODE: V4V792	101102	1
- 40	P347-1268-000		ATTACHING PARTS ..SCREW- SUPPLIER CODE: V77250 -----*-----	101102	2
45	280-2745-020		..LABEL-ESDS WARNING SUPPLIER CODE: V12998	101102	1
- 50	280-2745-010		..LABEL-ESDS WARNING SUPPLIER CODE: V12998	101102	1
55	025-1156-001		..CAP-PROTECTIVE SUPPLIER CODE: V71468	101102	1

MISSING ITEM NUMBERS NOT APPLICABLE

- ITEM NOT ILLUSTRATED

23-31-01-01B

23-31-01
FIG. 01B
PAGE 1
MAY 20/09

BRI

BOEING PROPRIETARY - Copyright © - Unpublished Work - See title page for details.



757

PARTS CATALOG (MAINTENANCE)

FIG ITEM	PART NUMBER	1 2 3 4 5 6 7	NOMENCLATURE	EFFECT FROM TO	UNITS PER ASSY
1B					
60	025-1155-001	..	CAP-PROTECTIVE SUPPLIER CODE: V71468	101102	1
65	211600-1	..	CAP-DUST SUPPLIER CODE: V00779	101102	1
70	280-2745-130	..	LABEL-ESDS WARNING SUPPLIER CODE: V12998	101102	1
75	280-1378-020	..	LABEL- SUPPLIER CODE: V12998	101102	1
80	280-2745-020	..	LABEL-ESDS WARNING SUPPLIER CODE: V12998	101102	1
- 85	280-2745-010	..	LABEL-ESDS WARNING SUPPLIER CODE: V12998	101102	1
90	280-1368-180	..	LABEL- SUPPLIER CODE: V12998	101102	2
95	548-9369-002	..	BRACKET-MTG SUPPLIER CODE: V4V792	101102	1
- 100	503-4970-001	..	HOOK-HOLDDOWN SUPPLIER CODE: V4V792 ATTACHING PARTS	101102	1
- 105	MS51957-29	..	SCREW	101102	1
- 110	MS51957-30	..	SCREW	101102	1
			-----*-----		
115	641-8914-001	..	SHIM-HOLDDOWN SUPPLIER CODE: V4V792	101102	1
120	629-6836-064	..	STRIP-IDENT SUPPLIER CODE: V4V792	101102	1
125	646-4695-001	..	KNOB- SUPPLIER CODE: V4V792	101102	1
- 130	281-0628-270	..	KNOB- SUPPLIER CODE: V86797 ATTACHING PARTS	101102	1
- 135	AN565F4H3	..	SETSCREW	101102	2
			-----*-----		
140	651-2408-002	..	HANDLE ASSY- SUPPLIER CODE: V4V792	101102	1

MISSING ITEM NUMBERS NOT APPLICABLE

- ITEM NOT ILLUSTRATED

23-31-01-01B

23-31-01
FIG. 01B
PAGE 2
JAN 20/09

BRI

BOEING PROPRIETARY - Copyright © - Unpublished Work - See title page for details.



757

PARTS CATALOG (MAINTENANCE)

FIG ITEM	PART NUMBER	1 2 3 4 5 6 7	NOMENCLATURE	EFFECT FROM TO	UNITS PER ASSY
1B			ATTACHING PARTS		
- 145	651-2411-001	..	SCREW- SUPPLIER CODE: V4V792 CONFIG CHG DATA FROM A CMM: SUPSD BY 652-5421-001	101102	2
- 145	652-5421-001	..	SCREW- SUPPLIER CODE: V4V792 CONFIG CHG DATA FROM A CMM: SUPERSEDES 651-2411-001	101102	2
- 150	310-0007-050	..	WASHER- SUPPLIER CODE: V79807	101102	2
- 155	768-3178-001	..	WASHER- SUPPLIER CODE: V4V792	101102	4
- 160	MS21042-06	..	NUT	101102	2
			-----*-----		
165	768-3387-019	...	STRAP- SUPPLIER CODE: V4V792	101102	1
170	768-3386-001	...	BAR- SUPPLIER CODE: V4V792	101102	1
- 505	286N1163-337		WIRE BUNDLE ASSY	101101	RF
- 505	286N1163-341		WIRE BUNDLE ASSY	102102	RF
515	NIC66F11C0701	.	CONNECTOR- SUPPLIER CODE: V00779 SPECIFICATION NUMBER: BACC66F11C0701 ELECTRICAL EQUIP NUMBER: D00007 WIRING DIAGRAM REF: 233111	101102	1

MISSING ITEM NUMBERS NOT APPLICABLE

- ITEM NOT ILLUSTRATED

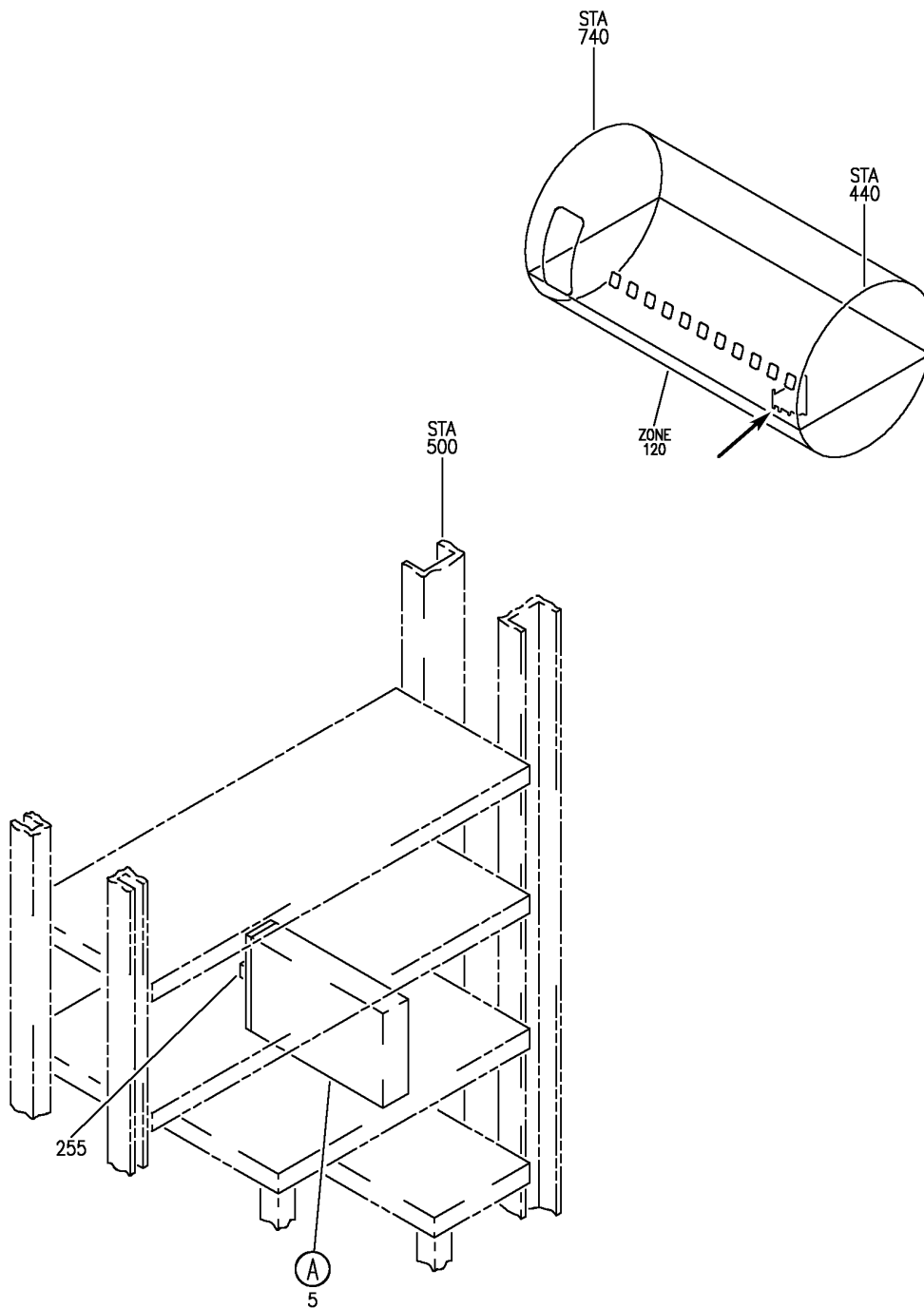
23-31-01-01B

23-31-01
FIG. 01B
PAGE 3
JAN 20/09

BRI

BOEING PROPRIETARY - Copyright © - Unpublished Work - See title page for details.

BOEING
757
PARTS CATALOG (MAINTENANCE)



Y 23310108 SHT 1 REV 262

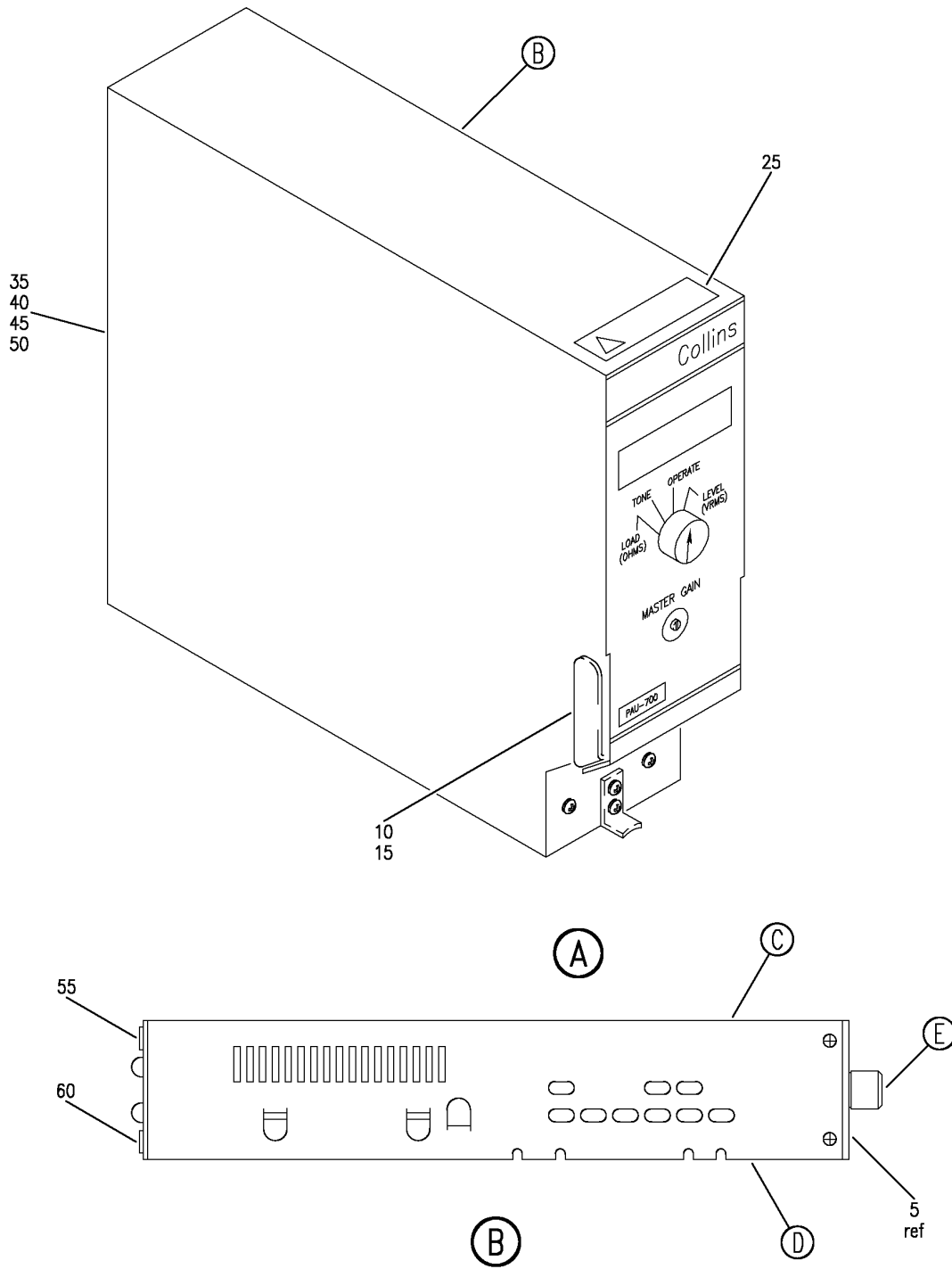
EQUIPMENT INSTL-MAIN ELECTRONICS EQPT CTR PASS. ADDRESS AMPLIFIER
FIGURE 8 (SHEET 1)

23-31-01-08

BRI
JAN 20/09

23-31-01-08
PAGE 0

BOEING
757
PARTS CATALOG (MAINTENANCE)



Y 23310108 SH1 2 REV 257

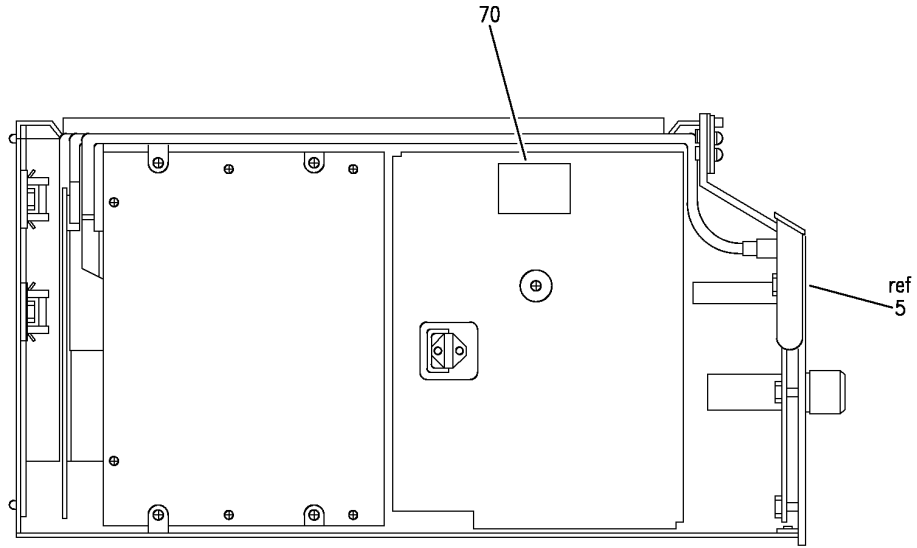
EQUIPMENT INSTL-MAIN ELECTRONICS EQPT CTR PASS. ADDRESS AMPLIFIER
FIGURE 8 (SHEET 2)

23-31-01-08

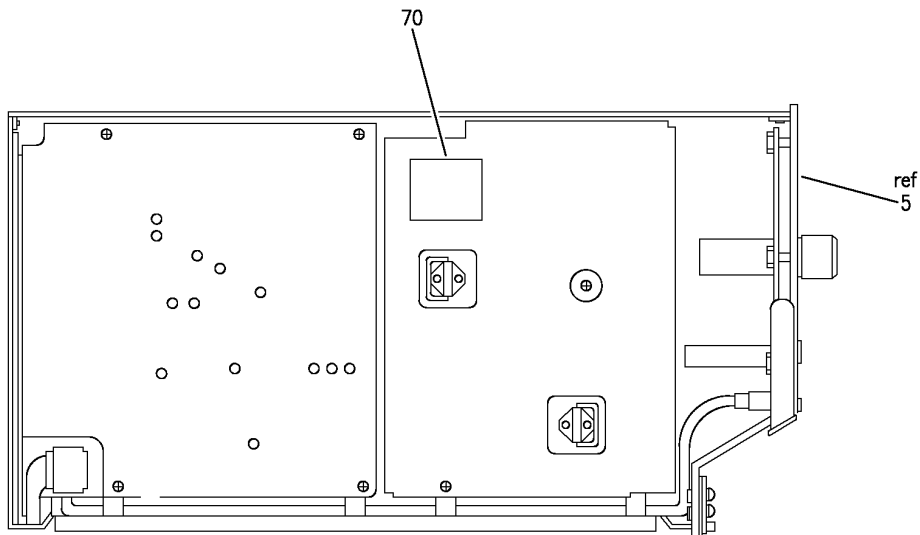
BRI
JAN 20/09

23-31-01-08
PAGE 0A

BOEING
757
PARTS CATALOG (MAINTENANCE)



(C)



(D)

Y 23310108 SH1 3 REV 257

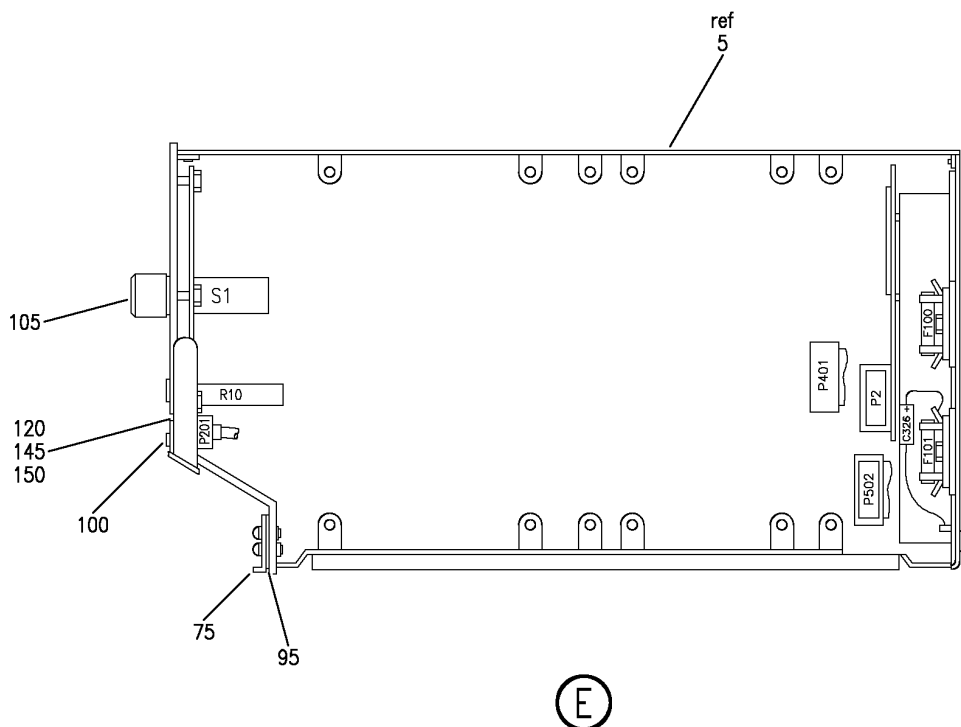
EQUIPMENT INSTL-MAIN ELECTRONICS EQPT CTR PASS. ADDRESS AMPLIFIER
FIGURE 8 (SHEET 3)

23-31-01-08

BRI
JAN 20/09

23-31-01-08
PAGE 08

BOEING
757
PARTS CATALOG (MAINTENANCE)



Y 23310108 SH- 4 REV 257

EQUIPMENT INSTL-MAIN ELECTRONICS EQPT CTR PASS. ADDRESS AMPLIFIER
FIGURE 8 (SHEET 4)

23-31-01-08

BRI
JAN 20/09

23-31-01-08
PAGE 0C



757

PARTS CATALOG (MAINTENANCE)

FIG ITEM	PART NUMBER	1 2 3 4 5 6 7	NOMENCLATURE	EFFECT FROM TO	UNITS PER ASSY
8			EQUIPMENT INSTL-MAIN ELECTRONICS EQPT CTR PASS. ADDRESS AMPLIFIER	103106 108120	
- 1	284N4000-230041		EQUIPMENT INSTL-MAIN ELECTRONICS EQPT CTR PASS. ADDRESS AMPL	108120	RF
- 1	MODREF22650		FOR NHA SEE: 24-00-58-05F EQUIPMENT INSTL-MAIN ELECTRONICS EQPT CTR PASS. ADDRESS AMPL	103106	1
5	622-5342-101		MODULE NUMBER: 284N4000-230007 REV B .AMPLIFIER ASSY- SUPPLIER CODE: V4V792	103106	1
5	256-4		FUNCTIONAL DESCRIPTION: SENDS OUT THE HIGHEST PRIORITY AUDIO TO ALL SPEAKERS IN THE PASSENGER COMPARTMENT. ELECTRICAL EQUIP NUMBER: M00177 COMPONENT MAINT MANUAL REF: 23-32-70 .AMPLIFIER ASSY-PASS. ADDRESS SUPPLIER CODE: V3E2Y8	108120	1
5	622-5342-101		ELECTRICAL EQUIP NUMBER: M00177 COMPONENT MAINT MANUAL REF: 23-31-20 .AMPLIFIER ASSY- SUPPLIER CODE: V4V792	103106	1
R R R R R R R R R R			FUNCTIONAL DESCRIPTION: SENDS OUT THE HIGHEST PRIORITY AUDIO TO ALL SPEAKERS IN THE PASSENGER COMPARTMENT. ELECTRICAL EQUIP NUMBER: M00177 COMPONENT MAINT MANUAL REF: 23-32-70		

MISSING ITEM NUMBERS NOT APPLICABLE

- ITEM NOT ILLUSTRATED

23-31-01-08

23-31-01
FIG. 08
PAGE 1
MAY 20/09

BRI

 **BOEING**
757
PARTS CATALOG (MAINTENANCE)

FIG ITEM	PART NUMBER	1 2 3 4 5 6 7	NOMENCLATURE	EFFECT FROM TO	UNITS PER ASSY
R R R R R R R R R R	8				
	5	622-5342-001	. AMPLIFIER ASSY-PASS. ADDRESS SUPPLIER CODE: V4V792 ELECTRICAL EQUIP NUMBER: M00177 COMPONENT MAINT MANUAL REF: 23-32-70	103106	1
	5	622-5342-001	. AMPLIFIER ASSY-PASS. ADDRESS SUPPLIER CODE: V4V792 ELECTRICAL EQUIP NUMBER: M00177 COMPONENT MAINT MANUAL REF: 23-32-70	103106	1
	10	651-1811-001	.. PLATE-IDENT SUPPLIER CODE: V4V792 USED ON: 622-5342-101 622-5342-001	103106	1
	15	621-0043-001	.. PLATE- SUPPLIER CODE: V4V792 USED ON: 622-5342-101 622-5342-001 ATTACHING PARTS	103106	1
	- 20	P347-1268-000	.. SCREW- SUPPLIER CODE: V77250 -----*-----	103106	2
	25	280-2745-020	.. LABEL-ESDS WARNING SUPPLIER CODE: V12998 USED ON: 622-5342-101 622-5342-001	103106	1
- 30	280-2745-010	.. LABEL-ESDS WARNING SUPPLIER CODE: V12998 USED ON: 622-5342-101 622-5342-001	103106	1	

MISSING ITEM NUMBERS NOT APPLICABLE

- ITEM NOT ILLUSTRATED

BRI

23-31-01-08

BOEING PROPRIETARY - Copyright © - Unpublished Work - See title page for details.

23-31-01
FIG. 08
PAGE 2
MAY 20/09



757

PARTS CATALOG (MAINTENANCE)

FIG ITEM	PART NUMBER	1 2 3 4 5 6 7	NOMENCLATURE	EFFECT FROM TO	UNITS PER ASSY
8					
35	025-1156-001		..CAP-PROTECTIVE SUPPLIER CODE: V71468 USED ON: 622-5342-101 622-5342-001	103106	1
40	025-1155-001		..CAP-PROTECTIVE SUPPLIER CODE: V71468 USED ON: 622-5342-101 622-5342-001	103106	1
45	211600-1		..CAP-DUST SUPPLIER CODE: V00779 USED ON: 622-5342-101 622-5342-001	103106	1
50	280-2745-130		..LABEL- SUPPLIER CODE: V12998 USED ON: 622-5342-101 622-5342-001	103106	1
55	280-1378-020		..LABEL- SUPPLIER CODE: V12998 USED ON: 622-5342-101 622-5342-001	103106	1
60	280-2745-020		..LABEL-ESDS WARNING SUPPLIER CODE: V12998 USED ON: 622-5342-101 622-5342-001	103106	1
- 65	280-2745-010		..LABEL-ESDS WARNING SUPPLIER CODE: V12998 USED ON: 622-5342-101 622-5342-001	103106	1
70	280-1368-180		..LABEL- SUPPLIER CODE: V12998 USED ON: 622-5342-101 622-5342-001	103106	2

MISSING ITEM NUMBERS NOT APPLICABLE

- ITEM NOT ILLUSTRATED

23-31-01-08

23-31-01
FIG. 08
PAGE 3
JAN 20/09

BRI

BOEING PROPRIETARY - Copyright © - Unpublished Work - See title page for details.



**757
PARTS CATALOG (MAINTENANCE)**

FIG ITEM	PART NUMBER	1 2 3 4 5 6 7	NOMENCLATURE	EFFECT FROM TO	UNITS PER ASSY
8					
75	548-9369-002		.. BRACKET-MTG SUPPLIER CODE: V4V792 USED ON: 622-5342-101 622-5342-001	103106	1
- 80	503-4970-001		.. HOOK-HOLDDOWN SUPPLIER CODE: V4V792 USED ON: 622-5342-101 622-5342-001 ATTACHING PARTS	103106	1
- 85	MS51957-29		.. SCREW	103106	1
- 90	MS51957-30		.. SCREW	103106	1
			-----*-----		
95	641-8914-001		.. SHIM-HOLDDOWN SUPPLIER CODE: V4V792 USED ON: 622-5342-101 622-5342-001	103106	1
100	629-6836-064		.. STRIP-IDENT SUPPLIER CODE: V4V792 USED ON: 622-5342-101 622-5342-001	103106	1
105	646-4695-001		.. KNOB- SUPPLIER CODE: V4V792 USED ON: 622-5342-101 622-5342-001	103106	1
- 110	281-0628-270		.. KNOB- SUPPLIER CODE: V86797 USED ON: 622-5342-101 622-5342-001 ATTACHING PARTS	103106	1
- 115	AN565F4H3		.. SETSCREW	103106	2
			-----*-----		
120	651-2408-002		.. HANDLE ASSY- SUPPLIER CODE: V4V792 USED ON: 622-5342-101 622-5342-001	103106	1

MISSING ITEM NUMBERS NOT APPLICABLE

- ITEM NOT ILLUSTRATED

23-31-01-08

23-31-01
FIG. 08
PAGE 4
JAN 20/09

BRI



757

PARTS CATALOG (MAINTENANCE)

FIG ITEM	PART NUMBER	1 2 3 4 5 6 7	NOMENCLATURE	EFFECT FROM TO	UNITS PER ASSY
8			ATTACHING PARTS		
- 125	651-2411-001	..	SCREW- SUPPLIER CODE: V4V792 CONFIG CHG DATA FROM A CMM: SUPSD BY 652-5421-001	103106	2
- 125	652-5421-001	..	SCREW- SUPPLIER CODE: V4V792 CONFIG CHG DATA FROM A CMM: SUPERSEDES 651-2411-001	103106	2
- 130	310-0007-050	..	WASHER- SUPPLIER CODE: V79807	103106	2
- 135	768-3178-001	..	WASHER- SUPPLIER CODE: V4V792	103106	4
- 140	MS21042-06	..	NUT	103106	2
145	768-3387-019	...	STRAP- SUPPLIER CODE: V4V792	103106	1
150	768-3386-001	...	BAR-GRIP SUPPLIER CODE: V4V792	103106	1
- 202	286N1163-398		WIRE BUNDLE ASSY	108120	RF
- 204	286N1163-601		WIRE BUNDLE ASSY	103106	RF
255	NIC66F11C0701	.	CONNECTOR- SUPPLIER CODE: V00779 SPECIFICATION NUMBER: BACC66F11C0701 ELECTRICAL EQUIP NUMBER: D00007 WIRING DIAGRAM REF: 233111	103106 108120	1

MISSING ITEM NUMBERS NOT APPLICABLE

- ITEM NOT ILLUSTRATED

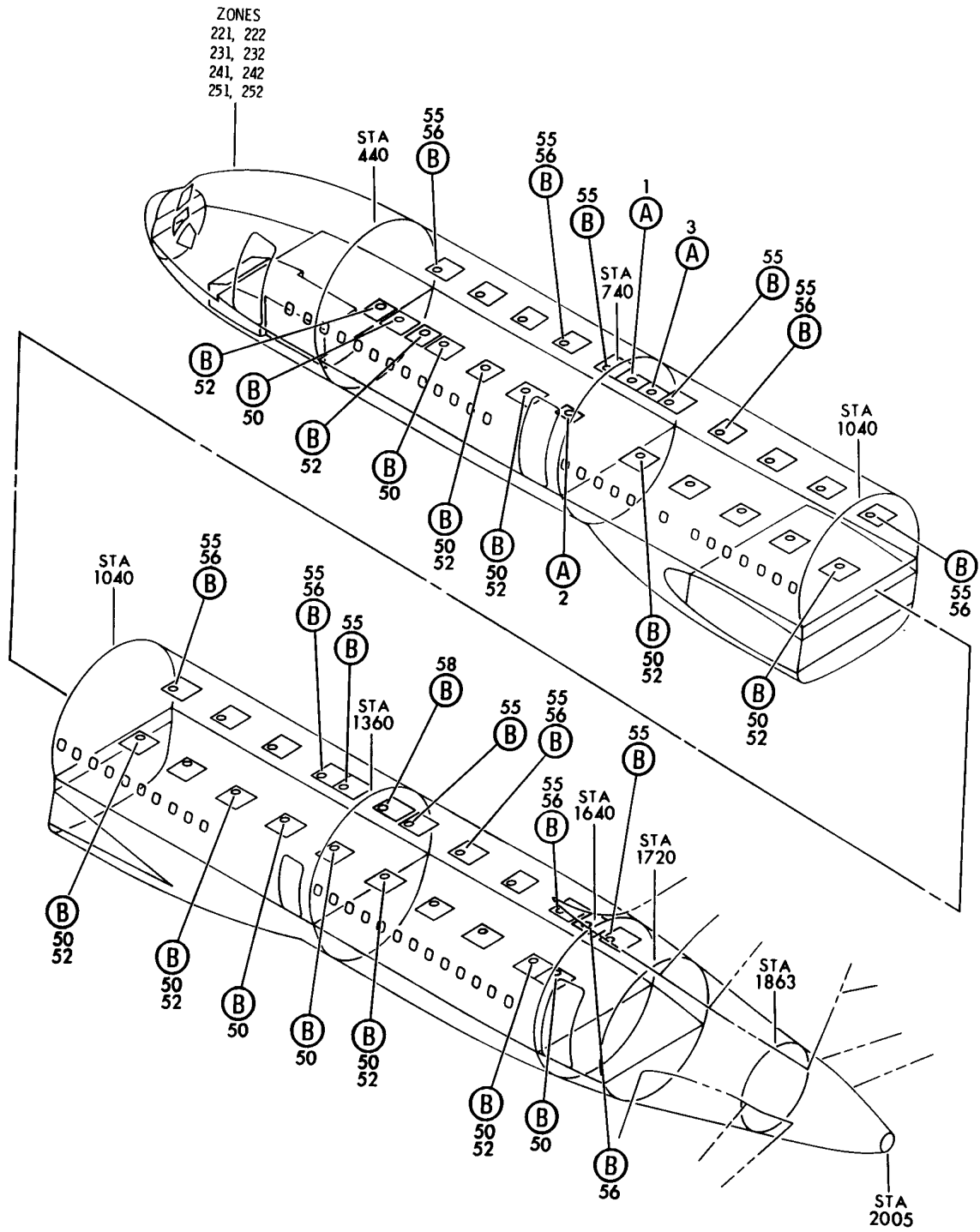
BRI

23-31-01-08

BOEING PROPRIETARY - Copyright © - Unpublished Work - See title page for details.

23-31-01
FIG. 08
PAGE 5
JAN 20/09

BOEING
757
PARTS CATALOG (MAINTENANCE)



Y 23310202 SHT 1 REV 140

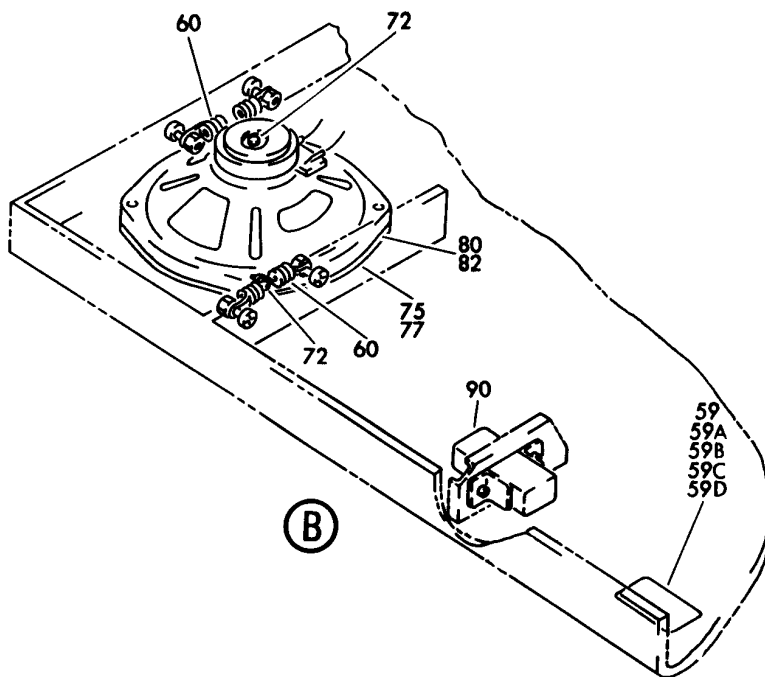
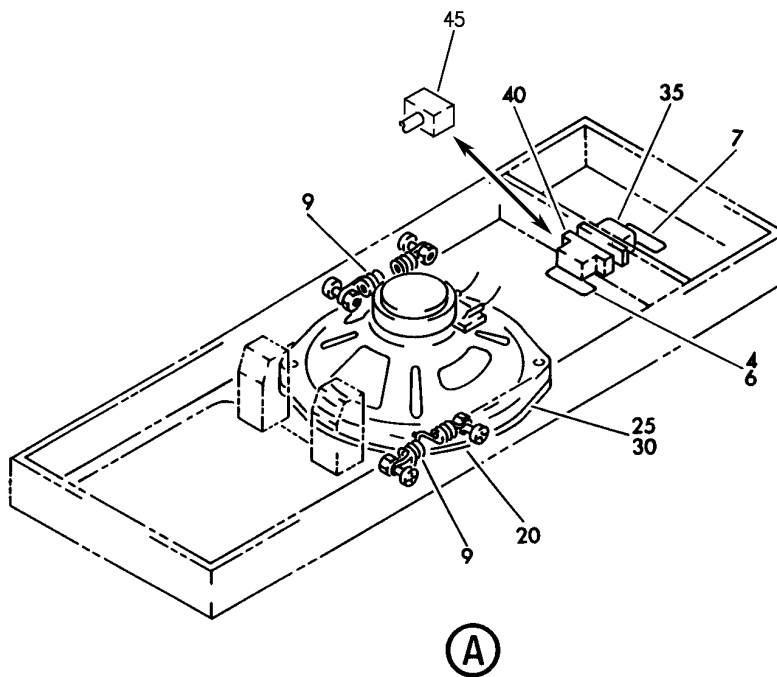
SERVICE UNIT AND PANEL ASSY-UNDERBIN AND OVERDOOR PASS. (COMMUNICATIONS ONLY)
FIGURE 2 (SHEET 1)

BRI
JAN 20/09

23-31-02-02

23-31-02-02
PAGE 0

BOEING
757
PARTS CATALOG (MAINTENANCE)



Y 23310202 SH1 2 REV 269

SERVICE UNIT AND PANEL ASSY-UNDERBIN AND OVERDOOR PASS. (COMMUNICATIONS ONLY)
FIGURE 2 (SHEET 2)

BRI
JAN 20/09

23-31-02-02

23-31-02-02
PAGE 0A



757

PARTS CATALOG (MAINTENANCE)

FIG ITEM	PART NUMBER	1 2 3 4 5 6 7	NOMENCLATURE	EFFECT FROM TO	UNITS PER ASSY
2			SERVICE UNIT AND PANEL ASSY-UNDERBIN AND OVERDOOR PASS. (COMMUNICATIONS ONLY)	107107	
1	417N3010-3SP		PANEL ASSY-(COMMUNICATIONS ONLY) POSITION DATA: OVERDOOR FOR NHA/OTHER SYS DET SEE: 25-23-01-03	107107	RF
3	417N3010-6SP		PANEL ASSY-(COMMUNICATIONS ONLY) POSITION DATA: OVERDOOR FOR NHA/OTHER SYS DET SEE: 25-23-01-03	107107	RF
4	BAC27NPA0305		.MARKER-ALUMINUM FOIL- PLACARD CONTENT: M10348 USED ON: 417N3010-3SP	107107	1
6	BAC27NPA0612		.MARKER-ALUMINUM FOIL- PLACARD CONTENT: M10350 USED ON: 417N3010-6SP	107107	1
9	417N3173-6		.SPRING ATTACHING PARTS	107107	2
- 10	BACS12FA08K5		.SCREW	107107	4
- 15	BRH10A08		.NUT SUPPLIER CODE: V52828 SPECIFICATION NUMBER: BACN10JC08 OPTIONAL PART: H10-08BAC V15653 NS202101-82 V80539 RMLH9075-82W V72962 VN303A82 V92215 96-82 V80539 T6S832J V11815 -----*-----	107107	4

MISSING ITEM NUMBERS NOT APPLICABLE

- ITEM NOT ILLUSTRATED

23-31-02-02

23-31-02
FIG. 02
PAGE 1
JAN 20/09

BRI



757

PARTS CATALOG (MAINTENANCE)

FIG ITEM	PART NUMBER	1 2 3 4 5 6 7	NOMENCLATURE	EFFECT FROM TO	UNITS PER ASSY
2	20 417N3104-1		.GASKET- MANUFACTURED FROM: SH RUBATEX R310V BMS8-283 MATL QTY: 0.34, MATL UOM : SF MATL DIMENSIONS : 0.125 IN 7.0 IN 7.0 IN	107107	1
	20 417N3104-2		.GASKET-	107107	1
	25 RDAM8005A		.SPEAKER- SUPPLIER CODE: VOFF57 SPECIFICATION NUMBER: S222T101-101 ELECTRICAL EQUIP NUMBER: M10350 USED ON: 417N3010-6SP	107107	1
	25 RDAM8018		.SPEAKER- SUPPLIER CODE: VOFF57 SPECIFICATION NUMBER: 10-62232-01	107107	1
	30 RDAM8006A		.SPEAKER- SUPPLIER CODE: V54473 SPECIFICATION NUMBER: S222T101-201 ELECTRICAL EQUIP NUMBER: M10348 USED ON: 417N3010-3SP	107107	1
	50 417N3100-393SP		SERVICE UNIT ASSY-PASS. (COMMUNICATIONS ONLY) POSITION DATA: UNDERBIN COMPONENT MAINT MANUAL REF: 25-23-30 FOR NHA/OTHER SYS DET SEE: 25-23-01-03 25-23-01-07 25-23-01-12	107107	RF

MISSING ITEM NUMBERS NOT APPLICABLE

- ITEM NOT ILLUSTRATED

BRI

23-31-02-02

BOEING PROPRIETARY - Copyright © - Unpublished Work - See title page for details.

23-31-02
FIG. 02
PAGE 2
JAN 20/09



757

PARTS CATALOG (MAINTENANCE)

FIG ITEM	PART NUMBER	1 2 3 4 5 6 7	NOMENCLATURE	EFFECT FROM TO	UNITS PER ASSY
2					
55	417N3100-384SP		SERVICE UNIT ASSY-PASS. (COMMUNICATIONS ONLY) POSITION DATA: UNDERBIN COMPONENT MAINT MANUAL REF: 25-23-33 FOR NHA/OTHER SYS DET SEE: 25-23-01-03 25-23-01-07 25-23-01-12	107107	RF
58	417N3100-386SP		SERVICE UNIT ASSY-PASS. (COMMUNICATIONS ONLY) POSITION DATA: UNDERBIN COMPONENT MAINT MANUAL REF: 25-23-33 FOR NHA/OTHER SYS DET SEE: 25-23-01-12	107107	RF
59	BAC27NPA0660		.MARKER-ALUMINUM FOIL USED ON: 417N3100-115SP 417N3100-325SP 417N3100-393SP 417N3100-467SP 417N3100-655SP	107107	RF
59A	BAC27NPA0661		.MARKER-ALUMINUM FOIL USED ON: 417N3100-58SP 417N3100-334SP 417N3100-384SP 417N3100-438SP 417N3100-496SP	107107	RF
59B	BAC27NPA0667		.MARKER-ALUMINUM FOIL USED ON: 417N3100-128SP 417N3100-338SP 417N3100-386SP 417N3100-442SP 417N3100-498SP	107107	RF
60	417N3173-6		.SPRING ATTACHING PARTS	107107	2
- 65	BACS12FA08K6		.SCREW	107107	4
- 70	BACN10YJ08		.NUT -----*-----	107107	4

MISSING ITEM NUMBERS NOT APPLICABLE

- ITEM NOT ILLUSTRATED

23-31-02-02

23-31-02
FIG. 02
PAGE 3
JAN 20/09

BRI



757

PARTS CATALOG (MAINTENANCE)

FIG ITEM	PART NUMBER	1 2 3 4 5 6 7	NOMENCLATURE	EFFECT FROM TO	UNITS PER ASSY
2					
75	417N3104-1		.GASKET- MANUFACTURED FROM: SH RUBATEX R310V BMS8-283 MATL QTY: 0.34, MATL UOM : SF MATL DIMENSIONS : 0.125 IN 7.0 IN 7.0 IN	107107	1
75	417N3104-2		.GASKET-	107107	1
80	RDAM8005A		.SPEAKER- SUPPLIER CODE: VOFF57 SPECIFICATION NUMBER: S222T101-101 ELECTRICAL EQUIP NUMBER: M10342 M10343	107107	1
80	RDAM8018		.SPEAKER- SUPPLIER CODE: VOFF57 SPECIFICATION NUMBER: 10-62232-01	107107	1
85	W260F4AM11		.RELAY- SUPPLIER CODE: VF0219 SPECIFICATION NUMBER: BACR13CD2 OPTIONAL PART: BR16S233 V09026 EE4AA005 V35344 3SAV1338A2 V01526 HFW1206K03 V58614 HFW1204K01 V71482 ELECTRICAL EQUIP NUMBER: K10270 USED ON: 417N3100-128SP 417N3100-338SP 417N3100-386SP 417N3100-442SP 417N3100-498SP	107107	1

MISSING ITEM NUMBERS NOT APPLICABLE

- ITEM NOT ILLUSTRATED

23-31-02-02

23-31-02
FIG. 02
PAGE 4
JAN 20/09

BRI



757

PARTS CATALOG (MAINTENANCE)

FIG ITEM	PART NUMBER	1 2 3 4 5 6 7	NOMENCLATURE	EFFECT FROM TO	UNITS PER ASSY
2 90	451120-026		. SOCKET-MUTING SUPPLIER CODE: V03743 USED ON: 417N3100-128SP 417N3100-338SP 417N3100-386SP 417N3100-442SP 417N3100-498SP	107107	1

MISSING ITEM NUMBERS NOT APPLICABLE

- ITEM NOT ILLUSTRATED

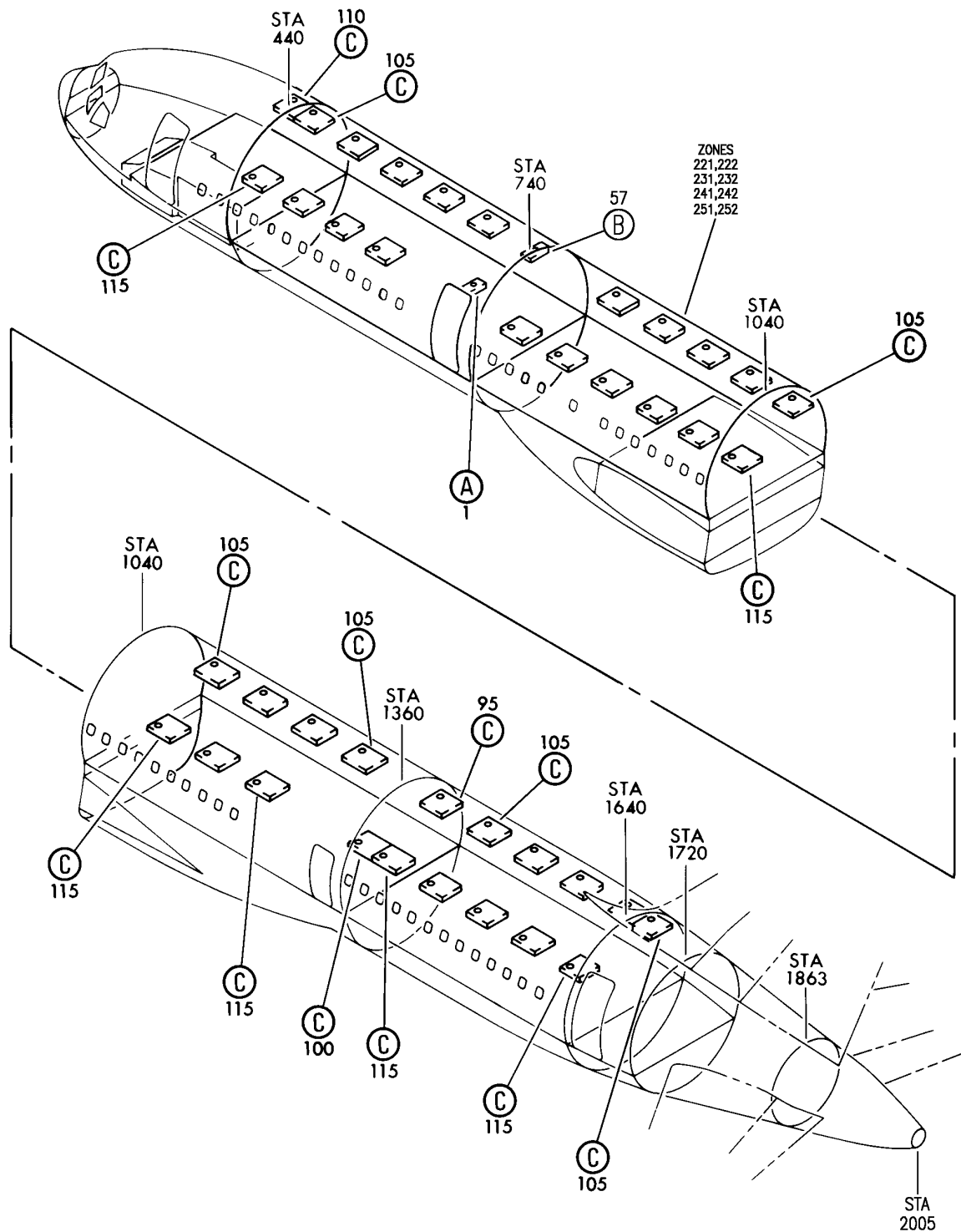
BRI

23-31-02-02

BOEING PROPRIETARY - Copyright © - Unpublished Work - See title page for details.

23-31-02
FIG. 02
PAGE 5
JAN 20/09


BOEING
 757
PARTS CATALOG (MAINTENANCE)



Y 23310218 SHT 1 REV 269

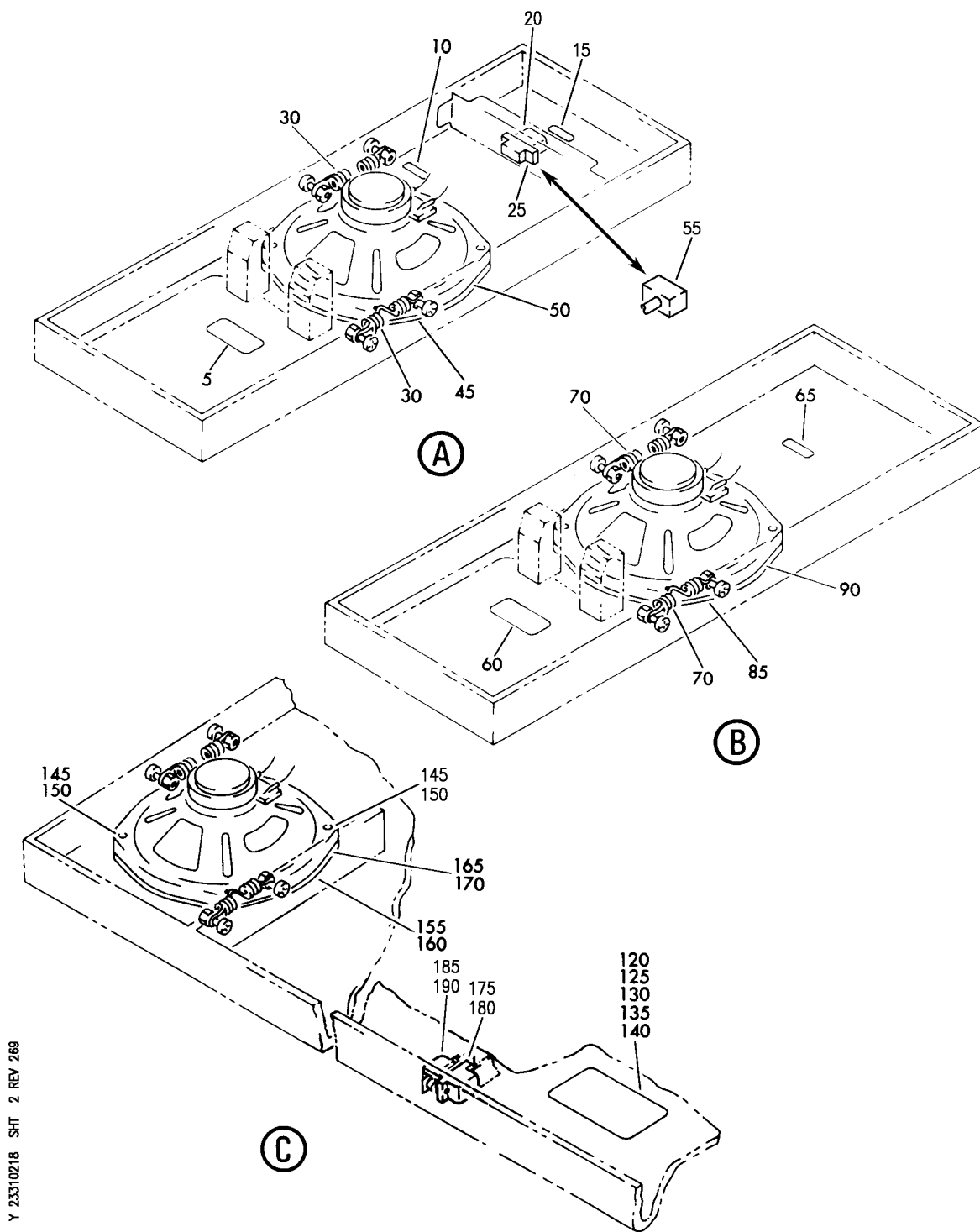
SERVICE UNIT AND PANEL ASSY-UNDERBIN PASS. AND OVERDOOR SPKR SPACER (COMMUNICATIONS ONLY)
 FIGURE 18 (SHEET 1)

BRI
MAY 28/07

23-31-02-18

23-31-02-18
 PAGE 0

BOEING
757
PARTS CATALOG (MAINTENANCE)



Y 23310218 SH1 2 REV 269

SERVICE UNIT AND PANEL ASSY-UNDERBIN PASS. AND OVERDOOR SPKR SPACER (COMMUNICATIONS ONLY)
FIGURE 18 (SHEET 2)

BRI
MAY 28/07

23-31-02-18

23-31-02-18
PAGE 0A



757

PARTS CATALOG (MAINTENANCE)

FIG ITEM	PART NUMBER	1 2 3 4 5 6 7	NOMENCLATURE	EFFECT FROM TO	UNITS PER ASSY
18			SERVICE UNIT AND PANEL ASSY-UNDERBIN PASS. AND OVERDOOR SPKR SPACER (COMMUNICATIONS ONLY)	121503 904949	
1	417N3010-8SP		PANEL ASSY-OVERDOOR SPKR SPACER (COMMUNICATIONS ONLY)	121503 904949	1
			FOR NHA/OTHER SYS DET SEE: 25-23-01-71 25-23-01-71A		
5	BAC27NPA0641		.MARKER-ALUMINUM FOIL- PLACARD CONTENT: M10593 SPEAKER PANEL ASSEMBLY MUTED OVERDOOR	121503 904949	1
10	BAC27NPA0642		.MARKER-ALUMINUM FOIL- PLACARD CONTENT: B10116	121503 904949	1
15	BAC27NPA0643		.MARKER-ALUMINUM FOIL- PLACARD CONTENT: K10503	121503 904949	1
20	W260F4AM11		.RELAY- SUPPLIER CODE: VF0219 SPECIFICATION NUMBER: BACR13CD2 OPTIONAL PART: BR16S233 V09026 EE4AA005 V35344 3SAV1338A2 V01526 HFW1206K03 V58614 HFW1204K01 V71482 ELECTRICAL EQUIP NUMBER: K10503	121503 904949	1
25	451120-026		.SOCKET-MUTING SUPPLIER CODE: V03743	121503 904949	1
30	417N3173-6		.SPRING	121503 904949	2
- 35	BACS12FA08K5		ATTACHING PARTS .SCREW	121503 904949	4

MISSING ITEM NUMBERS NOT APPLICABLE

- ITEM NOT ILLUSTRATED

23-31-02-18

23-31-02
FIG. 18
PAGE 1
JAN 20/09

BRI

BOEING PROPRIETARY - Copyright © - Unpublished Work - See title page for details.



757

PARTS CATALOG (MAINTENANCE)

FIG ITEM	PART NUMBER	1 2 3 4 5 6 7	NOMENCLATURE	EFFECT FROM TO	UNITS PER ASSY
18 - 40	BRH10A08		.NUT SUPPLIER CODE: V52828 SPECIFICATION NUMBER: BACN10JC08 OPTIONAL PART: H10-08BAC V15653 NS202101-82 V80539 RMLH9075-82W V72962 VN303A82 V92215 96-82 V80539 T6S832J V11815 -----*-----	121503 904949	4
45	417N3104-1		.GASKET- MANUFACTURED FROM: SH RUBATEX R310V BMS8-283 MATL QTY: 0.34, MATL UOM : SF MATL DIMENSIONS : 0.125 IN 7.0 IN 7.0 IN	121503 904949	1
45	417N3104-2		.GASKET-	121503 904949	1
50	RDAM8005A		.SPEAKER- SUPPLIER CODE: VOFF57 SPECIFICATION NUMBER: S222T101-101 ELECTRICAL EQUIP NUMBER: B10116	121503 904949	1
50	RDAM8018		.SPEAKER- SUPPLIER CODE: VOFF57 SPECIFICATION NUMBER: 10-62232-01	121503 904949	1
- 53	286N0513-003		.WIRE BUNDLE	121503 904949	1

MISSING ITEM NUMBERS NOT APPLICABLE

- ITEM NOT ILLUSTRATED

23-31-02-18

23-31-02
FIG. 18
PAGE 2
JAN 20/09

BRI



757

PARTS CATALOG (MAINTENANCE)

FIG ITEM	PART NUMBER	1 2 3 4 5 6 7	NOMENCLATURE	EFFECT FROM TO	UNITS PER ASSY
18					
55	RSE120026		.. SOCKET- SUPPLIER CODE: V58982 SPECIFICATION NUMBER: BACS16AG1 OPTIONAL PART: 451120-026 V58982 ELECTRICAL EQUIP NUMBER: D01235 WIRING DIAGRAM REF: 233121	121503 904949	1
57	417N3010-9SP		PANEL ASSY-OVERDOOR SPKR SPACER (COMMUNICATIONS ONLY) FOR NHA/OTHER SYS DET SEE: 25-23-01-71 25-23-01-71A	121503 904949	1
60	BAC27NPA0321		.MARKER-ALUMINUM FOIL- PLACARD CONTENT: M10474 SPEAKER PANEL ASSEMBLY OVERDOOR	121503 904949	1
65	BAC27NPA1346		.MARKER-ALUMINUM FOIL- PLACARD CONTENT: B10114	121503 904949	1
70	417N3173-6		.SPRING	121503 904949	2
			ATTACHING PARTS		
- 75	BACS12FA08K5		.SCREW	121503 904949	4
- 80	BRH10A08		.NUT SUPPLIER CODE: V52828 SPECIFICATION NUMBER: BACN10JC08 OPTIONAL PART: H10-08BAC V15653 NS202101-82 V80539 RMLH9075-82W V72962 VN303A82 V92215 96-82 V80539 T6S832J V11815 -----*-----	121503 904949	4

MISSING ITEM NUMBERS NOT APPLICABLE

- ITEM NOT ILLUSTRATED

23-31-02-18

23-31-02
FIG. 18
PAGE 3
JAN 20/09

BRI



757

PARTS CATALOG (MAINTENANCE)

FIG ITEM	PART NUMBER	1 2 3 4 5 6 7	NOMENCLATURE	EFFECT FROM TO	UNITS PER ASSY
18 85	417N3104-1		.GASKET- MANUFACTURED FROM: SH RUBATEX R310V BMS8-283 MATL QTY: 0.34, MATL UOM : SF MATL DIMENSIONS : 0.125 IN 7.0 IN 7.0 IN	121503 904949	1
85	417N3104-2		.GASKET-	121503 904949	1
90	RDAM8005A		.SPEAKER- SUPPLIER CODE: VOFF57 SPECIFICATION NUMBER: S222T101-101 ELECTRICAL EQUIP NUMBER: B10114	121503 904949	1
90	RDAM8018		.SPEAKER- SUPPLIER CODE: VOFF57 SPECIFICATION NUMBER: 10-62232-01	121503 904949	1
95	417N3100-402SP		SERVICE UNIT ASSY-PASS. SALVAGE FROM 417N3001-60, -74 (COMMUNICATIONS ONLY) POSITION DATA: UNDERBIN COMPONENT MAINT MANUAL REF: 25-23-33 FOR NHA/OTHER SYS DET SEE: 25-23-01-73	121503 904949	RF
100	417N3100-647SP		SERVICE UNIT ASSY-PASS. (COMMUNICATIONS ONLY) POSITION DATA: UNDERBIN FOR NHA/OTHER SYS DET SEE: 25-23-01-73	121503 904949	RF
105	417N3100-408SP		SERVICE UNIT ASSY-PASS. (COMMUNICATIONS ONLY) POSITION DATA: UNDERBIN COMPONENT MAINT MANUAL REF: 25-23-33 FOR NHA/OTHER SYS DET SEE: 25-23-01-71 25-23-01-71A 25-23-01-72 25-23-01-73	121503 904949	RF

MISSING ITEM NUMBERS NOT APPLICABLE

- ITEM NOT ILLUSTRATED

23-31-02-18

23-31-02
FIG. 18
PAGE 4
JAN 20/09

BRI



757

PARTS CATALOG (MAINTENANCE)

FIG ITEM	PART NUMBER	1 2 3 4 5 6 7	NOMENCLATURE	EFFECT FROM TO	UNITS PER ASSY
18 110	417N3100-408SP		SERVICE UNIT ASSY-PASS. (COMMUNICATIONS ONLY) POSITION DATA: UNDERBIN COMPONENT MAINT MANUAL REF: 25-23-33 POST RAPID REVISION: RR92003-19 FOR NHA/OTHER SYS DET SEE: 25-23-01-71 25-23-01-71A	121503 904949	RF
115	417N3100-645SP		SERVICE UNIT ASSY-PASS. (COMMUNICATIONS ONLY) POSITION DATA: UNDERBIN FOR NHA/OTHER SYS DET SEE: 25-23-01-71 25-23-01-71A 25-23-01-72 25-23-01-73	121503 904949	RF
120	BAC27NPA0667		.MARKER-ALUMINUM FOIL USED ON: 417N3100-402SP	121503 904949	RF
125	BAC27NPA0666		.MARKER-ALUMINUM FOIL USED ON: 417N3100-647SP	121503 904949	RF
130	BAC27NPA0661		.MARKER-ALUMINUM FOIL USED ON: 417N3100-408SP	121503 904949	RF
135	BAC27NPA0661		.MARKER-ALUMINUM FOIL USED ON: 417N3100-408SP	121503 904949	RF
140	BAC27NPA0660		.MARKER-ALUMINUM FOIL USED ON: 417N3100-645SP	121503 904949	RF
145	BACN10YJ08		.NUT	121503 904949	2
150	BACN10YJ08		.NUT-E USED ON: 417N3100-408SP	121503 904949	2
155	417N3104-2		.GASKET- MANUFACTURED FROM: SH RUBATEX R310V 0.125 X 7.0 IN DIA	121503 904949	1

MISSING ITEM NUMBERS NOT APPLICABLE

- ITEM NOT ILLUSTRATED

23-31-02-18

23-31-02
FIG. 18
PAGE 5
JAN 20/09

BRI



757

PARTS CATALOG (MAINTENANCE)

FIG ITEM	PART NUMBER	1 2 3 4 5 6 7	NOMENCLATURE	EFFECT FROM TO	UNITS PER ASSY
18 160	417N3104-2		.GASKET- MANUFACTURED FROM: SH RUBATEX R310V 0.125 X 7.0 IN DIA USED ON: 417N3100-408SP	121503 904949	1
165	RDAM8005A		.SPEAKER- SUPPLIER CODE: VOFF57 SPECIFICATION NUMBER: S222T101-101 ELECTRICAL EQUIP NUMBER: M10342	121503 904949	1
165	RDAM8018		.SPEAKER- SUPPLIER CODE: VOFF57 SPECIFICATION NUMBER: 10-62232-01	121503 904949	1
170	RDAM8005A		.SPEAKER- SUPPLIER CODE: VOFF57 SPECIFICATION NUMBER: S222T101-101 ELECTRICAL EQUIP NUMBER: M10342 USED ON: 417N3100-408SP	121503 904949	1
170	RDAM8018		.SPEAKER- SUPPLIER CODE: VOFF57 SPECIFICATION NUMBER: 10-62232-01	121503 904949	1

MISSING ITEM NUMBERS NOT APPLICABLE

- ITEM NOT ILLUSTRATED

BRI

23-31-02-18

BOEING PROPRIETARY - Copyright © - Unpublished Work - See title page for details.

23-31-02
FIG. 18
PAGE 6
JAN 20/09



757

PARTS CATALOG (MAINTENANCE)

FIG ITEM	PART NUMBER	1 2 3 4 5 6 7	NOMENCLATURE	EFFECT FROM TO	UNITS PER ASSY
18 175	W260F4AM11		.RELAY- SUPPLIER CODE: VF0219 SPECIFICATION NUMBER: BACR13CD2 OPTIONAL PART: BR16S233 V09026 EE4AA005 V35344 3SAV1338A2 V01526 HFW1206K03 V58614 HFW1204K01 V71482 ELECTRICAL EQUIP NUMBER: K10270 USED ON: 417N3100-402SP	121503 904949	1
180	W260F4AM11		.RELAY- SUPPLIER CODE: VF0219 SPECIFICATION NUMBER: BACR13CD2 OPTIONAL PART: BR16S233 V09026 EE4AA005 V35344 3SAV1338A2 V01526 HFW1206K03 V58614 HFW1204K01 V71482 ELECTRICAL EQUIP NUMBER: K10270 USED ON: 417N3100-647SP	121503 904949	1
185	451120-026		.SOCKET-MUTING SUPPLIER CODE: V03743 USED ON: 417N3100-402SP	121503 904949	1

MISSING ITEM NUMBERS NOT APPLICABLE

- ITEM NOT ILLUSTRATED

BRI

23-31-02-18

BOEING PROPRIETARY - Copyright © - Unpublished Work - See title page for details.

23-31-02
FIG. 18
PAGE 7
JAN 20/09



757

PARTS CATALOG (MAINTENANCE)

FIG ITEM	PART NUMBER	1 2 3 4 5 6 7	NOMENCLATURE	EFFECT FROM TO	UNITS PER ASSY
18 190	451120-026		. SOCKET-MUTING SUPPLIER CODE: V03743 USED ON: 417N3100-647SP	121503 904949	1

MISSING ITEM NUMBERS NOT APPLICABLE

- ITEM NOT ILLUSTRATED

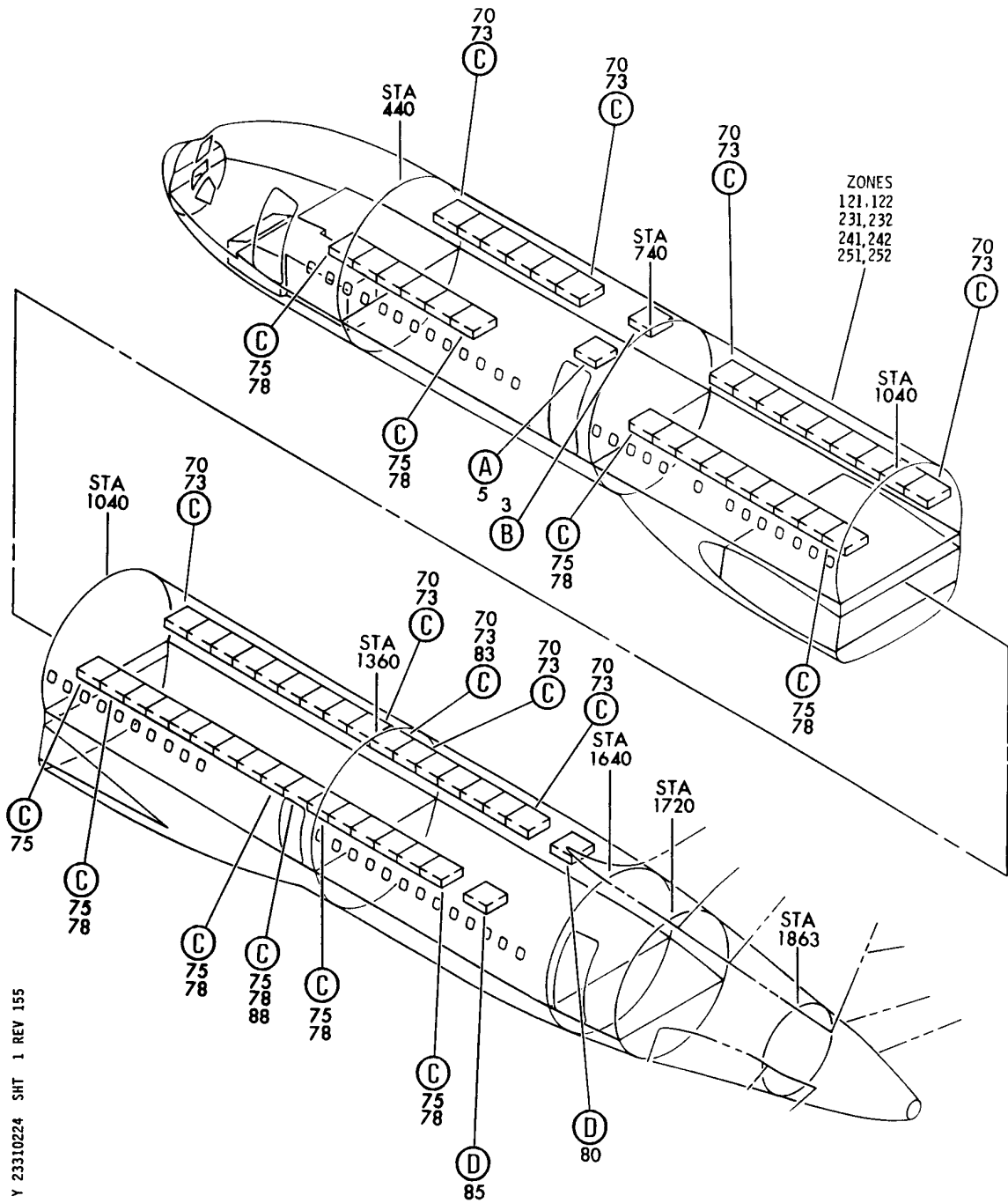
BRI

23-31-02-18

BOEING PROPRIETARY - Copyright © - Unpublished Work - See title page for details.

23-31-02
FIG. 18
PAGE 8
JAN 20/09

BOEING
757
PARTS CATALOG (MAINTENANCE)



Y 23310224 SHT 1 REV 155

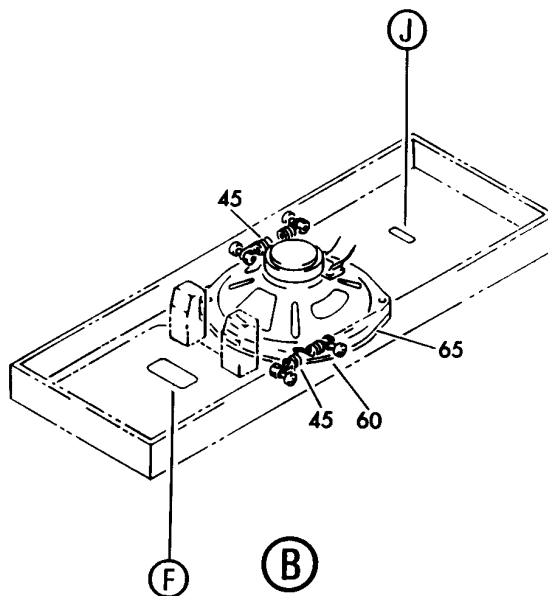
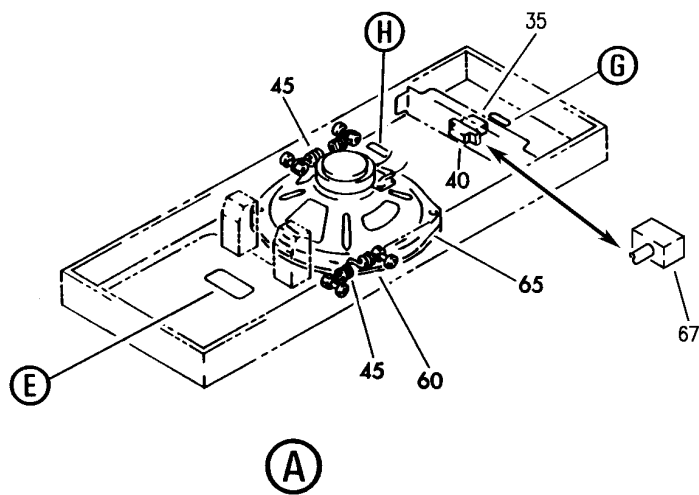
SERVICE UNIT AND PANEL ASSY-UNDERBIN AND OVERDOOR PASS. (COMMUNICATIONS ONLY)
FIGURE 24 (SHEET 1)

23-31-02-24

BRI
JAN 20/09

23-31-02-24
PAGE 0

BOEING
757
PARTS CATALOG (MAINTENANCE)



Y 23310224 SH1 2 REV 269

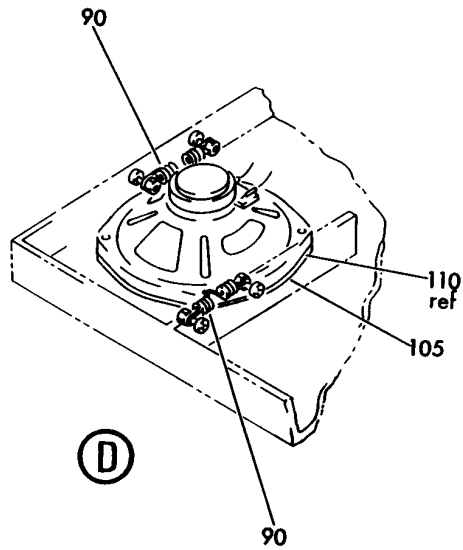
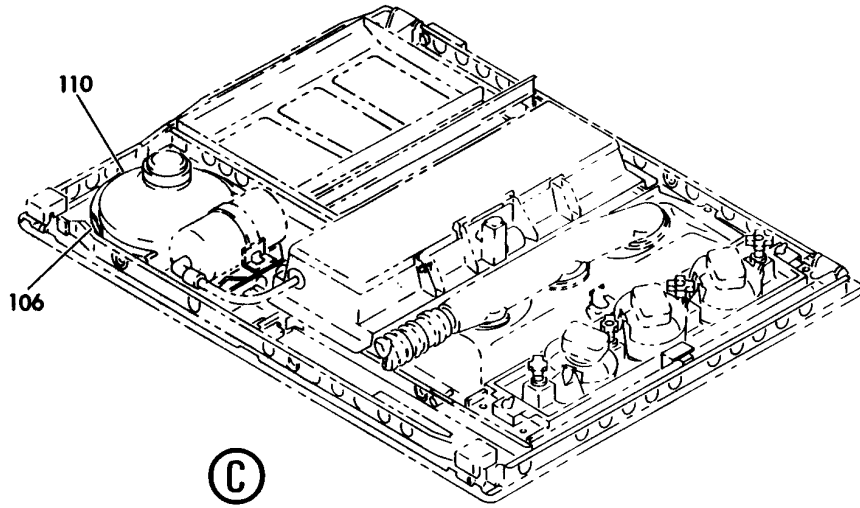
SERVICE UNIT AND PANEL ASSY-UNDERBIN AND OVERDOOR PASS. (COMMUNICATIONS ONLY)
FIGURE 24 (SHEET 2)

BRI
JAN 20/09

23-31-02-24

23-31-02-24
PAGE 0A

BOEING
757
PARTS CATALOG (MAINTENANCE)



Y 23310224 SHT 3 REV 110

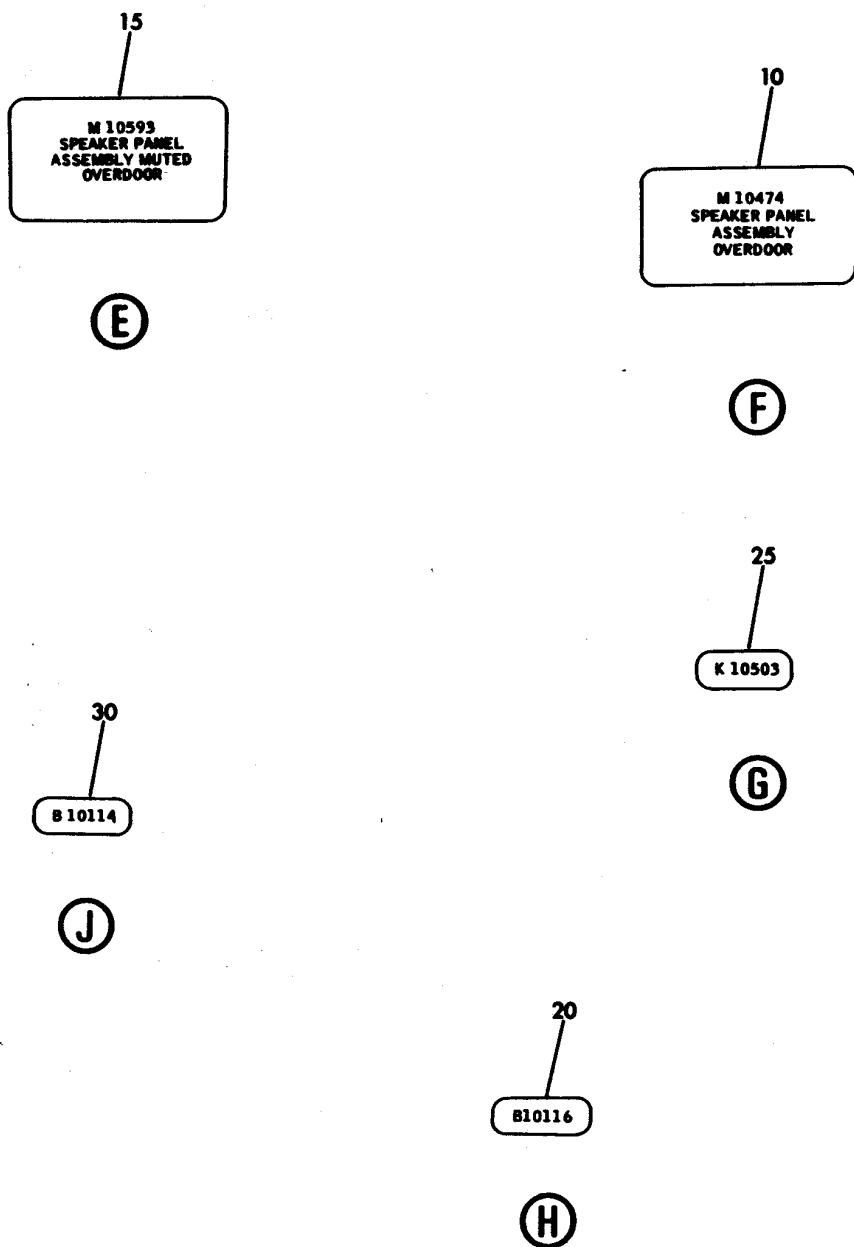
SERVICE UNIT AND PANEL ASSY-UNDERBIN AND OVERDOOR PASS. (COMMUNICATIONS ONLY)
FIGURE 24 (SHEET 3)

23-31-02-24

BRI
JAN 20/09

23-31-02-24
PAGE 0B

BOEING
757
PARTS CATALOG (MAINTENANCE)



Y 23310224 SHT 4 REV 110

SERVICE UNIT AND PANEL ASSY-UNDERBIN AND OVERDOOR PASS. (COMMUNICATIONS ONLY)
FIGURE 24 (SHEET 4)

BRI
JAN 20/09

23-31-02-24

23-31-02-24
PAGE 0C



757

PARTS CATALOG (MAINTENANCE)

FIG ITEM	PART NUMBER	1 2 3 4 5 6 7	NOMENCLATURE	EFFECT FROM TO	UNITS PER ASSY
24			SERVICE UNIT AND PANEL ASSY-UNDERBIN AND OVERDOOR PASS. (COMMUNICATIONS ONLY)	950951	
- 1	417N3001-159		SERVICE UNIT INSTL-PASS. (COMUNICATIONS ONLY) FOR NHA/OTHER SYS DET SEE: 25-20-00-20A	950951	RF
3	417N3010-9SP		.PANEL ASSY-OVERHEAD SPKR SPACER ELECTRICAL EQUIP NUMBER: M10474	950951	RF
5	417N3010-8SP		.PANEL ASSY-OVERHEAD SPKR SPACER ELECTRICAL EQUIP NUMBER: M10593	950951	RF
10	BAC27NPA0321		..MARKER-ALUMINUM FOIL PLACARD CONTENT: M10474 SPEAKER PANEL ASSEMBLY OVERDOOR USED ON: 417N3010-9SP	950951	1
15	BAC27NPA0641		..MARKER-ALUMINUM FOIL PLACARD CONTENT: M10593 SPEAKER PANEL ASSY MUTED OVERDOOR USED ON: 417N3010-8SP	950951	1
20	BAC27NPA0642		..MARKER-ALUMINUM FOIL PLACARD CONTENT: B10116 USED ON: 417N3010-8SP	950951	1
25	BAC27NPA0643		..MARKER-ALUMINUM FOIL PLACARD CONTENT: K10503 USED ON: 417N3010-8SP	950951	1
30	BAC27NPA1346		..MARKER-ALUMINUM FOIL PLACARD CONTENT: B10114 USED ON: 417N3010-9SP	950951	1

MISSING ITEM NUMBERS NOT APPLICABLE

- ITEM NOT ILLUSTRATED

BRI

23-31-02-24

23-31-02
FIG. 24
PAGE 1
JAN 20/09



757

PARTS CATALOG (MAINTENANCE)

FIG ITEM	PART NUMBER	1 2 3 4 5 6 7	NOMENCLATURE	EFFECT FROM TO	UNITS PER ASSY
24 35	W260F4AM11		.. RELAY- SUPPLIER CODE: VF0219 SPECIFICATION NUMBER: BACR13CD2 OPTIONAL PART: BR16S233 V09026 EE4AA005 V35344 3SAV1338A2 V01526 HFW1206K03 V58614 HFW1204K01 V71482 ELECTRICAL EQUIP NUMBER: K10503 USED ON: 417N3010-8SP	950951	1
40	451120-026		.. SOCKET-MUTING SUPPLIER CODE: V03743 USED ON: 417N3010-8SP	950951	1
45	417N3173-6		.. SPRING ATTACHING PARTS	950951	2
- 50	BACS12FA08K5		.. SCREW	950951	4
- 55	BRH10A08		.. NUT SUPPLIER CODE: V52828 SPECIFICATION NUMBER: BACN10JCO8 OPTIONAL PART: H10-08BAC V15653 NS202101-82 V80539 RMLH9075-82W V72962 VN303A82 V92215 96-82 V80539 T6S832J V11815 -----*-----	950951	4

MISSING ITEM NUMBERS NOT APPLICABLE

- ITEM NOT ILLUSTRATED

BRI

23-31-02-24

23-31-02
 FIG. 24
 PAGE 2
 JAN 20/09



757

PARTS CATALOG (MAINTENANCE)

FIG ITEM	PART NUMBER	1 2 3 4 5 6 7	NOMENCLATURE	EFFECT FROM TO	UNITS PER ASSY
24 60	417N3104-1	..	GASKET- MANUFACTURED FROM: SH RUBATEX R310V BMS8-283 MATL QTY: 0.34, MATL UOM : SF MATL DIMENSIONS : 0.125 IN 7.0 IN 7.0 IN	950951	1
60 65	417N3104-2 RDAM8004A	..	GASKET- SPEAKER- SUPPLIER CODE: V54473 SPECIFICATION NUMBER: S222T101-101 ELECTRICAL EQUIP NUMBER: B10114 B10116	950951 950951	1 1
- 66 67	286N0513-003 RSE120026	..	WIRE BUNDLE SOCKET- SUPPLIER CODE: V58982 SPECIFICATION NUMBER: BACS16AG1 OPTIONAL PART: 451120-026 V58982 ELECTRICAL EQUIP NUMBER: D01235 WIRING DIAGRAM REF: 233121	950951 950951	1 1
73	417N3100-424SP	.	SERVICE UNIT ASSY-UNDERBIN PASS. ELECTRICAL EQUIP NUMBER: M03012 COMPONENT MAINT MANUAL REF: 25-23-34	950951	RF
78	417N3100-415SP	.	SERVICE UNIT ASSY-UNDERBIN PASS. ELECTRICAL EQUIP NUMBER: M03012 COMPONENT MAINT MANUAL REF: 25-23-34	950951	RF
83	417N3100-596SP	.	SERVICE UNIT ASSY-UNDERBIN PASS. ELECTRICAL EQUIP NUMBER: M03012 COMPONENT MAINT MANUAL REF: 25-23-34	950951	RF

MISSING ITEM NUMBERS NOT APPLICABLE

- ITEM NOT ILLUSTRATED

23-31-02-24

23-31-02
FIG. 24
PAGE 3
JAN 20/09

BRI



757

PARTS CATALOG (MAINTENANCE)

FIG ITEM	PART NUMBER	1 2 3 4 5 6 7	NOMENCLATURE	EFFECT FROM TO	UNITS PER ASSY
24 88	417N3100-595SP	.	SERVICE UNIT ASSY-UNDERBIN PASS. ELECTRICAL EQUIP NUMBER: M03012 COMPONENT MAINT MANUAL REF: 25-23-34	950951	RF
105	417N3104-2	..	GASKET- MANUFACTURED FROM: SH RUBATEX R310V 0.125 X 7.0 IN DIA	950951	1
110	RDAM8005A	..	SPEAKER- SUPPLIER CODE: V0FF57 SPECIFICATION NUMBER: S222T101-101 ELECTRICAL EQUIP NUMBER: M10342 M10648	950951	1
110	RDAM8018	..	SPEAKER- SUPPLIER CODE: V0FF57 SPECIFICATION NUMBER: 10-62232-01 ATTACHING PARTS	950951	1
- 115	BACN10YJ08	..	NUT- USED ON: 417N3100-424SP 417N3100-415SP 417N3100-595SP 417N3100-596SP -----*-----	950951	2

MISSING ITEM NUMBERS NOT APPLICABLE

- ITEM NOT ILLUSTRATED

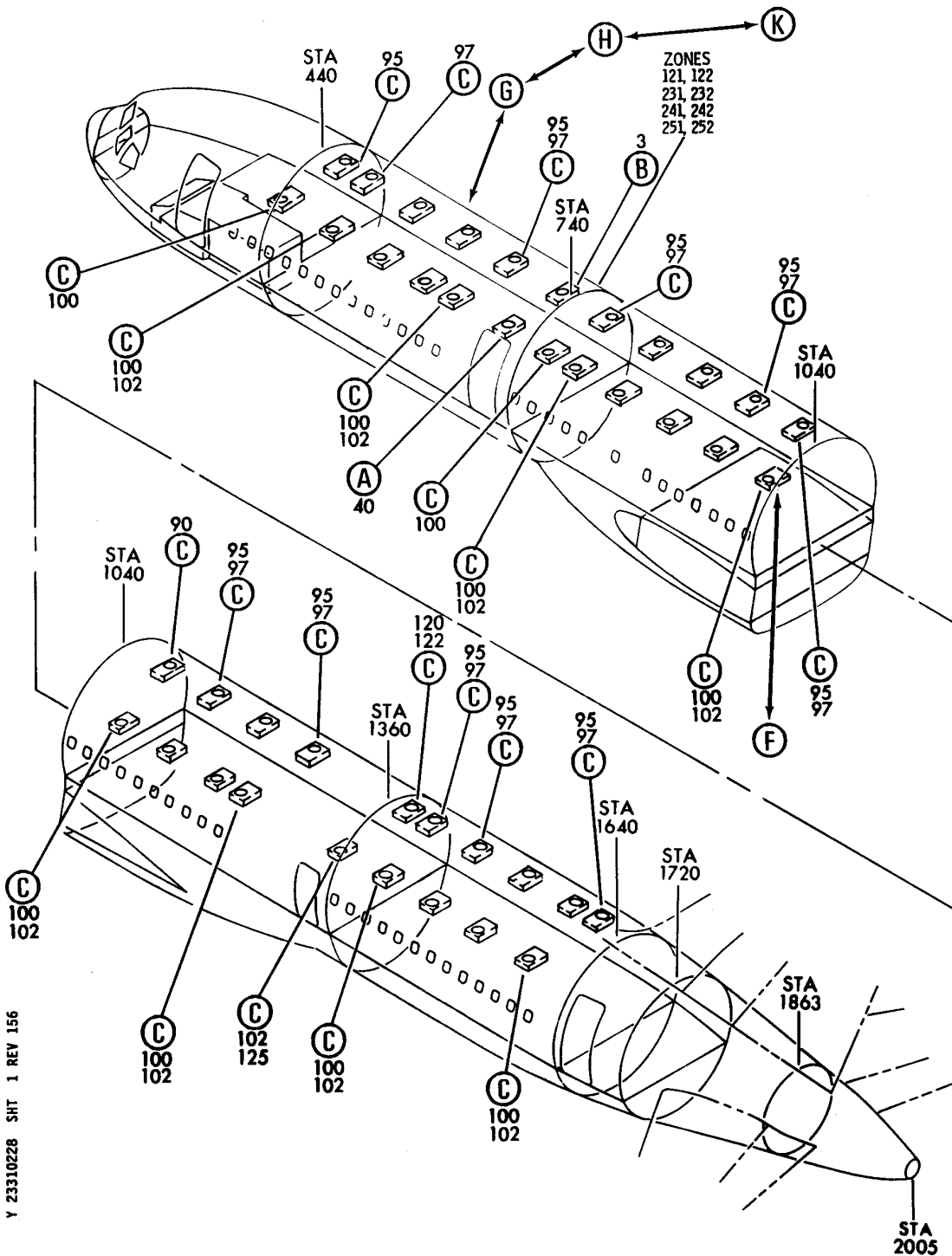
BRI

23-31-02-24

BOEING PROPRIETARY - Copyright © - Unpublished Work - See title page for details.

23-31-02
FIG. 24
PAGE 4
JAN 20/09

BOEING
757
PARTS CATALOG (MAINTENANCE)



Y 23310228 SHT 1 REV 156

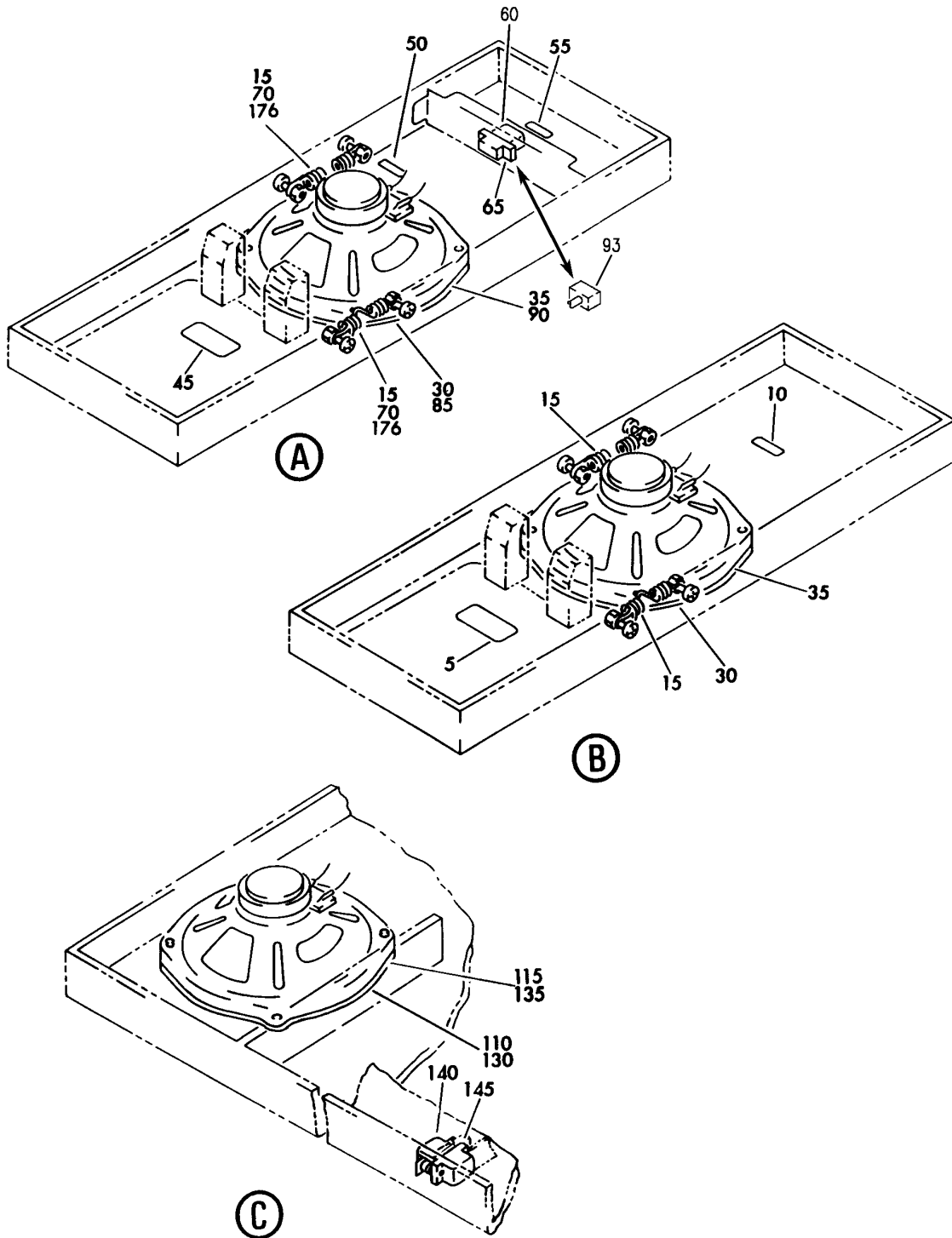
SERVICE UNIT AND PANEL INSTL-UNDERBIN AND OVERDOOR PASS. (COMMUNICATIONS ONLY)
FIGURE 28 (SHEET 1)

23-31-02-28

BRI
MAY 28/07

23-31-02-28
PAGE 0

BOEING
757
PARTS CATALOG (MAINTENANCE)



Y 23310228 SH1 2 REV 269

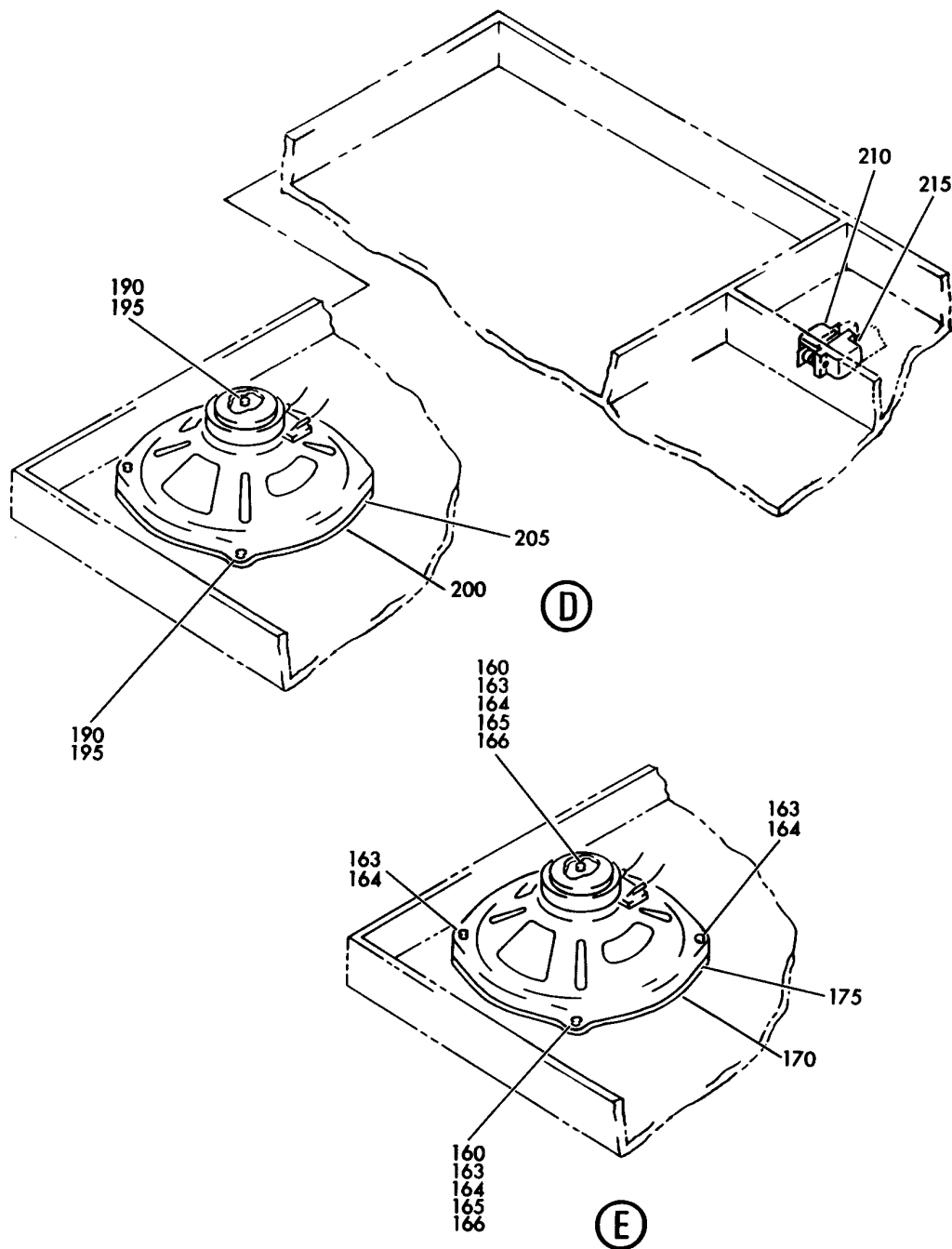
SERVICE UNIT AND PANEL INSTL-UNDERBIN AND OVERDOOR PASS. (COMMUNICATIONS ONLY)
FIGURE 28 (SHEET 2)

BRI
MAY 28/07

23-31-02-28

23-31-02-28
PAGE 0A

BOEING
757
PARTS CATALOG (MAINTENANCE)



Y 23310228 SHT 3 REV 136

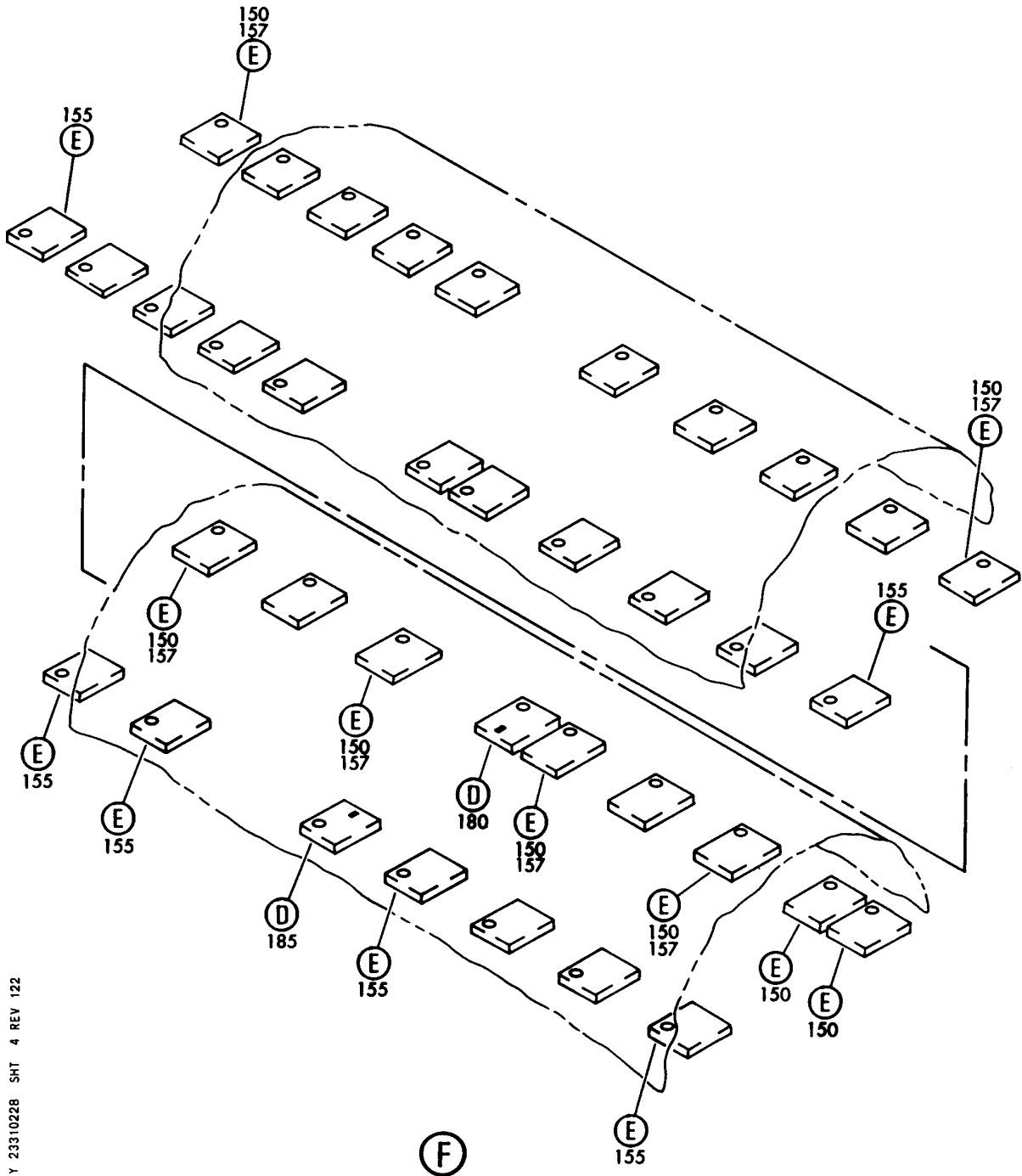
SERVICE UNIT AND PANEL INSTL-UNDERBIN AND OVERDOOR PASS. (COMMUNICATIONS ONLY)
FIGURE 28 (SHEET 3)

BRI
MAY 28/07

23-31-02-28

23-31-02-28
PAGE 0B

BOEING
757
PARTS CATALOG (MAINTENANCE)



Y 23310228 SHT 4 REV 122

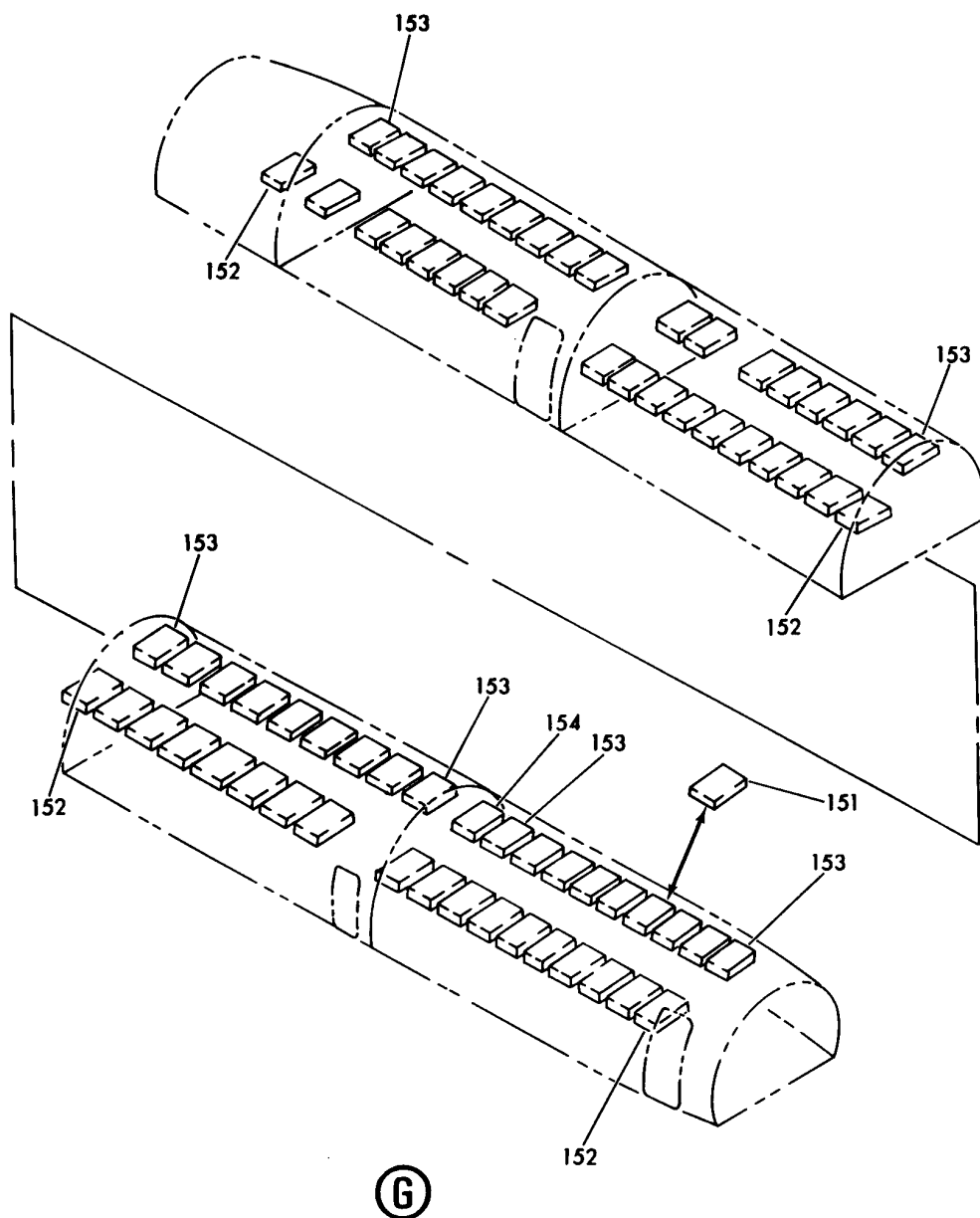
SERVICE UNIT AND PANEL INSTL-UNDERBIN AND OVERDOOR PASS. (COMMUNICATIONS ONLY)
FIGURE 28 (SHEET 4)

BRI
MAY 28/07

23-31-02-28

23-31-02-28
PAGE 0C

BOEING
757
PARTS CATALOG (MAINTENANCE)



Y 23310228 SHT 5 REV 125

Ⓒ

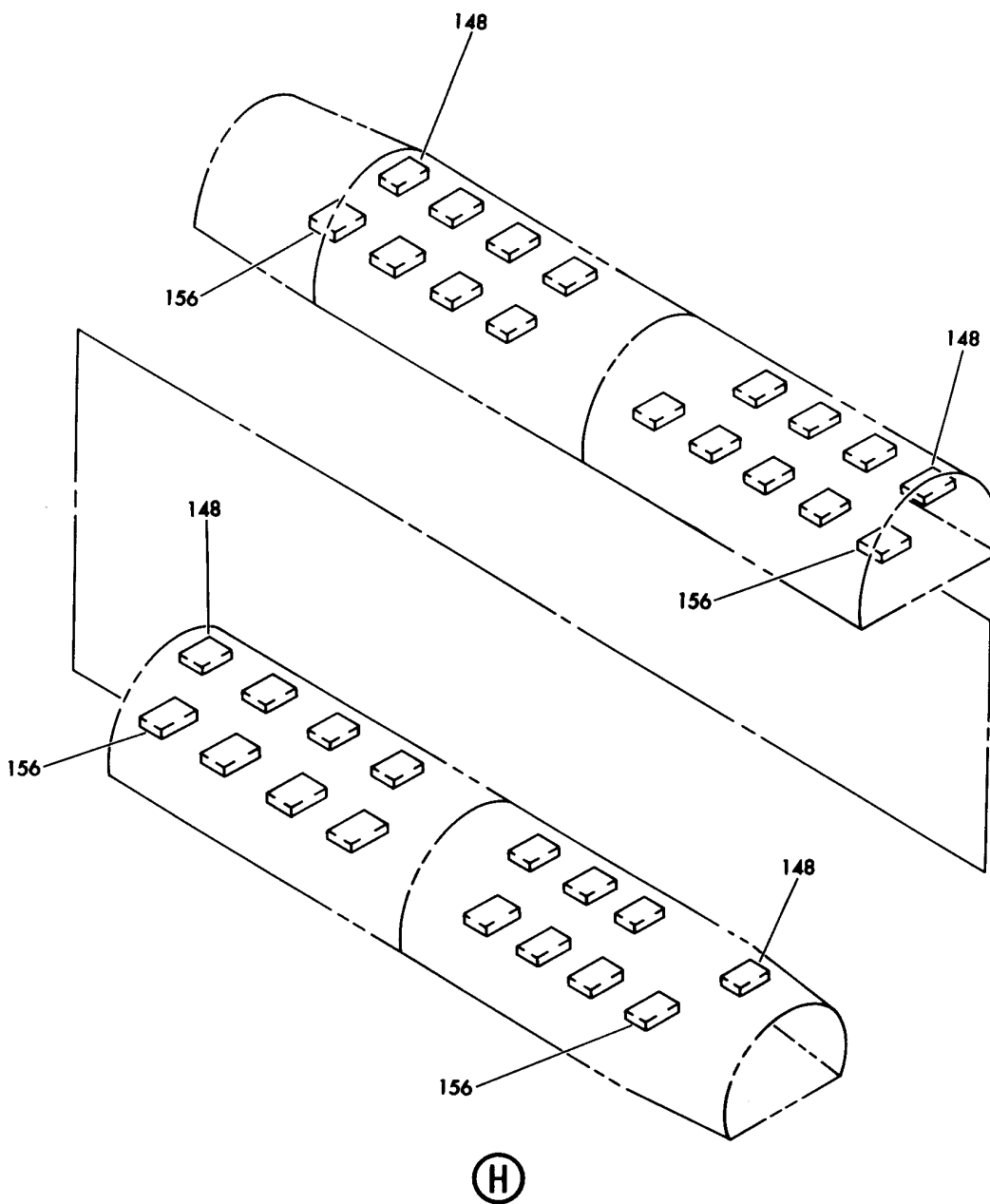
SERVICE UNIT AND PANEL INSTL-UNDERBIN AND OVERDOOR PASS. (COMMUNICATIONS ONLY)
FIGURE 28 (SHEET 5)

BRI
MAY 28/07

23-31-02-28

23-31-02-28
PAGE 0D

BOEING
757
PARTS CATALOG (MAINTENANCE)



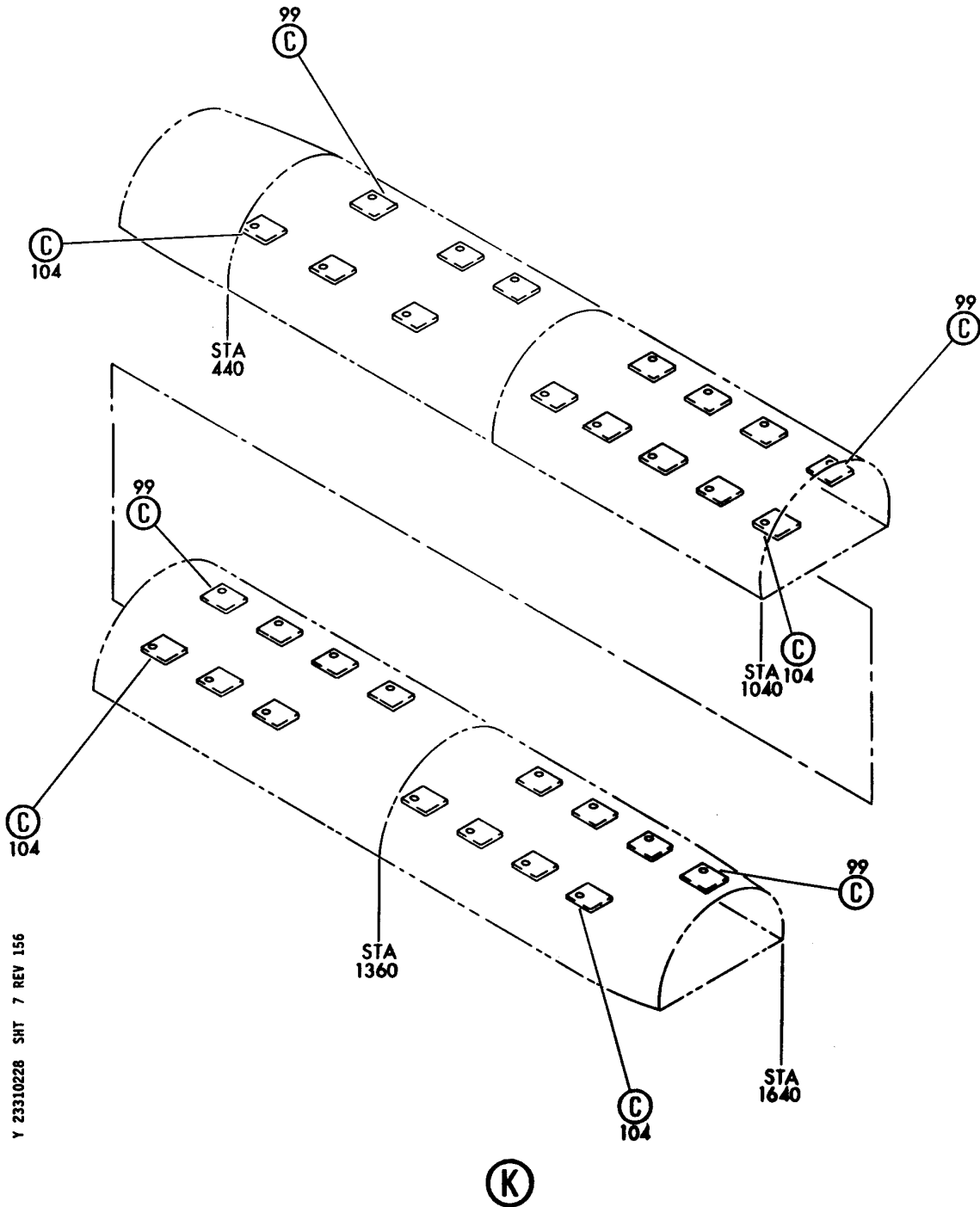
SERVICE UNIT AND PANEL INSTL-UNDERBIN AND OVERDOOR PASS. (COMMUNICATIONS ONLY)
FIGURE 28 (SHEET 6)

BRI
MAY 28/07

23-31-02-28

23-31-02-28
PAGE 0E

BOEING
757
PARTS CATALOG (MAINTENANCE)



Y 23310228 SHT 7 REV 156

SERVICE UNIT AND PANEL INSTL-UNDERBIN AND OVERDOOR PASS. (COMMUNICATIONS ONLY)
FIGURE 28 (SHEET 7)

23-31-02-28

BRI
MAY 28/07

23-31-02-28
PAGE OF



757

PARTS CATALOG (MAINTENANCE)

FIG ITEM	PART NUMBER	1 2 3 4 5 6 7	NOMENCLATURE	EFFECT FROM TO	UNITS PER ASSY
28			SERVICE UNIT AND PANEL INSTL-UNDERBIN AND OVERDOOR PASS. (COMMUNICATIONS ONLY)	002004 006010 952999	
- 1	417N3001-132		SERVICE UNIT INSTL-PASS. (COMMUNICATIONS ONLY) FOR NHA/OTHER SYS DET SEE: 25-20-00-20A	952952	RF
- 1	417N3001-88		SERVICE UNIT INSTL-PASS. (COMMUNICATIONS ONLY) FOR NHA/OTHER SYS DET SEE: 25-20-00-20A	002004	RF
- 1	417N3001-155		SERVICE UNIT INSTL-PASS. (COMMUNICATIONS ONLY) FOR NHA/OTHER SYS DET SEE: 25-20-00-20A	953999	RF
- 1	417N3001-157		SERVICE UNIT INSTL-PASS. (COMMUNICATIONS ONLY) FOR NHA/OTHER SYS DET SEE: 25-20-00-20A	006010	RF
3	417N3010-9SP		.PANEL ASSY-OVERDOOR SPKR SPACER (COMMUNICATIONS ONLY)	002004 006010 952999	RF
5	BAC27NPA0312		..MARKER-ALUMINUM FOIL PLACARD CONTENT: M10474 SPEAKER PANEL ASSEMBLY OVERDOOR USED ON: 417N3010-9SP	002004 006010 952999	1
10	BAC27NPA1346		..MARKER-ALUMINUM FOIL PLACARD CONTENT: B10114 USED ON: 417N3010-9SP	002004 006010 952999	1
15	417N3173-6		..SPRING	002004 006010 952999	2
- 20	BACS12FA08K5		ATTACHING PARTS ..SCREW	002004 006010 952999	4

MISSING ITEM NUMBERS NOT APPLICABLE

- ITEM NOT ILLUSTRATED

23-31-02-28

23-31-02
FIG. 28
PAGE 1
JAN 20/09

BRI



757

PARTS CATALOG (MAINTENANCE)

FIG ITEM	PART NUMBER	1 2 3 4 5 6 7	NOMENCLATURE	EFFECT FROM TO	UNITS PER ASSY
28 - 25	BRH10A08		..NUT SUPPLIER CODE: V52828 SPECIFICATION NUMBER: BACN10JCO8 OPTIONAL PART: H10-08BAC V15653 NS202101-82 V80539 RMLH9075-82W V72962 VN303A82 V92215 96-82 V80539 T6S832J V11815 -----*-----	002004 006010 952999	4
30	417N3104-1		..GASKET- MANUFACTURED FROM: SH RUBATEX R310V BMS8-283 MATL QTY: 0.34, MATL UOM : SF MATL DIMENSIONS : 0.125 IN 7.0 IN 7.0 IN	002004 006010 952999	1
30	417N3104-2		..GASKET-	002004 006010 952999	1
35	RDAM8005A		..SPEAKER- SUPPLIER CODE: VOFF57 SPECIFICATION NUMBER: S222T101-101 ELECTRICAL EQUIP NUMBER: B10116	002004 006010 952999	1
35	RDAM8018		..SPEAKER- SUPPLIER CODE: VOFF57 SPECIFICATION NUMBER: 10-62232-01	002004 006010 952999	1
40	417N3010-8SP		.PANEL ASSY-OVERDOOR SPKR SPACER (COMMUNICATIONS ONLY)	002004 006010 952999	RF
45	BAC27NPA0641		..MARKER-ALUMINUM FOIL PLACARD CONTENT: M10593 SPEAKER PANEL ASSEMBLY MUTED OVERDOOR	002004 006010 952999	1

MISSING ITEM NUMBERS NOT APPLICABLE

- ITEM NOT ILLUSTRATED

23-31-02-28

23-31-02
FIG. 28
PAGE 2
JAN 20/09

BRI



757

PARTS CATALOG (MAINTENANCE)

FIG ITEM	PART NUMBER	1 2 3 4 5 6 7	NOMENCLATURE	EFFECT FROM TO	UNITS PER ASSY
28					
50	BAC27NPA0642	..	MARKER-ALUMINUM FOIL PLACARD CONTENT: B10116	002004 006010 952999	1
55	BAC27NPA0643	..	MARKER-ALUMINUM FOIL PLACARD CONTENT: K10503	002004 006010 952999	1
60	W260F4AM11	..	RELAY- SUPPLIER CODE: VF0219 SPECIFICATION NUMBER: BACR13CD2 OPTIONAL PART: BR16S233 V09026 EE4AA005 V35344 3SAV1338A2 V01526 HFW1206K03 V58614 HFW1204K01 V71482 ELECTRICAL EQUIP NUMBER: K10503	002004 006010 952999	1
65	451120-026	..	SOCKET-MUTING SUPPLIER CODE: V03743	002004 006010 952999	1
70	417N3173-6	..	SPRING	002004 006010 952999	2
- 75	BACS12FA08K5	..	ATTACHING PARTS SCREW	002004 006010 952999	4

MISSING ITEM NUMBERS NOT APPLICABLE

- ITEM NOT ILLUSTRATED

23-31-02-28

23-31-02
FIG. 28
PAGE 3
JAN 20/09

BRI



757

PARTS CATALOG (MAINTENANCE)

FIG ITEM	PART NUMBER	1 2 3 4 5 6 7	NOMENCLATURE	EFFECT FROM TO	UNITS PER ASSY
28 - 80	BRH10A08		..NUT SUPPLIER CODE: V52828 SPECIFICATION NUMBER: BACN10JC08 OPTIONAL PART: H10-08BAC V15653 NS202101-82 V80539 RMLH9075-82W V72962 VN303A82 V92215 96-82 V80539 T6S832J V11815 -----*-----	002004 006010 952999	4
85	417N3104-1		..GASKET- MANUFACTURED FROM: SH RUBATEX R310V BMS8-283 MATL QTY: 0.34, MATL UOM : SF MATL DIMENSIONS : 0.125 IN 7.0 IN 7.0 IN	002004 006010 952999	1
85	417N3104-2		..GASKET-	002004 006010 952999	1
90	RDAM8005A		..SPEAKER- SUPPLIER CODE: VOFF57 SPECIFICATION NUMBER: S222T101-101 ELECTRICAL EQUIP NUMBER: B10116	002004 006010 952999	1
90	RDAM8018		..SPEAKER- SUPPLIER CODE: VOFF57 SPECIFICATION NUMBER: 10-62232-01	002004 006010 952999	1
- 91	286N0513-003		.WIRE BUNDLE	002004 006010 952999	1

MISSING ITEM NUMBERS NOT APPLICABLE

- ITEM NOT ILLUSTRATED

23-31-02-28

23-31-02
FIG. 28
PAGE 4
JAN 20/09

BRI



757

PARTS CATALOG (MAINTENANCE)

FIG ITEM	PART NUMBER	1 2 3 4 5 6 7	NOMENCLATURE	EFFECT FROM TO	UNITS PER ASSY
28 93	RSE120026	..	SOCKET- SUPPLIER CODE: V58982 SPECIFICATION NUMBER: BACS16AG1 OPTIONAL PART: 451120-026 V58982 ELECTRICAL EQUIP NUMBER: D01235 WIRING DIAGRAM REF: 233121	002004 006010 952999	1
150	417N3100-426SP	.SERVICE UNIT ASSY-UNDERBIN COMPONENT MAINT MANUAL REF: 25-23-37		952999	RF
151	417N3100-520SP	.SERVICE UNIT ASSY-UNDERBIN COMPONENT MAINT MANUAL REF: 25-23-37		952999	RF
152	417N3100-427SP	.SERVICE UNIT ASSY-UNDERBIN COMPONENT MAINT MANUAL REF: 25-23-33		002004 006010	RF
153	417N3100-444SP	.SERVICE UNIT ASSY-UNDERBIN COMPONENT MAINT MANUAL REF: 25-23-30		002004 006010	RF
154	417N3100-442SP	.SERVICE UNIT ASSY-UNDERBIN COMPONENT MAINT MANUAL REF: 25-23-33		002004 006010	RF
156	417N3100-419SP	.SERVICE UNIT ASSY-UNDERBIN COMPONENT MAINT MANUAL REF: 25-23-34		002004 006010	RF
163	BACS12FA08K6	..	SCREW	952999	4
164	BACN10YJ08	..	NUT	952999	4
166	BACN10YJ08	..	NUT	002004 006010 952999	2
166	BACN10YJ08	..	NUT	002004 006010	2
170	417N3104-2	..	GASKET- MANUFACTURED FROM: SH RUBATEX R310V 0.125 X 7.0 IN DIA	002004 006010 952999	1
170	417N3104-2	..	GASKET- MANUFACTURED FROM: SH RUBATEX R310V 0.125 X 7.0 IN DIA	002004 006010	1

MISSING ITEM NUMBERS NOT APPLICABLE

- ITEM NOT ILLUSTRATED

23-31-02-28

23-31-02
FIG. 28
PAGE 5
JAN 20/09

BRI

BOEING PROPRIETARY - Copyright © - Unpublished Work - See title page for details.



757

PARTS CATALOG (MAINTENANCE)

FIG ITEM	PART NUMBER	1 2 3 4 5 6 7	NOMENCLATURE	EFFECT FROM TO	UNITS PER ASSY
28 170	417N3104-1	..	GASKET- MANUFACTURED FROM: SH RUBATEX R310V BMS8-283 MATL QTY: 0.34, MATL UOM : SF MATL DIMENSIONS : 0.125 IN 7.0 IN 7.0 IN	952999	1
170 175	417N3104-2 RDAM8005A	..	GASKET- SPEAKER- SUPPLIER CODE: VOFF57 SPECIFICATION NUMBER: S222T101-101	952999 002004 006010 952999	1 1
175	RDAM8005A	..	SPEAKER- SUPPLIER CODE: VOFF57 SPECIFICATION NUMBER: S222T101-101	002004 006010	1
175	RDAM8005A	..	SPEAKER- SUPPLIER CODE: VOFF57 SPECIFICATION NUMBER: S222T101-101	952999	1
175	RDAM8018	..	SPEAKER- SUPPLIER CODE: VOFF57 SPECIFICATION NUMBER: 10-62232-01	002004 006010 952999	1
175	RDAM8018	..	SPEAKER- SUPPLIER CODE: VOFF57 SPECIFICATION NUMBER: 10-62232-01	002004 006010	1
175	RDAM8018	..	SPEAKER- SUPPLIER CODE: VOFF57 SPECIFICATION NUMBER: 10-62232-01	952999	1
176 180	417N3173-6 417N3100-596SP	..	SPRING SERVICE UNIT ASSY-UNDERBIN COMPONENT MAINT MANUAL REF: 25-23-34	952999 952999	2 RF
185	417N3100-595SP	..	SERVICE UNIT ASSY-UNDERBIN COMPONENT MAINT MANUAL REF: 25-23-34	952999	RF
195	BACN10YJ08	..	NUT	952999	3

MISSING ITEM NUMBERS NOT APPLICABLE

- ITEM NOT ILLUSTRATED

23-31-02-28

23-31-02
FIG. 28
PAGE 6
JAN 20/09

BRI

BOEING PROPRIETARY - Copyright © - Unpublished Work - See title page for details.



757

PARTS CATALOG (MAINTENANCE)

FIG ITEM	PART NUMBER	1 2 3 4 5 6 7	NOMENCLATURE	EFFECT FROM TO	UNITS PER ASSY
28 200	417N3104-2	..	GASKET- MANUFACTURED FROM: SH RUBATEX R310V 0.125 X 7.0 IN DIA	952999	1
205	RDAM8005A	..	SPEAKER- SUPPLIER CODE: V0FF57 SPECIFICATION NUMBER: S222T101-101	952999	1
205	RDAM8018	..	SPEAKER- SUPPLIER CODE: V0FF57 SPECIFICATION NUMBER: 10-62232-01	952999	1
210	W260F4AM11	..	RELAY- SUPPLIER CODE: VF0219 SPECIFICATION NUMBER: BACR13CD2 OPTIONAL PART: BR16S233 V09026 EE4AA005 V35344 3SAV1338A2 V01526 HFW1206K03 V58614 HFW1204K01 V71482 ELECTRICAL EQUIP NUMBER: K10270	952999	1
215	451120-026	..	SOCKET-MUTING SUPPLIER CODE: V03743	952999	1

MISSING ITEM NUMBERS NOT APPLICABLE

- ITEM NOT ILLUSTRATED

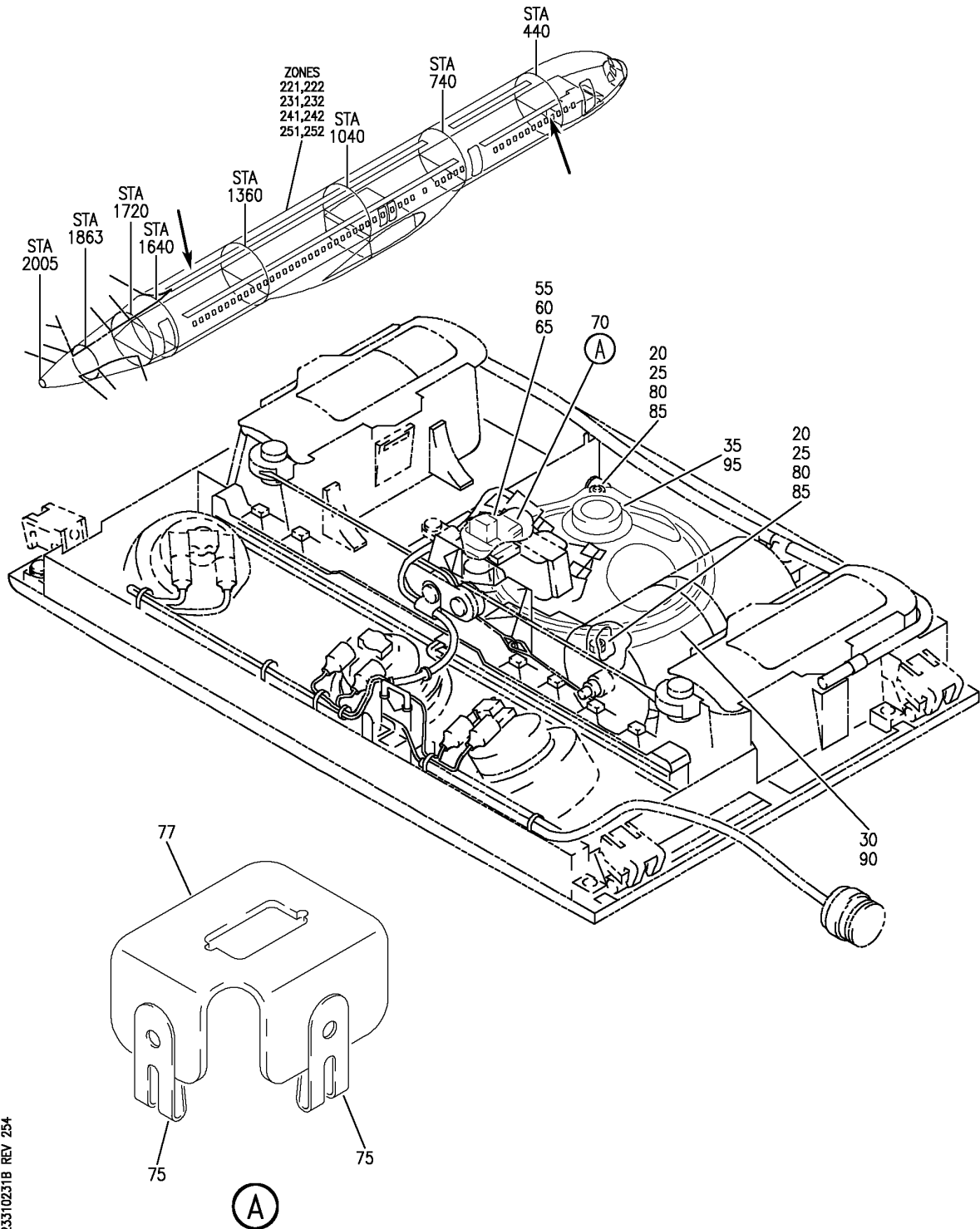
23-31-02-28

23-31-02
FIG. 28
PAGE 7
JAN 20/09

BRI

BOEING PROPRIETARY - Copyright © - Unpublished Work - See title page for details.

BOEING
757
PARTS CATALOG (MAINTENANCE)



Y 23310231B REV 254

SERVICE UNIT ASSY-PASS. (COMMUNICATIONS ONLY)
FIGURE 31B

23-31-02-31B

BRI
JAN 20/09

23-31-02-31B
PAGE 0



757

PARTS CATALOG (MAINTENANCE)

FIG ITEM	PART NUMBER	1 2 3 4 5 6 7	NOMENCLATURE	EFFECT FROM TO	UNITS PER ASSY
31B			SERVICE UNIT ASSY-PASS. (COMMUNICATIONS ONLY)	103106 108120	
- 1	417N3011-401W		SERVICE UNIT ASSY-PASS. WITH SPKR AND GASPER (COMMUNICATIONS ONLY) POSITION DATA: LH ELECTRICAL EQUIP NUMBER: M10973 COMPONENT MAINT MANUAL REF: 25-23-38 FOR NHA/OTHER SYS DET SEE: 25-23-01-34A 25-23-01-76A	108120	RF
- 1	417N3011-401B		SERVICE UNIT ASSY-PASS. WITH 2K SPKR AND GASPER (COMMUNICATIONS ONLY) POSITION DATA: LH ELECTRICAL EQUIP NUMBER: M10973 FOR NHA/OTHER SYS DET SEE: 25-23-01-52B	103106	RF
20	NAS514P832-11P		.SCREW	105106 108120	2
20	NAS514P832-11P		.SCREW	103104	2
25	BACN10YJ08		.NUT	105106 108120	2
25	BACN10YJ08		.NUT	103104	2
30	417N3104-2		.GASKET- MANUFACTURED FROM: SH RUBATEX R310V 0.125 X 7.0 IN DIA	105106 108120	1
30	417N3104-2		.GASKET- MANUFACTURED FROM: SH RUBATEX R310V 0.125 X 7.0 IN DIA	103104	1
35	RDAM8018		.SPEAKER- SUPPLIER CODE: VOFF57 SPECIFICATION NUMBER: 10-62232-01	105106 108120	1
35	RDAM8018		.SPEAKER- SUPPLIER CODE: VOFF57 SPECIFICATION NUMBER: 10-62232-01	103104	1

MISSING ITEM NUMBERS NOT APPLICABLE

- ITEM NOT ILLUSTRATED

23-31-02-31B

23-31-02
FIG. 31B
PAGE 1
JAN 20/09

BRI

BOEING PROPRIETARY - Copyright © - Unpublished Work - See title page for details.



757

PARTS CATALOG (MAINTENANCE)

FIG ITEM	PART NUMBER	1 2 3 4 5 6 7	NOMENCLATURE	EFFECT FROM TO	UNITS PER ASSY
31B - 50	417N3011-421D		SERVICE UNIT ASSY-PASS. WITH SPKR AND GASPER (COMMUNICATIONS ONLY) POSITION DATA: LH ELECTRICAL EQUIP NUMBER: M10983 COMPONENT MAINT MANUAL REF: 25-23-38 FOR NHA/OTHER SYS DET SEE: 25-23-01-34A 25-23-01-76A	108120	RF
- 50	417N3011-421B		SERVICE UNIT ASSY-PASS. WITH 2K SPKR, MUTING RELAY AND GASPER (COMMUNICATIONS ONLY) ELECTRICAL EQUIP NUMBER: M10983 FOR NHA/OTHER SYS DET SEE: 25-23-01-52B	103106	RF
55	W260F4AM11		.RELAY SUPPLIER CODE: VF0219 SPECIFICATION NUMBER: BACR13CD2 OPTIONAL PART: BR16S233 V09026 EE4AA005 V35344 3SAV1338A2 V01526 HFW1206K03 V58614 HFW1204K01 V71482	108120	1

MISSING ITEM NUMBERS NOT APPLICABLE

- ITEM NOT ILLUSTRATED

23-31-02-31B

23-31-02
FIG. 31B
PAGE 2
JAN 20/09

BRI



757

PARTS CATALOG (MAINTENANCE)

FIG ITEM	PART NUMBER	1 2 3 4 5 6 7	NOMENCLATURE	EFFECT FROM TO	UNITS PER ASSY
31B 55	W260F4AM11	.RELAY	SUPPLIER CODE: VF0219 SPECIFICATION NUMBER: BACR13CD2 OPTIONAL PART: BR16S233 V09026 EE4AA005 V35344 3SAV1338A2 V01526 HFW1206K03 V58614 HFW1204K01 V71482	103104	1
55	W260F4AM11	.RELAY	SUPPLIER CODE: VF0219 SPECIFICATION NUMBER: BACR13CD2 OPTIONAL PART: BR16S233 V09026 EE4AA005 V35344 3SAV1338A2 V01526 HFW1206K03 V58614 HFW1204K01 V71482	105106	1
60	NAS1801-06-6	.SCREW		108120	2
60	NAS1801-06-6	.SCREW		103104	2
60	NAS1801-06-6	.SCREW		105106	2
65	NAS1149DN616J	.WASHER		108120	2
65	NAS1149DN616J	.WASHER		103104	2
65	NAS1149DN616J	.WASHER		105106	2
70	417N3161-17	.BRACKET ASSY		108120	1
70	417N3161-17	.BRACKET ASSY		103104	1
70	417N3161-17	.BRACKET ASSY		105106	1

MISSING ITEM NUMBERS NOT APPLICABLE

- ITEM NOT ILLUSTRATED

23-31-02-31B

23-31-02
FIG. 31B
PAGE 3
JAN 20/09

BRI

BOEING PROPRIETARY - Copyright © - Unpublished Work - See title page for details.



757

PARTS CATALOG (MAINTENANCE)

FIG ITEM	PART NUMBER	1 2 3 4 5 6 7	NOMENCLATURE	EFFECT FROM TO	UNITS PER ASSY
31B					
75	BRC600-12-3	..	NUT- SUPPLIER CODE: V52828 SPECIFICATION NUMBER: BACN10YD6 OPTIONAL PART: 130125 V60119 BACN10FX6	108120	2
75	BACN10FX6	..	NUT- OPTIONAL PART: BACN10YD6	108120	2
75	BRC600-12-3	..	NUT- SUPPLIER CODE: V52828 SPECIFICATION NUMBER: BACN10YD6 OPTIONAL PART: 130125 V60119 BACN10FX6	103104	2
75	BACN10FX6	..	NUT- OPTIONAL PART: BACN10YD6	103104	2
75	BRC600-12-3	..	NUT- SUPPLIER CODE: V52828 SPECIFICATION NUMBER: BACN10YD6 OPTIONAL PART: 130125 V60119 BACN10FX6	105106	2
75	BACN10FX6	..	NUT- OPTIONAL PART: BACN10YD6	105106	2
77	417N3161-14	..	BRACKET	108120	1
77	417N3161-14	..	BRACKET	103104	1
77	417N3161-14	..	BRACKET	105106	1
80	NAS514P832-11P	.	SCREW	108120	2
80	NAS514P832-11P	.	SCREW	103104	2
80	NAS514P832-11P	.	SCREW	105106	2
85	BACN10YJ08	.	NUT	108120	2
85	BACN10YJ08	.	NUT	103104	2
85	BACN10YJ08	.	NUT	105106	2

MISSING ITEM NUMBERS NOT APPLICABLE

- ITEM NOT ILLUSTRATED

23-31-02-31B

23-31-02
FIG. 31B
PAGE 4
JAN 20/09

BRI

BOEING PROPRIETARY - Copyright © - Unpublished Work - See title page for details.



757

PARTS CATALOG (MAINTENANCE)

FIG ITEM	PART NUMBER	1 2 3 4 5 6 7	NOMENCLATURE	EFFECT FROM TO	UNITS PER ASSY
31B					
90	417N3104-2		.GASKET- MANUFACTURED FROM: SH RUBATEX R310V 0.125 X 7.0 IN DIA	108120	1
90	417N3104-2		.GASKET- MANUFACTURED FROM: SH RUBATEX R310V 0.125 X 7.0 IN DIA	103104	1
90	417N3104-2		.GASKET- MANUFACTURED FROM: SH RUBATEX R310V 0.125 X 7.0 IN DIA	105106	1
95	RDAM8018		.SPEAKER- SUPPLIER CODE: VOFF57 SPECIFICATION NUMBER: 10-62232-01	108120	1
95	RDAM8018		.SPEAKER- SUPPLIER CODE: VOFF57 SPECIFICATION NUMBER: 10-62232-01	103104	1
95	RDAM8018		.SPEAKER- SUPPLIER CODE: VOFF57 SPECIFICATION NUMBER: 10-62232-01	105106	1

MISSING ITEM NUMBERS NOT APPLICABLE

- ITEM NOT ILLUSTRATED

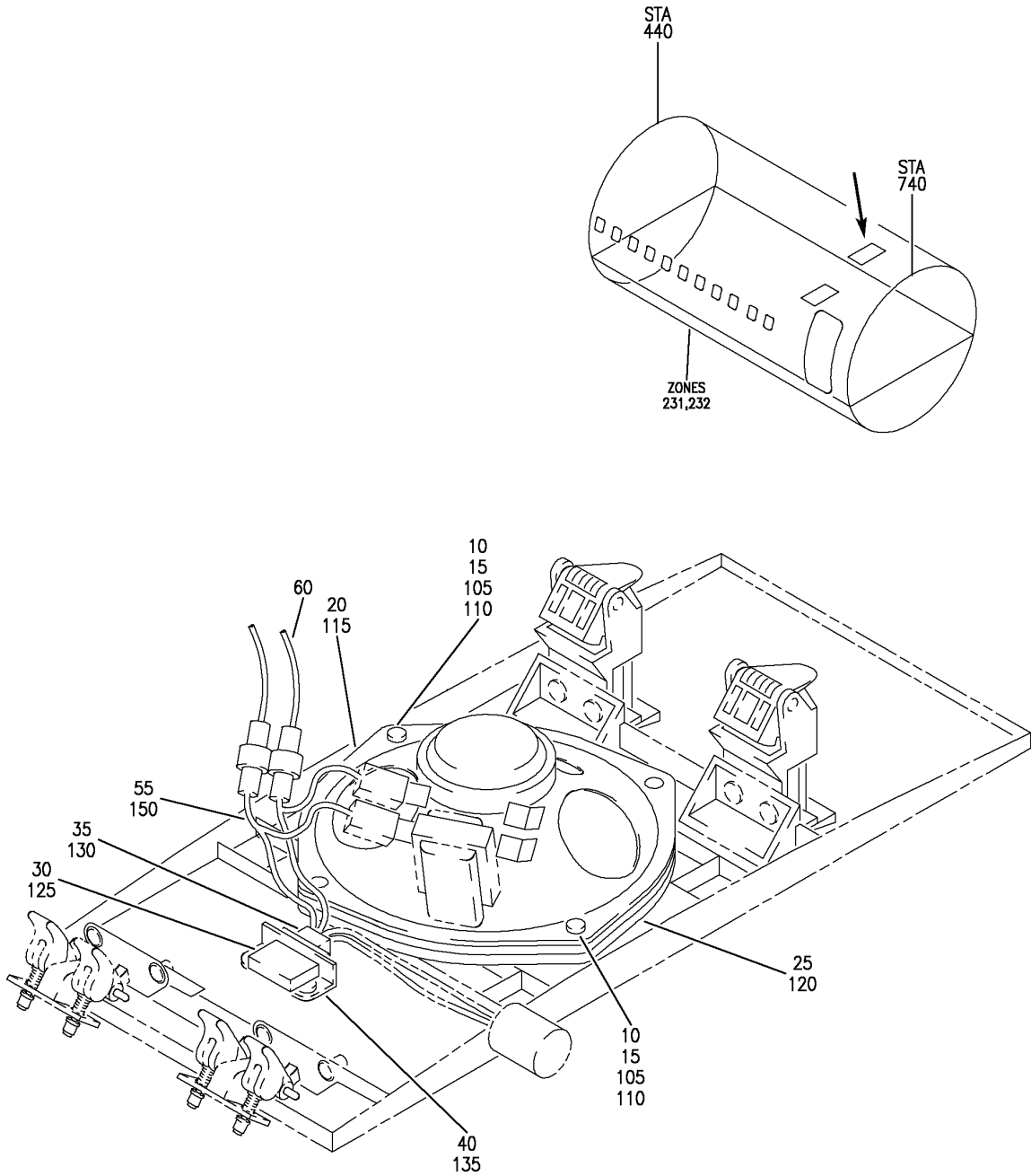
23-31-02-31B

23-31-02
FIG. 31B
PAGE 5
JAN 20/09

BRI

BOEING PROPRIETARY - Copyright © - Unpublished Work - See title page for details.

BOEING
757
PARTS CATALOG (MAINTENANCE)



Y 23310231C REV 307

PANEL ASSY (COMMUNICATIONS ONLY)
FIGURE 31C

23-31-02-31C

BRI
JAN 20/09

23-31-02-31C
PAGE 0



757

PARTS CATALOG (MAINTENANCE)

FIG ITEM	PART NUMBER	1 2 3 4 5 6 7	NOMENCLATURE	EFFECT FROM TO	UNITS PER ASSY
31C			PANEL ASSY (COMMUNICATIONS ONLY)	108120	
- 1	417N6066-6A		PANEL ASSY-SPKR (COMMUNICATIONS ONLY) FOR NHA/OTHER SYS DET SEE: 25-23-01-34A 25-23-01-58B 25-23-01-76A	108120	RF
- 5	417N6066-5A		PANEL ASSY-SPKR (COMMUNICATIONS ONLY) FOR NHA/OTHER SYS DET SEE: 25-23-01-34A 25-23-01-58B	108120	RF
10	NAS1801-08-7		.SCREW- QUALIFIED OPTIONAL DATA: NAS1801-08-7 AND NAS1149DN816J OPT TO BACS12FA08K7	108120	2
10	BACS12FA08K7		.SCREW- QUALIFIED OPTIONAL DATA: NAS1801-08-7 AND NAS1149DN816J OPT TO BACS12FA08K7	108120	2
15	NAS1149DN816J		.WASHER- QUALIFIED OPTIONAL DATA: NAS1801-08-7 AND NAS1149DN816J OPT TO BACS12FA08K7	108120	2
20	RDAM8018		.SPEAKER- SUPPLIER CODE: VOFF57 SPECIFICATION NUMBER: 10-62232-01	108120	1
25	417N3104-2		.GASKET- MANUFACTURED FROM: SH RUBATEX R310V 0.125 X 7.0 IN DIA	108120	1

MISSING ITEM NUMBERS NOT APPLICABLE

- ITEM NOT ILLUSTRATED

23-31-02-31C

23-31-02
FIG. 31C
PAGE 1
JAN 20/09

BRI



757

PARTS CATALOG (MAINTENANCE)

FIG ITEM	PART NUMBER	1 2 3 4 5 6 7	NOMENCLATURE	EFFECT FROM TO	UNITS PER ASSY
31C 30	W260F4AM11		.RELAY- SUPPLIER CODE: VF0219 SPECIFICATION NUMBER: BACR13CD2 OPTIONAL PART: BR16S233 V09026 EE4AA005 V35344 3SAV1338A2 V01526 HFW1206K03 V58614 HFW1204K01 V71482 USED ON: 417N6066-6A 417N6066-6B	108120	1
35	RSE120026		.SOCKET- SUPPLIER CODE: V58982 SPECIFICATION NUMBER: BACS16AG1 OPTIONAL PART: 451120-026 V58982 USED ON: 417N6066-6A 417N6066-6B	108120	1
40	417N3136-156		.BRACKET- USED ON: 417N6066-6A 417N6066-6B	108120	1
- 45	NAS1801-08-4		ATTACHING PARTS .SCREW- QUALIFIED OPTIONAL DATA: NAS1801-08-4 AND NAS1149DN816J OPT TO BACS12FA08K4 USED ON: 417N6066-6A 417N6066-6B	108120	2

MISSING ITEM NUMBERS NOT APPLICABLE

- ITEM NOT ILLUSTRATED

23-31-02-31C

23-31-02
FIG. 31C
PAGE 2
JAN 20/09

BRI

BOEING PROPRIETARY - Copyright © - Unpublished Work - See title page for details.



757

PARTS CATALOG (MAINTENANCE)

FIG ITEM	PART NUMBER	1 2 3 4 5 6 7	NOMENCLATURE	EFFECT FROM TO	UNITS PER ASSY
31C - 45	BACS12FA08K4		.SCREW- QUALIFIED OPTIONAL DATA: NAS1801-08-4 AND NAS1149DN816J OPT TO BACS12FA08K4 USED ON: 417N6066-6A 417N6066-6B	108120	2
- 50	NAS1149DN816J		.WASHER- QUALIFIED OPTIONAL DATA: NAS1801-08-4 AND NAS1149DN816J OPT TO BACS12FA08K4 USED ON: 417N6066-6A 417N6066-6B	108120	2
55	S417N313-408		-----*----- .WIRE BUNDLE- USED ON: 417N6066-6A 417N6066-6B	108120	1

MISSING ITEM NUMBERS NOT APPLICABLE

- ITEM NOT ILLUSTRATED

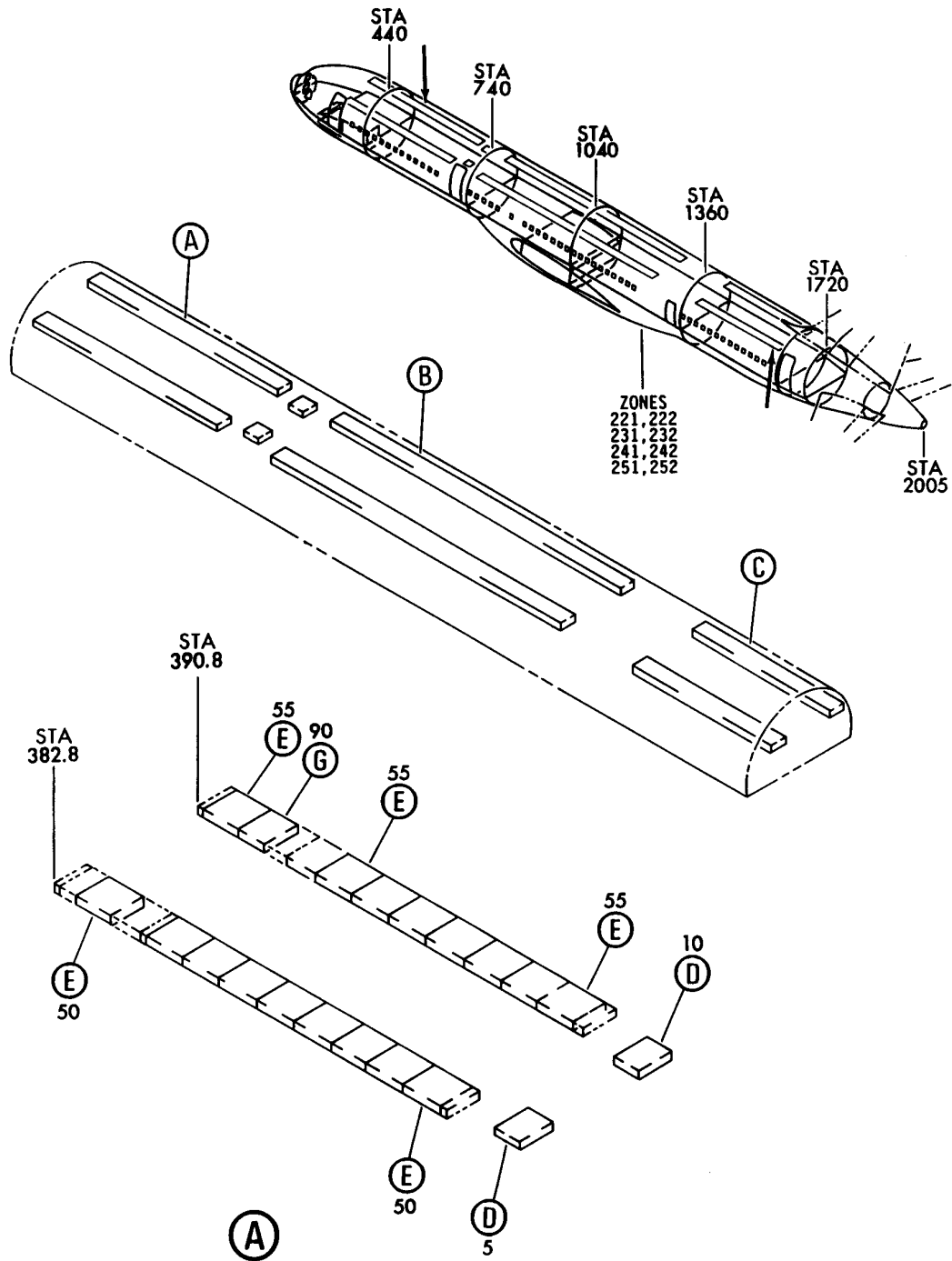
BRI

23-31-02-31C

BOEING PROPRIETARY - Copyright © - Unpublished Work - See title page for details.

23-31-02
FIG. 31C
PAGE 3
JAN 20/09

BOEING
757
PARTS CATALOG (MAINTENANCE)



Y 23310233 SHT 1 REV 155

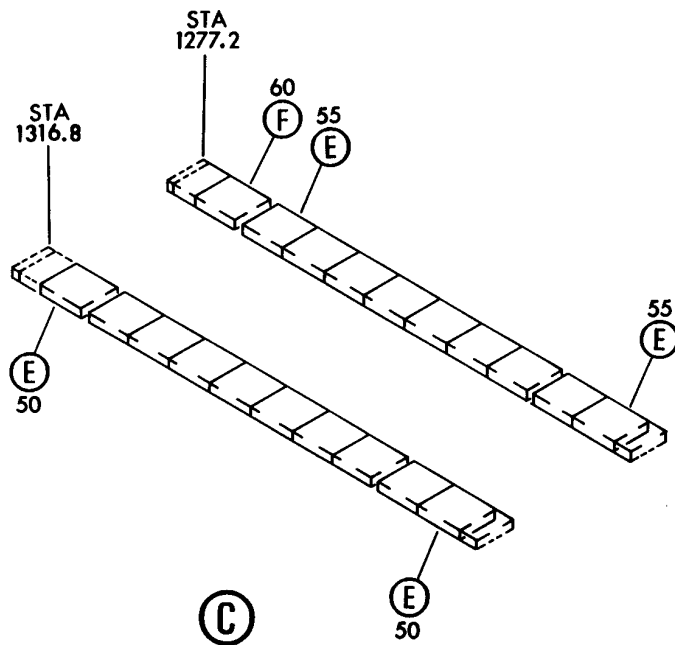
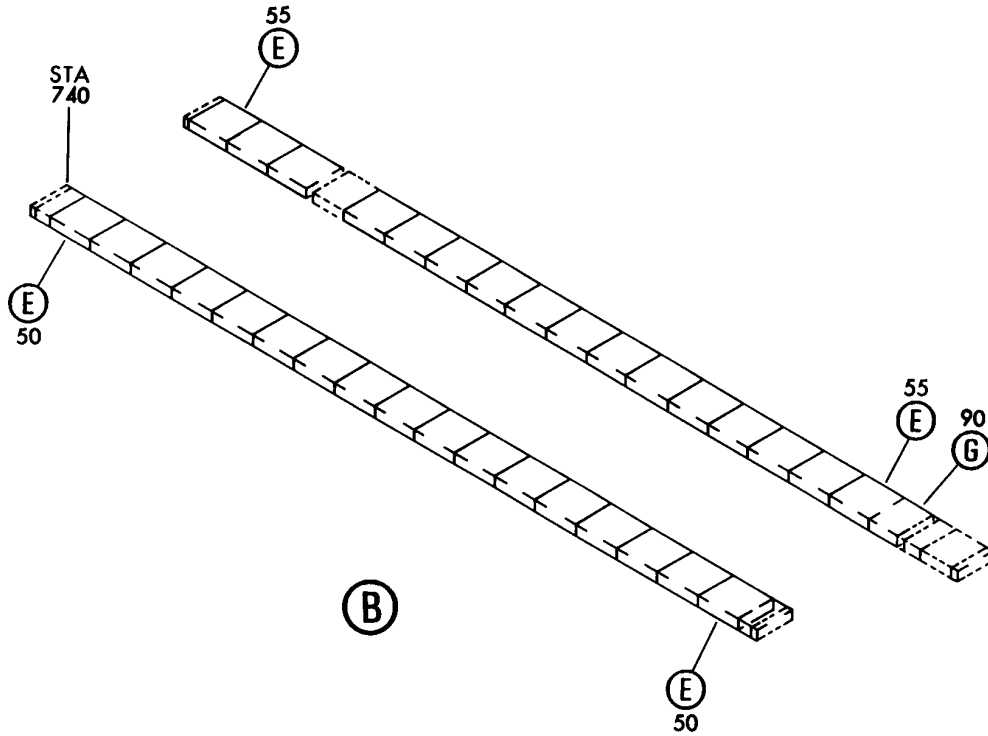
SERVICE UNIT INSTL-PASS (PSU SPEAKER ONLY)
FIGURE 33 (SHEET 1)

23-31-02-33

BRI
MAY 28/07

23-31-02-33
PAGE 0

BOEING
757
PARTS CATALOG (MAINTENANCE)



Y 23310233 SHT 2 REV 155

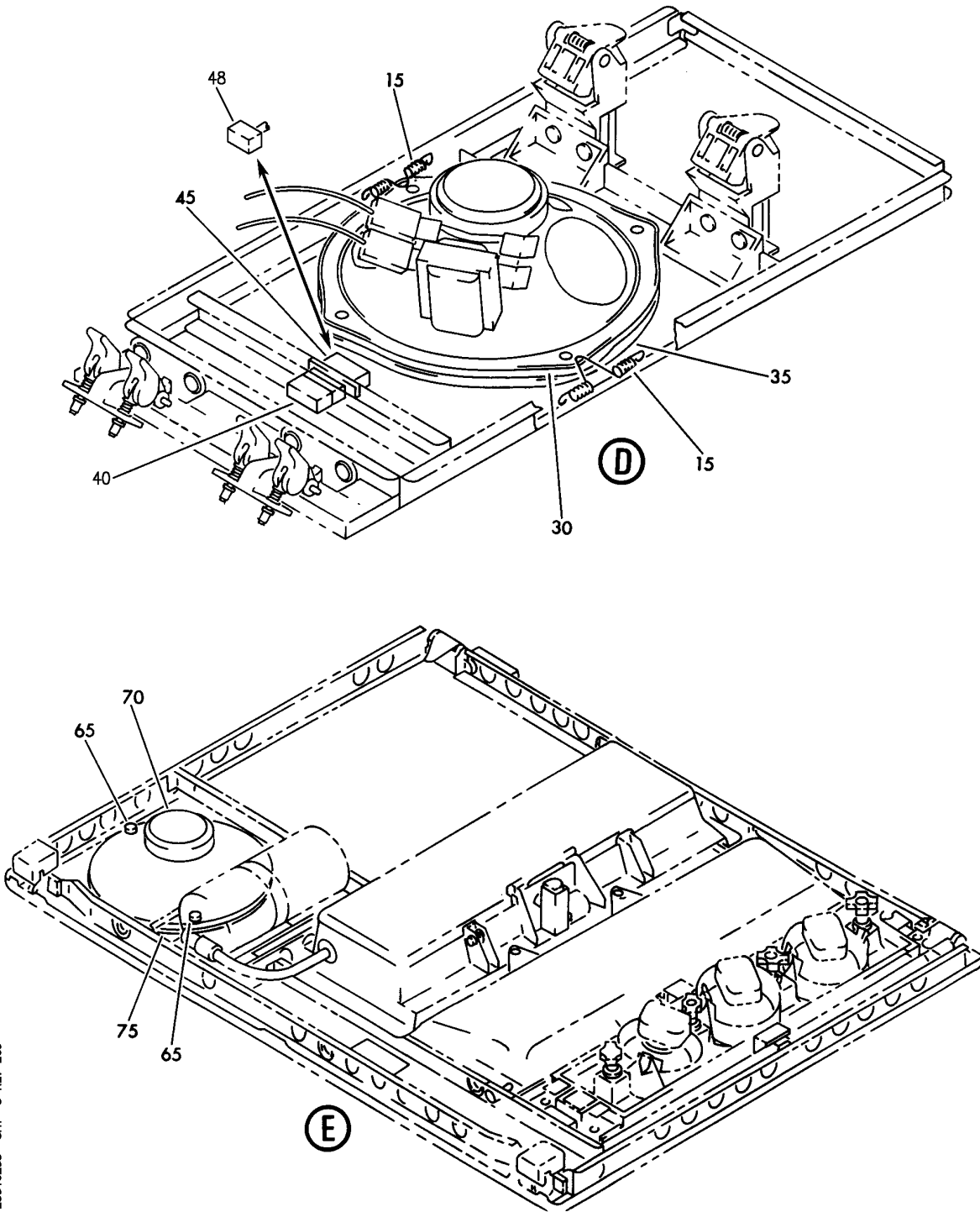
SERVICE UNIT INSTL-PASS (PSU SPEAKER ONLY)
FIGURE 33 (SHEET 2)

23-31-02-33

BRI
MAY 28/07

23-31-02-33
PAGE 0A

BOEING
757
PARTS CATALOG (MAINTENANCE)



Y 23310233 SH-T 3 REV 269

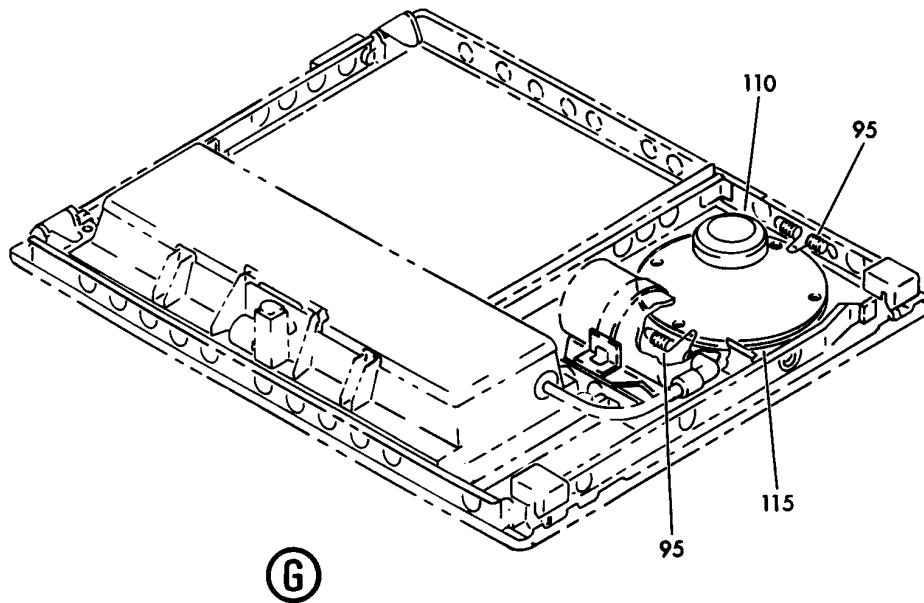
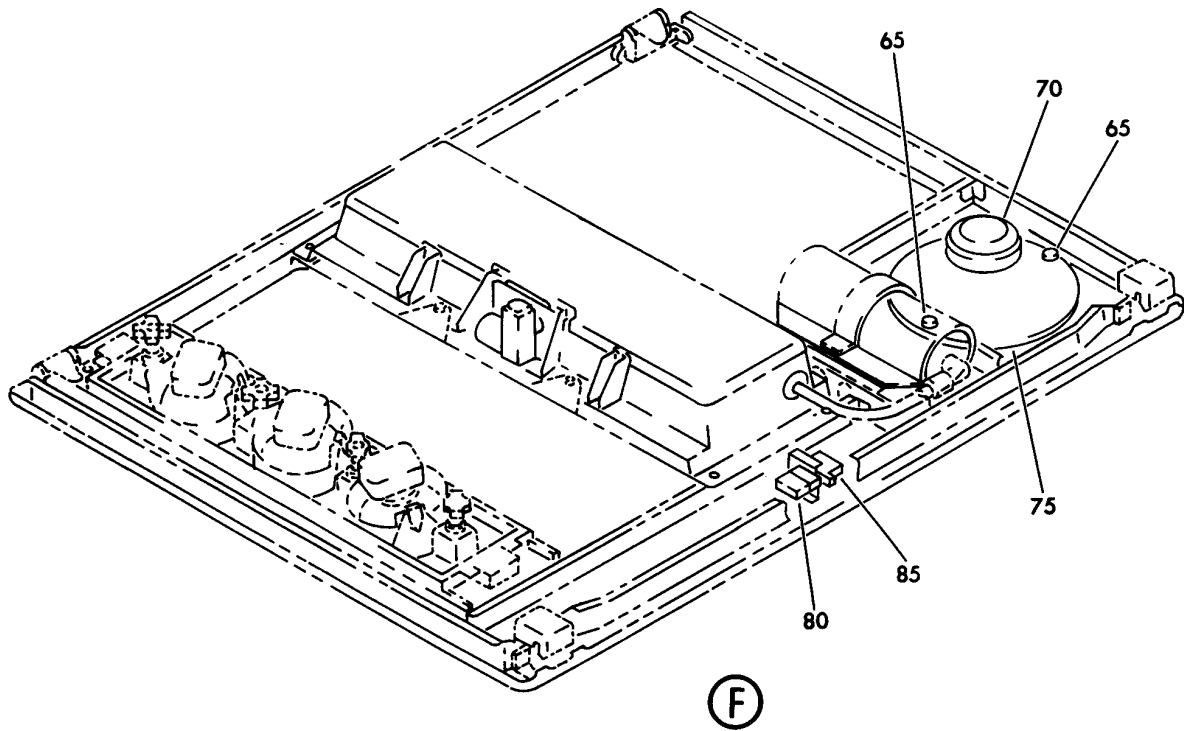
SERVICE UNIT INSTL-PASS (PSU SPEAKER ONLY)
FIGURE 33 (SHEET 3)

23-31-02-33

BRI
MAY 28/07

23-31-02-33
PAGE 0B

BOEING
757
PARTS CATALOG (MAINTENANCE)



Y 23310233 SH1 4 REV 155

SERVICE UNIT INSTL-PASS (PSU SPEAKER ONLY)
FIGURE 33 (SHEET 4)

23-31-02-33

BRI
MAY 28/07

23-31-02-33
PAGE 0C



757

PARTS CATALOG (MAINTENANCE)

FIG ITEM	PART NUMBER	1 2 3 4 5 6 7	NOMENCLATURE	EFFECT FROM TO	UNITS PER ASSY
33			SERVICE UNIT INSTL-PASS (PSU SPEAKER ONLY)	011102	
- 1	417N3001-98		SERVICE UNIT INSTL-PASS. (PSU SPEAKER ONLY)	011100	RF
			FOR NHA/OTHER SYS DET SEE: 25-20-00-20A		
- 1	417N3001-164SP		SERVICE UNIT INSTL-PASS. (PSU SPEAKER ONLY)	101102	RF
			FOR NHA/OTHER SYS DET SEE: 25-20-00-20		
5	417N3010-8SP		.PANEL ASSY-SPACER WITH MUTED SPKR	011102	RF
			POSITION DATA: OVERDOOR		
10	417N3010-9SP		.PANEL ASSY-SPKR SPACER	011102	RF
			POSITION DATA: OVERDOOR		
15	417N3173-6		.. SPRING	011102	2
			ATTACHING PARTS		
- 20	BACS12FA08K5		.. SCREW	011102	4
- 25	BRH10A08		.. NUT	011102	4
			SUPPLIER CODE: V52828		
			SPECIFICATION NUMBER: BACN10JCO8		
			OPTIONAL PART: H10-08BAC		
			V15653		
			NS202101-82		
			V80539		
			RMLH9075-82W		
			V72962		
			VN303A82		
			V92215		
			96-82		
			V80539		
			T6S832J		
			V11815		
			-----*-----		
30	RDAM8005A		.. SPEAKER-	011102	1
			SUPPLIER CODE: VOFF57		
			SPECIFICATION NUMBER: S222T101-101		
			OPTIONAL PART: RDAM8018		
			VOFF57		

MISSING ITEM NUMBERS NOT APPLICABLE

- ITEM NOT ILLUSTRATED

23-31-02-33

23-31-02
FIG. 33
PAGE 1
JAN 20/09

BRI



757

PARTS CATALOG (MAINTENANCE)

FIG ITEM	PART NUMBER	1 2 3 4 5 6 7	NOMENCLATURE	EFFECT FROM TO	UNITS PER ASSY
33 30	RDAM8018		..SPEAKER- SUPPLIER CODE: V0FF57 SPECIFICATION NUMBER: 10-62232-01 OPTIONAL PART: RDAM8005A V0FF57	011102	1
35	417N3104-1		..GASKET- MANUFACTURED FROM: SH RUBATEX R310V BMS8-283 MATL QTY: 0.34, MATL UOM : SF MATL DIMENSIONS : 0.125 IN 7.0 IN 7.0 IN	011102	1
35 40	417N3104-2 W260F4AM11		..GASKET- ..RELAY- SUPPLIER CODE: VFO219 SPECIFICATION NUMBER: BACR13CD2 OPTIONAL PART: BR16S233 V09026 EE4AA005 V35344 3SAV1338A2 V01526 HFW1206K03 V58614 HFW1204K01 V71482 ELECTRICAL EQUIP NUMBER: K10503 USED ON: 417N3010-8SP 417N3010-15D	011102 011102	1 1
45	451120-026		..SOCKET-MUTING SUPPLIER CODE: V03743 USED ON: 417N3010-8SP 417N3010-15D	011102	1
- 47	286N0513-003		..WIRE BUNDLE- USED ON: 417N3010-8SP	011102	1

MISSING ITEM NUMBERS NOT APPLICABLE

- ITEM NOT ILLUSTRATED

23-31-02-33

23-31-02
FIG. 33
PAGE 2
JAN 20/09

BRI



757

PARTS CATALOG (MAINTENANCE)

FIG ITEM	PART NUMBER	1 2 3 4 5 6 7	NOMENCLATURE	EFFECT FROM TO	UNITS PER ASSY
33 48	RSE120026		... SOCKET- SUPPLIER CODE: V58982 SPECIFICATION NUMBER: BACS16AG1 OPTIONAL PART: 451120-026 V58982 ELECTRICAL EQUIP NUMBER: D01235 WIRING DIAGRAM REF: 233121	011102	1
50	417N3100-707SP		.SERVICE UNIT ASSY-PASS. FULL WITH SPKR POSITION DATA: UNDERBIN ELECTRICAL EQUIP NUMBER: M03012 COMPONENT MAINT MANUAL REF: 25-23-30	011100	RF
50	417N3100-723B		.SERVICE UNIT ASSY-PASS. FULL WITH SPKR POSITION DATA: UNDERBIN ELECTRICAL EQUIP NUMBER: M03012 COMPONENT MAINT MANUAL REF: 25-23-30	101102	RF
55	417N3100-708SP		.SERVICE UNIT ASSY-PASS. FULL WITH SPKR POSITION DATA: UNDERBIN ELECTRICAL EQUIP NUMBER: M03012 COMPONENT MAINT MANUAL REF: 25-23-30	011100	RF
55	417N3100-724B		.SERVICE UNIT ASSY-PASS. FULL WITH SPKR POSITION DATA: UNDERBIN ELECTRICAL EQUIP NUMBER: M03012 COMPONENT MAINT MANUAL REF: 25-23-30	101102	RF

MISSING ITEM NUMBERS NOT APPLICABLE

- ITEM NOT ILLUSTRATED

23-31-02-33

23-31-02
FIG. 33
PAGE 3
JAN 20/09

BRI



757

PARTS CATALOG (MAINTENANCE)

FIG ITEM	PART NUMBER	1 2 3 4 5 6 7	NOMENCLATURE	EFFECT FROM TO	UNITS PER ASSY
33					
60	417N3100-712SP	.	SERVICE UNIT ASSY-PASS. FULL WITH MUTED SPKR POSITION DATA: UNDERBIN ELECTRICAL EQUIP NUMBER: M10471 COMPONENT MAINT MANUAL REF: 25-23-30	011100	RF
60	417N3100-728B	.	SERVICE UNIT ASSY-PASS. FULL WITH MUTED SPKR POSITION DATA: UNDERBIN ELECTRICAL EQUIP NUMBER: M10471 COMPONENT MAINT MANUAL REF: 25-23-30	101102	RF
65	BACN10YJ08	..	NUT	011102	2
70	RDAM8005A	..	SPEAKER- SUPPLIER CODE: VOFF57 SPECIFICATION NUMBER: S222T101-101 OPTIONAL PART: RDAM8018 VOFF57	011102	1
70	RDAM8018	..	SPEAKER- SUPPLIER CODE: VOFF57 SPECIFICATION NUMBER: 10-62232-01 OPTIONAL PART: RDAM8005A VOFF57	011102	1
75	417N3104-2	..	GASKET-SPEAKER MANUFACTURED FROM: SH RUBATEX R310V 0.125 X 7.0 IN DIA	011102	1

MISSING ITEM NUMBERS NOT APPLICABLE

- ITEM NOT ILLUSTRATED

23-31-02-33

23-31-02
FIG. 33
PAGE 4
JAN 20/09

BRI



757

PARTS CATALOG (MAINTENANCE)

FIG ITEM	PART NUMBER	1 2 3 4 5 6 7	NOMENCLATURE	EFFECT FROM TO	UNITS PER ASSY
33 80	W260F4AM11		.. RELAY- SUPPLIER CODE: VF0219 SPECIFICATION NUMBER: BACR13CD2 OPTIONAL PART: BR16S233 V09026 EE4AA005 V35344 3SAV1338A2 V01526 HFW1206K03 V58614 HFW1204K01 V71482 USED ON: 417N3100-712SP 417N3100-728B	011102	1
85	451120-026		.. SOCKET-MUTING SUPPLIER CODE: V03743 USED ON: 417N3100-712SP 417N3100-728B	011102	1
90	417N3100-516SP		. SERVICE UNIT ASSY-PASS. PARTAIL WITH SPKR POSITION DATA: UNDERBIN ELECTRICAL EQUIP NUMBER: M03013 COMPONENT MAINT MANUAL REF: 25-23-37	011102	RF
90	417N3100-730B		. SERVICE UNIT ASSY-PASS. PARTAIL WITH SPKR POSITION DATA: UNDERBIN ELECTRICAL EQUIP NUMBER: M03013	101102	RF
95	417N3173-6		.. SPRING ATTACHING PARTS	011102	2
- 100	BACS12FA08K6		.. SCREW	011102	4
- 105	BACN10YJ08		.. NUT -----*-----	011102	4

MISSING ITEM NUMBERS NOT APPLICABLE

- ITEM NOT ILLUSTRATED

23-31-02-33

23-31-02
FIG. 33
PAGE 5
JAN 20/09

BRI



757

PARTS CATALOG (MAINTENANCE)

FIG ITEM	PART NUMBER	1 2 3 4 5 6 7	NOMENCLATURE	EFFECT FROM TO	UNITS PER ASSY
33 110	RDAM8005A		.. SPEAKER- SUPPLIER CODE: VOFF57 SPECIFICATION NUMBER: S222T101-101 OPTIONAL PART: RDAM8018 VOFF57	011102	1
110	RDAM8018		.. SPEAKER- SUPPLIER CODE: VOFF57 SPECIFICATION NUMBER: 10-62232-01 OPTIONAL PART: RDAM8005A VOFF57	011102	1
115	417N3104-1		.. GASKET- MANUFACTURED FROM: SH RUBATEX R310V BMS8-283 MATL QTY: 0.34, MATL UOM : SF MATL DIMENSIONS : 0.125 IN 7.0 IN 7.0 IN	011102	1
115	417N3104-2		.. GASKET-	011102	1

MISSING ITEM NUMBERS NOT APPLICABLE

- ITEM NOT ILLUSTRATED

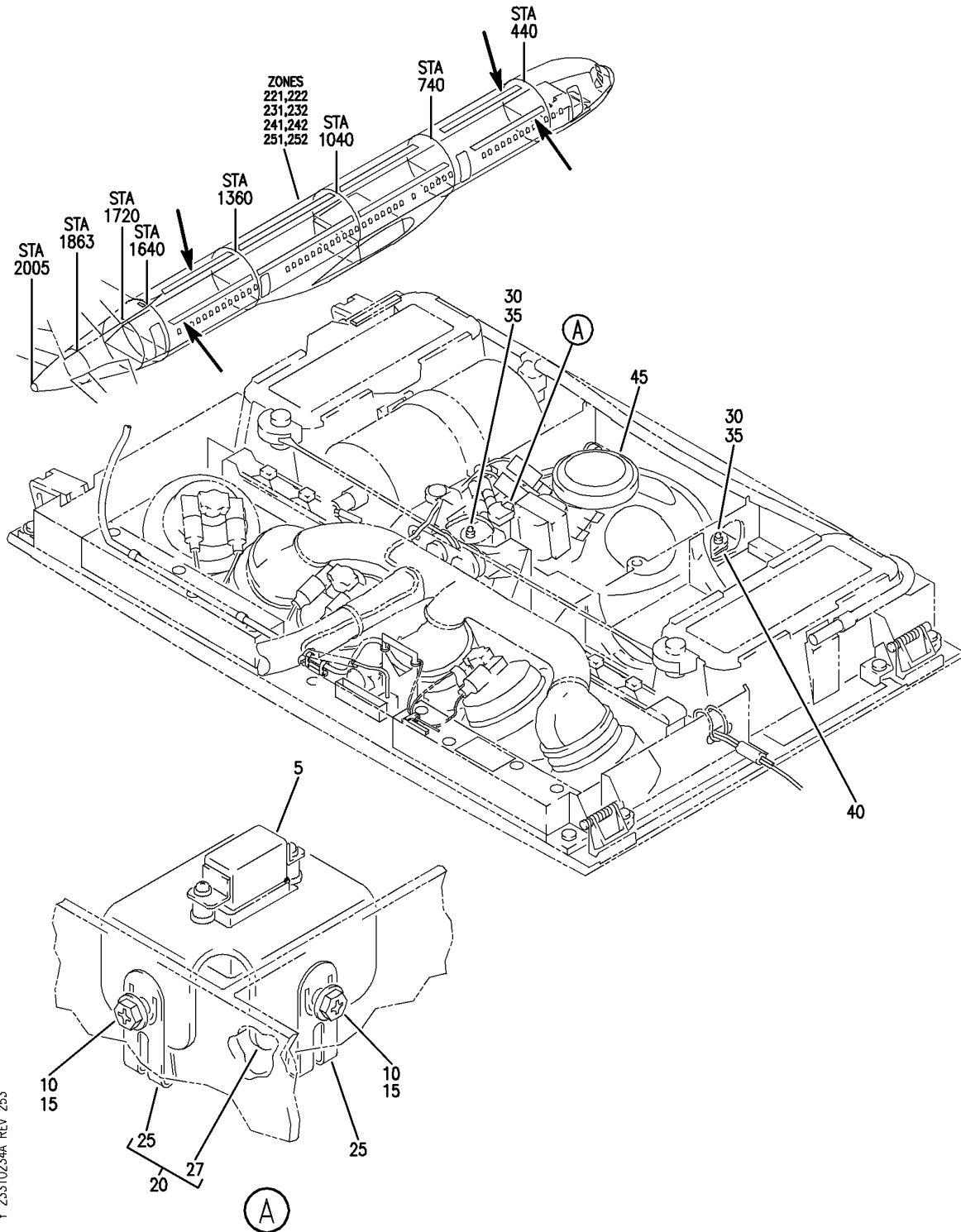
BRI

23-31-02-33

BOEING PROPRIETARY - Copyright © - Unpublished Work - See title page for details.

23-31-02
FIG. 33
PAGE 6
JAN 20/09

BOEING
757
PARTS CATALOG (MAINTENANCE)



Y 23310234A REV 253

SERVICE UNIT ASSY-PASS. (PSU SPEAKER ONLY)
FIGURE 34A

23-31-02-34A

BRI
JAN 20/09

23-31-02-34A
PAGE 0



757

PARTS CATALOG (MAINTENANCE)

FIG ITEM	PART NUMBER	1 2 3 4 5 6 7	NOMENCLATURE	EFFECT FROM TO	UNITS PER ASSY
34A			SERVICE UNIT ASSY-PASS. (PSU SPEAKER ONLY)	103106 108120	
- 1	417N3011-422C		SERVICE UNIT ASSY-PASS. WITH SPKR AND GASPER (PSU SPEAKER ONLY) ELECTRICAL EQUIP NUMBER: M10983 COMPONENT MAINT MANUAL REF: 25-23-38 FOR NHA/OTHER SYS DET SEE: 25-23-01-34A 25-23-01-76A	108120	RF
- 1	417N3011-422B		SERVICE UNIT ASSY-PASS. WITH 2K SPKR, MUTING RELAY AND GASPER (PSU SPEAKER ONLY) ELECTRICAL EQUIP NUMBER: M10983 COMPONENT MAINT MANUAL REF: 25-23-38 FOR NHA/OTHER SYS DET SEE: 25-23-01-52B	103106	RF
5	W260F4AM11		.RELAY SUPPLIER CODE: VF0219 SPECIFICATION NUMBER: BACR13CD2 OPTIONAL PART: BR16S233 V09026 EE4AA005 V35344 3SAV1338A2 V01526 HFW1206K03 V58614 HFW1204K01 V71482	108120	1

MISSING ITEM NUMBERS NOT APPLICABLE

- ITEM NOT ILLUSTRATED

BRI

23-31-02-34A

BOEING PROPRIETARY - Copyright © - Unpublished Work - See title page for details.

23-31-02
FIG. 34A
PAGE 1
JAN 20/09



757

PARTS CATALOG (MAINTENANCE)

FIG ITEM	PART NUMBER	1 2 3 4 5 6 7	NOMENCLATURE	EFFECT FROM TO	UNITS PER ASSY
34A 5	W260F4AM11	.RELAY	SUPPLIER CODE: VF0219 SPECIFICATION NUMBER: BACR13CD2 OPTIONAL PART: BR16S233 V09026 EE4AA005 V35344 3SAV1338A2 V01526 HFW1206K03 V58614 HFW1204K01 V71482	103104	1
5	W260F4AM11	.RELAY	SUPPLIER CODE: VF0219 SPECIFICATION NUMBER: BACR13CD2 OPTIONAL PART: BR16S233 V09026 EE4AA005 V35344 3SAV1338A2 V01526 HFW1206K03 V58614 HFW1204K01 V71482	105106	1
10	NAS1801-06-6	.SCREW		108120	2
10	NAS1801-06-6	.SCREW		103104	2
10	NAS1801-06-6	.SCREW		105106	2
15	NAS1149DN616J	.WASHER		108120	2
15	NAS1149DN616J	.WASHER		103104	2
15	NAS1149DN616J	.WASHER		105106	2
20	417N3161-17	.BRACKET ASSY		108120	1
20	417N3161-17	.BRACKET ASSY		103104	1
20	417N3161-17	.BRACKET ASSY		105106	1

MISSING ITEM NUMBERS NOT APPLICABLE

- ITEM NOT ILLUSTRATED

23-31-02-34A

23-31-02
FIG. 34A
PAGE 2
JAN 20/09

BRI

BOEING PROPRIETARY - Copyright © - Unpublished Work - See title page for details.

 **BOEING**
757
PARTS CATALOG (MAINTENANCE)

FIG ITEM	PART NUMBER	1 2 3 4 5 6 7	NOMENCLATURE	EFFECT FROM TO	UNITS PER ASSY
34A 25	BRC600-12-3	..	NUT- SUPPLIER CODE: V52828 SPECIFICATION NUMBER: BACN10YD6 OPTIONAL PART: 130125 V60119 BACN10FX6	108120	2
25	BACN10FX6	..	NUT- OPTIONAL PART: BACN10YD6	108120	2
25	BRC600-12-3	..	NUT- SUPPLIER CODE: V52828 SPECIFICATION NUMBER: BACN10YD6 OPTIONAL PART: 130125 V60119 BACN10FX6	103104	2
25	BACN10FX6	..	NUT- OPTIONAL PART: BACN10YD6	103104	2
25	BRC600-12-3	..	NUT- SUPPLIER CODE: V52828 SPECIFICATION NUMBER: BACN10YD6 OPTIONAL PART: 130125 V60119 BACN10FX6	105106	2
25	BACN10FX6	..	NUT- OPTIONAL PART: BACN10YD6	105106	2
27	417N3161-14	..	BRACKET	108120	1
27	417N3161-14	..	BRACKET	103104	1
27	417N3161-14	..	BRACKET	105106	1
30	NAS514P832-11P	.	SCREW	108120	2
30	NAS514P832-11P	.	SCREW	103104	2
30	NAS514P832-11P	.	SCREW	105106	2
35	BACN10YJ08	.	NUT	108120	2
35	BACN10YJ08	.	NUT	103104	2
35	BACN10YJ08	.	NUT	105106	2

MISSING ITEM NUMBERS NOT APPLICABLE

— ITEM NOT ILLUSTRATED

23-31-02-34A

23-31-02
FIG. 34A
PAGE 3
JAN 20/09

BRI

BOEING PROPRIETARY - Copyright © - Unpublished Work - See title page for details.



757

PARTS CATALOG (MAINTENANCE)

FIG ITEM	PART NUMBER	1 2 3 4 5 6 7	NOMENCLATURE	EFFECT FROM TO	UNITS PER ASSY
34A					
40	417N3104-2		.GASKET- MANUFACTURED FROM: SH RUBATEX R310V 0.125 X 7.0 IN DIA	108120	1
40	417N3104-2		.GASKET- MANUFACTURED FROM: SH RUBATEX R310V 0.125 X 7.0 IN DIA	103104	1
40	417N3104-2		.GASKET- MANUFACTURED FROM: SH RUBATEX R310V 0.125 X 7.0 IN DIA	105106	1
45	RDAM8018		.SPEAKER- SUPPLIER CODE: VOFF57 SPECIFICATION NUMBER: 10-62232-01	108120	1
45	RDAM8018		.SPEAKER- SUPPLIER CODE: VOFF57 SPECIFICATION NUMBER: 10-62232-01	103104	1
45	RDAM8018		.SPEAKER- SUPPLIER CODE: VOFF57 SPECIFICATION NUMBER: 10-62232-01	105106	1

MISSING ITEM NUMBERS NOT APPLICABLE

- ITEM NOT ILLUSTRATED

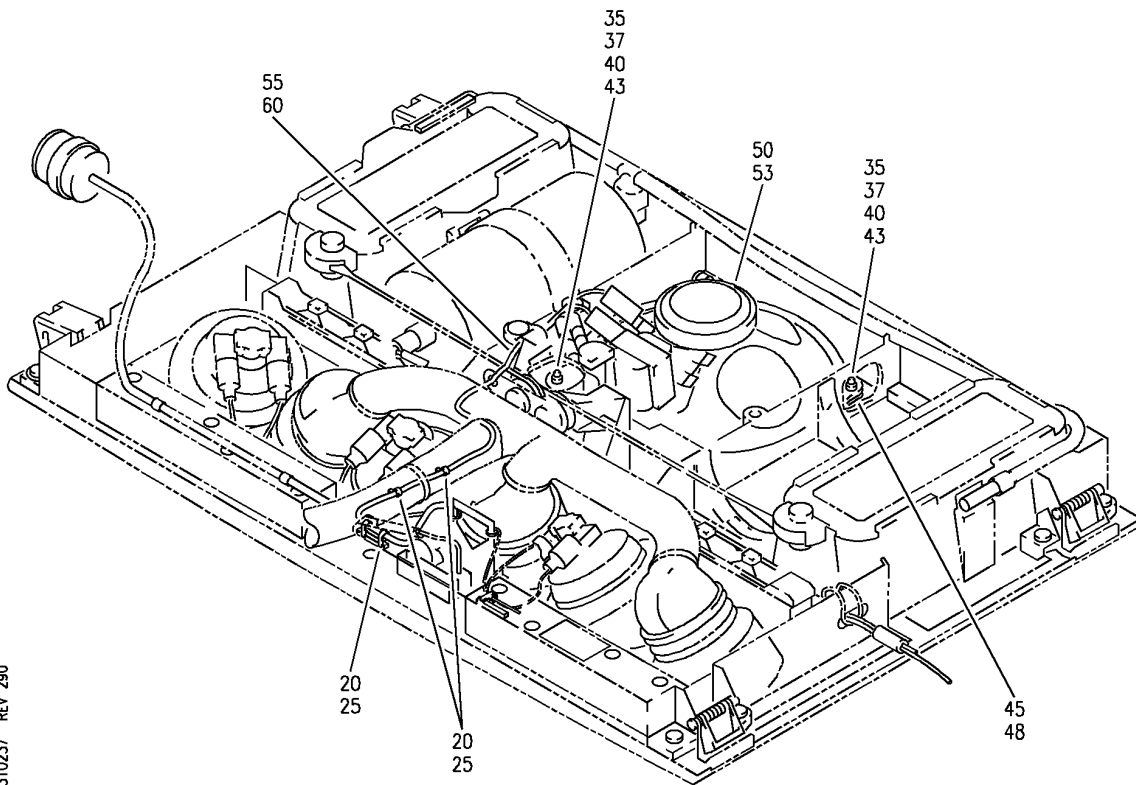
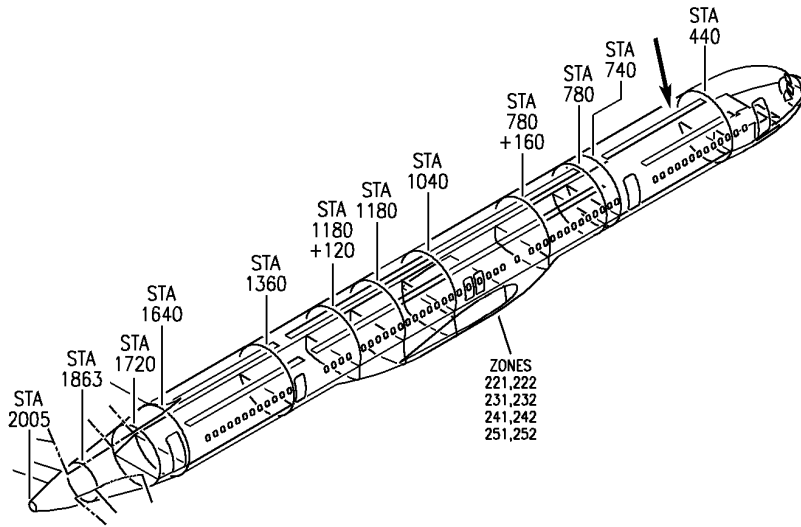
23-31-02-34A

23-31-02
FIG. 34A
PAGE 4
JAN 20/09

BRI

BOEING PROPRIETARY - Copyright © - Unpublished Work - See title page for details.

BOEING
757
PARTS CATALOG (MAINTENANCE)



Y 23310237 REV 290

SERVICE UNIT ASSY-PASS. (COMMUNICATIONS ONLY)
FIGURE 37

23-31-02-37

BRI
JAN 20/09

23-31-02-37
PAGE 0



757

PARTS CATALOG (MAINTENANCE)

FIG ITEM	PART NUMBER	1 2 3 4 5 6 7	NOMENCLATURE	EFFECT FROM TO	UNITS PER ASSY
37			SERVICE UNIT ASSY-PASS. (COMMUNICATIONS ONLY)	103106 108120	
- 5	417N3011-202SP		SERVICE UNIT ASSY-PASS. WITH SPKR AND GASPER (COMMUNICATIONS ONLY) POSITION DATA: RH ELECTRICAL EQUIP NUMBER: M10973 COMPONENT MAINT MANUAL REF: 25-23-38 FOR NHA/OTHER SYS DET SEE: 25-23-01-52B	103106	RF
- 5	417N3011-402SP		SERVICE UNIT ASSY-PASS. WITH SPKR AND GASPER (COMMUNICATIONS ONLY) POSITION DATA: RH ELECTRICAL EQUIP NUMBER: M10973 COMPONENT MAINT MANUAL REF: 25-23-38 FOR NHA/OTHER SYS DET SEE: 25-23-01-34A 25-23-01-52B 25-23-01-76A	103106 108120	RF
25	PLT2MM2		.STRAP- SUPPLIER CODE: V06383 OPTIONAL PART: PLT2MM V06383	108120	AR
25	PLT2MM2		.STRAP- SUPPLIER CODE: V06383 OPTIONAL PART: PLT2MM V06383	105106	AR
25	PLT2MM2		.STRAP- SUPPLIER CODE: V06383 OPTIONAL PART: PLT2MM V06383	103104	AR

MISSING ITEM NUMBERS NOT APPLICABLE

- ITEM NOT ILLUSTRATED

23-31-02-37

23-31-02
FIG. 37
PAGE 1
JAN 20/09

BRI



757

PARTS CATALOG (MAINTENANCE)

FIG ITEM	PART NUMBER	1 2 3 4 5 6 7	NOMENCLATURE	EFFECT FROM TO	UNITS PER ASSY
37					
- 30	PLT2MM	.	STRAP- SUPPLIER CODE: V06383 OPTIONAL PART: PLT2MM2 V06383	108120	AR
- 30	PLT2MM	.	STRAP- SUPPLIER CODE: V06383 OPTIONAL PART: PLT2MM2 V06383	105106	AR
- 30	PLT2MM	.	STRAP- SUPPLIER CODE: V06383 OPTIONAL PART: PLT2MM2 V06383	103104	AR
35	NAS514P832-11P	.	SCREW	108120	2
35	NAS514P832-11P	.	SCREW	105106	2
35	NAS514P832-11P	.	SCREW	103104	2
40	BACN10YJ08	.	NUT	108120	2
40	BACN10YJ08	.	NUT	105106	2
40	BACN10YJ08	.	NUT	103104	2
45	417N3104-2	.	GASKET- MANUFACTURED FROM: SH RUBATEX R310V 0.125 X 7.0 IN DIA	108120	1
45	417N3104-2	.	GASKET- MANUFACTURED FROM: SH RUBATEX R310V 0.125 X 7.0 IN DIA	105106	1
45	417N3104-2	.	GASKET- MANUFACTURED FROM: SH RUBATEX R310V 0.125 X 7.0 IN DIA	103104	1
50	RDAM8018	.	SPEAKER- SUPPLIER CODE: VOFF57 SPECIFICATION NUMBER: 10-62232-01	108120	1
50	RDAM8018	.	SPEAKER- SUPPLIER CODE: VOFF57 SPECIFICATION NUMBER: 10-62232-01	105106	1

MISSING ITEM NUMBERS NOT APPLICABLE

- ITEM NOT ILLUSTRATED

23-31-02-37

23-31-02
FIG. 37
PAGE 2
JAN 20/09

BRI

BOEING PROPRIETARY - Copyright © - Unpublished Work - See title page for details.



757

PARTS CATALOG (MAINTENANCE)

FIG ITEM	PART NUMBER	1 2 3 4 5 6 7	NOMENCLATURE	EFFECT FROM TO	UNITS PER ASSY
37 50	RDAM8018		.SPEAKER- SUPPLIER CODE: V0FF57 SPECIFICATION NUMBER: 10-62232-01	103104	1
55	53002		.WIRE BUNDLE- SUPPLIER CODE: V16115 SPECIFICATION NUMBER: S417N313-101	108120	1
55	53002		.WIRE BUNDLE- SUPPLIER CODE: V16115 SPECIFICATION NUMBER: S417N313-101	105106	1
55	53002		.WIRE BUNDLE- SUPPLIER CODE: V16115 SPECIFICATION NUMBER: S417N313-101	103104	1

MISSING ITEM NUMBERS NOT APPLICABLE

- ITEM NOT ILLUSTRATED

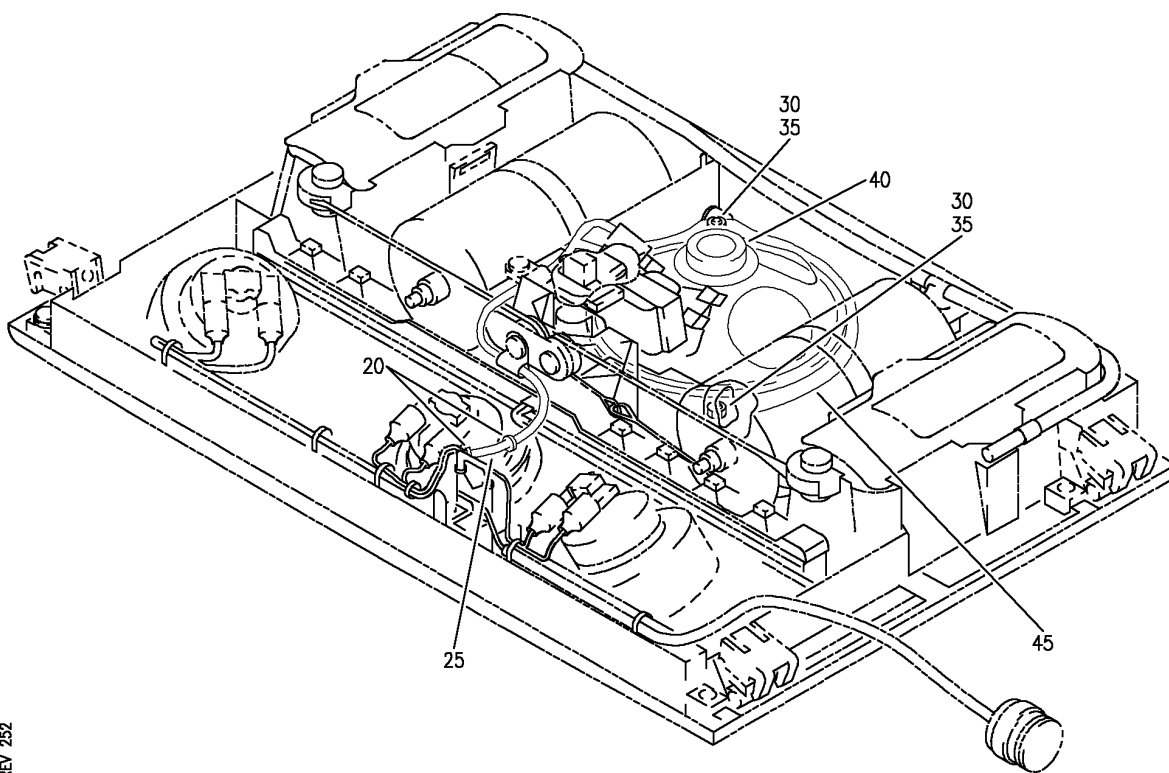
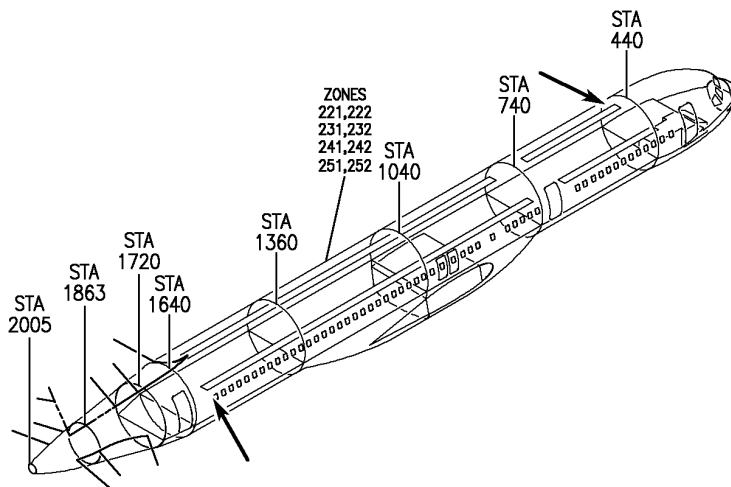
BRI

23-31-02-37

BOEING PROPRIETARY - Copyright © - Unpublished Work - See title page for details.

23-31-02
FIG. 37
PAGE 3
JAN 20/09

BOEING
757
PARTS CATALOG (MAINTENANCE)



Y 23310266D REV 252

SERVICE UNIT ASSY-PASS. (PSU SPEAKER ONLY)
FIGURE 66D

23-31-02-66D

BRI
JAN 20/09

23-31-02-66D
PAGE 0



757

PARTS CATALOG (MAINTENANCE)

FIG ITEM	PART NUMBER	1 2 3 4 5 6 7	NOMENCLATURE	EFFECT FROM TO	UNITS PER ASSY
66D			SERVICE UNIT ASSY-PASS. (PSU SPEAKER ONLY)	504903	
- 1	417N3011-363B		SERVICE UNIT ASSY-PASS. WITH SPKR AND GASPER 22 MIN. OXY (PSU SPEAKER ONLY) POSITION DATA: LH ELECTRICAL EQUIP NUMBER: M10979 COMPONENT MAINT MANUAL REF: 25-23-38 FOR NHA/OTHER SYS DET SEE: 25-23-01-50B	504903	RF
- 3	417N3011-364B		SERVICE UNIT ASSY-PASS. WITH SPKR AND GASPER 22 MIN. OXY (PSU SPEAKER ONLY) POSITION DATA: RH ELECTRICAL EQUIP NUMBER: M10979 COMPONENT MAINT MANUAL REF: 25-23-38 FOR NHA/OTHER SYS DET SEE: 25-23-01-50B	504903	RF
20	PLT2MM2		.STRAP- SUPPLIER CODE: V06383 OPTIONAL PART: PLT2MM V06383	504903	AR
20	PLT2MM		.STRAP- SUPPLIER CODE: V06383 OPTIONAL PART: PLT2MM2 V06383	504903	AR
25	53002		.WIRE BUNDLE- SUPPLIER CODE: V16115 SPECIFICATION NUMBER: S417N313-101	504903	RF
30	NAS514P832-11P		.SCREW	504903	2
35	BACN10YJ08		.NUT	504903	2

MISSING ITEM NUMBERS NOT APPLICABLE

- ITEM NOT ILLUSTRATED

23-31-02-66D

23-31-02
FIG. 66D
PAGE 1
JAN 20/09

BRI

BOEING PROPRIETARY - Copyright © - Unpublished Work - See title page for details.



757

PARTS CATALOG (MAINTENANCE)

FIG ITEM	PART NUMBER	1 2 3 4 5 6 7	NOMENCLATURE	EFFECT FROM TO	UNITS PER ASSY
66D 40	RDAM8018		.SPEAKER- SUPPLIER CODE: VOFF57 SPECIFICATION NUMBER: 10-62232-01	504903	1
45	417N3104-2		.GASKET-SPKR MANUFACTURED FROM: SH RUBATEX R310V 0.125 X 7.0 IN DIA	504903	1

MISSING ITEM NUMBERS NOT APPLICABLE

- ITEM NOT ILLUSTRATED

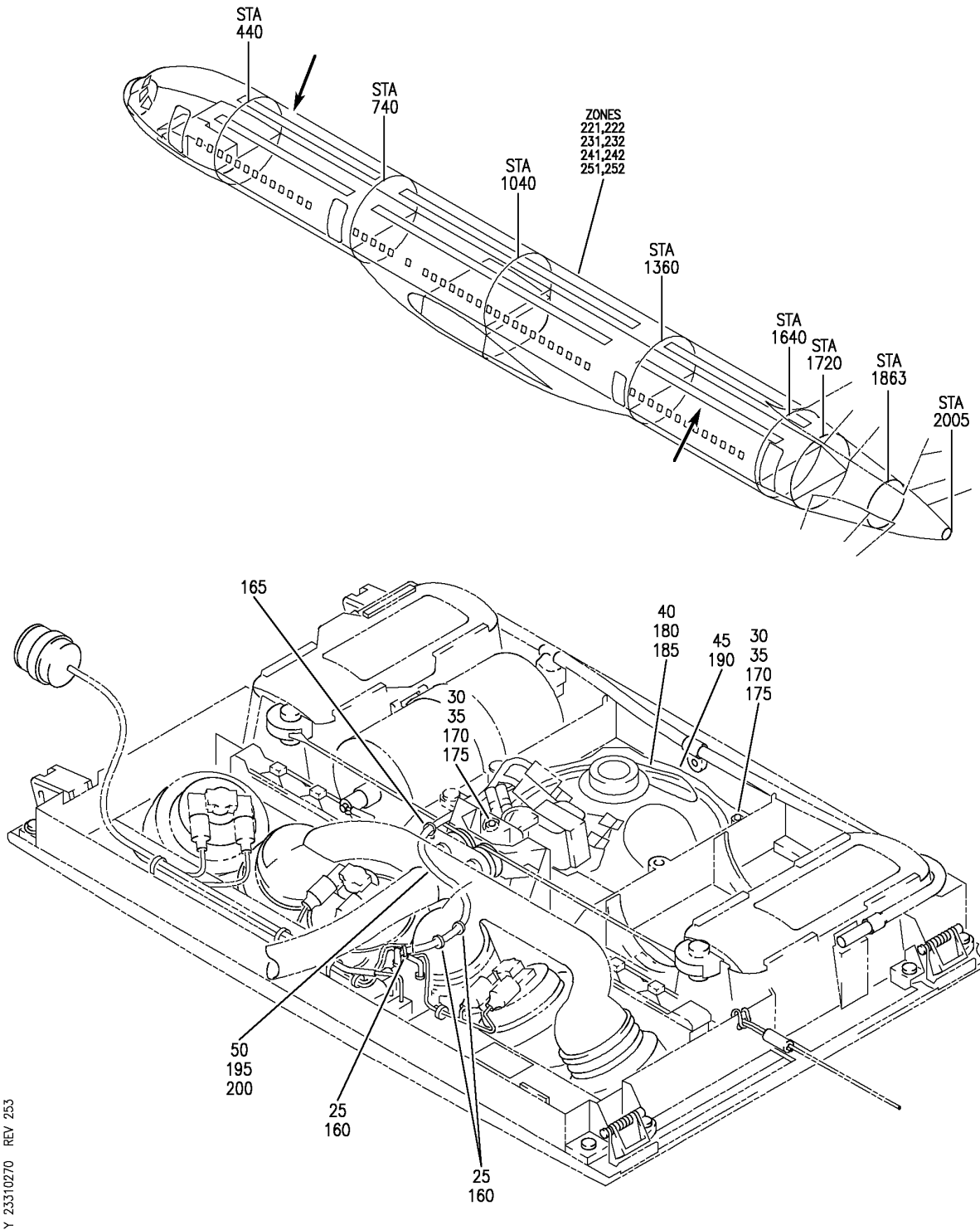
BRI

23-31-02-66D

BOEING PROPRIETARY - Copyright © - Unpublished Work - See title page for details.

23-31-02
FIG. 66D
PAGE 2
JAN 20/09

BOEING
757
PARTS CATALOG (MAINTENANCE)



Y 23310270 REV 253

SERVICE UNIT ASSY-PASS. (PASSENGER ADDRESS SYSTEM ONLY)
FIGURE 70

23-31-02-70

BRI
JAN 20/09

23-31-02-70
PAGE 0



757

PARTS CATALOG (MAINTENANCE)

FIG ITEM	PART NUMBER	1 2 3 4 5 6 7	NOMENCLATURE	EFFECT FROM TO	UNITS PER ASSY
70			SERVICE UNIT ASSY-PASS. (PASSENGER ADDRESS SYSTEM ONLY)	108120	
- 1	417N3011-309B		SERVICE UNIT ASSY-PASS. WITH SPKR AND NO GASPER (PASSENGER ADDRESS SYSTEM ONLY) POSITION DATA: LH ELECTRICAL EQUIP NUMBER: M10978 COMPONENT MAINT MANUAL REF: 25-23-38 FOR NHA/OTHER SYS DET SEE: 25-23-01-58B	108120	RF
25	PLT2MM2		.STRAP- SUPPLIER CODE: V06383 OPTIONAL PART: PLT2MM V06383	108120	3
25	PLT2MM		.STRAP- SUPPLIER CODE: V06383 OPTIONAL PART: PLT2MM2 V06383	108120	3
30	NAS514P832-11P		.SCREW	108120	2
35	BACN10YJ08		.NUT	108120	2
40	RDAM8018		.SPEAKER- SUPPLIER CODE: VOFF57 SPECIFICATION NUMBER: 10-62232-01	108120	1
45	417N3104-2		.GASKET-SPEAKER MANUFACTURED FROM: SH RUBATEX R310V 0.125 X 7.0 IN DIA	108120	1
50	53002		.WIRE BUNDLE- SUPPLIER CODE: V16115 SPECIFICATION NUMBER: S417N313-101	108120	1

MISSING ITEM NUMBERS NOT APPLICABLE

- ITEM NOT ILLUSTRATED

23-31-02-70

23-31-02
FIG. 70
PAGE 1
JAN 20/09

BRI



757

PARTS CATALOG (MAINTENANCE)

FIG ITEM	PART NUMBER	1 2 3 4 5 6 7	NOMENCLATURE	EFFECT FROM TO	UNITS PER ASSY
70 - 150	417N3011-310B		SERVICE UNIT ASSY-PASS. WITH SPKR AND NO GASPER (PASSENGER ADDRESS SYSTEM ONLY) POSITION DATA: RH ELECTRICAL EQUIP NUMBER: M10978 COMPONENT MAINT MANUAL REF: 25-23-38 FOR NHA/OTHER SYS DET SEE: 25-23-01-58B	108120	RF
- 155	417N3011-324B		SERVICE UNIT ASSY-PASS. WITH MUTED SPKR AND NO GASPER (PASSENGER ADDRESS SYSTEM ONLY) POSITION DATA: RH ELECTRICAL EQUIP NUMBER: M10981 COMPONENT MAINT MANUAL REF: 25-23-38 FOR NHA/OTHER SYS DET SEE: 25-23-01-58B	108120	RF
160	PLT2MM2		.STRAP- SUPPLIER CODE: V06383 OPTIONAL PART: PLT2MM V06383	108120	3
160	PLT2MM		.STRAP- SUPPLIER CODE: V06383 OPTIONAL PART: PLT2MM2 V06383	108120	3
165	PLT2MM2		.STRAP- SUPPLIER CODE: V06383 OPTIONAL PART: PLT2MM V06383 USED ON: 417N3011-324B	108120	1

MISSING ITEM NUMBERS NOT APPLICABLE

- ITEM NOT ILLUSTRATED

23-31-02-70

23-31-02
FIG. 70
PAGE 2
JAN 20/09

BRI



757

PARTS CATALOG (MAINTENANCE)

FIG ITEM	PART NUMBER	1 2 3 4 5 6 7	NOMENCLATURE	EFFECT FROM TO	UNITS PER ASSY
70 165	PLT2MM		.STRAP- SUPPLIER CODE: V06383 OPTIONAL PART: PLT2MM2 V06383 USED ON: 417N3011-324B	108120	1
170	NAS514P832-11P		.SCREW	108120	2
175	BACN10YJ08		.NUT	108120	2
180	RDAM8018		.SPEAKER- SUPPLIER CODE: VOFF57 SPECIFICATION NUMBER: 10-62232-01 USED ON: 417N3011-310B	108120	1
185	RDAM8018		.SPEAKER- SUPPLIER CODE: VOFF57 SPECIFICATION NUMBER: 10-62232-01 USED ON: 417N3011-324B	108120	1
190	417N3104-2		.GASKET-SPEAKER MANUFACTURED FROM: SH RUBATEX R310V 0.125 X 7.0 IN DIA	108120	1
195	53002		.WIRE BUNDLE- SUPPLIER CODE: V16115 SPECIFICATION NUMBER: S417N313-101 USED ON: 417N3011-310B	108120	1
200	53004		.WIRE BUNDLE- SUPPLIER CODE: V16115 SPECIFICATION NUMBER: S417N313-103 USED ON: 417N3011-324B	108120	1

MISSING ITEM NUMBERS NOT APPLICABLE

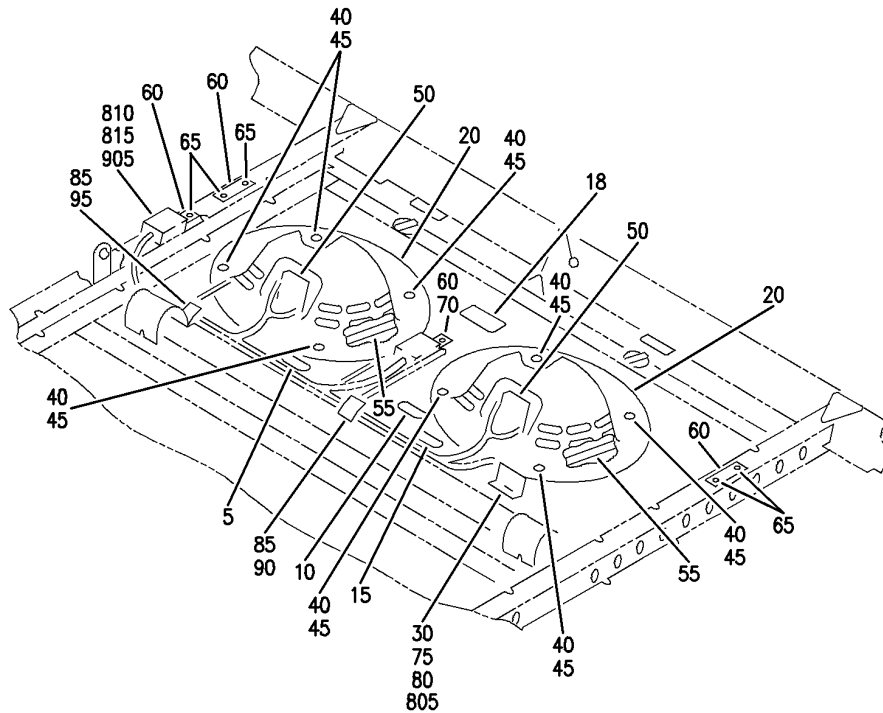
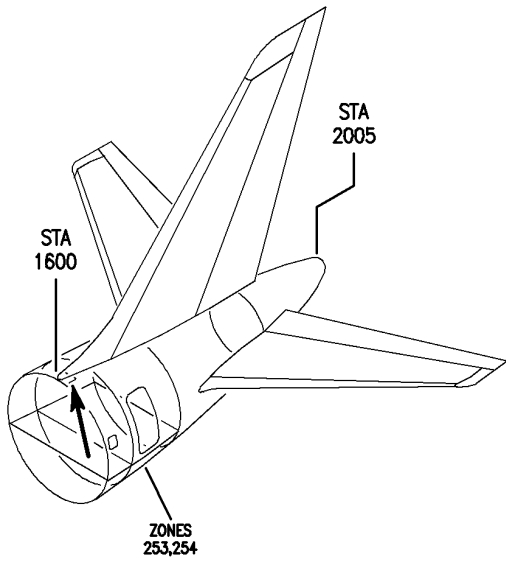
- ITEM NOT ILLUSTRATED

23-31-02-70

23-31-02
FIG. 70
PAGE 3
JAN 20/09

BRI

BOEING
757
PARTS CATALOG (MAINTENANCE)



Y 23310301 REV 247

CEILING ASSY-ATTENDANT SPEAKER (COMMUNICATIONS ONLY)
FIGURE 1

23-31-03-01

BRI
JAN 20/09

23-31-03-01
PAGE 0



757

PARTS CATALOG (MAINTENANCE)

FIG ITEM	PART NUMBER	1 2 3 4 5 6 7	NOMENCLATURE	EFFECT FROM TO	UNITS PER ASSY
1			CEILING ASSY-ATTENDANT SPEAKER (COMMUNICATIONS ONLY)	103105	
- 1	411N3930-35B		CEILING ASSY-ATTENDANT SPEAKER (COMMUNICATIONS ONLY) FOR NHA/OTHER SYS DET SEE: 25-22-02-71D	103105	RF
	5 BAC29PPS7330		.MARKER- PLACARD CONTENT: SPEAKER ELECTRICAL EQUIP NUMBER: B10140	103105	1
	10 BAC27NPA1288		.MARKER- PLACARD CONTENT: SPEAKER ELECTRICAL EQUIP NUMBER: B10110	103105	1
	15 BAC27NPA1287		.MARKER- PLACARD CONTENT: RELAY ELECTRICAL EQUIP NUMBER: K10498	103105	1
	18 BAC27NPA0941		.MARKER- PLACARD CONTENT: EXIT SIGN/ATTENDANT CALL LIGHTS ELECTRICAL EQUIP NUMBER: M10255	103105	1
	20 411N1012-3		.COVER ATTACHING PARTS	103105	2
- 25	BACS12FA3K4		.SCREW -----*-----	103105	8
	30 411N3141-123		.BRACKET ATTACHING PARTS	103105	1
- 35	BACS12FA3K4		.SCREW -----*-----	103105	2
	40 NAS1149DN832J		.WASHER	103105	8
	45 BACN10MG8		.NUT	103105	8
	50 RDAM8018		.SPEAKER- SUPPLIER CODE: VOFF57 SPECIFICATION NUMBER: 10-62232-01	103105	2
	55 416N1011-1E		.GRILL ASSY-SPEAKER	103105	2
	60 BACT44E1S		.CONNECTOR- ELECTRICAL CONNECTION ATTACHING PARTS	103105	4
	65 BACS12GU3K8		.SCREW	103105	6

MISSING ITEM NUMBERS NOT APPLICABLE

- ITEM NOT ILLUSTRATED

23-31-03-01

23-31-03
FIG. 01
PAGE 1
JAN 20/09

BRI



757

PARTS CATALOG (MAINTENANCE)

FIG ITEM	PART NUMBER	1 2 3 4 5 6 7	NOMENCLATURE	EFFECT FROM TO	UNITS PER ASSY
1					
70	BACS12GU3K5	.	SCREW	103105	2
		-----*			
75	W260F4AM11	.	RELAY	103105	1
			SUPPLIER CODE: VF0219		
			SPECIFICATION NUMBER: BACR13CD2		
			OPTIONAL PART: BR16S233		
			V09026		
			EE4AA005		
			V35344		
			3SAV1338A2		
			V01526		
			HFW1206K03		
			V58614		
			HFW1204K01		
			V71482		
80	RSE120026	.	SOCKET	103105	1
			SUPPLIER CODE: V58982		
			SPECIFICATION NUMBER: BACS16AG1		
			OPTIONAL PART: 451120-026		
			V58982		
85	287T0011-1	.	CLAMP	103105	2
			ATTACHING PARTS		
90	BACS12FA3K5	.	SCREW-	103105	1
95	BACS12FA3K6	.	SCREW	103105	1
		-----*			
805	RSE120026	..	SOCKET-	103105	1
			SUPPLIER CODE: V58982		
			SPECIFICATION NUMBER: BACS16AG1		
			OPTIONAL PART: 451120-026		
			V58982		
			ELECTRICAL EQUIP NUMBER: D01221		
			WIRING DIAGRAM REF: 233123		
810	S280W557-121	..	PLUG-	103105	1
			ELECTRICAL EQUIP NUMBER: D04522		
			WIRING DIAGRAM REF: 332514		

MISSING ITEM NUMBERS NOT APPLICABLE

- ITEM NOT ILLUSTRATED

23-31-03-01

23-31-03
FIG. 01
PAGE 2
JAN 20/09

BRI



757

PARTS CATALOG (MAINTENANCE)

FIG ITEM	PART NUMBER	1 2 3 4 5 6 7	NOMENCLATURE	EFFECT FROM TO	UNITS PER ASSY
1 815	S280W557-251		. . RECEPTACLE- ELECTRICAL EQUIP NUMBER: D42744J WIRING DIAGRAM REF: 233123	103105	1
905	S280W557-151		. PLUG- ELECTRICAL EQUIP NUMBER: D42744P WIRING DIAGRAM REF: 335115	103105	1

MISSING ITEM NUMBERS NOT APPLICABLE

- ITEM NOT ILLUSTRATED

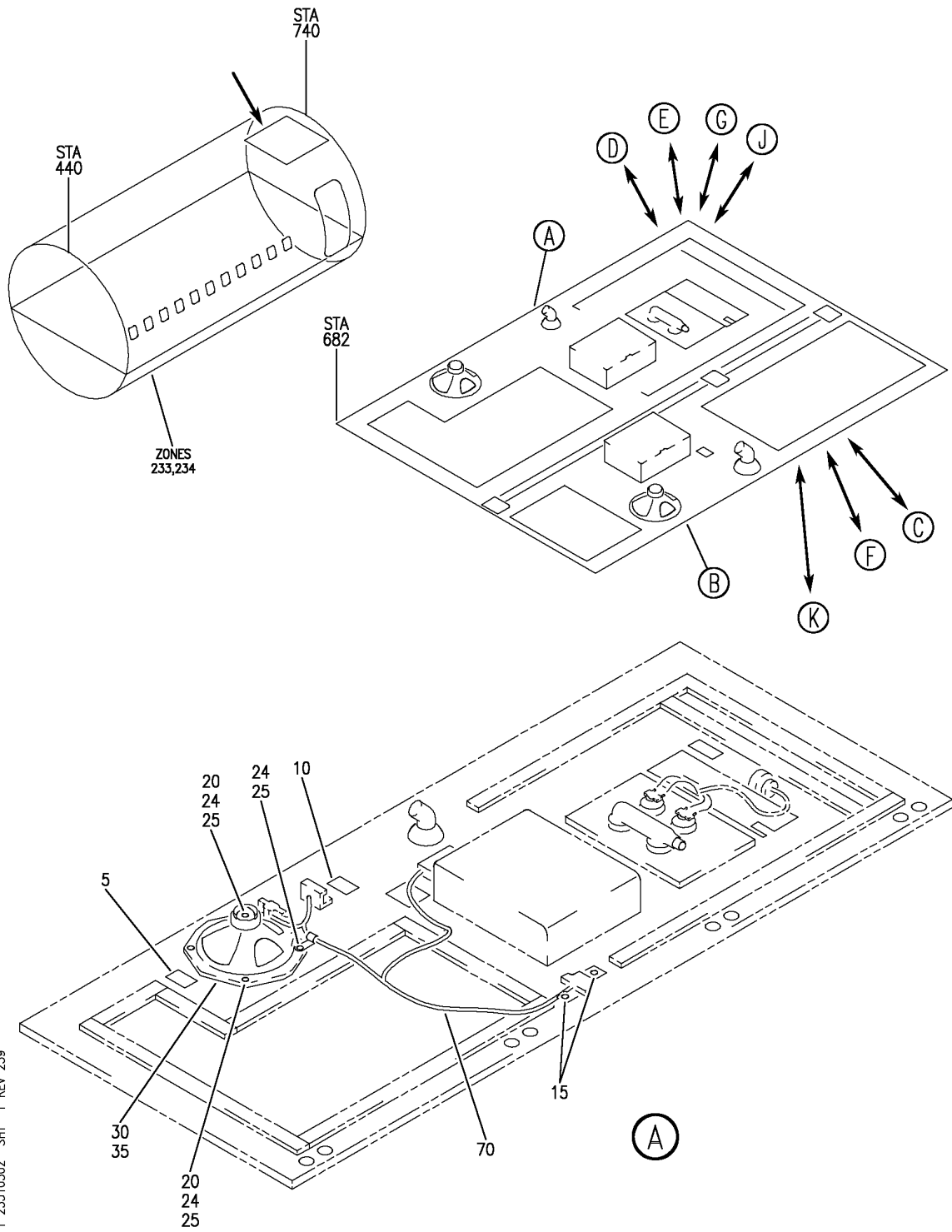
BRI

23-31-03-01

BOEING PROPRIETARY - Copyright © - Unpublished Work - See title page for details.

23-31-03
FIG. 01
PAGE 3
JAN 20/09

BOEING
757
PARTS CATALOG (MAINTENANCE)



Y 23310302 SH1 1 REV 259

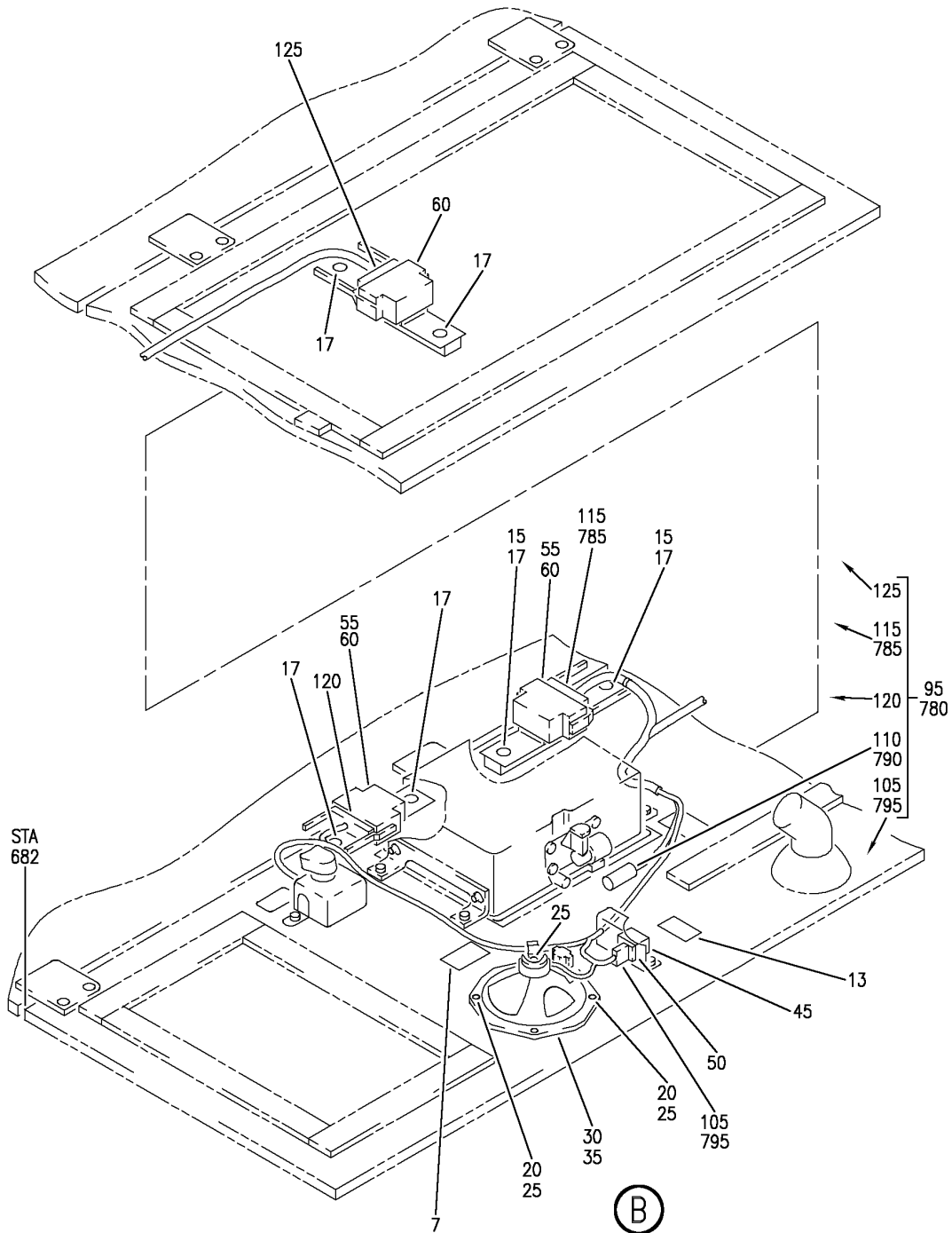
CEILING ASSY-ATTENDANT SPEAKER (COMMUNICATIONS ONLY)
FIGURE 2 (SHEET 1)

23-31-03-02

BRI
JAN 20/09

23-31-03-02
PAGE 0

BOEING
757
PARTS CATALOG (MAINTENANCE)



Y 23310302 SH-T 2 REV 259

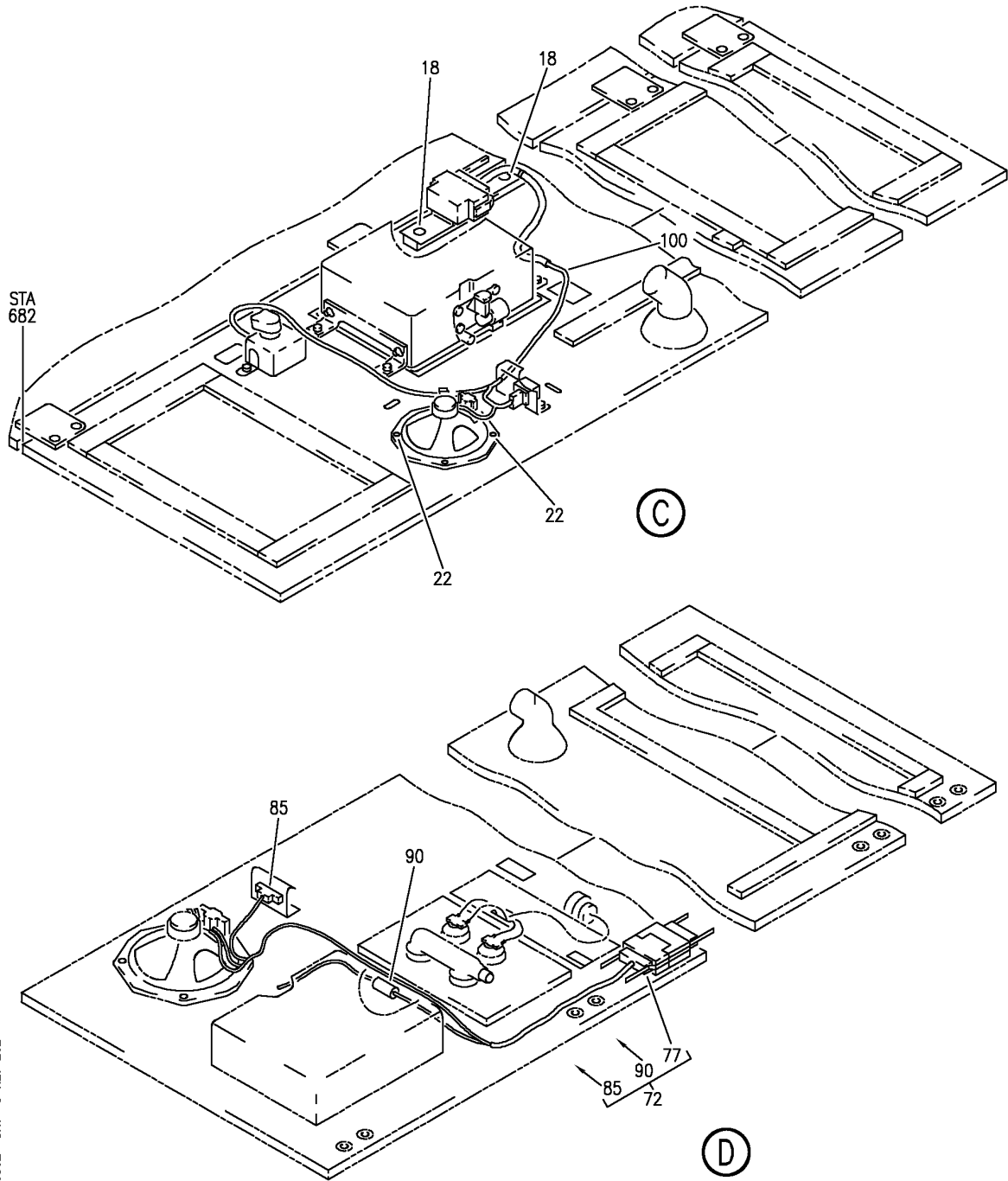
CEILING ASSY-ATTENDANT SPEAKER (COMMUNICATIONS ONLY)
FIGURE 2 (SHEET 2)

23-31-03-02

BRI
JAN 20/09

23-31-03-02
PAGE 0A

BOEING
757
PARTS CATALOG (MAINTENANCE)



Y 23310302 SHT 3 REV 262

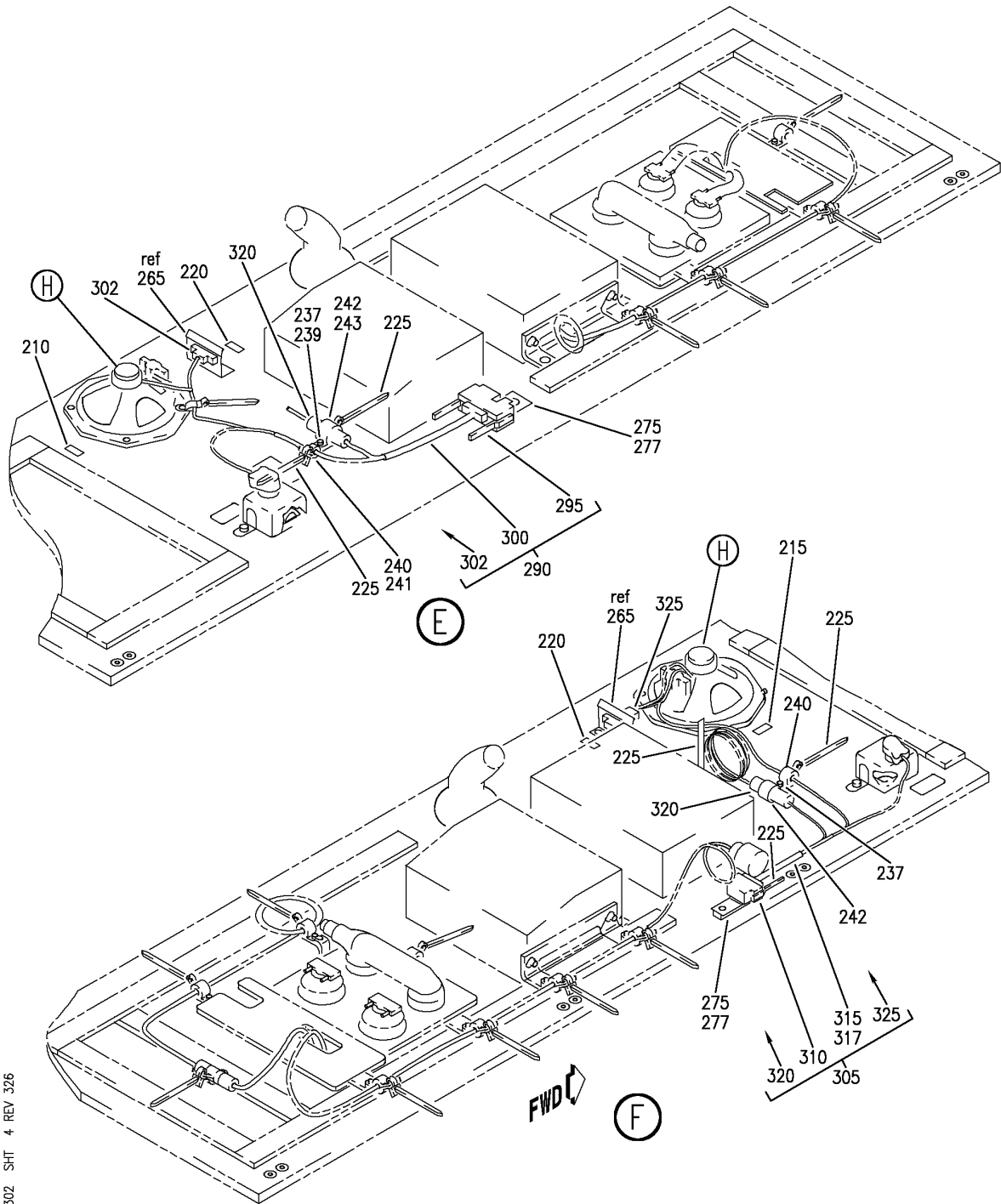
CEILING ASSY-ATTENDANT SPEAKER (COMMUNICATIONS ONLY)
FIGURE 2 (SHEET 3)

23-31-03-02

BRI
JAN 20/09

23-31-03-02
PAGE 0B

BOEING
757
PARTS CATALOG (MAINTENANCE)



Y 23310302 SH1 4 REV 326

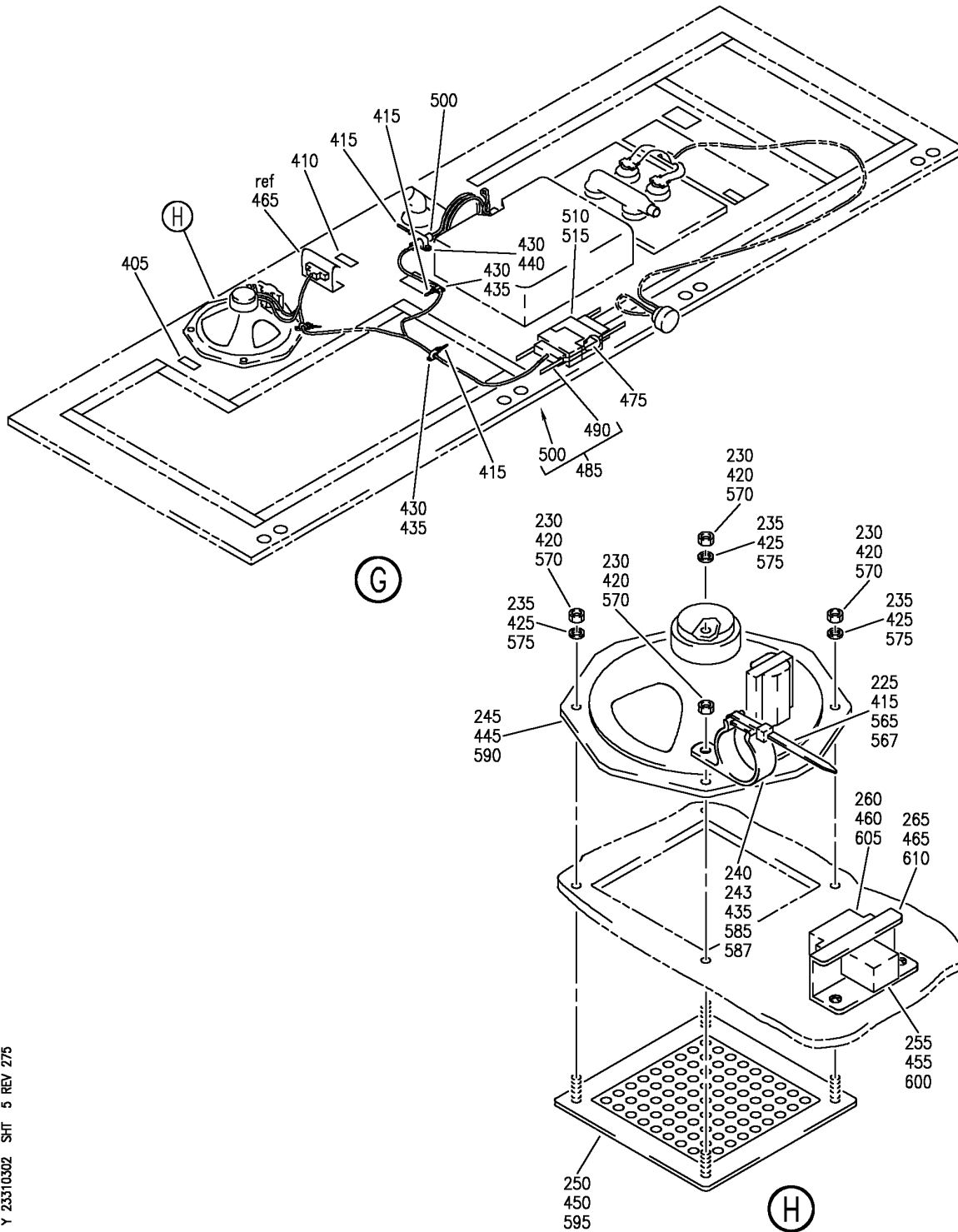
CEILING ASSY-ATTENDANT SPEAKER (COMMUNICATIONS ONLY)
FIGURE 2 (SHEET 4)

23-31-03-02

BRI
JAN 20/09

23-31-03-02
PAGE 0C

BOEING
757
PARTS CATALOG (MAINTENANCE)



Y 23310302 SH-T 5 REV 275

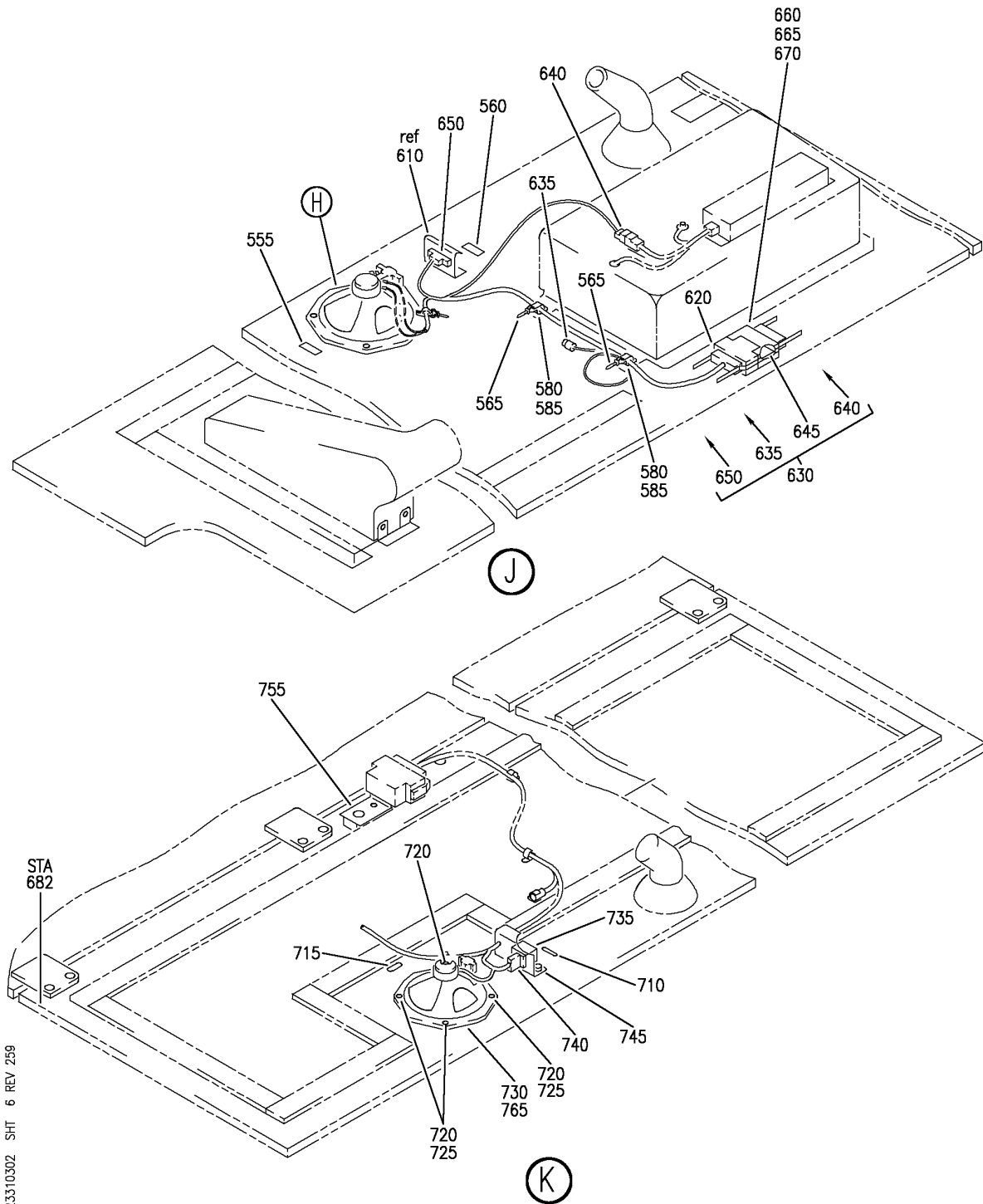
CEILING ASSY-ATTENDANT SPEAKER (COMMUNICATIONS ONLY)
FIGURE 2 (SHEET 5)

23-31-03-02

BRI
JAN 20/09

23-31-03-02
PAGE 0D

BOEING
757
PARTS CATALOG (MAINTENANCE)



Y 23310302 SH-T 6 REV 259

CEILING ASSY-ATTENDANT SPEAKER (COMMUNICATIONS ONLY)
FIGURE 2 (SHEET 6)

23-31-03-02

BRI
JAN 20/09

23-31-03-02
PAGE 0E



757

PARTS CATALOG (MAINTENANCE)

FIG ITEM	PART NUMBER	1 2 3 4 5 6 7	NOMENCLATURE	EFFECT FROM TO	UNITS PER ASSY
2			CEILING ASSY-ATTENDANT SPEAKER (COMMUNICATIONS ONLY)	103106	
- 200	411N3620-74B		CEILING ASSY-DOOR 2 ENTRY (COMMUNICATIONS ONLY) POSITION DATA: STA 682.00 TO STA 738.00 RBL 15.00 FOR NHA/OTHER SYS DET SEE: 25-22-02-40S	103106	RF
220	BAC27NEX3095		.PLACARD- PLACARD CONTENT: K10812	103106	1
225	PLT1-5IM		.STRAP SUPPLIER CODE: V06383 SPECIFICATION NUMBER: BACS38K5 OPTIONAL PART: T03R0 V53421	103106	3
230	BACN10MG8		.NUT	103106	4
235	NAS1149DN832J		.WASHER	103106	3
237	BACS12FA3K5		.SCREW	103106	1
239	BACS12FA3K7		.SCREW	103106	1
241	287T0011-1		.CLAMP	103106	1
243	287T0011-3		.CLAMP	103106	2
245	RDAM8005A		.SPEAKER-MID SUPPLIER CODE: VOFF57 SPECIFICATION NUMBER: S222T101-101 ELECTRICAL EQUIP NUMBER: B10264	103106	1
250	416N1011-1E		.GRILL ASSY	103106	1

MISSING ITEM NUMBERS NOT APPLICABLE

- ITEM NOT ILLUSTRATED

23-31-03-02

23-31-03
FIG. 02
PAGE 1
JAN 20/09

BRI



757

PARTS CATALOG (MAINTENANCE)

FIG ITEM	PART NUMBER	1 2 3 4 5 6 7	NOMENCLATURE	EFFECT FROM TO	UNITS PER ASSY
2 255	W260F4AM11		.RELAY SUPPLIER CODE: VF0219 SPECIFICATION NUMBER: BACR13CD2 OPTIONAL PART: BR16S233 V09026 EE4AA005 V35344 3SAV1338A2 V01526 HFW1206K03 V58614 HFW1204K01 V71482	103106	1
260	RSE120026		.SOCKET-RELAY SUPPLIER CODE: V58982 SPECIFICATION NUMBER: BACS16AG1 OPTIONAL PART: 451120-026 V58982 ELECTRICAL EQUIP NUMBER: D01235 WIRING DIAGRAM REF: 233121	103106	1
265	411N3141-123		.BRACKET ATTACHING PARTS	103106	1
- 272	BACS12FA3K5		.SCREW- USED ON: 411N3620-25B -----*-----	103106	2
277	BACT44E1S		.CONNECTOR ATTACHING PARTS	103106	1
- 280	BACS12FA3K5		.SCREW- USED ON: 411N3620-24B -----*-----	103106	2
290	286N0764-601		.WIRE BUNDLE ASSY	103106	1
295	BACC65AK251P		..RECEPTACLE- ELECTRICAL EQUIP NUMBER: D42728J WIRING DIAGRAM REF: 335112	103106	1

MISSING ITEM NUMBERS NOT APPLICABLE

- ITEM NOT ILLUSTRATED

23-31-03-02

23-31-03
FIG. 02
PAGE 2
JAN 20/09

BRI



757

PARTS CATALOG (MAINTENANCE)

FIG ITEM	PART NUMBER	1 2 3 4 5 6 7	NOMENCLATURE	EFFECT FROM TO	UNITS PER ASSY
2 300	AMC02PA03R	..	PLUG- SUPPLIER CODE: VS5065 ELECTRICAL EQUIP NUMBER: D06310 WIRING DIAGRAM REF: 352121	103106	1
302	RSE120026	..	SOCKET-RELAY SUPPLIER CODE: V58982 SPECIFICATION NUMBER: BACS16AG1 OPTIONAL PART: 451120-026 V58982 ELECTRICAL EQUIP NUMBER: D03935 WIRING DIAGRAM REF: 233131	103106	1
- 700	411N3620-73B		CEILING ASSY-DOOR 2 ENTRY (COMMUNICATIONS ONLY) POSITION DATA: STA 682.00 TO STA 738.00 LBL 15.00 FOR NHA/OTHER SYS DET SEE: 25-22-02-40S	103106	RF
710	BAC27NEX3094	.PLACARD-	PLACARD CONTENT: B10264	103106	1
715	BAC27NEX3096	.MARKER-	PLACARD CONTENT: B10263	103106	1
720	BACN10MG8	.NUT		103106	4
725	NAS1149DN832J	.WASHER		103106	3
730	RDAM8018	.SPEAKER-MUTED MID	PASS. ADDRESS SUPPLIER CODE: VOFF57 SPECIFICATION NUMBER: 10-62232-01 ELECTRICAL EQUIP NUMBER: B10263	103106	1

MISSING ITEM NUMBERS NOT APPLICABLE

- ITEM NOT ILLUSTRATED

23-31-03-02

23-31-03
FIG. 02
PAGE 3
JAN 20/09

BRI



757

PARTS CATALOG (MAINTENANCE)

FIG ITEM	PART NUMBER	1 2 3 4 5 6 7	NOMENCLATURE	EFFECT FROM TO	UNITS PER ASSY
2 735	W260F4AM11		.RELAY SUPPLIER CODE: VF0219 SPECIFICATION NUMBER: BACR13CD2 OPTIONAL PART: BR16S233 V09026 EE4AA005 V35344 3SAV1338A2 V01526 HFW1206K03 V58614 HFW1204K01 V71482	103106	1
740	RSE120026		.SOCKET-RELAY SUPPLIER CODE: V58982 SPECIFICATION NUMBER: BACS16AG1 OPTIONAL PART: 451120-026 V58982 ELECTRICAL EQUIP NUMBER: D01235 WIRING DIAGRAM REF: 233121	103106	1
745	411N3141-123		.BRACKET ATTACHING PARTS	103106	1
- 750	BACS12FA3K4		.SCREW -----*-----	103106	2
755	BACT44E1S		.CONNECTOR ATTACHING PARTS	103106	1
- 760	BACS12FA3K5		.SCREW -----*-----	103106	2
765	416N1011-1E		.GRILL ASSY	103106	1
780	286N0762-601		.WIRE BUNDLE ASSY-CEILING LOWERED DOOR 2 POSITION DATA: LH INBD	103106	1
785	BACC65AK251P		..RECEPTACLE- ELECTRICAL EQUIP NUMBER: D42726J WIRING DIAGRAM REF: 332212	103106	1

MISSING ITEM NUMBERS NOT APPLICABLE

- ITEM NOT ILLUSTRATED

23-31-03-02

23-31-03
FIG. 02
PAGE 4
JAN 20/09

BRI



757

PARTS CATALOG (MAINTENANCE)

FIG ITEM	PART NUMBER	1 2 3 4 5 6 7	NOMENCLATURE	EFFECT FROM TO	UNITS PER ASSY
2 790	AMC02PA03R		.. PLUG- SUPPLIER CODE: VS5065 ELECTRICAL EQUIP NUMBER: D04666 WIRING DIAGRAM REF: 352112	103106	1
795	RSE120026		.. SOCKET-RELAY SUPPLIER CODE: V58982 SPECIFICATION NUMBER: BACS16AG1 OPTIONAL PART: 451120-026 V58982 ELECTRICAL EQUIP NUMBER: D01235 WIRING DIAGRAM REF: 233131	103106	1

MISSING ITEM NUMBERS NOT APPLICABLE

- ITEM NOT ILLUSTRATED

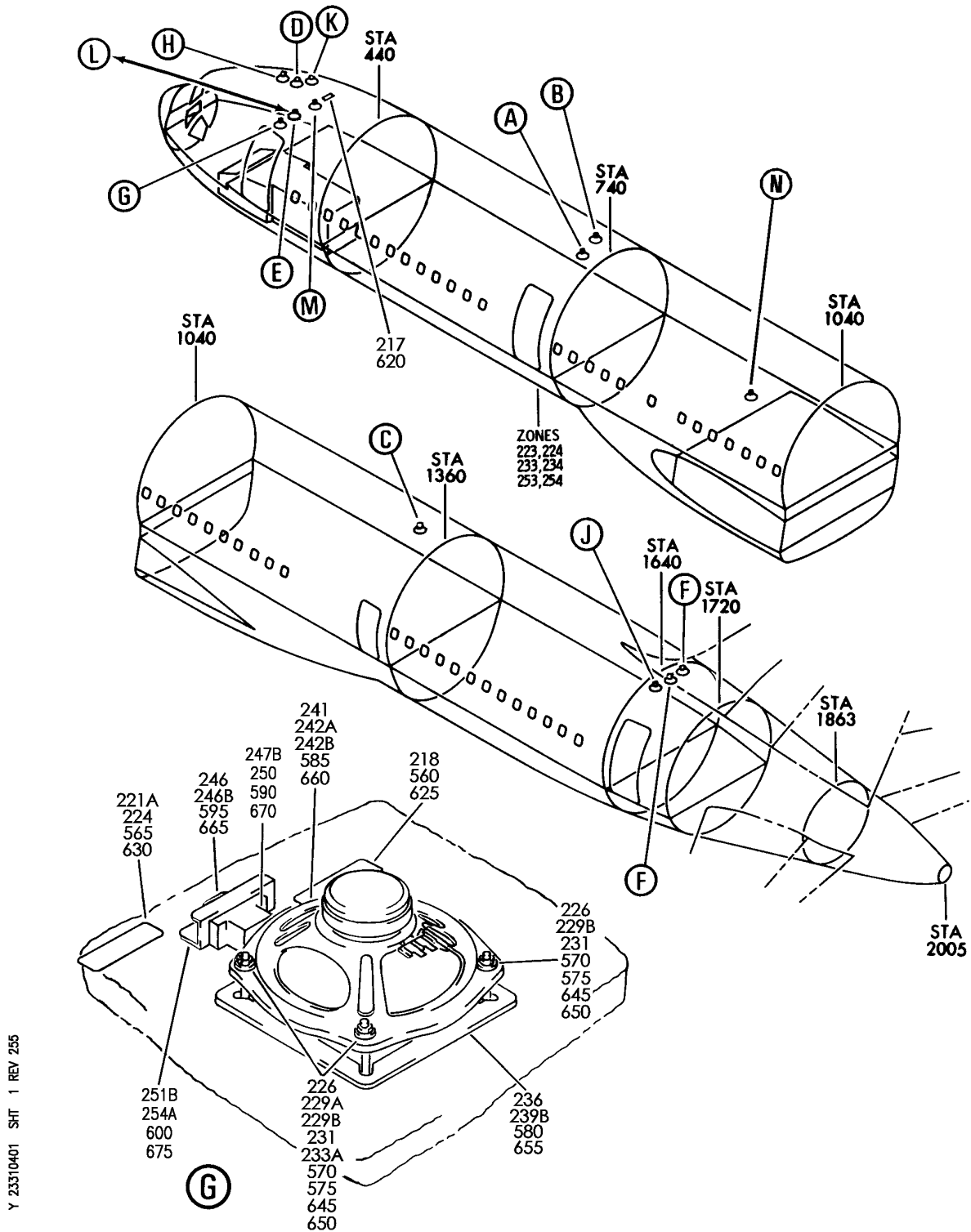
BRI

23-31-03-02

BOEING PROPRIETARY - Copyright © - Unpublished Work - See title page for details.

23-31-03
FIG. 02
PAGE 5
JAN 20/09

BOEING
757
PARTS CATALOG (MAINTENANCE)



Y 23310401 SHT 1 REV 255

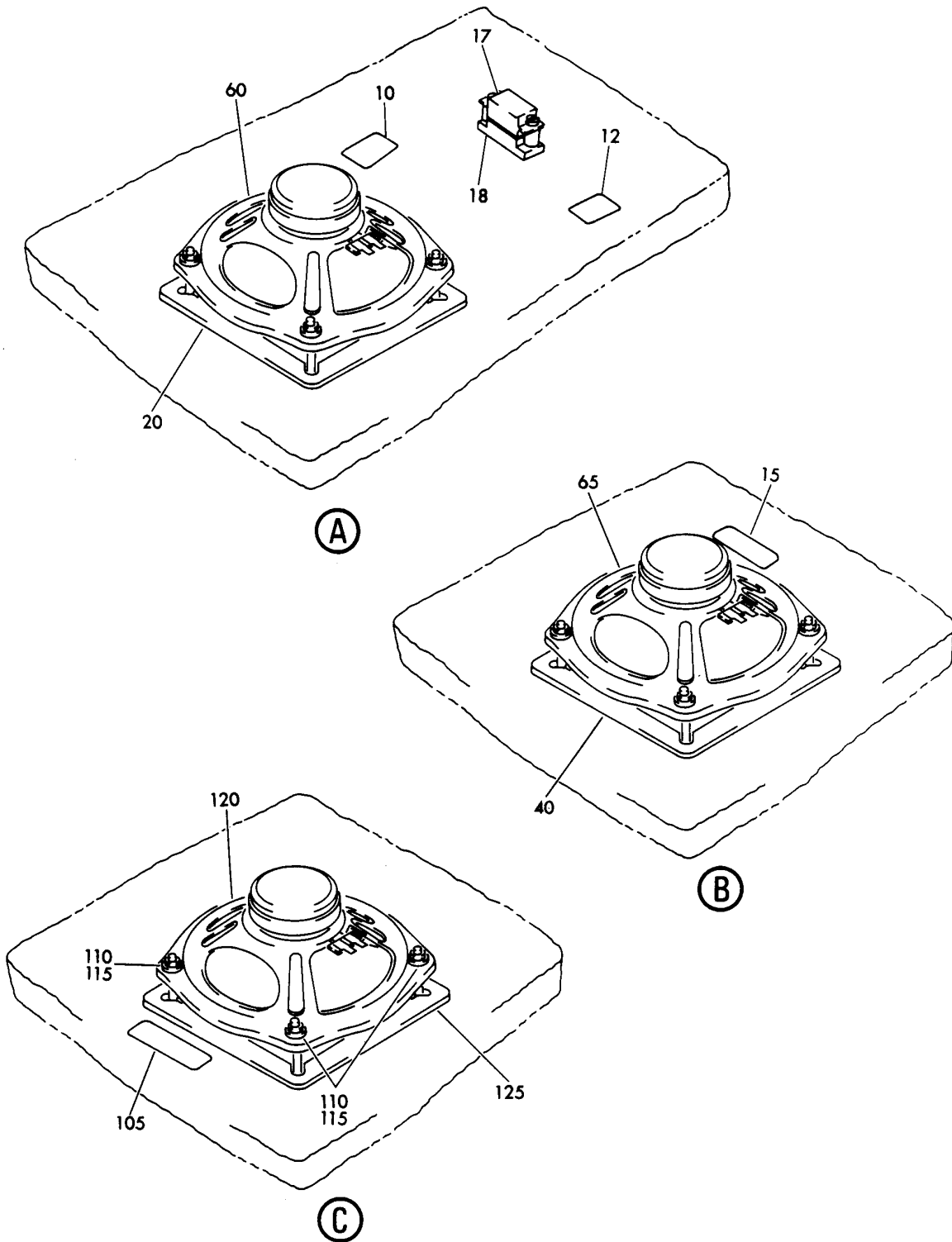
CEILING AND PANEL ASSY-(PASSENGER ADDRESS SYSTEM ONLY)
FIGURE 1 (SHEET 1)

23-31-04-01

BRI
MAY 28/07

23-31-04-01
PAGE 0

BOEING
757
PARTS CATALOG (MAINTENANCE)



Y 23310401 SMT 2 REV 025

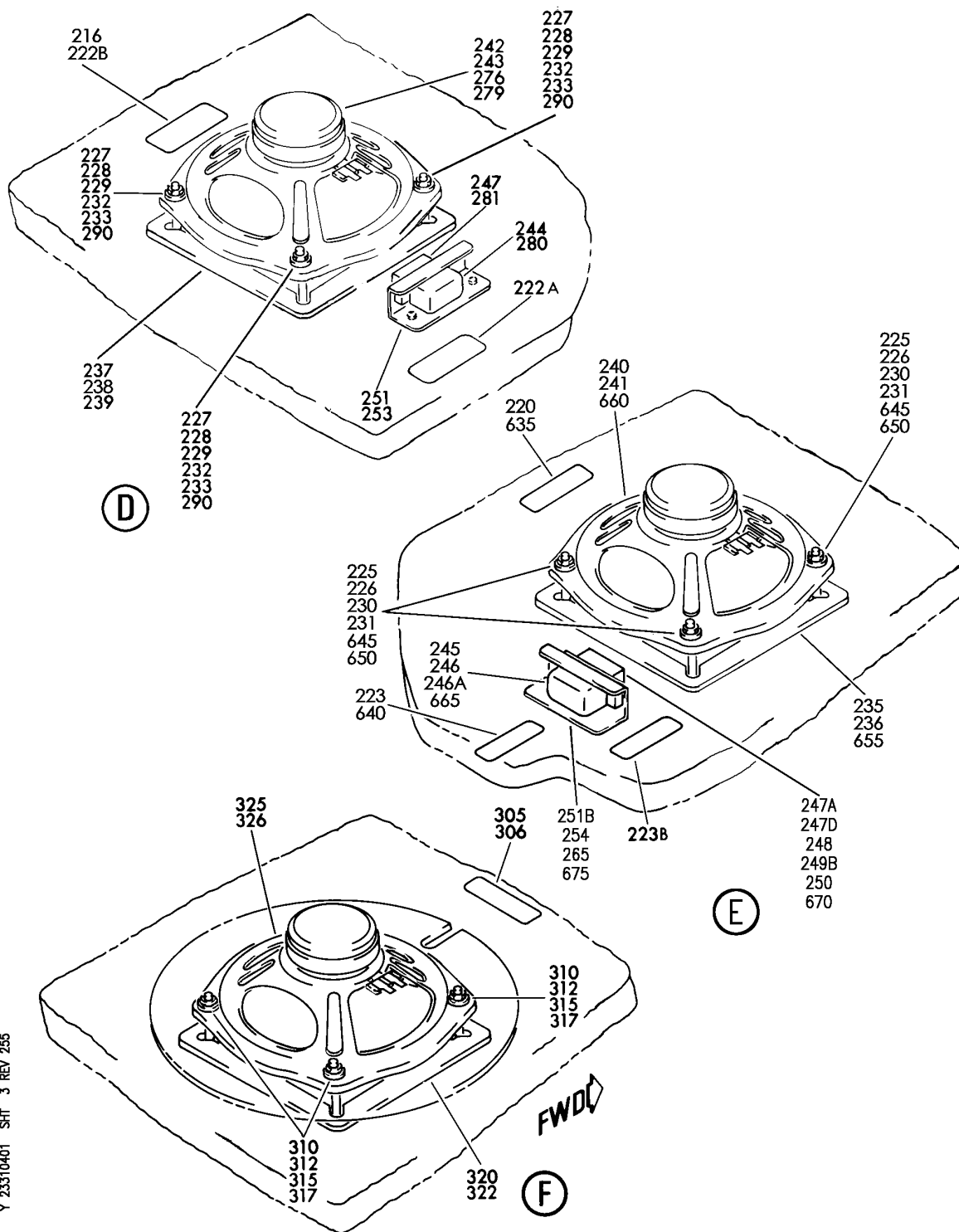
CEILING AND PANEL ASSY-(PASSENGER ADDRESS SYSTEM ONLY)
FIGURE 1 (SHEET 2)

23-31-04-01

BRI
MAY 28/07

23-31-04-01
PAGE 0A

BOEING
757
PARTS CATALOG (MAINTENANCE)



Y 23310401 SHT 3 REV 255

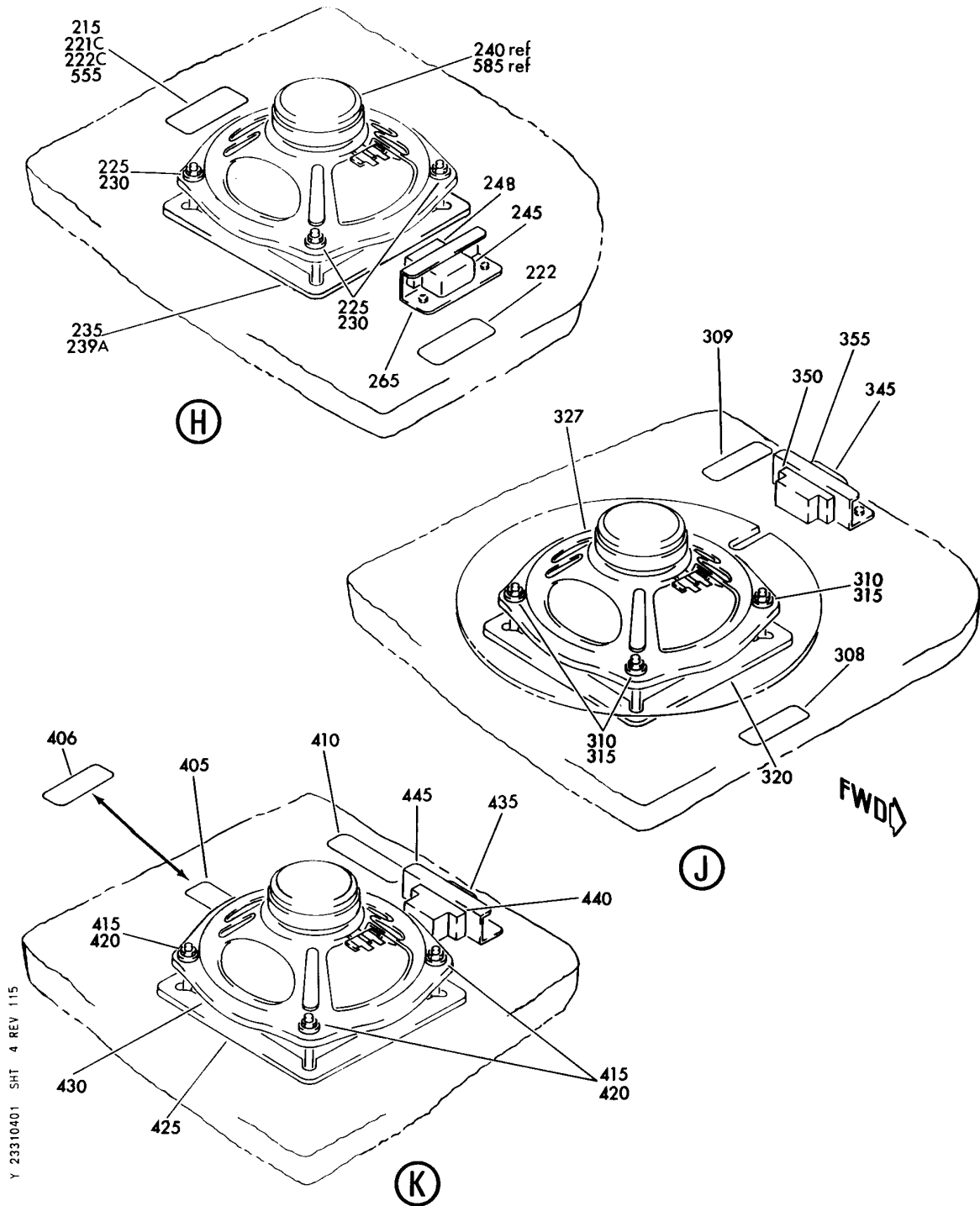
CEILING AND PANEL ASSY-(PASSENGER ADDRESS SYSTEM ONLY)
FIGURE 1 (SHEET 3)

23-31-04-01

BRI
MAY 28/07

23-31-04-01
PAGE 0B

BOEING
757
PARTS CATALOG (MAINTENANCE)



Y 23310401 SHT 4 REV 115

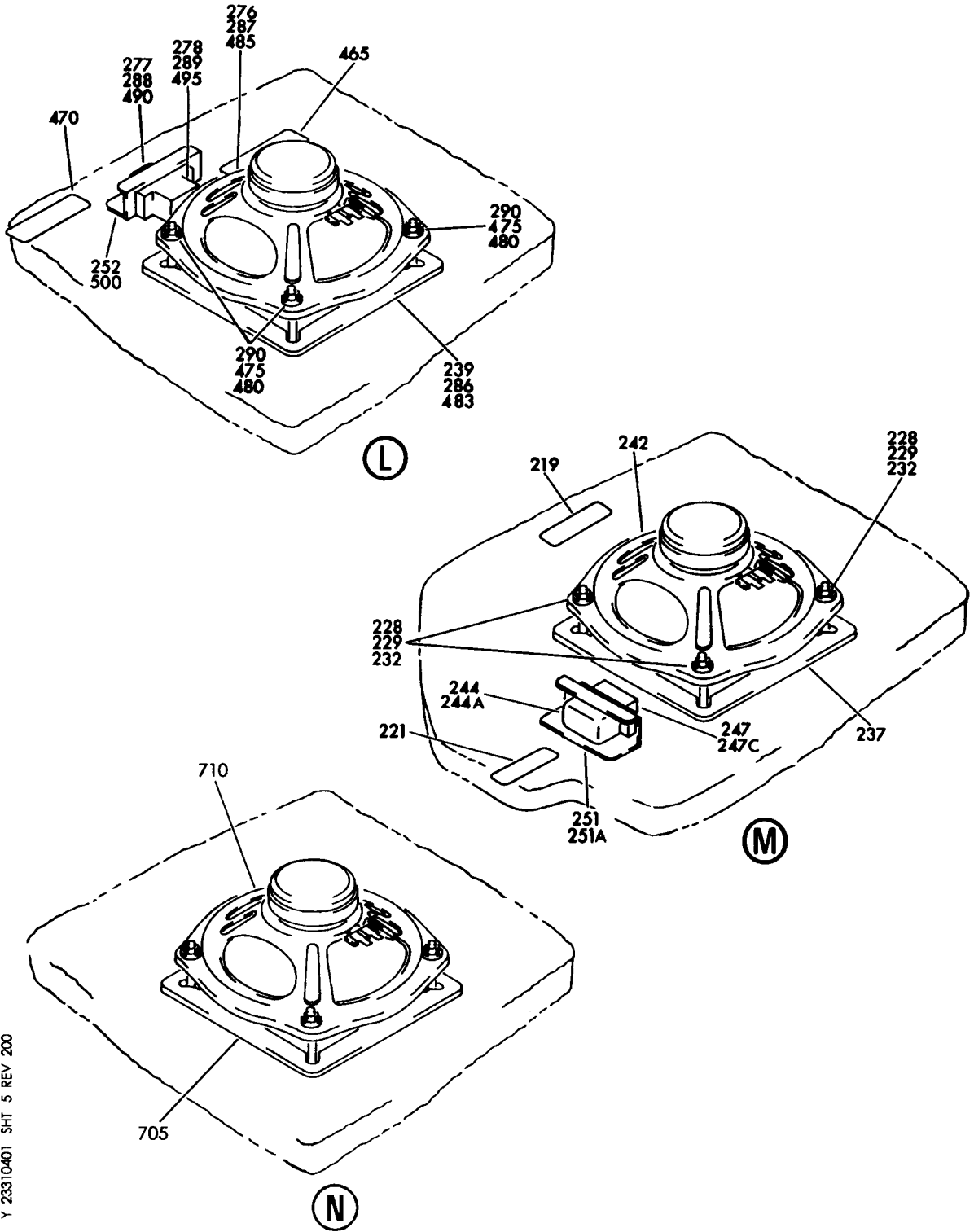
CEILING AND PANEL ASSY-(PASSENGER ADDRESS SYSTEM ONLY)
FIGURE 1 (SHEET 4)

23-31-04-01

BRI
MAY 28/07

23-31-04-01
PAGE 0C

BOEING
 757
 PARTS CATALOG (MAINTENANCE)



Y 23310401 SHT 5 REV 200

CEILING AND PANEL ASSY-(PASSENGER ADDRESS SYSTEM ONLY)
 FIGURE 1 (SHEET 5)

23-31-04-01

BRI
 MAY 28/07

23-31-04-01
 PAGE 0D



757

PARTS CATALOG (MAINTENANCE)

FIG ITEM	PART NUMBER	1 2 3 4 5 6 7	NOMENCLATURE	EFFECT FROM TO	UNITS PER ASSY
1			CEILING AND PANEL ASSY- (PASSENGER ADDRESS SYSTEM ONLY)	002004 006102 107949 952999	
- 100	411N3210-151SP		PANEL ASSY-NON ACOUSTICAL (PASSENGER ADDRESS SYSTEM ONLY) FOR NHA/OTHER SYS DET SEE: 25-22-02-26	107107	RF
- 100	411N3262-83SP		PANEL ASSY-FLAT (PASSENGER ADDRESS SYSTEM ONLY) FOR NHA/OTHER SYS DET SEE: 25-22-02-26	952999	RF
105	BAC27NPA0201		.MARKER-ALUMINUM FOIL- PLACARD CONTENT: M10349	107120 952999	1
110	AN960KD8L		.WASHER-	107107	4
110	AN960JD8L		.WASHER-	107107 952999	4
115	BACN10MG8		.NUT	107120 952999	4
120	P5VAC8962		.SPEAKER- SUPPLIER CODE: V07109 ELECTRICAL EQUIP NUMBER: M10349	107120 952999	1
125	416N1011-2SP		.GRILLE ASSY-SPKR	107120 952999	1
- 200	411N3260-152SP		PANEL ASSY-FLAT (PASSENGER ADDRESS SYSTEM ONLY) FOR NHA/OTHER SYS DET SEE: 25-22-02-19	904949	RF
- 200	411N3260-261SP		PANEL ASSY-FLAT (PASSENGER ADDRESS SYSTEM ONLY) FOR NHA/OTHER SYS DET SEE: 25-22-02-58B	952952	RF
- 200	411N3260-239SP		PANEL ASSY-FLAT (PASSENGER ADDRESS SYSTEM ONLY)	121503	RF
- 207	411N3260-241SP		PANEL ASSY-FLAT (PASSENGER ADDRESS SYSTEM ONLY) FOR NHA/OTHER SYS DET SEE: 25-22-02-52	002004	RF

MISSING ITEM NUMBERS NOT APPLICABLE

- ITEM NOT ILLUSTRATED

23-31-04-01

23-31-04
FIG. 01
PAGE 1
JAN 20/09

BRI



757

PARTS CATALOG (MAINTENANCE)

FIG ITEM	PART NUMBER	1 2 3 4 5 6 7	NOMENCLATURE	EFFECT FROM TO	UNITS PER ASSY
1					
- 207	411N3260-319SP		PANEL ASSY-FLAT (PASSENGER ADDRESS SYSTEM ONLY) FOR NHA/OTHER SYS DET SEE: 25-22-02-19E	006102	RF
- 213	411N3210-201SP		PANEL ASSY-ACOUSTICAL (PASSENGER ADDRESS SYSTEM ONLY) REWORKED BY SB: 25-0163R1 FOR NHA/OTHER SYS DET SEE: 25-22-02-29	107107	RF
- 213	411N3260-600SP		PANEL ASSY-FLAT (PASSENGER ADDRESS SYSTEM ONLY)	108120	RF
215	BAC27NPA1282		.MARKER-ALUMINUM FOIL PLACARD CONTENT: B10111	107107	1
217	BAC27NPA0691		.MARKER-ALUMINUM FOIL PLACARD CONTENT: B144 CHIMES	121503 904949	1
218	BAC27NPA1284		.MARKER-ALUMINUM FOIL PLACARD CONTENT: B10112	121503 904949	1
219	BAC27NPA1284		.MARKER-ALUMINUM FOIL PLACARD CONTENT: B10112	952952 002004	1
220	BAC27NPA1284		.MARKER-ALUMINUM FOIL PLACARD CONTENT: B10112	006102	1
221	BAC27NPA1283		.MARKER-ALUMINUM FOIL PLACARD CONTENT: K10500	107107	1
221A	BAC27NPA1283		.MARKER-ALUMINUM FOIL PLACARD CONTENT: K10500	002004 006102	1
222	BAC27NPA1281		.MARKER-ALUMINUM FOIL PLACARD CONTENT: K10499	121503 904949	1
222B	BAC27NPA1282		.MARKER-ALUMINUM FOIL PLACARD CONTENT: B10111	107107	1
223B	BAC27NPA1283		.MARKER-ALUMINUM FOIL PLACARD CONTENT: K10500	002004 006102	1
224	BAC27NPA1283		.MARKER-ALUMINUM FOIL PLACARD CONTENT: K10500	107107	1
225	AN960KD8L		.WASHER-	952952	1
				107107	8

MISSING ITEM NUMBERS NOT APPLICABLE

- ITEM NOT ILLUSTRATED

23-31-04-01

23-31-04
FIG. 01
PAGE 2
JAN 20/09

BRI



757

PARTS CATALOG (MAINTENANCE)

FIG ITEM	PART NUMBER	1 2 3 4 5 6 7	NOMENCLATURE	EFFECT FROM TO	UNITS PER ASSY
1					
225	AN960JD8L	.	WASHER-	107107	8
226	AN960JD8L	.	WASHER-	952952	8
228	AN960JD8L	.	WASHER-	002004	8
				006102	
229B	AN960JD8L	.	WASHER	121503	4
				904949	
230	BACN10MG8	.	NUT	107107	8
232	BACN10MG8	.	NUT	002004	8
				006102	
233A	BACN10MG8	.	NUT	121503	4
				904949	
				952952	
235	416N1011-1SP	.	GRILL ASSY-SPKR	107107	2
237	416N1011-1SP	.	GRILL ASSY-SPKR	002004	2
				006102	
239B	416N1011-1SP	.	GRILL ASSY-SPKR	121503	1
				904949	
				952952	
240	RDAM8005A	.	SPEAKER-	107107	2
			SUPPLIER CODE:		
			VOFF57		
			SPECIFICATION NUMBER:		
			S222T101-101		
			ELECTRICAL EQUIP NUMBER:		
			B10111		
			B10112		
242	RDAM8005A	.	SPEAKER-	002004	2
			SUPPLIER CODE:	006102	
			VOFF57		
			SPECIFICATION NUMBER:		
			S222T101-101		
			ELECTRICAL EQUIP NUMBER:		
			B10111		
			B10112		
242B	RDAM8005A	.	SPEAKER-	108503	1
			SUPPLIER CODE:	904949	
			VOFF57	952952	
			SPECIFICATION NUMBER:		
			S222T101-101		
			ELECTRICAL EQUIP NUMBER:		
			B10112		

MISSING ITEM NUMBERS NOT APPLICABLE

- ITEM NOT ILLUSTRATED

23-31-04-01

23-31-04
FIG. 01
PAGE 3
JAN 20/09

BRI



757

PARTS CATALOG (MAINTENANCE)

FIG ITEM	PART NUMBER	1 2 3 4 5 6 7	NOMENCLATURE	EFFECT FROM TO	UNITS PER ASSY
1 244A	W260F4AM11		.RELAY- SUPPLIER CODE: VF0219 SPECIFICATION NUMBER: BACR13CD2 OPTIONAL PART: BR16S233 V09026 EE4AA005 V35344 3SAV1338A2 V01526 HFW1206K03 V58614 HFW1204K01 V71482 ELECTRICAL EQUIP NUMBER: K10499 K10500	002004 006102 108120	1
245	W260F4AM11		.RELAY- SUPPLIER CODE: VF0219 SPECIFICATION NUMBER: BACR13CD2 OPTIONAL PART: BR16S233 V09026 EE4AA005 V35344 3SAV1338A2 V01526 HFW1206K03 V58614 HFW1204K01 V71482 ELECTRICAL EQUIP NUMBER: K10499 K10500	107107	2

MISSING ITEM NUMBERS NOT APPLICABLE

- ITEM NOT ILLUSTRATED

BRI

23-31-04-01

BOEING PROPRIETARY - Copyright © - Unpublished Work - See title page for details.

23-31-04
FIG. 01
PAGE 4
JAN 20/09



757

PARTS CATALOG (MAINTENANCE)

FIG ITEM	PART NUMBER	1 2 3 4 5 6 7	NOMENCLATURE	EFFECT FROM TO	UNITS PER ASSY
1 246B	W260F4AM11		.RELAY- SUPPLIER CODE: VF0219 SPECIFICATION NUMBER: BACR13CD2 OPTIONAL PART: BR16S233 V09026 EE4AA005 V35344 3SAV1338A2 V01526 HFW1206K03 V58614 HFW1204K01 V71482 ELECTRICAL EQUIP NUMBER: K10500	121503 904949 952952	1
247B	RSE120026		.SOCKET SUPPLIER CODE: V58982 SPECIFICATION NUMBER: BACS16AG1 OPTIONAL PART: 451120-026 V58982	952952	1
247C	RSE120026		.SOCKET SUPPLIER CODE: V58982 SPECIFICATION NUMBER: BACS16AG1 OPTIONAL PART: 451120-026 V58982	002004 006102 108120	1
247D	RSE120026		.SOCKET SUPPLIER CODE: V58982 SPECIFICATION NUMBER: BACS16AG1 OPTIONAL PART: 451120-026 V58982	121503 904949	1

MISSING ITEM NUMBERS NOT APPLICABLE

- ITEM NOT ILLUSTRATED

BRI

23-31-04-01

BOEING PROPRIETARY - Copyright © - Unpublished Work - See title page for details.

23-31-04
FIG. 01
PAGE 5
JAN 20/09

 **BOEING**
757
PARTS CATALOG (MAINTENANCE)

FIG ITEM	PART NUMBER	1 2 3 4 5 6 7	NOMENCLATURE	EFFECT FROM TO	UNITS PER ASSY
1 248	RSE120026		.SOCKET SUPPLIER CODE: V58982 SPECIFICATION NUMBER: BACS16AG1 OPTIONAL PART: 451120-026 V58982	107107	2
251A	411N3141-123		.BRACKET	002004 006102 108120	1
254A	411N3141-123		.BRACKET	121503 904949 952952	1
			ATTACHING PARTS		
- 257	NAS1801-3-4		.SCREW-	121503 904949	2
- 257	BACS12GU3K4		.SCREW-	952952	2
- 258	BACS12GU3K4		.SCREW	002004 006102	2
- 263	AN960JD10LL		.WASHER	121503 904949 952952	2
- 264	AN960JD10LL		.WASHER	002004 006102 108120	2
			-----*-----		
265	411N3141-123		.BRACKET ATTACHING PARTS	107107	2
- 270	BACS12FA3K4		.SCREW	107107	4
- 275	AN960KD10L		.WASHER-	107107	4
- 275	AN960JD10L		.WASHER-	107107	4
			-----*-----		
- 302	411N3210-159SP		PANEL ASSY-ACOUSTICAL (PASSENGER ADDRESS SYSTEM ONLY) FOR NHA/OTHER SYS DET SEE: 25-22-02-27	107107	RF
305	BAC27NPA0199		.MARKER-ALUMINUM FOIL PLACARD CONTENT: M10346	107107	1
308	BAC27NPA1288		.MARKER-ALUMINUM FOIL- PLACARD CONTENT: B10110	107107	1
309	BAC27NPA1287		.MARKER-ALUMINUM FOIL- PLACARD CONTENT: K10498	107107	1
310	AN960KD8L		.WASHER-	107107	8
315	BACN10MG8		.NUT	107107	8

MISSING ITEM NUMBERS NOT APPLICABLE

- ITEM NOT ILLUSTRATED

BRI

23-31-04-01

23-31-04
FIG. 01
PAGE 6
JAN 20/09



757

PARTS CATALOG (MAINTENANCE)

FIG ITEM	PART NUMBER	1 2 3 4 5 6 7	NOMENCLATURE	EFFECT FROM TO	UNITS PER ASSY
1					
320	416N1011-1SP		.GRILL ASSY-SPKR	107107	2
325	RDAM8006A		.SPEAKER-	107107	1
			SUPPLIER CODE: V54473		
			SPECIFICATION NUMBER: S222T101-201		
			ELECTRICAL EQUIP NUMBER: M10346		
327	RDAM8005A		.SPEAKER-	107107	1
			SUPPLIER CODE: V0FF57		
			SPECIFICATION NUMBER: S222T101-101		
			ELECTRICAL EQUIP NUMBER: B10110		
345	W260F4AM11		.RELAY-	107107	1
			SUPPLIER CODE: VF0219		
			SPECIFICATION NUMBER: BACR13CD2		
			OPTIONAL PART: BR16S233		
			V09026		
			EE4AA005		
			V35344		
			3SAV1338A2		
			V01526		
			HFW1206K03		
			V58614		
			HFW1204K01		
			V71482		
			ELECTRICAL EQUIP NUMBER: K10498		
350	RSE120026		.SOCKET	107107	1
			SUPPLIER CODE: V58982		
			SPECIFICATION NUMBER: BACS16AG1		
			OPTIONAL PART: 451120-026		
			V58982		
355	411N3141-123		.BRACKET	107107	1
			ATTACHING PARTS		
- 360	BACS12FA3K4		.SCREW-	107107	2
- 360	NAS1801-3-4		.SCREW-	108120	2
- 365	AN960KD10L		.WASHER-	107107	2
- 365	AN960JD10LL		.WASHER-	107107	2
			-----*-----		

MISSING ITEM NUMBERS NOT APPLICABLE

- ITEM NOT ILLUSTRATED

23-31-04-01

23-31-04
FIG. 01
PAGE 7
JAN 20/09

BRI



757

PARTS CATALOG (MAINTENANCE)

FIG ITEM	PART NUMBER	1 2 3 4 5 6 7	NOMENCLATURE	EFFECT FROM TO	UNITS PER ASSY
1					
- 400	411N3260-153SP		PANEL ASSY-FLAT (PASSENGER ADDRESS SYSTEM ONLY) FOR NHA/OTHER SYS DET SEE: 25-22-02-19	121503 904949	RF
406	BAC27NPA1282		.MARKER-ALUMINUM FOIL	121503 904949	1
415	AN960JD8L		.WASHER-	121503 904949	4
420	BACN10MG8		.NUT	121503 904949	4
425	416N1011-1SP		.GRILL ASSY-SPKR	121503 904949	1
430	RDAM8005A		.SPEAKER- SUPPLIER CODE: VOFF57 SPECIFICATION NUMBER: S222T101-101 ELECTRICAL EQUIP NUMBER: B10115	121503 904949	1
435	W260F4AM11		.RELAY- SUPPLIER CODE: VF0219 SPECIFICATION NUMBER: BACR13CD2 OPTIONAL PART: BR16S233 V09026 EE4AA005 V35344 3SAV1338A2 V01526 HFW1206K03 V58614 HFW1204K01 V71482 ELECTRICAL EQUIP NUMBER: K10502	121503 904949	1
440	RSE120026		.SOCKET SUPPLIER CODE: V58982 SPECIFICATION NUMBER: BACS16AG1 OPTIONAL PART: 451120-026 V58982	121503 904949	1
445	411N3141-123		.BRACKET	121503 904949	1

MISSING ITEM NUMBERS NOT APPLICABLE

- ITEM NOT ILLUSTRATED

23-31-04-01

23-31-04
FIG. 01
PAGE 8
JAN 20/09

BRI



757

PARTS CATALOG (MAINTENANCE)

FIG ITEM	PART NUMBER	1 2 3 4 5 6 7	NOMENCLATURE	EFFECT FROM TO	UNITS PER ASSY
1			ATTACHING PARTS		
- 450	BACS12FA3K4		.SCREW	121503 904949	2
- 457	AN960JD10L		.WASHER-	121503 904949	2
			-----*-----		
- 550	411N3260-135SP		PANEL ASSY-ACOUSTICAL (PASSENGER ADDRESS SYSTEM ONLY) FOR NHA/OTHER SYS DET SEE: 25-22-02-19B	904949	RF
- 550	411N3260-215SP		PANEL ASSY-ACOUSTICAL (PASSENGER ADDRESS SYSTEM ONLY) FOR NHA/OTHER SYS DET SEE: 25-22-02-19B	121503	RF
555	BAC27NPA1282		.MARKER-ALUMINUM FOIL- PLACARD CONTENT: B10111	121503 904949	1
560	BAC27NPA1284		.MARKER-ALUMINUM FOIL- PLACARD CONTENT: B10112	121503 904949	1
565	BAC27NPA1283		.MARKER-ALUMINUM FOIL- PLACARD CONTENT: K10500	121503 904949	1
			ATTACHING PARTS		
570	AN960JD8L		.WASHER	121503 904949	4
			-----*-----		
575	BACN10MG8		.NUT	121503 904949	4
580	416N1011-1SP		.GRILL ASSY-SPKR	121503 904949	1
585	RDAM8005A		.SPEAKER- SUPPLIER CODE: VOFF57 SPECIFICATION NUMBER: S222T101-101 ELECTRICAL EQUIP NUMBER: B10111 B10112	121503 904949	2

MISSING ITEM NUMBERS NOT APPLICABLE

- ITEM NOT ILLUSTRATED

23-31-04-01

23-31-04
FIG. 01
PAGE 9
JAN 20/09

BRI

BOEING
757
PARTS CATALOG (MAINTENANCE)

FIG ITEM	PART NUMBER	1 2 3 4 5 6 7	NOMENCLATURE	EFFECT FROM TO	UNITS PER ASSY
1 590	RSE120026		.SOCKET- SUPPLIER CODE: V58982 SPECIFICATION NUMBER: BACS16AG1 OPTIONAL PART: 451120-026 V58982 POSITION DATA: LH SIDE	121503 904949	1
595	W260F4AM11		.RELAY- SUPPLIER CODE: VF0219 SPECIFICATION NUMBER: BACR13CD2 OPTIONAL PART: BR16S233 V09026 EE4AA005 V35344 3SAV1338A2 V01526 HFW1206K03 V58614 HFW1204K01 V71482 ELECTRICAL EQUIP NUMBER: K10500	121503 904949	1
600	411N3141-123		.BRACKET ATTACHING PARTS	121503 904949	1
- 610	AN960JD10L		.WASHER	121503 904949	2
- 615	411N3260-499SP		-----*----- PANEL ASSY-FLAT (PASSENGER ADDRESS SYSTEM ONLY) FOR NHA/OTHER SYS DET SEE: 25-22-02-19F	504903	RF
620	BAC27NPA0691		.MARKER-ALUMINUM FOIL PLACARD CONTENT: B144	504903	1
625	BAC27NPA1284		.MARKER-ALUMINUM FOIL PLACARD CONTENT: K10500	504903	1
630	BAC27NPA1283		.MARKER-ALUMINUM FOIL PLACARD CONTENT: K10500	504903	1

MISSING ITEM NUMBERS NOT APPLICABLE

- ITEM NOT ILLUSTRATED

BRI

23-31-04-01

BOEING PROPRIETARY - Copyright © - Unpublished Work - See title page for details.

23-31-04
FIG. 01
PAGE 10
JAN 20/09



757

PARTS CATALOG (MAINTENANCE)

FIG ITEM	PART NUMBER	1 2 3 4 5 6 7	NOMENCLATURE	EFFECT FROM TO	UNITS PER ASSY
1					
635	BAC27NPA1282		.MARKER-ALUMINUM FOIL PLACARD CONTENT: K10500	504903	1
640	BAC27NPA1281		.MARKER-ALUMINUM FOIL PLACARD CONTENT: K10499	504903	1
645	NAS1149DN632J		.WASHER	504903	8
650	BACN10MG8		.NUT	504903	8
655	416N1011-1SP		.GRILL ASSY	504903	2
660	RDAM8005A		.SPEAKER- SUPPLIER CODE: VOFF57 SPECIFICATION NUMBER: S222T101-101 ELECTRICAL EQUIP NUMBER: B10111 B10112	504903	2
665	W260F4AM11		.RELAY- SUPPLIER CODE: VF0219 SPECIFICATION NUMBER: BACR13CD2 OPTIONAL PART: BR16S233 V09026 EE4AA005 V35344 3SAV1338A2 V01526 HFW1206K03 V58614 HFW1204K01 V71482 ELECTRICAL EQUIP NUMBER: K10500 K10499	504903	2
670	RSE120026		.SOCKET SUPPLIER CODE: V58982 SPECIFICATION NUMBER: BACS16AG1 OPTIONAL PART: 451120-026 V58982	504903	1
675	411N3141-123		.BRACKET ATTACHING PARTS	504903	1
- 680	BACS12GU3K4		.SCREW	504903	4
- 685	NAS1149D0316J		.WASHER -----*-----	504903	4

MISSING ITEM NUMBERS NOT APPLICABLE

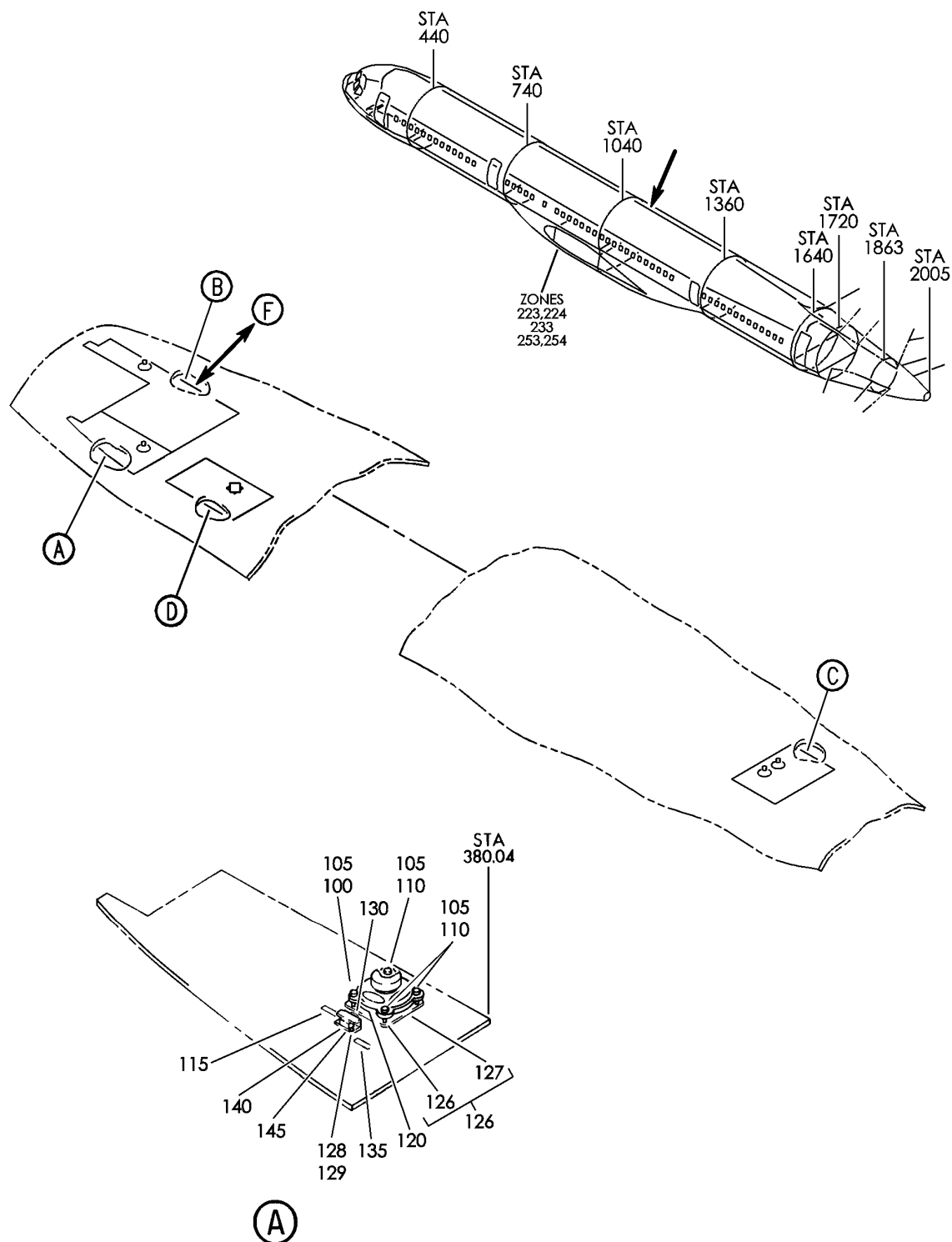
- ITEM NOT ILLUSTRATED

23-31-04-01

23-31-04
FIG. 01
PAGE 11
JAN 20/09

BRI

BOEING
757
PARTS CATALOG (MAINTENANCE)



Y 23310404 SHT 1 REV 231

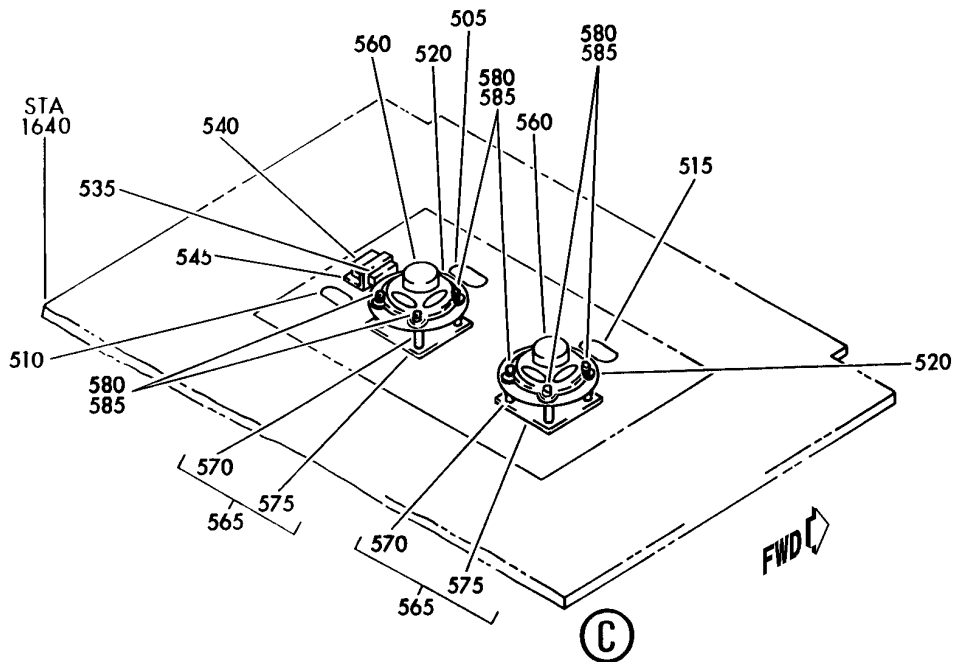
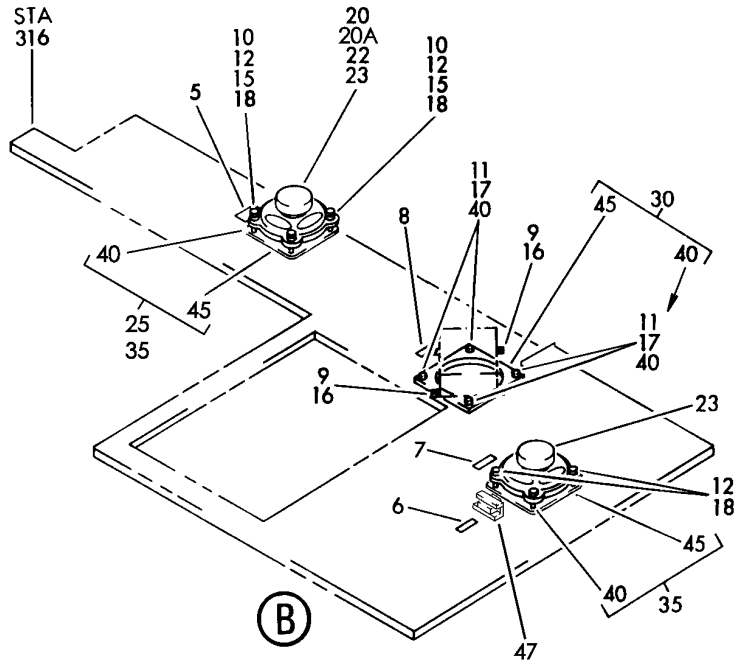
PANEL ASSY-(PASSENGER ADDRESS SYSTEM ONLY)
FIGURE 4 (SHEET 1)

23-31-04-04

BRI
JAN 20/09

23-31-04-04
PAGE 0

BOEING
757
PARTS CATALOG (MAINTENANCE)



Y 23310404 SHT 2 REV 231

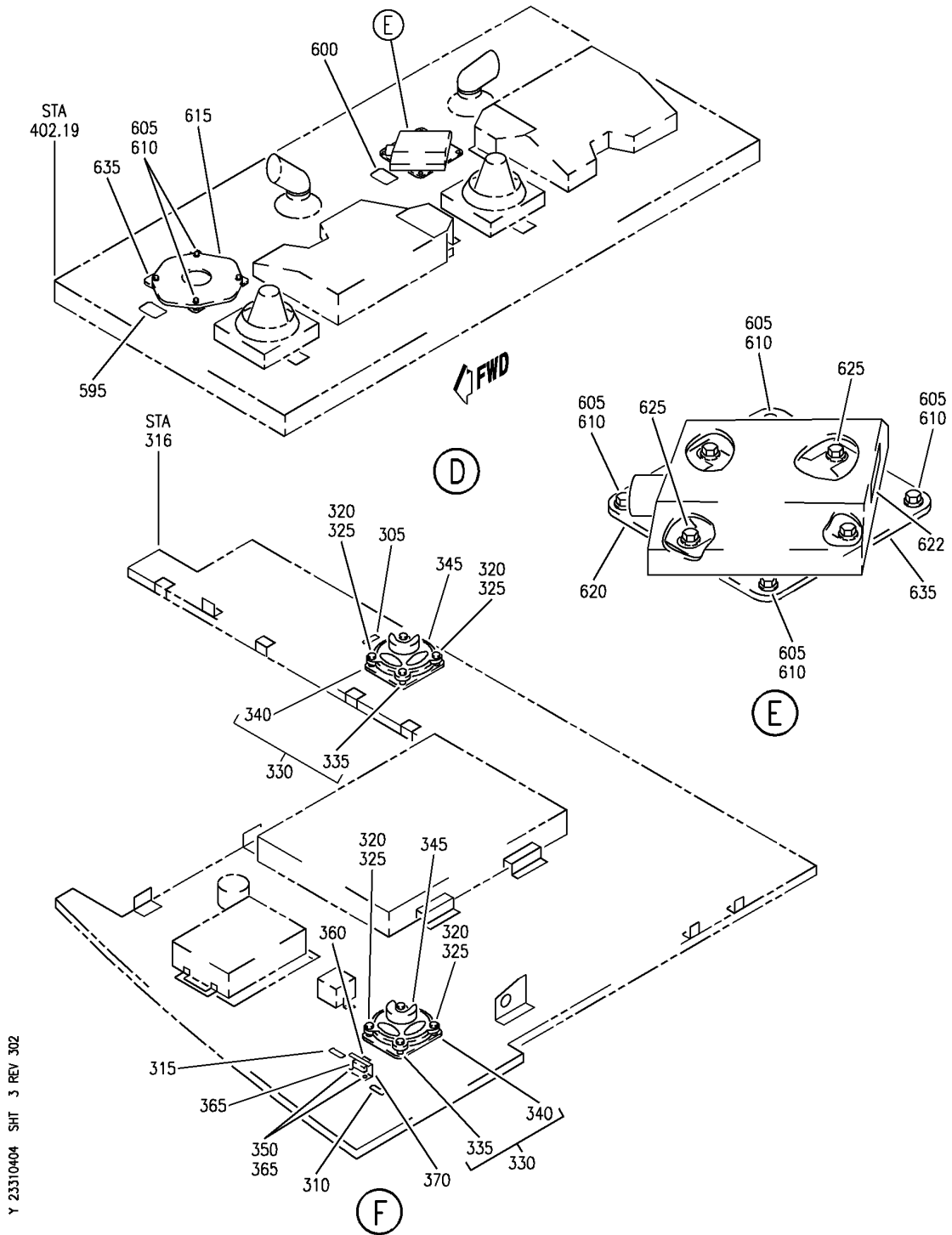
PANEL ASSY-(PASSENGER ADDRESS SYSTEM ONLY)
FIGURE 4 (SHEET 2)

23-31-04-04

BRI
JAN 20/09

23-31-04-04
PAGE 0A

BOEING
757
PARTS CATALOG (MAINTENANCE)



Y 23310404 SHT 3 REV 302

PANEL ASSY-(PASSENGER ADDRESS SYSTEM ONLY)
FIGURE 4 (SHEET 3)

23-31-04-04

BRI
JAN 20/09

23-31-04-04
PAGE 0B



757

PARTS CATALOG (MAINTENANCE)

FIG ITEM	PART NUMBER	1 2 3 4 5 6 7	NOMENCLATURE	EFFECT FROM TO	UNITS PER ASSY
4			PANEL ASSY- (PASSENGER ADDRESS SYSTEM ONLY)	108120 953999	
- 2	411N3260-646B		PANEL ASSY-NON-SCULPTURE (PASSENGER ADDRESS SYSTEM ONLY) POSITION DATA: FWD FOR NHA/OTHER SYS DET SEE: 25-22-02-11B	108120	RF
	5 BAC27NPA1282		.MARKER-ALUMINUM FOIL PLACARD CONTENT: B10111	108120	1
	10 BACN10MG8		.NUT	108120	4
	18 NAS1149DN816J		.WASHER-	108120	8
	20A RDAM8018		.SPEAKER- SUPPLIER CODE: VOFF57 SPECIFICATION NUMBER: 10-62232-01	108120	1
	25 416N1011-1E		.GRILL ASSY-SPKR	108120	1
	40 BACS21AQ2A7Q		..STUD	108120	4
	45 416N1011-3		..GRILLE-	108120	1
- 100	411N3260-295SP		PANEL ASSY-FLAT (PASSENGER ADDRESS SYSTEM ONLY) FOR NHA/OTHER SYS DET SEE: 25-22-02-58B	953999	RF
	105 BACN10MG8		.NUT	953999	4
	110 AN960JD8L		.WASHER-	953999	4
	115 BAC27NPA1282		.MARKER-ALUMINUM FOIL PLACARD CONTENT: B10111	953999	1
	120 RDAM8005A		.SPEAKER- SUPPLIER CODE: VOFF57 SPECIFICATION NUMBER: S222T101-101 ELECTRICAL EQUIP NUMBER: B10112 WIRING DIAGRAM REF: 233121	953999	1
	125 416N1011-1SP		.GRILL ASSY-SPKR	953999	1
	126 BACS21AQ2A7Q		..STUD	953999	4
	127 416N1011-3		..GRILLE	953999	1
	128 BACS12GU3K4		.SCREW	953999	2
	129 AN960JD10LL		.WASHER	953999	2

MISSING ITEM NUMBERS NOT APPLICABLE

- ITEM NOT ILLUSTRATED

23-31-04-04

23-31-04
FIG. 04
PAGE 1
JAN 20/09

BRI



757

PARTS CATALOG (MAINTENANCE)

FIG ITEM	PART NUMBER	1 2 3 4 5 6 7	NOMENCLATURE	EFFECT FROM TO	UNITS PER ASSY
4 140	W260F4AM11		.RELAY- SUPPLIER CODE: VF0219 SPECIFICATION NUMBER: BACR13CD2 OPTIONAL PART: BR16S233 V09026 EE4AA005 V35344 3SAV1338A2 V01526 HFW1206K03 V58614 HFW1204K01 V71482 ELECTRICAL EQUIP NUMBER: K10500	953999	1

MISSING ITEM NUMBERS NOT APPLICABLE

- ITEM NOT ILLUSTRATED

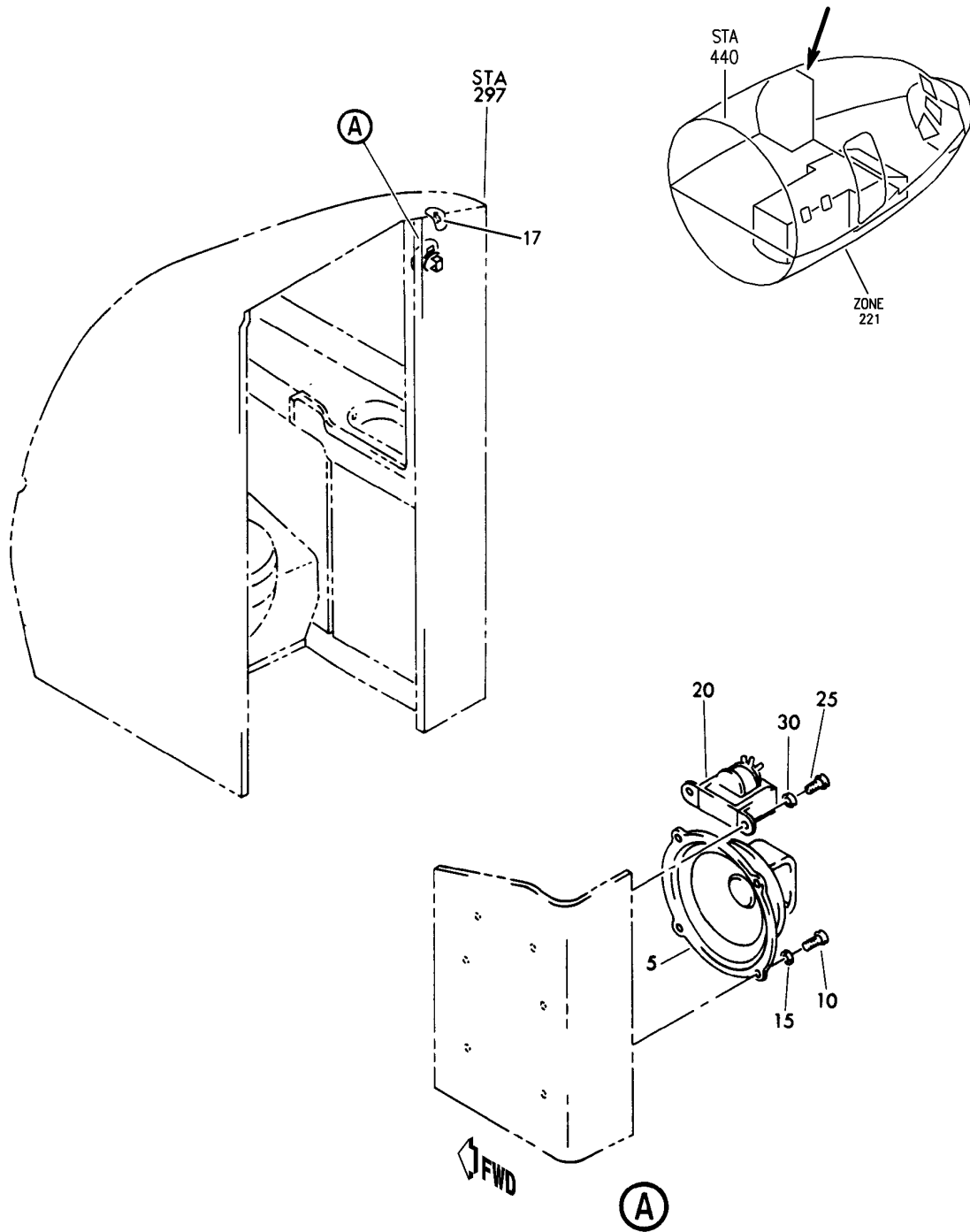
BRI

23-31-04-04

BOEING PROPRIETARY - Copyright © - Unpublished Work - See title page for details.

23-31-04
FIG. 04
PAGE 2
JAN 20/09

BOEING
757
PARTS CATALOG (MAINTENANCE)



Y 23310501 REV 242

ELECTRICAL ASSY-LAV A (COMMUNICATIONS ONLY)
FIGURE 1

23-31-05-01

BRI
MAY 28/07

23-31-05-01
PAGE 0



757

PARTS CATALOG (MAINTENANCE)

FIG ITEM	PART NUMBER	1 2 3 4 5 6 7	NOMENCLATURE	EFFECT FROM TO	UNITS PER ASSY
1			ELECTRICAL ASSY-LAV A (COMMUNICATIONS ONLY)	107107 121503 904949 952999	
- 1	1A112-0088-13		ELECTRICAL ASSY- (COMMUNICATIONS ONLY) SUPPLIER CODE: VS5825 FOR NHA/OTHER SYS DET SEE: 25-41-01-06E	107107	RF
- 1	1A112-0088-143		ELECTRICAL ASSY- (COMMUNICATIONS ONLY) SUPPLIER CODE: VS5825 FOR NHA/OTHER SYS DET SEE: 25-41-01-06H	121503 904949	RF
- 2	1A112-0088-163		ELECTRICAL ASSY- (COMMUNICATIONS ONLY) SUPPLIER CODE: VS5825 CONFIG CHG DATA FROM A CMM: SUPERSEDES 1AA112-0088-203 FOR NHA/OTHER SYS DET SEE: 25-41-01-06	952999	RF
5	P5VAC8962		.SPEAKER-LS1 SUPPLIER CODE: V07109 ELECTRICAL EQUIP NUMBER: LS00001	107107 121503 904949 952999	1
10	NAS603-7P		ATTACHING PARTS .SCREW	107107 121503 904949 952999	4
15	AN960PD10L		.WASHER	107107 121503 904949 952999	4
20	Z3691-1		-----*----- .TRANSFORMER-T1 SUPPLIER CODE: V07109 ELECTRICAL EQUIP NUMBER: T00001	107107 121503 904949 952999	1

MISSING ITEM NUMBERS NOT APPLICABLE

- ITEM NOT ILLUSTRATED

23-31-05-01

23-31-05
FIG. 01
PAGE 1
JAN 20/09

BRI



757

PARTS CATALOG (MAINTENANCE)

FIG ITEM	PART NUMBER	1 2 3 4 5 6 7	NOMENCLATURE	EFFECT FROM TO	UNITS PER ASSY
1			ATTACHING PARTS		
25	NAS602-5P		.SCREW	107107 121503 904949 952999	2
30	AN960PD8L		.WASHER	107107 121503 904949 952999	2
			-----*		

MISSING ITEM NUMBERS NOT APPLICABLE

- ITEM NOT ILLUSTRATED

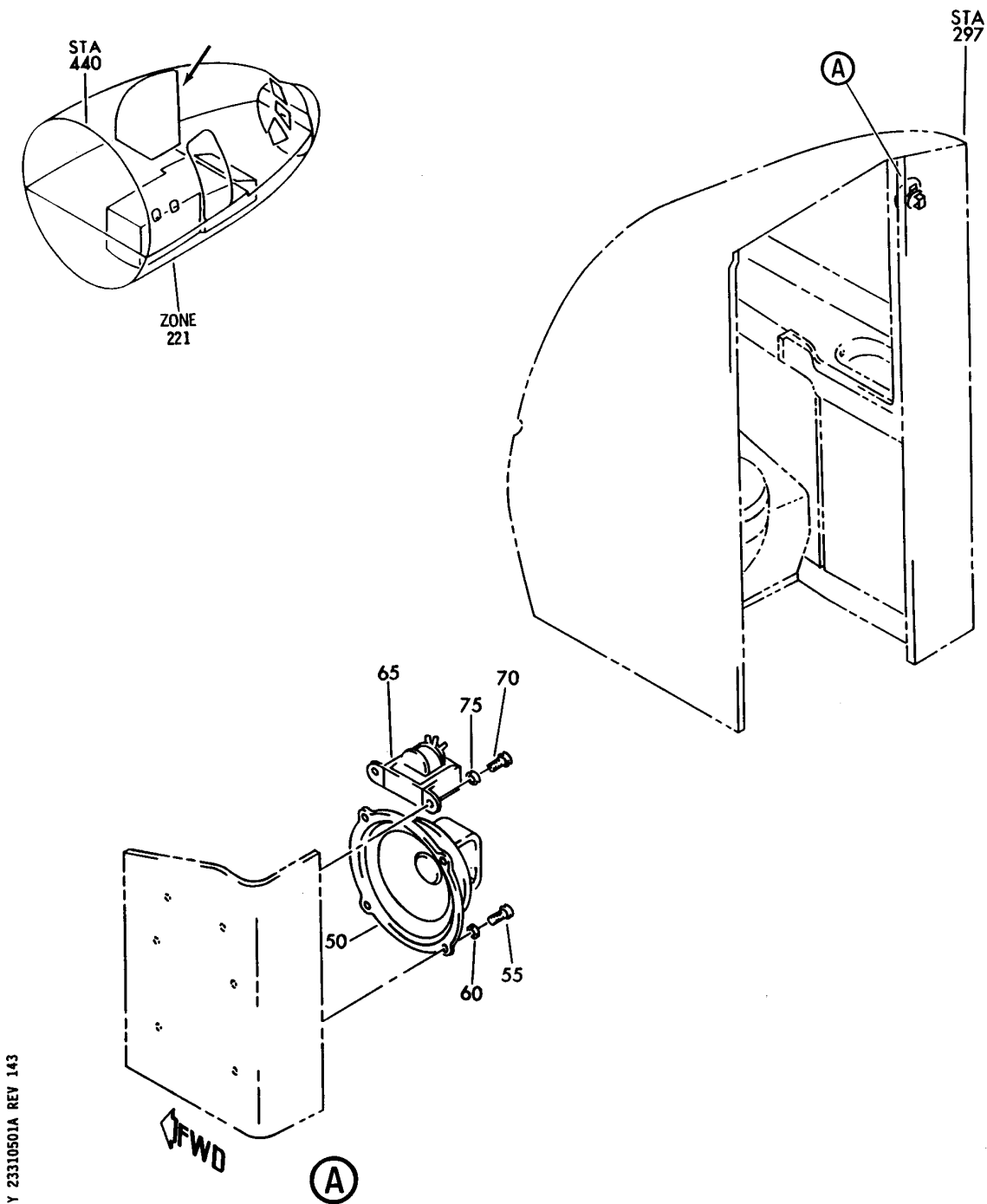
BRI

23-31-05-01

BOEING PROPRIETARY - Copyright © - Unpublished Work - See title page for details.

23-31-05
FIG. 01
PAGE 2
JAN 20/09

BOEING
757
PARTS CATALOG (MAINTENANCE)



Y 23310501A REV 143

ELECTRICAL ASSY-LAV A (COMMUNICATIONS ONLY)
FIGURE 1A

23-31-05-01A

BRI
MAY 28/07

23-31-05-01A
PAGE 0



757

PARTS CATALOG (MAINTENANCE)

FIG ITEM	PART NUMBER	1 2 3 4 5 6 7	NOMENCLATURE	EFFECT FROM TO	UNITS PER ASSY
1 A			ELECTRICAL ASSY-LAV A (COMMUNICATIONS ONLY)	002004 006100 950951	
- 1	1A112-0088NPA		ELECTRICAL ASSY-LAV A (COMMUNICATIONS ONLY) SUPPLIER CODE: VS5825 FOR NHA/OTHER SYS DET SEE: 25-41-01-06F	002004 006100	RF
- 1	1A112-0088NRA		ELECTRICAL ASSY-LAV A (COMMUNICATIONS ONLY) SUPPLIER CODE: VS5825 FOR NHA/OTHER SYS DET SEE: 25-41-01-06B	950951	RF
50	P5VAC8962		.SPEAKER- SUPPLIER CODE: V07109 ELECTRICAL EQUIP NUMBER: LS00001 ATTACHING PARTS	002004 006100 950951	1
55	NAS603-7P		.SCREW	002004 006100 950951	4
60	AN960PD10L		.WASHER	002004 006100 950951	4
65	Z3691-1		-----*----- .TRANSFORMER- SUPPLIER CODE: V07109 ELECTRICAL EQUIP NUMBER: T00001 ATTACHING PARTS	002004 006100 950951	1
70	NAS602-5P		.SCREW	002004 006100 950951	2
75	AN960PD8L		.WASHER -----*-----	002004 006100 950951	2

MISSING ITEM NUMBERS NOT APPLICABLE

- ITEM NOT ILLUSTRATED

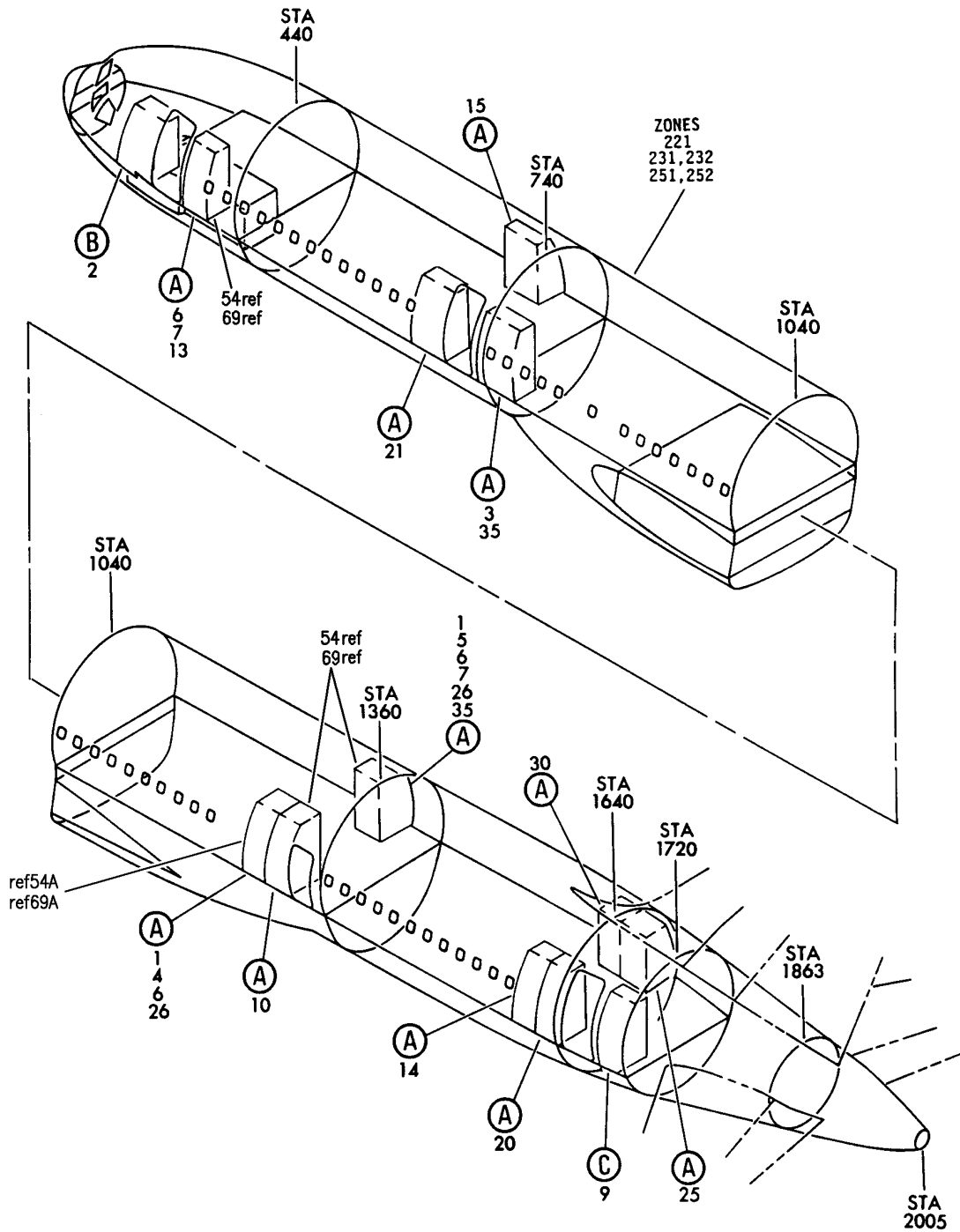
23-31-05-01A

23-31-05
FIG. 01A
PAGE 1
JAN 20/09

BRI

BOEING PROPRIETARY - Copyright © - Unpublished Work - See title page for details.

BOEING
757
PARTS CATALOG (MAINTENANCE)



Y 23310502 SHT 1 REV 261

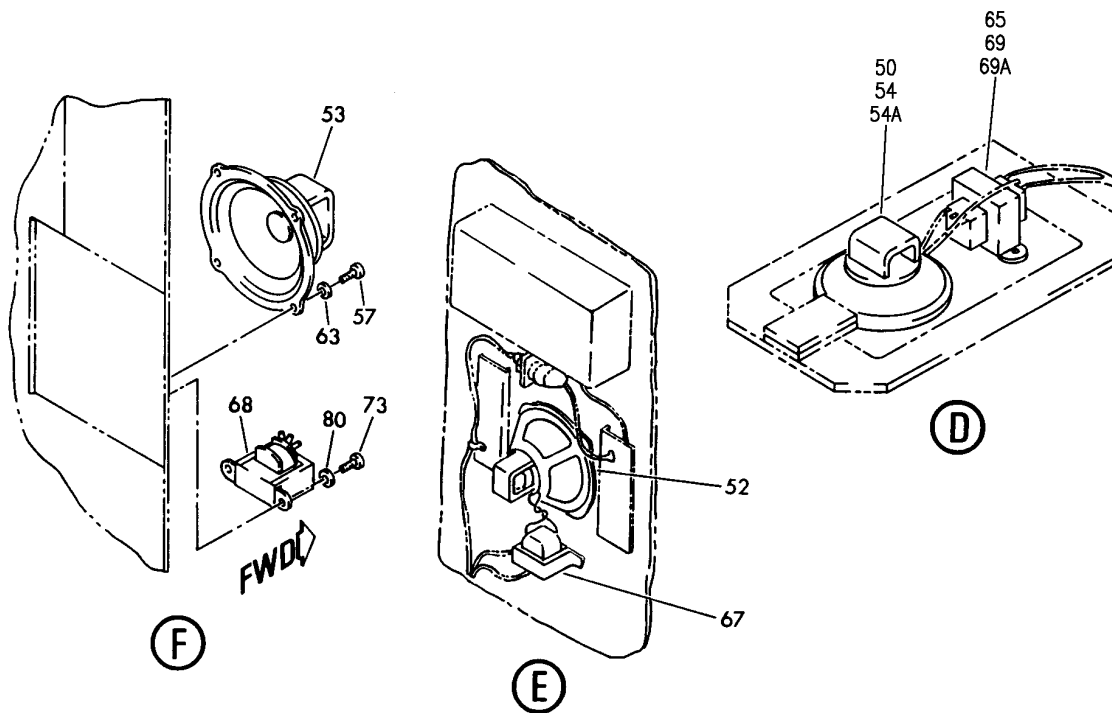
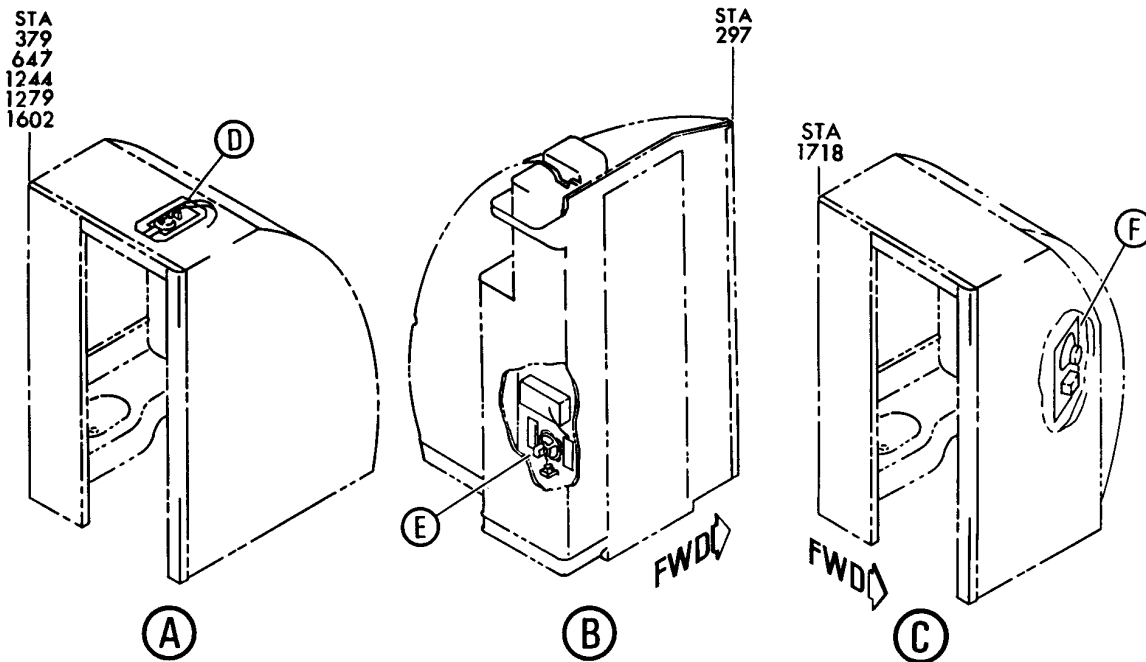
ELECTRICAL ASSY-LAV (COMMUNICATIONS ONLY)
FIGURE 2 (SHEET 1)

23-31-05-02

BRI
MAY 28/07

23-31-05-02
PAGE 0

BOEING
757
PARTS CATALOG (MAINTENANCE)



Y 23310502 SH1 2 REV 261

ELECTRICAL ASSY-LAV (COMMUNICATIONS ONLY)
FIGURE 2 (SHEET 2)

23-31-05-02

BRI
MAY 28/07

23-31-05-02
PAGE 0A



757

PARTS CATALOG (MAINTENANCE)

FIG ITEM	PART NUMBER	1 2 3 4 5 6 7	NOMENCLATURE	EFFECT FROM TO	UNITS PER ASSY
2			ELECTRICAL ASSY-LAV (COMMUNICATIONS ONLY)	107107 121503 904949 952999	
5	1A122-0089-131		ELECTRICAL ASSY-LAV D (COMMUNICATIONS ONLY) SUPPLIER CODE: VS5825 FOR NHA/OTHER SYS DET SEE: 25-41-03-51B	107107 121503 904949	RF
5	1A122-0089-221		ELECTRICAL ASSY-LAV D (COMMUNICATIONS ONLY) SUPPLIER CODE: VS5825 FOR NHA/OTHER SYS DET SEE: 25-41-04-57	952999	RF
10	1A122-0089-132		ELECTRICAL ASSY-LAV C (COMMUNICATIONS ONLY) SUPPLIER CODE: VS5825 FOR NHA/OTHER SYS DET SEE: 25-41-04-96 25-41-03-50B	107107 121503 904949	RF
10	1A122-0089-222		ELECTRICAL ASSY-LAV C (COMMUNICATIONS ONLY) SUPPLIER CODE: VS5825 FOR NHA/OTHER SYS DET SEE: 25-41-04-60	952999	RF
13	1A122-0089-191		ELECTRICAL ASSY-LAV F (COMMUNICATIONS ONLY) SUPPLIER CODE: VS5825 FOR NHA/OTHER SYS DET SEE: 25-41-01-09E	107107	RF
13	1A122-0089-301		ELECTRICAL ASSY-LAV F (COMMUNICATIONS ONLY) SUPPLIER CODE: VS5825 FOR NHA/OTHER SYS DET SEE: 25-41-01-09D	121503 904949	RF
21	1A122-0089-431		ELECTRICAL ASSY-LAV S (COMMUNICATIONS ONLY) SUPPLIER CODE: VS5825 FOR NHA/OTHER SYS DET SEE: 25-41-03-08C	952952	RF

MISSING ITEM NUMBERS NOT APPLICABLE

- ITEM NOT ILLUSTRATED

23-31-05-02

23-31-05
FIG. 02
PAGE 1
JAN 20/09

BRI



757

PARTS CATALOG (MAINTENANCE)

FIG ITEM	PART NUMBER	1 2 3 4 5 6 7	NOMENCLATURE	EFFECT FROM TO	UNITS PER ASSY
2					
50	P5VAC8962		.SPEAKER-LS1 LAV C AND D LAV K AND S LAV C AND F SUPPLIER CODE: V07109 ELECTRICAL EQUIP NUMBER: LS00001	952952	1
50	P5VAC8962		.SPEAKER-LS1 LAV C, D AND F LAV K, M AND S LAV G, K AND M LAV K, S AND R SUPPLIER CODE: V07109 ELECTRICAL EQUIP NUMBER: LS00001	107107 121503 904949	1
50	P5VAC8962		.SPEAKER- SUPPLIER CODE: V07109 ELECTRICAL EQUIP NUMBER: LS00001	952999	1
54	P5VAC8962		.SPEAKER-LS1 LAV C, D AND F SUPPLIER CODE: V07109 ELECTRICAL EQUIP NUMBER: LS00001	107107 121503 904949 952999	1
-	55	NAS603-7P	ATTACHING PARTS .SCREW- LAV G, K AND M LAV K, S AND R	107107 121503 904949	4
-	55	NAS603-7P	.SCREW	952952	4
-	55	NAS603-7P	.SCREW	952999	4
-	58	NAS603-7P	.SCREW- LAV D, C AND F	107107 121503 904949 952999	4
-	59	AN960PD10L	.WASHER- LAV D, C AND F	107107 121503 904949 952999	4
-	60	AN960PD10L	.WASHER- LAV G, K AND M LAV K, S AND R	107107 121503 904949	4
-	60	AN960PD10L	.WASHER	952952	4
-	60	AN960PD10L	.WASHER	952999	4
			-----*-----		

MISSING ITEM NUMBERS NOT APPLICABLE

- ITEM NOT ILLUSTRATED

23-31-05-02

23-31-05
FIG. 02
PAGE 2
JAN 20/09

BRI



757

PARTS CATALOG (MAINTENANCE)

FIG ITEM	PART NUMBER	1 2 3 4 5 6 7	NOMENCLATURE	EFFECT FROM TO	UNITS PER ASSY
2					
65	Z3691-1		.TRANSFORMER-T1 LAV C AND D LAV K AND S LAV C AND F SUPPLIER CODE: V07109 ELECTRICAL EQUIP NUMBER: T00001	952952	1
65	Z3691-1		.TRANSFORMER- LAV C, D AND F LAV K, M AND S LAV G, K AND M LAV K, S AND R SUPPLIER CODE: V07109 ELECTRICAL EQUIP NUMBER: T00001	107107 121503 904949	1
65	Z3691-1		.TRANSFORMER- SUPPLIER CODE: V07109 ELECTRICAL EQUIP NUMBER: T00001	952999	1
69	Z3691-1		.TRANSFORMER-T1 LAV D, C AND F SUPPLIER CODE: V07109	107107 121503 904949 952999	1
- 70	NAS602-5P		ATTACHING PARTS .SCREW- LAV C, D AND F LAV G, K AND M LAV K, S AND R	107107 121503 904949 953999	2
- 70	NAS602-5P		.SCREW- LAV K AND S	952952	2
- 70	NAS602-5P		.SCREW-LAV C	952999	2
- 72	NAS602-5P		.SCREW- LAV C, D AND F	107107 121503 904949 952999	2
- 74	AN960PD8L		.WASHER- LAV D, C AND F	107107 121503 904949 952999	2
- 75	AN960PD8L		.WASHER- LAV G, K AND M LAV K, S AND R	107107 121503 904949 952999	2
- 75	AN960PD8L		.WASHER- LAV K AND S	952952	2

MISSING ITEM NUMBERS NOT APPLICABLE

- ITEM NOT ILLUSTRATED

23-31-05-02

23-31-05
FIG. 02
PAGE 3
JAN 20/09

BRI



757

PARTS CATALOG (MAINTENANCE)

FIG ITEM	PART NUMBER	1 2 3 4 5 6 7	NOMENCLATURE	EFFECT FROM TO	UNITS PER ASSY
2 - 75	AN960PD8L		.WASHER-LAV C -----*-----	952999	2

MISSING ITEM NUMBERS NOT APPLICABLE

- ITEM NOT ILLUSTRATED

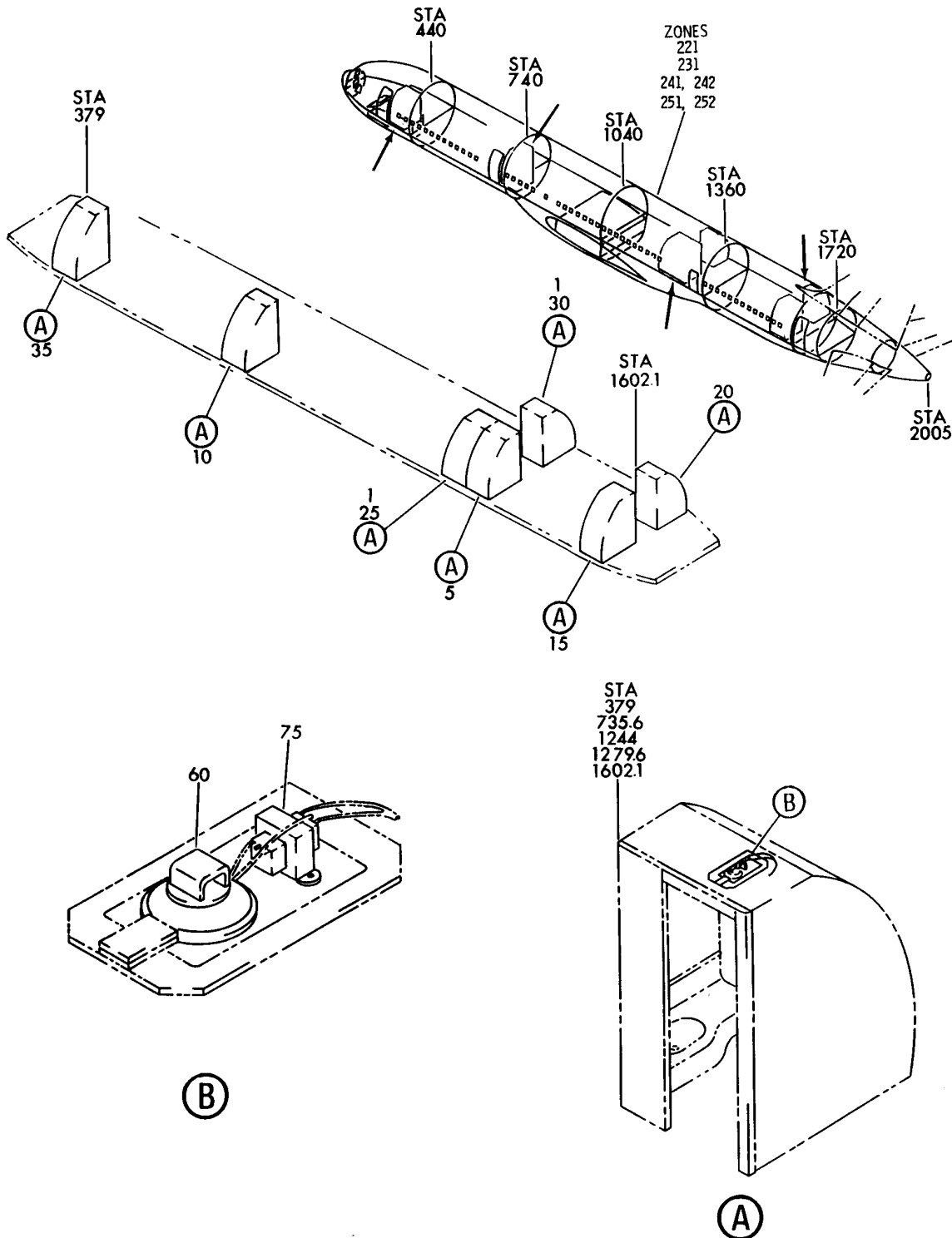
BRI

23-31-05-02

BOEING PROPRIETARY - Copyright © - Unpublished Work - See title page for details.

23-31-05
FIG. 02
PAGE 4
JAN 20/09

BOEING
757
PARTS CATALOG (MAINTENANCE)



Y 23310502A REV 143

ELECTRICAL ASSY-LAV (COMMUNICATIONS ONLY)
FIGURE 2A

23-31-05-02A

BRI
MAY 28/07

23-31-05-02A
PAGE 0



757

PARTS CATALOG (MAINTENANCE)

FIG ITEM	PART NUMBER	1 2 3 4 5 6 7	NOMENCLATURE	EFFECT FROM TO	UNITS PER ASSY
2A			ELECTRICAL ASSY-LAV (COMMUNICATIONS ONLY)	002004 006100 950951	
5	1A122-0089NPB		ELECTRICAL ASSY-LAV C (COMMUNICATIONS ONLY) SUPPLIER CODE: VS5825 FOR NHA/OTHER SYS DET SEE: 25-41-04-28	002004 006100	RF
5	1A122-0089NRA		ELECTRICAL ASSY-LAV C (COMMUNICATIONS ONLY) SUPPLIER CODE: VS5825 FOR NHA/OTHER SYS DET SEE: 25-41-04-27	950951	RF
25	1A122-0089NPA		ELECTRICAL ASSY-LAV B (COMMUNICATIONS ONLY) SUPPLIER CODE: VS5825 FOR NHA/OTHER SYS DET SEE: 25-41-04-21	002004 006100	RF
30	1A122-0089NRB		ELECTRICAL ASSY-LAV D (COMMUNICATIONS ONLY) SUPPLIER CODE: VS5825 FOR NHA/OTHER SYS DET SEE: 25-41-04-43	950951	RF
30	1A122-0089NPC		ELECTRICAL ASSY-LAV D (COMMUNICATIONS ONLY) SUPPLIER CODE: VS5825 FOR NHA/OTHER SYS DET SEE: 25-41-04-44	002004 006100	RF
40	1A122-0089NRC		ELECTRICAL ASSY-LAV S (COMMUNICATIONS ONLY) SUPPLIER CODE: VS5825 FOR NHA/OTHER SYS DET SEE: 25-41-03-08A	950951	RF
60	P5VAC8962		.SPEAKER- SUPPLIER CODE: V07109 ELECTRICAL EQUIP NUMBER: LS00001	002004 006100 950951	1
- 65	NAS603-7P		ATTACHING PARTS .SCREW	002004 006100 950951	4

MISSING ITEM NUMBERS NOT APPLICABLE

- ITEM NOT ILLUSTRATED

23-31-05-02A

23-31-05
FIG. 02A
PAGE 1
JAN 20/09

BRI

BOEING PROPRIETARY - Copyright © - Unpublished Work - See title page for details.



757

PARTS CATALOG (MAINTENANCE)

FIG ITEM	PART NUMBER	1 2 3 4 5 6 7	NOMENCLATURE	EFFECT FROM TO	UNITS PER ASSY
2A - 70	AN960PD10L	.	WASHER	002004 006100 950951	4
75	Z3691-1	-----*	. TRANSFORMER- SUPPLIER CODE: V07109 ELECTRICAL EQUIP NUMBER: T00001 ATTACHING PARTS	002004 006100 950951	1
- 80	NAS602-5P	.	SCREW	002004 006100 950951	2
- 85	AN960PD8L	.	WASHER	002004 006100 950951	2
		-----*			

MISSING ITEM NUMBERS NOT APPLICABLE

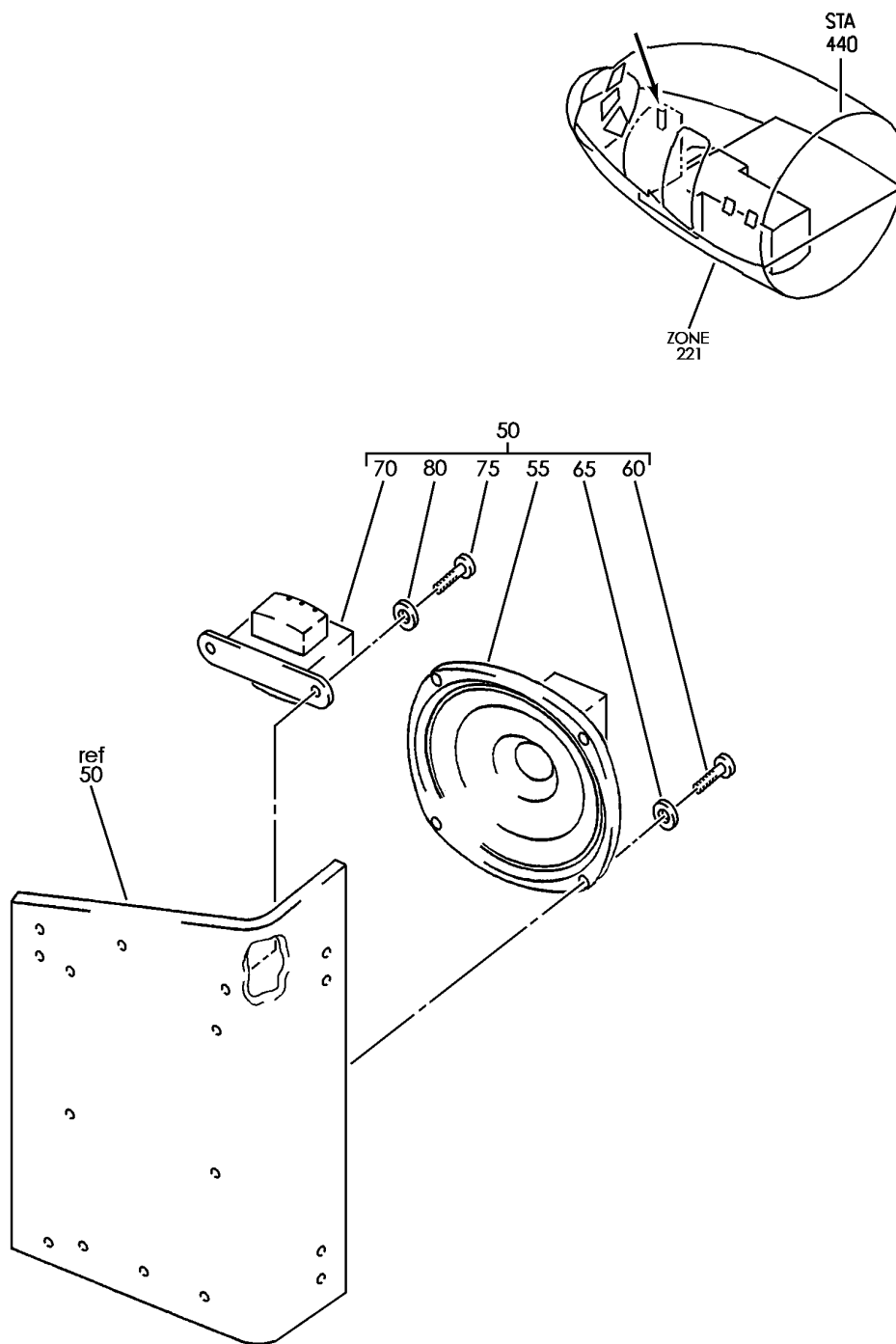
- ITEM NOT ILLUSTRATED

23-31-05-02A

23-31-05
FIG. 02A
PAGE 2
JAN 20/09

BRI

BOEING
757
PARTS CATALOG (MAINTENANCE)



Y 23310505 REV 217

CABINET ASSY-LT AND UTILITY SEG 290, LAV A (COMMUNICATIONS ONLY)

FIGURE 5

23-31-05-05

BRI
JAN 20/09

23-31-05-05
PAGE 0



**757
PARTS CATALOG (MAINTENANCE)**

FIG ITEM	PART NUMBER	1 2 3 4 5 6 7	NOMENCLATURE	EFFECT FROM TO	UNITS PER ASSY
5			CABINET ASSY-LT AND UTILITY SEG 290, LAV A (COMMUNICATIONS ONLY)	103106	
- 1	D71D29002-111A		CABINET ASSY-LT AND UTILITY, SEG 290, LAV A (COMMUNICATIONS ONLY) SUPPLIER CODE: VS5825 FOR NHA/OTHER SYS DET SEE: 25-41-01-40E	103106	RF
50	D75A57036-111C		.PANEL ASSY-SPKR SUPPLIER CODE: VS5825	103106	RF
55	P5VAC8962		..SPEAKER-LS1 SUPPLIER CODE: V07109 ATTACHING PARTS	103106	1
60	NAS1801-3-7		..SCREW	103106	4
65	NAS1149D0332K		..WASHER	103106	4
			-----*-----		
70	Z3691-1		..TRANSFORMER-T1 SUPPLIER CODE: V07109 ATTACHING PARTS	103106	1
75	NAS1801-08-5		..SCREW	103106	2
80	NAS1149DN816K		..WASHER	103106	2
			-----*-----		

MISSING ITEM NUMBERS NOT APPLICABLE

- ITEM NOT ILLUSTRATED

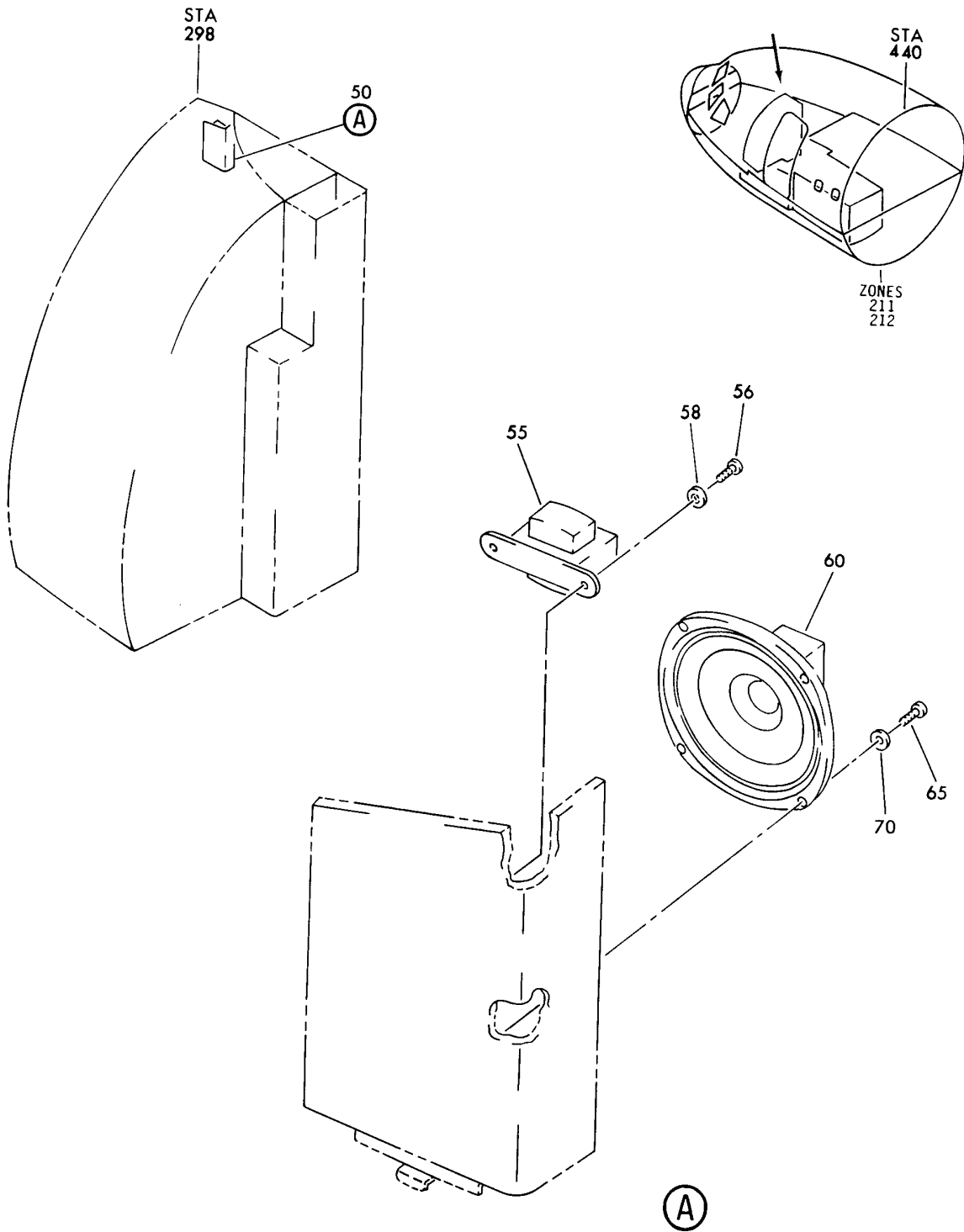
BRI

23-31-05-05

BOEING PROPRIETARY - Copyright © - Unpublished Work - See title page for details.

23-31-05
FIG. 05
PAGE 1
JAN 20/09

BOEING
757
PARTS CATALOG (MAINTENANCE)



Y 23310510 REV 177

CABINET ASSY-LT AND UTILITY SEG 290, LAV A (COMMUNICATIONS ONLY)
FIGURE 10

23-31-05-10

BRI
MAY 28/07

23-31-05-10
PAGE 0



757

PARTS CATALOG (MAINTENANCE)

FIG ITEM	PART NUMBER	1 2 3 4 5 6 7	NOMENCLATURE	EFFECT FROM TO	UNITS PER ASSY
10			CABINET ASSY-LT AND UTILITY SEG 290, LAV A (COMMUNICATIONS ONLY)	101102 108120 504903	
- 1	D75D29004-111		CABINET ASSY-LT AND UTILITY SEG 290, LAV A (COMMUNICATIONS ONLY) SUPPLIER CODE: VS5825 FOR NHA/OTHER SYS DET SEE: 25-41-01-06Q 25-41-01-12	108120 504903	RF
- 1	D75D29006-111		CABINET ASSY-LT AND UTILITY SEG 290, LAV A (COMMUNICATIONS ONLY) SUPPLIER CODE: VS5825 FOR NHA/OTHER SYS DET SEE: 25-41-01-46A	101102	RF
50	D75A57036-111A		.PANEL ASSY-SPKR SUPPLIER CODE: VS5825	101102 108120 504903	RF
55	Z3691-1		..TRANSFORMER- SUPPLIER CODE: V07109 ELECTRICAL EQUIP NUMBER: T00001	101102 108120 504903	1
56	NAS1801-08-5		ATTACHING PARTS ..SCREW	101102 108120 504903	2
58	AN960KD8L		..WASHER	108120 504903	2
58	NAS1149DN816K		..WASHER	101102 108120	2
60	P5VAC8962		-----*----- ..SPEAKER- SUPPLIER CODE: V07109 ELECTRICAL EQUIP NUMBER: LS00001	101102 108120 504903	1
65	NAS1801-3-7		ATTACHING PARTS ..SCREW	101102 108120 504903	4
70	AN960KD10L		..WASHER	108120 504903	4
70	NAS1149D0332K		..WASHER -----*-----	101102 108120	4

MISSING ITEM NUMBERS NOT APPLICABLE

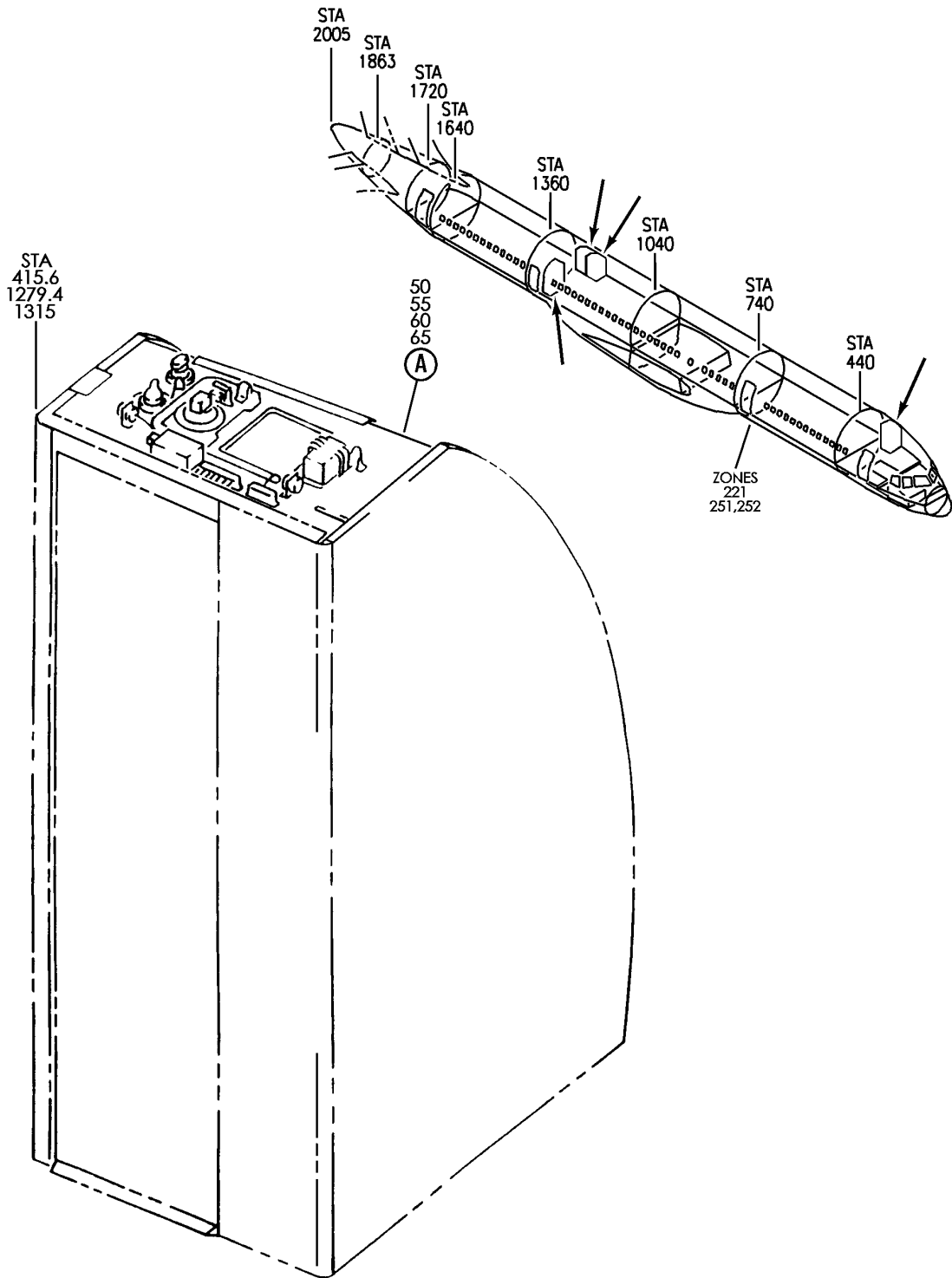
- ITEM NOT ILLUSTRATED

23-31-05-10

23-31-05
FIG. 10
PAGE 1
JAN 20/09

BRI

BOEING
757
PARTS CATALOG (MAINTENANCE)



Y 23310520 SH1 1 REV 217

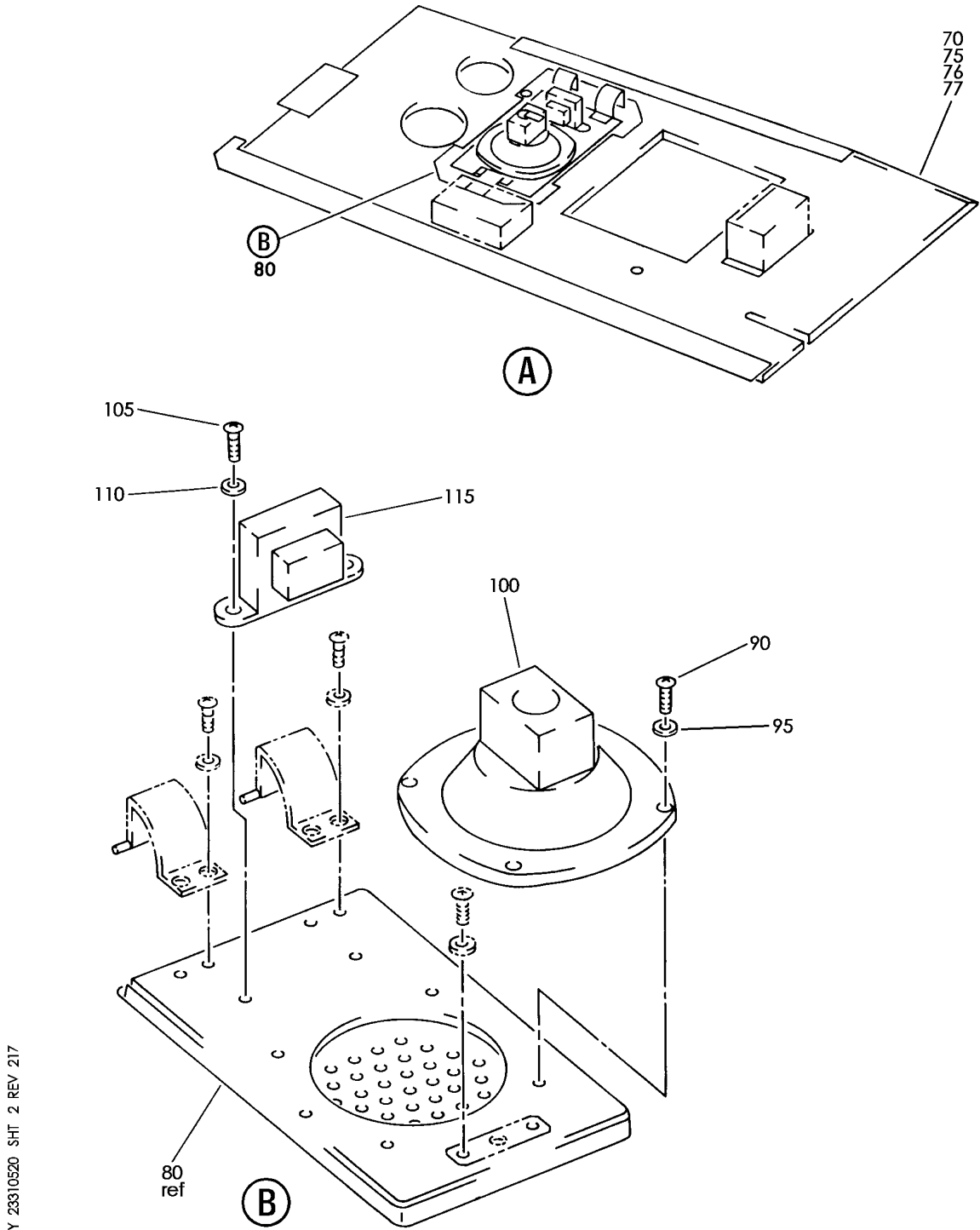
CEILING ASSY-SEG 150 (COMMUNICATIONS ONLY)
FIGURE 20 (SHEET 1)

23-31-05-20

BRI
MAY 28/07

23-31-05-20
PAGE 0

BOEING
757
PARTS CATALOG (MAINTENANCE)



Y 23310520 SH1 2 REV 217

CEILING ASSY-SEG 150 (COMMUNICATIONS ONLY)
FIGURE 20 (SHEET 2)

23-31-05-20

BRI
MAY 28/07

23-31-05-20
PAGE 0A



757

PARTS CATALOG (MAINTENANCE)

FIG ITEM	PART NUMBER	1 2 3 4 5 6 7	NOMENCLATURE	EFFECT FROM TO	UNITS PER ASSY
20			CEILING ASSY-SEG 150 (COMMUNICATIONS ONLY)	101102 504903	
- 1	D75D15033-111		CEILING ASSY-SEG 150 LAV B (COMMUNICATIONS ONLY) SUPPLIER CODE: VS5825 FOR NHA/OTHER SYS DET SEE: 25-41-03-52C	101102	RF
- 5	D75D15074-111		CEILING ASSY-SEG 150, LAV C (COMMUNICATIONS ONLY) SUPPLIER CODE: VS5825 FOR NHA/OTHER SYS DET SEE: 25-41-03-50A	504903	RF
- 5	D75D15034-111		CEILING ASSY-SEG 150 LAV C (COMMUNICATIONS ONLY) SUPPLIER CODE: VS5825 FOR NHA/OTHER SYS DET SEE: 25-41-03-50H	101102	RF
- 10	D75D15073-111		CEILING ASSY-SEG 150, LAV D (COMMUNICATIONS ONLY) SUPPLIER CODE: VS5825 FOR NHA/OTHER SYS DET SEE: 25-41-03-51A	504903	RF
- 10	D75D15035-111		CEILING ASSY-SEG 150 LAV D (COMMUNICATIONS ONLY) SUPPLIER CODE: VS5825 FOR NHA/OTHER SYS DET SEE: 25-41-03-51H	101102	RF
- 15	D75D15075-111		CEILING ASSY-SEG 150, LAV F (COMMUNICATIONS ONLY) SUPPLIER CODE: VS5825 FOR NHA/OTHER SYS DET SEE: 25-41-01-12B	504903	RF
50	D75D37024-111A		.CEILING ASSY-LAV B SUPPLIER CODE: VS5825	101102	RF
- 55	D75D37025-111A		.CEILING ASSY-LAV C SUPPLIER CODE: VS5825	101102	RF

MISSING ITEM NUMBERS NOT APPLICABLE

- ITEM NOT ILLUSTRATED

23-31-05-20

23-31-05
FIG. 20
PAGE 1
JAN 20/09

BRI



757

PARTS CATALOG (MAINTENANCE)

FIG ITEM	PART NUMBER	1 2 3 4 5 6 7	NOMENCLATURE	EFFECT FROM TO	UNITS PER ASSY
20					
- 55	D75D37060-111A	.	CEILING ASSY-LAV C SUPPLIER CODE: VS5825	504903	RF
- 60	D75D37033-111A	.	CEILING ASSY-LAV D SUPPLIER CODE: VS5825	101102	RF
- 60	D75D37026-111A	.	CEILING ASSY-LAV D SUPPLIER CODE: VS5825	101102	RF
- 60	D75D37059-111A	.	CEILING ASSY-LAV D SUPPLIER CODE: VS5825	504903	RF
- 65	D75D37061-111A	.	CEILING ASSY-LAV F SUPPLIER CODE: VS5825	504903	RF
70	D75A45027-111A	..	PANEL ASSY-LAV B SUPPLIER CODE: VS5825	101102	RF
- 75	D75A45028-111A	..	PANEL ASSY-LAV C SUPPLIER CODE: VS5825	101102	RF
- 75	D75A45042-111A	..	PANEL ASSY-LAV C SUPPLIER CODE: VS5825	504903	RF
- 75	D75A45056-111A	..	PANEL ASSY-LAV C SUPPLIER CODE: VS5825	504903	RF
- 76	D75A45026-111A	..	PANEL ASSY-LAV D SUPPLIER CODE: VS5825	101102	RF
- 76	D75A45055-111A	..	PANEL ASSY-LAV D SUPPLIER CODE: VS5825	504903	RF
- 77	D75A45057-111A	..	PANEL ASSY-LAV F SUPPLIER CODE: VS5825	504903	RF
80	D75A57056-111B	...	PANEL ASSY-MTG SUPPLIER CODE: VS5825	101102 504903	RF
90	NAS1801-3-7	SCREW	101102 504903	4
95	AN960KD10L	WASHER	504903	4
95	NAS1149D0332K	WASHER	101102	4
100	P5VAC8962	SPEAKER-LS1 SUPPLIER CODE: V07109	101102 504903	1
105	NAS1801-08-5	SCREW	101102 504903	2
110	AN960KD8L	WASHER	504903	2

MISSING ITEM NUMBERS NOT APPLICABLE

- ITEM NOT ILLUSTRATED

23-31-05-20

23-31-05
FIG. 20
PAGE 2
JAN 20/09

BRI



757
PARTS CATALOG (MAINTENANCE)

FIG ITEM	PART NUMBER	1 2 3 4 5 6 7	NOMENCLATURE	EFFECT FROM TO	UNITS PER ASSY
20					
110	NAS1149DN816K	WASHER	101102	2
115	Z3691-1	TRANSFORMER-T1	101102	1
			SUPPLIER CODE: V07109	504903	

MISSING ITEM NUMBERS NOT APPLICABLE

- ITEM NOT ILLUSTRATED

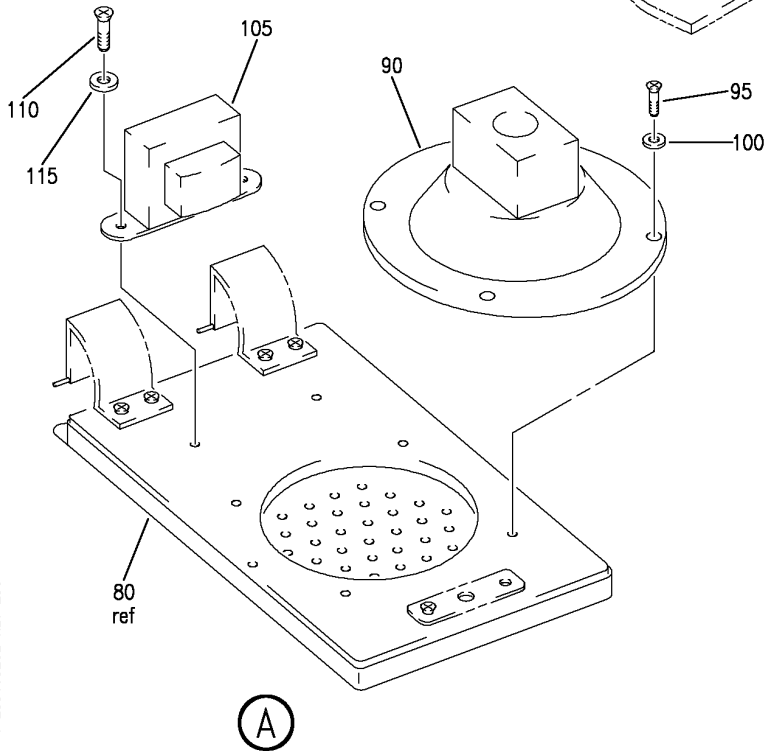
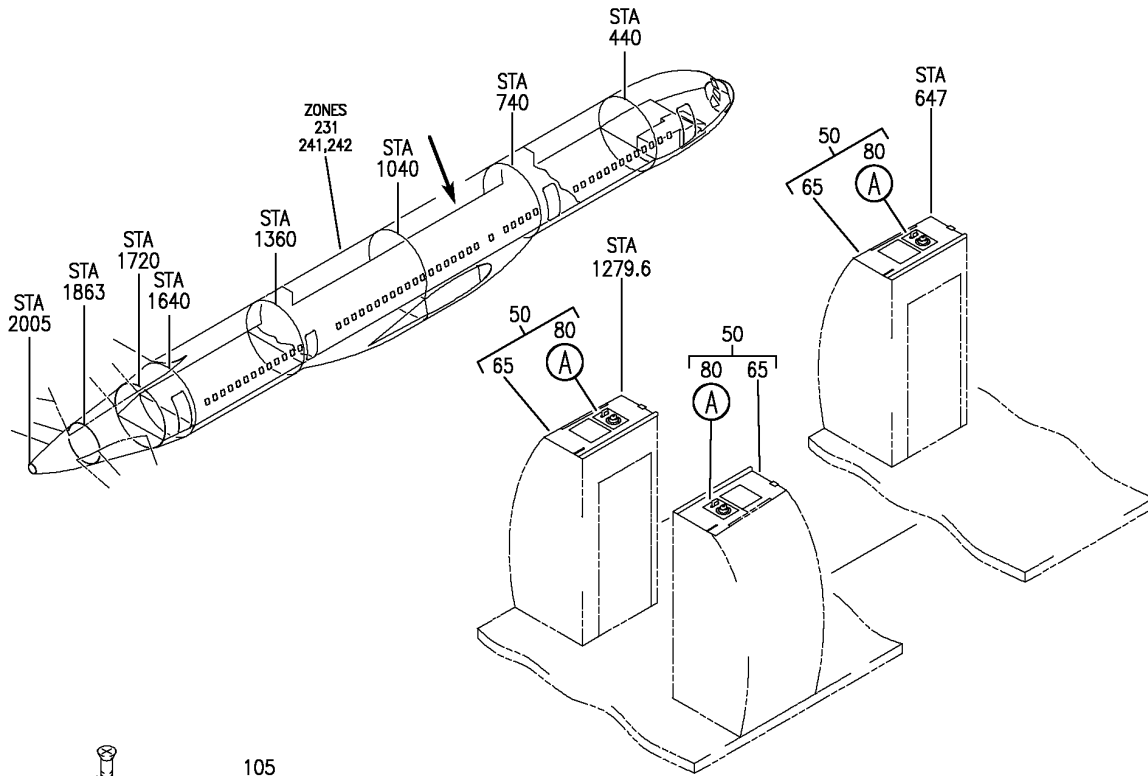
BRI

23-31-05-20

BOEING PROPRIETARY - Copyright © - Unpublished Work - See title page for details.

23-31-05
FIG. 20
PAGE 3
JAN 20/09


BOEING
 757
PARTS CATALOG (MAINTENANCE)



Y 23310520E REV 250

CEILING ASSY-SEG 150 LAV (COMMUNICATIONS ONLY)
 FIGURE 20E

23-31-05-20E

BRI
 JAN 20/09

23-31-05-20E
 PAGE 0



757

PARTS CATALOG (MAINTENANCE)

FIG ITEM	PART NUMBER	1 2 3 4 5 6 7	NOMENCLATURE	EFFECT FROM TO	UNITS PER ASSY
20E			CEILING ASSY-SEG 150 LAV (COMMUNICATIONS ONLY)	108120	
- 1	D75D15066-111A		CEILING ASSY-SEG 150 LAV C (COMMUNICATIONS ONLY) SUPPLIER CODE: VS5825 FOR NHA/OTHER SYS DET SEE: 25-41-03-25A	108120	RF
- 5	D75D15042-111		CEILING ASSY-SEG 150 LAV D (COMMUNICATIONS ONLY) SUPPLIER CODE: VS5825 FOR NHA/OTHER SYS DET SEE: 25-41-03-51M	108120	RF
- 10	D75D15103-111		CEILING ASSY-SEG 150 LAV S (COMMUNICATIONS ONLY) SUPPLIER CODE: VS5825 FOR NHA/OTHER SYS DET SEE: 25-41-03-08Q	108120	RF
50	D75D37054-111B		.CEILING ASSY-LAV C SUPPLIER CODE: VS5825	108120	RF
- 55	D75D37033-111A		.CEILING ASSY-LAV D SUPPLIER CODE: VS5825	108120	RF
- 60	D75D37082-111A		.CEILING ASSY-LAV S SUPPLIER CODE: VS5825	108120	RF
65	D75A45047-111A		..PANEL ASSY-LAV C SUPPLIER CODE: VS5825	108120	1
- 70	D75A45026-111A		..PANEL ASSY-LAV D SUPPLIER CODE: VS5825	108120	1
- 75	D75A45030-111A		..PANEL ASSY-LAV S SUPPLIER CODE: VS5825	108120	1
80	D75A57056-111D		...PANEL ASSY-MTG, LAV C SUPPLIER CODE: VS5825	108120	1
- 85	D75A57056-111B		...PANEL ASSY-MTG LAV D AND S SUPPLIER CODE: VS5825	108120	1
90	P5VAC8962	SPEAKER-LS1 SUPPLIER CODE: V07109	108120	1

MISSING ITEM NUMBERS NOT APPLICABLE

- ITEM NOT ILLUSTRATED

23-31-05-20E

23-31-05
FIG. 20E
PAGE 1
JAN 20/09

BRI

BOEING PROPRIETARY - Copyright © - Unpublished Work - See title page for details.



757

PARTS CATALOG (MAINTENANCE)

FIG ITEM	PART NUMBER	1 2 3 4 5 6 7	NOMENCLATURE	EFFECT FROM TO	UNITS PER ASSY
20E			ATTACHING PARTS		
95	NAS1801-3-7	SCREW	108120	4
100	NAS1149D0332K	WASHER	108120	4
			-----*-----		
105	Z3691-1	TRANSFORMER-T1	108120	1
			SUPPLIER CODE:		
			V07109		
			ATTACHING PARTS		
110	NAS1801-08-5	SCREW	108120	2
115	NAS1149DN816K	WASHER	108120	2
			-----*-----		

MISSING ITEM NUMBERS NOT APPLICABLE

- ITEM NOT ILLUSTRATED

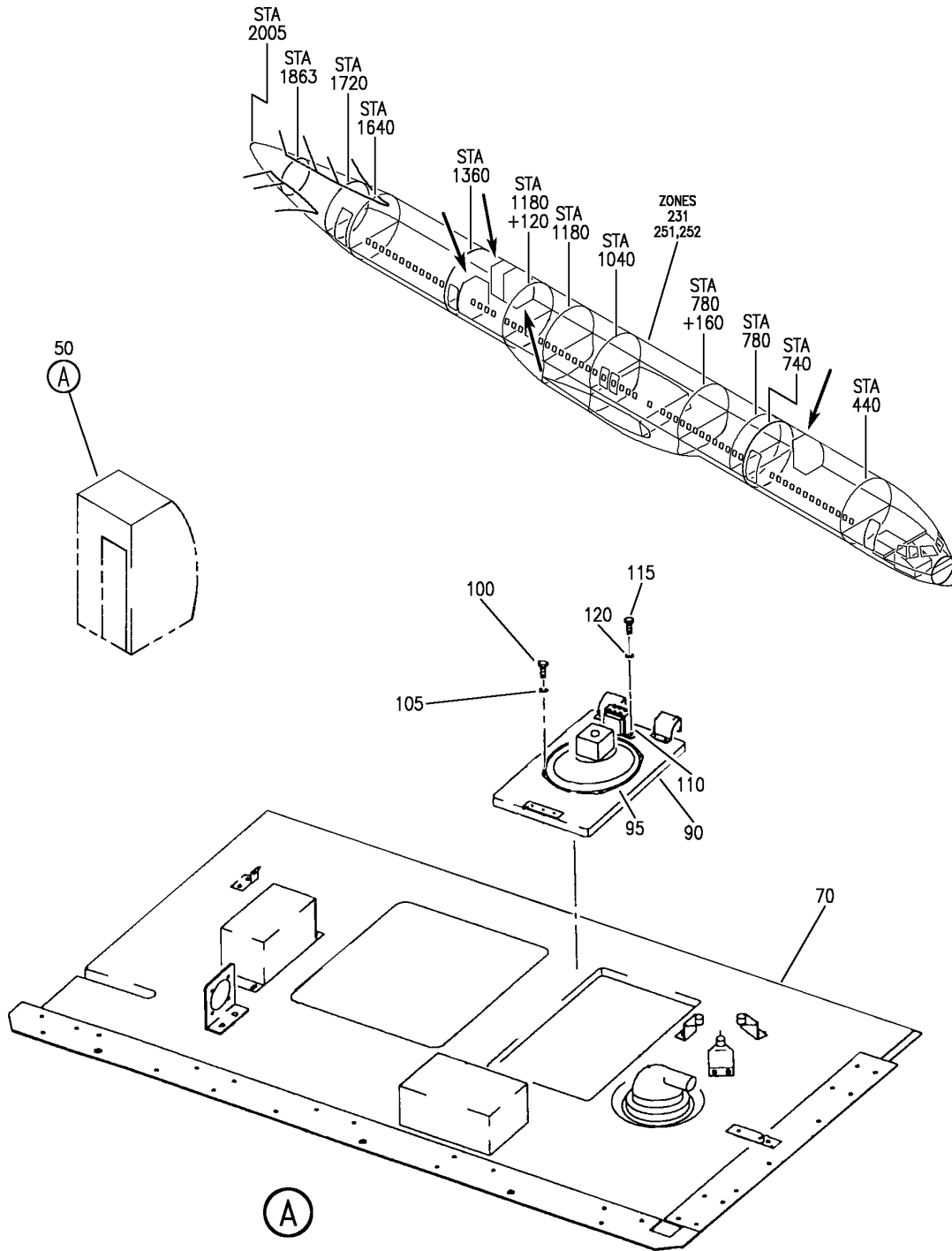
BRI

23-31-05-20E

BOEING PROPRIETARY - Copyright © - Unpublished Work - See title page for details.

23-31-05
FIG. 20E
PAGE 2
JAN 20/09

BOEING
757
PARTS CATALOG (MAINTENANCE)



Y 23310524C REV 256

CEILING ASSY-SEG 150 LAV (COMMUNICATIONS ONLY)
FIGURE 24C

23-31-05-24C

BRI
JAN 20/09

23-31-05-24C
PAGE 0



757

PARTS CATALOG (MAINTENANCE)

FIG ITEM	PART NUMBER	1 2 3 4 5 6 7	NOMENCLATURE	EFFECT FROM TO	UNITS PER ASSY
24C			CEILING ASSY-SEG 150 LAV (COMMUNICATIONS ONLY)	103106	
- 1	D71D15036-111A		CEILING ASSY-SEG 150 LAV B (COMMUNICATIONS ONLY) SUPPLIER CODE: VS5825 FOR NHA/OTHER SYS DET SEE: 25-41-03-52F	103106	RF
- 5	D71D15040-111A		CEILING ASSY-SEG 150 LAV C (COMMUNICATIONS ONLY) SUPPLIER CODE: VS5825 FOR NHA/OTHER SYS DET SEE: 25-41-03-50Q	103106	RF
- 10	D71D15038-111A		CEILING ASSY-SEG 150 LAV D (COMMUNICATIONS ONLY) SUPPLIER CODE: VS5825 FOR NHA/OTHER SYS DET SEE: 25-41-03-51R	103106	RF
- 15	D71D15039-111A		CEILING ASSY-SEG 150 LAV P (COMMUNICATIONS ONLY) SUPPLIER CODE: VS5825	103106	RF
50	D71D37028-111A		.CEILING ASSY-LAV B SUPPLIER CODE: VS5825	103106	RF
- 55	D71D37029-111A		.CEILING ASSY-LAV C SUPPLIER CODE: VS5825	103106	RF
- 60	D71D37030-111A		.CEILING ASSY-LAV D SUPPLIER CODE: VS5825	103106	RF
- 65	D71D37031-111A		.CEILING ASSY-LAV P SUPPLIER CODE: VS5825	103106	RF
- 67	D71D37032-111A		.CEILING ASSY-LAV D SUPPLIER CODE: VS5825	103106	RF
70	D71A45016-111A		..PANEL ASSY-LAV B SUPPLIER CODE: VS5825	103106	RF
- 75	D71A45018-111A		..PANEL ASSY-LAV C SUPPLIER CODE: VS5825	103106	RF
- 80	D71A45017-111A		..PANEL ASSY-LAV D SUPPLIER CODE: VS5825	103106	RF

MISSING ITEM NUMBERS NOT APPLICABLE

- ITEM NOT ILLUSTRATED

23-31-05-24C

23-31-05
FIG. 24C
PAGE 1
JAN 20/09

BRI

BOEING PROPRIETARY - Copyright © - Unpublished Work - See title page for details.

BOEING
757
PARTS CATALOG (MAINTENANCE)

FIG ITEM	PART NUMBER	1 2 3 4 5 6 7	NOMENCLATURE	EFFECT FROM TO	UNITS PER ASSY
24C - 85	D71A45019-111A	..	PANEL ASSY-LAV P SUPPLIER CODE: VS5825	103106	RF
90	D75A57056-111D	...	PANEL ASSY-MTG SUPPLIER CODE: VS5825	103106	RF
95	P5VAC8962	SPEAKER-LS1 SUPPLIER CODE: V07109 ATTACHING PARTS	103106	1
100	NAS1801-3-7	SCREW	103106	4
105	NAS1149D0332K	WASHER -----*-----	103106	4
110	Z3691-1	TRANSFORMER-T1 SUPPLIER CODE: V07109 ATTACHING PARTS	103106	1
115	NAS1801-08-5	SCREW	103106	2
120	NAS1149DN816K	WASHER -----*-----	103106	2

MISSING ITEM NUMBERS NOT APPLICABLE

- ITEM NOT ILLUSTRATED

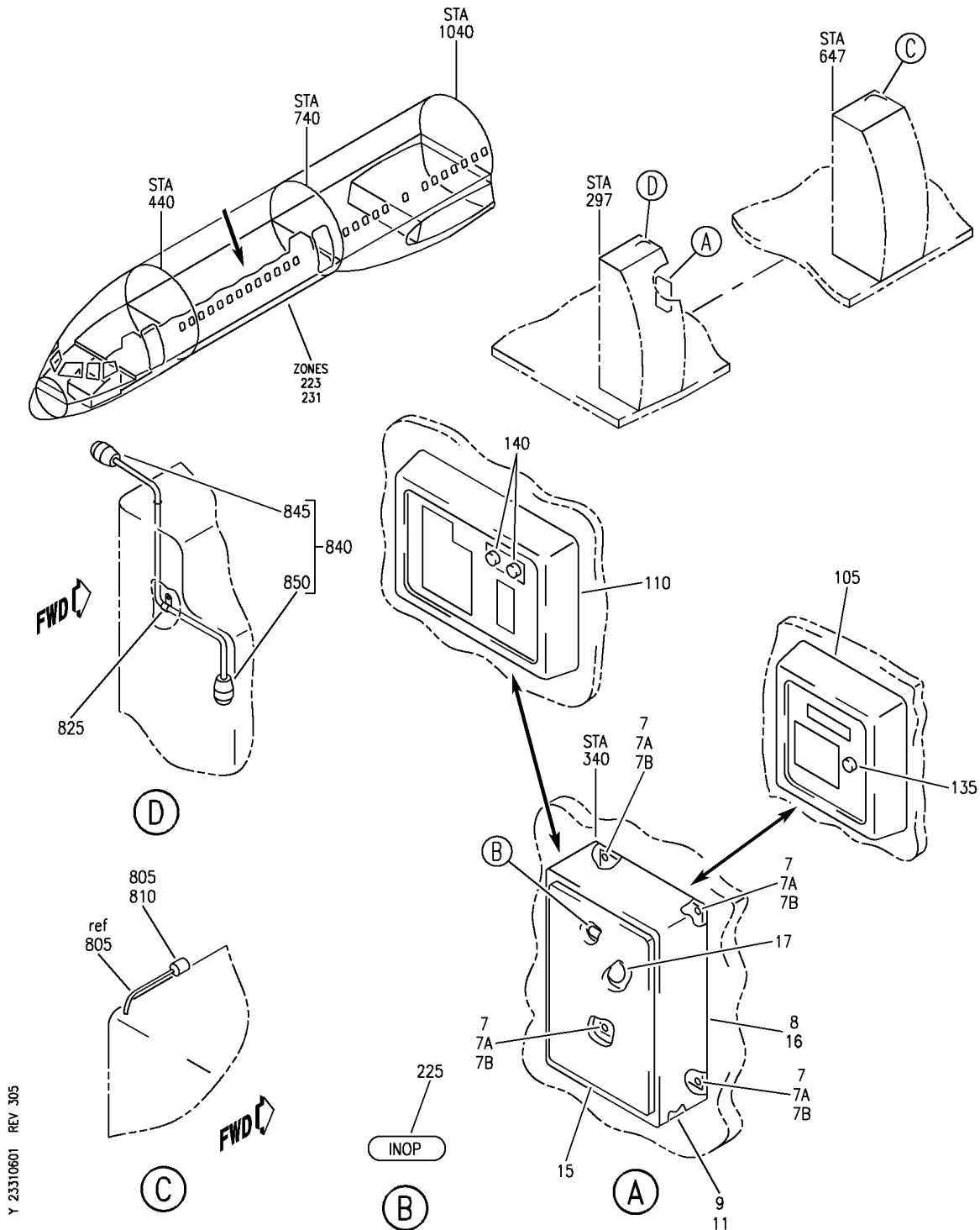
BRI

23-31-05-24C

BOEING PROPRIETARY - Copyright © - Unpublished Work - See title page for details.

23-31-05
FIG. 24C
PAGE 2
JAN 20/09

BOEING
757
PARTS CATALOG (MAINTENANCE)



Y 23310601 REV 305

PANEL PLACARD AND SOFTWARE INSTL
FIGURE 1

23-31-06-01

BRI
JAN 20/09

23-31-06-01
PAGE 0



757

PARTS CATALOG (MAINTENANCE)

FIG ITEM	PART NUMBER	1 2 3 4 5 6 7	NOMENCLATURE	EFFECT FROM TO	UNITS PER ASSY
1			PANEL PLACARD AND SOFTWARE INSTL	103106 108120 504903 952999	
- 1	417N6025-3		PANEL INSTL-ATTENDANT POSITION DATA: STA 340.00 FOR NHA SEE: 25-20-00-01A	952999	RF
- 1	417N6025-16		PANEL INSTL-ATTENDANT POSITION DATA: STA 340.00 FOR NHA SEE: 25-20-00-07E	108120	RF
7	NAS602-6P		.SCREW	108120 952999	4
7A	NAS1149DN816J		.WASHER-	108120	4
7B	AN960JD8L		.WASHER-	952999	4
9	RDAX7308-01		.REPRODUCER-TAPE SUPPLIER CODE: VOFF57 FUNCTIONAL DESCRIPTION: REPRODUCES PRE-RECORDED ANNOUNCEMENTS. ELECTRICAL EQUIP NUMBER: M10748 COMPONENT MAINT MANUAL REF: 23-31-06 QUALIFIED I/W DATA: RDAX7308-01 (BEIGE) I/W RDAX7308-03 (GRAY) PER CUTOMER PREFERENCE RDAX7308-01 I/W RDAX7308-01DLO1 BUT DOES NOT HAVE AUTOMATIC MESSAGE CAPABILITY. FOR DETAILS SEE: 23-31-06-01A	108120 952999	1
15	R8G1X7308		.COVER-TAPE SUPPLIER CODE: V54473	108120 952999	1
17	106990-0003		.TAPE-MUSIC SUPPLIER CODE: V45153	952999	1
- 100	417N6025-10		PANEL INSTL-ATTENDANT POSITION DATA: STA 340.00 FOR NHA SEE: 25-20-00-07E	504903	RF

MISSING ITEM NUMBERS NOT APPLICABLE

- ITEM NOT ILLUSTRATED

23-31-06-01

23-31-06
FIG. 01
PAGE 1
MAY 20/09

BRI



757

PARTS CATALOG (MAINTENANCE)

FIG ITEM	PART NUMBER	1 2 3 4 5 6 7	NOMENCLATURE	EFFECT FROM TO	UNITS PER ASSY
1					
- 100	MODREF33021		PANEL INSTL-ATTENDANT MODULE NUMBER: 417N6025-101 REV C POSITION DATA: STA 340.00	103106	1
105	RDAX7360-02		.REPRODUCER-TAPE SUPPLIER CODE: VOFF57 FUNCTIONAL DESCRIPTION: REPRODUCES PRE-RECORDED ANNOUNCEMENTS AND BOARDING MUSIC. ELECTRICAL EQUIP NUMBER: M10748 COMPONENT MAINT MANUAL REF: 23-31-18	103106	1
110	RDAX7281		.REPRODUCER-TAPE SUPPLIER CODE: V54473 COMPONENT MAINT MANUAL REF: 23-31-12 ATTACHING PARTS	504903	1
- 115	BACB30NT3K7		.BOLT	103106	4
- 115	NAS602-6P		.SCREW	504903	4
- 120	NAS1149D0332J		.WASHER	103106	4
- 120	NAS1149DN816J		.WASHER	504903	4
			-----*-----		
- 125	R6GE4A		.LABEL-ESD CAUTION SUPPLIER CODE: VOFF57 CONFIG CHG DATA FROM A CMM: REPLD BY R6QA297ZA	103106	1
- 125	R6QA297ZA		.LABEL-ESD CAUTION SUPPLIER CODE: VOFF57 CONFIG CHG DATA FROM A CMM: REPLACES R6GE4A	103106	1
- 125	R6GE4A		.LABEL-ESD CAUTION SUPPLIER CODE: V54473	504903	1
- 130	R8Q1X736002		.LABEL- SUPPLIER CODE: VOFF57	103106	1
135	R6BN41ZB		.KNOB-ESD CAUTION SUPPLIER CODE: VOFF57 CONFIG CHG DATA FROM A CMM: REPLD BY R6BN41ZC	103106	1

MISSING ITEM NUMBERS NOT APPLICABLE

- ITEM NOT ILLUSTRATED

23-31-06-01

23-31-06
FIG. 01
PAGE 2
MAY 20/09

BRI



757

PARTS CATALOG (MAINTENANCE)

FIG ITEM	PART NUMBER	1 2 3 4 5 6 7	NOMENCLATURE	EFFECT FROM TO	UNITS PER ASSY
1					
135	R6BN41ZC		.KNOB-ESD CAUTION SUPPLIER CODE: VOFF57 CONFIG CHG DATA FROM A CMM: REPLACES R6BN41ZB	103106	1
140	R6BN30A		.KNOB- SUPPLIER CODE: V54473	504903	2
- 300	MODREF103260		SOFTWARE INSTL- MODULE NUMBER: 222N0001-10 REV B	106106	1
- 300	MODREF34741		SOFTWARE INSTL- MODULE NUMBER: 222N0001-10 REV A	105105	1
- 305	2377MEI241-00		.SOFTWARE-PRAM OPS SUPPLIER CODE: VOFF57 MISCELLANEOUS DATA: NO DISKETTE REQUIRED USED WITH: RDAX7360-02 POST RAPID REVISION: RR92008-79C RR92013-5A	105106	1

R
R
R
R
R
R
R
R
R

MISSING ITEM NUMBERS NOT APPLICABLE

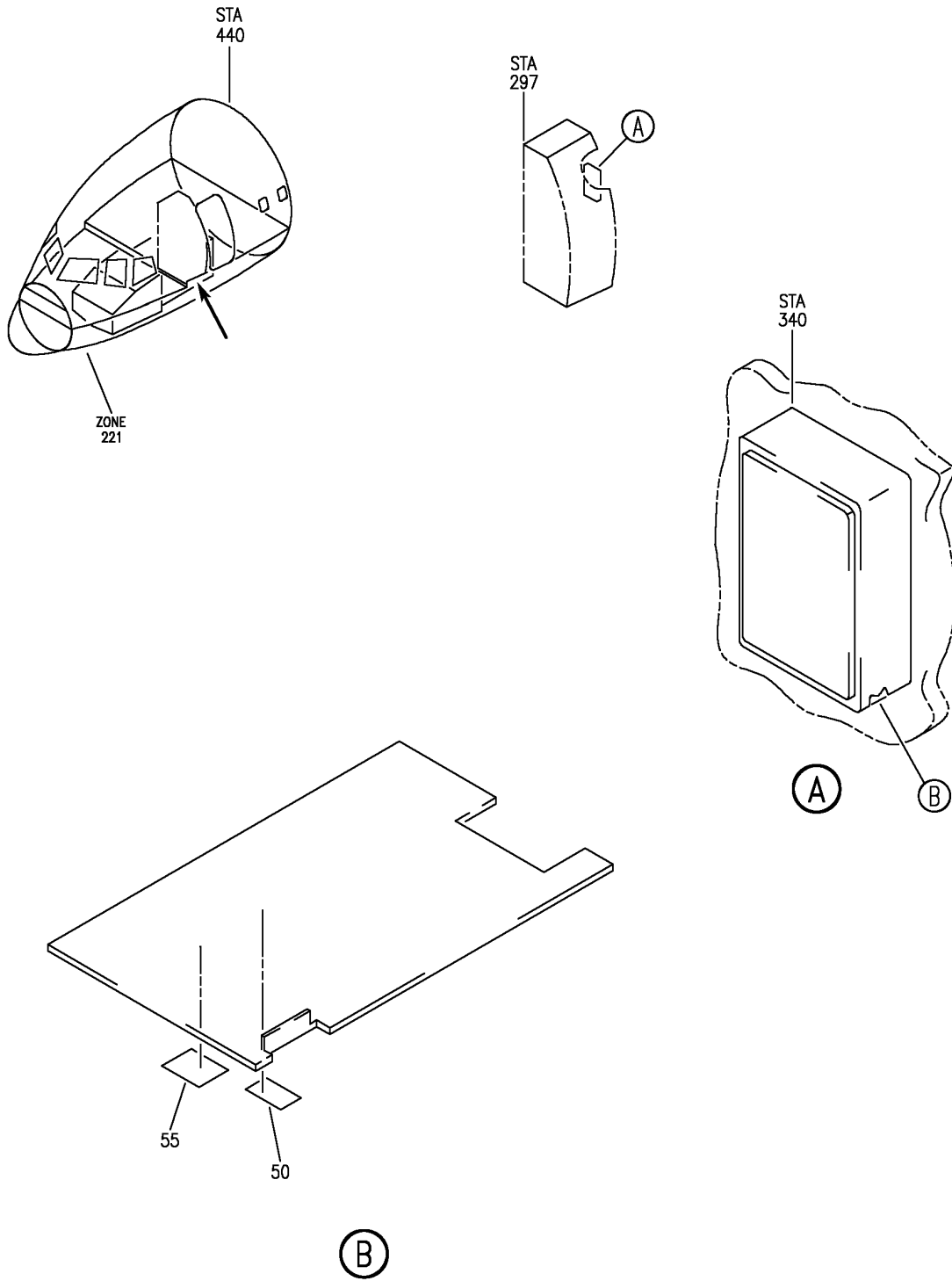
- ITEM NOT ILLUSTRATED

23-31-06-01

23-31-06
FIG. 01
PAGE 3
MAY 20/09

BRI

BOEING
757
PARTS CATALOG (MAINTENANCE)



Y 23310601A REV 273

REPRODUCER-TAPE
FIGURE 1A

23-31-06-01A

BRI
JAN 20/09

23-31-06-01A
PAGE 0



757

PARTS CATALOG (MAINTENANCE)

FIG ITEM	PART NUMBER	1 2 3 4 5 6 7	NOMENCLATURE	EFFECT FROM TO	UNITS PER ASSY
1A			REPRODUCER-TAPE	108120 952999	
R R R R R R R R R R R R R R R	- 1 RDAX7308-01		REPRODUCER-TAPE SUPPLIER CODE: VOFF57 FUNCTIONAL DESCRIPTION: REPRODUCES PRE-RECORDED ANNOUNCEMENTS. ELECTRICAL EQUIP NUMBER: M10748 COMPONENT MAINT MANUAL REF: 23-31-06 QUALIFIED I/W DATA: RDAX7308-01 (BEIGE) I/W RDAX7308-03 (GRAY) PER CUSTOMER PREFERENCE FOR NHA SEE: 23-31-06-01	108120 952999	RF
	50 R6Q1AX730801		.LABEL- SUPPLIER CODE: VOFF57 USED ON: RDAX7308-01	108120 952999	1
	55 R6QA51ZB		.LABEL- SUPPLIER CODE: VOFF57	108120 952999	1
	- 60 R6GE4A		.LABEL-ESD SUPPLIER CODE: VOFF57 SB DATA FROM A CMM: PRE RDAX7351-23-17 CONFIG CHG DATA FROM A CMM: REPLD BY R6QA297ZA	108120 952999	1
	- 60 R6QA237ZA		.LABEL-ESD CAUTION SUPPLIER CODE: VOFF57 SB DATA FROM A CMM: POST RDAX7351-23-17, MOD17 CONFIG CHG DATA FROM A CMM: REPLS R6GE4A	108120 952999	1

MISSING ITEM NUMBERS NOT APPLICABLE

- ITEM NOT ILLUSTRATED

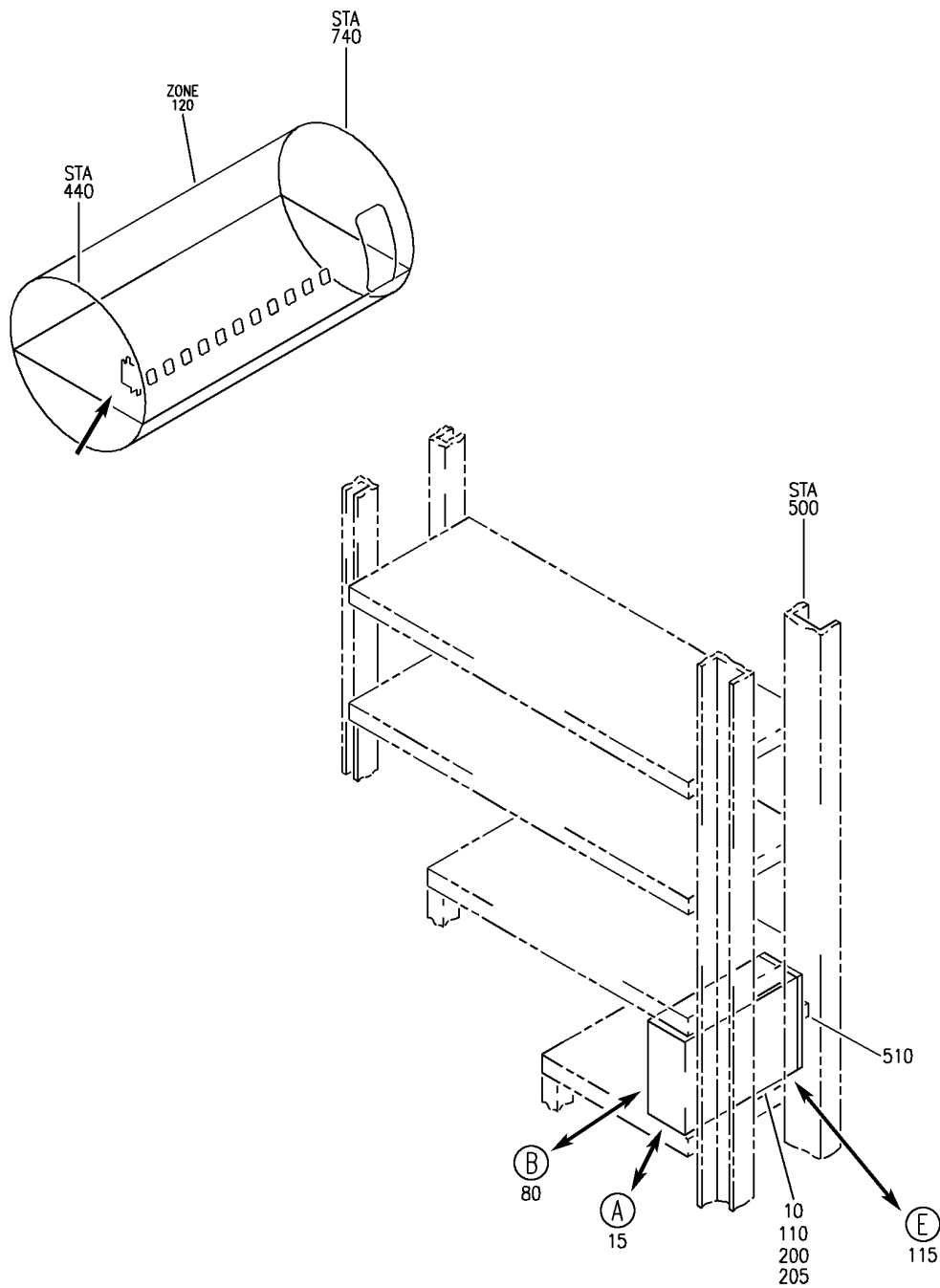
BRI

23-31-06-01A

BOEING PROPRIETARY - Copyright © - Unpublished Work - See title page for details.

23-31-06
FIG. 01A
PAGE 1
MAY 20/09

BOEING
757
PARTS CATALOG (MAINTENANCE)



Y 23310602 SHT 1 REV 289

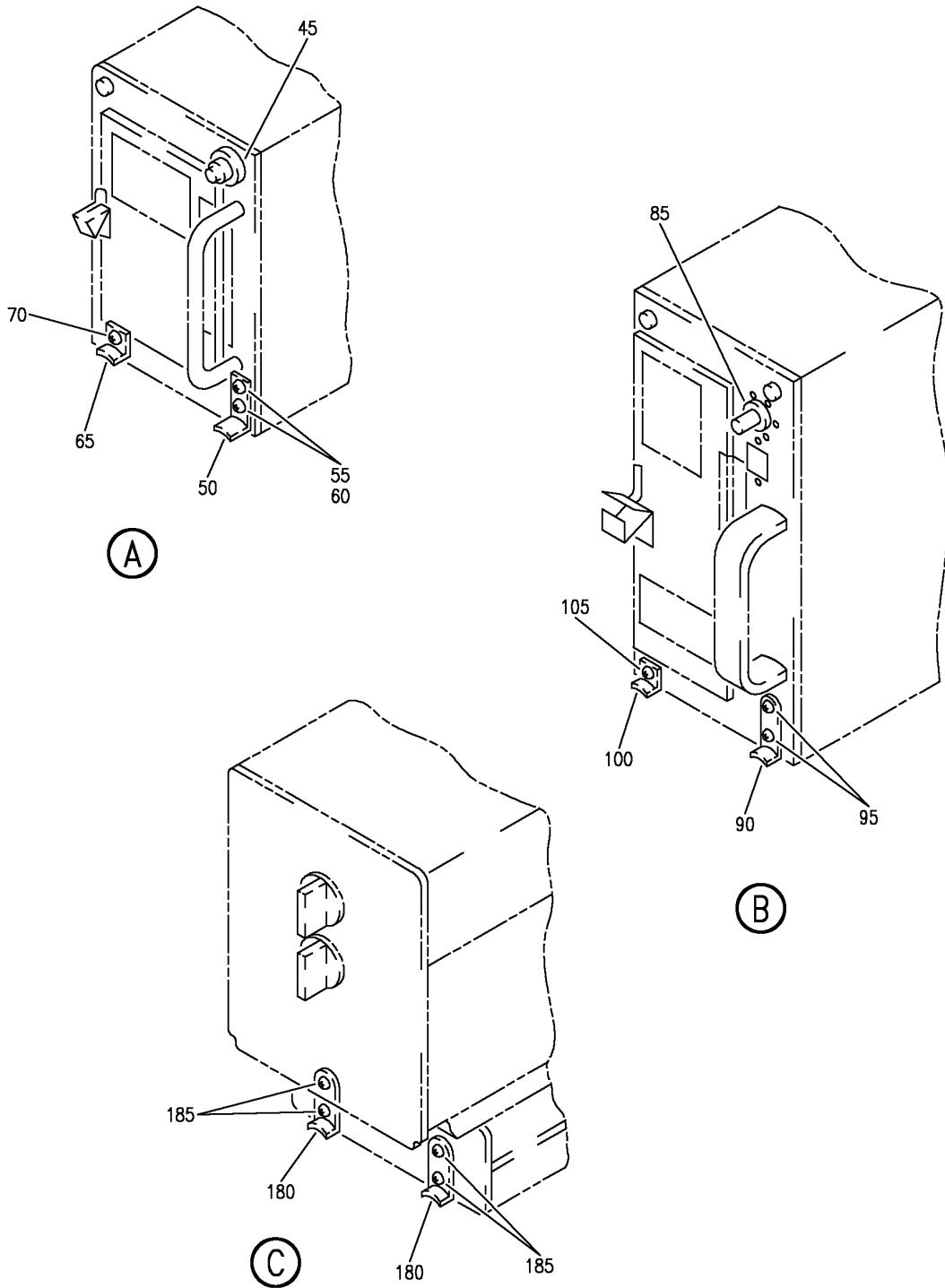
EQUIPMENT INSTL-MAIN ELECTRONICS EQPT CTR (BOARDING MUSIC TAPE REPRODUCER ONLY)
FIGURE 2 (SHEET 1)

BRI
MAY 28/07

23-31-06-02

23-31-06-02
PAGE 0

BOEING
757
PARTS CATALOG (MAINTENANCE)



Y 23310602 SHT 2 REV 265

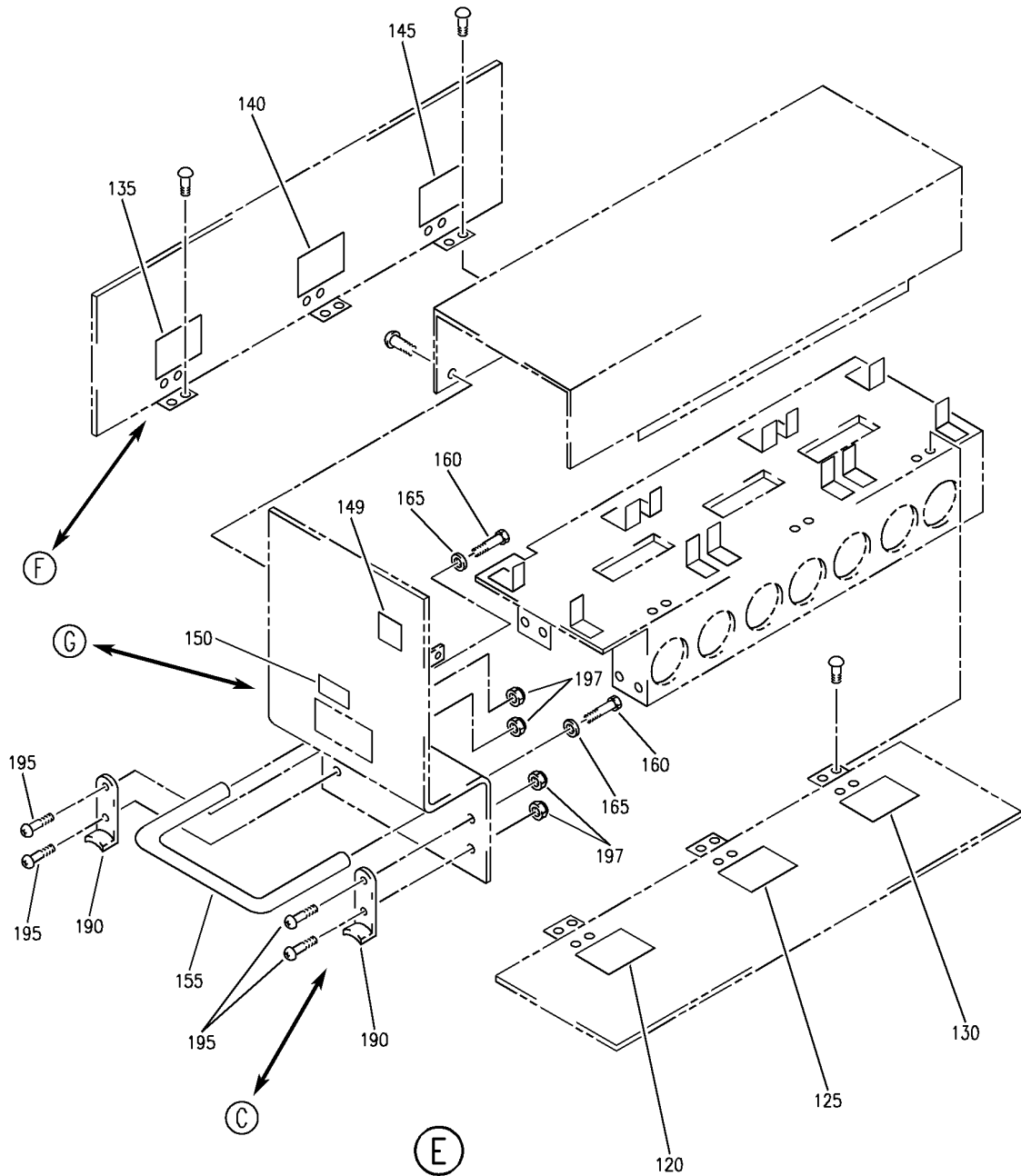
EQUIPMENT INSTL-MAIN ELECTRONICS EQPT CTR (BOARDING MUSIC TAPE REPRODUCER ONLY)
FIGURE 2 (SHEET 2)

23-31-06-02

BRI
MAY 28/07

23-31-06-02
PAGE 0A

BOEING
757
PARTS CATALOG (MAINTENANCE)



Y 23310602 SHT 3 REV 289

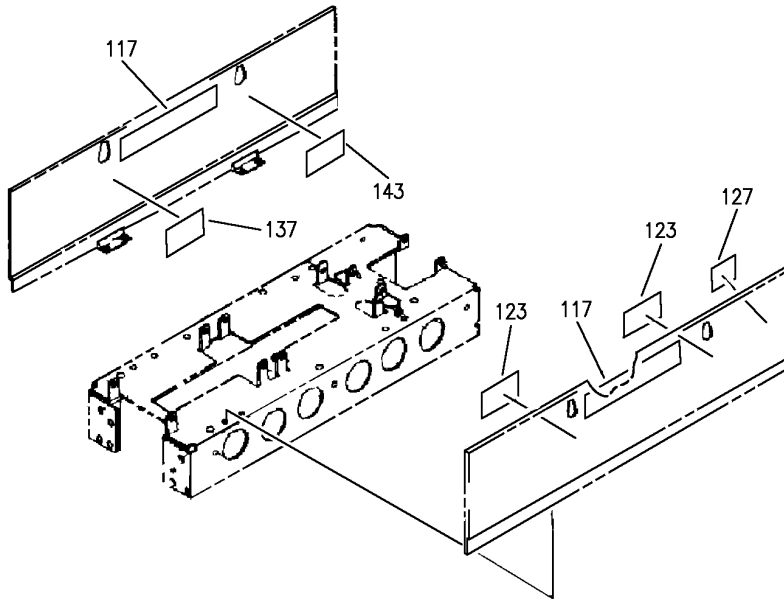
EQUIPMENT INSTL-MAIN ELECTRONICS EQPT CTR (BOARDING MUSIC TAPE REPRODUCER ONLY)
FIGURE 2 (SHEET 3)

23-31-06-02

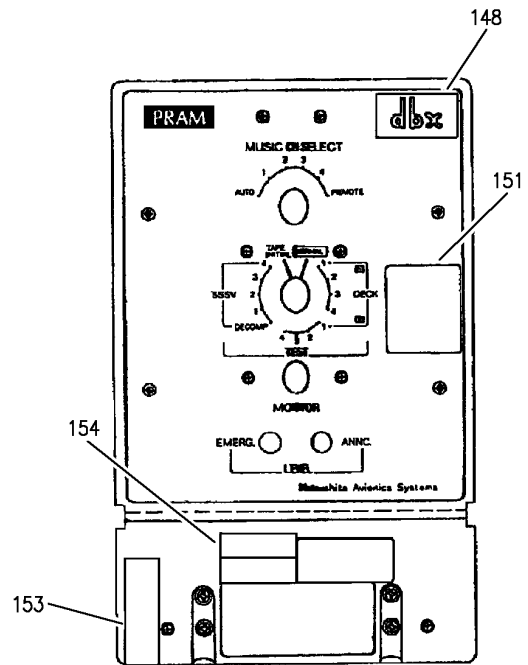
BRI
MAY 28/07

23-31-06-02
PAGE 0B

BOEING
757
PARTS CATALOG (MAINTENANCE)



(F)



(G)

Y 23310602 SHIT 4 REV 275

EQUIPMENT INSTL-MAIN ELECTRONICS EQPT CTR (BOARDING MUSIC TAPE REPRODUCER ONLY)
FIGURE 2 (SHEET 4)

23-31-06-02

BRI
MAY 28/07

23-31-06-02
PAGE 0C



757

PARTS CATALOG (MAINTENANCE)

FIG ITEM	PART NUMBER	1 2 3 4 5 6 7	NOMENCLATURE	EFFECT FROM TO	UNITS PER ASSY
2			EQUIPMENT INSTL-MAIN ELECTRONICS EQPT CTR (BOARDING MUSIC TAPE REPRODUCER ONLY)	002004 006100 107107 504903	
- 1	284N1307-33		EQUIPMENT INSTL-MAIN ELECTRONICS EQPT CTR (BOARDING MUSIC TAPE REPRODUCER ONLY) FOR NHA/OTHER SYS DET SEE: 24-00-58-01	107107	RF
- 2	284N1800-34		EQUIPMENT INSTL-MAIN ELECTRONICS EQPT CTR (BOARDING MUSIC TAPE REPRODUCER ONLY) FOR NHA/OTHER SYS DET SEE: 24-00-58-01	002004 006100	RF
- 3	284N1800-190		EQUIPMENT INSTL-MAIN ELECTRONICS EQPT CTR (BOARDING MUSIC TAPE REPRODUCER ONLY) FOR NHA/OTHER SYS DET SEE: 24-00-58-05E	504504 506903	RF
- 3	284N1800-88		EQUIPMENT INSTL-MAIN ELECTRONICS EQPT CTR (BOARDING MUSIC TAPE REPRODUCER ONLY) FOR NHA/OTHER SYS DET SEE: 24-00-58-05E	505505	RF
80	980-9301-001		.REPRODUCER-TAPE SUPPLIER CODE: V97896 ELECTRICAL EQUIP NUMBER: M10031 COMPONENT MAINT MANUAL REF: 23-30-44	107107	1
85	1016-2A		..KNOB- SUPPLIER CODE: V08730	107107	1
90	HDH1		..HOOK- SUPPLIER CODE: V94867	107107	1
95	NAS1190C08P8L		ATTACHING PARTS ..SCREW -----*-----	107107	2
100	652-2003-001		..HOOK- SUPPLIER CODE: V97896	107107	1

MISSING ITEM NUMBERS NOT APPLICABLE

- ITEM NOT ILLUSTRATED

23-31-06-02

23-31-06
FIG. 02
PAGE 1
MAY 20/09

BRI



**757
PARTS CATALOG (MAINTENANCE)**

FIG ITEM	PART NUMBER	1 2 3 4 5 6 7	NOMENCLATURE	EFFECT FROM TO	UNITS PER ASSY
2			ATTACHING PARTS		
105	NAS1189C06P6L	..	SCREW	107107	1
			-----*-----		
200	RDAX7271BA02	.RE	PRODUCER-TAPE	504903	1
			SUPPLIER CODE: V54473		
			ELECTRICAL EQUIP NUMBER: M10031		
- 500	286N1161-003		WIRE BUNDLE ASSY	107107	RF
- 500	286N1161-008		WIRE BUNDLE ASSY	002004	RF
				006100	
- 500	286N1161-335		WIRE BUNDLE ASSY	504903	RF
510	DPDMB32-33S1B	.PLUG-		002004	1
			SUPPLIER CODE: V71468	006100	
			ELECTRICAL EQUIP NUMBER: D00161	107107	
			WIRING DIAGRAM REF: 233112	504903	

MISSING ITEM NUMBERS NOT APPLICABLE

- ITEM NOT ILLUSTRATED

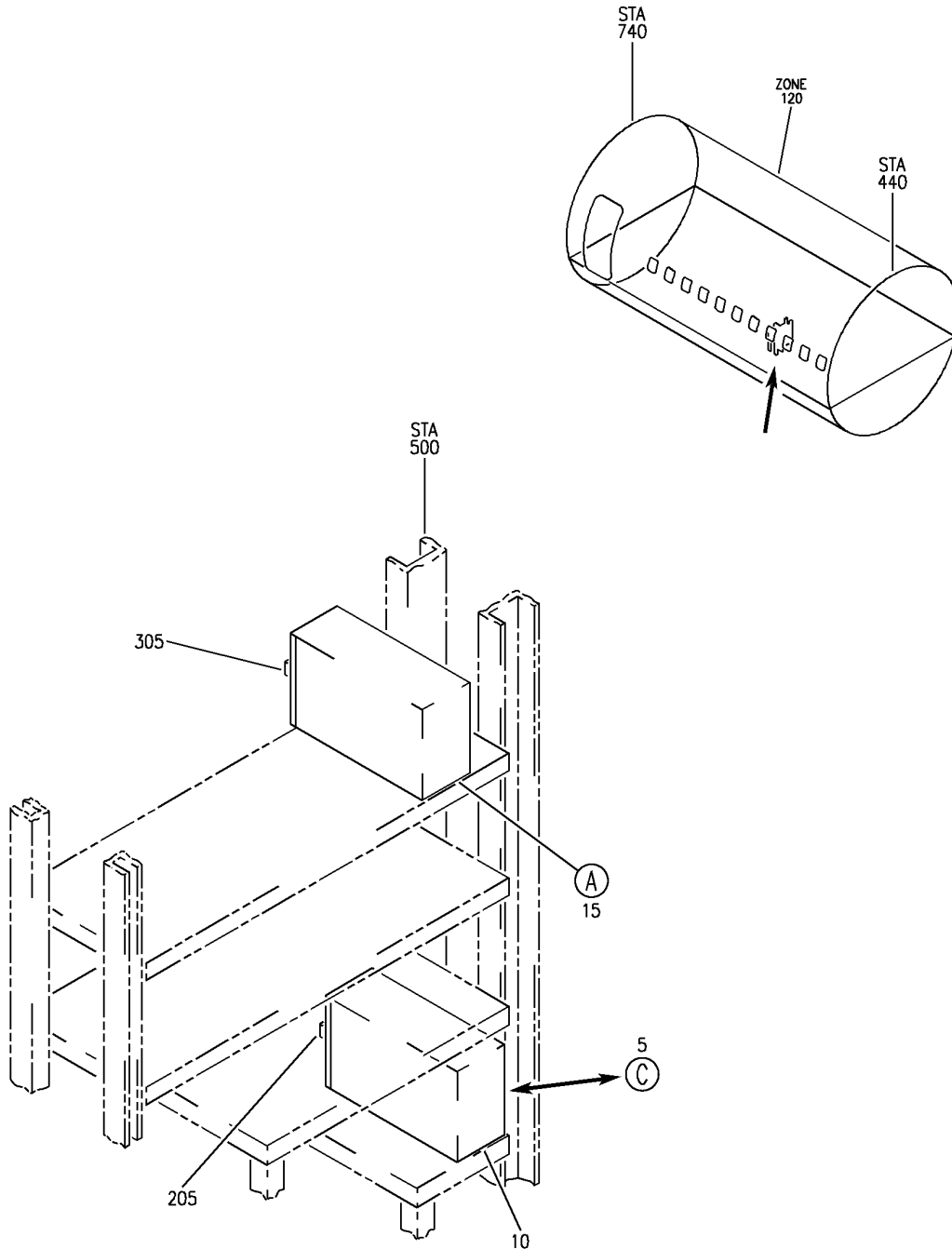
BRI

23-31-06-02

BOEING PROPRIETARY - Copyright © - Unpublished Work - See title page for details.

23-31-06
FIG. 02
PAGE 2
JAN 20/09

BOEING
757
PARTS CATALOG (MAINTENANCE)



Y 23310602B SHT 1 REV 289

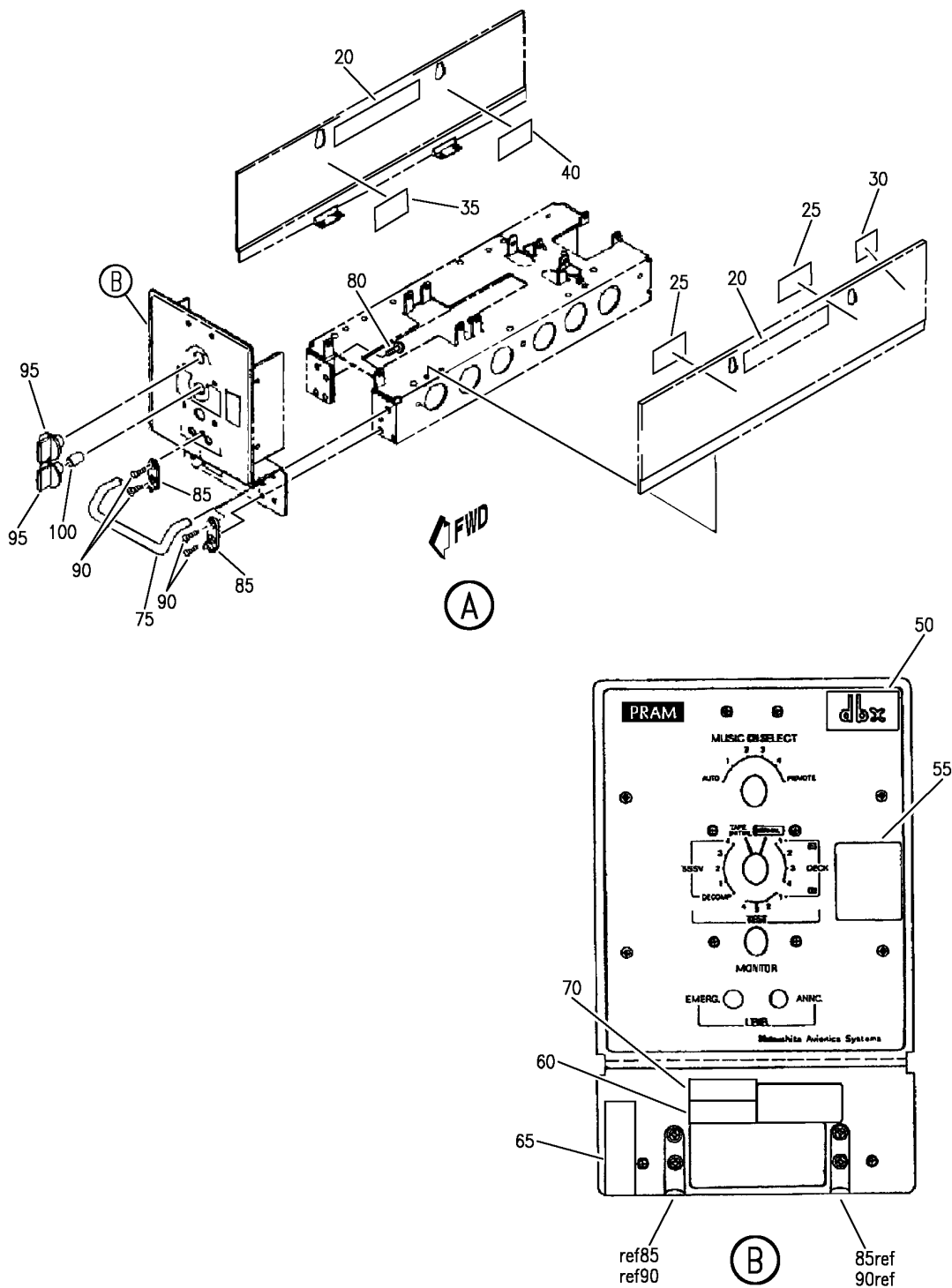
EQUIPMENT INSTL-MAIN ELECTRONICS EQPT CTR (BOARDING MUSIC TAPE REPRODUCER ONLY)
FIGURE 2B (SHEET 1)

BRI
MAY 28/07

23-31-06-02B

23-31-06-02B
PAGE 0

BOEING
757
PARTS CATALOG (MAINTENANCE)



Y 23310602B SHT 2 REV 289

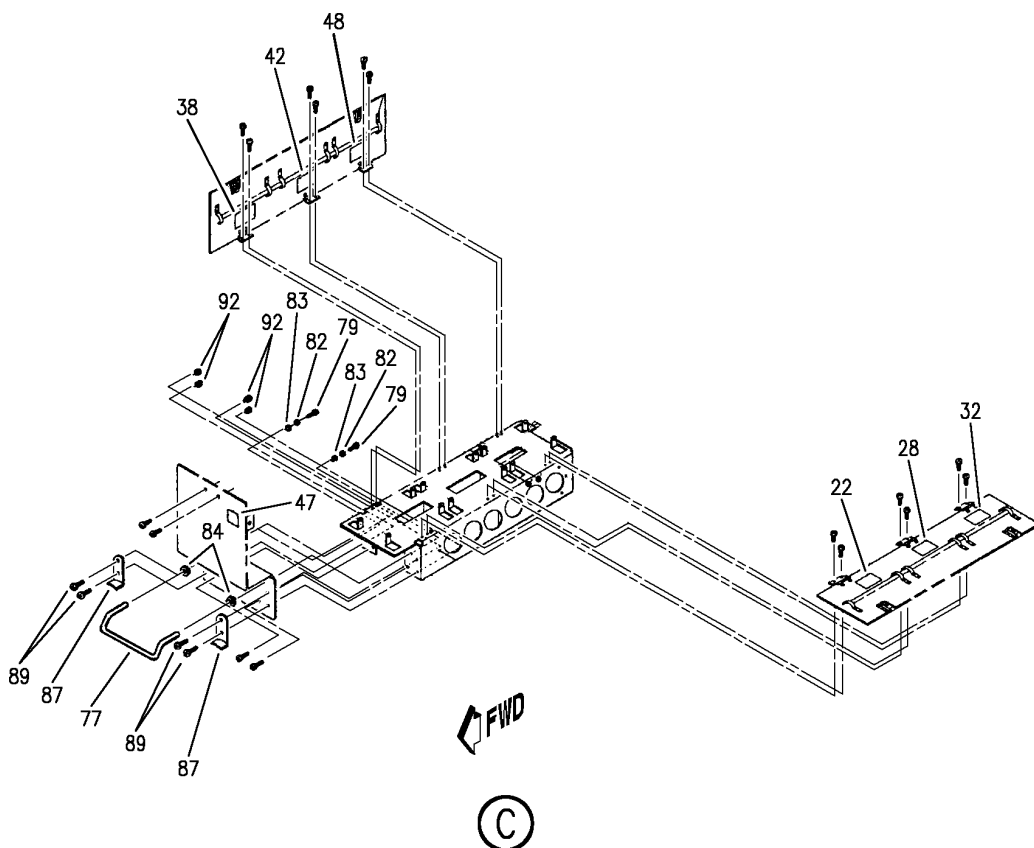
EQUIPMENT INSTL-MAIN ELECTRONICS EQPT CTR (BOARDING MUSIC TAPE REPRODUCER ONLY)
FIGURE 2B (SHEET 2)

23-31-06-02B

BRI
MAY 28/07

23-31-06-02B
PAGE 0A

BOEING
757
PARTS CATALOG (MAINTENANCE)



Y 23310602B SHT 3 REV 289

EQUIPMENT INSTL-MAIN ELECTRONICS EQPT CTR (BOARDING MUSIC TAPE REPRODUCER ONLY)
FIGURE 2B (SHEET 3)

23-31-06-02B

BRI
MAY 28/07

23-31-06-02B
PAGE 0B



757

PARTS CATALOG (MAINTENANCE)

FIG ITEM	PART NUMBER	1 2 3 4 5 6 7	NOMENCLATURE	EFFECT FROM TO	UNITS PER ASSY
2B			EQUIPMENT INSTL-MAIN ELECTRONICS EQPT CTR (BOARDING MUSIC TAPE REPRODUCER ONLY)	101102	
- 1	284N1800-140		EQUIPMENT INSTL-MAIN ELECTRONICS EQPT CTR (BOARDING MUSIC TAPE REPRODUCER ONLY)	101101	RF
- 1	284N1800-141		FOR NHA/OTHER SYS DET SEE: 24-00-58-05E		
			EQUIPMENT INSTL-MAIN ELECTRONICS EQPT CTR (BOARDING MUSIC TAPE REPRODUCER ONLY)	102102	RF
			FOR NHA/OTHER SYS DET SEE: 24-00-58-05E		
10	RDAX7101		.REPRODUCER-TAPE (CUSTOMER FURNISHED) SUPPLIER CODE: V54473 ELECTRICAL EQUIP NUMBER: M10031 COMPONENT MAINT MANUAL REF: 23-31-01	101101	1
- 200	286N1161-319		WIRE BUNDLE ASSY	101101	RF
205	DPDMB32-33S1B		.PLUG- SUPPLIER CODE: V71468 ELECTRICAL EQUIP NUMBER: D00161 WIRING DIAGRAM REF: 233112	101101	1

MISSING ITEM NUMBERS NOT APPLICABLE

- ITEM NOT ILLUSTRATED

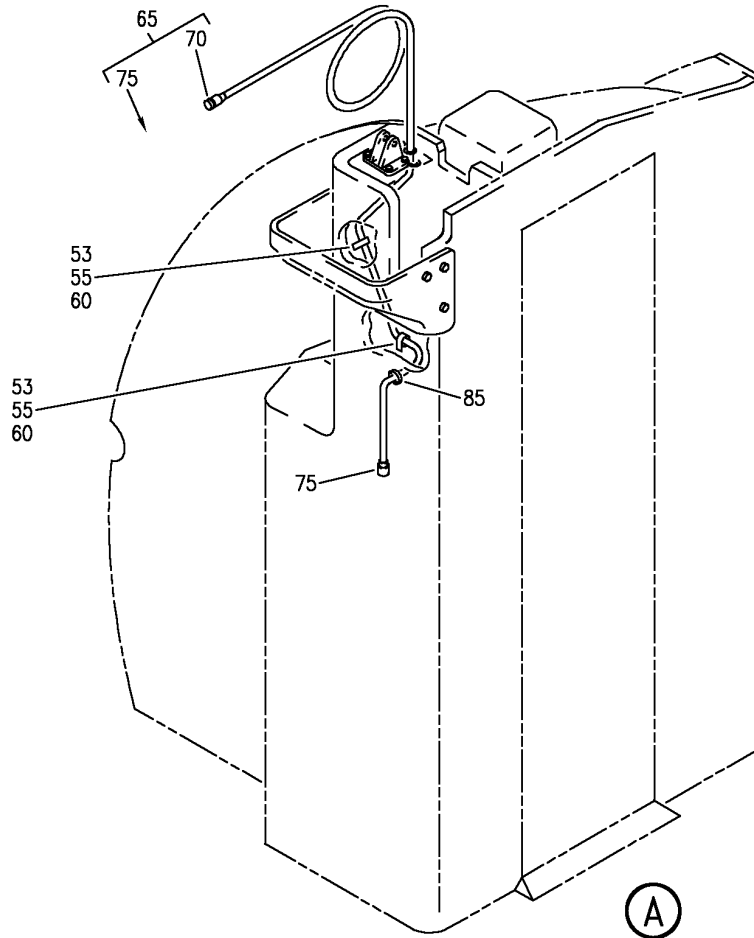
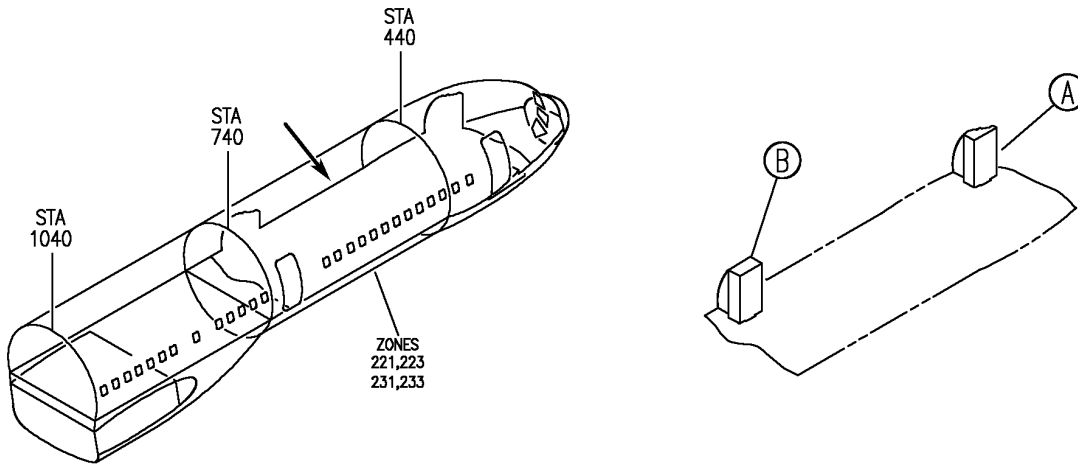
23-31-06-02B

23-31-06
FIG. 02B
PAGE 1
JAN 20/09

BRI

BOEING PROPRIETARY - Copyright © - Unpublished Work - See title page for details.

BOEING
757
PARTS CATALOG (MAINTENANCE)



Y 23310650 SH1 1 REV 271

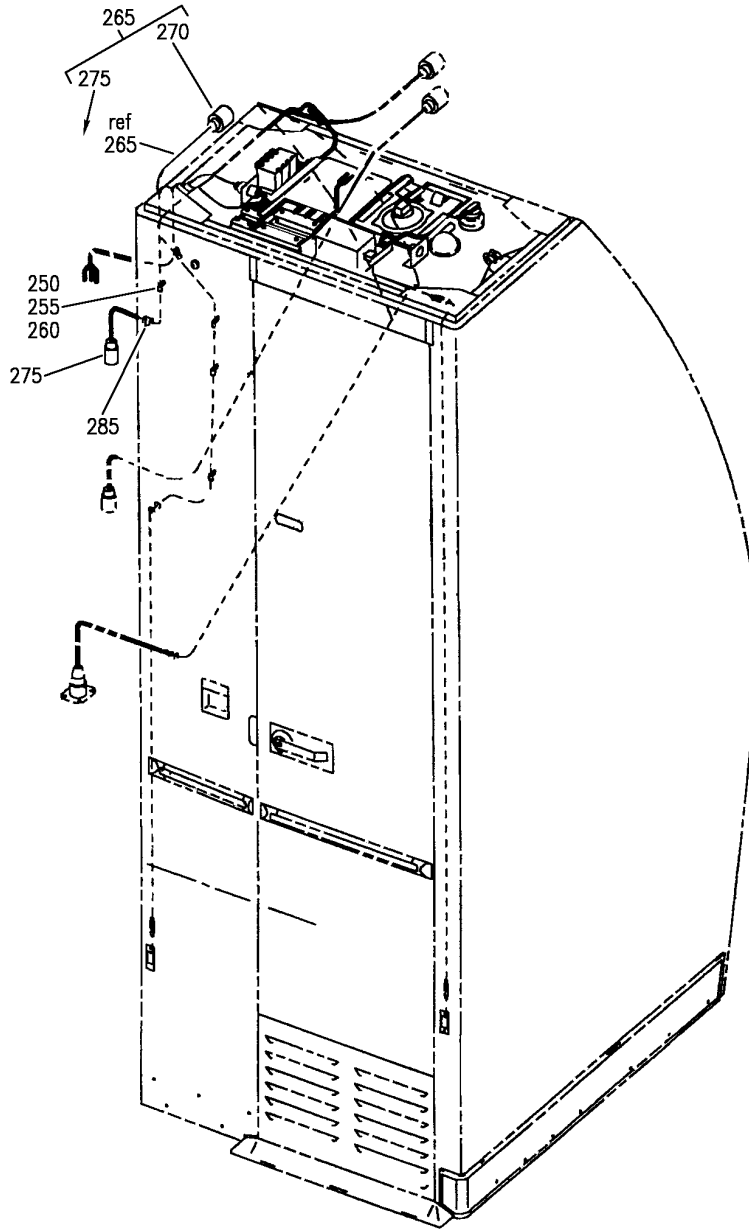
MODULE ASSY-LAV A (PASSENGER ADDRESS SYSTEM ONLY)
FIGURE 50 (SHEET 1)

23-31-06-50

BRI
JAN 20/09

23-31-06-50
PAGE 0

BOEING
757
PARTS CATALOG (MAINTENANCE)



(B)

Y 23310650 SH1 2 REV 271

MODULE ASSY-LAV A (PASSENGER ADDRESS SYSTEM ONLY)
FIGURE 50 (SHEET 2)

23-31-06-50

BRI
JAN 20/09

23-31-06-50
PAGE 0A



757

PARTS CATALOG (MAINTENANCE)

FIG ITEM	PART NUMBER	1 2 3 4 5 6 7	NOMENCLATURE	EFFECT FROM TO	UNITS PER ASSY
50			MODULE ASSY-LAV A (PASSENGER ADDRESS SYSTEM ONLY)	103106 108120	
- 1	D75DOA044-111		MODULE ASSY-LAV A (PASSENGER ADDRESS SYSTEM ONLY) SUPPLIER CODE: VS5825 SPECIFICATION NUMBER: S417N101-1346A ELECTRICAL EQUIP NUMBER: M10012 COMPONENT MAINT MANUAL REF: 25-40-62 FOR NHA/OTHER SYS DET SEE: 25-41-01-55A	108120	RF
- 1	D71DOA012-111		MODULE ASSY-LAV A (PASSENGER ADDRESS SYSTEM ONLY) SUPPLIER CODE: VS5825 SPECIFICATION NUMBER: S417N104-1312A ELECTRICAL EQUIP NUMBER: M10012 COMPONENT MAINT MANUAL REF: 25-44-10 FOR NHA/OTHER SYS DET SEE: 25-41-01-40E	103106	RF
53	BACC10DK5		.CLAMP	103106 108120	2
55	NAS1801-3-6		ATTACHING PARTS .SCREW	103106 108120	2
60	NAS1149D0332K		.WASHER	103106	2
65	D75D95023-111		.HARNES ASSY-REPRODUCER SUPPLIER CODE: VS5825	108120	1
65	D71D95008-901		.HARNES ASSY-REPRODUCER SUPPLIER CODE: VS5825	103106	1
70	BACC45FT16-24P		..CONNECTOR-P16	103106 108120	1
75	BACC45FT16-24S		..CONNECTOR-P17	103106 108120	1
- 77	450EB001C16347		..SHELL-45 BACK SUPPLIER CODE: V06324	103106	1

MISSING ITEM NUMBERS NOT APPLICABLE

- ITEM NOT ILLUSTRATED

23-31-06-50

23-31-06
FIG. 50
PAGE 1
JAN 20/09

BRI



757

PARTS CATALOG (MAINTENANCE)

FIG ITEM	PART NUMBER	1 2 3 4 5 6 7	NOMENCLATURE	EFFECT FROM TO	UNITS PER ASSY
50					
- 80	T18R		. . TIE-INSULOK SUPPLIER CODE: VU3384 OPTIONAL PART: 89176-0001 VS5006	108120	8
- 82	T18R		. . TIE-INSULOK SUPPLIER CODE: VU3384 OPTIONAL PART: 89176-0001 VS5006	103106	9
85	D75D80150-914		. GROMMET- SUPPLIER CODE: VS5825	103106	1
- 90	D75D80150-914		. GROMMET- SUPPLIER CODE: VS5825	103106	1

MISSING ITEM NUMBERS NOT APPLICABLE

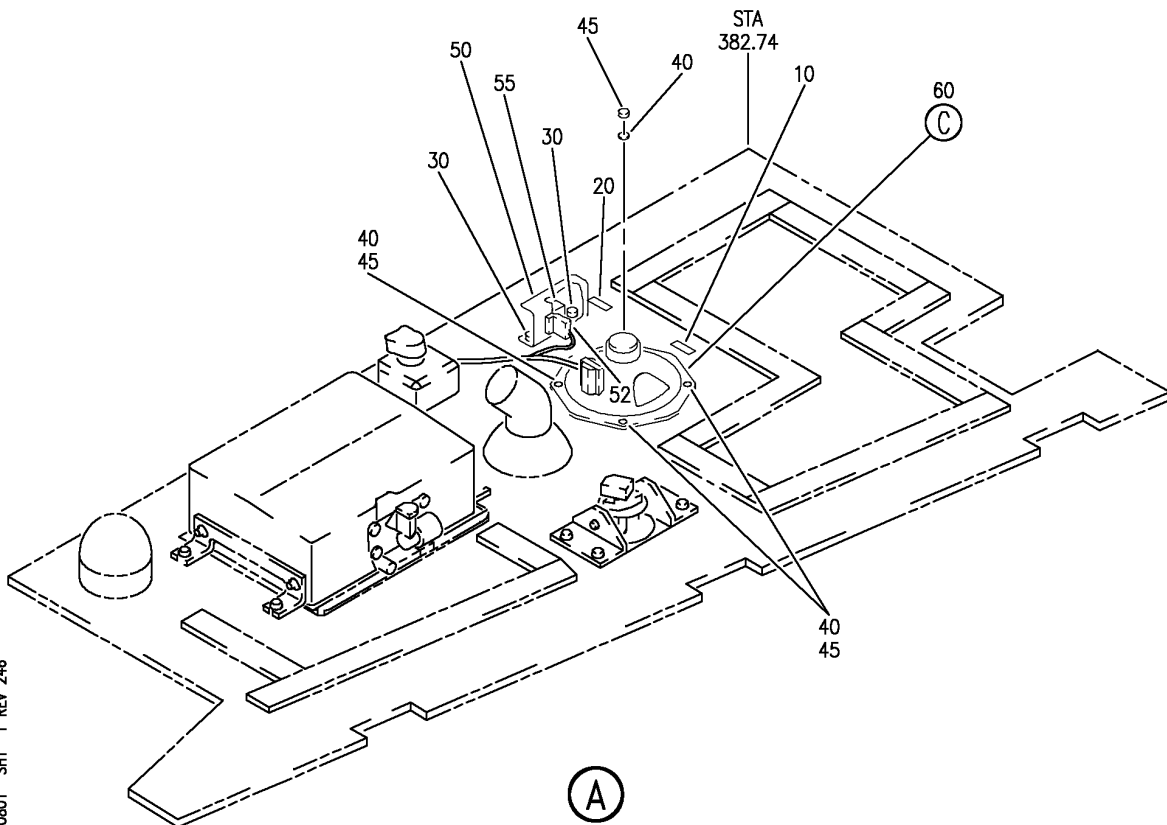
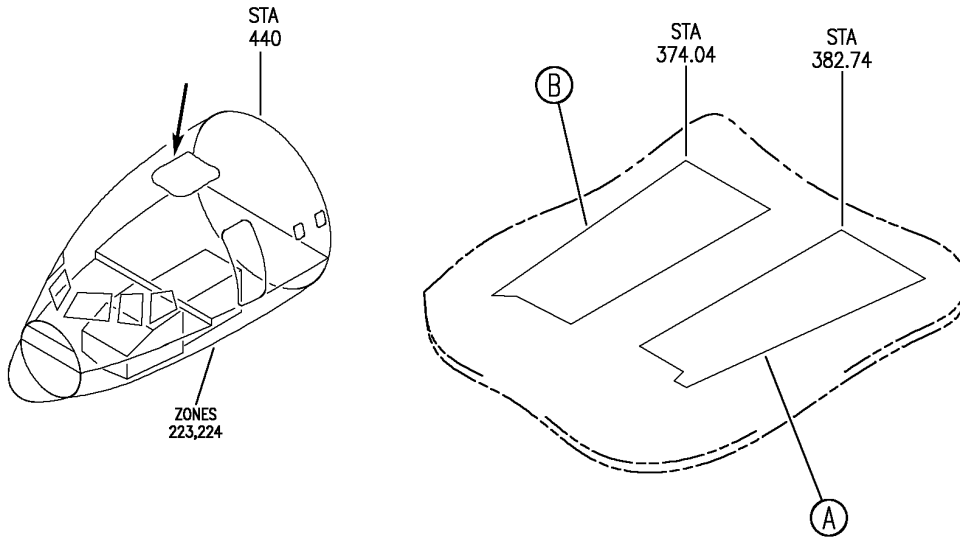
- ITEM NOT ILLUSTRATED

23-31-06-50

23-31-06
FIG. 50
PAGE 2
JAN 20/09

BRI

BOEING
757
PARTS CATALOG (MAINTENANCE)



Y 23310801 SHT 1 REV 246

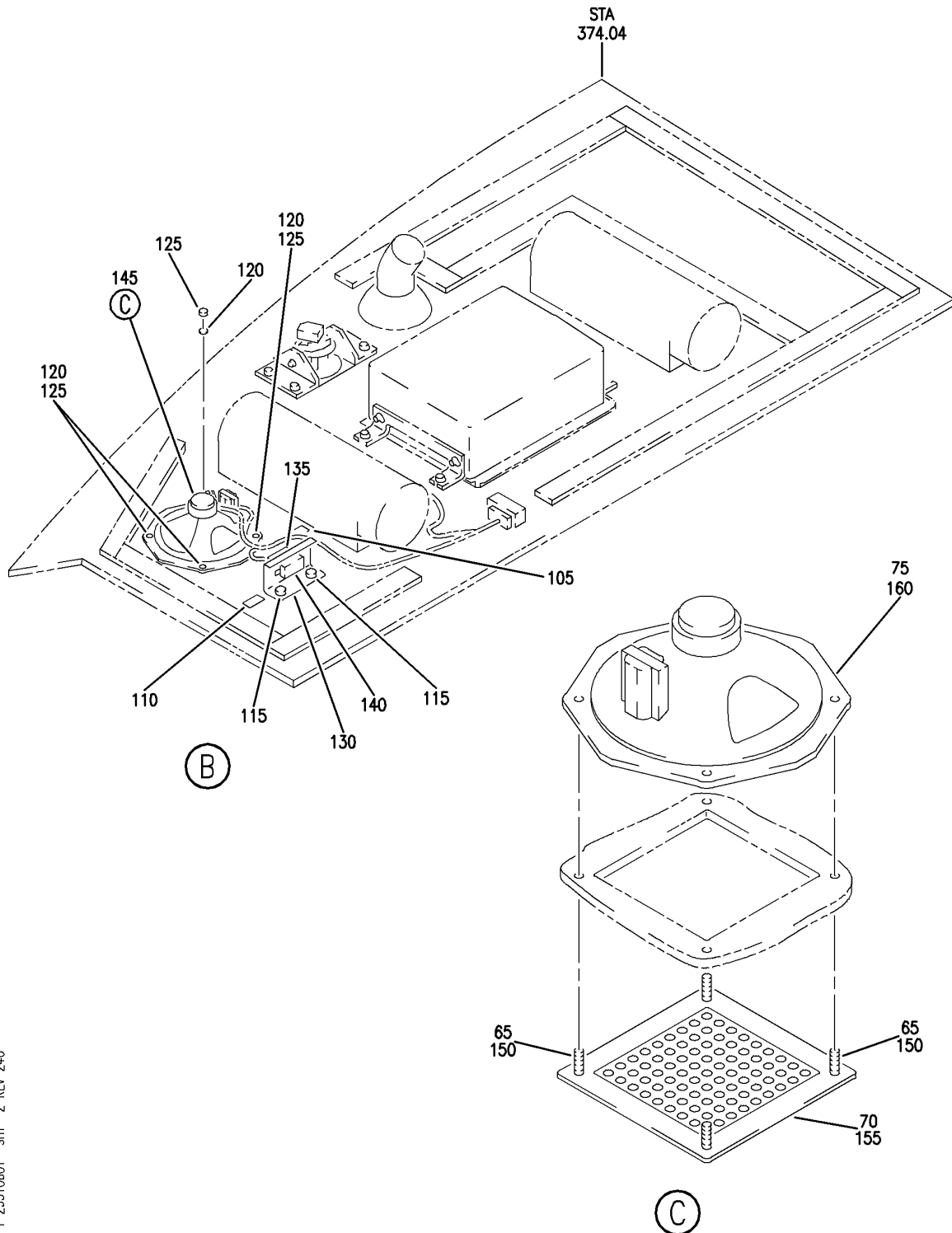
CEILING ASSY-PASS. ADDRESS (PA) SPKR (COMMUNICATION ONLY)
FIGURE 1 (SHEET 1)

23-31-08-01

BRI
JAN 20/09

23-31-08-01
PAGE 0

BOEING
757
PARTS CATALOG (MAINTENANCE)



Y 23310801 SHT 2 REV 246

CEILING ASSY-PASS. ADDRESS (PA) SPKR (COMMUNICATION ONLY)
FIGURE 1 (SHEET 2)

23-31-08-01

BRI
JAN 20/09

23-31-08-01
PAGE 0A



757

PARTS CATALOG (MAINTENANCE)

FIG ITEM	PART NUMBER	1 2 3 4 5 6 7	NOMENCLATURE	EFFECT FROM TO	UNITS PER ASSY
1			CEILING ASSY-PASS. ADDRESS (PA) SPKR (COMMUNICATION ONLY)	103106	
- 100	411N3520-29B		CEILING ASSY-PASS. ADDRESS (PA) SPKR (COMMUNICATION ONLY) POSITION DATA: DOOR 1 FOR NHA/OTHER SYS DET SEE: 25-22-02-69C	103106	RF
105	BAC27NEX3091		.MARKER- PLACARD CONTENT: B10262	103106	1
110	BAC27NEX3089		.MARKER- PLACARD CONTENT: K10810	103106	1
115	BACS12FA3K4		.SCREW	103106	2
120	NAS1149DN832J		.WASHER	103106	4
125	BACN10MG8		.NUT	103106	4
130	411N3141-123		.BRACKET	103106	1
135	RSE120026		.SOCKET SUPPLIER CODE: V58982 SPECIFICATION NUMBER: BACS16AG1 OPTIONAL PART: 451120-026 V58982	103106	1
140	W260F4AM11		.RELAY- SUPPLIER CODE: VF0219 SPECIFICATION NUMBER: BACR13CD2 OPTIONAL PART: BR16S233 V09026 EE4AA005 V35344 3SAV1338A2 V01526 HFW1206K03 V58614 HFW1204K01 V71482 ELECTRICAL EQUIP NUMBER: K10810	103106	1
145	416N1011-1E		.GRILL ASSY-SPKR	103106	1
150	BACS21AQ2A7Q		..STUD	103106	4

MISSING ITEM NUMBERS NOT APPLICABLE

- ITEM NOT ILLUSTRATED

23-31-08-01

23-31-08
FIG. 01
PAGE 1
JAN 20/09

BRI



757

PARTS CATALOG (MAINTENANCE)

FIG ITEM	PART NUMBER	1 2 3 4 5 6 7	NOMENCLATURE	EFFECT FROM TO	UNITS PER ASSY
1					
155	416N1011-3	..	GRILLE-SPKR OPTIONAL PART: 416N1011-13	103106	1
155	416N1011-13	..	GRILLE-SPKR OPTIONAL PART: 416N1011-3	103106	1
160	RDAM8018	.S	SPEAKER- SUPPLIER CODE: VOFF57 SPECIFICATION NUMBER: 10-62232-01 ELECTRICAL EQUIP NUMBER: B10261	103106	1

MISSING ITEM NUMBERS NOT APPLICABLE

- ITEM NOT ILLUSTRATED

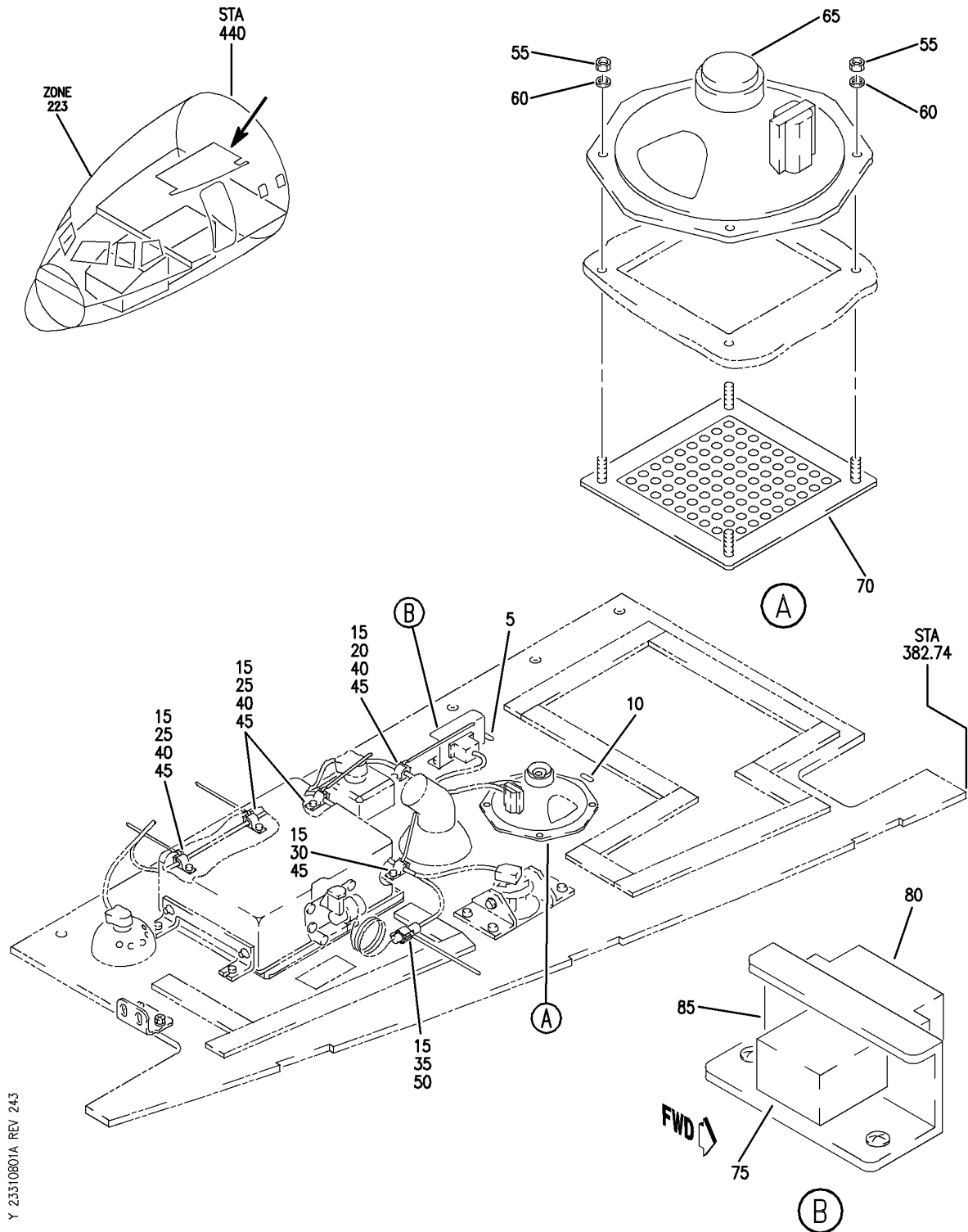
BRI

23-31-08-01

BOEING PROPRIETARY - Copyright © - Unpublished Work - See title page for details.

23-31-08
FIG. 01
PAGE 2
JAN 20/09

BOEING
757
PARTS CATALOG (MAINTENANCE)



Y 23310801A REV 243

CEILING ASSY-PASS. ADDRESS SPEAKER (COMMUNICATIONS ONLY)
FIGURE 1A

23-31-08-01A

BRI
JAN 20/09

23-31-08-01A
PAGE 0



757

PARTS CATALOG (MAINTENANCE)

FIG ITEM	PART NUMBER	1 2 3 4 5 6 7	NOMENCLATURE	EFFECT FROM TO	UNITS PER ASSY
1 A			CEILING ASSY-PASS. ADDRESS SPEAKER (COMMUNICATIONS ONLY)	103106	
- 1	411N3520-13B		CEILING ASSY-ENTRY PASS. ADDRESS SPEAKER (COMMUNICATIONS ONLY) POSITION DATA: DOOR 1 FOR NHA/OTHER SYS DET SEE: 25-22-02-69L	103106	RF
5	BAC27NEX3088		.MARKER- PLACARD CONTENT: K10809	103106	1
10	BAC27NEX3090		.MARKER- PLACARD CONTENT: B10261	103106	1
15	PLT1-5IM		.STRAP SUPPLIER CODE: V06383 SPECIFICATION NUMBER: BACS38K5 OPTIONAL PART: T03R0 V53421	103106	6
20	BACS12FA08K20		.SCREW	103106	1
25	BACS12FA3K20		.SCREW	103106	3
30	BACS12FA3K6		.SCREW	103106	1
35	BACS12FA3K5		.SCREW	103106	1
40	NAS42DD6-56FC		.SPACER	103106	4
45	287T0011-1		.CLAMP	103106	5
50	287T0011-3		.CLAMP	103106	1
55	BACN10MG8		.NUT	103106	4
60	NAS1149DN832J		.WASHER	103106	4
65	RDAM8018		.SPEAKER- SUPPLIER CODE: VOFF57 SPECIFICATION NUMBER: 10-62232-01 ELECTRICAL EQUIP NUMBER: B10261 WIRING DIAGRAM REF: 233121	103106	1
70	416N1011-1E		.GRILL ASSY	103106	1

MISSING ITEM NUMBERS NOT APPLICABLE

- ITEM NOT ILLUSTRATED

23-31-08-01A

23-31-08
FIG. 01A
PAGE 1
JAN 20/09

BRI

BOEING PROPRIETARY - Copyright © - Unpublished Work - See title page for details.



757

PARTS CATALOG (MAINTENANCE)

FIG ITEM	PART NUMBER	1 2 3 4 5 6 7	NOMENCLATURE	EFFECT FROM TO	UNITS PER ASSY
1 A 75	W260F4AM11	.	RELAY SUPPLIER CODE: VF0219 SPECIFICATION NUMBER: BACR13CD2 OPTIONAL PART: BR16S233 V09026 EE4AA005 V35344 3SAV1338A2 V01526 HFW1206K03 V58614 HFW1204K01 V71482	103106	1
80	RSE120026	.	SOCKET-RELAY SUPPLIER CODE: V58982 SPECIFICATION NUMBER: BACS16AG1 OPTIONAL PART: 451120-026 V58982 ELECTRICAL EQUIP NUMBER: K10809 WIRING DIAGRAM REF: 233121	103106	1
85	411N3141-123	.	BRACKET ATTACHING PARTS	103106	1
- 90	BACS12FA3K4	.	SCREW -----*-----	103106	2

MISSING ITEM NUMBERS NOT APPLICABLE

- ITEM NOT ILLUSTRATED

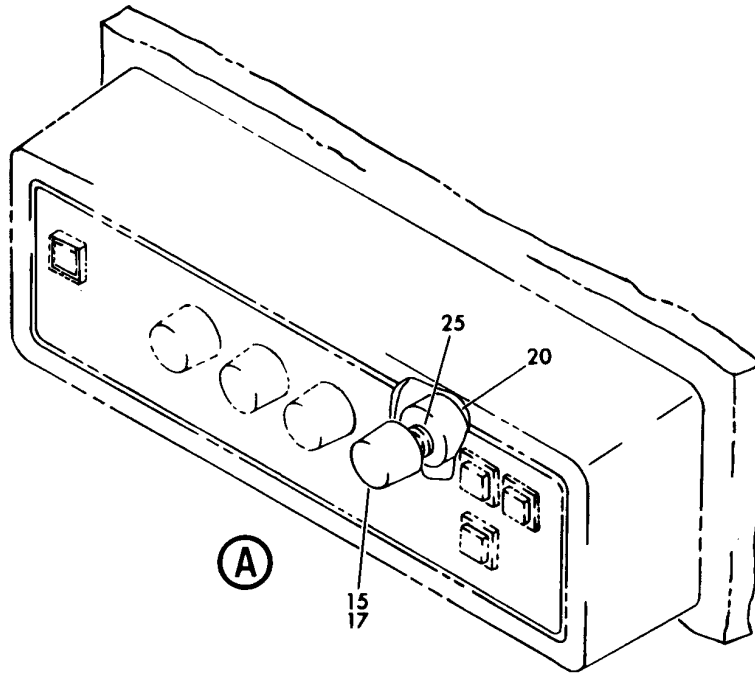
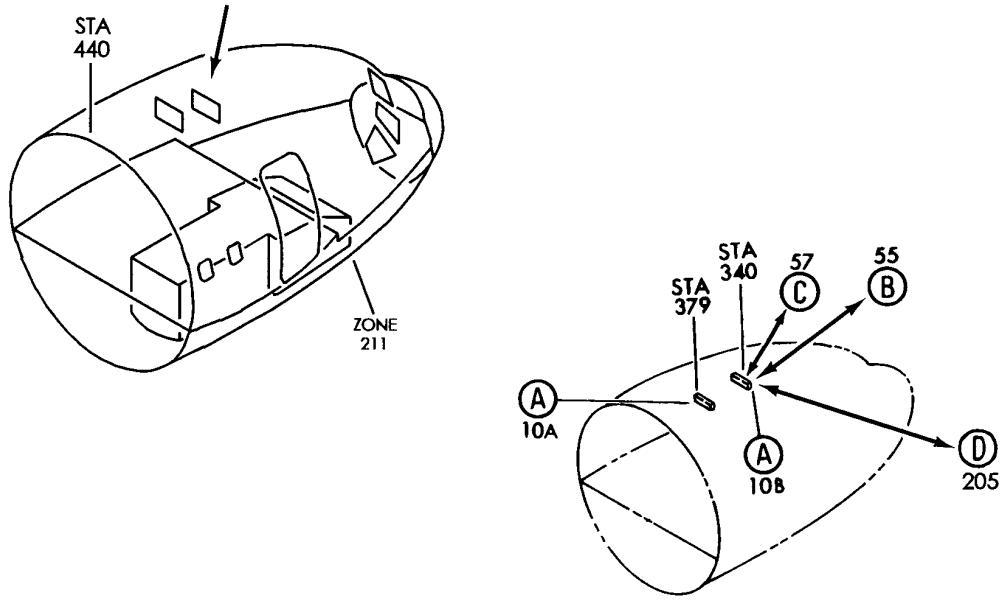
23-31-08-01A

23-31-08
FIG. 01A
PAGE 2
JAN 20/09

BRI

BOEING PROPRIETARY - Copyright © - Unpublished Work - See title page for details.

BOEING
757
PARTS CATALOG (MAINTENANCE)



Y 23315101 SH1 1 REV 208

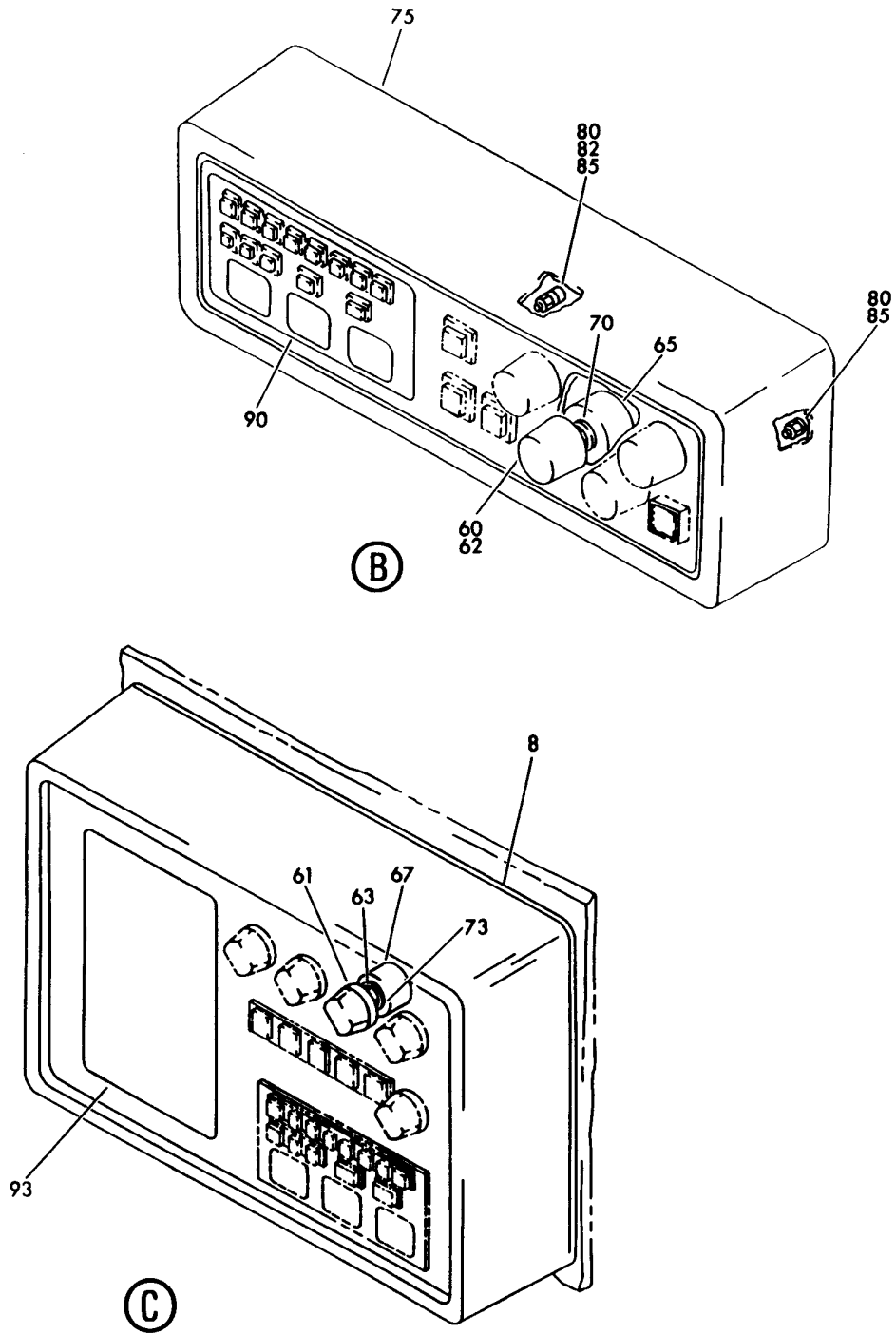
PANEL INSTL-ATTENDANT (COMMUNICATIONS ONLY)
FIGURE 1 (SHEET 1)

23-31-51-01

BRI
MAY 28/07

23-31-51-01
PAGE 0

BOEING
757
PARTS CATALOG (MAINTENANCE)



Y 23315101 SHT 2 REV 130

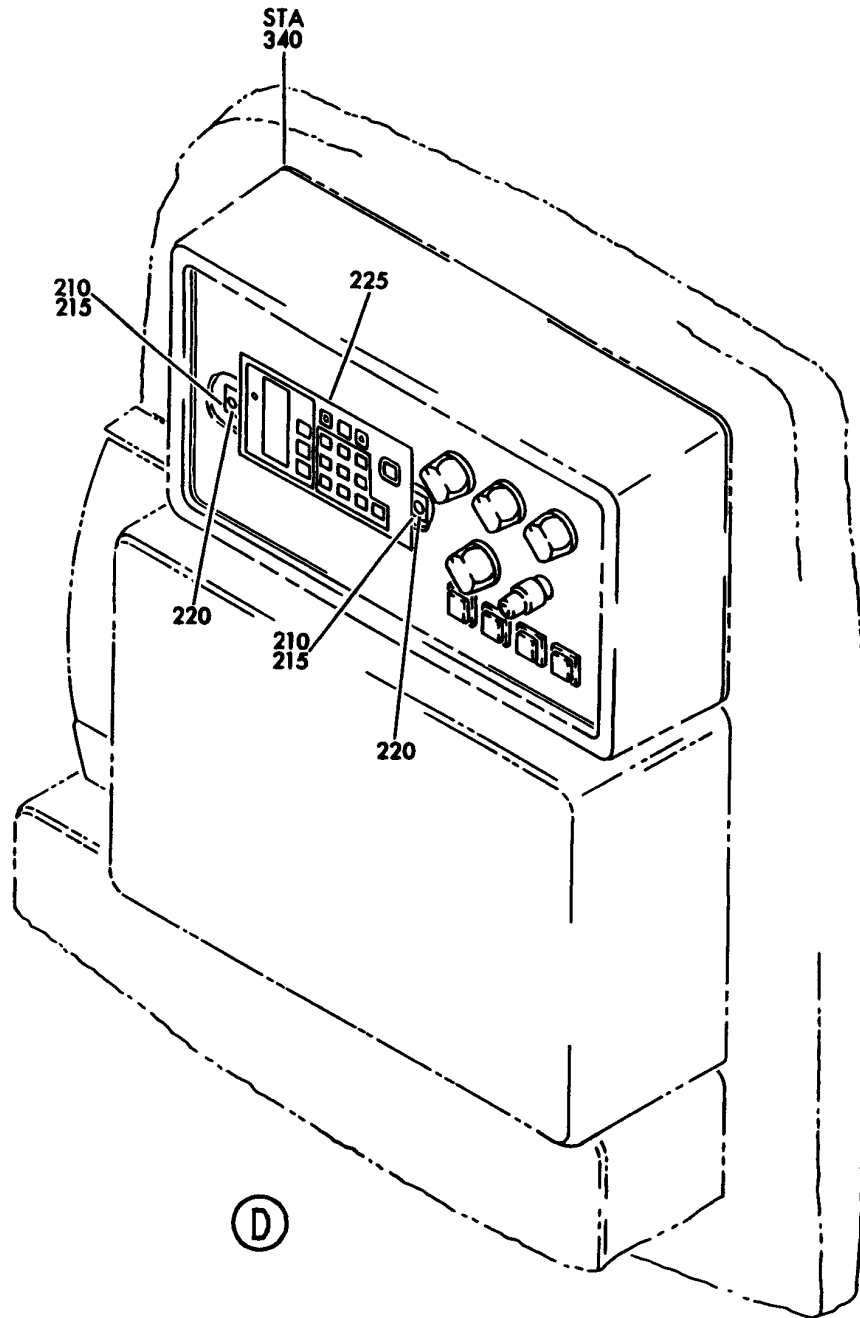
PANEL INSTL-ATTENDANT (COMMUNICATIONS ONLY)
FIGURE 1 (SHEET 2)

23-31-51-01

BRI
MAY 28/07

23-31-51-01
PAGE 0A

BOEING
757
PARTS CATALOG (MAINTENANCE)



Y 23315101 SHT 3 REV 208

PANEL INSTL-ATTENDANT (COMMUNICATIONS ONLY)
FIGURE 1 (SHEET 3)

23-31-51-01

BRI
MAY 28/07

23-31-51-01
PAGE 0B



757

PARTS CATALOG (MAINTENANCE)

FIG ITEM	PART NUMBER	1 2 3 4 5 6 7	NOMENCLATURE	EFFECT FROM TO	UNITS PER ASSY
1			PANEL INSTL-ATTENDANT (COMMUNICATIONS ONLY)	002004 006102 107107 504903 952999	
- 5	417N6001-4		PANEL INSTL-ATTENDANT (COMMUNICATIONS ONLY) POSITION DATA: STA 379.20 FOR NHA/OTHER SYS DET SEE: 25-20-00-01E	107107	RF
- 6	417N6001-51		PANEL INSTL-ATTENDANT (COMMUNICATIONS ONLY) POSITION DATA: STA 682.90 FOR NHA/OTHER SYS DET SEE: 25-20-00-01A	952999	RF
8	417N6002-47SP		.PANEL ASSY- SUPPLIER CODE: V89954 COMPONENT MAINT MANUAL REF: 33-22-51	952999	RF
10	417N6002-4SP		.PANEL ASSY- SUPPLIER CODE: V89954 COMPONENT MAINT MANUAL REF: 33-22-51	107107	RF
15	RD409-101		..KNOB- SUPPLIER CODE: V81590	107107	1
17	MS25082-18		..NUT	107107	1
20	4P2224		..POTENTIOMETER- SUPPLIER CODE: V58756 ELECTRICAL EQUIP NUMBER: S10179	107107	1
25	AN960D616L		..WASHER	107107	1
- 50	417N6001-209SP		PANEL INSTL-ATTENDANT (COMMUNICATIONS ONLY) POSITION DATA: STA 340 FOR NHA/OTHER SYS DET SEE: 25-20-00-07E	504903	RF
57	417N6002-74SP		.PANEL ASSY- SUPPLIER CODE: V89954 COMPONENT MAINT MANUAL REF: 33-22-51	504903	RF

MISSING ITEM NUMBERS NOT APPLICABLE

- ITEM NOT ILLUSTRATED

23-31-51-01

23-31-51
FIG. 01
PAGE 1
JAN 20/09

BRI



757

PARTS CATALOG (MAINTENANCE)

FIG ITEM	PART NUMBER	1 2 3 4 5 6 7	NOMENCLATURE	EFFECT FROM TO	UNITS PER ASSY
1					
61	RD409-101		.. KNOB- SUPPLIER CODE: V81590	504903	1
67	4P2224		.. POTENTIOMETER- SUPPLIER CODE: V58756 ELECTRICAL EQUIP NUMBER: S10179 ATTACHING PARTS	504903	1
- 97	BACN10MG6		.. NUT -----*-----	504903	8
- 200	417N6001-62		PANEL INSTL-ATTENDANT DOOR NO. 1 (COMMUNICATIONS ONLY) POSITION DATA: LH STA 340 FOR NHA/OTHER SYS DET SEE: 25-20-00-01A	002004 006100	RF
- 200	417N6001-242SP		PANEL INSTL-ATTENDANT DOOR NO. 1 (COMMUNICATIONS ONLY) POSITION DATA: STA 340 LH FOR NHA/OTHER SYS DET SEE: 25-20-00-07E	101101	RF
- 200	417N6001-246SP		PANEL INSTL-ATTENDANT DOOR NO. 1 (COMMUNICATIONS ONLY) POSITION DATA: STA 340 LH FOR NHA/OTHER SYS DET SEE: 25-20-00-07E	102102	RF
205	417N6002-54SP		.PANEL ASSY- SUPPLIER CODE: V89954 COMPONENT MAINT MANUAL REF: 33-22-51 OPTIONAL PART: 417N6002-125SP V89954	002004 006100	RF
205	417N6002-125SP		.PANEL ASSY- SUPPLIER CODE: V89954 COMPONENT MAINT MANUAL REF: 33-22-51 OPTIONAL PART: 417N6002-54SP V89954	101101	RF

MISSING ITEM NUMBERS NOT APPLICABLE

- ITEM NOT ILLUSTRATED

23-31-51-01

23-31-51
FIG. 01
PAGE 2
JAN 20/09

BRI



757

PARTS CATALOG (MAINTENANCE)

FIG ITEM	PART NUMBER	1 2 3 4 5 6 7	NOMENCLATURE	EFFECT FROM TO	UNITS PER ASSY
1 205	417N6002-135SP		.PANEL ASSY- SUPPLIER CODE: V89954 COMPONENT MAINT MANUAL REF: 33-22-51	102102	RF
210	MS35333-73		..WASHER	002004 006102	2
215	BACN10MG10		..NUT	002004 006102	2
220	417N6009-35		..BRACKET ASSY	002004 006102	2
225	RDAX7112		..PANEL-CONTROL UNIT (CUSTOMER FURNISHED) SUPPLIER CODE: V54473	002004 006101	1

MISSING ITEM NUMBERS NOT APPLICABLE

- ITEM NOT ILLUSTRATED

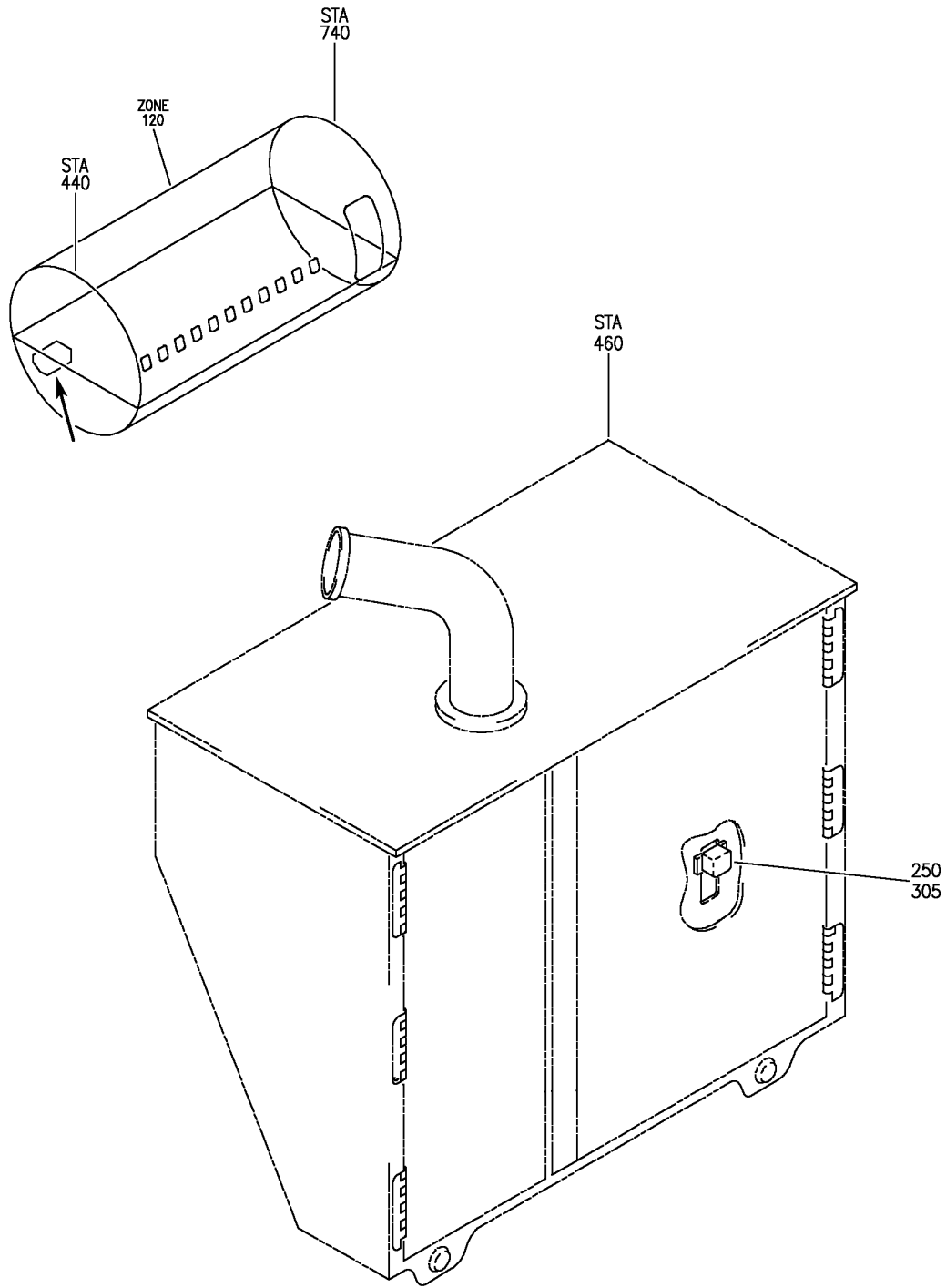
BRI

23-31-51-01

BOEING PROPRIETARY - Copyright © - Unpublished Work - See title page for details.

23-31-51
FIG. 01
PAGE 3
JAN 20/09

BOEING
757
PARTS CATALOG (MAINTENANCE)



Y 23315105 REV 250

PANEL INSTL-P37 R MISC RELAY (PASSENGER ADDRESS SYSTEM ONLY)
FIGURE 5

23-31-51-05

BRI
JAN 20/09

23-31-51-05
PAGE 0



757

PARTS CATALOG (MAINTENANCE)

FIG ITEM	PART NUMBER	1 2 3 4 5 6 7	NOMENCLATURE	EFFECT FROM TO	UNITS PER ASSY
5			PANEL INSTL-P37 R MISC RELAY (PASSENGER ADDRESS SYSTEM ONLY)	103106 108120	
- 1	284N1127-118		PANEL INSTL-P37 R MISC RELAY (PASSENGER ADDRESS SYSTEM ONLY) FOR NHA/OTHER SYS DET SEE: 24-00-58-05C	108108	RF
- 1	284N1127-139		PANEL INSTL-P37 R MISC RELAY (PASSENGER ADDRESS SYSTEM ONLY) FOR NHA/OTHER SYS DET SEE: 24-00-58-05C	109120	RF

MISSING ITEM NUMBERS NOT APPLICABLE

- ITEM NOT ILLUSTRATED

BRI

23-31-51-05

BOEING PROPRIETARY - Copyright © - Unpublished Work - See title page for details.

23-31-51
FIG. 05
PAGE 1
JAN 20/09



757

PARTS CATALOG (MAINTENANCE)

FIG ITEM	PART NUMBER	1 2 3 4 5 6 7	NOMENCLATURE	EFFECT FROM TO	UNITS PER ASSY
5 - 2	MODREF185037		PANEL INSTL-P37 R MISC RELAY (PASSENGER ADDRESS SYSTEM ONLY) MODULE NUMBER: 284N1127-169 REV D FOR OTHER SYS DETAILS SEE: 11-36-12-02A 21-25-71-02D 21-44-71-02D 21-45-31-01D 21-51-55-01D 21-58-71-02D 21-61-71-02D 24-21-51-05 24-51-01-02 24-51-02-03 24-51-58-02D 27-62-71-03D 28-22-71-03D 29-21-71-01D 30-11-71-02D 30-21-71-03D 30-31-71-02D 30-32-71-02D 30-33-71-02D 30-34-51-01D 31-01-37-10 31-31-71-02D 32-09-02-04D 32-42-71-02D 32-61-71-02D 33-43-55-01D 33-51-71-01D 34-12-71-02D 34-25-50-01D 34-61-52-01D 35-21-71-02D 36-11-71-02D 38-15-71-02D 73-21-55-01D 74-31-71-02D 76-11-71-02D 77-12-71-01D 78-34-71-02D 78-36-71-02D 80-11-71-02D	106106	1

MISSING ITEM NUMBERS NOT APPLICABLE

- ITEM NOT ILLUSTRATED

23-31-51-05

23-31-51
FIG. 05
PAGE 2
JAN 20/09

BRI



757

PARTS CATALOG (MAINTENANCE)

FIG ITEM	PART NUMBER	1 2 3 4 5 6 7	NOMENCLATURE	EFFECT FROM TO	UNITS PER ASSY
5 - 3	MODREF31945		PANEL INSTL-P37 R MISC RELAY (PASSENGER ADDRESS SYSTEM ONLY) MODULE NUMBER: 284N1127-169 REV B FOR OTHER SYS DETAILS SEE: 11-36-12-02A 21-25-71-02D 21-44-71-02D 21-45-31-01D 21-51-55-01D 21-58-71-02D 21-61-71-02D 24-21-51-05 24-51-01-02 24-51-02-03 24-51-58-02D 27-62-71-03D 28-22-71-03D 29-21-71-01D 30-11-71-02D 30-21-71-03D 30-31-71-02D 30-32-71-02D 30-33-71-02D 30-34-51-01D 31-01-37-10 31-31-71-02D 32-09-02-04D 32-42-71-02D 32-61-71-02D 33-43-55-01D 33-51-71-01D 34-12-71-02D 34-25-50-01D 34-61-52-01D 35-21-71-02D 36-11-71-02D 38-15-71-02D 73-21-55-01D 74-31-71-02D 76-11-71-02D 77-12-71-01D 78-34-71-02D 78-36-71-02D 80-11-71-02D	103103	1

MISSING ITEM NUMBERS NOT APPLICABLE

- ITEM NOT ILLUSTRATED

23-31-51-05

23-31-51
FIG. 05
PAGE 3
JAN 20/09

BRI



757

PARTS CATALOG (MAINTENANCE)

FIG ITEM	PART NUMBER	1 2 3 4 5 6 7	NOMENCLATURE	EFFECT FROM TO	UNITS PER ASSY
5 - 4	MODREF34305		PANEL INSTL-P37 R MISC RELAY (PASSENGER ADDRESS SYSTEM ONLY) MODULE NUMBER: 284N1127-169 REV C FOR OTHER SYS DETAILS SEE: 11-36-12-02A 21-25-71-02D 21-44-71-02D 21-45-31-01D 21-51-55-01D 21-58-71-02D 21-61-71-02D 24-21-51-05 24-51-01-02 24-51-02-03 24-51-58-02D 27-62-71-03D 28-22-71-03D 29-21-71-01D 30-11-71-02D 30-21-71-03D 30-31-71-02D 30-32-71-02D 30-33-71-02D 30-34-51-01D 31-01-37-10 31-31-71-02D 32-09-02-04D 32-42-71-02D 32-61-71-02D 33-43-55-01D 33-51-71-01D 34-12-71-02D 34-25-50-01D 34-61-52-01D 35-21-71-02D 36-11-71-02D 38-15-71-02D 73-21-55-01D 74-31-71-02D 76-11-71-02D 77-12-71-01D 78-34-71-02D 78-36-71-02D 80-11-71-02D	104105	1

MISSING ITEM NUMBERS NOT APPLICABLE

- ITEM NOT ILLUSTRATED

23-31-51-05

23-31-51
FIG. 05
PAGE 4
JAN 20/09

BRI



757

PARTS CATALOG (MAINTENANCE)

FIG ITEM	PART NUMBER	1 2 3 4 5 6 7	NOMENCLATURE	EFFECT FROM TO	UNITS PER ASSY
5 250	E410-1537		.RELAY- SUPPLIER CODE: V99699 SPECIFICATION NUMBER: BACR13CG2A OPTIONAL PART: E415-1078 V99699 BR230S0116 V56623 KD4A017 V58687 FCA410-62 V78290 ELECTRICAL EQUIP NUMBER: K10818	103106 108120	1
- 300	286N1270-360		WIRE BUNDLE ASSY- REWORKED BY ALERT SB: 34A0222	108120	RF
- 300 305	286N1270-602 BACS16W1		WIRE BUNDLE ASSY .SOCKET- ELECTRICAL EQUIP NUMBER: D03719 WIRING DIAGRAM REF: 233113	103106 103106 108120	RF 1

MISSING ITEM NUMBERS NOT APPLICABLE

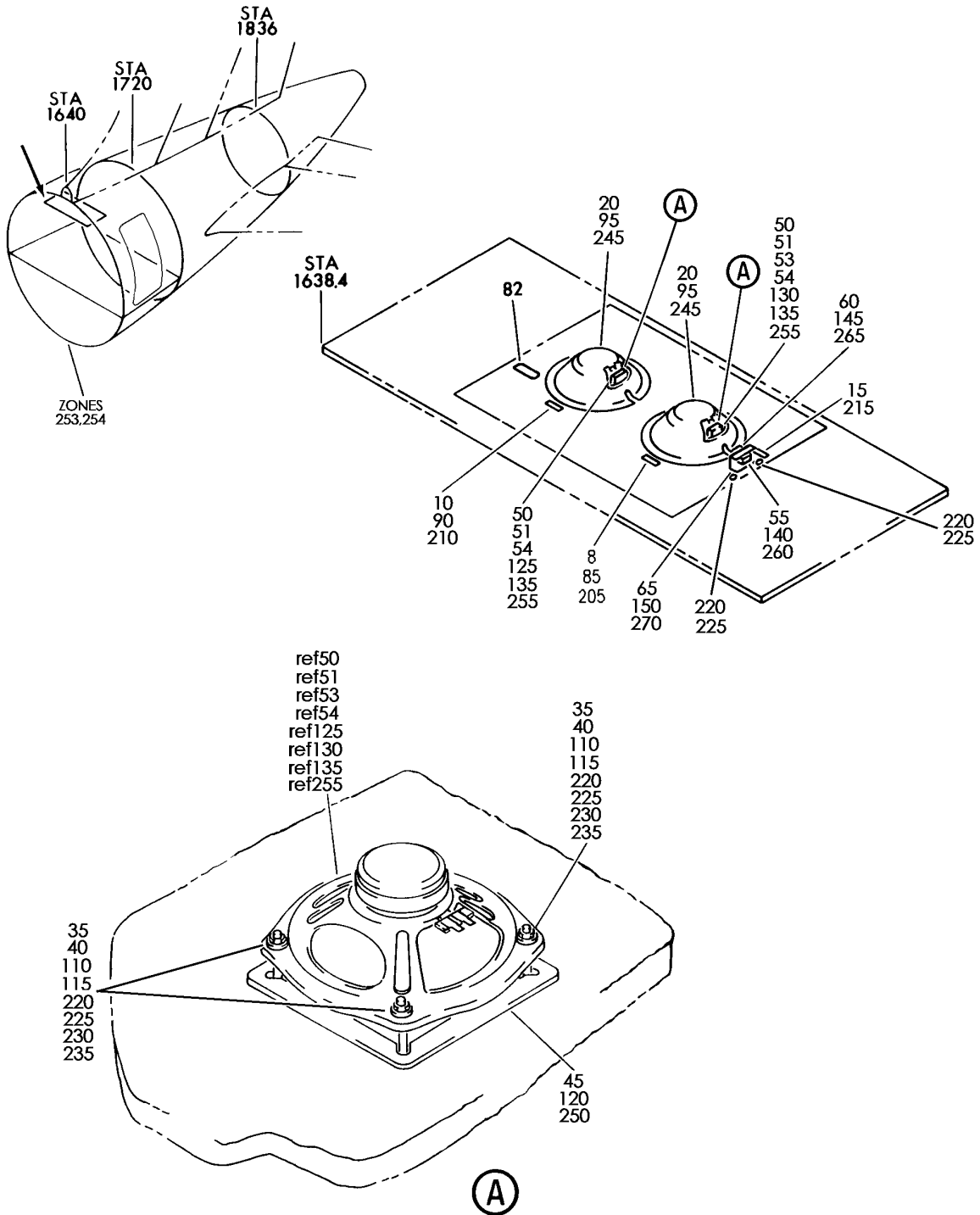
- ITEM NOT ILLUSTRATED

23-31-51-05

23-31-51
FIG. 05
PAGE 5
JAN 20/09

BRI

BOEING
757
PARTS CATALOG (MAINTENANCE)



Y 23315205 REV 242

PANEL ASSY-AFT CLG (COMMUNICATIONS ONLY)
FIGURE 5

23-31-52-05

BRI
MAY 28/07

23-31-52-05
PAGE 0



757

PARTS CATALOG (MAINTENANCE)

FIG ITEM	PART NUMBER	1 2 3 4 5 6 7	NOMENCLATURE	EFFECT FROM TO	UNITS PER ASSY
5			PANEL ASSY-AFT CLG (COMMUNICATIONS ONLY)	002004 006102 108999	
- 1	411N3264-96SP		PANEL ASSY-CLG (COMMUNICATIONS ONLY) POSITION DATA: AFT FOR NHA/OTHER SYS DET SEE: 25-22-02-24	904949	RF
- 2	411N3264-149SP		PANEL ASSY-CLG (COMMUNICATIONS ONLY) POSITION DATA: AFT FOR NHA/OTHER SYS DET SEE: 25-22-02-18J	950951	RF
- 2	411N3264-157SP		PANEL ASSY-CLG (COMMUNICATIONS ONLY) POSITION DATA: AFT FOR NHA/OTHER SYS DET SEE: 25-22-02-95A 25-22-02-03B	952999	RF
- 4	411N3264-251SP		PANEL ASSY-FLAT (COMMUNICATIONS ONLY) FOR NHA/OTHER SYS DET SEE: 25-22-02-18G	504903	RF
- 4	411N3264-261SP		PANEL ASSY-CLG (COMMUNICATIONS ONLY) POSITION DATA: AFT FOR NHA/OTHER SYS DET SEE: 25-22-02-03B	101102	RF
- 5	411N3264-288B		PANEL ASSY-CLG (COMMUNICATIONS ONLY) POSITION DATA: AFT FOR NHA/OTHER SYS DET SEE: 25-22-02-03E	108120	RF
8	BAC27NPA1288		.MARKER-ALUMINUM FOIL PLACARD CONTENT: B10110	002004 006100 108999	1
10	BAC29PPS7330		.MARKER-ALUMINUM FOIL PLACARD CONTENT: B10140	002004 006100 108999	1
15	BAC27NPA1287		.MARKER-ALUMINUM FOIL PLACARD CONTENT: K10498	002004 006100 108999	1

MISSING ITEM NUMBERS NOT APPLICABLE

- ITEM NOT ILLUSTRATED

23-31-52-05

23-31-52
FIG. 05
PAGE 1
JAN 20/09

BRI



757

PARTS CATALOG (MAINTENANCE)

FIG ITEM	PART NUMBER	1 2 3 4 5 6 7	NOMENCLATURE	EFFECT FROM TO	UNITS PER ASSY
5	20 416N1012-3	.	COVER ASSY	002004 006100 108999	2
			ATTACHING PARTS		
-	25 NAS1801-3-4	.	SCREW-	121503 904949	8
-	25 BACS12GU3K4	.	SCREW-	002004 006100 950999	8
-	27 BACS12GU3K4	.	SCREW	108120 504903 952999	10
-	30 AN960JD10LL	.	WASHER-	002004 006100 108503 904999	8
-	30 NAS1149D0316J	.	WASHER-	108120	8
-	32 NAS1149D0316J	.	WASHER	108120 504903	10
			-----*-----		
	35 AN960JD8L	.	WASHER-	002004 006100 108503 904999	8
	35 NAS1149DN816J	.	WASHER-	108120 504903 952999	8
	40 BACN10MG8	.	NUT	002004 006100 108999	8
	45 416N1011-1SP	.	GRILL ASSY-SPKR	002004 006100 108999	2
	50 RDAM8005A	.	SPEAKER- SUPPLIER CODE: VOFF57 SPECIFICATION NUMBER: S222T101-101 ELECTRICAL EQUIP NUMBER: B10110 B10140	002004 006100 108503 904949 952999	2
	51 RDAM8005A	.	SPEAKER- SUPPLIER CODE: VOFF57 SPECIFICATION NUMBER: S222T101-101 ELECTRICAL EQUIP NUMBER: B10110 B10140	108120 504903 950999	2

MISSING ITEM NUMBERS NOT APPLICABLE

- ITEM NOT ILLUSTRATED

23-31-52-05

23-31-52
FIG. 05
PAGE 2
JAN 20/09

BRI

BOEING PROPRIETARY - Copyright © - Unpublished Work - See title page for details.



757

PARTS CATALOG (MAINTENANCE)

FIG ITEM	PART NUMBER	1 2 3 4 5 6 7	NOMENCLATURE	EFFECT FROM TO	UNITS PER ASSY
5					
55	W260F4AM11	.	RELAY SUPPLIER CODE: VF0219 SPECIFICATION NUMBER: BACR13CD2 OPTIONAL PART: BR16S233 V09026 EE4AA005 V35344 3SAV1338A2 V01526 HFW1206K03 V58614 HFW1204K01 V71482	002004 006100 108999	1
60	RSE120026	.	SOCKET SUPPLIER CODE: V58982 SPECIFICATION NUMBER: BACS16AG1 OPTIONAL PART: 451120-026 V58982	002004 006100 108999	1
65	411N3141-123	.	BRACKET- ATTACHING PARTS	002004 006100 108999	1
- 70	NAS1801-3-4	.	SCREW-	121951	2
- 70	BACS12GU3K4	.	SCREW-	002004 006100 952999	2
- 75	AN960JD10LL	.	WASHER-	002004 006100 121999	2
- 75	NAS1149D0316J	.	WASHER- -----*-----	108120	2

MISSING ITEM NUMBERS NOT APPLICABLE

- ITEM NOT ILLUSTRATED

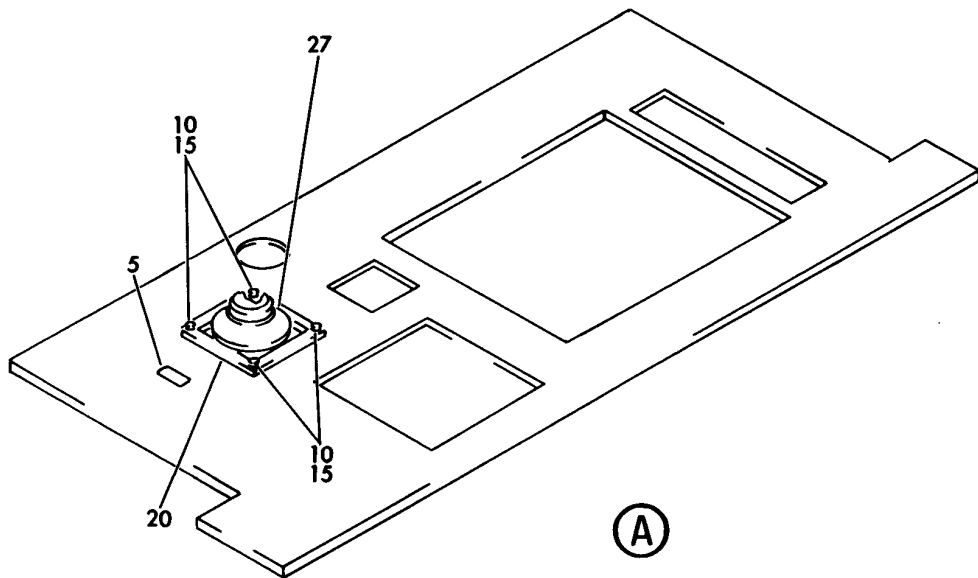
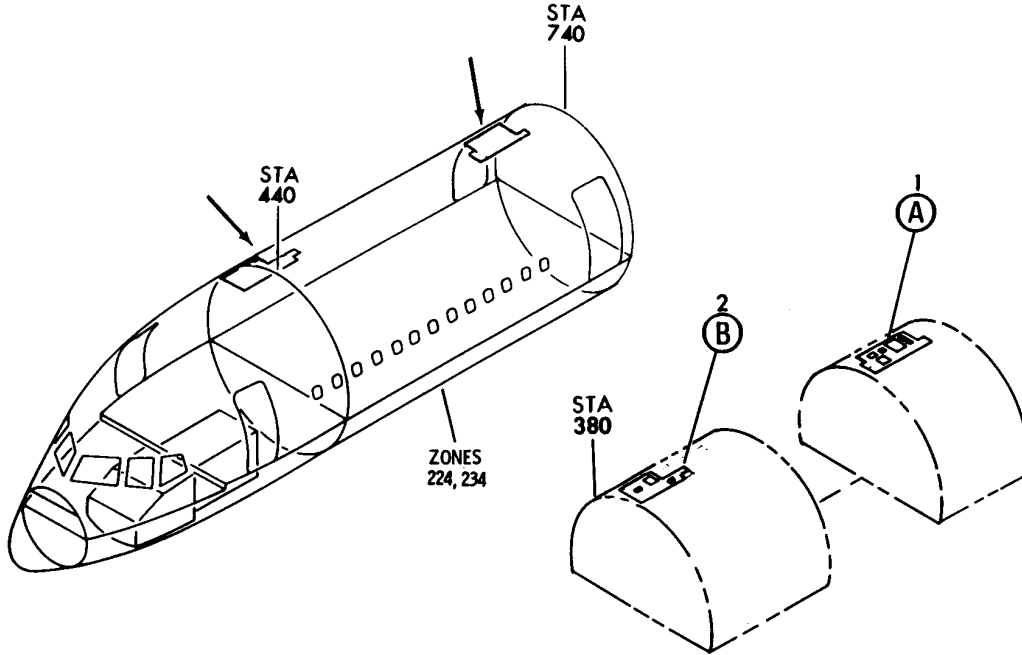
23-31-52-05

23-31-52
FIG. 05
PAGE 3
JAN 20/09

BRI

BOEING PROPRIETARY - Copyright © - Unpublished Work - See title page for details.

BOEING
757
PARTS CATALOG (MAINTENANCE)



Y 23315206 SHT 1 REV 123

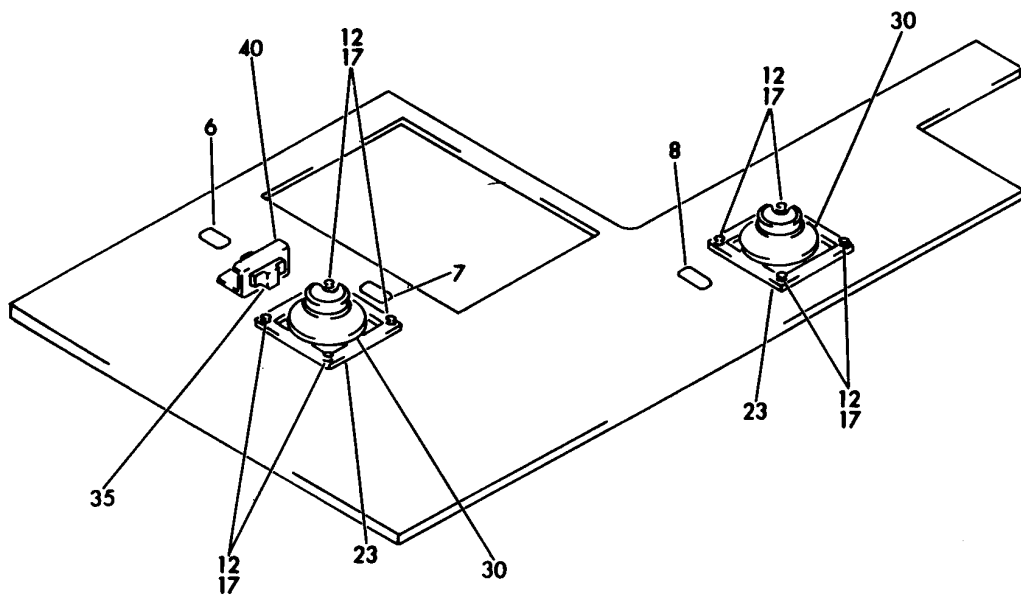
PANEL ASSY-FLAT (COMMUNICATIONS ONLY)
FIGURE 6 (SHEET 1)

23-31-52-06

BRI
JAN 20/09

23-31-52-06
PAGE 0

BOEING
757
PARTS CATALOG (MAINTENANCE)



(B)

Y 23315206 SHT 2 REV 123

PANEL ASSY-FLAT (COMMUNICATIONS ONLY)
FIGURE 6 (SHEET 2)

23-31-52-06

BRI
JAN 20/09

23-31-52-06
PAGE 0A



757

PARTS CATALOG (MAINTENANCE)

FIG ITEM	PART NUMBER	1 2 3 4 5 6 7	NOMENCLATURE	EFFECT FROM TO	UNITS PER ASSY
6			PANEL ASSY-FLAT (COMMUNICATIONS ONLY)	952999	
- 2	411N3260-231SP		PANEL ASSY-FLAT (COMMUNICATIONS ONLY) FOR NHA/OTHER SYS DET SEE: 25-22-02-58B	952952	RF
- 2	411N3260-314SP		PANEL ASSY-FLAT (COMMUNICATIONS ONLY) FOR NHA/OTHER SYS DET SEE: 25-22-02-58B	953999	RF
8	BAC27NPA1282		.MARKER-ALUMINUM FOIL PLACARD CONTENT: B10111	952999	1
10	AN960JD8L		.WASHER	952999	4
15	BACN10MG8		.NUT	952999	4
20	416N1011-1SP		.GRILL ASSY-SPKR	952999	1
27	RDAM8005A		.SPEAKER- SUPPLIER CODE: VOFF57 SPECIFICATION NUMBER: S222T101-101 ELECTRICAL EQUIP NUMBER: B10111	952999	1

MISSING ITEM NUMBERS NOT APPLICABLE

- ITEM NOT ILLUSTRATED

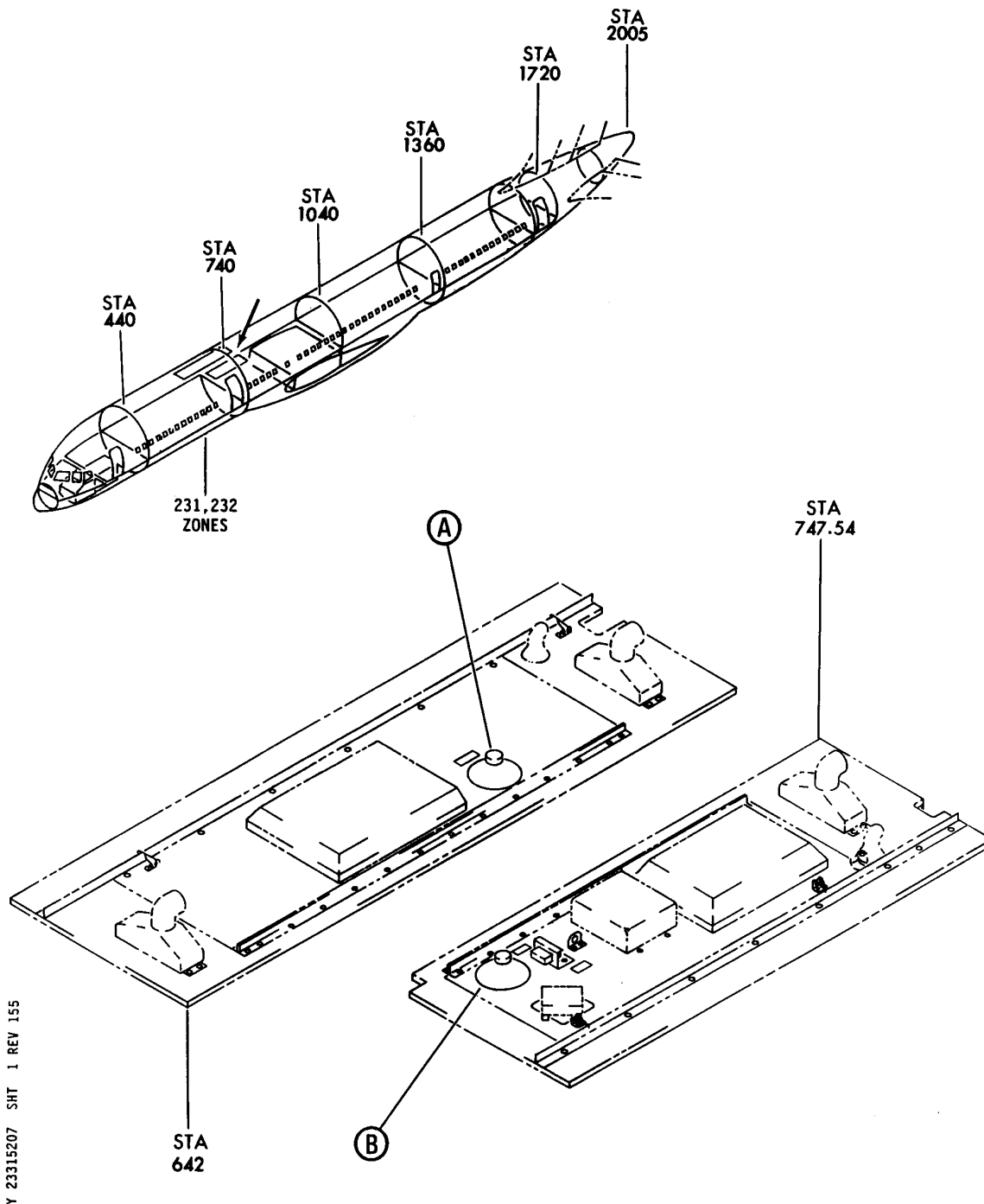
BRI

23-31-52-06

BOEING PROPRIETARY - Copyright © - Unpublished Work - See title page for details.

23-31-52
FIG. 06
PAGE 1
JAN 20/09

BOEING
757
PARTS CATALOG (MAINTENANCE)



Y 23315207 SHT 1 REV 155

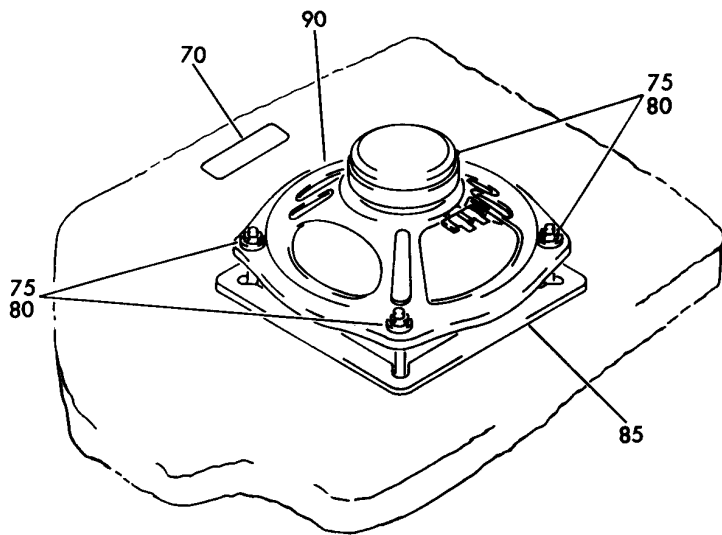
PANEL ASSY-DOOR NO. 2 FLAT (COMMUNICATIONS ONLY) (FLYAWAY)
FIGURE 7 (SHEET 1)

23-31-52-07

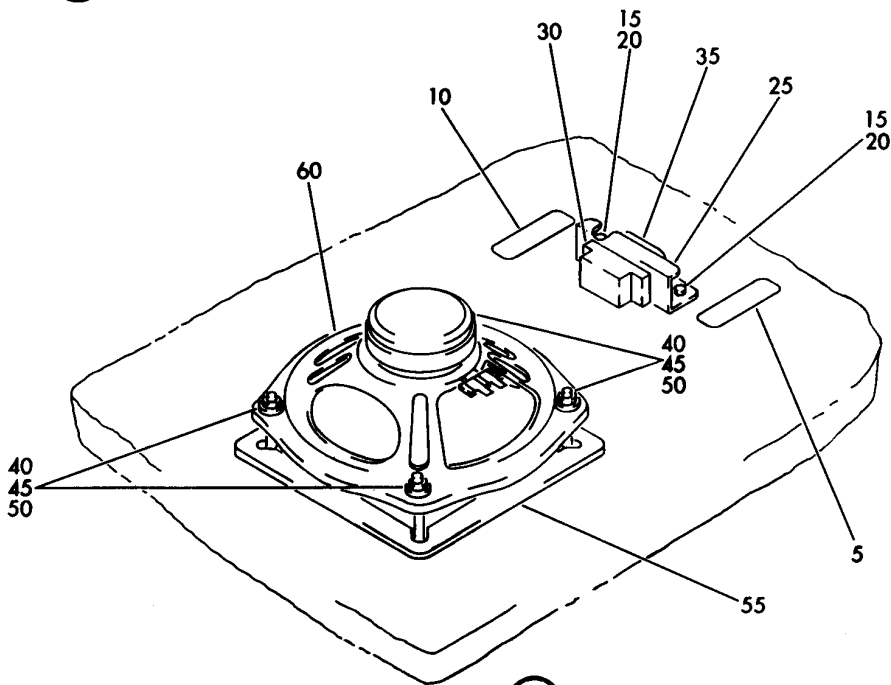
BRI
JAN 20/09

23-31-52-07
PAGE 0

BOEING
757
PARTS CATALOG (MAINTENANCE)



(A)



(B)

Y 23315207 SHT 2 REV 155

PANEL ASSY-DOOR NO. 2 FLAT (COMMUNICATIONS ONLY) (FLYAWAY)
FIGURE 7 (SHEET 2)

23-31-52-07

BRI
JAN 20/09

23-31-52-07
PAGE 0A



757

PARTS CATALOG (MAINTENANCE)

FIG ITEM	PART NUMBER	1 2 3 4 5 6 7	NOMENCLATURE	EFFECT FROM TO	UNITS PER ASSY
7			PANEL ASSY-DOOR NO. 2 FLAT (COMMUNICATIONS ONLY) (FLYAWAY)	504504 506506	
- 1	411N3262-187SP		PANEL ASSY-DOOR NO. 2 FLAT (COMMUNICATIONS ONLY) FOR NHA/OTHER SYS DET SEE: 25-22-02-50B	504504 506506	RF
5	BAC27NPA1285		.MARKER-ALUMINUM FOIL- PLACARD CONTENT: K10501	504504 506506	1
10	BAC27NPA1286		.MARKER-ALUMINUM FOIL- PLACARD CONTENT: B10113	504504 506506	1
15	BACS12GU3K6		.SCREW	504504 506506	2
20	NAS1149D0332J		.WASHER	504504 506506	2
25	411N3141-123		.BRACKET	504504 506506	1
30	W260F4AM11		.RELAY- SUPPLIER CODE: VF0219 SPECIFICATION NUMBER: BACR13CD2 OPTIONAL PART: BR16S233 V09026 EE4AA005 V35344 3SAV1338A2 V01526 HFW1206K03 V58614 HFW1204K01 V71482 ELECTRICAL EQUIP NUMBER: K10501	504504 506506	1
35	RSE120026		.SOCKET-NYLON SUPPLIER CODE: V58982 SPECIFICATION NUMBER: BACS16AG1 OPTIONAL PART: 451120-026 V58982	504504 506506	1
40	BACS12GU08K12		.SCREW	504504 506506	4
45	NAS1149DN816J		.WASHER	504504 506506	4

MISSING ITEM NUMBERS NOT APPLICABLE

- ITEM NOT ILLUSTRATED

23-31-52-07

23-31-52
FIG. 07
PAGE 1
JAN 20/09

BRI



757

PARTS CATALOG (MAINTENANCE)

FIG ITEM	PART NUMBER	1 2 3 4 5 6 7	NOMENCLATURE	EFFECT FROM TO	UNITS PER ASSY
7 50	BRH10A08	.NUT	SUPPLIER CODE: V52828 SPECIFICATION NUMBER: BACN10JC08 OPTIONAL PART: H10-08BAC V15653 NS202101-82 V80539 RMLH9075-82W V72962 VN303A82 V92215 96-82 V80539 T6S832J V11815	504504 506506	4
55	416N1011-5SP	.GRILLE ASSY-SPKR		504504 506506	1
60	RDAM8005A	.SPEAKER-	SUPPLIER CODE: V0FF57 SPECIFICATION NUMBER: S222T101-101 ELECTRICAL EQUIP NUMBER: B10113	504504 506506	1
- 65	411N3262-186SP	PANEL ASSY-DOOR NO. 2 FLAT (COMMUNICATIONS ONLY) FOR NHA/OTHER SYS DET SEE: 25-22-02-50B		504504 506506	RF
70	BAC27NPA1289	.MARKER-ALUMINUM FOIL- PLACARD CONTENT: B10114		504504 506506	1
75	NAS1149DN816J	.WASHER		504504 506506	4

MISSING ITEM NUMBERS NOT APPLICABLE

- ITEM NOT ILLUSTRATED

23-31-52-07

23-31-52
FIG. 07
PAGE 2
JAN 20/09

BRI



757

PARTS CATALOG (MAINTENANCE)

FIG ITEM	PART NUMBER	1 2 3 4 5 6 7	NOMENCLATURE	EFFECT FROM TO	UNITS PER ASSY
7 80	BRH10A08	.NUT	SUPPLIER CODE: V52828 SPECIFICATION NUMBER: BACN10JC08 OPTIONAL PART: H10-08BAC V15653 NS202101-82 V80539 RMLH9075-82W V72962 VN303A82 V92215 96-82 V80539 T6S832J V11815	504504 506506	4
85	416N1011-5SP	.GRILLE ASSY-SPKR		504504 506506	1
90	RDAM8005A	.SPEAKER-	SUPPLIER CODE: V0FF57 SPECIFICATION NUMBER: S222T101-101 ELECTRICAL EQUIP NUMBER: B10114	504504 506506	1

MISSING ITEM NUMBERS NOT APPLICABLE

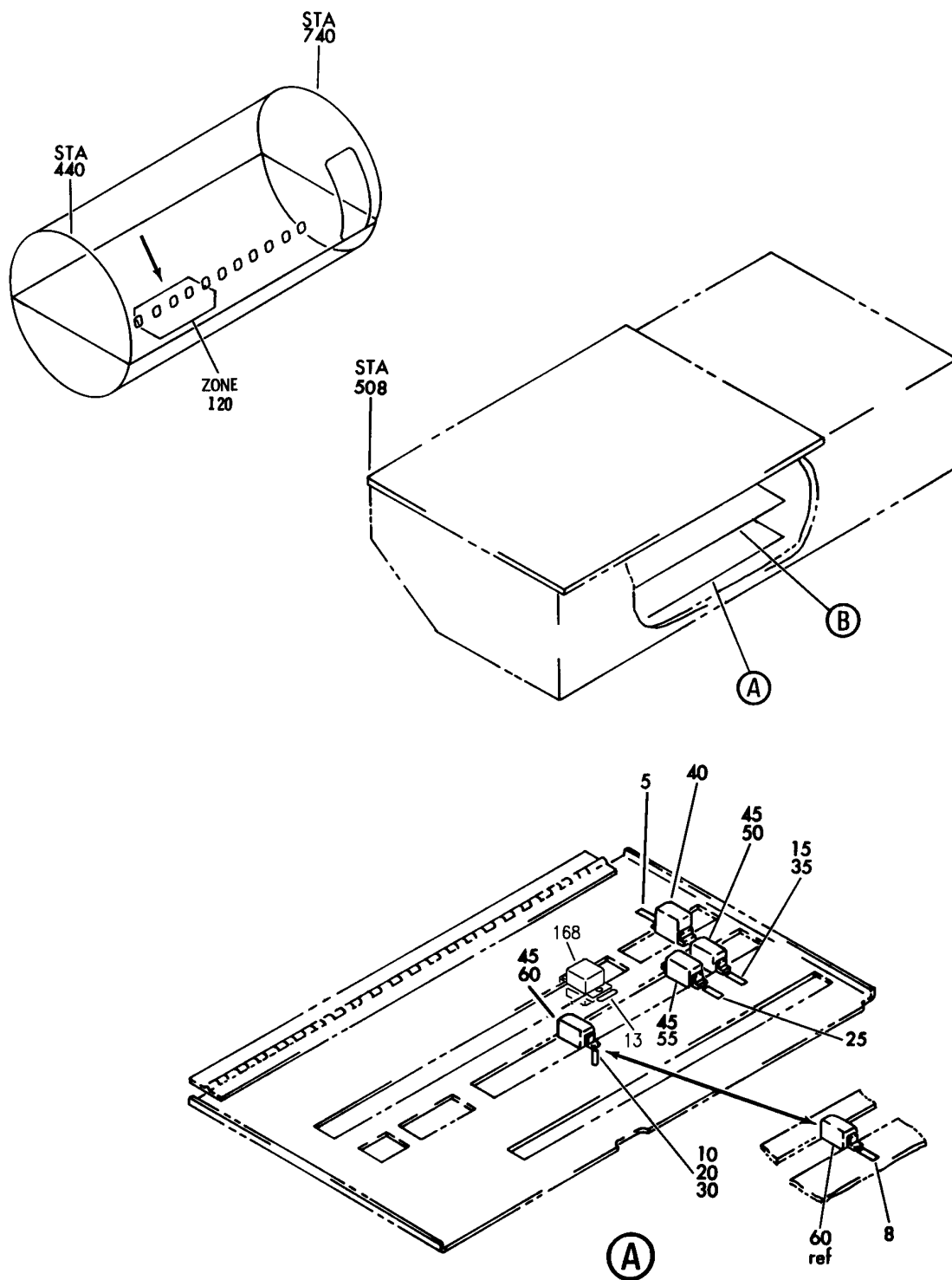
- ITEM NOT ILLUSTRATED

23-31-52-07

23-31-52
FIG. 07
PAGE 3
JAN 20/09

BRI

BOEING
757
PARTS CATALOG (MAINTENANCE)



Y 23315401 SHT 1 REV 325

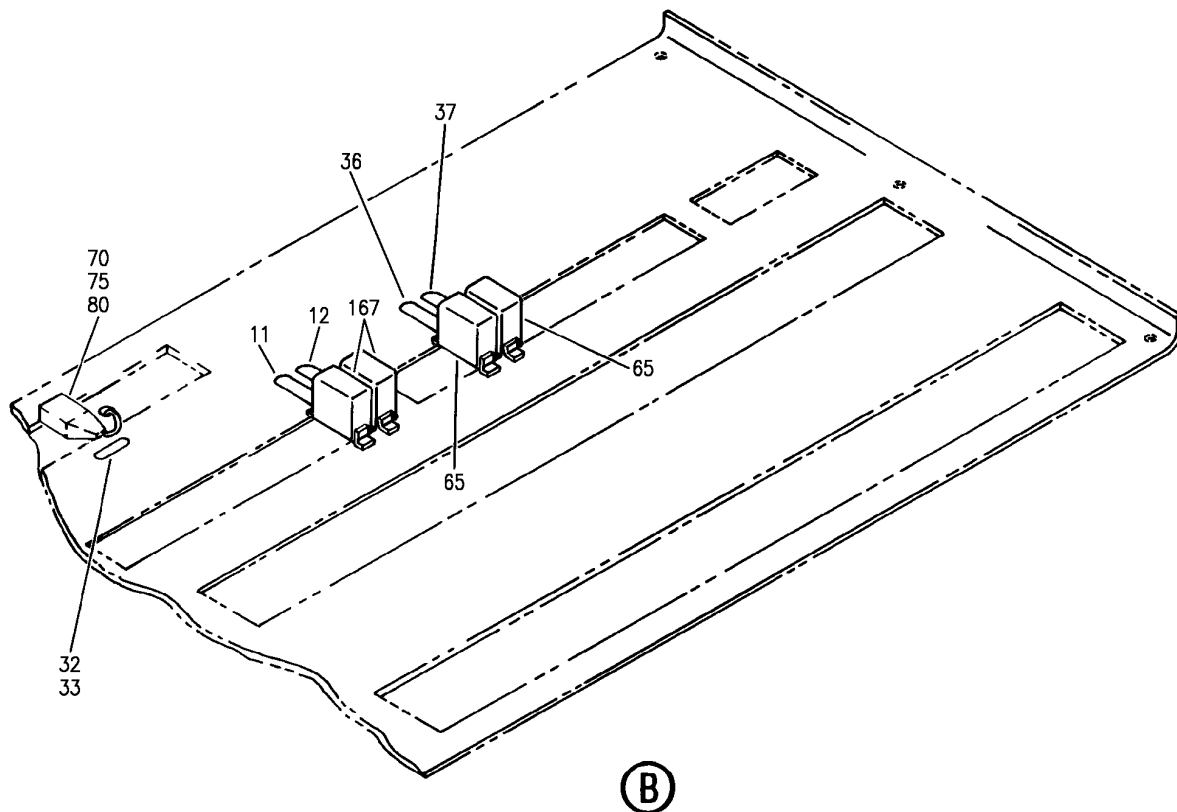
PANEL ASSY-P36 MISC RELAY L (PASSENGER ADDRESS AND ENTERTAINMENT ONLY)
FIGURE 1 (SHEET 1)

23-31-54-01

BRI
SEP 20/08

23-31-54-01
PAGE 0

BOEING
757
PARTS CATALOG (MAINTENANCE)



Y 23315401 SH1 2 REV 325

PANEL ASSY-P36 MISC RELAY L (PASSENGER ADDRESS AND ENTERTAINMENT ONLY)
FIGURE 1 (SHEET 2)

BRI
SEP 20/08

23-31-54-01

23-31-54-01
PAGE 0A



757

PARTS CATALOG (MAINTENANCE)

FIG ITEM	PART NUMBER	1 2 3 4 5 6 7	NOMENCLATURE	EFFECT FROM TO	UNITS PER ASSY
1			PANEL ASSY-P36 MISC RELAY L (PASSENGER ADDRESS AND ENTERTAINMENT ONLY)	002004 006100 107107 121503 904999	
- 1	284N1125-1		PANEL ASSY-P36 MISC RELAY (PASSENGER ADDRESS AND ENTERTAINMENT ONLY) POSITION DATA: L VARIABLE DRAWING REF: 284N1125-5023 284N1125-5030 284N1125-5049 284N1125-5050 284N1125-5054 REWORKED BY SB: 34-0200 REWORKED BY ALERT SB: 27A0130 FOR NHA/OTHER SYS DET SEE: 31-01-36-01B	002004 006100 107107 121503 904999	RF
5	BAC27NEX2352		.DECAL- PLACARD CONTENT: K10637	002004 006100 107107 952999	1
8	BAC27NEX2268		.DECAL- PLACARD CONTENT: K10600	950951	1
25	BAC27NEX2268		.DECAL- PLACARD CONTENT: K10600	121503 904949	1
32	BAC27NEX2796		.DECAL- PLACARD CONTENT: T10061	002004	1
33	BAC27NEX2796		.DECAL- PLACARD CONTENT: T10061	006100	1
35	BAC27NEX2268		.DECAL- PLACARD CONTENT: K10600	002004 006100	1

MISSING ITEM NUMBERS NOT APPLICABLE

- ITEM NOT ILLUSTRATED

23-31-54-01

23-31-54
FIG. 01
PAGE 1
JAN 20/09

BRI



757

PARTS CATALOG (MAINTENANCE)

FIG ITEM	PART NUMBER	1 2 3 4 5 6 7	NOMENCLATURE	EFFECT FROM TO	UNITS PER ASSY
1	40 W460F1A		.RELAY- SUPPLIER CODE: VF0219 SPECIFICATION NUMBER: BACR13CE2 OPTIONAL PART: 3SAH5-13-4K1 V01526 3SAH1326A2 V01526 ELECTRICAL EQUIP NUMBER: K10637	002004 006100 107107 952999	1
	50 ES210-1632		.RELAY- SUPPLIER CODE: V99699 SPECIFICATION NUMBER: BACR13CF2AB OPTIONAL PART: JD4L018 V35344 JD4L031 V35344 BR246S0111 V56623 BR64S105 V56623 FCA210-71 V78290 61GB2319-1A320 V98927 ELECTRICAL EQUIP NUMBER: K10600	002004 006100	1

MISSING ITEM NUMBERS NOT APPLICABLE

- ITEM NOT ILLUSTRATED

BRI

23-31-54-01

BOEING PROPRIETARY - Copyright © - Unpublished Work - See title page for details.

23-31-54
FIG. 01
PAGE 2
JAN 20/09



757

PARTS CATALOG (MAINTENANCE)

FIG ITEM	PART NUMBER	1 2 3 4 5 6 7	NOMENCLATURE	EFFECT FROM TO	UNITS PER ASSY
1 55	ES210-1632		.RELAY- SUPPLIER CODE: V99699 SPECIFICATION NUMBER: BACR13CF2AB OPTIONAL PART: JD4L018 V35344 JD4L031 V35344 BR246S0111 V56623 BR64S105 V56623 FCA210-71 V78290 61GB2319-1A320 V98927 ELECTRICAL EQUIP NUMBER: K10600	121503 904949	1
60	ES210-1632		.RELAY- SUPPLIER CODE: V99699 SPECIFICATION NUMBER: BACR13CF2AB OPTIONAL PART: JD4L018 V35344 JD4L031 V35344 BR246S0111 V56623 BR64S105 V56623 FCA210-71 V78290 61GB2319-1A320 V98927 ELECTRICAL EQUIP NUMBER: K10600	950951	1
70	284N1485-8		.TRANSFORMER ASSY- ELECTRICAL EQUIP NUMBER: T10061	002004	1
75	284N1485-18		.TRANSFORMER ASSY- ELECTRICAL EQUIP NUMBER: T10061	006100	1

MISSING ITEM NUMBERS NOT APPLICABLE

- ITEM NOT ILLUSTRATED

23-31-54-01

23-31-54
FIG. 01
PAGE 3
JAN 20/09

BRI



757

PARTS CATALOG (MAINTENANCE)

FIG ITEM	PART NUMBER	1 2 3 4 5 6 7	NOMENCLATURE	EFFECT FROM TO	UNITS PER ASSY
1	80 TRW035		.. TRANSFORMER- SUPPLIER CODE: V80223 OPTIONAL PART: 0-35 V80089	002004 006100	1
	80 0-35		.. TRANSFORMER- SUPPLIER CODE: V80089 OPTIONAL PART: TRW035 V80223	002004 006100	1

MISSING ITEM NUMBERS NOT APPLICABLE

- ITEM NOT ILLUSTRATED

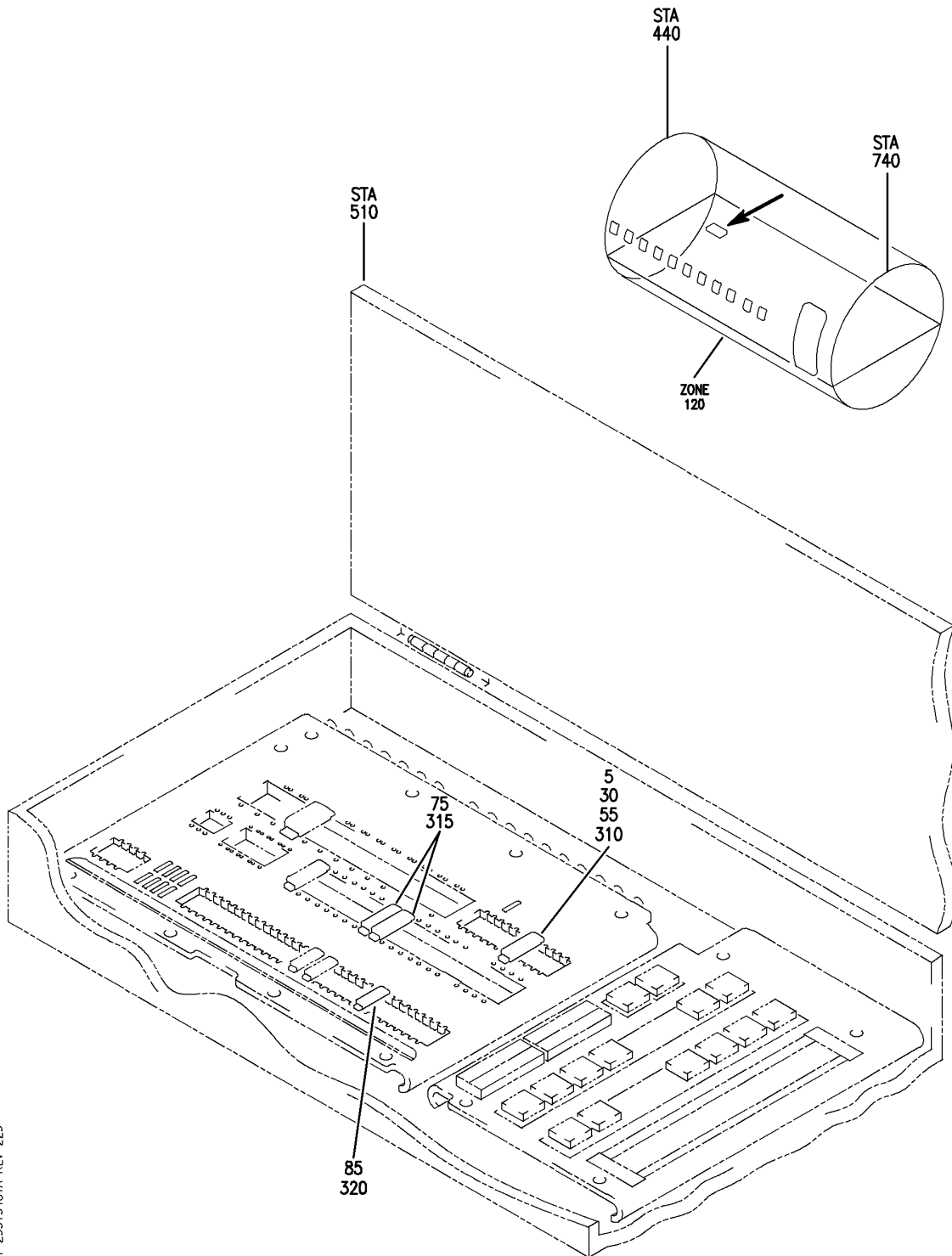
BRI

23-31-54-01

BOEING PROPRIETARY - Copyright © - Unpublished Work - See title page for details.

23-31-54
FIG. 01
PAGE 4
JAN 20/09

BOEING
757
PARTS CATALOG (MAINTENANCE)



Y 23315401A REV 225

OPTION PACKAGE ASSY-P36 MISC RELAY LH (PASSENGER ADDRESS AND ENTERTAINMENT ONLY)
FIGURE 1A

BRI
MAY 28/07

23-31-54-01A

23-31-54-01A
PAGE 0



757

PARTS CATALOG (MAINTENANCE)

FIG ITEM	PART NUMBER	1 2 3 4 5 6 7	NOMENCLATURE	EFFECT FROM TO	UNITS PER ASSY
1A			OPTION PACKAGE ASSY-P36 MISC RELAY LH (PASSENGER ADDRESS AND ENTERTAINMENT ONLY)	101102 504903	
- 50	284N1125-1015		OPTION PACKAGE ASSY-P36 MISC RELAY (PASSENGER ADDRESS AND ENTERTAINMENT ONLY) POSITION DATA: LH REWORKED BY ALERT SB: 27A0130 FOR NHA SEE: 31-01-36-05	101102 504903	RF
55	W460F1A		.RELAY- SUPPLIER CODE: VF0219 SPECIFICATION NUMBER: BACR13CE2 OPTIONAL PART: 3SAH5-13-4K1 V01526 3SAH1326A2 V01526 ELECTRICAL EQUIP NUMBER: K10637	101102 504903	1
- 301	286N1260-358		WIRE BUNDLE ASSY- REWORKED BY ALERT SB: 27A0130	101102	RF
- 301	286N1260-364		WIRE BUNDLE ASSY- REWORKED BY ALERT SB: 27A0130	504903	RF
310	RSE120027		.SOCKET- SUPPLIER CODE: V58982 SPECIFICATION NUMBER: BACS16AF1 OPTIONAL PART: 451120-027 V58982 ELECTRICAL EQUIP NUMBER: D01457 WIRING DIAGRAM REF: 233119	101102 504903	1

MISSING ITEM NUMBERS NOT APPLICABLE

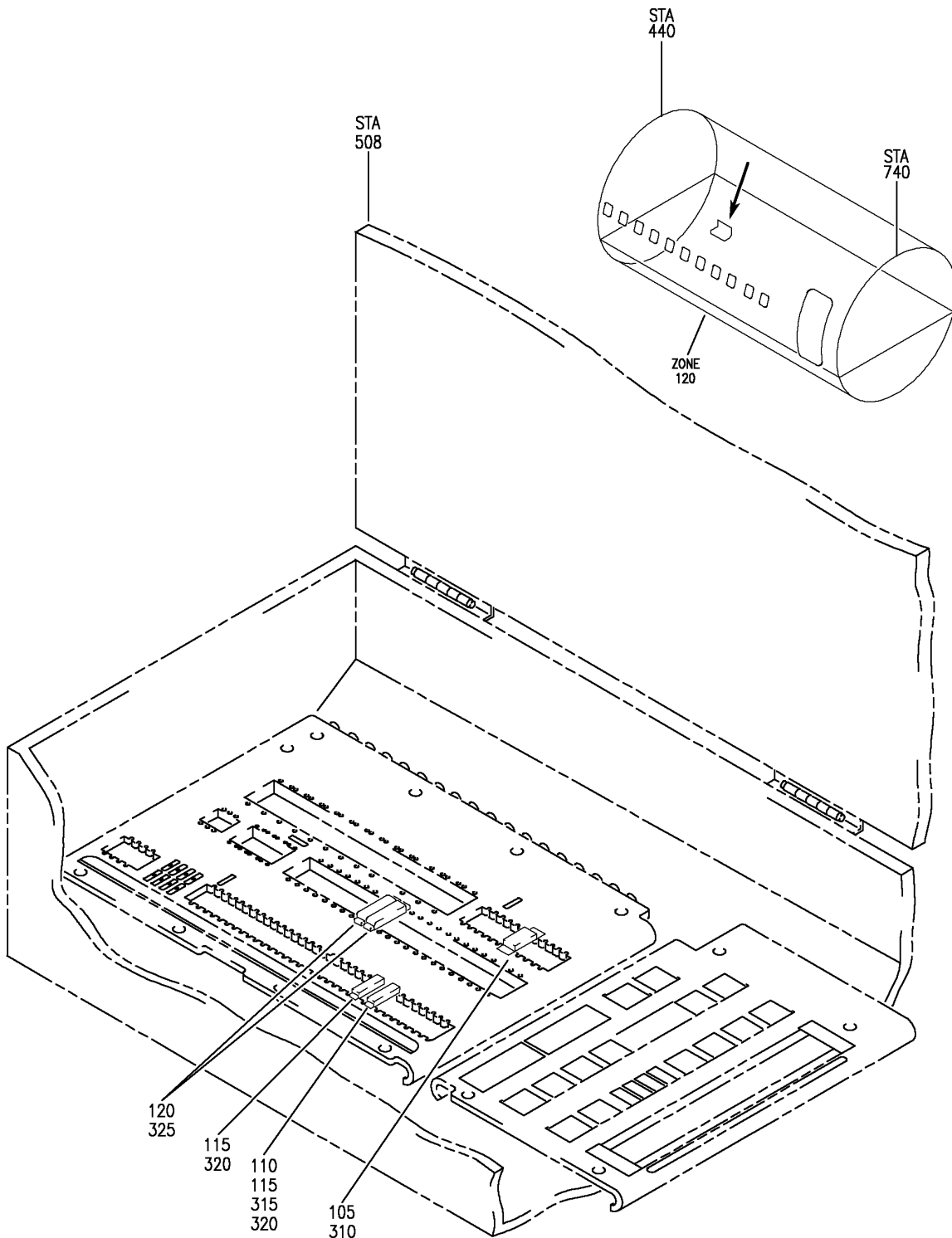
- ITEM NOT ILLUSTRATED

23-31-54-01A

23-31-54
FIG. 01A
PAGE 1
JAN 20/09

BRI

BOEING
757
PARTS CATALOG (MAINTENANCE)



Y 23315401C REV 250

PANEL INSTL-P36 L MISC RELAY (PASSENGER ADDRESS SYSTEM ONLY)
FIGURE 1C

23-31-54-01C

BRI
JAN 20/09

23-31-54-01C
PAGE 0



757

PARTS CATALOG (MAINTENANCE)

FIG ITEM	PART NUMBER	1 2 3 4 5 6 7	NOMENCLATURE	EFFECT FROM TO	UNITS PER ASSY
1 C			PANEL INSTL-P36 L MISC RELAY (PASSENGER ADDRESS SYSTEM ONLY)	103106 108120	
- 2	284N1125-94		PANEL INSTL-P36 L MISC RELAY (PASSENGER ADDRESS SYSTEM ONLY) FOR NHA/OTHER SYS DET SEE: 24-00-58-05C	108120	RF

MISSING ITEM NUMBERS NOT APPLICABLE

- ITEM NOT ILLUSTRATED

BRI

23-31-54-01C

BOEING PROPRIETARY - Copyright © - Unpublished Work - See title page for details.

23-31-54
FIG. 01C
PAGE 1
JAN 20/09



757

PARTS CATALOG (MAINTENANCE)

FIG ITEM	PART NUMBER	1 2 3 4 5 6 7	NOMENCLATURE	EFFECT FROM TO	UNITS PER ASSY
1 C - 6	MODREF31944		PANEL INSTL-P36 L MISC RELAY (PASSENGER ADDRESS SYSTEM ONLY) MODULE NUMBER: 284N1125-123 REV A FOR OTHER SYS DETAILS SEE: 11-36-08-03C 21-25-71-02C 21-33-71-02C 21-51-56-01C 21-58-71-02C 23-12-00-05 23-34-52-01C 24-21-51-01A 26-15-71-02C 26-16-71-01C 26-22-71-01C 27-48-52-03C 27-51-71-03C 27-58-71-02C 27-62-71-03C 29-11-71-03C 29-21-71-01C 30-21-71-03C 30-34-51-01C 31-01-36-01 32-09-02-03C 32-35-71-01C 32-42-71-02C 32-44-71-02C 32-61-71-02C 34-12-71-02C 34-21-71-02C 34-22-52-01C 34-61-52-01C 36-11-71-02C 73-21-55-01C 74-31-71-02C 76-11-71-02C 77-12-71-01C 78-34-71-02C 78-36-71-02C 80-11-71-02C	103106	1

MISSING ITEM NUMBERS NOT APPLICABLE

- ITEM NOT ILLUSTRATED

23-31-54-01C

23-31-54
 FIG. 01C
 PAGE 2
 JAN 20/09

BRI



757

PARTS CATALOG (MAINTENANCE)

FIG ITEM	PART NUMBER	1 2 3 4 5 6 7	NOMENCLATURE	EFFECT FROM TO	UNITS PER ASSY
1C 105	W460F1A		.RELAY- SUPPLIER CODE: VF0219 SPECIFICATION NUMBER: BACR13CE2 OPTIONAL PART: 3SAH5-13-4K1 V01526 3SAH1326A2 V01526 ELECTRICAL EQUIP NUMBER: K10637	103106 108120	1
- 300	286N1260-357		WIRE BUNDLE ASSY	108120	RF
- 301	286N1260-601		WIRE BUNDLE ASSY	103106	RF
310	RSE120027		.SOCKET- SUPPLIER CODE: V58982 SPECIFICATION NUMBER: BACS16AF1 OPTIONAL PART: 451120-027 V58982 ELECTRICAL EQUIP NUMBER: D01457 WIRING DIAGRAM REF: 233119	103106 108120	1

MISSING ITEM NUMBERS NOT APPLICABLE

- ITEM NOT ILLUSTRATED

23-31-54-01C

23-31-54
FIG. 01C
PAGE 3
JAN 20/09

BRI

BOEING PROPRIETARY - Copyright © - Unpublished Work - See title page for details.

PASSENGER ENTERTAINMENT SYSTEM (PES) - VIDEO

BRI
MAY 28/07

23-32-00
SECTION TITLE
PAGE 1

 **BOEING**
757
PARTS CATALOG (MAINTENANCE)

NON-ILLUSTRATED FIGURE

THE ITEMS REFLECTED IN THIS FIGURE ARE INTENTIONALLY
NON-ILLUSTRATED. THEY ARE REFERENCED TO EITHER A
NEXT HIGHER OR NEXT LOWER ASSEMBLY/INSTALLATION FIGURE.

SYSTEMS INSTL-VIDEO (TOP COLLECTOR)
FIGURE 1

23-32-00-01

BRI
MAY 28/07

23-32-00-01
PAGE 0



757

PARTS CATALOG (MAINTENANCE)

FIG ITEM	PART NUMBER	1 2 3 4 5 6 7	NOMENCLATURE	EFFECT FROM TO	UNITS PER ASSY
1			SYSTEMS INSTL-VIDEO (TOP COLLECTOR)	002004 006100 952999	
- 2	417N7090-210		VIDEO INSTL-GUI FOR NHA SEE: 25-20-00-01A	952999	RF
- 2	417N7090-211		VIDEO INSTL-BRI FOR NHA SEE: 25-20-00-01A	002004 006010	RF
- 2	417N7090-225		VIDEO INSTL-BRI FOR NHA SEE: 25-20-00-01A	011100	RF
- 10	417N7004-27		.SUPPORT INSTL- POSITION DATA: STA 520 TO 540 FOR DETAILS SEE: 23-32-52-02	002004 006010	1
- 10	417N7004-34		.SUPPORT INSTL- POSITION DATA: STA 520 TO 540 FOR DETAILS SEE: 23-32-52-02	952999	1
- 10	417N7010-4		.SUPPORT INSTL- POSITION DATA: STA 520 TO 540 FOR DETAILS SEE: 23-32-52-16	011100	1
- 20	417N7004-28		.SUPPORT INSTL- POSITION DATA: STA 660 TO 680 FOR DETAILS SEE: 23-32-52-02	002004 006010	1
- 20	417N7004-35		.SUPPORT INSTL- POSITION DATA: STA 660 TO 680 FOR DETAILS SEE: 23-32-52-16	952999	1
- 20	417N7010-6		.SUPPORT INSTL- POSITION DATA: STA 660 TO 680 FOR DETAILS SEE: 23-32-52-06	011100	1
- 35	417N7004-23		.SUPPORT INSTL- POSITION DATA: STA 800 TO 820 FOR DETAILS SEE: 23-32-52-02	002004 006010	1

MISSING ITEM NUMBERS NOT APPLICABLE

- ITEM NOT ILLUSTRATED

BRI

23-32-00-01

23-32-00
FIG. 01
PAGE 1
JAN 20/09



757

PARTS CATALOG (MAINTENANCE)

FIG ITEM	PART NUMBER	1 2 3 4 5 6 7	NOMENCLATURE	EFFECT FROM TO	UNITS PER ASSY
1					
- 35	417N7004-30		.SUPPORT INSTL- POSITION DATA: STA 800 TO 820 FOR DETAILS SEE: 23-32-52-16	952999	1
- 35	417N7010-9		.SUPPORT INSTL- POSITION DATA: STA 800 TO 820 FOR DETAILS SEE: 23-32-52-06	011100	1
- 40	417N7004-21		.SUPPORT INSTL- POSITION DATA: STA 960 TO 980 FOR DETAILS SEE: 23-32-52-06	002004 006010	1
- 40	417N7004-31		.SUPPORT INSTL- POSITION DATA: STA 960 TO 980 FOR DETAILS SEE: 23-32-52-02	952999	1
- 40	417N7010-18		.SUPPORT INSTL- POSITION DATA: STA 960 TO 980 FOR DETAILS SEE: 23-32-52-16	011100	1
- 45	417N7004-29		.SUPPORT INSTL- POSITION DATA: STA 1120 TO 1139.82 FOR DETAILS SEE: 23-32-52-02	002004 006010	1
- 45	417N7004-36		.SUPPORT INSTL- POSITION DATA: STA 1120 TO 1139.82 FOR DETAILS SEE: 23-32-52-16	952999	1
- 45	417N7010-20		.SUPPORT INSTL- POSITION DATA: STA 1120.0 TO 1139.82 FOR DETAILS SEE: 23-32-52-06	011100	1
- 55	417N7010-13		.SUPPORT INSTL- POSITION DATA: STA 1320 TO 1340 FOR DETAILS SEE: 23-32-52-06	011100	1

MISSING ITEM NUMBERS NOT APPLICABLE

- ITEM NOT ILLUSTRATED

23-32-00-01

23-32-00
FIG. 01
PAGE 2
JAN 20/09

BRI



757

PARTS CATALOG (MAINTENANCE)

FIG ITEM	PART NUMBER	1 2 3 4 5 6 7	NOMENCLATURE	EFFECT FROM TO	UNITS PER ASSY
1					
- 55	417N7004-25		.SUPPORT INSTL- POSITION DATA: STA 1320 TO 1340 FOR DETAILS SEE: 23-32-52-02	002004 006010	1
- 55	417N7004-32		.SUPPORT INSTL- POSITION DATA: STA 1320 TO 1340 FOR DETAILS SEE: 23-32-52-16	952999	1
- 60	417N7004-19		.SUPPORT INSTL- POSITION DATA: STA 1440 TO 1460 FOR DETAILS SEE: 23-32-52-02	002004	1
- 60	417N7004-42		.SUPPORT INSTL- POSITION DATA: STA 1440 TO 1460 FOR DETAILS SEE: 23-32-52-02	006010	1
- 60	417N7010-15		.SUPPORT INSTL- POSITION DATA: STA 1440 TO 1460 FOR DETAILS SEE: 23-32-52-06	011100	1
- 60	417N7004-33		.SUPPORT INSTL- POSITION DATA: STA 1440 TO 1460 FOR DETAILS SEE: 23-32-52-16	952952	1
- 60	417N7004-43		.SUPPORT INSTL- POSITION DATA: STA 1440 TO 1460 FOR DETAILS SEE: 23-32-52-16	953999	1
- 65	417N7400-12		.EQUIPMENT INSTL- FOR DETAILS SEE: 23-32-53-09 23-32-05-01 23-32-13-03 23-32-03-02	002004	1
- 66	417N7400-24		.EQUIPMENT INSTL- FOR DETAILS SEE: 23-32-53-09 23-32-05-01 23-32-03-02 23-32-13-03	006100	1

MISSING ITEM NUMBERS NOT APPLICABLE

- ITEM NOT ILLUSTRATED

23-32-00-01

23-32-00
FIG. 01
PAGE 3
JAN 20/09

BRI



757

PARTS CATALOG (MAINTENANCE)

FIG ITEM	PART NUMBER	1 2 3 4 5 6 7	NOMENCLATURE	EFFECT FROM TO	UNITS PER ASSY
1					
- 67	417N7400-19		.EQUIPMENT INSTL- FOR DETAILS SEE: 23-32-53-09	006010	1
- 67	417N7400-31		.EQUIPMENT INSTL- FOR DETAILS SEE: 23-32-53-09	011100	1
- 80	417N7005-89		.MONITOR INSTL- POSITION DATA: STA 520 TO 540 FOR DETAILS SEE: 23-32-02-06	002004 006010	1
- 90	417N7005-90		.MONITOR INSTL- POSITION DATA: STA 660 TO 680 FOR DETAILS SEE: 23-32-02-06	002004 006010	1
- 100	417N7005-91		.MONITOR INSTL- POSITION DATA: STA 800 TO 820 FOR DETAILS SEE: 23-32-02-06	002004 006010	1
- 105	417N7005-92		.MONITOR INSTL- POSITION DATA: STA 960 TO 984 FOR DETAILS SEE: 23-32-02-06	002004 006010	1
- 110	417N7005-93		.MONITOR INSTL- POSITION DATA: STA 1120.0 TO 1139.8 FOR DETAILS SEE: 23-32-02-06	002004 006010	1
- 120	417N7005-94		.MONITOR INSTL- POSITION DATA: STA 1320 TO 1340 FOR DETAILS SEE: 23-32-02-06	002004 006010	1
- 125	417N7005-95		.MONITOR INSTL- POSITION DATA: STA 1440 TO 1460 FOR DETAILS SEE: 23-32-02-06	002004 006010	1
- 130	417N7300-138		.MONITOR INSTL- POSITION DATA: STA 383.02 TO 409.20 FOR DETAILS SEE: 23-32-01-05	002004	1

MISSING ITEM NUMBERS NOT APPLICABLE

- ITEM NOT ILLUSTRATED

23-32-00-01

23-32-00
FIG. 01
PAGE 4
JAN 20/09

BRI



757

PARTS CATALOG (MAINTENANCE)

FIG ITEM	PART NUMBER	1 2 3 4 5 6 7	NOMENCLATURE	EFFECT FROM TO	UNITS PER ASSY
1					
- 131	417N7300-146		.MONITOR INSTL- POSITION DATA: STA 383.02 TO 409.20 FOR DETAILS SEE: 23-32-01-05	006017	1
- 181	417N7006-2		.VIDEO INSTL- POSITION DATA: STA 401.0 MISCELLANEOUS DATA: (PART OF FLYAWAY KIT) POST RAPID REVISION: RR92034-8 RR92014-41 FOR DETAILS SEE: 23-32-07-10	002004 006010	1
- 182	417N7006-3		.VIDEO INSTL- POSITION DATA: STA 340.0 FOR DETAILS SEE: 23-32-07-10	002004 006100	1
- 183	417N7006-5		.VIDEO INSTL- POSITION DATA: STA 389.0 FOR DETAILS SEE: 23-32-07-10	011100	1
- 235	417N7008-28		.MONITOR INSTL- POSITION DATA: STA 518 TO 533 FOR DETAILS SEE: 23-32-02-08	011100	1
- 255	417N7008-29		.MONITOR INSTL- POSITION DATA: STA 662 TO 677 FOR DETAILS SEE: 23-32-02-08	011100	1
- 265	417N7008-31		.MONITOR INSTL- POSITION DATA: STA 804.5 TO 819.5 FOR DETAILS SEE: 23-32-02-08	011100	1
- 270	417N7008-32		.MONITOR INSTL- POSITION DATA: STA 959 TO 974 FOR DETAILS SEE: 23-32-02-08	011100	1

MISSING ITEM NUMBERS NOT APPLICABLE

- ITEM NOT ILLUSTRATED

23-32-00-01

23-32-00
FIG. 01
PAGE 5
JAN 20/09

BRI



757

PARTS CATALOG (MAINTENANCE)

FIG ITEM	PART NUMBER	1 2 3 4 5 6 7	NOMENCLATURE	EFFECT FROM TO	UNITS PER ASSY
1 - 280	417N7008-33		.MONITOR INSTL- POSITION DATA: STA 1115 TO 1130 FOR DETAILS SEE: 23-32-02-08	011100	1
- 285	417N7008-13		.MONITOR INSTL- POSITION DATA: STA 1315 TO 1330 FOR DETAILS SEE: 23-32-02-08	011100	1
- 290	417N7008-15		.MONITOR INSTL- POSITION DATA: STA 1444.5 TO 1459.5 FOR DETAILS SEE: 23-32-02-08	011100	1

MISSING ITEM NUMBERS NOT APPLICABLE

- ITEM NOT ILLUSTRATED

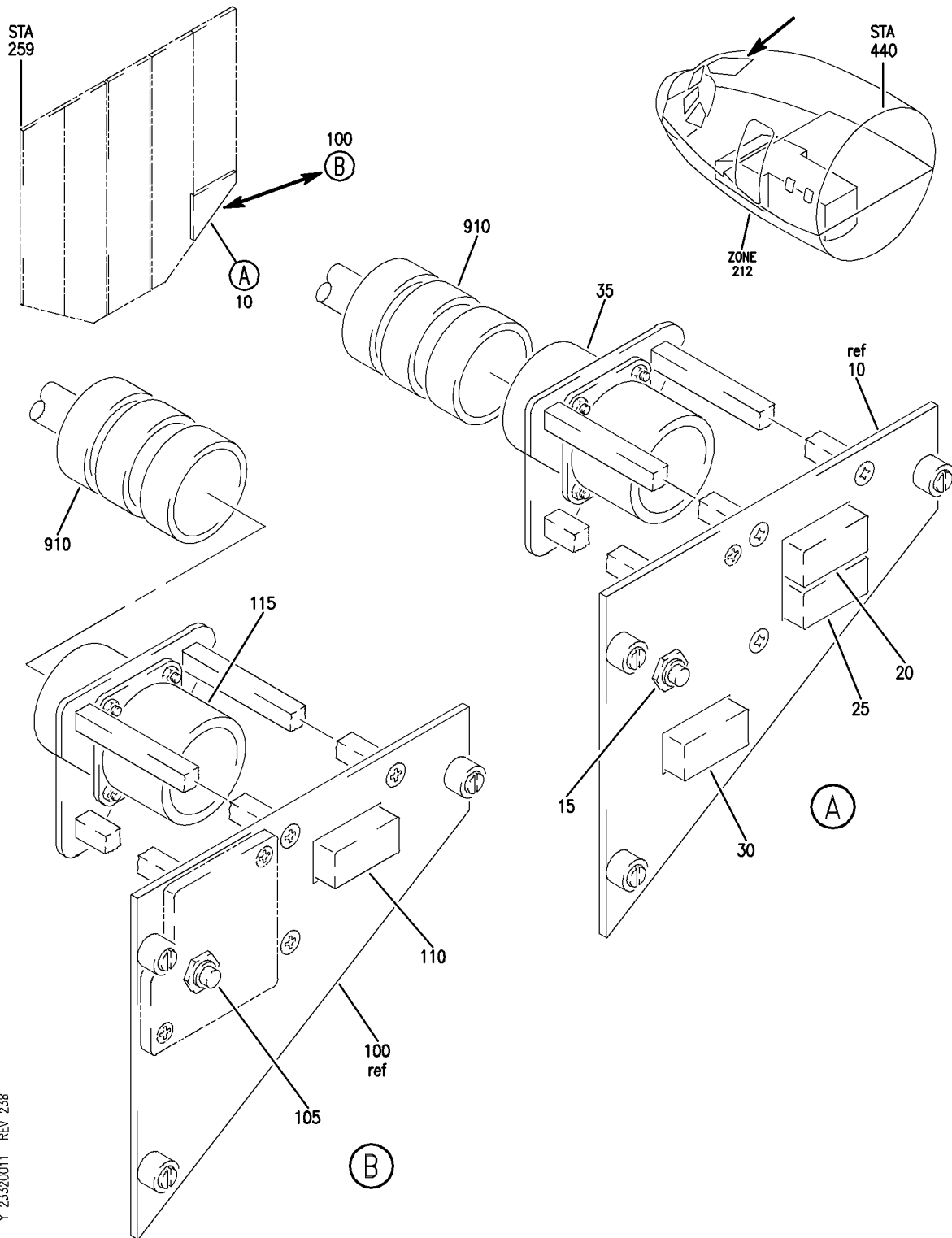
BRI

23-32-00-01

BOEING PROPRIETARY - Copyright © - Unpublished Work - See title page for details.

23-32-00
FIG. 01
PAGE 6
JAN 20/09

BOEING
757
PARTS CATALOG (MAINTENANCE)



Y 23320011 REV 258

PANEL INSTL-P5 OVHD (PASSENGER ENTERTAINMENT (VIDEO) ONLY)
FIGURE 11

23-32-00-11

BRI
JAN 20/09

23-32-00-11
PAGE 0



**757
PARTS CATALOG (MAINTENANCE)**

FIG ITEM	PART NUMBER	1 2 3 4 5 6 7	NOMENCLATURE	EFFECT FROM TO	UNITS PER ASSY
11			PANEL INSTL-P5 OVHD (PASSENGER ENTERTAINMENT (VIDEO) ONLY)	103106 108120 504903	
- 1	233N3103-136		PANEL INSTL-P5 OVHD (PASSENGER ENTERTAINMENT (VIDEO) ONLY) FOR NHA/OTHER SYS DET SEE: 25-10-00-15E	504903	RF
- 2	233N3103-59		PANEL INSTL-P5 OVHD (PASSENGER ENTERTAINMENT (VIDEO) ONLY) FOR NHA/OTHER SYS DET SEE: 25-10-00-15E	108120	RF
- 3	MODREF170180		PANEL INSTL-P5 OVHD (PASSENGER ENTERTAINMENT (VIDEO) ONLY) MODULE NUMBER: 233N3103-353 REV B FOR OTHER SYS DETAILS SEE: 11-31-10-12 21-25-55-03 21-31-01-02 21-33-51-03 21-51-54-03 21-58-19-10 21-58-51-03 21-61-04-03 21-65-51-01 22-21-01-04 22-24-51-02 23-24-01-01 23-42-02-02 23-71-05-02 24-11-52-05 24-22-01-03 24-31-01-10 24-31-03-09 24-33-04-01 24-41-51-04 24-51-62-01 26-18-51-04 27-21-53-02 27-41-55-01 27-61-51-03 27-62-52-02 28-22-51-02 28-41-04-01 28-41-51-03 29-11-02-03	106106	1

MISSING ITEM NUMBERS NOT APPLICABLE

- ITEM NOT ILLUSTRATED

BRI

23-32-00-11

BOEING PROPRIETARY - Copyright © - Unpublished Work - See title page for details.

23-32-00
FIG. 11
PAGE 1
JAN 20/09



757

PARTS CATALOG (MAINTENANCE)

FIG ITEM	PART NUMBER	1 2 3 4 5 6 7 NOMENCLATURE	EFFECT FROM TO	UNITS PER ASSY
11		29-11-05-04 29-11-52-07 29-21-54-03 29-31-00-01 29-32-51-03 29-33-52-03 30-11-51-03 30-21-51-03 30-31-51-02 30-32-51-01 30-33-51-02 30-41-51-03 30-42-51-03 31-12-11-84 31-12-11-84 A 32-42-52-03 33-11-03-03 33-11-51-17 33-13-01-65 33-13-02-03 33-16-51-03 33-24-51-02 33-41-52-04 33-42-01-04 33-42-02-04 33-42-52-04 33-43-51-04 33-44-51-05 33-45-53-03 33-51-08-05 34-21-02-01 35-21-51-04 36-11-04-01 36-21-00-01 36-21-02-05 36-22-51-03 49-41-00-02 49-52-00-01 49-70-00-01 52-51-51-03 52-71-51-02 73-21-52-02 74-31-51-05 75-32-00-01 80-11-09-02		
-	4 MODREF34038	PANEL INSTL-P5 OVHD (PASSENGER ENTERTAINMENT (VIDEO) ONLY) MODULE NUMBER: MISSING ITEM NUMBERS NOT APPLICABLE	104105	1

- ITEM NOT ILLUSTRATED

23-32-00-11

23-32-00
 FIG. 11
 PAGE 2
 JAN 20/09

BRI



757

PARTS CATALOG (MAINTENANCE)

FIG ITEM	PART NUMBER	1 2 3 4 5 6 7	NOMENCLATURE	EFFECT FROM TO	UNITS PER ASSY
11			233N3103-351 REV D FOR OTHER SYS DETAILS SEE: 11-31-10-12 21-25-55-03 21-31-01-02 21-33-51-03 21-51-54-03 21-58-19-10 21-58-51-03 21-61-04-03 21-65-51-01 22-21-01-04 22-24-51-02 23-24-01-01 23-42-02-02 23-71-05-02 24-11-52-05 24-22-01-03 24-31-01-10 24-31-03-09 24-33-04-01 24-41-51-04 24-51-62-01 26-18-51-04 27-21-53-02 27-41-55-01 27-61-51-03 27-62-52-02 28-22-51-02 28-41-04-01 28-41-51-03 29-11-02-03 29-11-05-04 29-11-52-07 29-21-54-03 29-31-00-01 29-32-51-03 29-33-52-03 30-11-51-03 30-21-51-03 30-31-51-02 30-32-51-01 30-33-51-02 30-41-51-03 30-42-51-03 31-12-11-91 31-12-11-91A 32-42-52-03 33-11-03-03		

MISSING ITEM NUMBERS NOT APPLICABLE

- ITEM NOT ILLUSTRATED

23-32-00-11

23-32-00
FIG. 11
PAGE 3
JAN 20/09

BRI



757

PARTS CATALOG (MAINTENANCE)

FIG ITEM	PART NUMBER	1 2 3 4 5 6 7 NOMENCLATURE	EFFECT FROM TO	UNITS PER ASSY
11		33-11-51-17 33-13-01-65 33-13-02-03 33-16-51-03 33-24-51-02 33-41-52-04 33-42-01-04 33-42-02-04 33-42-52-04 33-43-51-04 33-44-51-05 33-45-53-03 33-51-08-05 34-21-02-01 35-21-51-04 36-11-04-01 36-21-00-01 36-21-02-05 36-22-51-03 49-41-00-02 49-52-00-01 49-70-00-01 52-51-51-03 52-71-51-02 73-21-52-02 74-31-51-05 75-32-00-01 80-11-09-02		
-	4 MODREF33760	PANEL INSTL-P5 OVHD (PASSENGER ENTERTAINMENT (VIDEO) ONLY) MODULE NUMBER: 233N3103-351 REV C FOR OTHER SYS DETAILS SEE: 11-31-10-12 21-25-55-03 21-31-01-02 21-33-51-03 21-51-54-03 21-58-19-10 21-58-51-03 21-61-04-03 21-65-51-01 22-21-01-04 22-24-51-02 23-24-01-01 23-42-02-02 23-71-05-02 24-11-52-05	103103	1

MISSING ITEM NUMBERS NOT APPLICABLE

- ITEM NOT ILLUSTRATED

BRI

23-32-00-11

BOEING PROPRIETARY - Copyright © - Unpublished Work - See title page for details.

23-32-00
 FIG. 11
 PAGE 4
 JAN 20/09



757

PARTS CATALOG (MAINTENANCE)

FIG ITEM	PART NUMBER	1 2 3 4 5 6 7 NOMENCLATURE	EFFECT FROM TO	UNITS PER ASSY
11		24-22-01-03 24-31-01-10 24-31-03-09 24-33-04-01 24-41-51-04 24-51-62-01 26-18-51-04 27-21-53-02 27-41-55-01 27-61-51-03 27-62-52-02 28-22-51-02 28-41-04-01 28-41-51-03 29-11-02-03 29-11-05-04 29-11-52-07 29-21-54-03 29-31-00-01 29-32-51-03 29-33-52-03 30-11-51-03 30-21-51-03 30-31-51-02 30-32-51-01 30-33-51-02 30-41-51-03 30-42-51-03 31-12-11-91 31-12-11-91 A 32-42-52-03 33-11-03-03 33-11-51-17 33-13-01-65 33-13-02-03 33-16-51-03 33-24-51-02 33-41-52-04 33-42-01-04 33-42-02-04 33-42-52-04 33-43-51-04 33-44-51-05 33-45-53-03 33-51-08-05 34-21-02-01 35-21-51-04 36-11-04-01 36-21-00-01		

MISSING ITEM NUMBERS NOT APPLICABLE

- ITEM NOT ILLUSTRATED

23-32-00-11

23-32-00
FIG. 11
PAGE 5
JAN 20/09

BRI



757

PARTS CATALOG (MAINTENANCE)

FIG ITEM	PART NUMBER	1 2 3 4 5 6 7	NOMENCLATURE	EFFECT FROM TO	UNITS PER ASSY
11			36-21-02-05 36-22-51-03 49-41-00-02 49-52-00-01 49-70-00-01 52-51-51-03 52-71-51-02 73-21-52-02 74-31-51-05 75-32-00-01 80-11-09-02		
100	233T3230-22		.PANEL ASSY-ENTERTAINMENT ELECTRICAL EQUIP NUMBER: M01111 COMPONENT MAINT MANUAL REF: 23-32-52	103106 108120 504903	1
110	BCREF8551		..LIGHT ASSY-IND VIDEO ON SUPPLIER CODE: V81590 OVERLENGTH PART NUMBER: 434-674-1031-2114 SPECIFICATION NUMBER: S231T300-2114 QUALIFIED OPTIONAL DATA: S231T300-1114 WITH WHITE DOT IDENTIFIER ON CAP ASSEMBLY IS OPTIONAL TO S231T300-2114.	103106 108120 504903	1
110	BCREF6320		..LIGHT ASSY-IND VIDEO ON SUPPLIER CODE: V81590 OVERLENGTH PART NUMBER: 434-674-1005-1114 SPECIFICATION NUMBER: S231T300-1114 QUALIFIED OPTIONAL DATA: S231T300-1114 WITH WHITE DOT IDENTIFIER ON CAP ASSEMBLY IS OPTIONAL TO S231T300-2114.	103106 108120 504903	1
115	BACC45FN12-12P6		..CONNECTOR-	103106 108120 504903	1
- 120	BACS12CB04-4		ATTACHING PARTS ..SCREW	103106 108120 504903	2

MISSING ITEM NUMBERS NOT APPLICABLE

- ITEM NOT ILLUSTRATED

23-32-00-11

23-32-00
FIG. 11
PAGE 6
JAN 20/09

BRI



757

PARTS CATALOG (MAINTENANCE)

FIG ITEM	PART NUMBER	1 2 3 4 5 6 7	NOMENCLATURE	EFFECT FROM TO	UNITS PER ASSY
11					
- 125	K19798-04		. . NUT SUPPLIER CODE: V15653 SPECIFICATION NUMBER: BACN10NW1 OPTIONAL PART: RMA4812-160-40 V72962 293162 V60119	103106 108120 504903	2
- 900	286N2307-305		WIRE BUNDLE ASSY	108120	RF
- 900	286N2307-317		WIRE BUNDLE ASSY	504903	RF
- 900	286N2307-701		WIRE BUNDLE ASSY	103106	RF
910	BACC45FT12-12S6		.CONNECTOR- ELECTRICAL EQUIP NUMBER: D01543 WIRING DIAGRAM REF: 233201 233202 233212 331331 331612	103106 108120 504903	1
MISSING ITEM NUMBERS NOT APPLICABLE					

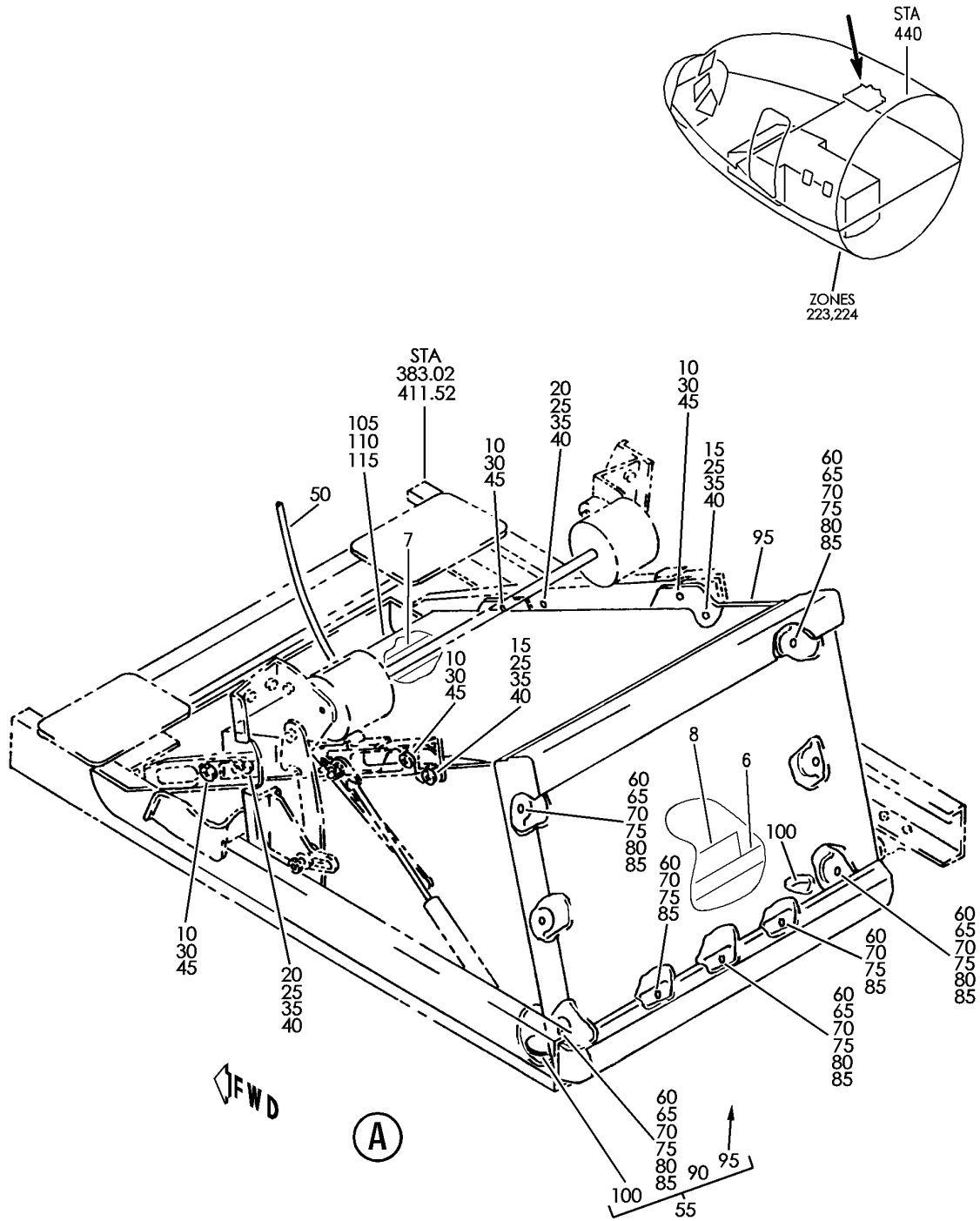
- ITEM NOT ILLUSTRATED

23-32-00-11

23-32-00
FIG. 11
PAGE 7
JAN 20/09

BRI

BOEING
757
PARTS CATALOG (MAINTENANCE)



Y 23320105 REV 294

MONITOR INSTL-(RETRACTABLE VIDEO MONITOR ONLY)
FIGURE 5

23-32-01-05

BRI
MAY 28/07

23-32-01-05
PAGE 0



757

PARTS CATALOG (MAINTENANCE)

FIG ITEM	PART NUMBER	1 2 3 4 5 6 7	NOMENCLATURE	EFFECT FROM TO	UNITS PER ASSY
5			MONITOR INSTL-(RETRACTABLE VIDEO MONITOR ONLY)	002004 006100 121503 904949	
- 1	417N7300-76		MONITOR INSTL- POSITION DATA: STA 383.02 TO 409.20 FOR NHA SEE: 25-20-00-01E	904949	RF
- 2	417N7300-138		MONITOR INSTL- POSITION DATA: STA 383.02 TO 409.20 FOR NHA SEE: 23-32-00-01	002004	RF
- 2	417N7300-146		MONITOR INSTL- POSITION DATA: STA 383.02 TO 409.20 FOR NHA SEE: 23-32-00-01	006017	RF
- 2	417N7300-153		MONITOR INSTL- POSITION DATA: STA 383.02 TO 409.20 FOR NHA SEE: 25-20-00-01E	121503	RF
10	NAS1801-4-8		.SCREW	002004 121503 904949	4
10	BACB30NM4K2		.BOLT	006100 121503	4
15	NAS6703-3		.BOLT	006100 121503	2
20	NAS6703-6		.BOLT	006100 121503	2
25	NAS6703-1		.BOLT	002004 121503 904949	4
30	AN960C416L		.WASHER	006100	4
35	MS35333-73		.WASHER-LOCK	006100	4
40	AN960-10L		.WASHER	002004 121503 904949	4
50	RDAM6103-900		.CABLE ASSY-(CUSTOMER FURNISHED) SUPPLIER CODE: VS0293	121503 904949	1
55	65C30833-4SP		.SHROUD ASSY	904949	1
55	65C30833-9SP		.SHROUD ASSY-	006100 121503	1

MISSING ITEM NUMBERS NOT APPLICABLE

- ITEM NOT ILLUSTRATED

23-32-01-05

23-32-01
FIG. 05
PAGE 1
JAN 20/09

BRI



757

PARTS CATALOG (MAINTENANCE)

FIG ITEM	PART NUMBER	1 2 3 4 5 6 7	NOMENCLATURE	EFFECT FROM TO	UNITS PER ASSY
5	70 NAS602-12P	..	SCREW	006100 121503 904949	9
	85 AN960C8	..	WASHER	006100 121503 904949	9
	90 65C31251-3SP	..	FACIA ASSY-	006100 121503 904949	1
	95 65C30833-5SP	..	COVER ASSY	904949	1
	95 65C30833-11SP	..	COVER ASSY-	006100 121503	1
	100 417N3113-1	...	LENS	006100 121503 904949	2
	105 600958-0002	.	MONITOR-VIDEO (CUSTOMER FURNISHED) SUPPLIER CODE: V62204 ELECTRICAL EQUIP NUMBER: M10669 COMPONENT MAINT MANUAL REF: 23-30-17	002004 006100	1
	105 RDAV2132	.	MONITOR-VIDEO (CUSTOMER FURNISHED) SUPPLIER CODE: VS0293 FUNCTIONAL DESCRIPTION: ALLOWS PASSENGER VIEWING OF VIDEO ENTERTAINMENT PROGRAMS. ELECTRICAL EQUIP NUMBER: M10669 COMPONENT MAINT MANUAL REF: 23-32-21	121503 904949	1
	105 600958-0004	.	MONITOR-VIDEO (CUSTOMER FURNISHED) SUPPLIER CODE: V62204 ELECTRICAL EQUIP NUMBER: M10669 COMPONENT MAINT MANUAL REF: 23-30-17	002004 006100	1

MISSING ITEM NUMBERS NOT APPLICABLE

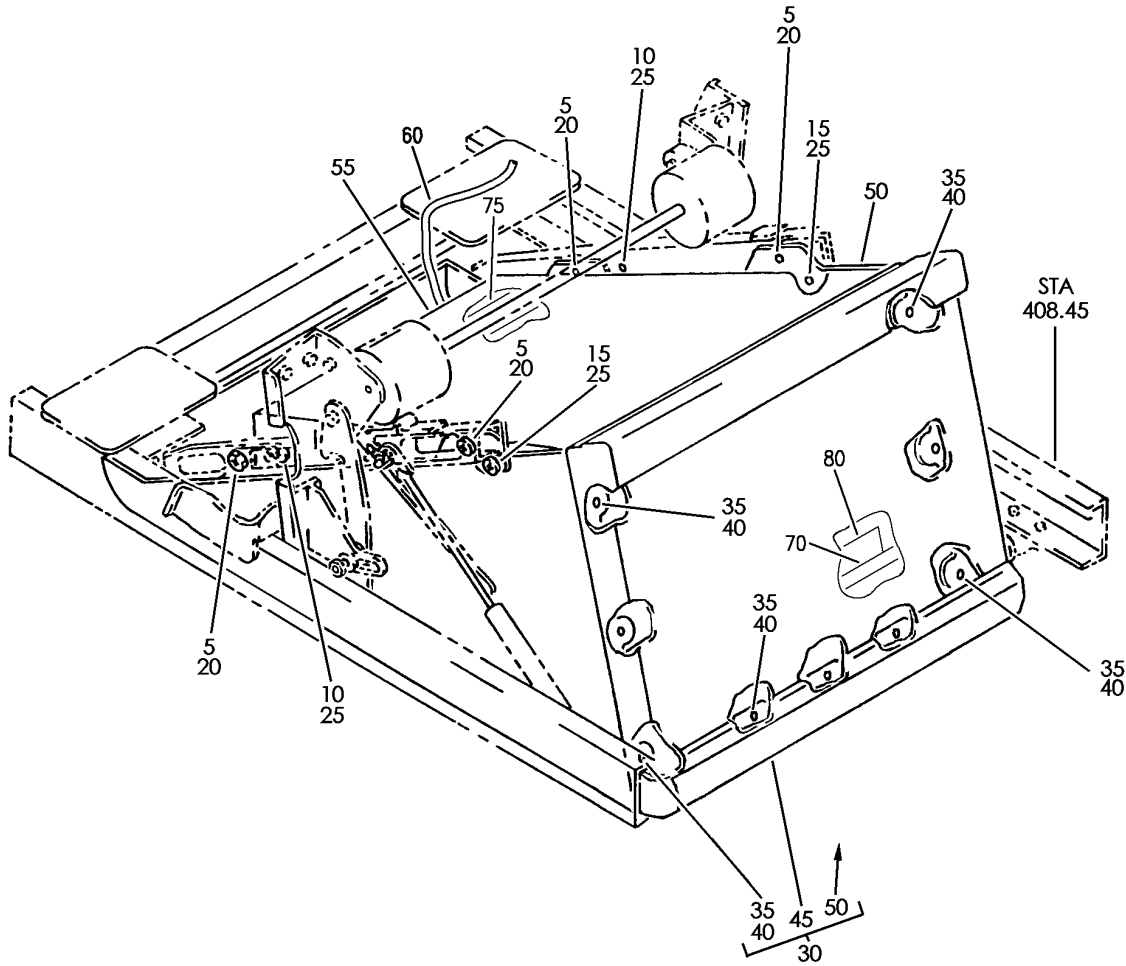
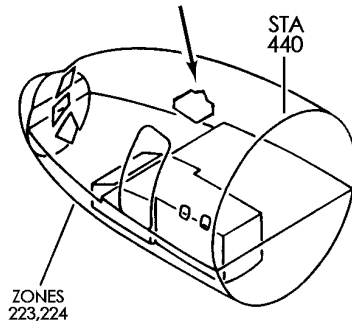
- ITEM NOT ILLUSTRATED

BRI

23-32-01-05

23-32-01
FIG. 05
PAGE 2
JAN 20/09

BOEING
757
PARTS CATALOG (MAINTENANCE)



Y 23320109 REV 294

MONITOR INSTL-RETR RCI 14" CRT
FIGURE 9

23-32-01-09

BRI
MAY 28/07

23-32-01-09
PAGE 0



757

PARTS CATALOG (MAINTENANCE)

FIG ITEM	PART NUMBER	1 2 3 4 5 6 7	NOMENCLATURE	EFFECT FROM TO	UNITS PER ASSY
9			MONITOR INSTL-RETR RCI 14" CRT	101102	
- 1	417N7165-100SP		MONITOR INSTL-RETR RCI 14" CRT POSITION DATA: STA 408.45 BL 9.6 WL 290.40 FOR NHA SEE: 25-20-00-11A	101102	RF
5	BACB30NM4K2		.BOLT	101102	4
10	NAS6703-6		.BOLT	101102	2
15	NAS6703-3		.BOLT	101102	2
20	NAS1149C0432R		.WASHER	101102	4
25	MS35333-73		.WASHER	101102	4
30	65C30833-9SP		.SHROUD ASSY-	101102	1
35	NAS602-12P		..SCREW- OPTIONAL PART: NAS1801-08-12	101102	9
35	NAS1801-08-12		..SCREW- OPTIONAL PART: NAS602-12P	101102	9
40	AN960C8		..WASHER- OPTIONAL PART: NAS1149CN832R	101102	9
40	NAS1149CN832R		..WASHER- OPTIONAL PART: AN960C8	101102	9
55	24-622376-006		.MONITOR-VIDEO (CUSTOMER FURNISHED) SUPPLIER CODE: V62204 FUNCTIONAL DESCRIPTION: ALLOWS PASSENGER VIEWING OF VIDEO ENTERTAINMENT PROGRAMS. ELECTRICAL EQUIP NUMBER: M10669 COMPONENT MAINT MANUAL REF: 23-32-21	101102	1
60	610549-0001		.CABLE ASSY-MONITOR (CUSTOMER FURNISHED) SUPPLIER CODE: V62204	101102	1

MISSING ITEM NUMBERS NOT APPLICABLE

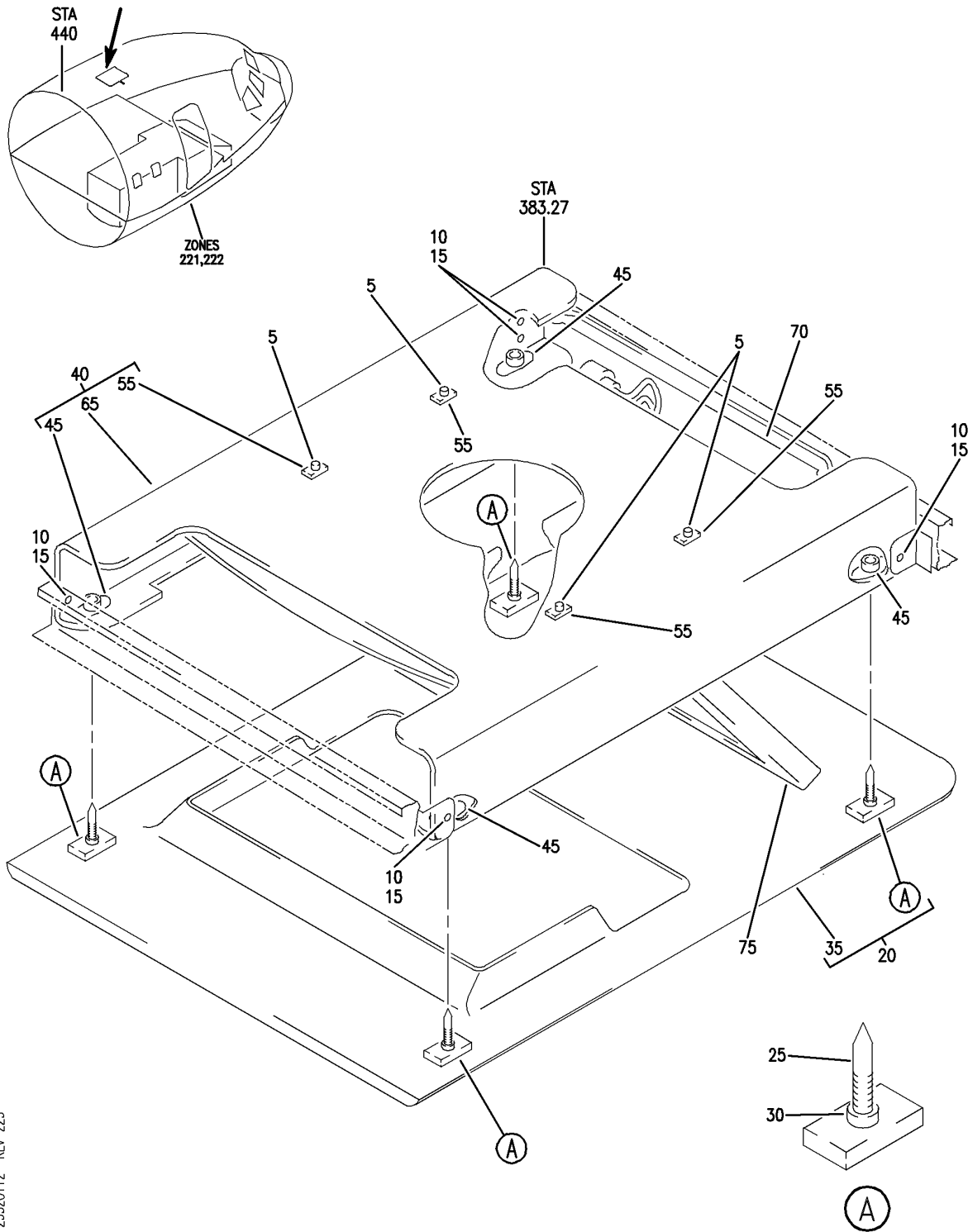
- ITEM NOT ILLUSTRATED

BRI

23-32-01-09

23-32-01
FIG. 09
PAGE 1
JAN 20/09

BOEING
757
PARTS CATALOG (MAINTENANCE)



Y 23320112 REV 225

MONITOR INSTL-MATSHUSHITA RETR OVHD MOUNT LCD
FIGURE 12

23-32-01-12

BRI
JAN 20/09

23-32-01-12
PAGE 0



757

PARTS CATALOG (MAINTENANCE)

FIG ITEM	PART NUMBER	1 2 3 4 5 6 7	NOMENCLATURE	EFFECT FROM TO	UNITS PER ASSY
12			MONITOR INSTL-MATSHUSHITA RETR OVHD MOUNT LCD	108120	
- 1	417N7162-58B		MONITOR INSTL-MATSHUSHITA RETR OVHD MOUNTED LCD POSITION DATA: STA 394.51 BL 0.0 WL 286.36 FOR NHA SEE: 25-20-00-11A	108120	RF
	5 BACB30NN4K3		.BOLT	108120	4
	10 BACB30NM3K2		.BOLT	108120	5
	15 NAS1149D0332J		.WASHER	108120	5
	20 417N7301-103B		.CLOSE OUT ASSY	108120	1
	25 AVL365-1		..PIN- SUPPLIER CODE: V84256	108120	4
	30 MS51830CA203		..INSERT	108120	4
	35 417N7301-102B		..CLOSE OUT-	108120	1
	40 417N7200-43		.SUPPORT ASSY-VIDEO MON RETR LCD	108120	1
	45 AVL363-1		..RECEPTACLE- SUPPLIER CODE: V84256 OPTIONAL PART: AVL363-2 V84256	108120	4
	45 AVL363-2		..RECEPTACLE- SUPPLIER CODE: V84256 OPTIONAL PART: AVL363-1 V84256	108120	4
- 50	BACR15BB4ADC		ATTACHING PARTS ..RIVET- SIZE DETERMINED ON INSTL. -----*-----	108120	8

MISSING ITEM NUMBERS NOT APPLICABLE

- ITEM NOT ILLUSTRATED

BRI

23-32-01-12

BOEING PROPRIETARY - Copyright © - Unpublished Work - See title page for details.

23-32-01
FIG. 12
PAGE 1
JAN 20/09



**757
PARTS CATALOG (MAINTENANCE)**

FIG ITEM	PART NUMBER	1 2 3 4 5 6 7	NOMENCLATURE	EFFECT FROM TO	UNITS PER ASSY
12 55	MF53050-4CD		..NUTPLATE SUPPLIER CODE: V15653 SPECIFICATION NUMBER: BACN10JN4CD OPTIONAL PART: BRFM20C4D V52828 T8301C428CD V11815 102F9201M4 V72962 NS202487-048 V80539 MF51637-4 V15653 ATTACHING PARTS	108120	4
- 60	BACR15BA3ADC		..RIVET- SIZE DETERMINED ON INSTL. -----*-----	108120	8
65	417N7102-334		..BRACKET-SPRT	108120	1
70	RDAM4940-01		.BRACKET- SUPPLIER CODE: VOU308	108120	1
75	RDAV9817-01		.MONITOR-14 IN RETR LCD VIDEO SUPPLIER CODE: VOFF57 FUNCTIONAL DESCRIPTION: ALLOWS VIEWING OF VIDEO ENTERTAINMENT PROGRAMS	108120	1

MISSING ITEM NUMBERS NOT APPLICABLE

- ITEM NOT ILLUSTRATED

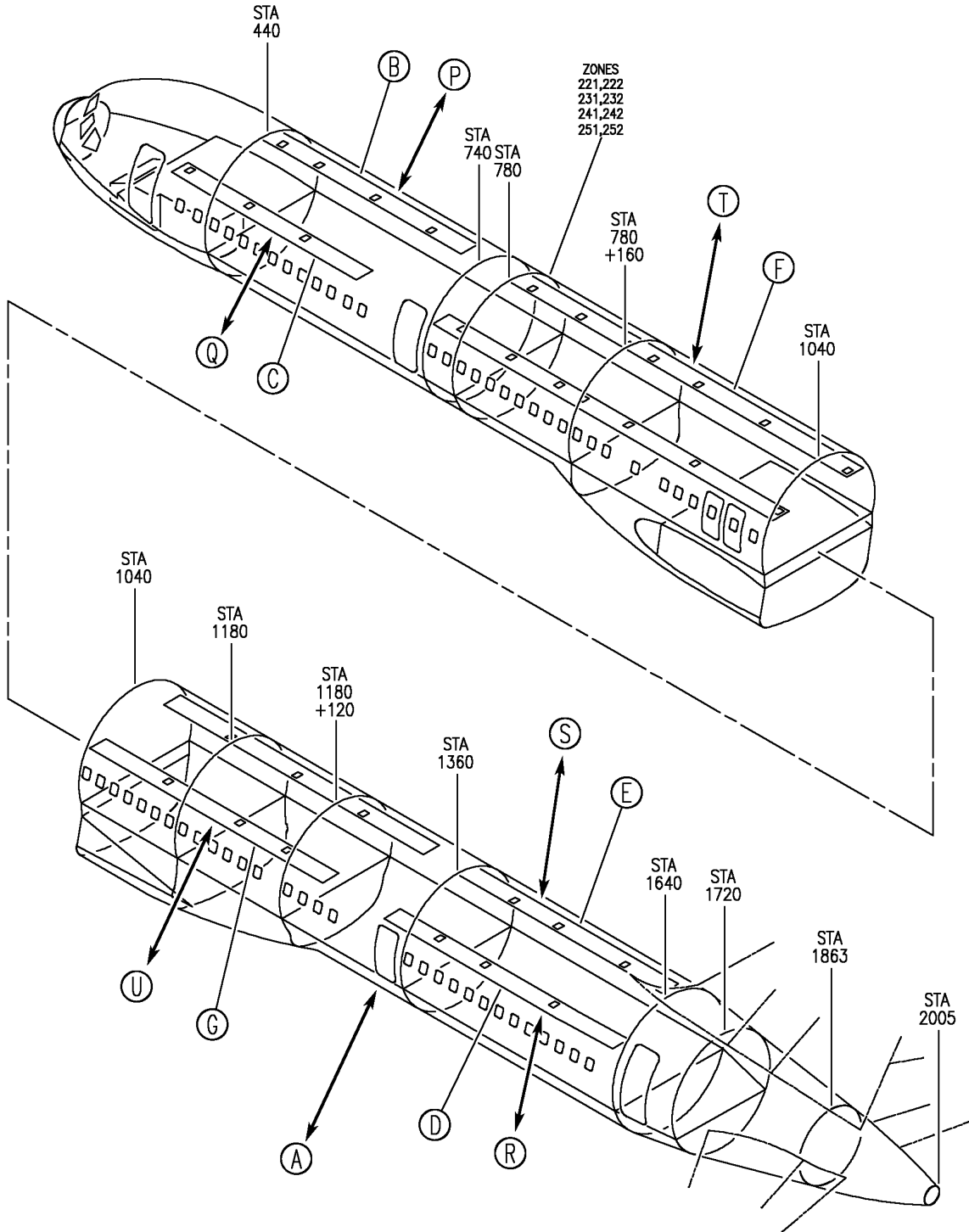
BRI

23-32-01-12

BOEING PROPRIETARY - Copyright © - Unpublished Work - See title page for details.

23-32-01
FIG. 12
PAGE 2
JAN 20/09

BOEING
757
PARTS CATALOG (MAINTENANCE)



Y 23320132C SHT 1 REV 271

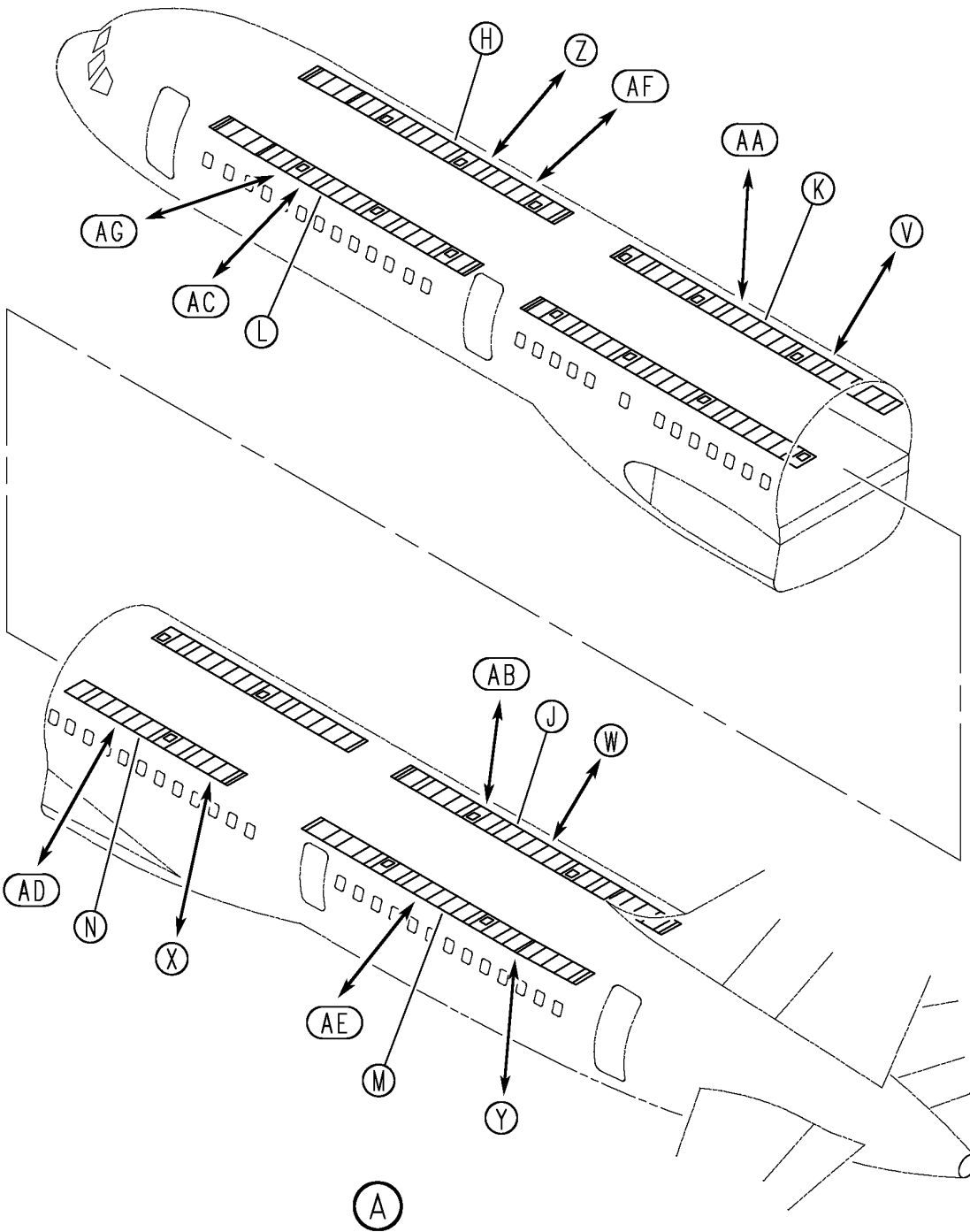
SERVICE UNIT INSTL-PASS. (COMMUNICATIONS ONLY)
FIGURE 32C (SHEET 1)

23-32-01-32C

BRI
JAN 20/09

23-32-01-32C
PAGE 0

BOEING
757
PARTS CATALOG (MAINTENANCE)



Y 23320132C SHT 2 REV 334

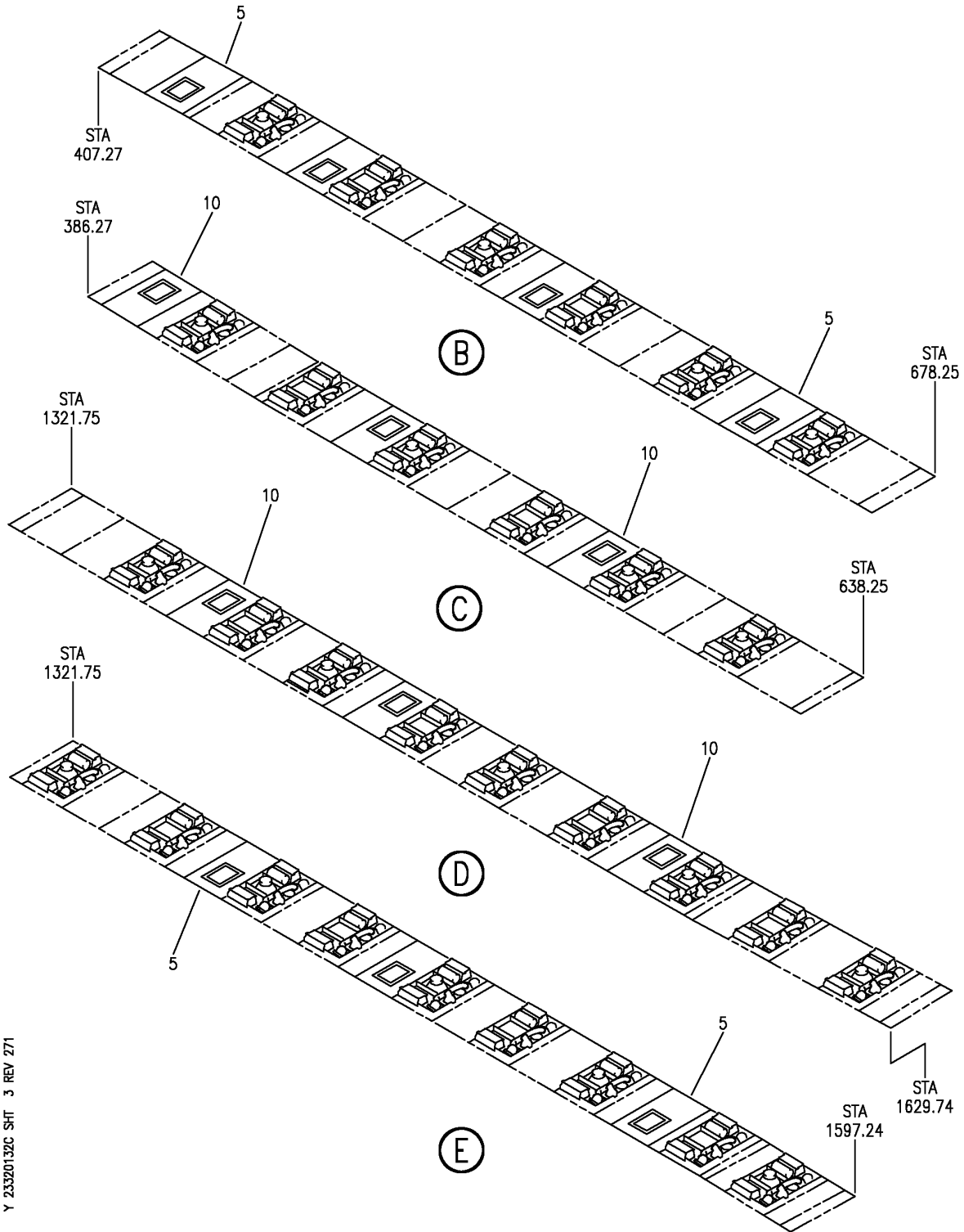
SERVICE UNIT INSTL-PASS. (COMMUNICATIONS ONLY)
FIGURE 32C (SHEET 2)

23-32-01-32C

BRI
MAY 20/09

23-32-01-32C
PAGE 0A

BOEING
757
PARTS CATALOG (MAINTENANCE)



Y 23320132C SHT 3 REV 271

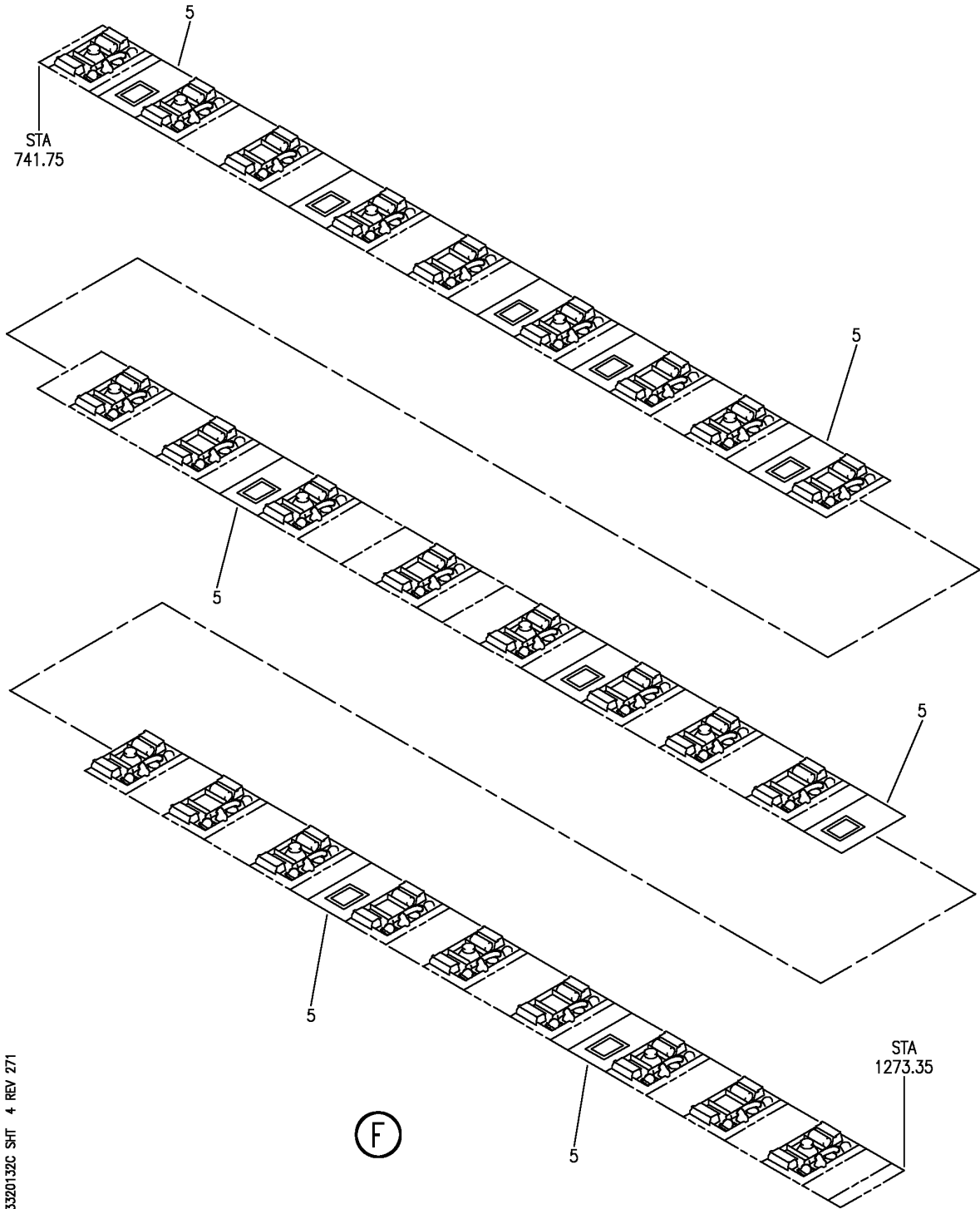
SERVICE UNIT INSTL-PASS. (COMMUNICATIONS ONLY)
FIGURE 32C (SHEET 3)

23-32-01-32C

BRI
JAN 20/09

23-32-01-32C
PAGE 0B

BOEING
757
PARTS CATALOG (MAINTENANCE)



Y 23320132C SHT 4 REV 271

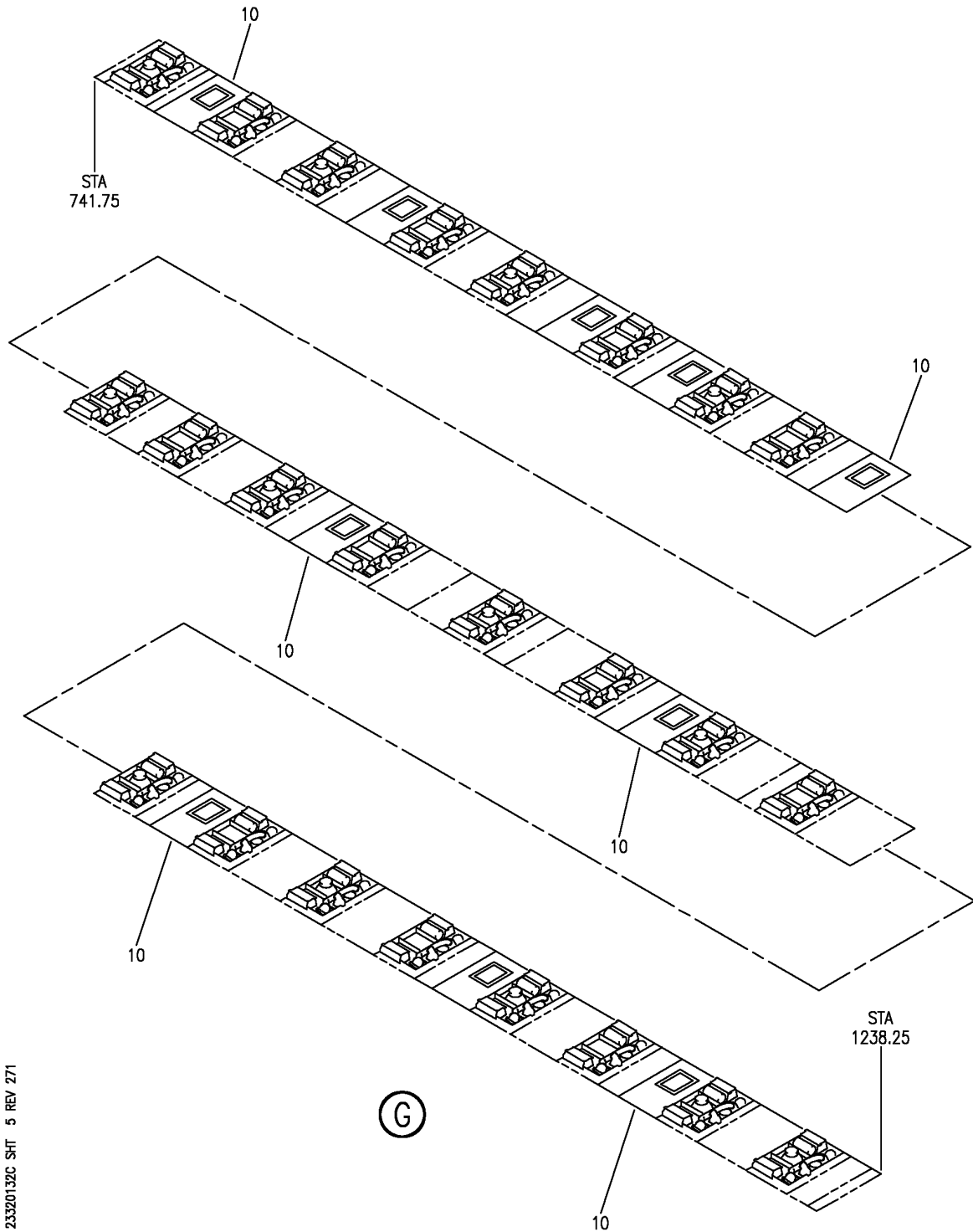
SERVICE UNIT INSTL-PASS. (COMMUNICATIONS ONLY)
FIGURE 32C (SHEET 4)

23-32-01-32C

BRI
JAN 20/09

23-32-01-32C
PAGE 0C

BOEING
757
PARTS CATALOG (MAINTENANCE)



Y 23320132C SHT 5 REV 271

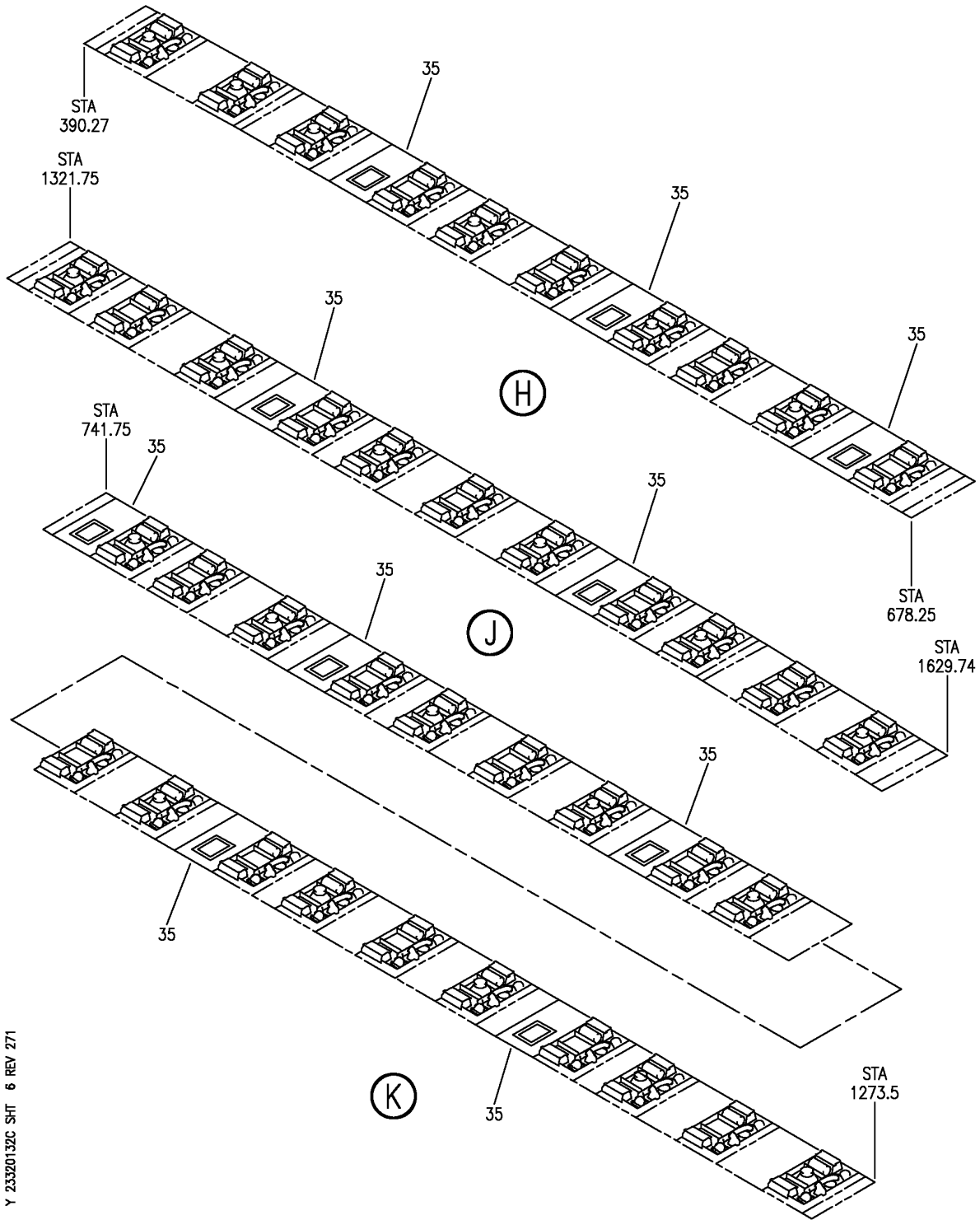
SERVICE UNIT INSTL-PASS. (COMMUNICATIONS ONLY)
FIGURE 32C (SHEET 5)

23-32-01-32C

BRI
JAN 20/09

23-32-01-32C
PAGE 0D

BOEING
757
PARTS CATALOG (MAINTENANCE)



Y 23320132C SHT 6 REV 271

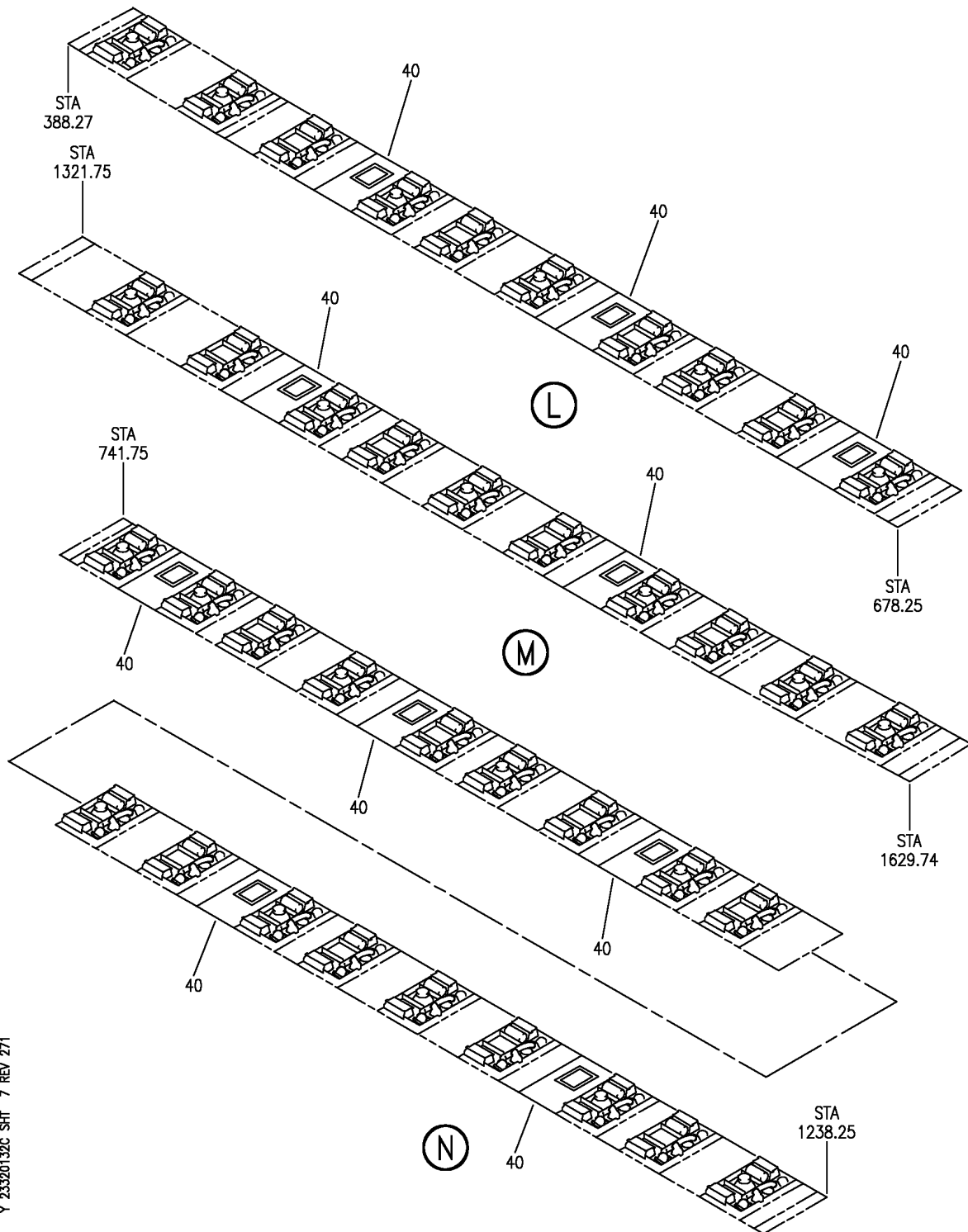
SERVICE UNIT INSTL-PASS. (COMMUNICATIONS ONLY)
FIGURE 32C (SHEET 6)

23-32-01-32C

BRI
JAN 20/09

23-32-01-32C
PAGE 0E

BOEING
757
PARTS CATALOG (MAINTENANCE)



Y 23320132C SHT 7 REV 271

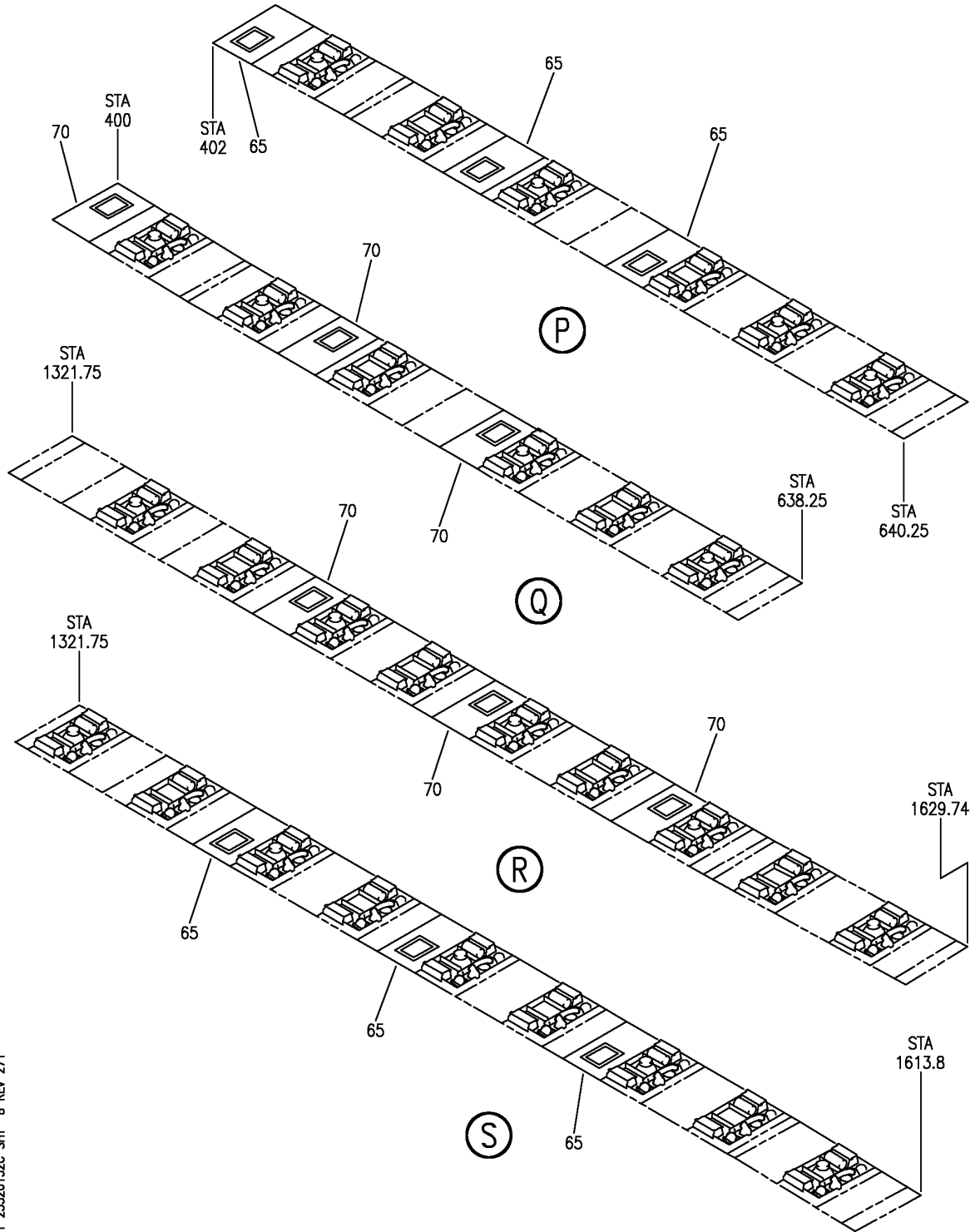
SERVICE UNIT INSTL-PASS. (COMMUNICATIONS ONLY)
FIGURE 32C (SHEET 7)

23-32-01-32C

BRI
JAN 20/09

23-32-01-32C
PAGE OF

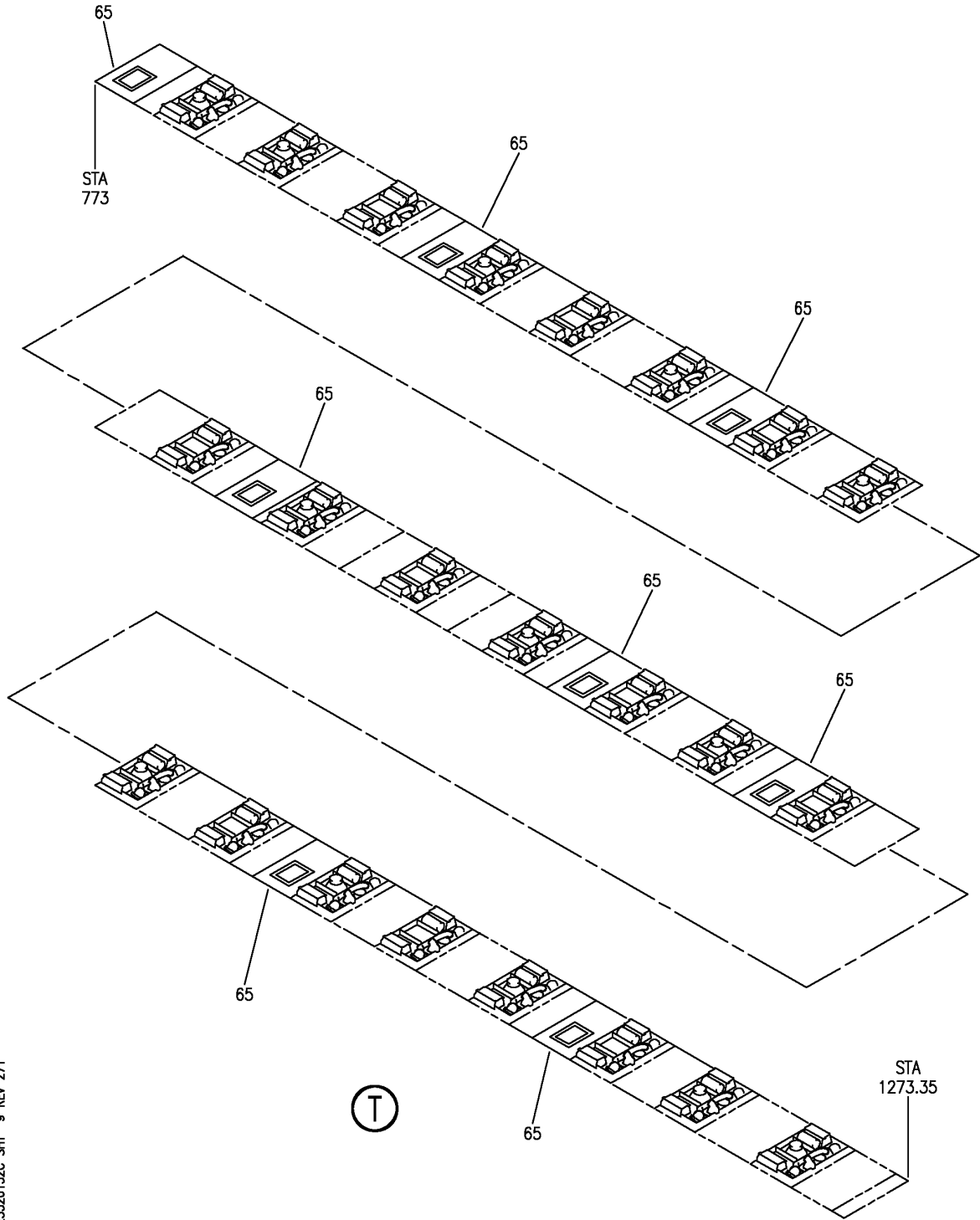
BOEING
757
PARTS CATALOG (MAINTENANCE)



SERVICE UNIT INSTL-PASS. (COMMUNICATIONS ONLY)
FIGURE 32C (SHEET 8)

23-32-01-32C

BOEING
757
PARTS CATALOG (MAINTENANCE)



Y 23320132C SHT 9 REV 271

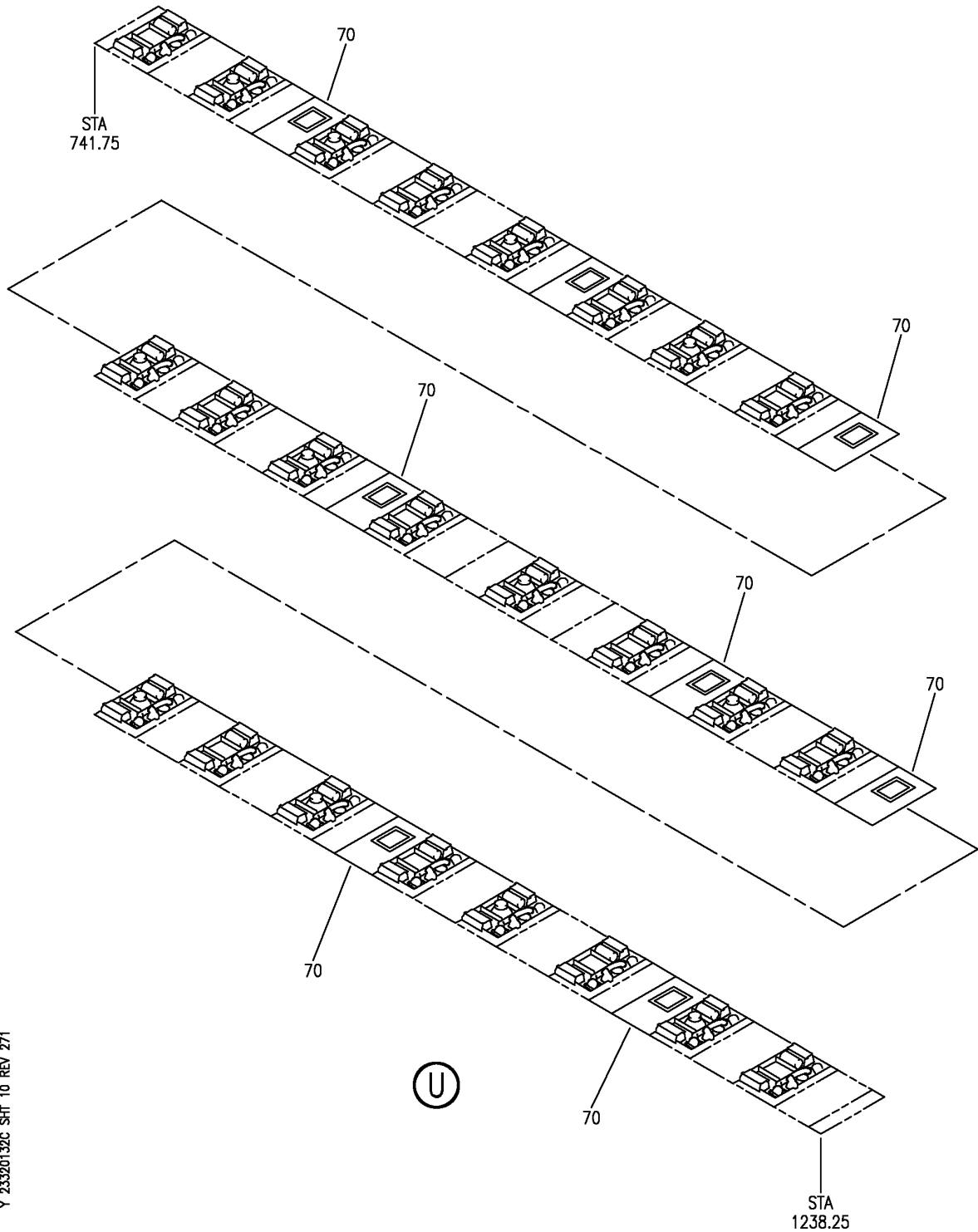
SERVICE UNIT INSTL-PASS. (COMMUNICATIONS ONLY)
FIGURE 32C (SHEET 9)

23-32-01-32C

BRI
JAN 20/09

23-32-01-32C
PAGE 0H

BOEING
757
PARTS CATALOG (MAINTENANCE)



Y 23320132C SHT 10 REV 271

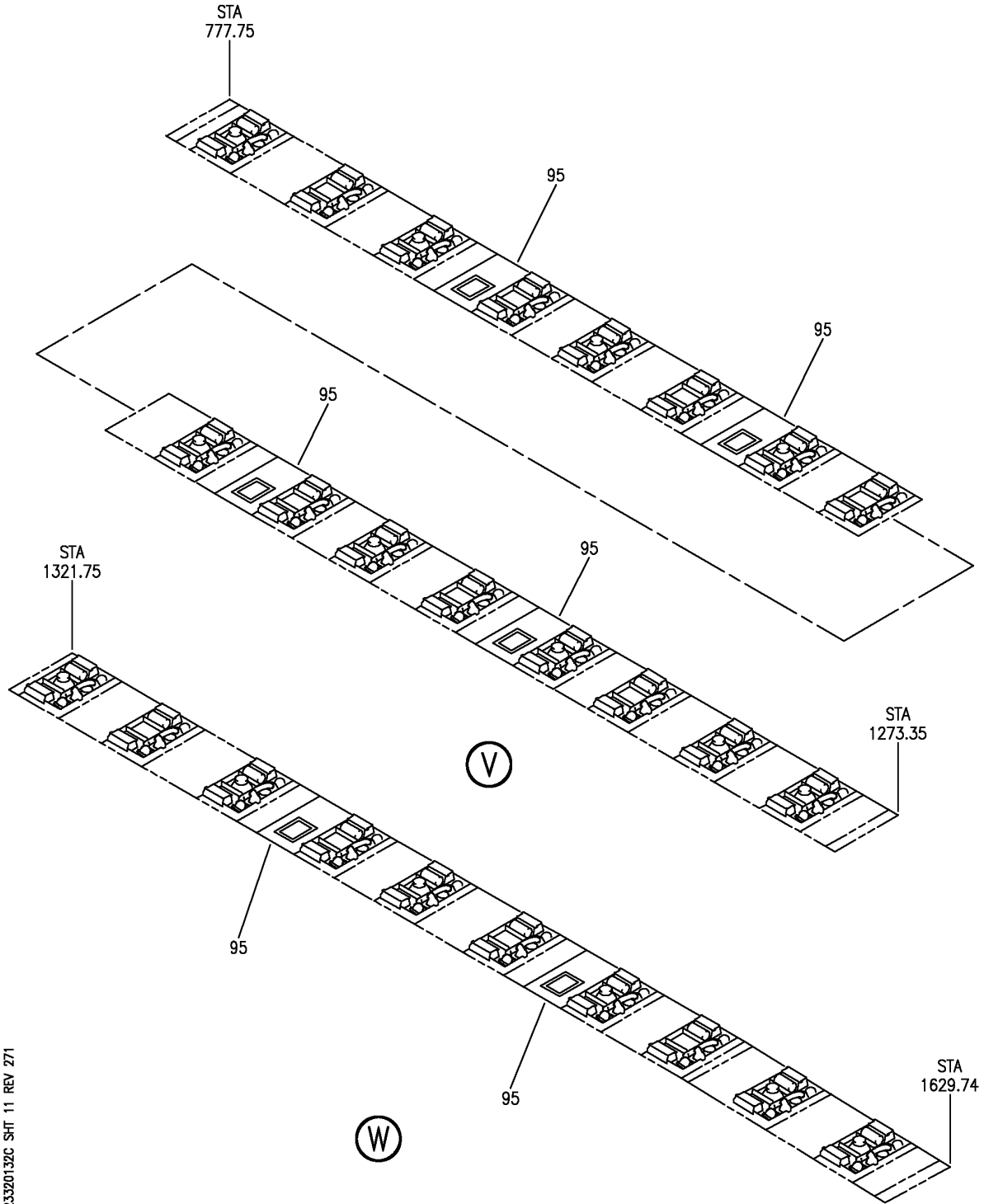
SERVICE UNIT INSTL-PASS. (COMMUNICATIONS ONLY)
FIGURE 32C (SHEET 10)

23-32-01-32C

BRI
JAN 20/09

23-32-01-32C
PAGE 01

BOEING
757
PARTS CATALOG (MAINTENANCE)



Y 23320132C SHT 11 REV 271

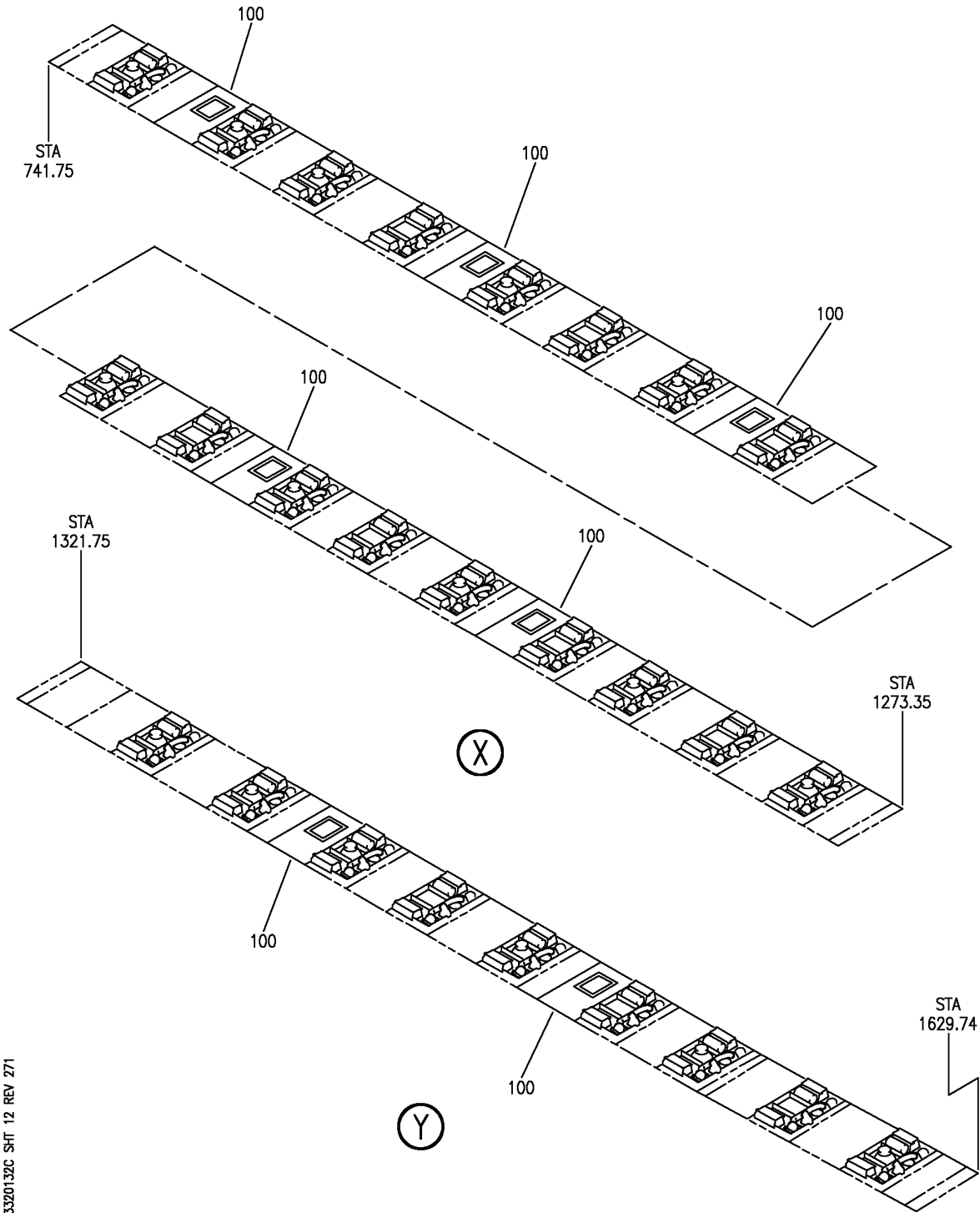
SERVICE UNIT INSTL-PASS. (COMMUNICATIONS ONLY)
FIGURE 32C (SHEET 11)

23-32-01-32C

BRI
JAN 20/09

23-32-01-32C
PAGE 0J

BOEING
757
PARTS CATALOG (MAINTENANCE)



Y 23320132C SHT 12 REV 271

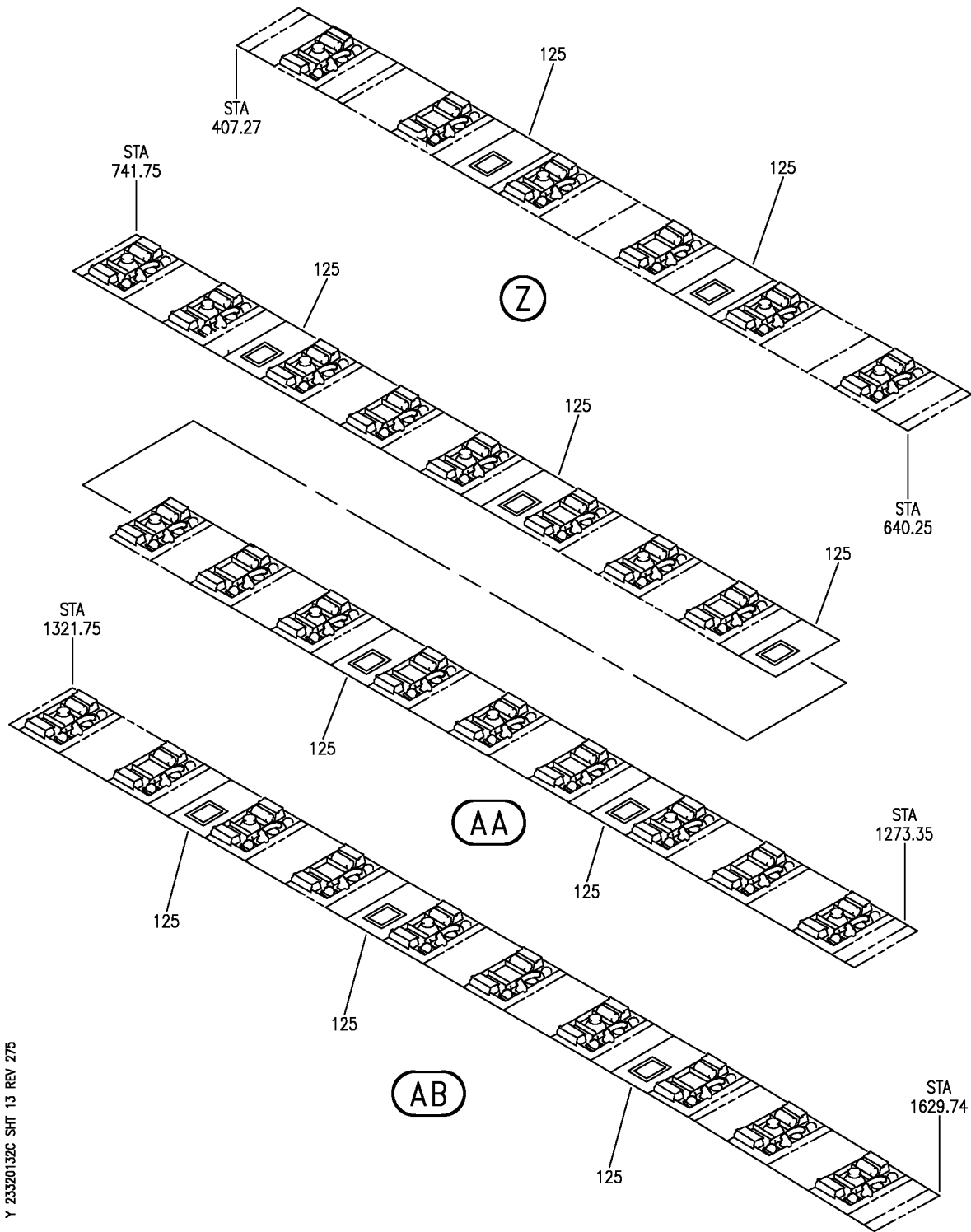
SERVICE UNIT INSTL-PASS. (COMMUNICATIONS ONLY)
FIGURE 32C (SHEET 12)

23-32-01-32C

BRI
JAN 20/09

23-32-01-32C
PAGE OK

BOEING
757
PARTS CATALOG (MAINTENANCE)



Y 23320132C SHT 13 REV 275

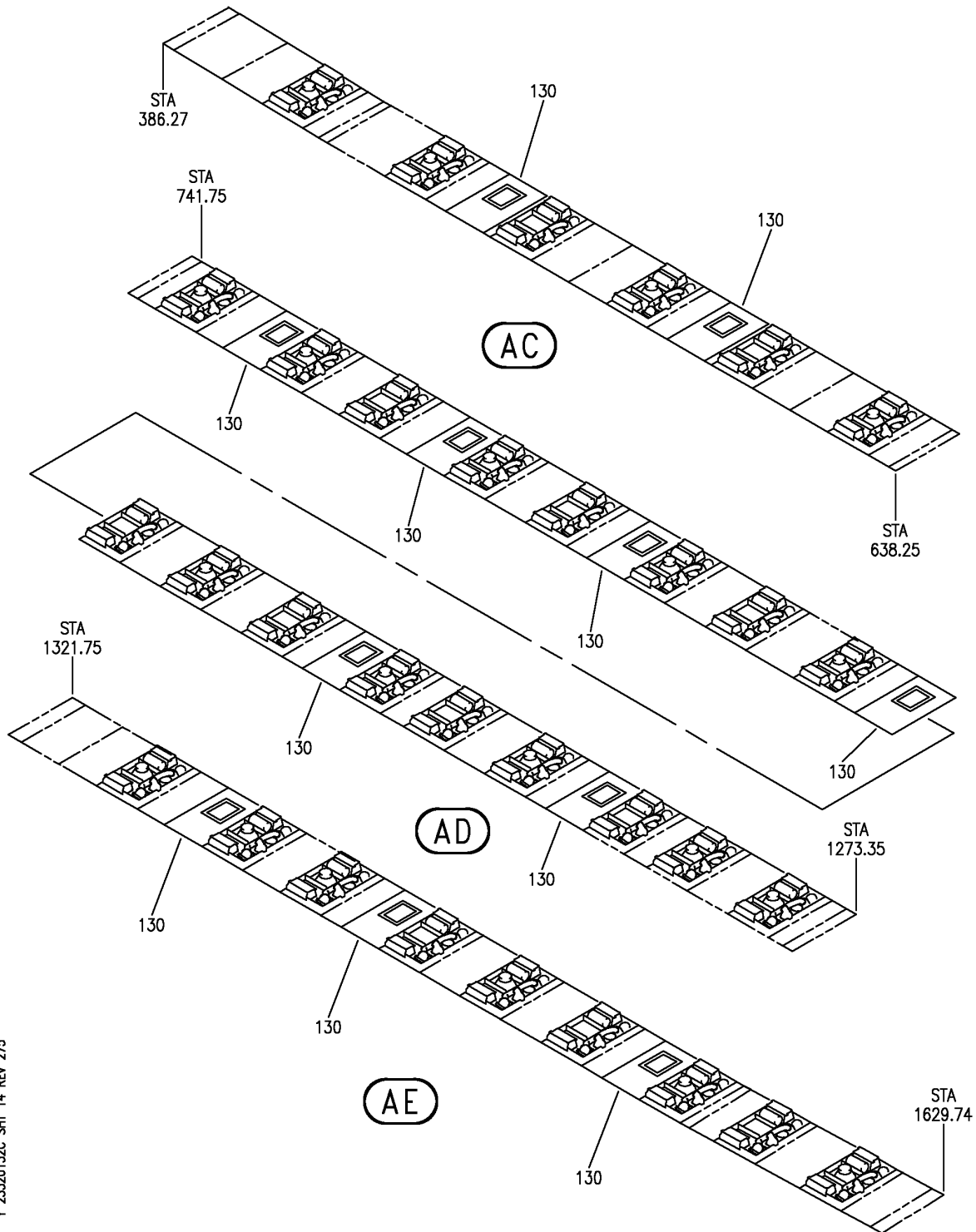
SERVICE UNIT INSTL-PASS. (COMMUNICATIONS ONLY)
FIGURE 32C (SHEET 13)

23-32-01-32C

BRI
JAN 20/09

23-32-01-32C
PAGE 01

BOEING
757
PARTS CATALOG (MAINTENANCE)



Y 23320132C SHT 14 REV 275

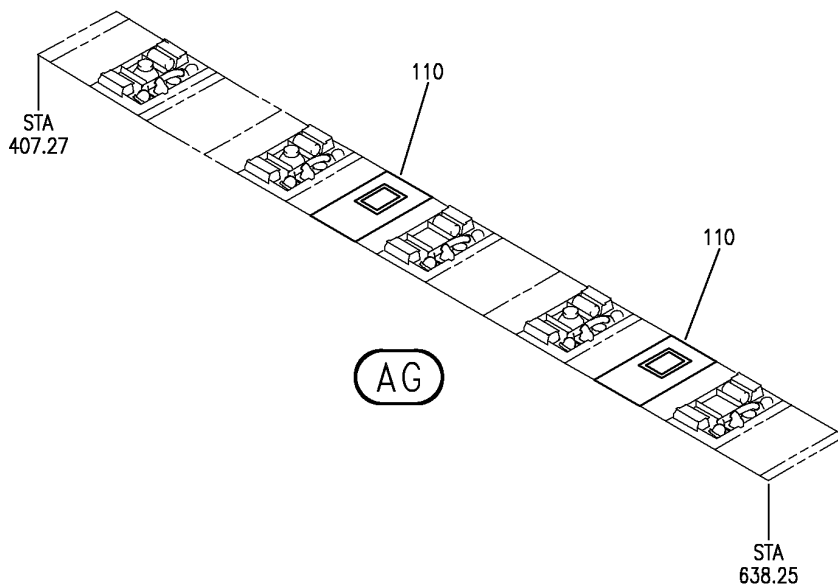
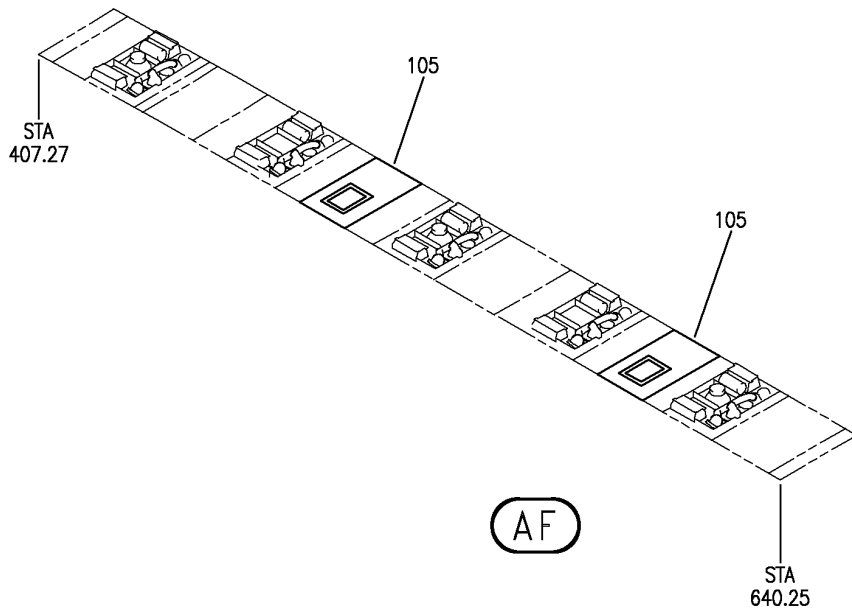
SERVICE UNIT INSTL-PASS. (COMMUNICATIONS ONLY)
FIGURE 32C (SHEET 14)

23-32-01-32C

BRI
JAN 20/09

23-32-01-32C
PAGE 0M

BOEING
757
PARTS CATALOG (MAINTENANCE)



Y 23320132C SHT 15 REV 334

SERVICE UNIT INSTL-PASS. (COMMUNICATIONS ONLY)
FIGURE 32C (SHEET 15)

23-32-01-32C

BRI
MAY 20/09

23-32-01-32C
PAGE ON



757

PARTS CATALOG (MAINTENANCE)

FIG ITEM	PART NUMBER	1 2 3 4 5 6 7	NOMENCLATURE	EFFECT FROM TO	UNITS PER ASSY
32C			SERVICE UNIT INSTL-PASS. (COMMUNICATIONS ONLY)	103106	
- 30	MODREF34528		SERVICE UNIT INSTL-PASS. (COMMUNICATIONS ONLY) MODULE NUMBER: 417N3115-14B REV B FOR OTHER SYS DETAILS SEE: 25-23-01-52B	103104	1
- 30	MODREF186973		SERVICE UNIT INSTL-PASS. (COMMUNICATIONS ONLY) MODULE NUMBER: 417N3115-14B REV C FOR OTHER SYS DETAILS SEE: 25-23-01-52B	105106	1
35	RDAA902124-03		.MONITOR-VIDEO LCD RETRACTABLE, 9 IN. (CUSTOMER FURNISHED) SUPPLIER CODE: V0FF57 POSITION DATA: RH FUNCTIONAL DESCRIPTION: PROVIDES A MOTORIZED RETRACTING VIDEO MONITOR FOR PASSENGER VIEWING. COMPONENT MAINT MANUAL REF: 23-09-90 FUNCTIONAL REFERENCE: COMMUNICATIONS FOR DETAILS SEE 23-32-08-90 LIGHTS FOR DETAILS SEE 33-24-51-95	103106	10

MISSING ITEM NUMBERS NOT APPLICABLE

- ITEM NOT ILLUSTRATED

23-32-01-32C

23-32-01
FIG. 32C
PAGE 1
JAN 20/09

BRI



757

PARTS CATALOG (MAINTENANCE)

FIG ITEM	PART NUMBER	1 2 3 4 5 6 7	NOMENCLATURE	EFFECT FROM TO	UNITS PER ASSY
32C 40	RDAA902125-03		.MONITOR-VIDEO LCD RETRACTABLE, 9 IN. (CUSTOMER FURNISHED) SUPPLIER CODE: V0FF57 POSITION DATA: LH FUNCTIONAL DESCRIPTION: PROVIDES A MOTORIZED RETRACTING VIDEO MONITOR FOR PASSENGER VIEWING. COMPONENT MAINT MANUAL REF: 23-09-90 FUNCTIONAL REFERENCE: COMMUNICATIONS FOR DETAILS SEE 23-32-08-90 LIGHTS FOR DETAILS SEE 33-24-51-95	103106	10

MISSING ITEM NUMBERS NOT APPLICABLE

- ITEM NOT ILLUSTRATED

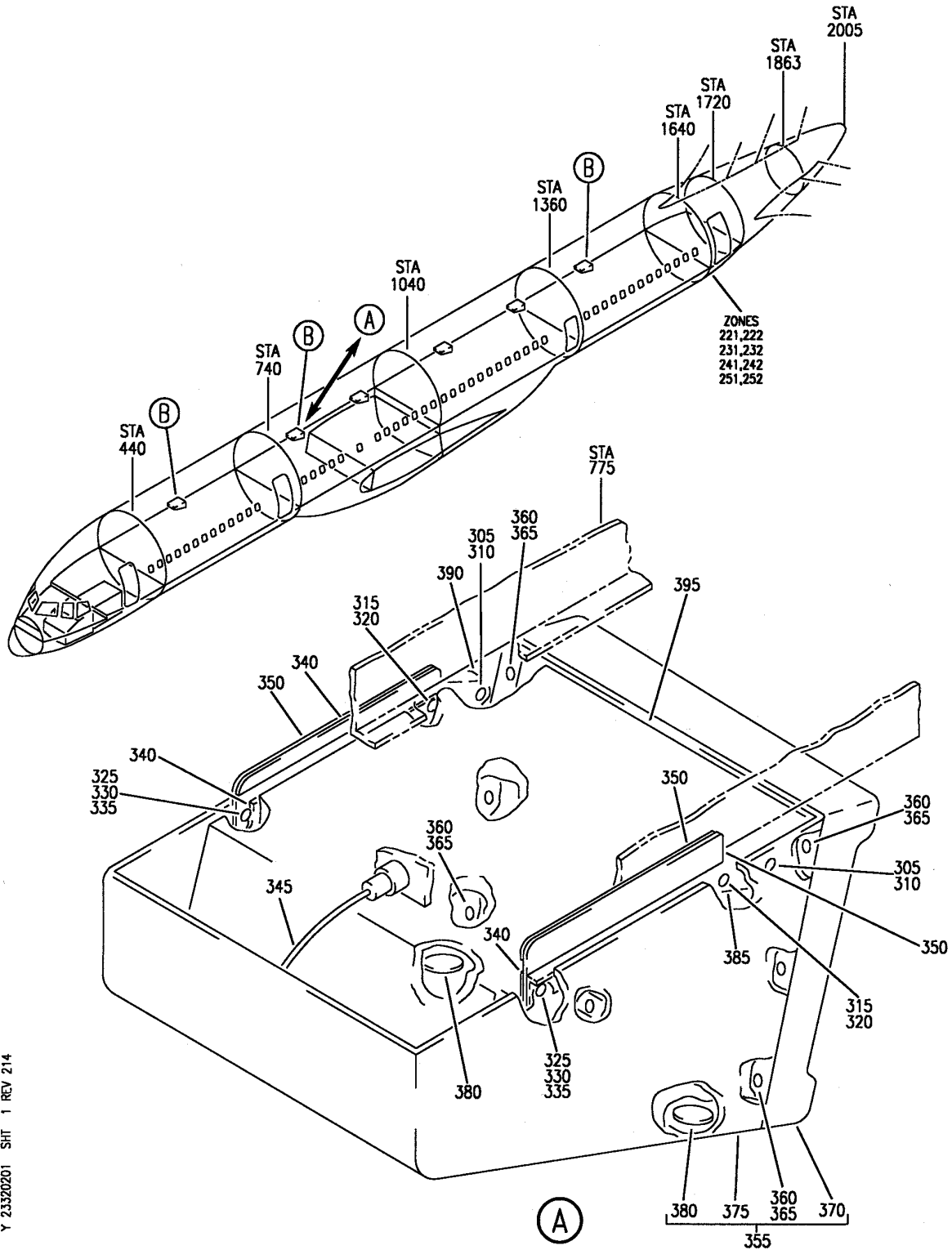
BRI

23-32-01-32C

BOEING PROPRIETARY - Copyright © - Unpublished Work - See title page for details.

23-32-01
FIG. 32C
PAGE 2
JAN 20/09

BOEING
757
PARTS CATALOG (MAINTENANCE)



Y 23320201 SHT 1 REV 214

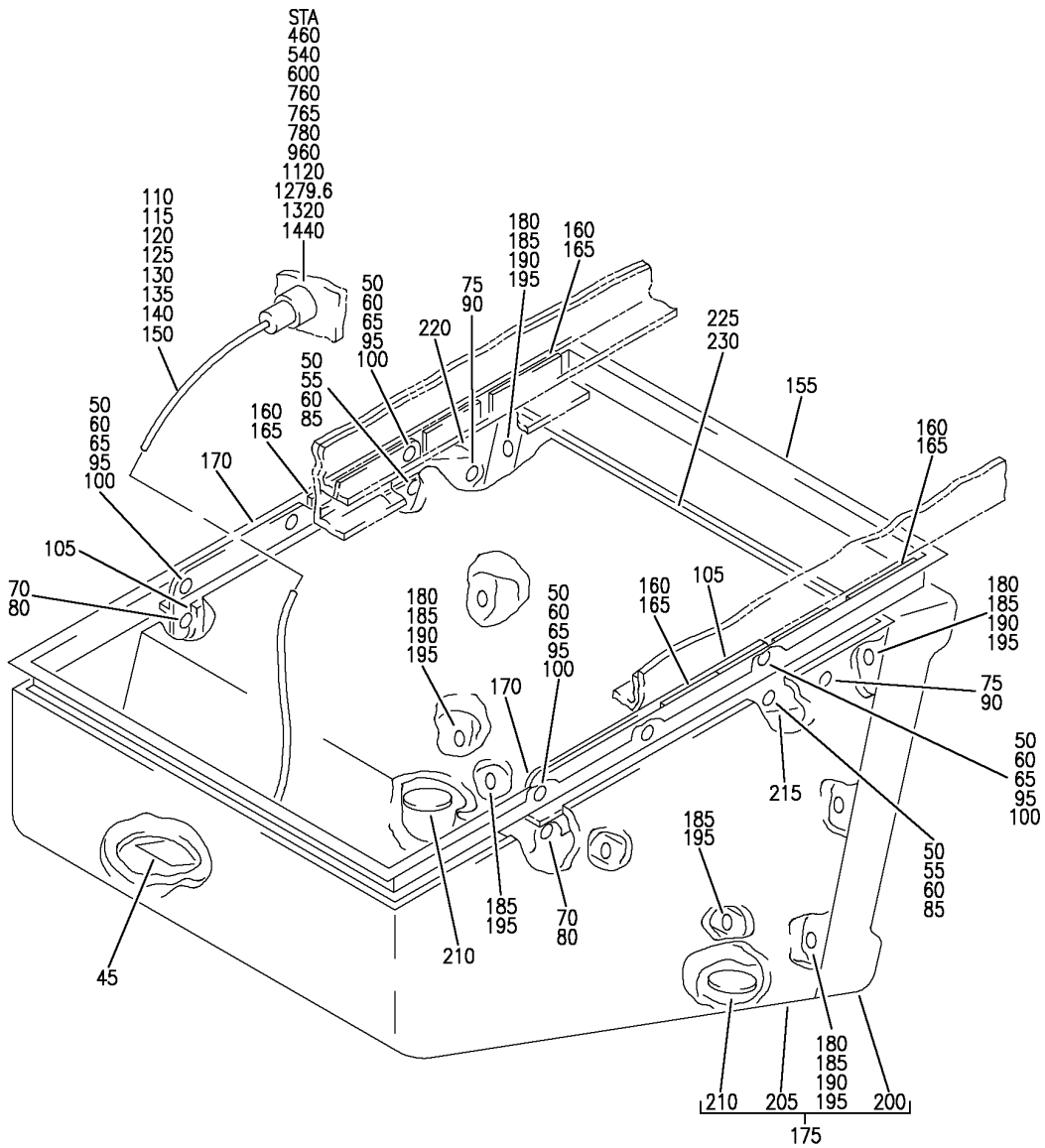
MONITOR INSTL
FIGURE 1 (SHEET 1)

23-32-02-01

BRI
MAY 28/07

23-32-02-01
PAGE 0

BOEING
757
PARTS CATALOG (MAINTENANCE)



(B)

Y 23320201 SH1 2 REV 328

MONITOR INSTL
FIGURE 1 (SHEET 2)

23-32-02-01

BRI
JAN 20/09

23-32-02-01
PAGE 0A



757

PARTS CATALOG (MAINTENANCE)

FIG ITEM	PART NUMBER	1 2 3 4 5 6 7	NOMENCLATURE	EFFECT FROM TO	UNITS PER ASSY
1			MONITOR INSTL	121503	
- 1	417N7300-77		MONITOR INSTL- POSITION DATA: STA 599.60 TO 610.0 FOR NHA SEE: 25-20-00-01E	904949 904949	RF
- 1	417N7300-157		MONITOR INSTL- POSITION DATA: STA 599.60 TO 610.0 FOR NHA SEE: 25-20-00-01E	121503	RF
- 10	417N7300-78		MONITOR INSTL- POSITION DATA: STA 759.60 TO 775.0 FOR NHA SEE: 25-20-00-01E	904949	RF
- 10	417N7300-158		MONITOR INSTL- POSITION DATA: STA 759.60 TO 775.0 FOR NHA SEE: 25-20-00-01E	121503	RF
- 20	417N7300-79		MONITOR INSTL- POSITION DATA: STA 959.6 TO 973.5 FOR NHA SEE: 25-20-00-01E	904949	RF
- 20	417N7300-159		MONITOR INSTL- POSITION DATA: STA 959.6 TO 973.5 FOR NHA SEE: 25-20-00-01E	121503	RF
- 25	417N7300-80		MONITOR INSTL- POSITION DATA: STA 1119.6 TO 1130.0 FOR NHA SEE: 25-20-00-01E	904949	RF
- 25	417N7300-160		MONITOR INSTL- POSITION DATA: STA 1119.6 TO 1130.0 FOR NHA SEE: 25-20-00-01E	121503	RF
- 35	417N7300-81		MONITOR INSTL- POSITION DATA: STA 1319.6 TO 1330.0 FOR NHA SEE: 25-20-00-01E	904949	RF

MISSING ITEM NUMBERS NOT APPLICABLE

- ITEM NOT ILLUSTRATED

23-32-02-01

23-32-02
FIG. 01
PAGE 1
JAN 20/09

BRI



757

PARTS CATALOG (MAINTENANCE)

FIG ITEM	PART NUMBER	1 2 3 4 5 6 7	NOMENCLATURE	EFFECT FROM TO	UNITS PER ASSY
1					
- 35	417N7300-161		MONITOR INSTL- POSITION DATA: STA 1319.6 TO 1330.0 FOR NHA SEE: 25-20-00-01E	121503	RF
- 40	417N7300-82		MONITOR INSTL- POSITION DATA: STA 1439.6 TO 1459.5 FOR NHA SEE: 25-20-00-01E	904949	RF
- 40	417N7300-162		MONITOR INSTL- POSITION DATA: STA 1439.6 TO 1459.5 FOR NHA SEE: 25-20-00-01E	121503	RF
60	NAS6703-2		.BOLT	121503 904949	8
70	NAS6703-7		.BOLT	121503 904949	2
75	NAS603-7P		.SCREW	121503 904949	2
80	BACS18C8-4		.SPACER	121503 904949	2
85	AN960D10LL		.WASHER	121503 904949	2
90	BRC600-10-3		.NUT SUPPLIER CODE: V52828 SPECIFICATION NUMBER: BACN10YD2 OPTIONAL PART: 130121 V60119	121503 904949	2
100	PLH53CD		.NUT SUPPLIER CODE: VF0224 SPECIFICATION NUMBER: BACN10YR3CD OPTIONAL PART: H52732-3CD V15653	121503 904949	6
105	BACS40R09C93		.SHIM	904949	AR

MISSING ITEM NUMBERS NOT APPLICABLE

- ITEM NOT ILLUSTRATED

BRI

23-32-02-01

BOEING PROPRIETARY - Copyright © - Unpublished Work - See title page for details.

23-32-02
FIG. 01
PAGE 2
JAN 20/09



757

PARTS CATALOG (MAINTENANCE)

FIG ITEM	PART NUMBER	1 2 3 4 5 6 7	NOMENCLATURE	EFFECT FROM TO	UNITS PER ASSY
1 130	RDAM6103-900		.CABLE ASSY-(CUSTOMER FURNISHED) SUPPLIER CODE: VS0293 USED ON: 417N7300-77 417N7300-79 417N7300-80 417N7300-82 417N7300-104 417N7300-81 417N7300-105 417N7300-106 417N7300-101 417N7300-103	121503 904949	1
130	RDAM6104-900		.CABLE ASSY-(CUSTOMER FURNISHED) SUPPLIER CODE: VS0293 USED ON: 417N7300-78 417N7300-102	121503 904949	1
155	417N7301-4SP		.CLOSEOUT ASSY	121503 904949	1
160	417N7301-6		..TAPE-VELCRO PILE	121503 904949	6
165	417N7300-8		.TAPE-VELCRO HOOK	121503 904949	6
170	417N7102-20		.PLATE-SIDE	121503 904949	2
175	417N7301-9SP		.SHROUD ASSY-	904949	1
175	417N7301-29SP		.SHROUD ASSY	121503	1
185	NAS602-12P		..SCREW	121503 904949	9
195	AN960C8		..WASHER	121503 904949	9
200	65C31251-3SP		..FACIA ASSY	121503 904949	1
205	417N7301-10SP		..COVER ASSY	904949	1
205	417N7301-27SP		..COVER ASSY	121503	1
210	417N3113-1		...LENS	121503 904949	2
215	417N7102-39		.BRACKET	121503 904949	1
220	417N7102-40		.BRACKET	121503 904949	1

MISSING ITEM NUMBERS NOT APPLICABLE

- ITEM NOT ILLUSTRATED

23-32-02-01

23-32-02
FIG. 01
PAGE 3
JAN 20/09

BRI

BOEING PROPRIETARY - Copyright © - Unpublished Work - See title page for details.



757

PARTS CATALOG (MAINTENANCE)

FIG ITEM	PART NUMBER	1 2 3 4 5 6 7	NOMENCLATURE	EFFECT FROM TO	UNITS PER ASSY
1 225	RDAV2133		. MONITOR-(CUSTOMER FURNISHED) SUPPLIER CODE: VOFF57	121503 904949	1

MISSING ITEM NUMBERS NOT APPLICABLE

- ITEM NOT ILLUSTRATED

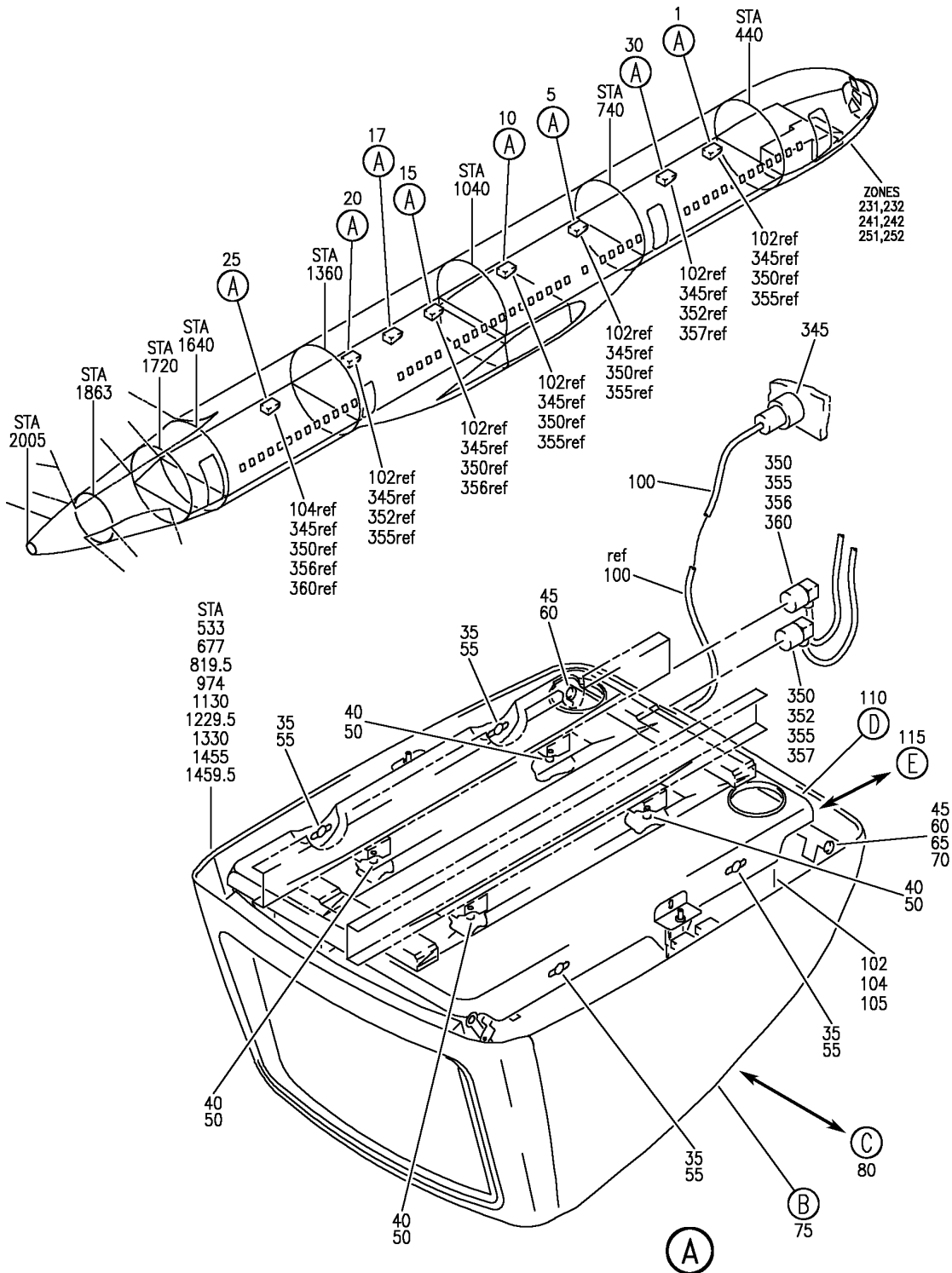
BRI

23-32-02-01

BOEING PROPRIETARY - Copyright © - Unpublished Work - See title page for details.

23-32-02
FIG. 01
PAGE 4
JAN 20/09

BOEING
757
PARTS CATALOG (MAINTENANCE)



Y 23320205 SH 1 REV 255

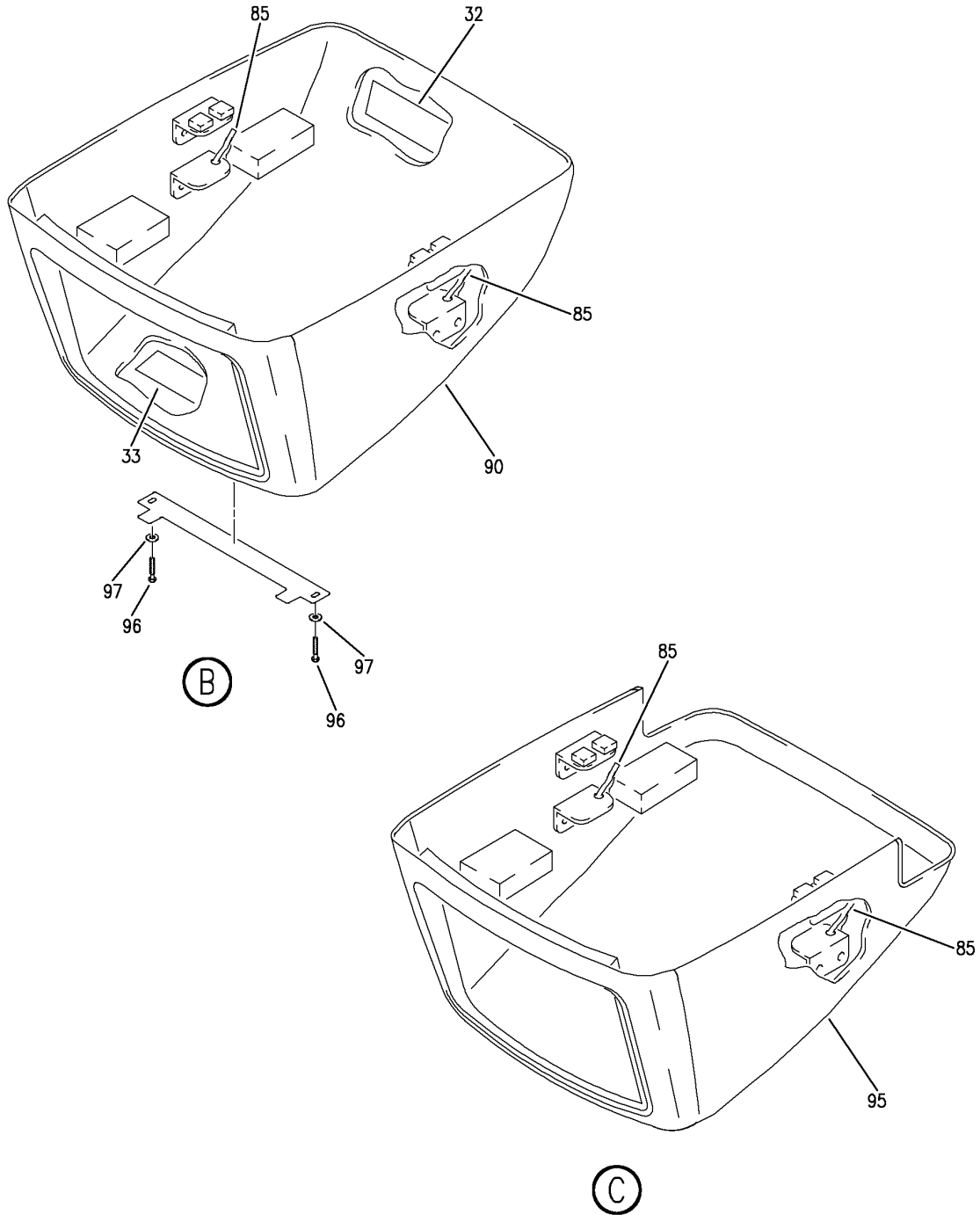
MONITOR INSTL-RCI 14" CRT
FIGURE 5 (SHEET 1)

23-32-02-05

BRI
MAY 28/07

23-32-02-05
PAGE 0

BOEING
757
PARTS CATALOG (MAINTENANCE)



Y 23320205 SH1 2 REV 283

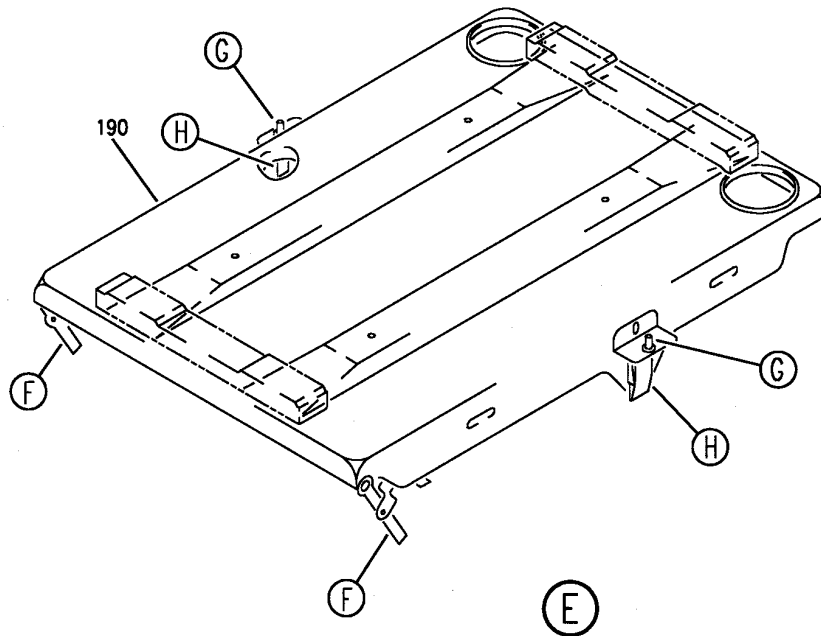
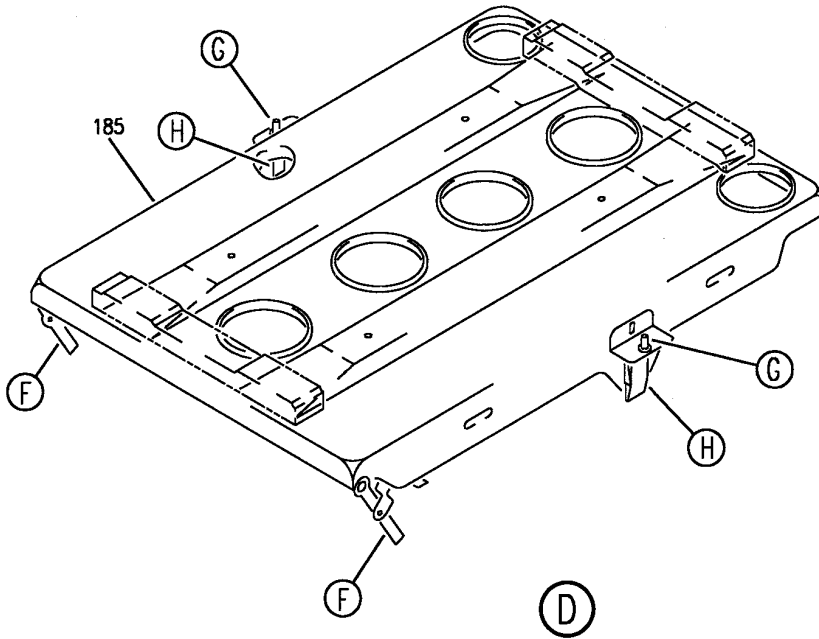
MONITOR INSTL-RCI 14" CRT
FIGURE 5 (SHEET 2)

23-32-02-05

BRI
MAY 28/07

23-32-02-05
PAGE 0A

BOEING
757
PARTS CATALOG (MAINTENANCE)



Y 23320205 SH1 3 REV 214

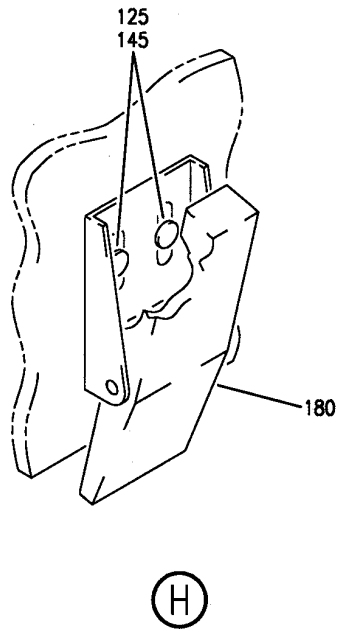
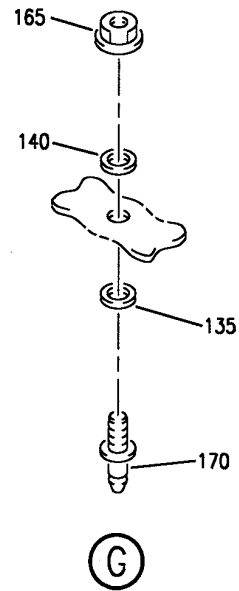
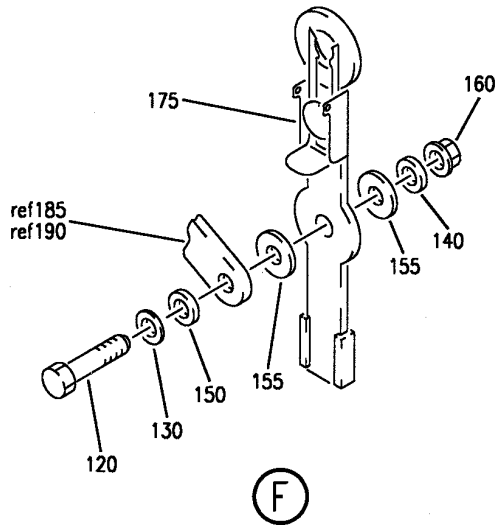
MONITOR INSTL-RCI 14" CRT
FIGURE 5 (SHEET 3)

23-32-02-05

BRI
MAY 28/07

23-32-02-05
PAGE 0B

BOEING
757
PARTS CATALOG (MAINTENANCE)



Y 23320205 SH1 4 REV 214

MONITOR INSTL-RCI 14" CRT
FIGURE 5 (SHEET 4)

23-32-02-05

BRI
MAY 28/07

23-32-02-05
PAGE 0C



757

PARTS CATALOG (MAINTENANCE)

FIG ITEM	PART NUMBER	1 2 3 4 5 6 7	NOMENCLATURE	EFFECT FROM TO	UNITS PER ASSY
5					
1	417N7165-1SP		MONITOR INSTL-RCI 14" CRT MONITOR INSTL-RCI 14" CRT POSITION DATA: STA 533 FOR NHA SEE: 25-20-00-11A	101102 101102	RF
5	417N7165-3SP		MONITOR INSTL-RCI 14" CRT POSITION DATA: STA 819.5 FOR NHA SEE: 25-20-00-11A	101102	RF
10	417N7165-4SP		MONITOR INSTL-RCI 14" CRT POSITION DATA: STA 974 FOR NHA SEE: 25-20-00-11A	101102	RF
15	417N7165-5SP		MONITOR INSTL-RCI 14" CRT POSITION DATA: STA 1130 FOR NHA SEE: 25-20-00-11A	101102	RF
20	417N7165-6SP		MONITOR INSTL-RCI 14" CRT POSITION DATA: STA 1330 FOR NHA SEE: 25-20-00-11A	101102	RF
25	417N7165-7SP		MONITOR INSTL-RCI 14" CRT POSITION DATA: STA 1459.5 FOR NHA SEE: 25-20-00-11A	101102	RF
30	417N7165-2SP		MONITOR INSTL-RCI 14" CRT POSITION DATA: STA 677 FOR NHA SEE: 25-20-00-11A	101102	RF
35	BACB30NM3K6		.BOLT	101102	4
40	NAS1802-3-7		.SCREW	101102	4
50	NAS1149E0332P		.WASHER	101102	4
55	NAS1149D0363J		.WASHER	101102	4

MISSING ITEM NUMBERS NOT APPLICABLE

- ITEM NOT ILLUSTRATED

23-32-02-05

23-32-02
FIG. 05
PAGE 1
JAN 20/09

BRI

BOEING PROPRIETARY - Copyright © - Unpublished Work - See title page for details.



757

PARTS CATALOG (MAINTENANCE)

FIG ITEM	PART NUMBER	1 2 3 4 5 6 7	NOMENCLATURE	EFFECT FROM TO	UNITS PER ASSY
5					
75	417N7301-52SP	.	SHROUD ASSY-BASIC USED ON: 417N7165-1SP 417N7165-10SP 417N7165-11SP 417N7165-12SP 417N7165-14SP 417N7165-2SP 417N7165-3SP 417N7165-4SP 417N7165-5SP 417N7165-7SP 417N7165-8SP 417N7165-9SP	101102	1
80	417N7301-53SP	.	SHROUD ASSY-MODIFIED USED ON: 417N7165-13SP 417N7165-6SP	101102	1
85	411N3140-16	..	LANYARD ASSY	101102	2
90	417N7301-33SP	..	COVER ASSY- USED ON: 417N7301-52SP	101102	1
95	417N7301-37SP	..	COVER ASSY- USED ON: 417N7301-53SP	101102	1
102	24-622376-005	.	MONITOR- (CUSTOMER FURNISHED) SUPPLIER CODE: V62204 FUNCTIONAL DESCRIPTION: DISPLAY VIDEO PROGRAMS FOR PASSENGER ENTERTAINMENT ELECTRICAL EQUIP NUMBER: M10670 M10671 M10672 M10673 M10674 M10675	101102	1

MISSING ITEM NUMBERS NOT APPLICABLE

- ITEM NOT ILLUSTRATED

23-32-02-05

23-32-02
FIG. 05
PAGE 2
JAN 20/09

BRI



757

PARTS CATALOG (MAINTENANCE)

FIG ITEM	PART NUMBER	1 2 3 4 5 6 7	NOMENCLATURE	EFFECT FROM TO	UNITS PER ASSY
5 104	24-622376-005	.	MONITOR- (CUSTOMER FURNISHED) SUPPLIER CODE: V62204 FUNCTIONAL DESCRIPTION: DISPLAY VIDEO PROGRAMS FOR PASSENGER ENTERTAINMENT ELECTRICAL EQUIP NUMBER: M10785	101102	1
115	417N7102-257	.	SUPPORT ASSY-MON	101102	1
120	BACB30PW3-5	..	BOLT	101102	2
125	NAS1801-04-4	..	SCREW	101102	4
130	NAS1149D0316J	..	WASHER	101102	2
135	NAS1149D0332J	..	WASHER	101102	2
140	NAS1149D0363J	..	WASHER	101102	4
145	NAS1149DN416J	..	WASHER	101102	4
150	BACW10AZ3	..	WASHER	101102	2
155	BACW10P271TF	..	WASHER	101102	4
160	MS21042L06	..	NUT	101102	2
165	MS21042L3	..	NUT	101102	2
170	NAS574-2	..	PIN	101102	2
175	417N7102-161	..	PIVOT ASSY	101102	2
180	69B54790-1	..	LATCH ASSY	101102	2
190	417N7102-256	..	SUPPORT ASSY-PAN	101102	1
- 300	286N2843-320		WIRE BUNDLE ASSY	101102	RF
- 305	286N2819-305		WIRE BUNDLE ASSY	101102	RF
- 310	286N2817-305		WIRE BUNDLE ASSY	101102	RF
- 315	286N2833-304		WIRE BUNDLE ASSY	101102	RF
- 320	286N2875-303		WIRE BUNDLE ASSY	101102	RF
- 325	286N2835-306		WIRE BUNDLE ASSY	101102	RF
- 330	286N2837-305		WIRE BUNDLE ASSY	101102	RF
- 335	286N2839-305		WIRE BUNDLE ASSY	101102	RF
- 340	286N2807-305		WIRE BUNDLE ASSY	101102	RF
345	BACC45FT12-12S	.	CONNECTOR- ELECTRICAL EQUIP NUMBER: D01855 D01863 D01865 D01857 D01859 D01861 D01869 WIRING DIAGRAM REF: 233201	101102	1

MISSING ITEM NUMBERS NOT APPLICABLE

- ITEM NOT ILLUSTRATED

23-32-02-05

23-32-02
FIG. 05
PAGE 3
JAN 20/09

BRI



757

PARTS CATALOG (MAINTENANCE)

FIG ITEM	PART NUMBER	1 2 3 4 5 6 7	NOMENCLATURE	EFFECT FROM TO	UNITS PER ASSY
5 350	KC59-261		.PLUG- SUPPLIER CODE: V91386 ELECTRICAL EQUIP NUMBER: D01557 D01309 D01551 D01301 D01329 D01559 D01333 D01561 D01365 D01563 WIRING DIAGRAM REF: 233201	101102	1
352	KC59-261		.PLUG- SUPPLIER CODE: V91386 ELECTRICAL EQUIP NUMBER: D01283 D01337 WIRING DIAGRAM REF: 233201	101102	1

MISSING ITEM NUMBERS NOT APPLICABLE

- ITEM NOT ILLUSTRATED

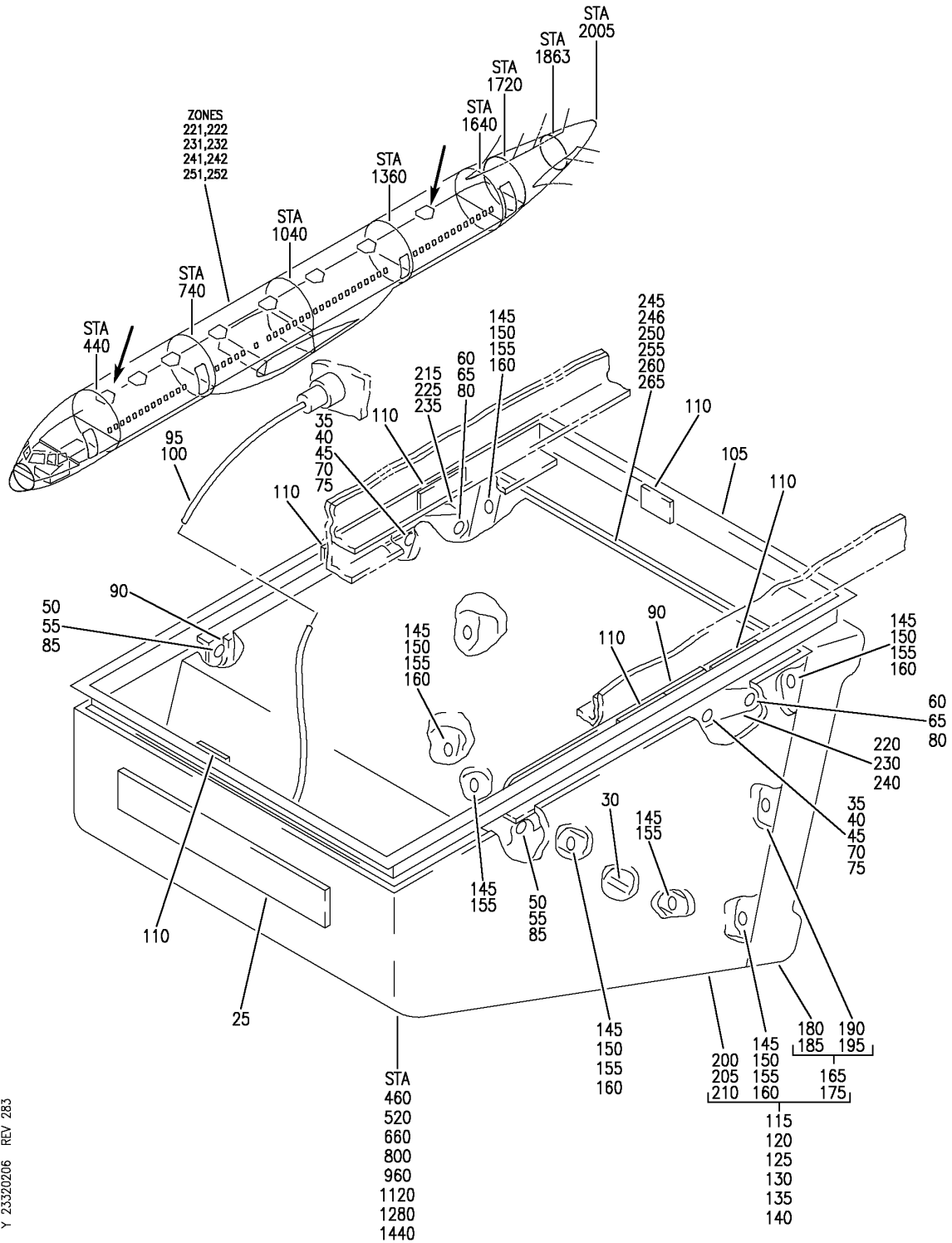
BRI

23-32-02-05

BOEING PROPRIETARY - Copyright © - Unpublished Work - See title page for details.

23-32-02
FIG. 05
PAGE 4
JAN 20/09

BOEING
757
PARTS CATALOG (MAINTENANCE)



Y 23320206 REV 283

MONITOR INSTL-VIDEO (STA 460 TO 1460)
FIGURE 6

23-32-02-06

BRI
MAY 28/07

23-32-02-06
PAGE 0



757

PARTS CATALOG (MAINTENANCE)

FIG ITEM	PART NUMBER	1 2 3 4 5 6 7	NOMENCLATURE	EFFECT FROM TO	UNITS PER ASSY
6			MONITOR INSTL-VIDEO (STA 460 TO 1460)	002004 006010 950999	
- 6	417N7005-89		MONITOR INSTL-VIDEO POSITION DATA: STA 520 TO 540 FOR NHA SEE: 23-32-00-01	002004 006010	RF
- 8	417N7005-90		MONITOR INSTL-VIDEO POSITION DATA: STA 660 TO 680 FOR NHA SEE: 23-32-00-01	002004 006010	RF
- 12	417N7005-91		MONITOR INSTL-VIDEO POSITION DATA: STA 800 TO 820 FOR NHA SEE: 23-32-00-01	002004 006010	RF
- 14	417N7005-92		MONITOR INSTL-VIDEO POSITION DATA: STA 960 TO 984 FOR NHA SEE: 23-32-00-01	002004 006010	RF
- 16	417N7005-93		MONITOR INSTL-VIDEO POSITION DATA: STA 1120 TO 1139.82 FOR NHA SEE: 23-32-00-01	002004 006010	RF
- 20	417N7005-94		MONITOR INSTL-VIDEO POSITION DATA: STA 1320 TO 1340 FOR NHA SEE: 23-32-00-01	002004 006010	RF
- 22	417N7005-95		MONITOR INSTL-VIDEO POSITION DATA: STA 1440 TO 1460 FOR NHA SEE: 23-32-00-01	002004 006010	RF

MISSING ITEM NUMBERS NOT APPLICABLE

- ITEM NOT ILLUSTRATED

BRI

23-32-02-06

BOEING PROPRIETARY - Copyright © - Unpublished Work - See title page for details.

23-32-02
FIG. 06
PAGE 1
JAN 20/09



757

PARTS CATALOG (MAINTENANCE)

FIG ITEM	PART NUMBER	1 2 3 4 5 6 7	NOMENCLATURE	EFFECT FROM TO	UNITS PER ASSY
6 40	BACB30NM3K2		.BOLT- USED ON: 417N7005-89 417N7005-90 417N7005-91 417N7005-92 417N7005-93 417N7005-94 417N7005-95 417N7005-96 417N7005-97 417N7005-98 417N7005-99 417N7005-100 417N7005-101 417N7005-102 417N7005-104 417N7005-105 417N7005-106 417N7005-107 417N7005-108 417N7005-109 417N7005-110	002004 006010	2
55	BACB30NM3K7		.BOLT- USED ON: 417N7005-89 417N7005-90 417N7005-91 417N7005-92 417N7005-93 417N7005-94 417N7005-95 417N7005-96 417N7005-97 417N7005-98 417N7005-99 417N7005-100 417N7005-101 417N7005-102 417N7005-104 417N7005-105 417N7005-106 417N7005-107 417N7005-108 417N7005-109 417N7005-110	002004 006010	2
65	NAS8203A7		.SCREW- USED ON: 417N7005-121	002004 006010 950999	2

MISSING ITEM NUMBERS NOT APPLICABLE

- ITEM NOT ILLUSTRATED

23-32-02-06

23-32-02
FIG. 06
PAGE 2
JAN 20/09

BRI



757

PARTS CATALOG (MAINTENANCE)

FIG ITEM	PART NUMBER	1 2 3 4 5 6 7	NOMENCLATURE	EFFECT FROM TO	UNITS PER ASSY
6 65	NAS8203A7		.SCREW- USED ON: 417N7005-89 417N7005-90 417N7005-91 417N7005-92 417N7005-93 417N7005-94 417N7005-95 417N7005-96 417N7005-97 417N7005-98 417N7005-99 417N7005-100 417N7005-101 417N7005-102 417N7005-104 417N7005-105 417N7005-106 417N7005-107 417N7005-108 417N7005-109 417N7005-110	002004 006010	2
70	AN960JD10LL		.WASHER- USED ON: 417N7005-89 417N7005-90 417N7005-91 417N7005-92 417N7005-93 417N7005-94 417N7005-95 417N7005-96 417N7005-97 417N7005-98 417N7005-99 417N7005-100 417N7005-101 417N7005-102 417N7005-104 417N7005-105 417N7005-106 417N7005-107 417N7005-108 417N7005-109 417N7005-110	002004 006010	2

MISSING ITEM NUMBERS NOT APPLICABLE

- ITEM NOT ILLUSTRATED

BRI

23-32-02-06

BOEING PROPRIETARY - Copyright © - Unpublished Work - See title page for details.

23-32-02
FIG. 06
PAGE 3
SEP 20/08



757
PARTS CATALOG (MAINTENANCE)

FIG ITEM	PART NUMBER	1 2 3 4 5 6 7	NOMENCLATURE	EFFECT FROM TO	UNITS PER ASSY
6 80	BRC600-10-3		.NUT- SUPPLIER CODE: V52828 SPECIFICATION NUMBER: BACN10YD2 OPTIONAL PART: 130121 V60119 USED ON: 417N7005-89 417N7005-90 417N7005-91 417N7005-92 417N7005-93 417N7005-94 417N7005-95 417N7005-96 417N7005-97 417N7005-98 417N7005-99 417N7005-100 417N7005-101 417N7005-102 417N7005-104 417N7005-105 417N7005-106 417N7005-107 417N7005-108 417N7005-109 417N7005-110	002004 006010	2

MISSING ITEM NUMBERS NOT APPLICABLE

- ITEM NOT ILLUSTRATED

BRI

23-32-02-06

BOEING PROPRIETARY - Copyright © - Unpublished Work - See title page for details.

23-32-02
FIG. 06
PAGE 4
SEP 20/08



757

PARTS CATALOG (MAINTENANCE)

FIG ITEM	PART NUMBER	1 2 3 4 5 6 7	NOMENCLATURE	EFFECT FROM TO	UNITS PER ASSY
6 85	BACS18C8-4		. SPACER- USED ON: 417N7005-89 417N7005-90 417N7005-91 417N7005-92 417N7005-93 417N7005-94 417N7005-95 417N7005-96 417N7005-97 417N7005-98 417N7005-99 417N7005-100 417N7005-101 417N7005-102 417N7005-104 417N7005-105 417N7005-106 417N7005-107 417N7005-108 417N7005-109 417N7005-110	002004 006010	AR
105	417N7301-4SP		. CLOSEOUT ASSY- USED ON: 417N7005-89 417N7005-90 417N7005-91 417N7005-92 417N7005-93 417N7005-94 417N7005-95 417N7005-96 417N7005-97 417N7005-98 417N7005-99 417N7005-100 417N7005-101 417N7005-102 417N7005-104 417N7005-105 417N7005-106 417N7005-107 417N7005-108 417N7005-109 417N7005-110	002004 006010	1

MISSING ITEM NUMBERS NOT APPLICABLE

- ITEM NOT ILLUSTRATED

23-32-02-06

23-32-02
FIG. 06
PAGE 5
SEP 20/08

BRI



757

PARTS CATALOG (MAINTENANCE)

FIG ITEM	PART NUMBER	1 2 3 4 5 6 7	NOMENCLATURE	EFFECT FROM TO	UNITS PER ASSY
6 110	417N7005-1	. HOOK-VELCRO USED ON: 417N7005-89 417N7005-90 417N7005-91 417N7005-92 417N7005-93 417N7005-94 417N7005-95 417N7005-96 417N7005-97 417N7005-98 417N7005-99 417N7005-100 417N7005-101 417N7005-102 417N7005-104 417N7005-105 417N7005-106 417N7005-107 417N7005-108 417N7005-109 417N7005-110		002004 006010	6
135	417N7301-29SP	. SHROUD ASSY- USED ON: 417N7005-86 417N7005-87 417N7005-88 417N7005-89 417N7005-90 417N7005-91		002004 006010	1
135	417N7301-29SP	. SHROUD ASSY- USED ON: 417N7005-92 417N7005-93 417N7005-94 417N7005-95		002004 006010	1
145	NAS602-12P	.. SCREW		002004 006010	9
155	AN960C8	.. WASHER		002004 006010	9
175	65C31251-3SP	.. FACIA ASSY- USED ON: 417N7301-29SP		002004 006010	1
185	65C31251-4SP	... MOLD		002004 006010	1
195	65C31252-3	... FRAME ASSY		002004 006010	1

MISSING ITEM NUMBERS NOT APPLICABLE

- ITEM NOT ILLUSTRATED

23-32-02-06

23-32-02
FIG. 06
PAGE 6
SEP 20/08

BRI

BOEING PROPRIETARY - Copyright © - Unpublished Work - See title page for details.

BOEING
757
PARTS CATALOG (MAINTENANCE)

FIG ITEM	PART NUMBER	1 2 3 4 5 6 7	NOMENCLATURE	EFFECT FROM TO	UNITS PER ASSY
6					
210	417N7301-27SP	..	COVER ASSY	002004 006010	1
210	417N7301-27SP	..	COVER ASSY- USED ON: 417N7301-29SP 417N7301-28SP	002004 006010	1
235	417N7102-151	.BRACKET- USED ON:	417N7005-89 417N7005-90 417N7005-91 417N7005-92 417N7005-93 417N7005-94 417N7005-95 417N7005-96 417N7005-97 417N7005-98 417N7005-99 417N7005-100 417N7005-101 417N7005-102	002004 006010	1
240	417N7102-152	.BRACKET- USED ON:	417N7005-89 417N7005-90 417N7005-91 417N7005-92 417N7005-93 417N7005-94 417N7005-95 417N7005-96 417N7005-97 417N7005-98 417N7005-99 417N7005-100 417N7005-101 417N7005-102	002004 006010	1
255	600958-0003	.MONITOR- (CUSTOMER FURNISHED) SUPPLIER CODE: V62204 USED ON:	417N7005-89 417N7005-90 417N7005-91	002004 006010	1

MISSING ITEM NUMBERS NOT APPLICABLE

— ITEM NOT ILLUSTRATED

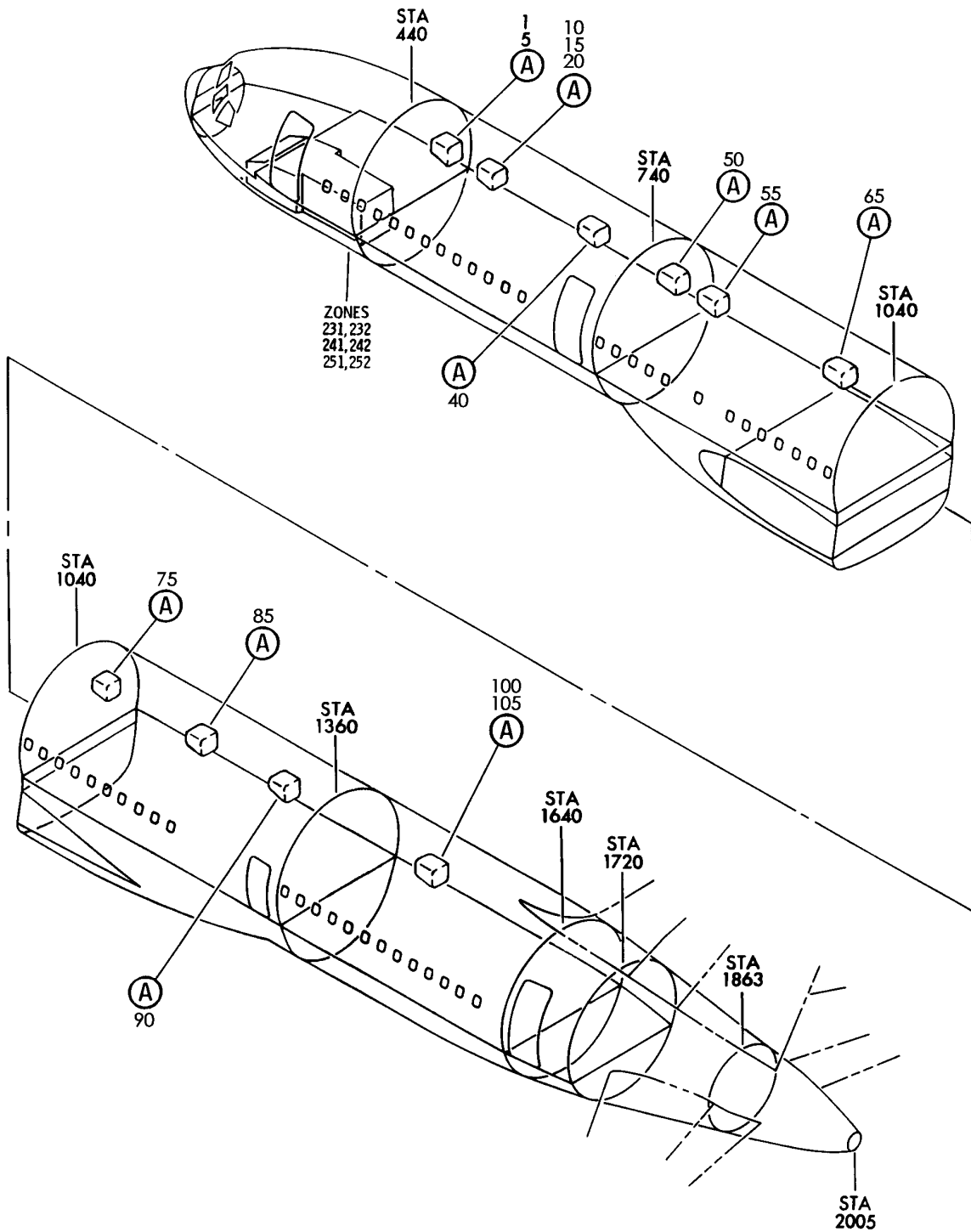
BRI

23-32-02-06

BOEING PROPRIETARY - Copyright © - Unpublished Work - See title page for details.

23-32-02
FIG. 06
PAGE 7
SEP 20/08

BOEING
757
PARTS CATALOG (MAINTENANCE)



Y 23320208 SH1 1 REV 328

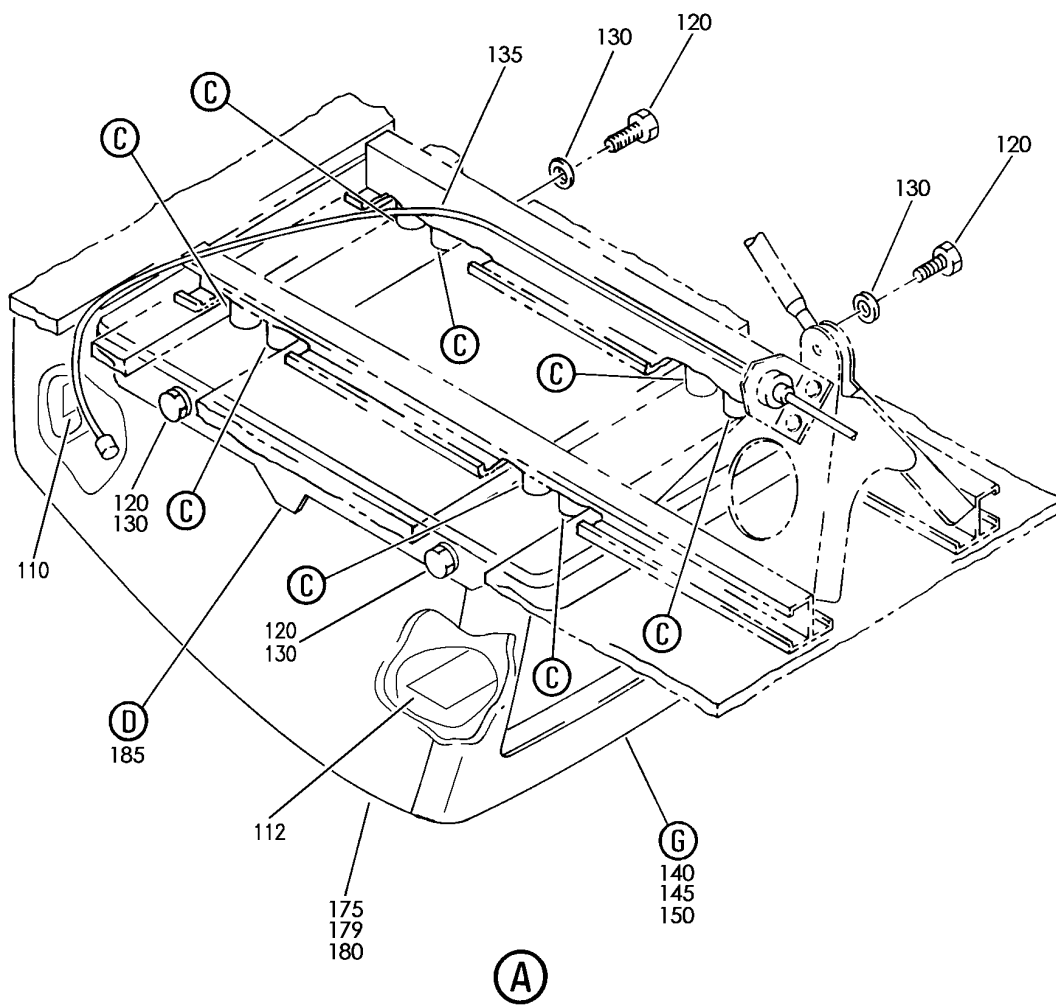
MONITOR INSTL-VIDEO
FIGURE 8 (SHEET 1)

23-32-02-08

BRI
JAN 20/09

23-32-02-08
PAGE 0

BOEING
757
PARTS CATALOG (MAINTENANCE)



Y 23320208 SH1 2 REV 283

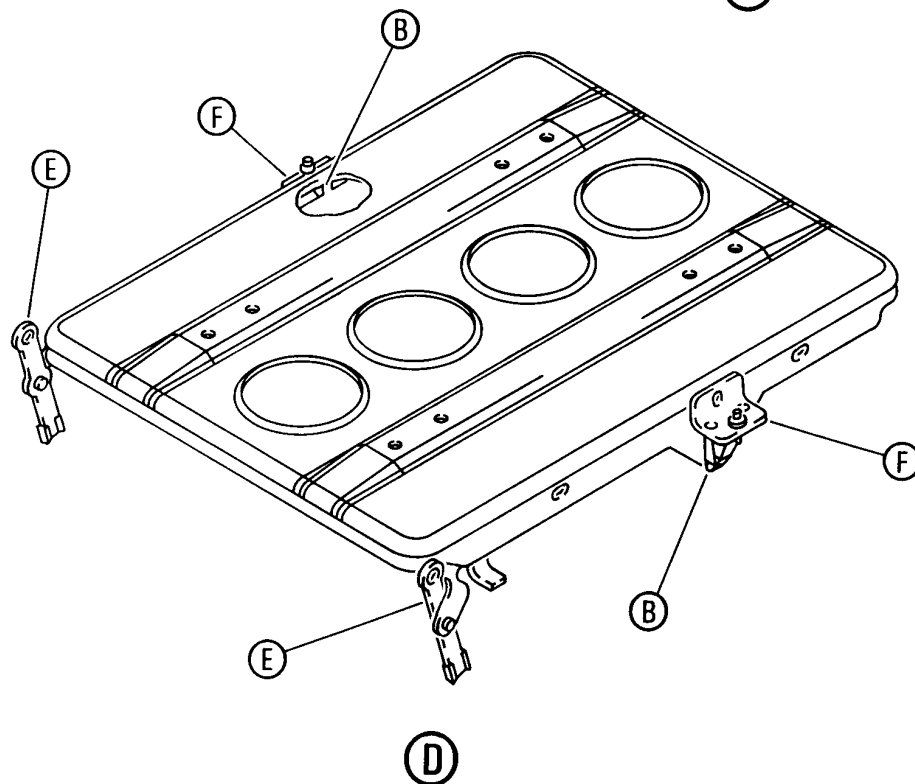
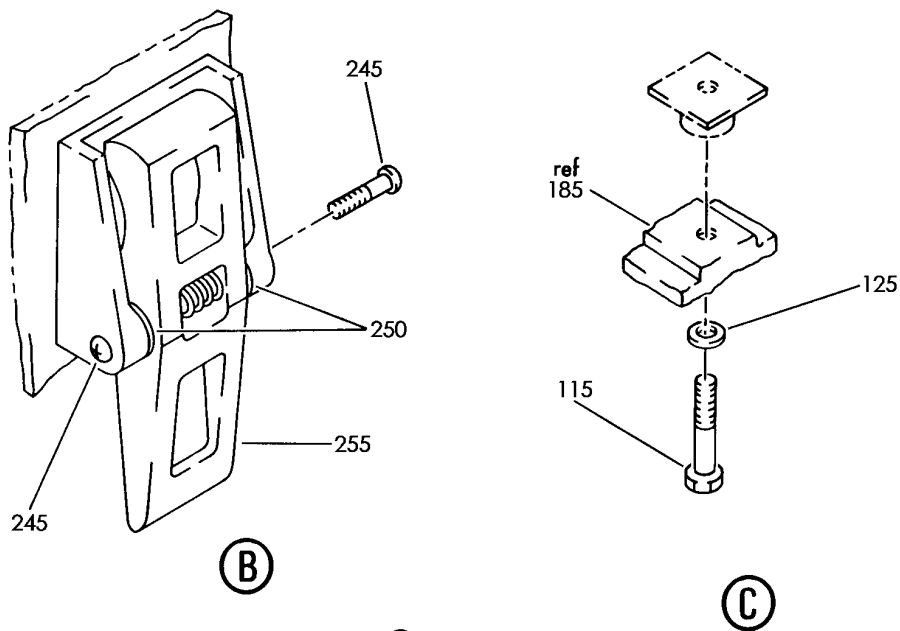
MONITOR INSTL-VIDEO
FIGURE 8 (SHEET 2)

23-32-02-08

BRI
MAY 28/07

23-32-02-08
PAGE 0A

BOEING
757
PARTS CATALOG (MAINTENANCE)



Y 23320208 SH1 3 REV 215

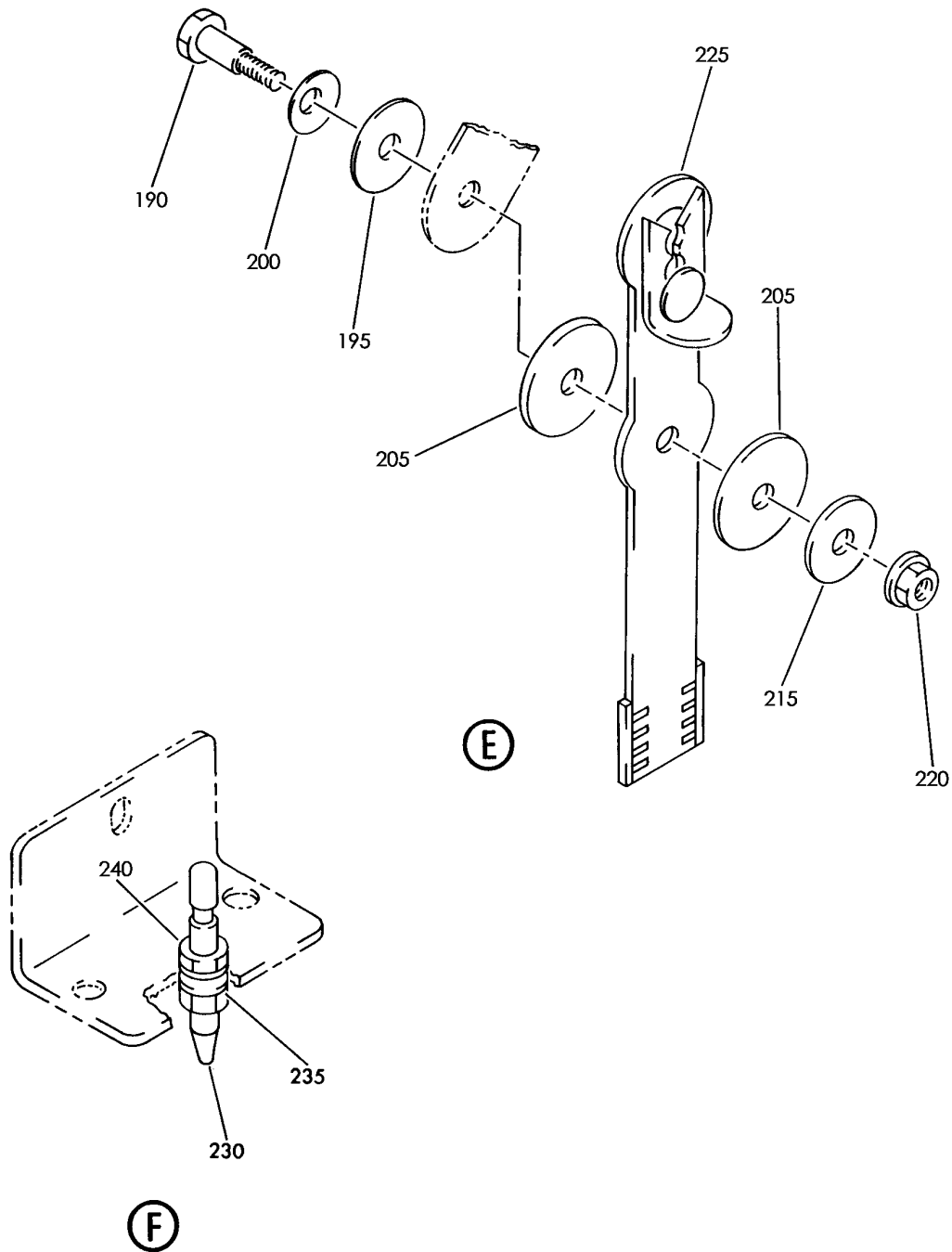
MONITOR INSTL-VIDEO
FIGURE 8 (SHEET 3)

23-32-02-08

BRI
MAY 28/07

23-32-02-08
PAGE 0B

BOEING
757
PARTS CATALOG (MAINTENANCE)



Y 23320208 SH1 4 REV 215

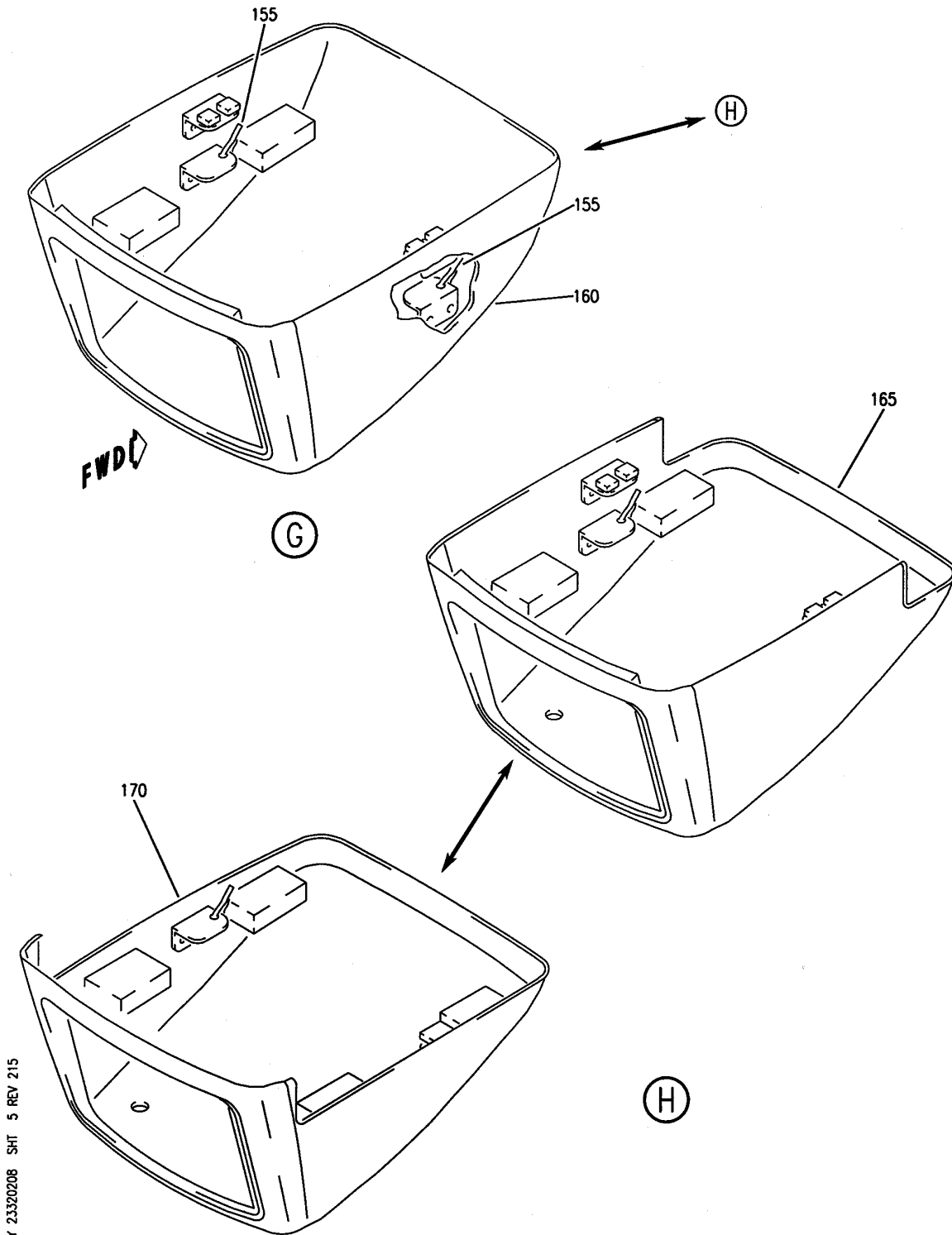
MONITOR INSTL-VIDEO
FIGURE 8 (SHEET 4)

23-32-02-08

BRI
MAY 28/07

23-32-02-08
PAGE 0C

BOEING
757
PARTS CATALOG (MAINTENANCE)



Y 23320208 SHT 5 REV 215

MONITOR INSTL-VIDEO
FIGURE 8 (SHEET 5)

23-32-02-08

BRI
MAY 28/07

23-32-02-08
PAGE 0D



757

PARTS CATALOG (MAINTENANCE)

FIG ITEM	PART NUMBER	1 2 3 4 5 6 7	NOMENCLATURE	EFFECT FROM TO	UNITS PER ASSY
8					
20	417N7008-28		MONITOR INSTL-VIDEO MONITOR INSTL-VIDEO FACE DATUM POSITION DATA: STA 518 TO 533 FOR NHA SEE: 23-32-00-01	011100 011100	RF
40	417N7008-29		MONITOR INSTL-VIDEO FACE DATUM POSITION DATA: STA 662 TO 677 FOR NHA SEE: 23-32-00-01	011100	RF
55	417N7008-31		MONITOR INSTL-VIDEO FACE DATUM POSITION DATA: STA 804.5 TO 819.5 FOR NHA SEE: 23-32-00-01	011100	RF
65	417N7008-32		MONITOR INSTL-VIDEO FACE DATUM POSITION DATA: STA 959 TO 974 FOR NHA SEE: 23-32-00-01	011100	RF
75	417N7008-33		MONITOR INSTL-VIDEO FACE DATUM POSITION DATA: STA 1115 TO 1130 FOR NHA SEE: 23-32-00-01	011100	RF
90	417N7008-13		MONITOR INSTL-VIDEO FACE DATUM POSITION DATA: STA 1315 TO 1330 FOR NHA SEE: 23-32-00-01	011100	RF
105	417N7008-15		MONITOR INSTL-VIDEO FACE DATUM POSITION DATA: STA 1444.5 TO 1459.5 FOR NHA SEE: 23-32-00-01	011100	RF
115	BACB30NM3K2		.BOLT	011100	8
120	BACB30NM3K6		.BOLT	011100	4
125	MS35333-39		.WASHER	011100	8
130	NAS1149D0363J		.WASHER	011100	4

MISSING ITEM NUMBERS NOT APPLICABLE

- ITEM NOT ILLUSTRATED

23-32-02-08

23-32-02
FIG. 08
PAGE 1
JAN 20/09

BRI



757

PARTS CATALOG (MAINTENANCE)

FIG ITEM	PART NUMBER	1 2 3 4 5 6 7	NOMENCLATURE	EFFECT FROM TO	UNITS PER ASSY
8 140	417N7301-52SP	.SHROUD ASSY- USED ON: 417N7008-15 417N7008-28 417N7008-29 417N7008-31 417N7008-32 417N7008-33 417N7008-16 417N7008-17 417N7008-18 417N7008-19 417N7008-20 417N7008-21 417N7008-22		011100	1
155	411N3140-16	..LANYARD ASSY		011100	2
160	417N7301-33SP	..COVER ASSY- USED ON: 417N7301-52SP		011100	1
175	600958-0003	.MONITOR- (CUSTOMER FURNISHED) SUPPLIER CODE: V62204		011100	1
185	417N7102-177	.SUPPORT ASSY-MON		011100	1
190	BACB30PW3-5	..BOLT		011100	2
195	NAS1149D0316J	..WASHER		011100	2
200	BACW10AZ3	..WASHER		011100	2
205	BACW10P271TF	..WASHER		011100	4
215	NAS1149D0363J	..WASHER		011100	2
220	MS21042L06	..NUT		011100	2
225	417N7102-161	..PIVOT ASSY		011100	2
230	NAS574-2	..PIN		011100	2
235	NAS1149DN416J	..WASHER		011100	2
240	MS21042L3	..NUT		011100	2
245	NAS600-4P	..SCREW		011100	4
250	NAS1149DN416J	..WASHER		011100	4
255	69B54790-1	..LATCH ASSY		011100	2

MISSING ITEM NUMBERS NOT APPLICABLE

- ITEM NOT ILLUSTRATED

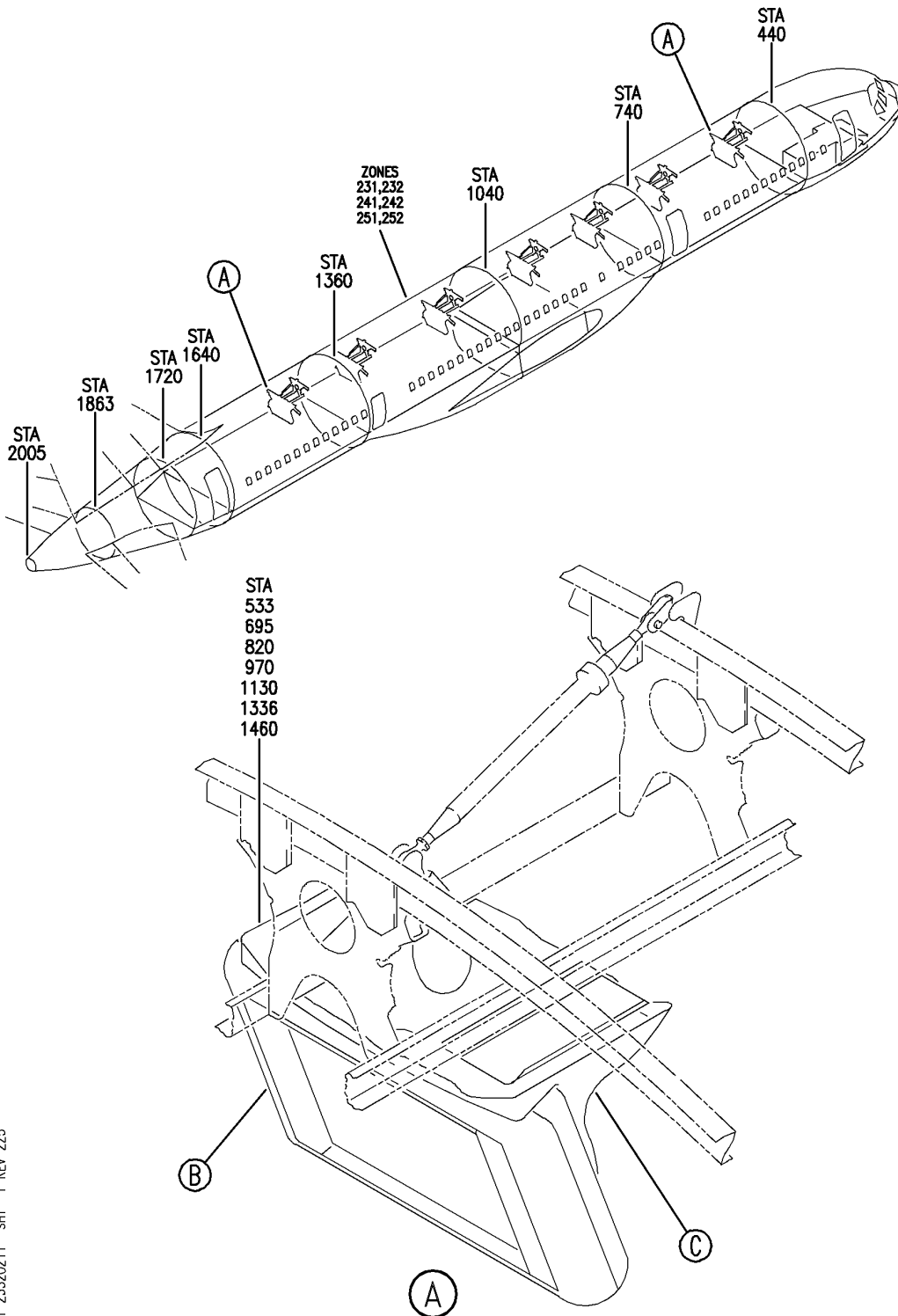
23-32-02-08

23-32-02
FIG. 08
PAGE 2
JAN 20/09

BRI

BOEING PROPRIETARY - Copyright © - Unpublished Work - See title page for details.

BOEING
757
PARTS CATALOG (MAINTENANCE)



Y 23320211 SHT 1 REV 225

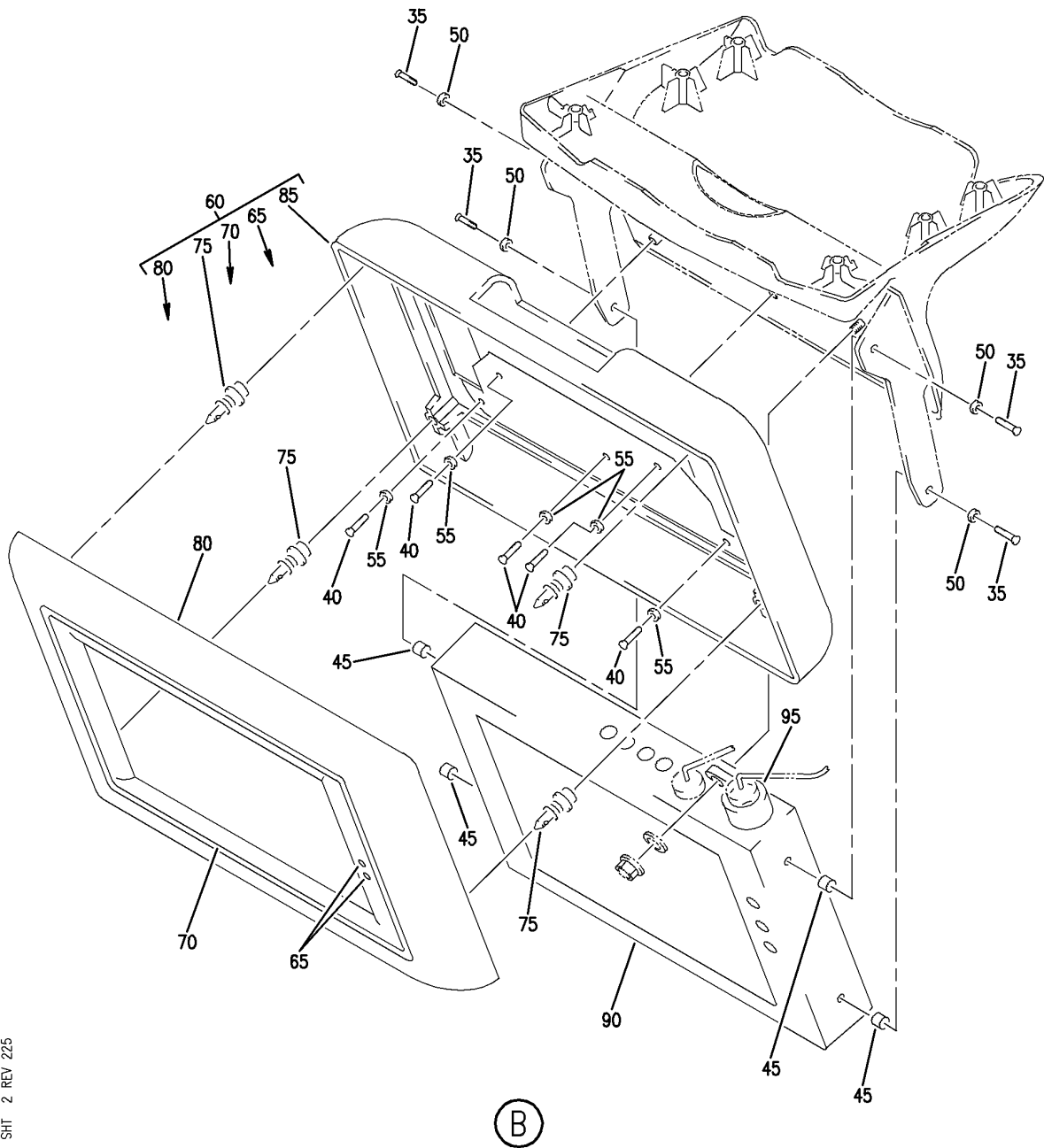
MONITOR INSTL-MATSUSHITA OVHD MOUNTED LCD
FIGURE 11 (SHEET 1)

23-32-02-11

BRI
JAN 20/09

23-32-02-11
PAGE 0

BOEING
757
PARTS CATALOG (MAINTENANCE)



Y 23320211 SHT 2 REV 225

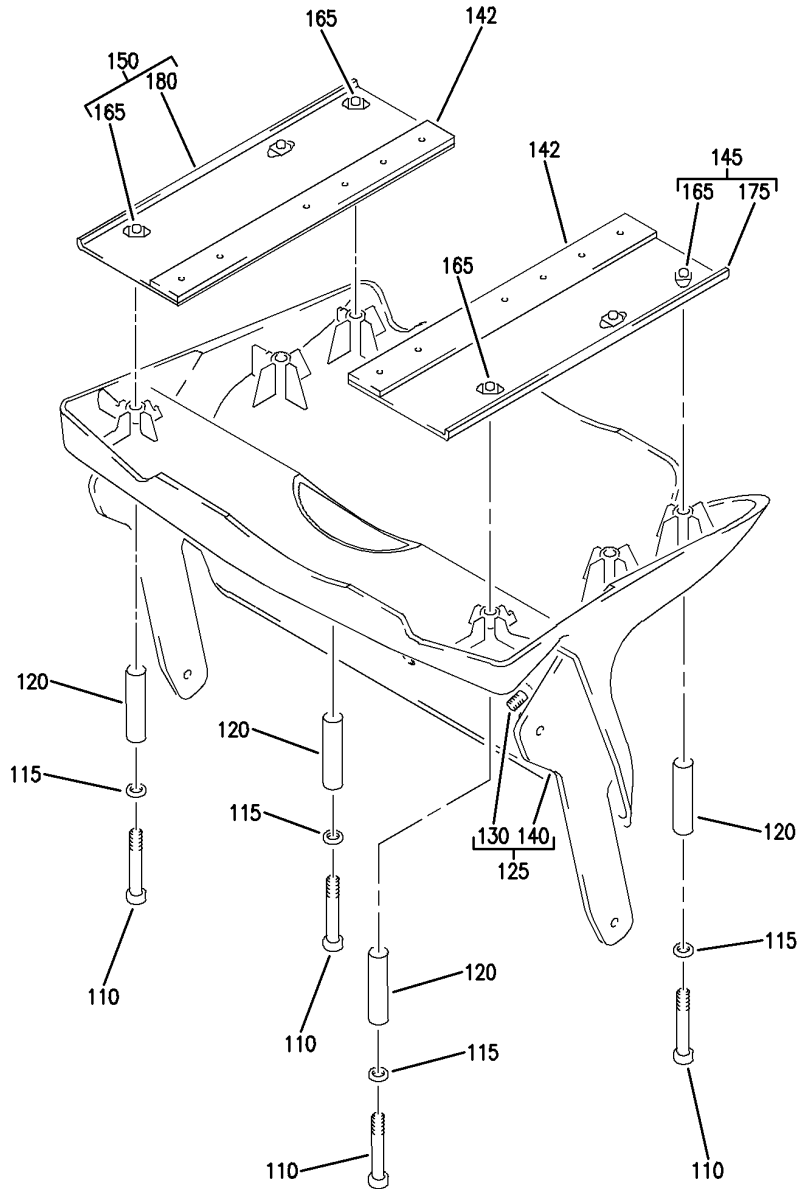
MONITOR INSTL-MATSUSHITA OVHD MOUNTED LCD
FIGURE 11 (SHEET 2)

23-32-02-11

BRI
JAN 20/09

23-32-02-11
PAGE 0A

BOEING
757
PARTS CATALOG (MAINTENANCE)



(C)

Y 23320211 SHT 3 REV 234

MONITOR INSTL-MATSUSHITA OVHD MOUNTED LCD
FIGURE 11 (SHEET 3)

23-32-02-11

BRI
JAN 20/09

23-32-02-11
PAGE 0B



757

PARTS CATALOG (MAINTENANCE)

FIG ITEM	PART NUMBER	1 2 3 4 5 6 7	NOMENCLATURE	EFFECT FROM TO	UNITS PER ASSY
11			MONITOR INSTL-MATSUSHITA OVHD MOUNTED LCD	108120	
- 1	417N7162-50B		MONITOR INSTL-MATSUSHITA OVHD MOUNTED LCD POSITION DATA: STA533.0 BLO.0 WL293.43 FOR NHA SEE: 25-20-00-11A	108120	RF
- 5	417N7162-51B		MONITOR INSTL-MATSUSHITA OVHD MOUNTED LCD POSITION DATA: STA695.0 BLO.0 WL293.43 FOR NHA SEE: 25-20-00-11A	108120	RF
- 10	417N7162-52B		MONITOR INSTL-MATSUSHITA OVHD MOUNTED LCD POSITION DATA: STA820.0 BLO.0 WL293.43 FOR NHA SEE: 25-20-00-11A	108120	RF
- 15	417N7162-53B		MONITOR INSTL-MATSUSHITA OVHD MOUNTED LCD POSITION DATA: STA970.0 BLO.0 WL293.43 FOR NHA SEE: 25-20-00-11A	108120	RF
- 20	417N7162-54B		MONITOR INSTL-MATSUSHITA OVHD MOUNTED LCD POSITION DATA: STA1130.0 BLO.0 WL293.43 FOR NHA SEE: 25-20-00-11A	108120	RF
- 25	417N7162-55B		MONITOR INSTL-MATSUSHITA OVHD MOUNTED LCD POSITION DATA: STA1336.0 BLO.0 WL293.43 FOR NHA SEE: 25-20-00-11A	108120	RF
- 30	417N7162-56B		MONITOR INSTL-MATSUSHITA OVHD MOUNTED LCD POSITION DATA: STA1460.0 BLO.0 WL293.43 FOR NHA SEE: 25-20-00-11A	108120	RF
35	BACB30LK06-7	.BOLT		108120	4
40	BACB30LK3-2	.BOLT		108120	5
45	BACS18K8-14W	.SPACER		108120	4
50	NAS1149DN632J	.WASHER		108120	4
55	NAS1149D0332J	.WASHER		108120	5

MISSING ITEM NUMBERS NOT APPLICABLE

- ITEM NOT ILLUSTRATED

23-32-02-11

23-32-02
FIG. 11
PAGE 1
JAN 20/09

BRI



757

PARTS CATALOG (MAINTENANCE)

FIG ITEM	PART NUMBER	1 2 3 4 5 6 7	NOMENCLATURE	EFFECT FROM TO	UNITS PER ASSY
11					
60	477W1101-38B	.	SHROUD ASSY	108120	1
65	102268-6	..	LENS-OPTICAL SUPPLIER CODE: V08717	108120	2
70	477W1102-31B	..	BEZEL	108120	1
75	AVL365-1	..	PIN- SUPPLIER CODE: V84256	108120	4
80	477W1102-29B	..	SHROUD- POSITION DATA: FRONT	108120	1
85	477W1102-30B	..	SHROUD- POSITION DATA: REAR	108120	1
90	RDAV7143-01	.	MONITOR-13.8 IN. LCD FIXED SUPPLIER CODE: VOFF57 FUNCTIONAL DESCRIPTION: ALLOWS VIEWING OF VIDEO ENTERTAINMENT PROGRAMS	108120	1
90	RDAV7151-01	.	MONITOR-15 IN. LCD FIXED SUPPLIER CODE: VOFF57 FUNCTIONAL DESCRIPTION: ALLOWS VIEWING OF VIDEO ENTERTAINMENT PROGRAMS COMPONENT MAINT MANUAL REF: 23-32-45	108120	1
95	BACC10DK14	.	CLAMP ATTACHING PARTS	108120	1
- 100	NAS1149D0332J	.	WASHER	108120	1
- 105	PLH53CD	.	NUT SUPPLIER CODE: VF0224 SPECIFICATION NUMBER: BACN10YR3CD OPTIONAL PART: H52732-3CD V15653 -----*-----	108120	1
110	BACB30LK3-8	.	BOLT	108120	6
115	158-060SS8	.	WASHER- SUPPLIER CODE: V51506	108120	6
120	NAS1057T3A042	.	SLEEVE	108120	6
125	477W1120-31B	.	CARRIAGE ASSY	108120	1
130	CB5000A3-8	..	STANDOFF- SUPPLIER CODE: V66530	108120	1

MISSING ITEM NUMBERS NOT APPLICABLE

- ITEM NOT ILLUSTRATED

23-32-02-11

23-32-02
FIG. 11
PAGE 2
JAN 20/09

BRI

BOEING PROPRIETARY - Copyright © - Unpublished Work - See title page for details.



757

PARTS CATALOG (MAINTENANCE)

FIG ITEM	PART NUMBER	1 2 3 4 5 6 7	NOMENCLATURE	EFFECT FROM TO	UNITS PER ASSY
11					
- 135	NAS1394-3L	..	INSERT	108120	5
140	477W1121-11	..	CARRIAGE-	108120	1
142	417N7102-324	.	FILLER	108120	2
145	417N7102-322	.	PLATE ASSY-SPRT	108120	1
			POSITION DATA: RH		
150	417N7102-323	.	PLATE ASSY-SPRT	108120	1
			POSITION DATA: LH		
			ATTACHING PARTS		
- 155	BACB30NT3V6	.	BOLT-	108120	12
			OPTIONAL PART: BACB30NT3K6		
- 155	BACB30NT3K6	.	BOLT-	108120	12
			OPTIONAL PART: BACB30NT3V6		
- 160	BRC600-8-3	.	NUT	108120	12
			SUPPLIER CODE: V52828		
			SPECIFICATION NUMBER: BACN10YD1		
			OPTIONAL PART: 130120 V60119		
			-----*-----		
165	BRF200C3D	..	NUTPLATE	108120	3
			SUPPLIER CODE: V52828		
			SPECIFICATION NUMBER: BACN10JR3CFD		
			OPTIONAL PART: K51602-3BAC V15653 NS202476-02 V80539 102F9201-3 V72962 T8092C1032CD V11815		
			ATTACHING PARTS		
- 170	BACR15BA3ADC	..	RIVET-	108120	6
			SIZE DETERMINED ON INSTL.		
			-----*-----		
175	417N7102-330	..	PLATE-	108120	1
			USED ON: 417N7102-322		
180	417N7102-329	..	PLATE-	108120	1
			USED ON: 417N7102-323		

MISSING ITEM NUMBERS NOT APPLICABLE

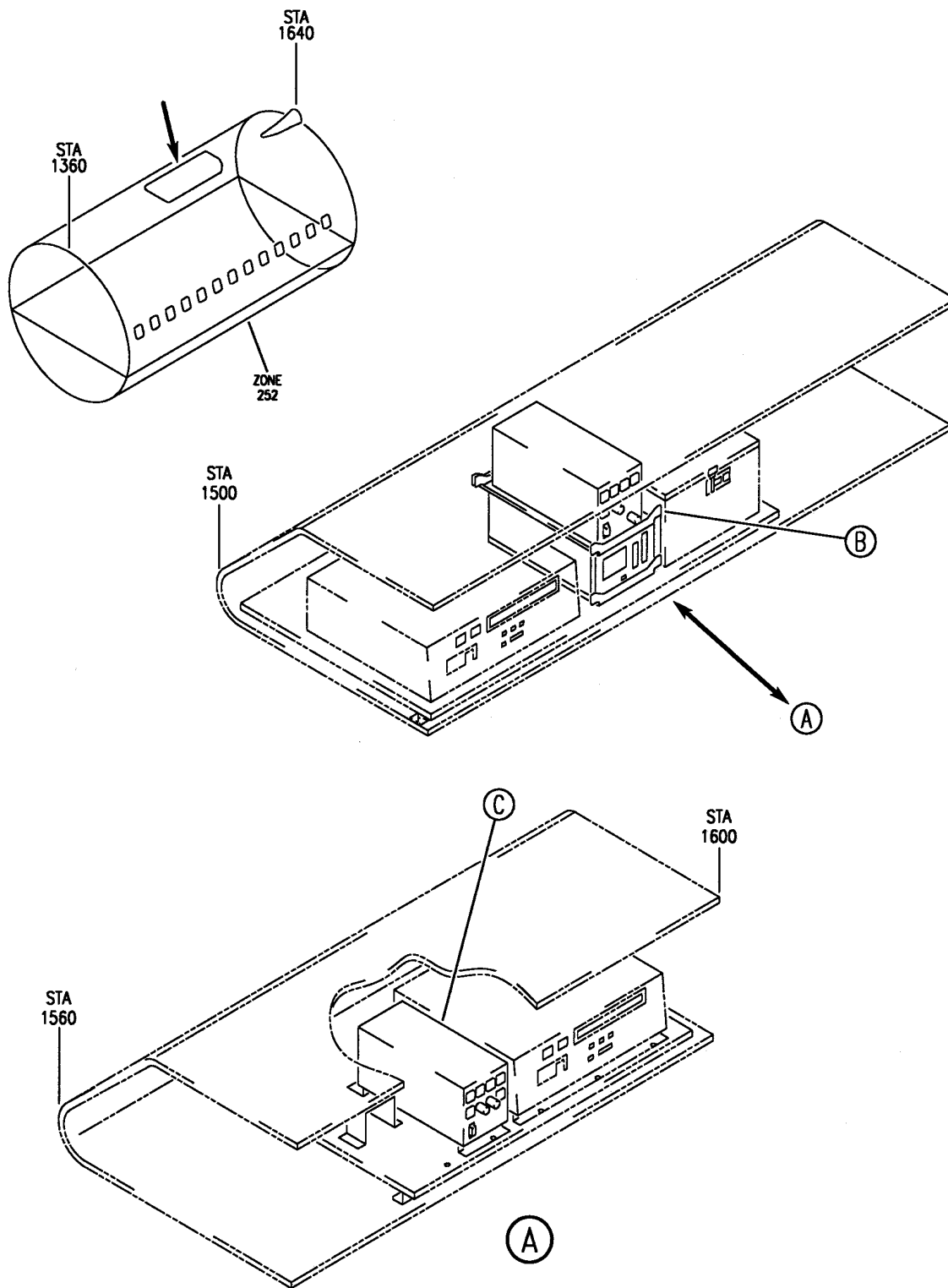
- ITEM NOT ILLUSTRATED

23-32-02-11

23-32-02
FIG. 11
PAGE 3
JAN 20/09

BRI

BOEING
757
PARTS CATALOG (MAINTENANCE)



Y 23320302 SH1 1 REV 212

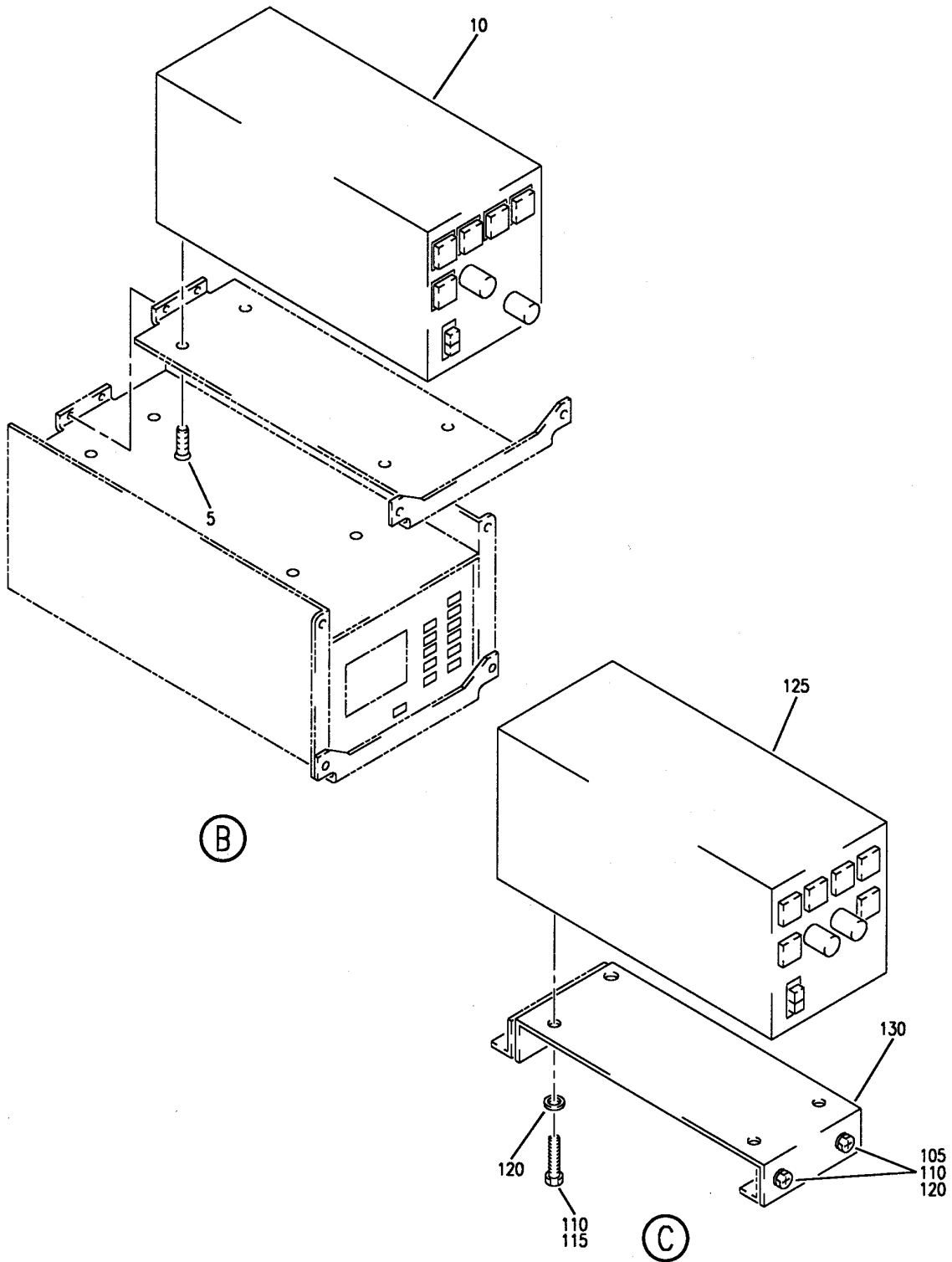
EQUIPMENT INSTL-VIDEO (CONTROL DISTRIBUTION UNIT ONLY)
FIGURE 2 (SHEET 1)

23-32-03-02

BRI
MAY 28/07

23-32-03-02
PAGE 0

BOEING
757
PARTS CATALOG (MAINTENANCE)



Y 23320302 SHIT 2 REV 212

EQUIPMENT INSTL-VIDEO (CONTROL DISTRIBUTION UNIT ONLY)
FIGURE 2 (SHEET 2)

23-32-03-02

BRI
MAY 28/07

23-32-03-02
PAGE 0A



757

PARTS CATALOG (MAINTENANCE)

FIG ITEM	PART NUMBER	1 2 3 4 5 6 7	NOMENCLATURE	EFFECT FROM TO	UNITS PER ASSY
2			EQUIPMENT INSTL-VIDEO (CONTROL DISTRIBUTION UNIT ONLY)	002004 006102	
- 1	417N7400-12		EQUIPMENT INSTL-VIDEO (CONTROL DISTRIBUTION UNIT ONLY) FOR NHA/ADDITIONAL DET SEE: 23-32-00-01	002004	RF
- 1	417N7400-24		EQUIPMENT INSTL-VIDEO (CONTROL DISTRIBUTION UNIT ONLY) FOR NHA/ADDITIONAL DET SEE: 23-32-00-01 25-20-00-11D	006101	RF
- 1	417N7400-82		EQUIPMENT INSTL-VIDEO (CONTROL DISTRIBUTION UNIT ONLY) FOR NHA/ADDITIONAL DET SEE: 25-20-00-11D	102102	RF
5	BACS12ER3K7		.SCREW	006102	4
10	490201-0002		.CONTROL UNIT-DISTR SUPPLIER CODE: V62204 ELECTRICAL EQUIP NUMBER: M10668 COMPONENT MAINT MANUAL REF: 23-34-79	002004 006102	1

MISSING ITEM NUMBERS NOT APPLICABLE

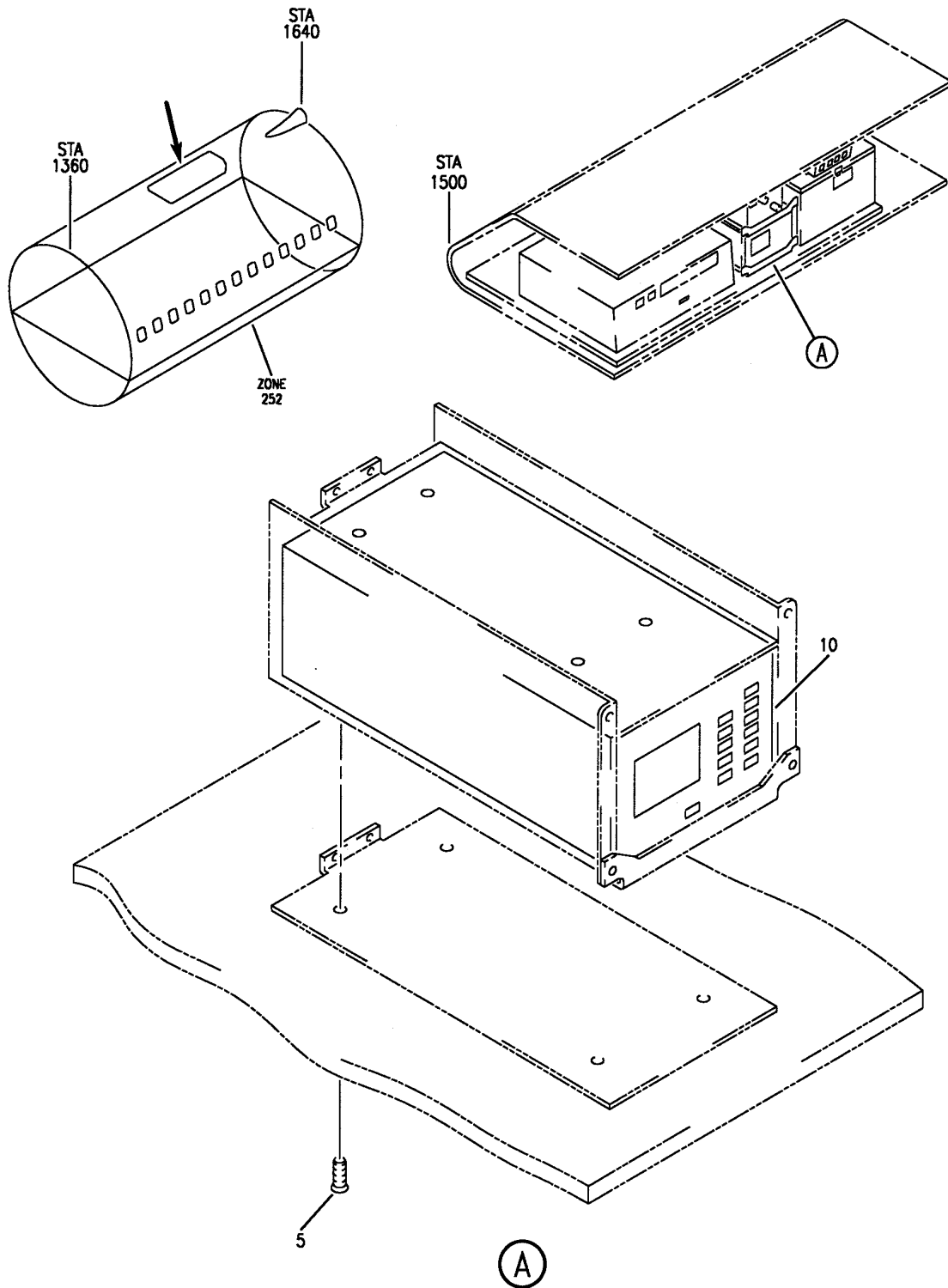
- ITEM NOT ILLUSTRATED

BRI

23-32-03-02

23-32-03
FIG. 02
PAGE 1
JAN 20/09

BOEING
757
PARTS CATALOG (MAINTENANCE)



Y 23320501 REV 212

EQUIPMENT INSTL-VIDEO (PREVIEW MONITOR ONLY)
FIGURE 1

23-32-05-01

BRI
MAY 28/07

23-32-05-01
PAGE 0



757

PARTS CATALOG (MAINTENANCE)

FIG ITEM	PART NUMBER	1 2 3 4 5 6 7	NOMENCLATURE	EFFECT FROM TO	UNITS PER ASSY
1			EQUIPMENT INSTL-VIDEO (PREVIEW MONITOR ONLY)	002004 006102	
- 1	417N7400-12		EQUIPMENT INSTL-VIDEO (PREVIEW MONITOR ONLY) FOR NHA/ADDITIONAL DET SEE: 23-32-00-01	002004	RF
- 1	417N7400-24		EQUIPMENT INSTL-VIDEO (PREVIEW MONITOR ONLY) FOR NHA/ADDITIONAL DET SEE: 23-32-00-01 25-20-00-11D	006101	RF
- 1	417N7400-82		EQUIPMENT INSTL-VIDEO (PREVIEW MONITOR ONLY) FOR NHA/ADDITIONAL DET SEE: 25-20-00-11D	102102	RF
5	BACS12ER3K7		.SCREW	006102	4
10	604940-0001		.MONITOR-PREVIEW/TUNER SUPPLIER CODE: V62204 ELECTRICAL EQUIP NUMBER: M11624 COMPONENT MAINT MANUAL REF: 23-34-30	102102	1
10	604940-0001		.MONITOR-PREVIEW/TUNER SUPPLIER CODE: V62204 ELECTRICAL EQUIP NUMBER: M11624 COMPONENT MAINT MANUAL REF: 23-34-30	002004 006101	1

R
R
R
R
R
R

MISSING ITEM NUMBERS NOT APPLICABLE

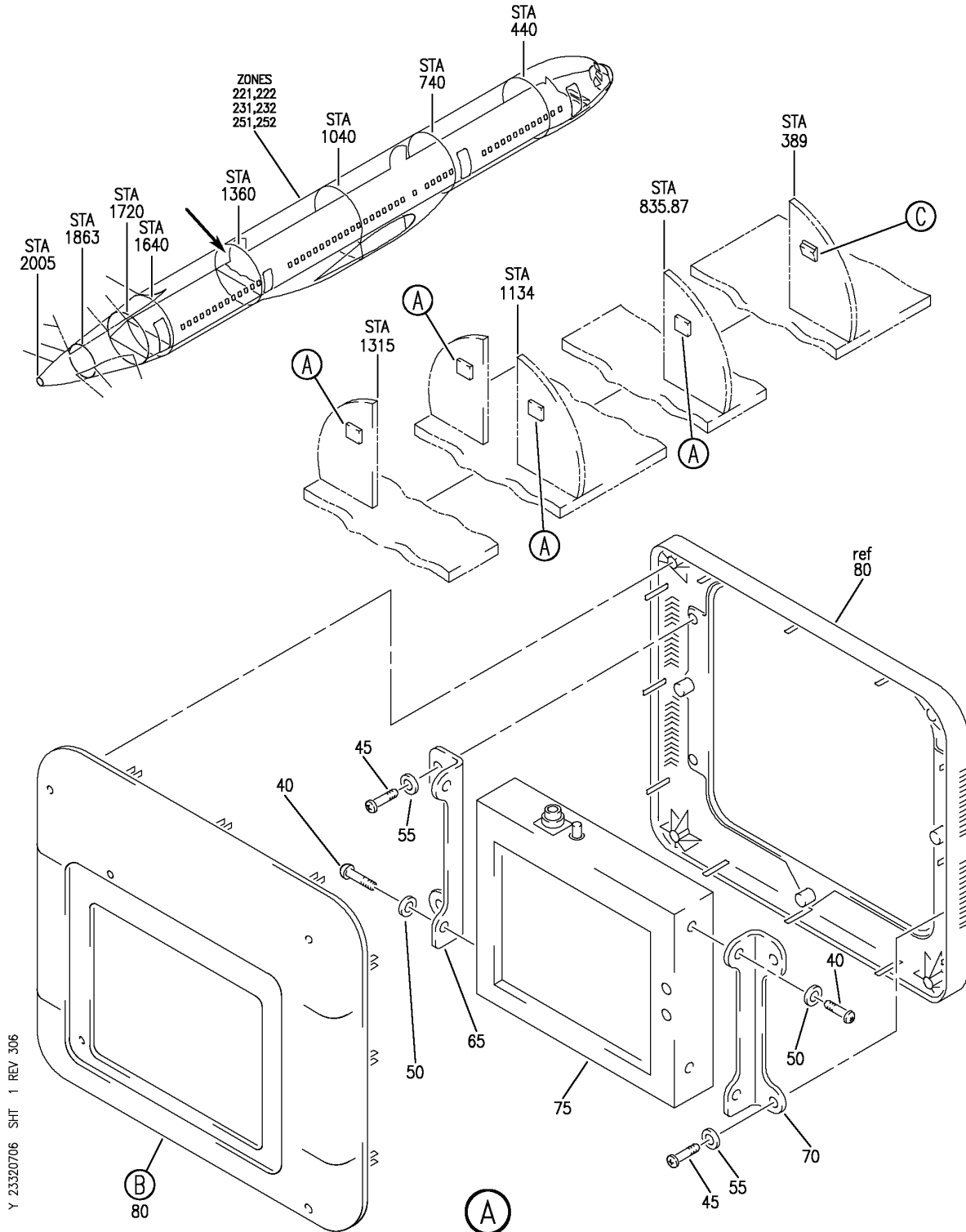
- ITEM NOT ILLUSTRATED

23-32-05-01

23-32-05
FIG. 01
PAGE 1
MAY 20/09

BRI

BOEING
757
PARTS CATALOG (MAINTENANCE)



Y 23320706 SHT 1 REV 306

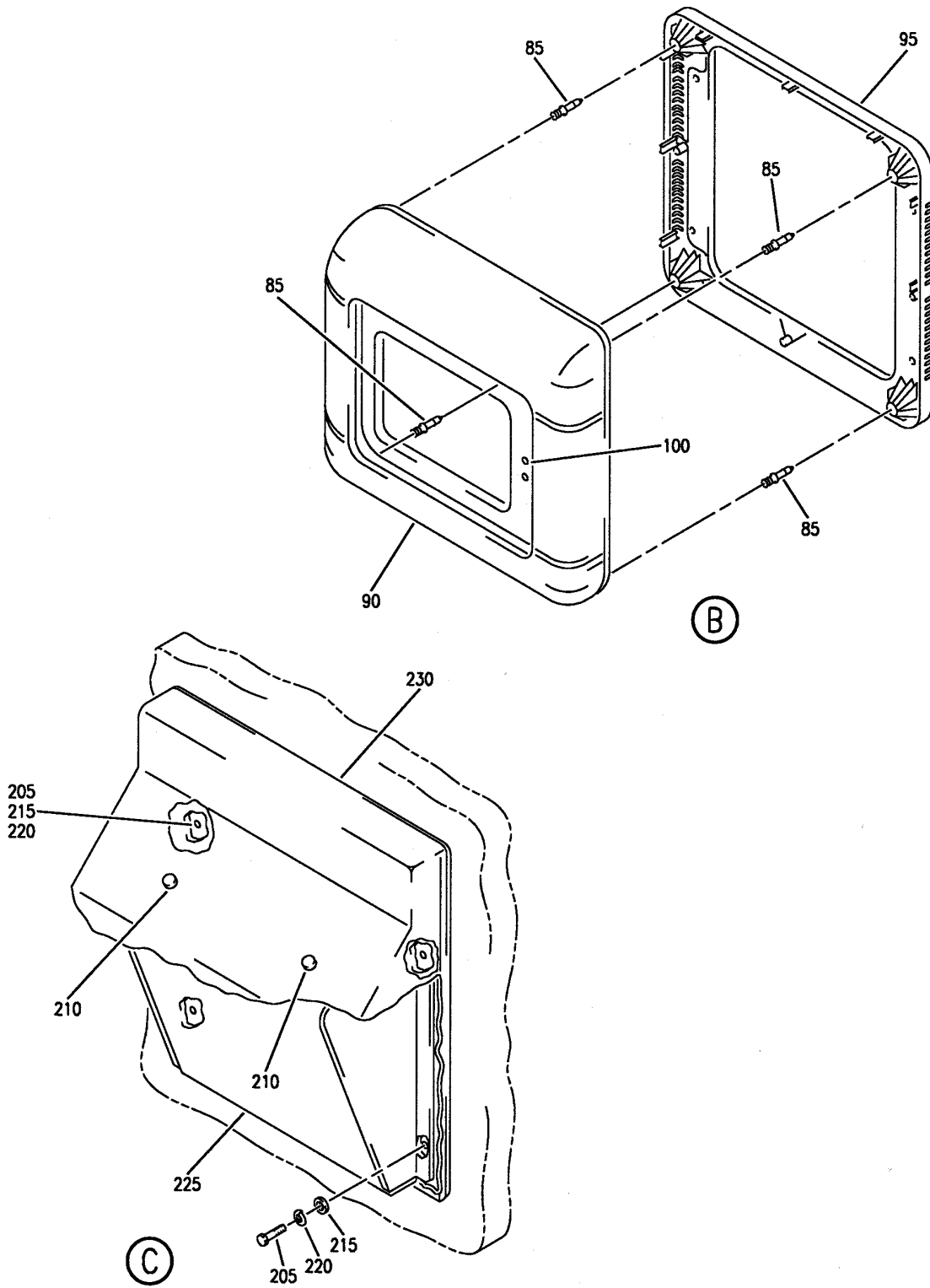
VIDEO INSTL-LCD MONITOR
FIGURE 6 (SHEET 1)

23-32-07-06

BRI
MAY 28/07

23-32-07-06
PAGE 0

BOEING
757
PARTS CATALOG (MAINTENANCE)



Y 23320706 SHIT 2 REV 214

VIDEO INSTL-LCD MONITOR
FIGURE 6 (SHEET 2)

23-32-07-06

BRI
MAY 28/07

23-32-07-06
PAGE 0A

BOEING
757
PARTS CATALOG (MAINTENANCE)

FIG ITEM	PART NUMBER	1 2 3 4 5 6 7	NOMENCLATURE	EFFECT FROM TO	UNITS PER ASSY
6			VIDEO INSTL-LCD MONITOR	101102	
- 200	417N7006-97		VIDEO INSTL-13.8 IN. LCD MON POSITION DATA: STA 389.00 RBL 31.07 FOR NHA SEE: 25-20-00-11A	101102	RF
	205 BACB30NM3K3		.BOLT	101102	4
	210 BACS12ER06K8		.SCREW	101102	2
	215 NAS1149D0332J		.WASHER	101102	4
	220 MS35338-119		.WASHER	101102	4
	225 605667-0002		.MONITOR-5.7 IN. LCD SUPPLIER CODE: V62204 COMPONENT MAINT MANUAL REF: 23-34-24	101102	1
	230 606619-0002		.MONITOR INSTL-KIT SUPPLIER CODE: V62204 POSITION DATA: RH	101102	1

R
R
R
R
R
R
R
R
R
R

MISSING ITEM NUMBERS NOT APPLICABLE

- ITEM NOT ILLUSTRATED

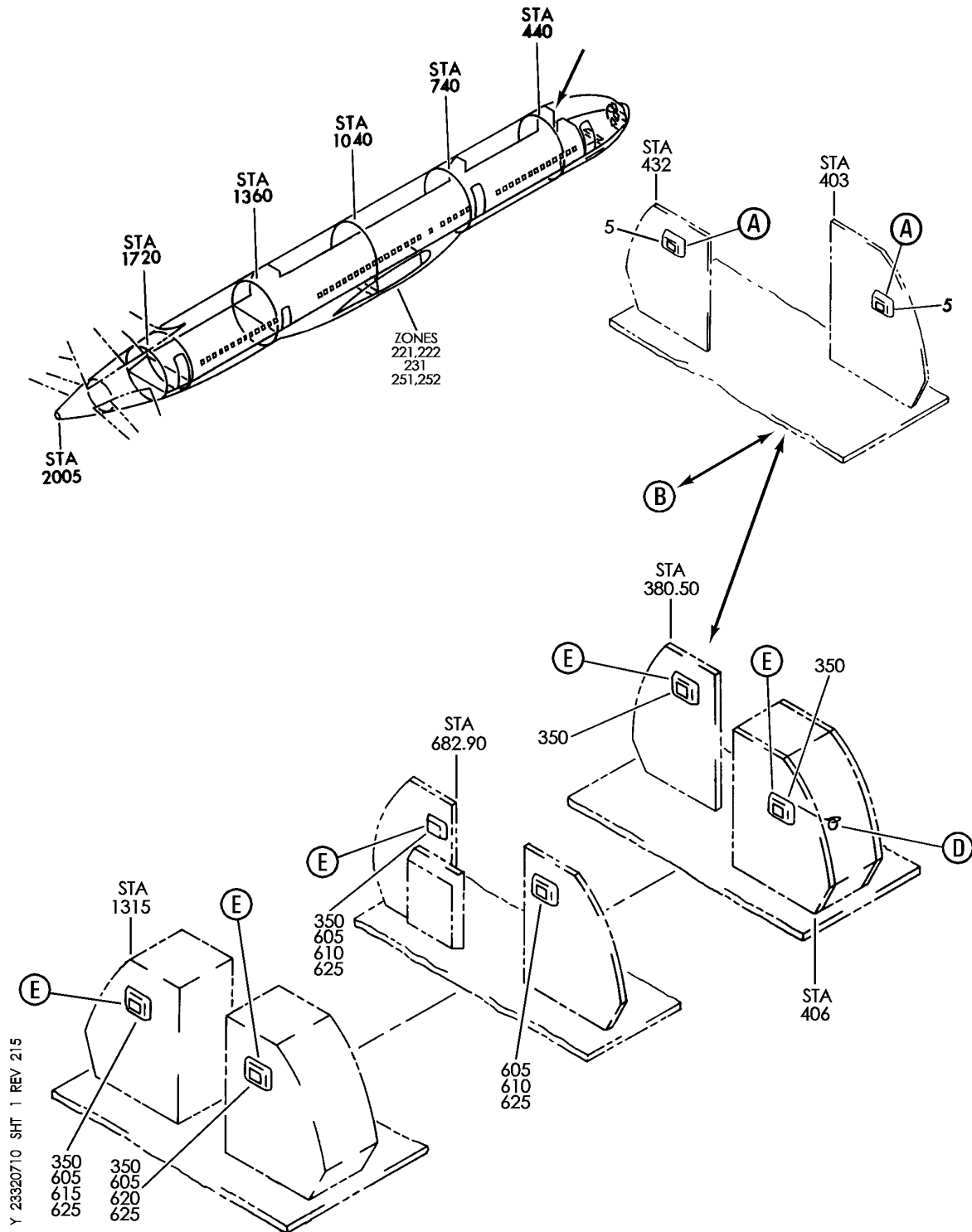
BRI

23-32-07-06

BOEING PROPRIETARY - Copyright © - Unpublished Work - See title page for details.

23-32-07
FIG. 06
PAGE 1
MAY 20/09

BOEING
757
PARTS CATALOG (MAINTENANCE)



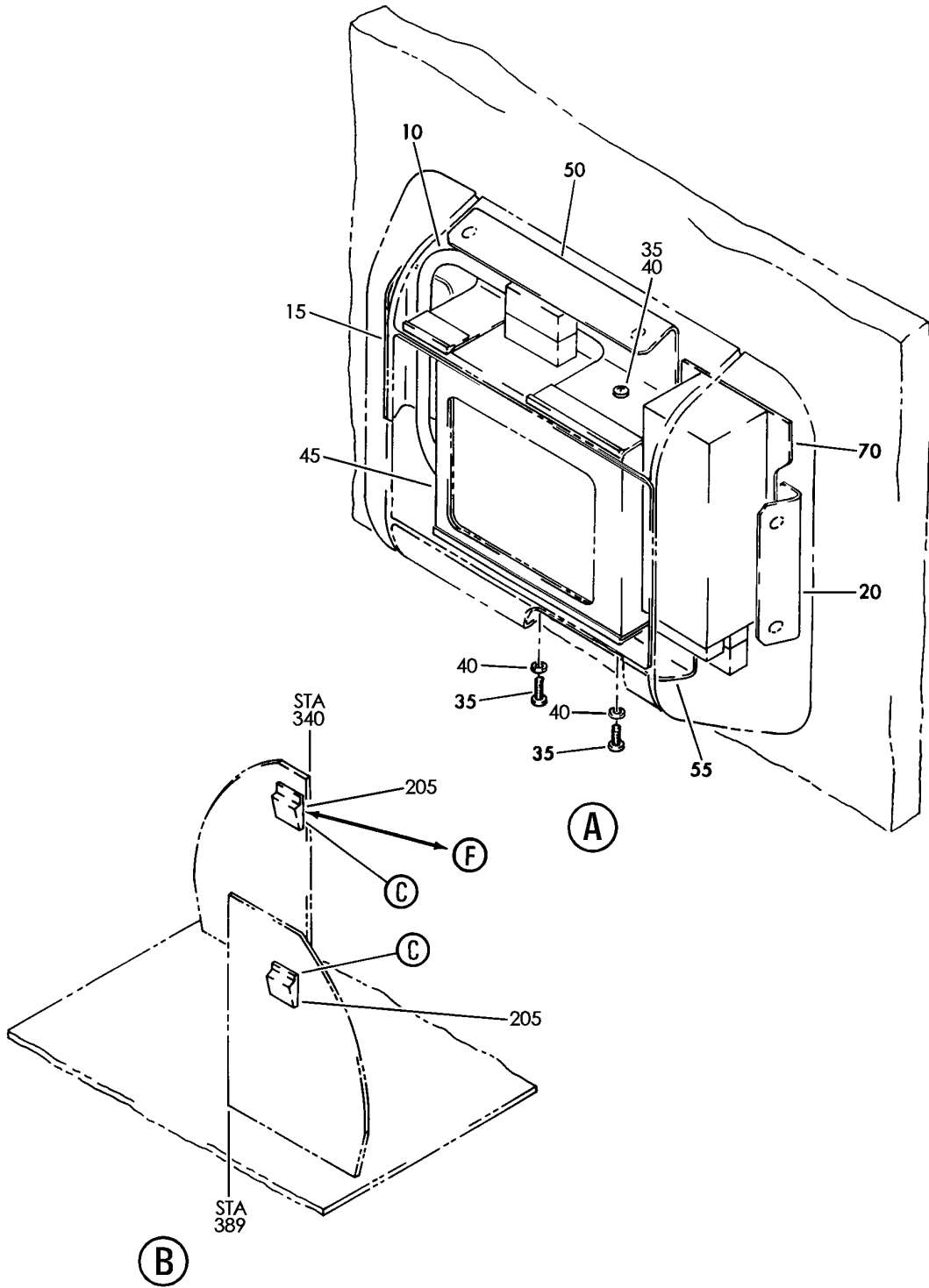
VIDEO INSTL-LCD MONITOR
FIGURE 10 (SHEET 1)

23-32-07-10

BRI
MAY 28/07

23-32-07-10
PAGE 0

BOEING
757
PARTS CATALOG (MAINTENANCE)



Y 23320710 SHT 2 REV 215

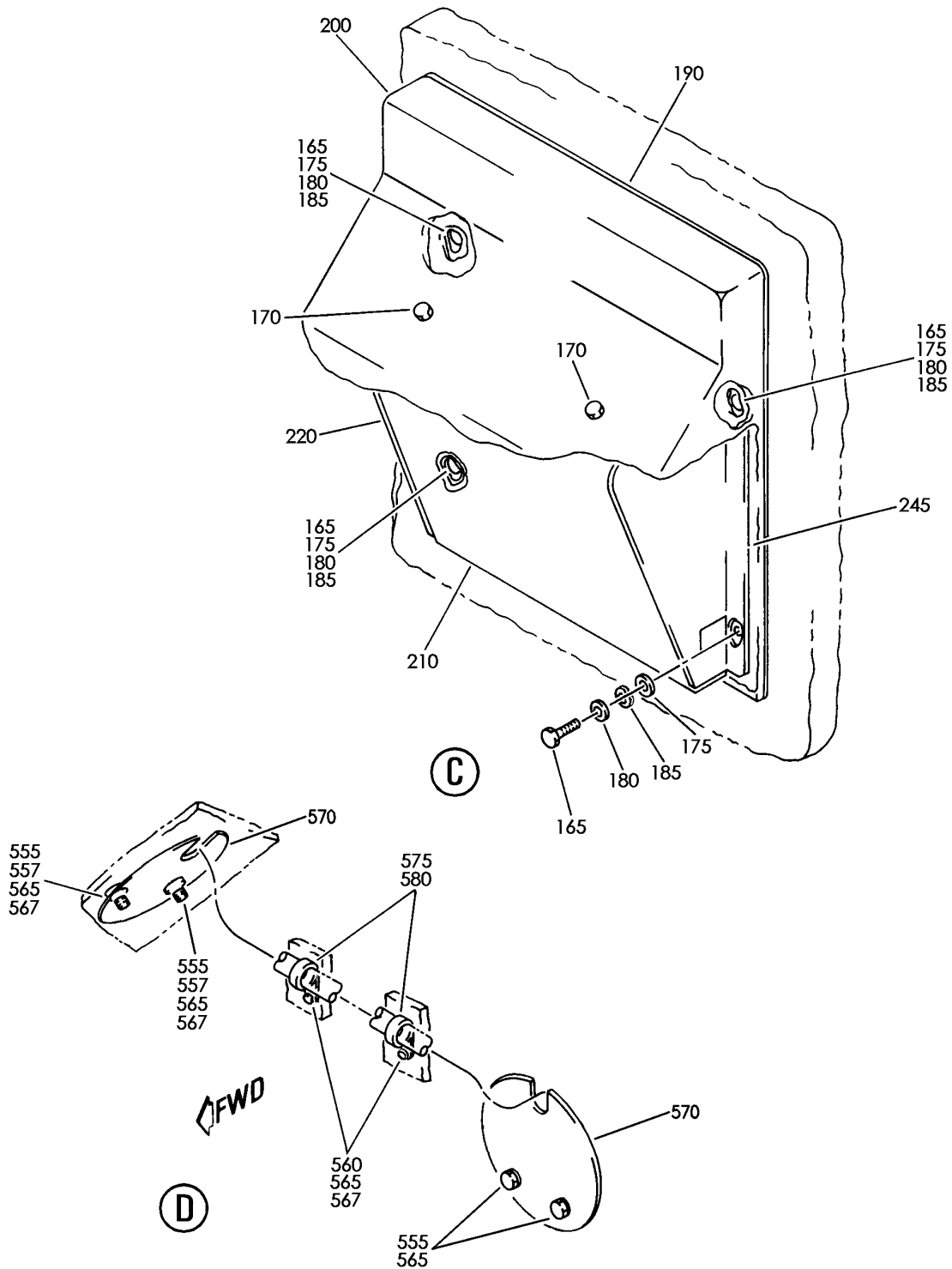
VIDEO INSTL-LCD MONITOR
FIGURE 10 (SHEET 2)

23-32-07-10

BRI
MAY 28/07

23-32-07-10
PAGE 0A

BOEING
757
PARTS CATALOG (MAINTENANCE)



Y 23320710 SHT 3 REV 245

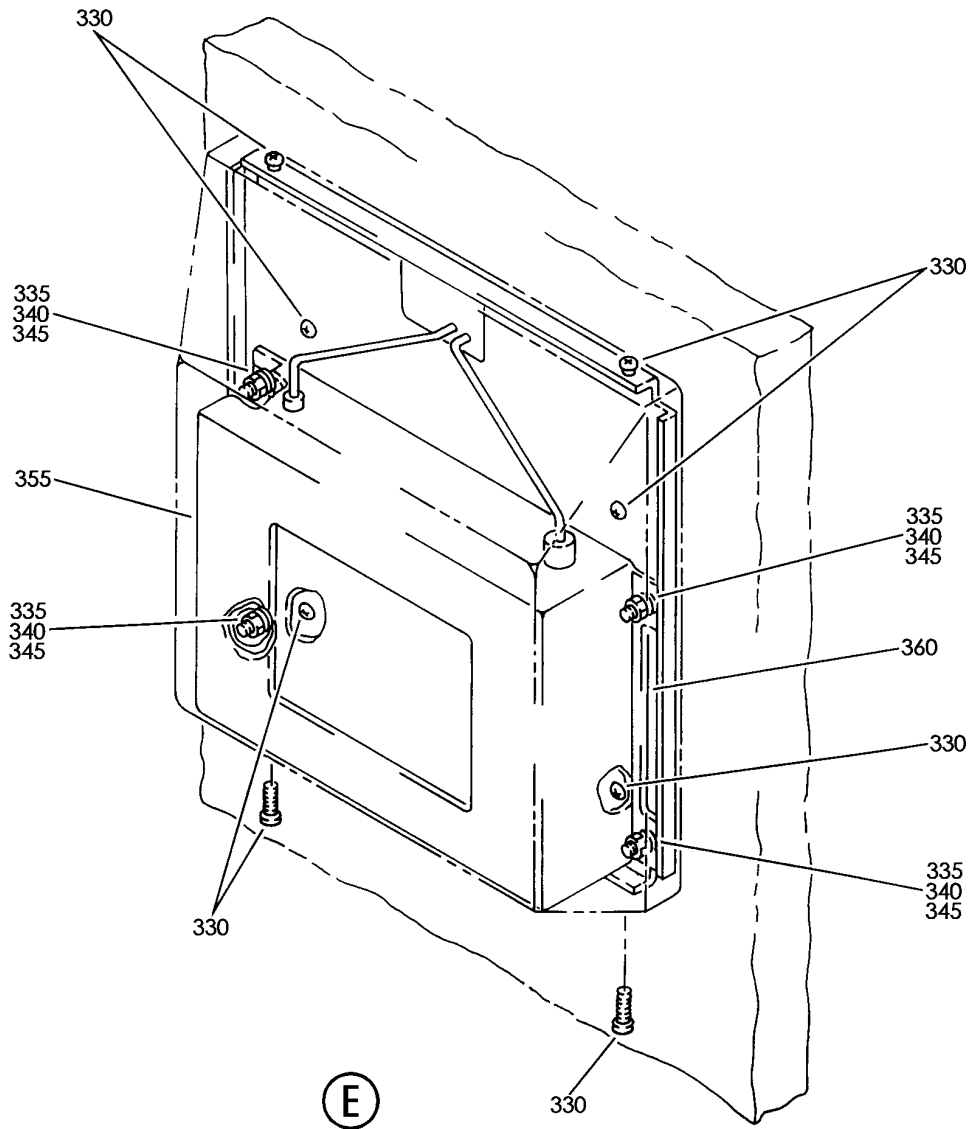
VIDEO INSTL-LCD MONITOR
FIGURE 10 (SHEET 3)

23-32-07-10

BRI
MAY 28/07

23-32-07-10
PAGE 0B

BOEING
757
PARTS CATALOG (MAINTENANCE)



Y 23320710 SHT 4 REV 215

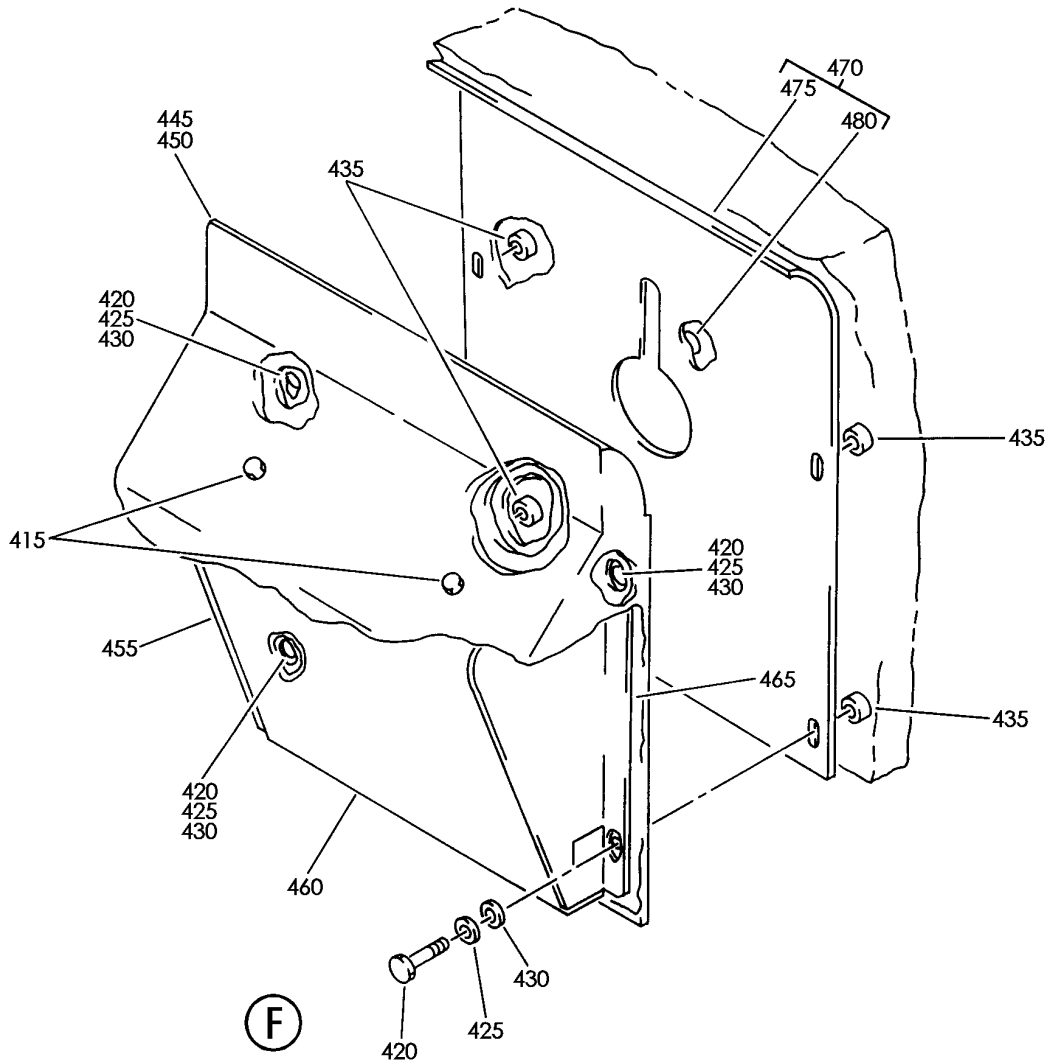
VIDEO INSTL-LCD MONITOR
FIGURE 10 (SHEET 4)

23-32-07-10

BRI
MAY 28/07

23-32-07-10
PAGE 0C

BOEING
757
PARTS CATALOG (MAINTENANCE)



Y 23320710 SHIT 5 REV 215

VIDEO INSTL-LCD MONITOR
FIGURE 10 (SHEET 5)

23-32-07-10

BRI
MAY 28/07

23-32-07-10
PAGE 0D



757

PARTS CATALOG (MAINTENANCE)

FIG ITEM	PART NUMBER	1 2 3 4 5 6 7	NOMENCLATURE	EFFECT FROM TO	UNITS PER ASSY
10			VIDEO INSTL-LCD MONITOR	002004	
- 150	417N7006-2		VIDEO INSTL-5.7 IN. LCD MON POSITION DATA: STA 401.0 MISCELLANEOUS DATA: (PART OF FLYAWAY KIT) POST RAPID REVISION: RR92034-8 RR92014-41 FOR NHA SEE: 23-32-00-01	006102 002004 006010	RF
- 155	417N7006-3		VIDEO INSTL-5.7 IN. LCD MON POSITION DATA: STA 340.0 FOR NHA SEE: 23-32-00-01	002004 006100	RF
- 160	417N7006-5		VIDEO INSTL-5.7 IN. LCD MON POSITION DATA: STA 389.0 FOR NHA SEE: 23-32-00-01 25-20-00-11A	011102	RF
165	BACB30NM3K3		.BOLT-	002004 006017	4
165	BACB30NM3K3		.BOLT	101102	4
165	NAS1801-3-10		.SCREW- POST RAPID REVISION: RR92034-11	018100	4
170	BACS12ER06K8		.SCREW	002004 006100	2
170	BACS12ER06K8		.SCREW	101102	2
175	757-1193-000		.SPACER- SUPPLIER CODE: V0969B POST RAPID REVISION: RR92034-11	018100	4
180	AN960JD10L		.WASHER- USED ON: 417N7006-3	002004 006017	4
180	AN960-10		.WASHER- USED ON: 417N7006-3 POST RAPID REVISION: RR92034-11	018100	4
180	NAS1149D0332J		.WASHER-	011017 101102	4
180	AN960JD10L		.WASHER	002004 006010	4

MISSING ITEM NUMBERS NOT APPLICABLE

- ITEM NOT ILLUSTRATED

23-32-07-10

23-32-07
FIG. 10
PAGE 1
JAN 20/09

BRI



757

PARTS CATALOG (MAINTENANCE)

FIG ITEM	PART NUMBER	1 2 3 4 5 6 7	NOMENCLATURE	EFFECT FROM TO	UNITS PER ASSY
10					
185	MS35338-119	.	WASHER-	002004 006017	4
185	MS35338-43	.	WASHER-	018100	4
			POST RAPID REVISION: RR92034-11		
185	MS35338-119	.	WASHER	101102	4
190	5279020000	.	SEAL-	018100	1
			SUPPLIER CODE: V0969B		
			POST RAPID REVISION: RR92034-11		
- 195	MS21266-1N	.	GROMMET-	018100	1
			POST RAPID REVISION: RR92034-11		
200	606625-0002	.	SHROUD-BULKHEAD MTG	002004 006102	1
			SUPPLIER CODE: V62204		
			USED ON: 417N7006-2 417N7006-5		
200	606625-0001	.	SHROUD-BULKHEAD MTG	002004 006100	1
			SUPPLIER CODE: V62204		
			USED ON: 417N7006-3		
205	606619-0002	.	MONITOR INSTL-MONITOR	002004 006102	1
			SUPPLIER CODE: V62204		
			USED ON: 417N7006-2 417N7006-5		
205	606619-0001	.	MONITOR INSTL-MONITOR	002004 006100	1
			SUPPLIER CODE: V62204		
			USED ON: 417N7006-3		
210	605667-0002	.	MONITOR-5.7 IN. LCD	006100	1
			SUPPLIER CODE: V62204		
			COMPONENT MAINT MANUAL REF: 23-34-24		
210	601585-0001	.	MONITOR-5.7 IN. LCD	002004	1
			SUPPLIER CODE: V62204		
210	605667-0002	.	MONITOR-5.7 IN. LCD	101102	1
			SUPPLIER CODE: V62204		
			COMPONENT MAINT MANUAL REF: 23-34-24		

MISSING ITEM NUMBERS NOT APPLICABLE

- ITEM NOT ILLUSTRATED

23-32-07-10

23-32-07
FIG. 10
PAGE 2
MAY 20/09

BRI

 **BOEING**
757
PARTS CATALOG (MAINTENANCE)

FIG ITEM	PART NUMBER	1 2 3 4 5 6 7	NOMENCLATURE	EFFECT FROM TO	UNITS PER ASSY
10					
R	215	606950-0001	.BRACKET-SHROUD MTG	002004	1
R			SUPPLIER CODE:	006100	
R			V62204		
R	215	606950-0001	.BRACKET-SHROUD MTG	101102	1
R			SUPPLIER CODE:		
R			V62204		
R	220	606950-0002	.BRACKET-SHROUD MTG	002004	1
R			SUPPLIER CODE:	006100	
R			V62204		
R	220	606950-0002	.BRACKET-SHROUD MTG	101102	1
R			SUPPLIER CODE:		
R			V62204		
-	400	417N7006-12	VIDEO INSTL-5.7 IN. MON LCD	101102	RF
			POSITION DATA:		
			STA 340.0		
			FOR NHA SEE:		
			25-20-00-11A		
	415	BACS12ER06K8	.SCREW	101102	2
	420	BACB30NM3K8	.BOLT-	101102	4
			USED ON:		
			417N7006-12		
	425	NAS1149D0332J	.WASHER	101102	4
	430	MS35338-119	.WASHER	101102	4
	435	NAS43DD3-16FC	.SPACER-	101102	4
			USED ON:		
			417N7006-12		
R	440	606619-0001	.MONITOR INSTL-MON	101102	1
R			SUPPLIER CODE:		
R			V62204		
R			POSITION DATA:		
R			LH		
R			USED ON:		
R			417N7006-12		
R	445	606625-0001	.SHROUD-BULKHEAD MTG	101102	1
R			SUPPLIER CODE:		
R			V62204		
R			USED ON:		
R			417N7006-12		
R	455	606950-0002	.BRACKET-SHROUD MTG	101102	1
R			SUPPLIER CODE:		
R			V62204		
R	460	605667-0002	.MONITOR-5.7 IN. LCD	101102	1
R			SUPPLIER CODE:		
R			V62204		
R			COMPONENT MAINT MANUAL REF:		
R			23-34-24		
R	465	606950-0001	.BRACKET-SHROUD MTG	101102	1
R			SUPPLIER CODE:		
R			V62204		

MISSING ITEM NUMBERS NOT APPLICABLE

- ITEM NOT ILLUSTRATED

BRI

23-32-07-10

BOEING PROPRIETARY - Copyright © - Unpublished Work - See title page for details.

23-32-07
FIG. 10
PAGE 3
MAY 20/09



757

PARTS CATALOG (MAINTENANCE)

FIG ITEM	PART NUMBER	1 2 3 4 5 6 7	NOMENCLATURE	EFFECT FROM TO	UNITS PER ASSY
10					
470	417N7102-183		.DRIP SHIELD ASSY- USED ON: 417N7006-12	101102	1
475	417N7104-20		..SHIELD-DRIP	101102	1
480	417N7104-21		..SPACER-PHENOLIC	101102	1

MISSING ITEM NUMBERS NOT APPLICABLE

- ITEM NOT ILLUSTRATED

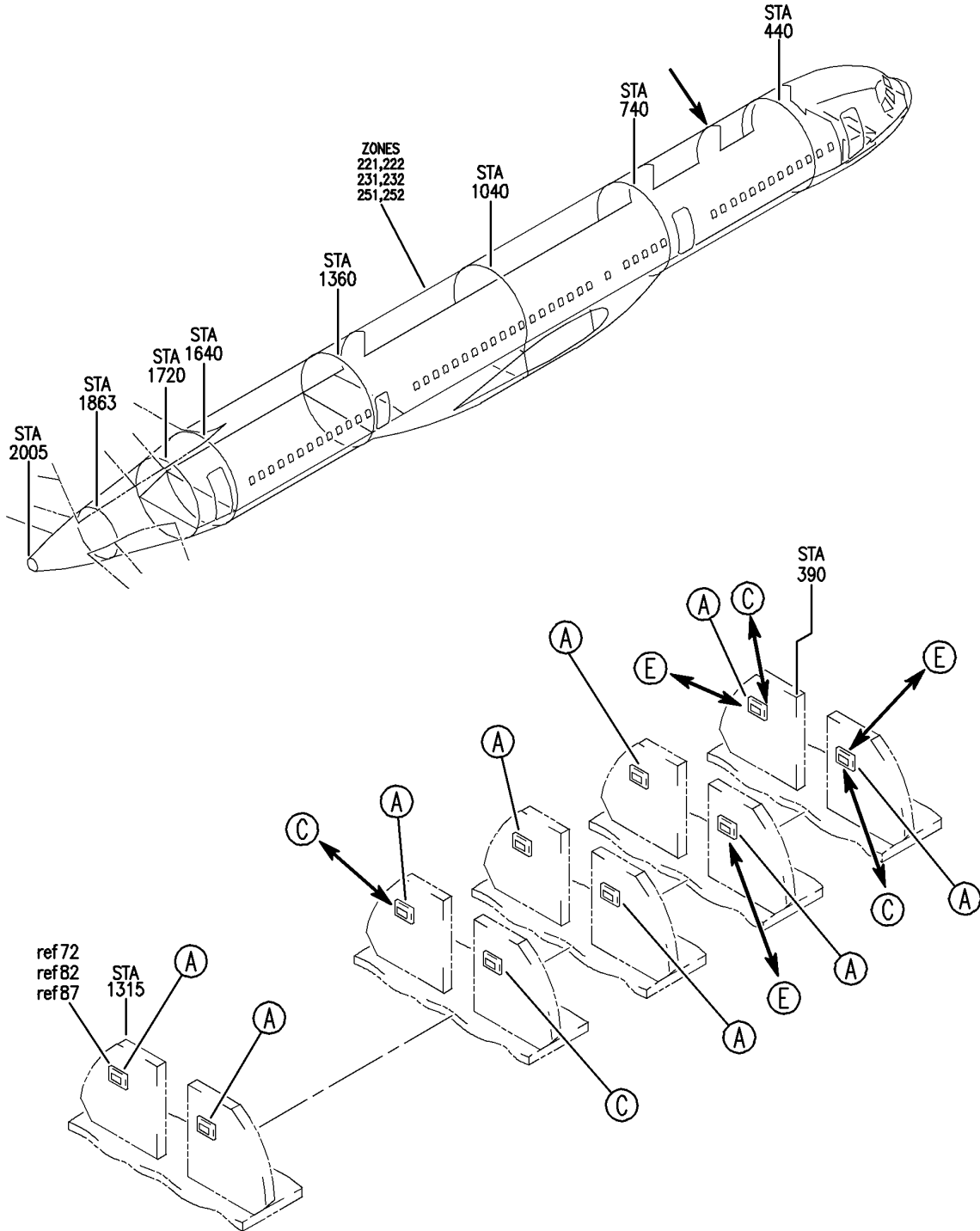
BRI

23-32-07-10

BOEING PROPRIETARY - Copyright © - Unpublished Work - See title page for details.

23-32-07
FIG. 10
PAGE 4
MAY 20/09

BOEING
757
PARTS CATALOG (MAINTENANCE)



Y 23320711 SHT 1 REV 224

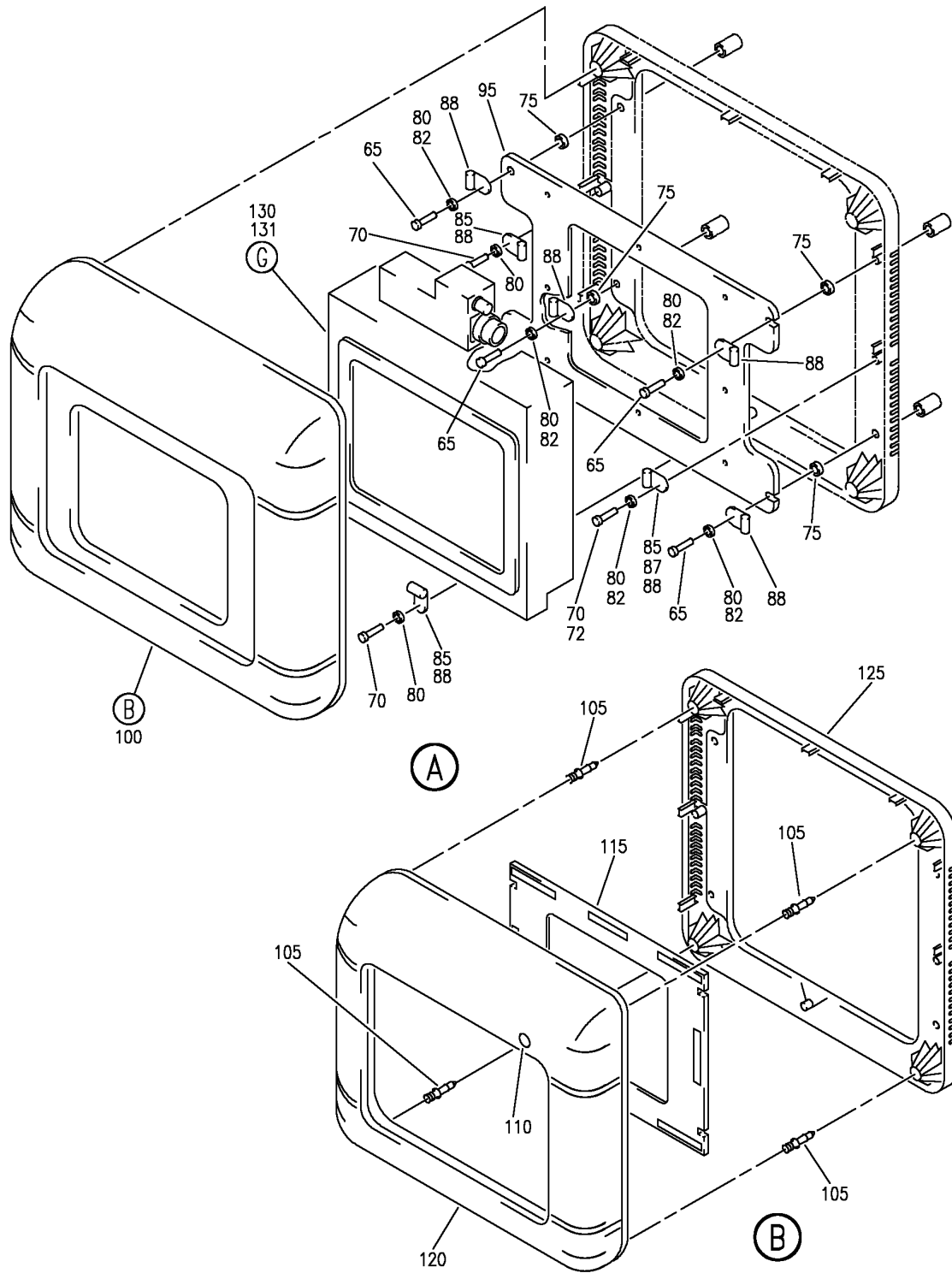
MONITOR INSTL-WALL MOUNTED MATSUSHITA
FIGURE 11 (SHEET 1)

23-32-07-11

BRI
JAN 20/09

23-32-07-11
PAGE 0

BOEING
757
PARTS CATALOG (MAINTENANCE)



Y 23320711 SH1 2 REV 298

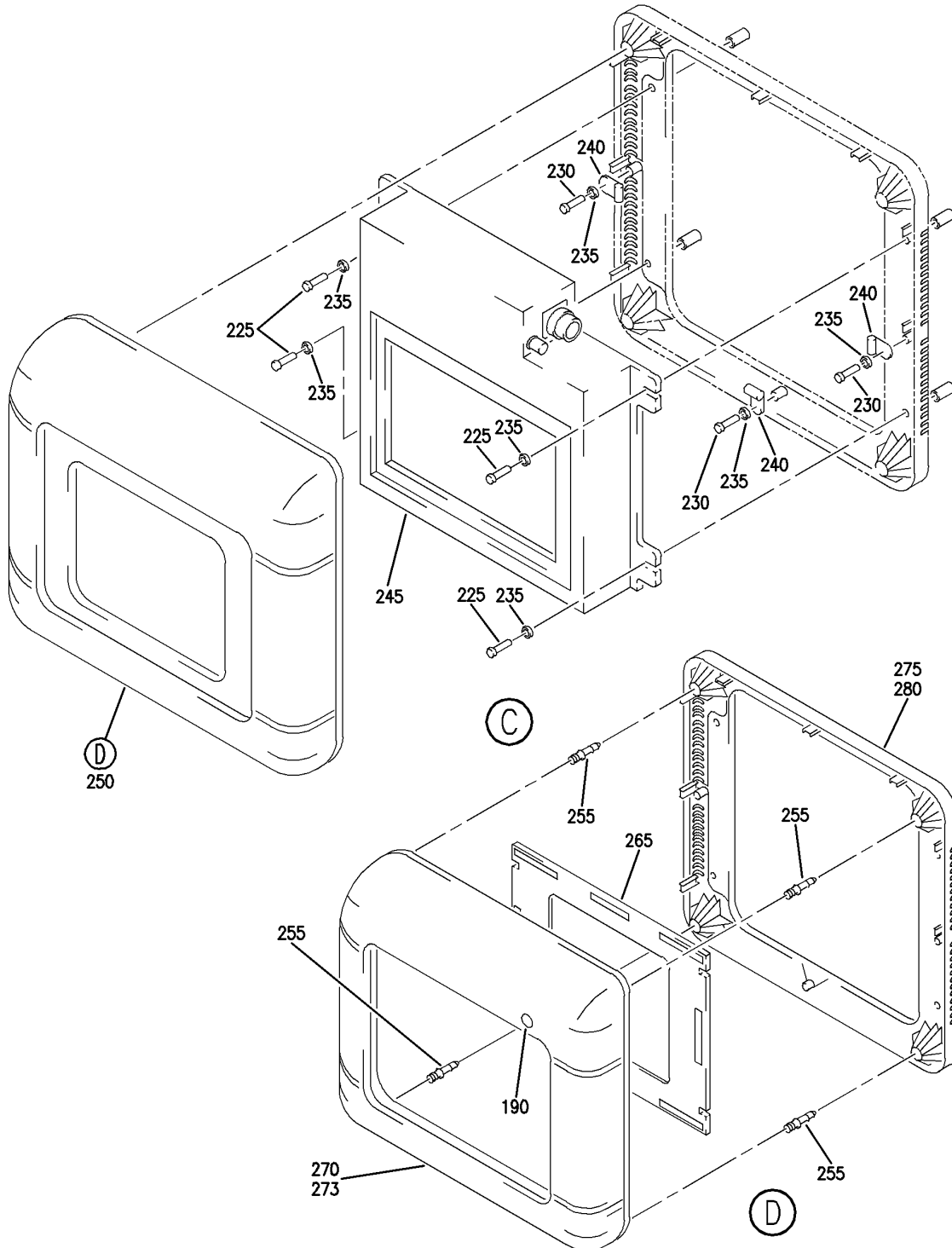
MONITOR INSTL-WALL MOUNTED MATSUSHITA
FIGURE 11 (SHEET 2)

23-32-07-11

BRI
JAN 20/09

23-32-07-11
PAGE 0A

BOEING
757
PARTS CATALOG (MAINTENANCE)



Y 23320711 SHT 3 REV 239

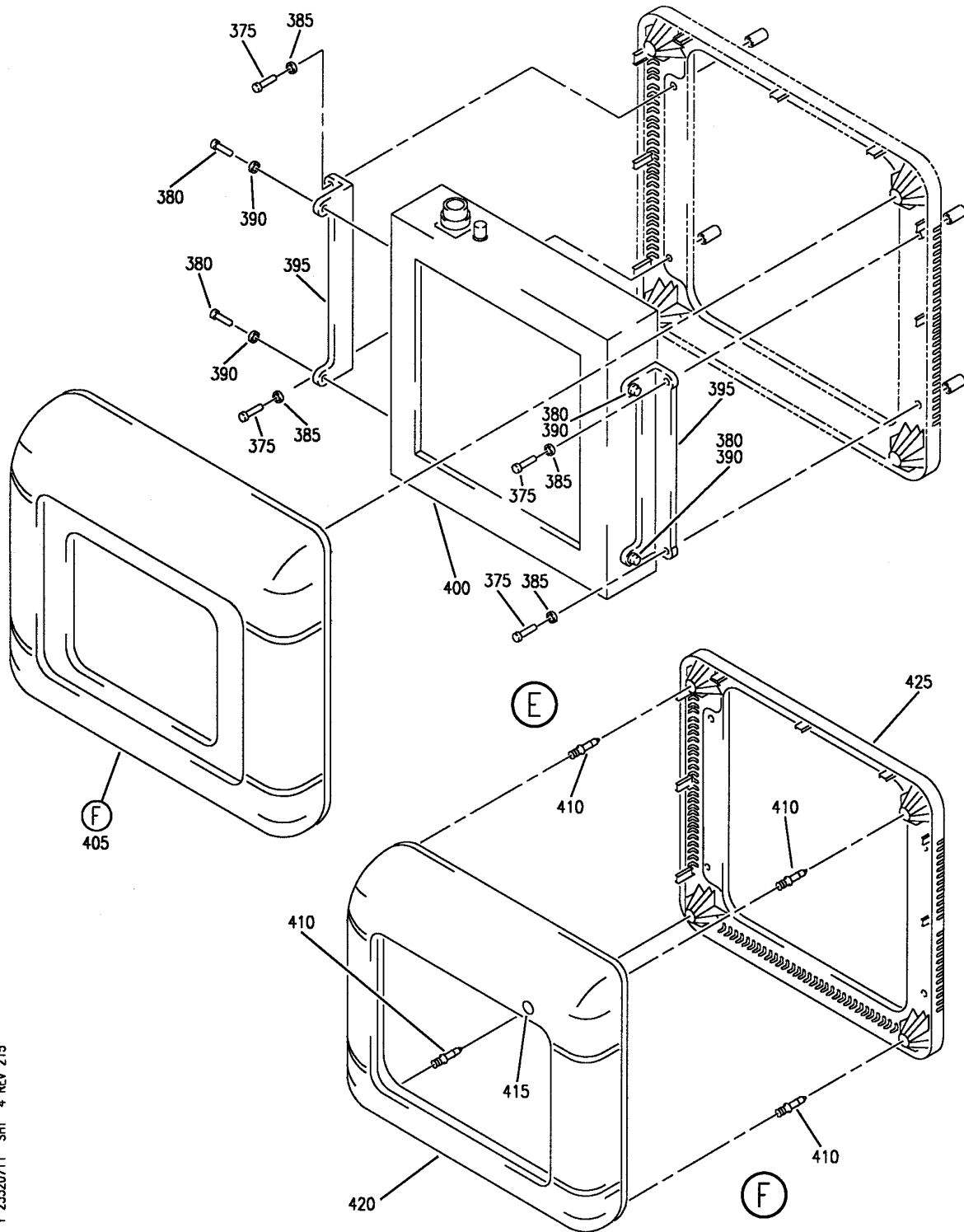
MONITOR INSTL-WALL MOUNTED MATSUSHITA
FIGURE 11 (SHEET 3)

23-32-07-11

BRI
JAN 20/09

23-32-07-11
PAGE 0B

BOEING
757
PARTS CATALOG (MAINTENANCE)



Y 23320711 SHT 4 REV 215

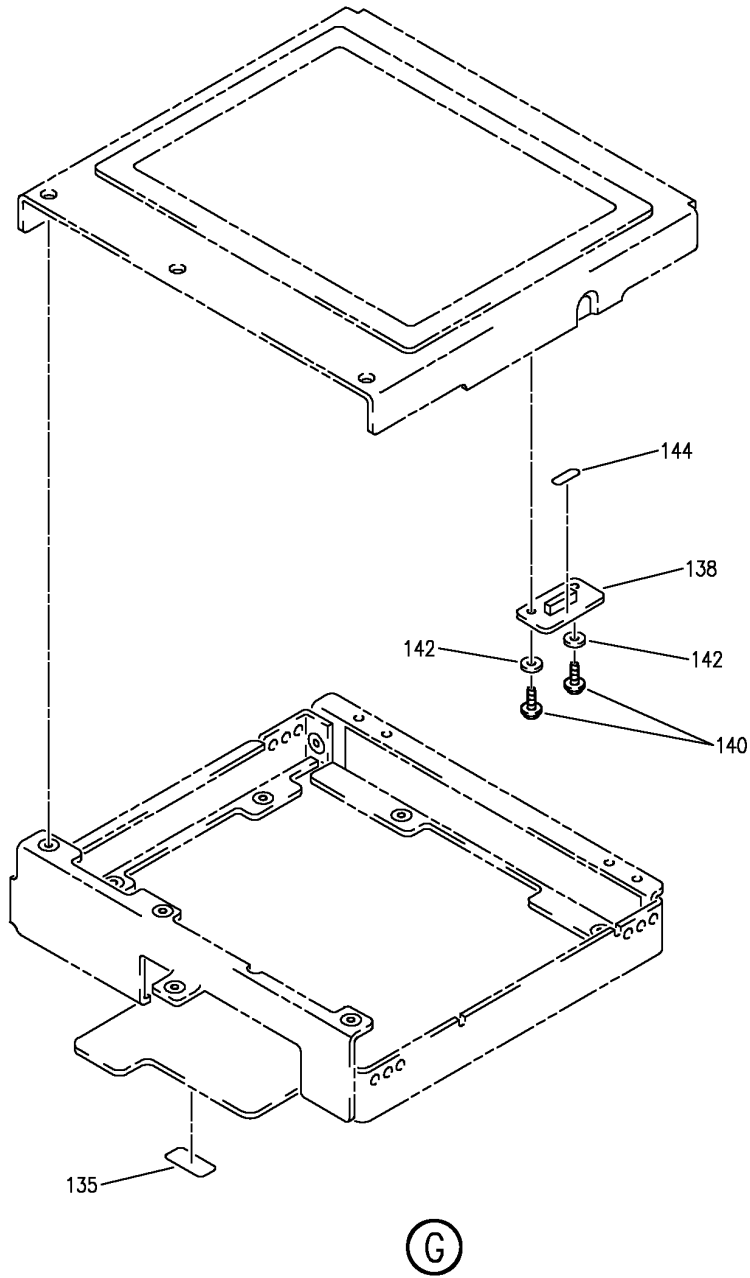
MONITOR INSTL-WALL MOUNTED MATSUSHITA
FIGURE 11 (SHEET 4)

23-32-07-11

BRI
JAN 20/09

23-32-07-11
PAGE 0C

BOEING
757
PARTS CATALOG (MAINTENANCE)



Y 23320711 SH1 5 REV 298

MONITOR INSTL-WALL MOUNTED MATSUSHITA
FIGURE 11 (SHEET 5)

23-32-07-11

BRI
JAN 20/09

23-32-07-11
PAGE 0D



757

PARTS CATALOG (MAINTENANCE)

FIG ITEM	PART NUMBER	1 2 3 4 5 6 7	NOMENCLATURE	EFFECT FROM TO	UNITS PER ASSY
11			MONITOR INSTL-WALL MOUNTED MATSUSHITA	108120	
- 5	417N7262-40B		MONITOR INSTL-WALL MOUNTED MATSUSHITA 9.0 IN. LCD POSITION DATA: STA 425.00 RBL 39.005 WL 262.5 FOR NHA SEE: 25-20-00-11D	108120	RF
- 8	417N7262-42B		MONITOR INSTL-WALL MOUNTED MATSUSHITA 9.0 IN. LCD POSITION DATA: STA 682.90 RBL 35.005 WL 261.50 FOR NHA SEE: 25-20-00-11D	108120	RF
- 10	417N7262-45B		MONITOR INSTL-WALL MOUNTED MATSUSHITA 9.0 IN. LCD POSITION DATA: STA 1315.00 LBL 30.475 WL 262.65 FOR NHA SEE: 25-20-00-11D	108120	RF
- 15	417N7262-44B		MONITOR INSTL-WALL MOUNTED MATSUSHITA 9.0 IN. LCD POSITION DATA: STA 1315.00 RBL 30.475 WL 262.65 FOR NHA SEE: 25-20-00-11D	108120	RF
- 20	417N7262-41B		MONITOR INSTL-WALL MOUNTED MATSUSHITA 9.0 IN. LCD POSITION DATA: STA 392.60 LBL 39.005 WL 262.50 FOR NHA SEE: 25-20-00-11D	108120	RF
- 55	417N7262-43B		MONITOR INSTL-WALL MOUNTED MATSUSHITA 9.0 IN. LCD POSITION DATA: STA 682.90 LBL 29.995 WL 275.0 FOR NHA SEE: 25-20-00-11D	108120	RF
65	BACB30LK3-6	.BOLT		108120	4
70	BACB30LK3-3	.BOLT		108120	3
75	NAS43DD3-6FC	.SPACER		108120	4
80	NAS1149D0332J	.WASHER		108120	7
85	BACC10DK4	.CLAMP		108120	3

MISSING ITEM NUMBERS NOT APPLICABLE

- ITEM NOT ILLUSTRATED

23-32-07-11

23-32-07
FIG. 11
PAGE 1
JAN 20/09

BRI



757
PARTS CATALOG (MAINTENANCE)

FIG ITEM	PART NUMBER	1 2 3 4 5 6 7	NOMENCLATURE	EFFECT FROM TO	UNITS PER ASSY
11					
95	RDAM4903		.BRACKET- SUPPLIER CODE: VOU308	108120	1
100	477W1200-7BH		.SHROUD ASSY	108120	1
105	AVL365-1		..PIN-AUTO LOC SUPPLIER CODE: V84256	108120	4
110	102268-6		..LENS-OPTICAL SUPPLIER CODE: V08717	108120	1
115	477W1201-103C		..SHROUD-BEZEL	108120	1
120	477W1200-101BT		..SHROUD-FRONT	108120	1
125	477W1200-102BT		..SHROUD-BACK	108120	1
130	RDAV7091-01		.MONITOR-COLOR LCD SUPPLIER CODE: VOFF57 FUNCTIONAL DESCRIPTION: ALLOWS PASSENGER VIEWING OF VIDEO ENTERTAINMENT PROGRAMS. ELECTRICAL EQUIP NUMBER: M11501 M11502 M11505 M11506 M11525 M11526 COMPONENT MAINT MANUAL REF: 23-32-45	108120	1
- 133	R6GE4A		..LABEL-ESD SUPPLIER CODE: VOFF57 CONFIG CHG DATA FROM A CMM: REPLD BY R6QA297ZA	108120	1
- 133	R6QA297ZA		..LABEL-ESD CAUTION SUPPLIER CODE: VOFF57 CONFIG CHG DATA FROM A CMM: REPLACES R6GE4A	108120	1

R
R
R
R
R
R
R
R
R
R
R
R
R
R
R
R

MISSING ITEM NUMBERS NOT APPLICABLE

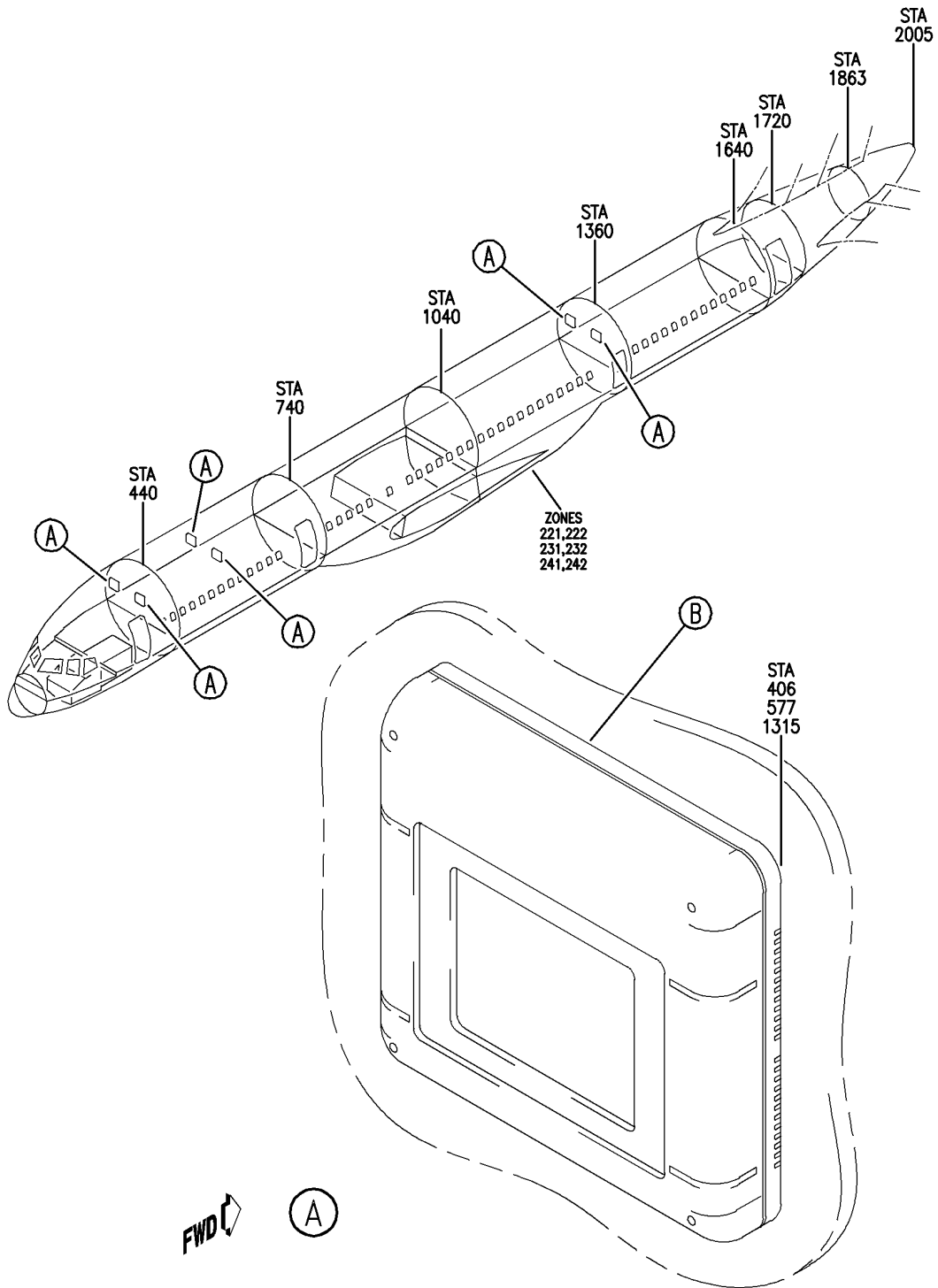
- ITEM NOT ILLUSTRATED

23-32-07-11

23-32-07
FIG. 11
PAGE 2
MAY 20/09

BRI

BOEING
757
PARTS CATALOG (MAINTENANCE)



Y 23320720 SHT 1 REV 229

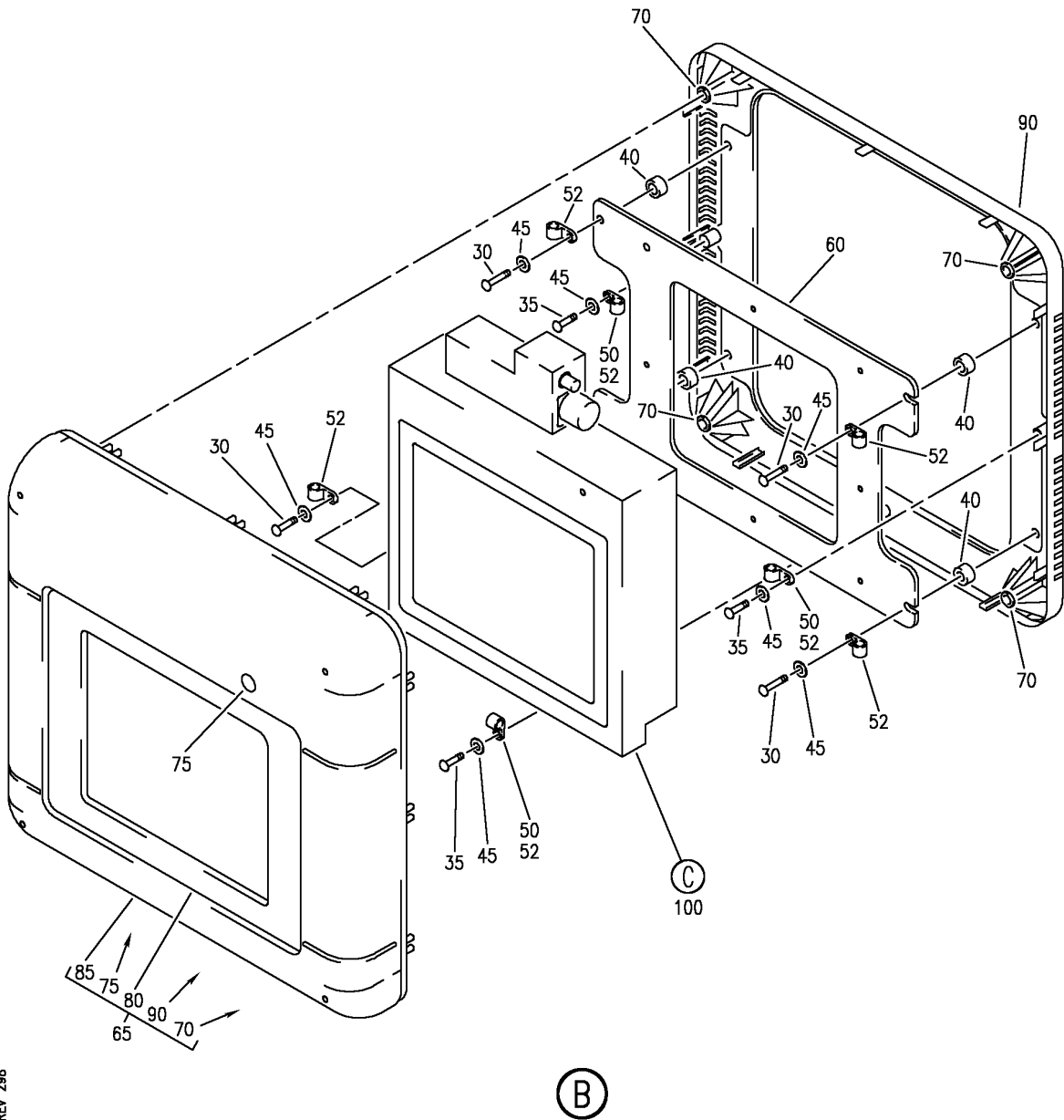
MONITOR INSTL-WALL MOUNTED VIDEO, 9.0 IN LCD
FIGURE 20 (SHEET 1)

23-32-07-20

BRI
JAN 20/09

23-32-07-20
PAGE 0

BOEING
757
PARTS CATALOG (MAINTENANCE)



Y 23320720 SH1 2 REV 298

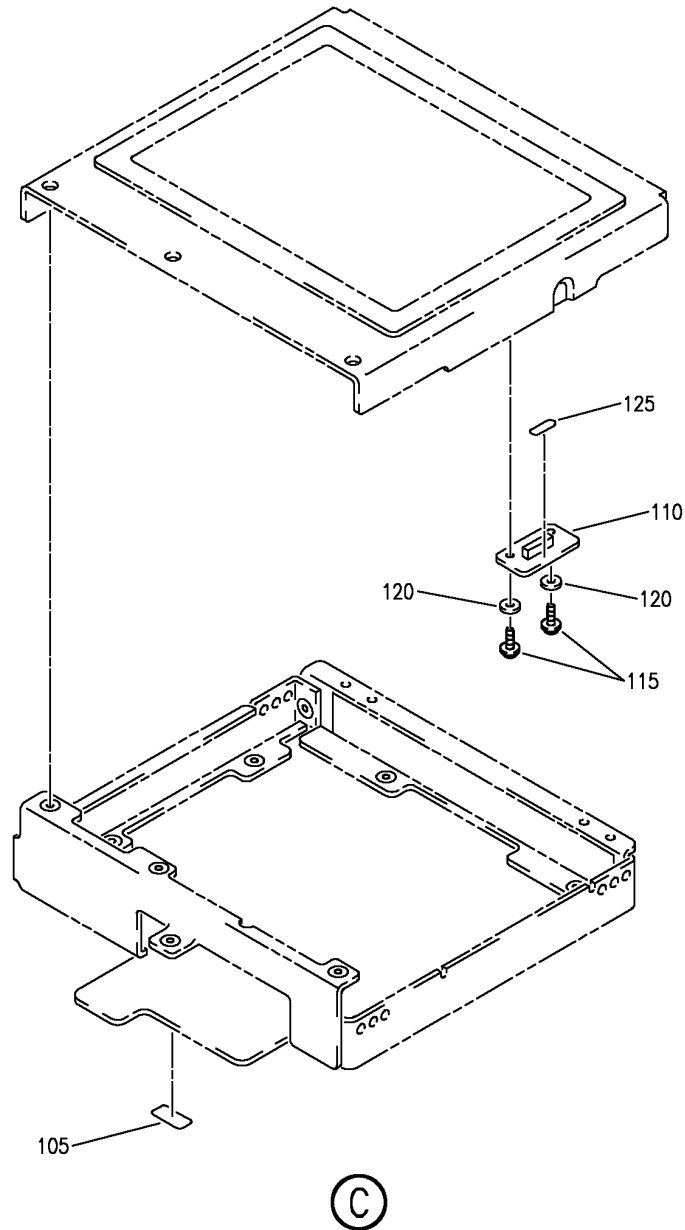
MONITOR INSTL-WALL MOUNTED VIDEO, 9.0 IN LCD
FIGURE 20 (SHEET 2)

23-32-07-20

BRI
JAN 20/09

23-32-07-20
PAGE 0A

BOEING
757
PARTS CATALOG (MAINTENANCE)



Y 23320720 SH-T 3 REV 298

MONITOR INSTL-WALL MOUNTED VIDEO, 9.0 IN LCD
FIGURE 20 (SHEET 3)

23-32-07-20

BRI
JAN 20/09

23-32-07-20
PAGE 0B



757

PARTS CATALOG (MAINTENANCE)

FIG ITEM	PART NUMBER	1 2 3 4 5 6 7	NOMENCLATURE	EFFECT FROM TO	UNITS PER ASSY
20			MONITOR INSTL-WALL MOUNTED VIDEO, 9.0 IN LCD	103106	
- 7	MODREF33390		MONITOR INSTL-WALL MOUNTED VIDEO, 9.0 IN. LCD MODULE NUMBER: 417N7262-81B REV B POSITION DATA: STA 384.00 RBL 39.005 WL 262.50	103106	1
- 12	MODREF33391		MONITOR INSTL-WALL MOUNTED VIDEO, 9.0 IN. LCD MODULE NUMBER: 417N7262-82B REV B POSITION DATA: STA 1315.0 LBL 52.705 WL 258.15	103106	1
- 17	MODREF33389		MONITOR INSTL-WALL MOUNTED VIDEO, 9.0 IN. LCD MODULE NUMBER: 417N7262-80B REV B POSITION DATA: STA 382.50 LBL 39.005 WL 262.50	103106	1
- 27	MODREF33392		MONITOR INSTL-WALL MOUNTED VIDEO, 9.0 IN. LCD MODULE NUMBER: 417N7262-83B REV B POSITION DATA: STA 1315.0 RBL 55.005 WL 254.52	103106	1
30	BACB30LK3-7	.BOLT		103106	4
35	BACB30LK3-3	.BOLT		103106	3
40	NAS43DD3-6FC	.SPACER		103106	4
45	NAS1149D0332J	.WASHER		103106	7
52	BACC10DK4	.CLAMP		103106	7
60	RDAM4903	.BRACKET-		103106	1
		SUPPLIER CODE:			
		V0U308			
65	477W1200-7CC	.SHROUD ASSY		103106	1
70	AVL365-1	..PIN-AUTO LOC		103106	4
		SUPPLIER CODE:			
		V84256			
75	102268-6	..LENS-OPTICAL		103106	1
		SUPPLIER CODE:			
		V08717			
80	477W1201-103G	..SHROUD-BEZEL		103106	1
85	477W1200-101H	..SHROUD-FRONT		103106	1
90	477W1200-102H	..SHROUD-BACK		103106	1

MISSING ITEM NUMBERS NOT APPLICABLE

- ITEM NOT ILLUSTRATED

23-32-07-20

23-32-07
FIG. 20
PAGE 1
JAN 20/09

BRI



757

PARTS CATALOG (MAINTENANCE)

FIG ITEM	PART NUMBER	1 2 3 4 5 6 7	NOMENCLATURE	EFFECT FROM TO	UNITS PER ASSY
20 100	RDAV7093-01	.	MONITOR-COLOR LCD SUPPLIER CODE: VOFF57 FUNCTIONAL DESCRIPTION: ALLOWS PASSENGER VIEWING OF VIDEO ENTERTAINMENT PROGRAMS. ELECTRICAL EQUIP NUMBER: M11547 M11548 M11866 M11867 COMPONENT MAINT MANUAL REF: 44-20-31	103106	1
105	R8Q1AV709301	..	LABEL-CATEGORY SUPPLIER CODE: VOFF57	103106	1
110	R8FEAV7093ZA	..	CARD ASSY-INTERFACE A5 SUPPLIER CODE: VOFF57	103106	1
115	R6XYN22PC6	..	ATTACHING PARTS SCREW- SUPPLIER CODE: VOFF57	103106	2
120	R6XWG2	..	WASHER- SUPPLIER CODE: VOFF57	103106	2
125	R8QPBF	...	-----*----- LABEL-PBF REMOVED SUPPLIER CODE: VOFF57	103106	1

MISSING ITEM NUMBERS NOT APPLICABLE

- ITEM NOT ILLUSTRATED

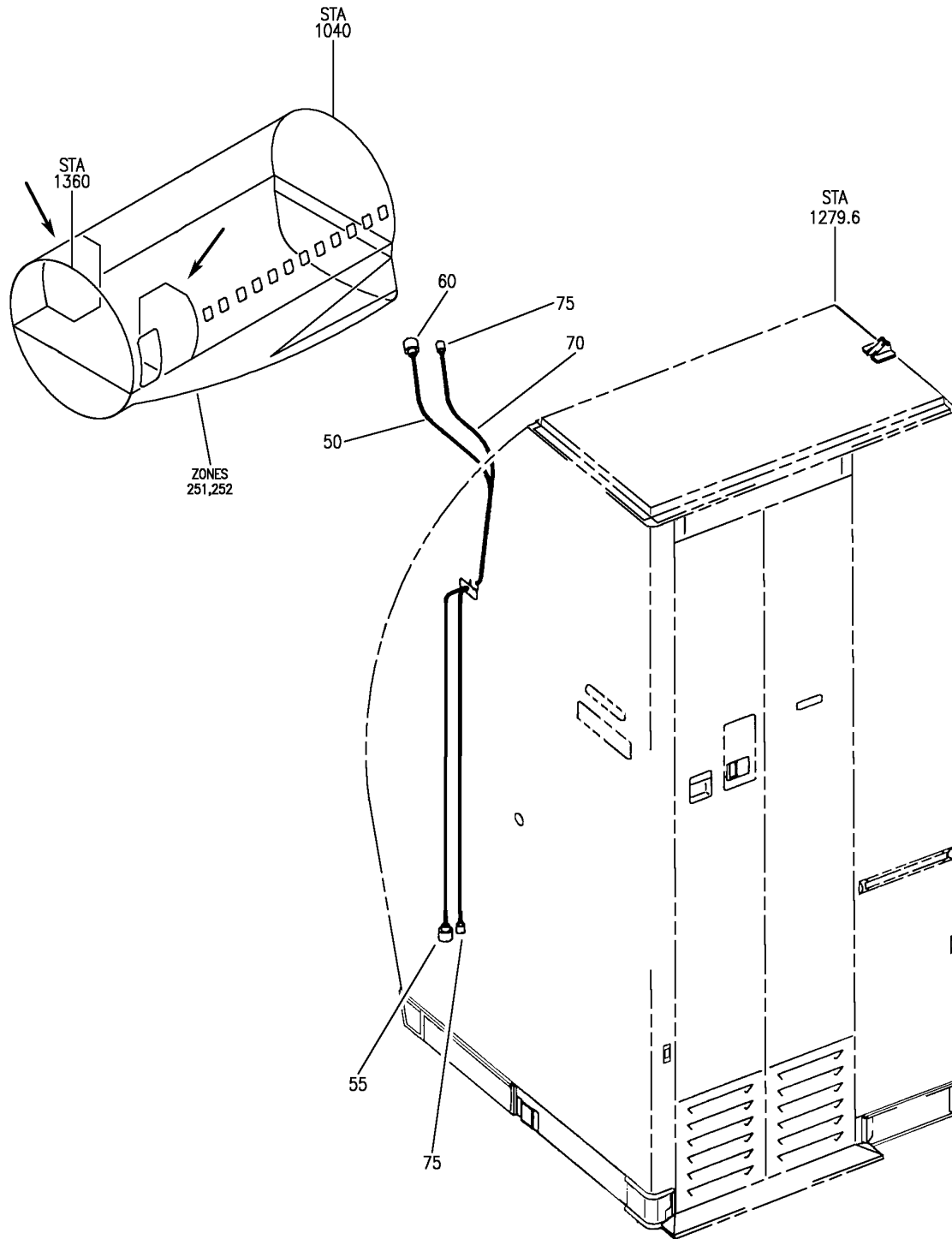
BRI

23-32-07-20

BOEING PROPRIETARY - Copyright © - Unpublished Work - See title page for details.

23-32-07
FIG. 20
PAGE 2
JAN 20/09

BOEING
757
PARTS CATALOG (MAINTENANCE)



Y 23320755C REV 262

MODULE ASSY-LAV C AND D (PASSENGER ENTERTAINMENT ONLY)
FIGURE 55C

23-32-07-55C

BRI
JAN 20/09

23-32-07-55C
PAGE 0



757

PARTS CATALOG (MAINTENANCE)

FIG ITEM	PART NUMBER	1 2 3 4 5 6 7	NOMENCLATURE	EFFECT FROM TO	UNITS PER ASSY
55C			MODULE ASSY-LAV C AND D (PASSENGER ENTERTAINMENT ONLY)	103106	
- 1	D71D0C009-111		MODULE ASSY-LAV C (PASSENGER ENTERTAINMENT ONLY) SUPPLIER CODE: VS5825 SPECIFICATION NUMBER: S417N104-2609A ELECTRICAL EQUIP NUMBER: M10014 COMPONENT MAINT MANUAL REF: 25-44-10 FOR NHA/OTHER SYS DET SEE: 25-41-03-07K	103106	RF
- 5	D71D0D009-111		MODULE ASSY-LAV D (PASSENGER ENTERTAINMENT ONLY) SUPPLIER CODE: VS5825 SPECIFICATION NUMBER: S417N104-3609A ELECTRICAL EQUIP NUMBER: M10015 COMPONENT MAINT MANUAL REF: 25-44-10 FOR NHA/OTHER SYS DET SEE: 25-41-03-07K	103106	RF
50	D71D95015-901		.HARNASS ASSY-VIDEO SUPPLIER CODE: VS5825	103106	1
55	BACC45FT12-12S		..CONNECTOR-P27	103106	1
60	BACC45FT12A12P		..CONNECTOR-P30	103106	1
- 65	T18R		..TIE-INSULOK SUPPLIER CODE: VU3384 OPTIONAL PART: 89176-0001 VS5006	103106	1
70	D71D95016-901		.HARNASS ASSY-VIDEO SUPPLIER CODE: VS5825	103106	1
75	755-78-9		..PLUG-P19 SUPPLIER CODE: VS5065	103106	2

MISSING ITEM NUMBERS NOT APPLICABLE

- ITEM NOT ILLUSTRATED

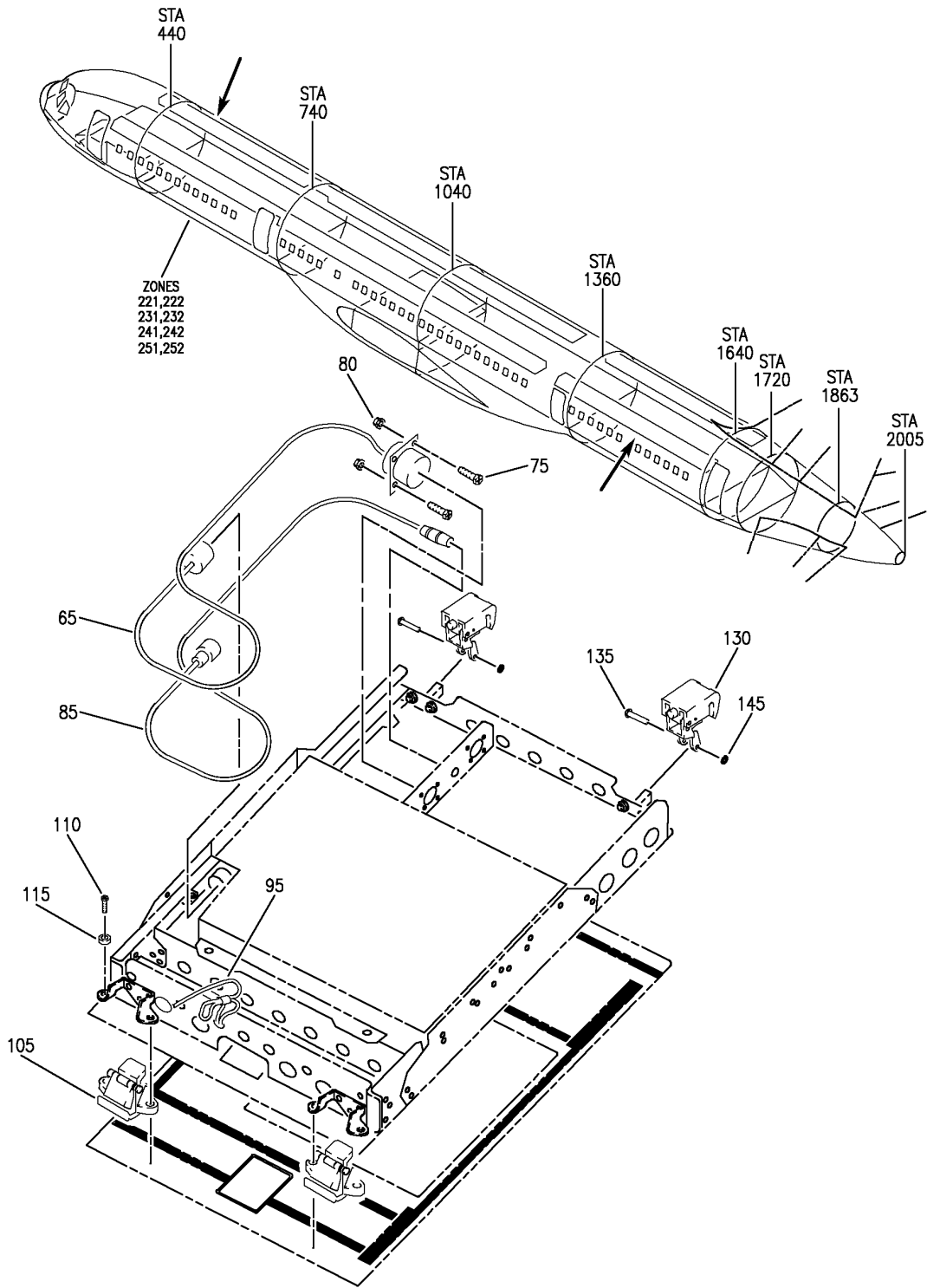
23-32-07-55C

23-32-07
FIG. 55C
PAGE 1
JAN 20/09

BRI

BOEING PROPRIETARY - Copyright © - Unpublished Work - See title page for details.

BOEING
757
PARTS CATALOG (MAINTENANCE)



Y 23320890 REV 256

MONITOR ASSY-VIDEO PSU MODULE (COMMUNICATIONS ONLY)
FIGURE 90

23-32-08-90

BRI
JAN 20/09

23-32-08-90
PAGE 0



757

PARTS CATALOG (MAINTENANCE)

FIG ITEM	PART NUMBER	1 2 3 4 5 6 7	NOMENCLATURE	EFFECT FROM TO	UNITS PER ASSY
R R	90		MONITOR ASSY-VIDEO PSU MODULE (COMMUNICATIONS ONLY)	103106	
	- 1	RDAA902125-03	MONITOR-VIDEO PSU MODULE (COMMUNICATIONS ONLY) SUPPLIER CODE: VOFF57 POSITION DATA: LH FUNCTIONAL DESCRIPTION: PROVIDES A MOTORIZED RETRACTING VIDEO MONITOR FOR PASSENGER VIEWING COMPONENT MAINT MANUAL REF: 23-09-90 FOR NHA/OTHER SYS DET SEE: 23-32-01-32C	103106	RF
	- 10	RDAA902124-03	MONITOR-VIDEO PSU MODULE (COMMUNICATIONS ONLY) SUPPLIER CODE: VOFF57 POSITION DATA: RH FUNCTIONAL DESCRIPTION: PROVIDES A MOTORIZED RETRACTING VIDEO MONITOR FOR PASSENGER VIEWING. COMPONENT MAINT MANUAL REF: 23-09-90 FOR NHA/OTHER SYS DET SEE: 23-32-01-32C	103106	RF
	- 50	101515-0001	.LABEL-IDENT SUPPLIER CODE: VOFF57	103106	1
	- 55	101900-01	.LABEL-ESD SUPPLIER CODE: VOFF57	103106	1
	- 60	PLT2MM	.STRAP- SUPPLIER CODE: V06383 POSITION DATA: RH	103106	1

MISSING ITEM NUMBERS NOT APPLICABLE

- ITEM NOT ILLUSTRATED

23-32-08-90

23-32-08
FIG. 90
PAGE 1
MAY 20/09

BRI



757

PARTS CATALOG (MAINTENANCE)

FIG ITEM	PART NUMBER	1 2 3 4 5 6 7	NOMENCLATURE	EFFECT FROM TO	UNITS PER ASSY
90					
65	105234-01		.WIRE BUNDLE-VIDEO MONITOR PSU AND CONTROL SUPPLIER CODE: VOFF57 POSITION DATA: RH	103106	1
- 70	105234-02		.WIRE BUNDLE-VIDEO MONITOR PSU AND CONTROL SUPPLIER CODE: VOFF57 POSITION DATA: LH	103106	1
75	NAS1801-04-4		.SCREW	103106	2
80	MS21042L04		.NUT	103106	2
85	105233-01		-----*----- .CABLE ASSY-COAX BNC TO BNC SUPPLIER CODE: VOFF57 POSITION DATA: RH	103106	1
- 90	105233-02		.CABLE ASSY-COAX BNC TO BNC SUPPLIER CODE: VOFF57 POSITION DATA: LH	103106	1
95	417N3190-1		.LANYARD ASSY	103106	1
- 100	417N3180-1		.CLAMP ASSY- CONFIG CHG DATA FROM A CMM: SUPSD BY 417N3170-13	103106	2
105	417N3170-13		.LATCH ASSY- CONFIG CHG DATA FROM A CMM: SUPSDS 417N3180-1 ATTACHING PARTS	103106	2
110	NAS1801-08-5		.SCREW- USED WITH: 417N3170-13	103106	4
115	MS15795-807		.WASHER- USED WITH: 417N3170-13	103106	4
- 125	417N3170-13		-----*----- .LATCH ASSY- CONFIG CHG DATA FROM A CMM: SUPSD BY 417N3180-1	103106	2
130	417N3180-1		.CLAMP ASSY- CONFIG CHG DATA FROM A CMM: SUPSDS 417N3170-13	103106	2

MISSING ITEM NUMBERS NOT APPLICABLE

- ITEM NOT ILLUSTRATED

23-32-08-90

23-32-08
FIG. 90
PAGE 2
JAN 20/09

BRI



757

PARTS CATALOG (MAINTENANCE)

FIG ITEM	PART NUMBER	1 2 3 4 5 6 7	NOMENCLATURE	EFFECT FROM TO	UNITS PER ASSY
90			ATTACHING PARTS		
135	MS20470D4-10		.RIVET-	103106	2
			OPTIONAL PART: BACR15BB4D10		
			USED WITH: 417N3180-1		
- 140	BACR15BB4D10		.RIVET-	103106	2
			OPTIONAL PART: MS20470D4-10		
			USED WITH: 417N3180-1		
145	6100-12		.RETAINER-	103106	2
			SUPPLIER CODE: V97464		
			-----*-----		

MISSING ITEM NUMBERS NOT APPLICABLE

- ITEM NOT ILLUSTRATED

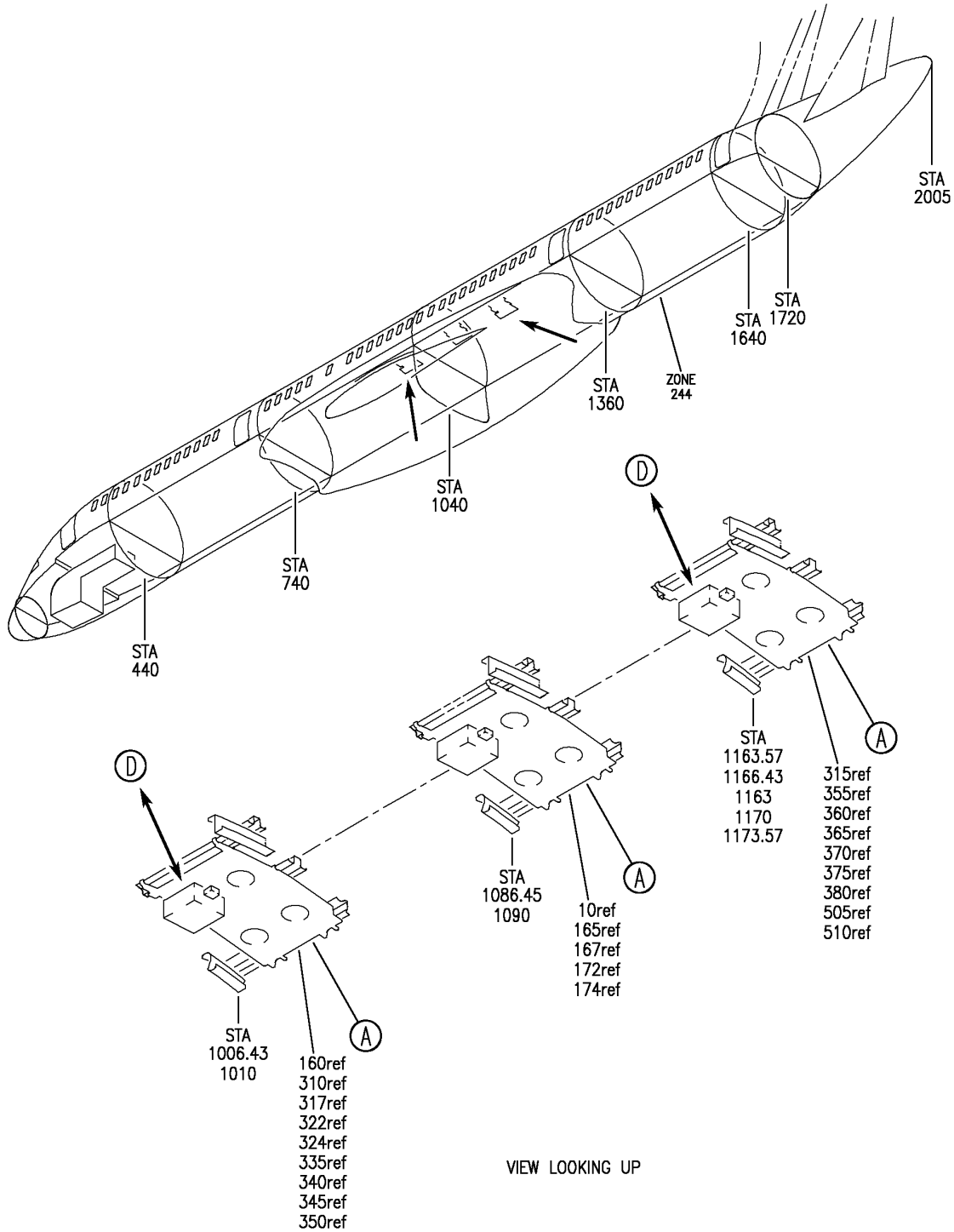
BRI

23-32-08-90

BOEING PROPRIETARY - Copyright © - Unpublished Work - See title page for details.

23-32-08
FIG. 90
PAGE 3
JAN 20/09

BOEING
757
PARTS CATALOG (MAINTENANCE)



Y 23320910 SH1 1 REV 330

EQUIPMENT INTL-VIDEO DISTRIBUTION UNIT
FIGURE 10 (SHEET 1)

23-32-09-10

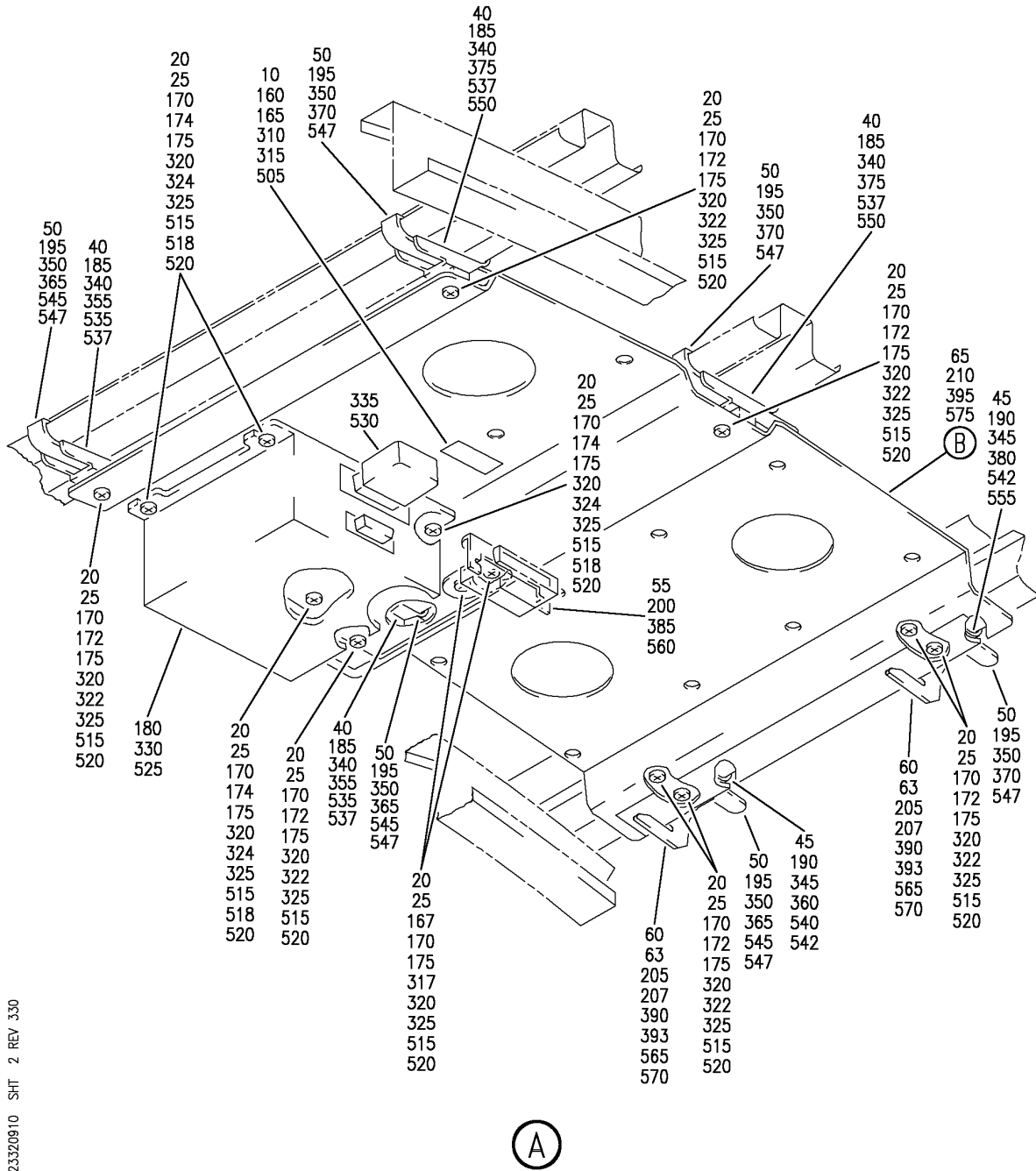
BRI
JAN 20/09

23-32-09-10
PAGE 0

BOEING

757

PARTS CATALOG (MAINTENANCE)



Y 23320910 SH-T 2 REV 330

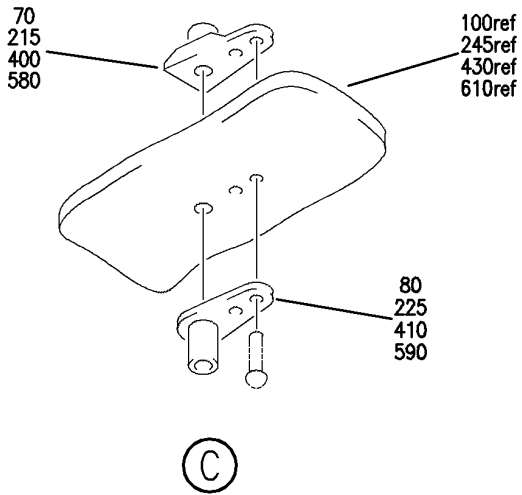
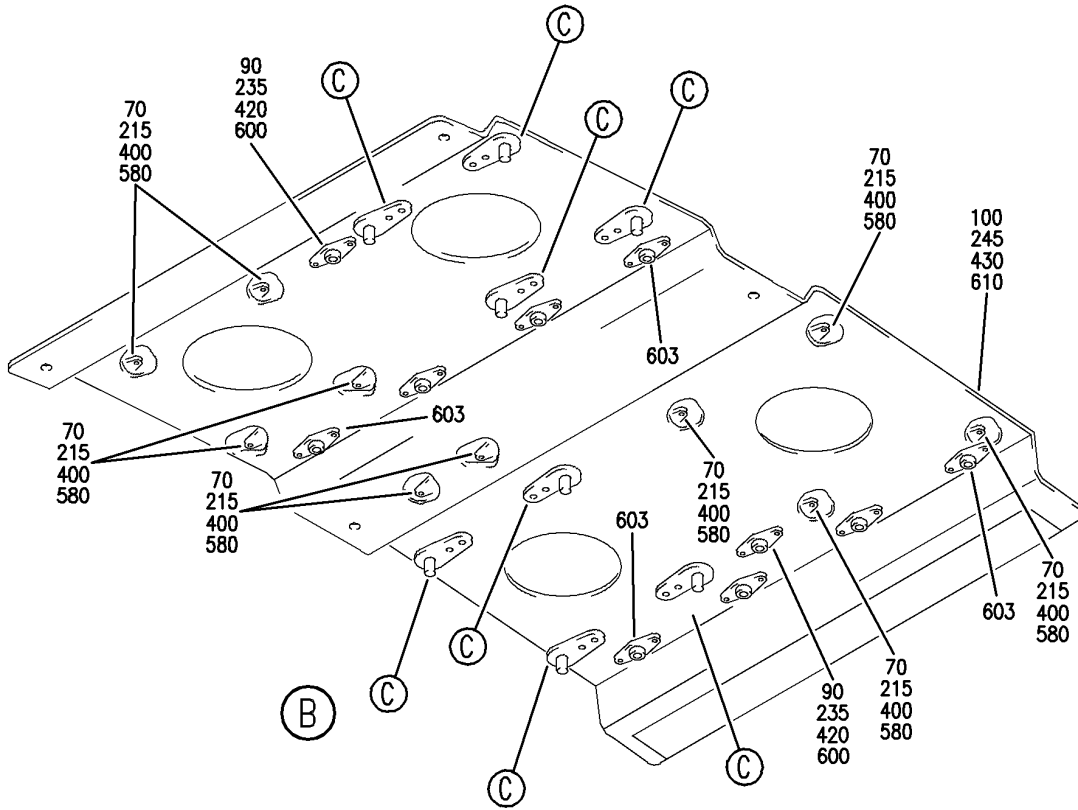
EQUIPMENT INTL-VIDEO DISTRIBUTION UNIT
FIGURE 10 (SHEET 2)

23-32-09-10

BRI
JAN 20/09

23-32-09-10
PAGE 0A

BOEING
757
PARTS CATALOG (MAINTENANCE)



Y 23320910 SHT 3 REV 240

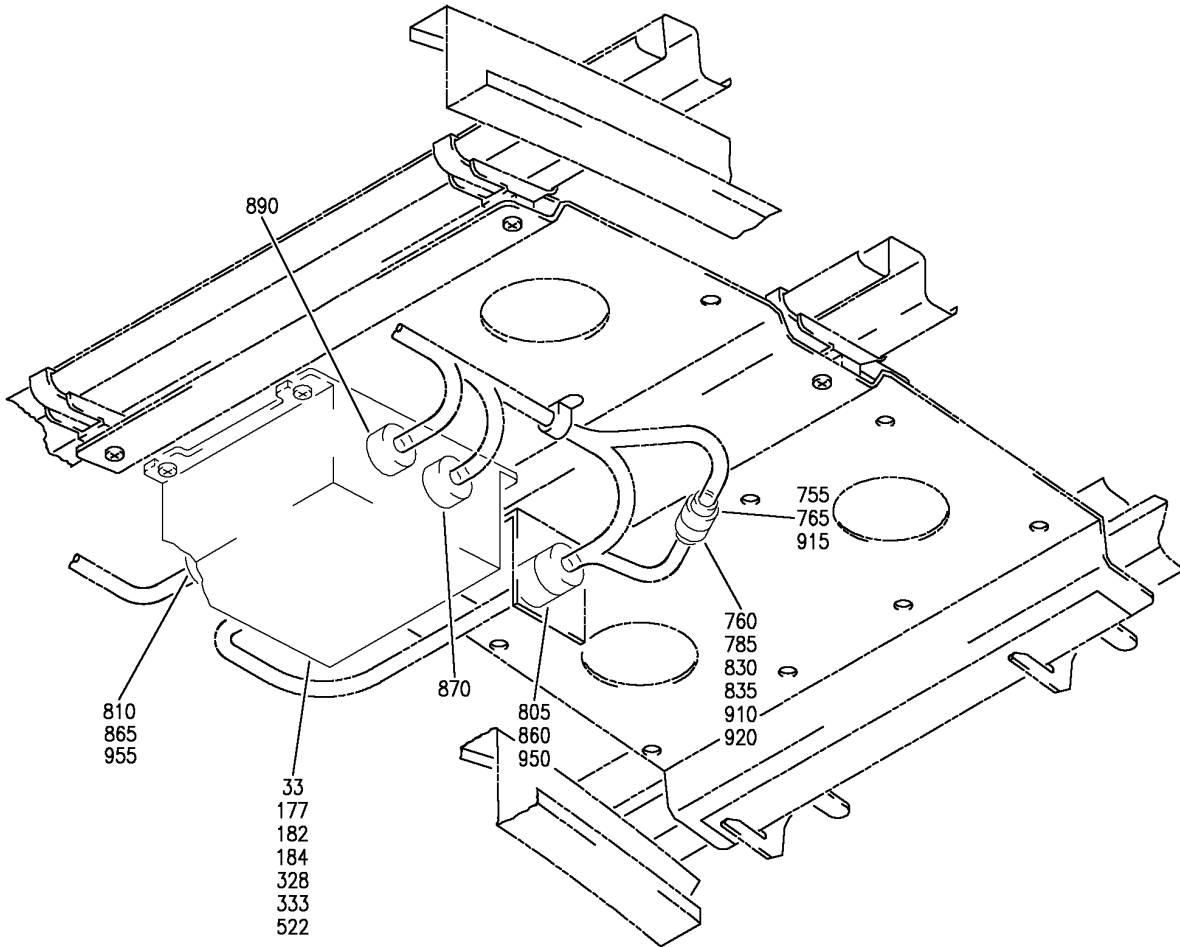
EQUIPMENT INTL-VIDEO DISTRIBUTION UNIT
FIGURE 10 (SHEET 3)

23-32-09-10

BRI
JAN 20/09

23-32-09-10
PAGE 0B

BOEING
 757
 PARTS CATALOG (MAINTENANCE)



(D)

Y 23320910 SH1 4 REV 253

EQUIPMENT INTL-VIDEO DISTRIBUTION UNIT
 FIGURE 10 (SHEET 4)

23-32-09-10

BRI
 JAN 20/09

23-32-09-10
 PAGE 0C

BOEING
757
PARTS CATALOG (MAINTENANCE)

FIG ITEM	PART NUMBER	1 2 3 4 5 6 7	NOMENCLATURE	EFFECT FROM TO	UNITS PER ASSY
10			EQUIPMENT INTL-VIDEO DISTRIBUTION UNIT	108120	
- 154	417N7662-81		EQUIPMENT INSTL-1 VIDEO DISTR UNIT CLUSTER, NO TERM. PLUG, 757-200 POSITION DATA: STA 1083.57 RBL 27.927 WL 298.857 FOR NHA SEE: 25-20-00-11D	108120	RF
165	BAC27DEX6720		.DECAL- PLACARD CONTENT: M11369	108120	1
167	BACS12GU3K8		.SCREW	108120	2
172	BACS12GU3K6		.SCREW	108120	8
174	BACS12GU3K9		.SCREW	108120	4
175	NAS1149D0332J		.WASHER	108120	14
180	RDAV4002-10		.UNIT-VIDEO DISTR SUPPLIER CODE: VSZ437 FUNCTIONAL DESCRIPTION: DISTRIBUTES VIDEO PROGRAMS TO THE SEAT GROUPS. ELECTRICAL EQUIP NUMBER: M11365 M11369 COMPONENT MAINT MANUAL REF: 23-32-13	108120	1
185	BACS38P1		.SUPPORT- INSERT	108120	4
190	BACS38P3		.SUPPORT- INSERTS	108120	2
195	BACS38P4		.SUPPORT-	108120	6
200	417N7102-198		.BRACKET	108120	1
205	417N7105-166		.BRACKET ASSY	108120	2
207	417N7105-163		..BRACKET	108120	1
210	417N7102-336		.BRACKET ASSY-	108120	1

R
R
R
R
R
R
R
R
R
R
R

MISSING ITEM NUMBERS NOT APPLICABLE

- ITEM NOT ILLUSTRATED

BRI

23-32-09-10

BOEING PROPRIETARY - Copyright © - Unpublished Work - See title page for details.

23-32-09
FIG. 10
PAGE 1
MAY 20/09



757

PARTS CATALOG (MAINTENANCE)

FIG ITEM	PART NUMBER	1 2 3 4 5 6 7	NOMENCLATURE	EFFECT FROM TO	UNITS PER ASSY
10 215	F177-3		..NUTPLATE SUPPLIER CODE: V72962 SPECIFICATION NUMBER: BACN10JA3 OPTIONAL PART: F2400-3 V15653 43610-02 V80539 BRF110A3 V52828 BRF170A3 V52828 ATTACHING PARTS	108120	18
- 220	BACR15BA3AD		..RIVET- SIZE DETERMINED ON INSTL. -----*-----	108120	36
225	295926-50		..SPACER SUPPLIER CODE: V60119 SPECIFICATION NUMBER: BACS18R50B ATTACHING PARTS	108120	8
- 230	BACR15BB3AD		..RIVET- SIZE DETERMINED ON INSTL. -----*-----	108120	16
235	WSI4A6B		..NUTPLATE SUPPLIER CODE: V04169 SPECIFICATION NUMBER: BACN10TL3A6B ATTACHING PARTS	108120	2
- 240	BACR15BA4ADC		..RIVET- SIZE DETERMINED ON INSTL. -----*-----	108120	4
245	417N7102-335		..BRACKET-	108120	1
- 304	417N7662-80		EQUIPMENT INSTL-1 VIDEO DISTR UNIT CLUSTER, WITH TERM. PLUG, 757-200 POSITION DATA: STA 1003.57 RBL 27.927 WL 298.857 FOR NHA SEE: 25-20-00-11D	108120	RF
310	BAC27DEX6716		.DECAL- PLACARD CONTENT: M11365	108120	1
317	BACS12GU3K8		.SCREW	108120	6

MISSING ITEM NUMBERS NOT APPLICABLE

- ITEM NOT ILLUSTRATED

23-32-09-10

23-32-09
FIG. 10
PAGE 2
JAN 20/09

BRI

BOEING
757
PARTS CATALOG (MAINTENANCE)

FIG ITEM	PART NUMBER	1 2 3 4 5 6 7	NOMENCLATURE	EFFECT FROM TO	UNITS PER ASSY
10					
322	BACS12GU3K6	.	SCREW	108120	8
324	BACS12GU3K9	.	SCREW	108120	4
325	NAS1149D0332J	.	WASHER	108120	14
330	RDAV4002-10	.	UNIT-VIDEO DISTR	108120	1
			SUPPLIER CODE: VSZ437		
			FUNCTIONAL DESCRIPTION: DISTRIBUTES VIDEO PROGRAMS TO THE SEAT GROUPS.		
			ELECTRICAL EQUIP NUMBER: M11365 M11373		
			COMPONENT MAINT MANUAL REF: 23-32-13		
335	RDAV2905	.	PLUG-VIDEO TERMINATOR	108120	1
			SUPPLIER CODE: VOFF57		
			ELECTRICAL EQUIP NUMBER: M10930		
			COMPONENT MAINT MANUAL REF: 23-32-28		
340	BACS38P1	.	SUPPORT-ATTACHMENT 1 INSERT	108120	4
345	BACS38P3	.	SUPPORT-ATTACHMENT 2 INSERTS	108120	2
350	BACS38P4	.	SUPPORT-ATTACHMENT STRAP	108120	6
385	417N7102-198	.	BRACKET	108120	1
390	417N7105-166	.	BRACKET ASSY	108120	2
393	417N7105-163	..	BRACKET	108120	1
395	417N7102-336	.	BRACKET ASSY-	108120	1
400	F177-3	..	NUTPLATE	108120	18
			SUPPLIER CODE: V72962		
			SPECIFICATION NUMBER: BACN10JA3		
			OPTIONAL PART: F2400-3 V15653 43610-02 V80539 BRF110A3 V52828 BRF170A3 V52828		
			ATTACHING PARTS		
- 405	BACR15BA3AD	..	RIVET-100 DEG HEAD SIZE DETERMINED ON INSTL. -----*-----	108120	36

MISSING ITEM NUMBERS NOT APPLICABLE

- ITEM NOT ILLUSTRATED

BRI

23-32-09-10

BOEING PROPRIETARY - Copyright © - Unpublished Work - See title page for details.

23-32-09
FIG. 10
PAGE 3
MAY 20/09



757

PARTS CATALOG (MAINTENANCE)

FIG ITEM	PART NUMBER	1 2 3 4 5 6 7	NOMENCLATURE	EFFECT FROM TO	UNITS PER ASSY
10 410	295926-50		.. SPACER SUPPLIER CODE: V60119 SPECIFICATION NUMBER: BACS18R50B ATTACHING PARTS	108120	8
- 415	BACR15BB3AD		.. RIVET-UNIV HEAD SIZE DETERMINED ON INSTL. -----*-----	108120	16
420	WSI4A6B		.. NUTPLATE SUPPLIER CODE: V04169 SPECIFICATION NUMBER: BACN10TL3A6B ATTACHING PARTS	108120	2
- 425	BACR15BA3AD4C		.. RIVET-100 DEG HEAD SIZE DETERMINED ON INSTL. -----*-----	108120	4
430	417N7102-335		.. BRACKET-	108120	1

MISSING ITEM NUMBERS NOT APPLICABLE

- ITEM NOT ILLUSTRATED

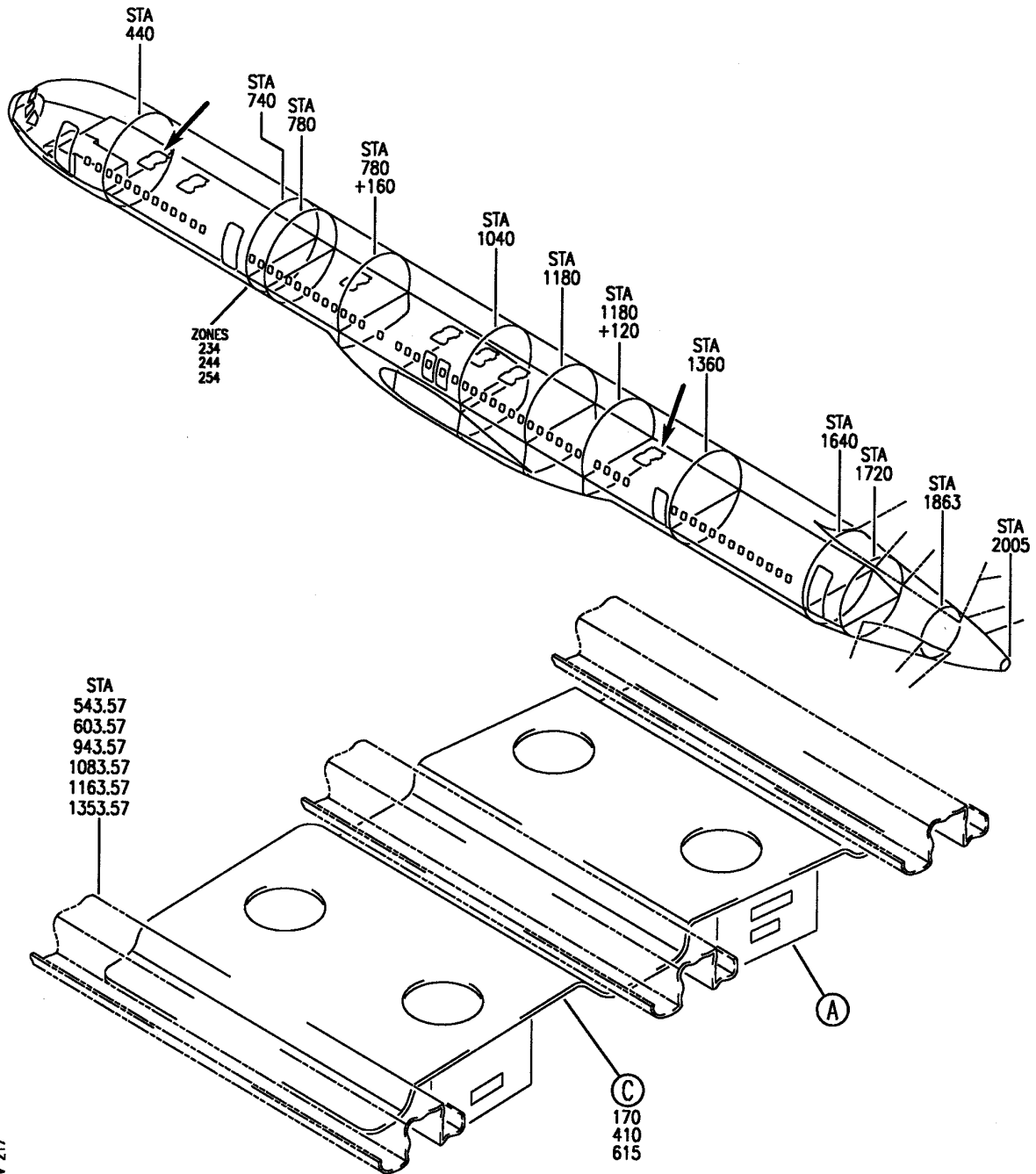
BRI

23-32-09-10

BOEING PROPRIETARY - Copyright © - Unpublished Work - See title page for details.

23-32-09
FIG. 10
PAGE 4
JAN 20/09

BOEING
757
PARTS CATALOG (MAINTENANCE)



Y 23320911 SH1 1 REV 217

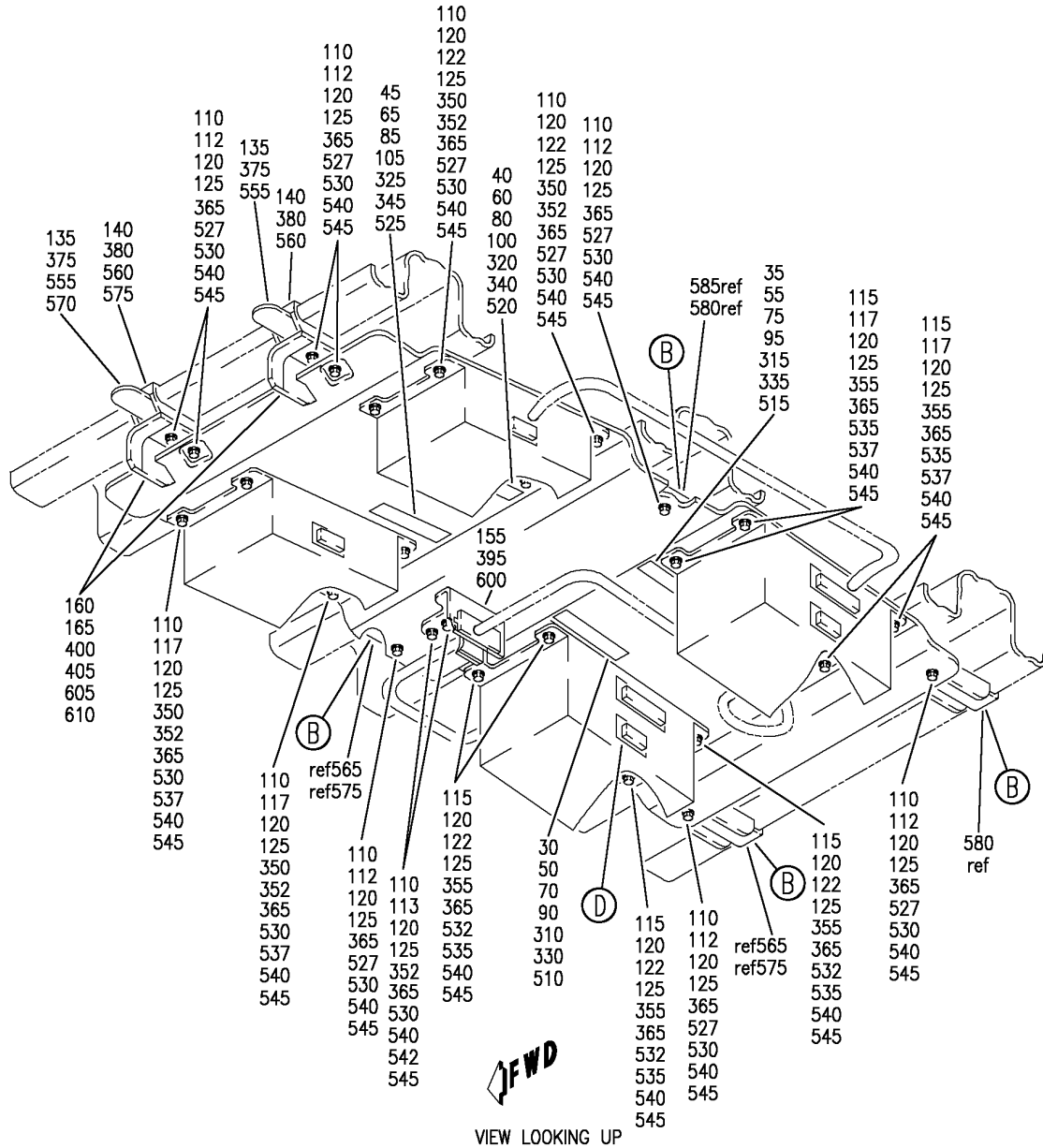
EQUIPMENT INSTL-VIDEO DISTR
FIGURE 11 (SHEET 1)

23-32-09-11

BRI
JAN 20/09

23-32-09-11
PAGE 0

BOEING
757
PARTS CATALOG (MAINTENANCE)



Y 23320911 SH1 2 REV 328

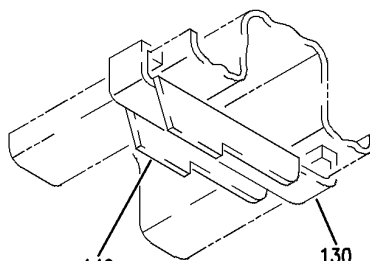
EQUIPMENT INSTL-VIDEO DISTR
FIGURE 11 (SHEET 2)

23-32-09-11

BRI
JAN 20/09

23-32-09-11
PAGE 0A

BOEING
757
PARTS CATALOG (MAINTENANCE)

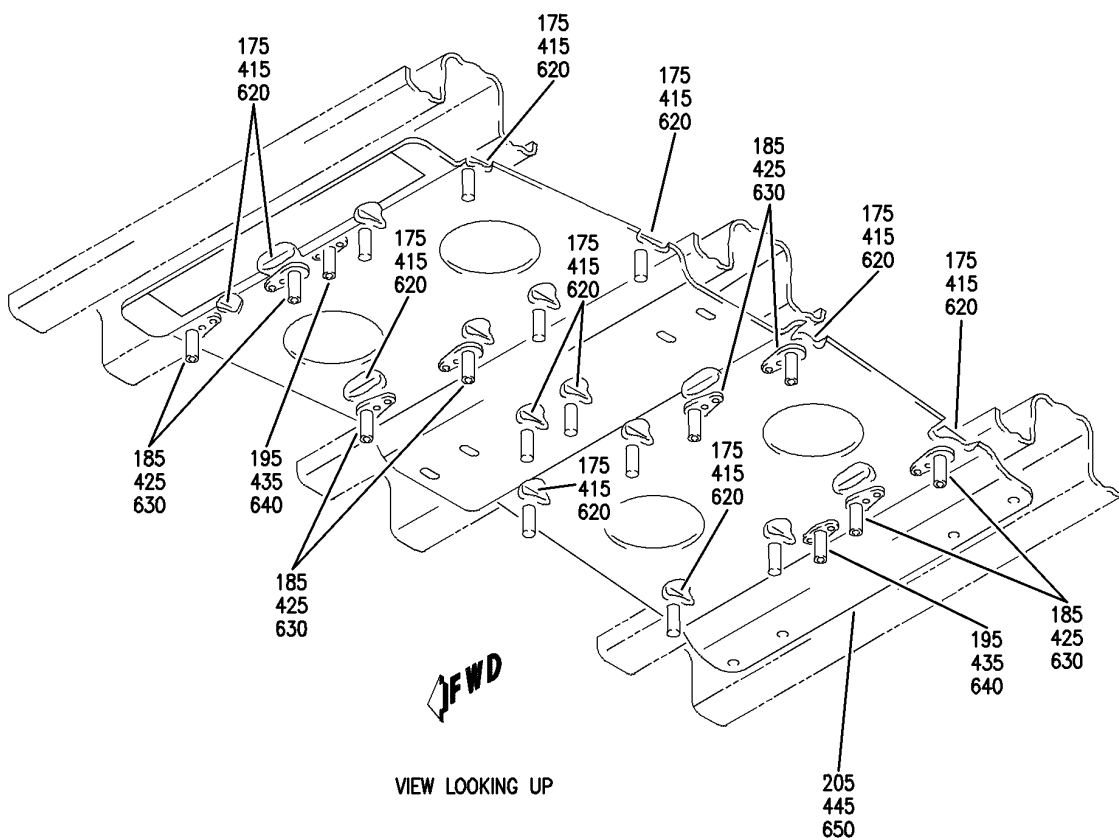


140
380
560
580
585

130
370
550
565
575

VIEW LOOKING UP

(B)



185
425
630

175
415
620

195
435
640

185
425
630

VIEW LOOKING UP

(C)

175
415
620

175
415
620

175
415
620

175
415
620

175
415
620

185
425
630

175
415
620

205
445
650

175
415
620

175
415
620

175
415
620

185
425
630

195
435
640

Y 23320911 SHT 3 REV 240

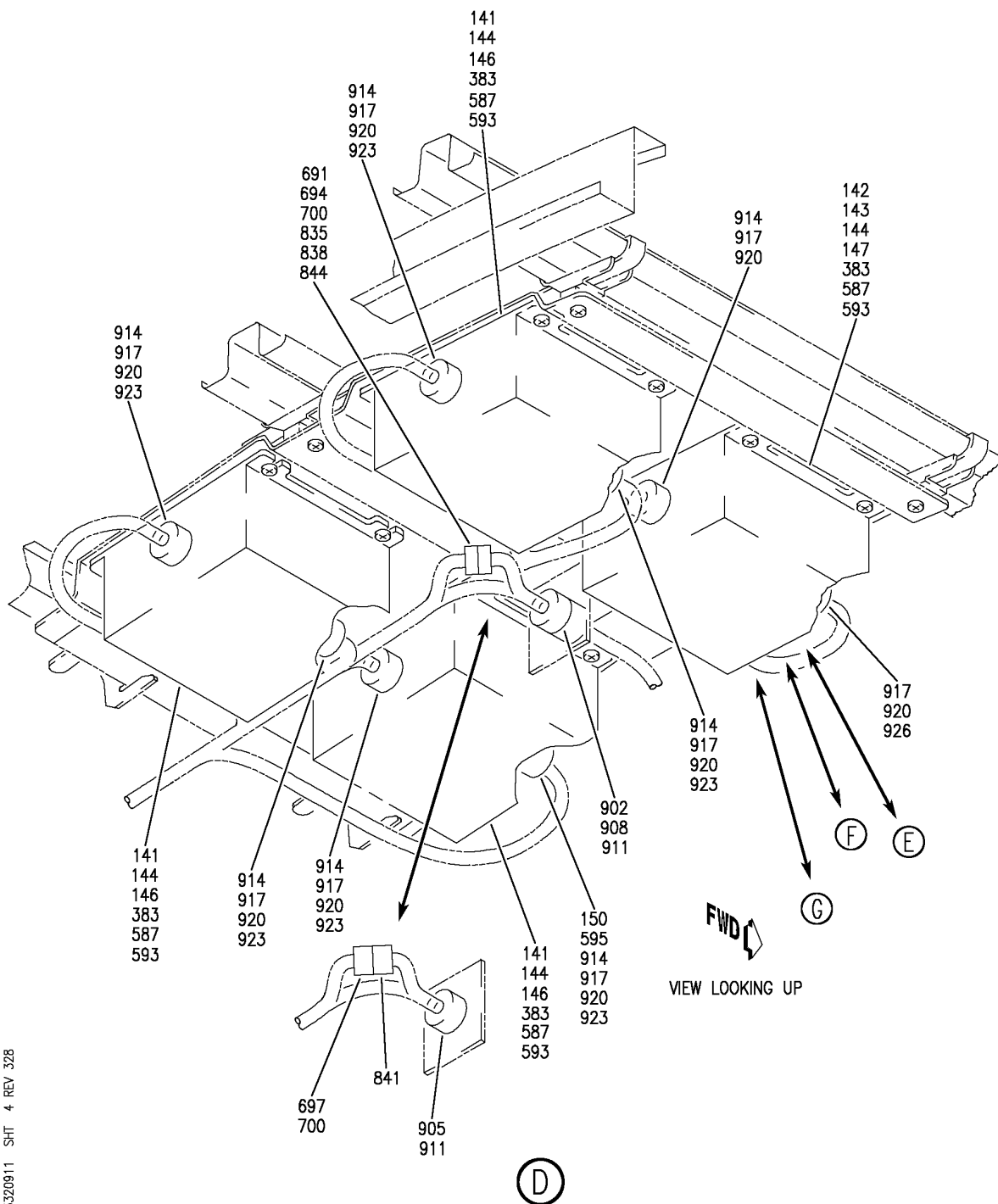
EQUIPMENT INSTL-VIDEO DISTR
FIGURE 11 (SHEET 3)

23-32-09-11

BRI
JAN 20/09

23-32-09-11
PAGE 0B

BOEING
757
PARTS CATALOG (MAINTENANCE)



Y 23320911 SH1 4 REV 328

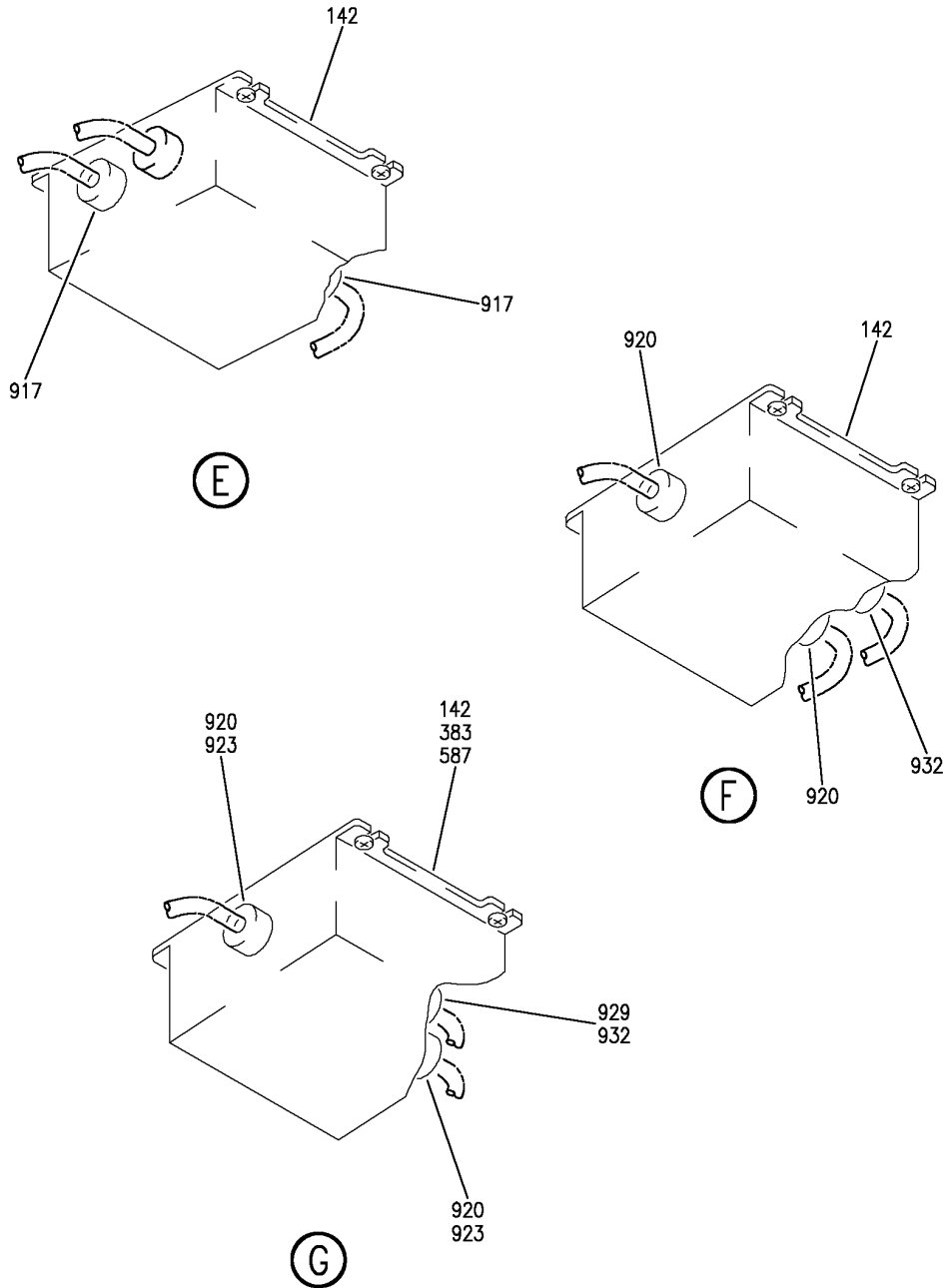
EQUIPMENT INSTL-VIDEO DISTR
FIGURE 11 (SHEET 4)

23-32-09-11

BRI
JAN 20/09

23-32-09-11
PAGE 0C

BOEING
757
PARTS CATALOG (MAINTENANCE)



Y 23320911 SH1 5 REV 254

EQUIPMENT INSTL-VIDEO DISTR
FIGURE 11 (SHEET 5)

23-32-09-11

BRI
JAN 20/09

23-32-09-11
PAGE 0D



757

PARTS CATALOG (MAINTENANCE)

FIG ITEM	PART NUMBER	1 2 3 4 5 6 7	NOMENCLATURE	EFFECT FROM TO	UNITS PER ASSY
11			EQUIPMENT INSTL-VIDEO DISTR	108120	
- 10	417N7662-79		EQUIPMENT INSTL-4 VIDEO DISTR UNIT CLUSTER WITH NO TERM. PLUG 757-200 POSITION DATA: STA 603.57 RBL 27.927 WL 298.857 FOR NHA SEE: 25-20-00-11D	108120	RF
30	BAC27DEX6712		.DECAL- PLACARD CONTENT: M11361 USED ON: 417N7662-32 417N7662-42 417N7662-79 417N7662-89 417N7662-9 MODREF18764 MODREF18765	108120	1
35	BAC27DEX6713		.DECAL- PLACARD CONTENT: M11362 USED ON: 417N7662-32 417N7662-42 417N7662-79 417N7662-89 417N7662-9 MODREF18764 MODREF18765	108120	1
40	BAC27DEX6714		.DECAL- PLACARD CONTENT: M11363 USED ON: 417N7662-32 417N7662-42 417N7662-79 417N7662-89 417N7662-9 MODREF18764 MODREF18765	108120	1

MISSING ITEM NUMBERS NOT APPLICABLE

- ITEM NOT ILLUSTRATED

BRI

23-32-09-11

23-32-09
FIG. 11
PAGE 1
JAN 20/09

BOEING 757 PARTS CATALOG (MAINTENANCE)

FIG ITEM	PART NUMBER	1 2 3 4 5 6 7	NOMENCLATURE	EFFECT FROM TO	UNITS PER ASSY
11 45	BAC27DEX6715		.DECAL- PLACARD CONTENT: M11364 USED ON: 417N7662-32 417N7662-42 417N7662-79 417N7662-89 417N7662-9 MODREF18764 MODREF18765	108120	1
112	BACS12GU3K6		.SCREW	108120	8
113	BACS12GU3K8		.SCREW	108120	2
117	BACS12GU3K9		.SCREW	108120	8
122	BACS12GU3K17		.SCREW	108120	8
125	NAS1149D0332J		.WASHER	108120	26
130	BACS38P1		.SUPPORT	108120	4
135	BACS38P3		.SUPPORT	108120	2
140	BACS38P4		.SUPPORT	108120	6
141	RDAV4002-10		.UNIT-VIDEO DISTR SUPPLIER CODE: VSZ437 FUNCTIONAL DESCRIPTION: DISTRIBUTES VIDEO PROGRAMS TO THE SEAT GROUPS. ELECTRICAL EQUIP NUMBER: M11361 M11362 M11363 COMPONENT MAINT MANUAL REF: 23-32-13	108120	1
142	RDAV4002-10		.UNIT-VIDEO DISTR SUPPLIER CODE: VSZ437 FUNCTIONAL DESCRIPTION: DISTRIBUTES VIDEO PROGRAMS TO THE SEAT GROUPS. ELECTRICAL EQUIP NUMBER: M11364 COMPONENT MAINT MANUAL REF: 23-32-13	108120	1
155	417N7102-198		.BRACKET	108120	1
160	417N7105-166		.BRACKET ASSY	108120	2
165	417N7105-163		.BRACKET	108120	1
170	417N7102-336		.BRACKET ASSY-	108120	1

MISSING ITEM NUMBERS NOT APPLICABLE

— ITEM NOT ILLUSTRATED

BRI

23-32-09-11

BOEING PROPRIETARY - Copyright © - Unpublished Work - See title page for details.

23-32-09
FIG. 11
PAGE 2
MAY 20/09



757

PARTS CATALOG (MAINTENANCE)

FIG ITEM	PART NUMBER	1 2 3 4 5 6 7	NOMENCLATURE	EFFECT FROM TO	UNITS PER ASSY
11 175	F177-3		..NUTPLATE SUPPLIER CODE: V72962 SPECIFICATION NUMBER: BACN10JA3 OPTIONAL PART: F2400-3 V15653 43610-02 V80539 BRF110A3 V52828 BRF170A3 V52828 ATTACHING PARTS	108120	18
- 180	BACR15BA3ADC		..RIVET- SIZE DETERMINED ON INSTL. -----*-----	108120	36
185	295926-50		..SPACER SUPPLIER CODE: V60119 SPECIFICATION NUMBER: BACS18R50B ATTACHING PARTS	108120	8
- 190	BACR15BB3ADC		..RIVET- SIZE DETERMINED ON INSTL. -----*-----	108120	16
195	WSI4A6B		..NUTPLATE SUPPLIER CODE: V04169 SPECIFICATION NUMBER: BACN10TL3A6B ATTACHING PARTS	108120	2
- 200	BACR15BA4ADC		..RIVET- SIZE DETERMINED ON INSTL. -----*-----	108120	4
205	417N7102-335		..BRACKET-	108120	1
- 688	286N2634-316		WIRE BUNDLE ASSY	108120	RF
691	AMCO2PA03W		.PLUG- SUPPLIER CODE: VS5065 ELECTRICAL EQUIP NUMBER: D41417P WIRING DIAGRAM REF: 233231	108120	1
- 703	286N2843-341		WIRE BUNDLE ASSY	108120	RF
- 706	286N3407-324		WIRE BUNDLE ASSY	108120	RF
- 709	286N3423-322		WIRE BUNDLE ASSY	108120	RF
- 712	286N3299-331		WIRE BUNDLE ASSY	108120	RF

MISSING ITEM NUMBERS NOT APPLICABLE

- ITEM NOT ILLUSTRATED

23-32-09-11

23-32-09
FIG. 11
PAGE 3
JAN 20/09

BRI



757

PARTS CATALOG (MAINTENANCE)

FIG ITEM	PART NUMBER	1 2 3 4 5 6 7	NOMENCLATURE	EFFECT FROM TO	UNITS PER ASSY
11					
- 715	286N3229-335		WIRE BUNDLE ASSY	108120	RF
- 718	286N3431-307		WIRE BUNDLE ASSY	108120	RF
- 721	286N3441-307		WIRE BUNDLE ASSY	108120	RF
- 724	286N3297-311		WIRE BUNDLE ASSY	108120	RF
- 730	286N3293-324		WIRE BUNDLE ASSY	108120	RF
835	AMC02RA03W		.RECEPTACLE- SUPPLIER CODE: V05574 ELECTRICAL EQUIP NUMBER: D41417J WIRING DIAGRAM REF: 233231	108120	1
- 850	D110278		.LATCH ASSY-SPR SUPPLIER CODE: V71468 ELECTRICAL EQUIP NUMBER: D2803T D2821T WIRING DIAGRAM REF: 233231 233241	108120	1
- 877	234A021-3		.BACKSHELL-90 DEG SUPPLIER CODE: V06090 ELECTRICAL EQUIP NUMBER: D2805U D2807U D2809U D2811U D2813U D2815U D2817U WIRING DIAGRAM REF: 233231 233232 233233 233234	108120	1

MISSING ITEM NUMBERS NOT APPLICABLE

- ITEM NOT ILLUSTRATED

BRI

23-32-09-11

BOEING PROPRIETARY - Copyright © - Unpublished Work - See title page for details.

23-32-09
FIG. 11
PAGE 4
JAN 20/09



757

PARTS CATALOG (MAINTENANCE)

FIG ITEM	PART NUMBER	1 2 3 4 5 6 7	NOMENCLATURE	EFFECT FROM TO	UNITS PER ASSY
11 - 877	CDSA2P		.BACKSHELL-90 DEG SUPPLIER CODE: V06090 ELECTRICAL EQUIP NUMBER: D2805U D2807U D2809U D2811U D2813U D2815U D2817U WIRING DIAGRAM REF: 233231 233232 233233 233234	108120	1
902	DBMA25S		.RECEPTACLE- SUPPLIER CODE: V71468 ELECTRICAL EQUIP NUMBER: D02803 WIRING DIAGRAM REF: 233231	108120	1
914	CAMA11W1PEK87		.PLUG- SUPPLIER CODE: V71771 ELECTRICAL EQUIP NUMBER: D02805 D02807 D02809 D02811 D02813 D02815 D02817 WIRING DIAGRAM REF: 233231 233232	108120	1
926	DBMA25P		.PLUG- SUPPLIER CODE: V71468 ELECTRICAL EQUIP NUMBER: D02821 WIRING DIAGRAM REF: 233241	108120	1

MISSING ITEM NUMBERS NOT APPLICABLE

- ITEM NOT ILLUSTRATED

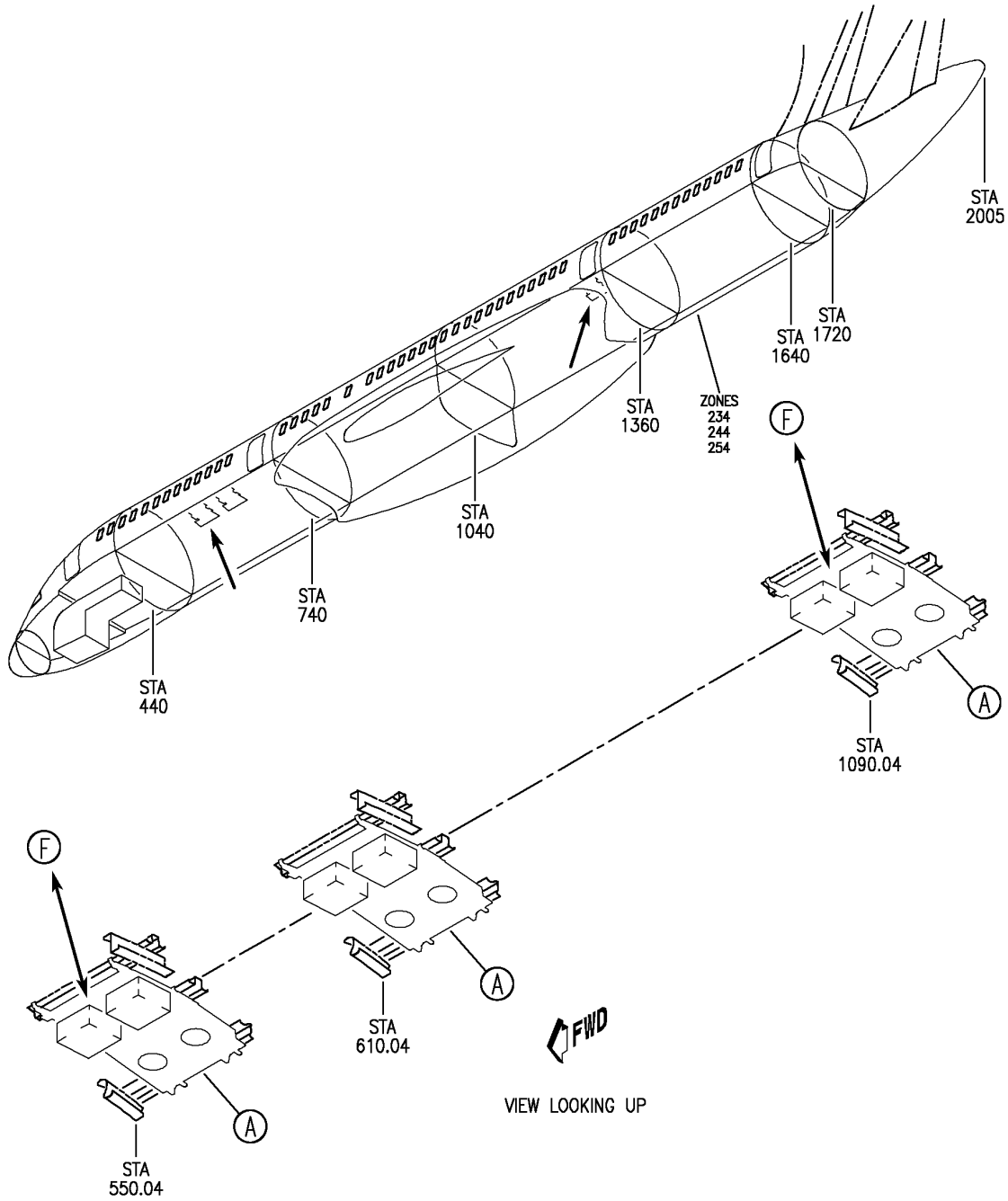
BRI

23-32-09-11

BOEING PROPRIETARY - Copyright © - Unpublished Work - See title page for details.

23-32-09
FIG. 11
PAGE 5
JAN 20/09

BOEING
757
PARTS CATALOG (MAINTENANCE)



Y 23320913 SH1 1 REV 253

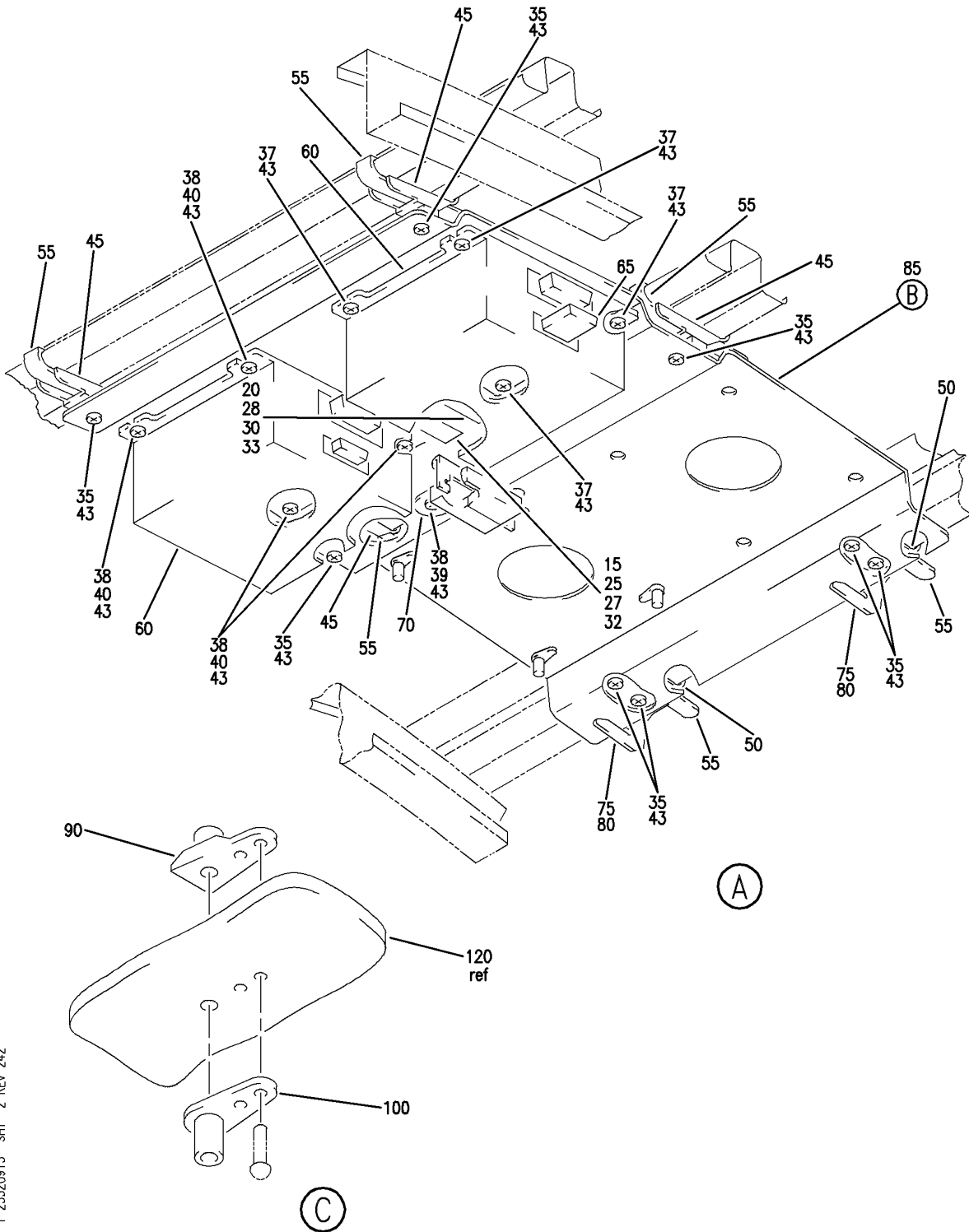
EQUIPMENT INSTL-VIDEO DISTRIBUTION UNIT
FIGURE 13 (SHEET 1)

23-32-09-13

BRI
JAN 20/09

23-32-09-13
PAGE 0

BOEING
757
PARTS CATALOG (MAINTENANCE)



Y 23320913 SH 2 REV 242

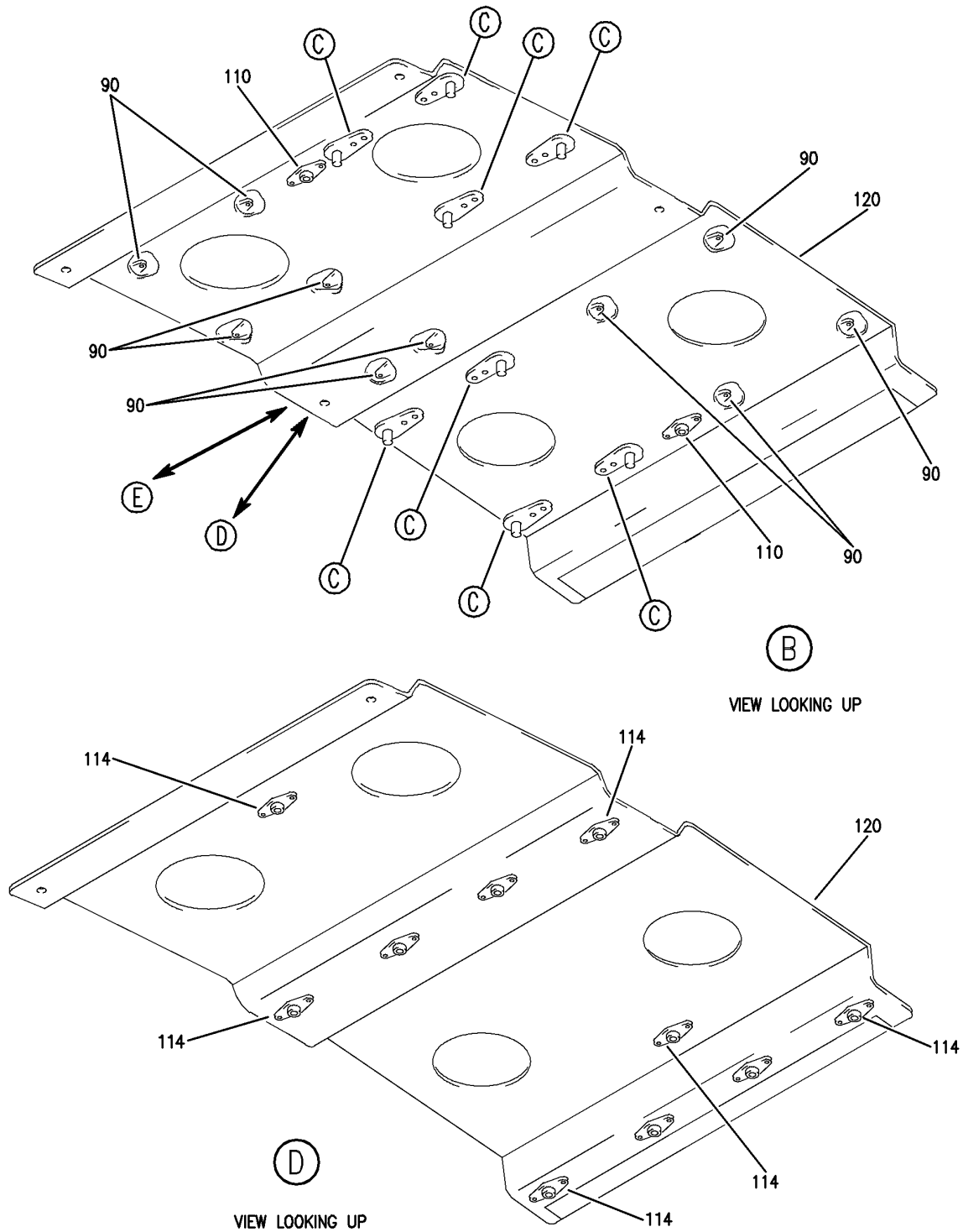
EQUIPMENT INSTL-VIDEO DISTRIBUTION UNIT
FIGURE 13 (SHEET 2)

23-32-09-13

BRI
JAN 20/09

23-32-09-13
PAGE 0A

BOEING
757
PARTS CATALOG (MAINTENANCE)



Y 23320913 SH1 3 REV 243

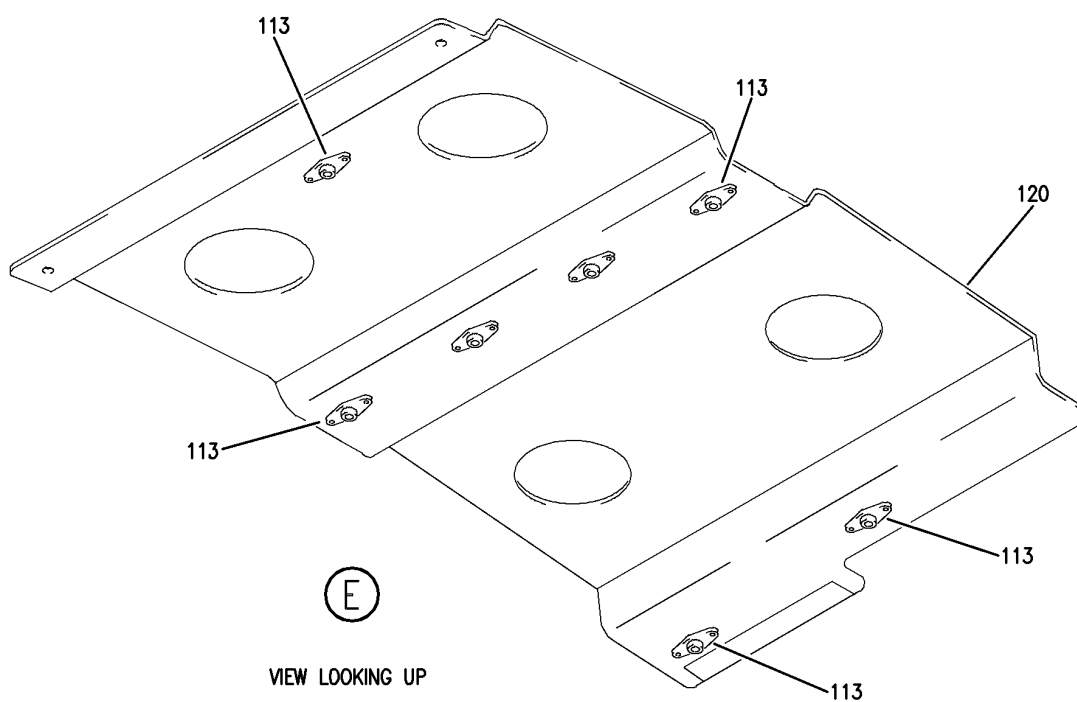
EQUIPMENT INSTL-VIDEO DISTRIBUTION UNIT
FIGURE 13 (SHEET 3)

23-32-09-13

BRI
JAN 20/09

23-32-09-13
PAGE 0B

BOEING
757
PARTS CATALOG (MAINTENANCE)



Y 23320913 SHT 4 REV 243

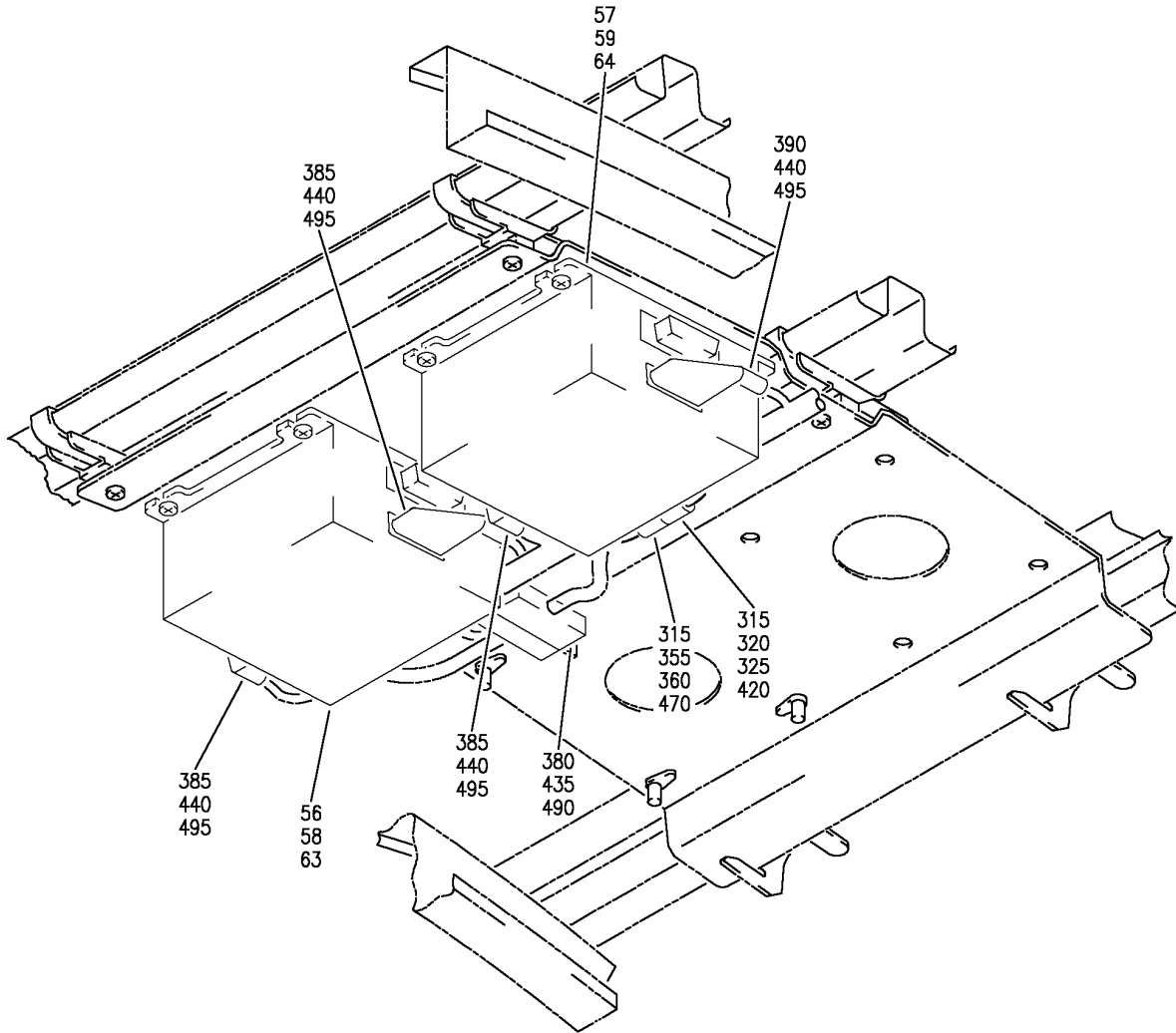
EQUIPMENT INSTL-VIDEO DISTRIBUTION UNIT
FIGURE 13 (SHEET 4)

23-32-09-13

BRI
JAN 20/09

23-32-09-13
PAGE 0C

BOEING
757
PARTS CATALOG (MAINTENANCE)



(F)

Y 23320913 SH1 5 REV 253

EQUIPMENT INSTL-VIDEO DISTRIBUTION UNIT
FIGURE 13 (SHEET 5)

23-32-09-13

BRI
JAN 20/09

23-32-09-13
PAGE 0D



757

PARTS CATALOG (MAINTENANCE)

FIG ITEM	PART NUMBER	1 2 3 4 5 6 7	NOMENCLATURE	EFFECT FROM TO	UNITS PER ASSY
13			EQUIPMENT INSTL-VIDEO DISTRIBUTION UNIT	108120	
- 12	417N7662-82		EQUIPMENT INSTL-2 VIDEO DISTR UNIT CLUSTER WITH TERM. PLUG 757-200 POSITION DATA: STA 1163.57 RBL 27.927 WL 298.857 FOR NHA SEE: 25-20-00-11D	108120	RF
32	BAC27DEX6724		.DECAL- PLACARD CONTENT: M11373	108120	1
33	BAC27DEX6725		.DECAL- PLACARD CONTENT: M11374	108120	1
35	BACs12GU3K6		.SCREW	108120	8
37	BACs12GU3K17		.SCREW	108120	4
39	BACs12GU3K8		.SCREW- USED ON: 417N7662-13 417N7662-36 417N7662-41 417N7662-82 417N7662-88 417N7662-93 417N7662-94 417N7662-109 MODREF22997 MODREF18692 MODREF23019	108120	1
40	BACs12GU3K9		.SCREW- USED ON: 417N7662-13 417N7662-36 417N7662-41 417N7662-82 417N7662-88 417N7662-93 417N7662-94 417N7662-109 MODREF22997 MODREF18692 MODREF23019	108120	4
43	NAS1149D0332J		.WASHER	108120	18
45	BACs38P1		.SUPPORT-ATTACHMENT 1 INSERT	108120	4
50	BACs38P3		.SUPPORT-ATTACHMENT 2 INSERTS	108120	2

MISSING ITEM NUMBERS NOT APPLICABLE

- ITEM NOT ILLUSTRATED

23-32-09-13

23-32-09
FIG. 13
PAGE 1
JAN 20/09

BRI



757

PARTS CATALOG (MAINTENANCE)

FIG ITEM	PART NUMBER	1 2 3 4 5 6 7	NOMENCLATURE	EFFECT FROM TO	UNITS PER ASSY
13					
55	BACS38P4		.SUPPORT-ATTACHMENT STRAP	108120	6
63	RDAV4002-10		.UNIT-VIDEO DISTR SUPPLIER CODE: VSZ437 FUNCTIONAL DESCRIPTION: DISTRIBUTES VIDEO PROGRAMS TO THE SEAT GROUPS. ELECTRICAL EQUIP NUMBER: M11373 COMPONENT MAINT MANUAL REF: 23-32-13	108120	1
64	RDAV4002-10		.UNIT-VIDEO DISTR SUPPLIER CODE: VSZ437 FUNCTIONAL DESCRIPTION: DISTRIBUTES VIDEO PROGRAMS TO THE SEAT GROUPS. ELECTRICAL EQUIP NUMBER: M11374 COMPONENT MAINT MANUAL REF: 23-32-13	108120	1
65	RDAV2905		.PLUG-VIDEO TERMINATOR SUPPLIER CODE: VOFF57 ELECTRICAL EQUIP NUMBER: M11021 COMPONENT MAINT MANUAL REF: 23-32-28 USED ON: 417N7662-82 417N7662-88	108120	1
70	417N7102-198		.BRACKET	108120	1
75	417N7105-166		.BRACKET ASSY	108120	2
80	417N7105-163		..BRACKET	108120	1
85	417N7102-336		.BRACKET ASSY- USED ON: 417N7662-13 417N7662-36 417N7662-41 417N7662-82 417N7662-88 417N7662-93 417N7662-94 MODREF18692 MODREF23019	108120	1

MISSING ITEM NUMBERS NOT APPLICABLE

- ITEM NOT ILLUSTRATED

23-32-09-13

23-32-09
FIG. 13
PAGE 2
MAY 20/09

BRI



757

PARTS CATALOG (MAINTENANCE)

FIG ITEM	PART NUMBER	1 2 3 4 5 6 7	NOMENCLATURE	EFFECT FROM TO	UNITS PER ASSY
13 90	F177-3		..NUTPLATE SUPPLIER CODE: V72962 SPECIFICATION NUMBER: BACN10JA3 OPTIONAL PART: F2400-3 V15653 43610-02 V80539 BRF110A3 V52828 BRF170A3 V52828 ATTACHING PARTS	108120	18
- 95	BACR15BA3AD3C		..RIVET-100 DEG HEAD SIZE DETERMINED ON INSTL. -----*-----	108120	36
100	295926-50		..SPACER SUPPLIER CODE: V60119 SPECIFICATION NUMBER: BACS18R50B ATTACHING PARTS	108120	8
- 105	BACR15BB3AD		..RIVET-UNIV HEAD SIZE DETERMINED ON INSTL. -----*-----	108120	16
114	WSI4A6B		..NUTPLATE SUPPLIER CODE: V04169 SPECIFICATION NUMBER: BACN10TL3A6B ATTACHING PARTS	108120	10
- 119	BACR15BA3AD4C		..RIVET-100 DEG HEAD SIZE DETERMINED ON INSTL. -----*-----	108120	20
120	417N7102-335		..BRACKET-	108120	1
- 310	286N2634-316		WIRE BUNDLE ASSY	108120	RF
325	AMC02PA03W		.PLUG- SUPPLIER CODE: VS5065 ELECTRICAL EQUIP NUMBER: D41439P WIRING DIAGRAM REF: 233261	108120	1
- 445	286N3253-333		WIRE BUNDLE ASSY	108120	RF
- 450	286N3255-317		WIRE BUNDLE ASSY	108120	RF
- 455	286N3257-313		WIRE BUNDLE ASSY	108120	RF
- 460	286N3259-321		WIRE BUNDLE ASSY	108120	RF

MISSING ITEM NUMBERS NOT APPLICABLE

- ITEM NOT ILLUSTRATED

23-32-09-13

23-32-09
FIG. 13
PAGE 3
MAY 20/09

BRI



757

PARTS CATALOG (MAINTENANCE)

FIG ITEM	PART NUMBER	1 2 3 4 5 6 7	NOMENCLATURE	EFFECT FROM TO	UNITS PER ASSY
13					
- 465	286N3261-322		WIRE BUNDLE ASSY	108120	RF
470	AMC02RA03W		.RECEPTACLE-	108120	1
			SUPPLIER CODE: V05574		
			ELECTRICAL EQUIP NUMBER: D41439J		
			WIRING DIAGRAM REF: 233261		
- 475	D110277		.LATCH-SPR	108120	1
			SUPPLIER CODE: V71468		
			ELECTRICAL EQUIP NUMBER: D2863T		
			WIRING DIAGRAM REF: 233261		
- 485	CDSA2P		.BACKSHELL-90 DEG	108120	1
			SUPPLIER CODE: V06090		
			ELECTRICAL EQUIP NUMBER: D2865U D2867U D2869U D2871U		
			WIRING DIAGRAM REF: 233261 233262		
490	DBMA25S		.RECEPTACLE-	108120	1
			SUPPLIER CODE: V71468		
			ELECTRICAL EQUIP NUMBER: D02863		
			WIRING DIAGRAM REF: 233231		
495	CAMA11W1PEK87		.PLUG-	108120	1
			SUPPLIER CODE: V71771		
			ELECTRICAL EQUIP NUMBER: D02865 D02867 D02869 D02871		
			WIRING DIAGRAM REF: 233261 233262		

MISSING ITEM NUMBERS NOT APPLICABLE

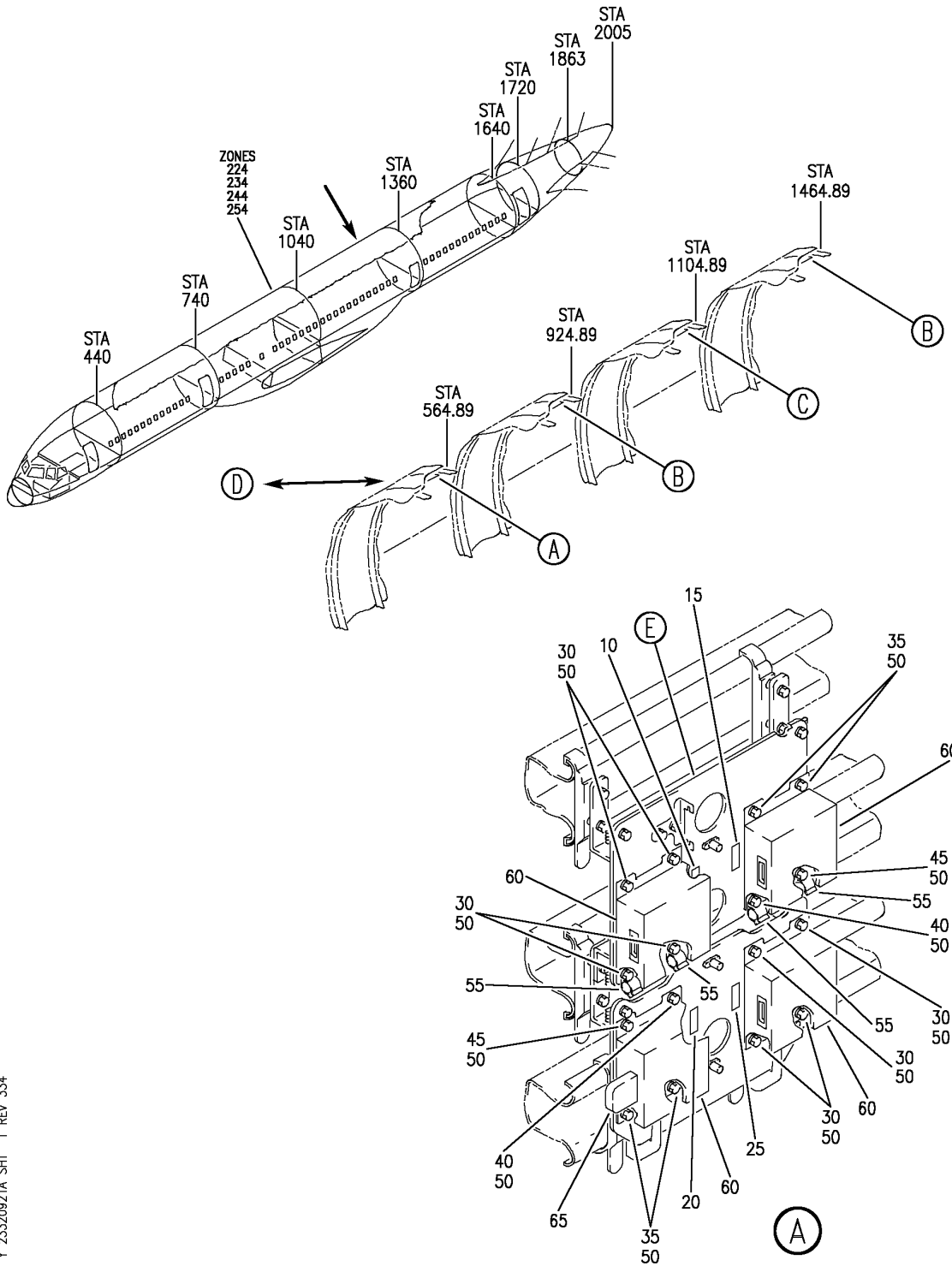
- ITEM NOT ILLUSTRATED

23-32-09-13

23-32-09
FIG. 13
PAGE 4
MAY 20/09

BRI

BOEING
757
PARTS CATALOG (MAINTENANCE)



Y 23320921A SHT 1 REV 334

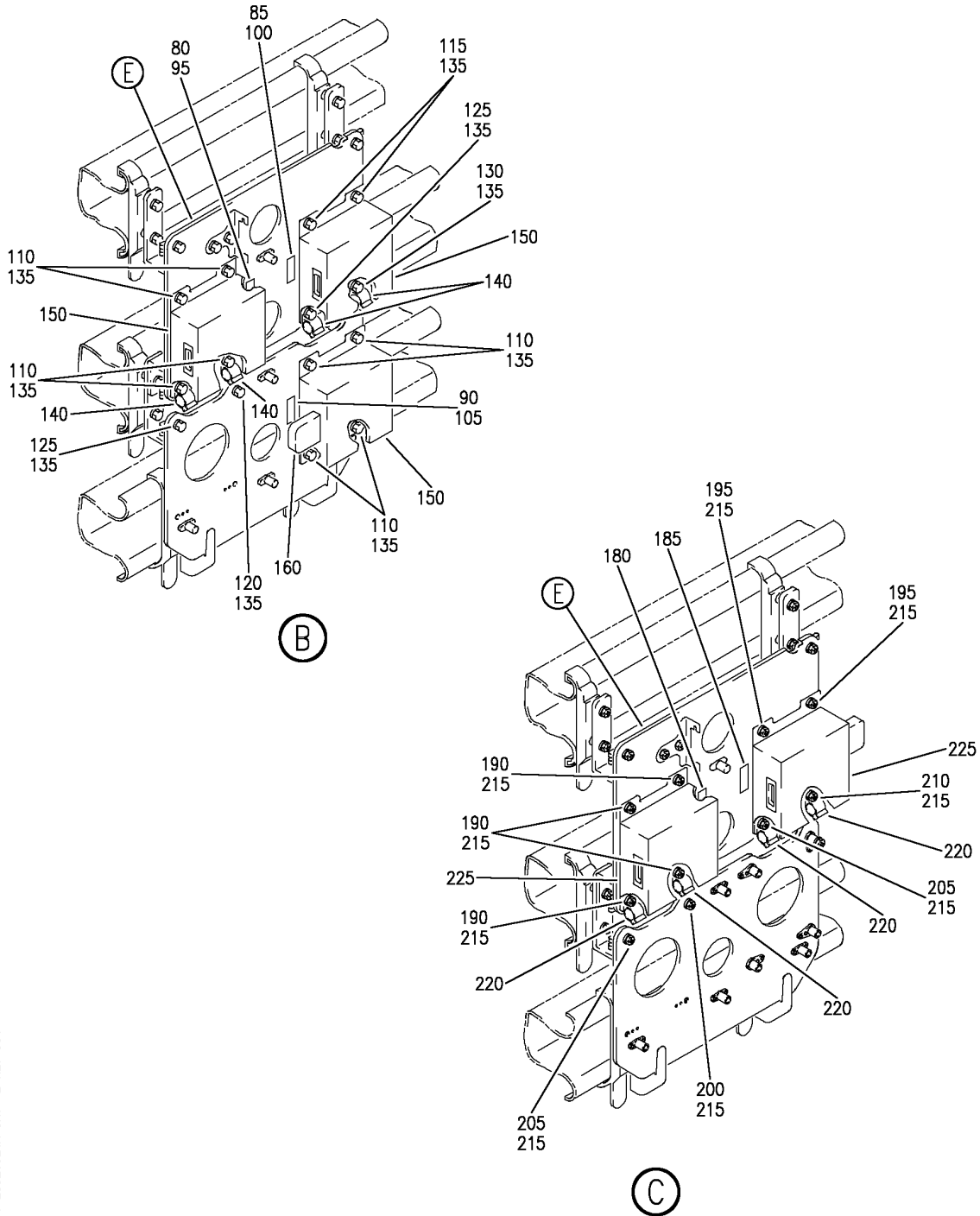
EQUIPMENT INSTL-VIDEO DISTR UNIT CLUSTER AND SPRT
FIGURE 21A (SHEET 1)

23-32-09-21A

BRI
MAY 20/09

23-32-09-21A
PAGE 0

BOEING
757
PARTS CATALOG (MAINTENANCE)



Y 23320921A SH1 2 REV 334

EQUIPMENT INSTL-VIDEO DISTR UNIT CLUSTER AND SPRT
FIGURE 21A (SHEET 2)

23-32-09-21A

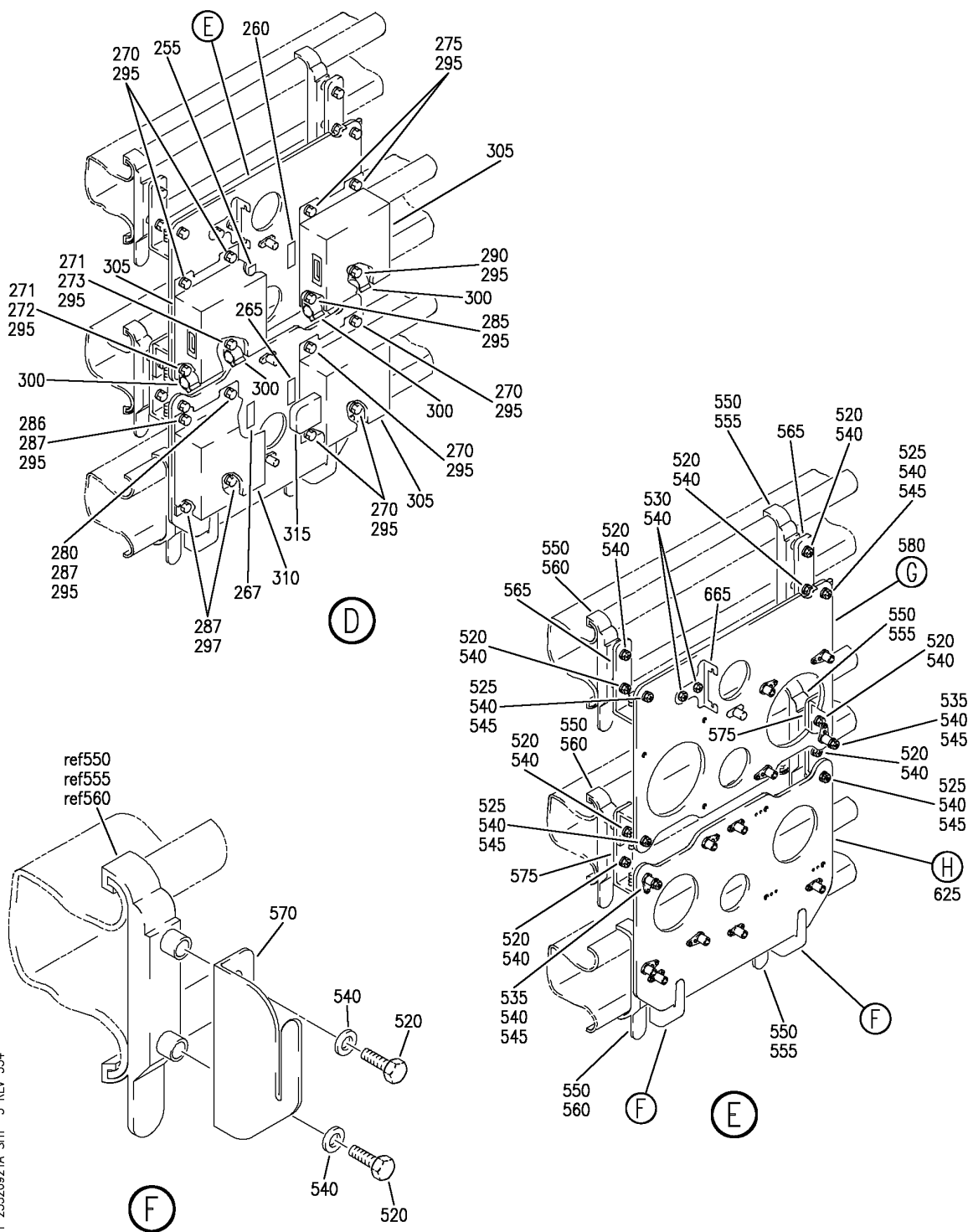
BRI
MAY 20/09

23-32-09-21A
PAGE 0A

BOEING

757

PARTS CATALOG (MAINTENANCE)



Y 23320921A SH1 3 REV 334

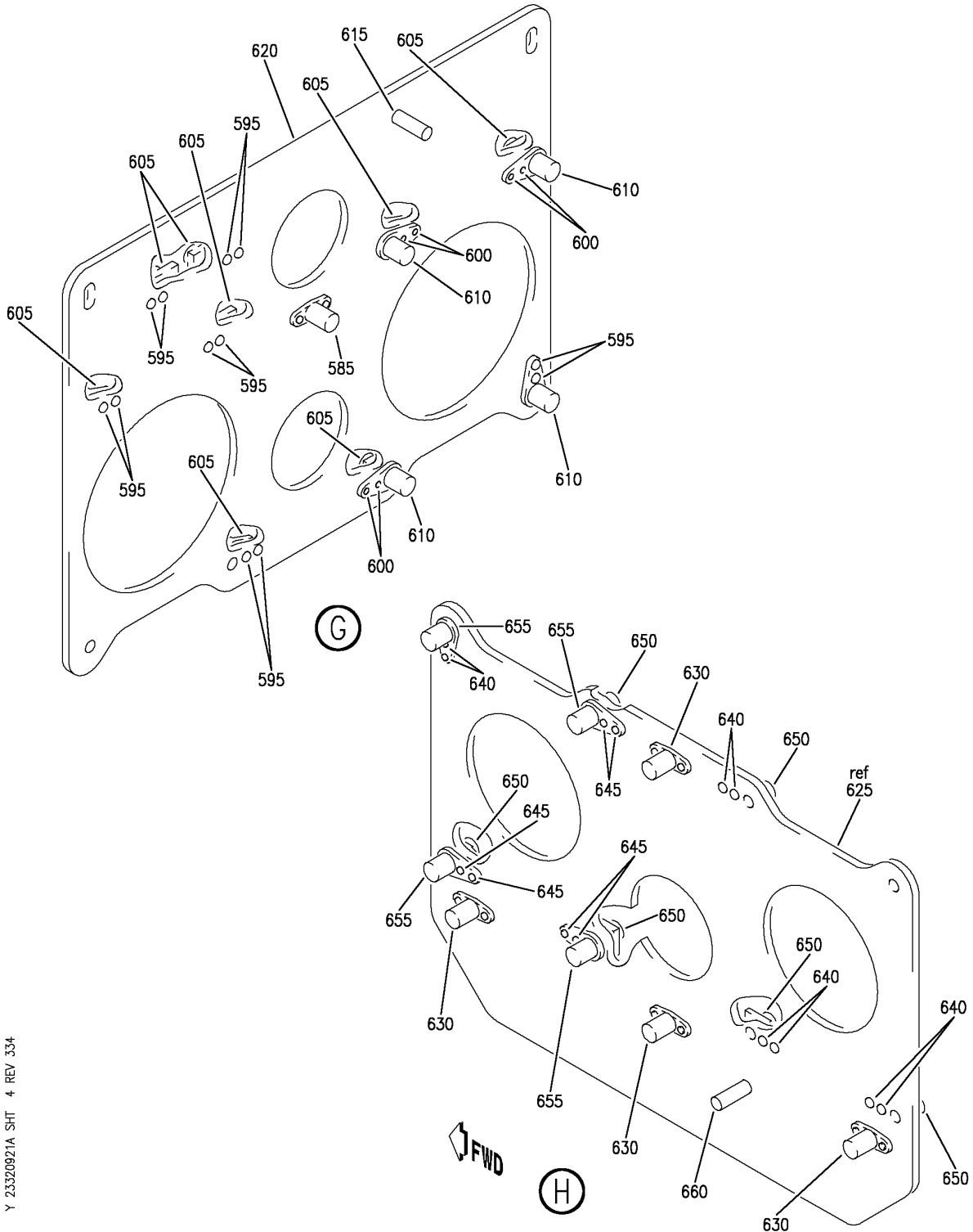
EQUIPMENT INSTL-VIDEO DISTR UNIT CLUSTER AND SPRT
FIGURE 21A (SHEET 3)

23-32-09-21A

BRI
MAY 20/09

23-32-09-21A
PAGE 0B

BOEING
757
PARTS CATALOG (MAINTENANCE)



Y 23320921A SHIT 4 REV 334

EQUIPMENT INSTL-VIDEO DISTR UNIT CLUSTER AND SPRT
FIGURE 21A (SHEET 4)

23-32-09-21A

BRI
MAY 20/09

23-32-09-21A
PAGE 0C



757

PARTS CATALOG (MAINTENANCE)

FIG ITEM	PART NUMBER	1 2 3 4 5 6 7	NOMENCLATURE	EFFECT FROM TO	UNITS PER ASSY
21A			EQUIPMENT INSTL-VIDEO DISTR UNIT CLUSTER AND SPRT	103106	
- 1	MODREF33393		EQUIPMENT INSTL-4 VIDEO DISTR UNIT CLUSTER NO TERM. PLUG MODULE NUMBER: 417N7662-110 REV C POSITION DATA: STA 564.89 RBL 30.345 WL 296.447	103105	1
- 1	MODREF185045		EQUIPMENT INSTL-4 VIDEO DISTR UNIT CLUSTER NO TERM. PLUG MODULE NUMBER: 417N7662-110 REV D POSITION DATA: STA 564.89 RBL 30.345 WL 296.447	106106	1
10	BAC27DEX6712		.DECAL- PLACARD CONTENT: M11361	103106	1
15	BAC27DEX6713		.DECAL- PLACARD CONTENT: M11362	103106	1
20	BAC27DEX6714		.DECAL- PLACARD CONTENT: M11363	103106	1
25	BAC27DEX6715		.DECAL- PLACARD CONTENT: M11364	103106	1
30	BACS12GU3K9		.SCREW	103106	8
35	BACS12GU3K17		.SCREW	103106	4
40	BACS12GU3K19		.SCREW	103106	2
45	BACS12GU3K20		.SCREW	103106	2
50	NAS1149D0332J		.WASHER	103106	16
55	287T0011-3		.CLAMP	103106	4

MISSING ITEM NUMBERS NOT APPLICABLE

- ITEM NOT ILLUSTRATED

23-32-09-21A

23-32-09
FIG. 21A
PAGE 1
JAN 20/09

BRI

BOEING PROPRIETARY - Copyright © - Unpublished Work - See title page for details.



757

PARTS CATALOG (MAINTENANCE)

FIG ITEM	PART NUMBER	1 2 3 4 5 6 7	NOMENCLATURE	EFFECT FROM TO	UNITS PER ASSY
21A 60	RDAV4002-10		.UNIT-VIDEO DISTR (CUSTOMER FURNISHED) SUPPLIER CODE: VSZ437 FUNCTIONAL DESCRIPTION: DISTRIBUTES VIDEO PROGRAMS TO THE SEAT GROUPS. ELECTRICAL EQUIP NUMBER: M11361 M11362 M11363 M11364 COMPONENT MAINT MANUAL REF: 23-32-13	103106	4
- 70	MODREF33394		EQUIPMENT INSTL-3 VIDEO DISTR UNIT CLUSTER NO TERM. PLUG MODULE NUMBER: 417N7662-113 REV C POSITION DATA: STA 1464.89 RBL 30.345 WL 296.447	103106	1
- 75	MODREF33395		EQUIPMENT INSTL-3 VIDEO DISTR UNIT CLUSTER NO TERM. PLUG MODULE NUMBER: 417N7662-114 REV B POSITION DATA: STA 924.89 RBL 30.345 WL 296.447	103106	1
80	BAC27DEX6742		.DECAL- PLACARD CONTENT: M11543 USED ON: MODREF33394 MODREF209109	103106	1
85	BAC27DEX6863		.DECAL- PLACARD CONTENT: M11544 USED ON: MODREF33394 MODREF209109	103106	1
90	BAC27DEX6864		.DECAL- PLACARD CONTENT: M11545 USED ON: MODREF33394 MODREF209109	103106	1

MISSING ITEM NUMBERS NOT APPLICABLE

- ITEM NOT ILLUSTRATED

23-32-09-21A

23-32-09
FIG. 21A
PAGE 2
MAY 20/09

BRI



757

PARTS CATALOG (MAINTENANCE)

FIG ITEM	PART NUMBER	1 2 3 4 5 6 7	NOMENCLATURE	EFFECT FROM TO	UNITS PER ASSY
R R R R R R R R R R	21A 95	BAC27DEX6720	.DECAL- PLACARD CONTENT: M11369 USED ON: MODREF33395 MODREF209110	103106	1
	100	BAC27DEX6721	.DECAL- PLACARD CONTENT: M11370 USED ON: MODREF33395 MODREF209110	103106	1
	105	BAC27DEX6722	.DECAL- PLACARD CONTENT: M11371 USED ON: MODREF33395 MODREF209110	103106	1
	110	BACS12GU3K9	.SCREW	103106	8
	115	BACS12GU3K17	.SCREW	103106	2
	120	BACS12GU3K18	.SCREW	103106	1
	125	BACS12GU3K19	.SCREW	103106	2
	130	BACS12GU3K20	.SCREW	103106	1
	135	NAS1149D0332J	.WASHER	103106	14
	140	287T0011-3	.CLAMP	103106	4
R R R R R R R R R R	150	RDAV4002-10	.UNIT-VIDEO DISTR (CUSTOMER FURNISHED) SUPPLIER CODE: VSZ437 FUNCTIONAL DESCRIPTION: DISTRIBUTES VIDEO PROGRAMS TO THE SEAT GROUPS. ELECTRICAL EQUIP NUMBER: M11369 M11370 M11371 M11543 M11544 M11545 COMPONENT MAINT MANUAL REF: 23-32-13	103106	3

MISSING ITEM NUMBERS NOT APPLICABLE

- ITEM NOT ILLUSTRATED

23-32-09-21A

23-32-09
FIG. 21A
PAGE 3
MAY 20/09

BRI

BOEING PROPRIETARY - Copyright © - Unpublished Work - See title page for details.

BOEING
757
PARTS CATALOG (MAINTENANCE)

FIG ITEM	PART NUMBER	1 2 3 4 5 6 7	NOMENCLATURE	EFFECT FROM TO	UNITS PER ASSY
21A 160	RDAV2905		.PLUG-VIDEO TERM. (CUSTOMER FURNISHED) SUPPLIER CODE: VOFF57 ELECTRICAL EQUIP NUMBER: M10930 M11021 COMPONENT MAINT MANUAL REF: 23-32-28 USED ON: MODREF209109 MODREF209110 MODREF33394 MODREF33395	103106	1
- 175	MODREF33396		EQUIPMENT INSTL-2 VIDEO DISTR UNIT CLUSTER NO TERM. PLUG MODULE NUMBER: 417N7662-115 REV B POSITION DATA: STA 1104.89 RBL 30.345 WL 296.447	103106	1
180	BAC27DEX7008		.DECAL- PLACARD CONTENT: M11814	103106	1
185	BAC27DEX7007		.DECAL- PLACARD CONTENT: M11813	103106	1
190	BACS12GU3K9		.SCREW	103106	4
195	BACS12GU3K17		.SCREW	103106	2
200	BACS12GU3K18		.SCREW	103106	1
205	BACS12GU3K19		.SCREW	103106	2
210	BACS12GU3K20		.SCREW	103106	1
215	NAS1149D0332J		.WASHER	103106	10
220	287T0011-3		.CLAMP	103106	4
225	RDAV4002-10		.UNIT-VIDEO DISTR (CUSTOMER FURNISHED) SUPPLIER CODE: VSZ437 FUNCTIONAL DESCRIPTION: DISTRIBUTES VIDEO PROGRAMS TO THE SEAT GROUPS. ELECTRICAL EQUIP NUMBER: M11813 M11814 COMPONENT MAINT MANUAL REF: 23-32-13	103106	2

R
R
R
R
R
R
R
R
R
R
R

MISSING ITEM NUMBERS NOT APPLICABLE

- ITEM NOT ILLUSTRATED

23-32-09-21A

23-32-09
FIG. 21A
PAGE 4
MAY 20/09

BRI

BOEING PROPRIETARY - Copyright © - Unpublished Work - See title page for details.

PARTS CATALOG (MAINTENANCE)

FIG ITEM	PART NUMBER	1 2 3 4 5 6 7	NOMENCLATURE	EFFECT FROM TO	UNITS PER ASSY
R R	21A - 500	MODREF18816	EQUIPMENT INSTL-VIDEO DISTR UNIT SPRT MODULE NUMBER: 417N7666-19 REV A POSITION DATA: STA 564.89 RBL 26.91 WL 299.04	103106	1
	- 505	MODREF18818	EQUIPMENT INSTL-VIDEO DISTR UNIT SPRT MODULE NUMBER: 417N7666-21 REV A POSITION DATA: STA 924.89 RBL 26.91 WL 299.04	103106	1
	- 510	MODREF18873	EQUIPMENT INSTL-VIDEO DISTR UNIT SPRT MODULE NUMBER: 417N7666-31 REV A POSITION DATA: STA 1104.89 RBL 26.91 WL 299.04	103106	1
	- 515	MODREF18866	EQUIPMENT INSTL-VIDEO DISTR UNIT SPRT MODULE NUMBER: 417N7666-23 REV A POSITION DATA: STA 1464.89 RBL 26.91 WL 299.04	103106	1
	520	BACS12GU3K6	.SCREW-	103106	12
	525	BACS12GU3K8	.SCREW-	103106	4
	530	BACS12GU3K9	.SCREW-	103106	2
	535	BACS12GU3K16	.SCREW-	103106	2
	540	NAS1149D0332J	.WASHER-	103106	20
	545	BACN10VR2CG	.NUT-	103106	6
	550	BACS38P7	.SUPPORT- USED ON: 417N7666-19 417N7666-21 417N7666-31 MODREF18816 MODREF18818 MODREF18873	103106	6
	555	BACS38P7	.SUPPORT- USED ON: 417N7666-23 MODREF18866	103106	3

MISSING ITEM NUMBERS NOT APPLICABLE

- ITEM NOT ILLUSTRATED

BRI

23-32-09-21A

BOEING PROPRIETARY - Copyright © - Unpublished Work - See title page for details.

23-32-09
FIG. 21A
PAGE 5
MAY 20/09


BOEING
 757
PARTS CATALOG (MAINTENANCE)

FIG ITEM	PART NUMBER	1 2 3 4 5 6 7	NOMENCLATURE	EFFECT FROM TO	UNITS PER ASSY
R R R R R R R R R R R R R R R R	21A 560		.SUPPORT- USED ON: 417N7666-23 MODREF18866	103106	3
	565	417N7105-245	.BRACKET-SPRT	103106	2
	570	417N7105-246	.BRACKET-SPRT	103106	2
	575	417N7105-247	.BRACKET-SPRT	103106	2
	580	417N7102-347	.BRACKET ASSY-VDU SUPT	103106	1
	585	WS1-4A6	..NUT-PLATE SUPPLIER CODE: V04169 SPECIFICATION NUMBER: BACN10TL3A6 ATTACHING PARTS	103106	1
	- 590	BACR15BB4AD	..RIVET- SIZE DETERMINED ON INSTL. -----*-----	103106	2
	595	BACR15BA3AD	..RIVET- SIZE DETERMINED ON INSTL.	103106	12
	600	BACR15BB3AD	..RIVET- SIZE DETERMINED ON INSTL.	103106	6
	605	F177-3	..NUTPLATE- SUPPLIER CODE: V72962 SPECIFICATION NUMBER: BACN10JA3 OPTIONAL PART: F2400-3 V15653 43610-02 V80539 BRF110A3 V52828 BRF170A3 V52828	103106	8
	610	295926-50	..SPACER- SUPPLIER CODE: V60119 SPECIFICATION NUMBER: BACS18R50B	103106	4
	615	VNS1924CA2-8	..STUD-GND SUPPLIER CODE: V5M902 SPECIFICATION NUMBER: BACS53B1EA2 OPTIONAL PART: VNS1924CA3-2-8 V92215	103106	1
	620	417N7102-345	..BRACKET-	103106	1

MISSING ITEM NUMBERS NOT APPLICABLE

- ITEM NOT ILLUSTRATED

BRI

23-32-09-21A

BOEING PROPRIETARY - Copyright © - Unpublished Work - See title page for details.

23-32-09
 FIG. 21A
 PAGE 6
 MAY 20/09



757

PARTS CATALOG (MAINTENANCE)

FIG ITEM	PART NUMBER	1 2 3 4 5 6 7	NOMENCLATURE	EFFECT FROM TO	UNITS PER ASSY
R	21A				
R	625	417N7102-348	.BRACKET ASSY-VDU SUPT	103106	1
R	630	WS1-4A6	..NUT-PLATE	103106	4
R			SUPPLIER CODE: V04169		
R			SPECIFICATION NUMBER: BACN10TL3A6		
R			ATTACHING PARTS		
R	- 635	BACR15BA4AD	..RIVET-	103106	8
R			SIZE DETERMINED ON INSTL. -----*-----		
R	640	BACR15BA3AD	..RIVET-	103106	8
R			SIZE DETERMINED ON INSTL.		
R	645	BACR15BB3AD	..RIVET-	103106	6
R			SIZE DETERMINED ON INSTL.		
R	650	F177-3	..NUTPLATE-	103106	6
R			SUPPLIER CODE: V72962		
R			SPECIFICATION NUMBER: BACN10JA3		
R			OPTIONAL PART: F2400-3		
R			V15653		
R			43610-02		
R			V80539		
R			BRF110A3		
R			V52828		
R			BRF170A3		
R			V52828		
R	655	295926-50	..SPACER-	103106	4
R			SUPPLIER CODE: V60119		
R			SPECIFICATION NUMBER: BACS18R50B		
R	660	VNS1924CA2-8	..STUD-GND	103106	1
R			SUPPLIER CODE: V5M902		
R			SPECIFICATION NUMBER: BACS53B1EA2		
R			OPTIONAL PART: VNS1924CA3-2-8		
R			V92215		
R	665	417N7102-198	.BRACKET-	103106	1
R			ATTACHING PARTS		
R	- 670	BACS12GU3K9	.SCREW-	103106	2
R	- 675	NAS1149D0332J	.WASHER-	103106	2
			-----*-----		

MISSING ITEM NUMBERS NOT APPLICABLE

- ITEM NOT ILLUSTRATED

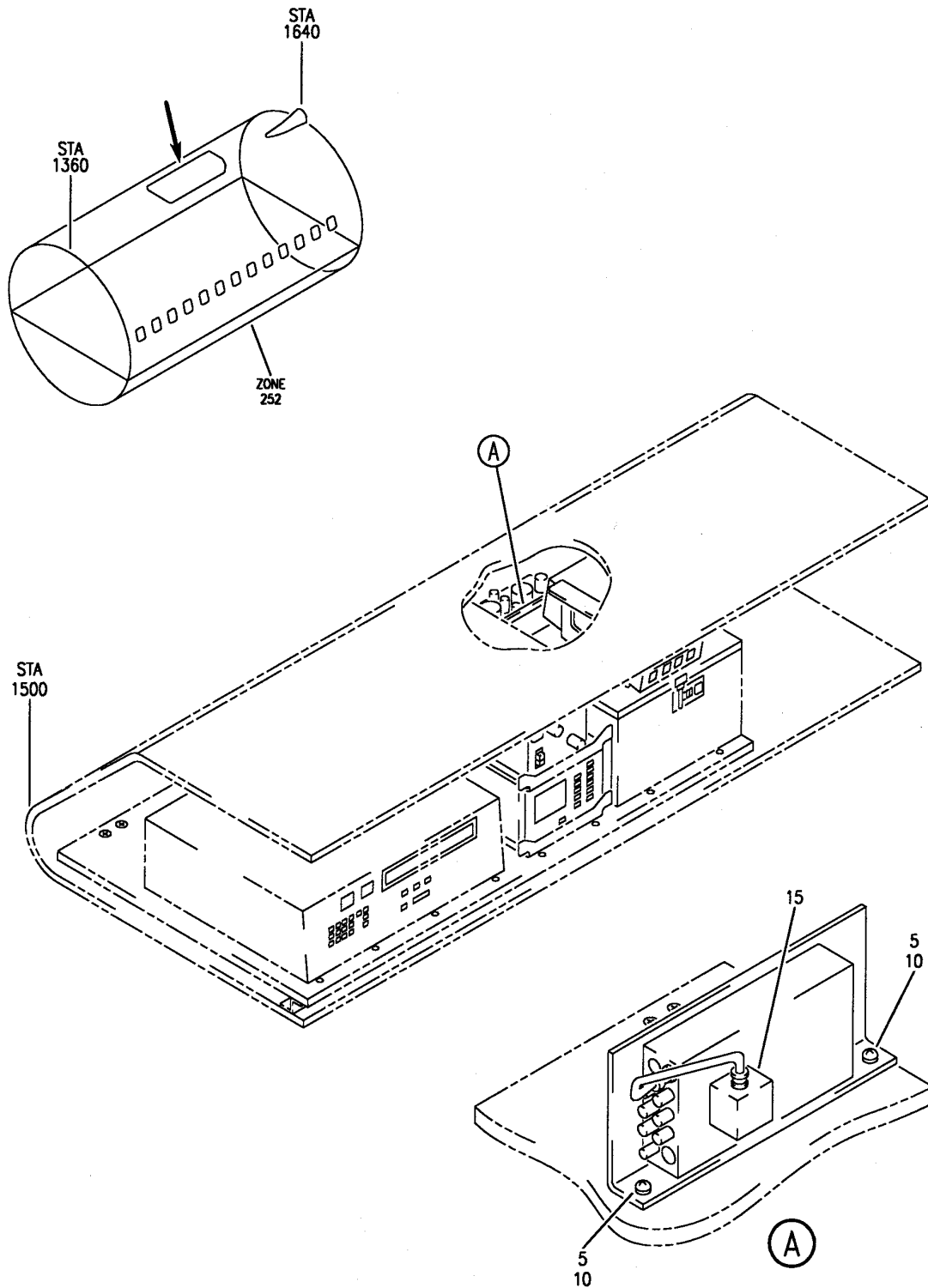
23-32-09-21A

23-32-09
FIG. 21A
PAGE 7
MAY 20/09

BRI

BOEING PROPRIETARY - Copyright © - Unpublished Work - See title page for details.

BOEING
757
PARTS CATALOG (MAINTENANCE)



Y 23321303 REV 212

EQUIPMENT INSTL-VIDEO (DISTRIBUTION AMPLIFIER ONLY)
FIGURE 3

23-32-13-03

BRI
MAY 28/07

23-32-13-03
PAGE 0



757

PARTS CATALOG (MAINTENANCE)

FIG ITEM	PART NUMBER	1 2 3 4 5 6 7	NOMENCLATURE	EFFECT FROM TO	UNITS PER ASSY
3			EQUIPMENT INSTL-VIDEO (DISTRIBUTION AMPLIFIER ONLY)	002004 006102	
- 1	417N7400-12		EQUIPMENT INSTL-VIDEO (DISTRIBUTION AMPLIFIER ONLY) FOR NHA/ADDITIONAL DET SEE: 23-32-00-01	002004	RF
- 1	417N7400-24		EQUIPMENT INSTL-VIDEO (DISTRIBUTION AMPLIFIER ONLY) FOR NHA/ADDITIONAL DET SEE: 23-32-00-01 25-20-00-11D	006101	RF
- 1	417N7400-82		EQUIPMENT INSTL-VIDEO (DISTRIBUTION AMPLIFIER ONLY) FOR NHA/ADDITIONAL DET SEE: 25-20-00-11D	102102	RF
5	BACB30NT3K2		.BOLT	006102	2
10	NAS1149D0363J		.WASHER	006102	2
15	492146-0017		.AMPLIFIER-DISTRIBUTION SUPPLIER CODE: V62204 ELECTRICAL EQUIP NUMBER: M10939 COMPONENT MAINT MANUAL REF: 23-33-86	102102	1
15	492146-0017		.AMPLIFIER-DISTRIBUTION (CUSTOMER FURNISHED) SUPPLIER CODE: V62204 ELECTRICAL EQUIP NUMBER: M10939 COMPONENT MAINT MANUAL REF: 23-33-86	002004 006101	1

MISSING ITEM NUMBERS NOT APPLICABLE

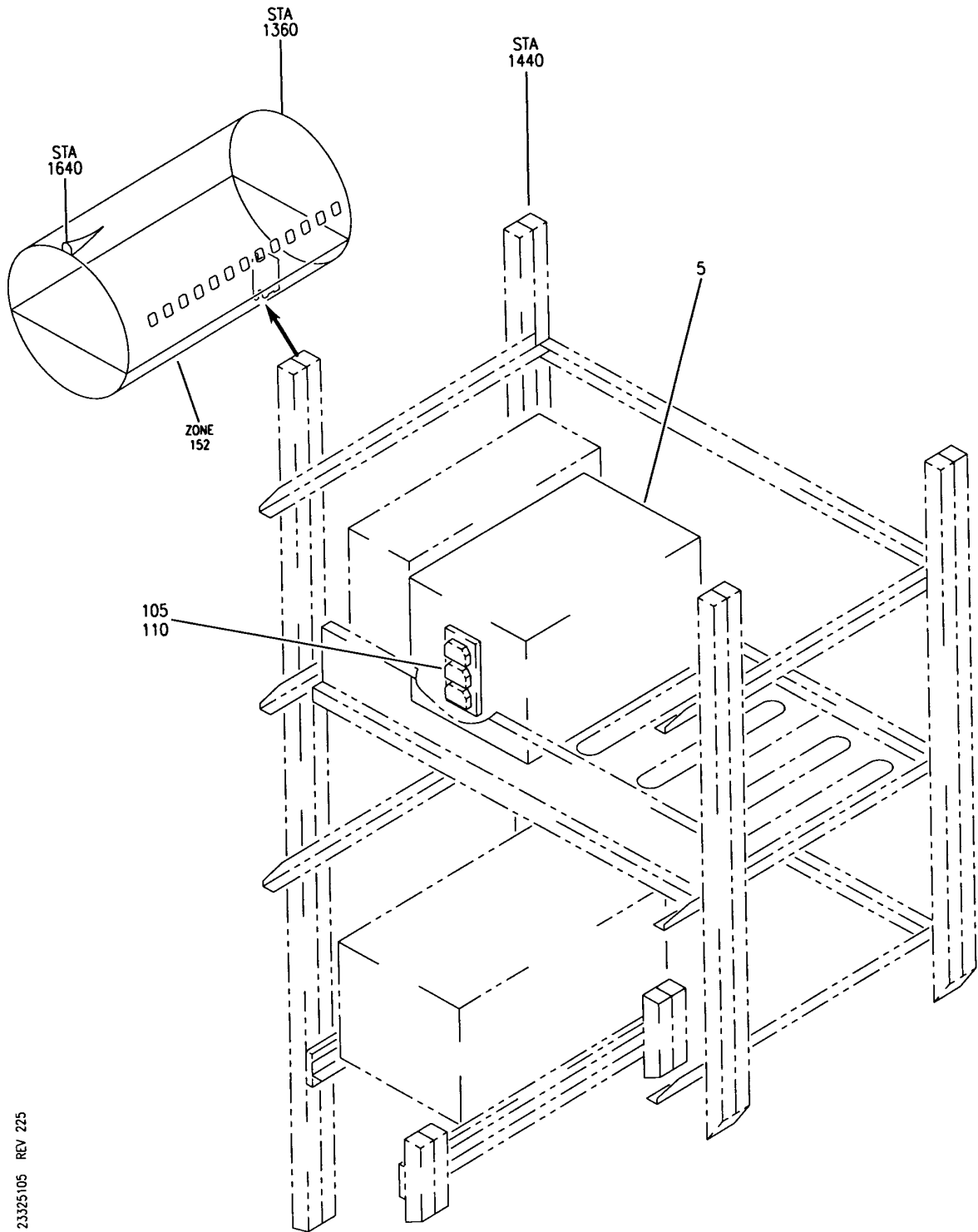
- ITEM NOT ILLUSTRATED

23-32-13-03

23-32-13
FIG. 03
PAGE 1
JAN 20/09

BRI

BOEING
757
PARTS CATALOG (MAINTENANCE)



Y 23325105 REV 225

EQUIPMENT INSTL-E6 AFT EQPT CTR RANDOM ACCESS DEVICE
FIGURE 5

23-32-51-05

BRI
JAN 20/09

23-32-51-05
PAGE 0



**757
PARTS CATALOG (MAINTENANCE)**

FIG ITEM	PART NUMBER	1 2 3 4 5 6 7	NOMENCLATURE	EFFECT FROM TO	UNITS PER ASSY
5			EQUIPMENT INSTL-E6 AFT EQPT CTR RANDOM ACCESS DEVICE	103106	
- 1	MODREF33581		EQUIPMENT INSTL-E6 AFT EQPT CTR RANDOM ACCESS DEVICE	103106	1
5	915020-00		MODULE NUMBER: 284N6000-230012 REV C .ENTERTAINMENT PLAYER- RANDOM ACCESS VIDEO SUPPLIER CODE: V70093 FUNCTIONAL DESCRIPTION: PROVIDES ADDITIONAL DATA STORAGE WHICH IS UTILIZED IN THE AIRSHOW PASSENGER IN-FLIGHT INFORMATION SYSTEM ELECTRICAL EQUIP NUMBER: M11415	103106	1
- 100	286N1049-601		WIRE BUNDLE ASSY	103106	RF
105	BCREF133268		.PLUG ASSY-PLATE SUPPLIER CODE: V71468 OVERLENGTH PART NUMBER: DPX3MAB96-33S0005 ELECTRICAL EQUIP NUMBER: D04035 WIRING DIAGRAM REF: 233221	103106	1
110	527-082G		.BACKSHELL- SUPPLIER CODE: V06324 ELECTRICAL EQUIP NUMBER: D04035T WIRING DIAGRAM REF: 233221	103106	1

MISSING ITEM NUMBERS NOT APPLICABLE

- ITEM NOT ILLUSTRATED

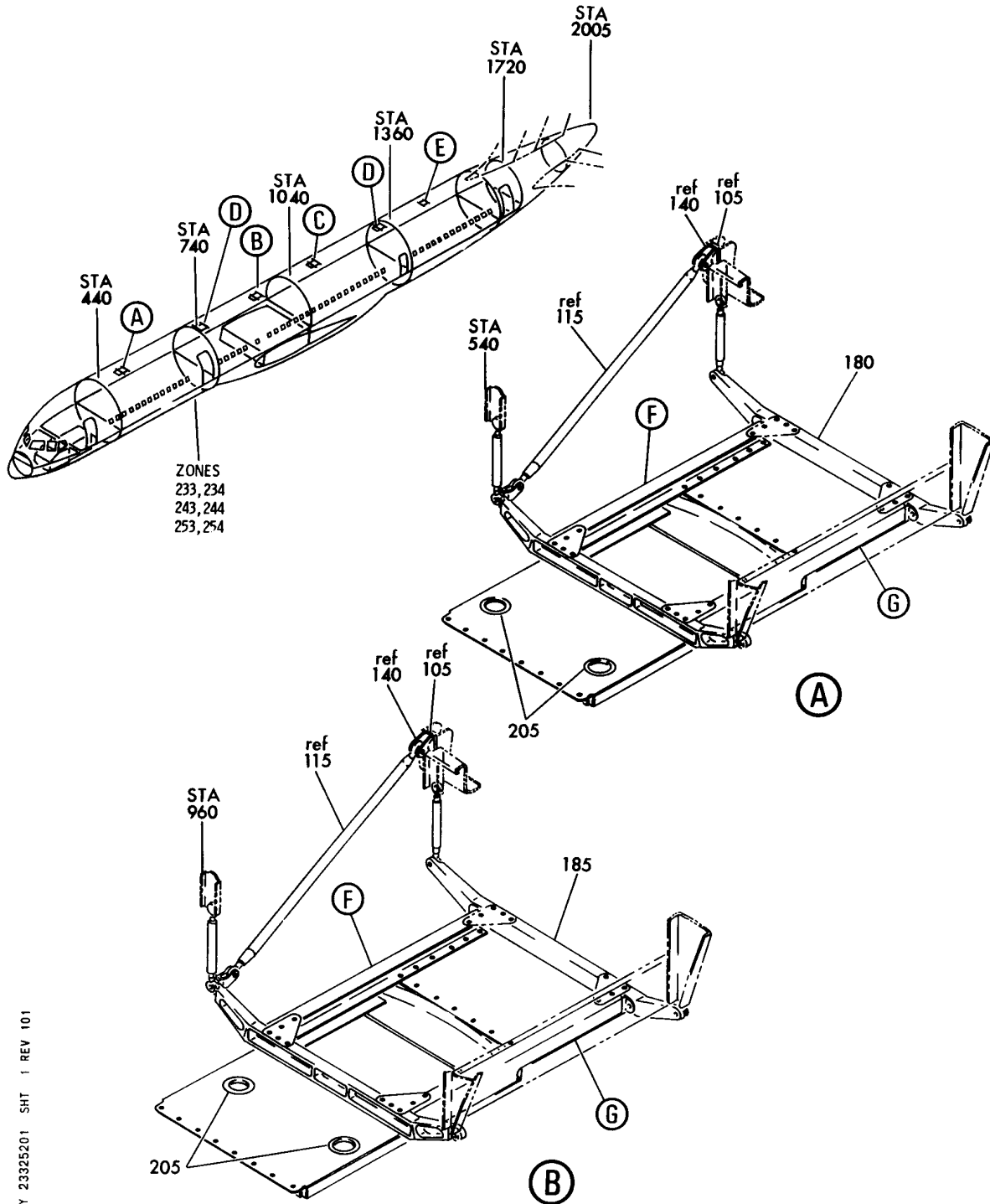
BRI

23-32-51-05

BOEING PROPRIETARY - Copyright © - Unpublished Work - See title page for details.

23-32-51
FIG. 05
PAGE 1
JAN 20/09

BOEING
757
PARTS CATALOG (MAINTENANCE)



Y 23325201 SHT 1 REV 101

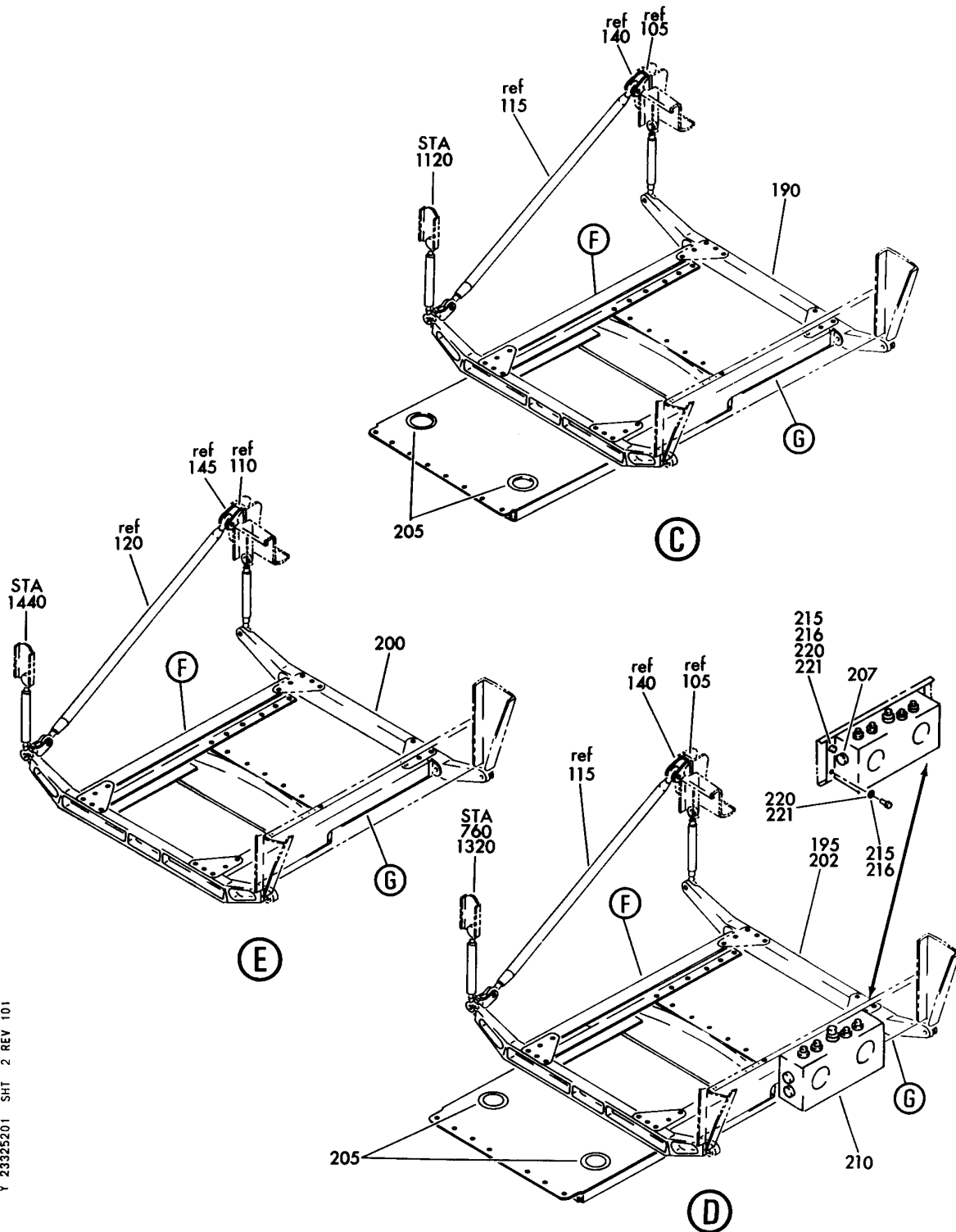
SUPPORT INSTL-VIDEO MON
FIGURE 1 (SHEET 1)

23-32-52-01

BRI
MAY 28/07

23-32-52-01
PAGE 0

BOEING
757
PARTS CATALOG (MAINTENANCE)



Y 23325201 SHT 2 REV 101

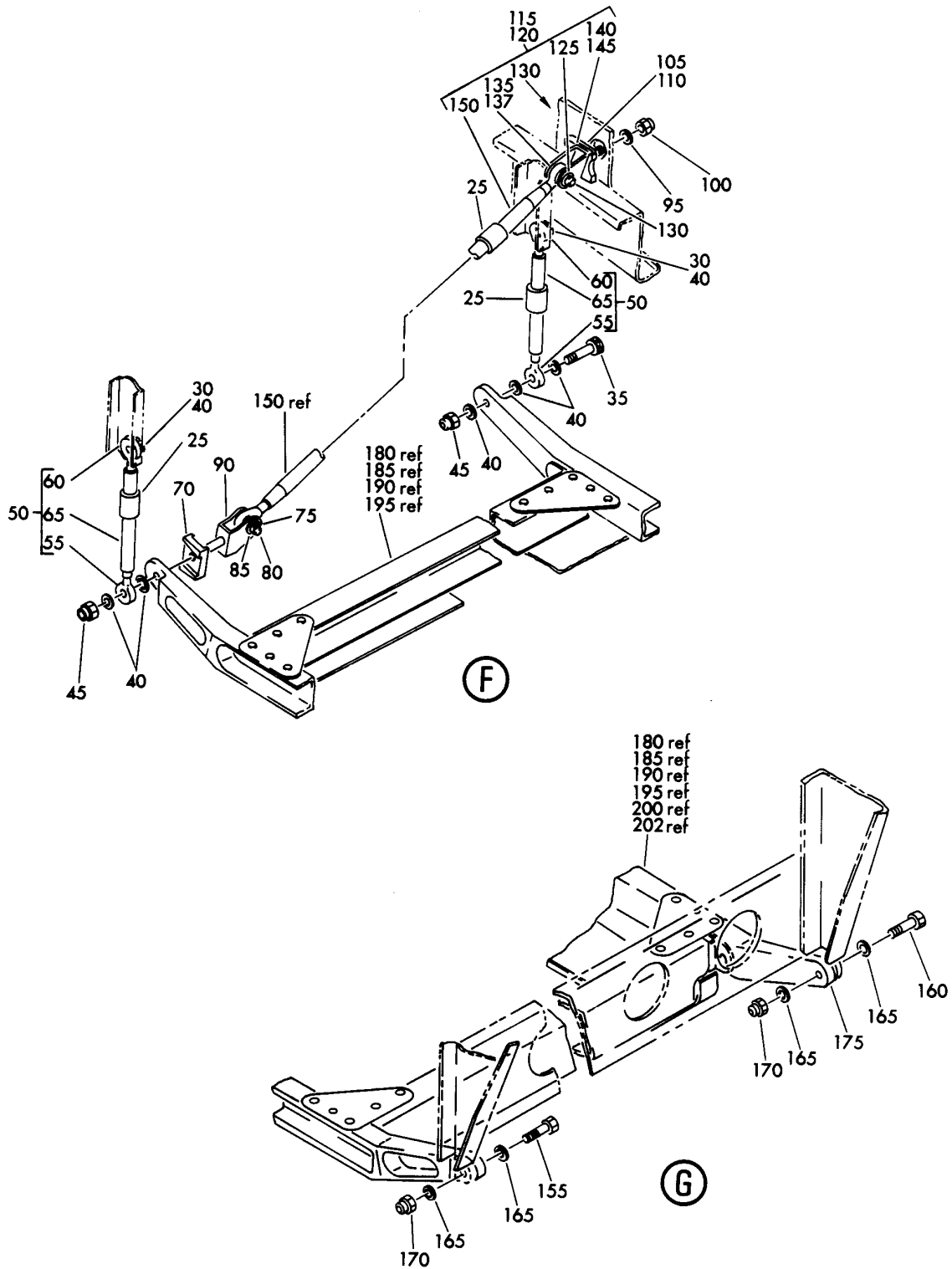
SUPPORT INSTL-VIDEO MON
FIGURE 1 (SHEET 2)

23-32-52-01

BRI
MAY 28/07

23-32-52-01
PAGE 0A

BOEING
757
PARTS CATALOG (MAINTENANCE)



Y 23325201 SHT 3 REV 052

SUPPORT INSTL-VIDEO MON
FIGURE 1 (SHEET 3)

23-32-52-01

BRI
MAY 28/07

23-32-52-01
PAGE 0B



757

PARTS CATALOG (MAINTENANCE)

FIG ITEM	PART NUMBER	1 2 3 4 5 6 7	NOMENCLATURE	EFFECT FROM TO	UNITS PER ASSY
1			SUPPORT INSTL-VIDEO MON	121503 904949	
- 2	417N7100-8		SUPPORT INSTL-VIDEO MON POSITION DATA: STA 600 TO 620 FOR NHA SEE: 25-20-00-01	121503 904949	RF
- 3	417N7100-41		SUPPORT INSTL-VIDEO MON POSITION DATA: STA 760 TO 780 FOR NHA SEE: 25-20-00-01	121503 904949	RF
- 5	417N7100-45		SUPPORT INSTL-VIDEO MON POSITION DATA: STA 960 TP 980 FOR NHA SEE: 25-20-00-01	121503 904949	RF
- 10	417N7100-3		SUPPORT INSTL-VIDEO MON POSITION DATA: STA 1120 TO 1139.82 FOR NHA SEE: 25-20-00-01	121503 904949	RF
- 15	417N7100-42		SUPPORT INSTL-VIDEO MON POSITION DATA: STA 1320 TO 1340 FOR NHA SEE: 25-20-00-01	121503 904949	RF
- 20	417N7100-5		SUPPORT INSTL-VIDEO MON POSITION DATA: STA 1440 TO 1460 FOR NHA SEE: 25-20-00-01	121503 904949	RF
25	417N7100-7		.TRAP-MOISTURE	121503 904949	AR
30	BACB30NR4K6		.BOLT	121503 904949	2
35	BACB30NR4K10		.BOLT	121503 904949	1
40	AN960JD416L		.WASHER	121503 904949	6

MISSING ITEM NUMBERS NOT APPLICABLE

- ITEM NOT ILLUSTRATED

23-32-52-01

23-32-52
FIG. 01
PAGE 1
JAN 20/09

BRI



757

PARTS CATALOG (MAINTENANCE)

FIG ITEM	PART NUMBER	1 2 3 4 5 6 7	NOMENCLATURE	EFFECT FROM TO	UNITS PER ASSY
1 45	BRH10C4D	.	NUT SUPPLIER CODE: V52828 SPECIFICATION NUMBER: BACN10JC4CD OPTIONAL PART: T6C428JCD V11815 NS202486-048 V80539 102LH9075-4W V72962 H51650-4BAC V15653	121503 904949	2
50	65-80898-15	.	TURNBUCKLE ASSY	121503 904949	2
55	1254-1	..	BEARING-ROD END SUPPLIER CODE: V34742 OPTIONAL PART: AHM4-104 V50294 FM4-7 V02695 M44-9A V34722 ACM4-3 V56644	121503 904949	1
55	AHM4-104	..	BEARING-ROD END SUPPLIER CODE: V50294 OPTIONAL PART: 1254-1 V34742 FM4-7 V02695 M44-9A V34722 ACM4-3 V56644	121503 904949	1

MISSING ITEM NUMBERS NOT APPLICABLE

- ITEM NOT ILLUSTRATED

BRI

23-32-52-01

BOEING PROPRIETARY - Copyright © - Unpublished Work - See title page for details.

23-32-52
FIG. 01
PAGE 2
JAN 20/09



757

PARTS CATALOG (MAINTENANCE)

FIG ITEM	PART NUMBER	1 2 3 4 5 6 7	NOMENCLATURE	EFFECT FROM TO	UNITS PER ASSY
1					
55	FM4-7		.. BEARING-ROD END SUPPLIER CODE: V02695 OPTIONAL PART: 1254-1 V34742 AHM4-104 V50294 M44-9A V34722 ACM4-3 V56644	121503 904949	1
55	M44-9A		.. BEARING-ROD END SUPPLIER CODE: V34722 OPTIONAL PART: 1254-1 V34742 AHM4-104 V50294 FM4-7 V02695 ACM4-3 V56644	121503 904949	1
55	ACM4-3		.. BEARING-ROD END SUPPLIER CODE: V56644 OPTIONAL PART: 1254-1 V34742 AHM4-104 V50294 FM4-7 V02695 M44-9A V34722	121503 904949	1
60	1254-1L		.. BEARING-ROD END SUPPLIER CODE: V34742 OPTIONAL PART: AHML4-104 V50294 FML4-7 V02695 ML44-9A V34722 ACB4-3 V56644	121503 904949	1

MISSING ITEM NUMBERS NOT APPLICABLE

- ITEM NOT ILLUSTRATED

BRI

23-32-52-01

23-32-52
FIG. 01
PAGE 3
JAN 20/09



757

PARTS CATALOG (MAINTENANCE)

FIG ITEM	PART NUMBER	1 2 3 4 5 6 7	NOMENCLATURE	EFFECT FROM TO	UNITS PER ASSY
1 60	AHML4-104		.. BEARING-ROD END SUPPLIER CODE: V50294 OPTIONAL PART: 1254-1L V34742 FML4-7 V02695 ML44-9A V34722 ACB4-3 V56644	121503 904949	1
60	FML4-7		.. BEARING-ROD END SUPPLIER CODE: V02695 OPTIONAL PART: 1254-1L V34742 AHML4-104 V50294 ML44-9A V34722 ACB4-3 V56644	121503 904949	1
60	ML44-9A		.. BEARING-ROD END SUPPLIER CODE: V34722 OPTIONAL PART: 1254-1L V34742 AHML4-104 V50294 FML4-7 V02695 ACB4-3 V56644	121503 904949	1
60	ACB4-3		.. BEARING-ROD END SUPPLIER CODE: V56644 OPTIONAL PART: 1254-1L V34742 AHML4-104 V50294 FML4-7 V02695 ML44-9A V34722	121503 904949	1

MISSING ITEM NUMBERS NOT APPLICABLE

- ITEM NOT ILLUSTRATED

BRI

23-32-52-01

23-32-52
FIG. 01
PAGE 4
JAN 20/09



757

PARTS CATALOG (MAINTENANCE)

FIG ITEM	PART NUMBER	1 2 3 4 5 6 7	NOMENCLATURE	EFFECT FROM TO	UNITS PER ASSY
1					
65	65-81149-29	. .	TUBE	121503 904949	1
70	417N7104-1	. .	LOCK-CLEVIS	121503 904949	1
75	MS24665-132	. .	PIN	121503 904949	1
80	MS20392-3C17	. .	PIN	121503 904949	1
85	AN960JD416L	. .	WASHER	121503 904949	1
90	417N7105-5	. .	CLEVIS	121503 904949	1
95	AN960JD516L	. .	WASHER	121503 904949	1
100	BRH10C5D	. .	NUT	121503 904949	1
			SUPPLIER CODE: V52828		
			SPECIFICATION NUMBER: BACN10JC5CD		
			OPTIONAL PART: T6C524JCD		
			V11815		
			102LH9075-5W		
			V72962		
			H51650-5BAC		
			V15653		
105	417N7104-2	. .	INSULATOR-LOCKING	121503 904949	1
			USED ON:		
			417N7100-2		
			417N7100-3		
			417N7100-4		
			417N7100-5		
			417N7100-8		
			417N7100-9		
			417N7100-10		
			417N7100-11		
			417N7100-14		
			417N7100-15		
			417N7100-16		
			417N7100-17		
			417N7100-41		
			417N7100-42		
			417N7100-45		
110	412N2032-3	. .	INSULATOR-	121503 904949	1
			USED ON:		
			417N7100-5		
			417N7100-40		

MISSING ITEM NUMBERS NOT APPLICABLE

- ITEM NOT ILLUSTRATED

23-32-52-01

23-32-52
FIG. 01
PAGE 5
JAN 20/09

BRI



757

PARTS CATALOG (MAINTENANCE)

FIG ITEM	PART NUMBER	1 2 3 4 5 6 7	NOMENCLATURE	EFFECT FROM TO	UNITS PER ASSY
1 115	411N3303-14	.ROD ASSY-TIE USED ON: 417N7100-2 417N7100-3 417N7100-4 417N7100-5 417N7100-8 417N7100-9 417N7100-10 417N7100-11 417N7100-14 417N7100-15 417N7100-16 417N7100-17 417N7100-41 417N7100-42 417N7100-45		121503 904949	1
120	417N7100-6	.ROD ASSY-TIE USED ON: 417N7100-5		121503 904949	1
125	MS24665-132	..PIN		121503 904949	1
130	MS20392-3C17	..PIN		121503 904949	1
135	AN960KD416L	..WASHER- USED ON: 411N3303-14		121503 904949	1
137	AN960JD416L	..WASHER- USED ON: 417N7100-6 417N7100-44		121503 904949	1
140	412N2031-1	..CLEVIS- USED ON: 411N3303-14		121503 904949	1
145	417N7105-6	..CLEVIS- USED ON: 417N7100-6 417N7100-44		121503 904949	1
150	1293-83	..ROD ASSY- SUPPLIER CODE: V34742 USED ON: 411N3303-14		121503 904949	1
150	1293-83	..ROD ASSY- SUPPLIER CODE: V34742 USED ON: 417N7100-6		121503 904949	1

MISSING ITEM NUMBERS NOT APPLICABLE

- ITEM NOT ILLUSTRATED

23-32-52-01

23-32-52
FIG. 01
PAGE 6
JAN 20/09

BRI



757

PARTS CATALOG (MAINTENANCE)

FIG ITEM	PART NUMBER	1 2 3 4 5 6 7	NOMENCLATURE	EFFECT FROM TO	UNITS PER ASSY
1					
155	BACB30NR4K9	.	BOLT	121503 904949	1
160	BACB30NR4K8	.	BOLT	121503 904949	1
165	AN960JD416L	.	WASHER	121503 904949	4
170	BRH10C4D	.	NUT	121503 904949	2
			SUPPLIER CODE: V52828		
			SPECIFICATION NUMBER: BACN10JC4CD		
			OPTIONAL PART: T6C428JCD		
			V11815		
			NS202486-048		
			V80539		
			102LH9075-4W		
			V72962		
			H51650-4BAC		
			V15653		
175	BACS40U4L5	.	SHIM	121503 904949	1
180	417N7101-1	.	SUPPORT ASSY- USED ON: 417N7100-8	121503 904949	1
190	417N7101-4	.	SUPPORT ASSY- USED ON: 417N7100-3	121503 904949	1
195	417N7101-25	.	SUPPORT ASSY- USED ON: 417N7100-42	121503 904949	1
200	417N7101-6	.	SUPPORT ASSY- USED ON: 417N7100-5	121503 904949	1
202	417N7101-7	.	SUPPORT ASSY- USED ON: 417N7100-11 417N7100-15 417N7100-41	121503 904949	1
207	RDAV4906	.	PLUG-TERMINATOR (CUSTOMER FURNISHED) SUPPLIER CODE: V54473 USED ON: 417N7100-41	121503 904949	1

MISSING ITEM NUMBERS NOT APPLICABLE

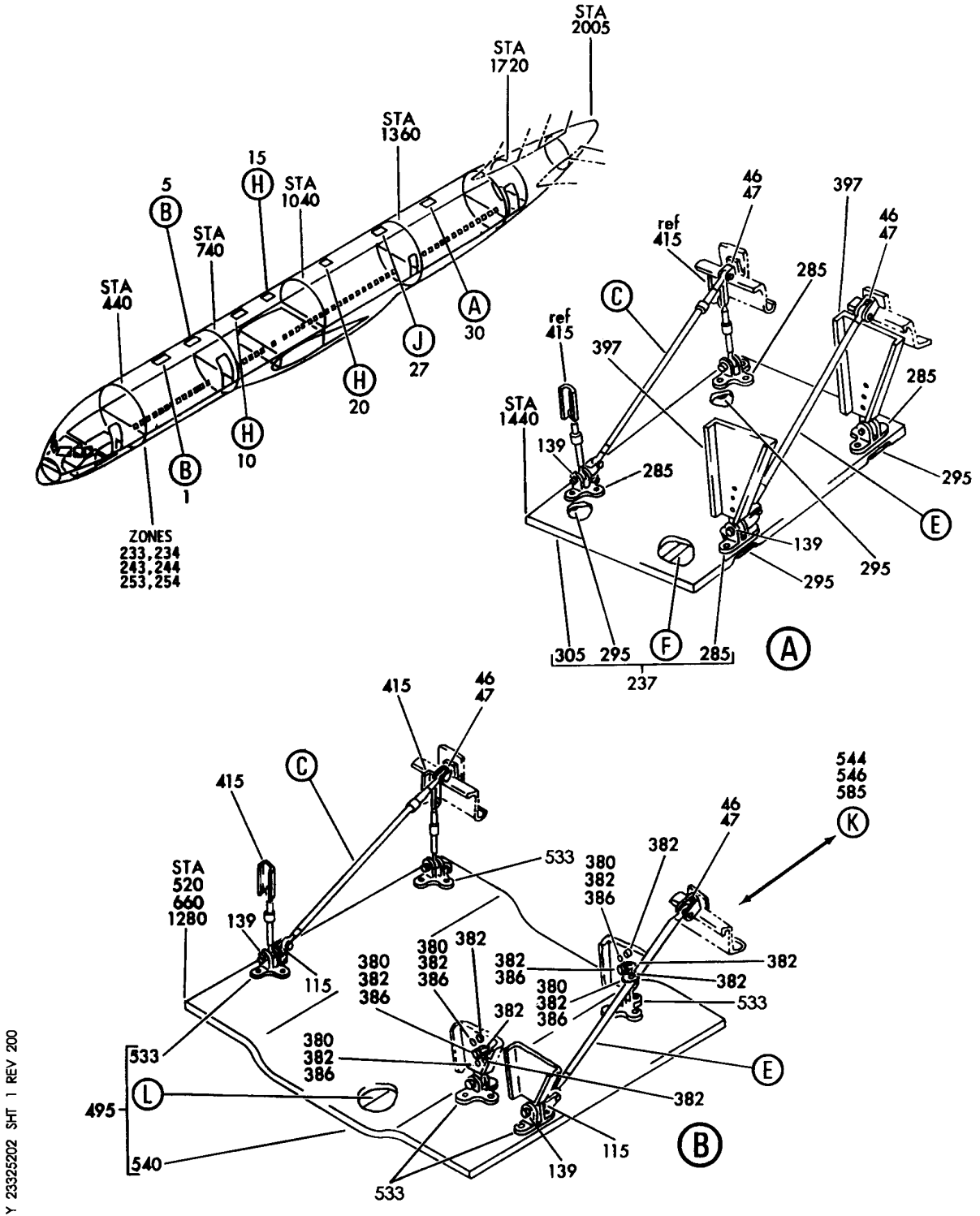
- ITEM NOT ILLUSTRATED

23-32-52-01

23-32-52
FIG. 01
PAGE 7
JAN 20/09

BRI

BOEING
757
PARTS CATALOG (MAINTENANCE)



SUPPORT INSTL-VIDEO MON (STA 460 TO 1460)
FIGURE 2 (SHEET 1)

23-32-52-02

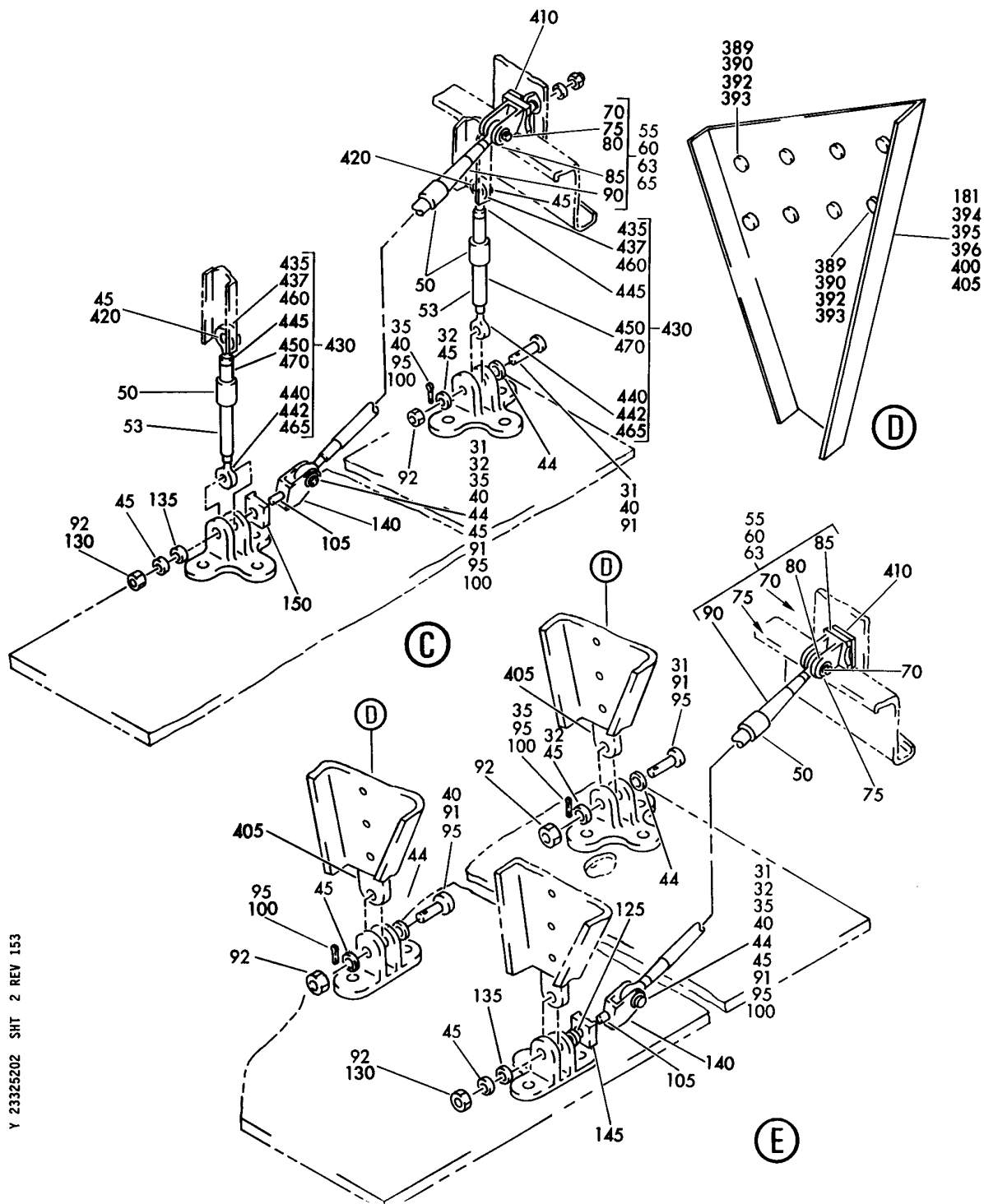
BRI
MAY 28/07

23-32-52-02
PAGE 0

BOEING

757

PARTS CATALOG (MAINTENANCE)



Y 23325202 SHIT 2 REV 153

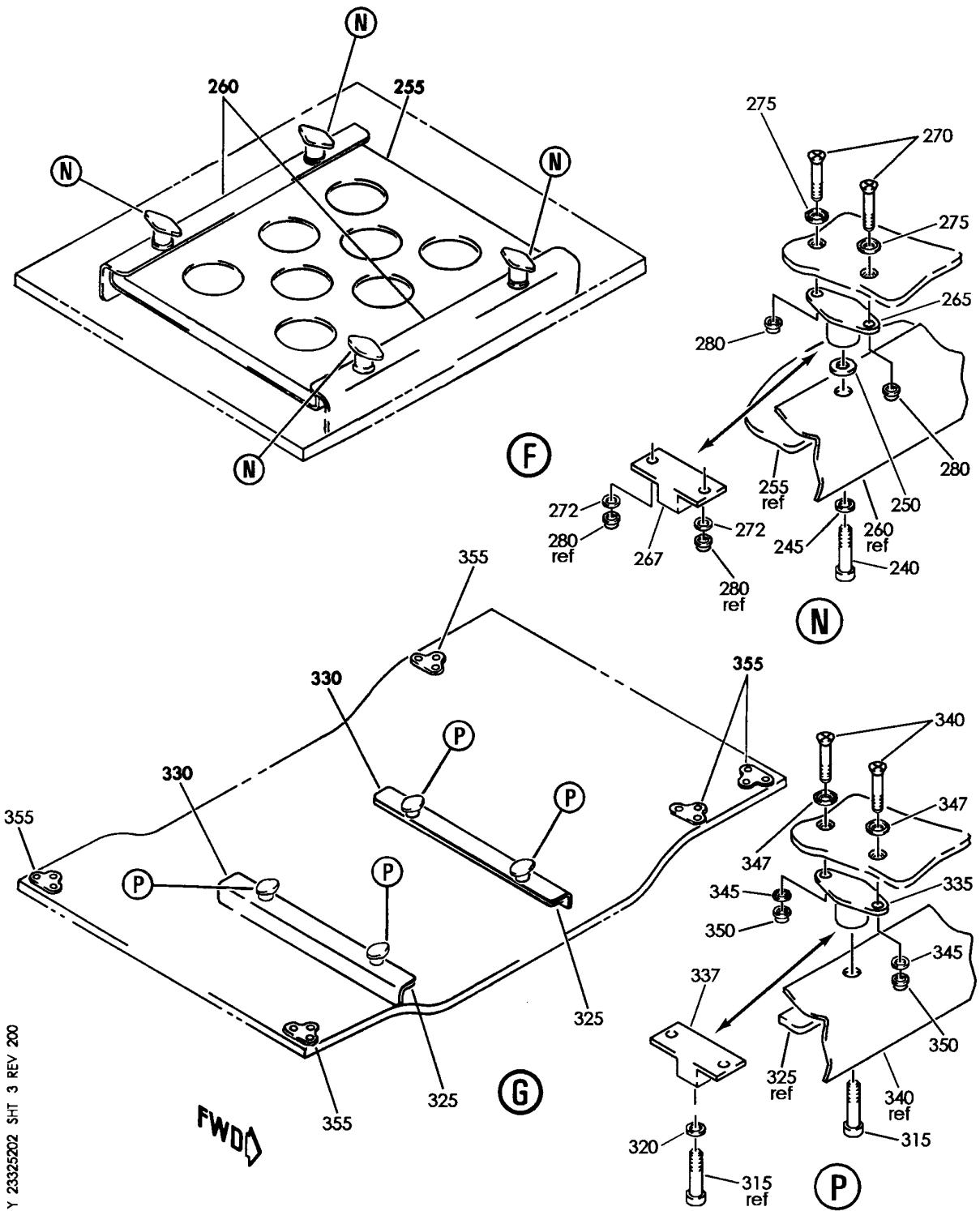
SUPPORT INSTL-VIDEO MON (STA 460 TO 1460)
FIGURE 2 (SHEET 2)

23-32-52-02

BRI
MAY 28/07

23-32-52-02
PAGE 0A


BOEING
 757
PARTS CATALOG (MAINTENANCE)



Y 23325202 SHT 3 REV 200

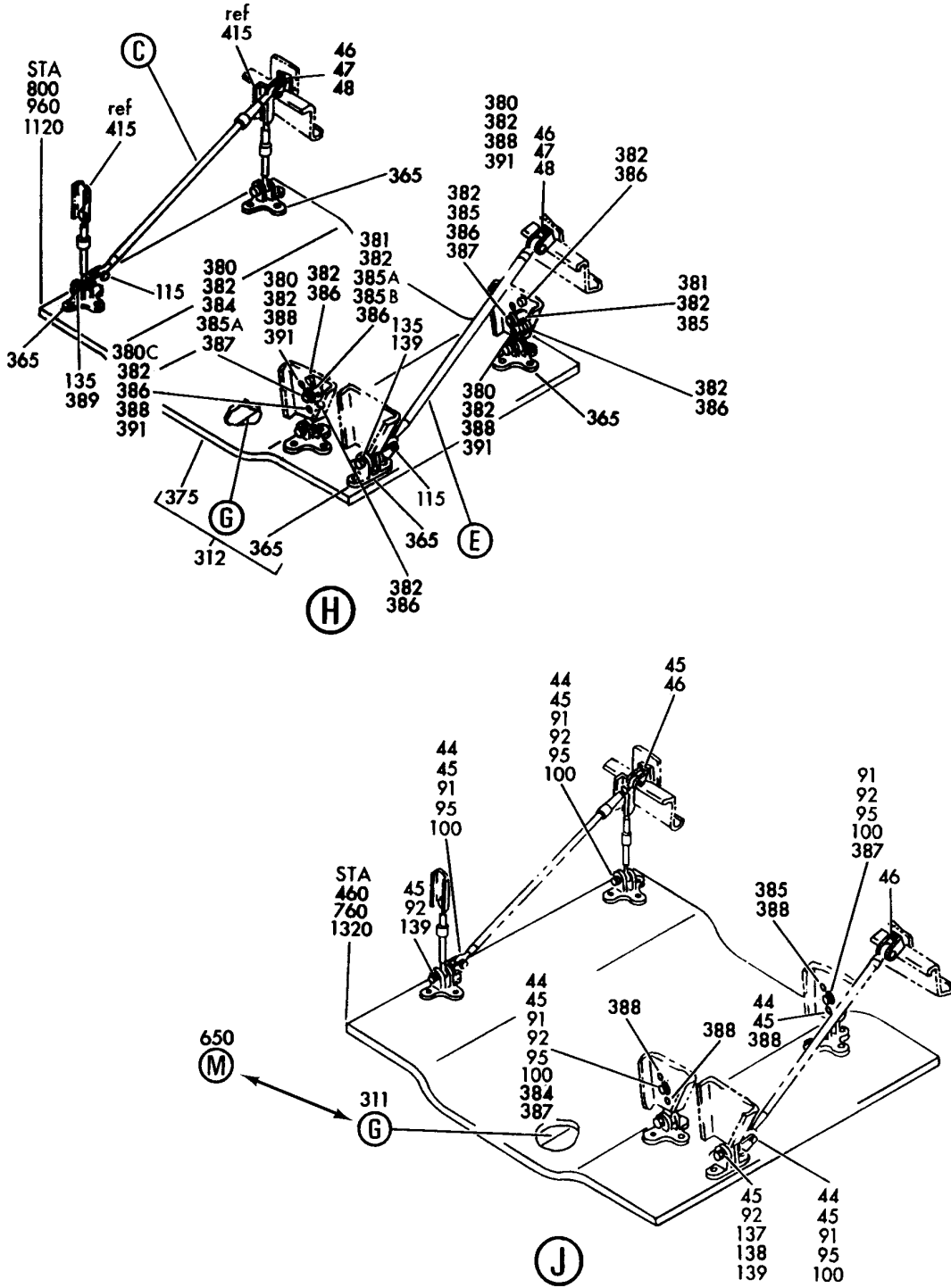
SUPPORT INSTL-VIDEO MON (STA 460 TO 1460)
 FIGURE 2 (SHEET 3)

23-32-52-02

BRI
 MAY 28/07

23-32-52-02
 PAGE 0B

 **BOEING**
757
PARTS CATALOG (MAINTENANCE)



Y 23325202 SHT 4 REV 200

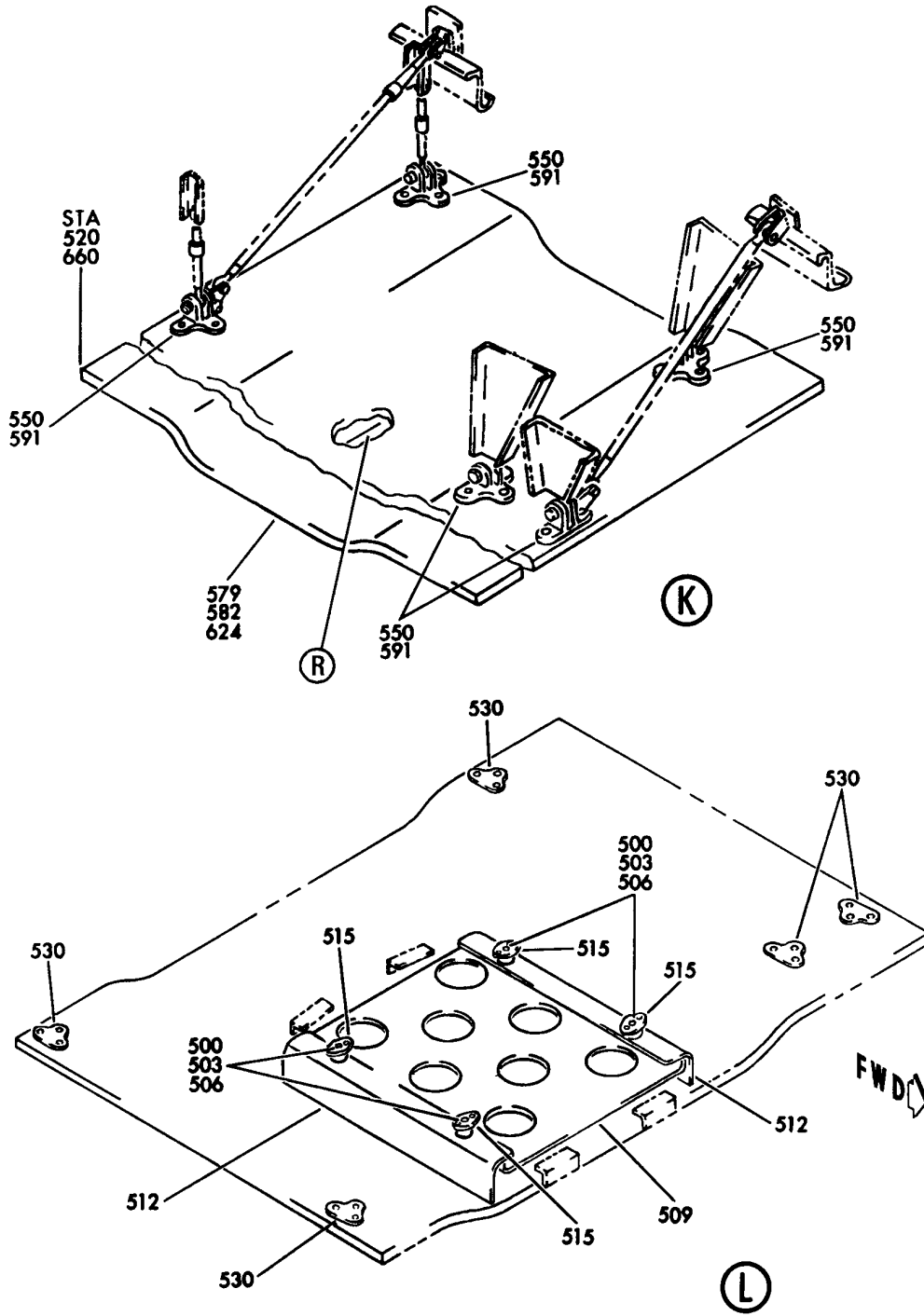
SUPPORT INSTL-VIDEO MON (STA 460 TO 1460)
FIGURE 2 (SHEET 4)

23-32-52-02

BRI
MAY 28/07

23-32-52-02
PAGE 0C

BOEING
757
PARTS CATALOG (MAINTENANCE)



Y 23325202 SHT 5 REV 200

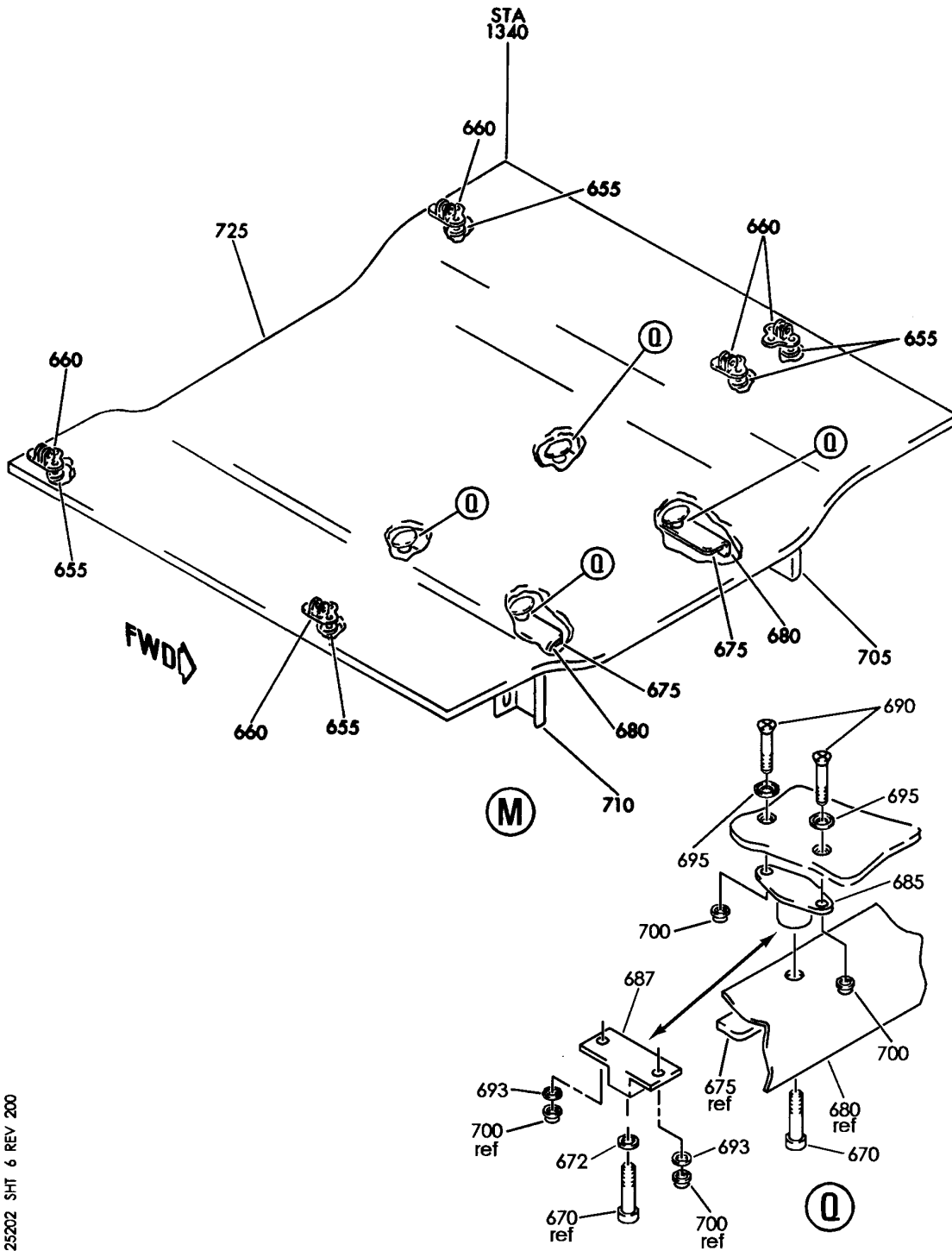
SUPPORT INSTL-VIDEO MON (STA 460 TO 1460)
FIGURE 2 (SHEET 5)

23-32-52-02

BRI
MAY 28/07

23-32-52-02
PAGE 0D

BOEING
757
PARTS CATALOG (MAINTENANCE)



Y 23325202 SHT 6 REV 200

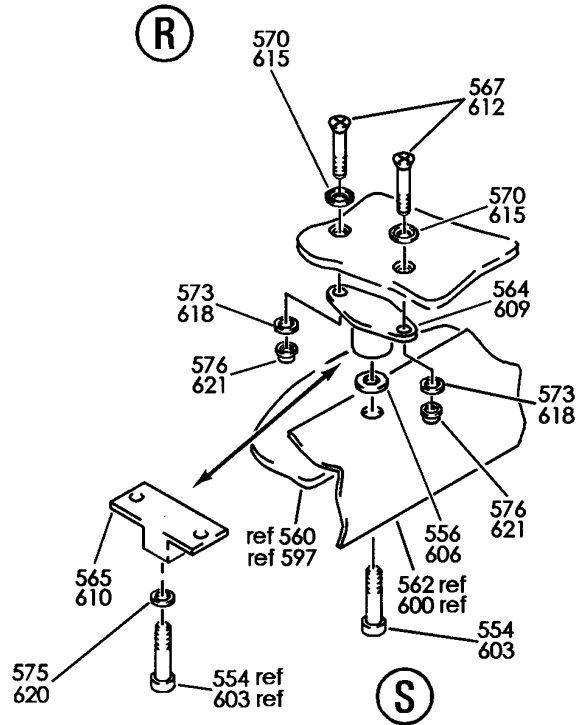
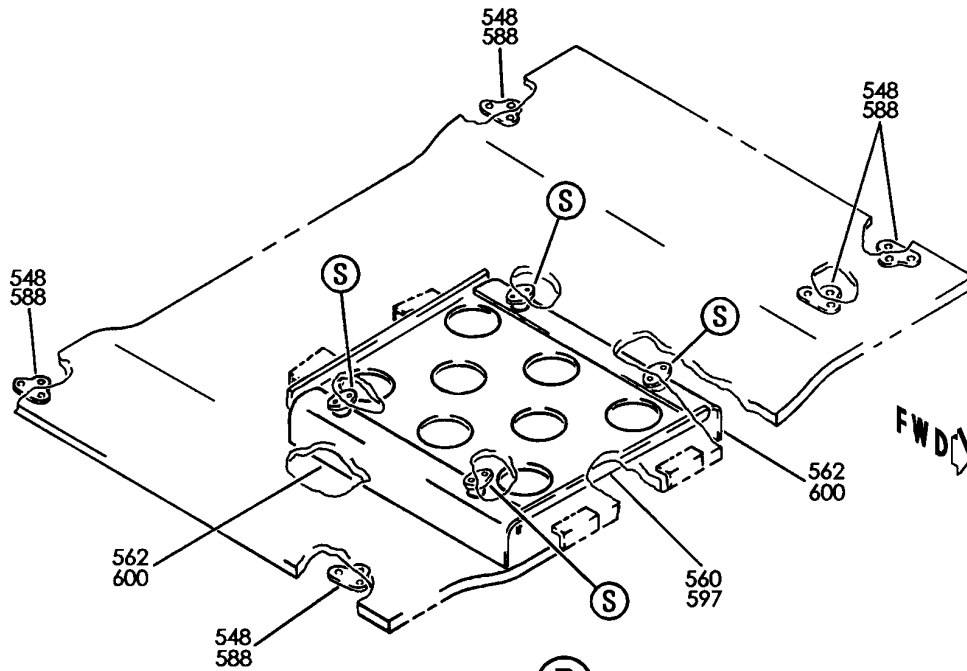
SUPPORT INSTL-VIDEO MON (STA 460 TO 1460)
FIGURE 2 (SHEET 6)

23-32-52-02

BRI
MAY 28/07

23-32-52-02
PAGE 0E

BOEING
757
PARTS CATALOG (MAINTENANCE)



Y 23325202 SHT 7 REV 200

SUPPORT INSTL-VIDEO MON (STA 460 TO 1460)
FIGURE 2 (SHEET 7)

23-32-52-02

BRI
MAY 28/07

23-32-52-02
PAGE OF



757

PARTS CATALOG (MAINTENANCE)

FIG ITEM	PART NUMBER	1 2 3 4 5 6 7	NOMENCLATURE	EFFECT FROM TO	UNITS PER ASSY
2			SUPPORT INSTL-VIDEO MON (STA 460 TO 1460)	002004 006010	
1	417N7004-27		SUPPORT INSTL-VIDEO MON POSITION DATA: STA 520 TO 540 FOR NHA SEE: 23-32-00-01	002004 006010	RF
5	417N7004-28		SUPPORT INSTL-VIDEO MON POSITION DATA: STA 660 TO 680 FOR NHA SEE: 23-32-00-01	002004 006010	RF
10	417N7004-23		SUPPORT INSTL-VIDEO MON POSITION DATA: STA 800 TO 820 FOR NHA SEE: 23-32-00-01	002004 006010	RF
15	417N7004-21		SUPPORT INSTL-VIDEO MON POSITION DATA: STA 960 TO 980 FOR NHA SEE: 23-32-00-01	002004 006010	RF
20	417N7004-29		SUPPORT INSTL-VIDEO MON POSITION DATA: STA 1120.0 TO 1139.8 FOR NHA SEE: 23-32-00-01	002004 006010	RF
27	417N7004-25		SUPPORT INSTL-VIDEO MON POSITION DATA: STA 1320 TO 1340 FOR NHA SEE: 23-32-00-01	002004 006010	RF
30	417N7004-19		SUPPORT INSTL-VIDEO MON POSITION DATA: STA 1440 TO 1460 FOR NHA SEE: 23-32-00-01	002004	RF
30	417N7004-42		SUPPORT INSTL-VIDEO MON POSITION DATA: STA 1440 TO 1460 FOR NHA SEE: 23-32-00-01	006010	RF

MISSING ITEM NUMBERS NOT APPLICABLE

- ITEM NOT ILLUSTRATED

23-32-52-02

23-32-52
FIG. 02
PAGE 1
JAN 20/09

BRI



757

PARTS CATALOG (MAINTENANCE)

FIG ITEM	PART NUMBER	1 2 3 4 5 6 7	NOMENCLATURE	EFFECT FROM TO	UNITS PER ASSY
2	31 NAS623-4-10		.SCREW- QUALIFIED OPTIONAL DATA: (NAS623-4-10 USED WITH MS21042L4 OPT TO MS20392-3C19 USED WITH MS24665-132 OR AN415-4) USED ON: 417N7004-19 417N7004-42	002004 006010	4
	32 MS21042L4		.NUT- QUALIFIED OPTIONAL DATA: (NAS623-4-10 USED WITH MS21042L4 OPT TO MS20392-3C19 USED WITH MS24665-132 OR AN415-4) USED ON: 417N7004-19 417N7004-42	002004 006010	4
	35 MS24665-132		.PIN- QUALIFIED OPTIONAL DATA: (NAS623-4-10 USED WITH MS21042L4 OPT TO MS20392-3C19 USED WITH MS24665-132 OR AN415-4) USED ON: 417N7004-19 417N7004-42	002004 006010	4
	35 AN415-4		.PIN- QUALIFIED OPTIONAL DATA: (NAS623-4-10 USED WITH MS21042L4 OPT TO MS20392-3C19 USED WITH MS24665-132 OR AN415-4) USED ON: 417N7004-19 417N7004-42	002004 006010	4
	40 MS20392-3C19		.PIN- QUALIFIED OPTIONAL DATA: (NAS623-4-10 USED WITH MS21042L4 OPT TO MS20392-3C19 USED WITH MS24665-132 OR AN415-4) USED ON: 417N7004-19 417N7004-42	002004 006010	4

MISSING ITEM NUMBERS NOT APPLICABLE

- ITEM NOT ILLUSTRATED

23-32-52-02

23-32-52
FIG. 02
PAGE 2
SEP 20/08

BRI



757

PARTS CATALOG (MAINTENANCE)

FIG ITEM	PART NUMBER	1 2 3 4 5 6 7	NOMENCLATURE	EFFECT FROM TO	UNITS PER ASSY
2					
44	BACW10AZ4		.WASHER- USED ON: 417N7004-27 417N7004-28 417N7004-29 417N7004-38 417N7004-39	002004 006010	5
45	AN960JD416L		.WASHER- USED ON: 417N7004-21 417N7004-25 417N7004-27 417N7004-28 417N7004-29 417N7004-38 417N7004-39	002004 006010	8
45	NAS1149D416J		.WASHER- USED ON: 417N7004-23	002004 006010	8
45	AN960JD416L		.WASHER- USED ON: 417N7004-19	002004	8
45	NAS1149D0416J		.WASHER- USED ON: 417N7004-42	006010	8
46	AN960JD516L		.WASHER- USED ON: 417N7004-21 417N7004-25 417N7004-27 417N7004-28 417N7004-29 417N7004-38 417N7004-39	002004 006010	2
46	AN960JD516L		.WASHER- USED ON: 417N7004-19	002004	2
46	NAS1149D0516L		.WASHER- USED ON: 417N7004-23	002004 006010	2
46	NAS1149D0516L		.WASHER- USED ON: 417N7004-42	006010	2

MISSING ITEM NUMBERS NOT APPLICABLE

- ITEM NOT ILLUSTRATED

23-32-52-02

23-32-52
FIG. 02
PAGE 3
JAN 20/09

BRI



757

PARTS CATALOG (MAINTENANCE)

FIG ITEM	PART NUMBER	1 2 3 4 5 6 7	NOMENCLATURE	EFFECT FROM TO	UNITS PER ASSY
2	47 BRH10C5D		.NUT- SUPPLIER CODE: V52828 SPECIFICATION NUMBER: BACN10JC5CD OPTIONAL PART: T6C524JCD V11815 102LH9075-5W V72962 H51650-5BAC V15653 USED ON: 417N7004-27 417N7004-28 417N7004-29 417N7004-39	002004 006010	2
	47 BRH10C5D		.NUT- SUPPLIER CODE: V52828 SPECIFICATION NUMBER: BACN10JC5CD OPTIONAL PART: T6C524JCD V11815 102LH9075-5W V72962 H51650-5BAC V15653 USED ON: 417N7004-25	002004 006010	2
	47 PLH55CD		.NUT- SUPPLIER CODE: VF0224 SPECIFICATION NUMBER: BACN10YR5CD OPTIONAL PART: H52732-5CD V15653 USED ON: 417N7004-27 417N7004-28 417N7004-29 417N7004-39	002004 006010	2
	48 BACB30NR4K6		.BOLT	002004 006010	2

MISSING ITEM NUMBERS NOT APPLICABLE

- ITEM NOT ILLUSTRATED

23-32-52-02

23-32-52
FIG. 02
PAGE 4
JAN 20/09

BRI



757

PARTS CATALOG (MAINTENANCE)

FIG ITEM	PART NUMBER	1 2 3 4 5 6 7	NOMENCLATURE	EFFECT FROM TO	UNITS PER ASSY
2					
53	412U2504-5	.ROD-TIE USED ON: 417N7004-27 417N7004-28 417N7004-29 417N7004-39		002004 006010	2
55	65C33595-13	.ROD ASSY- POSITION DATA: LH USED ON: 417N7004-19 417N7004-42		002004 006010	1
60	65C33595-10	.ROD ASSY- OPTIONAL PART: 65C33595-7 USED ON: 417N7004-23		002004 006010	2
60	65C33595-10	.ROD ASSY- USED ON: 417N7004-25		002004 006010	2
60	65C33595-10	.ROD ASSY- USED ON: 417N7004-21		002004 006010	2
60	65C33595-7	.ROD ASSY- OPTIONAL PART: 65C33595-10 USED ON: 417N7004-23		002004 006010	2
63	65C33595-7	.ROD ASSY- USED ON: 417N7004-27 417N7004-28 417N7004-29 417N7004-39		002004 006010	2
65	65C33595-12	.ROD ASSY- POSITION DATA: RH USED ON: 417N7004-19 417N7004-42		002004 006010	1
70	MS24665-132	..PIN		002004 006010	1
75	MS20392-3C17	..PIN		002004 006010	1
80	AN960JD416L	..WASHER		002004 006010	1
85	417N7105-19	..CLEVIS- USED ON: 65C33595-13		002004 006010	1

MISSING ITEM NUMBERS NOT APPLICABLE

- ITEM NOT ILLUSTRATED

23-32-52-02

23-32-52
FIG. 02
PAGE 5
SEP 20/08

BRI

BOEING PROPRIETARY - Copyright © - Unpublished Work - See title page for details.



757

PARTS CATALOG (MAINTENANCE)

FIG ITEM	PART NUMBER	1 2 3 4 5 6 7	NOMENCLATURE	EFFECT FROM TO	UNITS PER ASSY
2					
85	417N7105-20	..	CLEVIS- USED ON: 65C33595-10 65C33595-12	002004 006010	1
85	417N7105-20	..	CLEVIS- USED ON: 65C33595-10	002004 006010	1
85	417N7105-17	..	CLEVIS- USED ON: 65C33595-7	002004 006010	1
90	1293-27	..	ROD ASSY- SUPPLIER CODE: V34742 USED ON: 65C33595-10 65C33595-7	002004 006010	1
90	1293-33	..	ROD ASSY- SUPPLIER CODE: V34742 USED ON: 65C33595-12 65C33595-13	002004 006010	1
91	NAS623-4-10	.	SCREW- QUALIFIED OPTIONAL DATA: (NAS623-4-10 USED WITH MS21042L4 OPT TO MS20392-3C19 USED WITH MS24665-132 OR AN415-4) USED ON: 417N7004-21 417N7004-23 417N7004-25 417N7004-27 417N7004-28 417N7004-29 417N7004-38 417N7004-39	002004 006010	5

MISSING ITEM NUMBERS NOT APPLICABLE

- ITEM NOT ILLUSTRATED

BRI

23-32-52-02

BOEING PROPRIETARY - Copyright © - Unpublished Work - See title page for details.

23-32-52
FIG. 02
PAGE 6
SEP 20/08



757

PARTS CATALOG (MAINTENANCE)

FIG ITEM	PART NUMBER	1 2 3 4 5 6 7	NOMENCLATURE	EFFECT FROM TO	UNITS PER ASSY
2 92	MS21042L4		.NUT- QUALIFIED OPTIONAL DATA: (NAS623-4-10 USED WITH MS21042L4 OPT TO MS20392-3C19 USED WITH MS24665-132 OR AN415-4) USED ON: 417N7004-21 417N7004-23 417N7004-25 417N7004-27 417N7004-28 417N7004-29 417N7004-38 417N7004-39	002004 006010	5
95	MS24665-132		.PIN- QUALIFIED OPTIONAL DATA: (NAS623-4-10 USED WITH MS21042L4 OPT TO MS20392-3C19 USED WITH MS24665-132 OR AN415-4) USED ON: 417N7004-21 417N7004-23 417N7004-25 417N7004-27 417N7004-28 417N7004-29 417N7004-38 417N7004-39	002004 006010	5
95	AN415-4		.PIN- QUALIFIED OPTIONAL DATA: (NAS623-4-10 USED WITH MS21042L4 OPT TO MS20392-3C19 USED WITH MS24665-132 OR AN415-4) USED ON: 417N7004-21 417N7004-23 417N7004-25 417N7004-27 417N7004-28 417N7004-29 417N7004-38 417N7004-39	002004 006010	5

MISSING ITEM NUMBERS NOT APPLICABLE

- ITEM NOT ILLUSTRATED

23-32-52-02

23-32-52
FIG. 02
PAGE 7
SEP 20/08

BRI



757

PARTS CATALOG (MAINTENANCE)

FIG ITEM	PART NUMBER	1 2 3 4 5 6 7	NOMENCLATURE	EFFECT FROM TO	UNITS PER ASSY
2 100	MS20392-3C19	.PIN-	QUALIFIED OPTIONAL DATA: (NAS623-4-10 USED WITH MS21042L4 OPT TO MS20392-3C19 USED WITH MS24665-132 OR AN415-4) USED ON: 417N7004-21 417N7004-23 417N7004-25 417N7004-27 417N7004-28 417N7004-29 417N7004-38 417N7004-39	002004 006010	5
105	BACB30CL150	.BOLT		002004 006010	2
115	BACW10P61S	.WASHER		002004 006010	AR
130	MS21042L4	.NUT		002004 006010	2
135	NAS43DD4-20	.SPACER-	USED ON: 417N7004-21 417N7004-23	002004 006010	2
135	NAS43DD4-20	.SPACER-	USED ON: 417N7004-25	002004 006010	2
135	NAS43DD4-20FC	.SPACER-	USED ON: 417N7004-27 417N7004-28 417N7004-29 417N7004-38	002004 006010	2
139	NAS43DD4-20	.SPACER-	USED ON: 417N7004-19	002004	2
139	NAS43DD4-20FC	.SPACER-	USED ON: 417N7004-42	006010	2
140	417N7105-14	.CLEVIS		002004 006010	2
145	417N7104-15	.RETAINER-	POSITION DATA: LH	002004 006010	1

MISSING ITEM NUMBERS NOT APPLICABLE

- ITEM NOT ILLUSTRATED

23-32-52-02

23-32-52
FIG. 02
PAGE 8
JAN 20/09

BRI



757

PARTS CATALOG (MAINTENANCE)

FIG ITEM	PART NUMBER	1 2 3 4 5 6 7	NOMENCLATURE	EFFECT FROM TO	UNITS PER ASSY
2 150	417N7104-12		.RETAINER- POSITION DATA: RH USED ON: 417N7004-21 417N7004-23 417N7004-25 417N7004-27 417N7004-28 417N7004-29 417N7004-38 417N7004-39	002004 006010	1
150	417N7104-16		.RETAINER- POSITION DATA: RH USED ON: 417N7004-19 417N7004-42	002004 006010	1
237	417N7003-38		.SUPPORT ASSY- USED ON: 417N7004-19	002004 006010	1
240	NAS626-3-3		..SCREW-	002004 006010	4
245	AN960JD10L		..WASHER-	002004 006010	4
250	BACW10P44AL		..WASHER	002004 006010	4
255	417N7102-77		..PLATE	002004 006010	1
260	417N7102-61		..BRACKET	002004 006010	2
265	DE675-10		..MOUNT- SUPPLIER CODE: V71985 SPECIFICATION NUMBER: BACS14K4 OPTIONAL PART: SL2750 V97393 PRE SERVICE BULLETIN: 23-0045	002004 006010	4
265	417N5105-125		..ISOLATOR- POST SERVICE BULLETIN: 23-0045 ATTACHING PARTS	002004 006010	4
270	BACB30LU3-11		..BOLT- PRE SERVICE BULLETIN: 23-0045	002004 006010	8

MISSING ITEM NUMBERS NOT APPLICABLE

- ITEM NOT ILLUSTRATED

23-32-52-02

23-32-52
FIG. 02
PAGE 9
SEP 20/08

BRI



757

PARTS CATALOG (MAINTENANCE)

FIG ITEM	PART NUMBER	1 2 3 4 5 6 7	NOMENCLATURE	EFFECT FROM TO	UNITS PER ASSY
2					
270	BACB30NN3K11	..	BOLT- POST SERVICE BULLETIN: 23-0045	002004 006010	8
275	BACW10UC101P	..	WASHER-FAR SIDE	002004 006010	8
280	MS21042L3	..	NUT	002004 006010	8
			-----*-----		
285	417N7102-59	..	DOUBLER	002004 006010	4
			ATTACHING PARTS		
- 290	NAS514P1032-6	..	SCREW	002004 006010	12
			-----*-----		
295	417N7105-13	..	BRACKET	002004 006010	4
			ATTACHING PARTS		
- 300	NAS514P1032-6	..	SCREW	002004 006010	12
			-----*-----		
305	417N7091-64	..	PANEL ASSY	002004 006010	1
310	417N7003-41	.	SUPPORT ASSY- USED ON: 417N7004-23	002004 006010	1
311	417N7003-39	.	SUPPORT ASSY- USED ON: 417N7004-25	002004 006010	1
312	417N7003-40	.	SUPPORT ASSY- USED ON: 417N7004-21	002004 006010	1
315	BACB30LU3-2	..	BOLT	002004 006010	4
315	BACB30LU3-2	..	BOLT-	002004 006010	4
325	417N7102-110	..	DOUBLER	002004 006010	2
325	417N7102-110	..	DOUBLER	002004 006010	2
330	417N7102-99	..	BRACKET	002004 006010	2
330	417N7102-99	..	BRACKET	002004 006010	2

MISSING ITEM NUMBERS NOT APPLICABLE

- ITEM NOT ILLUSTRATED

23-32-52-02

23-32-52
FIG. 02
PAGE 10
SEP 20/08

BRI



757

PARTS CATALOG (MAINTENANCE)

FIG ITEM	PART NUMBER	1 2 3 4 5 6 7	NOMENCLATURE	EFFECT FROM TO	UNITS PER ASSY
2					
335	DE675-10	..	MOUNT- SUPPLIER CODE: V71985 SPECIFICATION NUMBER: BACS14K4 OPTIONAL PART: SL2750 V97393 PRE SERVICE BULLETIN: 23-0045	002004 006010	4
335	DE675-10	..	MOUNT- SUPPLIER CODE: V71985 SPECIFICATION NUMBER: BACS14K4 OPTIONAL PART: SL2750 V97393 PRE SERVICE BULLETIN: 23-0045	002004 006010	4
335	417N5105-125	..	ISOLATOR- POST SERVICE BULLETIN: 23-0045 ATTACHING PARTS	002004 006010	4
340	BACB30LU3-11	..	BOLT- PRE SERVICE BULLETIN: 23-0045	002004 006010	8
340	BACB30LU3-11	..	BOLT- PRE SERVICE BULLETIN: 23-0045	002004 006010	8
340	BACB30NN3K11	..	BOLT- POST SERVICE BULLETIN: 23-0045	002004 006010	8
345	AN960JD10L	..	WASHER- PRE SERVICE BULLETIN: 23-0045	002004 006010	8
345	AN960JD10L	..	WASHER- PRE SERVICE BULLETIN: 23-0045	002004 006010	8
345	NAS1149D0332J	..	WASHER-NEARSIDE POST SERVICE BULLETIN: 23-0045	002004 006010	8
347	BACW10UC101P	..	WASHER	002004 006010	8
347	BACW10UC101P	..	WASHER-FAR SIDE	002004 006010	8
350	MS21042L3	..	NUT	002004 006010	8

MISSING ITEM NUMBERS NOT APPLICABLE

- ITEM NOT ILLUSTRATED

23-32-52-02

23-32-52
FIG. 02
PAGE 11
SEP 20/08

BRI



757

PARTS CATALOG (MAINTENANCE)

FIG ITEM	PART NUMBER	1 2 3 4 5 6 7	NOMENCLATURE	EFFECT FROM TO	UNITS PER ASSY
2					
350	MS21042L3	..	NUT	002004 006010	8
			-----*-----		
355	417N7102-59	..	DOUBLER	002004 006010	5
355	417N7102-59	..	DOUBLER	002004 006010	5
			ATTACHING PARTS		
- 360	NAS514P1032-6	..	SCREW	002004 006010	15
- 360	NAS514P1032-6	..	SCREW	002004 006010	15
			-----*-----		
365	417N7105-13	..	BRACKET	002004 006010	5
365	417N7105-13	..	BRACKET	002004 006010	5
			ATTACHING PARTS		
- 370	NAS514P1032-6	..	SCREW	002004 006010	15
- 370	NAS514P1032-6	..	SCREW	002004 006010	15
			-----*-----		
375	417N7091-69	..	PANEL ASSY- USED ON: 417N7003-41	002004 006010	1
375	417N7091-65	..	PANEL ASSY- USED ON: 417N7003-39	002004 006010	1
375	417N7091-66	..	PANEL ASSY- USED ON: 417N7003-40	002004 006010	1
380	NAS6703-5	.BOLT-	USED ON: 417N7004-28 417N7004-29	002004 006010	6
380	NAS6703-5	.BOLT-	USED ON: 417N7004-27	002004 006010	6
381	NAS1801-3-6	.SCREW-	USED ON: 417N7004-21 417N7004-23	002004 006010	2
381	NAS1801-3-6	.SCREW-	USED ON: 417N7004-25	002004 006010	2

MISSING ITEM NUMBERS NOT APPLICABLE

- ITEM NOT ILLUSTRATED

23-32-52-02

23-32-52
FIG. 02
PAGE 12
SEP 20/08

BRI

BOEING PROPRIETARY - Copyright © - Unpublished Work - See title page for details.



757

PARTS CATALOG (MAINTENANCE)

FIG ITEM	PART NUMBER	1 2 3 4 5 6 7	NOMENCLATURE	EFFECT FROM TO	UNITS PER ASSY
2 382	AN960JD10L		.WASHER- USED ON: 417N7004-27 417N7004-28 417N7004-29 417N7004-39	002004 006010	12
383	AN960JD10LL		.WASHER- USED ON: 417N7004-21	002004 006010	1
383	AN960JD10LL		.WASHER- USED ON: 417N7004-25	002004 006010	1
384	AN960JD10L		.WASHER- USED ON: 417N7004-21	002004 006010	1
384	AN960JD10L		.WASHER- USED ON: 417N7004-25	002004 006010	1
385A	NAS1149D0332J		.WASHER- USED ON: 417N7004-23	002004 006010	2
385B	NAS1149D0316J		.WASHER- USED ON: 417N7004-23	002004 006010	2
386	MS21042L3		.NUT- USED ON: 417N7004-27 417N7004-28 417N7004-29 417N7004-39	002004 006010	6
387	MS21042L3		.NUT- USED ON: 417N7004-21 417N7004-23	002004 006010	2
387	MS21042L3		.NUT- USED ON: 417N7004-25	002004 006010	2

MISSING ITEM NUMBERS NOT APPLICABLE

- ITEM NOT ILLUSTRATED

23-32-52-02

23-32-52
FIG. 02
PAGE 13
SEP 20/08

BRI

BOEING PROPRIETARY - Copyright © - Unpublished Work - See title page for details.



757

PARTS CATALOG (MAINTENANCE)

FIG ITEM	PART NUMBER	1 2 3 4 5 6 7	NOMENCLATURE	EFFECT FROM TO	UNITS PER ASSY
2 388	HL1012AZ6-4	.	BOLT- SUPPLIER CODE: V97928 SPECIFICATION NUMBER: BACB30NX6K4 OPTIONAL PART: HL12VAZ6-4 V73197 HL12VAZ6-4 V92215 HL12VAZ6-4 V97928 L802-6K4 V06725 HL12VAZ6-4 V56878 HL1012AZ6-4 VOPTK6 HL1012AZ6-4 V06725 HL1012AZ6-4 V06950 HL1012AZ6-4 V17446 HL1012AZ6-4 V56878 HL1012AZ6-4 V60516 HL1012AZ6-4 V73197 USED ON: 417N7004-21 417N7004-23	002004 006010	4

MISSING ITEM NUMBERS NOT APPLICABLE

- ITEM NOT ILLUSTRATED

BRI

23-32-52-02

BOEING PROPRIETARY - Copyright © - Unpublished Work - See title page for details.

23-32-52
 FIG. 02
 PAGE 14
 SEP 20/08



757

PARTS CATALOG (MAINTENANCE)

FIG ITEM	PART NUMBER	1 2 3 4 5 6 7 NOMENCLATURE	EFFECT FROM TO	UNITS PER ASSY
2 388	HL1012AZ6-4	.BOLT- SUPPLIER CODE: V97928 SPECIFICATION NUMBER: BACB30NX6K4 OPTIONAL PART: HL12VAZ6-4 V73197 HL12VAZ6-4 V92215 HL12VAZ6-4 V97928 L802-6K4 V06725 HL12VAZ6-4 V56878 HL1012AZ6-4 VOPTK6 HL1012AZ6-4 V06725 HL1012AZ6-4 V06950 HL1012AZ6-4 V17446 HL1012AZ6-4 V56878 HL1012AZ6-4 V60516 HL1012AZ6-4 V73197 USED ON: 417N7004-25	002004 006010	4

MISSING ITEM NUMBERS NOT APPLICABLE

- ITEM NOT ILLUSTRATED

BRI

23-32-52-02

BOEING PROPRIETARY - Copyright © - Unpublished Work - See title page for details.

23-32-52
FIG. 02
PAGE 15
SEP 20/08



757

PARTS CATALOG (MAINTENANCE)

FIG ITEM	PART NUMBER	1 2 3 4 5 6 7 NOMENCLATURE	EFFECT FROM TO	UNITS PER ASSY
2 389	HL1012AZ6-2	.BOLT- SUPPLIER CODE: V97928 SPECIFICATION NUMBER: BACB30NX6K2 OPTIONAL PART: HL12VAZ6-2 V73197 HL12VAZ6-2 V92215 HL12VAZ6-2 V97928 L802-6K2 V06725 HL12VAZ6-2 V56878 HL1012AZ6-2 VOPTK6 HL1012AZ6-2 V06725 HL1012AZ6-2 V06950 HL1012AZ6-2 V17446 HL1012AZ6-2 V56878 HL1012AZ6-2 V60516 HL1012AZ6-2 V73197 USED ON: 417N7004-19 417N7004-42	002004 006010	16

MISSING ITEM NUMBERS NOT APPLICABLE

- ITEM NOT ILLUSTRATED

BRI

23-32-52-02

BOEING PROPRIETARY - Copyright © - Unpublished Work - See title page for details.

23-32-52
FIG. 02
PAGE 16
SEP 20/08



757

PARTS CATALOG (MAINTENANCE)

FIG ITEM	PART NUMBER	1 2 3 4 5 6 7	NOMENCLATURE	EFFECT FROM TO	UNITS PER ASSY
2 389	HL1012AZ6-3		.BOLT- SUPPLIER CODE: V97928 SPECIFICATION NUMBER: BACB30NX6K3 OPTIONAL PART: HL12VAZ6-3 V73197 HL12VAZ6-3 V92215 HL12VAZ6-3 V97928 L802-6K3 V06725 HL12VAZ6-3 V56878 HL1012AZ6-3 VOPTK6 HL1012AZ6-3 V06725 HL1012AZ6-3 V06950 HL1012AZ6-3 V17446 HL1012AZ6-3 V56878 HL1012AZ6-3 V60516 HL1012AZ6-3 V73197 USED ON: 417N7004-21 417N7004-23 417N7004-25 417N7004-28 417N7004-29 417N7004-38	002004 006010	16

MISSING ITEM NUMBERS NOT APPLICABLE

- ITEM NOT ILLUSTRATED

BRI

23-32-52-02

BOEING PROPRIETARY - Copyright © - Unpublished Work - See title page for details.

23-32-52
FIG. 02
PAGE 17
SEP 20/08



757

PARTS CATALOG (MAINTENANCE)

FIG ITEM	PART NUMBER	1 2 3 4 5 6 7	NOMENCLATURE	EFFECT FROM TO	UNITS PER ASSY
2 390	HL1012AZ6-3		.BOLT- SUPPLIER CODE: V97928 SPECIFICATION NUMBER: BACB30NX6K3 OPTIONAL PART: HL12VAZ6-3 V73197 HL12VAZ6-3 V92215 HL12VAZ6-3 V97928 L802-6K3 V06725 HL12VAZ6-3 V56878 HL1012AZ6-3 VOPTK6 HL1012AZ6-3 V06725 HL1012AZ6-3 V06950 HL1012AZ6-3 V17446 HL1012AZ6-3 V56878 HL1012AZ6-3 V60516 HL1012AZ6-3 V73197 USED ON: 417N7004-27	002004 006010	16

MISSING ITEM NUMBERS NOT APPLICABLE

- ITEM NOT ILLUSTRATED

BRI

23-32-52-02

BOEING PROPRIETARY - Copyright © - Unpublished Work - See title page for details.

23-32-52
FIG. 02
PAGE 18
SEP 20/08



757

PARTS CATALOG (MAINTENANCE)

FIG ITEM	PART NUMBER	1 2 3 4 5 6 7	NOMENCLATURE	EFFECT FROM TO	UNITS PER ASSY
2 391	HL1187-6		. COLLAR- SUPPLIER CODE: V5M902 SPECIFICATION NUMBER: BACC30X6 OPTIONAL PART: HL87-6 V92215 HL87-6 V73197 HL1187-6 V56878 HL1187-6 V92215 HL87-6 V56878 HL1187-6 V73197 USED ON: 417N7004-21 417N7004-23	002004 006010	4
391	HL1187-6		. COLLAR- SUPPLIER CODE: V5M902 SPECIFICATION NUMBER: BACC30X6 OPTIONAL PART: HL87-6 V92215 HL87-6 V73197 HL1187-6 V56878 HL1187-6 V92215 HL87-6 V56878 HL1187-6 V73197 USED ON: 417N7004-25	002004 006010	4

MISSING ITEM NUMBERS NOT APPLICABLE

- ITEM NOT ILLUSTRATED

BRI

23-32-52-02

BOEING PROPRIETARY - Copyright © - Unpublished Work - See title page for details.

23-32-52
FIG. 02
PAGE 19
SEP 20/08



757

PARTS CATALOG (MAINTENANCE)

FIG ITEM	PART NUMBER	1 2 3 4 5 6 7	NOMENCLATURE	EFFECT FROM TO	UNITS PER ASSY
2 392	HL1187-6		.COLLAR- SUPPLIER CODE: V5M902 SPECIFICATION NUMBER: BACC30X6 OPTIONAL PART: HL87-6 V92215 HL87-6 V73197 HL1187-6 V56878 HL1187-6 V92215 HL87-6 V56878 HL1187-6 V73197 USED ON: 417N7004-27	002004 006010	16
392	HL1187-6		.COLLAR- SUPPLIER CODE: V5M902 SPECIFICATION NUMBER: BACC30X6 OPTIONAL PART: HL87-6 V92215 HL87-6 V73197 HL1187-6 V56878 HL1187-6 V92215 HL87-6 V56878 HL1187-6 V73197 USED ON: 417N7004-21 417N7004-23 417N7004-25 417N7004-28 417N7004-29 417N7004-38	002004 006010	16

MISSING ITEM NUMBERS NOT APPLICABLE

- ITEM NOT ILLUSTRATED

23-32-52-02

23-32-52
FIG. 02
PAGE 20
SEP 20/08

BRI



757

PARTS CATALOG (MAINTENANCE)

FIG ITEM	PART NUMBER	1 2 3 4 5 6 7	NOMENCLATURE	EFFECT FROM TO	UNITS PER ASSY
2 393	HL1187-6		.COLLAR- SUPPLIER CODE: V5M902 SPECIFICATION NUMBER: BACC30X6 OPTIONAL PART: HL87-6 V92215 HL87-6 V73197 HL1187-6 V56878 HL1187-6 V92215 HL87-6 V56878 HL1187-6 V73197 USED ON: 417N7004-19 417N7004-42	002004 006010	16
394	417N7102-124		.BRACKET-SUPPORT USED ON: 417N7004-27 417N7004-28 417N7004-29 417N7004-39	002004 006010	2
395	417N7102-101		.BRACKET-SUPPORT USED ON: 417N7004-21	002004 006010	2
395	417N7102-120		.BRACKET-SUPPORT USED ON: 417N7004-23	002004 006010	2
395	417N7102-120		.BRACKET-SUPPORT USED ON: 417N7004-25	002004 006010	2
396	417N7105-28		.BRACKET-SUPPORT USED ON: 417N7004-27 417N7004-28 417N7004-29 417N7004-39	002004 006010	2
397	417N7102-76		.BRACKET- POSITION DATA: LH USED ON: 417N7004-19	002004	2

MISSING ITEM NUMBERS NOT APPLICABLE

- ITEM NOT ILLUSTRATED

23-32-52-02

23-32-52
FIG. 02
PAGE 21
JAN 20/09

BRI

BOEING PROPRIETARY - Copyright © - Unpublished Work - See title page for details.



757

PARTS CATALOG (MAINTENANCE)

FIG ITEM	PART NUMBER	1 2 3 4 5 6 7	NOMENCLATURE	EFFECT FROM TO	UNITS PER ASSY
2					
397	417N7102-173		.BRACKET- USED ON: 417N7004-42	006010	2
405	417N7102-102		.BRACKET-ADJUSTABLE USED ON: 417N7004-25	002004 006010	2
405	417N7102-102		.BRACKET-ADJUSTABLE USED ON: 417N7004-21 417N7004-23	002004 006010	2
410	412N2032-3		.INSULATOR- USED ON: 417N7004-19 417N7004-21 417N7004-23 417N7004-42	002004 006010	2
410	412N2032-3		.INSULATOR- USED ON: 417N7004-25	002004 006010	2
410	412N2032-1		.INSULATOR- USED ON: 417N7004-27 417N7004-28 417N7004-29 417N7004-39	002004 006010	2
420	BACB30NR4K5		.BOLT	002004 006010	2
430	65-80898-24		.TURNBUCKLE ASSY- POSITION DATA: RH OPTIONAL PART: 65-80898-11 USED ON: 417N7004-25	002004 006010	2
430	65-80898-11		.TURNBUCKLE ASSY- POSITION DATA: RH OPTIONAL PART: 65-80898-24 USED ON: 417N7004-25	002004 006010	2
430	65-80898-24		.TURNBUCKLE ASSY- POSITION DATA: RH OPTIONAL PART: 65-80898-11 USED ON: 417N7004-21 417N7004-23	002004 006010	2

MISSING ITEM NUMBERS NOT APPLICABLE

- ITEM NOT ILLUSTRATED

23-32-52-02

23-32-52
FIG. 02
PAGE 22
JAN 20/09

BRI



757

PARTS CATALOG (MAINTENANCE)

FIG ITEM	PART NUMBER	1 2 3 4 5 6 7	NOMENCLATURE	EFFECT FROM TO	UNITS PER ASSY
2					
430	65-80898-11		.TURNBUCKLE ASSY- POSITION DATA: RH OPTIONAL PART: 65-80898-24 USED ON: 417N7004-21 417N7004-23	002004 006010	2
435	ACB4-4		..BEARING- SUPPLIER CODE: V56644 OPTIONAL PART: 1254-3L V34742 FML4-6 V02695 ML44-9 V34722 AHML4-103 V50294	002004 006010	1
435	AHML4-103		..BEARING- SUPPLIER CODE: V50294 OPTIONAL PART: 1254-3L V34742 FML4-6 V02695 ML44-9 V34722 ACB4-4 V56644	002004 006010	1
435	FML4-6		..BEARING- SUPPLIER CODE: V02695 OPTIONAL PART: AHML4-103 V50294 ACB4-4 V56644 ML44-9 V34722 1254-3L V34742	002004 006010	1

MISSING ITEM NUMBERS NOT APPLICABLE

- ITEM NOT ILLUSTRATED

23-32-52-02

23-32-52
FIG. 02
PAGE 23
SEP 20/08

BRI



757

PARTS CATALOG (MAINTENANCE)

FIG ITEM	PART NUMBER	1 2 3 4 5 6 7	NOMENCLATURE	EFFECT FROM TO	UNITS PER ASSY
2 435	ML44-9		.. BEARING- SUPPLIER CODE: V34722 OPTIONAL PART: AHML4-103 V50294 ACB4-4 V56644 1254-3L V34742 FML4-6 V02695	002004 006010	1
435	1254-3L		.. BEARING- SUPPLIER CODE: V34742 OPTIONAL PART: AHML4-103 V50294 FML4-6 V02695 ML44-9 V34722 ACB4-4 V56644	002004 006010	1
437	ACB4-4		.. BEARING- SUPPLIER CODE: V56644 OPTIONAL PART: 1254-3L V34742 FML4-6 V02695 ML44-9 V34722 AHML4-103 V50294	002004 006010	1
437	AHML4-103		.. BEARING- SUPPLIER CODE: V50294 OPTIONAL PART: 1254-3L V34742 FML4-6 V02695 ML44-9 V34722 ACB4-4 V56644	002004 006010	1

MISSING ITEM NUMBERS NOT APPLICABLE

- ITEM NOT ILLUSTRATED

23-32-52-02

23-32-52
FIG. 02
PAGE 24
SEP 20/08

BRI



757

PARTS CATALOG (MAINTENANCE)

FIG ITEM	PART NUMBER	1 2 3 4 5 6 7	NOMENCLATURE	EFFECT FROM TO	UNITS PER ASSY
2 437	FML4-6		.. BEARING- SUPPLIER CODE: V02695 OPTIONAL PART: AHML4-103 V50294 ACB4-4 V56644 ML44-9 V34722 1254-3L V34742	002004 006010	1
437	ML44-9		.. BEARING- SUPPLIER CODE: V34722 OPTIONAL PART: AHML4-103 V50294 ACB4-4 V56644 1254-3L V34742 FML4-6 V02695	002004 006010	1
437	1254-3L		.. BEARING- SUPPLIER CODE: V34742 OPTIONAL PART: AHML4-103 V50294 FML4-6 V02695 ML44-9 V34722 ACB4-4 V56644	002004 006010	1
440	ACM4-4		.. BEARING- SUPPLIER CODE: V56644 OPTIONAL PART: AHM4-103 V50294 FM4-6 V02695 M44-9 V34722 1254-3 V34742	002004 006010	1

MISSING ITEM NUMBERS NOT APPLICABLE

- ITEM NOT ILLUSTRATED

23-32-52-02

23-32-52
FIG. 02
PAGE 25
SEP 20/08

BRI



757

PARTS CATALOG (MAINTENANCE)

FIG ITEM	PART NUMBER	1 2 3 4 5 6 7	NOMENCLATURE	EFFECT FROM TO	UNITS PER ASSY
2 440	AHM4-103		.. BEARING- SUPPLIER CODE: V50294 OPTIONAL PART: ACM4-4 V56644 FM4-6 V02695 M44-9 V34722 1254-3 V34742	002004 006010	1
440	FM4-6		.. BEARING- SUPPLIER CODE: V02695 OPTIONAL PART: AHM4-103 V50294 ACM4-4 V56644 M44-9 V34722 1254-3 V34742	002004 006010	1
440	M44-9		.. BEARING- SUPPLIER CODE: V34722 OPTIONAL PART: AHM4-103 V50294 ACM4-4 V56644 FM4-6 V02695 1254-3 V34742	002004 006010	1
440	1254-3		.. BEARING- SUPPLIER CODE: V34742 OPTIONAL PART: AHM4-103 V50294 FM4-6 V02695 M44-9 V34722 ACM4-4 V56644	002004 006010	1

MISSING ITEM NUMBERS NOT APPLICABLE

- ITEM NOT ILLUSTRATED

23-32-52-02

23-32-52
FIG. 02
PAGE 26
SEP 20/08

BRI

BOEING PROPRIETARY - Copyright © - Unpublished Work - See title page for details.



757

PARTS CATALOG (MAINTENANCE)

FIG ITEM	PART NUMBER	1 2 3 4 5 6 7	NOMENCLATURE	EFFECT FROM TO	UNITS PER ASSY
2 442	ACM4-4		.. BEARING- SUPPLIER CODE: V56644 OPTIONAL PART: AHM4-103 V50294 FM4-6 V02695 M44-9 V34722 1254-3 V34742	002004 006010	1
442	AHM4-103		.. BEARING- SUPPLIER CODE: V50294 OPTIONAL PART: ACM4-4 V56644 FM4-6 V02695 M44-9 V34722 1254-3 V34742	002004 006010	1
442	FM4-6		.. BEARING- SUPPLIER CODE: V02695 OPTIONAL PART: AHM4-103 V50294 ACM4-4 V56644 M44-9 V34722 1254-3 V34742	002004 006010	1
442	M44-9		.. BEARING- SUPPLIER CODE: V34722 OPTIONAL PART: AHM4-103 V50294 ACM4-4 V56644 FM4-6 V02695 1254-3 V34742	002004 006010	1

MISSING ITEM NUMBERS NOT APPLICABLE

- ITEM NOT ILLUSTRATED

23-32-52-02

23-32-52
FIG. 02
PAGE 27
SEP 20/08

BRI



757

PARTS CATALOG (MAINTENANCE)

FIG ITEM	PART NUMBER	1 2 3 4 5 6 7	NOMENCLATURE	EFFECT FROM TO	UNITS PER ASSY
2 442	1254-3		.. BEARING- SUPPLIER CODE: V34742 OPTIONAL PART: AHM4-103 V50294 FM4-6 V02695 M44-9 V34722 ACM4-4 V56644	002004 006010	1
445	AN316-4L		.. NUT- USED ON: 65-80898-24	002004 006010	1
445	AN316-4L		.. NUT- USED ON: 65-80898-24	002004 006010	1
450	65-81149-25		.. TUBE	002004 006010	1
450	65-81149-25		.. TUBE	002004 006010	1
455	65-80898-3		. TURNBUCKLE ASSY- USED ON: 417N7004-19 417N7004-42	002004 006010	2
460	AHML4-104		.. BEARING- SUPPLIER CODE: V50294 OPTIONAL PART: FML4-7 V02695 ML44-9A V34722 1254-1L V34742	002004 006010	1
460	FML4-7		.. BEARING- SUPPLIER CODE: V02695 OPTIONAL PART: AHML4-104 V50294 ML44-9A V34722 1254-1L V34742	002004 006010	1

MISSING ITEM NUMBERS NOT APPLICABLE

- ITEM NOT ILLUSTRATED

23-32-52-02

23-32-52
FIG. 02
PAGE 28
SEP 20/08

BRI

BOEING PROPRIETARY - Copyright © - Unpublished Work - See title page for details.



757

PARTS CATALOG (MAINTENANCE)

FIG ITEM	PART NUMBER	1 2 3 4 5 6 7	NOMENCLATURE	EFFECT FROM TO	UNITS PER ASSY
2 460	ML44-9A		.. BEARING- SUPPLIER CODE: V34722 OPTIONAL PART: AHML4-104 V50294 FML4-7 V02695 1254-1L V34742	002004 006010	1
460	1254-1L		.. BEARING- SUPPLIER CODE: V34742 OPTIONAL PART: AHML4-104 V50294 FML4-7 V02695 ML44-9A V34722	002004 006010	1
465	AHM4-104		.. BEARING- SUPPLIER CODE: V50294 OPTIONAL PART: FM4-7 V02695 M44-9A V34722 1254-1 V34742	002004 006010	1
465	FM4-7		.. BEARING- SUPPLIER CODE: V02695 OPTIONAL PART: AHM4-104 V50294 M44-9A V34722 1254-1 V34742	002004 006010	1

MISSING ITEM NUMBERS NOT APPLICABLE

- ITEM NOT ILLUSTRATED

23-32-52-02

23-32-52
FIG. 02
PAGE 29
SEP 20/08

BRI

 **BOEING**
757
PARTS CATALOG (MAINTENANCE)

FIG ITEM	PART NUMBER	1 2 3 4 5 6 7	NOMENCLATURE	EFFECT FROM TO	UNITS PER ASSY
2 465	M44-9A		.. BEARING- SUPPLIER CODE: V34722 OPTIONAL PART: AHM4-104 V50294 FM4-7 V02695 1254-1 V34742	002004 006010	1
465	1254-1		.. BEARING- SUPPLIER CODE: V34742 OPTIONAL PART: AHM4-104 V50294 FM4-7 V02695 M44-9A V34722	002004 006010	1
470	65-81149-13		.. TUBE	002004 006010	1
544	417N7003-43		. SUPPORT ASSY- USED ON: 417N7004-27	002004 006010	1
546	417N7003-44		. SUPPORT ASSY- USED ON: 417N7004-28	002004 006010	1
548	417N7102-59		.. DOUBLER	002004 006010	5
550	417N7105-13		.. BRACKET	002004 006010	5
			ATTACHING PARTS		
- 552	NAS514P1032-5		.. SCREW	002004 006010	30
			-----*-----		
554	NAS1801-3-6		.. SCREW-	002004 006010	4
556	BACW10P44AL		.. WASHER-	002004 006010	4
560	417N7102-77		.. PLATE	002004 006010	1
562	417N7102-123		.. BRACKET	002004 006010	1

MISSING ITEM NUMBERS NOT APPLICABLE

- ITEM NOT ILLUSTRATED

BRI

23-32-52-02

BOEING PROPRIETARY - Copyright © - Unpublished Work - See title page for details.

23-32-52
FIG. 02
PAGE 30
SEP 20/08



757

PARTS CATALOG (MAINTENANCE)

FIG ITEM	PART NUMBER	1 2 3 4 5 6 7	NOMENCLATURE	EFFECT FROM TO	UNITS PER ASSY
2 564	DE676-10		.. ISOLATOR- SUPPLIER CODE: V71985 SPECIFICATION NUMBER: BACS14K3 OPTIONAL PART: SL2751-3S V97393 PRE SERVICE BULLETIN: 23-0045	002004 006010	4
564	417N5105-127		.. ISOLATOR- POST SERVICE BULLETIN: 23-0045 ATTACHING PARTS	002004 006010	4
567	BACB30LU3-14		.. BOLT- PRE SERVICE BULLETIN: 23-0045	002004 006010	8
567	BACB30NN3K11		.. BOLT- POST SERVICE BULLETIN: 23-0045	002004 006010	8
570	BACW10UC101P		.. WASHER-FAR SIDE	002004 006010	8
573	AN960JD10L		.. WASHER- PRE SERVICE BULLETIN: 23-0045	002004 006010	8
573	NAS1149D0332J		.. WASHER-NEAR SIDE POST SERVICE BULLETIN: 23-0045	002004 006010	8
576	MS21042L3		.. NUT	002004 006010	8
			-----*-----		
582	417N7091-79		.. PANEL ASSY- USED ON: 417N7003-44	002004 006010	1
585	417N7003-45		. SUPPORT ASSY- USED ON: 417N7004-29	002004 006010	1
588	417N7102-59		.. DOUBLER	002004 006010	5
591	417N7105-13		.. BRACKET	002004 006010	5
			ATTACHING PARTS		
- 594	NAS514P1032-5		.. SCREW	002004 006010	30
			-----*-----		
597	417N7102-77		.. PLATE	002004 006010	1
600	417N7102-123		.. BRACKET	002004 006010	2

MISSING ITEM NUMBERS NOT APPLICABLE

- ITEM NOT ILLUSTRATED

BRI

23-32-52-02

23-32-52
FIG. 02
PAGE 31
SEP 20/08



757

PARTS CATALOG (MAINTENANCE)

FIG ITEM	PART NUMBER	1 2 3 4 5 6 7	NOMENCLATURE	EFFECT FROM TO	UNITS PER ASSY
2			ATTACHING PARTS		
- 603	NAS1801-3-6		.. SCREW-	002004 006010	4
- 606	BACW10P44AL		.. WASHER-	002004 006010	4
			-----*-----		
609	DE676-10		.. ISOLATOR-	002004 006010	4
			SUPPLIER CODE: V71985		
			SPECIFICATION NUMBER: BACS14K3		
			OPTIONAL PART: SL2751-3S V97393		
			PRE SERVICE BULLETIN: 23-0045		
609	417N5105-127		.. ISOLATOR-	002004 006010	4
			POST SERVICE BULLETIN: 23-0045		
			ATTACHING PARTS		
612	BACB30LU3-14		.. BOLT-	002004 006010	8
			PRE SERVICE BULLETIN: 23-0045		
612	BACB30NN3K11		.. BOLT-	002004 006010	8
			POST SERVICE BULLETIN: 23-0045		
615	BACW10UC101P		.. WASHER-FAR SIDE	002004 006010	8
618	AN960JD10L		.. WASHER-	002004 006010	8
			PRE SERVICE BULLETIN: 23-0045		
618	NAS1149D0332J		.. WASHER-NEAR SIDE	002004 006010	8
			POST SERVICE BULLETIN: 23-0045		
621	MS21042L3		.. NUT	002004 006010	8
			-----*-----		
624	417N7091-80		.. PANEL ASSY	002004 006010	1

MISSING ITEM NUMBERS NOT APPLICABLE

- ITEM NOT ILLUSTRATED

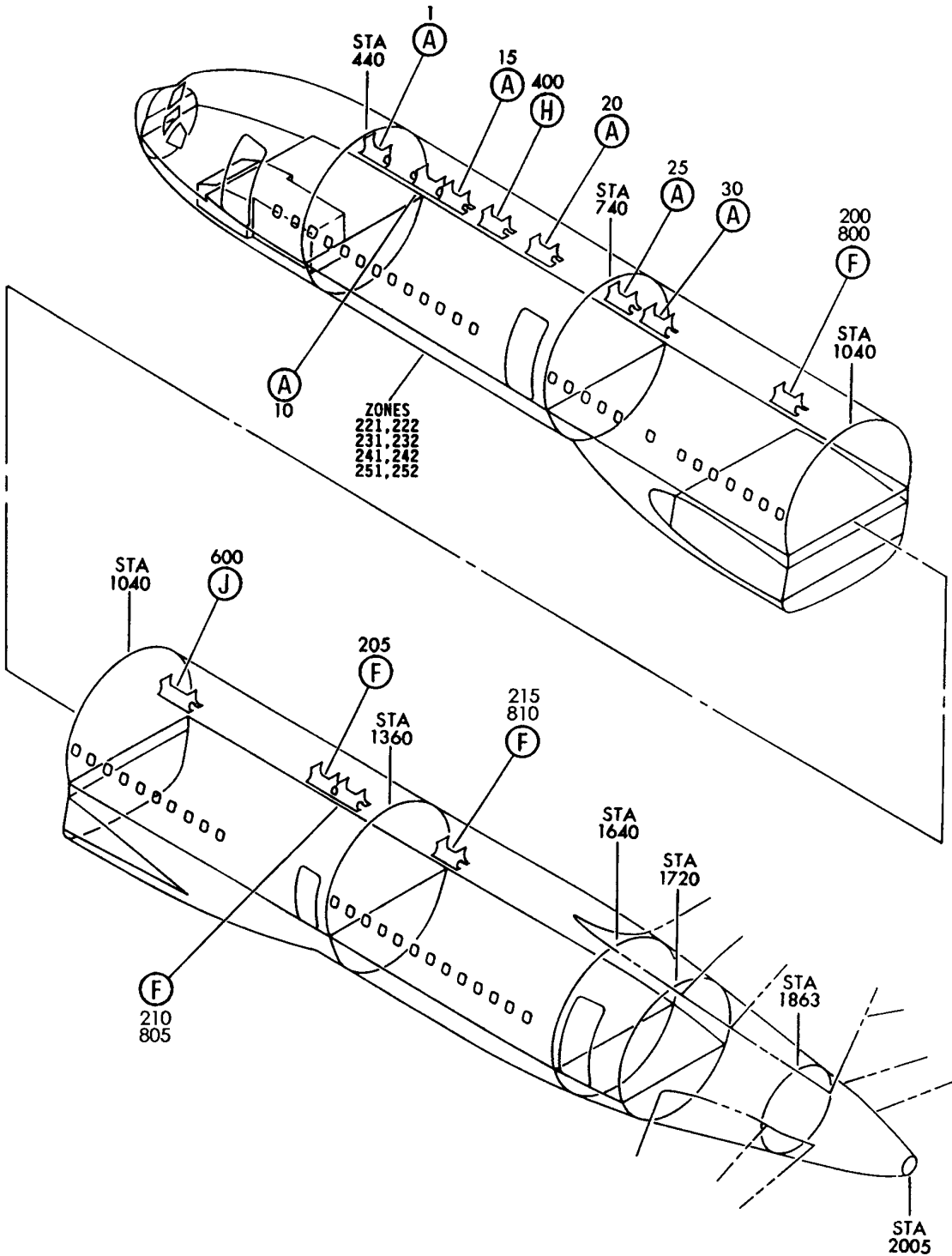
23-32-52-02

23-32-52
FIG. 02
PAGE 32
SEP 20/08

BRI

BOEING PROPRIETARY - Copyright © - Unpublished Work - See title page for details.

BOEING
757
PARTS CATALOG (MAINTENANCE)



Y 23325206 SHT 1 REV 329

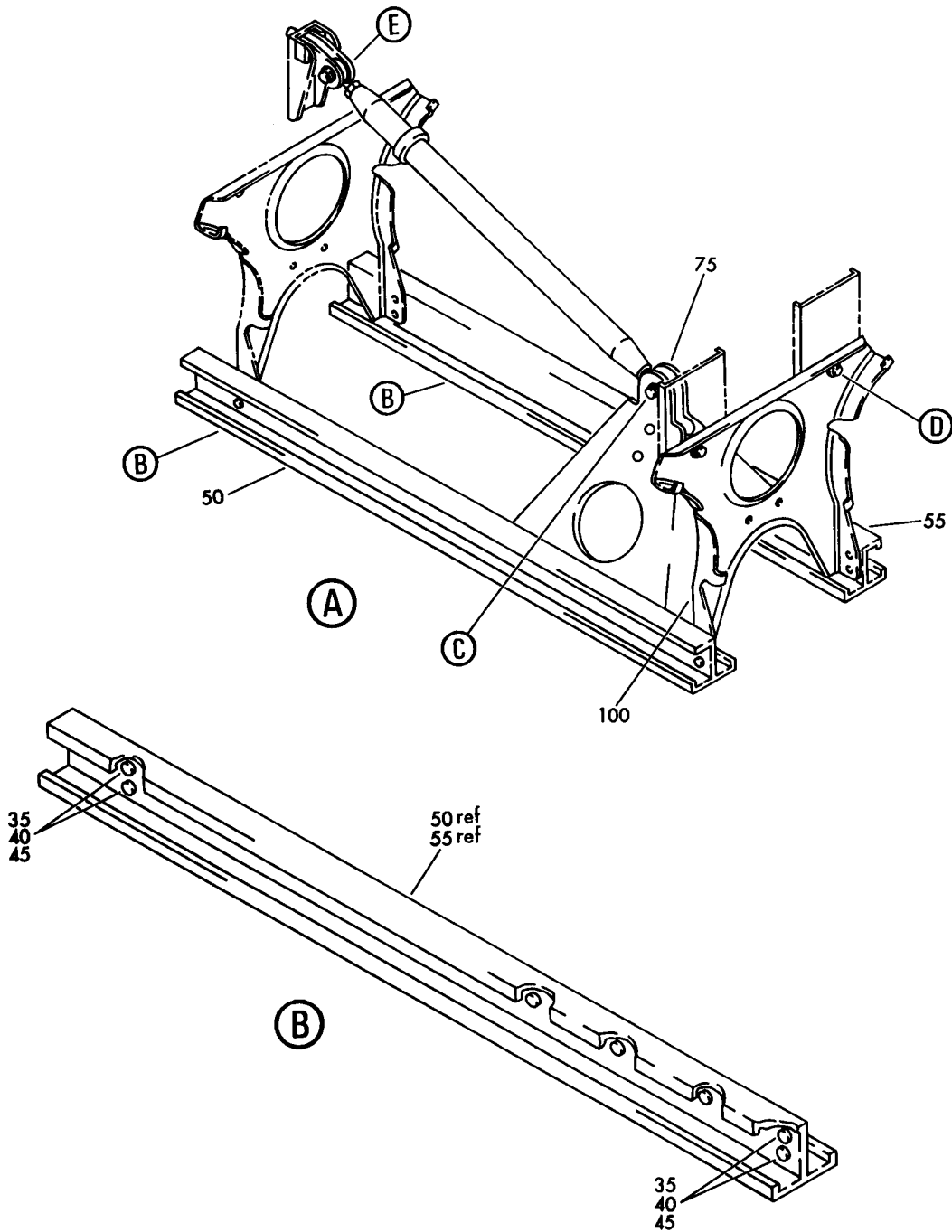
SUPPORT INSTL-VIDEO MON
FIGURE 6 (SHEET 1)

23-32-52-06

BRI
JAN 20/09

23-32-52-06
PAGE 0

BOEING
757
PARTS CATALOG (MAINTENANCE)



Y 23325206 SHT 2 REV 143

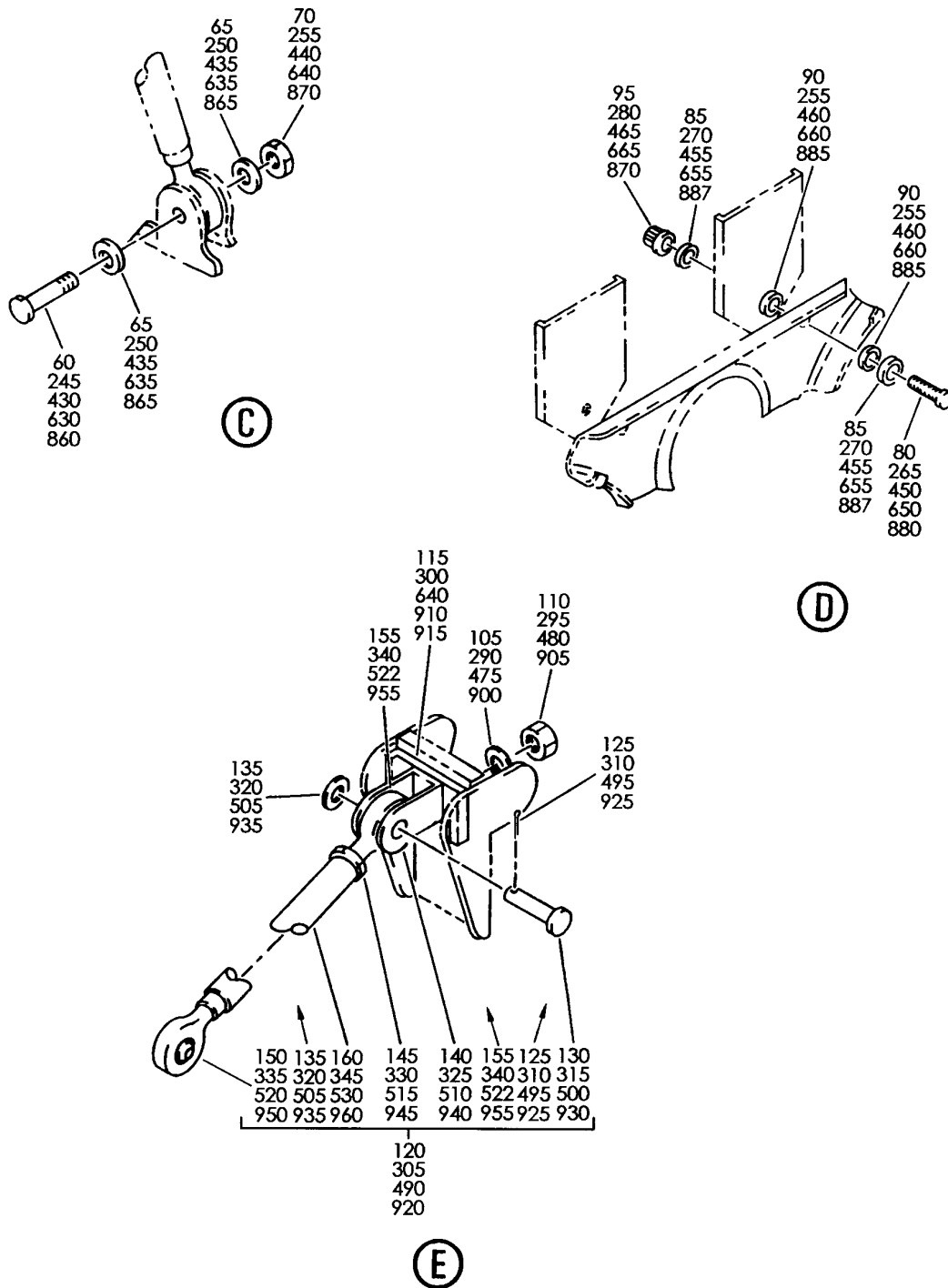
SUPPORT INSTL-VIDEO MON
FIGURE 6 (SHEET 2)

23-32-52-06

BRI
MAY 28/07

23-32-52-06
PAGE 0A

BOEING
757
PARTS CATALOG (MAINTENANCE)



Y 23325206 SHT 3 REV 199

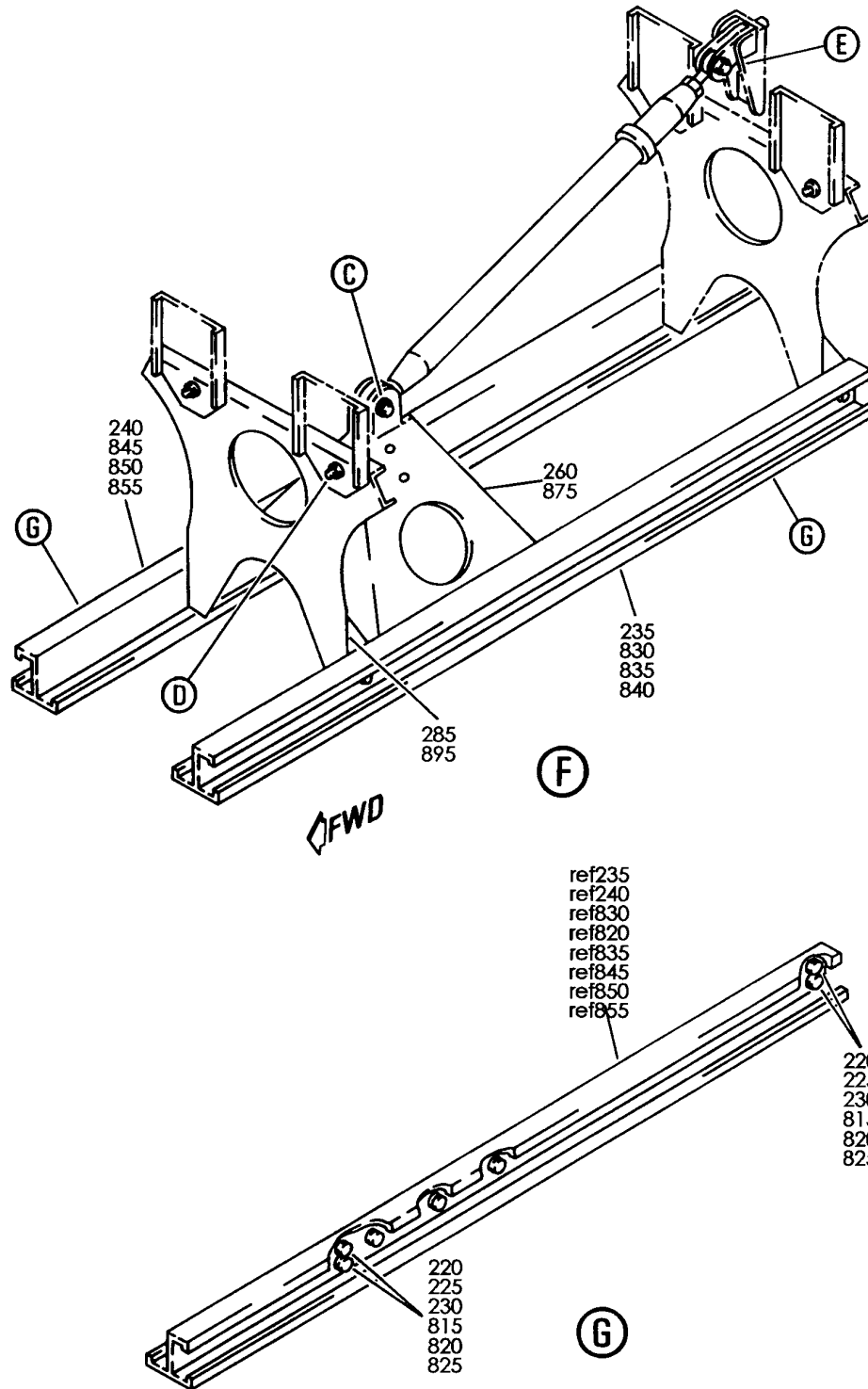
SUPPORT INSTL-VIDEO MON
FIGURE 6 (SHEET 3)

23-32-52-06

BRI
MAY 28/07

23-32-52-06
PAGE 0B

BOEING
757
PARTS CATALOG (MAINTENANCE)



Y 23325206 SH1 4 REV 199

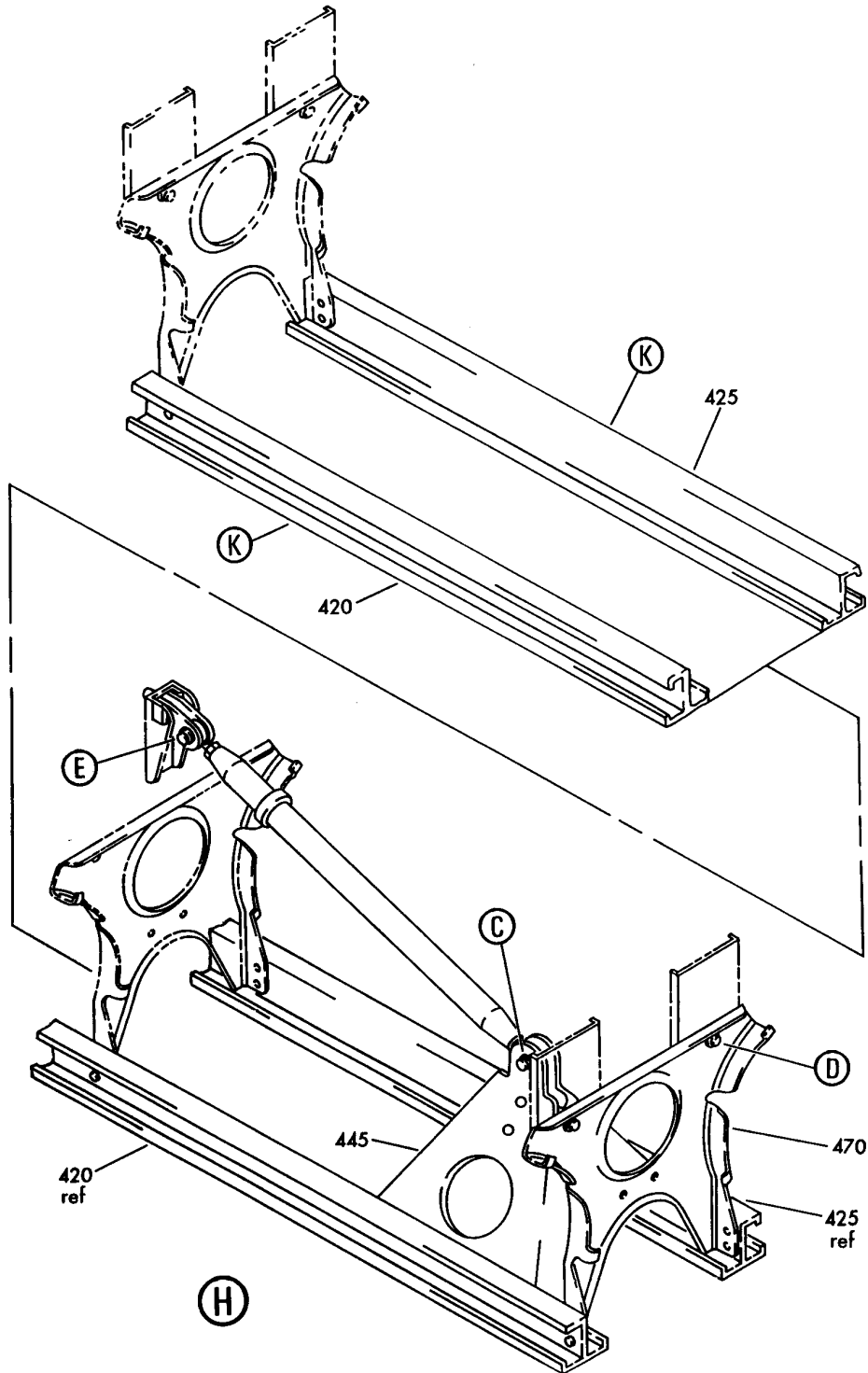
SUPPORT INSTL-VIDEO MON
FIGURE 6 (SHEET 4)

23-32-52-06

BRI
MAY 28/07

23-32-52-06
PAGE 0C

BOEING
757
PARTS CATALOG (MAINTENANCE)



Y 23325206 SHT 5 REV 143

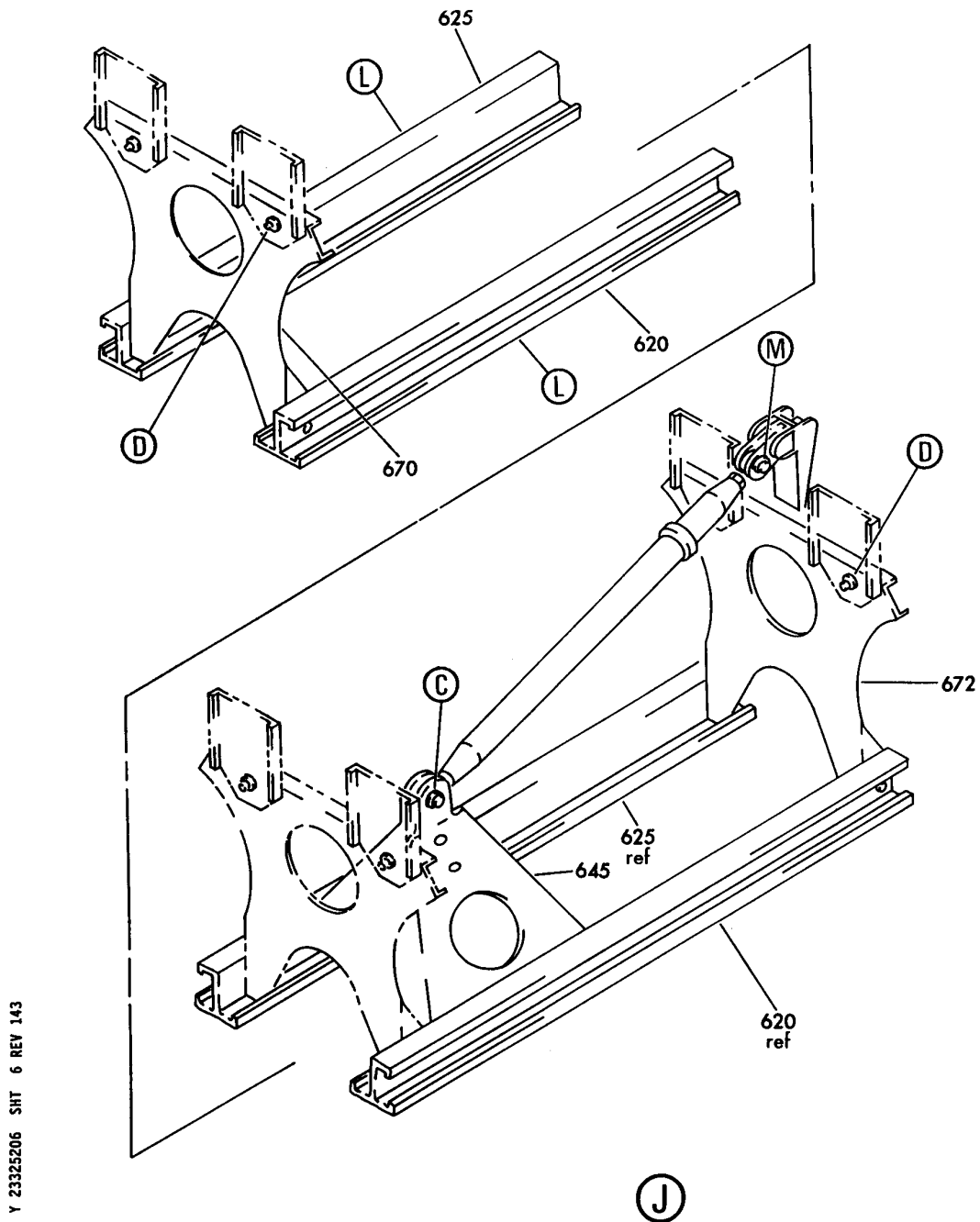
SUPPORT INSTL-VIDEO MON
FIGURE 6 (SHEET 5)

23-32-52-06

BRI
MAY 28/07

23-32-52-06
PAGE 0D

BOEING
757
PARTS CATALOG (MAINTENANCE)



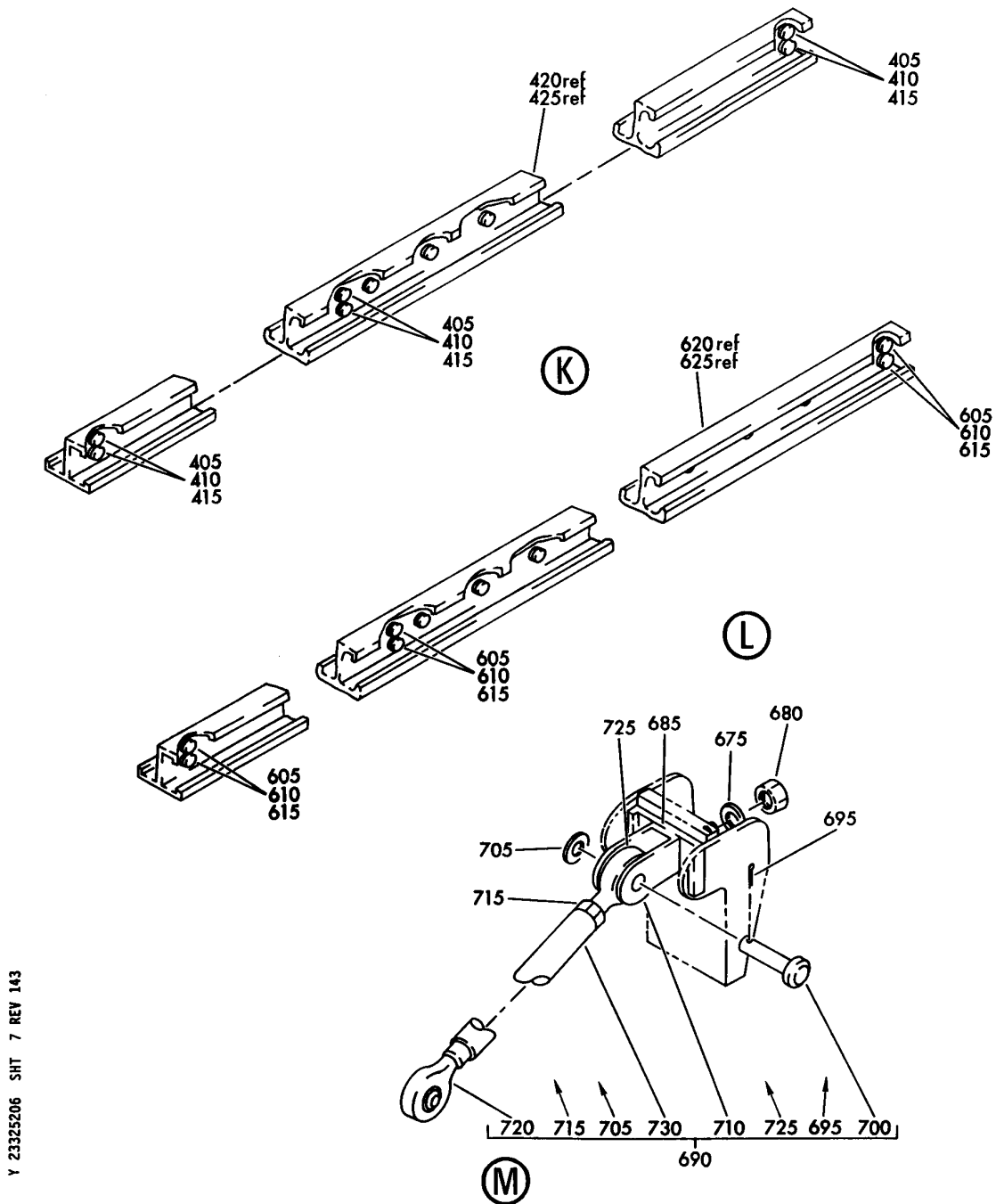
BRI
MAY 28/07

SUPPORT INSTL-VIDEO MON
FIGURE 6 (SHEET 6)

23-32-52-06

23-32-52-06
PAGE 0E

BOEING
757
PARTS CATALOG (MAINTENANCE)



Y 23325206 SH7 7 REV 143

SUPPORT INSTL-VIDEO MON
FIGURE 6 (SHEET 7)

23-32-52-06

BRI
MAY 28/07

23-32-52-06
PAGE OF



757

PARTS CATALOG (MAINTENANCE)

FIG ITEM	PART NUMBER	1 2 3 4 5 6 7	NOMENCLATURE	EFFECT FROM TO	UNITS PER ASSY
6			SUPPORT INSTL-VIDEO MON	011100 504903	
15	417N7010-4		SUPPORT INSTL-VIDEO POSITION DATA: STA 533 FOR NHA SEE: 23-32-00-01	011100	RF
20	417N7010-6		SUPPORT INSTL-VIDEO POSITION DATA: STA 677.00 FOR NHA SEE: 23-32-00-01	011100	RF
30	417N7010-9		SUPPORT INSTL-VIDEO POSITION DATA: STA 819.50 FOR NHA SEE: 23-32-00-01	011100	RF
35	BACB30NT3V4		.BOLT- OPTIONAL PART: BACB30NT3V3 USED ON: 417N7010-4 417N7010-6 417N7010-9 417N7010-17	011100	14
35	BACB30NT3V3		.BOLT- OPTIONAL PART: BACB30NT3V4 USED ON: 417N7010-4 417N7010-6 417N7010-9 417N7010-17	011100	14
40	AN960JD10L		.WASHER- USED ON: 417N7010-1 417N7010-3 417N7010-6 417N7010-7 417N7010-9	011100	14
40	NAS1149D0332J		.WASHER- USED ON: 417N7010-2 417N7010-4 417N7010-17 417N7010-19	011100	14

MISSING ITEM NUMBERS NOT APPLICABLE

- ITEM NOT ILLUSTRATED

23-32-52-06

23-32-52
FIG. 06
PAGE 1
JAN 20/09

BRI



757

PARTS CATALOG (MAINTENANCE)

FIG ITEM	PART NUMBER	1 2 3 4 5 6 7	NOMENCLATURE	EFFECT FROM TO	UNITS PER ASSY
6					
45	BRC600-8-3		.NUT- SUPPLIER CODE: V52828 SPECIFICATION NUMBER: BACN10YD1 OPTIONAL PART: 130120 V60119 USED ON: 417N7010-4 417N7010-6 417N7010-9 417N7010-17	011100	14
50	417N7105-65		.RAIL ASSY- POSITION DATA: LH USED ON: 417N7010-3 417N7010-9	011100	1
50	417N7105-61		.RAIL ASSY- POSITION DATA: LH USED ON: 417N7010-4	011100	1
50	417N7105-63		.RAIL ASSY- POSITION DATA: LH USED ON: 417N7010-6	011100	1
55	417N7105-66		.RAIL ASSY- POSITION DATA: RH USED ON: 417N7010-3 417N7010-9	011100	1
55	417N7105-62		.RAIL ASSY- POSITION DATA: RH USED ON: 417N7010-4	011100	1
55	417N7105-64		.RAIL ASSY- POSITION DATA: RH USED ON: 417N7010-6	011100	1

MISSING ITEM NUMBERS NOT APPLICABLE

- ITEM NOT ILLUSTRATED

23-32-52-06

23-32-52
FIG. 06
PAGE 2
JAN 20/09

BRI



757

PARTS CATALOG (MAINTENANCE)

FIG ITEM	PART NUMBER	1 2 3 4 5 6 7	NOMENCLATURE	EFFECT FROM TO	UNITS PER ASSY
6					
60	BACB30NM4K10		.BOLT- USED ON: 417N7010-4 417N7010-6 417N7010-9 417N7010-17	011100	1
65	AN960JD416		.WASHER- USED ON: 417N7010-1 417N7010-3 417N7010-6 417N7010-7 417N7010-9	011100	2
65	NAS1149D0416J		.WASHER- USED ON: 417N7010-2 417N7010-4 417N7010-17 417N7010-19	011100	2
70	MS21042L4		.NUT- USED ON: 417N7010-4 417N7010-6 417N7010-9 417N7010-17	011100	1
75	417N7102-156		.BRACKET ASSY-TIE ROD USED ON: 417N7010-4 417N7010-6 417N7010-9 417N7010-17	011100	1
80	BACB30NR4K4		.BOLT- USED ON: 417N7010-4 417N7010-7 417N7010-17	011100	2
85	NAS1149D0416J		.WASHER- USED ON: 417N7010-2 417N7010-4 417N7010-17 417N7010-19	011100	4
90	BACW10P227TF		.WASHER- USED ON: 417N7010-4 417N7010-7 417N7010-17	011100	4

MISSING ITEM NUMBERS NOT APPLICABLE

- ITEM NOT ILLUSTRATED

23-32-52-06

23-32-52
FIG. 06
PAGE 3
JAN 20/09

BRI

BOEING PROPRIETARY - Copyright © - Unpublished Work - See title page for details.



757

PARTS CATALOG (MAINTENANCE)

FIG ITEM	PART NUMBER	1 2 3 4 5 6 7	NOMENCLATURE	EFFECT FROM TO	UNITS PER ASSY
6 95	PLH54CM		.NUT- SUPPLIER CODE: V62554 SPECIFICATION NUMBER: BACN10YR4CM OPTIONAL PART: H52732-4CM V15653 USED ON: 417N7010-4 417N7010-7 417N7010-17	011100	2
100	214N2167-1		.BRACKET-SUPPORT USED ON: 417N7010-4 417N7010-7 417N7010-17	011100	1
105	AN960JD516		.WASHER- USED ON: 417N7010-1 417N7010-3 417N7010-6 417N7010-7 417N7010-9	011100	1
105	NAS1149D0516J		.WASHER- USED ON: 417N7010-2 417N7010-4 417N7010-17 417N7010-19	011100	1
110	BRH10C5D		.NUT- SUPPLIER CODE: V52828 SPECIFICATION NUMBER: BACN10JC5CD OPTIONAL PART: T6C524JCD V11815 102LH9075-5W V72962 H51650-5BAC V15653 USED ON: 417N7010-1 417N7010-3 417N7010-6 417N7010-7 417N7010-9	011100	1

MISSING ITEM NUMBERS NOT APPLICABLE

- ITEM NOT ILLUSTRATED

23-32-52-06

23-32-52
FIG. 06
PAGE 4
JAN 20/09

BRI



757

PARTS CATALOG (MAINTENANCE)

FIG ITEM	PART NUMBER	1 2 3 4 5 6 7	NOMENCLATURE	EFFECT FROM TO	UNITS PER ASSY
6 110	PLH55CD	.NUT-	SUPPLIER CODE: VF0224 SPECIFICATION NUMBER: BACN10YR5CD OPTIONAL PART: H52732-5CD V15653 USED ON: 417N7010-2 417N7010-4 417N7010-17 417N7010-19	011100	1
115	412N2032-5	.INSULATOR-CLEVIS	USED ON: 417N7010-1 417N7010-2 417N7010-3 417N7010-4 417N7010-7 417N7010-9 417N7010-17 417N7010-19	011100	1
115	412N2032-2	.INSULATOR-CLEVIS	USED ON: 417N7010-6	011100	1
120	65C33595-22	.TIE ROD ASSY-	USED ON: 417N7010-4 417N7010-6 417N7010-9 417N7010-17	011100	1
125	MS24665-132	..PIN-COTTER		011100	1
130	MS20392-3C17	..PIN-STRAIGHT		011100	1
135	NAS1149D0416J	..WASHER		011100	1
140	412N2031-1	..CLEVIS		011100	1
145	AN316-5R	..NUT-JAM		011100	1
150	1290-11	..BEARING-ROD END	SUPPLIER CODE: V34742	011100	1
155	1290-9	..BEARING-ROD END	SUPPLIER CODE: V34742	011100	1
160	1482-28	..TUBE-TIE ROD	SUPPLIER CODE: V34742	011100	1

MISSING ITEM NUMBERS NOT APPLICABLE

- ITEM NOT ILLUSTRATED

23-32-52-06

23-32-52
FIG. 06
PAGE 5
JAN 20/09

BRI



757

PARTS CATALOG (MAINTENANCE)

FIG ITEM	PART NUMBER	1 2 3 4 5 6 7	NOMENCLATURE	EFFECT FROM TO	UNITS PER ASSY
6					
200	417N7010-18		SUPPORT INSTL-VIDEO POSITION DATA: STA 960 TO 980 FOR NHA SEE: 23-32-00-01	011100	RF
210	417N7010-13		SUPPORT INSTL-VIDEO POSITION DATA: STA 1320 TO 1340 FOR NHA SEE: 23-32-00-01	011100	RF
215	417N7010-15		SUPPORT INSTL-VIDEO POSITION DATA: STA 1440 TO 1460 FOR NHA SEE: 23-32-00-01	011100	RF
220	BACB30NT3V4		.BOLT- OPTIONAL PART: BACB30NT3V3	011100	14
220	BACB30NT3V3		.BOLT- OPTIONAL PART: BACB30NT3V4	011100	14
225	NAS1149D0332J		.WASHER	011100	14
230	BRC600-8-3		.NUT SUPPLIER CODE: V52828 SPECIFICATION NUMBER: BACN10YD1 OPTIONAL PART: 130120 V60119	011100	14
235	417N7105-89		.RAIL ASSY- POSITION DATA: LH USED ON: 417N7010-13	011100	1
235	417N7105-73		.RAIL ASSY- POSITION DATA: LH USED ON: 417N7010-15	011100	1
235	417N7105-81		.RAIL ASSY- POSITION DATA: LH USED ON: 417N7010-18	011100	1

MISSING ITEM NUMBERS NOT APPLICABLE

- ITEM NOT ILLUSTRATED

23-32-52-06

23-32-52
FIG. 06
PAGE 6
JAN 20/09

BRI

BOEING PROPRIETARY - Copyright © - Unpublished Work - See title page for details.



757

PARTS CATALOG (MAINTENANCE)

FIG ITEM	PART NUMBER	1 2 3 4 5 6 7	NOMENCLATURE	EFFECT FROM TO	UNITS PER ASSY
6					
240	417N7105-90	.RAIL ASSY-	POSITION DATA: RH USED ON: 417N7010-13	011100	1
240	417N7105-74	.RAIL ASSY-	POSITION DATA: RH USED ON: 417N7010-15	011100	1
240	417N7105-82	.RAIL ASSY-	POSITION DATA: RH USED ON: 417N7010-18	011100	1
245	BACB30NM4K10	.BOLT		011100	1
250	NAS1149D0463J	.WASHER		011100	2
255	MS21042L4	.NUT		011100	1
260	417N7102-156	.BRACKET ASSY-TIE ROD		011100	1
265	BACB30NR4K4	.BOLT		011100	2
270	NAS1149D0463J	.WASHER		011100	4
275	BACW10P227TF	.WASHER		011100	4
280	PLH54CM	.NUT	SUPPLIER CODE: V62554 SPECIFICATION NUMBER: BACN10YR4CM OPTIONAL PART: H52732-4CM V15653	011100	2
285	214N2167-1	.BRACKET		011100	1
290	NAS1149D0563J	.WASHER		011100	1
295	PLH55CD	.NUT	SUPPLIER CODE: VF0224 SPECIFICATION NUMBER: BACN10YR5CD OPTIONAL PART: H52732-5CD V15653	011100	1
300	412N2032-5	.INSULATOR-CLEVIS		011100	1
305	65C33595-21	.TIE ROD ASSY		011100	1
310	MS24665-132	..PIN-COTTER		011100	1
315	MS20392-3C17	..PIN-STRAIGHT		011100	1
320	NAS1149D0416J	..WASHER		011100	1
325	412N2031-1	..CLEVIS		011100	1
330	AN316-5R	..NUT-JAM		011100	1

MISSING ITEM NUMBERS NOT APPLICABLE

- ITEM NOT ILLUSTRATED

23-32-52-06

23-32-52
FIG. 06
PAGE 7
JAN 20/09

BRI

 **BOEING**
757
PARTS CATALOG (MAINTENANCE)

FIG ITEM	PART NUMBER	1 2 3 4 5 6 7	NOMENCLATURE	EFFECT FROM TO	UNITS PER ASSY
6					
335	1290-1	..	ROD END- SUPPLIER CODE: V34742	011100	1
340	1290-3	..	ROD END- SUPPLIER CODE: V34742	011100	1
345	1293-88	..	TUBE-TIE ROD SUPPLIER CODE: V34742	011100	1
- 404	417N7010-38		SUPPORT INSTL-VIDEO POSITION DATA: STA 610.00 FOR NHA SEE: 25-20-00-11A	504903	RF
407	BACB30NT3V3	.	BOLT	504903	20
413	NAS1149D0332J	.	WASHER	504903	20
416	BRC600-8-3	.	NUT SUPPLIER CODE: V52828 SPECIFICATION NUMBER: BACN10YD1 OPTIONAL PART: 130120 V60119	504903	20
420	417N7105-119	.	RAIL ASSY- POSITION DATA: LH	504903	1
425	417N7105-120	.	RAIL ASSY- POSITION DATA: RH	504903	1
430	BACB30NM4K10	.	BOLT	504903	1
440	MS21042L4	.	NUT	504903	1
445	417N7102-185	.	BRACKET ASSY-TIE ROD	504903	1
450	BACB30NR4K4	.	BOLT	504903	2
455	NAS1149D0463J	.	WASHER-	504903	6
460	BACW10P271TF	.	WASHER-	504903	4
465	PLH54CM	.	NUT SUPPLIER CODE: V62554 SPECIFICATION NUMBER: BACN10YR4CM OPTIONAL PART: H52732-4CM V15653	504903	2
470	214N2167-1	.	BRACKET-SUPPORT	504903	1
475	NAS1149D0563J	.	WASHER-	504903	1

MISSING ITEM NUMBERS NOT APPLICABLE

- ITEM NOT ILLUSTRATED

BRI

23-32-52-06

BOEING PROPRIETARY - Copyright © - Unpublished Work - See title page for details.

23-32-52
FIG. 06
PAGE 8
JAN 20/09



757

PARTS CATALOG (MAINTENANCE)

FIG ITEM	PART NUMBER	1 2 3 4 5 6 7	NOMENCLATURE	EFFECT FROM TO	UNITS PER ASSY
6 480	BRH10C5D	.NUT	SUPPLIER CODE: V52828 SPECIFICATION NUMBER: BACN10JC5CD OPTIONAL PART: T6C524JCD V11815 102LH9075-5W V72962 H51650-5BAC V15653	504903	1
485	412N2032-5	.INSULATOR-CLEVIS		504903	1
490	65C33595-22	.TIE ROD ASSY		504903	1
495	MS24665-132	..PIN-COTTER		504903	1
500	MS20392-3C17	..PIN-STRAIGHT		504903	1
505	NAS1149D0416J	..WASHER		504903	1
510	412N2031-1	..CLEVIS		504903	1
515	AN316-5R	..NUT-JAM		504903	1
520	1290-11	..BEARING-ROD END SUPPLIER CODE: V34742		504903	1
525	1290-9	..BEARING-ROD END SUPPLIER CODE: V34742		504903	1
530	1482-28	..TUBE-TIE ROD SUPPLIER CODE: V34742		504903	1
- 600	417N7010-20	SUPPORT INSTL-VIDEO POSITION DATA: STA 1100 TO 1139.82 FOR NHA SEE: 23-32-00-01		011100	RF
605	BACB30NT3V4	.BOLT- OPTIONAL PART: BACB30NT3V3		011100	18
605	BACB30NT3V3	.BOLT- OPTIONAL PART: BACB30NT3V4		011100	18
610	NAS1149D0332J	.WASHER		011100	18
615	BRC600-8-3	.NUT SUPPLIER CODE: V52828 SPECIFICATION NUMBER: BACN10YD1 OPTIONAL PART: 130120 V60119		011100	18

MISSING ITEM NUMBERS NOT APPLICABLE

- ITEM NOT ILLUSTRATED

23-32-52-06

23-32-52
FIG. 06
PAGE 9
JAN 20/09

BRI



757

PARTS CATALOG (MAINTENANCE)

FIG ITEM	PART NUMBER	1 2 3 4 5 6 7	NOMENCLATURE	EFFECT FROM TO	UNITS PER ASSY
6					
620	417N7105-71		.RAIL ASSY- POSITION DATA: LH USED ON: 417N7010-11 417N7010-20	011100	1
625	417N7105-72		.RAIL ASSY- POSITION DATA: RH USED ON: 417N7010-11 417N7010-20	011100	1
630	BACB30NM4K10		.BOLT	011100	1
635	NAS1149D0463J		.WASHER	011100	2
640	MS21042L4		.NUT	011100	1
645	417N7102-156		.BRACKET ASSY-TIE ROD	011100	1
650	BACB30NR4K4		.BOLT	011100	2
655	NAS1149D0463J		.WASHER	011100	4
660	BACW10P271TF		.WASHER-	011100	4
665	PLH54CM		.NUT SUPPLIER CODE: V62554 SPECIFICATION NUMBER: BACN10YR4CM OPTIONAL PART: H52732-4CM V15653	011100	2
670	214N2167-1		.BRACKET-SUPPORT	011100	1
675	NAS1149D0563J		.WASHER	011100	1
680	PLH55CD		.NUT SUPPLIER CODE: VF0224 SPECIFICATION NUMBER: BACN10YR5CD OPTIONAL PART: H52732-5CD V15653	011100	1
685	412N2032-5		.INSULATOR-CLEVIS	011100	1
690	65C33595-21		.TIE ROD ASSY	011100	1
695	MS24665-132		..PIN-COTTER	011100	1
700	MS20392-3C17		..PIN-STRAIGHT	011100	1
705	NAS1149D0416J		..WASHER	011100	1
710	412N2031-1		..CLEVIS	011100	1
715	AN316-5R		..NUT-JAM	011100	1
720	1290-1		..ROD END- SUPPLIER CODE: V34742	011100	1

MISSING ITEM NUMBERS NOT APPLICABLE

- ITEM NOT ILLUSTRATED

23-32-52-06

23-32-52
FIG. 06
PAGE 10
JAN 20/09

BRI



757

PARTS CATALOG (MAINTENANCE)

FIG ITEM	PART NUMBER	1 2 3 4 5 6 7	NOMENCLATURE	EFFECT FROM TO	UNITS PER ASSY
6 725	1290-3		.. ROD END- SUPPLIER CODE: V34742	011100	1
730	1293-88		.. TUBE-TIE ROD SUPPLIER CODE: V34742	011100	1

MISSING ITEM NUMBERS NOT APPLICABLE

- ITEM NOT ILLUSTRATED

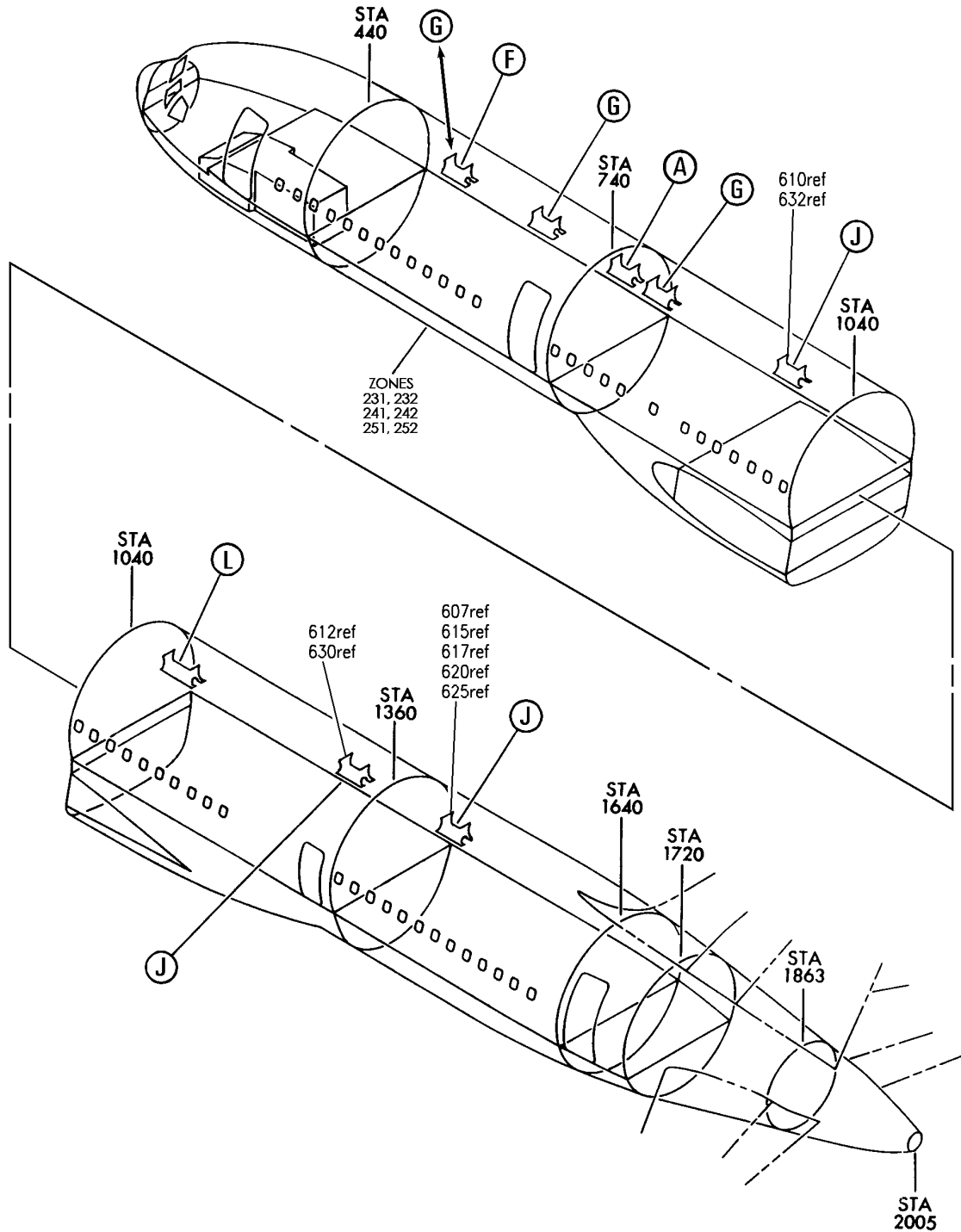
BRI

23-32-52-06

BOEING PROPRIETARY - Copyright © - Unpublished Work - See title page for details.

23-32-52
FIG. 06
PAGE 11
JAN 20/09

BOEING
757
PARTS CATALOG (MAINTENANCE)



Y 23325206A SHT 1 REV 235

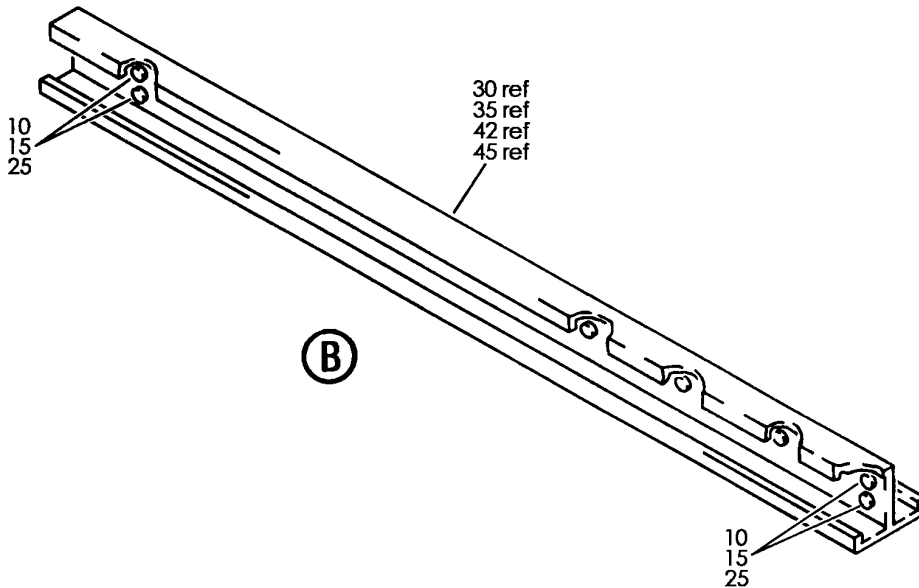
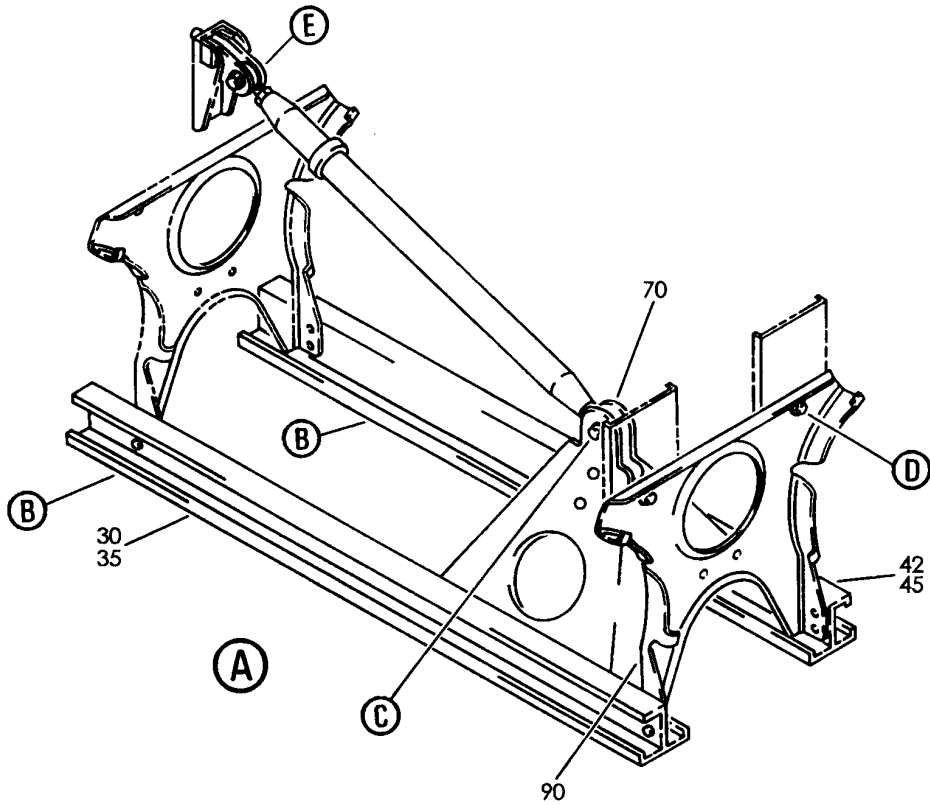
SUPPORT INSTL-VIDEO
FIGURE 6A (SHEET 1)

23-32-52-06A

BRI
MAY 28/07

23-32-52-06A
PAGE 0

BOEING
757
PARTS CATALOG (MAINTENANCE)



Y 23325206A SHT 2 REV 197

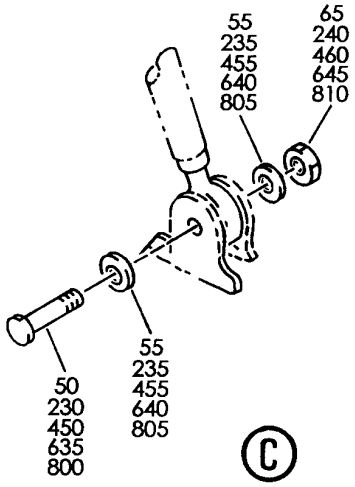
SUPPORT INSTL-VIDEO
FIGURE 6A (SHEET 2)

23-32-52-06A

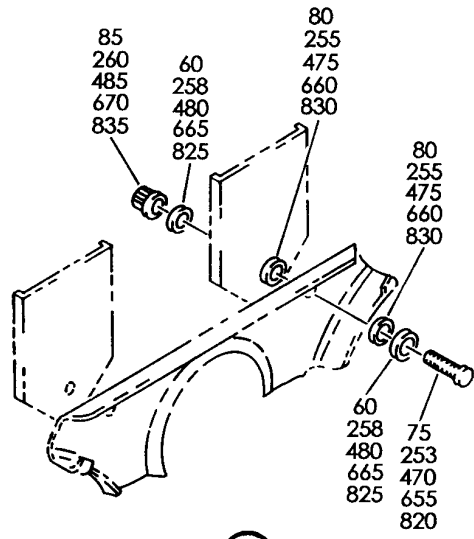
BRI
MAY 28/07

23-32-52-06A
PAGE 0A

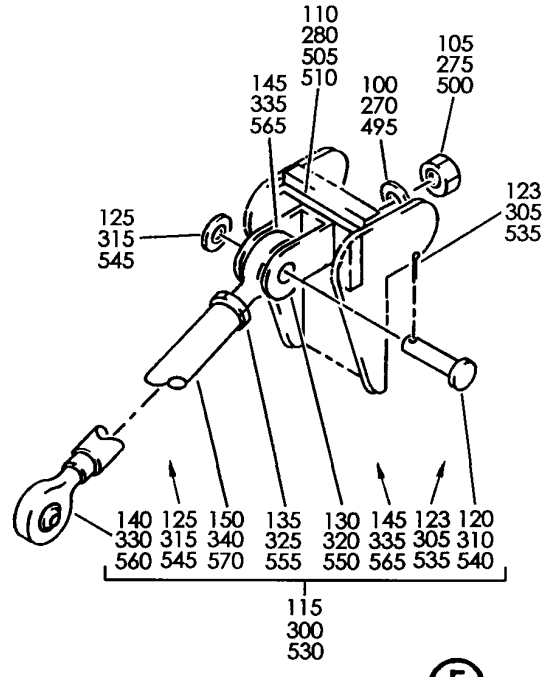
BOEING
757
PARTS CATALOG (MAINTENANCE)



(C)



(D)



(E)

Y 23325206A SHT 3 REV 197

SUPPORT INSTL-VIDEO
FIGURE 6A (SHEET 3)

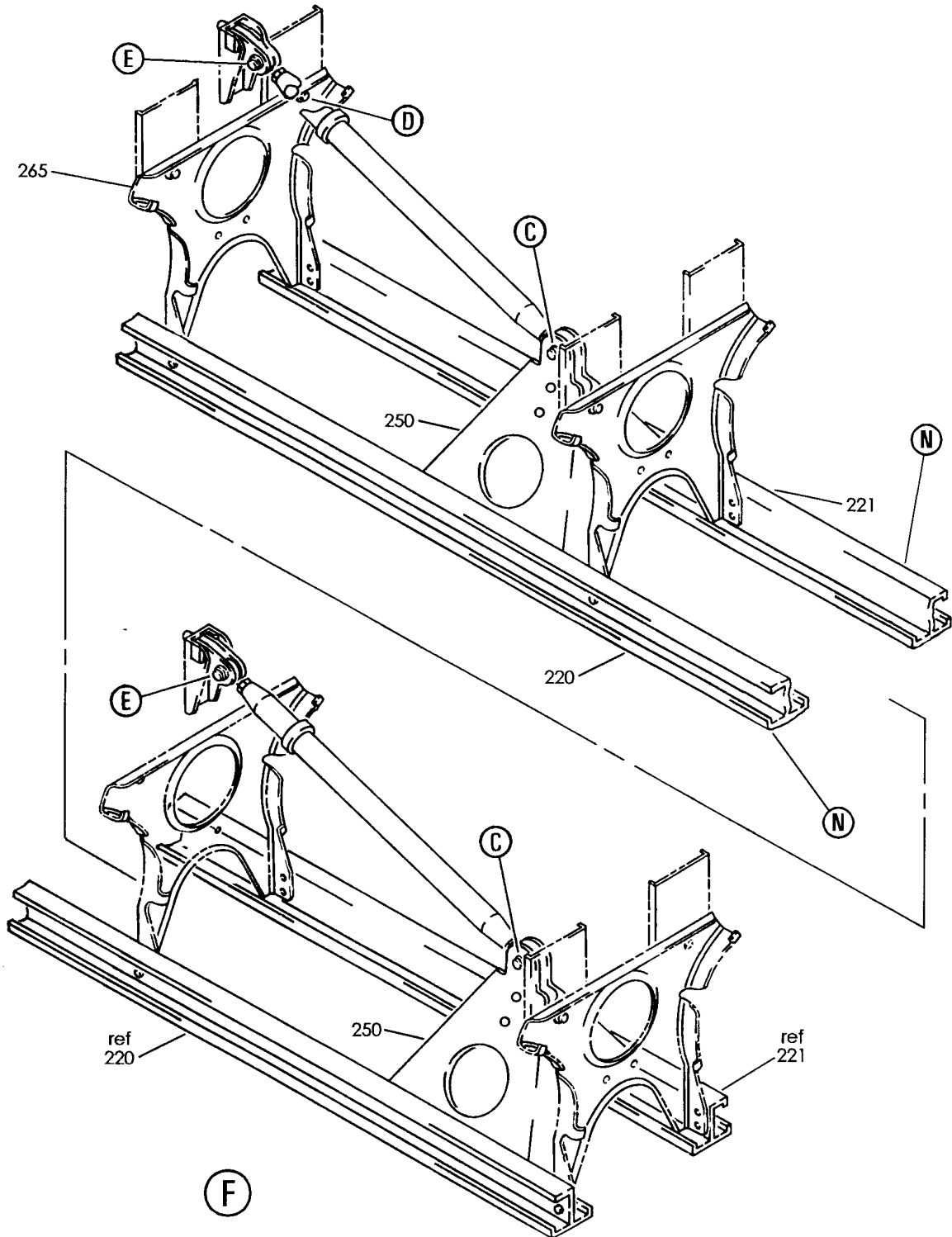
23-32-52-06A

BRI
MAY 28/07

23-32-52-06A
PAGE 0B

BOEING PROPRIETARY - Copyright © - Unpublished Work - See title page for details.

BOEING
757
PARTS CATALOG (MAINTENANCE)



Y 23325206A SHT 4 REV 202

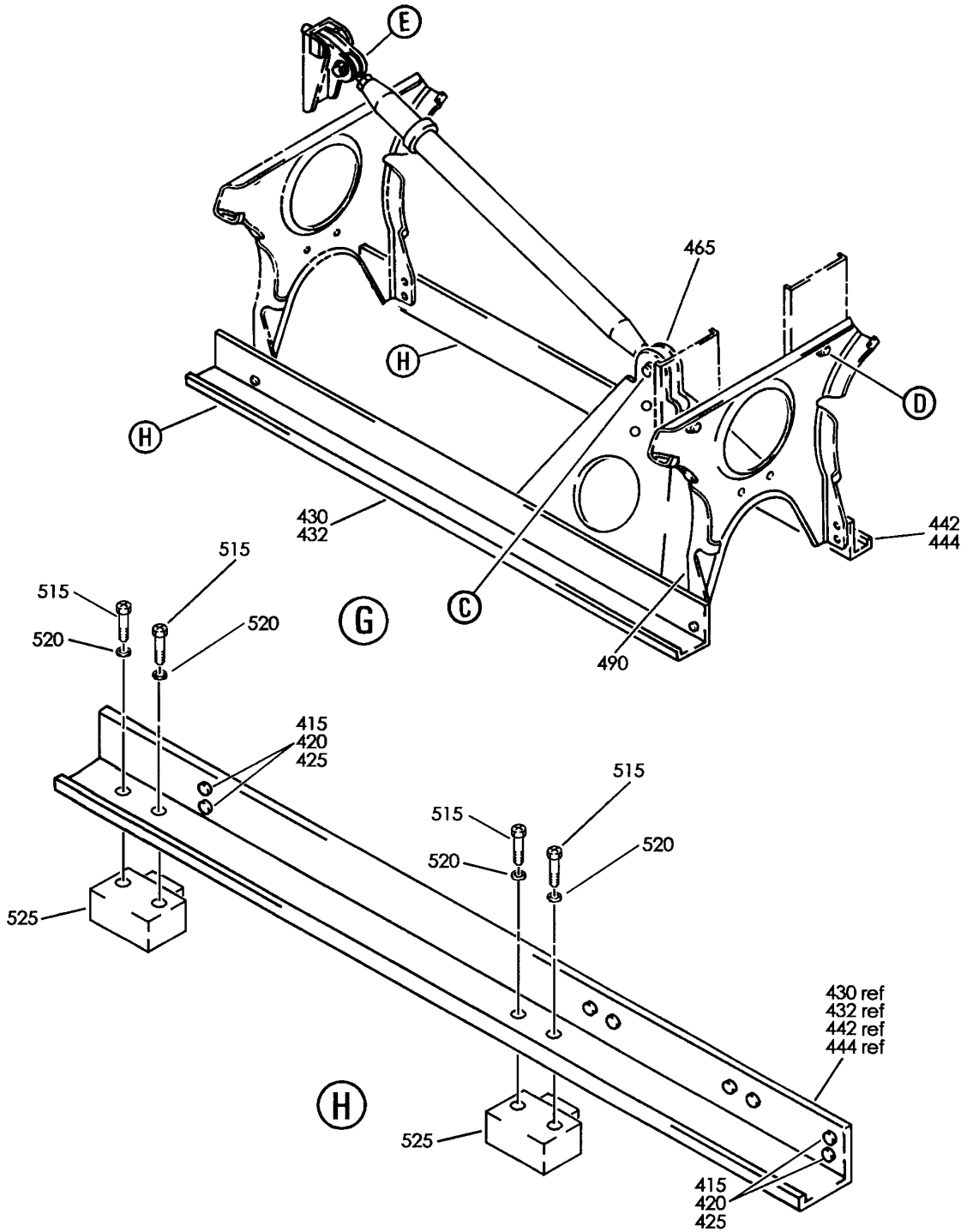
SUPPORT INSTL-VIDEO
FIGURE 6A (SHEET 4)

23-32-52-06A

BRI
MAY 28/07

23-32-52-06A
PAGE 0C

BOEING
757
PARTS CATALOG (MAINTENANCE)



Y 23325206A SHT 5 REV 197

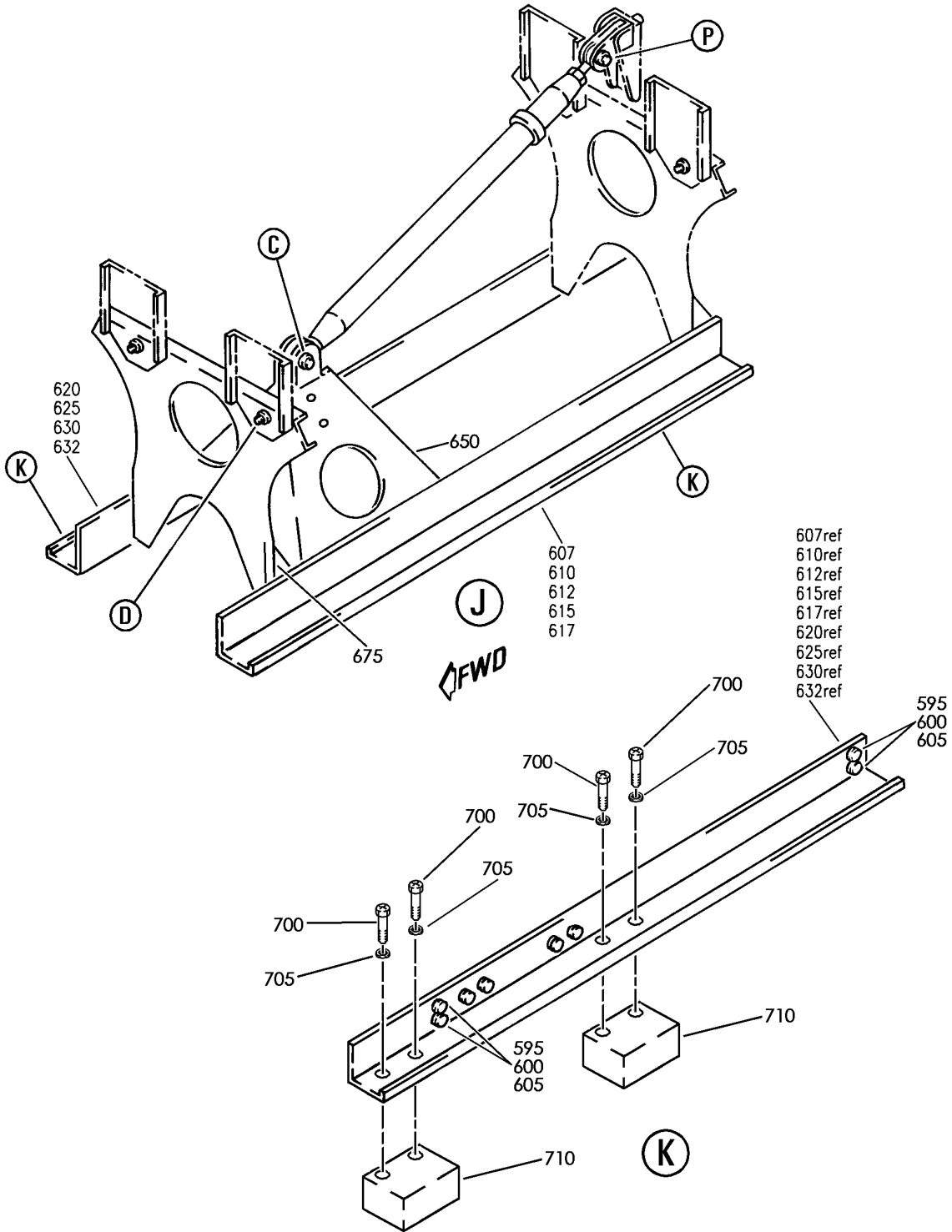
SUPPORT INSTL-VIDEO
FIGURE 6A (SHEET 5)

23-32-52-06A

BRI
MAY 28/07

23-32-52-06A
PAGE 0D

BOEING
757
PARTS CATALOG (MAINTENANCE)



Y 23325206A SHT 6 REV 235

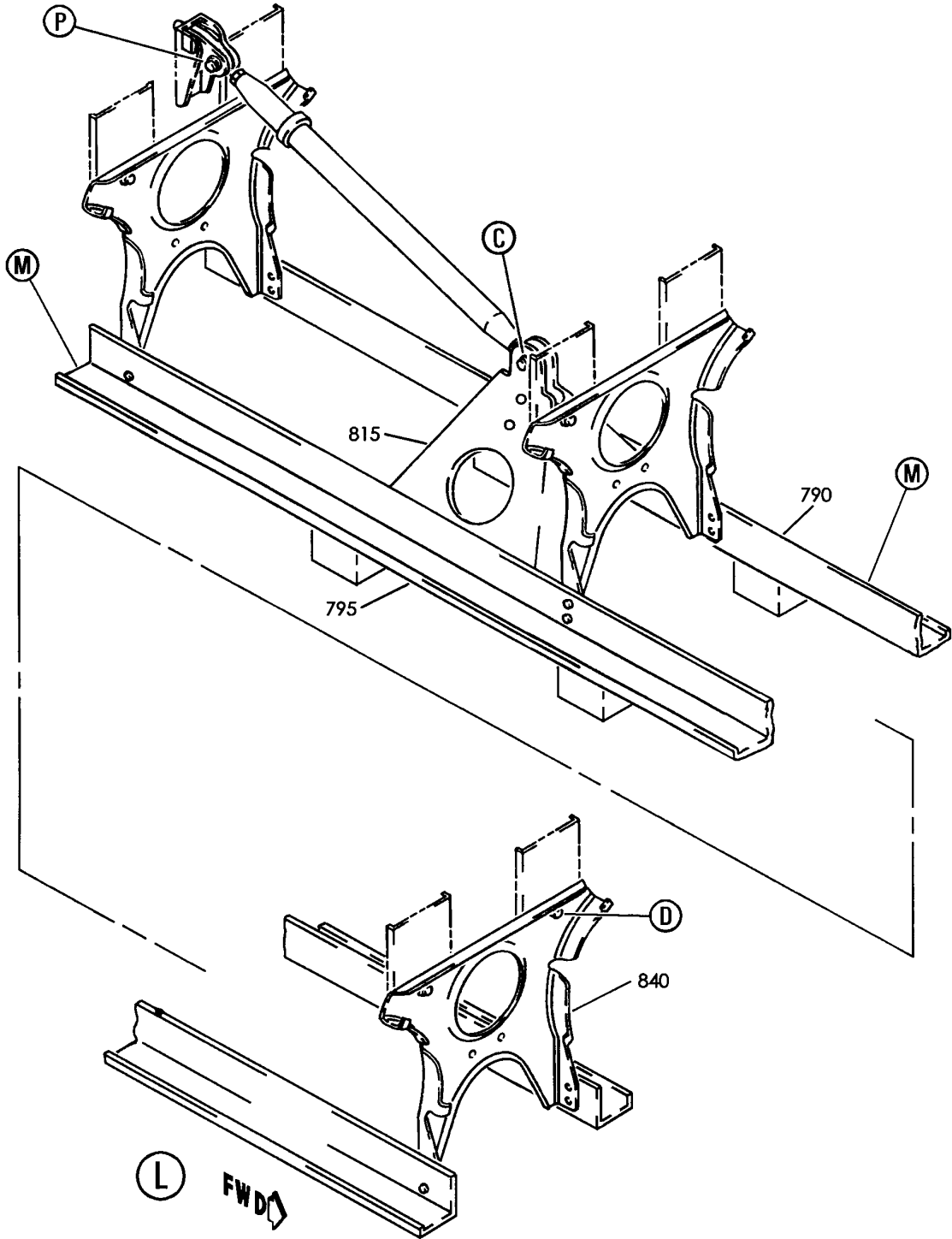
SUPPORT INSTL-VIDEO
FIGURE 6A (SHEET 6)

23-32-52-06A

BRI
MAY 28/07

23-32-52-06A
PAGE 0E

BOEING
757
PARTS CATALOG (MAINTENANCE)



Y 23325206A SHT 7 REV 197

SUPPORT INSTL-VIDEO
FIGURE 6A (SHEET 7)

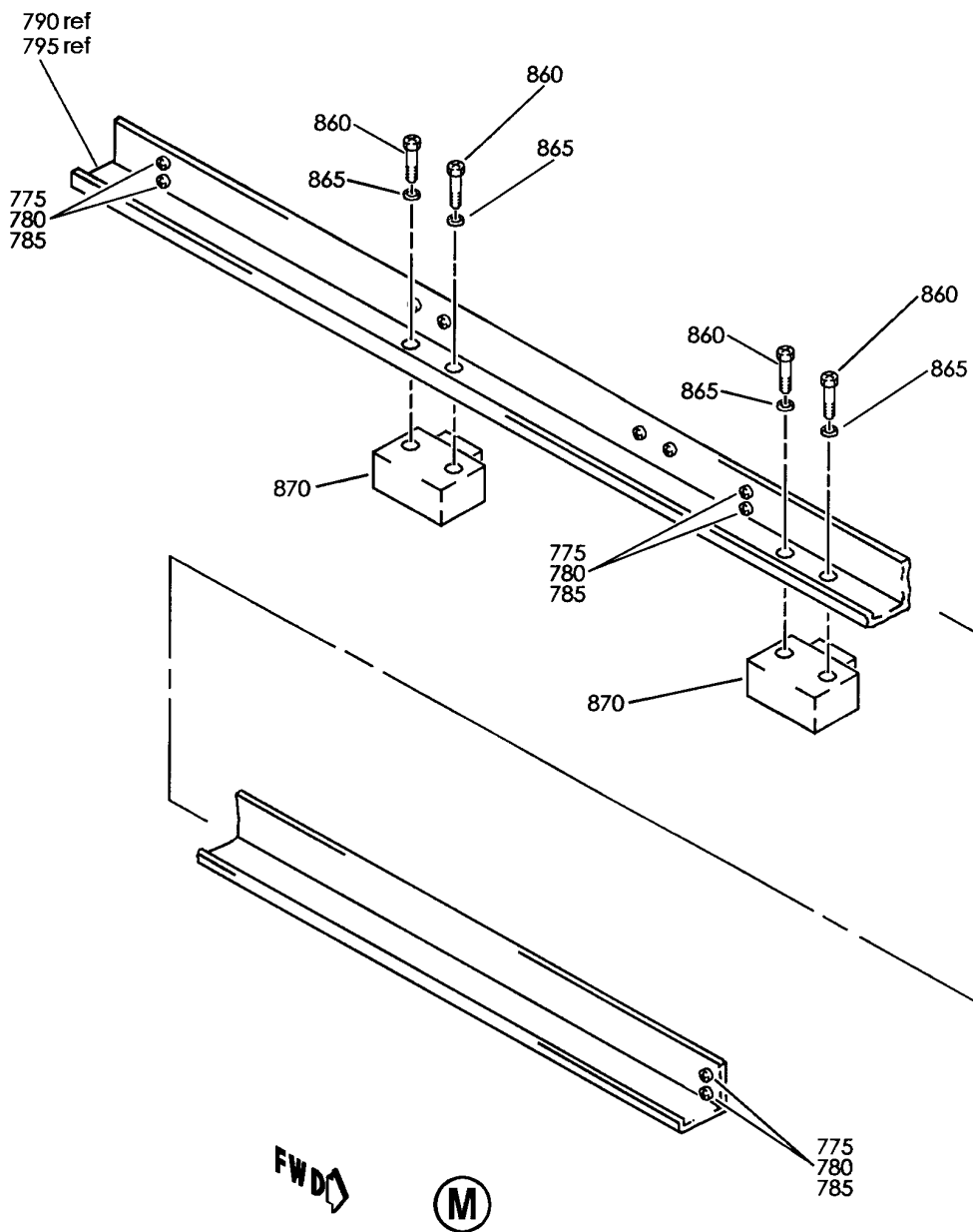
23-32-52-06A

BRI
MAY 28/07

23-32-52-06A
PAGE OF

BOEING PROPRIETARY - Copyright © - Unpublished Work - See title page for details.

BOEING
757
PARTS CATALOG (MAINTENANCE)



Y 23325206A SHT 8 REV 197

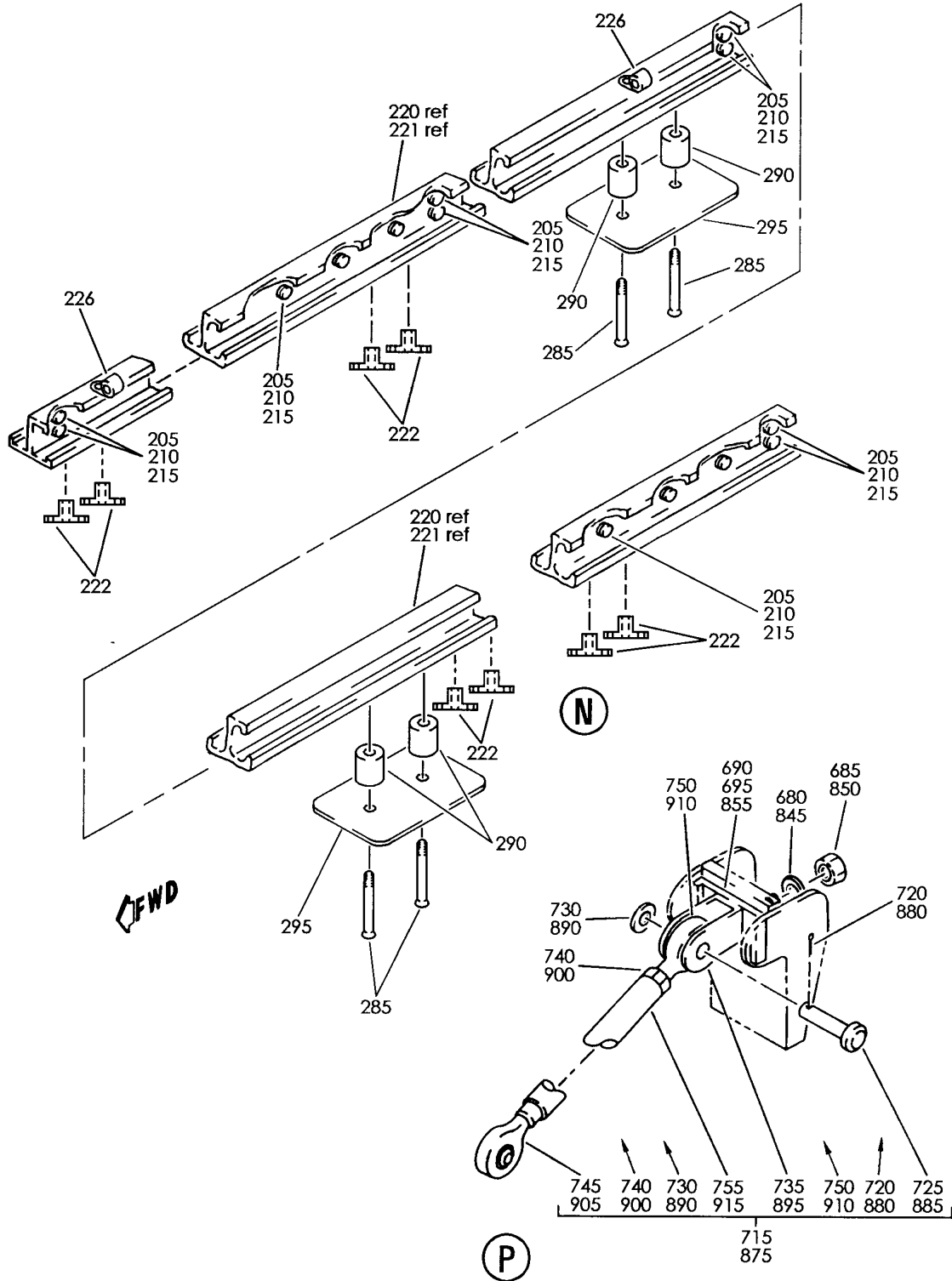
SUPPORT INSTL-VIDEO
FIGURE 6A (SHEET 8)

23-32-52-06A

BRI
MAY 28/07

23-32-52-06A
PAGE 0G

BOEING
757
PARTS CATALOG (MAINTENANCE)



Y 23325206A SHT 9 REV 202

SUPPORT INSTL-VIDEO
FIGURE 6A (SHEET 9)

23-32-52-06A

BRI
MAY 28/07

23-32-52-06A
PAGE 0H



757

PARTS CATALOG (MAINTENANCE)

FIG ITEM	PART NUMBER	1 2 3 4 5 6 7	NOMENCLATURE	EFFECT FROM TO	UNITS PER ASSY
6A			SUPPORT INSTL-VIDEO	101102	
- 400	417N7010-30		SUPPORT INSTL-VIDEO POSITION DATA: STA 533.00 FOR NHA SEE: 25-20-00-11A	504903 101102	RF
- 405	417N7010-31		SUPPORT INSTL-VIDEO POSITION DATA: STA 677.00 FOR NHA SEE: 25-20-00-11A	101102	RF
- 410	417N7010-32		SUPPORT INSTL-VIDEO POSITION DATA: STA 819.50 FOR NHA SEE: 25-20-00-11A	101102	RF
- 413	417N7010-39		SUPPORT INSTL-VIDEO POSITION DATA: STA 775.00 FOR NHA SEE: 25-20-00-11A	504903	RF
415	BACB30NT3V3		.BOLT- OPTIONAL PART: BACB30NT3V4	101102	16
415	BACB30NT3V3		.BOLT- OPTIONAL PART: BACB30NT3V4	504903	16
415	BACB30NT3V4		.BOLT- OPTIONAL PART: BACB30NT3V3	101102	16
415	BACB30NT3V4		.BOLT- OPTIONAL PART: BACB30NT3V3	504903	16
420	NAS1149D0332J		.WASHER	101102	16
420	NAS1149D0332J		.WASHER	504903	16
425	BRC600-8-3		.NUT SUPPLIER CODE: V52828 SPECIFICATION NUMBER: BACN10YD1 OPTIONAL PART: 130120 V60119	101102	16

MISSING ITEM NUMBERS NOT APPLICABLE

- ITEM NOT ILLUSTRATED

23-32-52-06A

23-32-52
FIG. 06A
PAGE 1
JAN 20/09

BRI

BOEING PROPRIETARY - Copyright © - Unpublished Work - See title page for details.



757

PARTS CATALOG (MAINTENANCE)

FIG ITEM	PART NUMBER	1 2 3 4 5 6 7	NOMENCLATURE	EFFECT FROM TO	UNITS PER ASSY
6A 425	BRC600-8-3	.NUT	SUPPLIER CODE: V52828 SPECIFICATION NUMBER: BACN10YD1 OPTIONAL PART: 130120 V60119	504903	16
430	417N7105-117	.RAIL ASSY-	POSITION DATA: LH USED ON: 417N7010-30 417N7010-31	101102	1
430	417N7105-117	.RAIL ASSY-	POSITION DATA: LH	504903	1
432	417N7105-175	.RAIL ASSY-	POSITION DATA: LH USED ON: 417N7010-32	101102	1
- 440	417N7105-118	.RAIL ASSY-	POSITION DATA: RH	504903	1
442	417N7105-118	.RAIL ASSY-	POSITION DATA: RH USED ON: 417N7010-30 417N7010-31	101102	1
444	417N7105-176	.RAIL ASSY-	POSITION DATA: RH USED ON: 417N7010-32	101102	1
450	BACB30NM4K10	.BOLT		101102	1
450	BACB30NM4K10	.BOLT		504903	1
455	NAS149D0416J	.WASHER		101102	2
455	NAS149D0416J	.WASHER		504903	2
460	MS21042L4	.NUT		101102	1
460	MS21042L4	.NUT		504903	1
465	417N7102-185	.BRACKET ASSY-TIE ROD		101102	1
465	417N7102-185	.BRACKET ASSY-TIE ROD		504903	1
470	BACB30NR4K4	.BOLT		101102	2
470	BACB30NR4K4	.BOLT		504903	2
475	BACW10P271TF	.WASHER		101102	4
475	BACW10P271TF	.WASHER		504903	4
480	NAS1149D0416J	.WASHER		101102	4

MISSING ITEM NUMBERS NOT APPLICABLE

- ITEM NOT ILLUSTRATED

23-32-52-06A

23-32-52
FIG. 06A
PAGE 2
JAN 20/09

BRI

BOEING PROPRIETARY - Copyright © - Unpublished Work - See title page for details.



757

PARTS CATALOG (MAINTENANCE)

FIG ITEM	PART NUMBER	1 2 3 4 5 6 7	NOMENCLATURE	EFFECT FROM TO	UNITS PER ASSY
6A					
480	NAS1149D0416J	.	WASHER	504903	4
485	PLH54CM	.	NUT	101102	2
			SUPPLIER CODE: V62554		
			SPECIFICATION NUMBER: BACN10YR4CM		
			OPTIONAL PART: H52732-4CM		
			V15653		
485	PLH54CM	.	NUT	504903	2
			SUPPLIER CODE: V62554		
			SPECIFICATION NUMBER: BACN10YR4CM		
			OPTIONAL PART: H52732-4CM		
			V15653		
490	214N2167-1	.	BRACKET-SUPPORT	101102	1
490	214N2167-1	.	BRACKET-SUPPORT	504903	1
495	NAS1149D0516J	.	WASHER	101102	1
495	NAS1149D0516J	.	WASHER	504903	1
500	PLH55CD	.	NUT	101102	1
			SUPPLIER CODE: VF0224		
			SPECIFICATION NUMBER: BACN10YR5CD		
			OPTIONAL PART: H52732-5CD		
			V15653		
500	PLH55CD	.	NUT	504903	1
			SUPPLIER CODE: VF0224		
			SPECIFICATION NUMBER: BACN10YR5CD		
			OPTIONAL PART: H52732-5CD		
			V15653		
505	412N2032-5	.	INSULATOR-CLEVIS	101102	1
			USED ON: 417N7010-30		
			417N7010-32		
505	412N2032-5	.	INSULATOR-CLEVIS	504903	1
510	412N2032-2	.	INSULATOR-CLEVIS	101102	1
			USED ON: 417N7010-31		
515	NAS1802-3-7	.	SCREW	101102	8
520	NAS1149E0332P	.	WASHER	101102	8
525	417N7105-179	.	MOUNT ASSY-	101102	4
530	65C33595-22	.	TIE ROD ASSY	101102	1

MISSING ITEM NUMBERS NOT APPLICABLE

- ITEM NOT ILLUSTRATED

23-32-52-06A

23-32-52
FIG. 06A
PAGE 3
JAN 20/09

BRI

BOEING PROPRIETARY - Copyright © - Unpublished Work - See title page for details.



757

PARTS CATALOG (MAINTENANCE)

FIG ITEM	PART NUMBER	1 2 3 4 5 6 7	NOMENCLATURE	EFFECT FROM TO	UNITS PER ASSY
6A					
530	65C33595-22	.	TIE ROD ASSY	504903	1
535	MS24665-132	..	PIN	101102	1
535	MS24665-132	..	PIN	504903	1
540	MS20392-3C17	..	PIN	101102	1
540	MS20392-3C17	..	PIN	504903	1
545	NAS1149D0416J	..	WASHER	101102	1
545	NAS1149D0416J	..	WASHER	504903	1
550	412N2031-1	..	CLEVIS	101102	1
550	412N2031-1	..	CLEVIS	504903	1
555	AN316-5R	..	NUT	101102	1
555	AN316-5R	..	NUT	504903	1
560	1290-11	..	BEARING-ROD END SUPPLIER CODE: V34742	101102	1
560	1290-11	..	BEARING-ROD END SUPPLIER CODE: V34742	504903	1
565	1290-9	..	BEARING-ROD END SUPPLIER CODE: V34742	101102	1
565	1290-9	..	BEARING-ROD END SUPPLIER CODE: V34742	504903	1
570	1482-28	..	TUBE-TIE ROD SUPPLIER CODE: V34742	101102	1
570	1482-28	..	TUBE-TIE ROD SUPPLIER CODE: V34742	504903	1
- 580	417N7010-33		SUPPORT INSTL-VIDEO POSITION DATA: STA 974 FOR NHA SEE: 25-20-00-11A	101102	RF
- 580	417N7010-40		SUPPORT INSTL-VIDEO POSITION DATA: STA 974.00 FOR NHA SEE: 25-20-00-11A	504903	RF
- 585	417N7010-35		SUPPORT INSTL-VIDEO POSITION DATA: STA 1330.00 FOR NHA SEE: 25-20-00-11A	101102	RF
- 585	417N7010-42		SUPPORT INSTL-VIDEO POSITION DATA: STA 1330.00 FOR NHA SEE: 25-20-00-11A	504903	RF

MISSING ITEM NUMBERS NOT APPLICABLE

- ITEM NOT ILLUSTRATED

23-32-52-06A

23-32-52
FIG. 06A
PAGE 4
JAN 20/09

BRI

BOEING PROPRIETARY - Copyright © - Unpublished Work - See title page for details.



757

PARTS CATALOG (MAINTENANCE)

FIG ITEM	PART NUMBER	1 2 3 4 5 6 7	NOMENCLATURE	EFFECT FROM TO	UNITS PER ASSY
6A					
- 590	417N7010-36		SUPPORT INSTL-VIDEO POSITION DATA: STA 1459.50 FOR NHA SEE: 25-20-00-11A	101102	RF
- 590	417N7010-43		SUPPORT INSTL-VIDEO POSITION DATA: STA 1459.50 FOR NHA SEE: 25-20-00-11A	504903	RF
595	BACB30NT3V3		.BOLT- OPTIONAL PART: BACB30NT3V4	101102 504903	16
595	BACB30NT3V4		.BOLT- OPTIONAL PART: BACB30NT3V3	101102 504903	16
600	NAS1149D0332J		.WASHER	101102 504903	16
605	BRC600-8-3		.NUT SUPPLIER CODE: V52828 SPECIFICATION NUMBER: BACN10YD1 OPTIONAL PART: 130120 V60119	101102 504903	16
610	417N7105-117		.RAIL ASSY- POSITION DATA: LH USED ON: 417N7010-33 417N7010-40 417N7010-82	101102 504903	1
612	417N7105-177		.RAIL ASSY- POSITION DATA: LH USED ON: 417N7010-35 417N7010-42 417N7010-84	101102 504903	1
615	417N7105-175		.RAIL ASSY- POSITION DATA: LH USED ON: 417N7010-36 417N7010-43 417N7010-85	101102 504903	1

MISSING ITEM NUMBERS NOT APPLICABLE

- ITEM NOT ILLUSTRATED

23-32-52-06A

23-32-52
FIG. 06A
PAGE 5
JAN 20/09

BRI

BOEING PROPRIETARY - Copyright © - Unpublished Work - See title page for details.



757

PARTS CATALOG (MAINTENANCE)

FIG ITEM	PART NUMBER	1 2 3 4 5 6 7	NOMENCLATURE	EFFECT FROM TO	UNITS PER ASSY
6A 625	417N7105-176		.RAIL ASSY- POSITION DATA: RH USED ON: 417N7010-36 417N7010-43 417N7010-85	101102 504903	1
630	417N7105-178		.RAIL ASSY- POSITION DATA: RH USED ON: 417N7010-35 417N7010-42 417N7010-84	101102 504903	1
632	417N7105-118		.RAIL ASSY- POSITION DATA: RH USED ON: 417N7010-33 417N7010-40 417N7010-82	101102 504903	1
635	BACB30NM4K10		.BOLT	101102 504903	1
640	NAS1149D0463J		.WASHER	101102 504903	2
645	MS21042L4		.NUT	101102 504903	1
650	417N7102-185		.BRACKET ASSY-TIE ROD	101102 504903	1
655	BACB30NR4K4		.BOLT	101102 504903	2
660	BACW10P271TF		.WASHER	101102 504903	4
665	NAS1149D0463J		.WASHER	101102 504903	4
670	PLH54CM		.NUT SUPPLIER CODE: V62554 SPECIFICATION NUMBER: BACN10YR4CM OPTIONAL PART: H52732-4CM V15653	101102 504903	2
675	214N2167-1		.BRACKET-SUPPORT	101102 504903	1
680	NAS1149D0563J		.WASHER	101102 504903	1

MISSING ITEM NUMBERS NOT APPLICABLE

- ITEM NOT ILLUSTRATED

23-32-52-06A

23-32-52
FIG. 06A
PAGE 6
JAN 20/09

BRI

BOEING PROPRIETARY - Copyright © - Unpublished Work - See title page for details.

 **BOEING**
757
PARTS CATALOG (MAINTENANCE)

FIG ITEM	PART NUMBER	1 2 3 4 5 6 7	NOMENCLATURE	EFFECT FROM TO	UNITS PER ASSY
6A 685	PLH55CD	.	NUT SUPPLIER CODE: VF0224 SPECIFICATION NUMBER: BACN10YR5CD OPTIONAL PART: H52732-5CD V15653	101102 504903	1
690	412N2032-5	.	INSULATOR-CLEVIS USED ON: 417N7010-33 417N7010-35 417N7010-44 417N7010-46 417N7010-40 417N7010-42 417N7010-82 417N7010-84	101102 504903	1
695	412N2032-3	.	INSULATOR-CLEVIS USED ON: 417N7010-36 417N7010-47 417N7010-43 417N7010-85	101102 504903	1
700	NAS1802-3-7	.	SCREW	101102 504903	8
705	NAS1149E0332P	.	WASHER	101102 504903	8
710	417N7105-228	.	MOUNT ASSY-	101102 504903	4
715	65C33595-21	.	TIE ROD ASSY	101102 504903	1
720	MS24665-132	..	PIN-COTTER	101102 504903	1
725	MS20392-3C17	..	PIN-STRAIGHT	101102 504903	1
730	NAS1149D0416J	..	WASHER	101102 504903	1
735	412N2031-1	..	CLEVIS	101102 504903	1
740	AN316-5R	..	NUT-JAM	101102 504903	1
745	1290-1	..	ROD END-ROD END SUPPLIER CODE: V34742	101102 504903	1
750	1290-3	..	ROD END-ROD END SUPPLIER CODE: V34742	101102 504903	1

MISSING ITEM NUMBERS NOT APPLICABLE

— ITEM NOT ILLUSTRATED

BRI

23-32-52-06A

BOEING PROPRIETARY - Copyright © - Unpublished Work - See title page for details.

23-32-52
FIG. 06A
PAGE 7
JAN 20/09



757

PARTS CATALOG (MAINTENANCE)

FIG ITEM	PART NUMBER	1 2 3 4 5 6 7	NOMENCLATURE	EFFECT FROM TO	UNITS PER ASSY
6A 755	1293-88		. . TUBE-TIE ROD SUPPLIER CODE: V34742	101102 504903	1
- 770	417N7010-34		SUPPORT INSTL-VIDEO POSITION DATA: STA 1130.00 FOR NHA SEE: 25-20-00-11A	101102	RF
- 770	417N7010-41		SUPPORT INSTL-VIDEO POSITION DATA: STA 1130.00 FOR NHA SEE: 25-20-00-11A	504903	RF
775	BACB30NT3V3		. BOLT- OPTIONAL PART: BACB30NT3V4	101102 504903	20
775	BACB30NT3V4		. BOLT- OPTIONAL PART: BACB30NT3V3	101102 504903	20
780	NAS1149D0332J		. WASHER	101102 504903	20
785	BRC600-8-3		. NUT SUPPLIER CODE: V52828 SPECIFICATION NUMBER: BACN10YD1 OPTIONAL PART: 130120 V60119	101102 504903	20
790	417N7105-119		. RAIL ASSY- POSITION DATA: LH	101102 504903	1
795	417N7105-120		. RAIL ASSY- POSITION DATA: RH	101102 504903	1
800	BACB30NM4K10		. BOLT	101102 504903	1
805	NAS149D0463J		. WASHER	101102 504903	2
810	MS21042L4		. NUT	101102 504903	1
815	417N7102-185		. BRACKET ASSY-TIE ROD	101102 504903	1
820	BACB30NR4K4		. BOLT	101102 504903	2
825	NAS1149D0463J		. WASHER	101102 504903	4
830	BACW10P271TF		. WASHER	101102 504903	4

MISSING ITEM NUMBERS NOT APPLICABLE

- ITEM NOT ILLUSTRATED

23-32-52-06A

23-32-52
FIG. 06A
PAGE 8
JAN 20/09

BRI

BOEING PROPRIETARY - Copyright © - Unpublished Work - See title page for details.

 **BOEING**
757
PARTS CATALOG (MAINTENANCE)

FIG ITEM	PART NUMBER	1 2 3 4 5 6 7	NOMENCLATURE	EFFECT FROM TO	UNITS PER ASSY
6A 835	PLH54CM	.	NUT SUPPLIER CODE: V62554 SPECIFICATION NUMBER: BACN10YR4CM OPTIONAL PART: H52732-4CM V15653	101102 504903	2
840	214N2167-1	.	BRACKET-SUPPORT	101102 504903	1
845	NAS1149D0563J	.	WASHER	101102 504903	1
850	PLH55CD	.	NUT SUPPLIER CODE: VF0224 SPECIFICATION NUMBER: BACN10YR5CD OPTIONAL PART: H52732-5CD V15653	101102 504903	1
855	412N2032-5	.	INSULATOR-CLEVIS	101102 504903	1
860	NAS1802-3-7	.	SCREW	101102 504903	8
865	NAS1149E0332P	.	WASHER	101102 504903	8
870	417N7105-179	.	MOUNT ASSY-	101102 504903	4
875	65C33595-21	.	TIE ROD ASSY	101102 504903	1
880	MS24665-132	..	PIN-COTTER	101102 504903	1
885	MS20392-3C17	..	PIN-STRAIGHT	101102 504903	1
890	NAS1149D0416J	..	WASHER	101102 504903	1
895	412N2031-1	..	CLEVIS	101102 504903	1
900	AN316-5R	..	NUT-JAM	101102 504903	1
905	1290-1	..	ROD END-ROD END SUPPLIER CODE: V34742	101102 504903	1
910	1290-3	..	ROD END-ROD END SUPPLIER CODE: V34742	101102 504903	1
915	1293-88	..	TUBE-TIE ROD SUPPLIER CODE: V34742	101102 504903	1

MISSING ITEM NUMBERS NOT APPLICABLE

— ITEM NOT ILLUSTRATED

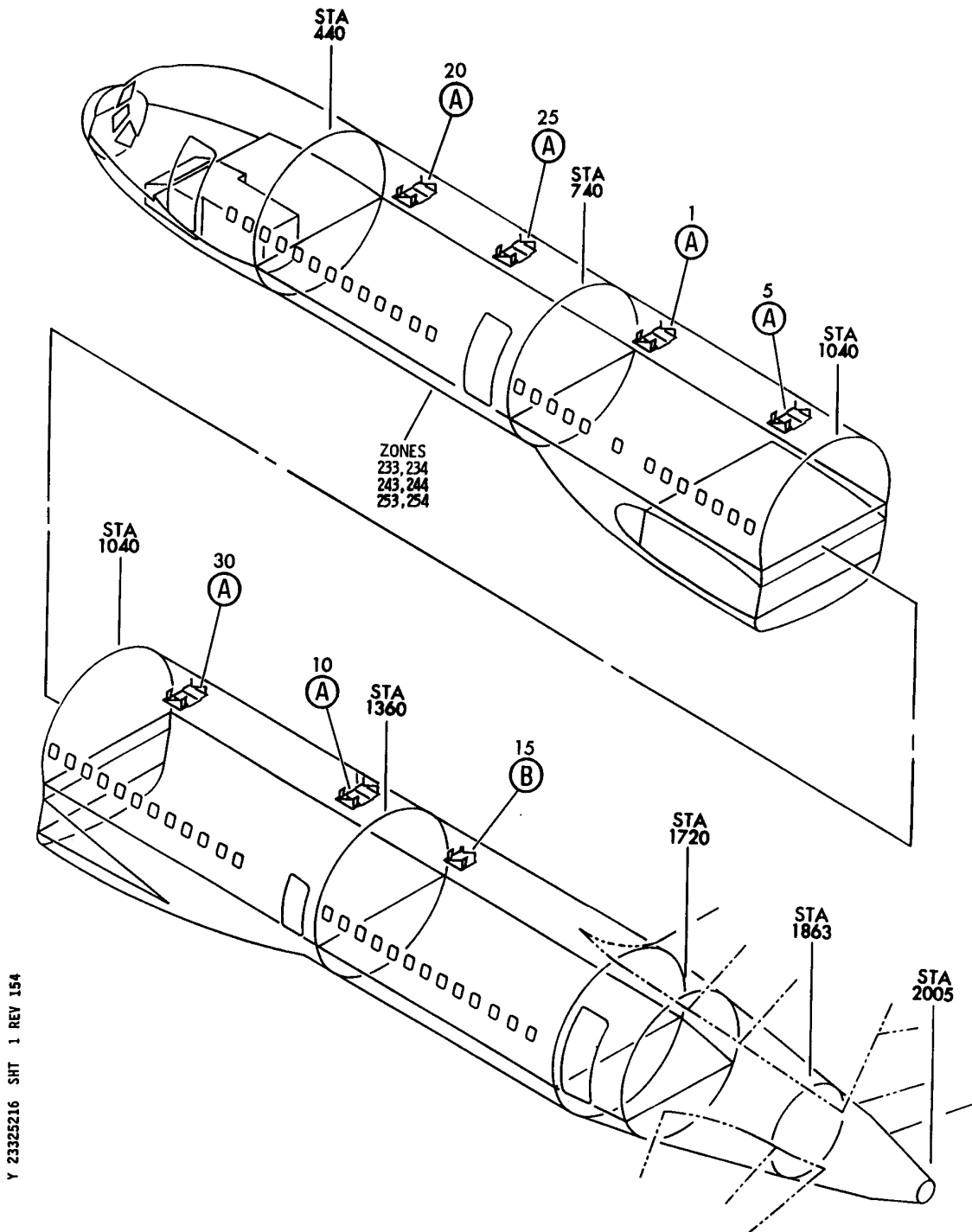
BRI

23-32-52-06A

BOEING PROPRIETARY - Copyright © - Unpublished Work - See title page for details.

23-32-52
FIG. 06A
PAGE 9
JAN 20/09

BOEING
757
PARTS CATALOG (MAINTENANCE)



Y 23325216 SHT 1 REV 154

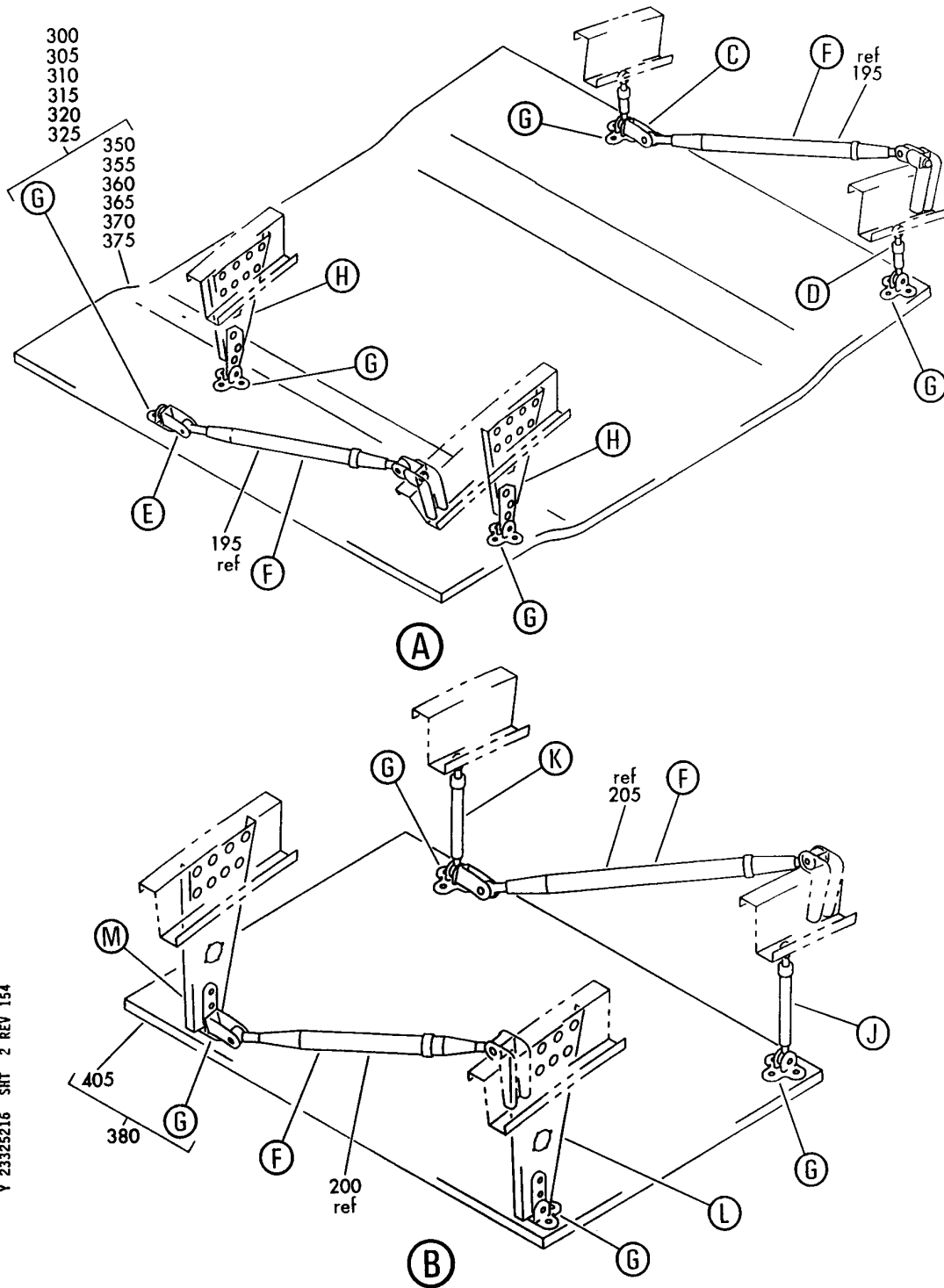
SUPPORT INSTL-VIDEO MON (STA 520 TO 1460)
FIGURE 16 (SHEET 1)

23-32-52-16

BRI
JAN 20/09

23-32-52-16
PAGE 0

BOEING
757
PARTS CATALOG (MAINTENANCE)



Y 23325216 SHT 2 REV 154

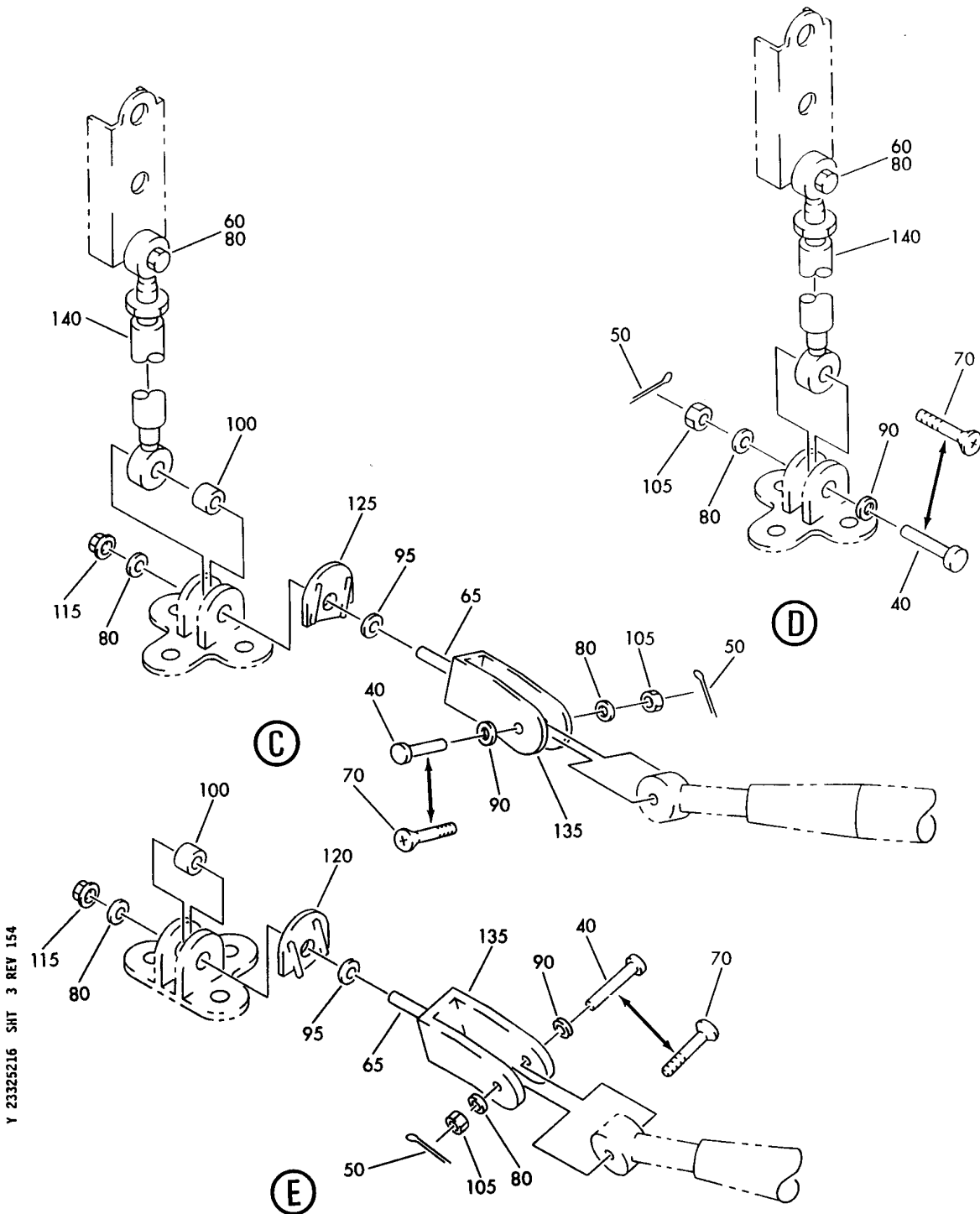
SUPPORT INSTL-VIDEO MON (STA 520 TO 1460)
FIGURE 16 (SHEET 2)

23-32-52-16

BRI
JAN 20/09

23-32-52-16
PAGE 0A

BOEING
757
PARTS CATALOG (MAINTENANCE)



Y 23325216 SH1 3 REV 154

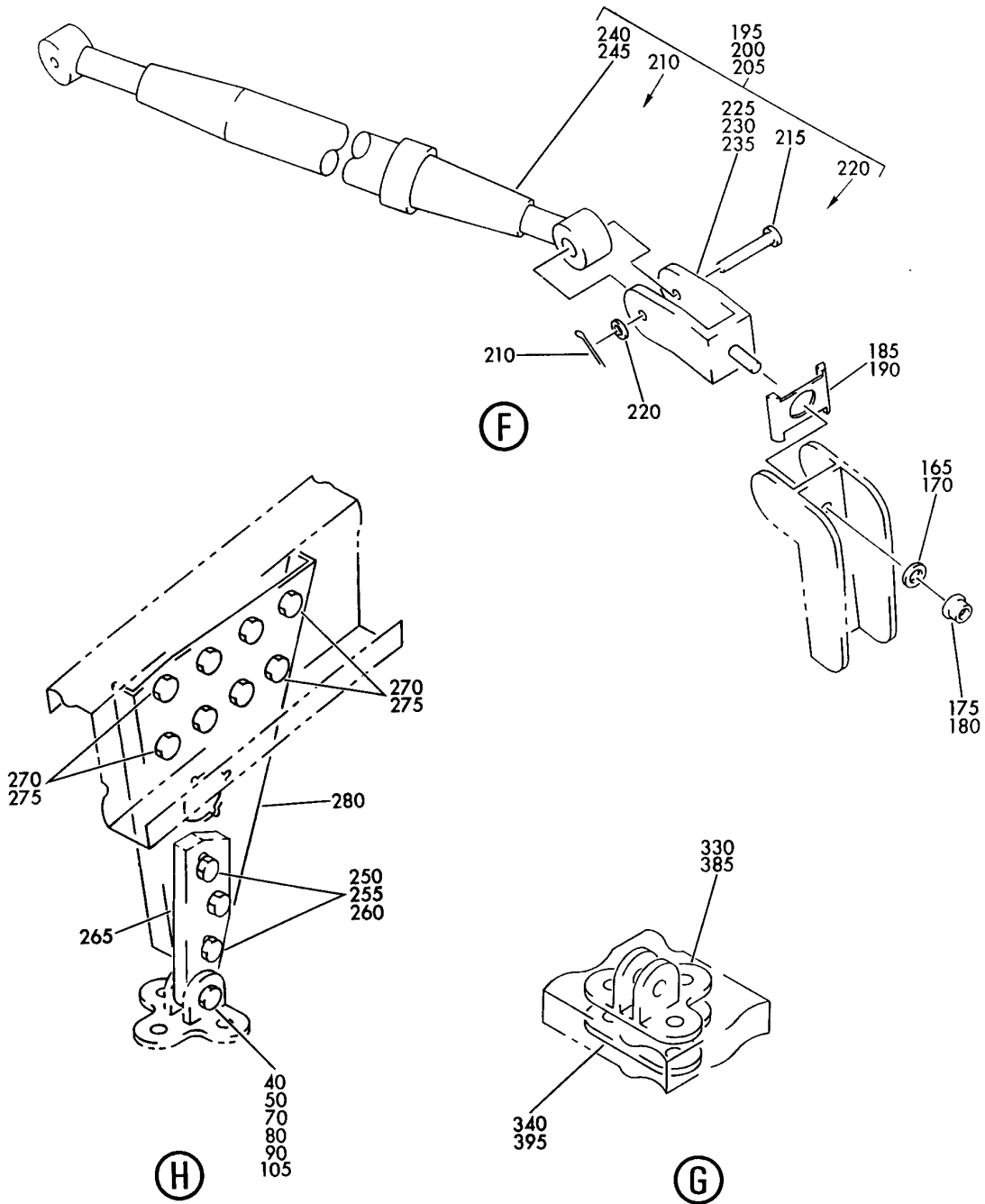
SUPPORT INSTL-VIDEO MON (STA 520 TO 1460)
FIGURE 16 (SHEET 3)

23-32-52-16

BRI
JAN 20/09

23-32-52-16
PAGE 0B

BOEING
757
PARTS CATALOG (MAINTENANCE)



Y 23325216 SHT 4 REV 154

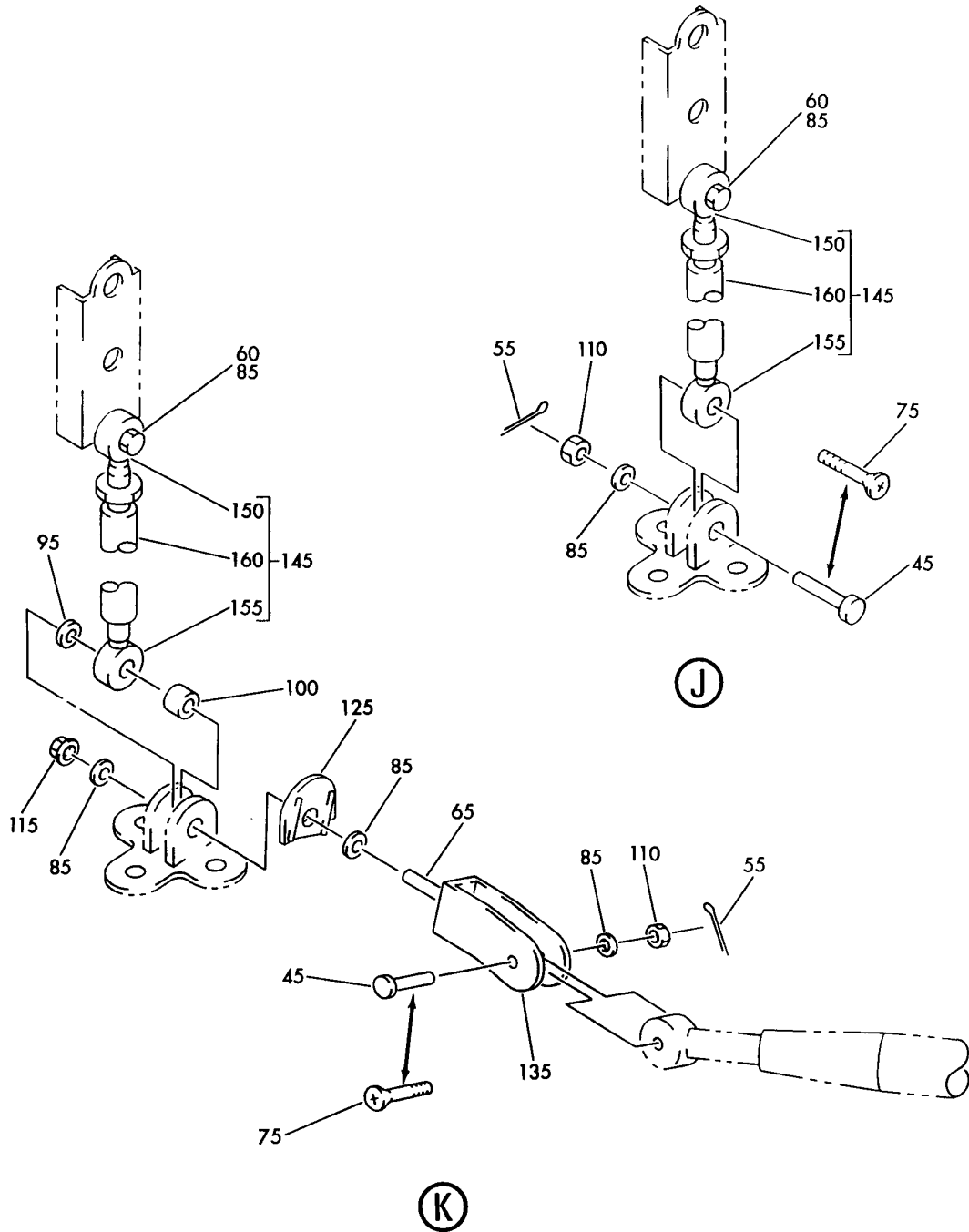
SUPPORT INSTL-VIDEO MON (STA 520 TO 1460)
FIGURE 16 (SHEET 4)

23-32-52-16

BRI
JAN 20/09

23-32-52-16
PAGE 0C

BOEING
757
PARTS CATALOG (MAINTENANCE)



Y 23325216 SHT 5 REV 154

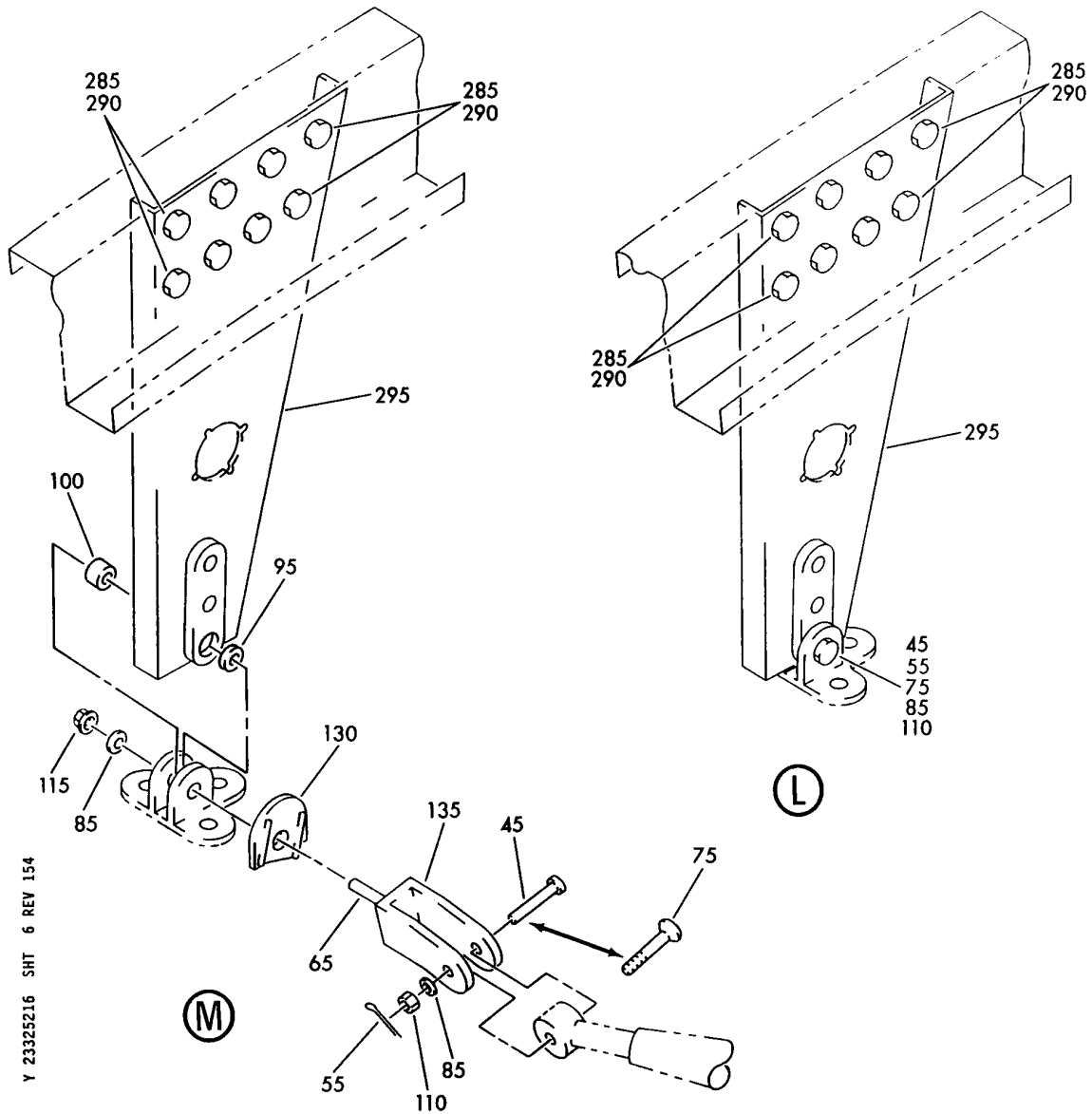
SUPPORT INSTL-VIDEO MON (STA 520 TO 1460)
FIGURE 16 (SHEET 5)

23-32-52-16

BRI
JAN 20/09

23-32-52-16
PAGE 0D

BOEING
757
PARTS CATALOG (MAINTENANCE)



Y 23325216 SHT 6 REV 154

SUPPORT INSTL-VIDEO MON (STA 520 TO 1460)
FIGURE 16 (SHEET 6)

23-32-52-16

BRI
JAN 20/09

23-32-52-16
PAGE 06



757

PARTS CATALOG (MAINTENANCE)

FIG ITEM	PART NUMBER	1 2 3 4 5 6 7	NOMENCLATURE	EFFECT FROM TO	UNITS PER ASSY
16			SUPPORT INSTL-VIDEO MON (STA 520 TO 1460)	952999	
1	417N7004-30		SUPPORT INSTL-VIDEO MON POSITION DATA: STA 800 TO 820 FOR NHA SEE: 23-32-00-01	952999	RF
5	417N7004-31		SUPPORT INSTL-VIDEO MON POSITION DATA: STA 960 TO 980 FOR NHA SEE: 23-32-00-01	952999	RF
10	417N7004-32		SUPPORT INSTL-VIDEO MON POSITION DATA: STA 1320 TO 1340 FOR NHA SEE: 23-32-00-01	952999	RF
15	417N7004-33		SUPPORT INSTL-VIDEO MON POSITION DATA: STA 1440 TO 1460 FOR NHA SEE: 23-32-00-01	952952	RF
15	417N7004-43		SUPPORT INSTL-VIDEO MON POSITION DATA: STA 1440 TO 1460 FOR NHA SEE: 23-32-00-01	953999	RF
20	417N7004-34		SUPPORT INSTL-VIDEO MON POSITION DATA: STA 520 TO 540 FOR NHA SEE: 23-32-00-01	952999	RF
25	417N7004-35		SUPPORT INSTL-VIDEO MON POSITION DATA: STA 660 TO 680 FOR NHA SEE: 23-32-00-01	952999	RF
30	417N7004-36		SUPPORT INSTL-VIDEO MON POSITION DATA: STA 1120.0 TO 1139.8 FOR NHA SEE: 23-32-00-01	952999	RF

MISSING ITEM NUMBERS NOT APPLICABLE

- ITEM NOT ILLUSTRATED

23-32-52-16

23-32-52
FIG. 16
PAGE 1
JAN 20/09

BRI



757

PARTS CATALOG (MAINTENANCE)

FIG ITEM	PART NUMBER	1 2 3 4 5 6 7	NOMENCLATURE	EFFECT FROM TO	UNITS PER ASSY
16 40	MS20392-3C19	.PIN-	QUALIFIED OPTIONAL DATA: (NAS623-4-10 USED WITH MS21042L4 OPT TO MS20392-3C19 USED WITH MS24665-132 OR AN415-4) USED ON: 417N7004-30 417N7004-31 417N7004-32 417N7004-34 417N7004-35 417N7004-36	952999	5
45	MS20392-3C19	.PIN-	QUALIFIED OPTIONAL DATA: (NAS623-4-10 USED WITH MS21042L4 OPT TO MS20392-3C19 USED WITH MS24665-132 OR AN415-4) USED ON: 417N7004-33 417N7004-43	952999	4
50	MS24665-132	.PIN-	QUALIFIED OPTIONAL DATA: (NAS623-4-10 USED WITH MS21042L4 OPT TO MS20392-3C19 USED WITH MS24665-132 OR AN415-4) USED ON: 417N7004-30 417N7004-31 417N7004-32 417N7004-34 417N7004-35 417N7004-36	952999	5
50	AN415-4	.PIN-	QUALIFIED OPTIONAL DATA: (NAS623-4-10 USED WITH MS21042L4 OPT TO MS20392-3C19 USED WITH MS24665-132 OR AN415-4) USED ON: 417N7004-30 417N7004-31 417N7004-32 417N7004-34 417N7004-35 417N7004-36	952999	5

MISSING ITEM NUMBERS NOT APPLICABLE

- ITEM NOT ILLUSTRATED

23-32-52-16

23-32-52
 FIG. 16
 PAGE 2
 JAN 20/09

BRI



757

PARTS CATALOG (MAINTENANCE)

FIG ITEM	PART NUMBER	1 2 3 4 5 6 7	NOMENCLATURE	EFFECT FROM TO	UNITS PER ASSY
16					
55	MS24665-132	.PIN-	QUALIFIED OPTIONAL DATA: (NAS623-4-10 USED WITH MS21042L4 OPT TO MS20392-3C19 USED WITH MS24665-132 OR AN415-4) USED ON: 417N7004-33 417N7004-43	952999	4
55	AN415-4	.PIN-	QUALIFIED OPTIONAL DATA: (NAS623-4-10 USED WITH MS21042L4 OPT TO MS20392-3C19 USED WITH MS24665-132 OR AN415-4) USED ON: 417N7004-33 417N7004-43	952999	4
60	BACB30NR4K6	.BOLT		952999	2
65	BACB30CL150	.BOLT		952999	2
70	NAS623-4-10	.SCREW-	QUALIFIED OPTIONAL DATA: (NAS623-4-10 USED WITH MS21042L4 OPT TO MS20392-3C19 USED WITH MS24665-132 OR AN415-4) USED ON: 417N7004-30 417N7004-31 417N7004-32 417N7004-34 417N7004-35 417N7004-36	952999	5
75	NAS623-4-10	.SCREW-	QUALIFIED OPTIONAL DATA: (NAS623-4-10 USED WITH MS21042L4 OPT TO MS20392-3C19 USED WITH MS24665-132 OR AN415-4) USED ON: 417N7004-33 417N7004-43	952999	4

MISSING ITEM NUMBERS NOT APPLICABLE

- ITEM NOT ILLUSTRATED

23-32-52-16

23-32-52
FIG. 16
PAGE 3
JAN 20/09

BRI



757

PARTS CATALOG (MAINTENANCE)

FIG ITEM	PART NUMBER	1 2 3 4 5 6 7	NOMENCLATURE	EFFECT FROM TO	UNITS PER ASSY
16 80	AN960JD416L		.WASHER- USED ON: 417N7004-30 417N7004-31 417N7004-32 417N7004-34 417N7004-35 417N7004-36	952999	9
85	AN960JD416L		.WASHER- USED ON: 417N7004-33	953999	8
85	NAS1149D0416J		.WASHER- USED ON: 417N7004-43	952952	8
90	BACW10AZ4		.WASHER- USED ON: 417N7004-30 417N7004-31 417N7004-32 417N7004-34 417N7004-35 417N7004-36	952999	5
95	BACW10P61S		.WASHER	952999	2
100	NAS43DD4-20FC		.SPACER	952999	2
105	MS21042L4		.NUT- QUALIFIED OPTIONAL DATA: (NAS623-4-10 USED WITH MS21042L4 OPT TO MS20392-3C19 USED WITH MS24665-132 OR AN415-4) USED ON: 417N7004-30 417N7004-31 417N7004-32 417N7004-34 417N7004-35 417N7004-36	952999	5
110	MS21042L4		.NUT- QUALIFIED OPTIONAL DATA: (NAS623-4-10 USED WITH MS21042L4 OPT TO MS20392-3C19 USED WITH MS24665-132 OR AN415-4) USED ON: 417N7004-33 417N7004-43	952999	4
115	MS21042L4		.NUT	952999	2

MISSING ITEM NUMBERS NOT APPLICABLE

- ITEM NOT ILLUSTRATED

23-32-52-16

23-32-52
FIG. 16
PAGE 4
JAN 20/09

BRI

BOEING PROPRIETARY - Copyright © - Unpublished Work - See title page for details.



757

PARTS CATALOG (MAINTENANCE)

FIG ITEM	PART NUMBER	1 2 3 4 5 6 7	NOMENCLATURE	EFFECT FROM TO	UNITS PER ASSY
16 120	417N7104-12		.RETAINER- USED ON: 417N7004-30 417N7004-31 417N7004-32 417N7004-34 417N7004-35 417N7004-36	952999	1
125	417N7104-15		.RETAINER	952999	1
130	417N7104-16		.RETAINER- USED ON: 417N7004-33 417N7004-43	952999	1
135	417N7105-14		.CLEVIS	952999	2
140	412U2504-5		.ROD- USED ON: 417N7004-30 417N7004-31 417N7004-32 417N7004-34 417N7004-35 417N7004-36	952999	2
145	65-80898-3		.TURNBUCKLE ASSY- USED ON: 417N7004-33 417N7004-43	952999	2
150	AHML4-104		..BEARING- SUPPLIER CODE: V50294 OPTIONAL PART: FML4-7 V02695 ML44-9A V34722 1254-1L V34742	952999	1
150	FML4-7		..BEARING- SUPPLIER CODE: V02695 OPTIONAL PART: AHML4-104 V50294 ML44-9A V34722 1254-1L V34742	952999	1

MISSING ITEM NUMBERS NOT APPLICABLE

- ITEM NOT ILLUSTRATED

23-32-52-16

23-32-52
FIG. 16
PAGE 5
JAN 20/09

BRI

BOEING PROPRIETARY - Copyright © - Unpublished Work - See title page for details.



757

PARTS CATALOG (MAINTENANCE)

FIG ITEM	PART NUMBER	1 2 3 4 5 6 7	NOMENCLATURE	EFFECT FROM TO	UNITS PER ASSY
16 150	ML44-9A		.. BEARING- SUPPLIER CODE: V34722 OPTIONAL PART: AHML4-104 V50294 FML4-7 V02695 1254-1L V34742	952999	1
150	1254-1L		.. BEARING- SUPPLIER CODE: V34742 OPTIONAL PART: AHML4-104 V50294 FML4-7 V02695 ML44-9A V34722	952999	1
155	AHM4-104		.. BEARING- SUPPLIER CODE: V50294 OPTIONAL PART: FM4-7 V02695 M44-9A V34722 1254-1 V34742	952999	1
155	FM4-7		.. BEARING- SUPPLIER CODE: V02695 OPTIONAL PART: AHM4-104 V50294 M44-9A V34722 1254-1 V34742	952999	1

MISSING ITEM NUMBERS NOT APPLICABLE

- ITEM NOT ILLUSTRATED

23-32-52-16

23-32-52
FIG. 16
PAGE 6
JAN 20/09

BRI

BOEING PROPRIETARY - Copyright © - Unpublished Work - See title page for details.



757

PARTS CATALOG (MAINTENANCE)

FIG ITEM	PART NUMBER	1 2 3 4 5 6 7	NOMENCLATURE	EFFECT FROM TO	UNITS PER ASSY
16 155	M44-9A		.. BEARING- SUPPLIER CODE: V34722 OPTIONAL PART: AHM4-104 V50294 FM4-7 V02695 1254-1 V34742	952999	1
155	1254-1		.. BEARING- SUPPLIER CODE: V34742 OPTIONAL PART: AHM4-104 V50294 FM4-7 V02695 M44-9A V34722	952999	1
160	65-81149-13		.. TUBE	952999	1
165	AN960JD516L		. WASHER- USED ON: 417N7004-30 417N7004-31 417N7004-32 417N7004-34 417N7004-35 417N7004-36	952999	2
170	AN960JD516L		. WASHER- USED ON: 417N7004-33	952952	2
170	NAS1149D0516J		. WASHER- USED ON: 417N7004-43	953999	2

MISSING ITEM NUMBERS NOT APPLICABLE

- ITEM NOT ILLUSTRATED

23-32-52-16

23-32-52
FIG. 16
PAGE 7
JAN 20/09

BRI

BOEING PROPRIETARY - Copyright © - Unpublished Work - See title page for details.



757

PARTS CATALOG (MAINTENANCE)

FIG ITEM	PART NUMBER	1 2 3 4 5 6 7	NOMENCLATURE	EFFECT FROM TO	UNITS PER ASSY
16 175	PLH55CD		.NUT- SUPPLIER CODE: VF0224 SPECIFICATION NUMBER: BACN10YR5CD OPTIONAL PART: H52732-5CD V15653 USED ON: 417N7004-30 417N7004-31 417N7004-32 417N7004-34 417N7004-35 417N7004-36	952999	2
180	BRH10C5D		.NUT- SUPPLIER CODE: V52828 SPECIFICATION NUMBER: BACN10JC5CD OPTIONAL PART: T6C524JCD V11815 102LH9075-5W V72962 H51650-5BAC V15653 USED ON: 417N7004-33 417N7004-43	952999	2
185	412N2032-1		.INSULATOR- USED ON: 417N7004-30 417N7004-31 417N7004-32 417N7004-34 417N7004-35 417N7004-36	952999	2
190	412N2032-3		.INSULATOR- USED ON: 417N7004-33 417N7004-43	952999	2

MISSING ITEM NUMBERS NOT APPLICABLE

- ITEM NOT ILLUSTRATED

23-32-52-16

23-32-52
FIG. 16
PAGE 8
JAN 20/09

BRI



757

PARTS CATALOG (MAINTENANCE)

FIG ITEM	PART NUMBER	1 2 3 4 5 6 7	NOMENCLATURE	EFFECT FROM TO	UNITS PER ASSY
16 195	65C33595-7	.ROD ASSY- USED ON: 417N7004-30 417N7004-31 417N7004-32 417N7004-34 417N7004-35 417N7004-36		952999	2
200	65C33595-13	.ROD ASSY-(LH) USED ON: 417N7004-33 417N7004-43		952999	1
205	65C33595-12	.ROD ASSY- POSITION DATA: RH USED ON: 417N7004-33 417N7004-43		952999	1
210	MS24665-132	..PIN		952999	1
215	MS20392-3C17	..PIN		952999	1
220	AN960JD416L	..WASHER		952999	1
225	417N7105-17	..CLEVIS- USED ON: 65C33595-7		952999	1
230	417N7105-19	..CLEVIS- USED ON: 65C33595-13		952999	1
235	417N7105-20	..CLEVIS- USED ON: 65C33595-12		952999	1
240	1293-27	..ROD ASSY- SUPPLIER CODE: V34742 USED ON: 65C33595-7		952999	1
245	1293-33	..ROD ASSY- SUPPLIER CODE: V34742 USED ON: 65C33595-12 65C33595-13		952999	1
250	NAS6703-5	.BOLT- USED ON: 417N7004-30 417N7004-31 417N7004-32 417N7004-34 417N7004-35 417N7004-36		952999	6

MISSING ITEM NUMBERS NOT APPLICABLE

- ITEM NOT ILLUSTRATED

23-32-52-16

23-32-52
FIG. 16
PAGE 9
JAN 20/09

BRI



757

PARTS CATALOG (MAINTENANCE)

FIG ITEM	PART NUMBER	1 2 3 4 5 6 7	NOMENCLATURE	EFFECT FROM TO	UNITS PER ASSY
16 255	AN960JD10L		.WASHER- USED ON: 417N7004-30 417N7004-31 417N7004-32 417N7004-34 417N7004-35 417N7004-36	952999	12
260	MS21042L3		.NUT- USED ON: 417N7004-30 417N7004-31 417N7004-32 417N7004-34 417N7004-35 417N7004-36	952999	6
265	417N7105-28		.BRACKET- USED ON: 417N7004-30 417N7004-31 417N7004-32 417N7004-34 417N7004-35 417N7004-36	952999	2

MISSING ITEM NUMBERS NOT APPLICABLE

- ITEM NOT ILLUSTRATED

BRI

23-32-52-16

BOEING PROPRIETARY - Copyright © - Unpublished Work - See title page for details.

23-32-52
FIG. 16
PAGE 10
JAN 20/09



757

PARTS CATALOG (MAINTENANCE)

FIG ITEM	PART NUMBER	1 2 3 4 5 6 7	NOMENCLATURE	EFFECT FROM TO	UNITS PER ASSY
16 270	HL1012AZ6-3		.BOLT- SUPPLIER CODE: V97928 SPECIFICATION NUMBER: BACB30NX6K3 OPTIONAL PART: HL12VAZ6-3 V73197 HL12VAZ6-3 V92215 HL12VAZ6-3 V97928 L802-6K3 V06725 HL12VAZ6-3 V56878 HL1012AZ6-3 VOPTK6 HL1012AZ6-3 V06725 HL1012AZ6-3 V06950 HL1012AZ6-3 V17446 HL1012AZ6-3 V56878 HL1012AZ6-3 V60516 HL1012AZ6-3 V73197 USED ON: 417N7004-30 417N7004-31 417N7004-32 417N7004-34 417N7004-35 417N7004-36	952999	16

MISSING ITEM NUMBERS NOT APPLICABLE

- ITEM NOT ILLUSTRATED

BRI

23-32-52-16

BOEING PROPRIETARY - Copyright © - Unpublished Work - See title page for details.

23-32-52
FIG. 16
PAGE 11
JAN 20/09



757

PARTS CATALOG (MAINTENANCE)

FIG ITEM	PART NUMBER	1 2 3 4 5 6 7	NOMENCLATURE	EFFECT FROM TO	UNITS PER ASSY
16 275	HL1187-6		.COLLAR- SUPPLIER CODE: V5M902 SPECIFICATION NUMBER: BACC30X6 OPTIONAL PART: HL87-6 V92215 HL87-6 V73197 HL1187-6 V56878 HL1187-6 V92215 HL87-6 V56878 HL1187-6 V73197 USED ON: 417N7004-30 417N7004-31 417N7004-32 417N7004-34 417N7004-35 417N7004-36	952999	16
280	417N7102-124		.BRACKET- USED ON: 417N7004-30 417N7004-31 417N7004-32 417N7004-34 417N7004-35 417N7004-36	952999	2

MISSING ITEM NUMBERS NOT APPLICABLE

- ITEM NOT ILLUSTRATED

BRI

23-32-52-16

BOEING PROPRIETARY - Copyright © - Unpublished Work - See title page for details.

23-32-52
FIG. 16
PAGE 12
JAN 20/09



757

PARTS CATALOG (MAINTENANCE)

FIG ITEM	PART NUMBER	1 2 3 4 5 6 7	NOMENCLATURE	EFFECT FROM TO	UNITS PER ASSY
16 285	HL1012AZ6-2		.BOLT- SUPPLIER CODE: V97928 SPECIFICATION NUMBER: BACB30NX6K2 OPTIONAL PART: HL12VAZ6-2 V73197 HL12VAZ6-2 V92215 HL12VAZ6-2 V97928 L802-6K2 V06725 HL12VAZ6-2 V56878 HL1012AZ6-2 VOPTK6 HL1012AZ6-2 V06725 HL1012AZ6-2 V06950 HL1012AZ6-2 V17446 HL1012AZ6-2 V56878 HL1012AZ6-2 V60516 HL1012AZ6-2 V73197 USED ON: 417N7004-33 417N7004-43	952999	16

MISSING ITEM NUMBERS NOT APPLICABLE

- ITEM NOT ILLUSTRATED

BRI

23-32-52-16

BOEING PROPRIETARY - Copyright © - Unpublished Work - See title page for details.

23-32-52
FIG. 16
PAGE 13
JAN 20/09



757

PARTS CATALOG (MAINTENANCE)

FIG ITEM	PART NUMBER	1 2 3 4 5 6 7	NOMENCLATURE	EFFECT FROM TO	UNITS PER ASSY
16 290	HL1187-6		.COLLAR- SUPPLIER CODE: V5M902 SPECIFICATION NUMBER: BACC30X6 OPTIONAL PART: HL87-6 V92215 HL87-6 V73197 HL1187-6 V56878 HL1187-6 V92215 HL87-6 V56878 HL1187-6 V73197 USED ON: 417N7004-33	952999	16
295	417N7102-76		.BRACKET- USED ON: 417N7004-33	952952	1
295	417N7102-173		.BRACKET- USED ON: 417N7004-43	953999	1
300	417N7003-46		.SUPPORT ASSY- USED ON: 417N7004-30	952999	1
305	417N7003-47		.SUPPORT ASSY- USED ON: 417N7004-31	952999	1
310	417N7003-48		.SUPPORT ASSY- USED ON: 417N7004-32	952999	1
315	417N7003-51		.SUPPORT ASSY- USED ON: 417N7004-34	952999	1
320	417N7003-52		.SUPPORT ASSY- USED ON: 417N7004-35	952999	1
325	417N7003-53		.SUPPORT ASSY- USED ON: 417N7004-36	952999	1
330	417N7105-13		..BRACKET ATTACHING PARTS	952999	5
- 335	NAS514P1032-5		..SCREW -----*-----	952999	AR
340	417N7102-59		..DOUBLER	952999	5

MISSING ITEM NUMBERS NOT APPLICABLE

- ITEM NOT ILLUSTRATED

23-32-52-16

23-32-52
FIG. 16
PAGE 14
JAN 20/09

BRI



757

PARTS CATALOG (MAINTENANCE)

FIG ITEM	PART NUMBER	1 2 3 4 5 6 7	NOMENCLATURE	EFFECT FROM TO	UNITS PER ASSY
16			ATTACHING PARTS		
- 345	NAS514P1032-5	..	SCREW	952999	AR
			-----*-----		
350	417N7091-78	..	PANEL ASSY-	952999	1
			USED ON:		
			417N7003-51		
355	417N7091-79	..	PANEL ASSY-	952999	1
			USED ON:		
			417N7003-52		
360	417N7091-80	..	PANEL ASSY-	952999	1
			USED ON:		
			417N7003-53		
365	417N7091-87	..	PANEL ASSY-	952999	1
			USED ON:		
			417N7003-46		
370	417N7091-88	..	PANEL ASSY-	952999	1
			USED ON:		
			417N7003-47		
375	417N7091-89	..	PANEL ASSY-	952999	1
			USED ON:		
			417N7003-48		
380	417N7003-49	.SUPPORT ASSY-		952999	1
			USED ON:		
			417N7004-33		
			417N7004-43		
385	417N7105-13	..	BRACKET	952999	4
			ATTACHING PARTS		
- 390	NAS514P1032-5	..	SCREW	952999	AR
			-----*-----		
395	417N7102-59	..	DOUBLER	952999	4
			ATTACHING PARTS		
- 400	NAS514P1032-5	..	SCREW	952999	AR
			-----*-----		
405	417N7091-90	..	PANEL ASSY	952999	1

MISSING ITEM NUMBERS NOT APPLICABLE

- ITEM NOT ILLUSTRATED

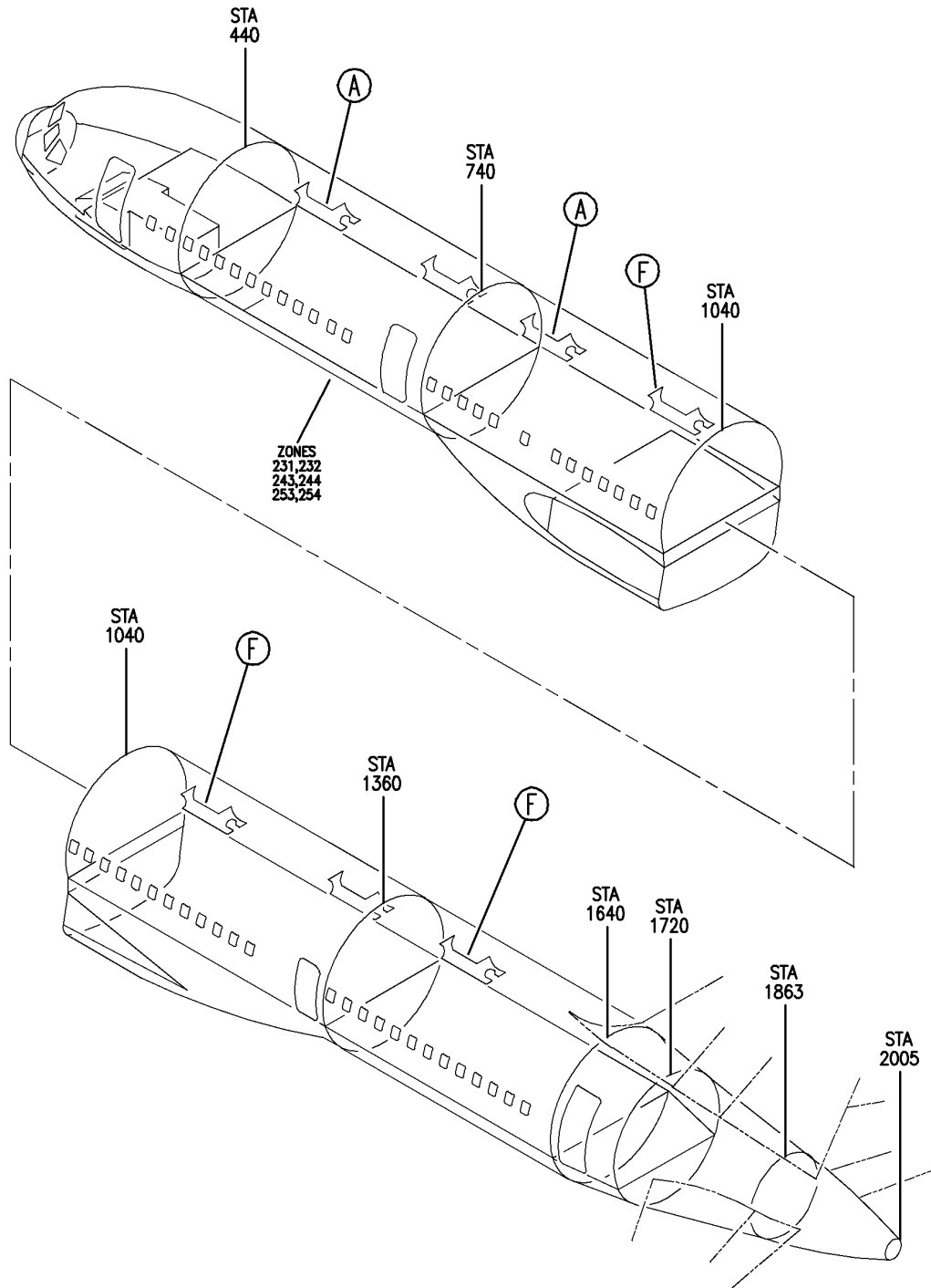
23-32-52-16

23-32-52
FIG. 16
PAGE 15
JAN 20/09

BRI

BOEING PROPRIETARY - Copyright © - Unpublished Work - See title page for details.

BOEING
757
PARTS CATALOG (MAINTENANCE)



Y 23325219 SHT 1 REV 225

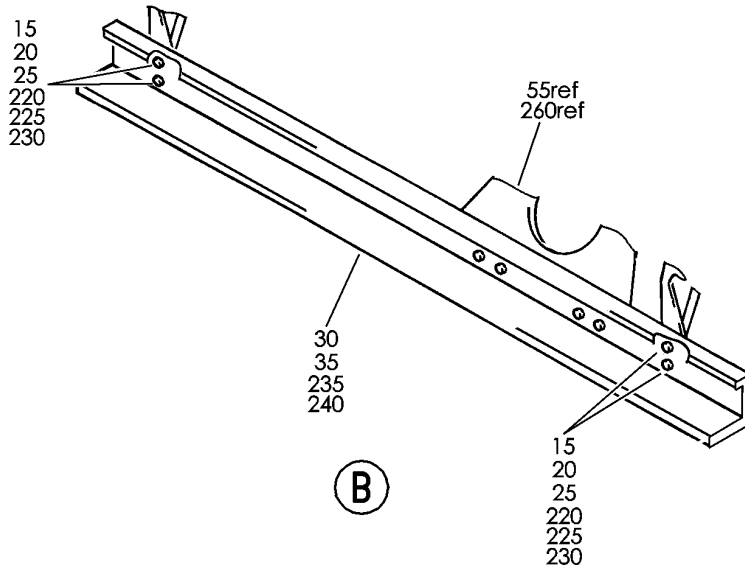
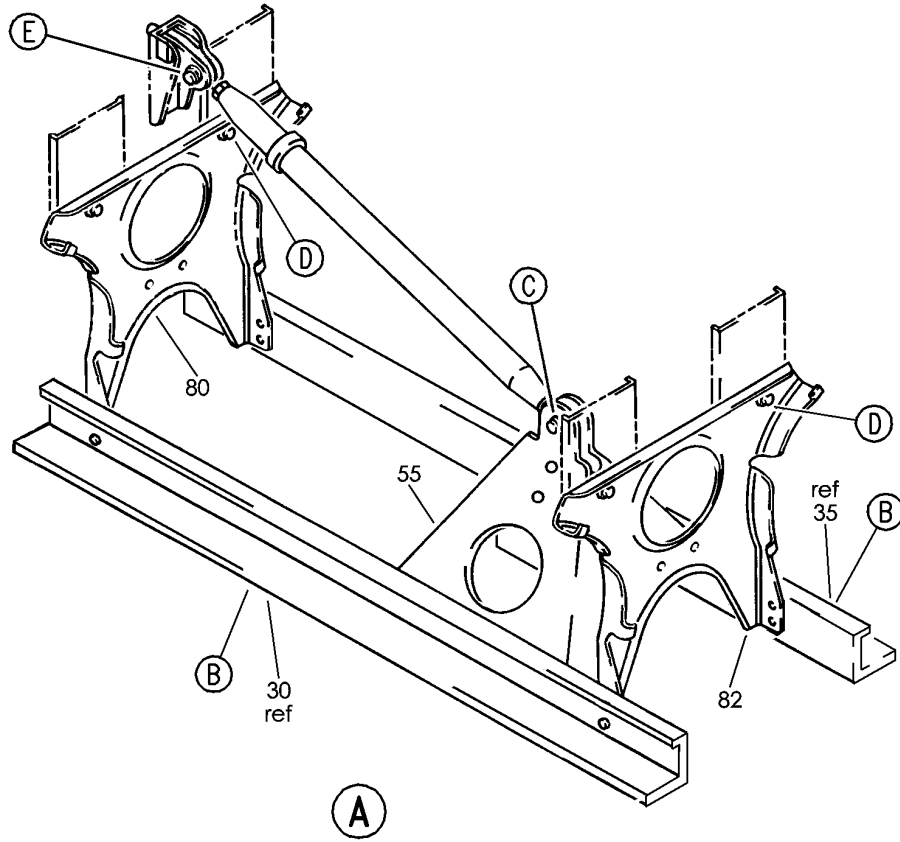
SUPPORT INSTL-VIDEO
FIGURE 19 (SHEET 1)

23-32-52-19

BRI
JAN 20/09

23-32-52-19
PAGE 0

BOEING
757
PARTS CATALOG (MAINTENANCE)



Y 23325219 SHT 2 REV 225

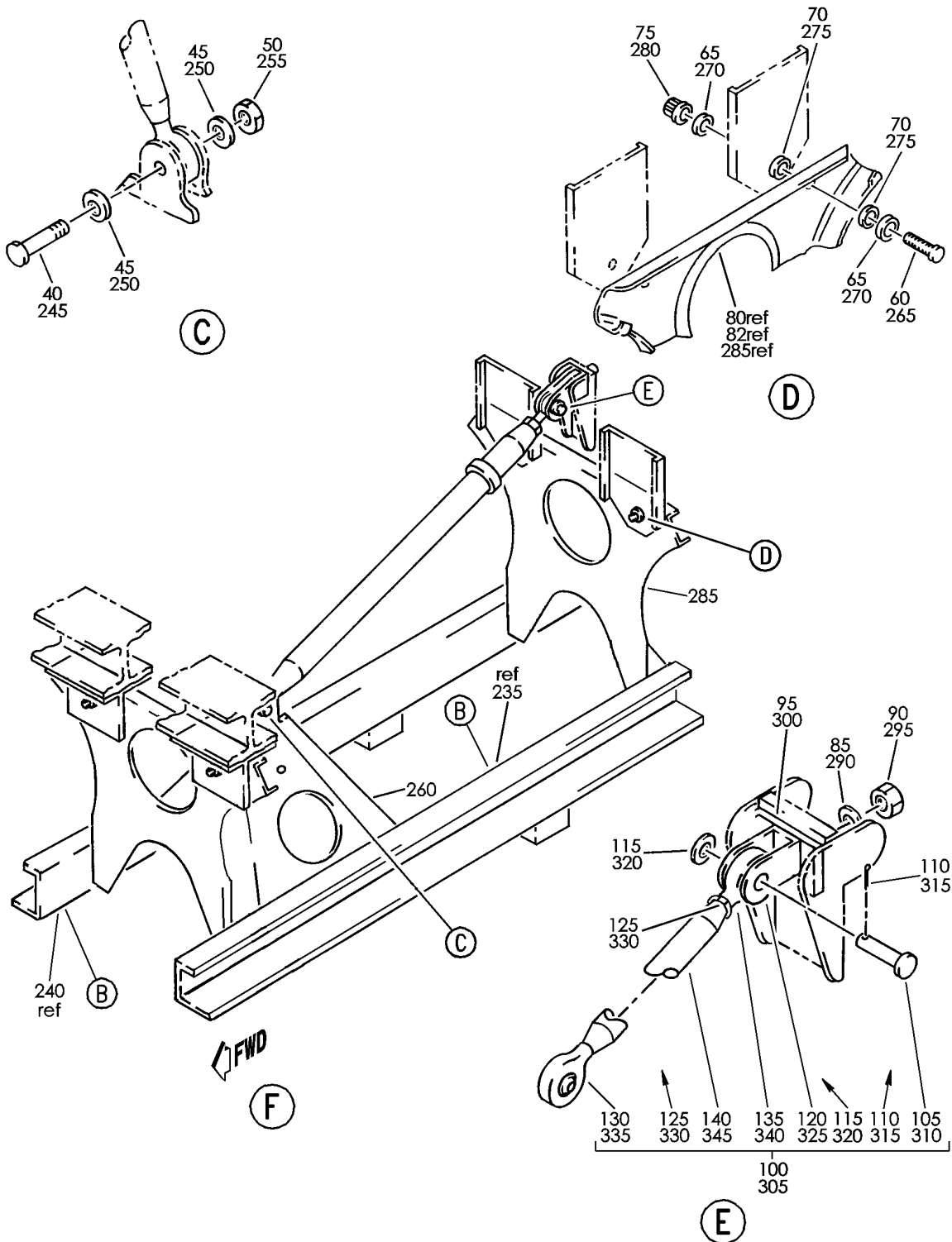
SUPPORT INSTL-VIDEO
FIGURE 19 (SHEET 2)

23-32-52-19

BRI
JAN 20/09

23-32-52-19
PAGE 0A

BOEING
757
PARTS CATALOG (MAINTENANCE)



Y 23325219 SHT 3 REV 225

SUPPORT INSTL-VIDEO
FIGURE 19 (SHEET 3)

23-32-52-19

BRI
JAN 20/09

23-32-52-19
PAGE 0B



757

PARTS CATALOG (MAINTENANCE)

FIG ITEM	PART NUMBER	1 2 3 4 5 6 7	NOMENCLATURE	EFFECT FROM TO	UNITS PER ASSY
19					
- 1	417N7010-63		SUPPORT INSTL-VIDEO SUPPORT INSTL-VIDEO POSITION DATA: STA 533.00 FOR NHA SEE: 25-20-00-11A	108120 108120	RF
- 5	417N7010-64		SUPPORT INSTL-VIDEO POSITION DATA: STA 695.00 FOR NHA SEE: 25-20-00-11A	108120	RF
- 10	417N7010-65		SUPPORT INSTL-VIDEO POSITION DATA: STA 820.00 FOR NHA SEE: 25-20-00-11A	108120	RF
15	BACB30NT3V3		.BOLT- OPTIONAL PART: BACB30NT3V4	108120	16
15	BACB30NT3V4		.BOLT- OPTIONAL PART: BACB30NT3V3	108120	16
20	NAS1149D0332J		.WASHER	108120	16
25	BRC600-8-3		.NUT SUPPLIER CODE: V52828 SPECIFICATION NUMBER: BACN10YD1 OPTIONAL PART: 130120 V60119	108120	16
30	417N7105-229		.RAIL ASSY- POSITION DATA: LH	108120	1
35	417N7105-230		.RAIL ASSY- POSITION DATA: RH	108120	1
40	BACB30NM4K10		.BOLT	108120	1
45	NAS1149D0463J		.WASHER	108120	2
50	MS21042L4		.NUT	108120	1
55	417N7102-185		.BRACKET ASSY-TIE ROD	108120	1
60	BACB30NR4K4		.BOLT- USED ON: 417N7010-63 417N7010-64	108120	2
65	NAS1149D0463J		.WASHER- USED ON: 417N7010-63 417N7010-64	108120	4

MISSING ITEM NUMBERS NOT APPLICABLE

- ITEM NOT ILLUSTRATED

23-32-52-19

23-32-52
FIG. 19
PAGE 1
JAN 20/09

BRI



757

PARTS CATALOG (MAINTENANCE)

FIG ITEM	PART NUMBER	1 2 3 4 5 6 7	NOMENCLATURE	EFFECT FROM TO	UNITS PER ASSY
19					
70	BACW10P271TF	.WASHER-	USED ON: 417N7010-63 417N7010-64	108120	4
75	PLH54CM	.NUT-	SUPPLIER CODE: V62554 SPECIFICATION NUMBER: BACN10YR4CM OPTIONAL PART: H52732-4CM V15653 USED ON: 417N7010-63 417N7010-64	108120	2
80	214N2167-1	.BRACKET-SPRT	USED ON: 417N7010-63 417N7010-64	108120	1
85	NAS1149D0563J	.WASHER		108120	1
90	PLH55CD	.NUT	SUPPLIER CODE: VF0224 SPECIFICATION NUMBER: BACN10YR5CD OPTIONAL PART: H52732-5CD V15653	108120	1
95	412N2032-5	.INSULATOR-CLEVIS		108120	1
95	412N2032-5	.INSULATOR-CLEVIS		108120	1
100	65C33595-22	.TIE ROD ASSY		108120	1
105	MS20392-3C17	..PIN		108120	1
110	MS24665-132	..PIN		108120	1
115	NAS1149D0416J	..WASHER		108120	1
120	412N2031-1	..CLEVIS		108120	1
125	AN316-5R	..NUT-JAM		108120	1
130	1290-11	..BEARING-ROD END	SUPPLIER CODE: V34742	108120	1
135	1290-9	..BEARING-ROD END	SUPPLIER CODE: V34742	108120	1
140	1482-28	..TUBE-TIE ROD	SUPPLIER CODE: V34742	108120	1

MISSING ITEM NUMBERS NOT APPLICABLE

- ITEM NOT ILLUSTRATED

BRI

23-32-52-19

23-32-52
FIG. 19
PAGE 2
JAN 20/09



757

PARTS CATALOG (MAINTENANCE)

FIG ITEM	PART NUMBER	1 2 3 4 5 6 7	NOMENCLATURE	EFFECT FROM TO	UNITS PER ASSY
19					
- 200	417N7010-66		SUPPORT INSTL-VIDEO POSITION DATA: STA 970.00 FOR NHA SEE: 25-20-00-11A	108120	RF
- 205	417N7010-67		SUPPORT INSTL-VIDEO POSITION DATA: STA 1130.00 FOR NHA SEE: 25-20-00-11A	108120	RF
- 210	417N7010-68		SUPPORT INSTL-VIDEO POSITION DATA: STA 1336.00 FOR NHA SEE: 25-20-00-11A	108120	RF
- 215	417N7010-69		SUPPORT INSTL-VIDEO POSITION DATA: STA 1450.0 OR STA 1460.0 FOR NHA SEE: 25-20-00-11A	108120	RF
220	BACB30NT3V3		.BOLT- OPTIONAL PART: BACB30NT3V4	108120	16
220	BACB30NT3V4		.BOLT- OPTIONAL PART: BACB30NT3V3	108120	16
225	NAS1149D0332J		.WASHER	108120	16
230	BRC600-8-3		.NUT SUPPLIER CODE: V52828 SPECIFICATION NUMBER: BACN10YD1 OPTIONAL PART: 130120 V60119	108120	16
235	417N7105-229		.RAIL ASSY- POSITION DATA: LH USED ON: 417N7010-66 417N7010-67 417N7010-68 417N7010-69 417N7010-80 417N7010-81 417N7010-87 MODREF18040 MODREF18050 MODREF18051	108120	1

MISSING ITEM NUMBERS NOT APPLICABLE

- ITEM NOT ILLUSTRATED

23-32-52-19

23-32-52
FIG. 19
PAGE 3
JAN 20/09

BRI



757

PARTS CATALOG (MAINTENANCE)

FIG ITEM	PART NUMBER	1 2 3 4 5 6 7	NOMENCLATURE	EFFECT FROM TO	UNITS PER ASSY
19 240	417N7105-230		.RAIL ASSY- POSITION DATA: RH USED ON: 417N7010-66 417N7010-67 417N7010-68 417N7010-69 417N7010-80 417N7010-81 417N7010-87 MODREF18040 MODREF18050 MODREF18051	108120	1
245	BACB30NM4K10		.BOLT	108120	1
250	NAS1149D0463J		.WASHER	108120	2
255	MS21042L4		.NUT	108120	1
260	417N7102-185		.BRACKET ASSY-TIE ROD	108120	1
265	BACB30NR4K4		.BOLT- USED ON: 417N7010-66 417N7010-68 417N7010-69 417N7010-79 417N7010-80 417N7010-87 MODREF18040 MODREF18049 MODREF18050	108120	2
270	NAS1149D0463J		.WASHER- USED ON: 417N7010-66 417N7010-68 417N7010-69 417N7010-79 417N7010-80 417N7010-87 MODREF18040 MODREF18049 MODREF18050	108120	4

MISSING ITEM NUMBERS NOT APPLICABLE

- ITEM NOT ILLUSTRATED

BRI

23-32-52-19

BOEING PROPRIETARY - Copyright © - Unpublished Work - See title page for details.

23-32-52
FIG. 19
PAGE 4
JAN 20/09



757

PARTS CATALOG (MAINTENANCE)

FIG ITEM	PART NUMBER	1 2 3 4 5 6 7	NOMENCLATURE	EFFECT FROM TO	UNITS PER ASSY
19 275	BACW10P271TF		.WASHER- USED ON: 417N7010-66 417N7010-68 417N7010-69 417N7010-79 417N7010-80 417N7010-87 MODREF18040 MODREF18049 MODREF18050	108120	4
280	PLH54CM		.NUT- SUPPLIER CODE: V62554 SPECIFICATION NUMBER: BACN10YR4CM OPTIONAL PART: H52732-4CM V15653 USED ON: 417N7010-66 417N7010-68 417N7010-69 417N7010-79 417N7010-80 417N7010-87 MODREF18040 MODREF18049 MODREF18050	108120	2
285	214N2167-1		.BRACKET-SPRT USED ON: 417N7010-66 417N7010-68 417N7010-69 417N7010-79 417N7010-80 417N7010-87 MODREF18040 MODREF18049 MODREF18050	108120	1
290	NAS1149D0563J		.WASHER	108120	1
295	PLH55CD		.NUT SUPPLIER CODE: VF0224 SPECIFICATION NUMBER: BACN10YR5CD OPTIONAL PART: H52732-5CD V15653	108120	1

MISSING ITEM NUMBERS NOT APPLICABLE

- ITEM NOT ILLUSTRATED

23-32-52-19

23-32-52
FIG. 19
PAGE 5
JAN 20/09

BRI



757

PARTS CATALOG (MAINTENANCE)

FIG ITEM	PART NUMBER	1 2 3 4 5 6 7	NOMENCLATURE	EFFECT FROM TO	UNITS PER ASSY
19 300	412N2032-5	.	INSULATOR-CLEVIS USED ON: 417N7010-66 417N7010-67 417N7010-68 417N7010-79 417N7010-80 417N7010-81 417N7010-87 MODREF18049 MODREF18050 MODREF18051	108120	1
300	412N2032-3	.	INSULATOR-CLEVIS USED ON: 417N7010-69 MODREF18040	108120	1
305	65C33595-21	.	TIE ROD ASSY	108120	1
310	MS20392-3C17	..	PIN	108120	1
315	MS24665-132	..	PIN	108120	1
320	NAS1149D0416J	..	WASHER	108120	1
325	412N2031-1	..	CLEVIS	108120	1
330	AN316-5R	..	NUT-JAM	108120	1
335	1290-3	..	ROD END- SUPPLIER CODE: V34742	108120	1
340	1290-1	..	ROD END- SUPPLIER CODE: V34742	108120	1
345	1482-28	..	TUBE-TIE ROD SUPPLIER CODE: V34742	108120	1

MISSING ITEM NUMBERS NOT APPLICABLE

- ITEM NOT ILLUSTRATED

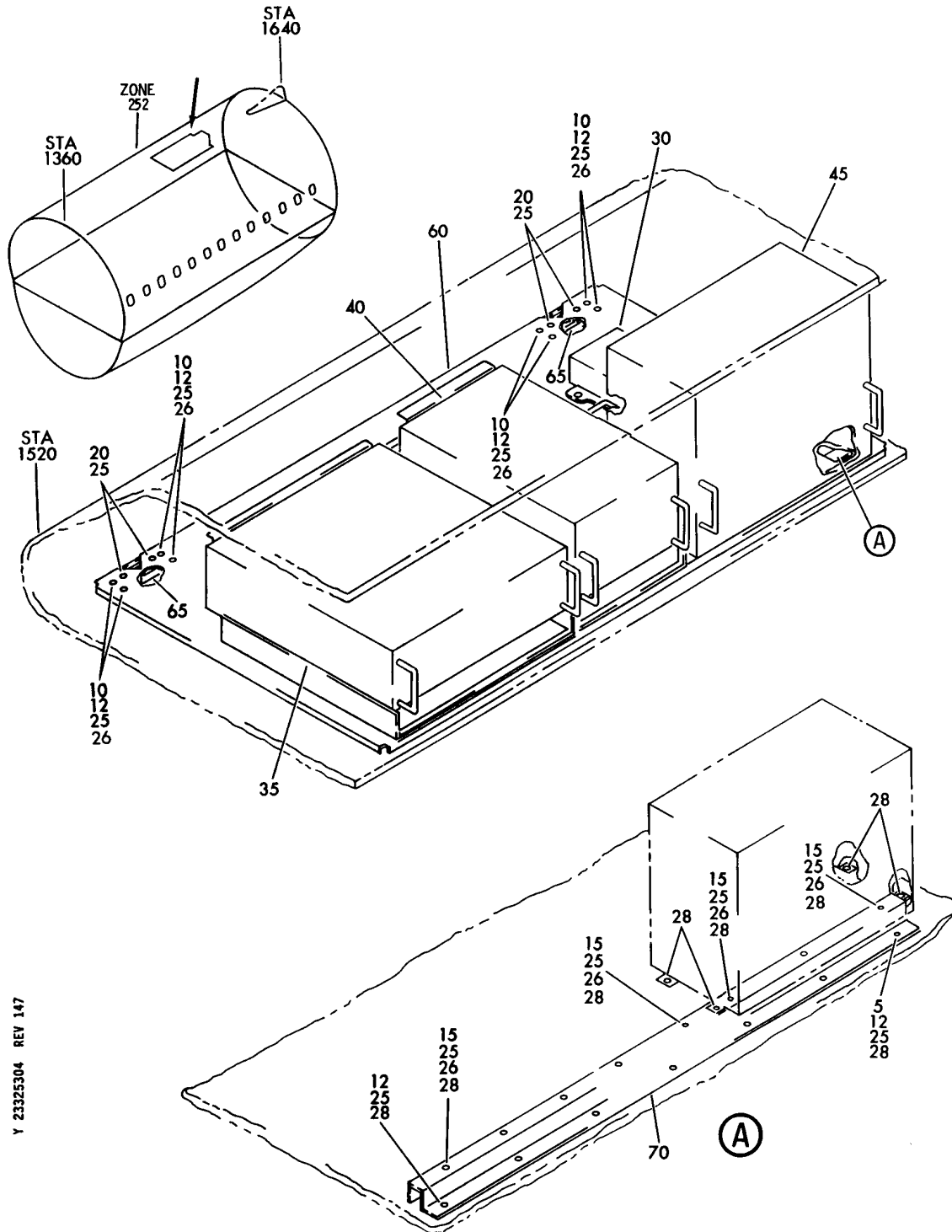
23-32-52-19

23-32-52
FIG. 19
PAGE 6
JAN 20/09

BRI

BOEING PROPRIETARY - Copyright © - Unpublished Work - See title page for details.

BOEING
757
PARTS CATALOG (MAINTENANCE)



Y 23325304 REV 147

EQUIPMENT INSTL-VIDEO
FIGURE 4

23-32-53-04

BRI
MAY 28/07

23-32-53-04
PAGE 0



757

PARTS CATALOG (MAINTENANCE)

FIG ITEM	PART NUMBER	1 2 3 4 5 6 7	NOMENCLATURE	EFFECT FROM TO	UNITS PER ASSY
4			EQUIPMENT INSTL-VIDEO	121503	
- 1	417N7303-3		EQUIPMENT INSTL-VIDEO FOR NHA SEE: 25-20-00-01E	904949	RF
- 1	417N7303-7		EQUIPMENT INSTL-VIDEO FOR NHA SEE: 25-20-00-01E	121503	RF
5	NAS603-2		.SCREW-	904949	7
10	NAS603-6P		.SCREW-	904949	8
12	NAS1801-3-7		.SCREW-	121503	15
15	NAS514P1032-8		.SCREW	121503	8
20	NAS603-10P		.SCREW-	904949	4
20	NAS1801-3-10		.SCREW-	121503	4
25	AN960JD10L		.WASHER-	904949	27
28	AN960JD10L		.WASHER	121503	19
30	RDAV4003		.BOX-JCT (CUSTOMER FURNISHED) SUPPLIER CODE: VS0293	904949	1
35	RDAV1111		.REPRODUCER-TAPE (CUSTOMER FURNISHED) SUPPLIER CODE: VOFF57	121503 904949	1
35	RDAV1112		.VTR-RANDOM ACCESS (CUSTOMER FURNISHED) SUPPLIER CODE: VOFF57 COMPONENT MAINT MANUAL REF: 23-32-03	121503 904949	1
40	RDAV3001		.UNIT-CONTROL (CUSTOMER FURNISHED) SUPPLIER CODE: VS0293	121503 904949	1
40	RDAV3001-81		.UNIT-CONTROL (CUSTOMER FURNISHED) SUPPLIER CODE: VOFF57	121503 904949	1
45	RDAV8003		.UNIT-CASSETTE STOWAGE (CUSTOMER FURNISHED) SUPPLIER CODE: VS0293	121503 904949	1
- 50	NAS603-8P		.SCREW-	904949	4
- 50	NAS1801-3-7		.SCREW-	121503	4
- 55	AN960JP10L		.WASHER	121503	4
			-----*-----	904949	

MISSING ITEM NUMBERS NOT APPLICABLE

- ITEM NOT ILLUSTRATED

23-32-53-04

23-32-53
FIG. 04
PAGE 1
JAN 20/09

BRI



757

PARTS CATALOG (MAINTENANCE)

FIG ITEM	PART NUMBER	1 2 3 4 5 6 7	NOMENCLATURE	EFFECT FROM TO	UNITS PER ASSY
4 60	RDAV9002		.PALLET-EQPT (CUSTOMER FURNISHED) SUPPLIER CODE: VS0293	121503 904949	1
65	RDAV9002-1		.SUPPORT-PALLET (CUSTOMER FURNISHED) SUPPLIER CODE: VS0293 POSITION DATA: REAR	121503	2
70	RDAV9002-2		.SUPPORT-PALLET (CUSTOMER FURNISHED) SUPPLIER CODE: VS0293 POSITION DATA: FRONT	121503	1

MISSING ITEM NUMBERS NOT APPLICABLE

- ITEM NOT ILLUSTRATED

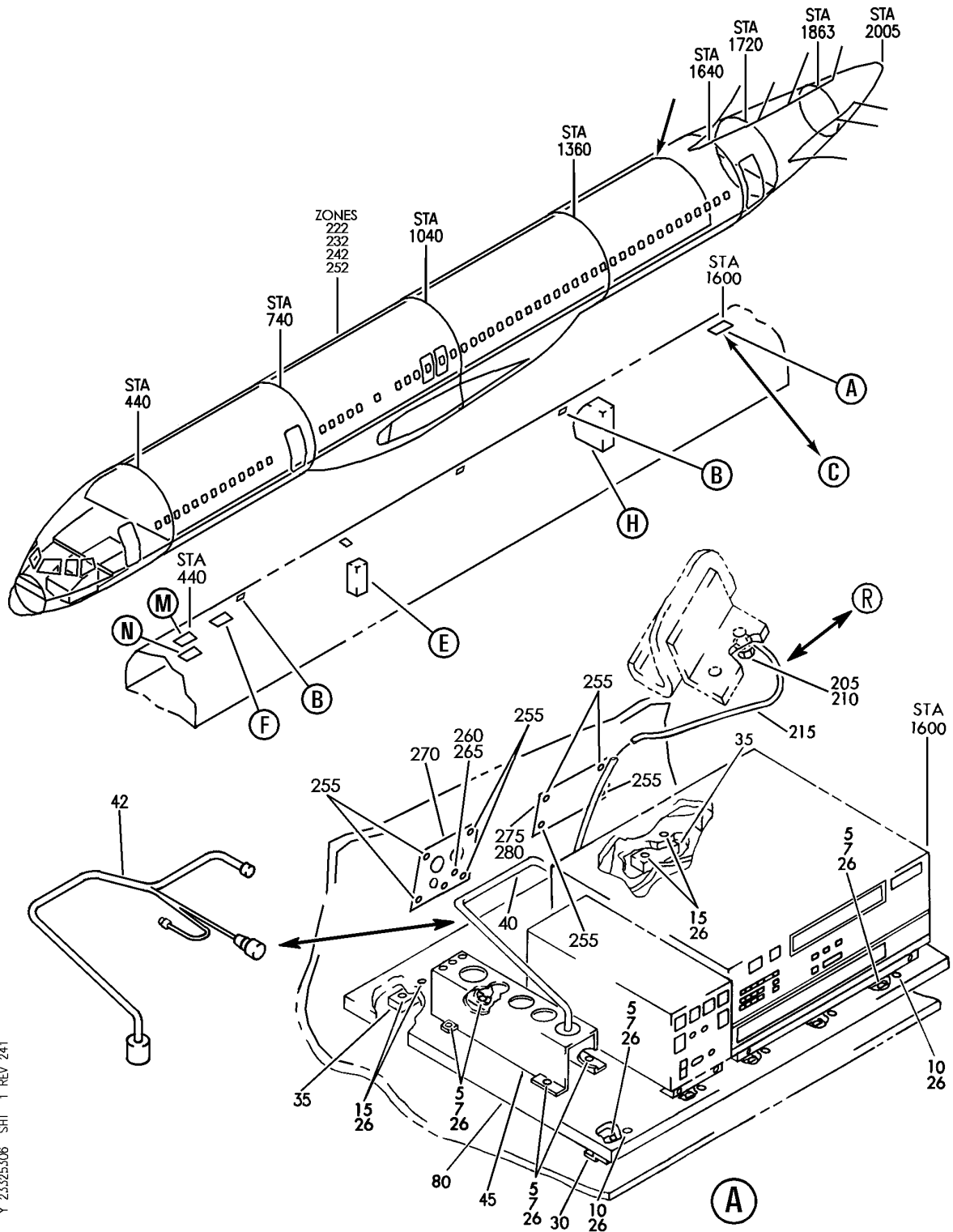
BRI

23-32-53-04

BOEING PROPRIETARY - Copyright © - Unpublished Work - See title page for details.

23-32-53
FIG. 04
PAGE 2
JAN 20/09

BOEING
757
PARTS CATALOG (MAINTENANCE)



Y 23325306 SHT 1 REV 241

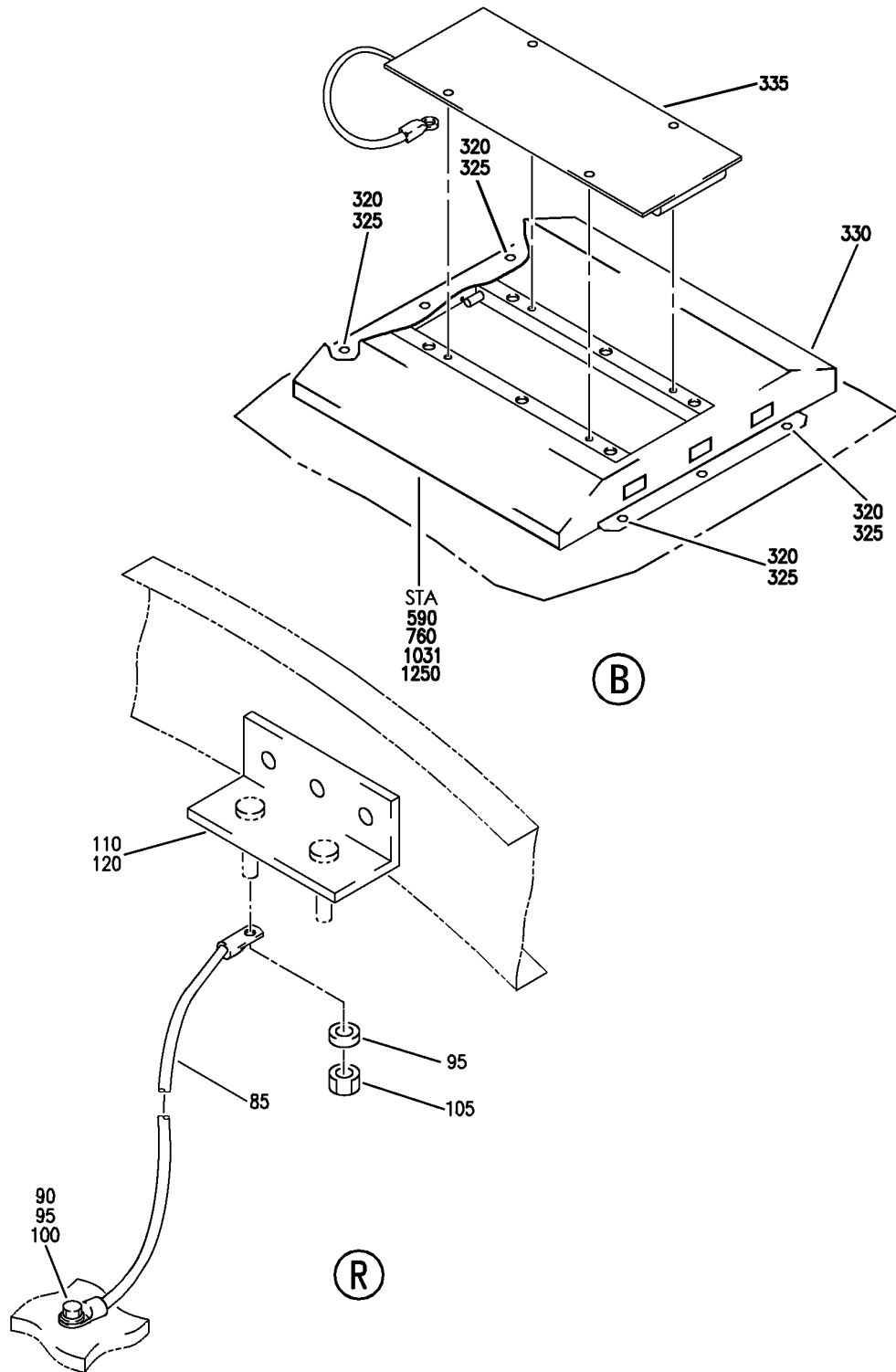
EQUIPMENT INSTL-VIDEO
FIGURE 6 (SHEET 1)

23-32-53-06

BRI
JAN 20/09

23-32-53-06
PAGE 0

BOEING
757
PARTS CATALOG (MAINTENANCE)



Y 23325306 SH1 2 REV 237

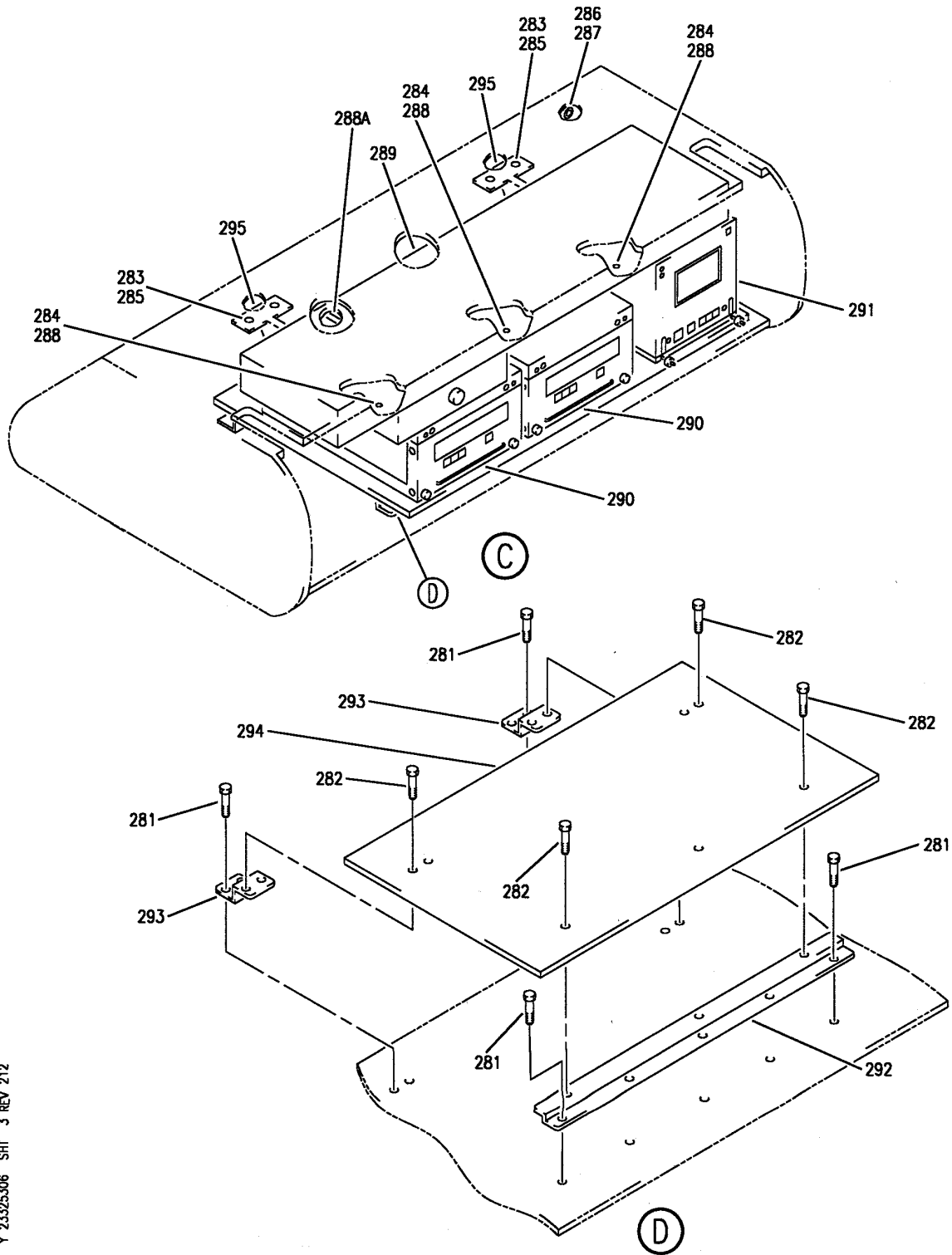
EQUIPMENT INSTL-VIDEO
FIGURE 6 (SHEET 2)

23-32-53-06

BRI
JAN 20/09

23-32-53-06
PAGE 0A

BOEING
757
PARTS CATALOG (MAINTENANCE)



Y 23325306 SH1 3 REV 212

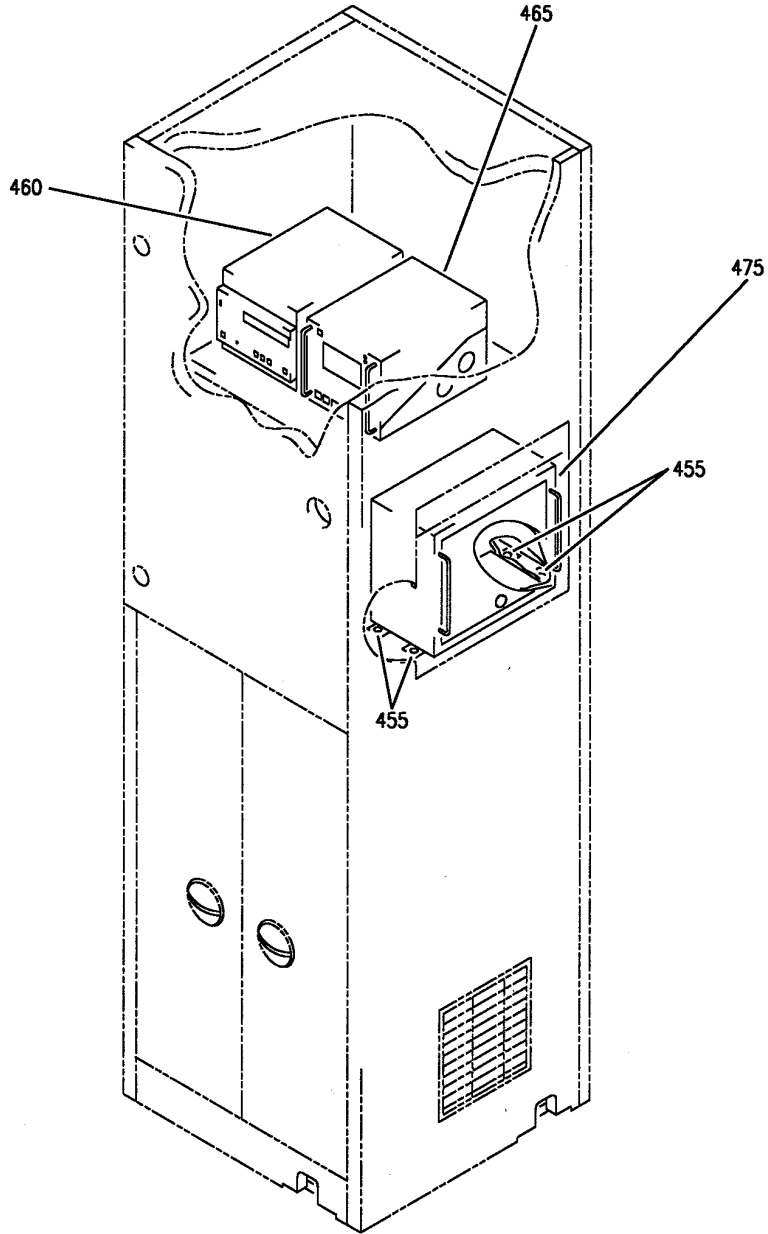
EQUIPMENT INSTL-VIDEO
FIGURE 6 (SHEET 3)

23-32-53-06

BRI
JAN 20/09

23-32-53-06
PAGE 0B

BOEING
757
PARTS CATALOG (MAINTENANCE)



(E)

Y 23325306 SH1 4 REV 212

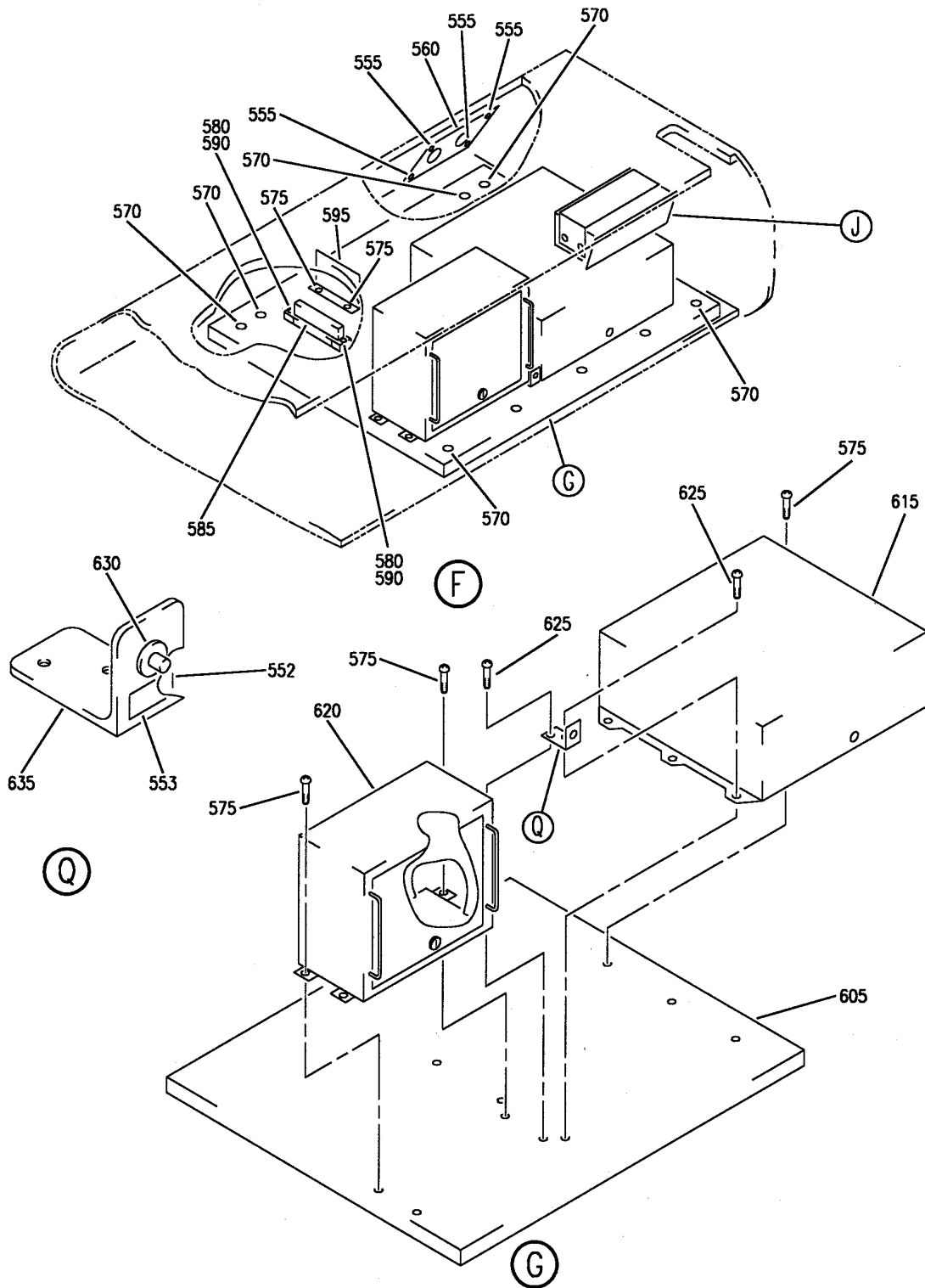
EQUIPMENT INSTL-VIDEO
FIGURE 6 (SHEET 4)

23-32-53-06

BRI
JAN 20/09

23-32-53-06
PAGE 0C

BOEING
757
PARTS CATALOG (MAINTENANCE)



Y 23325306 SHT 5 REV 212

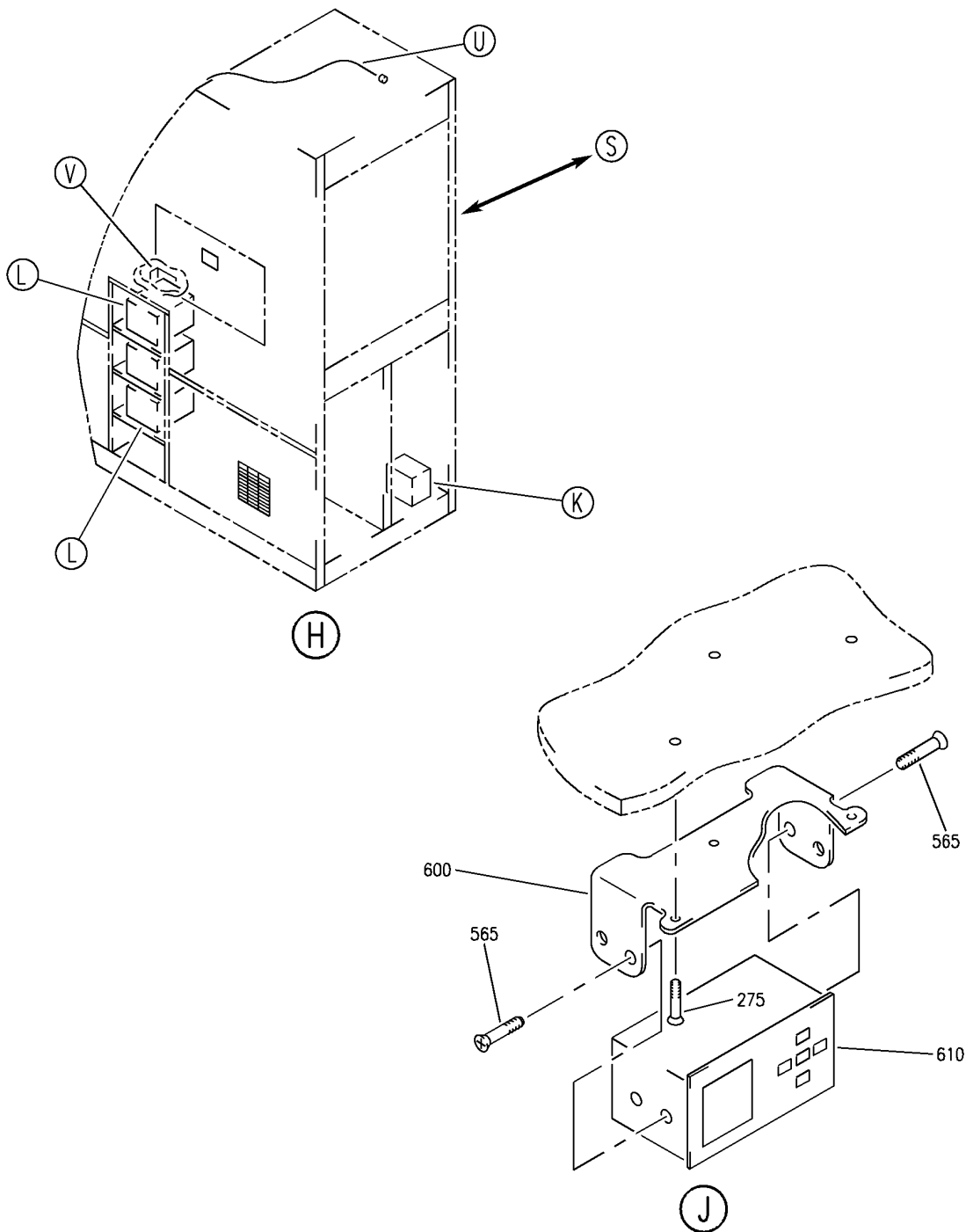
EQUIPMENT INSTL-VIDEO
FIGURE 6 (SHEET 5)

23-32-53-06

BRI
JAN 20/09

23-32-53-06
PAGE 0D

BOEING
757
PARTS CATALOG (MAINTENANCE)



Y 23325306 SH1 6 REV 283

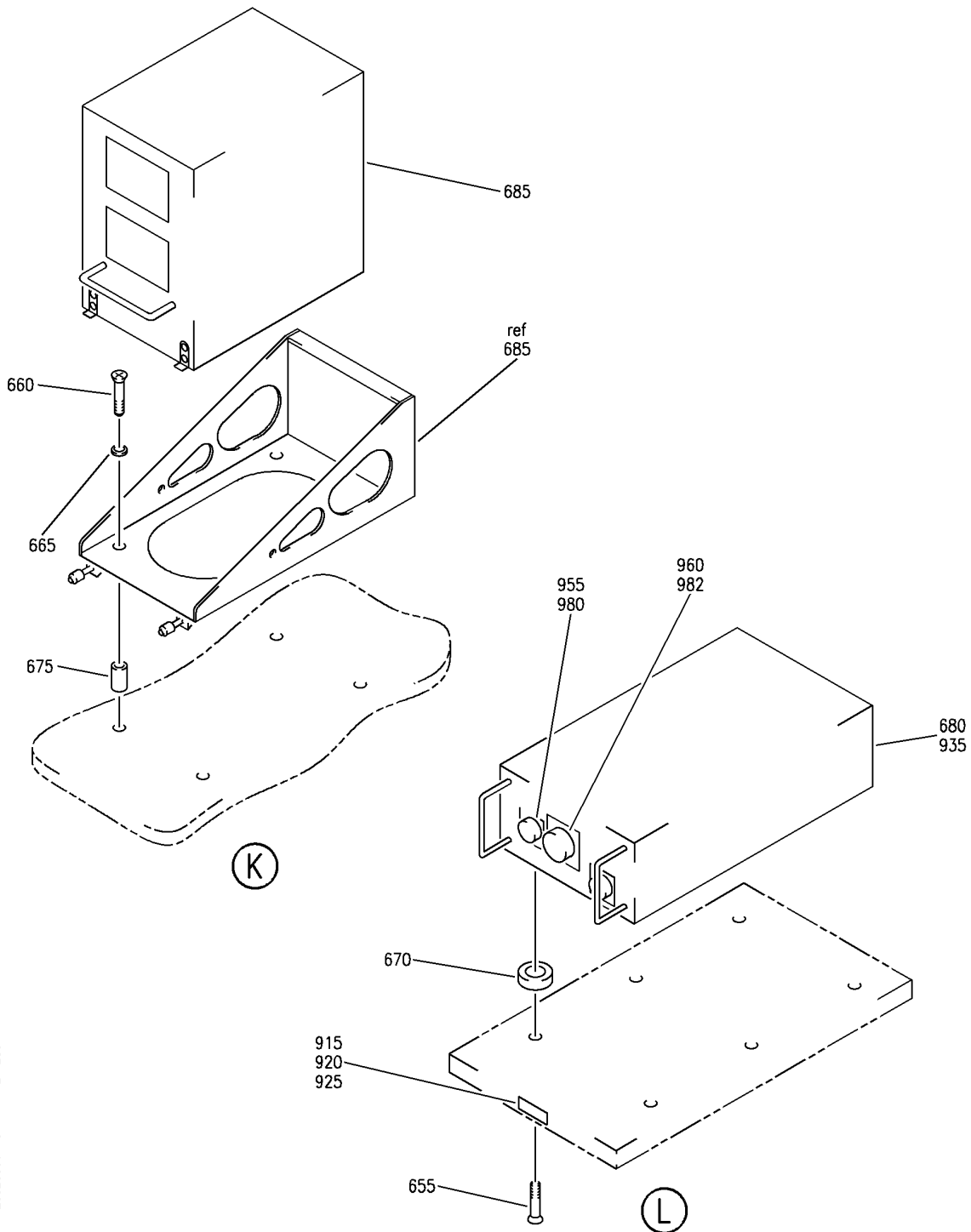
EQUIPMENT INSTL-VIDEO
FIGURE 6 (SHEET 6)

23-32-53-06

BRI
JAN 20/09

23-32-53-06
PAGE 0E

BOEING
757
PARTS CATALOG (MAINTENANCE)



Y 23325306 SHT 7 REV 283

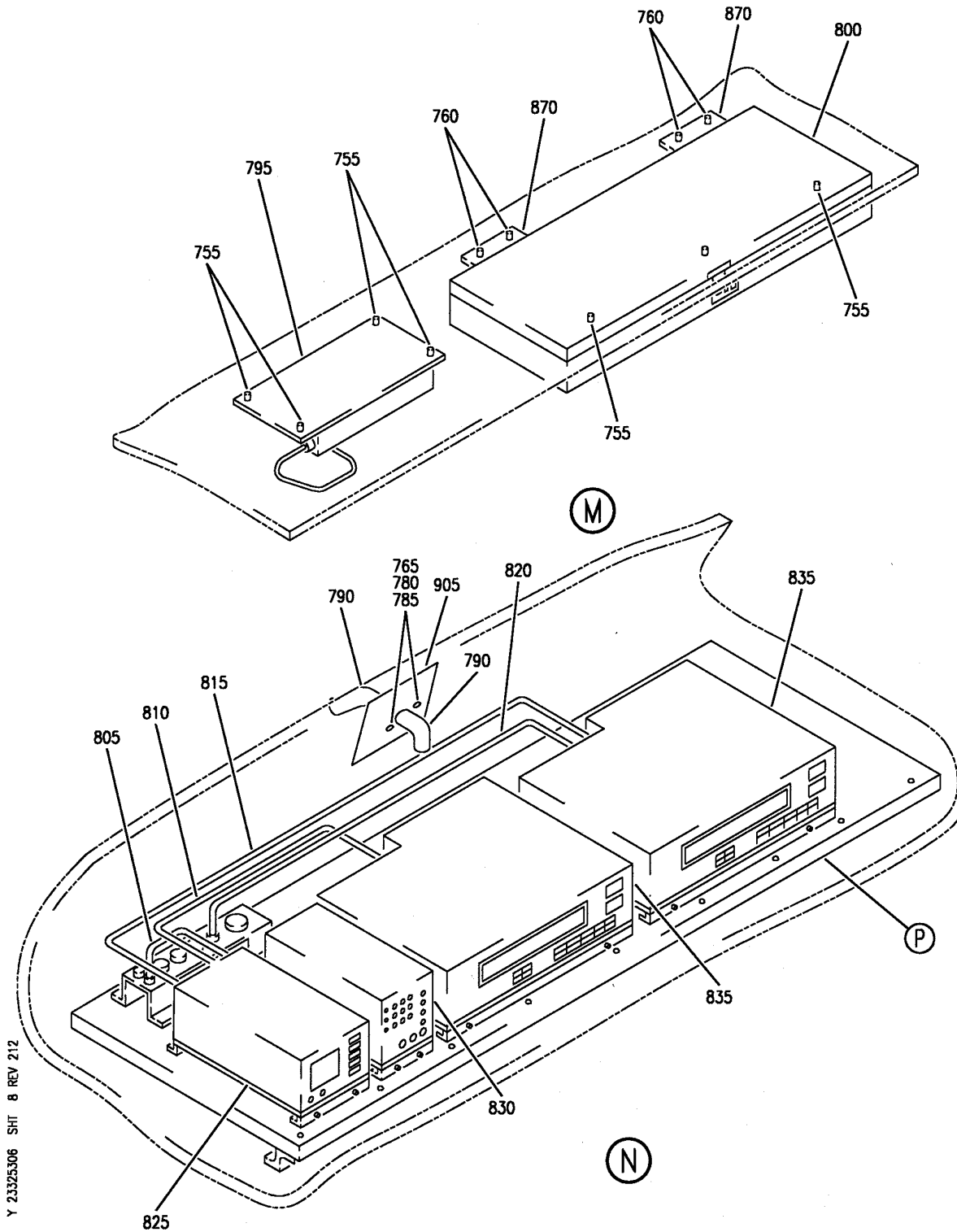
EQUIPMENT INSTL-VIDEO
FIGURE 6 (SHEET 7)

23-32-53-06

BRI
JAN 20/09

23-32-53-06
PAGE OF

BOEING
757
PARTS CATALOG (MAINTENANCE)



Y 23325306 SHT 8 REV 212

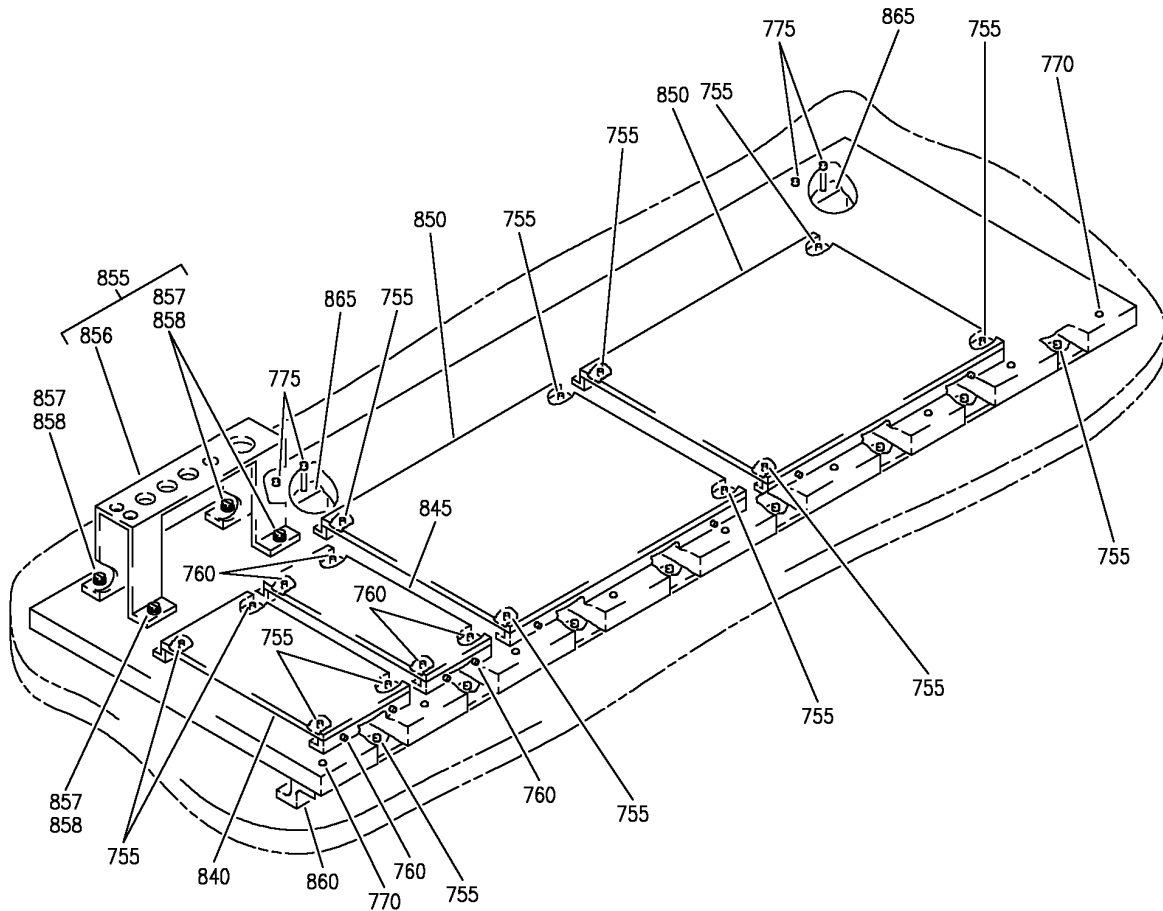
EQUIPMENT INSTL-VIDEO
FIGURE 6 (SHEET 8)

23-32-53-06

BRI
JAN 20/09

23-32-53-06
PAGE 06

BOEING
757
PARTS CATALOG (MAINTENANCE)



(P)

Y 23325306 SH1 9 REV 268

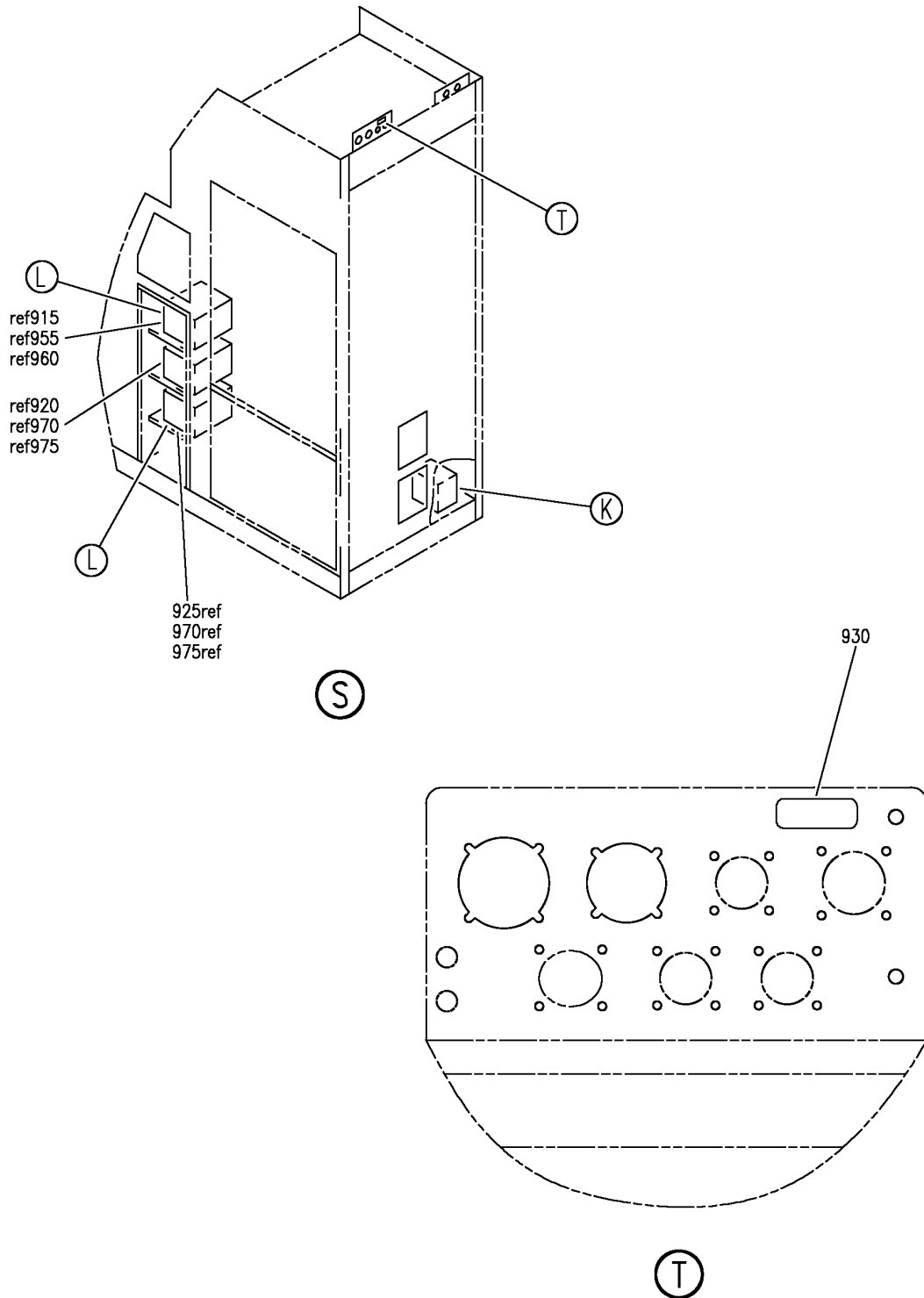
EQUIPMENT INSTL-VIDEO
FIGURE 6 (SHEET 9)

23-32-53-06

BRI
JAN 20/09

23-32-53-06
PAGE 0H

BOEING
757
PARTS CATALOG (MAINTENANCE)



Y 23325306 SH1 10 REV 266

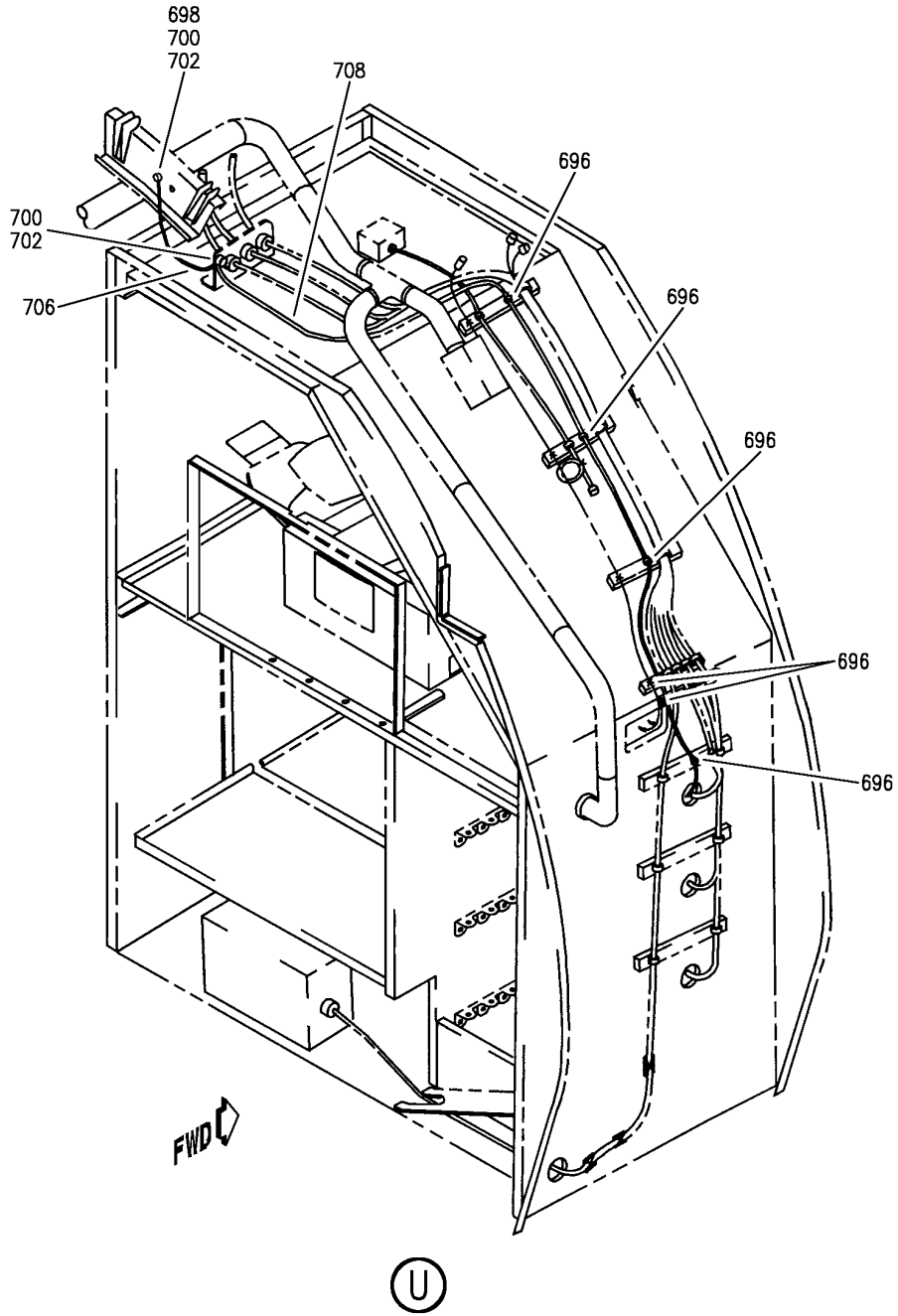
EQUIPMENT INSTL-VIDEO
FIGURE 6 (SHEET 10)

23-32-53-06

BRI
JAN 20/09

23-32-53-06
PAGE 01

BOEING
757
PARTS CATALOG (MAINTENANCE)



Y 23325306 SH1 11 REV 283

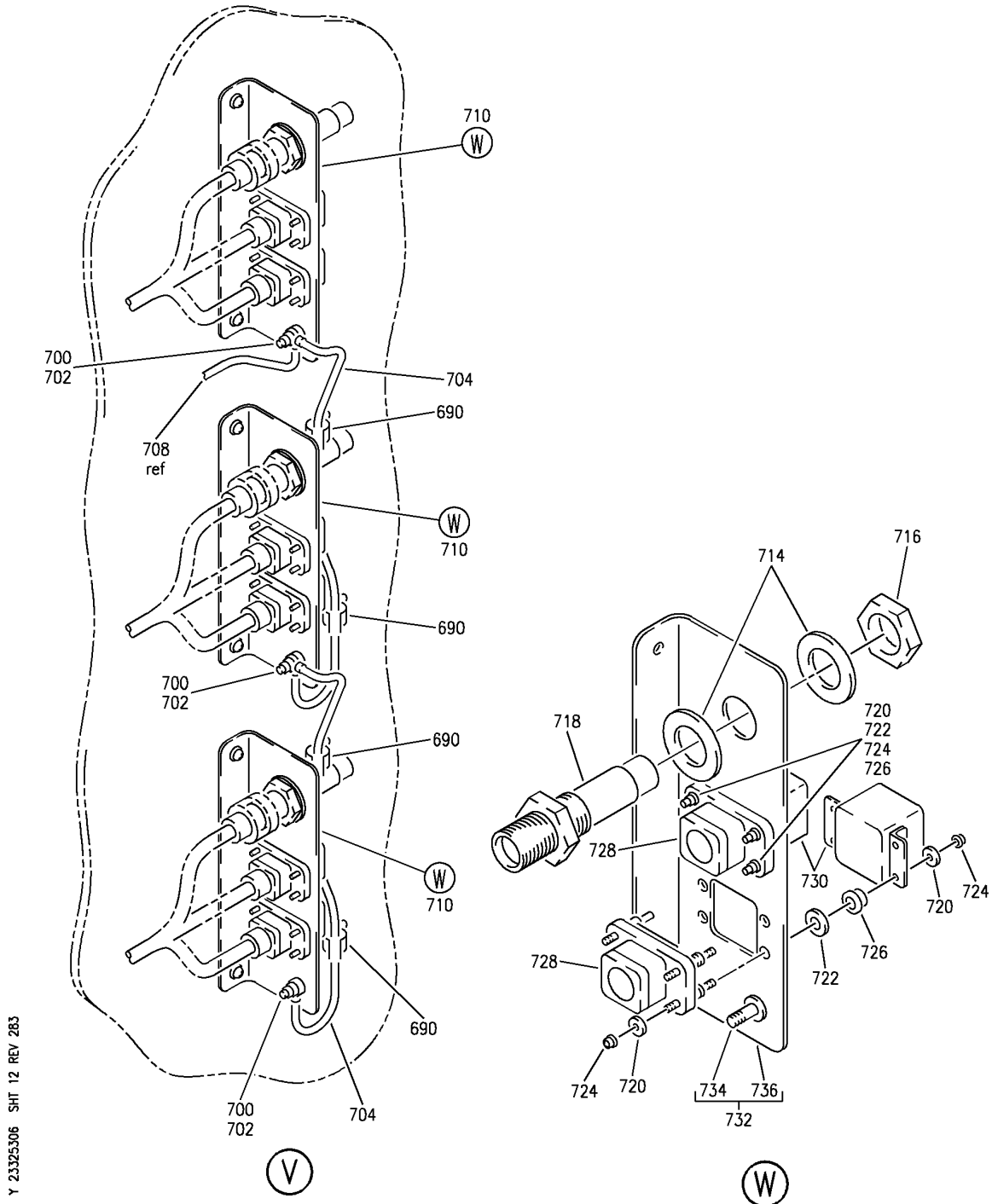
EQUIPMENT INSTL-VIDEO
FIGURE 6 (SHEET 11)

23-32-53-06

BRI
JAN 20/09

23-32-53-06
PAGE 0J

BOEING
757
PARTS CATALOG (MAINTENANCE)



Y 23325306 SH1 12 REV 283

EQUIPMENT INSTL-VIDEO
FIGURE 6 (SHEET 12)

23-32-53-06

BRI
JAN 20/09

23-32-53-06
PAGE OK



757

PARTS CATALOG (MAINTENANCE)

FIG ITEM	PART NUMBER	1 2 3 4 5 6 7	NOMENCLATURE	EFFECT FROM TO	UNITS PER ASSY
6					
- 900	417N7400-88B		EQUIPMENT INSTL-VIDEO EQUIPMENT INSTL-VIDEO FOR NHA SEE: 25-20-00-11D	504903 504903	RF
905	417A7363-4B		.BRACKET	504903	1

MISSING ITEM NUMBERS NOT APPLICABLE

- ITEM NOT ILLUSTRATED

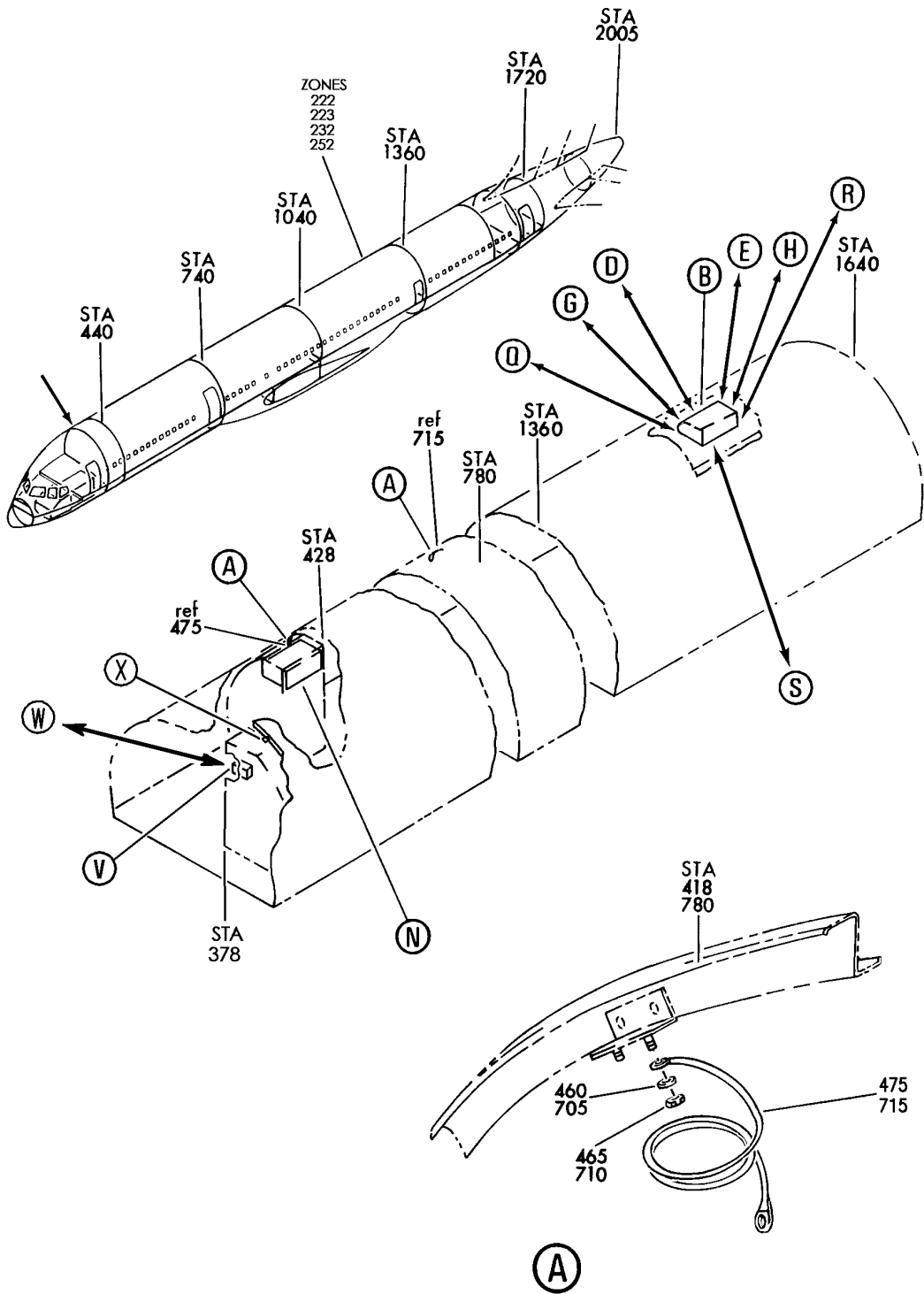
BRI

23-32-53-06

BOEING PROPRIETARY - Copyright © - Unpublished Work - See title page for details.

23-32-53
FIG. 06
PAGE 1
JAN 20/09

BOEING
757
PARTS CATALOG (MAINTENANCE)



Y 23325309 SHT 1 REV 246

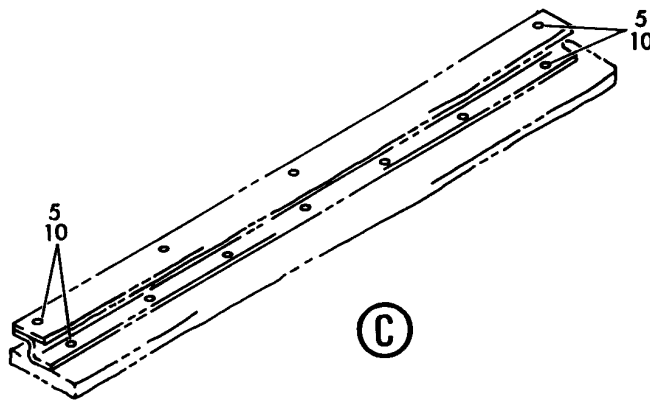
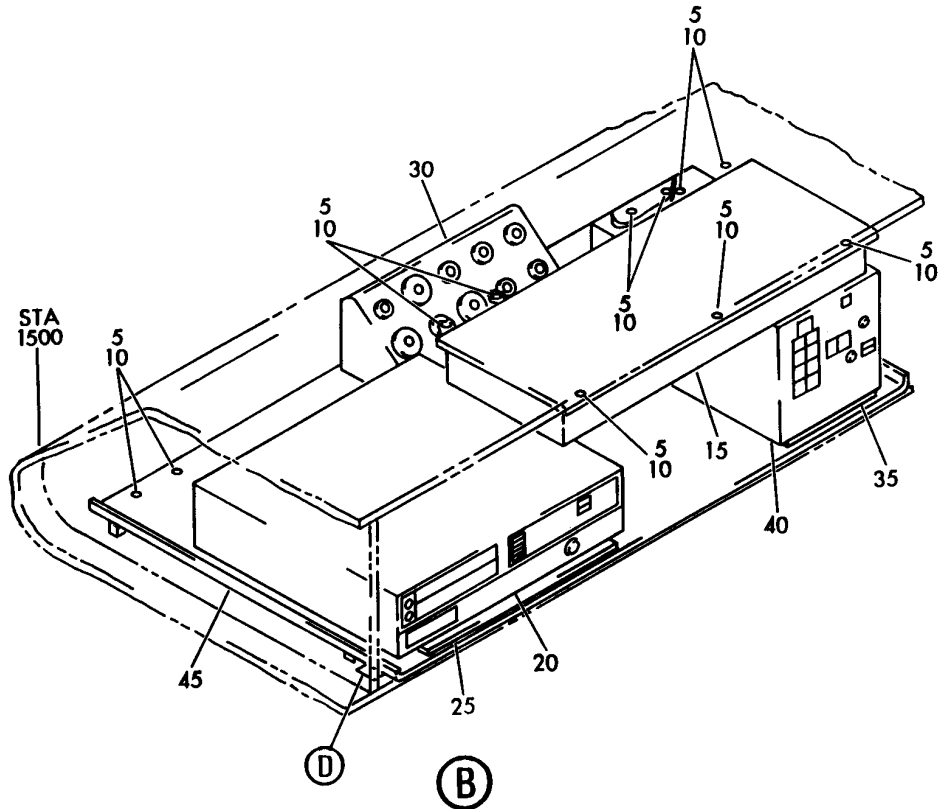
EQUIPMENT AND SOFTWARE INSTL
FIGURE 9 (SHEET 1)

23-32-53-09

BRI
MAY 28/07

23-32-53-09
PAGE 0

BOEING
757
PARTS CATALOG (MAINTENANCE)



Y 23325309 SHT 2 REV 141

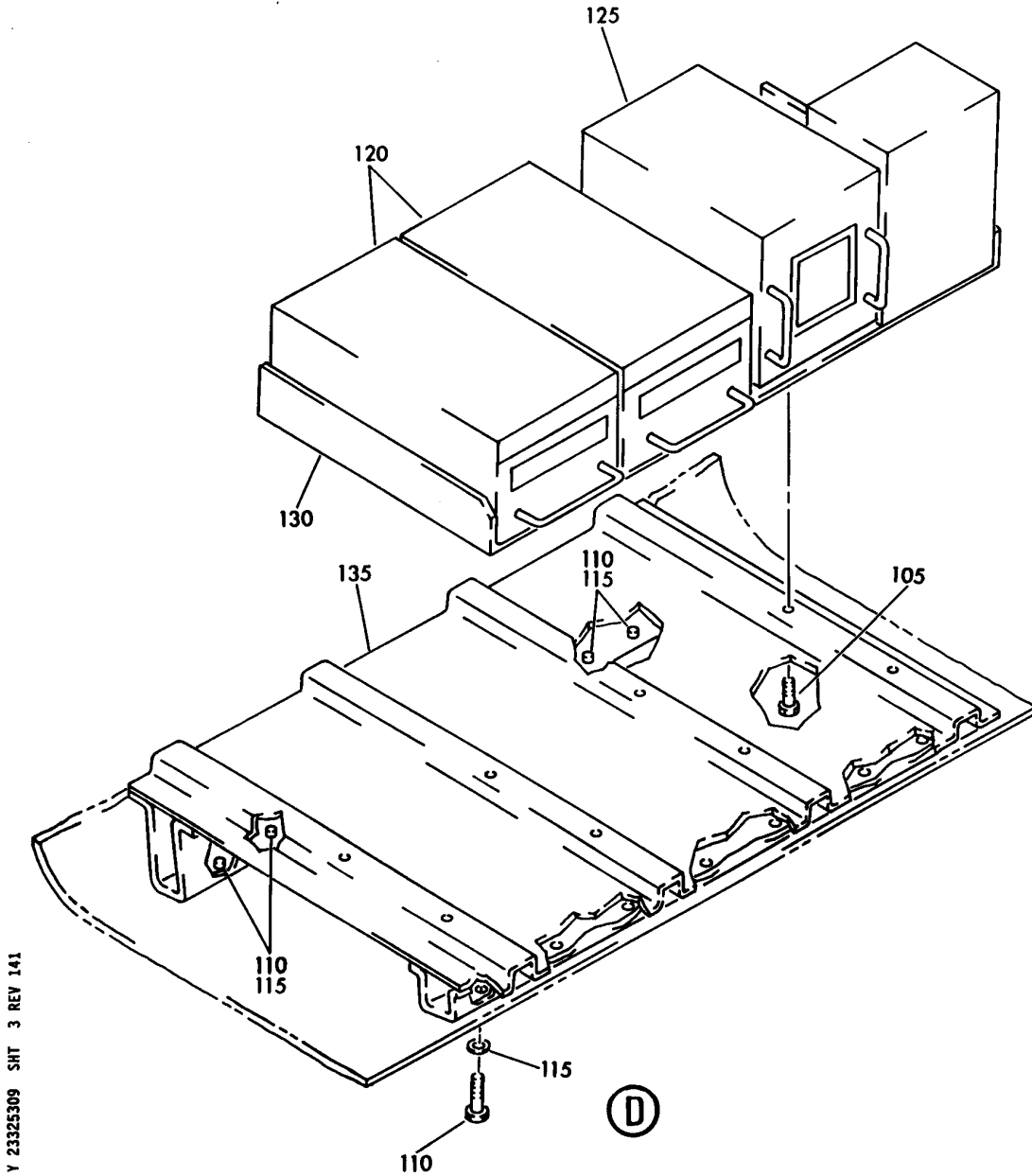
EQUIPMENT AND SOFTWARE INSTL
FIGURE 9 (SHEET 2)

23-32-53-09

BRI
MAY 28/07

23-32-53-09
PAGE 0A

BOEING
757
PARTS CATALOG (MAINTENANCE)



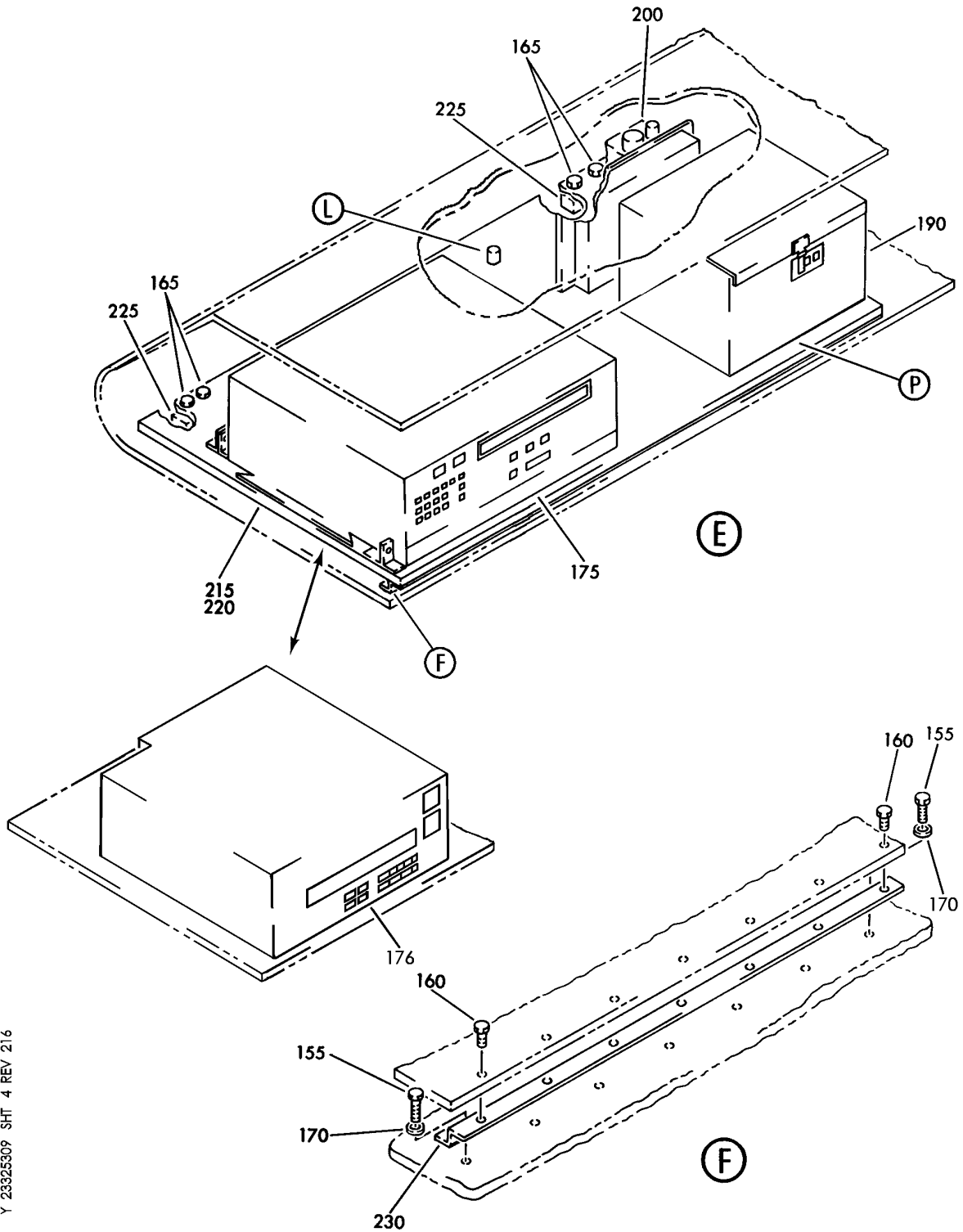
EQUIPMENT AND SOFTWARE INSTL
FIGURE 9 (SHEET 3)

23-32-53-09

BRI
MAY 28/07

23-32-53-09
PAGE 0B

BOEING
757
PARTS CATALOG (MAINTENANCE)



Y 23325309 SHT 4 REV 216

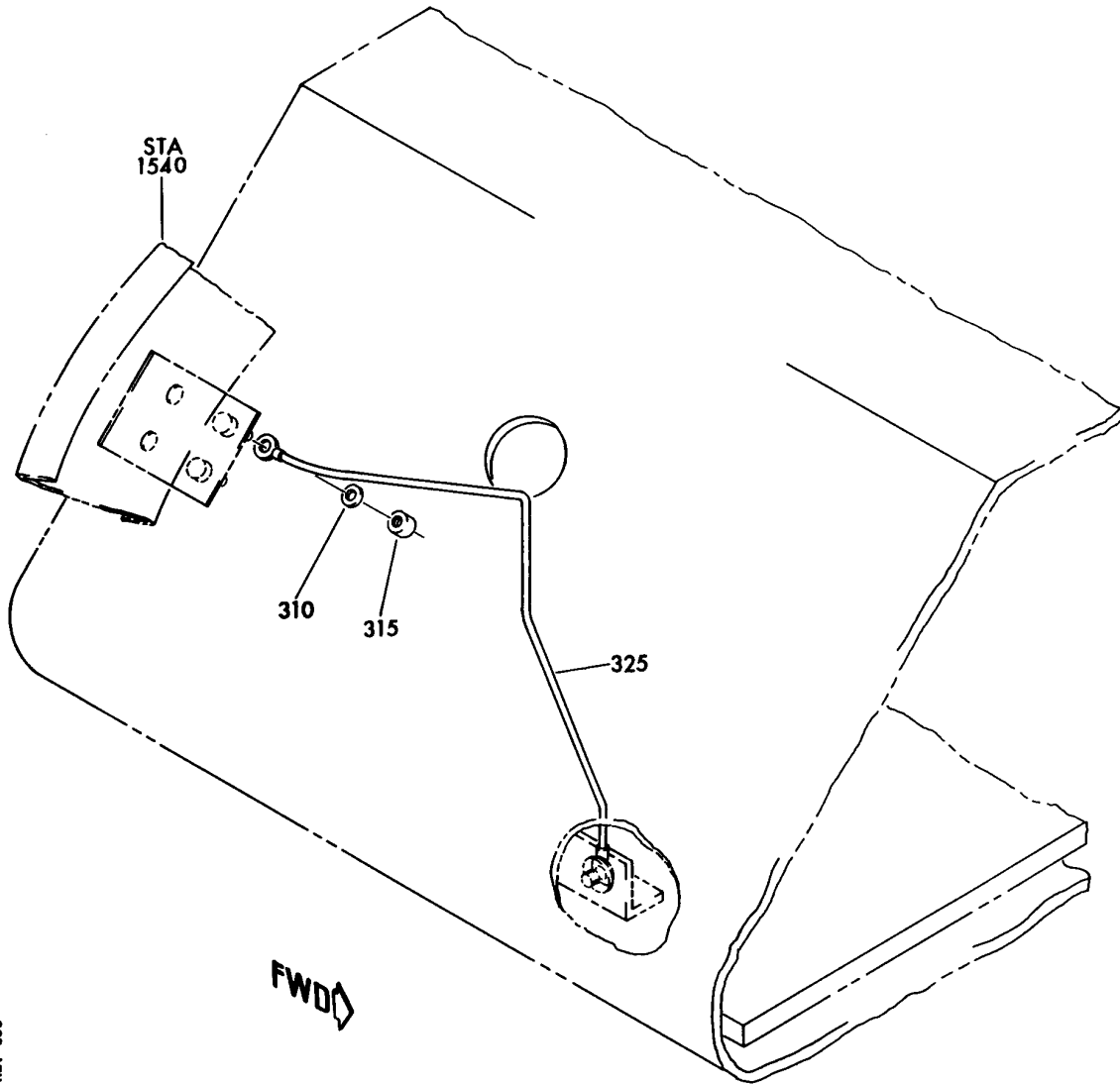
EQUIPMENT AND SOFTWARE INSTL
FIGURE 9 (SHEET 4)

23-32-53-09

BRI
MAY 28/07

23-32-53-09
PAGE 0C

BOEING
757
PARTS CATALOG (MAINTENANCE)



Y 2325309 SHT 5 REV 155

ⓐ

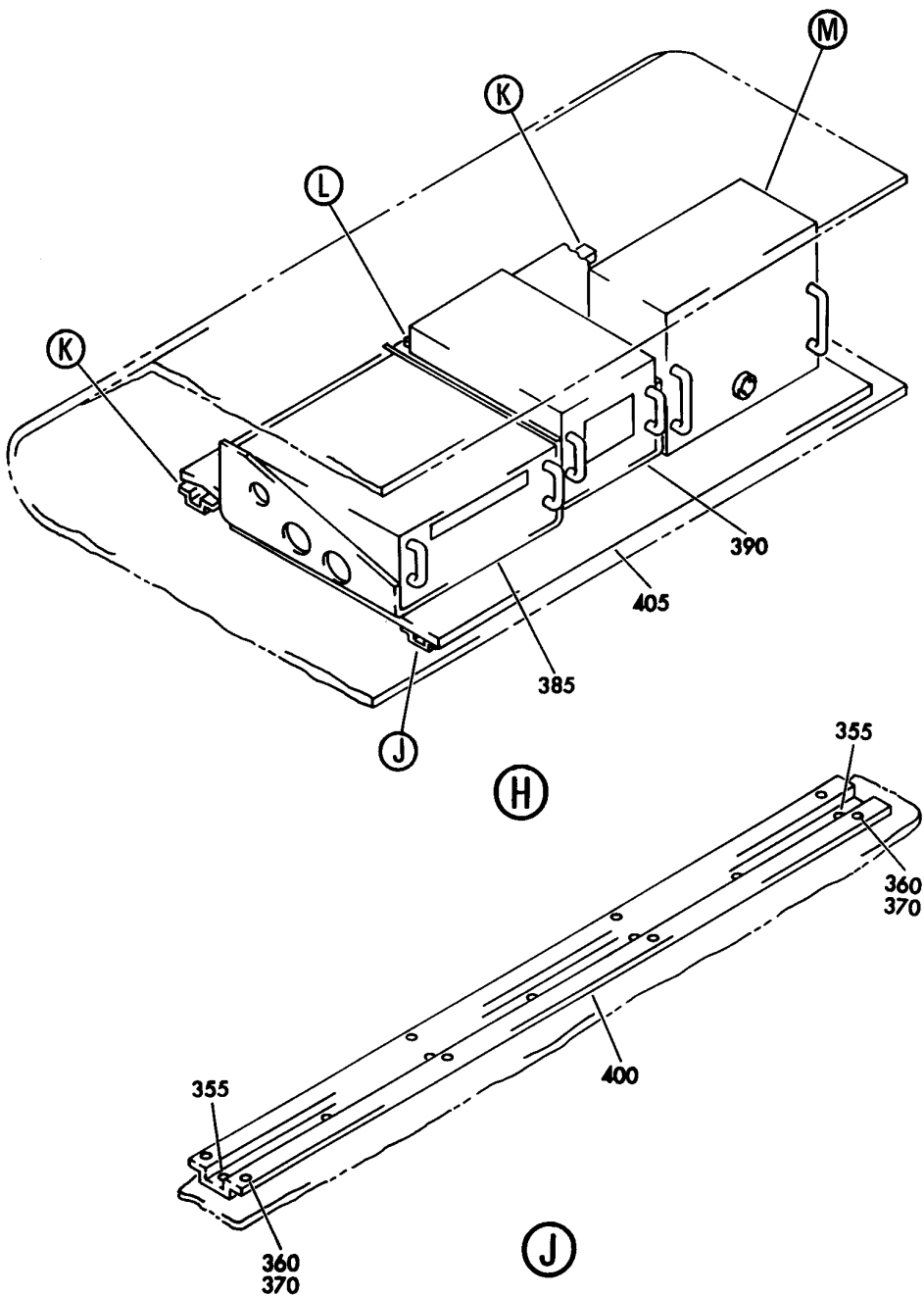
EQUIPMENT AND SOFTWARE INSTL
FIGURE 9 (SHEET 5)

23-32-53-09

BRI
MAY 28/07

23-32-53-09
PAGE 0D

BOEING
757
PARTS CATALOG (MAINTENANCE)



Y 23325309 SHT 6 REV 141

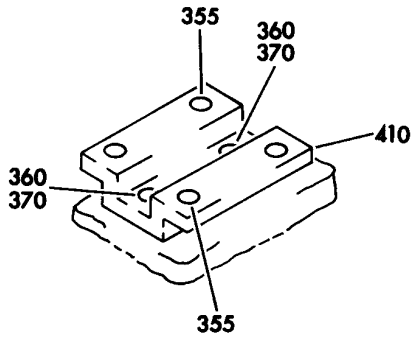
EQUIPMENT AND SOFTWARE INSTL
FIGURE 9 (SHEET 6)

23-32-53-09

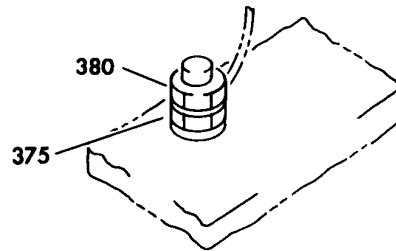
BRI
MAY 28/07

23-32-53-09
PAGE 0E

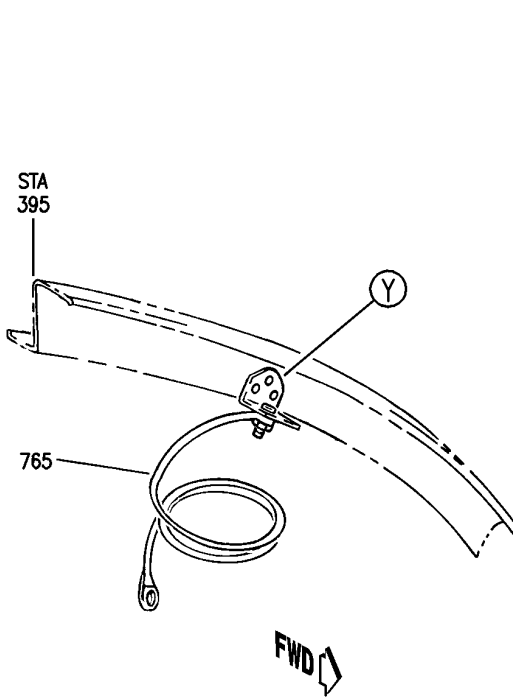

BOEING
 757
PARTS CATALOG (MAINTENANCE)



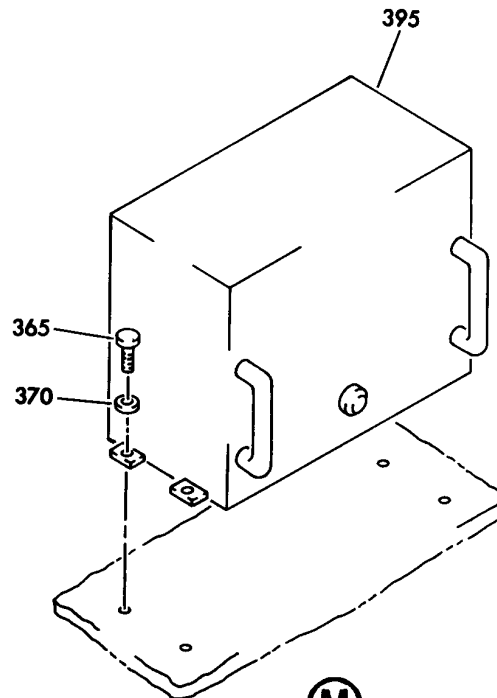
Ⓚ



Ⓛ



Ⓧ



Ⓜ

Y 23325309 SHT 7 REV 246

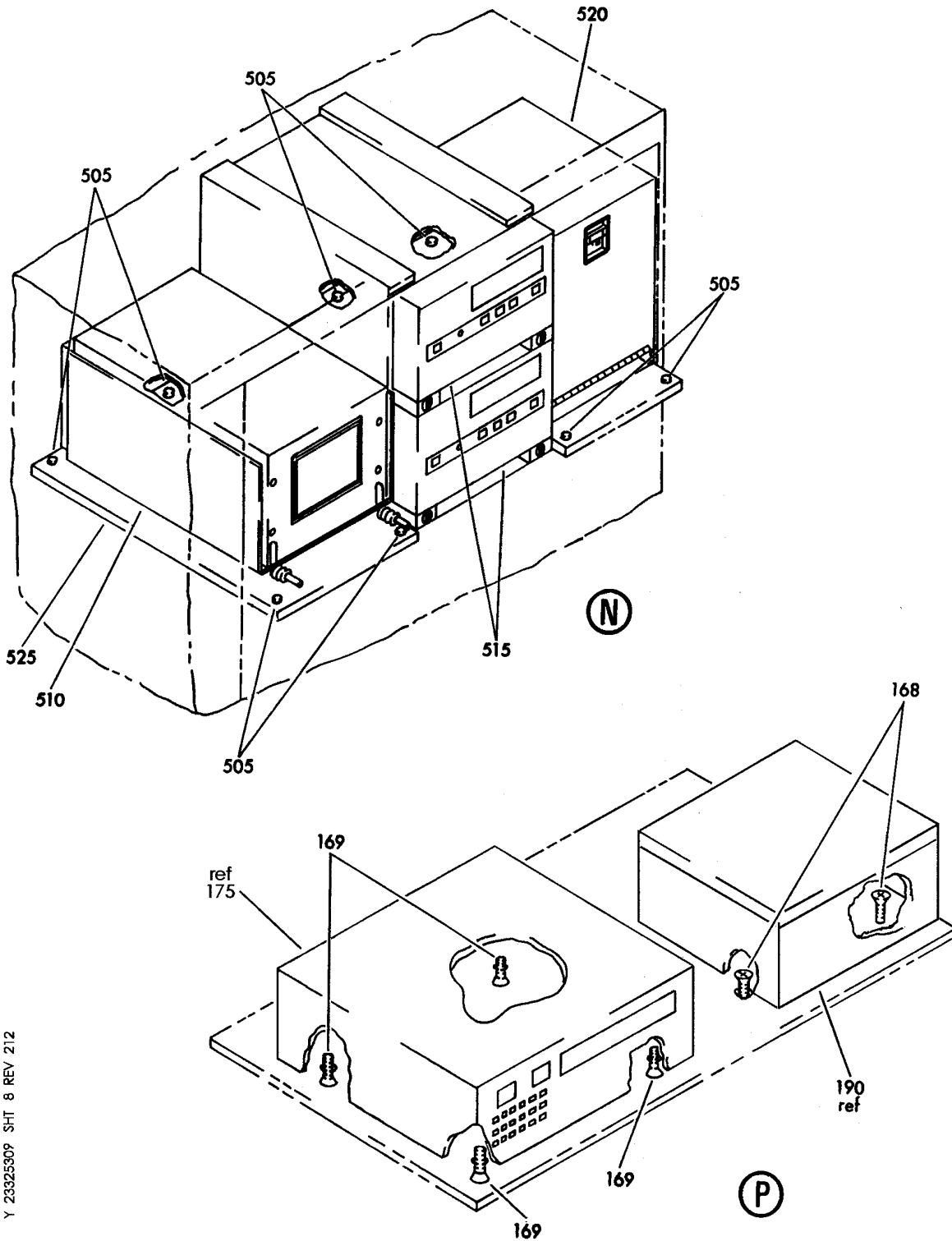
EQUIPMENT AND SOFTWARE INSTL
FIGURE 9 (SHEET 7)

23-32-53-09

BRI
MAY 28/07

23-32-53-09
PAGE OF

BOEING
757
PARTS CATALOG (MAINTENANCE)



Y 23325309 SHT 8 REV 212

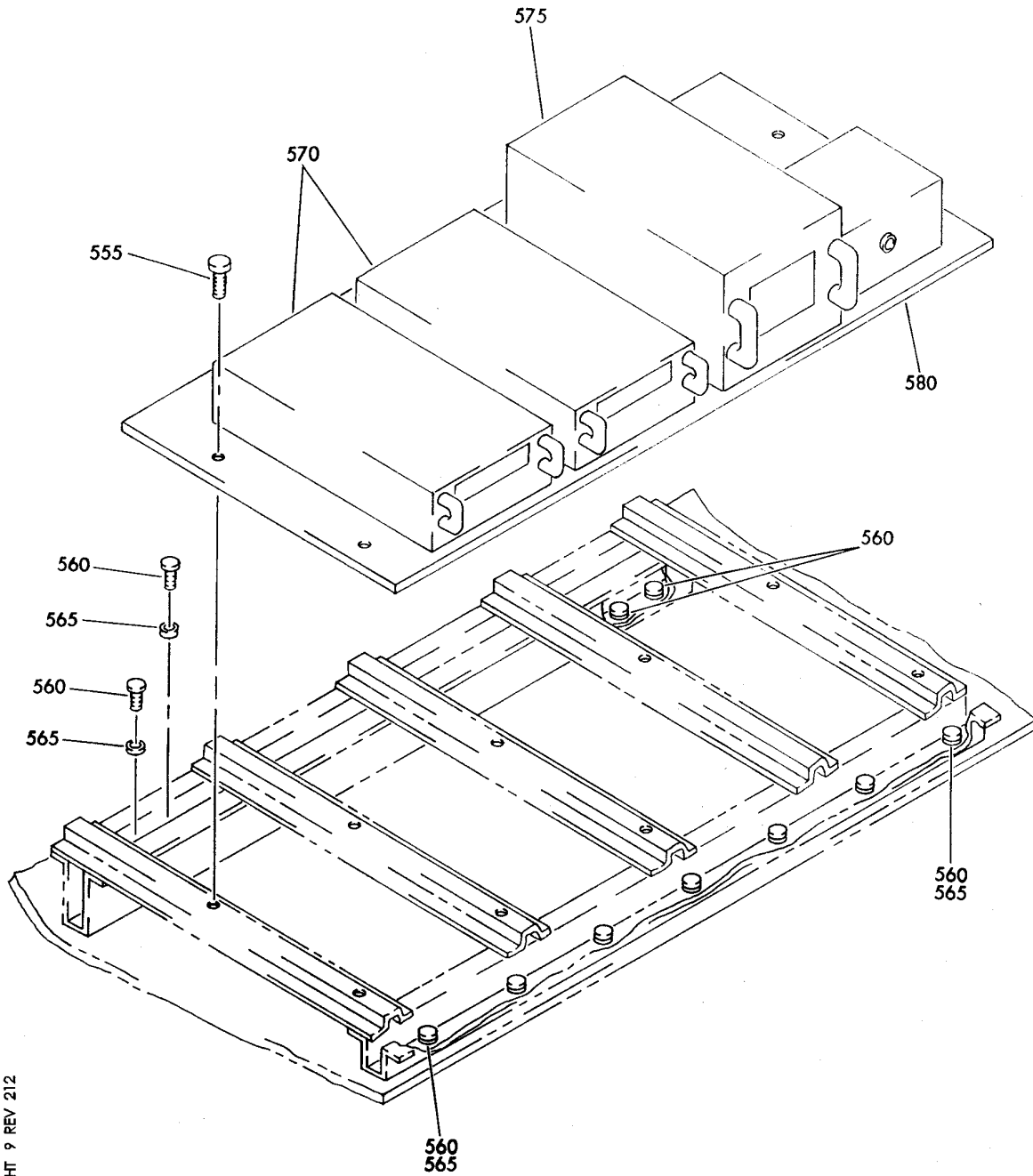
EQUIPMENT AND SOFTWARE INSTL
FIGURE 9 (SHEET 8)

23-32-53-09

BRI
MAY 28/07

23-32-53-09
PAGE 0G

BOEING
757
PARTS CATALOG (MAINTENANCE)



Y 23325309 SHT 9 REV 212

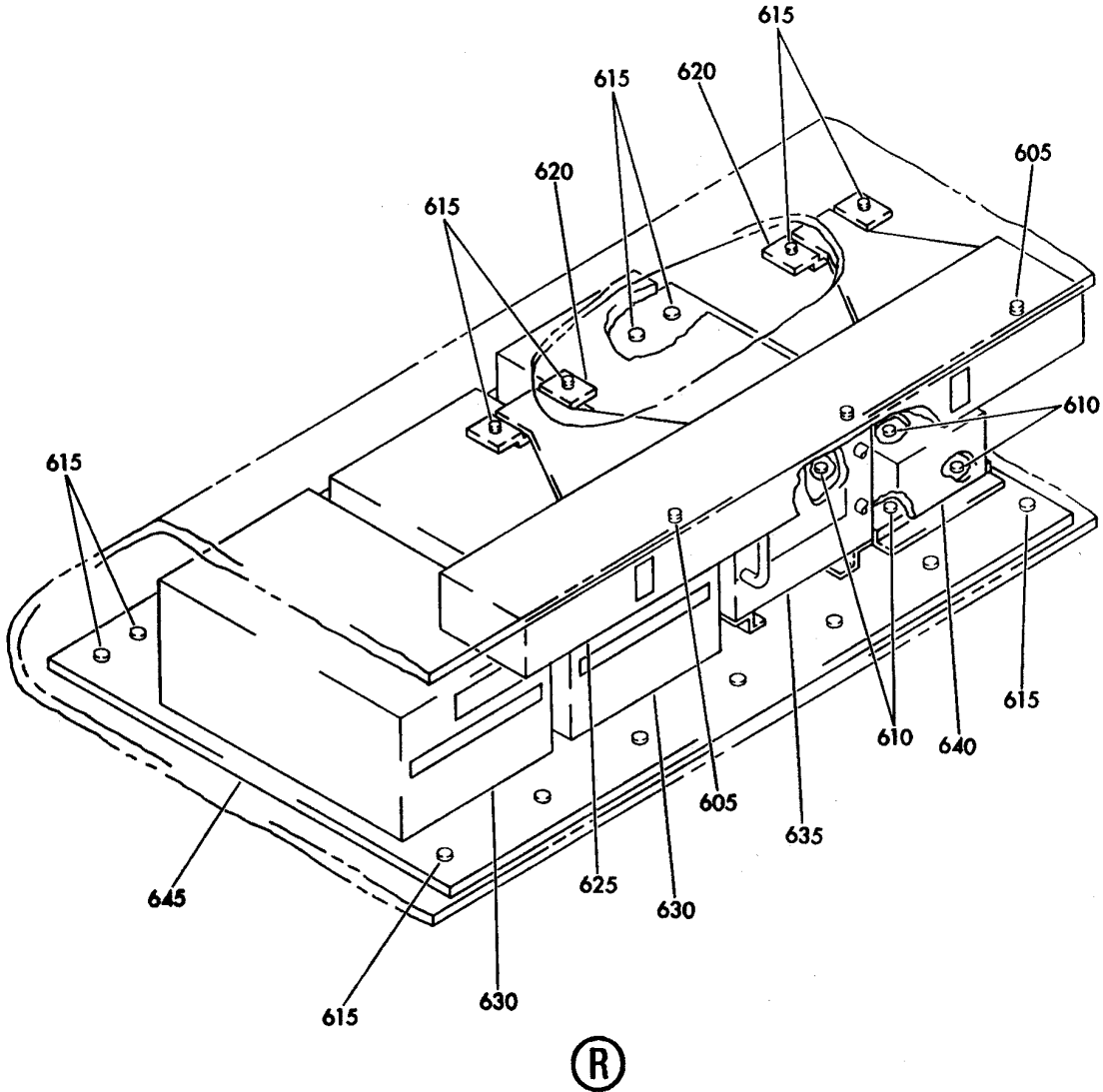
EQUIPMENT AND SOFTWARE INSTL
FIGURE 9 (SHEET 9)

23-32-53-09

BRI
MAY 28/07

23-32-53-09
PAGE 0H

BOEING
757
PARTS CATALOG (MAINTENANCE)



Y 23325309 SHT 10 REV 212

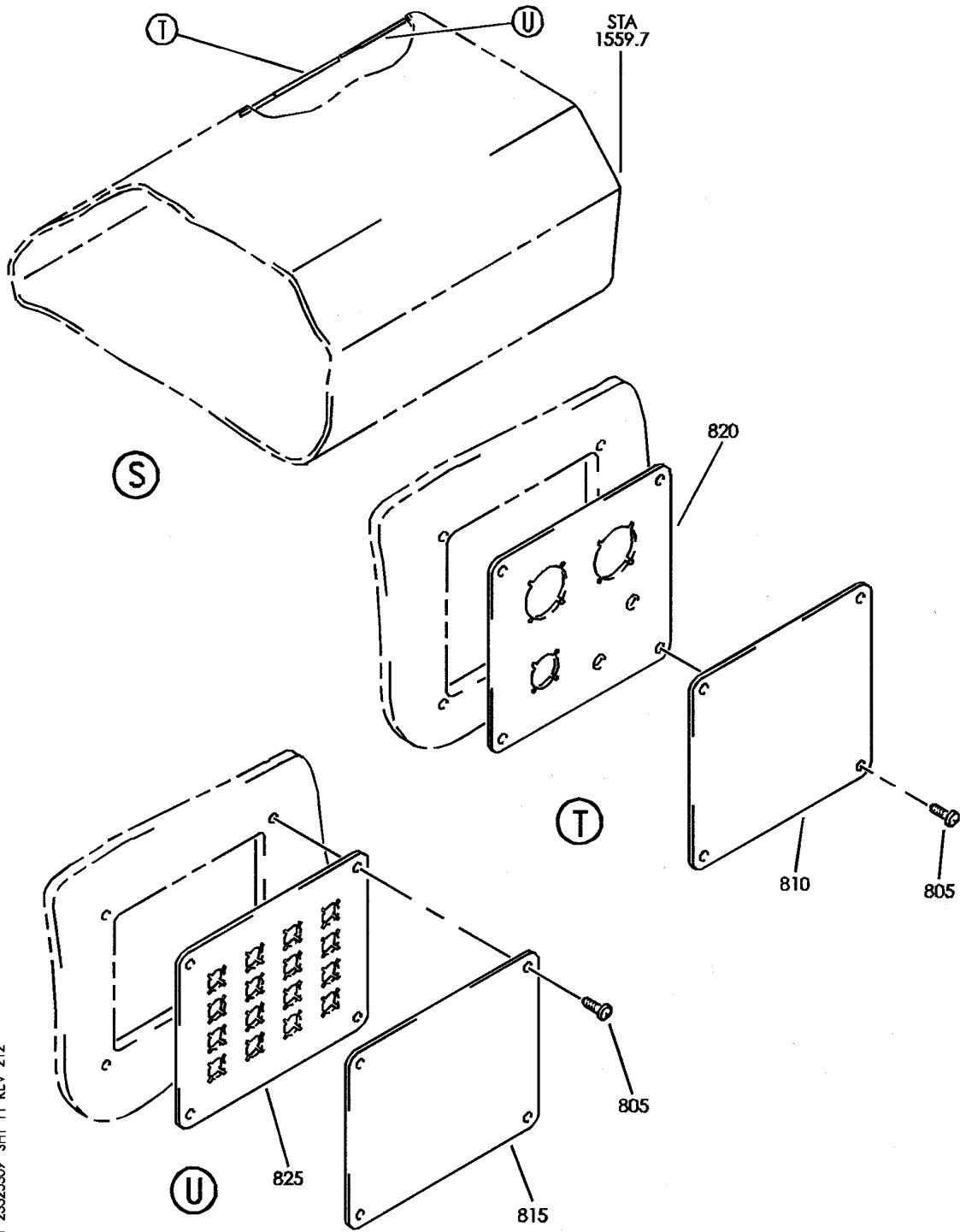
EQUIPMENT AND SOFTWARE INSTL
FIGURE 9 (SHEET 10)

23-32-53-09

BRI
MAY 28/07

23-32-53-09
PAGE 01

BOEING
757
PARTS CATALOG (MAINTENANCE)



Y 23325309 SHT 11 REV 212

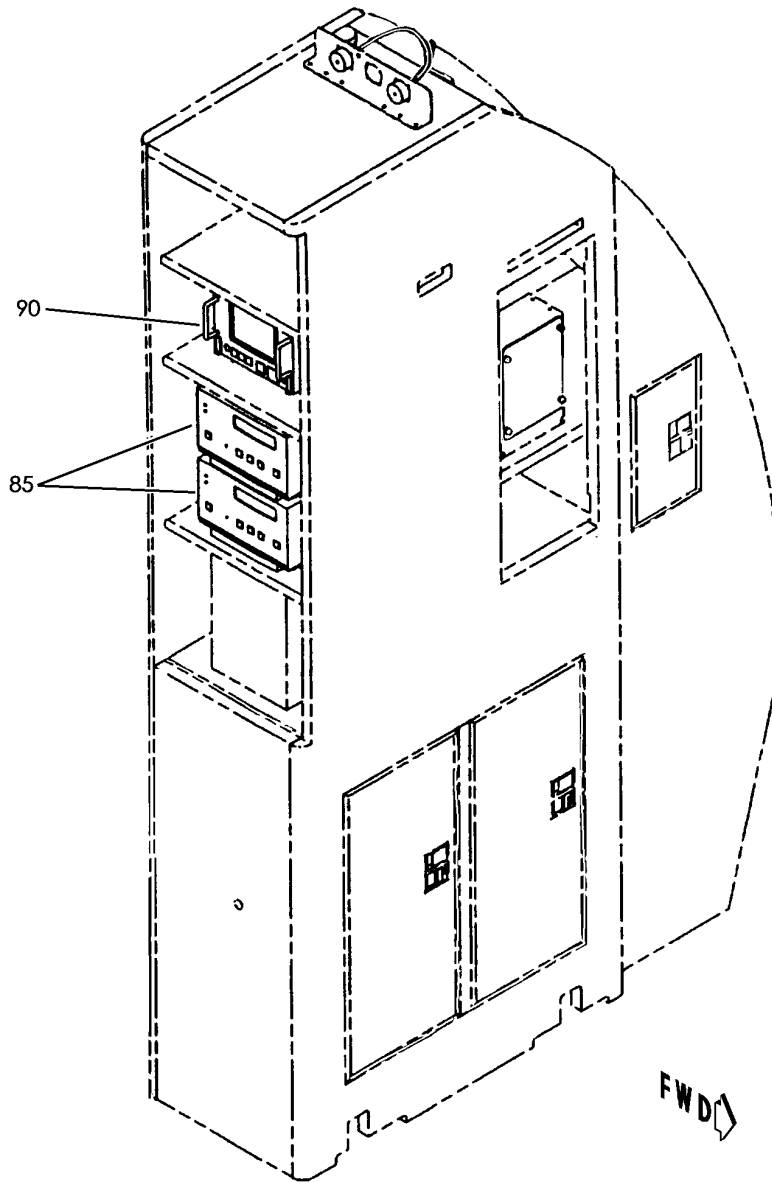
EQUIPMENT AND SOFTWARE INSTL
FIGURE 9 (SHEET 11)

23-32-53-09

BRI
MAY 28/07

23-32-53-09
PAGE 0J

BOEING
757
PARTS CATALOG (MAINTENANCE)



(V)

Y 23325309 SHT 12 REV 241

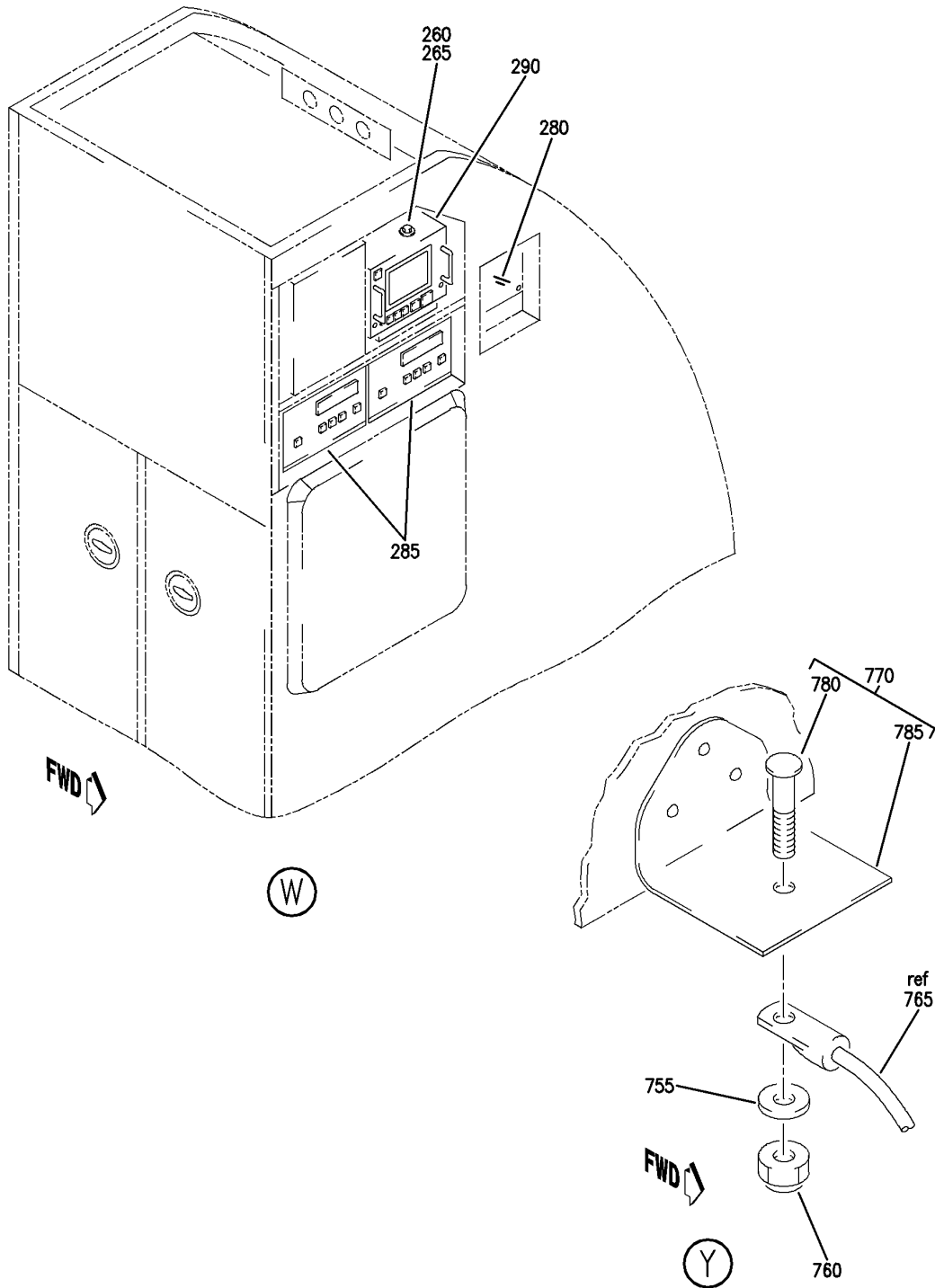
EQUIPMENT AND SOFTWARE INSTL
FIGURE 9 (SHEET 12)

23-32-53-09

BRI
MAY 28/07

23-32-53-09
PAGE 0K

BOEING
757
PARTS CATALOG (MAINTENANCE)



Y 23325309 SHT 13 REV 246

EQUIPMENT AND SOFTWARE INSTL
FIGURE 9 (SHEET 13)

23-32-53-09

BRI
MAY 28/07

23-32-53-09
PAGE 01



757

PARTS CATALOG (MAINTENANCE)

FIG ITEM	PART NUMBER	1 2 3 4 5 6 7	NOMENCLATURE	EFFECT FROM TO	UNITS PER ASSY
9			EQUIPMENT AND SOFTWARE INSTL	002004 006106 504903	
- 150	417N7400-12		EQUIPMENT INSTL-VIDEO FOR NHA/ADDITIONAL DET SEE: 23-32-00-01	002004	RF
- 150	417N7400-24		EQUIPMENT INSTL-VIDEO FOR NHA/ADDITIONAL DET SEE: 23-32-00-01 25-20-00-11D	006101	RF
- 150	417N7400-82		EQUIPMENT INSTL-VIDEO FOR NHA/ADDITIONAL DET SEE: 25-20-00-11D	102102	RF
155	BACB30NM3K2		.BOLT	002004 006102	7
160	BACB30NN3K9		.BOLT	002004 006102	7
165	BACB30NN3K20		.BOLT	002004 006102	4
168	BACS12ER3K5		.SCREW-	006102	2
169	BACS12ER3K7		.SCREW	006102	4
170	AN960JD10		.WASHER-	002004	7
170	NAS1149D0363J		.WASHER-	006102	7
175	495320-0002		.PLAYER-VIDEO (CUSTOMER FURNISHED) SUPPLIER CODE: V62204	002004 006101	1
176	613797-0004		.PLAYER-VIDEO CASSETTE SUPPLIER CODE: V62204 FUNCTIONAL DESCRIPTION: PLAYS VIDEO TAPES FOR PASSENGER ENTERTAINMENT. ELECTRICAL EQUIP NUMBER: M11149 COMPONENT MAINT MANUAL REF: 23-31-34	102102	1
190	489909-0001		.STORAGE UNIT-CASSETTE (CUSTOMER FURNISHED) SUPPLIER CODE: V62204	002004 006102	1
200	606618-0001		.CONTROL CENTER-INTERFACE (CUSTOMER FURNISHED) SUPPLIER CODE: V62204	002004 006010 101102	1
200	606618-0002		.CONTROL CENTER-INTERFACE (CUSTOMER FURNISHED) SUPPLIER CODE: V62204	011102	1

MISSING ITEM NUMBERS NOT APPLICABLE

- ITEM NOT ILLUSTRATED

23-32-53-09

23-32-53
FIG. 09
PAGE 1
JAN 20/09

BRI



757

PARTS CATALOG (MAINTENANCE)

FIG ITEM	PART NUMBER	1 2 3 4 5 6 7	NOMENCLATURE	EFFECT FROM TO	UNITS PER ASSY
9					
- 205	606623-0001		.CABLE ASSY-CONTROL CENTER (CUSTOMER FURNISHED) SUPPLIER CODE: V62204	002004 006101	1
- 205	606623-0002		.CABLE ASSY-CONTROL CENTER SUPPLIER CODE: V62204	102102	1
- 210	606624-0001		.CONTROL CENTER-VIDEO (CUSTOMER FURNISHED) SUPPLIER CODE: V62204	002004 006102	1
215	606621-0001		.CONTROL CENTER INSTL- (CUSTOMER FURNISHED) SUPPLIER CODE: V62204	002004 006101	1
215	606621-0004		.CONTROL CENTER INSTL- SUPPLIER CODE: V62204	102102	1
220	606622-0001		.PALLET ASSY-EQUIPMENT (CUSTOMER FURNISHED) SUPPLIER CODE: V62204	002004 006101	1
220	606622-0004		.PALLET ASSY-EQUIPMENT SUPPLIER CODE: V62204	102102	1
225	499475		.SUPPORT-PALLET REAR (CUSTOMER FURNISHED) SUPPLIER CODE: V62204	002004 006102	2
230	499476-0001		.SUPPORT-PALLET FRONT (CUSTOMER FURNISHED) SUPPLIER CODE: V62204	002004 006102	1
- 300	417N7400-19		EQUIPMENT INSTL-GND STRAP FOR NHA SEE: 23-32-00-01	006010	RF
- 300	417N7400-31		EQUIPMENT INSTL-GND STRAP FOR NHA SEE: 23-32-00-01 25-20-00-11D	011102	RF
310	AN960JD10L		.WASHER-	006010	1
310	NAS1149D0316H		.WASHER-	011102	1
315	MS21042L3		.NUT-	006102	1
325	MS25083-2BB54		.JUMPER ASSY	006102	1
- 450	417N7400-53		EQUIPMENT INSTL-GROUND STRA POSITION DATA: STA 418.00 FOR NHA SEE: 25-20-00-11D	504903	RF

MISSING ITEM NUMBERS NOT APPLICABLE

- ITEM NOT ILLUSTRATED

23-32-53-09

23-32-53
FIG. 09
PAGE 2
JAN 20/09

BRI



757

PARTS CATALOG (MAINTENANCE)

FIG ITEM	PART NUMBER	1 2 3 4 5 6 7	NOMENCLATURE	EFFECT FROM TO	UNITS PER ASSY
9					
460	NAS1149D0316H	.	WASHER	504903	1
465	MS21042L3	.	NUT	504903	1
475	MS25083-2BB54	.	JUMPER ASSY	504903	1
- 750	MODREF24133		LIGHT INSTL-GROUND STUD MODULE NUMBER: 417N7400-132 REV B	103106	1
755	NAS1149D0316H	.	WASHER	103106	1
760	PLH53CD	.	NUT SUPPLIER CODE: VF0224 SPECIFICATION NUMBER: BACN10YR3CD OPTIONAL PART: H52732-3CD V15653	103106	1
765	1002BB42	.	JUMPER ASSY SUPPLIER CODE: V1FF12 SPECIFICATION NUMBER: BACJ40A20-42	103106	1
770	439W2271-15	.	BRACKET ASSY-GRD ATTACHING PARTS	103106	1
- 775	BACR15FT5D	.	RIVET- SIZE DETERMINED ON INSTL. -----*-----	103106	3
780	VNS1924CA1-8	..	STUD SUPPLIER CODE: V5M902 SPECIFICATION NUMBER: BACS53B1EA1 OPTIONAL PART: VNS1924CA3-1-8 V92215	103106	1
785	439W2272-29	..	BRACKET	103106	1

MISSING ITEM NUMBERS NOT APPLICABLE

- ITEM NOT ILLUSTRATED

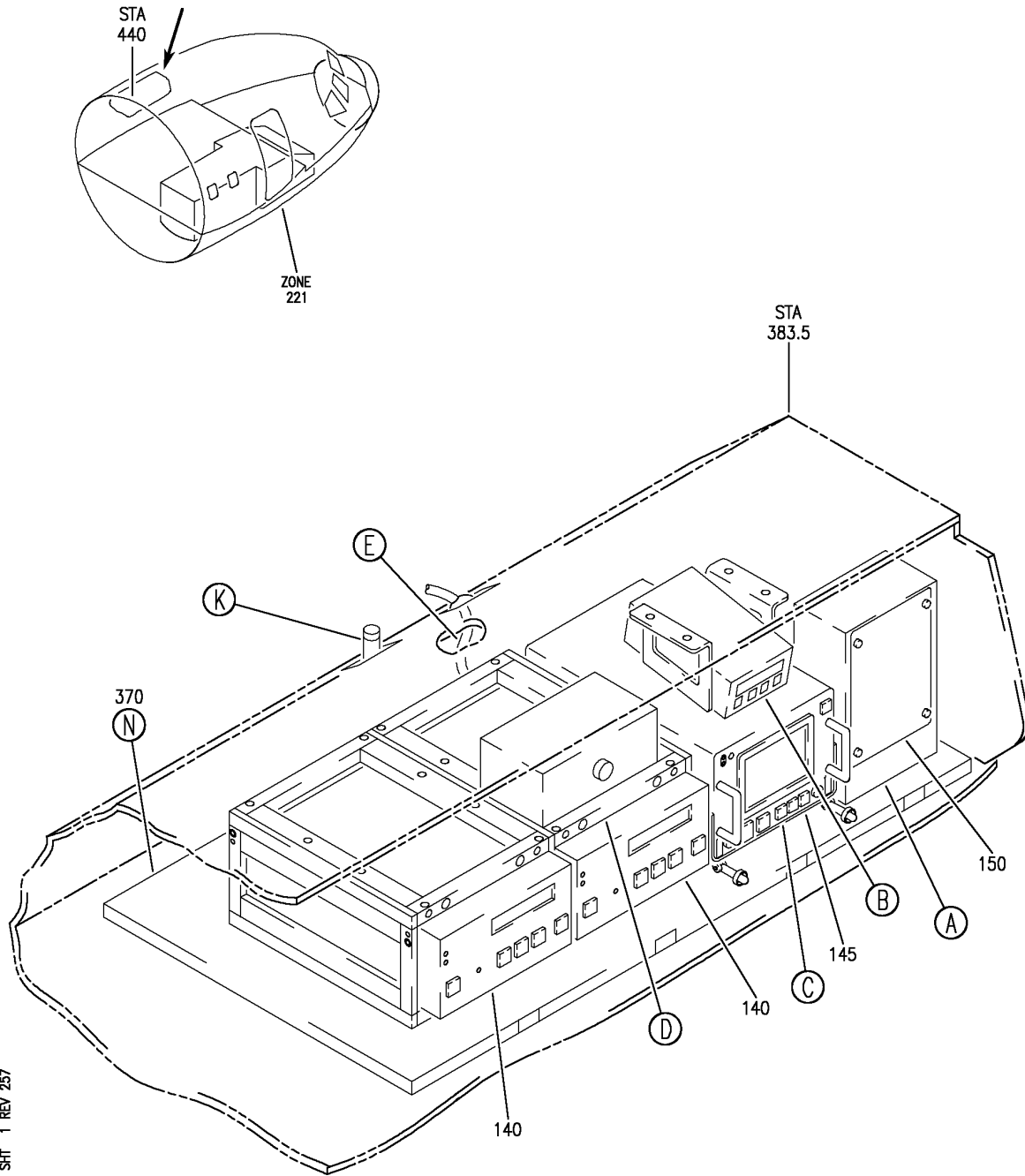
BRI

23-32-53-09

BOEING PROPRIETARY - Copyright © - Unpublished Work - See title page for details.

23-32-53
FIG. 09
PAGE 3
JAN 20/09

BOEING
757
PARTS CATALOG (MAINTENANCE)



Y 23325311A SHT 1 REV 257

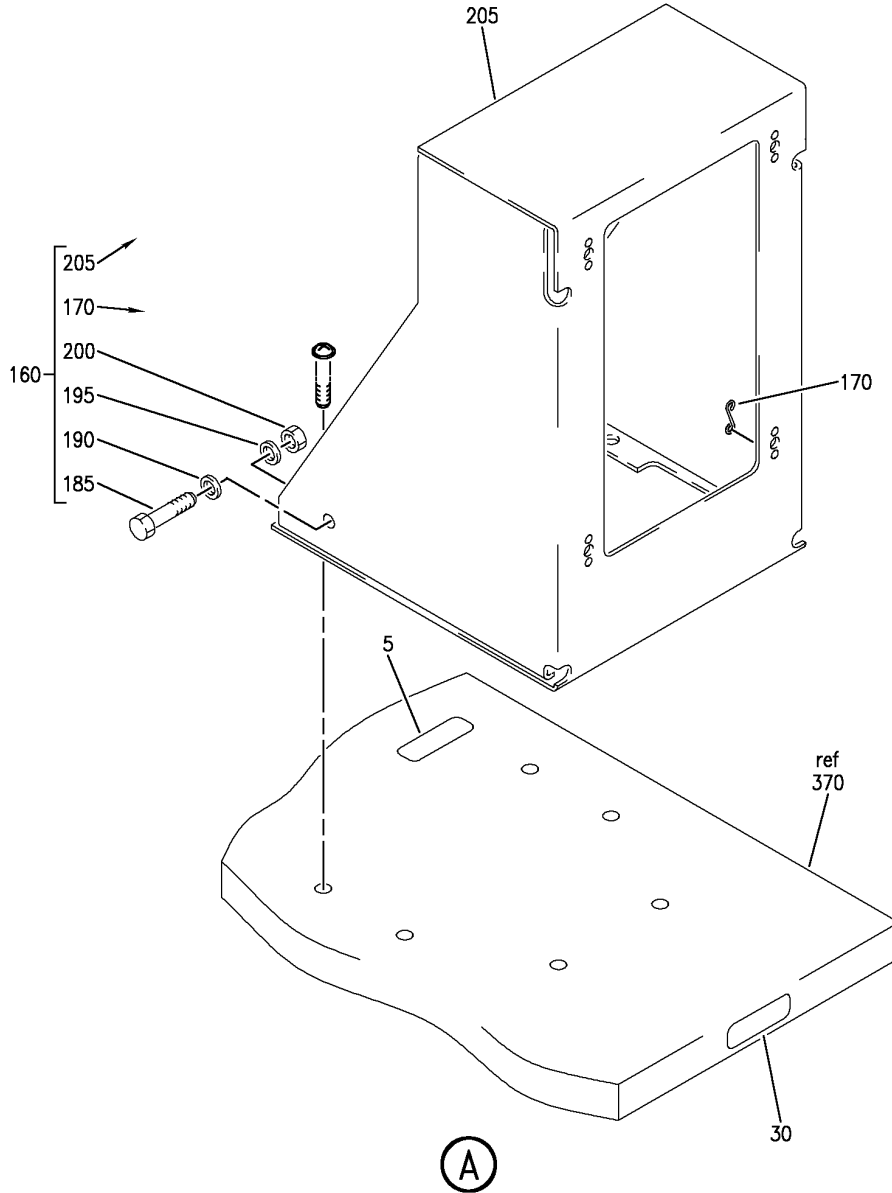
EQUIPMENT AND SOFTWARE INSTL-VIDEO
FIGURE 11A (SHEET 1)

23-32-53-11A

BRI
JAN 20/09

23-32-53-11A
PAGE 0

BOEING
757
PARTS CATALOG (MAINTENANCE)



Y 23325311A SHT 2 REV 257

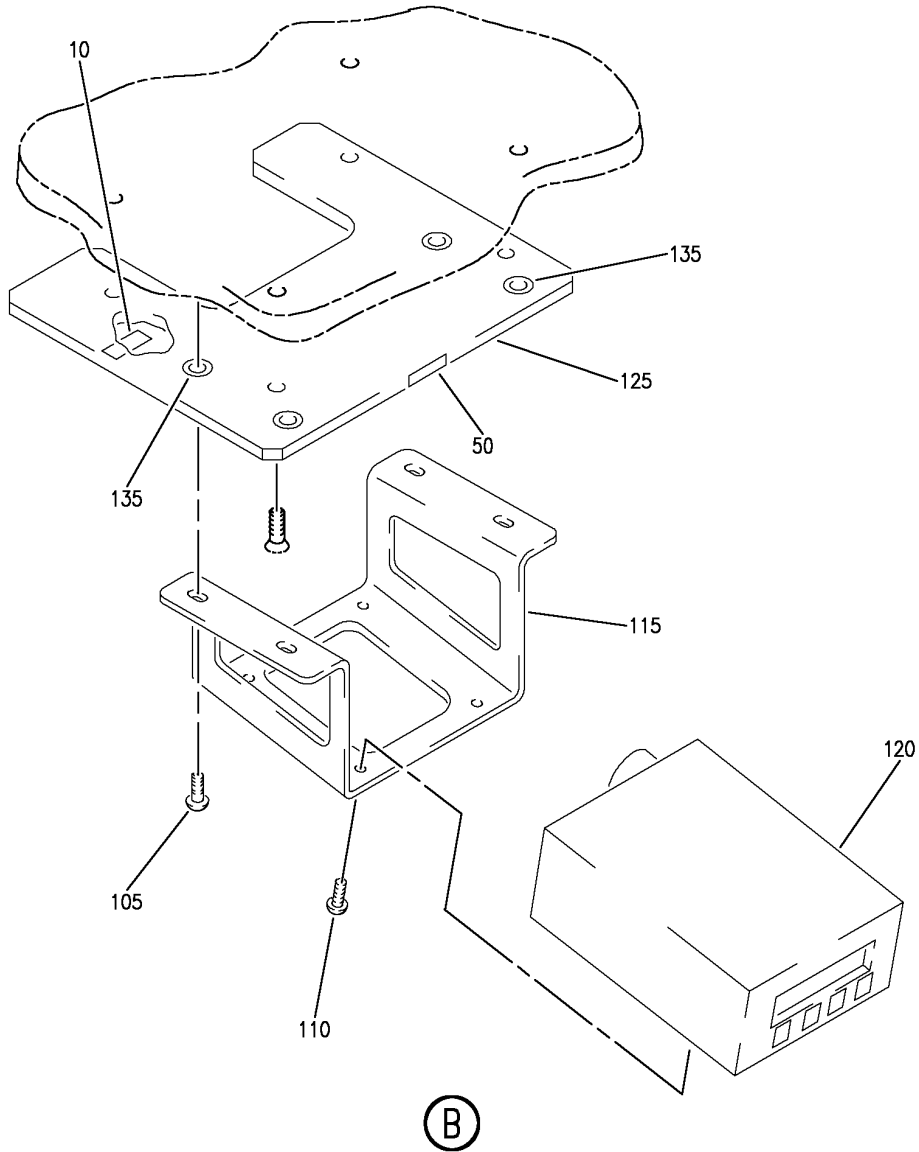
EQUIPMENT AND SOFTWARE INSTL-VIDEO
FIGURE 11A (SHEET 2)

23-32-53-11A

BRI
JAN 20/09

23-32-53-11A
PAGE 0A

BOEING
757
PARTS CATALOG (MAINTENANCE)



Y 23325311A SHT 3 REV 257

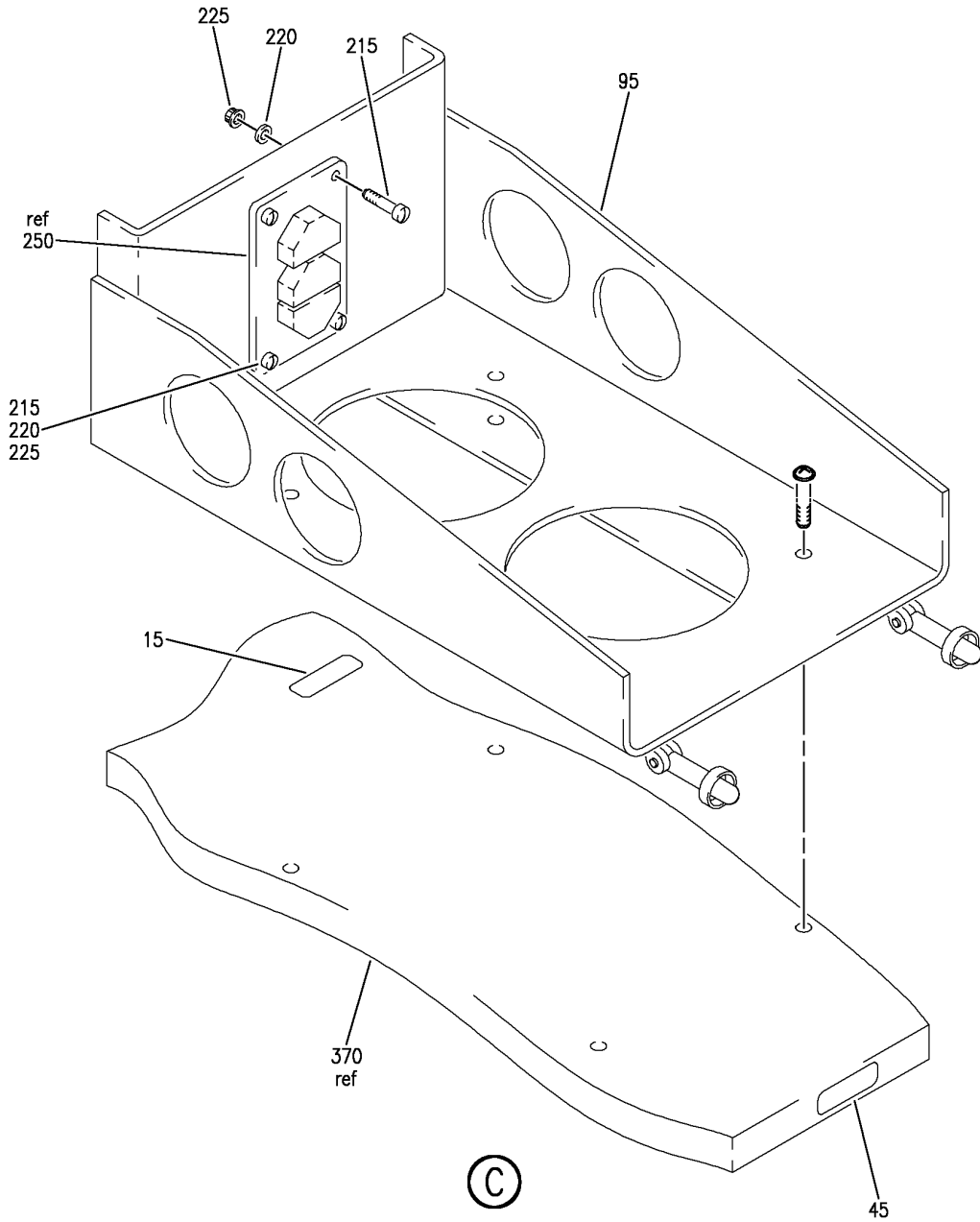
EQUIPMENT AND SOFTWARE INSTL-VIDEO
FIGURE 11A (SHEET 3)

23-32-53-11A

BRI
JAN 20/09

23-32-53-11A
PAGE 0B

BOEING
757
PARTS CATALOG (MAINTENANCE)



Y 23325311A SHT 4 REV 257

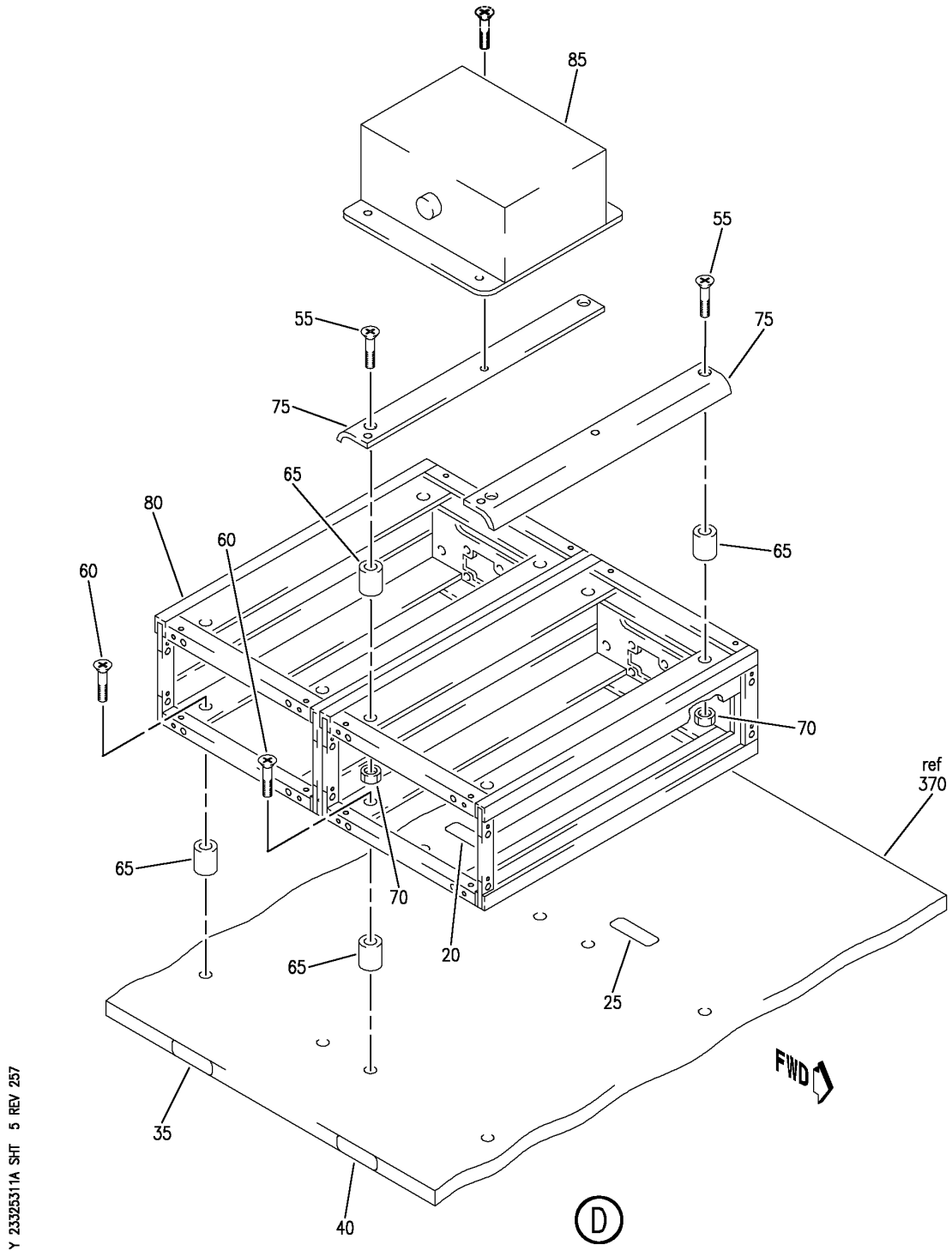
EQUIPMENT AND SOFTWARE INSTL-VIDEO
FIGURE 11A (SHEET 4)

23-32-53-11A

BRI
JAN 20/09

23-32-53-11A
PAGE 0C

BOEING
757
PARTS CATALOG (MAINTENANCE)



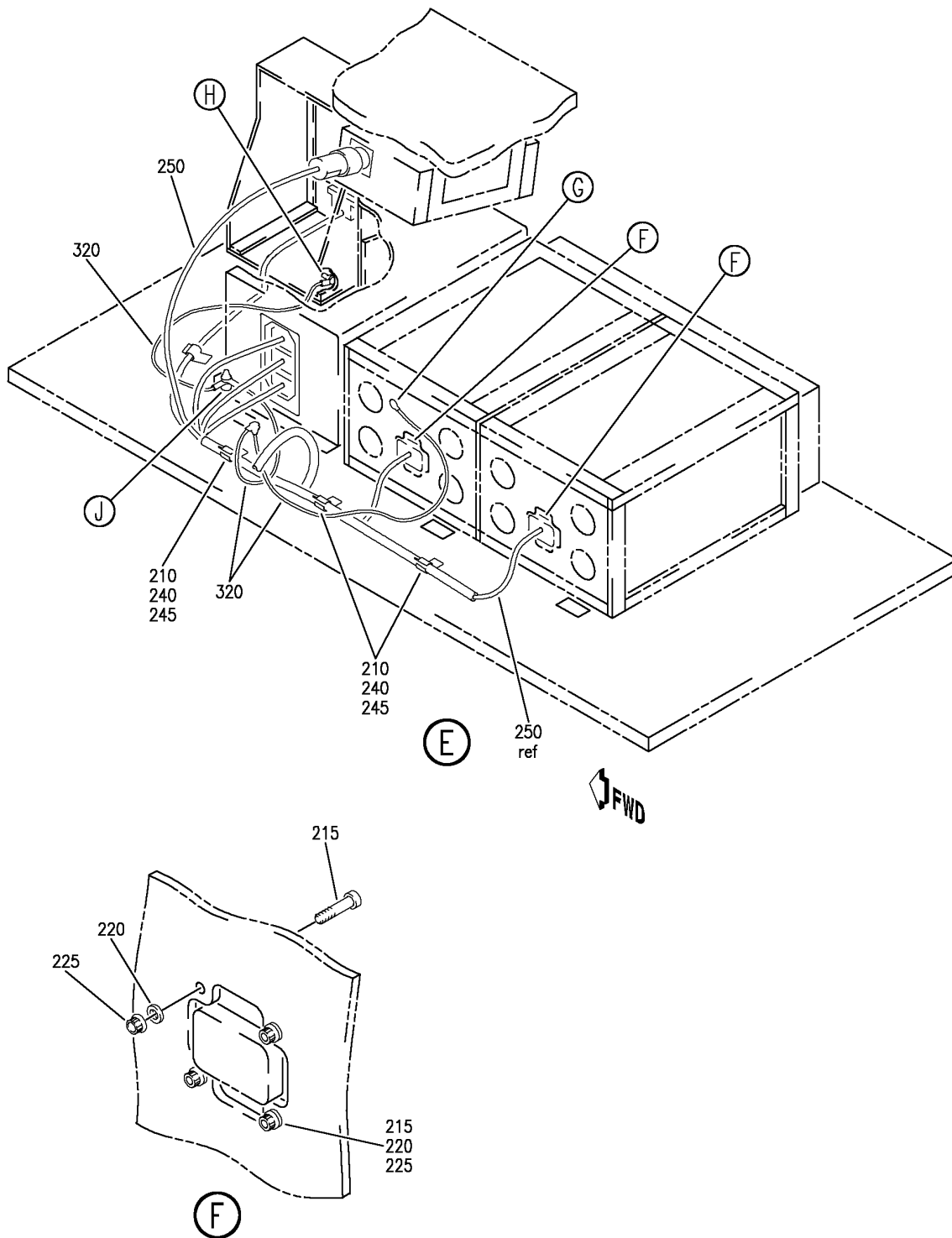
EQUIPMENT AND SOFTWARE INSTL-VIDEO
FIGURE 11A (SHEET 5)

23-32-53-11A

BRI
JAN 20/09

23-32-53-11A
PAGE 0D

BOEING
757
PARTS CATALOG (MAINTENANCE)



Y 23325311A SHT 6 REV 257

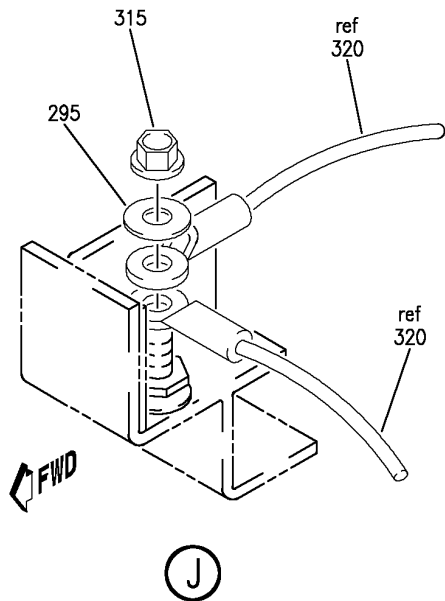
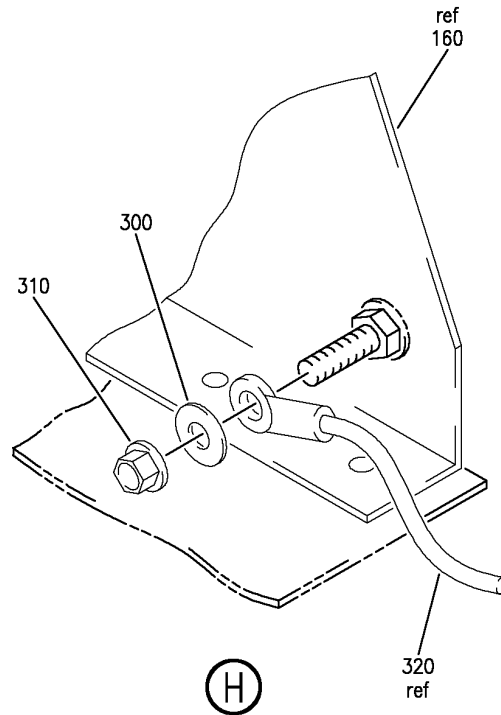
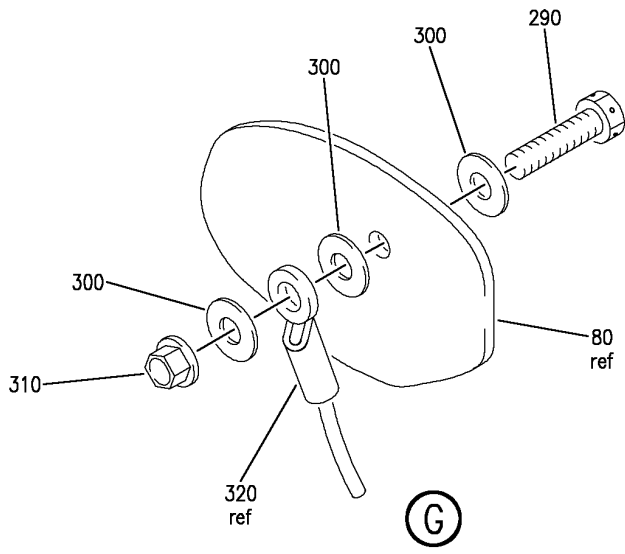
EQUIPMENT AND SOFTWARE INSTL-VIDEO
FIGURE 11A (SHEET 6)

23-32-53-11A

BRI
JAN 20/09

23-32-53-11A
PAGE 0E

BOEING
757
PARTS CATALOG (MAINTENANCE)



Y 23325311A SHT 7 REV 257

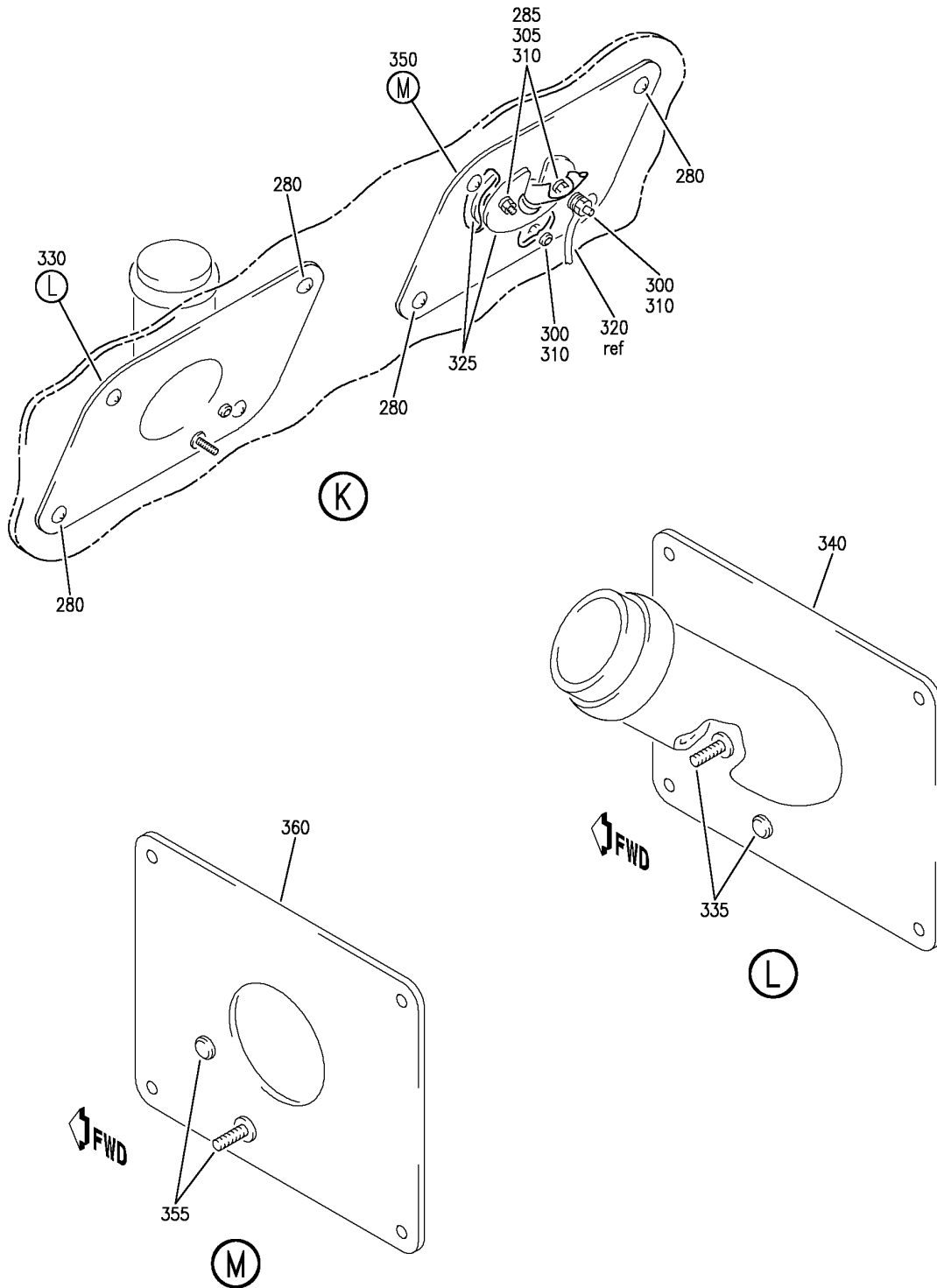
EQUIPMENT AND SOFTWARE INSTL-VIDEO
FIGURE 11A (SHEET 7)

23-32-53-11A

BRI
JAN 20/09

23-32-53-11A
PAGE OF

BOEING
 757
 PARTS CATALOG (MAINTENANCE)



Y 23325311A SHT 8 REV 257

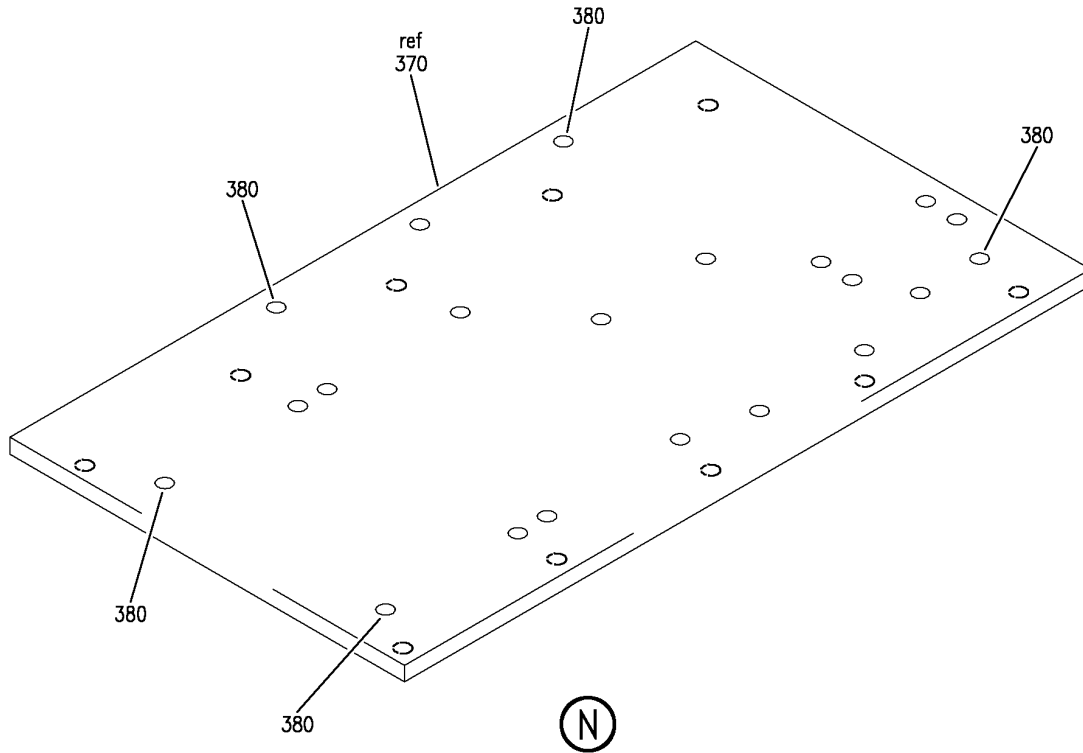
EQUIPMENT AND SOFTWARE INSTL-VIDEO
 FIGURE 11A (SHEET 8)

23-32-53-11A

BRI
 JAN 20/09

23-32-53-11A
 PAGE 08

BOEING
757
PARTS CATALOG (MAINTENANCE)



Y 23325311A SHT 9 REV 257

EQUIPMENT AND SOFTWARE INSTL-VIDEO
FIGURE 11A (SHEET 9)

23-32-53-11A

BRI
JAN 20/09

23-32-53-11A
PAGE 0H



757

PARTS CATALOG (MAINTENANCE)

FIG ITEM	PART NUMBER	1 2 3 4 5 6 7	NOMENCLATURE	EFFECT FROM TO	UNITS PER ASSY
11A			EQUIPMENT AND SOFTWARE INSTL-VIDEO	103106	
- 1	MODREF33400		EQUIPMENT INSTL-VIDEO MODULE NUMBER: 417N7400-136B REV A	103106	1
5	BAC27NEL1245		.DECAL- PLACARD CONTENT: M11353 BITE PANEL	103106	1
10	BAC27WEL1438		.DECAL- PLACARD CONTENT: M10934 ACU	103106	1
15	BAC27WEL1439		.DECAL- PLACARD CONTENT: M11148 VSCU	103106	1
20	BAC27WEL1440		.DECAL- PLACARD CONTENT: M11149 VEP 1	103106	1
25	BAC27WEL1441		.DECAL- PLACARD CONTENT: M11150 VEP 2	103106	1
30	BAC29PPS34098		.MARKER- PLACARD CONTENT: BITE PANEL	103106	1
35	BAC29PPS38884		.MARKER- PLACARD CONTENT: VTR 1	103106	1
40	BAC29PPS38885		.MARKER- PLACARD CONTENT: VTR 2	103106	1
45	BAC29PPS38886		.MARKER- PLACARD CONTENT: VSCU	103106	1
50	BAC29PPS38887		.MARKER- PLACARD CONTENT: ACU	103106	1
55	BACS12ER3K10		.SCREW	103106	4
60	BACS12FA3K11		.SCREW	103106	8
65	NAS43DD3-22FC		.SPACER	103106	12
70	PLH53CD		.NUT	103106	4
			SUPPLIER CODE: VF0224 SPECIFICATION NUMBER: BACN10YR3CD OPTIONAL PART: H52732-3CD V15653		
75	106206		.ADAPTER-MOUNTING CSU SUPPLIER CODE: VOFF57	103106	2

MISSING ITEM NUMBERS NOT APPLICABLE

- ITEM NOT ILLUSTRATED

23-32-53-11A

23-32-53
FIG. 11A
PAGE 1
JAN 20/09

BRI

BOEING PROPRIETARY - Copyright © - Unpublished Work - See title page for details.



757

PARTS CATALOG (MAINTENANCE)

FIG ITEM	PART NUMBER	1 2 3 4 5 6 7	NOMENCLATURE	EFFECT FROM TO	UNITS PER ASSY
11A 80	105004		.TRAY ASSY-DUAL (VTR) SUPPLIER CODE: VOU308	103106	1
85	RDAV9115		.STOWAGE-CASSETTE SUPPLIER CODE: VOFF57	103106	1
- 90	BACS12ER3K6		ATTACHING PARTS .SCREW -----*-----	103106	4
95	RDAV9104		.TRAY-SCU SUPPLIER CODE: VOFF57	103106	1
- 100	BACS12FA3K5		ATTACHING PARTS .SCREW -----*-----	103106	4
105	BACS12FA3K5		.SCREW	103106	4
110	BACS12FA08K5		.SCREW	103106	4
115	417N7102-179		.BRACKET-SPRT	103106	1
120	913004		.CONTROL UNIT-AIRSHOW SUPPLIER CODE: V70093 FUNCTIONAL DESCRIPTION: ALLOWS SELECTION OF THE OPERATIONAL MODE FOR THE AIRSHOW IN-FLIGHT INFORMATION SYSTEM. ELECTRICAL EQUIP NUMBER: M10934	103106	1
125	417A7361-3		.PANEL ASSY ATTACHING PARTS	103106	1
- 130	BACS12ER3K12		.SCREW -----*-----	103106	4
- 135	SL2334-3A3		..INSERT- SUPPLIER CODE: V97393	103106	4
140	RDAV1217-01		.PLAYER-VIDEO CASSETTE SUPPLIER CODE: VOFF57 FUNCTIONAL DESCRIPTION: PLAYS VIDEO TAPE FOR PASSENGER ENTERTAINMENT ELECTRICAL EQUIP NUMBER: M11149 M11150	103106	2

MISSING ITEM NUMBERS NOT APPLICABLE

- ITEM NOT ILLUSTRATED

23-32-53-11A

23-32-53
FIG. 11A
PAGE 2
JAN 20/09

BRI

BOEING PROPRIETARY - Copyright © - Unpublished Work - See title page for details.



757

PARTS CATALOG (MAINTENANCE)

FIG ITEM	PART NUMBER	1 2 3 4 5 6 7	NOMENCLATURE	EFFECT FROM TO	UNITS PER ASSY
11A 145	RDAV3007-05		.UNIT-PROGRAMMABLE VIDEO SYS CONT. SUPPLIER CODE: VOFF57 FUNCTIONAL DESCRIPTION: PLAYS VIDEO TAPE FOR PASSENGER ENTERTAINMENT ELECTRICAL EQUIP NUMBER: M11148	103106	1
150	RDAM8131-11		.PANEL-BITE SUPPLIER CODE: VOFF57 FUNCTIONAL DESCRIPTION: REPORTS AUDIO SYSTEM FUNCTIONALITY STATUS ELECTRICAL EQUIP NUMBER: M11353 COMPONENT MAINT MANUAL REF: 23-31-14	103106	1
- 153	R6QA297ZA		..LABEL-ESD CAUTION SUPPLIER CODE: VOFF57	103106	1
160	417A7363-79B		.BRACKET ASSY-MTG ATTACHING PARTS	103106	1
- 165	BACS12FA3K5		.SCREW -----*-----	103106	6
170	S4-225		..SPRING- SUPPLIER CODE: V72794 ATTACHING PARTS	103106	4
- 175	BACR15BA3ADC		..RIVET- SIZE DETERMINED ON INSTL.	103106	8
- 180	NAS42DD3-9FC		..SPACER -----*-----	103106	8
185	BACS12GU3K11		..SCREW	103106	1
190	BACW10EC3S		..WASHER	103106	1
195	NAS1149D0316H		..WASHER	103106	1
200	MS35650-305T		..NUT	103106	1
205	417A7363-76B		..BRACKET-MTG	103106	1
210	BACS12GU3K6		.SCREW	103106	3
215	MS35190-223		.SCREW	103106	12
220	NAS1149DN416J		.WASHER	103106	12

MISSING ITEM NUMBERS NOT APPLICABLE

- ITEM NOT ILLUSTRATED

23-32-53-11A

23-32-53
FIG. 11A
PAGE 3
JAN 20/09

BRI

BOEING PROPRIETARY - Copyright © - Unpublished Work - See title page for details.



757

PARTS CATALOG (MAINTENANCE)

FIG ITEM	PART NUMBER	1 2 3 4 5 6 7	NOMENCLATURE	EFFECT FROM TO	UNITS PER ASSY
11A 225	PLH504CD	. .	NUT SUPPLIER CODE: VF0224 SPECIFICATION NUMBER: BACN10YR04CD OPTIONAL PART: H52732-04CD V15653	103106	12
240	T05R0	. .	STRAP SUPPLIER CODE: V53421 SPECIFICATION NUMBER: BACS38K1 OPTIONAL PART: PLT2SM V06383	103106	3
245	TM3S10	. .	PLATE SUPPLIER CODE: V06383 SPECIFICATION NUMBER: STBP19M12	103106	3
250	289N3361	. .	WIRE BUNDLE ASSY	103106	1
280	BACS12FA3K4	. .	SCREW	103106	8
285	BACS12FA3K9	. .	SCREW	103106	2
290	BACS12GU3K8	. .	SCREW	103106	1
295	AN960JD10L	. .	WASHER	103106	1
300	NAS1149D0316H	. .	WASHER	103106	6
305	NAS1149D0332J	. .	WASHER	103106	2
310	PLH53CD	. .	NUT SUPPLIER CODE: VF0224 SPECIFICATION NUMBER: BACN10YR3CD OPTIONAL PART: H52732-3CD V15653	103106	6
315	MS21042L3	. .	NUT	103106	1
320	1002BB19	. .	JUMPER ASSY SUPPLIER CODE: V1FF12 SPECIFICATION NUMBER: BACJ40A20-19	103106	3
325	69-73775-1	. .	SEAL-VAPOR POWER FEEDER	103106	2
330	417A7363-132B	. .	BRACKET ASSY-MTG	103106	1
335	BACS53B1ES1	. .	STUD	103106	2
340	417A7363-131B	. .	BRACKET	103106	1
350	417A7363-39B	. .	BRACKET ASSY-GND PLATE	103106	1

MISSING ITEM NUMBERS NOT APPLICABLE

- ITEM NOT ILLUSTRATED

23-32-53-11A

23-32-53
FIG. 11A
PAGE 4
JAN 20/09

BRI

BOEING PROPRIETARY - Copyright © - Unpublished Work - See title page for details.



757

PARTS CATALOG (MAINTENANCE)

FIG ITEM	PART NUMBER	1 2 3 4 5 6 7	NOMENCLATURE	EFFECT FROM TO	UNITS PER ASSY
11A 355	VNS1924CA1-8	..	STUD-GND SUPPLIER CODE: V5M902 SPECIFICATION NUMBER: BACS53B1EA1 OPTIONAL PART: VNS1924CA3-1-8 V92215	103106	2
360	417A7363-38B	..	BRACKET	103106	1
370	417A7361-41B	.	PANEL ASSY-VIDEO CONT ATTACHING PARTS	103106	1
- 375	BACS12ER3K16	.	SCREW -----*-----	103106	10
- 380	SL2334-3A3	..	INSERT- SUPPLIER CODE: V97393	103106	21
- 600	MODREF22232		SOFTWARE INSTL-PVSCU OPS MODULE NUMBER: 222N4002-20 REV B FOR ADDITIONAL DETAILS SEE: 23-32-53-09	103106	1
- 605	2375MEI216-00	.	SOFTWARE-PVSCU OPS SUPPLIER CODE: VOFF57 MISCELLANEOUS DATA: DISKETTE QTY: 1 DISK USED WITH: RDAV3007-05 FOR SPARES PROCURE: RDAM9017-03 VOFF57	103106	1

MISSING ITEM NUMBERS NOT APPLICABLE

- ITEM NOT ILLUSTRATED

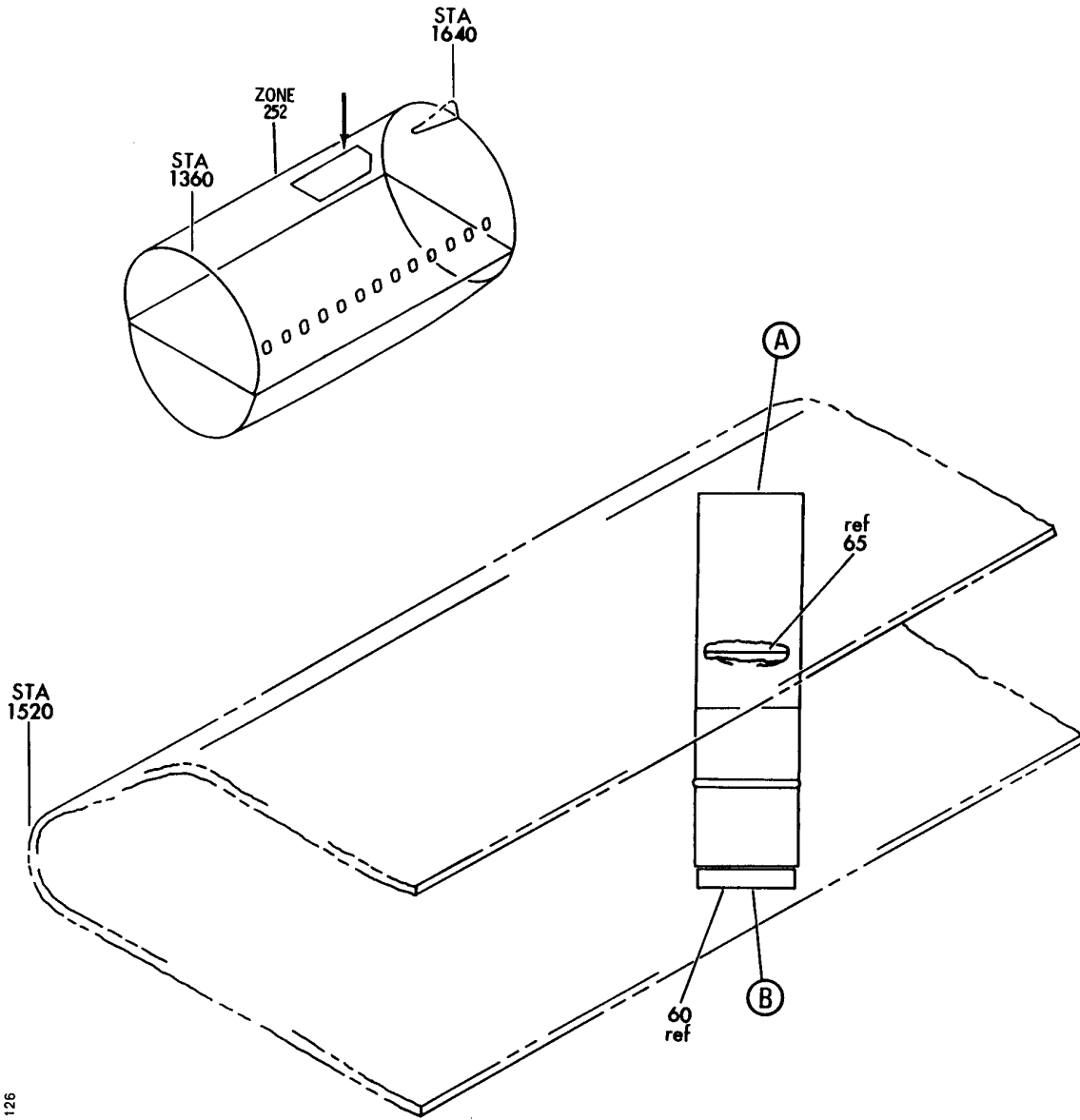
23-32-53-11A

23-32-53
FIG. 11A
PAGE 5
JAN 20/09

BRI

BOEING PROPRIETARY - Copyright © - Unpublished Work - See title page for details.

BOEING
757
PARTS CATALOG (MAINTENANCE)



Y 2325312 SHT 1 REV 126

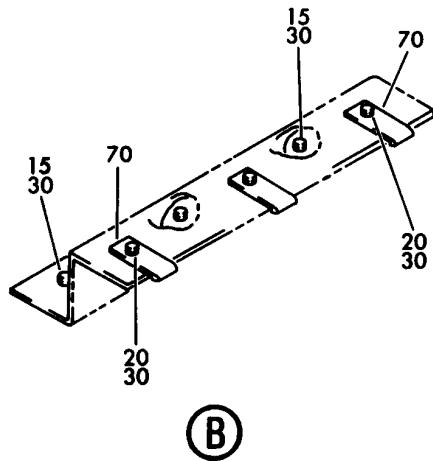
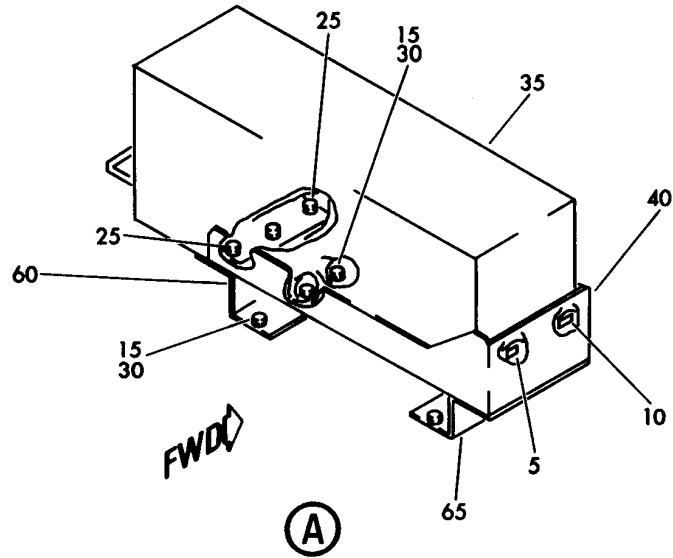
EQUIPMENT INSTL-AUDIO
FIGURE 12 (SHEET 1)

23-32-53-12

BRI
MAY 28/07

23-32-53-12
PAGE 0

BOEING
757
PARTS CATALOG (MAINTENANCE)



Y 23325312 SH1 2 REV 126

EQUIPMENT INSTL-AUDIO
FIGURE 12 (SHEET 2)

23-32-53-12

BRI
MAY 28/07

23-32-53-12
PAGE 0A



757

PARTS CATALOG (MAINTENANCE)

FIG ITEM	PART NUMBER	1 2 3 4 5 6 7	NOMENCLATURE	EFFECT FROM TO	UNITS PER ASSY
12			EQUIPMENT INSTL-AUDIO	002004 006100	
- 1	417N6030-1		EQUIPMENT INSTL-AUDIO FOR NHA SEE: 25-20-00-01A	002004 006100	RF
5	BAC27NEX2738		.DECAL-M10942 TAPE REP	002004 006100	1
10	BAC27NEX2739		.DECAL-D1993	002004 006100	1
15	NAS1801-3-6		.SCREW	002004 006100	6
20	NAS1801-3-7		.SCREW	002004 006100	3
25	NAS514P1032-7P		.SCREW	002004 006100	3
30	AN960JD10L		.WASHER	002004 006100	9
35	RDAX7101		.REPRODUCER-TAPE (CUSTOMER FURNISHED) SUPPLIER CODE: V54473 ELECTRICAL EQUIP NUMBER: M10942 COMPONENT MAINT MANUAL REF: 23-31-01	002004 006100	1
40	417N6030-2SP		.TRAY ASSY-1/2 ATR	002004 006100	1
60	65C35492-5SP		.BRACKET ASSY	002004 006100	1
65	65C35492-6SP		.BRACKET ASSY	002004 006100	1
70	BRC600-10-3		..NUT-CLIP SUPPLIER CODE: V52828 SPECIFICATION NUMBER: BACN10YD2 OPTIONAL PART: 130121 V60119 USED ON: 65C35492-6SP	002004 006100	3

MISSING ITEM NUMBERS NOT APPLICABLE

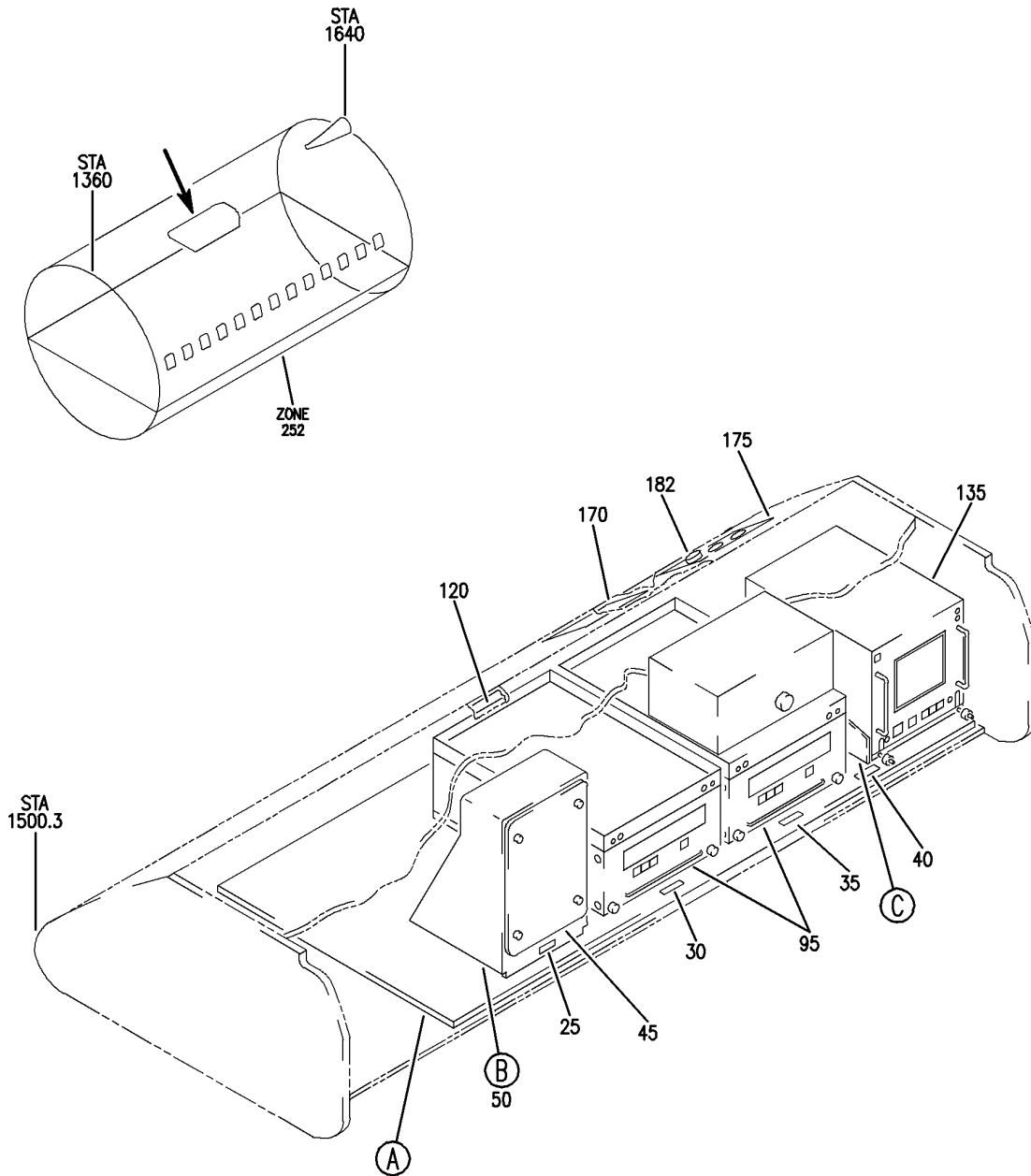
- ITEM NOT ILLUSTRATED

23-32-53-12

23-32-53
FIG. 12
PAGE 1
JAN 20/09

BRI

BOEING
757
PARTS CATALOG (MAINTENANCE)



Y 23325321A SH1 1 REV 240

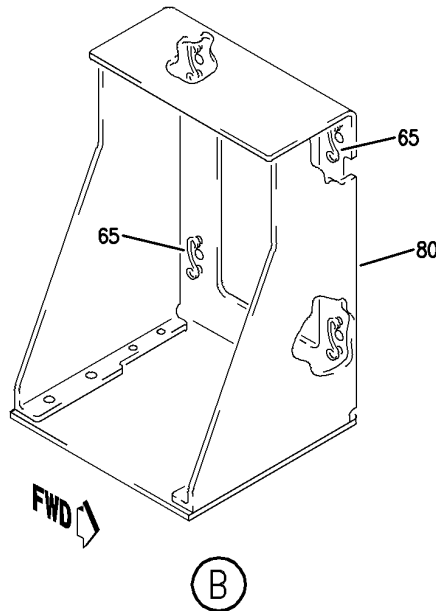
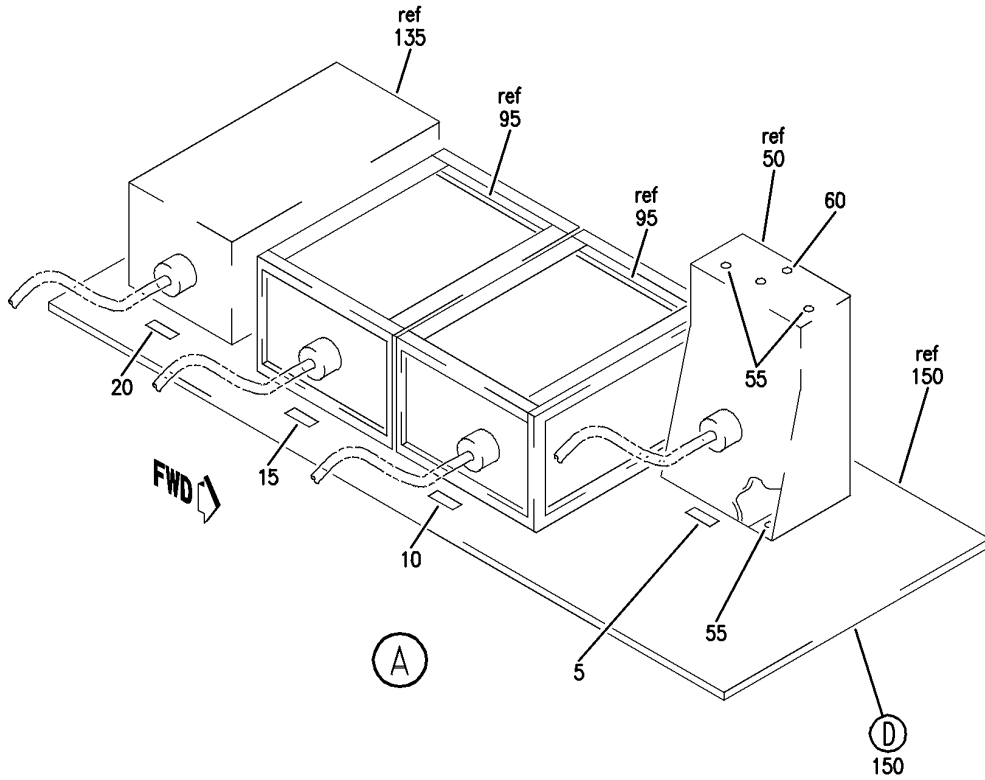
EQUIPMENT INSTL-VIDEO
FIGURE 21A (SHEET 1)

23-32-53-21A

BRI
JAN 20/09

23-32-53-21A
PAGE 0

BOEING
757
PARTS CATALOG (MAINTENANCE)



Y 23325321A SH1 2 REV 225

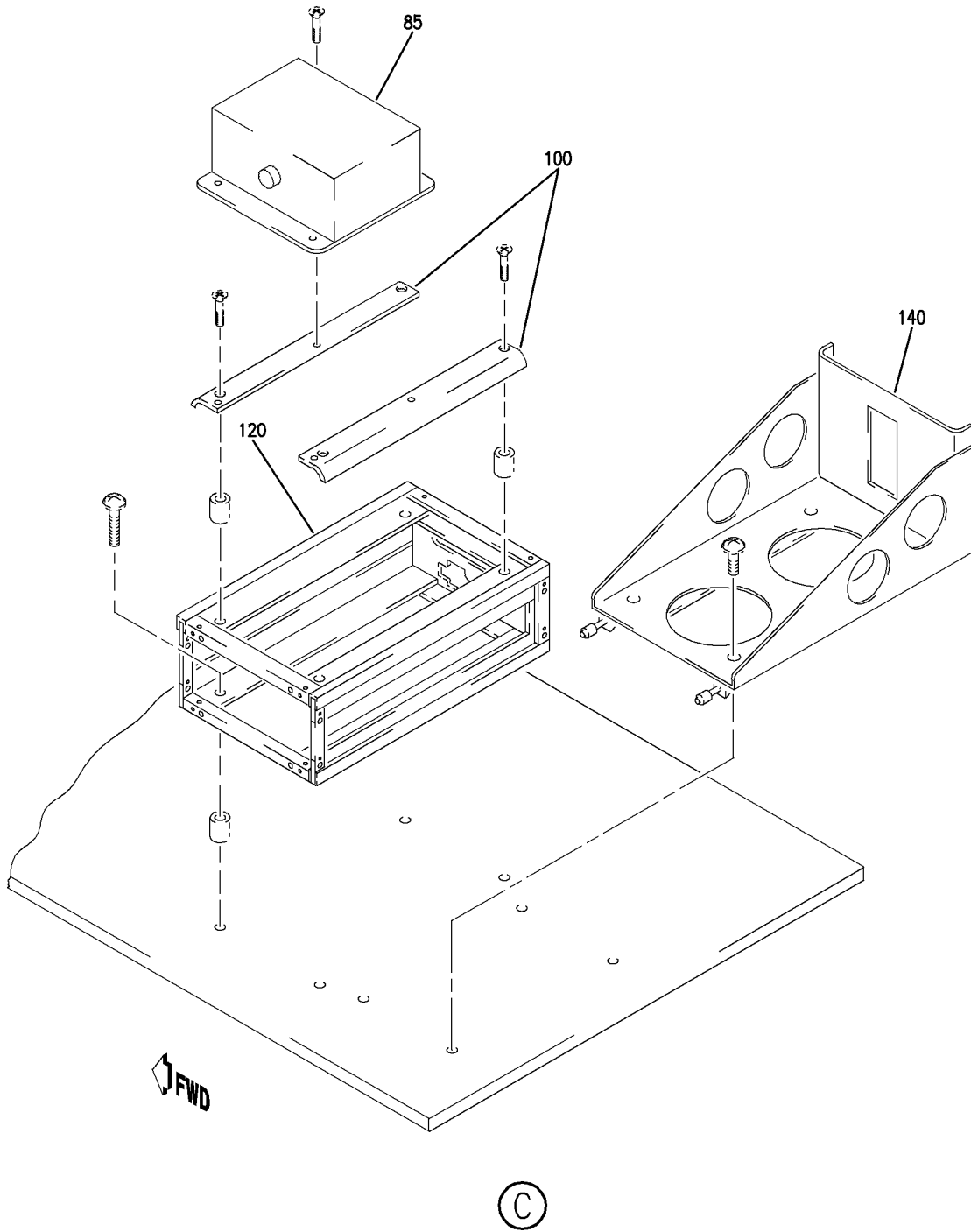
EQUIPMENT INSTL-VIDEO
FIGURE 21A (SHEET 2)

23-32-53-21A

BRI
JAN 20/09

23-32-53-21A
PAGE 0A

BOEING
757
PARTS CATALOG (MAINTENANCE)



Y 23325321A SH1 3 REV 225

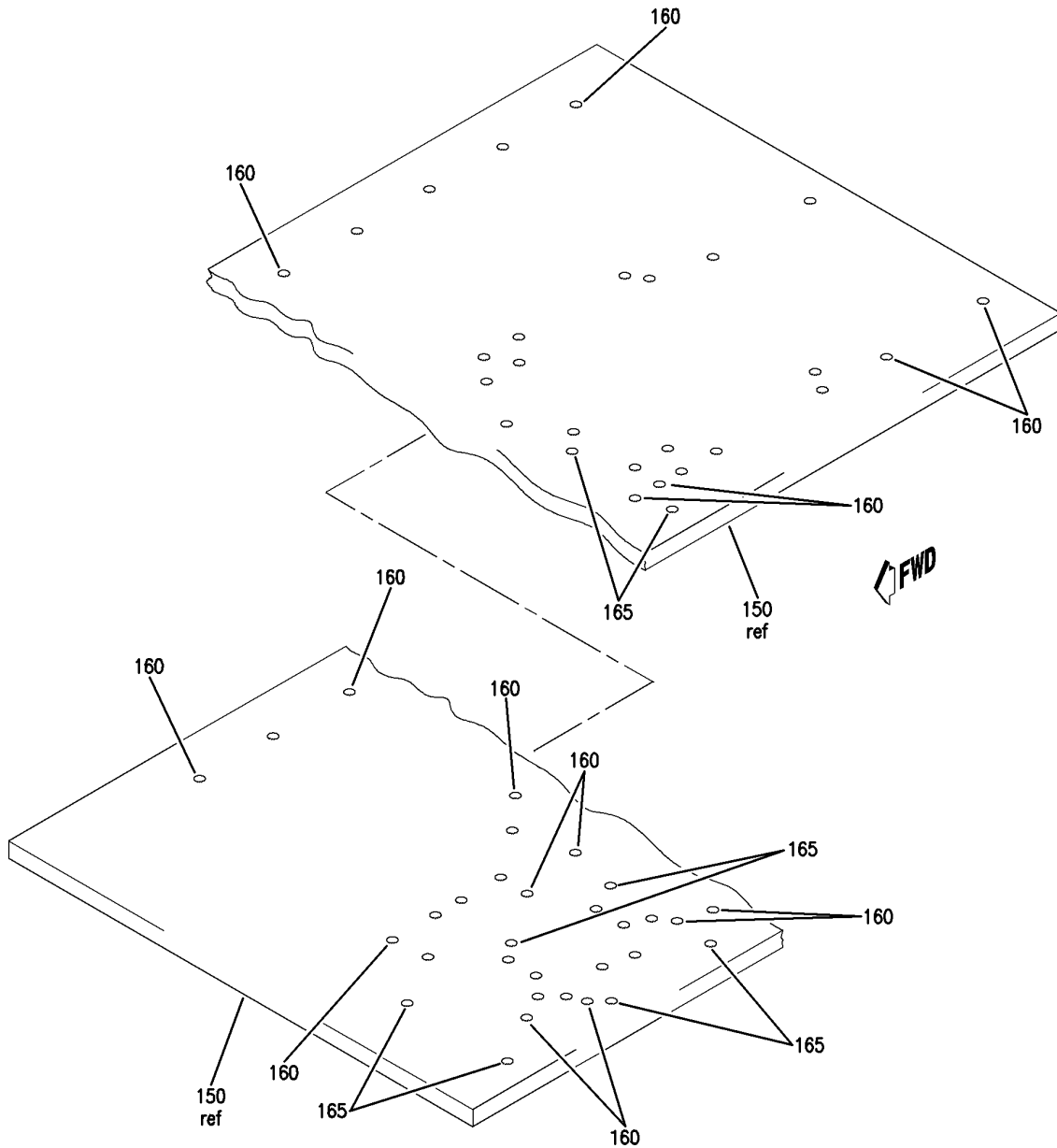
EQUIPMENT INSTL-VIDEO
FIGURE 21A (SHEET 3)

23-32-53-21A

BRI
JAN 20/09

23-32-53-21A
PAGE 0B

BOEING
757
PARTS CATALOG (MAINTENANCE)



Y 23325321A SHT 4 REV 229

(D)

EQUIPMENT INSTL-VIDEO
FIGURE 21A (SHEET 4)

23-32-53-21A

BRI
JAN 20/09

23-32-53-21A
PAGE 0C



757

PARTS CATALOG (MAINTENANCE)

FIG ITEM	PART NUMBER	1 2 3 4 5 6 7	NOMENCLATURE	EFFECT FROM TO	UNITS PER ASSY
21A			EQUIPMENT INSTL-VIDEO	108120	
- 1	417N7400-103B		EQUIPMENT INSTL-VIDEO FOR NHA SEE: 25-20-00-11D	108120	RF
5	BAC27NEL1245		.DECAL- PLACARD CONTENT: M11353 BITE PANEL	108120	1
10	BAC27WEL1440		.DECAL- PLACARD CONTENT: M11149 VEP 1	108120	1
15	BAC27WEL1441		.DECAL- PLACARD CONTENT: M11150 VEP 2	108120	1
20	BAC27WEL1439		.DECAL- PLACARD CONTENT: M11148 VSCU	108120	1
25	BAC29PPS34098		.MARKER- PLACARD CONTENT: BITE PANEL	108120	1
30	BAC29PPS38884		.MARKER- PLACARD CONTENT: VTR 1	108120	1
35	BAC29PPS38885		.MARKER- PLACARD CONTENT: VTR 2	108120	1
40	BAC29PPS38886		.MARKER- PLACARD CONTENT: VSCU	108120	1
45	RDAM8131-11		.PANEL-BITE SUPPLIER CODE: VOFF57 FUNCTIONAL DESCRIPTION: REPORTS AUDIO SYSTEM FUNCTIONALITY STATUS ELECTRICAL EQUIP NUMBER: M11353 COMPONENT MAINT MANUAL REF: 23-31-14	108120	1
- 48	R6QA297ZA		.. LABEL-ESD CAUTION SUPPLIER CODE: VOFF57	108120	1
50	417A7363-44B		.BRACKET ASSY-MTG ATTACHING PARTS	108120	1
55	BACS12FA3K6		.SCREW	108120	4
60	BACS12FA08K6		.SCREW	108120	1
65	S4-225		-----*----- .. SPRING- SUPPLIER CODE: V72794	108120	4

MISSING ITEM NUMBERS NOT APPLICABLE

- ITEM NOT ILLUSTRATED

23-32-53-21A

23-32-53
FIG. 21A
PAGE 1
JAN 20/09

BRI

BOEING PROPRIETARY - Copyright © - Unpublished Work - See title page for details.



757

PARTS CATALOG (MAINTENANCE)

FIG ITEM	PART NUMBER	1 2 3 4 5 6 7	NOMENCLATURE	EFFECT FROM TO	UNITS PER ASSY
21A			ATTACHING PARTS		
- 70	BACR15BA3AD	..	RIVET- SIZE DETERMINED ON INSTL.	108120	8
- 75	NAS42DD3-9FC	..	SPACER	108120	8
			-----*-----		
80	417A7363-43B	..	BRACKET-	108120	1
85	RDAV9115	.S	TOWAGE-CASSETTE SUPPLIER CODE: VOFF57	108120	1
			ATTACHING PARTS		
- 90	BACS12ER3K6	.S	SCREW	108120	4
			-----*-----		
95	RDAV1216-01	.P	PLAYER-VIDEO CASSETTE VIDEO TAPE PLAYER SUPPLIER CODE: VOFF57	108120	2
			FUNCTIONAL DESCRIPTION: PLAYS VIDEO TAPE FOR PASSENGER ENTERTAINMENT ELECTRICAL EQUIP NUMBER: M11149 M11150		
100	106206	.A	ADAPTER-MOUNTING CSU SUPPLIER CODE: VOFF57	108120	2
			ATTACHING PARTS		
- 105	BACS12ER3K12	.S	SCREW	108120	4
- 110	NAS43DD3-22FC	.S	SPACER	108120	4
- 115	MS21042L3	.N	NUT	108120	4
			-----*-----		
120	105004	.T	TRAY ASSY-DUAL (VTR) SUPPLIER CODE: VOFF57	108120	2
			ATTACHING PARTS		
- 125	BACS12FA3K12	.S	SCREW	108120	8
- 130	NAS43DD3-22FC	.S	SPACER	108120	8
			-----*-----		
135	RDAV3006-03	.U	UNIT-VIDEO CONT SYS SUPPLIER CODE: VOFF57	108120	1
			FUNCTIONAL DESCRIPTION: ALLOWS CONTROL OF VIDEO PROGRAM SOURCES AND PASSENGER ZONES ELECTRICAL EQUIP NUMBER: M11148 COMPONENT MAINT MANUAL REF: 23-32-05		

MISSING ITEM NUMBERS NOT APPLICABLE

- ITEM NOT ILLUSTRATED

23-32-53-21A

23-32-53
FIG. 21A
PAGE 2
JAN 20/09

BRI

BOEING PROPRIETARY - Copyright © - Unpublished Work - See title page for details.



757

PARTS CATALOG (MAINTENANCE)

FIG ITEM	PART NUMBER	1 2 3 4 5 6 7	NOMENCLATURE	EFFECT FROM TO	UNITS PER ASSY
21A 140	RDAV9104		.TRAY-VIDEO SYS CONT UNIT SUPPLIER CODE: VOFF57 ATTACHING PARTS	108120	1
- 145	BACS12FA3K6		.SCREW -----*-----	108120	4
150	417A7361-26B		.PANEL ASSY- ATTACHING PARTS	108120	1
- 155	BACS12ER3K16		.SCREW -----*-----	108120	10
160	SL2334-3A3		..INSERT- SUPPLIER CODE: V97393	108120	50
165	SL2334-08A3		..INSERT- SUPPLIER CODE: V97393	108120	8
170	417A7363-3B		.BRACKET-DISC.	108120	1
175	417A7363-14B		.BRACKET-DISC. ATTACHING PARTS	108120	1
- 180	BACS12FA3K14		.SCREW -----*-----	108120	8
- 185	286N3189-315		.WIRE BUNDLE ASSY	108120	1

MISSING ITEM NUMBERS NOT APPLICABLE

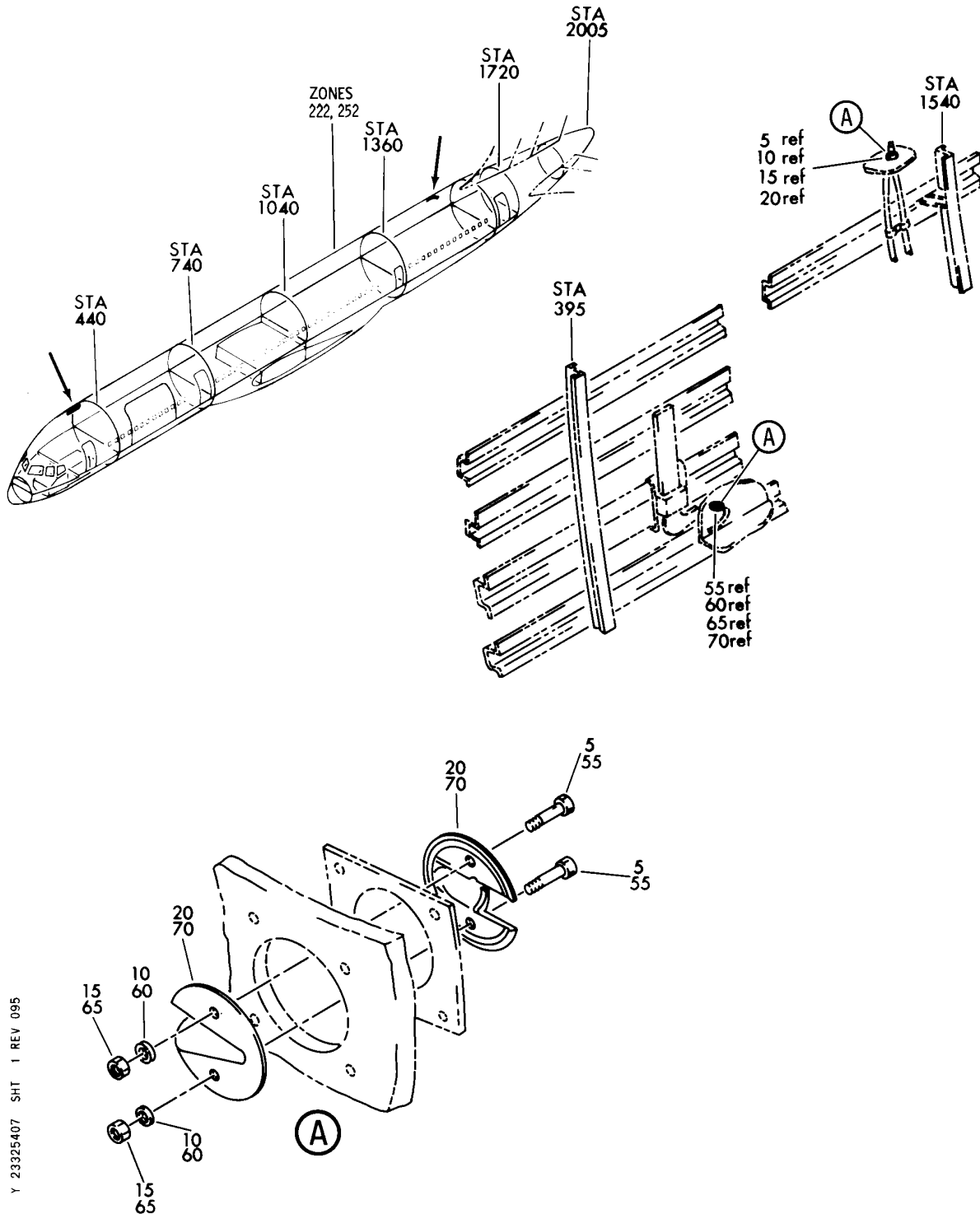
- ITEM NOT ILLUSTRATED

23-32-53-21A

23-32-53
FIG. 21A
PAGE 3
JAN 20/09

BRI

BOEING
757
PARTS CATALOG (MAINTENANCE)



Y 23325407 SHT 1 REV 095

PROVISION AND SEAL INSTL-SECT. 41 AND 46 VIDEO ENTERTAINMENT WIRE
FIGURE 7

23-32-54-07

BRI
MAY 28/07

23-32-54-07
PAGE 0



757

PARTS CATALOG (MAINTENANCE)

FIG ITEM	PART NUMBER	1 2 3 4 5 6 7	NOMENCLATURE	EFFECT FROM TO	UNITS PER ASSY
7			PROVISION AND SEAL INSTL- SECT. 41 AND 46 VIDEO ENTERTAINMENT WIRE	002004 006100 121503 904949 952999	
- 1	287N4601-27		PROVISION INSTL-VIDEO ENTERTAINMENT WIRE POSITION DATA: SECT. 46 FOR NHA SEE: 24-00-60-01	002004 006100 952999	RF
- 1	287N4601-29		PROVISION INSTL-VIDEO INTERENTAINMENT WIRE POSITION DATA: SECT. 46 FOR NHA SEE: 24-00-60-01	121503 904949	RF
5	NAS1803		.SCREW- SIZE DETERMINED ON INSTL.	002004 006100 121503 904949 952999	2
10	AN960KD10L		.WASHER	002004 006100 952999	2
10	AN960KD10LL		.WASHER	121503 904949	2
15	MS21042L3		.NUT	002004 006100 121503 904949 952999	2
20	69-73775-1		.SEAL-VAPOR	002004 006100 121503 904949 952999	2

MISSING ITEM NUMBERS NOT APPLICABLE

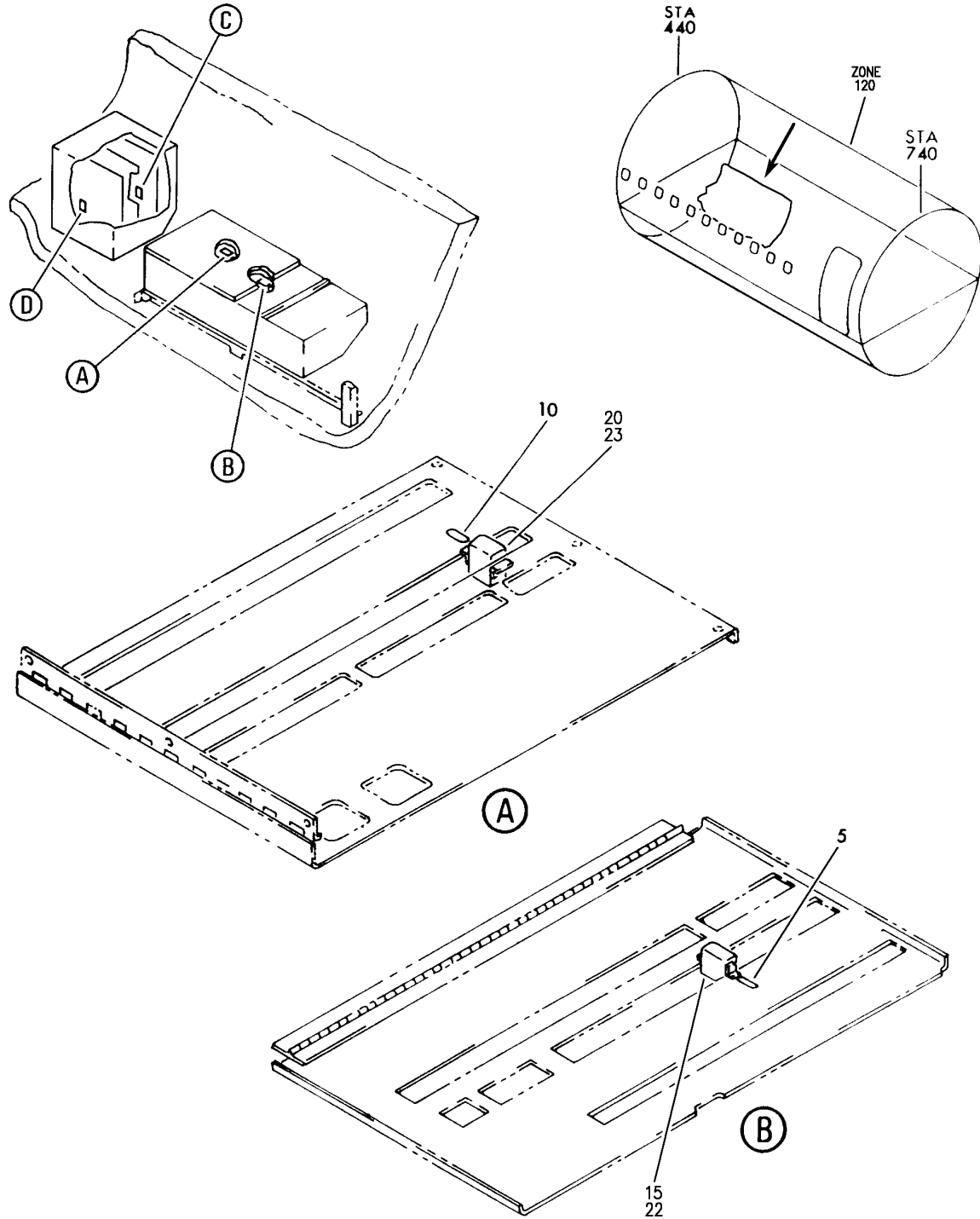
- ITEM NOT ILLUSTRATED

BRI

23-32-54-07

23-32-54
FIG. 07
PAGE 1
JAN 20/09

BOEING
757
PARTS CATALOG (MAINTENANCE)



Y 23325501 SHT 1 REV 268

PANEL ASSY- P36 & P37 MISC RELAY L (PASSENGER ENTERTAINMENT (VIDEO) ONLY)
FIGURE 1 (SHEET 1)

23-32-55-01

BRI
MAY 28/07

23-32-55-01
PAGE 0

BOEING
757
PARTS CATALOG (MAINTENANCE)



Y 23325501 SH1 2 REV 268

PANEL ASSY- P36 & P37 MISC RELAY L (PASSENGER ENTERTAINMENT (VIDEO) ONLY)
FIGURE 1 (SHEET 2)

BRI
MAY 28/07

23-32-55-01

23-32-55-01
PAGE 0A



757

PARTS CATALOG (MAINTENANCE)

FIG ITEM	PART NUMBER	1 2 3 4 5 6 7	NOMENCLATURE	EFFECT FROM TO	UNITS PER ASSY
1			PANEL ASSY- P36 & P37 MISC RELAY L (PASSENGER ENTERTAINMENT (VIDEO) ONLY)	002004 006100 121503 904949 952999	
- 25	284N1127-1		PANEL ASSY-P37 MISC RELAY (PASSENGER ENTERTAINMENT (VIDEO) ONLY) POSITION DATA: R VARIABLE DRAWING REF: 284N1127-5039 284N1127-5063 284N1127-5064 POST SERVICE BULLETIN: 23-0020 REWORKED BY SB: 34-0200 REWORKED BY ALERT SB: 27A0130 FOR NHA/OTHER SYS DET SEE: 31-01-37-01B	002004 006100 121503 904949 952999	RF
30	BAC27NEX2431		.DECAL- PLACARD CONTENT: K10642	002004 006100 121503 904949 952999	1
35	ES410-1538		.RELAY- SUPPLIER CODE: V99699 SPECIFICATION NUMBER: BACR13CG2AB OPTIONAL PART: KD4L018 V35344 BR230DS0115 V56623 KD4L036 V58657 FCA410-63 V78290 ELECTRICAL EQUIP NUMBER: K10642	002004 006100 121503 904949 952999	1
- 60	286N1270-002		.WIRE BUNDLE ASSY- REWORKED BY ALERT SB: 27A0130 34A0222	121503 904949	1

MISSING ITEM NUMBERS NOT APPLICABLE

- ITEM NOT ILLUSTRATED

23-32-55-01

23-32-55
FIG. 01
PAGE 1
JAN 20/09

BRI



757

PARTS CATALOG (MAINTENANCE)

FIG ITEM	PART NUMBER	1 2 3 4 5 6 7	NOMENCLATURE	EFFECT FROM TO	UNITS PER ASSY
1 - 60	286N1270-005		.WIRE BUNDLE ASSY- REWORKED BY SB: 33-0039 REWORKED BY ALERT SB: 34A0222 27A0130	002004 006100 952999	1
65	RSF116400		.SOCKET- SUPPLIER CODE: V58982 SPECIFICATION NUMBER: BACS16W1A OPTIONAL PART: 102-009-1 V09922 000300-1539 V05574 ELECTRICAL EQUIP NUMBER: D01603 WIRING DIAGRAM REF: 233202	002004 006100 121503 904949 952999	1

MISSING ITEM NUMBERS NOT APPLICABLE

- ITEM NOT ILLUSTRATED

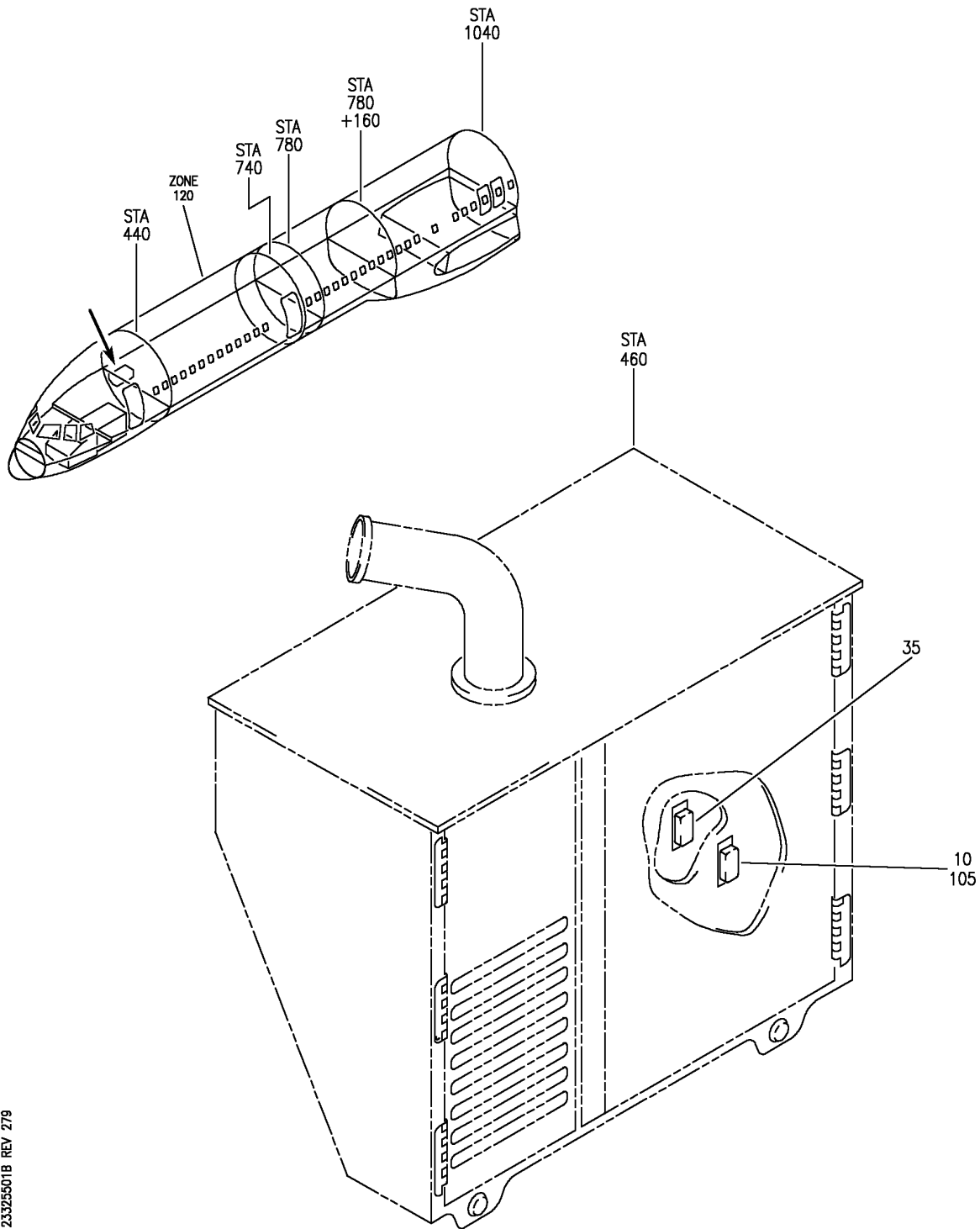
BRI

23-32-55-01

BOEING PROPRIETARY - Copyright © - Unpublished Work - See title page for details.

23-32-55
FIG. 01
PAGE 2
JAN 20/09

BOEING
757
PARTS CATALOG (MAINTENANCE)



Y 23325501B REV 279

PACKAGE ASSY- OPTION P37 MISC RELAY (PASSENGER ENTERTAINMENT VIDEO ONLY)
FIGURE 1B

BRI
MAY 28/07

23-32-55-01B

23-32-55-01B
PAGE 0



757

PARTS CATALOG (MAINTENANCE)

FIG ITEM	PART NUMBER	1 2 3 4 5 6 7	NOMENCLATURE	EFFECT FROM TO	UNITS PER ASSY
1B			PACKAGE ASSY- OPTION P37 MISC RELAY (PASSENGER ENTERTAINMENT VIDEO ONLY)	101102	
- 1	284N1127-1070		PACKAGE ASSY-OPTION P37 MISC RELAY (PASSENGER ENTERTAINMENT VIDEO ONLY) REWORKED BY ALERT SB: 27A0130 FOR NHA SEE: 31-01-37-02	101102	RF
10	ES410-1538		.RELAY- SUPPLIER CODE: V99699 SPECIFICATION NUMBER: BACR13CG2AB OPTIONAL PART: KD4L018 V35344 BR230DS0115 V56623 KD4L036 V58657 FCA410-63 V78290 ELECTRICAL EQUIP NUMBER: K10642	101102	1

MISSING ITEM NUMBERS NOT APPLICABLE

- ITEM NOT ILLUSTRATED

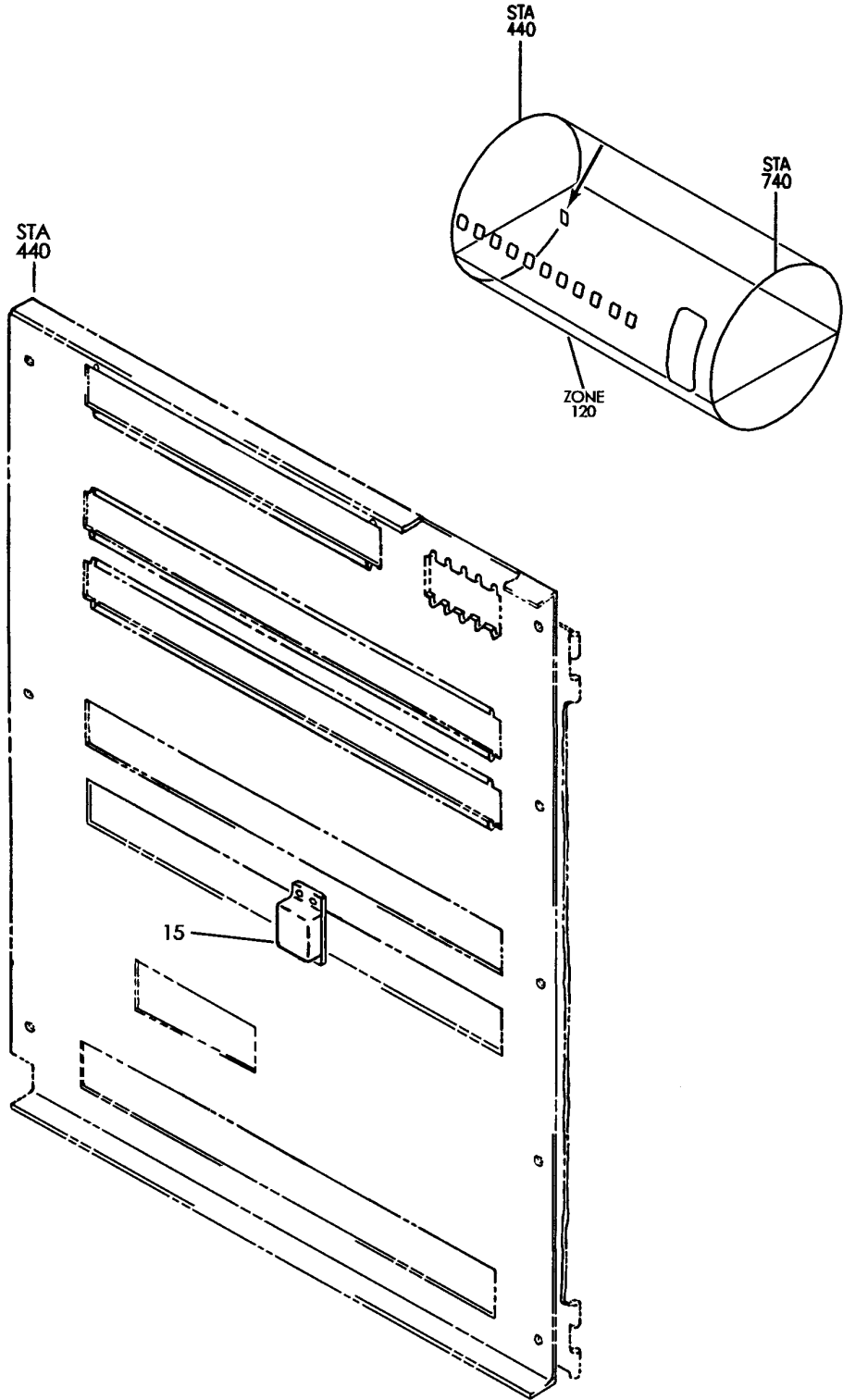
BRI

23-32-55-01B

BOEING PROPRIETARY - Copyright © - Unpublished Work - See title page for details.

23-32-55
FIG. 01B
PAGE 1
JAN 20/09

BOEING
757
PARTS CATALOG (MAINTENANCE)



Y 23325502 REV 205

PACKAGE ASSY-OPTION P37 MISC RELAY (VIDEO SYSTEM ONLY)
FIGURE 2

23-32-55-02

BRI
JAN 20/09

23-32-55-02
PAGE 0



757

PARTS CATALOG (MAINTENANCE)

FIG ITEM	PART NUMBER	1 2 3 4 5 6 7	NOMENCLATURE	EFFECT FROM TO	UNITS PER ASSY
2			PACKAGE ASSY-OPTION P37 MISC RELAY (VIDEO SYSTEM ONLY)	504903	RF
- 1	284N1127-2036		PACKAGE ASSY-P37 MISC RELAY OPTION (VIDEO SYSTEM ONLY)	504903	RF
15	KCD4N		MISCELLANEOUS DATA: VIDEO RELAY REWORKED BY ALERT SB: 27A0130 FOR NHA SEE: 31-01-37-02 .RELAY- SUPPLIER CODE: V58657 ELECTRICAL EQUIP NUMBER: K10751	504903	1

MISSING ITEM NUMBERS NOT APPLICABLE

- ITEM NOT ILLUSTRATED

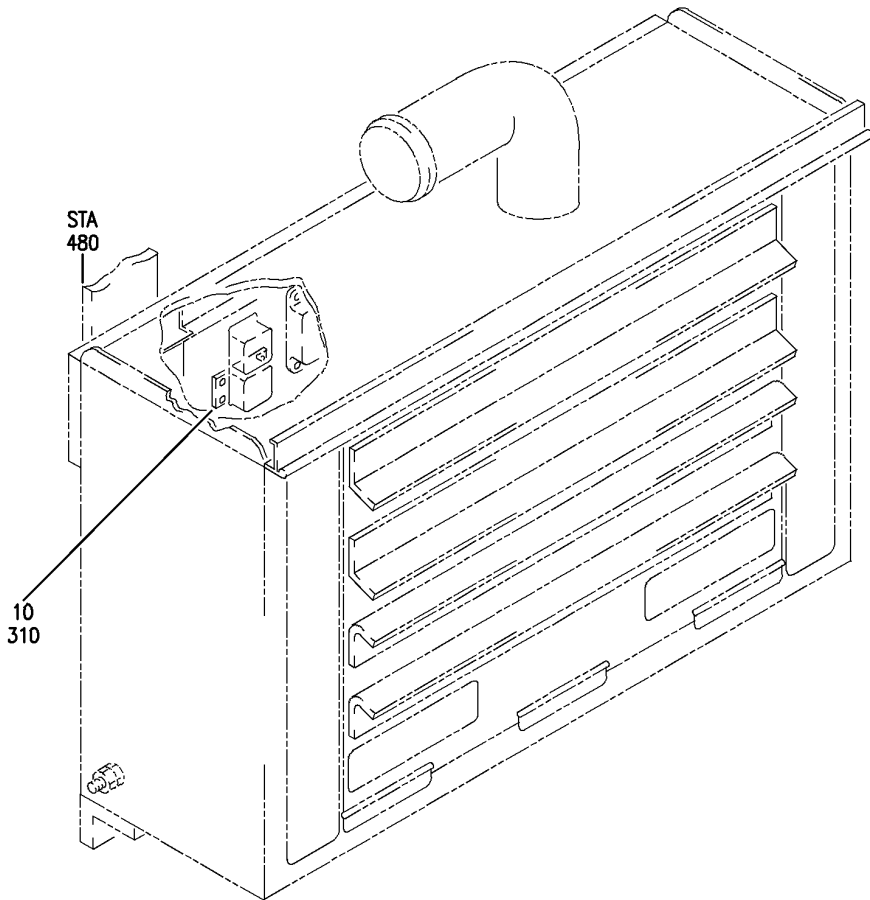
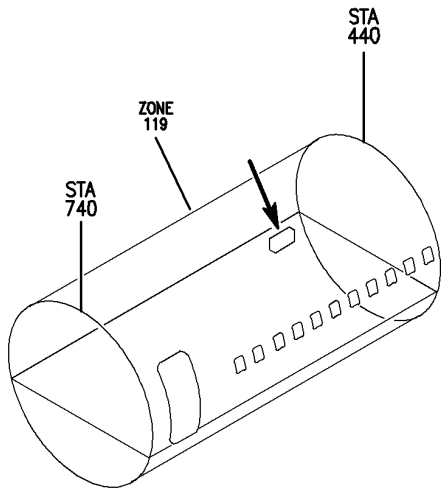
BRI

23-32-55-02

BOEING PROPRIETARY - Copyright © - Unpublished Work - See title page for details.

23-32-55
FIG. 02
PAGE 1
JAN 20/09

BOEING
757
PARTS CATALOG (MAINTENANCE)



Y 23325503B REV 225

PANEL INSTL-P70 MISC RELAY (COMMUNICATIONS ONLY)
FIGURE 3B

23-32-55-03B

BRI
JAN 20/09

23-32-55-03B
PAGE 0



757

PARTS CATALOG (MAINTENANCE)

FIG ITEM	PART NUMBER	1 2 3 4 5 6 7	NOMENCLATURE	EFFECT FROM TO	UNITS PER ASSY
3B			PANEL INSTL-P70 MISC RELAY (COMMUNICATIONS ONLY)	103106	
- 2	MODREF31428		PANEL INSTL-P70 MISC RELAY (COMMUNICATIONS ONLY) MODULE NUMBER: 284N1129-438 REV A FOR OTHER SYS DETAILS SEE: 11-36-10-01B 21-25-71-03C 21-43-71-02B 21-44-71-03B 21-45-61-01 24-51-02-07 24-51-04-01 24-51-60-04 24-53-71-04B 27-51-71-04B 28-25-71-04B 31-01-70-05 33-45-51-02B	103105	RF
- 2	MODREF170991		PANEL INSTL-P70 MISC RELAY (COMMUNICATIONS ONLY) MODULE NUMBER: 284N1129-438 REV C FOR OTHER SYS DETAILS SEE: 11-36-10-01B 21-25-71-03C 21-43-71-02B 21-44-71-03B 21-45-61-01 24-51-02-07 24-51-04-01 24-51-60-04 24-53-71-04B 27-51-71-04B 28-25-71-04B 31-01-70-05 33-45-51-02B	106106	RF
10	KCD4N		.RELAY- SUPPLIER CODE: V58657 ELECTRICAL EQUIP NUMBER: K10842	103106	1
- 300	286N1250-751		WIRE BUNDLE ASSY-	103106	RF

MISSING ITEM NUMBERS NOT APPLICABLE

- ITEM NOT ILLUSTRATED

23-32-55-03B

23-32-55
FIG. 03B
PAGE 1
JAN 20/09

BRI

BOEING PROPRIETARY - Copyright © - Unpublished Work - See title page for details.



757

PARTS CATALOG (MAINTENANCE)

FIG ITEM	PART NUMBER	1 2 3 4 5 6 7	NOMENCLATURE	EFFECT FROM TO	UNITS PER ASSY
3B 310	S0-1057-8912		. SOCKET- SUPPLIER CODE: V35344 ELECTRICAL EQUIP NUMBER: D11352 WIRING DIAGRAM REF: 242114	103106	1

MISSING ITEM NUMBERS NOT APPLICABLE

- ITEM NOT ILLUSTRATED

BRI

23-32-55-03B

BOEING PROPRIETARY - Copyright © - Unpublished Work - See title page for details.

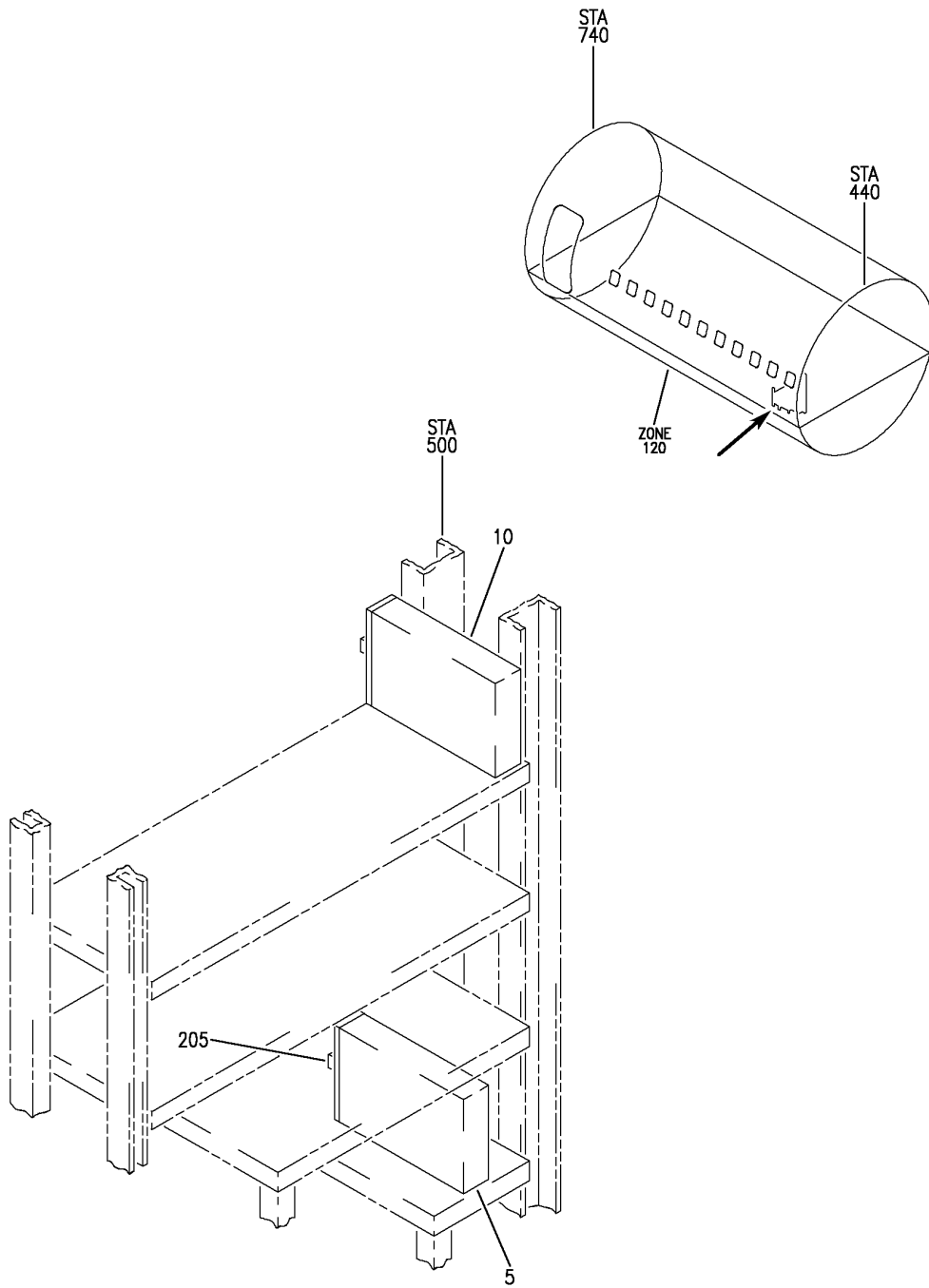
23-32-55
FIG. 03B
PAGE 2
JAN 20/09

PASSENGER ENTERTAINMENT SYSTEM (PES) - AUDIO

BRI
MAY 28/07

23-34-00
SECTION TITLE
PAGE 1

BOEING
757
PARTS CATALOG (MAINTENANCE)



Y 23340108 REV 326

EQUIPMENT INSTL-MAIN ELECTRONICS EQPT CTR MUX
FIGURE 8

23-34-01-08

BRI
JAN 20/09

23-34-01-08
PAGE 0



757

PARTS CATALOG (MAINTENANCE)

FIG ITEM	PART NUMBER	1 2 3 4 5 6 7	NOMENCLATURE	EFFECT FROM TO	UNITS PER ASSY
8			EQUIPMENT INSTL-MAIN	103106	
- 1	284N4000-230085		ELECTRONICS EQPT CTR MUX	108120	
			EQUIPMENT INSTL-MAIN	108120	RF
			ELECTRONICS EQPT CTR MUX		
			FOR NHA SEE:		
			24-00-58-05F		
- 1	MODREF200752		EQUIPMENT INSTL-MAIN	106106	1
			ELECTRONICS EQPT CTR MUX		
			MODULE NUMBER:		
			284N4000-230085 REV E		
- 2	MODREF29992		EQUIPMENT INSTL-MAIN	103105	1
			ELECTRONICS EQPT CTR MUX		
			MODULE NUMBER:		
			284N4000-230085 REV C		
5	RDAX1302-12		.MULTIPLEXER-	103106	1
			SUPPLIER CODE:	108120	
			V0FF57		
			FUNCTIONAL DESCRIPTION:		
			CONVERTS ANALOG AUDIO		
			INTO DIGITAL DATA.		
			ELECTRICAL EQUIP NUMBER:		
			M10733		
			COMPONENT MAINT MANUAL REF:		
			23-34-58		
- 20	R6QA297ZA		..LABEL-ESD	103106	1
			SUPPLIER CODE:	108120	
			V0FF57		
- 25	R6QA261ZA		..LABEL-PRESET	103106	1
			SUPPLIER CODE:	108120	
			V0FF57		
- 200	286N1161-601		WIRE BUNDLE ASSY	103106	RF
- 200	286N1161-367		WIRE BUNDLE ASSY	108120	RF
205	BCREF16252		.PLUG-	103106	1
			OVERLENGTH PART NUMBER:	108120	
			BACC66F11F02AA01		
			ELECTRICAL EQUIP NUMBER:		
			D01353		
			WIRING DIAGRAM REF:		
			233401		

MISSING ITEM NUMBERS NOT APPLICABLE

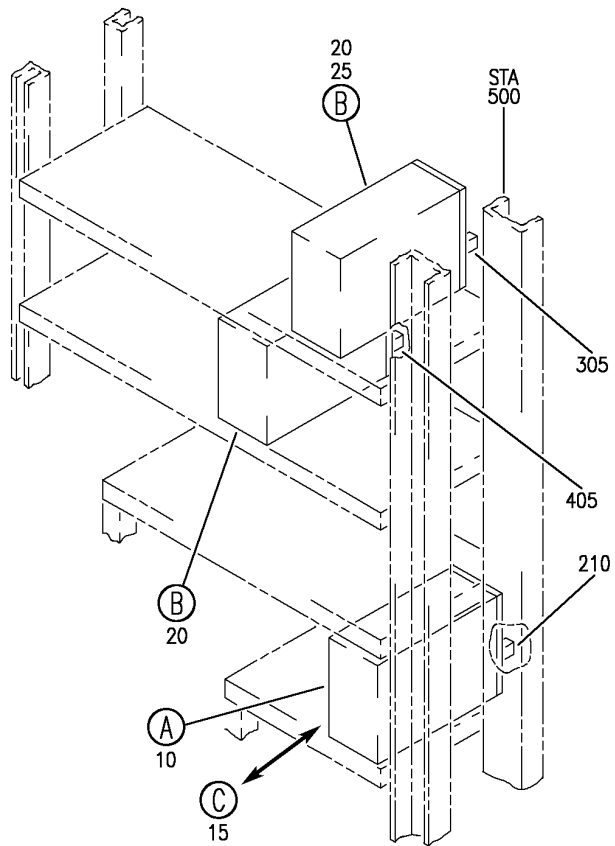
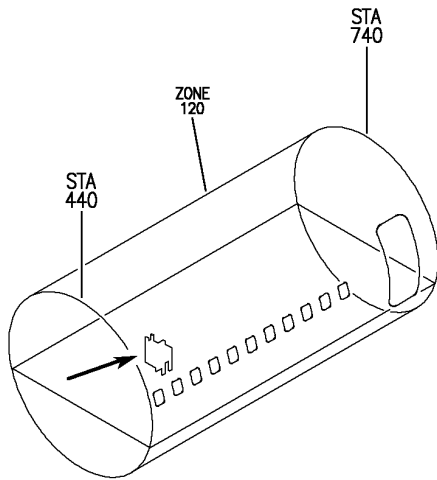
- ITEM NOT ILLUSTRATED

23-34-01-08

23-34-01
FIG. 08
PAGE 1
JAN 20/09

BRI

BOEING
757
PARTS CATALOG (MAINTENANCE)



Y 23340301 SH1 1 REV 274

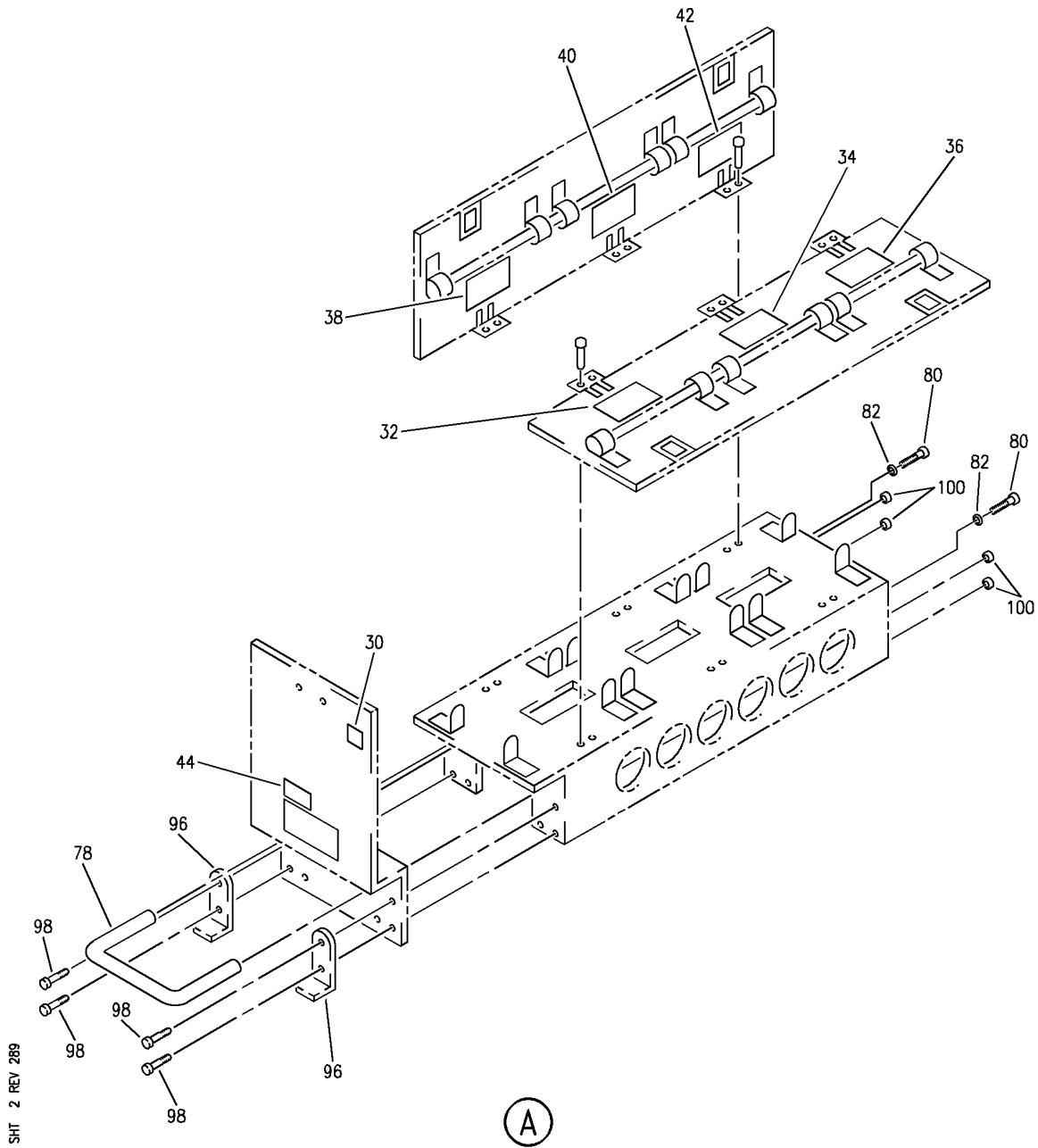
EQUIPMENT INSTL-MAIN ELECTRONICS EQPT CTR (ENTERTAINMENT TAPE REPRODUCER ONLY)
FIGURE 1 (SHEET 1)

23-34-03-01

BRI
MAY 28/07

23-34-03-01
PAGE 0

BOEING
757
PARTS CATALOG (MAINTENANCE)



Y 23340301 SHT 2 REV 289

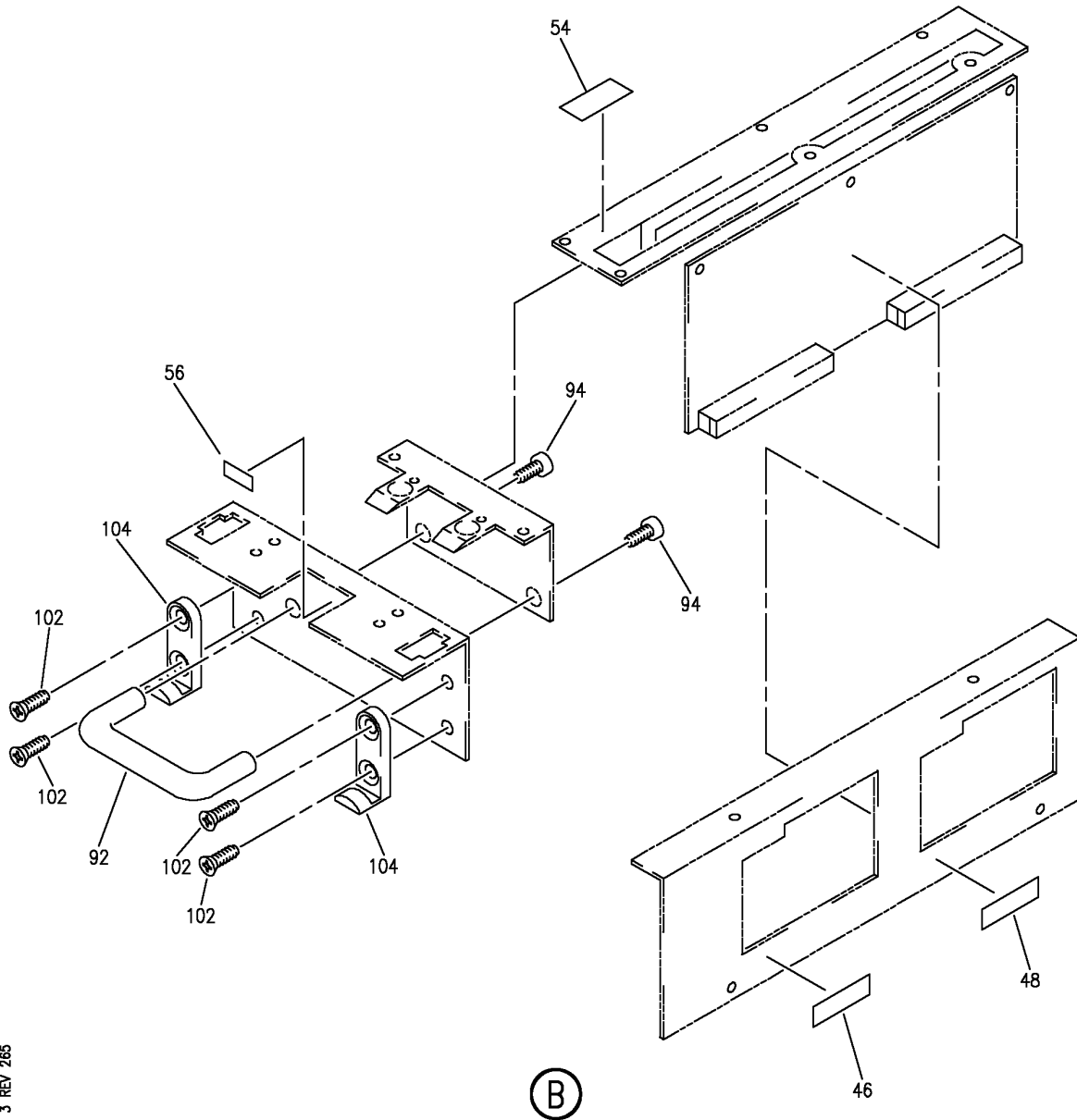
EQUIPMENT INSTL-MAIN ELECTRONICS EQPT CTR (ENTERTAINMENT TAPE REPRODUCER ONLY)
FIGURE 1 (SHEET 2)

23-34-03-01

BRI
MAY 28/07

23-34-03-01
PAGE 0A

BOEING
757
PARTS CATALOG (MAINTENANCE)



Y 23340301 SHT 3 REV 265

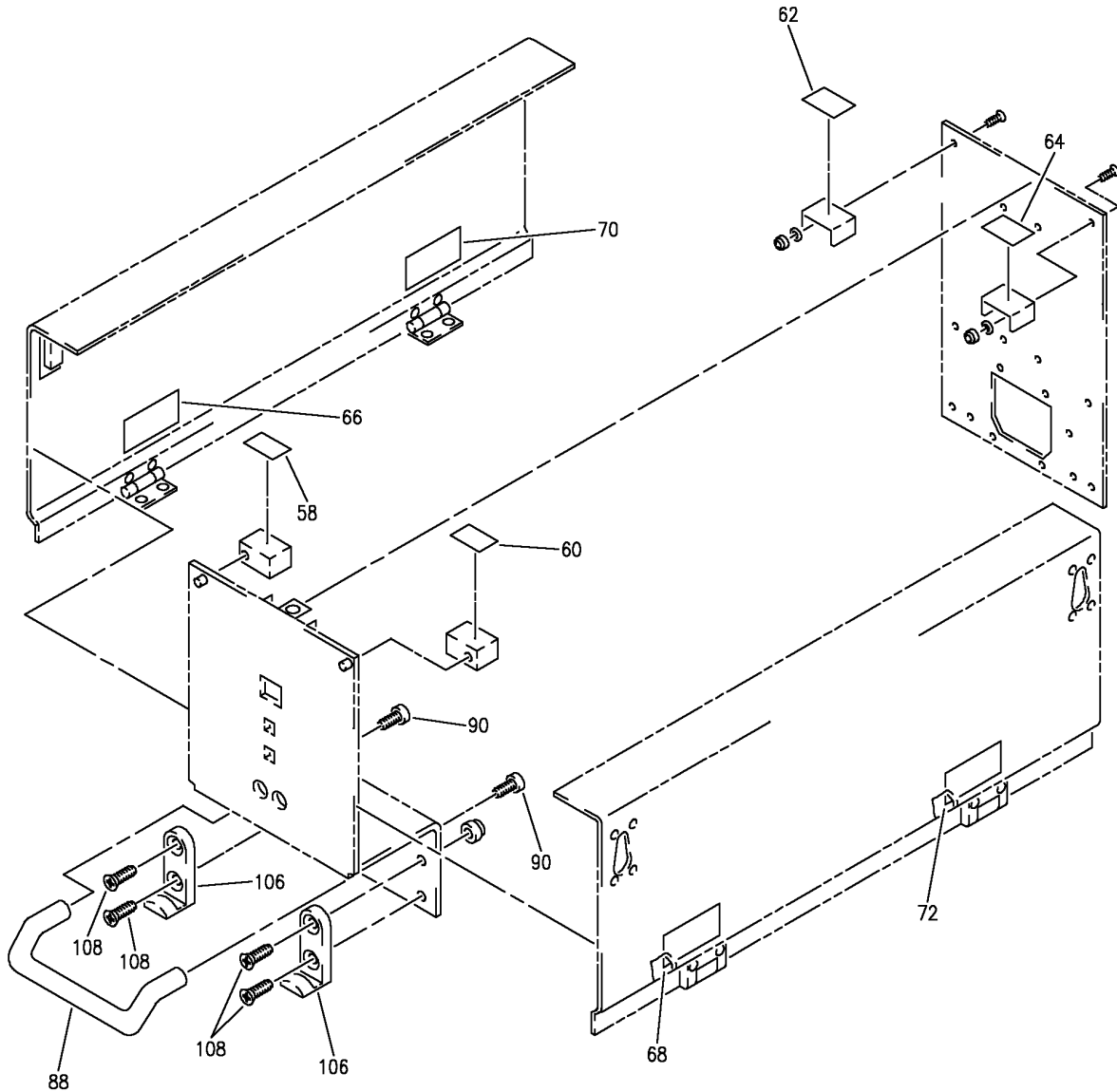
EQUIPMENT INSTL-MAIN ELECTRONICS EQPT CTR (ENTERTAINMENT TAPE REPRODUCER ONLY)
FIGURE 1 (SHEET 3)

23-34-03-01

BRI
MAY 28/07

23-34-03-01
PAGE 0B

BOEING
757
PARTS CATALOG (MAINTENANCE)



(C)

Y 23340301 SH1 4 REV 265

EQUIPMENT INSTL-MAIN ELECTRONICS EQPT CTR (ENTERTAINMENT TAPE REPRODUCER ONLY)
FIGURE 1 (SHEET 4)

23-34-03-01

BRI
MAY 28/07

23-34-03-01
PAGE 0C



757

PARTS CATALOG (MAINTENANCE)

FIG ITEM	PART NUMBER	1 2 3 4 5 6 7	NOMENCLATURE	EFFECT FROM TO	UNITS PER ASSY
1			EQUIPMENT INSTL-MAIN ELECTRONICS EQPT CTR (ENTERTAINMENT TAPE REPRODUCER ONLY)	002004 006100 121503 904949 952999	
- 2	284N1800-16		EQUIPMENT INSTL-MAIN ELECTRONICS EQPT CTR (ENTERTAINMENT TAPE REPRODUCER ONLY) FOR NHA/OTHER SYS DET SEE: 24-00-58-01	121503 904949	RF
- 2	284N1800-32		EQUIPMENT INSTL-MAIN ELECTRONICS EQPT CTR (ENTERTAINMENT TAPE REPRODUCER ONLY) FOR NHA/OTHER SYS DET SEE: 24-00-58-01	952999	RF
- 2	284N1800-34		EQUIPMENT INSTL-MAIN ELECTRONICS EQPT CTR (ENTERTAINMENT TAPE REPRODUCER ONLY) FOR NHA/OTHER SYS DET SEE: 24-00-58-01	002004 006100	RF
10	RDAX7002-01		.REPRODUCER-TAPE SUPPLIER CODE: V54473 FUNCTIONAL DESCRIPTION: PLAYS AUDIO TAPES FOR PASSENGER ENTERTAINMENT ELECTRICAL EQUIP NUMBER: M00130 COMPONENT MAINT MANUAL REF: 23-34-75	904949	1
10	RDAX7002-01		.REPRODUCER-TAPE SUPPLIER CODE: V54473 FUNCTIONAL DESCRIPTION: PLAYS AUDIO TAPES FOR PASSENGER ENTERTAINMENT ELECTRICAL EQUIP NUMBER: M00130 COMPONENT MAINT MANUAL REF: 23-34-75	121503	1

R
R
R
R
R
R
R
R
R

MISSING ITEM NUMBERS NOT APPLICABLE

- ITEM NOT ILLUSTRATED

23-34-03-01

23-34-03
FIG. 01
PAGE 1
MAY 20/09

BRI

BOEING
757
PARTS CATALOG (MAINTENANCE)

FIG ITEM	PART NUMBER	1 2 3 4 5 6 7	NOMENCLATURE	EFFECT FROM TO	UNITS PER ASSY
R R R R R R R R R R	15	RDAX7002-01	.REPRODUCER-TAPE SUPPLIER CODE: V54473 FUNCTIONAL DESCRIPTION: PLAYS AUDIO TAPES FOR PASSENGER ENTERTAINMENT ELECTRICAL EQUIP NUMBER: M00130 COMPONENT MAINT MANUAL REF: 23-34-75 QUALIFIED I/W DATA: RDAX7001-01 980-9600-001 AND 980-9800-001 I/W RDAX7002-01 EXCEPT SUBJECT TO COSTOMER PREFERENCE	002004 006100	1
	30	R6QA39ZA	.. LABEL-DBX SUPPLIER CODE: V54473	002004 006100 121503 904949	1
	32	R6QA12A	.. LABEL-TAPE LOCATION 1A SUPPLIER CODE: V54473	002004 006100 121503 904949	1
	34	R6QA13A	.. LABEL-TAPE LOCATION 2A SUPPLIER CODE: V54473	002004 006100 121503 904949	1
	36	R6QA14A	.. LABEL-TAPE LOCATION 3A SUPPLIER CODE: V54473	002004 006100 121503 904949	1
	38	R6QA15A	.. LABEL-TAPE LOCATION 1B SUPPLIER CODE: V54473	002004 006100 121503 904949	1
	40	R6QA16A	.. LABEL-TAPE LOCATION 2B SUPPLIER CODE: V54473	002004 006100 121503 904949	1
	42	R6QA17A	.. LABEL-TAPE LOCATION 3B SUPPLIER CODE: V54473	002004 006100 121503 904949	1
	44	R6GE4A	.. LABEL-ESD SUPPLIER CODE: V54473	002004 006100 121503 904949	1
	MISSING ITEM NUMBERS NOT APPLICABLE				

— ITEM NOT ILLUSTRATED

23-34-03-01

23-34-03
FIG. 01
PAGE 2
MAY 20/09

BRI



757

PARTS CATALOG (MAINTENANCE)

FIG ITEM	PART NUMBER	1 2 3 4 5 6 7	NOMENCLATURE	EFFECT FROM TO	UNITS PER ASSY
1					
78	R6GE9A		..HANDLE- SUPPLIER CODE: VOFF57 CONFIG CHG DATA FROM A CMM: REPLD BY R6GE9ZA REPLS R6GE6A	002004 006100 121503 904949	1
78	R6GE9ZA		..HANDLE- SUPPLIER CODE: VOFF57 CONFIG CHG DATA FROM A CMM: REPLS R6GE9A ATTACHING PARTS	002004 006100 121503 904949	1
80	MS35206-230		..SCREW- CONFIG CHG DATA FROM A CMM: REPLD BY R6XYN4C14	002004 006100 121503 904949	2
80	R6XYN4C14		..SCREW- (W/SPR WASHER) SUPPLIER CODE: VOFF57 CONFIG CHG DATA FROM A CMM: REPLD BY RXYN4PC14 REPLS MS35206-230 REPLS R6XWA4BFX	002004 006100 121503 904949	2
80	R6XYN4PC14		..SCREW- (W/SPR WASHER) SUPPLIER CODE: VOFF57 CONFIG CHG DATA FROM A CMM: REPLS R6XYN4C14	002004 006100 121503 904949	2
82	R6XWA4BFX		..WASHER- SUPPLIER CODE: VOFF57 CONFIG CHG DATA FROM A CMM: REPLD BY R6XYN4C14	002004 006100 121503 904949	2
- 84	R6XWG4FX		..WASHER- SUPPLIER CODE: VOFF57	002004 006100 121503 904949	2
- 86	R6XWG4FZ		..WASHER- SUPPLIER CODE: VOFF57	002004 006100 121503 904949	2
96	R6GE3A		-----*----- ..HOOK-HOLD DOWN SUPPLIER CODE: V54473 CONFIG CHG DATA FROM A CMM: REPLD BY R6GE3ZA	002004 006100 121503 904949	2

MISSING ITEM NUMBERS NOT APPLICABLE

- ITEM NOT ILLUSTRATED

23-34-03-01

23-34-03
FIG. 01
PAGE 3
JAN 20/09

BRI

BOEING PROPRIETARY - Copyright © - Unpublished Work - See title page for details.



757

PARTS CATALOG (MAINTENANCE)

FIG ITEM	PART NUMBER	1 2 3 4 5 6 7	NOMENCLATURE	EFFECT FROM TO	UNITS PER ASSY
1					
96	R6GE3ZA		..HOOK-HOLD DOWN SUPPLIER CODE: VOFF57 CONFIG CHG DATA FROM A CMM: REPLS R6GE3A ATTACHING PARTS	002004 006100 121503 904949	2
98	MS35206-230		..SCREW- CONFIG CHG DATA FROM A CMM: REPLD BY R6XSS35P13VW	002004 006100 121503 904949	2
98	R6XSS35P13VM		..SCREW- SUPPLIER CODE: VOFF57 CONFIG CHG DATA FROM A CMM: REPLS MS35206-230	002004 006100 121503 904949	4
100	R6XNY35BFX		..NUT- SUPPLIER CODE: VOFF57	002004 006100 121503 904949	2
- 200	286N1161-008		-----*----- WIRE BUNDLE ASSY-	002004 006100 121503 904949	RF
- 200	286N1161-009		WIRE BUNDLE ASSY	952999	RF
210	BCREF2217		.RECEPTACLE- SUPPLIER CODE: V71468 OVERLENGTH PART NUMBER: DPXBMB67-33S0001 ELECTRICAL EQUIP NUMBER: D00739 D03309 WIRING DIAGRAM REF: 233411 233401	002004 006100 952999	1

MISSING ITEM NUMBERS NOT APPLICABLE

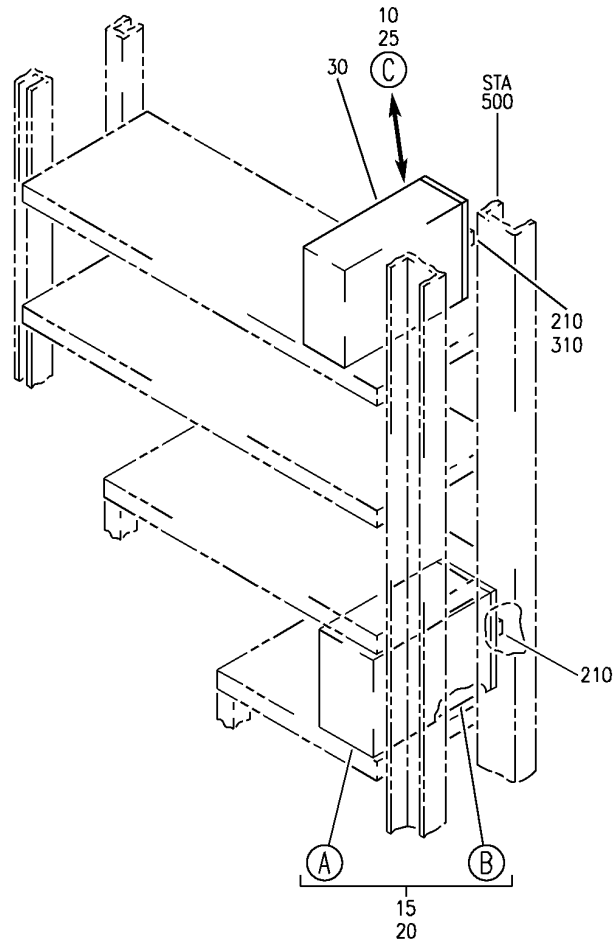
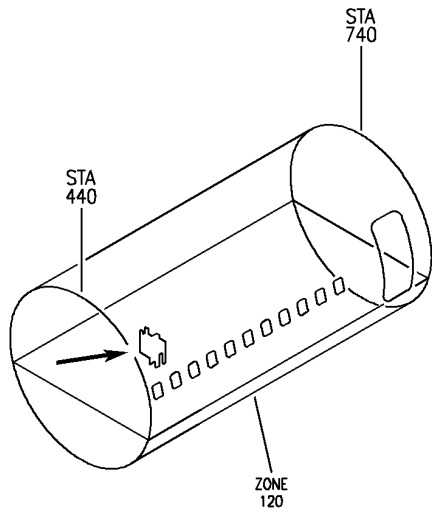
- ITEM NOT ILLUSTRATED

23-34-03-01

23-34-03
FIG. 01
PAGE 4
JAN 20/09

BRI

BOEING
757
PARTS CATALOG (MAINTENANCE)



Y 23340301B SHT 1 REV 289

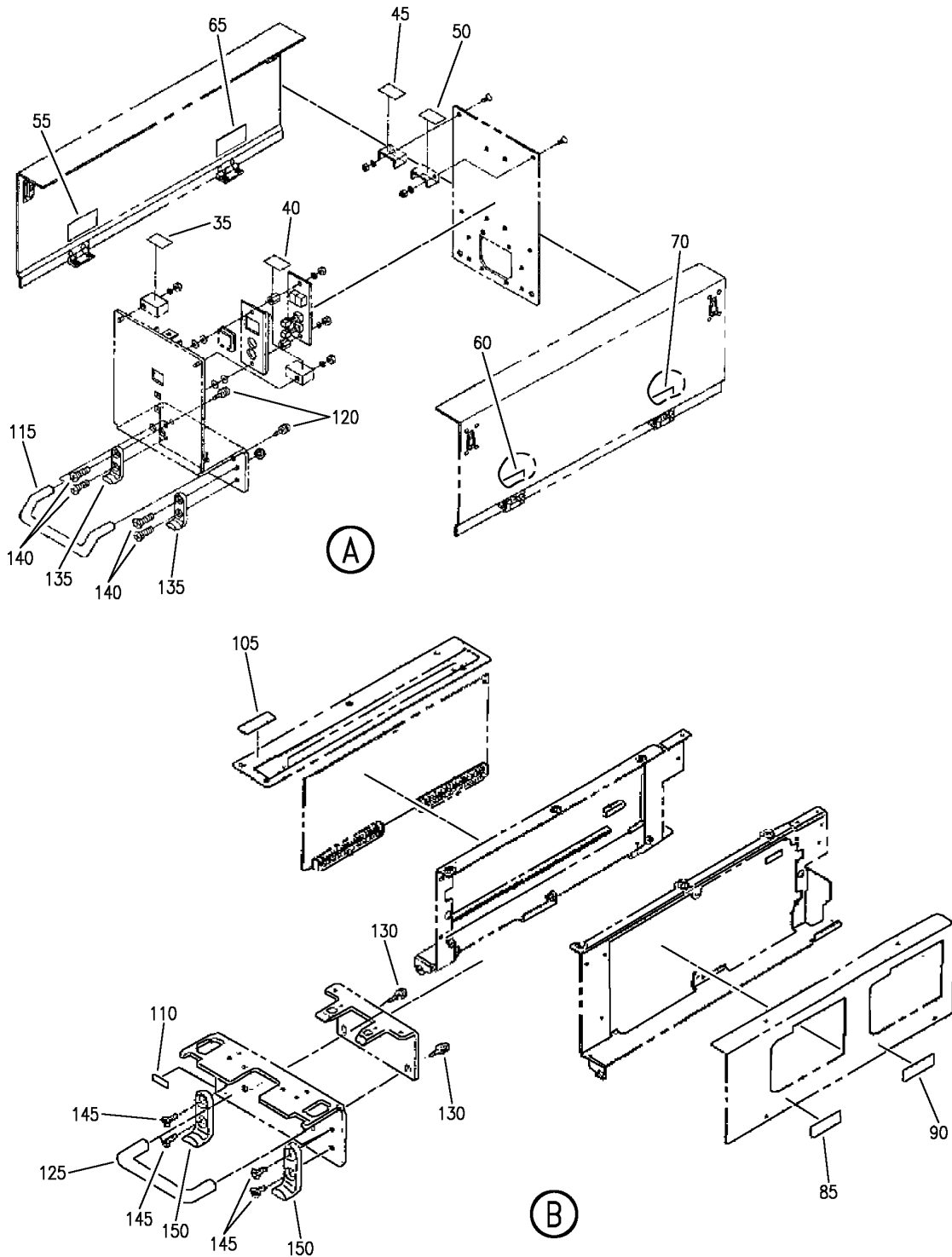
EQUIPMENT INSTL-MAIN ELECTRONICS EQPT CTR (ENTERTAINMENT TAPE REPRODUCER ONLY)
FIGURE 1B (SHEET 1)

BRI
MAY 28/07

23-34-03-01B

23-34-03-01B
PAGE 0

BOEING
757
PARTS CATALOG (MAINTENANCE)



Y 23340301B SHT 2 REV 265

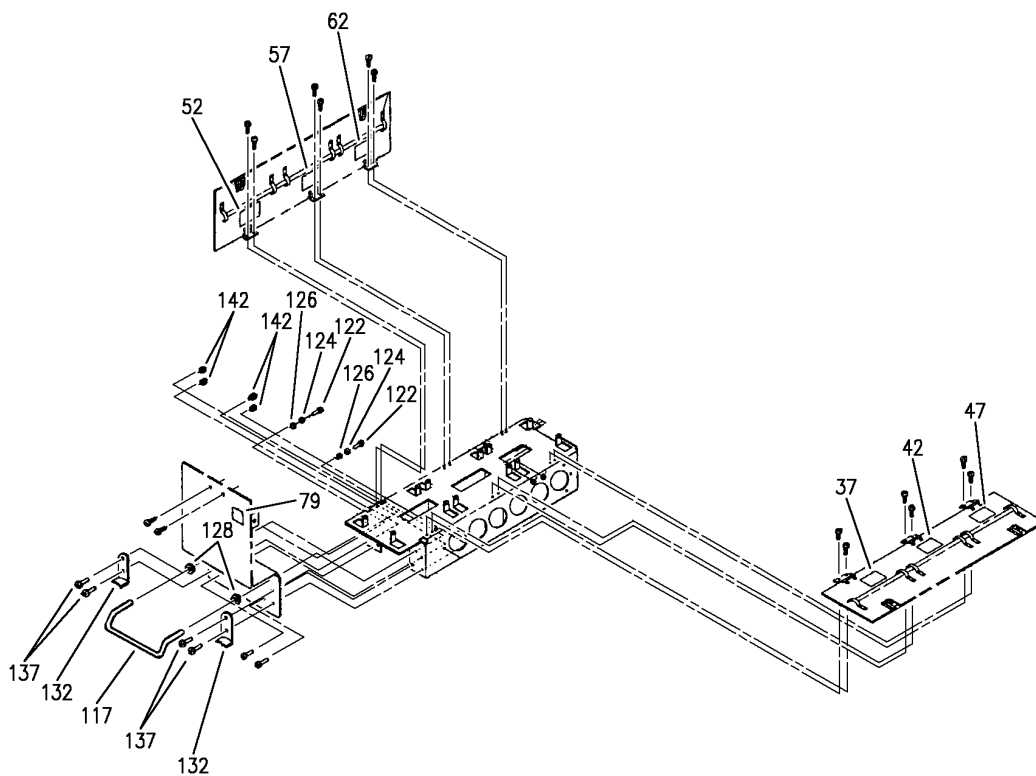
EQUIPMENT INSTL-MAIN ELECTRONICS EQPT CTR (ENTERTAINMENT TAPE REPRODUCER ONLY)
FIGURE 1B (SHEET 2)

23-34-03-01B

BRI
MAY 28/07

23-34-03-01B
PAGE 0A

BOEING
757
PARTS CATALOG (MAINTENANCE)



Ⓒ

Y 23340301B SHT 3 REV 289

EQUIPMENT INSTL-MAIN ELECTRONICS EQPT CTR (ENTERTAINMENT TAPE REPRODUCER ONLY)
FIGURE 1B (SHEET 3)

BRI
MAY 28/07

23-34-03-01B

23-34-03-01B
PAGE 0B

BOEING PROPRIETARY - Copyright © - Unpublished Work - See title page for details.



757

PARTS CATALOG (MAINTENANCE)

FIG ITEM	PART NUMBER	1 2 3 4 5 6 7	NOMENCLATURE	EFFECT FROM TO	UNITS PER ASSY
1B			EQUIPMENT INSTL-MAIN ELECTRONICS EQPT CTR (ENTERTAINMENT TAPE REPRODUCER ONLY)	101102	
- 3	284N1800-140		EQUIPMENT INSTL-MAIN ELECTRONICS EQPT CTR (ENTERTAINMENT TAPE REPRODUCER ONLY) FOR NHA/OTHER SYS DET SEE: 24-00-58-05E	101101	RF
- 4	284N1800-141		EQUIPMENT INSTL-MAIN ELECTRONICS EQPT CTR (ENTERTAINMENT TAPE REPRODUCER ONLY) FOR NHA/OTHER SYS DET SEE: 24-00-58-05E	102102	RF
R R R R R R R R R	25 RDAX7002-01		.REPRODUCER-TAPE SUPPLIER CODE: V54473 FUNCTIONAL DESCRIPTION: PLAYS AUDIO TAPES FOR PASSENGER ENTERTAINMENT. ELECTRICAL EQUIP NUMBER: M00130 COMPONENT MAINT MANUAL REF: 23-34-75	101102	1
	37 R6QA12A		..LABEL-TAPE LOCATION 1A SUPPLIER CODE: V54473	101102	1
	42 R6QA13A		..LABEL-TAPE LOCATION 2A SUPPLIER CODE: V54473	101102	1
	47 R6QA14A		..LABEL-TAPE LOCATION 3A SUPPLIER CODE: V54473	101102	1
	52 R6QA15A		..LABEL-TAPE LOCATION 1B SUPPLIER CODE: V54473	101102	1
	57 R6QA16A		..LABEL-TAPE LOCATION 2B SUPPLIER CODE: V54473	101102	1
	62 R6QA17A		..LABEL-TAPE LOCATION 3B SUPPLIER CODE: V54473	101102	1
- 77	R6GE4A		..LABEL-ESD SUPPLIER CODE: V0FF57	101102	1

MISSING ITEM NUMBERS NOT APPLICABLE

- ITEM NOT ILLUSTRATED

23-34-03-01B

23-34-03
FIG. 01B
PAGE 1
MAY 20/09

BRI



757

PARTS CATALOG (MAINTENANCE)

FIG ITEM	PART NUMBER	1 2 3 4 5 6 7	NOMENCLATURE	EFFECT FROM TO	UNITS PER ASSY
1B					
79	R6QA39ZA	..	LABEL-DBX SUPPLIER CODE: VOFF57	101102	1
117	R6GE9A	..	HANDLE- SUPPLIER CODE: VOFF57 CONFIG CHG DATA FROM A CMM: REPLD BY R6GE9ZA	101102	1
117	R6GE9ZA	..	HANDLE- SUPPLIER CODE: VOFF57 CONFIG CHG DATA FROM A CMM: REPLACES R6GE9A ATTACHING PARTS	101102	1
122	MS35206-230	..	SCREW- CONFIG CHG DATA FROM A CMM: REPLD BY R6XYN4C14	101102	2
122	R6XYN4C14	..	SCREW- (W/SPR WASHER) SUPPLIER CODE: VOFF57 CONFIG CHG DATA FROM A CMM: REPLD BY RXYN4PC14 REPLS MS35206-230	101102	2
122	R6XYN4PC14	..	SCREW- (W/SPR WASHER) SUPPLIER CODE: VOFF57 CONFIG CHG DATA FROM A CMM: REPLS R6XYN4C14	101102	2
124	R6XWA4BFX	..	WASHER- SUPPLIER CODE: VOFF57 CONFIG CHG DATA FROM A CMM: REPLD BY R6XYN4C14	101102	2
126	R6XWG4FX	..	WASHER- SUPPLIER CODE: VOFF57	101102	2
128	R6XWG4FZ	..	WASHER- SUPPLIER CODE: VOFF57	101102	2
132	R6GE3A	..	-----*----- HOOK-HOLD DOWN SUPPLIER CODE: V54473 CONFIG CHG DATA FROM A CMM: REPLD BY R6GE3ZA	101102	2

MISSING ITEM NUMBERS NOT APPLICABLE

- ITEM NOT ILLUSTRATED

23-34-03-01B

23-34-03
FIG. 01B
PAGE 2
JAN 20/09

BRI

BOEING PROPRIETARY - Copyright © - Unpublished Work - See title page for details.



757

PARTS CATALOG (MAINTENANCE)

FIG ITEM	PART NUMBER	1 2 3 4 5 6 7	NOMENCLATURE	EFFECT FROM TO	UNITS PER ASSY
1B 132	R6GE3ZA		..HOOK-HOLD DOWN SUPPLIER CODE: VOFF57 CONFIG CHG DATA FROM A CMM: REPLS R6GE3A ATTACHING PARTS	101102	2
137	MS35206-230		..SCREW- CONFIG CHG DATA FROM A CMM: REPLD BY R6XSS35P13VW	101102	4
137	R6XSS35P13VW		..SCREW- SUPPLIER CODE: VOFF57 CONFIG CHG DATA FROM A CMM: REPLS MS35206-230	101102	4
142	R6XNY35BFX		..NUT- SUPPLIER CODE: VOFF57 -----*-----	101102	4
- 300 310	286N1165-318 BCREF2217		WIRE BUNDLE ASSY .RECEPTACLE- SUPPLIER CODE: V71468 OVERLENGTH PART NUMBER: DPXBMB67-33S0001 ELECTRICAL EQUIP NUMBER: D00739 WIRING DIAGRAM REF: 233401	101102 101102	RF 1

MISSING ITEM NUMBERS NOT APPLICABLE

- ITEM NOT ILLUSTRATED

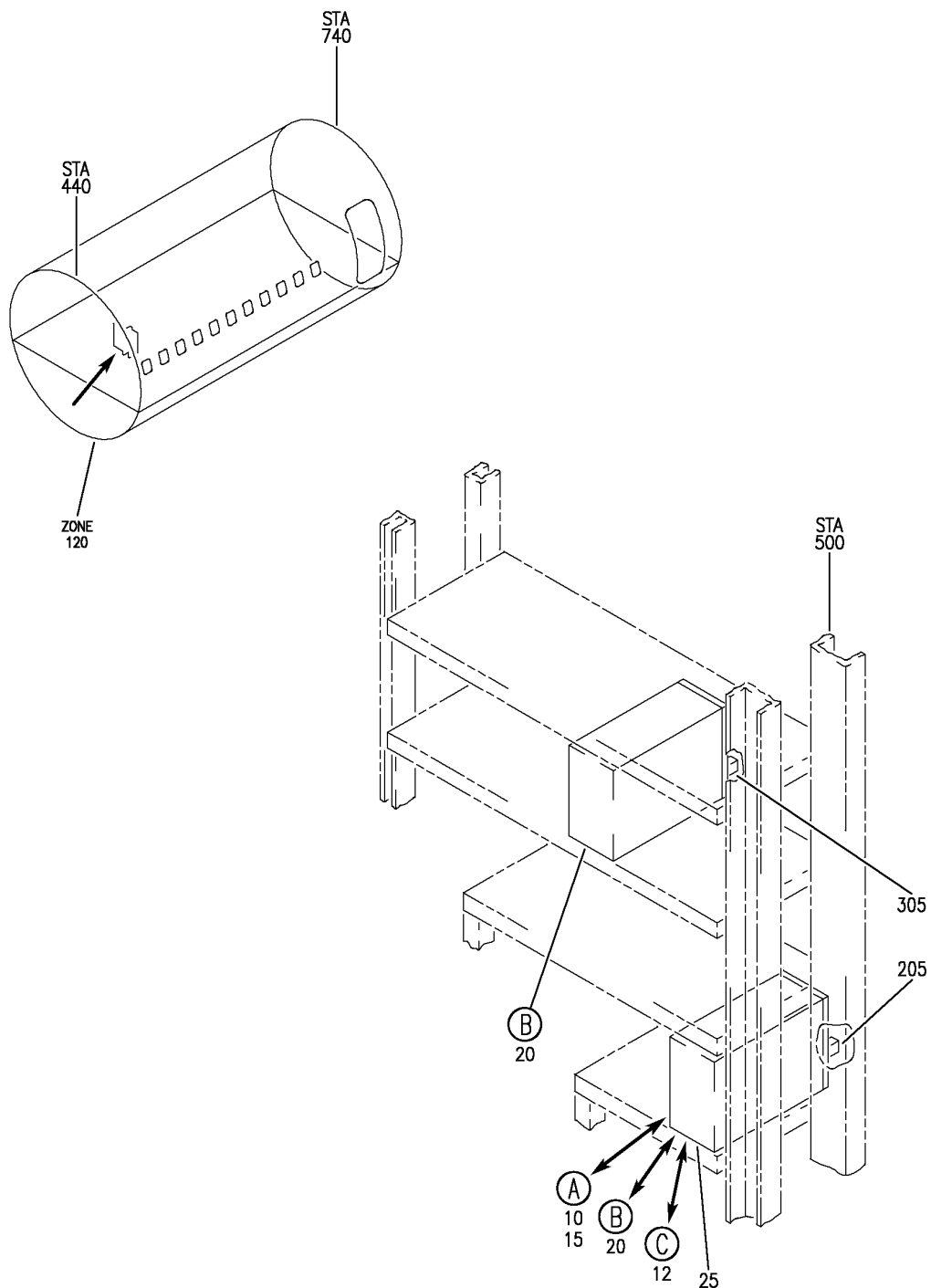
23-34-03-01B

23-34-03
FIG. 01B
PAGE 3
JAN 20/09

BRI

BOEING PROPRIETARY - Copyright © - Unpublished Work - See title page for details.

BOEING
757
PARTS CATALOG (MAINTENANCE)



Y 23340308 SH1 1 REV 326

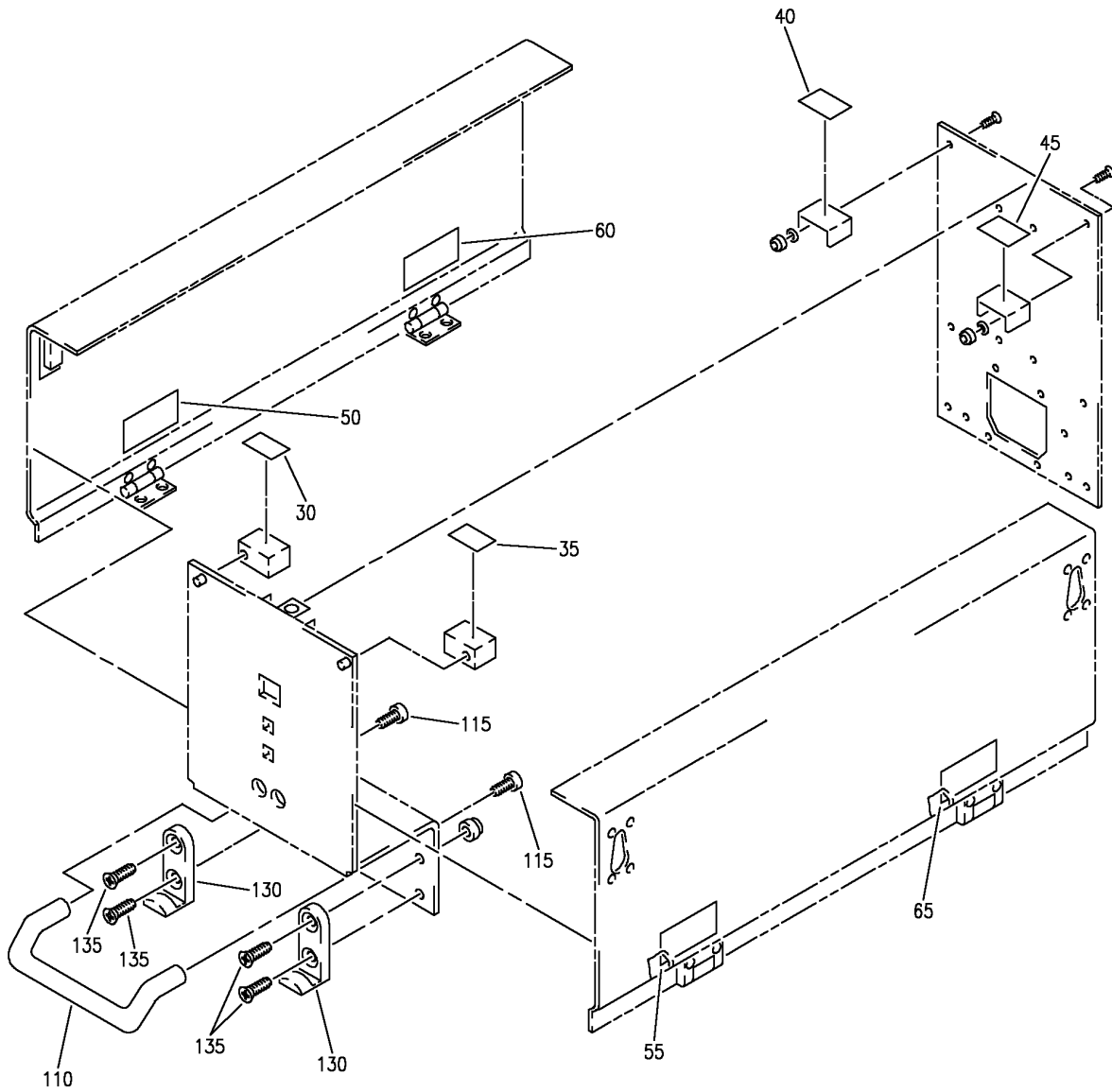
EQUIPMENT INSTL-MAIN ELECTRONICS EQPT CTR PASS. ENTERTAINMENT TAPE REPRODUCER
FIGURE 8 (SHEET 1)

BRI
JAN 20/09

23-34-03-08

23-34-03-08
PAGE 0

BOEING
757
PARTS CATALOG (MAINTENANCE)



Y 23340308 SH1 2 REV 265

(A)

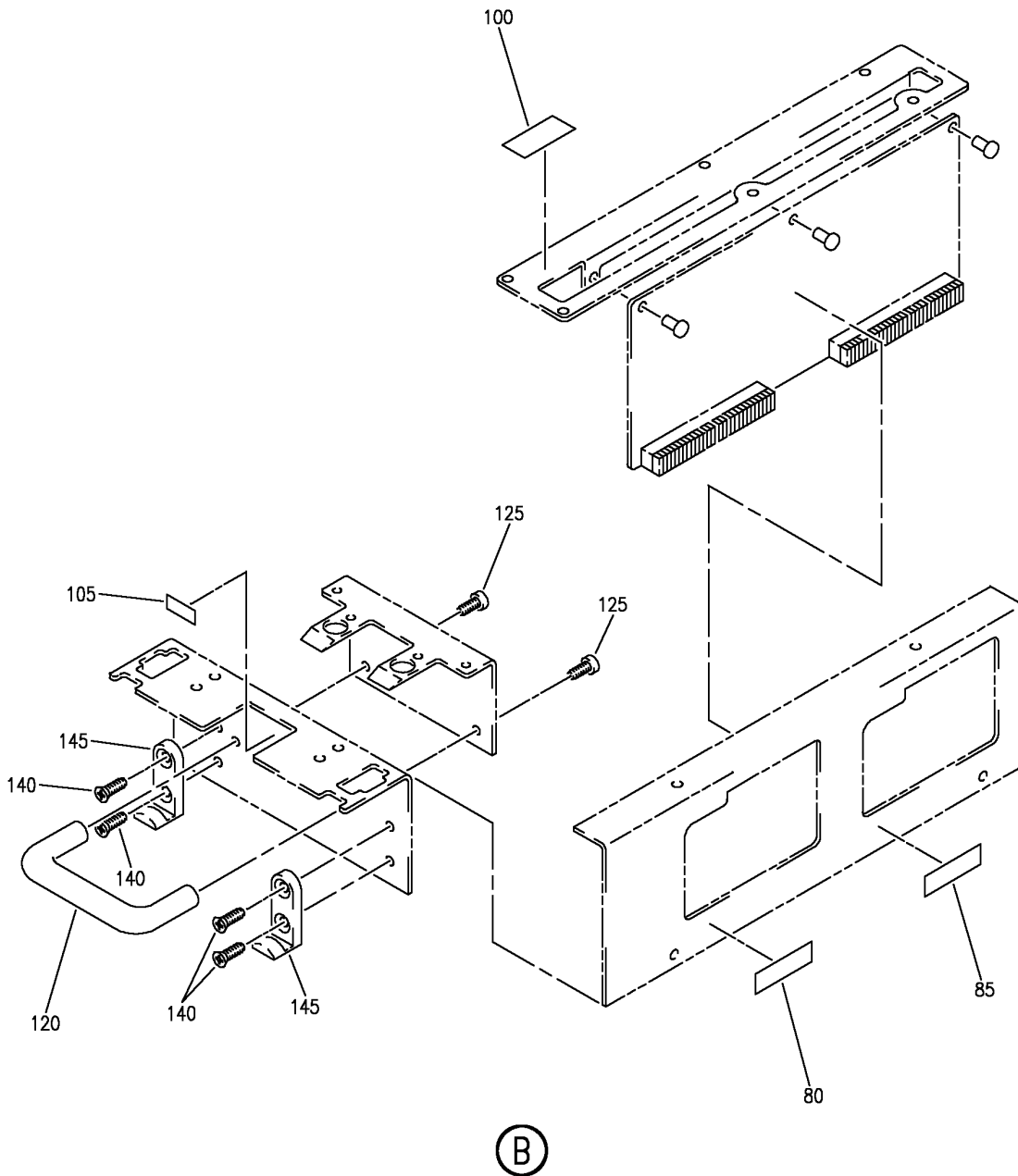
EQUIPMENT INSTL-MAIN ELECTRONICS EQPT CTR PASS. ENTERTAINMENT TAPE REPRODUCER
FIGURE 8 (SHEET 2)

BRI
JAN 20/09

23-34-03-08

23-34-03-08
PAGE 0A

BOEING
757
PARTS CATALOG (MAINTENANCE)



Y 23340308 SHT 3 REV 265

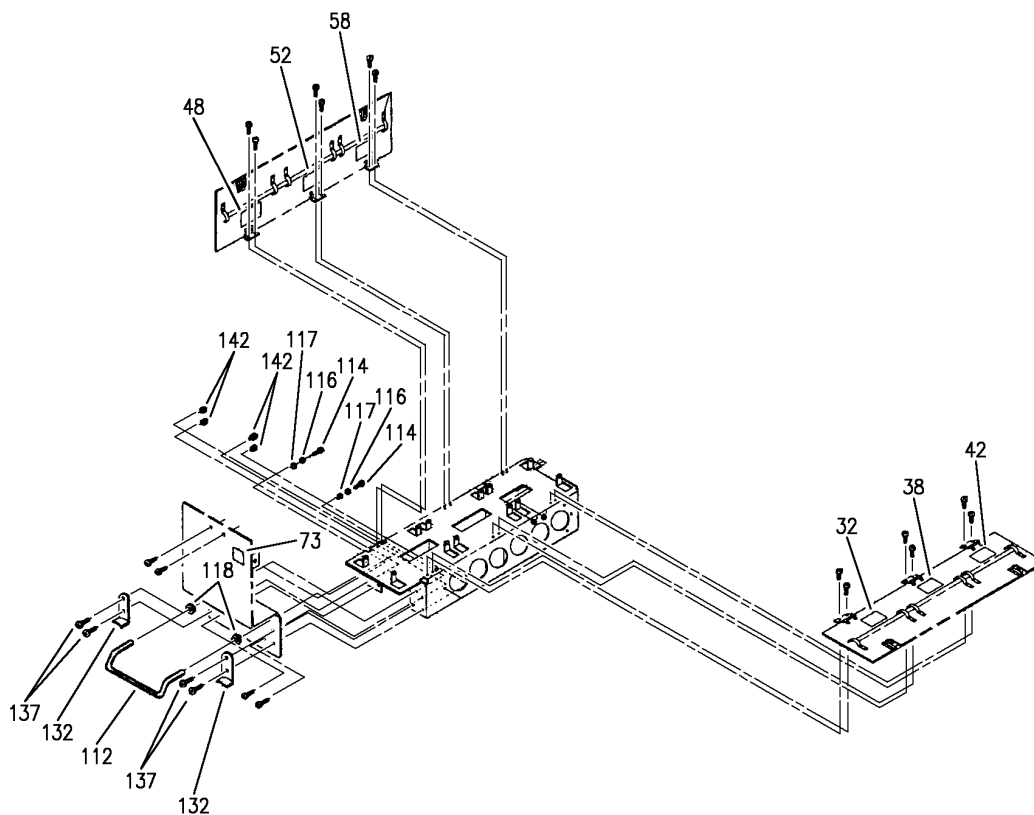
EQUIPMENT INSTL-MAIN ELECTRONICS EQPT CTR PASS. ENTERTAINMENT TAPE REPRODUCER
FIGURE 8 (SHEET 3)

23-34-03-08

BRI
JAN 20/09

23-34-03-08
PAGE 08

BOEING
757
PARTS CATALOG (MAINTENANCE)



(C)

Y 23340308 SH1 4 REV 289

EQUIPMENT INSTL-MAIN ELECTRONICS EQPT CTR PASS. ENTERTAINMENT TAPE REPRODUCER
FIGURE 8 (SHEET 4)

BRI
JAN 20/09

23-34-03-08

23-34-03-08
PAGE 0C



757

PARTS CATALOG (MAINTENANCE)

FIG ITEM	PART NUMBER	1 2 3 4 5 6 7	NOMENCLATURE	EFFECT FROM TO	UNITS PER ASSY
8			EQUIPMENT INSTL-MAIN ELECTRONICS EQPT CTR PASS. ENTERTAINMENT TAPE REPRODUCER	103106 108120	
- 1	284N4000-230011		EQUIPMENT INSTL-MAIN ELECTRONICS EQPT CTR PASS. ENTERTAINMENT TAPE REPRODUCER	108120	RF
- 1	MODREF200751		FOR NHA SEE: 24-00-58-05F		
- 1	MODREF200751		EQUIPMENT INSTL-MAIN ELECTRONICS EQPT CTR PASS. ENTERTAINMENT TAPE REPRODUCER	106106	1
- 2	MODREF29988		MODULE NUMBER: 284N4000-230011 REV E		
- 2	MODREF29988		EQUIPMENT INSTL-MAIN ELECTRONICS EQPT CTR PASS. ENTERTAINMENT TAPE REPRODUCER	103105	1
- 2	MODREF29988		MODULE NUMBER: 284N4000-230011 REV C		
15	RDAX7095-01		.REPRODUCER- SUPPLIER CODE: VOFF57	103106 108120	1
15	RDAX7095-01		FUNCTIONAL DESCRIPTION: PLAYS COMPACT DISCS FOR PASSENGER ENTERTAINMENT. ELECTRICAL EQUIP NUMBER: M11354		
15	RDAX7095-01		COMPONENT MAINT MANUAL REF: 23-34-34		
80	R6QA253ZA		.. LABEL-YELLOW SUPPLIER CODE: VOFF57	103106 108120	1
85	R6QA255ZA		.. LABEL-BLUE SUPPLIER CODE: VOFF57	103106 108120	1
- 90	R6QA252ZA		.. LABEL-RED SUPPLIER CODE: VOFF57	103106 108120	1
- 95	R6QA254ZA		.. LABEL-GREEN SUPPLIER CODE: VOFF57	103106 108120	1
100	R6Q2X709501		.. LABEL- SUPPLIER CODE: VOFF57	103106 108120	1

MISSING ITEM NUMBERS NOT APPLICABLE

- ITEM NOT ILLUSTRATED

23-34-03-08

23-34-03
FIG. 08
PAGE 1
JAN 20/09

BRI



757

PARTS CATALOG (MAINTENANCE)

FIG ITEM	PART NUMBER	1 2 3 4 5 6 7	NOMENCLATURE	EFFECT FROM TO	UNITS PER ASSY
8					
105	R6GE4A		.. LABEL-ESD SUPPLIER CODE: VOFF57	103106 108120	1
120	R6GE61ZA		.. HANDLE- SUPPLIER CODE: VOFF57	103106 108120	1
125	R6XYN5PC12		ATTACHING PARTS .. SCREW- (W/SPR WASHER) SUPPLIER CODE: VOFF57	103106 108120	2
140	R6XSS35P13VM		-----*----- .. SCREW- SUPPLIER CODE: VOFF57	103106 108120	4
145	R6GE3ZA		.. HOOK-HOLD DOWN SUPPLIER CODE: VOFF57	103106 108120	2
- 200	286N1161-601		WIRE BUNDLE ASSY	103106	RF
- 200	286N1161-367		WIRE BUNDLE ASSY	108120	RF
205	BCREF2217		.RECEPTACLE- SUPPLIER CODE: V71468 OVERLENGTH PART NUMBER: DPXBMB67-33S0001 ELECTRICAL EQUIP NUMBER: D00739 D03309 WIRING DIAGRAM REF: 233401 233415	103106 108120	1

MISSING ITEM NUMBERS NOT APPLICABLE

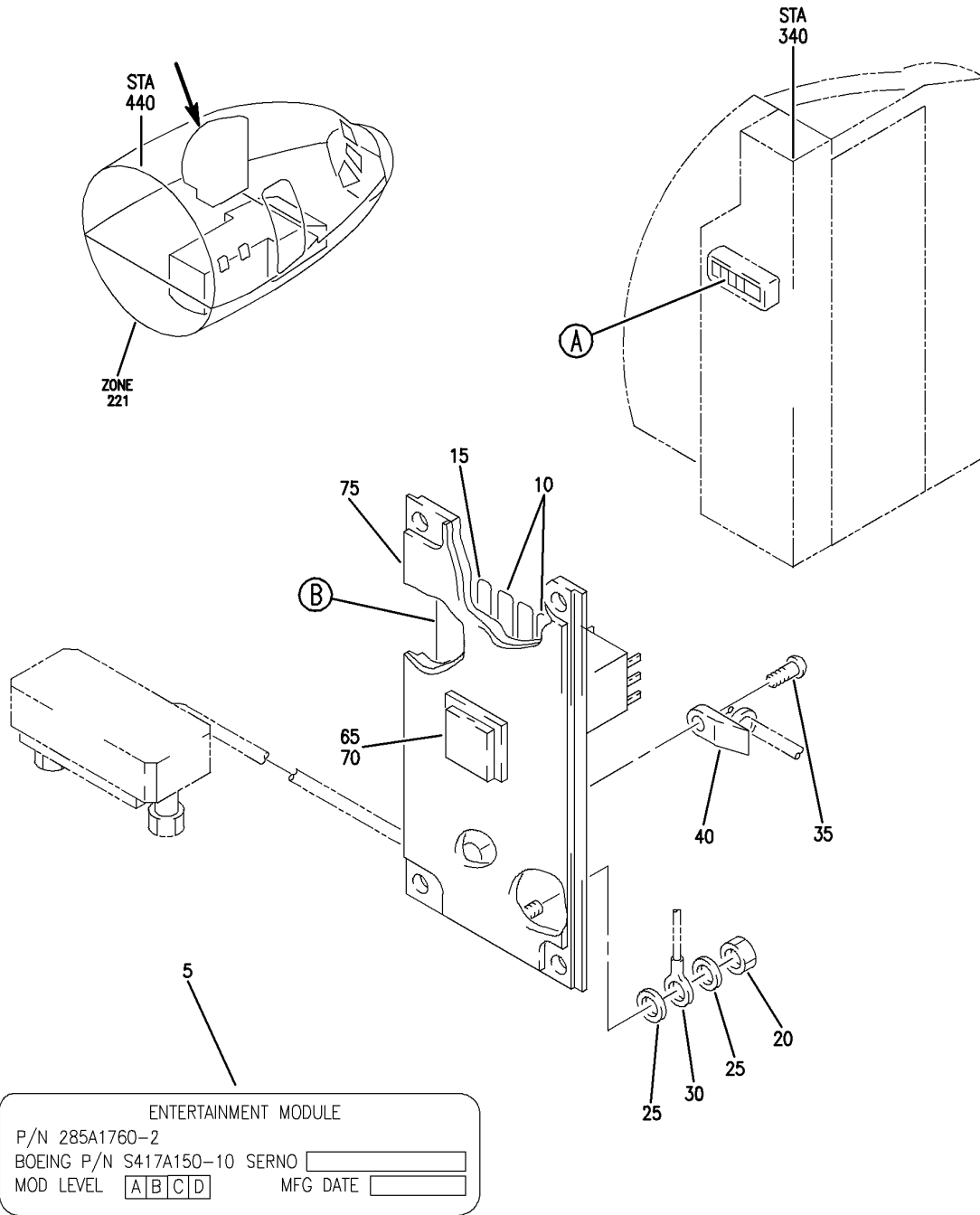
- ITEM NOT ILLUSTRATED

23-34-03-08

23-34-03
FIG. 08
PAGE 2
JAN 20/09

BRI

BOEING
757
PARTS CATALOG (MAINTENANCE)



ENTERTAINMENT MODULE
P/N 285A1760-2
BOEING P/N S417A150-10 SERNO
MOD LEVEL MFG DATE

Y 23341105 REV 238

(B)

MODULE ASSY-IN FLIGHT ENTERTAINMENT, ATTENDANT PNL (ENTERTAINMENT CONTROL PANEL ONLY)

FIGURE 5

23-34-11-05

BRI
JAN 20/09

23-34-11-05
PAGE 0



757

PARTS CATALOG (MAINTENANCE)

FIG ITEM	PART NUMBER	1 2 3 4 5 6 7	NOMENCLATURE	EFFECT FROM TO	UNITS PER ASSY
5			MODULE ASSY-IN FLIGHT ENTERTAINMENT, ATTENDANT PNL (ENTERTAINMENT CONTROL PANEL ONLY)	103106	
- 1	285A1760-2		MODULE ASSY-IN FLIGHT ENTERTAINMENT, ATTENDANT PNL (ENTERTAINMENT CONTROL PANEL ONLY) SUPPLIER CODE: V89954 COMPONENT MAINT MANUAL REF: 23-32-03 FOR NHA SEE: 31-17-11-05	103106	RF
	5 BAC27DEX6205		.MARKER- SUPPLIER CODE: V89954	103106	1
	10 S906-10207-2		.LABEL	103106	3
	15 S906-10207-4		.LABEL	103106	1
	20 MS21042L3		.NUT	103106	1
	25 NAS1149D0316J		.WASHER	103106	2
	30 2-36153-3		.TERMINAL-LUG SUPPLIER CODE: V00779 SPECIFICATION NUMBER: BACT12AR224 ELECTRICAL EQUIP NUMBER: E00001	103106	1
	35 MS51957-43		.SCREW-	103106	1
	40 TA1S8C		.TIE- SUPPLIER CODE: V06383	103106	1
- 45	285A1760-4		.SUBKIT ASSY- SUPPLIER CODE: V89954 ELECTRICAL EQUIP NUMBER: P00001 OPTIONAL PART: SGMC104MOER000 V28198	103106	1
- 50	SGMC104MOEP000		..CONNECTOR- SUPPLIER CODE: V28198 SPECIFICATION NUMBER: S906-30234-400 ELECTRICAL EQUIP NUMBER: P00001	103106	1

MISSING ITEM NUMBERS NOT APPLICABLE

- ITEM NOT ILLUSTRATED

23-34-11-05

23-34-11
FIG. 05
PAGE 1
JAN 20/09

BRI



757

PARTS CATALOG (MAINTENANCE)

FIG ITEM	PART NUMBER	1 2 3 4 5 6 7	NOMENCLATURE	EFFECT FROM TO	UNITS PER ASSY
5					
55	SGMC104M0ER000		.CONNECTOR- SUPPLIER CODE: V28198 SPECIFICATION NUMBER: S906-30234-401 ELECTRICAL EQUIP NUMBER: P00001 OPTIONAL PART: 285A1760-4 V89954	103106	1
- 60	BMS13-16T1C1G22		.WIRE-INSULATED SUPPLIER CODE: VF0241	103106	AR
65	2100-100		.LENS-WHITE NO LEGEND SUPPLIER CODE: V91929	103106	1
70	2100-3		.SWITCH ASSY-IFE, 2 POLE ALT SUPPLIER CODE: V91929 ELECTRICAL EQUIP NUMBER: S00001	103106	1
- 73	85		..BULB- SUPPLIER CODE: V08805	103106	1
75	FHS032-8		.STANDOFF- SUPPLIER CODE: V46384	103106	1

MISSING ITEM NUMBERS NOT APPLICABLE

- ITEM NOT ILLUSTRATED

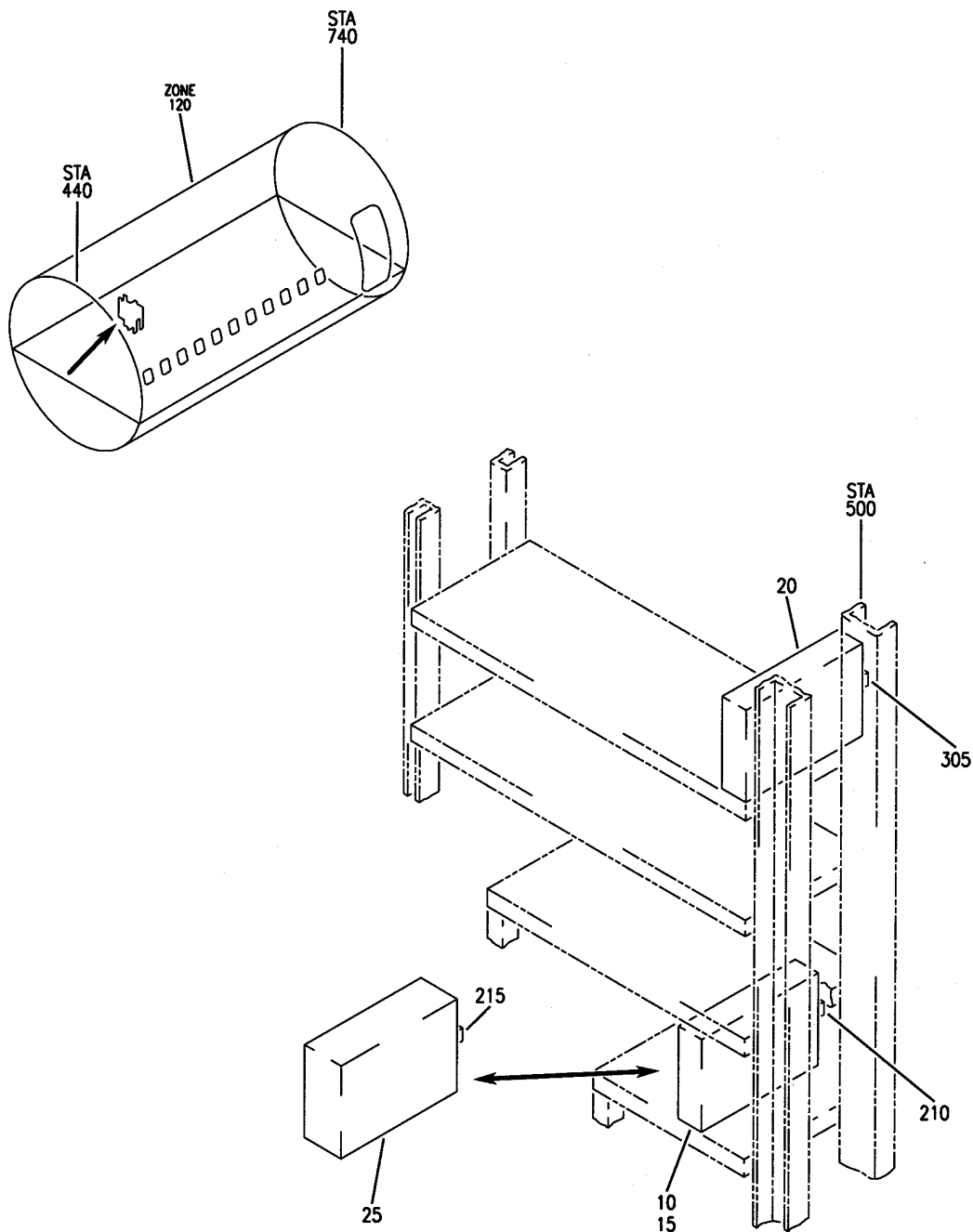
BRI

23-34-11-05

BOEING PROPRIETARY - Copyright © - Unpublished Work - See title page for details.

23-34-11
FIG. 05
PAGE 2
JAN 20/09

BOEING
757
PARTS CATALOG (MAINTENANCE)



Y 23341502 REV 212

EQUIPMENT INSTL-MAIN ELECTRONICS EQPT CTR (MULTIPLEXER ONLY)
FIGURE 2

23-34-15-02

BRI
MAY 28/07

23-34-15-02
PAGE 0



757

PARTS CATALOG (MAINTENANCE)

FIG ITEM	PART NUMBER	1 2 3 4 5 6 7	NOMENCLATURE	EFFECT FROM TO	UNITS PER ASSY
2			EQUIPMENT INSTL-MAIN ELECTRONICS EQPT CTR (MULTIPLEXER ONLY)	002004 006100 121503 904949 952999	
- 1	284N1800-16		EQUIPMENT INSTL-MAIN ELECTRONICS EQPT CTR (MULTIPLEXER ONLY) FOR NHA/OTHER SYS DET SEE: 24-00-58-01	121503 904949	RF
- 2	284N1800-32		EQUIPMENT INSTL-MAIN ELECTRONICS EQPT CTR (MULTIPLEXER ONLY) FOR NHA/OTHER SYS DET SEE: 24-00-58-01	952999	RF
- 2	284N1800-34		EQUIPMENT INSTL-MAIN ELECTRONICS EQPT CTR (MULTIPLEXER ONLY) FOR NHA/OTHER SYS DET SEE: 24-00-58-01	002004 006100	RF
R R R R R R R R R R R	10 RDAX1017		.MULTIPLEXER- SUPPLIER CODE: V54473 FUNCTIONAL DESCRIPTION: CONVERTS ANALOG AUDIO SIGNALS TO A DIGITAL FORMAT AND SENDS THE DIGITAL SIGNALS TO THE SEAT ELECTRONICS UNIT ELECTRICAL EQUIP NUMBER: M10733 COMPONENT MAINT MANUAL REF: 23-34-32	002004 006100 904949 952999	1
	10 RDAX1017		.MULTIPLEXER- SUPPLIER CODE: V54473 FUNCTIONAL DESCRIPTION: CONVERTS ANALOG AUDIO SIGNALS TO A DIGITAL FORMAT AND SENDS THE DIGITAL SIGNALS TO THE SEAT ELECTRONICS UNIT ELECTRICAL EQUIP NUMBER: M10733 COMPONENT MAINT MANUAL REF: 23-34-32	121503	1

MISSING ITEM NUMBERS NOT APPLICABLE

- ITEM NOT ILLUSTRATED

23-34-15-02

23-34-15
FIG. 02
PAGE 1
MAY 20/09

BRI



757

PARTS CATALOG (MAINTENANCE)

FIG ITEM	PART NUMBER	1 2 3 4 5 6 7	NOMENCLATURE	EFFECT FROM TO	UNITS PER ASSY
2 - 200	286N1161-008		WIRE BUNDLE ASSY	002004 006100 121503 904949	RF
- 200 210	286N1161-009 BCREF2217		WIRE BUNDLE ASSY .RECEPTACLE- SUPPLIER CODE: V71468 OVERLENGTH PART NUMBER: DPXBMB67-33S0001 ELECTRICAL EQUIP NUMBER: D01353 WIRING DIAGRAM REF: 233415	952999 002004 006100 121503 904949 952999	RF 1

MISSING ITEM NUMBERS NOT APPLICABLE

- ITEM NOT ILLUSTRATED

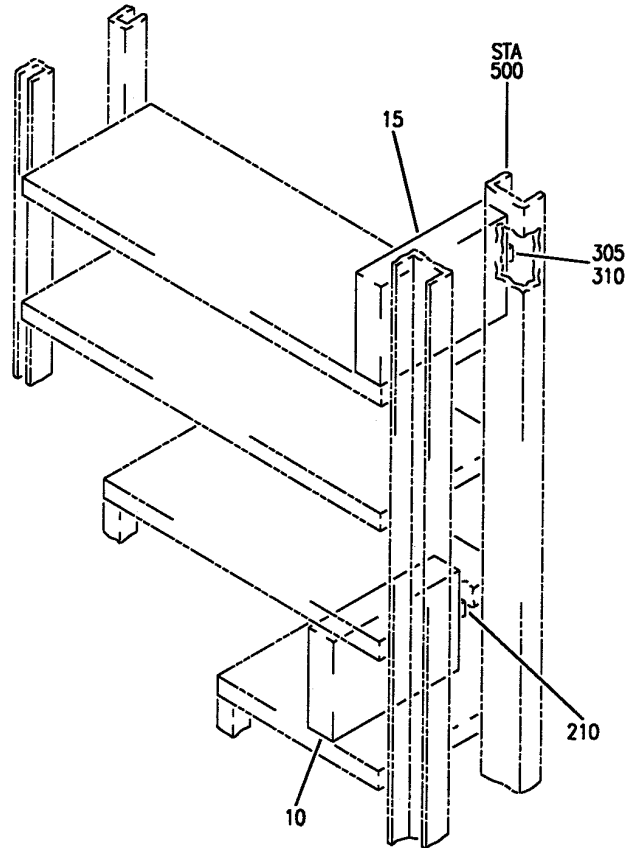
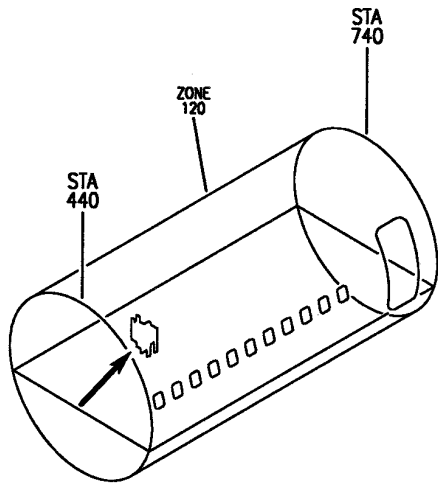
BRI

23-34-15-02

BOEING PROPRIETARY - Copyright © - Unpublished Work - See title page for details.

23-34-15
FIG. 02
PAGE 2
JAN 20/09

BOEING
757
PARTS CATALOG (MAINTENANCE)



Y 23341502B REV 217

EQUIPMENT INSTL-MAIN ELECTRONICS EQPT CTR (MULTIPLEXER ONLY)
FIGURE 2B

23-34-15-02B

BRI
MAY 28/07

23-34-15-02B
PAGE 0

BOEING
757
PARTS CATALOG (MAINTENANCE)

FIG ITEM	PART NUMBER	1 2 3 4 5 6 7	NOMENCLATURE	EFFECT FROM TO	UNITS PER ASSY
2B			EQUIPMENT INSTL-MAIN ELECTRONICS EQPT CTR (MULTIPLEXER ONLY)	101102	
- 3	284N1800-140		EQUIPMENT INSTL-MAIN ELECTRONICS EQPT CTR (MULTIPLEXER ONLY) FOR NHA/OTHER SYS DET SEE: 24-00-58-05E	101101	RF
- 3	284N1800-141		EQUIPMENT INSTL-MAIN ELECTRONICS EQPT CTR (MULTIPLEXER ONLY) FOR NHA/OTHER SYS DET SEE: 24-00-58-05E	102102	RF
R R R R R R R R R R R	15 RDAX1017		.MULTIPLEXER- SUPPLIER CODE: V54473 FUNCTIONAL DESCRIPTION: CONVERTS ANALOG AUDIO SIGNALS TO A DIGITAL FORMAT AND SENDS THE DIGITAL SIGNAL TO THE SEAT ELECTRONICS UNIT ELECTRICAL EQUIP NUMBER: M10733 COMPONENT MAINT MANUAL REF: 23-34-32	101102	1
- 300	286N1165-318		WIRE BUNDLE ASSY	101102	RF
305	BCREF2217		.RECEPTACLE- SUPPLIER CODE: V71468 OVERLENGTH PART NUMBER: DPXBMB67-33S0001 ELECTRICAL EQUIP NUMBER: D01353 WIRING DIAGRAM REF: 233401	101102	1

MISSING ITEM NUMBERS NOT APPLICABLE

- ITEM NOT ILLUSTRATED

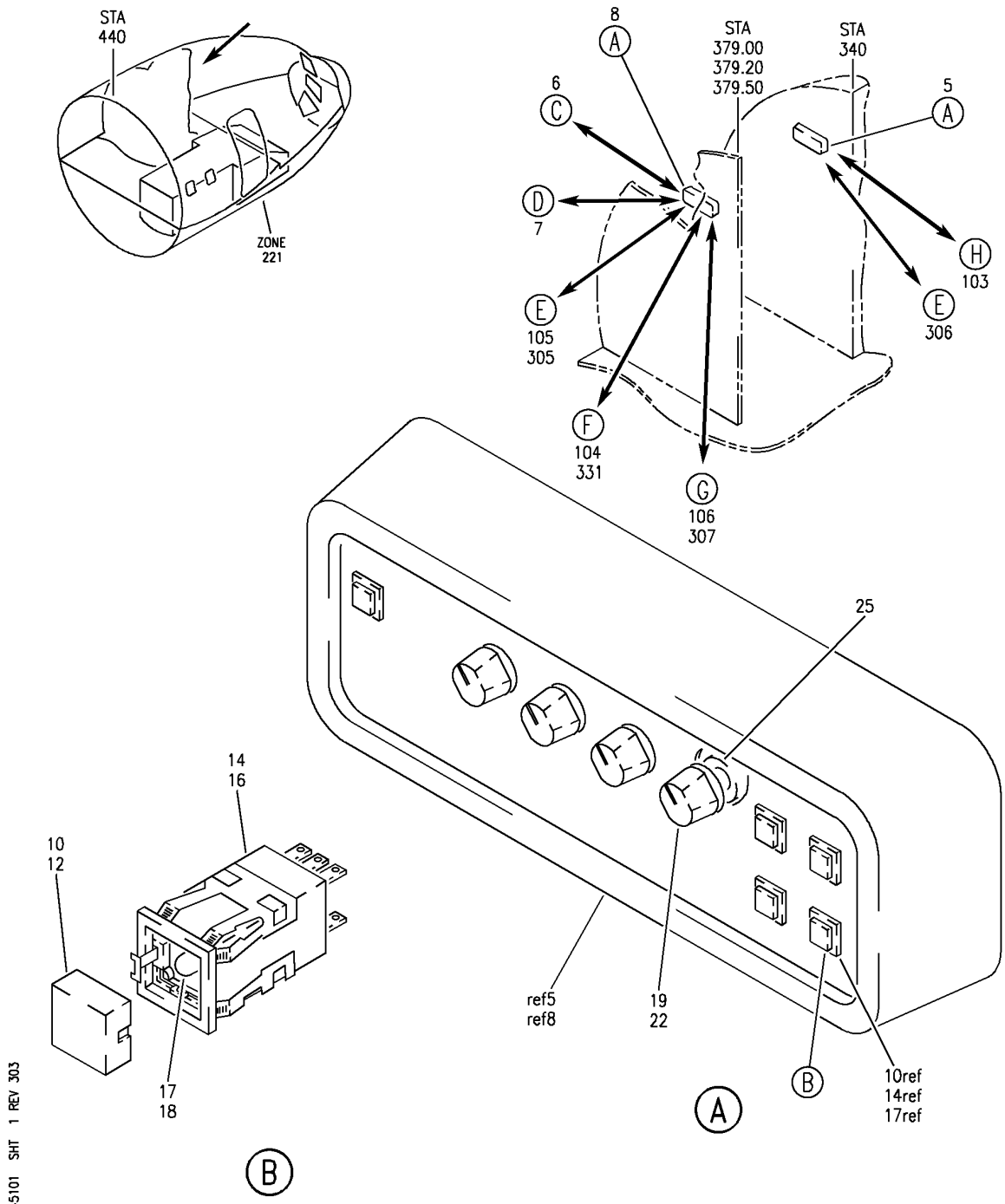
BRI

23-34-15-02B

BOEING PROPRIETARY - Copyright © - Unpublished Work - See title page for details.

23-34-15
FIG. 02B
PAGE 1
MAY 20/09

BOEING
757
PARTS CATALOG (MAINTENANCE)



Y 23345101 SHT 1 REV 303

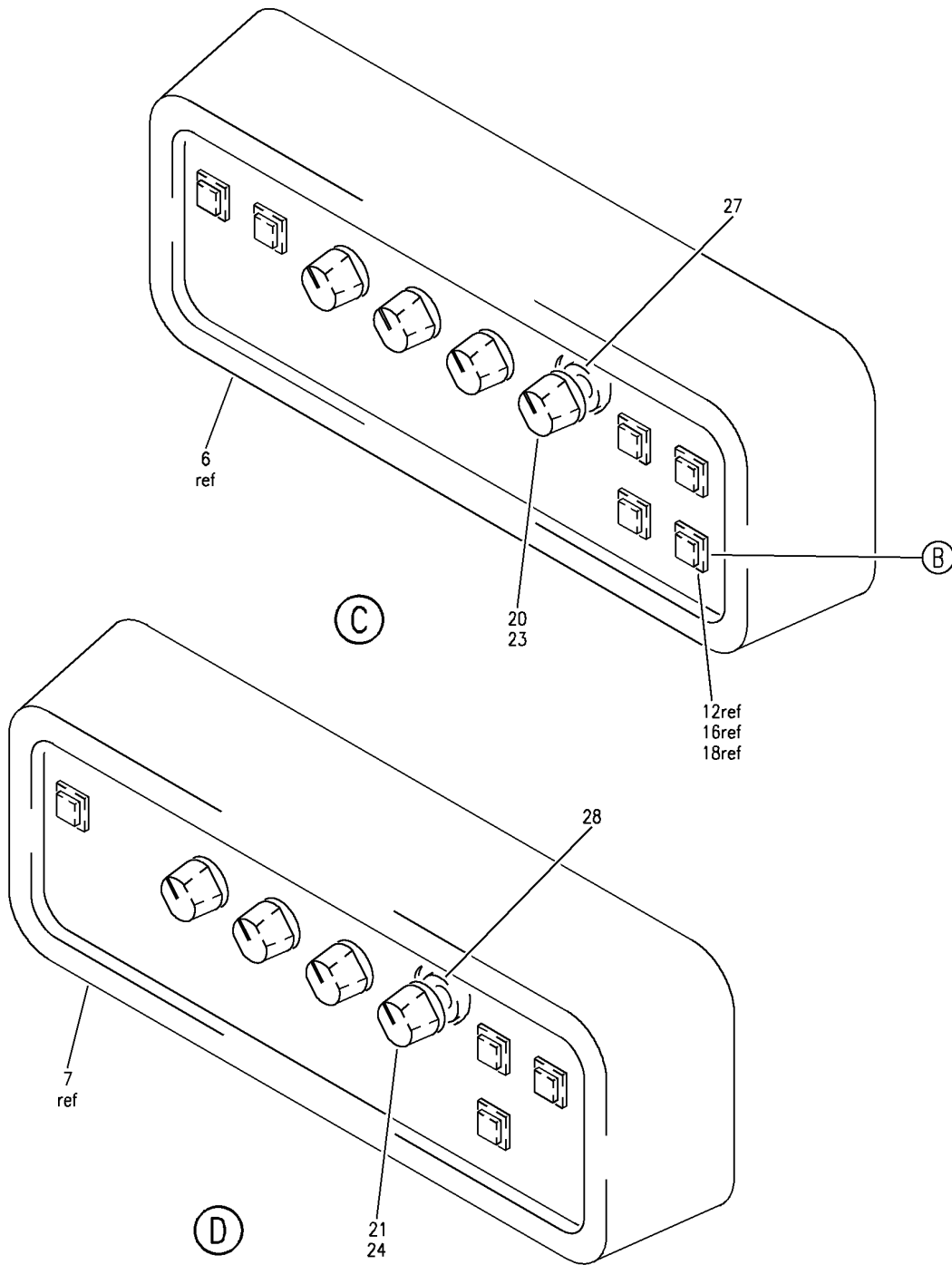
PANEL INSTL-ATTENDANT (PASSENGER ENTERTAINMENT SYSTEM ONLY)
FIGURE 1 (SHEET 1)

23-34-51-01

BRI
MAY 28/07

23-34-51-01
PAGE 0

BOEING
757
PARTS CATALOG (MAINTENANCE)



Y 23345101 SHT 2 REV 303

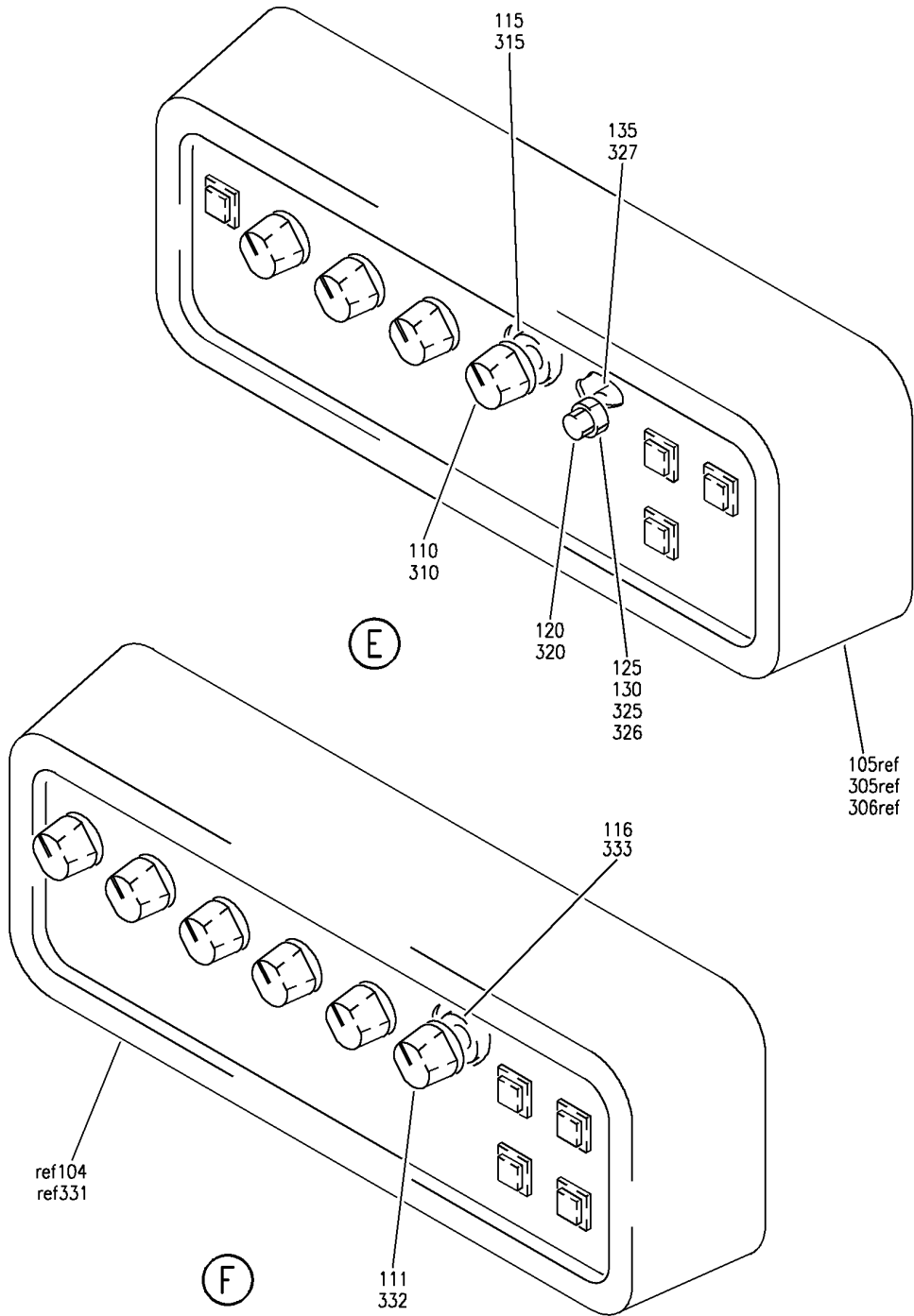
PANEL INSTL-ATTENDANT (PASSENGER ENTERTAINMENT SYSTEM ONLY)
FIGURE 1 (SHEET 2)

23-34-51-01

BRI
MAY 28/07

23-34-51-01
PAGE 0A

BOEING
757
PARTS CATALOG (MAINTENANCE)



Y 23345101 SHT 3 REV 303

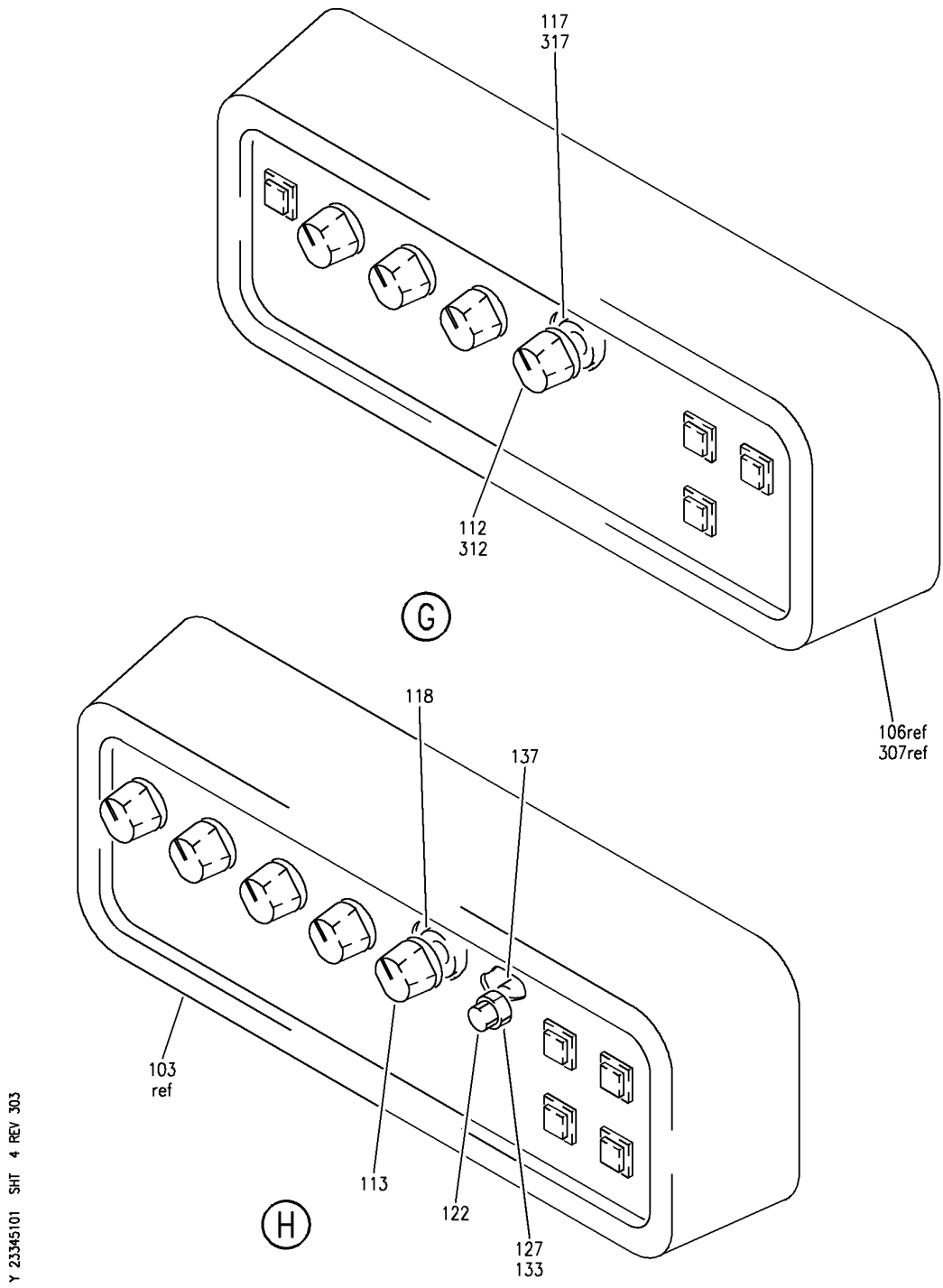
PANEL INSTL-ATTENDANT (PASSENGER ENTERTAINMENT SYSTEM ONLY)
FIGURE 1 (SHEET 3)

23-34-51-01

BRI
MAY 28/07

23-34-51-01
PAGE 0B

BOEING
757
PARTS CATALOG (MAINTENANCE)



Y 23345101 SHT 4 REV 303

PANEL INSTL-ATTENDANT (PASSENGER ENTERTAINMENT SYSTEM ONLY)
FIGURE 1 (SHEET 4)

23-34-51-01

BRI
MAY 28/07

23-34-51-01
PAGE 0C



757

PARTS CATALOG (MAINTENANCE)

FIG ITEM	PART NUMBER	1 2 3 4 5 6 7	NOMENCLATURE	EFFECT FROM TO	UNITS PER ASSY
1			PANEL INSTL-ATTENDANT (PASSENGER ENTERTAINMENT SYSTEM ONLY)	121503 904949	
- 101	417N6001-30		PANEL INSTL-ATTENDANT (PASSENGER ENTERTAINMENT SYSTEM ONLY) POSITION DATA: STA 340 FOR NHA/OTHER SYS DET SEE: 25-20-00-01E	121503 904949	RF
103	417N6002-31SP		.PANEL ASSY- SUPPLIER CODE: V89954 ELECTRICAL EQUIP NUMBER: P00021 COMPONENT MAINT MANUAL REF: 33-22-51	121503 904949	RF
113	RD409-101		..KNOB- SUPPLIER CODE: V81590	121503 904949	1
118	44YY26087		..SWITCH-ROTARY SUPPLIER CODE: V81073 ELECTRICAL EQUIP NUMBER: S10479	121503 904949	1
122	RD238NB1		..KNOB- SUPPLIER CODE: V81590	121503 904949	1
127	RC446A2B2		..KNOB- SUPPLIER CODE: V81590	121503 904949	1
133	MS25082-20		..NUT- MISCELLANEOUS DATA: USED TO ADJUST THE PROTRUSION OF THE SHAFT OF THE C-5359 VOLUME CONTROL POTENTIOMETER SO THAT THE VOLUME CONTROL KNOB WILL INSTALL TO MATCH THE HEIGHT OF THE ADJACENT CONTROL KNOBS	121503 904949	1
137	79-1970		..SWITCH- SUPPLIER CODE: V91812 ELECTRICAL EQUIP NUMBER: S10179	121503 904949	1
- 140	286N0504-013		..WIRE BUNDLE-	121503 904949	1

MISSING ITEM NUMBERS NOT APPLICABLE

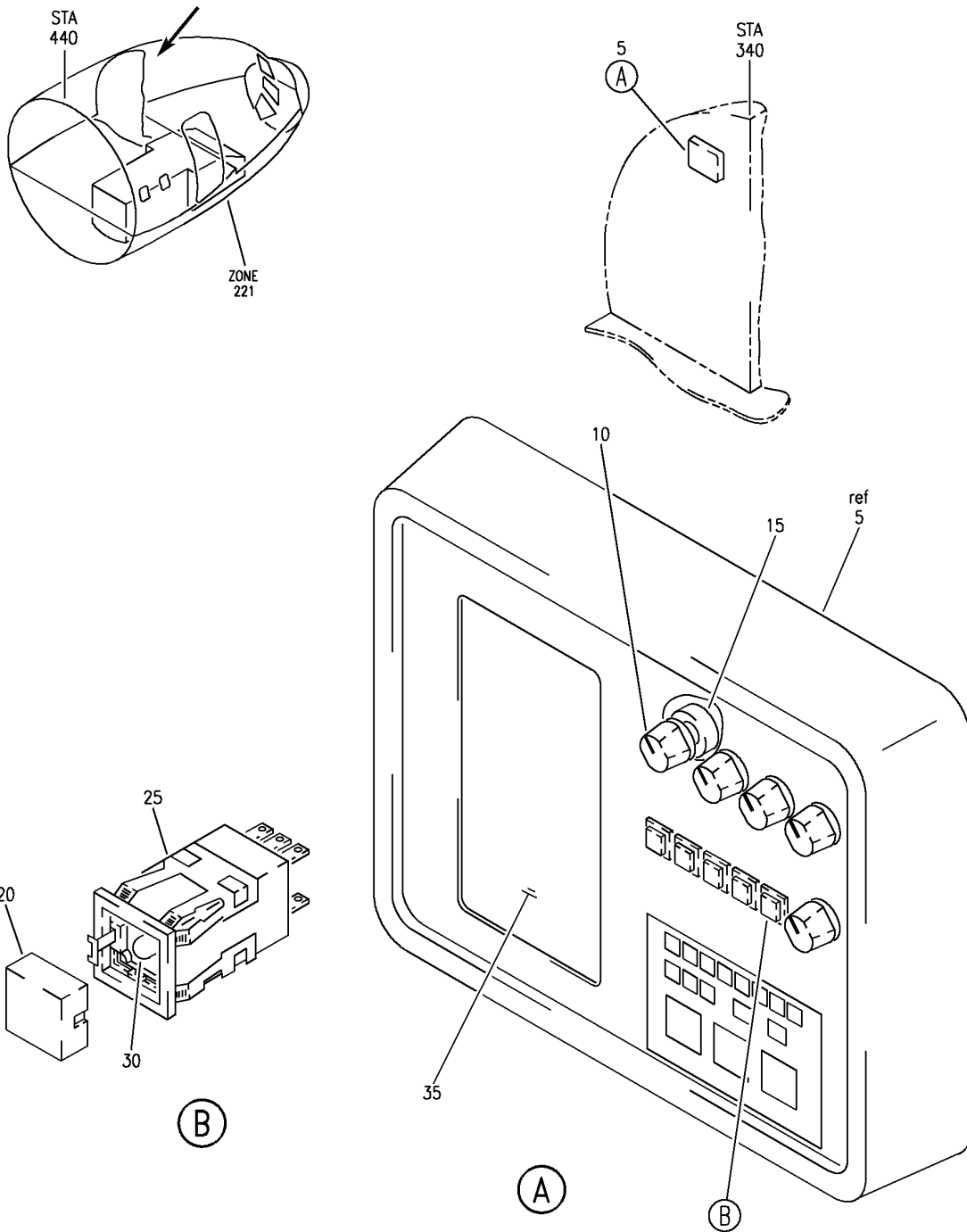
- ITEM NOT ILLUSTRATED

23-34-51-01

23-34-51
FIG. 01
PAGE 1
JAN 20/09

BRI

BOEING
757
PARTS CATALOG (MAINTENANCE)



Y 23345103 REV 303

PANEL INSTL-ATTENDANT (PASSENGER ENTERTAINMENT SYSTEM ONLY)

FIGURE 3

23-34-51-03

BRI
JAN 20/09

23-34-51-03
PAGE 0



757

PARTS CATALOG (MAINTENANCE)

FIG ITEM	PART NUMBER	1 2 3 4 5 6 7	NOMENCLATURE	EFFECT FROM TO	UNITS PER ASSY
3			PANEL INSTL-ATTENDANT (PASSENGER ENTERTAINMENT SYSTEM ONLY)	504903	
- 1	417N6001-209SP		PANEL INSTL-ATTENDANT (PASSENGER ENTERTAINMENT SYSTEM ONLY) POSITION DATA: STA 340 FOR NHA/OTHER SYS DET SEE: 25-20-00-07E	504903	RF
5	417N6002-74SP		.PANEL ASSY- SUPPLIER CODE: V89954 ELECTRICAL EQUIP NUMBER: P00021 COMPONENT MAINT MANUAL REF: 33-22-51	504903	RF
10	RD409-101		..KNOB- SUPPLIER CODE: V81590	504903	1
15	4P2224		..POTENTIOMETER- SUPPLIER CODE: V58756 ELECTRICAL EQUIP NUMBER: S10179	504903	1
20	2100-100		..LENS-SWITCH SUPPLIER CODE: V91929	504903	1
25	2100-8		..SWITCH ASSY-LIGHTED PUSH BUTTON SUPPLIER CODE: V91929 ELECTRICAL EQUIP NUMBER: S10479	504903	1
30	85		...BULB- SUPPLIER CODE: V08805	504903	1
- 50	286N0504-325		..WIRE BUNDLE	504903	1

MISSING ITEM NUMBERS NOT APPLICABLE

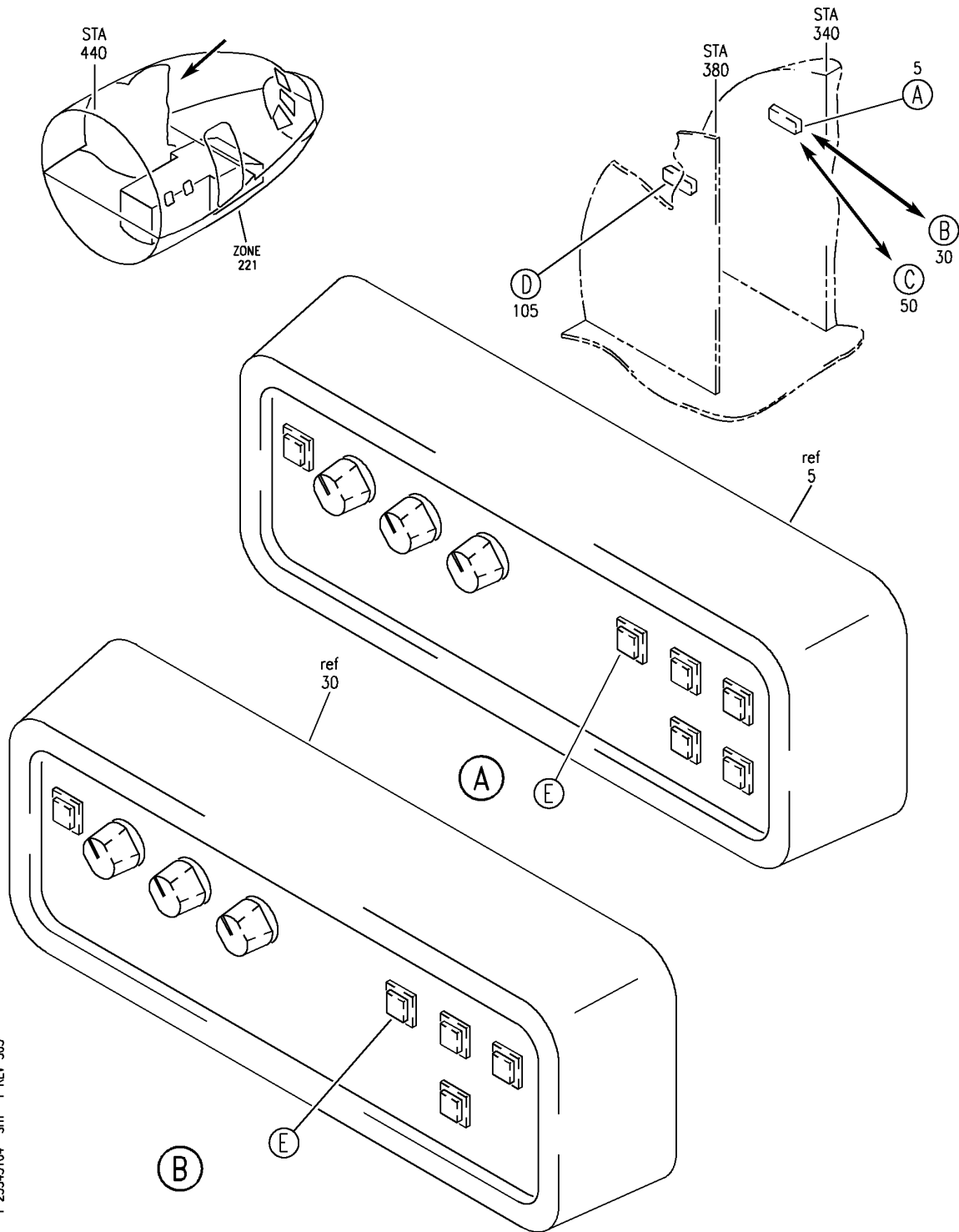
- ITEM NOT ILLUSTRATED

23-34-51-03

23-34-51
FIG. 03
PAGE 1
JAN 20/09

BRI

BOEING
757
PARTS CATALOG (MAINTENANCE)



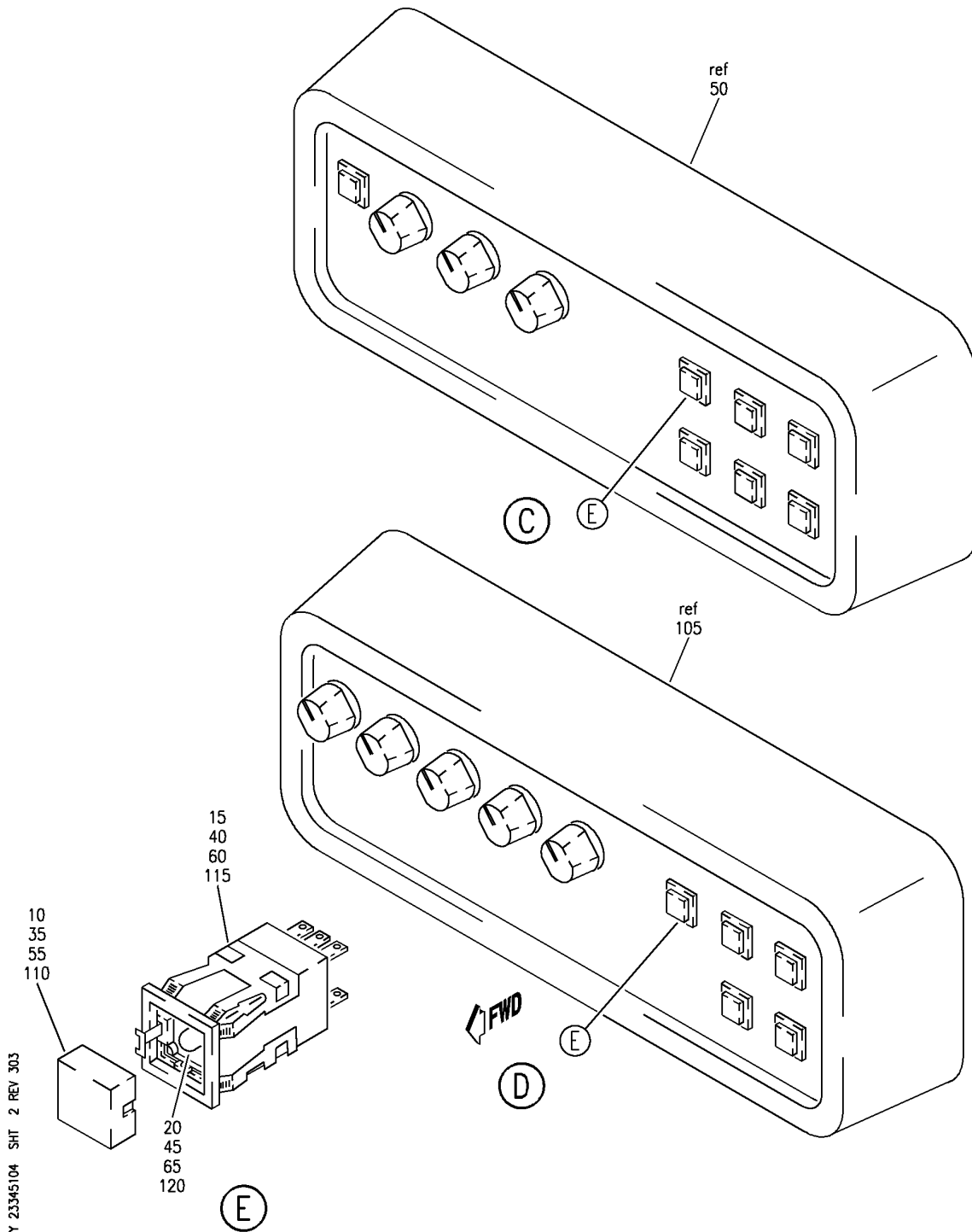
PANEL INSTL-ATTENDANT (PASSENGER ENTERTAINMENT SYSTEM ONLY)
FIGURE 4 (SHEET 1)

23-34-51-04

BRI
JAN 20/09

23-34-51-04
PAGE 0

BOEING
757
PARTS CATALOG (MAINTENANCE)



PANEL INSTL-ATTENDANT (PASSENGER ENTERTAINMENT SYSTEM ONLY)
FIGURE 4 (SHEET 2)

23-34-51-04

BRI
JAN 20/09

23-34-51-04
PAGE 0A



757

PARTS CATALOG (MAINTENANCE)

FIG ITEM	PART NUMBER	1 2 3 4 5 6 7	NOMENCLATURE	EFFECT FROM TO	UNITS PER ASSY
4			PANEL INSTL-ATTENDANT (PASSENGER ENTERTAINMENT SYSTEM ONLY)	108120	
- 100	417N6001-143B		PANEL INSTL-ATTENDANT DOOR NO. 1 (PASSENGER ENTERTAINMENT SYSTEM ONLY) POSITION DATA: STA 380.50 LH FOR NHA/OTHER SYS DET SEE: 25-20-00-07E	108120	RF
105	417N6002-95SP		.PANEL ASSY- SUPPLIER CODE: V89954 ELECTRICAL EQUIP NUMBER: P00021 COMPONENT MAINT MANUAL REF: 33-22-51	108120	RF
110	2100-100		..LENS-SWITCH SUPPLIER CODE: V91929	108120	1
115	2100-8		..SWITCH ASSY-LIGHTED PUSH BUTTON SUPPLIER CODE: V91929 ELECTRICAL EQUIP NUMBER: S10479	108120	1
120	85		...BULB- SUPPLIER CODE: V08805	108120	1
- 130	288N0175-704		..WIRE BUNDLE INSTL- USED ON: 417N6002-95SP	108120	1
- 130	288N0175-705		..WIRE BUNDLE INSTL	108120	1

MISSING ITEM NUMBERS NOT APPLICABLE

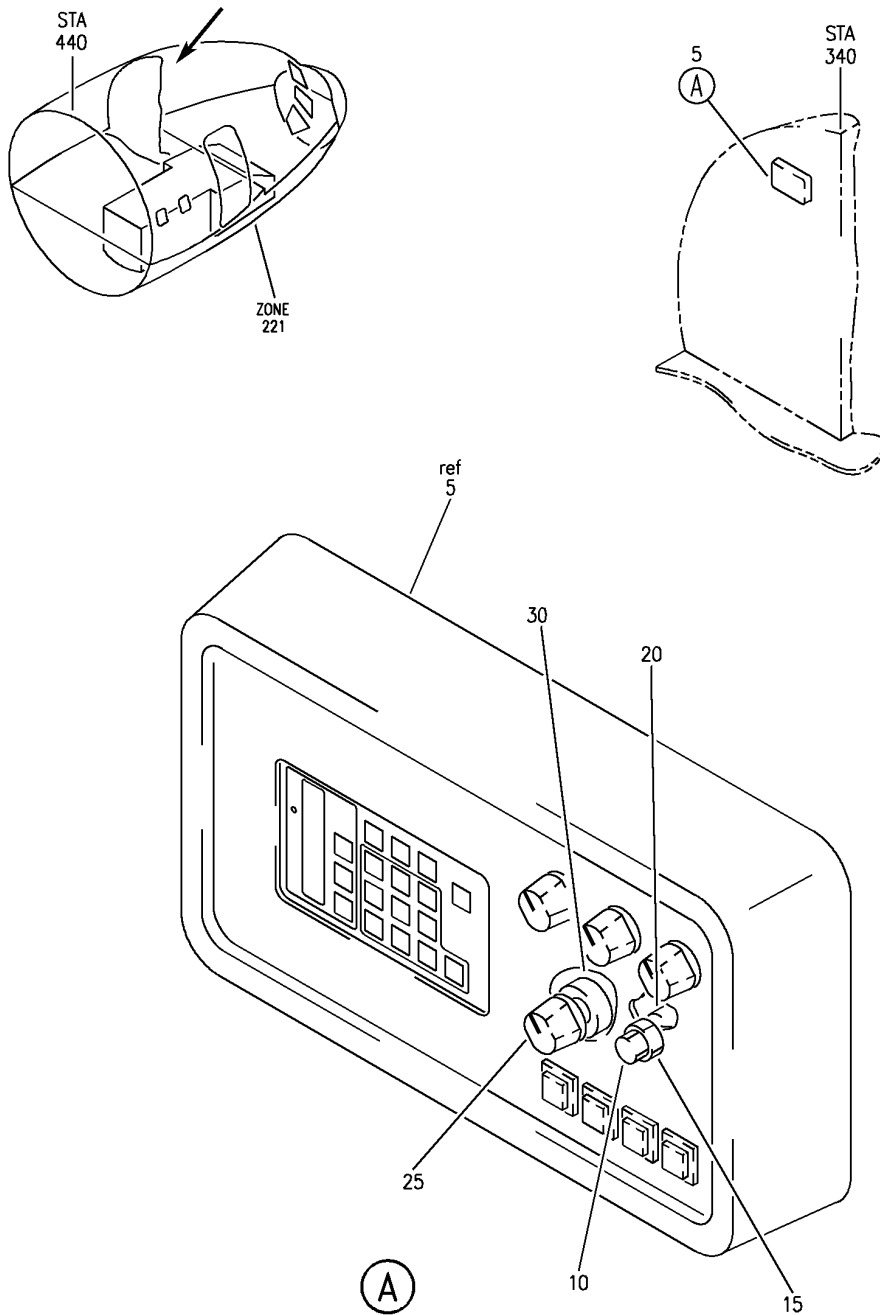
- ITEM NOT ILLUSTRATED

BRI

23-34-51-04

23-34-51
FIG. 04
PAGE 1
JAN 20/09

BOEING
757
PARTS CATALOG (MAINTENANCE)



Y 23345108 REV 303

PANEL INSTL-ATTENDANT (PASSENGER ENTERTAINMENT SYSTEM ONLY)
FIGURE 8

23-34-51-08

BRI
MAY 28/07

23-34-51-08
PAGE 0



757

PARTS CATALOG (MAINTENANCE)

FIG ITEM	PART NUMBER	1 2 3 4 5 6 7	NOMENCLATURE	EFFECT FROM TO	UNITS PER ASSY
8			PANEL INSTL-ATTENDANT (PASSENGER ENTERTAINMENT SYSTEM ONLY)	002004 006102	
- 1	417N6001-62		PANEL INSTL-ATTENDANT DOOR NO. 1 (PASSENGER ENTERTAINMENT SYSTEM ONLY) POSITION DATA: STA 340 LH FOR NHA/OTHER SYS DET SEE: 25-20-00-01A	002004 006100	RF
- 1	417N6001-246SP		PANEL INSTL-ATTENDANT DOOR NO. 1 (PASSENGER ENTERTAINMENT SYSTEM ONLY) POSITION DATA: STA 340 LH FOR NHA/OTHER SYS DET SEE: 25-20-00-07E	102102	RF
- 1	417N6001-242SP		PANEL INSTL-ATTENDANT DOOR NO. 1 (PASSENGER ENTERTAINMENT SYSTEM ONLY) POSITION DATA: STA 340 LH FOR NHA/OTHER SYS DET SEE: 25-20-00-07E	101101	RF
5	417N6002-54SP		.PANEL ASSY- SUPPLIER CODE: V89954 ELECTRICAL EQUIP NUMBER: P00021 COMPONENT MAINT MANUAL REF: 33-22-51 OPTIONAL PART: 417N6002-125SP V89954	002004 006101	RF
5	417N6002-125SP		.PANEL ASSY- SUPPLIER CODE: V89954 ELECTRICAL EQUIP NUMBER: P00021 COMPONENT MAINT MANUAL REF: 33-22-51 OPTIONAL PART: 417N6002-54SP V89954	101101	RF

MISSING ITEM NUMBERS NOT APPLICABLE

- ITEM NOT ILLUSTRATED

23-34-51-08

23-34-51
FIG. 08
PAGE 1
JAN 20/09

BRI



757

PARTS CATALOG (MAINTENANCE)

FIG ITEM	PART NUMBER	1 2 3 4 5 6 7	NOMENCLATURE	EFFECT FROM TO	UNITS PER ASSY
8					
5	417N6002-135SP		.PANEL ASSY- SUPPLIER CODE: V89954 ELECTRICAL EQUIP NUMBER: P00021 COMPONENT MAINT MANUAL REF: 33-22-51	102102	RF
10	RD238NB1		..KNOB- SUPPLIER CODE: V81590	002004 006102	1
15	RC446A2B2		..KNOB- SUPPLIER CODE: V81590	002004 006102	1
20	79-1970		..SWITCH- SUPPLIER CODE: V91812 ELECTRICAL EQUIP NUMBER: S10179	002004 006102	1
25	RD409-101		..KNOB- SUPPLIER CODE: V81590	002004 006102	1
30	44YY26087		..SWITCH-ROTARY SUPPLIER CODE: V81073 ELECTRICAL EQUIP NUMBER: S10479	002004 006102	1
- 35	286N0504-033		..WIRE BUNDLE	002004 006100	1
- 35	286N0504-323		..WIRE BUNDLE- USED ON: 417N6002-54SP	101101	1
- 40	288N0175-707		..WIRE BUNDLE INSTL- USED ON: 417N6002-125SP	101101	RF
- 40	288N0175-707		..WIRE BUNDLE INSTL	102102	RF

MISSING ITEM NUMBERS NOT APPLICABLE

- ITEM NOT ILLUSTRATED

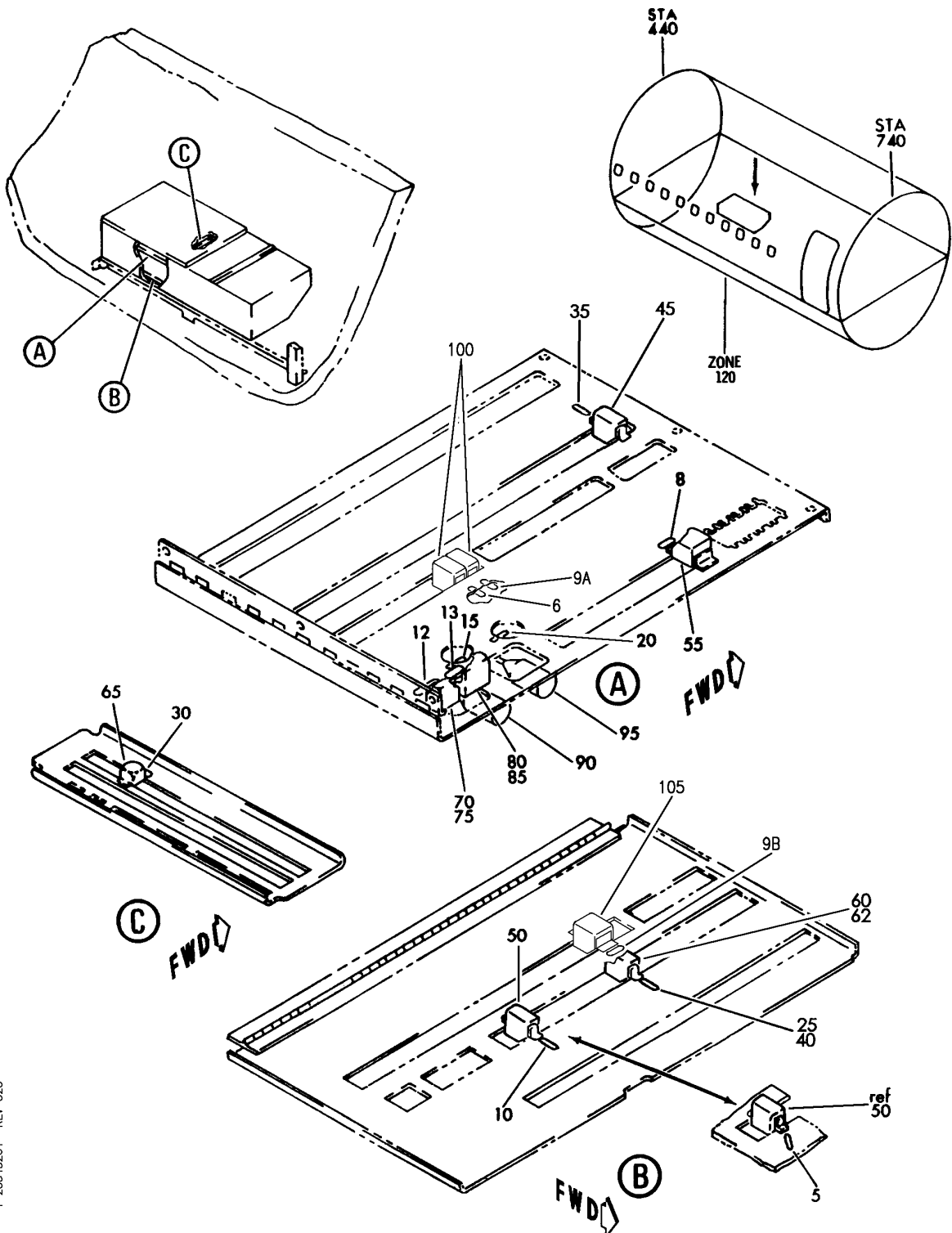
23-34-51-08

23-34-51
FIG. 08
PAGE 2
JAN 20/09

BRI

BOEING PROPRIETARY - Copyright © - Unpublished Work - See title page for details.

BOEING
757
PARTS CATALOG (MAINTENANCE)



Y 23345201 REV 325

PANEL ASSY-P36 MISC RELAY L (PASSENGER ENTERTAINMENT MUSIC ONLY)
FIGURE 1

23-34-52-01

BRI
SEP 20/08

23-34-52-01
PAGE 0



757

PARTS CATALOG (MAINTENANCE)

FIG ITEM	PART NUMBER	1 2 3 4 5 6 7	NOMENCLATURE	EFFECT FROM TO	UNITS PER ASSY
1			PANEL ASSY-P36 MISC RELAY L (PASSENGER ENTERTAINMENT MUSIC ONLY)	002004 006100 107107 950999	
- 1	284N1125-1		PANEL ASSY-P36 MISC RELAY (PASSENGER ENTERTAINMENT MUSIC ONLY) POSITION DATA: L VARIABLE DRAWING REF: 284N1125-5023 284N1125-5049 284N1125-5050 284N1125-5054 REWORKED BY SB: 34-0200 REWORKED BY ALERT SB: 27A0130 FOR NHA/OTHER SYS DET SEE: 31-01-36-01B	002004 006100 107107 950999	RF
5	BAC27NEX2267		.DECAL- PLACARD CONTENT: K10599	952999	1
6	BAC27NEX2385		.DECAL- PLACARD CONTENT: K2067 POST SERVICE BULLETIN: 34-0414	107107	1
8	BAC27NEX2267		.DECAL- PLACARD CONTENT: K10599	950951	1
9A	BAC27NEX2383		.DECAL- PLACARD CONTENT: K2065 POST SERVICE BULLETIN: 34-0414	107107	1
9B	BAC27NEX2372		.DECAL- PLACARD CONTENT: K10639 POST SERVICE BULLETIN: 34-0414	107107	1
10	BAC27NEX2267		.DECAL- PLACARD CONTENT: K10599	002004 006100	1
15	BAC27NEX2800		.DECAL- PLACARD CONTENT: TI0062	006100	1

MISSING ITEM NUMBERS NOT APPLICABLE

- ITEM NOT ILLUSTRATED

23-34-52-01

23-34-52
FIG. 01
PAGE 1
JAN 20/09

BRI



757

PARTS CATALOG (MAINTENANCE)

FIG ITEM	PART NUMBER	1 2 3 4 5 6 7	NOMENCLATURE	EFFECT FROM TO	UNITS PER ASSY
1					
20	BAC27NEX2801	.DECAL-	PLACARD CONTENT: T10063	006100	1
25	BAC27NEX2268	.DECAL-	PLACARD CONTENT: K10600	107107	1
35	BAC27NEX2952	.DECAL-	PLACARD CONTENT: K10748	107107	1
45	W460F1A	.RELAY-	SUPPLIER CODE: VF0219 SPECIFICATION NUMBER: BACR13CE2 OPTIONAL PART: 3SAH5-13-4K1 V01526 3SAH1326A2 V01526 ELECTRICAL EQUIP NUMBER: K10748	107107	1
50	ES210-1632	.RELAY-	SUPPLIER CODE: V99699 SPECIFICATION NUMBER: BACR13CF2AB OPTIONAL PART: JD4L018 V35344 JD4L031 V35344 BR246S0111 V56623 BR64S105 V56623 FCA210-71 V78290 61GB2319-1A320 V98927 ELECTRICAL EQUIP NUMBER: K10599	002004 006100 952999	1

MISSING ITEM NUMBERS NOT APPLICABLE

- ITEM NOT ILLUSTRATED

BRI

23-34-52-01

BOEING PROPRIETARY - Copyright © - Unpublished Work - See title page for details.

23-34-52
FIG. 01
PAGE 2
JAN 20/09



757

PARTS CATALOG (MAINTENANCE)

FIG ITEM	PART NUMBER	1 2 3 4 5 6 7	NOMENCLATURE	EFFECT FROM TO	UNITS PER ASSY
1 55	ES410-1538		.RELAY- SUPPLIER CODE: V99699 SPECIFICATION NUMBER: BACR13CG2AB OPTIONAL PART: KD4L018 V35344 BR230DS0115 V56623 KD4L036 V58657 FCA410-63 V78290 ELECTRICAL EQUIP NUMBER: K10599	950951	1
60	ES210-1632		.RELAY- SUPPLIER CODE: V99699 SPECIFICATION NUMBER: BACR13CF2AB OPTIONAL PART: JD4L018 V35344 JD4L031 V35344 BR246S0111 V56623 BR64S105 V56623 FCA210-71 V78290 61GB2319-1A320 V98927 ELECTRICAL EQUIP NUMBER: K10600	107107	1
90	284N1485-19		.TRANSFORMER ASSY- ELECTRICAL EQUIP NUMBER: T10062	006100	1
95	284N1485-20		.TRANSFORMER ASSY- ELECTRICAL EQUIP NUMBER: T10063	006100	1

MISSING ITEM NUMBERS NOT APPLICABLE

- ITEM NOT ILLUSTRATED

23-34-52-01

23-34-52
FIG. 01
PAGE 3
JAN 20/09

BRI



757

PARTS CATALOG (MAINTENANCE)

FIG ITEM	PART NUMBER	1 2 3 4 5 6 7	NOMENCLATURE	EFFECT FROM TO	UNITS PER ASSY
1 100	W260F4AM11		.RELAY- SUPPLIER CODE: VF0219 SPECIFICATION NUMBER: BACR13CD2 OPTIONAL PART: BR16S233 V09026 EE4AA005 V35344 3SAV1338A2 V01526 HFW1206K03 V58614 HFW1204K01 V71482 ELECTRICAL EQUIP NUMBER: K002065 K002067 POST SERVICE BULLETIN: 34-0414	107107	2
105	ES410-1538		.RELAY- SUPPLIER CODE: V99699 SPECIFICATION NUMBER: BACR13CG2AB OPTIONAL PART: KD4L018 V35344 BR230DS0115 V56623 KD4L036 V58657 FCA410-63 V78290 ELECTRICAL EQUIP NUMBER: K010639 POST SERVICE BULLETIN: 34-0414	107107	1

MISSING ITEM NUMBERS NOT APPLICABLE

- ITEM NOT ILLUSTRATED

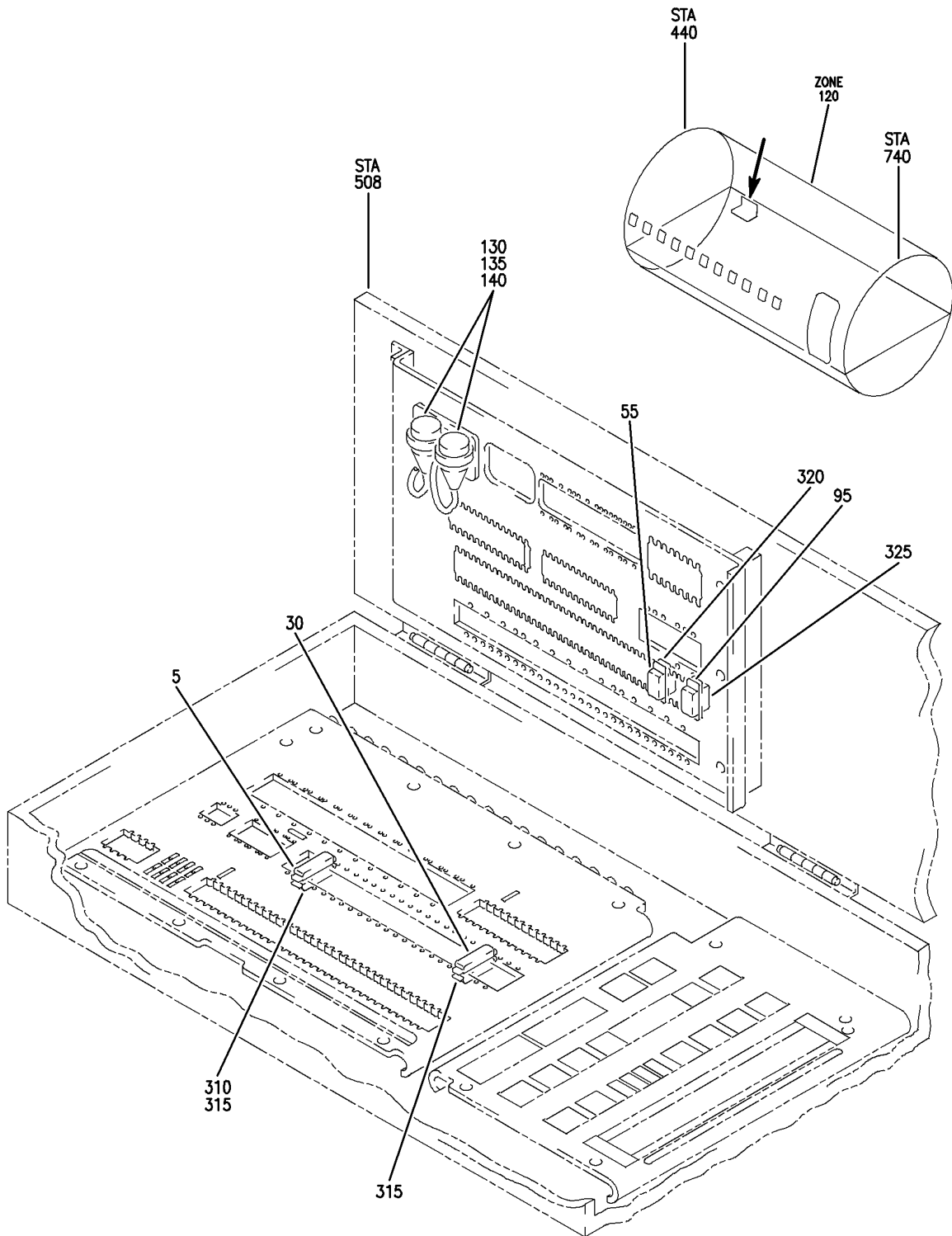
BRI

23-34-52-01

BOEING PROPRIETARY - Copyright © - Unpublished Work - See title page for details.

23-34-52
FIG. 01
PAGE 4
JAN 20/09

BOEING
757
PARTS CATALOG (MAINTENANCE)



Y 23345201A REV 225

PACKAGE ASSY-OPTION P36 MISC RELAY L (PASSENGER ENTERTAINMENT MUSIC ONLY)
FIGURE 1A

BRI
MAY 28/07

23-34-52-01A

23-34-52-01A
PAGE 0



757

PARTS CATALOG (MAINTENANCE)

FIG ITEM	PART NUMBER	1 2 3 4 5 6 7	NOMENCLATURE	EFFECT FROM TO	UNITS PER ASSY
1 A			PACKAGE ASSY-OPTION P36 MISC RELAY L (PASSENGER ENTERTAINMENT MUSIC ONLY)	101102 504903	
- 1	284N1125-1005		OPTION PACKAGE ASSY-P36 MISC RELAY L (PASSENGER ENTERTAINMENT MUSIC ONLY) REWORKED BY ALERT SB: 27A0130 FOR NHA SEE: 31-01-36-05	101102 504903	RF
5	ES210-1632		.RELAY- SUPPLIER CODE: V99699 SPECIFICATION NUMBER: BACR13CF2AB OPTIONAL PART: JD4L018 V35344 JD4L031 V35344 BR246S0111 V56623 BR64S105 V56623 FCA210-71 V78290 61GB2319-1A320 V98927 ELECTRICAL EQUIP NUMBER: K10599	101102 504903	1
- 301	286N1260-358		WIRE BUNDLE ASSY- REWORKED BY ALERT SB: 27A0130	101102	RF
- 301	286N1260-364		WIRE BUNDLE ASSY- REWORKED BY ALERT SB: 27A0130	504903	RF

MISSING ITEM NUMBERS NOT APPLICABLE

- ITEM NOT ILLUSTRATED

23-34-52-01A

23-34-52
FIG. 01A
PAGE 1
JAN 20/09

BRI



757

PARTS CATALOG (MAINTENANCE)

FIG ITEM	PART NUMBER	1 2 3 4 5 6 7	NOMENCLATURE	EFFECT FROM TO	UNITS PER ASSY
1 A 310	RSF116200		. SOCKET- SUPPLIER CODE: V58982 SPECIFICATION NUMBER: BACS16X1A OPTIONAL PART: 102-006-1 V09922 000300-1538 V05574 ELECTRICAL EQUIP NUMBER: D01349 WIRING DIAGRAM REF: 233401 233415	101102 504903	1

MISSING ITEM NUMBERS NOT APPLICABLE

- ITEM NOT ILLUSTRATED

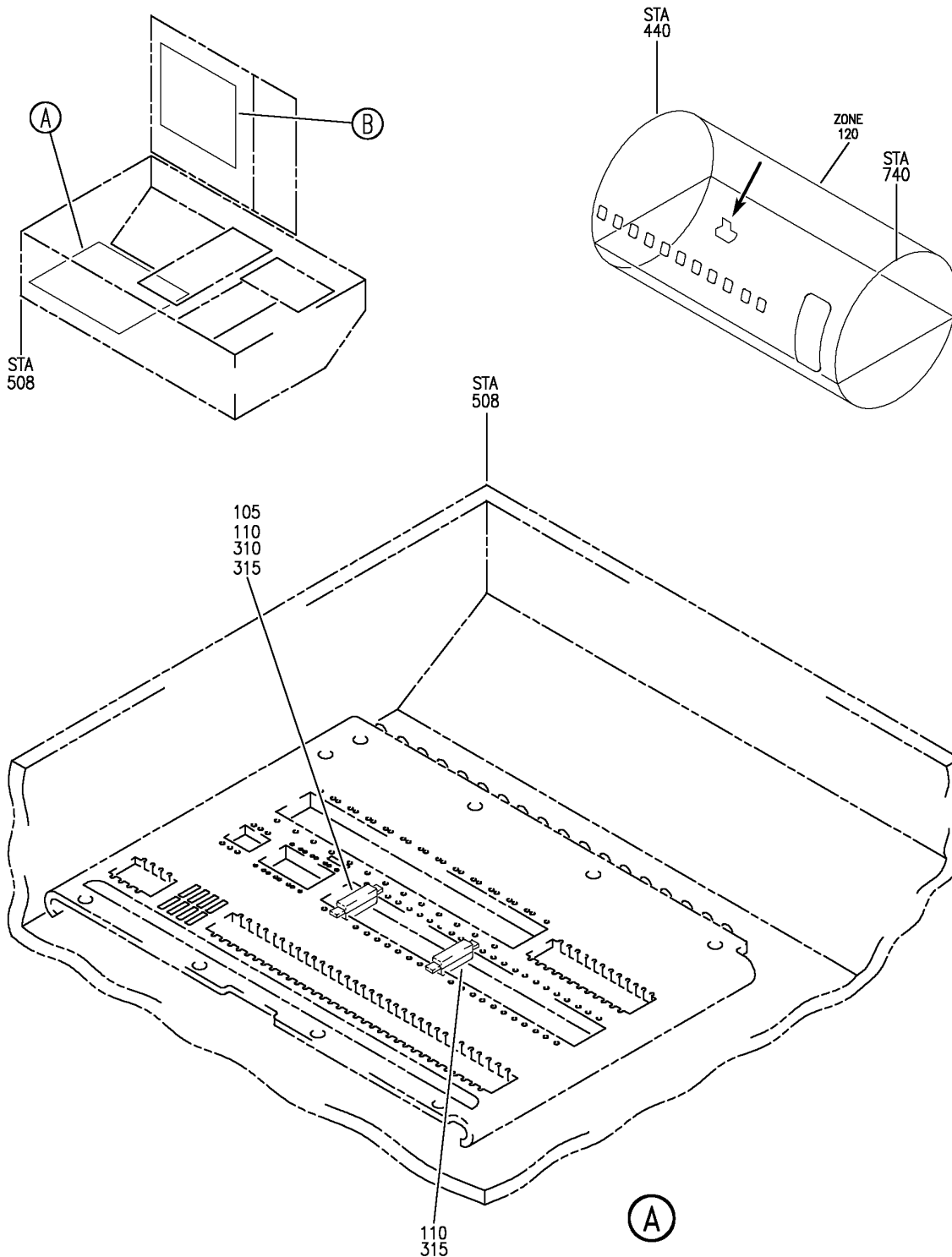
BRI

23-34-52-01A

BOEING PROPRIETARY - Copyright © - Unpublished Work - See title page for details.

23-34-52
FIG. 01A
PAGE 2
JAN 20/09

BOEING
757
PARTS CATALOG (MAINTENANCE)



Y 23345201C SHT 1 REV 250

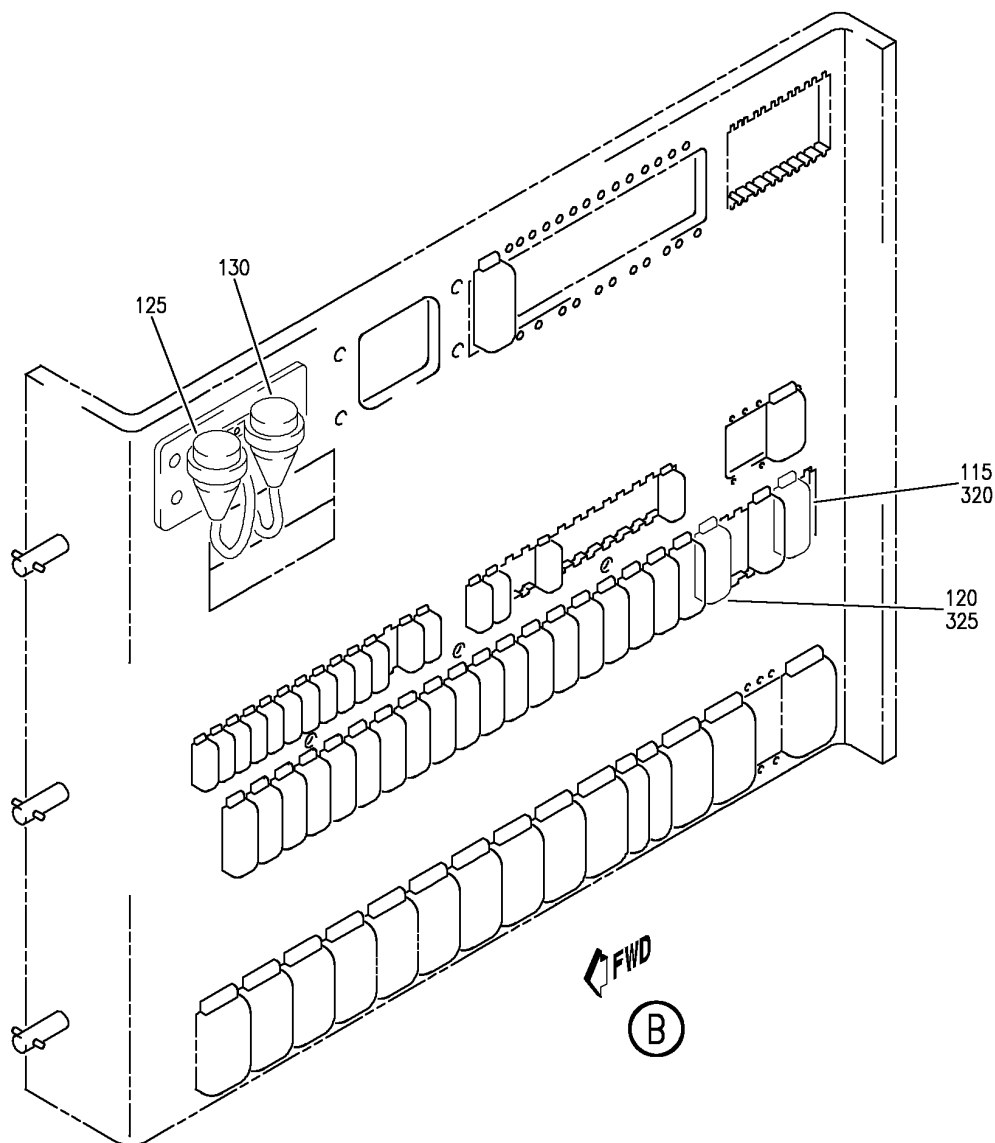
PANEL INSTL-P36 L MISC RELAY (PASSENGER ENTERTAINMENT MUSIC ONLY)
FIGURE 1C (SHEET 1)

23-34-52-01C

BRI
JAN 20/09

23-34-52-01C
PAGE 0

BOEING
757
PARTS CATALOG (MAINTENANCE)



Y 23345201C SHT 2 REV 250

PANEL INSTL-P36 L MISC RELAY (PASSENGER ENTERTAINMENT MUSIC ONLY)
FIGURE 1C (SHEET 2)

23-34-52-01C

BRI
JAN 20/09

23-34-52-01C
PAGE 0A



757

PARTS CATALOG (MAINTENANCE)

FIG ITEM	PART NUMBER	1 2 3 4 5 6 7	NOMENCLATURE	EFFECT FROM TO	UNITS PER ASSY
1 C			PANEL INSTL-P36 L MISC RELAY (PASSENGER ENTERTAINMENT MUSIC ONLY)	103106 108120	
- 2	284N1125-94		PANEL INSTL-P36 L MISC RELAY (PASSENGER ENTERTAINMENT MUSIC ONLY) FOR NHA/OTHER SYS DET SEE: 24-00-58-05C	108120	RF

MISSING ITEM NUMBERS NOT APPLICABLE

- ITEM NOT ILLUSTRATED

BRI

23-34-52-01C

BOEING PROPRIETARY - Copyright © - Unpublished Work - See title page for details.

23-34-52
FIG. 01C
PAGE 1
JAN 20/09



757

PARTS CATALOG (MAINTENANCE)

FIG ITEM	PART NUMBER	1 2 3 4 5 6 7	NOMENCLATURE	EFFECT FROM TO	UNITS PER ASSY
1C - 7	MODREF31944		PANEL INSTL-P36 L MISC RELAY (PASSENGER ENTERTAINMENT MUSIC ONLY) MODULE NUMBER: 284N1125-123 REV A FOR OTHER SYS DETAILS SEE: 11-36-08-03C 21-25-71-02C 21-33-71-02C 21-51-56-01C 21-58-71-02C 23-12-00-05 23-31-54-01C 24-21-51-01A 26-15-71-02C 26-16-71-01C 26-22-71-01C 27-48-52-03C 27-51-71-03C 27-58-71-02C 27-62-71-03C 29-11-71-03C 29-21-71-01C 30-21-71-03C 30-34-51-01C 31-01-36-01 32-09-02-03C 32-35-71-01C 32-42-71-02C 32-44-71-02C 32-61-71-02C 34-12-71-02C 34-21-71-02C 34-22-52-01C 34-61-52-01C 36-11-71-02C 73-21-55-01C 74-31-71-02C 76-11-71-02C 77-12-71-01C 78-34-71-02C 78-36-71-02C 80-11-71-02C	103106	1

MISSING ITEM NUMBERS NOT APPLICABLE

- ITEM NOT ILLUSTRATED

23-34-52-01C

23-34-52
 FIG. 01C
 PAGE 2
 JAN 20/09

BRI



757

PARTS CATALOG (MAINTENANCE)

FIG ITEM	PART NUMBER	1 2 3 4 5 6 7	NOMENCLATURE	EFFECT FROM TO	UNITS PER ASSY
1C 105	ES210-1632		.RELAY- SUPPLIER CODE: V99699 SPECIFICATION NUMBER: BACR13CF2AB OPTIONAL PART: JD4L018 V35344 JD4L031 V35344 BR246S0111 V56623 BR64S105 V56623 FCA210-71 V78290 61GB2319-1A320 V98927 ELECTRICAL EQUIP NUMBER: K10599	103106 108120	1
- 300	286N1260-357		WIRE BUNDLE ASSY	108120	RF
- 302	286N1260-601		WIRE BUNDLE ASSY	103106	RF
310	RSF116200		.SOCKET- SUPPLIER CODE: V58982 SPECIFICATION NUMBER: BACS16X1A OPTIONAL PART: 102-006-1 V09922 000300-1538 V05574 ELECTRICAL EQUIP NUMBER: D01349 WIRING DIAGRAM REF: 233415 233401	103106 108120	1

MISSING ITEM NUMBERS NOT APPLICABLE

- ITEM NOT ILLUSTRATED

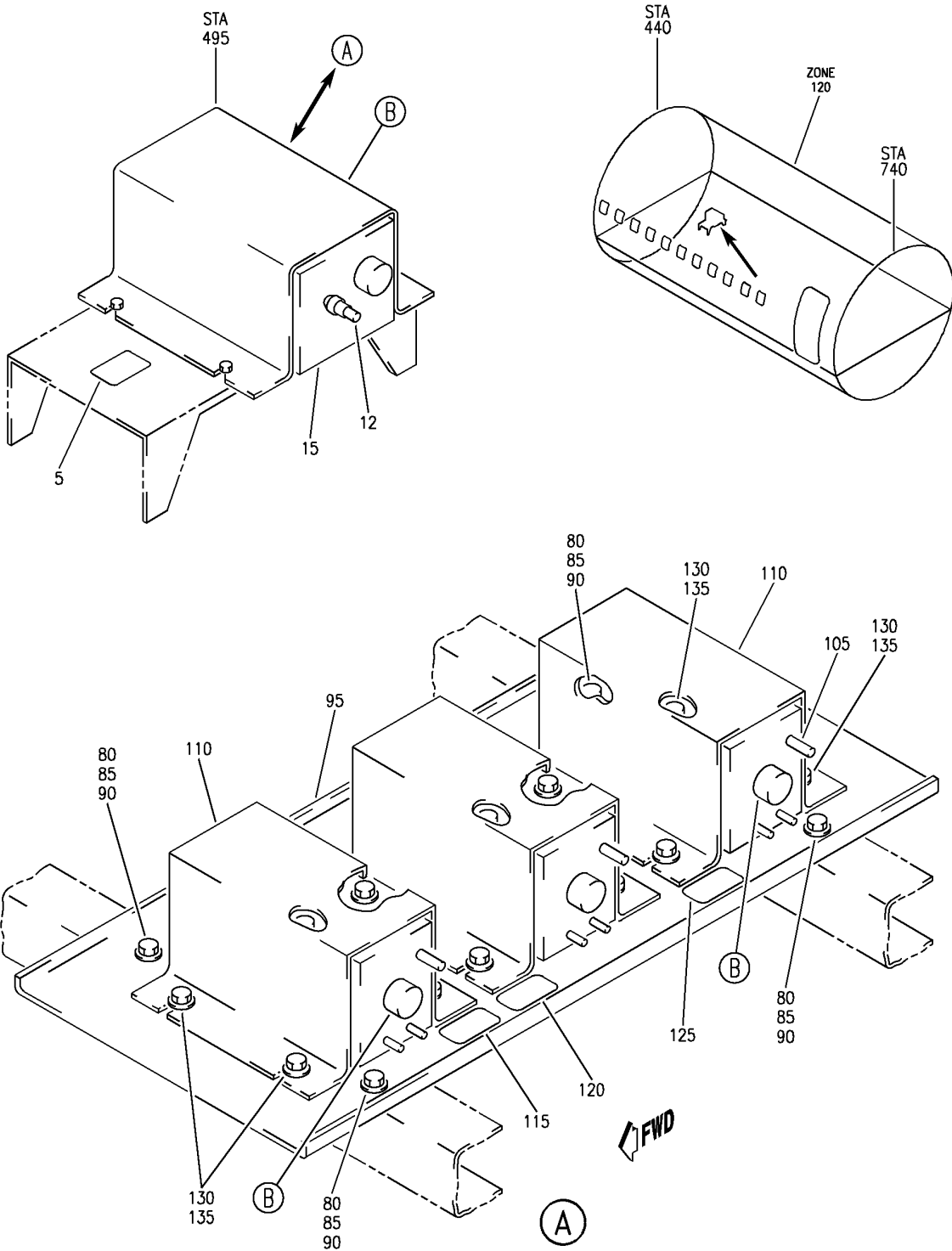
BRI

23-34-52-01C

BOEING PROPRIETARY - Copyright © - Unpublished Work - See title page for details.

23-34-52
FIG. 01C
PAGE 3
JAN 20/09

BOEING
757
PARTS CATALOG (MAINTENANCE)



Y 23345301 SHT 1 REV 303

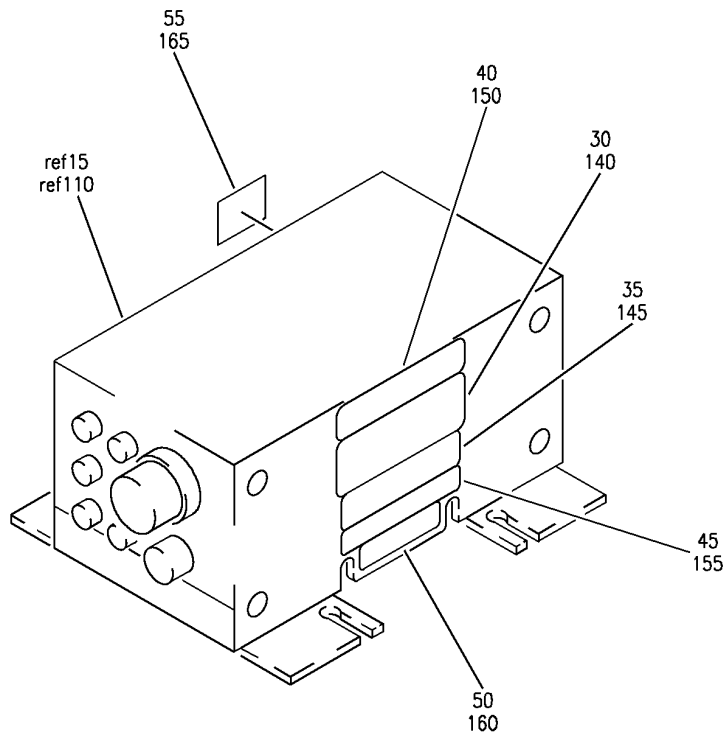
MULTIPLEXER AND SUPPORT INSTL-PASS. ENTERTAINMENT ZONE
FIGURE 1 (SHEET 1)

23-34-53-01

BRI
JAN 20/09

23-34-53-01
PAGE 0

BOEING
757
PARTS CATALOG (MAINTENANCE)



(B)

Y 23345301 SHT 2 REV 303

MULTIPLEXER AND SUPPORT INSTL-PASS. ENTERTAINMENT ZONE
FIGURE 1 (SHEET 2)

23-34-53-01

BRI
JAN 20/09

23-34-53-01
PAGE 0A



757

PARTS CATALOG (MAINTENANCE)

FIG ITEM	PART NUMBER	1 2 3 4 5 6 7	NOMENCLATURE	EFFECT FROM TO	UNITS PER ASSY
1			MULTIPLEXER AND SUPPORT INSTL-PASS. ENTERTAINMENT ZONE	504903	
- 75	284N1147-3		SUPPORT INSTL- FOR NHA SEE: 24-00-58-05C	504903	RF
80	BRC600-8-3GP		.NUT SUPPLIER CODE: V52828 SPECIFICATION NUMBER: BACN10YD1G OPTIONAL PART: 130120G V60119	504903	4
85	BACS12GU3K9		.SCREW	504903	4
90	NAS1149D0816J		.WASHER	504903	4
95	284N1148-3		.BRACKET ASSY	504903	1
- 100	284N1147-4		MULTIPLEXER INSTL-PASS. ENTERTAINMENT ZONE FOR NHA SEE: 24-00-58-05C	504903	RF
115	BAC27NEX3100		.DECAL- PLACARD CONTENT: M10778 ZONE A MULTIPLEXER	504903	1
120	BAC27NEX3101		.DECAL- PLACARD CONTENT: M10593 ZONE B MULTIPLEXER	504903	1
125	BAC27NEX3102		.DECAL- PLACARD CONTENT: M10594 ZONE C MULTIPLEXER	504903	1
130	BACS12GU08K9		ATTACHING PARTS .SCREW	504903	12
135	NAS1149D0816J		.WASHER -----*-----	504903	12

MISSING ITEM NUMBERS NOT APPLICABLE

- ITEM NOT ILLUSTRATED

23-34-53-01

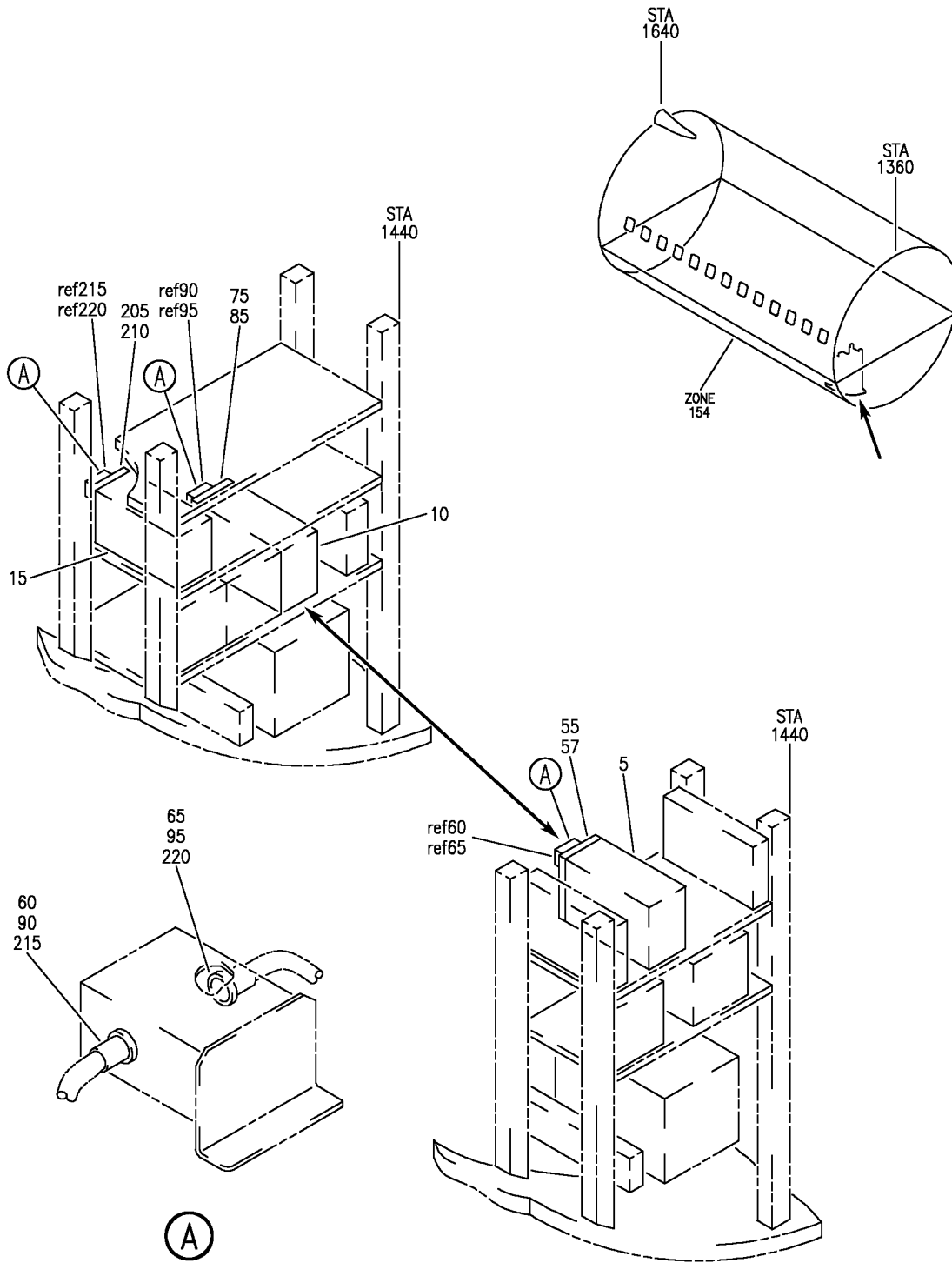
23-34-53
FIG. 01
PAGE 1
JAN 20/09

BRI

BOEING PROPRIETARY - Copyright © - Unpublished Work - See title page for details.

PASSENGER FLIGHT INFORMATION SYSTEM (PFIDS)

BOEING
757
PARTS CATALOG (MAINTENANCE)



Y 23380101 REV 276

EQUIPMENT AND SOFTWARE INSTL - E6 AFT EQPT CTR (DIGITAL INTERFACE UNIT ONLY)
FIGURE 1

BRI
JAN 20/09

23-38-01-01

23-38-01-01
PAGE 0



757

PARTS CATALOG (MAINTENANCE)

FIG ITEM	PART NUMBER	1 2 3 4 5 6 7	NOMENCLATURE	EFFECT FROM TO	UNITS PER ASSY
1			EQUIPMENT AND SOFTWARE INSTL - E6 AFT EQPT CTR (DIGITAL INTERFACE UNIT ONLY)	103106	
- 4	MODREF22707		EQUIPMENT INSTL-E6 EQPT CTR (DIGITAL INTERFACE UNIT ONLY) MODULE NUMBER: 284N6000-230017 REV B POSITION DATA: AFT	103106	1
15	921006		.INTERFACE UNIT-DIGITAL SUPPLIER CODE: V70093 ELECTRICAL EQUIP NUMBER: M10933 QUALIFIED I/W DATA: 921006 IS INTERCHANGEABLE WITH 921005 EXCEPT 921006 DOES NOT REQUIRE THE CDROM CADDY PART NUMBER 921111 IS USED WITH 921005	103106	1
- 25	BCREF16533		.CDROM-DISK SUPPLIER CODE: V70093 OVERLENGTH PART NUMBER: 921900-01-9999-7 MISCELLANEOUS DATA: THIS DEFAULT CDROM IS TYPICALLY REPLACED AFTER DELIVERY WITH AIRLINE CUSTOMIZED SOFTWARE. CONTACT SUPPLIER FOR SPARES SUPPORT.	103106	1
- 200	286N1049-601		WIRE BUNDLE ASSY	103106	RF
205	BCREF136276		.CONNECTOR- SUPPLIER CODE: V71771 OVERLENGTH PART NUMBER: RM3P32C2S67S32C2S0001 ELECTRICAL EQUIP NUMBER: D01973 WIRING DIAGRAM REF: 233221	103106	1

MISSING ITEM NUMBERS NOT APPLICABLE

- ITEM NOT ILLUSTRATED

BRI

23-38-01-01

23-38-01
FIG. 01
PAGE 1
JAN 20/09



757

PARTS CATALOG (MAINTENANCE)

FIG ITEM	PART NUMBER	1 2 3 4 5 6 7	NOMENCLATURE	EFFECT FROM TO	UNITS PER ASSY
1 210	527-082G		.BACKSHELL- SUPPLIER CODE: V06324 ELECTRICAL EQUIP NUMBER: D01973T WIRING DIAGRAM REF: 233221	103106	1

MISSING ITEM NUMBERS NOT APPLICABLE

- ITEM NOT ILLUSTRATED

BRI

23-38-01-01

BOEING PROPRIETARY - Copyright © - Unpublished Work - See title page for details.

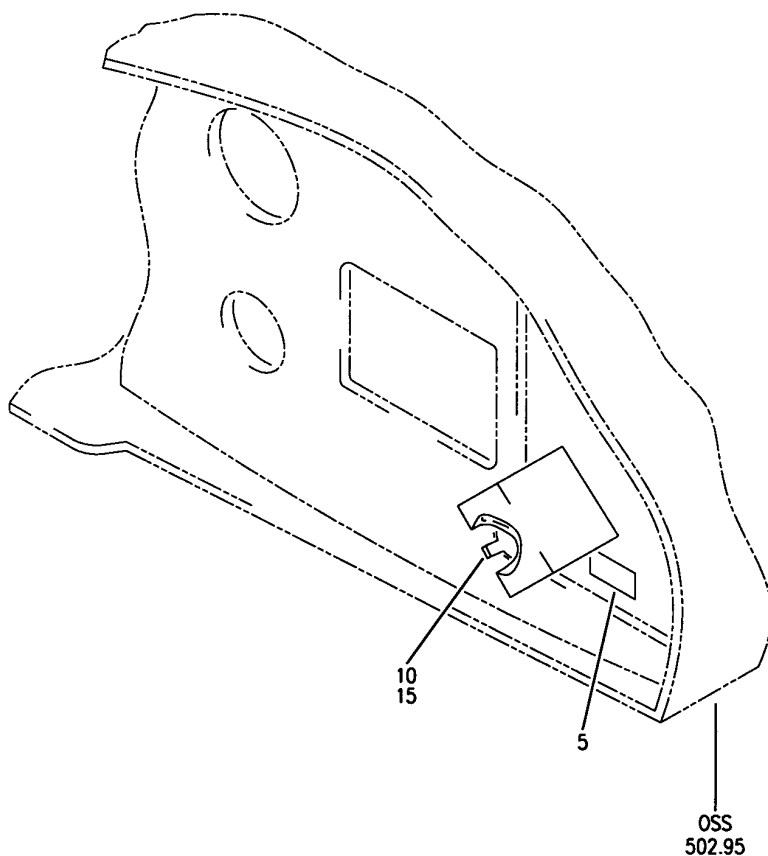
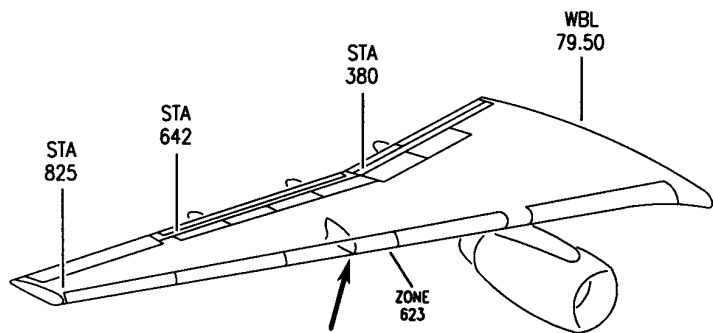
23-38-01
FIG. 01
PAGE 2
JAN 20/09

SERVICE INTERPHONE SYSTEM (SIS)

BRI
MAY 28/07

23-41-00
SECTION TITLE
PAGE 1

BOEING
757
PARTS CATALOG (MAINTENANCE)



Y 23410001 REV 205

EQUIPMENT INSTL-WING REFUELING PNL ELECTRICAL/ELECTRONICS (SERVICE INTERPHONE SYSTEM ONLY)

FIGURE 1

23-41-00-01

BRI
MAY 28/07

23-41-00-01
PAGE 0



757

PARTS CATALOG (MAINTENANCE)

FIG ITEM	PART NUMBER	1 2 3 4 5 6 7	NOMENCLATURE	EFFECT FROM TO	UNITS PER ASSY
1			EQUIPMENT INSTL-WING REFUELING PNL ELECTRICAL/ELECTRONICS (SERVICE INTERPHONE SYSTEM ONLY)	002004 006999	
- 1	284N1114-2		EQUIPMENT INSTL-WING REFUELING PNL ELECTRICAL/ELECTRONICS (SERVICE INTERPHONE SYSTEM ONLY) FOR NHA/OTHER SYS DET SEE: 24-00-58-01	107107	RF
- 1	284N1114-5		EQUIPMENT INSTL-WING REFUELING PNL ELECTRICAL/ELECTRONICS (SERVICE INTERPHONE SYSTEM ONLY) FOR NHA/OTHER SYS DET SEE: 24-00-58-01	904949	RF
- 1	284N1114-7		EQUIPMENT INSTL-WING REFUELING PNL ELECTRICAL/ELECTRONICS (SERVICE INTERPHONE SYSTEM ONLY) FOR NHA/OTHER SYS DET SEE: 24-00-58-01	002004 121503 952952	RF
- 1	284N1114-11		EQUIPMENT INSTL-WING REFUELING PNL ELECTRICAL/ELECTRONICS (SERVICE INTERPHONE SYSTEM ONLY) FOR NHA/OTHER SYS DET SEE: 24-00-58-01	006014 950951 953999	RF
- 1	284N1114-12		EQUIPMENT INSTL-WING REFUELING PNL ELECTRICAL/ELECTRONICS (SERVICE INTERPHONE SYSTEM ONLY) FOR NHA/OTHER SYS DET SEE: 24-00-58-01	015017	RF
- 1	284N1114-13		EQUIPMENT INSTL-WING REFUELING PNL ELECTRICAL/ELECTRONICS (SERVICE INTERPHONE SYSTEM ONLY) FOR NHA/OTHER SYS DET SEE: 24-00-58-01	018100	RF

MISSING ITEM NUMBERS NOT APPLICABLE

- ITEM NOT ILLUSTRATED

23-41-00-01

23-41-00
FIG. 01
PAGE 1
JAN 20/09

BRI



757

PARTS CATALOG (MAINTENANCE)

FIG ITEM	PART NUMBER	1 2 3 4 5 6 7	NOMENCLATURE	EFFECT FROM TO	UNITS PER ASSY
1					
- 1	284N1114-16		EQUIPMENT INSTL-WING REFUELING PNL E/E ELECTRICAL/ELECTRONICS (SERVICE INTERPHONE SYSTEM ONLY) FOR NHA/OTHER SYS DET SEE: 24-00-58-05A	101102 108120 504903	RF
- 2	MODREF29852		EQUIPMENT INSTL-WING REFUELING PNL E/E ELECTRICAL/ELECTRONICS (SERVICE INTERPHONE SYSTEM ONLY) MODULE NUMBER: 284N1114-16 REV B FOR OTHER SYS DETAILS SEE: 11-24-01-02 28-21-55-01 33-31-51-04 52-49-02-01	103106	1
5	BAC27NEL0272		.MARKER-ALUMINUM FOIL PLACARD CONTENT: D00417 SVCE INTERPHONE	002004 006999	1
10	69-50085-5		.WASHER INSTL-INTPH JACK	002004 006999	1
15	66-22311-2		..WASHER- OPTIONAL PART: MS27111-4	002004 006999	1
15	MS27111-4		..WASHER- OPTIONAL PART: 66-22311-2	002004 006999	1

MISSING ITEM NUMBERS NOT APPLICABLE

- ITEM NOT ILLUSTRATED

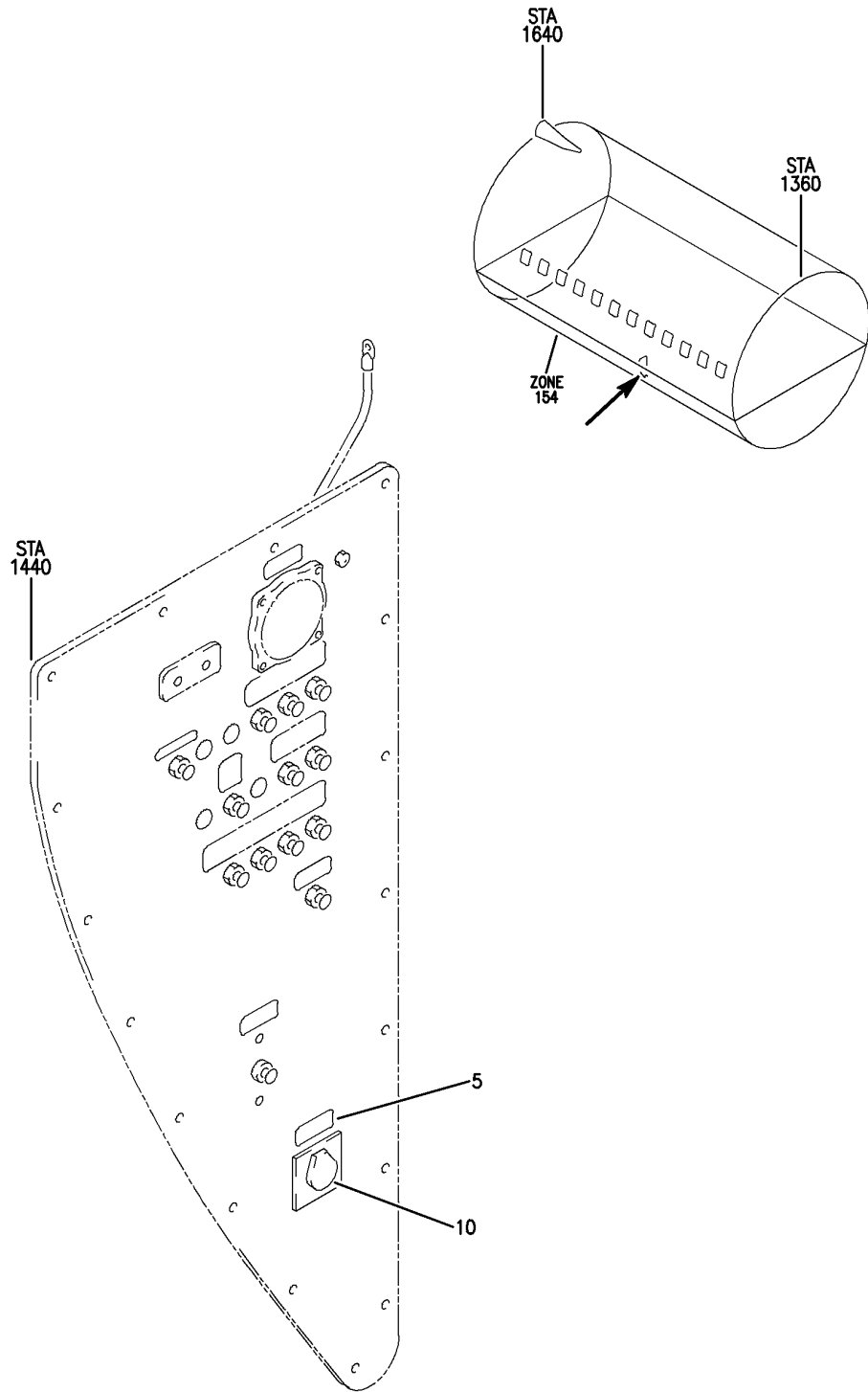
BRI

23-41-00-01

BOEING PROPRIETARY - Copyright © - Unpublished Work - See title page for details.

23-41-00
FIG. 01
PAGE 2
JAN 20/09

BOEING
757
PARTS CATALOG (MAINTENANCE)



Y 23410002 REV 258

EQUIPMENT INSTL-CB PNL EQPT CTR AFT (COMMUNICATIONS ONLY)
FIGURE 2

23-41-00-02

BRI
JAN 20/09

23-41-00-02
PAGE 0



**757
PARTS CATALOG (MAINTENANCE)**

FIG ITEM	PART NUMBER	1 2 3 4 5 6 7	NOMENCLATURE	EFFECT FROM TO	UNITS PER ASSY
2			EQUIPMENT INSTL-CB PNL EQPT CTR AFT (COMMUNICATIONS ONLY)	103106	
- 1	MODREF31378		EQUIPMENT INSTL-CB PNL EQPT CTR (COMMUNICATIONS ONLY) MODULE NUMBER: 284N1690-306 REV B POSITION DATA: AFT FOR OTHER SYS DETAILS SEE: 24-50-51-02C 25-70-51-10 49-72-00-02	103106	1
5	BAC27NEX0084		.DECAL- PLACARD CONTENT: D415 SERV INPH	103106	1
10	69B47882-1		.COVER ASSY-JACK ELECTRICAL EQUIP NUMBER: D00415	103106	1

MISSING ITEM NUMBERS NOT APPLICABLE

- ITEM NOT ILLUSTRATED

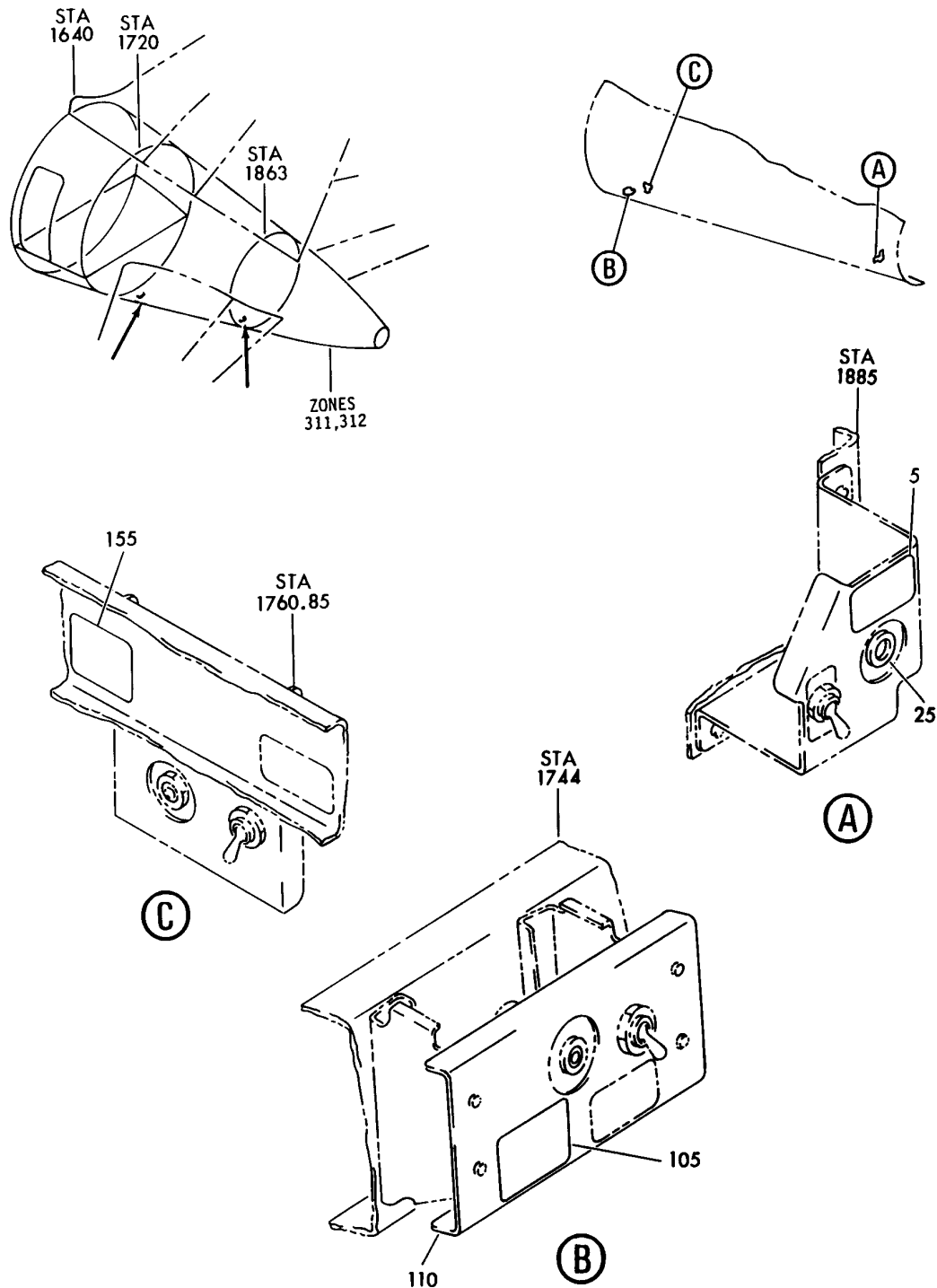
BRI

23-41-00-02

BOEING PROPRIETARY - Copyright © - Unpublished Work - See title page for details.

23-41-00
FIG. 02
PAGE 1
JAN 20/09

BOEING
757
PARTS CATALOG (MAINTENANCE)



Y 23415101 REV 177

INTERPHONE INSTL-SECT. 48 AND APU COMPT (COMMUNICATIONS ONLY)
FIGURE 1

23-41-51-01

BRI
MAY 28/07

23-41-51-01
PAGE 0



757

PARTS CATALOG (MAINTENANCE)

FIG ITEM	PART NUMBER	1 2 3 4 5 6 7	NOMENCLATURE	EFFECT FROM TO	UNITS PER ASSY
1			INTERPHONE INSTL-SECT. 48 AND APU COMPT (COMMUNICATIONS ONLY)	002004 006999	
- 1	284N1482-8		INTERPHONE INSTL-APU COMPT (COMMUNICATIONS ONLY) FOR NHA/OTHER SYS DET SEE: 24-00-58-01B	002004 107107 121503 904949 952952	RF
- 1	284N1482-10		INTERPHONE INSTL-APU COMPT (COMMUNICATIONS ONLY) FOR NHA/OTHER SYS DET SEE: 24-00-58-01B	006100 950951 953999	RF
- 1	284N1482-12		INTERPHONE INSTL-APU COMPT (COMMUNICATIONS ONLY) FOR NHA/OTHER SYS DET SEE: 24-00-58-05	101102 108120 504903	RF
- 1	MODREF10684		INTERPHONE INSTL-APU COMPT (COMMUNICATIONS ONLY) MODULE NUMBER: 284N1482-12 REV A FOR OTHER SYS DETAILS SEE: 11-23-00-03 33-31-53-01	103106	1
5	BAC27NEX1404		.MARKER-ALUMINUM FOIL- PLACARD CONTENT: D00413 SERVICE INTERPHONE APU COMPT	002004 006999	1
- 20	69-50085-5		.WASHER INSTL	006100 950951 953999	1
25	66-22311-2		..WASHER- OPTIONAL PART: MS27111-4	006100 950951 953999	1
25	MS27111-4		..WASHER- OPTIONAL PART: 66-22311-2	006100 950951 953999	1
- 150	284N1482-7		INTERPHONE INSTL-TAIL CONE (COMMUNICATIONS ONLY) POSITION DATA: SECT. 48 FOR NHA/OTHER SYS DET SEE: 24-00-58-01B	002004 107107 121503 904949 952952	RF
- 150	284N1482-9		INTERPHONE INSTL-TAIL CONE (COMMUNICATIONS ONLY) POSITION DATA: SECT. 48 FOR NHA/OTHER SYS DET SEE: 24-00-58-01B	006100 950951 953999	RF

MISSING ITEM NUMBERS NOT APPLICABLE

- ITEM NOT ILLUSTRATED

23-41-51-01

23-41-51
FIG. 01
PAGE 1
JAN 20/09

BRI



757

PARTS CATALOG (MAINTENANCE)

FIG ITEM	PART NUMBER	1 2 3 4 5 6 7	NOMENCLATURE	EFFECT FROM TO	UNITS PER ASSY
1					
- 150	284N1482-11		INTERPHONE INSTL-TAIL CONE (COMMUNICATIONS ONLY) POSITION DATA: SECT. 48 FOR NHA/OTHER SYS DET SEE: 24-00-58-05	101102 108120 504903	RF
- 150	MODREF10683		INTERPHONE INSTL-TAIL CONE (COMMUNICATIONS ONLY) MODULE NUMBER: 284N1482-11 REV A POSITION DATA: SECT. 48 FOR OTHER SYS DETAILS SEE: 33-31-53-01	103106	1
155	BAC27NEX1405		.MARKER-ALUMINUM FOIL- PLACARD CONTENT: D00429 SERVICE INTERPHONE TAIL CONE COMPT	002004 006999	1
- 165	69-50085-5		.WASHER INSTL	006100 950951 953999	1
170	66-22311-2		..WASHER- OPTIONAL PART: MS27111-4	006100 950951 953999	1
170	MS27111-4		..WASHER- OPTIONAL PART: 66-22311-2	006100 950951 953999	1

MISSING ITEM NUMBERS NOT APPLICABLE

- ITEM NOT ILLUSTRATED

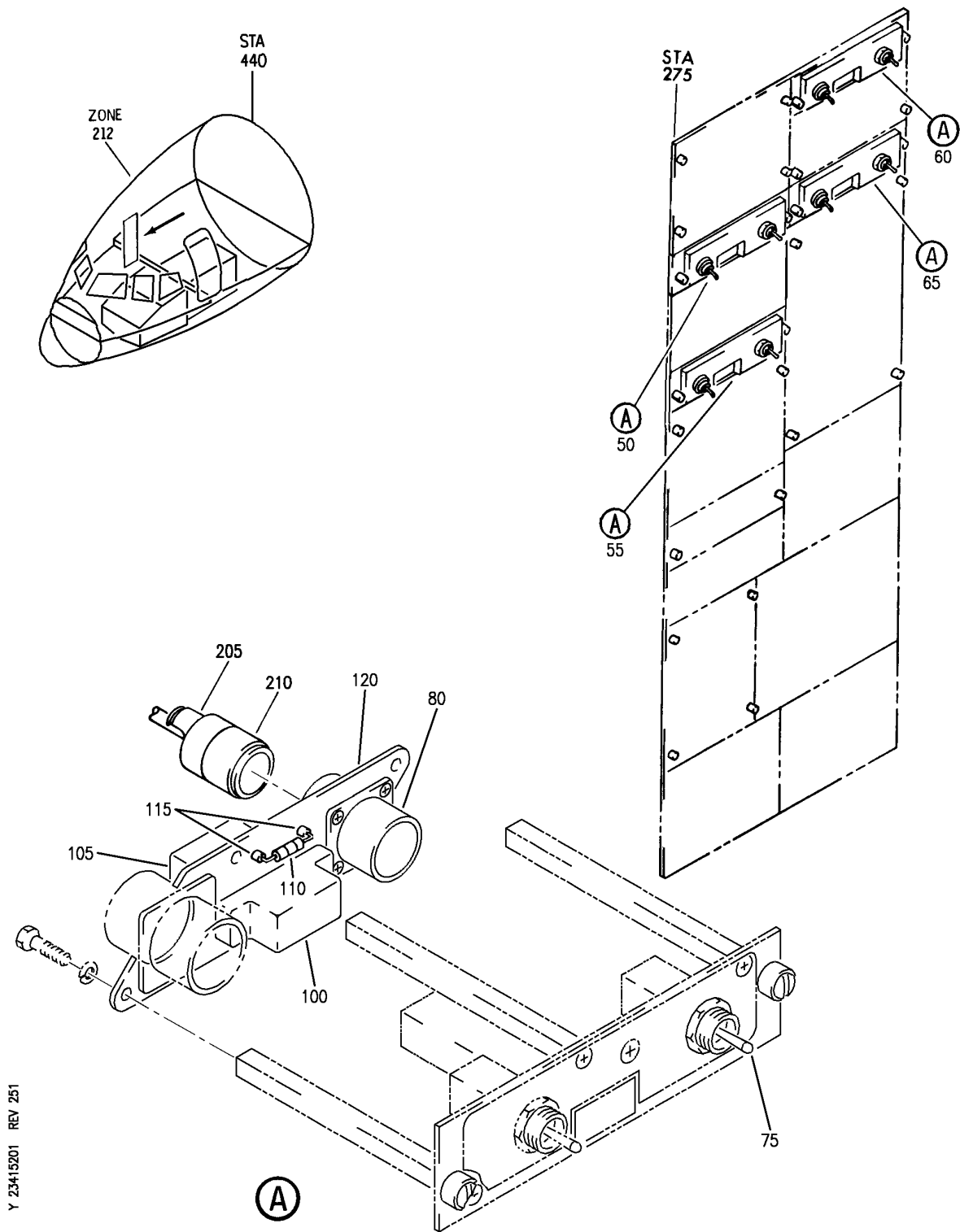
BRI

23-41-51-01

BOEING PROPRIETARY - Copyright © - Unpublished Work - See title page for details.

23-41-51
FIG. 01
PAGE 2
JAN 20/09

BOEING
757
PARTS CATALOG (MAINTENANCE)



Y 23415201 REV 251

PANEL INSTL-P61 R SIDEWALL (SERVICE INTERPHONE SYSTEM ONLY)
FIGURE 1

23-41-52-01

BRI
MAY 28/07

23-41-52-01
PAGE 0



757

PARTS CATALOG (MAINTENANCE)

FIG ITEM	PART NUMBER	1 2 3 4 5 6 7	NOMENCLATURE	EFFECT FROM TO	UNITS PER ASSY
1			PANEL INSTL-P61 R SIDEWALL (SERVICE INTERPHONE SYSTEM ONLY)	002004 006106 108903 950999	
- 1	233N7401-1		PANEL INSTL-P61 SIDEWALL (SERVICE INTERPHONE SYSTEM ONLY) POSITION DATA: R VARIABLE DRAWING REF: 233N7401-5004 233N7401-5036 233N7401-5038 233N7401-5042 FOR NHA/OTHER SYS DET SEE: 25-10-00-05A	002004 006100 121503 950999	RF
- 2	233N7403-158		PANEL INSTL-P61 SIDEWALL (SERVICE INTERPHONE SYSTEM ONLY) POSITION DATA: R FOR NHA/OTHER SYS DET SEE: 25-10-00-15B	108120	RF
- 3	233N7403-28		PANEL INSTL-P61 SIDEWALL (SERVICE INTERPHONE SYSTEM ONLY) POSITION DATA: R FOR NHA/OTHER SYS DET SEE: 25-10-00-15B	101101	RF
- 3	233N7403-117		PANEL INSTL-P61 SIDEWALL (SERVICE INTERPHONE SYSTEM ONLY) POSITION DATA: R FOR NHA/OTHER SYS DET SEE: 25-10-00-15B	504903	RF
- 4	233N7403-128		PANEL INSTL-P61 SIDEWALL (SERVICE INTERPHONE SYSTEM ONLY) POSITION DATA: R FOR NHA/OTHER SYS DET SEE: 25-10-00-15B	102102	RF

MISSING ITEM NUMBERS NOT APPLICABLE

- ITEM NOT ILLUSTRATED

23-41-52-01

23-41-52
FIG. 01
PAGE 1
JAN 20/09

BRI



757

PARTS CATALOG (MAINTENANCE)

FIG ITEM	PART NUMBER	1 2 3 4 5 6 7	NOMENCLATURE	EFFECT FROM TO	UNITS PER ASSY
1 - 8	MODREF33342		PANEL INSTL- (SERVICE INTERPHONE SYSTEM ONLY) MODULE NUMBER: 233N7403-171 REV A FOR OTHER SYS DETAILS SEE: 11-32-01-98 21-58-51-04 22-21-51-01 24-22-73-02 26-18-53-02 26-21-52-01 26-22-52-01 26-23-52-03 27-23-51-02 28-41-51-04 29-22-52-01 30-11-52-01 30-41-51-04 31-14-16-87 31-31-04-01 31-41-53-01 31-51-51-01 34-12-54-01 34-21-51-02 34-46-51-05 34-61-53-03	103106	1
55	233N7508-14		.PANEL ASSY-FLIGHT RECORDER SVCE INTPH SUPPLIER CODE: V89954 ELECTRICAL EQUIP NUMBER: M0003 COMPONENT MAINT MANUAL REF: 31-31-52	108120	RF
55	233N7508-9		.PANEL ASSY-FLIGHT RECORDER SVCE INTPH SUPPLIER CODE: V89954 ELECTRICAL EQUIP NUMBER: M0003 COMPONENT MAINT MANUAL REF: 31-31-52	108120	RF

MISSING ITEM NUMBERS NOT APPLICABLE

- ITEM NOT ILLUSTRATED

BRI

23-41-52-01

BOEING PROPRIETARY - Copyright © - Unpublished Work - See title page for details.

23-41-52
FIG. 01
PAGE 2
JAN 20/09



757

PARTS CATALOG (MAINTENANCE)

FIG ITEM	PART NUMBER	1 2 3 4 5 6 7	NOMENCLATURE	EFFECT FROM TO	UNITS PER ASSY
1					
65	233N7508-14		.PANEL ASSY-FLIGHT RECORDER SVCE INTPH SUPPLIER CODE: V89954 ELECTRICAL EQUIP NUMBER: M00033 COMPONENT MAINT MANUAL REF: 31-31-52 OPTIONAL PART: 233N7508-7 V89954	002004 006100 121503 950999	RF
65	233N7508-7		.PANEL ASSY-FLIGHT RECORDER SVCE INTPH SUPPLIER CODE: V89954 ELECTRICAL EQUIP NUMBER: M00033 COMPONENT MAINT MANUAL REF: 31-31-52 OPTIONAL PART: 233N7508-14 V89954	002004 006100 121503 950999	RF
65	233N7508-14		.PANEL ASSY-FLIGHT RECORDER SVCE INTPH SUPPLIER CODE: V89954 ELECTRICAL EQUIP NUMBER: M00033 COMPONENT MAINT MANUAL REF: 31-31-52 OPTIONAL PART: 233N7508-14 V89954	101106 504903	RF
65	233N7508-9		.PANEL ASSY-FLIGHT RECORDER SVCE INTPH SUPPLIER CODE: V89954 ELECTRICAL EQUIP NUMBER: M00033 COMPONENT MAINT MANUAL REF: 31-31-52	101106 504903	RF
75	MS24524-23		..SWITCH	002004 006106 108903 950999	1
80	BACC45FN12-12P6		..CONNECTOR	002004 006106 108903 950999	1

MISSING ITEM NUMBERS NOT APPLICABLE

- ITEM NOT ILLUSTRATED

23-41-52-01

23-41-52
FIG. 01
PAGE 3
JAN 20/09

BRI

BOEING PROPRIETARY - Copyright © - Unpublished Work - See title page for details.



757

PARTS CATALOG (MAINTENANCE)

FIG ITEM	PART NUMBER	1 2 3 4 5 6 7	NOMENCLATURE	EFFECT FROM TO	UNITS PER ASSY
1			ATTACHING PARTS		
- 85	NAS1801-04-5		.. SCREW- USED ON: 233N7508-14	002004 006106 108903 950999	3
- 85	BACS12CB04-5		.. SCREW- USED ON: 233N7508-7 233N7508-9 233N7508-20 233N7508-23	002004 006100 121503 950999	3
- 90	K19798-04		.. NUT SUPPLIER CODE: V15653 SPECIFICATION NUMBER: BACN10NW1 OPTIONAL PART: RMA4812-160-40 V72962 293162 V60119	002004 006106 108903 950999	3
95	233N7508-4		-----*----- .. BRACKET ASSY- SUPPLIER CODE: V89954	002004 006106 108903 950999	RF
100	RSF116200		... SOCKET SUPPLIER CODE: V58982 SPECIFICATION NUMBER: BACS16X1A OPTIONAL PART: 102-006-1 V09922 000300-1538 V05574	002004 006106 108903 950999	1

MISSING ITEM NUMBERS NOT APPLICABLE

- ITEM NOT ILLUSTRATED

23-41-52-01

23-41-52
FIG. 01
PAGE 4
JAN 20/09

BRI



757

PARTS CATALOG (MAINTENANCE)

FIG ITEM	PART NUMBER	1 2 3 4 5 6 7	NOMENCLATURE	EFFECT FROM TO	UNITS PER ASSY
1 105	E210-1631	...	RELAY SUPPLIER CODE: V99699 SPECIFICATION NUMBER: BACR13CF2A OPTIONAL PART: BR246S0112 V56623 FCA210-70 V78290 E215-1050 V99699 JD4A017 V35344 BR64S104 V56623 61GB19-1A320 V98927	002004 006106 108903 950999	1
110	JANTX1N5618	...	DIODE-	002004 006106 108903 950999	1
115	4443B9	...	TERMINAL- SUPPLIER CODE: V88245	002004 006106 108903 950999	2
120	233N3250-25	...	BRACKET-SPRT	002004 006106 108903 950999	1
- 200	286N2351-003		WIRE BUNDLE ASSY	002004 006100 950999	RF
- 200	286N2351-002		WIRE BUNDLE ASSY	121503	RF
- 202	286N2351-329		WIRE BUNDLE ASSY-	108120	RF
- 202	286N2351-347		WIRE BUNDLE ASSY	101101	RF
- 202	286N2351-342		WIRE BUNDLE ASSY	102102	RF
- 203	286N2351-341		WIRE BUNDLE ASSY	504505	RF
- 203	286N2351-356		WIRE BUNDLE ASSY	506903	RF
- 204	286N2351-751		WIRE BUNDLE ASSY	103106	RF
210	BACC45FT12-12S6	.	CONNECTOR- ELECTRICAL EQUIP NUMBER: D00471 WIRING DIAGRAM REF: 234111	002004 006010 121503 950999	1

MISSING ITEM NUMBERS NOT APPLICABLE

- ITEM NOT ILLUSTRATED

BRI

23-41-52-01

BOEING PROPRIETARY - Copyright © - Unpublished Work - See title page for details.

23-41-52
FIG. 01
PAGE 5
JAN 20/09



757

PARTS CATALOG (MAINTENANCE)

FIG ITEM	PART NUMBER	1 2 3 4 5 6 7	NOMENCLATURE	EFFECT FROM TO	UNITS PER ASSY
1 210	BACC45FT12A12S6		.CONNECTOR- ELECTRICAL EQUIP NUMBER: D00471 WIRING DIAGRAM REF: 234111	011106 108120 504903	1

MISSING ITEM NUMBERS NOT APPLICABLE

- ITEM NOT ILLUSTRATED

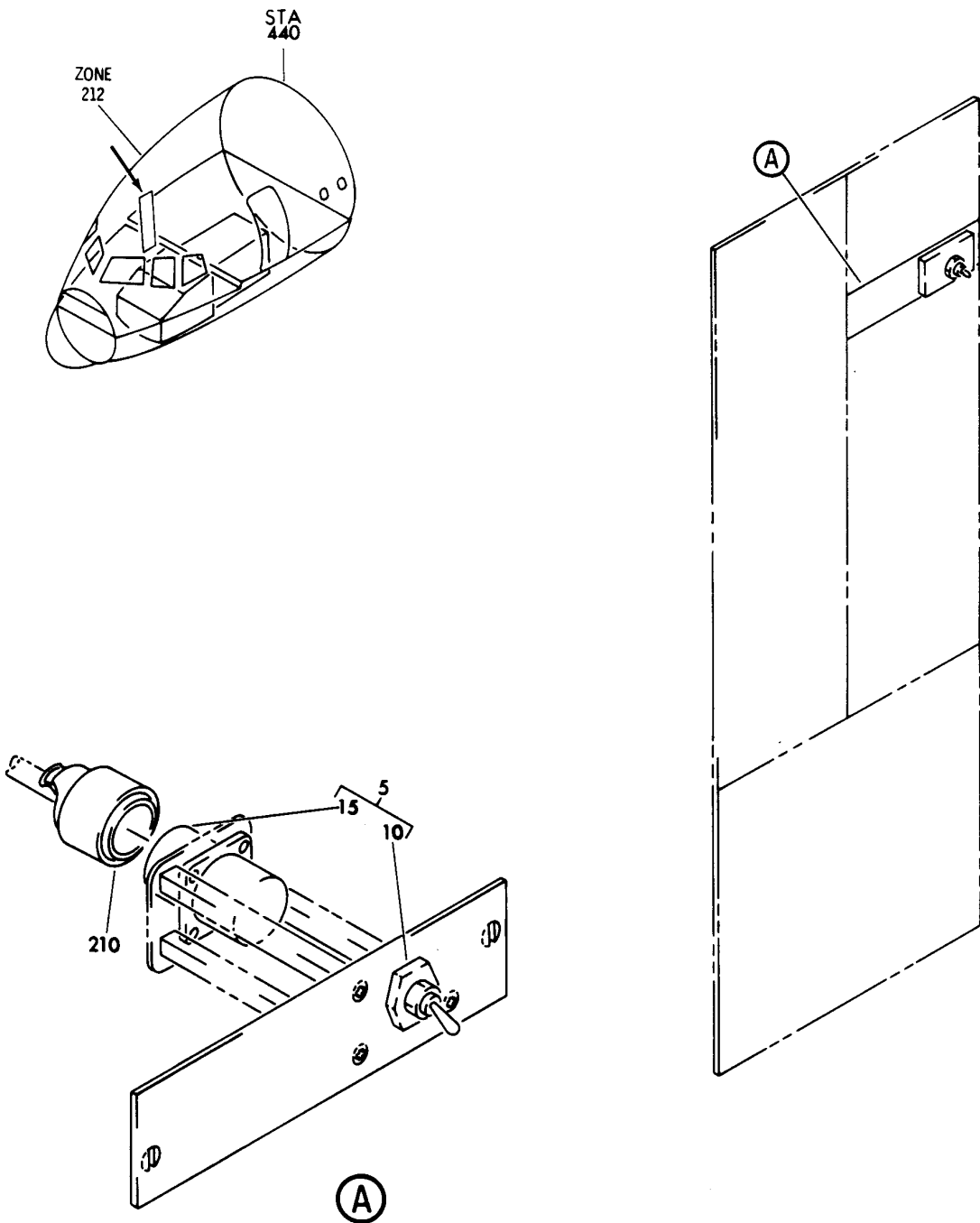
BRI

23-41-52-01

BOEING PROPRIETARY - Copyright © - Unpublished Work - See title page for details.

23-41-52
FIG. 01
PAGE 6
JAN 20/09

BOEING
757
PARTS CATALOG (MAINTENANCE)



Y 23415202 SHY 1 REV 081

PANEL INSTL-P61 R SIDEWALL (SERVICE INTERPHONE SYSTEM ONLY)
FIGURE 2

23-41-52-02

BRI
MAY 28/07

23-41-52-02
PAGE 0



**757
PARTS CATALOG (MAINTENANCE)**

FIG ITEM	PART NUMBER	1 2 3 4 5 6 7	NOMENCLATURE	EFFECT FROM TO	UNITS PER ASSY
2			PANEL INSTL-P61 R SIDEWALL (SERVICE INTERPHONE SYSTEM ONLY)	107107 904949	
- 1	233N7401-1		PANEL INSTL-P61 SIDEWALL (SERVICE INTERPHONE SYSTEM ONLY) POSITION DATA: R VARIABLE DRAWING REF: 233N7401-5004 233N7401-5005 FOR NHA/OTHER SYS DET SEE: 25-10-00-05A	107107 904949	RF
5	233N7502-1		.PANEL ASSY-M10399 SVCE INTPH	107107 904949	RF
10	MS24524-23		..SWITCH	107107 904949	1
15	BACC45FN12-12P6		..CONNECTOR	107107 904949	1
- 20	NAS1801-04-5		ATTACHING PARTS ..SCREW-	107107 904949	3
- 25	K19798-04		..NUT SUPPLIER CODE: V15653 SPECIFICATION NUMBER: BACN10NW1 OPTIONAL PART: RMA4812-160-40 V72962 293162 V60119	107107 904949	3
- 200	286N2351-001		-----*----- WIRE BUNDLE ASSY-(SERVICE INTERPHONE SYSTEM ONLY)	107107	RF
- 200	286N2351-002		WIRE BUNDLE ASSY-(SERVICE INTERPHONE SYSTEM ONLY)	904949	RF

MISSING ITEM NUMBERS NOT APPLICABLE

- ITEM NOT ILLUSTRATED

BRI

23-41-52-02

BOEING PROPRIETARY - Copyright © - Unpublished Work - See title page for details.

23-41-52
FIG. 02
PAGE 1
JAN 20/09



757

PARTS CATALOG (MAINTENANCE)

FIG ITEM	PART NUMBER	1 2 3 4 5 6 7	NOMENCLATURE	EFFECT FROM TO	UNITS PER ASSY
2 210	C0909A12-12S6		.CONNECTOR- SUPPLIER CODE: V13556 SPECIFICATION NUMBER: BACC63BN12-12S6 OPTIONAL PART: 48-63N12-12S6 V02660 R071212-12S6 V41118 ELECTRICAL EQUIP NUMBER: D00471 WIRING DIAGRAM REF: 234111	107107 904949	1

MISSING ITEM NUMBERS NOT APPLICABLE

- ITEM NOT ILLUSTRATED

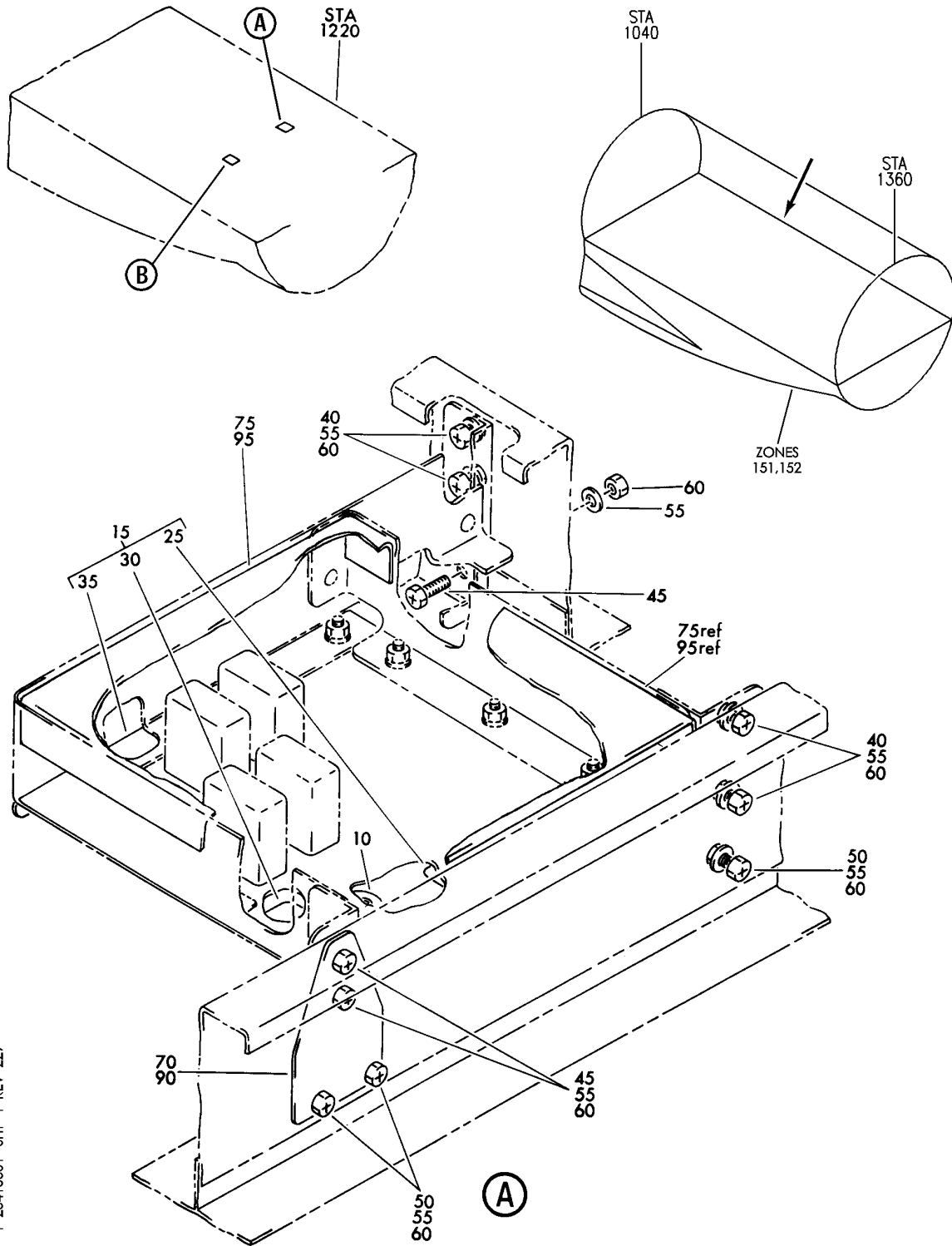
BRI

23-41-52-02

BOEING PROPRIETARY - Copyright © - Unpublished Work - See title page for details.

23-41-52
FIG. 02
PAGE 2
JAN 20/09

BOEING
757
PARTS CATALOG (MAINTENANCE)



Y 23415301 SHT 1 REV 229

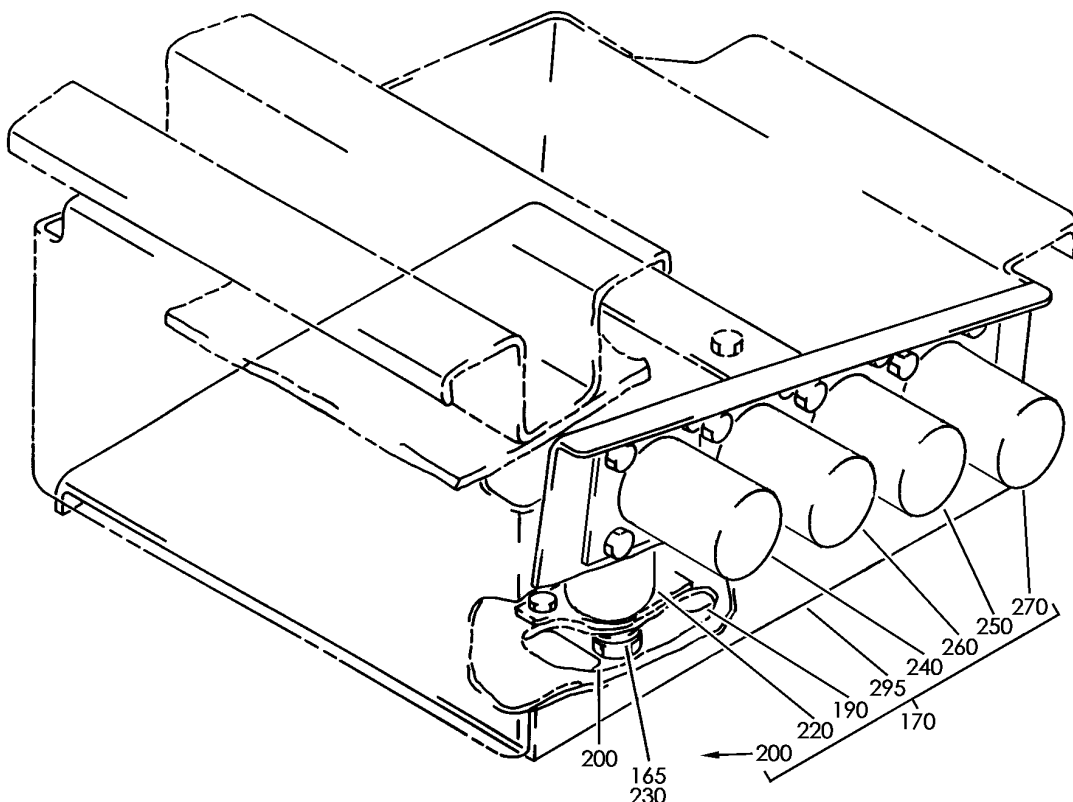
PANEL INSTL-MAIN WHL WELL ELECTRICAL SVCE
FIGURE 1 (SHEET 1)

23-41-53-01

BRI
MAY 28/07

23-41-53-01
PAGE 0

BOEING
757
PARTS CATALOG (MAINTENANCE)



(B)

Y 23415301 SH1 2 REV 218

PANEL INSTL-MAIN WHL WELL ELECTRICAL SVCE
FIGURE 1 (SHEET 2)

23-41-53-01

BRI
MAY 28/07

23-41-53-01
PAGE 0A



757

PARTS CATALOG (MAINTENANCE)

FIG ITEM	PART NUMBER	1 2 3 4 5 6 7	NOMENCLATURE	EFFECT FROM TO	UNITS PER ASSY
1			PANEL INSTL-MAIN WHL WELL ELECTRICAL SVCE	002004 006999	
- 1	284N1446-5		PANEL INSTL-MAIN WHL WELL ELECTRICAL SVCE FOR NHA SEE: 24-00-58-01C	002004 006100 107107 121503 904999	RF
- 1	284N1446-11		PANEL INSTL-MAIN WHL WELL ELECTRICAL SVCE FOR NHA SEE: 24-00-58-05	101102 108120 504903	RF
- 1	MODREF34328		PANEL INSTL-MAIN WHL WELL ELECTRICAL SVCE MODULE NUMBER: 284N1446-11 REV B	103106	1
- 5	69-50085-5		.WASHER INSTL	002004 006100 107107 121503 904999	1
10	66-22311-2		..WASHER- OPTIONAL PART: MS27111-4	002004 006100 107107 121503 904999	1
10	MS27111-4		..WASHER- OPTIONAL PART: 66-22311-2	002004 006100 107107 121503 904999	1
15	284N1745-2		.PANEL ASSY-(COMMUNICATIONS ONLY) FUNCTIONAL REFERENCE: LANDING GEAR FOR DETAILS SEE 32-35-53-01 LIGHTS FOR DETAILS SEE 33-31-55-01 PLACARDS AND MARKINGS FOR DETAILS SEE 11-22-25-01	002004 006999	1

MISSING ITEM NUMBERS NOT APPLICABLE

- ITEM NOT ILLUSTRATED

23-41-53-01

23-41-53
FIG. 01
PAGE 1
JAN 20/09

BRI



757

PARTS CATALOG (MAINTENANCE)

FIG ITEM	PART NUMBER	1 2 3 4 5 6 7	NOMENCLATURE	EFFECT FROM TO	UNITS PER ASSY
1	15 284N1745-5		.PANEL ASSY-(COMMUNICATIONS ONLY) FUNCTIONAL REFERENCE: LANDING GEAR FOR DETAILS SEE 32-35-53-01 LIGHTS FOR DETAILS SEE 33-31-55-01 PLACARDS AND MARKINGS FOR DETAILS SEE 11-22-25-01 ATTACHING PARTS	002004 006999	1
-	20 NAS1801-3-7		.SCREW	002004 006999	9
	25 BAC27NEX0495		-----*----- ..MARKER-ALUMINUM FOIL- PLACARD CONTENT: P00072 MAIN WHEEL WELL ELECTRICAL SERVICE PANEL	002004 006999	1
	30 BAC27NEX1079		..MARKER-ALUMINUM FOIL- PLACARD CONTENT: D00427 SERVICE INTERPHONE	002004 006999	1
	35 284N1642-19		..PANEL ASSY-	002004 006999	1
	40 NAS1801-3-6		.SCREW	002004 006999	4
	45 NAS1801-3-7		.SCREW	002004 006999	3
	50 NAS1801-3-8		.SCREW	002004 006999	3
	55 AN960PD10L		.WASHER	002004 006100 107107 121503 904999	10
	55 NAS1149D0332J		.WASHER	101106 108120 504903	10

MISSING ITEM NUMBERS NOT APPLICABLE

- ITEM NOT ILLUSTRATED

BRI

23-41-53-01

23-41-53
FIG. 01
PAGE 2
JAN 20/09



757

PARTS CATALOG (MAINTENANCE)

FIG ITEM	PART NUMBER	1 2 3 4 5 6 7	NOMENCLATURE	EFFECT FROM TO	UNITS PER ASSY
1 60	BRH10A3	.NUT	SUPPLIER CODE: V52828 SPECIFICATION NUMBER: BACN10JC3 OPTIONAL PART: H10-3BAC V15653 NS202101-02 V80539 RMLH9075-3W V72962 VN303A02 V92215 96-02 V80539 T6S1032J V11815	002004 006100 107107 121503 904999	10
60	BRH10C3D	.NUT	SUPPLIER CODE: V52828 SPECIFICATION NUMBER: BACN10JC3CD OPTIONAL PART: T6C1032JCD V11815 NS202486-02 V80539 102LH9075-3W V72962 H51650-3BAC V15653	101106 108120 504903	10
- 65	284N1446-4	.SUPPORT INSTL		002004 006100 107107 121503 904999	1
70	284N1642-6	.. DOUBLER		002004 006100 107107 121503 904999	1
75	284N1822-3	.. GUARD-SWITCH		002004 006100 107107 121503 904999	1

MISSING ITEM NUMBERS NOT APPLICABLE

- ITEM NOT ILLUSTRATED

23-41-53-01

23-41-53
FIG. 01
PAGE 3
JAN 20/09

BRI



757

PARTS CATALOG (MAINTENANCE)

FIG ITEM	PART NUMBER	1 2 3 4 5 6 7	NOMENCLATURE	EFFECT FROM TO	UNITS PER ASSY
1			ATTACHING PARTS		
- 80	BACR15BB5A		. . RIVET- SIZE DETERMINED ON INSTL.	002004 006100 107107 121503 904999	8
			-----*-----		
90	284N1642-6		. DOUBLER	101106 108120 504903	1
95	284N1822-3		. GUARD-SWITCH	101106 108120 504903	1
			ATTACHING PARTS		
- 100	BACR15BB5ADC		. RIVET- SIZE DETERMINED ON INSTL.	101106 108120 504903	8
			-----*-----		

MISSING ITEM NUMBERS NOT APPLICABLE

- ITEM NOT ILLUSTRATED

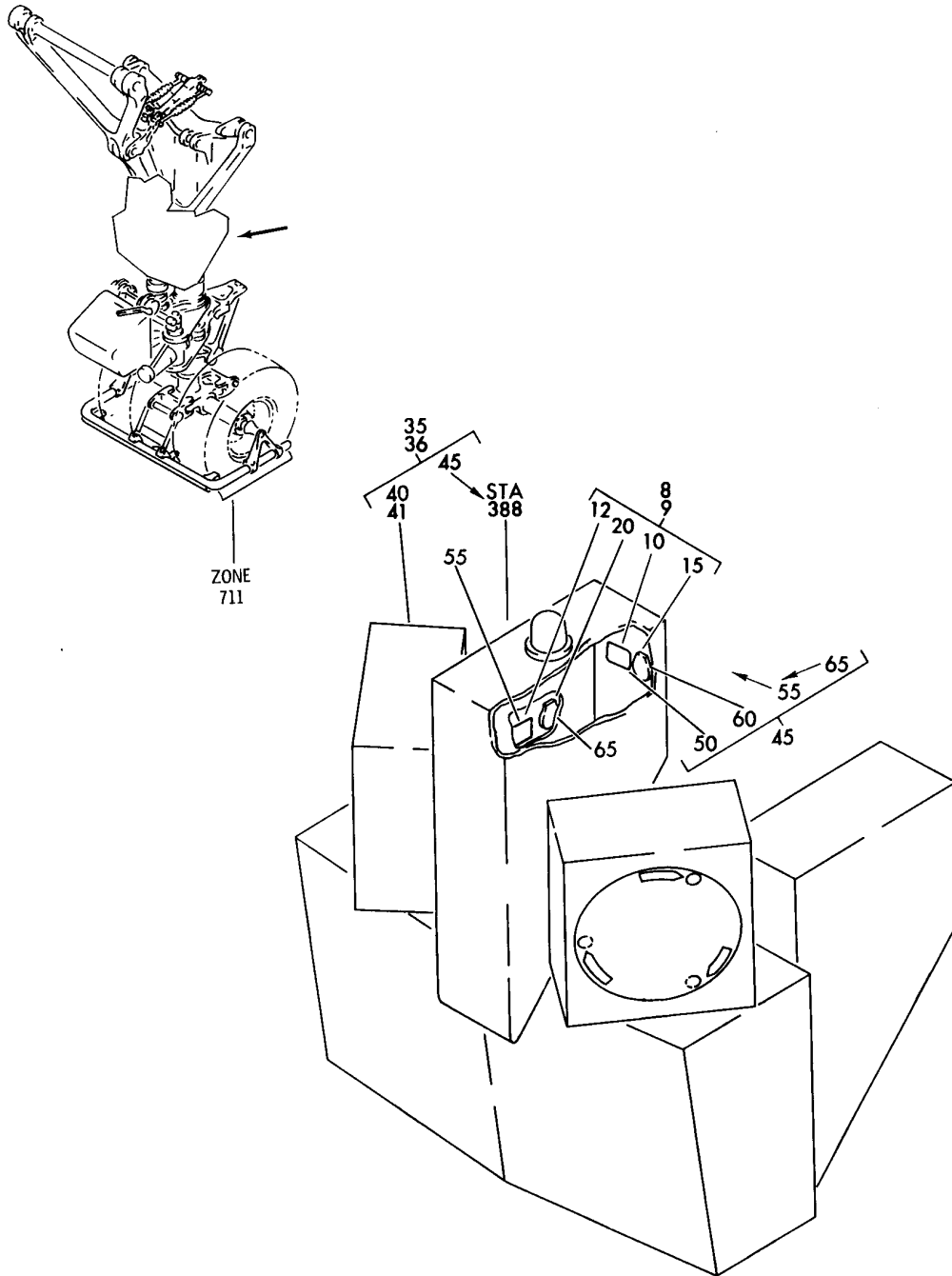
BRI

23-41-53-01

BOEING PROPRIETARY - Copyright © - Unpublished Work - See title page for details.

23-41-53
FIG. 01
PAGE 4
JAN 20/09

BOEING
757
PARTS CATALOG (MAINTENANCE)



Y 23415401 REV 160

PANEL INSTL-P62 AND P63 NLG LDG AND TURNOFF LTS (SERVICE INTERPHONE SYSTEM ONLY)
FIGURE 1

23-41-54-01

BRI
MAY 28/07

23-41-54-01
PAGE 0



757

PARTS CATALOG (MAINTENANCE)

FIG ITEM	PART NUMBER	1 2 3 4 5 6 7	NOMENCLATURE	EFFECT FROM TO	UNITS PER ASSY
1			PANEL INSTL-P62 AND P63 NLG LDG AND TURNOFF LTS (SERVICE INTERPHONE SYSTEM ONLY)	002004 006101 107107 121503 904999	
- 2	284N1761-30		PANEL INSTL-P62 AND P63 NLG LDG AND TURNOFF LTS (SERVICE INTERPHONE SYSTEM ONLY) FOR NHA/OTHER SYS DET SEE: 24-00-58-01C	107107	RF
- 2	284N1761-31		PANEL INSTL-P62 AND P63 NLG LDG AND TURNOFF LTS (SERVICE INTERPHONE SYSTEM ONLY) FOR NHA/OTHER SYS DET SEE: 24-00-58-01C	904949	RF
- 2	284N1761-34		PANEL INSTL-P62 AND P63 NLG LDG AND TURNOFF LTS (SERVICE INTERPHONE SYSTEM ONLY) FOR NHA/OTHER SYS DET SEE: 24-00-58-01C	952952	RF
- 2	284N1761-38		PANEL INSTL-P62 AND P63 NLG LDG AND TURNOFF LTS (SERVICE INTERPHONE SYSTEM ONLY) FOR NHA/OTHER SYS DET SEE: 24-00-58-01C	002004	RF
- 3	284N1761-42		PANEL INSTL-P62 AND P63 NLG LDG AND TURNOFF LTS (SERVICE INTERPHONE SYSTEM ONLY) FOR NHA/OTHER SYS DET SEE: 24-00-58-01C	121503	RF
- 3	284N1761-48		PANEL INSTL-P62 AND P63 NLG LDG AND TURNOFF LTS (SERVICE INTERPHONE SYSTEM ONLY) FOR NHA/OTHER SYS DET SEE: 24-00-58-01C	006017	RF
- 3	284N1761-54		PANEL INSTL-P62 AND P63 NLG LDG AND TURNOFF LTS (SERVICE INTERPHONE SYSTEM ONLY) FOR NHA/OTHER SYS DET SEE: 24-00-58-01C	953999	RF

MISSING ITEM NUMBERS NOT APPLICABLE

- ITEM NOT ILLUSTRATED

23-41-54-01

23-41-54
FIG. 01
PAGE 1
JAN 20/09

BRI



757

PARTS CATALOG (MAINTENANCE)

FIG ITEM	PART NUMBER	1 2 3 4 5 6 7	NOMENCLATURE	EFFECT FROM TO	UNITS PER ASSY
1					
- 3	284N1761-57		PANEL INSTL-P62 AND P63 NLG LDG AND TURNOFF LTS (SERVICE INTERPHONE SYSTEM ONLY) FOR NHA/OTHER SYS DET SEE: 24-00-58-01C	950951	RF
- 4	284N1761-60		PANEL INSTL-P62 AND P63 NLG LDG AND TURNOFF LTS (SERVICE INTERPHONE SYSTEM ONLY) FOR NHA/OTHER SYS DET SEE: 24-00-58-01C	018100	RF
- 5	284N1761-90		PANEL INSTL-P62 AND P63 NLG LDG AND TURNOFF LTS (SERVICE INTERPHONE SYSTEM ONLY) FOR NHA/OTHER SYS DET SEE: 24-00-58-05E	101101	RF
8	284N1758-20		.HOUSING ASSY-P62 CONT PNL POSITION DATA: RH	002004 952952	1
8	284N1758-22		.HOUSING ASSY-P62 CONT PNL POSITION DATA: RH	107107	1
8	284N1758-23		.HOUSING ASSY-P62 CONT PNL POSITION DATA: RH	121503 904949	1
9	284N1758-35		.HOUSING ASSY-P62 CONT PNL POSITION DATA: RH	006017 950951 953999	1
10	BAC27NEL0277		..MARKER-ALUMINUM FOIL- PLACARD CONTENT: D00425 SERVICE INTERPHONE	002004 006017 107107 121503 904999	1
12	BAC27NEL0976		..MARKER-ALUMINUM FOIL- PLACARD CONTENT: D00479 INOP.	121503 904949	1
15	69B47882-1		..COVER ASSY-JACK ELECTRICAL EQUIP NUMBER: D00425	002004 006017 107107 121503 904999	1
20	69B47882-1		..COVER ASSY-JACK ELECTRICAL EQUIP NUMBER: D00479	121503 904949	1
35	284N1209-2		.PANEL ASSY-P62 AND P63, NLG, LDG AND TURNOFF LTS	018100	RF

MISSING ITEM NUMBERS NOT APPLICABLE

- ITEM NOT ILLUSTRATED

23-41-54-01

23-41-54
FIG. 01
PAGE 2
JAN 20/09

BRI



757

PARTS CATALOG (MAINTENANCE)

FIG ITEM	PART NUMBER	1 2 3 4 5 6 7	NOMENCLATURE	EFFECT FROM TO	UNITS PER ASSY
1					
36	284N1209-42		.PANEL ASSY-P62 AND P63, NLG, LDG AND TURNOFF LTS	101101	RF
40	284N1209-13		..HOUSING ASSY-	018100	1
41	284N1209-49		..HOUSING ASSY-	101101	1
45	284N1758-46		...CONTROL PANEL ASSY-	018100	RF
45	284N1758-66		...CONTROL PANEL ASSY-	101101	RF
50	BAC27NEL0277	MARKER-ALUMINUM FOIL- PLACARD CONTENT: D00425 SERVICE INTERPHONE	018101	1
60	69B47882-1	COVER ASSY-JACK ELECTRICAL EQUIP NUMBER: D00425	018101	1

MISSING ITEM NUMBERS NOT APPLICABLE

- ITEM NOT ILLUSTRATED

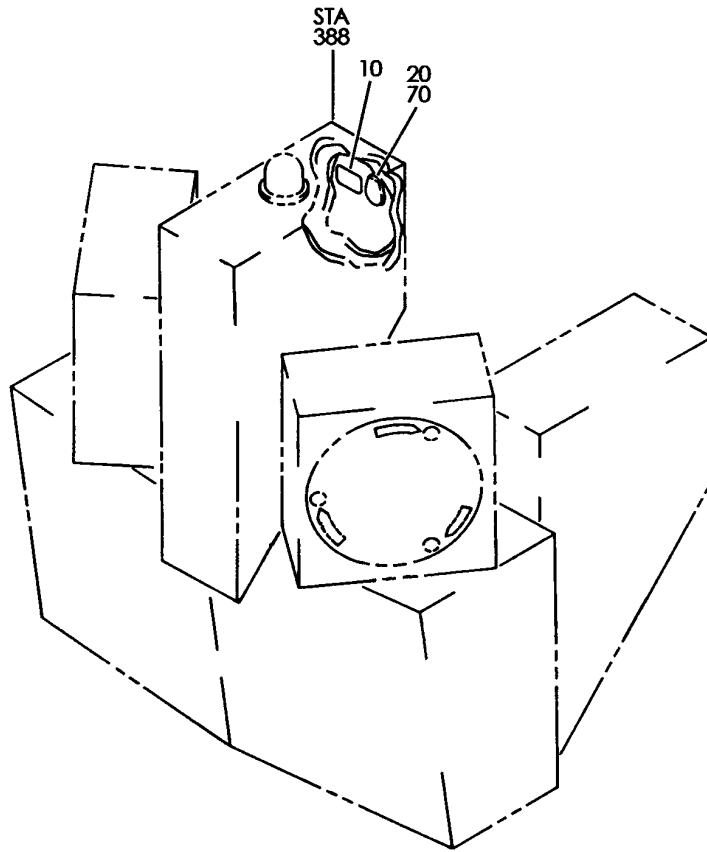
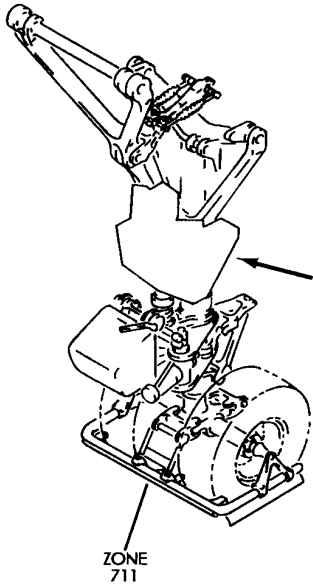
BRI

23-41-54-01

BOEING PROPRIETARY - Copyright © - Unpublished Work - See title page for details.

23-41-54
FIG. 01
PAGE 3
JAN 20/09

BOEING
757
PARTS CATALOG (MAINTENANCE)



Y 23415401B REV 208

PANEL ASSY-P62 AND P63 NLG LDG AND TURNOFF LTS (SERVICE INTERPHONE SYSTEM ONLY)
FIGURE 1B

BRI
MAY 28/07

23-41-54-01B

23-41-54-01B
PAGE 0



757

PARTS CATALOG (MAINTENANCE)

FIG ITEM	PART NUMBER	1 2 3 4 5 6 7	NOMENCLATURE	EFFECT FROM TO	UNITS PER ASSY
1B			PANEL ASSY-P62 AND P63 NLG LDG AND TURNOFF LTS (SERVICE INTERPHONE SYSTEM ONLY)	102106 108120 504903	
- 1	284N1209-103		PANEL ASSY-P62 AND P63, NLG LDG AND TURNOFF LTS (SERVICE INTERPHONE SYSTEM ONLY) FOR NHA/OTHER SYS DET SEE: 33-42-04-01	102102	RF
- 1	284N1209-108		PANEL ASSY-P62 AND P63, NLG LDG AND TURNOFF LTS (SERVICE INTERPHONE SYSTEM ONLY) FOR NHA/OTHER SYS DET SEE: 33-42-04-01	504903	RF
- 2	284N1209-134		PANEL ASSY-P62 AND P63 NLG LDG AND TURNOFF LTS (SERVICE INTERPHONE SYSTEM ONLY) FOR NHA/OTHER SYS DET SEE: 33-42-04-01	108120	RF
- 3	284N1209-140		PANEL ASSY-P62 AND P63, NLG LDG AND TURNOFF LTS (SERVICE INTERPHONE SYSTEM ONLY) FOR NHA/OTHER SYS DET SEE: 33-42-04-01	103106	RF
10	BAC27NEL0277		.MARKER-ALUMINUM FOIL PLACARD CONTENT: D00425 SERVICE INTERPHONE	102106 108120 504903	1
20	69B47882-1		.COVER ASSY-JACK ELECTRICAL EQUIP NUMBER: D00425	102106 108120 504903	1
- 45	288N0156-739		.WIRE BUNDLE INSTL	103106	RF
- 50	288N0156-701		.WIRE BUNDLE INSTL	504903	RF
- 50	288N0156-704		.WIRE BUNDLE INSTL	102102	RF
- 51	288N0156-732		.WIRE BUNDLE INSTL	108120	RF
- 60	286N3054-29		..WIRE BUNDLE ASSY	504903	1
- 60	286N3054-305		..WIRE BUNDLE ASSY	102102	1
- 61	286N3054-319		..WIRE BUNDLE ASSY	108120	1
- 61	286N3054-701		..WIRE BUNDLE ASSY	103106	1

MISSING ITEM NUMBERS NOT APPLICABLE

- ITEM NOT ILLUSTRATED

23-41-54-01B

23-41-54
FIG. 01B
PAGE 1
JAN 20/09

BRI

BOEING PROPRIETARY - Copyright © - Unpublished Work - See title page for details.



757

PARTS CATALOG (MAINTENANCE)

FIG ITEM	PART NUMBER	1 2 3 4 5 6 7	NOMENCLATURE	EFFECT FROM TO	UNITS PER ASSY
1B 70	2J1865A	...	JACK- SUPPLIER CODE: V82389 ELECTRICAL EQUIP NUMBER: D00425 WIRING DIAGRAM REF: 234111	102106 108120 504903	1
70	2J1865A	...	JACK- SUPPLIER CODE: V82389 ELECTRICAL EQUIP NUMBER: D00425 WIRING DIAGRAM REF: 234112	103106	1
70	2J1659	...	JACK- SUPPLIER CODE: V82389 ELECTRICAL EQUIP NUMBER: D00425 WIRING DIAGRAM REF: 234111 234112	102106 108120 504903	1

MISSING ITEM NUMBERS NOT APPLICABLE

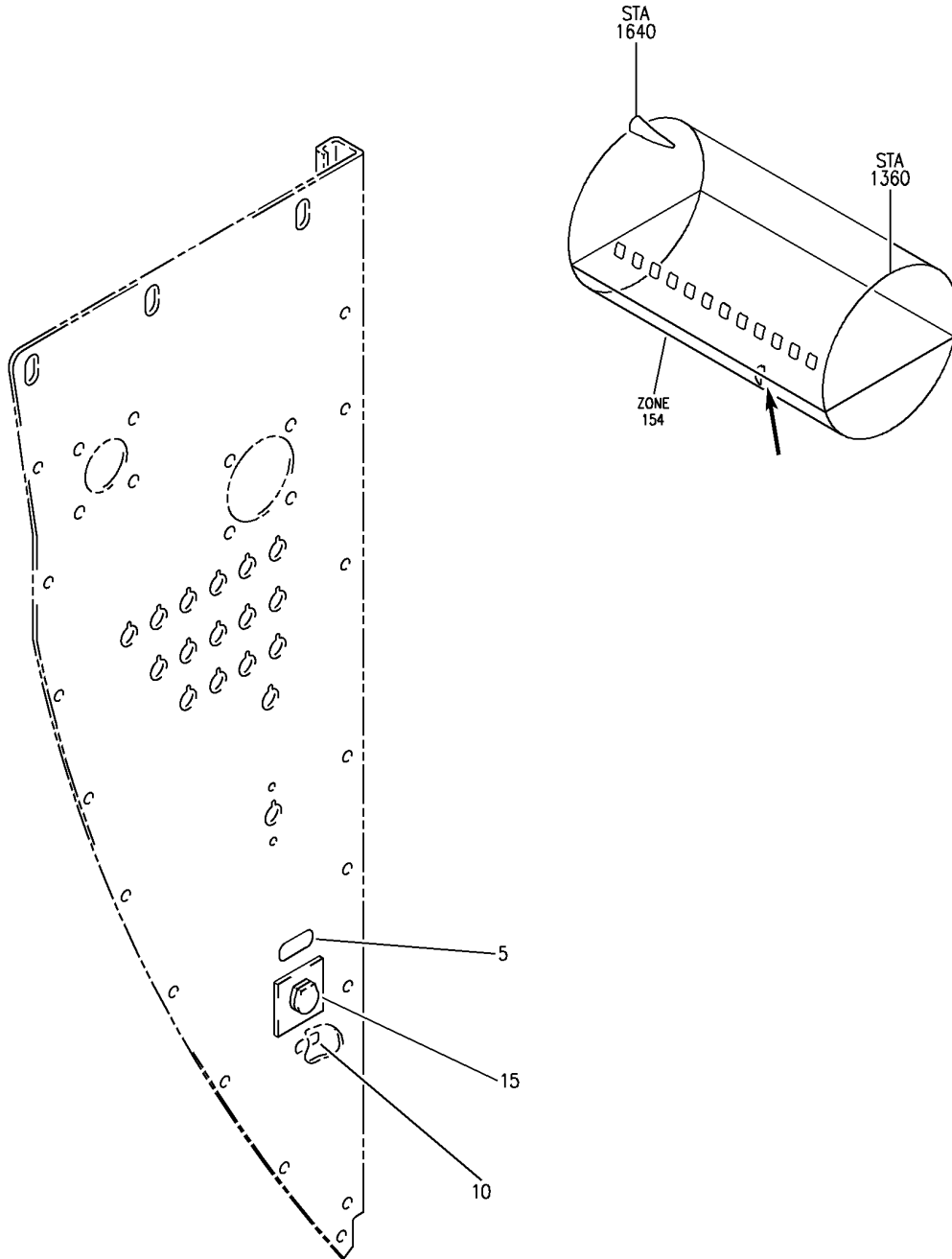
- ITEM NOT ILLUSTRATED

23-41-54-01B

23-41-54
FIG. 01B
PAGE 2
JAN 20/09

BRI

BOEING
757
PARTS CATALOG (MAINTENANCE)



Y 23-41-55-01 REV 301

EQUIPMENT ASSY-E6 AFT EQPT CTR CB PNL (COMMUNICATIONS ONLY)
FIGURE 1

BRI
MAY 28/07

23-41-55-01

23-41-55-01
PAGE 0



757

PARTS CATALOG (MAINTENANCE)

FIG ITEM	PART NUMBER	1 2 3 4 5 6 7	NOMENCLATURE	EFFECT FROM TO	UNITS PER ASSY
1			EQUIPMENT ASSY-E6 AFT EQPT CTR CB PNL (COMMUNICATIONS ONLY)	002004 006100 107107 950999	
- 1	284N1690-3		EQUIPMENT ASSY-E6 AFT EQPT CTR CB PNL (COMMUNICATIONS ONLY) VARIABLE DRAWING REF: 284N1690-5010 284N1690-5012 284N1690-5014 FOR NHA/OTHER SYS DET SEE: 53-61-51-10	002004 006100 107107 950999	RF
5	BAC27NEX0084		.DECAL- PLACARD CONTENT: D415 SERV INPH	002004 006100 107107 950999	1
10	BAC27NEX0085		.DECAL- PLACARD CONTENT: D415	002004 006100 107107 950999	1
15	69B47882-1		.COVER ASSY-JACK	002004 006100 107107 950999	1

MISSING ITEM NUMBERS NOT APPLICABLE

- ITEM NOT ILLUSTRATED

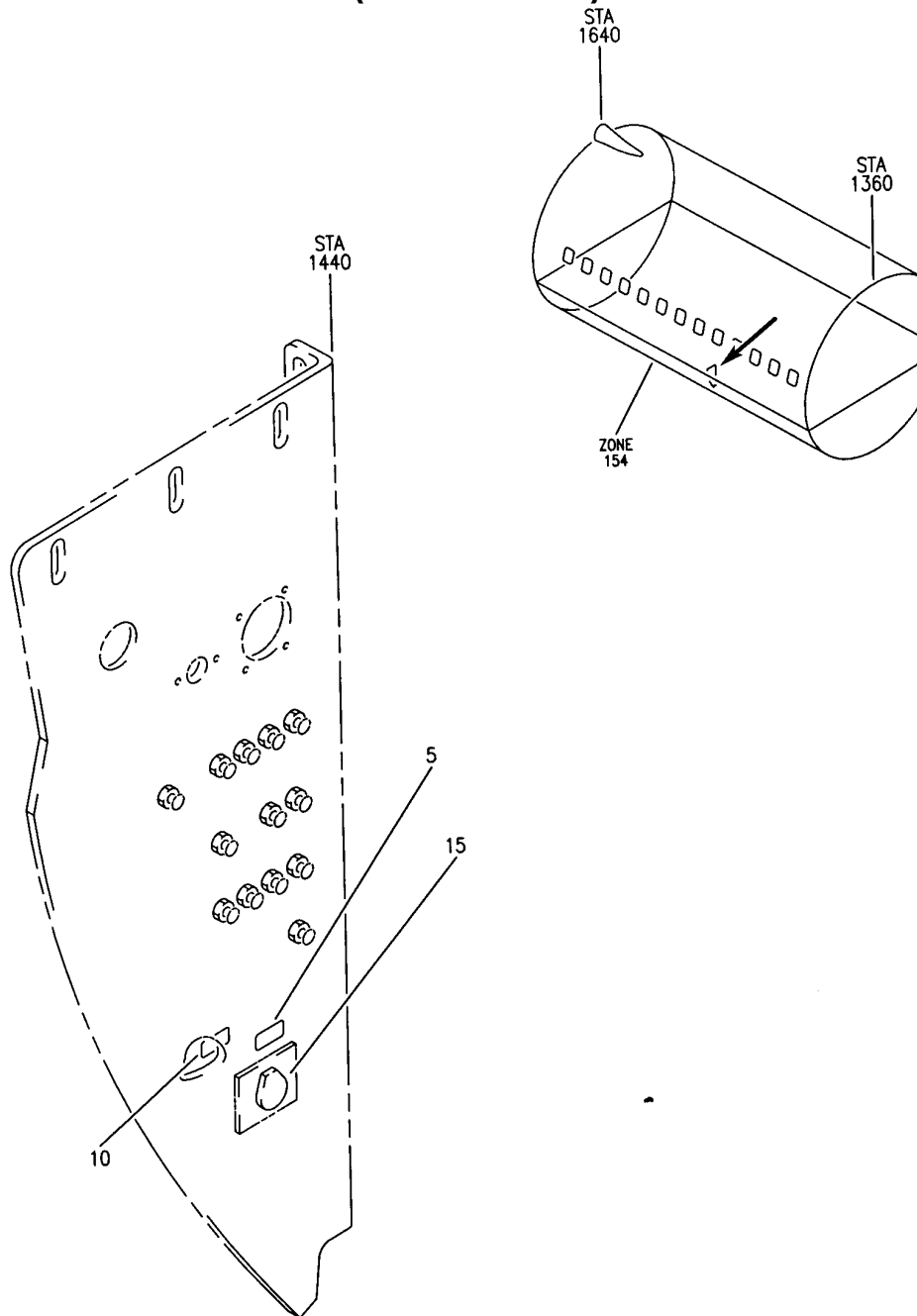
BRI

23-41-55-01

BOEING PROPRIETARY - Copyright © - Unpublished Work - See title page for details.

23-41-55
FIG. 01
PAGE 1
JAN 20/09

BOEING
757
PARTS CATALOG (MAINTENANCE)



Y 23415501A REV 233

EQUIPMENT ASSY-E6 AFT EQPT CTR CB PNL OPTION PKG (COMMUNICATIONS ONLY)
FIGURE 1A

BRI
MAY 28/07

23-41-55-01A

23-41-55-01A
PAGE 0



757

PARTS CATALOG (MAINTENANCE)

FIG ITEM	PART NUMBER	1 2 3 4 5 6 7	NOMENCLATURE	EFFECT FROM TO	UNITS PER ASSY
1 A			EQUIPMENT ASSY-E6 AFT EQPT CTR CB PNL OPTION PKG (COMMUNICATIONS ONLY)	101102 108120 504903	
- 1	284N1690-1000		EQUIPMENT ASSY-E6 AFT EQPT CTR CB PNL OPTION PKG (COMMUNICATIONS ONLY)	101102 108120 504903	RF
	5 BAC27NEX0084		MISCELLANEOUS DATA: MINOR MODEL 757-200 FOR NHA/OTHER SYS DET SEE: 24-50-51-02A .DECAL-	101102 108120 504903	1
	15 69B47882-1		.COVER ASSY-JACK ELECTRICAL EQUIP NUMBER: D00415	101102 108120 504903	1

MISSING ITEM NUMBERS NOT APPLICABLE

- ITEM NOT ILLUSTRATED

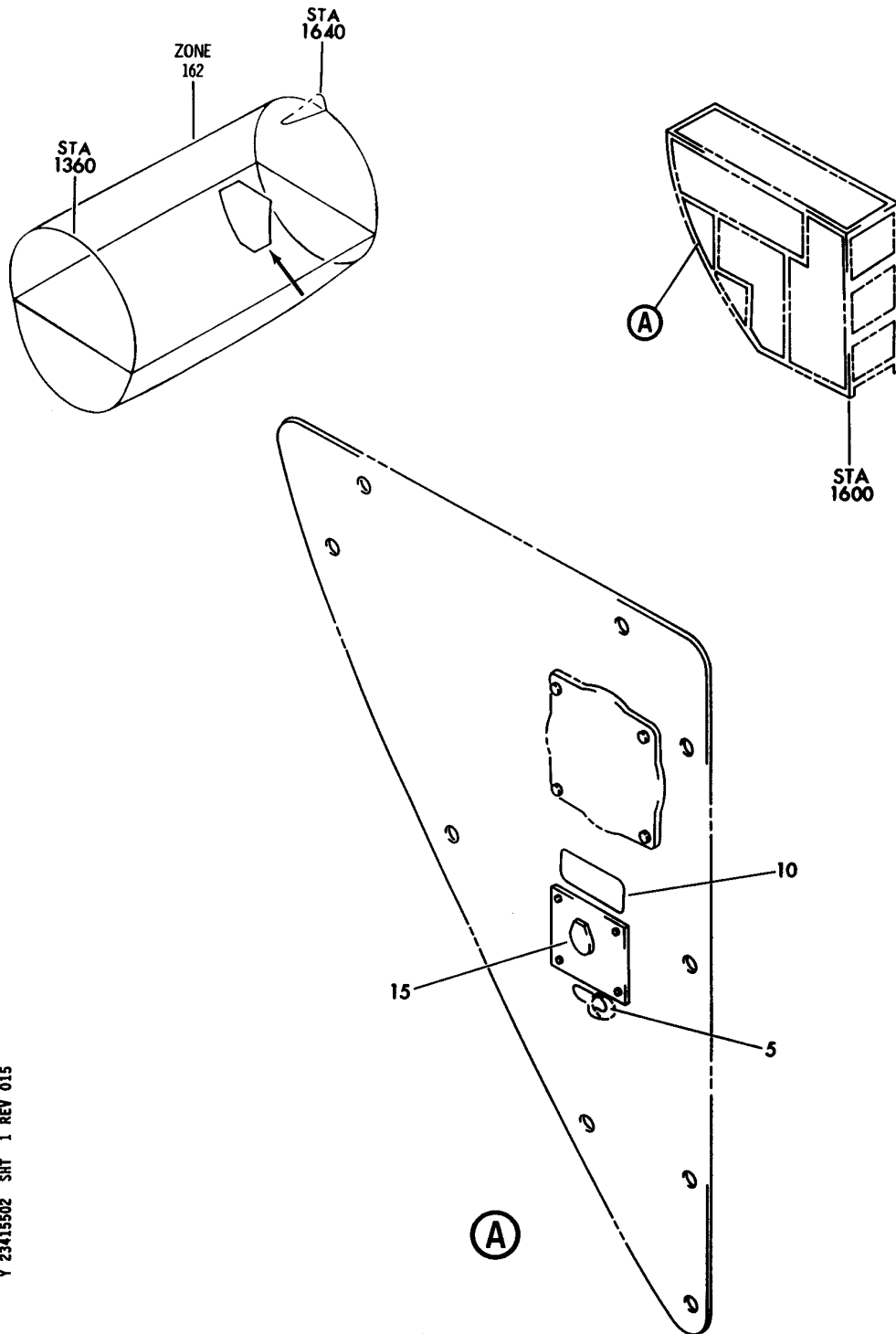
23-41-55-01A

23-41-55
FIG. 01A
PAGE 1
JAN 20/09

BRI

BOEING PROPRIETARY - Copyright © - Unpublished Work - See title page for details.

BOEING
757
PARTS CATALOG (MAINTENANCE)



Y 23415502 SHT 1 REV 015

EQUIPMENT ASSY-E6 AFT EQPT CTR METER PNL (COMMUNICATIONS ONLY)
FIGURE 2

23-41-55-02

BRI
MAY 28/07

23-41-55-02
PAGE 0



757

PARTS CATALOG (MAINTENANCE)

FIG ITEM	PART NUMBER	1 2 3 4 5 6 7	NOMENCLATURE	EFFECT FROM TO	UNITS PER ASSY
2			EQUIPMENT ASSY-E6 AFT EQPT CTR METER PNL (COMMUNICATIONS ONLY)	121503 904949	
- 1	284N1662-5		EQUIPMENT ASSY-E6 EQPT CTR METER PNL (COMMUNICATIONS ONLY) POSITION DATA: AFT FOR NHA/OTHER SYS DET SEE: 25-70-51-53	121503 904949	RF
5	BAC27NEX0085		.DECAL- PLACARD CONTENT: D415	121503 904949	1
10	BAC27NEX0084		.DECAL- PLACARD CONTENT: D415 SERV INPH	121503 904949	1
15	69B47882-1		.COVER ASSY-INTPH JACK	121503 904949	1

MISSING ITEM NUMBERS NOT APPLICABLE

- ITEM NOT ILLUSTRATED

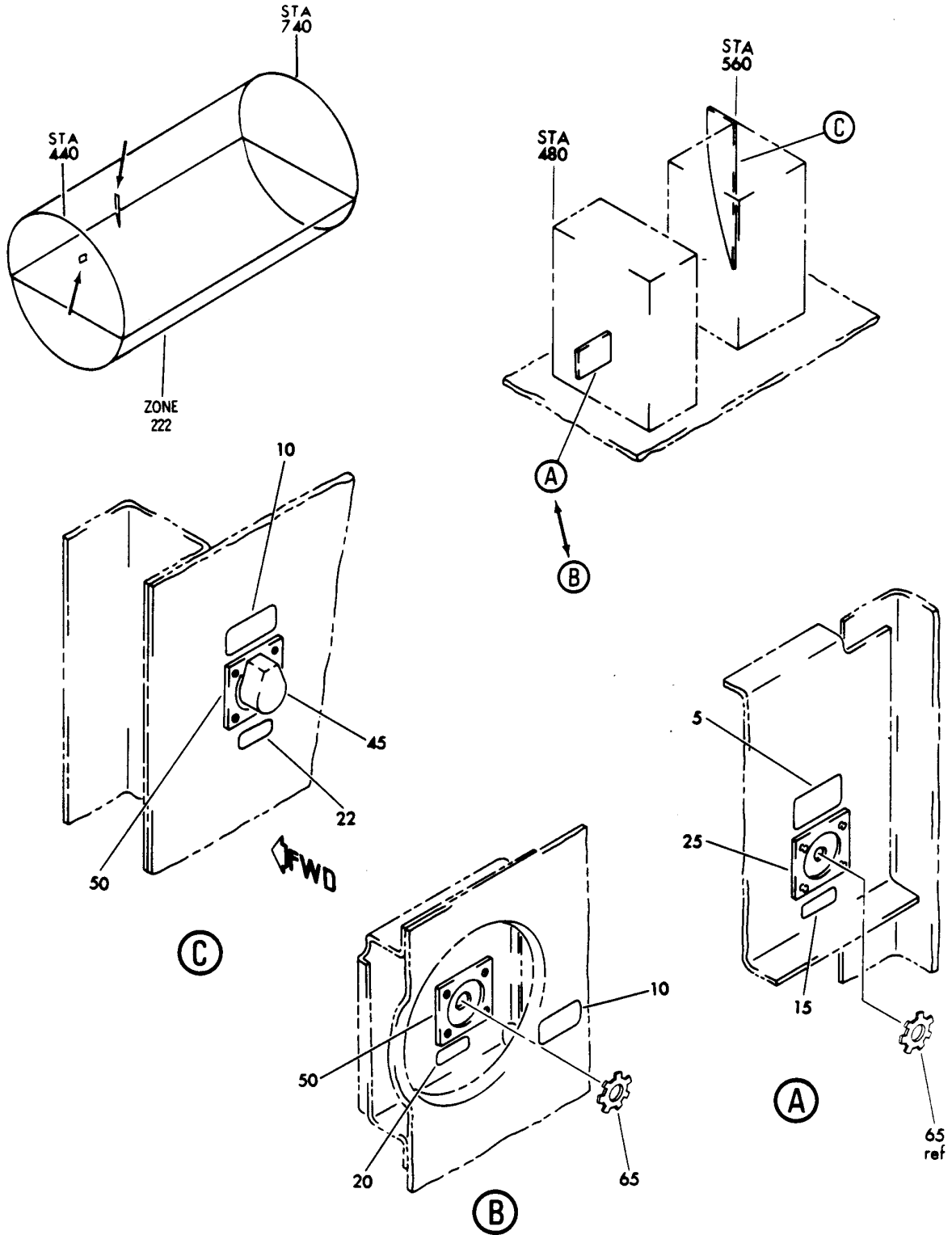
23-41-55-02

23-41-55
FIG. 02
PAGE 1
JAN 20/09

BRI

BOEING PROPRIETARY - Copyright © - Unpublished Work - See title page for details.

BOEING
757
PARTS CATALOG (MAINTENANCE)



Y 23-41-56-01 SHT 1 REV 057

PANEL INSTL-EQPT CTR SVCE (COMMUNICATIONS ONLY)
FIGURE 1

23-41-56-01

BRI
MAY 28/07

23-41-56-01
PAGE 0



757

PARTS CATALOG (MAINTENANCE)

FIG ITEM	PART NUMBER	1 2 3 4 5 6 7	NOMENCLATURE	EFFECT FROM TO	UNITS PER ASSY
1			PANEL INSTL-EQPT CTR SVCE (COMMUNICATIONS ONLY)	002004 006999	
- 1	284N1360-22		PANEL INSTL-EQPT CTR SVCE (COMMUNICATIONS ONLY) FOR NHA/OTHER SYS DET SEE: 24-00-58-01C	950951	RF
- 1	284N1360-8		PANEL INSTL-EQPT CTR SVCE (COMMUNICATIONS ONLY) FOR NHA/OTHER SYS DET SEE: 24-00-58-01C	002004 006012 952999	RF
- 1	284N1360-11		PANEL INSTL-EQPT CTR SVCE (COMMUNICATIONS ONLY) FOR NHA/OTHER SYS DET SEE: 24-00-58-01C	107107 121503 904949	RF
- 2	284N1360-25		PANEL INSTL-EQPT CTR SVCE (COMMUNICATIONS ONLY) FOR NHA/OTHER SYS DET SEE: 24-00-58-01C	013100	RF
- 2	284N1360-34		PANEL INSTL-EQPT CTR SVCE (COMMUNICATIONS ONLY) FOR NHA/OTHER SYS DET SEE: 24-00-58-05	101102 108120 504903	RF
- 2	MODREF10004		PANEL INSTL-EQPT CTR SVCE (COMMUNICATIONS ONLY) MODULE NUMBER: 284N1360-34 REV A FOR OTHER SYS DETAILS SEE: 11-36-51-01 25-29-51-01 27-51-71-05 27-58-52-01 33-31-54-01 33-37-53-01	103106	1
10	BAC27NEX0502		.DECAL- PLACARD CONTENT: INTERPHONE SERVICE	002004 006999	2
20	BAC27NEX0499		.DECAL- PLACARD CONTENT: D00423	002004 006999	1
22	BAC27NEX1239		.DECAL- PLACARD CONTENT: D00843	002004 006999	1
45	69B47882-1		.COVER ASSY-JACK	002004 006999	1
50	69B40302-7		.PLATE-INSULATION	002004 006999	2

MISSING ITEM NUMBERS NOT APPLICABLE

- ITEM NOT ILLUSTRATED

23-41-56-01

23-41-56
FIG. 01
PAGE 1
JAN 20/09

BRI

BOEING PROPRIETARY - Copyright © - Unpublished Work - See title page for details.



757

PARTS CATALOG (MAINTENANCE)

FIG ITEM	PART NUMBER	1 2 3 4 5 6 7	NOMENCLATURE	EFFECT FROM TO	UNITS PER ASSY
1			ATTACHING PARTS		
- 55	BACR15BA3A		.RIVET-	002004	8
			SIZE DETERMINED ON INSTL.	006999	
			-----*-----		
65	MS27111-4		.WASHER	002004	1
				006999	

MISSING ITEM NUMBERS NOT APPLICABLE

- ITEM NOT ILLUSTRATED

BRI

23-41-56-01

BOEING PROPRIETARY - Copyright © - Unpublished Work - See title page for details.

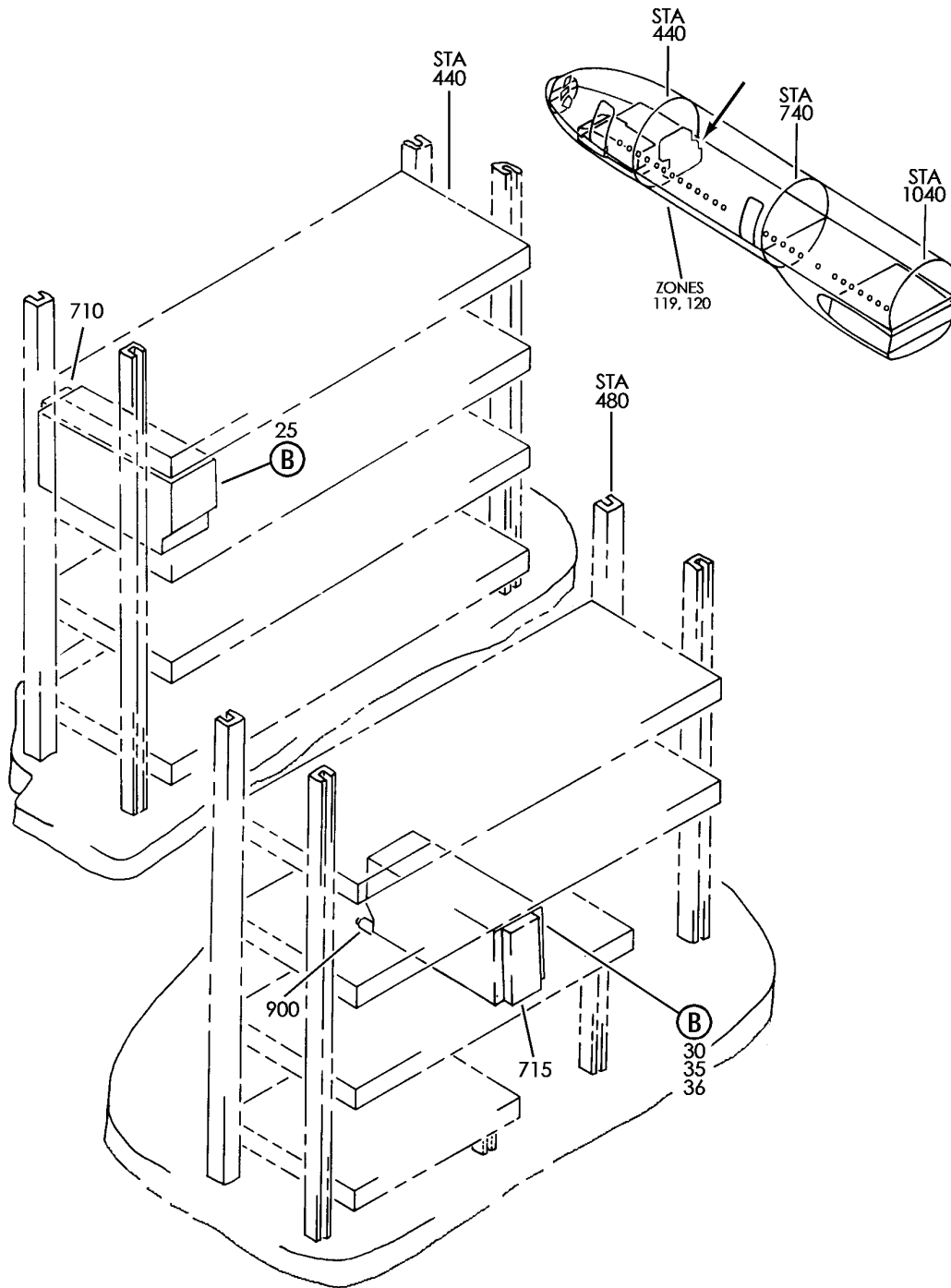
23-41-56
FIG. 01
PAGE 2
JAN 20/09

CABIN INTERPHONE SYSTEM (CIS)

BRI
MAY 28/07

23-42-00
SECTION TITLE
PAGE 1

BOEING
757
PARTS CATALOG (MAINTENANCE)



Y 23420101 SHT 1 REV 235

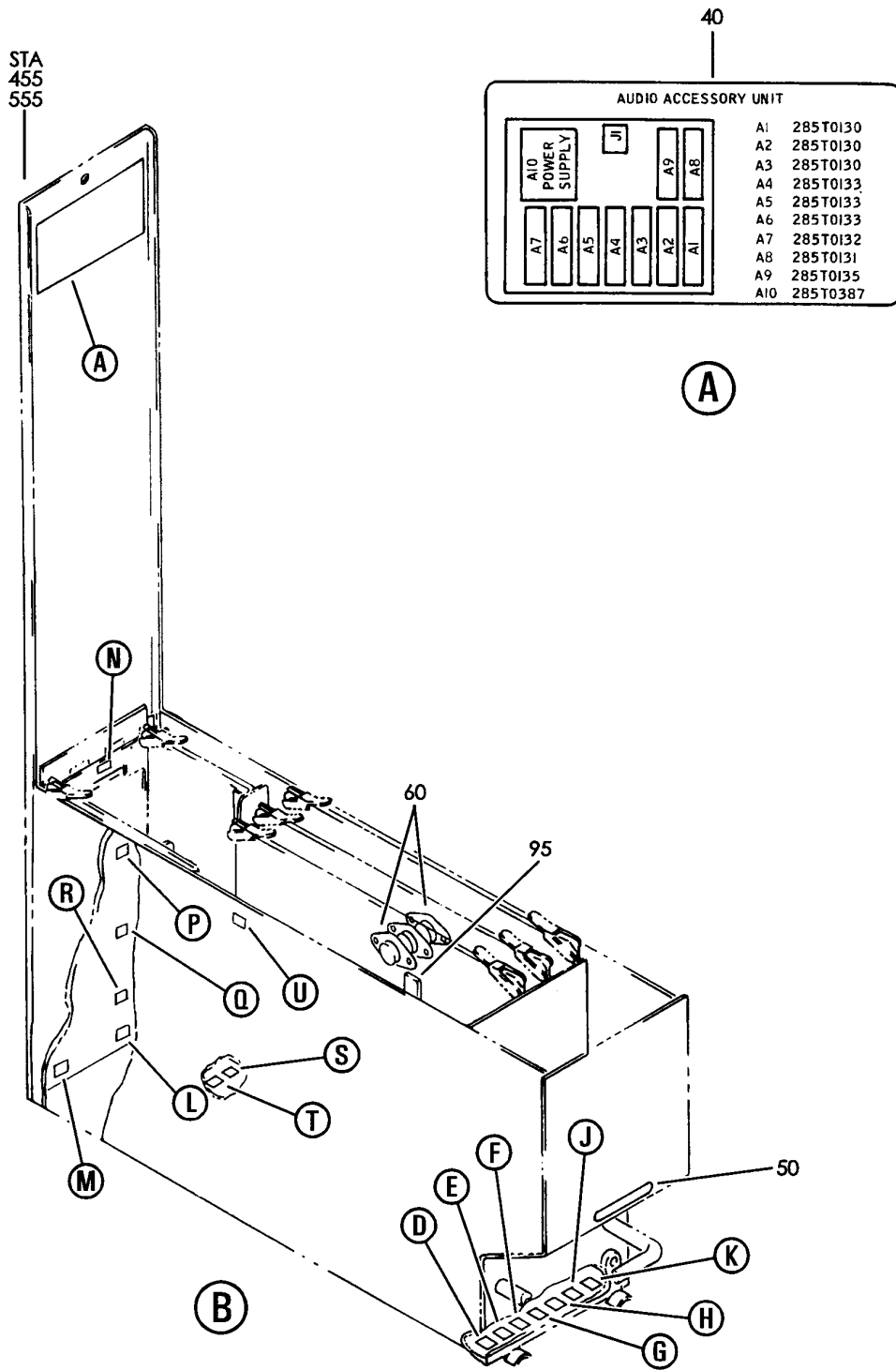
EQUIPMENT INSTL-MAIN ELECTRONICS EQPT CTR (CABIN INTERPHONE SYSTEM ONLY)
FIGURE 1 (SHEET 1)

BRI
MAY 28/07

23-42-01-01

23-42-01-01
PAGE 0

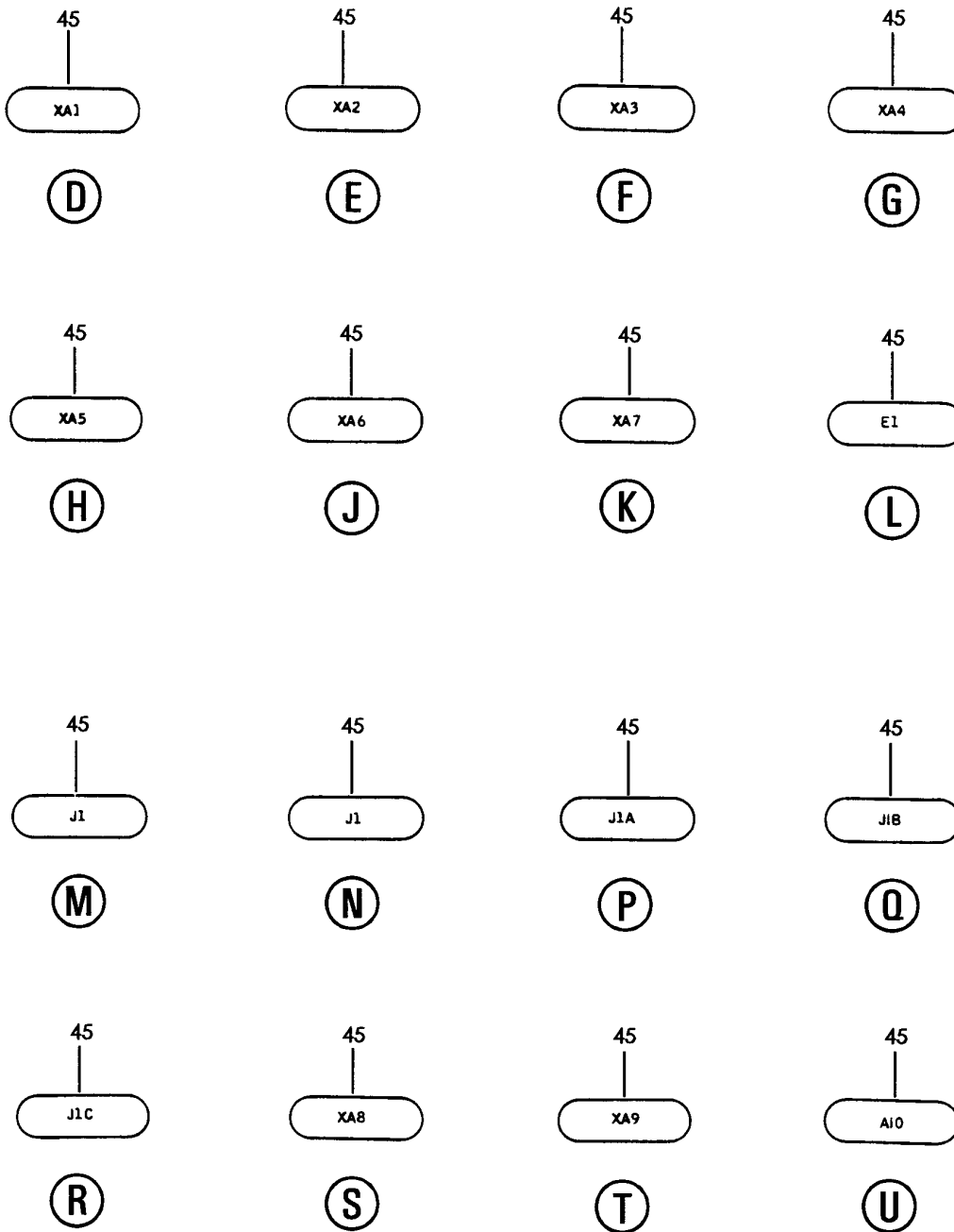
BOEING
757
PARTS CATALOG (MAINTENANCE)



EQUIPMENT INSTL-MAIN ELECTRONICS EQPT CTR (CABIN INTERPHONE SYSTEM ONLY)
FIGURE 1 (SHEET 2)

23-42-01-01

BOEING
757
PARTS CATALOG (MAINTENANCE)



Y 23420101 SHT 3 REV 206

EQUIPMENT INSTL-MAIN ELECTRONICS EQPT CTR (CABIN INTERPHONE SYSTEM ONLY)
FIGURE 1 (SHEET 3)

23-42-01-01

BRI
MAY 28/07

23-42-01-01
PAGE 0B



757

PARTS CATALOG (MAINTENANCE)

FIG ITEM	PART NUMBER	1 2 3 4 5 6 7	NOMENCLATURE	EFFECT FROM TO	UNITS PER ASSY
1			EQUIPMENT INSTL-MAIN ELECTRONICS EQPT CTR (CABIN INTERPHONE SYSTEM ONLY)	002004 006100 107107 121999	
- 2	284N1307-33		EQUIPMENT INSTL-MAIN ELECTRONICS EQPT CTR (CABIN INTERPHONE SYSTEM ONLY) FOR NHA/OTHER SYS DET SEE: 24-00-58-01	107107	RF
- 4	284N1800-16		EQUIPMENT INSTL-MAIN ELECTRONICS EQPT CTR (CABIN INTERPHONE SYSTEM ONLY) FOR NHA/OTHER SYS DET SEE: 24-00-58-01	121503 904949	RF
- 4	284N1800-32		EQUIPMENT INSTL-MAIN ELECTRONICS EQPT CTR (CABIN INTERPHONE SYSTEM ONLY) FOR NHA/OTHER SYS DET SEE: 24-00-58-01	952999	RF
- 4	284N1800-34		EQUIPMENT INSTL-MAIN ELECTRONICS EQPT CTR (CABIN INTERPHONE SYSTEM ONLY) FOR NHA/OTHER SYS DET SEE: 24-00-58-01	002004 006100	RF
- 5	284N1800-38		EQUIPMENT INSTL-MAIN ELECTRONICS EQPT CTR (CABIN INTERPHONE SYSTEM ONLY) FOR NHA/OTHER SYS DET SEE: 24-00-58-01	950951	RF
- 7	284N1800-88		EQUIPMENT INSTL-MAIN ELECTRONICS EQPT CTR (CABIN INTERPHONE SYSTEM ONLY) FOR NHA/OTHER SYS DET SEE: 24-00-58-05E	505505	RF
- 8	284N1800-190		EQUIPMENT INSTL-MAIN ELECTRONICS EQPT CTR (CABIN INTERPHONE SYSTEM ONLY) FOR NHA/OTHER SYS DET SEE: 24-00-58-05E	504504 506903	RF

MISSING ITEM NUMBERS NOT APPLICABLE

- ITEM NOT ILLUSTRATED

23-42-01-01

23-42-01
FIG. 01
PAGE 1
JAN 20/09

BRI



757

PARTS CATALOG (MAINTENANCE)

FIG ITEM	PART NUMBER	1 2 3 4 5 6 7	NOMENCLATURE	EFFECT FROM TO	UNITS PER ASSY
1					
30	285T0001-75		.ACCESSORY UNIT ASSY-AUDIO SUPPLIER CODE: V89954 ELECTRICAL EQUIP NUMBER: M00108 COMPONENT MAINT MANUAL REF: 23-42-61 USED ON: 284N1800-47	002004 006100 121503 904999	1
35	285T0001-33		.ACCESSORY UNIT ASSY-AUDIO SUPPLIER CODE: V89954 ELECTRICAL EQUIP NUMBER: M00108 COMPONENT MAINT MANUAL REF: 23-42-52	107107	1
35	285T0001-41		.ACCESSORY UNIT ASSY-AUDIO SUPPLIER CODE: V89954 ELECTRICAL EQUIP NUMBER: M00108 COMPONENT MAINT MANUAL REF: 23-42-52 OPTIONAL PART: 285T0001-33 V89954 USED ON: 284N1307-10 284N1307-11 284N1307-12 284N1307-14 284N1307-3	107107	1
35	285T0001-51		.ACCESSORY UNIT ASSY-AUDIO SUPPLIER CODE: V89954 ELECTRICAL EQUIP NUMBER: M00108 COMPONENT MAINT MANUAL REF: 23-42-52	107107	1
35	285T0001-33		.ACCESSORY UNIT ASSY-AUDIO SUPPLIER CODE: V89954 ELECTRICAL EQUIP NUMBER: M00108 COMPONENT MAINT MANUAL REF: 23-42-52 OPTIONAL PART: 285T0001-41 V89954	107107	1

MISSING ITEM NUMBERS NOT APPLICABLE

- ITEM NOT ILLUSTRATED

23-42-01-01

23-42-01
FIG. 01
PAGE 2
JAN 20/09

BRI



757

PARTS CATALOG (MAINTENANCE)

FIG ITEM	PART NUMBER	1 2 3 4 5 6 7	NOMENCLATURE	EFFECT FROM TO	UNITS PER ASSY
1	36 285T0001-32		.ACCESSORY UNIT ASSY-AUDIO SUPPLIER CODE: V89954 ELECTRICAL EQUIP NUMBER: M00108 COMPONENT MAINT MANUAL REF: 23-42-52 OPTIONAL PART: 285T0001-42 V89954	121503 904949	1
	36 285T0001-42		.ACCESSORY UNIT ASSY-AUDIO SUPPLIER CODE: V89954 ELECTRICAL EQUIP NUMBER: M00108 COMPONENT MAINT MANUAL REF: 23-42-52 OPTIONAL PART: 285T0001-32 V89954	121503 904949	1
	36 285T0001-56		.ACCESSORY UNIT ASSY-AUDIO SUPPLIER CODE: V89954 ELECTRICAL EQUIP NUMBER: M00108 COMPONENT MAINT MANUAL REF: 23-42-52 USED ON: 284N1307-10 284N1307-14 284N1307-18 284N1307-19 284N1307-20 284N1307-21 284N1307-22 284N1307-23 284N1307-25 284N1307-29 284N1307-3 284N1307-31 284N1307-32 284N1307-33 284N1307-36 284N1307-38 284N1307-6	107107	1

MISSING ITEM NUMBERS NOT APPLICABLE

- ITEM NOT ILLUSTRATED

BRI

23-42-01-01

23-42-01
FIG. 01
PAGE 3
JAN 20/09



757

PARTS CATALOG (MAINTENANCE)

FIG ITEM	PART NUMBER	1 2 3 4 5 6 7	NOMENCLATURE	EFFECT FROM TO	UNITS PER ASSY
1					
36	285T0001-57	.	ACCESSORY UNIT ASSY-AUDIO SUPPLIER CODE: V89954 ELECTRICAL EQUIP NUMBER: M00108 COMPONENT MAINT MANUAL REF: 23-42-52	121503 904949	1
36	285T0001-77	.	ACCESSORY UNIT ASSY-AUDIO SUPPLIER CODE: V89954 ELECTRICAL EQUIP NUMBER: M00108 COMPONENT MAINT MANUAL REF: 23-42-61	504903	1
36	285T0001-69	.	ACCESSORY UNIT ASSY-AUDIO SUPPLIER CODE: V89954 ELECTRICAL EQUIP NUMBER: M00108 COMPONENT MAINT MANUAL REF: 23-42-61	002004 006100 950999	1
36	285T0001-210	.	ACCESSORY UNIT ASSY-AUDIO SUPPLIER CODE: V89954 ELECTRICAL EQUIP NUMBER: M00108 COMPONENT MAINT MANUAL REF: 23-42-68	002004 006100 950999	1
40	BAC27TEX2100	..	DECAL- OPTIONAL PART: BAC27TEX4119 V89954	107107 121949	1
40	BAC27TEX4119	..	DECAL- SUPPLIER CODE: V89954 OPTIONAL PART: BAC27TEX2100	107107 121949	1
40	BAC27TEX4046	..	DECAL- OPTIONAL PART: BAC27TEX4098 USED ON: 285T0001-69	002004 006100 950999	1
40	BAC27TEX4098	..	DECAL- OPTIONAL PART: BAC27TEX4046 USED ON: 285T0001-69	002004 006100 950999	1

MISSING ITEM NUMBERS NOT APPLICABLE

- ITEM NOT ILLUSTRATED

23-42-01-01

23-42-01
FIG. 01
PAGE 4
JAN 20/09

BRI



757

PARTS CATALOG (MAINTENANCE)

FIG ITEM	PART NUMBER	1 2 3 4 5 6 7	NOMENCLATURE	EFFECT FROM TO	UNITS PER ASSY
1	40 BAC27TEX4046		..DECAL- MISCELLANEOUS DATA: (ADDED PER FAA FORM 8110-3) OPTIONAL PART: BAC27TEX4098 USED ON: 285T0001-69	002004 006100 950999	1
	40 BAC27TEX4098		..DECAL- MISCELLANEOUS DATA: (ADDED PER FAA FORM 8110-3) OPTIONAL PART: BAC27TEX4046 USED ON: 285T0001-69	002004 006100 950999	1
	43 BAC27TEX3649		..DECAL- SUPPLIER CODE: V89954 USED ON: 285T0001-69	002004 006100 107107 504903 950999	1
	45 BAC27TEX3319		..DECALSET-INCLUDES DECALS IDENTIFIED ON THE ILLUSTRATION SUPPLIER CODE: V89954 USED ON: 285T0001-54 285T0001-56 285T0001-57 285T0001-58 USED ON: 285T0001-41 285T0001-42 285T0001-43	107107 121949	1
	45 BAC27TEX3638		..DECALSET-INCLUDES DECALS IDENTIFIED ON THE ILLUSTRATION SUPPLIER CODE: V89954 USED ON: 285T0001-69	002004 006100 950999	1
	50 BAC27TEX3639		..MARKER-ALUMINUM FOIL SUPPLIER CODE: V89954 PLACARD CONTENT: PA LEVEL USED ON: 285T0001-69	002004 006100 950999	1

MISSING ITEM NUMBERS NOT APPLICABLE

- ITEM NOT ILLUSTRATED

23-42-01-01

23-42-01
FIG. 01
PAGE 5
JAN 20/09

BRI



757

PARTS CATALOG (MAINTENANCE)

FIG ITEM	PART NUMBER	1 2 3 4 5 6 7	NOMENCLATURE	EFFECT FROM TO	UNITS PER ASSY
1					
52	BAC27TEX1728	..	MARKER- USED ON: 285T0001-69	002004 006100 107107 950999	1
60	LM117KSTEEL883B	..	MICROCIRCUIT-VOLTAGE SUPPLIER CODE: V27014 SPECIFICATION NUMBER: 280-22002-334 MISCELLANEOUS DATA: ELEC EQMT NO. VR1 ELECTRICAL EQUIP NUMBER: VR1 OPTIONAL PART: LM117KSTEEL883 V27014 LM117KBZAJC V04713 SG117K883B V34333 UA117KMQB V07263	002004 006100 107107 121999	1
95	SG1524J883B	..	SEMICONDUCTOR- SUPPLIER CODE: V34333	002004 006100 107107 121999	1
- 700	286N1163-002		WIRE BUNDLE ASSY	121503 904949	RF
- 700	286N1163-003		WIRE BUNDLE ASSY	107107	RF
- 700	286N1163-006		WIRE BUNDLE ASSY	950951	RF
- 700	286N1163-008		WIRE BUNDLE ASSY-	002004 006100 952999	RF
- 703	286N1163-379		WIRE BUNDLE ASSY	504504	RF
- 703	286N1163-380		WIRE BUNDLE ASSY	506506	RF
- 703	286N1163-384		WIRE BUNDLE ASSY	505505	RF
- 703	286N1163-393		WIRE BUNDLE ASSY	507903	RF
715	BACC66F11C1401	.	CONNECTOR- ELECTRICAL EQUIP NUMBER: D00005 WIRING DIAGRAM REF: NO. 233111	002004 006100 107107 121999	1

MISSING ITEM NUMBERS NOT APPLICABLE

- ITEM NOT ILLUSTRATED

BRI

23-42-01-01

BOEING PROPRIETARY - Copyright © - Unpublished Work - See title page for details.

23-42-01
FIG. 01
PAGE 6
JAN 20/09



**757
PARTS CATALOG (MAINTENANCE)**

FIG ITEM	PART NUMBER	1 2 3 4 5 6 7	NOMENCLATURE	EFFECT FROM TO	UNITS PER ASSY
1 - 720	YHLZD33		. TERMINAL- SUPPLIER CODE: V09922 ELECTRICAL EQUIP NUMBER: TB0141A WIRING DIAGRAM REF: 232211 POST SERVICE BULLETIN: 23-0026 ILLUSTRATION REFERENCE: SHELF ASSY-ELECTRONIC EQPT CTR E4-3 25-70-55-07	107107	3
900				002004 006100 107107 121503 904999	RF

MISSING ITEM NUMBERS NOT APPLICABLE

- ITEM NOT ILLUSTRATED

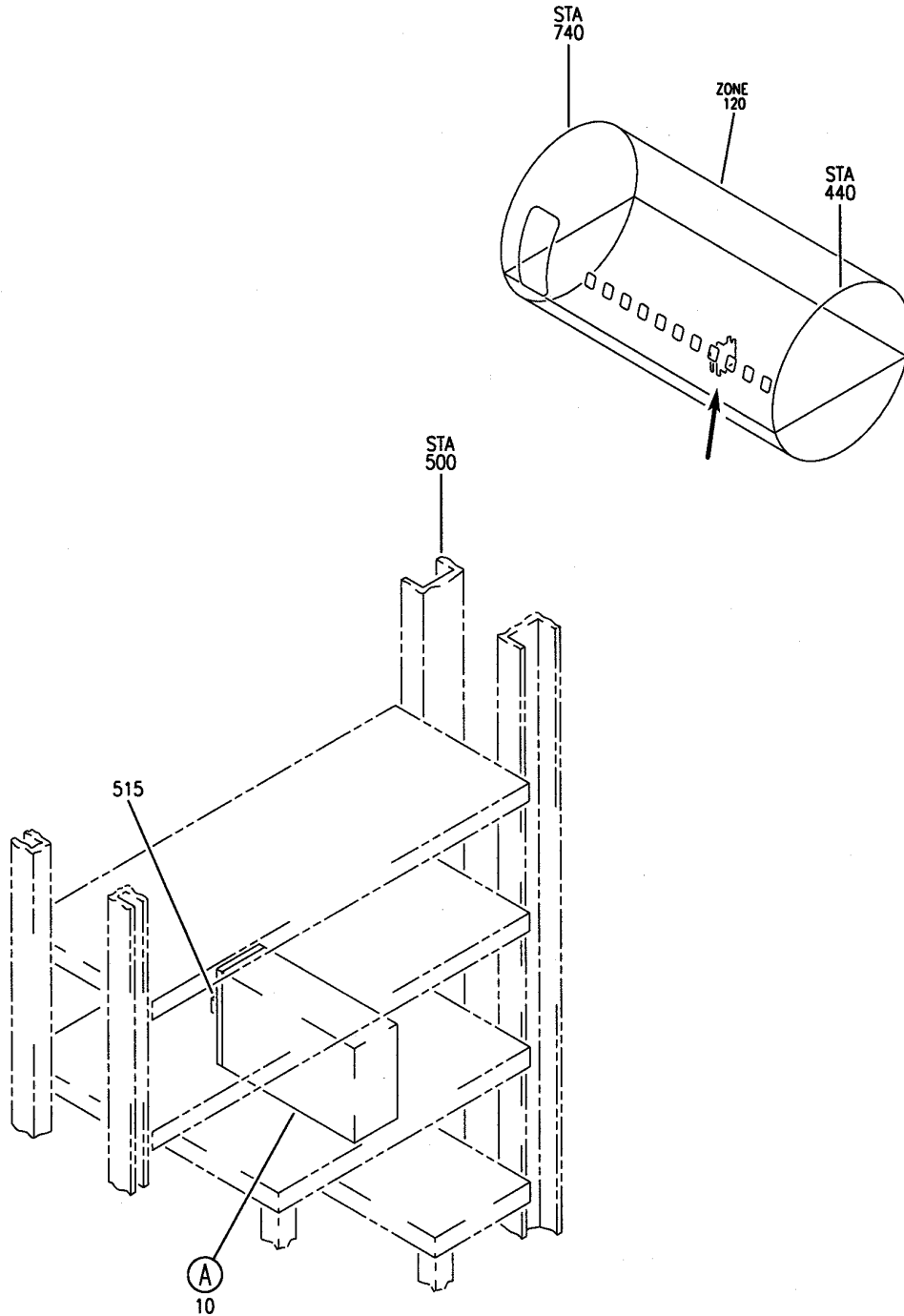
BRI

23-42-01-01

BOEING PROPRIETARY - Copyright © - Unpublished Work - See title page for details.

23-42-01
FIG. 01
PAGE 7
JAN 20/09

BOEING
757
PARTS CATALOG (MAINTENANCE)



Y 23420101B SHT 1 REV 211

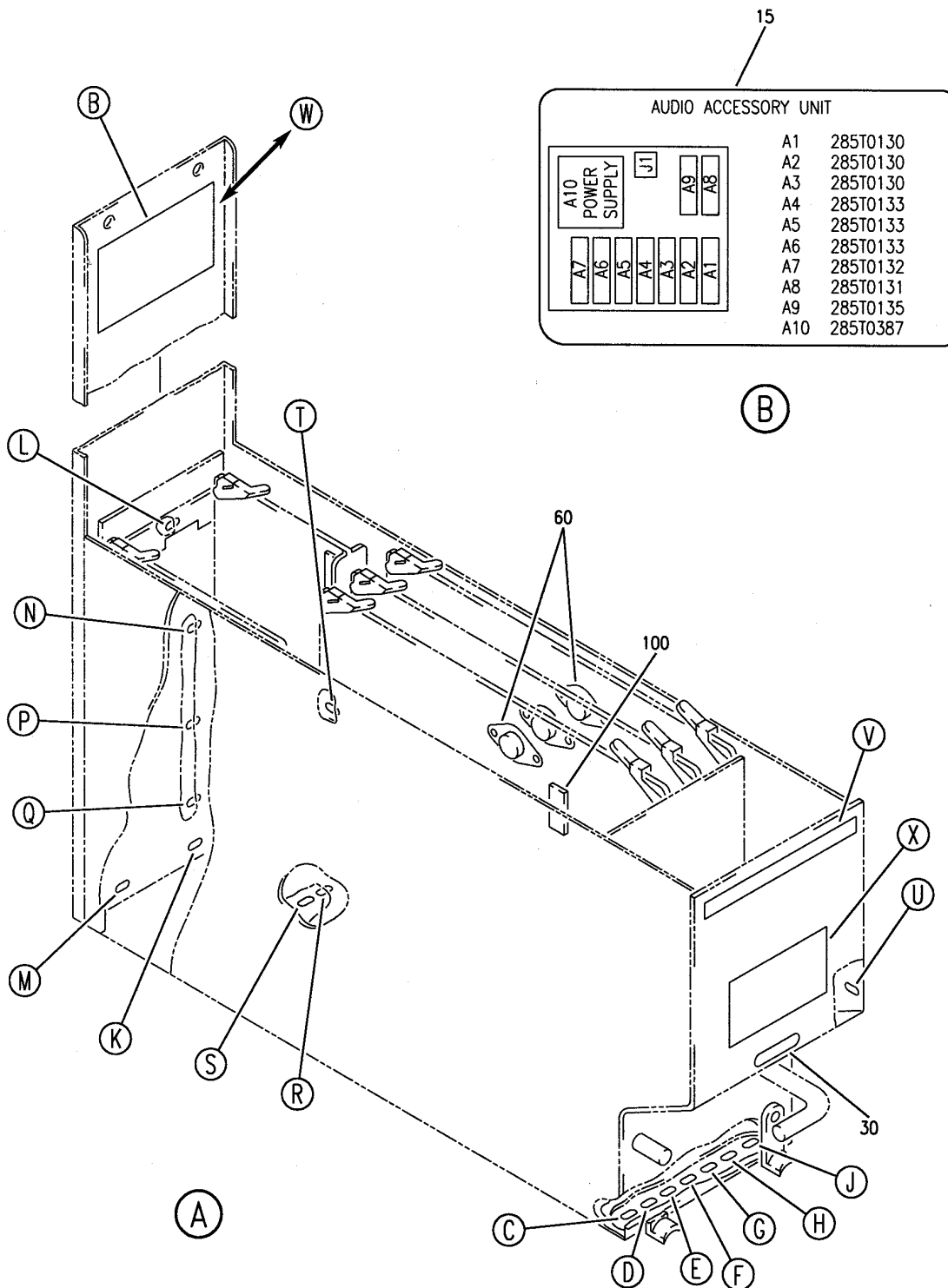
EQUIPMENT INSTL-MAIN ELECTRONICS EQPT CTR (CABIN INTERPHONE SYSTEM ONLY)
FIGURE 1B (SHEET 1)

23-42-01-01B

BRI
MAY 28/07

23-42-01-01B
PAGE 0

BOEING
757
PARTS CATALOG (MAINTENANCE)



Y 23420101B SHT 2 REV 211

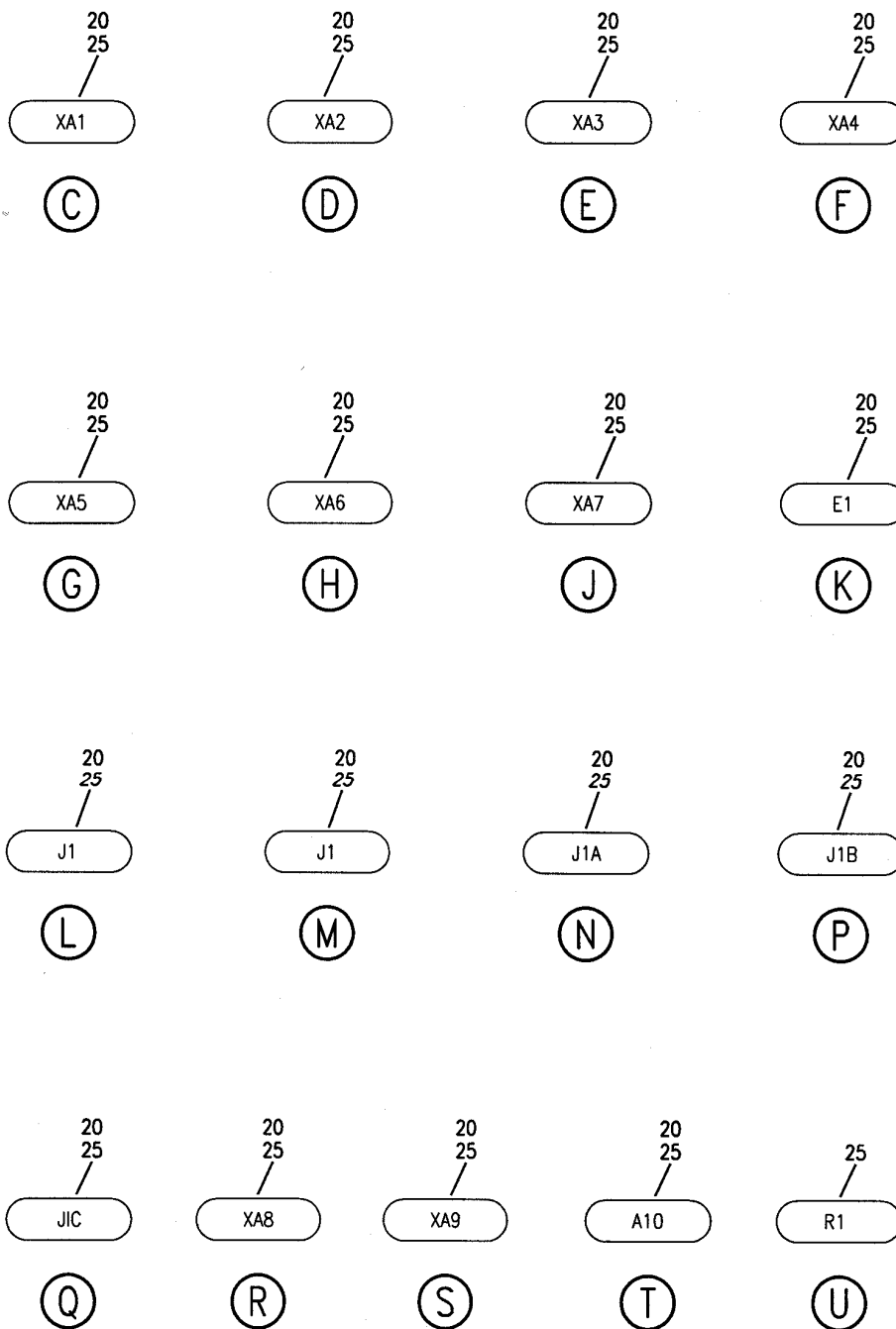
EQUIPMENT INSTL-MAIN ELECTRONICS EQPT CTR (CABIN INTERPHONE SYSTEM ONLY)
FIGURE 1B (SHEET 2)

23-42-01-01B

BRI
MAY 28/07

23-42-01-01B
PAGE 0A

BOEING
757
PARTS CATALOG (MAINTENANCE)



Y 23420101B SHT 3 REV 211

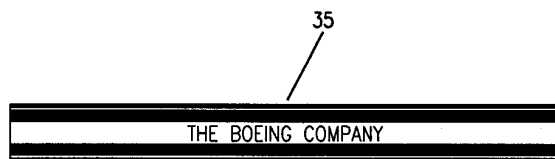
EQUIPMENT INSTL-MAIN ELECTRONICS EQPT CTR (CABIN INTERPHONE SYSTEM ONLY)
FIGURE 1B (SHEET 3)

23-42-01-01B

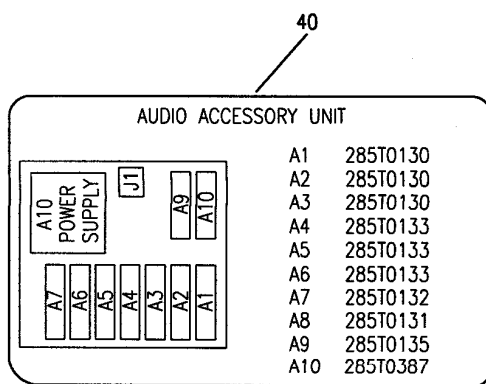
BRI
MAY 28/07

23-42-01-01B
PAGE 0B

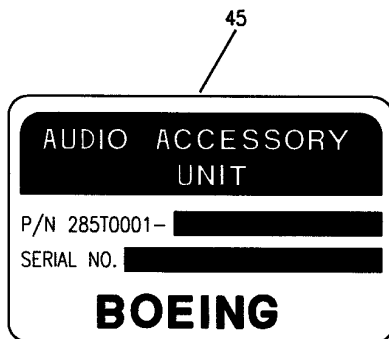
BOEING
757
PARTS CATALOG (MAINTENANCE)



(V)



(W)



(X)

Y 23420101B SHT 4 REV 211

EQUIPMENT INSTL-MAIN ELECTRONICS EQPT CTR (CABIN INTERPHONE SYSTEM ONLY)
FIGURE 1B (SHEET 4)

23-42-01-01B

BRI
MAY 28/07

23-42-01-01B
PAGE 0C



757

PARTS CATALOG (MAINTENANCE)

FIG ITEM	PART NUMBER	1 2 3 4 5 6 7	NOMENCLATURE	EFFECT FROM TO	UNITS PER ASSY
1B			EQUIPMENT INSTL-MAIN ELECTRONICS EQPT CTR (CABIN INTERPHONE SYSTEM ONLY)	101102	
- 3	284N1800-140		EQUIPMENT INSTL-MAIN ELECTRONICS EQPT CTR (CABIN INTERPHONE SYSTEM ONLY)	101101	RF
- 3	284N1800-141		FOR NHA/OTHER SYS DET SEE: 24-00-58-05E EQUIPMENT INSTL-MAIN ELECTRONICS EQPT CTR (CABIN INTERPHONE SYSTEM ONLY)	102102	RF
10	285T0001-57		FOR NHA/OTHER SYS DET SEE: 24-00-58-05E .ACCESSORY UNIT ASSY-AUDIO SUPPLIER CODE: V89954 ELECTRICAL EQUIP NUMBER: M00108 COMPONENT MAINT MANUAL REF: 23-42-52	101102	1
10	285T0001-75		.ACCESSORY UNIT ASSY-AUDIO SUPPLIER CODE: V89954 ELECTRICAL EQUIP NUMBER: M00108 COMPONENT MAINT MANUAL REF: 23-42-61	101102	1
10	285T0001-210		.ACCESSORY UNIT ASSY-AUDIO SUPPLIER CODE: V89954 ELECTRICAL EQUIP NUMBER: M00108 COMPONENT MAINT MANUAL REF: 23-42-68	101102	1
10	285T0001-32		.ACCESSORY UNIT ASSY-AUDIO SUPPLIER CODE: V89954 ELECTRICAL EQUIP NUMBER: M00108 COMPONENT MAINT MANUAL REF: 23-42-52	101102	1

MISSING ITEM NUMBERS NOT APPLICABLE

- ITEM NOT ILLUSTRATED

23-42-01-01B

23-42-01
FIG. 01B
PAGE 1
JAN 20/09

BRI



757

PARTS CATALOG (MAINTENANCE)

FIG ITEM	PART NUMBER	1 2 3 4 5 6 7	NOMENCLATURE	EFFECT FROM TO	UNITS PER ASSY
1B					
10	285T0001-42	.	ACCESSORY UNIT ASSY-AUDIO SUPPLIER CODE: V89954 ELECTRICAL EQUIP NUMBER: M00108 COMPONENT MAINT MANUAL REF: 23-42-52	101102	1
15	BAC27TEX2100	..	DECAL- OPTIONAL PART: BAC27TEX4119 V89954	101102	1
15	BAC27TEX4119	..	DECAL- SUPPLIER CODE: V89954 OPTIONAL PART: BAC27TEX2100	101102	1
20	BAC27TEX3319	..	DECALSET- SUPPLIER CODE: V89954	101102	1
35	BAC27TEX3649	..	DECAL- SUPPLIER CODE: V89954 USED ON: 285T0001-69	101102	1
45	BAC27TEX1728	..	MARKER-ALUMINUM FOIL USED ON: 285T0001-69	101102	1
60	LM117KSTEEL883B	...	MICROCIRCUIT-VOLTAGE SUPPLIER CODE: V27014 SPECIFICATION NUMBER: 280-22002-334 MISCELLANEOUS DATA: ELEC EQMT NO. VR1 ELECTRICAL EQUIP NUMBER: VR1 OPTIONAL PART: LM117KSTEEL883 V27014 LM117KBZAJC V04713 SG117K883B V34333 UA117KMQB V07263 USED ON: 285T0001-69	101102	1

MISSING ITEM NUMBERS NOT APPLICABLE

- ITEM NOT ILLUSTRATED

23-42-01-01B

23-42-01
FIG. 01B
PAGE 2
JAN 20/09

BRI



757

PARTS CATALOG (MAINTENANCE)

FIG ITEM	PART NUMBER	1 2 3 4 5 6 7	NOMENCLATURE	EFFECT FROM TO	UNITS PER ASSY
1B 100	SG1524J883B		. . SEMICONDUCTOR- SUPPLIER CODE: V34333	101102	1
- 500	286N1163-337		WIRE BUNDLE ASSY	101101	RF
- 500	286N1163-341		WIRE BUNDLE ASSY	102102	RF
515	BACC66F11C1401		. CONNECTOR- ELECTRICAL EQUIP NUMBER: D00005 WIRING DIAGRAM REF: 233111	101102	1

MISSING ITEM NUMBERS NOT APPLICABLE

- ITEM NOT ILLUSTRATED

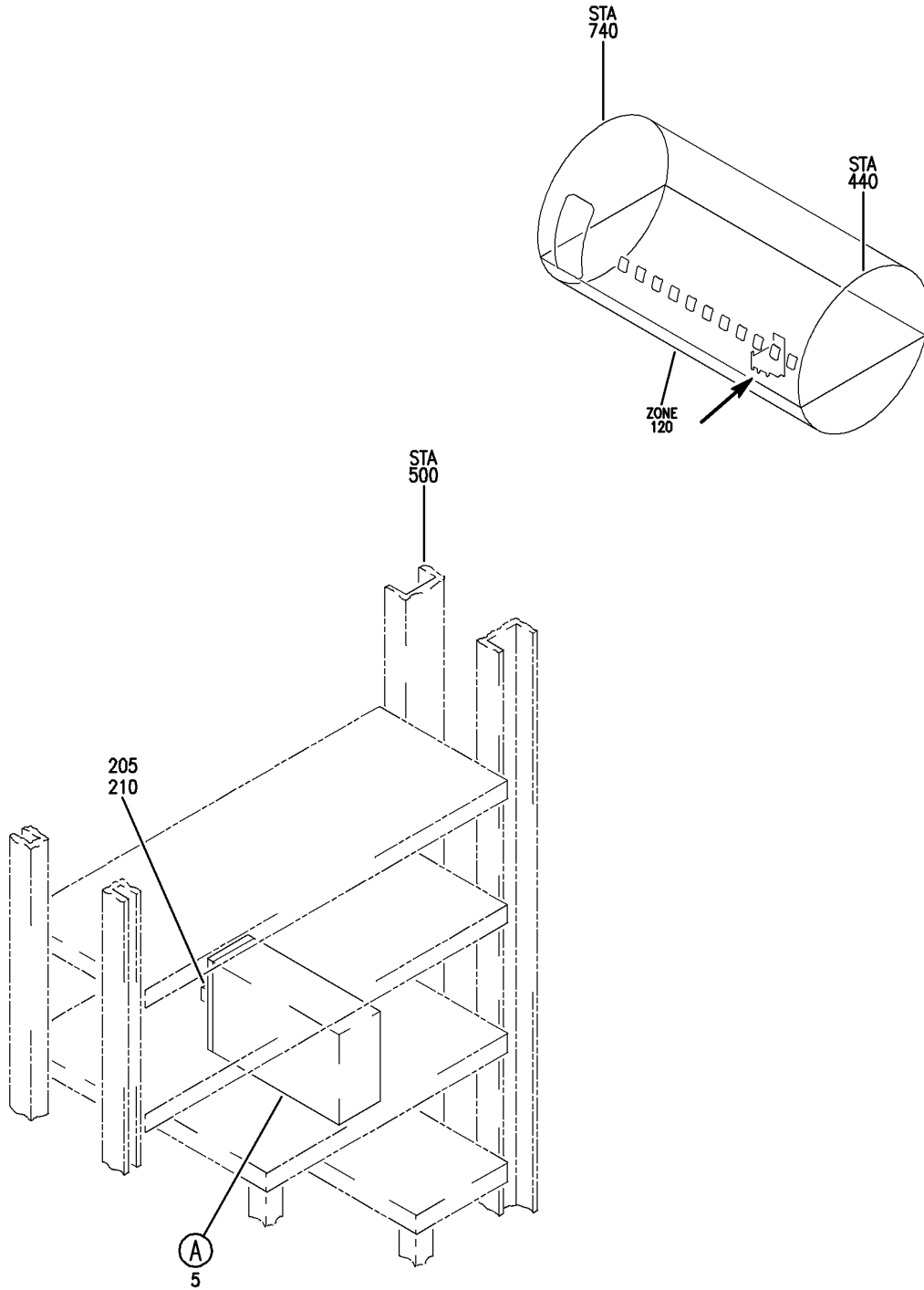
BRI

23-42-01-01B

BOEING PROPRIETARY - Copyright © - Unpublished Work - See title page for details.

23-42-01
FIG. 01B
PAGE 3
JAN 20/09

BOEING
757
PARTS CATALOG (MAINTENANCE)



Y 23420108 SHT 1 REV 234

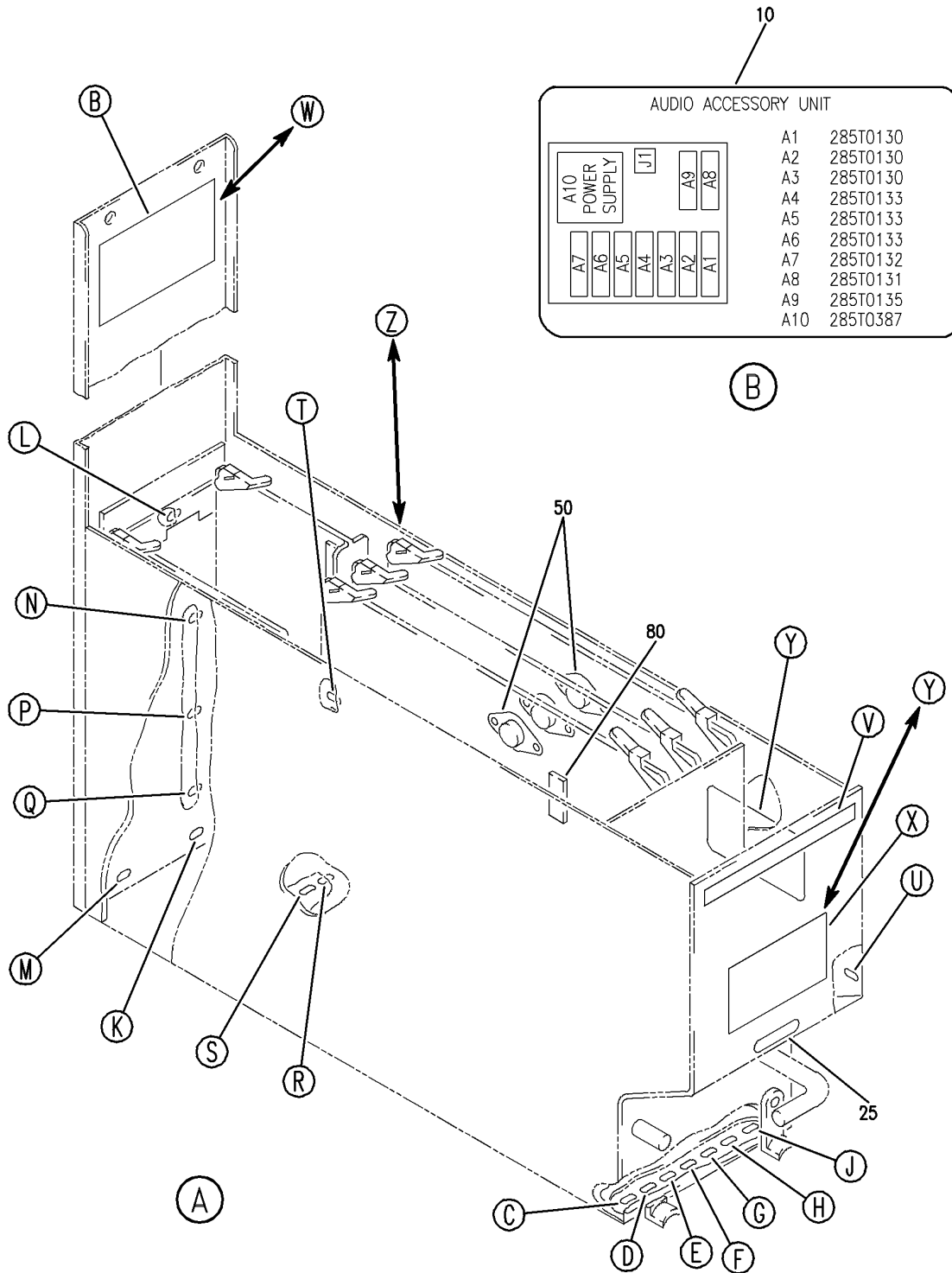
EQUIPMENT INSTL-MAIN ELECTRONICS EQPT CTR AUDIO ACCESS. UNIT
FIGURE 8 (SHEET 1)

BRI
JAN 20/09

23-42-01-08

23-42-01-08
PAGE 0


BOEING
 757
PARTS CATALOG (MAINTENANCE)



AUDIO ACCESSORY UNIT	
A10	POWER SUPPLY
A7	A6
A5	A4
A3	A2
A1	
A9	A8
A1	285T0130
A2	285T0130
A3	285T0130
A4	285T0133
A5	285T0133
A6	285T0133
A7	285T0132
A8	285T0131
A9	285T0135
A10	285T0387

Y 23420108 SH1 2 REV 241

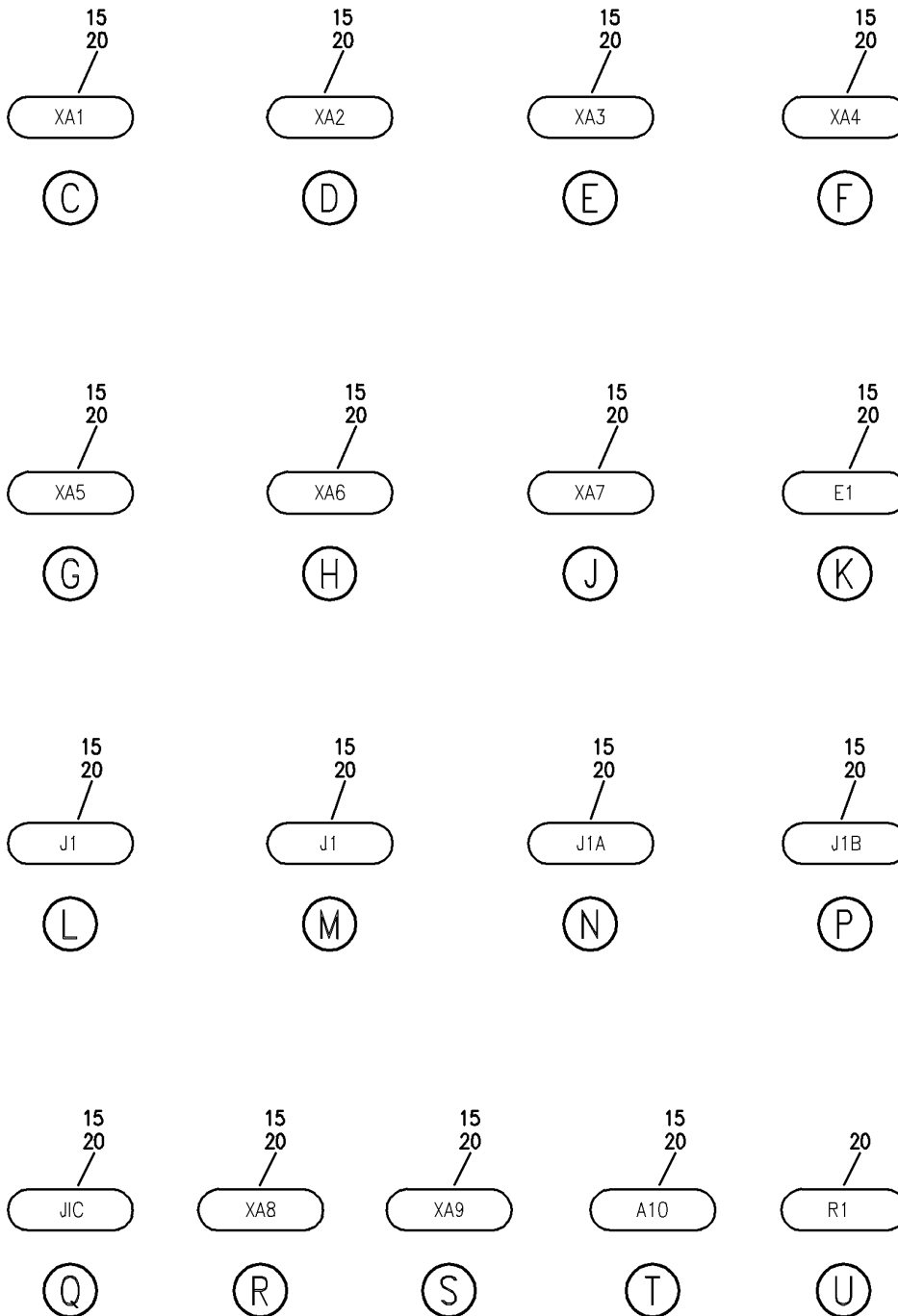
EQUIPMENT INSTL-MAIN ELECTRONICS EQPT CTR AUDIO ACCESS. UNIT
FIGURE 8 (SHEET 2)

23-42-01-08

BRI
JAN 20/09

23-42-01-08
PAGE 0A

BOEING
757
PARTS CATALOG (MAINTENANCE)



Y 23420108 SHT 3 REV 222

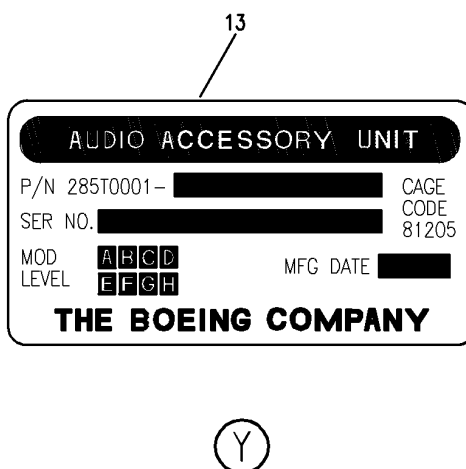
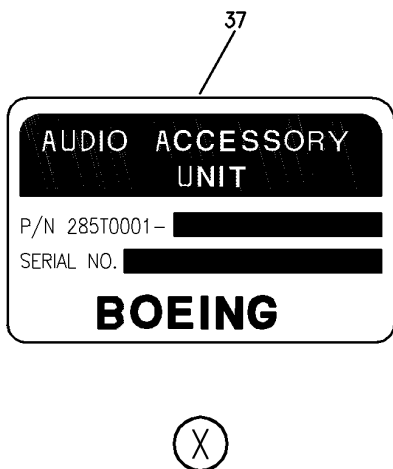
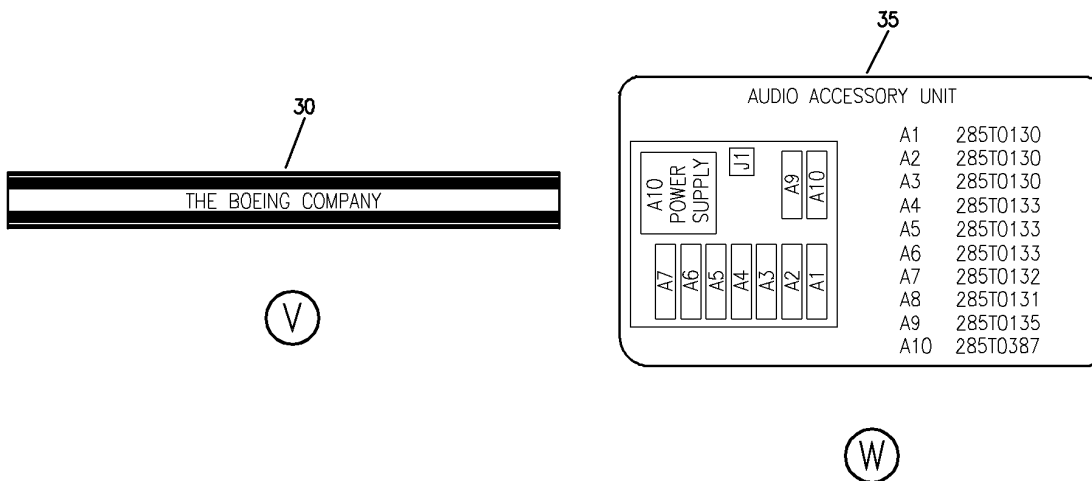
EQUIPMENT INSTL-MAIN ELECTRONICS EQPT CTR AUDIO ACCESS. UNIT
FIGURE 8 (SHEET 3)

23-42-01-08

BRI
JAN 20/09

23-42-01-08
PAGE 08

BOEING
757
PARTS CATALOG (MAINTENANCE)



Y 23420108 SHT 4 REV 241

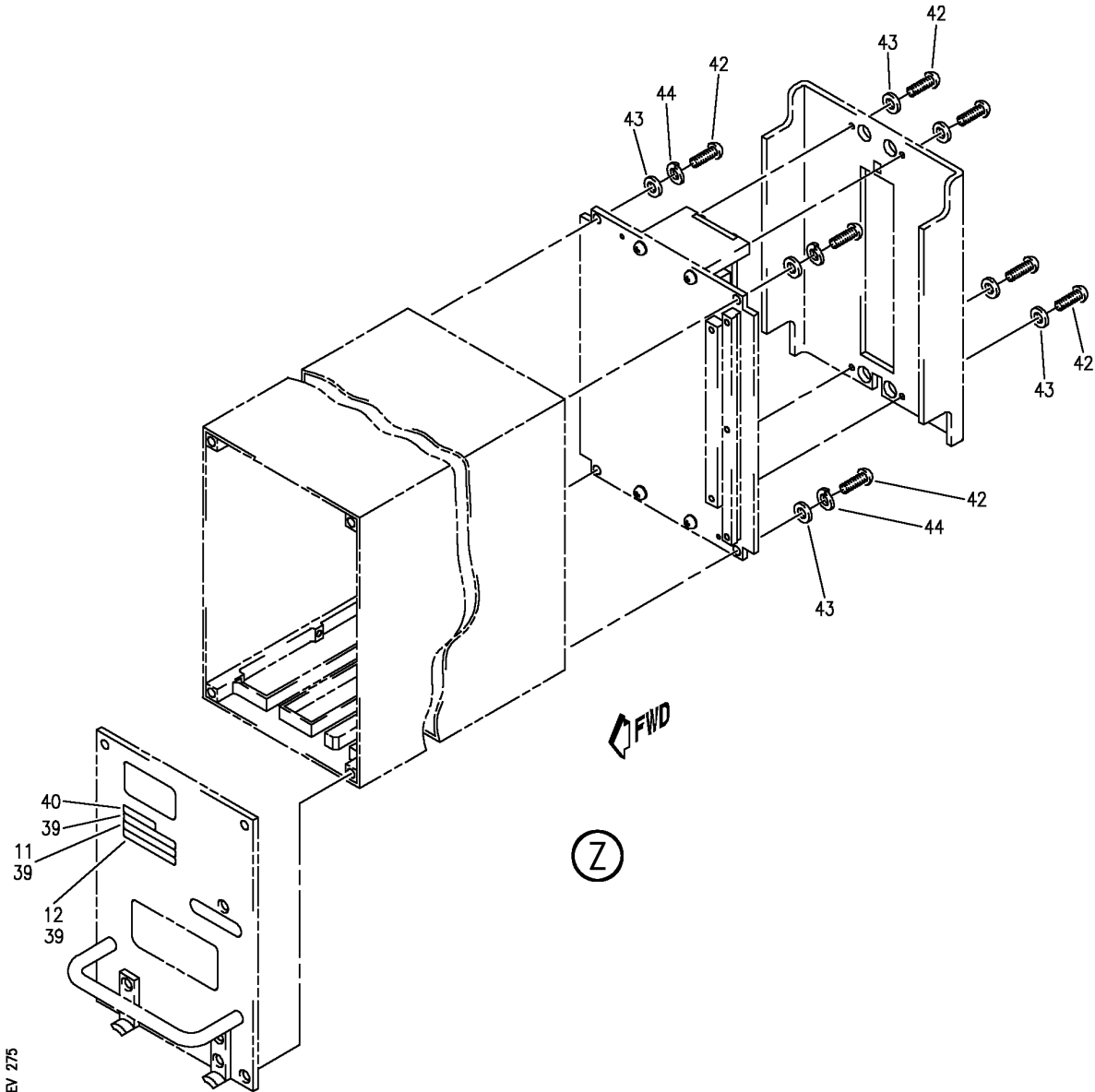
EQUIPMENT INSTL-MAIN ELECTRONICS EQPT CTR AUDIO ACCESS. UNIT
FIGURE 8 (SHEET 4)

23-42-01-08

BRI
JAN 20/09

23-42-01-08
PAGE 0C

BOEING
757
PARTS CATALOG (MAINTENANCE)



Y 23420108 SH 5 REV 275

EQUIPMENT INSTL-MAIN ELECTRONICS EQPT CTR AUDIO ACCESS. UNIT
FIGURE 8 (SHEET 5)

23-42-01-08

BRI
JAN 20/09

23-42-01-08
PAGE 08



757

PARTS CATALOG (MAINTENANCE)

FIG ITEM	PART NUMBER	1 2 3 4 5 6 7	NOMENCLATURE	EFFECT FROM TO	UNITS PER ASSY
8			EQUIPMENT INSTL-MAIN ELECTRONICS EQPT CTR AUDIO ACCESS. UNIT	103106 108120	
- 1	284N4000-230084		EQUIPMENT INSTL-MAIN ELECTRONICS EQPT CTR SELCAL DECODER FOR NHA SEE: 24-00-58-05F	108120	RF
- 2	MODREF9941		EQUIPMENT INSTL-MAIN ELECTRONICS EQPT CTR SELCAL DECODER MODULE NUMBER: 284N4000-230098 REV A	103106	1
5	285T0001-203		.ACCESSORY UNIT ASSY- SUPPLIER CODE: V89954 ELECTRICAL EQUIP NUMBER: M00108 COMPONENT MAINT MANUAL REF: 23-42-68 FUNCTIONAL REFERENCE: PLACARDS AND MARKINGS FOR DETAILS SEE 11-36-03-08	108120	1
5	285T0001-209		.ACCESSORY UNIT ASSY- SUPPLIER CODE: V89954 ELECTRICAL EQUIP NUMBER: M00108 COMPONENT MAINT MANUAL REF: 23-42-68 FUNCTIONAL REFERENCE: PLACARDS AND MARKINGS FOR DETAILS SEE 11-36-03-08	103106 108120	1
25	BAC27TEX3639		..MARKER-ALUMINUM FOIL SUPPLIER CODE: V89954 PLACARD CONTENT: PA LEVEL USED ON: 285T0001-69 285T0001-75 285T0001-201 285T0001-205 285T0001-210 285T0001-211	108120	1

MISSING ITEM NUMBERS NOT APPLICABLE

- ITEM NOT ILLUSTRATED

BRI

23-42-01-08

23-42-01
FIG. 08
PAGE 1
JAN 20/09



757

PARTS CATALOG (MAINTENANCE)

FIG ITEM	PART NUMBER	1 2 3 4 5 6 7	NOMENCLATURE	EFFECT FROM TO	UNITS PER ASSY
8					
40	S906-10207-4		.. LABEL- USED ON: 285T0001-201 285T0001-205 285T0001-210 285T0001-211	108120	1
- 201	286N1163-398		WIRE BUNDLE ASSY-	108120	RF
- 204	286N1163-601		WIRE BUNDLE ASSY	103106	RF
205	BACC66F11C1401		.CONNECTOR- ELECTRICAL EQUIP NUMBER: D00005 WIRING DIAGRAM REF: 233111	103106 108120	1
210	RBGP48-116N		.BLOCK- SUPPLIER CODE: V09922 SPECIFICATION NUMBER: S280W601-116 ELECTRICAL EQUIP NUMBER: D00005T WIRING DIAGRAM REF: 233111	103106	1

MISSING ITEM NUMBERS NOT APPLICABLE

- ITEM NOT ILLUSTRATED

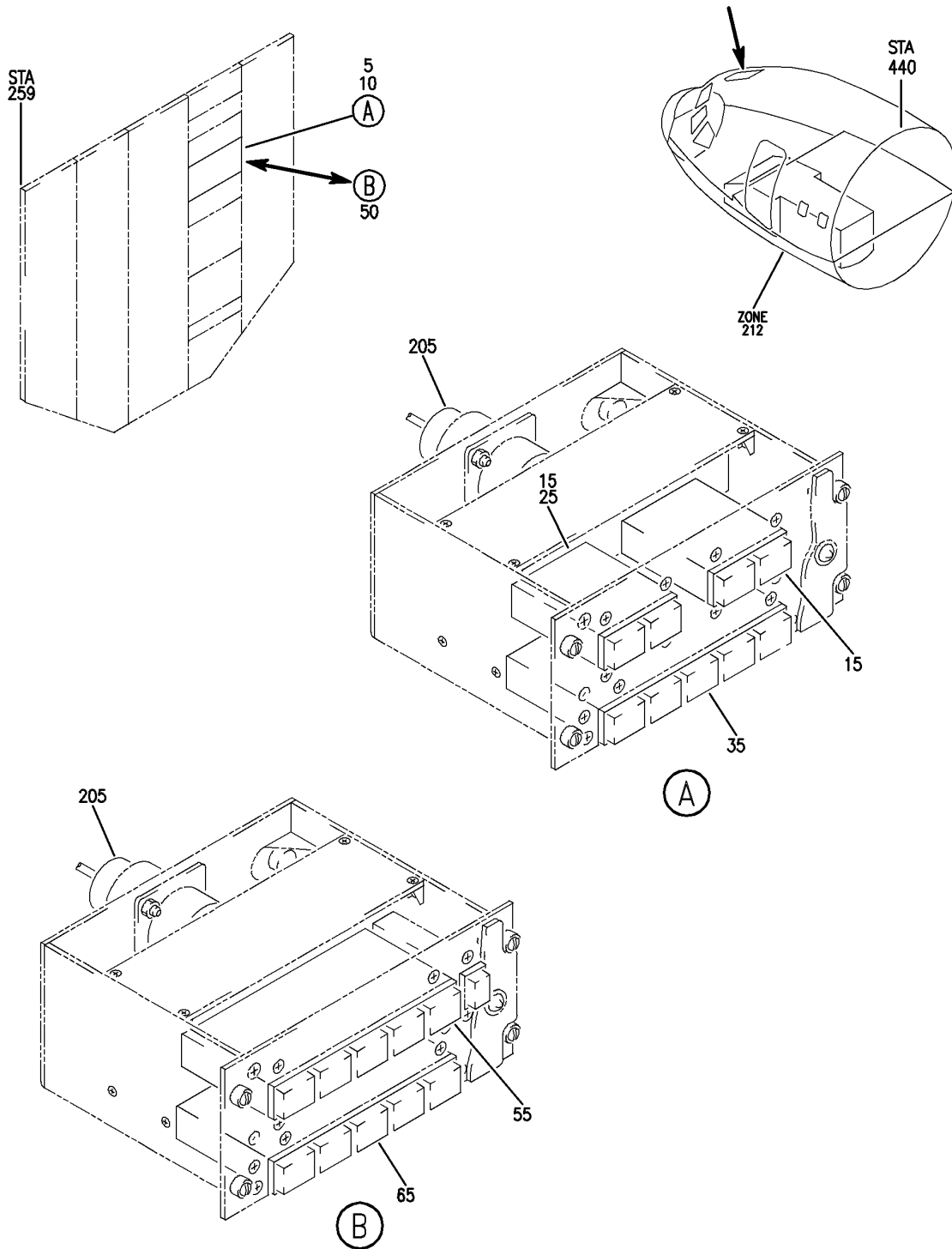
BRI

23-42-01-08

BOEING PROPRIETARY - Copyright © - Unpublished Work - See title page for details.

23-42-01
FIG. 08
PAGE 2
JAN 20/09

BOEING
757
PARTS CATALOG (MAINTENANCE)



Y 23420201 REV 237

PANEL INSTL-P5 OVHD (CABIN INTERPHONE SYSTEM ONLY)
FIGURE 1

23-42-02-01

BRI
MAY 28/07

23-42-02-01
PAGE 0



757

PARTS CATALOG (MAINTENANCE)

FIG ITEM	PART NUMBER	1 2 3 4 5 6 7	NOMENCLATURE	EFFECT FROM TO	UNITS PER ASSY
1			PANEL INSTL-P5 OVHD (CABIN INTERPHONE SYSTEM ONLY)	107107 121503 904949	
- 1	233N3101-1		PANEL INSTL-P5 OVHD (CABIN INTERPHONE SYSTEM ONLY) VARIABLE DRAWING REF: 233N3101-5005 233N3101-5025 FOR NHA/OTHER SYS DET SEE: 25-10-00-05A	107107 121503 904949	RF
	5 285T0024-25		.MODULE ASSY-PILOTS CALL PNL SUPPLIER CODE: V89954 ELECTRICAL EQUIP NUMBER: M00051 COMPONENT MAINT MANUAL REF: 23-42-59	107107 121503 904949	RF
	15 BCRE5333		..SWITCH ASSY- SUPPLIER CODE: V81590 OVERLENGTH PART NUMBER: 311-711-1022-001 ATTACHING PARTS	107107 121503 904949	2
- 20	NAS514P440-7		..SCREW	107107 121503 904949	8
	35 BCRE5812		-----*----- ..SWITCH ASSY- SUPPLIER CODE: V81590 OVERLENGTH PART NUMBER: 311-711-1026-011 ATTACHING PARTS	107107 121503 904949	1
- 40	NAS514P440-7		..SCREW	107107 121503 904949	4
- 200	286N2351-001		-----*----- WIRE BUNDLE ASSY	107107	RF
- 200	286N2351-002		WIRE BUNDLE ASSY	121503 904949	RF
	205 BACC45FT22A55S		.CONNECTOR- ELECTRICAL EQUIP NUMBER: D00333 WIRING DIAGRAM REF: 232111 234211	107107 121503 904949	1

MISSING ITEM NUMBERS NOT APPLICABLE

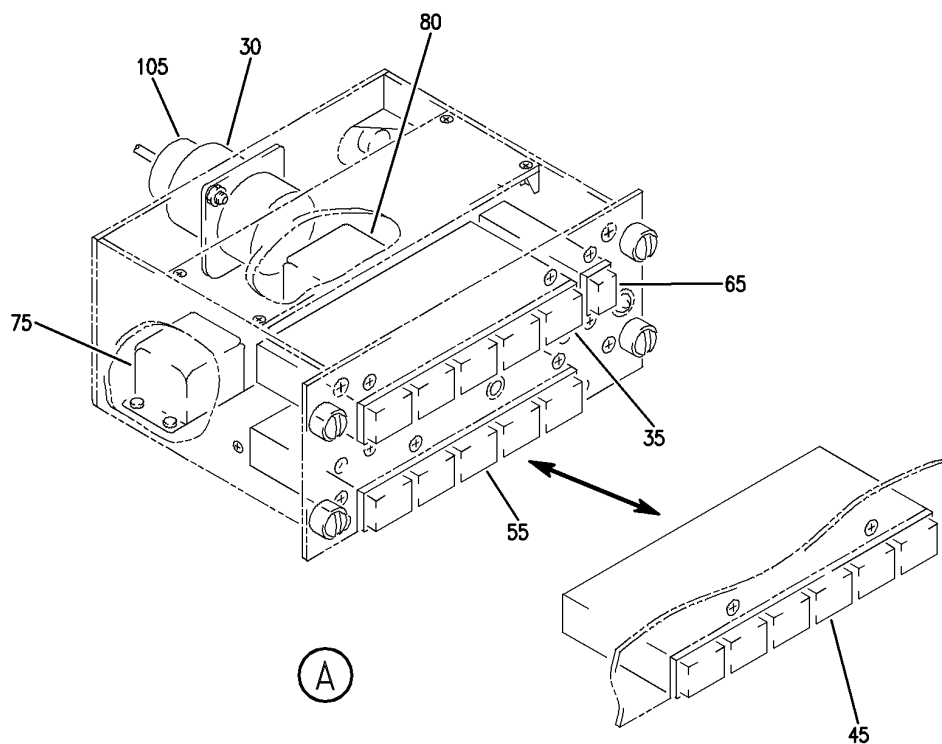
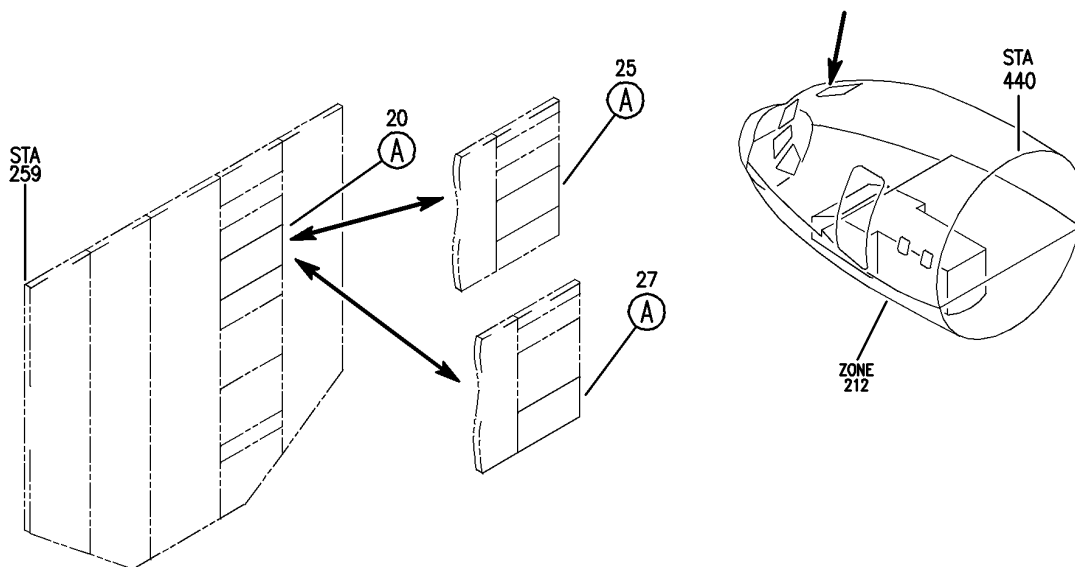
- ITEM NOT ILLUSTRATED

23-42-02-01

23-42-02
FIG. 01
PAGE 1
JAN 20/09

BRI

BOEING
757
PARTS CATALOG (MAINTENANCE)



Y 23420202 REV 259

PANEL INSTL-P5 OVHD (CABIN INTERPHONE SYSTEM ONLY)
FIGURE 2

23-42-02-02

BRI
JAN 20/09

23-42-02-02
PAGE 0



757

PARTS CATALOG (MAINTENANCE)

FIG ITEM	PART NUMBER	1 2 3 4 5 6 7	NOMENCLATURE	EFFECT FROM TO	UNITS PER ASSY
2			PANEL INSTL-P5 OVHD (CABIN INTERPHONE SYSTEM ONLY)	103106 504903 950999	
- 1	233N3101-1		PANEL INSTL-P5 OVHD (CABIN INTERPHONE SYSTEM ONLY) VARIABLE DRAWING REF: 233N3101-5041 233N3101-5045 FOR NHA/OTHER SYS DET SEE: 25-10-00-05A	950999	RF
- 4	233N3103-136		PANEL INSTL-P5 OVHD (CABIN INTERPHONE SYSTEM ONLY) FOR NHA/OTHER SYS DET SEE: 25-10-00-15E	504903	RF
- 8	MODREF33760		PANEL INSTL-P5 OVHD (CABIN INTERPHONE SYSTEM ONLY) MODULE NUMBER: 233N3103-351 REV C FOR OTHER SYS DETAILS SEE: 11-31-10-12 21-25-55-03 21-31-01-02 21-33-51-03 21-51-54-03 21-58-19-10 21-58-51-03 21-61-04-03 21-65-51-01 22-21-01-04 22-24-51-02 23-24-01-01 23-32-00-11 23-71-05-02 24-11-52-05 24-22-01-03 24-31-01-10 24-31-03-09 24-33-04-01 24-41-51-04 24-51-62-01 26-18-51-04 27-21-53-02 27-41-55-01 27-61-51-03 27-62-52-02 28-22-51-02 28-41-04-01 28-41-51-03 29-11-02-03	103103	1

MISSING ITEM NUMBERS NOT APPLICABLE

- ITEM NOT ILLUSTRATED

23-42-02-02

23-42-02
FIG. 02
PAGE 1
JAN 20/09

BRI



757

PARTS CATALOG (MAINTENANCE)

FIG ITEM	PART NUMBER	1 2 3 4 5 6 7	NOMENCLATURE	EFFECT FROM TO	UNITS PER ASSY
2			29-11-05-04 29-11-52-07 29-21-54-03 29-31-00-01 29-32-51-03 29-33-52-03 30-11-51-03 30-21-51-03 30-31-51-02 30-32-51-01 30-33-51-02 30-41-51-03 30-42-51-03 31-12-11-91 31-12-11-91A 32-42-52-03 33-11-03-03 33-11-51-17 33-13-01-65 33-13-02-03 33-16-51-03 33-24-51-02 33-41-52-04 33-42-01-04 33-42-02-04 33-42-52-04 33-43-51-04 33-44-51-05 33-45-53-03 33-51-08-05 34-21-02-01 36-11-04-01 35-21-51-04 36-21-00-01 36-21-02-05 36-22-51-03 49-41-00-02 49-52-00-01 49-70-00-01 52-51-51-03 52-71-51-02 73-21-52-02 74-31-51-05 75-32-00-01 80-11-09-02		
- 8	MODREF34038		PANEL INSTL-P5 OVHD (CABIN INTERPHONE SYSTEM ONLY) MODULE NUMBER: 233N3103-351 REV D	104105	1
MISSING ITEM NUMBERS NOT APPLICABLE					

- ITEM NOT ILLUSTRATED

BRI

23-42-02-02

BOEING PROPRIETARY - Copyright © - Unpublished Work - See title page for details.

23-42-02
 FIG. 02
 PAGE 2
 JAN 20/09



757

PARTS CATALOG (MAINTENANCE)

FIG ITEM	PART NUMBER	1 2 3 4 5 6 7	NOMENCLATURE	EFFECT FROM TO	UNITS PER ASSY
2			FOR OTHER SYS DETAILS SEE: 11-31-10-12 21-25-55-03 21-31-01-02 21-33-51-03 21-51-54-03 21-58-19-10 21-58-51-03 21-61-04-03 21-65-51-01 22-21-01-04 22-24-51-02 23-24-01-01 23-32-00-11 23-71-05-02 24-11-52-05 24-22-01-03 24-31-01-10 24-31-03-09 24-33-04-01 24-41-51-04 24-51-62-01 26-18-51-04 27-21-53-02 27-41-55-01 27-61-51-03 27-62-52-02 28-22-51-02 28-41-04-01 28-41-51-03 29-11-02-03 29-11-05-04 29-11-52-07 29-21-54-03 29-31-00-01 29-32-51-03 29-33-52-03 30-11-51-03 30-21-51-03 30-31-51-02 30-32-51-01 30-33-51-02 30-41-51-03 30-42-51-03 31-12-11-91 31-12-11-91 A 32-42-52-03 33-11-03-03 33-11-51-17		
MISSING ITEM NUMBERS NOT APPLICABLE					

- ITEM NOT ILLUSTRATED

23-42-02-02

23-42-02
FIG. 02
PAGE 3
JAN 20/09

BRI



757

PARTS CATALOG (MAINTENANCE)

FIG ITEM	PART NUMBER	1 2 3 4 5 6 7	NOMENCLATURE	EFFECT FROM TO	UNITS PER ASSY
2			33-13-01-65 33-13-02-03 33-16-51-03 33-24-51-02 33-41-52-04 33-42-01-04 33-42-02-04 33-42-52-04 33-43-51-04 33-44-51-05 33-45-53-03 33-51-08-05 34-21-02-01 36-11-04-01 35-21-51-04 36-21-00-01 36-21-02-05 36-22-51-03 49-41-00-02 49-52-00-01 49-70-00-01 52-51-51-03 52-71-51-02 73-21-52-02 74-31-51-05 75-32-00-01 80-11-09-02		
-	8 MODREF170180		PANEL INSTL-P5 OVHD (CABIN INTERPHONE SYSTEM ONLY) MODULE NUMBER: 233N3103-353 REV B FOR OTHER SYS DETAILS SEE: 11-31-10-12 21-25-55-03 21-31-01-02 21-33-51-03 21-51-54-03 21-58-19-10 21-58-51-03 21-61-04-03 21-65-51-01 22-21-01-04 22-24-51-02 23-24-01-01 23-32-00-11 23-71-05-02 24-11-52-05 24-22-01-03 24-31-01-10	106106	1
MISSING ITEM NUMBERS NOT APPLICABLE					

- ITEM NOT ILLUSTRATED

BRI

23-42-02-02

BOEING PROPRIETARY - Copyright © - Unpublished Work - See title page for details.

23-42-02
 FIG. 02
 PAGE 4
 JAN 20/09



757

PARTS CATALOG (MAINTENANCE)

FIG ITEM	PART NUMBER	1 2 3 4 5 6 7 NOMENCLATURE	EFFECT FROM TO	UNITS PER ASSY
2		24-31-03-09 24-33-04-01 24-41-51-04 24-51-62-01 26-18-51-04 27-21-53-02 27-41-55-01 27-61-51-03 27-62-52-02 28-22-51-02 28-41-04-01 28-41-51-03 29-11-02-03 29-11-05-04 29-11-52-07 29-21-54-03 29-31-00-01 29-32-51-03 29-33-52-03 30-11-51-03 30-21-51-03 30-31-51-02 30-32-51-01 30-33-51-02 30-41-51-03 30-42-51-03 31-12-11-84 31-12-11-84 A 32-42-52-03 33-11-03-03 33-11-51-17 33-13-01-65 33-13-02-03 33-16-51-03 33-24-51-02 33-41-52-04 33-42-01-04 33-42-02-04 33-42-52-04 33-43-51-04 33-44-51-05 33-45-53-03 33-51-08-05 34-21-02-01 36-11-04-01 35-21-51-04 36-21-00-01 36-21-02-05 36-22-51-03		

MISSING ITEM NUMBERS NOT APPLICABLE

- ITEM NOT ILLUSTRATED

23-42-02-02

23-42-02
FIG. 02
PAGE 5
JAN 20/09

BRI



757

PARTS CATALOG (MAINTENANCE)

FIG ITEM	PART NUMBER	1 2 3 4 5 6 7	NOMENCLATURE	EFFECT FROM TO	UNITS PER ASSY
2			49-41-00-02 49-52-00-01 49-70-00-01 52-51-51-03 52-71-51-02 73-21-52-02 74-31-51-05 75-32-00-01 80-11-09-02		
20	285T0024-27		.MODULE ASSY-PILOTS CALL PNL SUPPLIER CODE: V89954 ELECTRICAL EQUIP NUMBER: M00051 COMPONENT MAINT MANUAL REF: 23-42-59 QUALIFIED I/W DATA: 285T0024-46 MAY REPLACE 285T0024-27 EXCEPT THE "FLT INT" SWITCH AND ASSOCIATED FUNCTIONALITY WILL NO LONGER BE PRESENT.285T0024-27 WITH "FLT INT" SWITCH LABELED INOP MAY REPLACE 285T0024-46.	952999	RF
20	285T0024-46		.MODULE ASSY-PILOTS CALL PNL SUPPLIER CODE: V89954 ELECTRICAL EQUIP NUMBER: M00051 COMPONENT MAINT MANUAL REF: 23-42-62 QUALIFIED I/W DATA: 285T0024-46 MAY REPLACE 285T0024-27 EXCEPT THE "FLT INT" SWITCH AND ASSOCIATED FUNCTIONALITY WILL NO LONGER BE PRESENT.285T0024-27 WITH "FLT INT" SWITCH LABELED INOP MAY REPLACE 285T0024-46	952999	RF

MISSING ITEM NUMBERS NOT APPLICABLE

- ITEM NOT ILLUSTRATED

BRI

23-42-02-02

BOEING PROPRIETARY - Copyright © - Unpublished Work - See title page for details.

23-42-02
 FIG. 02
 PAGE 6
 JAN 20/09



757

PARTS CATALOG (MAINTENANCE)

FIG ITEM	PART NUMBER	1 2 3 4 5 6 7	NOMENCLATURE	EFFECT FROM TO	UNITS PER ASSY
2	20 285T0024-20		.MODULE ASSY-PILOTS CALL PNL SUPPLIER CODE: V89954 ELECTRICAL EQUIP NUMBER: M00051 COMPONENT MAINT MANUAL REF: 23-42-59 POST AIRLINE MOD: E.O.2393R154 VALP	950951	RF
	20 285T0024-24		.MODULE ASSY-PILOTS CALL PNL SUPPLIER CODE: V89954 ELECTRICAL EQUIP NUMBER: M00051 COMPONENT MAINT MANUAL REF: 23-42-59	504903	RF
	27 285T0024-53		.MODULE ASSY-PILOTS CALL PNL SUPPLIER CODE: V89954 ELECTRICAL EQUIP NUMBER: M00051 COMPONENT MAINT MANUAL REF: 23-42-59	103106	RF
	27 285T0024-46		.MODULE ASSY-PILOTS CALL PNL SUPPLIER CODE: V89954 ELECTRICAL EQUIP NUMBER: M00051 COMPONENT MAINT MANUAL REF: 23-42-62 QUALIFIED I/W DATA: 285T0024-46 MAY REPLACE 285T0024-27 EXCEPT THE "FLT INT" SWITCH AND ASSOCIATED FUNCTIONALITY WILL NO LONGER BE PRESENT.285T0024-27 WITH "FLT INT" SWITCH LABELED INOP MAY REPLACE 285T0024-46	103106	RF

MISSING ITEM NUMBERS NOT APPLICABLE

- ITEM NOT ILLUSTRATED

BRI

23-42-02-02

BOEING PROPRIETARY - Copyright © - Unpublished Work - See title page for details.

23-42-02
FIG. 02
PAGE 7
JAN 20/09



757

PARTS CATALOG (MAINTENANCE)

FIG ITEM	PART NUMBER	1 2 3 4 5 6 7	NOMENCLATURE	EFFECT FROM TO	UNITS PER ASSY
2	27 285T0024-27		.MODULE ASSY-PILOTS CALL PNL SUPPLIER CODE: V89954 ELECTRICAL EQUIP NUMBER: M00051 COMPONENT MAINT MANUAL REF: 23-42-62 QUALIFIED I/W DATA: 285T0024-46 MAY REPLACE 285T0024-27 EXCEPT THE "FLT INT" SWITCH AND ASSOCIATED FUNCTIONALITY WILL NO LONGER BE PRESENT.285T0024-27 WITH "FLT INT" SWITCH LABELED INOP MAY REPLACE 285T0024-46	103106	RF
	30 BACC45FN22-55P		..CONNECTOR	103106 504903 950999	1
-	32 NAS1801-04-5		ATTACHING PARTS ..SCREW	103106 504903 950999	2
-	33 K19798-04		..NUT SUPPLIER CODE: V15653 SPECIFICATION NUMBER: BACN10NW1 OPTIONAL PART: RMA4812-160-40 V72962 293162 V60119	103106 504903 950999	2
	35 BCREF5500		-----*----- ..SWITCH ASSY- SUPPLIER CODE: V81590 OVERLENGTH PART NUMBER: 311-711-1026-006	103106 504903 950999	1
-	40 NAS514P440-7		ATTACHING PARTS ..SCREW -----*-----	103106 504903 950999	4

MISSING ITEM NUMBERS NOT APPLICABLE

- ITEM NOT ILLUSTRATED

BRI

23-42-02-02

23-42-02
FIG. 02
PAGE 8
JAN 20/09

 **BOEING**
757
PARTS CATALOG (MAINTENANCE)

FIG ITEM	PART NUMBER	1 2 3 4 5 6 7	NOMENCLATURE	EFFECT FROM TO	UNITS PER ASSY
2	45 BCREF5499		.. SWITCH ASSY- SUPPLIER CODE: V81590 OVERLENGTH PART NUMBER: 311-711-1024-001 ATTACHING PARTS	952999	1
- 50	NAS514P440-7		.. SCREW -----*-----	952999	4
55	BREF5812		.. SWITCH ASSY- SUPPLIER CODE: V81590 OVERLENGTH PART NUMBER: 311-711-1026-011 ATTACHING PARTS	103106 504903 952999	1
- 60	NAS514P440-7		.. SCREW -----*-----	103106 504903 952999	4
65	BREF5768		.. INDICATOR- SUPPLIER CODE: V81590 OVERLENGTH PART NUMBER: 306-706-1002-001 OPTIONAL PART: BREF6011 V81590 USED ON: 285T0024-20 285T0024-50 285T0024-53	103106 950951	1
65	BREF6011		.. INDICATOR- SUPPLIER CODE: V81590 OVERLENGTH PART NUMBER: 306-706-1002-002 OPTIONAL PART: BREF5768 V81590 USED ON: 285T0024-20 285T0024-46 285T0024-50 285T0024-53 ATTACHING PARTS	103106 950999	1
- 70	NAS514P440-7		.. SCREW -----*-----	103106 950999	2

MISSING ITEM NUMBERS NOT APPLICABLE

- ITEM NOT ILLUSTRATED

BRI

23-42-02-02

BOEING PROPRIETARY - Copyright © - Unpublished Work - See title page for details.

23-42-02
FIG. 02
PAGE 9
JAN 20/09



757

PARTS CATALOG (MAINTENANCE)

FIG ITEM	PART NUMBER	1 2 3 4 5 6 7	NOMENCLATURE	EFFECT FROM TO	UNITS PER ASSY
2					
- 72	387		.. BULB- SUPPLIER CODE: V08806	103106 950999	2
	75 KJ1A		.. RELAY- SUPPLIER CODE: V35344	103106 504903 950999	1
	80 TD1796-3002		.. RELAY- SUPPLIER CODE: V58657	103106 504903 950999	1
- 85	NAS514P440-5		ATTACHING PARTS .. SCREW	103106 504903 950999	8
- 90	AN960D4L		.. WASHER	103106 504903 950999	8
- 95	92-1660-40		.. NUT SUPPLIER CODE: V72962 SPECIFICATION NUMBER: BACN10DN40 OPTIONAL PART: 92-1660-440 V15653 -----*-----	103106 504903 950999	8
- 100	286N2351-003		WIRE BUNDLE ASSY	950999	RF
- 101	286N2351-341		WIRE BUNDLE ASSY	504505	RF
- 101	286N2351-356		WIRE BUNDLE ASSY	506903	RF
- 102	286N2351-751		WIRE BUNDLE ASSY	103106	RF
105	BACC45FT22A55S		.CONNECTOR- ELECTRICAL EQUIP NUMBER: D00333 WIRING DIAGRAM REF: 232111 234211	103106 504903 950999	1

MISSING ITEM NUMBERS NOT APPLICABLE

- ITEM NOT ILLUSTRATED

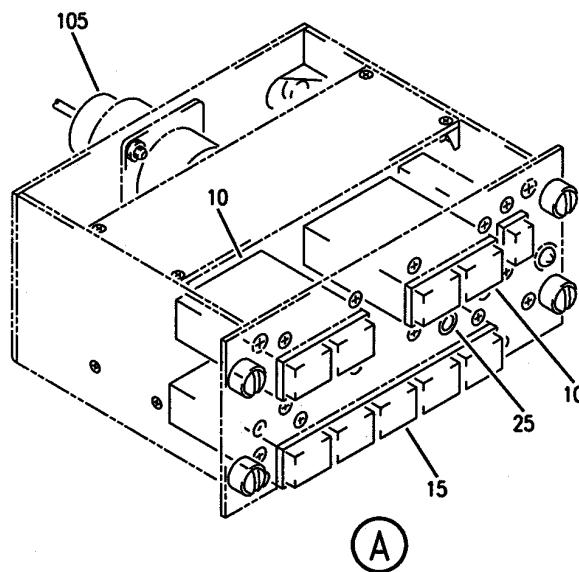
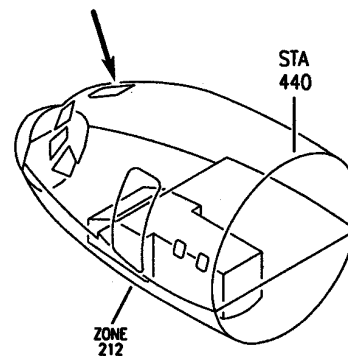
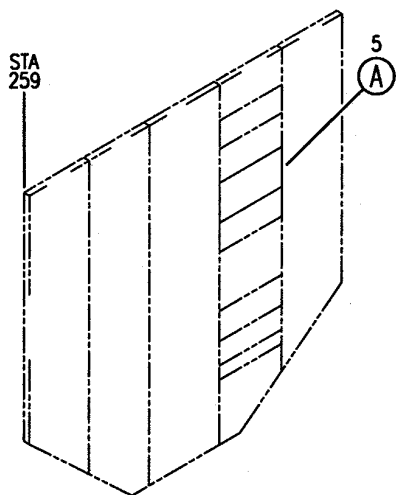
BRI

23-42-02-02

BOEING PROPRIETARY - Copyright © - Unpublished Work - See title page for details.

23-42-02
FIG. 02
PAGE 10
JAN 20/09

BOEING
757
PARTS CATALOG (MAINTENANCE)



Y 23-42-02-04 REV 220

PANEL INSTL-P5 OVHD (CABIN INTERPHONE SYSTEM ONLY)
FIGURE 4

23-42-02-04

BRI
JAN 20/09

23-42-02-04
PAGE 0



757

PARTS CATALOG (MAINTENANCE)

FIG ITEM	PART NUMBER	1 2 3 4 5 6 7	NOMENCLATURE	EFFECT FROM TO	UNITS PER ASSY
4			PANEL INSTL-P5 OVHD (CABIN INTERPHONE SYSTEM ONLY)	108120	
- 2	233N3103-59		PANEL INSTL-P5 OVHD (CABIN INTERPHONE SYSTEM ONLY)	108120	RF
			FOR NHA/OTHER SYS DET SEE: 25-10-00-15E		
5	285T0024-26		.MODULE ASSY-PILOTS CALL PNL	108120	RF
			SUPPLIER CODE: V89954		
			ELECTRICAL EQUIP NUMBER: M00051		
			COMPONENT MAINT MANUAL REF: 23-42-59		
10	BCREF5333		..SWITCH ASSY-	108120	2
			SUPPLIER CODE: V81590		
			OVERLENGTH PART NUMBER: 311-711-1022-001		
15	BCREF5812		..SWITCH ASSY-	108120	1
			SUPPLIER CODE: V81590		
			OVERLENGTH PART NUMBER: 311-711-1026-011		
			ATTACHING PARTS		
- 20	NAS514P440-7		..SCREW	108120	12
			-----*-----		
25	800000121-1		..CONNECTOR-	108120	1
			SUPPLIER CODE: V05617		
- 100	286N2351-329		WIRE BUNDLE ASSY-	108120	RF
105	BACC45FT22A55S		.CONNECTOR-	108120	1
			ELECTRICAL EQUIP NUMBER: D00333		
			WIRING DIAGRAM REF: 232111		

MISSING ITEM NUMBERS NOT APPLICABLE

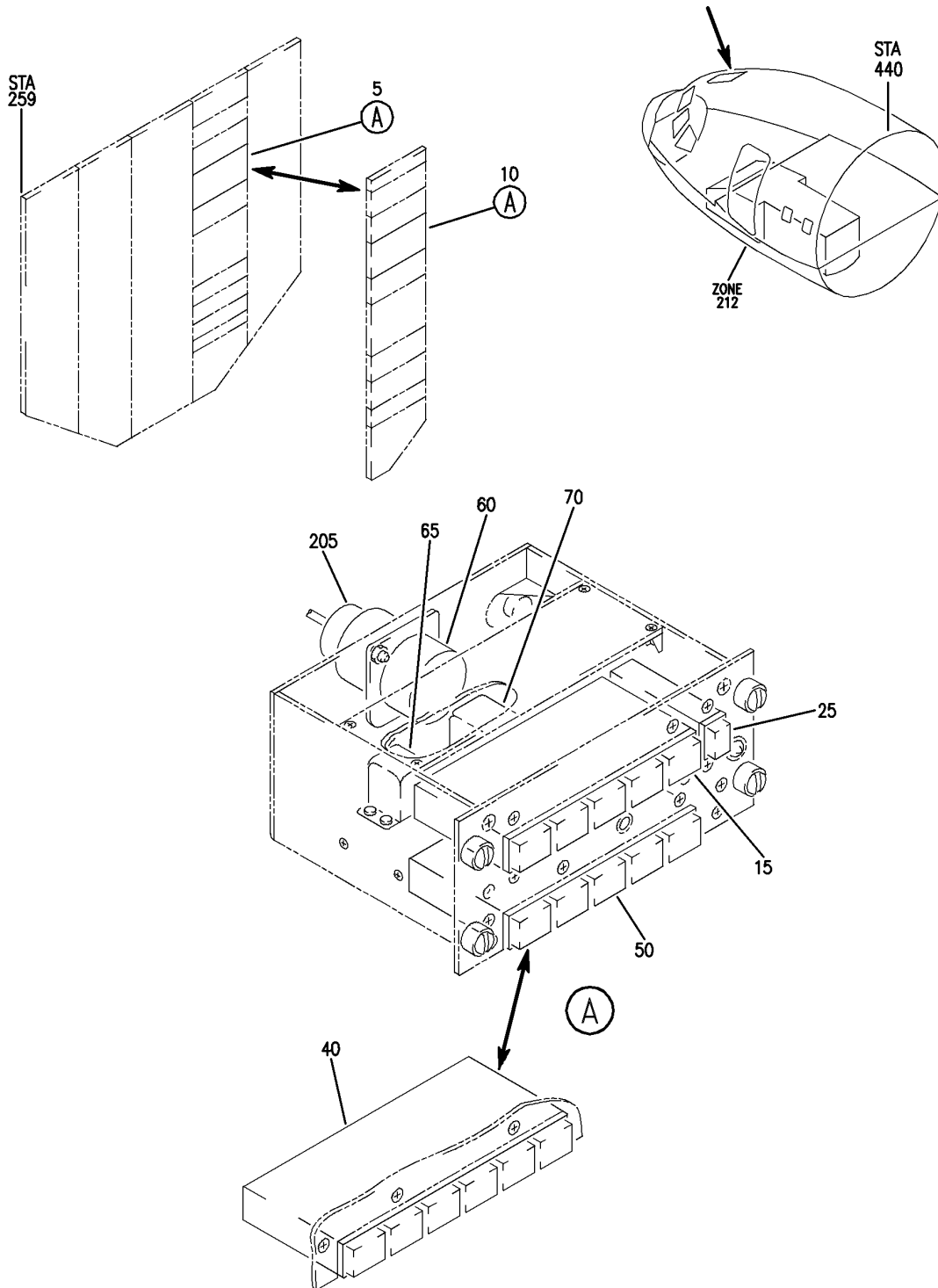
- ITEM NOT ILLUSTRATED

23-42-02-04

23-42-02
FIG. 04
PAGE 1
JAN 20/09

BRI

BOEING
757
PARTS CATALOG (MAINTENANCE)



Y 23420209 REV 235

PANEL INSTL-P5 OVHD (CABIN INTERPHONE SYSTEM ONLY)
FIGURE 9

23-42-02-09

BRI
MAY 28/07

23-42-02-09
PAGE 0



757

PARTS CATALOG (MAINTENANCE)

FIG ITEM	PART NUMBER	1 2 3 4 5 6 7	NOMENCLATURE	EFFECT FROM TO	UNITS PER ASSY
9			PANEL INSTL-P5 OVHD (CABIN INTERPHONE SYSTEM ONLY)	002004 006102	
- 1	233N3101-1		PANEL INSTL-P5 OVHD (CABIN INTERPHONE SYSTEM ONLY) VARIABLE DRAWING REF: 233N3101-5042 233N3101-5142 FOR NHA/OTHER SYS DET SEE: 25-10-00-05A	002004 006100	RF
- 2	233N3103-132		PANEL INSTL-P5 OVHD (CABIN INTERPHONE SYSTEM ONLY) FOR NHA/OTHER SYS DET SEE: 25-10-00-15E	101102	RF
5	285T0024-47		.MODULE ASSY-PILOTS CALL PNL SUPPLIER CODE: V89954 ELECTRICAL EQUIP NUMBER: M00051 COMPONENT MAINT MANUAL REF: 23-42-62	002004 006102	RF
15	BCREF5500		..SWITCH ASSY- SUPPLIER CODE: V81590 OVERLENGTH PART NUMBER: 311-711-1026-006	002004 006102	1
- 20	NAS514P440-7		ATTACHING PARTS ..SCREW	002004 006102	4
25	BCREFA1413		-----*----- ..INDICATOR- SUPPLIER CODE: V81590 OVERLENGTH PART NUMBER: 306-706-1001-004	002004 006102	1
- 30	NAS514P440-7		ATTACHING PARTS ..SCREW	002004 006102	2
- 35	387		-----*----- ..BULB- SUPPLIER CODE: V08806	002004 006102	4
40	BCREF5812		..SWITCH ASSY- SUPPLIER CODE: V81590 OVERLENGTH PART NUMBER: 311-711-1026-011	002004 006102	1

MISSING ITEM NUMBERS NOT APPLICABLE

- ITEM NOT ILLUSTRATED

23-42-02-09

23-42-02
FIG. 09
PAGE 1
JAN 20/09

BRI



757

PARTS CATALOG (MAINTENANCE)

FIG ITEM	PART NUMBER	1 2 3 4 5 6 7	NOMENCLATURE	EFFECT FROM TO	UNITS PER ASSY
9			ATTACHING PARTS		
- 45	NAS514P440-7	..	SCREW	002004 006102	4
			-----*-----		
60	BACC45FN22-55P	..	CONNECTOR	002004 006102	1
			ATTACHING PARTS		
- 62	NAS1801-04-5	..	SCREW	002004 006102	2
- 63	K19798-04	..	NUT	002004 006102	2
			SUPPLIER CODE: V15653		
			SPECIFICATION NUMBER: BACN10NW1		
			OPTIONAL PART: RMA4812-160-40		
			V72962		
			293162		
			V60119		
			-----*-----		
65	KJ1A	..	RELAY-	002004 006102	1
			SUPPLIER CODE: V35344		
70	TD1796-3002	..	RELAY-	002004 006102	1
			SUPPLIER CODE: V58657		
			ATTACHING PARTS		
- 75	NAS514P440-5	..	SCREW	002004 006102	8
- 80	AN960D4L	..	WASHER	002004 006102	8
- 85	92-1660-40	..	NUT	002004 006102	8
			SUPPLIER CODE: V72962		
			SPECIFICATION NUMBER: BACN10DN40		
			OPTIONAL PART: 92-1660-440		
			V15653		
			-----*-----		
- 200	286N2351-003		WIRE BUNDLE ASSY	002004 006100	RF
- 200	286N2351-342		WIRE BUNDLE ASSY	102102	RF
- 200	286N2351-347		WIRE BUNDLE ASSY	101101	RF
205	BACC45FT22A55S	.	CONNECTOR-	002004 006102	1
			ELECTRICAL EQUIP NUMBER: D00333		
			WIRING DIAGRAM REF: 232111		

MISSING ITEM NUMBERS NOT APPLICABLE

- ITEM NOT ILLUSTRATED

23-42-02-09

23-42-02
FIG. 09
PAGE 2
JAN 20/09

BRI

 **BOEING**
757
PARTS CATALOG (MAINTENANCE)

NON-ILLUSTRATED FIGURE

THE ITEMS REFLECTED IN THIS FIGURE ARE INTENTIONALLY
NON-ILLUSTRATED. THEY ARE REFERENCED TO EITHER A
NEXT HIGHER OR NEXT LOWER ASSEMBLY/INSTALLATION FIGURE.

FURNISHINGS INSTL-FLIGHT DECK MISC (DETACHABLE EMERGENCY EQPT ONLY) (COMMUNICATIONS ONLY)
FIGURE 10

BRI
MAY 28/07

23-42-51-10

23-42-51-10
PAGE 0



757

PARTS CATALOG (MAINTENANCE)

FIG ITEM	PART NUMBER	1 2 3 4 5 6 7	NOMENCLATURE	EFFECT FROM TO	UNITS PER ASSY
10			FURNISHINGS INSTL-FLIGHT DECK MISC (DETACHABLE EMERGENCY EQPT ONLY) (COMMUNICATIONS ONLY)	002004 006100 107107 121503 904999	
- 1	230N0101-1		FURNISHINGS INSTL-MISC (DETACHABLE EMERGENCY EQPT ONLY) (COMMUNICATIONS ONLY) POSITION DATA: FLIGHT DECK VARIABLE DRAWING REF: 230N0101-103 230N0101-123 230N0101-143 230N0101-144 230N0101-147 FOR NHA/OTHER SYS DET SEE: 25-10-00-05B	002004 006100 107107 121503 904999	RF
- 5	603-8465		.HANDMIKE-HAND (CUSTOMER FURNISHED) SUPPLIER CODE: V81134	121503 904949	1
- 9	903-1342		.MICROPHONE-HAND SUPPLIER CODE: V81134 FUNCTIONAL DESCRIPTION: USED FOR PA ANNOUNCEMENTS.	121503 904949	3
- 10	63999-001		.HANDMIKE-HAND (CUSTOMER FURNISHED) SUPPLIER CODE: V28856 FUNCTIONAL DESCRIPTION: PROVIDES FOR AUDIO INPUT TO THE COMMUNICATIONS INTERPHONE AND PERSONAL ADDRESS SYSTEM.	950951	3
- 40	3775-000		.HEADSET-(CUSTOMER FURNISHED) SUPPLIER CODE: V28856	002004 006100	1
- 40	3775-000		.HEADSET- SUPPLIER CODE: V28856	952999	1
- 40	03775-000		.HEADSET- SUPPLIER CODE: V28856	952999	1

MISSING ITEM NUMBERS NOT APPLICABLE

- ITEM NOT ILLUSTRATED

23-42-51-10

23-42-51
FIG. 10
PAGE 1
JAN 20/09

BRI



757

PARTS CATALOG (MAINTENANCE)

FIG ITEM	PART NUMBER	1 2 3 4 5 6 7	NOMENCLATURE	EFFECT FROM TO	UNITS PER ASSY
10					
- 40	03775-000		.HEADSET-(CUSTOMER FURNISHED) SUPPLIER CODE: V28856	002004 006100	1
- 50	64300-000		.HEADSET-BOOM MIKE (CUSTOMER FURNISHED) SUPPLIER CODE: V28856	107107	3
- 50	64000-001		FOR DETAILS SEE: 23-42-51-12 .HEADSET-BOOM MIKE SUPPLIER CODE: V28856 QUALIFIED I/W DATA: 64000-001 I/W 64000-002 SUBJECT TO CUSTOMER PREFERENCE OPTIONAL PART: 64000-002 V28856 FOR DETAILS SEE: 23-42-51-12	952999	3
- 50	HME410KAUK		.HEADSET-BOOM MIKE (CUSTOMER FURNISHED) SUPPLIER CODE: VD8114 QUALIFIED I/W DATA: HME410KAUK I/W 025-230-215 BUT HME410KAUK DOES NOT HAVE ACTIVE NOISE CANCELLATION FEATURE.	002004 006100	3
- 55	MS50T30-1		.HEADSET-BOOM MIKE (CUSTOMER FURNISHED) SUPPLIER CODE: V22447 STOWED ITEM DATA: (CAPT, F/O AND THIRD CREWMAN)	904949	3
- 55	MS50T30-1		.HEADSET-BOOM MIKE SUPPLIER CODE: V22447 QUALIFIED I/W DATA: MS50T30-1 I/W 64000-002 SUBJECT TO CUSTOMER PREFERENCE SUBJECT TO CUSTOMER PREFERENCE.	121503	3

MISSING ITEM NUMBERS NOT APPLICABLE

- ITEM NOT ILLUSTRATED

23-42-51-10

23-42-51
FIG. 10
PAGE 2
JAN 20/09

BRI



757

PARTS CATALOG (MAINTENANCE)

FIG ITEM	PART NUMBER	1 2 3 4 5 6 7	NOMENCLATURE	EFFECT FROM TO	UNITS PER ASSY
10					
- 55	64000-002		.HEADSET-BOOM MIKE SUPPLIER CODE: V28856 FOR DETAILS SEE: 23-42-51-12	121503 904949	3
- 55	MS50T30-1		.HEADSET-BOOM MIKE SUPPLIER CODE: V22447 STOWED ITEM DATA: (CAPT, F/O AND THIRD CREWMAN)	121503 904949	3
- 56	64000-102		.HEADSET-BOOM MIKE SUPPLIER CODE: V28856 FOR DETAILS SEE: 23-42-51-12	121503 904949	2
- 75	64300-018		.HEADSET-BOOM MIKE (CUSTOMER FURNISHED) SUPPLIER CODE: V28856 OPTIONAL PART: 64000-002 V28856 63600-001 V28856	950951	3
- 75	63600-001		.HEADSET-BOOM MIKE (CUSTOMER FURNISHED) SUPPLIER CODE: V28856 OPTIONAL PART: 64000-002 V28856 64300-018 V28856 FOR DETAILS SEE: 23-42-51-12	950951	3
- 75	64000-002		.HEADSET-BOOM MIKE (CUSTOMER FURNISHED) SUPPLIER CODE: V28856 OPTIONAL PART: 63600-001 V28856 64300-018 V28856 FOR DETAILS SEE: 23-42-51-12	950951	3

MISSING ITEM NUMBERS NOT APPLICABLE

- ITEM NOT ILLUSTRATED

23-42-51-10

23-42-51
FIG. 10
PAGE 3
JAN 20/09

BRI



757

PARTS CATALOG (MAINTENANCE)

FIG ITEM	PART NUMBER	1 2 3 4 5 6 7	NOMENCLATURE	EFFECT FROM TO	UNITS PER ASSY
10					
- 75	64000-102		.HEADSET-BOOM MIKE (CUSTOMER FURNISHED) SUPPLIER CODE: V28856 FOR DETAILS SEE: 23-42-51-12	950951	3
- 82	HME410KAUK		.HEADSET-BOOM MIKE (CUSTOMER FURNISHED) SUPPLIER CODE: VD8114 QUALIFIED I/W DATA: HME410KAUK I/W 025-230-215 BUT HME410KAUK DOES NOT HAVE ACTIVE NOISE CANCELLATION FEATURE.	002004 006100	1
- 90	285N0412-9		.HANDSET ASSY- SUPPLIER CODE: V89954 COMPONENT MAINT MANUAL REF: 23-42-64 STOWED ITEM DATA: (INSTALL HANDSET IN HOLDER ON AFT END OF AISLE STAND) FUNCTIONAL REFERENCE: PLACARDS AND MARKINGS FOR DETAILS SEE 11-35-13-03	950951	1
- 93	285N0412-12		..HEADER ASSY- SUPPLIER CODE: V89954 OPTIONAL PART: 285N0412-14 V89954	950951	1
- 93	285N0412-14		..HEADER ASSY- SUPPLIER CODE: V89954 OPTIONAL PART: 285N0412-12 V89954	950951	1

MISSING ITEM NUMBERS NOT APPLICABLE

- ITEM NOT ILLUSTRATED

BRI

23-42-51-10

23-42-51
FIG. 10
PAGE 4
JAN 20/09



757

PARTS CATALOG (MAINTENANCE)

FIG ITEM	PART NUMBER	1 2 3 4 5 6 7	NOMENCLATURE	EFFECT FROM TO	UNITS PER ASSY
10					
- 94	BCREF16494	...	JACK- SUPPLIER CODE: VOAG18 OVERLENGTH PART NUMBER: TM1RV623K66-35S150 OPTIONAL PART: 883-6525-00 V27264 90319-0005 V27264 USED ON: 285N0412-12	950951	1
- 94	883-6525-00	...	JACK- SUPPLIER CODE: V27264 OPTIONAL PART: BCREF16494 VOAG18 90319-0005 V27264 USED ON: 285N0412-12	950951	1
- 94	90319-0005	...	JACK- SUPPLIER CODE: V27264 OPTIONAL PART: BCREF16494 VOAG18 883-6525-00 V27264 USED ON: 285N0412-12	950951	1
- 94	BCREF16494	...	JACK- SUPPLIER CODE: VOAG18 OVERLENGTH PART NUMBER: TM1RV623K66-35S150 OPTIONAL PART: 883-6525-00 V27264 90319-0005 V27264 66521-002BECO V04880 USED ON: 285N0412-14	950951	1

MISSING ITEM NUMBERS NOT APPLICABLE

- ITEM NOT ILLUSTRATED

BRI

23-42-51-10

23-42-51
FIG. 10
PAGE 5
JAN 20/09



757

PARTS CATALOG (MAINTENANCE)

FIG ITEM	PART NUMBER	1 2 3 4 5 6 7	NOMENCLATURE	EFFECT FROM TO	UNITS PER ASSY
10					
- 94	883-6525-00	...	JACK- SUPPLIER CODE: V27264 OPTIONAL PART: BCREF16494 VOAG18 90319-0005 V27264 66521-002BECO V04880 USED ON: 285N0412-14	950951	1
- 94	90319-0005	...	JACK- SUPPLIER CODE: V27264 OPTIONAL PART: BCREF16494 VOAG18 883-6525-00 V27264 66521-002BECO V04880 USED ON: 285N0412-14	950951	1
- 94	66521-002BECO	...	JACK- SUPPLIER CODE: V04880 OPTIONAL PART: BCREF16494 VOAG18 883-6525-00 V27264 90319-0005 V27264 USED ON: 285N0412-14	950951	1
- 94	BCREF107695	...	JACK- SUPPLIER CODE: VOAG18 OVERLENGTH PART NUMBER: TMIR623K66SFU051	950951	1

MISSING ITEM NUMBERS NOT APPLICABLE

- ITEM NOT ILLUSTRATED

BRI

23-42-51-10

23-42-51
FIG. 10
PAGE 6
JAN 20/09

 **BOEING**
757
PARTS CATALOG (MAINTENANCE)

NON-ILLUSTRATED FIGURE

THE ITEMS REFLECTED IN THIS FIGURE ARE INTENTIONALLY
NON-ILLUSTRATED. THEY ARE REFERENCED TO EITHER A
NEXT HIGHER OR NEXT LOWER ASSEMBLY/INSTALLATION FIGURE.

FURNISHINGS INSTL-FLIGHT DECK MISC (COMMUNICATIONS ONLY)
FIGURE 10A

23-42-51-10A

BRI
MAY 28/07

23-42-51-10A
PAGE 0



757

PARTS CATALOG (MAINTENANCE)

FIG ITEM	PART NUMBER	1 2 3 4 5 6 7	NOMENCLATURE	EFFECT FROM TO	UNITS PER ASSY
10A			FURNISHINGS INSTL-FLIGHT DECK MISC (COMMUNICATIONS ONLY)	101102 504903	
- 2	230N0101-1620		FURNISHING INSTL-MISC FLIGHT DECK (COMMUNICATIONS ONLY) FOR NHA/OTHER SYS DET SEE: 25-10-00-10A	504903	RF
- 2	230N0101-1440		FURNISHING INSTL-MISC FLIGHT DECK (COMMUNICATIONS ONLY) FOR NHA/OTHER SYS DET SEE: 25-10-00-10A	101102	RF
- 5	903-1342		.MICROPHONE-HAND SUPPLIER CODE: V81134 FUNCTIONAL DESCRIPTION: USED FOR PA ANNOUNCEMENTS. STOWED ITEM DATA: STOW IN HOLDER OUTBOARD OF SEAT ON SIDEWALL	504903	3
- 23	603-8465		.HANDMIKE-CKPT (CUSTOMER FURNISHED) SUPPLIER CODE: V81134	504903	1
- 60	025-230-215		.HEADSET-BOOM MIKE (CUSTOMER FURNISHED) SUPPLIER CODE: VD8114 QUALIFIED I/W DATA: HME410KAUK I/W 025-230-215 BUT HME410KAUK DOES NOT HAVE ACTIVE NOISE CANCELLATION FEATURES. STOWED ITEM DATA: STOW IN SIDEWALL BIN OUTBOARD OF SEAT	504903	3

MISSING ITEM NUMBERS NOT APPLICABLE

- ITEM NOT ILLUSTRATED

23-42-51-10A

23-42-51
FIG. 10A
PAGE 1
JAN 20/09

BRI



757

PARTS CATALOG (MAINTENANCE)

FIG ITEM	PART NUMBER	1 2 3 4 5 6 7	NOMENCLATURE	EFFECT FROM TO	UNITS PER ASSY
10A - 83	HME410KAUK	.	HEADSET-BOOM MIKE (CUSTOMER FURNISHED) SUPPLIER CODE: VD8114 QUALIFIED I/W DATA: HME410KAUK I/W 025-230-215 BUT HME410KAUK DOES NOT HAVE ACTIVE NOISE CANCELLATION FEATURE. STOWED ITEM DATA: STOW IN SIDEWALL BIN OUTBOARD OF SEAT	101102 504903	4
- 90	LR6	..	BATTERIES-AA SUPPLIER CODE: VK6807	101102 504903	8
- 95	8X12X500G	..	BAG-POLYTHENE SUPPLIER CODE: VK6807	101102 504903	1
- 100	HZP1410	..	PAD-HYGIENIC EAR SUPPLIER CODE: VK6807	101102 504903	6
- 105	MZW414	..	COVER-MIC SUPPLIER CODE: VK6807	101102 504903	3
- 110	VDU000	..	CLEANER-A/C INSTRUMENT SUPPLIER CODE: VK6807	101102 504903	12
- 115	BACC10DK2	..	CLAMP-P	101102 504903	1
- 120	SAN1COM3205	..	WIPE-ANTISEPTIC SUPPLIER CODE: VK6807	101102 504903	12

MISSING ITEM NUMBERS NOT APPLICABLE

- ITEM NOT ILLUSTRATED

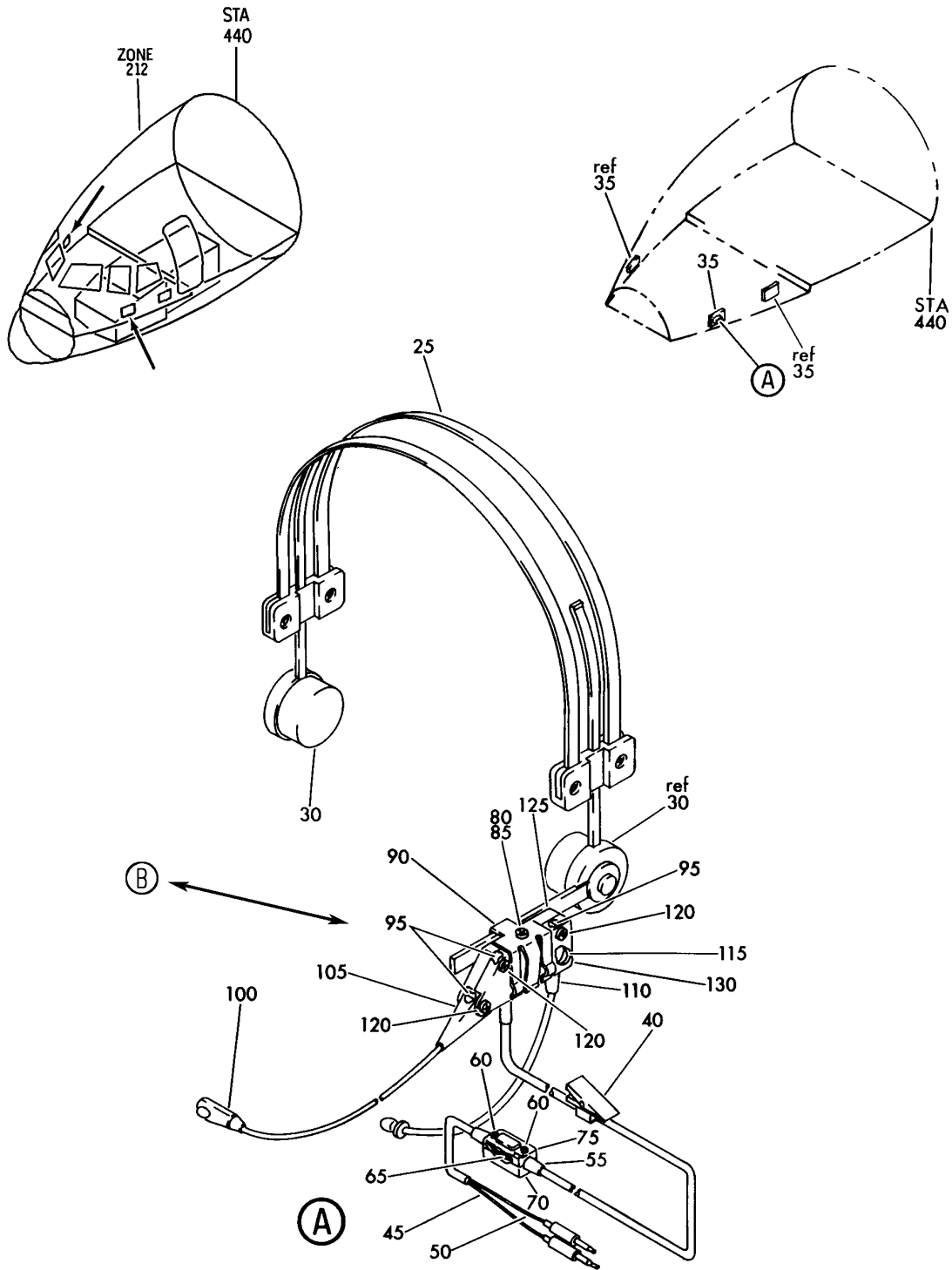
23-42-51-10A

23-42-51
FIG. 10A
PAGE 2
JAN 20/09

BRI

BOEING PROPRIETARY - Copyright © - Unpublished Work - See title page for details.

BOEING
757
PARTS CATALOG (MAINTENANCE)



Y 23425112 SH1 1 REV 299

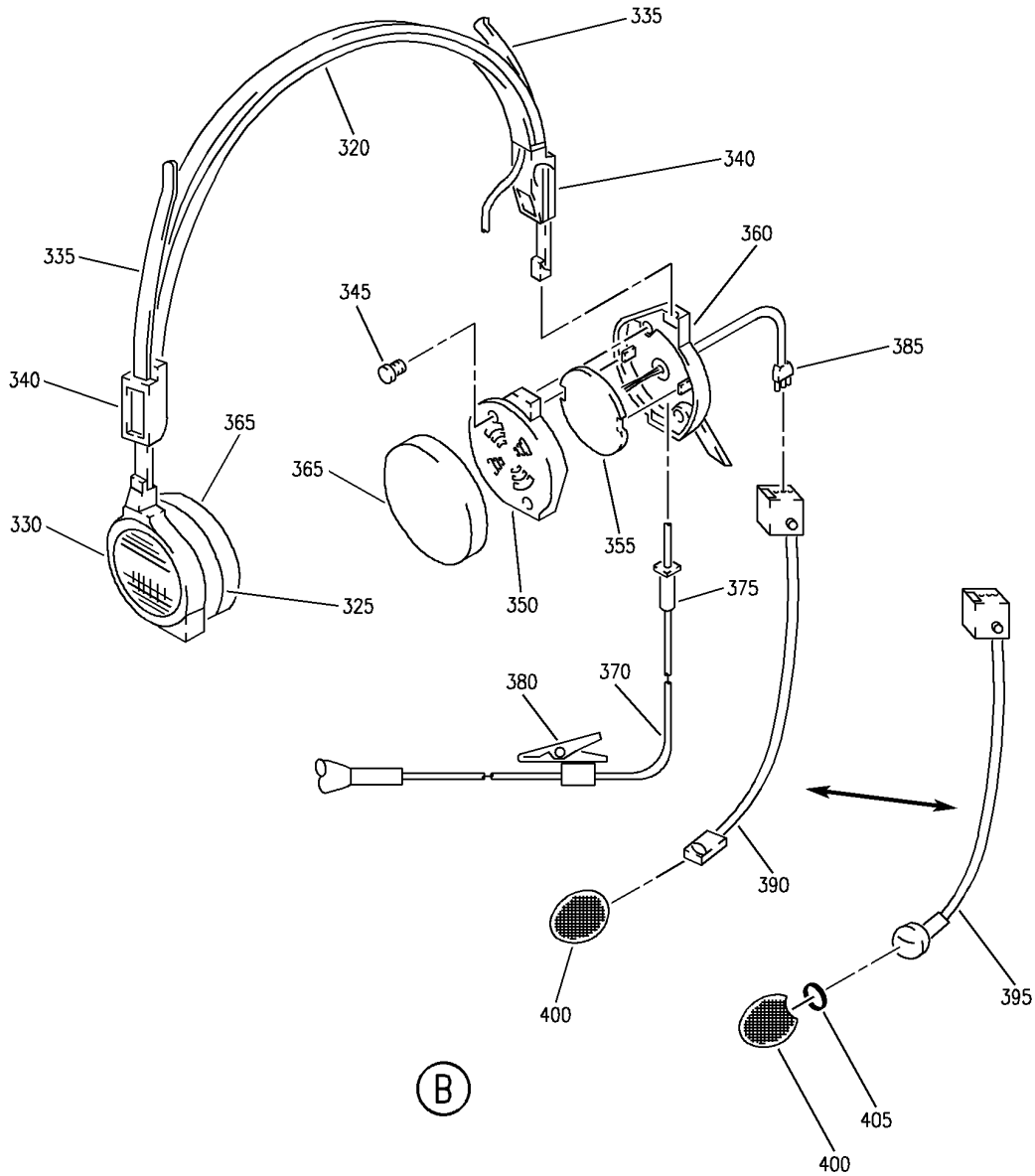
HEADSET-BOOM MIKE
FIGURE 12 (SHEET 1)

23-42-51-12

BRI
MAY 28/07

23-42-51-12
PAGE 0

BOEING
757
PARTS CATALOG (MAINTENANCE)



Y 23425112 SH1 2 REV 299

HEADSET-BOOM MIKE
FIGURE 12 (SHEET 2)

23-42-51-12

BRI
MAY 28/07

23-42-51-12
PAGE 0A



757

PARTS CATALOG (MAINTENANCE)

FIG ITEM	PART NUMBER	1 2 3 4 5 6 7	NOMENCLATURE	EFFECT FROM TO	UNITS PER ASSY
12			HEADSET-BOOM MIKE	108503	
- 5	64000-001		HEADSET-BOOM MIKE SUPPLIER CODE: V28856 QUALIFIED I/W DATA: 64000-001 I/W 64000-002 SUBJECT TO CUSTOMER PREFERENCE OPTIONAL PART: 64000-002 V28856 FOR NHA SEE: 23-42-51-10	904999 952999	RF
- 10	63600-001		HEADSET-BOOM MIC (CUSTOMER FURNISHED) SUPPLIER CODE: V28856 OPTIONAL PART: 64000-002 V28856 64300-018 V28856 FOR NHA SEE: 23-42-51-10	950951	RF
R R R R R R R R R R	- 10	64000-002	HEADSET-BOOM MIC SUPPLIER CODE: V28856 OPTIONAL PART: 63600-001 V28856 64300-018 V28856 FOR NHA SEE: 23-42-51-10	950951	RF
- 10	64000-002		HEADSET-BOOM MIKE SUPPLIER CODE: V28856 FOR NHA SEE: 23-42-51-10	121503 904949	RF
R R R R	- 11	64000-102	HEADSET-BOOM MIC SUPPLIER CODE: V28856 FOR NHA SEE: 23-42-51-10	950951	RF

MISSING ITEM NUMBERS NOT APPLICABLE

- ITEM NOT ILLUSTRATED

BRI

23-42-51-12

23-42-51
FIG. 12
PAGE 1
MAY 20/09



757

PARTS CATALOG (MAINTENANCE)

FIG ITEM	PART NUMBER	1 2 3 4 5 6 7	NOMENCLATURE	EFFECT FROM TO	UNITS PER ASSY
12					
- 11	64000-102		HEADSET-BOOM MIKE SUPPLIER CODE: V28856 FOR NHA SEE: 23-42-51-10	121503 904949	RF
			TEMPORARY BREAKDOWN FOR: 64000-000 64000-001 64000-002 64000-102	121503 904999	
25	63169-000		.HEADBAND ASSY- SUPPLIER CODE: V28856	121503 904999	1
30	35629-000		.TIP ASSY-EAR SUPPLIER CODE: V28856	121503 904999	1
35	70110-001		.BAG- SUPPLIER CODE: V28856	121503 904999	1
40	63097-000		.CLIP ASSY-CLOTHING SUPPLIER CODE: V28856	121503 904999	1
45	19690-001		.CORD UNIT- SUPPLIER CODE: V28856	121503 904999	1
50	19692-000		.CORD UNIT- SUPPLIER CODE: V28856	121503 904999	1
55	63618-000		.RELIEF-STRAIN SUPPLIER CODE: V28856	121503 904999	1
60	51856-002		.SCREW-2-23 X 3/8 PH-PH SUPPLIER CODE: V28856	121503 904999	2
65	63559-000		.BOARD ASSY-CKT SUPPLIER CODE: V28856	121503 904999	1
70	63469-000		.AMP HOUSING-BOTTOM SUPPLIER CODE: V28856	121503 904999	1
75	63468-000		.AMP HOUSING-TOP SUPPLIER CODE: V28856	121503 904999	1
80	51845-037		.SCREW-4-40 X .187 SUPPLIER CODE: V28856	121503 904999	1

MISSING ITEM NUMBERS NOT APPLICABLE

- ITEM NOT ILLUSTRATED

BRI

23-42-51-12

23-42-51
FIG. 12
PAGE 2
JAN 20/09



757

PARTS CATALOG (MAINTENANCE)

FIG ITEM	PART NUMBER	1 2 3 4 5 6 7	NOMENCLATURE	EFFECT FROM TO	UNITS PER ASSY
12					
85	53850-000	.	NUT-4-40 SQ SUPPLIER CODE: V28856	121503 904999	1
90	52878-000	.	CLIP-HEADBAND AND EYEGLASS SUPPLIER CODE: V28856	121503 904999	1
95	63096-000	.	SLEEVE-THREADED SUPPLIER CODE: V28856	121503 904999	3
100	63599-000	.	BOOM AND MIC ASSY- SUPPLIER CODE: V28856	121503 904999	1
105	51439-013	.	WASHER-SPR SUPPLIER CODE: V28856	121503 904999	1
110	63572-001	.	ADAPTOR-SOUND TUBE SUPPLIER CODE: V28856	121503 904999	1
115	63574-000	.	RECEIVER ASSY-SMALL MAG. SUPPLIER CODE: V28856	121503 904999	1
120	56016-004	.	SCREW-0-30 X .187 SUPPLIER CODE: V28856	121503 904999	3
125	63584-000	.	HOUSING-TOP SUPPLIER CODE: V28856	121503 904999	1
130	63583-000	.	HOUSING-BOTTOM SUPPLIER CODE: V28856	121503 904999	1
- 300	64300-000		HEADSET-BOOM MIC SUPPLIER CODE: V28856 FOR NHA SEE: 23-51-51-10	108120	RF
- 305	64300-100		HEADSET-BOOM MIC SUPPLIER CODE: V28856 FOR NHA SEE: 23-51-51-10	108120	RF

MISSING ITEM NUMBERS NOT APPLICABLE

- ITEM NOT ILLUSTRATED

BRI

23-42-51-12

23-42-51
FIG. 12
PAGE 3
JAN 20/09



757

PARTS CATALOG (MAINTENANCE)

FIG ITEM	PART NUMBER	1 2 3 4 5 6 7	NOMENCLATURE	EFFECT FROM TO	UNITS PER ASSY	
R R R R R R R R R R	12 - 310	64300-018	HEADSET-BOOM MIC SUPPLIER CODE: V28856 OPTIONAL PART: 64000-002 V28856 63600-001 V28856 FOR NHA SEE: 23-42-51-10	950951	RF	
	320	64318-000	.HEADBAND ASSY- SUPPLIER CODE: V28856 USED ON: 64300-000 64300-100	108120	1	
	320	64318-019	.HEADBAND ASSY- SUPPLIER CODE: V28856 USED ON: 64300-018	950951	1	
	320	64318-053	.HEADBAND ASSY- SUPPLIER CODE: V28856 USED ON: 64300-200	108120	1	
	325	64308-010	.RECEIVER AND HOUSING ASSY- RIGHT SUPPLIER CODE: V28856 USED ON: 64300-000 64300-100 64300-018	108120 950951	1	
	330	64404-002	.HOUSING-OUTER RIGHT SUPPLIER CODE: V28856 USED ON: 64300-000 64300-100 64300-018	108120 950951	1	
	335	64310-000	.GLIDER ASSY- SUPPLIER CODE: V28856	108120 950951	2	
	340	64305-000	.SPRING-GLIDER SUPPLIER CODE: V28856	108120 950951	2	
	MISSING ITEM NUMBERS NOT APPLICABLE					

- ITEM NOT ILLUSTRATED

23-42-51-12

23-42-51
FIG. 12
PAGE 4
MAY 20/09

BRI



757

PARTS CATALOG (MAINTENANCE)

FIG ITEM	PART NUMBER	1 2 3 4 5 6 7	NOMENCLATURE	EFFECT FROM TO	UNITS PER ASSY
12 345	56016-004		.SCREW-0-80 X .187 SUPPLIER CODE: V28856 USED ON: 64300-000 64300-100 64300-018	108120 950951	2
350	64308-015		.RECEIVER AND HOUSING ASSY- LEFT SUPPLIER CODE: V28856 USED ON: 64300-000 64300-100 64300-018	108120 950951	1
355	70419-000		.CIRCUIT BOARD ASSY- SUPPLIER CODE: V28856 USED ON: 64300-000 64300-100 64300-018	108120 950951	1
360	64307-005		.HOUSING ASSY-OUTER LEFT SUPPLIER CODE: V28856 USED ON: 64300-000 64300-100 64300-018	108120 950951	1
365	800456-005		.CUSHION-FOAM EAR SUPPLIER CODE: V28856	108120 950951	2
370	70413-002		.CORD ASSY-67" SUPPLIER CODE: V28856	108120	1
375	63988-043		.CORD ASSY-98" SUPPLIER CODE: V28856	950951	1
380	63097-002		.CLIP ASSY-CLOTHING SUPPLIER CODE: V28856 USED ON: 64300-000 64300-100 64300-018	108120 950951	1

MISSING ITEM NUMBERS NOT APPLICABLE

- ITEM NOT ILLUSTRATED

23-42-51-12

23-42-51
FIG. 12
PAGE 5
JAN 20/09

BRI

BOEING PROPRIETARY - Copyright © - Unpublished Work - See title page for details.



757

PARTS CATALOG (MAINTENANCE)

FIG ITEM	PART NUMBER	1 2 3 4 5 6 7	NOMENCLATURE	EFFECT FROM TO	UNITS PER ASSY
12 385	64407-000		.CORD ASSY- SUPPLIER CODE: V28856 USED ON: 64300-000 64300-100 64300-018	108120 950951	1
390	64319-000		.MIC ASSY-BOOM SUPPLIER CODE: V28856 USED ON: 64300-000 64300-018	108120 950951	1
395	800125-000		.MIC ASSY-BOOM SUPPLIER CODE: V28856 USED ON: 64300-100 64300-200	108120 950951	1
400	59688-000		.WINDSCREEN-MIC SUPPLIER CODE: V28856 USED ON: 64300-100 64300-200	108120	1

MISSING ITEM NUMBERS NOT APPLICABLE

- ITEM NOT ILLUSTRATED

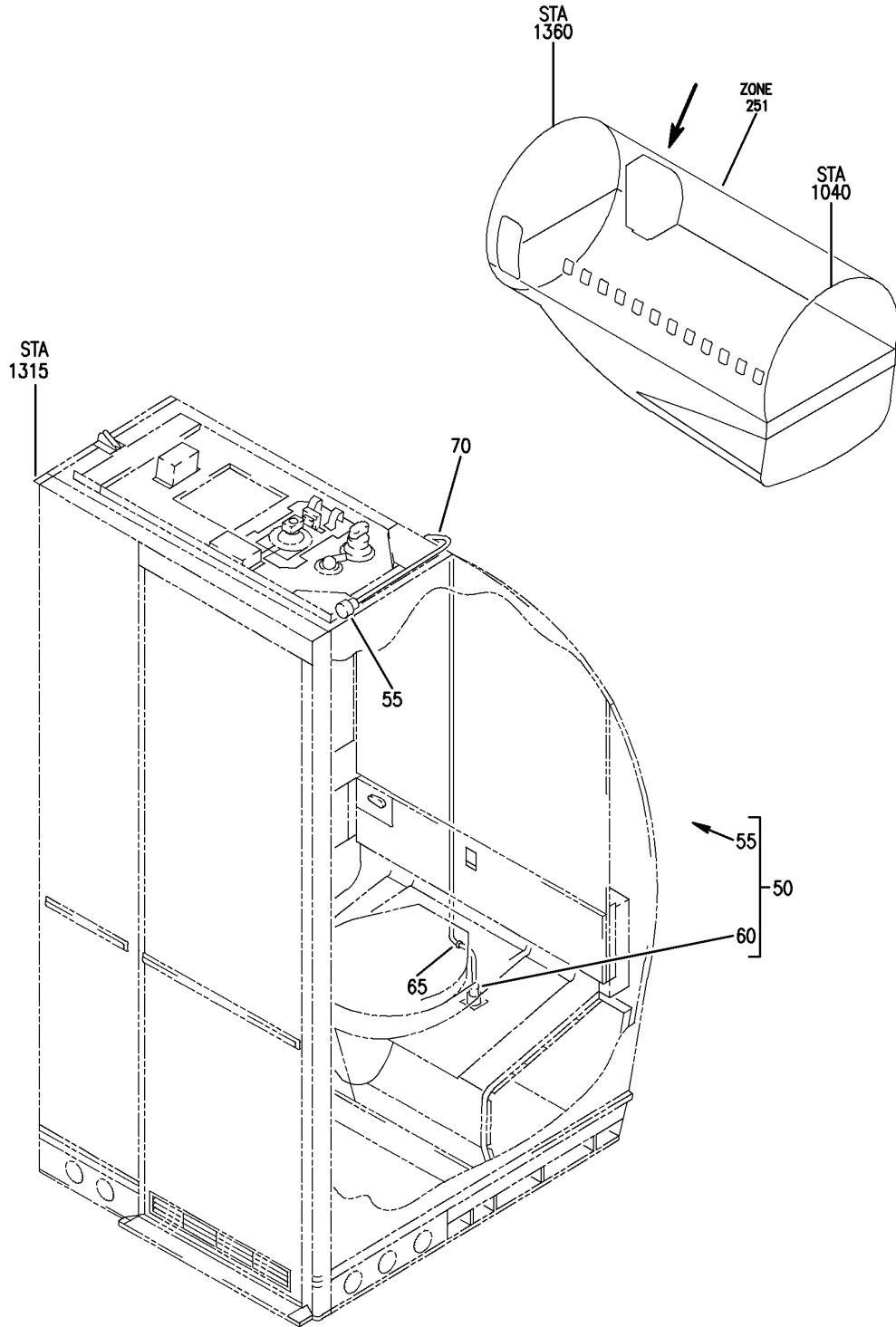
BRI

23-42-51-12

BOEING PROPRIETARY - Copyright © - Unpublished Work - See title page for details.

23-42-51
FIG. 12
PAGE 6
JAN 20/09

BOEING
757
PARTS CATALOG (MAINTENANCE)



Y 23425150 REV 232

MODULE ASSY-LAV (COMMUNICATIONS ONLY)
FIGURE 50

23-42-51-50

BRI
MAY 28/07

23-42-51-50
PAGE 0



757

PARTS CATALOG (MAINTENANCE)

FIG ITEM	PART NUMBER	1 2 3 4 5 6 7	NOMENCLATURE	EFFECT FROM TO	UNITS PER ASSY
50			MODULE ASSY-LAV (COMMUNICATIONS ONLY)	101102	
- 1	D75D0D030-111		MODULE ASSY-LAV D (COMMUNICATIONS ONLY) SUPPLIER CODE: VS5825 SPECIFICATION NUMBER: S417N101-3542B COMPONENT MAINT MANUAL REF: 25-40-59 PRE SERVICE BULLETIN: D75D-25-99 VS5825 FOR NHA/OTHER SYS DET SEE: 25-41-03-20Z	108120 101102	RF
- 1	D75D0D038-111		MODULE ASSY-LAV D (COMMUNICATIONS ONLY) SUPPLIER CODE: VS5825 SPECIFICATION NUMBER: S417N101-3638A COMPONENT MAINT MANUAL REF: 25-40-62 FOR NHA/OTHER SYS DET SEE: 25-41-03-20A	108120	RF
- 2	D75D0D030-111A		MODULE ASSY-LAV D (COMMUNICATIONS ONLY) SUPPLIER CODE: VS5825 POST SERVICE BULLETIN: D75D-25-99 VS5825	101102	RF
50	D75D95035-901		.HARNES ASSY-ATTENDANT HANDSET SUPPLIER CODE: VS5825	101102 108120	1
55	BACC63BN10C5PN		..CONNECTOR-P7	101102	1
60	XLR5-31		..RECEPTACLE-J7 SUPPLIER CODE: V71468	108120 101102 108120	1
65	NAS1368N3B		.GROMMET	101102	1
70	BACC10DK3		.CLAMP	108120	1
- 75	NAS1801-3-7		ATTACHING PARTS .SCREW	101102 108120	1

MISSING ITEM NUMBERS NOT APPLICABLE

- ITEM NOT ILLUSTRATED

23-42-51-50

23-42-51
FIG. 50
PAGE 1
JAN 20/09

BRI



757

PARTS CATALOG (MAINTENANCE)

FIG ITEM	PART NUMBER	1 2 3 4 5 6 7	NOMENCLATURE	EFFECT FROM TO	UNITS PER ASSY
50 - 85	NAS1149D0332K		. WASHER -----*-----	101102 108120	1

MISSING ITEM NUMBERS NOT APPLICABLE

- ITEM NOT ILLUSTRATED

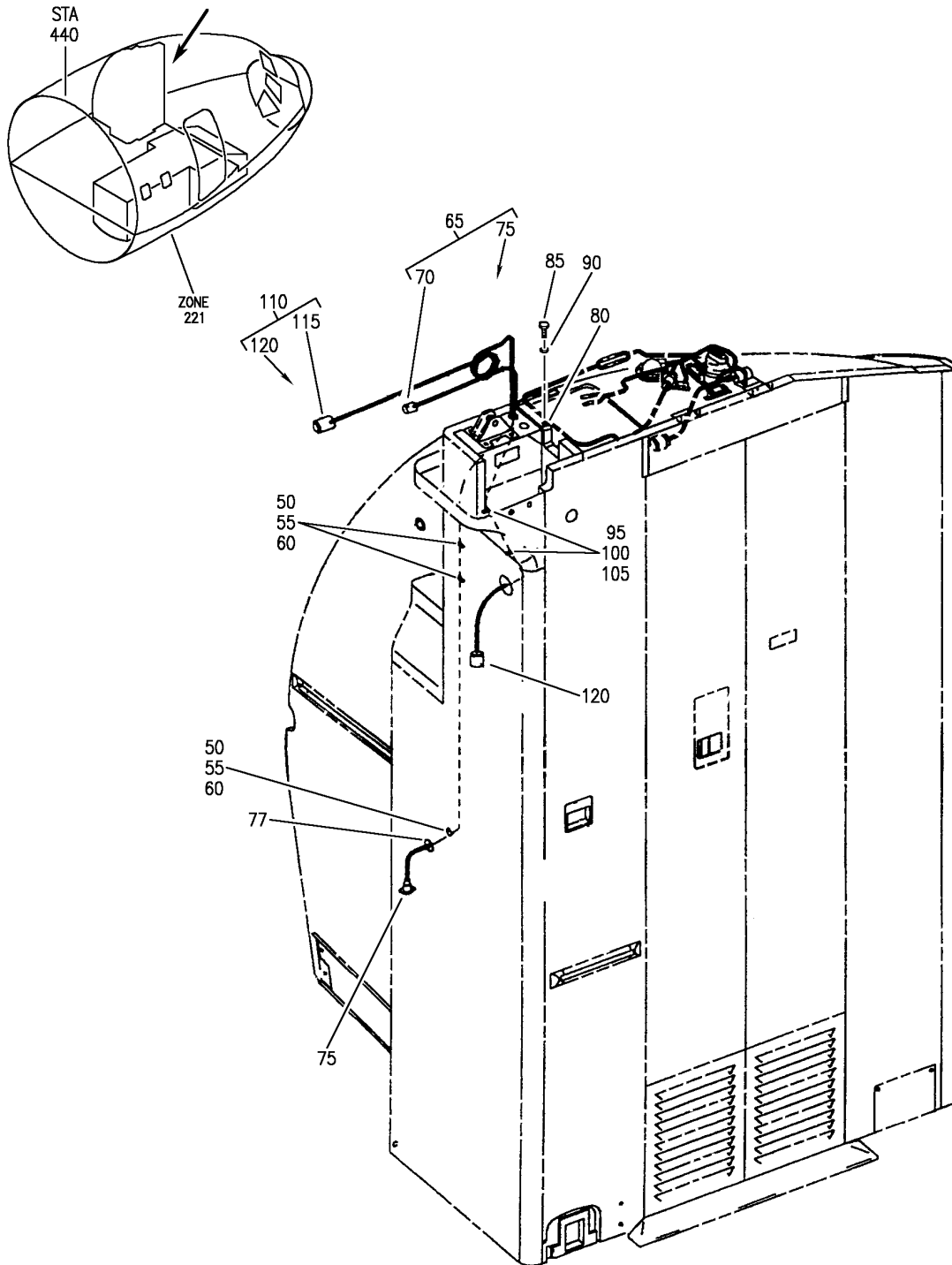
BRI

23-42-51-50

BOEING PROPRIETARY - Copyright © - Unpublished Work - See title page for details.

23-42-51
FIG. 50
PAGE 2
JAN 20/09

BOEING
757
PARTS CATALOG (MAINTENANCE)



Y 23425150C REV 291

MODULE ASSY-LAV A (CABIN INTERPHONE SYSTEM ONLY)
FIGURE 50C

23-42-51-50C

BRI
JAN 20/09

23-42-51-50C
PAGE 0



**757
PARTS CATALOG (MAINTENANCE)**

FIG ITEM	PART NUMBER	1 2 3 4 5 6 7	NOMENCLATURE	EFFECT FROM TO	UNITS PER ASSY
50C			MODULE ASSY-LAV A (CABIN INTERPHONE SYSTEM ONLY)	103106	
- 1	D71D0A012-111		MODULE ASSY-LAV A (CABIN INTERPHONE SYSTEM ONLY) SUPPLIER CODE: VS5825 SPECIFICATION NUMBER: S417N104-1312A ELECTRICAL EQUIP NUMBER: M10012 COMPONENT MAINT MANUAL REF: 25-44-10 FOR NHA/OTHER SYS DET SEE: 25-41-01-40E	103106	1
50	BACC10DK3		.CLAMP ATTACHING PARTS	103106	3
55	NAS1801-3-6		.SCREW	103106	3
60	NAS1149D0332K		.WASHER	103106	3
			-----*-----		
65	D71D95005-903		.HARNESS ASSY-ATT HANDSET SUPPLIER CODE: VS5825	103106	1
70	BACC63BN10C5PN		..CONNECTOR-P7	103106	1
75	XLR5-31		..RECEPTACLE-J7 SUPPLIER CODE: V71468	103106	1

MISSING ITEM NUMBERS NOT APPLICABLE

- ITEM NOT ILLUSTRATED

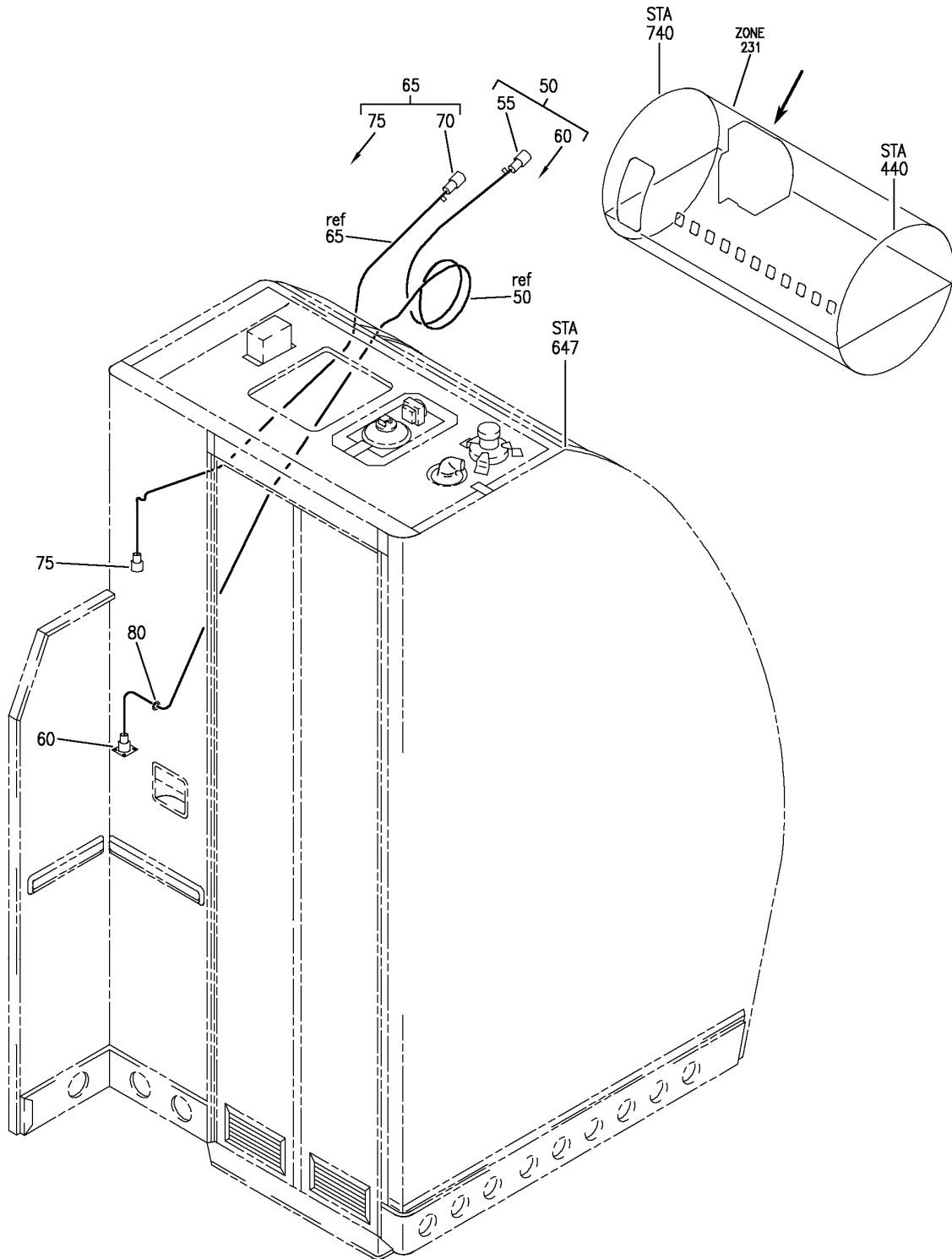
BRI

23-42-51-50C

BOEING PROPRIETARY - Copyright © - Unpublished Work - See title page for details.

23-42-51
FIG. 50C
PAGE 1
JAN 20/09

BOEING
757
PARTS CATALOG (MAINTENANCE)



Y 23425151 REV 249

MODULE ASSY-LAV S (COMMUNICATIONS ONLY)
FIGURE 51

23-42-51-51

BRI
JAN 20/09

23-42-51-51
PAGE 0



757

PARTS CATALOG (MAINTENANCE)

FIG ITEM	PART NUMBER	1 2 3 4 5 6 7	NOMENCLATURE	EFFECT FROM TO	UNITS PER ASSY
51			MODULE ASSY-LAV S (COMMUNICATIONS ONLY)	108120	
- 1	D75D0S025-111		MODULE ASSY-LAV S (COMMUNICATIONS ONLY) SUPPLIER CODE: VS5825 SPECIFICATION NUMBER: S417N101-8628A COMPONENT MAINT MANUAL REF: 25-40-62 FOR NHA/OTHER SYS DET SEE: 25-41-03-20A	108120	RF
50	D75D95038-903		.HARNES ASSY-ATTENDANT HANDSET SUPPLIER CODE: VS5825	108120	1
55	BACC63BN10C5P9		..CONNECTOR-P7	108120	1
60	XLR5-31		..RECEPTACLE-J7 SUPPLIER CODE: V71468	108120	1
65	D75D95033-111		.HARNES ASSY-ATTENDANT PNL SUPPLIER CODE: VS5825	108120	1
70	BACC45FT10A5P		..CONNECTOR-P8	108120	1
75	BACC45FT10A5S		..CONNECTOR-P6	108120	1
- 77	T18R		..TIE-INSULOK SUPPLIER CODE: VU3384 OPTIONAL PART: 89176-0001 VS5006	108120	1

MISSING ITEM NUMBERS NOT APPLICABLE

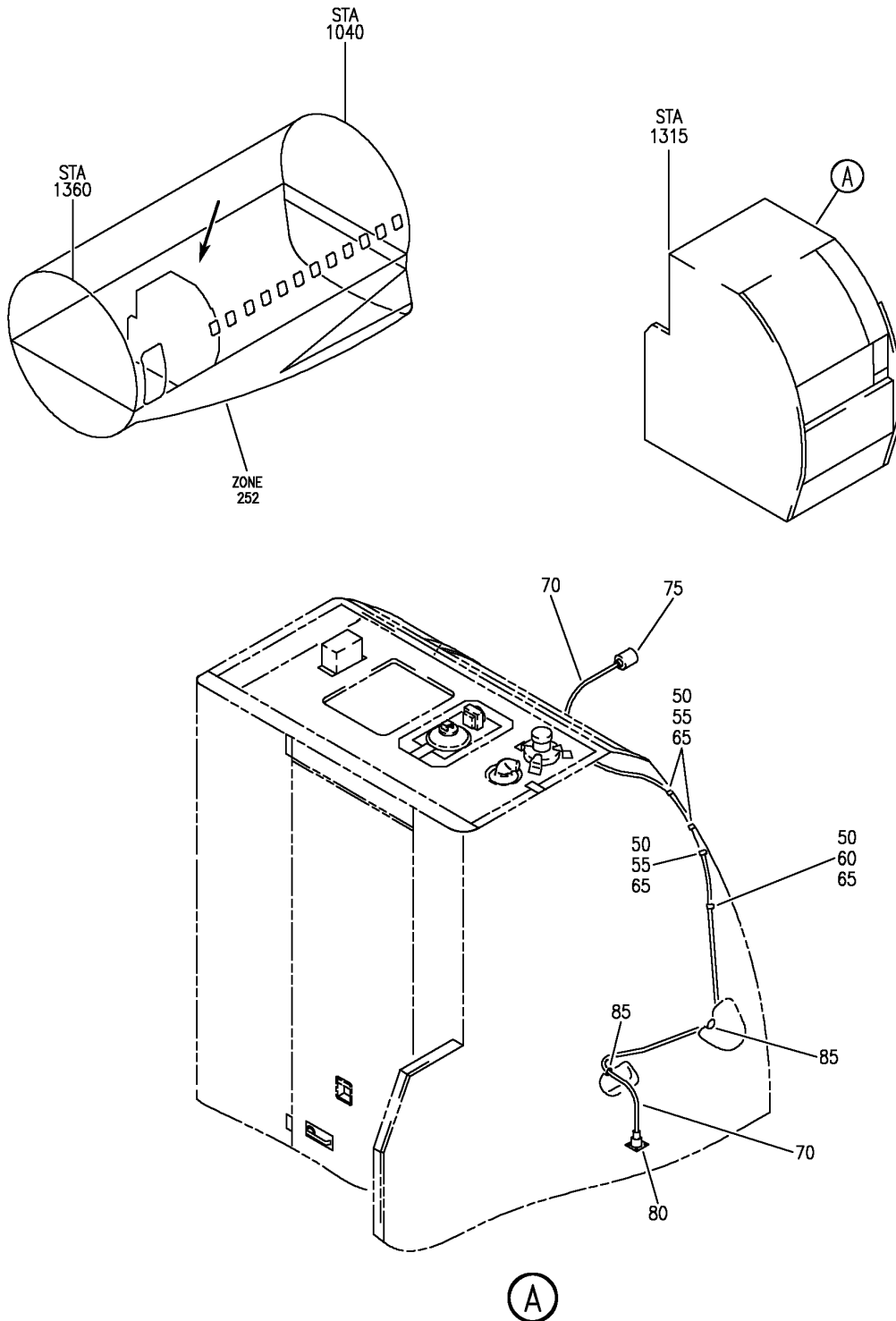
- ITEM NOT ILLUSTRATED

23-42-51-51

23-42-51
FIG. 51
PAGE 1
JAN 20/09

BRI

BOEING
757
PARTS CATALOG (MAINTENANCE)



Y 23425151D REV 282

MODULE ASSY-LAV D (PASSENGER ADDRESS SYSTEM ONLY)
FIGURE 51D

23-42-51-51D

BRI
JAN 20/09

23-42-51-51D
PAGE 0



757

PARTS CATALOG (MAINTENANCE)

FIG ITEM	PART NUMBER	1 2 3 4 5 6 7	NOMENCLATURE	EFFECT FROM TO	UNITS PER ASSY
51D			MODULE ASSY-LAV D (PASSENGER ADDRESS SYSTEM ONLY)	103106	
- 1	D71D0D009-111		MODULE ASSY-LAV D SUPPLIER CODE: VS5825 SPECIFICATION NUMBER: S417N104-3609A ELECTRICAL EQUIP NUMBER: M10015 COMPONENT MAINT MANUAL REF: 25-44-10 FOR NHA/OTHER SYS DET SEE: 25-41-03-07K	103106	RF
50	BACC10DK3		.CLAMP ATTACHING PARTS	103106	4
55	NAS1801-3-6		.SCREW	103106	3
60	NAS1801-3-7		.SCREW	103106	1
65	NAS1149D0332K		.WASHER	103106	4
			-----*-----		
70	D71D95014-901		.HARNESS ASSY- SUPPLIER CODE: VS5825	103106	1
75	BACC63BN10C5PN		..CONNECTOR-P7	103106	1
80	XLR5-31		..RECEPTACLE-J7 SUPPLIER CODE: V71468	103106	1
85	D75D80150-111		.GROMMET- SUPPLIER CODE: VS5825	103106	2

MISSING ITEM NUMBERS NOT APPLICABLE

- ITEM NOT ILLUSTRATED

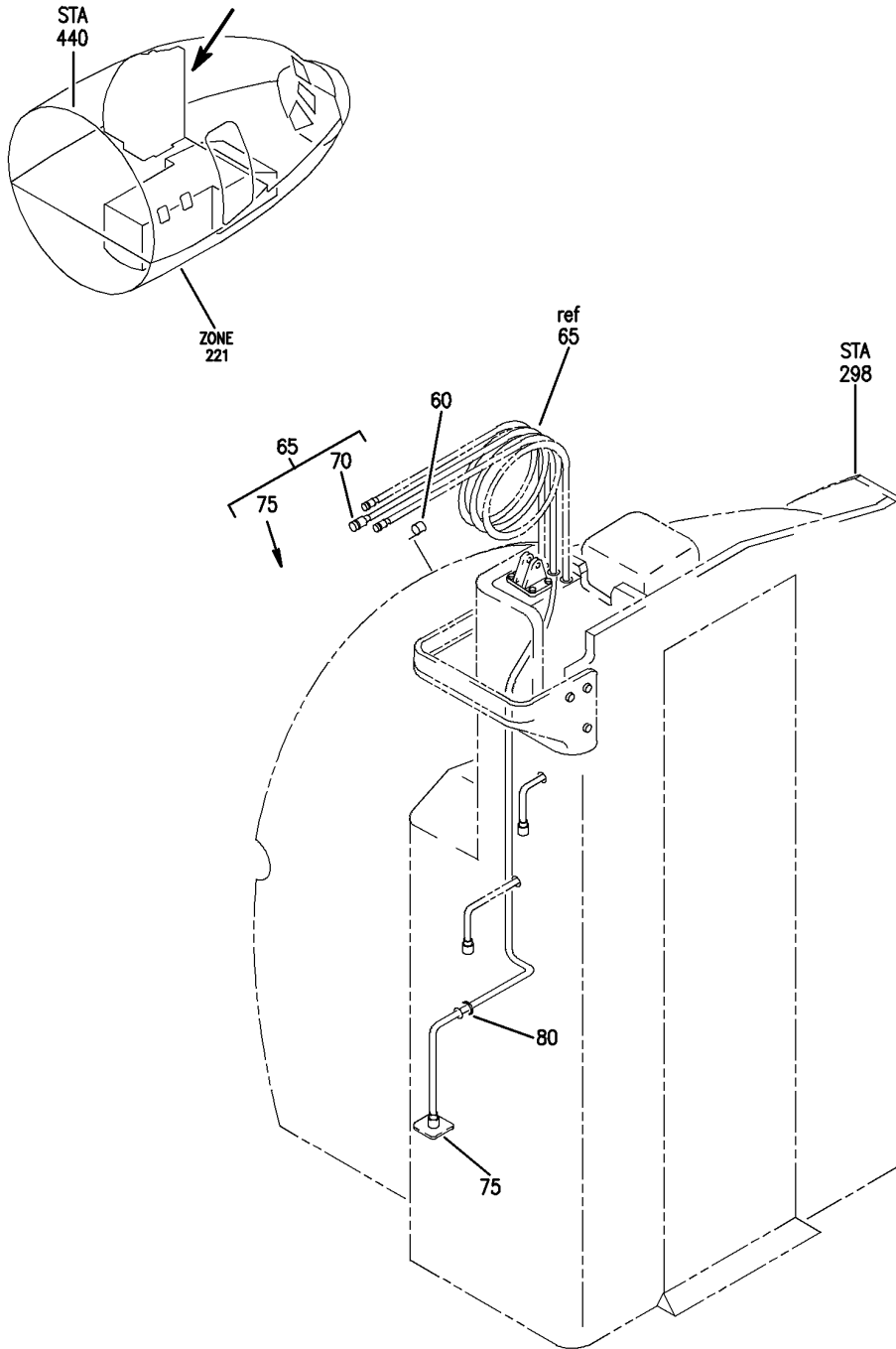
BRI

23-42-51-51D

BOEING PROPRIETARY - Copyright © - Unpublished Work - See title page for details.

23-42-51
FIG. 51D
PAGE 1
JAN 20/09

BOEING
757
PARTS CATALOG (MAINTENANCE)



Y 23425152A REV 246

MODULE ASSY-LAV A (CABIN INTERPHONE SYSTEM ONLY)
FIGURE 52A

23-42-51-52A

BRI
MAY 28/07

23-42-51-52A
PAGE 0



757

PARTS CATALOG (MAINTENANCE)

FIG ITEM	PART NUMBER	1 2 3 4 5 6 7	NOMENCLATURE	EFFECT FROM TO	UNITS PER ASSY
52A			MODULE ASSY-LAV A (CABIN INTERPHONE SYSTEM ONLY)	101102	
- 1	D75D0A033-111		MODULE ASSY-LAV A (CABIN INTERPHONE SYSTEM ONLY) SUPPLIER CODE: VS5825 SPECIFICATION NUMBER: S417N101-1037B COMPONENT MAINT MANUAL REF: 25-40-59 PRE SERVICE BULLETIN: D75D-25-99 VS5825 FOR NHA/OTHER SYS DET SEE: 25-41-01-55Z	101102	RF
- 1	D75D0A033-111A		MODULE ASSY-LAV A (CABIN INTERPHONE SYSTEM ONLY) SUPPLIER CODE: VS5825 POST SERVICE BULLETIN: D75D-25-99 VS5825	101102	RF
65	D75D95035-903		.HARNES ASSY-ATTENDANT HANDSET SUPPLIER CODE: VS5825	101102	1
70	BACC63BN10C5PN		..CONNECTOR-P7	101102	1
75	XLR5-31		..RECEPTACLE-J7 SUPPLIER CODE: V71468	101102	1
- 85	BACC10DK8A		.CLAMP ATTACHING PARTS	101102	3
- 90	NAS1801-3-6		.SCREW	101102	3
- 95	NAS1149D0332K		.WASHER -----*-----	101102	3

MISSING ITEM NUMBERS NOT APPLICABLE

- ITEM NOT ILLUSTRATED

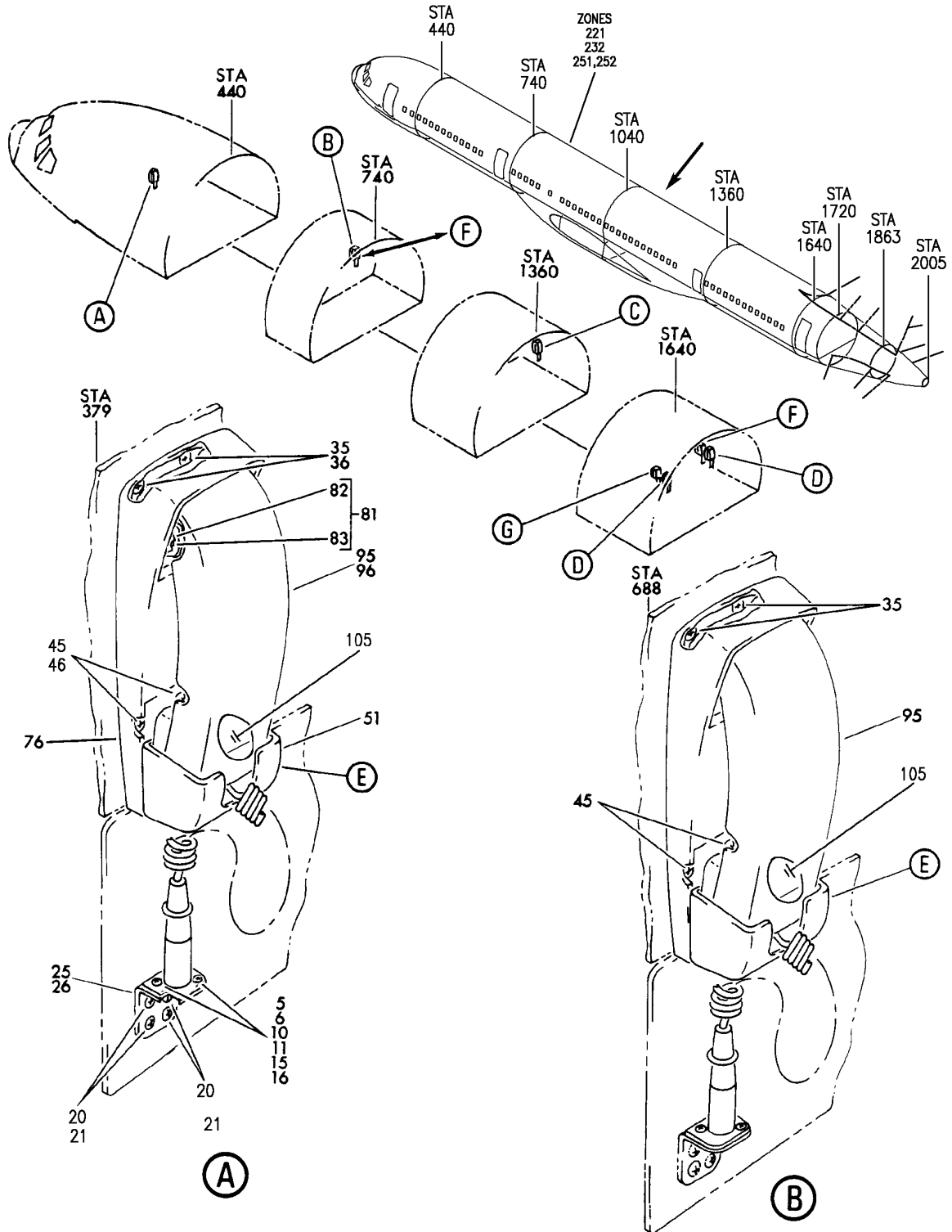
23-42-51-52A

23-42-51
FIG. 52A
PAGE 1
JAN 20/09

BRI

BOEING PROPRIETARY - Copyright © - Unpublished Work - See title page for details.

BOEING
757
PARTS CATALOG (MAINTENANCE)



Y 23425202 SHT 1 REV 249

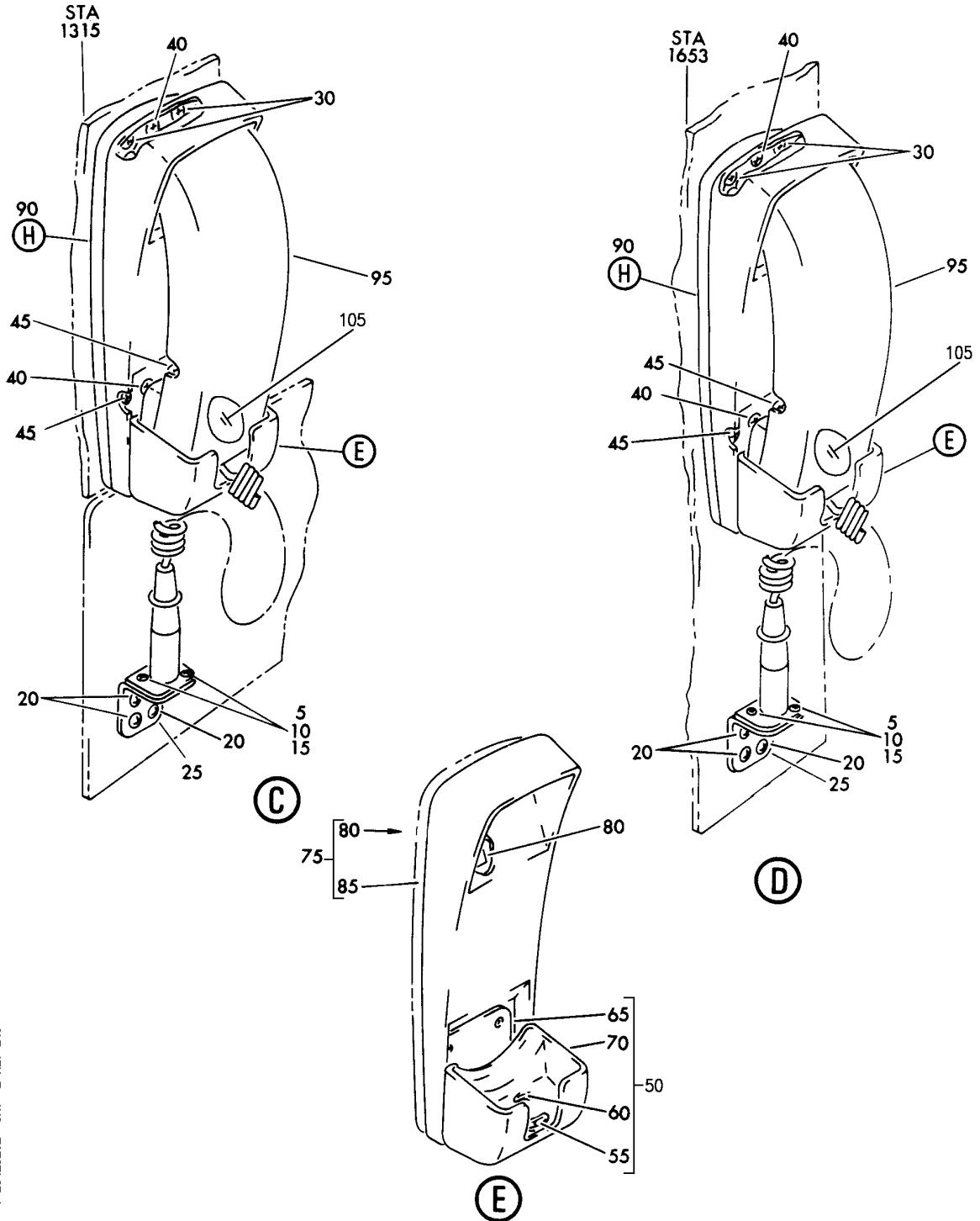
HANDSET INSTL-ATTENDANT
FIGURE 2 (SHEET 1)

23-42-52-02

BRI
JAN 20/09

23-42-52-02
PAGE 0

BOEING
757
PARTS CATALOG (MAINTENANCE)



Y 23425202 SHIT 2 REV 249

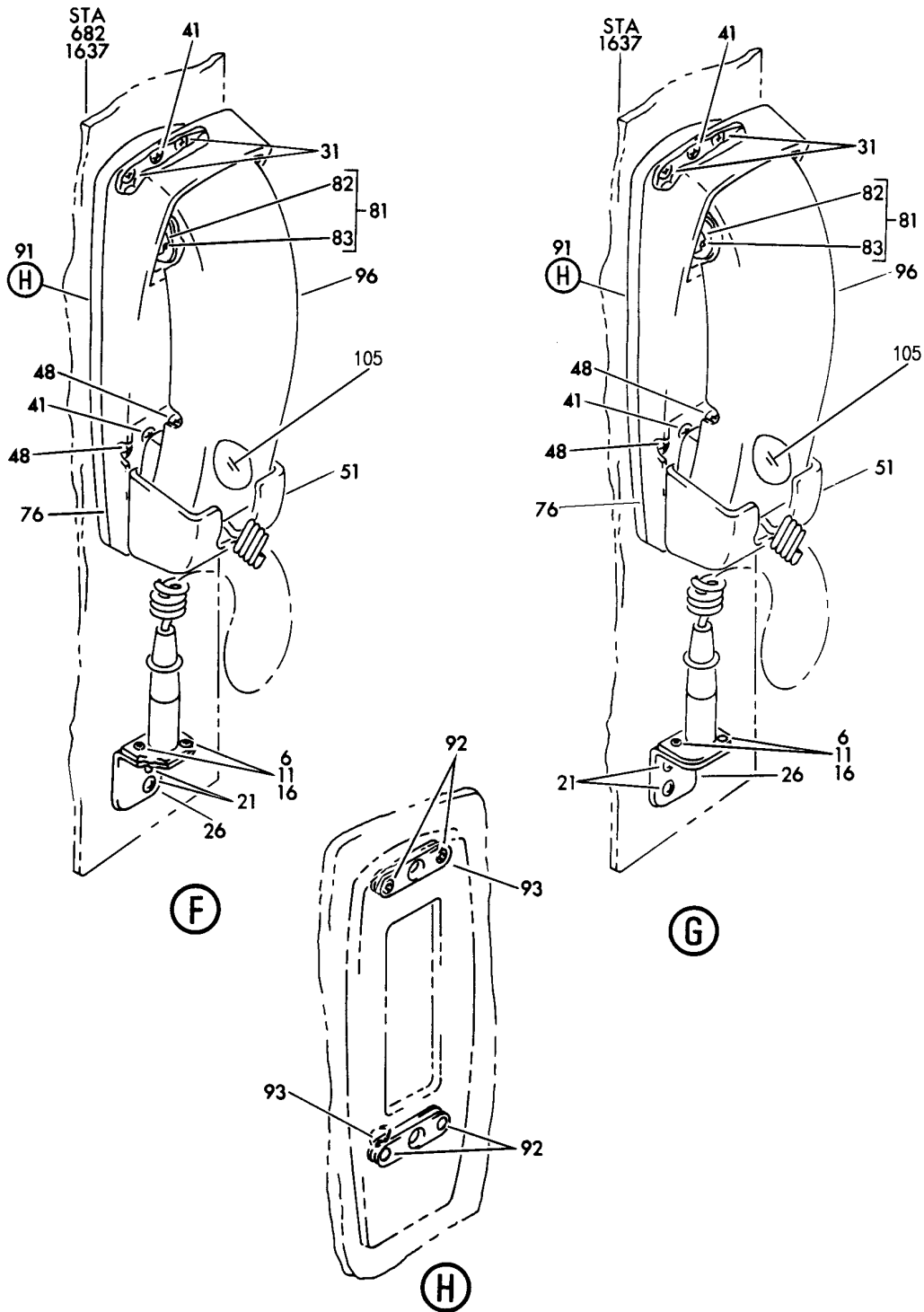
HANDSET INSTL-ATTENDANT
FIGURE 2 (SHEET 2)

23-42-52-02

BRI
JAN 20/09

23-42-52-02
PAGE 0A

BOEING
757
PARTS CATALOG (MAINTENANCE)



Y 23425202 SHT 3 REV 249

HANDSET INSTL-ATTENDANT
FIGURE 2 (SHEET 3)

23-42-52-02

BRI
JAN 20/09

23-42-52-02
PAGE 0B



757

PARTS CATALOG (MAINTENANCE)

FIG ITEM	PART NUMBER	1 2 3 4 5 6 7	NOMENCLATURE	EFFECT FROM TO	UNITS PER ASSY
2			HANDSET INSTL-ATTENDANT	107107	
- 1	417N6019-6		HANDSET INSTL-ATTENDANT FOR NHA SEE: 25-20-00-01E	107107	RF
5	BACS12CK04-6		.SCREW	107107	8
10	AN960KD4L		.WASHER	107107	8
15	BRH10A04		.NUT	107107	8
			SUPPLIER CODE: V52828		
			SPECIFICATION NUMBER: BACN10JCO4		
			OPTIONAL PART: NS202101-40		
			V80539		
			RMLH9075-40W		
			V72962		
			VN303A40		
			V92215		
			96-40		
			V80539		
			T6S440J		
			V11815		
			H10-04BAC		
			V15653		
20	BACS12CK3-8		.SCREW	107107	16
25	417N6009-10		.BRACKET-CONN.	107107	4
30	NAS514P1032-4		.SCREW	107107	6
35	NAS514P1032-8		.SCREW	107107	4
40	NAS514P1032-6		.SCREW-	107107	6
45	BACS12CK3-8		.SCREW	107107	10
50	417N6020-2		.CUP ASSY	107107	5
55	MS9048-179		..PIN	107107	1
60	RCS5464		..SPRING-	107107	1
			SUPPLIER CODE: V08205		
			OPTIONAL PART: 417N6020-12		
- 61	417N6020-12		..KIT ASSY-SUB	107107	1
			OPTIONAL PART: RCS5464		
			V08205		
- 62	NMC1533		...SPRING-	107107	1
			SUPPLIER CODE: V03296		
63	VIP1533		...SPRING-	107107	1
			SUPPLIER CODE: V28406		
65	417N6022-1		..BRACKET-SPR	107107	1

MISSING ITEM NUMBERS NOT APPLICABLE

- ITEM NOT ILLUSTRATED

23-42-52-02

23-42-52
FIG. 02
PAGE 1
JAN 20/09

BRI



757

PARTS CATALOG (MAINTENANCE)

FIG ITEM	PART NUMBER	1 2 3 4 5 6 7	NOMENCLATURE	EFFECT FROM TO	UNITS PER ASSY
2					
70	417N6021-2	..	CUP- OPTIONAL PART: 65B54282-24	107107	1
70	65B54282-24	..	CUP- OPTIONAL PART: 417N6021-2	107107	1
75	417N6020-1	.	CRADLE ASSY	107107	5
80	1X00-189	..	MAGNET ASSY- SUPPLIER CODE: VOYXX6	107107	1
81	417T6511-1	..	MAGNET ASSY- SUPPLIER CODE: V89954	107107	1
85	417N6021-1	..	CRADLE	107107	1
90	417N6024-1	.	PAD ASSY-ADPTR	107107	3
92	MS21209F1-10L	..	INSERT	107107	4
93	417N6024-4	..	INSERT- OPTIONAL PART: 417N6024-8	107107	2
93	417N6024-8	..	INSERT- OPTIONAL PART: 417N6024-4	107107	2
95	285N0412-1	.	HANDSET ASSY- SUPPLIER CODE: V89954 ELECTRICAL EQUIP NUMBER: B00061 COMPONENT MAINT MANUAL REF: 23-42-64 QUALIFIED I/W DATA: 285T0038-9 285N0412-1 AND -3 ARE INTERCHANGEABLE SUBJECT TO CUSTOMER PREFERENCE	107107	5
95	285T0038-10	.	INTERPHONE ASSY- SUPPLIER CODE: V89954 ELECTRICAL EQUIP NUMBER: B00061 COMPONENT MAINT MANUAL REF: 23-42-64	107107	5
- 100	285N0412-12	..	HEADER ASSY- SUPPLIER CODE: V89954 OPTIONAL PART: 285N0412-14 V89954	107107	1

MISSING ITEM NUMBERS NOT APPLICABLE

- ITEM NOT ILLUSTRATED

BRI

23-42-52-02

23-42-52
FIG. 02
PAGE 2
JAN 20/09



757

PARTS CATALOG (MAINTENANCE)

FIG ITEM	PART NUMBER	1 2 3 4 5 6 7	NOMENCLATURE	EFFECT FROM TO	UNITS PER ASSY
2 - 100	285N0412-14		..HEADER ASSY- SUPPLIER CODE: V89954 OPTIONAL PART: 285N0412-12 V89954	107107	1
105	90319-0005		...JACK- SUPPLIER CODE: V27264 OPTIONAL PART: BCREF16494 VOAG18 883-6525-00 V27264 USED ON: 285N0412-12	107107	1
105	90319-0005		...JACK- SUPPLIER CODE: V27264 OPTIONAL PART: BCREF16494 VOAG18 883-6525-00 V27264 66521-002BECO V04880 USED ON: 285N0412-14	107107	1
105	883-6525-00		...JACK- SUPPLIER CODE: V27264 OPTIONAL PART: BCREF16494 VOAG18 90319-0005 V27264 USED ON: 285N0412-12	107107	1

MISSING ITEM NUMBERS NOT APPLICABLE

- ITEM NOT ILLUSTRATED

BRI

23-42-52-02

BOEING PROPRIETARY - Copyright © - Unpublished Work - See title page for details.

23-42-52
FIG. 02
PAGE 3
JAN 20/09



757

PARTS CATALOG (MAINTENANCE)

FIG ITEM	PART NUMBER	1 2 3 4 5 6 7	NOMENCLATURE	EFFECT FROM TO	UNITS PER ASSY
2 105	883-6525-00	...	JACK- SUPPLIER CODE: V27264 OPTIONAL PART: 66521-002BECO V04880 BCREF16494 VOAG18 90319-0005 V27264 USED ON: 285N0412-14	107107	1
105	66521-002BECO	...	JACK- SUPPLIER CODE: V04880 OPTIONAL PART: 883-6525-00 V27264 BCREF16494 VOAG18 90319-0005 V27264 USED ON: 285N0412-14	107107	1
105	BCREF16494	...	JACK- SUPPLIER CODE: VOAG18 OVERLENGTH PART NUMBER: TM1RV623K66-35S150 OPTIONAL PART: 883-6525-00 V27264 90319-0005 V27264 USED ON: 285N0412-12	107107	1

MISSING ITEM NUMBERS NOT APPLICABLE

- ITEM NOT ILLUSTRATED

BRI

23-42-52-02

BOEING PROPRIETARY - Copyright © - Unpublished Work - See title page for details.

23-42-52
FIG. 02
PAGE 4
JAN 20/09



757

PARTS CATALOG (MAINTENANCE)

FIG ITEM	PART NUMBER	1 2 3 4 5 6 7	NOMENCLATURE	EFFECT FROM TO	UNITS PER ASSY
2 105	BCREF16494		... JACK- SUPPLIER CODE: VOAG18 OVERLENGTH PART NUMBER: TM1RV623K66-35S150 OPTIONAL PART: 883-6525-00 V27264 90319-0005 V27264 66521-002BECO V04880 USED ON: 285N0412-14	107107	1

MISSING ITEM NUMBERS NOT APPLICABLE

- ITEM NOT ILLUSTRATED

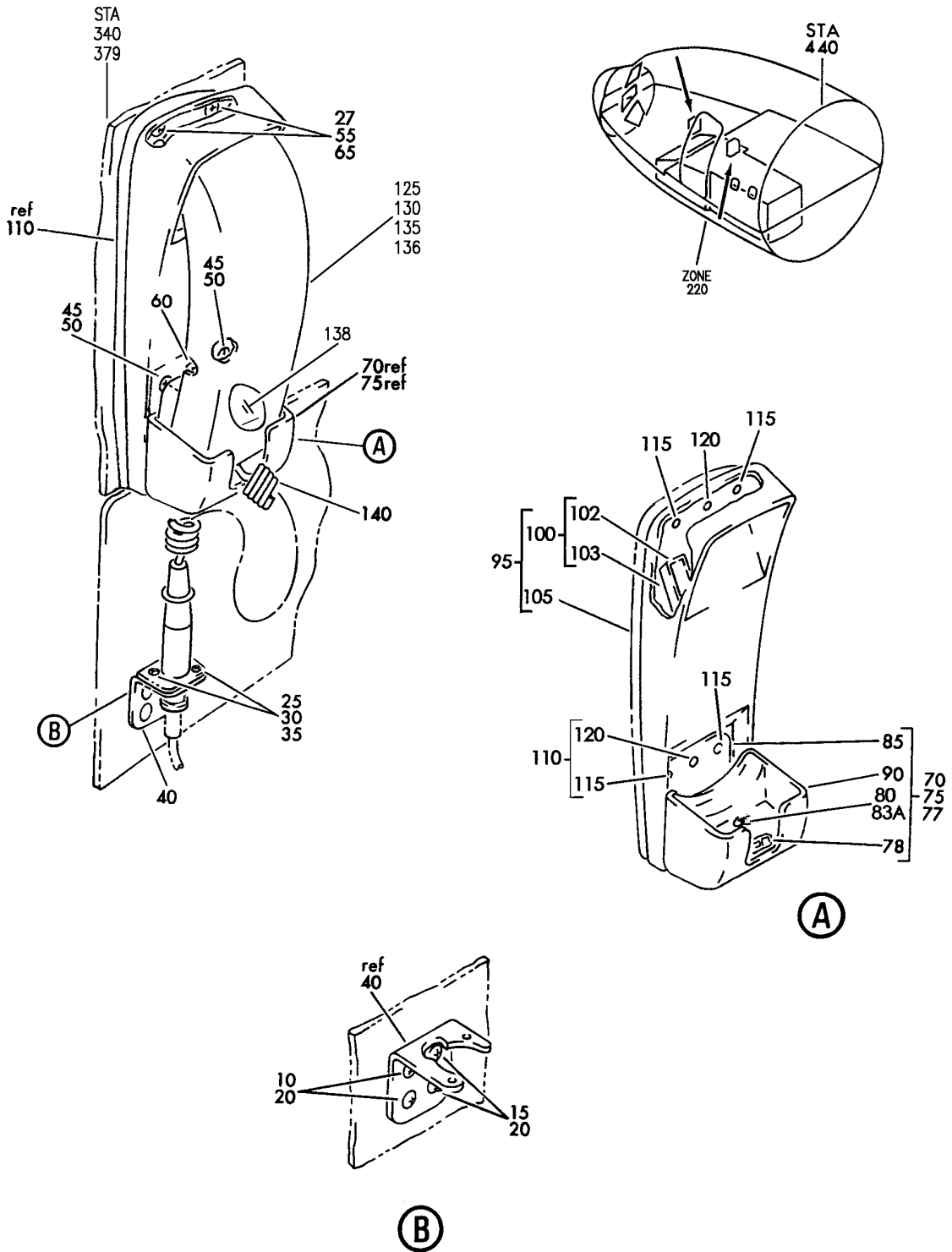
BRI

23-42-52-02

BOEING PROPRIETARY - Copyright © - Unpublished Work - See title page for details.

23-42-52
FIG. 02
PAGE 5
JAN 20/09

BOEING
757
PARTS CATALOG (MAINTENANCE)



Y 23425206 REV 249

HANDSET INSTL-ATTENDANT DOOR NO. 1, LH
FIGURE 6

23-42-52-06

BRI
MAY 28/07

23-42-52-06
PAGE 0



757

PARTS CATALOG (MAINTENANCE)

FIG ITEM	PART NUMBER	1 2 3 4 5 6 7	NOMENCLATURE	EFFECT FROM TO	UNITS PER ASSY
6			HANDSET INSTL-ATTENDANT DOOR NO. 1, LH	002004 006102 108999	
- 1	417N6019-33		HANDSET INSTL-DOOR NO. 1 ATTENDANT POSITION DATA: LH STA 340 FOR NHA SEE: 25-20-00-01E	121503 904949	RF
- 1	417N6019-80		HANDSET INSTL-DOOR NO. 1 ATTENDANT POSITION DATA: LH STA 340 FOR NHA SEE: 25-20-00-01A 25-20-00-07E	002004 006102 950951	RF
- 1	417N6019-122		HANDSET INSTL-DOOR NO. 1 ATTENDANT POSITION DATA: LH STA 340 FOR NHA SEE: 25-20-00-07E	504903	RF
- 5	417N6019-57		HANDSET INSTL-DOOR NO. 1 ATTENDANT POSITION DATA: LH STA 379 FOR NHA SEE: 25-20-00-01A	952999	RF
- 5	417N6019-104		HANDSET INSTL-DOOR NO. 1 ATTENDANT POSITION DATA: LH STA 379 FOR NHA SEE: 25-20-00-07E	108120	RF
10	NAS603-8P		.SCREW	002004 006102 121503 904951	2
15	NAS603-8P		.SCREW-	108120 504903 952999	2
25	NAS600-6P		.SCREW-	002004 006102 108999	2
30	NAS1149DN416J		.WASHER-	002004 006102 108999	2

MISSING ITEM NUMBERS NOT APPLICABLE

- ITEM NOT ILLUSTRATED

23-42-52-06

23-42-52
FIG. 06
PAGE 1
JAN 20/09

BRI

BOEING PROPRIETARY - Copyright © - Unpublished Work - See title page for details.



757

PARTS CATALOG (MAINTENANCE)

FIG ITEM	PART NUMBER	1 2 3 4 5 6 7	NOMENCLATURE	EFFECT FROM TO	UNITS PER ASSY
6					
35	MS21042L04	.	NUT-	002004 006102 108999	2
40	417N6009-10	.	BRACKET-CONN	002004 006102 108999	1
45	NAS603-5P	.	SCREW	002004 006102 121503 904951	2
50	NAS603-8P	.	SCREW-	108120 504903 952999	2
55	NAS514P1032-4	.	SCREW	002004 006102 121503 904951	2
60	NAS514P1032-6P	.	SCREW	002004 006100 121503 904951	2
65	NAS514P1032-8	.	SCREW-	108120 504903 952999	2
70	417N6020-8	.	CUP ASSY-	002004 006102 504903 950951	1
75	417N6020-2	.	CUP ASSY-	121503 904949 952999	1
75	417N6020-10	.	CUP ASSY-	108120	1
78	MS9048-178	..	PIN-	002004 006102 108999	1
82	RCS5464	..	SPRING- SUPPLIER CODE: V08205 OPTIONAL PART: 417N6020-12 USED ON: 417N6020-11	002004 006102 108999	1
83A	417N6020-12	..	KIT ASSY-SUB OPTIONAL PART: RCS5464 V08205 USED ON: 417N6020-11	002004 006102 108999	1

MISSING ITEM NUMBERS NOT APPLICABLE

- ITEM NOT ILLUSTRATED

23-42-52-06

23-42-52
FIG. 06
PAGE 2
JAN 20/09

BRI

BOEING PROPRIETARY - Copyright © - Unpublished Work - See title page for details.



757

PARTS CATALOG (MAINTENANCE)

FIG ITEM	PART NUMBER	1 2 3 4 5 6 7	NOMENCLATURE	EFFECT FROM TO	UNITS PER ASSY
6					
- 83B	NMC1533	...	SPRING- SUPPLIER CODE: V03296	002004 006102 108999	1
- 84	VIP1533	...	SPRING- SUPPLIER CODE: V28406	002004 006102 108999	1
85	417N6022-1	..	BRACKET-	108503 904949 952999	1
85	417N6022-4	..	BRACKET-	002004 006102 504903 950951	1
90	417N6021-2	..	CUP- OPTIONAL PART: 65B54282-24	108503 904949 952999	1
90	65B54282-24	..	CUP- OPTIONAL PART: 417N6021-2	121503 904949 952999	1
90	417N6021-7	..	CUP-	002004 006102 504903 950951	1
95	417N6020-1	.	CRADLE ASSY-	108949 952999	1
95	417N6020-7	.	RECEPTACLE ASSY-	002004 006102 950951	1
100	1X00-189	..	MAGNET ASSY- SUPPLIER CODE: VOYXX6	002004 006102 108999	1
100	417T6511-1	..	MAGNET ASSY- SUPPLIER CODE: V89954	002004 006102 108999	1
105	417N6021-1	..	CRADLE-	108949 952999	1
105	417N6021-8	..	CRADLE-	002004 006102 950951	1
110	417N6024-1	.	PAD ASSY	121503 904949	1
115	MS21209F1-10L	..	INSERT	002004 006100 121503	4
120	417N6024-4	..	INSERT- OPTIONAL PART: 417N6024-8	904951 002004 006100 121503 904951	2

MISSING ITEM NUMBERS NOT APPLICABLE

- ITEM NOT ILLUSTRATED

23-42-52-06

23-42-52
FIG. 06
PAGE 3
JAN 20/09

BRI

BOEING PROPRIETARY - Copyright © - Unpublished Work - See title page for details.

 **BOEING**
757
PARTS CATALOG (MAINTENANCE)

FIG ITEM	PART NUMBER	1 2 3 4 5 6 7	NOMENCLATURE	EFFECT FROM TO	UNITS PER ASSY
6 120	417N6024-8		.. INSERT- OPTIONAL PART: 417N6024-4	002004 006100 121503 904951	2
135	285N0412-1		. HANDSET ASSY- SUPPLIER CODE: V89954 COMPONENT MAINT MANUAL REF: 23-42-64 QUALIFIED I/W DATA: 285T0038-9 285N0412-1 AND -3 ARE INTERCHANGEABLE SUBJECT TO CUSTOMER PREFERENCE FUNCTIONAL REFERENCE: PLACARDS AND MARKINGS FOR DETAILS SEE 11-35-13-02	108949 952999	1
135	285N0412-9		. HANDSET ASSY- SUPPLIER CODE: V89954 COMPONENT MAINT MANUAL REF: 23-42-64 QUALIFIED I/W DATA: 285N0412-9 AND 285N0412-8 ARE INTERCHANGEABLE SUBJECT TO CUSTOMER PREFERENCE; -8 (COLOR BAC7801, PEPPERDUST) VS -9 (COLOR BAC70226, GRAY). FUNCTIONAL REFERENCE: PLACARDS AND MARKINGS FOR DETAILS SEE 11-35-13-02	002004 006102 950951	1
135	285T0038-10		. INTERPHONE ASSY- SUPPLIER CODE: V89954 COMPONENT MAINT MANUAL REF: 23-42-64 FUNCTIONAL REFERENCE: PLACARDS AND MARKINGS FOR DETAILS SEE 11-35-13-02	108949 952999	1

MISSING ITEM NUMBERS NOT APPLICABLE

— ITEM NOT ILLUSTRATED

BRI

23-42-52-06

BOEING PROPRIETARY - Copyright © - Unpublished Work - See title page for details.

23-42-52
FIG. 06
PAGE 4
JAN 20/09



757

PARTS CATALOG (MAINTENANCE)

FIG ITEM	PART NUMBER	1 2 3 4 5 6 7	NOMENCLATURE	EFFECT FROM TO	UNITS PER ASSY
6 136	285N0412-12	..	HEADER ASSY- SUPPLIER CODE: V89954 OPTIONAL PART: 285N0412-14 V89954	002004 006102 108999	1
136	285N0412-14	..	HEADER ASSY- SUPPLIER CODE: V89954 OPTIONAL PART: 285N0412-12 V89954	002004 006102 108999	1
138	90319-0005	...	JACK- SUPPLIER CODE: V27264 OPTIONAL PART: BCREF16494 VOAG18 883-6525-00 V27264 USED ON: 285N0412-12	002004 006102 108999	1
138	90319-0005	...	JACK- SUPPLIER CODE: V27264 OPTIONAL PART: 66521-002BECO V04880 BCREF16494 VOAG18 883-6525-00 V27264 USED ON: 285N0412-14	002004 006102 108999	1
138	BCREF16494	...	JACK- SUPPLIER CODE: VOAG18 OVERLENGTH PART NUMBER: TM1RV623K66-35S150 OPTIONAL PART: 883-6525-00 V27264 90319-0005 V27264 USED ON: 285N0412-12	002004 006102 108999	1

MISSING ITEM NUMBERS NOT APPLICABLE

- ITEM NOT ILLUSTRATED

BRI

23-42-52-06

BOEING PROPRIETARY - Copyright © - Unpublished Work - See title page for details.

23-42-52
FIG. 06
PAGE 5
JAN 20/09



757

PARTS CATALOG (MAINTENANCE)

FIG ITEM	PART NUMBER	1 2 3 4 5 6 7	NOMENCLATURE	EFFECT FROM TO	UNITS PER ASSY
6 138	BCREF16494	...	JACK- SUPPLIER CODE: VOAG18 OVERLENGTH PART NUMBER: TM1RV623K66-35S150 OPTIONAL PART: 883-6525-00 V27264 90319-0005 V27264 66521-002BECO V04880 USED ON: 285N0412-14	002004 006102 108999	1
138	883-6525-00	...	JACK- SUPPLIER CODE: V27264 OPTIONAL PART: BCREF16494 VOAG18 90319-0005 V27264 USED ON: 285N0412-14	002004 006102 108999	1
138	883-6525-00	...	JACK- SUPPLIER CODE: V27264 OPTIONAL PART: 66521-002BECO V04880 BCREF16494 VOAG18 90319-0005 V27264 USED ON: 285N0412-14	002004 006102 108999	1
138	66521-002BECO	...	JACK- SUPPLIER CODE: V04880 OPTIONAL PART: 883-6525-00 V27264 BCREF16494 VOAG18 90319-0005 V27264 USED ON: 285N0412-14	002004 006102 108999	1

MISSING ITEM NUMBERS NOT APPLICABLE

- ITEM NOT ILLUSTRATED

23-42-52-06

23-42-52
FIG. 06
PAGE 6
JAN 20/09

BRI



757

PARTS CATALOG (MAINTENANCE)

FIG ITEM	PART NUMBER	1 2 3 4 5 6 7	NOMENCLATURE	EFFECT FROM TO	UNITS PER ASSY
6 140	020-003-183		. . . CORD- SUPPLIER CODE : V59608	002004 006102 950951	1

MISSING ITEM NUMBERS NOT APPLICABLE

- ITEM NOT ILLUSTRATED

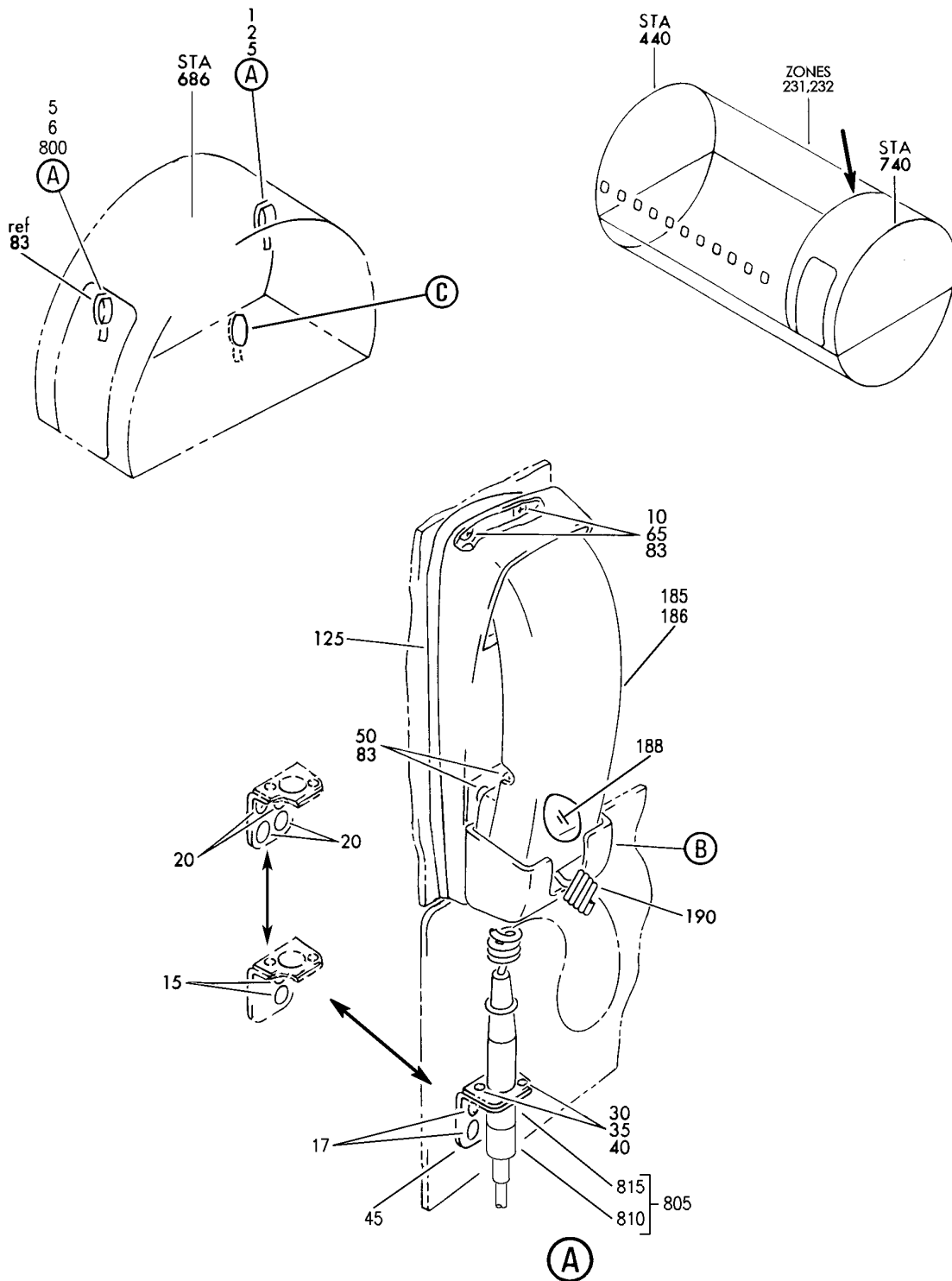
BRI

23-42-52-06

BOEING PROPRIETARY - Copyright © - Unpublished Work - See title page for details.

23-42-52
FIG. 06
PAGE 7
JAN 20/09

BOEING
757
PARTS CATALOG (MAINTENANCE)



Y 23425207 SH1 1 REV 249

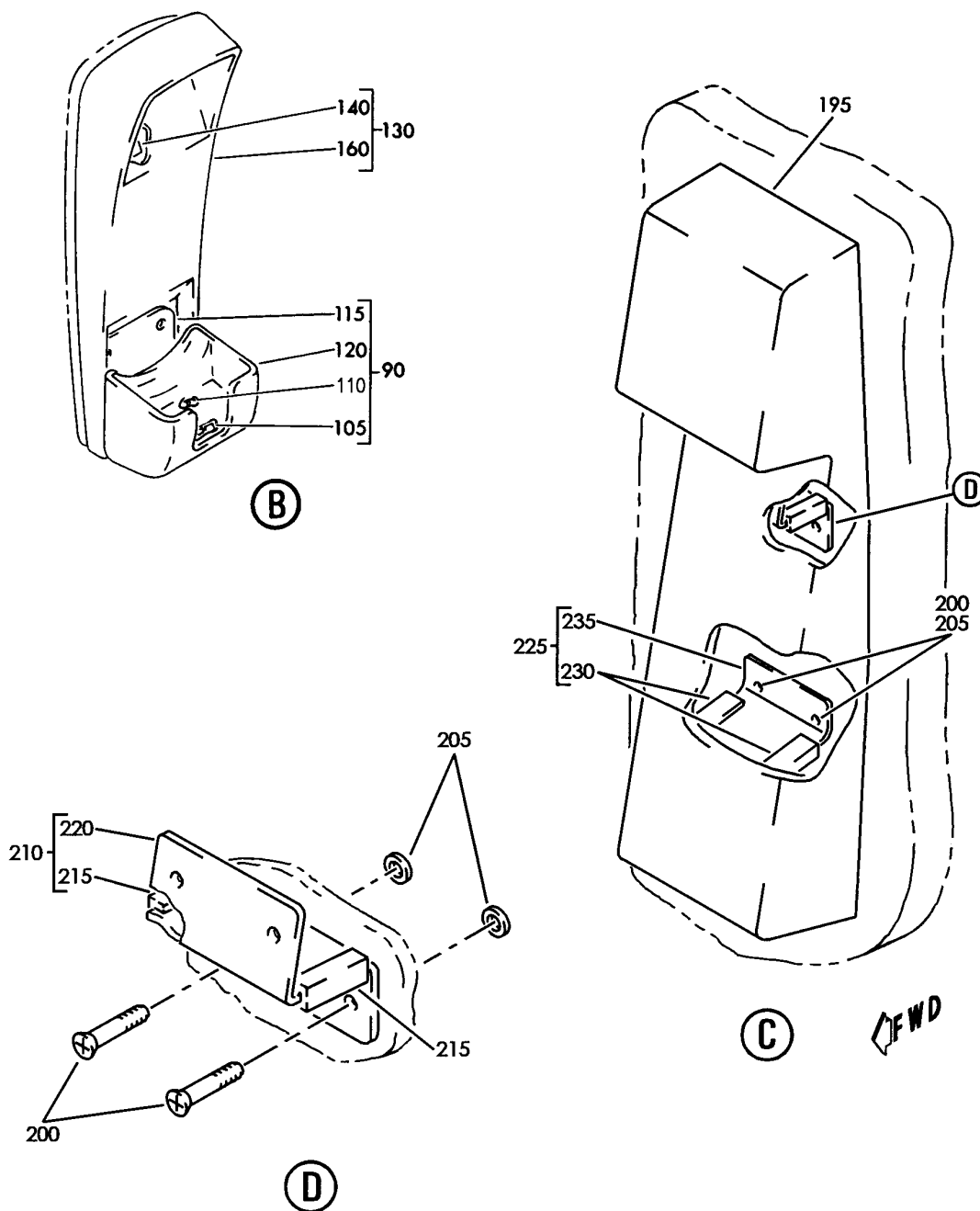
HANDSET AND HARNESS INSTL ATTENDANT DOOR NO. 2
FIGURE 7 (SHEET 1)

23-42-52-07

BRI
MAY 28/07

23-42-52-07
PAGE 0

BOEING
757
PARTS CATALOG (MAINTENANCE)



Y 23425207 SH1 2 REV 253

HANDSET AND HARNESS INSTL ATTENDANT DOOR NO. 2
FIGURE 7 (SHEET 2)

23-42-52-07

BRI
MAY 28/07

23-42-52-07
PAGE 0A



757

PARTS CATALOG (MAINTENANCE)

FIG ITEM	PART NUMBER	1 2 3 4 5 6 7	NOMENCLATURE	EFFECT FROM TO	UNITS PER ASSY
7			HANDSET AND HARNESS INSTL ATTENDANT DOOR NO. 2	002004 006102 108999	
1	417N6019-77		HANDSET INSTL-DOOR NO. 2 DBL ATTENDANT SEAT POSITION DATA: RH STA 687.75 FOR NHA SEE: 25-20-00-01A	002004 006010	RF
1	417N6019-50		HANDSET INSTL-DOOR NO. 2 DBL ATTENDANT SEAT POSITION DATA: RH STA 687.75 FOR NHA SEE: 25-20-00-01E	121503 904949	RF
1	417N6019-98		HANDSET INSTL-DOOR NO. 2 SINGLE ATTENDANT SEAT POSITION DATA: RH STA 688.45 FOR NHA SEE: 25-20-00-01A 25-20-00-07E	011102	RF
5	417N6019-78		HANDSET INSTL-DOOR NO. 2 DBL ATTENDANT SEAT POSITION DATA: LH STA 687.35 FOR NHA SEE: 25-20-00-01A 25-20-00-07E	002004 006102	RF
5	417N6019-56		HANDSET INSTL-DOOR NO. 2 DBL ATTENDANT SEAT POSITION DATA: LH STA 682.90 FOR NHA SEE: 25-20-00-01A	952999	RF
6	417N6019-87		HANDSET INSTL-DOOR NO. 2 DBL ATTENDANT SEAT POSITION DATA: LH STA 682.90 FOR NHA SEE: 25-20-00-01A	950951	RF
6	417N6019-94		HANDSET INSTL-DOOR NO. 2 DBL ATTENDANT SEAT POSITION DATA: LH STA 683 FOR NHA SEE: 25-20-00-07E	504903	RF

MISSING ITEM NUMBERS NOT APPLICABLE

- ITEM NOT ILLUSTRATED

23-42-52-07

23-42-52
FIG. 07
PAGE 1
JAN 20/09

BRI

BOEING PROPRIETARY - Copyright © - Unpublished Work - See title page for details.



757

PARTS CATALOG (MAINTENANCE)

FIG ITEM	PART NUMBER	1 2 3 4 5 6 7	NOMENCLATURE	EFFECT FROM TO	UNITS PER ASSY
7					
6	417N6019-103		HANDSET INSTL-DOOR NO. 2 DBL ATTENDANT SEAT POSITION DATA: LH STA 682.90 FOR NHA SEE: 25-20-00-07E	108120	RF
15	NAS603-8P		.SCREW	108120 950951	2
20	NAS603-8P		.SCREW	002004 006010 504903	4
30	NAS600-6P		.SCREW	108999	2
30	NAS600-6P		.SCREW	002004 006010 101102	2
30	NAS8200A6		.SCREW- USED ON: 417N6019-98	011102	2
35	AN960JD4L		.WASHER- USED ON: 417N6019-87 MODREF17809	950951	2
35	NAS1149DN416J		.WASHER	002004 006010 101102	2
35	NAS1149DN416J		.WASHER-	011100 108949 952999	2
40	MS21042L04		.NUT-	011100 108999	2
40	MS21042L04		.NUT	002004 006010 101102	2

MISSING ITEM NUMBERS NOT APPLICABLE

- ITEM NOT ILLUSTRATED

BRI

23-42-52-07

BOEING PROPRIETARY - Copyright © - Unpublished Work - See title page for details.

23-42-52
FIG. 07
PAGE 2
JAN 20/09



757

PARTS CATALOG (MAINTENANCE)

FIG ITEM	PART NUMBER	1 2 3 4 5 6 7	NOMENCLATURE	EFFECT FROM TO	UNITS PER ASSY
7 45	417N6009-10		.BRACKET-CONN USED ON: 417N6019-42 417N6019-45 417N6019-56 417N6019-47 417N6019-53 417N6019-61 417N6019-64 417N6019-67 417N6019-87 417N6019-94 417N6019-100 417N6019-103 417N6019-112 417N6019-124 417N6019-127 417N6019-210 417N6019-214 417N6019-222 MODREF18862 MODREF17809	108120 504903 950999	1
50	NAS603-8P		.SCREW	108503 904999	2
50	NAS603-8P		.SCREW- USED ON: 417N6019-78	002004 006010	2
50	NAS8203A8		.SCREW- USED ON: 417N6019-98	011102	2
65	NAS514P1032-8		.SCREW	108503 904999	2
65	NAS514P1032-8		.SCREW	002004 006010	2
65	BACS12ER3K8		.SCREW- USED ON: 417N6019-98	011102	2
90	417N6020-2		.CUP ASSY- USED ON: 417N6019-45 417N6019-47 417N6019-50 417N6019-51 417N6019-52 417N6019-53 417N6019-56 417N6019-61 417N6019-91	121503 904949 952999	1

MISSING ITEM NUMBERS NOT APPLICABLE

- ITEM NOT ILLUSTRATED

23-42-52-07

23-42-52
FIG. 07
PAGE 3
JAN 20/09

BRI



757

PARTS CATALOG (MAINTENANCE)

FIG ITEM	PART NUMBER	1 2 3 4 5 6 7	NOMENCLATURE	EFFECT FROM TO	UNITS PER ASSY
7					
90	417N6020-8		.CUP ASSY- USED ON: 417N6019-78 417N6019-87 417N6019-94 417N6019-96 417N6019-100 417N6019-112 417N6019-210 417N6019-214 417N6019-222 MODREF18862 MODREF17809	011100 950951	1
90	417N6020-10		.CUP ASSY- USED ON: 417N6019-102 417N6019-103 417N6019-109 417N6019-213 417N6019-117	108120 504903	1
90	417N6020-8		.CUP ASSY	002004 006010 101102	1
105	MS9048-179		..PIN	011100 108999	1
105	MS9048-179		..PIN	002004 006010 101102	1
110	RCS5464		..SPRING- SUPPLIER CODE: V08205 OPTIONAL PART: 417N6020-12	002004 006010 101102	1
110	RCS5464		..SPRING- SUPPLIER CODE: V08205 QUALIFIED OPTIONAL DATA: (NMC1533 AND VIP1533 OPTIONAL TO RCS5464. RCS5464 PREFERRED SPARE TO NMC1533 AND VIP1533.) OPTIONAL PART: 417N6020-12	011100 108999	1
- 111	417N6020-12		..KIT ASSY-SUB OPTIONAL PART: RCS5464 V08205	011100 108999	1

MISSING ITEM NUMBERS NOT APPLICABLE

- ITEM NOT ILLUSTRATED

23-42-52-07

23-42-52
FIG. 07
PAGE 4
JAN 20/09

BRI



757

PARTS CATALOG (MAINTENANCE)

FIG ITEM	PART NUMBER	1 2 3 4 5 6 7	NOMENCLATURE	EFFECT FROM TO	UNITS PER ASSY
7					
- 111	417N6020-12	..	KIT ASSY-SUB OPTIONAL PART: RCS5464 V08205	002004 006010 101102	1
- 112	NMC1533	...	SPRING- SUPPLIER CODE: V03296	011100 108999	1
- 112	NMC1533	...	SPRING- SUPPLIER CODE: V03296	002004 006010 101102	1
- 113	VIP1533	...	SPRING- SUPPLIER CODE: V28406	011100 108999	1
- 113	VIP1533	...	SPRING- SUPPLIER CODE: V28406	002004 006010 101102	1
115	417N6022-1	..	BRACKET-	108949 952999	1
115	417N6022-4	..	BRACKET-	011100 950951	1
115	417N6022-4	..	BRACKET	002004 006010 101102	1
120	417N6021-2	..	CUP- OPTIONAL PART: 65B54282-24	108949 952999	1
120	65B54282-24	..	CUP- OPTIONAL PART: 417N6021-2	121503 904949 952999	1
120	417N6021-7	..	CUP-	011100 950951	1
120	417N6021-7	..	CUP	002004 006010 101102	1
125	417N6020-1	.	CRADLE ASSY- USED ON: 417N6019-103 417N6019-117 417N6019-45 417N6019-47 417N6019-50 417N6019-51 417N6019-52 417N6019-53 417N6019-56 417N6019-61 417N6019-213 417N6019-91	108949 952999	1

MISSING ITEM NUMBERS NOT APPLICABLE

- ITEM NOT ILLUSTRATED

23-42-52-07

23-42-52
FIG. 07
PAGE 5
JAN 20/09

BRI



757

PARTS CATALOG (MAINTENANCE)

FIG ITEM	PART NUMBER	1 2 3 4 5 6 7	NOMENCLATURE	EFFECT FROM TO	UNITS PER ASSY
7 125	417N6020-7		.RECEPTACLE ASSY- USED ON: 417N6019-100 417N6019-112 417N6019-78 417N6019-87 417N6019-94 417N6019-96 417N6019-210 417N6019-214 417N6019-215 417N6019-222 MODREF18862 MODREF17809	011100 950951	1
125	417N6020-7		.RECEPTACLE ASSY	002004 006010 101102	1
140	1X00-189		..MAGNET ASSY- SUPPLIER CODE: VOYXX6 USED ON: 417N6020-1 417N6020-5 417N6020-7	011100 108999	1
140	1X00-189		..MAGNET ASSY- SUPPLIER CODE: VOYXX6	002004 006010 101102	1
145	417T6511-1		..MAGNET ASSY- SUPPLIER CODE: V89954	011100 108999	1
160	417N6021-1		..CRADLE-	108949 952999	1
160	417N6021-8		..CRADLE	002004 006010 101102	1
160	417N6021-8		..CRADLE-	011100 950951	1

MISSING ITEM NUMBERS NOT APPLICABLE

- ITEM NOT ILLUSTRATED

23-42-52-07

23-42-52
FIG. 07
PAGE 6
JAN 20/09

BRI

BOEING PROPRIETARY - Copyright © - Unpublished Work - See title page for details.



757

PARTS CATALOG (MAINTENANCE)

FIG ITEM	PART NUMBER	1 2 3 4 5 6 7	NOMENCLATURE	EFFECT FROM TO	UNITS PER ASSY
7 185	285N0412-1		.HANDSET ASSY- SUPPLIER CODE: V89954 COMPONENT MAINT MANUAL REF: 23-42-64 QUALIFIED I/W DATA: 285T0038-9 285N0412-1 AND -3 ARE INTERCHANGEABLE SUBJECT TO CUSTOMER PREFERENCE USED ON: 417N6019-102 417N6019-103 417N6019-109 417N6019-117 417N6019-47 417N6019-50 417N6019-213 417N6019-51 417N6019-52 417N6019-53 417N6019-56 417N6019-61 417N6019-91 FUNCTIONAL REFERENCE: PLACARDS AND MARKINGS FOR DETAILS SEE 11-35-13-02	108949	1

MISSING ITEM NUMBERS NOT APPLICABLE

- ITEM NOT ILLUSTRATED

BRI

23-42-52-07

BOEING PROPRIETARY - Copyright © - Unpublished Work - See title page for details.

23-42-52
FIG. 07
PAGE 7
JAN 20/09



757

PARTS CATALOG (MAINTENANCE)

FIG ITEM	PART NUMBER	1 2 3 4 5 6 7	NOMENCLATURE	EFFECT FROM TO	UNITS PER ASSY
7 185	285N0412-9		.HANDSET ASSY- SUPPLIER CODE: V89954 COMPONENT MAINT MANUAL REF: 23-42-64 QUALIFIED I/W DATA: 285N0412-9 AND 285N0412-8 ARE INTERCHANGEABLE SUBJECT TO CUSTOMER PREFERENCE; -8 (COLOR BAC7801, PEPPERDUST) VS -9 (COLOR BAC70226, GRAY). USED ON: 417N6019-100 417N6019-112 417N6019-78 417N6019-87 417N6019-96 417N6019-210 417N6019-214 417N6019-215 417N6019-222 MODREF18862 MODREF17809 FUNCTIONAL REFERENCE: PLACARDS AND MARKINGS FOR DETAILS SEE 11-35-13-02	011100 950951	1
185	285N0412-9		.HANDSET ASSY- SUPPLIER CODE: V89954 COMPONENT MAINT MANUAL REF: 23-42-64 QUALIFIED I/W DATA: 285N0412-9 AND 285N0412-8 ARE INTERCHANGEABLE SUBJECT TO CUSTOMER PREFERENCE; -8 (COLOR BAC7801, PEPPERDUST) VS -9 (COLOR BAC70226, GRAY). FUNCTIONAL REFERENCE: PLACARDS AND MARKINGS FOR DETAILS SEE 11-35-13-02	002004 006010 101102	1

MISSING ITEM NUMBERS NOT APPLICABLE

- ITEM NOT ILLUSTRATED

23-42-52-07

23-42-52
FIG. 07
PAGE 8
JAN 20/09

BRI



757

PARTS CATALOG (MAINTENANCE)

FIG ITEM	PART NUMBER	1 2 3 4 5 6 7	NOMENCLATURE	EFFECT FROM TO	UNITS PER ASSY
7 185	285T0038-10	.	INTERPHONE ASSY- SUPPLIER CODE: V89954 COMPONENT MAINT MANUAL REF: 23-42-64 FUNCTIONAL REFERENCE: PLACARDS AND MARKINGS FOR DETAILS SEE 11-35-13-02	108949	1
186	285N0412-12	..	HEADER ASSY- SUPPLIER CODE: V89954 OPTIONAL PART: 285N0412-14 V89954	108949	1
186	285N0412-12	..	HEADER ASSY- SUPPLIER CODE: V89954 OPTIONAL PART: 285N0412-14 V89954	002004 006010 101102	1
186	285N0412-14	..	HEADER ASSY- SUPPLIER CODE: V89954 OPTIONAL PART: 285N0412-12 V89954	108949	1
186	285N0412-14	..	HEADER ASSY- SUPPLIER CODE: V89954 OPTIONAL PART: 285N0412-12 V89954	002004 006010 101102	1
188	90319-0005	...	JACK- SUPPLIER CODE: V27264 OPTIONAL PART: BCREF16494 VOAG18 883-6525-00 V27264 USED ON: 285N0412-12	108949	1

MISSING ITEM NUMBERS NOT APPLICABLE

- ITEM NOT ILLUSTRATED

BRI

23-42-52-07

BOEING PROPRIETARY - Copyright © - Unpublished Work - See title page for details.

23-42-52
FIG. 07
PAGE 9
JAN 20/09



757

PARTS CATALOG (MAINTENANCE)

FIG ITEM	PART NUMBER	1 2 3 4 5 6 7	NOMENCLATURE	EFFECT FROM TO	UNITS PER ASSY
7 188	90319-0005	...	JACK- SUPPLIER CODE: V27264 OPTIONAL PART: 66521-002BECO V04880 BCREF16494 VOAG18 883-6525-00 V27264 USED ON: 285N0412-14	108949	1
188	90319-0005	...	JACK- SUPPLIER CODE: V27264 OPTIONAL PART: BCREF16494 VOAG18 883-6525-00 V27264 USED ON: 285N0412-14	002004 006010 101102	1
188	90319-0005	...	JACK- SUPPLIER CODE: V27264 OPTIONAL PART: 66521-002BECO V04880 BCREF16494 VOAG18 883-6525-00 V27264 USED ON: 285N0412-14	002004 006010 101102	1
188	883-6525-00	...	JACK- SUPPLIER CODE: V27264 OPTIONAL PART: BCREF16494 VOAG18 90319-0005 V27264 USED ON: 285N0412-14	108949	1

MISSING ITEM NUMBERS NOT APPLICABLE

- ITEM NOT ILLUSTRATED

23-42-52-07

23-42-52
FIG. 07
PAGE 10
JAN 20/09

BRI



757

PARTS CATALOG (MAINTENANCE)

FIG ITEM	PART NUMBER	1 2 3 4 5 6 7	NOMENCLATURE	EFFECT FROM TO	UNITS PER ASSY
7 188	883-6525-00	...	JACK- SUPPLIER CODE: V27264 OPTIONAL PART: 66521-002BECO V04880 BCREF16494 VOAG18 90319-0005 V27264 USED ON: 285N0412-14	108949	1
188	883-6525-00	...	JACK- SUPPLIER CODE: V27264 OPTIONAL PART: BCREF16494 VOAG18 90319-0005 V27264 USED ON: 285N0412-14	002004 006010 101102	1
188	883-6525-00	...	JACK- SUPPLIER CODE: V27264 OPTIONAL PART: 66521-002BECO V04880 BCREF16494 VOAG18 90319-0005 V27264 USED ON: 285N0412-14	002004 006010 101102	1
188	BCREF16494	...	JACK- SUPPLIER CODE: VOAG18 OVERLENGTH PART NUMBER: TM1RV623K66-35S150 OPTIONAL PART: 883-6525-00 V27264 90319-0005 V27264 USED ON: 285N0412-14	108949	1

MISSING ITEM NUMBERS NOT APPLICABLE

- ITEM NOT ILLUSTRATED

BRI

23-42-52-07

BOEING PROPRIETARY - Copyright © - Unpublished Work - See title page for details.

23-42-52
FIG. 07
PAGE 11
JAN 20/09



757

PARTS CATALOG (MAINTENANCE)

FIG ITEM	PART NUMBER	1 2 3 4 5 6 7	NOMENCLATURE	EFFECT FROM TO	UNITS PER ASSY
7 188	BCREF16494	...	JACK- SUPPLIER CODE: VOAG18 OVERLENGTH PART NUMBER: TM1RV623K66-35S150 OPTIONAL PART: 66521-002BECO V04880 883-6525-00 V27264 90319-0005 V27264 USED ON: 285N0412-14	108949	1
188	BCREF16494	...	JACK- SUPPLIER CODE: VOAG18 OVERLENGTH PART NUMBER: TM1RV623K66-35S150 OPTIONAL PART: 883-6525-00 V27264 90319-0005 V27264 USED ON: 285N0412-12	002004 006010 101102	1
188	BCREF16494	...	JACK- SUPPLIER CODE: VOAG18 OVERLENGTH PART NUMBER: TM1RV623K66-35S150 OPTIONAL PART: 66521-002BECO V04880 883-6525-00 V27264 90319-0005 V27264 USED ON: 285N0412-14	002004 006010 101102	1

MISSING ITEM NUMBERS NOT APPLICABLE

- ITEM NOT ILLUSTRATED

23-42-52-07

23-42-52
FIG. 07
PAGE 12
JAN 20/09

BRI



757

PARTS CATALOG (MAINTENANCE)

FIG ITEM	PART NUMBER	1 2 3 4 5 6 7	NOMENCLATURE	EFFECT FROM TO	UNITS PER ASSY
7 188	66521-002BECO	...	JACK- SUPPLIER CODE: V04880 OPTIONAL PART: 883-6525-00 V27264 BCREF16494 VOAG18 90319-0005 V27264 USED ON: 285N0412-14	108949	1
188	66521-002BECO	...	JACK- SUPPLIER CODE: V04880 OPTIONAL PART: 883-6525-00 V27264 BCREF16494 VOAG18 90319-0005 V27264 USED ON: 285N0412-14	002004 006010 101102	1
190	020-001-846	..	CORD- SUPPLIER CODE: V59608 USED ON: 285N0412-1	108949	1
190	020-003-183	..	CORD- SUPPLIER CODE: V59608 USED ON: 285N0412-9	011100 950951	1
190	020-003-183	..	CORD- SUPPLIER CODE: V59608 USED ON: 285N0412-9	002004 006010 101102	1

MISSING ITEM NUMBERS NOT APPLICABLE

- ITEM NOT ILLUSTRATED

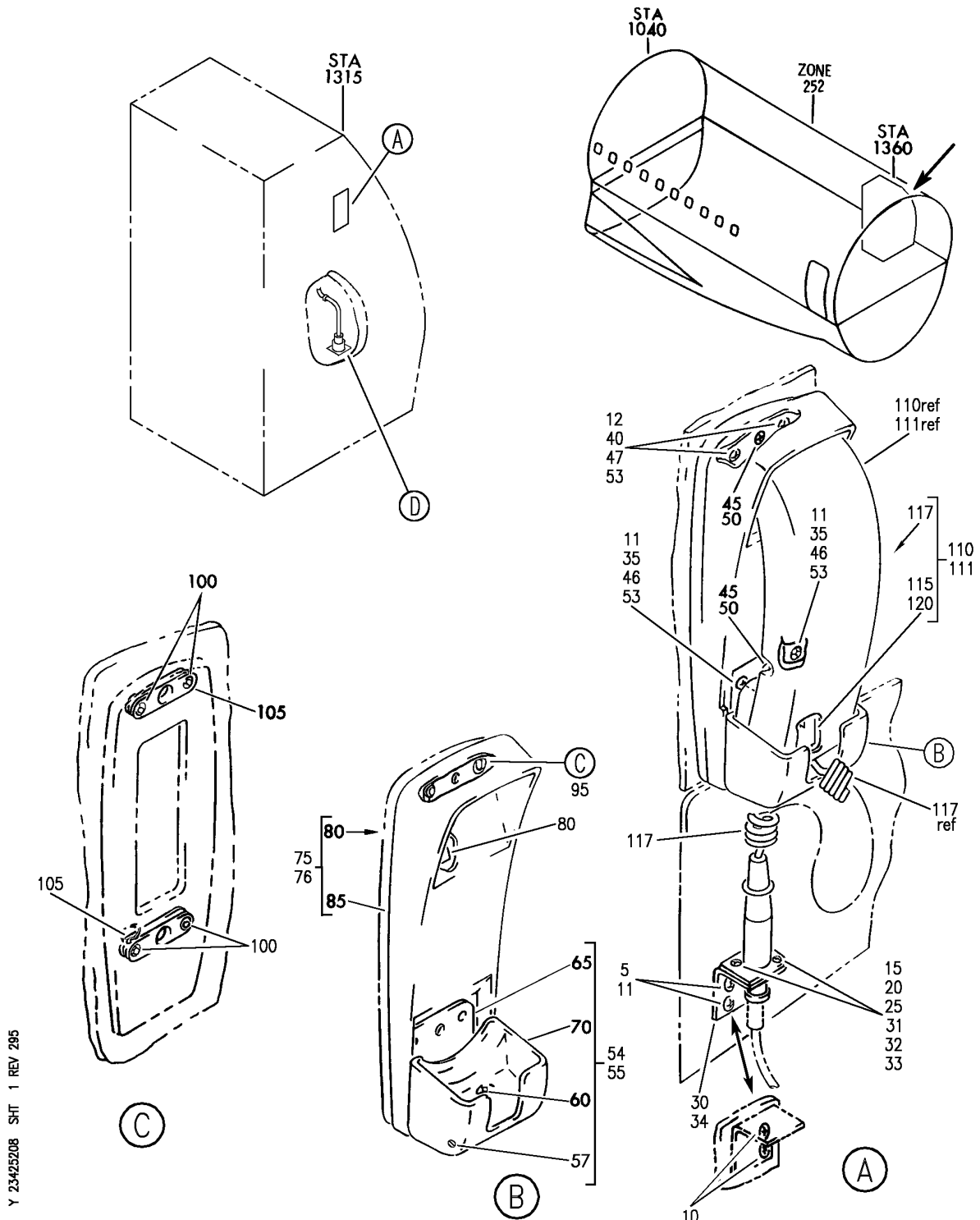
BRI

23-42-52-07

BOEING PROPRIETARY - Copyright © - Unpublished Work - See title page for details.

23-42-52
FIG. 07
PAGE 13
JAN 20/09

BOEING
757
PARTS CATALOG (MAINTENANCE)



Y 23425208 SH1 1 REV 295

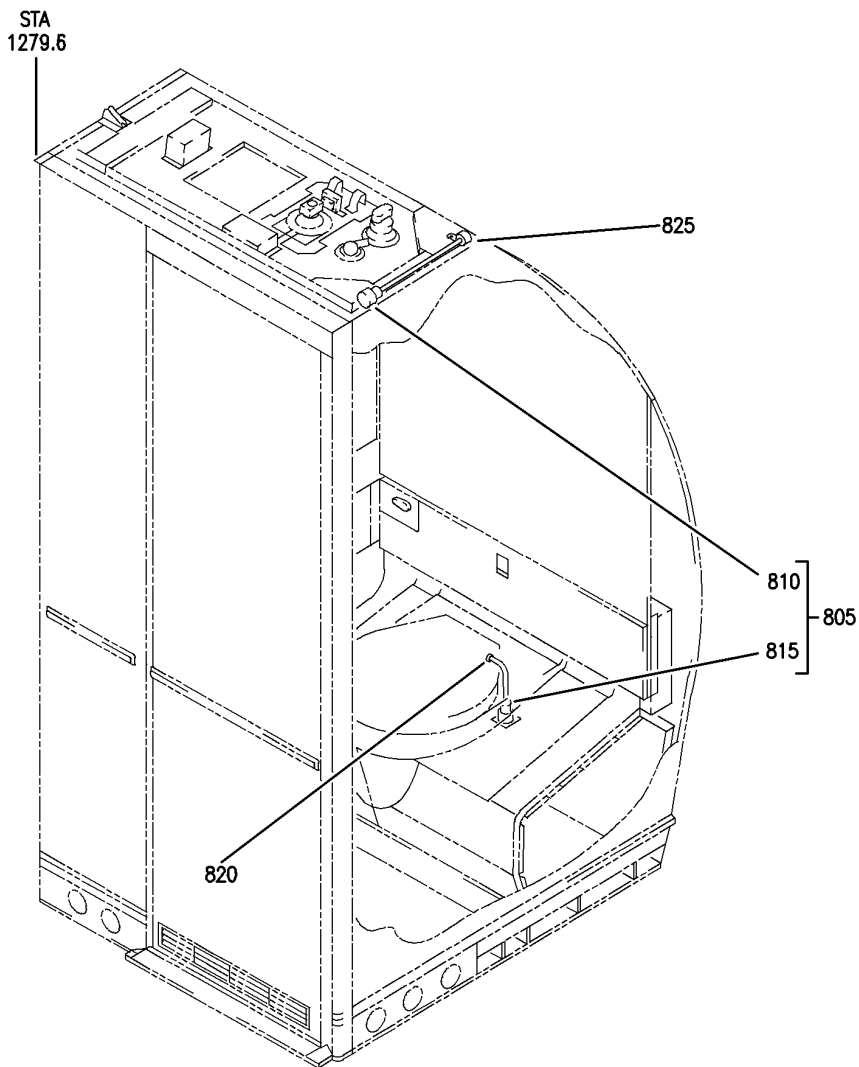
HANDSET INSTL-ATTENDANT DOOR NO. 3
FIGURE 8 (SHEET 1)

23-42-52-08

BRI
MAY 28/07

23-42-52-08
PAGE 0

BOEING
757
PARTS CATALOG (MAINTENANCE)



Y 23425208 SH1 2 REV 238

(D)

HANDSET INSTL-ATTENDANT DOOR NO. 3
FIGURE 8 (SHEET 2)

23-42-52-08

BRI
MAY 28/07

23-42-52-08
PAGE 0A



757

PARTS CATALOG (MAINTENANCE)

FIG ITEM	PART NUMBER	1 2 3 4 5 6 7	NOMENCLATURE	EFFECT FROM TO	UNITS PER ASSY
8			HANDSET INSTL-ATTENDANT DOOR NO. 3	002004 006102 108999	
- 1	417N6019-34		HANDSET INSTL-DOOR NO. 3 SINGLE ATTENDANT SEAT POSITION DATA: RH STA 1315 FOR NHA SEE: 25-20-00-01E	121503 904949	RF
- 1	417N6019-79		HANDSET INSTL-DOOR NO. 3 SINGLE ATTENDANT SEAT POSITION DATA: RH STA 1315 FOR NHA SEE: 25-20-00-01A 25-20-00-07E	002004 006102 950951	RF
- 1	417N6019-86		HANDSET INSTL-DOOR NO. 3 SINGLE ATTENDANT SEAT POSITION DATA: RH STA 1315 FOR NHA SEE: 25-20-00-01A	952999	RF
- 1	417N6019-129		HANDSET INSTL-DOOR NO. 3 SINGLE ATTENDANT SEAT POSITION DATA: RH STA 1315 FOR NHA SEE: 25-20-00-07E	504903	RF
- 2	417N6019-138		HANDSET INSTL-DOOR NO. 3 SINGLE ATTENDANT SEAT POSITION DATA: RH STA 1315 FOR NHA SEE: 25-20-00-07E	108120	RF
5	NAS603-8P		.SCREW	002004 006100 121503 904999	2
10	NAS603-8P		.SCREW	101102 504903	2
15	NAS600-6P		.SCREW-	002004 006102 108999	2
20	NAS1149DN416J		.WASHER-	002004 006102 108999	2
25	MS21042L04		.NUT-	002004 006102 108999	2

MISSING ITEM NUMBERS NOT APPLICABLE

- ITEM NOT ILLUSTRATED

23-42-52-08

23-42-52
FIG. 08
PAGE 1
JAN 20/09

BRI

 **BOEING**
757
PARTS CATALOG (MAINTENANCE)

FIG ITEM	PART NUMBER	1 2 3 4 5 6 7	NOMENCLATURE	EFFECT FROM TO	UNITS PER ASSY
8	30 417N6009-10	.	BRACKET-CONNECTOR	002004 006102 108999	1
	35 NAS603-5P	.	SCREW-	002004 006102 108999	2
	40 NAS514P1032-4	.	SCREW-	002004 006102 108999	2
	45 NAS514P1032-6P	.	SCREW-	121503 904949	2
	55 417N6020-2	.	CUP ASSY-	121503 904949 952999	1
	55 417N6020-8	.	CUP ASSY-	002004 006102 504903 950951	1
	55 417N6020-10	.	CUP ASSY-	108120	1
	57 MS9048-179	..	PIN	101102 108120	1
	60 RCS5464	..	SPRING- SUPPLIER CODE: V08205 OPTIONAL PART: 417N6020-12	002004 006102 108999	1
-	61 417N6020-12	..	KIT ASSY-SUB OPTIONAL PART: RCS5464 V08205	002004 006102 108999	1
-	62 NMC1533	...	SPRING- SUPPLIER CODE: V03296	002004 006102 108999	1
-	63 VIP1533	...	SPRING- SUPPLIER CODE: V28406	002004 006102 108999	1
	65 417N6022-1	..	BRACKET-	108949 952999	1
	65 417N6022-4	..	BRACKET-	002004 006102 504903 950951	1
	70 417N6021-2	..	CUP- OPTIONAL PART: 65B54282-24	108949 952999	1
	70 417N6021-7	..	CUP-	002004 006102 504903 950951	1

MISSING ITEM NUMBERS NOT APPLICABLE

- ITEM NOT ILLUSTRATED

BRI

23-42-52-08

BOEING PROPRIETARY - Copyright © - Unpublished Work - See title page for details.

23-42-52
FIG. 08
PAGE 2
JAN 20/09



757

PARTS CATALOG (MAINTENANCE)

FIG ITEM	PART NUMBER	1 2 3 4 5 6 7	NOMENCLATURE	EFFECT FROM TO	UNITS PER ASSY
8					
75	417N6020-1	.	CRADLE ASSY-	108949 952999	1
75	417N6020-7	.	RECEPTACLE ASSY-	002004 006102 504903 950951	1
80	1X00-189	..	MAGNET ASSY- SUPPLIER CODE: VOYXX6	002004 006102 108999	1
85	417N6021-1	..	CRADLE-	108949 952999	1
85	417N6021-8	..	CRADLE-	002004 006102 504903 950951	1
95	417N6024-1	.	PAD ASSY	121503 904949	1
100	MS21209F1-10L	..	INSERT	121503 904949	4
105	417N6024-4	..	INSERT- OPTIONAL PART: 417N6024-8	121503 904949	2
105	417N6024-8	..	INSERT- OPTIONAL PART: 417N6024-4	121503 904949	2
110	285N0412-1	.	HANDSET ASSY- SUPPLIER CODE: V89954 COMPONENT MAINT MANUAL REF: 23-42-64 QUALIFIED I/W DATA: 285T0038-9 285N0412-1 AND -3 ARE INTERCHANGEABLE SUBJECT TO CUSTOMER PREFERENCE FUNCTIONAL REFERENCE: PLACARDS AND MARKINGS FOR DETAILS SEE 11-35-13-02	108949 952999	1

MISSING ITEM NUMBERS NOT APPLICABLE

- ITEM NOT ILLUSTRATED

23-42-52-08

23-42-52
FIG. 08
PAGE 3
JAN 20/09

BRI



757

PARTS CATALOG (MAINTENANCE)

FIG ITEM	PART NUMBER	1 2 3 4 5 6 7	NOMENCLATURE	EFFECT FROM TO	UNITS PER ASSY
8 110	285N0412-9		.HANDSET ASSY- SUPPLIER CODE: V89954 COMPONENT MAINT MANUAL REF: 23-42-64 QUALIFIED I/W DATA: 285N0412-9 AND 285N0412-8 ARE INTERCHANGEABLE SUBJECT TO CUSTOMER PREFERENCE; -8 (COLOR BAC7801, PEPPERDUST) VS -9 (COLOR BAC70226, GRAY). FUNCTIONAL REFERENCE: PLACARDS AND MARKINGS FOR DETAILS SEE 11-35-13-02	002004 006102 504903 950951	1
110	285T0038-10		.INTERPHONE ASSY- SUPPLIER CODE: V89954 FUNCTIONAL REFERENCE: PLACARDS AND MARKINGS FOR DETAILS SEE 11-35-13-02	108949 952999	1
115	285N0412-12		..HEADER ASSY- SUPPLIER CODE: V89954 OPTIONAL PART: 285N0412-14 V89954	108949 952999	1
115	285N0412-14		..HEADER ASSY- SUPPLIER CODE: V89954 OPTIONAL PART: 285N0412-12 V89954	108949 952999	1
117	020-003-183		..CORD- SUPPLIER CODE: V59608	002004 006102 504903 950951	1

MISSING ITEM NUMBERS NOT APPLICABLE

- ITEM NOT ILLUSTRATED

23-42-52-08

23-42-52
FIG. 08
PAGE 4
JAN 20/09

BRI

BOEING PROPRIETARY - Copyright © - Unpublished Work - See title page for details.



757

PARTS CATALOG (MAINTENANCE)

FIG ITEM	PART NUMBER	1 2 3 4 5 6 7	NOMENCLATURE	EFFECT FROM TO	UNITS PER ASSY
8 120	90319-0005	...	JACK- SUPPLIER CODE: V27264 OPTIONAL PART: BCREF16494 VOAG18 883-6525-00 V27264 USED ON: 285N0412-12	108949 952999	1
120	90319-0005	...	JACK- SUPPLIER CODE: V27264 OPTIONAL PART: 66521-002BECO V04880 BCREF16494 VOAG18 883-6525-00 V27264 USED ON: 285N0412-14	108949 952999	1
120	883-6525-00	...	JACK- SUPPLIER CODE: V27264 OPTIONAL PART: BCREF16494 VOAG18 90319-0005 V27264 USED ON: 285N0412-12	108949 952999	1
120	883-6525-00	...	JACK- SUPPLIER CODE: V27264 OPTIONAL PART: 66521-002BECO V04880 BCREF16494 VOAG18 90319-0005 V27264 USED ON: 285N0412-14	108949 952999	1

MISSING ITEM NUMBERS NOT APPLICABLE

- ITEM NOT ILLUSTRATED

BRI

23-42-52-08

23-42-52
FIG. 08
PAGE 5
JAN 20/09



757

PARTS CATALOG (MAINTENANCE)

FIG ITEM	PART NUMBER	1 2 3 4 5 6 7	NOMENCLATURE	EFFECT FROM TO	UNITS PER ASSY
8 120	BCREF16494	...	JACK- SUPPLIER CODE: VOAG18 OVERLENGTH PART NUMBER: TM1RV623K66-35S150 OPTIONAL PART: 883-6525-00 V27264 90319-0005 V27264 USED ON: 285N0412-12	108949 952999	1
120	BCREF16494	...	JACK- SUPPLIER CODE: VOAG18 OVERLENGTH PART NUMBER: TM1RV623K66-35S150 OPTIONAL PART: 66521-002BECO V04880 883-6525-00 V27264 90319-0005 V27264 USED ON: 285N0412-14	108949 952999	1
120	66521-002BECO	...	JACK- SUPPLIER CODE: V04880 OPTIONAL PART: 883-6525-00 V27264 BCREF16494 VOAG18 90319-0005 V27264 USED ON: 285N0412-14	108949 952999	1

MISSING ITEM NUMBERS NOT APPLICABLE

- ITEM NOT ILLUSTRATED

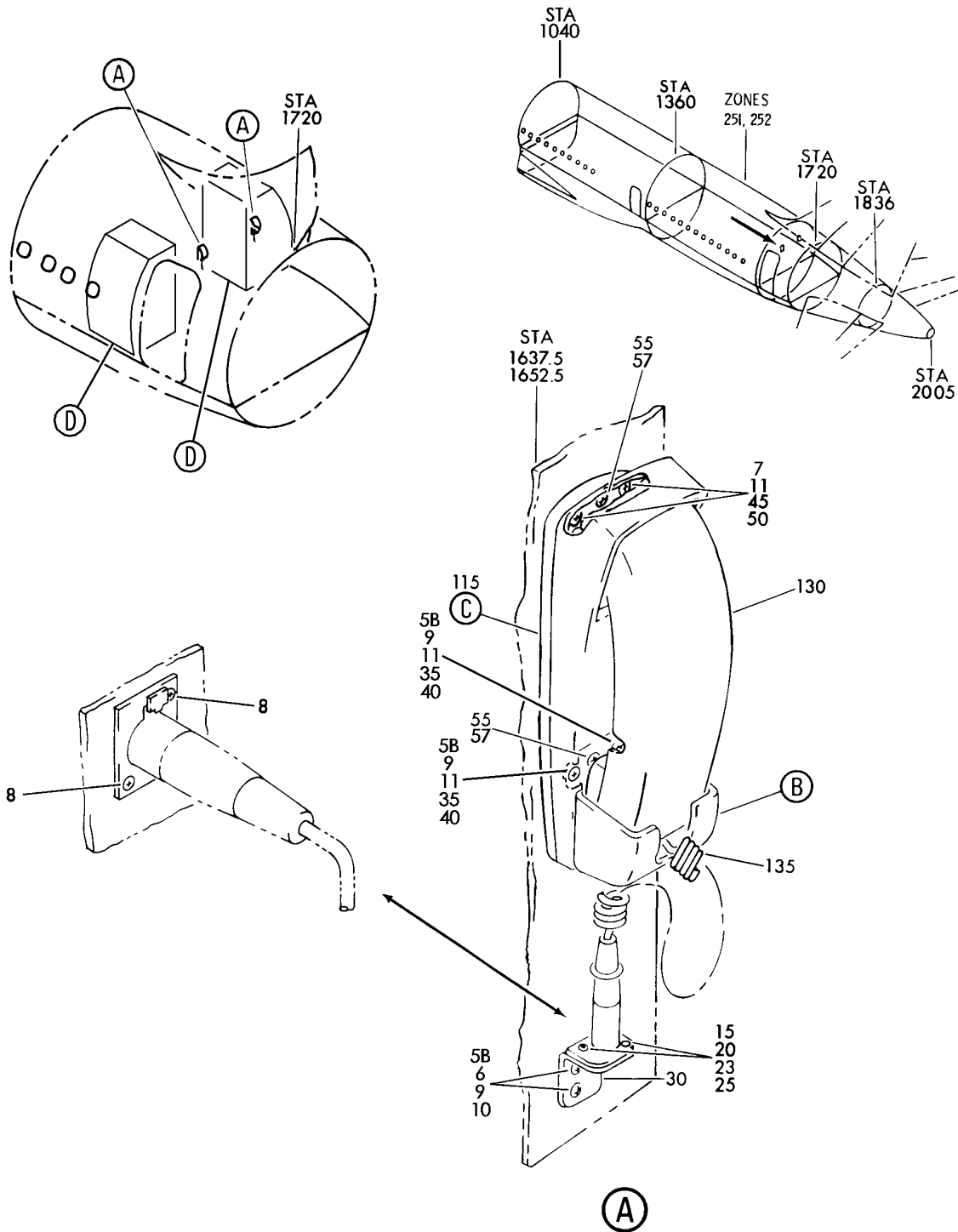
BRI

23-42-52-08

BOEING PROPRIETARY - Copyright © - Unpublished Work - See title page for details.

23-42-52
FIG. 08
PAGE 6
JAN 20/09

BOEING
757
PARTS CATALOG (MAINTENANCE)



Y 23425209 SH1 1 REV 236

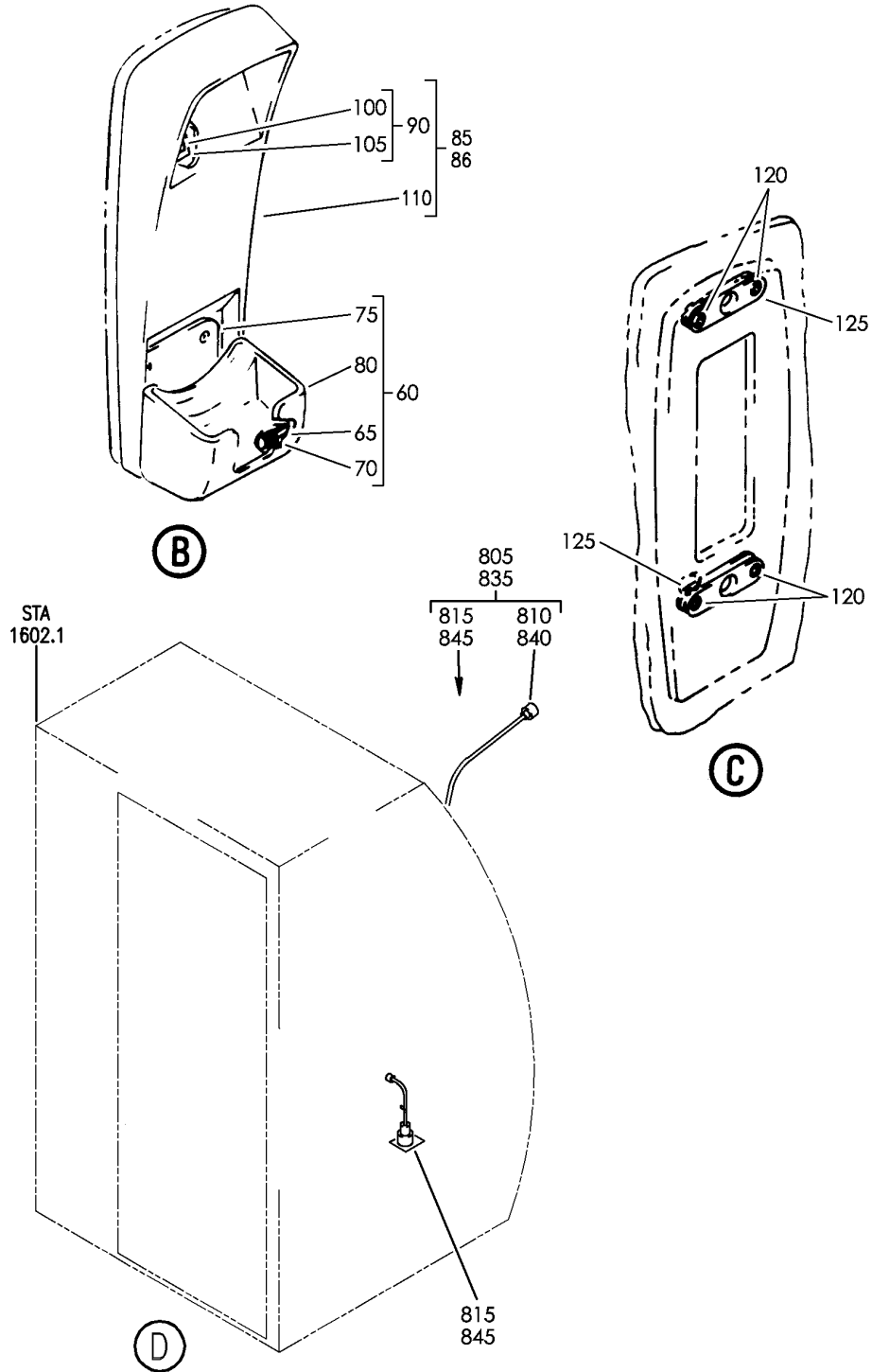
HANDSET AND HARDNESS INSTL ATTENDANT DOOR NO. 4
FIGURE 9 (SHEET 1)

23-42-52-09

BRI
MAY 28/07

23-42-52-09
PAGE 0

BOEING
757
PARTS CATALOG (MAINTENANCE)



Y 23425209 SH1 2 REV 289

HANDSET AND HARDNESS INSTL ATTENDANT DOOR NO. 4
FIGURE 9 (SHEET 2)

23-42-52-09

BRI
MAY 28/07

23-42-52-09
PAGE 0A



757

PARTS CATALOG (MAINTENANCE)

FIG ITEM	PART NUMBER	1 2 3 4 5 6 7	NOMENCLATURE	EFFECT FROM TO	UNITS PER ASSY
9			HANDSET AND HARDNESS INSTL ATTENDANT DOOR NO. 4	002004 006102 108999	
- 1	417N6019-39		HANDSET INSTL-DOOR NO. 4 SINGLE ATTENDANT SEAT POSITION DATA: LH STA 1638 FOR NHA SEE: 25-20-00-01E	121503 904949	RF
- 1	417N6019-54		HANDSET INSTL-DOOR NO. 4 DBL ATTENDANT SEAT POSITION DATA: LH STA 1637.50 FOR NHA SEE: 25-20-00-01A	952999	RF
- 1	417N6019-83		HANDSET INSTL-DOOR NO. 4 DBL ATTENDANT SEAT POSITION DATA: LH STA 1637.5 FOR NHA SEE: 25-20-00-01A 25-20-00-07E	011102 950951	RF
- 2	417N6019-76		HANDSET INSTL-DOOR NO. 4 SINGLE ATTENDANT SEAT POSITION DATA: LH STA 1652.50 FOR NHA SEE: 25-20-00-01A	002004 006010	RF
- 2	417N6019-106		HANDSET INSTL-DOOR NO. 4 DBL ATTENDANT SEAT POSITION DATA: LH STA 1637.50 FOR NHA SEE: 25-20-00-07E	108120	RF
- 2	417N6019-212		HANDSET INSTL-DOOR NO. 4 SINGLE ATTENDANT SEAT POSITION DATA: L SIDE STA 1637.50 FOR NHA SEE: 25-20-00-07E	504903	RF
6	NAS603-8P		.SCREW	002004 006102 108999	2
15	NAS600-6P		.SCREW	002004 006102 108999	2
20	NAS1149DN416J		.WASHER-	101102	2

MISSING ITEM NUMBERS NOT APPLICABLE

- ITEM NOT ILLUSTRATED

23-42-52-09

23-42-52
FIG. 09
PAGE 1
JAN 20/09

BRI



757

PARTS CATALOG (MAINTENANCE)

FIG ITEM	PART NUMBER	1 2 3 4 5 6 7	NOMENCLATURE	EFFECT FROM TO	UNITS PER ASSY
9					
23	NAS1149DN416J	.	WASHER-	002004 006100 108999	2
25	MS21042L04	.	NUT	002004 006102 108999	2
30	417N6009-10	.	BRACKET-CONN	002004 006102 108999	1
35	NAS603-5P	.	SCREW-	002004 006010 121949	2
40	NAS603-8P	.	SCREW-	011102 108120 504903 950999	2
45	NAS514P1032-4	.	SCREW-	002004 006010 121949	2
50	NAS514P1032-8	.	SCREW-	011102 108120 504903 950999	2
55	NAS514P1032-6	.	SCREW	002004 006010 121949	2
60	417N6020-2	.	CUP ASSY-	121503 904949 952999	1
60	65B54281-13	.	CUP ASSY-	002004 006100 108999	1
60	65B54281-24	.	CUP ASSY-	002004 006100 108999	1
60	417N6020-8	.	CUP ASSY-	002004 006102 504903 950951	1
60	417N6020-10	.	CUP ASSY-	108120 504903	1
65	MS9048-179	..	PIN	002004 006102 108999	1
70	RCS5464	..	SPRING- SUPPLIER CODE: V08205 OPTIONAL PART: 417N6020-12	002004 006102 121503 904999	1

MISSING ITEM NUMBERS NOT APPLICABLE

- ITEM NOT ILLUSTRATED

23-42-52-09

23-42-52
FIG. 09
PAGE 2
JAN 20/09

BRI



757

PARTS CATALOG (MAINTENANCE)

FIG ITEM	PART NUMBER	1 2 3 4 5 6 7	NOMENCLATURE	EFFECT FROM TO	UNITS PER ASSY
9	70 RCS5464	..	SPRING- SUPPLIER CODE: V08205 OPTIONAL PART: 417N6020-12	504903	1
- 71	417N6020-12	..	KIT ASSY-SUB OPTIONAL PART: RCS5464 V08205	002004 006102 121503 904999	1
- 71	417N6020-12	..	KIT ASSY-SUB OPTIONAL PART: RCS5464 V08205	504903	1
- 72	NMC1533	...	SPRING- SUPPLIER CODE: V03296	002004 006102 121503 904999	1
- 72	NMC1533	...	SPRING- SUPPLIER CODE: V03296	504903	1
- 73	VIP1533	...	SPRING- SUPPLIER CODE: V28406	002004 006102 121503 904999	1
- 73	VIP1533	...	SPRING- SUPPLIER CODE: V28406	504903	1
75	417N6022-1	..	BRACKET-SPR	121503 904949 952999	1
75	417N6022-1	..	BRACKET-SPR	108120 504903	1
75	417N6022-4	..	BRACKET-SPR	002004 006102 504903 950951	1
80	417N6021-2	..	CUP- OPTIONAL PART: 65B54282-24	121503 904949 952999	1
80	417N6021-2	..	CUP-	108120 504903	1
80	65B54282-24	..	CUP- OPTIONAL PART: 417N6021-2	121503 904949 952999	1
80	417N6021-7	..	CUP-	002004 006102 504903 950951	1

MISSING ITEM NUMBERS NOT APPLICABLE

- ITEM NOT ILLUSTRATED

BRI

23-42-52-09

23-42-52
FIG. 09
PAGE 3
JAN 20/09



757

PARTS CATALOG (MAINTENANCE)

FIG ITEM	PART NUMBER	1 2 3 4 5 6 7	NOMENCLATURE	EFFECT FROM TO	UNITS PER ASSY
9					
85	417N6020-1	.	CRADLE ASSY-	121503 904949 952999	1
85	417N6020-1	.	CRADLE ASSY-	108120 504903	1
85	417N6020-7	.	RECEPTACLE ASSY-	002004 006102 504903 950951	1
90	1X00-189	..	MAGNET ASSY- SUPPLIER CODE: VOYXX6	002004 006102 121503 904999	1
90	417T6511-1	..	MAGNET ASSY- SUPPLIER CODE: V89954	002004 006102 121503 904999	1
110	417N6021-1	..	CRADLE-	121503 904949 952999	1
110	417N6021-8	..	CRADLE-	002004 006102 504903 950951	1
110	417N6021-1	..	CRADLE-	108120 504903	1
115	417N6024-1	.	PAD ASSY-ADAPTOR	121503 904949	1
115	417N6024-7	.	PAD ASSY-ADAPTOR	002004 006010 504903	1
120	MS21209F1-10L	..	INSERT	002004 006010 121949	4
125	417N6024-4	..	INSERT- OPTIONAL PART: 417N6024-8	002004 006010 121949	2
125	417N6024-8	..	INSERT- OPTIONAL PART: 417N6024-4	002004 006010 121949	2

MISSING ITEM NUMBERS NOT APPLICABLE

- ITEM NOT ILLUSTRATED

BRI

23-42-52-09

BOEING PROPRIETARY - Copyright © - Unpublished Work - See title page for details.

23-42-52
FIG. 09
PAGE 4
JAN 20/09



757

PARTS CATALOG (MAINTENANCE)

FIG ITEM	PART NUMBER	1 2 3 4 5 6 7	NOMENCLATURE	EFFECT FROM TO	UNITS PER ASSY
9 130	285N0412-1		.HANDSET ASSY- SUPPLIER CODE: V89954 COMPONENT MAINT MANUAL REF: 23-42-64 QUALIFIED I/W DATA: 285T0038-9 285N0412-1 AND -3 ARE INTERCHANGEABLE SUBJECT TO CUSTOMER PREFERENCE FUNCTIONAL REFERENCE: PLACARDS AND MARKINGS FOR DETAILS SEE 11-35-13-02	121503 904949 952999	1
130	285N0412-1		.HANDSET ASSY- SUPPLIER CODE: V89954 ELECTRICAL EQUIP NUMBER: B00061 COMPONENT MAINT MANUAL REF: 23-42-64 QUALIFIED I/W DATA: 285T0038-9 285N0412-1 AND -3 ARE INTERCHANGEABLE SUBJECT TO CUSTOMER PREFERENCE FUNCTIONAL REFERENCE: PLACARDS AND MARKINGS FOR DETAILS SEE 11-35-13-02	108120 504903	1
130	285N0412-9		.HANDSET ASSY- SUPPLIER CODE: V89954 COMPONENT MAINT MANUAL REF: 23-42-64 QUALIFIED I/W DATA: 285N0412-9 AND 285N0412-8 ARE INTERCHANGEABLE SUBJECT TO CUSTOMER PREFERENCE; -8 (COLOR BAC7801, PEPPERDUST) VS -9 (COLOR BAC70226, GRAY). FUNCTIONAL REFERENCE: PLACARDS AND MARKINGS FOR DETAILS SEE 11-35-13-02	002004 006102 504903 950951	1

MISSING ITEM NUMBERS NOT APPLICABLE

- ITEM NOT ILLUSTRATED

BRI

23-42-52-09

BOEING PROPRIETARY - Copyright © - Unpublished Work - See title page for details.

23-42-52
FIG. 09
PAGE 5
JAN 20/09



757

PARTS CATALOG (MAINTENANCE)

FIG ITEM	PART NUMBER	1 2 3 4 5 6 7	NOMENCLATURE	EFFECT FROM TO	UNITS PER ASSY
9					
130	285T0038-10		. INTERPHONE ASSY- SUPPLIER CODE: V89954 FUNCTIONAL REFERENCE: PLACARDS AND MARKINGS FOR DETAILS SEE 11-35-13-02	121503 904949 952999	1
130	285T0038-10		. INTERPHONE ASSY- SUPPLIER CODE: V89954 FUNCTIONAL REFERENCE: PLACARDS AND MARKINGS FOR DETAILS SEE 11-35-13-02	108120 504903	1
132	285N0412-12		.. HEADER ASSY- SUPPLIER CODE: V89954 OPTIONAL PART: 285N0412-14 V89954	002004 006102 121999	1
132	285N0412-12		.. HEADER ASSY- SUPPLIER CODE: V89954 OPTIONAL PART: 285N0412-14 V89954	108120 504903	1
132	285N0412-14		.. HEADER ASSY- SUPPLIER CODE: V89954 OPTIONAL PART: 285N0412-12 V89954	002004 006102 121999	1
132	285N0412-14		.. HEADER ASSY- SUPPLIER CODE: V89954 OPTIONAL PART: 285N0412-12 V89954	108120 504903	1
133	90319-0005		... JACK- SUPPLIER CODE: V27264 OPTIONAL PART: BCREF16494 VOAG18 883-6525-00 V27264 USED ON: 285N0412-12	002004 006102 121999	1

MISSING ITEM NUMBERS NOT APPLICABLE

- ITEM NOT ILLUSTRATED

23-42-52-09

23-42-52
FIG. 09
PAGE 6
JAN 20/09

BRI

BOEING PROPRIETARY - Copyright © - Unpublished Work - See title page for details.



757

PARTS CATALOG (MAINTENANCE)

FIG ITEM	PART NUMBER	1 2 3 4 5 6 7	NOMENCLATURE	EFFECT FROM TO	UNITS PER ASSY
9 133	90319-0005	...	JACK- SUPPLIER CODE: V27264 OPTIONAL PART: BCREF16494 VOAG18 883-6525-00 V27264 66521-002BECO V04880 USED ON: 285N0412-14	002004 006102 121999	1
133	90319-0005	...	JACK- SUPPLIER CODE: V27264 OPTIONAL PART: BCREF16494 VOAG18 883-6525-00 V27264 USED ON: 285N0412-14	108120 504903	1
133	90319-0005	...	JACK- SUPPLIER CODE: V27264 OPTIONAL PART: BCREF16494 VOAG18 883-6525-00 V27264 66521-002BECO V04880 USED ON: 285N0412-12	108120 504903	1
133	883-6525-00	...	JACK- SUPPLIER CODE: V27264 OPTIONAL PART: BCREF16494 VOAG18 90319-0005 V27264 USED ON: 285N0412-12	002004 006102 121999	1

MISSING ITEM NUMBERS NOT APPLICABLE

- ITEM NOT ILLUSTRATED

BRI

23-42-52-09

BOEING PROPRIETARY - Copyright © - Unpublished Work - See title page for details.

23-42-52
FIG. 09
PAGE 7
JAN 20/09



757

PARTS CATALOG (MAINTENANCE)

FIG ITEM	PART NUMBER	1 2 3 4 5 6 7	NOMENCLATURE	EFFECT FROM TO	UNITS PER ASSY
9 133	883-6525-00	...	JACK- SUPPLIER CODE: V27264 OPTIONAL PART: BCREF16494 VOAG18 90319-0005 V27264 66521-002BECO V04880 USED ON: 285N0412-14	002004 006102 121999	1
133	883-6525-00	...	JACK- SUPPLIER CODE: V27264 OPTIONAL PART: BCREF16494 VOAG18 90319-0005 V27264 USED ON: 285N0412-14	108120 504903	1
133	883-6525-00	...	JACK- SUPPLIER CODE: V27264 OPTIONAL PART: BCREF16494 VOAG18 90319-0005 V27264 66521-002BECO V04880 USED ON: 285N0412-14	108120 504903	1
133	BCREF16494	...	JACK- SUPPLIER CODE: VOAG18 OVERLENGTH PART NUMBER: TM1RV623K66-35S150 OPTIONAL PART: 883-6525-00 V27264 90319-0005 V27264 USED ON: 285N0412-14	002004 006102 121999	1

MISSING ITEM NUMBERS NOT APPLICABLE

- ITEM NOT ILLUSTRATED

BRI

23-42-52-09

BOEING PROPRIETARY - Copyright © - Unpublished Work - See title page for details.

23-42-52
FIG. 09
PAGE 8
JAN 20/09



757

PARTS CATALOG (MAINTENANCE)

FIG ITEM	PART NUMBER	1 2 3 4 5 6 7	NOMENCLATURE	EFFECT FROM TO	UNITS PER ASSY
9 133	BCREF16494	...	JACK- SUPPLIER CODE: VOAG18 OVERLENGTH PART NUMBER: TM1RV623K66-35S150 OPTIONAL PART: 883-6525-00 V27264 90319-0005 V27264 66521-002BECO V04880 USED ON: 285N0412-14	002004 006102 121999	1
133	BCREF16494	...	JACK- SUPPLIER CODE: VOAG18 OVERLENGTH PART NUMBER: TM1RV623K66-35S150 OPTIONAL PART: 883-6525-00 V27264 90319-0005 V27264 USED ON: 285N0412-14	108120 504903	1
133	BCREF16494	...	JACK- SUPPLIER CODE: VOAG18 OVERLENGTH PART NUMBER: TM1RV623K66-35S150 OPTIONAL PART: 883-6525-00 V27264 90319-0005 V27264 66521-002BECO V04880 USED ON: 285N0412-14	108120 504903	1

MISSING ITEM NUMBERS NOT APPLICABLE

- ITEM NOT ILLUSTRATED

23-42-52-09

23-42-52
FIG. 09
PAGE 9
JAN 20/09

BRI



757

PARTS CATALOG (MAINTENANCE)

FIG ITEM	PART NUMBER	1 2 3 4 5 6 7	NOMENCLATURE	EFFECT FROM TO	UNITS PER ASSY
9 134	66521-002BECO	...	JACK- SUPPLIER CODE: V04880 OPTIONAL PART: 883-6525-00 V27264 BCREF16494 VOAG18 90319-0005 V27264 USED ON: 285N0412-14	002004 006102 121999	1
134	66521-002BECO	...	JACK- SUPPLIER CODE: V04880 OPTIONAL PART: 883-6525-00 V27264 BCREF16494 VOAG18 90319-0005 V27264 USED ON: 285N0412-14	108120 504903	1
135	020-003-183	..	CORD- SUPPLIER CODE: V59608	002004 006102 504903 950951	1
135	020-001-846	..	CORD- SUPPLIER CODE: V59608	108120 504903	1
135	020-001-846	..	CORD- SUPPLIER CODE: V59608	121503 904949 952999	1

MISSING ITEM NUMBERS NOT APPLICABLE

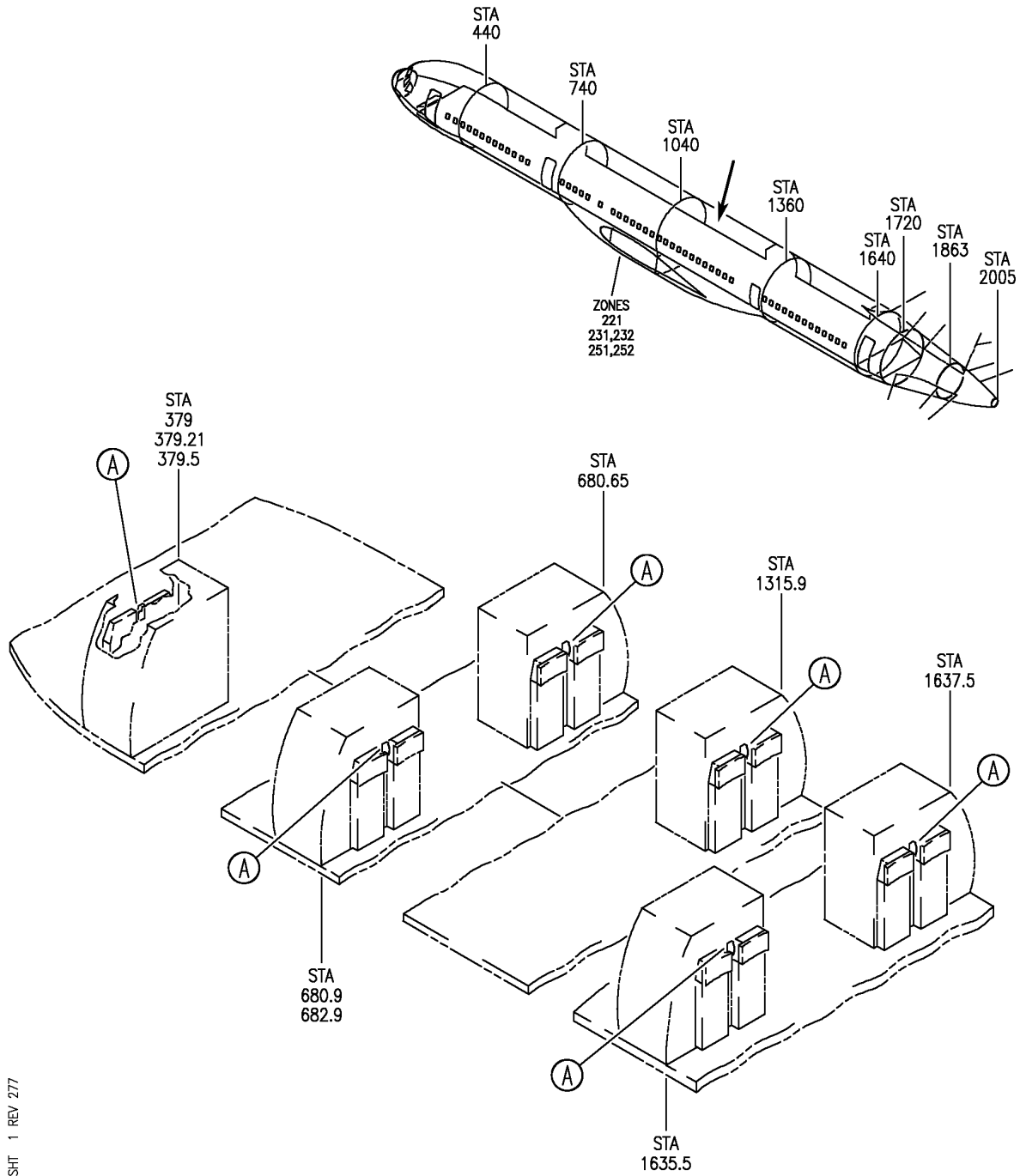
- ITEM NOT ILLUSTRATED

23-42-52-09

23-42-52
FIG. 09
PAGE 10
JAN 20/09

BRI

BOEING
757
PARTS CATALOG (MAINTENANCE)



Y 23425211A SHT 1 REV 277

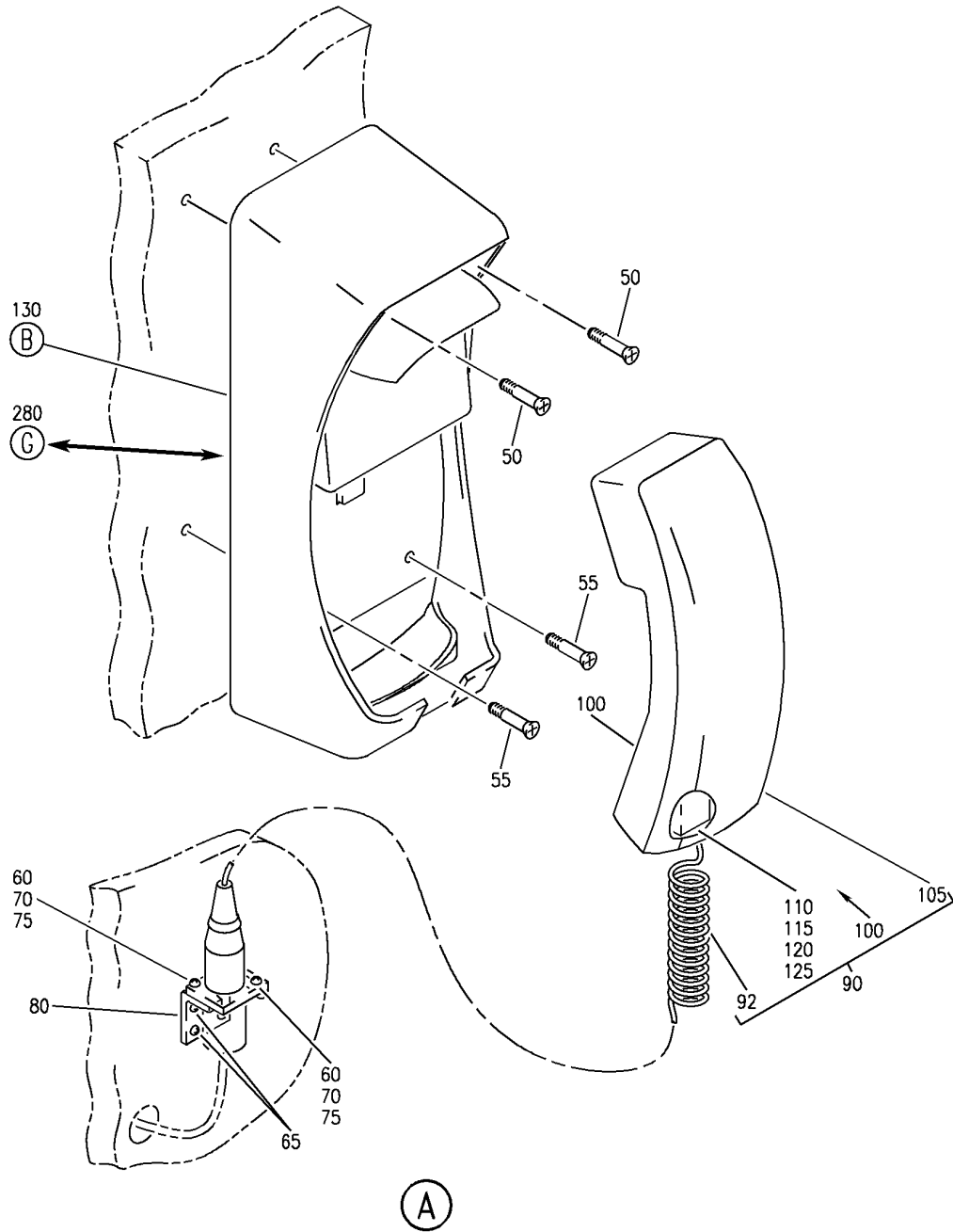
HANDSET INSTL-ATTENDANT 200 PASSENGER, 4 DOOR (COMMUNICATIONS ONLY)
FIGURE 11A (SHEET 1)

23-42-52-11A

BRI
JAN 20/09

23-42-52-11A
PAGE 0

BOEING
757
PARTS CATALOG (MAINTENANCE)



Y 23425211A SH1 2 REV 295

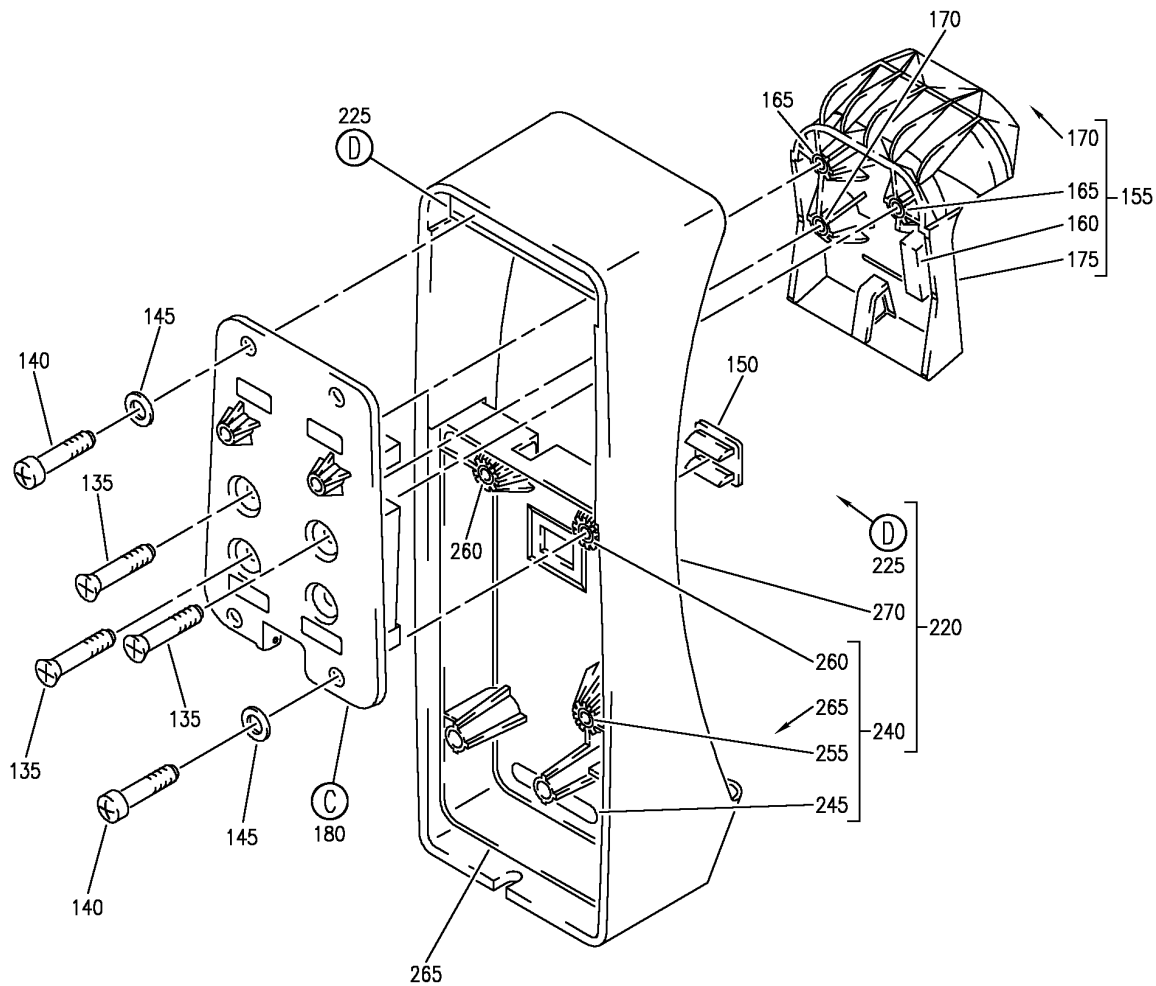
HANDSET INSTL-ATTENDANT 200 PASSENGER, 4 DOOR (COMMUNICATIONS ONLY)
FIGURE 11A (SHEET 2)

23-42-52-11A

BRI
JAN 20/09

23-42-52-11A
PAGE 0A

BOEING
757
PARTS CATALOG (MAINTENANCE)



Y 23425211A SHT 3 REV 258

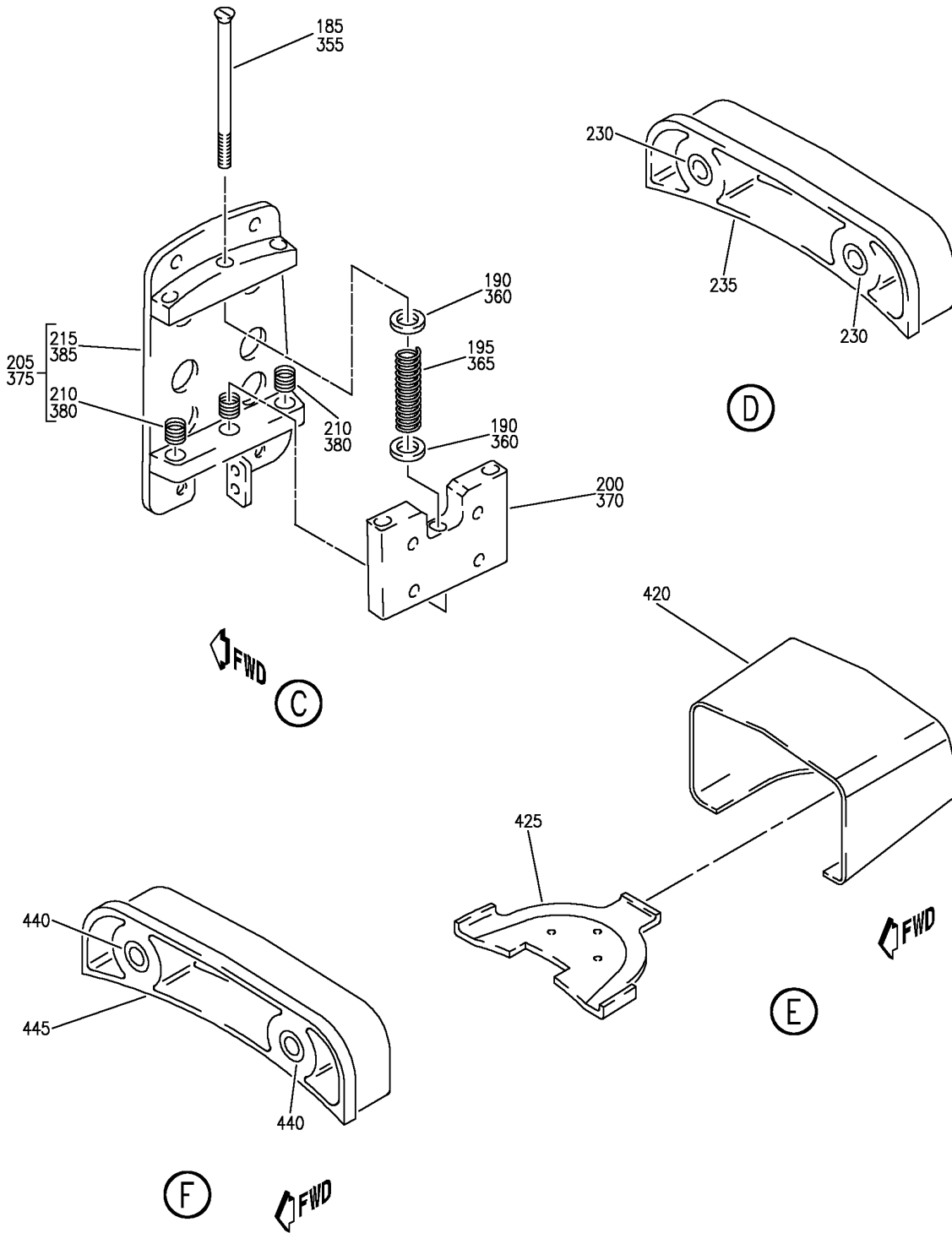
HANDSET INSTL-ATTENDANT 200 PASSENGER, 4 DOOR (COMMUNICATIONS ONLY)
FIGURE 11A (SHEET 3)

23-42-52-11A

BRI
JAN 20/09

23-42-52-11A
PAGE 0B

BOEING
757
PARTS CATALOG (MAINTENANCE)



Y 23425211A SHT 4 REV 258

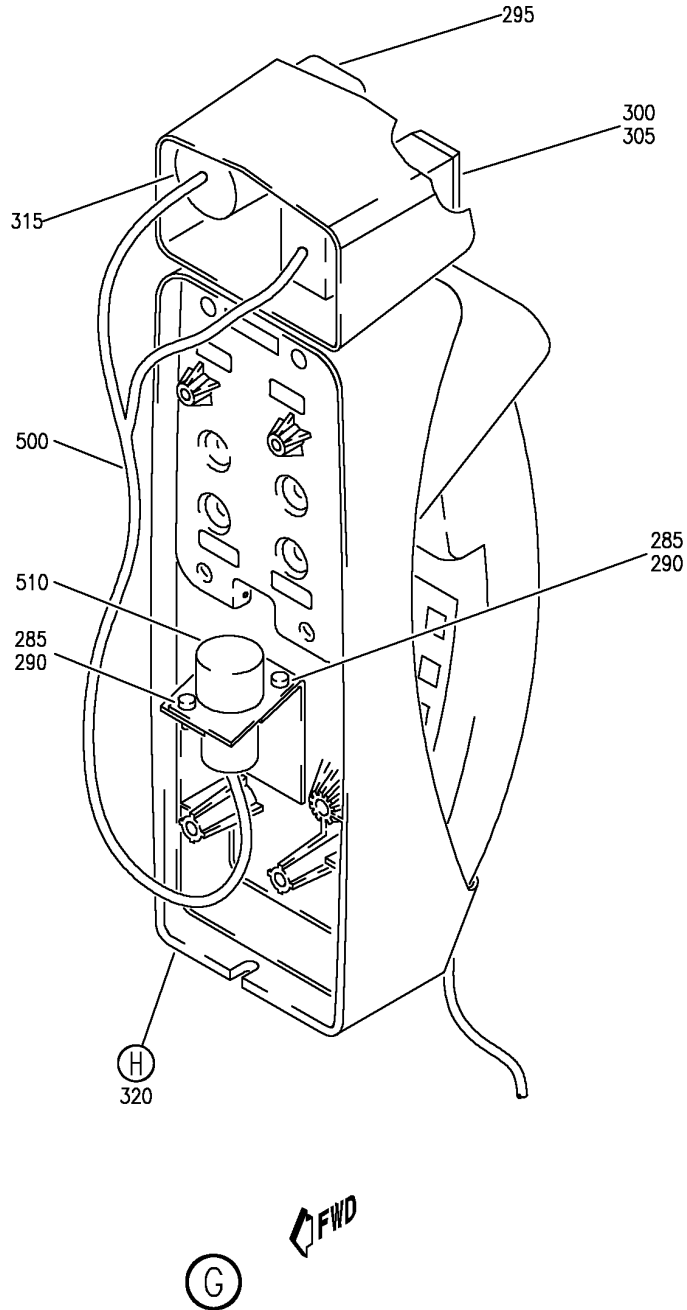
HANDSET INSTL-ATTENDANT 200 PASSENGER, 4 DOOR (COMMUNICATIONS ONLY)
FIGURE 11A (SHEET 4)

23-42-52-11A

BRI
JAN 20/09

23-42-52-11A
PAGE 0C

BOEING
757
PARTS CATALOG (MAINTENANCE)



Y 23425211A SHT 5 REV 277

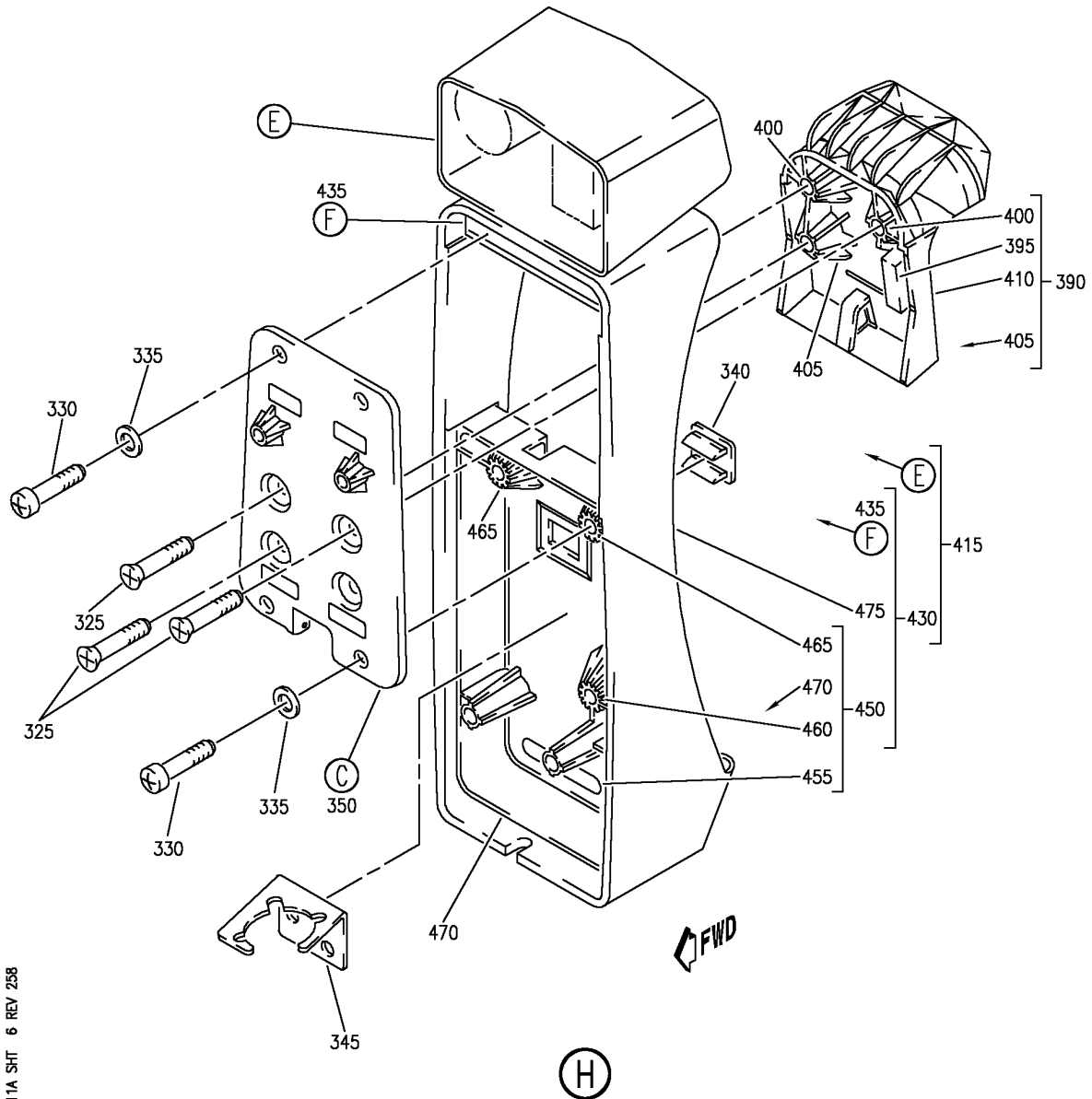
HANDSET INSTL-ATTENDANT 200 PASSENGER, 4 DOOR (COMMUNICATIONS ONLY)
FIGURE 11A (SHEET 5)

23-42-52-11A

BRI
JAN 20/09

23-42-52-11A
PAGE 0D

BOEING
757
PARTS CATALOG (MAINTENANCE)



Y 23425211A SHT 6 REV 258

HANDSET INSTL-ATTENDANT 200 PASSENGER, 4 DOOR (COMMUNICATIONS ONLY)
FIGURE 11A (SHEET 6)

23-42-52-11A

BRI
JAN 20/09

23-42-52-11A
PAGE 0E



757

PARTS CATALOG (MAINTENANCE)

FIG ITEM	PART NUMBER	1 2 3 4 5 6 7	NOMENCLATURE	EFFECT FROM TO	UNITS PER ASSY
11A			HANDSET INSTL-ATTENDANT 200 PASSENGER, 4 DOOR (COMMUNICATIONS ONLY)	103106	
- 17	MODREF17902		HANDSET INSTL-DOOR 3 LAV D DBL ATTENDANT SEAT (COMMUNICATIONS ONLY) MODULE NUMBER: 417N6303-300B REV A POSITION DATA: STA 1315.90, RBL 29.62, WL 259.73 RH FOR OTHER SYS DETAILS SEE: 11-35-13-50A	103103	1
- 17	MODREF29338		HANDSET INSTL-DOOR 3 LAV D DBL ATTENDANT SEAT (COMMUNICATIONS ONLY) MODULE NUMBER: 417N6303-300B REV B POSITION DATA: STA 1315.90, RBL 29.62, WL 259.73 RH FOR OTHER SYS DETAILS SEE: 11-35-13-50A	104106	1
- 30	MODREF33435		HANDSET INSTL-DOOR 2 TRACK MTG DBL ATTENDANT SEAT (COMMUNICATIONS ONLY) MODULE NUMBER: 417N6303-203B REV A POSITION DATA: STA 680.65, RBL 28.50, WL 258.92, RH FOR OTHER SYS DETAILS SEE: 11-35-13-50A	103106	1
- 38	MODREF33027		HANDSET INSTL-AFT PARTITION SGL SEAT (COMMUNICATIONS ONLY) MODULE NUMBER: 417N6303-405B REV A POSITION DATA: STA 1637.50 RBL 17.58 WL 259.73, RH FOR OTHER SYS DETAILS SEE: 11-35-13-50A	103106	1

MISSING ITEM NUMBERS NOT APPLICABLE

- ITEM NOT ILLUSTRATED

23-42-52-11A

23-42-52
FIG. 11A
PAGE 1
JAN 20/09

BRI



757

PARTS CATALOG (MAINTENANCE)

FIG ITEM	PART NUMBER	1 2 3 4 5 6 7	NOMENCLATURE	EFFECT FROM TO	UNITS PER ASSY
11A - 45	MODREF33026		HANDSET INSTL-AFT PARTITION SGL SEAT (COMMUNICATIONS ONLY) MODULE NUMBER: 417N6303-404B REV A POSITION DATA: STA 1637.50, LBL 30.88, WL 259.90, LH FOR OTHER SYS DETAILS SEE: 11-35-13-50A	103106	1
50	BACB30NN3K3		.BOLT	103106	2
55	BACB30NN3K14		.BOLT	103106	2
60	NAS600-6P		.SCREW- USED ON: MODREF17902 MODREF29338 MODREF33026 MODREF33027	103106	2
65	NAS600-4P		.SCREW- USED ON: MODREF17902 MODREF29338 MODREF33026 MODREF33027	103106	2
70	NAS1149DN416J		.WASHER- USED ON: MODREF17902 MODREF29338 MODREF33026 MODREF33027	103106	2
75	MS21042L04		.NUT- USED ON: MODREF17902 MODREF29338 MODREF33026 MODREF33027	103106	2
80	417N6009-10		.BRACKET-CONN USED ON: MODREF17902 MODREF29338 MODREF33026 MODREF33027	103106	1

MISSING ITEM NUMBERS NOT APPLICABLE

- ITEM NOT ILLUSTRATED

23-42-52-11A

23-42-52
FIG. 11A
PAGE 2
JAN 20/09

BRI

BOEING PROPRIETARY - Copyright © - Unpublished Work - See title page for details.



757

PARTS CATALOG (MAINTENANCE)

FIG ITEM	PART NUMBER	1 2 3 4 5 6 7	NOMENCLATURE	EFFECT FROM TO	UNITS PER ASSY
11A 90	285N0412-9		.HANDSET ASSY- SUPPLIER CODE: V89954 ELECTRICAL EQUIP NUMBER: B00061 COMPONENT MAINT MANUAL REF: 23-42-64 FUNCTIONAL REFERENCE: PLACARDS AND MARKINGS FOR DETAILS SEE 11-35-13-02	103106	1
92	020-003-183		..CORD- SUPPLIER CODE: V59608	103106	1
- 95	285N0412-24		..SUBKIT ASSY- SUPPLIER CODE: V89954 OPTIONAL PART: 285N0412-25 V89954	103106	1
- 95	285N0412-25		..SUBKIT ASSY- SUPPLIER CODE: V89954 OPTIONAL PART: 285N0412-24 V89954	103106	1
100	285N0414-19		...SHELL-BOTTOM SUPPLIER CODE: V89954 USED ON: 285N0412-24	103106	1
100	285N0414-119		...SHELL-BOTTOM SUPPLIER CODE: V89954 USED ON: 285N0412-25	103106	1
105	285N0414-20		...SHELL-TOP SUPPLIER CODE: V89954 USED ON: 285N0412-24	103106	1
105	285N0414-120		...SHELL-TOP SUPPLIER CODE: V89954 USED ON: 285N0412-25	103106	1

MISSING ITEM NUMBERS NOT APPLICABLE

- ITEM NOT ILLUSTRATED

23-42-52-11A

23-42-52
FIG. 11A
PAGE 3
JAN 20/09

BRI



757

PARTS CATALOG (MAINTENANCE)

FIG ITEM	PART NUMBER	1 2 3 4 5 6 7	NOMENCLATURE	EFFECT FROM TO	UNITS PER ASSY
11A 110	285N0412-12	..	HEADER ASSY- SUPPLIER CODE: V89954 OPTIONAL PART: 285N0412-14 V89954	103106	1
110	185N0412-14	..	HEADER ASSY- OPTIONAL PART: 285N0412-12 V89954	103106	1
115	90319-0005	...	JACK- SUPPLIER CODE: V27264 OPTIONAL PART: BCREF16494 VOAG18 883-6525-00 V27264 USED ON: 285N0412-12	103106	1
115	90319-0005	...	JACK- SUPPLIER CODE: V27264 OPTIONAL PART: 66521-002BECO V04880 BCREF16494 VOAG18 883-6525-00 V27264 USED ON: 285N0412-14	103106	1
115	BCREF16494	...	JACK- SUPPLIER CODE: VOAG18 OVERLENGTH PART NUMBER: TM1RV623K66-35S150 OPTIONAL PART: 883-6525-00 V27264 90319-0005 V27264 USED ON: 285N0412-12	103106	1

MISSING ITEM NUMBERS NOT APPLICABLE

- ITEM NOT ILLUSTRATED

23-42-52-11A

23-42-52
FIG. 11A
PAGE 4
JAN 20/09

BRI

BOEING PROPRIETARY - Copyright © - Unpublished Work - See title page for details.



757

PARTS CATALOG (MAINTENANCE)

FIG ITEM	PART NUMBER	1 2 3 4 5 6 7	NOMENCLATURE	EFFECT FROM TO	UNITS PER ASSY
11A 115	BCREF16494	...	JACK- SUPPLIER CODE: VOAG18 OVERLENGTH PART NUMBER: TM1RV623K66-35S150 OPTIONAL PART: 883-6525-00 V27264 90319-0005 V27264 66521-002BECO V04880 USED ON: 285N0412-14	103106	1
120	883-6525-00	...	JACK- SUPPLIER CODE: V27264 OPTIONAL PART: BCREF16494 VOAG18 90319-0005 V27264 USED ON: 285N0412-12	103106	1
120	883-6525-00	...	JACK- SUPPLIER CODE: V27264 OPTIONAL PART: 66521-002BECO V04880 BCREF16494 VOAG18 90319-0005 V27264 USED ON: 285N0412-14	103106	1
120	66521-002BECO	...	JACK- SUPPLIER CODE: V04880 OPTIONAL PART: 883-6525-00 V27264 BCREF16494 VOAG18 90319-0005 V27264 USED ON: 285N0412-14	103106	1

MISSING ITEM NUMBERS NOT APPLICABLE

- ITEM NOT ILLUSTRATED

23-42-52-11A

23-42-52
FIG. 11A
PAGE 5
JAN 20/09

BRI

BOEING PROPRIETARY - Copyright © - Unpublished Work - See title page for details.



757

PARTS CATALOG (MAINTENANCE)

FIG ITEM	PART NUMBER	1 2 3 4 5 6 7	NOMENCLATURE	EFFECT FROM TO	UNITS PER ASSY
11A 125	BCREF107695	...	JACK- SUPPLIER CODE: VOAG18 OVERLENGTH PART NUMBER: TMIR623K66SFU051 USED ON: 285N0412-12	103106	1
130	417N6353-2B	.	CRADLE ASSY- SUPPLIER CODE: V89954 USED ON: 417N6303-6 417N6303-8 417N6303-9 MODREF201351 MODREF213418 MODREF29338 MODREF29341	103106	1
135	BACB30LH3PU4	..	BOLT	103106	3
140	BACB30LK3U2	..	BOLT	103106	4
145	NAS1149C0332R	..	WASHER	103106	4
150	476W2221-9K	..	PLUG- SUPPLIER CODE: V89954	103106	1
155	417N6353-103B	..	RETAINER ASSY- SUPPLIER CODE: V89954 OPTIONAL PART: 417N6353-107B V89954	103106	1
155	417N6353-107B	..	RETAINER ASSY- SUPPLIER CODE: V89954 OPTIONAL PART: 417N6353-103B V89954	103106	1
160	VIPX100	...	MAGNET- SUPPLIER CODE: V28406	103106	1
165	461032X225	...	ULTRASERT- SUPPLIER CODE: V2S283	103106	2
170	6041-3BRX375	...	ULTRASERT II- SUPPLIER CODE: V26344	103106	1

MISSING ITEM NUMBERS NOT APPLICABLE

- ITEM NOT ILLUSTRATED

23-42-52-11A

23-42-52
FIG. 11A
PAGE 6
JAN 20/09

BRI

BOEING PROPRIETARY - Copyright © - Unpublished Work - See title page for details.



757

PARTS CATALOG (MAINTENANCE)

FIG ITEM	PART NUMBER	1 2 3 4 5 6 7	NOMENCLATURE	EFFECT FROM TO	UNITS PER ASSY
11A 175	417N6353-104B	...	RETAINER-EARPIECE SUPPLIER CODE: V89954 ALTERED FROM PART NUMBER: 476W2221-4K	103106	1
180	476W2220-6K	...	BACKPLATE ASSY- SUPPLIER CODE: V89954	103106	1
185	476W2222-2	ROD-CRADLE RETENTION SUPPLIER CODE: V89954	103106	3
190	476W2222-3	WASHER- SUPPLIER CODE: V89954	103106	2
195	MS24585C241	SPRING- OPTIONAL PART: MS24585C255	103106	1
195	MS24585C255	SPRING- OPTIONAL PART: MS24585C241	103106	1
200	476W2222-4	PLATE-CRADLE TRAVEL SUPPLIER CODE: V89954	103106	1
205	476W2221-5K	BACKPLATE ASSY- SUPPLIER CODE: V89954	103106	1
210	6035-3BRX225	INSERT- SUPPLIER CODE: V26344	103106	3
215	476W2221-6K	BACKPLATE- SUPPLIER CODE: V89954	103106	1
220	476W2221-1K	..	HOUSING ASSY-MAIN SUPPLIER CODE: V89954	103106	1
225	476W2221-11K	...	WEDGE ASSY- SUPPLIER CODE: V89954	103106	1
230	6041-3BRX375	ULTRASERT II- SUPPLIER CODE: V26344	103106	2
235	476W2221-10K	INSERT-WEDGE SUPPLIER CODE: V89954	103106	1
240	476W2221-7K	...	MOUTHPIECE ASSY- SUPPLIER CODE: V89954	103106	1

MISSING ITEM NUMBERS NOT APPLICABLE

- ITEM NOT ILLUSTRATED

23-42-52-11A

23-42-52
FIG. 11A
PAGE 7
JAN 20/09

BRI

BOEING PROPRIETARY - Copyright © - Unpublished Work - See title page for details.



757

PARTS CATALOG (MAINTENANCE)

FIG ITEM	PART NUMBER	1 2 3 4 5 6 7	NOMENCLATURE	EFFECT FROM TO	UNITS PER ASSY
11A 245	BAC29PPS21671	DECAL- PLACARD CONTENT: PROTECT FROM SUNLIGHT	103106	1
255	461032X225	ULTRASERT- SUPPLIER CODE: V2S283	103106	1
260	6041-3BRX375	ULTRASERT II- SUPPLIER CODE: V26344	103106	2
265	476W2221-8K	MOUTHPIECE- SUPPLIER CODE: V89954	103106	1
270	476W2221-2K	...	HOUSING-MAIN SUPPLIER CODE: V89954	103106	1
280	417N6353-4B	.CRADLE ASSY-DR 2 ATTENDANT HANDSET SUPPLIER CODE: V89954 USED ON: MODREF33435 MODREF31240	103106	1	
285	MS51957-13	..	SCREW	103106	2
290	BRH10C04	..	NUT SUPPLIER CODE: V52828 SPECIFICATION NUMBER: BACN10JCO4C OPTIONAL PART: H31-04BAC V15653 NS202101S40 V80539 VN303B40 V92215 101LH9075-40W V72962 97-40 V80539 T6C440J V11815	103106	2
295	TT158A1B4	..	KNOB- SUPPLIER CODE: V81590	103106	1
300	2100-100	..	LENS- SUPPLIER CODE: V91929	103106	1

MISSING ITEM NUMBERS NOT APPLICABLE

- ITEM NOT ILLUSTRATED

23-42-52-11A

23-42-52
FIG. 11A
PAGE 8
JAN 20/09

BRI

BOEING PROPRIETARY - Copyright © - Unpublished Work - See title page for details.



757

PARTS CATALOG (MAINTENANCE)

FIG ITEM	PART NUMBER	1 2 3 4 5 6 7	NOMENCLATURE	EFFECT FROM TO	UNITS PER ASSY
11A 305	2100-3		..SWITCH ASSY-PUSHBUTTON CONTACTS 28V LAMP SUPPLIER CODE: V91929 ELECTRICAL EQUIP NUMBER: S10161	103106	1
- 310	85		...BULB- SUPPLIER CODE: V08805	103106	1
315	44MY241308		..SWITCH-ROTARY 2 DECKS 4 POLES 3 POSITIONS SUPPLIER CODE: V81073 ELECTRICAL EQUIP NUMBER: S10159	103106	1
320	417N6353-106B		..CRADLE- SUPPLIER CODE: V89954	103106	1
325	BACB30LH3PU4		...BOLT	103106	3
330	BACB30LK3U2		...BOLT	103106	4
335	NAS1149C0332R		...WASHER	103106	4
340	476W2221-9K		...PLUG- SUPPLIER CODE: V89954	103106	1
345	284U4214-6		...BRACKET-DISC. HANDSET SUPPLIER CODE: V89954	103106	1
350	476W2220-6K		...BACKPLATE ASSY-SUBASSY SUPPLIER CODE: V89954	103106	1
355	476W2222-2	ROD-CRADLE RETENTION SUPPLIER CODE: V89954	103106	3
360	476W2222-3	WASHER- SUPPLIER CODE: V89954	103106	2
365	MS24585C241	SPRING- OPTIONAL PART: MS24585C255	103106	1
365	MS24585C255	SPRING- OPTIONAL PART: MS24585C241	103106	1
370	476W2222-4	PLATE-CRADLE TRAVEL SUPPLIER CODE: V89954	103106	1
375	476W2221-5K	BACKPLATE ASSY- SUPPLIER CODE: V89954	103106	1

MISSING ITEM NUMBERS NOT APPLICABLE

- ITEM NOT ILLUSTRATED

23-42-52-11A

23-42-52
FIG. 11A
PAGE 9
JAN 20/09

BRI

BOEING PROPRIETARY - Copyright © - Unpublished Work - See title page for details.



757

PARTS CATALOG (MAINTENANCE)

FIG ITEM	PART NUMBER	1 2 3 4 5 6 7	NOMENCLATURE	EFFECT FROM TO	UNITS PER ASSY
11A 380	6035-3BRX225	INSERT- SUPPLIER CODE: V26344	103106	3
385	476W2221-6K	BACKPLATE- SUPPLIER CODE: V89954	103106	1
390	417N6353-103B	...	RETAINER ASSY- SUPPLIER CODE: V89954 OPTIONAL PART: 417N6353-107B V89954	103106	1
390	417N6353-107B	...	RETAINER ASSY- SUPPLIER CODE: V89954 OPTIONAL PART: 417N6353-103B V89954	103106	1
395	VIPX100	MAGNET- SUPPLIER CODE: V28406	103106	1
400	461032X225	ULTRASERT- SUPPLIER CODE: V2S283	103106	2
405	6041-3BRX375	ULTRASERT II- SUPPLIER CODE: V26344	103106	1
410	417N6353-104B	RETAINER-EARPIECE SUPPLIER CODE: V89954 ALTERED FROM PART NUMBER: 476W2221-4K	103106	1
415	417N6353-105B	...	CRADLE-BUSTLE SUPPLIER CODE: V89954	103106	1
420	417N6353-200B	DETAIL-BUSTLE SUPPLIER CODE: V89954	103106	1
425	417N6353-201B	DETAIL-ADAPTER SUPPLIER CODE: V89954	103106	1
430	476W2221-1K	HOUSING ASSY-MAIN SUPPLIER CODE: V89954	103106	1
435	476W2221-11K	WEDGE ASSY- SUPPLIER CODE: V89954	103106	1

MISSING ITEM NUMBERS NOT APPLICABLE

- ITEM NOT ILLUSTRATED

23-42-52-11A

23-42-52
FIG. 11A
PAGE 10
JAN 20/09

BRI

BOEING PROPRIETARY - Copyright © - Unpublished Work - See title page for details.



757

PARTS CATALOG (MAINTENANCE)

FIG ITEM	PART NUMBER	1 2 3 4 5 6 7	NOMENCLATURE	EFFECT FROM TO	UNITS PER ASSY
11A 440	6041-3BRX375	ULTRASERT II- SUPPLIER CODE: V26344	103106	1
445	476W2221-10K	INSERT-WEDGE SUPPLIER CODE: V89954	103106	1
450	476W2221-7K	MOUTHPIECE ASSY- SUPPLIER CODE: V89954	103106	1
455	BAC29PPS21671	DECAL	103106	1
460	461032X225	ULTRASERT- SUPPLIER CODE: V2S283	103106	1
465	6041-3BRX375	ULTRASERT II- SUPPLIER CODE: V26344	103106	2
470	476W2221-8K	MOUTHPIECE- SUPPLIER CODE: V89954	103106	1
475	476W2221-2K	HOUSING-MAIN SUPPLIER CODE: V89954	103106	1
500	286N0506-702	..	WIRE BUNDLE-P23 PANEL USED ON: 417N6353-4B	103106	1
510	BACC45FN12A12P8	...	CONNECTOR- ELECTRICAL EQUIP NUMBER: D04634 WIRING DIAGRAM REF: 332212	103106	1

MISSING ITEM NUMBERS NOT APPLICABLE

- ITEM NOT ILLUSTRATED

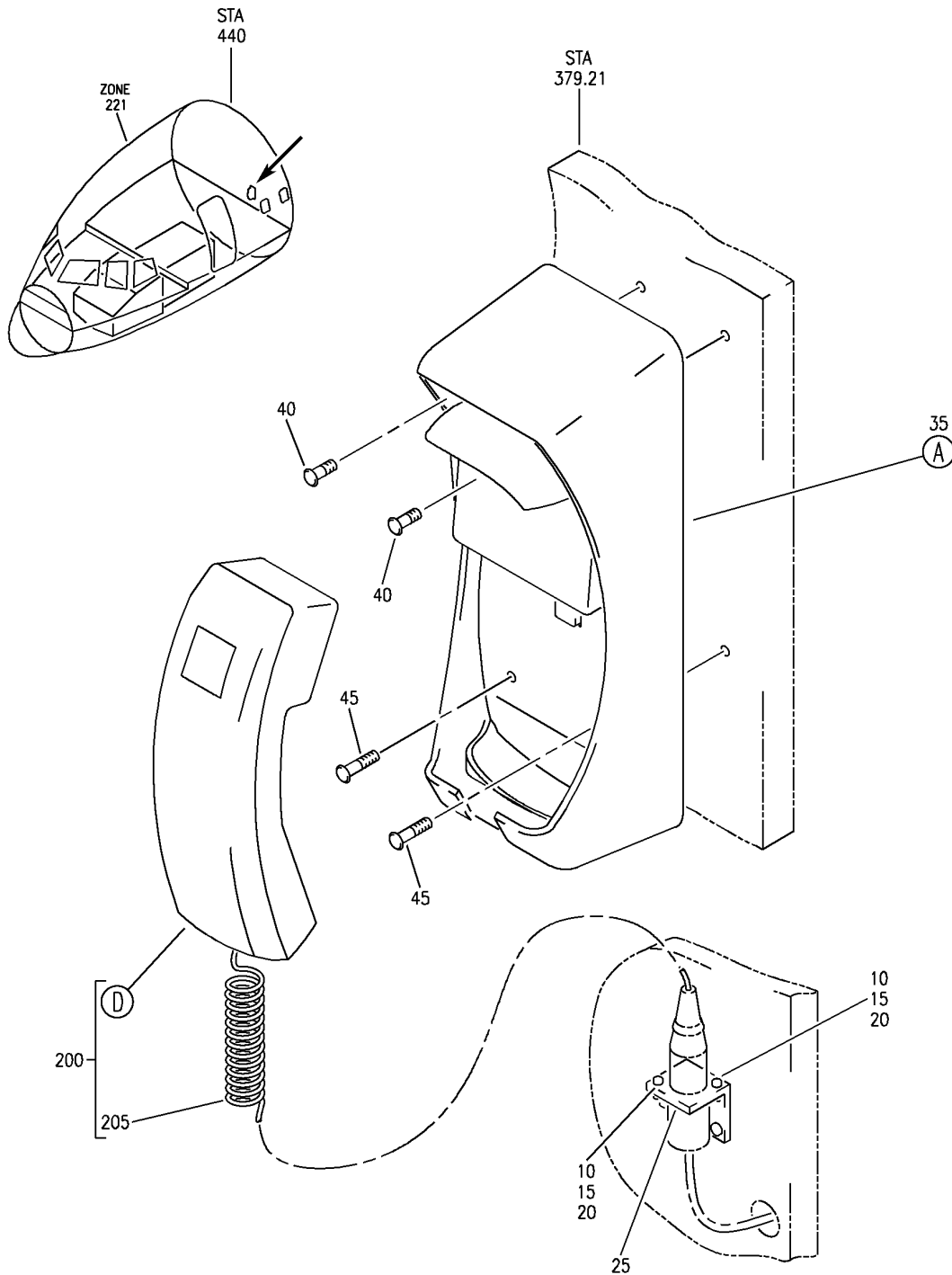
23-42-52-11A

23-42-52
FIG. 11A
PAGE 11
JAN 20/09

BRI

BOEING PROPRIETARY - Copyright © - Unpublished Work - See title page for details.

BOEING
757
PARTS CATALOG (MAINTENANCE)



Y 23425235 SH1 1 REV 295

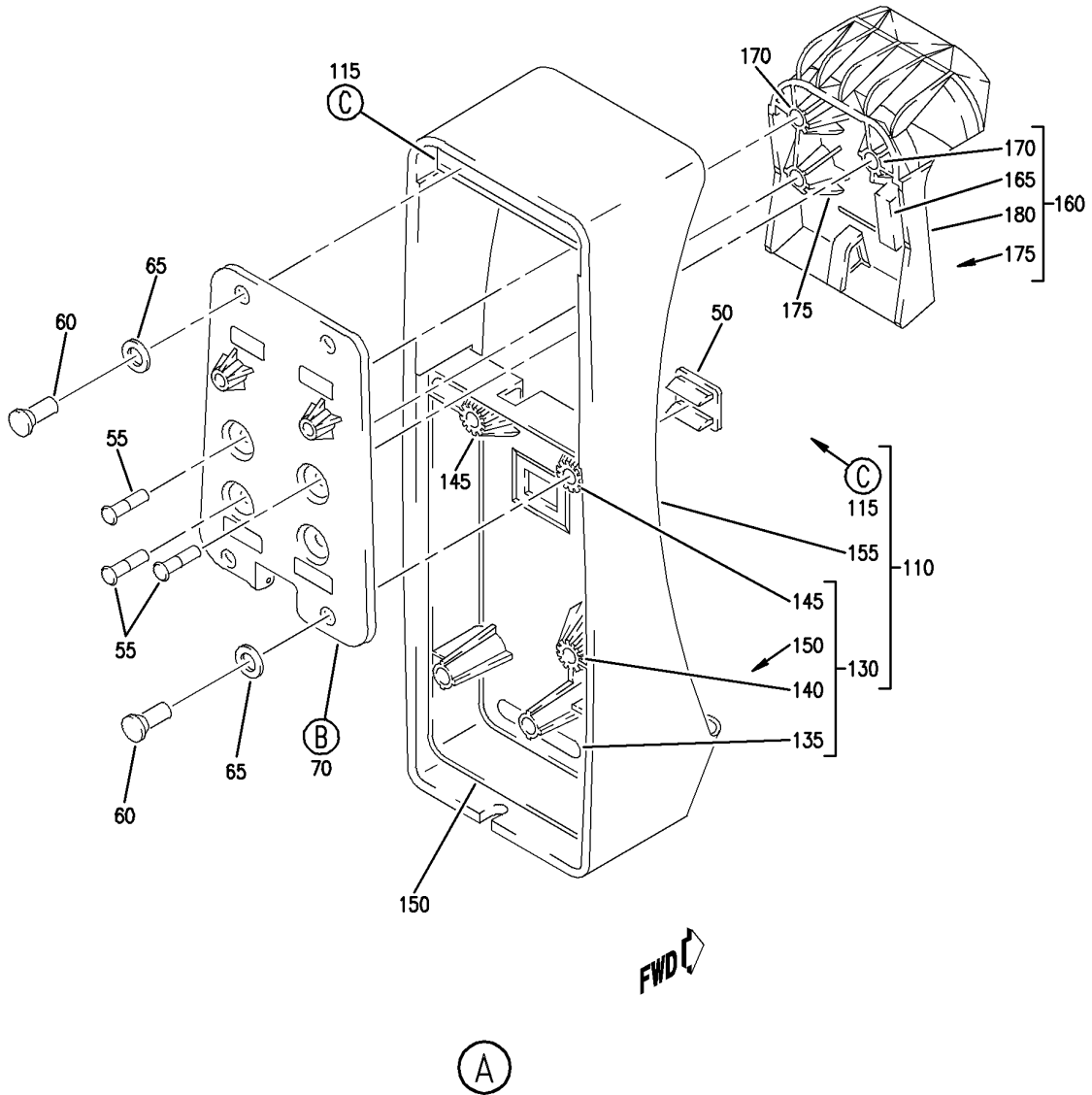
HANDSET INSTL-FWD, WINDSCREEN, DOOR 1, LH (COMMUNICATIONS ONLY)
FIGURE 35 (SHEET 1)

BRI
JAN 20/09

23-42-52-35

23-42-52-35
PAGE 0

BOEING
757
PARTS CATALOG (MAINTENANCE)



Y 23425235 SHT 2 REV 241

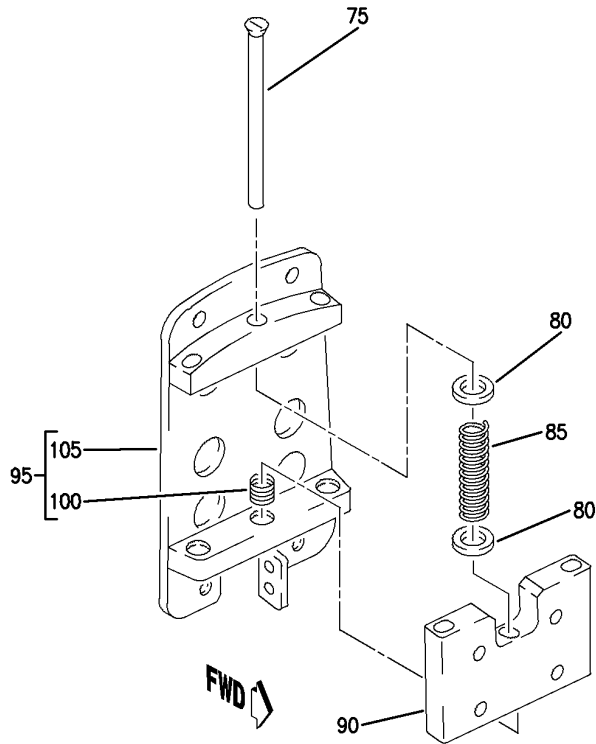
HANDSET INSTL-FWD, WINDSCREEN, DOOR 1, LH (COMMUNICATIONS ONLY)
FIGURE 35 (SHEET 2)

BRI
JAN 20/09

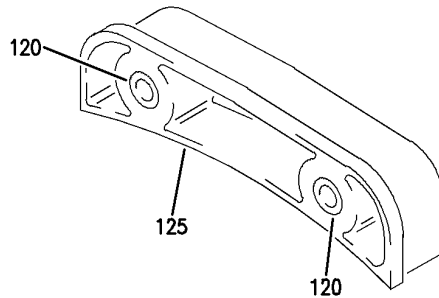
23-42-52-35

23-42-52-35
PAGE 0A

BOEING
757
PARTS CATALOG (MAINTENANCE)



(B)



(C)

Y 23425235 SH1 3 REV 241

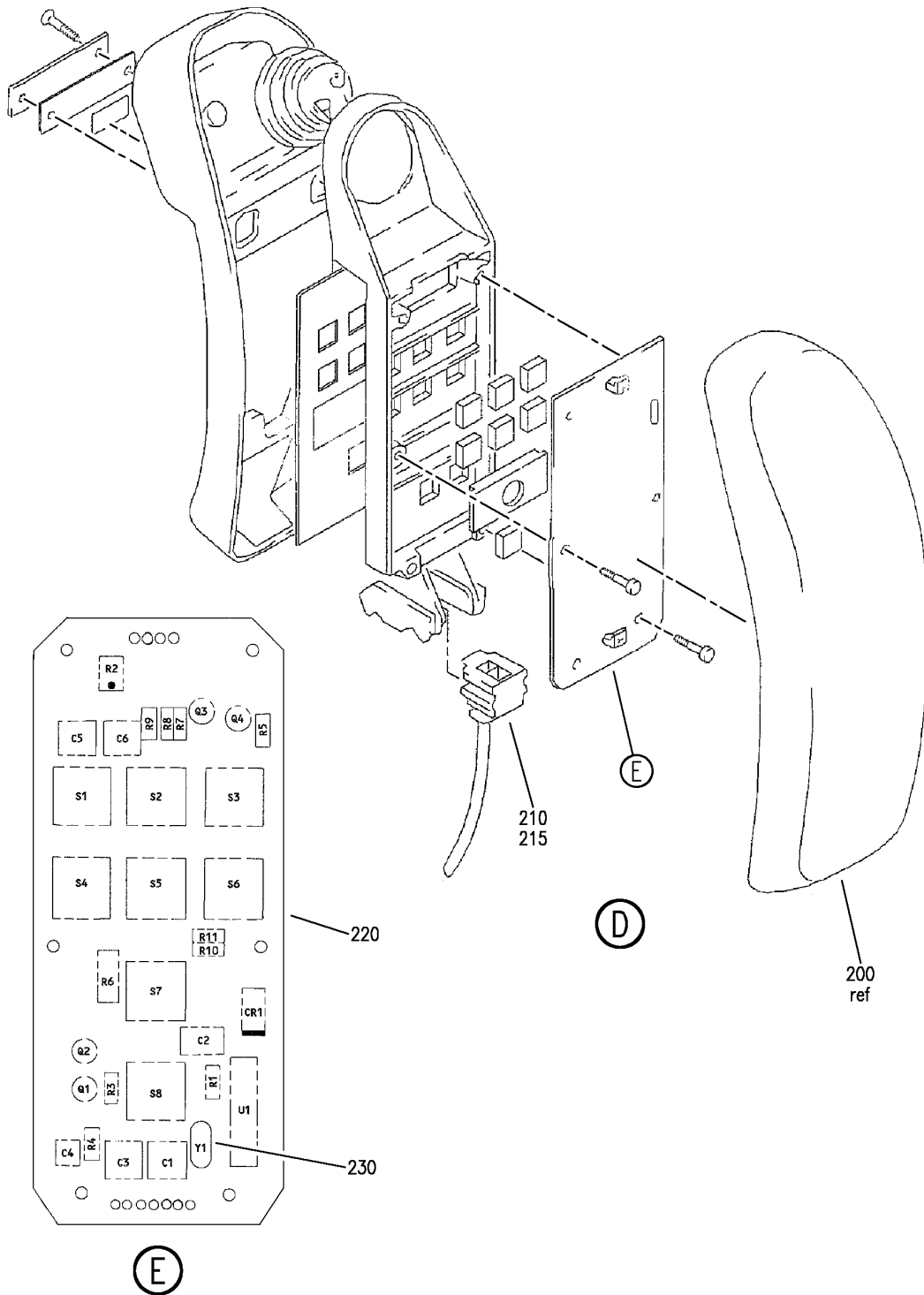
HANDSET INSTL-FWD, WINDSCREEN, DOOR 1, LH (COMMUNICATIONS ONLY)
FIGURE 35 (SHEET 3)

BRI
JAN 20/09

23-42-52-35

23-42-52-35
PAGE 0B

BOEING
757
PARTS CATALOG (MAINTENANCE)



HANDSET INSTL-FWD, WINDSCREEN, DOOR 1, LH (COMMUNICATIONS ONLY)
FIGURE 35 (SHEET 4)

BRI
JAN 20/09

23-42-52-35

23-42-52-35
PAGE 0C



**757
PARTS CATALOG (MAINTENANCE)**

FIG ITEM	PART NUMBER	1 2 3 4 5 6 7	NOMENCLATURE	EFFECT FROM TO	UNITS PER ASSY
35			HANDSET INSTL-FWD, WINDSCREEN, DOOR 1, LH (COMMUNICATIONS ONLY)	103106	
- 3	MODREF33619		HANDSET INSTL-DOOR 1 WINDSCREEN DBL SEAT (COMMUNICATIONS ONLY) MODULE NUMBER: 417N6303-102B REV B POSITION DATA: STA 381.00 LBL 36.62 WL 259.73 LH FOR OTHER SYS DETAILS SEE: 11-35-13-50A	103106	1
10	NAS600-6P	.SCREW		103106	2
15	NAS1149DN416J	.WASHER		103106	2
20	MS21042L04	.NUT		103106	2
25	417N6009-10	.BRACKET-CONN.		103106	1
- 30	NAS603-4P	.SCREW	ATTACHING PARTS	103106	2
			-----*-----		
35	417N6353-2B	.CRADLE ASSY-		103106	1
			SUPPLIER CODE: V89954 ATTACHING PARTS		
40	BACB30NN3K3	.BOLT		103106	2
45	BACB30NN3K14	.BOLT		103106	2
			-----*-----		
50	476W2221-9K	..PLUG-DECORATIVE		103106	1
			SUPPLIER CODE: V89954		
55	BACB30LH3PU4	..BOLT		103106	3
60	BACB30LK3U2	..BOLT		103106	4
65	NAS1149C0332R	..WASHER		103106	4
70	476W2220-6K	..BACKPLATE ASSY-		103106	1
			SUPPLIER CODE: V89954		
75	476W2222-2	...ROD-CRADLE RETENTION		103106	3
			SUPPLIER CODE: V89954		
80	476W2222-3	...WASHER-		103106	2
			SUPPLIER CODE: V89954		
85	MS24585C241	...SPRING-		103106	1
			OPTIONAL PART: MS24585C255		
85	MS24585C255	...SPRING-		103106	1
			OPTIONAL PART: MS24585C241		

MISSING ITEM NUMBERS NOT APPLICABLE

- ITEM NOT ILLUSTRATED

23-42-52-35

23-42-52
FIG. 35
PAGE 1
JAN 20/09

BRI



757

PARTS CATALOG (MAINTENANCE)

FIG ITEM	PART NUMBER	1 2 3 4 5 6 7	NOMENCLATURE	EFFECT FROM TO	UNITS PER ASSY
35					
90	476W2222-4	...	PLATE-CRADLE TRAVEL SUPPLIER CODE: V89954	103106	1
95	476W2221-5K	...	BACKPLATE ASSY- SUPPLIER CODE: V89954	103106	1
100	6035-3BRX225	INSERT- SUPPLIER CODE: V26344	103106	3
105	476W2221-6K	BACKPLATE- SUPPLIER CODE: V89954	103106	1
110	476W2221-1K	..	HOUSING ASSY-MAIN SUPPLIER CODE: V89954	103106	1
115	476W2221-11K	...	WEDGE ASSY- SUPPLIER CODE: V89954	103106	1
120	6041-3BRX375	ULTRASERT II- SUPPLIER CODE: V26344	103106	2
125	476W2221-10K	INSERT-WEDGE SUPPLIER CODE: V89954	103106	1
130	476W2221-7K	...	MOUTHPIECE ASSY- SUPPLIER CODE: V89954	103106	1
135	BAC29PPS21671	DECAL- PLACARD CONTENT: PROTECT FROM SUNLIGHT	103106	1
140	461032X225	ULTRASERT- SUPPLIER CODE: V2S283	103106	1
145	6041-3BRX375	ULTRASERT II- SUPPLIER CODE: V26344	103106	2
150	146W2221-8K	MOUTHPIECE-	103106	1
155	476W2221-2K	...	HOUSING-MAIN SUPPLIER CODE: V89954	103106	1
160	417N6353-103B	..	RETAINER ASSY- SUPPLIER CODE: V89954 OPTIONAL PART: 417N6353-107B V89954	103106	1

MISSING ITEM NUMBERS NOT APPLICABLE

- ITEM NOT ILLUSTRATED

23-42-52-35

23-42-52
FIG. 35
PAGE 2
JAN 20/09

BRI



757

PARTS CATALOG (MAINTENANCE)

FIG ITEM	PART NUMBER	1 2 3 4 5 6 7	NOMENCLATURE	EFFECT FROM TO	UNITS PER ASSY
35 160	417N6353-107B		..RETAINER ASSY- SUPPLIER CODE: V89954 OPTIONAL PART: 417N6353-103B V89954	103106	1
165	VIPX100		...MAGNET- SUPPLIER CODE: V28406	103106	1
170	461032X225		...ULTRASERT- SUPPLIER CODE: V25283	103106	2
175	6041-3BRX375		...ULTRASERT II- SUPPLIER CODE: V26344	103106	1
180	417N6353-104B		...RETAINER-EARPIECE SUPPLIER CODE: V89954 ALTERED FROM PART NUMBER: 476W2221-4K	103106	1
200	285N0412-9		.HANDSET ASSY- SUPPLIER CODE: V89954 ELECTRICAL EQUIP NUMBER: B00061 COMPONENT MAINT MANUAL REF: 23-42-64 FUNCTIONAL REFERENCE: PLACARDS AND MARKINGS FOR DETAILS SEE 11-35-13-02	103106	1
205	020-003-183		..CORD- SUPPLIER CODE: V59608	103106	1
210	285N0412-12		..HEADER ASSY- SUPPLIER CODE: V89954 OPTIONAL PART: 285N0412-14 V89954	103106	1
210	285N0412-14		..HEADER ASSY- SUPPLIER CODE: V89954 OPTIONAL PART: 285N0412-12 V89954	103106	1

MISSING ITEM NUMBERS NOT APPLICABLE

- ITEM NOT ILLUSTRATED

BRI

23-42-52-35

BOEING PROPRIETARY - Copyright © - Unpublished Work - See title page for details.

23-42-52
FIG. 35
PAGE 3
JAN 20/09



757

PARTS CATALOG (MAINTENANCE)

FIG ITEM	PART NUMBER	1 2 3 4 5 6 7	NOMENCLATURE	EFFECT FROM TO	UNITS PER ASSY
35 215	66521-002BECO	...	JACK- SUPPLIER CODE: V04880 OPTIONAL PART: 883-6525-00 V27264 BCREF16494 VOAG18 90319-0005 V27264 USED ON: 285N0412-14	103106	1
215	90319-0005	...	JACK- SUPPLIER CODE: V27264 OPTIONAL PART: BCREF16494 VOAG18 883-6525-00 V27264 66521-002BECO V04880 USED ON: 285N0412-14	103106	1
215	883-6525-00	...	JACK- SUPPLIER CODE: V27264 OPTIONAL PART: 66521-002BECO V04880 BCREF16494 VOAG18 90319-0005 V27264 USED ON: 285N0412-14	103106	1

MISSING ITEM NUMBERS NOT APPLICABLE

- ITEM NOT ILLUSTRATED

23-42-52-35

23-42-52
FIG. 35
PAGE 4
JAN 20/09

BRI



757

PARTS CATALOG (MAINTENANCE)

FIG ITEM	PART NUMBER	1 2 3 4 5 6 7	NOMENCLATURE	EFFECT FROM TO	UNITS PER ASSY
35 215	BCREF16494	...	JACK- SUPPLIER CODE: VOAG18 OVERLENGTH PART NUMBER: TM1RV623K66-35S150 OPTIONAL PART: 66521-002BECO V04880 883-6525-00 V27264 90319-0005 V27264 USED ON: 285N0412-14	103106	1
215	90319-0005	...	JACK- SUPPLIER CODE: V27264 OPTIONAL PART: BCREF16494 VOAG18 883-6525-00 V27264 USED ON: 285N0412-12	103106	1
215	66521-002BECO	...	JACK- SUPPLIER CODE: V04880 OPTIONAL PART: BCREF16494 VOAG18 90319-0005 V27264 USED ON: 285N0412-12	103106	1
215	BCREF16494	...	JACK- SUPPLIER CODE: VOAG18 OVERLENGTH PART NUMBER: TM1RV623K66-35S150 OPTIONAL PART: 883-6525-00 V27264 90319-0005 V27264 USED ON: 285N0412-12	103106	1

MISSING ITEM NUMBERS NOT APPLICABLE

- ITEM NOT ILLUSTRATED

BRI

23-42-52-35

23-42-52
FIG. 35
PAGE 5
JAN 20/09



757

PARTS CATALOG (MAINTENANCE)

FIG ITEM	PART NUMBER	1 2 3 4 5 6 7	NOMENCLATURE	EFFECT FROM TO	UNITS PER ASSY
35 215	BCREF107695		... JACK- SUPPLIER CODE: VOAG18 OVERLENGTH PART NUMBER: TMIR623K66SFU051	103106	1
220	285N0413-3		.. CIRCUIT ASSY-PRINTED HANDSET INTERFACE SUPPLIER CODE: V89954 OPTIONAL PART: 285T1181-3 V89954 FOR ADDITIONAL DETAILS SEE: 11-35-13-02	103106	1
220	285T1181-3		.. CIRCUIT ASSY-PRINTED HANDSET INTERFACE SUPPLIER CODE: V89954 OPTIONAL PART: 285N0413-3 V89954 FOR ADDITIONAL DETAILS SEE: 11-35-13-02	103106	1
- 225	224-20300-382		ATTACHING PARTS .. SCREW- SUPPLIER CODE: V1064B -----*-----	103106	4
230	3403-010		.. CRYSTAL- SUPPLIER CODE: V23875 SPECIFICATION NUMBER: S906-10135-2001	103106	1

MISSING ITEM NUMBERS NOT APPLICABLE

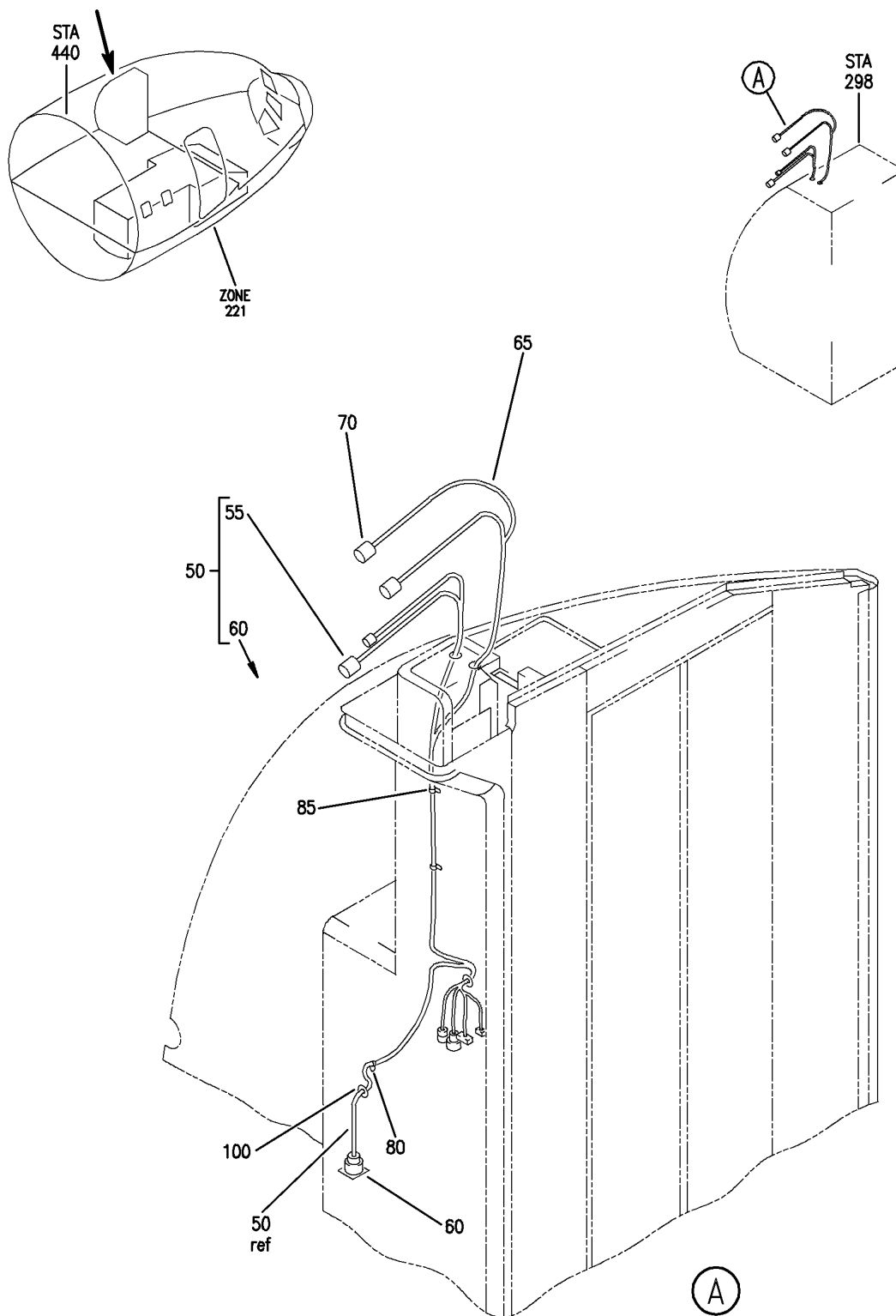
- ITEM NOT ILLUSTRATED

23-42-52-35

23-42-52
FIG. 35
PAGE 6
JAN 20/09

BRI

BOEING
757
PARTS CATALOG (MAINTENANCE)



Y 23425250 REV 238

HARNES INSTL-ATTENDANT PROVISION LAV (CABIN INTERPHONE SYSTEM ONLY)
FIGURE 50

23-42-52-50

BRI
JAN 20/09

23-42-52-50
PAGE 0



757

PARTS CATALOG (MAINTENANCE)

FIG ITEM	PART NUMBER	1 2 3 4 5 6 7	NOMENCLATURE	EFFECT FROM TO	UNITS PER ASSY
50			HARNESS INSTL-ATTENDANT PROVISION LAV (CABIN INTERPHONE SYSTEM ONLY)	504903	
- 1	D75D99046-111		HARNESS INSTL-ATTENDANT PROVISION LAV A (CABIN (INTERPHONE SYSTEM ONLY) SUPPLIER CODE: VS5825 FOR NHA/OTHER SYS DET SEE: 25-41-01-12	504903	RF
50	D75D95035-903		.HARNESS ASSY-ATTENDANT HANDSET SUPPLIER CODE: VS5825	504903	1
55	BACC63BN10C5PN		..CONNECTOR-P7	504903	1
60	XLR5-31		..RECEPTACLE-J7 SUPPLIER CODE: V71468	504903	1
80	BACC10DK3		.CLAMP	504903	1
85	BACC10DK10		.CLAMP	504903	1
- 95	BACC10DK13		.CLAMP	504903	1
100	D75D80150-111		.GROMMET- SUPPLIER CODE: VS5825	504903	1

MISSING ITEM NUMBERS NOT APPLICABLE

- ITEM NOT ILLUSTRATED

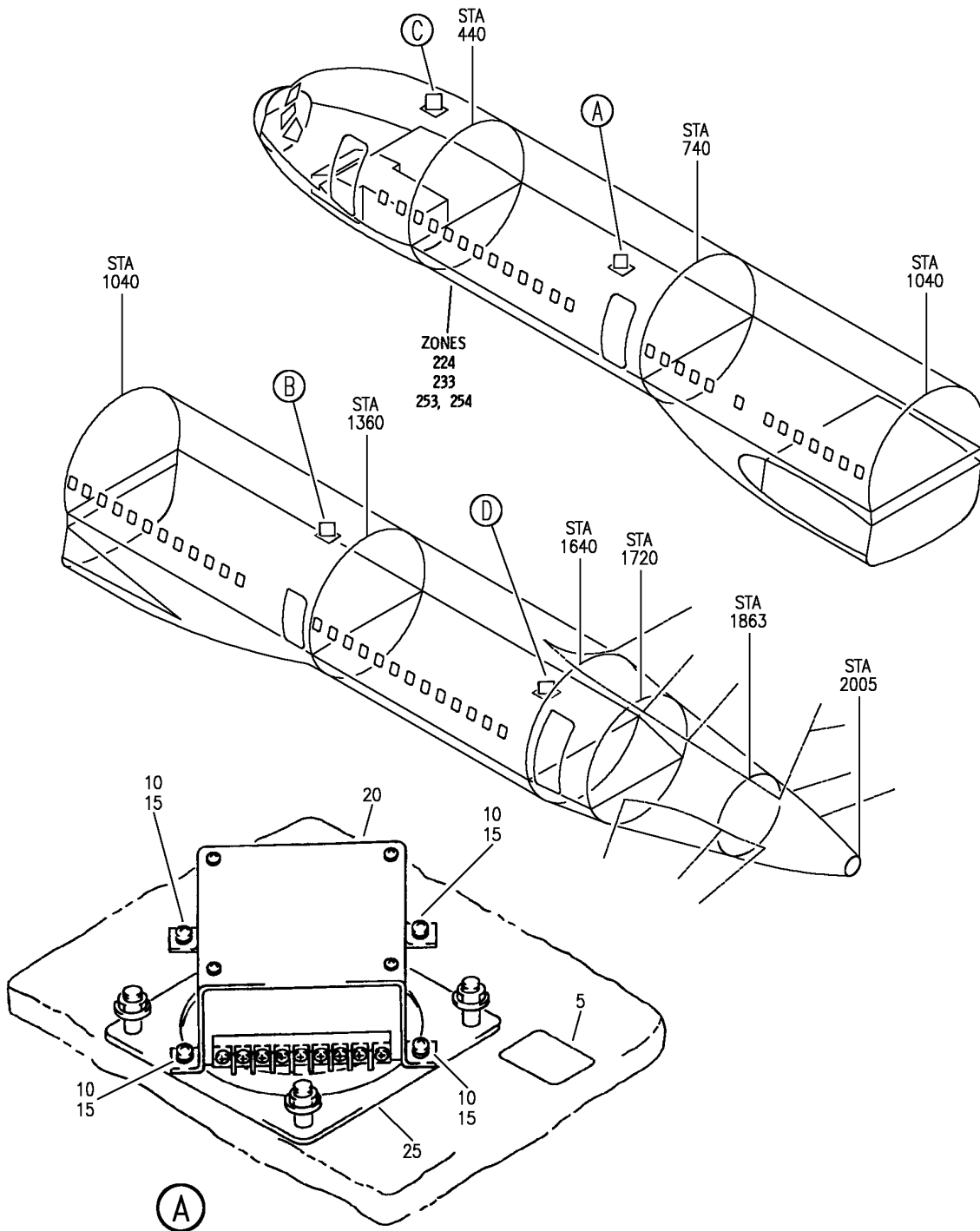
BRI

23-42-52-50

BOEING PROPRIETARY - Copyright © - Unpublished Work - See title page for details.

23-42-52
FIG. 50
PAGE 1
JAN 20/09

BOEING
757
PARTS CATALOG (MAINTENANCE)



Y 23425301 SHT 1 REV 252

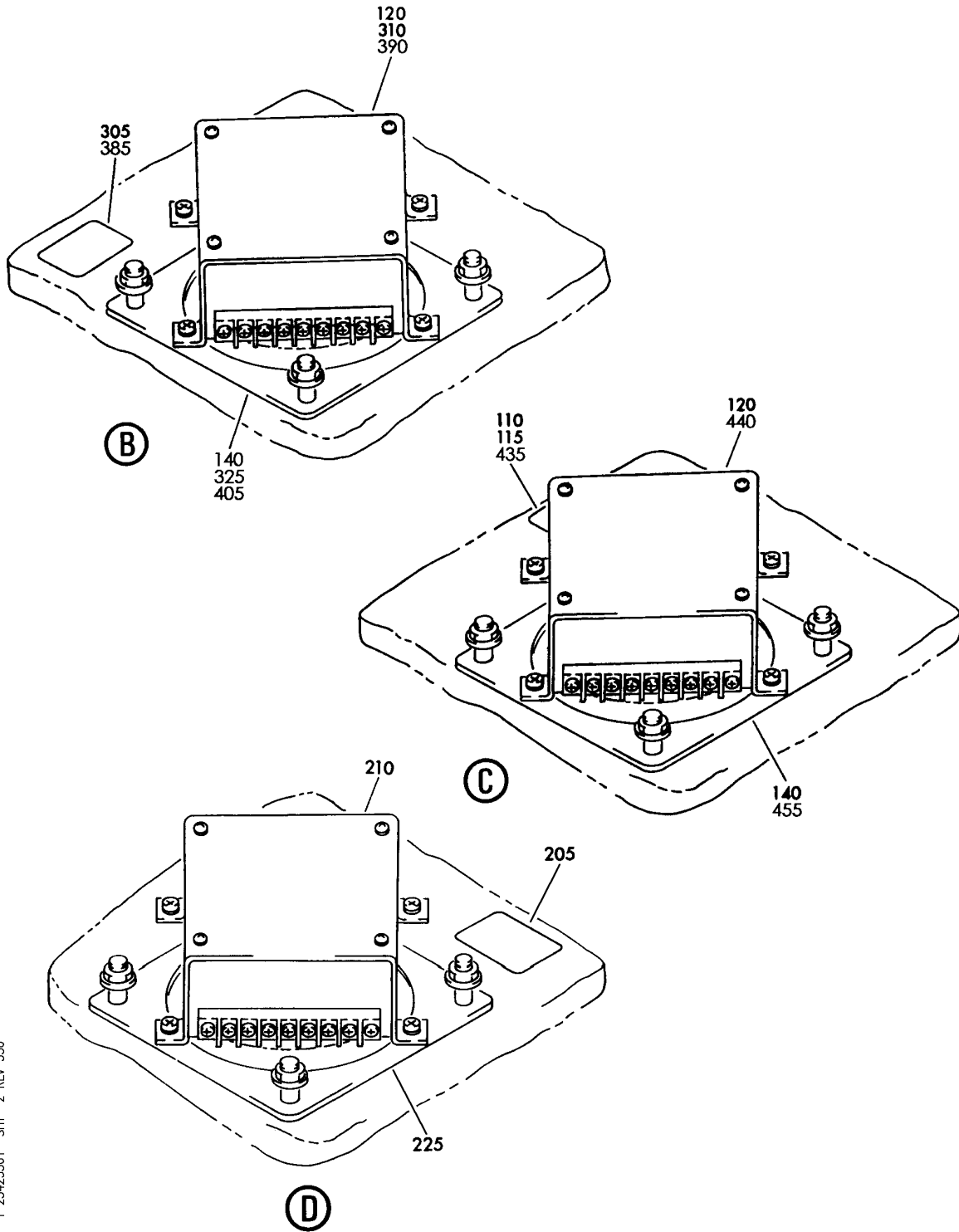
CEILING AND PANEL ASSY--(CABIN INTERPHONE SYSTEM ONLY)
FIGURE 1 (SHEET 1)

23-42-53-01

BRI
MAY 28/07

23-42-53-01
PAGE 0

BOEING
757
PARTS CATALOG (MAINTENANCE)



Y 23425301 SH1 2 REV 330

CEILING AND PANEL ASSY-(CABIN INTERPHONE SYSTEM ONLY)
FIGURE 1 (SHEET 2)

23-42-53-01

BRI
JAN 20/09

23-42-53-01
PAGE 0A



757

PARTS CATALOG (MAINTENANCE)

FIG ITEM	PART NUMBER	1 2 3 4 5 6 7	NOMENCLATURE	EFFECT FROM TO	UNITS PER ASSY
1			CEILING AND PANEL ASSY- (CABIN INTERPHONE SYSTEM ONLY)	121949	
- 105	411N3260-135SP		PANEL ASSY-FLAT (CABIN INTERPHONE SYSTEM ONLY) FOR NHA/OTHER SYS DET SEE: 25-22-02-19B	904949	RF
- 105	411N3260-152SP		PANEL ASSY-FLAT (CABIN INTERPHONE SYSTEM ONLY) FOR NHA/OTHER SYS DET SEE: 25-22-02-19	904949	RF
- 105	411N3260-215SP		PANEL ASSY-FLAT (CABIN INTERPHONE SYSTEM ONLY) FOR NHA/OTHER SYS DET SEE: 25-22-02-19B	121503	RF
- 106	411N3260-258SP		PANEL ASSY-FLAT CABIN INTERPHONE SYSTEM ONLY) FOR NHA/OTHER SYS DET SEE: 25-22-02-19	121503	RF
115	BAC27NPA0691		.MARKER-ALUMINUM FOIL PLACARD CONTENT: B144 CHIMES	121503 904949	1
115	BAC27NPA0691		.MARKER-ALUMINUM FOIL PLACARD CONTENT: B144 CHIMES	904949	1
120	RDAM8001A		.CHIME- SUPPLIER CODE: VOFF57 FUNCTIONAL DESCRIPTION: ALERTS ATTENDANT WITH A SIGNAL FOR PILOT-TO ATTENDANT CALL SPECIFICATION NUMBER: S222T102-101 ELECTRICAL EQUIP NUMBER: B00144 B00145	121503 904949	1
120	RDAM8001A		.CHIME- SUPPLIER CODE: VOFF57 FUNCTIONAL DESCRIPTION: ALERTS ATTENDANT WITH A SIGNAL FOR PILOT-TO ATTENDANT CALL SPECIFICATION NUMBER: S222T102-101 ELECTRICAL EQUIP NUMBER: B00145	121503	1

MISSING ITEM NUMBERS NOT APPLICABLE

- ITEM NOT ILLUSTRATED

23-42-53-01

23-42-53
FIG. 01
PAGE 1
JAN 20/09

BRI



757

PARTS CATALOG (MAINTENANCE)

FIG ITEM	PART NUMBER	1 2 3 4 5 6 7	NOMENCLATURE	EFFECT FROM TO	UNITS PER ASSY
1			ATTACHING PARTS		
- 130	NAS601-4P		.SCREW-	121503 904949	4
- 130	NAS601-4P		.SCREW	904949	4
- 136	AN960JD616L		.WASHER-	121503	4
			USED ON:	904949	
			411N3260-15SP		
			411N3260-20SP		
			411N3260-42SP		
			411N3260-152SP		
			411N3260-186SP		
			411N3260-239SP		
- 136	AN960JD6L		.WASHER-	121503	4
			USED ON:	904949	
			411N3260-135SP		
			411N3260-215SP		
			-----*-----		
140	416N1011-1SP		.GRILL ASSY-SPKR	121503 904949	1
			ATTACHING PARTS		
- 145	AN960JD10LL		.WASHER	904949	4
- 145	AN960JD10LL		.WASHER-	121503	4
				904949	
- 150	BACN10MG10		.NUT-	121503	4
				904949	
- 152	BACN10MG10		.NUT	121503	4
			-----*-----		
- 300	411N3262-55SP		PANEL ASSY-FLAT (CABIN INTERPHONE SYSTEM ONLY) ONLY)	904949	RF
			FOR NHA/OTHER SYS DET SEE: 25-22-02-26E		
- 300	411N3262-97SP		PANEL ASSY-FLAT (CABIN INTERPHONE SYSTEM ONLY) ONLY)	121503	RF
			FOR NHA/OTHER SYS DET SEE: 25-22-02-26E		
305	BAC27NPA0935		.MARKER-ALUMINUM FOIL PLACARD CONTENT: B145 CHIMES	121503 904949	1

MISSING ITEM NUMBERS NOT APPLICABLE

- ITEM NOT ILLUSTRATED

23-42-53-01

23-42-53
FIG. 01
PAGE 2
JAN 20/09

BRI



757

PARTS CATALOG (MAINTENANCE)

FIG ITEM	PART NUMBER	1 2 3 4 5 6 7	NOMENCLATURE	EFFECT FROM TO	UNITS PER ASSY
1 310	RDAM8001A		.CHIME- SUPPLIER CODE: VOFF57 FUNCTIONAL DESCRIPTION: ALERTS ATTENDANT WITH A SIGNAL FOR PILOT-TO ATTENDANT CALL SPECIFICATION NUMBER: S222T102-101 ELECTRICAL EQUIP NUMBER: B00145 ATTACHING PARTS	121503 904949	1
- 315	NAS1801-3-5		.SCREW	121503 904949	4
- 320	AN960JD10LL		.WASHER	121503 904949	4
			-----*-----		
325	416N1011-1SP		.GRILL ASSY-SPKR ATTACHING PARTS	121503 904949	1
- 330	AN960JD10LL		.WASHER	121503 904949	4
- 335	BACN10MG8		.NUT	121503 904949	4
			-----*-----		
- 380	411N3262-130SP		PANEL ASSY-FLAT (CABIN INTERPHONE SYSTEM ONLY) FOR NHA/OTHER SYS DET SEE: 25-22-02-08D	504903	RF
385	BAC27NPA0935		.MARKER-ALUMINUM FOIL PLACARD CONTENT: B145 CHIMES	504903	1
390	RDAM8001A		.CHIME- SUPPLIER CODE: VOFF57 FUNCTIONAL DESCRIPTION: ALERTS ATTENDANT WITH A SIGNAL FOR PILOT-TO ATTENDANT CALL SPECIFICATION NUMBER: S222T102-101 ELECTRICAL EQUIP NUMBER: B00145 ATTACHING PARTS	504903	1
- 395	NAS8201A5		.SCREW	504903	4
- 400	NAS1149DN616J		.WASHER	504903	4
			-----*-----		
405	416N1011-5SP		.GRILLE ASSY	504903	1

MISSING ITEM NUMBERS NOT APPLICABLE

- ITEM NOT ILLUSTRATED

23-42-53-01

23-42-53
FIG. 01
PAGE 3
JAN 20/09

BRI



757

PARTS CATALOG (MAINTENANCE)

FIG ITEM	PART NUMBER	1 2 3 4 5 6 7	NOMENCLATURE	EFFECT FROM TO	UNITS PER ASSY
1			ATTACHING PARTS		
- 410	NAS1149D0316J	.	WASHER	504903	4
- 415	BACN10MG8	.	NUT	504903	4
			-----*-----		
- 430	411N3260-499SP	PANEL	ASSY-FLAT (CABIN INTERPHONE SYSTEM ONLY) FLYAWAY FOR NHA/OTHER SYS DET SEE: 25-22-02-19F	504903	RF
435	BAC27NPA0691	.	MARKER-ALUMINUM FOIL PLACARD CONTENT: B144 CHIME	504903	1
440	RDAM8001A	.	CHIME- SUPPLIER CODE: VOFF57 FUNCTIONAL DESCRIPTION: ALERTS ATTENDANT WITH A SIGNAL FOR A PILOT-TO ATTENDANT CALL SPECIFICATION NUMBER: S222T102-101 ELECTRICAL EQUIP NUMBER: B00144 B00145	504903	1
			ATTACHING PARTS		
- 445	NAS8201A4P	.	SCREW-	504903	4
- 450	NAS1149DN632J	.	WASHER	504903	4
			-----*-----		
455	416N1011-1SPJ	.	GRILLE ASSY-SPKR ATTACHING PARTS	504903	1
- 460	NAS1149DN816J	.	WASHER	504903	4
- 465	BACN10MG4	.	NUT	504903	4
			-----*-----		

MISSING ITEM NUMBERS NOT APPLICABLE

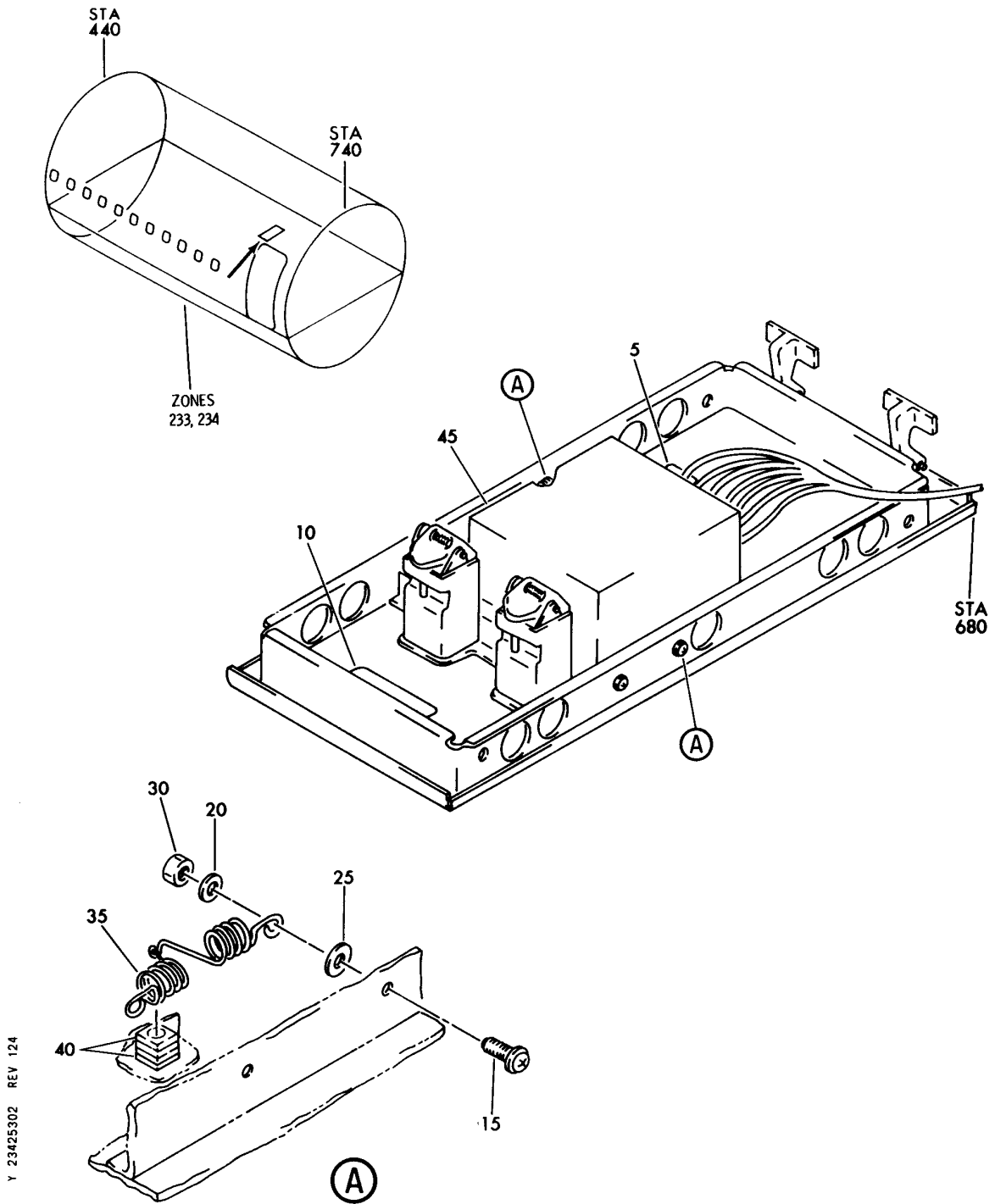
- ITEM NOT ILLUSTRATED

23-42-53-01

23-42-53
FIG. 01
PAGE 4
JAN 20/09

BRI

BOEING
757
PARTS CATALOG (MAINTENANCE)



Y 23425302 REV 124

PANEL ASSY-OVERDOOR CHIME SPACER (SERVICE INTERPHONE SYSTEM ONLY)
FIGURE 2

23-42-53-02

BRI
MAY 28/07

23-42-53-02
PAGE 0



757

PARTS CATALOG (MAINTENANCE)

FIG ITEM	PART NUMBER	1 2 3 4 5 6 7	NOMENCLATURE	EFFECT FROM TO	UNITS PER ASSY
2			PANEL ASSY-OVERDOOR CHIME SPACER (SERVICE INTERPHONE SYSTEM ONLY)	121503 904949	
- 1	417N3060-1SP		PANEL ASSY-OVERDOOR CHIME SPACER (SERVICE INTERPHONE SYSTEM ONLY) FOR NHA/OTHER SYS DET SEE: 25-23-01-71 25-23-01-71A	121503 904949	RF
	5 BAC27NPA0639		.MARKER-ALUMINUM FOIL PLACARD CONTENT: B10101	121503 904949	1
	10 BAC27NPA0640		.MARKER-ALUMINUM FOIL PLACARD CONTENT: M10573 CHIME PANEL ASSEMBLY OVERDOOR	121503 904949	1
	15 BACS12FA08K6		.SCREW	121503 904949	4
	20 AN960PD8		.WASHER	121503 904949	4
	25 AN960KD8		.WASHER	121503 904949	4
	30 BRH10A08		.NUT SUPPLIER CODE: V52828 SPECIFICATION NUMBER: BACN10JC08 OPTIONAL PART: H10-08BAC V15653 NS202101-82 V80539 RMLH9075-82W V72962 VN303A82 V92215 96-82 V80539 T6S832J V11815	121503 904949	4
	35 417N3173-6		.SPRING	121503 904949	2
	40 417N3162-1		.PAD-INSULATION	121503 904949	8

MISSING ITEM NUMBERS NOT APPLICABLE

- ITEM NOT ILLUSTRATED

BRI

23-42-53-02

BOEING PROPRIETARY - Copyright © - Unpublished Work - See title page for details.

23-42-53
FIG. 02
PAGE 1
JAN 20/09



757

PARTS CATALOG (MAINTENANCE)

FIG ITEM	PART NUMBER	1 2 3 4 5 6 7	NOMENCLATURE	EFFECT FROM TO	UNITS PER ASSY
2 45	RDAM8001A		.CHIME- SUPPLIER CODE: VOFF57 FUNCTIONAL DESCRIPTION: ALERTS ATTENDANT WITH A SIGNAL FOR PILOT-TO ATTENDANT CALL SPECIFICATION NUMBER: S222T102-101	121503 904949	1

MISSING ITEM NUMBERS NOT APPLICABLE

- ITEM NOT ILLUSTRATED

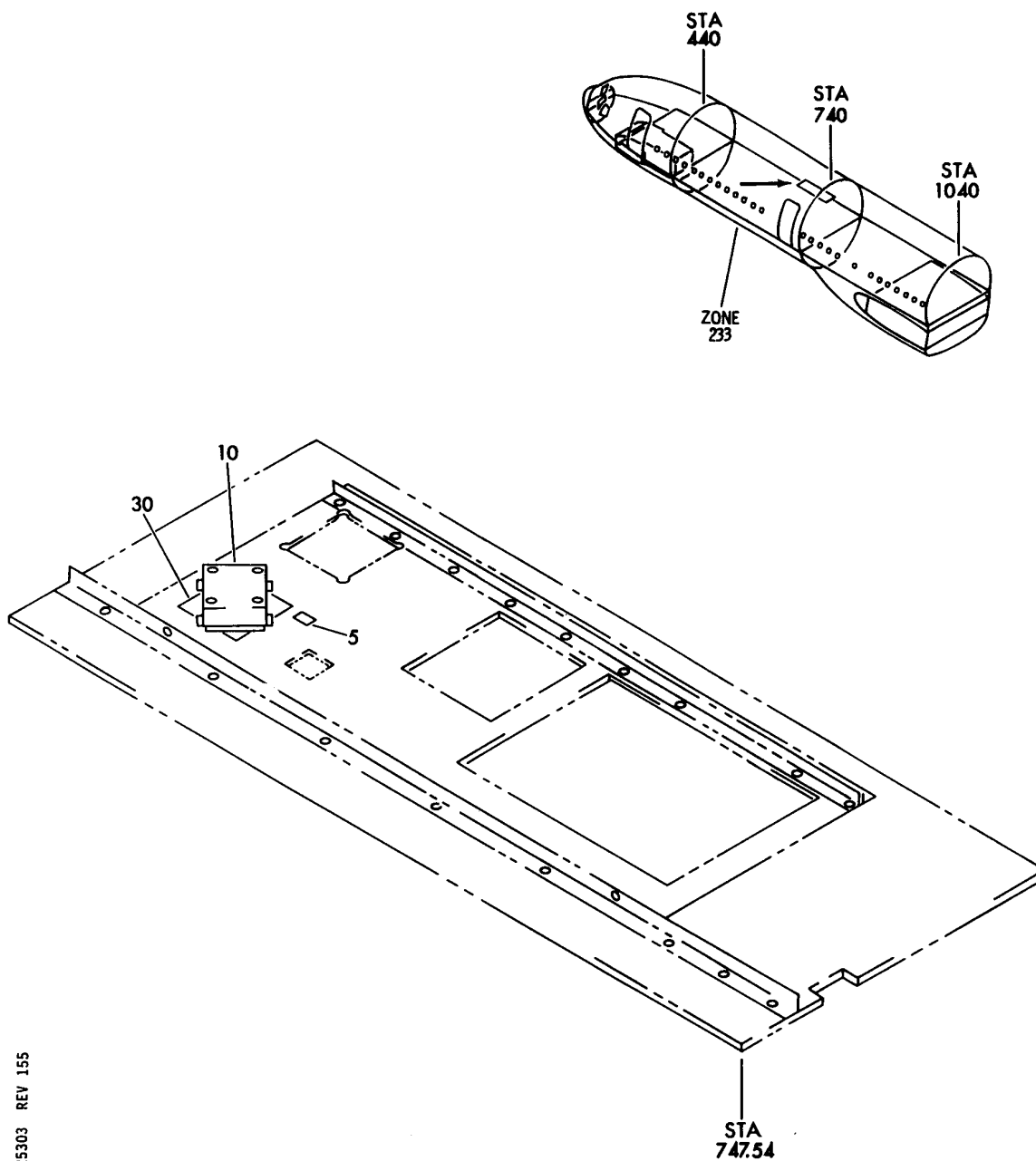
BRI

23-42-53-02

BOEING PROPRIETARY - Copyright © - Unpublished Work - See title page for details.

23-42-53
FIG. 02
PAGE 2
JAN 20/09

BOEING
757
PARTS CATALOG (MAINTENANCE)



Y 23425303 REV 155

PANEL ASSY-DOOR NO. 2 FLAT (CABIN INTERPHONE SYSTEM ONLY) (FLYAWAY)

FIGURE 3

23-42-53-03

BRI
JAN 20/09

23-42-53-03
PAGE 0



757

PARTS CATALOG (MAINTENANCE)

FIG ITEM	PART NUMBER	1 2 3 4 5 6 7	NOMENCLATURE	EFFECT FROM TO	UNITS PER ASSY
3			PANEL ASSY-DOOR NO. 2 FLAT (CABIN INTERPHONE SYSTEM ONLY) (FLYAWAY)	504504 506506	
- 1	411N3262-187SP		PANEL ASSY-DOOR NO. 2 FLAT (CABIN INTERPHONE SYSTEM ONLY) FOR NHA/OTHER SYS DET SEE: 25-22-02-50B	504504 506506	RF
5	BAC27NPA0692		.MARKER-ALUMINUM FOIL PLACARD CONTENT: B146 CHIMES	504504 506506	1
10	RDAM8001A		.CHIME- SUPPLIER CODE: VOFF57 FUNCTIONAL DESCRIPTION: ALERTS ATTENDANT WITH A SIGNAL FOR PILOT-TO ATTENDANT CALL SPECIFICATION NUMBER: S222T102-101 ELECTRICAL EQUIP NUMBER: B00146	504504 506506	1
- 15	NAS601-6P		ATTACHING PARTS .SCREW	504504 506506	4
- 20	NAS1149DN616J		.WASHER	504504 506506	4
- 25	MS21042L06		.NUT	504504 506506	4
30	416N1011-5SP		-----*----- .GRILLE ASSY-SPKR	504504 506506	1
- 35	BACS12GU3K6		ATTACHING PARTS .SCREW	504504 506506	4
- 40	NAS1149D0332J		.WASHER -----*-----	504504 506506	4

MISSING ITEM NUMBERS NOT APPLICABLE

- ITEM NOT ILLUSTRATED

23-42-53-03

23-42-53
FIG. 03
PAGE 1
JAN 20/09

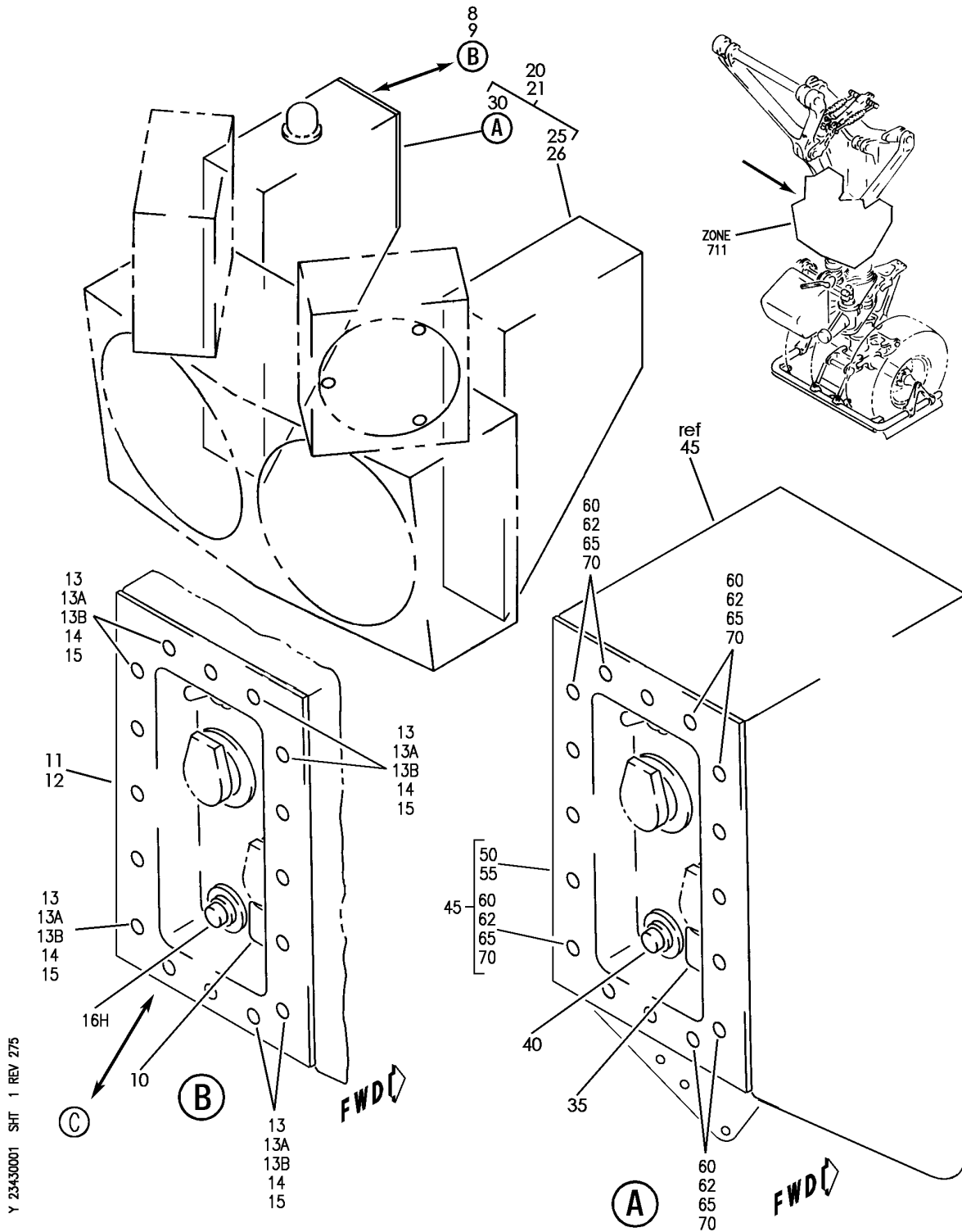
BRI

GROUND CREW CALL SYSTEM

BRI
MAY 28/07

23-43-00
SECTION TITLE
PAGE 1

BOEING
757
PARTS CATALOG (MAINTENANCE)



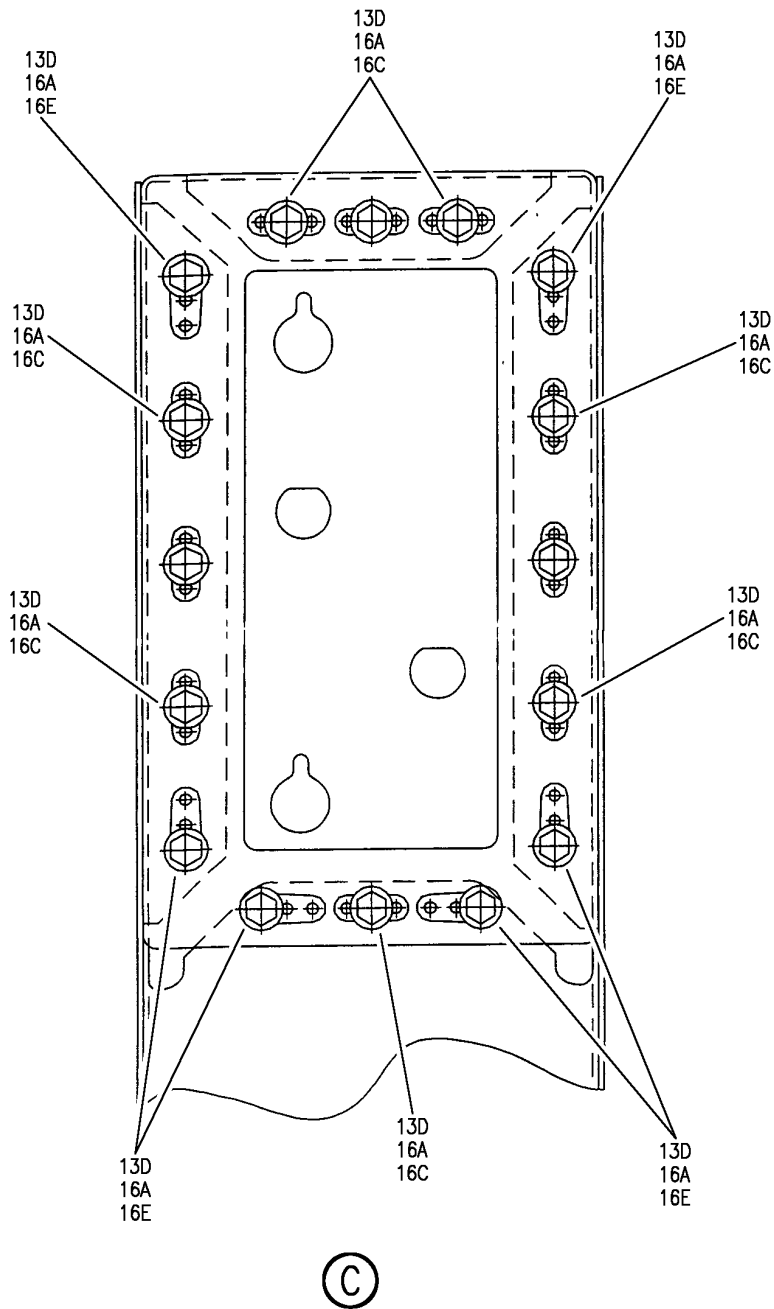
PANEL INSTL-P62 AND P63 NLG LDG AND TURNOFF LTS (GROUND CREW CALL SYSTEM ONLY)
FIGURE 1 (SHEET 1)

BRI
MAY 28/07

23-43-00-01

23-43-00-01
PAGE 0

BOEING
757
PARTS CATALOG (MAINTENANCE)



Y 23430001 SH1 2 REV 275

PANEL INSTL-P62 AND P63 NLG LDG AND TURNOFF LTS (GROUND CREW CALL SYSTEM ONLY)
FIGURE 1 (SHEET 2)

23-43-00-01

BRI
MAY 28/07

23-43-00-01
PAGE 0A



757

PARTS CATALOG (MAINTENANCE)

FIG ITEM	PART NUMBER	1 2 3 4 5 6 7	NOMENCLATURE	EFFECT FROM TO	UNITS PER ASSY
1			PANEL INSTL-P62 AND P63 NLG LDG AND TURNOFF LTS (GROUND CREW CALL SYSTEM ONLY)	002004 006101 107107 121503 904999	
- 2	284N1761-30		PANEL INSTL-P62 AND P63 NLG LDG AND TURNOFF LTS (GROUND CREW CALL SYSTEM ONLY) FOR NHA/OTHER SYS DET SEE: 24-00-58-01C	107107	RF
- 2	284N1761-31		PANEL INSTL-P62 AND P63 NLG LDG AND TURNOFF LTS (GROUND CREW CALL SYSTEM ONLY) FOR NHA/OTHER SYS DET SEE: 24-00-58-01C	904949	RF
- 2	284N1761-34		PANEL INSTL-P62 AND P63 NLG LDG AND TURNOFF LTS (GROUND CREW CALL SYSTEM ONLY) FOR NHA/OTHER SYS DET SEE: 24-00-58-01C	952952	RF
- 2	284N1761-38		PANEL INSTL-P62 AND P63 NLG LDG AND TURNOFF LTS (GROUND CREW CALL SYSTEM ONLY) FOR NHA/OTHER SYS DET SEE: 24-00-58-01C	002004	RF
- 3	284N1761-42		PANEL INSTL-P62 AND P63 NLG LDG AND TURNOFF LTS (GROUND CREW CALL SYSTEM ONLY) FOR NHA/OTHER SYS DET SEE: 24-00-58-01C	121503	RF
- 3	284N1761-48		PANEL INSTL-P62 AND P63 NLG LDG AND TURNOFF LTS (GROUND CREW CALL SYSTEM ONLY) FOR NHA/OTHER SYS DET SEE: 24-00-58-01C	006017	RF
- 3	284N1761-54		PANEL INSTL-P62 AND P63 NLG LDG AND TURNOFF LTS (GROUND CREW CALL SYSTEM ONLY) FOR NHA/OTHER SYS DET SEE: 24-00-58-01C	953999	RF

MISSING ITEM NUMBERS NOT APPLICABLE

- ITEM NOT ILLUSTRATED

23-43-00-01

23-43-00
FIG. 01
PAGE 1
JAN 20/09

BRI



757

PARTS CATALOG (MAINTENANCE)

FIG ITEM	PART NUMBER	1 2 3 4 5 6 7	NOMENCLATURE	EFFECT FROM TO	UNITS PER ASSY
1					
- 3	284N1761-57		PANEL INSTL-P62 AND P63 NLG LDG AND TURNOFF LTS (GROUND CREW CALL SYSTEM ONLY) FOR NHA/OTHER SYS DET SEE: 24-00-58-01C	950951	RF
8	284N1758-20		.HOUSING ASSY-P62 CONT PNL POSITION DATA: RH SIDE	002004 952952	RF
8	284N1758-22		.HOUSING ASSY-P62 CONT PNL POSITION DATA: RH SIDE	107107	RF
8	284N1758-23		.HOUSING ASSY-P62 CONT PNL POSITION DATA: RH SIDE	121503 904949	RF
9	284N1758-35		.HOUSING ASSY-P62 CONT PNL	006017 950951 953999	RF
10	BAC27NEL0280		..MARKER-ALUMINUM FOIL PLACARD CONTENT: S00426 FLIGHT DECK CALL SW	002004 006017 107107 121503 904999	1
11	284N1760-2		..PANEL-REAR OPTIONAL PART: 284N1760	002004 006017 107107 121503 904999	1
11	284N1760-6		..PANEL-REAR OPTIONAL PART: 284N1760-2	002004 006017 107107 121503 904999	1
13	BACR15BB5		..RIVET- SIZE DETERMINED ON INSTL.	002004 006017 107107 121503 904999	16
16H	D20011-01		..SWITCH-SNAP SUPPLIER CODE: V81640 ELECTRICAL EQUIP NUMBER: S00426	002004 006017 107107 121503 904999	1
- 17	284N1761-60		PANEL INSTL-P62 AND P63 NLG LDG AND TURNOFF LTS (GROUND CREW CALL SYSTEM ONLY) FOR NHA/OTHER SYS DET SEE: 24-00-58-01C	018100	RF

MISSING ITEM NUMBERS NOT APPLICABLE

- ITEM NOT ILLUSTRATED

23-43-00-01

23-43-00
FIG. 01
PAGE 2
JAN 20/09

BRI

BOEING PROPRIETARY - Copyright © - Unpublished Work - See title page for details.



757

PARTS CATALOG (MAINTENANCE)

FIG ITEM	PART NUMBER	1 2 3 4 5 6 7	NOMENCLATURE	EFFECT FROM TO	UNITS PER ASSY
1					
- 18	284N1761-90		PANEL INSTL-P62 AND P63 NLG LDG AND TURNOFF LTS (GROUND CREW CALL SYSTEM ONLY) FOR NHA/OTHER SYS DET SEE: 24-00-58-05E	101101	RF
20	284N1209-2		.PANEL ASSY-P62 AND P63, NLG LDG AND TURNOFF LTS	018100	RF
21	284N1209-42		.PANEL ASSY-P62 AND P63, NLG LDG AND TURNOFF LTS	101101	RF
25	284N1209-13		..HOUSING ASSY	018100	RF
26	284N1209-49		..HOUSING ASSY-	101101	RF
30	284N1758-46		...CONTROL PANEL ASSY-P62	018100	RF
30	284N1758-66		...CONTROL PANEL ASSY-P62	101101	RF
35	BAC27NEL0280	MARKER-ALUMINUM FOIL-PLACARD CONTENT: S00426 FLIGHT DECK CALL SW	018101	1
40	D20011-01	SWITCH-SNAP SUPPLIER CODE: V81640 ELECTRICAL EQUIP NUMBER: S00426	018101	1
45	284N1758-47	HOUSING ASSY	018100	RF
45	284N1758-67	HOUSING ASSY	101101	RF
50	284N1760-2	PANEL-REAR OPTIONAL PART: 284N1760-6	101101	1
50	284N1760-6	PANEL-REAR OPTIONAL PART: 284N1760-2	018101	1
60	BACR15BB5	RIVET- SIZE DETERMINED ON INSTL.	018100	16
60	BACR15BB5AC	RIVET- SIZE DETERMINED ON INSTL.	101101	16

MISSING ITEM NUMBERS NOT APPLICABLE

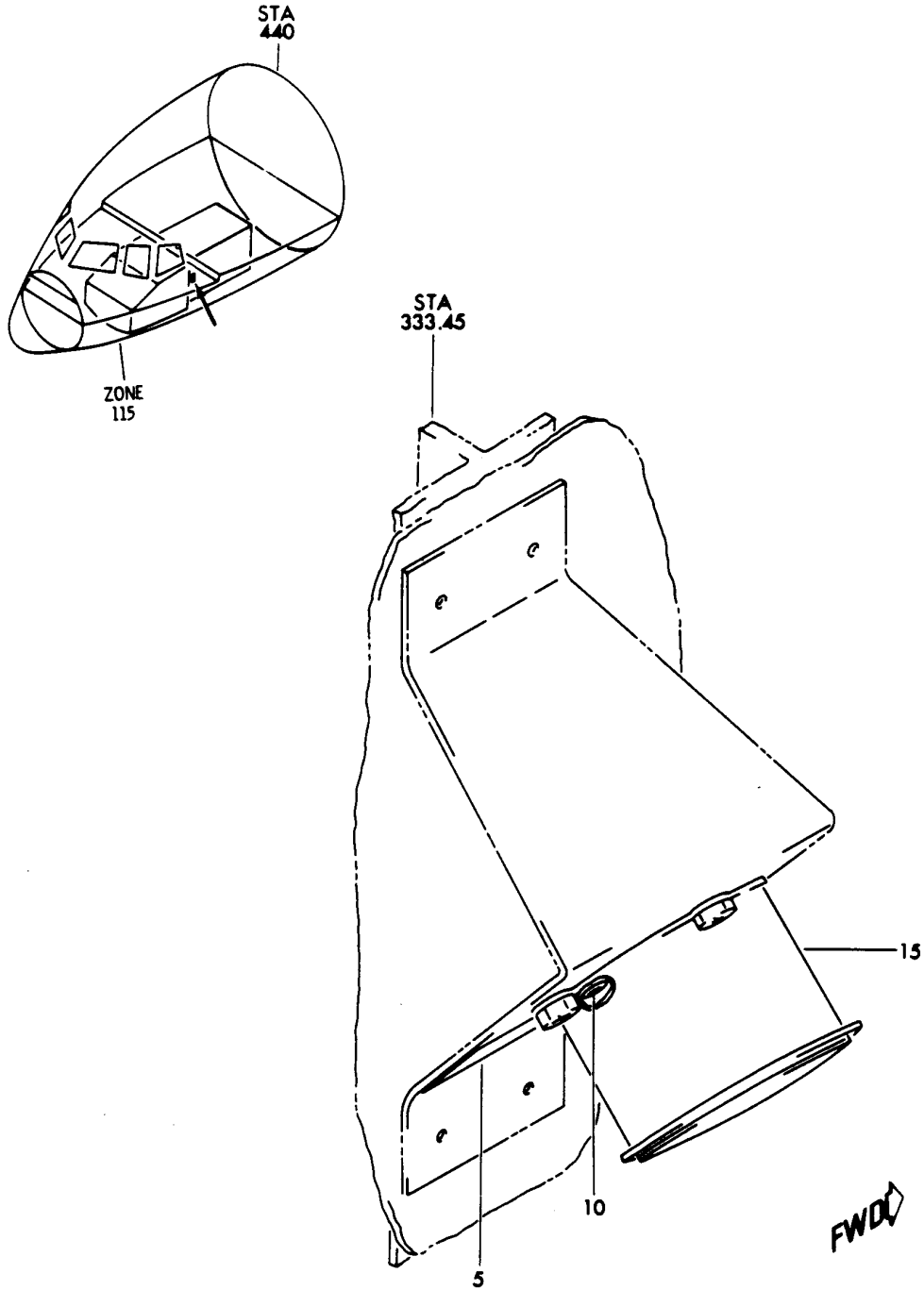
- ITEM NOT ILLUSTRATED

23-43-00-01

23-43-00
FIG. 01
PAGE 3
JAN 20/09

BRI

BOEING
757
PARTS CATALOG (MAINTENANCE)



Y 23430101 SMT 1 REV 001

HORN INSTL-NOSE WHL WELL GND CREW CALL
FIGURE 1

23-43-01-01

BRI
MAY 28/07

23-43-01-01
PAGE 0



757

PARTS CATALOG (MAINTENANCE)

FIG ITEM	PART NUMBER	1 2 3 4 5 6 7	NOMENCLATURE	EFFECT FROM TO	UNITS PER ASSY
1			HORN INSTL-NOSE WHL WELL GND CREW CALL	002004 006999	
- 1	284N1408-1		HORN INSTL-NOSE WHL WELL GND CREW CALL FOR NHA SEE: 24-00-58-01A	107107	RF
- 1	284N1408-2		HORN INSTL-NOSE WHL WELL GND CREW CALL FOR NHA SEE: 24-00-58-01A	002004 006017 121503 904999	RF
- 1	284N1408-3		HORN INSTL-NOSE WHL WELL GND CREW CALL FOR NHA SEE: 24-00-58-01A 24-00-58-05	018102 108120 504903	RF
- 1	MODREF10221		HORN INSTL-NOSE WHL WELL GND CREW CALL MODULE NUMBER: 284N1408-3 REV A	103106	1
5	BAC27NEL0001		.MARKER-ALUMINUM FOIL- PLACARD CONTENT: B00060 HORN-GROUND CREW CALL	002004 006999	1
10	28-031		.GROMMET- SUPPLIER CODE: V77969 SPECIFICATION NUMBER: BACG20C4	002004 006017 107107 121503 904999	1
10	BACG20C4N		.GROMMET-	018106 108120 504903	1
15	M6904-2-1		.HORN- SUPPLIER CODE: V05395 ELECTRICAL EQUIP NUMBER: B00060 OPTIONAL PART: 430M1 V80252	002004 006017 107107 121503 904999	1
15	430M1		.HORN- SUPPLIER CODE: V80252 ELECTRICAL EQUIP NUMBER: B00060 OPTIONAL PART: M6904-2-1 V05395	002004 006999	1

MISSING ITEM NUMBERS NOT APPLICABLE

- ITEM NOT ILLUSTRATED

23-43-01-01

23-43-01
FIG. 01
PAGE 1
JAN 20/09

BRI



757

PARTS CATALOG (MAINTENANCE)

FIG ITEM	PART NUMBER	1 2 3 4 5 6 7	NOMENCLATURE	EFFECT FROM TO	UNITS PER ASSY
1 15	01-0770544-00		.HORN- SUPPLIER CODE: V10402 SPECIFICATION NUMBER: 10-62239-1 ELECTRICAL EQUIP NUMBER: B00060 ATTACHING PARTS	002004 006999	1
- 20	NAS1801-08-7		.SCREW -----*-----	002004 006999	3

MISSING ITEM NUMBERS NOT APPLICABLE

- ITEM NOT ILLUSTRATED

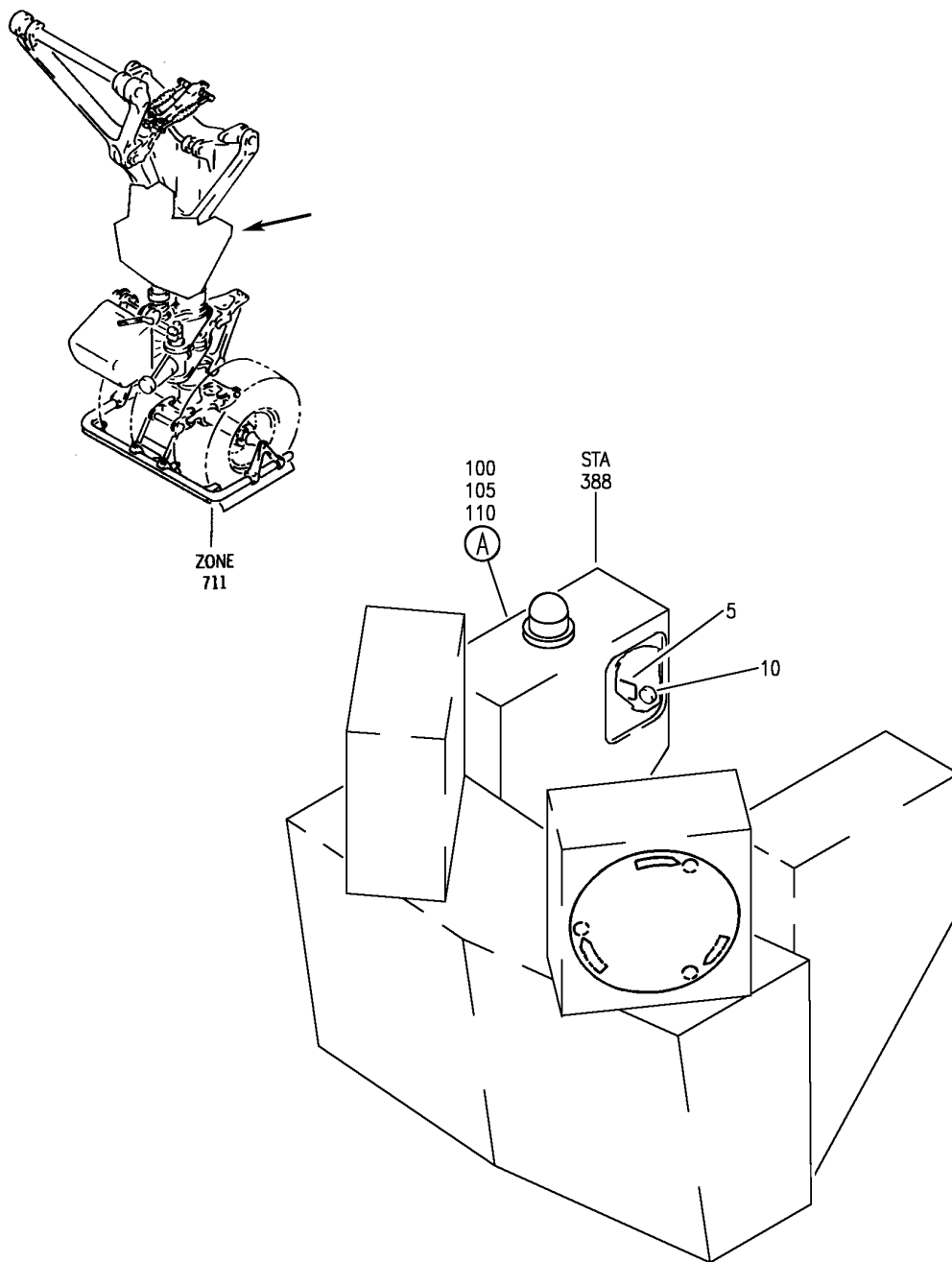
BRI

23-43-01-01

BOEING PROPRIETARY - Copyright © - Unpublished Work - See title page for details.

23-43-01
FIG. 01
PAGE 2
JAN 20/09

BOEING
757
PARTS CATALOG (MAINTENANCE)



Y 23430201B SHT 1 REV 275

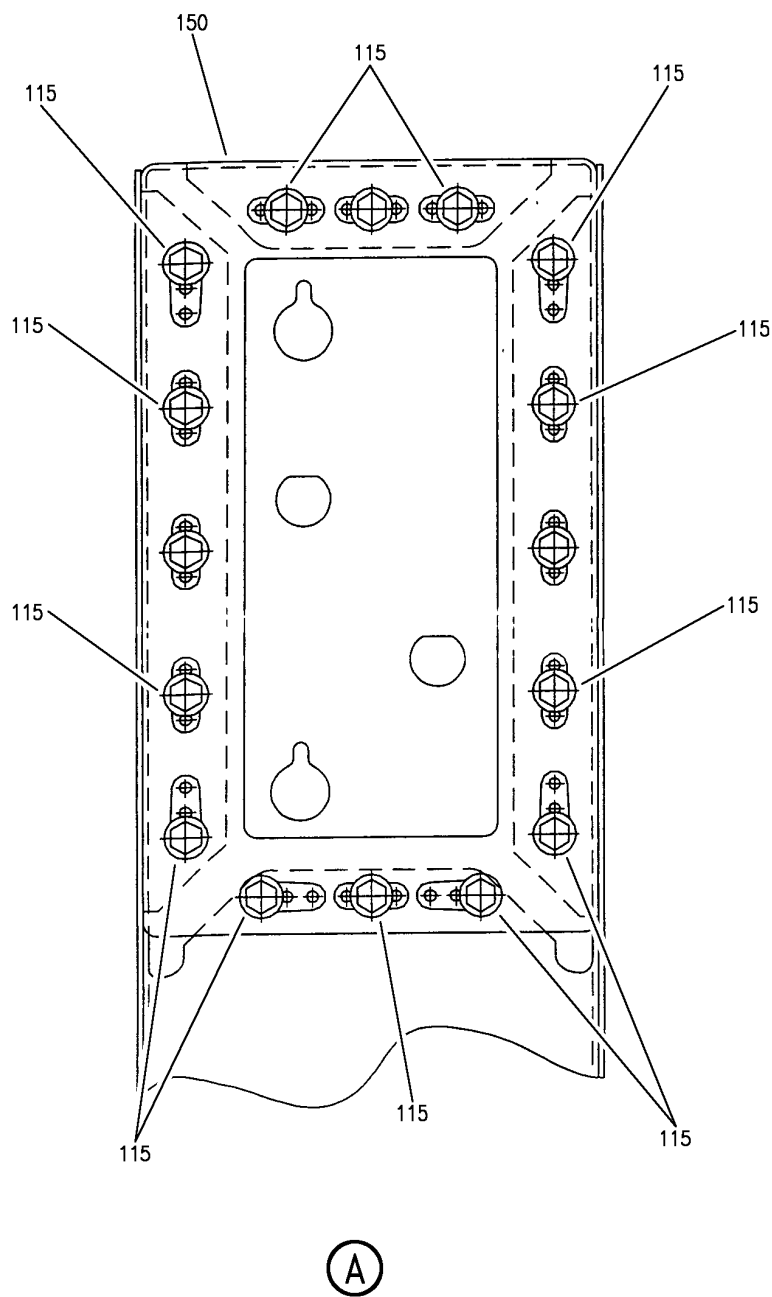
PANEL ASSY-P62 AND P63 NLG LDG AND TURNOFF LTS (GROUND CREW CALL SYSTEM ONLY)
FIGURE 1B (SHEET 1)

BRI
MAY 28/07

23-43-02-01B

23-43-02-01B
PAGE 0

BOEING
757
PARTS CATALOG (MAINTENANCE)



Y 23430201B SHT 2 REV 326

PANEL ASSY-P62 AND P63 NLG LDG AND TURNOFF LTS (GROUND CREW CALL SYSTEM ONLY)
FIGURE 1B (SHEET 2)

BRI
SEP 20/08

23-43-02-01B

23-43-02-01B
PAGE 0A



757

PARTS CATALOG (MAINTENANCE)

FIG ITEM	PART NUMBER	1 2 3 4 5 6 7	NOMENCLATURE	EFFECT FROM TO	UNITS PER ASSY
1B			PANEL ASSY-P62 AND P63 NLG LDG AND TURNOFF LTS (GROUND CREW CALL SYSTEM ONLY)	102106 108120 504903	
- 1	284N1209-103		PANEL ASSY-P62 AND P63, NLG LDG AND TURNOFF LTS (GROUND CREW CALL SYSTEM ONLY) FOR NHA/OTHER SYS DET SEE: 33-42-04-01	102102	RF
- 1	284N1209-108		PANEL ASSY-P62 AND P63, NLG LDG AND TURNOFF LTS (GROUND CREW CALL SYSTEM ONLY) FOR NHA/OTHER SYS DET SEE: 33-42-04-01	504903	RF
- 2	284N1209-134		PANEL ASSY-P62 AND P63 NLG LDG AND TURNOFF LTS (GROUND CREW CALL SYSTEM ONLY) FOR NHA/OTHER SYS DET SEE: 33-42-04-01	108120	RF
- 3	284N1209-140		PANEL ASSY-P62 AND P63, NLG LDG AND TURNOFF LTS (GROUND CREW CALL SYSTEM ONLY) FOR NHA/OTHER SYS DET SEE: 33-42-04-01	103106	RF
5	BAC27NEL0280		.MARKER-ALUMINUM FOIL PLACARD CONTENT: S00426 FLIGHT DECK CALL SW	102106 108120 504903	1
10	D20011-01		.SWITCH-SNAP SUPPLIER CODE: V81640 ELECTRICAL EQUIP NUMBER: S00426	102106 108120 504903	1
100	284N1209-203		.BOX ASSY	102102 108120	1
100	284N1209-208		.BOX ASSY	504903	1
105	284N1209-212		.BOX ASSY	103106	1
110	284N1758-67		..HOUSING ASSY-P62	102106 108120	1
110	284N1758-79		..HOUSING ASSY-P62	504903	1
115	BACR15BB5		...RIVET- SIZE DETERMINED ON INSTL.	102106 108120	16
150	284N1760-2		...PANEL-REAR OPTIONAL PART: 284N1760-6	102106 108120	1

MISSING ITEM NUMBERS NOT APPLICABLE

- ITEM NOT ILLUSTRATED

23-43-02-01B

23-43-02
FIG. 01B
PAGE 1
JAN 20/09

BRI

BOEING PROPRIETARY - Copyright © - Unpublished Work - See title page for details.



757

PARTS CATALOG (MAINTENANCE)

FIG ITEM	PART NUMBER	1 2 3 4 5 6 7	NOMENCLATURE	EFFECT FROM TO	UNITS PER ASSY
1B 150	284N1760-6		. . . PANEL-REAR OPTIONAL PART: 284N1760-2	102106 108120	1

MISSING ITEM NUMBERS NOT APPLICABLE

- ITEM NOT ILLUSTRATED

BRI

23-43-02-01B

BOEING PROPRIETARY - Copyright © - Unpublished Work - See title page for details.

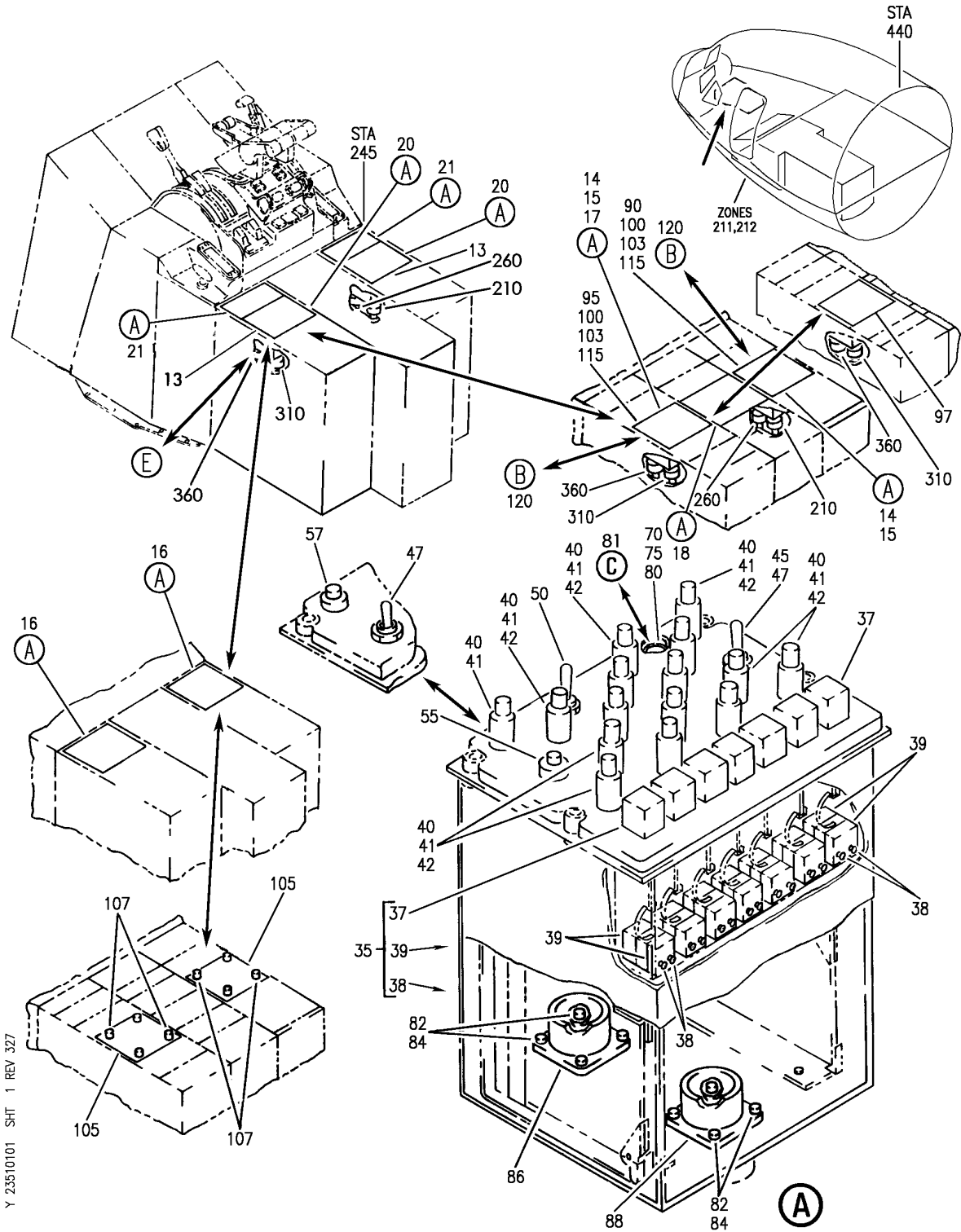
23-43-02
FIG. 01B
PAGE 2
JAN 20/09

FLIGHT INTERPHONE SYSTEM

BRI
MAY 28/07

23-51-00
SECTION TITLE
PAGE 1

BOEING
757
PARTS CATALOG (MAINTENANCE)

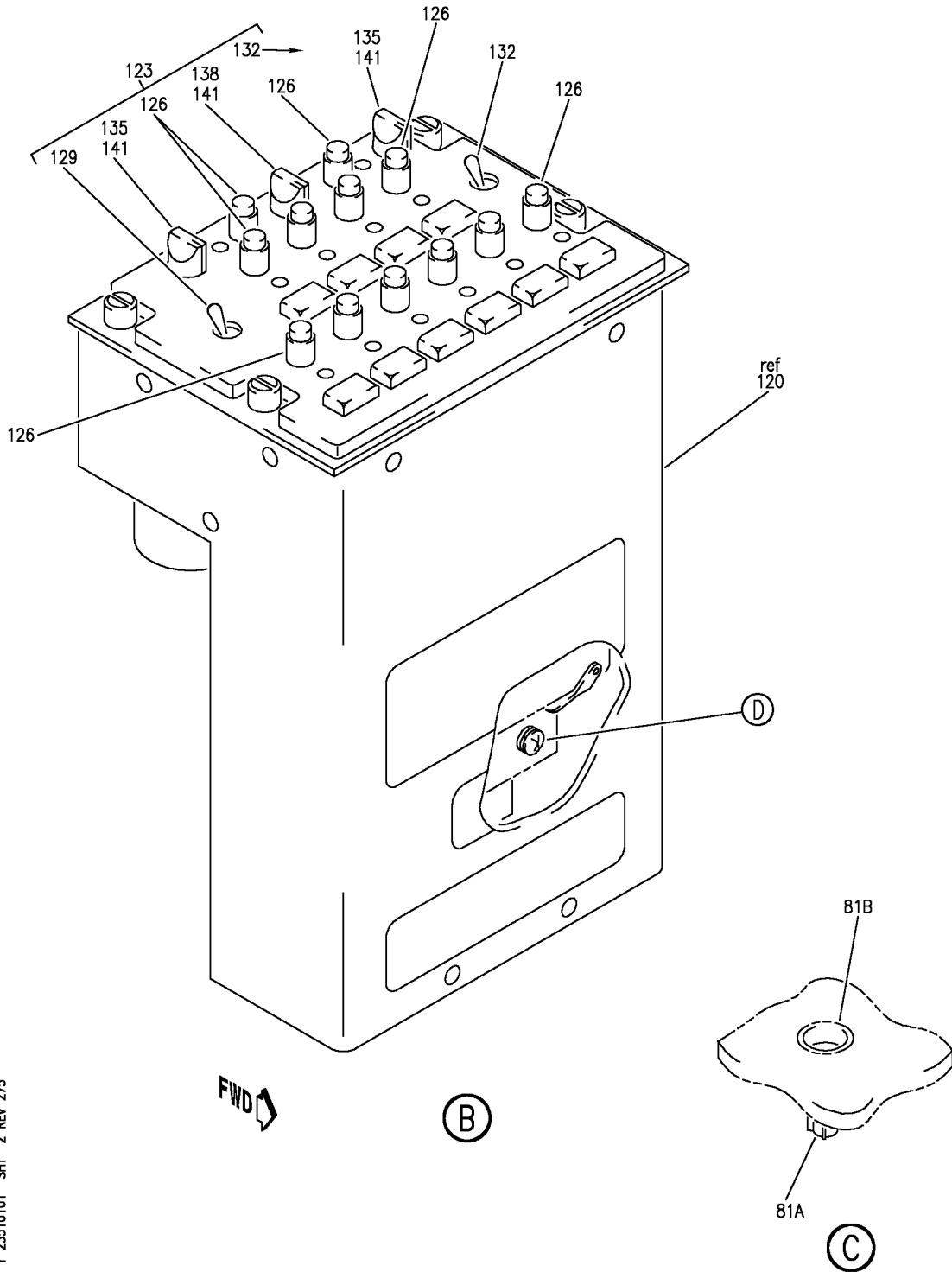


Y 23510101 SHT 1 REV 327

PANEL INSTL-P8,P9,P10 ELECTRONIC (AUDIO INTEGRATING ONLY)
FIGURE 1 (SHEET 1)

23-51-01-01


BOEING
 757
PARTS CATALOG (MAINTENANCE)



Y 233510101 SHT 2 REV 275

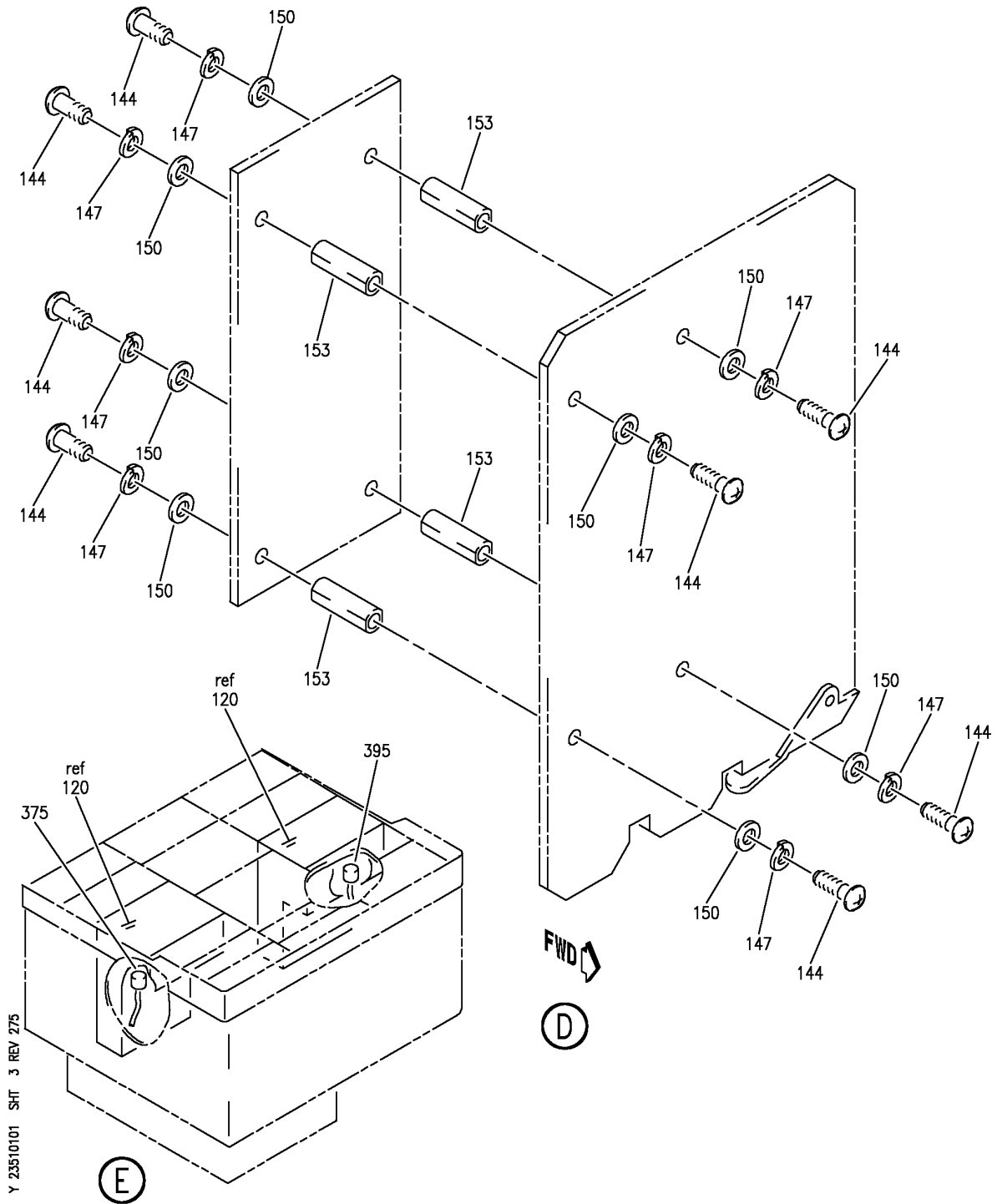
PANEL INSTL-P8,P9,P10 ELECTRONIC (AUDIO INTEGRATING ONLY)
 FIGURE 1 (SHEET 2)

23-51-01-01

BRI
MAY 28/07

23-51-01-01
 PAGE 0A


BOEING
 757
PARTS CATALOG (MAINTENANCE)



Y 23510101 SHT 3 REV 275

PANEL INSTL-P8,P9,P10 ELECTRONIC (AUDIO INTEGRATING ONLY)
 FIGURE 1 (SHEET 3)

23-51-01-01

BRI
 MAY 28/07

23-51-01-01
 PAGE 0B



757

PARTS CATALOG (MAINTENANCE)

FIG ITEM	PART NUMBER	1 2 3 4 5 6 7	NOMENCLATURE	EFFECT FROM TO	UNITS PER ASSY
1			PANEL INSTL-P8,P9,P10 ELECTRONIC (AUDIO INTEGRATING ONLY)	002004 006100 107107 121503 904999	
- 1	233N6101-1		PANEL INSTL-P8 ELECTRONIC (AUDIO INTEGRATING ONLY) VARIABLE DRAWING REF: 233N6101-5004 233N6101-5028 233N6101-5041 233N6101-5042 233N6101-5046 FOR NHA/OTHER SYS DET SEE: 25-10-00-05A	002004 006100 107107 121503 904999	RF
14	285T0022-43		.PANEL ASSY-AUDIO SELECTOR SUPPLIER CODE: V89954 ELECTRICAL EQUIP NUMBER: M00070 M00071 COMPONENT MAINT MANUAL REF: 23-51-54 POST COMPONENT SB: 285T0022-23-05	950952	RF
14	285T0022-44		.PANEL ASSY-AUDIO SELECTOR SUPPLIER CODE: V89954 ELECTRICAL EQUIP NUMBER: M00070 M00071 COMPONENT MAINT MANUAL REF: 23-51-54	002004 006100 107107	RF
15	285T0022-28		.PANEL ASSY-AUDIO SELECTOR SUPPLIER CODE: V89954 ELECTRICAL EQUIP NUMBER: M00070 M00071 COMPONENT MAINT MANUAL REF: 23-51-51	002004 006100 107107	RF
15	285T0022-27		.PANEL ASSY-AUDIO SELECTOR SUPPLIER CODE: V89954 ELECTRICAL EQUIP NUMBER: M00070 M00071 COMPONENT MAINT MANUAL REF: 23-51-51	950952	RF

MISSING ITEM NUMBERS NOT APPLICABLE

- ITEM NOT ILLUSTRATED

23-51-01-01

23-51-01
FIG. 01
PAGE 1
JAN 20/09

BRI



757

PARTS CATALOG (MAINTENANCE)

FIG ITEM	PART NUMBER	1 2 3 4 5 6 7	NOMENCLATURE	EFFECT FROM TO	UNITS PER ASSY
1					
15	285T0022-22		.PANEL ASSY-AUDIO SELECTOR SUPPLIER CODE: V89954 ELECTRICAL EQUIP NUMBER: M00070 M00071 COMPONENT MAINT MANUAL REF: 23-51-51	002004 006100 107107	RF
15	285T0022-31		.PANEL ASSY-AUDIO SELECTOR SUPPLIER CODE: V89954 ELECTRICAL EQUIP NUMBER: M00070 M00071 COMPONENT MAINT MANUAL REF: 23-51-54	953999	RF
15	285T0022-38		.PANEL ASSY-AUDIO SELECTOR SUPPLIER CODE: V89954 ELECTRICAL EQUIP NUMBER: M00070 M00071 COMPONENT MAINT MANUAL REF: 23-51-54	002004 006100 107107	RF
15	285T0022-37		.PANEL ASSY-AUDIO SELECTOR SUPPLIER CODE: V89954 ELECTRICAL EQUIP NUMBER: M00070 M00071 COMPONENT MAINT MANUAL REF: 23-51-54 PRE COMPONENT SB: 285T0022-23-05	950952	RF
15	285T0022-41		.PANEL ASSY-AUDIO SELECTOR SUPPLIER CODE: V89954 ELECTRICAL EQUIP NUMBER: M00070 M00071 COMPONENT MAINT MANUAL REF: 23-51-54	953999	RF

MISSING ITEM NUMBERS NOT APPLICABLE

- ITEM NOT ILLUSTRATED

BRI

23-51-01-01

23-51-01
FIG. 01
PAGE 2
JAN 20/09



757

PARTS CATALOG (MAINTENANCE)

FIG ITEM	PART NUMBER	1 2 3 4 5 6 7	NOMENCLATURE	EFFECT FROM TO	UNITS PER ASSY
1					
20	285T0022-38		.PANEL ASSY-AUDIO SELECTOR (CUSTOMER FURNISHED) SUPPLIER CODE: V89954 ELECTRICAL EQUIP NUMBER: M00070 M00071 COMPONENT MAINT MANUAL REF: 23-51-54	904949	RF
20	285T0022-44		.PANEL ASSY-AUDIO SELECTOR (CUSTOMER FURNISHED) SUPPLIER CODE: V89954 ELECTRICAL EQUIP NUMBER: M00070 M00071 COMPONENT MAINT MANUAL REF: 23-51-54	904949	RF
20	285T0022-28		.PANEL ASSY-AUDIO SELECTOR (CUSTOMER FURNISHED) SUPPLIER CODE: V89954 ELECTRICAL EQUIP NUMBER: M00070 M00071 COMPONENT MAINT MANUAL REF: 23-51-54	904949	RF
20	285T0022-22		.PANEL ASSY-AUDIO SELECTOR (CUSTOMER FURNISHED) SUPPLIER CODE: V89954 ELECTRICAL EQUIP NUMBER: M00070 M00071 COMPONENT MAINT MANUAL REF: 23-51-51	904949	RF
20	285T0022-44		.PANEL ASSY-AUDIO SELECTOR SUPPLIER CODE: V89954 ELECTRICAL EQUIP NUMBER: M00070 M00071 COMPONENT MAINT MANUAL REF: 23-51-54	121503	RF

MISSING ITEM NUMBERS NOT APPLICABLE

- ITEM NOT ILLUSTRATED

23-51-01-01

23-51-01
FIG. 01
PAGE 3
JAN 20/09

BRI



757

PARTS CATALOG (MAINTENANCE)

FIG ITEM	PART NUMBER	1 2 3 4 5 6 7	NOMENCLATURE	EFFECT FROM TO	UNITS PER ASSY
1 20	285T0022-38		.PANEL ASSY-AUDIO SELECTOR SUPPLIER CODE: V89954 ELECTRICAL EQUIP NUMBER: M00070 M00071 COMPONENT MAINT MANUAL REF: 23-51-54	121503	RF
20	285T0022-28		.PANEL ASSY-AUDIO SELECTOR SUPPLIER CODE: V89954 ELECTRICAL EQUIP NUMBER: M00070 M00071 COMPONENT MAINT MANUAL REF: 23-51-54	121503	RF
20	285T0022-22		.PANEL ASSY-AUDIO SELECTOR SUPPLIER CODE: V89954 ELECTRICAL EQUIP NUMBER: M00070 M00071 COMPONENT MAINT MANUAL REF: 23-51-51	121503	RF
35	WCS223-1		..SWITCH ASSY- SUPPLIER CODE: V51074 QUALIFIED OPTIONAL DATA: (WCS223-1 OR WCS223-2 OR WCS223-3 ARE ALL OPT USED WITH ASSOCIATED ITEMS) USED ON: 285T0022-35 285T0022-36 285T0022-37 285T0022-38 285T0022-39 285T0022-40 285T0022-41 285T0022-42 285T0022-43 285T0022-44 285T0022-45	002004 006100 107107 121503 904999	1

MISSING ITEM NUMBERS NOT APPLICABLE

- ITEM NOT ILLUSTRATED

BRI

23-51-01-01

BOEING PROPRIETARY - Copyright © - Unpublished Work - See title page for details.

23-51-01
FIG. 01
PAGE 4
JAN 20/09



**757
PARTS CATALOG (MAINTENANCE)**

FIG ITEM	PART NUMBER	1 2 3 4 5 6 7	NOMENCLATURE	EFFECT FROM TO	UNITS PER ASSY
1 35	WCS223-2		.. SWITCH ASSY- SUPPLIER CODE: V51074 QUALIFIED OPTIONAL DATA: (WCS223-1 OR WCS223-2 OR WCS223-3 ARE ALL OPT USED WITH ASSOCIATED ITEMS) USED ON: 285T0022-35 285T0022-36 285T0022-37 285T0022-38 285T0022-39 285T0022-40 285T0022-41 285T0022-42 285T0022-43 285T0022-44 285T0022-45	002004 006100 107107 121503 904999	1
35	WCS223-3		.. SWITCH ASSY- SUPPLIER CODE: V51074 QUALIFIED OPTIONAL DATA: (WCS223-1 OR WCS223-2 OR WCS223-3 ARE ALL OPT USED WITH ASSOCIATED ITEMS) USED ON: 285T0022-35 285T0022-36 285T0022-37 285T0022-38 285T0022-39 285T0022-40 285T0022-41 285T0022-42 285T0022-43 285T0022-44 285T0022-45	002004 006100 107107 121503 904999	1

MISSING ITEM NUMBERS NOT APPLICABLE

— ITEM NOT ILLUSTRATED

BRI

23-51-01-01

BOEING PROPRIETARY - Copyright © - Unpublished Work - See title page for details.

23-51-01
FIG. 01
PAGE 5
JAN 20/09



757

PARTS CATALOG (MAINTENANCE)

FIG ITEM	PART NUMBER	1 2 3 4 5 6 7	NOMENCLATURE	EFFECT FROM TO	UNITS PER ASSY
1	35 WCS223-1		.. SWITCH ASSY- SUPPLIER CODE: V51074 OPTIONAL PART: WCS223-2 V51074 WCS223-3 V51074 USED ON: 285T0022-20 285T0022-22 285T0022-25 285T0022-26 285T0022-27 285T0022-28 285T0022-29 285T0022-30 285T0022-31	002004 006100 107107 121503 904999	1
	35 WCS223-2		.. SWITCH ASSY- SUPPLIER CODE: V51074 OPTIONAL PART: WCS223-1 V51074 WCS223-3 V51074 USED ON: 285T0022-20 285T0022-22 285T0022-25 285T0022-26 285T0022-27 285T0022-28 285T0022-29 285T0022-30 285T0022-31	002004 006100 107107 121503 904999	1

MISSING ITEM NUMBERS NOT APPLICABLE

- ITEM NOT ILLUSTRATED

BRI

23-51-01-01

BOEING PROPRIETARY - Copyright © - Unpublished Work - See title page for details.

23-51-01
 FIG. 01
 PAGE 6
 JAN 20/09



757

PARTS CATALOG (MAINTENANCE)

FIG ITEM	PART NUMBER	1 2 3 4 5 6 7	NOMENCLATURE	EFFECT FROM TO	UNITS PER ASSY
1 35	WCS223-3		.. SWITCH ASSY- SUPPLIER CODE: V51074 OPTIONAL PART: WCS223-1 V51074 WCS223-2 V51074 USED ON: 285T0022-20 285T0022-22 285T0022-25 285T0022-26 285T0022-27 285T0022-28 285T0022-29 285T0022-30 285T0022-31	002004 006100 107107 121503 904999	1
37	WCS223-022		... KNOB- SUPPLIER CODE: V51074	002004 006100 107107 121503 904999	7
38	MS35206-208		... SCREW	002004 006100 107107 121503 904999	14
39	B2-314352		... SWITCH- SUPPLIER CODE: V21649	002004 006100 107107 121503 904999	21

MISSING ITEM NUMBERS NOT APPLICABLE

- ITEM NOT ILLUSTRATED

23-51-01-01

23-51-01
FIG. 01
PAGE 7
JAN 20/09

BRI

BOEING PROPRIETARY - Copyright © - Unpublished Work - See title page for details.



757

PARTS CATALOG (MAINTENANCE)

FIG ITEM	PART NUMBER	1 2 3 4 5 6 7	NOMENCLATURE	EFFECT FROM TO	UNITS PER ASSY
1	40 WCS218-4		.. SWITCH ASSY- SUPPLIER CODE: V51074 OPTIONAL PART: WCS218-6 V51074 WCS218-5 V51074 USED ON: 285T0022-20 285T0022-22 285T0022-26 285T0022-27 285T0022-28 285T0022-29 285T0022-30 285T0022-31	002004 006100 107107 121503 904999	15
	40 WCS218-5		.. SWITCH ASSY- SUPPLIER CODE: V51074 OPTIONAL PART: WCS218-6 V51074 WCS218-4 V51074 USED ON: 285T0022-20 285T0022-22 285T0022-26 285T0022-27 285T0022-28 285T0022-29 285T0022-30 285T0022-31	002004 006100 107107 121503 904999	15

MISSING ITEM NUMBERS NOT APPLICABLE

- ITEM NOT ILLUSTRATED

BRI

23-51-01-01

BOEING PROPRIETARY - Copyright © - Unpublished Work - See title page for details.

23-51-01
 FIG. 01
 PAGE 8
 JAN 20/09



757

PARTS CATALOG (MAINTENANCE)

FIG ITEM	PART NUMBER	1 2 3 4 5 6 7	NOMENCLATURE	EFFECT FROM TO	UNITS PER ASSY
1	40 WCS218-6		..SWITCH ASSY- SUPPLIER CODE: V51074 OPTIONAL PART: WCS218-4 V51074 WCS218-5 V51074 USED ON: 285T0022-20 285T0022-22 285T0022-26 285T0022-27 285T0022-28 285T0022-29 285T0022-30 285T0022-31	002004 006100 107107 121503 904999	15
	40 WCS218-4		..SWITCH ASSY- SUPPLIER CODE: V51074 QUALIFIED OPTIONAL DATA: (USED WITH ASSOCIATED ITEMS) USED ON: 285T0022-36 285T0022-37 285T0022-38 285T0022-39 285T0022-40 285T0022-41 285T0022-43 285T0022-44 285T0022-45	002004 006100 107107 121503 904999	15
	40 WCS218-6		..SWITCH ASSY- SUPPLIER CODE: V51074 QUALIFIED OPTIONAL DATA: (USED WITH ASSOCIATED ITEMS) USED ON: 285T0022-36 285T0022-37 285T0022-38 285T0022-39 285T0022-40 285T0022-41 285T0022-43 285T0022-44 285T0022-45	002004 006100 107107 121503 904999	15

MISSING ITEM NUMBERS NOT APPLICABLE

- ITEM NOT ILLUSTRATED

23-51-01-01

23-51-01
FIG. 01
PAGE 9
JAN 20/09

BRI



757

PARTS CATALOG (MAINTENANCE)

FIG ITEM	PART NUMBER	1 2 3 4 5 6 7	NOMENCLATURE	EFFECT FROM TO	UNITS PER ASSY
1 40	WCS218-5		..SWITCH ASSY- SUPPLIER CODE: V51074 QUALIFIED OPTIONAL DATA: (USED WITH ASSOCIATED ITEMS) USED ON: 285T0022-36 285T0022-37 285T0022-38 285T0022-39 285T0022-40 285T0022-41 285T0022-43 285T0022-44 285T0022-45	002004 006100 107107 121503 904999	15
40	WCS218-4		..SWITCH ASSY- SUPPLIER CODE: V51074 QUALIFIED OPTIONAL DATA: (WCS218-4 OR WCS218-5 OR WCS218-6 ARE ALL OPT USED WITH ASSOCIATED ITEMS) USED ON: 285T0022-36 285T0022-37 285T0022-38 285T0022-39 285T0022-40 285T0022-41 285T0022-43 285T0022-44 285T0022-45	002004 006100 107107 121503 904999	15

MISSING ITEM NUMBERS NOT APPLICABLE

- ITEM NOT ILLUSTRATED

BRI

23-51-01-01

BOEING PROPRIETARY - Copyright © - Unpublished Work - See title page for details.

23-51-01
FIG. 01
PAGE 10
JAN 20/09



757

PARTS CATALOG (MAINTENANCE)

FIG ITEM	PART NUMBER	1 2 3 4 5 6 7	NOMENCLATURE	EFFECT FROM TO	UNITS PER ASSY
1 40	WCS218-5		..SWITCH ASSY- SUPPLIER CODE: V51074 QUALIFIED OPTIONAL DATA: (WCS218-4 OR WCS218-5 OR WCS218-6 ARE ALL OPT USED WITH ASSOCIATED ITEMS) USED ON: 285T0022-36 285T0022-37 285T0022-38 285T0022-39 285T0022-40 285T0022-41 285T0022-43 285T0022-44 285T0022-45	002004 006100 107107 121503 904999	15
40	WCS218-6		..SWITCH ASSY- SUPPLIER CODE: V51074 QUALIFIED OPTIONAL DATA: (WCS218-4 OR WCS218-5 OR WCS218-6 ARE ALL OPT USED WITH ASSOCIATED ITEMS) USED ON: 285T0022-36 285T0022-37 285T0022-38 285T0022-39 285T0022-40 285T0022-41 285T0022-43 285T0022-44 285T0022-45	002004 006100 107107 121503 904999	15

MISSING ITEM NUMBERS NOT APPLICABLE

- ITEM NOT ILLUSTRATED

BRI

23-51-01-01

BOEING PROPRIETARY - Copyright © - Unpublished Work - See title page for details.

23-51-01
 FIG. 01
 PAGE 11
 JAN 20/09



757

PARTS CATALOG (MAINTENANCE)

FIG ITEM	PART NUMBER	1 2 3 4 5 6 7	NOMENCLATURE	EFFECT FROM TO	UNITS PER ASSY
1	45 T1-0051		.. SWITCH- SUPPLIER CODE: V21649 QUALIFIED OPTIONAL DATA: (T1-0051 OPT TO T1-0051-1 USED WITH ASSOCIATED ITEMS) USED ON: 285T0022-36 285T0022-37 285T0022-38 285T0022-39 285T0022-40 285T0022-41 285T0022-43 285T0022-44 285T0022-45	002004 006100 107107 121503 904999	1
	45 T1-0051-1		.. SWITCH- SUPPLIER CODE: V21649 QUALIFIED OPTIONAL DATA: (T1-0051 OPT TO T1-1051-1 USED WITH ASSOCIATED ITEMS) USED ON: 285T0022-36 285T0022-37 285T0022-38 285T0022-39 285T0022-40 285T0022-41 285T0022-43 285T0022-44 285T0022-45	002004 006100 107107 121503 904999	1
	45 T1-0051		.. SWITCH- SUPPLIER CODE: V21649 USED ON: 285T0022-20 285T0022-22 285T0022-26 285T0022-27 285T0022-28 285T0022-29 285T0022-30 285T0022-31	002004 006100 107107 121503 904999	1

MISSING ITEM NUMBERS NOT APPLICABLE

- ITEM NOT ILLUSTRATED

23-51-01-01

23-51-01
FIG. 01
PAGE 12
JAN 20/09

BRI



757

PARTS CATALOG (MAINTENANCE)

FIG ITEM	PART NUMBER	1 2 3 4 5 6 7	NOMENCLATURE	EFFECT FROM TO	UNITS PER ASSY
1 45	T1-0051		.. SWITCH- SUPPLIER CODE: V21649 QUALIFIED OPTIONAL DATA: (USED WITH ASSOCIATED ITEMS) USED ON: 285T0022-36 285T0022-37 285T0022-38 285T0022-39 285T0022-40 285T0022-41 285T0022-43 285T0022-44 285T0022-45	002004 006100 107107 121503 904999	1
50	T1-0050		.. SWITCH- SUPPLIER CODE: V21649 QUALIFIED OPTIONAL DATA: (T1-0050 OPT TO T1-0050-1 USED WITH ASSOCIATED ITEMS) USED ON: 285T0022-35 285T0022-36 285T0022-37 285T0022-38 285T0022-39 285T0022-40 285T0022-41 285T0022-42 285T0022-43 285T0022-44 285T0022-45	002004 006100 107107 121503 904999	1

MISSING ITEM NUMBERS NOT APPLICABLE

- ITEM NOT ILLUSTRATED

BRI

23-51-01-01

BOEING PROPRIETARY - Copyright © - Unpublished Work - See title page for details.

23-51-01
 FIG. 01
 PAGE 13
 JAN 20/09



757

PARTS CATALOG (MAINTENANCE)

FIG ITEM	PART NUMBER	1 2 3 4 5 6 7	NOMENCLATURE	EFFECT FROM TO	UNITS PER ASSY
1	50 T1-0050-1		.. SWITCH- SUPPLIER CODE: V21649 QUALIFIED OPTIONAL DATA: (T1-0050 OPT TO T1-0050-1 USED WITH ASSOCIATED ITEMS) USED ON: 285T0022-35 285T0022-36 285T0022-37 285T0022-38 285T0022-39 285T0022-40 285T0022-41 285T0022-42 285T0022-43 285T0022-44 285T0022-45	002004 006100 107107 121503 904999	1
50	T1-0050		.. SWITCH- SUPPLIER CODE: V21649 USED ON: 285T0022-35 285T0022-36 285T0022-37 285T0022-38 285T0022-39 285T0022-40 285T0022-41 285T0022-42 285T0022-43 285T0022-44 285T0022-45	002004 006100 107107 121503 904999	1

MISSING ITEM NUMBERS NOT APPLICABLE

- ITEM NOT ILLUSTRATED

BRI

23-51-01-01

BOEING PROPRIETARY - Copyright © - Unpublished Work - See title page for details.

23-51-01
 FIG. 01
 PAGE 14
 JAN 20/09



757

PARTS CATALOG (MAINTENANCE)

FIG ITEM	PART NUMBER	1 2 3 4 5 6 7	NOMENCLATURE	EFFECT FROM TO	UNITS PER ASSY
1 50	T1-0050-1		.. SWITCH- SUPPLIER CODE: V21649 QUALIFIED OPTIONAL DATA: (USED WITH ASSOCIATED ITEMS) USED ON: 285T0022-35 285T0022-36 285T0022-37 285T0022-38 285T0022-39 285T0022-40 285T0022-41 285T0022-42 285T0022-43 285T0022-44 285T0022-45	002004 006100 107107 121503 904999	1
55	WCS229-2		.. SWITCH- SUPPLIER CODE: V51074 QUALIFIED OPTIONAL DATA: (WCS229-1 OR WCS229-2 OR WCS229-3 OR WCS229-5 OR 90-22901-5 ARE ALL OPT WHEN USED WITH ASSOCIATED ITEMS) USED ON: 285T0022-36 285T0022-37 285T0022-38 285T0022-39 285T0022-40 285T0022-41 285T0022-43 285T0022-44 285T0022-45	002004 006100 107107 121503 904999	1

MISSING ITEM NUMBERS NOT APPLICABLE

- ITEM NOT ILLUSTRATED

BRI

23-51-01-01

BOEING PROPRIETARY - Copyright © - Unpublished Work - See title page for details.

23-51-01
 FIG. 01
 PAGE 15
 JAN 20/09



757

PARTS CATALOG (MAINTENANCE)

FIG ITEM	PART NUMBER	1 2 3 4 5 6 7	NOMENCLATURE	EFFECT FROM TO	UNITS PER ASSY
1	55 WCS229-3		.. SWITCH- SUPPLIER CODE: V51074 QUALIFIED OPTIONAL DATA: (WCS229-1 OR WCS229-2 OR WCS229-3 OR WCS229-5 OR 90-22901-5 ARE ALL OPT WHEN USED WITH ASSOCIATED ITEMS) USED ON: 285T0022-36 285T0022-37 285T0022-38 285T0022-39 285T0022-40 285T0022-41 285T0022-43 285T0022-44 285T0022-45	002004 006100 107107 121503 904999	1
	55 WCS229-1		.. SWITCH- SUPPLIER CODE: V51074 QUALIFIED OPTIONAL DATA: (WCS229-1 OR WCS229-2 OR WCS229-3 OR WCS229-5 OR 90-22901-5 ARE ALL OPT WHEN USED WITH ASSOCIATED ITEMS) USED ON: 285T0022-36 285T0022-37 285T0022-38 285T0022-39 285T0022-40 285T0022-41 285T0022-43 285T0022-44 285T0022-45	002004 006100 107107 121503 904999	1

MISSING ITEM NUMBERS NOT APPLICABLE

- ITEM NOT ILLUSTRATED

BRI

23-51-01-01

BOEING PROPRIETARY - Copyright © - Unpublished Work - See title page for details.

23-51-01
 FIG. 01
 PAGE 16
 JAN 20/09



757

PARTS CATALOG (MAINTENANCE)

FIG ITEM	PART NUMBER	1 2 3 4 5 6 7	NOMENCLATURE	EFFECT FROM TO	UNITS PER ASSY
1	55 WCS229-5		.. SWITCH- SUPPLIER CODE: V51074 QUALIFIED OPTIONAL DATA: (WCS229-1 OR WCS229-2 OR WCS229-3 OR WCS229-5 OR 90-22901-5 ARE ALL OPT WHEN USED WITH ASSOCIATED ITEMS) USED ON: 285T0022-36 285T0022-37 285T0022-38 285T0022-39 285T0022-40 285T0022-41 285T0022-43 285T0022-44 285T0022-45	002004 006100 107107 121503 904999	1
	55 WCS229-1		.. SWITCH- SUPPLIER CODE: V51074 OPTIONAL PART: WCS229-3 V51074 WCS229-5 V51074 90-22901-5 V51074 USED ON: 285T0022-20 285T0022-22 285T0022-26 285T0022-27 285T0022-28 285T0022-29 285T0022-30 285T0022-31	002004 006100 107107 121503 904999	1

MISSING ITEM NUMBERS NOT APPLICABLE

- ITEM NOT ILLUSTRATED

BRI

23-51-01-01

BOEING PROPRIETARY - Copyright © - Unpublished Work - See title page for details.

23-51-01
FIG. 01
PAGE 17
JAN 20/09



757

PARTS CATALOG (MAINTENANCE)

FIG ITEM	PART NUMBER	1 2 3 4 5 6 7	NOMENCLATURE	EFFECT FROM TO	UNITS PER ASSY
1	55 WCS229-3		.. SWITCH- SUPPLIER CODE: V51074 OPTIONAL PART: WCS229-1 V51074 WCS229-5 V51074 90-22901-5 V51074 USED ON: 285T0022-20 285T0022-22 285T0022-26 285T0022-27 285T0022-28 285T0022-29 285T0022-30 285T0022-31	002004 006100 107107 121503 904999	1
	55 WCS229-5		.. SWITCH- SUPPLIER CODE: V51074 OPTIONAL PART: WCS229-1 V51074 WCS229-3 V51074 90-22901-5 V51074 USED ON: 285T0022-20 285T0022-22 285T0022-26 285T0022-27 285T0022-28 285T0022-29 285T0022-30 285T0022-31	002004 006100 107107 121503 904999	1

MISSING ITEM NUMBERS NOT APPLICABLE

- ITEM NOT ILLUSTRATED

BRI

23-51-01-01

BOEING PROPRIETARY - Copyright © - Unpublished Work - See title page for details.

23-51-01
FIG. 01
PAGE 18
JAN 20/09



757

PARTS CATALOG (MAINTENANCE)

FIG ITEM	PART NUMBER	1 2 3 4 5 6 7	NOMENCLATURE	EFFECT FROM TO	UNITS PER ASSY
1					
55	90-22901-5		.. SWITCH- SUPPLIER CODE: V51074 OPTIONAL PART: WCS229-1 V51074 WCS229-3 V51074 WCS229-5 V51074 USED ON: 285T0022-20 285T0022-22 285T0022-26 285T0022-27 285T0022-28 285T0022-29 285T0022-30 285T0022-31	002004 006100 107107 121503 904999	1
55	WCS229-2		.. SWITCH- SUPPLIER CODE: V51074	002004 006100 107107 121503 904999	1
55	WCS229-1		.. SWITCH- SUPPLIER CODE: V51074 QUALIFIED OPTIONAL DATA: (WCS229-1 OR WCS229-3 OR WCS229-5 OR 90-22901-5 ARE ALL OPT WHEN USED WITH ASSOCIATED ITEMS) USED ON: 285T0022-36 285T0022-37 285T0022-38 285T0022-39 285T0022-40 285T0022-41 285T0022-43 285T0022-44 285T0022-45	002004 006100 107107 121503 904999	1

MISSING ITEM NUMBERS NOT APPLICABLE

- ITEM NOT ILLUSTRATED

BRI

23-51-01-01

BOEING PROPRIETARY - Copyright © - Unpublished Work - See title page for details.

23-51-01
 FIG. 01
 PAGE 19
 JAN 20/09



757

PARTS CATALOG (MAINTENANCE)

FIG ITEM	PART NUMBER	1 2 3 4 5 6 7	NOMENCLATURE	EFFECT FROM TO	UNITS PER ASSY
1	55 WCS229-3		.. SWITCH- SUPPLIER CODE: V51074 QUALIFIED OPTIONAL DATA: (WCS229-1 OR WCS229-3 OR WCS229-5 OR 90-22901-5 ARE ALL OPT WHEN USED WITH ASSOCIATED ITEMS) USED ON: 285T0022-36 285T0022-37 285T0022-38 285T0022-39 285T0022-40 285T0022-41 285T0022-43 285T0022-44 285T0022-45	002004 006100 107107 121503 904999	1
	55 WCS229-5		.. SWITCH- SUPPLIER CODE: V51074 QUALIFIED OPTIONAL DATA: (WCS229-1 OR WCS229-3 OR WCS229-5 OR 90-22901-5 ARE ALL OPT WHEN USED WITH ASSOCIATED ITEMS) USED ON: 285T0022-36 285T0022-37 285T0022-38 285T0022-39 285T0022-40 285T0022-41 285T0022-43 285T0022-44 285T0022-45	002004 006100 107107 121503 904999	1

MISSING ITEM NUMBERS NOT APPLICABLE

- ITEM NOT ILLUSTRATED

BRI

23-51-01-01

BOEING PROPRIETARY - Copyright © - Unpublished Work - See title page for details.

23-51-01
 FIG. 01
 PAGE 20
 JAN 20/09

 **BOEING**
757
PARTS CATALOG (MAINTENANCE)

FIG ITEM	PART NUMBER	1 2 3 4 5 6 7	NOMENCLATURE	EFFECT FROM TO	UNITS PER ASSY
1 55	90-22901-5		.. SWITCH- SUPPLIER CODE: V51074 QUALIFIED OPTIONAL DATA: (WCS229-1 OR WCS229-2 OR WCS229-3 OR WCS229-5 OR 90-22901-5 ARE ALL OPT WHEN USED WITH ASSOCIATED ITEMS) USED ON: 285T0022-36 285T0022-37 285T0022-38 285T0022-39 285T0022-40 285T0022-41 285T0022-43 285T0022-44 285T0022-45	002004 006100 107107 121503 904999	1
55	90-22901-5		.. SWITCH- SUPPLIER CODE: V51074 QUALIFIED OPTIONAL DATA: (WCS229-1 OR WCS229-3 OR WCS229-5 OR 90-22901-5 ARE ALL OPT WHEN USED WITH ASSOCIATED ITEMS) USED ON: 285T0022-36 285T0022-37 285T0022-38 285T0022-39 285T0022-40 285T0022-41 285T0022-43 285T0022-44 285T0022-45	002004 006100 107107 121503 904999	1

MISSING ITEM NUMBERS NOT APPLICABLE

— ITEM NOT ILLUSTRATED

BRI

23-51-01-01

BOEING PROPRIETARY - Copyright © - Unpublished Work - See title page for details.

23-51-01
FIG. 01
PAGE 21
JAN 20/09



757

PARTS CATALOG (MAINTENANCE)

FIG ITEM	PART NUMBER	1 2 3 4 5 6 7	NOMENCLATURE	EFFECT FROM TO	UNITS PER ASSY
1 70	800000121-1		..CONNECTOR- SUPPLIER CODE: V05617 QUALIFIED I/W DATA: THE 800000121-1 T/W 285T0022-23 IS I/W 90-42301-1 QUALIFIED OPTIONAL DATA: (285T0022-23 USED WITH 800000121-1 OPTIONAL TO 90-42301-1) USED ON: 285T0022-35 285T0022-36 285T0022-37 285T0022-38 285T0022-39 285T0022-41	002004 006100 107107 121503 904999	1
70	800000121-1		..CONNECTOR- SUPPLIER CODE: V05617 QUALIFIED I/W DATA: THE 800000121-1 T/W 285T0022-23 IS I/W 90-42301-1 USED ON: 285T0022-20 285T0022-22 285T0022-25 285T0022-26 285T0022-27 285T0022-28 285T0022-29 285T0022-30 285T0022-31	002004 006100 107107 121503 904999	1

MISSING ITEM NUMBERS NOT APPLICABLE

- ITEM NOT ILLUSTRATED

BRI

23-51-01-01

BOEING PROPRIETARY - Copyright © - Unpublished Work - See title page for details.

23-51-01
 FIG. 01
 PAGE 22
 JAN 20/09



757

PARTS CATALOG (MAINTENANCE)

FIG ITEM	PART NUMBER	1 2 3 4 5 6 7	NOMENCLATURE	EFFECT FROM TO	UNITS PER ASSY
1 75	90-42301-1		.. CONNECTOR-POWER SUPPLIER CODE: V51074 QUALIFIED I/W DATA: 90-42301-1 CONNECTOR CAN REPLACE BUT NOT BE REPLACED BY 285T0022-23 INSULATOR TOGETHER WITH 800000121-1 CONNECTOR. QUALIFIED OPTIONAL DATA: (285T0022-23 USED WITH 800000121-1 OPTIONAL TO 90-42301-1) OPTIONAL PART: 285T0022-52 V89954 USED ON: 285T0022-35 285T0022-36 285T0022-37 285T0022-38 285T0022-39 285T0022-40 285T0022-41 285T0022-42 285T0022-43 285T0022-44 285T0022-45	002004 006100 107107 121503 904999	1
80	285T0022-23		.. INSULATOR-FLOATING SUPPLIER CODE: V89954 QUALIFIED I/W DATA: 90-42301-1 CONNECTOR CAN REPLACE BUT NOT BE REPLACED BY 285T0022-23 INSULATOR TOGETHER WITH 800000121-1 CONNECTOR. QUALIFIED OPTIONAL DATA: (285T0022-23 USED WITH 800000121-1 OPTIONAL TO 90-42301-1) USED ON: 285T0022-35 285T0022-36 285T0022-37 285T0022-38 285T0022-39 285T0022-41	002004 006100 107107 121503 904999	1

MISSING ITEM NUMBERS NOT APPLICABLE

- ITEM NOT ILLUSTRATED

BRI

23-51-01-01

23-51-01
 FIG. 01
 PAGE 23
 JAN 20/09



757

PARTS CATALOG (MAINTENANCE)

FIG ITEM	PART NUMBER	1 2 3 4 5 6 7	NOMENCLATURE	EFFECT FROM TO	UNITS PER ASSY
1 80	285T0022-23		.. INSULATOR-FLOATING SUPPLIER CODE: V89954 QUALIFIED I/W DATA: 90-42301-1 CONNECTOR CAN REPLACE BUT NOT BE REPLACED BY 285T0022-23 INSULATOR TOGETHER WITH 800000121-1 CONNECTOR. USED ON: 285T0022-20 285T0022-22 285T0022-25 285T0022-26 285T0022-27 285T0022-28 285T0022-29 285T0022-30 285T0022-31	002004 006100 107107 121503 904999	1
81	285T0022-52		.. SUB KIT ASSY- SUPPLIER CODE: V89954 OPTIONAL PART: 90-42301-1 V51074	002004 006100 107107 121503 904999	1
81A	800000121-1		.. CONNECTOR- SUPPLIER CODE: V05617 QUALIFIED I/W DATA: THE 800000121-1 T/W 285T0022-23 IS I/W 90-42301-1 QUALIFIED OPTIONAL DATA: 285T0022-23 USED WITH 800000121-1 OPTIONAL TO 90-42301-1	002004 006100 107107 121503 904999	1
81B	285T0022-23		.. INSULATOR-FLOATING SUPPLIER CODE: V89954 QUALIFIED I/W DATA: 90-42301-1 CONNECTOR CAN REPLACE BUT NOT BE REPLACED BY 285T0022-23 INSULATOR TOGETHER WITH 800000121-1 CONNECTOR. QUALIFIED OPTIONAL DATA: 285T0022-23 USED WITH 800000121-1 OPTIONAL TO 90-42301-1	002004 006100 107107 121503 904999	1

MISSING ITEM NUMBERS NOT APPLICABLE

- ITEM NOT ILLUSTRATED

23-51-01-01

23-51-01
FIG. 01
PAGE 24
JAN 20/09

BRI



757

PARTS CATALOG (MAINTENANCE)

FIG ITEM	PART NUMBER	1 2 3 4 5 6 7	NOMENCLATURE	EFFECT FROM TO	UNITS PER ASSY
1	82 NAS1801-04-4		.. SCREW- USED ON: 285T0022-20 285T0022-22 285T0022-25 285T0022-26 285T0022-27 285T0022-29 285T0022-30 285T0022-31 285T0022-35 285T0022-36 285T0022-37 285T0022-39 285T0022-40 285T0022-41 285T0022-42 285T0022-43 285T0022-45	002004 006100 107107 121503 904999	8
	82 NAS1801-04-04		.. SCREW- USED ON: 285T0022-28 285T0022-38 285T0022-44	002004 006100 107107 121503 904949	8
	84 BRH10A04		.. NUT SUPPLIER CODE: V52828 SPECIFICATION NUMBER: BACN10JC04 OPTIONAL PART: NS202101-40 V80539 RMLH9075-40W V72962 VN303A40 V92215 96-40 V80539 T6S440J V11815 H10-04BAC V15653	002004 006100 107107 121503 904999	8
	86 BACC45FN18-31P		.. CONNECTOR	002004 006100 107107 121503 904999	1

MISSING ITEM NUMBERS NOT APPLICABLE

- ITEM NOT ILLUSTRATED

23-51-01-01

23-51-01
FIG. 01
PAGE 25
JAN 20/09

BRI

BOEING PROPRIETARY - Copyright © - Unpublished Work - See title page for details.



757

PARTS CATALOG (MAINTENANCE)

FIG ITEM	PART NUMBER	1 2 3 4 5 6 7	NOMENCLATURE	EFFECT FROM TO	UNITS PER ASSY
1					
88	BACC45FN20-41P	. .	CONNECTOR	002004 006100 107107 121503 904999	1
- 200	286N2297-002		WIRE BUNDLE ASSY-(AUDIO INTEGRATING ONLY)	107107	RF
- 200	286N2297-009		WIRE BUNDLE ASSY-(AUDIO INTEGRATING ONLY)	002004 006010 950999	RF
- 200	286N2297-015		WIRE BUNDLE ASSY-(AUDIO INTEGRATING ONLY)	121503 904949	RF
- 201	286N2297-028		WIRE BUNDLE ASSY-(AUDIO INTEGRATING ONLY)	011100	RF
210	BACC45FT18A31S	. .	CONNECTOR- ELECTRICAL EQUIP NUMBER: D00339 WIRING DIAGRAM REF: 235111	002004 006100 107107 121503 904999	1
- 250	286N2335-002		WIRE BUNDLE ASSY-(AUDIO INTEGRATING ONLY)	002004 006100 107107 121503 904999	RF
260	BACC45FT20A41S	. .	CONNECTOR- ELECTRICAL EQUIP NUMBER: D00337 WIRING DIAGRAM REF: 235111	002004 006100 107107 121503 904999	1
- 300	286N2295-004		WIRE BUNDLE ASSY-(AUDIO INTEGRATING ONLY)	107107	RF
- 300	286N2295-012		WIRE BUNDLE ASSY-(AUDIO INTEGRATING ONLY)	002004 006010 950999	RF
- 300	286N2295-015		WIRE BUNDLE ASSY-(AUDIO INTEGRATING ONLY)	121503 904949	RF
- 301	286N2295-028		WIRE BUNDLE ASSY-(AUDIO INTEGRATING ONLY)	011100	RF
310	BACC45FT18A31S	. .	CONNECTOR- ELECTRICAL EQUIP NUMBER: D00451 WIRING DIAGRAM REF: 235112 235121	002004 006100 107107 121503 904999	1
- 350	286N2337-002		WIRE BUNDLE ASSY-(AUDIO INTEGRATING ONLY)	002004 006100 107107 121503 904999	RF

MISSING ITEM NUMBERS NOT APPLICABLE

- ITEM NOT ILLUSTRATED

BRI

23-51-01-01

23-51-01
FIG. 01
PAGE 26
JAN 20/09



757

PARTS CATALOG (MAINTENANCE)

FIG ITEM	PART NUMBER	1 2 3 4 5 6 7	NOMENCLATURE	EFFECT FROM TO	UNITS PER ASSY
1 360	BACC45FT20A41S		.CONNECTOR- ELECTRICAL EQUIP NUMBER: D00449 WIRING DIAGRAM REF: 235112 235121	002004 006100 107107 121503 904999	1

MISSING ITEM NUMBERS NOT APPLICABLE

- ITEM NOT ILLUSTRATED

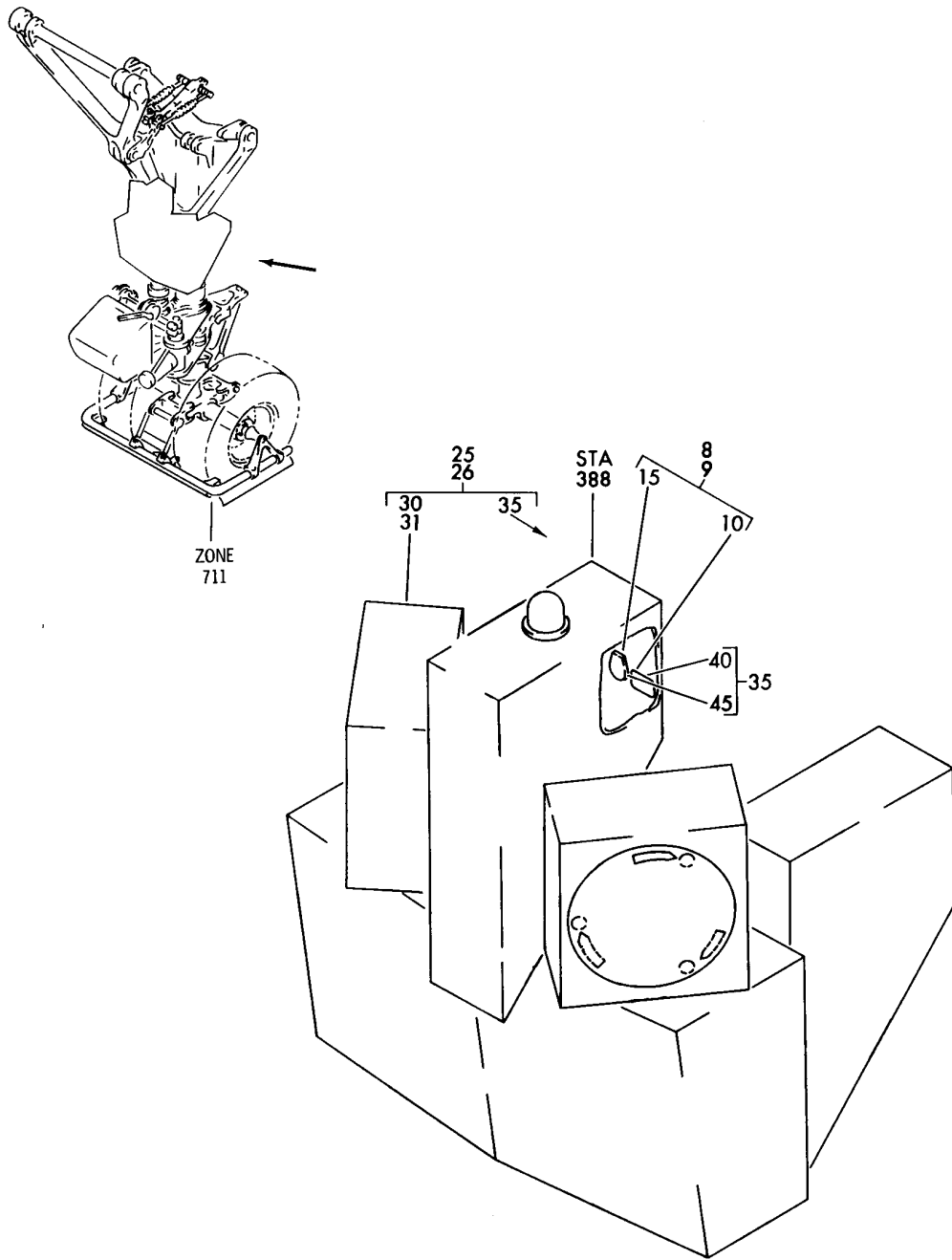
BRI

23-51-01-01

BOEING PROPRIETARY - Copyright © - Unpublished Work - See title page for details.

23-51-01
FIG. 01
PAGE 27
JAN 20/09

BOEING
757
PARTS CATALOG (MAINTENANCE)



Y 23510102 REV 160

PANEL INSTL-P62 AND P63 NLG LTS (FLIGHT INTERPHONE SYSTEM ONLY)
FIGURE 2

23-51-01-02

BRI
MAY 28/07

23-51-01-02
PAGE 0



757

PARTS CATALOG (MAINTENANCE)

FIG ITEM	PART NUMBER	1 2 3 4 5 6 7	NOMENCLATURE	EFFECT FROM TO	UNITS PER ASSY
2			PANEL INSTL-P62 AND P63 NLG LTS (FLIGHT INTERPHONE SYSTEM ONLY)	002004 006101 107107 121503 904999	
- 2	284N1761-30		PANEL INSTL-P62 AND P63 NLG LDG AND TURNOFF LTS (FLIGHT INTERPHONE SYSTEM ONLY) FOR NHA/OTHER SYS DET SEE: 24-00-58-01C	107107	RF
- 2	284N1761-31		PANEL INSTL-P62 AND P63 NLG LDG AND TURNOFF LTS (FLIGHT INTERPHONE SYSTEM ONLY) FOR NHA/OTHER SYS DET SEE: 24-00-58-01C	904949	RF
- 2	284N1761-34		PANEL INSTL-P62 AND P63 NLG LDG AND TURNOFF LTS (FLIGHT INTERPHONE SYSTEM ONLY) FOR NHA/OTHER SYS DET SEE: 24-00-58-01C	952952	RF
- 2	284N1761-38		PANEL INSTL-P62 AND P63 NLG LDG AND TURNOFF LTS (FLIGHT INTERPHONE SYSTEM ONLY) FOR NHA/OTHER SYS DET SEE: 24-00-58-01C	002004	RF
- 3	284N1761-42		PANEL INSTL-P62 AND P63 NLG LDG AND TURNOFF LTS (FLIGHT INTERPHONE SYSTEM ONLY) FOR NHA/OTHER SYS DET SEE: 24-00-58-01C	121503	RF
- 3	284N1761-48		PANEL INSTL-P62 AND P63 NLG LDG AND TURNOFF LTS (FLIGHT INTERPHONE SYSTEM ONLY) FOR NHA/OTHER SYS DET SEE: 24-00-58-01C	006017	RF
- 3	284N1761-54		PANEL INSTL-P62 AND P63 NLG LDG AND TURNOFF LTS (FLIGHT INTERPHONE SYSTEM ONLY) FOR NHA/OTHER SYS DET SEE: 24-00-58-01C	953999	RF

MISSING ITEM NUMBERS NOT APPLICABLE

- ITEM NOT ILLUSTRATED

BRI

23-51-01-02

23-51-01
FIG. 02
PAGE 1
JAN 20/09



757

PARTS CATALOG (MAINTENANCE)

FIG ITEM	PART NUMBER	1 2 3 4 5 6 7	NOMENCLATURE	EFFECT FROM TO	UNITS PER ASSY
2					
- 4	284N1761-57		PANEL INSTL-P62 AND P63 NLG LDG AND TURNOFF LTS (FLIGHT INTERPHONE SYSTEM ONLY) FOR NHA/OTHER SYS DET SEE: 24-00-58-01C	950951	RF
- 4	284N1761-60		PANEL INSTL-P62 AND P63 NLG LDG AND TURNOFF LTS (FLIGHT INTERPHONE SYSTEM ONLY) FOR NHA/OTHER SYS DET SEE: 24-00-58-01C	018100	RF
- 5	284N1761-90		PANEL INSTL-P62 AND P63 NLG LDG AND TURNOFF LTS (FLIGHT INTERPHONE SYSTEM ONLY) FOR NHA/OTHER SYS DET SEE: 24-00-58-01C	101101	RF
8	284N1758-20		.HOUSING ASSY-P62 CONT PNL POSITION DATA: RH	002004 952952	RF
8	284N1758-22		.HOUSING ASSY-P62 CONT PNL POSITION DATA: RH	107107	RF
8	284N1758-23		.HOUSING ASSY-P62 CONT PNL POSITION DATA: RH	121503 904949	RF
9	284N1758-35		.HOUSING ASSY-P62 CONT PNL POSITION DATA: RH	006017 950951 953999	RF
10	BAC27NEL0279		..MARKER-ALUMINUM FOIL- PLACARD CONTENT: D00435 FLIGHT INTERPHONE	002004 006017 107107 121503 904999	1
15	69B47882-1		..COVER ASSY-JACK ELECTRICAL EQUIP NUMBER: D00435	002004 006017 107107 121503 904999	1
25	284N1209-2		.PANEL ASSY-P62 AND P63, NLG, LDG AND TURNOFF LTS	018100	RF
26	284N1209-42		.PANEL ASSY-P62 AND P63, NLG, LDG AND TURNOFF LTS	101101	RF
30	284N1209-13		..HOUSING ASSY-	018100	RF
31	284N1209-49		..HOUSING ASSY-	101101	RF
35	284N1758-46		...CONTROL PANEL ASSY-P62	018100	RF
35	284N1758-66		...CONTROL PANEL ASSY-P62	101101	RF

MISSING ITEM NUMBERS NOT APPLICABLE

- ITEM NOT ILLUSTRATED

23-51-01-02

23-51-01
FIG. 02
PAGE 2
JAN 20/09

BRI



757

PARTS CATALOG (MAINTENANCE)

FIG ITEM	PART NUMBER	1 2 3 4 5 6 7	NOMENCLATURE	EFFECT FROM TO	UNITS PER ASSY
2					
40	BAC27NEL0279	MARKER-ALUMINUM FOIL- PLACARD CONTENT: D00435 FLIGHT INTERPHONE	018101	1
45	69B47882-1	COVER ASSY-JACK ELECTRICAL EQUIP NUMBER: D00435	018101	1

MISSING ITEM NUMBERS NOT APPLICABLE

- ITEM NOT ILLUSTRATED

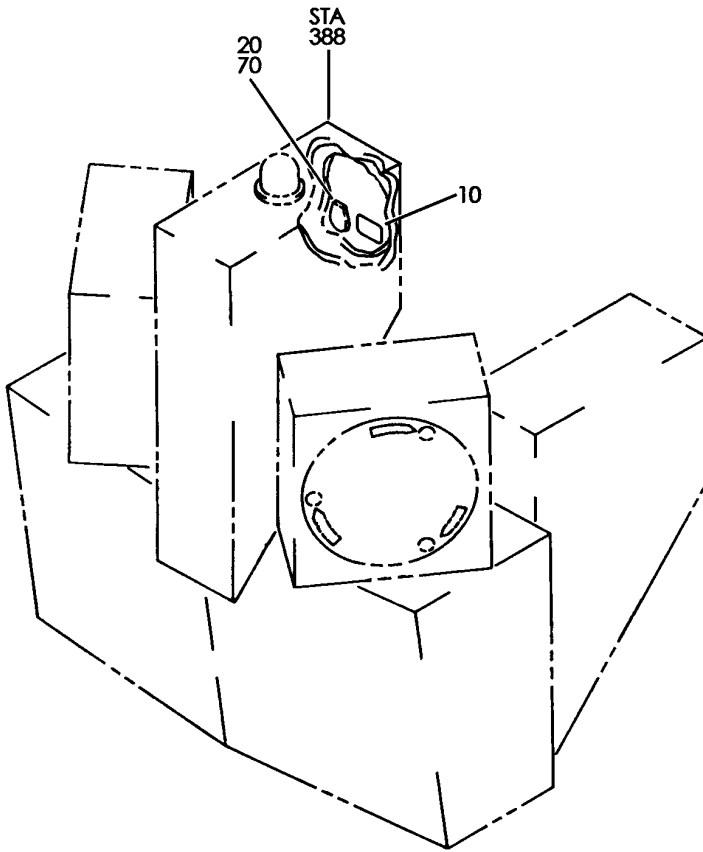
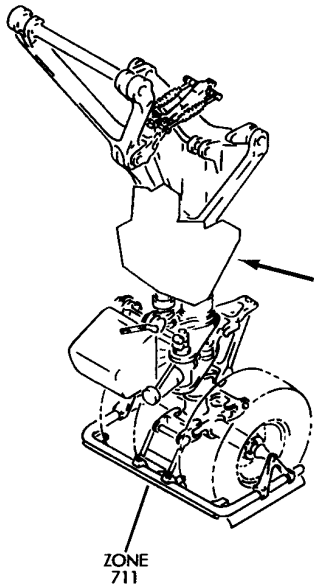
BRI

23-51-01-02

BOEING PROPRIETARY - Copyright © - Unpublished Work - See title page for details.

23-51-01
FIG. 02
PAGE 3
JAN 20/09

BOEING
757
PARTS CATALOG (MAINTENANCE)



Y 23510102B REV 208

PANEL ASSY-P62 AND P63 NLG LDG AND TURNOFF LTS (FLIGHT INTERPHONE SYSTEM ONLY)
FIGURE 2B

BRI
MAY 28/07

23-51-01-02B

23-51-01-02B
PAGE 0



757

PARTS CATALOG (MAINTENANCE)

FIG ITEM	PART NUMBER	1 2 3 4 5 6 7	NOMENCLATURE	EFFECT FROM TO	UNITS PER ASSY
2B			PANEL ASSY-P62 AND P63 NLG LDG AND TURNOFF LTS (FLIGHT INTERPHONE SYSTEM ONLY)	102106 108120 504903	
- 1	284N1209-103		PANEL ASSY-P62 AND P63, NLG LDG AND TURNOFF LTS (FLIGHT INTERPHONE SYSTEM ONLY) FOR NHA/OTHER SYS DET SEE: 33-42-04-01	102102	RF
- 1	284N1209-108		PANEL ASSY-P62 AND P63, NLG LDG AND TURNOFF LTS (FLIGHT INTERPHONE SYSTEM ONLY) FOR NHA/OTHER SYS DET SEE: 33-42-04-01	504903	RF
- 2	284N1209-134		PANEL ASSY-P62 AND P63 NLG LDG AND TURNOFF LTS (FLIGHT INTERPHONE SYSTEM ONLY) FOR NHA/OTHER SYS DET SEE: 33-42-04-01	108120	RF
- 3	284N1209-140		PANEL ASSY-P62 AND P63, NLG LDG AND TURNOFF LTS (FLIGHT INTERPHONE SYSTEM ONLY) FOR NHA/OTHER SYS DET SEE: 33-42-04-01	103106	RF
10	BAC27NEL0279		.MARKER-ALUMINUM FOIL PLACARD CONTENT: D00435 FLIGHT INTERPHONE	102106 108120 504903	1
20	69B47882-1		.COVER ASSY-JACK ELECTRICAL EQUIP NUMBER: D00435	102106 108120 504903	1
- 45	288N0156-739		.WIRE BUNDLE INSTL	103106	RF
- 50	288N0156-701		.WIRE BUNDLE INSTL	504903	RF
- 50	288N0156-704		.WIRE BUNDLE INSTL	102102	RF
- 51	288N0156-732		.WIRE BUNDLE INSTL	108120	RF
- 60	286N3054-29		..WIRE BUNDLE ASSY	504903	1
- 60	286N3054-305		..WIRE BUNDLE ASSY	102102	1
- 61	286N3054-319		..WIRE BUNDLE ASSY	108120	1
- 61	286N3054-701		..WIRE BUNDLE ASSY	103106	1

MISSING ITEM NUMBERS NOT APPLICABLE

- ITEM NOT ILLUSTRATED

23-51-01-02B

23-51-01
FIG. 02B
PAGE 1
JAN 20/09

BRI

BOEING PROPRIETARY - Copyright © - Unpublished Work - See title page for details.



757

PARTS CATALOG (MAINTENANCE)

FIG ITEM	PART NUMBER	1 2 3 4 5 6 7	NOMENCLATURE	EFFECT FROM TO	UNITS PER ASSY
2B 70	2J1865A		... JACK- SUPPLIER CODE: V82389 ELECTRICAL EQUIP NUMBER: D00435 WIRING DIAGRAM REF: 235111	102106 108120 504903	1

MISSING ITEM NUMBERS NOT APPLICABLE

- ITEM NOT ILLUSTRATED

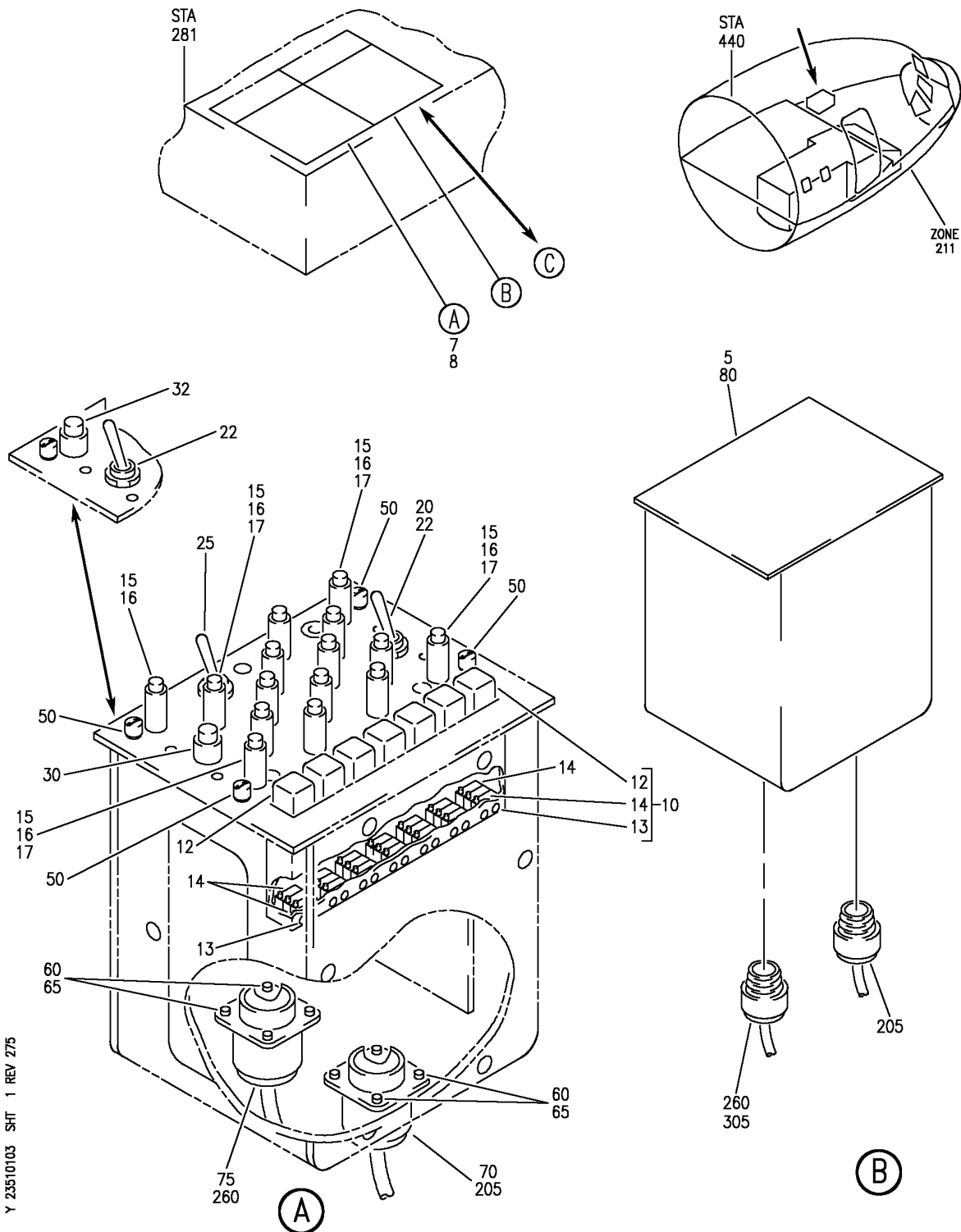
BRI

23-51-01-02B

BOEING PROPRIETARY - Copyright © - Unpublished Work - See title page for details.

23-51-01
FIG. 02B
PAGE 2
JAN 20/09

BOEING
757
PARTS CATALOG (MAINTENANCE)



Y 233510103 SH-T 1 REV 275

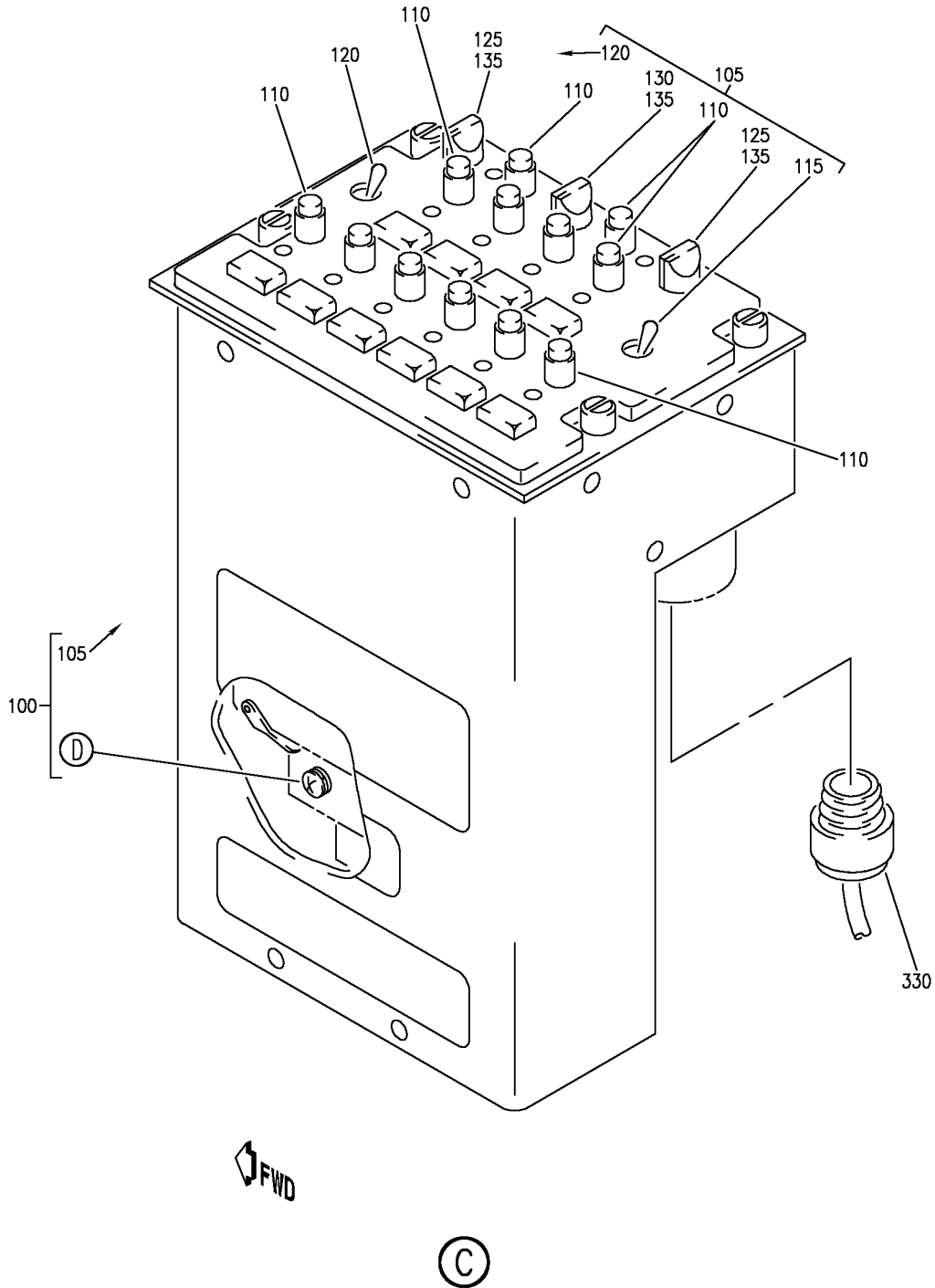
PANEL INSTL-AUX (COMMUNICATIONS ONLY)
FIGURE 3 (SHEET 1)

23-51-01-03

BRI
MAY 28/07

23-51-01-03
PAGE 0

BOEING
757
PARTS CATALOG (MAINTENANCE)



Y 233510103 SH1 2 REV 275

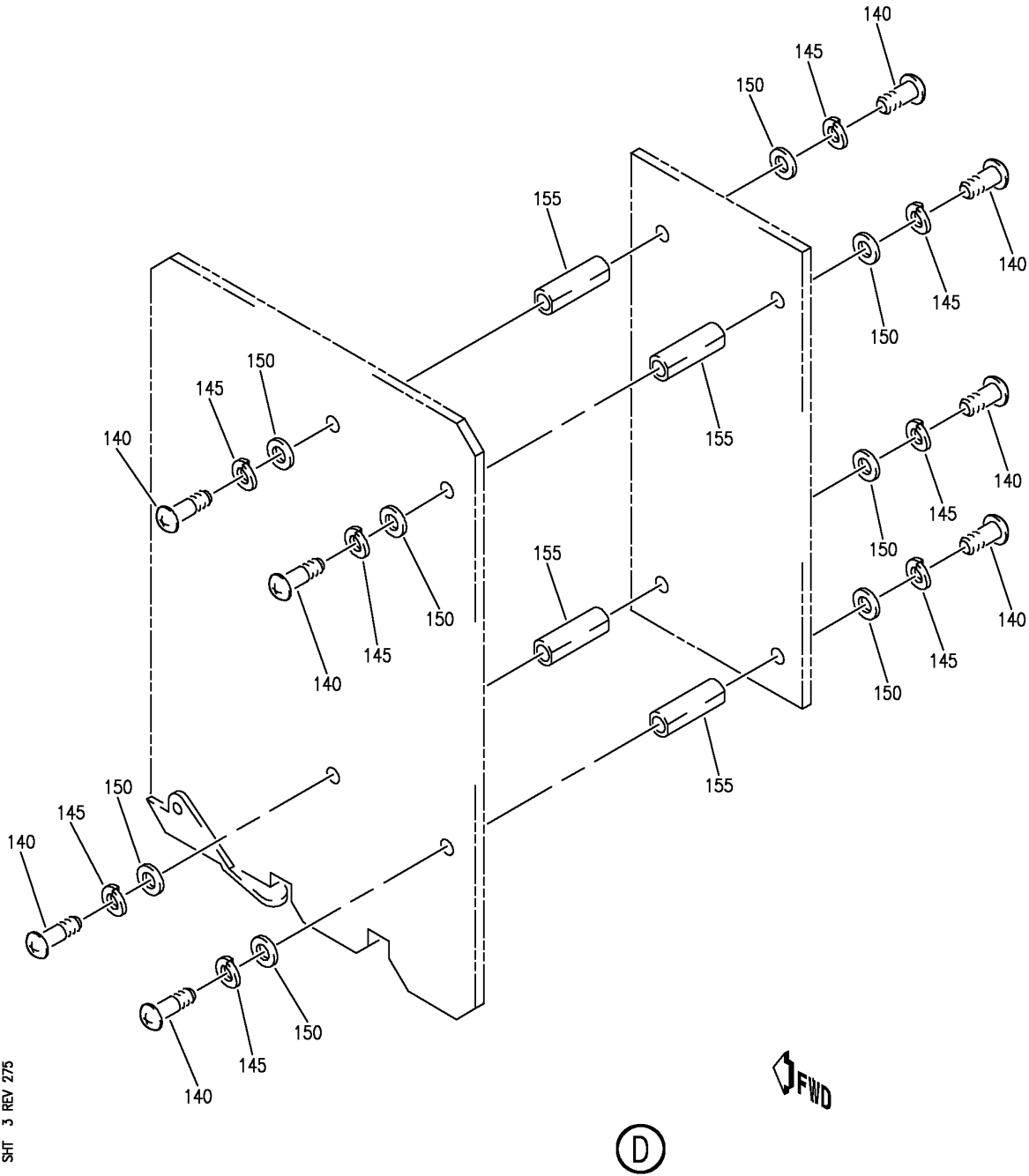
PANEL INSTL-AUX (COMMUNICATIONS ONLY)
FIGURE 3 (SHEET 2)

23-51-01-03

BRI
MAY 28/07

23-51-01-03
PAGE 0A

BOEING
757
PARTS CATALOG (MAINTENANCE)



Y 233510103 SH1 3 REV 275

PANEL INSTL-AUX (COMMUNICATIONS ONLY)
FIGURE 3 (SHEET 3)

23-51-01-03

BRI
MAY 28/07

23-51-01-03
PAGE 0B



757

PARTS CATALOG (MAINTENANCE)

FIG ITEM	PART NUMBER	1 2 3 4 5 6 7	NOMENCLATURE	EFFECT FROM TO	UNITS PER ASSY
3			PANEL INSTL-AUX (COMMUNICATIONS ONLY)	002004 006100 107107 121503 904999	
- 1	233N7101-1		PANEL INSTL-AUX (COMMUNICATIONS ONLY) VARIABLE DRAWING REF: 233N7101-5002 233N7101-5003 233N7101-5026 233N7101-5027 233N7101-5030 FOR NHA/OTHER SYS DET SEE: 25-10-00-05A	002004 006100 107107 121503 904999	RF
5	DE394-20		.PANEL ASSY-AUDIO SELECTOR (CUSTOMER FURNISHED) SUPPLIER CODE: VK6807 ELECTRICAL EQUIP NUMBER: M00098	121503 904949	1
7	285T0022-27		.PANEL ASSY-AUDIO SELECTOR SUPPLIER CODE: V89954 ELECTRICAL EQUIP NUMBER: M00098 COMPONENT MAINT MANUAL REF: 23-51-51	950952	RF
7	285T0022-22		.PANEL ASSY-AUDIO SELECTOR SUPPLIER CODE: V89954 ELECTRICAL EQUIP NUMBER: M00098 COMPONENT MAINT MANUAL REF: 23-51-51	002004 006100 107107 121503	RF
7	285T0022-28		.PANEL ASSY-AUDIO SELECTOR SUPPLIER CODE: V89954 ELECTRICAL EQUIP NUMBER: M00098 COMPONENT MAINT MANUAL REF: 23-51-51	002004 006100 107107 121503	RF
7	285T0022-31		.PANEL ASSY-AUDIO SELECTOR SUPPLIER CODE: V89954 ELECTRICAL EQUIP NUMBER: M00098 COMPONENT MAINT MANUAL REF: 23-51-54	953999	RF

MISSING ITEM NUMBERS NOT APPLICABLE

- ITEM NOT ILLUSTRATED

23-51-01-03

23-51-01
FIG. 03
PAGE 1
JAN 20/09

BRI



757

PARTS CATALOG (MAINTENANCE)

FIG ITEM	PART NUMBER	1 2 3 4 5 6 7	NOMENCLATURE	EFFECT FROM TO	UNITS PER ASSY
3	7 285T0022-37		.PANEL ASSY-AUDIO SELECTOR SUPPLIER CODE: V89954 ELECTRICAL EQUIP NUMBER: M00098 COMPONENT MAINT MANUAL REF: 23-51-54 PRE COMPONENT SB: 285T0022-23-05	950952	RF
	7 285T0022-38		.PANEL ASSY-AUDIO SELECTOR SUPPLIER CODE: V89954 ELECTRICAL EQUIP NUMBER: M00098 COMPONENT MAINT MANUAL REF: 23-51-54	002004 006100 107107 121503	RF
	7 285T0022-41		.PANEL ASSY-AUDIO SELECTOR SUPPLIER CODE: V89954 ELECTRICAL EQUIP NUMBER: M00098 COMPONENT MAINT MANUAL REF: 23-51-54	953999	RF
	8 285T0022-38		.PANEL ASSY-AUDIO SELECTOR (CUSTOMER FURNISHED) SUPPLIER CODE: V89954 ELECTRICAL EQUIP NUMBER: M00098 COMPONENT MAINT MANUAL REF: 23-51-54	904949	RF
	8 285T0022-43		.PANEL ASSY-AUDIO SELECTOR SUPPLIER CODE: V89954 ELECTRICAL EQUIP NUMBER: M00098 COMPONENT MAINT MANUAL REF: 23-51-54 POST COMPONENT SB: 285T0022-23-05	950952	RF
	8 285T0022-44		.PANEL ASSY-AUDIO SELECTOR SUPPLIER CODE: V89954 ELECTRICAL EQUIP NUMBER: M00098 COMPONENT MAINT MANUAL REF: 23-51-54	002004 006100 107107 121503	RF

MISSING ITEM NUMBERS NOT APPLICABLE

- ITEM NOT ILLUSTRATED

23-51-01-03

23-51-01
FIG. 03
PAGE 2
JAN 20/09

BRI



757

PARTS CATALOG (MAINTENANCE)

FIG ITEM	PART NUMBER	1 2 3 4 5 6 7	NOMENCLATURE	EFFECT FROM TO	UNITS PER ASSY
3	8 285T0022-44		.PANEL ASSY-AUDIO SELECTOR (CUSTOMER FURNISHED) SUPPLIER CODE: V89954 ELECTRICAL EQUIP NUMBER: M00098 COMPONENT MAINT MANUAL REF: 23-51-54	904949	RF
	8 285T0022-28		.PANEL ASSY-AUDIO SELECTOR (CUSTOMER FURNISHED) SUPPLIER CODE: V89954 ELECTRICAL EQUIP NUMBER: M00098 COMPONENT MAINT MANUAL REF: 23-51-54	904949	RF
	8 285T0022-22		.PANEL ASSY-AUDIO SELECTOR (CUSTOMER FURNISHED) SUPPLIER CODE: V89954 ELECTRICAL EQUIP NUMBER: M00098 COMPONENT MAINT MANUAL REF: 23-51-51	904949	RF
	10 WCS223-1		..SWITCH ASSY- SUPPLIER CODE: V51074 OPTIONAL PART: WCS223-2 V51074 WCS223-3 V51074 USED ON: 285T0022-20 285T0022-22 285T0022-25 285T0022-26 285T0022-27 285T0022-28 285T0022-29 285T0022-30 285T0022-31	002004 006100 107107 121503 904999	1

MISSING ITEM NUMBERS NOT APPLICABLE

- ITEM NOT ILLUSTRATED

23-51-01-03

23-51-01
FIG. 03
PAGE 3
JAN 20/09

BRI



757

PARTS CATALOG (MAINTENANCE)

FIG ITEM	PART NUMBER	1 2 3 4 5 6 7	NOMENCLATURE	EFFECT FROM TO	UNITS PER ASSY
3					
10	WCS223-2		.. SWITCH ASSY- SUPPLIER CODE: V51074 OPTIONAL PART: WCS223-1 V51074 WCS223-3 V51074 USED ON: 285T0022-20 285T0022-22 285T0022-25 285T0022-26 285T0022-27 285T0022-28 285T0022-29 285T0022-30 285T0022-31	002004 006100 107107 121503 904999	1
10	WCS223-3		.. SWITCH ASSY- SUPPLIER CODE: V51074 OPTIONAL PART: WCS223-1 V51074 WCS223-2 V51074 USED ON: 285T0022-20 285T0022-22 285T0022-25 285T0022-26 285T0022-27 285T0022-28 285T0022-29 285T0022-30 285T0022-31	002004 006100 107107 121503 904999	1

MISSING ITEM NUMBERS NOT APPLICABLE

- ITEM NOT ILLUSTRATED

BRI

23-51-01-03

BOEING PROPRIETARY - Copyright © - Unpublished Work - See title page for details.

23-51-01
FIG. 03
PAGE 4
JAN 20/09



757

PARTS CATALOG (MAINTENANCE)

FIG ITEM	PART NUMBER	1 2 3 4 5 6 7	NOMENCLATURE	EFFECT FROM TO	UNITS PER ASSY
3	10 WCS223-1		.. SWITCH ASSY- SUPPLIER CODE: V51074 QUALIFIED OPTIONAL DATA: (WCS223-1 OR WCS223-2 OR WCS223-3 ARE ALL OPT USED WITH ASSOCIATED ITEMS) USED ON: 285T0022-35 285T0022-36 285T0022-37 285T0022-38 285T0022-39 285T0022-40 285T0022-41 285T0022-42 285T0022-43 285T0022-44 285T0022-45	002004 006100 107107 121503 904999	1
	10 WCS223-2		.. SWITCH ASSY- SUPPLIER CODE: V51074 QUALIFIED OPTIONAL DATA: (WCS223-1 OR WCS223-2 OR WCS223-3 ARE ALL OPT USED WITH ASSOCIATED ITEMS) USED ON: 285T0022-35 285T0022-36 285T0022-37 285T0022-38 285T0022-39 285T0022-40 285T0022-41 285T0022-42 285T0022-43 285T0022-44 285T0022-45	002004 006100 107107 121503 904999	1

MISSING ITEM NUMBERS NOT APPLICABLE

- ITEM NOT ILLUSTRATED

BRI

23-51-01-03

BOEING PROPRIETARY - Copyright © - Unpublished Work - See title page for details.

23-51-01
 FIG. 03
 PAGE 5
 JAN 20/09



757

PARTS CATALOG (MAINTENANCE)

FIG ITEM	PART NUMBER	1 2 3 4 5 6 7	NOMENCLATURE	EFFECT FROM TO	UNITS PER ASSY
3	10 WCS223-3		.. SWITCH ASSY- SUPPLIER CODE: V51074 QUALIFIED OPTIONAL DATA: (WCS223-1 OR WCS223-2 OR WCS223-3 ARE ALL OPT USED WITH ASSOCIATED ITEMS) USED ON: 285T0022-35 285T0022-36 285T0022-37 285T0022-38 285T0022-39 285T0022-40 285T0022-41 285T0022-42 285T0022-43 285T0022-44 285T0022-45	002004 006100 107107 121503 904999	1
	12 WCS223-022		... KNOB- SUPPLIER CODE: V51074	002004 006100 107107 121503 904999	7
	13 MS35206-208		... SCREW	002004 006100 107107 121503 904999	14
	14 B2-314352		... SWITCH- SUPPLIER CODE: V21649	002004 006100 107107 121503 904999	21

MISSING ITEM NUMBERS NOT APPLICABLE

- ITEM NOT ILLUSTRATED

23-51-01-03

23-51-01
 FIG. 03
 PAGE 6
 JAN 20/09

BRI



757

PARTS CATALOG (MAINTENANCE)

FIG ITEM	PART NUMBER	1 2 3 4 5 6 7	NOMENCLATURE	EFFECT FROM TO	UNITS PER ASSY
3					
15	WCS218-6		.. SWITCH ASSY- SUPPLIER CODE: V51074 OPTIONAL PART: WCS218-4 V51074 WCS218-5 V51074 USED ON: 285T0022-20 285T0022-22 285T0022-26 285T0022-27 285T0022-28 285T0022-29 285T0022-30 285T0022-31	002004 006100 107107 121503 904999	15
15	WCS218-4		.. SWITCH ASSY- SUPPLIER CODE: V51074 OPTIONAL PART: WCS218-6 V51074 WCS218-5 V51074 USED ON: 285T0022-20 285T0022-22 285T0022-26 285T0022-27 285T0022-28 285T0022-29 285T0022-30 285T0022-31	002004 006100 107107 121503 904999	15

MISSING ITEM NUMBERS NOT APPLICABLE

- ITEM NOT ILLUSTRATED

BRI

23-51-01-03

BOEING PROPRIETARY - Copyright © - Unpublished Work - See title page for details.

23-51-01
 FIG. 03
 PAGE 7
 JAN 20/09



757

PARTS CATALOG (MAINTENANCE)

FIG ITEM	PART NUMBER	1 2 3 4 5 6 7	NOMENCLATURE	EFFECT FROM TO	UNITS PER ASSY
3 15	WCS218-5		.. SWITCH ASSY- SUPPLIER CODE: V51074 OPTIONAL PART: WCS218-6 V51074 WCS218-4 V51074 USED ON: 285T0022-20 285T0022-22 285T0022-26 285T0022-27 285T0022-28 285T0022-29 285T0022-30 285T0022-31	002004 006100 107107 121503 904999	15
15	WCS218-4		.. SWITCH ASSY- SUPPLIER CODE: V51074 QUALIFIED OPTIONAL DATA: (WCS218-4 OR WCS218-5 OR WCS218-6 ARE ALL OPT USED WITH ASSOCIATED ITEMS) USED ON: 285T0022-36 285T0022-37 285T0022-38 285T0022-39 285T0022-40 285T0022-41 285T0022-43 285T0022-44 285T0022-45	002004 006100 107107 121503 904999	15

MISSING ITEM NUMBERS NOT APPLICABLE

- ITEM NOT ILLUSTRATED

23-51-01-03

23-51-01
 FIG. 03
 PAGE 8
 JAN 20/09

BRI



757

PARTS CATALOG (MAINTENANCE)

FIG ITEM	PART NUMBER	1 2 3 4 5 6 7	NOMENCLATURE	EFFECT FROM TO	UNITS PER ASSY
3 15	WCS218-5		.. SWITCH ASSY- SUPPLIER CODE: V51074 QUALIFIED OPTIONAL DATA: (WCS218-4 OR WCS218-5 OR WCS218-6 ARE ALL OPT USED WITH ASSOCIATED ITEMS) USED ON: 285T0022-36 285T0022-37 285T0022-38 285T0022-39 285T0022-40 285T0022-41 285T0022-43 285T0022-44 285T0022-45	002004 006100 107107 121503 904999	15
15	WCS218-6		.. SWITCH ASSY- SUPPLIER CODE: V51074 QUALIFIED OPTIONAL DATA: (WCS218-4 OR WCS218-5 OR WCS218-6 ARE ALL OPT USED WITH ASSOCIATED ITEMS) USED ON: 285T0022-36 285T0022-37 285T0022-38 285T0022-39 285T0022-40 285T0022-41 285T0022-43 285T0022-44 285T0022-45	002004 006100 107107 121503 904999	15
20	T1-0051		.. SWITCH- SUPPLIER CODE: V21649 USED ON: 285T0022-20 285T0022-22 285T0022-26 285T0022-27 285T0022-28 285T0022-29 285T0022-30 285T0022-31	002004 006100 107107 121503 904999	1

MISSING ITEM NUMBERS NOT APPLICABLE

- ITEM NOT ILLUSTRATED

23-51-01-03

23-51-01
FIG. 03
PAGE 9
JAN 20/09

BRI



757

PARTS CATALOG (MAINTENANCE)

FIG ITEM	PART NUMBER	1 2 3 4 5 6 7	NOMENCLATURE	EFFECT FROM TO	UNITS PER ASSY
3 20	T1-0051-1		.. SWITCH- SUPPLIER CODE: V21649 QUALIFIED OPTIONAL DATA: (T1-0051 OPT TO T1-0051-1 USED WITH ASSOCIATED ITEMS) USED ON: 285T0022-36 285T0022-37 285T0022-38 285T0022-39 285T0022-40 285T0022-41 285T0022-43 285T0022-44 285T0022-45	002004 006100 107107 121503 904999	1
20	T1-0051		.. SWITCH- SUPPLIER CODE: V21649 QUALIFIED OPTIONAL DATA: (T1-0051 OPT TO T1-0051-1 USED WITH ASSOCIATED ITEMS) USED ON: 285T0022-36 285T0022-37 285T0022-38 285T0022-39 285T0022-40 285T0022-41 285T0022-43 285T0022-44 285T0022-45	002004 006100 107107 121503 904999	1
25	T1-0050		.. SWITCH- SUPPLIER CODE: V21649 USED ON: 285T0022-20 285T0022-22 285T0022-25 285T0022-26 285T0022-27 285T0022-28 285T0022-29 285T0022-30 285T0022-31	002004 006100 107107 121503 904999	1

MISSING ITEM NUMBERS NOT APPLICABLE

- ITEM NOT ILLUSTRATED

23-51-01-03

23-51-01
FIG. 03
PAGE 10
JAN 20/09

BRI



757

PARTS CATALOG (MAINTENANCE)

FIG ITEM	PART NUMBER	1 2 3 4 5 6 7	NOMENCLATURE	EFFECT FROM TO	UNITS PER ASSY
3 25	T1-0050		.. SWITCH- SUPPLIER CODE: V21649 QUALIFIED OPTIONAL DATA: (T1-0050 OPT TO T1-0050-1 USED WITH ASSOCIATED ITEMS) USED ON: 285T0022-35 285T0022-36 285T0022-37 285T0022-38 285T0022-39 285T0022-40 285T0022-41 285T0022-42 285T0022-43 285T0022-44 285T0022-45	002004 006100 107107 121503 904999	1
25	T1-0050-1		.. SWITCH- SUPPLIER CODE: V21649 QUALIFIED OPTIONAL DATA: (T1-0050 OPT TO T1-0050-1 USED WITH ASSOCIATED ITEMS) USED ON: 285T0022-35 285T0022-36 285T0022-37 285T0022-38 285T0022-39 285T0022-40 285T0022-41 285T0022-42 285T0022-43 285T0022-44 285T0022-45	002004 006100 107107 121503 904999	1

MISSING ITEM NUMBERS NOT APPLICABLE

- ITEM NOT ILLUSTRATED

23-51-01-03

23-51-01
 FIG. 03
 PAGE 11
 JAN 20/09

BRI



757

PARTS CATALOG (MAINTENANCE)

FIG ITEM	PART NUMBER	1 2 3 4 5 6 7	NOMENCLATURE	EFFECT FROM TO	UNITS PER ASSY
3					
30	WCS229-2		.. SWITCH- SUPPLIER CODE: V51074 USED ON: 285T0022-20 285T0022-22 285T0022-26 285T0022-27 285T0022-28 285T0022-29 285T0022-30 285T0022-31	002004 006100 107107 121503 904999	1
30	WCS229-3		.. SWITCH- SUPPLIER CODE: V51074 OPTIONAL PART: WCS229-1 V51074 90-22901-5 V51074 WCS229-5 V51074 USED ON: 285T0022-20 285T0022-22 285T0022-26 285T0022-27 285T0022-28 285T0022-29 285T0022-30 285T0022-31	002004 006100 107107 121503 904999	1

MISSING ITEM NUMBERS NOT APPLICABLE

- ITEM NOT ILLUSTRATED

BRI

23-51-01-03

BOEING PROPRIETARY - Copyright © - Unpublished Work - See title page for details.

23-51-01
FIG. 03
PAGE 12
JAN 20/09



757

PARTS CATALOG (MAINTENANCE)

FIG ITEM	PART NUMBER	1 2 3 4 5 6 7	NOMENCLATURE	EFFECT FROM TO	UNITS PER ASSY
3					
30	WCS229-5		.. SWITCH- SUPPLIER CODE: V51074 OPTIONAL PART: WCS229-3 V51074 WCS229-1 V51074 90-22901-5 V51074 USED ON: 285T0022-20 285T0022-22 285T0022-26 285T0022-27 285T0022-28 285T0022-29 285T0022-30 285T0022-31	002004 006100 107107 121503 904999	1
30	90-22901-5		.. SWITCH- SUPPLIER CODE: V51074 OPTIONAL PART: WCS229-3 V51074 WCS229-1 V51074 WCS229-5 V51074 USED ON: 285T0022-20 285T0022-22 285T0022-26 285T0022-27 285T0022-28 285T0022-29 285T0022-30 285T0022-31	002004 006100 107107 121503 904999	1

MISSING ITEM NUMBERS NOT APPLICABLE

- ITEM NOT ILLUSTRATED

BRI

23-51-01-03

BOEING PROPRIETARY - Copyright © - Unpublished Work - See title page for details.

23-51-01
FIG. 03
PAGE 13
JAN 20/09



757

PARTS CATALOG (MAINTENANCE)

FIG ITEM	PART NUMBER	1 2 3 4 5 6 7	NOMENCLATURE	EFFECT FROM TO	UNITS PER ASSY
3 30	WCS229-1		.. SWITCH- SUPPLIER CODE: V51074 QUALIFIED OPTIONAL DATA: (WCS229-1 OR WCS229-2 OR WCS229-3 OR WCS229-5 OR 90-22901-5 ARE ALL OPT WHEN USED WITH ASSOCIATED ITEMS) USED ON: 285T0022-36 285T0022-37 285T0022-38 285T0022-39 285T0022-40 285T0022-41 285T0022-43 285T0022-44 285T0022-45	002004 006100 107107 121503 904999	1
30	WCS229-2		.. SWITCH- SUPPLIER CODE: V51074 QUALIFIED OPTIONAL DATA: (WCS229-1 OR WCS229-2 OR WCS229-3 OR WCS229-5 OR 90-22901-5 ARE ALL OPT WHEN USED WITH ASSOCIATED ITEMS) USED ON: 285T0022-36 285T0022-37 285T0022-38 285T0022-39 285T0022-40 285T0022-41 285T0022-43 285T0022-44 285T0022-45	002004 006100 107107 121503 904999	1

MISSING ITEM NUMBERS NOT APPLICABLE

- ITEM NOT ILLUSTRATED

BRI

23-51-01-03

BOEING PROPRIETARY - Copyright © - Unpublished Work - See title page for details.

23-51-01
 FIG. 03
 PAGE 14
 JAN 20/09



757

PARTS CATALOG (MAINTENANCE)

FIG ITEM	PART NUMBER	1 2 3 4 5 6 7	NOMENCLATURE	EFFECT FROM TO	UNITS PER ASSY
3 30	WCS229-3		.. SWITCH- SUPPLIER CODE: V51074 QUALIFIED OPTIONAL DATA: (WCS229-1 OR WCS229-2 OR WCS229-3 OR WCS229-5 OR 90-22901-5 ARE ALL OPT WHEN USED WITH ASSOCIATED ITEMS) USED ON: 285T0022-36 285T0022-37 285T0022-38 285T0022-39 285T0022-40 285T0022-41 285T0022-43 285T0022-44 285T0022-45	002004 006100 107107 121503 904999	1
30	WCS229-5		.. SWITCH- SUPPLIER CODE: V51074 QUALIFIED OPTIONAL DATA: (WCS229-1 OR WCS229-2 OR WCS229-3 OR WCS229-5 OR 90-22901-5 ARE ALL OPT WHEN USED WITH ASSOCIATED ITEMS) USED ON: 285T0022-36 285T0022-37 285T0022-38 285T0022-39 285T0022-40 285T0022-41 285T0022-43 285T0022-44 285T0022-45	002004 006100 107107 121503 904999	1

MISSING ITEM NUMBERS NOT APPLICABLE

- ITEM NOT ILLUSTRATED

BRI

23-51-01-03

BOEING PROPRIETARY - Copyright © - Unpublished Work - See title page for details.

23-51-01
 FIG. 03
 PAGE 15
 JAN 20/09



757

PARTS CATALOG (MAINTENANCE)

FIG ITEM	PART NUMBER	1 2 3 4 5 6 7	NOMENCLATURE	EFFECT FROM TO	UNITS PER ASSY
3					
30	90-22901-5		.. SWITCH- SUPPLIER CODE: V51074 QUALIFIED OPTIONAL DATA: (WCS229-1 OR WCS229-2 OR WCS229-3 OR WCS229-5 OR 90-22901-5 ARE ALL OPT WHEN USED WITH ASSOCIATED ITEMS) USED ON: 285T0022-36 285T0022-37 285T0022-38 285T0022-39 285T0022-40 285T0022-41 285T0022-43 285T0022-44 285T0022-45	002004 006100 107107 121503 904999	1
30	WCS229-1		.. SWITCH- SUPPLIER CODE: V51074 OPTIONAL PART: WCS229-3 V51074 WCS229-5 V51074 90-22901-5 V51074 USED ON: 285T0022-20 285T0022-22 285T0022-26 285T0022-27 285T0022-28 285T0022-29 285T0022-30 285T0022-31	002004 006100 107107 121503 904999	1
60	NAS1801-04-4		.. SCREW	002004 006100 107107 121503 904999	8

MISSING ITEM NUMBERS NOT APPLICABLE

- ITEM NOT ILLUSTRATED

23-51-01-03

23-51-01
FIG. 03
PAGE 16
JAN 20/09

BRI

BOEING PROPRIETARY - Copyright © - Unpublished Work - See title page for details.



757

PARTS CATALOG (MAINTENANCE)

FIG ITEM	PART NUMBER	1 2 3 4 5 6 7	NOMENCLATURE	EFFECT FROM TO	UNITS PER ASSY
3					
65	BRH10A04	..	NUT SUPPLIER CODE: V52828 SPECIFICATION NUMBER: BACN10JC04 OPTIONAL PART: NS202101-40 V80539 RMLH9075-40W V72962 VN303A40 V92215 96-40 V80539 T6S440J V11815 H10-04BAC V15653	002004 006100 107107 121503 904999	8
70	BACC45FN18-31P	..	CONNECTOR	002004 006100 107107 121503 904999	1
75	BACC45FN20-41P	..	CONNECTOR	002004 006100 107107 121503 904999	1
- 200	286N2293-002		WIRE BUNDLE ASSY	107107	RF
- 200	286N2293-011		WIRE BUNDLE ASSY-	121503 904949	RF
- 202	286N2293-010		WIRE BUNDLE ASSY	002004 006100 950999	RF
205	BACC45FT18A31S	.	CONNECTOR- ELECTRICAL EQUIP NUMBER: D00459 WIRING DIAGRAM REF: 235114 235141	002004 006100 107107 121503 904999	1
- 250	286N2341-001		WIRE BUNDLE ASSY-	002004 006100 107107 121503 904999	RF

MISSING ITEM NUMBERS NOT APPLICABLE

- ITEM NOT ILLUSTRATED

23-51-01-03

23-51-01
FIG. 03
PAGE 17
JAN 20/09

BRI

BOEING PROPRIETARY - Copyright © - Unpublished Work - See title page for details.



757

PARTS CATALOG (MAINTENANCE)

FIG ITEM	PART NUMBER	1 2 3 4 5 6 7	NOMENCLATURE	EFFECT FROM TO	UNITS PER ASSY
3 260	BACC45FT20A41S		.CONNECTOR- ELECTRICAL EQUIP NUMBER: D00457 WIRING DIAGRAM REF: 235141	002004 006100 107107 121503 904999	1

MISSING ITEM NUMBERS NOT APPLICABLE

- ITEM NOT ILLUSTRATED

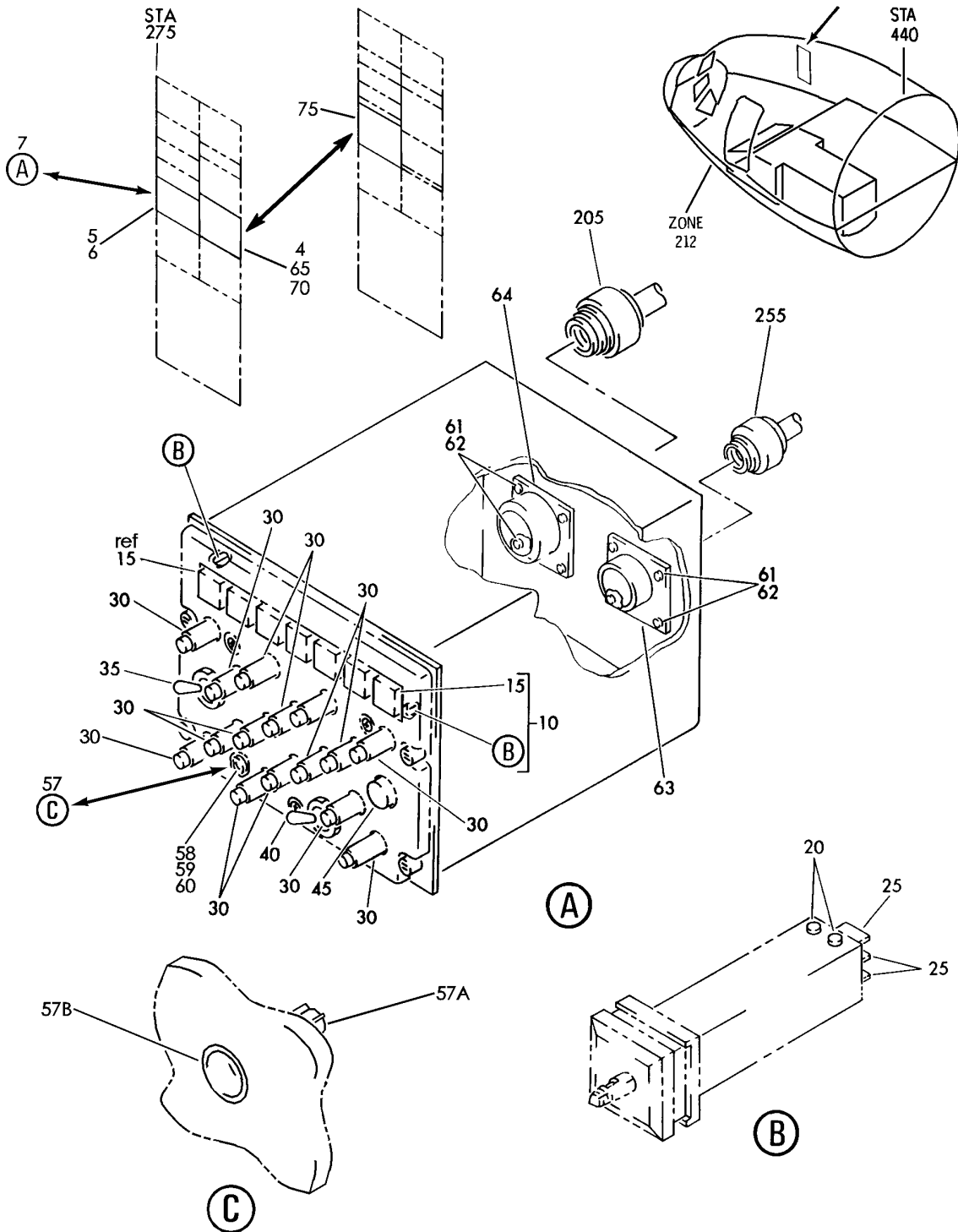
BRI

23-51-01-03

BOEING PROPRIETARY - Copyright © - Unpublished Work - See title page for details.

23-51-01
FIG. 03
PAGE 18
JAN 20/09


BOEING
 757
PARTS CATALOG (MAINTENANCE)



Y 233510104 REV 241

PANEL INSTL-P61 R SIDEWALL (AUDIO INTEGRATING ONLY)
FIGURE 4

23-51-01-04

BRI
 MAY 28/07

23-51-01-04
 PAGE 0



757

PARTS CATALOG (MAINTENANCE)

FIG ITEM	PART NUMBER	1 2 3 4 5 6 7	NOMENCLATURE	EFFECT FROM TO	UNITS PER ASSY
4			PANEL INSTL-P61 R SIDEWALL (AUDIO INTEGRATING ONLY)	002004 006102 121503 904949	
- 1	233N7401-1		PANEL INSTL-P61 SIDEWALL (AUDIO INTEGRATING ONLY) POSITION DATA: R VARIABLE DRAWING REF: 233N7401-5004 233N7401-5017 233N7401-5028 233N7401-5038 FOR NHA/OTHER SYS DET SEE: 25-10-00-05A	002004 006100 121503 904949	RF
- 1	233N7403-128		PANEL INSTL-P61 SIDEWALL (AUDIO INTEGRATING ONLY) POSITION DATA: R FOR NHA/OTHER SYS DET SEE: 25-10-00-15B	102102	RF
- 1	233N7403-28		PANEL INSTL-P61 SIDEWALL (AUDIO INTEGRATING ONLY) POSITION DATA: R FOR NHA/OTHER SYS DET SEE: 25-10-00-15B	101101	RF
7	285T0022-44		.PANEL ASSY-AUDIO SELECTOR (CUSTOMER FURNISHED) SUPPLIER CODE: V89954 ELECTRICAL EQUIP NUMBER: M10216 COMPONENT MAINT MANUAL REF: 23-51-54	101102 121503 904949	RF
7	285T0022-44		.PANEL ASSY-AUDIO SELECTOR SUPPLIER CODE: V89954 ELECTRICAL EQUIP NUMBER: M10216 COMPONENT MAINT MANUAL REF: 23-51-54	002004 006100	RF

MISSING ITEM NUMBERS NOT APPLICABLE

- ITEM NOT ILLUSTRATED

BRI

23-51-01-04

23-51-01
FIG. 04
PAGE 1
JAN 20/09



757

PARTS CATALOG (MAINTENANCE)

FIG ITEM	PART NUMBER	1 2 3 4 5 6 7	NOMENCLATURE	EFFECT FROM TO	UNITS PER ASSY
4	10 WCS223-1		..SWITCH ASSY- SUPPLIER CODE: V51074 QUALIFIED OPTIONAL DATA: (WCS223-1 OR WCS223-2 OR WCS223-3 ARE ALL OPT USED WITH ASSOCIATED ITEMS) USED ON: 285T0022-38 285T0022-40 285T0022-41 285T0022-44	002004 006100 121503 904949	1
	10 WCS223-2		..SWITCH ASSY- SUPPLIER CODE: V51074 QUALIFIED OPTIONAL DATA: (WCS223-1 OR WCS223-2 OR WCS223-3 ARE ALL OPT USED WITH ASSOCIATED ITEMS) USED ON: 285T0022-38 285T0022-40 285T0022-41 285T0022-44	002004 006100 121503 904949	1
	10 WCS223-3		..SWITCH ASSY- SUPPLIER CODE: V51074 QUALIFIED OPTIONAL DATA: (WCS223-1 OR WCS223-2 OR WCS223-3 ARE ALL OPT USED WITH ASSOCIATED ITEMS) USED ON: 285T0022-38 285T0022-40 285T0022-41 285T0022-44	002004 006100 121503 904949	1
	15 WCS223-022		...KNOB- SUPPLIER CODE: V51074	002004 006100 121503 904949	7
	20 MS35206-208		...SCREW	002004 006100 121503 904949	14

MISSING ITEM NUMBERS NOT APPLICABLE

- ITEM NOT ILLUSTRATED

23-51-01-04

23-51-01
FIG. 04
PAGE 2
JAN 20/09

BRI

BOEING PROPRIETARY - Copyright © - Unpublished Work - See title page for details.



757

PARTS CATALOG (MAINTENANCE)

FIG ITEM	PART NUMBER	1 2 3 4 5 6 7	NOMENCLATURE	EFFECT FROM TO	UNITS PER ASSY
4					
25	B2-314352		...SWITCH- SUPPLIER CODE: V21649	002004 006100 121503 904949	21
30	WCS218-4		..SWITCH ASSY- SUPPLIER CODE: V51074 QUALIFIED OPTIONAL DATA: (USED WITH ASSOCIATED ITEMS) USED ON: 285T0022-38 285T0022-40 285T0022-41 285T0022-44	002004 006100 121503 904949	15
30	WCS218-5		..SWITCH ASSY- SUPPLIER CODE: V51074 QUALIFIED OPTIONAL DATA: (USED WITH ASSOCIATED ITEMS) USED ON: 285T0022-38 285T0022-40 285T0022-41 285T0022-44	002004 006100 121503 904949	15
30	WCS218-6		..SWITCH ASSY- SUPPLIER CODE: V51074 QUALIFIED OPTIONAL DATA: (USED WITH ASSOCIATED ITEMS) USED ON: 285T0022-38 285T0022-40 285T0022-41 285T0022-44	002004 006100 121503 904949	15

MISSING ITEM NUMBERS NOT APPLICABLE

- ITEM NOT ILLUSTRATED

BRI

23-51-01-04

23-51-01
FIG. 04
PAGE 3
JAN 20/09



757

PARTS CATALOG (MAINTENANCE)

FIG ITEM	PART NUMBER	1 2 3 4 5 6 7	NOMENCLATURE	EFFECT FROM TO	UNITS PER ASSY
4 30	WCS218-4		.. SWITCH ASSY- SUPPLIER CODE: V51074 QUALIFIED OPTIONAL DATA: (WCS218-4 OR WCS218-5 OR WCS218-6 ARE ALL OPT USED WITH ASSOCIATED ITEMS) USED ON: 285T0022-38 285T0022-40 285T0022-41 285T0022-44	002004 006100 121503 904949	15
30	WCS218-5		.. SWITCH ASSY- SUPPLIER CODE: V51074 QUALIFIED OPTIONAL DATA: (WCS218-4 OR WCS218-5 OR WCS218-6 ARE ALL OPT USED WITH ASSOCIATED ITEMS) USED ON: 285T0022-38 285T0022-40 285T0022-41 285T0022-44	002004 006100 121503 904949	15
30	WCS218-6		.. SWITCH ASSY- SUPPLIER CODE: V51074 QUALIFIED OPTIONAL DATA: (WCS218-4 OR WCS218-5 OR WCS218-6 ARE ALL OPT USED WITH ASSOCIATED ITEMS) USED ON: 285T0022-38 285T0022-40 285T0022-41 285T0022-44	002004 006100 121503 904949	15

MISSING ITEM NUMBERS NOT APPLICABLE

- ITEM NOT ILLUSTRATED

23-51-01-04

23-51-01
FIG. 04
PAGE 4
JAN 20/09

BRI



757

PARTS CATALOG (MAINTENANCE)

FIG ITEM	PART NUMBER	1 2 3 4 5 6 7	NOMENCLATURE	EFFECT FROM TO	UNITS PER ASSY
4	35 T1-0051		.. SWITCH- SUPPLIER CODE: V21649 QUALIFIED OPTIONAL DATA: (USED WITH ASSOCIATED ITEMS) USED ON: 285T0022-38 285T0022-40 285T0022-41 285T0022-44	002004 006100 121503 904949	1
	35 T1-0051		.. SWITCH- SUPPLIER CODE: V21649 QUALIFIED OPTIONAL DATA: (T1-0051 OPT TO T1-0051-1 USED WITH ASSOCIATED ITEMS) USED ON: 285T0022-38 285T0022-40 285T0022-41 285T0022-44	002004 006100 121503 904949	1
	35 T1-0051-1		.. SWITCH- SUPPLIER CODE: V21649 QUALIFIED OPTIONAL DATA: (T1-0051 OPT TO T1-0051-1 USED WITH ASSOCIATED ITEMS) USED ON: 285T0022-38 285T0022-40 285T0022-41 285T0022-44	002004 006100 121503 904949	1
	40 T1-0050-1		.. SWITCH- SUPPLIER CODE: V21649 QUALIFIED OPTIONAL DATA: (USED WITH ASSOCIATED ITEMS) USED ON: 285T0022-38 285T0022-40 285T0022-41 285T0022-44	002004 006100 121503 904949	1

MISSING ITEM NUMBERS NOT APPLICABLE

- ITEM NOT ILLUSTRATED

23-51-01-04

23-51-01
FIG. 04
PAGE 5
JAN 20/09

BRI



757

PARTS CATALOG (MAINTENANCE)

FIG ITEM	PART NUMBER	1 2 3 4 5 6 7	NOMENCLATURE	EFFECT FROM TO	UNITS PER ASSY
4 40	T1-0050		.. SWITCH- SUPPLIER CODE: V21649 QUALIFIED OPTIONAL DATA: (T1-0050 OPT TO T1-0050-1 USED WITH ASSOCIATED ITEMS) USED ON: 285T0022-38 285T0022-40 285T0022-41 285T0022-44	002004 006100 121503 904949	1
40	T1-0050-1		.. SWITCH- SUPPLIER CODE: V21649 QUALIFIED OPTIONAL DATA: (T1-0050 OPT TO T1-0050-1 USED WITH ASSOCIATED ITEMS) USED ON: 285T0022-38 285T0022-40 285T0022-41 285T0022-44	002004 006100 121503 904949	1
45	WCS229-2		.. SWITCH- SUPPLIER CODE: V51074 QUALIFIED OPTIONAL DATA: (WCS229-1 OR WCS229-2 OR WCS229-3 OR WCS229-5 OR 90-22901-5 ARE ALL OPT WHEN USED WITH ASSOCIATED ITEMS) USED ON: 285T0022-38 285T0022-40 285T0022-41 285T0022-44	002004 006100 121503 904949	1

MISSING ITEM NUMBERS NOT APPLICABLE

- ITEM NOT ILLUSTRATED

BRI

23-51-01-04

BOEING PROPRIETARY - Copyright © - Unpublished Work - See title page for details.

23-51-01
FIG. 04
PAGE 6
JAN 20/09



757

PARTS CATALOG (MAINTENANCE)

FIG ITEM	PART NUMBER	1 2 3 4 5 6 7	NOMENCLATURE	EFFECT FROM TO	UNITS PER ASSY
4	45 WCS229-1		.. SWITCH- SUPPLIER CODE: V51074 QUALIFIED OPTIONAL DATA: (WCS229-1 OR WCS229-2 OR WCS229-3 OR WCS229-5 OR 90-22901-5 ARE ALL OPT WHEN USED WITH ASSOCIATED ITEMS) USED ON: 285T0022-38 285T0022-40 285T0022-41 285T0022-44	002004 006100 121503 904949	1
	45 WCS229-3		.. SWITCH- SUPPLIER CODE: V51074 QUALIFIED OPTIONAL DATA: (WCS229-1 OR WCS229-2 OR WCS229-3 OR WCS229-5 OR 90-22901-5 ARE ALL OPT WHEN USED WITH ASSOCIATED ITEMS) USED ON: 285T0022-38 285T0022-40 285T0022-41 285T0022-44	002004 006100 121503 904949	1
	45 WCS229-5		.. SWITCH- SUPPLIER CODE: V51074 QUALIFIED OPTIONAL DATA: (WCS229-1 OR WCS229-2 OR WCS229-3 OR WCS229-5 OR 90-22901-5 ARE ALL OPT WHEN USED WITH ASSOCIATED ITEMS) USED ON: 285T0022-38 285T0022-40 285T0022-41 285T0022-44	002004 006100 121503 904949	1

MISSING ITEM NUMBERS NOT APPLICABLE

- ITEM NOT ILLUSTRATED

23-51-01-04

23-51-01
FIG. 04
PAGE 7
JAN 20/09

BRI



757

PARTS CATALOG (MAINTENANCE)

FIG ITEM	PART NUMBER	1 2 3 4 5 6 7	NOMENCLATURE	EFFECT FROM TO	UNITS PER ASSY
4	45 90-22901-5		.. SWITCH- SUPPLIER CODE: V51074 QUALIFIED OPTIONAL DATA: (WCS229-1 OR WCS229-2 OR WCS229-3 OR WCS229-5 OR 90-22901-5 ARE ALL OPT WHEN USED WITH ASSOCIATED ITEMS) USED ON: 285T0022-38 285T0022-40 285T0022-41 285T0022-44	002004 006100 121503 904949	1
	45 WCS229-1		.. SWITCH- SUPPLIER CODE: V51074 QUALIFIED OPTIONAL DATA: (WCS229-1 OR WCS229-3 OR WCS229-5 OR 90-22901-5 ARE ALL OPT WHEN USED WITH ASSOCIATED ITEMS) USED ON: 285T0022-38 285T0022-40 285T0022-41 285T0022-44	002004 006100 121503 904949	1
	45 WCS229-3		.. SWITCH- SUPPLIER CODE: V51074 QUALIFIED OPTIONAL DATA: (WCS229-1 OR WCS229-3 OR WCS229-5 OR 90-22901-5 ARE ALL OPT WHEN USED WITH ASSOCIATED ITEMS) USED ON: 285T0022-38 285T0022-40 285T0022-41 285T0022-44	002004 006100 121503 904949	1

MISSING ITEM NUMBERS NOT APPLICABLE

- ITEM NOT ILLUSTRATED

BRI

23-51-01-04

BOEING PROPRIETARY - Copyright © - Unpublished Work - See title page for details.

23-51-01
FIG. 04
PAGE 8
JAN 20/09



757

PARTS CATALOG (MAINTENANCE)

FIG ITEM	PART NUMBER	1 2 3 4 5 6 7	NOMENCLATURE	EFFECT FROM TO	UNITS PER ASSY
4	45 WCS229-5		.. SWITCH- SUPPLIER CODE: V51074 QUALIFIED OPTIONAL DATA: (WCS229-1 OR WCS229-3 OR WCS229-5 OR 90-22901-5 ARE ALL OPT WHEN USED WITH ASSOCIATED ITEMS) USED ON: 285T0022-38 285T0022-40 285T0022-41 285T0022-44	002004 006100 121503 904949	1
	45 90-22901-5		.. SWITCH- SUPPLIER CODE: V51074 QUALIFIED OPTIONAL DATA: (WCS229-1 OR WCS229-3 OR WCS229-5 OR 90-22901-5 ARE ALL OPT WHEN USED WITH ASSOCIATED ITEMS) USED ON: 285T0022-38 285T0022-40 285T0022-41 285T0022-44	002004 006100 121503 904949	1
	45 WCS229-2		.. SWITCH- SUPPLIER CODE: V51074 USED ON: 285T0022-38 285T0022-40 285T0022-41 285T0022-44	002004 006100 121503 904949	1

MISSING ITEM NUMBERS NOT APPLICABLE

- ITEM NOT ILLUSTRATED

BRI

23-51-01-04

BOEING PROPRIETARY - Copyright © - Unpublished Work - See title page for details.

23-51-01
FIG. 04
PAGE 9
JAN 20/09



757

PARTS CATALOG (MAINTENANCE)

FIG ITEM	PART NUMBER	1 2 3 4 5 6 7	NOMENCLATURE	EFFECT FROM TO	UNITS PER ASSY
4 58	285T0022-23		.. INSULATOR-FLOATING SUPPLIER CODE: V89954 QUALIFIED I/W DATA: 90-42301-1 CONNECTOR CAN REPLACE BUT NOT BE REPLACED BY 285T0022-23 INSULATOR TOGETHER WITH 800000121-1 CONNECTOR. QUALIFIED OPTIONAL DATA: (285T0022-23 T/W 800000121-1 I/W 90-42301-1) USED ON: 285T0022-38 285T0022-41	002004 006100 121503 904949	1
59	90-42301-1		.. CONNECTOR-POWER SUPPLIER CODE: V51074 QUALIFIED I/W DATA: 90-42301-1 CONNECTOR CAN REPLACE BUT NOT BE REPLACED BY 285T0022-23 INSULATOR TOGETHER WITH 800000121-1 CONNECTOR. QUALIFIED OPTIONAL DATA: (285T0022-23 WITH 800000121-1 OPT TO 90-42301-1) OPTIONAL PART: 285T0022-52 V89954 USED ON: 285T0022-38 285T0022-40 285T0022-41 285T0022-44	002004 006100 121503 904949	1

MISSING ITEM NUMBERS NOT APPLICABLE

- ITEM NOT ILLUSTRATED

BRI

23-51-01-04

BOEING PROPRIETARY - Copyright © - Unpublished Work - See title page for details.

23-51-01
 FIG. 04
 PAGE 10
 JAN 20/09



757

PARTS CATALOG (MAINTENANCE)

FIG ITEM	PART NUMBER	1 2 3 4 5 6 7	NOMENCLATURE	EFFECT FROM TO	UNITS PER ASSY
4 60	800000121-1		.. CONNECTOR-POWER SUPPLIER CODE: V05617 QUALIFIED I/W DATA: THE 800000121-1 T/W 285T0022-23 IS I/W 90-42301-1 QUALIFIED OPTIONAL DATA: (285T0022-23 WITH 800000121-1 OPT TO 90-42301-1) OPTIONAL PART: 90-42301-1 V51074 USED ON: 285T0022-38 285T0022-41	002004 006100 121503 904949	1
61	NAS1801-04-4		.. SCREW	002004 006100 121503 904949	8
62	BRH10A04		.. NUT SUPPLIER CODE: V52828 SPECIFICATION NUMBER: BACN10JCO4 OPTIONAL PART: NS202101-40 V80539 RMLH9075-40W V72962 VN303A40 V92215 96-40 V80539 T6S440J V11815 H10-04BAC V15653	002004 006100 121503 904949	8
63	BACC45FN18-31P		.. CONNECTOR	002004 006100 121503 904949	1
64	BACC45FN20-41P		.. CONNECTOR	002004 006100 121503 904949	1
- 200	286N0041-005		WIRE BUNDLE ASSY-	121503 904949	RF

MISSING ITEM NUMBERS NOT APPLICABLE

- ITEM NOT ILLUSTRATED

23-51-01-04

23-51-01
FIG. 04
PAGE 11
JAN 20/09

BRI



757

PARTS CATALOG (MAINTENANCE)

FIG ITEM	PART NUMBER	1 2 3 4 5 6 7	NOMENCLATURE	EFFECT FROM TO	UNITS PER ASSY
4					
- 200	286N0041-006		WIRE BUNDLE ASSY-	002004 006100	RF
- 200	286N0041-305		WIRE BUNDLE ASSY	101102	RF
205	BACC45FT18D31S		.CONNECTOR- ELECTRICAL EQUIP NUMBER: D00455 WIRING DIAGRAM REF: 235151	002004 006102 121503 904949	1
- 250	286N2339-301		WIRE BUNDLE ASSY-	101102	RF
- 250	286N2339-001		WIRE BUNDLE ASSY	121503 904949	RF
- 250	286N2339-002		WIRE BUNDLE ASSY	002004 006010	RF
- 250	286N2339-005		WIRE BUNDLE ASSY	011100	RF
255	BACC45FT20A41S		.CONNECTOR- ELECTRICAL EQUIP NUMBER: D00453 WIRING DIAGRAM REF: 235151	002004 006102 121503 904949	1

MISSING ITEM NUMBERS NOT APPLICABLE

- ITEM NOT ILLUSTRATED

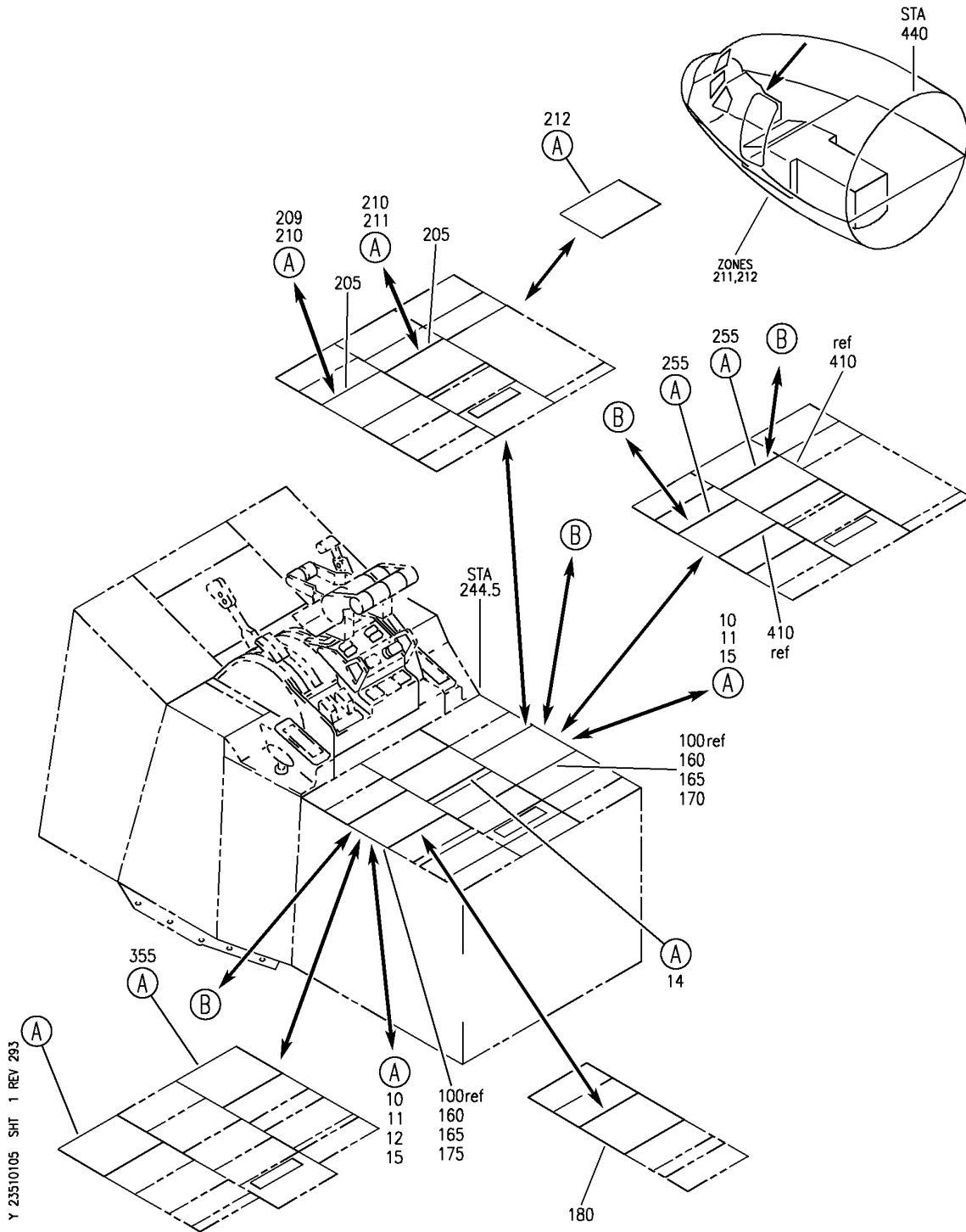
BRI

23-51-01-04

BOEING PROPRIETARY - Copyright © - Unpublished Work - See title page for details.

23-51-01
FIG. 04
PAGE 12
JAN 20/09

BOEING
757
PARTS CATALOG (MAINTENANCE)



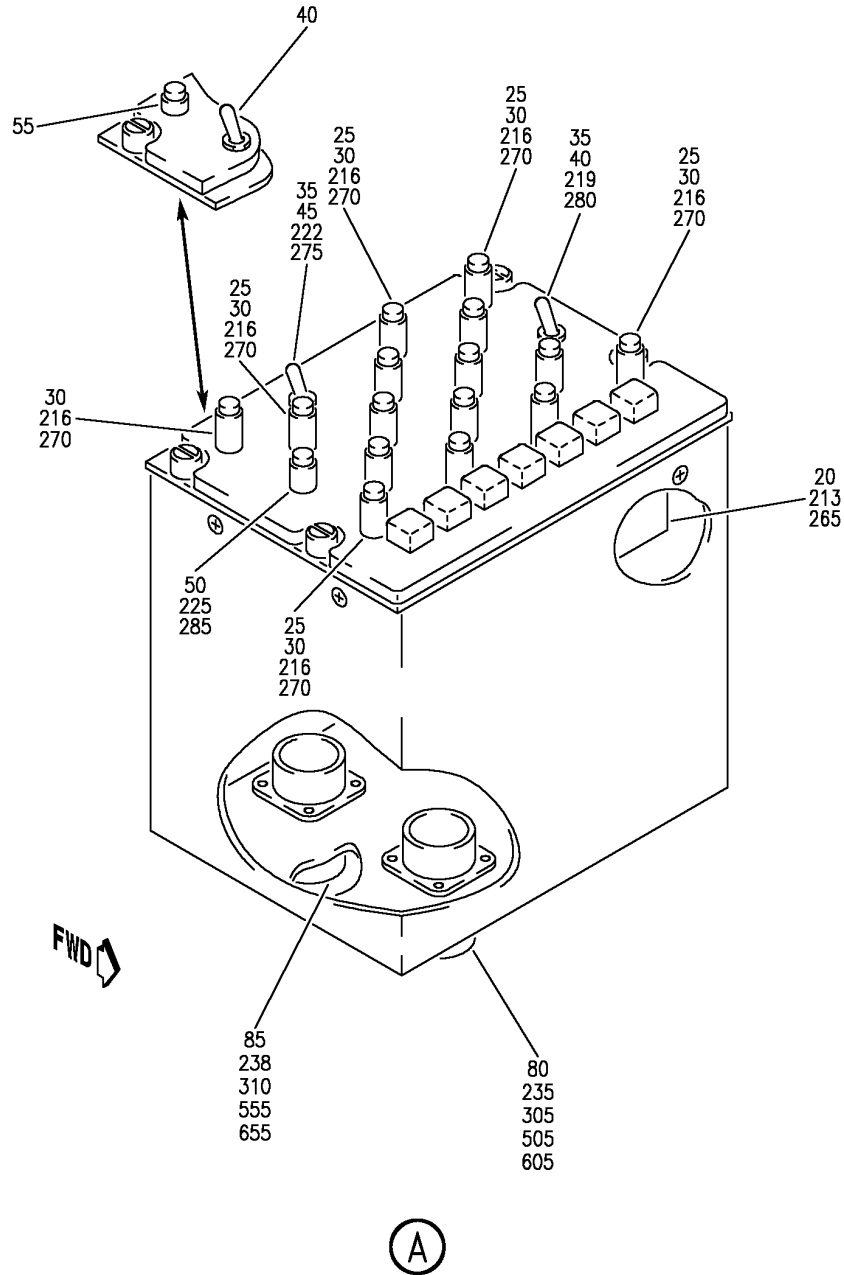
PANEL INSTL-P8, P9, P10 ELECTRONICS (AUDIO INTEGRATING ONLY)
FIGURE 5 (SHEET 1)

23-51-01-05

BRI
MAY 28/07

23-51-01-05
PAGE 0

BOEING
757
PARTS CATALOG (MAINTENANCE)



Y 23510105 SHT 2 REV 262

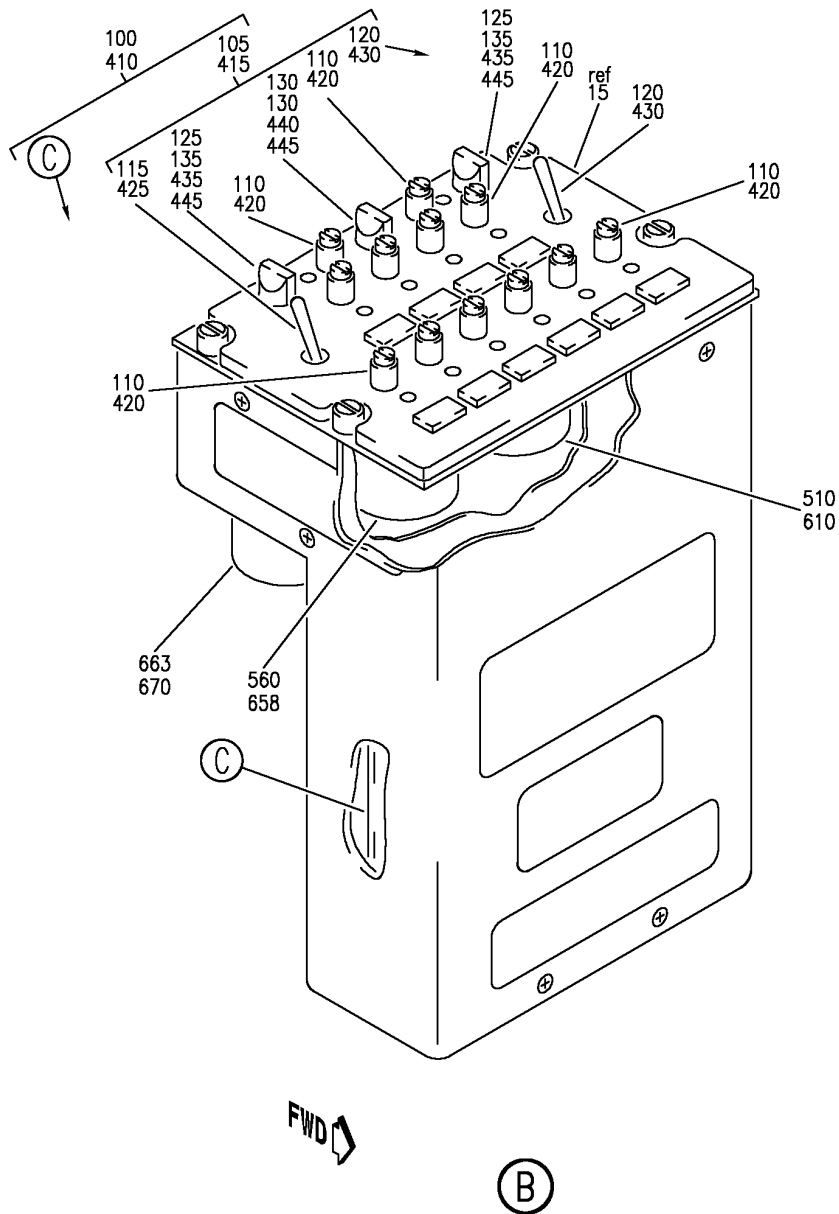
PANEL INSTL-P8, P9, P10 ELECTRONICS (AUDIO INTEGRATING ONLY)
FIGURE 5 (SHEET 2)

23-51-01-05

BRI
MAY 28/07

23-51-01-05
PAGE 0A

BOEING
757
PARTS CATALOG (MAINTENANCE)



Y 233510105 SH-T 3 REV 273

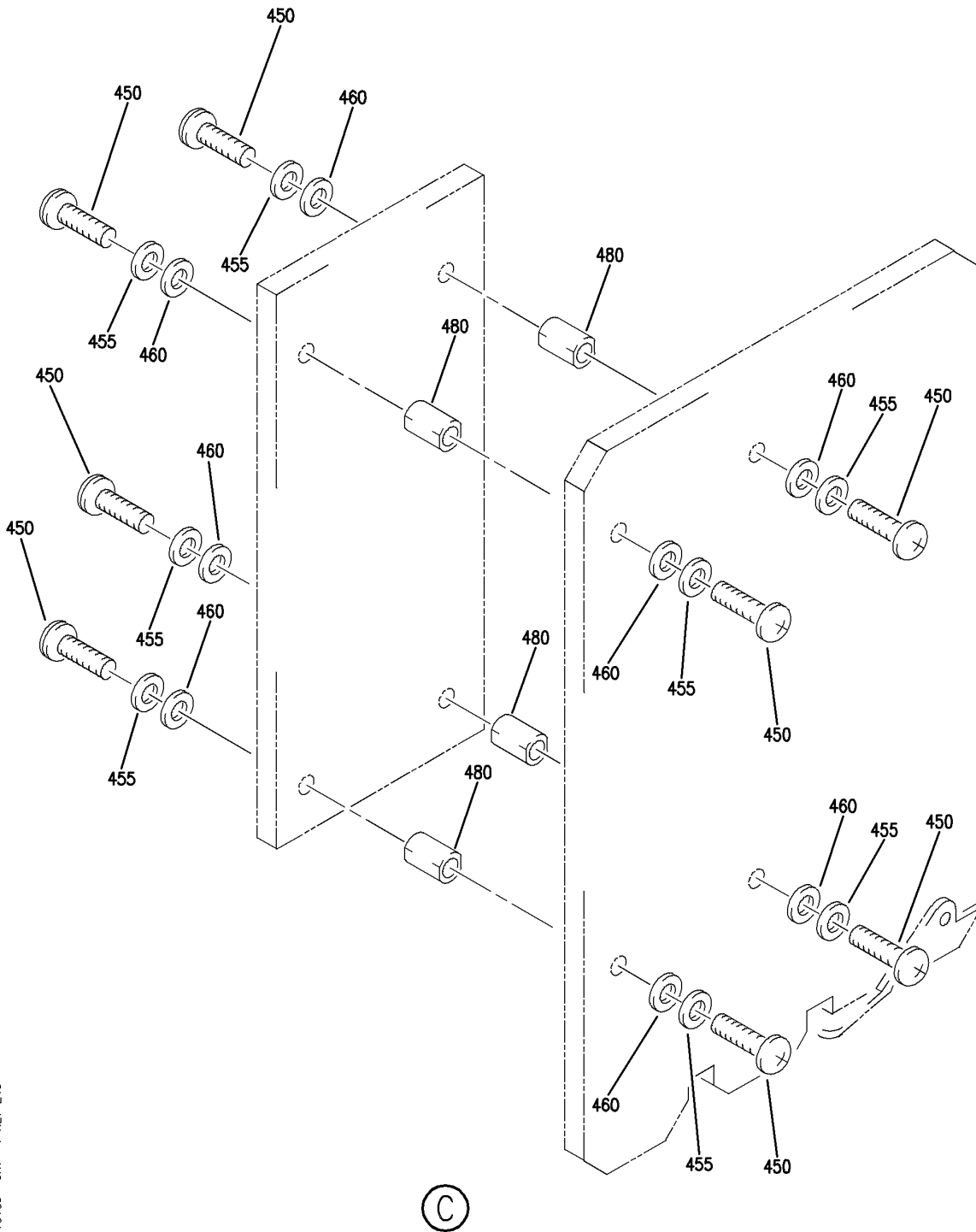
PANEL INSTL-P8, P9, P10 ELECTRONICS (AUDIO INTEGRATING ONLY)
FIGURE 5 (SHEET 3)

23-51-01-05

BRI
MAY 28/07

23-51-01-05
PAGE 0B

BOEING
757
PARTS CATALOG (MAINTENANCE)



Y 23510105 SHT 4 REV 243

PANEL INSTL-P8, P9, P10 ELECTRONICS (AUDIO INTEGRATING ONLY)
FIGURE 5 (SHEET 4)

23-51-01-05

BRI
MAY 28/07

23-51-01-05
PAGE 0C



757

PARTS CATALOG (MAINTENANCE)

FIG ITEM	PART NUMBER	1 2 3 4 5 6 7	NOMENCLATURE	EFFECT FROM TO	UNITS PER ASSY
5			PANEL INSTL-P8, P9, P10 ELECTRONICS (AUDIO INTEGRATING ONLY)	101106 108120 504903	
- 2	233N6103-28		PANEL INSTL-P8, P9, P10 ELECTRONICS (AUDIO INTEGRATING ONLY) FOR NHA/OTHER SYS DET SEE: 25-10-00-15B	101101	RF
- 2	233N6103-128		PANEL INSTL-P8, P9, P10 ELECTRONICS (AUDIO INTEGRATING ONLY) FOR NHA/OTHER SYS DET SEE: 25-10-00-15B	102102	RF
- 5	233N6103-62		PANEL INSTL-P8, P9, P10 ELECTRONICS (AUDIO INTEGRATING ONLY) FOR NHA/OTHER SYS DET SEE: 25-10-00-15B	108120	RF
- 6	MODREF33990		PANEL INSTL-P8, P9, P10 ELECTRONICS (AUDIO INTEGRATING ONLY) MODULE NUMBER: 233N6103-253 REV B FOR OTHER SYS DETAILS SEE: 11-31-05-66F 23-12-02-03 26-11-02-01 26-11-54-02A 26-12-51-03 26-17-51-06 26-21-01-02 26-22-03-03 26-23-52-04A 27-11-23-03 27-21-23-03 27-28-02-01A 31-11-31-02 31-11-36-78 31-11-41-02 31-41-03-02 33-13-01-07 34-22-02-03 34-31-02-02 34-43-02-02 34-53-02-02 34-57-02-03 34-61-02-03	103106	1

MISSING ITEM NUMBERS NOT APPLICABLE

- ITEM NOT ILLUSTRATED

23-51-01-05

23-51-01
FIG. 05
PAGE 1
JAN 20/09

BRI



757

PARTS CATALOG (MAINTENANCE)

FIG ITEM	PART NUMBER	1 2 3 4 5 6 7	NOMENCLATURE	EFFECT FROM TO	UNITS PER ASSY
5					
10	285T0022-44		.PANEL ASSY-AUDIO SELECTOR SUPPLIER CODE: V89954 ELECTRICAL EQUIP NUMBER: M00070 M00071 COMPONENT MAINT MANUAL REF: 23-51-54	101102 108120	RF
10	285T0022-38		.PANEL ASSY-AUDIO SELECTOR SUPPLIER CODE: V89954 ELECTRICAL EQUIP NUMBER: M00070 M00071 COMPONENT MAINT MANUAL REF: 23-51-54	101102 108120	RF
10	285T0022-28		.PANEL ASSY-AUDIO SELECTOR SUPPLIER CODE: V89954 ELECTRICAL EQUIP NUMBER: M00070 M00071 COMPONENT MAINT MANUAL REF: 23-51-54	101102 108120	RF
20	WCS223-1		..SWITCH ASSY- SUPPLIER CODE: V51074 QUALIFIED OPTIONAL DATA: WCS223-1 OR WCS2223-2 OR WCS2223-3 ARE ALL OPT USED WITH ASSOCIATED ITEMS USED ON: 285T0022-35 285T0022-36 285T0022-37 285T0022-38 285T0022-39 285T0022-40 285T0022-41 285T0022-42 285T0022-43 285T0022-44 285T0022-45	101102 108120	1

MISSING ITEM NUMBERS NOT APPLICABLE

- ITEM NOT ILLUSTRATED

23-51-01-05

23-51-01
FIG. 05
PAGE 2
JAN 20/09

BRI

BOEING PROPRIETARY - Copyright © - Unpublished Work - See title page for details.



757

PARTS CATALOG (MAINTENANCE)

FIG ITEM	PART NUMBER	1 2 3 4 5 6 7	NOMENCLATURE	EFFECT FROM TO	UNITS PER ASSY
5 20	WCS223-2		.. SWITCH ASSY- SUPPLIER CODE: V51074 QUALIFIED OPTIONAL DATA: WCS223-1 OR WCS223-2 OR WCS223-3 ARE ALL OPT USED WITH ASSOCIATED ITEMS USED ON: 285T0022-35 285T0022-36 285T0022-37 285T0022-38 285T0022-39 285T0022-40 285T0022-41 285T0022-42 285T0022-43 285T0022-44 285T0022-45	101102 108120	1
20	WCS223-3		.. SWITCH ASSY- SUPPLIER CODE: V51074 QUALIFIED OPTIONAL DATA: WCS223-1 OR WCS223-2 OR WCS223-3 ARE ALL OPT USED WITH ASSOCIATED ITEMS USED ON: 285T0022-35 285T0022-36 285T0022-37 285T0022-38 285T0022-39 285T0022-40 285T0022-41 285T0022-42 285T0022-43 285T0022-44 285T0022-45	101102 108120	1

MISSING ITEM NUMBERS NOT APPLICABLE

- ITEM NOT ILLUSTRATED

BRI

23-51-01-05

BOEING PROPRIETARY - Copyright © - Unpublished Work - See title page for details.

23-51-01
FIG. 05
PAGE 3
JAN 20/09



757

PARTS CATALOG (MAINTENANCE)

FIG ITEM	PART NUMBER	1 2 3 4 5 6 7	NOMENCLATURE	EFFECT FROM TO	UNITS PER ASSY
5 20	WCS223-1		.. SWITCH ASSY- SUPPLIER CODE: V51074 OPTIONAL PART: WCS223-2 V51074 WCS223-3 V51074 USED ON: 285T0022-25 285T0022-26 285T0022-27 285T0022-28 285T0022-29 285T0022-30 285T0022-31	101102 108120	1
20	WCS223-2		.. SWITCH ASSY- SUPPLIER CODE: V51074 OPTIONAL PART: WCS223-1 V51074 WCS223-3 V51074 USED ON: 285T0022-25 285T0022-26 285T0022-27 285T0022-28 285T0022-29 285T0022-30 285T0022-31	101102 108120	1
20	WCS223-3		.. SWITCH ASSY- SUPPLIER CODE: V51074 OPTIONAL PART: WCS223-1 V51074 WCS223-2 V51074 USED ON: 285T0022-25 285T0022-26 285T0022-27 285T0022-28 285T0022-29 285T0022-30 285T0022-31	101102 108120	1

MISSING ITEM NUMBERS NOT APPLICABLE

- ITEM NOT ILLUSTRATED

23-51-01-05

23-51-01
FIG. 05
PAGE 4
JAN 20/09

BRI



**757
PARTS CATALOG (MAINTENANCE)**

FIG ITEM	PART NUMBER	1 2 3 4 5 6 7	NOMENCLATURE	EFFECT FROM TO	UNITS PER ASSY
5 25	WCS218-4		.. SWITCH ASSY- SUPPLIER CODE: V51074 QUALIFIED OPTIONAL DATA: WCS218-4 OR WCS218-5 OR WCS218-6 ARE ALL OPT USED WITH ASSOCIATED ITEMS USED ON: 285T0022-35 285T0022-36 285T0022-37 285T0022-38 285T0022-39 285T0022-40 285T0022-41 285T0022-42 285T0022-43 285T0022-44 285T0022-45	101102 108120	14
25	WCS218-5		.. SWITCH ASSY- SUPPLIER CODE: V51074 QUALIFIED OPTIONAL DATA: WCS218-4 OR WCS218-5 OR WCS218-6 ARE ALL OPT USED WITH ASSOCIATED ITEMS USED ON: 285T0022-35 285T0022-36 285T0022-37 285T0022-38 285T0022-39 285T0022-40 285T0022-41 285T0022-42 285T0022-43 285T0022-44 285T0022-45	101102 108120	14

MISSING ITEM NUMBERS NOT APPLICABLE

— ITEM NOT ILLUSTRATED

BRI

23-51-01-05

BOEING PROPRIETARY - Copyright © - Unpublished Work - See title page for details.

23-51-01
FIG. 05
PAGE 5
JAN 20/09



757

PARTS CATALOG (MAINTENANCE)

FIG ITEM	PART NUMBER	1 2 3 4 5 6 7	NOMENCLATURE	EFFECT FROM TO	UNITS PER ASSY
5 25	WCS218-6		.. SWITCH ASSY- SUPPLIER CODE: V51074 QUALIFIED OPTIONAL DATA: WCS218-4 OR WCS218-5 OR WCS218-6 ARE ALL OPT USED WITH ASSOCIATED ITEMS USED ON: 285T0022-35 285T0022-36 285T0022-37 285T0022-38 285T0022-39 285T0022-40 285T0022-41 285T0022-42 285T0022-43 285T0022-44 285T0022-45	101102 108120	14
25	WCS218-4		.. SWITCH ASSY- SUPPLIER CODE: V51074 OPTIONAL PART: WCS218-5 V51074 WCS218-6 V51074 USED ON: 285T0022-25 285T0022-26 285T0022-27 285T0022-28 285T0022-29 285T0022-30 285T0022-31	101102 108120	14

MISSING ITEM NUMBERS NOT APPLICABLE

- ITEM NOT ILLUSTRATED

23-51-01-05

23-51-01
FIG. 05
PAGE 6
JAN 20/09

BRI



757

PARTS CATALOG (MAINTENANCE)

FIG ITEM	PART NUMBER	1 2 3 4 5 6 7	NOMENCLATURE	EFFECT FROM TO	UNITS PER ASSY
5 25	WCS218-5		.. SWITCH ASSY- SUPPLIER CODE: V51074 OPTIONAL PART: WCS218-4 V51074 WCS218-6 V51074 USED ON: 285T0022-25 285T0022-26 285T0022-27 285T0022-28 285T0022-29 285T0022-30 285T0022-31	101102 108120	14
25	WCS218-6		.. SWITCH ASSY- SUPPLIER CODE: V51074 OPTIONAL PART: WCS218-4 V51074 WCS218-5 V51074 USED ON: 285T0022-25 285T0022-26 285T0022-27 285T0022-28 285T0022-29 285T0022-30 285T0022-31	101102 108120	14

MISSING ITEM NUMBERS NOT APPLICABLE

- ITEM NOT ILLUSTRATED

23-51-01-05

23-51-01
FIG. 05
PAGE 7
JAN 20/09

BRI



757

PARTS CATALOG (MAINTENANCE)

FIG ITEM	PART NUMBER	1 2 3 4 5 6 7	NOMENCLATURE	EFFECT FROM TO	UNITS PER ASSY
5					
30	WCS218-4		.. SWITCH ASSY- SUPPLIER CODE: V51074 QUALIFIED OPTIONAL DATA: WCS218-4 OR WCS218-5 OR WCS218-6 ARE ALL OPT USED WITH ASSOCIATED ITEMS USED ON: 285T0022-36 285T0022-37 285T0022-38 285T0022-39 285T0022-40 285T0022-41 285T0022-43 285T0022-44 285T0022-45	101102 108120	1
30	WCS218-5		.. SWITCH ASSY- SUPPLIER CODE: V51074 QUALIFIED OPTIONAL DATA: WCS218-4 OR WCS218-5 OR WCS218-6 ARE ALL OPT USED WITH ASSOCIATED ITEMS USED ON: 285T0022-36 285T0022-37 285T0022-38 285T0022-39 285T0022-40 285T0022-41 285T0022-43 285T0022-44 285T0022-45	101102 108120	1

MISSING ITEM NUMBERS NOT APPLICABLE

- ITEM NOT ILLUSTRATED

BRI

23-51-01-05

BOEING PROPRIETARY - Copyright © - Unpublished Work - See title page for details.

23-51-01
 FIG. 05
 PAGE 8
 JAN 20/09



757

PARTS CATALOG (MAINTENANCE)

FIG ITEM	PART NUMBER	1 2 3 4 5 6 7	NOMENCLATURE	EFFECT FROM TO	UNITS PER ASSY
5					
30	WCS218-6		.. SWITCH ASSY- SUPPLIER CODE: V51074 QUALIFIED OPTIONAL DATA: WCS218-4 OR WCS218-5 OR WCS218-6 ARE ALL OPT USED WITH ASSOCIATED ITEMS USED ON: 285T0022-36 285T0022-37 285T0022-38 285T0022-39 285T0022-40 285T0022-41 285T0022-43 285T0022-44 285T0022-45	101102 108120	1
30	WCS218-4		.. SWITCH ASSY- SUPPLIER CODE: V51074 OPTIONAL PART: WCS218-5 V51074 WCS218-6 V51074 USED ON: 285T0022-26 285T0022-27 285T0022-28 285T0022-29 285T0022-30 285T0022-31	101102 108120	1
30	WCS218-5		.. SWITCH ASSY- SUPPLIER CODE: V51074 OPTIONAL PART: WCS218-4 V51074 WCS218-6 V51074 USED ON: 285T0022-26 285T0022-27 285T0022-28 285T0022-29 285T0022-30 285T0022-31	101102 108120	1

MISSING ITEM NUMBERS NOT APPLICABLE

- ITEM NOT ILLUSTRATED

23-51-01-05

23-51-01
FIG. 05
PAGE 9
JAN 20/09

BRI



757

PARTS CATALOG (MAINTENANCE)

FIG ITEM	PART NUMBER	1 2 3 4 5 6 7	NOMENCLATURE	EFFECT FROM TO	UNITS PER ASSY
5 30	WCS218-6		.. SWITCH ASSY- SUPPLIER CODE: V51074 OPTIONAL PART: WCS218-4 V51074 WCS218-5 V51074 USED ON: 285T0022-26 285T0022-27 285T0022-28 285T0022-29 285T0022-30 285T0022-31	101102 108120	1
40	T1-0051		.. SWITCH- SUPPLIER CODE: V21649 QUALIFIED OPTIONAL DATA: T1-0051 OPT TO T1-005101 USED WITH ASSOCIATED ITEMS USED ON: 285T0022-36 285T0022-37 285T0022-38 285T0022-39 285T0022-40 285T0022-41 285T0022-43 285T0022-44 285T0022-45	101102 108120	1
40	T1-0051-1		.. SWITCH- SUPPLIER CODE: V21649 QUALIFIED OPTIONAL DATA: T1-0051 OPT TO T1-0051-1 USED WITH ASSOCIATED ITEMS USED ON: 285T0022-36 285T0022-37 285T0022-38 285T0022-39 285T0022-40 285T0022-41 285T0022-43 285T0022-44 285T0022-45	101102 108120	1

MISSING ITEM NUMBERS NOT APPLICABLE

- ITEM NOT ILLUSTRATED

23-51-01-05

23-51-01
FIG. 05
PAGE 10
JAN 20/09

BRI



757

PARTS CATALOG (MAINTENANCE)

FIG ITEM	PART NUMBER	1 2 3 4 5 6 7	NOMENCLATURE	EFFECT FROM TO	UNITS PER ASSY
5	40 T1-0051		.. SWITCH- SUPPLIER CODE: V21649 USED ON: 285T0022-25 285T0022-26 285T0022-27 285T0022-28 285T0022-29 285T0022-30 285T0022-31	101102 108120	1
	40 T1-0051-1		.. SWITCH- SUPPLIER CODE: V21649 USED ON: 285T0022-25 285T0022-26 285T0022-27 285T0022-28 285T0022-29 285T0022-30 285T0022-31	101102 108120	1
	45 T1-0050		.. SWITCH- SUPPLIER CODE: V21649 QUALIFIED OPTIONAL DATA: T1-0051 OPT TO T1-0050-1 USED WITH ASSOCIATED ITEMS USED ON: 285T0022-35 285T0022-36 285T0022-37 285T0022-38 285T0022-39 285T0022-40 285T0022-41 285T0022-42 285T0022-43 285T0022-44 285T0022-45	101102 108120	1

MISSING ITEM NUMBERS NOT APPLICABLE

- ITEM NOT ILLUSTRATED

23-51-01-05

23-51-01
FIG. 05
PAGE 11
JAN 20/09

BRI



757

PARTS CATALOG (MAINTENANCE)

FIG ITEM	PART NUMBER	1 2 3 4 5 6 7	NOMENCLATURE	EFFECT FROM TO	UNITS PER ASSY
5					
45	T1-0050-1		.. SWITCH- SUPPLIER CODE: V21649 QUALIFIED OPTIONAL DATA: T1-0050 OPT TO T1-0050-1 USED WITH ASSOCIATED ITEMS USED ON: 285T0022-35 285T0022-36 285T0022-37 285T0022-38 285T0022-39 285T0022-40 285T0022-41 285T0022-42 285T0022-43 285T0022-44 285T0022-45	101102 108120	1
45	T1-0050		.. SWITCH- SUPPLIER CODE: V21649 USED ON: 285T0022-25 285T0022-26 285T0022-27 285T0022-28 285T0022-29 285T0022-30 285T0022-31	101102 108120	1
45	T1-0050-1		.. SWITCH- SUPPLIER CODE: V21649 USED ON: 285T0022-25 285T0022-26 285T0022-27 285T0022-28 285T0022-29 285T0022-30 285T0022-31	101102 108120	1

MISSING ITEM NUMBERS NOT APPLICABLE

- ITEM NOT ILLUSTRATED

BRI

23-51-01-05

BOEING PROPRIETARY - Copyright © - Unpublished Work - See title page for details.

23-51-01
FIG. 05
PAGE 12
JAN 20/09



757

PARTS CATALOG (MAINTENANCE)

FIG ITEM	PART NUMBER	1 2 3 4 5 6 7	NOMENCLATURE	EFFECT FROM TO	UNITS PER ASSY
5 50	WCS229-2		.. SWITCH- SUPPLIER CODE: V51074 QUALIFIED OPTIONAL DATA: WCS229-1 OR WCS229-2 OR WCS229-3 OR WCS229-5 PR 90-22901-5 ARE ALL OPT WHEN USED WITH ASSOCIATED ITEMS USED ON: 285T0022-36 285T0022-37 285T0022-38 285T0022-39 285T0022-40 285T0022-41 285T0022-43 285T0022-44 285T0022-45	101102 108120	1
50	WCS229-1		.. SWITCH- SUPPLIER CODE: V51074 QUALIFIED OPTIONAL DATA: WCS229-1 OR WCS229-2 OR WCS229-3 OR WCS229-5 OR 90-22901-5 ARE ALL OPT WHEN USED WITH ASSOCIATED ITEMS USED ON: 285T0022-36 285T0022-37 285T0022-38 285T0022-39 285T0022-40 285T0022-41 285T0022-43 285T0022-44 285T0022-45	101102 108120	1

MISSING ITEM NUMBERS NOT APPLICABLE

- ITEM NOT ILLUSTRATED

BRI

23-51-01-05

BOEING PROPRIETARY - Copyright © - Unpublished Work - See title page for details.

23-51-01
FIG. 05
PAGE 13
JAN 20/09



757

PARTS CATALOG (MAINTENANCE)

FIG ITEM	PART NUMBER	1 2 3 4 5 6 7	NOMENCLATURE	EFFECT FROM TO	UNITS PER ASSY
5 50	WCS229-3		.. SWITCH- SUPPLIER CODE: V51074 QUALIFIED OPTIONAL DATA: WCS229-1 OR WCS229-2 OR WCS229-3 OR WCS229-5 OR 90-22901-5 ARE ALL OPT WHEN USED WITH ASSOCIATED ITEMS USED ON: 285T0022-36 285T0022-37 285T0022-38 285T0022-39 285T0022-40 285T0022-41 285T0022-43 285T0022-44 285T0022-45	101102 108120	1
50	WCS229-5		.. SWITCH- SUPPLIER CODE: V51074 QUALIFIED OPTIONAL DATA: WCS229-1 OR WCS229-2 OR WCS229-3 OR WCS229-5 OR 90-22901-5 ARE ALL OPT WHEN USED WITH ASSOCIATED ITEMS USED ON: 285T0022-36 285T0022-37 285T0022-38 285T0022-39 285T0022-40 285T0022-41 285T0022-43 285T0022-44 285T0022-45	101102 108120	1

MISSING ITEM NUMBERS NOT APPLICABLE

- ITEM NOT ILLUSTRATED

23-51-01-05

23-51-01
FIG. 05
PAGE 14
JAN 20/09

BRI



757

PARTS CATALOG (MAINTENANCE)

FIG ITEM	PART NUMBER	1 2 3 4 5 6 7	NOMENCLATURE	EFFECT FROM TO	UNITS PER ASSY
5	90-22901-5		.. SWITCH- SUPPLIER CODE: V51074 QUALIFIED OPTIONAL DATA: WCS229-1 OR WCS229-2 OR WCS229-3 OR WCS229-5 OR 90-22901-5 ARE ALL OPT WHEN USED WITH ASSOCIATED ITEMS USED ON: 285T0022-36 285T0022-37 285T0022-38 285T0022-39 285T0022-40 285T0022-41 285T0022-43 285T0022-44 285T0022-45	101102 108120	1
50	WCS229-1		.. SWITCH- SUPPLIER CODE: V51074 OPTIONAL PART: WCS229-3 V51074 WCS229-5 V51074 90-22901-5 V51074 USED ON: 285T0022-26 285T0022-27 285T0022-28 285T0022-29 285T0022-30 285T0022-31	101102 108120	1

MISSING ITEM NUMBERS NOT APPLICABLE

- ITEM NOT ILLUSTRATED

BRI

23-51-01-05

BOEING PROPRIETARY - Copyright © - Unpublished Work - See title page for details.

23-51-01
FIG. 05
PAGE 15
JAN 20/09



757

PARTS CATALOG (MAINTENANCE)

FIG ITEM	PART NUMBER	1 2 3 4 5 6 7	NOMENCLATURE	EFFECT FROM TO	UNITS PER ASSY
5 50	WCS229-3		.. SWITCH- SUPPLIER CODE: V51074 OPTIONAL PART: WCS229-1 V51074 WCS229-5 V51074 90-22901-5 V51074 USED ON: 285T0022-26 285T0022-27 285T0022-28 285T0022-29 285T0022-30 285T0022-31	101102 108120	1
50	WCS229-5		.. SWITCH- SUPPLIER CODE: V51074 OPTIONAL PART: WCS229-1 V51074 WCS229-3 V51074 90-22901-5 V51074 USED ON: 285T0022-26 285T0022-27 285T0022-28 285T0022-29 285T0022-30 285T0022-31	101102 108120	1

MISSING ITEM NUMBERS NOT APPLICABLE

- ITEM NOT ILLUSTRATED

BRI

23-51-01-05

BOEING PROPRIETARY - Copyright © - Unpublished Work - See title page for details.

23-51-01
FIG. 05
PAGE 16
JAN 20/09



757

PARTS CATALOG (MAINTENANCE)

FIG ITEM	PART NUMBER	1 2 3 4 5 6 7	NOMENCLATURE	EFFECT FROM TO	UNITS PER ASSY
5					
50	90-22901-5		.. SWITCH- SUPPLIER CODE: V51074 OPTIONAL PART: WCS229-1 V51074 WCS229-3 V51074 WCS229-5 V51074 USED ON: 285T0022-26 285T0022-27 285T0022-28 285T0022-29 285T0022-30 285T0022-31	101102 108120	1
50	WCS229-2		.. SWITCH- SUPPLIER CODE: V51074 USED ON: 285T0022-26 285T0022-27 285T0022-28 285T0022-29 285T0022-30 285T0022-31	101102 108120	1
80	BACC45FN18-31P		.. CONNECTOR	101102 108120	1
85	BACC45FN20-41P		.. CONNECTOR	101102 108120	1
- 90	BACS12HN04-4		ATTACHING PARTS .. SCREW- OPTIONAL PART: NAS1801-04-4 USED ON: 285T0022-40 285T0022-41 285T0022-42 285T0022-43 285T0022-44 285T0022-45	101102 108120	8

MISSING ITEM NUMBERS NOT APPLICABLE

- ITEM NOT ILLUSTRATED

23-51-01-05

23-51-01
FIG. 05
PAGE 17
JAN 20/09

BRI

BOEING PROPRIETARY - Copyright © - Unpublished Work - See title page for details.



757

PARTS CATALOG (MAINTENANCE)

FIG ITEM	PART NUMBER	1 2 3 4 5 6 7	NOMENCLATURE	EFFECT FROM TO	UNITS PER ASSY
5 - 90	NAS1801-04-4		.. SCREW- OPTIONAL PART: BACS12HN04-4 USED ON: 285T0022-40 285T0022-41 285T0022-42 285T0022-43 285T0022-44 285T0022-45	101102 108120	8
- 90	NAS1801-04-4		.. SCREW- USED ON: 285T0022-25 285T0022-26 285T0022-27 285T0022-28 285T0022-29 285T0022-30 285T0022-31 285T0022-35 285T0022-36 285T0022-37 285T0022-38 285T0022-39	101102 108120	8
- 95	BRH10C04D		.. NUT- SUPPLIER CODE: V52828 SPECIFICATION NUMBER: BACN10JC04CD OPTIONAL PART: H51650-04BAC V15653 102LH9075-40W V72962 NS202486-40 V80539 T6C440JCD V11815 T6C440JCD V11815 BACN10JC04 USED ON: 285T0022-40 285T0022-41 285T0022-42 285T0022-43 285T0022-44 285T0022-45	101102 108120	8

MISSING ITEM NUMBERS NOT APPLICABLE

- ITEM NOT ILLUSTRATED

BRI

23-51-01-05

BOEING PROPRIETARY - Copyright © - Unpublished Work - See title page for details.

23-51-01
FIG. 05
PAGE 18
JAN 20/09



757

PARTS CATALOG (MAINTENANCE)

FIG ITEM	PART NUMBER	1 2 3 4 5 6 7	NOMENCLATURE	EFFECT FROM TO	UNITS PER ASSY
5 - 95	BRH10A04	. .	NUT- SUPPLIER CODE: V52828 SPECIFICATION NUMBER: BACN10JCO4 OPTIONAL PART: NS202101-40 V80539 RMLH9075-40W V72962 VN303A40 V92215 96-40 V80539 T6S440J V11815 H10-04BAC V15653 BACN10JCO4CD USED ON: 285T0022-40 285T0022-41 285T0022-42 285T0022-43 285T0022-44 285T0022-45	101102 108120	8

MISSING ITEM NUMBERS NOT APPLICABLE

- ITEM NOT ILLUSTRATED

BRI

23-51-01-05

BOEING PROPRIETARY - Copyright © - Unpublished Work - See title page for details.

23-51-01
FIG. 05
PAGE 19
JAN 20/09



757

PARTS CATALOG (MAINTENANCE)

FIG ITEM	PART NUMBER	1 2 3 4 5 6 7	NOMENCLATURE	EFFECT FROM TO	UNITS PER ASSY
5 - 95	BRH10A04		..NUT- SUPPLIER CODE: V52828 SPECIFICATION NUMBER: BACN10JCO4 OPTIONAL PART: NS202101-40 V80539 RMLH9075-40W V72962 VN303A40 V92215 96-40 V80539 T6S440J V11815 H10-04BAC V15653 USED ON: 285T0022-25 285T0022-26 285T0022-27 285T0022-28 285T0022-29 285T0022-30 285T0022-31 285T0022-35 285T0022-36 285T0022-37 285T0022-38 285T0022-39 -----*-----	101102 108120	8
100	285T0022-51		.PANEL ASSY-AUDIO SELECTOR SUPPLIER CODE: V89954 ELECTRICAL EQUIP NUMBER: M00070 M00071 COMPONENT MAINT MANUAL REF: 23-51-05	103106	RF
105	285T0148-1		..PANEL ASSY- SUPPLIER CODE: V89954 QUALIFIED OPTIONAL DATA: 285T0148-1 OPT TO 285T0148-2 USED WITH ASSOCIATED ITEMS	103106	1

MISSING ITEM NUMBERS NOT APPLICABLE

- ITEM NOT ILLUSTRATED

23-51-01-05

23-51-01
FIG. 05
PAGE 20
JAN 20/09

BRI



757

PARTS CATALOG (MAINTENANCE)

FIG ITEM	PART NUMBER	1 2 3 4 5 6 7	NOMENCLATURE	EFFECT FROM TO	UNITS PER ASSY
5					
105	285T0148-2		.. PANEL ASSY- SUPPLIER CODE: V89954 QUALIFIED OPTIONAL DATA: 285T0148-1 OPT TO 285T0148-2 USED WITH ASSOCIATED ITEMS	103106	1
110	SW43890		... SWITCH- SUPPLIER CODE: V07150 SPECIFICATION NUMBER: S906-50075-2 S906-50075-4 USED ON: 285T0148-1	103106	12
110	SW43890		... SWITCH- SUPPLIER CODE: V07150 SPECIFICATION NUMBER: S906-50075-4 S906-50075-2 USED ON: 285T0148-1	103106	12
115	JMT3156		... SWITCH- SUPPLIER CODE: V55459 SPECIFICATION NUMBER: S906-50078-1	103106	1
120	JMT3157		... SWITCH- SUPPLIER CODE: V55459 SPECIFICATION NUMBER: S906-50078-2	103106	1
125	1800-5638-01		... SWITCH- SUPPLIER CODE: V31946 SPECIFICATION NUMBER: S906-50079-3	103106	2
130	1800-5638-02		... SWITCH- SUPPLIER CODE: V31946 SPECIFICATION NUMBER: S906-50079-4	103106	1
135	TT207-115		... KNOB- SUPPLIER CODE: V81590	103106	3
136	MS51957-14		.. SCREW	103106	8
137	MS35338-135		.. WASHER	103106	8
138	NAS620C4L		.. WASHER	103106	8

MISSING ITEM NUMBERS NOT APPLICABLE

- ITEM NOT ILLUSTRATED

23-51-01-05

23-51-01
FIG. 05
PAGE 21
JAN 20/09

BRI



757

PARTS CATALOG (MAINTENANCE)

FIG ITEM	PART NUMBER	1 2 3 4 5 6 7	NOMENCLATURE	EFFECT FROM TO	UNITS PER ASSY
5					
155	1030HSS600-12		..STANDOFF- SUPPLIER CODE: V03339	103106	4
- 350	233N6103-122		PANEL INSTL-P8, P9, P10 ELECTRONICS (AUDIO SELECTOR ONLY) FOR NHA/OTHER SYS DET SEE: 25-10-00-15B	504903	RF
355	5051-1-5		.PANEL ASSY-AUDIO SELECTOR (CUSTOMER FURNISHED) SUPPLIER CODE: V30242 ELECTRICAL EQUIP NUMBER: M00070 M00071 COMPONENT MAINT MANUAL REF: 23-50-31	504903	2
- 500	286N2297-320		WIRE BUNDLE ASSY	101102	RF
- 501	286N2297-701		WIRE BUNDLE ASSY	103106	RF
- 501	286N2297-329		WIRE BUNDLE ASSY-	108120	RF
505	BACC45FT18A31S		.CONNECTOR- ELECTRICAL EQUIP NUMBER: D00339 WIRING DIAGRAM REF: 235111	101102 108120	1
510	BACC45FT18A31S		.CONNECTOR- ELECTRICAL EQUIP NUMBER: D00339 WIRING DIAGRAM REF: 235111	103106	1
- 550	286N2335-301		WIRE BUNDLE ASSY	101102 108120	RF
- 553	286N2395-701		WIRE BUNDLE ASSY	103106	RF
555	BACC45FT20A41S		.CONNECTOR- ELECTRICAL EQUIP NUMBER: D00337 WIRING DIAGRAM REF: 235111 235116	101102 108120	1
560	BACC45FT20A41S		.CONNECTOR- ELECTRICAL EQUIP NUMBER: D00337 WIRING DIAGRAM REF: 235111	103106	1
- 601	286N2295-701		WIRE BUNDLE ASSY	103106	RF
- 601	286N2295-322		WIRE BUNDLE ASSY	101102	RF
- 601	286N2295-328		WIRE BUNDLE ASSY-	108120	RF

MISSING ITEM NUMBERS NOT APPLICABLE

- ITEM NOT ILLUSTRATED

23-51-01-05

23-51-01
FIG. 05
PAGE 22
JAN 20/09

BRI



757

PARTS CATALOG (MAINTENANCE)

FIG ITEM	PART NUMBER	1 2 3 4 5 6 7	NOMENCLATURE	EFFECT FROM TO	UNITS PER ASSY
5					
605	BACC45FT18A31S	.	CONNECTOR- ELECTRICAL EQUIP NUMBER: D00451 WIRING DIAGRAM REF: 235121	101102 108120	1
610	BACC45FT18A31S	.	CONNECTOR- ELECTRICAL EQUIP NUMBER: D00451 WIRING DIAGRAM REF: 235121	103106	1
- 650	286N2337-301		WIRE BUNDLE ASSY	101102 108120	RF
- 653	286N2397-701		WIRE BUNDLE ASSY	103106	RF
655	BACC45FT20A41S	.	CONNECTOR- ELECTRICAL EQUIP NUMBER: D00449 WIRING DIAGRAM REF: 235121	101102 108120	1
658	BACC45FT20A41S	.	CONNECTOR- ELECTRICAL EQUIP NUMBER: D00449 WIRING DIAGRAM REF: 235121	103106	1
- 660	286N2325-751		WIRE BUNDLE ASSY	103106	RF
663	BACC45FT20A41S8	.	CONNECTOR- ELECTRICAL EQUIP NUMBER: D03361 WIRING DIAGRAM REF: 235111 235117	103106	1
- 665	286N2327-751		WIRE BUNDLE ASSY	103106	RF
670	BACC45FT20A41S8	.	CONNECTOR- ELECTRICAL EQUIP NUMBER: D03363 WIRING DIAGRAM REF: 235117 235121	103106	1

MISSING ITEM NUMBERS NOT APPLICABLE

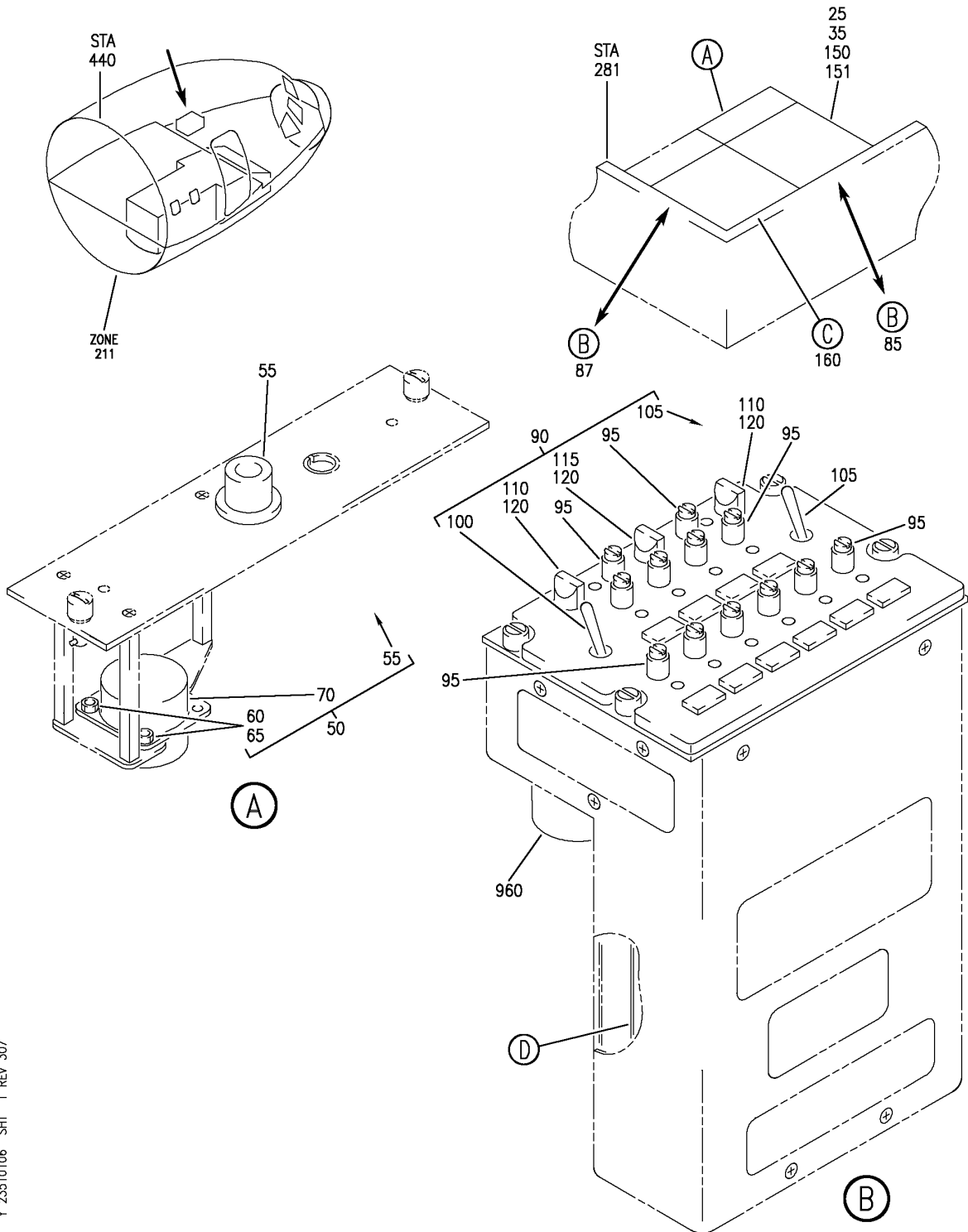
- ITEM NOT ILLUSTRATED

23-51-01-05

23-51-01
FIG. 05
PAGE 23
JAN 20/09

BRI

BOEING
757
PARTS CATALOG (MAINTENANCE)



Y 23510106 SH-T 1 REV 307

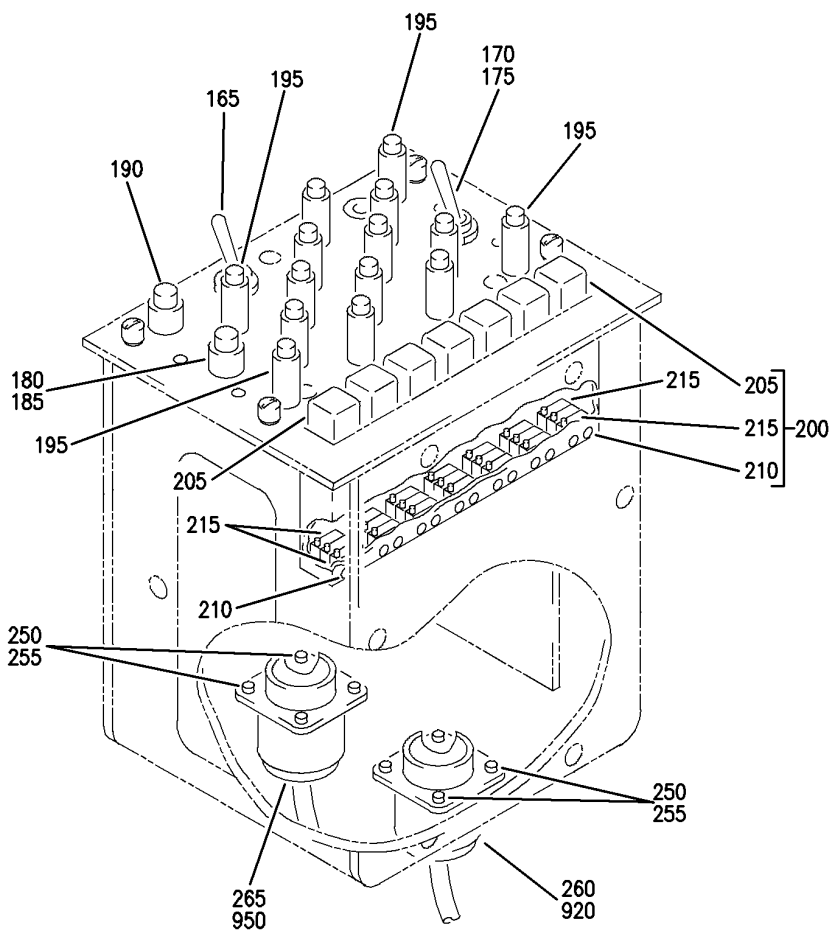
PANEL INSTL-AUX, P13, P14, P17, AUDIO SELECT PRE-MODULE, PTT (COMMUNICATIONS ONLY)
FIGURE 6 (SHEET 1)

BRI
MAY 28/07

23-51-01-06

23-51-01-06
PAGE 0

BOEING
757
PARTS CATALOG (MAINTENANCE)



(C)

Y 23510106 SHT 2 REV 232

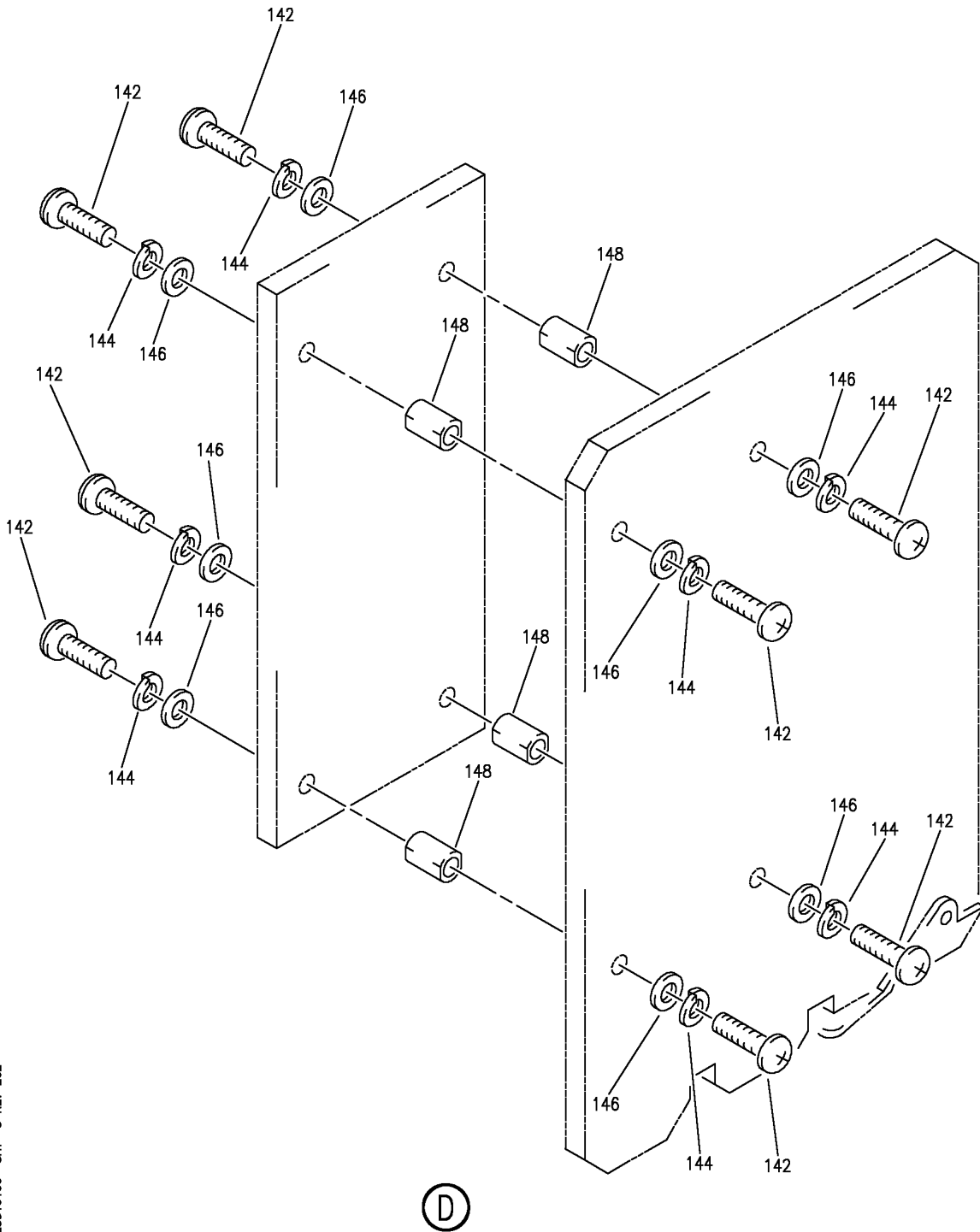
PANEL INSTL-AUX, P13, P14, P17, AUDIO SELECT PRE-MODULE, PTT (COMMUNICATIONS ONLY)
 FIGURE 6 (SHEET 2)

BRI
 MAY 28/07

23-51-01-06

23-51-01-06
 PAGE 0A

BOEING
757
PARTS CATALOG (MAINTENANCE)



Y 23510106 SH1 3 REV 262

PANEL INSTL-AUX, P13, P14, P17, AUDIO SELECT PRE-MODULE, PTT (COMMUNICATIONS ONLY)
FIGURE 6 (SHEET 3)

BRI
MAY 28/07

23-51-01-06

23-51-01-06
PAGE 0B



757

PARTS CATALOG (MAINTENANCE)

FIG ITEM	PART NUMBER	1 2 3 4 5 6 7	NOMENCLATURE	EFFECT FROM TO	UNITS PER ASSY
6			PANEL INSTL-AUX, P13, P14, P17, AUDIO SELECT PRE-MODULE, PTT (COMMUNICATIONS ONLY)	101106 108120 504903	
- 1	233N7103-18		PANEL INSTL-AUDIO SELECT PRE-MODULE (COMMUNICATIONS ONLY) FOR NHA/OTHER SYS DET SEE: 25-10-00-15B	101102	RF
- 1	233N7103-22		PANEL INSTL-AUDIO SELECT PRE-MODULE (COMMUNICATIONS ONLY) FOR NHA/OTHER SYS DET SEE: 25-10-00-15B	504903	RF
- 2	233N7103-39		PANEL INSTL-AUDIO SELECT (COMMUNICATIONS ONLY) FOR NHA/OTHER SYS DET SEE: 25-10-00-15B	108120	RF
- 4	MODREF22325		PANEL INSTL- (COMMUNICATIONS ONLY) MODULE NUMBER: 233N7103-17 REV B FOR OTHER SYS DETAILS SEE: 11-33-01-03 31-13-16-03 33-13-60-01	103106	1
35	5051-1-5		.PANEL ASSY-AUDIO SELECTOR (CUSTOMER FURNISHED) SUPPLIER CODE: V30242 ELECTRICAL EQUIP NUMBER: M00098 COMPONENT MAINT MANUAL REF: 23-50-31	504903	1
85	285T0022-51		.PANEL ASSY-AUDIO SELECTOR SUPPLIER CODE: V89954 ELECTRICAL EQUIP NUMBER: M00098 COMPONENT MAINT MANUAL REF: 23-51-05	103106	RF
90	285T0148-1		..PANEL ASSY-FRONT SUPPLIER CODE: V89954 QUALIFIED OPTIONAL DATA: 285T0148-1 OPT TO 285T0148-2 AND 285T0148-3 USED WITH ASSOCIATED ITEMS	103106	RF

MISSING ITEM NUMBERS NOT APPLICABLE

- ITEM NOT ILLUSTRATED

23-51-01-06

23-51-01
FIG. 06
PAGE 1
JAN 20/09

BRI



757

PARTS CATALOG (MAINTENANCE)

FIG ITEM	PART NUMBER	1 2 3 4 5 6 7	NOMENCLATURE	EFFECT FROM TO	UNITS PER ASSY
6					
90	285T0148-2	..	PANEL ASSY-FRONT SUPPLIER CODE: V89954 QUALIFIED OPTIONAL DATA: 285T0148-1 OPT TO 285T0148-2 AND 285T0148-3 USED WITH ASSOCIATED ITEMS	103106	RF
90	285T0148-3	..	PANEL ASSY-FRONT SUPPLIER CODE: V89954 QUALIFIED OPTIONAL DATA: 285T0148-1 OPT TO 285T0148-2 AND 285T0148-3 USED WITH ASSOCIATED ITEMS	103106	RF
95	SW43890	...	SWITCH- SUPPLIER CODE: V07150 SPECIFICATION NUMBER: S906-50075-2 S906-50075-4 USED ON: 285T0148-1	103106	12
95	SW43890	...	SWITCH- SUPPLIER CODE: V07150 SPECIFICATION NUMBER: S906-50075-4 S906-50075-2 USED ON: 285T0148-2	103106	12
95	SW44109	...	SWITCH- SUPPLIER CODE: V07150 USED ON: 285T0148-3	103106	12
100	JMT3156	...	SWITCH- SUPPLIER CODE: V55459 SPECIFICATION NUMBER: S906-50078-1	103106	1
105	JMT3157	...	SWITCH- SUPPLIER CODE: V55459 SPECIFICATION NUMBER: S906-50078-2	103106	1

MISSING ITEM NUMBERS NOT APPLICABLE

- ITEM NOT ILLUSTRATED

23-51-01-06

23-51-01
FIG. 06
PAGE 2
JAN 20/09

BRI



757

PARTS CATALOG (MAINTENANCE)

FIG ITEM	PART NUMBER	1 2 3 4 5 6 7	NOMENCLATURE	EFFECT FROM TO	UNITS PER ASSY
6					
110	1800-5638-01	...	SWITCH- SUPPLIER CODE: V31946 SPECIFICATION NUMBER: S906-50079-3	103106	2
115	1800-5638-02	...	SWITCH- SUPPLIER CODE: V31946 SPECIFICATION NUMBER: S906-50079-4	103106	1
120	TT207-115	...	KNOB- SUPPLIER CODE: V81590	103106	3
142	MS51957-14	..	SCREW	103106	8
144	MS35338-135	..	WASHER	103106	8
146	NAS620C4L	..	WASHER	103106	8
148	1030HSS600-12	..	STANDOFF- SUPPLIER CODE: V03339	103106	4
150	285T0022-44	.	PANEL ASSY-AUDIO SELECTOR SUPPLIER CODE: V89954 ELECTRICAL EQUIP NUMBER: M00098 COMPONENT MAINT MANUAL REF: 23-51-54	101102	RF
150	285T0022-38	.	PANEL ASSY-AUDIO SELECTOR SUPPLIER CODE: V89954 ELECTRICAL EQUIP NUMBER: M00098 COMPONENT MAINT MANUAL REF: 23-51-54	101102	RF
150	285T0022-28	.	PANEL ASSY-AUDIO SELECTOR SUPPLIER CODE: V89954 ELECTRICAL EQUIP NUMBER: M00098 COMPONENT MAINT MANUAL REF: 23-51-54	101102	RF
160	285T0022-44	.	PANEL ASSY-AUDIO SELECTOR SUPPLIER CODE: V89954 ELECTRICAL EQUIP NUMBER: M00098 COMPONENT MAINT MANUAL REF: 23-51-54	108120	RF

MISSING ITEM NUMBERS NOT APPLICABLE

- ITEM NOT ILLUSTRATED

23-51-01-06

23-51-01
FIG. 06
PAGE 3
JAN 20/09

BRI



757

PARTS CATALOG (MAINTENANCE)

FIG ITEM	PART NUMBER	1 2 3 4 5 6 7	NOMENCLATURE	EFFECT FROM TO	UNITS PER ASSY
6 160	285T0022-38		.PANEL ASSY-AUDIO SELECTOR SUPPLIER CODE: V89954 ELECTRICAL EQUIP NUMBER: M00098 COMPONENT MAINT MANUAL REF: 23-51-54	108120	RF
160	285T0022-28		.PANEL ASSY-AUDIO SELECTOR SUPPLIER CODE: V89954 ELECTRICAL EQUIP NUMBER: M00098 COMPONENT MAINT MANUAL REF: 23-51-51	108120	RF
165	T1-0050		..SWITCH- SUPPLIER CODE: V21649 QUALIFIED OPTIONAL DATA: T1-0050 OPT TO T1-0050-1 USED WITH ASSOCIATED ITEMS USED ON: 285T0022-35 285T0022-36 285T0022-37 285T0022-38 285T0022-39 285T0022-40 285T0022-41 285T0022-42 285T0022-43 285T0022-44 285T0022-45	101102 108120	1

MISSING ITEM NUMBERS NOT APPLICABLE

- ITEM NOT ILLUSTRATED

BRI

23-51-01-06

BOEING PROPRIETARY - Copyright © - Unpublished Work - See title page for details.

23-51-01
FIG. 06
PAGE 4
JAN 20/09



757

PARTS CATALOG (MAINTENANCE)

FIG ITEM	PART NUMBER	1 2 3 4 5 6 7	NOMENCLATURE	EFFECT FROM TO	UNITS PER ASSY
6 165	T1-0050-1		.. SWITCH- SUPPLIER CODE: V21649 QUALIFIED OPTIONAL DATA: T1-0050 OPT TO T1-0050-1 USED WITH ASSOCIATED ITEMS USED ON: 285T0022-35 285T0022-36 285T0022-37 285T0022-38 285T0022-39 285T0022-40 285T0022-41 285T0022-42 285T0022-43 285T0022-44 285T0022-45	101102 108120	1
165	T1-0050		.. SWITCH- SUPPLIER CODE: V21649 USED ON: 285T0022-25 285T0022-26 285T0022-27 285T0022-28 285T0022-29 285T0022-30 285T0022-31	101102 108120	1
165	T1-0050-1		.. SWITCH- SUPPLIER CODE: V21649 USED ON: 285T0022-25 285T0022-26 285T0022-27 285T0022-28 285T0022-29 285T0022-30 285T0022-31	101102 108120	1

MISSING ITEM NUMBERS NOT APPLICABLE

- ITEM NOT ILLUSTRATED

BRI

23-51-01-06

BOEING PROPRIETARY - Copyright © - Unpublished Work - See title page for details.

23-51-01
FIG. 06
PAGE 5
JAN 20/09



757

PARTS CATALOG (MAINTENANCE)

FIG ITEM	PART NUMBER	1 2 3 4 5 6 7	NOMENCLATURE	EFFECT FROM TO	UNITS PER ASSY
6 170	T1-0051		.. SWITCH- SUPPLIER CODE: V21649 QUALIFIED OPTIONAL DATA: T1-0051 OPT TO T1-0051-1 USED WITH ASSOCIATED ITEMS USED ON: 285T0022-35 285T0022-36 285T0022-37 285T0022-38 285T0022-39 285T0022-40 285T0022-41 285T0022-42 285T0022-43 285T0022-44 285T0022-45	101102 108120	1
170	T1-0051-1		.. SWITCH- SUPPLIER CODE: V21649 QUALIFIED OPTIONAL DATA: T1-0051 OPT TO T1-0051-1 USED WITH ASSOCIATED ITEMS USED ON: 285T0022-35 285T0022-36 285T0022-37 285T0022-38 285T0022-39 285T0022-40 285T0022-41 285T0022-42 285T0022-43 285T0022-44 285T0022-45	101102 108120	1
170	T1-0051		.. SWITCH- SUPPLIER CODE: V21649 USED ON: 285T0022-25 285T0022-26 285T0022-27 285T0022-28 285T0022-29 285T0022-30 285T0022-31	101102 108120	1

MISSING ITEM NUMBERS NOT APPLICABLE

- ITEM NOT ILLUSTRATED

23-51-01-06

23-51-01
FIG. 06
PAGE 6
JAN 20/09

BRI



757

PARTS CATALOG (MAINTENANCE)

FIG ITEM	PART NUMBER	1 2 3 4 5 6 7	NOMENCLATURE	EFFECT FROM TO	UNITS PER ASSY
6 170	T1-0051-1		.. SWITCH- SUPPLIER CODE: V21649 USED ON: 285T0022-25 285T0022-26 285T0022-27 285T0022-28 285T0022-29 285T0022-30 285T0022-31	101102 108120	1
180	WCS229-1		.. SWITCH- SUPPLIER CODE: V51074 QUALIFIED OPTIONAL DATA: WCS229-1 OR WCS229-2 OR WCS229-3 OR WCS229-5 OR 90-22901-5 ARE ALL OPT WHEN USED WITH ASSOCIATED ITEMS USED ON: 285T0022-36 285T0022-37 285T0022-38 285T0022-39 285T0022-40 285T0022-41 285T0022-43 285T0022-44 285T0022-45	101102 108120	1
180	WCS229-2		.. SWITCH- SUPPLIER CODE: V51074 QUALIFIED OPTIONAL DATA: WCS229-1 OR WCS229-2 OR WCS229-3 OR WCS229-5 OR 90-22901-5 ARE ALL OPT WHEN USED WITH ASSOCIATED ITEMS USED ON: 285T0022-36 285T0022-37 285T0022-38 285T0022-39 285T0022-40 285T0022-41 285T0022-43 285T0022-44 285T0022-45	101102 108120	1

MISSING ITEM NUMBERS NOT APPLICABLE

- ITEM NOT ILLUSTRATED

23-51-01-06

23-51-01
FIG. 06
PAGE 7
JAN 20/09

BRI



757

PARTS CATALOG (MAINTENANCE)

FIG ITEM	PART NUMBER	1 2 3 4 5 6 7	NOMENCLATURE	EFFECT FROM TO	UNITS PER ASSY
6 180	WCS229-3		.. SWITCH- SUPPLIER CODE: V51074 QUALIFIED OPTIONAL DATA: WCS229-1 OR WCS229-2 OR WCS229-3 OR WCS229-5 OR 90-22901-5 ARE ALL OPT WHEN USED WITH ASSOCIATED ITEMS USED ON: 285T0022-36 285T0022-37 285T0022-38 285T0022-39 285T0022-40 285T0022-41 285T0022-43 285T0022-44 285T0022-45	101102 108120	1
180	WCS229-5		.. SWITCH- SUPPLIER CODE: V51074 QUALIFIED OPTIONAL DATA: WCS229-1 OR WCS229-2 OR WCS229-3 OR WCS229-5 OR 90-22901-5 ARE ALL OPT WHEN USED WITH ASSOCIATED ITEMS USED ON: 285T0022-36 285T0022-37 285T0022-38 285T0022-39 285T0022-40 285T0022-41 285T0022-43 285T0022-44 285T0022-45	101102 108120	1

MISSING ITEM NUMBERS NOT APPLICABLE

- ITEM NOT ILLUSTRATED

23-51-01-06

23-51-01
FIG. 06
PAGE 8
JAN 20/09

BRI



757

PARTS CATALOG (MAINTENANCE)

FIG ITEM	PART NUMBER	1 2 3 4 5 6 7	NOMENCLATURE	EFFECT FROM TO	UNITS PER ASSY
6 180	90-22901-5		.. SWITCH- SUPPLIER CODE: V51074 QUALIFIED OPTIONAL DATA: WCS229-1 OR WCS229-2 OR WCS229-3 OR WCS229-5 OR 90-22901-5 ARE ALL OPT WHEN USED WITH ASSOCIATED ITEMS USED ON: 285T0022-36 285T0022-37 285T0022-38 285T0022-39 285T0022-40 285T0022-41 285T0022-43 285T0022-44 285T0022-45	101102 108120	1
180	WCS229-1		.. SWITCH- SUPPLIER CODE: V51074 OPTIONAL PART: WCS229-3 V51074 WCS229-5 V51074 90-22901-5 V51074 USED ON: 285T0022-26 285T0022-27 285T0022-28 285T0022-29 285T0022-30 285T0022-31	101102 108120	1

MISSING ITEM NUMBERS NOT APPLICABLE

- ITEM NOT ILLUSTRATED

BRI

23-51-01-06

BOEING PROPRIETARY - Copyright © - Unpublished Work - See title page for details.

23-51-01
FIG. 06
PAGE 9
JAN 20/09



757

PARTS CATALOG (MAINTENANCE)

FIG ITEM	PART NUMBER	1 2 3 4 5 6 7	NOMENCLATURE	EFFECT FROM TO	UNITS PER ASSY
6 180	WCS229-3		.. SWITCH- SUPPLIER CODE: V51074 OPTIONAL PART: WCS229-1 V51074 WCS229-5 V51074 90-22901-5 V51074 USED ON: 285T0022-26 285T0022-27 285T0022-28 285T0022-29 285T0022-30 285T0022-31	101102 108120	1
180	WCS229-5		.. SWITCH- SUPPLIER CODE: V51074 OPTIONAL PART: WCS229-1 V51074 WCS229-3 V51074 90-22901-5 V51074 USED ON: 285T0022-26 285T0022-27 285T0022-28 285T0022-29 285T0022-30 285T0022-31	101102 108120	1

MISSING ITEM NUMBERS NOT APPLICABLE

- ITEM NOT ILLUSTRATED

BRI

23-51-01-06

BOEING PROPRIETARY - Copyright © - Unpublished Work - See title page for details.

23-51-01
FIG. 06
PAGE 10
JAN 20/09



757

PARTS CATALOG (MAINTENANCE)

FIG ITEM	PART NUMBER	1 2 3 4 5 6 7	NOMENCLATURE	EFFECT FROM TO	UNITS PER ASSY
6 180	90-22901-5		.. SWITCH- SUPPLIER CODE: V51074 OPTIONAL PART: WCS229-1 V51074 WCS229-3 V51074 WCS229-5 V51074 USED ON: 285T0022-26 285T0022-27 285T0022-28 285T0022-29 285T0022-30 285T0022-31	101102 108120	1
180	WCS229-2		.. SWITCH- SUPPLIER CODE: V51074 USED ON: 285T0022-26 285T0022-27 285T0022-28 285T0022-29 285T0022-30 285T0022-31	101102 108120	1
190	WCS218-4		.. SWITCH ASSY- SUPPLIER CODE: V51074 QUALIFIED OPTIONAL DATA: WCS218-4 OR WCS218-5 OR WCS218-6 ARE ALL OPT USED WITH ASSOCIATED ITEMS USED ON: 285T0022-36 285T0022-37 285T0022-38 285T0022-39 285T0022-40 285T0022-41 285T0022-43 285T0022-44 285T0022-45	101102 108120	1

MISSING ITEM NUMBERS NOT APPLICABLE

- ITEM NOT ILLUSTRATED

BRI

23-51-01-06

BOEING PROPRIETARY - Copyright © - Unpublished Work - See title page for details.

23-51-01
FIG. 06
PAGE 11
JAN 20/09



757

PARTS CATALOG (MAINTENANCE)

FIG ITEM	PART NUMBER	1 2 3 4 5 6 7	NOMENCLATURE	EFFECT FROM TO	UNITS PER ASSY
6 190	WCS218-5		..SWITCH ASSY- SUPPLIER CODE: V51074 QUALIFIED OPTIONAL DATA: WCS218-4 OR WCS218-5 OR WCS218-6 ARE ALL OPT USED WITH ASSOCIATED ITEMS USED ON: 285T0022-36 285T0022-37 285T0022-38 285T0022-39 285T0022-40 285T0022-41 285T0022-43 285T0022-44 285T0022-45	101102 108120	1
190	WCS218-6		..SWITCH ASSY- SUPPLIER CODE: V51074 QUALIFIED OPTIONAL DATA: WCS218-4 OR WCS218-5 OR WCS218-6 ARE ALL OPT USED WITH ASSOCIATED ITEMS USED ON: 285T0022-36 285T0022-37 285T0022-38 285T0022-39 285T0022-40 285T0022-41 285T0022-43 285T0022-44 285T0022-45	101102 108120	1

MISSING ITEM NUMBERS NOT APPLICABLE

- ITEM NOT ILLUSTRATED

23-51-01-06

23-51-01
FIG. 06
PAGE 12
JAN 20/09

BRI



757

PARTS CATALOG (MAINTENANCE)

FIG ITEM	PART NUMBER	1 2 3 4 5 6 7	NOMENCLATURE	EFFECT FROM TO	UNITS PER ASSY
6 190	WCS218-4		.. SWITCH ASSY- SUPPLIER CODE: V51074 OPTIONAL PART: WCS218-5 V51074 WCS218-6 V51074 USED ON: 285T0022-26 285T0022-27 285T0022-28 285T0022-29 285T0022-30 285T0022-31	101102 108120	1
190	WCS218-5		.. SWITCH ASSY- SUPPLIER CODE: V51074 OPTIONAL PART: WCS218-4 V51074 WCS218-6 V51074 USED ON: 285T0022-26 285T0022-27 285T0022-28 285T0022-29 285T0022-30 285T0022-31	101102 108120	1
190	WCS218-6		.. SWITCH ASSY- SUPPLIER CODE: V51074 OPTIONAL PART: WCS218-4 V51074 WCS218-5 V51074 USED ON: 285T0022-26 285T0022-27 285T0022-28 285T0022-29 285T0022-30 285T0022-31	101102 108120	1

MISSING ITEM NUMBERS NOT APPLICABLE

- ITEM NOT ILLUSTRATED

BRI

23-51-01-06

BOEING PROPRIETARY - Copyright © - Unpublished Work - See title page for details.

23-51-01
FIG. 06
PAGE 13
JAN 20/09



757

PARTS CATALOG (MAINTENANCE)

FIG ITEM	PART NUMBER	1 2 3 4 5 6 7	NOMENCLATURE	EFFECT FROM TO	UNITS PER ASSY
6 195	WCS218-4		.. SWITCH ASSY- SUPPLIER CODE: V51074 QUALIFIED OPTIONAL DATA: WCS218-4 OR WCS218-5 OR WCS218-6 ARE ALL OPT USED WITH ASSOCIATED ITEMS USED ON: 285T0022-35 285T0022-36 285T0022-37 285T0022-38 285T0022-39 285T0022-40 285T0022-41 285T0022-42 285T0022-43 285T0022-44 285T0022-45	101102 108120	14
195	WCS218-5		.. SWITCH ASSY- SUPPLIER CODE: V51074 QUALIFIED OPTIONAL DATA: WCS218-4 OR WCS218-5 OR WCS218-6 ARE ALL OPT USED WITH ASSOCIATED ITEMS USED ON: 285T0022-35 285T0022-36 285T0022-37 285T0022-38 285T0022-39 285T0022-40 285T0022-41 285T0022-42 285T0022-43 285T0022-44 285T0022-45	101102 108120	14

MISSING ITEM NUMBERS NOT APPLICABLE

- ITEM NOT ILLUSTRATED

BRI

23-51-01-06

BOEING PROPRIETARY - Copyright © - Unpublished Work - See title page for details.

23-51-01
FIG. 06
PAGE 14
JAN 20/09



**757
PARTS CATALOG (MAINTENANCE)**

FIG ITEM	PART NUMBER	1 2 3 4 5 6 7	NOMENCLATURE	EFFECT FROM TO	UNITS PER ASSY
6 195	WCS218-6		.. SWITCH ASSY- SUPPLIER CODE: V51074 QUALIFIED OPTIONAL DATA: WCS218-4 OR WCS218-5 OR WCS218-6 ARE ALL OPT USED WITH ASSOCIATED ITEMS USED ON: 285T0022-35 285T0022-36 285T0022-37 285T0022-38 285T0022-39 285T0022-40 285T0022-41 285T0022-42 285T0022-43 285T0022-44 285T0022-45	101102 108120	14
195	WCS218-4		.. SWITCH ASSY- SUPPLIER CODE: V51074 OPTIONAL PART: WCS218-5 V51074 WCS218-6 V51074 USED ON: 285T0022-25 285T0022-26 285T0022-27 285T0022-28 285T0022-29 285T0022-30 285T0022-31	101102 108120	14

MISSING ITEM NUMBERS NOT APPLICABLE

— ITEM NOT ILLUSTRATED

BRI

23-51-01-06

BOEING PROPRIETARY - Copyright © - Unpublished Work - See title page for details.

23-51-01
FIG. 06
PAGE 15
JAN 20/09



757

PARTS CATALOG (MAINTENANCE)

FIG ITEM	PART NUMBER	1 2 3 4 5 6 7	NOMENCLATURE	EFFECT FROM TO	UNITS PER ASSY
6 195	WCS218-5		.. SWITCH ASSY- SUPPLIER CODE: V51074 OPTIONAL PART: WCS218-4 V51074 WCS218-6 V51074 USED ON: 285T0022-25 285T0022-26 285T0022-27 285T0022-28 285T0022-29 285T0022-30 285T0022-31	101102 108120	14
195	WCS218-6		.. SWITCH ASSY- SUPPLIER CODE: V51074 OPTIONAL PART: WCS218-4 V51074 WCS218-5 V51074 USED ON: 285T0022-25 285T0022-26 285T0022-27 285T0022-28 285T0022-29 285T0022-30 285T0022-31	101102 108120	14

MISSING ITEM NUMBERS NOT APPLICABLE

- ITEM NOT ILLUSTRATED

BRI

23-51-01-06

BOEING PROPRIETARY - Copyright © - Unpublished Work - See title page for details.

23-51-01
FIG. 06
PAGE 16
JAN 20/09



757

PARTS CATALOG (MAINTENANCE)

FIG ITEM	PART NUMBER	1 2 3 4 5 6 7	NOMENCLATURE	EFFECT FROM TO	UNITS PER ASSY
6 200	WCS223-1		.. SWITCH ASSY- SUPPLIER CODE: V51074 QUALIFIED OPTIONAL DATA: WCS223-1 OR WCS223-2 OR WCS223-3 ARE ALL OPT USED WITH ASSOCIATED ITEMS USED ON: 285T0022-35 285T0022-36 285T0022-37 285T0022-38 285T0022-39 285T0022-40 285T0022-41 285T0022-42 285T0022-43 285T0022-44 285T0022-45	101102 108120	1
200	WCS223-2		.. SWITCH ASSY- SUPPLIER CODE: V51074 QUALIFIED OPTIONAL DATA: WCS223-1 OR WCS223-2 OR WCS223-3 ARE ALL OPT USED WITH ASSOCIATED ITEMS USED ON: 285T0022-35 285T0022-36 285T0022-37 285T0022-38 285T0022-39 285T0022-40 285T0022-41 285T0022-42 285T0022-43 285T0022-44 285T0022-45	101102 108120	1

MISSING ITEM NUMBERS NOT APPLICABLE

- ITEM NOT ILLUSTRATED

BRI

23-51-01-06

BOEING PROPRIETARY - Copyright © - Unpublished Work - See title page for details.

23-51-01
FIG. 06
PAGE 17
JAN 20/09



757

PARTS CATALOG (MAINTENANCE)

FIG ITEM	PART NUMBER	1 2 3 4 5 6 7	NOMENCLATURE	EFFECT FROM TO	UNITS PER ASSY
6 200	WCS223-3		.. SWITCH ASSY- SUPPLIER CODE: V51074 QUALIFIED OPTIONAL DATA: WCS223-1 OR WCS223-2 OR WCS223-3 ARE ALL OPT USED WITH ASSOCIATED ITEMS USED ON: 285T0022-35 285T0022-36 285T0022-37 285T0022-38 285T0022-39 285T0022-40 285T0022-41 285T0022-42 285T0022-43 285T0022-44 285T0022-45	101102 108120	1
200	WCS223-1		.. SWITCH ASSY- SUPPLIER CODE: V51074 OPTIONAL PART: WCS223-2 V51074 WCS223-3 V51074 USED ON: 285T0022-25 285T0022-26 285T0022-27 285T0022-28 285T0022-29 285T0022-30 285T0022-31	101102 108120	1

MISSING ITEM NUMBERS NOT APPLICABLE

- ITEM NOT ILLUSTRATED

BRI

23-51-01-06

BOEING PROPRIETARY - Copyright © - Unpublished Work - See title page for details.

23-51-01
FIG. 06
PAGE 18
JAN 20/09



757

PARTS CATALOG (MAINTENANCE)

FIG ITEM	PART NUMBER	1 2 3 4 5 6 7	NOMENCLATURE	EFFECT FROM TO	UNITS PER ASSY
6 200	WCS223-2		.. SWITCH ASSY- SUPPLIER CODE: V51074 OPTIONAL PART: WCS223-1 V51074 WCS223-3 V51074 USED ON: 285T0022-25 285T0022-26 285T0022-27 285T0022-28 285T0022-29 285T0022-30 285T0022-31	101102 108120	1
200	WCS223-3		.. SWITCH ASSY- SUPPLIER CODE: V51074 OPTIONAL PART: WCS223-1 V51074 WCS223-2 V51074 USED ON: 285T0022-25 285T0022-26 285T0022-27 285T0022-28 285T0022-29 285T0022-30 285T0022-31	101102 108120	1
205	WCS223-022		... KNOB- SUPPLIER CODE: V51074	101102 108120	7
210	MS35206-208		... SCREW	101102 108120	14
215	B2-314352		... SWITCH- SUPPLIER CODE: V21649	101102 108120	21

MISSING ITEM NUMBERS NOT APPLICABLE

- ITEM NOT ILLUSTRATED

23-51-01-06

23-51-01
FIG. 06
PAGE 19
JAN 20/09

BRI

BOEING PROPRIETARY - Copyright © - Unpublished Work - See title page for details.



757

PARTS CATALOG (MAINTENANCE)

FIG ITEM	PART NUMBER	1 2 3 4 5 6 7	NOMENCLATURE	EFFECT FROM TO	UNITS PER ASSY
6 250	NAS1801-04-4	..	SCREW- OPTIONAL PART: BACS12HN04-4 USED ON: 285T0022-40 285T0022-41 285T0022-42 285T0022-43 285T0022-44 285T0022-45	101102 108120	8
250	NAS1801-04-4	..	SCREW- USED ON: 285T0022-25 285T0022-26 285T0022-27 285T0022-28 285T0022-29 285T0022-30 285T0022-31 285T0022-35 285T0022-36 285T0022-37 285T0022-38 285T0022-39	101102 108120	8
250	BACS12HN04-4	..	SCREW- OPTIONAL PART: NAS1801-04-4 USED ON: 285T0022-40 285T0022-41 285T0022-42 285T0022-43 285T0022-44 285T0022-45	101102 108120	8

MISSING ITEM NUMBERS NOT APPLICABLE

- ITEM NOT ILLUSTRATED

BRI

23-51-01-06

BOEING PROPRIETARY - Copyright © - Unpublished Work - See title page for details.

23-51-01
FIG. 06
PAGE 20
JAN 20/09



757

PARTS CATALOG (MAINTENANCE)

FIG ITEM	PART NUMBER	1 2 3 4 5 6 7	NOMENCLATURE	EFFECT FROM TO	UNITS PER ASSY
6 255	BRH10A04	. .	NUT- SUPPLIER CODE: V52828 SPECIFICATION NUMBER: BACN10JCO4 OPTIONAL PART: NS202101-40 V80539 RMLH9075-40W V72962 VN303A40 V92215 96-40 V80539 T6S440J V11815 H10-04BAC V15653 BACN10JCO4CD USED ON: 285T0022-40 285T0022-41 285T0022-42 285T0022-43 285T0022-44 285T0022-45	101102 108120	8

MISSING ITEM NUMBERS NOT APPLICABLE

- ITEM NOT ILLUSTRATED

BRI

23-51-01-06

BOEING PROPRIETARY - Copyright © - Unpublished Work - See title page for details.

23-51-01
FIG. 06
PAGE 21
JAN 20/09



757

PARTS CATALOG (MAINTENANCE)

FIG ITEM	PART NUMBER	1 2 3 4 5 6 7	NOMENCLATURE	EFFECT FROM TO	UNITS PER ASSY
6 255	BRH10A04	. .	NUT- SUPPLIER CODE: V52828 SPECIFICATION NUMBER: BACN10JCO4 OPTIONAL PART: NS202101-40 V80539 RMLH9075-40W V72962 VN303A40 V92215 96-40 V80539 T6S440J V11815 H10-04BAC V15653 USED ON: 285T0022-25 285T0022-26 285T0022-27 285T0022-28 285T0022-29 285T0022-30 285T0022-31 285T0022-35 285T0022-36 285T0022-37 285T0022-38 285T0022-39	101102 108120	8

MISSING ITEM NUMBERS NOT APPLICABLE

- ITEM NOT ILLUSTRATED

BRI

23-51-01-06

BOEING PROPRIETARY - Copyright © - Unpublished Work - See title page for details.

23-51-01
FIG. 06
PAGE 22
JAN 20/09



757

PARTS CATALOG (MAINTENANCE)

FIG ITEM	PART NUMBER	1 2 3 4 5 6 7	NOMENCLATURE	EFFECT FROM TO	UNITS PER ASSY
6 255	BRH10C04D	..	NUT- SUPPLIER CODE: V52828 SPECIFICATION NUMBER: BACN10JCO4CD OPTIONAL PART: H51650-04BAC V15653 102LH9075-40W V72962 NS202486-40 V80539 T6C440JCD V11815 T6C440JCD V11815 BACN10JCO4 USED ON: 285T0022-40 285T0022-41 285T0022-42 285T0022-43 285T0022-44 285T0022-45	101102 108120	8
260	BACC45FN18-31P	..	CONNECTOR	101102 108120	1
265	BACC45FN20-41P	..	CONNECTOR	101102 108120	1
- 900	286N2293-319		WIRE BUNDLE ASSY	101102	RF
- 900	286N2293-322		WIRE BUNDLE ASSY	108120	RF
920	BACC45FT18A31S	.	CONNECTOR- ELECTRICAL EQUIP NUMBER: D00459 WIRING DIAGRAM REF: 235141	101102 108120	1
- 930	286N2341-301		WIRE BUNDLE ASSY	101102 108120	RF
950	BACC45FT20A41S	.	CONNECTOR- ELECTRICAL EQUIP NUMBER: D00457 WIRING DIAGRAM REF: 235141	101102 108120	1

MISSING ITEM NUMBERS NOT APPLICABLE

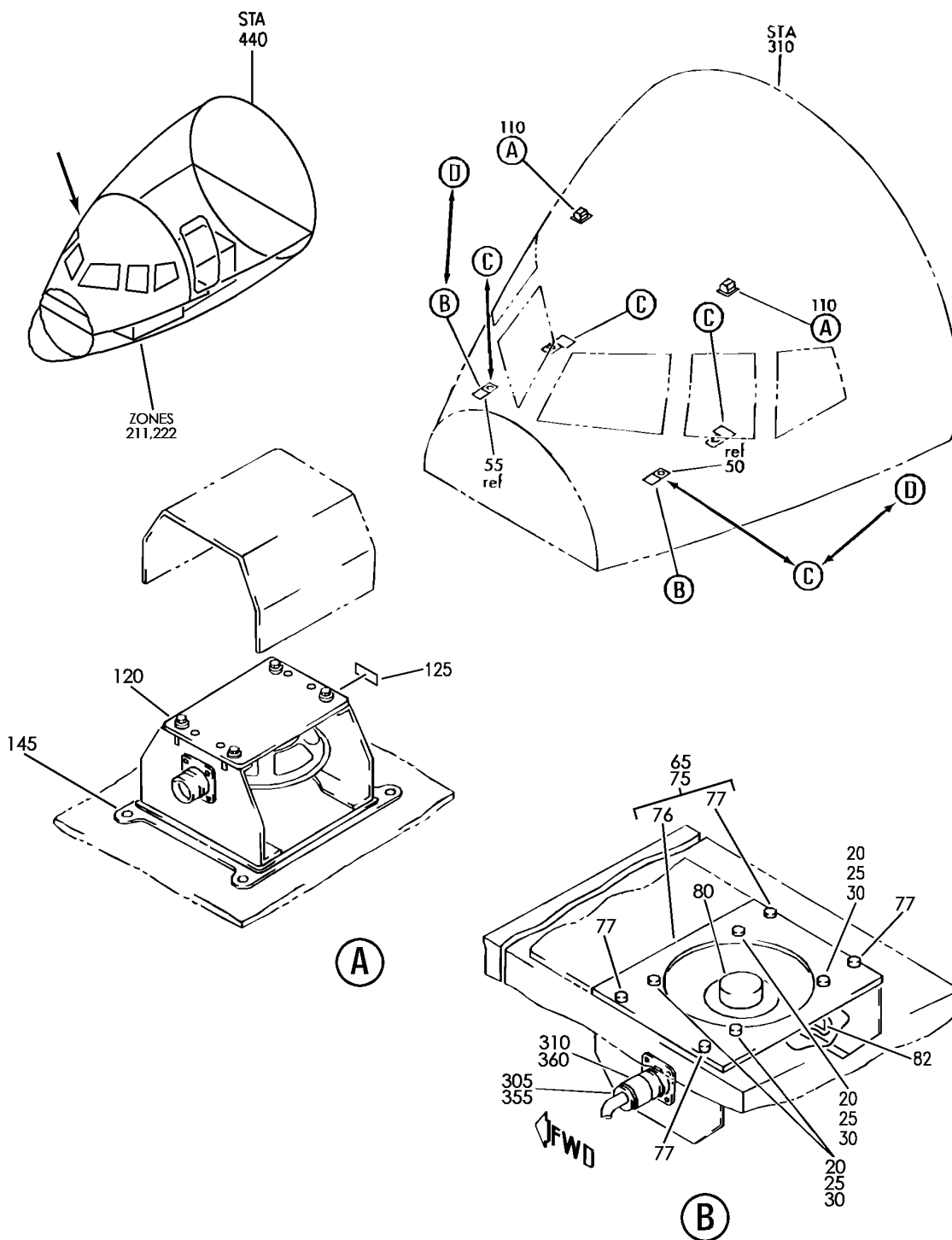
- ITEM NOT ILLUSTRATED

23-51-01-06

23-51-01
FIG. 06
PAGE 23
JAN 20/09

BRI

BOEING
757
PARTS CATALOG (MAINTENANCE)



Y 233510205 SHT 1 REV 302

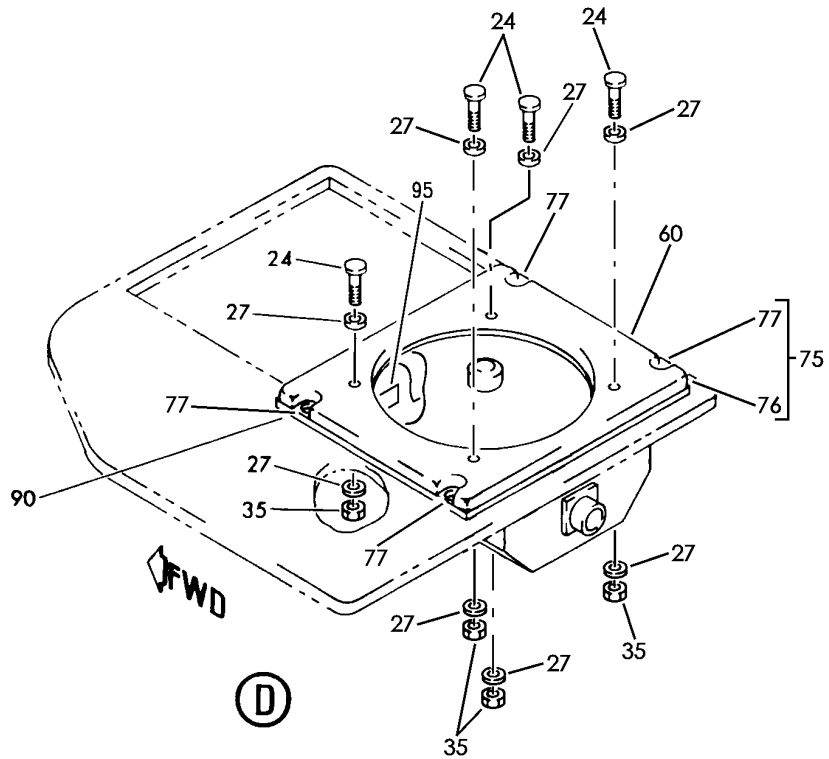
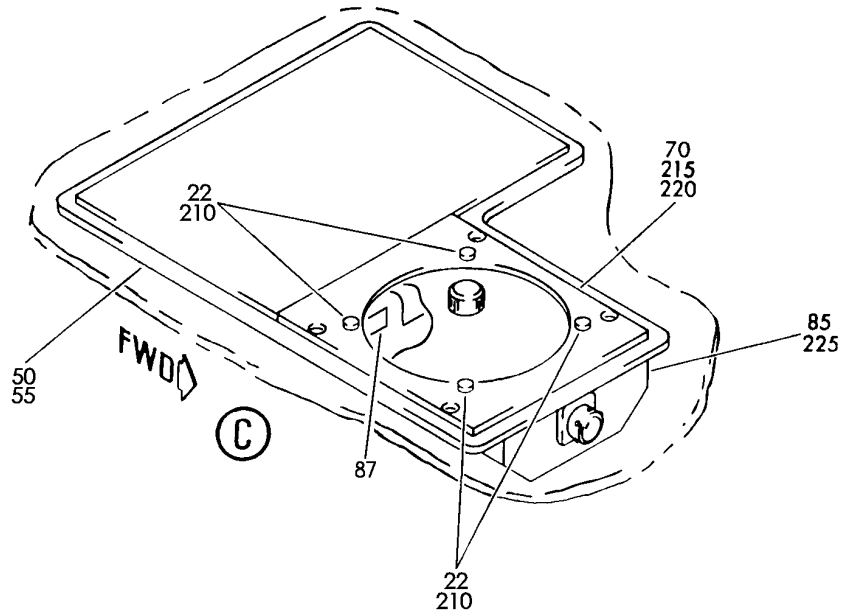
LOUDSPEAKER INSTL-INTPH AND AURAL WARNING
FIGURE 5 (SHEET 1)

23-51-02-05

BRI
MAY 28/07

23-51-02-05
PAGE 0

BOEING
757
PARTS CATALOG (MAINTENANCE)



Y 233510205 SH1 2 REV 302

LOUDSPEAKER INSTL-INTPH AND AURAL WARNING
FIGURE 5 (SHEET 2)

23-51-02-05

BRI
MAY 28/07

23-51-02-05
PAGE 0A



757

PARTS CATALOG (MAINTENANCE)

FIG ITEM	PART NUMBER	1 2 3 4 5 6 7	NOMENCLATURE	EFFECT FROM TO	UNITS PER ASSY
5			LOUDSPEAKER INSTL-INTPH AND AURAL WARNING	002004 006999	
- 1	232N4312-1		LOUDSPEAKER INSTL-INTPH CAPT FOR NHA SEE: 25-10-00-01	002004 006010 107107 121503 904999	RF
- 1	232N4312-23		LOUDSPEAKER INSTL-INTPH CAPT FOR NHA SEE: 25-10-00-05C	011017	RF
- 1	232N4312-27		LOUDSPEAKER INSTL-INTPH CAPT FOR NHA SEE: 25-10-00-05C 25-10-00-10B	018102 108120 504903	RF
- 1	MODREF6521		LOUDSPEAKER INSTL-INTPH CAPT MODULE NUMBER: 232N4312-27 REV A	103103	1
- 2	MODREF27372		LOUDSPEAKER INSTL-INTPH CAPT MODULE NUMBER: 232N4312-27 REV B	104106	1
- 5	232N4312-2		LOUDSPEAKER INSTL-INTPH FIRST OFFICER FOR NHA SEE: 25-10-00-01	002004 006010 107107 121503 904999	RF
- 5	232N4312-24		LOUDSPEAKER INSTL-INTPH FIRST OFFICER FOR NHA SEE: 25-10-00-05C	011017	RF
- 5	232N4312-28		LOUDSPEAKER INSTL-INTPH FIRST OFFICER FOR NHA SEE: 25-10-00-05C 25-10-00-10B	018102 108120 504903	RF
- 5	MODREF6522		LOUDSPEAKER INSTL-INTPH FIRST OFFICER MODULE NUMBER: 232N4312-28 REV A	103103	1
- 5	MODREF27373		LOUDSPEAKER INSTL-INTPH FIRST OFFICER MODULE NUMBER: 232N4312-28 REV B	104106	1

MISSING ITEM NUMBERS NOT APPLICABLE

- ITEM NOT ILLUSTRATED

23-51-02-05

23-51-02
FIG. 05
PAGE 1
JAN 20/09

BRI



757

PARTS CATALOG (MAINTENANCE)

FIG ITEM	PART NUMBER	1 2 3 4 5 6 7	NOMENCLATURE	EFFECT FROM TO	UNITS PER ASSY
5					
20	SFSW10F8DL11BG	.SCREW-	SUPPLIER CODE: V12324	002004 006010 107107 121503 904999 011017	4
24	PS10F12DL11BG	.SCREW-	SUPPLIER CODE: V12324		4
24	PS10F12DL12BN	.SCREW-DECORATIVE	SUPPLIER CODE: V12324 OPTIONAL PART: BACS12FA3K12BN	018106 108120 504903	4
24	BACS12FA3K12BN	.SCREW-	OPTIONAL PART: PS10F12DL12BN V12324	018106 108120 504903	4
60	232N4327-3	.PLATE ASSY-SPEAKER COVER	TUBING MATERIAL: SH ALUMINUM 2024-T3 QQ-A-250/5 F-18.06 F-14.9032-8925 .050 IN 4.8 IN 6.7 IN	011106 108120 504903	1
60	232N4327-11	.PLATE ASSY-SPEAKER COVER	TUBING MATERIAL: SH ALUMINUM 2024-T3 QQ-A-250/5 F-18.06 F-14.9032-8925 .050 IN 4.8 IN 6.7 IN	011106 108120 504903	1
65	232N4312-4	.PLATE ASSY-MTG		002004 006010 107107 121503 904999	1
75	232N4312-4	.PLATE ASSY-MTG		011106 108120 504903	1
76	BACP10U0487NC	..PANEL		002004 006102 107999	1
77	PFSC35-38AZBB	..STUD	SUPPLIER CODE: V72794 SPECIFICATION NUMBER: BACS21DX1 OPTIONAL PART: PFSC35-38ACBB V72794	002004 006102 107999	4

MISSING ITEM NUMBERS NOT APPLICABLE

- ITEM NOT ILLUSTRATED

23-51-02-05

23-51-02
FIG. 05
PAGE 2
JAN 20/09

BRI



757

PARTS CATALOG (MAINTENANCE)

FIG ITEM	PART NUMBER	1 2 3 4 5 6 7	NOMENCLATURE	EFFECT FROM TO	UNITS PER ASSY
5 80	RDAM8303	.	SPEAKER ASSY-CKPT SUPPLIER CODE: V54473 SPECIFICATION NUMBER: S222T100-102 ELECTRICAL EQUIP NUMBER: B00001 B00002 COMPONENT MAINT MANUAL REF: 23-50-01	002004 006010 107107 121503 904999	1
82	R6GE4A	..	LABEL-ESD SUPPLIER CODE: V54473 CONFIG CHG DATA FROM A CMM: REPLD BY R6QA229ZA	002004 006010 107107 121503 904999	1
82	R6QA229ZA	..	LABEL-ESD CAUTION SUPPLIER CODE: V54473 CONFIG CHG DATA FROM A CMM: REPLS R6GE4A	002004 006010 107107 121503 904999	1
90	RDAM8303	.	SPEAKER ASSY-CKPT SUPPLIER CODE: V54473 SPECIFICATION NUMBER: S222T100-102 ELECTRICAL EQUIP NUMBER: B00001 B00002 COMPONENT MAINT MANUAL REF: 23-50-01	011106 108120 504903	1
95	R6GE4A	..	LABEL-ESD SUPPLIER CODE: V54473 CONFIG CHG DATA FROM A CMM: REPLD BY R6QA229ZA USED ON: RDAM8303 RDAM8304	011106 108120 504903	1
95	R6QA229ZA	..	LABEL-ESD CAUTION SUPPLIER CODE: V54473 CONFIG CHG DATA FROM A CMM: REPLS R6GE4A USED ON: RDAM8303 RDAM8304	011106 108120 504903	1

MISSING ITEM NUMBERS NOT APPLICABLE

- ITEM NOT ILLUSTRATED

23-51-02-05

23-51-02
FIG. 05
PAGE 3
JAN 20/09

BRI

BOEING
757
PARTS CATALOG (MAINTENANCE)

FIG ITEM	PART NUMBER	1 2 3 4 5 6 7	NOMENCLATURE	EFFECT FROM TO	UNITS PER ASSY
5 - 100	232N4312-9		LOUDSPEAKER INSTL-AURAL WARNING CAPT FOR NHA SEE: 25-10-00-01	002004 006010 107107 121503 904999	RF
- 105	232N4312-8		LOUDSPEAKER INSTL-AURAL WARNING FIRST OFFICER FOR NHA SEE: 25-10-00-01	002004 006010 107107 121503 904999	RF
110	232N4312-10		.LOUDSPEAKER ASSY- REWORKED BY SB: 34-0200	002004 006010 107107 121503 904999	1
- 115	SFSW10F8DL11BG		ATTACHING PARTS .SCREW- SUPPLIER CODE: V12324	002004 006010 107107 121503 904999	4
120	RDAM8304		-----*----- ..SPEAKER ASSY-CKPT SUPPLIER CODE: V54473 FUNCTIONAL DESCRIPTION: COCKPIT SPEAKERS ARE INSTALLED IN THE COCKPIT FOR THE FLIGHT INTERPHONE SYSTEM AND FOR OTHER SYSTEMS SPECIFICATION NUMBER: S222T100-202 ELECTRICAL EQUIP NUMBER: B00056 B00057 WIRING DIAGRAM REF: 315111 315112 COMPONENT MAINT MANUAL REF: 23-50-01 PRE SERVICE BULLETIN: 34-0200	002004 006010 107107 121503 904999	1

MISSING ITEM NUMBERS NOT APPLICABLE

- ITEM NOT ILLUSTRATED

BRI

23-51-02-05

BOEING PROPRIETARY - Copyright © - Unpublished Work - See title page for details.

23-51-02
FIG. 05
PAGE 4
JAN 20/09



757

PARTS CATALOG (MAINTENANCE)

FIG ITEM	PART NUMBER	1 2 3 4 5 6 7	NOMENCLATURE	EFFECT FROM TO	UNITS PER ASSY
5 120	RDAM8303-01	..	SPEAKER ASSY-CKPT SUPPLIER CODE: V0FF57 FUNCTIONAL DESCRIPTION: THE SPEAKERS LOCATED IN THE COCKPIT ARE USED FOR VOICE COMMUNICATION AS PART OF THE FLIGHT INTERPHONE SYSTEM SPECIFICATION NUMBER: S222T100-203 ELECTRICAL EQUIP NUMBER: B00056 B00057 WIRING DIAGRAM REF: 315111 315112 POST SERVICE BULLETIN: 34-0200	952952	1
120	4A3E2	..	SPEAKER ASSY-CKPT SUPPLIER CODE: V80248 SPECIFICATION NUMBER: S222W220-201 ELECTRICAL EQUIP NUMBER: B00056 B00057	952952	1
125	R6GE4A	...	LABEL-ESD SUPPLIER CODE: V54473 CONFIG CHG DATA FROM A CMM: REPLD BY R6QA229ZA	002004 006010 107107 121503 904999	1
125	R6QA229ZA	...	LABEL-ESD CAUTION SUPPLIER CODE: V54473 CONFIG CHG DATA FROM A CMM: REPLS R6GE4A	002004 006010 107107 121503 904999	1
125	R6QA229ZA	...	LABEL-ESD CAUTION SUPPLIER CODE: V0FF57	952952	1
145	232N4327-2	..	PLATE ASSY-MTG MANUFACTURED FROM: SH ALUMINUM 2024-T3 QQ-A-250/5 F-18.06 F-14.9032-8925 .050 IN 4.8 IN 6.7 IN	002004 006010 107107 121503 904999	1

MISSING ITEM NUMBERS NOT APPLICABLE

- ITEM NOT ILLUSTRATED

23-51-02-05

23-51-02
FIG. 05
PAGE 5
JAN 20/09

BRI

BOEING
757
PARTS CATALOG (MAINTENANCE)

FIG ITEM	PART NUMBER	1 2 3 4 5 6 7	NOMENCLATURE	EFFECT FROM TO	UNITS PER ASSY
5			ATTACHING PARTS		
- 150	SFSW10F8DL11BG		.. SCREW-	002004	4
			SUPPLIER CODE:	006010	
			V12324	107107	
				121503	
				904999	
			-----*-----		
- 300	286N2297-002		WIRE BUNDLE ASSY	107107	RF
- 300	286N2297-009		WIRE BUNDLE ASSY-	002004	RF
				006010	
				950999	
- 300	286N2297-015		WIRE BUNDLE ASSY	121503	RF
				904949	
- 301	286N2297-028		WIRE BUNDLE ASSY	011100	RF
- 303	286N2297-320		WIRE BUNDLE ASSY	101102	RF
- 303	286N2297-325		WIRE BUNDLE ASSY	504903	RF
- 303	286N2297-329		WIRE BUNDLE ASSY	108120	RF
- 304	286N2297-701		WIRE BUNDLE ASSY	103106	RF
305	BACC10GH12		.CLAMP-	002004	1
			ELECTRICAL EQUIP NUMBER:	006100	
			D00547T	107107	
			WIRING DIAGRAM REF:	121503	
			235111	904999	
310	BACC45FT12-12S		.CONNECTOR-	002004	1
			ELECTRICAL EQUIP NUMBER:	006100	
			D00547	103503	
			WIRING DIAGRAM REF:	904999	
			235111		
- 350	286N2295-004		WIRE BUNDLE ASSY	107107	RF
- 350	286N2295-012		WIRE BUNDLE ASSY-	002004	RF
				006010	
				950999	
- 350	286N2295-015		WIRE BUNDLE ASSY	121503	RF
				904949	
- 351	286N2295-028		WIRE BUNDLE ASSY	011100	RF
- 353	286N2295-319		WIRE BUNDLE ASSY	504903	RF
- 353	286N2295-322		WIRE BUNDLE ASSY	101102	RF
- 353	286N2295-328		WIRE BUNDLE ASSY	108120	RF
- 354	286N2295-701		WIRE BUNDLE ASSY	103106	RF
355	BACC10GH12		.CLAMP-	002004	1
			ELECTRICAL EQUIP NUMBER:	006010	
			D00537T	107503	
			WIRING DIAGRAM REF:	904999	
			235112		
360	BACC45FT12-12S		.CONNECTOR-	002004	1
			ELECTRICAL EQUIP NUMBER:	006100	
			D00537	103503	
			WIRING DIAGRAM REF:	904999	
			235121		

MISSING ITEM NUMBERS NOT APPLICABLE

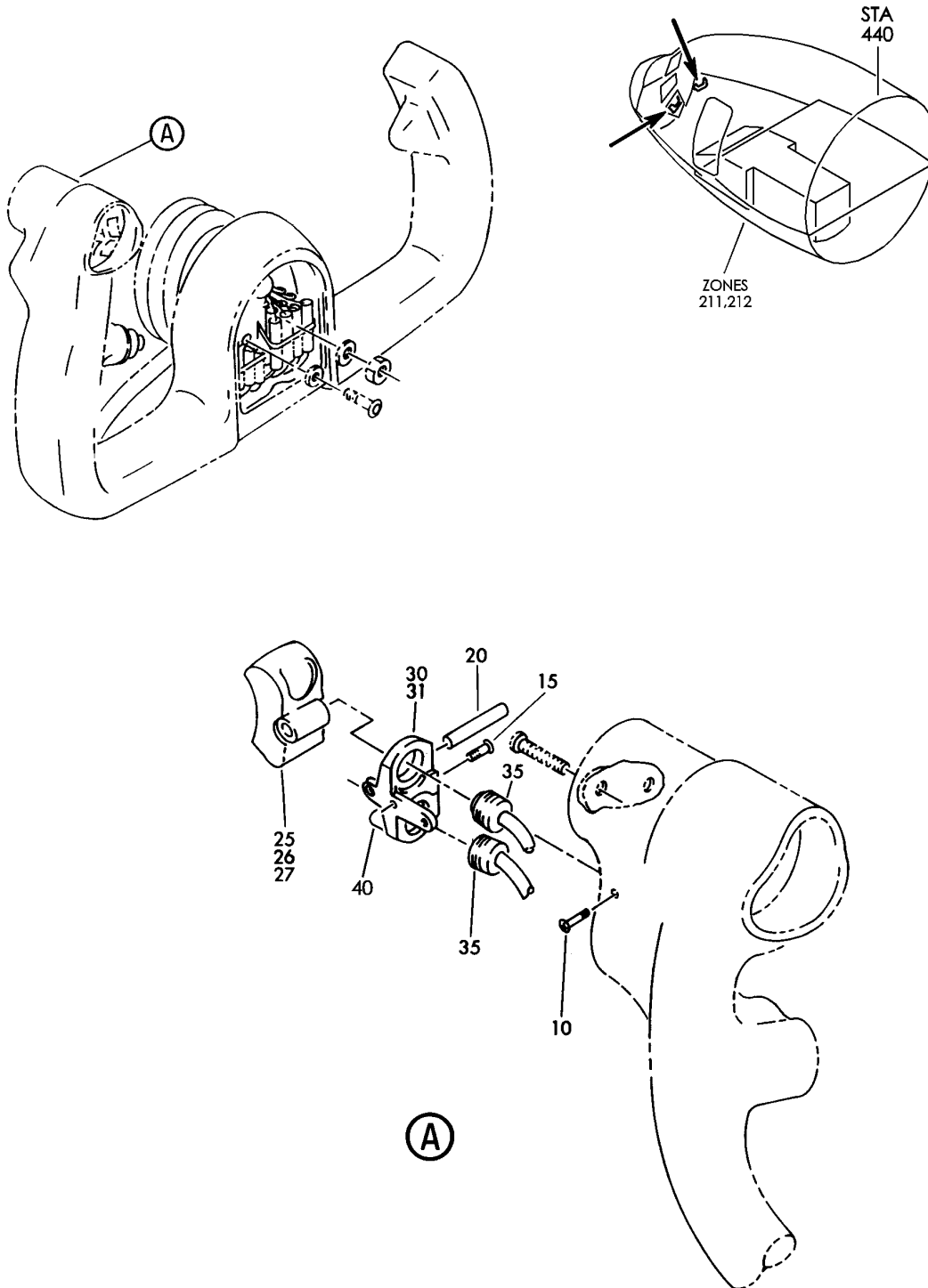
- ITEM NOT ILLUSTRATED

BRI

23-51-02-05

23-51-02
FIG. 05
PAGE 6
JAN 20/09

BOEING
757
PARTS CATALOG (MAINTENANCE)



Y 23510301 REV 230

WHEEL ASSY-CONT COLUMN (COMMUNICATIONS ONLY)
FIGURE 1

23-51-03-01

BRI
MAY 28/07

23-51-03-01
PAGE 0



757

PARTS CATALOG (MAINTENANCE)

FIG ITEM	PART NUMBER	1 2 3 4 5 6 7	NOMENCLATURE	EFFECT FROM TO	UNITS PER ASSY
1			WHEEL ASSY-CONT COLUMN (COMMUNICATIONS ONLY)	002004 006999	
- 1	251N1140-1		WHEEL ASSY-CONT COLUMN (COMMUNICATIONS ONLY) FOR NHA/OTHER SYS DET SEE: 27-11-02-01	950952	RF
- 1	251N1140-5		WHEEL ASSY-CONT COLUMN (COMMUNICATIONS ONLY) FOR NHA/OTHER SYS DET SEE: 27-11-02-01	002004 006949 953999	RF
- 1	251N1140-7		WHEEL ASSY-CONT COLUMN (COMMUNICATIONS ONLY) FOR NHA/OTHER SYS DET SEE: 27-11-02-01	950952	RF
- 1	251N1140-9		WHEEL ASSY-CONT COLUMN (COMMUNICATIONS ONLY) FOR NHA/OTHER SYS DET SEE: 27-11-02-01	002004 006949 953999	RF
- 1	251N1140-17		WHEEL ASSY-CONT COLUMN (COMMUNICATIONS ONLY) FOR NHA/OTHER SYS DET SEE: 27-11-02-01	950952	RF
- 1	251N1140-19		WHEEL ASSY-CONT COLUMN (COMMUNICATIONS ONLY) FOR NHA/OTHER SYS DET SEE: 27-11-02-01	002004 006949 953999	RF
- 5	251N1140-2		WHEEL ASSY-CONT COLUMN (COMMUNICATIONS ONLY) FOR NHA/OTHER SYS DET SEE: 27-11-02-01	950952	RF
- 5	251N1140-6		WHEEL ASSY-CONT COLUMN (COMMUNICATIONS ONLY) FOR NHA/OTHER SYS DET SEE: 27-11-02-01	002004 006949 953999	RF
- 5	251N1140-8		WHEEL ASSY-CONT COLUMN (COMMUNICATIONS ONLY) FOR NHA/OTHER SYS DET SEE: 27-11-02-01	950952	RF
- 5	251N1140-10		WHEEL ASSY-CONT COLUMN (COMMUNICATIONS ONLY) FOR NHA/OTHER SYS DET SEE: 27-11-02-01	002004 006949 953999	RF
- 5	251N1140-18		WHEEL ASSY-CONT COLUMN (COMMUNICATIONS ONLY) FOR NHA/OTHER SYS DET SEE: 27-11-02-01	950952	RF

MISSING ITEM NUMBERS NOT APPLICABLE

- ITEM NOT ILLUSTRATED

23-51-03-01

23-51-03
FIG. 01
PAGE 1
JAN 20/09

BRI



757

PARTS CATALOG (MAINTENANCE)

FIG ITEM	PART NUMBER	1 2 3 4 5 6 7	NOMENCLATURE	EFFECT FROM TO	UNITS PER ASSY
1					
- 5	251N1140-20		WHEEL ASSY-CONT COLUMN (COMMUNICATIONS ONLY) FOR NHA/OTHER SYS DET SEE: 27-11-02-01	002004 006949 953999	RF
10	NAS514P440-6B		.SCREW- USED ON: 251N1140-1 251N1140-2 251N1140-5 251N1140-6 251N1140-7 251N1140-8 251N1140-9 251N1140-10 251N1140-11 251N1140-12	002004 006999	2
10	BACS12GX04H6		.SCREW- USED ON: 251N1140-17 251N1140-18 251N1140-19 251N1140-20 251N1140-21 251N1140-22	002004 006999	2
15	NAS514P440-7B		.SCREW- USED ON: 251N1140-1 251N1140-2 251N1140-5 251N1140-6 251N1140-7 251N1140-8 251N1140-9 251N1140-10 251N1140-11 251N1140-12	002004 006999	1
15	BACS12GX04H7		.SCREW- USED ON: 251N1140-17 251N1140-18 251N1140-19 251N1140-20 251N1140-21 251N1140-22	002004 006999	1

MISSING ITEM NUMBERS NOT APPLICABLE

- ITEM NOT ILLUSTRATED

23-51-03-01

23-51-03
FIG. 01
PAGE 2
JAN 20/09

BRI

BOEING PROPRIETARY - Copyright © - Unpublished Work - See title page for details.



**757
PARTS CATALOG (MAINTENANCE)**

FIG ITEM	PART NUMBER	1 2 3 4 5 6 7	NOMENCLATURE	EFFECT FROM TO	UNITS PER ASSY
1	20 MS20253-2-67		.PIN- USED ON: 251N1140-1 251N1140-2 251N1140-5 251N1140-6	002004 006102 107999	1
	20 251N1283-1		.PIN- USED ON: 251N1140-7 251N1140-8 251N1140-9 251N1140-10 251N1140-11 251N1140-12 251N1140-17 251N1140-18 251N1140-19 251N1140-20 251N1140-21 251N1140-22	002004 006999	1
	25 251N1241-1		.TRIGGER- OPTIONAL PART: 251N1241-5	950952	1
	25 251N1241-5		.TRIGGER- QUALIFIED I/W DATA: 251N1241-5 TOGETHER WITH 3066-1 OR BACC12C3 CAN REPLACE OR BE REPLACED BY 251N1241-2 OPTIONAL PART: 251N1241-1	950952	1
	26 251N1241-2		.TRIGGER ASSY- QUALIFIED I/W DATA: 251N1241-5 TOGETHER WITH 3066-1 OR BACC12C3 CAN REPLACE OR BE REPLACED BY 251N1241-2 OPTIONAL PART: 251N1241-4 PRE SERVICE BULLETIN: 23-0101 23-0101R1	002004 006105 107949 953999	1
	26 251N1241-4		.TRIGGER ASSY- OPTIONAL PART: 251N1241-2 PRE SERVICE BULLETIN: 23-0101 23-0101R1	002004 006949 953999	1

MISSING ITEM NUMBERS NOT APPLICABLE

— ITEM NOT ILLUSTRATED

23-51-03-01

23-51-03
FIG. 01
PAGE 3
JAN 20/09

BRI



757

PARTS CATALOG (MAINTENANCE)

FIG ITEM	PART NUMBER	1 2 3 4 5 6 7	NOMENCLATURE	EFFECT FROM TO	UNITS PER ASSY
1					
27	251N1241-5		.. TRIGGER- QUALIFIED I/W DATA: 251N1241-5 TOGETHER WITH 3066-1 OR BACC12C3 CAN REPLACE OR BE REPLACED BY 251N1241-2 USED ON: 251N1241-4	002004 006949 953999	1
27	251N1241-1		.. TRIGGER-	002004 006949 953999	1
27	251N1241-3		.. TRIGGER- USED ON: 251N1241-2	002004 006105 107949 953999	1
30	69-70179-1		. SWITCH MOUNT-CLAMP QUALIFIED I/W DATA: 69-70179-7 TOGETHER WITH 251N1283-1 CAN REPLACE OR BE REPLACED BY 69-70179-1 TOGETHER WITH MS20253-2-67 69-70179-5 TOGETHER WITH 251N1283-1 CAN REPLACE OR BE REPLACED BY 69-70179-1 TOGETHER WITH MS20253-2-67 OPTIONAL PART: 69-4535-1 USED ON: 251N1140-1	950952	1
30	69-4535-1		. SWITCH MOUNT-CLAMP OPTIONAL PART: 69-70179-1 USED ON: 251N1140-1	950952	1
30	69-63433-1		. SWITCH MOUNT-CLAMP QUALIFIED I/W DATA: 69-63433-7 TOGETHER WITH 251N1283-1 PIN MAY REPLACE 69-63433-1 OR 69-63433-5 TOGETHER WITH MS20253-2-67 PIN OPTIONAL PART: 69-63433-5 USED ON: 251N1140-5	002004 006100 107107 121503 904949 953999	1

MISSING ITEM NUMBERS NOT APPLICABLE

- ITEM NOT ILLUSTRATED

23-51-03-01

23-51-03
FIG. 01
PAGE 4
JAN 20/09

BRI

BOEING PROPRIETARY - Copyright © - Unpublished Work - See title page for details.



757

PARTS CATALOG (MAINTENANCE)

FIG ITEM	PART NUMBER	1 2 3 4 5 6 7	NOMENCLATURE	EFFECT FROM TO	UNITS PER ASSY
1					
30	69-63433-5		.SWITCH MOUNT-CLAMP QUALIFIED I/W DATA: 69-63433-7 TOGETHER WITH 251N1283-1 PIN MAY REPLACE 69-63433-1 OR 69-63433-5 TOGETHER WITH MS20253-2-67 PIN OPTIONAL PART: 69-63433-1 USED ON: 251N1140-5	002004 006100 107107 121503 904949 953999	1
30	69-70179-5		.SWITCH MOUNT-CLAMP QUALIFIED I/W DATA: 69-70179-5 TOGETHER WITH 251N1283-1 MAY REPLACE 69-70179-1 OR 69-4535-1 TOGETHER WITH MS20253-2-67 PIN 69-70179-5 TOGETHER WITH 251N1283-1 CAN REPLACE OR BE REPLACED BY 69-70179-1 TOGETHER WITH MS20253-2-67 OPTIONAL PART: 69-4535-3 USED ON: 251N1140-7 251N1140-11	950952	1
30	69-4535-3		.SWITCH MOUNT-CLAMP QUALIFIED I/W DATA: 69-4535-3 TOGETHER WITH 251N1283-1 PIN MAY REPLACE 69-4535-1 TOGETHER WITH MS20253-2-67 PIN OPTIONAL PART: 69-70179-5 69-70179-7 USED ON: 251N1140-7 251N1140-11	950952	1

MISSING ITEM NUMBERS NOT APPLICABLE

- ITEM NOT ILLUSTRATED

23-51-03-01

23-51-03
FIG. 01
PAGE 5
JAN 20/09

BRI



757

PARTS CATALOG (MAINTENANCE)

FIG ITEM	PART NUMBER	1 2 3 4 5 6 7	NOMENCLATURE	EFFECT FROM TO	UNITS PER ASSY
1 30	69-63433-7		.SWITCH MOUNT-CLAMP QUALIFIED I/W DATA: 69-63433-7 TOGETHER WITH 251N1283-1 PIN MAY REPLACE 69-63433-1 OR 69-63433-5 TOGETHER WITH MS20253-2-67 PIN OPTIONAL PART: 69-63433-11 69-63433-13 USED ON: 251N1140-9 251N1140-19	002004 006949 953999	1
30	69-70179-7		.SWITCH MOUNT-CLAMP MISCELLANEOUS DATA: (69-70179-1 TOGETHER WITH MS20253-67 I/W 69-70179-7 TOGETHER WITH 251N1283-1) QUALIFIED I/W DATA: 69-70179-7 TOGETHER WITH 251N1283-1 CAN REPLACE OR BE REPLACED BY 69-70179-1 TOGETHER WITH MS20253-2-67 OPTIONAL PART: 69-70179-5 69-4535-3 USED ON: 251N1140-7 251N1140-11 251N1140-17 251N1140-21 POST SERVICE BULLETIN: 23-0101 23-0101R1	009009 107107 950952	1
30	69-63433-11		.SWITCH MOUNT-CLAMP OPTIONAL PART: 69-63433-13 69-63433-7 USED ON: 251N1140-9 251N1140-19 PRE SERVICE BULLETIN: 23-0101 23-0101R1	002004 006949 953999	1

MISSING ITEM NUMBERS NOT APPLICABLE

- ITEM NOT ILLUSTRATED

23-51-03-01

23-51-03
FIG. 01
PAGE 6
JAN 20/09

BRI



757

PARTS CATALOG (MAINTENANCE)

FIG ITEM	PART NUMBER	1 2 3 4 5 6 7	NOMENCLATURE	EFFECT FROM TO	UNITS PER ASSY
1	31 69-63433-13		.SWITCH MOUNT-CLAMP OPTIONAL PART: 69-63433-7 69-63433-11 USED ON: 251N1140-9 251N1140-19	002004 006949 953999	1
-	32 69-70179-2		.SWITCH MOUNT-CLAMP POSITION DATA: RH SIDE QUALIFIED I/W DATA: 69-70179-6 OR 69-4535-4 TOGETHER WITH 251N1283-1 MAY REPLACE 69-70179-2 TOGETHER WITH MS20253-2-67 PIN USED ON: 251N1140-2	950952	1
-	32 69-4535-2		.SWITCH MOUNT-CLAMP POSITION DATA: RH SIDE USED ON: 251N1140-2	950952	1
-	32 69-63433-2		.SWITCH MOUNT-CLAMP POSITION DATA: RH SIDE QUALIFIED I/W DATA: 69-63433-8 TOGETHER WITH 251N1283-1 PIN MAY REPLACE 69-63433-2 TOGETHER WITH MS20253-2-67 PIN OPTIONAL PART: 69-63433-6 USED ON: 251N1140-6	002004 006100 107107 121503 904949 953999	1
-	32 69-63433-6		.SWITCH MOUNT-CLAMP POSITION DATA: RH SIDE QUALIFIED I/W DATA: 69-63433-8 T/W 251N1283-1 PIN I/W 69-63433-6 T/W MS20253-2-67 PIN. OPTIONAL PART: 69-63433-2 USED ON: 251N1140-6	002004 006100 107107 121503 904949 953999	1

MISSING ITEM NUMBERS NOT APPLICABLE

- ITEM NOT ILLUSTRATED

23-51-03-01

23-51-03
FIG. 01
PAGE 7
JAN 20/09

BRI

BOEING
757
PARTS CATALOG (MAINTENANCE)

FIG ITEM	PART NUMBER	1 2 3 4 5 6 7	NOMENCLATURE	EFFECT FROM TO	UNITS PER ASSY
1					
- 32	69-70179-6		.SWITCH MOUNT-CLAMP POSITION DATA: RH SIDE QUALIFIED I/W DATA: 69-70179-6 TOGETHER WITH 251N1283-1 MAY REPLACE 69-70179-2 OR 69-4535-2 TOGETHER WITH MS20253-2-67 PIN USED ON: 251N1140-8	950952	1
R	- 32	69-4535-4	.SWITCH MOUNT-CLAMP POSITION DATA: RH SIDE OPTIONAL PART: 69-70179-6 69-70179-8 USED ON: 251N1140-8 251N1140-12	950952	1
R					
R					
R					
R					
R	- 32	69-63433-8	.SWITCH MOUNT-CLAMP POSITION DATA: RH SIDE QUALIFIED I/W DATA: 69-63433-8 T/W 251N1283-1 PIN I/W 69-63433-2 OR 69-63433-6 T/W MS20253-2-67 PIN. OPTIONAL PART: 69-63433-14 USED ON: 251N1140-10 251N1140-20 PRE SERVICE BULLETIN: 23-0101 23-0101R1	002004 006949 953999	1
R					
R					
R					
R					
R					
R					
R	- 32	69-70179-8	.SWITCH MOUNT-CLAMP POSITION DATA: RH SIDE MISCELLANEOUS DATA: (69-70179-2 TOGETHER WITH MS20253-67 I/W 69-70179-8 TOGETHER WITH 251N1283-1) USED ON: 251N1140-8 POST SERVICE BULLETIN: 23-0101 23-0101R1	009009 107107 950952	1

MISSING ITEM NUMBERS NOT APPLICABLE

- ITEM NOT ILLUSTRATED

BRI

23-51-03-01

BOEING PROPRIETARY - Copyright © - Unpublished Work - See title page for details.

23-51-03
FIG. 01
PAGE 8
MAY 20/09

 **BOEING**
757
PARTS CATALOG (MAINTENANCE)

FIG ITEM	PART NUMBER	1 2 3 4 5 6 7	NOMENCLATURE	EFFECT FROM TO	UNITS PER ASSY
R R R R R R R R R R R R	1 - 32	69-63433-12	.SWITCH MOUNT-CLAMP POSITION DATA: RH SIDE USED ON: 251N1140-10 251N1140-20 PRE SERVICE BULLETIN: 23-0101 23-0101R1	002004 006949 953999	1
	- 32	69-63433-14	.SWITCH MOUNT-CLAMP POSITION DATA: RH SIDE OPTIONAL PART: 69-63433-8 USED ON: 251N1140-10 251N1140-20 PRE SERVICE BULLETIN: 23-0101 23-0101R1	002004 006949 953999	1
	- 32	69-70179-8	.SWITCH MOUNT-CLAMP POSITION DATA: RH SIDE MISCELLANEOUS DATA: (69-70179-2 TOGETHER WITH MS20253-67 I/W 69-70179-8 TOGETHER WITH 251N1283-1) USED ON: 251N1140-12 251N1140-18 251N1140-22	950952	1
	35	C2006	.SWITCH- SUPPLIER CODE: V81640 OPTIONAL PART: C2006R V81640 P8-4000003 V21649	002004 006999	2
	35	C2006R	.SWITCH- SUPPLIER CODE: V81640 OPTIONAL PART: C2006 V81640 P8-4000003 V21649	002004 006999	2

MISSING ITEM NUMBERS NOT APPLICABLE

- ITEM NOT ILLUSTRATED

BRI

23-51-03-01

BOEING PROPRIETARY - Copyright © - Unpublished Work - See title page for details.

23-51-03
FIG. 01
PAGE 9
MAY 20/09



757
PARTS CATALOG (MAINTENANCE)

FIG ITEM	PART NUMBER	1 2 3 4 5 6 7	NOMENCLATURE	EFFECT FROM TO	UNITS PER ASSY
1 35	P8-4000003		. SWITCH- SUPPLIER CODE: V21649 OPTIONAL PART: C2006 V81640 C2006C V81640	002004 006999	2

MISSING ITEM NUMBERS NOT APPLICABLE

- ITEM NOT ILLUSTRATED

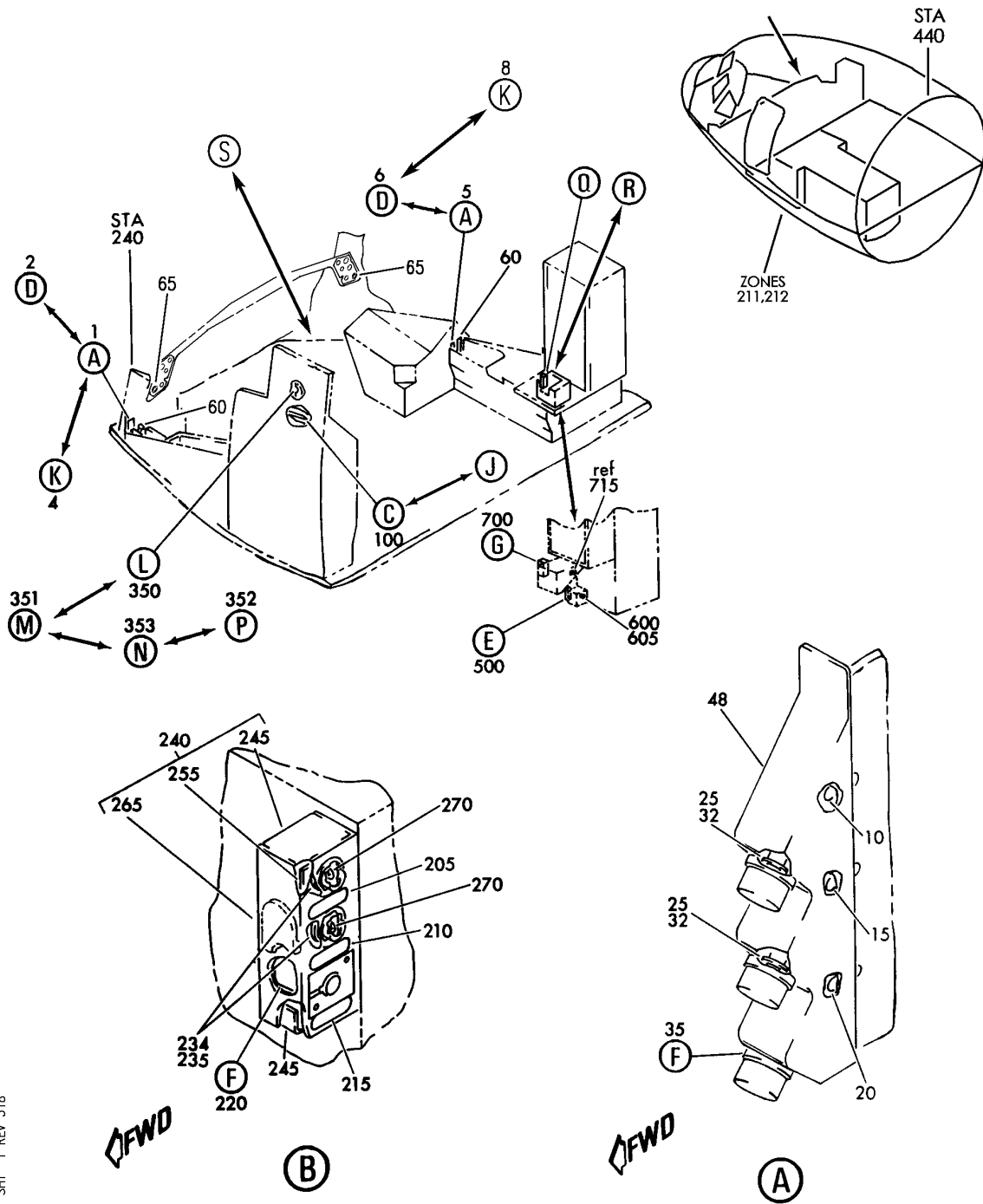
BRI

23-51-03-01

BOEING PROPRIETARY - Copyright © - Unpublished Work - See title page for details.

23-51-03
FIG. 01
PAGE 10
MAY 20/09

BOEING
757
PARTS CATALOG (MAINTENANCE)



Y 233515102 SH1 1 REV 318

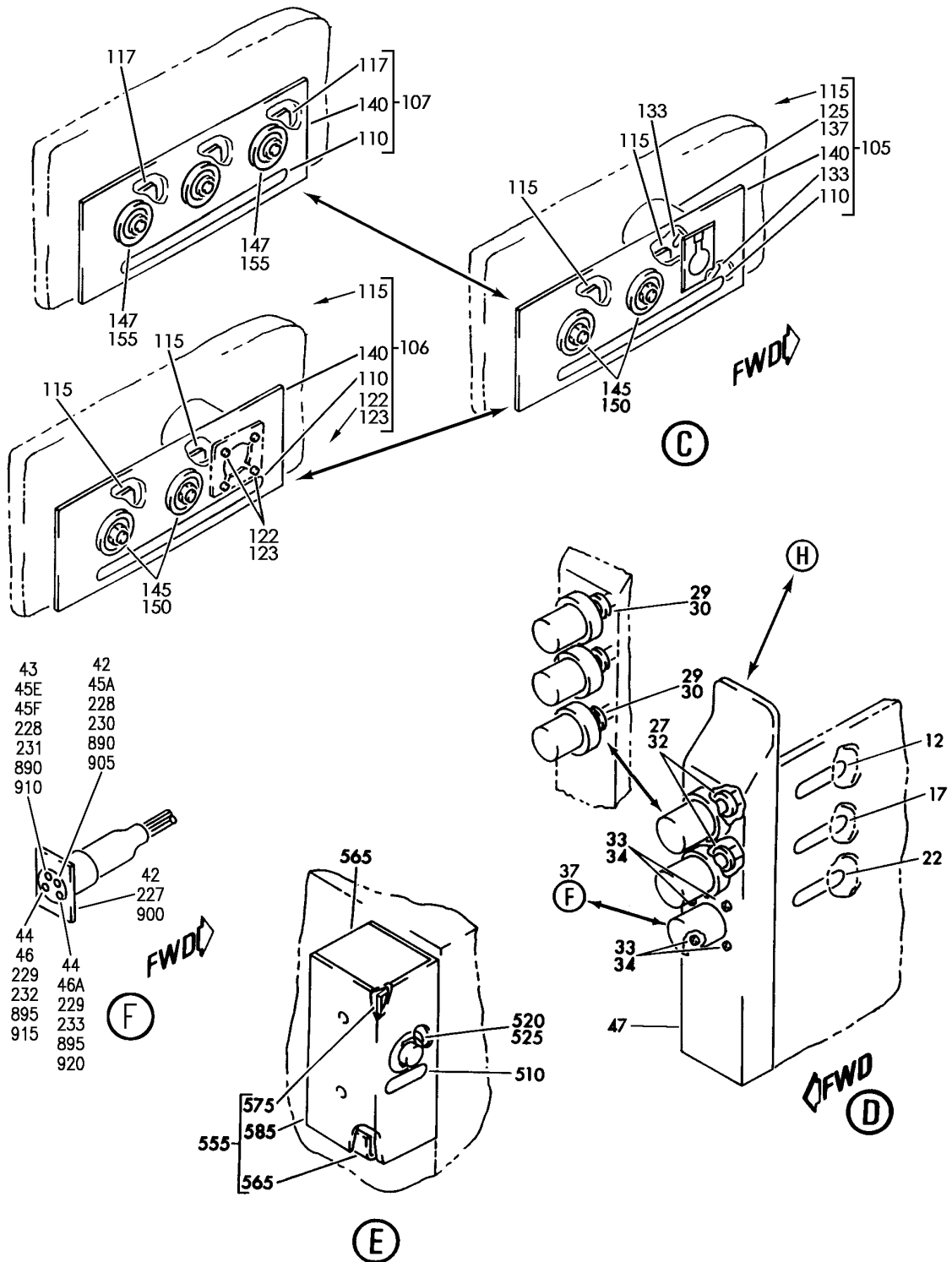
INTERPHONE INSTL, HANDMIKE HOLDER INSTL AND HOOK INSTL-FLT DECK CREW
FIGURE 2 (SHEET 1)

BRI
JAN 20/08

23-51-51-02

23-51-51-02
PAGE 0

BOEING
757
PARTS CATALOG (MAINTENANCE)



Y 23515102 SHT 2 REV 315

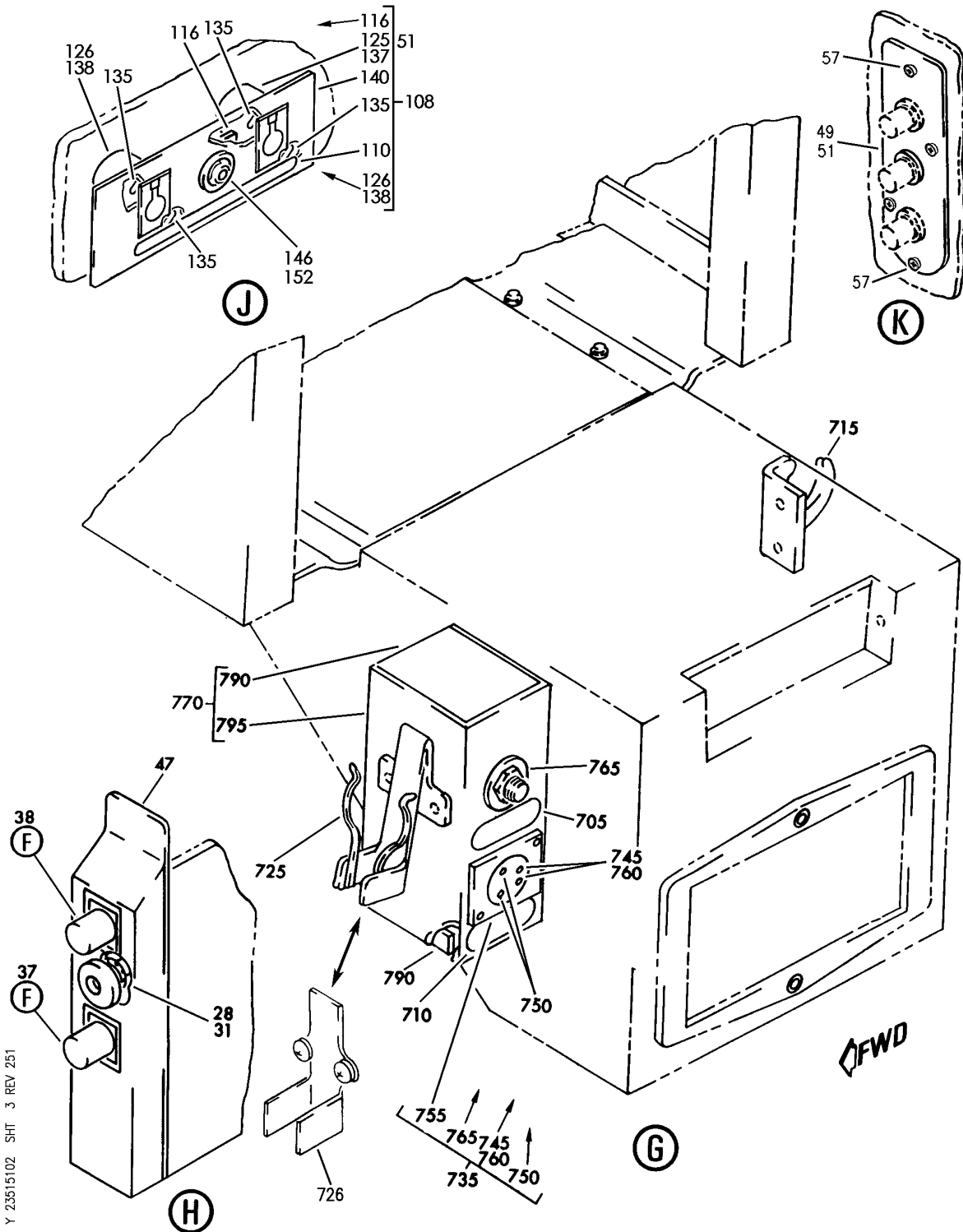
INTERPHONE INSTL, HANDMIKE HOLDER INSTL AND HOOK INSTL-FLT DECK CREW
FIGURE 2 (SHEET 2)

23-51-51-02

BRI
SEP 28/07

23-51-51-02
PAGE 0A

BOEING
757
PARTS CATALOG (MAINTENANCE)



Y 23515102 SHT 3 REV 251

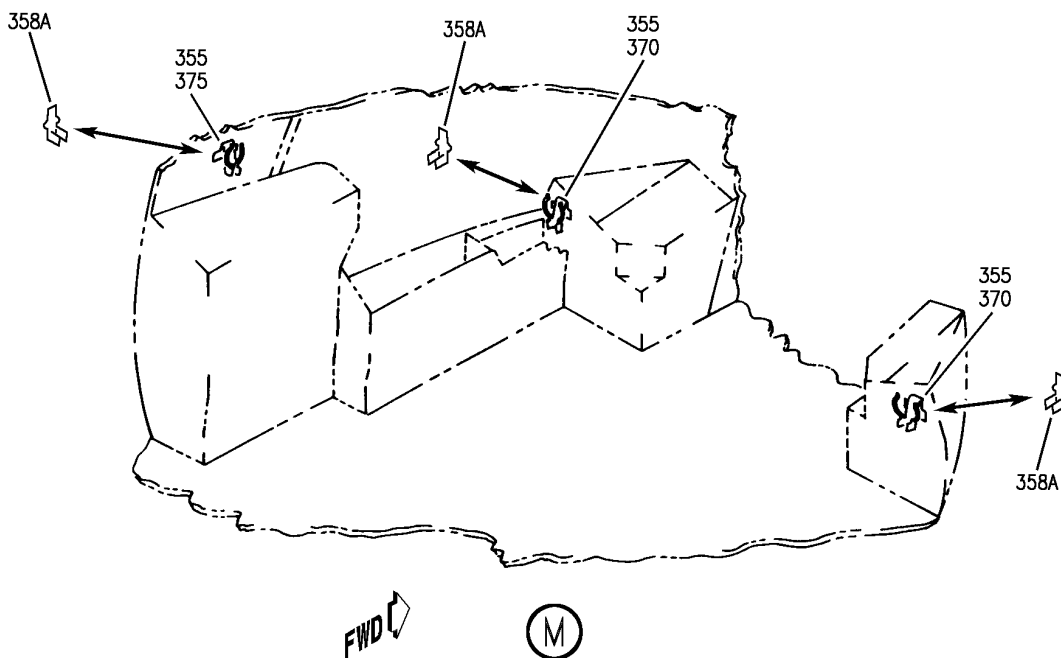
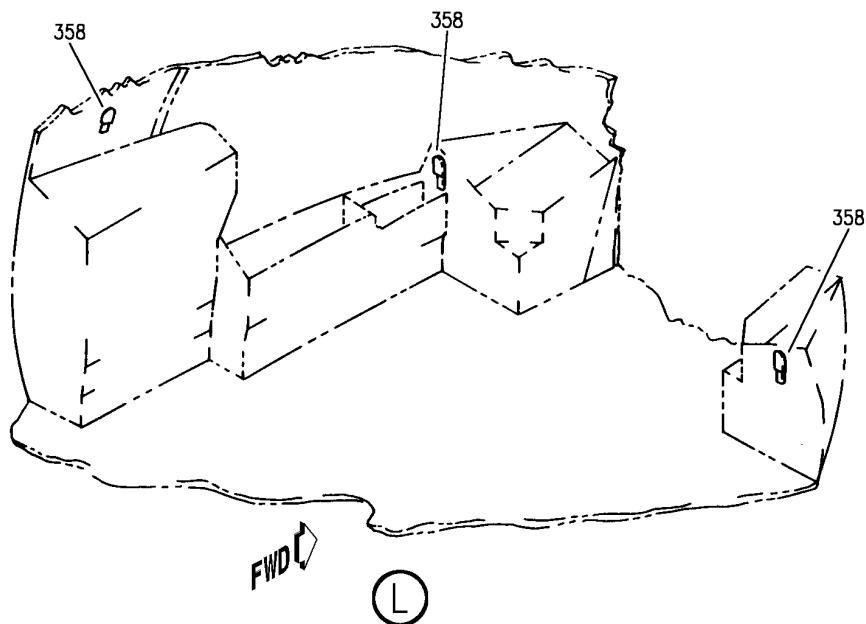
INTERPHONE INSTL, HANDMIKE HOLDER INSTL AND HOOK INSTL-FLT DECK CREW
FIGURE 2 (SHEET 3)

23-51-51-02

BRI
MAY 28/07

23-51-51-02
PAGE 0B

BOEING
757
PARTS CATALOG (MAINTENANCE)



Y 23515102 SH1 4 REV 324

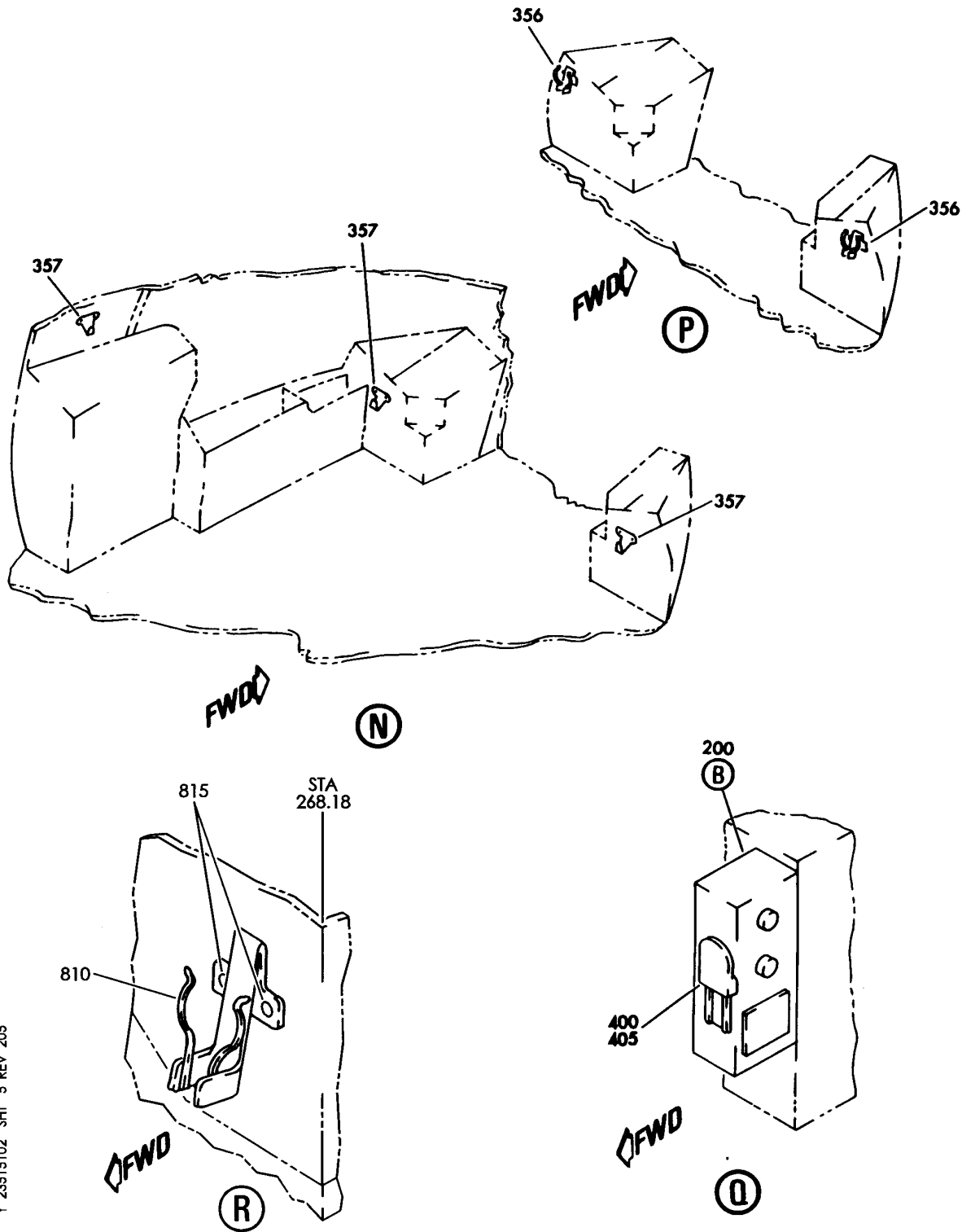
INTERPHONE INSTL, HANDMIKE HOLDER INSTL AND HOOK INSTL-FLT DECK CREW
FIGURE 2 (SHEET 4)

23-51-51-02

BRI
SEP 20/08

23-51-51-02
PAGE 0C

BOEING
757
PARTS CATALOG (MAINTENANCE)



Y 23515102 SHT 5 REV 205

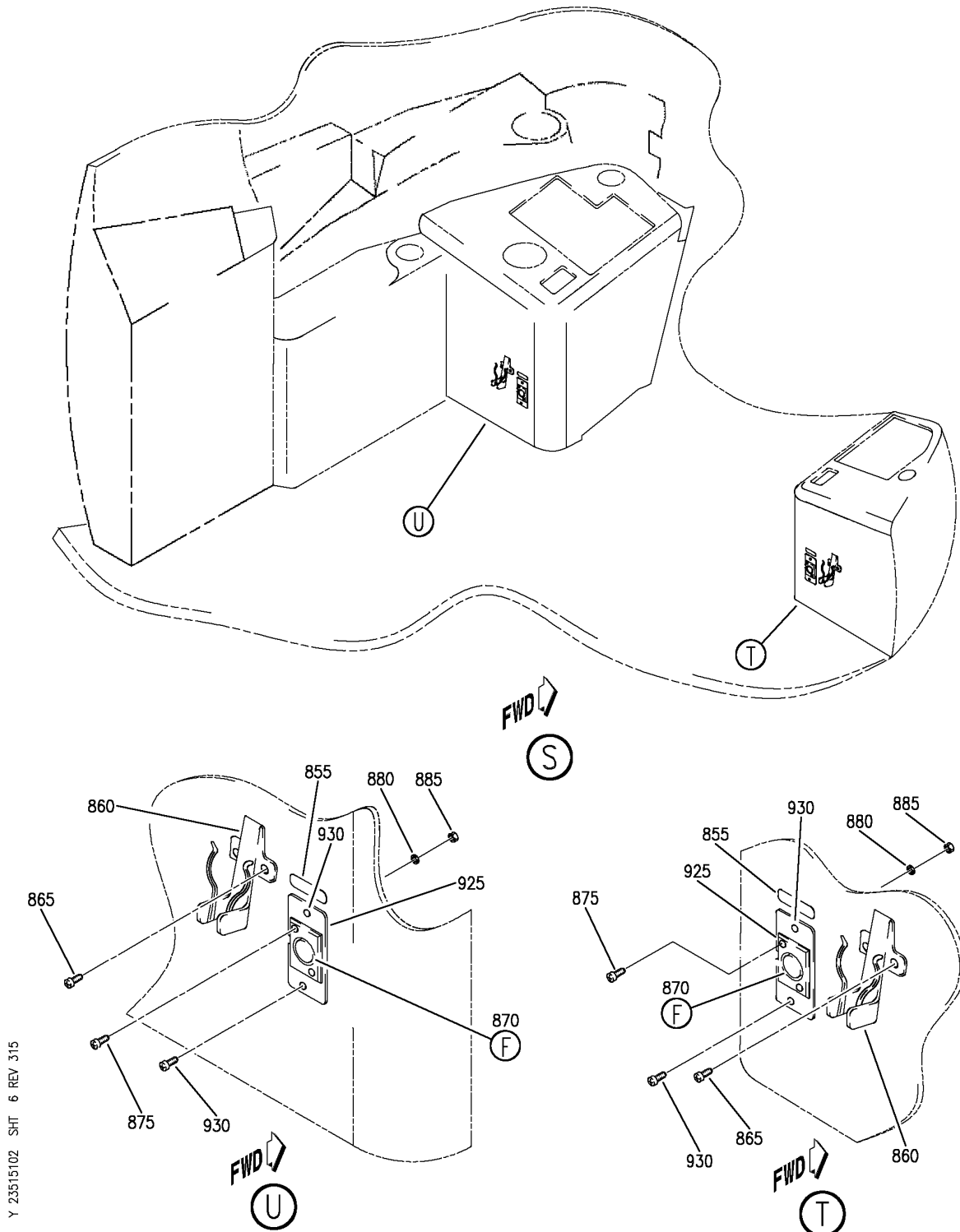
INTERPHONE INSTL, HANDMIKE HOLDER INSTL AND HOOK INSTL-FLT DECK CREW
FIGURE 2 (SHEET 5)

BRI
MAY 28/07

23-51-51-02

23-51-51-02
PAGE 0D

BOEING
757
PARTS CATALOG (MAINTENANCE)



INTERPHONE INSTL, HANDMIKE HOLDER INSTL AND HOOK INSTL-FLT DECK CREW
FIGURE 2 (SHEET 6)

BRI
SEP 28/07

23-51-51-02

23-51-51-02
PAGE 0E



757

PARTS CATALOG (MAINTENANCE)

FIG ITEM	PART NUMBER	1 2 3 4 5 6 7	NOMENCLATURE	EFFECT FROM TO	UNITS PER ASSY
2			INTERPHONE INSTL, HANDMIKE HOLDER INSTL AND HOOK INSTL-FLT DECK CREW	002004 006010 107107 121503 904999	
2	232N4313-17		INTERPHONE INSTL-CRWE CAPT POSITION DATA: FLT DECK FOR NHA SEE: 25-10-00-05C	107107	RF
2	232N4313-33		INTERPHONE INSTL-CREW CAPT POSITION DATA: FLT DECK FOR NHA SEE: 25-10-00-05C	904949 952952	RF
4	232N4313-51		INTERPHONE INSTL-CREW CAPT POSITION DATA: FLT DECK FOR NHA SEE: 25-10-00-05C	002004 006010 121503 950951 953999	RF
6	232N4313-18		INTERPHONE INSTL-FIRST OFFICER POSITION DATA: FLT DECK FOR NHA SEE: 25-10-00-05C	107107 904949	RF
6	232N4313-34		INTERPHONE INSTL-FIRST OFFICER POSITION DATA: FLT DECK FOR NHA SEE: 25-10-00-05C	952952	RF
8	232N4313-48		INTERPHONE INSTL-FIRST OFFICER POSITION DATA: FLT DECK FOR NHA SEE: 25-10-00-05C	121503	RF
8	232N4313-52		INTERPHONE INSTL-FIRST OFFICER POSITION DATA: FLT DECK FOR NHA SEE: 25-10-00-05C	002004 006010 950951 953999	RF
12	BAC27NFDE0031		.DECAL- PLACARD CONTENT: BOOM MIC	002004 006010 107107 121503 904999	1

MISSING ITEM NUMBERS NOT APPLICABLE

- ITEM NOT ILLUSTRATED

23-51-51-02

23-51-51
FIG. 02
PAGE 1
JAN 20/09

BRI

BOEING PROPRIETARY - Copyright © - Unpublished Work - See title page for details.



757

PARTS CATALOG (MAINTENANCE)

FIG ITEM	PART NUMBER	1 2 3 4 5 6 7	NOMENCLATURE	EFFECT FROM TO	UNITS PER ASSY
2					
17	BAC27NFDE0032	.DECAL-	PLACARD CONTENT: HEADSET	002004 006010 107107 121503 904999	1
22	BAC27NFDE0033	.DECAL-	PLACARD CONTENT: HAND MIC	002004 006010 107107 121503 904999	1
27	69-50085-4	.WASHER INSTL		002004 006010 107107 121503 904999	2
32	66-22311-1	..WASHER-	OPTIONAL PART: MS27111-3	002004 006010 107107 121503 904999	1
32	MS27111-3	..WASHER-	OPTIONAL PART: 66-22311-1	002004 006010 107107 121503 904999	1
37	66-16842-1	.JACK ASSY-		107107	1
37	66-16842-15	.JACK ASSY-		002004 006010 121503 904999	1
-	41	NAS514P440-7	ATTACHING PARTS .SCREW	002004 006010 107107 121503 904999	2
	42	XLR4-31	-----*----- ..JACK-	002004 006010 107107 121503 904999	1
	42	XLR4-31A176	..JACK-	002004 006010 107107 121503 904999	1

MISSING ITEM NUMBERS NOT APPLICABLE

- ITEM NOT ILLUSTRATED

23-51-51-02

23-51-51
FIG. 02
PAGE 2
JAN 20/09

BRI



757

PARTS CATALOG (MAINTENANCE)

FIG ITEM	PART NUMBER	1 2 3 4 5 6 7	NOMENCLATURE	EFFECT FROM TO	UNITS PER ASSY
2					
43	48-1825-02	..	PIN SUPPLIER CODE: V77820 SPECIFICATION NUMBER: BACC47CN2 OPTIONAL PART: ZZL4016-36LT V49367 48-1825-02 V02660 417-1616-902 V92069 LRM16M15F74 V09922	002004 006010 107107 121503 904999	2
44	418-1616-902	..	CONTACT SUPPLIER CODE: V55104 SPECIFICATION NUMBER: BACC47CP2T OPTIONAL PART: ZZL4116-36LT V49367 248-136-1600S02 V77820 LRC16M15F74 V09922	002004 006010 107107 121503 904999	2
45A	48-7190	..	CONNECTOR- SUPPLIER CODE: V02660	002004 006010 107107 121503 904999	1
45E	48-7190-1	..	CONNECTOR- SUPPLIER CODE: V02660	002004 006010 107107 121503 904999	1
45F	AIS16P1	..	CONNECTOR- SUPPLIER CODE: V05574	002004 006010 107107 121503 904999	1
46	48-7191	..	RECEPTACLE- SUPPLIER CODE: V02660	002004 006010 107107 121503 904999	1

MISSING ITEM NUMBERS NOT APPLICABLE

- ITEM NOT ILLUSTRATED

23-51-51-02

23-51-51
FIG. 02
PAGE 3
JAN 20/09

BRI

BOEING PROPRIETARY - Copyright © - Unpublished Work - See title page for details.



757

PARTS CATALOG (MAINTENANCE)

FIG ITEM	PART NUMBER	1 2 3 4 5 6 7	NOMENCLATURE	EFFECT FROM TO	UNITS PER ASSY
2 46A	48-7191-1		. . RECEPTACLE- SUPPLIER CODE: V02660	002004 006010 107107 121503 904999	1
47	232N4330-6		. HOUSING-SPRT	107107 904949 952952	1
49	232N4330-16		. PLATE ASSY-	002004 006010 121503 950951 953999	1
- 55	SFSW10F5DL11BG		ATTACHING PARTS . SCREW- SUPPLIER CODE: V12324	002004 006010 107107 121503 904999	2
65	2PB11H58		-----*----- . SWITCH-PTT P7 PANEL SUPPLIER CODE: V91929 ELECTRICAL EQUIP NUMBER: S00441 S00442 POST SERVICE BULLETIN: 23-0101 23-0101R1	009009 107107	2
100	232N4313-8		INTERPHONE INSTL-FIRST OBSERVER POSITION DATA: FLT DECK FOR NHA SEE: 25-10-00-05C	107107 121503 904949 952952	RF
100	232N4313-44		INTERPHONE INSTL-FIRST OBSERVER POSITION DATA: FLT DECK FOR NHA SEE: 25-10-00-05C	002004 006010 950951 953999	RF
105	232N4321-3		. PANEL ASSY-	107107 121503 904949 952952	1

MISSING ITEM NUMBERS NOT APPLICABLE

- ITEM NOT ILLUSTRATED

23-51-51-02

23-51-51
FIG. 02
PAGE 4
JAN 20/09

BRI

BOEING PROPRIETARY - Copyright © - Unpublished Work - See title page for details.

BOEING
757
PARTS CATALOG (MAINTENANCE)

FIG ITEM	PART NUMBER	1 2 3 4 5 6 7	NOMENCLATURE	EFFECT FROM TO	UNITS PER ASSY
2 105	232N4321-9		.PANEL ASSY-	002004 006010 950951 953999	1
110	BAC27NFDE0034		..DECAL- PLACARD CONTENT: BOOM MIC HEADSET HANDMIC	002004 006010 107107 121503 904999	1
115	69B46247-1		..PLATE-INSULATION	002004 006010 107107 121503 904999	2
- 120	BACR15BA3A		ATTACHING PARTS ..RIVET- SIZE DETERMINED ON INSTL.	002004 006010 107107 121503 904999	8
- 121	BACR15BA3A		..RIVET- SIZE DETERMINED ON INSTL.	002004 006010 107107 121503 904999	12
125	66-16842-1		-----*----- ..JACK ASSY-	107107 121503 904949 952952	1
125	66-16842-15		..JACK ASSY-	002004 006010 950951 953999	1
- 130	NAS514P440-7		ATTACHING PARTS ..SCREW -----*-----	002004 006010 107107 121503 904999	2

MISSING ITEM NUMBERS NOT APPLICABLE

- ITEM NOT ILLUSTRATED

BRI

23-51-51-02

BOEING PROPRIETARY - Copyright © - Unpublished Work - See title page for details.

23-51-51
FIG. 02
PAGE 5
JAN 20/09



757

PARTS CATALOG (MAINTENANCE)

FIG ITEM	PART NUMBER	1 2 3 4 5 6 7	NOMENCLATURE	EFFECT FROM TO	UNITS PER ASSY
2 133	T8076S440		..NUTPLATE SUPPLIER CODE: V11815 SPECIFICATION NUMBER: BACN10JPO4A OPTIONAL PART: MK1000-04BAC V15653 NS103197-40 V80539 RMA9201M40 V72962 VN202A1-40L V92215 BRM200A04L V52828 ATTACHING PARTS	002004 006010 107107 121503 904999	2
- 134	BACR15BA3D		..RIVET- SIZE DETERMINED ON INSTL.	002004 006010 107107 121503 904999	4
			-----*-----		
137	XLR4-31		...JACK- SUPPLIER CODE: V71468 USED ON: 66-16842-1 66-16842-15	002004 006010 107107 121503 904999	1
137	XLR4-31A176		...JACK- SUPPLIER CODE: V71468 USED ON: 66-16842-1 66-16842-15	002004 006010 107107 121503 904999	1
140	232N4321-4		..BASEPLATE ASSY-	002004 006010 107107 121503 904999	1
145	69-50085-4		.WASHER INSTL	002004 006010 107107 121503 904999	2

MISSING ITEM NUMBERS NOT APPLICABLE

- ITEM NOT ILLUSTRATED

23-51-51-02

23-51-51
FIG. 02
PAGE 6
JAN 20/09

BRI



757

PARTS CATALOG (MAINTENANCE)

FIG ITEM	PART NUMBER	1 2 3 4 5 6 7	NOMENCLATURE	EFFECT FROM TO	UNITS PER ASSY
2					
150	66-22311-1		.. WASHER- OPTIONAL PART: MS27111-3	002004 006010 107107 121503 904999	1
150	MS27111-3		.. WASHER- OPTIONAL PART: 66-22311-1	002004 006010 107107 121503 904999	1
200	232N4313-11		INTERPHONE INSTL-SECOND OFFICER POSITION DATA: FLT DECK FOR NHA SEE: 25-10-00-05C	002004 006010 121503 904949	RF
205	BAC27NFDE0031		.DECAL- PLACARD CONTENT: BOOM MIC	002004 006010 121503 904949	1
210	BAC27NFDE0032		.DECAL- PLACARD CONTENT: HEADSET	002004 006010 121503 904949	1
215	BAC27NFDE0033		.DECAL- PLACARD CONTENT: HAND MIC	002004 006010 121503 904949	1
220	66-16842-1		.JACK ASSY-	002004 006010 121503 904949	1
- 225	MS35190-225		ATTACHING PARTS .SCREW	002004 006010 121503 904949	2
			-----*-----		
227	XLR4-31		.. JACK- SUPPLIER CODE: V71468	002004 006010 121503 904949	1
227	XLR4-31A176		.. JACK- SUPPLIER CODE: V71468	002004 006010 121503 904949	1

MISSING ITEM NUMBERS NOT APPLICABLE

- ITEM NOT ILLUSTRATED

23-51-51-02

23-51-51
FIG. 02
PAGE 7
JAN 20/09

BRI

BOEING PROPRIETARY - Copyright © - Unpublished Work - See title page for details.



757

PARTS CATALOG (MAINTENANCE)

FIG ITEM	PART NUMBER	1 2 3 4 5 6 7	NOMENCLATURE	EFFECT FROM TO	UNITS PER ASSY
2 228	48-1825-02	..	PIN SUPPLIER CODE: V77820 SPECIFICATION NUMBER: BACC47CN2 OPTIONAL PART: ZZL4016-36LT V49367 48-1825-02 V02660 417-1616-902 V92069 LRM16M15F74 V09922	002004 006010 121503 904949	2
229	418-1616-902	..	CONTACT SUPPLIER CODE: V55104 SPECIFICATION NUMBER: BACC47CP2T OPTIONAL PART: ZZL4116-36LT V49367 248-136-1600S02 V77820 LRC16M15F74 V09922	002004 006010 121503 904949	2
230	48-7190	..	CONNECTOR- SUPPLIER CODE: V02660	002004 006010 121503 904949	1
231	48-7190-1	..	CONNECTOR- SUPPLIER CODE: V02660	002004 006010 121503 904949	1
231	AIS16P1	..	CONNECTOR- SUPPLIER CODE: V05574	002004 006010 121503 904949	1
232	48-7191	..	CONNECTOR- SUPPLIER CODE: V02660	002004 006010 121503 904949	1
233	48-7191-1	..	RECEPTACLE- SUPPLIER CODE: V02660	002004 006010 121503 904949	1

MISSING ITEM NUMBERS NOT APPLICABLE

- ITEM NOT ILLUSTRATED

23-51-51-02

23-51-51
FIG. 02
PAGE 8
JAN 20/09

BRI

BOEING PROPRIETARY - Copyright © - Unpublished Work - See title page for details.



757

PARTS CATALOG (MAINTENANCE)

FIG ITEM	PART NUMBER	1 2 3 4 5 6 7	NOMENCLATURE	EFFECT FROM TO	UNITS PER ASSY
2					
234	69-50085-4	.	WASHER INSTL	002004 006010 121503 904949	2
235	66-22311-1	..	WASHER- OPTIONAL PART: MS27111-3 V69606	002004 006010 121503 904949	1
235	MS27111-3	..	WASHER- OPTIONAL PART: 66-22311-1	002004 006010 121503 904949	1
240	232N4333-1	.	BRACKET ASSY-SPRT	002004 006010 121503 904949	1
- 242	NAS603-4P	.	ATTACHING PARTS SCREW	002004 006010 121503 904949	2
245	69-18777-3	..	-----*----- SHIELD-DUST	002004 006010 121503 904949	2
- 250	BACR15BA3D	..	ATTACHING PARTS RIVET- SIZE DETERMINED ON INSTL.	002004 006010 121503 904949	8
255	66-18246-1	..	-----*----- PLATE-INSULATION	002004 006010 121503 904949	1
- 260	BACR15BA3A	..	ATTACHING PARTS RIVET- SIZE DETERMINED ON INSTL.	002004 006010 121503 904949	5
265	232N4333-2	..	-----*----- BRACKET	002004 006010 121503 904949	1

MISSING ITEM NUMBERS NOT APPLICABLE

- ITEM NOT ILLUSTRATED

BRI

23-51-51-02

23-51-51
FIG. 02
PAGE 9
JAN 20/09



757

PARTS CATALOG (MAINTENANCE)

FIG ITEM	PART NUMBER	1 2 3 4 5 6 7	NOMENCLATURE	EFFECT FROM TO	UNITS PER ASSY
2					
270	SFSW10F5DL11BG	.	SCREW- SUPPLIER CODE: V12324	002004 006010 121503 904949	2
350	232N4313-43		HOLDER INSTL-CREW HANDMIKE CAPT, FIRST OFFICER AND FIRST OBSERVER POSITION DATA: FLIGHT DECK FOR NHA SEE: 25-10-00-05C	121503 904949	RF
351	232N4313-5		HOLDER INSTL-CREW HANDMIKE CAPT, FIRST OFFICER AND FIRST OBSERVER POSITION DATA: FLIGHT DECK FOR NHA SEE: 25-10-00-05C	107107	RF
351	232N4313-42		HOLDER INSTL-CREW HANDMIKE CAPT, FIRST OFFICER AND FIRST OBSERVER POSITION DATA: FLIGHT DECK FOR NHA SEE: 25-10-00-05C	002004 006010 950999	RF
355	CTE10139TC117A	.	HOLDER- SUPPLIER CODE: V78711 OPTIONAL PART: 5429-2 V78711	002004 006010 107107 950999	3
355	5429-2	.	HOLDER- SUPPLIER CODE: V78711 OPTIONAL PART: CTE10139TC117A V78711	002004 006010 107107 950999	3
358	8474	.	HOLDER- SUPPLIER CODE: V81134 ATTACHING PARTS	121503 904949	3
- 360	NAS601-8P	.	SCREW	121503 904949	6
- 360	SFSW6C5DL11BG	.	SCREW- SUPPLIER CODE: V12324 -----*-----	002004 006010 107107 950999	6

MISSING ITEM NUMBERS NOT APPLICABLE

- ITEM NOT ILLUSTRATED

23-51-51-02

23-51-51
FIG. 02
PAGE 10
JAN 20/09

BRI



757

PARTS CATALOG (MAINTENANCE)

FIG ITEM	PART NUMBER	1 2 3 4 5 6 7	NOMENCLATURE	EFFECT FROM TO	UNITS PER ASSY
2 - 361	2PB11H58		.SWITCH-PTT P7 PANEL CAPT SUPPLIER CODE: V91929 ELECTRICAL EQUIP NUMBER: S441 POST AIRLINE MOD: 2393R334 VALP	950951	1
- 362	2PB11H58		.SWITCH-PTT P7 PANEL F/O SUPPLIER CODE: V91929 ELECTRICAL EQUIP NUMBER: S442 POST AIRLINE MOD: 2393R334 VALP	950951	1
400	232N4313-12		HOLDER INSTL-CREW HANDMIKE SECOND OFFICER POSITION DATA: FLIGHT DECK FOR NHA SEE: 25-10-00-05C	121503 904949	RF
405	8474		.HOLDER- SUPPLIER CODE: V81134 ATTACHING PARTS	121503 904949	1
- 410	NAS601-8P		.SCREW	121503 904949	2
500	232N4313-28		-----*----- INTERPHONE INSTL-SECOND OBSERVER FOR NHA SEE: 25-10-00-05C	952999	RF
510	BAC27NFDE0032		.DECAL- PLACARD CONTENT: HEADSET	952999	1
520	69-50085-4		.WASHER INSTL	952999	1
525	66-22311-1		..WASHER- OPTIONAL PART: MS27111-3	952999	1
525	MS27111-3		..WASHER- OPTIONAL PART: 66-22311-1	952999	1
555	232N4333-7		.BRACKET ASSY-SPRT ATTACHING PARTS	952999	1
- 560	NAS603-4P		.SCREW -----*-----	952999	2

MISSING ITEM NUMBERS NOT APPLICABLE

- ITEM NOT ILLUSTRATED

23-51-51-02

23-51-51
FIG. 02
PAGE 11
JAN 20/09

BRI



757

PARTS CATALOG (MAINTENANCE)

FIG ITEM	PART NUMBER	1 2 3 4 5 6 7	NOMENCLATURE	EFFECT FROM TO	UNITS PER ASSY
2					
565	232N4333-6		.. SHIELD-DUST ATTACHING PARTS	952999	2
- 570	BACR15BA3D		.. RIVET- SIZE DETERMINED ON INSTL. -----*-----	952999	6
575	66-18246-1		.. PLATE-INSULATION ATTACHING PARTS	952999	1
- 580	BACR15BA3D		.. RIVET- SIZE DETERMINED ON INSTL. -----*-----	952999	4
585	232N4333-8		.. BRACKET-	952999	1
600	232N4313-24		HOOK INSTL-SECOND OBSERVER HEADSET FOR NHA SEE: 25-10-00-05C	952999	RF
605	232N4333-5		. HOOK ATTACHING PARTS	952999	1
- 610	SFSW10F4DL12BN		. SCREW- SUPPLIER CODE: V12324 -----*-----	952999	2

MISSING ITEM NUMBERS NOT APPLICABLE

- ITEM NOT ILLUSTRATED

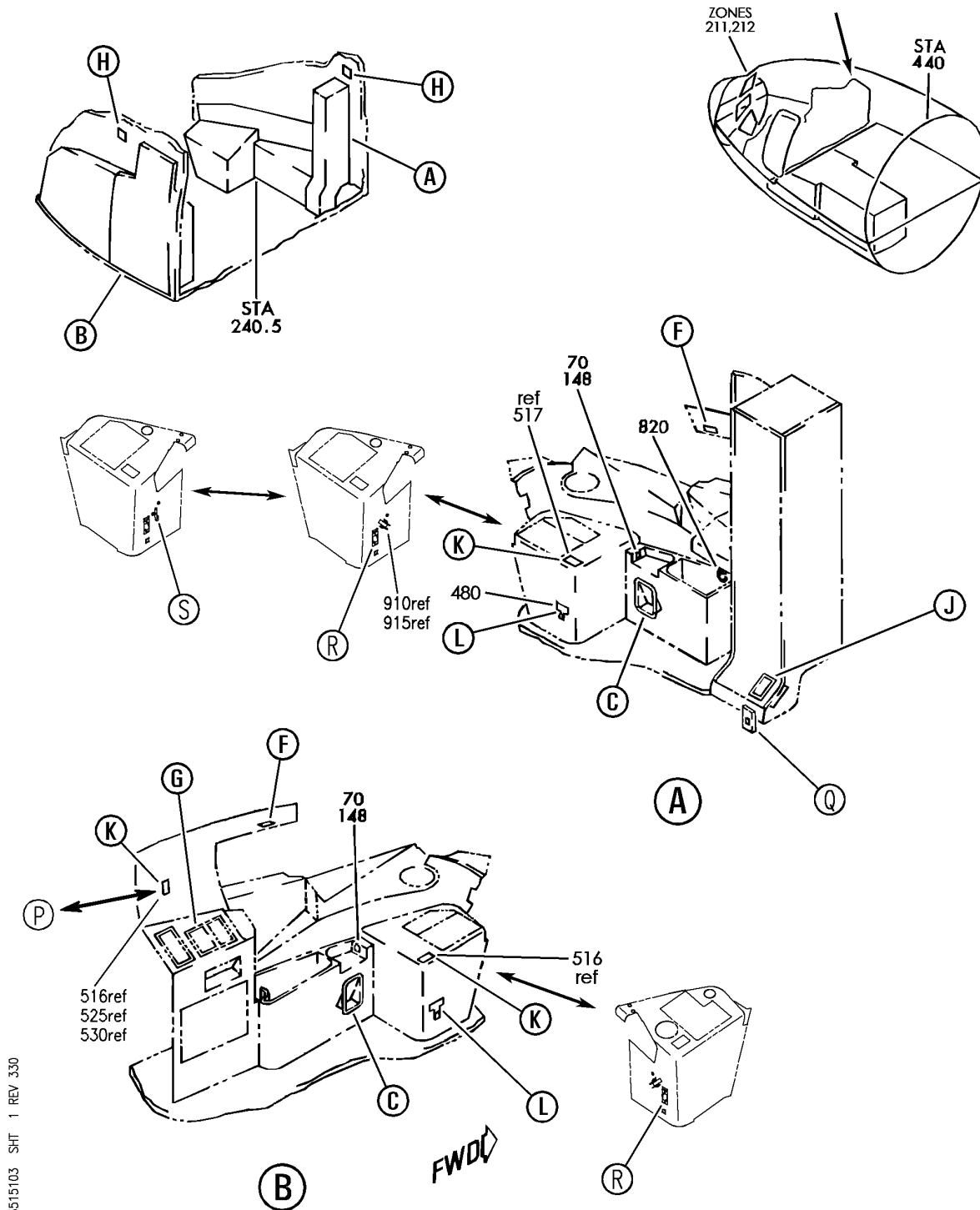
BRI

23-51-51-02

BOEING PROPRIETARY - Copyright © - Unpublished Work - See title page for details.

23-51-51
FIG. 02
PAGE 12
JAN 20/09

BOEING
757
PARTS CATALOG (MAINTENANCE)



Y 233515103 SH1 1 REV 330

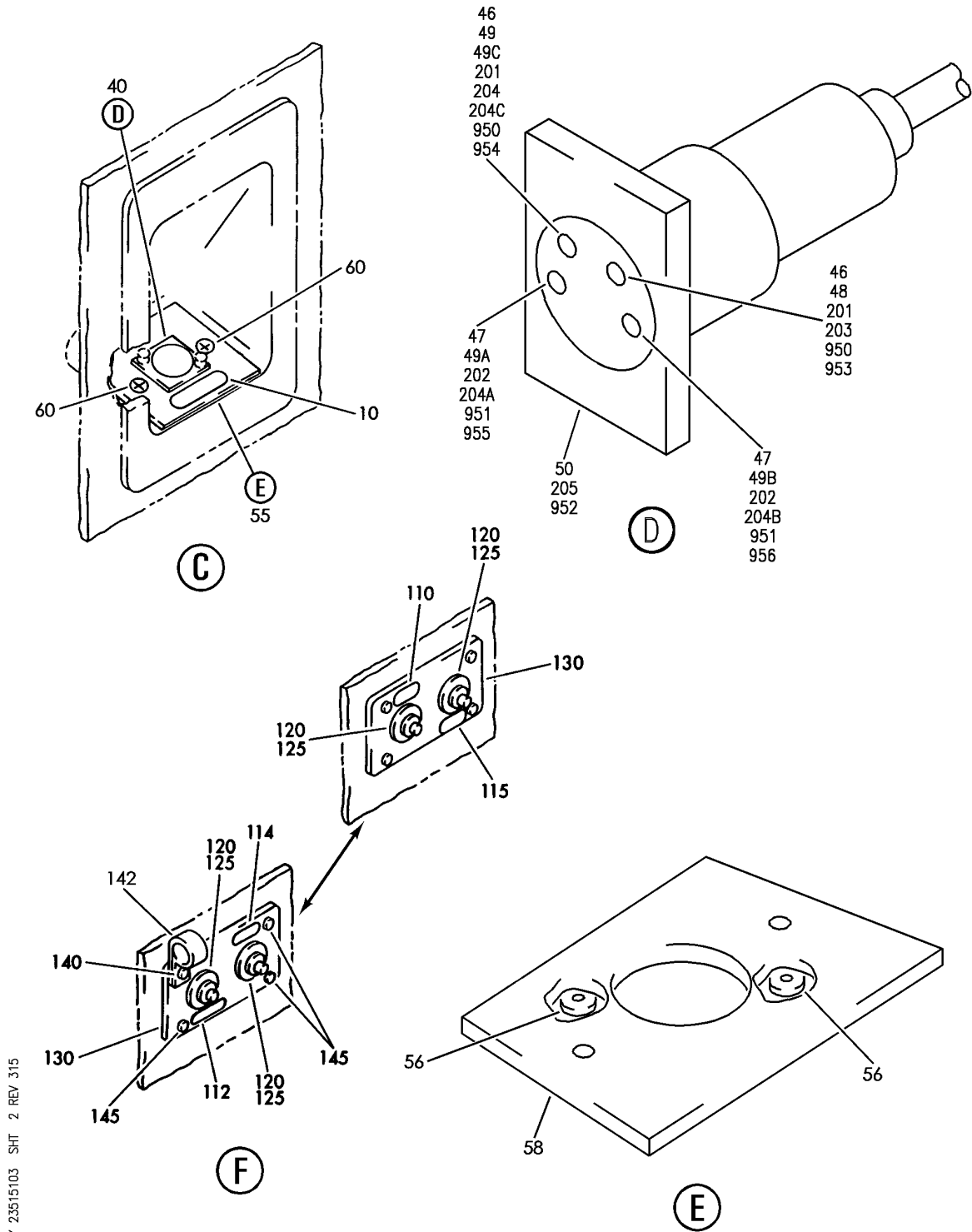
INTERPHONE INSTL AND HOLDER INSTL-FLT DECK CREW
FIGURE 3 (SHEET 1)

23-51-51-03

BRI
JAN 20/09

23-51-51-03
PAGE 0

BOEING
757
PARTS CATALOG (MAINTENANCE)



Y 23515103 SH1 2 REV 315

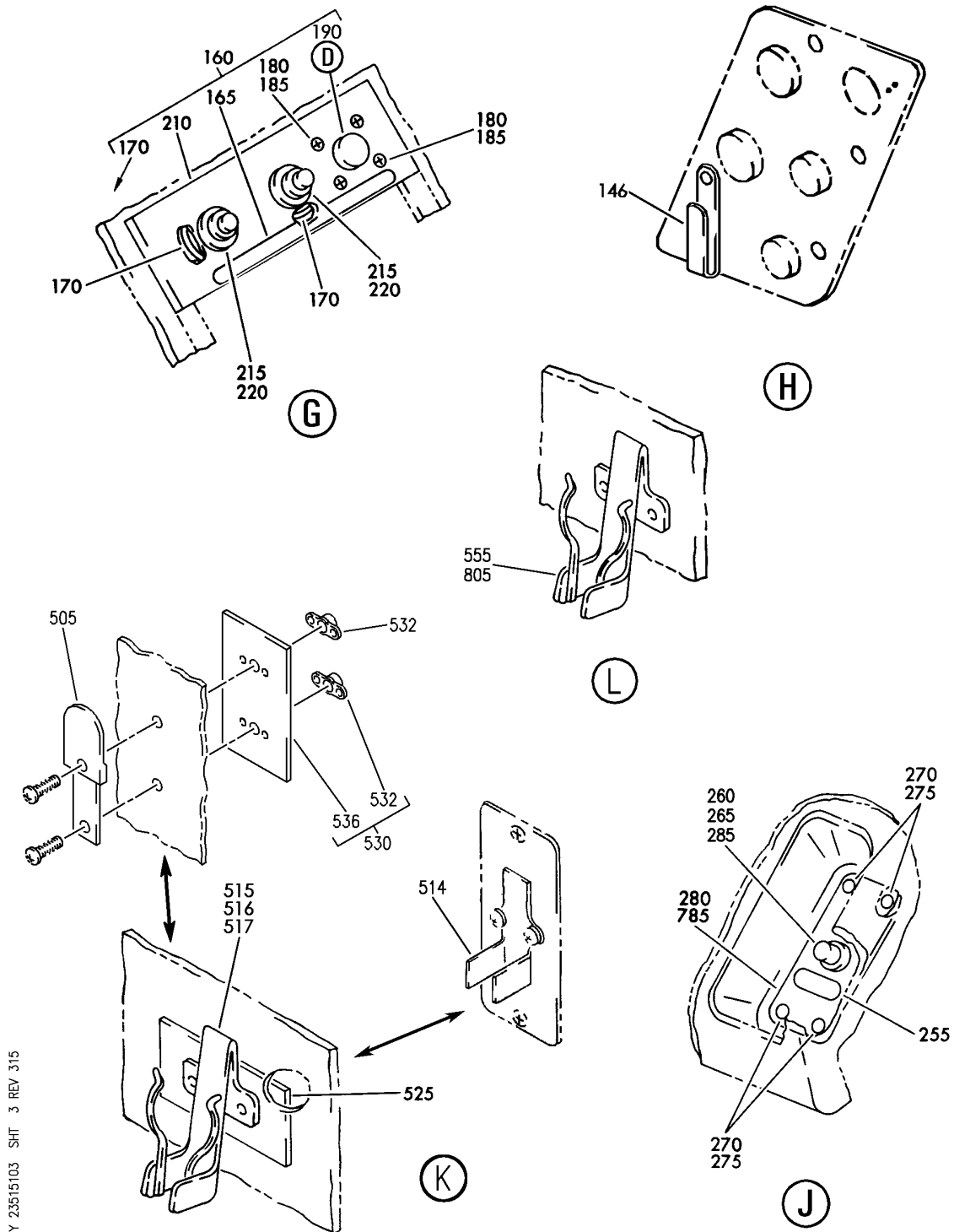
INTERPHONE INSTL AND HOLDER INSTL-FLT DECK CREW
FIGURE 3 (SHEET 2)

23-51-51-03

BRI
SEP 28/07

23-51-51-03
PAGE 0A


BOEING
 757
PARTS CATALOG (MAINTENANCE)



Y 23515103 SHT 3 REV 315

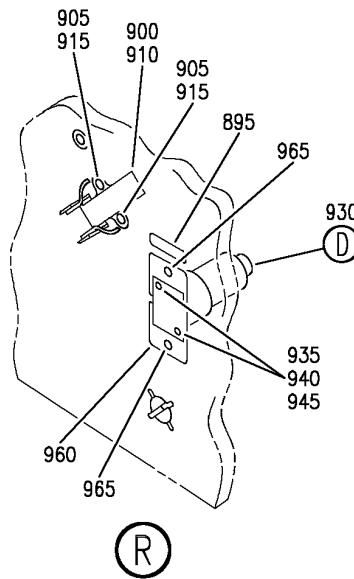
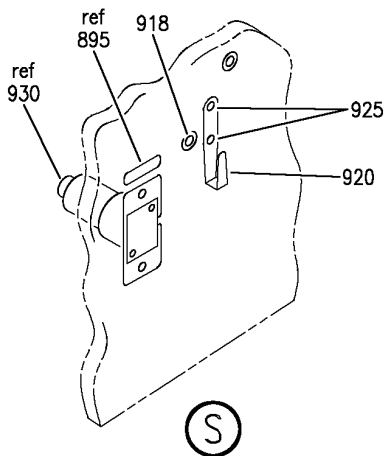
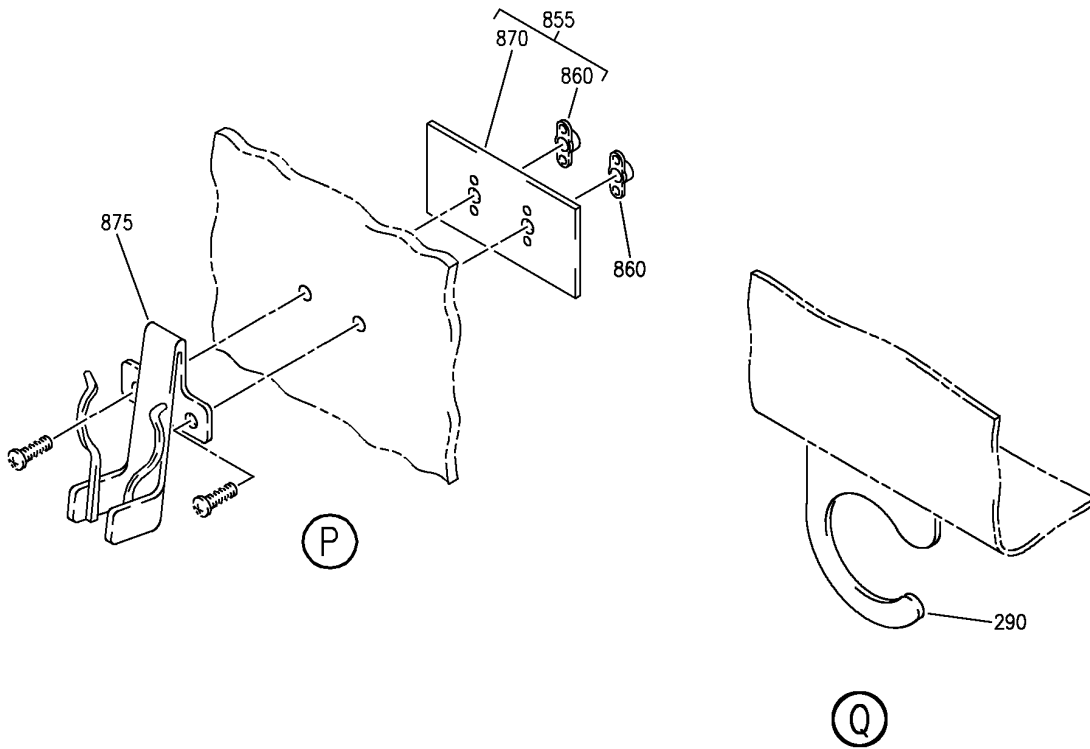
INTERPHONE INSTL AND HOLDER INSTL-FLT DECK CREW
 FIGURE 3 (SHEET 3)

23-51-51-03

BRI
SEP 28/07

23-51-51-03
 PAGE 0B

BOEING
757
PARTS CATALOG (MAINTENANCE)



Y 23515103 SH1 4 REV 330

INTERPHONE INSTL AND HOLDER INSTL-FLT DECK CREW
FIGURE 3 (SHEET 4)

23-51-51-03

BRI
JAN 20/09

23-51-51-03
PAGE 0C

 **BOEING**
757
PARTS CATALOG (MAINTENANCE)

FIG ITEM	PART NUMBER	1 2 3 4 5 6 7	NOMENCLATURE	EFFECT FROM TO	UNITS PER ASSY
3			INTERPHONE INSTL AND HOLDER INSTL-FLT DECK CREW	011106 108120 504903	
- 1	232N4313-57		INTERPHONE INSTL-CAPT FLIGHT DECK FOR NHA SEE: 25-10-00-05C 25-10-00-10B	011102 108120 504903	RF
- 1	MODREF6627		INTERPHONE INSTL-CAPT FLIGHT DECK MODULE NUMBER: 232N4313-57 REV A	103103	1
- 1	MODREF27384		INTERPHONE INSTL-CAPT FLIGHT DECK MODULE NUMBER: 232N4313-57 REV B	104106	1
- 5	232N4313-58		INTERPHONE INSTL-FIRST OFFICER FLIGHT DECK FOR NHA SEE: 25-10-00-05C 25-10-00-10B	011102 108120 504903	RF
- 5	MODREF6654		INTERPHONE INSTL-FIRST OFFICER FLIGHT DECK MODULE NUMBER: 232N4313-58 REV A	103103	1
- 5	MODREF27385		INTERPHONE INSTL-FIRST OFFICER FLIGHT DECK MODULE NUMBER: 232N4313-58 REV B	104106	1
10	BAC27NFDE0033		.DECAL- PLACARD CONTENT: HAND MIC	011106 108120 504903	1
40	66-16842-15		.JACK ASSY	011106 108120 504903	1
- 45	BACS12ER04K8		ATTACHING PARTS .SCREW -----*-----	011106 108120 504903	2

MISSING ITEM NUMBERS NOT APPLICABLE

- ITEM NOT ILLUSTRATED

BRI

23-51-51-03

BOEING PROPRIETARY - Copyright © - Unpublished Work - See title page for details.

23-51-51
FIG. 03
PAGE 1
JAN 20/09



757

PARTS CATALOG (MAINTENANCE)

FIG ITEM	PART NUMBER	1 2 3 4 5 6 7	NOMENCLATURE	EFFECT FROM TO	UNITS PER ASSY
3					
46	48-1825-02	..	PIN SUPPLIER CODE: V77820 SPECIFICATION NUMBER: BACC47CN2 OPTIONAL PART: ZZL4016-36LT V49367 48-1825-02 V02660 417-1616-902 V92069 LRM16M15F74 V09922	011106 108120 504903	2
47	418-1616-902	..	CONTACT SUPPLIER CODE: V55104 SPECIFICATION NUMBER: BACC47CP2T OPTIONAL PART: ZZL4116-36LT V49367 248-136-1600S02 V77820 LRC16M15F74 V09922	011106 108120 504903	2
48	48-7190	..	CONNECTOR- BLUE SUPPLIER CODE: V02660	011106 108120 504903	1
49	48-7190-1	..	CONNECTOR- RED SUPPLIER CODE: V02660	011106 108120 504903	1
49A	48-7191	..	CONNECTOR- BLUE SUPPLIER CODE: V02660	011106 108120 504903	1
49B	48-7191-1	..	RECEPTACLE- RED SUPPLIER CODE: V02660	011106 108120 504903	1
49C	AIS16P1	..	CONNECTOR- SUPPLIER CODE: V05574	011106 108120 504903	1
50	XLR4-31	..	JACK- SUPPLIER CODE: V71468	011106 108120 504903	1

MISSING ITEM NUMBERS NOT APPLICABLE

- ITEM NOT ILLUSTRATED

23-51-51-03

23-51-51
FIG. 03
PAGE 2
JAN 20/09

BRI

BOEING PROPRIETARY - Copyright © - Unpublished Work - See title page for details.



757

PARTS CATALOG (MAINTENANCE)

FIG ITEM	PART NUMBER	1 2 3 4 5 6 7	NOMENCLATURE	EFFECT FROM TO	UNITS PER ASSY
3					
50	XLR4-31A176	..	JACK- SUPPLIER CODE: V71468	011106 108120 504903	1
55	232N4330-46	.	PLATE ASSY-	011106 108120 504903	1
56	T8076S440	..	NUTPLATE SUPPLIER CODE: V11815 SPECIFICATION NUMBER: BACN10JPO4A OPTIONAL PART: MK1000-04BAC V15653 NS103197-40 V80539 RMA9201M40 V72962 VN202A1-40L V92215 BRM200A04L V52828	011106 108120 504903	2
- 57	BACR15BA3A	..	RIVET- SIZE DETERMINED ON INSTL.	011106 108120 504903	4
			-----*-----		
58	232N4330-47	..	PLATE-INSULATION	011106 108120 504903	1
60	WHS10C9TPKL11BG	.	SCREW- SUPPLIER CODE: V12324 OPTIONAL PART: BACS12FA3K9BG	011106 108120 504903	2
60	BACS12FA3K9BG	.	SCREW- OPTIONAL PART: WHS10C9TPKL11BG V12324	011106 108120 504903	2
- 100	232N4313-59		INTERPHONE INSTL-CAPT FLIGHT DECK FOR NHA SEE: 25-10-00-05C	011100	RF
- 100	232N4313-93		INTERPHONE INSTL-CAPT FLIGHT DECK FOR NHA SEE: 25-10-00-10B	101102 108120 504903	RF

MISSING ITEM NUMBERS NOT APPLICABLE

- ITEM NOT ILLUSTRATED

23-51-51-03

23-51-51
FIG. 03
PAGE 3
JAN 20/09

BRI



757

PARTS CATALOG (MAINTENANCE)

FIG ITEM	PART NUMBER	1 2 3 4 5 6 7	NOMENCLATURE	EFFECT FROM TO	UNITS PER ASSY
3					
- 100	MODREF6665		INTERPHONE INSTL-CAPT FLIGHT DECK MODULE NUMBER: 232N4313-93 REV A	103103	1
- 100	MODREF27388		INTERPHONE INSTL-CAPT FLIGHT DECK MODULE NUMBER: 232N4313-93 REV B	104106	1
- 105	232N4313-56		INTERPHONE INSTL-FIRST OFFICER FLIGHT DECK FOR NHA SEE: 25-10-00-05C	011100	RF
- 105	232N4313-94		INTERPHONE INSTL-FIRST OFFICER FLIGHT DECK FOR NHA SEE: 25-10-00-10B	101102 108120 504903	RF
- 105	MODREF6666		INTERPHONE INSTL-FIRST OFFICER FLIGHT DECK MODULE NUMBER: 232N4313-94 REV A	103103	1
- 105	MODREF27389		INTERPHONE INSTL-FIRST OFFICER FLIGHT DECK MODULE NUMBER: 232N4313-94 REV B	104106	1
110	BAC27NFDE0031		.DECAL- PLACARD CONTENT: BOOM MIC	011102 108120 504903	1
115	BAC27NFDE0032		.DECAL- PLACARD CONTENT: HEADSET	011102 108120 504903	1
120	69-50085-4		.WASHER INSTL	011100	2
125	66-22311-1		..WASHER- OPTIONAL PART: MS27111-3	011100	1
125	MS27111-3		..WASHER- OPTIONAL PART: 66-22311-1	011100	1
130	232N4330-39		.PLATE ASSY-	011106 108120 504903	1
- 135	WHS8C9TPKL11BG		ATTACHING PARTS .SCREW- SUPPLIER CODE: V12324 OPTIONAL PART: BACS12FA08K9BG	011102 108120 504903	4

MISSING ITEM NUMBERS NOT APPLICABLE

- ITEM NOT ILLUSTRATED

23-51-51-03

23-51-51
FIG. 03
PAGE 4
JAN 20/09

BRI



757

PARTS CATALOG (MAINTENANCE)

FIG ITEM	PART NUMBER	1 2 3 4 5 6 7	NOMENCLATURE	EFFECT FROM TO	UNITS PER ASSY
3					
- 135	BACS12FA08K9BG	.	SCREW- OPTIONAL PART: WHS8C9TPKL11BG V12324 -----*-----	011102 108120 504903	4
- 150	232N4313-64		INTERPHONE INSTL-FIRST OBSERVER FLIGHT DECK FOR NHA SEE: 25-10-00-05C	011100	RF
- 150	232N4313-102		INTERPHONE INSTL-FIRST OBSERVER FLIGHT DECK FOR NHA SEE: 25-10-00-10B	101102 108120 504903	RF
- 150	MODREF6611		INTERPHONE INSTL-FIRST OBSERVER FLIGHT DECK MODULE NUMBER: 232N4313-102 REV A	103106	1
160	232N4321-9	.	PANEL ASSY-	011106 108120 504903	1
165	BAC27NFDE0034	..	DECAL- PLACARD CONTENT: BOOM MIC HEADSET HAND MIC	011106 108120 504903	1
170	69B46247-1	..	PLATE-INSULATION	011106 108120 504903	2
- 175	BACR15BA3A	..	ATTACHING PARTS RIVET- SIZE DETERMINED ON INSTL. -----*-----	011106 108120 504903	8
190	66-16842-15	..	JACK ASSY	011106 108120 504903	1
- 195	NAS514P440-7	..	ATTACHING PARTS SCREW	011106 108120 504903	2

MISSING ITEM NUMBERS NOT APPLICABLE

- ITEM NOT ILLUSTRATED

BRI

23-51-51-03

BOEING PROPRIETARY - Copyright © - Unpublished Work - See title page for details.

23-51-51
FIG. 03
PAGE 5
JAN 20/09



757

PARTS CATALOG (MAINTENANCE)

FIG ITEM	PART NUMBER	1 2 3 4 5 6 7	NOMENCLATURE	EFFECT FROM TO	UNITS PER ASSY
3 - 200	T8076S440		.. NUTPLATE SUPPLIER CODE: V11815 SPECIFICATION NUMBER: BACN10JP04A OPTIONAL PART: MK1000-04BAC V15653 NS103197-40 V80539 RMA9201M40 V72962 VN202A1-40L V92215 BRM200A04L V52828 -----*-----	011106 108120 504903	2
201	48-1825-02		... PIN SUPPLIER CODE: V77820 SPECIFICATION NUMBER: BACC47CN2 OPTIONAL PART: ZZL4016-36LT V49367 48-1825-02 V02660 417-1616-902 V92069 LRM16M15F74 V09922	011106 108120 504903	2
202	418-1616-902		... CONTACT SUPPLIER CODE: V55104 SPECIFICATION NUMBER: BACC47CP2T OPTIONAL PART: ZZL4116-36LT V49367 248-136-1600S02 V77820 LRC16M15F74 V09922	011106 108120 504903	2
203	48-7190		... CONNECTOR- BLUE SUPPLIER CODE: V02660	011106 108120 504903	1

MISSING ITEM NUMBERS NOT APPLICABLE

- ITEM NOT ILLUSTRATED

23-51-51-03

23-51-51
FIG. 03
PAGE 6
JAN 20/09

BRI



757

PARTS CATALOG (MAINTENANCE)

FIG ITEM	PART NUMBER	1 2 3 4 5 6 7	NOMENCLATURE	EFFECT FROM TO	UNITS PER ASSY
3					
204	48-7190-1	...	CONNECTOR- RED SUPPLIER CODE: V02660	011106 108120 504903	1
204A	48-7191	...	CONNECTOR- BLUE SUPPLIER CODE: V02660	011106 108120 504903	1
204B	48-7191-1	...	RECEPTACLE- RED SUPPLIER CODE: V02660	011106 108120 504903	1
204C	AIS16P1	...	CONNECTOR- SUPPLIER CODE: V05574	011106 108120 504903	1
205	XLR4-31	...	JACK- SUPPLIER CODE: V71468	011106 108120 504903	1
205	XLR4-31A176	...	JACK- SUPPLIER CODE: V71468	011106 108120 504903	1
210	232N4321-4	..	BASEPLATE ASSY-	011106 108120 504903	1
215	69-50085-4	.	WASHER INSTL	011100	2
220	66-22311-1	..	WASHER- OPTIONAL PART: MS27111-3	011100	1
220	MS27111-3	..	WASHER- OPTIONAL PART: 66-22311-1	011100	1
- 250	232N4313-100		INTERPHONE INSTL-SECOND OBSERVER FLIGHT DECK FOR NHA SEE: 25-10-00-10A	108120	RF
- 250	MODREF6609		INTERPHONE INSTL-SECOND OBSERVER FLIGHT DECK MODULE NUMBER: 232N4313-100 REV A	103106	1
255	BAC27NFDE0032	.	DECAL- PLACARD CONTENT: HEADSET	103106 108120	1
270	WHS8C9TPKL11BG	.	SCREW- SUPPLIER CODE: V12324 OPTIONAL PART: BACS12FA08K9BG	103106 108120	4

MISSING ITEM NUMBERS NOT APPLICABLE

- ITEM NOT ILLUSTRATED

23-51-51-03

23-51-51
FIG. 03
PAGE 7
JAN 20/09

BRI

BOEING PROPRIETARY - Copyright © - Unpublished Work - See title page for details.



757

PARTS CATALOG (MAINTENANCE)

FIG ITEM	PART NUMBER	1 2 3 4 5 6 7	NOMENCLATURE	EFFECT FROM TO	UNITS PER ASSY
3			ATTACHING PARTS		
270	BACS12FA08K9BG	.	SCREW- OPTIONAL PART: WHS8C9TPKL11BG V12324 -----*-----	103106 108120	4
275	BRH10C08D	.	NUT- SUPPLIER CODE: V52828 SPECIFICATION NUMBER: BACN10JC08CD OPTIONAL PART: H51650-08BAC V15653 102LH9075-82W V72962 NS202486-82 V80539 T6C832JCD V11815	103106 108120	4
280	232N4330-34	.	PLATE-INSULATION	103106 108120	1
- 500	232N4313-66		INTERPHONE INSTL-CREW HANDMIKE CAPT, FIRST OFFICER AND FIRST OBSERVER FLIGHT DECK FOR NHA SEE: 25-10-00-05C	011100	RF
- 500	232N4313-67		INTERPHONE INSTL-CREW HANDMIKE CAPT, FIRST OFFICER AND FIRST OBSERVER FLIGHT DECK FOR NHA SEE: 25-10-00-10A	504903	RF
505	8474	.	HOLDER- SUPPLIER CODE: V81134	504903	3
- 510	NAS601-8P	.	ATTACHING PARTS SCREW- -----*-----	504903	6
515	CTE10139TC117A	.	HOLDER- SUPPLIER CODE: V78711 OPTIONAL PART: 5429-2 V78711	011100	3

MISSING ITEM NUMBERS NOT APPLICABLE

- ITEM NOT ILLUSTRATED

23-51-51-03

23-51-51
FIG. 03
PAGE 8
JAN 20/09

BRI



757

PARTS CATALOG (MAINTENANCE)

FIG ITEM	PART NUMBER	1 2 3 4 5 6 7	NOMENCLATURE	EFFECT FROM TO	UNITS PER ASSY
3					
515	5429-2		.HOLDER- SUPPLIER CODE: V78711 OPTIONAL PART: CTE10139TC117A V78711 ATTACHING PARTS	011100	3
- 520	NAS601-7P		.SCREW- -----*-----	011100	6
525	66-21441-1		.PLATE ASSY	011100	1
530	66-21441-1		.PLATE ASSY	504903	1
532	NAS697A06L		..NUTPLATE	011100 504903	2
			ATTACHING PARTS		
- 534	MS20426D3		..RIVET	011100 504903	4
			-----*-----		
536	66-21441-2		..PLATE	011100 504903	1
- 815	232N4313-87		HOOK INSTL-HEADSET SECOND OBSERVER FLIGHT DECK FOR NHA SEE: 25-10-00-10A	011100 108120 504903	RF
- 815	MODREF6663		HOOK INSTL-HEADSET SECOND OBSERVER FLIGHT DECK MODULE NUMBER: 232N4313-87 REV A	103106	1
820	232N4333-5		.HOOK	011100 103106 108120 504903	1
			ATTACHING PARTS		
- 825	PS8C4DL11BG		.SCREW- SUPPLIER CODE: V12324 -----*-----	011100 103106 108120 504903	2

MISSING ITEM NUMBERS NOT APPLICABLE

- ITEM NOT ILLUSTRATED

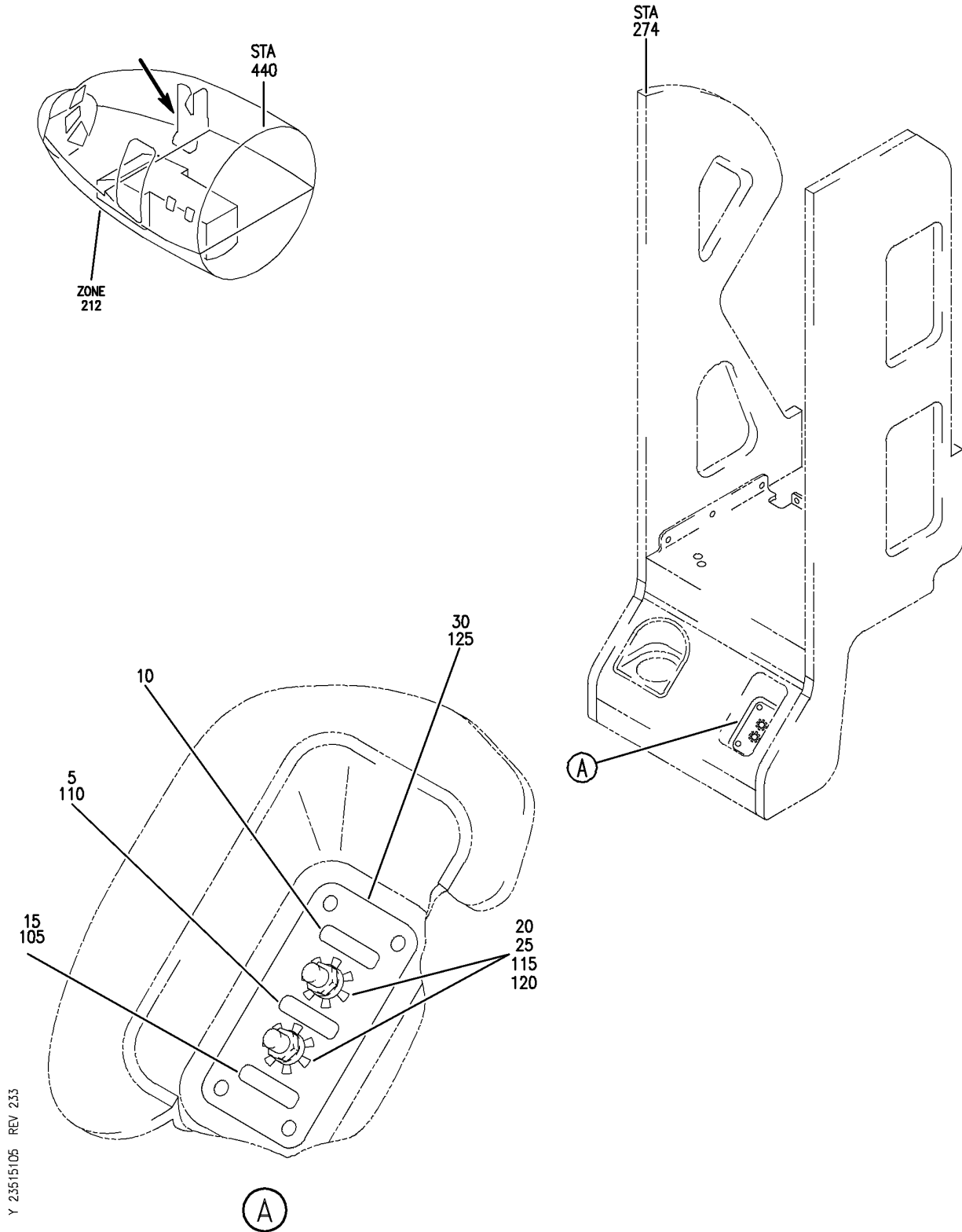
23-51-51-03

23-51-51
FIG. 03
PAGE 9
JAN 20/09

BRI

BOEING PROPRIETARY - Copyright © - Unpublished Work - See title page for details.

BOEING
757
PARTS CATALOG (MAINTENANCE)



Y 23515105 REV 235

INTERPHONE INSTL-FLIGHT DECK CREW
FIGURE 5

23-51-51-05

BRI
MAY 28/07

23-51-51-05
PAGE 0



757

PARTS CATALOG (MAINTENANCE)

FIG ITEM	PART NUMBER	1 2 3 4 5 6 7	NOMENCLATURE	EFFECT FROM TO	UNITS PER ASSY
5			INTERPHONE INSTL-FLIGHT DECK CREW	101102	
- 100	232N4313-117		INTERPHONE INSTL-FLIGHT DECK CREW SECOND OBSERVER BOOM MIC HEADSET FOR NHA SEE: 25-10-00-10A	101102	RF
105	BAC27NFDE0031		.DECAL- PLACARD CONTENT: BOOM MIC	101102	1
110	BAC27NFDE0032		.DECAL- PLACARD CONTENT: HEADSET	101102	1
115	69-50085-4		.WASHER INSTL-INPUT JACK	101102	2
120	66-22311-1		..WASHER- OPTIONAL PART: MS27111-3	101102	1
120	MS27111-3		..WASHER- OPTIONAL PART: 66-22311-1	101102	1
125	232N4330-52		.PLATE-INSULATION ATTACHING PARTS	101102	1
- 130	BACS12FA08K9BG		.SCREW	101102	4
- 135	BRH10A08		.NUT	101102	4
			SUPPLIER CODE: V52828		
			SPECIFICATION NUMBER: BACN10JCO8		
			OPTIONAL PART: H10-08BAC		
			V15653		
			NS202101-82		
			V80539		
			RMLH9075-82W		
			V72962		
			VN303A82		
			V92215		
			96-82		
			V80539		
			T6S832J		
			V11815		
			-----*-----		

MISSING ITEM NUMBERS NOT APPLICABLE

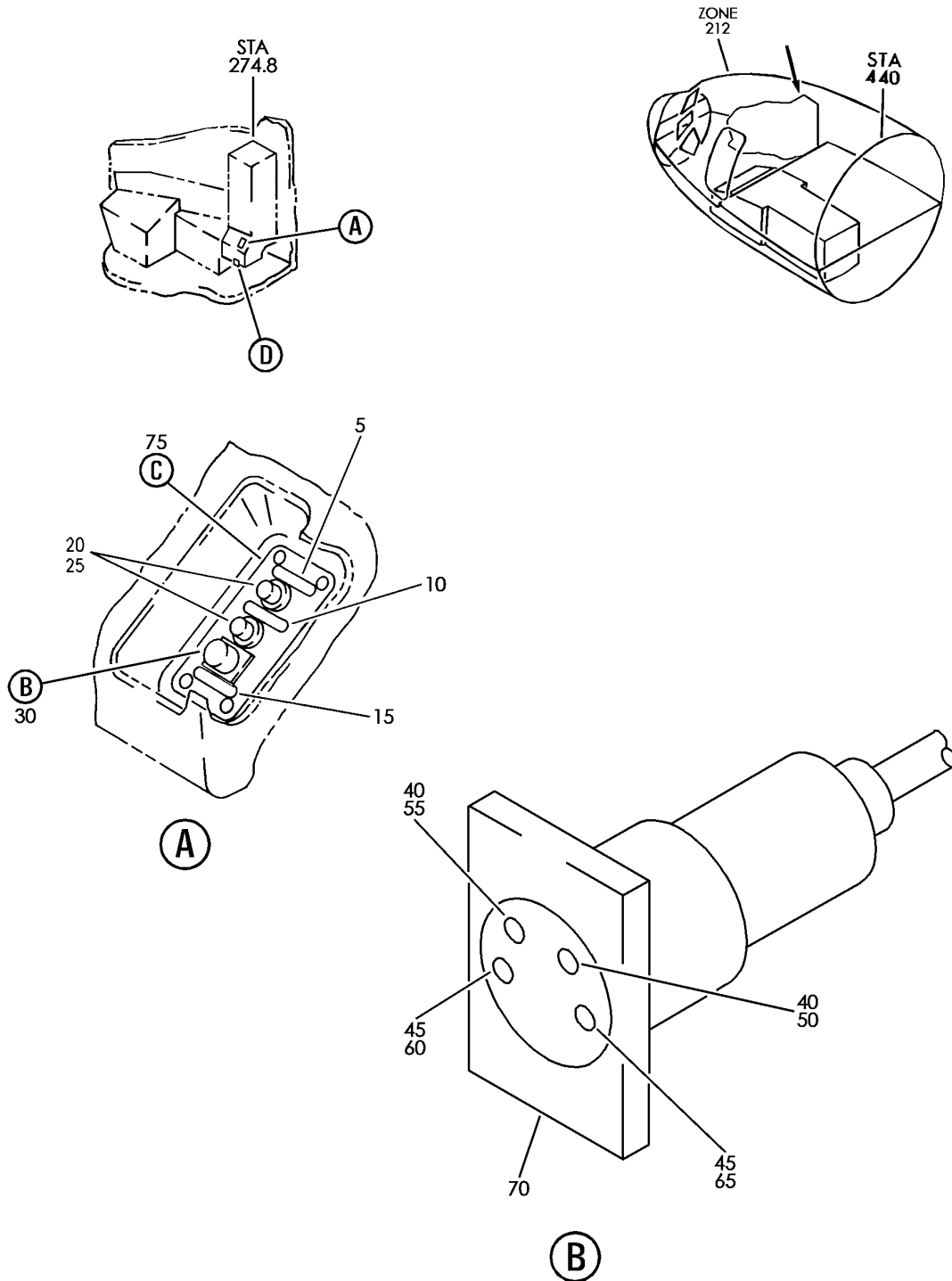
- ITEM NOT ILLUSTRATED

23-51-51-05

23-51-51
FIG. 05
PAGE 1
JAN 20/09

BRI

BOEING
757
PARTS CATALOG (MAINTENANCE)



Y 23515105B SHT 1 REV 233

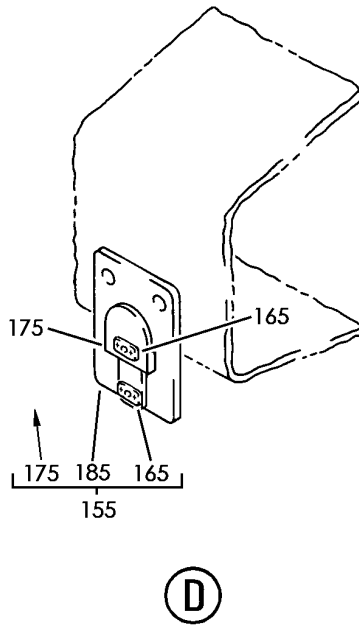
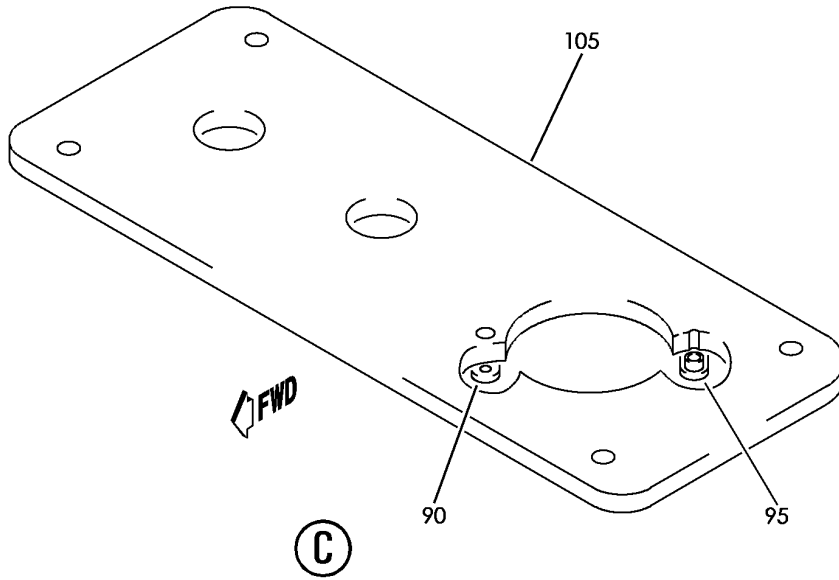
INTERPHONE AND HOLDER INSTL FLIGHT DECK CREW
FIGURE 5B (SHEET 1)

23-51-51-05B

BRI
MAY 28/07

23-51-51-05B
PAGE 0

BOEING
757
PARTS CATALOG (MAINTENANCE)



Y 23515105B SHT. 2 REV 228

INTERPHONE AND HOLDER INSTL FLIGHT DECK CREW
FIGURE 5B (SHEET 2)

23-51-51-05B

BRI
MAY 28/07

23-51-51-05B
PAGE 0A

BOEING
757
PARTS CATALOG (MAINTENANCE)

FIG ITEM	PART NUMBER	1 2 3 4 5 6 7	NOMENCLATURE	EFFECT FROM TO	UNITS PER ASSY
5B			INTERPHONE AND HOLDER INSTL FLIGHT DECK CREW	011100 504903	
- 1	232N4313-77		INTERPHONE INSTL-SECOND OBSERVER FLIGHT DECK CREW FOR NHA SEE: 25-10-00-05C 25-10-00-10A	011100 504903	RF
	5 BAC27NFDE0031		.DECAL- PLACARD CONTENT: BOOM MIC	011100 504903	1
	10 BAC27NFDE0032		.DECAL- PLACARD CONTENT: HEADSET	011100 504903	1
	15 BAC27NFDE0033		.DECAL- PLACARD CONTENT: HANDMIC	011100 504903	1
	20 69-50085-4		.WASHER INSTL	011100 504903	2
	25 66-22311-1		..WASHER- OPTIONAL PART: MS27111-3	011100 504903	1
	25 MS27111-3		..WASHER- OPTIONAL PART: 66-22311-1	011100 504903	1
	30 66-16842-15		.JACK ASSY	011100 504903	1
- 35	BACS12ER04K8		ATTACHING PARTS .SCREW	011100 504903	2
	40 48-1825-02		-----*----- ..PIN SUPPLIER CODE: V77820 SPECIFICATION NUMBER: BACC47CN2 OPTIONAL PART: ZZL4016-36LT V49367 48-1825-02 V02660 417-1616-902 V92069 LRM16M15F74 V09922	011100 504903	2

MISSING ITEM NUMBERS NOT APPLICABLE

- ITEM NOT ILLUSTRATED

BRI

23-51-51-05B

BOEING PROPRIETARY - Copyright © - Unpublished Work - See title page for details.

23-51-51
FIG. 05B
PAGE 1
JAN 20/09



757

PARTS CATALOG (MAINTENANCE)

FIG ITEM	PART NUMBER	1 2 3 4 5 6 7	NOMENCLATURE	EFFECT FROM TO	UNITS PER ASSY
5B					
45	418-1616-902	..	CONTACT SUPPLIER CODE: V55104 SPECIFICATION NUMBER: BACC47CP2 OPTIONAL PART: ZZL4116-36LT V49367 248-136-1600S02 V77820 LRC16M15F74 V09922	011100 504903	2
50	48-7190	..	CONNECTOR-BLUE SUPPLIER CODE: V02660	011100 504903	1
55	48-7190-1	..	CONNECTOR-RED SUPPLIER CODE: V02660	011100 504903	1
55	AIS16P1	..	CONNECTOR- SUPPLIER CODE: V05574	011100 504903	1
60	48-7191	..	CONNECTOR-BLUE SUPPLIER CODE: V02660	011100 504903	1
65	48-7191-1	..	RECEPTACLE-RED SUPPLIER CODE: V02660	011100 504903	1
70	XLR4-31	..	JACK- SUPPLIER CODE: V71468	011100 504903	1
70	XLR4-31A176	..	JACK- SUPPLIER CODE: V71468	011100 504903	1
75	232N4330-40	.	PLATE ASSY	011100 504903	1
- 80	BACS12FA08K9	.	ATTACHING PARTS SCREW	011100 504903	4

MISSING ITEM NUMBERS NOT APPLICABLE

- ITEM NOT ILLUSTRATED

23-51-51-05B

23-51-51
FIG. 05B
PAGE 2
JAN 20/09

BRI

BOEING PROPRIETARY - Copyright © - Unpublished Work - See title page for details.

 **BOEING**
757
PARTS CATALOG (MAINTENANCE)

FIG ITEM	PART NUMBER	1 2 3 4 5 6 7	NOMENCLATURE	EFFECT FROM TO	UNITS PER ASSY
5B - 85	BRH10A08	.	NUT SUPPLIER CODE: V52828 SPECIFICATION NUMBER: BACN10JC08 OPTIONAL PART: H10-08BAC V15653 NS202101-82 V80539 RMLH9075-82W V72962 VN303A82 V92215 96-82 V80539 T6S832J V11815	011100 504903	4
90	T8076S440	..	NUTPLATE SUPPLIER CODE: V11815 SPECIFICATION NUMBER: BACN10JP04A OPTIONAL PART: MK1000-04BAC V15653 NS103197-40 V80539 RMA9201M40 V72962 VN202A1-40L V92215 BRM200A04L V52828	011100 504903	1

MISSING ITEM NUMBERS NOT APPLICABLE

- ITEM NOT ILLUSTRATED

BRI

23-51-51-05B

BOEING PROPRIETARY - Copyright © - Unpublished Work - See title page for details.

23-51-51
FIG. 05B
PAGE 3
JAN 20/09



757

PARTS CATALOG (MAINTENANCE)

FIG ITEM	PART NUMBER	1 2 3 4 5 6 7	NOMENCLATURE	EFFECT FROM TO	UNITS PER ASSY
5B 95	T8077S440		..NUTPLATE SUPPLIER CODE: V11815 SPECIFICATION NUMBER: BACN10JP04B OPTIONAL PART: MK2000-04BAC V15653 NS103198-40 V80539 RMA9207M40 V72962 VN201A1-40L V92215 BRM100A04L V52828 ATTACHING PARTS	011100 504903	1
- 100	BACR15BA3D		..RIVET- SIZE DETERMINED ON INSTL. -----*-----	011100 504903	4
105	232N4330-41		..PLATE-INSULATION	011100 504903	1
- 150	232N4313-72		HOLDER INSTL-SECOND OFFICER HANDMIC FLIGHT DECK FOR NHA SEE: 25-10-00-10A	504903 504903	RF
155	232N4330-30		.BRACKET ASSY ATTACHING PARTS	504903	1
- 160	BACS12ER06K4		.SCREW -----*-----	504903	2
165	T8076S632		..NUTPLATE SUPPLIER CODE: V11815 SPECIFICATION NUMBER: BACN10JP06A OPTIONAL PART: MK1000-06BAC V15653 NS103197-62 V80539 RMA9201M62 V72962 VN202A1-62L V92215 BRM200A06L V52828	504903	2

MISSING ITEM NUMBERS NOT APPLICABLE

- ITEM NOT ILLUSTRATED

23-51-51-05B

23-51-51
FIG. 05B
PAGE 4
JAN 20/09

BRI



757

PARTS CATALOG (MAINTENANCE)

FIG ITEM	PART NUMBER	1 2 3 4 5 6 7	NOMENCLATURE	EFFECT FROM TO	UNITS PER ASSY
5B			ATTACHING PARTS		
- 170	BACR15BA3D		..RIVET- SIZE DETERMINED ON INSTL. -----*-----	504903	4
175	8474		..HOLDER- SUPPLIER CODE: V81134	504903	1
- 180	NAS601-8P		ATTACHING PARTS ..SCREW -----*-----	504903	2
185	232N4330-31		..PLATE-INSULATION	504903	1

MISSING ITEM NUMBERS NOT APPLICABLE

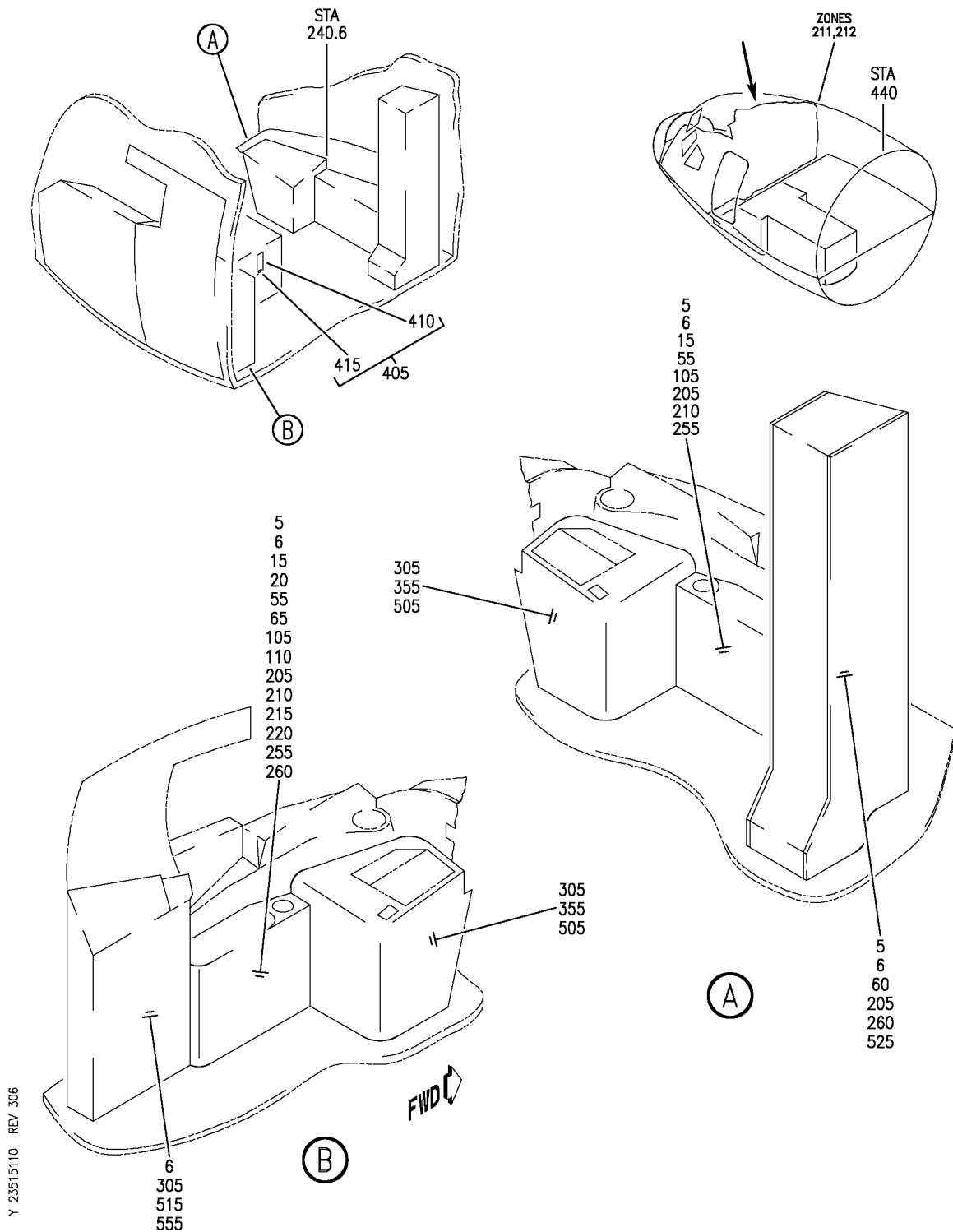
- ITEM NOT ILLUSTRATED

23-51-51-05B

23-51-51
FIG. 05B
PAGE 5
JAN 20/09

BRI

BOEING
757
PARTS CATALOG (MAINTENANCE)



Y 23515110 REV 306

COMMUNICATION, BMHS, HP AND HANDSET INSTL-FLIGHT DECK
FIGURE 10

23-51-51-10

BRI
JAN 20/09

23-51-51-10
PAGE 0



757

PARTS CATALOG (MAINTENANCE)

FIG ITEM	PART NUMBER	1 2 3 4 5 6 7	NOMENCLATURE	EFFECT FROM TO	UNITS PER ASSY
10			COMMUNICATION, BMHS, HP AND HANDSET INSTL-FLIGHT DECK	103106 108120	
- 50	232N4403-3		COMMUNICATION INSTL-BOOM MIC HEADSET AND/OR HEADPHONE FOR NHA SEE: 25-10-00-10A	108120	RF
55	64300-000		.HEADSET-BOOM MIC SUPPLIER CODE: V28856 OPTIONAL PART: 64300-100 V28856 FOR DETAILS SEE: 23-42-51-12	108120	2
55	64300-100		.HEADSET-BOOM MIC SUPPLIER CODE: V28856 FOR DETAILS SEE: 23-42-51-12	108120	2
60	64400-000		.HEADPHONE- SUPPLIER CODE: V28856 FUNCTIONAL DESCRIPTION: PROVIDES BACK UP LISTEN ONLY COMMUNICATIONS FOR THE CAPTAIN AND FIRST OFFICER.	108120	1
65	64300-000		.HEADSET-BOOM MIC SUPPLIER CODE: V28856 OPTIONAL PART: 64300-100 V28856 FOR DETAILS SEE: 23-42-51-12	108120	1
65	64300-100		.HEADSET-BOOM MIC SUPPLIER CODE: V28856 FOR DETAILS SEE: 23-42-51-12	108120	1
- 500	MODREF31709		BMHS INSTL-CAPT AND FIRST OFFICER BOOM MIC/HEADSET TELEX MODULE NUMBER: 232N4403-607 REV A	103106	1
505	045-250-015		.HEADSET-BOOM MIC SUPPLIER CODE: VD8114	103106	2

MISSING ITEM NUMBERS NOT APPLICABLE

- ITEM NOT ILLUSTRATED

23-51-51-10

23-51-51
FIG. 10
PAGE 1
JAN 20/09

BRI



757

PARTS CATALOG (MAINTENANCE)

FIG ITEM	PART NUMBER	1 2 3 4 5 6 7	NOMENCLATURE	EFFECT FROM TO	UNITS PER ASSY
10					
- 510	MODREF31708		BMHS INSTL-FIRST OBSERVERS BOOM MIC/HEADSET TELEX MODULE NUMBER: 232N4403-707 REV A	103106	1
515	045-250-015		.HEADSET-BOOM MIC SUPPLIER CODE: VD8114	103106	1

MISSING ITEM NUMBERS NOT APPLICABLE

- ITEM NOT ILLUSTRATED

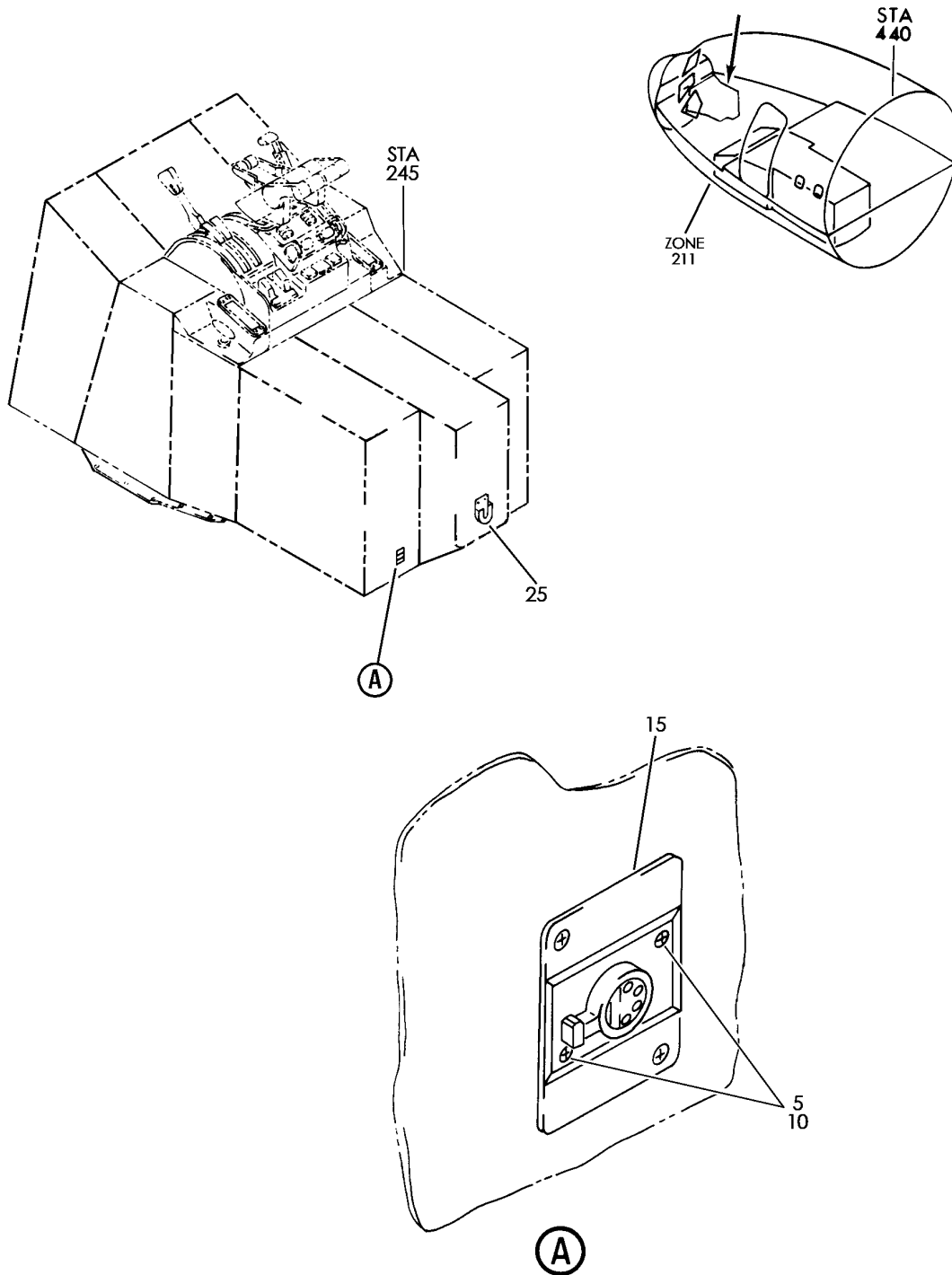
BRI

23-51-51-10

BOEING PROPRIETARY - Copyright © - Unpublished Work - See title page for details.

23-51-51
FIG. 10
PAGE 2
JAN 20/09

BOEING
757
PARTS CATALOG (MAINTENANCE)



Y 23515145 REV 228

HOLDER INSTL-CONT STAND MIC
FIGURE 45

23-51-51-45

BRI
MAY 28/07

23-51-51-45
PAGE 0



757

PARTS CATALOG (MAINTENANCE)

FIG ITEM	PART NUMBER	1 2 3 4 5 6 7	NOMENCLATURE	EFFECT FROM TO	UNITS PER ASSY
45			HOLDER INSTL-CONT STAND MIC	121949	
- 1	232N4338-1		HOLDER INSTL-CONT STAND MIC	121949	RF
			FOR NHA SEE:		
			25-10-00-05C		
			25-10-00-10A		
5	NAS514P440-6		.SCREW	121949	2
10	BRH10A04		.NUT	121949	2
			SUPPLIER CODE:		
			V52828		
			SPECIFICATION NUMBER:		
			BACN10JCO4		
			OPTIONAL PART:		
			NS202101-40		
			V80539		
			RMLH9075-40W		
			V72962		
			VN303A40		
			V92215		
			96-40		
			V80539		
			T6S440J		
			V11815		
			H10-04BAC		
			V15653		
15	66-23277-5		.PLATE-INSULATION	121949	1
			INTERPHONE JACKS		
			ATTACHING PARTS		
- 20	NAS514P632-7		.SCREW	121949	2
			-----*-----		
25	8638A		.HOLDER-	121949	1
			SUPPLIER CODE:		
			V81134		

MISSING ITEM NUMBERS NOT APPLICABLE

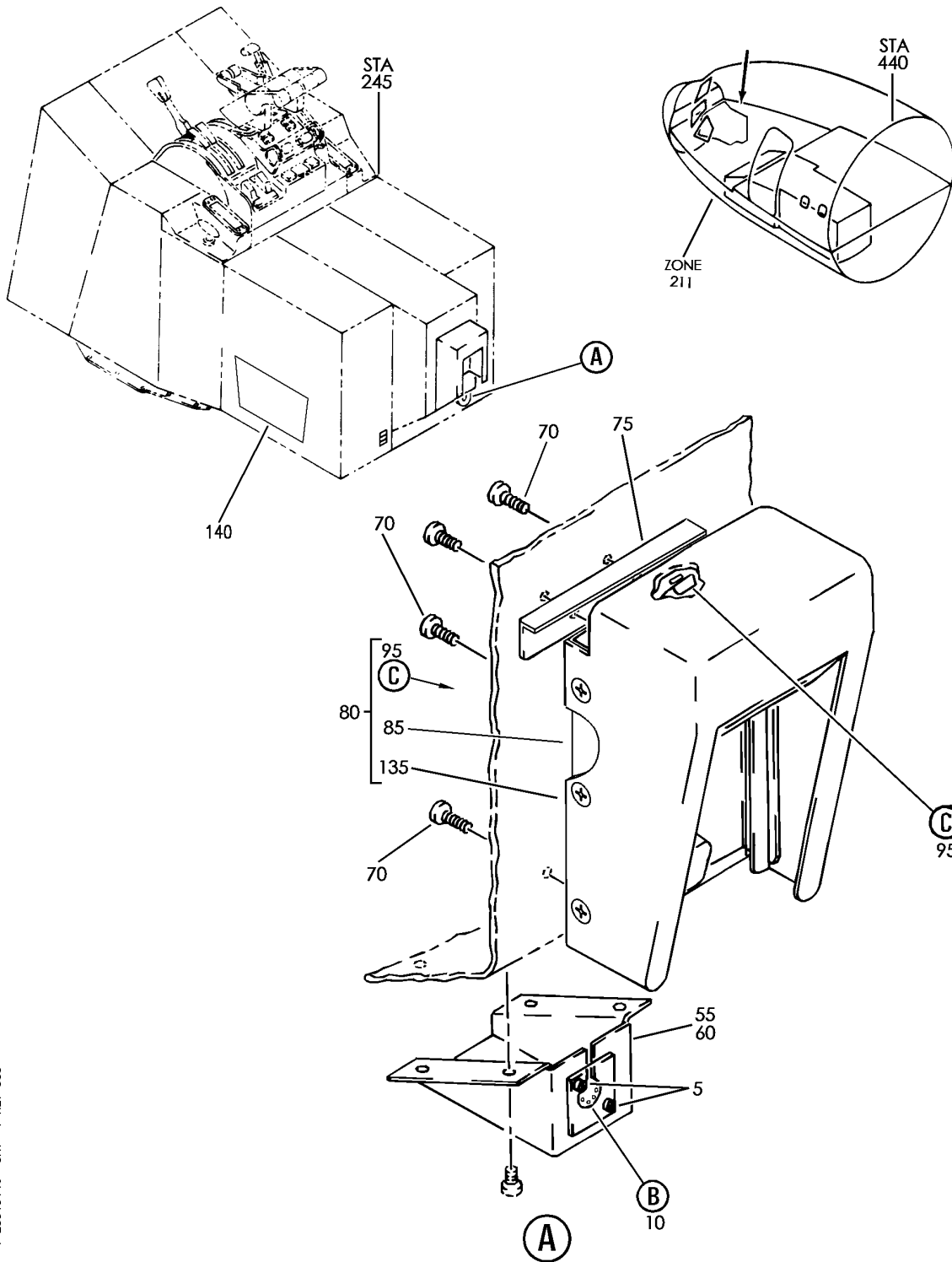
- ITEM NOT ILLUSTRATED

23-51-51-45

23-51-51
FIG. 45
PAGE 1
JAN 20/09

BRI

BOEING
757
PARTS CATALOG (MAINTENANCE)



Y 233515146 SH1 1 REV 335

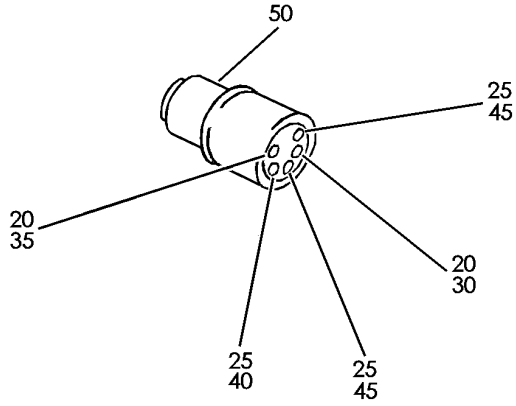
HOLDER AND HANDSET INSTL-CONT STAND MIC
FIGURE 46 (SHEET 1)

23-51-51-46

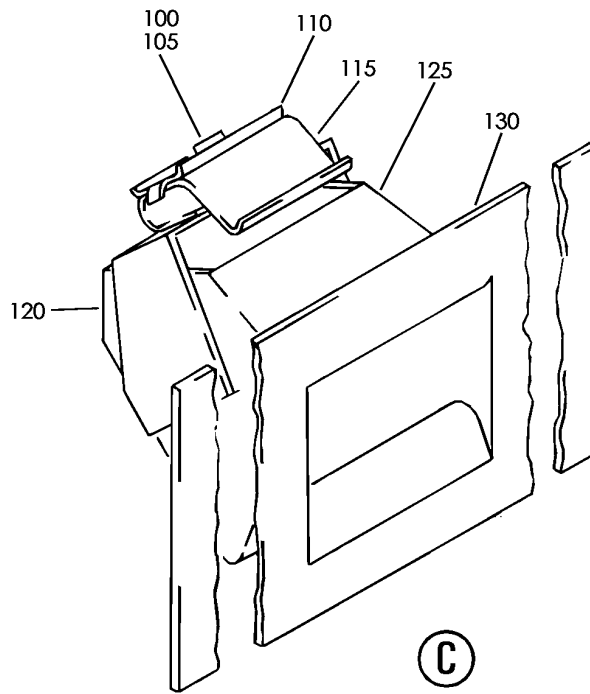
BRI
MAY 20/09

23-51-51-46
PAGE 0

BOEING
757
PARTS CATALOG (MAINTENANCE)



(B)



(C)

Y 23515146 SHIT 2 REV 228

HOLDER AND HANDSET INSTL-CONT STAND MIC
FIGURE 46 (SHEET 2)

23-51-51-46

BRI
JAN 20/09

23-51-51-46
PAGE 0A



757

PARTS CATALOG (MAINTENANCE)

FIG ITEM	PART NUMBER	1 2 3 4 5 6 7	NOMENCLATURE	EFFECT FROM TO	UNITS PER ASSY
46			HOLDER AND HANDSET INSTL- CONT STAND MIC	950951	
- 1	232N4338-3		HOLDER INSTL-CONT STAND MIC FOR NHA SEE: 25-10-00-05C	950951	RF
5	NAS514P440-8		.SCREW	950951	2
60	232N4356-4		.BRACKET ASSY-SPRT ATTACHING PARTS	950951	1
- 65	PS10F7DL12BN		.SCREW- SUPPLIER CODE: V12324 -----*-----	950951	4
70	BACS12FA3K8BG		.SCREW	950951	4
75	232N4356-3		.ANGLE	950951	1
80	233T6305-1		.BOX ASSY-HANDSET	950951	1
85	233T6303-25		..BRACKET ASSY ATTACHING PARTS	950951	1
- 90	NAS514P1032-7		..SCREW -----*-----	950951	6
95	65B52695-6		..CRADLE ASSY	950951	1
100	NAS603-6P		...SCREW	950951	1
105	NAS43DD3-4		...SPACER	950951	1
110	69B51935-1		...WASHER	950951	1
115	69B51934-1		...SPRING	950951	1
120	1X00-189		...MAGNET ASSY- SUPPLIER CODE: VOYXX6	950951	1
125	65B52698-3		...BRACKET ASSY	950951	1
130	65B52696-3		...CRADLE	950951	1
135	233T6306-1		..BOX	950951	1

MISSING ITEM NUMBERS NOT APPLICABLE

- ITEM NOT ILLUSTRATED

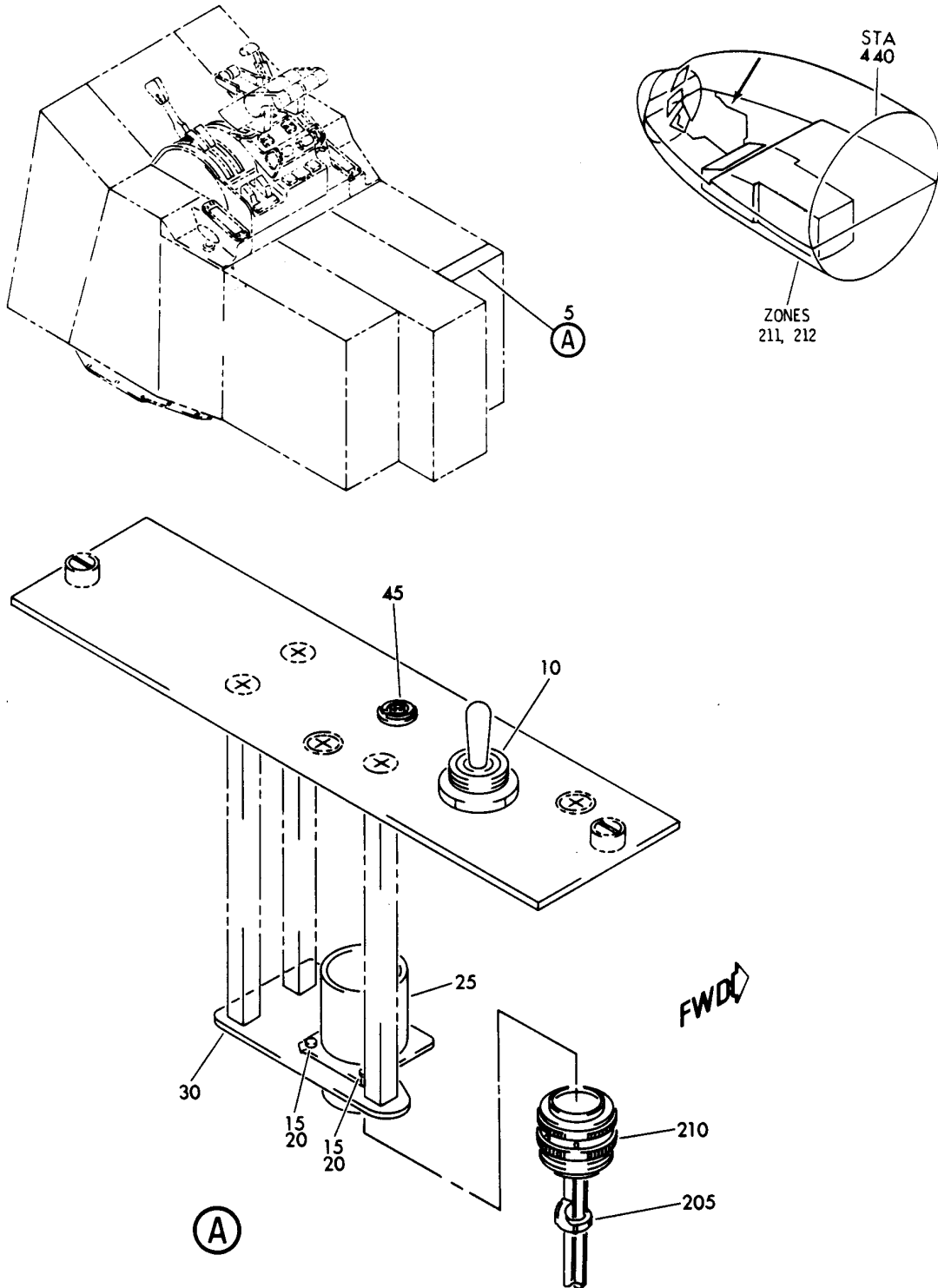
BRI

23-51-51-46

BOEING PROPRIETARY - Copyright © - Unpublished Work - See title page for details.

23-51-51
FIG. 46
PAGE 1
JAN 20/09

BOEING
757
PARTS CATALOG (MAINTENANCE)



Y 235 15201 SHT 1 REV 028

PANEL INSTL-P8 ELECTRONIC (FLIGHT INTERPHONE SYSTEM ONLY)
FIGURE 1

23-51-52-01

BRI
MAY 28/07

23-51-52-01
PAGE 0



757

PARTS CATALOG (MAINTENANCE)

FIG ITEM	PART NUMBER	1 2 3 4 5 6 7	NOMENCLATURE	EFFECT FROM TO	UNITS PER ASSY
1			PANEL INSTL-P8 ELECTRONIC (FLIGHT INTERPHONE SYSTEM ONLY)	121503 904949	
- 1	233N6101-1		PANEL INSTL-P8 ELECTRONIC (FLIGHT INTERPHONE SYSTEM ONLY) VARIABLE DRAWING REF: 233N6101-5028 PRE AIRLINE MOD: 39D001 VBAA FOR NHA/OTHER SYS DET SEE: 25-10-00-05A	121503 904949	RF
5	233N6202-1		.PANEL ASSY-RADIO TRANSIT INTERCOM SWITCH ELECTRICAL EQUIP NUMBER: M10370	121503 904949	RF
10	MS24523-31		..SWITCH	121503 904949	1
15	BACS12CB04-5		..SCREW	121503 904949	3
20	K19798-04		..NUT SUPPLIER CODE: V15653 SPECIFICATION NUMBER: BACN10NW1 OPTIONAL PART: RMA4812-160-40 V72962 293162 V60119	121503 904949	3
25	BACC45FN10-5P		..CONNECTOR	121503 904949	1
30	233N3250-17		..BRACKET-SPRT	121503 904949	1
- 35	BACS12CB06-5		ATTACHING PARTS ..SCREW	121503 904949	3
- 40	MS35338-41		..WASHER	121503 904949	3
45	800000121-1		-----*----- ..CONNECTOR- SUPPLIER CODE: V05617	121503 904949	1
- 200	286N0041-005		WIRE BUNDLE ASSY-(FLIGHT INTERPHONE SYSTEM ONLY)	121503 904949	RF

MISSING ITEM NUMBERS NOT APPLICABLE

- ITEM NOT ILLUSTRATED

BRI

23-51-52-01

23-51-52
FIG. 01
PAGE 1
JAN 20/09



757

PARTS CATALOG (MAINTENANCE)

FIG ITEM	PART NUMBER	1 2 3 4 5 6 7	NOMENCLATURE	EFFECT FROM TO	UNITS PER ASSY
1 205	BACC10GH10	.	CLAMP- ELECTRICAL EQUIP NUMBER: D00763T WIRING DIAGRAM REF: 235115	121503 904949	1
210	BACC45FT10-5S	.	CONNECTOR- ELECTRICAL EQUIP NUMBER: D00763 WIRING DIAGRAM REF: 235115	121503 904949	1

MISSING ITEM NUMBERS NOT APPLICABLE

- ITEM NOT ILLUSTRATED

BRI

23-51-52-01

BOEING PROPRIETARY - Copyright © - Unpublished Work - See title page for details.

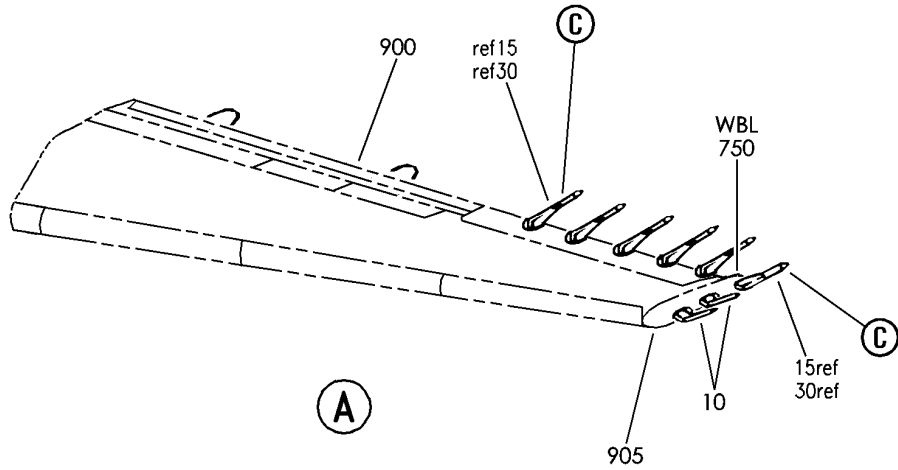
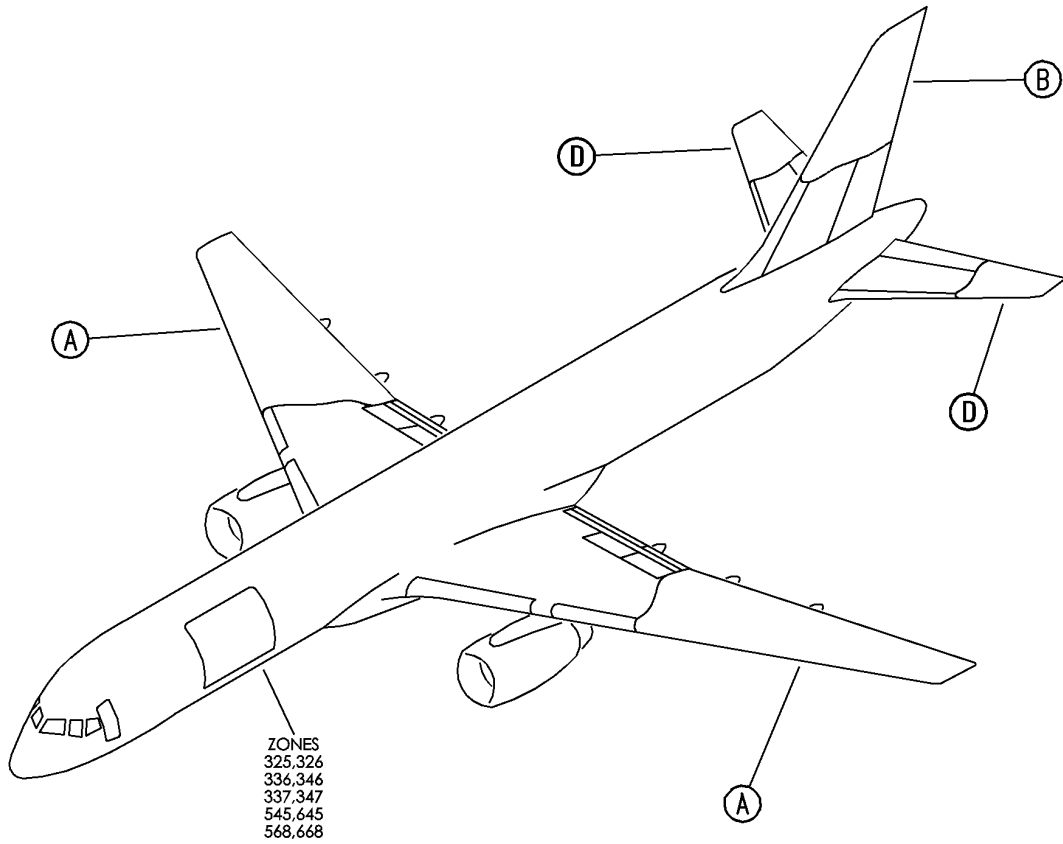
23-51-52
FIG. 01
PAGE 2
JAN 20/09

STATIC DISCHARGING

BRI
MAY 28/07

23-61-00
SECTION TITLE
PAGE 1

BOEING
757
PARTS CATALOG (MAINTENANCE)



Y 23610101 SHT 1 REV 238

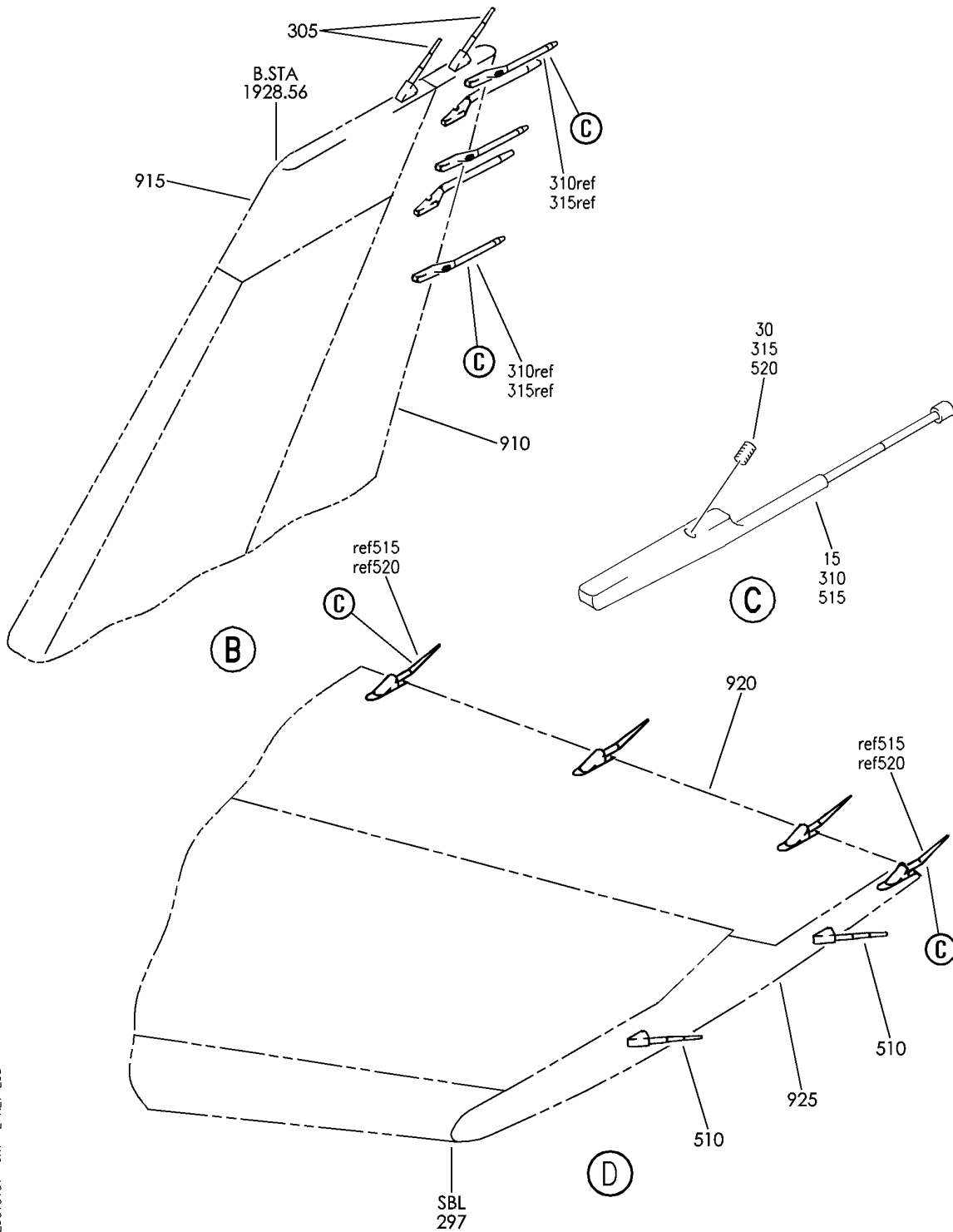
DISCHARGER INSTL-WING, VERT. AND HORIZ. STAB. STATIC
FIGURE 1 (SHEET 1)

23-61-01-01

BRI
MAY 28/07

23-61-01-01
PAGE 0

BOEING
757
PARTS CATALOG (MAINTENANCE)



Y 23610101 SHT 2 REV 238

DISCHARGER INSTL-WING, VERT. AND HORIZ. STAB. STATIC
FIGURE 1 (SHEET 2)

23-61-01-01

BRI
MAY 28/07

23-61-01-01
PAGE 0A



757

PARTS CATALOG (MAINTENANCE)

FIG ITEM	PART NUMBER	1 2 3 4 5 6 7	NOMENCLATURE	EFFECT FROM TO	UNITS PER ASSY
1			DISCHARGER INSTL-WING, VERT. AND HORIZ. STAB. STATIC	002004 006999	
- 1	284N1115-11		DISCHARGER INSTL-WING STATIC POSITION DATA: LH FOR NHA SEE: 24-00-58-01 24-00-58-05	002004 006102 107999	RF
- 1	MODREF10989		DISCHARGER INSTL-WING STATIC MODULE NUMBER: 284N1115-11 REV A POSITION DATA: LH	103103	1
- 1	MODREF30204		DISCHARGER INSTL-WING STATIC MODULE NUMBER: 284N1115-11 REV C POSITION DATA: LH	104106	1
- 5	284N1115-12		DISCHARGER INSTL-WING STATIC POSITION DATA: RH FOR NHA SEE: 24-00-58-01 24-00-58-05	002004 006102 107999	RF
- 5	MODREF10990		DISCHARGER INSTL-WING STATIC MODULE NUMBER: 284N1115-12 REV A POSITION DATA: RH	103103	1
- 5	MODREF30266		DISCHARGER INSTL-WING STATIC MODULE NUMBER: 284N1115-12 REV C POSITION DATA: RH	104106	1
10	15344		.DISCHARGER-TIP SUPPLIER CODE: V55635	002004 006999	2

MISSING ITEM NUMBERS NOT APPLICABLE

- ITEM NOT ILLUSTRATED

BRI

23-61-01-01

23-61-01
FIG. 01
PAGE 1
JAN 20/09



757

PARTS CATALOG (MAINTENANCE)

FIG ITEM	PART NUMBER	1 2 3 4 5 6 7	NOMENCLATURE	EFFECT FROM TO	UNITS PER ASSY
1					
10	2-14SC1		.DISCHARGER-TIP SUPPLIER CODE: VU1907 OPTIONAL PART: 80-1828-2 V99321 10-900-21 VODLY8 740007 V55635	002004 006999	2
10	80-1828-2		.DISCHARGER-TIP SUPPLIER CODE: V99321 OPTIONAL PART: 2-14SC1 VU1907 740007 V55635 10-900-21 VODLY8	002004 006999	2
10	740007		.DISCHARGER-TIP SUPPLIER CODE: V55635 OPTIONAL PART: 2-14SC1 VU1907 80-1828-2 V99321 10-900-21 VODLY8	002004 006999	2
10	10-900-21		.DISCHARGER-TIP SUPPLIER CODE: VODLY8 OPTIONAL PART: 2-14SC1 VU1907 80-1828-2 V99321 740007 V55635	002004 006999	2
15	16785		.DISCHARGER-TRAILING EDGE SUPPLIER CODE: V55635	002004 006999	6

MISSING ITEM NUMBERS NOT APPLICABLE

- ITEM NOT ILLUSTRATED

BRI

23-61-01-01

BOEING PROPRIETARY - Copyright © - Unpublished Work - See title page for details.

23-61-01
FIG. 01
PAGE 2
JAN 20/09



757

PARTS CATALOG (MAINTENANCE)

FIG ITEM	PART NUMBER	1 2 3 4 5 6 7	NOMENCLATURE	EFFECT FROM TO	UNITS PER ASSY
1 15	2-16SC1		.DISCHARGER-TRAILING EDGE SUPPLIER CODE: VU1907 OPTIONAL PART: 80-1746-2 V99321 740001 V55635 10-900-25 VODLY8	002004 006999	6
15	80-1746-2		.DISCHARGER-TRAILING EDGE SUPPLIER CODE: V99321 OPTIONAL PART: 2-16SC1 VU1907 740001 V55635 10-900-25 VODLY8	002004 006999	6
15	740001		.DISCHARGER-TRAILING EDGE SUPPLIER CODE: V55635 OPTIONAL PART: 2-16SC1 VU1907 80-1746-2 V99321 10-900-25 VODLY8	002004 006999	6
15	10-900-25		.DISCHARGER-TRAILING EDGE SUPPLIER CODE: VODLY8 OPTIONAL PART: 2-16SC1 VU1907 80-1746-2 V99321 740001 V55635	002004 006999	6
- 300	284N1115-15		DISCHARGER INSTL-VERT. STAB. STATIC FOR NHA SEE: 24-00-58-01 24-00-58-05	002004 006102 107999	RF
- 300	MODREF32350		DISCHARGER INSTL-VERT. STAB. STATIC MODULE NUMBER: 284N1115-15 REV B	103106	1

MISSING ITEM NUMBERS NOT APPLICABLE

- ITEM NOT ILLUSTRATED

23-61-01-01

23-61-01
FIG. 01
PAGE 3
JAN 20/09

BRI



757

PARTS CATALOG (MAINTENANCE)

FIG ITEM	PART NUMBER	1 2 3 4 5 6 7	NOMENCLATURE	EFFECT FROM TO	UNITS PER ASSY
1					
305	15344		.DISCHARGER-TIP SUPPLIER CODE: V55635	002004 006999	2
305	2-14SC1		.DISCHARGER-TIP SUPPLIER CODE: VU1907 OPTIONAL PART: 80-1828-2 V99321 740007 V55635 10-900-21 VODLY8	002004 006999	2
305	80-1828-2		.DISCHARGER-TIP SUPPLIER CODE: V99321 OPTIONAL PART: 2-14SC1 VU1907 740007 V55635 10-900-21 VODLY8	002004 006999	2
305	740007		.DISCHARGER-TIP SUPPLIER CODE: V55635 OPTIONAL PART: 2-14SC1 VU1907 80-1828-2 V99321 10-900-21 VODLY8	002004 006999	2
305	10-900-21		.DISCHARGER-TIP SUPPLIER CODE: VODLY8 OPTIONAL PART: 2-14SC1 VU1907 80-1828-2 V99321 740007 V55635	002004 006999	2
310	16785		.DISCHARGER-TRAILING EDGE SUPPLIER CODE: V55635	002004 006999	5

MISSING ITEM NUMBERS NOT APPLICABLE

- ITEM NOT ILLUSTRATED

23-61-01-01

23-61-01
FIG. 01
PAGE 4
JAN 20/09

BRI

BOEING PROPRIETARY - Copyright © - Unpublished Work - See title page for details.



757

PARTS CATALOG (MAINTENANCE)

FIG ITEM	PART NUMBER	1 2 3 4 5 6 7	NOMENCLATURE	EFFECT FROM TO	UNITS PER ASSY
1 310	2-16SC1		.DISCHARGER-TRAILING EDGE SUPPLIER CODE: VU1907 OPTIONAL PART: 80-1746-2 V99321 740001 V55635 10-900-25 VODLY8	002004 006999	5
310	80-1746-2		.DISCHARGER-TRAILING EDGE SUPPLIER CODE: V99321 OPTIONAL PART: 2-16SC1 VU1907 740001 V55635 10-900-25 VODLY8	002004 006999	5
310	740001		.DISCHARGER-TRAILING EDGE SUPPLIER CODE: V55635 OPTIONAL PART: 2-16SC1 VU1907 80-1746-2 V99321 10-900-25 VODLY8	002004 006999	5
310	10-900-25		.DISCHARGER-TRAILING EDGE SUPPLIER CODE: VODLY8 OPTIONAL PART: 2-16SC1 VU1907 80-1746-2 V99321 740001 V55635	002004 006999	5
- 500	284N1115-13		DISCHARGER INSTL-HORIZ STAB. STATIC POSITION DATA: LH FOR NHA SEE: 24-00-58-01 24-00-58-05	002004 006102 107999	RF

MISSING ITEM NUMBERS NOT APPLICABLE

- ITEM NOT ILLUSTRATED

BRI

23-61-01-01

23-61-01
FIG. 01
PAGE 5
JAN 20/09



757

PARTS CATALOG (MAINTENANCE)

FIG ITEM	PART NUMBER	1 2 3 4 5 6 7	NOMENCLATURE	EFFECT FROM TO	UNITS PER ASSY
1					
- 500	MODREF32349		DISCHARGER INSTL-HORIZ STAB. STATIC MODULE NUMBER: 284N1115-13 REV C POSITION DATA: LH	103106	1
- 505	284N1115-14		DISCHARGER INSTL-HORIZ STAB. STATIC POSITION DATA: RH FOR NHA SEE: 24-00-58-01 24-00-58-05	002004 006102 107999	RF
- 505	MODREF10992		DISCHARGER INSTL-HORIZ STAB. STATIC MODULE NUMBER: 284N1115-14 REV A POSITION DATA: RH	103103	1
- 505	MODREF27695		DISCHARGER INSTL-HORIZ STAB. STATIC MODULE NUMBER: 284N1115-14 REV B POSITION DATA: RH	104106	1
510	15344		.DISCHARGER-TIP SUPPLIER CODE: V55635	002004 006999	2
510	2-14SC1		.DISCHARGER-TIP SUPPLIER CODE: VU1907 OPTIONAL PART: 80-1828-2 V99321 10-900-21 VODLY8 740007 V55635	002004 006999	2
510	80-1828-2		.DISCHARGER-TIP SUPPLIER CODE: V99321 OPTIONAL PART: 2-14SC1 VU1907 740007 V55635 10-900-21 VODLY8	002004 006999	2

MISSING ITEM NUMBERS NOT APPLICABLE

- ITEM NOT ILLUSTRATED

23-61-01-01

23-61-01
FIG. 01
PAGE 6
JAN 20/09

BRI



757

PARTS CATALOG (MAINTENANCE)

FIG ITEM	PART NUMBER	1 2 3 4 5 6 7	NOMENCLATURE	EFFECT FROM TO	UNITS PER ASSY
1 510	740007		.DISCHARGER-TIP SUPPLIER CODE: V55635 OPTIONAL PART: 2-14SC1 VU1907 80-1828-2 V99321 10-900-21 VODLY8	002004 006999	2
510	10-900-21		.DISCHARGER-TIP SUPPLIER CODE: VODLY8 OPTIONAL PART: 2-14SC1 VU1907 80-1828-2 V99321 740007 V55635	002004 006999	2
515	16785		.DISCHARGER-TRAILING EDGE SUPPLIER CODE: V55635	002004 006999	4
515	2-16SC1		.DISCHARGER-TRAILING EDGE SUPPLIER CODE: VU1907 OPTIONAL PART: 80-1746-2 V99321 740001 V55635 10-900-25 VODLY8	002004 006999	4
515	80-1746-2		.DISCHARGER-TRAILING EDGE SUPPLIER CODE: V99321 OPTIONAL PART: 2-16SC1 VU1907 740001 V55635 10-900-25 VODLY8	002004 006999	4

MISSING ITEM NUMBERS NOT APPLICABLE

- ITEM NOT ILLUSTRATED

BRI

23-61-01-01

BOEING PROPRIETARY - Copyright © - Unpublished Work - See title page for details.

23-61-01
FIG. 01
PAGE 7
JAN 20/09



757

PARTS CATALOG (MAINTENANCE)

FIG ITEM	PART NUMBER	1 2 3 4 5 6 7	NOMENCLATURE	EFFECT FROM TO	UNITS PER ASSY
1 515	740001		.DISCHARGER-TRAILING EDGE SUPPLIER CODE: V55635 OPTIONAL PART: 2-16SC1 VU1907 80-1746-2 V99321 10-900-25 VODLY8	002004 006999	4
515	10-900-25		.DISCHARGER-TRAILING EDGE SUPPLIER CODE: VODLY8 OPTIONAL PART: 2-16SC1 VU1907 80-1746-2 V99321 740001 V55635	002004 006999	4
900			ILLUSTRATION REFERENCE: AILERON INSTL 27-11-21-01	002004 006999	RF
905			ILLUSTRATION REFERENCE: TIP ASSY AND INSTL-WING 57-31-01-01	002004 006102 106999	RF
910			ILLUSTRATION REFERENCE: RUDDER INSTL 55-40-51-01	002004 006999	RF
915			ILLUSTRATION REFERENCE: TIP INSTL-VERT. STAB. 55-31-01-01	002004 006999	RF
920			ILLUSTRATION REFERENCE: ELEVATOR INSTL 55-20-51-01	002004 006999	RF
925			ILLUSTRATION REFERENCE: TIP INSTL-SECT. 89 HORIZ STAB. 55-11-01-01	002004 006999	RF

MISSING ITEM NUMBERS NOT APPLICABLE

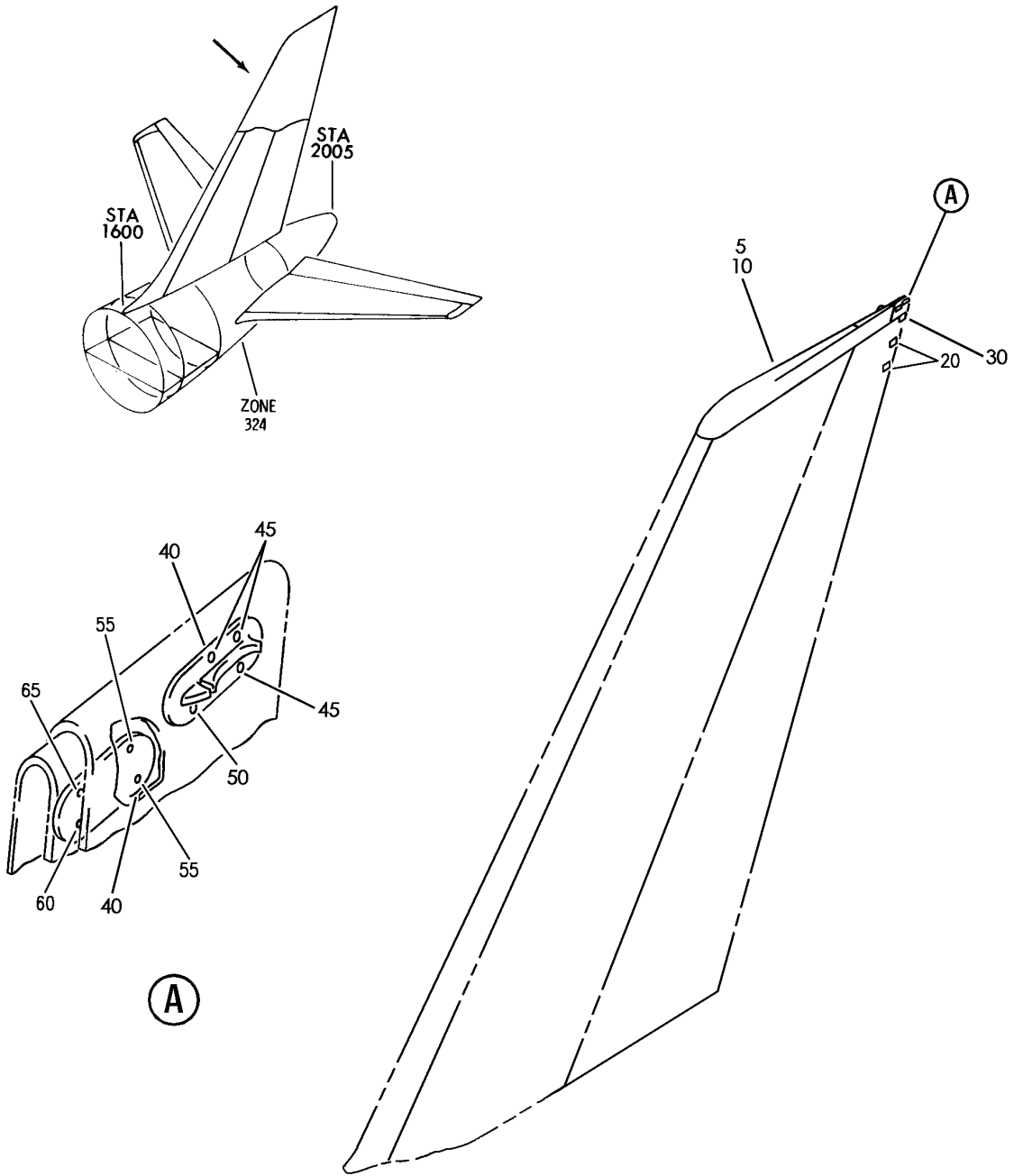
- ITEM NOT ILLUSTRATED

23-61-01-01

23-61-01
FIG. 01
PAGE 8
JAN 20/09

BRI

BOEING
757
PARTS CATALOG (MAINTENANCE)



Y 233610102 REV 267

RUDDER ASSY (STATIC DISCHARGERS ONLY)
FIGURE 2

23-61-01-02

BRI
MAY 28/07

23-61-01-02
PAGE 0



757

PARTS CATALOG (MAINTENANCE)

FIG ITEM	PART NUMBER	1 2 3 4 5 6 7	NOMENCLATURE	EFFECT FROM TO	UNITS PER ASSY
2			RUDDER ASSY (STATIC DISGHARGERS ONLY)	002004 006999	
- 1	173N2101-1		RUDDER ASSY- (STATIC DISGHARGERS ONLY) COMPONENT MAINT MANUAL REF: 55-40-51 REWORKED BY SB: 55-0009R2 FOR NHA/OTHER SYS DET SEE: 55-40-51-01	002004 006100 107107 121503 904999	RF
- 1	173N2101-3		RUDDER ASSY- (STATIC DISGHARGERS ONLY) COMPONENT MAINT MANUAL REF: 55-40-51 REWORKED BY SB: 55-0009R2 FOR NHA/OTHER SYS DET SEE: 55-40-51-01	002004 006100 107107 121503 904999	RF
- 1	173N2101-5		RUDDER ASSY- (STATIC DISGHARGERS ONLY) COMPONENT MAINT MANUAL REF: 55-40-51 REWORKED BY SB: 55-0009R2 FOR NHA/OTHER SYS DET SEE: 55-40-51-01	002004 006100 107107 121503 904999	RF
- 1	173N2101-7		RUDDER ASSY- (STATIC DISGHARGERS ONLY) COMPONENT MAINT MANUAL REF: 55-40-51 REWORKED BY SB: 55-0009R2 FOR NHA/OTHER SYS DET SEE: 55-40-51-01	002004 006100 107107 121503 904999	RF
- 1	173N2101-9		RUDDER ASSY- (STATIC DISGHARGERS ONLY) COMPONENT MAINT MANUAL REF: 55-40-51 REWORKED BY SB: 55-0009R2 FOR NHA/OTHER SYS DET SEE: 55-40-51-01	002004 006100 107107 121503 904999	RF

MISSING ITEM NUMBERS NOT APPLICABLE

- ITEM NOT ILLUSTRATED

23-61-01-02

23-61-01
FIG. 02
PAGE 1
JAN 20/09

BRI



757

PARTS CATALOG (MAINTENANCE)

FIG ITEM	PART NUMBER	1 2 3 4 5 6 7	NOMENCLATURE	EFFECT FROM TO	UNITS PER ASSY
2					
- 1	173N2101-11		RUDDER ASSY- (STATIC DISGHARGERS ONLY) COMPONENT MAINT MANUAL REF: 55-40-51 REWORK DRAWING REF: 173N2008-1 REWORKED BY SB: 55-0009R2 FOR NHA/OTHER SYS DET SEE: 55-40-51-01	002004 006100 107107 121503 904999	RF
- 1	173N2101-13		RUDDER ASSY- (STATIC DISGHARGERS ONLY) COMPONENT MAINT MANUAL REF: 55-40-51 REWORKED BY SB: 55-0009R2 FOR NHA/OTHER SYS DET SEE: 55-40-51-01	002004 006100 107107 121503 904999	RF
- 1	173N2101-93		RUDDER ASSY- (STATIC DISGHARGERS ONLY) FOR NHA/OTHER SYS DET SEE: 55-40-51-01	002004 006999	RF
- 1	173N2101-95		RUDDER ASSY- (STATIC DISGHARGERS ONLY) FOR NHA/OTHER SYS DET SEE: 55-40-51-01	002004 006999	RF
- 1	173N2101-401		RUDDER ASSY- (STATIC DISGHARGERS ONLY) FOR NHA/OTHER SYS DET SEE: 55-40-51-01	002004 006999	RF
- 1	173N2101-403		RUDDER ASSY- (STATIC DISGHARGERS ONLY) FOR NHA/OTHER SYS DET SEE: 55-40-51-01	002004 006999	RF
5	173N2601-2		.TIP ASSY- USED ON: 173N2101-1 173N2101-3 173N2101-5 173N2101-7 173N2101-9 173N2101-11 173N2101-13	002004 006100 107107 121503 904999	1

MISSING ITEM NUMBERS NOT APPLICABLE

- ITEM NOT ILLUSTRATED

BRI

23-61-01-02

BOEING PROPRIETARY - Copyright © - Unpublished Work - See title page for details.

23-61-01
FIG. 02
PAGE 2
JAN 20/09



757

PARTS CATALOG (MAINTENANCE)

FIG ITEM	PART NUMBER	1 2 3 4 5 6 7	NOMENCLATURE	EFFECT FROM TO	UNITS PER ASSY
2					
5	173N2601-3		. TIP ASSY- USED ON: 173N2101-1 173N2101-3 173N2101-5 173N2101-7 173N2101-9 173N2101-11 173N2101-13 173N2101-93 173N2101-95 173N2101-401 173N2101-403	002004 006999	1
10	16291		.. BASE-STATIC DISCHARGER SUPPLIER CODE: V55635 OPTIONAL PART: 81-2155-5 V99321	002004 006999	1
10	81-2155-5		.. BASE-STATIC DISCHARGER SUPPLIER CODE: V99321 OPTIONAL PART: 16291 V55635	002004 006999	1
- 15	BACR15CE4B4		ATTACHING PARTS .. RIVET	002004 006999	4
20	16700		-----*----- . BASE-STATIC DISCHARGER SUPPLIER CODE: V55635 OPTIONAL PART: 81-2216 V99321	002004 006999	2
20	81-2216		. BASE-STATIC DISCHARGER SUPPLIER CODE: V99321 OPTIONAL PART: 16700 V55635	002004 006999	2
- 25	BACR15GA5-5		ATTACHING PARTS . RIVET- OPTIONAL PART: BACR15CE5M5	002004 006999	8
- 25	BACR15CE5M5		. RIVET- OPTIONAL PART: BACR15GA5-5 -----*-----	002004 006999	8

MISSING ITEM NUMBERS NOT APPLICABLE

- ITEM NOT ILLUSTRATED

23-61-01-02

23-61-01
FIG. 02
PAGE 3
JAN 20/09

BRI



757

PARTS CATALOG (MAINTENANCE)

FIG ITEM	PART NUMBER	1 2 3 4 5 6 7	NOMENCLATURE	EFFECT FROM TO	UNITS PER ASSY
2	30 16335		.BASE-STATIC DISCHARGER SUPPLIER CODE: V55635 OPTIONAL PART: 72-457 V99321	002004 006999	1
	30 72-457		.BASE-STATIC DISCHARGER SUPPLIER CODE: V99321 OPTIONAL PART: 16335 V55635	002004 006999	1
-	35 BACR15CE5AD5		.RIVET- -----*-----	002004 006999	4
	40 16335		.BASE-STATIC DISCHARGER SUPPLIER CODE: V55635 OPTIONAL PART: 72-457 V99321	002004 006999	2
	40 72-457		.BASE-STATIC DISCHARGER SUPPLIER CODE: V99321 OPTIONAL PART: 16335 V55635	002004 006999	2
	45 BACR15BD5B		.RIVET- SIZE DETERMINED ON INSTL. USED ON: 173N2101-1 173N2101-3 173N2101-5 173N2101-7 173N2101-9 173N2101-11 173N2101-13	002004 006100 107107 121503 904999	3
	45 BACR15CE5B		.RIVET- SIZE DETERMINED ON INSTL. USED ON: 173N2101-93 173N2101-95 173N2101-401 173N2101-403	002004 006999	3

MISSING ITEM NUMBERS NOT APPLICABLE

- ITEM NOT ILLUSTRATED

23-61-01-02

23-61-01
FIG. 02
PAGE 4
JAN 20/09

BRI



757

PARTS CATALOG (MAINTENANCE)

FIG ITEM	PART NUMBER	1 2 3 4 5 6 7	NOMENCLATURE	EFFECT FROM TO	UNITS PER ASSY
2	50 BACR15DA5C		.RIVET- SIZE DETERMINED ON INSTL. USED ON: 173N2101-1 173N2101-3 173N2101-5 173N2101-7 173N2101-9 173N2101-11 173N2101-13	002004 006100 107107 121503 904999	1
	50 BACR15DA5C5		.RIVET- SIZE DETERMINED ON INSTL. USED ON: 173N2101-93 173N2101-95 173N2101-401 173N2101-403	002004 006999	1
	55 BACR15BD5B		.RIVET- SIZE DETERMINED ON INSTL. USED ON: 173N2101-1 173N2101-3 173N2101-5 173N2101-7 173N2101-9 173N2101-13	002004 006100 107107 121503 904999	2
	55 BACR15BA5D		.RIVET- SIZE DETERMINED ON INSTL. REWORK DRAWING REF: 173N2008-1 USED ON: 173N2101-11	002004 006100 107107 121503 904999	2
	55 BACR15CE5B		.RIVET- SIZE DETERMINED ON INSTL. USED ON: 173N2101-93 173N2101-95 173N2101-401 173N2101-403	002004 006999	2
	60 BACR15DA3C		.RIVET- SIZE DETERMINED ON INSTL. USED ON: 173N2101-1 173N2101-3 173N2101-5	002004 006100 107107 121503 904999	1

MISSING ITEM NUMBERS NOT APPLICABLE

- ITEM NOT ILLUSTRATED

23-61-01-02

23-61-01
FIG. 02
PAGE 5
JAN 20/09

BRI

 **BOEING**
757
PARTS CATALOG (MAINTENANCE)

FIG ITEM	PART NUMBER	1 2 3 4 5 6 7	NOMENCLATURE	EFFECT FROM TO	UNITS PER ASSY
2					
60	BACR15DA5C		.RIVET- SIZE DETERMINED ON INSTL. USED ON: 173N2101-7 173N2101-9 173N2101-13 173N2101-93 173N2101-95 173N2101-401 173N2101-403	002004 006999	1
60	NAS1739E5		.RIVET- SIZE DETERMINED ON INSTL. REWORK DRAWING REF: 173N2008-1 USED ON: 173N2101-11	002004 006100 107107 121503 904999	1
65	BACR15DA5C		.RIVET- SIZE DETERMINED ON INSTL. USED ON: 173N2101-1 173N2101-3 173N2101-5 173N2101-7 173N2101-9 173N2101-13 173N2101-93 173N2101-95 173N2101-401 173N2101-403	002004 006999	1
65	NAS1739E5		.RIVET- SIZE DETERMINED ON INSTL. REWORK DRAWING REF: 173N2008-1 USED ON: 173N2101-11 -----*-----	002004 006100 107107 121503 904999	1

MISSING ITEM NUMBERS NOT APPLICABLE

— ITEM NOT ILLUSTRATED

BRI

23-61-01-02

BOEING PROPRIETARY - Copyright © - Unpublished Work - See title page for details.

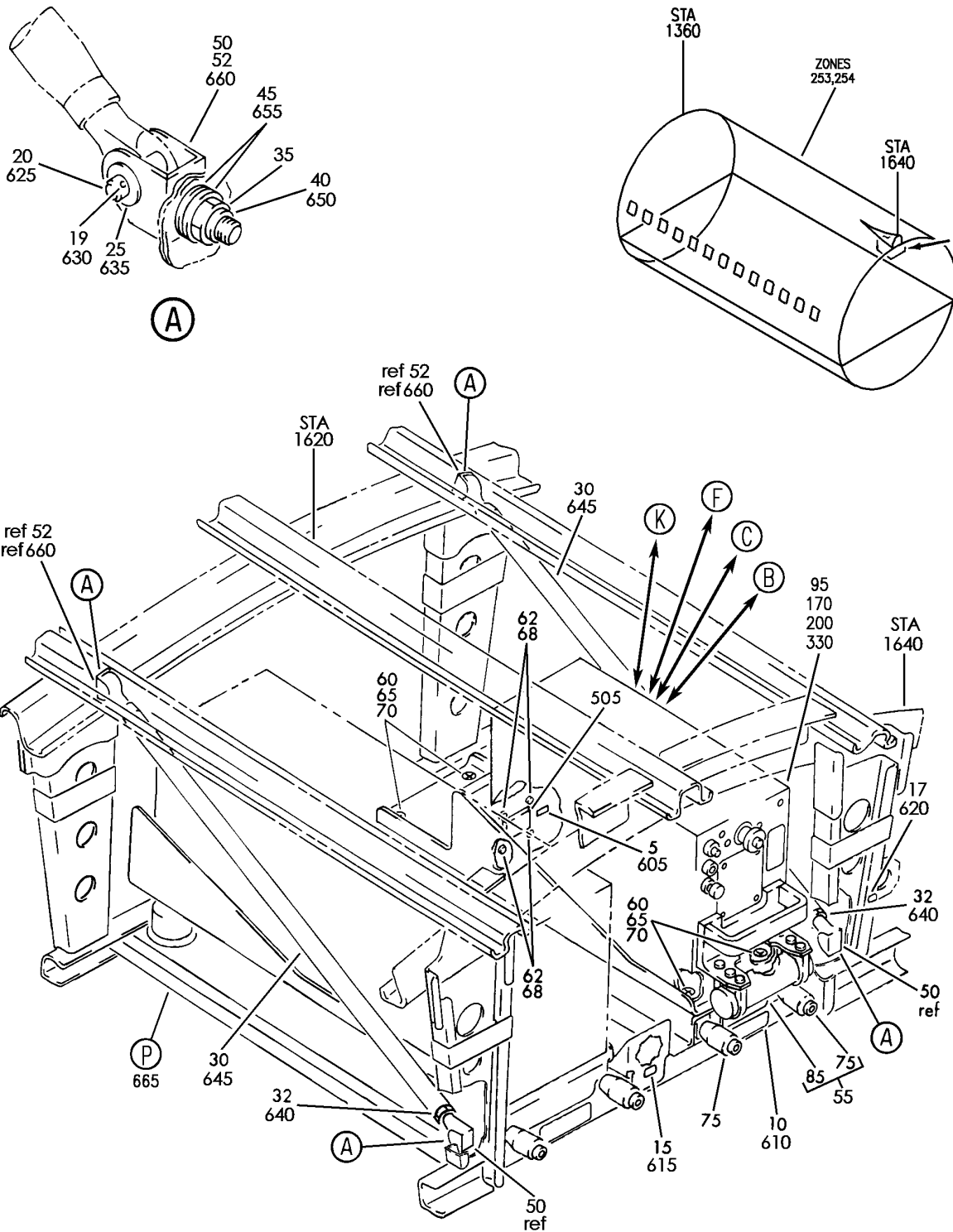
23-61-01
FIG. 02
PAGE 6
JAN 20/09

COCKPIT VOICE RECORDER (CVR) SYSTEM

BRI
MAY 28/07

23-71-00
SECTION TITLE
PAGE 1

BOEING
757
PARTS CATALOG (MAINTENANCE)



Y 23710101 SHT 1 REV 265

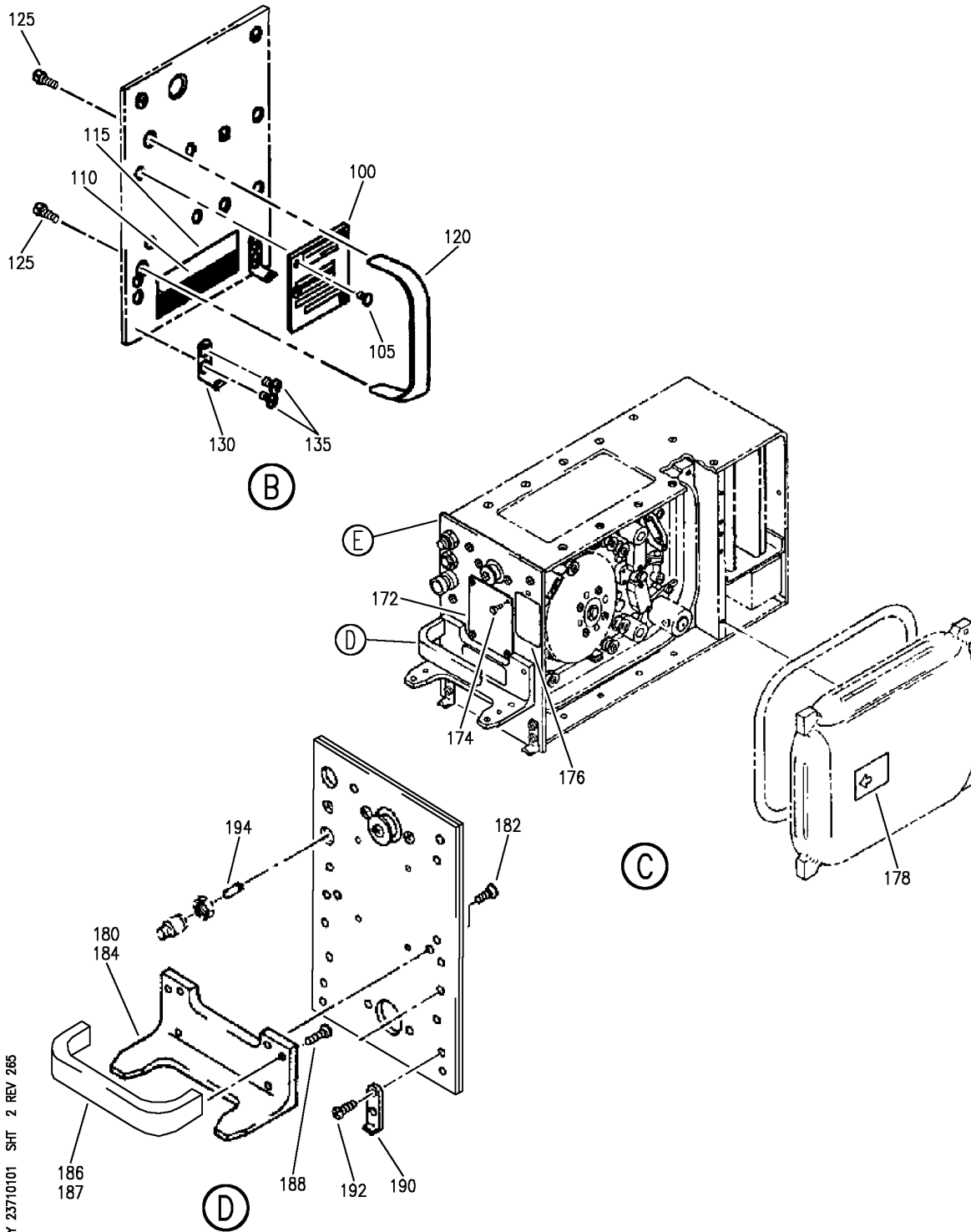
SUPPORT AND RECORDER INSTL-VOICE (COMMUNICATIONS ONLY)
FIGURE 1 (SHEET 1)

23-71-01-01

BRI
MAY 28/07

23-71-01-01
PAGE 0

BOEING
757
PARTS CATALOG (MAINTENANCE)



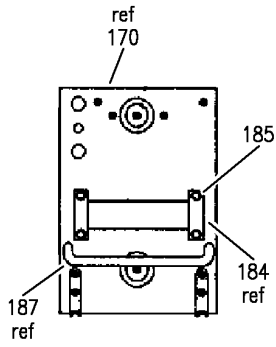
SUPPORT AND RECORDER INSTL-VOICE (COMMUNICATIONS ONLY)
FIGURE 1 (SHEET 2)

23-71-01-01

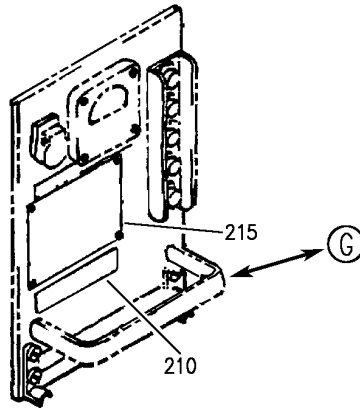
BRI
MAY 28/07

23-71-01-01
PAGE 0A

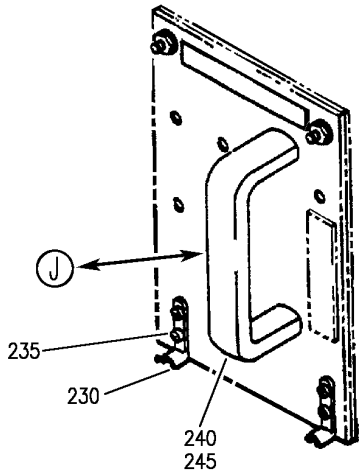
BOEING
757
PARTS CATALOG (MAINTENANCE)



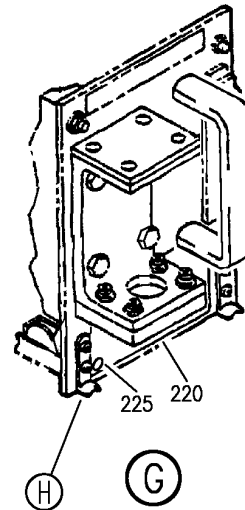
(E)



(F)



(H)



Y 23710101 SHT 3 REV 265

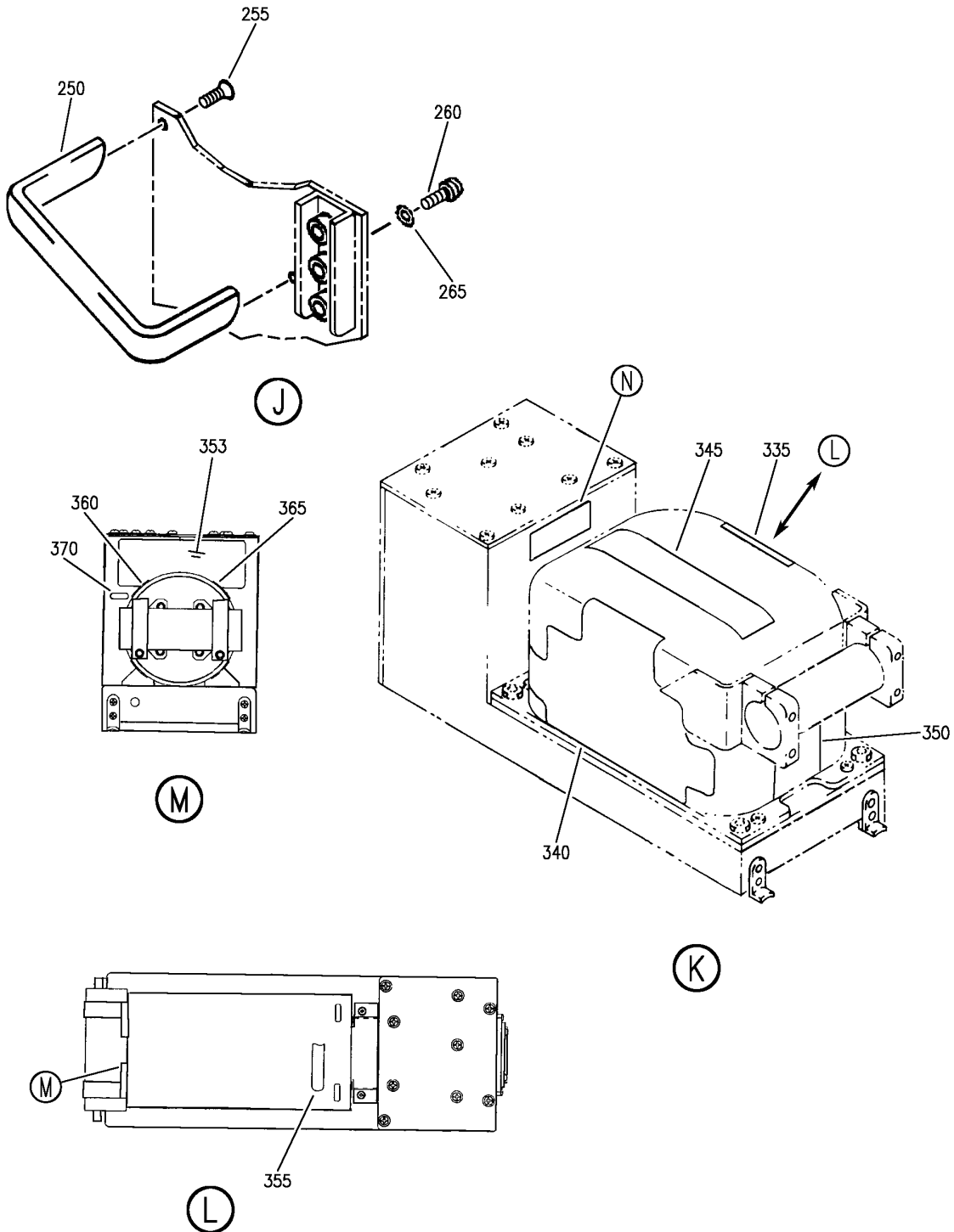
SUPPORT AND RECORDER INSTL-VOICE (COMMUNICATIONS ONLY)
FIGURE 1 (SHEET 3)

23-71-01-01

BRI
MAY 28/07

23-71-01-01
PAGE 0B

BOEING
757
PARTS CATALOG (MAINTENANCE)



Y 23710101 SHIT 4 REV 284

SUPPORT AND RECORDER INSTL-VOICE (COMMUNICATIONS ONLY)
FIGURE 1 (SHEET 4)

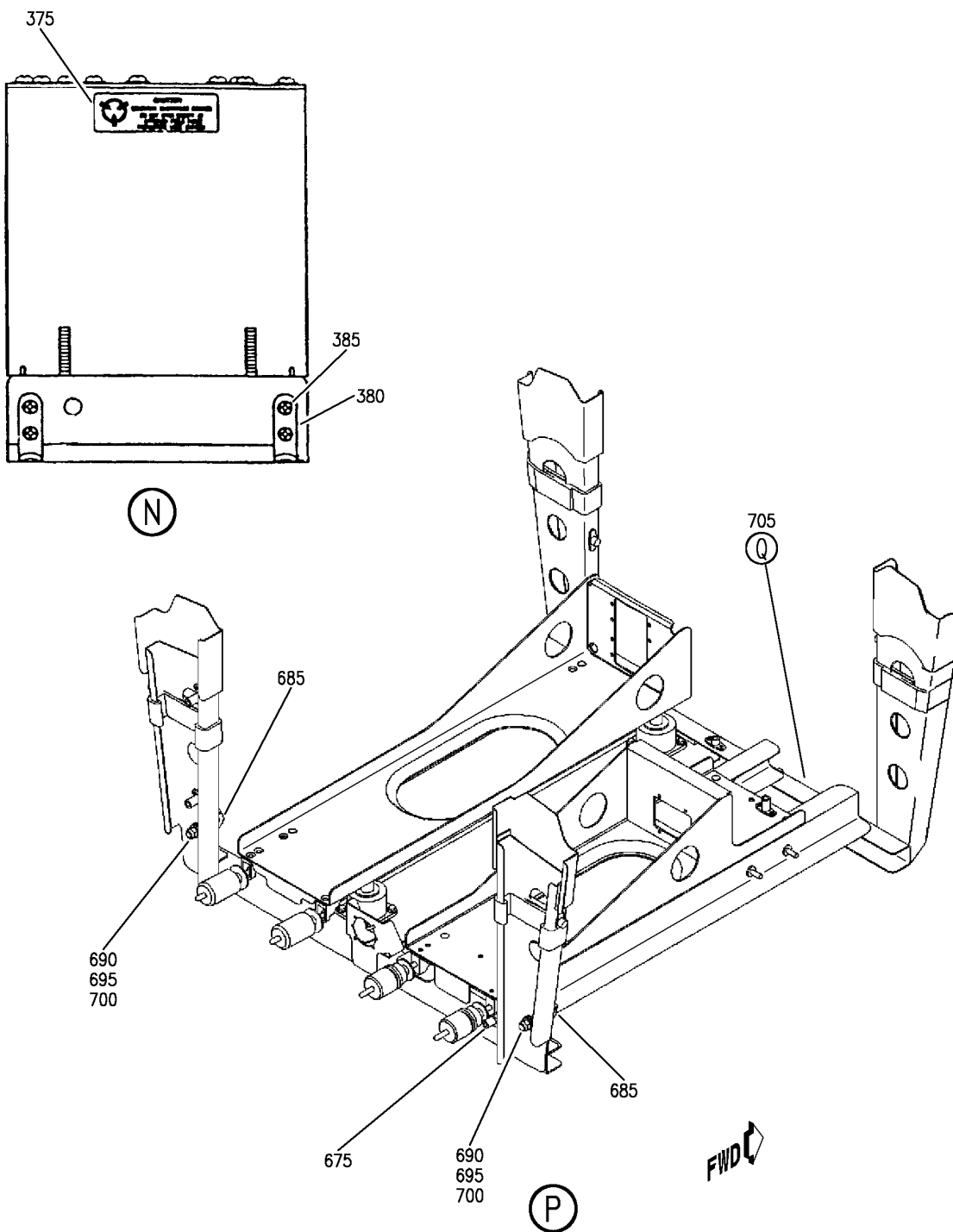
23-71-01-01

BRI
MAY 28/07

23-71-01-01
PAGE 0C

BOEING PROPRIETARY - Copyright © - Unpublished Work - See title page for details.

BOEING
757
PARTS CATALOG (MAINTENANCE)



Y 23710101 SH- 5 REV 265

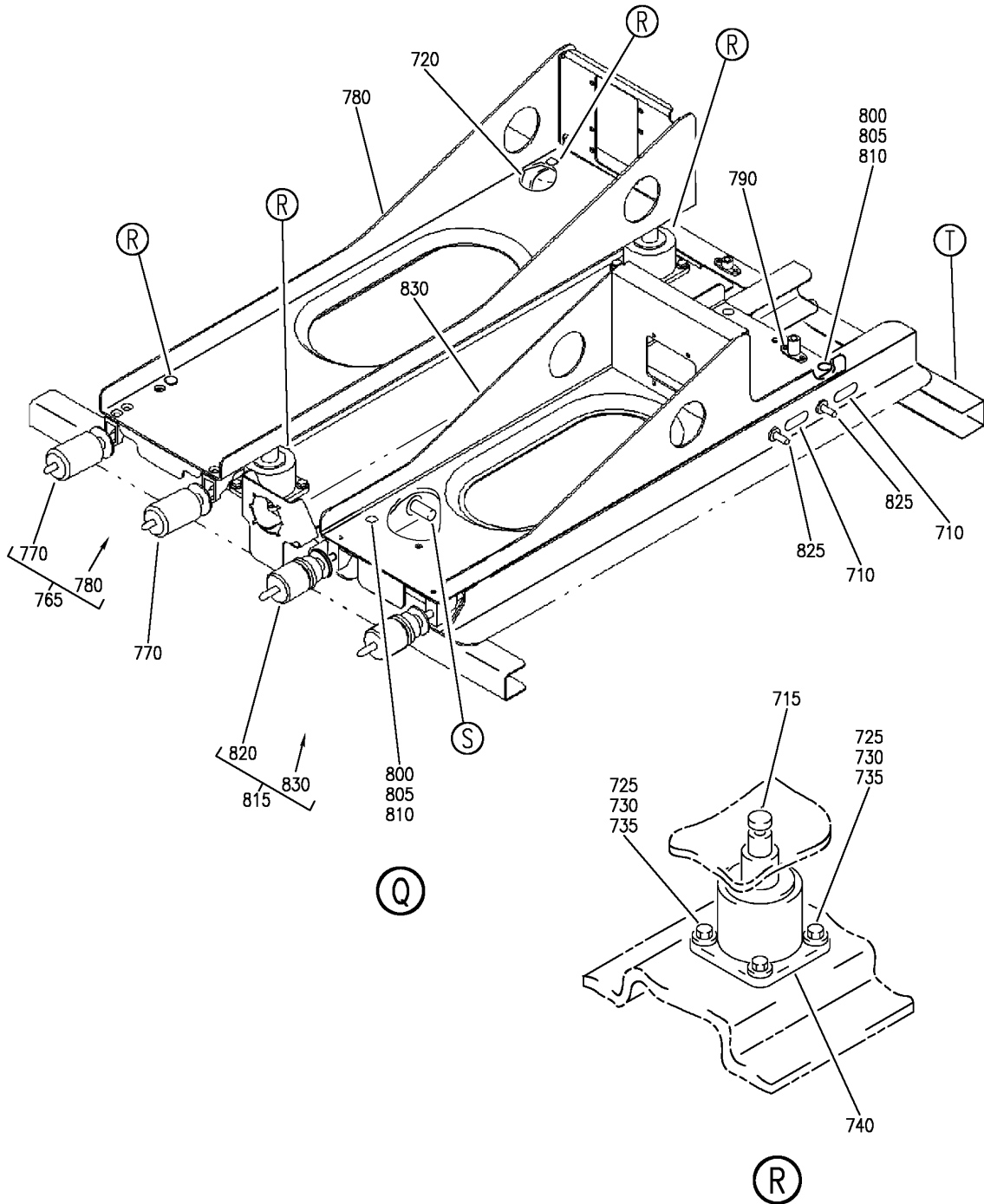
SUPPORT AND RECORDER INSTL-VOICE (COMMUNICATIONS ONLY)
FIGURE 1 (SHEET 5)

23-71-01-01

BRI
MAY 28/07

23-71-01-01
PAGE 0D

BOEING
757
PARTS CATALOG (MAINTENANCE)



Y 23710101 SH1 6 REV 265

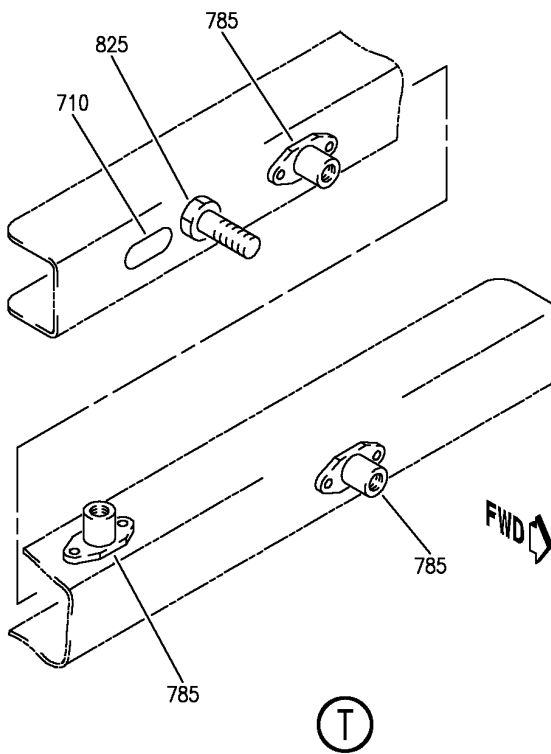
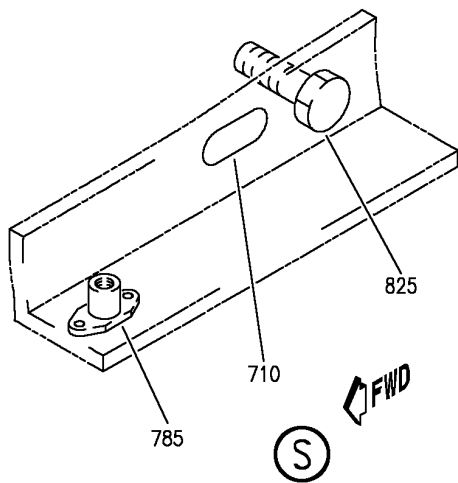
SUPPORT AND RECORDER INSTL-VOICE (COMMUNICATIONS ONLY)
FIGURE 1 (SHEET 6)

23-71-01-01

BRI
MAY 28/07

23-71-01-01
PAGE 0E

BOEING
757
PARTS CATALOG (MAINTENANCE)



Y 23710101 SH-T 7 REV 265

SUPPORT AND RECORDER INSTL-VOICE (COMMUNICATIONS ONLY)
FIGURE 1 (SHEET 7)

23-71-01-01

BRI
MAY 28/07

23-71-01-01
PAGE OF



757

PARTS CATALOG (MAINTENANCE)

FIG ITEM	PART NUMBER	1 2 3 4 5 6 7	NOMENCLATURE	EFFECT FROM TO	UNITS PER ASSY
1			SUPPORT AND RECORDER INSTL-VOICE (COMMUNICATIONS ONLY)	002004 006999	
- 1	284N1469-12		SUPPORT INSTL-VOICE RECORDER (COMMUNICATIONS ONLY) FOR NHA/OTHER SYS DET SEE: 24-00-58-01B	107107 904949	RF
- 1	284N1469-18		SUPPORT INSTL-VOICE RECORDER (COMMUNICATIONS ONLY) FOR NHA/OTHER SYS DET SEE: 24-00-58-01B	002004 006100 121503 950999	RF
- 1	284N1469-19		SUPPORT INSTL-VOICE RECORDER (COMMUNICATIONS ONLY) FOR NHA/OTHER SYS DET SEE: 24-00-58-05A	101102 504903	RF
5	BAC27NEL0290		.DECAL- PLACARD CONTENT: D3	002004 006102 107107 121999	1
10	BAC27NEL0294		.DECAL- PLACARD CONTENT: M201 RECORDER-VOICE	002004 006102 107107 121999	1
15	BAC27NEL0292		.DECAL- PLACARD CONTENT: D587	002004 006102 107107 121999	1
17	BAC27NEX1857		.DECAL- PLACARD CONTENT: D4522	002004 006102 107107 121999	1
19	MS24665-132		.PIN	002004 006102 107107 121999	4
20	BACP18T4-17		.PIN	002004 006102 107107 121999	4
25	AN960PD416L		.WASHER-	002004 006100 107107 121503 904999	4
25	NAS1149D0416J		.WASHER-	101102 504903	4

MISSING ITEM NUMBERS NOT APPLICABLE

- ITEM NOT ILLUSTRATED

23-71-01-01

23-71-01
FIG. 01
PAGE 1
JAN 20/09

BRI



757

PARTS CATALOG (MAINTENANCE)

FIG ITEM	PART NUMBER	1 2 3 4 5 6 7	NOMENCLATURE	EFFECT FROM TO	UNITS PER ASSY
1					
30	1293-55		.ROD ASSY- SUPPLIER CODE: V34742	002004 006102 107107 121999	2
32	NAS1423-5		.NUT	002004 006102 107107 121999	2
35	MS21042L5		.NUT-	002004 006102 107107 121999	4
40	BACW10BN5AC		.WASHER-	002004 006102 107107 121999	4
45	NAS1149D0563J		.WASHER-	101102 504903	8
45	AN960PD516		.WASHER-	002004 006100 107107 121503 904999	8
50	413N3709-1		.CLEVIS-	002004 006102 107107 121999	2
52	412N2031-1		.CLEVIS-	002004 006102 107107 121999	2
55	284T0673-2		.TRAY ASSY-1/2 ATR VOICE RECORDER QUALIFIED OPTIONAL DATA: 284T0673-2 OPTIONAL TO 284T0673-4 UNTIL SUPPLY IS EXHAUSTED	107107 904949	1
55	284T0673-4		.TRAY ASSY-1/2 ATR VOICE RECORDER QUALIFIED OPTIONAL DATA: 284T0673-2 OPTIONAL TO 284T0673-4 UNTIL SUPPLY IS EXHAUSTED	002004 006102 107107 121999	1
60	NAS514P832-7		ATTACHING PARTS .SCREW	002004 006102 107107 121999	4

MISSING ITEM NUMBERS NOT APPLICABLE

- ITEM NOT ILLUSTRATED

23-71-01-01

23-71-01
FIG. 01
PAGE 2
JAN 20/09

BRI

BOEING PROPRIETARY - Copyright © - Unpublished Work - See title page for details.



757

PARTS CATALOG (MAINTENANCE)

FIG ITEM	PART NUMBER	1 2 3 4 5 6 7	NOMENCLATURE	EFFECT FROM TO	UNITS PER ASSY
1					
62	NAS514P440-6	.	SCREW-	002004 006102 107107 121999	4
65	AN960PD8L	.	WASHER-	002004 006100 107107 121503 904999	4
65	NAS1149DN816J	.	WASHER-	101102	4
68	MS21042L04	.	NUT-	504903 002004 006102 107107 121999	4
70	MS21042L08	.	NUT-	002004 006102 107107 121999	4
75	2450-100-1T	-----*-----	..HOLDDOWN- SUPPLIER CODE: V30528 USED ON: 284T0673-2	002004 006102 107107 121999	2
75	CA12052-101	-----*-----	..HOLDDOWN- SUPPLIER CODE: V29372 USED ON: 284T0673-4	002004 006102 107107 121999	2
75	CA12145-105	-----*-----	..HOLDDOWN- SUPPLIER CODE: V29372 USED ON: 284T0673-4	002004 006102 107107 121999	2
- 80	NAS514P632-4	-----*-----	ATTACHING PARTS ..SCREW	002004 006102 107107 121999	2
85	284T0672-2	-----*-----	..TRAY	002004 006102 107107 121999	1
- 90	284N1469-9		RECORDER INSTL-VOICE (COMMUNICATIONS ONLY) FOR NHA/OTHER SYS DET SEE: 24-00-58-01B	107107	RF

MISSING ITEM NUMBERS NOT APPLICABLE

- ITEM NOT ILLUSTRATED

BRI

23-71-01-01

BOEING PROPRIETARY - Copyright © - Unpublished Work - See title page for details.

23-71-01
FIG. 01
PAGE 3
JAN 20/09



757

PARTS CATALOG (MAINTENANCE)

FIG ITEM	PART NUMBER	1 2 3 4 5 6 7	NOMENCLATURE	EFFECT FROM TO	UNITS PER ASSY
1					
- 90	284N1469-15		RECORDER INSTL-VOICE (COMMUNICATIONS ONLY) FOR NHA/OTHER SYS DET SEE: 24-00-58-01B	002004 006100 121503 904999	RF
- 91	284N1469-37		RECORDER INSTL-VOICE (COMMUNICATIONS ONLY) FOR NHA/OTHER SYS DET SEE: 24-00-58-05D	504903	RF
- 91	284N1469-55		RECORDER INSTL-VOICE (COMMUNICATIONS ONLY) FOR NHA/OTHER SYS DET SEE: 24-00-58-05A	101102	RF
- 92	284N1469-103		RECORDER INSTL-VOICE (COMMUNICATIONS ONLY) FOR NHA SEE: 24-00-58-05D	108120	RF
- 92	MODREF10585		RECORDER INSTL-VOICE (COMMUNICATIONS ONLY) MODULE NUMBER: 284N1469-103 REV A	103103	1
- 92	MODREF27746		RECORDER INSTL-VOICE (COMMUNICATIONS ONLY) MODULE NUMBER: 284N1469-103 REV B	104106	1
95	S100-0080-00		.RECORDER ASSY-(CUSTOMER FURNISHED) SUPPLIER CODE: V06141 FUNCTIONAL DESCRIPTION: RECORDS FOUR SEPARATE CHANNELS OF COCKPIT AUDIO SIMULTANEOUSLY USING SOLID-STATE MEMORY ELECTRICAL EQUIP NUMBER: M00201 COMPONENT MAINT MANUAL REF: 23-70-02 FOR DETAILS SEE: 23-71-03-01	950951	1

MISSING ITEM NUMBERS NOT APPLICABLE

- ITEM NOT ILLUSTRATED

BRI

23-71-01-01

BOEING PROPRIETARY - Copyright © - Unpublished Work - See title page for details.

23-71-01
FIG. 01
PAGE 4
JAN 20/09



757

PARTS CATALOG (MAINTENANCE)

FIG ITEM	PART NUMBER	1 2 3 4 5 6 7	NOMENCLATURE	EFFECT FROM TO	UNITS PER ASSY
1	95 S200-0012-00		.RECORDER ASSY-(CUSTOMER FURNISHED) SUPPLIER CODE: V06141 FUNCTIONAL DESCRIPTION: RECORDS FOUR SEPARATE CHANNELS OF COCKPIT AUDIO SIMULTANEOUSLY USING SOLID-STATE MEMORY ELECTRICAL EQUIP NUMBER: M00201 COMPONENT MAINT MANUAL REF: 23-70-03 QUALIFIED I/W DATA: 980-6022-001 MAY REPLACE BUT NOT BE REPLACED BY S200-0012-00 WHICH DOES NOT HAVE GMT RECORDING CAPABILITY REQ'D BY JAA. 980-6022-001 MUST BE INSTALLED WITH 980-6116-002 MIC/MONITOR PANEL.	107107 504903 950951 953999	1
	95 2100-1020-00		.RECORDER ASSY-(CUSTOMER FURNISHED) SUPPLIER CODE: V06141 ELECTRICAL EQUIP NUMBER: M00201 COMPONENT MAINT MANUAL REF: 23-70-04 QUALIFIED I/W DATA: 2100-1020-00 CVR TOGETHER WITH S152-0040-00 CONTROL PANEL INTERCHANGEABLE WITH 93A100-80 CVR TOGETHER WITH 93A152-60 CONTROL PANEL EXCEPT WHEN OPERATING A CVR SYSTEM COMPLIANT TO THE JAA ED56A STANDARD 2100-1020-00 SHALL BE INSTALLED.	504903	1
	100 196E0605-00		..NAMEPLATE- SUPPLIER CODE: V06141	950951	1

MISSING ITEM NUMBERS NOT APPLICABLE

- ITEM NOT ILLUSTRATED

BRI

23-71-01-01

23-71-01
FIG. 01
PAGE 5
JAN 20/09



757

PARTS CATALOG (MAINTENANCE)

FIG ITEM	PART NUMBER	1 2 3 4 5 6 7	NOMENCLATURE	EFFECT FROM TO	UNITS PER ASSY
1					
105	9-1391	..	SCREW- SUPPLIER CODE: V06141	950951	4
110	17D17-0262	..	PLATE-MOD RECORD SUPPLIER CODE: V06141	950951	1
115	17D17-0618	..	PLATE-PROGRAM REV SUPPLIER CODE: V06141	950951	1
120	9300-177	..	HANDLE- SUPPLIER CODE: V06141	950951	1
125	MS51960-65	..	ATTACHING PARTS SCREW- -----*-----	950951	2
130	9300-180	..	HOOK-HOLD DOWN SUPPLIER CODE: V06141	950951	2
135	MS51957-45	..	ATTACHING PARTS SCREW- -----*-----	950951	4
170	980-6005-076	.	RECORDER ASSY-(CUSTOMER FURNISHED) SUPPLIER CODE: V97896 ELECTRICAL EQUIP NUMBER: M00201 COMPONENT MAINT MANUAL REF: 23-70-40 QUALIFIED I/W DATA: 980-6005-079, 980-6005-076 AND 980-6020-001 ARE I/W(2) WHEN USED WITH PANEL 980-6109-028 OR 980-6116-002. OPTIONAL PART: 980-6005-079 V97896 FOR DETAILS SEE: 23-71-03-01	002004 006016 952952	1

MISSING ITEM NUMBERS NOT APPLICABLE

- ITEM NOT ILLUSTRATED

BRI

23-71-01-01

BOEING PROPRIETARY - Copyright © - Unpublished Work - See title page for details.

23-71-01
FIG. 01
PAGE 6
JAN 20/09



757

PARTS CATALOG (MAINTENANCE)

FIG ITEM	PART NUMBER	1 2 3 4 5 6 7	NOMENCLATURE	EFFECT FROM TO	UNITS PER ASSY
1 170	980-6005-079		.RECORDER ASSY-(CUSTOMER FURNISHED) SUPPLIER CODE: V97896 ELECTRICAL EQUIP NUMBER: M00201 COMPONENT MAINT MANUAL REF: 23-70-40 QUALIFIED I/W DATA: 980-6005-079, 980-6005-076 AND 980-6020-001 ARE I/W (2) WHEN USED WITH PANEL 980-6109-028 OR 980-6116-002. OPTIONAL PART: 980-6005-076 V97896 FOR DETAILS SEE: 23-71-03-01	002004 006016 952952	1
172	620-0905-010		..PLATE-IDENT SUPPLIER CODE: V97896 CONFIG CHG DATA FROM A CMM: REPLD BY 620-0905-015	002004 006016 952952	1
172	620-0905-011		..PLATE-IDENT INDICATES MADE IN KOREA SUPPLIER CODE: V97896 CONFIG CHG DATA FROM A CMM: REPLD BY 620-0905-016	002004 006016 952952	1
172	620-0905-015		..PLATE-IDENT SUPPLIER CODE: V97896 CONFIG CHG DATA FROM A CMM: REPLS 620-0905-010	002004 006016 952952	1
172	620-0905-016		..PLATE-IDENT INDICATES MADE IN KOREA SUPPLIER CODE: V97896 CONFIG CHG DATA FROM A CMM: REPLS 620-0905-011	002004 006016 952952	1
174	MS51957-2		..SCREW -----*-----	002004 006016 952952	4

MISSING ITEM NUMBERS NOT APPLICABLE

- ITEM NOT ILLUSTRATED

23-71-01-01

23-71-01
FIG. 01
PAGE 7
JAN 20/09

BRI

BOEING PROPRIETARY - Copyright © - Unpublished Work - See title page for details.



757

PARTS CATALOG (MAINTENANCE)

FIG ITEM	PART NUMBER	1 2 3 4 5 6 7	NOMENCLATURE	EFFECT FROM TO	UNITS PER ASSY
1					
176	643-0289-002	..	LABEL-MAINTENANCE SUPPLIER CODE: V97896	002004 006016 952952	1
178	620-1196-001	..	LABEL-DIRECTION SUPPLIER CODE: V97896 SB DATA FROM A CMM: POST SB 11	002004 006016 952952	1
180	602-1530-002	..	BRACKET-ULD MTG SUPPLIER CODE: V97896	002004 006016 952952	1
182	MS51960-80	..	SCREW- -----*-----	002004 006016 952952	4
184	654-0146-001	..	MOUNT-ULD MTG SUPPLIER CODE: V97896	002004 006016 952952	2
185	631-0401-001	..	SCREW- SUPPLIER CODE: V97896 OPTIONAL PART: NAS1352C08-20	002004 006016 952952	4
185	NAS1352C08-20	..	SCREW- OPTIONAL PART: 631-0401-001 V97896 -----*-----	002004 006016 952952	4
186	1276-2-14	..	HANDLE- SUPPLIER CODE: V71279 OPTIONAL PART: BCREF48988 V71279	002004 006016 952952	1
186	BCREF48988	..	HANDLE- SUPPLIER CODE: V71279 OVERLENGTH PART NUMBER: 415-1276-02-1400 OPTIONAL PART: 1276-2-14 V71279	002004 006016 952952	1

MISSING ITEM NUMBERS NOT APPLICABLE

- ITEM NOT ILLUSTRATED

BRI

23-71-01-01

BOEING PROPRIETARY - Copyright © - Unpublished Work - See title page for details.

23-71-01
FIG. 01
PAGE 8
JAN 20/09



757

PARTS CATALOG (MAINTENANCE)

FIG ITEM	PART NUMBER	1 2 3 4 5 6 7	NOMENCLATURE	EFFECT FROM TO	UNITS PER ASSY
1 187	G2525-4		.. HANDLE- SUPPLIER CODE: V04729 OPTIONAL PART: 401-8065-001 V55566	002004 006016 952952	1
187	401-8065-001		.. HANDLE- SUPPLIER CODE: V55566 OPTIONAL PART: G2525-4 V04729 ATTACHING PARTS	002004 006016 952952	1
188	MS24693C51		.. SCREW	002004 006016 952952	2
190	HDH1		-----*----- .. HOOK-HOLDDOWN SUPPLIER CODE: V94867 ATTACHING PARTS	002004 006016 952952	2
192	MS51957-45		.. SCREW	002004 006016 952952	4
194	MS25237-327		-----*----- .. LAMP	002004 006016 952952	1

MISSING ITEM NUMBERS NOT APPLICABLE

- ITEM NOT ILLUSTRATED

BRI

23-71-01-01

BOEING PROPRIETARY - Copyright © - Unpublished Work - See title page for details.

23-71-01
FIG. 01
PAGE 9
JAN 20/09



757

PARTS CATALOG (MAINTENANCE)

FIG ITEM	PART NUMBER	1 2 3 4 5 6 7	NOMENCLATURE	EFFECT FROM TO	UNITS PER ASSY
1 200	93A100-30		.RECORDER ASSY-(CUSTOMER FURNISHED) SUPPLIER CODE: V06141 ELECTRICAL EQUIP NUMBER: M00201 COMPONENT MAINT MANUAL REF: 23-70-01 QUALIFIED I/W DATA: 93A100-80 MAY REPLACE 93A100-30 IF THE CVR CONTROL PANEL PART NUMBER 93A152-50 OR 93A152-60 IS INSTALLED 980-6020-001 OR 980-6022-001 MAY REPLACE 93A100-80/ 93A100-30 PER CUSTOMER REQUIREMENTS EXCEPT INSTALLATION OF A 980-SERIES SSCVR REQUIRES USE OF THE MATCHING CVR CONTROL PANEL 980-6116-002. 93A100-30 AND 93A100-80 INSTALLATION MUST INCLUDE 93A152-50 OR 93A152-60 FOR DETAILS SEE: 23-71-03-01	121503 904949	1

MISSING ITEM NUMBERS NOT APPLICABLE

- ITEM NOT ILLUSTRATED

BRI

23-71-01-01

BOEING PROPRIETARY - Copyright © - Unpublished Work - See title page for details.

23-71-01
FIG. 01
PAGE 10
JAN 20/09



757

PARTS CATALOG (MAINTENANCE)

FIG ITEM	PART NUMBER	1 2 3 4 5 6 7	NOMENCLATURE	EFFECT FROM TO	UNITS PER ASSY
1 200	93A100-80		.RECORDER ASSY-(CUSTOMER FURNISHED) SUPPLIER CODE: V06141 ELECTRICAL EQUIP NUMBER: M00201 COMPONENT MAINT MANUAL REF: 23-70-01 QUALIFIED I/W DATA: 2100-1020-00 CVR TOGETHER WITH S152-0040-00 CONTROL PANEL INTERCHANGEABLE WITH 93A100-80 CVR TOGETHER WITH 93A152-60 CONTROL PANEL EXCEPT WHEN OPERATING A CVR SYSTEM COMPLIANT TO THE JAA ED56A STANDARD 2100-1020-00 SHALL BE INSTALLED. 93A100-80 MAY REPLACE 93A100-30 IF THE CVR CONTROL PANEL PART NUMBER 93A152-50 OR 93A152-60 IS INSTALLED 980-6020-001 OR 980-6022-001 MAY REPLACE 93A100-80/ 93A100-30 PER CUSTOMER REQUIREMENTS EXCEPT INSTALLATION OF A 980-SERIES SSCVR REQUIRES USE OF THE MATCHING CVR CONTROL PANEL 980-6116-002. 93A100-30 AND 93A100-80 INSTALLATION MUST INCLUDE 93A152-50 OR 93A152-60 FOR DETAILS SEE: 23-71-03-01	950951	1

MISSING ITEM NUMBERS NOT APPLICABLE

- ITEM NOT ILLUSTRATED

BRI

23-71-01-01

BOEING PROPRIETARY - Copyright © - Unpublished Work - See title page for details.

23-71-01
FIG. 01
PAGE 11
JAN 20/09



757

PARTS CATALOG (MAINTENANCE)

FIG ITEM	PART NUMBER	1 2 3 4 5 6 7	NOMENCLATURE	EFFECT FROM TO	UNITS PER ASSY
1 200	93A100-80		.RECORDER ASSY- (CUSTOMER FURNISHED) SUPPLIER CODE: V06141 ELECTRICAL EQUIP NUMBER: M00201 COMPONENT MAINT MANUAL REF: 23-70-01 QUALIFIED I/W DATA: 93A100-80 MAY REPLACE 93A100-30 IF THE CVR CONTROL PANEL PART NUMBER 93A152-50 OR 93A152-60 IS INSTALLED 980-6020-001 OR 980-6022-001 MAY REPLACE 93A100-80/ 93A100-30 PER CUSTOMER REQUIREMENTS EXCEPT INSTALLATION OF A 980-SERIES SSCVR REQUIRES USE OF THE MATCHING CVR CONTROL PANEL 980-6116-002. 93A100-30 AND 93A100-80 INSTALLATION MUST INCLUDE 93A152-50 OR 93A152-60 2100-1020-00 CVR TOGETHER WITH S152-0040-00 CONTROL PANEL INTERCHANGEABLE WITH 93A100-80 CVR TOGETHER WITH 93A152-60 CONTROL PANEL EXCEPT WHEN OPERATING A CVR SYSTEM COMPLIANT TO THE JAA ED56A STANDARD 2100-1020-00 SHALL BE INSTALLED. FOR DETAILS SEE: 23-71-03-01	107107 952999	1
210	17D17-0262		..PLATE-MOD RECORD SUPPLIER CODE: V06141	107107 121951 953999	1
215	9300-175		..NAMEPLATE- SUPPLIER CODE: V06141	121503 904949	1

MISSING ITEM NUMBERS NOT APPLICABLE

- ITEM NOT ILLUSTRATED

23-71-01-01

23-71-01
FIG. 01
PAGE 12
JAN 20/09

BRI



757

PARTS CATALOG (MAINTENANCE)

FIG ITEM	PART NUMBER	1 2 3 4 5 6 7	NOMENCLATURE	EFFECT FROM TO	UNITS PER ASSY
1					
220	93-603		.. NAMEPLATE- SUPPLIER CODE: V06141 ATTACHING PARTS	107107 121951 953999	1
225	9-1391		.. SCREW- SUPPLIER CODE: V06141 -----*-----	107107 121951 953999	4
230	9300-180		.. HOOK-HOLDDOWN SUPPLIER CODE: V06141 ATTACHING PARTS	107107 121951 953999	2
235	8EP88X3		.. SCREW- SUPPLIER CODE: V06141 -----*-----	107107 121951 953999	4
240	9300-177		.. HANDLE- SUPPLIER CODE: V06141 ATTACHING PARTS	107107 121951 953999	1
245	9-1544		.. SCREW- SUPPLIER CODE: V06141 -----*-----	107107 121951 953999	2
250	9300-177		.. HANDLE- SUPPLIER CODE: V06141 ATTACHING PARTS	121503 904949	1
255	9-1544		.. SCREW- SUPPLIER CODE: V06141	121503 904949	1
260	8ES106R5		.. SCREW- SUPPLIER CODE: V06141	121503 904949	1
265	9WES10		.. WASHER- SUPPLIER CODE: V06141 -----*-----	121503 904949	1

MISSING ITEM NUMBERS NOT APPLICABLE

- ITEM NOT ILLUSTRATED

23-71-01-01

23-71-01
FIG. 01
PAGE 13
JAN 20/09

BRI

BOEING PROPRIETARY - Copyright © - Unpublished Work - See title page for details.



757

PARTS CATALOG (MAINTENANCE)

FIG ITEM	PART NUMBER	1 2 3 4 5 6 7	NOMENCLATURE	EFFECT FROM TO	UNITS PER ASSY
1 330	980-6020-001		.RECORDER ASSY-COCKPIT (CUSTOMER FURNISHED) SUPPLIER CODE: V97896 FUNCTIONAL DESCRIPTION: RECORDS FOUR SEPARATE CHANNELS OF COCKPIT AUDIO SIMULTANEOUSLY USING SOLID-STATE MEMORY ELECTRICAL EQUIP NUMBER: M00201 COMPONENT MAINT MANUAL REF: 23-70-44 QUALIFIED I/W DATA: 980-6020-001 (30 MIN) AND 980-6022-001 (2 HOUR) RECORDERS ARE INTERCHANGEABLE PER CUSTOMER REQUIREMENTS. 980-6005-079, 980-6005-076 AND 980-6020-001 ARE I/W 2 WHEN USED WITH PANEL 980-6109-028 OR 980-6116-002. 980-6020-001 OR 980-6022-001 MAY REPLACE 93A100-80/ 93A100-30 PER CUSTOMER REQUIREMENTS EXCEPT INSTALLATION OF A 980-SERIES SSCVR REQUIRES USE OF THE MATCHING CVR CONTROL PANEL 980-6116-002. 93A100-30 AND 93A100-80 INSTALLATION MUST INCLUDE 93A152-50 OR 93A152-60 FOR DETAILS SEE: 23-71-03-01	017100 108120	1

MISSING ITEM NUMBERS NOT APPLICABLE

- ITEM NOT ILLUSTRATED

BRI

23-71-01-01

BOEING PROPRIETARY - Copyright © - Unpublished Work - See title page for details.

23-71-01
FIG. 01
PAGE 14
JAN 20/09



757

PARTS CATALOG (MAINTENANCE)

FIG ITEM	PART NUMBER	1 2 3 4 5 6 7	NOMENCLATURE	EFFECT FROM TO	UNITS PER ASSY
1 330	980-6022-001	.	RECORDER ASSY-COCKPIT (CUSTOMER FURNISHED) SUPPLIER CODE: V97896 FUNCTIONAL DESCRIPTION: RECORDS FOUR SEPARATE CHANNELS OF COCKPIT AUDIO SIMULTANEOUSLY USING SOLID-STATE MEMORY ELECTRICAL EQUIP NUMBER: M00201 COMPONENT MAINT MANUAL REF: 23-70-44 QUALIFIED I/W DATA: 980-6022-001 MAY REPLACE BUT NOT BE REPLACED BY S200-0012-00 WHICH DOES NOT HAVE GMT RECORDING CAPABILITY REQ'D BY JAA. 980-6022-001 MUST BE INSTALLED WITH 980-6116-002 MIC/MONITOR PANEL. 980-6020-001 (30 MIN) AND 980-6022-001 (2 HOUR) RECORDERS ARE INTERCHANGEABLE PER CUSTOMER REQUIREMENTS. 980-6020-001 OR 980-6022-001 MAY REPLACE 93A100-80/ 93A100-30 PER CUSTOMER REQUIREMENTS EXCEPT INSTALLATION OF A 980-SERIES SSCVR REQUIRES USE OF THE MATCHING CVR CONTROL PANEL 980-6116-002. 93A100-30 AND 93A100-80 INSTALLATION MUST INCLUDE 93A152-50 OR 93A152-60 FOR DETAILS SEE: 23-71-03-01	108120	1

MISSING ITEM NUMBERS NOT APPLICABLE

- ITEM NOT ILLUSTRATED

BRI

23-71-01-01

BOEING PROPRIETARY - Copyright © - Unpublished Work - See title page for details.

23-71-01
 FIG. 01
 PAGE 15
 JAN 20/09



757

PARTS CATALOG (MAINTENANCE)

FIG ITEM	PART NUMBER	1 2 3 4 5 6 7	NOMENCLATURE	EFFECT FROM TO	UNITS PER ASSY
1 330	980-6022-001		.RECORDER ASSY-COCKPIT SUPPLIER CODE: V97896 FUNCTIONAL DESCRIPTION: RECORDS FOUR SEPARATE CHANNELS OF COCKPIT AUDIO SIMULTANEOUSLY USING SOLID-STATE MEMORY ELECTRICAL EQUIP NUMBER: M00201 COMPONENT MAINT MANUAL REF: 23-70-44 QUALIFIED I/W DATA: 980-6022-001 MAY REPLACE BUT NOT BE REPLACED BY S200-0012-00 WHICH DOES NOT HAVE GMT RECORDING CAPABILITY REQ'D BY JAA. 980-6022-001 MUST BE INSTALLED WITH 980-6116-002 MIC/MONITOR PANEL. 980-6020-001 (30 MIN) AND 980-6022-001 (2 HOUR) RECORDERS ARE INTERCHANGEABLE PER CUSTOMER REQUIREMENTS. 980-6020-001 OR 980-6022-001 MAY REPLACE 93A100-80/ 93A100-30 PER CUSTOMER REQUIREMENTS EXCEPT INSTALLATION OF A 980-SERIES SSCVR REQUIRES USE OF THE MATCHING CVR CONTROL PANEL 980-6116-002. 93A100-30 AND 93A100-80 INSTALLATION MUST INCLUDE 93A152-50 OR 93A152-60 FOR DETAILS SEE: 23-71-03-01	104106	1

MISSING ITEM NUMBERS NOT APPLICABLE

- ITEM NOT ILLUSTRATED

BRI

23-71-01-01

BOEING PROPRIETARY - Copyright © - Unpublished Work - See title page for details.

23-71-01
FIG. 01
PAGE 16
JAN 20/09



757

PARTS CATALOG (MAINTENANCE)

FIG ITEM	PART NUMBER	1 2 3 4 5 6 7	NOMENCLATURE	EFFECT FROM TO	UNITS PER ASSY
1 330	980-6020-001	.	RECORDER ASSY-COCKPIT VOICE SUPPLIER CODE: V97896 FUNCTIONAL DESCRIPTION: RECORDS FOUR SEPARATE CHANNELS OF COCKPIT AUDIO SIMULTANEOUSLY USING SOLID-STATE MEMORY ELECTRICAL EQUIP NUMBER: M00201 COMPONENT MAINT MANUAL REF: 23-70-44 QUALIFIED I/W DATA: 980-6005-079, 980-6005-076 AND 980-6020-001 ARE I/W(2) WHEN USED WITH THE PANEL 980-6109-028 OR 980-6116-002 980-6020-001 ARE I/W(2) WHEN USED WITH THE PANEL 980-6109-028 OR 980-6116-002 FOR DETAILS SEE: 23-71-03-01	108120	1
335	402-6061-002	..	LABEL-WARNING SUPPLIER CODE: V97896	017100 108120	1
340	402-6061-001	..	LABEL-WARNING SUPPLIER CODE: V97896	017100 108120	1
345	402-6061-003	..	LABEL-PATENT SUPPLIER CODE: V97896	017100 108120	1
350	643-0691-002	..	LABEL-IDENT SUPPLIER CODE: V97896 CONFIG CHG DATA FROM A CMM: SUPSD BY 643-0691-001	017100 108120	1
350	643-0726-001	..	LABEL-IDENT SUPPLIER CODE: V97896 CONFIG CHG DATA FROM A CMM: SUPSD BY 643-0726-002	017100 108120	1

MISSING ITEM NUMBERS NOT APPLICABLE

- ITEM NOT ILLUSTRATED

BRI

23-71-01-01

BOEING PROPRIETARY - Copyright © - Unpublished Work - See title page for details.

23-71-01
FIG. 01
PAGE 17
JAN 20/09



757

PARTS CATALOG (MAINTENANCE)

FIG ITEM	PART NUMBER	1 2 3 4 5 6 7	NOMENCLATURE	EFFECT FROM TO	UNITS PER ASSY
1					
350	643-0691-001	..	LABEL-IDENT SUPPLIER CODE: V97896 CONFIG CHG DATA FROM A CMM: SUPERSEDES 643-0691-002	017100 108120	1
350	643-0726-002	..	LABEL-IDENT SUPPLIER CODE: V97896 CONFIG CHG DATA FROM A CMM: SUPERSEDES 643-0726-001	017100 108120	1
350	643-0691-001	..	LABEL-IDENT SUPPLIER CODE: V97896 SB DATA FROM A CMM: POST SB 12	017100 108120	1
350	643-0691-004	..	LABEL-IDENT SUPPLIER CODE: V97896 SB DATA FROM A CMM: POST SB 12	017100 108120	1
353	643-0726-003	..	LABEL-IDENT SUPPLIER CODE: V97896 CONFIG CHG DATA FROM A CMM: SUPSD BY 620-1856-002	017100 108120	1
353	620-1856-002	..	LABEL-IDENT SUPPLIER CODE: V97896 CONFIG CHG DATA FROM A CMM: SUPERSEDES 643-0726-003	017100 108120	1
353	643-0691-003	..	LABEL-IDENT SN 3500 THRU 3809 SUPPLIER CODE: V97896	017100 108120	1
353	620-1863-001	..	LABEL-IDENT SN 3810 AND ON SUPPLIER CODE: V97896	017100 108120	1
355	402-6061-007	..	LABEL-WARNING SUPPLIER CODE: V97896	017100 108120	1
360	402-6061-004	..	LABEL-WARNING (ENGLISH) SUPPLIER CODE: V97896	017100 108120	1
365	402-6061-005	..	LABEL-WARNING (FRENCH) SUPPLIER CODE: V97896	017100 108120	1

MISSING ITEM NUMBERS NOT APPLICABLE

- ITEM NOT ILLUSTRATED

BRI

23-71-01-01

BOEING PROPRIETARY - Copyright © - Unpublished Work - See title page for details.

23-71-01
FIG. 01
PAGE 18
JAN 20/09



757

PARTS CATALOG (MAINTENANCE)

FIG ITEM	PART NUMBER	1 2 3 4 5 6 7	NOMENCLATURE	EFFECT FROM TO	UNITS PER ASSY
1					
370	620-1845-023	..	PLATE-IDENT SUPPLIER CODE: V97896	017100 108120	1
370	620-1848-026	..	PLATE-IDENT SUPPLIER CODE: V97896	017100 108120	1
370	620-1848-023	..	PLATE-IDENT SUPPLIER CODE: V97896	017100 108120	1
375	402-6036-001	..	LABEL-ESD SUPPLIER CODE: V97896	017100 108120	1
380	405-0255-001	..	H00K- SUPPLIER CODE: V97896	017100 108120	2
385	MS24693C29	..	SCREW -----*-----	017100 108120	4
- 500	286N2653-001		WIRE BUNDLE ASSY-	107107 121503 904949	1
- 500	286N2653-002		WIRE BUNDLE ASSY-	002004 006010 950999	1
- 500	286N2653-315		WIRE BUNDLE ASSY-	504903	1
- 500	286N2653-006		WIRE BUNDLE ASSY-	011100	1
- 500	286N2653-308		WIRE BUNDLE ASSY	108120	1
- 501	286N2653-314		WIRE BUNDLE ASSY	101102	1
505	BCREF2215	.PLUG-	SUPPLIER CODE: V71468	002004 006102 107999	1
			OVERLENGTH PART NUMBER: DPXBMB57-33S0001		
			ELECTRICAL EQUIP NUMBER: D00003		
			WIRING DIAGRAM REF: 237111		
- 600	284N1469-401		SUPPORT INSTL-VOICE RECORDER (COMMUNICATIONS ONLY) FOR NHA/OTHER SYS DET SEE: 24-00-58-05A	108120	RF

MISSING ITEM NUMBERS NOT APPLICABLE

- ITEM NOT ILLUSTRATED

BRI

23-71-01-01

23-71-01
FIG. 01
PAGE 19
JAN 20/09



757

PARTS CATALOG (MAINTENANCE)

FIG ITEM	PART NUMBER	1 2 3 4 5 6 7	NOMENCLATURE	EFFECT FROM TO	UNITS PER ASSY
1					
- 600	MODREF23321		SUPPORT INSTL-VOICE RECORDER (COMMUNICATIONS ONLY) MODULE NUMBER: 284N1469-402 REV B FOR OTHER SYS DETAILS SEE: 31-31-01-01	103106	1
605	BAC27NEL0290		.DECAL- PLACARD CONTENT: D3	103106 108120	1
610	BAC27NEL0294		.DECAL- PLACARD CONTENT: M201 RECORDER-VOICE	103106 108120	1
615	BAC27NEL0292		.DECAL- PLACARD CONTENT: D587	103106 108120	1
620	BAC27NEX1857		.DECAL- PLACARD CONTENT: D4522	108120	1
625	BACP18T4-17		.PIN	103106 108120	4
630	BACP18BC02A04P		.PIN-COTTER	103106 108120	4
635	NAS1149D0416J		.WASHER	103106 108120	4
640	NAS1423-5		.NUT	103106 108120	2
645	1293-55		.ROD ASSY- SUPPLIER CODE: V34742	103106 108120	2
650	BACW10BN5AC		.WASHER	103106 108120	2
655	NAS1149D0563J		.WASHER-	103106 108120	4
660	412N2031-1		.CLEVIS	103106 108120	2
665	284N1469-307		.SUPPORT ASSY	108120	1
665	284N1469-308		.SUPPORT ASSY	103106	1
675	BACN10GH3A4		..NUTPLATE	103106 108120	1
			ATTACHING PARTS		
- 680	BACR15BB4AC		..RIVET	103106 108120	2
			-----*-----		
685	413N3709-1		..CLEVIS	103106 108120	2
690	BACW10BN5AC		..WASHER	103106 108120	2

MISSING ITEM NUMBERS NOT APPLICABLE

- ITEM NOT ILLUSTRATED

23-71-01-01

23-71-01
FIG. 01
PAGE 20
JAN 20/09

BRI

BOEING PROPRIETARY - Copyright © - Unpublished Work - See title page for details.



757

PARTS CATALOG (MAINTENANCE)

FIG ITEM	PART NUMBER	1 2 3 4 5 6 7	NOMENCLATURE	EFFECT FROM TO	UNITS PER ASSY
1					
695	NAS1149D0563J	..	WASHER-	103106 108120	4
700	PLH55CD	..	NUT SUPPLIER CODE: VF0224 SPECIFICATION NUMBER: BACN10YR5CD OPTIONAL PART: H52732-5CD V15653	103106 108120	2
705	284N1469-306	..	SHELF ASSY	103106 108120	1
710	TTVF7525WE10	...	TAPE- SUPPLIER CODE: VOKW00 SPECIFICATION NUMBER: BACT19J4 OPTIONAL PART: THT1-437W10 V85480 PLACARD CONTENT: GD177S, GD391S, GD381S GD179S	103106 108120	AR
715	NAS514P832-7P	...	SCREW	103106 108120	4
720	66-20117-1	...	JUMPER	103106 108120	1
725	NAS1801-08-8	...	SCREW	103106 108120	16
730	NAS1149DN816J	...	WASHER	103106 108120	32
735	PLH508CD	...	NUT SUPPLIER CODE: VF0224 SPECIFICATION NUMBER: BACN10YR08CD OPTIONAL PART: H52732-08CD V15653	103106 108120	16
740	L44BA10	...	ISOLATOR- SUPPLIER CODE: V13636	103106 108120	4
765	284N1479-2	...	TRAY ASSY	103106 108120	1
- 767	BACR15BB5ADC	...	RIVET- ATTACHING PARTS SIZE DETERMINED ON INSTL. -----*-----	103106 108120	14

MISSING ITEM NUMBERS NOT APPLICABLE

- ITEM NOT ILLUSTRATED

23-71-01-01

23-71-01
FIG. 01
PAGE 21
JAN 20/09

BRI



757

PARTS CATALOG (MAINTENANCE)

FIG ITEM	PART NUMBER	1 2 3 4 5 6 7	NOMENCLATURE	EFFECT FROM TO	UNITS PER ASSY
1 770	2450-100-1T	HOLDDOWN- SUPPLIER CODE: V30528 OPTIONAL PART: CA12095-101 V29372 CA12095-102 V29372 CA12145-102 V29372	103106 108120	2
770	CA12095-101	HOLDDOWN- SUPPLIER CODE: V29372 OPTIONAL PART: 2450-100-1T V30528 CA12095-102 V29372 CA12145-102 V29372	103106 108120	2
770	CA12095-102	HOLDDOWN- SUPPLIER CODE: V29372 OPTIONAL PART: 2450-100-1T V30528 CA12095-101 V29372 CA12145-102 V29372	103106 108120	2
770	CA12145-102	HOLDDOWN- SUPPLIER CODE: V29372 OPTIONAL PART: 2450-100-1T V30528 CA12095-101 V29372 CA12095-102 V29372	103106 108120	2
- 775	NAS514P632-4	ATTACHING PARTS SCREW	103106 108120	4
780	284T0672-3	-----*----- TRAY	103106 108120	1
785	BACN10TL3A3	NUT	103106 108120	4

MISSING ITEM NUMBERS NOT APPLICABLE

- ITEM NOT ILLUSTRATED

23-71-01-01

23-71-01
FIG. 01
PAGE 22
JAN 20/09

BRI

BOEING PROPRIETARY - Copyright © - Unpublished Work - See title page for details.



757

PARTS CATALOG (MAINTENANCE)

FIG ITEM	PART NUMBER	1 2 3 4 5 6 7	NOMENCLATURE	EFFECT FROM TO	UNITS PER ASSY
1 790	WS1-4A6	...	NUT SUPPLIER CODE: V04169 SPECIFICATION NUMBER: BACN10TL3A6 ATTACHING PARTS	103106 108120	2
- 795	BACR15BB4ADC	...	RIVET	103106 108120	10
800	NAS514P832-7P	...	SCREW	103106 108120	4
805	NAS1149DN816J	...	WASHER-	103106 108120	4
810	PLH508CD	...	NUT SUPPLIER CODE: VFO224 SPECIFICATION NUMBER: BACN10YR08CD OPTIONAL PART: H52732-08CD V15653	103106 108120	4
815	284T0673-4	...	TRAY ASSY	103106 108120	1
820	CA12145-102	HOLDDOWN- SUPPLIER CODE: V29372 OPTIONAL PART: BACC10HZ1	103106 108120	2
820	H3773-9	CLAMP- SUPPLIER CODE: V83014 SPECIFICATION NUMBER: BACC10HZ1 OPTIONAL PART: 5175-110-1 V30528 CA12145-102 VOCBU7 H3773-3 V83014 CA12145-102 V29372 ATTACHING PARTS	103106 108120	2
- 825	NAS514P632-4	SCREW	103106 108120	4
830	284T0672-1	TRAY	103106 108120	4

MISSING ITEM NUMBERS NOT APPLICABLE

- ITEM NOT ILLUSTRATED

23-71-01-01

23-71-01
FIG. 01
PAGE 23
JAN 20/09

BRI



757

PARTS CATALOG (MAINTENANCE)

FIG ITEM	PART NUMBER	1 2 3 4 5 6 7	NOMENCLATURE	EFFECT FROM TO	UNITS PER ASSY
1 835	VNS1924CA1-8		. . . STUD SUPPLIER CODE: V5M902 SPECIFICATION NUMBER: BACS53B1EA1 OPTIONAL PART: VNS1924CA3-1-8 V92215	103106 108120	4

MISSING ITEM NUMBERS NOT APPLICABLE

- ITEM NOT ILLUSTRATED

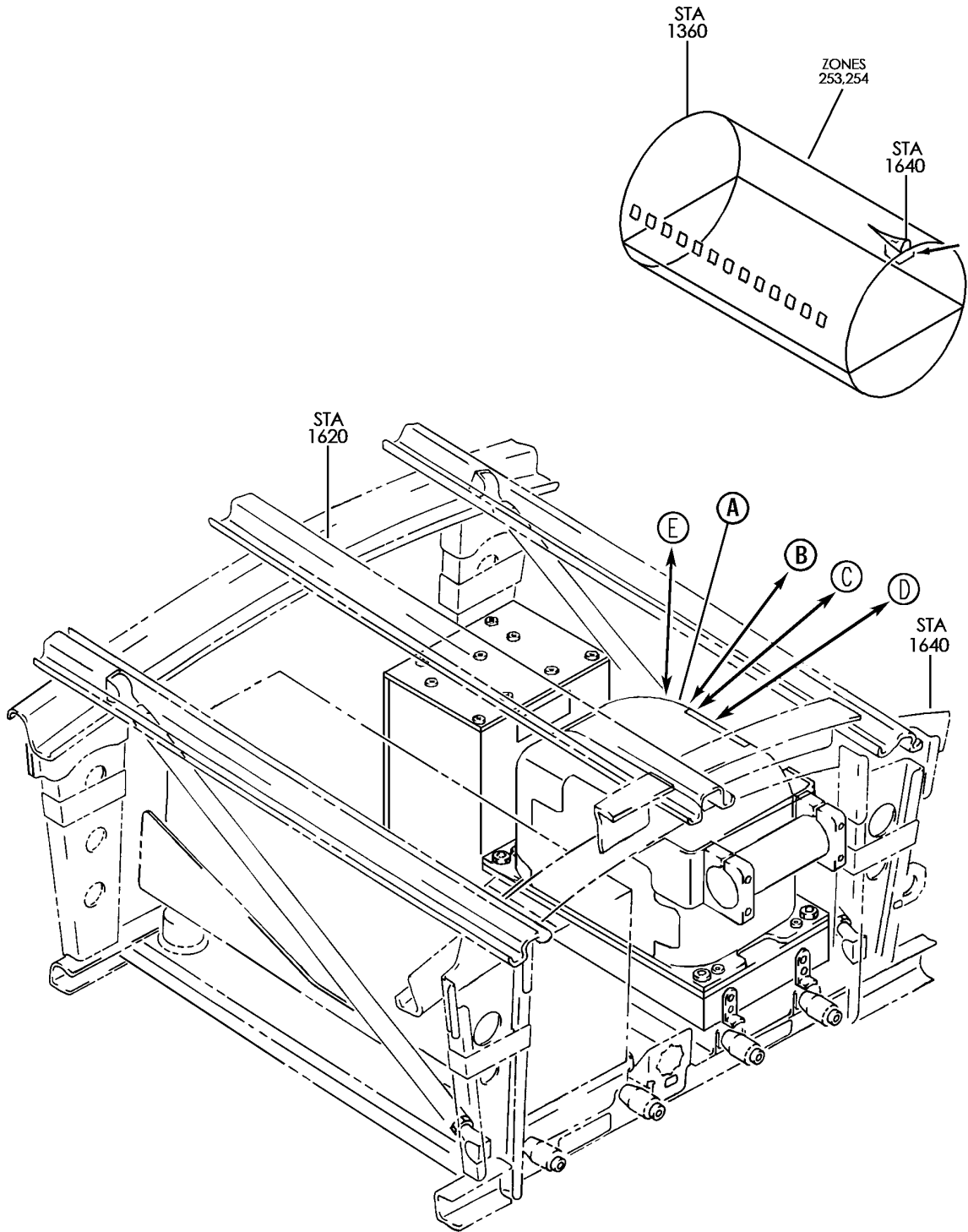
BRI

23-71-01-01

BOEING PROPRIETARY - Copyright © - Unpublished Work - See title page for details.

23-71-01
FIG. 01
PAGE 24
JAN 20/09

BOEING
757
PARTS CATALOG (MAINTENANCE)



Y 23710301 SHT 1 REV 265

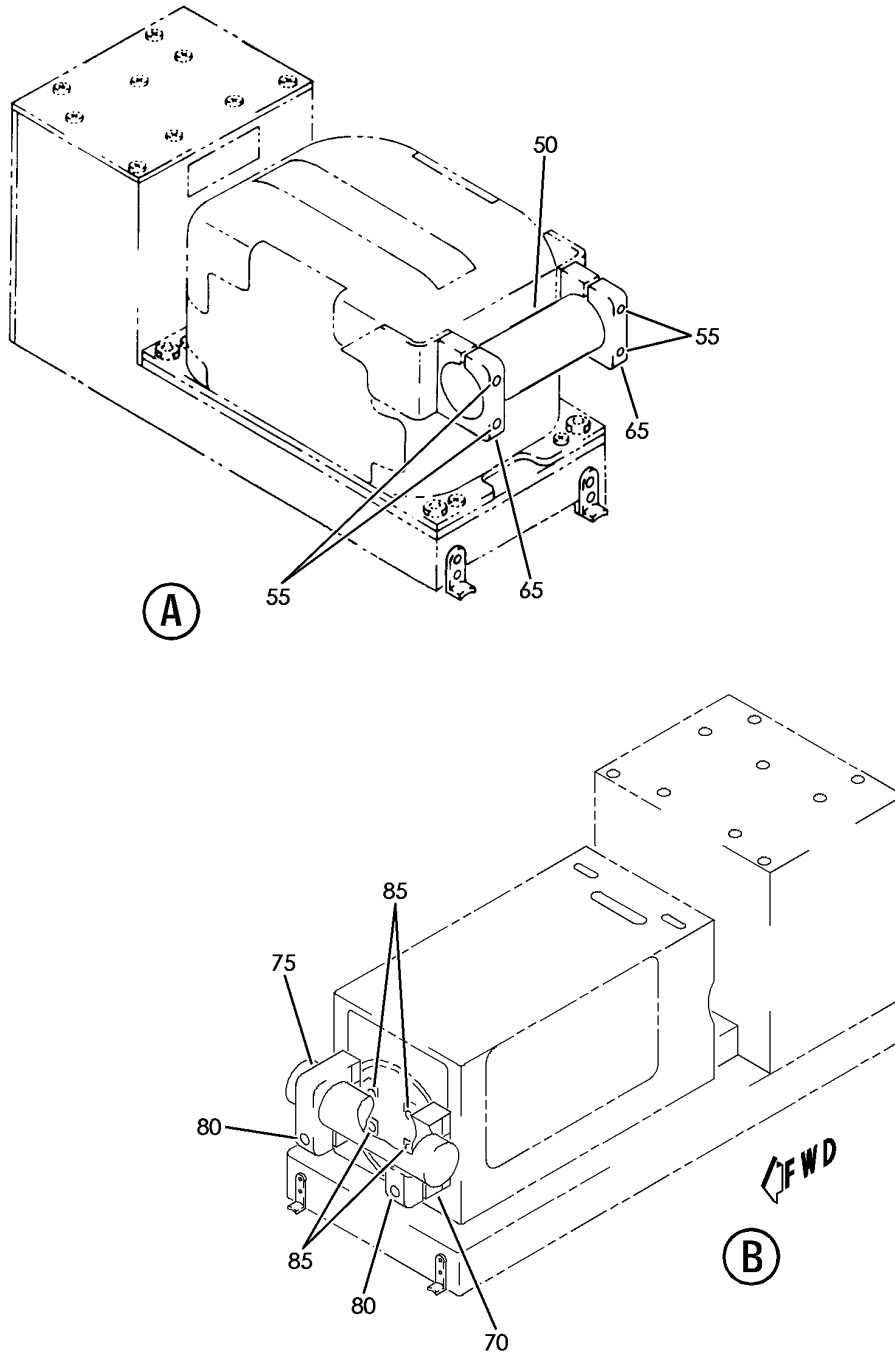
RECORDER ASSY-COCKPIT VOICE (VOICE RECORDER UNDERWATER LOCATOR BEACON ONLY)
FIGURE 1 (SHEET 1)

BRI
MAY 28/07

23-71-03-01

23-71-03-01
PAGE 0

BOEING
757
PARTS CATALOG (MAINTENANCE)



Y 23710301 SHT 2 REV 243

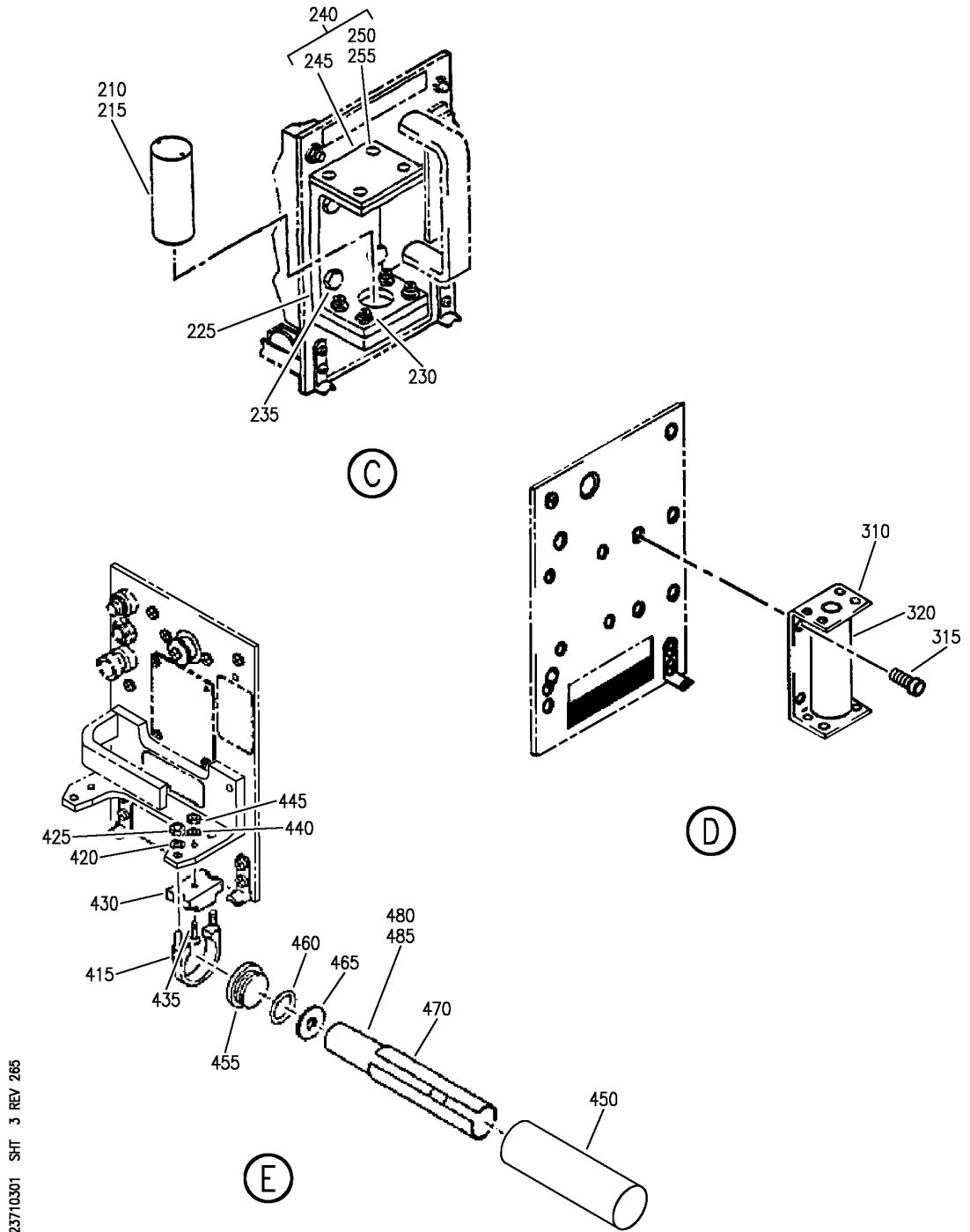
RECORDER ASSY-COCKPIT VOICE (VOICE RECORDER UNDERWATER LOCATOR BEACON ONLY)
FIGURE 1 (SHEET 2)

23-71-03-01

BRI
MAY 28/07

23-71-03-01
PAGE 0A

BOEING
757
PARTS CATALOG (MAINTENANCE)



Y 23710301 SH1 3 REV 265

RECORDER ASSY-COCKPIT VOICE (VOICE RECORDER UNDERWATER LOCATOR BEACON ONLY)
FIGURE 1 (SHEET 3)

BRI
MAY 28/07

23-71-03-01

23-71-03-01
PAGE 0B



757

PARTS CATALOG (MAINTENANCE)

FIG ITEM	PART NUMBER	1 2 3 4 5 6 7	NOMENCLATURE	EFFECT FROM TO	UNITS PER ASSY
1			RECORDER ASSY-COCKPIT VOICE (VOICE RECORDER UNDERWATER LOCATOR BEACON ONLY)	002004 006100 104999	
- 1	980-6020-001		RECORDER ASSY-COCKPIT VOICE (VOICE RECORDER UNDERWATER LOCATOR BEACON ONLY) (CUSTOMER FURNISHED) SUPPLIER CODE: V97896 FUNCTIONAL DESCRIPTION: RECORDS FOUR SEPARATE CHANNELS OF COCKPIT AUDIO SIMULTANEOUSLY USING SOLID-STATE MEMORY ELECTRICAL EQUIP NUMBER: M00201 COMPONENT MAINT MANUAL REF: 23-70-44 QUALIFIED I/W DATA: 980-6005-079, 980-6005-076 AND 980-6020-001 ARE I/W(2) WHEN USED WITH THE PANEL 980-6109-028 OR 980-6116-002 980-6020-001 OR 980-6022-001 MAY REPLACE 93A100-80/ 93A100-30 PER CUSTOMER REQUIREMENTS EXCEPT INSTALLATION OF A 980-SERIES SSCVR REQUIRES USE OF THE MATCHING CVR CONTROL 93A100-30 AND 93A100-80 INSTALLATION MUST INCLUDE 93A152-50 OR 93A152-60 980-6020-001 (30 MIN) AND 980-6022-001 (2 HOUR) RECORDERS ARE INTERCHANGEABLE PER CUSTOMER REQUIREMENTS. FOR NHA/ADDITIONAL DET SEE: 23-71-01-01	017100 108120	RF

MISSING ITEM NUMBERS NOT APPLICABLE

- ITEM NOT ILLUSTRATED

BRI

23-71-03-01

BOEING PROPRIETARY - Copyright © - Unpublished Work - See title page for details.

23-71-03
FIG. 01
PAGE 1
JAN 20/09



757

PARTS CATALOG (MAINTENANCE)

FIG ITEM	PART NUMBER	1 2 3 4 5 6 7	NOMENCLATURE	EFFECT FROM TO	UNITS PER ASSY
1 - 1	980-6022-001		RECORDER ASSY-COCKPIT VOICE (VOICE RECORDER UNDERWATER LOCATOR BEACON ONLY) (CUSTOMER FURNISHED) SUPPLIER CODE: V97896 FUNCTIONAL DESCRIPTION: RECORDS FOUR SEPARATE CHANNELS OF COCKPIT AUDIO SIMULTANEOUSLY USING SOLID-STATE MEMORY ELECTRICAL EQUIP NUMBER: M00201 COMPONENT MAINT MANUAL REF: 23-70-44 QUALIFIED I/W DATA: 980-6022-001 MAY REPLACE BUT NOT BE REPLACED BY S200-0012-00 WHICH DOES NOT HAVE GMT RECORDING CAPABILITY REQ'D BY JAA. 980-6022-001 MUST BE INSTALLED WITH 980-6116-002 MIC/MONITOR PANEL. 980-6020-001 (30 MIN) AND 980-6022-001 (2 HOUR) RECORDERS ARE INTERCHANGEABLE PER CUSTOMER REQUIREMENTS. 980-6020-001 OR 980-6022-001 MAY REPLACE 93A100-80/ 93A100-30 PER CUSTOMER REQUIREMENTS EXCEPT INSTALLATION OF A 980-SERIES SSCVR REQUIRES USE OF THE MATCHING CVR CONTROL PANEL 980-6116-002. 93A100-30 AND 93A100-80 INSTALLATION MUST INCLUDE 93A152-50 OR 93A152-60 FOR NHA/ADDITIONAL DET SEE: 23-71-01-01	108120	RF

MISSING ITEM NUMBERS NOT APPLICABLE

- ITEM NOT ILLUSTRATED

BRI

23-71-03-01

BOEING PROPRIETARY - Copyright © - Unpublished Work - See title page for details.

23-71-03
FIG. 01
PAGE 2
JAN 20/09



757

PARTS CATALOG (MAINTENANCE)

FIG ITEM	PART NUMBER	1 2 3 4 5 6 7	NOMENCLATURE	EFFECT FROM TO	UNITS PER ASSY
1 - 1	980-6020-001		RECORDER ASSY-COCKPIT VOICE (VOICE RECORDER UNDERWATER LOCATOR BEACON ONLY) SUPPLIER CODE: V97896 FUNCTIONAL DESCRIPTION: RECORDS FOUR SEPARATE CHANNELS OF COCKPIT AUDIO SIMULTANEOUSLY USING SOLID-STATE MEMORY ELECTRICAL EQUIP NUMBER: M00201 COMPONENT MAINT MANUAL REF: 23-70-44 QUALIFIED I/W DATA: 980-6005-079, 980-6005-076 AND 980-6020-001 ARE I/W(2) WHEN USED WITH THE PANEL 980-6109-028 OR 980-6116-002 980-6020-001 OR 980-6022-001 MAY REPLACE 93A100-80/ 93A100-30 PER CUSTOMER REQUIREMENTS EXCEPT INSTALLATION OF A 980-SERIES SSCVR REQUIRES USE OF THE MATCHING CVR CONTROL 93A100-30 AND 93A100-80 INSTALLATION MUST INCLUDE 93A152-50 OR 93A152-60 980-6022-001 IS INTERCHANGEABLE WITH 980-6020-001 IF THE CVR CONTROL PANEL PART NUMBER 980-6116-002 IS INSTALLED FOR NHA/ADDITIONAL DET SEE: 23-71-01-01	108120	RF

MISSING ITEM NUMBERS NOT APPLICABLE

- ITEM NOT ILLUSTRATED

BRI

23-71-03-01

BOEING PROPRIETARY - Copyright © - Unpublished Work - See title page for details.

23-71-03
FIG. 01
PAGE 3
JAN 20/09



757

PARTS CATALOG (MAINTENANCE)

FIG ITEM	PART NUMBER	1 2 3 4 5 6 7 NOMENCLATURE	EFFECT FROM TO	UNITS PER ASSY
1 - 1	980-6022-001	RECORDER ASSY-COCKPIT VOICE (VOICE RECORDER UNDERWATER LOCATOR BEACON ONLY) SUPPLIER CODE: V97896 FUNCTIONAL DESCRIPTION: RECORDS FOUR SEPARATE CHANNELS OF COCKPIT AUDIO SIMULTANEOUSLY USING SOLID-STATE MEMORY ELECTRICAL EQUIP NUMBER: M00201 COMPONENT MAINT MANUAL REF: 23-70-44 QUALIFIED I/W DATA: 980-6022-001 MAY REPLACE BUT NOT BE REPLACED BY S200-0012-00 WHICH DOES NOT HAVE GMT RECORDING CAPABILITY REQ'D BY JAA. 980-6022-001 MUST BE INSTALLED WITH 980-6116-002 MIC/MONITOR PANEL. 980-6020-001 (30 MIN) AND 980-6022-001 (2 HOUR) RECORDERS ARE INTERCHANGEABLE PER CUSTOMER REQUIREMENTS. 980-6020-001 OR 980-6022-001 MAY REPLACE 93A100-80/ 93A100-30 PER CUSTOMER REQUIREMENTS EXCEPT INSTALLATION OF A 980-SERIES SSCVR REQUIRES USE OF THE MATCHING CVR CONTROL PANEL 980-6116-002. 93A100-30 AND 93A100-80 INSTALLATION MUST INCLUDE 93A152-50 OR 93A152-60 FOR NHA/ADDITIONAL DET SEE: 23-71-01-01	104106	RF

MISSING ITEM NUMBERS NOT APPLICABLE

- ITEM NOT ILLUSTRATED

BRI

23-71-03-01

BOEING PROPRIETARY - Copyright © - Unpublished Work - See title page for details.

23-71-03
 FIG. 01
 PAGE 4
 JAN 20/09



757

PARTS CATALOG (MAINTENANCE)

FIG ITEM	PART NUMBER	1 2 3 4 5 6 7	NOMENCLATURE	EFFECT FROM TO	UNITS PER ASSY
1 50	DK100		.BEACON-UNDERWATER LOCATOR SUPPLIER CODE: V94970 OPTIONAL PART: ELP362D V4U270 ELP362DS V4U270 DK120 V94970 OPTIONAL PART: ELP362D V4U270 ELP362DS V4U270 DK120 V94970	017100 104106 108120	1
50	ELP362D		.BEACON-UNDERWATER LOCATOR SUPPLIER CODE: V4U270 OPTIONAL PART: DK100 V94970 ELP362DS V4U270 DK120 V94970	017100 104106 108120	1
50	ELP362DS		.BEACON-UNDERWATER LOCATOR SUPPLIER CODE: V4U270 OPTIONAL PART: DK100 V94970 ELP362D V4U270 DK120 V94970	017100 104106 108120	1

MISSING ITEM NUMBERS NOT APPLICABLE

- ITEM NOT ILLUSTRATED

BRI

23-71-03-01

BOEING PROPRIETARY - Copyright © - Unpublished Work - See title page for details.

23-71-03
FIG. 01
PAGE 5
JAN 20/09



757

PARTS CATALOG (MAINTENANCE)

FIG ITEM	PART NUMBER	1 2 3 4 5 6 7	NOMENCLATURE	EFFECT FROM TO	UNITS PER ASSY
1 50	DK120		.BEACON-UNDERWATER LOCATOR SUPPLIER CODE: V94970 OPTIONAL PART: ELP362D V4U270 DK100 V94970 OPTIONAL PART: DK100 V94970 ELP362D V4U270 ELP362DS V4U270	017100 104106 108120	1
50	316-6004-003		.BEACON-UNDERWATER SUPPLIER CODE: V97896 OPTIONAL PART: DK100 V94970 DK120 V94970 ELP362D V26858 ELP362DS V26858 316-6004-004 V97896 316-6004-005 V97896 316-6004-006 V97896	017100 104106 108120	1

MISSING ITEM NUMBERS NOT APPLICABLE

- ITEM NOT ILLUSTRATED

BRI

23-71-03-01

BOEING PROPRIETARY - Copyright © - Unpublished Work - See title page for details.

23-71-03
FIG. 01
PAGE 6
JAN 20/09



757

PARTS CATALOG (MAINTENANCE)

FIG ITEM	PART NUMBER	1 2 3 4 5 6 7	NOMENCLATURE	EFFECT FROM TO	UNITS PER ASSY
1 50	316-6004-004		.BEACON-UNDERWATER SUPPLIER CODE: V97896 OPTIONAL PART: DK100 V94970 DK120 V94970 ELP362D V26858 ELP362DS V26858 316-6004-005 V97896 316-6004-006 V97896 316-6004-003 V97896	017100 104106 108120	1
50	316-6004-005		.BEACON-UNDERWATER SUPPLIER CODE: V97896 OPTIONAL PART: DK100 V94970 DK120 V94970 ELP362D V26858 ELP362DS V26858 316-6004-003 V97896 316-6004-004 V97896 316-6004-006 V97896	017100 104106 108120	1

MISSING ITEM NUMBERS NOT APPLICABLE

- ITEM NOT ILLUSTRATED

BRI

23-71-03-01

BOEING PROPRIETARY - Copyright © - Unpublished Work - See title page for details.

23-71-03
FIG. 01
PAGE 7
JAN 20/09



757

PARTS CATALOG (MAINTENANCE)

FIG ITEM	PART NUMBER	1 2 3 4 5 6 7	NOMENCLATURE	EFFECT FROM TO	UNITS PER ASSY
1					
50	316-6004-006		.BEACON-UNDERWATER SUPPLIER CODE: V97896 OPTIONAL PART: DK100 V94970 DK120 V94970 ELP362D V26858 ELP362DS V26858 316-6004-003 V97896 316-6004-004 V97896 316-6004-005 V97896	017100 104106 108120	1
55	NAS1352C08-20		ATTACHING PARTS .SCREW-	017100	4
			CONFIG CHG DATA FROM A CMM: SUPSD BY PL54U82J20	104106 108120	
55	PL54U82J20		.SCREW-	017100	4
			SUPPLIER CODE: V03038 CONFIG CHG DATA FROM A CMM: SUPERSEDES NAS1352C08-20 OPTIONAL PART: PAT63234SS1 V51506	104106 108120	
55	PAT63234SS1		.SCREW-	017100	4
			SUPPLIER CODE: V51506 OPTIONAL PART: PL54U82J20 V51506	104106 108120	
- 60	810-2007		-----*----- ..BATTERY-	017100	1
			SUPPLIER CODE: V94970 CONFIG CHG DATA FROM A CMM: REPLD BY 810-2007K USED ON: DK120	104106 108120	

MISSING ITEM NUMBERS NOT APPLICABLE

- ITEM NOT ILLUSTRATED

23-71-03-01

23-71-03
FIG. 01
PAGE 8
JAN 20/09

BRI

BOEING PROPRIETARY - Copyright © - Unpublished Work - See title page for details.



757

PARTS CATALOG (MAINTENANCE)

FIG ITEM	PART NUMBER	1 2 3 4 5 6 7	NOMENCLATURE	EFFECT FROM TO	UNITS PER ASSY
1					
- 60	810-2007K		.. BATTERY KIT- SUPPLIER CODE: V94970 CONFIG CHG DATA FROM A CMM: REPLS 810-2007 USED ON: DK120	017100 104106 108120	1
- 60	B362-06192-2		.. BATTERY KIT- SUPPLIER CODE: V26858 USED ON: ELP362D	017100 104106 108120	1
65	654-0146-001		. MOUNT- SUPPLIER CODE: V97896	017100 104106 108120	2
70	625-1132-006		. SUPPORT- SUPPLIER CODE: V97896	017100 104106 108120	1
75	625-1132-005		. SUPPORT- SUPPLIER CODE: V97896 ATTACHING PARTS	017100 104106 108120	1
80	PAT63220SS1		. SCREW- SUPPLIER CODE: V51506	017100 104106 108120	2
85	PAT63216SS1		. SCREW- SUPPLIER CODE: V51506 OPTIONAL PART: PL54U82J6 V03038	017100 104106 108120	4
85	PL54U82J6		. SCREW- SUPPLIER CODE: V03038 OPTIONAL PART: PAT63216SS1 V51506 -----*-----	017100 104106 108120	4

MISSING ITEM NUMBERS NOT APPLICABLE

- ITEM NOT ILLUSTRATED

BRI

23-71-03-01

BOEING PROPRIETARY - Copyright © - Unpublished Work - See title page for details.

23-71-03
FIG. 01
PAGE 9
JAN 20/09



757

PARTS CATALOG (MAINTENANCE)

FIG ITEM	PART NUMBER	1 2 3 4 5 6 7	NOMENCLATURE	EFFECT FROM TO	UNITS PER ASSY
1 - 200	93A100-80		RECORDER ASSY-(CUSTOMER FURNISHED) SUPPLIER CODE: V06141 ELECTRICAL EQUIP NUMBER: M00201 COMPONENT MAINT MANUAL REF: 23-70-01 QUALIFIED I/W DATA: 93A100-80 MAY REPLACE 93A100-30 IF THE CVR CONTROL PANEL PART NUMBER 93A152-50 OR 93A152-60 IS INSTALLED 980-6020-001 OR 980-6022-001 MAY REPLACE 93A100-80/ 93A100-30 PER CUSTOMER REQUIREMENTS EXCEPT INSTALLATION OF A 980-SERIES SSCVR REQUIRES USE OF THE MATCHING CVR CONTROL PANEL 980-6116-002. 93A100-30 AND 93A100-80 INSTALLATION MUST INCLUDE 93A152-50 OR 93A152-60 2100-1020-00 CVR TOGETHER WITH S152-0040-00 CONTROL PANEL INTERCHANGEABLE WITH 93A100-80 CVR TOGETHER WITH 93A152-60 CONTROL PANEL EXCEPT WHEN OPERATING A CVR SYSTEM COMPLIANT TO THE JAA ED56A STANDARD 2100-1020-00 SHALL BE INSTALLED. FOR NHA/ADDITIONAL DET SEE: 23-71-01-01	107107 504903 953999	RF

MISSING ITEM NUMBERS NOT APPLICABLE

- ITEM NOT ILLUSTRATED

23-71-03-01

23-71-03
FIG. 01
PAGE 10
JAN 20/09

BRI



757

PARTS CATALOG (MAINTENANCE)

FIG ITEM	PART NUMBER	1 2 3 4 5 6 7	NOMENCLATURE	EFFECT FROM TO	UNITS PER ASSY
1 - 200	93A100-30		RECORDER ASSY-(CUSTOMER FURNISHED) SUPPLIER CODE: V06141 ELECTRICAL EQUIP NUMBER: M00201 COMPONENT MAINT MANUAL REF: 23-70-01 QUALIFIED I/W DATA: 93A100-80 MAY REPLACE 93A100-30 IF THE CVR CONTROL PANEL PART NUMBER 93A152-50 OR 93A152-60 IS INSTALLED 980-6020-001 OR 980-6022-001 MAY REPLACE 93A100-80/ 93A100-30 PER CUSTOMER REQUIREMENTS EXCEPT INSTALLATION OF A 980-SERIES SSCVR REQUIRES USE OF THE MATCHING CVR CONTROL PANEL 980-6116-002. 93A100-30 AND 93A100-80 INSTALLATION MUST INCLUDE 93A152-50 OR 93A152-60 FOR NHA/ADDITIONAL DET SEE: 23-71-01-01	121503 904949	RF

MISSING ITEM NUMBERS NOT APPLICABLE

- ITEM NOT ILLUSTRATED

BRI

23-71-03-01

BOEING PROPRIETARY - Copyright © - Unpublished Work - See title page for details.

23-71-03
FIG. 01
PAGE 11
JAN 20/09



757

PARTS CATALOG (MAINTENANCE)

FIG ITEM	PART NUMBER	1 2 3 4 5 6 7	NOMENCLATURE	EFFECT FROM TO	UNITS PER ASSY
1 - 200	93A100-80		RECORDER ASSY- (CUSTOMER FURNISHED) SUPPLIER CODE: V06141 ELECTRICAL EQUIP NUMBER: M00201 COMPONENT MAINT MANUAL REF: 23-70-01 QUALIFIED I/W DATA: 93A100-80 MAY REPLACE 93A100-30 IF THE CVR CONTROL PANEL PART NUMBER 93A152-50 OR 93A152-60 IS INSTALLED 980-6020-001 OR 980-6022-001 MAY REPLACE 93A100-80/ 93A100-30 PER CUSTOMER REQUIREMENTS EXCEPT INSTALLATION OF A 980-SERIES SSCVR REQUIRES USE OF THE MATCHING CVR CONTROL PANEL 980-6116-002. 93A100-30 AND 93A100-80 INSTALLATION MUST INCLUDE 93A152-50 OR 93A152-60 2100-1020-00 CVR TOGETHER WITH S152-0040-00 CONTROL PANEL INTERCHANGEABLE WITH 93A100-80 CVR TOGETHER WITH 93A152-60 CONTROL PANEL EXCEPT WHEN OPERATING A CVR SYSTEM COMPLIANT TO THE JAA ED56A STANDARD 2100-1020-00 SHALL BE INSTALLED. FOR NHA/ADDITIONAL DET SEE: 23-71-01-01	950951	RF
210	15957		.BEACON ASSY-ACOUSTIC UNDERWATER LOCATOR SUPPLIER CODE: V06141 CONFIG CHG DATA FROM A CMM: REPLD BY 266E0305-00	107107 121951 953999	1

MISSING ITEM NUMBERS NOT APPLICABLE

- ITEM NOT ILLUSTRATED

BRI

23-71-03-01

23-71-03
FIG. 01
PAGE 12
JAN 20/09



757

PARTS CATALOG (MAINTENANCE)

FIG ITEM	PART NUMBER	1 2 3 4 5 6 7	NOMENCLATURE	EFFECT FROM TO	UNITS PER ASSY
1					
210	266E0305-00		.BEACON-ACCOUSTIC UNDERWATER SUPPLIER CODE: V06141 CONFIG CHG DATA FROM A CMM: REPLS 15957	107107 121951 953999	1
225	93-602		.BLOCK-MTG SUPPLIER CODE: V06141 USED ON: 93A100-80 ATTACHING PARTS	107107 121951 953999	1
230	9-1416		.SCREW- SUPPLIER CODE: V06141	107107 121951 953999	4
235	AN4-6A		.BOLT	107107 121951 953999	4
240	9300A209		-----*----- .CRADLE ASSY- SUPPLIER CODE: V06141 USED ON: 93A100-80	107107 121951 953999	1
245	810-617		..PLATE-COVER SUPPLIER CODE: V06141 ATTACHING PARTS	107107 121951 953999	1
250	MS24671-13		..SCREW	107107 121951 953999	4
255	MS35336-17		..WASHER -----*-----	107107 121951 953999	4

MISSING ITEM NUMBERS NOT APPLICABLE

- ITEM NOT ILLUSTRATED

23-71-03-01

23-71-03
FIG. 01
PAGE 13
JAN 20/09

BRI

BOEING PROPRIETARY - Copyright © - Unpublished Work - See title page for details.



757

PARTS CATALOG (MAINTENANCE)

FIG ITEM	PART NUMBER	1 2 3 4 5 6 7	NOMENCLATURE	EFFECT FROM TO	UNITS PER ASSY
1 - 300	S100-0080-00		RECORDER ASSY-(CUSTOMER FURNISHED) SUPPLIER CODE: V06141 FUNCTIONAL DESCRIPTION: RECORDS FOUR SEPARATE CHANNELS OF COCKPIT AUDIO SIMULTANEOUSLY USING SOLID-STATE MEMORY ELECTRICAL EQUIP NUMBER: M00201 COMPONENT MAINT MANUAL REF: 23-70-02 FOR NHA/ADDITIONAL DET SEE: 23-71-01-01	950951	RF
- 400	980-6005-076		RECORDER ASSY-(CUSTOMER FURNISHED) SUPPLIER CODE: V97896 ELECTRICAL EQUIP NUMBER: M00201 COMPONENT MAINT MANUAL REF: 23-70-40 QUALIFIED I/W DATA: 980-6005-079, 980-6005-076 AND 980-6020-001 ARE I/W(2) WHEN USED WITH PANEL 980-6109-028 OR 980-6116-002. OPTIONAL PART: 980-6005-079 V97896 FOR NHA/ADDITIONAL DET SEE: 23-71-01-01	002004 006016 952952	RF
- 400	980-6005-079		RECORDER ASSY-(CUSTOMER FURNISHED) SUPPLIER CODE: V97896 ELECTRICAL EQUIP NUMBER: M00201 COMPONENT MAINT MANUAL REF: 23-70-40 OPTIONAL PART: 980-6005-076 V97896 FOR NHA/ADDITIONAL DET SEE: 23-71-01-01	002004 006016 952952	RF

MISSING ITEM NUMBERS NOT APPLICABLE

- ITEM NOT ILLUSTRATED

BRI

23-71-03-01

23-71-03
FIG. 01
PAGE 14
JAN 20/09



757

PARTS CATALOG (MAINTENANCE)

FIG ITEM	PART NUMBER	1 2 3 4 5 6 7	NOMENCLATURE	EFFECT FROM TO	UNITS PER ASSY
1					
- 410	N30A20A		.MOUNTING KIT ASSY-ULD SUPPLIER CODE: V94970	002004 006016 952952	1
415	810-407-2		..STRAP-RTNR SUPPLIER CODE: V94970 ATTACHING PARTS	002004 006016 952952	2
420	AN960C416		..WASHER	002004 006016 952952	4
425	810-410-2		..NUT- SUPPLIER CODE: V94970 -----*-----	002004 006016 952952	4
430	810-408		..BLOCK-POSITIONING SUPPLIER CODE: V94970 ATTACHING PARTS	002004 006016 952952	2
435	810-413-01		..SCREW- SUPPLIER CODE: V94970	002004 006016 952952	2
440	AN960-4L		..WASHER	002004 006016 952952	2
445	810-444		..NUT- SUPPLIER CODE: V94970 -----*-----	002004 006016 952952	2
450	N15F210B		.LOCATING DEVICE ASSY- UNDERWATER ULD SUPPLIER CODE: V94970 CONFIG CHG DATA FROM A CMM: REPLD BY DK100	002004 006016 952952	1
455	810-423		..CAP-END SUPPLIER CODE: V94970	002004 006016 952952	1
460	810-342		..PACKING- SUPPLIER CODE: V94970	002004 006016 952952	1
465	810-419		..CUSHION-SHOCK SUPPLIER CODE: V94970	002004 006016 952952	1
470	810-371		..CUSHION-SHOCK SUPPLIER CODE: V94970 PRE SERVICE BULLETIN: 210B-1-7 V94970	002004 006016 952952	1

MISSING ITEM NUMBERS NOT APPLICABLE

- ITEM NOT ILLUSTRATED

23-71-03-01

23-71-03
FIG. 01
PAGE 15
JAN 20/09

BRI



757

PARTS CATALOG (MAINTENANCE)

FIG ITEM	PART NUMBER	1 2 3 4 5 6 7	NOMENCLATURE	EFFECT FROM TO	UNITS PER ASSY
1					
- 475	810-371A		.. CUSHION-SHOCK SUPPLIER CODE: V94970 POST SERVICE BULLETIN: 210B-1-7 V94970	002004 006016 952952	1
480	810-418		.. BATTERY- SUPPLIER CODE: V94970 PRE SERVICE BULLETIN: 210B-1-7 V94970	002004 006016 952952	1
485	810-418A		.. BATTERY- SUPPLIER CODE: V94970 POST SERVICE BULLETIN: 210B-1-7 V94970	002004 006016 952952	1
- 490	DK100		. BEACON-UNDERWATER LOCATOR SUPPLIER CODE: V94970 CONFIG CHG DATA FROM A CMM: REPLS N15F210B OPTIONAL PART: ELP362D V4U270 ELP362DS V4U270 DK120 V94970 OPTIONAL PART: ELP362D V4U270 ELP362DS V4U270 DK120 V94970	002004 006016 952952	1
- 490	ELP362D		. BEACON-UNDERWATER LOCATOR SUPPLIER CODE: V4U270 OPTIONAL PART: DK100 V94970 ELP362DS V4U270 DK120 V94970	002004 006016 952952	1

MISSING ITEM NUMBERS NOT APPLICABLE

- ITEM NOT ILLUSTRATED

BRI

23-71-03-01

BOEING PROPRIETARY - Copyright © - Unpublished Work - See title page for details.

23-71-03
FIG. 01
PAGE 16
JAN 20/09



757

PARTS CATALOG (MAINTENANCE)

FIG ITEM	PART NUMBER	1 2 3 4 5 6 7	NOMENCLATURE	EFFECT FROM TO	UNITS PER ASSY
1					
- 490	ELP362DS		.BEACON-UNDERWATER LOCATOR SUPPLIER CODE: V4U270 OPTIONAL PART: DK100 V94970 ELP362D V4U270 DK120 V94970	002004 006016 952952	1
- 490	DK120		.BEACON-UNDERWATER LOCATOR SUPPLIER CODE: V94970 OPTIONAL PART: ELP362D V4U270 DK100 V94970 OPTIONAL PART: DK100 V94970 ELP362D V4U270 ELP362DS V4U270	002004 006016 952952	1
- 495	810-2007K		..BATTERY KIT- SUPPLIER CODE: V94970 USED ON: DK120	002004 006016 952952	1
- 495	B362-06192-02		..BATTERY KIT- SUPPLIER CODE: V26858 USED ON: ELP362D	002004 006016 952952	1

MISSING ITEM NUMBERS NOT APPLICABLE

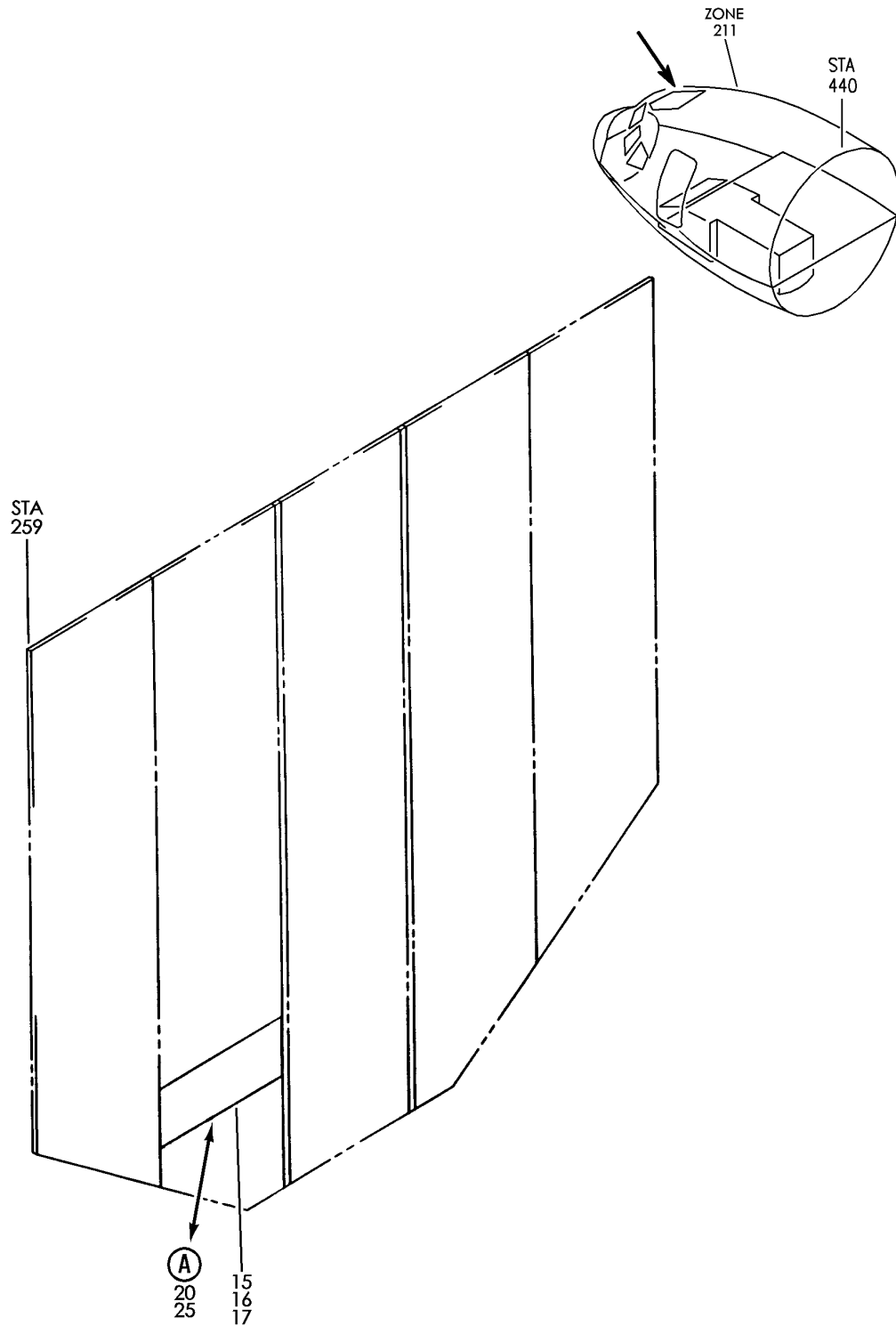
- ITEM NOT ILLUSTRATED

23-71-03-01

23-71-03
FIG. 01
PAGE 17
JAN 20/09

BRI

BOEING
757
PARTS CATALOG (MAINTENANCE)



Y 23710501 SHT 1 REV 239

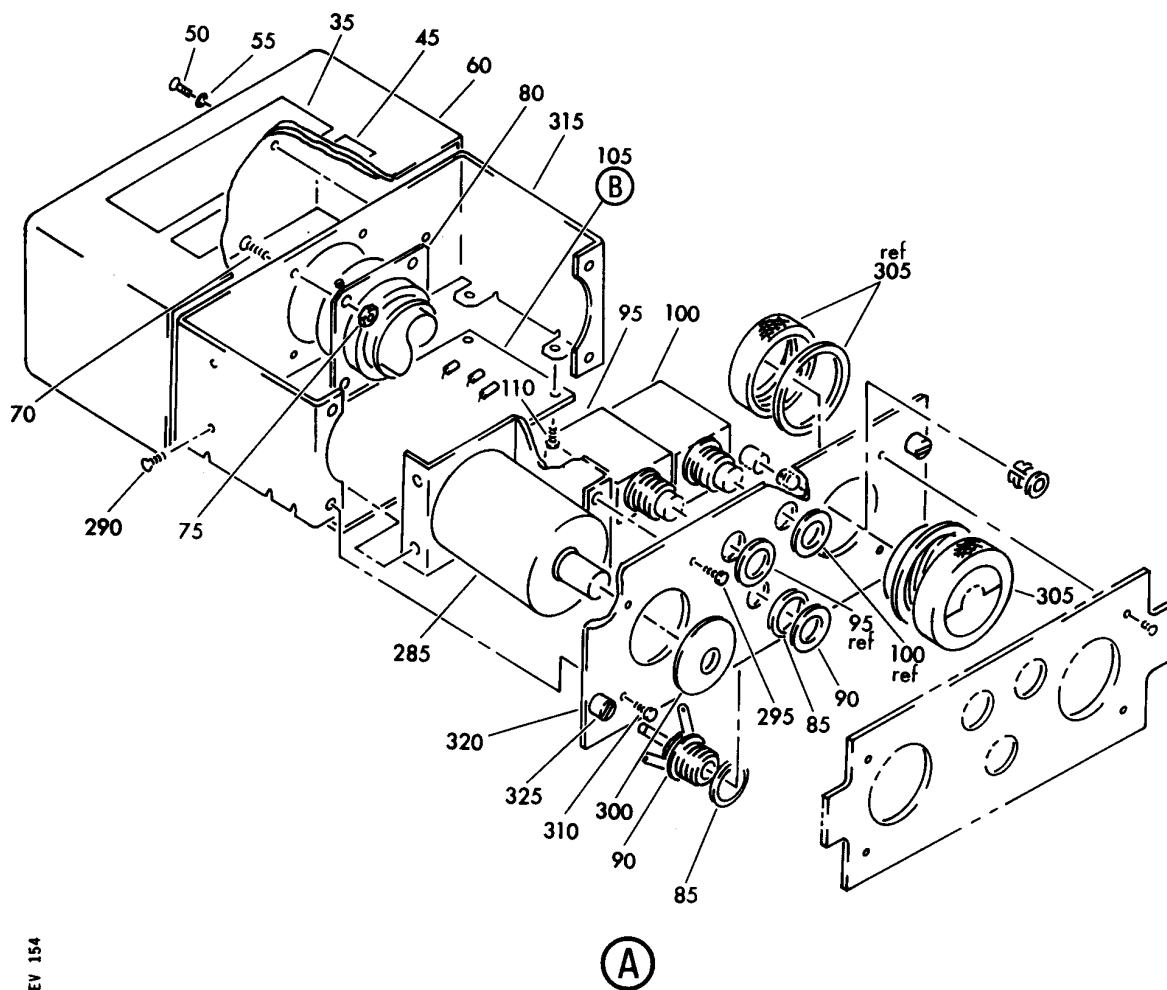
PANEL INSTL-P5 OVHD (AUDIO AND VIDEO MONITORING ONLY)
FIGURE 1 (SHEET 1)

23-71-05-01

BRI
MAY 28/07

23-71-05-01
PAGE 0

BOEING
757
PARTS CATALOG (MAINTENANCE)



Y 23710501 SHT 2 REV 154

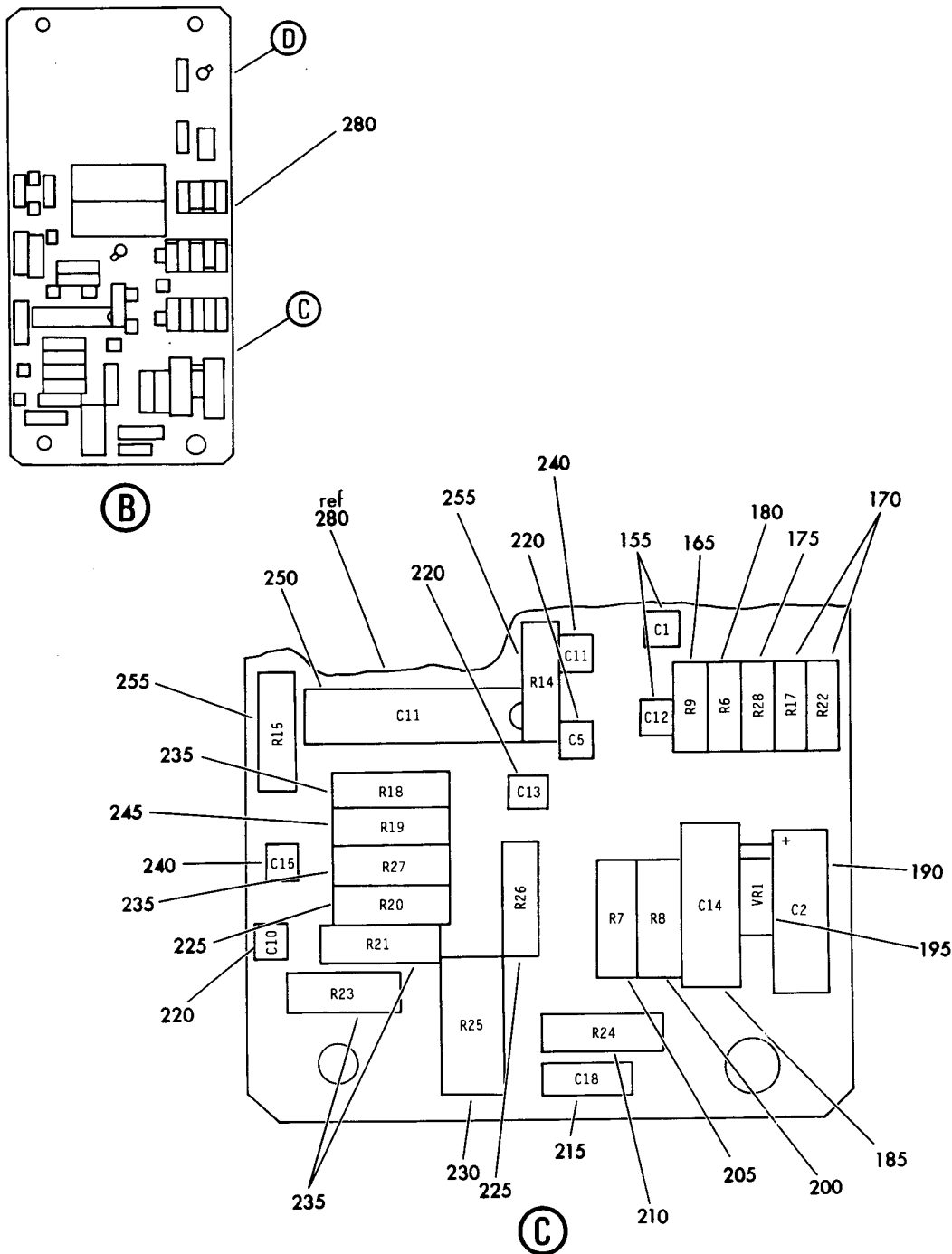
PANEL INSTL-P5 OVHD (AUDIO AND VIDEO MONITORING ONLY)
FIGURE 1 (SHEET 2)

23-71-05-01

BRI
MAY 28/07

23-71-05-01
PAGE 0A

BOEING
757
PARTS CATALOG (MAINTENANCE)



Y 23710501 SHT 3 REV 154

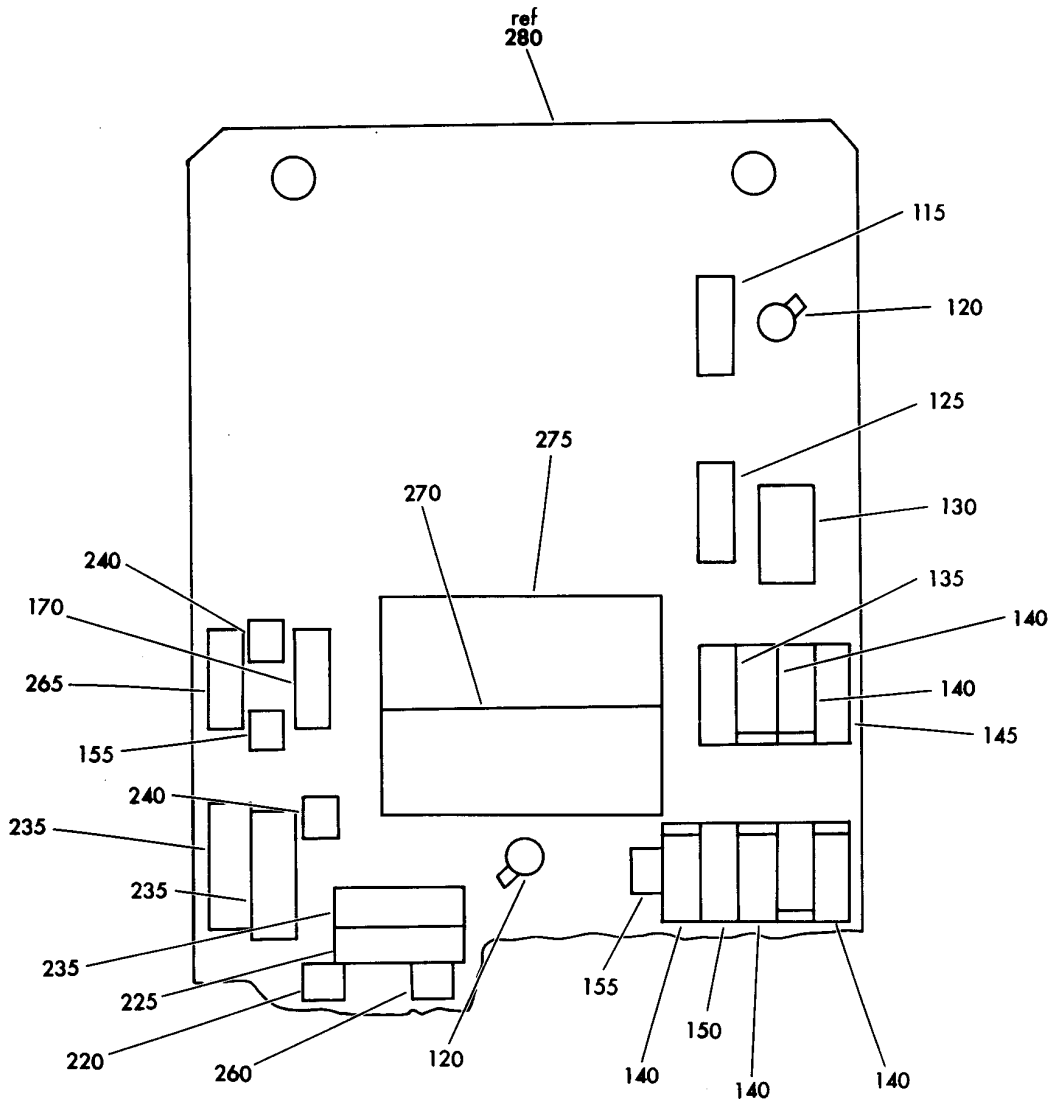
PANEL INSTL-P5 OVHD (AUDIO AND VIDEO MONITORING ONLY)
FIGURE 1 (SHEET 3)

23-71-05-01

BRI
MAY 28/07

23-71-05-01
PAGE 0B

BOEING
757
PARTS CATALOG (MAINTENANCE)



ⓓ

Y 23710501 SHT 4 REV 154

PANEL INSTL-P5 OVHD (AUDIO AND VIDEO MONITORING ONLY)
FIGURE 1 (SHEET 4)

23-71-05-01

BRI
MAY 28/07

23-71-05-01
PAGE 0C



757

PARTS CATALOG (MAINTENANCE)

FIG ITEM	PART NUMBER	1 2 3 4 5 6 7	NOMENCLATURE	EFFECT FROM TO	UNITS PER ASSY
1			PANEL INSTL-P5 OVHD (AUDIO AND VIDEO MONITORING ONLY)	002004 006100 107107 121503 904999	
- 1	233N3101-1		PANEL INSTL-P5 OVHD (AUDIO AND VIDEO MONITORING ONLY) VARIABLE DRAWING REF: 233N3101-5005 233N3101-5025 233N3101-5029 233N3101-5041 233N3101-5042 233N3101-5045 233N3101-5142 FOR NHA/OTHER SYS DET SEE: 25-10-00-05A	002004 006100 107107 121503 904949 952999	RF
- 1	233N3101-1		PANEL INSTL-P5 OVHD (AUDIO AND VIDEO MONITORING ONLY) FOR NHA/OTHER SYS DET SEE: 25-10-00-05A	950951	RF
15	980-6116-002		.PANEL ASSY-VOICE RECORDER (CUSTOMER FURNISHED) SUPPLIER CODE: V97896 ELECTRICAL EQUIP NUMBER: M00050 COMPONENT MAINT MANUAL REF: 23-70-43	002004 006016	1
15	980-6116-002		.PANEL ASSY-VOICE RECORDER SUPPLIER CODE: V97896 ELECTRICAL EQUIP NUMBER: M00050 COMPONENT MAINT MANUAL REF: 23-70-43	002004 006016	1
15	980-6116-002		.PANEL ASSY-VOICE RECORDER (CUSTOMER FURNISHED) SUPPLIER CODE: V97896 ELECTRICAL EQUIP NUMBER: M00050 COMPONENT MAINT MANUAL REF: 23-70-43	002004 006100	1

MISSING ITEM NUMBERS NOT APPLICABLE

- ITEM NOT ILLUSTRATED

23-71-05-01

23-71-05
FIG. 01
PAGE 1
JAN 20/09

BRI



757

PARTS CATALOG (MAINTENANCE)

FIG ITEM	PART NUMBER	1 2 3 4 5 6 7	NOMENCLATURE	EFFECT FROM TO	UNITS PER ASSY
1	15 93A152-50		.PANEL ASSY-VOICE RECORDER (CUSTOMER FURNISHED) SUPPLIER CODE: V06141 ELECTRICAL EQUIP NUMBER: M00050 COMPONENT MAINT MANUAL REF: 23-70-01	107107 121503 904951 953999	1
	16 980-6109-028		.PANEL ASSY-VOICE RECORDER (CUSTOMER FURNISHED) SUPPLIER CODE: V97896 ELECTRICAL EQUIP NUMBER: M00050 COMPONENT MAINT MANUAL REF: 23-70-37	002004 006100	1
	16 980-6109-012		.PANEL-VOICE RECORDER (CUSTOMER FURNISHED) SUPPLIER CODE: V97896 ELECTRICAL EQUIP NUMBER: M00050 COMPONENT MAINT MANUAL REF: 23-70-37	002004 006100	1
	17 980-6109-017		.PANEL-VOICE RECORDER (CUSTOMER FURNISHED) SUPPLIER CODE: V97896 FUNCTIONAL DESCRIPTION: ALLOWS TESTING OF THE COCKPIT VOICE RECORDER ELECTRICAL EQUIP NUMBER: M00050 COMPONENT MAINT MANUAL REF: 23-70-37	952952	1
17	93A152-60		.PANEL-VOICE RECORDER (CUSTOMER FURNISHED) SUPPLIER CODE: V06141 ELECTRICAL EQUIP NUMBER: M00050 COMPONENT MAINT MANUAL REF: 23-70-01	904949	1

MISSING ITEM NUMBERS NOT APPLICABLE

- ITEM NOT ILLUSTRATED

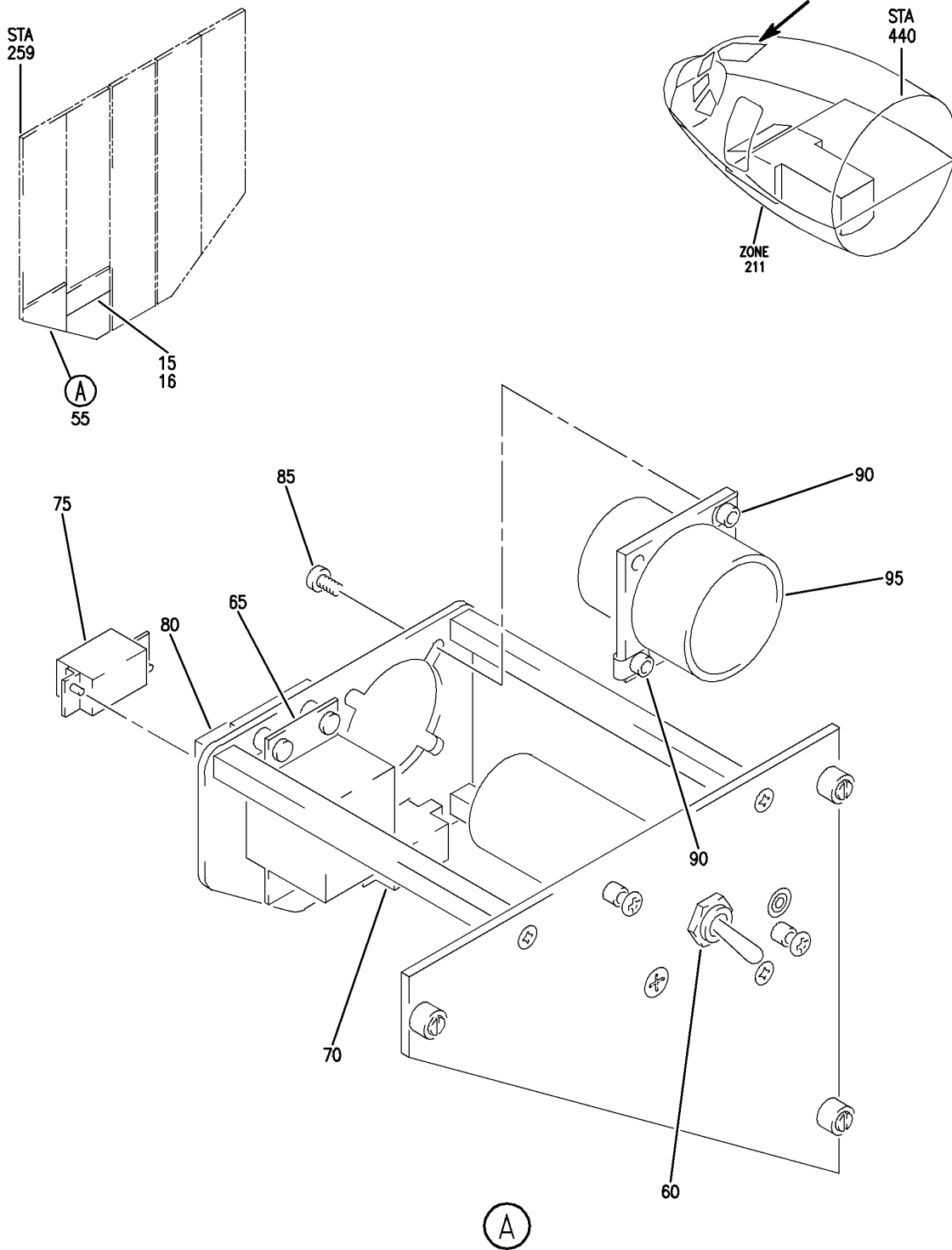
BRI

23-71-05-01

BOEING PROPRIETARY - Copyright © - Unpublished Work - See title page for details.

23-71-05
FIG. 01
PAGE 2
JAN 20/09

BOEING
757
PARTS CATALOG (MAINTENANCE)



Y 23710502 REV 242

PANEL INSTL-P5 OVHD (AUDIO AND VIDEO MONITORING ONLY)
FIGURE 2

23-71-05-02

BRI
MAY 28/07

23-71-05-02
PAGE 0



757

PARTS CATALOG (MAINTENANCE)

FIG ITEM	PART NUMBER	1 2 3 4 5 6 7	NOMENCLATURE	EFFECT FROM TO	UNITS PER ASSY
2			PANEL INSTL-P5 OVHD (AUDIO AND VIDEO MONITORING ONLY)	101106 108120 504903	
- 2	233N3103-132		PANEL INSTL-P5 OVHD (AUDIO AND VIDEO MONITORING ONLY) FOR NHA/OTHER SYS DET SEE: 25-10-00-15E	101102	RF
- 2	233N3103-136		PANEL INSTL-P5 OVHD (AUDIO AND VIDEO MONITORING ONLY) FOR NHA/OTHER SYS DET SEE: 25-10-00-15E	504903	RF
- 6	233N3103-59		PANEL INSTL-P5 OVHD (AUDIO AND VIDEO MONITORING ONLY) FOR NHA/OTHER SYS DET SEE: 25-10-00-15E	108120	RF
- 8	MODREF170180		PANEL INSTL-P5 OVHD (AUDIO AND VIDEO MONITORING ONLY) MODULE NUMBER: 233N3103-353 REV B FOR OTHER SYS DETAILS SEE: 11-31-10-12 21-25-55-03 21-31-01-02 21-33-51-03 21-51-54-03 21-58-19-10 21-58-51-03 21-61-04-03 21-65-51-01 22-21-01-04 22-24-51-02 23-24-01-01 23-32-00-11 23-42-02-02 24-11-52-05 24-22-01-03 24-31-01-10 24-31-03-09 24-33-04-01 24-41-51-04 24-51-62-01 26-18-51-04 27-21-53-02 27-41-55-01 27-61-51-03	106106	1

MISSING ITEM NUMBERS NOT APPLICABLE

- ITEM NOT ILLUSTRATED

BRI

23-71-05-02

BOEING PROPRIETARY - Copyright © - Unpublished Work - See title page for details.

23-71-05
FIG. 02
PAGE 1
JAN 20/09



757

PARTS CATALOG (MAINTENANCE)

FIG ITEM	PART NUMBER	1 2 3 4 5 6 7 NOMENCLATURE	EFFECT FROM TO	UNITS PER ASSY
2		27-62-52-02 28-22-51-02 28-41-04-01 28-41-51-03 29-11-02-03 29-11-05-04 29-11-52-07 29-21-54-03 29-31-00-01 29-32-51-03 29-33-52-03 30-11-51-03 30-21-51-03 30-31-51-02 30-32-51-01 30-33-51-02 30-41-51-03 30-42-51-03 31-12-11-84 31-12-11-84 A 32-42-52-03 33-11-03-03 33-11-51-17 33-13-01-65 33-13-02-03 33-16-51-03 33-24-51-02 33-41-52-04 33-42-01-04 33-42-02-04 33-42-52-04 33-43-51-04 33-44-51-05 33-45-53-03 33-51-08-05 34-21-02-01 35-21-51-04 36-11-04-01 36-21-00-01 36-21-02-05 36-22-51-03 49-41-00-02 49-52-00-01 49-70-00-01 52-51-51-03 52-71-51-02 73-21-52-02 74-31-51-05 75-32-00-01		

MISSING ITEM NUMBERS NOT APPLICABLE

- ITEM NOT ILLUSTRATED

BRI

23-71-05-02

BOEING PROPRIETARY - Copyright © - Unpublished Work - See title page for details.

23-71-05
FIG. 02
PAGE 2
JAN 20/09



757

PARTS CATALOG (MAINTENANCE)

FIG ITEM	PART NUMBER	1 2 3 4 5 6 7	NOMENCLATURE	EFFECT FROM TO	UNITS PER ASSY
2					
- 10	MODREF33760		80-11-09-02 PANEL INSTL-P5 OVHD (AUDIO AND VIDEO MONITORING ONLY) MODULE NUMBER: 233N3103-351 REV C FOR OTHER SYS DETAILS SEE: 11-31-10-12 21-25-55-03 21-31-01-02 21-33-51-03 21-51-54-03 21-58-19-10 21-58-51-03 21-61-04-03 21-65-51-01 22-21-01-04 22-24-51-02 23-24-01-01 23-32-00-11 23-42-02-02 24-11-52-05 24-22-01-03 24-31-01-10 24-31-03-09 24-33-04-01 24-41-51-04 24-51-62-01 26-18-51-04 27-21-53-02 27-41-55-01 27-61-51-03 27-62-52-02 28-22-51-02 28-41-04-01 28-41-51-03 29-11-02-03 29-11-05-04 29-11-52-07 29-21-54-03 29-31-00-01 29-32-51-03 29-33-52-03 30-11-51-03 30-21-51-03 30-31-51-02 30-32-51-01 30-33-51-02 30-41-51-03	103103	1
MISSING ITEM NUMBERS NOT APPLICABLE					

- ITEM NOT ILLUSTRATED

23-71-05-02

23-71-05
FIG. 02
PAGE 3
JAN 20/09

BRI



757

PARTS CATALOG (MAINTENANCE)

FIG ITEM	PART NUMBER	1 2 3 4 5 6 7	NOMENCLATURE	EFFECT FROM TO	UNITS PER ASSY
2			30-42-51-03 31-12-11-91 31-12-11-91A 32-42-52-03 33-11-03-03 33-11-51-17 33-13-01-65 33-13-02-03 33-16-51-03 33-24-51-02 33-41-52-04 33-42-01-04 33-42-02-04 33-42-52-04 33-43-51-04 33-44-51-05 33-45-53-03 33-51-08-05 34-21-02-01 35-21-51-04 36-11-04-01 36-21-00-01 36-21-02-05 36-22-51-03 49-41-00-02 49-52-00-01 49-70-00-01 52-51-51-03 52-71-51-02 73-21-52-02 74-31-51-05 75-32-00-01 80-11-09-02		
- 10	MODREF34038		PANEL INSTL-P5 OVHD (AUDIO AND VIDEO MONITORING ONLY) MODULE NUMBER: 233N3103-351 REV D FOR OTHER SYS DETAILS SEE: 11-31-10-12 21-25-55-03 21-31-01-02 21-33-51-03 21-51-54-03 21-58-19-10 21-58-51-03 21-61-04-03 21-65-51-01 22-21-01-04	104105	1
MISSING ITEM NUMBERS NOT APPLICABLE					

- ITEM NOT ILLUSTRATED

BRI

23-71-05-02

BOEING PROPRIETARY - Copyright © - Unpublished Work - See title page for details.

23-71-05
 FIG. 02
 PAGE 4
 JAN 20/09



757

PARTS CATALOG (MAINTENANCE)

FIG ITEM	PART NUMBER	1 2 3 4 5 6 7	NOMENCLATURE	EFFECT FROM TO	UNITS PER ASSY
2			22-24-51-02 23-24-01-01 23-32-00-11 23-42-02-02 24-11-52-05 24-22-01-03 24-31-01-10 24-31-03-09 24-33-04-01 24-41-51-04 24-51-62-01 26-18-51-04 27-21-53-02 27-41-55-01 27-61-51-03 27-62-52-02 28-22-51-02 28-41-04-01 28-41-51-03 29-11-02-03 29-11-05-04 29-11-52-07 29-21-54-03 29-31-00-01 29-32-51-03 29-33-52-03 30-11-51-03 30-21-51-03 30-31-51-02 30-32-51-01 30-33-51-02 30-41-51-03 30-42-51-03 31-12-11-91 31-12-11-91 A 32-42-52-03 33-11-03-03 33-11-51-17 33-13-01-65 33-13-02-03 33-16-51-03 33-24-51-02 33-41-52-04 33-42-01-04 33-42-02-04 33-42-52-04 33-43-51-04 33-44-51-05 33-45-53-03		

MISSING ITEM NUMBERS NOT APPLICABLE

- ITEM NOT ILLUSTRATED

BRI

23-71-05-02

BOEING PROPRIETARY - Copyright © - Unpublished Work - See title page for details.

23-71-05
FIG. 02
PAGE 5
JAN 20/09



757

PARTS CATALOG (MAINTENANCE)

FIG ITEM	PART NUMBER	1 2 3 4 5 6 7	NOMENCLATURE	EFFECT FROM TO	UNITS PER ASSY
2			33-51-08-05 34-21-02-01 35-21-51-04 36-11-04-01 36-21-00-01 36-21-02-05 36-22-51-03 49-41-00-02 49-52-00-01 49-70-00-01 52-51-51-03 52-71-51-02 73-21-52-02 74-31-51-05 75-32-00-01 80-11-09-02		
15	980-6116-002		.PANEL ASSY-VOICE RECORDER SUPPLIER CODE: V97896 ELECTRICAL EQUIP NUMBER: M00050 COMPONENT MAINT MANUAL REF: 23-70-43	103106	1
15	980-6116-002		.PANEL ASSY-VOICE RECORDER (CUSTOMER FURNISHED) SUPPLIER CODE: V97896 ELECTRICAL EQUIP NUMBER: M00050 COMPONENT MAINT MANUAL REF: 23-70-43 QUALIFIED I/W DATA: 980-6116-002 & 980-6022-001 MAY REPLACE 93A152-60 & 5200-0012-00, BUT NOT REPLACED BY. 5200-0012-00 DOES NOT HAVE GMT RECORDING CAPABILITY REQ'D BY JAA	504903	1
15	980-6116-002		.PANEL ASSY-VOICE RECORDER (CUSTOMER FURNISHED) SUPPLIER CODE: V97896 ELECTRICAL EQUIP NUMBER: M00050 COMPONENT MAINT MANUAL REF: 23-70-43	101102 108120	1

MISSING ITEM NUMBERS NOT APPLICABLE

- ITEM NOT ILLUSTRATED

23-71-05-02

23-71-05
FIG. 02
PAGE 6
JAN 20/09

BRI



757

PARTS CATALOG (MAINTENANCE)

FIG ITEM	PART NUMBER	1 2 3 4 5 6 7	NOMENCLATURE	EFFECT FROM TO	UNITS PER ASSY
2					
- 50	233T3255-300		.MODULE ASSY-VOICE RECORDER SWITCH SUPPLIER CODE: V89954 ELECTRICAL EQUIP NUMBER: M06763 COMPONENT MAINT MANUAL REF: 23-71-01	101102 504903	RF
55	233T3255-1		..MODULE ASSY- SUPPLIER CODE: V89954 COMPONENT MAINT MANUAL REF: 23-71-01	101102 504903	1
60	25ET61S		...SWITCH-TOGGLE SUPPLIER CODE: V91929	101102 504903	1
65	RSF116418		...SOCKET-RELAY SUPPLIER CODE: V58982 SPECIFICATION NUMBER: BACS16W10A OPTIONAL PART: 102-010-2 V09922 000300-1646 V05574	101102 504903	1
70	RSE120026		...SOCKET-RELAY SUPPLIER CODE: V58982 SPECIFICATION NUMBER: BACS16AG1 OPTIONAL PART: 451120-026 V58982	101102 504903	1

MISSING ITEM NUMBERS NOT APPLICABLE

- ITEM NOT ILLUSTRATED

BRI

23-71-05-02

BOEING PROPRIETARY - Copyright © - Unpublished Work - See title page for details.

23-71-05
FIG. 02
PAGE 7
JAN 20/09



757

PARTS CATALOG (MAINTENANCE)

FIG ITEM	PART NUMBER	1 2 3 4 5 6 7	NOMENCLATURE	EFFECT FROM TO	UNITS PER ASSY
2	75 W260F4AM11		...RELAY SUPPLIER CODE: VF0219 SPECIFICATION NUMBER: BACR13CD2 OPTIONAL PART: BR16S233 V09026 EE4AA005 V35344 3SAV1338A2 V01526 HFW1206K03 V58614 HFW1204K01 V71482	101102 504903	1
	80 TDH8127-3003		...RELAY- SUPPLIER CODE: V58657	101102 504903	1
	85 MS51957-14		...SCREW	101102 504903	2
	90 K19798-04		...NUT SUPPLIER CODE: V15653 SPECIFICATION NUMBER: BACN10NW1 OPTIONAL PART: RMA4812-160-40 V72962 293162 V60119	101102 504903	2
	95 BACC45FN18-31P7		...CONNECTOR	101102 504903	1

MISSING ITEM NUMBERS NOT APPLICABLE

- ITEM NOT ILLUSTRATED

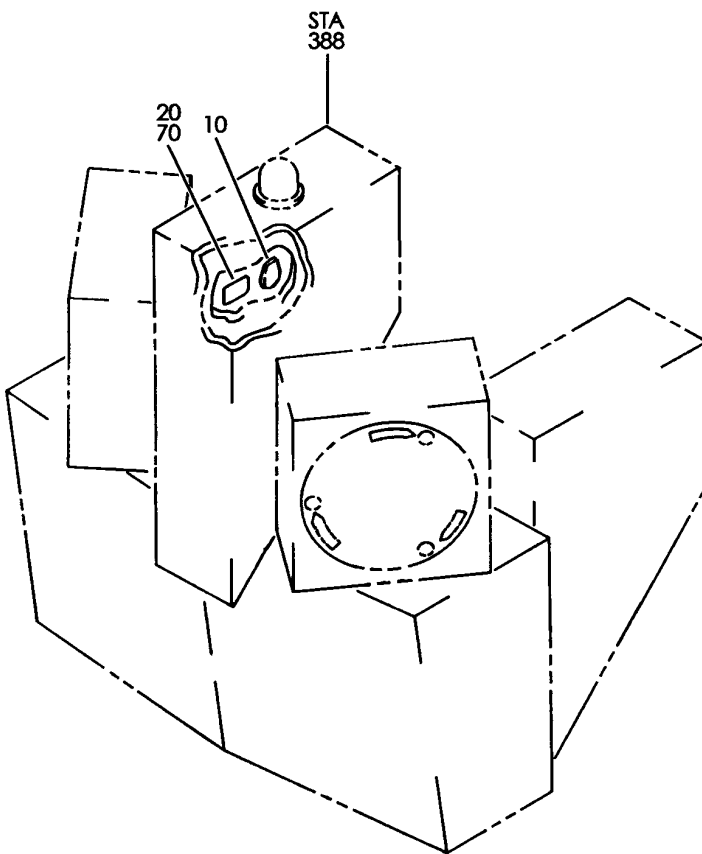
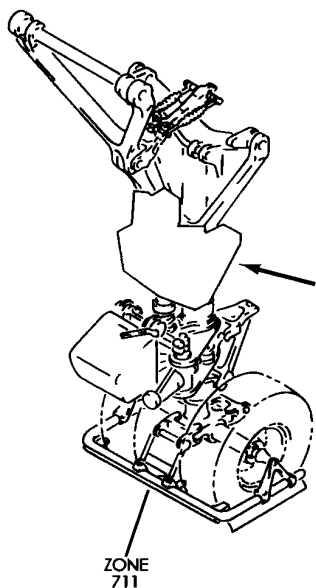
BRI

23-71-05-02

BOEING PROPRIETARY - Copyright © - Unpublished Work - See title page for details.

23-71-05
FIG. 02
PAGE 8
JAN 20/09

BOEING
757
PARTS CATALOG (MAINTENANCE)



Y 23711101B REV 208

PANEL ASSY-P62 AND P63 NLG LDG AND TURNOFF LTS (VOICE RECORDER SYSTEM ONLY)
FIGURE 1B

BRI
JAN 20/09

23-71-11-01B

23-71-11-01B
PAGE 0



757

PARTS CATALOG (MAINTENANCE)

FIG ITEM	PART NUMBER	1 2 3 4 5 6 7	NOMENCLATURE	EFFECT FROM TO	UNITS PER ASSY
1B			PANEL ASSY-P62 AND P63 NLG LDG AND TURNOFF LTS (VOICE RECORDER SYSTEM ONLY)	504903	
- 1	284N1209-108		PANEL ASSY-P62 AND P63, NLG LDG AND TURNOFF LTS (VOICE RECORDER SYSTEM ONLY) FOR NHA/OTHER SYS DET SEE: 33-42-04-01	504903	RF
20	69B47882-1		.COVER ASSY-JACK ELECTRICAL EQUIP NUMBER: D00479	504903	1
- 50	288N0156-701		.WIRE BUNDLE INSTL	504903	RF
- 60	286N3060-23		..WIRE BUNDLE ASSY	504903	1
70	2J1865A		...JACK- SUPPLIER CODE: V82389 ELECTRICAL EQUIP NUMBER: D00479 WIRING DIAGRAM REF: 237111	504903	1
70	2J1659		...JACK- SUPPLIER CODE: V82389 ELECTRICAL EQUIP NUMBER: D00479 WIRING DIAGRAM REF: 237111	504903	1

MISSING ITEM NUMBERS NOT APPLICABLE

- ITEM NOT ILLUSTRATED

23-71-11-01B

23-71-11
FIG. 01B
PAGE 1
JAN 20/09

BRI