

757-204/236

ILLUSTRATED PARTS CATALOGUE

CHAPTER 24 – ELECTRICAL POWER

THOMSONFLY CUSTOMISATIONS



757-204/236

PUBLICATION REVISION
ILLUSTRATED PARTS CATALOGUE

CHAPTER 24 – ELECTRICAL POWER

EFFECTIVE PAGES

CH-SECT-UNIT-FIG	PAGE, NO.	DATE	CH-SECT-UNIT-FIG	PAGE NO.	DATE
* 24 CONTENTS	6	MAY 02			
24-00-90-22	12A	JAN 00			
24-00-90-22	13	JAN 00			
24-00-90-22	14	JAN 00			
24-51-53-37	0A	JAN 00			
24-51-53-37	3A	JAN 00			
24-51-53-41	6	JAN 00			
24-51-53-41	1	JAN 00			

* INDICATES PAGES CHANGED OR ADDED BY THE CURRENT REVISION



757-204/236

PUBLICATION REVISION
ILLUSTRATED PARTS CATALOGUE

CHAPTER 24 – ELECTRICAL POWER

TABLE OF CONTENTS

	<u>SUBJECT</u>	<u>CHAPTER SECTION UNIT</u>	<u>FIGURE</u>
A	ELECTRICAL HARDWARE INSTL – (MISC)	24-00-90	22
	AC POWER DISTRIBUTION 115 – VOLT	24-51-00	
	PANEL ASSY – P11 – 1 CB	24-51-53	37
A	PANEL ASSY – P11 – 3 CB	24-51-53	41

FIG. ITEM	PART NUMBER	1 2 3 4 5 6 7	NOMENCLATURE	EFFECT FROM TO	UNITS PER ASSY	
Supplement To 24-00-90-22.		Insert In Front Of Page 12.				
22 -250	BACC10GH16		<ul style="list-style-type: none"> • BACKSHELL- ELECTRICAL EQUIPMENT NUMBER: D9800P D9801P ADDED PER HONEYWELL STC ST00381SE 	002004 006013 016018	2	
-255	BACC10GH18		<ul style="list-style-type: none"> • BACKSHELL- ELECTRICAL EQUIPMENT NUMBER: D9501P ADDED PER HONEYWELL STC ST00381SE 	002004 006013 016018	1	
-260	BACC10GH22		<ul style="list-style-type: none"> • BACKSHELL- ELECTRICAL EQUIPMENT NUMBER: D9500P D9500P ADDED PER HONEYWELL STC ST00381SE 	002004 006013 016018	2	
-265	BACC45FN18-31P7		<ul style="list-style-type: none"> • CONNECTOR- ELECTRICAL EQUIPMENT NUMBER: D9501J ADDED PER HONEYWELL STC ST00381SE 	002004 006013 016018	1	
-270	BACC45FN22-55PN		<ul style="list-style-type: none"> • CONNECTOR- ELECTRICAL EQUIPMENT NUMBER: D9500J D9600J ADDED PER HONEYWELL STC ST00381SE 	002004 006013 016018	2	
-275	BACC45FT16-24SN		<ul style="list-style-type: none"> • CONNECTOR- ELECTRICAL EQUIPMENT NUMBER: D9800P D9801P ADDED PER HONEYWELL STC ST00381SE 	002004 006013 016018	2	
-280	BACC45FT18-31S7		<ul style="list-style-type: none"> • CONNECTOR- ELECTRICAL EQUIPMENT NUMBER: D9501P ADDED PER HONEYWELL STC ST00381SE 	002004 006013 016018	1	
-285	BACC45FT22-55SN		<ul style="list-style-type: none"> • CONNECTOR- ELECTRICAL EQUIPMENT NUMBER: D9500P D9600P ADDED PER HONEYWELL STC ST00381SE 	002004 006013 016018	2	
-290	BACS16W1A		<ul style="list-style-type: none"> • SOCKET-RELAY ELECTRICAL EQUIPMENT NUMBER: D9601 D9602 ADDED PER HONEYWELL STC ST00381SE 	002004 006013 016018	2	

- ITEM NOT ILLUSTRATED

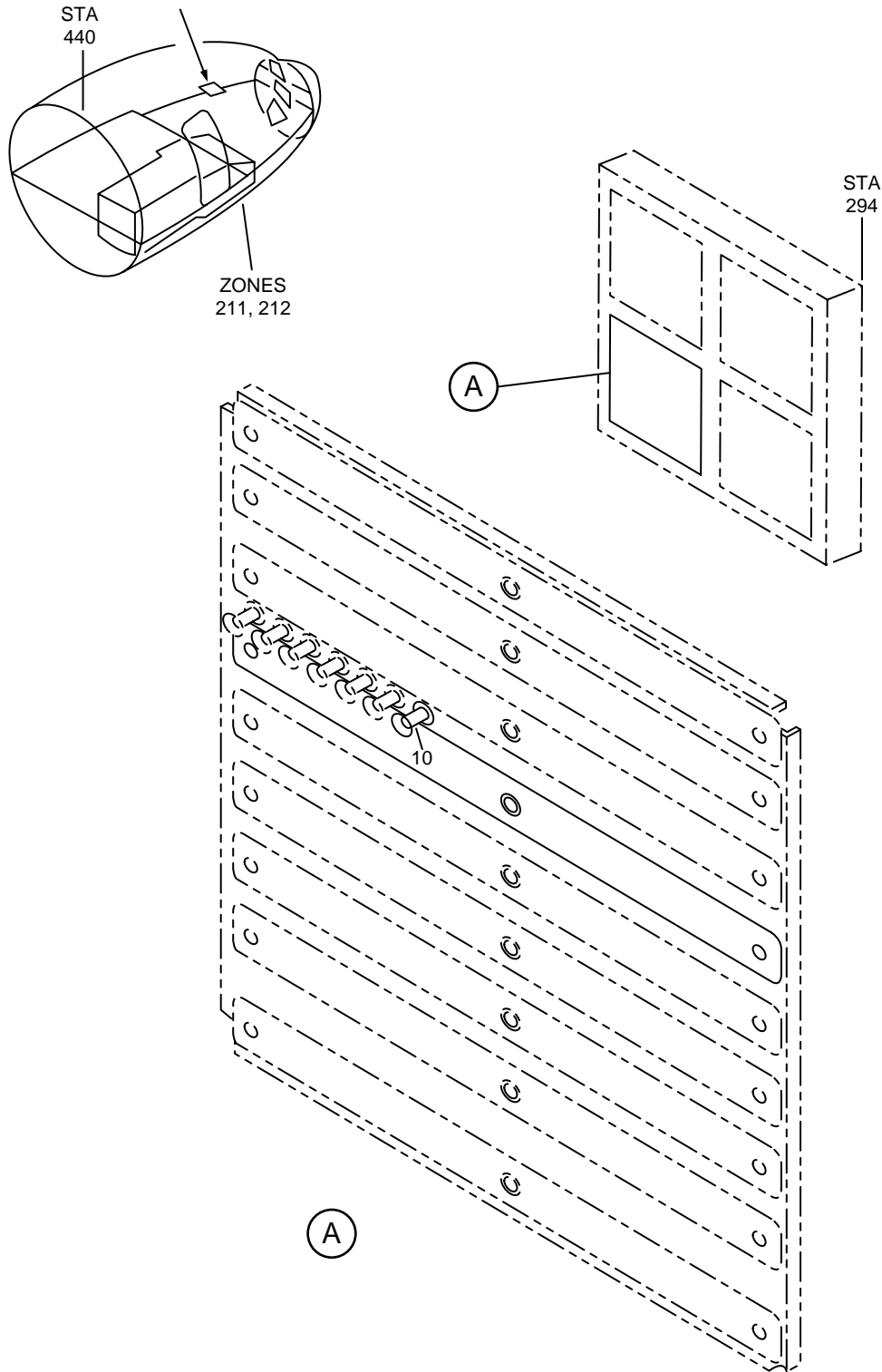
FIG. ITEM	PART NUMBER	1 2 3 4 5 6 7	NOMENCLATURE	EFFECT FROM TO	UNITS PER ASSY	
Supplement To 24-00-90-22.		Insert New Page 13 Behind Existing Page 12.				
22 -295	GTR01C16		<ul style="list-style-type: none"> • BACKSHELL- ELECTRICAL EQUIPMENT NUMBER: D9800P D9801P ADDED PER HONEYWELL STC ST00381SE 	002004 006013 016018	2	
-300	GTR01C18		<ul style="list-style-type: none"> • BACKSHELL- ELECTRICAL EQUIPMENT NUMBER: D9501P ADDED PER HONEYWELL STC ST00381SE 	002004 006013 016018	1	
-305	GTR01C22		<ul style="list-style-type: none"> • BACKSHELL- ELECTRICAL EQUIPMENT NUMBER: D9500P D9600P ADDED PER HONEYWELL STC ST00381SE 	002004 006013 016018	2	
-310	KA-19-152		<ul style="list-style-type: none"> • CONNECTOR-COAX ELECTRICAL EQUIPMENT NUMBER: D9502J ADDED PER HONEYWELL STC ST00381SE 	002004 006013 016018	1	
-315	KA-59-292		<ul style="list-style-type: none"> • CONNECTOR-COAX ELECTRICAL EQUIPMENT NUMBER: D9502P ADDED PER HONEYWELL STC ST00381SE 	002004 006013 016018	1	
-320	KA-59-296		<ul style="list-style-type: none"> • CONNECTOR-COAX ELECTRICAL EQUIPMENT NUMBER: D9700P ADDED PER HONEYWELL STC ST00381SE 	002004 006013 016018	1	
-325	M12883/40-17		<ul style="list-style-type: none"> • SOCKET-RELAY ELECTRICAL EQUIPMENT NUMBER: D9601 D9602 ADDED PER HONEYWELL STC ST00381SE 	002004 006013 016018	2	
-330	M39012/26-0503		<ul style="list-style-type: none"> • CONNECTOR- ELECTRICAL EQUIPMENT NUMBER: D9502P ADDED PER HONEYWELL STC ST00381SE 	002004 006013 016018	1	
-335	M39012/28-0503		<ul style="list-style-type: none"> • CONNECTOR- ELECTRICAL EQUIPMENT NUMBER: D9502J ADDED PER HONEYWELL STC ST00381SE 	002004 006013 016018	1	

- ITEM NOT ILLUSTRATED

FIG. ITEM	PART NUMBER	1 2 3 4 5 6 7	NOMENCLATURE	EFFECT FROM TO	UNITS PER ASSY	
Supplement To 24-00-90-22.		Insert New Page 14 Behind New Page 13.				
22 - 340	M39012/30-0503		• CONNECTOR- ELECTRICAL EQUIPMENT NUMBER: D9700P ADDED PER HONEYWELL STC ST00381SE	002004 006013 016018	1	
22 - 345	MS24264R18B31P7		• CONNECTOR- ELECTRICAL EQUIPMENT NUMBER: D9501J ADDED PER HONEYWELL STC ST00381SE	002004 006013 016018	1	
- 350	MS24264R22B55PN		• CONNECTOR- ELECTRICAL EQUIPMENT NUMBER: D9500J D9600J ADDED PER HONEYWELL STC ST00381SE	002004 006013 016018	2	
- 355	MS24266R16B24SN		• CONNECTOR- ELECTRICAL EQUIPMENT NUMBER: D9800P D9801P ADDED PER HONEYWELL STC ST00381SE	002004 006013 016018	2	
- 360	MS24266R18B31S7		• CONNECTOR- ELECTRICAL EQUIPMENT NUMBER: D9501P ADDED PER HONEYWELL STC ST00381SE	002004 006013 016018	1	
- 370	MS24266R22B55SN		• CONNECTOR- ELECTRICAL EQUIPMENT NUMBER: D9500P D9600P ADDED PER HONEYWELL STC ST00381SE	002004 006013 016018	2	

- ITEM NOT ILLUSTRATED

Supplement To 24-51-53-37. Insert In Front Of Page 0.



PANEL ASSY-P11-1 CB (ELECTRICAL POWER ONLY)
FIGURE 37A

PWS757-013

FIG. ITEM	PART NUMBER	1 2 3 4 5 6 7	NOMENCLATURE	EFFECT FROM TO	UNITS PER ASSY
	Supplement To 24-51-53-37.		Insert In Front Of Page 3.		
37 10	2TC47-2-5		<ul style="list-style-type: none"> • CIRCUIT BREAKER SUPPLIER CODE: V82647 SPECIFICATION NUMBER: BACC18AD2 OPTIONAL PARTS: 4310-029-205 V76374 ELECTRICAL EQUIPMENT NUMBER C09500 ADDED PER HONEYWELL STC ST00381SE -----*----- 	002004 006013 016018	1

- ITEM NOT ILLUSTRATED

757-204/236

PUBLICATION REVISION

ILLUSTRATED PARTS CATALOGUE

FIG. ITEM	PART NUMBER	DESCRIPTION	EFFECT FROM -TO	UNITS PER ASSY
41		PANEL ASSY - P11 - 3 CB (ELECTRICAL POWER ONLY) <u>MOD/757/1033 ISSUE:A</u>		RF
41 -	57-23-0029	INSTN. - CIRCUIT BREAKER	002 - 004 006 - 899	RF
7	2TC47-2-5	. CIRCUIT BREAKER (V82647) (SPEC BACC18AD2) (C09000)		1

* Not Illustrated

24-51-53-41

REV. NO: 29

DATE: NOV 00

DISK FILE REF: 515341.DOC

24-51-53

FIG. 41
PAGE 1

757 MANUAL SUPPLEMENT - ATP.2860

SECTION 2 CHAPTER 24

CONTROL PAGE ISSUE 1

- A. File the attached Temporary Revisions/Alerts in the Manual supplement in ATA Chapter/Section/Subject/Page sequence.
- B. File this control page in front of the chapter TRs/Alerts.
- C. The following list shows active TRs/Alerts together with TRs/Alerts added by this control page.

Chapter Section Subject	Page	TR/Alert No.	Distribution (Ref.P.TEC.01.02 Para 5)
24-25-54-01	1	BA.24-501	ATP
24-33-02-01	1	* Alert 24-502	FULL

- D Remove and Destroy the following TR's/Alerts:

* - TR's/Alerts issued with this control page

**ATP
TEMPORARY
REVISION**

AIRPLANES NA351, NA352

TR. Page 1 of 1

BOEING 757-236

18 December 1992

ILLUSTRATED PARTS CATALOGUE

THIS TEMPORARY REVISION IS ISSUED BY BRITISH AIRWAYS TECHNICAL SERVICES AND COMPLIES WITH BCAR'S CHAPTER A5-3, B5-3 AND/OR TSS No. 0-2 AS REQUIRED. CAA DESIGN APPROVAL No. DAI/8566/78.



FOR CHIEF ENGINEER TECHNICAL SERVICES.

TEMPORARY REVISION No 24-501

Manual Reference 24-25-54-01, Page 1

REASON FOR REVISION

Boeing Service Letter 757-SL-29-20 advises of suspect serial number range of flow limiter valve which may cause a delay HMG response.

ACTION

The following component reflects the acceptability of ETOPS.

Fig.Item	Part Number	Nomenclature 1234567	Effect from to	Units
1	80 67940-2A	.. VALVE - FLOW LIMITER Serial numbered units 1927 through 2197 must have a suffix 'A' for ETOPS aircraft.	120121	1

Originator: SIMON HAYMAN
Reference: MCR 0000000138
Workbook: 24-110 CV

24-25-54-01
Page 1

ATP ALERT

NA351, NA352
B.757
ILLUSTRATED PARTS CATALOGUE

Page 1 of 1
August 1993

THIS TEMPORARY REVISION IS ISSUED BY BRITISH AIRWAYS TECHNICAL SERVICES AND COMPLIES WITH BCAR'S CHAPTER A5-3, B5-3 AND/OR TSS No. 0-2 AS REQUIRED. CAA DESIGN APPROVAL No. DAI/8566/78.



FOR CHIEF ENGINEER TECHNICAL SERVICES

ALERT NO. 24-502

Manual Reference 24-33-02-01 Page 1

REASON FOR REVISION

Static Inverter P/N 1-002-0102-0714 and 1-110-0102-0714 are not to be fitted to B757 aircraft. Ref: FAA Airworthiness Directive 93-13-01.

ACTION

Delete Item 5 P/N 1-002-0102-0714 and 1-110-0102-0714 from the IPC. Neither part number is to be used on the B757.

Persons performing a supervisory function are responsible for informing their appropriate staff of the substance of this ATP Alert.

Originator: D. Treeves
(Ref) EEG.1.DT.1253/5.7
Work Record WR 24-113

24-33-02-01
Page 1

BOEING 757

Parts Catalog (Maintenance)

CHAPTER 24 - ELECTRICAL POWER

FIRST CHOICE AIRWAYS CUSTOMISATIONS NT405 & NT407

Monarch Aircraft Engineering Ltd

MODIFICATION SHEET

TITLE INSTALLATION OF CB PROTECTORS ON P6-1 PANEL.		MOD. No. MON/757/1063.
A/C TYPE BOEING 757-200		SHEET 1 OF 2 SHEETS
COMPONENT/ SYSTEM	FLIGHT DECK	CLASS MAJOR MINOR
A/C AFFECTED AIRTOURS FLEET G-OBOZ		DISTRIBUTION PLANNING ✓ 12-7-88 CAA (LOCAL) ✓ 12-7-88 CAA (REDHILL) OPS DIRECTOR Q.C. MANAGER PRODUCTION MANAGER COMM MANAGER CUSTOMER
G-MONB AND SUBS. & G-000A & SUBS CANADA 3000 FLEET.		
REASON FOR MODIFICATION RELIABILITY AND DEVELOPMENT REQUEST.		

DESCRIPTION

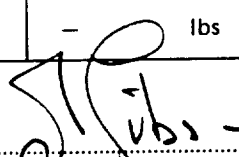
THE EXISTING CIRCUIT BREAKERS ON THE P6-1 PANEL OUTBOARD OF THE FIRST OFFICERS SEAT ARE TO BE PROTECTED FROM INADVERTANT 'TRIPPING' USING CB PROTECTORS MANUFACTURED AND ATTACHED AS SHOWN ON MONARCH DRAWING KD16-423.

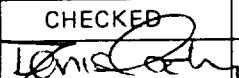
ALL CIRCUIT BREAKERS ARE TO BE RE-IDENTIFIED ON THE TOP SURFACE OF PROTECTORS.

DECAL PART N^os:
 BAC27NEL0061
 BAC27NEL0965
 BAC27NEL0983
 BAC27NEL0984
 BAC27NEL0986
 BAC27NEX2110
 BAC27NEL0982
 BAC27NEL1018*

* ON EROPS AIRCRAFT THIS DECAL IS REPLACED BY DECAL PART N^o BAC27NEX2078.

DRAWINGS REQD.
 MONARCH DRAWING KD16-423 CB PROTECTORS ON P6-1 PANEL.

DRAWINGS REDUNDANT/ASSOCIATED DOCUMENTS	WEIGHT CHANGE + Kgs NEGLIGIBLE - lbs @ STN.....
AUTHORISED BY Signature 	

COMPILED G. TAYLOR	CHECKED 	APP. STRESS	APP. DESIGN	APP. No. DAI/8021/68	A.A.N. 9/27/AV/2978
ISS.	A	B	C	D	E
	INITIAL	DECAL PART N ^o s ADDED. CB GUARD DIMENSION ALTERED.	G-000A & SUBS ADDED	RAISED IN ISSUE TO INCLUDED. G-OBOZ M.A.E.L. APPROVAL No. AI/8021/68	SEE MODIFICATION REVISION SHEET.

Monarch Aircraft Engineering Ltd.




MODIFICATION REVISION SHEET

MODIFICATION No. MON/757/1063

SHEET 2 OF 2.

INITIAL ISSUE DATE 11.7.88

NOTE: WHEN RAISING A MODIFICATION IN ISSUE RECORD C.A.A. OR M.A.E.L.
APPROVAL NUMBER AGAINST ISSUE

ISSUE	DATE	REVISION DETAILS AND COMPILED BY	CHECKED BY	APPROVED BY
E	9.4.92	CANADA 3000 FLEET ADDED TO AIRCRAFT EFFECTIVITY. M.A.E.L. APPROVAL NUMBER AI/8021/68. P LANG.		
F	4-11-94	AIRTOURS FLEET ADDED. M.A.E.L. APPROVAL N° DAI/8021/68. N KNOX.		

Civil Aviation Authority

Airworthiness Division

*To: Applicant
 Avionic/Electrical Section (Survey)
 Surveyor
 Aircraft Projects Department
 Flight Manuals Section
 Applications & Certification Section

MINOR MODIFICATION

Serial No.9/217/AV/2978.....

Aircraft Type Boeing 757-200 Regn Marks G-MONB	Name and Address of Applicant Monarch Aircraft Engineering Luton Airport Beds	Applicant's Modification No MON/757/1063 Issue No A
Original Drawings affected/Issue Nos -	New Drawings to be raised by	New Drawings introduced/Issue Nos KD-16-423

Details of Modification

Introduction of protective stand offs on circuit breaker panel P6-1 to prevent inadvertant tripping.

(Details to be continued overleaf if necessary)

Suitable for installation in this aircraft ~~*only*~~ and any other Boeing 757 aircraft

Limitations, Conditions, or Exemptions

Amendments in accordance with BCAR, Section A, Chapter A5-1, A6-1, A6-2, A6-4 or A6-7, as appropriate, are required to the following:*

Weight and C of G Schedule
~~Flight Manual or equivalent~~
~~Maintenance Manual~~
~~Overhaul Manual~~

~~Repair Manual~~
~~Maintenance Schedule~~
~~Crew Manual~~
~~Electrical Load Analysis~~

The above modification is approved and may be embodied subject to compliance with British Civil Airworthiness Requirements, Chapter A4-1.

Date5 August 1988.....



.....
 For the Civil Aviation Authority

MONARCH AIRCRAFT ENGINEERING LIMITED

Modification Report Sheet

This Modification Report Sheet is provided for the purpose of communicating to Design and Projects any errors, revisions or improvements arising from the embodiment of the Modification.

MOD. No: MON/757/1063

Title: INSTALLATION OF CB PROTECTORS ON P6-1 PANEL.

Aircraft Type: BOEING 757-200

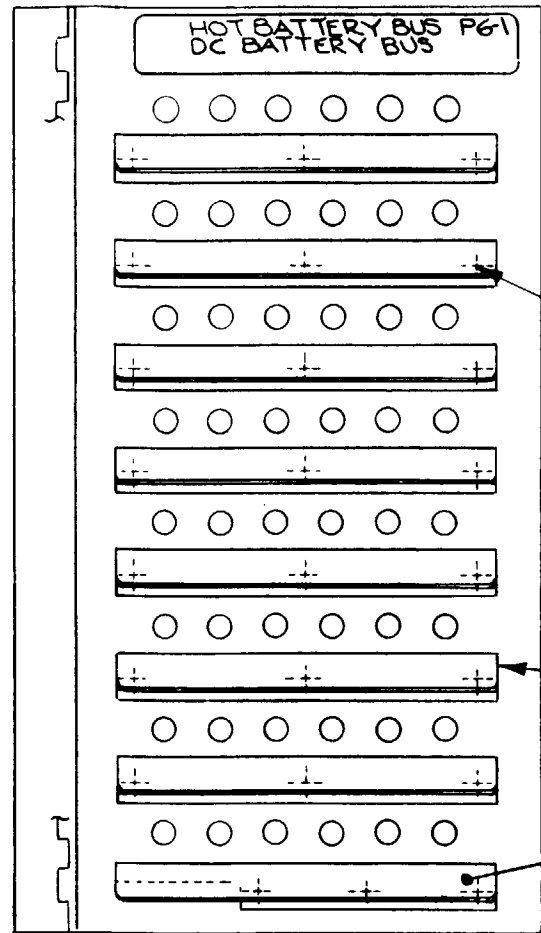
Aircraft Affected: G-MONB & SUBS. G-000A & SUBS. G-OBOZ. CANADA 3000
AIRTOURS FLEET. FLEET.

Comments:

Prepared by:
(Signature)

Date:

A	INITIAL
B	PROTECTOR WAS 0"9x1"5 19-1-89 GT

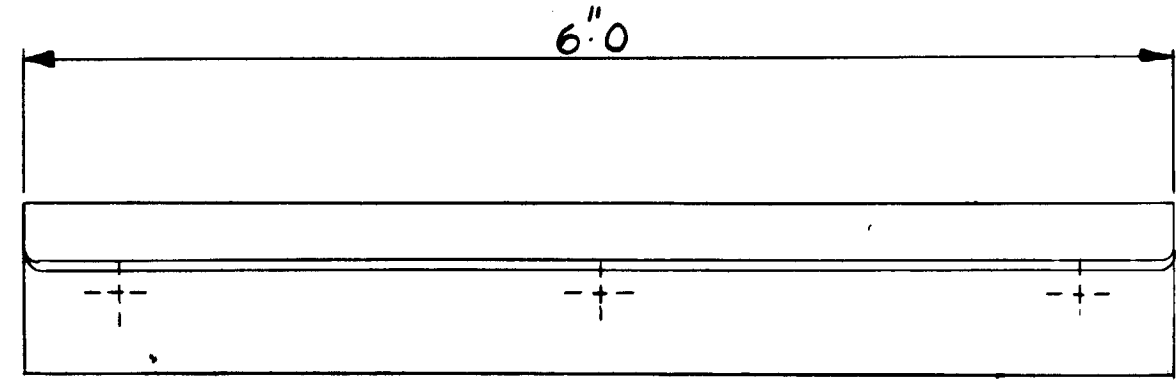
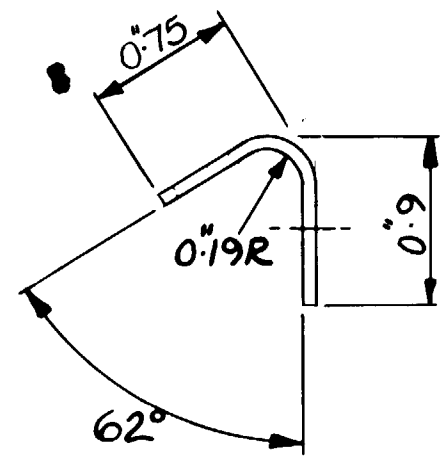


BACR15BA-4 RIVETS (3 OFF PER CB PROTECTOR)
LOCATE RIVETS AT SUITABLE PITCH.

SEE DETAIL 'A'

EXISTING C.B PROTECTOR.

MANUFACTURE CB PROTECTORS FROM 2024-T3
0.05 thick.
REMOVE AND DEBURR ALL SHARP EDGES.
PAINT CB PROTECTOR TO MATCH P6 PANEL.
LOCATE NEW CB DECALS ON TOP SURFACE OF
PROTECTORS.
LOCATE CB PROTECTORS EQUALLY BETWEEN EACH
ROW OF CIRCUIT BREAKERS.



DETAIL 'A' (TYP)

THIS DRAWING IS BASED ON BOEING DRAWING 287N4102

DRAWN. G TAYLOR	DATE. 11-7-88	CHECKED.	MOD No. MON/757/1063	PAGE.	ATA No.	TITLE. CB PROTECTORS ON P6-1 PANEL.	DRG No. KD 16 423	ISSUE B
MONARCH AIRCRAFT ENGINEERING LTD.				EFFECTIVITY. BOEING 757-200		1868-388T		


BOEING
 757
PARTS CATALOG (MAINTENANCE)

CH-SECT-UNIT-FIG	PAGE NO.	DATE	CH-SECT-UNIT-FIG	PAGE NO.	DATE
*24	1	MAY 20/09	24-00-58- 1	4	JAN 20/09
*24	2	MAY 20/09	24-00-58- 1	5	JAN 20/09
*24	3	MAY 20/09	24-00-58- 1	6	JAN 20/09
*24	4	MAY 20/09	24-00-58- 1	7	JAN 20/09
*24	5	MAY 20/09	24-00-58- 1	8	JAN 20/09
*24	6	MAY 20/09	24-00-58- 1	9	JAN 20/09
*24	7	MAY 20/09	24-00-58- 1	10	JAN 20/09
*24	8	MAY 20/09	24-00-58- 1	11	JAN 20/09
*24	9	MAY 20/09	24-00-58- 1	12	JAN 20/09
*24	10	MAY 20/09	24-00-58- 1	13	JAN 20/09
*24	11	MAY 20/09	24-00-58- 1	14	JAN 20/09
*24	12	MAY 20/09	24-00-58- 1	15	JAN 20/09
*24	13	MAY 20/09	24-00-58- 1	16	JAN 20/09
*24	14	MAY 20/09	24-00-58- 1	17	JAN 20/09
*24	15	MAY 20/09	24-00-58- 1	18	JAN 20/09
*24	16	MAY 20/09	24-00-58- 1	19	JAN 20/09
*24	17	MAY 20/09	24-00-58- 1	20	JAN 20/09
*24	18	MAY 20/09	24-00-58- 1A	0	MAY 28/07
*24	19	MAY 20/09	24-00-58- 1A	1	JAN 20/09
*24	20	MAY 20/09	24-00-58- 1A	2	JAN 20/09
*24	21	MAY 20/09	24-00-58- 1A	3	JAN 20/09
*24	22	MAY 20/09	24-00-58- 1A	4	JAN 20/09
*24	23	MAY 20/09	24-00-58- 1A	5	JAN 20/09
*24	24	MAY 20/09	24-00-58- 1A	6	JAN 20/09
*24	25	MAY 20/09	24-00-58- 1A	7	JAN 20/09
24-00-00	1	MAY 28/07	24-00-58- 1A	8	JAN 20/09
24-00-00- 6	0	MAY 28/07	24-00-58- 1A	9	JAN 20/09
24-00-00- 6	1	JAN 20/09	24-00-58- 1A	10	JAN 20/09
24-00-51- 1	0	MAY 28/07	24-00-58- 1A	11	JAN 20/09
24-00-51- 1	1	JAN 20/09	24-00-58- 1A	12	JAN 20/09
24-00-51- 1	2	JAN 20/09	24-00-58- 1A	13	JAN 20/09
24-00-51- 1	3	JAN 20/09	24-00-58- 1A	14	JAN 20/09
24-00-51- 2	0	MAY 28/07	24-00-58- 1A	15	JAN 20/09
24-00-51- 2	1	JAN 20/09	24-00-58- 1A	16	JAN 20/09
24-00-51- 2	2	JAN 20/09	24-00-58- 1A	17	JAN 20/09
24-00-51- 2	3	JAN 20/09	24-00-58- 1A	18	JAN 20/09
24-00-51- 2	4	JAN 20/09	24-00-58- 1A	19	JAN 20/09
24-00-51- 3	0	MAY 28/07	24-00-58- 1B	0	MAY 28/07
24-00-51- 3	1	JAN 20/09	24-00-58- 1B	1	JAN 20/09
24-00-51- 3	2	JAN 20/09	24-00-58- 1B	2	JAN 20/09
24-00-51- 3	3	JAN 20/09	24-00-58- 1B	3	JAN 20/09
24-00-51- 3	4	JAN 20/09	24-00-58- 1B	4	JAN 20/09
24-00-51- 4	0	MAY 28/07	24-00-58- 1B	5	JAN 20/09
24-00-51- 4	1	JAN 20/09	24-00-58- 1B	6	JAN 20/09
24-00-51- 4	2	JAN 20/09	24-00-58- 1B	7	JAN 20/09
24-00-51- 4	3	JAN 20/09	24-00-58- 1B	8	JAN 20/09
24-00-51- 4	4	JAN 20/09	24-00-58- 1B	9	JAN 20/09
24-00-58- 1	0	MAY 28/07	24-00-58- 1C	0	MAY 28/07
24-00-58- 1	1	JAN 20/09	24-00-58- 1C	1	JAN 20/09
24-00-58- 1	2	JAN 20/09	24-00-58- 1C	2	JAN 20/09
24-00-58- 1	3	JAN 20/09	24-00-58- 1C	3	JAN 20/09

* THE ASTERISK INDICATES PAGES CHANGED OR ADDED BY THE CURRENT REVISION



757
PARTS CATALOG (MAINTENANCE)

CH-SECT-UNIT-FIG	PAGE NO.	DATE	CH-SECT-UNIT-FIG	PAGE NO.	DATE
24-00-58- 1C	4	JAN 20/09	24-00-58- 5C	5	JAN 20/09
24-00-58- 1C	5	JAN 20/09	24-00-58- 5C	6	JAN 20/09
24-00-58- 1C	6	JAN 20/09	24-00-58- 5C	7	JAN 20/09
*24-00-58- 1C	7	MAY 20/09	24-00-58- 5C	8	JAN 20/09
24-00-58- 1C	8	JAN 20/09	24-00-58- 5C	9	JAN 20/09
24-00-58- 1C	9	JAN 20/09	24-00-58- 5C	10	JAN 20/09
24-00-58- 1C	10	JAN 20/09	24-00-58- 5C	11	JAN 20/09
24-00-58- 1C	11	JAN 20/09	24-00-58- 5C	12	JAN 20/09
24-00-58- 1C	12	JAN 20/09	24-00-58- 5D	0	MAY 28/07
24-00-58- 1C	13	JAN 20/09	24-00-58- 5D	1	JAN 20/09
24-00-58- 1C	14	JAN 20/09	24-00-58- 5D	2	JAN 20/09
24-00-58- 1C	15	JAN 20/09	24-00-58- 5D	3	JAN 20/09
24-00-58- 5	0	MAY 28/07	24-00-58- 5D	4	JAN 20/09
24-00-58- 5	1	JAN 20/09	24-00-58- 5D	5	JAN 20/09
24-00-58- 5	2	JAN 20/09	24-00-58- 5D	6	JAN 20/09
24-00-58- 5	3	JAN 20/09	24-00-58- 5D	7	JAN 20/09
24-00-58- 5	4	JAN 20/09	24-00-58- 5D	8	JAN 20/09
24-00-58- 5	5	JAN 20/09	24-00-58- 5D	9	JAN 20/09
24-00-58- 5	6	JAN 20/09	24-00-58- 5D	10	JAN 20/09
24-00-58- 5	7	JAN 20/09	24-00-58- 5D	11	JAN 20/09
24-00-58- 5	8	JAN 20/09	24-00-58- 5D	12	JAN 20/09
24-00-58- 5	9	JAN 20/09	24-00-58- 5D	13	JAN 20/09
24-00-58- 5	10	JAN 20/09	24-00-58- 5E	0	MAY 28/07
24-00-58- 5	11	JAN 20/09	24-00-58- 5E	1	JAN 20/09
24-00-58- 5	12	JAN 20/09	24-00-58- 5E	2	JAN 20/09
24-00-58- 5	13	JAN 20/09	24-00-58- 5E	3	JAN 20/09
24-00-58- 5	14	JAN 20/09	24-00-58- 5E	4	JAN 20/09
24-00-58- 5	15	JAN 20/09	24-00-58- 5E	5	JAN 20/09
24-00-58- 5	16	JAN 20/09	24-00-58- 5E	6	JAN 20/09
24-00-58- 5	17	JAN 20/09	24-00-58- 5E	7	JAN 20/09
24-00-58- 5	18	JAN 20/09	24-00-58- 5E	8	JAN 20/09
24-00-58- 5	19	JAN 20/09	24-00-58- 5E	9	JAN 20/09
24-00-58- 5A	0	MAY 28/07	24-00-58- 5E	10	JAN 20/09
24-00-58- 5A	1	JAN 20/09	24-00-58- 5E	11	JAN 20/09
24-00-58- 5A	2	JAN 20/09	24-00-58- 5E	12	JAN 20/09
24-00-58- 5A	3	JAN 20/09	24-00-58- 5F	0	MAY 28/07
24-00-58- 5A	4	JAN 20/09	24-00-58- 5F	1	JAN 20/09
24-00-58- 5A	5	JAN 20/09	24-00-58- 5F	2	JAN 20/09
24-00-58- 5A	6	JAN 20/09	24-00-58- 5F	3	JAN 20/09
24-00-58- 5A	7	JAN 20/09	24-00-58- 5F	4	JAN 20/09
24-00-58- 5A	8	JAN 20/09	24-00-58- 5F	5	JAN 20/09
24-00-58- 5A	9	JAN 20/09	24-00-58- 5F	6	JAN 20/09
24-00-58- 5A	10	JAN 20/09	24-00-58- 5F	7	JAN 20/09
24-00-58- 5A	11	JAN 20/09	24-00-58- 5F	8	JAN 20/09
24-00-58- 5A	12	JAN 20/09	24-00-60- 1	0	MAY 28/07
24-00-58- 5A	13	JAN 20/09	24-00-60- 1	1	JAN 20/09
24-00-58- 5C	0	MAY 28/07	24-00-60- 1	2	JAN 20/09
24-00-58- 5C	1	JAN 20/09	24-00-60- 1	3	JAN 20/09
24-00-58- 5C	2	JAN 20/09	24-00-60- 1	4	JAN 20/09
24-00-58- 5C	3	JAN 20/09	24-00-60- 1	5	JAN 20/09
24-00-58- 5C	4	JAN 20/09	24-00-60- 1	6	JAN 20/09

* THE ASTERISK INDICATES PAGES CHANGED OR ADDED BY THE CURRENT REVISION



757

PARTS CATALOG (MAINTENANCE)

CH-SECT-UNIT-FIG	PAGE NO.	DATE	CH-SECT-UNIT-FIG	PAGE NO.	DATE
24-00-60- 1	7	JAN 20/09	24-00-60- 4	6	JAN 20/09
24-00-60- 1	8	JAN 20/09	24-00-60- 4	7	JAN 20/09
24-00-60- 1	9	JAN 20/09	24-00-60- 4	8	JAN 20/09
24-00-60- 1	10	JAN 20/09	24-00-60- 5	0	MAY 28/07
24-00-60- 1	11	JAN 20/09	24-00-60- 5	0A	MAY 28/07
24-00-60- 1	12	JAN 20/09	24-00-60- 5	0B	MAY 28/07
24-00-60- 1	13	JAN 20/09	24-00-60- 5	0C	MAY 28/07
24-00-60- 1	14	JAN 20/09	24-00-60- 5	0D	MAY 28/07
24-00-60- 1	15	JAN 20/09	24-00-60- 5	1	JAN 20/09
24-00-60- 1	16	JAN 20/09	24-00-60- 5	2	JAN 20/09
24-00-60- 1	17	JAN 20/09	24-00-60- 5	3	JAN 20/09
24-00-60- 1	18	JAN 20/09	24-00-60- 5	4	JAN 20/09
24-00-60- 1	19	JAN 20/09	24-00-60- 5	5	JAN 20/09
24-00-60- 1	20	JAN 20/09	24-00-60- 5	6	JAN 20/09
24-00-60- 1	21	JAN 20/09	24-00-60-20	0	MAY 28/07
24-00-60- 1	22	JAN 20/09	24-00-60-20	1	JAN 20/09
24-00-60- 1	23	JAN 20/09	24-00-60-20	2	JAN 20/09
24-00-60- 1	24	JAN 20/09	24-00-60-20	3	JAN 20/09
24-00-60- 1	25	JAN 20/09	24-00-60-20	4	JAN 20/09
24-00-60- 1	26	JAN 20/09	24-00-60-20	5	JAN 20/09
24-00-60- 1	27	JAN 20/09	24-00-60-20	6	JAN 20/09
24-00-60- 3	0	MAY 28/07	24-00-60-20	7	JAN 20/09
24-00-60- 3	0A	MAY 28/07	24-00-60-20	8	JAN 20/09
24-00-60- 3	0B	MAY 28/07	24-00-60-20	9	JAN 20/09
24-00-60- 3	0C	MAY 28/07	24-00-60-20	10	JAN 20/09
24-00-60- 3	0D	MAY 28/07	24-00-60-20	11	JAN 20/09
24-00-60- 3	0E	MAY 28/07	24-00-60-20	12	JAN 20/09
24-00-60- 3	0F	MAY 28/07	24-00-60-20B	0	MAY 28/07
24-00-60- 3	0G	MAY 28/07	24-00-60-20B	1	JAN 20/09
24-00-60- 3	0H	MAY 28/07	24-00-60-20B	2	JAN 20/09
24-00-60- 3	0I	MAY 28/07	24-00-60-20B	3	JAN 20/09
24-00-60- 3	1	JAN 20/09	24-00-60-20B	4	JAN 20/09
*24-00-60- 3	2	MAY 20/09	24-00-60-20B	5	JAN 20/09
*24-00-60- 3	3	MAY 20/09	24-00-60-20B	6	JAN 20/09
*24-00-60- 3	4	MAY 20/09	24-00-60-20B	7	JAN 20/09
*24-00-60- 3	5	MAY 20/09	24-00-60-20B	8	JAN 20/09
*24-00-60- 3	6	MAY 20/09	24-00-60-20B	9	JAN 20/09
*24-00-60- 3	7	MAY 20/09	24-00-60-20B	10	JAN 20/09
*24-00-60- 3	8	MAY 20/09	24-00-60-20C	0	MAY 28/07
*24-00-60- 3	9	MAY 20/09	24-00-60-20C	1	JAN 20/09
*24-00-60- 3	10	MAY 20/09	24-00-60-20C	2	JAN 20/09
*24-00-60- 3	11	MAY 20/09	24-00-60-20C	3	JAN 20/09
24-00-60- 4	0	MAY 28/07	24-00-60-20C	4	JAN 20/09
24-00-60- 4	0A	MAY 28/07	24-00-60-20C	5	JAN 20/09
24-00-60- 4	0B	MAY 28/07	24-00-60-20G	0	MAY 28/07
24-00-60- 4	0C	MAY 28/07	24-00-60-20G	1	JAN 20/09
24-00-60- 4	1	JAN 20/09	24-00-60-20G	2	JAN 20/09
24-00-60- 4	2	JAN 20/09	24-00-60-20G	3	JAN 20/09
24-00-60- 4	3	JAN 20/09	24-00-60-20G	4	JAN 20/09
24-00-60- 4	4	JAN 20/09	24-00-60-20G	5	JAN 20/09
24-00-60- 4	5	JAN 20/09	24-00-60-20G	6	JAN 20/09

* THE ASTERISK INDICATES PAGES CHANGED OR ADDED BY THE CURRENT REVISION



757

PARTS CATALOG (MAINTENANCE)

CH-SECT-UNIT-FIG	PAGE NO.	DATE	CH-SECT-UNIT-FIG	PAGE NO.	DATE
24-00-60-20G	7	JAN 20/09	24-11-01- 5	5	JAN 20/09
24-00-60-20G	8	JAN 20/09	24-11-01- 5	6	JAN 20/09
24-00-60-20G	9	JAN 20/09	24-11-01- 5	7	JAN 20/09
24-00-60-20G	10	JAN 20/09	24-11-01- 5	8	JAN 20/09
24-00-60-20G	11	JAN 20/09	24-11-01- 5	9	JAN 20/09
24-00-60-20G	12	JAN 20/09	24-11-01- 5	10	JAN 20/09
24-00-60-20G	13	JAN 20/09	24-11-01- 5	11	JAN 20/09
24-00-60-20G	14	JAN 20/09	24-11-01- 5	12	JAN 20/09
24-00-75-16	0	JAN 20/09	24-11-01- 5	13	JAN 20/09
24-00-75-16	0A	JAN 20/09	24-11-01- 5	14	JAN 20/09
24-00-75-16	1	JAN 20/09	24-11-01- 5	15	JAN 20/09
24-00-75-16	2	JAN 20/09	24-11-01- 5	16	JAN 20/09
24-00-75-16	3	JAN 20/09	24-11-01- 5	17	JAN 20/09
24-00-75-16	4	JAN 20/09	24-11-01- 5	18	JAN 20/09
24-00-75-17	0	MAY 28/07	24-11-01- 5	19	JAN 20/09
24-00-75-17	0A	MAY 28/07	24-11-01- 5	20	JAN 20/09
24-00-75-17	1	JAN 20/09	24-11-01- 5	21	JAN 20/09
24-00-75-17	2	JAN 20/09	24-11-01- 5	22	JAN 20/09
24-00-75-17	3	JAN 20/09	24-11-01- 5	23	JAN 20/09
24-00-75-17	4	JAN 20/09	24-11-01- 5	24	JAN 20/09
24-00-75-17	5	JAN 20/09	24-11-01- 5	25	JAN 20/09
24-00-75-17	6	JAN 20/09	24-11-01- 5	26	JAN 20/09
24-00-75-17	7	JAN 20/09	24-11-01- 5	27	JAN 20/09
24-00-75-17	8	JAN 20/09	24-11-01- 5	28	JAN 20/09
24-11-00	1	MAY 28/07	24-11-01- 5	29	JAN 20/09
24-11-01- 1	0	MAY 28/07	24-11-01- 5	30	JAN 20/09
24-11-01- 1	1	JAN 20/09	24-11-01- 5	31	JAN 20/09
24-11-01- 1	2	JAN 20/09	24-11-01- 5	32	JAN 20/09
24-11-01- 1	3	JAN 20/09	24-11-01- 7	0	MAY 28/07
24-11-01- 1	4	JAN 20/09	24-11-01- 7	1	JAN 20/09
24-11-01- 1	5	JAN 20/09	24-11-01- 7	2	JAN 20/09
24-11-01- 1	6	JAN 20/09	24-11-01- 7	3	JAN 20/09
24-11-01- 1	7	JAN 20/09	24-11-01- 8	0	MAY 28/07
24-11-01- 1	8	JAN 20/09	24-11-01- 8	1	JAN 20/09
24-11-01- 1A	0	MAY 28/07	24-11-01- 8	2	JAN 20/09
24-11-01- 1A	1	JAN 20/09	24-11-01- 8	3	JAN 20/09
24-11-01- 1A	2	JAN 20/09	24-11-01- 8	4	JAN 20/09
24-11-01- 1A	3	JAN 20/09	24-11-01- 8	5	JAN 20/09
24-11-01- 1A	4	JAN 20/09	24-11-01- 8	6	JAN 20/09
24-11-01- 1A	5	JAN 20/09	24-11-01- 8	7	JAN 20/09
24-11-01- 1A	6	JAN 20/09	24-11-01- 8	8	JAN 20/09
24-11-01- 1A	7	JAN 20/09	24-11-01- 8	9	JAN 20/09
24-11-01- 1A	8	JAN 20/09	24-11-01- 8	10	JAN 20/09
24-11-01- 1A	9	JAN 20/09	24-11-01- 8	11	JAN 20/09
24-11-01- 5	0	MAY 28/07	24-11-01- 8	12	JAN 20/09
24-11-01- 5	0A	MAY 28/07	24-11-03- 1	0	MAY 28/07
24-11-01- 5	0B	MAY 28/07	24-11-03- 1	1	SEP 20/08
24-11-01- 5	1	JAN 20/09	24-11-03- 1	2	SEP 20/08
24-11-01- 5	2	JAN 20/09	24-11-04- 1	0	MAY 28/07
24-11-01- 5	3	JAN 20/09	24-11-04- 1	0A	MAY 28/07
24-11-01- 5	4	JAN 20/09	24-11-04- 1	0B	MAY 28/07

* THE ASTERISK INDICATES PAGES CHANGED OR ADDED BY THE CURRENT REVISION



757
PARTS CATALOG (MAINTENANCE)

CH-SECT-UNIT-FIG	PAGE NO.	DATE	CH-SECT-UNIT-FIG	PAGE NO.	DATE
24-11-04- 1	1	JAN 20/09	24-11-52- 5	5	JAN 20/09
24-11-04- 1	2	JAN 20/09	24-11-52- 5	6	JAN 20/09
24-11-04- 1	3	JAN 20/09	24-11-52- 5	7	JAN 20/09
24-11-04- 1	4	JAN 20/09	24-11-52- 5	8	JAN 20/09
24-11-04- 1	5	JAN 20/09	24-11-52- 5	9	JAN 20/09
24-11-04- 1	6	JAN 20/09	24-11-52- 5	10	JAN 20/09
24-11-04- 1	7	JAN 20/09	24-11-52- 5	11	JAN 20/09
24-11-04- 1	8	JAN 20/09	24-11-52- 5	12	JAN 20/09
24-11-04- 1	9	JAN 20/09	24-11-53- 2	0	MAY 28/07
24-11-04- 2	0	MAY 28/07	24-11-53- 2	0A	MAY 28/07
24-11-04- 2	0A	MAY 28/07	24-11-53- 2	0B	MAY 28/07
24-11-04- 2	0B	MAY 28/07	24-11-53- 2	1	JAN 20/09
24-11-04- 2	1	JAN 20/09	24-11-53- 2	2	JAN 20/09
24-11-04- 2	2	JAN 20/09	24-11-53- 2	3	JAN 20/09
24-11-04- 2	3	JAN 20/09	24-11-53- 2	4	JAN 20/09
24-11-04- 2	4	JAN 20/09	24-11-53- 2	5	JAN 20/09
24-11-04- 2	5	JAN 20/09	24-11-53- 2	6	JAN 20/09
24-11-04- 2	6	JAN 20/09	24-11-53- 2	7	JAN 20/09
24-11-04- 2	7	JAN 20/09	24-11-53- 2	8	JAN 20/09
24-11-05- 1	0	MAY 28/07	24-11-53- 2	9	JAN 20/09
24-11-05- 1	0A	MAY 28/07	24-11-53- 2	10	JAN 20/09
24-11-05- 1	0B	MAY 28/07	24-11-53- 2	11	JAN 20/09
24-11-05- 1	1	JAN 20/09	24-11-53- 2	12	JAN 20/09
24-11-05- 1	2	JAN 20/09	24-11-53- 2	13	JAN 20/09
24-11-05- 1	3	JAN 20/09	24-11-53- 2	14	JAN 20/09
24-11-05- 1	4	JAN 20/09	24-11-53- 2	15	JAN 20/09
24-11-05- 1	5	JAN 20/09	24-11-53- 2	16	JAN 20/09
24-11-05- 1	6	JAN 20/09	24-11-53- 2	17	JAN 20/09
24-11-05- 1	7	JAN 20/09	24-11-53- 2	18	JAN 20/09
24-11-52- 1	0	MAY 20/08	24-11-53- 2	19	JAN 20/09
24-11-52- 1	1	JAN 20/09	24-11-53- 2	20	JAN 20/09
24-11-52- 1	2	JAN 20/09	24-20-00	1	MAY 28/07
24-11-52- 1	3	JAN 20/09	24-20-01- 5	0	MAY 28/07
24-11-52- 1	4	JAN 20/09	24-20-01- 5	0A	MAY 28/07
24-11-52- 1	5	JAN 20/09	24-20-01- 5	0B	MAY 28/07
24-11-52- 1	6	JAN 20/09	24-20-01- 5	0C	MAY 28/07
24-11-52- 1	7	JAN 20/09	24-20-01- 5	0D	MAY 28/07
24-11-52- 1	8	JAN 20/09	24-20-01- 5	0E	MAY 28/07
24-11-52- 3	0	MAY 28/07	24-20-01- 5	1	JAN 20/09
24-11-52- 3	1	JAN 20/09	24-20-01- 5	2	JAN 20/09
24-11-52- 3	2	JAN 20/09	24-21-00	1	MAY 28/07
24-11-52- 3	3	JAN 20/09	24-21-01- 1	0	MAY 28/07
24-11-52- 3	4	JAN 20/09	24-21-01- 1	0A	MAY 28/07
24-11-52- 3	5	JAN 20/09	24-21-01- 1	0B	MAY 28/07
24-11-52- 3	6	JAN 20/09	24-21-01- 1	1	JAN 20/09
24-11-52- 3	7	JAN 20/09	24-21-01- 1	2	JAN 20/09
24-11-52- 5	0	MAY 28/07	24-21-01- 1	3	JAN 20/09
24-11-52- 5	1	JAN 20/09	24-21-01- 1	4	JAN 20/09
24-11-52- 5	2	JAN 20/09	24-21-01- 1	5	JAN 20/09
24-11-52- 5	3	JAN 20/09	24-21-01- 1	6	JAN 20/09
24-11-52- 5	4	JAN 20/09	24-21-01- 1	7	JAN 20/09

* THE ASTERISK INDICATES PAGES CHANGED OR ADDED BY THE CURRENT REVISION



757
PARTS CATALOG (MAINTENANCE)

CH-SECT-UNIT-FIG	PAGE NO.	DATE	CH-SECT-UNIT-FIG	PAGE NO.	DATE
24-21-51- 1	0	JAN 20/09	24-22-01- 4	6	JAN 20/09
24-21-51- 1	1	JAN 20/09	24-22-01- 5	0	MAY 28/07
24-21-51- 1A	0	JAN 20/09	24-22-01- 5	1	JAN 20/09
24-21-51- 1A	1	JAN 20/09	24-22-01- 5	2	JAN 20/09
24-21-51- 1A	2	JAN 20/09	24-22-01- 5	3	JAN 20/09
24-21-51- 2	0	JAN 20/09	24-22-01- 5	4	JAN 20/09
24-21-51- 2	1	JAN 20/09	24-22-01- 5	5	JAN 20/09
24-21-51- 3	0	MAY 28/07	24-22-01- 5	6	JAN 20/09
24-21-51- 3	1	JAN 20/09	24-22-02- 1A	0	MAY 28/07
24-21-51- 3	2	JAN 20/09	24-22-02- 1A	0A	MAY 28/07
24-21-51- 4	0	JAN 20/09	24-22-02- 1A	1	JAN 20/09
24-21-51- 4	1	JAN 20/09	24-22-02- 1A	2	JAN 20/09
24-21-51- 4	2	JAN 20/09	24-22-02- 2	0	MAY 28/07
24-21-51- 5	0	JAN 20/09	24-22-02- 2	1	JAN 20/09
24-21-51- 5	1	JAN 20/09	24-22-02- 2	2	JAN 20/09
24-21-51- 5	2	JAN 20/09	24-22-02- 2	3	JAN 20/09
24-21-51- 5	3	JAN 20/09	24-22-02- 2A	0	MAY 28/07
24-21-51- 5	4	JAN 20/09	24-22-02- 2A	1	JAN 20/09
24-21-63- 1	0	MAY 28/07	24-22-02- 2A	2	JAN 20/09
24-21-63- 1	1	JAN 20/09	24-22-02- 2A	3	JAN 20/09
24-21-63- 1A	0	MAY 28/07	24-22-02- 8	0	JAN 20/09
24-21-63- 1A	1	JAN 20/09	24-22-02- 8	0A	JAN 20/09
24-21-65- 1A	0	MAY 28/07	24-22-02- 8	0B	JAN 20/09
24-21-65- 1A	0A	MAY 28/07	24-22-02- 8	1	JAN 20/09
24-21-65- 1A	1	JAN 20/09	24-22-02- 8	2	JAN 20/09
24-21-65- 1A	2	JAN 20/09	24-22-02- 8	3	JAN 20/09
24-22-00	1	MAY 28/07	24-22-02- 8	4	JAN 20/09
24-22-01- 1B	0	MAY 28/07	24-22-02- 8	5	JAN 20/09
24-22-01- 1B	0A	MAY 28/07	24-22-02-51	0	MAY 28/07
24-22-01- 1B	1	JAN 20/09	24-22-02-51	0A	MAY 28/07
24-22-01- 1B	2	JAN 20/09	24-22-02-51	1	JAN 20/09
24-22-01- 1C	0	MAY 28/07	24-22-02-51	2	JAN 20/09
24-22-01- 1C	1	JAN 20/09	24-22-02-51	3	JAN 20/09
24-22-01- 1C	2	JAN 20/09	24-22-02-51	4	JAN 20/09
24-22-01- 3	0	MAY 28/07	24-22-02-51	5	JAN 20/09
24-22-01- 3	1	JAN 20/09	24-22-02-51	6	JAN 20/09
24-22-01- 3	2	JAN 20/09	24-22-02-51	7	JAN 20/09
24-22-01- 3	3	JAN 20/09	24-22-02-51	8	JAN 20/09
24-22-01- 3	4	JAN 20/09	24-22-02-51	9	JAN 20/09
24-22-01- 3	5	JAN 20/09	24-22-02-51	10	JAN 20/09
24-22-01- 3	6	JAN 20/09	24-22-02-51	11	JAN 20/09
24-22-01- 3	7	JAN 20/09	24-22-02-51	12	JAN 20/09
24-22-01- 3	8	JAN 20/09	24-22-02-51	13	JAN 20/09
24-22-01- 3	9	JAN 20/09	24-22-02-51	14	JAN 20/09
24-22-01- 3	10	JAN 20/09	24-22-02-51	15	JAN 20/09
24-22-01- 4	0	MAY 20/08	24-22-02-51A	0	MAY 28/07
24-22-01- 4	1	JAN 20/09	24-22-02-51A	0A	MAY 28/07
24-22-01- 4	2	JAN 20/09	24-22-02-51A	1	JAN 20/09
24-22-01- 4	3	JAN 20/09	24-22-02-51A	2	JAN 20/09
24-22-01- 4	4	JAN 20/09	24-22-02-51A	3	JAN 20/09
24-22-01- 4	5	JAN 20/09	24-22-02-51A	4	JAN 20/09

* THE ASTERISK INDICATES PAGES CHANGED OR ADDED BY THE CURRENT REVISION



757

PARTS CATALOG (MAINTENANCE)

CH-SECT-UNIT-FIG	PAGE NO.	DATE	CH-SECT-UNIT-FIG	PAGE NO.	DATE
24-22-02-51A	5	JAN 20/09	24-22-73- 1	2	JAN 20/09
24-22-02-51A	6	JAN 20/09	24-22-73- 1	3	JAN 20/09
24-22-02-51A	7	JAN 20/09	24-22-73- 1	4	JAN 20/09
24-22-02-51A	8	JAN 20/09	24-22-73- 1	5	JAN 20/09
24-22-02-51A	9	JAN 20/09	24-22-73- 2	0	MAY 28/07
24-22-02-51A	10	JAN 20/09	24-22-73- 2	1	JAN 20/09
24-22-02-51A	11	JAN 20/09	24-22-73- 2	2	JAN 20/09
24-22-02-51B	0	MAY 28/07	24-22-73- 2	3	JAN 20/09
24-22-02-51B	0A	MAY 28/07	24-22-73- 2	4	JAN 20/09
24-22-02-51B	1	JAN 20/09	24-22-73- 2	5	JAN 20/09
24-22-02-51B	2	JAN 20/09	24-23-00	1	MAY 28/07
24-22-02-51B	3	JAN 20/09	24-23-01- 1	0	MAY 28/07
24-22-02-51B	4	JAN 20/09	24-23-01- 1	1	JAN 20/09
24-22-03- 1	0	MAY 28/07	24-23-01- 1	2	JAN 20/09
24-22-03- 1	0A	MAY 28/07	24-23-01- 2	0	MAY 28/07
24-22-03- 1	0B	MAY 28/07	24-23-01- 2	1	JAN 20/09
24-22-03- 1	1	JAN 20/09	24-23-01- 2	2	JAN 20/09
24-22-03- 1	2	JAN 20/09	24-23-01- 2A	0	JAN 20/09
24-22-03- 1	3	JAN 20/09	24-23-01- 2A	1	JAN 20/09
24-22-03- 1	4	JAN 20/09	24-23-01- 2A	2	JAN 20/09
24-22-03- 1	5	JAN 20/09	24-23-01- 3	0	JAN 20/09
24-22-03- 1	6	JAN 20/09	24-23-01- 3	1	JAN 20/09
24-22-03- 1	7	JAN 20/09	24-23-01- 3	2	JAN 20/09
24-22-03- 1	8	JAN 20/09	24-23-01- 3A	0	MAY 28/07
24-22-03- 1	9	JAN 20/09	24-23-01- 3A	1	JAN 20/09
24-22-03- 1	10	JAN 20/09	24-23-65- 1	0	MAY 28/07
24-22-03- 3	0	MAY 28/07	24-23-65- 1	1	JAN 20/09
24-22-03- 3	0A	MAY 28/07	24-23-65- 1	2	JAN 20/09
24-22-03- 3	1	JAN 20/09	24-23-65- 2A	0	MAY 28/07
24-22-03- 3	2	JAN 20/09	24-23-65- 2A	1	JAN 20/09
24-22-03- 3	3	JAN 20/09	24-23-65- 3	0	MAY 28/07
24-22-03- 4	0	JAN 20/09	24-23-65- 3	1	JAN 20/09
24-22-03- 4	1	JAN 20/09	24-23-65- 3	2	JAN 20/09
24-22-03- 4	2	JAN 20/09	24-23-65- 3	3	JAN 20/09
24-22-03- 4	3	JAN 20/09	24-25-00	1	MAY 28/07
24-22-03- 6	0	MAY 28/07	24-25-01- 4	0	MAY 28/07
24-22-03- 6	1	JAN 20/09	24-25-01- 4	1	JAN 20/09
24-22-03- 6	2	JAN 20/09	24-25-01- 4	2	JAN 20/09
24-22-03- 6	3	JAN 20/09	24-25-01- 4	3	JAN 20/09
24-22-03- 6A	0	JAN 20/09	24-25-01- 4	4	JAN 20/09
24-22-03- 6A	1	JAN 20/09	24-25-01- 4	5	JAN 20/09
24-22-03- 6A	2	JAN 20/09	24-25-01- 4	6	JAN 20/09
24-22-03- 6A	3	JAN 20/09	24-25-01- 4	7	JAN 20/09
24-22-51- 6	0	MAY 28/07	24-25-02- 1	0	MAY 20/08
24-22-51- 6	1	JAN 20/09	24-25-02- 1	0A	MAY 20/08
24-22-51- 7	0	JAN 20/09	24-25-02- 1	1	JAN 20/09
24-22-51- 7	1	JAN 20/09	24-25-02- 1	2	JAN 20/09
24-22-51- 8	0	JAN 20/09	24-25-02- 1	3	JAN 20/09
24-22-51- 8	1	JAN 20/09	24-25-02- 2	0	MAY 28/07
24-22-73- 1	0	MAY 28/07	24-25-02- 2	1	JAN 20/09
24-22-73- 1	1	JAN 20/09	24-25-02- 3	0	JAN 20/09

* THE ASTERISK INDICATES PAGES CHANGED OR ADDED BY THE CURRENT REVISION

BRI
MAY 20/09

24 - LIST OF EFFECTIVE PAGES
PAGE 7


BOEING
 757
PARTS CATALOG (MAINTENANCE)

CH-SECT-UNIT-FIG	PAGE NO.	DATE	CH-SECT-UNIT-FIG	PAGE NO.	DATE
24-25-02- 3	1	JAN 20/09	24-25-06- 1	0	MAY 28/07
24-25-03- 1	0	MAY 28/07	24-25-06- 1	0A	MAY 28/07
24-25-03- 1	0A	MAY 28/07	24-25-06- 1	0B	MAY 28/07
24-25-03- 1	0B	MAY 28/07	24-25-06- 1	1	JAN 20/09
24-25-03- 1	1	JAN 20/09	24-25-06- 1	2	JAN 20/09
24-25-03- 1	2	JAN 20/09	24-25-06- 1	3	JAN 20/09
24-25-03- 1	3	JAN 20/09	24-25-06- 1	4	JAN 20/09
24-25-03- 1	4	JAN 20/09	24-25-06- 1	5	JAN 20/09
24-25-03- 1	5	JAN 20/09	24-25-06- 1	6	JAN 20/09
24-25-03- 1	6	JAN 20/09	24-25-06- 2	0	JAN 20/09
24-25-03- 1	7	JAN 20/09	24-25-06- 2	1	JAN 20/09
24-25-03- 1	8	JAN 20/09	24-25-06- 2	2	JAN 20/09
24-25-03- 1	9	JAN 20/09	24-25-06- 2	3	JAN 20/09
24-25-03- 1	10	JAN 20/09	24-25-51- 1	0	MAY 28/07
24-25-03- 1	11	JAN 20/09	24-25-51- 1	1	JAN 20/09
24-25-03- 1	12	JAN 20/09	24-25-51- 1	2	JAN 20/09
24-25-03- 1	13	JAN 20/09	24-25-51- 1	3	JAN 20/09
24-25-03- 1	14	JAN 20/09	24-25-51- 1	4	JAN 20/09
24-25-03- 1	15	JAN 20/09	24-25-51- 2	0	MAY 28/07
24-25-03- 2	0	JAN 20/09	24-25-51- 2	0A	MAY 28/07
24-25-03- 2	0A	JAN 20/09	24-25-51- 2	0B	JAN 20/09
24-25-03- 2	0B	JAN 20/09	24-25-51- 2	1	JAN 20/09
24-25-03- 2	1	JAN 20/09	24-25-51- 2	2	JAN 20/09
24-25-03- 2	2	JAN 20/09	24-25-51- 2	3	JAN 20/09
24-25-03- 2	3	JAN 20/09	24-25-51- 2	4	JAN 20/09
24-25-03- 2	4	JAN 20/09	24-25-51- 2	5	JAN 20/09
24-25-03- 2	5	JAN 20/09	24-25-51- 2	6	JAN 20/09
24-25-03- 2	6	JAN 20/09	24-25-51- 2	7	JAN 20/09
24-25-04- 1	0	MAY 28/07	24-25-51- 2	8	JAN 20/09
*24-25-04- 1	1	MAY 20/09	24-25-51- 2	9	JAN 20/09
24-25-04- 1	2	JAN 20/09	24-25-51- 2	10	JAN 20/09
24-25-04- 1	3	JAN 20/09	24-25-51- 3	0	MAY 28/07
24-25-04- 2	0	MAY 28/07	24-25-51- 3	1	JAN 20/09
24-25-04- 2	1	JAN 20/09	24-25-51- 3	2	JAN 20/09
*24-25-04- 2	2	MAY 20/09	24-25-51- 3	3	JAN 20/09
24-25-04- 2	3	JAN 20/09	24-25-52- 1	0	SEP 20/08
24-25-04- 2	4	JAN 20/09	24-25-52- 1	1	JAN 20/09
24-25-04- 4	0	MAY 28/07	24-25-52- 1	2	JAN 20/09
24-25-04- 4	0A	MAY 28/07	24-25-52- 1	3	JAN 20/09
*24-25-04- 4	1	MAY 20/09	24-25-52- 1	4	JAN 20/09
*24-25-04- 4	2	MAY 20/09	24-25-52- 1	5	JAN 20/09
24-25-04- 4	3	JAN 20/09	24-25-52- 1	6	JAN 20/09
24-25-04- 4	4	JAN 20/09	24-25-52- 1	7	JAN 20/09
24-25-04- 4	5	JAN 20/09	24-25-52- 1	8	JAN 20/09
24-25-05- 1	0	MAY 28/07	24-25-52- 1	9	JAN 20/09
24-25-05- 1	1	JAN 20/09	24-25-52- 1	10	JAN 20/09
24-25-05- 1	2	JAN 20/09	24-31-00	1	MAY 28/07
24-25-05- 1B	0	MAY 28/07	24-31-01- 2	0	MAY 28/07
24-25-05- 1B	1	JAN 20/09	*24-31-01- 2	1	MAY 20/09
24-25-05- 8	0	JAN 20/09	*24-31-01- 2	2	MAY 20/09
24-25-05- 8	1	JAN 20/09	24-31-01- 2	3	JAN 20/09

* THE ASTERISK INDICATES PAGES CHANGED OR ADDED BY THE CURRENT REVISION



757

PARTS CATALOG (MAINTENANCE)

CH-SECT-UNIT-FIG	PAGE NO.	DATE	CH-SECT-UNIT-FIG	PAGE NO.	DATE
24-31-01- 2	4	JAN 20/09	24-31-03- 1	6	JAN 20/09
24-31-01- 2	5	JAN 20/09	24-31-03- 4	0	JAN 20/09
24-31-01- 2	6	JAN 20/09	*24-31-03- 4	1	MAY 20/09
24-31-01-10	0	MAY 28/07	*24-31-03- 4	2	MAY 20/09
24-31-01-10	1	JAN 20/09	24-31-03- 5	0	JAN 20/09
24-31-01-10	2	JAN 20/09	24-31-03- 5	0A	JAN 20/09
24-31-01-10	3	JAN 20/09	*24-31-03- 5	1	MAY 20/09
24-31-01-10	4	JAN 20/09	*24-31-03- 5	2	MAY 20/09
24-31-01-10	5	JAN 20/09	24-31-03- 8	0	JAN 20/08
24-31-01-10	6	JAN 20/09	24-31-03- 8	0A	JAN 20/08
24-31-01-10	7	JAN 20/09	24-31-03- 8	0B	MAY 28/07
24-31-01-10	8	JAN 20/09	24-31-03- 8	0C	MAY 28/07
24-31-01-10	9	JAN 20/09	24-31-03- 8	0D	JAN 20/08
24-31-01-10	10	JAN 20/09	24-31-03- 8	0E	JAN 20/08
24-31-01-10	11	JAN 20/09	24-31-03- 8	1	JAN 20/09
24-31-01-11	0	MAY 28/07	24-31-03- 8	2	JAN 20/09
24-31-01-11	1	JAN 20/09	24-31-03- 8	3	JAN 20/09
24-31-01-11	2	JAN 20/09	24-31-03- 8	4	JAN 20/09
24-31-01-11	3	JAN 20/09	24-31-03- 8	5	JAN 20/09
24-31-01-11	4	JAN 20/09	24-31-03- 8	6	JAN 20/09
24-31-01-11	5	JAN 20/09	24-31-03- 9	0	MAY 28/07
24-31-01-11	6	JAN 20/09	24-31-03- 9	1	JAN 20/09
24-31-01-11	7	JAN 20/09	24-31-03- 9	2	JAN 20/09
24-31-01-11	8	JAN 20/09	24-31-03- 9	3	JAN 20/09
24-31-01-11	9	JAN 20/09	24-31-03- 9	4	JAN 20/09
24-31-01-11	10	JAN 20/09	24-31-03- 9	5	JAN 20/09
24-31-01-11	11	JAN 20/09	24-31-03- 9	6	JAN 20/09
24-31-01-11	12	JAN 20/09	24-31-03- 9	7	JAN 20/09
24-31-01-11	13	JAN 20/09	24-31-03- 9	8	JAN 20/09
24-31-01-12	0	MAY 28/07	24-31-03- 9	9	JAN 20/09
24-31-01-12	1	JAN 20/09	24-31-03-10	0	MAY 28/07
*24-31-01-12	2	MAY 20/09	24-31-03-10	1	JAN 20/09
*24-31-01-12	3	MAY 20/09	24-31-03-10	2	JAN 20/09
*24-31-01-12	4	MAY 20/09	24-31-03-10	3	JAN 20/09
*24-31-01-12	5	MAY 20/09	24-31-03-10	4	JAN 20/09
*24-31-01-12	6	MAY 20/09	24-31-03-10	5	JAN 20/09
*24-31-01-12	7	MAY 20/09	24-31-03-11	0	MAY 28/07
*24-31-01-12	8	MAY 20/09	24-31-03-11	1	JAN 20/09
*24-31-01-12	9	MAY 20/09	*24-31-03-11	2	MAY 20/09
*24-31-01-12	10	MAY 20/09	*24-31-03-11	3	MAY 20/09
24-31-02- 1	0	MAY 28/07	24-31-04- 1	0	MAY 28/07
24-31-02- 1	1	JAN 20/09	24-31-04- 1	0A	MAY 28/07
24-31-02- 1	2	JAN 20/09	24-31-04- 1	1	JAN 20/09
24-31-02- 1	3	JAN 20/09	24-31-04- 1	2	JAN 20/09
24-31-03- 1	0	MAY 28/07	24-31-04- 1	3	JAN 20/09
24-31-03- 1	0A	MAY 28/07	24-31-04- 1	4	JAN 20/09
*24-31-03- 1	1	MAY 20/09	24-31-04- 1A	0	MAY 28/07
*24-31-03- 1	2	MAY 20/09	24-31-04- 1A	1	JAN 20/09
*24-31-03- 1	3	MAY 20/09	24-31-04- 1A	2	JAN 20/09
*24-31-03- 1	4	MAY 20/09	24-31-04- 1A	3	JAN 20/09
24-31-03- 1	5	JAN 20/09	24-31-04- 4	0	JAN 20/09

* THE ASTERISK INDICATES PAGES CHANGED OR ADDED BY THE CURRENT REVISION

BRI
MAY 20/09

24 - LIST OF EFFECTIVE PAGES
PAGE 9


BOEING
 757
PARTS CATALOG (MAINTENANCE)

CH-SECT-UNIT-FIG	PAGE NO.	DATE	CH-SECT-UNIT-FIG	PAGE NO.	DATE
24-31-04- 4	1	JAN 20/09	24-31-71- 9	2	JAN 20/09
24-31-04- 4	2	JAN 20/09	24-31-71- 9	3	JAN 20/09
24-31-04- 5	0	JAN 20/09	24-31-73- 2	0	MAY 28/07
24-31-04- 5	1	JAN 20/09	24-31-73- 2	0A	MAY 20/08
24-31-04- 5	2	JAN 20/09	24-31-73- 2	0B	MAY 28/07
24-31-06- 1	0	JAN 20/09	24-31-73- 2	0C	MAY 20/08
24-31-06- 1	1	JAN 20/09	24-31-73- 2	1	JAN 20/09
*24-31-06- 1	2	MAY 20/09	24-31-73- 2	2	JAN 20/09
24-31-07- 1	0	MAY 28/07	24-31-73- 2	3	JAN 20/09
24-31-07- 1	0A	MAY 28/07	24-32-00	1	MAY 28/07
*24-31-07- 1	1	MAY 20/09	24-32-01- 1	0	MAY 28/07
*24-31-07- 1	2	MAY 20/09	24-32-01- 1	1	JAN 20/09
*24-31-07- 1	3	MAY 20/09	24-32-01- 1	2	JAN 20/09
24-31-07- 2	0	JAN 20/09	24-32-01- 1	3	JAN 20/09
24-31-07- 2	1	JAN 20/09	24-32-01- 1B	0	MAY 28/07
24-31-07- 2	2	JAN 20/09	24-32-01- 1B	1	JAN 20/09
24-31-11- 1	0	MAY 28/07	24-32-01- 1B	2	JAN 20/09
24-31-11- 1	1	JAN 20/09	24-32-01- 8	0	JAN 20/09
24-31-11- 1	2	JAN 20/09	24-32-01- 8	1	JAN 20/09
24-31-51- 1	0	MAY 28/07	24-32-01- 8	2	JAN 20/09
24-31-51- 1	1	JAN 20/09	24-32-02- 1	0	JAN 20/09
24-31-52- 2	0	MAY 28/07	24-32-02- 1	1	JAN 20/09
24-31-52- 2	1	JAN 20/09	24-32-02- 1	2	JAN 20/09
24-31-52- 3	0	MAY 28/07	24-32-03- 1	0	JAN 20/09
24-31-52- 3	0A	MAY 20/08	24-32-03- 1	1	JAN 20/09
24-31-52- 3	0B	MAY 20/08	24-32-03- 1	2	JAN 20/09
24-31-52- 3	1	JAN 20/09	24-32-04- 1	0	MAY 28/07
24-31-52- 3	2	JAN 20/09	24-32-04- 1	1	JAN 20/09
24-31-52- 3	3	JAN 20/09	24-32-04- 1	2	JAN 20/09
24-31-52- 3	4	JAN 20/09	24-32-04- 2	0	MAY 28/07
24-31-52- 3	5	JAN 20/09	24-32-04- 2	1	JAN 20/09
24-31-71- 3	0	MAY 28/07	24-32-04- 2	2	JAN 20/09
24-31-71- 3	1	JAN 20/09	24-32-04- 2	3	JAN 20/09
24-31-71- 3	2	JAN 20/09	24-32-04- 2	4	JAN 20/09
24-31-71- 3	3	JAN 20/09	24-32-04- 2	5	JAN 20/09
24-31-71- 3	4	JAN 20/09	24-32-04- 2	6	JAN 20/09
24-31-71- 4	0	JAN 20/09	24-32-04- 2	7	JAN 20/09
24-31-71- 4	1	JAN 20/09	24-32-05- 1A	0	MAY 28/07
24-31-71- 4	2	JAN 20/09	24-32-05- 1A	1	JAN 20/09
24-31-71- 5	0	JAN 20/09	*24-32-05- 1A	2	MAY 20/09
24-31-71- 5	1	JAN 20/09	24-32-05- 2	0	JAN 20/09
24-31-71- 5	2	JAN 20/09	*24-32-05- 2	1	MAY 20/09
24-31-71- 6	0	JAN 20/09	*24-32-05- 2	2	MAY 20/09
24-31-71- 6	1	JAN 20/09	24-32-05- 3	0	JAN 20/09
24-31-71- 6	2	JAN 20/09	24-32-05- 3	1	JAN 20/09
24-31-71- 7	0	JAN 20/09	*24-32-05- 3	2	MAY 20/09
24-31-71- 7	1	JAN 20/09	24-32-06- 1A	0	MAY 28/07
24-31-71- 7	2	JAN 20/09	24-32-06- 1A	1	JAN 20/09
24-31-71- 9	0	JAN 20/09	24-32-06- 1A	2	JAN 20/09
24-31-71- 9	0A	JAN 20/09	24-32-06- 2	0	JAN 20/09
24-31-71- 9	1	JAN 20/09	24-32-06- 2	1	JAN 20/09

* THE ASTERISK INDICATES PAGES CHANGED OR ADDED BY THE CURRENT REVISION



757

PARTS CATALOG (MAINTENANCE)

CH-SECT-UNIT-FIG	PAGE NO.	DATE	CH-SECT-UNIT-FIG	PAGE NO.	DATE
24-32-06- 2	2	JAN 20/09	24-33-02- 2	1	JAN 20/09
24-32-06- 3	0	JAN 20/09	24-33-02- 2	2	JAN 20/09
24-32-06- 3	1	JAN 20/09	24-33-02- 5	0	MAY 28/07
24-32-06- 3	2	JAN 20/09	24-33-02- 5	0A	MAY 28/07
24-32-51- 4	0	MAY 28/07	*24-33-02- 5	1	MAY 20/09
24-32-51- 4	1	JAN 20/09	*24-33-02- 5	2	MAY 20/09
24-32-51- 5	0	JAN 20/09	24-33-03- 1	0	MAY 28/07
24-32-51- 5	1	JAN 20/09	24-33-03- 1	1	JAN 20/09
24-32-52- 1	0	MAY 28/07	24-33-03- 1	2	JAN 20/09
24-32-52- 1	1	JAN 20/09	24-33-03- 1	3	JAN 20/09
24-32-52- 1B	0	MAY 28/07	24-33-03- 1	4	JAN 20/09
24-32-52- 1B	1	JAN 20/09	24-33-03- 1	5	JAN 20/09
24-32-71- 1	0	MAY 28/07	24-33-03- 1	6	JAN 20/09
24-32-71- 1	1	JAN 20/09	24-33-04- 1	0	MAY 28/07
24-32-71- 1	2	JAN 20/09	24-33-04- 1	1	JAN 20/09
24-32-71- 1	3	JAN 20/09	24-33-04- 1	2	JAN 20/09
24-32-71- 3	0	MAY 28/07	24-33-04- 1	3	JAN 20/09
*24-32-71- 3	1	MAY 20/09	24-33-04- 1	4	JAN 20/09
*24-32-71- 3	2	MAY 20/09	24-33-04- 1	5	JAN 20/09
*24-32-71- 3	3	MAY 20/09	24-33-04- 1	6	JAN 20/09
*24-32-71- 3	4	MAY 20/09	24-33-04- 1	7	JAN 20/09
24-32-71- 4	0	MAY 28/07	24-33-04- 1	8	JAN 20/09
24-32-71- 4	0A	MAY 20/08	24-33-04- 1	9	JAN 20/09
24-32-71- 4	0B	MAY 20/08	24-33-04- 1	10	JAN 20/09
24-32-71- 4	1	JAN 20/09	24-33-04- 2	0	MAY 28/07
24-32-71- 4	2	JAN 20/09	24-33-04- 2	1	JAN 20/09
*24-32-71- 4	3	MAY 20/09	24-33-04- 2	2	JAN 20/09
*24-32-71- 4	4	MAY 20/09	24-33-04- 2	3	JAN 20/09
*24-32-71- 4	5	MAY 20/09	24-33-04- 2	4	JAN 20/09
*24-32-71- 4	6	MAY 20/09	24-33-04- 2	5	JAN 20/09
24-32-71- 5	0	JAN 20/09	24-33-04- 2	6	JAN 20/09
24-32-71- 5	1	JAN 20/09	24-33-04- 2	7	JAN 20/09
24-32-71- 6	0	JAN 20/09	24-33-04- 2	8	JAN 20/09
24-32-71- 6	1	JAN 20/09	24-33-04- 2	9	JAN 20/09
24-32-71- 6	2	JAN 20/09	24-33-04- 2	10	JAN 20/09
24-32-73- 2	0	MAY 28/07	24-33-04- 3	0	MAY 28/07
24-32-73- 2	0A	MAY 20/08	24-33-04- 3	1	JAN 20/09
24-32-73- 2	0B	MAY 28/07	*24-33-04- 3	2	MAY 20/09
24-32-73- 2	0C	MAY 20/08	*24-33-04- 3	3	MAY 20/09
24-32-73- 2	1	JAN 20/09	*24-33-04- 3	4	MAY 20/09
24-32-73- 2	2	JAN 20/09	*24-33-04- 3	5	MAY 20/09
24-32-73- 2	3	JAN 20/09	*24-33-04- 3	6	MAY 20/09
24-33-00	1	MAY 28/07	24-33-51- 3A	0	MAY 28/07
24-33-01- 1	0	JAN 20/09	24-33-51- 3A	0A	MAY 28/07
24-33-01- 1	0A	JAN 20/09	24-33-51- 3A	0B	MAY 28/07
24-33-01- 1	0B	JAN 20/09	24-33-51- 3A	0C	MAY 20/08
24-33-01- 1	1	JAN 20/09	24-33-51- 3A	0D	MAY 28/07
24-33-01- 1	2	JAN 20/09	24-33-51- 3A	0E	MAY 20/08
24-33-01- 1	3	JAN 20/09	24-33-51- 3A	1	JAN 20/09
24-33-01- 1	4	JAN 20/09	24-33-51- 3A	2	JAN 20/09
24-33-02- 2	0	JAN 20/09	24-33-51- 3A	3	JAN 20/09

* THE ASTERISK INDICATES PAGES CHANGED OR ADDED BY THE CURRENT REVISION



757

PARTS CATALOG (MAINTENANCE)

CH-SECT-UNIT-FIG	PAGE NO.	DATE
24-33-54- 1	0	MAY 28/07
24-33-54- 1	1	JAN 20/09
24-33-54- 1	2	JAN 20/09
24-33-54- 1	3	JAN 20/09
24-33-54- 2	0	MAY 28/07
*24-33-54- 2	1	MAY 20/09
*24-33-54- 2	2	MAY 20/09
24-33-54- 2	3	JAN 20/09
24-33-54- 2	4	JAN 20/09
24-33-71- 3	0	MAY 28/07
*24-33-71- 3	1	MAY 20/09
24-33-71- 3	2	JAN 20/09
*24-33-71- 3	3	MAY 20/09
*24-33-71- 3	4	MAY 20/09
*24-33-71- 3	5	MAY 20/09
*24-33-71- 3	6	MAY 20/09
*24-33-71- 3	7	MAY 20/09
*24-33-71- 3	8	MAY 20/09
*24-33-71- 3	9	MAY 20/09
24-34-00	1	MAY 28/07
24-34-67- 2	0	MAY 20/08
24-34-67- 2	1	JAN 20/09
24-34-67- 2	2	JAN 20/09
24-34-67- 2	3	JAN 20/09
24-34-67- 2	4	JAN 20/09
24-41-00	1	MAY 28/07
24-41-01- 1	0	MAY 28/07
24-41-01- 1	1	JAN 20/09
24-41-01- 1	2	JAN 20/09
24-41-01- 1	3	JAN 20/09
24-41-01- 1	4	JAN 20/09
24-41-01- 1	5	JAN 20/09
24-41-01- 1A	0	MAY 28/07
24-41-01- 1A	1	JAN 20/09
24-41-01- 1A	2	JAN 20/09
24-41-01- 1A	3	JAN 20/09
24-41-01- 2	0	JAN 20/09
24-41-01- 2	1	JAN 20/09
24-41-01- 2	2	JAN 20/09
24-41-01- 2	3	JAN 20/09
24-41-01- 2	4	JAN 20/09
24-41-02- 5	0	MAY 28/07
24-41-02- 5	0A	JAN 20/09
24-41-02- 5	1	JAN 20/09
24-41-02- 5	2	JAN 20/09
24-41-02- 5	3	JAN 20/09
24-41-02- 5	4	JAN 20/09
24-41-02- 5	5	JAN 20/09
24-41-03- 1	0	MAY 28/07
24-41-03- 1	1	JAN 20/09
24-41-03- 1	2	JAN 20/09

CH-SECT-UNIT-FIG	PAGE NO.	DATE
24-41-03- 1	3	JAN 20/09
24-41-03- 1	4	JAN 20/09
24-41-03- 1	5	JAN 20/09
24-41-03- 1B	0	MAY 28/07
24-41-03- 1B	1	JAN 20/09
24-41-03- 1B	2	JAN 20/09
24-41-03- 8	0	JAN 20/09
24-41-03- 8	1	JAN 20/09
24-41-03- 8	2	JAN 20/09
24-41-51- 1	0	MAY 28/07
24-41-51- 1	1	JAN 20/09
24-41-51- 1	2	JAN 20/09
24-41-51- 1	3	JAN 20/09
24-41-51- 1	4	JAN 20/09
24-41-51- 1	5	JAN 20/09
24-41-51- 3	0	MAY 28/07
24-41-51- 3	1	JAN 20/09
24-41-51- 3	2	JAN 20/09
24-41-51- 3	3	JAN 20/09
24-41-51- 3	4	JAN 20/09
24-41-51- 3	5	JAN 20/09
24-41-51- 4	0	MAY 28/07
24-41-51- 4	1	JAN 20/09
24-41-51- 4	2	JAN 20/09
24-41-51- 4	3	JAN 20/09
24-41-51- 4	4	JAN 20/09
24-41-51- 4	5	JAN 20/09
24-41-51- 4	6	JAN 20/09
24-41-51- 4	7	JAN 20/09
24-41-51- 4	8	JAN 20/09
24-50-00	1	MAY 28/07
24-50-51- 1	0	MAY 28/07
24-50-51- 1	1	JAN 20/09
24-50-51- 1	2	JAN 20/09
24-50-51- 2	0	MAY 28/07
24-50-51- 2	0A	MAY 28/07
24-50-51- 2	1	JAN 20/09
24-50-51- 2A	0	MAY 28/07
24-50-51- 2A	1	JAN 20/09
24-50-51- 2A	2	JAN 20/09
24-50-51- 2C	0	JAN 20/09
24-50-51- 2C	1	JAN 20/09
24-50-51- 2C	2	JAN 20/09
24-50-51- 2C	3	JAN 20/09
24-50-51- 2C	4	JAN 20/09
24-51-00	1	MAY 28/07
24-51-00-25	0	MAY 28/07
24-51-00-25	1	JAN 20/09
24-51-00-25	2	JAN 20/09
24-51-00-26	0	MAY 28/07
24-51-00-26	1	JAN 20/09

* THE ASTERISK INDICATES PAGES CHANGED OR ADDED BY THE CURRENT REVISION



757
PARTS CATALOG (MAINTENANCE)

CH-SECT-UNIT-FIG	PAGE NO.	DATE	CH-SECT-UNIT-FIG	PAGE NO.	DATE
24-51-00-26	2	JAN 20/09	24-51-04- 3	1	JAN 20/09
24-51-00-26	3	JAN 20/09	24-51-04- 3	2	JAN 20/09
24-51-00-26	4	JAN 20/09	24-51-05- 1	0	JAN 20/09
24-51-00-33	0	JAN 20/09	24-51-05- 1	1	JAN 20/09
24-51-00-33	1	JAN 20/09	24-51-05- 1	2	JAN 20/09
24-51-01- 1	0	MAY 28/07	24-51-05- 1	3	JAN 20/09
24-51-01- 1	1	JAN 20/09	24-51-06- 1	0	JAN 20/09
24-51-01- 1	2	JAN 20/09	24-51-06- 1	1	JAN 20/09
24-51-01- 1A	0	MAY 28/07	24-51-06- 1	2	JAN 20/09
24-51-01- 1A	1	JAN 20/09	24-51-07- 1	0	JAN 20/09
24-51-01- 2	0	JAN 20/09	24-51-07- 1	1	JAN 20/09
24-51-01- 2	1	JAN 20/09	24-51-07- 1	2	JAN 20/09
24-51-01- 2	2	JAN 20/09	24-51-51- 1	0	MAY 28/07
24-51-01- 2	3	JAN 20/09	24-51-51- 1	0A	MAY 28/07
24-51-01- 2	4	JAN 20/09	24-51-51- 1	0B	MAY 28/07
24-51-01- 2	5	JAN 20/09	24-51-51- 1	0C	MAY 28/07
24-51-01- 2	6	JAN 20/09	24-51-51- 1	1	JAN 20/09
24-51-01- 2	7	JAN 20/09	*24-51-51- 1	2	MAY 20/09
24-51-01- 3	0	JAN 20/09	*24-51-51- 1	3	MAY 20/09
24-51-01- 3	1	JAN 20/09	*24-51-51- 1	4	MAY 20/09
24-51-01- 3	2	JAN 20/09	24-51-51- 1	5	JAN 20/09
24-51-02- 1	0	MAY 28/07	24-51-51- 1	6	JAN 20/09
24-51-02- 1	1	JAN 20/09	24-51-51- 1	7	JAN 20/09
24-51-02- 1	2	JAN 20/09	24-51-51- 1	8	JAN 20/09
24-51-02- 1	3	JAN 20/09	24-51-51- 1	9	JAN 20/09
24-51-02- 1	4	JAN 20/09	24-51-51- 5	0	MAY 28/07
24-51-02- 1	5	JAN 20/09	24-51-51- 5	0A	MAY 28/07
24-51-02- 1	6	JAN 20/09	24-51-51- 5	0B	MAY 28/07
24-51-02- 3	0	JAN 20/09	24-51-51- 5	0C	MAY 28/07
24-51-02- 3	1	JAN 20/09	24-51-51- 5	0D	MAY 28/07
24-51-02- 3	2	JAN 20/09	24-51-51- 5	0E	MAY 28/07
24-51-02- 3	3	JAN 20/09	24-51-51- 5	0F	MAY 28/07
24-51-02- 3	4	JAN 20/09	24-51-51- 5	0G	MAY 28/07
24-51-02- 3	5	JAN 20/09	24-51-51- 5	0H	MAY 28/07
*24-51-02- 3	6	MAY 20/09	24-51-51- 5	0I	MAY 28/07
*24-51-02- 3	7	MAY 20/09	24-51-51- 5	0J	MAY 28/07
*24-51-02- 3	8	MAY 20/09	24-51-51- 5	1	JAN 20/09
24-51-02- 7	0	JAN 20/09	24-51-51- 5	2	JAN 20/09
24-51-02- 7	1	JAN 20/09	24-51-51- 5	3	JAN 20/09
*24-51-02- 7	2	MAY 20/09	24-51-51- 5	4	JAN 20/09
24-51-03- 2	0	JAN 20/09	24-51-51- 5	5	JAN 20/09
24-51-03- 2	1	JAN 20/09	24-51-51- 9	0	JAN 20/09
24-51-03- 2	2	JAN 20/09	24-51-51- 9	0A	JAN 20/09
24-51-03- 3A	0	MAY 28/07	24-51-51- 9	0B	JAN 20/09
24-51-03- 3A	1	JAN 20/09	24-51-51- 9	0C	JAN 20/09
24-51-04- 1	0	JAN 20/09	24-51-51- 9	0D	JAN 20/09
24-51-04- 1	1	JAN 20/09	24-51-51- 9	0E	JAN 20/09
24-51-04- 1	2	JAN 20/09	24-51-51- 9	0F	JAN 20/09
24-51-04- 2A	0	MAY 28/07	24-51-51- 9	0G	JAN 20/09
24-51-04- 2A	1	JAN 20/09	24-51-51- 9	0H	JAN 20/09
24-51-04- 3	0	JAN 20/09	24-51-51- 9	0I	JAN 20/09

* THE ASTERISK INDICATES PAGES CHANGED OR ADDED BY THE CURRENT REVISION



757

PARTS CATALOG (MAINTENANCE)

CH-SECT-UNIT-FIG	PAGE NO.	DATE
24-51-51- 9	0J	JAN 20/09
24-51-51- 9	1	JAN 20/09
24-51-51- 9	2	JAN 20/09
24-51-51- 9	3	JAN 20/09
24-51-51- 9	4	JAN 20/09
24-51-51- 9	5	JAN 20/09
24-51-51-26	0	JAN 20/09
24-51-51-26	1	JAN 20/09
24-51-51-26	2	JAN 20/09
24-51-52- 1	0	JAN 20/09
24-51-52- 1	0A	MAY 28/07
24-51-52- 1	1	JAN 20/09
24-51-52- 1	2	JAN 20/09
24-51-52- 1	3	JAN 20/09
24-51-52- 1	4	JAN 20/09
24-51-52- 1	5	JAN 20/09
24-51-52- 1	6	JAN 20/09
24-51-52- 1	7	JAN 20/09
24-51-52- 1	8	JAN 20/09
24-51-52- 1	9	JAN 20/09
24-51-52- 4	0	MAY 28/07
24-51-52- 4	1	JAN 20/09
24-51-52- 5	0	SEP 20/08
24-51-52- 5	0A	SEP 20/08
*24-51-52- 5	1	MAY 20/09
24-51-52- 5	2	JAN 20/09
24-51-52- 5	3	JAN 20/09
24-51-52- 5	4	JAN 20/09
24-51-52- 5	5	JAN 20/09
24-51-52- 5	6	JAN 20/09
24-51-52- 6	0	SEP 20/08
24-51-52- 6	0A	MAY 28/07
24-51-52- 6	1	JAN 20/09
24-51-52- 6	2	JAN 20/09
24-51-52- 6	3	JAN 20/09
24-51-52- 6	4	JAN 20/09
24-51-52- 6	5	JAN 20/09
24-51-52- 6	6	JAN 20/09
24-51-52- 6	7	JAN 20/09
24-51-52- 6	8	JAN 20/09
24-51-52- 6	9	JAN 20/09
24-51-52- 6	10	JAN 20/09
24-51-52- 6	11	JAN 20/09
24-51-52- 6	12	JAN 20/09
24-51-52- 6	13	JAN 20/09
24-51-52- 6	14	JAN 20/09
*24-51-52- 8	0	MAY 20/09
24-51-52- 8	0A	JAN 20/09
24-51-52- 8	0B	JAN 20/09
24-51-52- 8	0C	JAN 20/09
24-51-52- 8	0D	JAN 20/09

CH-SECT-UNIT-FIG	PAGE NO.	DATE
*24-51-52- 8	0E	MAY 20/09
24-51-52- 8	0F	JAN 20/09
24-51-52- 8	0G	JAN 20/09
24-51-52- 8	0H	JAN 20/09
24-51-52- 8	1	JAN 20/09
24-51-52- 8	2	JAN 20/09
24-51-52- 8	3	JAN 20/09
24-51-52- 8	4	JAN 20/09
24-51-52- 8	5	JAN 20/09
*24-51-52- 9	0	MAY 20/09
24-51-52- 9	0A	JAN 20/09
24-51-52- 9	0B	JAN 20/09
24-51-52- 9	0C	JAN 20/09
24-51-52- 9	0D	JAN 20/09
*24-51-52- 9	0E	MAY 20/09
24-51-52- 9	1	JAN 20/09
24-51-52- 9	2	JAN 20/09
24-51-52- 9	3	JAN 20/09
24-51-52-10	0	JAN 20/09
24-51-52-10	0A	JAN 20/09
24-51-52-10	0B	JAN 20/09
24-51-52-10	0C	JAN 20/09
24-51-52-10	0D	JAN 20/09
24-51-52-10	0E	JAN 20/09
24-51-52-10	0F	JAN 20/09
24-51-52-10	0G	JAN 20/09
24-51-52-10	0H	JAN 20/09
24-51-52-10	0I	JAN 20/09
24-51-52-10	0J	JAN 20/09
24-51-52-10	0K	JAN 20/09
24-51-52-10	0L	JAN 20/09
24-51-52-10	0M	JAN 20/09
24-51-52-10	1	JAN 20/09
24-51-52-10	2	JAN 20/09
24-51-52-10	3	JAN 20/09
24-51-52-10	4	JAN 20/09
24-51-52-10	5	JAN 20/09
24-51-52-10	6	JAN 20/09
24-51-53- 1	0	JAN 20/09
24-51-53- 1	1	JAN 20/09
24-51-53- 1	2	JAN 20/09
24-51-53- 1	3	JAN 20/09
24-51-53- 1	4	JAN 20/09
24-51-53- 1	5	JAN 20/09
24-51-53- 1	6	JAN 20/09
24-51-53- 1	7	JAN 20/09
24-51-53- 1	8	JAN 20/09
24-51-53- 1	9	JAN 20/09
24-51-53- 1	10	JAN 20/09
24-51-53- 1A	0	JAN 20/09
24-51-53- 1A	1	JAN 20/09

* THE ASTERISK INDICATES PAGES CHANGED OR ADDED BY THE CURRENT REVISION


BOEING
 757
PARTS CATALOG (MAINTENANCE)

CH-SECT-UNIT-FIG	PAGE NO.	DATE	CH-SECT-UNIT-FIG	PAGE NO.	DATE
24-51-53- 1A	2	JAN 20/09	24-51-53- 8A	0	JAN 20/09
24-51-53- 1A	3	JAN 20/09	24-51-53- 8A	1	JAN 20/09
24-51-53- 1A	4	JAN 20/09	24-51-53- 8A	2	JAN 20/09
24-51-53- 1A	5	JAN 20/09	24-51-53- 8A	3	JAN 20/09
24-51-53- 3	0	JAN 20/09	24-51-53-12	0	MAY 28/07
24-51-53- 3	1	JAN 20/09	24-51-53-12	0A	JAN 20/08
24-51-53- 3	2	JAN 20/09	24-51-53-12	0B	MAY 28/07
24-51-53- 3	3	JAN 20/09	24-51-53-12	1	JAN 20/09
24-51-53- 3	4	JAN 20/09	24-51-53-12	2	JAN 20/09
24-51-53- 3	5	JAN 20/09	24-51-53-12	3	JAN 20/09
24-51-53- 3	6	JAN 20/09	24-51-53-12	4	JAN 20/09
24-51-53- 3	7	JAN 20/09	24-51-53-12	5	JAN 20/09
24-51-53- 3	8	JAN 20/09	24-51-53-12	6	JAN 20/09
24-51-53- 3	9	JAN 20/09	24-51-53-12	7	JAN 20/09
24-51-53- 3	10	JAN 20/09	24-51-53-12	8	JAN 20/09
24-51-53- 3A	0	SEP 20/08	24-51-53-12	9	JAN 20/09
24-51-53- 3A	1	JAN 20/09	24-51-53-14	0	SEP 20/08
24-51-53- 3A	2	JAN 20/09	24-51-53-14	0A	MAY 28/07
24-51-53- 3A	3	JAN 20/09	24-51-53-14	1	JAN 20/09
24-51-53- 3A	4	JAN 20/09	24-51-53-14	2	JAN 20/09
24-51-53- 3A	5	JAN 20/09	24-51-53-14	3	JAN 20/09
24-51-53- 3A	6	JAN 20/09	24-51-53-14	4	JAN 20/09
24-51-53- 3A	7	JAN 20/09	24-51-53-14	5	JAN 20/09
24-51-53- 3A	8	JAN 20/09	24-51-53-14	6	JAN 20/09
24-51-53- 3B	0	JAN 20/09	24-51-53-14	7	JAN 20/09
24-51-53- 3B	1	JAN 20/09	24-51-53-14	8	JAN 20/09
24-51-53- 3B	2	JAN 20/09	24-51-53-15	0	SEP 20/08
24-51-53- 3B	3	JAN 20/09	24-51-53-15	0A	MAY 28/07
24-51-53- 6	0	SEP 20/08	24-51-53-15	0B	MAY 28/07
24-51-53- 6	1	JAN 20/09	24-51-53-15	1	JAN 20/09
24-51-53- 6	2	JAN 20/09	24-51-53-15	2	JAN 20/09
24-51-53- 6	3	JAN 20/09	24-51-53-15	3	JAN 20/09
24-51-53- 6	4	JAN 20/09	24-51-53-15	4	JAN 20/09
24-51-53- 6	5	JAN 20/09	24-51-53-15	5	JAN 20/09
24-51-53- 6	6	JAN 20/09	24-51-53-15	6	JAN 20/09
24-51-53- 6	7	JAN 20/09	24-51-53-15	7	JAN 20/09
24-51-53- 6	8	JAN 20/09	24-51-53-15	8	JAN 20/09
24-51-53- 6A	0	JAN 20/09	24-51-53-17	0	JAN 20/09
24-51-53- 6A	1	JAN 20/09	24-51-53-17	1	JAN 20/09
24-51-53- 6A	2	JAN 20/09	24-51-53-17	2	JAN 20/09
24-51-53- 6A	3	JAN 20/09	24-51-53-17	3	JAN 20/09
24-51-53- 6A	4	JAN 20/09	24-51-53-17	4	JAN 20/09
24-51-53- 8	0	JAN 20/09	24-51-53-17	5	JAN 20/09
24-51-53- 8	1	JAN 20/09	24-51-53-17	6	JAN 20/09
24-51-53- 8	2	JAN 20/09	24-51-53-17	7	JAN 20/09
24-51-53- 8	3	JAN 20/09	24-51-53-17	8	JAN 20/09
24-51-53- 8	4	JAN 20/09	24-51-53-18	0	JAN 20/09
24-51-53- 8	5	JAN 20/09	24-51-53-18	1	JAN 20/09
24-51-53- 8	6	JAN 20/09	24-51-53-18	2	JAN 20/09
24-51-53- 8	7	JAN 20/09	24-51-53-18	3	JAN 20/09
24-51-53- 8	8	JAN 20/09	24-51-53-18	4	JAN 20/09

* THE ASTERISK INDICATES PAGES CHANGED OR ADDED BY THE CURRENT REVISION



757
PARTS CATALOG (MAINTENANCE)

CH-SECT-UNIT-FIG	PAGE NO.	DATE	CH-SECT-UNIT-FIG	PAGE NO.	DATE
24-51-53-18	5	JAN 20/09	24-51-53-39	9	JAN 20/09
24-51-53-18	6	JAN 20/09	24-51-53-39	10	JAN 20/09
24-51-53-18	7	JAN 20/09	24-51-53-39	11	JAN 20/09
24-51-53-18	8	JAN 20/09	24-51-53-39	12	JAN 20/09
24-51-53-19	0	JAN 20/09	24-51-53-39	13	JAN 20/09
24-51-53-19	1	JAN 20/09	24-51-53-41	0	SEP 20/08
24-51-53-19	2	JAN 20/09	24-51-53-41	1	JAN 20/09
24-51-53-19	3	JAN 20/09	24-51-53-41	2	JAN 20/09
24-51-53-19	4	JAN 20/09	24-51-53-41	3	JAN 20/09
24-51-53-19	5	JAN 20/09	24-51-53-41	4	JAN 20/09
24-51-53-19	6	JAN 20/09	24-51-53-41	5	JAN 20/09
24-51-53-19	7	JAN 20/09	24-51-53-41	6	JAN 20/09
24-51-53-19	8	JAN 20/09	24-51-53-41	7	JAN 20/09
24-51-53-20	0	JAN 20/09	24-51-53-41	8	JAN 20/09
24-51-53-20	1	JAN 20/09	24-51-53-41	9	JAN 20/09
24-51-53-20	2	JAN 20/09	24-51-53-41	10	JAN 20/09
24-51-53-20	3	JAN 20/09	24-51-53-41	11	JAN 20/09
24-51-53-20	4	JAN 20/09	24-51-53-41	12	JAN 20/09
24-51-53-20	5	JAN 20/09	24-51-53-41	13	JAN 20/09
24-51-53-20	6	JAN 20/09	24-51-53-43	0	MAY 28/07
24-51-53-20	7	JAN 20/09	24-51-53-43	0A	MAY 28/07
24-51-53-37	0	MAY 28/07	24-51-53-43	1	JAN 20/09
24-51-53-37	1	JAN 20/09	24-51-53-43	2	JAN 20/09
24-51-53-37	2	JAN 20/09	24-51-53-43	3	JAN 20/09
24-51-53-37	3	JAN 20/09	24-51-53-43	4	JAN 20/09
24-51-53-37	4	JAN 20/09	24-51-53-43	5	JAN 20/09
24-51-53-37	5	JAN 20/09	24-51-53-43	6	JAN 20/09
24-51-53-37	6	JAN 20/09	24-51-53-43	7	JAN 20/09
24-51-53-37	7	JAN 20/09	24-51-53-43	8	JAN 20/09
24-51-53-37	8	JAN 20/09	24-51-53-43	9	JAN 20/09
24-51-53-37	9	JAN 20/09	24-51-53-43A	0	MAY 28/07
24-51-53-37	10	JAN 20/09	24-51-53-43A	0A	MAY 28/07
24-51-53-37	11	JAN 20/09	24-51-53-43A	1	MAY 28/07
24-51-53-37	12	JAN 20/09	24-51-53-43A	2	MAY 28/07
24-51-53-37	13	JAN 20/09	24-51-53-43A	3	MAY 28/07
24-51-53-38	0	JAN 20/09	24-51-53-43A	4	MAY 28/07
24-51-53-38	1	JAN 20/09	24-51-53-43A	5	MAY 28/07
24-51-53-38	2	JAN 20/09	*24-51-53-70	0	MAY 20/09
24-51-53-38	3	JAN 20/09	24-51-53-70	1	JAN 20/09
24-51-53-38	4	JAN 20/09	24-51-53-70	2	JAN 20/09
24-51-53-38	5	JAN 20/09	24-51-53-70	3	JAN 20/09
24-51-53-38	6	JAN 20/09	24-51-53-70	4	JAN 20/09
24-51-53-39	0	SEP 20/08	24-51-53-70	5	JAN 20/09
*24-51-53-39	1	MAY 20/09	24-51-53-70	6	JAN 20/09
24-51-53-39	2	JAN 20/09	24-51-53-70	7	JAN 20/09
24-51-53-39	3	JAN 20/09	24-51-53-70	8	JAN 20/09
24-51-53-39	4	JAN 20/09	24-51-53-71	0	SEP 20/08
24-51-53-39	5	JAN 20/09	24-51-53-71	1	JAN 20/09
24-51-53-39	6	JAN 20/09	24-51-53-71	2	JAN 20/09
24-51-53-39	7	JAN 20/09	24-51-53-71	3	JAN 20/09
24-51-53-39	8	JAN 20/09	24-51-53-71	4	JAN 20/09

* THE ASTERISK INDICATES PAGES CHANGED OR ADDED BY THE CURRENT REVISION



757
PARTS CATALOG (MAINTENANCE)

CH-SECT-UNIT-FIG	PAGE NO.	DATE	CH-SECT-UNIT-FIG	PAGE NO.	DATE
24-51-53-71	5	JAN 20/09	24-51-54- 3A	5	JAN 20/09
24-51-53-71	6	JAN 20/09	24-51-54- 3A	6	JAN 20/09
24-51-53-71	7	JAN 20/09	24-51-54- 3A	7	JAN 20/09
24-51-53-71	8	JAN 20/09	24-51-54- 4	0	JAN 20/09
24-51-53-71	9	JAN 20/09	24-51-54- 4	0A	JAN 20/09
24-51-53-71	10	JAN 20/09	24-51-54- 4	0B	JAN 20/09
24-51-53-71	11	JAN 20/09	24-51-54- 4	0C	JAN 20/09
24-51-53-71	12	JAN 20/09	24-51-54- 4	0D	JAN 20/09
24-51-53-86J	0	MAY 28/07	24-51-54- 4	1	JAN 20/09
24-51-53-86J	0A	MAY 28/07	24-51-54- 4	2	JAN 20/09
24-51-53-86J	1	MAY 28/07	24-51-54- 4	3	JAN 20/09
24-51-53-86J	2	MAY 28/07	24-51-54- 4	4	JAN 20/09
24-51-53-86J	3	MAY 28/07	24-51-54- 4	5	JAN 20/09
24-51-53-86J	4	MAY 28/07	24-51-54- 4	6	JAN 20/09
24-51-53-86J	5	MAY 28/07	24-51-54- 4	7	JAN 20/09
24-51-53-86J	6	MAY 28/07	24-51-54- 4	8	JAN 20/09
24-51-53-86J	7	MAY 28/07	24-51-54- 4	9	JAN 20/09
24-51-53-87J	0	MAY 28/07	24-51-54- 4	10	JAN 20/09
24-51-53-87J	0A	MAY 28/07	24-51-54- 4	11	JAN 20/09
24-51-53-87J	1	MAY 28/07	24-51-54-14	0	JAN 20/09
24-51-53-87J	2	MAY 28/07	24-51-54-14	1	JAN 20/09
24-51-53-87J	3	MAY 28/07	24-51-54-14	2	JAN 20/09
24-51-53-87J	4	MAY 28/07	24-51-54-14	3	JAN 20/09
24-51-53-87J	5	MAY 28/07	24-51-54-14	4	JAN 20/09
24-51-53-87J	6	MAY 28/07	24-51-54-14	5	JAN 20/09
24-51-53-87J	7	MAY 28/07	24-51-54-14	6	JAN 20/09
24-51-54- 3	0	MAY 28/07	24-51-54-14	7	JAN 20/09
24-51-54- 3	0A	JAN 20/09	24-51-54-14	8	JAN 20/09
24-51-54- 3	0B	MAY 28/07	24-51-54-14	9	JAN 20/09
24-51-54- 3	0C	MAY 28/07	24-51-54-14	10	JAN 20/09
24-51-54- 3	0D	MAY 28/07	24-51-54-14A	0	JAN 20/09
24-51-54- 3	0E	MAY 28/07	24-51-54-14A	1	JAN 20/09
24-51-54- 3	1	JAN 20/09	24-51-54-14A	2	JAN 20/09
24-51-54- 3	2	JAN 20/09	24-51-54-14A	3	JAN 20/09
24-51-54- 3	3	JAN 20/09	24-51-54-14A	4	JAN 20/09
24-51-54- 3	4	JAN 20/09	24-51-54-14A	5	JAN 20/09
24-51-54- 3	5	JAN 20/09	24-51-54-14A	6	JAN 20/09
24-51-54- 3	6	JAN 20/09	24-51-54-14A	7	JAN 20/09
24-51-54- 3	7	JAN 20/09	24-51-54-14A	8	JAN 20/09
24-51-54- 3	8	JAN 20/09	24-51-54-14A	9	JAN 20/09
24-51-54- 3	9	JAN 20/09	24-51-54-14A	10	JAN 20/09
24-51-54- 3	10	JAN 20/09	24-51-54-14A	11	JAN 20/09
24-51-54- 3	11	JAN 20/09	24-51-54-14A	12	JAN 20/09
24-51-54- 3	12	JAN 20/09	24-51-54-14A	13	JAN 20/09
24-51-54- 3	13	JAN 20/09	24-51-54-14A	14	JAN 20/09
24-51-54- 3A	0	MAY 28/07	24-51-54-14A	15	JAN 20/09
24-51-54- 3A	0A	MAY 28/07	24-51-54-14A	16	JAN 20/09
24-51-54- 3A	1	JAN 20/09	24-51-54-14B	0	JAN 20/09
24-51-54- 3A	2	JAN 20/09	24-51-54-14B	1	JAN 20/09
24-51-54- 3A	3	JAN 20/09	24-51-54-14B	2	JAN 20/09
24-51-54- 3A	4	JAN 20/09	24-51-54-14B	3	JAN 20/09

* THE ASTERISK INDICATES PAGES CHANGED OR ADDED BY THE CURRENT REVISION



757
PARTS CATALOG (MAINTENANCE)

CH-SECT-UNIT-FIG	PAGE NO.	DATE	CH-SECT-UNIT-FIG	PAGE NO.	DATE
24-51-54-14B	4	JAN 20/09	24-51-54-50B	0	JAN 20/09
24-51-54-14B	5	JAN 20/09	24-51-54-50B	1	JAN 20/09
24-51-54-14B	6	JAN 20/09	24-51-54-50B	2	JAN 20/09
24-51-54-14B	7	JAN 20/09	24-51-54-50B	3	JAN 20/09
24-51-54-14B	8	JAN 20/09	24-51-54-50B	4	JAN 20/09
24-51-54-14C	0	JAN 20/09	24-51-54-50B	5	JAN 20/09
24-51-54-14C	1	JAN 20/09	24-51-54-50B	6	JAN 20/09
24-51-54-14C	2	JAN 20/09	24-51-54-50B	7	JAN 20/09
24-51-54-14C	3	JAN 20/09	24-51-54-50B	8	JAN 20/09
24-51-54-14C	4	JAN 20/09	24-51-54-50B	9	JAN 20/09
24-51-54-14C	5	JAN 20/09	24-51-54-50C	0	JAN 20/09
24-51-54-14C	6	JAN 20/09	24-51-54-50C	1	JAN 20/09
24-51-54-14C	7	JAN 20/09	24-51-54-50C	2	JAN 20/09
24-51-54-14C	8	JAN 20/09	24-51-54-50C	3	JAN 20/09
24-51-54-14C	9	JAN 20/09	24-51-54-50C	4	JAN 20/09
24-51-54-50	0	JAN 20/09	24-51-54-50C	5	JAN 20/09
24-51-54-50	1	JAN 20/09	24-51-54-50C	6	JAN 20/09
24-51-54-50	2	JAN 20/09	24-51-54-50C	7	JAN 20/09
24-51-54-50	3	JAN 20/09	24-51-54-50C	8	JAN 20/09
24-51-54-50	4	JAN 20/09	24-51-54-50C	9	JAN 20/09
24-51-54-50	5	JAN 20/09	24-51-54-50C	10	JAN 20/09
24-51-54-50	6	JAN 20/09	24-51-55- 1A	0	JAN 20/09
24-51-54-50	7	JAN 20/09	24-51-55- 1A	0A	MAY 28/07
24-51-54-50	8	JAN 20/09	24-51-55- 1A	1	JAN 20/09
24-51-54-50	9	JAN 20/09	24-51-55- 1A	2	JAN 20/09
24-51-54-50	10	JAN 20/09	24-51-55- 1A	3	JAN 20/09
24-51-54-50	11	JAN 20/09	24-51-55- 1A	4	JAN 20/09
24-51-54-50	12	JAN 20/09	24-51-55- 1A	5	JAN 20/09
24-51-54-50	13	JAN 20/09	24-51-55- 1A	6	JAN 20/09
24-51-54-50	14	JAN 20/09	24-51-55- 1A	7	JAN 20/09
24-51-54-50A	0	JAN 20/09	*24-51-55- 1B	0	MAY 20/09
24-51-54-50A	1	JAN 20/09	24-51-55- 1B	0A	MAY 28/07
24-51-54-50A	2	JAN 20/09	24-51-55- 1B	1	JAN 20/09
24-51-54-50A	3	JAN 20/09	24-51-55- 1B	2	JAN 20/09
24-51-54-50A	4	JAN 20/09	24-51-55- 1B	3	JAN 20/09
24-51-54-50A	5	JAN 20/09	24-51-55- 2	0	MAY 28/07
24-51-54-50A	6	JAN 20/09	24-51-55- 2	0A	MAY 28/07
24-51-54-50A	7	JAN 20/09	24-51-55- 2	1	JAN 20/09
24-51-54-50A	8	JAN 20/09	24-51-55- 2	2	JAN 20/09
24-51-54-50A	9	JAN 20/09	24-51-55- 3	0	JAN 20/09
24-51-54-50A	10	JAN 20/09	24-51-55- 3	1	JAN 20/09
24-51-54-50A	11	JAN 20/09	24-51-55- 3	2	JAN 20/09
24-51-54-50A	12	JAN 20/09	24-51-56- 1	0	SEP 20/08
24-51-54-50A	13	JAN 20/09	24-51-56- 1	1	JAN 20/09
24-51-54-50A	14	JAN 20/09	*24-51-56- 1	2	MAY 20/09
24-51-54-50A	15	JAN 20/09	24-51-56- 1	3	JAN 20/09
24-51-54-50A	16	JAN 20/09	24-51-56- 1	4	JAN 20/09
24-51-54-50A	17	JAN 20/09	24-51-56- 1	5	JAN 20/09
24-51-54-50A	18	JAN 20/09	24-51-56- 1A	0	MAY 28/07
24-51-54-50A	19	JAN 20/09	24-51-56- 1A	1	JAN 20/09
24-51-54-50A	20	JAN 20/09	24-51-56- 1A	2	JAN 20/09

* THE ASTERISK INDICATES PAGES CHANGED OR ADDED BY THE CURRENT REVISION



757
PARTS CATALOG (MAINTENANCE)

CH-SECT-UNIT-FIG	PAGE NO.	DATE
24-51-56- 1A	3	JAN 20/09
24-51-56- 1A	4	JAN 20/09
24-51-56- 1A	5	JAN 20/09
24-51-56- 3	0	SEP 20/08
24-51-56- 3	1	JAN 20/09
24-51-56- 3	2	JAN 20/09
24-51-56- 3	3	JAN 20/09
24-51-58- 2	0	MAY 20/08
24-51-58- 2	0A	SEP 20/08
24-51-58- 2	0B	MAY 28/07
24-51-58- 2	0C	MAY 28/07
24-51-58- 2	0D	MAY 20/08
24-51-58- 2	1	JAN 20/09
24-51-58- 2	2	JAN 20/09
24-51-58- 2	3	JAN 20/09
24-51-58- 2	4	JAN 20/09
24-51-58- 2	5	JAN 20/09
24-51-58- 2	6	JAN 20/09
24-51-58- 2	7	JAN 20/09
24-51-58- 2	8	JAN 20/09
24-51-58- 2	9	JAN 20/09
24-51-58- 2	10	JAN 20/09
24-51-58- 2	11	JAN 20/09
24-51-58- 2	12	JAN 20/09
24-51-58- 2	13	JAN 20/09
24-51-58- 2	14	JAN 20/09
24-51-58- 2	15	JAN 20/09
*24-51-58- 2	16	MAY 20/09
*24-51-58- 2	17	MAY 20/09
*24-51-58- 2	18	MAY 20/09
24-51-58- 2	19	JAN 20/09
24-51-58- 2	20	JAN 20/09
24-51-58- 2	21	JAN 20/09
24-51-58- 2B	0	SEP 20/08
24-51-58- 2B	0A	JAN 20/09
24-51-58- 2B	0B	MAY 28/07
24-51-58- 2B	1	JAN 20/09
*24-51-58- 2B	2	MAY 20/09
24-51-58- 2B	3	JAN 20/09
24-51-58- 2B	4	JAN 20/09
24-51-58- 2B	5	JAN 20/09
24-51-58- 2B	6	JAN 20/09
24-51-58- 2B	7	JAN 20/09
24-51-58- 2B	8	JAN 20/09
24-51-58- 2B	9	JAN 20/09
24-51-58- 2B	10	JAN 20/09
24-51-58- 2B	11	JAN 20/09
24-51-58- 2B	12	JAN 20/09
24-51-58- 2B	13	JAN 20/09
24-51-58- 2B	14	JAN 20/09
24-51-58- 2B	15	JAN 20/09

CH-SECT-UNIT-FIG	PAGE NO.	DATE
24-51-58- 2D	0	JAN 20/09
24-51-58- 2D	0A	JAN 20/09
24-51-58- 2D	0B	JAN 20/09
24-51-58- 2D	0C	JAN 20/09
24-51-58- 2D	0D	JAN 20/09
24-51-58- 2D	0E	JAN 20/09
24-51-58- 2D	0F	JAN 20/09
24-51-58- 2D	0G	JAN 20/09
24-51-58- 2D	0H	JAN 20/09
24-51-58- 2D	0I	JAN 20/09
24-51-58- 2D	1	JAN 20/09
24-51-58- 2D	2	JAN 20/09
24-51-58- 2D	3	JAN 20/09
24-51-58- 2D	4	JAN 20/09
24-51-58- 2D	5	JAN 20/09
24-51-58- 2D	6	JAN 20/09
24-51-58- 2D	7	JAN 20/09
24-51-58- 2D	8	JAN 20/09
24-51-58- 2D	9	JAN 20/09
24-51-58- 2D	10	JAN 20/09
24-51-58- 2D	11	JAN 20/09
24-51-58- 2D	12	JAN 20/09
24-51-58- 2D	13	JAN 20/09
24-51-60- 1	0	MAY 28/07
24-51-60- 1	0A	MAY 28/07
24-51-60- 1	0B	MAY 28/07
24-51-60- 1	1	JAN 20/09
24-51-60- 1	2	JAN 20/09
24-51-60- 1	3	JAN 20/09
24-51-60- 1	4	JAN 20/09
24-51-60- 1	5	JAN 20/09
24-51-60- 1	6	JAN 20/09
24-51-60- 1	7	JAN 20/09
24-51-60- 1	8	JAN 20/09
24-51-60- 1	9	MAY 20/09
*24-51-60- 1	10	MAY 20/09
*24-51-60- 1	11	MAY 20/09
24-51-60- 1A	0	MAY 28/07
24-51-60- 1A	0A	SEP 20/08
24-51-60- 1A	1	JAN 20/09
24-51-60- 1A	2	JAN 20/09
24-51-60- 1A	3	JAN 20/09
24-51-60- 1A	4	MAY 20/09
*24-51-60- 1A	5	JAN 20/09
24-51-60- 1A	6	JAN 20/09
24-51-60- 1A	0	JAN 20/09
24-51-60- 4	0A	JAN 20/09
24-51-60- 4	1	JAN 20/09
24-51-60- 4	2	JAN 20/09
24-51-60- 4	3	JAN 20/09
24-51-60- 4	4	JAN 20/09

* THE ASTERISK INDICATES PAGES CHANGED OR ADDED BY THE CURRENT REVISION



757

PARTS CATALOG (MAINTENANCE)

CH-SECT-UNIT-FIG	PAGE NO.	DATE	CH-SECT-UNIT-FIG	PAGE NO.	DATE
24-51-60- 4	5	JAN 20/09	24-53-51- 2	2	JAN 20/09
24-51-60- 9	0	JAN 20/09	24-53-51- 2	3	JAN 20/09
24-51-60- 9	0A	JAN 20/09	24-53-51- 2	4	JAN 20/09
24-51-60- 9	1	JAN 20/09	24-53-51- 2C	0	JAN 20/09
24-51-60- 9	2	JAN 20/09	24-53-51- 2C	0A	JAN 20/09
24-51-60- 9	3	JAN 20/09	24-53-51- 2C	0B	JAN 20/09
24-51-62- 1	0	MAY 28/07	24-53-51- 2C	0C	JAN 20/09
24-51-62- 1	1	JAN 20/09	24-53-51- 2C	1	JAN 20/09
24-51-62- 1	2	JAN 20/09	24-53-51- 2C	2	JAN 20/09
24-51-62- 1	3	JAN 20/09	24-53-51- 2C	3	JAN 20/09
24-51-62- 1	4	JAN 20/09	24-53-51- 2C	4	JAN 20/09
24-51-62- 1	5	JAN 20/09	24-53-51- 2C	5	JAN 20/09
24-51-62- 1	6	JAN 20/09	24-53-51- 2C	6	JAN 20/09
24-51-62- 1	7	JAN 20/09	24-53-51- 2C	7	JAN 20/09
24-51-62- 1	8	JAN 20/09	24-53-51- 2C	8	JAN 20/09
24-51-62- 1	9	JAN 20/09	24-53-51- 2C	9	JAN 20/09
24-51-62- 1	10	JAN 20/09	24-53-51- 2D	0	JAN 20/09
24-51-62- 1	11	JAN 20/09	24-53-51- 2D	0A	JAN 20/09
24-51-62- 1	12	JAN 20/09	24-53-51- 2D	1	JAN 20/09
24-51-70- 5	0	JAN 20/09	24-53-51- 2D	2	JAN 20/09
24-51-70- 5	0A	JAN 20/09	24-53-51- 2D	3	JAN 20/09
24-51-70- 5	0B	JAN 20/09	24-53-51- 2D	4	JAN 20/09
24-51-70- 5	1	JAN 20/09	24-53-51- 2D	5	JAN 20/09
24-51-70- 5	2	JAN 20/09	24-53-51- 2D	6	JAN 20/09
24-51-71- 2	0	MAY 28/07	24-53-51- 2E	0	MAY 28/07
24-51-71- 2	1	JAN 20/09	24-53-51- 2E	0A	MAY 28/07
24-51-71- 2	2	JAN 20/09	24-53-51- 2E	1	JAN 20/09
24-51-71- 2	3	JAN 20/09	24-53-51- 2E	2	JAN 20/09
24-51-71- 2	4	JAN 20/09	24-53-51- 2E	3	JAN 20/09
24-51-71- 2	5	JAN 20/09	24-53-51- 2E	4	JAN 20/09
24-51-73- 1	0	MAY 20/08	24-53-51- 2E	5	JAN 20/09
24-51-73- 1	0A	MAY 20/08	24-53-51- 2E	6	JAN 20/09
24-51-73- 1	0B	MAY 20/08	24-53-51- 2E	7	JAN 20/09
24-51-73- 1	1	JAN 20/09	24-53-51- 2H	0	JAN 20/09
24-51-73- 1	2	JAN 20/09	24-53-51- 2H	0A	JAN 20/09
24-51-73- 1	3	JAN 20/09	24-53-51- 2H	0B	JAN 20/09
24-51-73- 1	4	JAN 20/09	24-53-51- 2H	1	JAN 20/09
24-51-73- 1	5	JAN 20/09	24-53-51- 2H	2	JAN 20/09
24-51-73- 1	6	JAN 20/09	24-53-51- 2H	3	JAN 20/09
24-51-73- 1	7	JAN 20/09	24-53-51- 2H	4	JAN 20/09
24-51-73- 1	8	JAN 20/09	24-53-51- 2H	5	JAN 20/09
24-51-73- 2	0	JAN 20/09	24-53-51- 2R	0	MAY 28/07
24-51-73- 2	1	JAN 20/09	24-53-51- 2R	0A	MAY 28/07
24-51-73- 2	2	JAN 20/09	24-53-51- 2R	1	JAN 20/09
24-51-73- 2	3	JAN 20/09	24-53-51- 2R	2	JAN 20/09
24-53-00	1	MAY 28/07	24-53-51- 2R	3	JAN 20/09
24-53-00- 1	0	JAN 20/09	24-53-51- 2R	4	JAN 20/09
24-53-00- 1	1	JAN 20/09	24-53-51- 2R	5	JAN 20/09
24-53-51- 2	0	JAN 20/09	24-53-51- 2R	6	JAN 20/09
24-53-51- 2	0A	JAN 20/09	24-53-51- 2R	7	JAN 20/09
24-53-51- 2	1	JAN 20/09	24-53-51- 2R	8	JAN 20/09

* THE ASTERISK INDICATES PAGES CHANGED OR ADDED BY THE CURRENT REVISION



757
PARTS CATALOG (MAINTENANCE)

CH-SECT-UNIT-FIG	PAGE NO.	DATE
24-53-51- 3A	0	JAN 20/09
24-53-51- 3A	0A	JAN 20/09
24-53-51- 3A	1	JAN 20/09
24-53-51- 3A	2	JAN 20/09
24-53-51- 3A	3	JAN 20/09
24-53-51- 3A	4	JAN 20/09
24-53-51- 3A	5	JAN 20/09
24-53-51- 3A	6	JAN 20/09
24-53-51- 3A	7	JAN 20/09
24-53-51- 3A	8	JAN 20/09
24-53-51- 3C	0	MAY 28/07
24-53-51- 3C	0A	MAY 28/07
24-53-51- 3C	1	JAN 20/09
24-53-51- 3C	2	JAN 20/09
24-53-51- 3C	3	JAN 20/09
24-53-51- 3C	4	JAN 20/09
24-53-51- 3C	5	JAN 20/09
24-53-51- 3C	6	JAN 20/09
24-53-51- 3C	7	JAN 20/09
24-53-51- 3E	0	JAN 20/09
24-53-51- 3E	0A	JAN 20/09
24-53-51- 3E	1	JAN 20/09
24-53-51- 3E	2	JAN 20/09
24-53-51- 3E	3	JAN 20/09
24-53-51- 3E	4	JAN 20/09
24-53-51- 3E	5	JAN 20/09
24-53-51- 3L	0	MAY 28/07
24-53-51- 3L	0A	MAY 28/07
24-53-51- 3L	1	JAN 20/09
*24-53-51- 3L	2	MAY 20/09
*24-53-51- 3L	3	MAY 20/09
*24-53-51- 3L	4	MAY 20/09
*24-53-51- 3L	5	MAY 20/09
24-53-51- 3L	6	JAN 20/09
24-53-51- 3L	7	JAN 20/09
24-53-51- 3N	0	JAN 20/09
24-53-51- 3N	0A	JAN 20/09
*24-53-51- 3N	1	MAY 20/09
*24-53-51- 3N	2	MAY 20/09
*24-53-51- 3N	3	MAY 20/09
24-53-51- 3N	4	JAN 20/09
24-53-51- 4	0	MAY 28/07
24-53-51- 4	0A	MAY 28/07
24-53-51- 4	1	JAN 20/09
24-53-51-11G	0	JAN 20/09
24-53-51-11G	1	JAN 20/09
24-53-51-11G	2	JAN 20/09
24-53-51-11G	3	JAN 20/09
24-53-51-11G	4	JAN 20/09
24-53-51-20	0	MAY 28/07
24-53-51-20	1	JAN 20/09

CH-SECT-UNIT-FIG	PAGE NO.	DATE
24-53-51-20	2	JAN 20/09
24-53-51-20A	0	MAY 28/07
24-53-51-20A	0A	MAY 28/07
24-53-51-20A	1	JAN 20/09
24-53-51-20A	2	JAN 20/09
24-53-51-20D	0	JAN 20/09
24-53-51-20D	0A	JAN 20/09
24-53-51-20D	1	JAN 20/09
24-53-51-20D	2	JAN 20/09
24-53-51-20L	0	JAN 20/09
24-53-51-20L	0A	JAN 20/09
24-53-51-20L	1	JAN 20/09
24-53-51-20L	2	JAN 20/09
24-53-51-20P	0	JAN 20/09
24-53-51-20P	1	JAN 20/09
24-53-51-20P	2	JAN 20/09
24-53-51-20P	3	JAN 20/09
24-53-51-21A	0	JAN 20/09
24-53-51-21A	0A	JAN 20/09
24-53-51-21A	0B	JAN 20/09
24-53-51-21A	1	JAN 20/09
24-53-51-21A	2	JAN 20/09
24-53-51-21A	3	JAN 20/09
24-53-51-22	0	JAN 20/09
24-53-51-22	1	JAN 20/09
24-53-51-30H	0	JAN 20/09
24-53-51-30H	0A	JAN 20/09
24-53-51-30H	1	JAN 20/09
24-53-51-30H	2	JAN 20/09
24-53-51-30N	0	MAY 28/07
24-53-51-30N	0A	MAY 28/07
24-53-51-30N	1	JAN 20/09
24-53-51-30N	2	JAN 20/09
24-53-51-35A	0	MAY 28/07
24-53-51-35A	0A	MAY 28/07
24-53-51-35A	1	JAN 20/09
24-53-51-35A	2	JAN 20/09
24-53-51-35A	3	JAN 20/09
24-53-51-50	0	JAN 20/09
24-53-51-50	0A	JAN 20/09
24-53-51-50	0B	JAN 20/09
24-53-51-50	1	JAN 20/09
24-53-51-50	2	JAN 20/09
24-53-51-50C	0	JAN 20/09
24-53-51-50C	0A	JAN 20/09
24-53-51-50C	1	JAN 20/09
24-53-51-50C	2	JAN 20/09
24-53-51-50E	0	JAN 20/09
24-53-51-50E	0A	JAN 20/09
24-53-51-50E	1	JAN 20/09
24-53-51-50E	2	JAN 20/09

* THE ASTERISK INDICATES PAGES CHANGED OR ADDED BY THE CURRENT REVISION



757
PARTS CATALOG (MAINTENANCE)

CH-SECT-UNIT-FIG	PAGE NO.	DATE	CH-SECT-UNIT-FIG	PAGE NO.	DATE
24-53-51-51	0	JAN 20/09	24-54-65- 1	0	MAY 28/07
24-53-51-51	1	JAN 20/09	24-54-65- 1	1	JAN 20/09
24-53-51-51	2	JAN 20/09	24-54-65- 1	2	JAN 20/09
24-53-51-52A	0	JAN 20/09	24-54-73- 1	0	MAY 28/07
24-53-51-52A	0A	JAN 20/09	24-54-73- 1	1	JAN 20/09
24-53-51-52A	1	JAN 20/09	24-54-73- 1	2	JAN 20/09
24-53-51-52A	2	JAN 20/09			
24-53-51-52E	0	JAN 20/09			
24-53-51-52E	0A	JAN 20/09			
24-53-51-52E	1	JAN 20/09			
24-53-51-52E	2	JAN 20/09			
24-53-51-52E	3	JAN 20/09			
24-53-52- 2	0	MAY 28/07			
24-53-52- 2	1	JAN 20/09			
24-53-52- 2	2	JAN 20/09			
24-53-52- 2	3	JAN 20/09			
24-53-71- 2	0	MAY 28/07			
24-53-71- 2	1	JAN 20/09			
24-53-71- 2D	0	JAN 20/09			
24-53-71- 2D	1	JAN 20/09			
24-53-71- 3	0	MAY 28/07			
24-53-71- 3	1	JAN 20/09			
24-53-71- 3A	0	MAY 28/07			
24-53-71- 3A	1	JAN 20/09			
24-53-71- 3B	0	JAN 20/09			
24-53-71- 3B	1	JAN 20/09			
24-53-71- 3B	2	JAN 20/09			
24-53-71- 4	0	MAY 28/07			
24-53-71- 4	1	JAN 20/09			
24-53-71- 4	2	JAN 20/09			
24-53-71- 4A	0	MAY 28/07			
24-53-71- 4A	1	JAN 20/09			
24-53-71- 4B	0	JAN 20/09			
24-53-71- 4B	1	JAN 20/09			
24-53-71- 4B	2	JAN 20/09			
24-53-73- 1	0	MAY 28/07			
24-53-73- 1	1	JAN 20/09			
24-53-73- 1	2	JAN 20/09			
24-53-73- 1A	0	MAY 28/07			
24-53-73- 1A	1	JAN 20/09			
24-53-73- 2	0	JAN 20/09			
24-53-73- 2	1	JAN 20/09			
24-53-73- 2	2	JAN 20/09			
24-54-00	1	MAY 28/07			
24-54-01- 1A	0	MAY 28/07			
24-54-01- 1A	1	JAN 20/09			
24-54-01- 1A	2	JAN 20/09			
24-54-01- 2	0	JAN 20/09			
24-54-01- 2	1	JAN 20/09			
24-54-01- 2	2	JAN 20/09			
24-54-01- 2	3	JAN 20/09			

* THE ASTERISK INDICATES PAGES CHANGED OR ADDED BY THE CURRENT REVISION

BRI
MAY 20/09

24 - LIST OF EFFECTIVE PAGES
PAGE 22



BOEING
757
PARTS CATALOG (MAINTENANCE)

CHAPTER 24 — ELECTRICAL POWER

TABLE OF CONTENTS

SUBJECT	CC-SS-UU	FIGURE	EFFECT
ELECTRICAL POWER	24-00-00		
COLLECTOR INSTL-	24-00-58	05	101102 108120 504903
COLLECTOR INSTL-HYDR (ELECTRICAL POWER ONLY)	24-00-00	06	101102 108120 504903
CUSTOMER OPTION-MANAGEMENT COLLECTOR, WIRE	24-00-60	20G	101102 108120 504903
COLLECTOR INSTL	24-00-58	05A	101102 108120 504903
ELECTRICAL AND ELECTRONIC INSTL-EQPT TOP COLLECTOR	24-00-58	01B	002004 006100 107107 121503 904999
ELECTRICAL AND ELECTRONIC-INSTL-EQPT TOP COLLECTOR	24-00-58	01	002004 006100 107107 121503 904999
ELECTRICAL AND ELECTRONIC-INSTL-EQPT TOP COLLECTOR	24-00-58	01A	002004 006100 107107 121503 904999
ELECTRICAL AND ELECTRONIC-INSTL-EQPT TOP COLLECTOR	24-00-58	01C	002004 006100 107107 121503 904999
ELECTRICAL SYSTEM INSTL	24-00-75	17	002004 006102 108120
ELECTRICAL SYSTEM INSTL-UNIT G1A (ELECTRICAL POWER ONLY)	24-00-75	16	950951



BOEING
757
PARTS CATALOG (MAINTENANCE)

CHAPTER 24 — ELECTRICAL POWER

TABLE OF CONTENTS

SUBJECT	CC-SS-UU	FIGURE	EFFECT
MANAGEMENT PREMODULE COLLECTOR-EQUIPMENT INSTL	24-00-58	05C	101102 108120 504903
MANAGEMENT PREMODULE COLLECTOR-EQUIPMENT INSTL	24-00-58	05D	101102 108120 504903
MANAGEMENT PREMODULE COLLECTOR-EQUIPMENT INSTL	24-00-58	05E	101102 108120 504903
MANAGEMENT PREMODULE COLLECTOR-EQUIPMENT INSTL	24-00-58	05F	101102 108120 504903
PANEL INSTL-P11 CB	24-00-51	01	002004 006101 107107 121503 904999
PANEL INSTL-P11 CB	24-00-51	02	002004 006101 107107 121503 904999
PANEL INSTL-P11 CB	24-00-51	03	002004 006101 107107 121503 904999
PANEL INSTL-P11 CB	24-00-51	04	002004 006101 107107 121503 904999
PROGRAM-SELECTED OPTION WIRE INSTL MANAGEMENT COLLECTOR, FOUR DOOR	24-00-60	20C	101102 108120 504903
PROVISION AND BRACKET INSTL-SECT. 43 PASS. CAB. OVERHEAD WIRE	24-00-60	03	002004 006999
PROVISION INSTL-SECT. 48 UPR AFT AND LWR R WIRE	24-00-60	05	002004 006999


BOEING
 757
PARTS CATALOG (MAINTENANCE)

CHAPTER 24 — ELECTRICAL POWER

TABLE OF CONTENTS

SUBJECT	CC-SS-UU	FIGURE	EFFECT
PROVISION INSTL-SECT. 48 UPR FWD WIRE	24-00-60	04	002004 006999
PROVISION INSTL-WIRE	24-00-60	01	002004 006100 107107 121503 904999
PROVISION INSTL-WIRE	24-00-60	20	101102 108120 504903
PROVISION INSTL-WIRE	24-00-60	20B	101102 108120 504903



BOEING
757
PARTS CATALOG (MAINTENANCE)

CHAPTER 24 — ELECTRICAL POWER

TABLE OF CONTENTS

SUBJECT	CC-SS-UU	FIGURE	EFFECT
GENERATOR DRIVE SYSTEM	24-11-00		
ADAPTER ASSY-QUICK ATTACH DETACH KIT	24-11-03	01	002004 006999
CABLES-INTEGRATED DRIVE GEN (RB211-535)	24-11-53	02	002004 006999
COOLER-AIR COOLED OIL (RB211-535)	24-11-04	01	002004 006999
FITTINGS-INTEGRATED DRIVE GENERATOR (RB211-535)	24-11-01	07	002004 006999
GENERATOR ASSY-INTEGRATED DRIVE (INTEGRATED DRIVE GENERATOR ONLY)	24-11-01	05	002004 006999
GENERATOR INSTL-RB211-535 INTEGRATED DRIVE (ELECTRICAL POWER ONLY)	24-11-01	01	002004 006100 107107 121503 904999
GENERATOR INSTL-RB211-535 INTEGRATED DRIVE (ELECTRICAL POWER ONLY)	24-11-01	01A	101106 108120 504903
INTEGRATED DRIVE GENERATOR AIR COOLED OIL COOLER AIR CONTROL SOLENOID AND ACTUATOR (RB211-535)	24-11-04	02	002004 006999
PANEL INSTL-P5 OVHD (GENERATOR DRIVE SYSTEM ONLY)	24-11-52	01	002004 006010 107107 121503 904999
PANEL INSTL-P5 OVHD (GENERATOR DRIVE SYSTEM ONLY) (RB211-535)	24-11-52	03	011100
PANEL INSTL-P5 OVHD (GENERATOR DRIVE SYSTEM ONLY) (RB211-535)	24-11-52	05	101106 108120 504903
QAD COUPLINGS-INTEGRATED DRIVE GENERATOR (RB211-535)	24-11-01	08	002004 006999
TUBES AND HOSES INTEGRATED DRIVE GENERATER (RB211-535)	24-11-05	01	002004 006999



BOEING
757
PARTS CATALOG (MAINTENANCE)

CHAPTER 24 — ELECTRICAL POWER

TABLE OF CONTENTS

SUBJECT	CC-SS-UU	FIGURE	EFFECT
AC GENERATION	24-20-00		
PANEL INSTL-P31, P32 AND P34 PWR	24-20-01	05	002004 006999
POWER AND REGULATION	24-21-00		
EQUIPMENT ASSY-R GEN PWR PNL P32 (POWER AND REGULATION ONLY)	24-21-51	03	002004 006100 107107 121503 904999
PACKAGE ASSY-OPTION P31 AND P32 GEN PWR PNL (POWER AND REGULATION ONLY)	24-21-65	01A	101102 108120 504903
PACKAGE ASSY-OPTION P34 APU/EXT PWR (POWER AND REGULATION ONLY)	24-21-63	01A	101102 504903
PANEL ASSY-P31 PWR (POWER AND REGULATOR ONLY)	24-21-51	01	103106
PANEL ASSY-P34 APU/EXT PWR (POWER AND REGULATION ONLY)	24-21-63	01	002004 006100 107107 121503 904999
PANEL ASSY-R GEN PWR PNL P32 (POWER AND REGULATION ONLY)	24-21-51	04	103106 108120
PANEL INSTL-P36 L MISC RELAY (ELECTRICAL POWER ONLY)	24-21-51	01A	103106
PANEL INSTL-P37 R MISC RELAY (POWER AND REGULATION ONLY)	24-21-51	05	103106
UNIT INSTL-AUX PWR SYS (APU GENERATOR ONLY)	24-21-01	01	101106 108120 504903
WIRE INSTL-STRUT (AC GENERATION ONLY) (PW2000)	24-21-51	02	103106
AC GENERATION AND BUS CONTROL	24-22-00		
EQUIPMENT ASSY-L GEN PWR PNL P31 (GENERATOR, BUS TIE, AND AUXILIARY POWER BREAKERS ONLY)	24-22-03	03	002004 006100 107107 121503 904999



BOEING
757
PARTS CATALOG (MAINTENANCE)

CHAPTER 24 — ELECTRICAL POWER

TABLE OF CONTENTS

SUBJECT	CC-SS-UU	FIGURE	EFFECT
EQUIPMENT ASSY-R GEN PWR PNL P32 (CONTROL ONLY)	24-22-51	06	002004 006100 107107 121503 904999
EQUIPMENT ASSY-R GEN PWR PNL P32 (GENERATOR, BUS TIE, AND AUXILIARY POWER BREAKERS ONLY)	24-22-03	06	002004 006100 107107 121503 904999
EQUIPMENT INSTL-MAIN ELECTRONICS EQPT CTR (CONTROL ONLY)	24-22-02	51	002004 006100 121999
EQUIPMENT INSTL-MAIN ELECTRONICS EQPT CTR (CONTROL ONLY)	24-22-02	51A	107107 121503 904949
EQUIPMENT INSTL-MAIN ELECTRONICS EQPT CTR (CONTROL ONLY)	24-22-02	51B	101102
EQUIPMENT INSTL-MAIN ELECTRONICS EQPT CTR GEN CONT	24-22-02	08	103106 108120
PACKAGE ASSY-OPTION P31 AND P32 GEN PWR PNL (ELECTRICAL POWER CONTROL ONLY)	24-22-02	01A	101102 108120 504903
PACKAGE ASSY-OPTION P34 APU/EXT PWR (ELECTRICAL PWR CONT ONLY)	24-22-02	02A	101102 504903
PANEL ASSY-P31 PWR (CONTROL ONLY)	24-22-51	08	103106
PANEL ASSY-P34 APU/EXT PWR (CONTROL ONLY)	24-22-03	04	103106 108120
PANEL ASSY-P34 APU/EXT PWR (ELECTRICAL PWR CONT ONLY)	24-22-02	02	002004 006102 107107 121503 904999
PANEL ASSY-R GEN PWR PNL P32 (CONTROL ONLY)	24-22-51	07	103106 108120
PANEL ASSY-R GEN PWR PNL P32 (GENERATOR, BUS TIE, AND AUXILIARY POWER BREAKERS ONLY)	24-22-03	06A	103106 108120


BOEING
 757
PARTS CATALOG (MAINTENANCE)

CHAPTER 24 — ELECTRICAL POWER

TABLE OF CONTENTS

SUBJECT	CC-SS-UU	FIGURE	EFFECT
PANEL INSTL-P31 PWR	24-22-01	01B	101102 108120 504903
PANEL INSTL-P32 PWR	24-22-01	01C	101102 504903
PANEL INSTL-P5 OVHD (AC GENERATION)	24-22-01	03	101106 108120 504903
PANEL INSTL-P5 OVHD (CONTROL ONLY)	24-22-01	04	002004 006010 107107 121503 904999
PANEL INSTL-P5 OVHD (CONTROL ONLY)	24-22-01	05	011100
PANEL INSTL-P61 R SIDEWALL (ELECTRICAL POWER ONLY)	24-22-73	01	002004 006100 107107 121503 904999
PANEL INSTL-P61 R SIDEWALL (ELECTRICAL POWER ONLY)	24-22-73	02	101106 108120 504903
UNIT ASSY-AUX PWR SYS (ELECTRICAL POWER ONLY)	24-22-03	01	002004 006100 107107 121503 904999
FAULT SENSING	24-23-00		
EQUIPMENT ASSY-L GEN PWR PNL P31 (CURRENT TRANSFORMERS ONLY)	24-23-01	01	002004 006100 107107 121503 904999
EQUIPMENT ASSY-R GEN PWR PNL P32 (CURRENT TRANSFORMERS ONLY)	24-23-01	02	002004 006100 107107 121503 904999

 **BOEING**
757
PARTS CATALOG (MAINTENANCE)

CHAPTER 24 — ELECTRICAL POWER

TABLE OF CONTENTS

SUBJECT	CC-SS-UU	FIGURE	EFFECT
EQUIPMENT INSTL AND PANEL ASSY-P6 PWR DISTR (FAULT SENSING ONLY)	24-23-65	01	002004 006100 107107 121503 904999
PACKAGE ASSY-OPTION P32 GEN PWR PNL (FAULT SENSING ONLY)	24-23-65	02A	101102 504903
PACKAGE ASSY-OPTION P34 APU/EXT PWR (FAULT SENSING ONLY)	24-23-01	03A	101102 504903
PANEL ASSY-P34 APU/EXT PWR (FAULT SENSING ONLY)	24-23-01	03	103106 108120
PANEL ASSY-P34 APU/EXT PWR (FAULT SENSING ONLY)	24-23-65	03	002004 006102 107107 121503 904999
PANEL ASSY-R GEN PWR PNL P32 (CURRENT TRANSFORMERS ONLY)	24-23-01	02A	103106 108120
HYDRAULIC MOTOR DRIVEN GENERATOR SYSTEM ACCUMULATOR AND SERVICING INSTL AND GAGE INSTL (ELECTRICAL POWER ONLY)	24-25-00 24-25-04	04	002004 006007 107107 121503 904949 952952
ACCUMULATOR AND SERVICING INSTL. HYDR MOTOR GEN	24-25-04	02	002004 006106 108503 953999
EQUIPMENT INSTL-MAIN ELECTRONICS EQPT CTR (HYDRAULIC MOTOR DRIVEN GENERATOR SYSTEM ONLY)	24-25-05	01	002004 006100 121503 904949 952999
EQUIPMENT INSTL-MAIN ELECTRONICS EQPT CTR (HYDRAULIC MOTOR DRIVEN GENERATOR SYSTEM ONLY)	24-25-05	01B	101102
EQUIPMENT INSTL-MAIN ELECTRONICS EQPT CTR HYDR MOTOR GEN XFMR RECTIFIER UNIT	24-25-05	08	103106 108120

 **BOEING**
757
PARTS CATALOG (MAINTENANCE)

CHAPTER 24 — ELECTRICAL POWER

TABLE OF CONTENTS

SUBJECT	CC-SS-UU	FIGURE	EFFECT
FLOW LIMITER INSTL (HYDRAULIC FLOW LIMITER ONLY)	24-25-06	02	103106
GAGE AND BRACKET INSTL HYDR MOTOR/GEN	24-25-04	01	008106 108120 953999
GENERATOR INSTL-HYDR MOTOR GENERATOR ASSY-HYDR MOTOR AND WIRE BUNDLE ASSY	24-25-01	04	002004 006503 904949 952999
PLUMBING INSTL-SECT. 44 KEEL BEAM MLG WHL WELL HYDR (ELECTRICAL POWER ONLY)	24-25-51	01	101106 108120
PLUMBING INSTL-SECT. 44 KEEL BEAM MLG WHL WELL HYDR (ELECTRICAL POWER ONLY)	24-25-52	01	002004 006100 107107 121503 904949 952999
SHIELD ASSY-P71 HYDR GEN CONT (CIRCUIT BREAKERS AND RELAYS ONLY)	24-25-51	02	002004 006100 107107 121503 904949 952999
SHIELD ASSY-P71 HYDR GEN CONT (GENERATOR CONTROL UNIT ONLY)	24-25-02	01	002004 006100 107107 121503 904949 952999
SHIELD ASSY-P71 HYDR GEN CONT.	24-25-02	03	103106
SHIELD INSTL-P71 HYDR GEN CONT (CIRCUIT BREAKERS AND RELAYS ONLY)	24-25-51	03	101106 108120
SHIELD INSTL-P71 HYDR GEN CONT (GENERATOR CONTROL UNIT ONLY)	24-25-02	02	101102 108120
VALVE INSTL AND ASSY CONT AND FLOW LIMITER HYDR MOTOR/GEN (GEN SHUTOFF VALVE ONLY)	24-25-03	01	002004 006102 107503 904949 952999

 **BOEING**
757
PARTS CATALOG (MAINTENANCE)

CHAPTER 24 — ELECTRICAL POWER

TABLE OF CONTENTS

SUBJECT	CC-SS-UU	FIGURE	EFFECT
VALVE INSTL AND ASSY CONT AND FLOW LIMITER HYDR MOTOR/GEN (HYDRAULIC FLOW LIMITER ONLY)	24-25-06	01	002004 006102 107503 904949 952999
VALVE INSTL-CONT (GEN SHUTOFF VALVE ONLY)	24-25-03	02	103106

 **BOEING**
757
PARTS CATALOG (MAINTENANCE)

CHAPTER 24 — ELECTRICAL POWER

TABLE OF CONTENTS

SUBJECT	CC-SS-UU	FIGURE	EFFECT
BATTERIES	24-31-00		
BATTERY INSTL-MAIN FWD	24-31-01	02	002004 006999
DISCONNECT ASSY-MODULE ELEC/ELECTRONIC RACK (TERMINAL BOARD ONLY)	24-31-11	01	002004 006106 108503 953999
EQUIPMENT ASSY-AFT EQPT CTR E6 CONTACTOR PNL (BATTERIES ONLY)	24-31-73	02	121503 904949
EQUIPMENT ASSY-AFT EQPT CTR E6 RELAY (BATTERIES ONLY)	24-31-52	02	121503 904949
EQUIPMENT ASSY-AFT EQPT CTR E6 RELAY (BATTERIES ONLY)	24-31-52	03	002004 006100 107107 950999
EQUIPMENT ASSY-E6 AFT EQPT CTR RELAY PNL OPTION PKG (APU BATTERY CHARGER ONLY)	24-31-04	01A	101102 504903
EQUIPMENT ASSY-E6 RELAY PNL AFT EQPT CTR (APU BATTERY CHARGERS ONLY)	24-31-71	05	108120
EQUIPMENT ASSY-E6 RELAY PNL AFT EQPT CTR (APU BATTERY CHARGERS ONLY)	24-31-71	07	103106
EQUIPMENT ASSY-E6 RELAY PNL AFT EQPT CTR (APU BATTERY ONLY)	24-31-71	04	108120
EQUIPMENT ASSY-E6 RELAY PNL AFT EQPT CTR (APU BATTERY ONLY)	24-31-71	06	103106
EQUIPMENT INSTL- BATTERY CHARGER AND STATIC INVERTER (BATTERIES ONLY)	24-31-02	01	002004 006999
EQUIPMENT INSTL-E6 AFT EQPT CTR (APU BATTERY CHARGER ONLY)	24-31-04	01	002004 006102 107107 121999
EQUIPMENT INSTL-E6 AFT EQPT CTR (APU BATTERY CURRENT MONITOR ONLY)	24-31-07	01	002004 006102 107107 121949 952999


BOEING
 757
PARTS CATALOG (MAINTENANCE)

CHAPTER 24 — ELECTRICAL POWER

TABLE OF CONTENTS

SUBJECT	CC-SS-UU	FIGURE	EFFECT
EQUIPMENT INSTL-E6 AFT EQPT CTR (APU BATTERY ONLY)	24-31-03	01	002004 006102 107107 121999
EQUIPMENT INSTL-E6 AFT EQPT CTR APU BATTERY EXTENDED RACK (APU BATTERY CHARGER ONLY)	24-31-04	04	103106
EQUIPMENT INSTL-E6 AFT EQPT CTR APU BATTERY EXTENDED RACK (APU BATTERY ONLY)	24-31-03	05	103106
EQUIPMENT INSTL-E6 AFT EQPT CTR APU BATTERY SMALL RACK (APU BATTERY CHARGER ONLY)	24-31-04	05	108120
EQUIPMENT INSTL-E6 AFT EQPT CTR APU BATTERY SMALL RACK (APU BATTERY ONLY)	24-31-03	04	108120
EQUIPMENT INSTL-E6 AFT EQPT CTR PWR 90-MIN RACK STBY (APU BATTERY CURRENT MONITORS ONLY)	24-31-07	02	103106 108120
HOIST INSTL-MAIN BATTERY STOWAGE TOOL	24-31-51	01	002004 006949 952999
KIT INSTL-APU BATTERY AND TRU GROUNDS WIRE INSTL	24-31-03	08	002004 006104 107999
PANEL ASSY-P6 PWR DISTR (BATTERIES ONLY)	24-31-71	03	002004 006102 107107 121999
PANEL INSTL-P5 OVHD (APU BATTERY ONLY)	24-31-03	09	101106 108120 504903
PANEL INSTL-P5 OVHD (APU BATTERY ONLY)	24-31-03	10	002004 006010 107107 121503 904949 952999
PANEL INSTL-P5 OVHD (APU BATTERY ONLY)	24-31-03	11	011100
PANEL INSTL-P5 OVHD (MAIN BATTERY ONLY)	24-31-01	10	101106 108120 504903

 **BOEING**
757
PARTS CATALOG (MAINTENANCE)

CHAPTER 24 — ELECTRICAL POWER

TABLE OF CONTENTS

SUBJECT	CC-SS-UU	FIGURE	EFFECT
PANEL INSTL-P5 OVHD (MAIN BATTERY ONLY)	24-31-01	11	002004 006010 107107 121503 904999
PANEL INSTL-P5 OVHD (MAIN BATTERY ONLY)	24-31-01	12	011100
PANEL INSTL-P6 PWR DISTR (MAIN BATTERY AND MAIN BATTERY TRANSFER RELAY ONLY)	24-31-06	01	103106 108120
PANEL INSTL-P6 PWR DISTR (MAIN/APU BATTERY CHARGER RELAY ONLY)	24-31-71	09	103106 108120
TRANSFORMER RECTIFIER UNITS (TRU)	24-32-00		
EQUIPMENT ASSY-AFT EQPT CTR E6 CONTACTOR PNL (TRANSFORMER RECTIFIER ONLY)	24-32-73	02	121503 904949
EQUIPMENT ASSY-AFT EQPT CTR E6 RELAY (TRANSFORMER RECTIFIER ONLY)	24-32-71	03	121503 904949
EQUIPMENT ASSY-AFT EQPT CTR E6 RELAY (TRANSFORMER RECTIFIER ONLY)	24-32-71	04	002004 006100 107107 950999
EQUIPMENT ASSY-E6 AFT EQPT CTR RELAY PNL OPTION PKG (APU START TRU FAN ONLY)	24-32-06	01A	101102 504903
EQUIPMENT ASSY-E6 AFT EQPT CTR RELAY PNL OPTION PKG (APU TRU START RELAY ONLY)	24-32-05	01A	101102 504903
EQUIPMENT ASSY-E6 RELAY PNL AFT EQPT CTR (APU START TRU FAN CONTROL RELAY ONLY)	24-32-06	02	108120
EQUIPMENT ASSY-E6 RELAY PNL AFT EQPT CTR (APU START TRU FAN CONTROL RELAY ONLY)	24-32-06	03	103106
EQUIPMENT ASSY-E6 RELAY PNL AFT EQPT CTR (APU START TRU OVERHEAT PROTECTION ONLY)	24-32-71	05	108120
EQUIPMENT ASSY-E6 RELAY PNL AFT EQPT CTR (APU START TRU OVERHEAT PROTECTION ONLY)	24-32-71	06	103106
EQUIPMENT ASSY-E6 RELAY PNL AFT EQPT CTR (APU TRU START RELAY ONLY)	24-32-05	02	108120

 **BOEING**
757
PARTS CATALOG (MAINTENANCE)

CHAPTER 24 — ELECTRICAL POWER

TABLE OF CONTENTS

SUBJECT	CC-SS-UU	FIGURE	EFFECT
EQUIPMENT ASSY-E6 RELAY PNL AFT EQPT CTR (APU TRU START RELAY ONLY)	24-32-05	03	103106
EQUIPMENT ASSY-R GEN PWR PNL P32 (TRANSFORMER RECTIFIER ONLY)	24-32-51	04	002004 006100 107107 121503 904999
EQUIPMENT INSTL AND PANEL ASSY-P6 PWR DISTR (TRANSFORMER RECTIFIER ONLY)	24-32-71	01	002004 006102 107107 121999
EQUIPMENT INSTL-MAIN ELECTRONICS EQPT CTR (TRANSFORMER RECTIFIER ONLY)	24-32-01	01	002004 006100 107107 121999
EQUIPMENT INSTL-MAIN ELECTRONICS EQPT CTR (TRANSFORMER RECTIFIER ONLY)	24-32-01	01B	101102
EQUIPMENT INSTL-MAIN ELECTRONICS EQPT CTR XFMR RECTIFIER UNIT	24-32-01	08	103106 108120
PACKAGE ASSY-OPTION P37 MISC RELAY (TRANSFORMER RECTIFIER ONLY)	24-32-52	01B	101102 504903
PANEL ASSY-P37 MISC RELAY R (TRANSFORMER RECTIFIER ONLY)	24-32-52	01	002004 006100 107107 121503 904999
PANEL ASSY-R GEN PWR PNL P32 (TRANSFORMER RECTIFIER ONLY)	24-32-51	05	103106 108120
PANEL INSTL-P6 PWR DISTR (DC TIE CONTROL UNIT ONLY)	24-32-03	01	103106 108120
PANEL INSTL-P6 PWR DISTR (DC TIE RELAY ONLY)	24-32-02	01	103106 108120
TRANSFORMER RECTIFIER UNIT INSTL-AFT EQPT CTR APU	24-32-04	01	121503 904949
TRANSFORMER RECTIFIER UNIT INSTL-AFT EQPT CTR APU	24-32-04	02	002004 006120 504903 950999
STANDBY POWER	24-33-00		



BOEING
757
PARTS CATALOG (MAINTENANCE)

CHAPTER 24 — ELECTRICAL POWER

TABLE OF CONTENTS

SUBJECT	CC-SS-UU	FIGURE	EFFECT
EQUIPMENT ASSY-AFT EQPT CTR E6 RELAY (STANDBY POWER ONLY)	24-33-54	02	002004 006100 107107 952999
EQUIPMENT ASSY-AFT EQPT CTR E6 RELAY PNL (STANDBY POWER ONLY)	24-33-54	01	121503 904949
EQUIPMENT ASSY-E6 AFT EQPT CTR RELAY PNL OPTION PKG (ELECTRICAL POWER ONLY)	24-33-51	03A	101102 504903
EQUIPMENT INSTL- E6 AFT EQPT CTR PWR 90-MIN RACK (APU BATTERY TIE REMOTE CONTROL CIRCUIT BREAKER)	24-33-02	02	103106 108120
EQUIPMENT INSTL-BATTERY CHARGER AND STATIC INVERTER (STANDBY POWER ONLY)	24-33-03	01	002004 006999
EQUIPMENT INSTL-E6 AFT EQPT CTR (STANDBY POWER ONLY)	24-33-02	05	002004 006102 107107 121949 952999
PANEL ASSY-P6 PWR DISTR (STANDBY POWER ONLY)	24-33-71	03	002004 006102 107107 121999
PANEL INSTL-P5 OVHD (STANDBY POWER CONTROL PANEL ONLY)	24-33-04	01	101106 108120 504903
PANEL INSTL-P5 OVHD (STANDBY POWER CONTROL PANEL ONLY)	24-33-04	02	002004 006010 107107 121503 904999
PANEL INSTL-P5 OVHD (STANDBY POWER CONTROL PANEL ONLY)	24-33-04	03	011100
PANEL INSTL-P6 PWR DISTR (STANDBY POWER RELAYS ONLY)	24-33-01	01	103106 108120
DC METERS	24-34-00		
PANEL ASSY-P6 PWR DISTR (DC METERS ONLY)	24-34-67	02	002004 006102 107107 121999


BOEING
 757
PARTS CATALOG (MAINTENANCE)

CHAPTER 24 — ELECTRICAL POWER

TABLE OF CONTENTS

SUBJECT	CC-SS-UU	FIGURE	EFFECT
AC EXTERNAL POWER	24-41-00		
EQUIPMENT INSTL-MAIN ELECTRONICS EQPT	24-41-03	01	002004
CTR (EXTERNAL POWER ONLY)			006100
			107107
			121999
EQUIPMENT INSTL-MAIN ELECTRONICS EQPT	24-41-03	01B	101102
CTR (EXTERNAL POWER ONLY)			
EQUIPMENT INSTL-MAIN ELECTRONICS EQPT	24-41-03	08	103106
CTR BUS PWR CONT			108120
PACKAGE ASSY-OPTION P34 APU/EXT PWR	24-41-01	01A	101102
(EXTERNAL PWR ONLY)			504903
PANEL ASSY-P34 APU/EXT PWR (EXTERNAL	24-41-01	02	103106
POWER CONTACTOR ONLY)			108120
PANEL ASSY-P34 APU/EXT PWR (EXTERNAL	24-41-01	01	002004
PWR ONLY)			006102
			107107
			121503
			904999
PANEL INSTL-P5 OVHD (AC EXTERNAL POWER	24-41-51	04	101106
ONLY)			108120
			504903
PANEL INSTL-P5 OVHD (EXTERNAL POWER	24-41-51	01	002004
ONLY)			006010
			107107
			121503
			904999
PANEL INSTL-P5 OVHD (EXTERNAL POWER	24-41-51	03	011100
ONLY)			
RECEPTACLE INSTL-EXT PWR	24-41-02	05	002004
			006999



BOEING
757
PARTS CATALOG (MAINTENANCE)

CHAPTER 24 — ELECTRICAL POWER

TABLE OF CONTENTS

SUBJECT	CC-SS-UU	FIGURE	EFFECT
ELECTRICAL LOAD DISTRIBUTION	24-50-00		
EQUIPMENT INSTL-CB PNL EQPT CTR AFT (ELECTRICAL POWER ONLY)	24-50-51	02C	103106
PANEL INSTL-E6 AFT EQPT CTR CB	24-50-51	02	101106 108120 504903
PANEL INSTL-E6 AFT EQPT CTR CB	24-50-51	02A	101102 108120 504903
PROVISION INSTL-E/E BAY FLOOR BEAM WIRE	24-50-51	01	002004 006999
AC POWER DISTRIBUTION 115 - VOLT	24-51-00		
CIRCUIT BREAKER INSTL-P11-1	24-51-53	01	101102 504903
CIRCUIT BREAKER INSTL-P11-1 AND KIT	24-51-53	01A	102102 504903
CIRCUIT BREAKER INSTL-P11-2	24-51-53	03A	101102 504903
CIRCUIT BREAKER INSTL-P11-2 (PRE-MODULE)	24-51-53	03B	102102 504903
CIRCUIT BREAKER INSTL-P11-2 AND KIT	24-51-53	03	102102 504903
CIRCUIT BREAKER INSTL-P11-3	24-51-53	06	102102 504903
CIRCUIT BREAKER INSTL-P11-3	24-51-53	06A	102102 504903
CIRCUIT BREAKER INSTL-P11-4	24-51-53	08	102102 504903
CIRCUIT BREAKER INSTL-P11-4 AND TOP KIT, ANTI-ICING SYS	24-51-53	08A	101102 504903
CIRCUIT BREAKER, DOME PLUG AND INOP INSTL-P11-1	24-51-54	14	108120
CIRCUIT BREAKER, DOME PLUG AND INOP INSTL-P11-1	24-51-54	50	103106
CIRCUIT BREAKER, DOME PLUG AND INOP INSTL-P11-2	24-51-54	14A	108120
CIRCUIT BREAKER, DOME PLUG AND INOP INSTL-P11-2	24-51-54	50A	103106
CIRCUIT BREAKER, DOME PLUG AND INOP INSTL-P11-3	24-51-54	50B	103106

 **BOEING**
757
PARTS CATALOG (MAINTENANCE)

CHAPTER 24 — ELECTRICAL POWER

TABLE OF CONTENTS

SUBJECT	CC-SS-UU	FIGURE	EFFECT
CIRCUIT BREAKER, DOME PLUG AND INOP INSTL-P11-4	24-51-54	50C	103106
CIRCUIT BREAKER, DOME PLUG INSTL-P11-3	24-51-54	14B	108120
CIRCUIT BREAKER, DOME PLUG INSTL-P11-4	24-51-54	14C	108120
EQUIPMENT ASSY-AFT EQPT CTR CB PNL (ELECTRICAL POWER ONLY)	24-51-56	03	121503 904949
EQUIPMENT ASSY-E6 AFT EQPT CTR CB PNL (ELECTRICAL POWER ONLY)	24-51-56	01	002004 006100 107107 950999
EQUIPMENT ASSY-E6 AFT EQPT CTR CB PNL OPTION PKG (ELECTRICAL POWER ONLY)	24-51-56	01A	101102 108120 504903
EQUIPMENT ASSY-L GEN PWR PNL P31 (115-VOLT AC POWER DISTRIBUTION ONLY)	24-51-55	01B	002004 006100 107107 121503 904999
EQUIPMENT ASSY-R GEN PWR PNL P32 (115-VOLT AC POWER DISTRIBUTION ONLY)	24-51-55	02	002004 006100 107107 121503 904999
LINING INSTL-DOORWAY NO. 3 L (ELECTRICAL POWER ONLY)	24-51-00	25	101102 108120 504903
LINING INSTL-DOORWAY NO. 3 L (ELECTRICAL POWER ONLY)	24-51-00	26	002004 006100 107107 121503 904999
MODULE ASSY-ATTENDANT PNL PC PWR PORT SYS	24-51-70	05	103106
OUTLET INSTL-ELECTRICAL	24-51-00	33	103106
PACKAGE ASSY-OPTION P31 AND P32 GEN PWR PNL (115-VOLT AC POWER DISTRIBUTION ONLY)	24-51-55	01A	101102 108120 504903
PACKAGE ASSY-OPTION P34 APU/EXT PWR (CIRCUIT BREAKERS ONLY)	24-51-54	03A	101102 504903



BOEING
757
PARTS CATALOG (MAINTENANCE)

CHAPTER 24 — ELECTRICAL POWER

TABLE OF CONTENTS

SUBJECT	CC-SS-UU	FIGURE	EFFECT
PACKAGE ASSY-OPTION P34 APU/EXT PWR (GROUND HANDLING RELAYS ONLY)	24-51-01	01A	101102 504903
PACKAGE ASSY-OPTION P34 APU/EXT PWR (GROUND SERVICE SELECT RELAY ONLY)	24-51-04	02A	101102 504903
PACKAGE ASSY-OPTION P34 APU/EXT PWR (GROUND SERVICE TRANSFER RELAY ONLY)	24-51-03	03A	101102 504903
PACKAGE ASSY-OPTION P37 MISC RELAY (115-VOLT AC POWER DISTRIBUTION ONLY)	24-51-58	02B	101102 504903
PACKAGE ASSY-OPTION P70 MISC RELAY (115-VOLT AC POWER DISTRIBUTION ONLY)	24-51-60	01A	101102 504903
PANEL AND PACKAGE ASSY-P6-3 AND P6-4 PWR DISTR AND PANEL INSTL-KIT P6 (CIRCUIT BREAKERS ONLY)	24-51-52	06	002004 006102 107107 121999
PANEL ASSY-APU/EXT PWR P34 (115 VOLT AC POWER DISTRIBUTION ONLY)	24-51-01	01	002004 006100 107107 121503 904999
PANEL ASSY-P-11-2 CB (ELECTRICAL POWER ONLY)	24-51-53	71	121503 904949
PANEL ASSY-P-11-3 CB (ELECTRICAL POWER ONLY)	24-51-53	14	121503 904949
PANEL ASSY-P11-1 CB (ELECTRICAL POWER ONLY)	24-51-53	12	121503 904949
PANEL ASSY-P11-1 CB (ELECTRICAL POWER ONLY)	24-51-53	17	107107
PANEL ASSY-P11-1 CB (ELECTRICAL POWER ONLY)	24-51-53	37	002004 006100 950999
PANEL ASSY-P11-1 CB (ELECTRICAL POWER ONLY)	24-51-53	38	103106
PANEL ASSY-P11-1 CB (ELECTRICAL POWER ONLY)	24-51-53	87J	101101
PANEL ASSY-P11-2 CB (ELECTRICAL POWER ONLY)	24-51-53	18	107107
PANEL ASSY-P11-2 CB (ELECTRICAL POWER ONLY)	24-51-53	39	002004 006100 950951



BOEING
757
PARTS CATALOG (MAINTENANCE)

CHAPTER 24 — ELECTRICAL POWER

TABLE OF CONTENTS

SUBJECT	CC-SS-UU	FIGURE	EFFECT
PANEL ASSY-P11-2 CB (ELECTRICAL POWER ONLY)	24-51-53	70	952999
PANEL ASSY-P11-2 CB (ELECTRICAL POWER ONLY)	24-51-53	86J	101101
PANEL ASSY-P11-3 CB (ELECTRICAL POWER ONLY)	24-51-53	19	107107
PANEL ASSY-P11-3 CB (ELECTRICAL POWER ONLY)	24-51-53	41	002004 006101 950999
PANEL ASSY-P11-4 CB (ELECTRICAL POWER ONLY)	24-51-53	15	121503 904949
PANEL ASSY-P11-4 CB (ELECTRICAL POWER ONLY)	24-51-53	20	107107
PANEL ASSY-P11-4 CB (ELECTRICAL POWER ONLY)	24-51-53	43	002004 006100 950999
PANEL ASSY-P11-4 CB (ELECTRICAL POWER ONLY)	24-51-53	43A	101101
PANEL ASSY-P26 LIGHTING EQPT (ELECTRICAL POWER ONLY)	24-51-52	04	002004 006999
PANEL ASSY-P31 PWR (115 VOLT AC POWER DISTRIBUTION)	24-51-51	26	103106
PANEL ASSY-P34 APU/EXT PWR (CIRCUIT BREAKERS ONLY)	24-51-54	03	002004 006100 107107 121503 904999
PANEL ASSY-P34 APU/EXT PWR (CIRCUIT BREAKERS ONLY)	24-51-54	04	103106 108120
PANEL ASSY-P34 APU/EXT PWR (GROUND HANDLING RELAYS ONLY)	24-51-01	03	103106 108120
PANEL ASSY-P34 APU/EXT PWR (GROUND SERVICE SELECT RELAY ONLY)	24-51-04	03	103106 108120
PANEL ASSY-P34 APU/EXT PWR (GROUND SERVICE TRANSFER RELAY ONLY)	24-51-03	02	103106 108120
PANEL ASSY-P37 MISC RELAY R (115-VOLT AC POWER DISTRIBUTION ONLY)	24-51-58	02	002004 006100 107107 121503 904999



BOEING
757
PARTS CATALOG (MAINTENANCE)

CHAPTER 24 — ELECTRICAL POWER

TABLE OF CONTENTS

SUBJECT	CC-SS-UU	FIGURE	EFFECT
PANEL ASSY-P6 PWR DISTR (115-VOLT AC POWER DISTRIBUTION ONLY)	24-51-71	02	002004 006102 107107 121999
PANEL ASSY-P70 MISC RELAY (115-VOLT AC POWER DISTRIBUTION ONLY)	24-51-60	01	002004 006100 107107 121503 904999
PANEL ASSY-R GEN PWR PNL P32 (115-VOLT AC POWER DISTRIBUTION ONLY)	24-51-55	03	103106 108120
PANEL ASSY, PANEL INSTL, AND CIRCUIT BREAKER INSTL P6-2 PWR DISTR (CIRCUIT BREAKERS ONLY)	24-51-52	05	002004 006102 107107 121999
PANEL INSTL AND DOOR AND PACKAGE AND PANEL ASSY-P6-1 PWR DISTR (CIRCUIT BREAKERS ONLY)	24-51-52	01	002004 006102 107107 121999
PANEL INSTL- PWR DISTR P6	24-51-51	09	504903
PANEL INSTL-PWR DISTR P6	24-51-51	05	101102
PANEL INSTL-P37 R MISC RELAY (CIRCUIT BREAKERS ONLY)	24-51-58	02D	103106 108120
PANEL INSTL-P37 R MISC RELAY (GROUND HANDLING RELAYS ONLY)	24-51-01	02	103106 108120
PANEL INSTL-P37 R MISC RELAY (UTILITY BUS RELAYS ONLY)	24-51-02	03	103106 108120
PANEL INSTL-P5 OVHD (UTILITY BUS RELAYS ONLY)	24-51-02	01	002004 006010 107107 121503 904999
PANEL INSTL-P5 OVHD (115 VOLT AC POWER DISTRIBUTION ONLY)	24-51-62	01	011106 108120 504903
PANEL INSTL-P6 AND P26	24-51-51	01	002004 006999
PANEL INSTL-P6 PWR DISTR (CENTER BUS ISOLATION RELAY ONLY)	24-51-06	01	103106 108120

 **BOEING**
757
PARTS CATALOG (MAINTENANCE)

CHAPTER 24 — ELECTRICAL POWER

TABLE OF CONTENTS

SUBJECT	CC-SS-UU	FIGURE	EFFECT
PANEL INSTL-P6 PWR DISTR (CENTER BUS TRANSFER RELAY ONLY)	24-51-05	01	103106 108120
PANEL INSTL-P6 PWR DISTR (INSTRUMENT BUS VOLTAGE SENSOR UNIT ONLY)	24-51-73	02	103106 108120
PANEL INSTL-P6 PWR DISTR (ISOLATION REQUEST RELAY ONLY)	24-51-07	01	103106 108120
PANEL INSTL-P6-1 PWR DISTR (CIRCUIT BREAKERS ONLY)	24-51-52	08	103106 108120
PANEL INSTL-P6-2 PWR DISTR (CIRCUIT BREAKERS ONLY)	24-51-52	09	103106 108120
PANEL INSTL-P6-3/P6-4 PWR DISTR (CIRCUIT BREAKERS ONLY)	24-51-52	10	103106 108120
PANEL INSTL-P70 MISC RELAY (CIRCUIT BREAKERS ONLY)	24-51-60	04	103106
PANEL INSTL-P70 MISC RELAY (CIRCUIT BREAKERS ONLY)	24-51-60	09	108120
PANEL INSTL-P70 MISC RELAY (GROUND SERVICE SELECT RELAY ONLY)	24-51-04	01	103106 108120
PANEL INSTL-P70 MISC RELAY (UTILITY BUS RELAYS ONLY)	24-51-02	07	103106 108120
PANEL, EQUIPMENT, AND PACKAGE ASSY AND EQUIPMENT INSTL- P6 (115 VOLT AC POWER DISTRIBUTION ONLY)	24-51-73	01	002004 006102 107107 121999
28-VOLT AC POWER DISTRIBUTION	24-53-00		
CEILING ASSY-SEG 150 (ELECTRICAL POWER ONLY)	24-53-51	20	101102
CEILING ASSY-SEG 150 LAV (ELECTRICAL POWER ONLY)	24-53-51	11G	103106
CEILING ASSY-SEG 150 LAV A (ELECTRICAL POWER ONLY)	24-53-51	51	103106
CEILING ASSY-SEG 150, LAV (ELECTRICAL POWER ONLY)	24-53-51	20A	101102
CEILING ASSY-SEG 150, LAV (ELECTRICAL POWER ONLY)	24-53-51	20D	504903
CEILING ASSY-SEG 150, LAV (ELECTRICAL POWER ONLY)	24-53-51	20P	108120
CEILING ASSY-SEG 150, LAV (ELECTRICAL POWER ONLY)	24-53-51	21A	504903
CEILING ASSY-SEG 150, LAV A	24-53-51	20L	108120

 **BOEING**
757
PARTS CATALOG (MAINTENANCE)

CHAPTER 24 — ELECTRICAL POWER

TABLE OF CONTENTS

SUBJECT	CC-SS-UU	FIGURE	EFFECT
ELECTRICAL ASSY (ELECTRICAL POWER ONLY)	24-53-51	02	952999
ELECTRICAL ASSY-LAV (ELECTRICAL POWER ONLY)	24-53-51	02C	952999
ELECTRICAL ASSY-LAV (ELECTRICAL POWER ONLY)	24-53-51	02D	107107
ELECTRICAL ASSY-LAV (ELECTRICAL POWER ONLY)	24-53-51	02E	002004 006100
ELECTRICAL ASSY-LAV (ELECTRICAL POWER ONLY)	24-53-51	02H	950951
ELECTRICAL ASSY-LAV (ELECTRICAL POWER ONLY)	24-53-51	02R	121503 904949
ELECTRICAL ASSY-LAV (ELECTRICAL POWER ONLY)	24-53-51	04	121503 904949
ELECTRICAL ASSY-LAV A (ELECTRICAL POWER ONLY)	24-53-51	03A	952999
ELECTRICAL ASSY-LAV A (ELECTRICAL POWER ONLY)	24-53-51	03C	002004 006100
ELECTRICAL ASSY-LAV A (ELECTRICAL POWER ONLY)	24-53-51	03E	950951
ELECTRICAL ASSY-LAV A (ELECTRICAL POWER ONLY)	24-53-51	03L	121503 904949
ELECTRICAL ASSY-LAV A (ELECTRICAL POWER ONLY)	24-53-51	03N	107107
EQUIPMENT ASSY-R GEN PWR PNL P32 (28-VOLT AC POWER DISTRIBUTION ONLY)	24-53-51	22	103106 108120
PACKAGE ASSY-OPTION P33 MISC ELEC EQPT (ELECTRICAL POWER ONLY)	24-53-71	03A	101102 108120 504903
PACKAGE ASSY-OPTION P34 APU/EXT PWR (28-VOLT AC POWER DISTRIBUTION ONLY)	24-53-73	01A	101102 504903
PACKAGE ASSY-OPTION P7 MISC RELAY (28 VOLT AC POWER DISTRIBUTION ONLY)	24-53-71	04A	101102 504903
PANEL ASSY-P31 PWR (28 VOLT AC POWER DISTRIBUTION)	24-53-00	01	103106
PANEL ASSY-P34 APU/EXT PWR (28-VOLT AC POWER DISTRIBUTION ONLY)	24-53-73	01	002004 006100 107107 121503 904999


BOEING
 757
PARTS CATALOG (MAINTENANCE)

CHAPTER 24 — ELECTRICAL POWER

TABLE OF CONTENTS

SUBJECT	CC-SS-UU	FIGURE	EFFECT
PANEL ASSY-P34 APU/EXT PWR (28-VOLT AC POWER DISTRIBUTION ONLY)	24-53-73	02	103106
PANEL ASSY-P37 MISC RELAY R (28-VOLT AC POWER DISTRIBUTION ONLY)	24-53-71	02	107107 121503 904949
PANEL ASSY-P70 MISC RELAY (28 VOLT AC POWER DISTRIBUTION ONLY)	24-53-71	04	002004 006100 107107 121503 904999
PANEL INSTL AND ASSY-P37 R MISC RELAY (28-VOLT AC POWER DISTRIBUTION ONLY)	24-53-71	02D	108120
PANEL INSTL-P70 MISC RELAY (28 VOLT AC POWER DISTRIBUTION ONLY)	24-53-71	04B	103106 108120
PANEL INSTL, EQUIPMENT AND PACKAGE ASSY-P6 PWR DISTR (28 VOLT AC POWER DISTRIBUTION ONLY)	24-53-52	02	002004 006503 904949 952999
SHIELD ASSY-P33 MISC ELEC EQPT (ELECTRICAL POWER ONLY)	24-53-71	03	002004 006100 107107 121503 904999
SHIELD INSTL-P33 MISC ELEC EQPT (ELECTRIC POWER ONLY)	24-53-71	03B	103106
WALL ASSY-OUT SEG 100 LAV A (ELECTRICAL POWER ONLY)	24-53-51	50E	103106
WALL ASSY-OUT SEG 100, LAV (ELECTRICAL POWER ONLY)	24-53-51	52E	103106
WALL ASSY-OUT SEG 110 LAV (ELECTRICAL POWER ONLY)	24-53-51	50	504903
WALL ASSY-OUT SEG 110, LAV (ELECTRICAL POWER ONLY)	24-53-51	30H	504903
WALL ASSY-OUT SEG 110, LAV (ELECTRICAL POWER ONLY)	24-53-51	35A	101102
WALL ASSY-OUT SEG 110, LAV (ELECTRICAL POWER ONLY)	24-53-51	52A	108120
WALL ASSY-OUT SEG 110, LAV A (ELECTRICAL POWER ONLY)	24-53-51	50C	108120


BOEING
 757
PARTS CATALOG (MAINTENANCE)

CHAPTER 24 — ELECTRICAL POWER

TABLE OF CONTENTS

SUBJECT	CC-SS-UU	FIGURE	EFFECT
WALL ASSY-SEG 110, LAV A (ELECTRICAL POWER ONLY)	24-53-51	30N	101102
DC POWER DISTRIBUTION 28 - VOLT	24-54-00		
EQUIPMENT INSTL AND PANEL ASSY-P6 PWR DISTR (28 VOLT DC POWER DISTRIBUTION ONLY)	24-54-73	01	002004 006102 107107 121999
PACKAGE ASSY-OPTION P34 APU/EXT PWR (28-VOLT DC POWER DISTRIBUTION ONLY)	24-54-01	01A	101102 504903
PANEL ASSY-P34 APU/EXT PWR (28-VOLT DC POWER DISTRIBUTION ONLY)	24-54-01	02	103106 108120
PANEL ASSY-P34 APU/EXT PWR (28-VOLT DC POWER DISTRIBUTION ONLY)	24-54-65	01	002004 006102 107107 121503 904999

ELECTRICAL POWER

BRI
MAY 28/07

24-00-00
SECTION TITLE
PAGE 1

NON-ILLUSTRATED FIGURE

THE ITEMS REFLECTED IN THIS FIGURE ARE INTENTIONALLY
NON-ILLUSTRATED. THEY ARE REFERENCED TO EITHER A
NEXT HIGHER OR NEXT LOWER ASSEMBLY/INSTALLATION FIGURE.

Y 24000006 REV 235

COLLECTOR INSTL-HYDR (ELECTRICAL POWER ONLY)
FIGURE 6

24-00-00-06

BRI
MAY 28/07

24-00-00-06
PAGE 0



757

PARTS CATALOG (MAINTENANCE)

FIG ITEM	PART NUMBER	1 2 3 4 5 6 7	NOMENCLATURE	EFFECT FROM TO	UNITS PER ASSY
6			COLLECTOR INSTL-HYDR (ELECTRICAL POWER ONLY)	101102 108120	
- 1	270N0100-1440		COLLECTOR INSTL-BRITANIA (BRI) (ELECTRICAL POWER ONLY) FOR OTHER SYS DETAILS SEE: 11-00-00-09 29-00-51-05B 78-00-00-04	504903 101102	RF
- 1	270N0100-1620		COLLECTOR INSTL-BRITISH AIRLINES (BAB) (ELECTRICAL POWER ONLY) FOR OTHER SYS DETAILS SEE: 11-00-00-09 29-00-51-05B 78-00-00-04	504903	RF
- 2	270N0100-1950		COLLECTOR INSTL-(ILF/NAB) NATIONAL AIRLINES (ELECTRICAL POWER ONLY) FOR OTHER SYS DETAILS SEE: 11-00-00-09 29-00-51-05B 78-00-00-04	108120	RF
- 20	271N1077-8		.GENERATOR INSTL-HYDR MOTOR ETOPS FULL PROVISIONS FOR DETAILS SEE: 24-25-01-04	101102 108120	1
- 25	271N1078-13		.VALVE INSTL-CONT AND FLOW LIMITER HYDR MOTOR/GEN FOR DETAILS SEE: 24-25-03-01 24-25-06-01	101102	1
- 25	271N1078-19		.VALVE INSTL-CONT AND FLOW LIMITER HYDR MOTOR/GEN FOR DETAILS SEE: 24-25-03-01 24-25-06-01	108120	1
- 30	271N1082-7		.ACCUMULATOR AND SERVICING- INSTL-HYDR MOTOR/GEN FOR DETAILS SEE: 24-25-04-02	101102 108120	1
- 35	271N1082-11		.GAGE INSTL-PRESSURE FOR DETAILS SEE: 24-25-04-01	101102 108120	1

MISSING ITEM NUMBERS NOT APPLICABLE

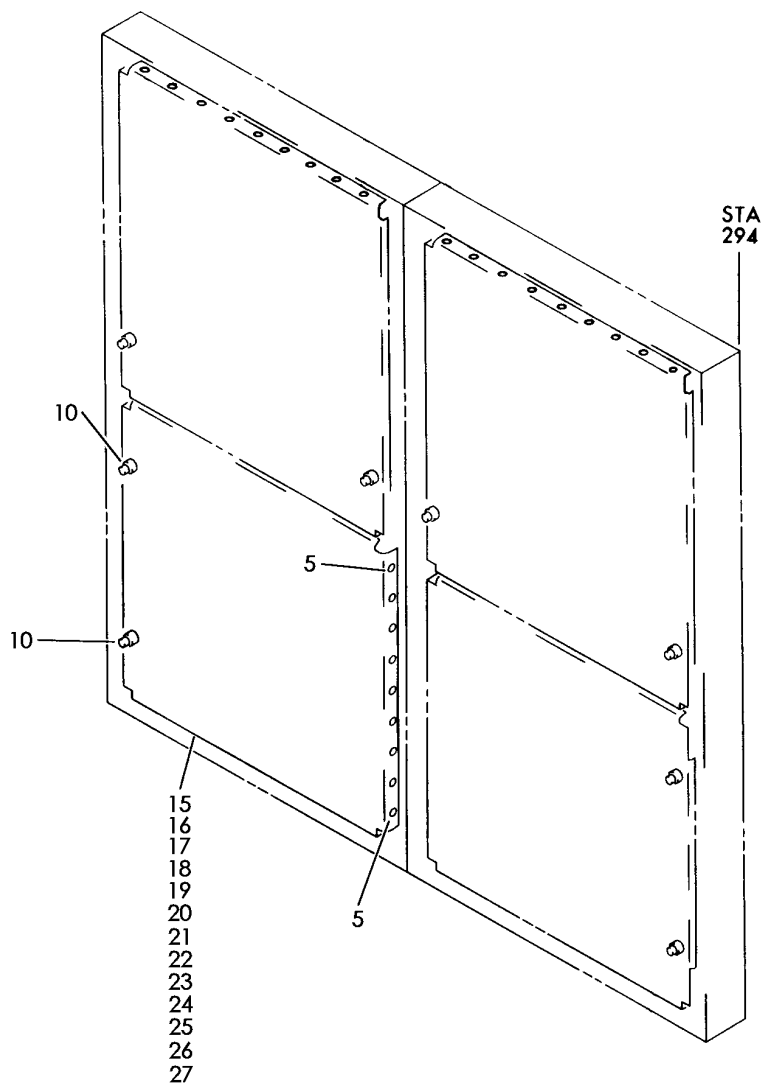
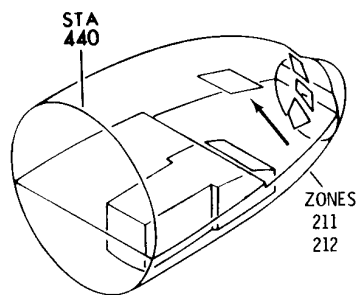
- ITEM NOT ILLUSTRATED

BRI

24-00-00-06

24-00-00
FIG. 06
PAGE 1
JAN 20/09

BOEING
757
PARTS CATALOG (MAINTENANCE)



Y 24005101 REV 234

PANEL INSTL-P11 CB
FIGURE 1

24-00-51-01

BRI
MAY 28/07

24-00-51-01
PAGE 0



757

PARTS CATALOG (MAINTENANCE)

FIG ITEM	PART NUMBER	1 2 3 4 5 6 7	NOMENCLATURE	EFFECT FROM TO	UNITS PER ASSY
1			PANEL INSTL-P11 CB	002004 006101 107107 121503 904999	
- 1	233N5101-1		PANEL INSTL-P11 CB VARIABLE DRAWING REF: 233N5101-5010 233N5101-5028 233N5101-5049 233N5101-5050 233N5101-5053 FOR NHA SEE: 25-10-00-05A	002004 006100 107107 121503 904999	RF
- 2	233N5101-69		PANEL INSTL-P11 CB FOR NHA/ADDITIONAL DET SEE: 25-10-00-15B	101101	RF
	5 NAS514P440-5		.SCREW	002004 006101 107107 121503 904999	9
10	120-4		.CATCH-SAFETY SUPPLIER CODE: V28277	002004 006101 107107 121503 904999	2
15	233N5211-57		.PANEL ASSY-P11-1 CB REWORKED BY SB: 34-0200 FUNCTIONAL REFERENCE: ELECTRICAL POWER FOR DETAILS SEE 24-51-53-37 LIGHTS FOR DETAILS SEE 33-13-65-01 PLACARDS AND MARKINGS FOR DETAILS SEE 11-34-03-41	952952	1

MISSING ITEM NUMBERS NOT APPLICABLE

- ITEM NOT ILLUSTRATED

BRI

24-00-51-01

24-00-51
FIG. 01
PAGE 1
JAN 20/09



757

PARTS CATALOG (MAINTENANCE)

FIG ITEM	PART NUMBER	1 2 3 4 5 6 7	NOMENCLATURE	EFFECT FROM TO	UNITS PER ASSY
1 16	233N5211-69		.PANEL ASSY-P11-1 CB FUNCTIONAL REFERENCE: ELECTRICAL POWER FOR DETAILS SEE 24-51-53-37 LIGHTS FOR DETAILS SEE 33-13-65-01 PLACARDS AND MARKINGS FOR DETAILS SEE 11-34-03-41	002004	1
16	233N5211-70		.PANEL ASSY-P11-1 CB REWORKED BY SB: 34-0416 FUNCTIONAL REFERENCE: ELECTRICAL POWER FOR DETAILS SEE 24-51-53-37 LIGHTS FOR DETAILS SEE 33-13-65-01 PLACARDS AND MARKINGS FOR DETAILS SEE 11-34-03-41	006100	1
18	233N5211-101		.PANEL ASSY-P11-1 CB FUNCTIONAL REFERENCE: ELECTRICAL POWER FOR DETAILS SEE 24-51-53-37 LIGHTS FOR DETAILS SEE 33-13-65-01 PLACARDS AND MARKINGS FOR DETAILS SEE 11-34-03-41	950951	1
21	233N5205-37		.PANEL ASSY-P11-1 CB FUNCTIONAL REFERENCE: ELECTRICAL POWER FOR DETAILS SEE 24-51-53-12 LIGHTS FOR DETAILS SEE 33-13-65-01 PLACARDS AND MARKINGS FOR DETAILS SEE 11-34-03-06	904949	1

MISSING ITEM NUMBERS NOT APPLICABLE

- ITEM NOT ILLUSTRATED

24-00-51-01

24-00-51
FIG. 01
PAGE 2
JAN 20/09

BRI



757

PARTS CATALOG (MAINTENANCE)

FIG ITEM	PART NUMBER	1 2 3 4 5 6 7	NOMENCLATURE	EFFECT FROM TO	UNITS PER ASSY
1 21	233N5003-2		.PANEL ASSY-P11-1 CB POST SERVICE BULLETIN: 24-0048 REWORKED BY SB: 34-0414 FUNCTIONAL REFERENCE: ELECTRICAL POWER FOR DETAILS SEE 24-51-53-17 LIGHTS FOR DETAILS SEE 33-13-65-01 PLACARDS AND MARKINGS FOR DETAILS SEE 11-34-03-12	107107	1
22	233N5205-53		.PANEL ASSY-P11-1 CB FUNCTIONAL REFERENCE: ELECTRICAL POWER FOR DETAILS SEE 24-51-53-12 LIGHTS FOR DETAILS SEE 33-13-65-01 PLACARDS AND MARKINGS FOR DETAILS SEE 11-34-03-06	121503	1
26	233N5211-108		.PANEL ASSY-P11-1 CB FUNCTIONAL REFERENCE: ELECTRICAL POWER FOR DETAILS SEE 24-51-53-37 LIGHTS FOR DETAILS SEE 33-13-65-01 PLACARDS AND MARKINGS FOR DETAILS SEE 11-34-03-41	953999	1
27	233N5211-159		.PANEL ASSY-P11-1 CB FUNCTIONAL REFERENCE: ELECTRICAL POWER FOR DETAILS SEE 24-51-53-87J LIGHTS FOR DETAILS SEE 33-13-01-63 PLACARDS AND MARKINGS FOR DETAILS SEE 11-34-03-87J	101101	1

MISSING ITEM NUMBERS NOT APPLICABLE

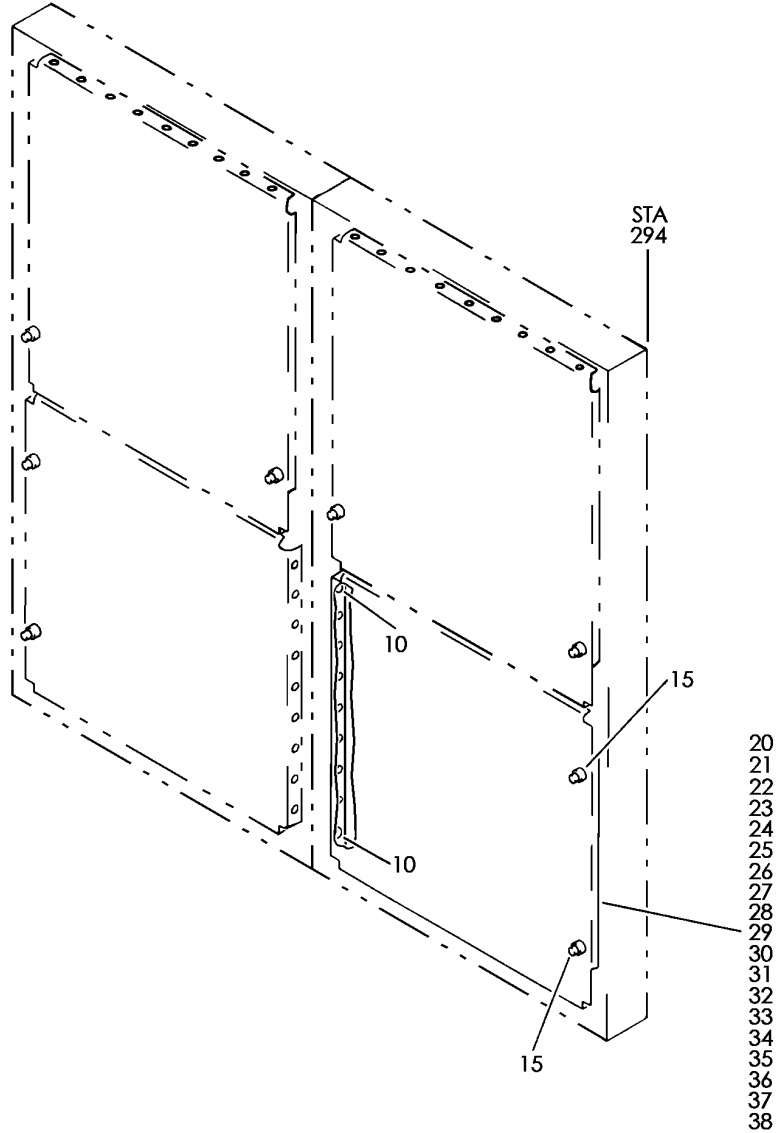
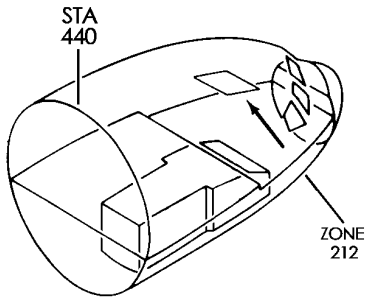
- ITEM NOT ILLUSTRATED

24-00-51-01

24-00-51
FIG. 01
PAGE 3
JAN 20/09

BRI

BOEING
757
PARTS CATALOG (MAINTENANCE)



Y 24005102 REV 235

PANEL INSTL-P11 CB
FIGURE 2

24-00-51-02

BRI
MAY 28/07

24-00-51-02
PAGE 0



**757
PARTS CATALOG (MAINTENANCE)**

FIG ITEM	PART NUMBER	1 2 3 4 5 6 7	NOMENCLATURE	EFFECT FROM TO	UNITS PER ASSY
2			PANEL INSTL-P11 CB	002004 006101 107107 121503 904999	
- 1	233N5101-1		PANEL INSTL-P11 CB VARIABLE DRAWING REF: 233N5101-5010 233N5101-5028 233N5101-5049 233N5101-5050 233N5101-5053 FOR NHA SEE: 25-10-00-05A	002004 006100 107107 121503 904999	RF
- 2	233N5101-69		PANEL INSTL-P11 CB FOR NHA SEE: 25-10-00-15B	101101	RF
10	NAS514P440-5		.SCREW	002004 006101 107107 121503 904999	9
15	120-4		.CATCH-SAFETY SUPPLIER CODE: V28277	002004 006101 107107 121503 904999	2
22	233N5003-7		.PANEL ASSY-P11-2 CB POST SERVICE BULLETIN: 24-0048 REWORKED BY SB: 34-0414 FUNCTIONAL REFERENCE: ELECTRICAL POWER FOR DETAILS SEE 24-51-53-18 LIGHTS FOR DETAILS SEE 33-13-66-01 PLACARDS AND MARKINGS FOR DETAILS SEE 11-34-03-13	107107	1

MISSING ITEM NUMBERS NOT APPLICABLE

- ITEM NOT ILLUSTRATED

BRI

24-00-51-02

BOEING PROPRIETARY - Copyright © - Unpublished Work - See title page for details.

24-00-51
FIG. 02
PAGE 1
JAN 20/09



757

PARTS CATALOG (MAINTENANCE)

FIG ITEM	PART NUMBER	1 2 3 4 5 6 7	NOMENCLATURE	EFFECT FROM TO	UNITS PER ASSY
2					
22	233N5206-68		.PANEL ASSY-P11-2 CB FUNCTIONAL REFERENCE: ELECTRICAL POWER FOR DETAILS SEE 24-51-53-71 LIGHTS FOR DETAILS SEE 33-13-66-01 PLACARDS AND MARKINGS FOR DETAILS SEE 11-34-03-71	904949	1
22	233N5206-69		.PANEL ASSY-P11-2 CB PRE SERVICE BULLETIN: 78-0032 FUNCTIONAL REFERENCE: ELECTRICAL POWER FOR DETAILS SEE 24-51-53-71 LIGHTS FOR DETAILS SEE 33-13-66-01 PLACARDS AND MARKINGS FOR DETAILS SEE 11-34-03-71	121503	1
24	233N5012-162		.PANEL ASSY-P11-2 CB POST SERVICE BULLETIN: 78-0032 FUNCTIONAL REFERENCE: ELECTRICAL POWER FOR DETAILS SEE 24-51-53-71 LIGHTS FOR DETAILS SEE 33-13-66-01 PLACARDS AND MARKINGS FOR DETAILS SEE 11-34-03-71	121503	1
27	233N5212-119		.PANEL ASSY-P11-2 CB FUNCTIONAL REFERENCE: ELECTRICAL POWER FOR DETAILS SEE 24-51-53-39 LIGHTS FOR DETAILS SEE 33-13-66-02 PLACARDS AND MARKINGS FOR DETAILS SEE 11-34-03-79	006007	1

MISSING ITEM NUMBERS NOT APPLICABLE

- ITEM NOT ILLUSTRATED

24-00-51-02

24-00-51
FIG. 02
PAGE 2
JAN 20/09

BRI



757

PARTS CATALOG (MAINTENANCE)

FIG ITEM	PART NUMBER	1 2 3 4 5 6 7	NOMENCLATURE	EFFECT FROM TO	UNITS PER ASSY
2					
27	233N5212-120		.PANEL ASSY-P11-2 CB FUNCTIONAL REFERENCE: ELECTRICAL POWER FOR DETAILS SEE 24-51-53-70 LIGHTS FOR DETAILS SEE 33-13-66-02 PLACARDS AND MARKINGS FOR DETAILS SEE 11-34-03-43	953999	1
27	233N5212-123		.PANEL ASSY-P11-2 CB REWORKED BY SB: 34-0416 FUNCTIONAL REFERENCE: ELECTRICAL POWER FOR DETAILS SEE 24-51-53-39 LIGHTS FOR DETAILS SEE 33-13-66-02 PLACARDS AND MARKINGS FOR DETAILS SEE 11-34-03-79	008100	1
27	233N5212-127		.PANEL ASSY-P11-2 CB FUNCTIONAL REFERENCE: ELECTRICAL POWER FOR DETAILS SEE 24-51-53-39 LIGHTS FOR DETAILS SEE 33-13-66-02 PLACARDS AND MARKINGS FOR DETAILS SEE 11-34-03-79	950951	1
32	233N5212-86		.PANEL ASSY-P11-2 CB FUNCTIONAL REFERENCE: ELECTRICAL POWER FOR DETAILS SEE 24-51-53-70 LIGHTS FOR DETAILS SEE 33-13-66-02 PLACARDS AND MARKINGS FOR DETAILS SEE 11-34-03-43	952952	1

MISSING ITEM NUMBERS NOT APPLICABLE

- ITEM NOT ILLUSTRATED

24-00-51-02

24-00-51
FIG. 02
PAGE 3
JAN 20/09

BRI



**757
PARTS CATALOG (MAINTENANCE)**

FIG ITEM	PART NUMBER	1 2 3 4 5 6 7	NOMENCLATURE	EFFECT FROM TO	UNITS PER ASSY
2 32	233N5212-89		.PANEL ASSY-P11-2 CB FUNCTIONAL REFERENCE: ELECTRICAL POWER FOR DETAILS SEE 24-51-53-39 LIGHTS FOR DETAILS SEE 33-13-66-02 PLACARDS AND MARKINGS FOR DETAILS SEE 11-34-03-79	002004	1
38	233N5212-186		.PANEL ASSY-P11-2 CB FUNCTIONAL REFERENCE: ELECTRICAL POWER FOR DETAILS SEE 24-51-53-86J LIGHTS FOR DETAILS SEE 33-13-66-03 PLACARDS AND MARKINGS FOR DETAILS SEE 11-34-03-86J	101101	1

MISSING ITEM NUMBERS NOT APPLICABLE

— ITEM NOT ILLUSTRATED

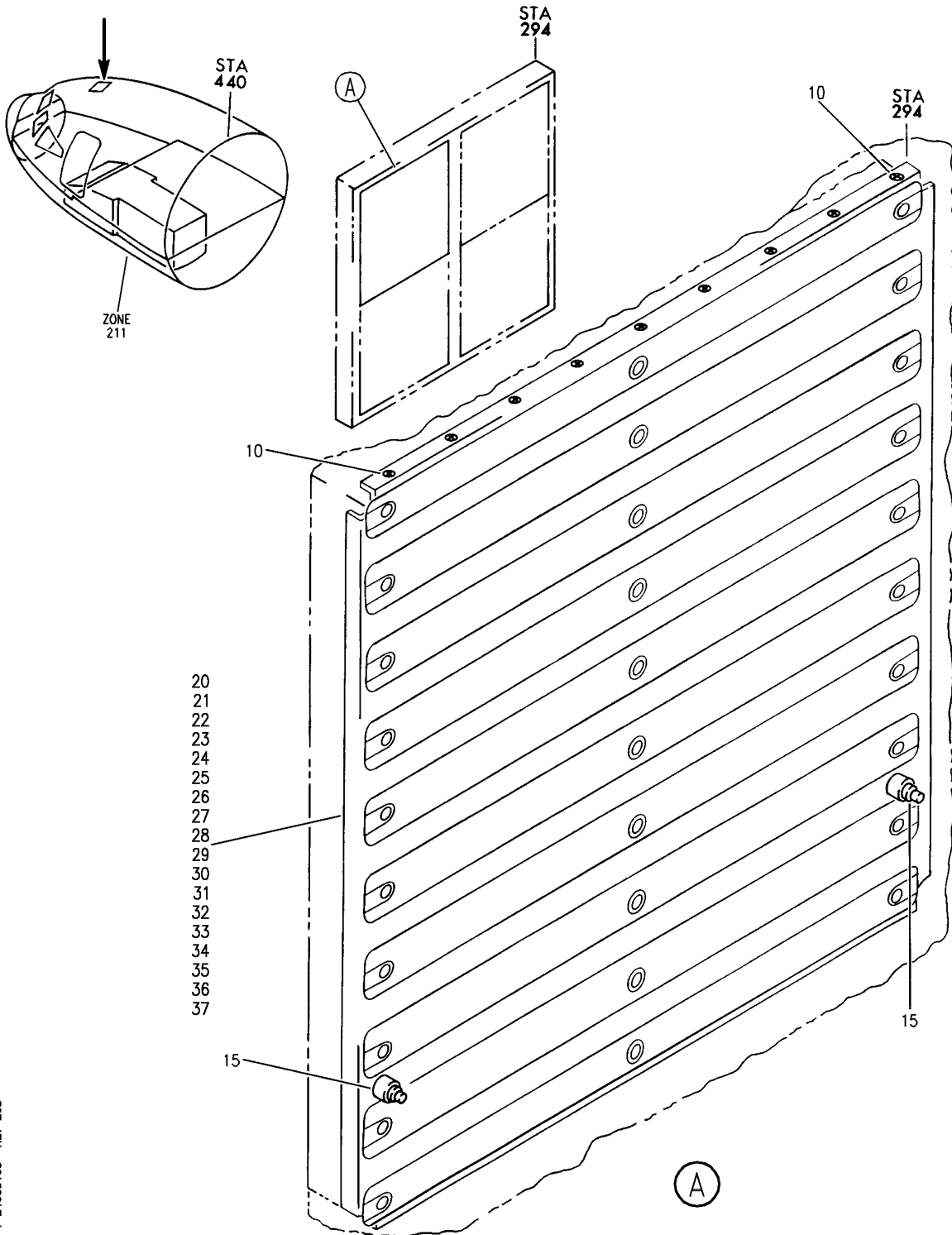
BRI

24-00-51-02

BOEING PROPRIETARY - Copyright © - Unpublished Work - See title page for details.

24-00-51
FIG. 02
PAGE 4
JAN 20/09

BOEING
757
PARTS CATALOG (MAINTENANCE)



Y 24005103 REV 268

PANEL INSTL-P11 CB
FIGURE 3

24-00-51-03

BRI
MAY 28/07

24-00-51-03
PAGE 0



757

PARTS CATALOG (MAINTENANCE)

FIG ITEM	PART NUMBER	1 2 3 4 5 6 7	NOMENCLATURE	EFFECT FROM TO	UNITS PER ASSY
3			PANEL INSTL-P11 CB	002004 006101 107107 121503 904999	
- 1	233N5101-1		PANEL INSTL-P11 CB VARIABLE DRAWING REF: 233N5101-5010 233N5101-5028 233N5101-5049 233N5101-5050 233N5101-5053 FOR NHA SEE: 25-10-00-05A	002004 006100 107107 121503 904999	RF
- 2	233N5101-69		PANEL INSTL-P11 CB FOR NHA/ADDITIONAL DET SEE: 25-10-00-15B	101101	RF
10	NAS514P440-5		.SCREW	002004 006101 107107 121503 904999	9
15	120-4		.CATCH-SAFETY SUPPLIER CODE: V28277	002004 006101 107107 121503 904999	2
21	233N5207-48		.PANEL ASSY-P11-3 CB FUNCTIONAL REFERENCE: ELECTRICAL POWER FOR DETAILS SEE 24-51-53-14 LIGHTS FOR DETAILS SEE 33-13-67-01 PLACARDS AND MARKINGS FOR DETAILS SEE 11-34-03-08	904949	1

MISSING ITEM NUMBERS NOT APPLICABLE

- ITEM NOT ILLUSTRATED

BRI

24-00-51-03

24-00-51
FIG. 03
PAGE 1
JAN 20/09



757

PARTS CATALOG (MAINTENANCE)

FIG ITEM	PART NUMBER	1 2 3 4 5 6 7	NOMENCLATURE	EFFECT FROM TO	UNITS PER ASSY
3					
22	233N5207-67		.PANEL ASSY-P11-3 CB REWORKED BY SB: 30-0016 FUNCTIONAL REFERENCE: ELECTRICAL POWER FOR DETAILS SEE 24-51-53-14 LIGHTS FOR DETAILS SEE 33-13-67-01 PLACARDS AND MARKINGS FOR DETAILS SEE 11-34-03-08	121503	1
23	233N5034-2		.PANEL ASSY-P11-3 CB POST SERVICE BULLETIN: 21-0060 PRE SERVICE BULLETIN: 21-0066 FUNCTIONAL REFERENCE: ELECTRICAL POWER FOR DETAILS SEE 24-51-53-41 LIGHTS FOR DETAILS SEE 33-13-67-01 PLACARDS AND MARKINGS FOR DETAILS SEE 11-34-03-74	009009	1
23	233N5003-8		.PANEL ASSY-P11-3 CB POST SERVICE BULLETIN: 24-0048 FUNCTIONAL REFERENCE: ELECTRICAL POWER FOR DETAILS SEE 24-51-53-19 LIGHTS FOR DETAILS SEE 33-13-67-01 PLACARDS AND MARKINGS FOR DETAILS SEE 11-34-03-14	107107	1

MISSING ITEM NUMBERS NOT APPLICABLE

- ITEM NOT ILLUSTRATED

24-00-51-03

24-00-51
FIG. 03
PAGE 2
JAN 20/09

BRI

BOEING PROPRIETARY - Copyright © - Unpublished Work - See title page for details.



757

PARTS CATALOG (MAINTENANCE)

FIG ITEM	PART NUMBER	1 2 3 4 5 6 7	NOMENCLATURE	EFFECT FROM TO	UNITS PER ASSY
3 27	233N5213-70		.PANEL ASSY-P11-3 CB FUNCTIONAL REFERENCE: ELECTRICAL POWER FOR DETAILS SEE 24-51-53-41 LIGHTS FOR DETAILS SEE 33-13-67-01 PLACARDS AND MARKINGS FOR DETAILS SEE 11-34-03-68	952952	1
27	233N5213-85		.PANEL ASSY-P11-3 CB PRE SERVICE BULLETIN: 21-0060 21-0066 FUNCTIONAL REFERENCE: ELECTRICAL POWER FOR DETAILS SEE 24-51-53-41 LIGHTS FOR DETAILS SEE 33-13-67-01 PLACARDS AND MARKINGS FOR DETAILS SEE 11-34-03-74	002004 006017	1
28	233N5213-92		.PANEL ASSY-P11-3 CB FUNCTIONAL REFERENCE: ELECTRICAL POWER FOR DETAILS SEE 24-51-53-41 LIGHTS FOR DETAILS SEE 33-13-67-01 PLACARDS AND MARKINGS FOR DETAILS SEE 11-34-03-74	950951	1
28	233N5213-96		.PANEL ASSY-P11-3 CB FUNCTIONAL REFERENCE: ELECTRICAL POWER FOR DETAILS SEE 24-51-53-41 LIGHTS FOR DETAILS SEE 33-13-67-01 PLACARDS AND MARKINGS FOR DETAILS SEE 11-34-03-68	953999	1

MISSING ITEM NUMBERS NOT APPLICABLE

- ITEM NOT ILLUSTRATED

24-00-51-03

24-00-51
FIG. 03
PAGE 3
JAN 20/09

BRI



757

PARTS CATALOG (MAINTENANCE)

FIG ITEM	PART NUMBER	1 2 3 4 5 6 7	NOMENCLATURE	EFFECT FROM TO	UNITS PER ASSY
3					
30	233N5213-189		.PANEL ASSY-P11-3 CB FUNCTIONAL REFERENCE: ELECTRICAL POWER FOR DETAILS SEE 24-51-53-41 LIGHTS FOR DETAILS SEE 33-13-67-03 PLACARDS AND MARKINGS FOR DETAILS SEE 11-34-03-82	101101	1
30	233N5213-136		.PANEL ASSY-P11-3 CB PRE SERVICE BULLETIN: 21-0066 FUNCTIONAL REFERENCE: ELECTRICAL POWER FOR DETAILS SEE 24-51-53-41 LIGHTS FOR DETAILS SEE 33-13-67-01 PLACARDS AND MARKINGS FOR DETAILS SEE 11-34-03-74	018100	1
32	233N5037-34		.PANEL ASSY-P11-3 CB POST SERVICE BULLETIN: 21-0066 FUNCTIONAL REFERENCE: ELECTRICAL POWER FOR DETAILS SEE 24-51-53-41 LIGHTS FOR DETAILS SEE 33-13-67-01 PLACARDS AND MARKINGS FOR DETAILS SEE 11-34-03-37	002004 006100	1

MISSING ITEM NUMBERS NOT APPLICABLE

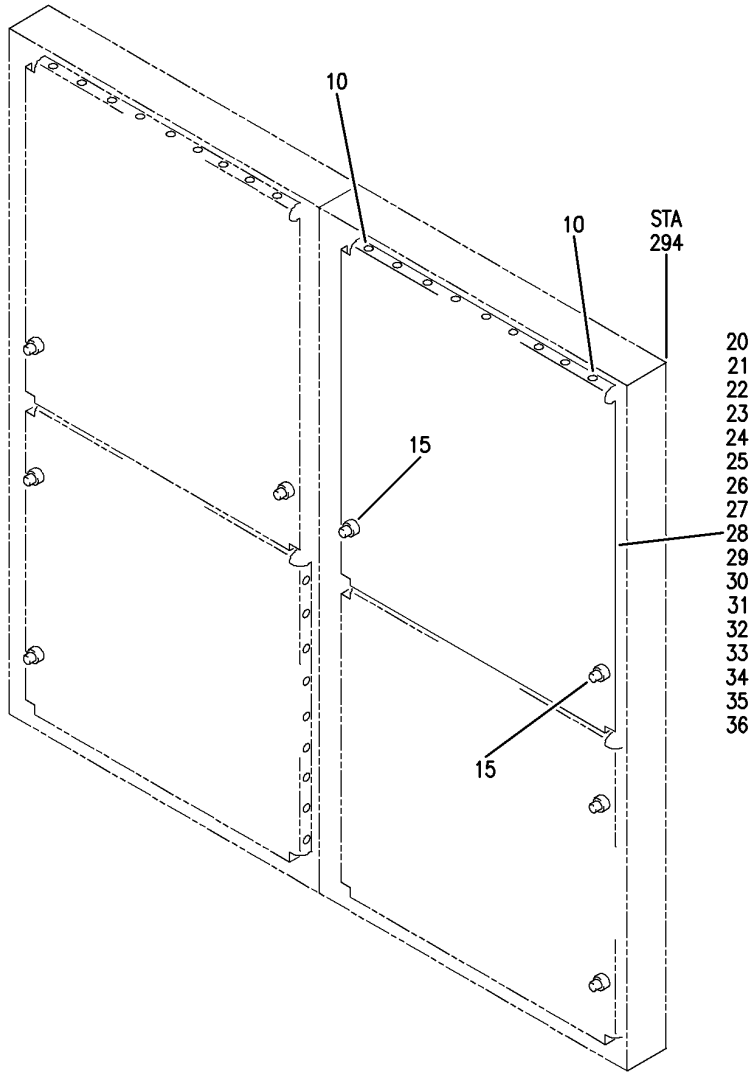
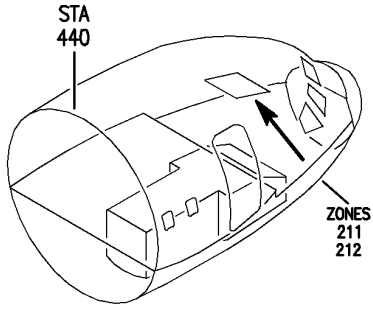
- ITEM NOT ILLUSTRATED

24-00-51-03

24-00-51
FIG. 03
PAGE 4
JAN 20/09

BRI

BOEING
757
PARTS CATALOG (MAINTENANCE)



Y 24005104 REV 236

PANEL INSTL-P11 CB
FIGURE 4

24-00-51-04

BRI
MAY 28/07

24-00-51-04
PAGE 0



757

PARTS CATALOG (MAINTENANCE)

FIG ITEM	PART NUMBER	1 2 3 4 5 6 7	NOMENCLATURE	EFFECT FROM TO	UNITS PER ASSY
4			PANEL INSTL-P11 CB	002004 006101 107107 121503 904999	
- 1	233N5101-1		PANEL INSTL-P11 CB VARIABLE DRAWING REF: 233N5101-5010 233N5101-5028 233N5101-5049 233N5101-5050 233N5101-5053 FOR NHA SEE: 25-10-00-05A	002004 006100 107107 121503 904999	RF
- 2	233N5101-69		PANEL INSTL-P11 CB FOR NHA/ADDITIONAL DET SEE: 25-10-00-15B	101101	RF
10	NAS514P440-5		.SCREW	002004 006101 107107 121503 904999	9
15	120-4		.CATCH-SAFETY SUPPLIER CODE: V28277	002004 006101 107107 121503 904999	2
21	233N5208-49		.PANEL ASSY-P11-4 CB FUNCTIONAL REFERENCE: ELECTRICAL POWER FOR DETAILS SEE 24-51-53-15 LIGHTS FOR DETAILS SEE 33-13-68-01 PLACARDS AND MARKINGS FOR DETAILS SEE 11-34-03-09	904949	1

MISSING ITEM NUMBERS NOT APPLICABLE

- ITEM NOT ILLUSTRATED

BRI

24-00-51-04

24-00-51
FIG. 04
PAGE 1
JAN 20/09



757

PARTS CATALOG (MAINTENANCE)

FIG ITEM	PART NUMBER	1 2 3 4 5 6 7	NOMENCLATURE	EFFECT FROM TO	UNITS PER ASSY
4 22	233N5208-55		.PANEL ASSY-P11-4 CB PRE SERVICE BULLETIN: 78-0032 REWORKED BY SB: 30-0016 FUNCTIONAL REFERENCE: ELECTRICAL POWER FOR DETAILS SEE 24-51-53-15 LIGHTS FOR DETAILS SEE 33-13-68-01 PLACARDS AND MARKINGS FOR DETAILS SEE 11-34-03-09	121503	1
23	233N5214-100		.PANEL ASSY-P11-4 CB FUNCTIONAL REFERENCE: ELECTRICAL POWER FOR DETAILS SEE 24-51-53-43 LIGHTS FOR DETAILS SEE 33-13-68-01 PLACARDS AND MARKINGS FOR DETAILS SEE 11-34-03-39	950951	1
27	233N5214-73		.PANEL ASSY-P11-4 CB FUNCTIONAL REFERENCE: ELECTRICAL POWER FOR DETAILS SEE 24-51-53-43 LIGHTS FOR DETAILS SEE 33-13-68-01 PLACARDS AND MARKINGS FOR DETAILS SEE 11-34-03-70	002004	1
27	233N5214-87		.PANEL ASSY-P11-4 CB FUNCTIONAL REFERENCE: ELECTRICAL POWER FOR DETAILS SEE 24-51-53-43 LIGHTS FOR DETAILS SEE 33-13-68-01 PLACARDS AND MARKINGS FOR DETAILS SEE 11-34-03-70	952952	1

MISSING ITEM NUMBERS NOT APPLICABLE

- ITEM NOT ILLUSTRATED

24-00-51-04

24-00-51
FIG. 04
PAGE 2
JAN 20/09

BRI



757

PARTS CATALOG (MAINTENANCE)

FIG ITEM	PART NUMBER	1 2 3 4 5 6 7	NOMENCLATURE	EFFECT FROM TO	UNITS PER ASSY
4 28	233N5214-95		.PANEL ASSY-P11-4 CB FUNCTIONAL REFERENCE: ELECTRICAL POWER FOR DETAILS SEE 24-51-53-43 LIGHTS FOR DETAILS SEE 33-13-68-01 PLACARDS AND MARKINGS FOR DETAILS SEE 11-34-03-70	953999	1
28	233N5214-98		.PANEL ASSY-P11-4 CB FUNCTIONAL REFERENCE: ELECTRICAL POWER FOR DETAILS SEE 24-51-53-43 LIGHTS FOR DETAILS SEE 33-13-68-01 PLACARDS AND MARKINGS FOR DETAILS SEE 11-34-03-70	006017	1
29	233N5214-128		.PANEL ASSY-P11-4 CB FUNCTIONAL REFERENCE: ELECTRICAL POWER FOR DETAILS SEE 24-51-53-43 LIGHTS FOR DETAILS SEE 33-13-68-01 PLACARDS AND MARKINGS FOR DETAILS SEE 11-34-03-70	018100	1
33	233N5214-201		.PANEL ASSY-P11-4 CB FUNCTIONAL REFERENCE: ELECTRICAL POWER FOR DETAILS SEE 24-51-53-43A LIGHTS FOR DETAILS SEE 33-13-68-03 PLACARDS AND MARKINGS FOR DETAILS SEE 11-34-03-70A	101101	1

MISSING ITEM NUMBERS NOT APPLICABLE

- ITEM NOT ILLUSTRATED

24-00-51-04

24-00-51
FIG. 04
PAGE 3
JAN 20/09

BRI

BOEING PROPRIETARY - Copyright © - Unpublished Work - See title page for details.



757

PARTS CATALOG (MAINTENANCE)

FIG ITEM	PART NUMBER	1 2 3 4 5 6 7	NOMENCLATURE	EFFECT FROM TO	UNITS PER ASSY
4 35	233N5003-5		.PANEL ASSY-P11-4 CB POST SERVICE BULLETIN: 24-0048 FUNCTIONAL REFERENCE: ELECTRICAL POWER FOR DETAILS SEE 24-51-53-20 LIGHTS FOR DETAILS SEE 33-13-68-01 PLACARDS AND MARKINGS FOR DETAILS SEE 11-34-03-15	107107	1
35	233N5012-149		.PANEL ASSY-P11-4 CB POST SERVICE BULLETIN: 78-0032 FUNCTIONAL REFERENCE: ELECTRICAL POWER FOR DETAILS SEE 24-51-53-15 LIGHTS FOR DETAILS SEE 33-13-68-01 PLACARDS AND MARKINGS FOR DETAILS SEE 11-34-03-09	121503	1

MISSING ITEM NUMBERS NOT APPLICABLE

- ITEM NOT ILLUSTRATED

BRI

24-00-51-04

BOEING PROPRIETARY - Copyright © - Unpublished Work - See title page for details.

24-00-51
FIG. 04
PAGE 4
JAN 20/09

 **BOEING**
757
PARTS CATALOG (MAINTENANCE)

NON-ILLUSTRATED FIGURE

THE ITEMS REFLECTED IN THIS FIGURE ARE INTENTIONALLY
NON-ILLUSTRATED. THEY ARE REFERENCED TO EITHER A
NEXT HIGHER OR NEXT LOWER ASSEMBLY/INSTALLATION FIGURE.

ELECTRICAL AND ELECTRONIC-INSTL-EQPT TOP COLLECTOR
FIGURE 1

24-00-58-01

BRI
MAY 28/07

24-00-58-01
PAGE 0



757

PARTS CATALOG (MAINTENANCE)

FIG ITEM	PART NUMBER	1 2 3 4 5 6 7	NOMENCLATURE	EFFECT FROM TO	UNITS PER ASSY
1			ELECTRICAL AND ELECTRONIC- INSTL-EQPT TOP COLLECTOR	002004 006100 107107 121503 904999	
- 1	284N0900-1		ELECTRICAL AND ELECTRONIC- INSTL-EQPT TOP COLLECTOR VARIABLE DRAWING REF: 284N0900-5006 284N0900-5009 284N0900-5031 284N0900-5032 284N0900-5034	002004 006100 107107 121503 904999	1
- 30	284N1114-2		.EQUIPMENT INSTL-WING REFUELING PNL FUNCTIONAL REFERENCE: PLACARDS AND MARKINGS FOR DETAILS SEE 11-24-01-02 COMMUNICATIONS FOR DETAILS SEE 23-41-00-01 FUEL FOR DETAILS SEE 28-21-55-01 LIGHTS FOR DETAILS SEE 33-31-51-04 DOORS FOR DETAILS SEE 52-49-02-01	107107	1
- 30	284N1114-5		.EQUIPMENT INSTL-WING REFUELING PNL FUNCTIONAL REFERENCE: PLACARDS AND MARKINGS FOR DETAILS SEE 11-24-01-02 COMMUNICATIONS FOR DETAILS SEE 23-41-00-01 FUEL FOR DETAILS SEE 28-21-55-01 LIGHTS FOR DETAILS SEE 33-31-51-04 DOORS FOR DETAILS SEE 52-49-02-01	904949	1

MISSING ITEM NUMBERS NOT APPLICABLE

- ITEM NOT ILLUSTRATED

24-00-58-01

24-00-58
FIG. 01
PAGE 1
JAN 20/09

BRI



757

PARTS CATALOG (MAINTENANCE)

FIG ITEM	PART NUMBER	1 2 3 4 5 6 7	NOMENCLATURE	EFFECT FROM TO	UNITS PER ASSY
1 - 30	284N1114-7		.EQUIPMENT INSTL-WING REFUELING PNL FUNCTIONAL REFERENCE: PLACARDS AND MARKINGS FOR DETAILS SEE 11-24-01-02 COMMUNICATIONS FOR DETAILS SEE 23-41-00-01 FUEL FOR DETAILS SEE 28-21-55-01 LIGHTS FOR DETAILS SEE 33-31-51-04 DOORS FOR DETAILS SEE 52-49-02-01	002004 121503 952952	1
- 30	284N1114-11		.EQUIPMENT INSTL-WING REFUELING PNL FUNCTIONAL REFERENCE: PLACARDS AND MARKINGS FOR DETAILS SEE 11-24-01-02 COMMUNICATIONS FOR DETAILS SEE 23-41-00-01 FUEL FOR DETAILS SEE 28-21-55-01 LIGHTS FOR DETAILS SEE 33-31-51-04 DOORS FOR DETAILS SEE 52-49-02-01	006014 950951 953999	1

MISSING ITEM NUMBERS NOT APPLICABLE

- ITEM NOT ILLUSTRATED

BRI

24-00-58-01

BOEING PROPRIETARY - Copyright © - Unpublished Work - See title page for details.

24-00-58
FIG. 01
PAGE 2
JAN 20/09



757

PARTS CATALOG (MAINTENANCE)

FIG ITEM	PART NUMBER	1 2 3 4 5 6 7	NOMENCLATURE	EFFECT FROM TO	UNITS PER ASSY
1					
- 30	284N1114-12		.EQUIPMENT INSTL-WING REFUELING PNL FUNCTIONAL REFERENCE: PLACARDS AND MARKINGS FOR DETAILS SEE 11-24-01-02 COMMUNICATIONS FOR DETAILS SEE 23-41-00-01 FUEL FOR DETAILS SEE 28-21-55-01 LIGHTS FOR DETAILS SEE 33-31-51-04 DOORS FOR DETAILS SEE 52-49-02-01	015017	1
- 30	284N1114-13		.EQUIPMENT INSTL-WING REFUELING PNL FUNCTIONAL REFERENCE: PLACARDS AND MARKINGS FOR DETAILS SEE 11-24-01-02 COMMUNICATIONS FOR DETAILS SEE 23-41-00-01 FUEL FOR DETAILS SEE 28-21-55-01 LIGHTS FOR DETAILS SEE 33-31-51-04 DOORS FOR DETAILS SEE 52-49-02-01	018100	1
- 32	284N1115-11		.DISCHARGER INSTL-WING STATIC POSITION DATA: LH FOR DETAILS SEE: 23-61-01-01	002004 006100 107107 121503 904999	1
- 33	284N1115-12		.DISCHARGER INSTL-WING STATIC POSITION DATA: RH FOR DETAILS SEE: 23-61-01-01	002004 006100 107107 121503 904999	1

MISSING ITEM NUMBERS NOT APPLICABLE

- ITEM NOT ILLUSTRATED

24-00-58-01

24-00-58
FIG. 01
PAGE 3
JAN 20/09

BRI



757

PARTS CATALOG (MAINTENANCE)

FIG ITEM	PART NUMBER	1 2 3 4 5 6 7	NOMENCLATURE	EFFECT FROM TO	UNITS PER ASSY
1					
- 35	284N1115-13		.DISCHARGER INSTL-HORIZ STAB. STATIC POSITION DATA: LH FOR DETAILS SEE: 23-61-01-01	002004 006100 107107 121503 904999	1
- 37	284N1115-14		.DISCHARGER INSTL-HORIZ STAB. STATIC POSITION DATA: RH FOR DETAILS SEE: 23-61-01-01	002004 006100 107107 121503 904999	1
- 38	284N1115-15		.DISCHARGER INSTL-VERT. STAB. STATIC FOR DETAILS SEE: 23-61-01-01	002004 006100 107107 121503 904999	1
- 40	284N1301-20		.RACK INSTL-ELECTRICAL/ ELECTRONIC EQPT CTR E1 THRU E5 FOR DETAILS SEE: 53-33-00-03	107107	1
- 40	284N1301-21		.RACK INSTL-ELECTRICAL/ ELECTRONIC EQPT CTR E1 THRU E5 FOR DETAILS SEE: 53-33-00-03	121503 904949	1
- 40	284N1301-25		.RACK INSTL-ELECTRICAL/ ELECTRONIC EQPT CTR E1 THRU E5 FOR DETAILS SEE: 53-33-00-03	002004 006100 950999	1
- 45	284N1302-3		.SHIELD INSTL-ELECTRONIC EQPT CTR RACKS WATER E1 THRU E5 FOR DETAILS SEE: 53-30-51-32	002004 006100 107107 121503 904999	1
- 61	284N1310-28		.SHELF INSTL-ELECTRONICS EQPT CTR E/E RACKS FUNCTIONAL REFERENCE: AIR CONDITIONING FOR DETAILS SEE 21-58-58-01 EQUIPMENT/FURNISHINGS FOR DETAILS SEE 25-70-51-02	107107	1

MISSING ITEM NUMBERS NOT APPLICABLE

- ITEM NOT ILLUSTRATED

24-00-58-01

24-00-58
FIG. 01
PAGE 4
JAN 20/09

BRI



757

PARTS CATALOG (MAINTENANCE)

FIG ITEM	PART NUMBER	1 2 3 4 5 6 7	NOMENCLATURE	EFFECT FROM TO	UNITS PER ASSY
1					
- 61	284N1310-34		.SHELF INSTL-ELECTRONICS EQPT CTR E/E RACKS FUNCTIONAL REFERENCE: AIR CONDITIONING FOR DETAILS SEE 21-58-58-01 EQUIPMENT/FURNISHINGS FOR DETAILS SEE 25-70-51-02	121503 904949	1
- 62	284N1310-50		.SHELF INSTL-ELECTRONICS EQPT CTR E/E RACKS FUNCTIONAL REFERENCE: AIR CONDITIONING FOR DETAILS SEE 21-58-58-01 EQUIPMENT/FURNISHINGS FOR DETAILS SEE 25-70-51-02	952999	1
- 62	284N1310-51		.SHELF INSTL-ELECTRONICS EQPT CTR E/E RACKS FUNCTIONAL REFERENCE: AIR CONDITIONING FOR DETAILS SEE 21-58-58-01 EQUIPMENT/FURNISHINGS FOR DETAILS SEE 25-70-51-02	002004 006100	1
- 62	284N1310-55		.SHELF INSTL-ELECTRONICS EQPT CTR E/E RACKS FUNCTIONAL REFERENCE: AIR CONDITIONING FOR DETAILS SEE 21-58-58-01 EQUIPMENT/FURNISHINGS FOR DETAILS SEE 25-70-51-02	950951	1
- 403	284N1550-4		.RACK INSTL-EQPT CTR E6 POSITION DATA: AFT FUNCTIONAL REFERENCE: PLACARDS AND MARKINGS FOR DETAILS SEE 11-36-15-13 FUSELAGE FOR DETAILS SEE 53-61-51-10	107107	1

MISSING ITEM NUMBERS NOT APPLICABLE

- ITEM NOT ILLUSTRATED

24-00-58-01

24-00-58
FIG. 01
PAGE 5
JAN 20/09

BRI



757

PARTS CATALOG (MAINTENANCE)

FIG ITEM	PART NUMBER	1 2 3 4 5 6 7	NOMENCLATURE	EFFECT FROM TO	UNITS PER ASSY
1					
- 403	284N1550-8		.RACK INSTL-EQPT CTR E6 POSITION DATA: AFT FUNCTIONAL REFERENCE: PLACARDS AND MARKINGS FOR DETAILS SEE 11-36-15-13 FUSELAGE FOR DETAILS SEE 53-61-51-10	002004 006008 952999	1
- 403	284N1550-11		.RACK INSTL-EQPT CTR E6 POSITION DATA: AFT FUNCTIONAL REFERENCE: PLACARDS AND MARKINGS FOR DETAILS SEE 11-36-15-13 FUSELAGE FOR DETAILS SEE 53-61-51-10	950951	1
- 403	284N1550-12		.RACK INSTL-EQPT CTR E6 POSITION DATA: AFT FUNCTIONAL REFERENCE: PLACARDS AND MARKINGS FOR DETAILS SEE 11-36-15-13 FUSELAGE FOR DETAILS SEE 53-61-51-10	009017	1
- 403	284N1550-16		.RACK INSTL-EQPT CTR E6 POSITION DATA: AFT FUNCTIONAL REFERENCE: PLACARDS AND MARKINGS FOR DETAILS SEE 11-36-15-13 FUSELAGE FOR DETAILS SEE 53-61-51-10	018100	1
- 408	284N1520-1		.SHELF INSTL-EQPT CTR E6 POSITION DATA: AFT VARIABLE DRAWING REF: 284N1520-5001 284N1520-5012 284N1520-5014 FOR DETAILS SEE: 25-70-51-17	002004 006100 107107 950999	1

MISSING ITEM NUMBERS NOT APPLICABLE

- ITEM NOT ILLUSTRATED

24-00-58-01

24-00-58
FIG. 01
PAGE 6
JAN 20/09

BRI



757

PARTS CATALOG (MAINTENANCE)

FIG ITEM	PART NUMBER	1 2 3 4 5 6 7	NOMENCLATURE	EFFECT FROM TO	UNITS PER ASSY
1					
- 455	284N1607-1		.FITTING INSTL-E6 EQPT CTR SPRT POSITION DATA: STA 1440 AFT FOR DETAILS SEE: 53-60-51-28	002004 006100 107107 950999	1
- 500	284N1657-3		.SHELF INSTL-EQPT CTR E6 POSITION DATA: AFT FOR DETAILS SEE: 25-70-51-15	121503 904949	1
- 505	284N1664-1		.TOOLING GYRO INSTL-MTG PROVISION FOR DETAILS SEE: 11-38-01-01	002004 006100 107107 121503 904999	1
- 510	284N1686-3		.EQUIPMENT INSTL-EQPT CTR E6 POSITION DATA: AFT FUNCTIONAL REFERENCE: AIRBORNE AUXILIARY POWER FOR DETAILS SEE 49-61-05-01 AIR CONDITIONING FOR DETAILS SEE 21-51-14-01 21-61-03-01 COMMUNICATIONS FOR DETAILS SEE 23-11-03-02 ELECTRICAL POWER FOR DETAILS SEE 24-31-03-01 24-33-02-05 HYDRAULIC POWER FOR DETAILS SEE 29-33-51-01 LANDING GEAR FOR DETAILS SEE 32-42-01-01 32-46-01-01 NAVIGATION FOR DETAILS SEE 34-51-01-01 34-57-01-01	121503 904949	1

MISSING ITEM NUMBERS NOT APPLICABLE

- ITEM NOT ILLUSTRATED

BRI

24-00-58-01

24-00-58
FIG. 01
PAGE 7
JAN 20/09



757

PARTS CATALOG (MAINTENANCE)

FIG ITEM	PART NUMBER	1 2 3 4 5 6 7	NOMENCLATURE	EFFECT FROM TO	UNITS PER ASSY
1					
- 530	284N1729-8		.RACK INSTL-EQPT CTR E6 POSITION DATA: AFT FUNCTIONAL REFERENCE: PLACARDS AND MARKINGS FOR DETAILS SEE 11-36-15-06 EQUIPMENT/FURNISHINGS FOR DETAILS SEE 25-70-51-53	121503	1
- 530	284N1729-9		.RACK INSTL-EQPT CTR E6 POSITION DATA: AFT FUNCTIONAL REFERENCE: PLACARDS AND MARKINGS FOR DETAILS SEE 11-36-15-06 EQUIPMENT/FURNISHINGS FOR DETAILS SEE 25-70-51-53	904949	1
- 535	284N1746-1		.PANEL INSTL-P65 MISC ELEC EQPT FOR DETAILS SEE: 31-01-65-03	121503 904949	1
- 535	284N1746-2		.PANEL INSTL-P65 MISC ELEC EQPT FOR DETAILS SEE: 31-01-65-03	002004 006100 107107 950999	1

MISSING ITEM NUMBERS NOT APPLICABLE

- ITEM NOT ILLUSTRATED

BRI

24-00-58-01

BOEING PROPRIETARY - Copyright © - Unpublished Work - See title page for details.

24-00-58
FIG. 01
PAGE 8
JAN 20/09



757

PARTS CATALOG (MAINTENANCE)

FIG ITEM	PART NUMBER	1 2 3 4 5 6 7	NOMENCLATURE	EFFECT FROM TO	UNITS PER ASSY
1 - 620	284N1500-1		.EQUIPMENT INSTL-E6 EQPT CTR POSITION DATA: AFT VARIABLE DRAWING REF: 284N1500-5012 284N1500-5032 284N1500-5034 284N1500-5036 FUNCTIONAL REFERENCE: AIRBORNE AUXILIARY POWER FOR DETAILS SEE 49-61-05-01 ELECTRICAL POWER FOR DETAILS SEE 24-31-03-01 24-31-04-01 24-31-07-01 24-33-02-05 EQUIPMENT/FURNISHINGS FOR DETAILS SEE 25-71-91-03 NAVIGATION FOR DETAILS SEE 34-57-01-01	002004 006100 107107 950999	1
- 655	242N5001-1		.SOFTWARE INSTL-SG VARIABLE DRAWING REF: 242N5001-100 242N5001-103 242N5001-143 242N5001-144 FOR DETAILS SEE: 34-22-01-01	002004 006100 121503 950999	1
- 700	284N1800-32		.EQUIPMENT INSTL-MAIN ELECTRONICS EQPT CTR FUNCTIONAL REFERENCE: AIR CONDITIONING FOR DETAILS SEE 21-31-02-01 21-51-09-01 21-51-14-01 21-52-04-01 21-53-06-01 21-61-03-01 AUTOFLIGHT FOR DETAILS SEE 22-11-01-01 22-21-04-01 22-24-01-01	952999	1

MISSING ITEM NUMBERS NOT APPLICABLE

- ITEM NOT ILLUSTRATED

24-00-58-01

24-00-58
FIG. 01
PAGE 9
JAN 20/09

BRI



757

PARTS CATALOG (MAINTENANCE)

FIG ITEM	PART NUMBER	1 2 3 4 5 6 7 NOMENCLATURE	EFFECT FROM TO	UNITS PER ASSY
1		22-31-01-01 22-41-01-01 COMMUNICATIONS FOR DETAILS SEE 23-11-03-01 23-12-01-01 23-21-01-01 23-31-01-01 23-34-03-01 23-34-15-02 23-42-01-01 ELECTRICAL POWER FOR DETAILS SEE 24-22-02-51 24-25-05-01 24-32-01-01 24-41-03-01 ENGINE INDICATING FOR DETAILS SEE 77-31-51-03 77-12-03-03 EQUIPMENT/FURNISHINGS FOR DETAILS SEE 25-71-91-05W 25-71-91-13W 25-71-91-20W 25-71-91-05N FIRE PROTECTION FOR DETAILS SEE 26-11-52-01 26-12-52-01 26-15-52-01 26-16-52-01 26-18-52-01 FLIGHT CONTROL FOR DETAILS SEE 27-09-01-01 27-21-57-01 27-23-02-01 27-32-01-01 27-48-03-01 27-51-01-02 27-61-51-02 FUEL FOR DETAILS SEE 28-21-04-01 28-41-08-01 HYDRAULIC POWER FOR DETAILS SEE		

MISSING ITEM NUMBERS NOT APPLICABLE

- ITEM NOT ILLUSTRATED

24-00-58-01

24-00-58
FIG. 01
PAGE 10
JAN 20/09

BRI



757

PARTS CATALOG (MAINTENANCE)

FIG ITEM	PART NUMBER	1 2 3 4 5 6 7 NOMENCLATURE	EFFECT FROM TO	UNITS PER ASSY
1		29-33-51-01 ICE & RAIN PROTECTION FOR DETAILS SEE 30-41-01-01 INDICATING/RECORDING FOR DETAILS SEE 31-31-03-01 31-35-01-02 31-41-02-01 31-41-04-01 31-51-01-01 LANDING GEAR FOR DETAILS SEE 32-09-04-01 32-42-01-01 NAVIGATION FOR DETAILS SEE 34-12-01-01 34-16-01-01 34-21-01-01 34-22-01-01 34-24-02-01 34-25-01-01 34-31-01-01 34-33-01-01 34-45-51-01 34-46-01-01 34-51-01-01 34-53-01-01 34-55-01-01 34-61-01-01A PLACARDS AND MARKINGS FOR DETAILS SEE 11-36-03-12 11-36-04-09 11-36-19-02 11-36-25-02 11-36-26-04 PNEUMATIC FOR DETAILS SEE 36-11-12-01		
- 701	284N1307-33	.EQUIPMENT INSTL-MAIN ELECTRONICS EQPT CTR FUNCTIONAL REFERENCE: AIR CONDITIONING FOR DETAILS SEE 21-31-02-01 21-51-09-01 21-51-14-01 MISSING ITEM NUMBERS NOT APPLICABLE	107107	1

- ITEM NOT ILLUSTRATED

24-00-58-01

24-00-58
 FIG. 01
 PAGE 11
 JAN 20/09

BRI



**757
PARTS CATALOG (MAINTENANCE)**

FIG ITEM	PART NUMBER	1 2 3 4 5 6 7 NOMENCLATURE	EFFECT FROM TO	UNITS PER ASSY
1		21-52-04-01 21-53-06-01 21-61-03-01 AUTOFLIGHT FOR DETAILS SEE 22-11-01-01 22-21-04-01 22-24-01-01 22-31-01-01 22-41-01-01 COMMUNICATIONS FOR DETAILS SEE 23-12-01-01 23-11-03-01 23-21-01-01 23-31-01-01 23-31-06-02 23-42-01-01 ELECTRICAL POWER FOR DETAILS SEE 24-22-02-51A 24-32-01-01 24-41-03-01 ENGINE INDICATING FOR DETAILS SEE 77-31-51-03 77-12-03-03 EQUIPMENT/FURNISHINGS FOR DETAILS SEE 25-71-91-06C 25-71-91-14C 25-71-91-21C FIRE PROTECTION FOR DETAILS SEE 26-11-52-01 26-12-52-01 26-15-52-01 26-16-52-01 26-18-52-01 FLIGHT CONTROL FOR DETAILS SEE 27-09-01-01 27-21-57-01 27-23-02-01 27-32-01-01 27-48-03-01 27-51-01-02 27-61-51-02 FUEL		

MISSING ITEM NUMBERS NOT APPLICABLE

— ITEM NOT ILLUSTRATED

24-00-58-01

24-00-58
FIG. 01
PAGE 12
JAN 20/09

BRI



757

PARTS CATALOG (MAINTENANCE)

FIG ITEM	PART NUMBER	1 2 3 4 5 6 7 NOMENCLATURE	EFFECT FROM TO	UNITS PER ASSY
1		FOR DETAILS SEE 28-21-04-01 28-41-08-01 ICE & RAIN PROTECTION FOR DETAILS SEE 30-41-01-01 HYDRAULIC POWER FOR DETAILS SEE 29-33-51-01 INDICATING/RECORDING FOR DETAILS SEE 31-31-03-01 31-41-02-01 31-41-04-01 31-51-01-01 LANDING GEAR FOR DETAILS SEE 32-09-04-01 32-42-01-01 32-46-01-08 NAVIGATION FOR DETAILS SEE 34-12-01-01 34-16-01-01 34-21-01-01 34-22-01-01 34-24-02-01 34-25-01-01 34-31-01-01 34-33-01-01 34-46-01-01 34-51-01-01 34-53-01-01 34-55-01-01 34-61-01-01A PLACARDS AND MARKINGS FOR DETAILS SEE 11-36-03-12 11-36-04-09 11-36-19-02 11-36-25-02 11-36-26-04 PNEUMATIC FOR DETAILS SEE 36-11-12-01		
- 703	284N1800-16	.EQUIPMENT INSTL-MAIN ELECTRONICS EQPT CTR FUNCTIONAL REFERENCE: AIR CONDITIONING MISSING ITEM NUMBERS NOT APPLICABLE	121503 904949	1

- ITEM NOT ILLUSTRATED

24-00-58-01

24-00-58
FIG. 01
PAGE 13
JAN 20/09

BRI



757

PARTS CATALOG (MAINTENANCE)

FIG ITEM	PART NUMBER	1 2 3 4 5 6 7 NOMENCLATURE	EFFECT FROM TO	UNITS PER ASSY
1		<p>FOR DETAILS SEE 21-31-02-01 21-51-09-01 21-52-04-01 21-53-06-01 AUTOFLIGHT FOR DETAILS SEE 22-11-01-01 22-21-04-01 22-24-01-01 22-31-01-01 22-41-01-01 COMMUNICATIONS FOR DETAILS SEE 23-12-01-01 23-21-01-01 23-31-01-01 23-34-03-01 23-34-15-02 23-42-01-01 ELECTRICAL POWER FOR DETAILS SEE 24-22-02-51 24-25-05-01 24-32-01-01 24-41-03-01 ENGINE INDICATING FOR DETAILS SEE 77-31-51-03 77-12-03-03 EQUIPMENT/FURNISHINGS FOR DETAILS SEE 25-71-91-05T 25-71-91-13T 25-71-91-20T FIRE PROTECTION FOR DETAILS SEE 26-11-52-01 26-12-52-01 26-15-52-01 26-16-52-01 26-18-52-01 FLIGHT CONTROL FOR DETAILS SEE 27-09-01-01 27-21-57-01 27-23-02-01 27-32-01-01 27-48-03-01</p>		

MISSING ITEM NUMBERS NOT APPLICABLE

- ITEM NOT ILLUSTRATED

24-00-58-01

24-00-58
FIG. 01
PAGE 14
JAN 20/09

BRI



757

PARTS CATALOG (MAINTENANCE)

FIG ITEM	PART NUMBER	1 2 3 4 5 6 7 NOMENCLATURE	EFFECT FROM TO	UNITS PER ASSY
1		27-51-01-02 27-61-51-02 FUEL FOR DETAILS SEE 28-21-04-01 28-41-08-01 ICE & RAIN PROTECTION FOR DETAILS SEE 30-41-01-01 INDICATING/RECORDING FOR DETAILS SEE 31-31-03-01 31-35-01-02 31-41-02-01 31-41-04-01 31-51-01-01 LANDING GEAR FOR DETAILS SEE 32-09-04-01 NAVIGATION FOR DETAILS SEE 34-12-01-01 34-16-01-01 34-22-01-01 34-24-02-01 34-25-01-01 34-31-01-01 34-33-01-01 34-46-01-01 34-51-01-01 34-53-01-01 34-55-01-01 34-61-01-01A PLACARDS AND MARKINGS FOR DETAILS SEE 11-36-03-12 11-36-04-09 11-36-19-02 11-36-25-02 11-36-26-04 PNEUMATIC FOR DETAILS SEE 36-11-12-01		
- 703	284N1800-34	.EQUIPMENT INSTL-MAIN ELECTRONICS EQPT CTR FUNCTIONAL REFERENCE: AIR CONDITIONING FOR DETAILS SEE 21-31-02-01 MISSING ITEM NUMBERS NOT APPLICABLE	002004 006100	1

- ITEM NOT ILLUSTRATED

24-00-58-01

24-00-58
FIG. 01
PAGE 15
JAN 20/09

BRI



757

PARTS CATALOG (MAINTENANCE)

FIG ITEM	PART NUMBER	1 2 3 4 5 6 7 NOMENCLATURE	EFFECT FROM TO	UNITS PER ASSY
1		21-51-09-01 21-51-14-01 21-52-04-01 21-53-06-01 21-61-03-01 AUTOFLIGHT FOR DETAILS SEE 22-11-01-01 22-21-04-01 22-24-01-01 22-31-01-01 22-41-01-01 COMMUNICATIONS FOR DETAILS SEE 23-11-03-01 23-12-01-01 23-21-01-01 23-31-01-01 23-31-06-02 23-34-03-01 23-34-15-02 23-42-01-01 ELECTRICAL POWER FOR DETAILS SEE 24-22-02-51 24-25-05-01 24-32-01-01 24-41-03-01 ENGINE INDICATING FOR DETAILS SEE 77-31-51-03 77-12-03-03 EQUIPMENT/FURNISHINGS FOR DETAILS SEE 25-71-91-06C 25-71-91-14C 25-71-91-21C FIRE PROTECTION FOR DETAILS SEE 26-11-52-01 26-12-52-01 26-15-52-01 26-16-52-01 26-18-52-01 FLIGHT CONTROL FOR DETAILS SEE 27-09-01-01 27-21-57-01 27-23-02-01		

MISSING ITEM NUMBERS NOT APPLICABLE

- ITEM NOT ILLUSTRATED

24-00-58-01

24-00-58
FIG. 01
PAGE 16
JAN 20/09

BRI



757

PARTS CATALOG (MAINTENANCE)

FIG ITEM	PART NUMBER	1 2 3 4 5 6 7 NOMENCLATURE	EFFECT FROM TO	UNITS PER ASSY
1		27-32-01-01 27-48-03-01 27-51-01-02 27-61-51-02 FUEL FOR DETAILS SEE 28-21-04-01 28-41-08-01 HYDRAULIC POWER FOR DETAILS SEE 29-33-51-01 ICE & RAIN PROTECTION FOR DETAILS SEE 30-41-01-01 INDICATING/RECORDING FOR DETAILS SEE 31-31-03-01 31-35-01-02 31-41-02-01 31-41-04-01 31-51-01-01 LANDING GEAR FOR DETAILS SEE 32-09-04-01 32-42-01-01 32-46-01-01 NAVIGATION FOR DETAILS SEE 34-12-01-01 34-16-01-01 34-21-01-01 34-22-01-01 34-24-02-01 34-31-01-01 34-33-01-01 34-45-51-01 34-46-01-01 34-51-01-01 34-53-01-01 34-55-01-01 34-61-01-01A PLACARDS AND MARKINGS FOR DETAILS SEE 11-36-03-12 11-36-04-09 11-36-19-02 11-36-25-02 11-36-26-04 PNEUMATIC MISSING ITEM NUMBERS NOT APPLICABLE		

- ITEM NOT ILLUSTRATED

24-00-58-01

24-00-58
FIG. 01
PAGE 17
JAN 20/09

BRI



757

PARTS CATALOG (MAINTENANCE)

FIG ITEM	PART NUMBER	1 2 3 4 5 6 7 NOMENCLATURE	EFFECT FROM TO	UNITS PER ASSY
1 - 704	284N1800-38	FOR DETAILS SEE 36-11-12-01 .EQUIPMENT INSTL-MAIN ELECTRONICS EQPT CTR FUNCTIONAL REFERENCE: AIR CONDITIONING FOR DETAILS SEE 21-31-02-01 21-51-09-01 21-51-14-01 21-52-04-01 21-53-06-01 21-61-03-01 AUTOFLIGHT FOR DETAILS SEE 22-11-01-01 22-21-04-01 22-24-01-01 22-31-01-01 22-41-01-01 COMMUNICATIONS FOR DETAILS SEE 23-11-03-01 23-12-01-01 23-21-01-01 23-22-01-02 23-31-01-01 23-42-01-01 ELECTRICAL POWER FOR DETAILS SEE 24-22-02-51 24-32-01-01 24-41-03-01 ENGINE INDICATING FOR DETAILS SEE 77-12-03-03 77-31-51-03 EQUIPMENT/FURNISHINGS FOR DETAILS SEE 25-71-91-05G 25-71-91-20G 25-71-91-13G FIRE PROTECTION FOR DETAILS SEE 26-11-52-01 26-12-52-01 26-15-52-01 26-16-52-01 26-18-52-01 MISSING ITEM NUMBERS NOT APPLICABLE	950951	1

- ITEM NOT ILLUSTRATED

24-00-58-01

24-00-58
 FIG. 01
 PAGE 18
 JAN 20/09

BRI



757

PARTS CATALOG (MAINTENANCE)

FIG ITEM	PART NUMBER	1 2 3 4 5 6 7	NOMENCLATURE	EFFECT FROM TO	UNITS PER ASSY
1			FLIGHT CONTROL FOR DETAILS SEE 27-09-01-01 27-21-57-01 27-23-02-01 27-32-01-01 27-48-03-01 27-51-01-02 27-61-51-02 FUEL FOR DETAILS SEE 28-21-04-01 28-41-08-01 HYDRAULIC POWER FOR DETAILS SEE 29-33-51-01 ICE & RAIN PROTECTION FOR DETAILS SEE 30-41-01-01 INDICATING/RECORDING FOR DETAILS SEE 31-31-03-01 31-41-02-01 31-41-04-01 31-51-01-01 LANDING GEAR FOR DETAILS SEE 32-09-04-01 32-42-01-01 NAVIGATION FOR DETAILS SEE 34-12-01-01 34-16-01-01 34-21-01-01 34-22-01-01 34-24-02-01 34-31-01-01 34-33-01-01 34-46-01-01 34-51-01-01 34-53-01-01 34-55-01-01 34-61-01-01A PLACARDS AND MARKINGS FOR DETAILS SEE 11-36-03-12 11-36-04-09 11-36-19-02 11-36-25-02		

MISSING ITEM NUMBERS NOT APPLICABLE

- ITEM NOT ILLUSTRATED

BRI

24-00-58-01

BOEING PROPRIETARY - Copyright © - Unpublished Work - See title page for details.

24-00-58
FIG. 01
PAGE 19
JAN 20/09



757

PARTS CATALOG (MAINTENANCE)

FIG ITEM	PART NUMBER	1 2 3 4 5 6 7 NOMENCLATURE	EFFECT FROM TO	UNITS PER ASSY
1		11-36-26-04 PNEUMATIC FOR DETAILS SEE 36-11-12-01		

MISSING ITEM NUMBERS NOT APPLICABLE

- ITEM NOT ILLUSTRATED

BRI

24-00-58-01

BOEING PROPRIETARY - Copyright © - Unpublished Work - See title page for details.

24-00-58
FIG. 01
PAGE 20
JAN 20/09

 **BOEING**
757
PARTS CATALOG (MAINTENANCE)

NON-ILLUSTRATED FIGURE

THE ITEMS REFLECTED IN THIS FIGURE ARE INTENTIONALLY
NON-ILLUSTRATED. THEY ARE REFERENCED TO EITHER A
NEXT HIGHER OR NEXT LOWER ASSEMBLY/INSTALLATION FIGURE.

ELECTRICAL AND ELECTRONIC-INSTL-EQPT TOP COLLECTOR
FIGURE 1A

24-00-58-01A

BRI
MAY 28/07

24-00-58-01A
PAGE 0



757

PARTS CATALOG (MAINTENANCE)

FIG ITEM	PART NUMBER	1 2 3 4 5 6 7	NOMENCLATURE	EFFECT FROM TO	UNITS PER ASSY
1 A			ELECTRICAL AND ELECTRONIC- INSTL-EQPT TOP COLLECTOR	002004 006100 107107 121503 904999	
- 1	284N0900-1		ELECTRICAL AND ELECTRONIC- INSTL-EQPT TOP COLLECTOR VARIABLE DRAWING REF: 284N0900-5006 284N0900-5009 284N0900-5031 284N0900-5032 284N0900-5034 284N0900-5041	002004 006100 107107 121503 904999	1
- 5	284N1050-2		.SWITCH INSTL-ELECT. EQPT CTR RAM AIR TURB LOGIC AIRSPEED FOR DETAILS SEE: 29-21-53-01	002004 006100 107107 121503 904999	1
- 10	284N1111-5		.LIGHT INSTL-LG STRAKE POSITION DATA: LH FOR DETAILS SEE: 33-42-51-01	002004 006100 107107 121503 904999	1
- 15	284N1111-6		.LIGHT INSTL-LG STRAKE POSITION DATA: RH FOR DETAILS SEE: 33-42-51-01	002004 006100 107107 121503 904999	1
- 20	284N1112-3		.LIGHT INSTL-WING TIP POSITION POSITION DATA: LH FOR DETAILS SEE: 33-43-01-01	002004 006100 107107 121503 904999	1
- 25	284N1112-4		.LIGHT INSTL-WING TIP POSITION POSITION DATA: RH FOR DETAILS SEE: 33-43-01-01	002004 006100 107107 121503 904999	1
- 30	284N1113-3		.LIGHT INSTL-WING TIP ANTI-COLLISION POSITION DATA: LH FOR DETAILS SEE: 33-44-01-01	107107 904949 952952	1

MISSING ITEM NUMBERS NOT APPLICABLE

- ITEM NOT ILLUSTRATED

24-00-58-01A

24-00-58
FIG. 01A
PAGE 1
JAN 20/09

BRI

BOEING PROPRIETARY - Copyright © - Unpublished Work - See title page for details.



757

PARTS CATALOG (MAINTENANCE)

FIG ITEM	PART NUMBER	1 2 3 4 5 6 7	NOMENCLATURE	EFFECT FROM TO	UNITS PER ASSY
1 A					
- 30	284N1113-5		.LIGHT INSTL-WING TIP ANTI-COLLISION POSITION DATA: LH FOR DETAILS SEE: 33-44-01-01	002004 006017 121503 950951 953999	1
- 30	284N1113-7		.LIGHT INSTL-WING TIP ANTI-COLLISION POSITION DATA: LH FOR DETAILS SEE: 33-44-01-01	018100	1
- 35	284N1113-4		.LIGHT INSTL-WING TIP ANTI-COLLISION POSITION DATA: RH FOR DETAILS SEE: 33-44-01-01	107107 904949 952952	1
- 35	284N1113-6		.LIGHT INSTL-WING TIP ANTI-COLLISION POSITION DATA: RH FOR DETAILS SEE: 33-44-01-01	002004 006017 121503 950951 953999	1
- 35	284N1113-8		.LIGHT INSTL-WING TIP ANTI-COLLISION POSITION DATA: RH FOR DETAILS SEE: 33-44-01-01	018100	1
- 40	284N1880-1		.RELAY INSTL-ATC ANT. SWITCHING FOR DETAILS SEE: 34-53-03-02	002004 006010 121503 904999	1
- 40	284N1880-2		.RELAY INSTL-ATC ANT. SWITCHING FOR DETAILS SEE: 34-53-03-02	011100	1
- 45	284N1355-11		.LIGHT INSTL-SVCE POSITION DATA: SECT. 43 FOR DETAILS SEE: 33-31-51-05	002004 006010 107107 121503 904999	1
- 45	284N1355-15		.LIGHT INSTL-SVCE POSITION DATA: SECT. 43 FOR DETAILS SEE: 33-31-51-05	011100	1

MISSING ITEM NUMBERS NOT APPLICABLE

- ITEM NOT ILLUSTRATED

24-00-58-01A

24-00-58
FIG. 01A
PAGE 2
JAN 20/09

BRI

BOEING PROPRIETARY - Copyright © - Unpublished Work - See title page for details.



757

PARTS CATALOG (MAINTENANCE)

FIG ITEM	PART NUMBER	1 2 3 4 5 6 7	NOMENCLATURE	EFFECT FROM TO	UNITS PER ASSY
1 A					
- 50	284N1355-10		.LIGHT INSTL-SVCE POSITION DATA: SECT. 41 FOR DETAILS SEE: 33-31-51-05	002004 006010 107107 121503 904999	1
- 50	284N1355-14		.LIGHT INSTL-SVCE POSITION DATA: SECT. 41 FOR DETAILS SEE: 33-31-51-05	011100	1
- 55	284N1357-3		.LIGHT INSTL-ANTICOLLISION STROBE POSITION DATA: UPR FOR DETAILS SEE: 33-44-02-01	107107 904949 952952	1
- 55	284N1357-8		.LIGHT INSTL-ANTICOLLISION STROBE POSITION DATA: UPR FOR DETAILS SEE: 33-44-02-01	002004 006017 121503 950951 953999	1
- 55	284N1357-9		.LIGHT INSTL-ANTICOLLISION STROBE POSITION DATA: UPR FOR DETAILS SEE: 33-44-02-01	018100	1
- 60	284N1357-5		.POWER PACK INSTL- ANTICOLLISION LT POSITION DATA: UPR FOR DETAILS SEE: 33-44-02-01	002004 006100 107107 121503 904999	1
- 65	284N1358-1		.LIGHT INSTL-WING ILLUM POSITION DATA: LH FOR DETAILS SEE: 33-41-51-01	002004 006017 107107 121503 904999	1
- 65	284N1358-3		.LIGHT INSTL-WING ILLUM POSITION DATA: LH FOR DETAILS SEE: 33-41-51-01	018100	1
- 70	284N1358-2		.LIGHT INSTL-WING ILLUM POSITION DATA: RH FOR DETAILS SEE: 33-41-51-01	002004 006017 107107 121503 904999	1

MISSING ITEM NUMBERS NOT APPLICABLE

- ITEM NOT ILLUSTRATED

24-00-58-01A

24-00-58
FIG. 01A
PAGE 3
JAN 20/09

BRI

BOEING PROPRIETARY - Copyright © - Unpublished Work - See title page for details.



757

PARTS CATALOG (MAINTENANCE)

FIG ITEM	PART NUMBER	1 2 3 4 5 6 7	NOMENCLATURE	EFFECT FROM TO	UNITS PER ASSY
1 A					
- 70	284N1358-4		.LIGHT INSTL-WING ILLUM POSITION DATA: RH FOR DETAILS SEE: 33-41-51-01	018100	1
- 75	284N1361-5		.SENSOR INSTL-NO. 2 PASS. DOOR WARNING POSITION DATA: LH FOR DETAILS SEE: 52-71-00-08	002004 006017 107107 121503 904999	1
- 75	284N1361-7		.SENSOR INSTL-NO. 2 PASS. DOOR WARNING POSITION DATA: LH FOR DETAILS SEE: 52-71-00-08	018100	1
- 80	284N1361-6		.SENSOR INSTL-NO. 2 PASS. DOOR WARNING POSITION DATA: RH FOR DETAILS SEE: 52-71-00-08	002004 006017 107107 121503 904999	1
- 80	284N1361-8		.SENSOR INSTL-NO. 2 PASS. DOOR WARNING POSITION DATA: RH FOR DETAILS SEE: 52-71-00-08	018100	1
- 85	284N1362-3		.SENSOR INSTL-E/E COMPT DOOR WARNING FOR DETAILS SEE: 52-71-00-03	002004 006100 107107 121503 904999	1
- 90	284N1363-2		.SENSOR INSTL-CARGO DOOR CLOSED WARNING POSITION DATA: FWD FOR DETAILS SEE: 52-71-00-04	107107 904949	1
- 90	284N1363-3		.SENSOR INSTL-CARGO DOOR CLOSED WARNING POSITION DATA: FWD FOR DETAILS SEE: 52-71-00-04	002004 006100 121503 950999	1

MISSING ITEM NUMBERS NOT APPLICABLE

- ITEM NOT ILLUSTRATED

24-00-58-01A

24-00-58
FIG. 01A
PAGE 4
JAN 20/09

BRI

BOEING PROPRIETARY - Copyright © - Unpublished Work - See title page for details.



757

PARTS CATALOG (MAINTENANCE)

FIG ITEM	PART NUMBER	1 2 3 4 5 6 7	NOMENCLATURE	EFFECT FROM TO	UNITS PER ASSY
1 A					
- 95	284N1364-1	.	SENSOR INSTL-CARGO DOOR ACTUATION POSITION DATA: FWD FOR DETAILS SEE: 52-34-35-02	002004 006100 107107 121503 904999	1
- 95	284N1364-13	.	SENSOR INSTL-CARGO DOOR ACTUATION POSITION DATA: FWD FOR DETAILS SEE: 52-34-35-02	002004 006100 107107 121503 904999	1
- 100	284N1364-14	.	TARGET INSTL- FOR DETAILS SEE: 52-34-35-02	002004 006100 107107 121503 904999	1
- 105	284N1401-1	.	LIGHT INSTL-SVCE POSITION DATA: SECT. 41 FUNCTIONAL REFERENCE: LIGHTS FOR DETAILS SEE 33-31-51-10 PLACARDS AND MARKINGS FOR DETAILS SEE 11-21-20-01	107107 904949 952952	1
- 105	284N1401-2	.	LIGHT INSTL-SVCE POSITION DATA: SECT. 41 FUNCTIONAL REFERENCE: LIGHTS FOR DETAILS SEE 33-31-51-10 PLACARDS AND MARKINGS FOR DETAILS SEE 11-21-20-01	002004 006017 121503 950951 953999	1
- 105	284N1401-3	.	LIGHT INSTL-SVCE POSITION DATA: SECT. 41 FUNCTIONAL REFERENCE: LIGHTS FOR DETAILS SEE 33-31-51-10 PLACARDS AND MARKINGS FOR DETAILS SEE 11-21-20-01	018100	1

MISSING ITEM NUMBERS NOT APPLICABLE

- ITEM NOT ILLUSTRATED

BRI

24-00-58-01A

BOEING PROPRIETARY - Copyright © - Unpublished Work - See title page for details.

24-00-58
FIG. 01A
PAGE 5
JAN 20/09

 **BOEING**
757
PARTS CATALOG (MAINTENANCE)

FIG ITEM	PART NUMBER	1 2 3 4 5 6 7	NOMENCLATURE	EFFECT FROM TO	UNITS PER ASSY
1A					
- 110	284N1391-1		.SWITCH INSTL- POSITION DATA: FWD CARGO COMPT REWORK DRAWING REF: 284N1879-1 REFERENCE SERVICE BULLETIN: 52-0031 FOR DETAILS SEE: 52-34-57-01	107107	1
- 110	284N1391-4		.SWITCH INSTL- POSITION DATA: FWD CARGO COMPT FOR DETAILS SEE: 52-34-57-01	002004 006100 121503 904999	1
- 115	284N1391-3		.SWITCH INSTL- POSITION DATA: AFT CARGO COMPT REWORK DRAWING REF: 284N1879-2 REFERENCE SERVICE BULLETIN: 52-0031 FOR DETAILS SEE: 52-34-57-01	107107	1
- 115	284N1391-5		.SWITCH INSTL- POSITION DATA: AFT CARGO COMPT FOR DETAILS SEE: 52-34-57-01	002004 006100 121503 904999	1
- 120	284N1402-25		.LIGHT INSTL-NO. 1 PASS. DOOR EMER SLIDE POSITION DATA: FWD L SIDE FOR DETAILS SEE: 33-51-06-05	002004 006100 107107 121503 904999	1
- 130	284N1402-26		.LIGHT INSTL-NO. 1 PASS. DOOR EMER SLIDE POSITION DATA: FWD R SIDE FOR DETAILS SEE: 33-51-06-05	002004 006100 107107 121503 904999	1
- 140	284N1402-27		.LIGHT INSTL-NO. 2 ENTRY AND SVCE DOOR POSITION DATA: L SIDE FWD FOR DETAILS SEE: 33-51-06-05	002004 006100 107107 121503 904999	1

MISSING ITEM NUMBERS NOT APPLICABLE

- ITEM NOT ILLUSTRATED

BRI

24-00-58-01A

BOEING PROPRIETARY - Copyright © - Unpublished Work - See title page for details.

24-00-58
FIG. 01A
PAGE 6
JAN 20/09

 **BOEING**
757
PARTS CATALOG (MAINTENANCE)

FIG ITEM	PART NUMBER	1 2 3 4 5 6 7	NOMENCLATURE	EFFECT FROM TO	UNITS PER ASSY
1A					
- 150	284N1402-28		.LIGHT INSTL-NO. 2 ENTRY AND SVCE DOOR POSITION DATA: R SIDE FWD FOR DETAILS SEE: 33-51-06-05	002004 006100 107107 121503 904999	1
- 160	284N1402-29		.LIGHT INSTL-NO. 3 EMER DOOR EMER SLIDE POSITION DATA: L SIDE FOR DETAILS SEE: 33-51-06-05	002004 006100 107107 121503 904999	1
- 165	284N1402-30		.LIGHT INSTL-NO. 3 EMER DOOR EMER SLIDE POSITION DATA: R SIDE FOR DETAILS SEE: 33-51-06-05	002004 006100 107107 121503 904999	1
- 170	284N1402-23		.LIGHT INSTL-NO. 4 PASS. DOOR EMER SLIDE POSITION DATA: L SIDE FOR DETAILS SEE: 33-51-06-05	002004 006009 107107 121503 904949 952999	1
- 170	284N1402-33		.LIGHT INSTL-NO. 4 PASS. DOOR EMER SLIDE POSITION DATA: L SIDE FOR DETAILS SEE: 33-51-06-05	010100 950951	1
- 175	284N1402-24		.LIGHT INSTL-NO. 4 PASS. DOOR EMER SLIDE POSITION DATA: R SIDE FOR DETAILS SEE: 33-51-06-05	002004 006009 107107 121503 904949 952999	1
- 175	284N1402-34		.LIGHT INSTL-NO. 4 PASS. DOOR EMER SLIDE POSITION DATA: R SIDE FOR DETAILS SEE: 33-51-06-05	010100 950951	1
- 190	284N1403-5		.SENSOR INSTL-NO. 1 PASS. DOOR NO. 1 WARNING POSITION DATA: FWD LH FOR DETAILS SEE: 52-71-00-01	002004 006017 107107 121503 904999	1

MISSING ITEM NUMBERS NOT APPLICABLE

- ITEM NOT ILLUSTRATED

BRI

24-00-58-01A

BOEING PROPRIETARY - Copyright © - Unpublished Work - See title page for details.

24-00-58
FIG. 01A
PAGE 7
JAN 20/09



757

PARTS CATALOG (MAINTENANCE)

FIG ITEM	PART NUMBER	1 2 3 4 5 6 7	NOMENCLATURE	EFFECT FROM TO	UNITS PER ASSY
1A					
- 190	284N1403-9		.SENSOR INSTL-NO. 1 PASS. DOOR NO. 1 WARNING POSITION DATA: FWD LH FOR DETAILS SEE: 52-71-00-01	018100	1
- 195	284N1403-6		.SENSOR INSTL-NO. 1 PASS. DOOR NO. 1 WARNING POSITION DATA: FWD RH FOR DETAILS SEE: 52-71-00-01	002004 006017 107107 121503 904999	1
- 195	284N1403-10		.SENSOR INSTL-NO. 1 PASS. DOOR NO. 1 WARNING POSITION DATA: FWD RH FOR DETAILS SEE: 52-71-00-01	018100	1
- 200	284N1405-9		.SENSOR INSTL-NLG UP POSITION FOR DETAILS SEE: 32-61-03-03	107107	1
- 200	284N1405-11		.SENSOR INSTL-NLG UP POSITION FOR DETAILS SEE: 32-61-03-03	002004 006100 121503 904999	1
- 205	284N1405-10		.SENSOR INSTL-NLG DOWN POSITION FOR DETAILS SEE: 32-61-03-03	107107	1
- 205	284N1405-12		.SENSOR INSTL-NLG DOWN POSITION FOR DETAILS SEE: 32-61-03-03	002004 006100 121503 904999	1
- 210	284N1406-1		.SENSOR INSTL-NLG DOOR CLOSED FOR DETAILS SEE: 32-61-03-02	002004 006011 107107 121503 904999	1
- 210	284N1406-2		.SENSOR INSTL-NLG DOOR CLOSED FOR DETAILS SEE: 32-61-03-02	012016	1
- 210	284N1406-3		.SENSOR INSTL-NLG DOOR CLOSED FOR DETAILS SEE: 32-61-03-02	013100	1

MISSING ITEM NUMBERS NOT APPLICABLE

- ITEM NOT ILLUSTRATED

24-00-58-01A

24-00-58
FIG. 01A
PAGE 8
JAN 20/09

BRI

BOEING PROPRIETARY - Copyright © - Unpublished Work - See title page for details.

 **BOEING**
757
PARTS CATALOG (MAINTENANCE)

FIG ITEM	PART NUMBER	1 2 3 4 5 6 7	NOMENCLATURE	EFFECT FROM TO	UNITS PER ASSY
1A					
- 215	284N1407-3		.SENSOR INSTL-ACCESS DOOR CLOSED POSITION DATA: FWD FOR DETAILS SEE: 52-71-00-05	002004 006100 107107 121503 904999	1
- 220	284N1408-1		.HORN INSTL-NOSE WHL WELL GRD CREW CALL FOR DETAILS SEE: 23-43-01-01	107107	1
- 220	284N1408-2		.HORN INSTL-NOSE WHL WELL GRD CREW CALL FOR DETAILS SEE: 23-43-01-01	002004 006017 121503 904999	1
- 220	284N1408-3		.HORN INSTL-NOSE WHL WELL GRD CREW CALL FOR DETAILS SEE: 23-43-01-01	018100	1
- 225	284N1412-3		.RECEPTACLE INSTL-EXT PWR FOR DETAILS SEE: 24-41-02-05	107107	1
- 225	284N1412-4		.RECEPTACLE INSTL-EXT PWR FOR DETAILS SEE: 24-41-02-05	002004 006100 121503 904999	1
- 230	284N1419-3		.LIGHT INSTL-NOSE WHL WELL SVCE POSITION DATA: AFT FOR DETAILS SEE: 33-31-52-01	107107	1
- 230	284N1419-5		.LIGHT INSTL-NOSE WHL WELL SVCE POSITION DATA: AFT FOR DETAILS SEE: 33-31-52-01	002004 006100 121503 904999	1
- 235	284N1419-2		.LIGHT INSTL-NOSE WHL WELL SVCE POSITION DATA: FWD FOR DETAILS SEE: 33-31-52-01	107107	1
- 235	284N1419-4		.LIGHT INSTL-NOSE WHL WELL SVCE POSITION DATA: FWD FOR DETAILS SEE: 33-31-52-01	002004 006100 121503 904999	1

MISSING ITEM NUMBERS NOT APPLICABLE

- ITEM NOT ILLUSTRATED

BRI

24-00-58-01A

BOEING PROPRIETARY - Copyright © - Unpublished Work - See title page for details.

24-00-58
FIG. 01A
PAGE 9
JAN 20/09



757

PARTS CATALOG (MAINTENANCE)

FIG ITEM	PART NUMBER	1 2 3 4 5 6 7	NOMENCLATURE	EFFECT FROM TO	UNITS PER ASSY
1 A					
- 240	284N1420-1		.SWITCH INSTL-GIRT BAR PROXIMITY POSITION DATA: DOOR NO. 1 LH FOR DETAILS SEE: 25-66-11-03	002004 006100 107107 121503 904999	1
- 245	284N1420-2		.SWITCH INSTL-GIRT BAR PROXIMITY POSITION DATA: DOOR NO. 1 RH FOR DETAILS SEE: 25-66-11-03	002004 006100 107107 121503 904999	1
- 250	284N1420-3		.SWITCH INSTL-GIRT BAR PROXIMITY POSITION DATA: DOOR NO. 2 LH FOR DETAILS SEE: 25-66-11-03	002004 006100 107107 121503 904999	1
- 255	284N1420-4		.SWITCH INSTL-GIRT BAR PROXIMITY POSITION DATA: DOOR NO. 2 RH FOR DETAILS SEE: 25-66-11-03	002004 006100 107107 121503 904999	1
- 260	284N1420-5		.SWITCH INSTL-GIRT BAR PROXIMITY POSITION DATA: DOOR NO. 4 LH FOR DETAILS SEE: 25-66-11-03	002004 006100 107107 121503 904999	1
- 265	284N1420-6		.SWITCH INSTL-GIRT BAR PROXIMITY POSITION DATA: DOOR NO. 4 RH FOR DETAILS SEE: 25-66-11-03	002004 006100 107107 121503 904999	1
- 290	284N1441-1		.LIGHT INSTL-MAIN WHL WELL SVCE FOR DETAILS SEE: 33-31-52-02	002004 006100 107107 121503 904999	1
- 295	284N1441-2		.LIGHT INSTL-MAIN WHL WELL SVCE FOR DETAILS SEE: 33-31-52-02	002004 006100 107107 121503 904999	1

MISSING ITEM NUMBERS NOT APPLICABLE

- ITEM NOT ILLUSTRATED

24-00-58-01A

24-00-58
FIG. 01A
PAGE 10
JAN 20/09

BRI

BOEING PROPRIETARY - Copyright © - Unpublished Work - See title page for details.



757

PARTS CATALOG (MAINTENANCE)

FIG ITEM	PART NUMBER	1 2 3 4 5 6 7	NOMENCLATURE	EFFECT FROM TO	UNITS PER ASSY
1 A					
- 300	284N1441-5		.LIGHT INSTL-MAIN WHL WELL SVCE FOR DETAILS SEE: 33-31-52-02	002004 107107 121503 904949 952952	1
- 305	284N1441-6		.LIGHT INSTL-MAIN WHL WELL SVCE FOR DETAILS SEE: 33-31-52-02	002004 006100 107107 121503 904999	1
- 307	284N1441-11		.LIGHT INSTL-MAIN WHL WELL SVCE FOR DETAILS SEE: 33-31-52-02	006100 950951 953999	1
- 320	284N1442-3		.LIGHT INSTL-ANTICOLLISION POSITION DATA: LWR FOR DETAILS SEE: 33-44-02-02	002004 006017 107107 121503 904999	1
- 320	284N1442-5		.LIGHT INSTL-ANTICOLLISION POSITION DATA: LWR FOR DETAILS SEE: 33-44-02-02	018100	1
- 325	284N1443-1		.DETECTOR INSTL-MAIN WHL WELL OVERHEAT POSITION DATA: L FUNCTIONAL REFERENCE: FIRE PROTECTION FOR DETAILS SEE 26-17-01-01 PLACARDS AND MARKINGS FOR DETAILS SEE 11-22-64-01	107107	1
- 325	284N1443-3		.DETECTOR INSTL-MAIN WHL WELL OVERHEAT POSITION DATA: L FUNCTIONAL REFERENCE: FIRE PROTECTION FOR DETAILS SEE 26-17-01-01 PLACARDS AND MARKINGS FOR DETAILS SEE 11-22-64-01	002004 006100 121503 904999	1

MISSING ITEM NUMBERS NOT APPLICABLE

- ITEM NOT ILLUSTRATED

24-00-58-01A

24-00-58
FIG. 01A
PAGE 11
JAN 20/09

BRI

BOEING PROPRIETARY - Copyright © - Unpublished Work - See title page for details.

 **BOEING**
757
PARTS CATALOG (MAINTENANCE)

FIG ITEM	PART NUMBER	1 2 3 4 5 6 7	NOMENCLATURE	EFFECT FROM TO	UNITS PER ASSY
1 A					
- 330	284N1443-2		.DETECTOR INSTL-MAIN WHL WELL OVERHEAT POSITION DATA: R FUNCTIONAL REFERENCE: FIRE PROTECTION FOR DETAILS SEE 26-17-01-01 PLACARDS AND MARKINGS FOR DETAILS SEE 11-22-64-01	107107	1
- 330	284N1443-4		.DETECTOR INSTL-MAIN WHL WELL OVERHEAT POSITION DATA: R FUNCTIONAL REFERENCE: FIRE PROTECTION FOR DETAILS SEE 26-17-01-01 PLACARDS AND MARKINGS FOR DETAILS SEE 11-22-64-01	002004 006100 121503 904999	1
- 335	284N1445-1		.SENSOR INSTL-MLG DOOR CLOSED POSITION DATA: LH FOR DETAILS SEE: 32-61-02-01	107107	1
- 335	284N1445-3		.SENSOR INSTL-MLG DOOR CLOSED POSITION DATA: LH FOR DETAILS SEE: 32-61-02-01	002004 006017 121503 904999	1
- 335	284N1445-5		.SENSOR INSTL-MLG DOOR CLOSED POSITION DATA: LH FOR DETAILS SEE: 32-61-02-01	018100	1
- 340	284N1445-2		.SENSOR INSTL-MLG DOOR CLOSED POSITION DATA: RH FOR DETAILS SEE: 32-61-02-01	107107	1

MISSING ITEM NUMBERS NOT APPLICABLE

- ITEM NOT ILLUSTRATED

BRI

24-00-58-01A

BOEING PROPRIETARY - Copyright © - Unpublished Work - See title page for details.

24-00-58
FIG. 01A
PAGE 12
JAN 20/09



757

PARTS CATALOG (MAINTENANCE)

FIG ITEM	PART NUMBER	1 2 3 4 5 6 7	NOMENCLATURE	EFFECT FROM TO	UNITS PER ASSY
1 A					
- 340	284N1445-4		.SENSOR INSTL-MLG DOOR CLOSED POSITION DATA: RH FOR DETAILS SEE: 32-61-02-01	002004 006017 121503 904999	1
- 340	284N1445-6		.SENSOR INSTL-MLG DOOR CLOSED POSITION DATA: RH FOR DETAILS SEE: 32-61-02-01	018100	1
- 350	284N1447-4		.SWITCH INSTL-AIR CONDITIONING BAY SVCE FOR DETAILS SEE: 33-31-52-03	002004 006100 107107 121503 904999	1
- 355	284N1447-5		.LIGHT INSTL-AIR CONDITIONING BAY SVCE FOR DETAILS SEE: 33-31-52-03	002004 006100 107107 121503 904999	1
- 360	284N1447-6		.LIGHT INSTL-AIR CONDITIONING BAY SVCE FOR DETAILS SEE: 33-31-52-03	002004 006100 107107 121503 904999	1
- 365	284N1447-11		.LIGHT INSTL-AIR CONDITIONING BAY SVCE FOR DETAILS SEE: 33-31-52-03	002004 006100 107107 121503 904999	1
- 370	284N1447-12		.LIGHT INSTL-AIR CONDITIONING BAY SVCE FOR DETAILS SEE: 33-31-52-03	002004 006100 107107 121503 904999	1
- 380	284N1463-2		.SENSOR INSTL-CARGO DOOR ACTUATION OPEN POSITION DATA: AFT FOR DETAILS SEE: 52-34-35-01	002004 006100 107107 121503 904999	1
- 385	284N1463-11		.SENSOR INSTL-CARGO DOOR ACTUATION CLOSE POSITION DATA: AFT FOR DETAILS SEE: 52-34-35-01	002004 006100 107107 121503 904999	1

MISSING ITEM NUMBERS NOT APPLICABLE

- ITEM NOT ILLUSTRATED

24-00-58-01A

24-00-58
FIG. 01A
PAGE 13
JAN 20/09

BRI

BOEING PROPRIETARY - Copyright © - Unpublished Work - See title page for details.



757

PARTS CATALOG (MAINTENANCE)

FIG ITEM	PART NUMBER	1 2 3 4 5 6 7	NOMENCLATURE	EFFECT FROM TO	UNITS PER ASSY
1 A					
- 395	284N1463-12		.TARGET INSTL-CARGO DOOR ACTUATION OPEN POSITION DATA: AFT FOR DETAILS SEE: 52-34-35-01	002004 006100 107107 121503 904999	1
- 400	284N1464-1		.SENSOR INSTL-DOOR CLOSED AND LOCKED WARNING POSITION DATA: AFT CARGO COMPT FOR DETAILS SEE: 52-71-00-06	002004 006100 107107 121503 904999	1
- 405	284N1465-3		.SENSOR INSTL-NO. 3 EMER DOOR CLOSED WARNING POSITION DATA: L FOR DETAILS SEE: 52-71-00-07	002004 006017 107107 121503 904999	1
- 405	284N1465-5		.SENSOR INSTL-NO. 3 EMER DOOR CLOSED WARNING POSITION DATA: L FOR DETAILS SEE: 52-71-00-07	018100	1
- 410	284N1465-4		.SENSOR INSTL-NO. 3 EMER DOOR CLOSED WARNING POSITION DATA: R FOR DETAILS SEE: 52-71-00-07	002004 006017 107107 121503 904999	1
- 410	284N1465-6		.SENSOR INSTL-NO. 3 EMER DOOR CLOSED WARNING POSITION DATA: R FOR DETAILS SEE: 52-71-00-07	018100	1
- 415	284N1466-5		.SENSOR INSTL-PASS. DOOR NO. 4 WARNING POSITION DATA: L FOR DETAILS SEE: 52-71-00-02	002004 006017 107107 121503 904999	1
- 415	284N1466-7		.SENSOR INSTL-PASS. DOOR NO. 4 WARNING POSITION DATA: L FOR DETAILS SEE: 52-71-00-02	018100	1

MISSING ITEM NUMBERS NOT APPLICABLE

- ITEM NOT ILLUSTRATED

24-00-58-01A

24-00-58
FIG. 01A
PAGE 14
JAN 20/09

BRI

BOEING PROPRIETARY - Copyright © - Unpublished Work - See title page for details.



757

PARTS CATALOG (MAINTENANCE)

FIG ITEM	PART NUMBER	1 2 3 4 5 6 7	NOMENCLATURE	EFFECT FROM TO	UNITS PER ASSY
1 A					
- 420	284N1466-6		.SENSOR INSTL-PASS. DOOR NO. 4 WARNING POSITION DATA: R FOR DETAILS SEE: 52-71-00-02	002004 006017 107107 121503 904999	1
- 420	284N1466-8		.SENSOR INSTL-PASS. DOOR NO. 4 WARNING POSITION DATA: R FOR DETAILS SEE: 52-71-00-02	018100	1
- 425	284N1481-2		.SWITCH INSTL-SVCE LT POSITION DATA: SECT. 48 FOR DETAILS SEE: 33-31-51-06	002004 006100 107107 121503 904999	1
- 430	284N1481-8		.TRANSFORMER INSTL-SVCE LT POSITION DATA: SECT. 48 FOR DETAILS SEE: 33-31-51-06	002004 006100 107107 121503 904999	1
- 435	284N1481-9		.LIGHT INSTL-SVCE POSITION DATA: SECT. 48 FOR DETAILS SEE: 33-31-51-06	002004 006100 107107 121503 904999	1
- 440	284N1481-10		.LIGHT INSTL-SVCE POSITION DATA: SECT. 48 FOR DETAILS SEE: 33-31-51-06	002004 006100 107107 121503 904999	1
- 445	284N1481-11		.LIGHT INSTL-SVCE POSITION DATA: SECT. 48 FOR DETAILS SEE: 33-31-51-06	002004 006100 107107 121503 904999	1
- 450	284N1481-12		.LIGHT INSTL-SVCE POSITION DATA: SECT. 48 FOR DETAILS SEE: 33-31-51-06	002004 006100 107107 121503 904999	1
- 455	284N1481-13		.LIGHT INSTL-SVCE POSITION DATA: SECT. 48 FOR DETAILS SEE: 33-31-51-06	002004 006100 107107 121503 904999	1

MISSING ITEM NUMBERS NOT APPLICABLE

- ITEM NOT ILLUSTRATED

24-00-58-01A

24-00-58
FIG. 01A
PAGE 15
JAN 20/09

BRI

BOEING PROPRIETARY - Copyright © - Unpublished Work - See title page for details.



757

PARTS CATALOG (MAINTENANCE)

FIG ITEM	PART NUMBER	1 2 3 4 5 6 7	NOMENCLATURE	EFFECT FROM TO	UNITS PER ASSY
1 A					
- 460	284N1481-14		.LIGHT INSTL-SVCE POSITION DATA: SECT. 48 FOR DETAILS SEE: 33-31-51-06	002004 006100 107107 121503 904999	1
- 465	284N1481-15		.LIGHT INSTL-SVCE POSITION DATA: SECT. 48 FOR DETAILS SEE: 33-31-51-06	002004 006100 107107 121503 904999	1
- 470	284N1483-1		.LIGHT INSTL-HYDR SVCE COMPT FOR DETAILS SEE: 33-31-57-01	002004 006100 107107 121503 904999	1
- 475	284N1483-3		.LIGHT INSTL-HYDR SVCE COMPT FOR DETAILS SEE: 33-31-57-01	002004 006100 107107 121503 904999	1
- 480	284N1483-5		.SWITCH INSTL-HYDR SVCE COMPT FOR DETAILS SEE: 33-31-57-01	002004 006100 107107 121503 904999	1
- 490	284N1611-1		.SENSOR INSTL-MLG DOWN AND LOCKED POSITION DATA: LH FOR DETAILS SEE: 32-61-02-02	107107 904949	1
- 490	284N1611-3		.SENSOR INSTL-MLG DOWN AND LOCKED POSITION DATA: LH FOR DETAILS SEE: 32-61-02-02	002004 006100 121503 950999	1
- 495	284N1611-2		.SENSOR INSTL-MLG DOWN AND LOCKED POSITION DATA: RH FOR DETAILS SEE: 32-61-02-02	107107 904949	1
- 495	284N1611-4		.SENSOR INSTL-MLG DOWN AND LOCKED POSITION DATA: RH FOR DETAILS SEE: 32-61-02-02	002004 006100 121503 950999	1

MISSING ITEM NUMBERS NOT APPLICABLE

- ITEM NOT ILLUSTRATED

24-00-58-01A

24-00-58
FIG. 01A
PAGE 16
JAN 20/09

BRI

BOEING PROPRIETARY - Copyright © - Unpublished Work - See title page for details.



757

PARTS CATALOG (MAINTENANCE)

FIG ITEM	PART NUMBER	1 2 3 4 5 6 7	NOMENCLATURE	EFFECT FROM TO	UNITS PER ASSY
1 A					
- 500	284N1612-1		.SENSOR INSTL-MLG UP AND LOCKED POSITION DATA: LH FOR DETAILS SEE: 32-61-02-05	002004 006100 107107 121503 904999	1
- 505	284N1612-2		.SENSOR INSTL-MLG UP AND LOCKED POSITION DATA: RH FOR DETAILS SEE: 32-61-02-05	002004 006100 107107 121503 904999	1
- 510	284N1613-1		.SENSOR INSTL-MLG TRUCK TILT POSITION DATA: LH FOR DETAILS SEE: 32-09-07-01	002004 006100 107107 121503 904999	1
- 515	284N1613-2		.SENSOR INSTL-MLG TRUCK TILT POSITION DATA: RH FOR DETAILS SEE: 32-09-07-01	002004 006100 107107 121503 904999	1
- 520	284N1614-3		.SENSOR INSTL-MLG BRAKE TEMP FOR DETAILS SEE: 32-46-03-01	121503 904949	1
- 530	284N1621-1		.LIGHT INSTL-NLG TAXI FOR DETAILS SEE: 33-42-02-01	952999	1
- 535	284N1623-2		.SENSOR INSTL-NLG UP AND DOWN LOCKED FUNCTIONAL REFERENCE: LANDING GEAR FOR DETAILS SEE 32-61-03-04 PLACARDS AND MARKINGS FOR DETAILS SEE 11-22-10-02	002004 006100 107107 121503 904999	1
- 540	284N1624-3		.SENSOR INSTL-NLG NOT COMPRESSED FUNCTIONAL REFERENCE: LANDING GEAR FOR DETAILS SEE 32-09-08-01 PLACARDS AND MARKINGS FOR DETAILS SEE 11-22-58-01	107107 904949 952952	1

MISSING ITEM NUMBERS NOT APPLICABLE

- ITEM NOT ILLUSTRATED

24-00-58-01A

24-00-58
FIG. 01A
PAGE 17
JAN 20/09

BRI

BOEING PROPRIETARY - Copyright © - Unpublished Work - See title page for details.

 **BOEING**
757
PARTS CATALOG (MAINTENANCE)

FIG ITEM	PART NUMBER	1 2 3 4 5 6 7	NOMENCLATURE	EFFECT FROM TO	UNITS PER ASSY
1 A					
- 540	284N1624-4		.SENSOR INSTL-NLG NOT COMPRESSED FUNCTIONAL REFERENCE: LANDING GEAR FOR DETAILS SEE 32-09-08-01 PLACARDS AND MARKINGS FOR DETAILS SEE 11-22-58-01	002004 006100 121503 950951 953999	1
- 545	284N1752-3		.SENSOR INSTL-NO. 3 CARGO DOOR FOR DETAILS SEE: 52-71-00-10	121503 904949	1
- 550	284N1763-4		.LIGHT INSTL-NLG DOOR UNSAFE FOR DETAILS SEE: 32-12-72-01	107107	1
- 550	284N1763-5		.LIGHT INSTL-NLG DOOR UNSAFE FOR DETAILS SEE: 32-12-72-01	002004 006100 121503 904999	1
- 555	284N1801-1		.LIGHT INSTL-LOGO ILLUM POSITION DATA: L FOR DETAILS SEE: 33-45-51-01	107107 904949 952952	1
- 555	284N1801-3		.LIGHT INSTL-LOGO ILLUM POSITION DATA: L FOR DETAILS SEE: 33-45-51-01	002004	1
- 555	284N1801-5		.LIGHT INSTL-LOGO ILLUMINATION POSITION DATA: L FOR DETAILS SEE: 33-45-51-01	121503	1
- 555	284N1801-7		.LIGHT INSTL-LOGO ILLUM POSITION DATA: L FOR DETAILS SEE: 33-45-51-01	006100 950951 953999	1
- 560	284N1801-2		.LIGHT INSTL-LOGO ILLUM POSITION DATA: R FOR DETAILS SEE: 33-45-51-01	107107 904949 952952	1

MISSING ITEM NUMBERS NOT APPLICABLE

- ITEM NOT ILLUSTRATED

BRI

24-00-58-01A

BOEING PROPRIETARY - Copyright © - Unpublished Work - See title page for details.

24-00-58
FIG. 01A
PAGE 18
JAN 20/09



757

PARTS CATALOG (MAINTENANCE)

FIG ITEM	PART NUMBER	1 2 3 4 5 6 7	NOMENCLATURE	EFFECT FROM TO	UNITS PER ASSY
1 A					
- 560	284N1801-4		.LIGHT INSTL-LOGO ILLUM POSITION DATA: R FOR DETAILS SEE: 33-45-51-01	002004	1
- 560	284N1801-6		.LIGHT INSTL-LOGO ILLUM POSITION DATA: R FOR DETAILS SEE: 33-45-51-01	121503	1
- 560	284N1801-8		.LIGHT INSTL-LOGO ILLUM POSITION DATA: R FOR DETAILS SEE: 33-45-51-01	006100 950951 953999	1
- 575	284N1839-5		.LIGHT INSTL-MAIN WHL WELL DOOR UNLOCKED WARNING POSITION DATA: LH FOR DETAILS SEE: 32-61-02-04	107107	1
- 575	284N1839-7		.LIGHT INSTL-MAIN WHL WELL DOOR UNLOCKED WARNING POSITION DATA: LH FOR DETAILS SEE: 32-61-02-04	002004 006100 121503 904999	1
- 580	284N1839-6		.LIGHT INSTL-MAIN WHL WELL DOOR UNLOCKED WARNING POSITION DATA: RH FOR DETAILS SEE: 32-61-02-04	107107	1
- 580	284N1839-8		.LIGHT INSTL-MAIN WHL WELL DOOR UNLOCKED WARNING POSITION DATA: RH FOR DETAILS SEE: 32-61-02-04	002004 006100 121503 904999	1

MISSING ITEM NUMBERS NOT APPLICABLE

- ITEM NOT ILLUSTRATED

24-00-58-01A

24-00-58
FIG. 01A
PAGE 19
JAN 20/09

BRI

 **BOEING**
757
PARTS CATALOG (MAINTENANCE)

NON-ILLUSTRATED FIGURE

THE ITEMS REFLECTED IN THIS FIGURE ARE INTENTIONALLY
NON-ILLUSTRATED. THEY ARE REFERENCED TO EITHER A
NEXT HIGHER OR NEXT LOWER ASSEMBLY/INSTALLATION FIGURE.

ELECTRICAL AND ELECTRONIC INSTL-EQPT TOP COLLECTOR
FIGURE 1B

24-00-58-01B

BRI
MAY 28/07

24-00-58-01B
PAGE 0



757

PARTS CATALOG (MAINTENANCE)

FIG ITEM	PART NUMBER	1 2 3 4 5 6 7	NOMENCLATURE	EFFECT FROM TO	UNITS PER ASSY
1B			ELECTRICAL AND ELECTRONIC INSTL-EQPT TOP COLLECTOR	002004 006100 107107 121503 904999	
- 1	284N0900-1		ELECTRICAL AND ELECTRONIC- INSTL-EQPT TOP COLLECTOR VARIABLE DRAWING REF: 284N0900-5006 284N0900-5009 284N0900-5031 284N0900-5032 284N0900-5034	002004 006100 107107 121503 904999	1
- 16	284N1329-27		.ENCLOSURE INSTL-P50, P51 AND P54 CARD FILE FUNCTIONAL REFERENCE: FUSELAGE FOR DETAILS SEE 53-11-63-03 PLACARDS AND MARKINGS FOR DETAILS SEE 11-36-54-01	107107	1
- 16	284N1329-60		.ENCLOSURE INSTL-P50, P51 AND P54 CARD FILE FUNCTIONAL REFERENCE: FUSELAGE FOR DETAILS SEE 53-11-63-03 PLACARDS AND MARKINGS FOR DETAILS SEE 11-36-54-01	002004 006008	1
- 17	284N1329-56		.ENCLOSURE INSTL-P50, P51 AND P54 CARD FILE FUNCTIONAL REFERENCE: FUSELAGE FOR DETAILS SEE 53-11-63-03 PLACARDS AND MARKINGS FOR DETAILS SEE 11-36-54-01	121503 904949	1
- 17	284N1329-59		.ENCLOSURE INSTL-P50, P51 AND P54 CARD FILE FUNCTIONAL REFERENCE: FUSELAGE FOR DETAILS SEE 53-11-63-03 PLACARDS AND MARKINGS FOR DETAILS SEE 11-36-54-01	950952	1

MISSING ITEM NUMBERS NOT APPLICABLE

- ITEM NOT ILLUSTRATED

24-00-58-01B

24-00-58
FIG. 01B
PAGE 1
JAN 20/09

BRI

BOEING PROPRIETARY - Copyright © - Unpublished Work - See title page for details.

 **BOEING**
757
PARTS CATALOG (MAINTENANCE)

FIG ITEM	PART NUMBER	1 2 3 4 5 6 7	NOMENCLATURE	EFFECT FROM TO	UNITS PER ASSY
1B					
- 17	284N1329-63		.ENCLOSURE INSTL-P50, P51 AND P54 CARD FILE FUNCTIONAL REFERENCE: FUSELAGE FOR DETAILS SEE 53-11-63-03 PLACARDS AND MARKINGS FOR DETAILS SEE 11-36-54-01	009010 953999	1
- 18	284N1329-73		.ENCLOSURE INSTL-P50, P51 AND P54 CARD FILE FUNCTIONAL REFERENCE: FUSELAGE FOR DETAILS SEE 53-11-63-03 PLACARDS AND MARKINGS FOR DETAILS SEE 11-36-54-01	011100	1
- 25	284N1345-4		.ANTENNA INSTL-VHF COMM POSITION DATA: RH FOR DETAILS SEE: 23-12-03-01	002004 006100 107107 121503 904999	1
- 30	284N1345-5		.ANTENNA INSTL-VHF COMM POSITION DATA: LH FOR DETAILS SEE: 23-12-03-01	107107 904949	1
- 30	284N1345-7		.ANTENNA INSTL-VHF COMM POSITION DATA: LH FOR DETAILS SEE: 23-12-03-01	002004 006100 121503 950999	1
- 35	284N1345-3		.ANTENNA INSTL-VHF COMM FOR DETAILS SEE: 23-12-03-01	952952	1
- 35	284N1345-6		.ANTENNA INSTL-VHF COMM FOR DETAILS SEE: 23-12-03-01	002004 006100 950951 953999	1
- 40	284N1346-1		.ANTENNA INSTL-DME POSITION DATA: LH FOR DETAILS SEE: 34-55-02-01	002004 006100 107107 121503 904999	1

MISSING ITEM NUMBERS NOT APPLICABLE

- ITEM NOT ILLUSTRATED

BRI

24-00-58-01B

BOEING PROPRIETARY - Copyright © - Unpublished Work - See title page for details.

24-00-58
FIG. 01B
PAGE 2
JAN 20/09



757

PARTS CATALOG (MAINTENANCE)

FIG ITEM	PART NUMBER	1 2 3 4 5 6 7	NOMENCLATURE	EFFECT FROM TO	UNITS PER ASSY
1B					
- 45	284N1346-2		.ANTENNA INSTL-DME POSITION DATA: RH FOR DETAILS SEE: 34-55-02-01	002004 006100 107107 121503 904999	1
- 50	284N1347-1		.ANTENNA INSTL-ATC SYS POSITION DATA: L BOTTOM FOR DETAILS SEE: 34-53-03-01	107107	1
- 55	284N1347-7		.ANTENNA INSTL-ATC SYS POSITION DATA: R TOP FOR DETAILS SEE: 34-53-03-01	002004 006100 121503 904999	1
- 60	284N1347-2		.ANTENNA INSTL-ATC SYS POSITION DATA: R BOTTOM FOR DETAILS SEE: 34-53-03-01	107107	1
- 60	284N1347-8		.ANTENNA INSTL-ATC SYS POSITION DATA: R BOTTOM FOR DETAILS SEE: 34-53-03-01	002004 006100 121503 904999	1
- 65	284N1348-3		.ANTENNA INSTL-LOW RANGE RADIO ALTM POSITION DATA: STA 570 FOR DETAILS SEE: 34-33-02-01	002004 006100 107107 121503 904999	1
- 70	284N1348-4		.ANTENNA INSTL-LOW RANGE RADIO ALTM POSITION DATA: STA 610 FOR DETAILS SEE: 34-33-02-01	002004 006100 107107 121503 904999	1
- 75	284N1349-1		.ANTENNA INSTL-MARKER BEACON FOR DETAILS SEE: 34-32-01-01	002004 006100 107107 121503 904999	1
- 85	284N1413-3		.WAVEGUIDE INSTL-X-BAND WEATHER RDR FOR DETAILS SEE: 34-43-03-01	002004 006100 107107 121503 904949 952999	1

MISSING ITEM NUMBERS NOT APPLICABLE

- ITEM NOT ILLUSTRATED

24-00-58-01B

24-00-58
FIG. 01B
PAGE 3
JAN 20/09

BRI

BOEING PROPRIETARY - Copyright © - Unpublished Work - See title page for details.

 **BOEING**
757
PARTS CATALOG (MAINTENANCE)

FIG ITEM	PART NUMBER	1 2 3 4 5 6 7	NOMENCLATURE	EFFECT FROM TO	UNITS PER ASSY
1B					
- 85	284N1413-4		.WAVEGUIDE INSTL-X-BAND WEATHER RDR FOR DETAILS SEE: 34-43-03-01A	950951	1
- 90	284N1414-1		.ANTENNA INSTL-GLIDESLOPE FOR DETAILS SEE: 34-31-03-01	002004 006100 107107 121503 904999	1
- 90	284N1414-2		.ANTENNA INSTL-LOCALIZER FOR DETAILS SEE: 34-31-04-01	002004 006100 107107 121503 904999	1
- 95	284N1415-4		.ANTENNA INSTL-WEATHER FOR DETAILS SEE: 34-43-03-02	107107	1
- 95	284N1415-10		.ANTENNA INSTL-WEATHER FOR DETAILS SEE: 34-43-03-02	904949 952952	1
- 95	284N1415-14		.ANTENNA INSTL-WEATHER FOR DETAILS SEE: 34-43-03-02	002004 006008 121503 953999	1
- 96	284N1415-19		.ANTENNA INSTL-WEATHER RDR FOR DETAILS SEE: 34-43-03-02	009100 950951	1
- 100	284N1416-11		.RECEIVER AND TRANSMITTER- INSTL-WEATHER RDR FOR DETAILS SEE: 34-43-01-01	107107	1
- 100	284N1416-17		.RECEIVER AND TRANSMITTER- INSTL-WEATHER RDR FOR DETAILS SEE: 34-43-01-01	002004 006100 121503 904949 952999	1
- 105	284N1416-29		.RECEIVER AND TRANSMITTER- INSTL-WEATHER RDR L FOR DETAILS SEE: 34-43-01-02	950951	1
- 120	284N1444-2		.TRANSDUCER INSTL-3 AXIS ACCLRM FOR DETAILS SEE: 31-31-51-01	002004 006100 107107	1
- 120	284N1444-3		.TRANSDUCER INSTL-3 AXIS ACCLRM FOR DETAILS SEE: 31-31-51-01	121503 904949	1

MISSING ITEM NUMBERS NOT APPLICABLE

- ITEM NOT ILLUSTRATED

BRI

24-00-58-01B

BOEING PROPRIETARY - Copyright © - Unpublished Work - See title page for details.

24-00-58
FIG. 01B
PAGE 4
JAN 20/09



757

PARTS CATALOG (MAINTENANCE)

FIG ITEM	PART NUMBER	1 2 3 4 5 6 7	NOMENCLATURE	EFFECT FROM TO	UNITS PER ASSY
1B					
- 120	284N1444-5		.TRANSDUCER INSTL-3 AXIS ACCLRM FOR DETAILS SEE: 31-31-51-01	950999	1
- 125	284N1169-1		.ANTENNA INSTL-TCAS POSITION DATA: TOP FOR DETAILS SEE: 34-45-02-01	950951 953999	1
- 125	284N1169-3		.ANTENNA INSTL-TCAS POSITION DATA: TOP FOR DETAILS SEE: 34-45-02-01	002004 006100	1
- 130	284N1169-2		.ANTENNA INSTL-TCAS POSITION DATA: BOTTOM FOR DETAILS SEE: 34-45-02-01	950951 953999	1
- 130	284N1169-4		.ANTENNA INSTL-TCAS POSITION DATA: BOTTOM FOR DETAILS SEE: 34-45-02-01	002004 006100	1
- 135	284N1448-6		.ANTENNA INSTL-ADF SENSE AND LOOP POSITION DATA: L FOR DETAILS SEE: 34-57-03-01	107107	1
- 135	284N1448-16		.ANTENNA INSTL-ADF SENSE AND LOOP POSITION DATA: L FOR DETAILS SEE: 34-57-03-01A	950951	1
- 135	284N1448-17		.ANTENNA INSTL-ADF SENSE AND LOOP POSITION DATA: L FOR DETAILS SEE: 34-57-03-01	002004 006100 121503 904949 952999	1

MISSING ITEM NUMBERS NOT APPLICABLE

- ITEM NOT ILLUSTRATED

24-00-58-01B

24-00-58
FIG. 01B
PAGE 5
JAN 20/09

BRI

BOEING PROPRIETARY - Copyright © - Unpublished Work - See title page for details.

 **BOEING**
757
PARTS CATALOG (MAINTENANCE)

FIG ITEM	PART NUMBER	1 2 3 4 5 6 7	NOMENCLATURE	EFFECT FROM TO	UNITS PER ASSY
1B - 140	284N1469-12		.SUPPORT INSTL-VOICE AND FLIGHT RECORDER FUNCTIONAL REFERENCE: COMMUNICATIONS FOR DETAILS SEE 23-71-01-01 INDICATING/RECORDING FOR DETAILS SEE 31-31-01-01	107107 904949	1
- 140	284N1469-18		.SUPPORT INSTL-VOICE AND FLIGHT RECORDER FUNCTIONAL REFERENCE: COMMUNICATIONS FOR DETAILS SEE 23-71-01-01 INDICATING/RECORDING FOR DETAILS SEE 31-31-01-01	002004 006100 121503 950999	1
- 145	284N1469-9		.RECORDER INSTL-VOICE AND FLIGHT FUNCTIONAL REFERENCE: COMMUNICATIONS FOR DETAILS SEE 23-71-01-01 INDICATING/RECORDING FOR DETAILS SEE 31-31-01-01	107107	1
- 145	284N1469-15		.RECORDER INSTL-VOICE AND FLIGHT FUNCTIONAL REFERENCE: COMMUNICATIONS FOR DETAILS SEE 23-71-01-01 INDICATING/RECORDING FOR DETAILS SEE 31-31-01-01	002004 006100 121503 904999	1
- 150	284N1482-8		.INTERPHONE INSTL-APU COMPT FUNCTIONAL REFERENCE: COMMUNICATIONS FOR DETAILS SEE 23-41-51-01 LIGHTS FOR DETAILS SEE 33-31-53-01	002004 107107 121503 904949 952952	1

MISSING ITEM NUMBERS NOT APPLICABLE

- ITEM NOT ILLUSTRATED

BRI

24-00-58-01B

BOEING PROPRIETARY - Copyright © - Unpublished Work - See title page for details.

24-00-58
FIG. 01B
PAGE 6
JAN 20/09



757

PARTS CATALOG (MAINTENANCE)

FIG ITEM	PART NUMBER	1 2 3 4 5 6 7	NOMENCLATURE	EFFECT FROM TO	UNITS PER ASSY
1B - 150	284N1482-10		.INTERPHONE INSTL-APU COMPT FUNCTIONAL REFERENCE: COMMUNICATIONS FOR DETAILS SEE 23-41-51-01 LIGHTS FOR DETAILS SEE 33-31-53-01	006100 950951 953999	1
- 155	284N1482-7		.INTERPHONE INSTL-TAIL CONE POSITION DATA: SECT. 48 FUNCTIONAL REFERENCE: COMMUNICATIONS FOR DETAILS SEE 23-41-51-01 LIGHTS FOR DETAILS SEE 33-31-53-01	002004 107107 121503 904949 952952	1
- 155	284N1482-9		.INTERPHONE INSTL-TAIL CONE POSITION DATA: SECT. 48 FUNCTIONAL REFERENCE: COMMUNICATIONS FOR DETAILS SEE 23-41-51-01 LIGHTS FOR DETAILS SEE 33-31-53-01	006100 950951 953999	1
- 165	284N1702-1		.ACCELEROMETER INSTL-YAW DAMPER FUNCTIONAL REFERENCE: AUTOFLIGHT FOR DETAILS SEE 22-21-05-01 PLACARDS AND MARKINGS FOR DETAILS SEE 11-38-51-01	002004 006100 121503 904999	1
- 170	284N1703-1		.ANTENNA INSTL-VERT. FIN TIP VOR FOR DETAILS SEE: 34-51-03-01	002004 006100 107107 121503 904951	1
- 175	284N1704-1		.COUPLER INSTL-VERT. STAB. HF ANT. FOR DETAILS SEE: 23-11-01-01	002004 107107 904949 952952	1

MISSING ITEM NUMBERS NOT APPLICABLE

- ITEM NOT ILLUSTRATED

24-00-58-01B

24-00-58
FIG. 01B
PAGE 7
JAN 20/09

BRI

BOEING PROPRIETARY - Copyright © - Unpublished Work - See title page for details.



757

PARTS CATALOG (MAINTENANCE)

FIG ITEM	PART NUMBER	1 2 3 4 5 6 7	NOMENCLATURE	EFFECT FROM TO	UNITS PER ASSY
1B					
- 175	284N1704-6		.COUPLER INSTL-VERT. STAB. HF ANT. FOR DETAILS SEE: 23-11-01-01	006100 121503 950951 953999	1
- 190	284N1857-2		.TRANSFORMER RECTIFIER- UNIT INSTL-EQPT CTR APU POSITION DATA: AFT FOR DETAILS SEE: 24-32-04-01	121503 904949	1
- 195	284N1565-1		.TRANSFORMER RECTIFIER- UNIT INSTL-EQPT CTR APU POSITION DATA: AFT FOR DETAILS SEE: 24-32-04-01	002004 006100 107107 950999	1
- 225	284N1191-3		.UNIT INSTL-ANT. AND SENSOR GPS POSITION DATA: LH FOR DETAILS SEE: 34-58-01-01	950951	1
- 230	284N1191-4		.UNIT INSTL-ANT. AND SENSOR GPS POSITION DATA: RH FOR DETAILS SEE: 34-58-01-01	950951	1
- 270	284N1415-1		.SUPPORT INSTL-WEATHER RDR FUNCTIONAL REFERENCE: NAVIGATION FOR DETAILS SEE 34-43-03-02 PLACARDS AND MARKINGS FOR DETAILS SEE 11-21-10-01	002004 006008 107107 121503 904949 952999	1
- 270	284N1415-17		.SUPPORT INSTL-WEATHER RDR FUNCTIONAL REFERENCE: NAVIGATION FOR DETAILS SEE 34-43-03-02 PLACARDS AND MARKINGS FOR DETAILS SEE 11-21-10-01	009100 950951	1

MISSING ITEM NUMBERS NOT APPLICABLE

- ITEM NOT ILLUSTRATED

24-00-58-01B

24-00-58
FIG. 01B
PAGE 8
JAN 20/09

BRI

BOEING PROPRIETARY - Copyright © - Unpublished Work - See title page for details.



757

PARTS CATALOG (MAINTENANCE)

FIG ITEM	PART NUMBER	1 2 3 4 5 6 7	NOMENCLATURE	EFFECT FROM TO	UNITS PER ASSY
1B - 275	284N1416-5		.SUPPORT INSTL-RCVR/XMTR WEATHER RDR FOR DETAILS SEE: 34-43-01-01	002004 006100 107107 121503 904949 952999	1
- 280	284N1416-27		.SUPPORT INSTL-DUAL RCVR/ XMTR WEATHER RDR FOR DETAILS SEE: 34-43-01-02	950951	1

MISSING ITEM NUMBERS NOT APPLICABLE

- ITEM NOT ILLUSTRATED

BRI

24-00-58-01B

BOEING PROPRIETARY - Copyright © - Unpublished Work - See title page for details.

24-00-58
FIG. 01B
PAGE 9
JAN 20/09

 **BOEING**
757
PARTS CATALOG (MAINTENANCE)

NON-ILLUSTRATED FIGURE

THE ITEMS REFLECTED IN THIS FIGURE ARE INTENTIONALLY
NON-ILLUSTRATED. THEY ARE REFERENCED TO EITHER A
NEXT HIGHER OR NEXT LOWER ASSEMBLY/INSTALLATION FIGURE.

ELECTRICAL AND ELECTRONIC-INSTL-EQPT TOP COLLECTOR
FIGURE 1C

24-00-58-01C

BRI
MAY 28/07

24-00-58-01C
PAGE 0



757

PARTS CATALOG (MAINTENANCE)

FIG ITEM	PART NUMBER	1 2 3 4 5 6 7	NOMENCLATURE	EFFECT FROM TO	UNITS PER ASSY
1C			ELECTRICAL AND ELECTRONIC- INSTL-EQPT TOP COLLECTOR	002004 006100 107107 121503 904999	
- 1	284N0900-1		ELECTRICAL AND ELECTRONIC- INSTL-EQPT TOP COLLECTOR VARIABLE DRAWING REF: 284N0900-5006 284N0900-5009 284N0900-5031 284N0900-5032 284N0900-5034	002004 006100 107107 121503 904999	1
- 11	284N1053-37		.COOLING INSTL-ELECTRICAL/ ELECTRONIC CTRS FUNCTIONAL REFERENCE: AIR CONDITIONING FOR DETAILS SEE 21-58-52-02 PLACARDS AND MARKINGS FOR DETAILS SEE 11-36-02-01 11-36-02-02 11-36-03-01 11-36-03-02 11-36-04-01 11-36-11-01 11-36-15-10	107107	1
- 12	284N1053-43		.COOLING INSTL-ELECTRICAL/ ELECTRONIC CTRS FUNCTIONAL REFERENCE: AIR CONDITIONING FOR DETAILS SEE 21-58-52-02 PLACARDS AND MARKINGS FOR DETAILS SEE 11-36-02-01 11-36-02-02 11-36-03-01 11-36-03-02 11-36-04-01 11-36-11-01 11-36-15-10	121503 904949	1

MISSING ITEM NUMBERS NOT APPLICABLE

- ITEM NOT ILLUSTRATED

BRI

24-00-58-01C

BOEING PROPRIETARY - Copyright © - Unpublished Work - See title page for details.

24-00-58
FIG. 01C
PAGE 1
JAN 20/09



757

PARTS CATALOG (MAINTENANCE)

FIG ITEM	PART NUMBER	1 2 3 4 5 6 7	NOMENCLATURE	EFFECT FROM TO	UNITS PER ASSY
1C - 13	284N1053-62		.COOLING INSTL-ELECTRICAL/ ELECTRONIC CTRS FUNCTIONAL REFERENCE: AIR CONDITIONING FOR DETAILS SEE 21-58-52-02 PLACARDS AND MARKINGS FOR DETAILS SEE 11-36-02-01 11-36-02-02 11-36-03-01 11-36-03-02 11-36-04-01 11-36-11-01 11-36-15-10	952999	1
- 13	284N1053-63		.COOLING INSTL-ELECTRICAL/ ELECTRONIC CTRS FUNCTIONAL REFERENCE: AIR CONDITIONING FOR DETAILS SEE 21-58-52-02 PLACARDS AND MARKINGS FOR DETAILS SEE 11-36-02-01 11-36-02-02 11-36-03-01 11-36-03-02 11-36-04-01 11-36-11-01 11-36-15-10	002004 006017	1
- 13	284N1053-68		.COOLING INSTL-ELECTRICAL/ ELECTRONIC CTRS FUNCTIONAL REFERENCE: AIR CONDITIONING FOR DETAILS SEE 21-58-52-02 PLACARDS AND MARKINGS FOR DETAILS SEE 11-36-02-01 11-36-02-02 11-36-03-01 11-36-03-02 11-36-04-01 11-36-11-01 11-36-15-10	950951	1
- 20	284N1308-21		.FLOOR INSTL-ELECTRONIC EQPT CTR FOR DETAILS SEE: 53-34-52-01	107107 904949	1

MISSING ITEM NUMBERS NOT APPLICABLE

- ITEM NOT ILLUSTRATED

24-00-58-01C

24-00-58
FIG. 01C
PAGE 2
JAN 20/09

BRI

 **BOEING**
757
PARTS CATALOG (MAINTENANCE)

FIG ITEM	PART NUMBER	1 2 3 4 5 6 7	NOMENCLATURE	EFFECT FROM TO	UNITS PER ASSY
1C					
- 20	284N1308-9		. FLOOR INSTL-ELECTRICAL/ ELECTRONIC EQPT CTR FOR DETAILS SEE: 53-34-52-01	002004 006100 107107 121503 904999	1
- 20	284N1308-27		. FLOOR INSTL-ELECTRONIC EQPT CTR FOR DETAILS SEE: 53-34-52-01	952952	1
- 20	284N1308-13		. FLOOR INSTL-ELECTRONIC EQPT CTR FOR DETAILS SEE: 53-34-52-01	002004 006100 107107 121503 904999	1
- 21	284N1308-29		. FLOOR INSTL-ELECTRONIC EQPT CTR FOR DETAILS SEE: 53-34-52-01	002004 006010 121503 950951 953999	1
- 21	284N1308-31		. FLOOR INSTL-ELECTRONIC EQPT CTR FUNCTIONAL REFERENCE: FUSELAGE FOR DETAILS SEE 53-34-52-01 PLACARDS AND MARKINGS FOR DETAILS SEE 11-36-50-01	011100	1
- 30	284N1317-6		. PANEL INSTL-PWR P31, P32 AND P34 FOR DETAILS SEE: 31-01-31-02 31-01-32-02 31-01-34-02	107107	1
- 30	284N1317-7		. PANEL INSTL-PWR P31, P32 AND P34 FOR DETAILS SEE: 31-01-31-02 31-01-32-02 31-01-34-02	904949	1
- 30	284N1317-8		. PANEL INSTL-PWR P31, P32 AND P34 FOR DETAILS SEE: 31-01-31-02 31-01-32-02 31-01-34-02	002004 006007 121503 952999	1

MISSING ITEM NUMBERS NOT APPLICABLE

- ITEM NOT ILLUSTRATED

BRI

24-00-58-01C

BOEING PROPRIETARY - Copyright © - Unpublished Work - See title page for details.

24-00-58
FIG. 01C
PAGE 3
JAN 20/09



757

PARTS CATALOG (MAINTENANCE)

FIG ITEM	PART NUMBER	1 2 3 4 5 6 7	NOMENCLATURE	EFFECT FROM TO	UNITS PER ASSY
1C					
- 30	284N1317-9		.PANEL INSTL-PWR P31, P32 AND P34 FOR DETAILS SEE: 31-01-31-02 31-01-32-02 31-01-34-02	008100 950951	1
- 40	284N1325-1		.SHIELD INSTL-P33 MISC ELECTRICAL EQPT FOR DETAILS SEE: 31-01-33-03	107107	1
- 40	284N1325-16		.SHIELD INSTL-P33 MISC ELECTRICAL EQPT FOR DETAILS SEE: 31-01-33-03	002004 006100 121503 904999	1
- 60	284N1338-1		.PANEL INSTL-P43 CARGO DOOR CONT POSITION DATA: FWD FUNCTIONAL REFERENCE: DOORS FOR DETAILS SEE 52-34-52-02 LIGHTS FOR DETAILS SEE 33-37-51-06 PLACARDS AND MARKINGS FOR DETAILS SEE 11-37-06-01	002004 006100 107107 121503 904999	1
- 70	284N1338-2		.PANEL INSTL-CARGO DOOR CONT POSITION DATA: AFT FUNCTIONAL REFERENCE: DOORS FOR DETAILS SEE 52-34-52-02 LIGHTS FOR DETAILS SEE 33-37-51-06 PLACARDS AND MARKINGS FOR DETAILS SEE 11-38-06-01	002004 006100 107107 121503 904999	1

MISSING ITEM NUMBERS NOT APPLICABLE

- ITEM NOT ILLUSTRATED

24-00-58-01C

24-00-58
FIG. 01C
PAGE 4
JAN 20/09

BRI



757

PARTS CATALOG (MAINTENANCE)

FIG ITEM	PART NUMBER	1 2 3 4 5 6 7	NOMENCLATURE	EFFECT FROM TO	UNITS PER ASSY
1C					
- 80	284N1339-15		.PANEL INSTL-P41 CARGO DOOR CONT POSITION DATA: FWD FUNCTIONAL REFERENCE: DOORS FOR DETAILS SEE 52-34-52-01 PLACARDS AND MARKINGS FOR DETAILS SEE 11-38-35-01	002004 006100 107107 121503 904999	1
- 90	284N1339-16		.PANEL INSTL-P42 CARGO DOOR CONT POSITION DATA: AFT FUNCTIONAL REFERENCE: DOORS FOR DETAILS SEE 52-34-52-01 PLACARDS AND MARKINGS FOR DETAILS SEE 11-38-35-01	002004 006100 107107 121503 904999	1
- 100	284N1360-8		.PANEL INSTL-EQPT CTR SVCE FUNCTIONAL REFERENCE: COMMUNICATIONS FOR DETAILS SEE 23-41-56-01 EQUIPMENT/FURNISHINGS FOR DETAILS SEE 25-29-51-01 FLIGHT CONTROLS FOR DETAILS SEE 27-51-71-05 27-58-52-01 LIGHTS FOR DETAILS SEE 33-31-54-01 33-37-53-01 PLACARDS AND MARKINGS FOR DETAILS SEE 11-36-51-01 NAVIGATION FOR DETAILS SEE 34-12-53-01	002004 006012 952999	1

MISSING ITEM NUMBERS NOT APPLICABLE

- ITEM NOT ILLUSTRATED

24-00-58-01C

24-00-58
FIG. 01C
PAGE 5
JAN 20/09

BRI

BOEING PROPRIETARY - Copyright © - Unpublished Work - See title page for details.



757

PARTS CATALOG (MAINTENANCE)

FIG ITEM	PART NUMBER	1 2 3 4 5 6 7	NOMENCLATURE	EFFECT FROM TO	UNITS PER ASSY
1C - 100	284N1360-11		.PANEL INSTL-EQPT CTR SVCE FUNCTIONAL REFERENCE: COMMUNICATIONS FOR DETAILS SEE 23-41-56-01 EQUIPMENT/FURNISHINGS FOR DETAILS SEE 25-29-51-01 FLIGHT CONTROLS FOR DETAILS SEE 27-51-71-05 27-58-52-01 LIGHTS FOR DETAILS SEE 33-31-54-01 33-37-53-01 PLACARDS AND MARKINGS FOR DETAILS SEE 11-36-51-01 NAVIGATION FOR DETAILS SEE 34-12-53-01	107107 121503 904949	1
- 100	284N1360-22		.PANEL INSTL-EQPT CTR SVCE FUNCTIONAL REFERENCE: COMMUNICATIONS FOR DETAILS SEE 23-41-56-01 EQUIPMENT/FURNISHINGS FOR DETAILS SEE 25-29-51-01 FLIGHT CONTROLS FOR DETAILS SEE 27-51-71-05 27-58-52-01 LIGHTS FOR DETAILS SEE 33-31-54-01 33-37-53-01 NAVIGATION FOR DETAILS SEE 34-12-53-01 PLACARDS AND MARKINGS FOR DETAILS SEE 11-36-51-01	950951	1

MISSING ITEM NUMBERS NOT APPLICABLE

- ITEM NOT ILLUSTRATED

24-00-58-01C

24-00-58
FIG. 01C
PAGE 6
JAN 20/09

BRI

 **BOEING**
757
PARTS CATALOG (MAINTENANCE)

FIG ITEM	PART NUMBER	1 2 3 4 5 6 7	NOMENCLATURE	EFFECT FROM TO	UNITS PER ASSY
R R R R R R R R R R R R R R R	1C - 100	284N1360-25	.PANEL INSTL-EQPT CTR SVCE FUNCTIONAL REFERENCE: COMMUNICATIONS FOR DETAILS SEE 23-41-56-01 EQUIPMENT/FURNISHINGS FOR DETAILS SEE 25-29-51-01 FLIGHT CONTROLS FOR DETAILS SEE 27-51-71-05 27-58-52-01 LIGHTS FOR DETAILS SEE 33-31-54-01 33-37-53-01 NAVIGATION FOR DETAILS SEE 34-12-53-01 PLACARDS AND MARKINGS FOR DETAILS SEE 11-36-51-01	013100	1
	- 105	284N1201-1	.PANEL INSTL-P12 DIMMER MODULE PANEL FOR DETAILS SEE: 33-11-03-02	011100	1
	- 110	284N1375-7	.ENGINE CONTROL INSTL-MAIN EQPT CTR ELECTRONIC POSITION DATA: FWD FUNCTIONAL REFERENCE: AIR FOR DETAILS SEE 75-31-52-01 ENGINE FUEL & CONTROL FOR DETAILS SEE 73-21-53-01	002004 006017 107107 121503 904999	1
	- 115	284N1375-14	.ENGINE CONTROL INSTL-MAIN EQPT CTR ELECTRONIC POSITION DATA: FWD FUNCTIONAL REFERENCE: ENGINE FUEL & CONTROL FOR DETAILS SEE 73-21-53-01	018100	1

MISSING ITEM NUMBERS NOT APPLICABLE

- ITEM NOT ILLUSTRATED

BRI

24-00-58-01C

BOEING PROPRIETARY - Copyright © - Unpublished Work - See title page for details.

24-00-58
FIG. 01C
PAGE 7
MAY 20/09



757

PARTS CATALOG (MAINTENANCE)

FIG ITEM	PART NUMBER	1 2 3 4 5 6 7	NOMENCLATURE	EFFECT FROM TO	UNITS PER ASSY
1C					
- 120	284N1375-8		.ENGINE CONTROL INSTL-MAIN EQPT CTR ELECTRONIC POSITION DATA: AFT FUNCTIONAL REFERENCE: AIR FOR DETAILS SEE 75-31-52-01 ENGINE FUEL & CONTROL FOR DETAILS SEE 73-21-53-01	002004 006017 107107 121503 904999	1
- 125	284N1375-16		.ENGINE CONTROL INSTL-MAIN EQPT CTR ELECTRONIC POSITION DATA: FWD FUNCTIONAL REFERENCE: ENGINE FUEL & CONTROL FOR DETAILS SEE 73-21-53-01	018100	1
- 130	284N1409-3		.EQUIPMENT INSTL-BATTERY CHARGER AND STATIC INVERTER FOR DETAILS SEE: 24-31-02-01 24-33-03-01	107107	1
- 130	284N1409-4		.EQUIPMENT INSTL-BATTERY CHARGER AND STATIC INVERTER FOR DETAILS SEE: 24-31-02-01 24-33-03-01	904949	1
- 130	284N1409-8		.EQUIPMENT INSTL-BATTERY CHARGER AND STATIC INVERTER FOR DETAILS SEE: 24-31-02-01 24-33-03-01	002004 121503 952952	1
- 130	284N1409-9		.EQUIPMENT INSTL-BATTERY CHARGER AND STATIC INVERTER FOR DETAILS SEE: 24-31-02-01 24-33-03-01	006100 950951 953999	1
- 140	284N1411-2		.BATTERY INSTL-MAIN POSITION DATA: FWD FOR DETAILS SEE: 24-31-01-02	002004 006009 107107 121503 904949 952999	1

MISSING ITEM NUMBERS NOT APPLICABLE

- ITEM NOT ILLUSTRATED

24-00-58-01C

24-00-58
FIG. 01C
PAGE 8
JAN 20/09

BRI

BOEING PROPRIETARY - Copyright © - Unpublished Work - See title page for details.



757

PARTS CATALOG (MAINTENANCE)

FIG ITEM	PART NUMBER	1 2 3 4 5 6 7	NOMENCLATURE	EFFECT FROM TO	UNITS PER ASSY
1C					
- 140	284N1411-3		.BATTERY INSTL-MAIN POSITION DATA: FWD FOR DETAILS SEE: 24-31-01-02	010100 950951	1
- 150	284N1431-2		.STRUCTURE INSTL-MAIN BATTERY POSITION DATA: FWD FOR DETAILS SEE: 53-11-52-01	002004 006009 107107 121503 904949 952999	1
- 150	284N1431-3		.STRUCTURE INSTL-MAIN BATTERY POSITION DATA: FWD FOR DETAILS SEE: 53-11-52-01	010100 950951	1
- 160	284N1432-2		.CHARGER AND INVERTER- INSTL-STRUCTURAL MAIN BATTERY FOR DETAILS SEE: 53-11-55-01	002004 006100 107107 121503 904999	1
- 170	284N1442-4		.POWER SUPPLY INSTL- ANTICOLLISION LT POSITION DATA: LWR FOR DETAILS SEE: 33-44-02-02	002004 006100 107107 121503 904999	1
- 180	284N1446-5		.PANEL INSTL-MAIN WHL WELL ELEC SVCE FOR DETAILS SEE: 23-41-53-01	002004 006100 107107 121503 904999	1
- 210	284N1504-1		.BAG INSTL-GROUNDING WRIST STRAP STOW FUNCTIONAL REFERENCE: EQUIPMENT/FURNISHINGS FOR DETAILS SEE 25-70-70-01 PLACARDS AND MARKINGS FOR DETAILS SEE 11-37-25-01	002004 006100 107107 121503 904999	1
- 220	284N1525-32		.SHIELD INSTL-P36 MISC ELEC EQPT FOR DETAILS SEE: 31-01-36-01B	002004 006100 107107 121503 904999	1

MISSING ITEM NUMBERS NOT APPLICABLE

- ITEM NOT ILLUSTRATED

24-00-58-01C

24-00-58
FIG. 01C
PAGE 9
JAN 20/09

BRI

BOEING PROPRIETARY - Copyright © - Unpublished Work - See title page for details.



757

PARTS CATALOG (MAINTENANCE)

FIG ITEM	PART NUMBER	1 2 3 4 5 6 7	NOMENCLATURE	EFFECT FROM TO	UNITS PER ASSY
1C					
- 230	284N1526-1		.SHIELD INSTL-P37 MISC ELEC EQPT FOR DETAILS SEE: 31-01-37-01B	002004 006100 107107 121503 904999	1
- 240	284N1527-1		.SHIELD INSTL-P70 MISC ELEC EQPT FOR DETAILS SEE: 53-33-00-02	002004 006100 107107 121503 904999	1
- 250	284N1652-2		.HOIST INSTL-MAIN BATTERY STOWAGE TOOL FUNCTIONAL REFERENCE: ELECTRICAL POWER FOR DETAILS SEE 24-31-51-01	002004 006100 107107 121503 904949 952999	1
- 261	284N1761-30		.PANEL INSTL-P62 AND P63 NLG LDG AND TURNOFF LTS FUNCTIONAL REFERENCE: COMMUNICATIONS FOR DETAILS SEE 23-41-54-01 23-51-01-02 FIRE PROTECTION FOR DETAILS SEE 26-15-53-01 LANDING GEAR FOR DETAILS SEE 32-12-52-01 LIGHTS FOR DETAILS SEE 33-31-56-01 33-42-01-01 33-51-09-01 PLACARDS AND MARKINGS FOR DETAILS SEE 11-22-60-01	107107	1

MISSING ITEM NUMBERS NOT APPLICABLE

- ITEM NOT ILLUSTRATED

24-00-58-01C

24-00-58
FIG. 01C
PAGE 10
JAN 20/09

BRI



757

PARTS CATALOG (MAINTENANCE)

FIG ITEM	PART NUMBER	1 2 3 4 5 6 7	NOMENCLATURE	EFFECT FROM TO	UNITS PER ASSY
1C - 261	284N1761-31		.PANEL INSTL-P62 AND P63 NLG LDG AND TURNOFF LTS FUNCTIONAL REFERENCE: COMMUNICATIONS FOR DETAILS SEE 23-41-54-01 23-43-00-01 23-51-01-02 FIRE PROTECTION FOR DETAILS SEE 26-15-53-01 LANDING GEAR FOR DETAILS SEE 32-12-52-01 LIGHTS FOR DETAILS SEE 33-31-56-01 33-42-01-01 33-51-09-01 PLACARDS AND MARKINGS FOR DETAILS SEE 11-22-60-01	904949	1
- 261	284N1761-34		.PANEL INSTL-P62 AND P63 NLG LDG AND TURNOFF LTS FUNCTIONAL REFERENCE: COMMUNICATIONS FOR DETAILS SEE 23-41-54-01 23-43-00-01 23-51-01-02 FIRE PROTECTION FOR DETAILS SEE 26-15-53-01 LANDING GEAR FOR DETAILS SEE 32-12-52-01 LIGHTS FOR DETAILS SEE 33-31-56-01 33-42-01-01 33-51-09-01 PLACARDS AND MARKINGS FOR DETAILS SEE 11-22-60-01	952952	1

MISSING ITEM NUMBERS NOT APPLICABLE

- ITEM NOT ILLUSTRATED

BRI

24-00-58-01C

BOEING PROPRIETARY - Copyright © - Unpublished Work - See title page for details.

24-00-58
FIG. 01C
PAGE 11
JAN 20/09



757

PARTS CATALOG (MAINTENANCE)

FIG ITEM	PART NUMBER	1 2 3 4 5 6 7	NOMENCLATURE	EFFECT FROM TO	UNITS PER ASSY
1C - 261	284N1761-38		.PANEL INSTL-P62 AND P63 NLG LDG AND TURNOFF LTS FUNCTIONAL REFERENCE: COMMUNICATIONS FOR DETAILS SEE 23-41-54-01 23-43-00-01 23-51-01-02 FIRE PROTECTION FOR DETAILS SEE 26-15-53-01 LANDING GEAR FOR DETAILS SEE 32-12-52-01 LIGHTS FOR DETAILS SEE 33-42-01-01 33-31-56-01 33-51-09-01 PLACARDS AND MARKINGS FOR DETAILS SEE 11-22-60-01	002004	1
- 261	284N1761-42		.PANEL INSTL-P62 AND P63 NLG LDG AND TURNOFF LTS FUNCTIONAL REFERENCE: COMMUNICATIONS FOR DETAILS SEE 23-41-54-01 23-43-00-01 23-51-01-02 FIRE PROTECTION FOR DETAILS SEE 26-15-53-01 LANDING GEAR FOR DETAILS SEE 32-12-52-01 LIGHTS FOR DETAILS SEE 33-42-01-01 33-31-56-01 33-51-09-01 PLACARDS AND MARKINGS FOR DETAILS SEE 11-22-60-01	121503	1

MISSING ITEM NUMBERS NOT APPLICABLE

- ITEM NOT ILLUSTRATED

BRI

24-00-58-01C

BOEING PROPRIETARY - Copyright © - Unpublished Work - See title page for details.

24-00-58
FIG. 01C
PAGE 12
JAN 20/09



757

PARTS CATALOG (MAINTENANCE)

FIG ITEM	PART NUMBER	1 2 3 4 5 6 7	NOMENCLATURE	EFFECT FROM TO	UNITS PER ASSY
1C - 262	284N1761-48		.PANEL INSTL-P62 AND P63 NLG LDG AND TURNOFF LTS FUNCTIONAL REFERENCE: COMMUNICATIONS FOR DETAILS SEE 23-41-54-01 23-43-00-01 23-51-01-02 FIRE PROTECTION FOR DETAILS SEE 26-15-53-01 LANDING GEAR FOR DETAILS SEE 32-12-52-01 LIGHTS FOR DETAILS SEE 33-31-56-01 33-42-01-01 33-51-09-01 PLACARDS AND MARKINGS FOR DETAILS SEE 11-22-60-01	006017	1
- 262	284N1761-54		.PANEL INSTL-P62 AND P63 NLG LDG AND TURNOFF LTS FUNCTIONAL REFERENCE: COMMUNICATIONS FOR DETAILS SEE 23-41-54-01 23-43-00-01 23-51-01-02 FIRE PROTECTION FOR DETAILS SEE 26-15-53-01 LANDING GEAR FOR DETAILS SEE 32-12-52-01 LIGHTS FOR DETAILS SEE 33-31-56-01 33-42-01-01 33-51-09-01 PLACARDS AND MARKINGS FOR DETAILS SEE 11-22-60-01	953999	1

MISSING ITEM NUMBERS NOT APPLICABLE

- ITEM NOT ILLUSTRATED

24-00-58-01C

24-00-58
FIG. 01C
PAGE 13
JAN 20/09

BRI

BOEING PROPRIETARY - Copyright © - Unpublished Work - See title page for details.



757

PARTS CATALOG (MAINTENANCE)

FIG ITEM	PART NUMBER	1 2 3 4 5 6 7	NOMENCLATURE	EFFECT FROM TO	UNITS PER ASSY
1C - 262	284N1761-57		.PANEL INSTL-P62 AND P63 NLG LDG AND TURNOFF LTS FUNCTIONAL REFERENCE: COMMUNICATIONS FOR DETAILS SEE 23-41-54-01 23-43-00-01 23-51-01-02 FIRE PROTECTION FOR DETAILS SEE 26-15-53-01 LANDING GEAR FOR DETAILS SEE 32-12-52-01 LIGHTS FOR DETAILS SEE 33-31-56-01 33-42-01-01 PLACARDS AND MARKINGS FOR DETAILS SEE 11-22-60-01	950951	1
- 262	284N1761-60		.PANEL INSTL-P62 AND P63 NLG LDG AND TURNOFF LTS FUNCTIONAL REFERENCE: COMMUNICATIONS FOR DETAILS SEE 23-41-54-01 23-43-00-01 23-51-01-02 FIRE PROTECTION FOR DETAILS SEE 26-15-53-01 LANDING GEAR FOR DETAILS SEE 32-12-52-01 LIGHTS FOR DETAILS SEE 33-31-56-01 33-51-09-02 PLACARDS AND MARKINGS FOR DETAILS SEE 11-22-60-01	018100	1
- 270	287N4101-3		.PANEL INSTL-P6 AND P26 FOR DETAILS SEE: 24-51-51-01	107107 121503 904949	1
- 270	287N4101-62		.PANEL INSTL-P6 AND P26 FOR DETAILS SEE: 24-51-51-01	002004 006100 950999	1

MISSING ITEM NUMBERS NOT APPLICABLE

- ITEM NOT ILLUSTRATED

24-00-58-01C

24-00-58
FIG. 01C
PAGE 14
JAN 20/09

BRI



**757
PARTS CATALOG (MAINTENANCE)**

FIG ITEM	PART NUMBER	1 2 3 4 5 6 7	NOMENCLATURE	EFFECT FROM TO	UNITS PER ASSY
1C					
- 280	284N1789-2		.SHIELD INSTL-HYDR GEN CONT P71 FOR DETAILS SEE: 31-01-71-01	904949	1
- 280	284N1789-4		.SHIELD INSTL-HYDR GEN CONT P71 FOR DETAILS SEE: 31-01-71-01	952952	1
- 280	284N1789-9		.SHIELD INSTL-HYDR GEN CONT P71 FOR DETAILS SEE: 31-01-71-01	121503	1
- 280	284N1789-11		.SHIELD INSTL-HYDR GEN CONT P71 FOR DETAILS SEE: 31-01-71-01	002004	1
- 280	284N1789-13		.SHIELD INSTL-HYDR GEN CONT P71 FOR DETAILS SEE: 31-01-71-01	006100 953999	1

MISSING ITEM NUMBERS NOT APPLICABLE

- ITEM NOT ILLUSTRATED

BRI

24-00-58-01C

BOEING PROPRIETARY - Copyright © - Unpublished Work - See title page for details.

24-00-58
FIG. 01C
PAGE 15
JAN 20/09

 **BOEING**
757
PARTS CATALOG (MAINTENANCE)

NON-ILLUSTRATED FIGURE

THE ITEMS REFLECTED IN THIS FIGURE ARE INTENTIONALLY
NON-ILLUSTRATED. THEY ARE REFERENCED TO EITHER A
NEXT HIGHER OR NEXT LOWER ASSEMBLY/INSTALLATION FIGURE.

BRI
MAY 28/07

COLLECTOR INSTL-
FIGURE 5

24-00-58-05

24-00-58-05
PAGE 0



757

PARTS CATALOG (MAINTENANCE)

FIG ITEM	PART NUMBER	1 2 3 4 5 6 7	NOMENCLATURE	EFFECT FROM TO	UNITS PER ASSY
5			COLLECTOR INSTL-	101102 108120 504903	
- 1	284N0901-1000		COLLECTOR INSTL- (MAJOR MODEL)	101102 108120 504903	1
- 5	284N1111-5		.LIGHT INSTL-LDG STRAKE POSITION DATA: LH FOR DETAILS SEE: 33-42-51-01	101102 108120 504903	1
- 10	284N1111-6		.LIGHT INSTL-LDG STRAKE POSITION DATA: RH FOR DETAILS SEE: 33-42-51-01	101102 108120 504903	1
- 15	284N1112-3		.LIGHT INSTL-WING TIP POSITION POSITION DATA: LH FOR DETAILS SEE: 33-43-01-01	101102 108120 504903	1
- 20	284N1112-6		.LIGHT INSTL-WING TIP POSITION POSITION DATA: RH FOR DETAILS SEE: 33-43-01-01	101102 108120 504903	1
- 25	284N1113-7		.LIGHT INSTL-WING TIP ANTI-COLLISION POSITION DATA: LH FOR DETAILS SEE: 33-44-01-01	101102 108120 504903	1
- 30	284N1113-8		.LIGHT INSTL-WING TIP ANTI-COLLISION POSITION DATA: RH FOR DETAILS SEE: 33-44-01-01	101102 108120 504903	1
- 40	284N1115-11		.DISCHARGER INSTL-WING STATIC POSITION DATA: LH FOR DETAILS SEE: 23-61-01-01	101102 108120 504903	1

MISSING ITEM NUMBERS NOT APPLICABLE

- ITEM NOT ILLUSTRATED

24-00-58-05

24-00-58
FIG. 05
PAGE 1
JAN 20/09

BRI



757

PARTS CATALOG (MAINTENANCE)

FIG ITEM	PART NUMBER	1 2 3 4 5 6 7	NOMENCLATURE	EFFECT FROM TO	UNITS PER ASSY
5					
- 45	284N1115-12		.DISCHARGER INSTL-WING STATIC POSITION DATA: RH FOR DETAILS SEE: 23-61-01-01	101102 108120 504903	1
- 50	284N1115-13		.DISCHARGER INSTL-HORIZ STAB. STATIC POSITION DATA: LH FOR DETAILS SEE: 23-61-01-01	101102 108120 504903	1
- 55	284N1115-14		.DISCHARGER INSTL-HORIZ STAB. STATIC POSITION DATA: RH FOR DETAILS SEE: 23-61-01-01	101102 108120 504903	1
- 60	284N1115-15		.DISCHARGER INSTL-VERT. STAB. STATIC FOR DETAILS SEE: 23-61-01-01	101102 108120 504903	1
- 65	284N1201-3		.PANEL INSTL-P12 DIMMER MODULE PANEL FOR DETAILS SEE: 33-11-03-02	101102 108120 504903	1
- 70	284N1191-7		.ANTENNA INSTL- FOR DETAILS SEE: 34-58-01-01	102102 108120 504903	1
- 80	284N1308-37		.FLOOR INSTL-ELECTRONIC EQUIP CTR FUNCTIONAL REFERENCE: FUSELAGE FOR DETAILS SEE 53-34-52-01 PLACARDS AND MARKINGS FOR DETAILS SEE 11-36-50-01	101101	1
- 80	284N1308-43		.PANEL INSTL-ELECTRONIC EQPT CTR FOR DETAILS SEE: 53-34-52-02	102102 108120 504903	1
- 86	284N1317-100		.PANEL INSTL-P31, P32 AND P34 PWR FOR DETAILS SEE: 24-20-01-05	101102 108120 504903	1

MISSING ITEM NUMBERS NOT APPLICABLE

- ITEM NOT ILLUSTRATED

BRI

24-00-58-05

BOEING PROPRIETARY - Copyright © - Unpublished Work - See title page for details.

24-00-58
FIG. 05
PAGE 2
JAN 20/09



757

PARTS CATALOG (MAINTENANCE)

FIG ITEM	PART NUMBER	1 2 3 4 5 6 7	NOMENCLATURE	EFFECT FROM TO	UNITS PER ASSY
5					
- 87	284N1317-101		.PANEL INSTL-P31, P32 AND P34 PWR FOR DETAILS SEE: 24-20-01-05	101102 108120 504903	1
- 90	284N1325-103		.SHIELD INSTL-P33 MISC ELEC EQPT FOR DETAILS SEE: 31-01-33-04	101102 108120 504903	1
- 95	284N1329-112		.ENCLOSURE INSTL-P50, P51 AND P54 CARD FILE FOR DETAILS SEE: 53-11-63-03A	101101	1
- 95	284N1329-114		.ENCLOSURE INSTL-P50, P51 AND P54 CARD FILE FOR DETAILS SEE: 53-11-63-03A	102102 504903	1
- 95	284N1329-115		.ENCLOSURE INSTL-P50, P51 AND P54 CARD FILE FOR DETAILS SEE: 53-11-63-03A	102102 108120 504903	1
- 97	284N1329-116		.ENCLOSURE INSTL-P50, P51 AND P54 CARD FILE FOR DETAILS SEE: 53-11-63-03A	102102 108120 504903	1
- 99	284N1329-117		.ENCLOSURE INSTL-P50, P51 AND P54 CARD FILE FOR DETAILS SEE: 53-11-63-03A	102102 108120 504903	1
- 103	284N1329-118		.ENCLOSURE INSTL-P50, P51 AND P54 CARD FILE FOR DETAILS SEE: 53-11-63-03A	108120	1
- 110	284N1345-4		.ANTENNA INSTL-VHF COMM POSITION DATA: RH STA 730 FOR DETAILS SEE: 23-12-03-01	101102 108120 504903	1
- 115	284N1345-7		.ANTENNA INSTL-VHF COMM POSITION DATA: LH STA 753 FOR DETAILS SEE: 23-12-03-01	101102 108120 504903	1
- 120	284N1346-1		.ANTENNA INSTL-DME POSITION DATA: LH FOR DETAILS SEE: 34-55-02-01	101102 108120 504903	1

MISSING ITEM NUMBERS NOT APPLICABLE

- ITEM NOT ILLUSTRATED

BRI

24-00-58-05

BOEING PROPRIETARY - Copyright © - Unpublished Work - See title page for details.

24-00-58
FIG. 05
PAGE 3
JAN 20/09



757

PARTS CATALOG (MAINTENANCE)

FIG ITEM	PART NUMBER	1 2 3 4 5 6 7	NOMENCLATURE	EFFECT FROM TO	UNITS PER ASSY
5					
- 125	284N1346-2		.ANTENNA INSTL-DME POSITION DATA: RH FOR DETAILS SEE: 34-55-02-01	101102 108120 504903	1
- 130	284N1347-7		.ANTENNA INSTL-ATC SYS POSITION DATA: TOP FOR DETAILS SEE: 34-53-03-01	101102 108120 504903	1
- 135	284N1347-8		.ANTENNA INSTL-ATC SYS POSITION DATA: BOTTOM FOR DETAILS SEE: 34-53-03-01	101102 108120 504903	1
- 140	284N1348-5		.ANTENNA INSTL-RADIO ALTM RCVR POSITION DATA: STA 610 FOR DETAILS SEE: 34-33-02-01	101102 108120 504903	1
- 145	284N1348-6		.ANTENNA INSTL-RADIO ALTM XMTR POSITION DATA: STA 570 FOR DETAILS SEE: 34-33-02-01	101102 108120 504903	1
- 150	284N1349-1		.ANTENNA INSTL-MARKER BEACON FOR DETAILS SEE: 34-32-01-01	101102 108120 504903	1
- 160	284N1358-3		.LIGHT INSTL-WING ILLUMINATION POSITION DATA: LH FOR DETAILS SEE: 33-41-51-01	101102 108120 504903	1
- 165	284N1358-4		.LIGHT INSTL-WING ILLUMINATION POSITION DATA: RH FOR DETAILS SEE: 33-41-51-01	101102 108120 504903	1

MISSING ITEM NUMBERS NOT APPLICABLE

- ITEM NOT ILLUSTRATED

24-00-58-05

24-00-58
FIG. 05
PAGE 4
JAN 20/09

BRI

BOEING PROPRIETARY - Copyright © - Unpublished Work - See title page for details.



757

PARTS CATALOG (MAINTENANCE)

FIG ITEM	PART NUMBER	1 2 3 4 5 6 7	NOMENCLATURE	EFFECT FROM TO	UNITS PER ASSY
5					
- 170	284N1360-34		.PANEL INSTL-EQPT CTR SVCE FUNCTIONAL REFERENCE: COMMUNICATIONS FOR DETAILS SEE 23-41-56-01 EQUIPMENT/FURNISHINGS FOR DETAILS SEE 25-29-51-01 FLIGHT CONTROLS FOR DETAILS SEE 27-51-71-05 27-58-52-01 LIGHTS FOR DETAILS SEE 33-31-54-01 33-37-53-01	101102 108120 504903	1
- 172	284N1360-55		.PANEL INSTL-EQPT CTR SVCE FOR DETAILS SEE: 25-29-51-01	101102 108120 504903	1
- 175	284N1362-3		.SENSOR INSTL-ELECTRICAL/ ELECTRONICS COMPT DOOR WARNING FOR DETAILS SEE: 52-71-00-03	101102 108120 504903	1
- 180	284N1363-3		.SENSOR INSTL-DOOR CLOSED FWD CARGO DOOR WARNING FOR DETAILS SEE: 52-71-00-04	101102 108120 504903	1
- 185	284N1364-1		.SENSOR INSTL-CARGO DOOR ACTUATION OPEN POSITION DATA: FWD FOR DETAILS SEE: 52-34-35-02	101102 108120 504903	1
- 190	284N1364-13		.SENSOR INSTL-CARGO DOOR ACTUATION DOWN POSITION DATA: FWD FOR DETAILS SEE: 52-34-35-02	101102 108120 504903	1
- 195	284N1364-14		.TARGET INSTL-CARGO DOOR ACTUATION DOWN FOR DETAILS SEE: 52-34-35-02	101102 108120 504903	1

MISSING ITEM NUMBERS NOT APPLICABLE

- ITEM NOT ILLUSTRATED

24-00-58-05

24-00-58
FIG. 05
PAGE 5
JAN 20/09

BRI



757

PARTS CATALOG (MAINTENANCE)

FIG ITEM	PART NUMBER	1 2 3 4 5 6 7	NOMENCLATURE	EFFECT FROM TO	UNITS PER ASSY
5					
- 200	284N1391-4		.SWITCH INSTL- POSITION DATA: FWD CARGO COMPT FOR DETAILS SEE: 52-34-57-01	101102 108120 504903	1
- 205	284N1391-5		.SWITCH INSTL- POSITION DATA: AFT CARGO COMPT FOR DETAILS SEE: 52-34-57-01	101102 108120 504903	1
- 210	284N1401-3		.LIGHT INSTL-SVCE POSITION DATA: SECT. 41 FUNCTIONAL REFERENCE: LIGHTS FOR DETAILS SEE 33-31-51-10 PLACARDS AND MARKINGS FOR DETAILS SEE 11-21-20-01	101102 108120 504903	1
- 215	284N1405-11		.SENSOR INSTL-NLG UP POSITION FOR DETAILS SEE: 32-61-03-03	101102 504903	1
- 215	284N1405-17		.SENSOR INSTL-NLG UP POSITION FOR DETAILS SEE: 32-61-03-03	108120	1
- 220	284N1405-12		.SENSOR INSTL-NLG UP POSITION FOR DETAILS SEE: 32-61-03-03	101102 504903	1
- 220	284N1405-18		.SENSOR INSTL-NLG UP POSITION FOR DETAILS SEE: 32-61-03-03	108120	1
- 225	284N1406-3		.SENSOR INSTL-NLG DOOR CLOSED FOR DETAILS SEE: 32-61-03-02	101102 108120 504903	1
- 230	284N1407-3		.SENSOR INSTL-ACCESS DOOR CLOSED POSITION DATA: FWD FOR DETAILS SEE: 52-71-00-05	101102 108120 504903	1

MISSING ITEM NUMBERS NOT APPLICABLE

- ITEM NOT ILLUSTRATED

24-00-58-05

24-00-58
FIG. 05
PAGE 6
JAN 20/09

BRI

BOEING PROPRIETARY - Copyright © - Unpublished Work - See title page for details.



757

PARTS CATALOG (MAINTENANCE)

FIG ITEM	PART NUMBER	1 2 3 4 5 6 7	NOMENCLATURE	EFFECT FROM TO	UNITS PER ASSY
5					
- 235	284N1408-3		.HORN INSTL-NOSE WHL WELL GRD CREW CALL FOR DETAILS SEE: 23-43-01-01	101102 108120 504903	1
- 240	284N1409-9		.EQUIPMENT INSTL-BATTERY CHARGER AND STATIC INVERTER FOR DETAILS SEE: 24-31-02-01 24-33-03-01	101102 504903	1
- 240	284N1409-11		.EQUIPMENT INSTL-BATTERY CHARGER AND STATIC INVERTER FOR DETAILS SEE: 24-31-02-01 24-33-03-01	108120	1
- 245	284N1411-4		.BATTERY INSTL-MAIN POSITION DATA: FWD FOR DETAILS SEE: 24-31-01-02	101102 108120 504903	1
- 250	284N1412-6		.RECEPTACLE INSTL-EXT PWR FOR DETAILS SEE: 24-41-02-05	101102 108120 504903	1
- 255	284N1414-3		.ANTENNA INSTL-GLIDESLOPE FOR DETAILS SEE: 34-31-03-01	101102 108120 504903	1
- 260	284N1414-2		.ANTENNA INSTL-LOCALIZER FOR DETAILS SEE: 34-31-04-01	101102 108120 504903	1
- 265	284N1415-17		.SUPPORT INSTL-WEATHER RDR FUNCTIONAL REFERENCE: NAVIGATION FOR DETAILS SEE 34-43-03-02 PLACARDS AND MARKINGS FOR DETAILS SEE 11-21-10-01	101102 108120 504903	1
- 270	284N1419-4		.LIGHT INSTL-NOSE WHL WELL SVCE POSITION DATA: FWD FOR DETAILS SEE: 33-31-52-01	101102 108120 504903	1

MISSING ITEM NUMBERS NOT APPLICABLE

- ITEM NOT ILLUSTRATED

24-00-58-05

24-00-58
FIG. 05
PAGE 7
JAN 20/09

BRI

BOEING PROPRIETARY - Copyright © - Unpublished Work - See title page for details.



757

PARTS CATALOG (MAINTENANCE)

FIG ITEM	PART NUMBER	1 2 3 4 5 6 7	NOMENCLATURE	EFFECT FROM TO	UNITS PER ASSY
5					
- 275	284N1419-5		.LIGHT INSTL-NOSE WHL WELL SVCE POSITION DATA: AFT FOR DETAILS SEE: 33-31-52-01	101102 108120 504903	1
- 280	284N1432-3		.CHARGER AND INVERTER- INSTL-STRUCTURAL MAIN BATTERY FOR DETAILS SEE: 53-11-55-01	101102 108120 504903	1
- 285	284N1441-11		.LIGHT INSTL-MAIN WHL WELL SVCE FOR DETAILS SEE: 33-31-52-02	101102 108120 504903	1
- 290	284N1441-17		.LIGHT INSTL-MAIN WHL WELL SVCE POSITION DATA: RH FOR DETAILS SEE: 33-31-52-02	101102 108120 504903	1
- 295	284N1442-4		.POWER SUPPLY INSTL- ANTICOLLISION LT POSITION DATA: LWR FOR DETAILS SEE: 33-44-02-02	101102 108120 504903	1
- 300	284N1442-5		.LIGHT INSTL-ANTICOLLISION POSITION DATA: LWR FOR DETAILS SEE: 33-44-02-02	101102 108120 504903	1
- 305	284N1443-3		.DETECTOR INSTL-MAIN WHL WELL OVERHEAT POSITION DATA: L FUNCTIONAL REFERENCE: FIRE PROTECTION FOR DETAILS SEE 26-17-01-01 PLACARDS AND MARKINGS FOR DETAILS SEE 11-22-64-01	101102 108120 504903	1

MISSING ITEM NUMBERS NOT APPLICABLE

- ITEM NOT ILLUSTRATED

BRI

24-00-58-05

BOEING PROPRIETARY - Copyright © - Unpublished Work - See title page for details.

24-00-58
FIG. 05
PAGE 8
JAN 20/09



757

PARTS CATALOG (MAINTENANCE)

FIG ITEM	PART NUMBER	1 2 3 4 5 6 7	NOMENCLATURE	EFFECT FROM TO	UNITS PER ASSY
5					
- 310	284N1443-4		.DETECTOR INSTL-MAIN WHL WELL OVERHEAT POSITION DATA: R FUNCTIONAL REFERENCE: FIRE PROTECTION FOR DETAILS SEE 26-17-01-01 PLACARDS AND MARKINGS FOR DETAILS SEE 11-22-64-01	101102 108120 504903	1
- 315	284N1445-5		.SENSOR INSTL-MLG DOOR CLOSED POSITION DATA: LH FOR DETAILS SEE: 32-61-02-01	101102 108120 504903	1
- 320	284N1445-6		.SENSOR INSTL-MLG DOOR CLOSED POSITION DATA: RH FOR DETAILS SEE: 32-61-02-01	101102 108120 504903	1
- 323	284N1446-11		.PANEL INSTL-MAIN WHL WELL ELEC SVCE FOR DETAILS SEE: 23-41-53-01	101102 108120 504903	1
- 325	284N1447-14		.LIGHT INSTL-AIR CONDITIONING BAY SVCE POSITION DATA: LH FOR DETAILS SEE: 33-31-52-03	101102 108120 504903	1
- 330	284N1447-15		.LIGHT INSTL-AIR CONDITIONING BAY SVCE POSITION DATA: LH FOR DETAILS SEE: 33-31-52-03	101102 108120 504903	1
- 335	284N1447-16		.LIGHT INSTL-AIR CONDITIONING BAY SVCE POSITION DATA: RH FOR DETAILS SEE: 33-31-52-03	101102 108120 504903	1

MISSING ITEM NUMBERS NOT APPLICABLE

- ITEM NOT ILLUSTRATED

24-00-58-05

24-00-58
FIG. 05
PAGE 9
JAN 20/09

BRI

BOEING PROPRIETARY - Copyright © - Unpublished Work - See title page for details.



757

PARTS CATALOG (MAINTENANCE)

FIG ITEM	PART NUMBER	1 2 3 4 5 6 7	NOMENCLATURE	EFFECT FROM TO	UNITS PER ASSY
5					
- 340	284N1447-17		.LIGHT INSTL-AIR CONDITIONING BAY SVCE POSITION DATA: RH FOR DETAILS SEE: 33-31-52-03	101102 108120 504903	1
- 345	284N1447-4		.SWITCH INSTL-AIR CONDITIONING BAY SVCE FOR DETAILS SEE: 33-31-52-03	101102 108120 504903	1
- 350	284N1463-11		.SENSOR INSTL-CARGO DOOR ACTUATION CLOSE POSITION DATA: AFT FOR DETAILS SEE: 52-34-35-01	101102 108120 504903	1
- 355	284N1463-12		.TARGET INSTL-CARGO DOOR ACTUATION OPEN POSITION DATA: AFT FOR DETAILS SEE: 52-34-35-01	101102 108120 504903	1
- 360	284N1463-2		.SENSOR INSTL-CARGO DOOR ACTUATION OPEN POSITION DATA: AFT FOR DETAILS SEE: 52-34-35-01	101102 108120 504903	1
- 365	284N1464-1		.SENSOR INSTL-DOOR CLOSED AND LOCKED WARNING POSITION DATA: AFT CARGO COMPT FOR DETAILS SEE: 52-71-00-06	101102 108120 504903	1
- 370	284N1481-18		.LIGHT INSTL-SVCE POSITION DATA: SECT. 48 FOR DETAILS SEE: 33-31-51-06	101102 108120 504903	1
- 375	284N1481-19		.LIGHT INSTL-SVCE POSITION DATA: SECT. 48 FOR DETAILS SEE: 33-31-51-06	101102 108120 504903	1
- 380	284N1481-20		.LIGHT INSTL-SVCE LT POSITION DATA: SECT. 48 FOR DETAILS SEE: 33-31-51-06	101102 108120 504903	1

MISSING ITEM NUMBERS NOT APPLICABLE

- ITEM NOT ILLUSTRATED

24-00-58-05

24-00-58
FIG. 05
PAGE 10
JAN 20/09

BRI



757

PARTS CATALOG (MAINTENANCE)

FIG ITEM	PART NUMBER	1 2 3 4 5 6 7	NOMENCLATURE	EFFECT FROM TO	UNITS PER ASSY
5					
- 385	284N1481-21		.LIGHT INSTL-SVCE POSITION DATA: SECT. 48 FOR DETAILS SEE: 33-31-51-06	101102 108120 504903	1
- 390	284N1481-22		.LIGHT INSTL-SVCE POSITION DATA: SECT. 48 FOR DETAILS SEE: 33-31-51-06	101102 108120 504903	1
- 395	284N1481-24		.SWITCH INSTL-SVCE LT POSITION DATA: SECT. 48 FOR DETAILS SEE: 33-31-51-06	101102 108120 504903	1
- 400	284N1481-25		.TRANSFORMER INSTL-SVCE LT POSITION DATA: SECT. 48 FOR DETAILS SEE: 33-31-51-06	101102 108120 504903	1
- 405	284N1481-26		.LIGHT INSTL-SVCE POSITION DATA: SECT. 48 FOR DETAILS SEE: 33-31-51-06	101102 108120 504903	1
- 410	284N1481-27		.LIGHT INSTL-SVCE POSITION DATA: SECT. 48 FOR DETAILS SEE: 33-31-51-06	101102 108120 504903	1
- 415	284N1482-11		.INTERPHONE INSTL-TAIL CONE POSITION DATA: SECT. 48 FUNCTIONAL REFERENCE: COMMUNICATIONS FOR DETAILS SEE 23-41-51-01 LIGHTS FOR DETAILS SEE 33-31-53-01	101102 108120 504903	1

MISSING ITEM NUMBERS NOT APPLICABLE

- ITEM NOT ILLUSTRATED

24-00-58-05

24-00-58
FIG. 05
PAGE 11
JAN 20/09

BRI



757

PARTS CATALOG (MAINTENANCE)

FIG ITEM	PART NUMBER	1 2 3 4 5 6 7	NOMENCLATURE	EFFECT FROM TO	UNITS PER ASSY
5					
- 420	284N1482-12		.INTERPHONE INSTL-APU COMPT POSITION DATA: SECT. 48 FUNCTIONAL REFERENCE: COMMUNICATIONS FOR DETAILS SEE 23-41-51-01 LIGHTS FOR DETAILS SEE 33-31-53-01 PLACARDS AND MARKINGS FOR DETAILS SEE 11-23-00-03	101102 108120 504903	1
- 425	284N1483-1		.LIGHT INSTL-HYDR SVCE COMPT FOR DETAILS SEE: 33-31-57-01	101102 108120 504903	1
- 430	284N1483-3		.LIGHT INSTL-HYDR SVCE COMPT FOR DETAILS SEE: 33-31-57-01	101102 108120 504903	1
- 435	284N1483-5		.SWITCH INSTL-HYDR SVCE COMPT FOR DETAILS SEE: 33-31-57-01	101102 108120 504903	1
- 445	284N1525-62		.SHIELD INSTL-P36 MISC ELEC EQPT FOR DETAILS SEE: 31-01-36-01B	101102 504903	1
- 445	284N1525-69		.SHIELD INSTL-P36 MISC ELEC EQPT FOR DETAILS SEE: 31-01-36-01B	108120	1
- 450	284N1526-52		.SHIELD INSTL-P37 MISC ELEC EQPT FOR DETAILS SEE: 31-01-37-01B	101102 108120 504903	1
- 455	284N1611-3		.SENSOR INSTL-MLG DOWN AND LOCKED POSITION DATA: LH FOR DETAILS SEE: 32-61-02-02	101102 108120 504903	1
- 460	284N1611-4		.SENSOR INSTL-MLG DOWN AND LOCKED POSITION DATA: RH FOR DETAILS SEE: 32-61-02-02	101102 108120 504903	1

MISSING ITEM NUMBERS NOT APPLICABLE

- ITEM NOT ILLUSTRATED

24-00-58-05

24-00-58
FIG. 05
PAGE 12
JAN 20/09

BRI

BOEING PROPRIETARY - Copyright © - Unpublished Work - See title page for details.



757

PARTS CATALOG (MAINTENANCE)

FIG ITEM	PART NUMBER	1 2 3 4 5 6 7	NOMENCLATURE	EFFECT FROM TO	UNITS PER ASSY
5					
- 465	284N1612-3		.SENSOR INSTL-MLG UP AND LOCKED POSITION DATA: LH FOR DETAILS SEE: 32-61-02-05	101102 108120 504903	1
- 470	284N1612-4		.SENSOR INSTL-MLG UP AND LOCKED POSITION DATA: RH FOR DETAILS SEE: 32-61-02-05	101102 108120 504903	1
- 475	284N1613-7		.SENSOR INSTL-MLG TRUCK TILT POSITION DATA: LH FOR DETAILS SEE: 32-09-07-01A	101102 108120 504903	1
- 480	284N1613-8		.SENSOR INSTL-MLG TRUCK TILT POSITION DATA: RH FOR DETAILS SEE: 32-09-07-01A	101102 504903	1
- 480	284N1613-10		.SENSOR INSTL-MLG TRUCK TILT POSITION DATA: RH FUNCTIONAL REFERENCE: FLIGHT CONTROL FOR DETAILS SEE 27-62-51-03 LANDING GEAR FOR DETAILS SEE 32-09-07-01A	108120	1
- 485	284N1623-3		.SENSOR INSTL-NLG UP AND DOWN LOCKED FUNCTIONAL REFERENCE: LANDING GEAR FOR DETAILS SEE 32-61-03-04 PLACARDS AND MARKINGS FOR DETAILS SEE 11-22-10-02	101102 108120 504903	1

MISSING ITEM NUMBERS NOT APPLICABLE

- ITEM NOT ILLUSTRATED

24-00-58-05

24-00-58
FIG. 05
PAGE 13
JAN 20/09

BRI



757

PARTS CATALOG (MAINTENANCE)

FIG ITEM	PART NUMBER	1 2 3 4 5 6 7	NOMENCLATURE	EFFECT FROM TO	UNITS PER ASSY
5					
- 495	284N1652-2		.HOIST INSTL-MAIN BATTERY STOWAGE TOOL FUNCTIONAL REFERENCE: ELECTRICAL POWER FOR DETAILS SEE 24-31-51-01	101102 108120 504903	1
- 500	284N1664-1		.TOOLING GYRO INSTL-MTG PROVISION FOR DETAILS SEE: 11-38-01-01	101102 108120 504903	1
- 502	284N1702-2		.ACCELEROMETER INSTL-YAW DAMPER (AUTOFLIGHT ONLY) FOR DETAILS SEE: 22-21-05-01	101102 504903	1
- 505	284N1703-1		.ANTENNA INSTL-VERT. FIN TIP VOR FOR DETAILS SEE: 34-51-03-01	101102 108120 504903	1
- 510	284N1761-87		.PANEL INSTL-P62 AND P63 NLG LDG AND TURNOFF LTS FOR DETAILS SEE: 33-42-01-02	101101	1
- 515	284N1763-5		.LIGHT INSTL-NLG DOOR UNSAFE FOR DETAILS SEE: 32-12-72-01	101102 108120 504903	1
- 525	284N1839-7		.LIGHT INSTL-MAIN WHL WELL DOOR UNLOCKED WARNING POSITION DATA: LH FOR DETAILS SEE: 32-61-02-04	101102 108120 504903	1
- 530	284N1839-8		.LIGHT INSTL-MAIN WHL WELL DOOR UNLOCKED WARNING POSITION DATA: RH FOR DETAILS SEE: 32-61-02-04	101102 108120 504903	1
- 535	284N1900-101		.SLIDER VALVE INSTL-E1 RACK FOR DETAILS SEE: 21-58-59-01	101102 108120 504903	1
- 540	284N1900-206		.SLIDER VALVE INSTL-E2 RACK FOR DETAILS SEE: 21-58-59-01	101102 108120 504903	1
- 545	284N1900-301		.SLIDER VALVE INSTL-E3 RACK FOR DETAILS SEE: 21-58-59-01	101102 108120 504903	1

MISSING ITEM NUMBERS NOT APPLICABLE

- ITEM NOT ILLUSTRATED

BRI

24-00-58-05

BOEING PROPRIETARY - Copyright © - Unpublished Work - See title page for details.

24-00-58
FIG. 05
PAGE 14
JAN 20/09



757

PARTS CATALOG (MAINTENANCE)

FIG ITEM	PART NUMBER	1 2 3 4 5 6 7	NOMENCLATURE	EFFECT FROM TO	UNITS PER ASSY
5					
- 550	284N1900-406		.SLIDER VALVE INSTL-E4 RACK FOR DETAILS SEE: 21-58-59-01	101102 108120 504903	1
- 555	284N1900-601		.SLIDER VALVE INSTL-E4 RACK FOR DETAILS SEE: 21-58-59-01	101102 108120 504903	1
- 570	287N4101-143		.PANEL INSTL-P6 AND P26 FOR DETAILS SEE: 24-51-51-01	101102 108120	1
- 575	284N1746-103		.PANEL INSTL-P65 MISC ELECTRONIC EQPT CTR FOR DETAILS SEE: 31-01-65-01A	102102 108120 504903	1
- 580	285N0032-32		.FILE INSTL-ELECTRICAL SYS P50 CARD FUNCTIONAL REFERENCE: INDICATING/RECORDING FOR DETAILS SEE 31-51-61-02 PLACARDS AND MARKINGS FOR DETAILS SEE 11-36-25-01A	102102 108120 504903	1
- 585	284N1527-105		.SHIELD INSTL-P70 MISC ELEC EQPT FOR DETAILS SEE: 53-14-56-01A	101102 504903	1
- 587	284N1527-106		.SHIELD INSTL-P70 MISC ELEC EQPT FOR DETAILS SEE: 53-14-56-01A	108120	1
- 590	284N2122-7		.SHELF INSTL-ELECTRONICS EQPT CTR E2-2 FOR DETAILS SEE: 25-70-51-04	504903	1
- 595	284N1338-25		.PANEL INSTL-P43 CARGO DOOR CONT FUNCTIONAL REFERENCE: LIGHTS FOR DETAILS SEE 33-37-51-06	101102 108120 504903	1
- 600	284N1338-26		.PANEL INSTL-P44 CARGO DOOR CONT FOR DETAILS SEE: 33-37-51-06	101102 108120 504903	1
- 625	284N4000-210000		.EQUIPMENT INSTL-MAIN ELECTRONICS EQPT CTR PACK TEMP CONT FOR DETAILS SEE: 21-51-14-08	108120	1

MISSING ITEM NUMBERS NOT APPLICABLE

- ITEM NOT ILLUSTRATED

24-00-58-05

24-00-58
FIG. 05
PAGE 15
JAN 20/09

BRI



757

PARTS CATALOG (MAINTENANCE)

FIG ITEM	PART NUMBER	1 2 3 4 5 6 7	NOMENCLATURE	EFFECT FROM TO	UNITS PER ASSY
5					
- 630	284N4000-210002	.	EQUIPMENT INSTL-MAIN ELECTRONICS EQPT CTR CAB. PRESSURE CONT FOR DETAILS SEE: 21-31-02-08	108120	1
- 635	284N4000-210003	.	EQUIPMENT INSTL-MAIN ELECTRONICS EQPT CTR CAB. PRESSURE CONT FOR DETAILS SEE: 21-51-09-08	108120	1
- 640	284N4000-210005	.	EQUIPMENT INSTL-MAIN ELECTRONICS EQPT CTR CAB. PRESSURE CONT FOR DETAILS SEE: 21-53-06-08	108120	1
- 660	284N4000-220001	.	EQUIPMENT INSTL-MAIN ELECTRONICS EQPT CTR MAINT CONT AND DISPLAY FOR DETAILS SEE: 22-41-01-08	108120	1
- 688	284N4000-240000	.	EQUIPMENT INSTL-MAIN ELECTRONICS EQPT CTR XFMR RECTIFIER UNIT FOR DETAILS SEE: 24-32-01-08	108120	1
- 690	284N4000-240001	.	EQUIPMENT INSTL-MAIN ELECTRONICS EQPT CTR GEN CONT FOR DETAILS SEE: 24-22-02-08	108120	1
- 692	284N4000-240002	.	EQUIPMENT INSTL-MAIN ELECTRONICS EQPT CTR BUS PWR CONT FOR DETAILS SEE: 24-41-03-08	108120	1
- 694	284N4000-260003	.	EQUIPMENT INSTL-MAIN ELECTRONICS EQPT CTR FIRE AND OVERHEAT DETECTION FOR DETAILS SEE: 26-11-51-08 26-15-51-08 26-16-51-08	108120	1
- 698	284N4000-260001	.	EQUIPMENT INSTL-MAIN ELECTRONICS EQPT CTR DUCT LEAK AND WHL WELL OVERHEAT FOR DETAILS SEE: 26-18-51-08	108120	1

MISSING ITEM NUMBERS NOT APPLICABLE

- ITEM NOT ILLUSTRATED

24-00-58-05

24-00-58
FIG. 05
PAGE 16
JAN 20/09

BRI

 **BOEING**
757
PARTS CATALOG (MAINTENANCE)

FIG ITEM	PART NUMBER	1 2 3 4 5 6 7	NOMENCLATURE	EFFECT FROM TO	UNITS PER ASSY
5					
- 702	284N4000-270001	.	EQUIPMENT INSTL-MAIN ELECTRONICS EQPT CTR STAB. POSITION MODULE FOR DETAILS SEE: 27-48-03-08	108120	1
- 704	284N4000-270002	.	EQUIPMENT INSTL-MAIN ELECTRONICS EQPT CTR PWR CONT UNIT MON MODULE FOR DETAILS SEE: 27-23-02-08	108120	1
- 708	284N4000-270006	.	EQUIPMENT INSTL-MAIN ELECTRONICS EQPT CTR PWR SUPPLY CSEU FOR DETAILS SEE: 27-09-51-08	108120	1
- 710	284N4000-270007	.	EQUIPMENT INSTL-MAIN ELECTRONICS EQPT CTR PWR SUPPLY CSEU FOR DETAILS SEE: 27-09-51-08	108120	1
- 711	284N4000-270016	.	EQUIPMENT INSTL-MAIN ELECTRONICS EQPT CTR STALL WARNING FOR DETAILS SEE: 27-32-01-08	108120	1
- 716	284N4000-270004	.	EQUIPMENT INSTL-MAIN ELECTRONICS EQPT CTR SPOILER CONT CSEU FOR DETAILS SEE: 27-61-51-08	108120	1
- 718	284N4000-270005	.	ATTACHING PARTS EQUIPMENT INSTL-MAIN ELECTRONICS EQPT CTR SPOILER CONT CSEU FOR DETAILS SEE: 27-61-51-08	108120	1
- 720	284N4000-330000	.	-----*----- EQUIPMENT INSTL-MAIN ELECTRONICS EQPT CTR FUEL LEVEL SENSOR CARD FOR DETAILS SEE: 28-21-04-08	108120	1
- 724	284N4000-290000	.	EQUIPMENT INSTL-MAIN ELECTRONICS EQPT CTR HYDR QTY MON FOR DETAILS SEE: 29-33-51-08	108120	1

MISSING ITEM NUMBERS NOT APPLICABLE

- ITEM NOT ILLUSTRATED

BRI

24-00-58-05

24-00-58
FIG. 05
PAGE 17
JAN 20/09



757

PARTS CATALOG (MAINTENANCE)

FIG ITEM	PART NUMBER	1 2 3 4 5 6 7	NOMENCLATURE	EFFECT FROM TO	UNITS PER ASSY
5					
- 726	284N4000-300000	.	EQUIPMENT INSTL-MAIN ELECTRONICS EQPT CTR WINDOW HEAT CONT FOR DETAILS SEE: 30-41-01-08	108120	1
- 728	284N4000-310002	.	EQUIPMENT INSTL-MAIN ELECTRONICS EQPT CTR EICAS DISPLAY SWITCHING MODULE FOR DETAILS SEE: 31-41-04-08	108120	1
- 730	284N4000-310007	.	EQUIPMENT INSTL-MAIN ELECTRONICS EQPT CTR MASTER WARNING FOR DETAILS SEE: 31-51-51-08	108120	1
- 732	284N4000-310005	.	EQUIPMENT INSTL-MAIN ELECTRONICS EQPT CTR SIREN OWL AURAL WARNING FOR DETAILS SEE: 31-51-51-08	108120	1
- 734	284N4000-310008	.	EQUIPMENT INSTL-MAIN ELECTRONICS EQPT CTR TAKE OFF WARNING CONFIGURATION FOR DETAILS SEE: 31-51-51-08	108120	1
- 736	284N4000-310006	.	EQUIPMENT INSTL-MAIN ELECTRONICS EQPT CTR PWR SUPPLY FOR DETAILS SEE: 31-51-51-08	108120	1
- 744	284N4000-340004	.	EQUIPMENT INSTL-MAIN ELECTRONICS EQPT CTR ELECT. FLIGHT INSTR SYS SYMBOL GEN FOR DETAILS SEE: 34-22-01-08	108120	1
- 746	284N4000-340006	.	EQUIPMENT INSTL-MAIN ELECTRONICS EQPT CTR STATIC INVENTER ILS PROCESSOR FOR DETAILS SEE: 34-24-02-08	108120	1

MISSING ITEM NUMBERS NOT APPLICABLE

- ITEM NOT ILLUSTRATED

BRI

24-00-58-05

BOEING PROPRIETARY - Copyright © - Unpublished Work - See title page for details.

24-00-58
FIG. 05
PAGE 18
JAN 20/09



757

PARTS CATALOG (MAINTENANCE)

FIG ITEM	PART NUMBER	1 2 3 4 5 6 7	NOMENCLATURE	EFFECT FROM TO	UNITS PER ASSY
5 - 750	284N4000-360000		.EQUIPMENT INSTL-MAIN ELECTRONICS EQPT CTR ENVIROMENTAL CONT SYS BLEED CONFIGURATION FOR DETAILS SEE: 36-11-12-08	108120	1

MISSING ITEM NUMBERS NOT APPLICABLE

- ITEM NOT ILLUSTRATED

BRI

24-00-58-05

BOEING PROPRIETARY - Copyright © - Unpublished Work - See title page for details.

24-00-58
FIG. 05
PAGE 19
JAN 20/09

 **BOEING**
757
PARTS CATALOG (MAINTENANCE)

NON-ILLUSTRATED FIGURE

THE ITEMS REFLECTED IN THIS FIGURE ARE INTENTIONALLY
NON-ILLUSTRATED. THEY ARE REFERENCED TO EITHER A
NEXT HIGHER OR NEXT LOWER ASSEMBLY/INSTALLATION FIGURE.

BRI
MAY 28/07

COLLECTOR INSTL
FIGURE 5A
24-00-58-05A

24-00-58-05A
PAGE 0



757

PARTS CATALOG (MAINTENANCE)

FIG ITEM	PART NUMBER	1 2 3 4 5 6 7	NOMENCLATURE	EFFECT FROM TO	UNITS PER ASSY
5A			COLLECTOR INSTL	101102 108120 504903	
- 1	284N0901-3000		COLLECTOR INSTL-PASS. MINOR MODEL	101102 108120 504903	1
- 8	284N1301-200		.RACK INSTL-ELECTRONICS EQPT CTR - E1 THRU E5 FOR DETAILS SEE: 53-30-51-28B	102102 504903	1
- 8A	284N1301-201		.RACK INSTL-ELECTRONICS EQPT CTR - E1 THRU E5 FOR DETAILS SEE: 53-30-51-28B	102102 108120 504903	1
- 8B	284N1301-202		.RACK INSTL-ELECTRONICS EQPT CTR - E1 THRU E5 FOR DETAILS SEE: 53-30-51-28B	102102 108120 504903	1
- 8C	284N1301-203		.RACK INSTL-ELECTRONICS EQPT CTR - E1 THRU E5 FOR DETAILS SEE: 53-30-51-28B	102102 108120 504903	1
- 8E	284N1301-205		.RACK INSTL-ELECTRONICS EQPT CTR - E1 THRU E5 FOR DETAILS SEE: 53-30-51-28B	108120	1
- 10	284N1301-28		.RACK INSTL-ELECTRONICS EQPT CTR E1 THRU E5 FOR DETAILS SEE: 53-33-00-03	101101	1
- 11	284N1302-11		.SHIELD INSTL-ELECTRONICS EQPT CTR E1 THRU E5 RACKS WATER FOR DETAILS SEE: 53-30-51-32	101102 108120 504903	1
- 18	284N1308-44		.SUPPORT INSTL-ELECTRONICS EQPT CTR FUNCTIONAL REFERENCE: PLACARDS AND MARKINGS FOR DETAILS SEE 11-36-50-01 FUSELAGE FOR DETAILS SEE 53-34-52-02	102102 504903	1

MISSING ITEM NUMBERS NOT APPLICABLE

- ITEM NOT ILLUSTRATED

24-00-58-05A

24-00-58
FIG. 05A
PAGE 1
JAN 20/09

BRI

BOEING PROPRIETARY - Copyright © - Unpublished Work - See title page for details.

 **BOEING**
757
PARTS CATALOG (MAINTENANCE)

FIG ITEM	PART NUMBER	1 2 3 4 5 6 7	NOMENCLATURE	EFFECT FROM TO	UNITS PER ASSY
5A - 18	284N1308-46		.SUPPORT INSTL-ELECTRONICS EQPT CTR FUNCTIONAL REFERENCE: PLACARDS AND MARKINGS FOR DETAILS SEE 11-36-50-01 FUSELAGE FOR DETAILS SEE 53-34-52-02	108120	1
- 30	284N1357-5		.POWER PACK INSTL- ANTICOLLISION LT POSITION DATA: UPR FOR DETAILS SEE: 33-44-02-01	101102 108120 504903	1
- 40	284N1355-14		.LIGHT INSTL-SVCE POSITION DATA: SECT. 41 FOR DETAILS SEE: 33-31-51-05	101102 108120 504903	1
- 42	284N1355-17		.LIGHT INSTL-SVCE POSITION DATA: SECT. 43 FOR DETAILS SEE: 33-31-51-05	101102 108120 504903	1
- 46	284N1357-12		.LIGHT INSTL- ANTICOLLISION STROBE POSITION DATA: UPR FOR DETAILS SEE: 33-44-02-01	101102 504903	1
- 46	284N1357-14		.LIGHT INSTL-ANTI-COLLISION POSITION DATA: UPR FOR DETAILS SEE: 33-44-02-01	108120	1
- 55	284N1361-7		.SENSOR INSTL-NO. 2 PASS. DOOR WARNING POSITION DATA: LH FOR DETAILS SEE: 52-71-00-08	101102 108120 504903	1
- 60	284N1361-8		.SENSOR INSTL-NO. 2 PASS. DOOR WARNING POSITION DATA: RH FOR DETAILS SEE: 52-71-00-08	101102 108120 504903	1

MISSING ITEM NUMBERS NOT APPLICABLE

- ITEM NOT ILLUSTRATED

BRI

24-00-58-05A

BOEING PROPRIETARY - Copyright © - Unpublished Work - See title page for details.

24-00-58
FIG. 05A
PAGE 2
JAN 20/09



757

PARTS CATALOG (MAINTENANCE)

FIG ITEM	PART NUMBER	1 2 3 4 5 6 7	NOMENCLATURE	EFFECT FROM TO	UNITS PER ASSY
5A					
- 70	284N1402-25		.LIGHT INSTL-NO. 1 PASS. DOOR EMER SLIDE POSITION DATA: FWD L SIDE FOR DETAILS SEE: 33-51-06-05	101102 108120 504903	1
- 75	284N1402-26		.LIGHT INSTL-NO. 1 PASS. DOOR EMER SLIDE POSITION DATA: FWD R SIDE FOR DETAILS SEE: 33-51-06-05	101102 108120 504903	1
- 80	284N1402-27		.LIGHT INSTL-NO. 2 ENTRY AND SVCE DOOR POSITION DATA: L SIDE FWD FOR DETAILS SEE: 33-51-06-05	101102 108120 504903	1
- 85	284N1402-28		.LIGHT INSTL-NO. 2 ENTRY AND SVCE DOOR POSITION DATA: R SIDE FWD FOR DETAILS SEE: 33-51-06-05	101102 108120 504903	1
- 90	284N1402-33		.LIGHT INSTL-NO. 4 PASS. DOOR EMER SLIDE POSITION DATA: L SIDE FOR DETAILS SEE: 33-51-06-05	101102 108120 504903	1
- 95	284N1402-34		.LIGHT INSTL-NO. 4 PASS. DOOR EMER SLIDE POSITION DATA: R SIDE FOR DETAILS SEE: 33-51-06-05	101102 108120 504903	1
- 100	284N1403-10		.SENSOR INSTL-NO. 1 PASS. DOOR NO. 1 WARNING POSITION DATA: FWD RH FOR DETAILS SEE: 52-71-00-01	101102 108120 504903	1
- 105	284N1403-9		.SENSOR INSTL-NO. 1 PASS. DOOR NO. 1 WARNING POSITION DATA: FWD LH FOR DETAILS SEE: 52-71-00-01	101102 108120 504903	1

MISSING ITEM NUMBERS NOT APPLICABLE

- ITEM NOT ILLUSTRATED

24-00-58-05A

24-00-58
FIG. 05A
PAGE 3
JAN 20/09

BRI

BOEING PROPRIETARY - Copyright © - Unpublished Work - See title page for details.



757

PARTS CATALOG (MAINTENANCE)

FIG ITEM	PART NUMBER	1 2 3 4 5 6 7	NOMENCLATURE	EFFECT FROM TO	UNITS PER ASSY
5A					
- 120	284N2131-9		.SHELF INSTL-ELECTRONICS EQPT CTR E3-1 FOR DETAILS SEE: 25-70-51-05	504903	1
- 120	284N2131-12		.SHELF INSTL-ELECTRONICS EQPT CTR E3-1 FOR DETAILS SEE: 25-70-51-05	108120	1
- 122	284N2144-10		.SHELF INSTL-ELECTRONICS EQPT CTR E4-4 FOR DETAILS SEE: 25-70-51-06C	504903	1
- 125	284N2111-3		.SHELF INSTL-ELECTRONICS EQPT CTR E1-1 FOR DETAILS SEE: 25-70-51-03	101102 504903	1
- 125	284N2111-5		.SHELF INSTL-ELECTRONICS EQPT CTR E1-1 FOR DETAILS SEE: 25-70-51-03	108120	1
- 135	284N1420-7		.SWITCH INSTL-GIRT BAR PROXIMITY POSITION DATA: DOOR NO. 1 LH FOR DETAILS SEE: 25-66-11-03	101102 108120 504903	1
- 140	284N1420-8		.SWITCH INSTL-GIRT BAR PROXIMITY POSITION DATA: DOOR NO. 1 RH FOR DETAILS SEE: 25-66-11-03	101102 108120 504903	1
- 145	284N1420-9		.SWITCH INSTL-GIRT BAR PROXIMITY POSITION DATA: DOOR NO. 2 LH FOR DETAILS SEE: 25-66-11-03	101102 108120 504903	1
- 150	284N1420-10		.SWITCH INSTL-GIRT BAR PROXIMITY POSITION DATA: DOOR NO. 2 RH FOR DETAILS SEE: 25-66-11-03	101102 108120 504903	1

MISSING ITEM NUMBERS NOT APPLICABLE

- ITEM NOT ILLUSTRATED

24-00-58-05A

24-00-58
FIG. 05A
PAGE 4
JAN 20/09

BRI

BOEING PROPRIETARY - Copyright © - Unpublished Work - See title page for details.



757

PARTS CATALOG (MAINTENANCE)

FIG ITEM	PART NUMBER	1 2 3 4 5 6 7	NOMENCLATURE	EFFECT FROM TO	UNITS PER ASSY
5A					
- 155	284N1420-11	.	SWITCH INSTL-GIRT BAR PROXIMITY POSITION DATA: DOOR NO. 4 LH FOR DETAILS SEE: 25-66-11-03	101102 108120 504903	1
- 160	284N1420-12	.	SWITCH INSTL-GIRT BAR PROXIMITY POSITION DATA: DOOR NO. 4 RH FOR DETAILS SEE: 25-66-11-03	101102 108120 504903	1
- 165	284N1431-3	.	STRUCTURE INSTL-MAIN BATTERY POSITION DATA: FWD FOR DETAILS SEE: 53-11-52-01	101102 108120 504903	1
- 190	284N1465-5	.	SENSOR INSTL-NO. 3 EMER DOOR CLOSED WARNING POSITION DATA: L FOR DETAILS SEE: 52-71-00-07	101102 108120 504903	1
- 193	284N1465-6	.	SENSOR INSTL-NO. 3 EMER DOOR CLOSED WARNING POSITION DATA: R FOR DETAILS SEE: 52-71-00-07	101102 108120 504903	1
- 195	284N1466-7	.	SENSOR INSTL-PASS. DOOR NO. 4 WARNING POSITION DATA: L FOR DETAILS SEE: 52-71-00-02	101102 108120 504903	1
- 200	284N1466-8	.	SENSOR INSTL-PASS. DOOR NO. 4 WARNING POSITION DATA: R FOR DETAILS SEE: 52-71-00-02	101102 108120 504903	1

MISSING ITEM NUMBERS NOT APPLICABLE

- ITEM NOT ILLUSTRATED

24-00-58-05A

24-00-58
FIG. 05A
PAGE 5
JAN 20/09

BRI

BOEING PROPRIETARY - Copyright © - Unpublished Work - See title page for details.



757

PARTS CATALOG (MAINTENANCE)

FIG ITEM	PART NUMBER	1 2 3 4 5 6 7	NOMENCLATURE	EFFECT FROM TO	UNITS PER ASSY
5A - 205	284N1469-19	.	SUPPORT INSTL-FLIGHT RECORDER FUNCTIONAL REFERENCE: COMMUNICATIONS FOR DETAILS SEE 23-71-01-01 INDICATING/RECORDING FOR DETAILS SEE 31-31-01-01	101102 504903	1
- 205	284N1469-401	.	SUPPORT INSTL-FLIGHT RECORDER FUNCTIONAL REFERENCE: COMMUNICATIONS FOR DETAILS SEE 23-71-01-01 INDICATING/RECORDING FOR DETAILS SEE 31-31-01-01	108120	1
- 206	284N1469-55	.	RECORDER INSTL-FLIGHT RECORDER FUNCTIONAL REFERENCE: COMMUNICATIONS FOR DETAILS SEE 23-71-01-01 INDICATING/RECORDING FOR DETAILS SEE 31-31-01-01	101102	1
- 212	284N1504-1	.	BAG INSTL-GROUNDING WRIST STRAP STOWAGE FUNCTIONAL REFERENCE: PLACARDS AND MARKINGS FOR DETAILS SEE 11-37-25-01 EQUIPMENT/FURNISHINGS FOR DETAILS SEE 25-70-70-01	101102 108120 504903	1
- 214	284N1524-37	.	SHELF ASSY-ELECTRONICS EQPT CTR E2-4 FUNCTIONAL REFERENCE: EQUIPMENT/FURNISHINGS FOR DETAILS SEE 25-70-51-24A NAVIGATION FOR DETAILS SEE 34-12-51-04	108120	1

MISSING ITEM NUMBERS NOT APPLICABLE

- ITEM NOT ILLUSTRATED

24-00-58-05A

24-00-58
FIG. 05A
PAGE 6
JAN 20/09

BRI

BOEING PROPRIETARY - Copyright © - Unpublished Work - See title page for details.



757

PARTS CATALOG (MAINTENANCE)

FIG ITEM	PART NUMBER	1 2 3 4 5 6 7	NOMENCLATURE	EFFECT FROM TO	UNITS PER ASSY
5A - 225	284N1534-5		.SHELF ASSY-ELECTRONICS EQPT CTR E3-4 FUNCTIONAL REFERENCE: EQUIPMENT/FURNISHINGS FOR DETAILS SEE 25-70-51-05D PLACARDS AND MARKINGS FOR DETAILS SEE 11-36-03-03	101102 504504	1
- 225	284N1534-8		.SHELF ASSY-ELECTRONICS EQPT CTR E3-4 FUNCTIONAL REFERENCE: EQUIPMENT/FURNISHINGS FOR DETAILS SEE 25-70-51-34	505903	1
- 225	284N1534-12		.SHELF ASSY-ELECTRONICS EQPT CTR E3-4 FUNCTIONAL REFERENCE: EQUIPMENT/FURNISHINGS FOR DETAILS SEE 25-70-51-34A	108120	1
- 260	284N2112-3		.SHELF INSTL-ELECTRONICS EQPT CTR E1-2 FOR DETAILS SEE: 25-70-51-03	101102 504903	1
- 260	284N2112-5		.SHELF INSTL-ELECTRONICS EQPT CTR E1-2 FOR DETAILS SEE: 25-70-51-03	108120	1
- 267	284N1624-4		.SENSOR INSTL-NLG NOT COMPRESSED FUNCTIONAL REFERENCE: LANDING GEAR FOR DETAILS SEE 32-09-08-01 PLACARDS AND MARKINGS FOR DETAILS SEE 11-22-58-01	101102 504903	1
- 267	284N1624-8		.SENSOR INSTL-NLG NOT COMPRESSED FUNCTIONAL REFERENCE: LANDING GEAR FOR DETAILS SEE 32-09-08-01 PLACARDS AND MARKINGS FOR DETAILS SEE 11-22-58-01	108120	1

MISSING ITEM NUMBERS NOT APPLICABLE

- ITEM NOT ILLUSTRATED

24-00-58-05A

24-00-58
FIG. 05A
PAGE 7
JAN 20/09

BRI

BOEING PROPRIETARY - Copyright © - Unpublished Work - See title page for details.



757

PARTS CATALOG (MAINTENANCE)

FIG ITEM	PART NUMBER	1 2 3 4 5 6 7	NOMENCLATURE	EFFECT FROM TO	UNITS PER ASSY
5A - 300	284N2122-9		.SHELF INSTL-ELECTRONICS EQPT CTR E2-2 FOR DETAILS SEE: 25-70-51-04	108120	1
- 303	284N2123-9		.SHELF INSTL-ELECTRONICS EQPT CTR E2-3 FOR DETAILS SEE: 25-70-51-04	101102 504903	1
- 303	284N2123-11		.SHELF INSTL-ELECTRONICS EQPT CTR E2-3 FOR DETAILS SEE: 25-70-51-04	108120	1
- 305	284N2124-9		.SHELF INSTL-ELECTRONICS EQPT CTR E2-4 FUNCTIONAL REFERENCE: AIR CONDITIONING FOR DETAILS SEE 21-58-58-02 EQUIPMENT/FURNISHINGS FOR DETAILS SEE 25-70-51-04	101102 108120 504903	1
- 315	284N2132-7		.SHELF INSTL-ELECTRONICS EQPT CTR E3-2 FUNCTIONAL REFERENCE: EQUIPMENT/FURNISHINGS FOR DETAILS SEE 25-70-51-05 PLACARDS AND MARKINGS FOR DETAILS SEE 11-36-03-03A	504903	1
- 315	284N2132-9		.SHELF INSTL-ELECTRONICS EQPT CTR E3-2 FUNCTIONAL REFERENCE: EQUIPMENT/FURNISHINGS FOR DETAILS SEE 25-70-51-05 PLACARDS AND MARKINGS FOR DETAILS SEE 11-36-03-03A	108120	1
- 320	284N2133-8		.SHELF INSTL-ELECTRONICS EQPT CTR E3-3 FOR DETAILS SEE: 25-70-51-05	504903	1
- 320	284N2133-10		.SHELF INSTL-ELECTRONICS EQPT CTR E3-3 FOR DETAILS SEE: 25-70-51-05	108120	1

MISSING ITEM NUMBERS NOT APPLICABLE

- ITEM NOT ILLUSTRATED

24-00-58-05A

24-00-58
FIG. 05A
PAGE 8
JAN 20/09

BRI

BOEING PROPRIETARY - Copyright © - Unpublished Work - See title page for details.



757

PARTS CATALOG (MAINTENANCE)

FIG ITEM	PART NUMBER	1 2 3 4 5 6 7	NOMENCLATURE	EFFECT FROM TO	UNITS PER ASSY
5A					
- 323	284N2134-3		.SHELF INSTL-ELECTRONICS EQPT CTR E3-4 FOR DETAILS SEE: 25-70-51-05	101102 504903	1
- 323	284N2134-5		.SHELF INSTL-ELECTRONICS EQPT CTR E3-4 FOR DETAILS SEE: 25-70-51-05	108120	1
- 325	284N2141-13		.SHELF INSTL-ELECTRONICS EQPT CTR E4-1 FOR DETAILS SEE: 25-70-51-06	504903	1
- 325	284N2141-15		.SHELF INSTL-ELECTRONICS EQPT CTR E4-1 FOR DETAILS SEE: 25-70-51-06	108120	1
- 330	284N2142-15		.SHELF INSTL-ELECTRONICS EQPT CTR E4-2 FOR DETAILS SEE: 25-70-51-06A	504903	1
- 330	284N2142-16		.SHELF INSTL-ELECTRONICS EQPT CTR E4-2 FOR DETAILS SEE: 25-70-51-06A	108120	1
- 335	284N2143-11		.SHELF INSTL-ELECTRONICS EQPT CTR E4-3 FOR DETAILS SEE: 25-70-51-06B	504903	1
- 335	284N2143-13		.SHELF INSTL-ELECTRONICS EQPT CTR E4-3 FOR DETAILS SEE: 25-70-51-06B	108120	1
- 350	284N1702-1		.ACCELEROMETER INSTL-YAW DAMPER FUNCTIONAL REFERENCE: PLACARDS AND MARKINGS FOR DETAILS SEE 11-38-51-01 AUTOFLIGHT FOR DETAILS SEE 22-21-05-01	101102 108120 504903	1

MISSING ITEM NUMBERS NOT APPLICABLE

- ITEM NOT ILLUSTRATED

24-00-58-05A

24-00-58
FIG. 05A
PAGE 9
JAN 20/09

BRI

BOEING PROPRIETARY - Copyright © - Unpublished Work - See title page for details.



757

PARTS CATALOG (MAINTENANCE)

FIG ITEM	PART NUMBER	1 2 3 4 5 6 7	NOMENCLATURE	EFFECT FROM TO	UNITS PER ASSY
5A - 361	284N1114-16		.EQUIPMENT INSTL-WING REFUELING PNL ELECTRICAL/ELECTRONIC FUNCTIONAL REFERENCE: PLACARDS AND MARKINGS FOR DETAILS SEE 11-24-01-02 FUEL FOR DETAILS SEE 28-21-55-01 LIGHTS FOR DETAILS SEE 33-31-51-04 DOORS FOR DETAILS SEE 52-49-02-01	101102 108120 504903	1
- 365	284N2151-5		.SHELF INSTL-ELECTRONIC EQPT CTR ELECTRICAL/ ELECTRONIC RACKS FOR DETAILS SEE: 25-70-51-07	101102 504903	1
- 365	284N2151-7		.SHELF INSTL-ELECTRONICS EQPT CTR ELECTRICAL/ ELECTRONICS RACKS FOR DETAILS SEE: 25-70-51-07	108120	1
- 370	284N2152-6		.SHELF INSTL-ELECTRONICS EQPT CTR ELECTRICAL/ ELECTRONICS RACKS FOR DETAILS SEE: 25-70-51-07	101102 504903	1
- 370	284N2152-8		.SHELF INSTL-E/E CTR E5-2 FOR DETAILS SEE: 25-70-51-07	108120	1
- 375	284N2153-5		.SHELF INSTL-ELECTRONICS EQPT CTR ELECTRICAL/ ELECTRONICS RACKS FOR DETAILS SEE: 25-70-51-07	101102 504903	1
- 375	284N2153-7		.SHELF INSTL-ELECTRONICS EQPT CTR ELECTRICAL/ ELECTRONICS RACKS FOR DETAILS SEE: 25-70-51-07	108120	1

MISSING ITEM NUMBERS NOT APPLICABLE

- ITEM NOT ILLUSTRATED

24-00-58-05A

24-00-58
FIG. 05A
PAGE 10
JAN 20/09

BRI

BOEING PROPRIETARY - Copyright © - Unpublished Work - See title page for details.



757

PARTS CATALOG (MAINTENANCE)

FIG ITEM	PART NUMBER	1 2 3 4 5 6 7	NOMENCLATURE	EFFECT FROM TO	UNITS PER ASSY
5A - 390	284N4000-220003	.	EQUIPMENT INSTL-MAIN ELECTRONICS EQPT CTR (YAW DAMPER SYSTEM ONLY) FOR DETAILS SEE: 22-21-04-08 22-24-51-08	108120	1
- 390	284N4000-220004	.	EQUIPMENT INSTL-MAIN ELECTRONICS EQPT CTR (YAW DAMPER SYSTEM ONLY) FOR DETAILS SEE: 22-21-04-08 22-24-51-08	108120	1
- 390	284N4000-270000	.	EQUIPMENT INSTL-MAIN ELECTRONICS EQPT CTR FLAP SLAT UNIT FOR DETAILS SEE: 27-51-01-08	108120	1
- 390	284N4000-270008	.	EQUIPMENT INSTL-MAIN ELECTRONICS EQPT CTR RUD RATIO CHANGER CSEU FOR DETAILS SEE: 27-21-51-08	108120	1
- 390	284N4000-270009	.	EQUIPMENT INSTL-MAIN ELECTRONICS EQPT CTR RUD RATIO CHANGER CSEU FOR DETAILS SEE: 27-21-51-08	108120	1
- 391	284N4000-320001	.	EQUIPMENT INSTL-MAIN ELECTRONICS EQPT CTR PROXIMITY SWITCH UNIT FOR DETAILS SEE: 32-09-04-08	108120	1
- 391	284N4000-340000	.	EQUIPMENT INSTL-MAIN ELECTRONICS EQPT CTR AIR DATA COMPUTER FOR DETAILS SEE: 34-12-01-08	108120	1
- 391	284N4000-340002	.	EQUIPMENT INSTL-MAIN ELECTRONICS EQPT CTR IRU FOR DETAILS SEE: 34-21-01-08	108120	1
- 400	284N0901-3100		COLLECTOR INSTL-FOUR DOOR	101102 108120	1
- 405	284N1301-27	.	RACK INSTL-ELECTRONICS EQPT CTR E1 THRU E5 FOR DETAILS SEE: 53-33-00-03	504903 101101	1

MISSING ITEM NUMBERS NOT APPLICABLE

- ITEM NOT ILLUSTRATED

24-00-58-05A

24-00-58
FIG. 05A
PAGE 11
JAN 20/09

BRI

BOEING PROPRIETARY - Copyright © - Unpublished Work - See title page for details.

 **BOEING**
757
PARTS CATALOG (MAINTENANCE)

FIG ITEM	PART NUMBER	1 2 3 4 5 6 7	NOMENCLATURE	EFFECT FROM TO	UNITS PER ASSY
5A - 410	284N1339-15		.PANEL INSTL-P41 CARGO DOOR CONT FUNCTIONAL REFERENCE: PLACARDS AND MARKINGS FOR DETAILS SEE 11-38-35-01 DOORS FOR DETAILS SEE 52-34-52-01	101102 108120 504903	1
- 412	284N1339-16		.PANEL INSTL-P42 CARGO DOOR CONT FUNCTIONAL REFERENCE: DOORS FOR DETAILS SEE 52-34-52-01 PLACARDS AND MARKINGS FOR DETAILS SEE 11-38-35-01	101102 108120 504903	1
- 415	284N1360-35		.PANEL INSTL-EQPT CTR SVCE FOR DETAILS SEE: 25-29-51-01	101102 108120 504903	1
- 420	284N1360-43		.PANEL INSTL-EQPT CTR SVCE FOR DETAILS SEE: 25-29-51-01	101102 108120 504903	1
- 425	284N1402-29		.LIGHT INSTL-NO. 3 EMER DOOR EMER SLIDE POSITION DATA: L SIDE FOR DETAILS SEE: 33-51-06-05	101102 108120 504903	1
- 430	284N1402-30		.LIGHT INSTL-NO. 3 EMER DOOR EMER SLIDE POSITION DATA: R SIDE FOR DETAILS SEE: 33-51-06-05	101102 108120 504903	1
- 491	284N1441-15		.LIGHT INSTL-MAIN WHL WELL SVCE POSITION DATA: LH FOR DETAILS SEE: 33-31-52-02	101102 108120 504903	1
- 496	284N1441-16		.LIGHT INSTL-MAIN WHL WELL SVCE POSITION DATA: RH FOR DETAILS SEE: 33-31-52-02	101102 108120 504903	1

MISSING ITEM NUMBERS NOT APPLICABLE

- ITEM NOT ILLUSTRATED

BRI

24-00-58-05A

BOEING PROPRIETARY - Copyright © - Unpublished Work - See title page for details.

24-00-58
FIG. 05A
PAGE 12
JAN 20/09



757

PARTS CATALOG (MAINTENANCE)

FIG ITEM	PART NUMBER	1 2 3 4 5 6 7	NOMENCLATURE	EFFECT FROM TO	UNITS PER ASSY
5A - 515	284N1880-4		.RELAY INSTL-ATC ANT. SWITCHING FOR DETAILS SEE: 34-53-03-02	101101	1
- 515	284N1880-7		.RELAY INSTL-ATC ANT. SWITCHING FOR DETAILS SEE: 34-53-03-02	102102 108120 504903	1

MISSING ITEM NUMBERS NOT APPLICABLE

- ITEM NOT ILLUSTRATED

BRI

24-00-58-05A

BOEING PROPRIETARY - Copyright © - Unpublished Work - See title page for details.

24-00-58
FIG. 05A
PAGE 13
JAN 20/09

 **BOEING**
757
PARTS CATALOG (MAINTENANCE)

NON-ILLUSTRATED FIGURE

THE ITEMS REFLECTED IN THIS FIGURE ARE INTENTIONALLY
NON-ILLUSTRATED. THEY ARE REFERENCED TO EITHER A
NEXT HIGHER OR NEXT LOWER ASSEMBLY/INSTALLATION FIGURE.

MANAGEMENT PREMODULE COLLECTOR-EQUIPMENT INSTL
FIGURE 5C

24-00-58-05C

BRI
MAY 28/07

24-00-58-05C
PAGE 0



757

PARTS CATALOG (MAINTENANCE)

FIG ITEM	PART NUMBER	1 2 3 4 5 6 7	NOMENCLATURE	EFFECT FROM TO	UNITS PER ASSY
5C			MANAGEMENT PREMODULE COLLECTOR-EQUIPMENT INSTL	101102 108120 504903	
- 1	284N0901-8017		COLLECTOR INSTL-BAB	504903	1
- 2	284N0901-8031		COLLECTOR INSTL-BRI	101102	1
- 3	284N0901-8044		COLLECTOR INSTL-NAB	108120	1
- 10	284N1050-2		.SWITCH INSTL-ELECTRONICS EQPT CTR RAM AIR TURB LOGIC AIRSPEED FOR DETAILS SEE: 29-21-53-01	101101	1
- 10	284N1050-5		.SWITCH INSTL-ELECTRONICS EQPT CTR RAM AIR TURB LOGIC AIRSPEED FOR DETAILS SEE: 29-21-53-01	102102	1
- 10	284N1050-6		.SWITCH INSTL-ELECTRONICS EQPT CTR AIRSPEED AND ALTITUDE PRESSURE FUNCTIONAL REFERENCE: HYDRAULIC POWER FOR DETAILS SEE 29-21-53-01 INDICATING/RECORDING FOR DETAILS SEE 31-41-51-01	108120 504903	1
- 15	284N1125-44		.PANEL INSTL-P36 L MISC RELAY REWORKED BY ALERT SB: 27A0130 FUNCTIONAL REFERENCE: INDICATING/RECORDING FOR DETAILS SEE 31-01-36-05	504903	1
- 16	284N1125-56		.PANEL INSTL-P36 L MISC RELAY REWORKED BY ALERT SB: 27A0130 FOR DETAILS SEE: 31-01-36-05	101102	1
- 18	284N1125-94		.PANEL INSTL-P36 L MISC RELAY FUNCTIONAL REFERENCE: AIR CONDITIONING FOR DETAILS SEE 21-25-71-02C 21-33-71-02C 21-51-56-01C 21-58-71-02C	108120	1

MISSING ITEM NUMBERS NOT APPLICABLE

- ITEM NOT ILLUSTRATED

BRI

24-00-58-05C

BOEING PROPRIETARY - Copyright © - Unpublished Work - See title page for details.

24-00-58
FIG. 05C
PAGE 1
JAN 20/09



757
PARTS CATALOG (MAINTENANCE)

FIG ITEM	PART NUMBER	1 2 3 4 5 6 7	NOMENCLATURE	EFFECT FROM TO	UNITS PER ASSY
5C			COMMUNICATIONS FOR DETAILS SEE 23-31-54-01C 23-34-52-01C ENGINE CONTROLS FOR DETAILS SEE 76-11-71-02C ENGINE FUEL & CONTROL FOR DETAILS SEE 73-21-55-01C ENGINE INDICATING FOR DETAILS SEE 77-12-71-01C ENGINE STARTING FOR DETAILS SEE 80-11-71-02C EXHAUST FOR DETAILS SEE 78-34-71-02C 78-36-71-02C FIRE PROTECTION FOR DETAILS SEE 26-15-71-02C 26-16-71-01C 26-22-71-01C FLIGHT CONTROL FOR DETAILS SEE 27-48-52-03C 27-51-71-03C 27-58-71-02C 27-62-71-03C HYDRAULIC POWER FOR DETAILS SEE 29-11-71-03C 29-21-71-01C ICE & RAIN PROTECTION FOR DETAILS SEE 30-21-71-03C 30-34-51-01C IGNITION FOR DETAILS SEE 74-31-71-02C LANDING GEAR FOR DETAILS SEE 32-09-02-03C 32-35-71-01C 32-42-71-02C 32-44-71-02C 32-61-71-02C		

MISSING ITEM NUMBERS NOT APPLICABLE

- ITEM NOT ILLUSTRATED

BRI

24-00-58-05C

BOEING PROPRIETARY - Copyright © - Unpublished Work - See title page for details.

24-00-58
FIG. 05C
PAGE 2
JAN 20/09

 **BOEING**
757
PARTS CATALOG (MAINTENANCE)

FIG ITEM	PART NUMBER	1 2 3 4 5 6 7	NOMENCLATURE	EFFECT FROM TO	UNITS PER ASSY
5C			NAVIGATION FOR DETAILS SEE 34-12-71-02C 34-22-52-01C 34-61-52-01C PLACARDS AND MARKINGS FOR DETAILS SEE 11-36-08-03C PNEUMATIC FOR DETAILS SEE 36-11-71-02C INDICATING/RECORDING FOR DETAILS SEE 31-01-36-01		
- 26	284N1127-71		.PANEL INSTL-P37 R MISC RELAY REWORKED BY ALERT SB: 27A0130 FUNCTIONAL REFERENCE: INDICATING/RECORDING FOR DETAILS SEE 31-01-37-02	504903	1
- 27	284N1127-94		.PANEL INSTL-P37 R MISC RELAY REWORKED BY ALERT SB: 27A0130 FOR DETAILS SEE: 31-01-37-02	101102	1
- 29	284N1127-118		.PANEL INSTL-P37 R MISC RELAY REWORKED BY ALERT SB: 27A0130 28A0105R1 FUNCTIONAL REFERENCE: AIR CONDITIONING FOR DETAILS SEE 21-25-71-02D 21-44-71-02D 21-45-31-01D 21-51-55-01D 21-58-71-02D 21-61-71-02D ELECTRICAL POWER FOR DETAILS SEE 24-51-01-02 24-51-02-03 24-51-58-02D 24-53-71-02D ENGINE CONTROLS	108108	1

MISSING ITEM NUMBERS NOT APPLICABLE

- ITEM NOT ILLUSTRATED

BRI

24-00-58-05C

BOEING PROPRIETARY - Copyright © - Unpublished Work - See title page for details.

24-00-58
FIG. 05C
PAGE 3
JAN 20/09



757

PARTS CATALOG (MAINTENANCE)

FIG ITEM	PART NUMBER	1 2 3 4 5 6 7 NOMENCLATURE	EFFECT FROM TO	UNITS PER ASSY
5C		<p>FOR DETAILS SEE 76-11-71-02D ENGINE FUEL & CONTROL FOR DETAILS SEE 73-21-55-01D ENGINE INDICATING FOR DETAILS SEE 77-12-71-01D ENGINE STARTING FOR DETAILS SEE 80-11-71-02D EXHAUST FOR DETAILS SEE 78-34-71-02D 78-36-71-02D FLIGHT CONTROL FOR DETAILS SEE 27-62-71-03D FUEL FOR DETAILS SEE 28-22-71-03D HYDRAULIC POWER FOR DETAILS SEE 29-21-71-01D ICE & RAIN PROTECTION FOR DETAILS SEE 30-11-71-02D 30-21-71-03D 30-32-71-02D 30-33-71-02D 30-34-51-01D IGNITION FOR DETAILS SEE 74-31-71-02D INDICATING/RECORDING FOR DETAILS SEE 31-01-37-10 31-31-71-02D LANDING GEAR FOR DETAILS SEE 32-09-02-04D 32-42-71-02D LIGHTS FOR DETAILS SEE 33-43-55-01D NAVIGATION FOR DETAILS SEE 34-12-71-02D 34-25-50-01D</p>		

MISSING ITEM NUMBERS NOT APPLICABLE

- ITEM NOT ILLUSTRATED

24-00-58-05C

24-00-58
FIG. 05C
PAGE 4
JAN 20/09

BRI

 **BOEING**
757
PARTS CATALOG (MAINTENANCE)

FIG ITEM	PART NUMBER	1 2 3 4 5 6 7 NOMENCLATURE	EFFECT FROM TO	UNITS PER ASSY
5C		34-61-52-01D OXYGEN FOR DETAILS SEE 35-21-71-02D PLACARDS AND MARKINGS FOR DETAILS SEE 11-36-12-02A PNEUMATIC FOR DETAILS SEE 36-11-71-02D WATER/WASTE FOR DETAILS SEE 38-15-71-02D .PANEL INSTL-P37 R MISC RELAY REWORKED BY ALERT SB: 28A0105R1 FUNCTIONAL REFERENCE: PLACARDS AND MARKINGS FOR DETAILS SEE 11-36-12-02A AIR CONDITIONING FOR DETAILS SEE 21-25-71-02D 21-44-71-02D 21-45-31-01D 21-51-55-01D 21-58-71-02D 21-61-71-02D COMMUNICATIONS FOR DETAILS SEE 23-31-51-05 ELECTRICAL POWER FOR DETAILS SEE 24-51-01-02 24-51-02-03 24-51-58-02D 24-53-71-02D FLIGHT CONTROL FOR DETAILS SEE 27-62-71-03D FUEL FOR DETAILS SEE 28-22-71-03D HYDRAULIC POWER FOR DETAILS SEE 29-21-71-01D ICE & RAIN PROTECTION FOR DETAILS SEE MISSING ITEM NUMBERS NOT APPLICABLE	109120	1

- ITEM NOT ILLUSTRATED

24-00-58-05C

24-00-58
FIG. 05C
PAGE 5
JAN 20/09

BRI



757

PARTS CATALOG (MAINTENANCE)

FIG ITEM	PART NUMBER	1 2 3 4 5 6 7	NOMENCLATURE	EFFECT FROM TO	UNITS PER ASSY
5C			30-11-71-02D 30-31-71-02D 30-32-71-02D 30-33-71-02D 30-34-51-01D INDICATING/RECORDING FOR DETAILS SEE 31-01-37-10 31-31-71-02D LANDING GEAR FOR DETAILS SEE 32-09-02-04D 32-42-71-02D 32-61-71-02D LIGHTS FOR DETAILS SEE 33-43-55-01D NAVIGATION FOR DETAILS SEE 34-12-71-02D 34-25-50-01D 34-61-52-01D OXYGEN FOR DETAILS SEE 35-21-71-02D PNEUMATIC FOR DETAILS SEE 36-11-71-02D WATER/WASTE FOR DETAILS SEE 38-15-71-02D ENGINE FUEL & CONTROL FOR DETAILS SEE 73-21-55-01D IGNITION FOR DETAILS SEE 74-31-71-02D ENGINE CONTROLS FOR DETAILS SEE 76-11-71-02D ENGINE INDICATING FOR DETAILS SEE 77-12-71-01D EXHAUST FOR DETAILS SEE 78-34-71-02D ENGINE STARTING FOR DETAILS SEE 80-11-71-02D		

MISSING ITEM NUMBERS NOT APPLICABLE

- ITEM NOT ILLUSTRATED

24-00-58-05C

24-00-58
FIG. 05C
PAGE 6
JAN 20/09

BRI



757

PARTS CATALOG (MAINTENANCE)

FIG ITEM	PART NUMBER	1 2 3 4 5 6 7	NOMENCLATURE	EFFECT FROM TO	UNITS PER ASSY
5C					
- 35	284N1129-113		.PANEL INSTL-P70 MISC RELAY FOR DETAILS SEE: 31-01-70-01	101102	1
- 36	284N1129-122		.PANEL INSTL-P70 MISC RELAY FOR DETAILS SEE: 31-01-70-01	504903	1
- 37	284N1129-423		.PANEL INSTL-P70 MISC RELAY FUNCTIONAL REFERENCE: AIR CONDITIONING FOR DETAILS SEE 21-25-71-03C 21-43-71-02B 21-44-71-03B 21-45-61-01 ELECTRICAL POWER FOR DETAILS SEE 24-51-02-07 24-51-04-01 24-51-60-09 24-53-71-04B FLIGHT CONTROL FOR DETAILS SEE 27-51-71-04B FUEL FOR DETAILS SEE 28-25-71-04B LIGHTS FOR DETAILS SEE 33-45-51-02B PLACARDS AND MARKINGS FOR DETAILS SEE 11-36-10-01B INDICATING/RECORDING FOR DETAILS SEE 31-01-70-05	108120	1
- 45	284N1147-3		.SUPPORT INSTL-PASS. ENTERTAINMENT ZONE FOR DETAILS SEE: 23-34-53-01	504903	1
- 50	284N1147-4		.MULTIPLEXER INSTL-PASS. ENTERTAINMENT ZONE FOR DETAILS SEE: 23-34-53-01	504903	1
- 75	284N1169-41		.ANTENNA INSTL-TCAS POSITION DATA: TOP FOR DETAILS SEE: 34-45-02-01	504903	1

MISSING ITEM NUMBERS NOT APPLICABLE

- ITEM NOT ILLUSTRATED

24-00-58-05C

24-00-58
FIG. 05C
PAGE 7
JAN 20/09

BRI

BOEING PROPRIETARY - Copyright © - Unpublished Work - See title page for details.



757

PARTS CATALOG (MAINTENANCE)

FIG ITEM	PART NUMBER	1 2 3 4 5 6 7	NOMENCLATURE	EFFECT FROM TO	UNITS PER ASSY
5C					
- 76	284N1169-49		.ANTENNA INSTL-TCAS POSITION DATA: TOP FOR DETAILS SEE: 34-45-02-01	101102	1
- 76	284N1169-63		.ANTENNA INSTL-TCAS POSITION DATA: TOP FOR DETAILS SEE: 34-45-02-01	108120	1
- 85	284N1169-42		.ANTENNA INSTL-TCAS POSITION DATA: BOTTOM FOR DETAILS SEE: 34-45-02-01	504903	1
- 86	284N1169-50		.ANTENNA INSTL-TCAS POSITION DATA: BOTTOM FOR DETAILS SEE: 34-45-02-01	101102	1
- 86	284N1169-64		.ANTENNA INSTL-TCAS POSITION DATA: BOTTOM FOR DETAILS SEE: 34-45-02-01	108120	1
- 110	284N1191-7		.ANTENNA INSTL- FOR DETAILS SEE: 34-58-01-01	101101	1
- 240	284N1230-28		.BRACKET INSTL-EMERGENCY LOCATOR TRANSMITTER (ELT) FOR DETAILS SEE: 23-24-03-01	101102	1
- 410	284N1314-104		.PANEL INSTL-P31 PWR FOR DETAILS SEE: 24-22-01-01B	504903	1
- 410	284N1314-107		.PANEL INSTL-P31 PWR FOR DETAILS SEE: 24-22-01-01B	101102 108120	1
- 415	284N1315-101		.PANEL INSTL-P32 PWR FOR DETAILS SEE: 24-22-01-01C	101102	1
- 415	284N1315-115		.PANEL INSTL-P32 PWR FOR DETAILS SEE: 24-22-01-01C	504903	1

MISSING ITEM NUMBERS NOT APPLICABLE

- ITEM NOT ILLUSTRATED

24-00-58-05C

24-00-58
FIG. 05C
PAGE 8
JAN 20/09

BRI

BOEING PROPRIETARY - Copyright © - Unpublished Work - See title page for details.



757

PARTS CATALOG (MAINTENANCE)

FIG ITEM	PART NUMBER	1 2 3 4 5 6 7	NOMENCLATURE	EFFECT FROM TO	UNITS PER ASSY
5C - 420	284N1315-122		.PANEL ASSY-P32 PWR PNL FUNCTIONAL REFERENCE: PLACARDS AND MARKINGS FOR DETAILS SEE 11-36-07-02 ELECTRICAL POWER FOR DETAILS SEE 24-21-51-04 24-22-03-06A 24-22-51-07 24-23-01-02A 24-32-51-05 24-51-55-03 24-53-51-22 EQUIPMENT/FURNISHINGS FOR DETAILS SEE 25-31-03-04 INDICATING/RECORDING FOR DETAILS SEE 31-01-32-10	108120	1
- 425	284N1316-112		.PANEL INSTL-P34 PWR FOR DETAILS SEE: 31-01-34-01	504903	1
- 426	284N1316-119		.PANEL INSTL-P34 PWR FOR DETAILS SEE: 31-01-34-01	101102	1

MISSING ITEM NUMBERS NOT APPLICABLE

- ITEM NOT ILLUSTRATED

BRI

24-00-58-05C

BOEING PROPRIETARY - Copyright © - Unpublished Work - See title page for details.

24-00-58
FIG. 05C
PAGE 9
JAN 20/09



757

PARTS CATALOG (MAINTENANCE)

FIG ITEM	PART NUMBER	1 2 3 4 5 6 7	NOMENCLATURE	EFFECT FROM TO	UNITS PER ASSY
5C - 428	284N1316-147		.PANEL ASSY-P34 APU/EXT PWR FUNCTIONAL REFERENCE: ELECTRICAL POWER FOR DETAILS SEE 24-22-03-04 24-23-01-03 24-41-01-02 24-51-01-03 24-51-03-02 24-51-04-03 24-51-54-04 24-54-01-02 INDICATING/RECORDING FOR DETAILS SEE 31-01-34-03 LIGHTS FOR DETAILS SEE 33-21-71-02 33-22-71-02 33-24-71-02 33-42-71-03 PLACARDS AND MARKINGS FOR DETAILS SEE 11-36-09-08 WATER/WASTE FOR DETAILS SEE 38-14-71-02	108120	1
- 450	284N1318-103		.SHIELD INSTL-P33 MISC ELEC EQPT FOR DETAILS SEE: 31-01-33-01	101102 108120	1
- 450	284N1318-104		.SHIELD INSTL-P33 MISC ELEC EQPT FOR DETAILS SEE: 31-01-33-01	504903	1
- 470	284N1329-110		.ENCLOSURE INSTL-P51 CARD FILE FOR DETAILS SEE: 53-11-63-03A	101101	1
- 475	284N1329-92		.ENCLOSURE INSTL-P54 CARD FILE FOR DETAILS SEE: 53-11-63-03A	101101	1
- 495	284N1345-6		.ANTENNA INSTL-VHF COMM CTR FOR DETAILS SEE: 23-12-03-01	101102 504903	1

MISSING ITEM NUMBERS NOT APPLICABLE

- ITEM NOT ILLUSTRATED

24-00-58-05C

24-00-58
FIG. 05C
PAGE 10
JAN 20/09

BRI

BOEING PROPRIETARY - Copyright © - Unpublished Work - See title page for details.



757

PARTS CATALOG (MAINTENANCE)

FIG ITEM	PART NUMBER	1 2 3 4 5 6 7	NOMENCLATURE	EFFECT FROM TO	UNITS PER ASSY
5C - 540	284N1360-39		.PANEL INSTL-MAIN EQPT SVCE CTR FUNCTIONAL REFERENCE: INDICATING/RECORDING FOR DETAILS SEE 31-41-54-01 PLACARDS AND MARKINGS FOR DETAILS SEE 11-36-51-01	101102 108120 504903	1
- 545	284N1360-44		.PANEL INSTL-MAIN EQPT SVCE CTR USED ON: 284N0901-8053 FOR DETAILS SEE: 34-12-53-01	101102 108120 504903	1
- 565	284N1375-14		.ENGINE CONTROL INSTL- ELECTRONICS MAIN EQPT CTR POSITION DATA: FWD FOR DETAILS SEE: 73-21-53-01	101102 504903	1
- 565	284N1375-19		.ENGINE CONTROL INSTL- ELECTRONICS MAIN EQPT CTR POSITION DATA: FWD FOR DETAILS SEE: 73-21-53-01	108120	1
- 570	284N1375-16		.ENGINE CONTROL INSTL- ELECTRONICS MAIN EQPT CTR POSITION DATA: REAR FOR DETAILS SEE: 73-21-53-01	101102 504903	1
- 570	284N1375-21		.ENGINE CONTROL INSTL- ELECTRONICS MAIN EQPT CTR POSITION DATA: REAR FOR DETAILS SEE: 73-21-53-01	108120	1

MISSING ITEM NUMBERS NOT APPLICABLE

- ITEM NOT ILLUSTRATED

24-00-58-05C

24-00-58
FIG. 05C
PAGE 11
JAN 20/09

BRI



757

PARTS CATALOG (MAINTENANCE)

FIG ITEM	PART NUMBER	1 2 3 4 5 6 7	NOMENCLATURE	EFFECT FROM TO	UNITS PER ASSY
5C - 715	284N1338-27		.PANEL ASSY-P43 CARGO DOOR CONT USED ON: 284N0901-8053 FUNCTIONAL REFERENCE: DOORS FOR DETAILS SEE 52-34-52-03 LIGHTS FOR DETAILS SEE 33-37-51-11 PLACARDS AND MARKINGS FOR DETAILS SEE 11-37-06-02	101102 108120 504903	1
- 720	284N1338-28		.PANEL ASSY-P43 CARGO DOOR CONT USED ON: 284N0901-8053 FUNCTIONAL REFERENCE: DOORS FOR DETAILS SEE 52-34-52-03 LIGHTS FOR DETAILS SEE 33-37-51-11 PLACARDS AND MARKINGS FOR DETAILS SEE 11-38-06-02	101102 108120 504903	1

MISSING ITEM NUMBERS NOT APPLICABLE

- ITEM NOT ILLUSTRATED

24-00-58-05C

24-00-58
FIG. 05C
PAGE 12
JAN 20/09

BRI

 **BOEING**
757
PARTS CATALOG (MAINTENANCE)

NON-ILLUSTRATED FIGURE

THE ITEMS REFLECTED IN THIS FIGURE ARE INTENTIONALLY
NON-ILLUSTRATED. THEY ARE REFERENCED TO EITHER A
NEXT HIGHER OR NEXT LOWER ASSEMBLY/INSTALLATION FIGURE.

MANAGEMENT PREMODULE COLLECTOR-EQUIPMENT INSTL
FIGURE 5D

24-00-58-05D

BRI
MAY 28/07

24-00-58-05D
PAGE 0



757

PARTS CATALOG (MAINTENANCE)

FIG ITEM	PART NUMBER	1 2 3 4 5 6 7	NOMENCLATURE	EFFECT FROM TO	UNITS PER ASSY
5D			MANAGEMENT PREMODULE COLLECTOR-EQUIPMENT INSTL	101102 108120 504903	
- 1	284N0901-8017		COLLECTOR INSTL-BAB	504903	1
- 2	284N0901-8031		COLLECTOR INSTL-BRI	101102	1
- 3	284N0901-8044		COLLECTOR INSTL-NAB	108120	1
- 25	284N1413-5		.WAVEGUIDE INSTL-SINGLE AND DUAL X-BAND WEATHER RDR USED ON: 284N0901-32 FOR DETAILS SEE: 34-43-03-01	101102 108120 504903	1
- 30	284N1413-6		.WAVEGUIDE INSTL-SINGLE X-BAND WEATHER RDR FOR DETAILS SEE: 34-43-03-01	101102 108120	1
- 30	284N1413-7		.WAVEGUIDE INSTL-DUAL X-BAND WEATHER RDR USED ON: 284N0901-32 FOR DETAILS SEE: 34-43-03-01A	504903	1
- 36	284N1415-41		.ANTENNA INSTL-WEATHER RDR FOR DETAILS SEE: 34-43-03-02	504903	1
- 36	284N1415-46		.ANTENNA INSTL-WEATHER RDR FOR DETAILS SEE: 34-43-03-02	101102	1
- 36	284N1415-56		.ANTENNA INSTL-WEATHER RDR FOR DETAILS SEE: 34-43-03-02	108120	1
- 45	284N1416-27		.SUPPORT INSTL-DUAL RCVR/XMTR WEATHER RDR FOR DETAILS SEE: 34-43-01-02	504903	1
- 45	284N1416-35		.SUPPORT INSTL-DUAL RCVR/XMTR WEATHER RDR FOR DETAILS SEE: 34-43-01-01	101102	1
- 51	284N1416-54		.RECEIVER AND TRANSMITTER- INSTL-RCVR/XMTR WEATHER RDR FOR DETAILS SEE: 34-43-01-02	504903	1
- 51	284N1416-59		.RECEIVER AND TRANSMITTER- INSTL-RCVR/XMTR WEATHER RDR FOR DETAILS SEE: 34-43-01-01	101102	1

MISSING ITEM NUMBERS NOT APPLICABLE

- ITEM NOT ILLUSTRATED

BRI

24-00-58-05D

BOEING PROPRIETARY - Copyright © - Unpublished Work - See title page for details.

24-00-58
FIG. 05D
PAGE 1
JAN 20/09



757

PARTS CATALOG (MAINTENANCE)

FIG ITEM	PART NUMBER	1 2 3 4 5 6 7	NOMENCLATURE	EFFECT FROM TO	UNITS PER ASSY
5D					
- 52	284N1416-67		.MOUNT INSTL-SINGLE RCVR/XMTR WEATHER RDR FOR DETAILS SEE: 34-43-01-01	108120	1
- 53	284N1416-83		.TRANSCEIVER INSTL-SINGLE RCVR/XMTR WEATHER RDR FOR DETAILS SEE: 34-43-01-01	108120	1
- 60	284N1444-2		.TRANSDUCER INSTL-3 AXIS ACCLRM FOR DETAILS SEE: 31-31-51-01	101102	1
- 60	284N1444-14		.TRANSDUCER INSTL-3 AXIS ACCLRM FOR DETAILS SEE: 31-31-51-01	504903	1
- 60	284N1444-15		.TRANSDUCER INSTL-3 AXIS ACCLRM USED ON: 284N0901-8053 FOR DETAILS SEE: 31-31-51-01	108120	1
- 75	284N1448-26		.ANTENNA INSTL-ADF SENSE LOOP FOR DETAILS SEE: 34-57-03-01	504903	1
- 76	284N1448-40		.ANTENNA INSTL-ADF SENSE LOOP FOR DETAILS SEE: 34-57-03-01	101102	1
- 76	284N1448-47		.ANTENNA INSTL-ADF SENSE LOOP FOR DETAILS SEE: 34-57-03-01A	108120	1
- 76	284N1448-50		.ANTENNA INSTL-ADF SENSE LOOP FOR DETAILS SEE: 34-57-03-01A	108120	1
- 115	284N1469-37		.RECORDER INSTL-VOICE FUNCTIONAL REFERENCE: COMMUNICATIONS FOR DETAILS SEE 23-71-01-01 INDICATING/RECORDING FOR DETAILS SEE 31-31-01-01	504903	1

MISSING ITEM NUMBERS NOT APPLICABLE

- ITEM NOT ILLUSTRATED

24-00-58-05D

24-00-58
FIG. 05D
PAGE 2
JAN 20/09

BRI

BOEING PROPRIETARY - Copyright © - Unpublished Work - See title page for details.



**757
PARTS CATALOG (MAINTENANCE)**

FIG ITEM	PART NUMBER	1 2 3 4 5 6 7	NOMENCLATURE	EFFECT FROM TO	UNITS PER ASSY
5D - 116	284N1469-103		.RECORDER INSTL-VOICE USED ON: 284N0901-8053 FOR DETAILS SEE: 23-71-01-01	108120	1
- 117	284N1469-202		.RECORDER INSTL-VOICE USED ON: 284N0901-8053 FOR DETAILS SEE: 31-31-01-01	108120	1
- 145	284N1500-21		.EQUIPMENT INSTL-E6 EQPT CTR POSITION DATA: AFT FUNCTIONAL REFERENCE: AIRBORNE AUXILIARY POWER FOR DETAILS SEE 49-61-05-01 ELECTRICAL POWER FOR DETAILS SEE 24-31-03-01 24-31-04-01 24-31-07-01 24-33-02-05 EQUIPMENT/FURNISHINGS FOR DETAILS SEE 25-71-91-03 NAVIGATION FOR DETAILS SEE 34-57-01-01	101102	1

MISSING ITEM NUMBERS NOT APPLICABLE

- ITEM NOT ILLUSTRATED

BRI

24-00-58-05D

BOEING PROPRIETARY - Copyright © - Unpublished Work - See title page for details.

24-00-58
FIG. 05D
PAGE 3
JAN 20/09



757

PARTS CATALOG (MAINTENANCE)

FIG ITEM	PART NUMBER	1 2 3 4 5 6 7	NOMENCLATURE	EFFECT FROM TO	UNITS PER ASSY
5D - 145	284N1500-25		.EQUIPMENT INSTL-E6 EQPT CTR POSITION DATA: AFT FUNCTIONAL REFERENCE: AIRBORNE AUXILIARY POWER FOR DETAILS SEE 49-61-05-01 ELECTRICAL POWER FOR DETAILS SEE 24-31-03-01 24-31-04-01 24-31-07-01 24-33-02-05 EQUIPMENT/FURNISHINGS FOR DETAILS SEE 25-71-91-03 NAVIGATION FOR DETAILS SEE 34-57-01-01	504903	1
- 165	284N1520-100		.SHELF INSTL-E6 EQPT CTR POSITION DATA: AFT FOR DETAILS SEE: 25-70-51-17	101102 108120 504903	1
- 200	284N1548-8		.INTERCOSTAL INSTL-EQPT CTR BATTERY POSITION DATA: AFT FOR DETAILS SEE: 53-60-51-56	102102 108120 504903	1
- 205	284N1550-31		.RACK INSTL-EQPT CTR E6 POSITION DATA: AFT FOR DETAILS SEE: 53-61-51-10	101101	1
- 205	284N1550-201		.RACK INSTL-EQPT CTR E6 POSITION DATA: AFT FOR DETAILS SEE: 53-60-51-30	102102 504903	1
- 205	284N1550-203		.RACK INSTL-EQPT CTR E6 POSITION DATA: AFT FOR DETAILS SEE: 53-60-51-30	108120	1

MISSING ITEM NUMBERS NOT APPLICABLE

- ITEM NOT ILLUSTRATED

24-00-58-05D

24-00-58
FIG. 05D
PAGE 4
JAN 20/09

BRI

 **BOEING**
757
PARTS CATALOG (MAINTENANCE)

FIG ITEM	PART NUMBER	1 2 3 4 5 6 7	NOMENCLATURE	EFFECT FROM TO	UNITS PER ASSY
5D - 210	284N1550-20		.RACK INSTL-EQPT CTR E6 POSITION DATA: AFT FUNCTIONAL REFERENCE: FUSELAGE FOR DETAILS SEE 53-61-51-10 PLACARDS AND MARKINGS FOR DETAILS SEE 11-36-15-13	101101	1
- 220	284N1554-105		.EQUIPMENT INSTL-E6 EQPT CTR RELAY PANEL POSITION DATA: AFT FOR DETAILS SEE: 31-01-86-02	101102	1
- 220	284N1554-108		.EQUIPMENT INSTL-E6 EQPT CTR RELAY PANEL POSITION DATA: AFT FOR DETAILS SEE: 31-01-86-02	504903	1
- 225	284N1554-123		.EQUIPMENT ASSY-E6 RELAY PNL AFT EQPT CTR FUNCTIONAL REFERENCE: ELECTRICAL POWER FOR DETAILS SEE 24-31-71-04 24-31-71-05 24-32-05-02 24-32-06-02 24-32-71-05 FUEL FOR DETAILS SEE 28-25-71-06 INDICATING/RECORDING FOR DETAILS SEE 31-01-86-04 LIGHTS FOR DETAILS SEE 33-37-71-01 AIRBORNE AUXILIARY POWER FOR DETAILS SEE 49-31-71-01 49-41-71-04 49-61-71-04 DOORS FOR DETAILS SEE 52-34-71-01	108120	1

MISSING ITEM NUMBERS NOT APPLICABLE

- ITEM NOT ILLUSTRATED

BRI

24-00-58-05D

BOEING PROPRIETARY - Copyright © - Unpublished Work - See title page for details.

24-00-58
FIG. 05D
PAGE 5
JAN 20/09



757

PARTS CATALOG (MAINTENANCE)

FIG ITEM	PART NUMBER	1 2 3 4 5 6 7	NOMENCLATURE	EFFECT FROM TO	UNITS PER ASSY
5D - 230	284N1561-200		.SHELF INSTL-ELECTRONICS EQPT CTR E6-1 POSITION DATA: AFT FUNCTIONAL REFERENCE: EQUIPMENT/FURNISHINGS FOR DETAILS SEE 25-70-75-08 PLACARDS AND MARKINGS FOR DETAILS SEE 11-36-15-20	101102	1
- 230	284N1561-203		.SHELF INSTL-ELECTRONICS EQPT CTR E6-1 POSITION DATA: AFT FUNCTIONAL REFERENCE: EQUIPMENT/FURNISHINGS FOR DETAILS SEE 25-70-75-08 PLACARDS AND MARKINGS FOR DETAILS SEE 11-36-15-20	504903	1
- 235	284N1562-200		.SHELF INSTL-ELECTRONICS EQPT CTR E6-2 POSITION DATA: AFT FUNCTIONAL REFERENCE: EQUIPMENT/FURNISHINGS FOR DETAILS SEE 25-70-76-05 PLACARDS AND MARKINGS FOR DETAILS SEE 11-36-15-20	101102 504903	1
- 245	284N1565-1		.TRANSFORMER RECTIFIER- UNIT INSTL-EQPT CTR APU POSITION DATA: AFT FOR DETAILS SEE: 24-32-04-02	101102 108120 504903	1
- 255	284N1573-1		.SUPPORT INSTL-EQPT CENTER POSITION DATA: AFT FOR DETAILS SEE: 53-61-51-11	101101	1

MISSING ITEM NUMBERS NOT APPLICABLE

- ITEM NOT ILLUSTRATED

24-00-58-05D

24-00-58
FIG. 05D
PAGE 6
JAN 20/09

BRI

BOEING PROPRIETARY - Copyright © - Unpublished Work - See title page for details.



757

PARTS CATALOG (MAINTENANCE)

FIG ITEM	PART NUMBER	1 2 3 4 5 6 7	NOMENCLATURE	EFFECT FROM TO	UNITS PER ASSY
5D - 266	284N1576-100		.PANEL INSTL-E6 EQPT CTR RELAY POSITION DATA: AFT FOR DETAILS SEE: 31-01-86-01A	101101	1
- 266	284N1576-101		.PANEL INSTL-E6 EQPT CTR RELAY POSITION DATA: AFT FOR DETAILS SEE: 31-01-86-01A	102102 108120 504903	1
- 500	284N1511-7		.SHELF ASSY-ELECTRONICS EQPT CTR E1-1 FUNCTIONAL REFERENCE: EQUIPMENT/FURNISHINGS FOR DETAILS SEE 25-70-51-03A PLACARDS AND MARKINGS FOR DETAILS SEE 11-36-02-04	504903	1
- 500	284N1511-8		.SHELF ASSY-ELECTRONICS EQPT CTR E1-1 FUNCTIONAL REFERENCE: EQUIPMENT/FURNISHINGS FOR DETAILS SEE 25-70-51-03A PLACARDS AND MARKINGS FOR DETAILS SEE 11-36-02-04	101102	1
- 500	284N1511-12		.SHELF ASSY-ELECTRONICS EQPT CTR E1-1 USED ON: 284N0901-32 FOR DETAILS SEE: 25-70-51-11	108120	1
- 505	284N1512-8		.SHELF ASSY-ELECTRONICS EQPT CTR E1-2 FUNCTIONAL REFERENCE: EQUIPMENT/FURNISHINGS FOR DETAILS SEE 25-70-51-04A PLACARDS AND MARKINGS FOR DETAILS SEE 11-36-02-04	101102 504903	1
- 505	284N1512-11		.SHELF ASSY-ELECTRONICS EQPT CTR E1-2 FOR DETAILS SEE: 25-70-51-12	108120	1

MISSING ITEM NUMBERS NOT APPLICABLE

- ITEM NOT ILLUSTRATED

24-00-58-05D

24-00-58
FIG. 05D
PAGE 7
JAN 20/09

BRI

BOEING PROPRIETARY - Copyright © - Unpublished Work - See title page for details.



757

PARTS CATALOG (MAINTENANCE)

FIG ITEM	PART NUMBER	1 2 3 4 5 6 7	NOMENCLATURE	EFFECT FROM TO	UNITS PER ASSY
5D - 520	284N1521-19		.SHELF ASSY-ELECTRONICS EQPT CTR E2-1 FUNCTIONAL REFERENCE: EQUIPMENT/FURNISHINGS FOR DETAILS SEE 25-70-53-05B PLACARDS AND MARKINGS FOR DETAILS SEE 11-36-02-04	504903	1
- 520	284N1521-20		.SHELF ASSY-ELECTRONICS EQPT CTR E2-1 FUNCTIONAL REFERENCE: EQUIPMENT/FURNISHINGS FOR DETAILS SEE 25-70-53-05B PLACARDS AND MARKINGS FOR DETAILS SEE 11-36-02-04	101102	1
- 520	284N1521-25		.SHELF ASSY-ELECTRONICS EQPT CTR E2-1 FOR DETAILS SEE: 25-70-51-21	108120	1
- 525	284N1522-10		.SHELF ASSY-ELECTRONICS EQPT CTR E2-2 FUNCTIONAL REFERENCE: EQUIPMENT/FURNISHINGS FOR DETAILS SEE 25-70-51-04B PLACARDS AND MARKINGS FOR DETAILS SEE 11-36-02-04	101102 504903	1
- 525	284N1522-19		.SHELF ASSY-ELECTRONICS EQPT CTR E2-2 FOR DETAILS SEE: 25-70-51-22	108120	1
- 530	284N1523-31		.SHELF ASSY-ELECTRONICS EQPT CTR E2-3 FUNCTIONAL REFERENCE: EQUIPMENT/FURNISHINGS FOR DETAILS SEE 25-70-51-04C PLACARDS AND MARKINGS FOR DETAILS SEE 11-36-02-04	101102	1

MISSING ITEM NUMBERS NOT APPLICABLE

- ITEM NOT ILLUSTRATED

BRI

24-00-58-05D

BOEING PROPRIETARY - Copyright © - Unpublished Work - See title page for details.

24-00-58
FIG. 05D
PAGE 8
JAN 20/09

 **BOEING**
757
PARTS CATALOG (MAINTENANCE)

FIG ITEM	PART NUMBER	1 2 3 4 5 6 7	NOMENCLATURE	EFFECT FROM TO	UNITS PER ASSY
5D - 530	284N1523-32		.SHELF ASSY-ELECTRONICS EQPT CTR E2-3 FUNCTIONAL REFERENCE: EQUIPMENT/FURNISHINGS FOR DETAILS SEE 25-70-51-04C PLACARDS AND MARKINGS FOR DETAILS SEE 11-36-02-04	504903	1
- 530	284N1523-43		.SHELF ASSY-ELECTRONICS EQPT CTR E2-3 FOR DETAILS SEE: 25-70-51-23A	108120	1
- 535	284N1524-23		.SHELF ASSY-ELECTRONICS EQPT CTR E2-4 FUNCTIONAL REFERENCE: EQUIPMENT/FURNISHINGS FOR DETAILS SEE 25-70-51-04D PLACARDS AND MARKINGS FOR DETAILS SEE 11-36-02-04 NAVIGATION FOR DETAILS SEE 34-12-51-04	101102 504903	1
- 545	284N1531-26		.SHELF ASSY-ELECTRONICS EQPT CTR E3-1 FUNCTIONAL REFERENCE: EQUIPMENT/FURNISHINGS FOR DETAILS SEE 25-70-51-31 FLIGHT CONTROL FOR DETAILS SEE 27-41-11-01B	101102	1
- 545	284N1531-28		.SHELF ASSY-ELECTRONICS EQPT CTR E3-1 FUNCTIONAL REFERENCE: EQUIPMENT/FURNISHINGS FOR DETAILS SEE 25-70-51-31 FLIGHT CONTROL FOR DETAILS SEE 27-41-11-01B	108120	1

MISSING ITEM NUMBERS NOT APPLICABLE

- ITEM NOT ILLUSTRATED

BRI

24-00-58-05D

BOEING PROPRIETARY - Copyright © - Unpublished Work - See title page for details.

24-00-58
FIG. 05D
PAGE 9
JAN 20/09

 **BOEING**
757
PARTS CATALOG (MAINTENANCE)

FIG ITEM	PART NUMBER	1 2 3 4 5 6 7	NOMENCLATURE	EFFECT FROM TO	UNITS PER ASSY
5D - 545	284N1531-32		.SHELF ASSY-ELECTRONICS EQPT CTR E3-1 FUNCTIONAL REFERENCE: EQUIPMENT/FURNISHINGS FOR DETAILS SEE 25-70-51-31 FLIGHT CONTROL FOR DETAILS SEE 27-41-11-01B	504903	1
- 550	284N1532-17		.SHELF ASSY-ELECTRONICS EQPT CTR E3-2 FUNCTIONAL REFERENCE: EQUIPMENT/FURNISHINGS FOR DETAILS SEE 25-70-51-05B PLACARDS AND MARKINGS FOR DETAILS SEE 11-36-03-03	101102 504903	1
- 550	284N1532-25		.SHELF ASSY-ELECTRONICS EQPT CTR E3-2 FOR DETAILS SEE: 25-70-51-32A	108120	1
- 555	284N1533-26		.SHELF ASSY-ELECTRONICS EQPT CTR E3-3 FUNCTIONAL REFERENCE: EQUIPMENT/FURNISHINGS FOR DETAILS SEE 25-70-51-05C PLACARDS AND MARKINGS FOR DETAILS SEE 11-36-03-03	101102	1
- 555	284N1533-34		.SHELF ASSY-ELECTRONICS EQPT CTR E3-3 FOR DETAILS SEE: 25-70-51-33A	108120	1
- 555	284N1533-38		.SHELF ASSY-ELECTRONICS EQPT CTR E3-3 FOR DETAILS SEE: 25-70-51-33A	504903	1
- 560	284N1534-5		.SHELF ASSY-ELECTRONICS EQPT CTR E3-4 FUNCTIONAL REFERENCE: EQUIPMENT/FURNISHINGS FOR DETAILS SEE 25-70-51-05D PLACARDS AND MARKINGS FOR DETAILS SEE 11-36-03-03	101102 504504	1

MISSING ITEM NUMBERS NOT APPLICABLE

- ITEM NOT ILLUSTRATED

BRI

24-00-58-05D

BOEING PROPRIETARY - Copyright © - Unpublished Work - See title page for details.

24-00-58
FIG. 05D
PAGE 10
JAN 20/09



757

PARTS CATALOG (MAINTENANCE)

FIG ITEM	PART NUMBER	1 2 3 4 5 6 7	NOMENCLATURE	EFFECT FROM TO	UNITS PER ASSY
5D - 570	284N1541-36		.SHELF ASSY-ELECTRONICS EQPT E4-1 FUNCTIONAL REFERENCE: EQUIPMENT/FURNISHINGS FOR DETAILS SEE 25-70-55-05F FLIGHT CONTROL FOR DETAILS SEE 27-41-71-01A	108120	1
- 570	284N1541-48		.SHELF ASSY-ELECTRONICS EQPT CTR E4-1 FUNCTIONAL REFERENCE: EQUIPMENT/FURNISHINGS FOR DETAILS SEE 25-70-55-05B FLIGHT CONTROL FOR DETAILS SEE 27-41-71-01A	101102 504903	1
- 580	284N1542-37		.SHELF ASSY-ELECTRONICS EQPT CTR E4-2 FUNCTIONAL REFERENCE: EQUIPMENT/FURNISHINGS FOR DETAILS SEE 25-70-55-11 FLIGHT CONTROL FOR DETAILS SEE 27-18-51-01 PLACARDS AND MARKINGS FOR DETAILS SEE 11-36-03-04	101102	1
- 580	284N1542-52		.SHELF ASSY-ELECTRONICS EQPT CTR E4-2 FUNCTIONAL REFERENCE: EQUIPMENT/FURNISHINGS FOR DETAILS SEE 25-70-55-11J FLIGHT CONTROL FOR DETAILS SEE 27-18-51-01A	504903	1
- 580	284N1542-54		.SHELF ASSY-ELECTRONICS EQPT CTR E4-2 FUNCTIONAL REFERENCE: EQUIPMENT/FURNISHINGS FOR DETAILS SEE 25-70-55-11A FLIGHT CONTROL FOR DETAILS SEE 27-18-51-01A	108120	1

MISSING ITEM NUMBERS NOT APPLICABLE

- ITEM NOT ILLUSTRATED

BRI

24-00-58-05D

BOEING PROPRIETARY - Copyright © - Unpublished Work - See title page for details.

24-00-58
FIG. 05D
PAGE 11
JAN 20/09



757

PARTS CATALOG (MAINTENANCE)

FIG ITEM	PART NUMBER	1 2 3 4 5 6 7	NOMENCLATURE	EFFECT FROM TO	UNITS PER ASSY
5D					
- 590	284N1543-39		.SHELF ASSY-ELECTRONICS EQPT CTR E4-3 FUNCTIONAL REFERENCE: EQUIPMENT/FURNISHINGS FOR DETAILS SEE 25-70-55-16C PLACARDS AND MARKINGS FOR DETAILS SEE 11-36-03-04	101102 504903	1
- 590	284N1543-50		.SHELF ASSY-ELECTRONICS EQPT CTR E4-3 FOR DETAILS SEE: 25-70-55-16D	108120	1
- 600	284N1544-42		.SHELF ASSY-ELECTRONICS EQPT CTR E4-4 FUNCTIONAL REFERENCE: EQUIPMENT/FURNISHINGS FOR DETAILS SEE 25-70-55-17E PLACARDS AND MARKINGS FOR DETAILS SEE 11-36-03-04	504903	1
- 600	284N1544-50		.SHELF ASSY-ELECTRONICS EQPT CTR E4-4 FOR DETAILS SEE: 25-70-55-17F	101102	1
- 601	284N1544-91		.SHELF ASSY-ELECTRONICS EQPT CTR E4-4 FOR DETAILS SEE: 25-70-55-17M	108120	1
- 615	284N1551-12		.SHELF ASSY-ELECTRONICS EQPT CTR E5-1 FUNCTIONAL REFERENCE: EQUIPMENT/FURNISHINGS FOR DETAILS SEE 25-70-51-07A PLACARDS AND MARKINGS FOR DETAILS SEE 11-36-04-04	101102 504903	1
- 615	284N1551-17		.SHELF ASSY-ELECTRONICS EQPT CTR E5-1 FOR DETAILS SEE: 25-70-51-08A	108120	1

MISSING ITEM NUMBERS NOT APPLICABLE

- ITEM NOT ILLUSTRATED

24-00-58-05D

24-00-58
FIG. 05D
PAGE 12
JAN 20/09

BRI

BOEING PROPRIETARY - Copyright © - Unpublished Work - See title page for details.



757

PARTS CATALOG (MAINTENANCE)

FIG ITEM	PART NUMBER	1 2 3 4 5 6 7	NOMENCLATURE	EFFECT FROM TO	UNITS PER ASSY
5D					
- 620	284N1552-15		.SHELF ASSY-ELECTRONICS EQPT CTR E5-2 FUNCTIONAL REFERENCE: EQUIPMENT/FURNISHINGS FOR DETAILS SEE 25-70-51-07B PLACARDS AND MARKINGS FOR DETAILS SEE 11-36-04-04	101102 504903	1
- 620	284N1552-19		.SHELF ASSY-ELECTRONICS EQPT CTR E5-2 FOR DETAILS SEE: 25-70-51-08B	108120	1
- 625	284N1553-13		.SHELF ASSY-ELECTRONICS EQPT CTR E5-3 FUNCTIONAL REFERENCE: EQUIPMENT/FURNISHINGS FOR DETAILS SEE 25-70-51-07C PLACARDS AND MARKINGS FOR DETAILS SEE 11-36-04-04	101102 504903	1
- 625	284N1553-17		.SHELF ASSY-ELECTRONICS EQPT CTR E5-3 FOR DETAILS SEE: 25-70-51-08C	108120	1
- 640	284N1561-207		.SHELF ASSY-ELECTRONICS EQPT CTR E6-1 FOR DETAILS SEE: 25-70-75-61A	108120	1
- 645	284N1562-203		.SHELF ASSY-ELECTRONICS EQPT CTR E6-2 POSITION DATA: AFT FOR DETAILS SEE: 25-70-76-61	108120	1

MISSING ITEM NUMBERS NOT APPLICABLE

- ITEM NOT ILLUSTRATED

24-00-58-05D

24-00-58
FIG. 05D
PAGE 13
JAN 20/09

BRI

BOEING PROPRIETARY - Copyright © - Unpublished Work - See title page for details.

 **BOEING**
757
PARTS CATALOG (MAINTENANCE)

NON-ILLUSTRATED FIGURE

THE ITEMS REFLECTED IN THIS FIGURE ARE INTENTIONALLY
NON-ILLUSTRATED. THEY ARE REFERENCED TO EITHER A
NEXT HIGHER OR NEXT LOWER ASSEMBLY/INSTALLATION FIGURE.

MANAGEMENT PREMODULE COLLECTOR-EQUIPMENT INSTL
FIGURE 5E

24-00-58-05E

BRI
MAY 28/07

24-00-58-05E
PAGE 0



757

PARTS CATALOG (MAINTENANCE)

FIG ITEM	PART NUMBER	1 2 3 4 5 6 7	NOMENCLATURE	EFFECT FROM TO	UNITS PER ASSY
5E			MANAGEMENT PREMODULE COLLECTOR-EQUIPMENT INSTL	101102 108120 504903	
- 1	284N0901-8017		COLLECTOR INSTL-BAB	504903	1
- 2	284N0901-8031		COLLECTOR INSTL-BRI	101102	1
- 3	284N0901-8044		COLLECTOR INSTL-NAB	108120	1
- 10	284N1607-1		.FITTING INSTL-E6 EQPT CTR SPRT POSITION DATA: AFT FOR DETAILS SEE: 53-60-51-28	101101	1
- 10	284N1607-2		.FITTING INSTL-E6 EQPT CTR SPRT POSITION DATA: AFT FOR DETAILS SEE: 53-60-51-28	102102 108120 504903	1
- 20	284N1614-3		.SENSOR INSTL-MLG BRAKE TEMP FOR DETAILS SEE: 32-46-03-01	504903	1
- 60	284N1690-101		.PANEL INSTL-E6 EQPT CTR CB POSITION DATA: AFT FOR DETAILS SEE: 24-50-51-02A	101102 108120	1
- 60	284N1690-102		.PANEL INSTL-E6 EQPT CTR CB POSITION DATA: AFT FOR DETAILS SEE: 24-50-51-02A	504903	1
- 70	284N1692-100		.PANEL INSTL-E6 EQPT CTR CB POSITION DATA: AFT FOR DETAILS SEE: 24-50-51-02	101102 108120 504903	1
- 85	284N1704-12		.COUPLER INSTL-VERT. STAB. HF ANT. FOR DETAILS SEE: 23-11-01-01	108120	1
- 85	284N1704-25		.COUPLER INSTL-VERT. STAB. HF ANT. FOR DETAILS SEE: 23-11-01-01	504903	1
- 86	284N1704-6		.COUPLER INSTL-VERT. STAB. HF ANT. FOR DETAILS SEE: 23-11-01-01	101102	1

MISSING ITEM NUMBERS NOT APPLICABLE

- ITEM NOT ILLUSTRATED

BRI

24-00-58-05E

BOEING PROPRIETARY - Copyright © - Unpublished Work - See title page for details.

24-00-58
FIG. 05E
PAGE 1
JAN 20/09



757

PARTS CATALOG (MAINTENANCE)

FIG ITEM	PART NUMBER	1 2 3 4 5 6 7	NOMENCLATURE	EFFECT FROM TO	UNITS PER ASSY
5E - 100	284N1746-101		.PANEL INSTL-P65 MISC ELECTRONICS EQPT CTR FOR DETAILS SEE: 31-01-65-01A	101101	1
- 105	284N1747-106		.PANEL INSTL-P65 MISC ELECTRONICS EQPT CTR FOR DETAILS SEE: 31-01-65-01A	504903	1
- 105	284N1747-109		.PANEL INSTL-P65 MISC ELECTRONICS EQPT CTR FOR DETAILS SEE: 31-01-65-01A	101102	1
- 105	284N1747-406		.PANEL INSTL-P65 MISC RELAY FUNCTIONAL REFERENCE: NAVIGATION FOR DETAILS SEE 34-46-51-01A 34-22-02-04 DOORS FOR DETAILS SEE 52-34-05-01 INDICATING/RECORDING FOR DETAILS SEE 31-01-65-01 LIGHTS FOR DETAILS SEE 33-37-52-01A	108120	1
- 115	284N1761-90		.PANEL INSTL-P62 AND P63 NLG LDG AND TURNOFF LTS FUNCTIONAL REFERENCE: COMMUNICATIONS FOR DETAILS SEE 23-41-54-01 23-43-00-01 23-51-01-02 FIRE PROTECTION FOR DETAILS SEE 26-15-53-01 LANDING GEAR FOR DETAILS SEE 32-12-52-01 LIGHTS FOR DETAILS SEE 33-31-56-01 33-42-01-02 33-51-09-02 PLACARDS AND MARKINGS FOR DETAILS SEE 11-22-60-01	101101	1

MISSING ITEM NUMBERS NOT APPLICABLE

- ITEM NOT ILLUSTRATED

24-00-58-05E

24-00-58
FIG. 05E
PAGE 2
JAN 20/09

BRI



757

PARTS CATALOG (MAINTENANCE)

FIG ITEM	PART NUMBER	1 2 3 4 5 6 7	NOMENCLATURE	EFFECT FROM TO	UNITS PER ASSY
5E					
- 115	284N1761-103		.PANEL INSTL-P62 AND P63 NLG LDG AND TURNOFF LTS FOR DETAILS SEE: 33-42-04-01	102102	1
- 115	284N1761-108		.PANEL INSTL-P62 AND P63 NLG LDG AND TURNOFF LTS FOR DETAILS SEE: 33-42-04-01	504903	1
- 117	284N1761-134		.PANEL INSTL-P62 AND P63 NLG LDG AND TURNOFF LTS FOR DETAILS SEE: 33-42-04-01	108120	1
- 130	284N1789-100		.SHIELD INSTL-HYDR GEN CONT P71 FOR DETAILS SEE: 31-01-71-01	101102 108120	1
- 135	284N1790-100		.SHIELD INSTL-HYDRAULIC GEN CONT P71 FUNCTIONAL REFERENCE: ELECTRICAL POWER FOR DETAILS SEE 24-25-02-02 24-25-51-03 PLACARDS AND MARKINGS FOR DETAILS SEE 11-36-27-03 INDICATING/RECORDING FOR DETAILS SEE 31-01-71-02	101102 108120	1
- 151	284N1800-88		.EQUIPMENT INSTL-MAIN ELECTRONICS EQPT CTR FUNCTIONAL REFERENCE: AIR CONDITIONING FOR DETAILS SEE 21-31-02-01 21-51-09-01 21-51-14-01 21-53-06-01 21-61-03-01 AUTOFLIGHT FOR DETAILS SEE 22-11-01-01 22-21-04-01 22-24-01-01 22-31-01-01 22-41-01-01 COMMUNICATIONS FOR DETAILS SEE 23-11-03-01	505505	1

MISSING ITEM NUMBERS NOT APPLICABLE

- ITEM NOT ILLUSTRATED

24-00-58-05E

24-00-58
FIG. 05E
PAGE 3
JAN 20/09

BRI



757

PARTS CATALOG (MAINTENANCE)

FIG ITEM	PART NUMBER	1 2 3 4 5 6 7	NOMENCLATURE	EFFECT FROM TO	UNITS PER ASSY
5E			23-12-01-01 23-21-01-01 23-22-01-02 23-22-04-01 23-31-01-01 23-31-06-02 23-42-01-01 ELECTRICAL POWER FOR DETAILS SEE 24-22-02-51 24-32-01-01 24-41-03-01 ENGINE INDICATING FOR DETAILS SEE 77-12-03-03 77-31-51-03 EQUIPMENT/FURNISHINGS FOR DETAILS SEE 25-71-91-02 25-71-91-05A 25-71-91-06 25-71-91-07 FIRE PROTECTION FOR DETAILS SEE 26-11-52-02 26-12-52-01 26-15-52-02 26-16-52-01 26-18-52-01 FLIGHT CONTROL FOR DETAILS SEE 27-09-01-01 27-21-57-01 27-23-02-01 27-32-01-01 27-48-03-01 27-51-01-02 27-61-51-02 FUEL FOR DETAILS SEE 28-21-04-01 28-41-08-01 HYDRAULIC POWER FOR DETAILS SEE 29-33-51-01 ICE & RAIN PROTECTION FOR DETAILS SEE 30-41-01-01 INDICATING/RECORDING		

MISSING ITEM NUMBERS NOT APPLICABLE

- ITEM NOT ILLUSTRATED

24-00-58-05E

24-00-58
FIG. 05E
PAGE 4
JAN 20/09

BRI

 **BOEING**
757
PARTS CATALOG (MAINTENANCE)

FIG ITEM	PART NUMBER	1 2 3 4 5 6 7 NOMENCLATURE	EFFECT FROM TO	UNITS PER ASSY
5 E		FOR DETAILS SEE 31-31-03-01 31-35-01-02 31-35-51-01 31-41-02-02 31-41-04-01 31-51-01-01A LANDING GEAR FOR DETAILS SEE 32-09-04-01 32-42-01-01 32-46-01-01 NAVIGATION FOR DETAILS SEE 34-12-01-01 34-16-01-01 34-21-01-01 34-22-01-01A 34-24-02-01 34-31-01-01 34-33-01-01 34-45-51-01 34-46-01-01 34-53-01-01 34-55-01-01 34-61-01-01 PLACARDS AND MARKINGS FOR DETAILS SEE 11-36-03-07 11-36-04-51 11-36-19-07 11-36-25-07 11-36-26-07		
- 154	284N1800-140	.EQUIPMENT INSTL-MAIN ELECTRONICS EQPT CTR FUNCTIONAL REFERENCE: AIR CONDITIONING FOR DETAILS SEE 21-31-02-01B 21-51-09-01B 21-51-14-01B 21-53-06-01B 21-61-03-01B AUTOFLIGHT FOR DETAILS SEE 22-11-01-01B 22-21-04-01B 22-24-01-01B 22-31-01-01B MISSING ITEM NUMBERS NOT APPLICABLE	101101	1

- ITEM NOT ILLUSTRATED

BRI

24-00-58-05E

BOEING PROPRIETARY - Copyright © - Unpublished Work - See title page for details.

24-00-58
FIG. 05E
PAGE 5
JAN 20/09



757

PARTS CATALOG (MAINTENANCE)

FIG ITEM	PART NUMBER	1 2 3 4 5 6 7	NOMENCLATURE	EFFECT FROM TO	UNITS PER ASSY
5 E			22-41-01-01B COMMUNICATIONS FOR DETAILS SEE 23-11-03-01B 23-12-01-01B 23-21-01-01B 23-31-01-01B 23-31-06-02B 23-34-03-01B 23-34-15-02B 23-42-01-01B ELECTRICAL POWER FOR DETAILS SEE 24-22-02-51B 24-32-01-01B 24-41-03-01B ENGINE INDICATING FOR DETAILS SEE 77-12-03-03B 77-31-51-03B EQUIPMENT/FURNISHINGS FOR DETAILS SEE 25-71-91-02B 25-71-91-05B 25-71-91-06B 25-71-91-07B FIRE PROTECTION FOR DETAILS SEE 26-11-52-01B 26-12-52-01B 26-15-52-01B 26-16-52-01B 26-18-52-01B FLIGHT CONTROL FOR DETAILS SEE 27-21-57-01B 27-23-02-01B 27-32-01-01B 27-48-03-01B 27-51-01-02B 27-61-51-02B FUEL FOR DETAILS SEE 28-21-04-01B 28-41-08-01B HYDRAULIC POWER FOR DETAILS SEE 29-33-51-01B ICE & RAIN PROTECTION		

MISSING ITEM NUMBERS NOT APPLICABLE

- ITEM NOT ILLUSTRATED

24-00-58-05E

24-00-58
FIG. 05E
PAGE 6
JAN 20/09

BRI



757

PARTS CATALOG (MAINTENANCE)

FIG ITEM	PART NUMBER	1 2 3 4 5 6 7 NOMENCLATURE	EFFECT FROM TO	UNITS PER ASSY
5 E		FOR DETAILS SEE 30-41-01-01B INDICATING/RECORDING FOR DETAILS SEE 31-31-03-01B 31-41-02-01B 31-41-04-01B 31-51-01-01B LANDING GEAR FOR DETAILS SEE 32-09-04-01B 32-42-01-01B NAVIGATION FOR DETAILS SEE 34-12-01-01B 34-16-01-01B 34-21-01-01B 34-22-01-01B 34-24-02-01B 34-31-01-01B 34-33-01-01B 34-45-51-01B 34-46-01-01B 34-51-01-01B 34-53-01-01B 34-55-01-01B 34-61-01-01B PLACARDS AND MARKINGS FOR DETAILS SEE 11-36-03-07B 11-36-04-51B 11-36-19-07B 11-36-25-07B 11-36-26-07B PNEUMATIC FOR DETAILS SEE 36-11-12-01B .EQUIPMENT INSTL-MAIN ELECTRONICS EQPT CTR FUNCTIONAL REFERENCE: AIR CONDITIONING FOR DETAILS SEE 21-31-02-01B 21-51-09-01B 21-51-14-01B 21-53-06-01B 21-61-03-01B AUTOFLIGHT FOR DETAILS SEE MISSING ITEM NUMBERS NOT APPLICABLE	102102	1
- 154	284N1800-141			

- ITEM NOT ILLUSTRATED

BRI

24-00-58-05E

BOEING PROPRIETARY - Copyright © - Unpublished Work - See title page for details.

24-00-58
 FIG. 05E
 PAGE 7
 JAN 20/09



757

PARTS CATALOG (MAINTENANCE)

FIG ITEM	PART NUMBER	1 2 3 4 5 6 7 NOMENCLATURE	EFFECT FROM TO	UNITS PER ASSY
5 E		22-11-01-01B 22-21-04-01B 22-24-01-01B 22-31-01-01B 22-41-01-01B COMMUNICATIONS FOR DETAILS SEE 23-11-03-01B 23-12-01-01B 23-21-01-01B 23-31-01-01B 23-34-03-01B 23-34-15-02B 23-42-01-01B ELECTRICAL POWER FOR DETAILS SEE 24-22-02-51B 24-32-01-01B 24-41-03-01B ENGINE INDICATING FOR DETAILS SEE 77-12-03-03B 77-31-51-03B EQUIPMENT/FURNISHINGS FOR DETAILS SEE 25-71-91-02B 25-71-91-05B 25-71-91-06B 25-71-91-07B FIRE PROTECTION FOR DETAILS SEE 26-11-52-01B 26-12-52-01B 26-15-52-01B 26-16-52-01B 26-18-52-01B FLIGHT CONTROL FOR DETAILS SEE 27-21-57-01B 27-23-02-01B 27-32-01-01B 27-48-03-01B 27-51-01-02B 27-61-51-02B FUEL FOR DETAILS SEE 28-21-04-01B 28-41-08-01B HYDRAULIC POWER		

MISSING ITEM NUMBERS NOT APPLICABLE

- ITEM NOT ILLUSTRATED

24-00-58-05E

24-00-58
FIG. 05E
PAGE 8
JAN 20/09

BRI



757

PARTS CATALOG (MAINTENANCE)

FIG ITEM	PART NUMBER	1 2 3 4 5 6 7 NOMENCLATURE	EFFECT FROM TO	UNITS PER ASSY
5E		FOR DETAILS SEE 29-33-51-01B ICE & RAIN PROTECTION FOR DETAILS SEE 30-41-01-01B INDICATING/RECORDING FOR DETAILS SEE 31-31-03-01B 31-41-02-01B 31-41-04-01B 31-51-01-01B LANDING GEAR FOR DETAILS SEE 32-09-04-01B 32-42-01-01B NAVIGATION FOR DETAILS SEE 34-12-01-01B 34-16-01-01B 34-21-01-01B 34-22-01-01B 34-24-02-01B 34-31-01-01B 34-33-01-01B 34-45-51-01B 34-46-01-01B 34-51-01-01B 34-53-01-01B 34-55-01-01B 34-61-01-01B PLACARDS AND MARKINGS FOR DETAILS SEE 11-36-03-07B 11-36-04-51B 11-36-19-07B 11-36-25-07B 11-36-26-07B PNEUMATIC FOR DETAILS SEE 36-11-12-01B		
- 156	284N1800-190	.EQUIPMENT INSTL-MAIN ELECTRONICS EQPT CTR FUNCTIONAL REFERENCE: AIR CONDITIONING FOR DETAILS SEE 21-31-02-01 21-51-09-01 21-51-14-01 21-53-06-01 MISSING ITEM NUMBERS NOT APPLICABLE	504504 506903	1

- ITEM NOT ILLUSTRATED

24-00-58-05E

24-00-58
FIG. 05E
PAGE 9
JAN 20/09

BRI



757
PARTS CATALOG (MAINTENANCE)

FIG ITEM	PART NUMBER	1 2 3 4 5 6 7	NOMENCLATURE	EFFECT FROM TO	UNITS PER ASSY
5E			21-61-03-01 AUTOFLIGHT FOR DETAILS SEE 22-11-01-01 22-21-04-01 22-24-01-01 22-31-01-01 22-41-01-01 COMMUNICATIONS FOR DETAILS SEE 23-11-03-01 23-12-01-01 23-21-01-01 23-22-01-02 23-22-04-01 23-31-01-01 23-31-06-02 23-42-01-01 ELECTRICAL POWER FOR DETAILS SEE 24-22-02-51 24-32-01-01 24-41-03-01 ENGINE INDICATING FOR DETAILS SEE 77-12-03-03 77-31-51-03 EQUIPMENT/FURNISHINGS FOR DETAILS SEE 25-71-91-02 25-71-91-05A 25-71-91-06 25-71-91-07 FIRE PROTECTION FOR DETAILS SEE 26-11-52-02 26-12-52-01 26-15-52-02 26-16-52-01 26-18-52-01 FLIGHT CONTROL FOR DETAILS SEE 27-09-01-01 27-21-57-01 27-23-02-01 27-32-01-01 27-48-03-01 27-51-01-02 27-61-51-02		

MISSING ITEM NUMBERS NOT APPLICABLE

- ITEM NOT ILLUSTRATED

BRI

24-00-58-05E

BOEING PROPRIETARY - Copyright © - Unpublished Work - See title page for details.

24-00-58
FIG. 05E
PAGE 10
JAN 20/09



757

PARTS CATALOG (MAINTENANCE)

FIG ITEM	PART NUMBER	1 2 3 4 5 6 7	NOMENCLATURE	EFFECT FROM TO	UNITS PER ASSY
5 E			FUEL FOR DETAILS SEE 28-21-04-01 28-41-08-01 HYDRAULIC POWER FOR DETAILS SEE 29-33-51-01 ICE & RAIN PROTECTION FOR DETAILS SEE 30-41-01-01 INDICATING/RECORDING FOR DETAILS SEE 31-31-03-01 31-35-01-02 31-35-51-01 31-41-02-02 31-41-04-01 31-51-01-01A LANDING GEAR FOR DETAILS SEE 32-09-04-01 32-42-01-01 32-46-01-01 NAVIGATION FOR DETAILS SEE 34-12-01-01 34-16-01-01 34-21-01-01 34-22-01-01A 34-24-02-01 34-31-01-01 34-33-01-01 34-46-01-01 34-51-01-01 34-53-01-01 34-55-01-01 34-61-01-01 PNEUMATIC FOR DETAILS SEE 36-11-12-01 PLACARDS AND MARKINGS FOR DETAILS SEE 11-36-03-07 11-36-04-51 11-36-19-07 11-36-25-07 11-36-26-07		

MISSING ITEM NUMBERS NOT APPLICABLE

- ITEM NOT ILLUSTRATED

BRI

24-00-58-05E

BOEING PROPRIETARY - Copyright © - Unpublished Work - See title page for details.

24-00-58
FIG. 05E
PAGE 11
JAN 20/09



757

PARTS CATALOG (MAINTENANCE)

FIG ITEM	PART NUMBER	1 2 3 4 5 6 7	NOMENCLATURE	EFFECT FROM TO	UNITS PER ASSY
5E - 180	284N1801-9		.LIGHT INSTL-LOGO ILLUMINATION POSITION DATA: LH FOR DETAILS SEE: 33-45-51-01	101102 108120 504903	1
- 185	284N1801-10		.LIGHT INSTL-LOGO ILLUMINATION POSITION DATA: RH FOR DETAILS SEE: 33-45-51-01	101102 108120 504903	1
- 205	284N1900-207		.SLIDER VALVE INSTL-E2 RACK FOR DETAILS SEE: 21-58-59-01	505903	1
- 205	284N1900-208		.SLIDER VALVE INSTL-E2 RACK USED ON: 284N0901-32 FOR DETAILS SEE: 21-58-59-01	101102 108120 504504	1
- 215	284N1900-408		.SLIDER VALVE INSTL-E4 RACK USED ON: 284N0901-32 FOR DETAILS SEE: 21-58-59-01	102102 108120 504903	1

MISSING ITEM NUMBERS NOT APPLICABLE

- ITEM NOT ILLUSTRATED

BRI

24-00-58-05E

BOEING PROPRIETARY - Copyright © - Unpublished Work - See title page for details.

24-00-58
FIG. 05E
PAGE 12
JAN 20/09

 **BOEING**
757
PARTS CATALOG (MAINTENANCE)

NON-ILLUSTRATED FIGURE

THE ITEMS REFLECTED IN THIS FIGURE ARE INTENTIONALLY
NON-ILLUSTRATED. THEY ARE REFERENCED TO EITHER A
NEXT HIGHER OR NEXT LOWER ASSEMBLY/INSTALLATION FIGURE.

MANAGEMENT PREMODULE COLLECTOR-EQUIPMENT INSTL
FIGURE 5F

24-00-58-05F

BRI
MAY 28/07

24-00-58-05F
PAGE 0



757

PARTS CATALOG (MAINTENANCE)

FIG ITEM	PART NUMBER	1 2 3 4 5 6 7	NOMENCLATURE	EFFECT FROM TO	UNITS PER ASSY
5 F			MANAGEMENT PREMODULE COLLECTOR-EQUIPMENT INSTL	101102 108120 504903	
- 1	284N0901-8017		COLLECTOR INSTL-BAB	504903	1
- 2	284N0901-8031		COLLECTOR INSTL-BRI	101102	1
- 3	284N0901-8044		COLLECTOR INSTL	108120	1
- 20	284N2121-8		.SHELF INSTL-ELECTRONICS EQPT CTR E2-1 FOR DETAILS SEE: 25-70-51-04	504903	1
- 20	284N2121-9		.SHELF INSTL-ELECTRONICS EQPT CTR E2-1 FOR DETAILS SEE: 25-70-51-04	101102	1
- 20	284N2121-12		.SHELF INSTL-ELECTRONICS EQPT CTR E2-1 FOR DETAILS SEE: 25-70-51-04	108120	1
- 25	284N2122-7		.SHELF INSTL-ELECTRONICS EQPT CTR E2-2 FOR DETAILS SEE: 25-70-51-04	101102	1
- 50	284N2131-9		.SHELF INSTL-ELECTRONICS EQPT CTR E3-1 FOR DETAILS SEE: 25-70-51-04	101102	1
- 55	284N2132-7		.SHELF INSTL-ELECTRONICS EQPT CTR E3-2 FUNCTIONAL REFERENCE: EQUIPMENT/FURNISHINGS FOR DETAILS SEE 25-70-51-05 PLACARDS AND MARKINGS FOR DETAILS SEE 11-36-03-03A	101102	1
- 60	284N2133-8		.SHELF INSTL-ELECTRONICS EQPT CTR E3-3 FOR DETAILS SEE: 25-70-51-05	101102	1
- 80	284N2141-13		.SHELF INSTL-ELECTRONICS EQPT CTR E4-1 FOR DETAILS SEE: 25-70-51-06	101102	1
- 85	284N2142-15		.SHELF INSTL-ELECTRONICS EQPT CTR E4-2 FOR DETAILS SEE: 25-70-51-06A	101102	1

MISSING ITEM NUMBERS NOT APPLICABLE

- ITEM NOT ILLUSTRATED

BRI

24-00-58-05F

BOEING PROPRIETARY - Copyright © - Unpublished Work - See title page for details.

24-00-58
FIG. 05F
PAGE 1
JAN 20/09

 **BOEING**
757
PARTS CATALOG (MAINTENANCE)

FIG ITEM	PART NUMBER	1 2 3 4 5 6 7	NOMENCLATURE	EFFECT FROM TO	UNITS PER ASSY
5F					
- 90	284N2143-11		.SHELF INSTL-ELECTRONICS EQPT CTR E4-3 FOR DETAILS SEE: 25-70-51-06B	101102	1
- 95	284N2144-10		.SHELF INSTL-ELECTRONICS EQPT CTR E4-4 FOR DETAILS SEE: 25-70-51-06C	101102	1
- 95	284N2144-14		.SHELF INSTL-ELECTRONICS EQPT CTR E4-4 FOR DETAILS SEE: 25-70-51-06C	108120	1
- 150	285N0005-51		.FILE INSTL-P51 WARNING SYSTEM SUPPLIER CODE: V89954 FUNCTIONAL REFERENCE: PLACARDS AND MARKINGS FOR DETAILS SEE 11-36-26-03 INDICATING/RECORDING FOR DETAILS SEE 31-51-51-03A	108120	1
- 150	285N0005-55		.FILE INSTL-P51 WARNING SYSTEM SUPPLIER CODE: V89954 FUNCTIONAL REFERENCE: PLACARDS AND MARKINGS FOR DETAILS SEE 11-36-26-03 INDICATING/RECORDING FOR DETAILS SEE 31-51-51-03A	102102 504903	1
- 200	287N4101-144		.PANEL INSTL-PWR DISTR P6 FOR DETAILS SEE: 24-51-51-01	504903	1
- 206	287N4102-325		.PANEL INSTL-PWR DISTR P6 FOR DETAILS SEE: 24-51-51-09	504903	1
- 206	287N4102-329		.PANEL INSTL-PWR DISTR P6 FOR DETAILS SEE: 24-51-51-05	101102	1

MISSING ITEM NUMBERS NOT APPLICABLE

- ITEM NOT ILLUSTRATED

BRI

24-00-58-05F

BOEING PROPRIETARY - Copyright © - Unpublished Work - See title page for details.

24-00-58
FIG. 05F
PAGE 2
JAN 20/09



757

PARTS CATALOG (MAINTENANCE)

FIG ITEM	PART NUMBER	1 2 3 4 5 6 7	NOMENCLATURE	EFFECT FROM TO	UNITS PER ASSY
5F - 207	287N4102-408		.PANEL INSTL-P6 PWR DISTR FUNCTIONAL REFERENCE: ELECTRICAL POWER FOR DETAILS SEE 24-31-06-01 24-31-71-09 24-32-02-01 24-32-03-01 24-33-01-01 24-51-05-01 24-51-06-01 24-51-07-01 24-51-52-08 24-51-52-09 24-51-52-10 24-51-73-02 24-53-52-02 INDICATING/RECORDING FOR DETAILS SEE 31-01-06-02 NAVIGATION FOR DETAILS SEE 34-21-71-03 PLACARDS AND MARKINGS FOR DETAILS SEE 11-34-05-07	108120	1
- 265	284N4000-210001		.EQUIPMENT INSTL-MAIN ELECTRONICS EQPT CTR PACK TEMP CONT USED ON: 284N0901-32 FOR DETAILS SEE: 21-51-14-08	108120	1
- 275	284N4000-210004		.EQUIPMENT INSTL-MAIN ELECTRONICS EQPT CTR ZONE TEMP CONT FOR DETAILS SEE: 21-61-03-08	108120	1
- 280	284N4000-220000		.EQUIPMENT INSTL-MAIN ELECTRONICS EQPT CTR FLIGHT CONT COMPUTER USED ON: 284N0901-32 FOR DETAILS SEE: 22-11-01-08	108120	1

MISSING ITEM NUMBERS NOT APPLICABLE

- ITEM NOT ILLUSTRATED

24-00-58-05F

24-00-58
FIG. 05F
PAGE 3
JAN 20/09

BRI

BOEING PROPRIETARY - Copyright © - Unpublished Work - See title page for details.



757

PARTS CATALOG (MAINTENANCE)

FIG ITEM	PART NUMBER	1 2 3 4 5 6 7	NOMENCLATURE	EFFECT FROM TO	UNITS PER ASSY
5F - 305	284N4000-220005	.	EQUIPMENT INSTL-MAIN ELECTRONICS EQPT CTR THRUST MANAGEMENT COMPUTER FOR DETAILS SEE: 22-31-01-08	108120	1
- 325	284N4000-230081	.	EQUIPMENT INSTL-MAIN ELECTRONICS EQPT CTR VHF COMM XCVR FOR DETAILS SEE: 23-12-01-08	108120	1
- 335	284N4000-230008	.	EQUIPMENT INSTL-MAIN ELECTRONICS EQPT CTR SELCAL DECODER USED ON: 284N0901-8053 FOR DETAILS SEE: 23-21-01-08	108120	1
- 350	284N4000-230041	.	EQUIPMENT INSTL-MAIN ELECTRONICS EQPT CTR PASS. ADDRESS AMPLIFIER FOR DETAILS SEE: 23-31-01-08	108120	1
- 365	284N4000-230085	.	EQUIPMENT INSTL-MAIN ELECTRONICS EQPT CTR MUX USED ON: 284N0901-8053 FOR DETAILS SEE: 23-34-01-08	108120	1
- 370	284N4000-230011	.	EQUIPMENT INSTL-MAIN ELECTRONICS EQPT CTR PASS. ENTERTAINMENT TAPE REPRODUCER USED ON: 284N0901-8053 FOR DETAILS SEE: 23-34-03-08	108120	1
- 380	284N4000-230084	.	EQUIPMENT INSTL-MAIN ELECTRONICS EQPT CTR SELCAL DECODER FOR DETAILS SEE: 23-42-01-08	108120	1
- 395	284N4000-240003	.	EQUIPMENT INSTL-MAIN ELECTRONICS EQPT CTR HYDR MOTOR GEN XFMR RECTIFIER UNIT FOR DETAILS SEE: 24-25-05-08	108120	1

MISSING ITEM NUMBERS NOT APPLICABLE

- ITEM NOT ILLUSTRATED

24-00-58-05F

24-00-58
FIG. 05F
PAGE 4
JAN 20/09

BRI

BOEING PROPRIETARY - Copyright © - Unpublished Work - See title page for details.



757

PARTS CATALOG (MAINTENANCE)

FIG ITEM	PART NUMBER	1 2 3 4 5 6 7	NOMENCLATURE	EFFECT FROM TO	UNITS PER ASSY
5F - 410	284N4000-260000		.EQUIPMENT INSTL-MAIN ELECTRONICS EQPT CTR FIRE AND OVERHEAT DETECTION USED ON: 284N0901-32 FOR DETAILS SEE: 26-11-51-08 26-15-51-08	108120	1
- 420	284N4000-260002		.EQUIPMENT INSTL-MAIN ELECTRONICS EQPT CTR FIRE OVERHEAT LOGIC TEST FOR DETAILS SEE: 26-12-51-08	108120	1
- 490	284N4000-280000		.EQUIPMENT INSTL-MAIN ELECTRONICS EQPT CTR PROCESSOR FUEL QTY FOR DETAILS SEE: 28-41-08-08	108120	1
- 505	284N4000-310004		.EQUIPMENT INSTL-MAIN ELECTRONICS EQPT CTR DFDAU USED ON: 284N0901-8053 FOR DETAILS SEE: 31-31-03-08	108120	1
- 520	284N4000-310001		.EQUIPMENT INSTL-MAIN ELECTRONICS EQPT CTR ENG INDICATION AND CREW ALERTING SYS USED ON: 284N0901-32 FOR DETAILS SEE: 31-41-02-08	108120	1
- 540	284N4000-310003		.EQUIPMENT INSTL-MAIN ELECTRONICS EQPT CTR LDG WARNING CONFIGURATION FOR DETAILS SEE: 31-51-51-08	108120	1
- 555	284N4000-310009		.EQUIPMENT INSTL-MAIN ELECTRONICS EQPT CTR CHIME AURAL WARNING USED ON: 284N0901-8053 FOR DETAILS SEE: 31-51-51-08	108120	1

MISSING ITEM NUMBERS NOT APPLICABLE

- ITEM NOT ILLUSTRATED

24-00-58-05F

24-00-58
FIG. 05F
PAGE 5
JAN 20/09

BRI



757

PARTS CATALOG (MAINTENANCE)

FIG ITEM	PART NUMBER	1 2 3 4 5 6 7	NOMENCLATURE	EFFECT FROM TO	UNITS PER ASSY
5F - 575	284N4000-320003	.	EQUIPMENT INSTL-MAIN ELECTRONICS EQPT CTR ANTISKID AUTOBRAKE FOR DETAILS SEE: 32-42-01-08	108120	1
- 585	284N4000-340024	.	EQUIPMENT INSTL-MAIN ELECTRONICS EQPT CTR ALTITUDE ALERT FOR DETAILS SEE: 34-16-01-08	108120	1
- 615	284N4000-340018	.	EQUIPMENT INSTL-MAIN ELECTRONICS EQPT CTR MULTI MODE RCVR FOR DETAILS SEE: 34-31-51-08	108120	1
- 620	284N4000-340008	.	EQUIPMENT INSTL-MAIN ELECTRONICS EQPT CTR RADIO ALTM XMTR RCVR FOR DETAILS SEE: 34-33-01-08	108120	1
- 625	284N4000-340015	.	EQUIPMENT INSTL-MAIN ELECTRONICS EQPT CTR TCAS COMPUTER FOR DETAILS SEE: 34-45-51-08	108120	1
- 630	284N4000-340082	.	EQUIPMENT INSTL-MAIN ELECTRONICS EQPT CTR GND PROXIMITY COMPUTER USED ON: 284N0901-32 FOR DETAILS SEE: 34-46-01-08	108120	1
- 635	284N4000-340042	.	EQUIPMENT INSTL-MAIN ELECTRONICS EQPT CTR VHF OMNIDIRECTIONAL RANGING MARKER FOR DETAILS SEE: 34-51-01-08	108120	1
- 655	284N4000-340066	.	EQUIPMENT INSTL-MAIN ELECTRONICS EQPT CTR AIR TRAFFIC CONT XPNDR FOR DETAILS SEE: 34-53-01-18	108120	1
- 675	284N4000-340020	.	EQUIPMENT INSTL-MAIN ELECTRONICS EQPT CTR DME INTERROGATOR FOR DETAILS SEE: 34-55-01-08	108120	1

MISSING ITEM NUMBERS NOT APPLICABLE

- ITEM NOT ILLUSTRATED

BRI

24-00-58-05F

BOEING PROPRIETARY - Copyright © - Unpublished Work - See title page for details.

24-00-58
FIG. 05F
PAGE 6
JAN 20/09



757

PARTS CATALOG (MAINTENANCE)

FIG ITEM	PART NUMBER	1 2 3 4 5 6 7	NOMENCLATURE	EFFECT FROM TO	UNITS PER ASSY
5F - 680	284N4000-340023	.	EQUIPMENT INSTL-MAIN ELECTRONICS EQPT CTR FMC USED ON: 284N0901-32 FOR DETAILS SEE: 34-61-01-08	108120	1
- 695	284N4000-770002	.	EQUIPMENT INSTL-MAIN ELECTRONICS EQPT CTR ENG SPEED IND FOR DETAILS SEE: 77-12-01-08	108120	1
- 700	284N4000-770003	.	EQUIPMENT INSTL-MAIN ELECTRONICS EQPT CTR ENG INDICATION AND CREW ALERTING SYS FOR DETAILS SEE: 77-31-51-08	108120	1
- 821	284N6000-240000	.	EQUIPMENT INSTL-E6 AFT EQPT CTR PWR 90-MIN SMALL RACK STBY FOR DETAILS SEE: 24-31-07-02 24-33-02-02	108120	1
- 830	284N6000-240006	.	EQUIPMENT INSTL-E6 AFT EQPT CTR APU BATTERY SMALL RACK FUNCTIONAL REFERENCE: ELECTRICAL POWER FOR DETAILS SEE 24-31-03-04 24-31-04-05 AIRBORNE AUXILIARY POWER FOR DETAILS SEE 49-61-05-06	108120	1
- 845	284N6000-340013	.	EQUIPMENT INSTL-E6 AFT EQPT CTR L ADF RCVR FOR DETAILS SEE: 34-57-01-05	108120	1
- 848	284N6000-340014	.	EQUIPMENT INSTL-E6 AFT EQPT CTR R ADF RCVR FOR DETAILS SEE: 34-57-01-06	108120	1

MISSING ITEM NUMBERS NOT APPLICABLE

- ITEM NOT ILLUSTRATED

24-00-58-05F

24-00-58
FIG. 05F
PAGE 7
JAN 20/09

BRI

BOEING PROPRIETARY - Copyright © - Unpublished Work - See title page for details.



757

PARTS CATALOG (MAINTENANCE)

FIG ITEM	PART NUMBER	1 2 3 4 5 6 7	NOMENCLATURE	EFFECT FROM TO	UNITS PER ASSY
5 F - 900	285N0031-46		. FILE ASSY-FIRE DETECTION P54 CARD SUPPLIER CODE: V89954 FUNCTIONAL REFERENCE: PLACARDS AND MARKINGS FOR DETAILS SEE 11-36-19-01A FIRE PROTECTION FOR DETAILS SEE 26-11-53-01A	102102 108120 504903	1

MISSING ITEM NUMBERS NOT APPLICABLE

- ITEM NOT ILLUSTRATED

BRI

24-00-58-05F

BOEING PROPRIETARY - Copyright © - Unpublished Work - See title page for details.

24-00-58
FIG. 05F
PAGE 8
JAN 20/09

 **BOEING**
757
PARTS CATALOG (MAINTENANCE)

NON-ILLUSTRATED FIGURE

THE ITEMS REFLECTED IN THIS FIGURE ARE INTENTIONALLY
NON-ILLUSTRATED. THEY ARE REFERENCED TO EITHER A
NEXT HIGHER OR NEXT LOWER ASSEMBLY/INSTALLATION FIGURE.

Y 24006001 SH1 1 REV 005

PROVISION INSTL-WIRE
FIGURE 1

24-00-60-01

BRI
MAY 28/07

24-00-60-01
PAGE 0



757

PARTS CATALOG (MAINTENANCE)

FIG ITEM	PART NUMBER	1 2 3 4 5 6 7	NOMENCLATURE	EFFECT FROM TO	UNITS PER ASSY
1			PROVISION INSTL-WIRE	002004 006100 107107 121503 904999	
- 1	287N0001-1		PROVISION INSTL-WIRE VARIABLE DRAWING REF: 287N0001-5001 287N0001-5002	002004 006100 107107 121503 904999	1
- 3	287N0002-2		.COLLECTOR INSTL- MISC PARTS FOR DETAILS SEE: 28-21-51-01	010100 950951	1
- 5	287N4103-1		.SUPPORT INSTL-WIRE STRUCTURAL POSITION DATA: SECT. 41 FOR DETAILS SEE: 53-11-61-01A	002004 006100 107107 121503 904999	1
- 10	287N4103-2		.SUPPORT INSTL-WIRE NON STRUCTURAL POSITION DATA: SECT 41. FOR DETAILS SEE: 53-11-61-02 53-11-61-03 53-11-61-18	002004 006100 107107 121503 904999	1
- 15	287N4300-1		.PROVISION INSTL-PASS. CAB. OVHD WIRE POSITION DATA: SECT. 43	002004 006100 107107 121503 904999	1
- 20	287N4308-1		..ELECTRICAL INSTL- POSITION DATA: SECT. 43	002004 006100 107107 121503 904999	1
- 22	280T1003-1		...RECEPTACLE ASSY-SHORTING SUPPLIER CODE: V89954	002004 006100 107107 121503 904999	5
- 25	BACG20ZM1900B		...GROMMET-	002004 006100 107107 121503 904999	1

MISSING ITEM NUMBERS NOT APPLICABLE

- ITEM NOT ILLUSTRATED

24-00-60-01

24-00-60
FIG. 01
PAGE 1
JAN 20/09

BRI



757

PARTS CATALOG (MAINTENANCE)

FIG ITEM	PART NUMBER	1 2 3 4 5 6 7	NOMENCLATURE	EFFECT FROM TO	UNITS PER ASSY
1					
- 30	BACG20AD355	...	GROMMET	002004 006100 107107 121503 904999	1
- 35	S38J1	...	SUPPORT-ATTACHMENT SUPPLIER CODE: V59237 SPECIFICATION NUMBER: BACS38J1 OPTIONAL PART: 30187-2 V26835	002004 006100 107107 121503 904999	1
- 36	S38J2	...	SUPPORT SUPPLIER CODE: V59237 SPECIFICATION NUMBER: BACS38J2 OPTIONAL PART: 30187-3 V26835	002004 006100 107107 121503 904999	1
- 38	287N4303-6	..	BRACKET INSTL-DISC. FOR DETAILS SEE: 24-00-60-03	107107 121503 904949	2
- 39	287N4303-7	..	BRACKET INSTL-DISC. FOR DETAILS SEE: 24-00-60-03	107107 121503 904949	2
- 41	287N4303-18	..	BRACKET INSTL-PASS. CAB. OVHD WIRE POSITION DATA: SECT. 43 FOR DETAILS SEE: 24-00-60-03	002004 006012 107107 121503 904999	1
- 41	287N4303-19	..	BRACKET INSTL-PASS. CAB. OVHD DISC. WIRE POSITION DATA: SECT. 43 FOR DETAILS SEE: 24-00-60-03	002004 006012 950999	1
- 41	287N4303-20	..	BRACKET INSTL-PASS. CAB. OVHD DISC. WIRE POSITION DATA: SECT. 43 FOR DETAILS SEE: 24-00-60-03	121503 904949	1

MISSING ITEM NUMBERS NOT APPLICABLE

- ITEM NOT ILLUSTRATED

24-00-60-01

24-00-60
FIG. 01
PAGE 2
JAN 20/09

BRI



757

PARTS CATALOG (MAINTENANCE)

FIG ITEM	PART NUMBER	1 2 3 4 5 6 7	NOMENCLATURE	EFFECT FROM TO	UNITS PER ASSY
1					
- 41	287N4303-36		..PROVISION INSTL-PASS. CAB. OVHD WIRE POSITION DATA: SECT. 43 FOR DETAILS SEE: 24-00-60-03	107107	1
- 41	287N4303-56		..PROVISION INSTL-WIRE PASS. CAB. OVHD POSITION DATA: SECT. 43, R FOR DETAILS SEE: 53-30-51-66A	002004 006100 121503 950999	1
- 41	287N4303-61		..SUPPORT INSTL-WIRE PASS. CAB. OVHD POSITION DATA: SECT. 43 L FOR DETAILS SEE: 53-30-51-62G	002004 006010 121503 950999	1
- 41	287N4303-76		..SUPPORT INSTL-WIRE PASS. CAB. OVHD POSITION DATA: SECT. 43 L FOR DETAILS SEE: 53-30-51-62J	011100	1
- 42	287N4303-44		..BRACKET INSTL-DISC. FOR DETAILS SEE: 24-00-60-03	121503	1
- 43	287N4303-63		..PROVISION INSTL-PASS. CAB. OVHD WIRE POSITION DATA: SECT 43 FOR DETAILS SEE: 24-00-60-03	002004 006100 121503 950999	1
- 44	287N4303-8		..BRACKET INSTL-DISC. FOR DETAILS SEE: 24-00-60-03	002004 006012 107107 121503 904999	1
- 44	287N4303-13		..BRACKET INSTL-DISC. FOR DETAILS SEE: 24-00-60-03	002004 006012 950999	1
- 45	287N4303-3		..PROVISION INSTL-PASS. CAB. OVHD WIRE POSITION DATA: SECT. 43 FOR DETAILS SEE: 24-00-60-03	107107 904949	1

MISSING ITEM NUMBERS NOT APPLICABLE

- ITEM NOT ILLUSTRATED

24-00-60-01

24-00-60
FIG. 01
PAGE 3
JAN 20/09

BRI

 **BOEING**
757
PARTS CATALOG (MAINTENANCE)

FIG ITEM	PART NUMBER	1 2 3 4 5 6 7	NOMENCLATURE	EFFECT FROM TO	UNITS PER ASSY
1					
- 45	287N4303-26		..PROVISION INSTL-PASS. CAB. OVHD WIRE POSITION DATA: SECT. 43 FOR DETAILS SEE: 24-00-60-03	121503 904949	1
- 45	287N4303-30		..PROVISION INSTL-PASS. CAB. OVHD WIRE POSITION DATA: SECT. 43 FOR DETAILS SEE: 24-00-60-03	002004 006012 952999	1
- 46	287N4303-15		..BRACKET INSTL-DISC. FOR DETAILS SEE: 24-00-60-03	002004 006012 950999	1
- 46	287N4303-58		..PROVISION INSTL-PASS. CAB. OVHD WIRE POSITION DATA: SECT. 43 FOR DETAILS SEE: 24-00-60-03	002004 006100 121503 950999	1
- 46	287N4303-67		..PROVISION INSTL-PASS. CAB. OVHD WIRE POSITION DATA: SECT. 43 FOR DETAILS SEE: 53-30-51-69F	011100	1
- 46	287N4303-69		..PROVISION INSTL-PASS. CAB. OVHD WIRE POSITION DATA: SECT. 43 FOR DETAILS SEE: 53-30-51-69F	011100	1
- 46	287N4303-70		..PROVISION INSTL-PASS. CAB. OVHD WIRE POSITION DATA: SECT. 43 FOR DETAILS SEE: 53-30-51-69E	011100	1
- 47	287N4303-4		..BRACKET INSTL-DISC. FOR DETAILS SEE: 24-00-60-03	904949	1
- 47	287N4303-72		..PROVISION INSTL-PASS. CAB. OVHD WIRE POSITION DATA: SECT. 43 FOR DETAILS SEE: 53-30-51-69E	011100	1

MISSING ITEM NUMBERS NOT APPLICABLE

- ITEM NOT ILLUSTRATED

BRI

24-00-60-01

BOEING PROPRIETARY - Copyright © - Unpublished Work - See title page for details.

24-00-60
FIG. 01
PAGE 4
JAN 20/09



757

PARTS CATALOG (MAINTENANCE)

FIG ITEM	PART NUMBER	1 2 3 4 5 6 7	NOMENCLATURE	EFFECT FROM TO	UNITS PER ASSY
1					
- 47	287N4303-73		..PROVISION INSTL-PASS. CAB. OVHD WIRE POSITION DATA: SECT. 43 FOR DETAILS SEE: 53-30-51-69K	011100	1
- 47	287N4303-74		..PROVISION INSTL-PASS. CAB. OVHD WIRE POSITION DATA: SECT. 43 FOR DETAILS SEE: 53-30-51-69K	011100	1
- 48	287N4303-16		..BRACKET INSTL-DISC. FOR DETAILS SEE: 24-00-60-03	121503 904949	1
- 48	287N4303-90		..PROVISION INSTL-WIRE PASS. CAB. OVHD POSITION DATA: SECT. 43 STA 530 STGR-5R FOR DETAILS SEE: 53-30-51-69E	011100	1
- 49	287N4001-3		..SEAL INSTL-ELEC WIRING POSITION DATA: SECT. 43 FOR DETAILS SEE: 53-00-51-01	002004 006100 107107 121503 904999	1
- 55	287N4300-3		.PROVISION INSTL-CARGO COMPT WIRE (ELECTRICAL POWER ONLY) POSITION DATA: SECT. 43 LWR FUNCTIONAL REFERENCE: PLACARDS AND MARKINGS FOR DETAILS SEE 11-37-05-01	002004 006100 107107 121503 904999	1
- 56	287N1114-5		..PANEL INSTL-P37 MISC RELAY DISC. POSITION DATA: R FOR DETAILS SEE: 53-30-51-12	107107 121503 904949	1
- 56	287N1114-3		..PANEL INSTL-P37 MISC RELAY DISC. POSITION DATA: R FOR DETAILS SEE: 53-30-51-12	002004 006017 950999	1

MISSING ITEM NUMBERS NOT APPLICABLE

- ITEM NOT ILLUSTRATED

24-00-60-01

24-00-60
FIG. 01
PAGE 5
JAN 20/09

BRI



757

PARTS CATALOG (MAINTENANCE)

FIG ITEM	PART NUMBER	1 2 3 4 5 6 7	NOMENCLATURE	EFFECT FROM TO	UNITS PER ASSY
1					
- 56	287N1114-6		..PANEL INSTL-P37 MISC RELAY DISC. POSITION DATA: R FOR DETAILS SEE: 53-30-51-12	018100	1
- 57	287N1402-4		..BRACKET INSTL-P36 PNL DISC. FOR DETAILS SEE: 53-11-64-01	107107 121503 904949	1
- 57	287N1402-5		..BRACKET INSTL-P36 PNL DISC. FOR DETAILS SEE: 53-11-64-01	002004 006100 121503 904999	1
- 58	287N4305-1		..PROVISION INSTL-A/C MIX BAY WIRE FOR DETAILS SEE: 53-30-51-18A	002004 006100 107107 121503 904999	1
- 61	287N4346-1		..BRACKET INSTL-TCAS ANTENNA ELEC/ELECT. BAY DISC. FOR DETAILS SEE: 53-30-51-09	002004 006100 121503 950999	1
- 62	287N4316-1		..WIRE INSTL-FRONT SPAR GND STUD BUILD-UP POSITION DATA: LH SIDE FOR DETAILS SEE: 57-21-52-01	002004 006100 107107 121503 904999	1
- 63	287N4316-2		..WIRE INSTL-FRONT SPAR GND STUD BUILD-UP POSITION DATA: RH SIDE FOR DETAILS SEE: 57-21-52-01	002004 006100 107107 121503 904999	1
- 66	287N4319-73		..PROVISION INSTL-ELEC/ ELECT. BAY SIDEWALL WIRE POSITION DATA: SECT. 43 FOR DETAILS SEE: 53-30-51-08	107107 904949	1
- 67	287N4326-1		..PROVISION INSTL-ELEC/ ELECT. BAY FLOOR BEAM WIRE FOR DETAILS SEE: 24-50-51-01	002004 006100 107107 121503 904999	1

MISSING ITEM NUMBERS NOT APPLICABLE

- ITEM NOT ILLUSTRATED

24-00-60-01

24-00-60
FIG. 01
PAGE 6
JAN 20/09

BRI

BOEING PROPRIETARY - Copyright © - Unpublished Work - See title page for details.



757

PARTS CATALOG (MAINTENANCE)

FIG ITEM	PART NUMBER	1 2 3 4 5 6 7	NOMENCLATURE	EFFECT FROM TO	UNITS PER ASSY
1					
- 68	287N4001-10		..SEAL INSTL-CARGO DOOR CONT PAN POSITION DATA: SECT. 43 FOR DETAILS SEE: 53-00-51-01	002004 006100 107107 121503 904999	1
- 72	287N4311-1		..HARNES INSTL-DOOR HINGE POSITION DATA: FWD CARGO COMPT FOR DETAILS SEE: 52-34-53-01	002004 006100 107107 121503 904999	1
- 74	287N4313-7		..BRACKET INSTL-DISC. E4-4 SHELF FOR DETAILS SEE: 53-10-55-01	002004 006100 107107 121503 904999	1
- 77	287N4318-93		..PROVISION INSTL-ELEC/ ELECT. BAY FLOOR BEAM WIRE POSITION DATA: SECT. 43 FOR DETAILS SEE: 53-30-51-05	011100	1
- 77	287N4318-1		..PROVISION INSTL-ELEC/ ELECT. BAY FLOOR BEAM WIRE POSITION DATA: SECT. 43 FOR DETAILS SEE: 53-30-51-05	002004 006010 107107 121503 904999	1
- 77	287N4318-2		..PROVISION INSTL-ELEC/ ELECT. BAY FLOOR BEAM WIRE POSITION DATA: SECT. 43 FOR DETAILS SEE: 53-30-51-05	002004 006010 107107 121503 904999	1
- 77	287N4318-92		..PROVISION INSTL-ELEC/ ELECT. BAY FLOOR BEAM WIRE POSITION DATA: SECT. 43 FOR DETAILS SEE: 53-30-51-05	011100	1

MISSING ITEM NUMBERS NOT APPLICABLE

- ITEM NOT ILLUSTRATED

24-00-60-01

24-00-60
FIG. 01
PAGE 7
JAN 20/09

BRI



757

PARTS CATALOG (MAINTENANCE)

FIG ITEM	PART NUMBER	1 2 3 4 5 6 7	NOMENCLATURE	EFFECT FROM TO	UNITS PER ASSY
1					
- 78	287N4319-2	..	PROVISION INSTL-ELEC/ ELECT. BAY SIDEWALL WIRE POSITION DATA: SECT. 43 FOR DETAILS SEE: 53-30-51-16	002004 006100 107107 121503 904999	1
- 78	287N4319-1	..	PROVISION INSTL-ELEC/ ELECT. BAY SIDEWALL WIRE POSITION DATA: SECT. 43 FOR DETAILS SEE: 53-30-51-16	002004 006100 107107 121503 904999	1
- 78	287N4320-1	..	PROVISION INSTL-ELEC/ ELECT. BAY STANCHION WIRE POSITION DATA: SECT. 43 FOR DETAILS SEE: 53-30-51-16	002004 006010 107107 121503 904999	1
- 78	287N4320-23	..	PROVISION INSTL-ELEC/ ELECT. BAY STANCHION WIRE POSITION DATA: SECT. 43 FOR DETAILS SEE: 53-30-51-01	011100	1
- 79	287N4321-1	..	PROVISION INSTL-WIRE POSITION DATA: FWD CARGO COMPT SECT. 43 FOR DETAILS SEE: 53-30-51-06	006100 107107 121503 904949	1
- 79	287N4321-17	..	PROVISION INSTL-WIRE POSITION DATA: FWD CARGO COMPT SECT. 43 FOR DETAILS SEE: 53-30-51-06	002004	1
- 79	287N4321-29	..	PROVISION INSTL-WIRE POSITION DATA: FWD CARGO COMPT SECT. 43 FOR DETAILS SEE: 53-30-51-06	952999	1

MISSING ITEM NUMBERS NOT APPLICABLE

- ITEM NOT ILLUSTRATED

24-00-60-01

24-00-60
FIG. 01
PAGE 8
JAN 20/09

BRI

BOEING PROPRIETARY - Copyright © - Unpublished Work - See title page for details.



757

PARTS CATALOG (MAINTENANCE)

FIG ITEM	PART NUMBER	1 2 3 4 5 6 7	NOMENCLATURE	EFFECT FROM TO	UNITS PER ASSY
1					
- 79	287N4321-66	..	PROVISION INSTL-WIRE POSITION DATA: FWD CARGO COMPT SECT. 43 FOR DETAILS SEE: 53-30-51-06	002004 006100 121503 950951 953999	1
- 79	287N4321-71	..	PROVISION INSTL-WIRE POSITION DATA: FWD CARGO COMPT SECT. 43 FOR DETAILS SEE: 53-30-51-06	950951	1
- 80	012N8974-1	..	SUPPORT INSTL-WIRE BUNDLE TOP KIT POSITION DATA: SECT. 43, LWR LOBE POST ALERT SB: 30A0018 FOR DETAILS SEE: 53-30-00-01	002004 006100 107107 121503 904999	1
- 81	287N4400-4	.	PROVISION INSTL-WIRE POSITION DATA: SECT. 44 LH	002004 006100 107107 121503 904999	1
- 81	287N4400-1	.	PROVISION INSTL-WIRE POSITION DATA: SECT. 44 LH	002004 006100 107107 121503 904999	1
- 81	287N4400-6	.	PROVISION INSTL-WIRE POSITION DATA: SECT. 44 LH	002004 006100 107107 121503 904999	1
- 82	287N4001-12	..	SEAL INSTL-ELEC WIRING POSITION DATA: SECT. 44 USED ON: 287N4400-4 FOR DETAILS SEE: 53-00-51-01	002004 006100 107107 121503 904999	1
- 82	287N4001-15	..	SEAL INSTL-ELEC WIRING POSITION DATA: SECT. 44 FOR DETAILS SEE: 53-00-51-01	002004 006100 107107 121503 904999	1

MISSING ITEM NUMBERS NOT APPLICABLE

- ITEM NOT ILLUSTRATED

24-00-60-01

24-00-60
FIG. 01
PAGE 9
JAN 20/09

BRI



757

PARTS CATALOG (MAINTENANCE)

FIG ITEM	PART NUMBER	1 2 3 4 5 6 7	NOMENCLATURE	EFFECT FROM TO	UNITS PER ASSY
1					
- 83	TC1112		..STRIP-MTG BUNDLE WIRE SUPPLIER CODE: V59730 USED ON: 287N4400-1	002004 006100 107107 121503 904999	2
- 85	287N4414-1		..PROVISION INSTL-MAIN WHL WELL POSITION DATA: REAR SPAR FOR DETAILS SEE: 53-41-62-01	002004 006100 107107 121503 904999	1
- 105	287N4404-1		..ELECTRICAL INSTL-SECT. 44 USED ON: 287N4400-1	002004 006100 107107 121503 904999	1
- 110	BACG20ZM1900B		...GROMMET-	002004 006100 107107 121503 904999	21
- 115	S38J1		...SUPPORT-ATTACHMENT SUPPLIER CODE: V59237 SPECIFICATION NUMBER: BACS38J1 OPTIONAL PART: 30187-2 V26835	002004 006100 107107 121503 904999	AR
- 120	S38J2		...SUPPORT SUPPLIER CODE: V59237 SPECIFICATION NUMBER: BACS38J2 OPTIONAL PART: 30187-3 V26835	002004 006100 107107 121503 904999	AR
- 125	287N4400-2		.PROVISION INSTL-WIRE POSITION DATA: SECT. 44 RH	002004 006100 107107 121503 904999	1
- 127	TC1112		..STRIP-MTG BUNDLE WIRE SUPPLIER CODE: V59730	002004 006100 107107 121503 904999	2

MISSING ITEM NUMBERS NOT APPLICABLE

- ITEM NOT ILLUSTRATED

BRI

24-00-60-01

BOEING PROPRIETARY - Copyright © - Unpublished Work - See title page for details.

24-00-60
FIG. 01
PAGE 10
JAN 20/09



757

PARTS CATALOG (MAINTENANCE)

FIG ITEM	PART NUMBER	1 2 3 4 5 6 7	NOMENCLATURE	EFFECT FROM TO	UNITS PER ASSY
1					
- 135	287N4414-2		..PROVISION INSTL-MAIN WHL WELL POSITION DATA: REAR SPAR FOR DETAILS SEE: 53-41-62-01	107107 904949	1
- 135	287N4414-9		..PROVISION INSTL-MAIN WHL WELL POSITION DATA: REAR SPAR FOR DETAILS SEE: 53-41-62-01	002004 006100 121503 950999	1
- 150	287N4400-3		.PROVISION INSTL-PASS. CAB. OVHD WIRE POSITION DATA: SECT. 44	002004 006100 107107 121503 904999	1
- 160	287N4402-5		..PROVISION INSTL-PASS. CAB. OVHD WIRE POSITION DATA: SECT. 44 FOR DETAILS SEE: 53-41-60-01	107107	1
- 163	287N4402-11		..PROVISION INSTL-PASS. CAB. OVHD WIRE POSITION DATA: SECT. 44 FOR DETAILS SEE: 53-41-60-01	107107	1
- 165	287N4402-6		..BRACKET INSTL-PASS. CAB. OVHD POSITION DATA: SECT. 44 FOR DETAILS SEE: 53-41-60-01	107107	1
- 167	287N4402-12		..BRACKET INSTL-PASS. CAB. OVHD POSITION DATA: SECT. 44 FOR DETAILS SEE: 53-41-60-01	002004 006010 107107 121503 904999	1
- 167	287N4402-13		..BRACKET INSTL-PASS. CAB. OVHD POSITION DATA: SECT. 44 FOR DETAILS SEE: 53-41-60-01	002004 006100 121503 904999	1

MISSING ITEM NUMBERS NOT APPLICABLE

- ITEM NOT ILLUSTRATED

BRI

24-00-60-01

24-00-60
FIG. 01
PAGE 11
JAN 20/09



757

PARTS CATALOG (MAINTENANCE)

FIG ITEM	PART NUMBER	1 2 3 4 5 6 7	NOMENCLATURE	EFFECT FROM TO	UNITS PER ASSY
1					
- 169	287N4419-1		..PROVISION INSTL-PASS. CAB. OVHD WIRE POSITION DATA: SECT. 44 FOR DETAILS SEE: 53-41-60-01	002004 006100 121503 904999	1
- 169	287N4419-2		..PROVISION INSTL-PASS. CAB. OVHD WIRE POSITION DATA: SECT. 44 FOR DETAILS SEE: 53-41-60-01	904949	1
- 169	287N4419-4		..BRACKET INSTL-PASS. CAB. OVHD WIRE POSITION DATA: SECT. 44 FOR DETAILS SEE: 53-41-60-01	002004 006100 121503 950999	1
- 170	287N4600-1		.PROVISION INSTL-WIRE POSITION DATA: SECT. 46 FUNCTIONAL REFERENCE: PLACARDS AND MARKINGS FOR DETAILS SEE 11-37-05-01	002004 006100 107107 950999	1
- 172	287N4600-2		.PROVISION INSTL-WIRE POSITION DATA: SECT. 46 FUNCTIONAL REFERENCE: PLACARDS AND MARKINGS FOR DETAILS SEE 11-37-05-01	121503 904949	1
- 176	287N4001-8		..SEAL INSTL-BODY FAIRING POSITION DATA: SECT. 46 AFT FOR DETAILS SEE: 53-00-51-01	002004 006100 107107 121503 904999	1
- 178	287N4001-9		..SEAL INSTL-BODY/VERT FIN POSITION DATA: SECT. 46 FOR DETAILS SEE: 53-00-51-01	002004 006100 107107 121503 904999	1
- 179	287N4001-11		..SEAL INSTL-CARGO DOOR CONT PAN POSITION DATA: SECT. 46 FOR DETAILS SEE: 53-00-51-01	002004 006100 107107 121503 904999	1

MISSING ITEM NUMBERS NOT APPLICABLE

- ITEM NOT ILLUSTRATED

24-00-60-01

24-00-60
FIG. 01
PAGE 12
JAN 20/09

BRI



757

PARTS CATALOG (MAINTENANCE)

FIG ITEM	PART NUMBER	1 2 3 4 5 6 7	NOMENCLATURE	EFFECT FROM TO	UNITS PER ASSY
1					
- 183	287N4601-65		..SUPPORT INSTL-PASS. CAB. OVHD WIRE POSITION DATA: SECT. 46 LH FOR DETAILS SEE: 53-60-51-39	002004 006100 121503 950999	1
- 184	287N4601-66		..PROVISION INSTL-PASS. CAB. OVHD WIRE POSITION DATA: SECT. 46 LH FOR DETAILS SEE: 53-60-51-39	002004 006100 121503 950999	1
- 185	287N4601-5		..PROVISION INSTL-PASS. CAB. OVHD WIRE POSITION DATA: SECT. 46 FOR DETAILS SEE: 53-60-51-35	107107 904949	1
- 186	287N4601-55		..PROVISION INSTL-PASS. CAB. OVHD WIRE POSITION DATA: SECT. 46 RH FOR DETAILS SEE: 53-60-51-38	002004 006100 121503 950999	1
- 187	287N4601-56		..PROVISION INSTL-PASS. CAB. OVHD WIRE POSITION DATA: SECT. 46 RH FOR DETAILS SEE: 53-60-51-38	002004 006100 121503 950999	1
- 188	287N4601-26		..PROVISION INSTL-PASS. CAB. OVHD WIRE POSITION DATA: SECT. 46 FOR DETAILS SEE: 53-60-51-35B	002004 006100 121503 904999	1
- 189	287N4601-27		..PROVISION INSTL-VIDEO ENTERTAINMENT WIRE POSITION DATA: SECT. 46 FOR DETAILS SEE: 23-32-54-07	002004 006100 952999	1
- 189	287N4601-29		..PROVISION INSTL-VIDEO ENTERTAINMENT WIRE POSITION DATA: SECT. 46 FOR DETAILS SEE: 23-32-54-07	121503 904949	1

MISSING ITEM NUMBERS NOT APPLICABLE

- ITEM NOT ILLUSTRATED

24-00-60-01

24-00-60
FIG. 01
PAGE 13
JAN 20/09

BRI



757

PARTS CATALOG (MAINTENANCE)

FIG ITEM	PART NUMBER	1 2 3 4 5 6 7	NOMENCLATURE	EFFECT FROM TO	UNITS PER ASSY
1					
- 190	287N4601-6		..PROVISION INSTL-PASS. CAB. OVHD WIRE POSITION DATA: SECT. 46 FOR DETAILS SEE: 53-60-51-35	002004 006100 107107 121503 904999	1
- 192	287N4601-12		..PROVISION INSTL-PASS. CAB. OVHD POSITION DATA: SECT. 46 FOR DETAILS SEE: 53-60-51-35A	121503 904949	1
- 193	287N4601-40		..PROVISION INSTL-PASS. CAB. OVHD POSITION DATA: SECT. 46 FOR DETAILS SEE: 53-60-51-35A	002004 006010 121503 904999	1
- 193	287N4601-81		..PROVISION INSTL-PASS. CAB. OVHD WIRE POSITION DATA: SECT. 46 FOR DETAILS SEE: 53-60-51-37	011100	1
- 193	287N4601-83		..PROVISION INSTL-PASS. CAB. OVHD WIRE POSITION DATA: SECT. 46 FOR DETAILS SEE: 53-60-51-37	011100	1
- 194	287N4601-10		..PROVISION INSTL-PASS. CAB. OVHD WIRE POSITION DATA: SECT. 46 FOR DETAILS SEE: 53-60-51-35A	107107 904949	1
- 194	287N4601-43		..PROVISION INSTL-PASS. CAB. OVHD WIRE POSITION DATA: SECT. 46 FOR DETAILS SEE: 53-60-51-38	002004 006010 121503 904999	1
- 194	287N4601-75		..PROVISION INSTL-PASS. CAB. OVHD WIRE POSITION DATA: SECT. 46 FOR DETAILS SEE: 53-60-51-37	011100	1

MISSING ITEM NUMBERS NOT APPLICABLE

- ITEM NOT ILLUSTRATED

24-00-60-01

24-00-60
FIG. 01
PAGE 14
JAN 20/09

BRI



757

PARTS CATALOG (MAINTENANCE)

FIG ITEM	PART NUMBER	1 2 3 4 5 6 7	NOMENCLATURE	EFFECT FROM TO	UNITS PER ASSY
1					
- 194	287N4601-77	..	PROVISION INSTL-PASS. CAB. OVHD WIRE POSITION DATA: SECT. 46 FOR DETAILS SEE: 53-60-51-37	011100	1
- 194	287N4601-87	..	PROVISION INSTL-PASS. CAB. OVHD WIRE POSITION DATA: SECT. 46 FOR DETAILS SEE: 53-60-51-37	011100	1
- 195	287N4601-19	..	BRACKET INSTL-PASS. CAB. OVHD WIRE POSITION DATA: SECT. 46 FOR DETAILS SEE: 53-60-51-35A	002004 006100 107107 121503 904999	1
- 195	287N4601-20	..	BRACKET INSTL-PASS. CAB. OVHD WIRE POSITION DATA: SECT. 46 FOR DETAILS SEE: 53-60-51-35B	107107 121503 904949 952999	1
- 197	287N4601-11	..	PROVISION INSTL-PASS. CAB. OVHD WIRE POSITION DATA: SECT. 46 FOR DETAILS SEE: 53-60-51-35A	107107 904949	1
- 198	287N4601-21	..	PROVISION INSTL-PASS. CAB. OVHD WIRE FOR DETAILS SEE: 53-60-51-35B	002004 006100 950999	1
- 198	287N4601-61	..	PROVISION INSTL-PASS. CAB. OVHD WIRE POSITION DATA: SECT. 46 FOR DETAILS SEE: 53-60-51-37	002004 006100 121503 950999	1
- 198	287N4601-76	..	PROVISION INSTL-PASS. CAB. OVHD WIRE POSITION DATA: SECT. 46 FOR DETAILS SEE: 53-60-51-37	011100	1

MISSING ITEM NUMBERS NOT APPLICABLE

- ITEM NOT ILLUSTRATED

24-00-60-01

24-00-60
FIG. 01
PAGE 15
JAN 20/09

BRI



757

PARTS CATALOG (MAINTENANCE)

FIG ITEM	PART NUMBER	1 2 3 4 5 6 7	NOMENCLATURE	EFFECT FROM TO	UNITS PER ASSY
1					
- 198	287N4601-78		..PROVISION INSTL-PASS. CAB. OVHD WIRE POSITION DATA: SECT. 46 FOR DETAILS SEE: 53-60-51-37	011100	1
- 198	287N4601-86		..PROVISION INSTL-PASS. CAB. OVHD WIRE POSITION DATA: SECT. 46 FOR DETAILS SEE: 53-60-51-37	011100	1
- 198	287N4601-92		..PROVISION INSTL-PASS. CAB. OVHD WIRE POSITION DATA: SECT. 46 FOR DETAILS SEE: 53-60-51-37A	011011	1
- 198	287N4601-95		..PROVISION INSTL-PASS. CAB. OVHD WIRE POSITION DATA: SECT. 46 FOR DETAILS SEE: 53-60-51-37A	011011	1
- 198	287N4601-96		..PROVISION INSTL-PASS. CAB. OVHD WIRE POSITION DATA: SECT. 46 FOR DETAILS SEE: 53-60-51-37A	011011	1
- 198	287N4601-98		..PROVISION INSTL-PASS. CAB. OVHD WIRE POSITION DATA: SECT. 46 FOR DETAILS SEE: 53-60-51-37	011100	1
- 199	287N4601-100		..PROVISION INSTL-PASS. CAB. OVHD WIRE POSITION DATA: SECT. 46 FOR DETAILS SEE: 53-60-51-37	011100	1
- 199	287N4601-101		..PROVISION INSTL-PASS. CAB. OVHD WIRE POSITION DATA: SECT. 46 FOR DETAILS SEE: 53-60-51-37	011100	1

MISSING ITEM NUMBERS NOT APPLICABLE

- ITEM NOT ILLUSTRATED

24-00-60-01

24-00-60
FIG. 01
PAGE 16
JAN 20/09

BRI

 **BOEING**
757
PARTS CATALOG (MAINTENANCE)

FIG ITEM	PART NUMBER	1 2 3 4 5 6 7	NOMENCLATURE	EFFECT FROM TO	UNITS PER ASSY
1					
- 199	287N4601-102	..	PROVISION INSTL-PASS. CAB. OVHD WIRE POSITION DATA: SECT. 46 FOR DETAILS SEE: 53-60-51-37	011100	1
- 200	287N4601-9	..	BRACKET INSTL-PASS. CAB. OVHD WIRE POSITION DATA: SECT. 46 FOR DETAILS SEE: 53-60-51-37	107107 121503 904949	1
- 200	287N4601-111	..	PROVISION INSTL-PASS. CAB. OVHD WIRE POSITION DATA: SECT. 46 FOR DETAILS SEE: 53-60-51-35A	012100	1
- 200	287N4601-112	..	PROVISION INSTL-PASS. CAB. OVHD WIRE POSITION DATA: SECT. 46 FOR DETAILS SEE: 53-60-51-37A	012100	1
- 200	287N4601-113	..	PROVISION INSTL-PASS. CAB. OVHD WIRE POSITION DATA: SECT. 46 FOR DETAILS SEE: 53-60-51-37A	012100	1
- 202	287N4601-30	..	PROVISION INSTL-WIRE VIDEO ENTERTAINMENT SYS FOR DETAILS SEE: 53-60-51-35B	121503 904949	1
- 203	287N4601-25	..	BRACKET INSTL-PASS. CABIN OVHD WIRE POSITION DATA: SECT. 46 FOR DETAILS SEE: 53-60-51-35B	002004 006010 107107 121503 904999	1
- 204	287N4601-91	..	PROVISION INSTL-PASS. CAB. OVHD WIRE POSITION DATA: SECT. 46 FOR DETAILS SEE: 53-60-51-37	011100	1

MISSING ITEM NUMBERS NOT APPLICABLE

- ITEM NOT ILLUSTRATED

BRI

24-00-60-01

BOEING PROPRIETARY - Copyright © - Unpublished Work - See title page for details.

24-00-60
FIG. 01
PAGE 17
JAN 20/09



757

PARTS CATALOG (MAINTENANCE)

FIG ITEM	PART NUMBER	1 2 3 4 5 6 7	NOMENCLATURE	EFFECT FROM TO	UNITS PER ASSY
1					
- 205	287N4602-95	..	PROVISION INSTL-WIRE POSITION DATA: AFT CARGO COMPT FOR DETAILS SEE: 53-61-54-04	002004 006100 121503 950999	1
- 205	287N4606-1	..	PROVISION INSTL-WIRE POSITION DATA: AFT CARGO COMPT LH FOR DETAILS SEE: 53-61-54-04	107107	1
- 205	287N4606-19	..	PROVISION INSTL-WIRE POSITION DATA: AFT CARGO COMPT LH FOR DETAILS SEE: 53-61-54-04	121503 904949	1
- 205	287N4606-30	..	PROVISION INSTL-WIRE POSITION DATA: AFT CARGO COMPT LH FOR DETAILS SEE: 53-61-54-04	002004 006100 950999	1
- 208	287N4601-157	..	PROVISION INSTL- PASS. CAB. OVHD WIRE POSITION DATA: SECT. 46 LH SIDE FOR DETAILS SEE: 53-60-51-58	002004 006100 107107 121503 904999	1
- 210	287N4606-41	..	PROVISION INSTL-WIRE POSITION DATA: AFT CARGO COMPT RH FOR DETAILS SEE: 53-61-54-04	002004 006100 121503 950999	1
- 210	287N4606-2	..	PROVISION INSTL-WIRE POSITION DATA: AFT CARGO COMPT RH FOR DETAILS SEE: 53-61-54-04	002004 006100 107107 950999	1
- 210	287N4606-20	..	PROVISION INSTL-WIRE POSITION DATA: AFT CARGO COMPT RH FOR DETAILS SEE: 53-61-54-04	121503 904949	1
- 212	287N4605-3	..	BRACKET INSTL-E6 ELEC SHELVES WIRE POSITION DATA: STA 1620 FOR DETAILS SEE: 53-60-51-54	121503 904949	1

MISSING ITEM NUMBERS NOT APPLICABLE

- ITEM NOT ILLUSTRATED

24-00-60-01

24-00-60
FIG. 01
PAGE 18
JAN 20/09

BRI

BOEING PROPRIETARY - Copyright © - Unpublished Work - See title page for details.



757

PARTS CATALOG (MAINTENANCE)

FIG ITEM	PART NUMBER	1 2 3 4 5 6 7	NOMENCLATURE	EFFECT FROM TO	UNITS PER ASSY
1					
- 212	287N4605-16		..BRACKET INSTL-E6 ELEC SHELVES WIRE POSITION DATA: STA 1480 FOR DETAILS SEE: 53-60-51-54	002004 006100 107107 950999	1
- 213	287N4311-2		..HARNESST INSTL-DOOR HINGE POSITION DATA: AFT CARGO COMPT FOR DETAILS SEE: 52-34-53-01	002004 006100 107107 121503 904999	1
- 215	287N5001-233		..CABLE ASSY-JUMPER	121503 904949	1
- 216	287N5001-15		..CABLE ASSY-JUMPER	121503 904949	2
- 230	287N4800-1		.PROVISION INSTL-TOP COLLECTOR WIRE POSITION DATA: SECT. 48 VARIABLE DRAWING REF: 287N4800-5001	002004 006100 107107 121503 904999	1
- 232	287N4001-5		..SEAL INSTL-ELEC WIRING POSITION DATA: SECT. 48 FOR DETAILS SEE: 53-00-51-01	002004 006100 107107 121503 904999	1
- 235	287N4821-3		..MARKER INSTL-FIREWALL POSITION DATA: SECT. 48 STA 1885.2 FOR DETAILS SEE: 11-35-11-50	002004 006100 121503 950951 953999	1
- 240	287N4818-4		..PROVISION INSTL-WIRE POSITION DATA: SECT. 48 UPR FWD FOR DETAILS SEE: 24-00-60-04	016017	1
- 240	287N4818-1		..PROVISION INSTL-WIRE POSITION DATA: SECT. 48 UPR FWD FOR DETAILS SEE: 24-00-60-04	002004 006015 107107 121503 904999	1
- 240	287N4818-5		..PROVISION INSTL-WIRE POSITION DATA: SECT. 48 UPR FWD FOR DETAILS SEE: 24-00-60-04	018100	1

MISSING ITEM NUMBERS NOT APPLICABLE

- ITEM NOT ILLUSTRATED

24-00-60-01

24-00-60
FIG. 01
PAGE 19
JAN 20/09

BRI



757

PARTS CATALOG (MAINTENANCE)

FIG ITEM	PART NUMBER	1 2 3 4 5 6 7	NOMENCLATURE	EFFECT FROM TO	UNITS PER ASSY
1					
- 245	287N4801-1		..PROVISION INSTL-MISC. BUNDLE SPRT POSITION DATA: SECT. 48 FOR DETAILS SEE: 24-00-60-04	107107	1
- 245	287N4801-4		..PROVISION INSTL-MISC. BUNDLE SPRT POSITION DATA: SECT. 48 FOR DETAILS SEE: 24-00-60-04	002004 006100 121503 904999	1
- 280	287N4818-2		..PROVISION INSTL-WIRE POSITION DATA: SECT. 48 UPR FWD FOR DETAILS SEE: 24-00-60-04	002004 006100 107107 121503 904999	1
- 285	287N4818-3		..PROVISION INSTL-WIRE POSITION DATA: SECT. 48 UPR FWD FOR DETAILS SEE: 24-00-60-04	002004 006100 107107 121503 904999	1
- 290	287N4804-1		..PROVISION INSTL-WIRE POSITION DATA: SECT. 48 UPR AFT FOR DETAILS SEE: 24-00-60-05	002004 006100 107107 121503 904999	1
- 295	287N4817-1		..PROVISION INSTL-WIRE POSITION DATA: SECT. 48 LWR R FOR DETAILS SEE: 24-00-60-05	002004 006100 107107 121503 904999	1
- 300	287N4817-2		..PROVISION INSTL-WIRE POSITION DATA: SECT. 48 LWR R FOR DETAILS SEE: 24-00-60-05	002004 006100 107107 121503 904999	1
- 307	287N4811-1		..PROVISION INSTL-WIRE POSITION DATA: STA 1862.7 TO 1885.2 UPR RH SIDE FOR DETAILS SEE: 53-86-53-01	002004 006100 107107 121503 904999	1
- 310	287N6000-1		.PROVISION INSTL-WIRE MLG ELEC HARNESS POSITION DATA: SECT. 60, 61 AND 62	002004 006100 107107 121503 904999	1

MISSING ITEM NUMBERS NOT APPLICABLE

- ITEM NOT ILLUSTRATED

24-00-60-01

24-00-60
FIG. 01
PAGE 20
JAN 20/09

BRI



757

PARTS CATALOG (MAINTENANCE)

FIG ITEM	PART NUMBER	1 2 3 4 5 6 7	NOMENCLATURE	EFFECT FROM TO	UNITS PER ASSY
1					
- 315	287N6100-89		..HARNESST INSTL-MLG POSITION DATA: L FUNCTIONAL REFERENCE: LANDING GEAR FOR DETAILS SEE 32-42-51-01 32-61-52-02	107107	1
- 315	287N6100-107		..HARNESST INSTL-MLG POSITION DATA: L FUNCTIONAL REFERENCE: LANDING GEAR FOR DETAILS SEE 32-42-51-01 32-61-52-02	904949	1
- 315	287N6100-113		..HARNESST INSTL-MLG POSITION DATA: L REWORK DRAWING REF: 012N8940-1 REWORKED BY SB: 32-0121 FUNCTIONAL REFERENCE: LANDING GEAR FOR DETAILS SEE 32-42-51-01 32-61-52-02 32-61-52-02H	002004 006100 121503 950999	1
- 317	287N6100-73		..HARNESST INSTL-BRAKE TEMP SENSOR MLG OPT POSITION DATA: L FUNCTIONAL REFERENCE: LANDING GEAR FOR DETAILS SEE 32-46-51-01 32-61-52-02	121503 904949	1
- 320	287N6100-90		..HARNESST INSTL-MLG OPTIONAL INSTALLATION POSITION DATA: R FUNCTIONAL REFERENCE: LANDING GEAR FOR DETAILS SEE 32-42-51-01 32-61-52-02	107107	1

MISSING ITEM NUMBERS NOT APPLICABLE

- ITEM NOT ILLUSTRATED

24-00-60-01

24-00-60
FIG. 01
PAGE 21
JAN 20/09

BRI



757

PARTS CATALOG (MAINTENANCE)

FIG ITEM	PART NUMBER	1 2 3 4 5 6 7	NOMENCLATURE	EFFECT FROM TO	UNITS PER ASSY
1					
- 320	287N6100-108		..HARNESST INSTL-MLG OPTIONAL INSTALLATION POSITION DATA: R FUNCTIONAL REFERENCE: LANDING GEAR FOR DETAILS SEE 32-42-51-01 32-61-52-02	904949	1
- 320	287N6100-114		..HARNESST INSTL-MLG POSITION DATA: R REWORK DRAWING REF: 012N8940-1 REWORKED BY SB: 32-0121 FUNCTIONAL REFERENCE: LANDING GEAR FOR DETAILS SEE 32-42-51-01 32-61-52-02 32-61-52-02H	002004 006100 121503 950999	1
- 322	287N6100-74		..HARNESST INSTL-BRAKE TEMP SENSOR MLG OPT POSITION DATA: R FUNCTIONAL REFERENCE: LANDING GEAR FOR DETAILS SEE 32-42-51-01 32-46-51-01 32-61-52-02 32-61-52-02H	121503 904949	1
- 323	287N6100-87		..HARNESST INSTL-MLG ELEC LANDING GEAR POSITION INDICATING AND WARNING SYSTEM POSITION DATA: L FOR DETAILS SEE: 32-61-52-02	107107	1
- 323	287N6100-111		..HARNESST INSTL-MLG ELEC LANDING GEAR POSITION INDICATING AND WARNING SYSTEM POSITION DATA: L FOR DETAILS SEE: 32-61-52-02	002004 006100 121503 904999	1

MISSING ITEM NUMBERS NOT APPLICABLE

- ITEM NOT ILLUSTRATED

24-00-60-01

24-00-60
FIG. 01
PAGE 22
JAN 20/09

BRI



757

PARTS CATALOG (MAINTENANCE)

FIG ITEM	PART NUMBER	1 2 3 4 5 6 7	NOMENCLATURE	EFFECT FROM TO	UNITS PER ASSY
1					
- 324	287N6100-88		..HARNESST INSTL-MLG ELEC LANDING GEAR POSITION INDICATING AND WARNING SYSTEM POSITION DATA: R FOR DETAILS SEE: 32-61-52-02	107107	1
- 324	287N6100-112		..HARNESST INSTL-MLG ELEC LANDING GEAR POSITION INDICATING AND WARNING SYSTEM POSITION DATA: R FOR DETAILS SEE: 32-61-52-02	002004 006100 121503 904999	1
- 325	287N6000-2		.PROVISION INSTL-WIRE NLG ELEC HARNESST POSITION DATA: SECT. 60, 61 AND 62	002004 006100 107107 121503 904999	1
- 330	287N6200-5		..HARNESST INSTL-NLG ELEC FOR DETAILS SEE: 32-21-51-01	002004 006100 107107 121503 904999	1
- 335	287N6200-2		..HARNESST INSTL-NLG ELEC OPTIONAL INSTALLATION FOR DETAILS SEE: 32-21-51-01	952999	1
- 340	287N7200-1		.PROVISION INSTL-VERT. STAB. POSITION DATA: SECT. 72 AND 80	002004 006100 107107 121503 904999	1
- 342	287N4001-7		..SEAL INSTL-ELEC WIRING POSITION DATA: SECT. 70 FOR DETAILS SEE: 53-00-51-01	002004 006100 107107 121503 904999	1
- 343	287N7200-2		.PROVISION INSTL-HORIZ STAB. POSITION DATA: SECT. 72 AND 80	002004 006100 107107 121503 904999	1

MISSING ITEM NUMBERS NOT APPLICABLE

- ITEM NOT ILLUSTRATED

24-00-60-01

24-00-60
FIG. 01
PAGE 23
JAN 20/09

BRI



757

PARTS CATALOG (MAINTENANCE)

FIG ITEM	PART NUMBER	1 2 3 4 5 6 7	NOMENCLATURE	EFFECT FROM TO	UNITS PER ASSY
1					
- 345	287N8001-1		..PROVISION INSTL-HORIZ STAB. WIRE FOR DETAILS SEE: 53-86-52-02	002004 006100 107107 121503 904999	1
- 350	287N8001-2		..PROVISION INSTL-HORIZ STAB. WIRE FOR DETAILS SEE: 53-86-52-02	002004 006100 107107 121503 904999	1
- 355	287N7200-3		.PROVISION INSTL-HORIZ STAB. POSITION DATA: SECT. 72 AND 80	107107 121503 904949	1
- 360	287N8003-1		..PROVISION INSTL-HORIZ STAB. WIRE FOR DETAILS SEE: 53-86-52-02	107107	1
- 360	287N8003-31		..PROVISION INSTL-HORIZ STAB. WIRE FOR DETAILS SEE: 53-86-52-02	002004 006100 121503 904999	1
- 365	287N8003-2		..PROVISION INSTL-HORIZ STAB. WIRE FOR DETAILS SEE: 53-86-52-02	107107	1
- 365	287N8003-32		..PROVISION INSTL-HORIZ STAB. WIRE FOR DETAILS SEE: 53-86-52-02	002004 006100 121503 904999	1
- 370	287N1100-1		.PROVISIONS INSTL-WING WIRE POSITION DATA: LH FOR DETAILS SEE: 57-00-52-01	002004 006100 107107 121503 904999	1
- 375	287N1100-2		.PROVISIONS INSTL-WING WIRE POSITION DATA: RH FOR DETAILS SEE: 57-00-52-01	002004 006100 107107 121503 904999	1
- 380	287N7200-4		.PROVISION INSTL- POSITION DATA: SECT. 72 AND 80	002004 006100 107107 121503 904999	1

MISSING ITEM NUMBERS NOT APPLICABLE

- ITEM NOT ILLUSTRATED

24-00-60-01

24-00-60
FIG. 01
PAGE 24
JAN 20/09

BRI

BOEING PROPRIETARY - Copyright © - Unpublished Work - See title page for details.



757

PARTS CATALOG (MAINTENANCE)

FIG ITEM	PART NUMBER	1 2 3 4 5 6 7	NOMENCLATURE	EFFECT FROM TO	UNITS PER ASSY
1					
- 385	287N8003-7		.. CONDUIT INSTL-HORIZ STAB. WIRE FOR DETAILS SEE: 53-86-52-02	002004 006100 107107 121503 904999	1
- 385	287N8003-19		.. CONDUIT INSTL-HORIZ STAB. WIRE FOR DETAILS SEE: 53-86-52-02	002004 006100 950999	1
- 390	287N8003-11		.. CONDUIT INSTL-HORIZ STAB. WIRE FOR DETAILS SEE: 53-86-52-02	107107 904949	1
- 390	287N8003-57		.. CONDUIT INSTL-HORIZ STAB. WIRE FOR DETAILS SEE: 53-86-52-02	002004 006100 121503 950999	1
- 410	287N4158-1		. COVER INSTL-PASS. DOOR 1 GIRT BAR PROXIMITY SWITCH FOR DETAILS SEE: 25-66-11-01	002004 006100 107107 121503 904999	1
- 415	287N4158-2		. COVER INSTL-PASS. DOOR 1 GIRT BAR PROXIMITY SWITCH FOR DETAILS SEE: 25-66-11-01	002004 006100 107107 121503 904999	1
- 420	287N4158-3		. COVER INSTL-PASS. DOOR 2 GIRT BAR PROXIMITY SWITCH FOR DETAILS SEE: 25-66-11-01	002004 006100 107107 121503 904999	1
- 425	287N4158-4		. COVER INSTL-PASS. DOOR 2 GIRT BAR PROXIMITY SWITCH FOR DETAILS SEE: 25-66-11-01	002004 006100 107107 121503 904999	1
- 430	287N4158-5		. COVER INSTL-PASS. DOOR 4 GIRT BAR PROXIMITY SWITCH FOR DETAILS SEE: 25-66-11-01	002004 006100 107107 121503 904999	1
- 435	287N4158-6		. COVER INSTL-PASS. DOOR 4 GIRT BAR PROXIMITY SWITCH FOR DETAILS SEE: 25-66-11-01	002004 006100 107107 121503 904999	1

MISSING ITEM NUMBERS NOT APPLICABLE

- ITEM NOT ILLUSTRATED

24-00-60-01

24-00-60
FIG. 01
PAGE 25
JAN 20/09

BRI



757

PARTS CATALOG (MAINTENANCE)

FIG ITEM	PART NUMBER	1 2 3 4 5 6 7	NOMENCLATURE	EFFECT FROM TO	UNITS PER ASSY
1					
- 450	287N4910-1		.PROVISION INSTL-WIRE POSITION DATA: SECT. 49 FOR ADDITIONAL DETAILS SEE: 53-41-64-01	002004 006100 107107 121503 904999	1
- 453	287N4905-3		..CLAMP INSTL- POSITION DATA: LH FUNCTIONAL REFERENCE: AIR CONDITIONING FOR DETAILS SEE 21-51-01-01 21-51-01-02 21-51-15-01 21-52-01-10 21-61-05-01 21-61-05-02 PNEUMATIC FOR DETAILS SEE 36-11-01-07	002004 006100 107107 121503 904999	1
- 456	287N4905-4		..CLAMP INSTL- POSITION DATA: RH FUNCTIONAL REFERENCE: AIR CONDITIONING FOR DETAILS SEE 21-51-01-01 21-51-01-02 21-52-01-10 21-61-05-01 21-61-05-02 PNEUMATIC FOR DETAILS SEE 36-11-01-07	002004 006100 107107 121503 904999	1
- 500	287N4400-5		.PROVISION INSTL-WIRE PRESSURE DECK POSITION DATA: SECT. 44	002004 006100 107107 121503 904999	1
- 505	287N4406-1		..PROVISION INSTL-ROUTING POSITION DATA: STA 900 TO STA 1100 REAR SPAR OVER WING FOR DETAILS SEE: 53-41-68-01	002004 006100 107107 121503 904999	1
- 835	287N4300-6		.PROVISION INSTL-PASS. CAB. OVHD WIRE POSITION DATA: SECT. 43	011100	1

MISSING ITEM NUMBERS NOT APPLICABLE

- ITEM NOT ILLUSTRATED

24-00-60-01

24-00-60
FIG. 01
PAGE 26
JAN 20/09

BRI



757

PARTS CATALOG (MAINTENANCE)

FIG ITEM	PART NUMBER	1 2 3 4 5 6 7	NOMENCLATURE	EFFECT FROM TO	UNITS PER ASSY
1					
- 840	287N4349-1		. . PROVISION INSTL-ELEC./ ELECT. BAY WIRE POSITION DATA: SECT. 43 LWR FOR DETAILS SEE: 53-30-51-05	011100	1
- 850	012N0035-1		. BRACKET INSTL-WIRE BUNDLE CHAFING E2-1 SHELF DRIP SHIELD TOP KIT POST SERVICE BULLETIN: 24-0115R1 FOR DETAILS SEE: 53-30-00-01	006007 009010 012100	1

MISSING ITEM NUMBERS NOT APPLICABLE

- ITEM NOT ILLUSTRATED

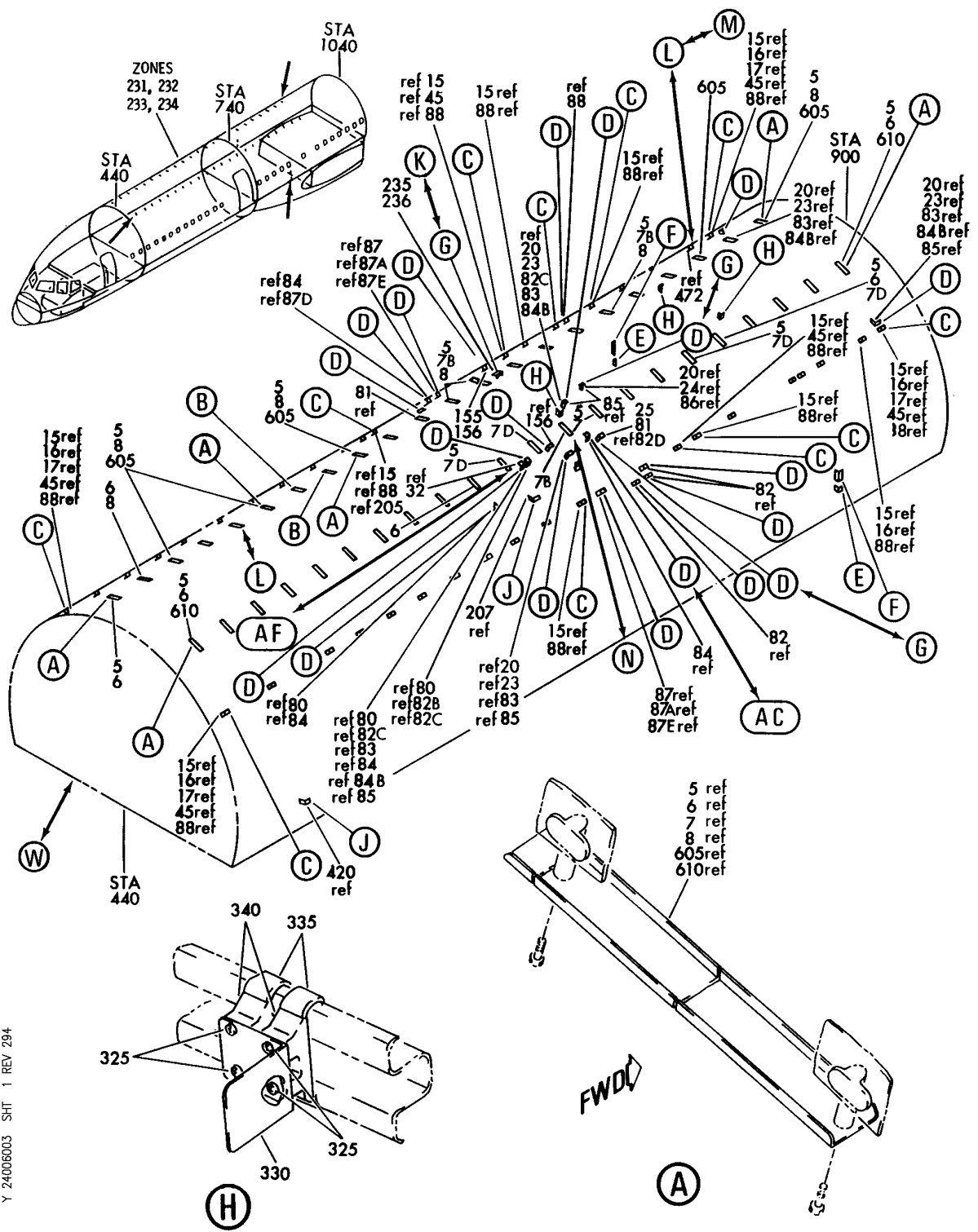
BRI

24-00-60-01

BOEING PROPRIETARY - Copyright © - Unpublished Work - See title page for details.

24-00-60
FIG. 01
PAGE 27
JAN 20/09

BOEING
757
PARTS CATALOG (MAINTENANCE)



Y 24006003 SH1 1 REV 294

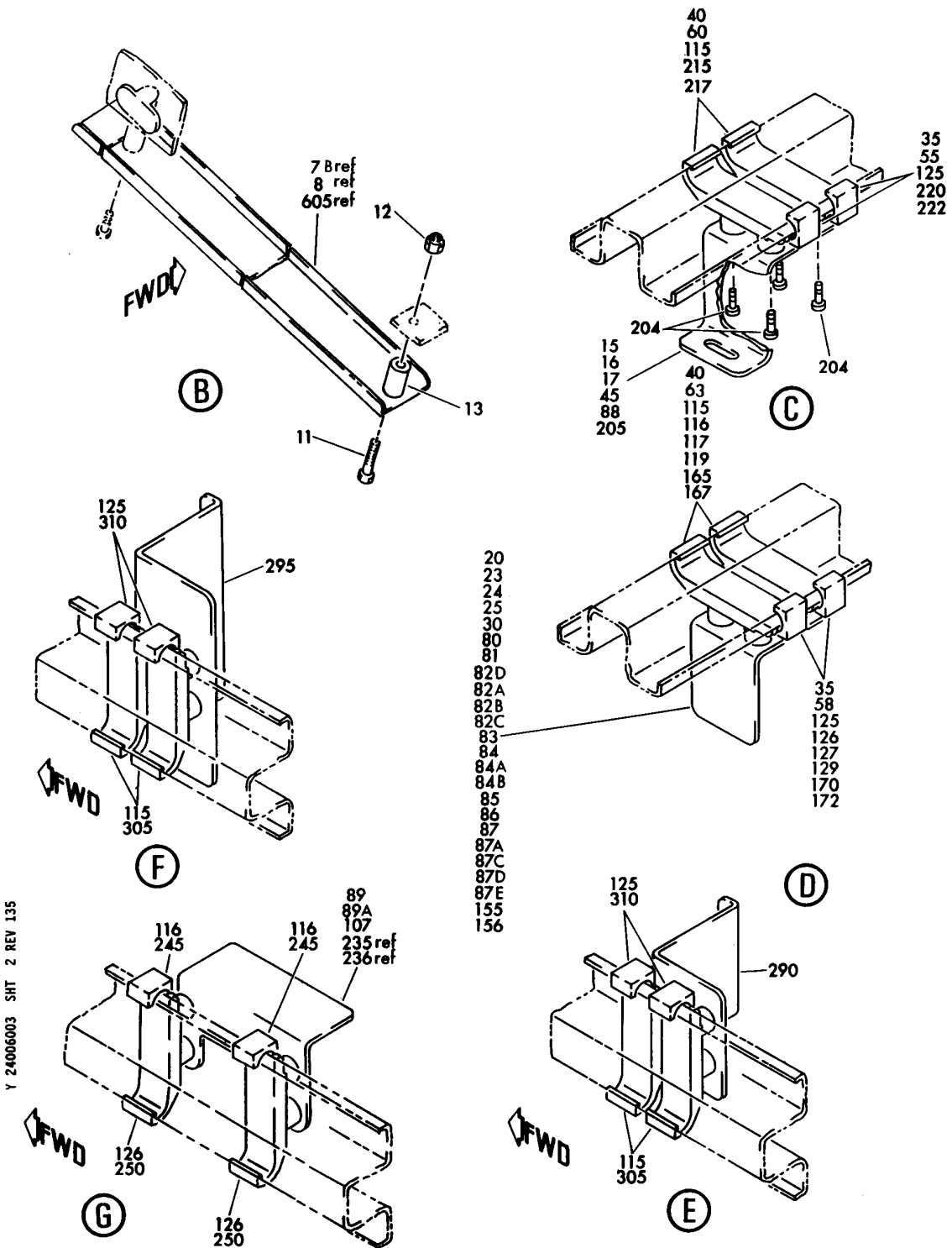
PROVISION AND BRACKET INSTL-SECT. 43 PASS. CAB. OVERHEAD WIRE
FIGURE 3 (SHEET 1)

24-00-60-03

BRI
MAY 28/07

24-00-60-03
PAGE 0

BOEING
757
PARTS CATALOG (MAINTENANCE)



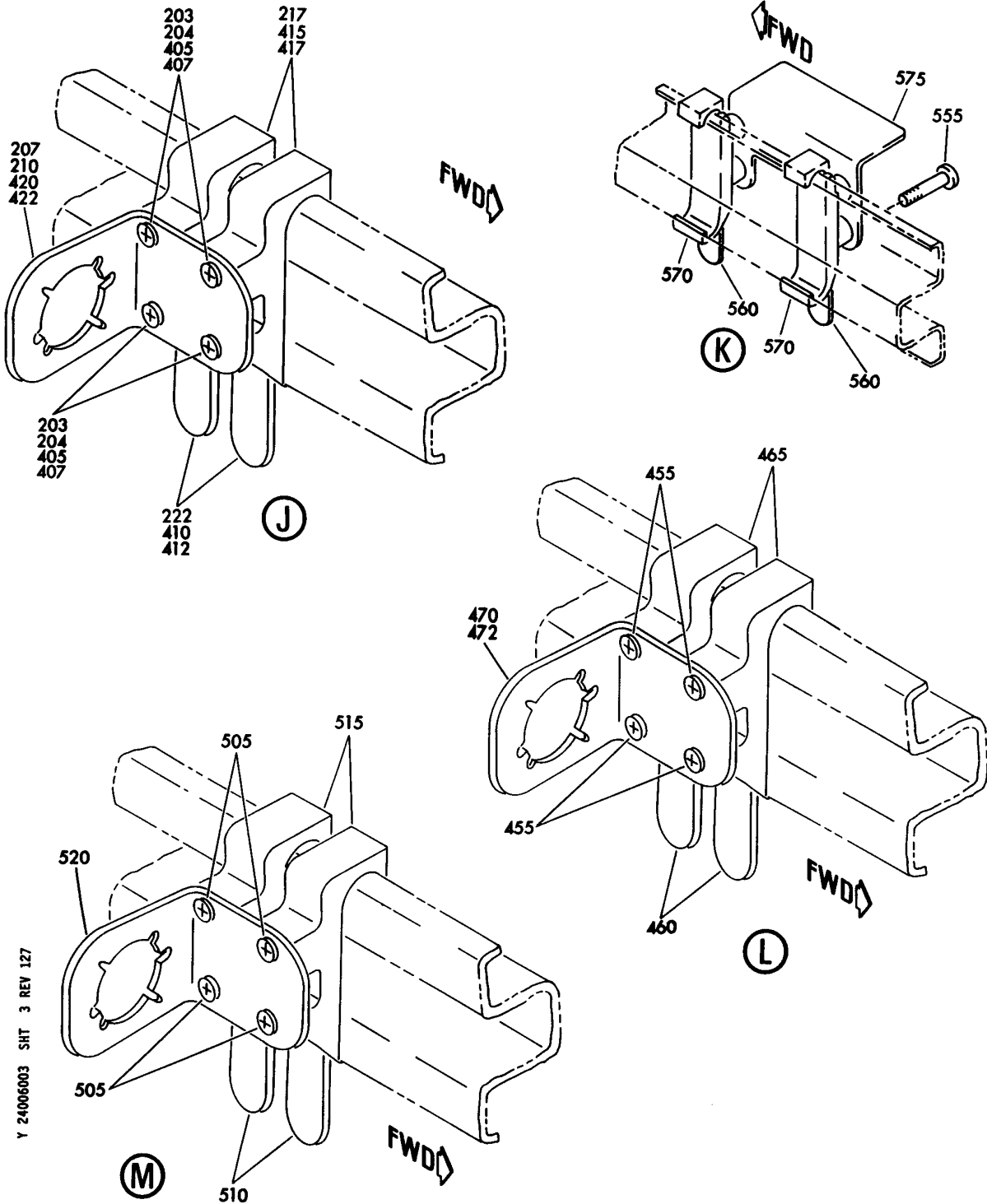
PROVISION AND BRACKET INSTL-SECT. 43 PASS. CAB. OVERHEAD WIRE
FIGURE 3 (SHEET 2)

24-00-60-03

BRI
MAY 28/07

24-00-60-03
PAGE 0A

BOEING
757
PARTS CATALOG (MAINTENANCE)



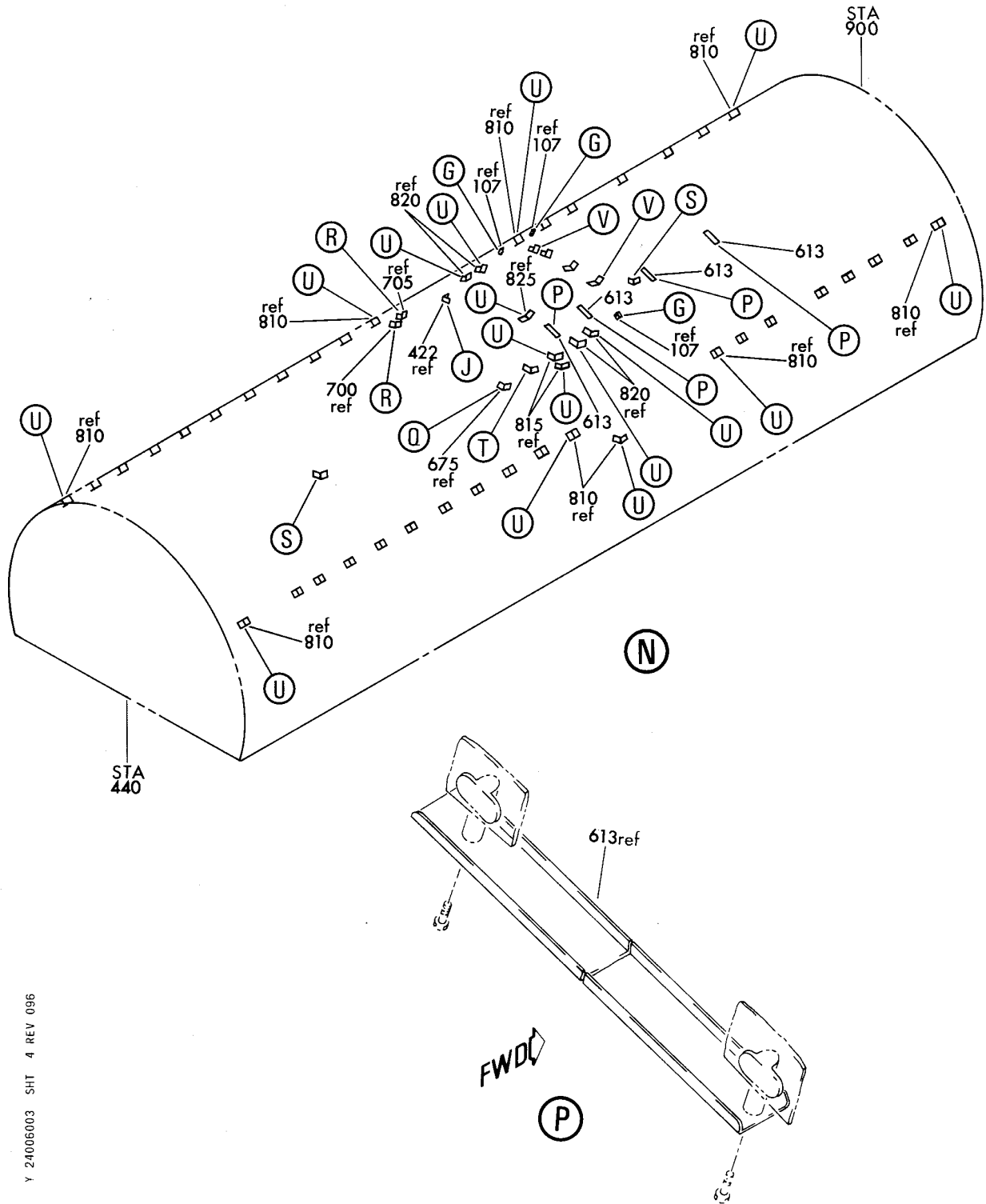
PROVISION AND BRACKET INSTL-SECT. 43 PASS. CAB. OVERHEAD WIRE
FIGURE 3 (SHEET 3)

BRI
MAY 28/07

24-00-60-03

24-00-60-03
PAGE 0B

BOEING
757
PARTS CATALOG (MAINTENANCE)



Y 24006003 SHT 4 REV 096

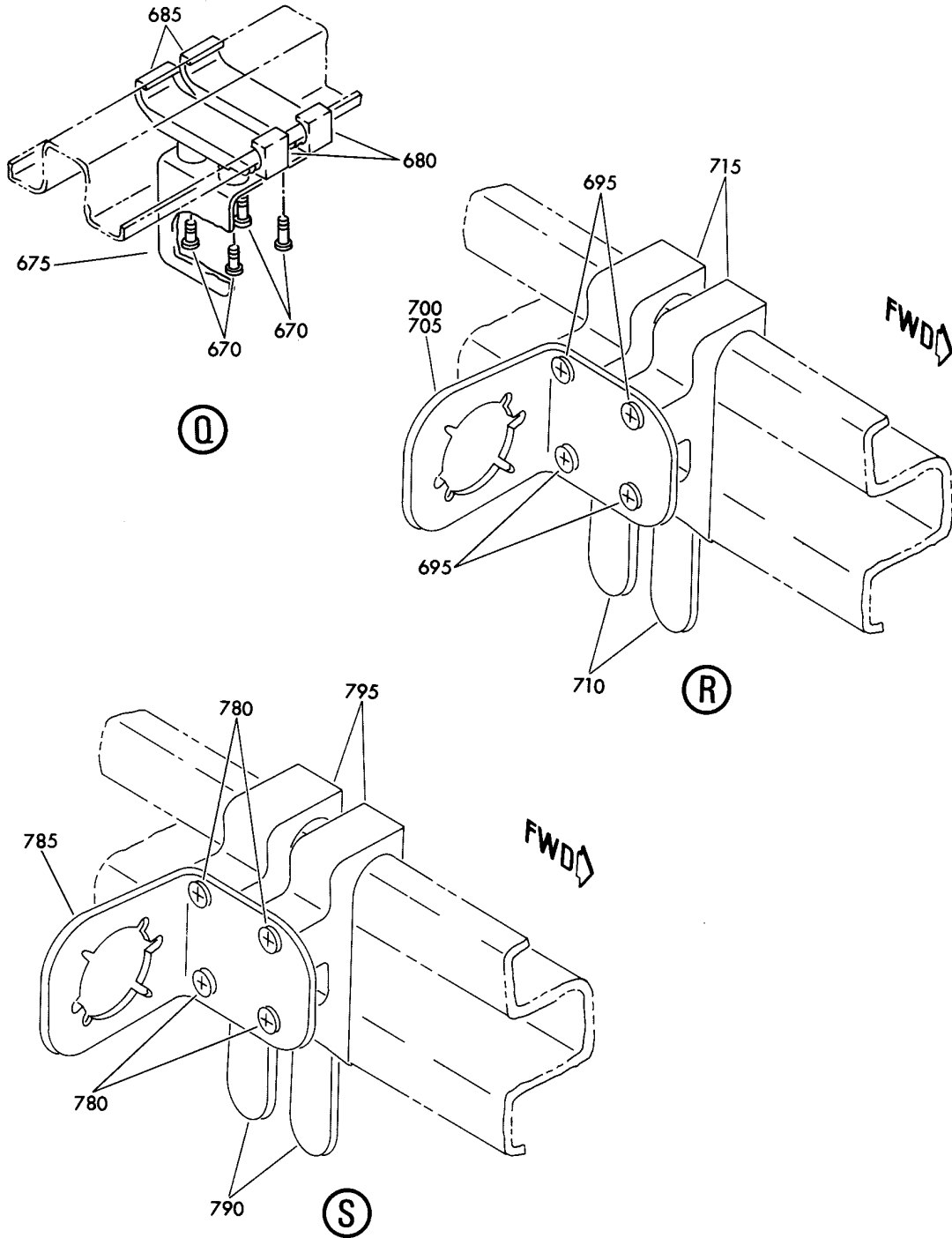
PROVISION AND BRACKET INSTL-SECT. 43 PASS. CAB. OVERHEAD WIRE
FIGURE 3 (SHEET 4)

24-00-60-03

BRI
MAY 28/07

24-00-60-03
PAGE 0C

BOEING
757
PARTS CATALOG (MAINTENANCE)



Y 24006003 SH 5 REV 096

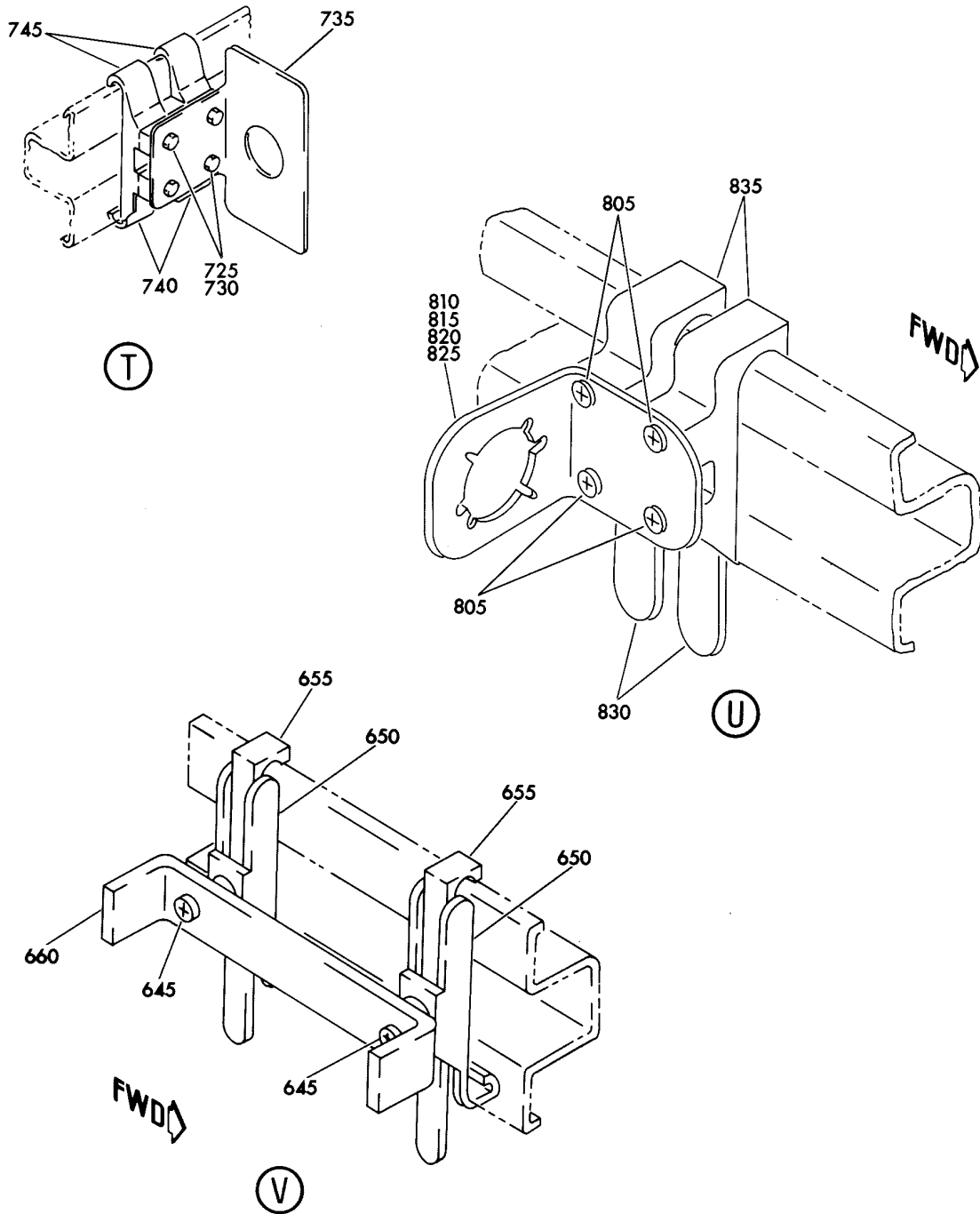
PROVISION AND BRACKET INSTL-SECT. 43 PASS. CAB. OVERHEAD WIRE
FIGURE 3 (SHEET 5)

24-00-60-03

BRI
MAY 28/07

24-00-60-03
PAGE 0D

BOEING
757
PARTS CATALOG (MAINTENANCE)



Y 24006003 SHT 6 REV 096

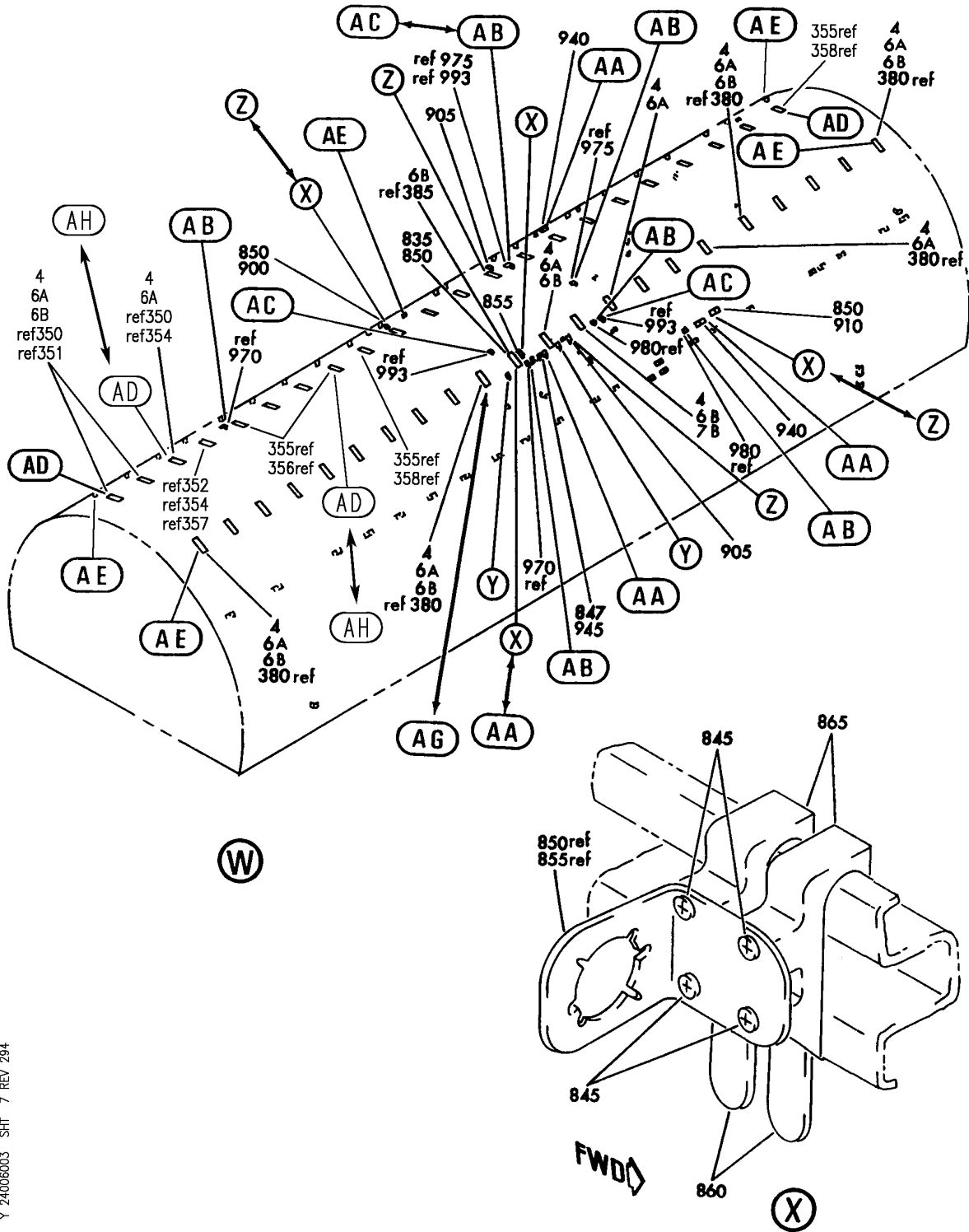
PROVISION AND BRACKET INSTL-SECT. 43 PASS. CAB. OVERHEAD WIRE
FIGURE 3 (SHEET 6)

24-00-60-03

BRI
MAY 28/07

24-00-60-03
PAGE 0E

BOEING
757
PARTS CATALOG (MAINTENANCE)



Y 24006003 SH7 7 REV 294

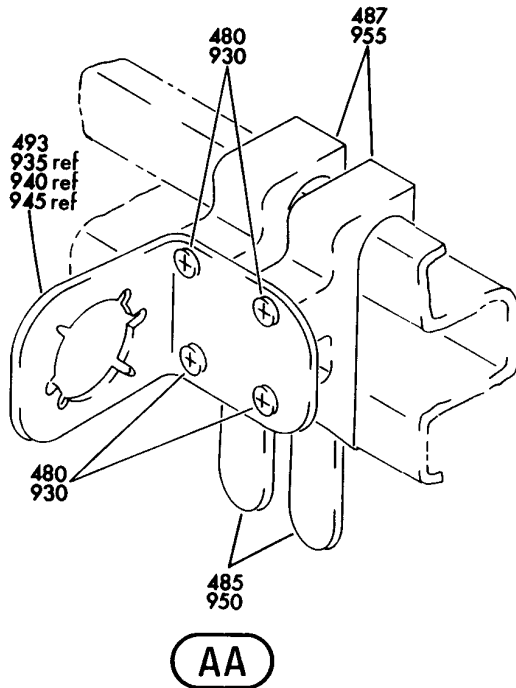
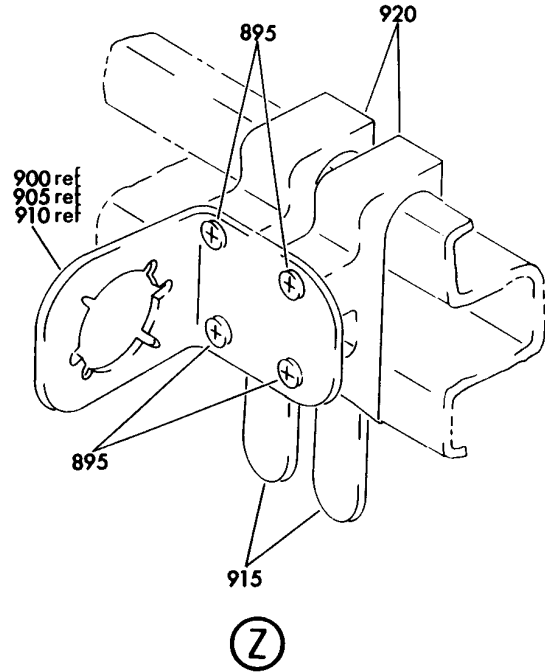
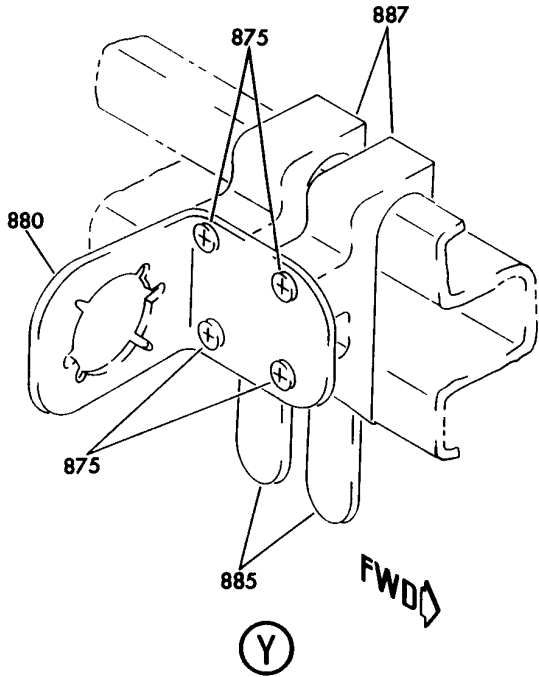
PROVISION AND BRACKET INSTL-SECT. 43 PASS. CAB. OVERHEAD WIRE
FIGURE 3 (SHEET 7)

BRI
MAY 28/07

24-00-60-03

24-00-60-03
PAGE OF

BOEING
757
PARTS CATALOG (MAINTENANCE)



Y 24006003 SHT 8 REV 118

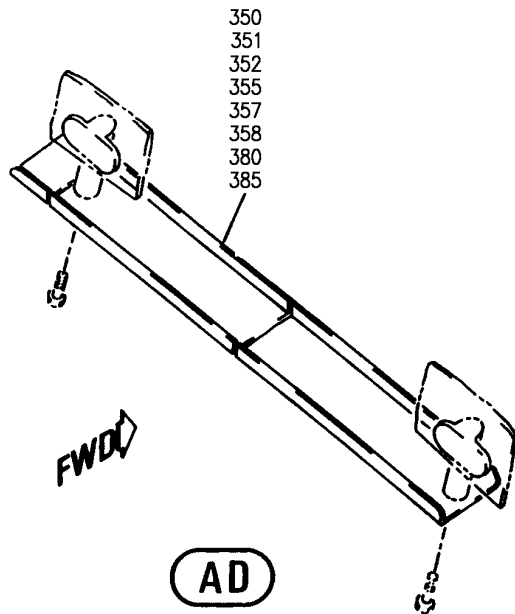
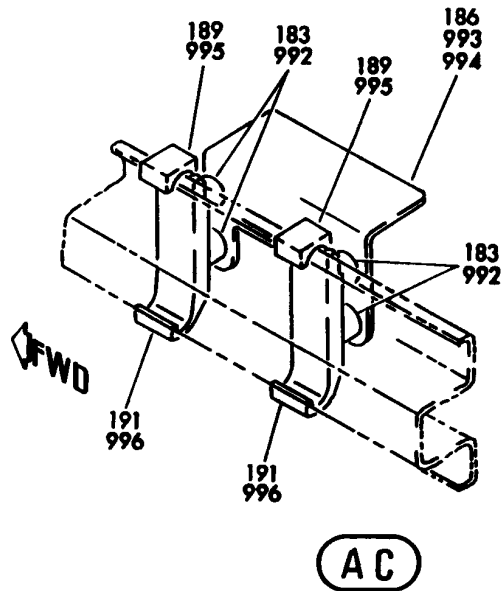
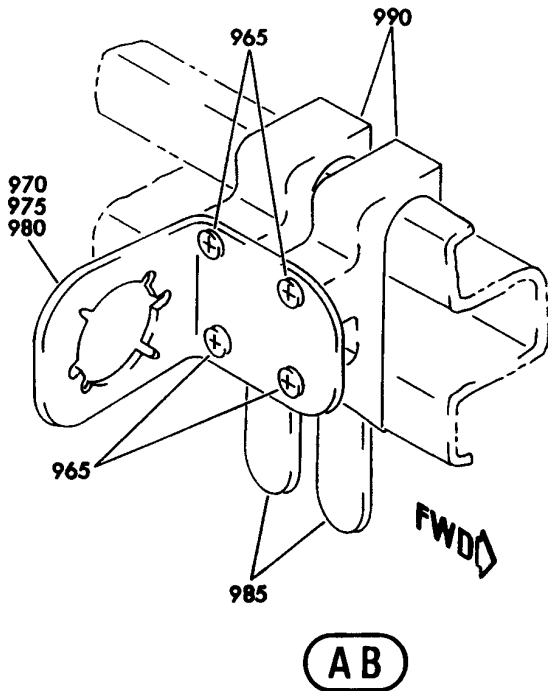
PROVISION AND BRACKET INSTL-SECT. 43 PASS. CAB. OVERHEAD WIRE
FIGURE 3 (SHEET 8)

BRI
MAY 28/07

24-00-60-03

24-00-60-03
PAGE 08

BOEING
757
PARTS CATALOG (MAINTENANCE)



Y 24006003 SH1 9 REV 294

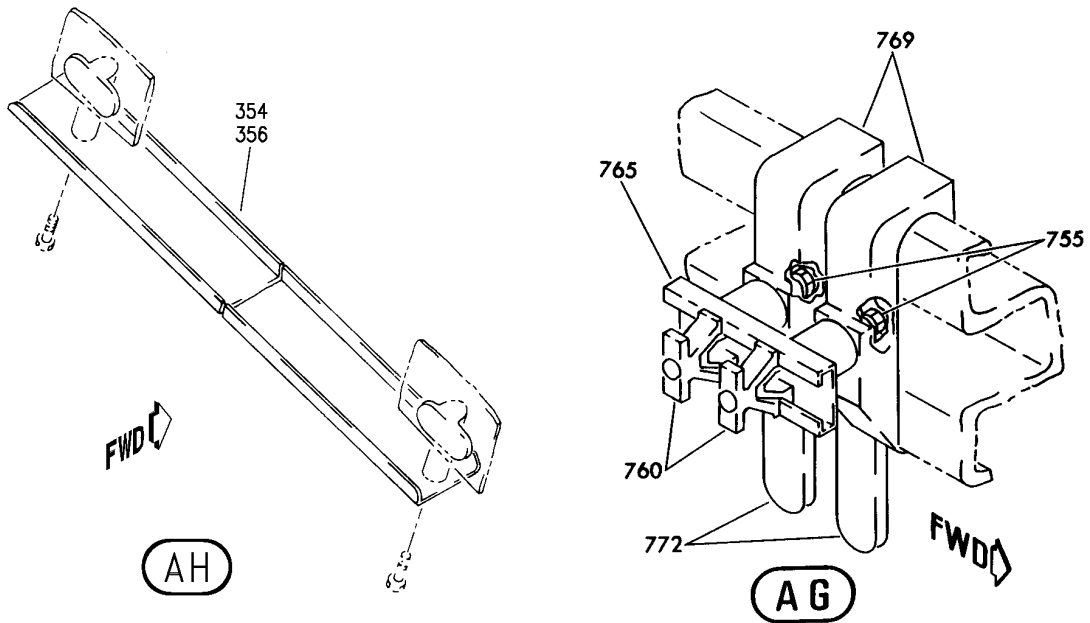
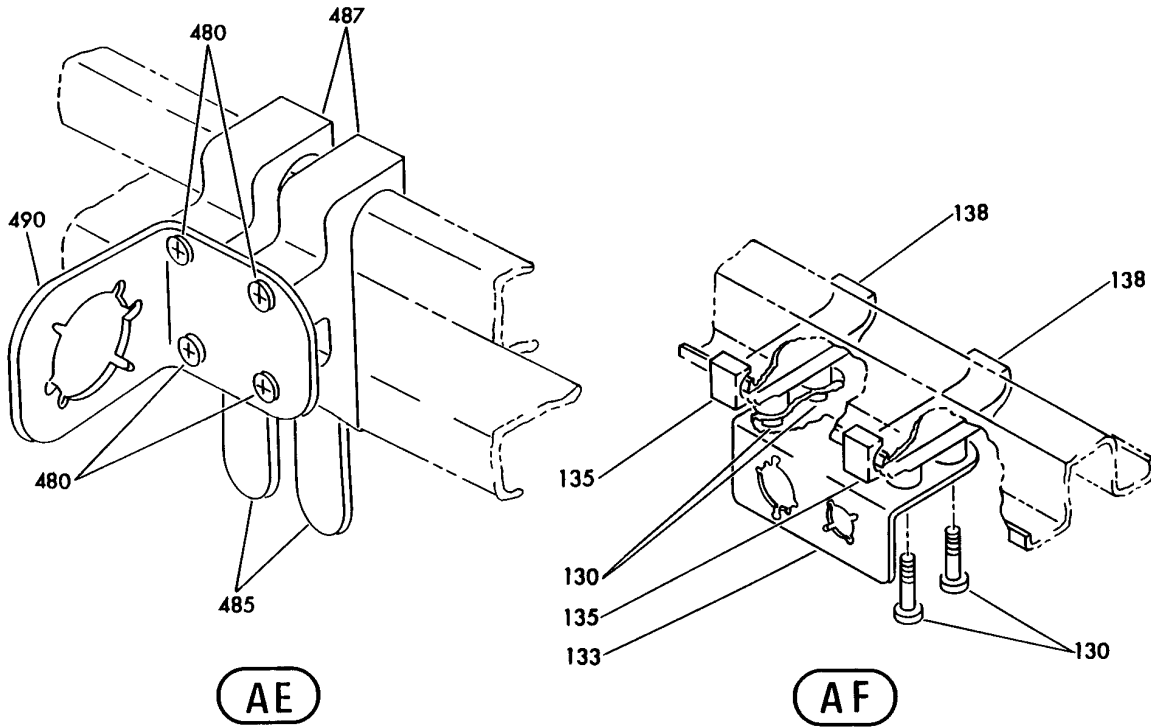
PROVISION AND BRACKET INSTL-SECT. 43 PASS. CAB. OVERHEAD WIRE
FIGURE 3 (SHEET 9)

BRI
MAY 28/07

24-00-60-03

24-00-60-03
PAGE 0H

BOEING
757
PARTS CATALOG (MAINTENANCE)



Y 24006003 SHT 10 REV 294

PROVISION AND BRACKET INSTL-SECT. 43 PASS. CAB. OVERHEAD WIRE
FIGURE 3 (SHEET 10)

BRI
MAY 28/07

24-00-60-03

24-00-60-03
PAGE 01

BOEING
757
PARTS CATALOG (MAINTENANCE)

FIG ITEM	PART NUMBER	1 2 3 4 5 6 7	NOMENCLATURE	EFFECT FROM TO	UNITS PER ASSY
3			PROVISION AND BRACKET INSTL-SECT. 43 PASS. CAB. OVERHEAD WIRE	002004 006999	
- 1	287N4303-3		PROVISION INSTL-PASS. CAB. OVERHEAD WIRE POSITION DATA: SECT. 43 FOR NHA SEE: 24-00-60-01	107107 904949	RF
5	287N4106-97		.BRACKET ASSY-	107107	44
6A	287N4106-97		.BRACKET ASSY	904949	43
7	287N4106-161		.BRACKET ASSY- ATTACHING PARTS	904949	1
- 10	NAS1801-3-7		.SCREW	107107 904949	86
			-----*-----		
11	NAS1801-3-26		.SCREW-	107107 904949	2
12	BRH10A3		.NUT SUPPLIER CODE: V52828 SPECIFICATION NUMBER: BACN10JC3 OPTIONAL PART: H10-3BAC V15653 NS202101-02 V80539 RMLH9075-3W V72962 VN303A02 V92215 96-02 V80539 T6S1032J V11815	107107 904949	2
13	NAS43DD3-74		.SPACER-	107107 904949	2
- 65	287N4303-4		BRACKET INSTL-DISC. FOR NHA SEE: 24-00-60-01	904949	RF
- 67	287N4303-13		BRACKET INSTL-DISC. FOR NHA SEE: 24-00-60-01	002004 006012 950999	RF
- 69	287N4303-44		BRACKET INSTL-DISC. FOR NHA SEE: 24-00-60-01	121503	RF

MISSING ITEM NUMBERS NOT APPLICABLE

- ITEM NOT ILLUSTRATED

BRI

24-00-60-03

24-00-60
FIG. 03
PAGE 1
JAN 20/09



**757
PARTS CATALOG (MAINTENANCE)**

FIG ITEM	PART NUMBER	1 2 3 4 5 6 7	NOMENCLATURE	EFFECT FROM TO	UNITS PER ASSY
3					
81	287N4106-48	.	BRACKET	002004 006010 950999	2
82B	287N4106-48	.	BRACKET	904949	1
82C	287N4106-48	.	BRACKET	121503	3
82D	287N4106-48	.	BRACKET	121503	1
84A	287N4106-73	.	BRACKET	121503	2
84B	287N4106-73	.	BRACKET	904949	4
86	287N4106-229	.	BRACKET-	002004 006010 121503 904999	1
87D	287N4106-118	.	BRACKET-	002004 006012 950999	2
87E	287N4106-118	.	BRACKET	904949	2
89A	287N4106-228	.	BRACKET-DISC.	002004 006010 950999	2
			ATTACHING PARTS		
- 90	NAS1801-3-5	.	SCREW	904949	188
- 91	NAS1801-3-5	.	SCREW	002004 006012 950999	4
- 92	NAS1801-3-5	.	SCREW-	002004 006012 121503 904999	24
			-----*-----		
115	69-64155-3	.	SUPPORT-ATTACHMENT	121503 904949	94
115	S38J3	.	SUPPORT-STGR SUPPLIER CODE: V59237 SPECIFICATION NUMBER: BACS38J3 OPTIONAL PART: 30187-6 V26835 DOUBLE	121503 904949	94
116	69-64155-3	.	SUPPORT-ATTACHMENT	002004 006012 950999	12

R
R
R
R
R
R
R
R

MISSING ITEM NUMBERS NOT APPLICABLE

- ITEM NOT ILLUSTRATED

24-00-60-03

24-00-60
FIG. 03
PAGE 2
MAY 20/09

BRI



757

PARTS CATALOG (MAINTENANCE)

FIG ITEM	PART NUMBER	1 2 3 4 5 6 7	NOMENCLATURE	EFFECT FROM TO	UNITS PER ASSY
R R R R R R R R	3 116	S38J3	.SUPPORT-STGR SUPPLIER CODE: V59237 SPECIFICATION NUMBER: BACS38J3 OPTIONAL PART: 30187-6 V26835 DOUBLE	002004 006012 950999	12
	119	69-64155-3	.SUPPORT-ATTACHMENT	002004 006012 950999	2
R R R R R R R	119	S38J3	.SUPPORT-STGR SUPPLIER CODE: V59237 SPECIFICATION NUMBER: BACS38J3 OPTIONAL PART: 30187-6 V26835 DOUBLE	002004 006012 950999	2
	125	S38J2	.SUPPORT SUPPLIER CODE: V59237 SPECIFICATION NUMBER: BACS38J2 OPTIONAL PART: 30187-3 V26835	121503 904949	94
	126	S38J2	.SUPPORT SUPPLIER CODE: V59237 SPECIFICATION NUMBER: BACS38J2 OPTIONAL PART: 30187-3 V26835	002004 006012 950999	12
	129	S38J2	.SUPPORT SUPPLIER CODE: V59237 SPECIFICATION NUMBER: BACS38J2 OPTIONAL PART: 30187-3 V26835	002004 006012 950999	2

MISSING ITEM NUMBERS NOT APPLICABLE

- ITEM NOT ILLUSTRATED

24-00-60-03

24-00-60
FIG. 03
PAGE 3
MAY 20/09

BRI

BOEING
757
PARTS CATALOG (MAINTENANCE)

FIG ITEM	PART NUMBER	1 2 3 4 5 6 7	NOMENCLATURE	EFFECT FROM TO	UNITS PER ASSY
3					
- 150	287N4303-8		BRACKET INSTL-DISC. FOR NHA SEE: 24-00-60-01	002004 006012 107107 121503 904999	RF
155	287N4106-48		.BRACKET-	002004 006012 107107 121503 904999	1
- 160	NAS1801-3-5		ATTACHING PARTS .SCREW-	002004 006010 107107 121503 904999	4
165	69-64155-3		-----*----- .SUPPORT-ATTACHMENT	002004 006010 107107 121503 904999	2
165	S38J3		.SUPPORT-STGR SUPPLIER CODE: V59237 SPECIFICATION NUMBER: BACS38J3 OPTIONAL PART: 30187-6 V26835 DOUBLE	002004 006010 107107 121503 904999	2
170	S38J2		.SUPPORT SUPPLIER CODE: V59237 SPECIFICATION NUMBER: BACS38J2 OPTIONAL PART: 30187-3 V26835	002004 006010 107107 121503 904999	2
- 200	287N4303-15		BRACKET INSTL-DISC. FOR NHA SEE: 24-00-60-01	002004 006012 950999	RF
203	NAS1801-3-6		.SCREW	002004 006012 950999	4
210	287N4106-255		.BRACKET	002004 006012 950999	1

R
R
R
R
R
R
R
R

MISSING ITEM NUMBERS NOT APPLICABLE

- ITEM NOT ILLUSTRATED

BRI

24-00-60-03

24-00-60
FIG. 03
PAGE 4
MAY 20/09

 **BOEING**
757
PARTS CATALOG (MAINTENANCE)

FIG ITEM	PART NUMBER	1 2 3 4 5 6 7	NOMENCLATURE	EFFECT FROM TO	UNITS PER ASSY
R R R R R R R R R R R R	3 215	69-64155-3	.SUPPORT-ATTACHMENT	002004 006012 950999	2
	215	S38J3	.SUPPORT-ATTACHMENT SUPPLIER CODE: V59237 SPECIFICATION NUMBER: BACS38J3 OPTIONAL PART: 30187-6 V26835	002004 006012 950999	2
	220	S38J2	.SUPPORT SUPPLIER CODE: V59237 SPECIFICATION NUMBER: BACS38J2 OPTIONAL PART: 30187-3 V26835	002004 006012 950999	2
	- 230	287N4303-16	BRACKET INSTL-DISC. FOR NHA SEE: 24-00-60-01	121503 904949	RF
	236	287N4106-228	.BRACKET ATTACHING PARTS	121503 904949	1
	- 240	NAS1801-3-6	.SCREW	121503 904949	4
	245	69-64155-3	-----*----- .SUPPORT-ATTACHMENT	121503 904949	2
	245	S38J3	.SUPPORT-ATTACHMENT SUPPLIER CODE: V59237 SPECIFICATION NUMBER: BACS38J3 OPTIONAL PART: 30187-6 V26835	121503 904949	2
	250	S38J2	.SUPPORT SUPPLIER CODE: V59237 SPECIFICATION NUMBER: BACS38J2 OPTIONAL PART: 30187-3 V26835	121503 904949	2
	- 280	287N4303-6	BRACKET INSTL-DISC. FOR NHA SEE: 24-00-60-01	107107 121503 904949	RF

MISSING ITEM NUMBERS NOT APPLICABLE

- ITEM NOT ILLUSTRATED

BRI

24-00-60-03

BOEING PROPRIETARY - Copyright © - Unpublished Work - See title page for details.

24-00-60
FIG. 03
PAGE 5
MAY 20/09



**757
PARTS CATALOG (MAINTENANCE)**

FIG ITEM	PART NUMBER	1 2 3 4 5 6 7	NOMENCLATURE	EFFECT FROM TO	UNITS PER ASSY
3					
- 285	287N4303-7		BRACKET INSTL-DISC. FOR NHA SEE: 24-00-60-01	107107 121503 904949	RF
290	287N4106-118		.BRACKET- USED ON: 287N4303-6	107107 121503 904949	2
295	287N4106-89		.BRACKET- USED ON: 287N4303-7	107107 121503 904949	2
- 300	NAS1801-3-5		ATTACHING PARTS .SCREW	107107 121503 904949	8
			-----*-----		
305	69-64155-3		.SUPPORT-ATTACHMENT	107107 121503 904949	4
R	305	S38J3	.SUPPORT-STGR SUPPLIER CODE: V59237 SPECIFICATION NUMBER: BACS38J3 OPTIONAL PART: 30187-6 V26835 DOUBLE	107107 121503 904949	4
R					
R					
R					
R					
R					
R					
	310	S38J2	.SUPPORT SUPPLIER CODE: V59237 SPECIFICATION NUMBER: BACS38J2 OPTIONAL PART: 30187-3 V26835	107107 121503 904949	4
- 345	287N4303-58		PROVISION INSTL-PASS. CAB. OVERHEAD WIRE POSITION DATA: SECT. 43 RIGHT FOR NHA SEE: 24-00-60-01 24-00-60-20C	002004 006106 108903 950999	RF
350	287N4106-97		.BRACKET ASSY	002004 006106 108903 950999	3
352	287N4106-97		.BRACKET ASSY-	002004 006106 108903 950999	1

MISSING ITEM NUMBERS NOT APPLICABLE

- ITEM NOT ILLUSTRATED

24-00-60-03

24-00-60
FIG. 03
PAGE 6
MAY 20/09

BRI

 **BOEING**
757
PARTS CATALOG (MAINTENANCE)

FIG ITEM	PART NUMBER	1 2 3 4 5 6 7	NOMENCLATURE	EFFECT FROM TO	UNITS PER ASSY
3 355	287N4106-168		.BRACKET ASSY	002004 006106 108903 950999	18
- 360	NAS1801-3-7		ATTACHING PARTS .SCREW	002004 006106 108903 950999	44
- 365	NAS1149D0332J		.WASHER	002004 006106 108903 950999	44
- 375	287N4303-63		-----*----- PROVISION INSTL-PASS. CAB. OVERHEAD WIRE POSITION DATA: SECT. 43 RIGHT FOR NHA SEE: 24-00-60-01 24-00-60-20G	002004 006102 108903 950999	RF
380	287N4106-97		.BRACKET ASSY	002004 006102 108903 950999	15
385	287N4106-161		.BRACKET ASSY	002004 006102 108903 950999	7
- 390	NAS1801-3-7		ATTACHING PARTS .SCREW	002004 006102 108903 950999	44
- 395	AN960JD10L		.WASHER	002004 006102 108903 950999	44
- 400	287N4303-18		-----*----- BRACKET INSTL-PASS. CAB. OVERHEAD WIRE POSITION DATA: SECT. 43 FOR NHA SEE: 24-00-60-01	002004 006012 107107 121503 904999	RF

MISSING ITEM NUMBERS NOT APPLICABLE

- ITEM NOT ILLUSTRATED

BRI

24-00-60-03

BOEING PROPRIETARY - Copyright © - Unpublished Work - See title page for details.

24-00-60
FIG. 03
PAGE 7
MAY 20/09



757

PARTS CATALOG (MAINTENANCE)

FIG ITEM	PART NUMBER	1 2 3 4 5 6 7	NOMENCLATURE	EFFECT FROM TO	UNITS PER ASSY
3					
405	NAS1801-3-6	.	SCREW	002004 006012 107107 121503 904999	4
410	S38J2	.	SUPPORT SUPPLIER CODE: V59237 SPECIFICATION NUMBER: BACS38J2 OPTIONAL PART: 30187-3 V26835	002004 006012 107107 121503 904999	2
415	S38J3	.	SUPPORT- SUPPLIER CODE: V59237 SPECIFICATION NUMBER: BACS38J3 OPTIONAL PART: 30187-6 V26835	002004 006012 107107 121503 904999	2
415	69-64155-3	.	SUPPORT-ATTACHMENT	002004 006012 107107 121503 904999	2
420	69-71507-1	.	BRACKET-	002004 006010 107107 121503 904999	1
- 450	287N4303-19		BRACKET INSTL-PASS. CAB. OVERHEAD DISC. WIRE POSITION DATA: SECT. 43 FOR NHA SEE: 24-00-60-01	002004 006012 950999	RF
455	NAS1801-3-6	.	SCREW	002004 006012 950999	8
460	S38J2	.	SUPPORT SUPPLIER CODE: V59237 SPECIFICATION NUMBER: BACS38J2 OPTIONAL PART: 30187-3 V26835	002004 006012 950999	AR

R
R
R
R
R
R
R
R
R
R
R

MISSING ITEM NUMBERS NOT APPLICABLE

- ITEM NOT ILLUSTRATED

24-00-60-03

24-00-60
FIG. 03
PAGE 8
MAY 20/09

BRI



757

PARTS CATALOG (MAINTENANCE)

FIG ITEM	PART NUMBER	1 2 3 4 5 6 7	NOMENCLATURE	EFFECT FROM TO	UNITS PER ASSY
R R R R R R R R R R	3 465	S38J3	.SUPPORT- SUPPLIER CODE: V59237 SPECIFICATION NUMBER: BACS38J3 OPTIONAL PART: 30187-6 V26835	002004 006012 950999	AR
	465	69-64155-3	.SUPPORT-ATTACHMENT	002004 006012 950999	AR
	470	287N4106-247	.BRACKET-	002004 006012 950999	1
	472	287N4106-229	.BRACKET-	002004 006012 950999	1
	- 500	287N4303-20	BRACKET INSTL-PASS. CAB. OVERHEAD DISC. WIRE POSITION DATA: SECT. 43 FOR NHA SEE: 24-00-60-01	121503 904949	RF
	505	NAS1801-3-6	.SCREW	121503 904949	4
	510	S38J2	.SUPPORT SUPPLIER CODE: V59237 SPECIFICATION NUMBER: BACS38J2 OPTIONAL PART: 30187-3 V26835	121503 904949	AR
	515	S38J3	.SUPPORT- SUPPLIER CODE: V59237 SPECIFICATION NUMBER: BACS38J3 OPTIONAL PART: 30187-6 V26835	121503 904949	AR
	515	69-64155-3	.SUPPORT-ATTACHMENT	121503 904949	AR
	520	287N4106-229	.BRACKET-	121503 904949	1

MISSING ITEM NUMBERS NOT APPLICABLE

- ITEM NOT ILLUSTRATED

24-00-60-03

24-00-60
FIG. 03
PAGE 9
MAY 20/09

BRI



757

PARTS CATALOG (MAINTENANCE)

FIG ITEM	PART NUMBER	1 2 3 4 5 6 7	NOMENCLATURE	EFFECT FROM TO	UNITS PER ASSY
3					
- 640	287N4303-26		PROVISION INSTL-PASS. CAB. OVERHEAD WIRE POSITION DATA: SECT. 43 FOR NHA SEE: 24-00-60-01	121503 904949	RF
645	NAS514P1032-8		.SCREW	121503 904949	8
650	S38J1		.SUPPORT SUPPLIER CODE: V59237 SPECIFICATION NUMBER: BACS38J1 OPTIONAL PART: 30187-2 V26835	121503 904949	AR
655	S38J2		.SUPPORT SUPPLIER CODE: V59237 SPECIFICATION NUMBER: BACS38J2 OPTIONAL PART: 30187-3 V26835	121503 904949	AR
660	BACC10DR8		.CHANNEL	121503 904949	4
- 720	287N4303-30		PROVISION INSTL-PASS. CAB. OVERHEAD WIRE POSITION DATA: SECT. 43 FOR NHA SEE: 24-00-60-01	002004 006012 952999	RF
725	NAS1801-3-6		.SCREW	002004 006012 952999	4
730	AN960PD10L		.WASHER	002004 006012 952999	4
735	287N4106-279		.BRACKET	002004 006012 952999	1
740	S38J2		.SUPPORT SUPPLIER CODE: V59237 SPECIFICATION NUMBER: BACS38J2 OPTIONAL PART: 30187-3 V26835	002004 006012 952999	2

MISSING ITEM NUMBERS NOT APPLICABLE

- ITEM NOT ILLUSTRATED

24-00-60-03

24-00-60
FIG. 03
PAGE 10
MAY 20/09

BRI



**757
PARTS CATALOG (MAINTENANCE)**

FIG ITEM	PART NUMBER	1 2 3 4 5 6 7	NOMENCLATURE	EFFECT FROM TO	UNITS PER ASSY
R R R R R R R R R R	3 745	S38J3	.SUPPORT- SUPPLIER CODE: V59237 SPECIFICATION NUMBER: BACS38J3 OPTIONAL PART: 30187-6 V26835	002004 006012 952999	2
	745	69-64155-3	.SUPPORT-ATTACHMENT	002004 006012 952999	2
	- 800	287N4303-36	PROVISION INSTL-PASS. CAB. OVERHEAD WIRE POSITION DATA: SECT. 43 FOR NHA SEE: 24-00-60-01	107107	RF
	805	NAS1801-3-6	.SCREW	107107	180
	810	287N4106-255	.BRACKET	107107	38
	815	287N4106-48	.BRACKET	107107	2
	820	287N4106-73	.BRACKET	107107	4
	825	287N4106-229	.BRACKET	107107	1
	830	S38J2	.SUPPORT SUPPLIER CODE: V59237 SPECIFICATION NUMBER: BACS38J2 OPTIONAL PART: 30187-3 V26835	107107	AR
	R R R R R R R	835	S38J3	.SUPPORT- SUPPLIER CODE: V59237 SPECIFICATION NUMBER: BACS38J3 OPTIONAL PART: 30187-6 V26835	107107
835		69-64155-3	.SUPPORT-ATTACHMENT	107107	AR

MISSING ITEM NUMBERS NOT APPLICABLE

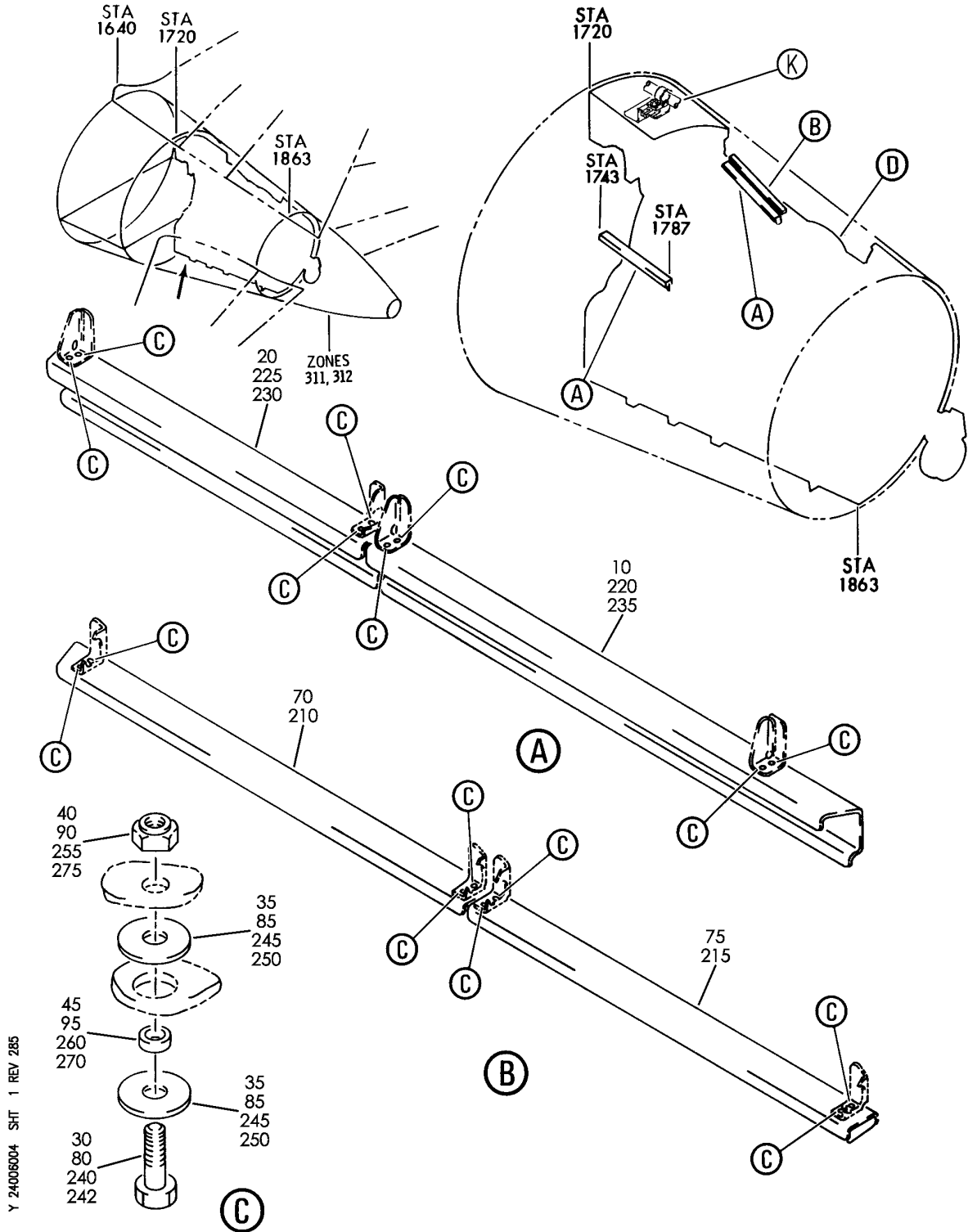
- ITEM NOT ILLUSTRATED

24-00-60-03

24-00-60
FIG. 03
PAGE 11
MAY 20/09

BRI

BOEING
757
PARTS CATALOG (MAINTENANCE)



Y 24006004 SHT 1 REV 285

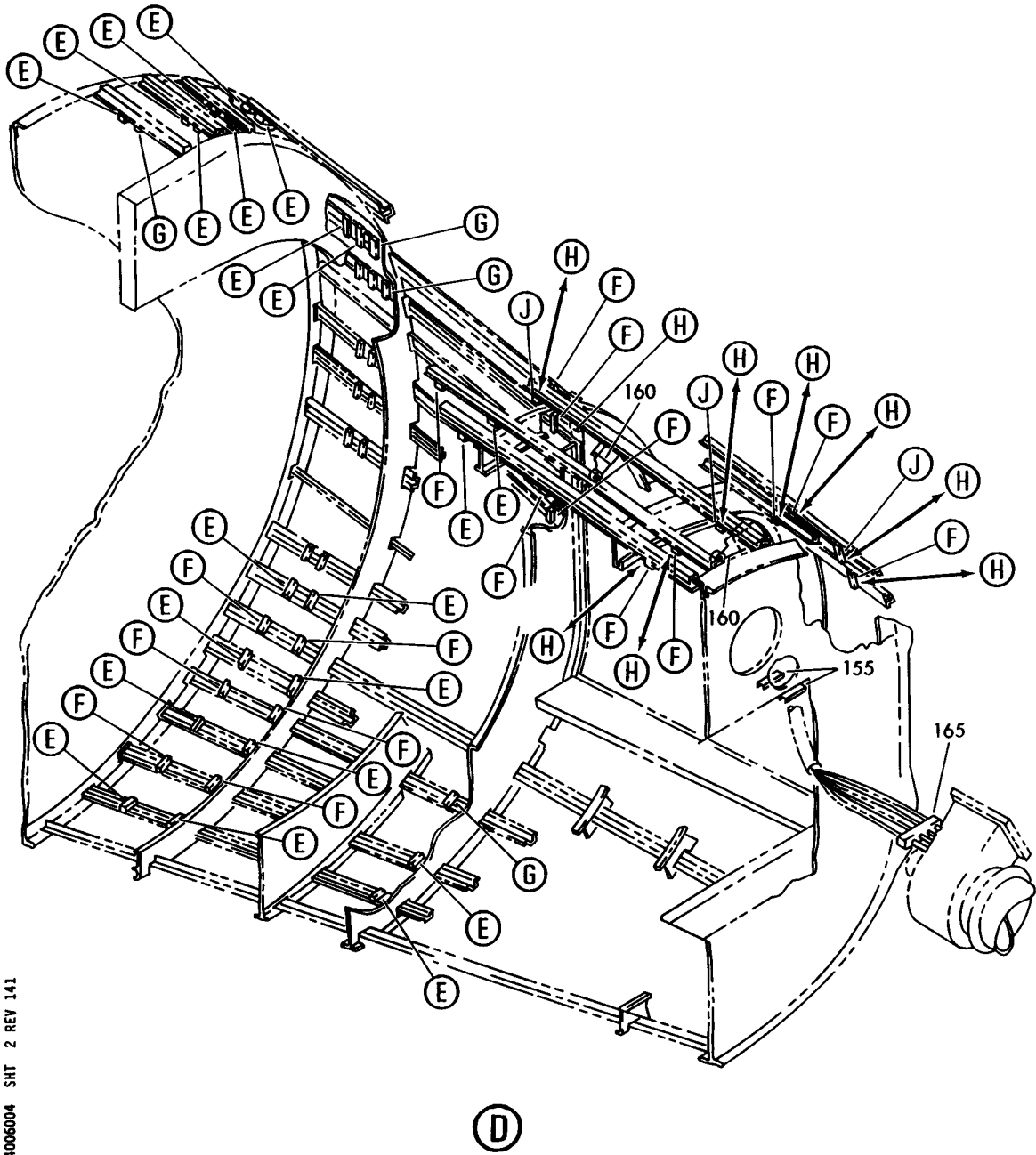
PROVISION INSTL-SECT. 48 UPR FWD WIRE
FIGURE 4 (SHEET 1)

24-00-60-04

BRI
MAY 28/07

24-00-60-04
PAGE 0

BOEING
757
PARTS CATALOG (MAINTENANCE)



Y 24006004 SH1 2 REV 141

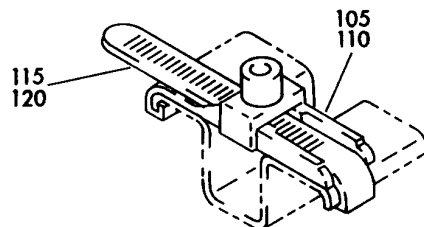
PROVISION INSTL-SECT. 48 UPR FWD WIRE
FIGURE 4 (SHEET 2)

24-00-60-04

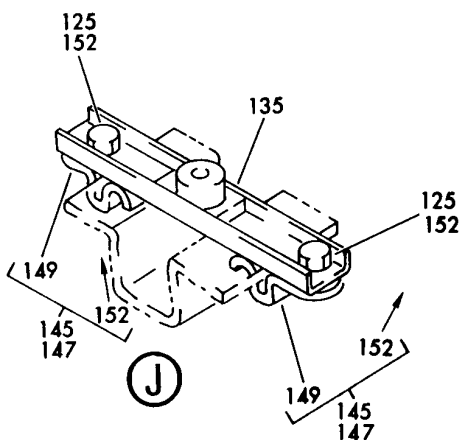
BRI
MAY 28/07

24-00-60-04
PAGE 0A

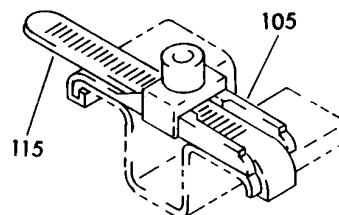
BOEING
757
PARTS CATALOG (MAINTENANCE)



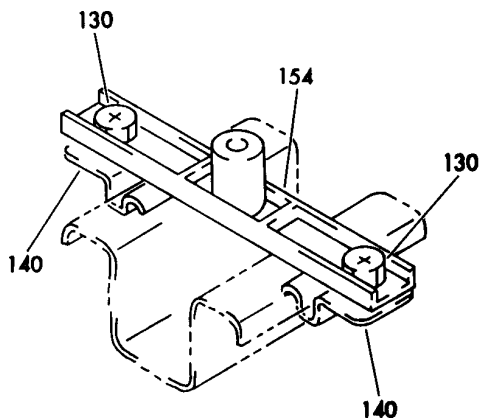
(E)



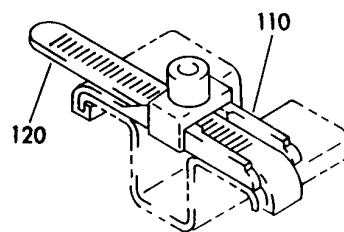
(J)



(F)



(H)



(G)

Y 24006004 SHT 3 REV 157

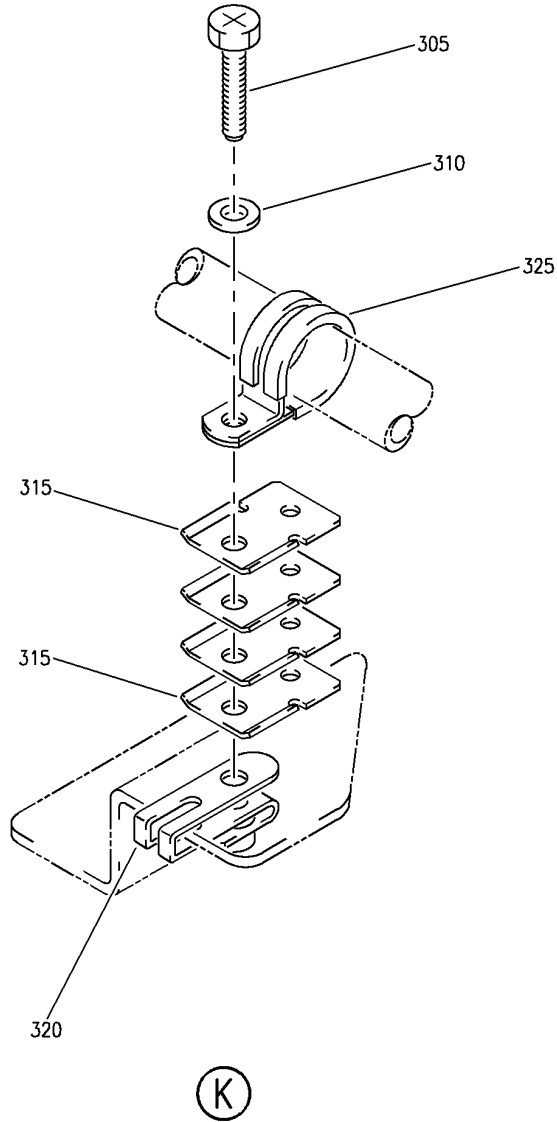
PROVISION INSTL-SECT. 48 UPR FWD WIRE
FIGURE 4 (SHEET 3)

24-00-60-04

BRI
MAY 28/07

24-00-60-04
PAGE 08

BOEING
757
PARTS CATALOG (MAINTENANCE)



Y 24006004 SH1 4 REV 285

PROVISION INSTL-SECT. 48 UPR FWD WIRE
FIGURE 4 (SHEET 4)

24-00-60-04

BRI
MAY 28/07

24-00-60-04
PAGE 0C



757

PARTS CATALOG (MAINTENANCE)

FIG ITEM	PART NUMBER	1 2 3 4 5 6 7	NOMENCLATURE	EFFECT FROM TO	UNITS PER ASSY
4			PROVISION INSTL-SECT. 48 UPR FWD WIRE	002004 006999	
- 1	287N4818-1		PROVISION INSTL-WIRE POSITION DATA: SECT. 48 UPR FWD LH FOR NHA SEE: 24-00-60-01	002004 006015 107107 121503 904999	RF
- 1	287N4818-4		PROVISION INSTL-WIRE POSITION DATA: SECT. 48 UPR FWD LH FOR NHA SEE: 24-00-60-01	016017	RF
- 1	287N4818-5		PROVISION INSTL-WIRE POSITION DATA: SECT. 48 UPR FWD LH FOR NHA SEE: 24-00-60-01	018100	RF
- 1	287N4818-6		PROVISION INSTL-WIRE POSITION DATA: SECT. 48 UPR FWD LH FOR NHA SEE: 24-00-60-01	101102 108120 504903	RF
- 5	287N4818-2		PROVISION INSTL-WIRE POSITION DATA: SECT. 48 UPR FWD RH FOR NHA SEE: 24-00-60-01	002004 006100 107107 121503 904999	RF
- 5	287N4818-7		PROVISION INSTL-WIRE POSITION DATA: SECT. 48 UPR FWD RH FOR NHA SEE: 24-00-60-20B	101102 108120 504903	RF
10	287N4815-111		.CHANNEL- POSITION DATA: LH SIDE	018100	1
10	287N4815-114		.CHANNEL- POSITION DATA: LH SIDE	101102 108120 504903	1
10	287N4815-95		.CHANNEL- POSITION DATA: LH SIDE	002004 006015 107107 121503 904999	1
10	287N4815-110		.CHANNEL- POSITION DATA: LH SIDE	016017	1

MISSING ITEM NUMBERS NOT APPLICABLE

- ITEM NOT ILLUSTRATED

24-00-60-04

24-00-60
FIG. 04
PAGE 1
JAN 20/09

BRI



757

PARTS CATALOG (MAINTENANCE)

FIG ITEM	PART NUMBER	1 2 3 4 5 6 7	NOMENCLATURE	EFFECT FROM TO	UNITS PER ASSY
4					
- 15	287N4815-99		.RACEWAY- POSITION DATA: RH SIDE	002004 006100 107107 121503 904999	1
- 15	287N4815-115		.RACEWAY- POSITION DATA: RH SIDE	002004 006102 107999	1
20	287N4815-96		.CHANNEL- POSITION DATA: LH SIDE	002004 006102 107999	1
- 25	287N4815-97		.CHANNEL- POSITION DATA: RH SIDE	002004 006102 107999	1
30	NAS1801-3-8		ATTACHING PARTS .SCREW- OPTIONAL PART: BACS12GU3K9	002004 006999	8
30	BACS12GU3K9		.SCREW- OPTIONAL PART: NAS1801-3-8	002004 006999	8
35	BACW10P43AL		.WASHER	002004 006999	16
40	BRH10A3		.NUT SUPPLIER CODE: V52828 SPECIFICATION NUMBER: BACN10JC3 OPTIONAL PART: H10-3BAC V15653 NS202101-02 V80539 RMLH9075-3W V72962 VN303A02 V92215 96-02 V80539 T6S1032J V11815	002004 006999	8
45	NAS43DD3-5		.SPACER -----*-----	002004 006999	8

MISSING ITEM NUMBERS NOT APPLICABLE

- ITEM NOT ILLUSTRATED

BRI

24-00-60-04

BOEING PROPRIETARY - Copyright © - Unpublished Work - See title page for details.

24-00-60
FIG. 04
PAGE 2
JAN 20/09



757

PARTS CATALOG (MAINTENANCE)

FIG ITEM	PART NUMBER	1 2 3 4 5 6 7	NOMENCLATURE	EFFECT FROM TO	UNITS PER ASSY
4					
- 65	287N4818-3		PROVISION INSTL-WIRE POSITION DATA: SECT. 48 UPR FWD FOR NHA SEE: 24-00-60-20 24-00-60-01	002004 006999	RF
70	287N4815-36		.CHANNEL	002004 006999	1
75	287N4815-37		.CHANNEL	002004 006999	1
80	NAS1801-3-8		ATTACHING PARTS .SCREW-	002004 006999	8
			OPTIONAL PART: BACS12GU3K9		
80	BACS12GU3K9		.SCREW-	002004 006999	8
			OPTIONAL PART: NAS1801-3-8		
85	BACW10P43AL		.WASHER	002004 006999	16
90	BRH10A3		.NUT	002004 006999	8
			SUPPLIER CODE: V52828		
			SPECIFICATION NUMBER: BACN10JC3		
			OPTIONAL PART: H10-3BAC V15653 NS202101-02 V80539 RMLH9075-3W V72962 VN303A02 V92215 96-02 V80539 T6S1032J V11815		
95	NAS43DD3-5		.SPACER-	002004 006999	8
- 100	287N4801-1		-----*----- PROVISION INSTL-MISC. BUNDLE SUPPORT WIRE POSITION DATA: SECT. 48 FOR NHA SEE: 24-00-60-01	107107	RF

MISSING ITEM NUMBERS NOT APPLICABLE

- ITEM NOT ILLUSTRATED

BRI

24-00-60-04

24-00-60
FIG. 04
PAGE 3
JAN 20/09



757

PARTS CATALOG (MAINTENANCE)

FIG ITEM	PART NUMBER	1 2 3 4 5 6 7	NOMENCLATURE	EFFECT FROM TO	UNITS PER ASSY
4 - 100	287N4801-4		PROVISION INSTL-MISC. BUNDLE SUPPORT WIRE POSITION DATA: SECT. 48 FOR NHA SEE: 24-00-60-01	002004 006100 121503 904999	RF
105	S38J1		.SUPPORT SUPPLIER CODE: V59237 SPECIFICATION NUMBER: BACS38J1 OPTIONAL PART: 30187-2 V26835	002004 006100 121503 904999	AR
110	S38J1		.SUPPORT SUPPLIER CODE: V59237 SPECIFICATION NUMBER: BACS38J1 OPTIONAL PART: 30187-2 V26835	107107	AR
115	S38J2		.SUPPORT SUPPLIER CODE: V59237 SPECIFICATION NUMBER: BACS38J2 OPTIONAL PART: 30187-3 V26835	002004 006100 121503 904999	AR
120	S38J2		.SUPPORT SUPPLIER CODE: V59237 SPECIFICATION NUMBER: BACS38J2 OPTIONAL PART: 30187-3 V26835	107107	AR
125	BACS12CB3		.SCREW	002004 006100 121503 904999	AR
130	BACS12CB3		.SCREW	107107	AR
135	69-71505-9		.CHANNEL ASSY-STGR	002004 006100 121503 904999	AR
140	69-50697		.CLIP	107107	AR

MISSING ITEM NUMBERS NOT APPLICABLE

- ITEM NOT ILLUSTRATED

24-00-60-04

24-00-60
FIG. 04
PAGE 4
JAN 20/09

BRI



757

PARTS CATALOG (MAINTENANCE)

FIG ITEM	PART NUMBER	1 2 3 4 5 6 7	NOMENCLATURE	EFFECT FROM TO	UNITS PER ASSY
4					
145	69-37170-1	.	CLIP ASSY	002004 006100 121503 904999	AR
147	69-37170-4	..	CLIP ASSY- OPTIONAL PART: 69-37170-6	002004 006100 121503 904999	AR
147	69-37170-6	..	CLIP ASSY- OPTIONAL PART: 69-37170-4	002004 006100 121503 904999	AR
149	69-37170-3	...	CLIP- USED ON: 69-37170-4	002004 006100 121503 904999	AR
149	69-37170-5	...	CLIP- USED ON: 69-37170-6	002004 006100 121503 904999	AR
152	SL854C3F1CM	...	INSERT- SUPPLIER CODE: V97393 USED ON: 69-37170-4	002004 006100 121503 904999	AR
152	79NC2-02	...	NUT-CLINCH SUPPLIER CODE: V72962 USED ON: 69-37170-6	002004 006100 121503 904999	AR
154	69-51268	.	CLIP ASSY	107107	AR
155	287N4802-161	.	BRACKET-	002004 006100 107107 121503 904999	2
160	287N4850-1	.	BRACKET-ZEE	002004 006100 107107 121503 904999	2
165	287T4817-5	.	CLAMP- MANUFACTURED FROM: MOLDED RUBBER BMS1-54A TYPE 1 0.36 IN 1.0 IN 4.5 IN	002004 006100 107107 121503 904999	1

MISSING ITEM NUMBERS NOT APPLICABLE

- ITEM NOT ILLUSTRATED

BRI

24-00-60-04

24-00-60
FIG. 04
PAGE 5
JAN 20/09

 **BOEING**
757
PARTS CATALOG (MAINTENANCE)

FIG ITEM	PART NUMBER	1 2 3 4 5 6 7	NOMENCLATURE	EFFECT FROM TO	UNITS PER ASSY
4					
- 170	BACS45A20	.	SPACER-COIL	002004 006100 107107 121503 904999	AR
- 175	BACS45A23	.	SPACER-COIL	002004 006100 107107 121503 904999	AR
- 180	BACS45A28SW	.	PLATE-COVER	002004 006100 107107 121503 904999	AR
- 200	287N4818-9		PROVISION INSTL-WIRE POSITION DATA: SECT. 48 UPR FWD RH FOR NHA SEE: 24-00-60-20	101102 108120 504903	RF
- 200	MODREF11337		PROVISION INSTL-WIRE MODULE NUMBER: 287N4818-9 REV A POSITION DATA: SECT. 48 UPR FWD RH	103106	1
- 205	287N4818-10		PROVISION INSTL-WIRE POSITION DATA: SECT. 48 UPR FWD LH FOR NHA SEE: 24-00-60-20	101102 108120 504903	RF
- 205	MODREF11336		PROVISION INSTL-WIRE MODULE NUMBER: 287N4818-10 REV A POSITION DATA: SECT. 48 UPR FWD LH	103106	1
210	287N4823-65	.	CHANNEL- POSITION DATA: LH SIDE	101106 108120 504903	1
215	287N4823-67	.	CHANNEL- POSITION DATA: LH SIDE	101106 108120 504903	1
220	287N4823-69	.	CHANNEL- POSITION DATA: RH SIDE	101106 108120 504903	1
225	287N4823-71	.	CHANNEL- POSITION DATA: RH SIDE	101106 108120 504903	1

MISSING ITEM NUMBERS NOT APPLICABLE

- ITEM NOT ILLUSTRATED

BRI

24-00-60-04

24-00-60
FIG. 04
PAGE 6
JAN 20/09



757

PARTS CATALOG (MAINTENANCE)

FIG ITEM	PART NUMBER	1 2 3 4 5 6 7	NOMENCLATURE	EFFECT FROM TO	UNITS PER ASSY
4					
230	287N4823-73		.CHANNEL- POSITION DATA: LH SIDE	101106 108120 504903	1
235	287N4823-75		.CHANNEL- POSITION DATA: LH SIDE	101106 108120 504903	1
240	BACS12GU3K9		ATTACHING PARTS .SCREW- POSITION DATA: RH SIDE	101106 108120 504903	8
242	BACS12GU3K9		.SCREW- POSITION DATA: LH SIDE	101106 108120 504903	16
245	BACW10P136AL		.WASHER- POSITION DATA: RH SIDE OPTIONAL PART: BACW10P43AL	101106 108120 504903	16
245	BACW10P43AL		.WASHER- POSITION DATA: RH SIDE OPTIONAL PART: BACW10P136AL	101106 108120 504903	16
250	BACW10P136AL		.WASHER- POSITION DATA: LH SIDE OPTIONAL PART: BACW10P43AL	101106 108120 504903	32
250	BACW10P43AL		.WASHER- POSITION DATA: LH SIDE OPTIONAL PART: BACW10P136AL	101106 108120 504903	32
255	BRC600-8-3GP		-----*----- .NUT- SUPPLIER CODE: V52828 SPECIFICATION NUMBER: BACN10YD1G OPTIONAL PART: 130120G V60119 POSITION DATA: RH SIDE	101106 108120 504903	8

MISSING ITEM NUMBERS NOT APPLICABLE

- ITEM NOT ILLUSTRATED

24-00-60-04

24-00-60
FIG. 04
PAGE 7
JAN 20/09

BRI

BOEING PROPRIETARY - Copyright © - Unpublished Work - See title page for details.



757

PARTS CATALOG (MAINTENANCE)

FIG ITEM	PART NUMBER	1 2 3 4 5 6 7	NOMENCLATURE	EFFECT FROM TO	UNITS PER ASSY
4 260	BRC600-8-3GP	.NUT-	SUPPLIER CODE: V52828 SPECIFICATION NUMBER: BACN10YD1G OPTIONAL PART: 130120G V60119 POSITION DATA: LH SIDE	101106 108120 504903	16
270	NAS43DD3-5FC	.SPACER-	POSITION DATA: RH SIDE	101106 108120 504903	8
275	NAS43DD3-5FC	.SPACER-	POSITION DATA: LH SIDE	101106 108120 504903	16
- 300	286N2800-001	WIRE BUNDLE ASSY		002004 006100 107107 121503 904999	RF
- 300	286N2800-301	WIRE BUNDLE ASSY		101102	RF
- 300	286N2800-304	WIRE BUNDLE ASSY		504903	RF
305	BACS12GU3K16	.SCREW-	POST SERVICE BULLETIN: 24-0089 24-0089R1	002004 006102 107107 121999	1
310	NAS1149D0332J	.WASHER-	POST SERVICE BULLETIN: 24-0089 24-0089R1	002004 006102 107107 121999	1
315	BACS18AF2	.SPACER-	POST SERVICE BULLETIN: 24-0089 24-0089R1	002004 006102 107107 121999	4
320	BACN10YD	.NUT-	SIZE DETERMINED ON INSTL. POST SERVICE BULLETIN: 24-0089 24-0089R1	002004 006102 107107 121999	1
325	BACC10GU	.CLAMP-	SIZE DETERMINED ON INSTL. POST SERVICE BULLETIN: 24-0089 24-0089R1	002004 006102 107107 121999	1

MISSING ITEM NUMBERS NOT APPLICABLE

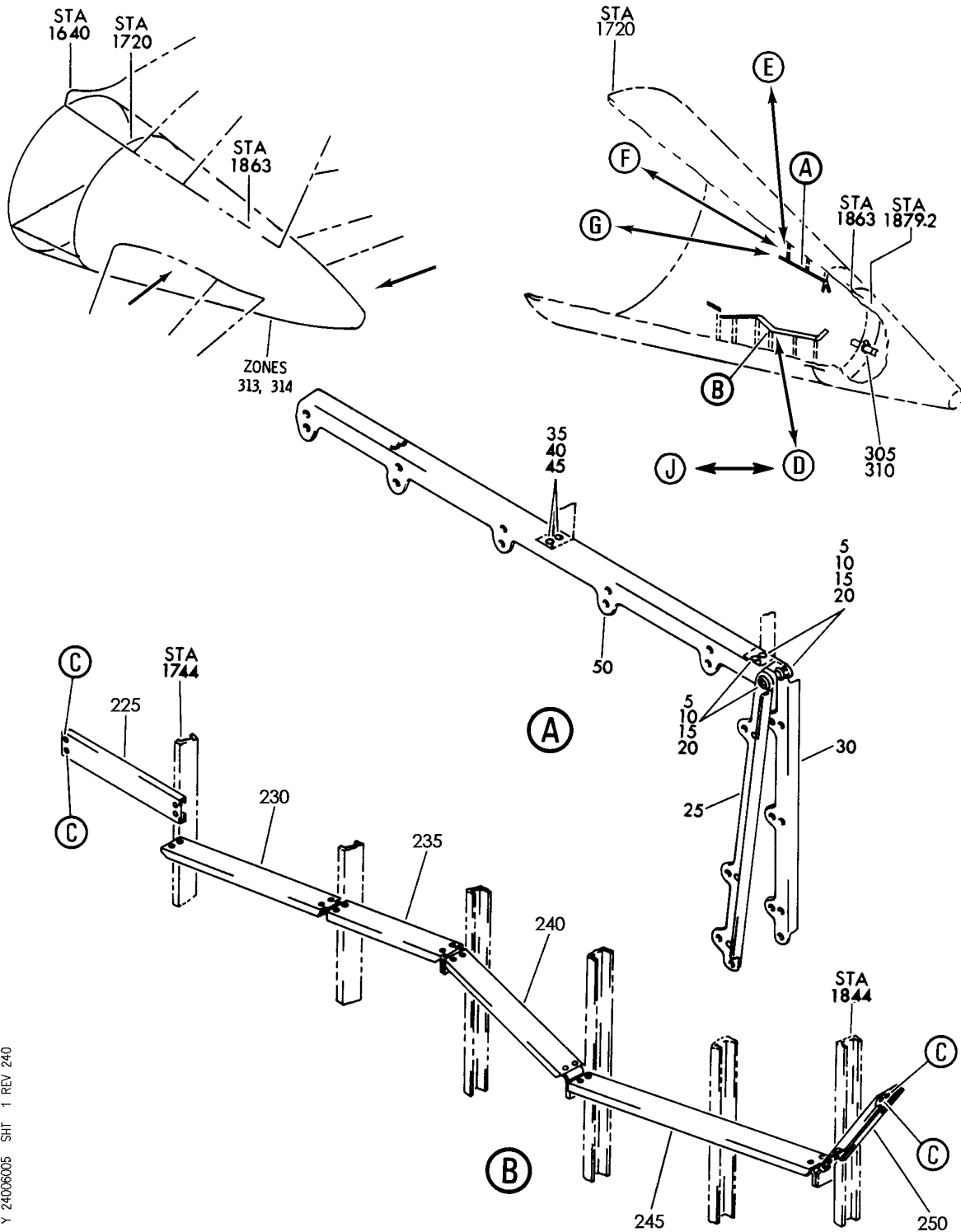
- ITEM NOT ILLUSTRATED

24-00-60-04

24-00-60
FIG. 04
PAGE 8
JAN 20/09

BRI

BOEING
757
PARTS CATALOG (MAINTENANCE)



Y 24006005 SHT 1 REV 240

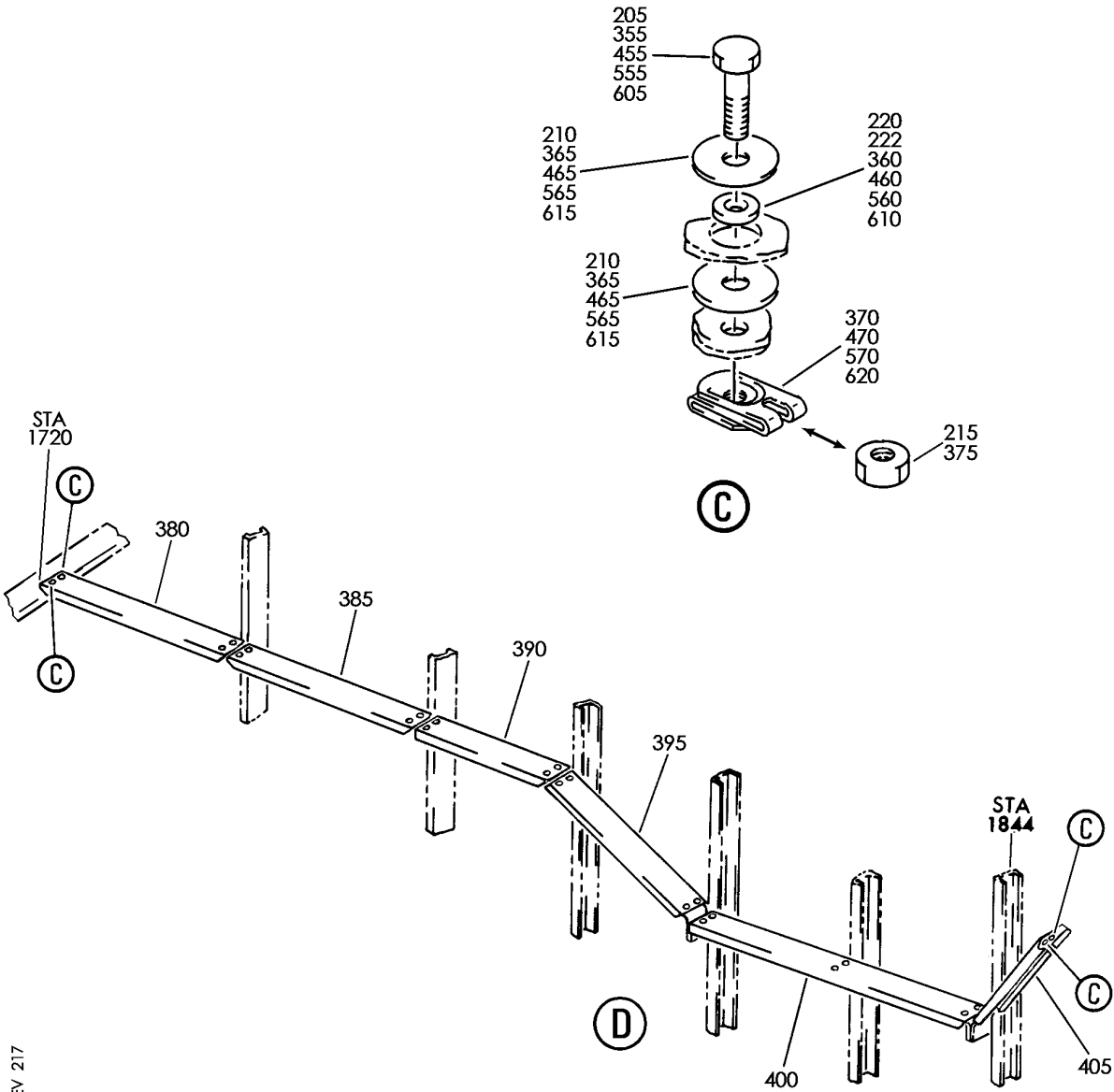
PROVISION INSTL-SECT. 48 UPR AFT AND LWR R WIRE
FIGURE 5 (SHEET 1)

24-00-60-05

BRI
MAY 28/07

24-00-60-05
PAGE 0

BOEING
757
PARTS CATALOG (MAINTENANCE)



Y 24006005 SHT 2 REV 217

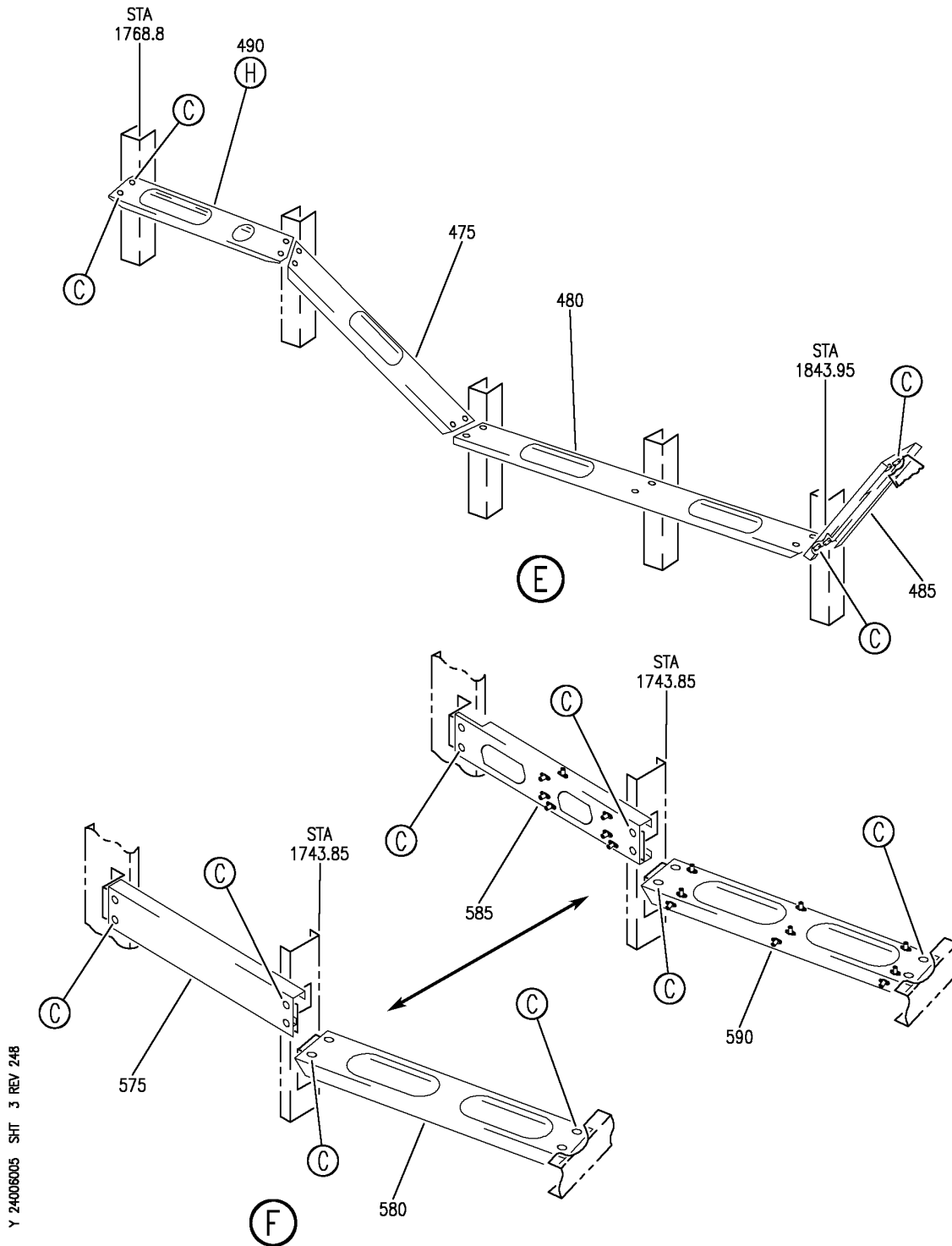
PROVISION INSTL-SECT. 48 UPR AFT AND LWR R WIRE
FIGURE 5 (SHEET 2)

24-00-60-05

BRI
MAY 28/07

24-00-60-05
PAGE 0A

BOEING
757
PARTS CATALOG (MAINTENANCE)



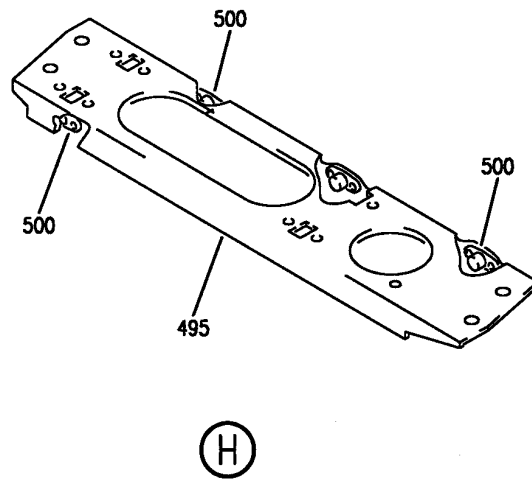
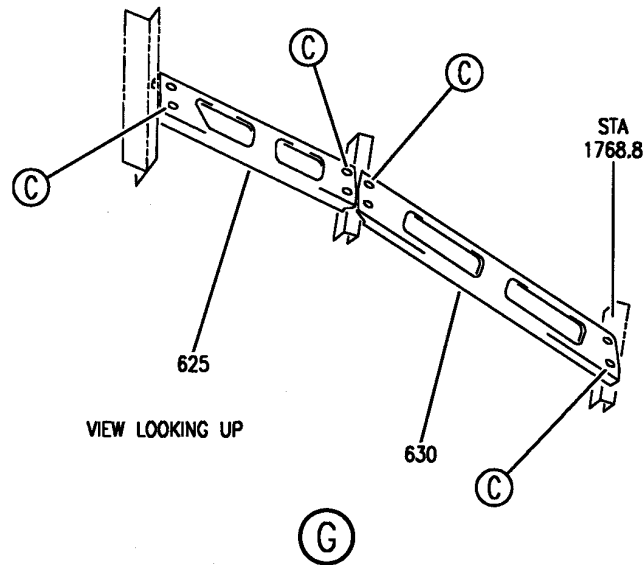
PROVISION INSTL-SECT. 48 UPR AFT AND LWR R WIRE
FIGURE 5 (SHEET 3)

24-00-60-05

BRI
MAY 28/07

24-00-60-05
PAGE 0B

BOEING
757
PARTS CATALOG (MAINTENANCE)



Y 24006005 SHT 4 REV 217

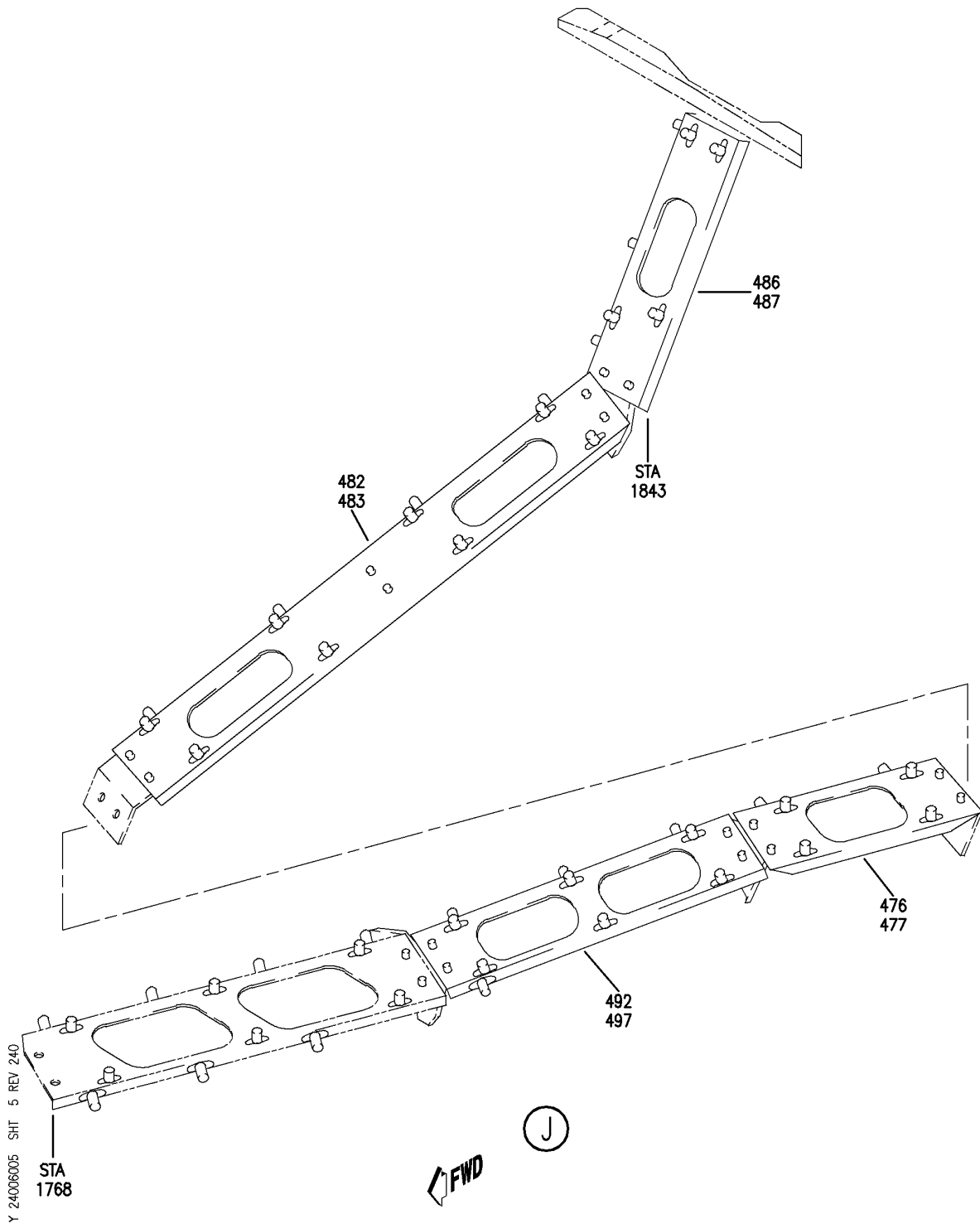
PROVISION INSTL-SECT. 48 UPR AFT AND LWR R WIRE
FIGURE 5 (SHEET 4)

24-00-60-05

BRI
MAY 28/07

24-00-60-05
PAGE 0C

BOEING
757
PARTS CATALOG (MAINTENANCE)



PROVISION INSTL-SECT. 48 UPR AFT AND LWR R WIRE
FIGURE 5 (SHEET 5)

BRI
MAY 28/07

24-00-60-05

24-00-60-05
PAGE 0D



**757
PARTS CATALOG (MAINTENANCE)**

FIG ITEM	PART NUMBER	1 2 3 4 5 6 7	NOMENCLATURE	EFFECT FROM TO	UNITS PER ASSY
5			PROVISION INSTL-SECT. 48 UPR AFT AND LWR R WIRE	002004 006999	
- 1	287N4804-1		PROVISION INSTL-WIRE POSITION DATA: SECT. 48 UPR AFT FOR NHA SEE: 24-00-60-01 24-00-60-20	002004 006102 107999	RF
- 1	MODREF11251		PROVISION INSTL-WIRE MODULE NUMBER: 287N4804-1 REV A POSITION DATA: SECT. 48 UPR AFT	103106	1
5	NAS623-3-4		.SCREW-	002004 006999	4
10	BACW10P43AL		.WASHER	002004 006999	8
15	NAS43DD3-4		.SPACER	002004 006999	4
20	BRC500-10G3		.NUT SUPPLIER CODE: V52828 SPECIFICATION NUMBER: BACN10FX23 OPTIONAL PART: F49322-3-23 V15653 130063 V60119 A11330-10A3 V72962	002004 006999	4
25	287N4802-196		.BRACKET	002004 006999	1
30	287N4802-197		.BRACKET	002004 006999	1
35	NAS623-3-3		.SCREW-	002004 006999	2
40	AN960PD10L		.WASHER	002004 006999	2

MISSING ITEM NUMBERS NOT APPLICABLE

- ITEM NOT ILLUSTRATED

BRI

24-00-60-05

BOEING PROPRIETARY - Copyright © - Unpublished Work - See title page for details.

24-00-60
FIG. 05
PAGE 1
JAN 20/09



757

PARTS CATALOG (MAINTENANCE)

FIG ITEM	PART NUMBER	1 2 3 4 5 6 7	NOMENCLATURE	EFFECT FROM TO	UNITS PER ASSY
5					
45	BRC500-8-3	.NUT-	SUPPLIER CODE: V52828 SPECIFICATION NUMBER: BACN10FX21 OPTIONAL PART: F49322-3-21 V15653 SL240-3-1 V97393 130061 V60119 A11330-8-3 V72962 BACN10YD3G	002004 006999	2
45	BRC600-10G3GP	.NUT-	SUPPLIER CODE: V52828 SPECIFICATION NUMBER: BACN10YD3G OPTIONAL PART: 130122G V60119 BACN10FX21	002004 006999	2
50	287N4802-198	.BRACKET		002004 006999	1
- 200	287N4817-1	PROVISION INSTL-WIRE	POSITION DATA: SECT. 48 LWR R FOR NHA SEE: 24-00-60-01	002004 006100 107107 121503 904999	RF
- 200	287N4817-3	PROVISION INSTL-WIRE	POSITION DATA: SECT. 48 LWR R FOR NHA SEE: 24-00-60-20B	101102 504903	RF
205	NAS1801-3-9	.SCREW-	OPTIONAL PART: BACS12GU3K10	002004 006102 107107 121999	26
205	BACS12GU3K10	.SCREW-	OPTIONAL PART: NAS1801-3-9	002004 006102 107107 121999	26
210	BACW10P43AL	.WASHER		002004 006102 107107 121999	52

MISSING ITEM NUMBERS NOT APPLICABLE

- ITEM NOT ILLUSTRATED

24-00-60-05

24-00-60
FIG. 05
PAGE 2
JAN 20/09

BRI



757

PARTS CATALOG (MAINTENANCE)

FIG ITEM	PART NUMBER	1 2 3 4 5 6 7	NOMENCLATURE	EFFECT FROM TO	UNITS PER ASSY
5 215	BRC600-10G3GP	.NUT-	SUPPLIER CODE: V52828 SPECIFICATION NUMBER: BACN10YD3G OPTIONAL PART: 130122G V60119 BACN10JC3 BACN10JC3CD	002004 006102 107107 121999	26
215	BRH10A3	.NUT-	SUPPLIER CODE: V52828 SPECIFICATION NUMBER: BACN10JC3 OPTIONAL PART: H10-3BAC V15653 NS202101-02 V80539 RMLH9075-3W V72962 VN303A02 V92215 96-02 V80539 T6S1032J V11815 BACN10YD3G	002004 006100 107107 121503 904999	26
215	BRH10C3D	.NUT-	SUPPLIER CODE: V52828 SPECIFICATION NUMBER: BACN10JC3CD OPTIONAL PART: T6C1032JCD V11815 NS202486-02 V80539 102LH9075-3W V72962 H51650-3BAC V15653 BACN10YD3G	101102 504903	26
220	NAS43DD3-5	.SPACER		002004 006100 107107 121503 904999	26

MISSING ITEM NUMBERS NOT APPLICABLE

- ITEM NOT ILLUSTRATED

24-00-60-05

24-00-60
FIG. 05
PAGE 3
JAN 20/09

BRI



757

PARTS CATALOG (MAINTENANCE)

FIG ITEM	PART NUMBER	1 2 3 4 5 6 7	NOMENCLATURE	EFFECT FROM TO	UNITS PER ASSY
5					
222	NAS43DD3-5FC	.	SPACER	101102 504903	26
225	287N4815-113	.	BRACKET-	101102 504903	1
225	287N4815-29	.	BRACKET-	002004 006100 107107 121503 904999	1
230	287N4815-64	.	CHANNEL	002004 006102 107107 121999	1
235	287N4815-108	.	CHANNEL-	002004 006102 107107 121999	1
240	287N4815-66	.	CHANNEL	002004 006102 107107 121999	1
245	287N4815-67	.	CHANNEL	002004 006102 107107 121999	1
250	287N4815-107	.	CHANNEL-	002004 006010 107107 121503 904999	1
250	287N4815-109	.	CHANNEL-	011102 504903	1
- 300	287N4817-2		PROVISION INSTL-WIRE POSITION DATA: SECT. 48 LWR R FOR NHA SEE: 24-00-60-01 24-00-60-20C	002004 006102 107999	RF
- 300	MODREF11333		PROVISION INSTL-WIRE MODULE NUMBER: 287N4817-2 REV A POSITION DATA: SECT. 48 LWR R	103106	1

MISSING ITEM NUMBERS NOT APPLICABLE

- ITEM NOT ILLUSTRATED

24-00-60-05

24-00-60
FIG. 05
PAGE 4
JAN 20/09

BRI

 **BOEING**
757
PARTS CATALOG (MAINTENANCE)

FIG ITEM	PART NUMBER	1 2 3 4 5 6 7	NOMENCLATURE	EFFECT FROM TO	UNITS PER ASSY
5					
305	S38J1	.	SUPPORT SUPPLIER CODE: V59237 SPECIFICATION NUMBER: BACS38J1 OPTIONAL PART: 30187-2 V26835	002004 006951	1
310	S38J2	.	SUPPORT SUPPLIER CODE: V59237 SPECIFICATION NUMBER: BACS38J2 OPTIONAL PART: 30187-3 V26835	002004 006951	1
- 450	287N4817-6		PROVISION INSTL-WIRE POSITION DATA: SECT. 48 LWR RIGHT FOR NHA SEE: 24-00-60-20	108120	RF
- 450	MODREF11335		PROVISION INSTL-WIRE MODULE NUMBER: 287N4817-9 REV A POSITION DATA: SECT. 48 LWR RIGHT	103106	1
455	BACS12GU3K10	.	SCREW	103106 108120	18
460	NAS43DD3-5FC	.	SPACER	103106 108120	18
465	BACW10P43AL	.	WASHER	103106 108120	36
470	BRC600-10G3GP	.	NUT SUPPLIER CODE: V52828 SPECIFICATION NUMBER: BACN10YD3G OPTIONAL PART: 130122G V60119	103106 108120	18
475	287N4815-66	.	CHANNEL	108120	1
476	287N4823-41	.	CHANNEL	103106	1
477	287N4823-42	..	BRACKET	103106	1
480	287N4815-67	.	CHANNEL	108120	1
482	287N4823-43	.	CHANNEL-	103106	1
483	287N4823-44	..	BRACKET	103106	1
485	287N4815-109	.	CHANNEL	108120	1
486	287N4823-36	.	CHANNEL-	103106	1
487	287N4823-37	..	BRACKET	103106	1

MISSING ITEM NUMBERS NOT APPLICABLE

- ITEM NOT ILLUSTRATED

BRI

24-00-60-05

BOEING PROPRIETARY - Copyright © - Unpublished Work - See title page for details.

24-00-60
FIG. 05
PAGE 5
JAN 20/09



757

PARTS CATALOG (MAINTENANCE)

FIG ITEM	PART NUMBER	1 2 3 4 5 6 7	NOMENCLATURE	EFFECT FROM TO	UNITS PER ASSY
5					
490	287N4814-38		.BRACKET ASSY	108120	1
492	287N4823-34		.BRACKET ASSY-	103106	1
495	287N4814-39		..BRACKET	108120	1
497	287N4823-35		..BRACKET	103106	1
500	BR2000C3D		..NUT	108120	4
			SUPPLIER CODE: V52828		
			SPECIFICATION NUMBER: BACN10JR3CD		
			OPTIONAL PART: K51601-3BAC V15653 NS202439-02 V80539 102A9201-3 V72962		
			ATTACHING PARTS		
- 505	BACR15BA3AD4C		..RIVET- SIZE DETERMINED ON INSTL. -----*-----	108120	8
- 550	287N4817-7		PROVISION INSTL-WIRE POSITION DATA: SECT. 48 LWR R FOR NHA SEE: 24-00-60-20B	108120	RF
- 550	MODREF11255		PROVISION INSTL-WIRE MODULE NUMBER: 287N4817-10 REV A POSITION DATA: SECT. 48 LWR R	103106	1
555	BACS12GU3K10		.SCREW	103106 108120	8
560	NAS43DD3-5FC		.SPACER	103106 108120	8
565	BACW10P43AL		.WASHER	103106 108120	16
570	BRC600-10G3GP		.NUT SUPPLIER CODE: V52828 SPECIFICATION NUMBER: BACN10YD3G OPTIONAL PART: 130122G V60119	103106 108120	8
575	287N4815-113		.BRACKET	108120	1
580	287N4815-64		.CHANNEL	108120	1
585	287N4823-38		.BRACKET ASSY	103106	1
590	287N4823-45		.BRACKET ASSY	103106	1

MISSING ITEM NUMBERS NOT APPLICABLE

- ITEM NOT ILLUSTRATED

24-00-60-05

24-00-60
FIG. 05
PAGE 6
JAN 20/09

BRI

NON-ILLUSTRATED FIGURE

THE ITEMS REFLECTED IN THIS FIGURE ARE INTENTIONALLY
NON-ILLUSTRATED. THEY ARE REFERENCED TO EITHER A
NEXT HIGHER OR NEXT LOWER ASSEMBLY/INSTALLATION FIGURE.

PROVISION INSTL-WIRE
FIGURE 20

24-00-60-20

BRI
MAY 28/07

24-00-60-20
PAGE 0



757

PARTS CATALOG (MAINTENANCE)

FIG ITEM	PART NUMBER	1 2 3 4 5 6 7	NOMENCLATURE	EFFECT FROM TO	UNITS PER ASSY
20			PROVISION INSTL-WIRE	101102 108120 504903	
- 1	287N0000-1000		MAJOR MODEL OPTION-WIRE	101102 108120 504903	1
- 5	287N8003-65		.CONDUIT INSTL-HORIZ STAB. WIRE FOR DETAILS SEE: 53-86-52-02	101102 108120 504903	1
- 10	287N8003-68		.CONDUIT INSTL-HORIZ STAB. WIRE FOR DETAILS SEE: 53-86-52-02	101102 108120 504903	1
- 26	287N1070-1		.DECAL INSTL- POSITION DATA: OSS 333.00 LH FOR DETAILS SEE: 57-00-52-03	101102 108120 504903	1
- 29	287N1070-2		.DECAL INSTL- POSITION DATA: OSS 333.00 RH FOR DETAILS SEE: 57-00-52-03	101102 108120 504903	1
- 39	287N1201-13		.SUPPORT INSTL-FUEL QTY IND SYS INSPAR WIRE POSITION DATA: LH FOR DETAILS SEE: 28-41-09-01	101102 108120 504903	1
- 40	287N1201-14		.SUPPORT INSTL-FUEL QTY IND SYS INSPAR WIRE POSITION DATA: RH FOR DETAILS SEE: 28-41-09-01	101102 108120 504903	1
- 41	287N1305-7		.BRACKET INSTL-MLG SPRT BEAM POSITION DATA: LH SIDE FOR DETAILS SEE: 57-00-52-06	101102 108120 504903	1
- 44	287N1305-8		.BRACKET INSTL-MLG SPRT BEAM POSITION DATA: RH SIDE FOR DETAILS SEE: 57-00-52-06	101102 108120 504903	1

MISSING ITEM NUMBERS NOT APPLICABLE

- ITEM NOT ILLUSTRATED

24-00-60-20

24-00-60
FIG. 20
PAGE 1
JAN 20/09

BRI

BOEING PROPRIETARY - Copyright © - Unpublished Work - See title page for details.



757

PARTS CATALOG (MAINTENANCE)

FIG ITEM	PART NUMBER	1 2 3 4 5 6 7	NOMENCLATURE	EFFECT FROM TO	UNITS PER ASSY
20					
- 47	287N1309-19		.BRACKET INSTL-REAR SPAR WING POSITION DATA: IRSS 325.0-IRSS 345.0 LH LH FOR DETAILS SEE: 57-00-52-04	101102 108120 504903	1
- 50	287N1309-20		.BRACKET INSTL-REAR SPAR WING POSITION DATA: IRSS 325.0-IRSS 345.0 RH RH FOR DETAILS SEE: 57-00-52-04	101102 108120 504903	1
- 53	287N1311-1		.PROVISION INSTL-REAR SPAR WING POSITION DATA: LH FOR DETAILS SEE: 57-00-52-05	101102 108108 504903	1
- 53	287N1311-3		.PROVISION INSTL-REAR SPAR WING POSITION DATA: LH FOR DETAILS SEE: 57-00-52-05A	109120	1
- 56	287N1311-2		.PROVISION INSTL-REAR SPAR WING POSITION DATA: RH FOR DETAILS SEE: 57-00-52-05	101102 108108 504903	1
- 56	287N1311-4		.PROVISION INSTL-REAR SPAR WING POSITION DATA: RH FOR DETAILS SEE: 57-00-52-05A	109120	1
- 70	287N4104-3		.PROVISION INSTL-WIRE NON STRUCTURAL FOR DETAILS SEE: 53-11-61-19	101102 108120 504903	1
- 70	287N4104-10		.PROVISIONAL INSTL-WIRE FOR DETAILS SEE: 53-11-61-19	101102 108120 504903	1

MISSING ITEM NUMBERS NOT APPLICABLE

- ITEM NOT ILLUSTRATED

24-00-60-20

24-00-60
FIG. 20
PAGE 2
JAN 20/09

BRI



757

PARTS CATALOG (MAINTENANCE)

FIG ITEM	PART NUMBER	1 2 3 4 5 6 7	NOMENCLATURE	EFFECT FROM TO	UNITS PER ASSY
20					
- 71	287N4110-16		.PLATE INSTL-OVERHEAD FOR P5 GROUNDING POSITION DATA: SECT. 41 UPR FOR DETAILS SEE: 53-11-56-01	101102 108120 504903	1
- 74	287N4112-13		.BLOCK INSTL-CAPT MAIN INSTR PNL GND WIRE SPRT POSITION DATA: LH FOR DETAILS SEE: 53-11-61-12	101102 108120 504903	1
- 75	287N4112-14		.BLOCK INSTL-FIRST OFFICER INSTR PNL GND WIRE SPRT POSITION DATA: RH FOR DETAILS SEE: 53-11-61-12	101102 108120 504903	1
- 77	287N4113-2		.BLOCK INSTL-P26 PNL GND FOR DETAILS SEE: 53-11-69-01	101102 108120 504903	1
- 80	287N4114-5		.RACEWAY INSTL-AISLE CONT STAND FOR DETAILS SEE: 53-11-61-06	101102 108120 504903	1
- 95	287N4119-120		.PROVISION INSTL-WIRE FLIGHT DECK STA. 278, 28 (RH SIDE) FOR DETAILS SEE: 53-11-61-07	101102 108120 504903	1
- 98	287N4119-121		.SUPPORT INSTL-WIRE DISC. OVERHEAD STA. 288 (FWD) FOR DETAILS SEE: 53-11-61-07	101102 108120 504903	1
- 101	287N4121-4		.PROVISION INSTL-WIRE FOR DETAILS SEE: 53-11-61-04	101102 108120 504903	1
- 162	287N4126-4		.BRACKET INSTL-LVDT FOR SPEED BRAKE DISC. FOR DETAILS SEE: 53-11-71-03	101102 108120 504903	1
- 176	287N4128-7		.BRACKET INSTL-CONT COLUMN FORCE TRANSDUCERS DISC. POSITION DATA: LH FOR DETAILS SEE: 53-10-53-01	101102 108120 504903	1

MISSING ITEM NUMBERS NOT APPLICABLE

- ITEM NOT ILLUSTRATED

24-00-60-20

24-00-60
FIG. 20
PAGE 3
JAN 20/09

BRI



757

PARTS CATALOG (MAINTENANCE)

FIG ITEM	PART NUMBER	1 2 3 4 5 6 7	NOMENCLATURE	EFFECT FROM TO	UNITS PER ASSY
20					
- 179	287N4128-8		.BRACKET INSTL-CONT COLUMN FORCE TRANSDUCERS DISC. POSITION DATA: RH FOR DETAILS SEE: 53-10-53-01	101102 108120 504903	1
- 182	287N4129-4		.DISCONNECT INSTL-BHD FEED THRU PRESSURE BHD BASIC AND STABLE POSITION DATA: FWD FOR DETAILS SEE: 53-11-69-02	101102 108120 504903	1
- 185	287N4131-10		.INTEGRATION AND GROUND- BLOCK INSTL POSITION DATA: SECT. 41 LWR RH FOR DETAILS SEE: 53-11-57-01	101102 108120 504903	1
- 187	287N4131-9		.INTEGRATION AND GROUND- BLOCK INSTL POSITION DATA: SECT. 41 LWR LH FOR DETAILS SEE: 53-11-57-01	101102 108120 504903	1
- 188	287N4132-3		.BOARD INSTL-TERM. WINDOW 1 POSITION DATA: LH FOR DETAILS SEE: 53-11-72-01	101102 108120 504903	1
- 191	287N4132-4		.BOARD INSTL-TERM. WINDOW 1 POSITION DATA: RH FOR DETAILS SEE: 53-11-72-01	101102 108120 504903	1
- 194	287N4132-15		.BOARD INSTL-WINDOW 2 AND 3 TERM. POSITION DATA: LH FOR DETAILS SEE: 53-11-72-01	101102 108120 504903	1
- 197	287N4132-16		.BOARD INSTL-WINDOW 2 AND 3 TERM. POSITION DATA: RH FOR DETAILS SEE: 53-11-72-01	101102 108120 504903	1

MISSING ITEM NUMBERS NOT APPLICABLE

- ITEM NOT ILLUSTRATED

24-00-60-20

24-00-60
FIG. 20
PAGE 4
JAN 20/09

BRI



757

PARTS CATALOG (MAINTENANCE)

FIG ITEM	PART NUMBER	1 2 3 4 5 6 7	NOMENCLATURE	EFFECT FROM TO	UNITS PER ASSY
20					
- 200	287N4132-17		.BOARD INSTL-WINDOW 2 AND 3 TERM. POSITION DATA: LH FOR DETAILS SEE: 53-11-72-01	101102 108120 504903	1
- 203	287N4132-18		.BOARD INSTL-WINDOW 2 AND 3 TERM. POSITION DATA: RH FOR DETAILS SEE: 53-11-72-01	101102 108120 504903	1
- 206	287N4133-1		.MODULE INSTL-CAPT AND F/O CONT COLUMN TERMINALS (FUSELAGE ONLY) FUNCTIONAL REFERENCE: FUSELAGE FOR DETAILS SEE 53-11-61-13	101102 108120 504903	1
- 209	287N4134-1		.DIMMER INSTL- POSITION DATA: LWR SECT. 41 ELECTRICAL EQUIP NUMBER: M00794 FOR DETAILS SEE: 33-13-55-01	101102 108120 504903	1
- 212	287N4134-2		.DIMMER INSTL- POSITION DATA: LWR SECT. 41 ELECTRICAL EQUIP NUMBER: M00795 FOR DETAILS SEE: 33-13-55-01	101102 108120 504903	1
- 224	287N4137-12		.PROVISION INSTL-WIRE FLOOR BEAMS, BASIC + STABLE CONFIGURATION POSITION DATA: STA 278.0 TO STA 377.7 FOR DETAILS SEE: 53-11-65-01	101102 108120 504903	1
- 242	287N4140-1		.BRACKET INSTL-FOOT HEATER DISC. (LH) FOR DETAILS SEE: 53-11-61-07	101102 108120 504903	1
- 245	287N4140-2		.BRACKET INSTL-FOOT HEATER DISC. (RH) FOR DETAILS SEE: 53-11-61-07	101102 108120 504903	1

MISSING ITEM NUMBERS NOT APPLICABLE

- ITEM NOT ILLUSTRATED

24-00-60-20

24-00-60
FIG. 20
PAGE 5
JAN 20/09

BRI



757

PARTS CATALOG (MAINTENANCE)

FIG ITEM	PART NUMBER	1 2 3 4 5 6 7	NOMENCLATURE	EFFECT FROM TO	UNITS PER ASSY
20					
- 275	287N4164-14		.PROVISIONS INSTL- POSITION DATA: LWR SECT. 41 WIRE FOR DETAILS SEE: 53-11-61-11	101101	1
- 275	287N4164-15		.PROVISIONS INSTL- POSITION DATA: LWR SECT. 41 WIRE FOR DETAILS SEE: 53-11-61-11	102102 108120 504903	1
- 280	287N4311-1		.HARNESS INSTL-DOOR HINGE POSITION DATA: FWD CARGO COMPT FOR DETAILS SEE: 52-34-53-01	101102	1
- 285	287N4311-14		.HARNESS INSTL-CARGO DOOR POSITION DATA: FWD FOR DETAILS SEE: 52-34-53-01	108120 504903	1
- 290	287N4305-63		.PROVISION INSTL-A/C MIX BAY WIRE FOR DETAILS SEE: 53-30-51-18A	101102 108120 504903	1
- 300	287N6200-18		.HARNESS INSTL-NLG ELEC DOWN LOCK INDICATING FOR DETAILS SEE: 32-21-51-03	108120	1
- 305	287N4128-10		.BRACKET INSTL-XDCR ELV CONT POSITION DATA: RH FOR DETAILS SEE: 53-10-53-01	108120	1
- 310	287N4128-11		.BRACKET INSTL-XDCR ELV CONT POSITION DATA: LH FOR DETAILS SEE: 53-10-53-01	108120	1
- 315	287N4128-12		.BRACKET INSTL-TRANSDUCER ELV AIL. POSITION DATA: LH FOR DETAILS SEE: 53-10-53-01	108120	1

MISSING ITEM NUMBERS NOT APPLICABLE

- ITEM NOT ILLUSTRATED

BRI

24-00-60-20

BOEING PROPRIETARY - Copyright © - Unpublished Work - See title page for details.

24-00-60
FIG. 20
PAGE 6
JAN 20/09



757

PARTS CATALOG (MAINTENANCE)

FIG ITEM	PART NUMBER	1 2 3 4 5 6 7	NOMENCLATURE	EFFECT FROM TO	UNITS PER ASSY
20					
- 320	287N4128-13		.BRACKET INSTL-TRANSDUCER ELV AIL. POSITION DATA: RH FOR DETAILS SEE: 53-10-53-01	108120	1
- 447	287N4326-1		.PROVISION INSTL-E/E BAY FLOOR BEAM WIRE FOR DETAILS SEE: 24-50-51-01	101102 108120 504903	1
- 457	287N4351-3		.BRACKET INSTL-WIRE SPRT FOR DETAILS SEE: 53-30-00-01	101102 504506	1
- 457	287N4351-6		.BRACKET INSTL-WIRE SPRT FOR DETAILS SEE: 53-30-00-01	507903	1
- 470	012N0035-1		.BRACKET INSTL-WIRE BUNDLE CHAFING E2-1 SHELF DRIP SHIELD TOP KIT POST SERVICE BULLETIN: 24-0115R1 FOR DETAILS SEE: 53-30-00-01	101102	1
- 487	287N4414-11		.PROVISION INSTL-MAIN WHL WELL WIRE POSITION DATA: REAR SPAR LH FOR DETAILS SEE: 53-41-62-01	101102 108120 504903	1
- 488	287N4414-12		.PROVISION INSTL-MAIN WHL WELL WIRE POSITION DATA: REAR SPAR RH FOR DETAILS SEE: 53-41-62-01	101102 108120 504903	1
- 500	287N4416-9		.PROVISION INSTL-WIRE BULKHEAD, MAIN WHL WELL POSITION DATA: STA. 1180 LH SIDE FOR DETAILS SEE: 53-41-62-05	101102 108120 504903	1
- 505	287N4416-10		.PROVISION INSTL-WIRE BULKHEAD, MAIN WHL WELL POSITION DATA: STA. 1180 RH SIDE FOR DETAILS SEE: 53-41-62-05	101102 108120 504903	1

MISSING ITEM NUMBERS NOT APPLICABLE

- ITEM NOT ILLUSTRATED

24-00-60-20

24-00-60
FIG. 20
PAGE 7
JAN 20/09

BRI

BOEING PROPRIETARY - Copyright © - Unpublished Work - See title page for details.



757

PARTS CATALOG (MAINTENANCE)

FIG ITEM	PART NUMBER	1 2 3 4 5 6 7	NOMENCLATURE	EFFECT FROM TO	UNITS PER ASSY
20					
- 510	287N4412-19		.PROVISION INSTL-WIRE KEEL CHORD POSITION DATA: RH SIDE FOR DETAILS SEE: 53-41-62-06	101102 108120 504903	1
- 520	287N4412-25		.PROVISION INSTL-WIRE KEEL BEAM POSITION DATA: LH SIDE FOR DETAILS SEE: 53-41-62-06	108120	1
- 530	287N4412-15		.PROVISION INSTL-WIRE KEEL BEAM POSITION DATA: RH SIDE FOR DETAILS SEE: 53-41-62-06	101102 108120 504903	1
- 600	287N4817-6		.PROVISION INSTL-WIRE POSITION DATA: SECT. 48 UPR AFT FOR DETAILS SEE: 24-00-60-05	108120	1
- 654	287N4804-1		.PROVISION INSTL-WIRE POSITION DATA: SECT. 48 UPR AFT FOR DETAILS SEE: 24-00-60-05	101102 108120 504903	1
- 657	287N4811-1		.PROVISION INSTL-WIRE POSITION DATA: STA 1862.7 TO 1885.2 UPPER RH SIDE FOR DETAILS SEE: 53-86-53-01	101102 108120 504903	1
- 666	287N4818-3		.PROVISION INSTL-WIRE POSITION DATA: SECT. 48 UPR FWD FOR DETAILS SEE: 24-00-60-04	101102 108120 504903	1
- 669	287N4818-6		.PROVISION INSTL-WIRE POSITION DATA: SECT. 48 UPR FWD LH FOR DETAILS SEE: 24-00-60-04	101102 108120 504903	1
- 670	287N4818-9		.PROVISION INSTL-WIRE POSITION DATA: SECT. 48 UPR FWD RH FOR DETAILS SEE: 24-00-60-04	101102 108120 504903	1

MISSING ITEM NUMBERS NOT APPLICABLE

- ITEM NOT ILLUSTRATED

24-00-60-20

24-00-60
FIG. 20
PAGE 8
JAN 20/09

BRI



757

PARTS CATALOG (MAINTENANCE)

FIG ITEM	PART NUMBER	1 2 3 4 5 6 7	NOMENCLATURE	EFFECT FROM TO	UNITS PER ASSY
20					
- 671	287N4818-10		.PROVISION INSTL-WIRE POSITION DATA: SECT. 48 UPR FWD LH FOR DETAILS SEE: 24-00-60-04	101102 108120 504903	1
- 675	287N4821-3		.MARKER INSTL-FIREWALL POSITION DATA: SECT. 48 STA. 1885.2 FOR DETAILS SEE: 11-35-11-50	101102 108120 504903	1
- 680	287N4913-49		.RACEWAY INSTL-WING BODY FAIRING FOR DETAILS SEE: 53-66-01-05	108120	1
- 681	287N4913-50		.RACEWAY INSTL-WING BODY FAIRING FOR DETAILS SEE: 53-66-01-05	108120	1
- 684	287N4912-7		.BRACKET INSTL-PRE-MODULE FOR DETAILS SEE: 53-41-64-02	101102 108120 504903	1
- 693	287N1402-7		.BRACKET INSTL-P36 PNL. DISC REWORKED BY ALERT SB: 27A0130 FOR DETAILS SEE: 53-11-64-02	101102 108120 504903	1
- 702	287N8001-1		.PROVISION INSTL-HORIZ STAB. WIRE POSITION DATA: LH FOR DETAILS SEE: 53-86-52-02	101102 108120 504903	1
- 705	287N8001-2		.PROVISION INSTL-HORIZ STAB. WIRE POSITION DATA: RH FOR DETAILS SEE: 53-86-52-02	101102 108120 504903	1
- 735	287N6100-145		.HARNES INSTL-MLG ELEC LG POSITION POSITION DATA: UPR L FOR DETAILS SEE: 32-61-52-02F	101102 108120 504903	1

MISSING ITEM NUMBERS NOT APPLICABLE

- ITEM NOT ILLUSTRATED

BRI

24-00-60-20

24-00-60
FIG. 20
PAGE 9
JAN 20/09



757

PARTS CATALOG (MAINTENANCE)

FIG ITEM	PART NUMBER	1 2 3 4 5 6 7	NOMENCLATURE	EFFECT FROM TO	UNITS PER ASSY
20					
- 738	287N6100-146		.HARNESST INSTL-MLG ELEC LANDING GEAR POSITION POSITION DATA: UPR R FUNCTIONAL REFERENCE: LANDING GEAR FOR DETAILS SEE 32-61-52-02F	101102 108120 504903	1
- 741	287N6100-159		.HARNESST INSTL-MLG ELEC LANDING GEAR POSITION INDICATING AND WARNING SYSTEM POSITION DATA: L FOR DETAILS SEE: 32-61-52-02	101102 108120 504903	1
- 744	287N6100-160		.HARNESST INSTL-MLG ELEC LANDING GEAR POSITION INDICATING AND WARNING SYSTEM POSITION DATA: R FOR DETAILS SEE: 32-61-52-02	101102 108120 504903	1
- 746	287N6100-182		.WIRE INSTL-MLG ELEC (ANTISKID/AUTOBRAKE SYS ONLY) POSITION DATA: LWR R FOR DETAILS SEE: 32-42-51-02 32-61-52-02G	101102 504903	1
- 746	287N6100-194		.WIRE PROVISION INSTL-PROV FLEX CONDUIT POSITION DATA: RH FOR DETAILS SEE: 32-61-52-02C	108120	1
- 747	287N4001-7		.SEAL INSTL-ELEC WIRING POSITION DATA: SECT. 70 FOR DETAILS SEE: 53-00-51-01	101102 108120 504903	1
- 750	287N4001-10		.SEAL INSTL-ELEC WIRING POSITION DATA: SECT. 43 FOR DETAILS SEE: 53-00-51-01	101102 108120 504903	1

MISSING ITEM NUMBERS NOT APPLICABLE

- ITEM NOT ILLUSTRATED

24-00-60-20

24-00-60
FIG. 20
PAGE 10
JAN 20/09

BRI



757

PARTS CATALOG (MAINTENANCE)

FIG ITEM	PART NUMBER	1 2 3 4 5 6 7	NOMENCLATURE	EFFECT FROM TO	UNITS PER ASSY
20					
- 753	287N4001-11		.SEAL INSTL-ELEC WIRING POSITION DATA: SECT. 46 FOR DETAILS SEE: 53-00-51-01	101102 108120 504903	1
- 765	287N4001-26		.SEAL INSTL- POSITION DATA: RH SIDE, SECT. 13 FOR DETAILS SEE: 53-00-51-03	101102 108120 504903	1
- 768	287N4001-27		.SEAL INSTL- POSITION DATA: LH SIDE, SECT. 13 FOR DETAILS SEE: 53-00-51-03	101102 108120 504903	1
- 771	287N4001-28		.SEAL INSTL- POSITION DATA: SECT. 41 FOR DETAILS SEE: 53-00-51-03	101102 108120 504903	1
- 774	287N4001-29		.SEAL INSTL- POSITION DATA: SECT. 48 FOR DETAILS SEE: 53-00-51-03	101102 108120 504903	1
- 783	287N4001-33		.SEAL INSTL- POSITION DATA: SECT. 46 FOR DETAILS SEE: 53-00-51-03	101102 108120 504903	1
- 817	287N1301-681		.PROVISIONAL INSTL-WIRE POSITION DATA: INBOARD REAR SPAR, WING RH SIDE FOR DETAILS SEE: 57-21-51-50	101102 504505	1
- 820	287N1301-682		.PROVISIONAL INSTL-WIRE POSITION DATA: INBOARD REAR SPAR, WING LH SIDE FOR DETAILS SEE: 57-21-51-50	101102 108120 504903	1
- 822	287N1301-710		.PROVISIONAL INSTL-WIRE POSITION DATA: INBOARD REAR SPAR, WING RH SIDE FOR DETAILS SEE: 57-21-51-50	108120 506903	1

MISSING ITEM NUMBERS NOT APPLICABLE

- ITEM NOT ILLUSTRATED

24-00-60-20

24-00-60
FIG. 20
PAGE 11
JAN 20/09

BRI

BOEING PROPRIETARY - Copyright © - Unpublished Work - See title page for details.



757

PARTS CATALOG (MAINTENANCE)

FIG ITEM	PART NUMBER	1 2 3 4 5 6 7	NOMENCLATURE	EFFECT FROM TO	UNITS PER ASSY
20					
- 823	287N4803-3		.PROVISIONAL INSTL-WIRE POSITION DATA: UPPER FWD, SECT 48 FOR DETAILS SEE: 53-86-53-02	101102 108120 504903	1
- 826	287N4803-2		.PROVISIONAL INSTL-WIRE POSITION DATA: UPPER FWD, SECT 48 FOR DETAILS SEE: 53-86-53-02	101102 108120 504903	1
- 830	287N4408-1		.BRACKET INSTL-MAIN WHL WELL DISC FOR DETAILS SEE: 53-43-54-01	108120	1
- 850	287N6100-195		.WIRE PROVISION INSTL-MLG FLEX CONDUIT POSITION DATA: LH SIDE FOR DETAILS SEE: 32-61-52-02C	108120	1
- 855	287N6100-203		.PROVISION INSTL-MLG POSITION DATA: LH SIDE FOR DETAILS SEE: 32-61-52-02A	108120	1
- 860	287N6100-204		.PROVISION INSTL-MLG POSITION DATA: RH SIDE FOR DETAILS SEE: 32-61-52-02A	108120	1
- 865	287N6100-205		.PROVISION INSTL-MLG POSITION DATA: LH SIDE FOR DETAILS SEE: 32-61-52-02E	108120	1

MISSING ITEM NUMBERS NOT APPLICABLE

- ITEM NOT ILLUSTRATED

24-00-60-20

24-00-60
FIG. 20
PAGE 12
JAN 20/09

BRI

 **BOEING**
757
PARTS CATALOG (MAINTENANCE)

NON-ILLUSTRATED FIGURE

THE ITEMS REFLECTED IN THIS FIGURE ARE INTENTIONALLY
NON-ILLUSTRATED. THEY ARE REFERENCED TO EITHER A
NEXT HIGHER OR NEXT LOWER ASSEMBLY/INSTALLATION FIGURE.

PROVISION INSTL-WIRE
FIGURE 20B

24-00-60-20B

BRI
MAY 28/07

24-00-60-20B
PAGE 0



757

PARTS CATALOG (MAINTENANCE)

FIG ITEM	PART NUMBER	1 2 3 4 5 6 7	NOMENCLATURE	EFFECT FROM TO	UNITS PER ASSY
20B			PROVISION INSTL-WIRE	101102 108120 504903	
- 1	287N0000-3000		MINOR-MODEL OPTION WIRE INSTL MANAGEMENT	101102 108120	1
- 2	287N1301-683		COLLECTOR PASSENGER .PROVISIONAL INSTL-WIRE POSITION DATA: INBOARD REAR SPAR, WING RH SIDE FOR DETAILS SEE: 57-21-51-51	504903 101102 108120 504903	1
- 2	287N1301-714		.PROVISIONAL INSTL-WIRE POSITION DATA: REAR SPAR, R WING FOR DETAILS SEE: 57-21-51-51A	101102 108120 504903	1
- 3	287N1301-684		.PROVISIONAL INSTL-WIRE POSITION DATA: INBOARD REAR SPAR, WING LH SIDE FOR DETAILS SEE: 57-21-51-51	101102 108120 504903	1
- 3	287N1301-713		.PROVISIONAL INSTL-WIRE POSITION DATA: REAR SPAR, L WING FOR DETAILS SEE: 57-21-51-51A	101102 108120 504903	1
- 5	287N1402-8		.BRACKET INSTL-P36 PNL. DISC. FOR DETAILS SEE: 53-11-64-02	101102 108120 504903	1
- 6	287N1114-11		.PANEL INSTL-P37 MISC RELAY DISC. POSITION DATA: R FOR DETAILS SEE: 53-30-51-12	101102 108120 504903	1
- 8	287N1414-70		.BRACKET INSTL-GND POSITION DATA: SECT. 46 LWR FOR DETAILS SEE: 52-51-52-53	101102 108120 504903	1
- 10	287N4001-30		.SEAL INSTL- POSITION DATA: SECT. 46 FOR DETAILS SEE: 53-00-51-03	101102 108120 504903	1

MISSING ITEM NUMBERS NOT APPLICABLE

- ITEM NOT ILLUSTRATED

24-00-60-20B

24-00-60
FIG. 20B
PAGE 1
JAN 20/09

BRI

BOEING PROPRIETARY - Copyright © - Unpublished Work - See title page for details.



757

PARTS CATALOG (MAINTENANCE)

FIG ITEM	PART NUMBER	1 2 3 4 5 6 7	NOMENCLATURE	EFFECT FROM TO	UNITS PER ASSY
20B					
- 12	287N4001-32		.SEAL INSTL- POSITION DATA: SECT. 46 FOR DETAILS SEE: 53-00-51-03	101102 108120 504903	1
- 15	287N4001-34		.SEAL INSTL- POSITION DATA: SECT. 44 FOR DETAILS SEE: 53-00-51-03	101102 108120 504903	1
- 20	287N4001-35		.SEAL INSTL- POSITION DATA: LH SIDE, SECT. 43 FOR DETAILS SEE: 53-00-51-04	101101	1
- 22	287N4001-18		.SEAL INSTL- POSITION DATA: RH SIDE, SECT. 14 FOR DETAILS SEE: 53-00-51-03	101102 504903	1
- 25	287N4001-36		.SEAL INSTL- POSITION DATA: RH SIDE, SECT. 43 FOR DETAILS SEE: 53-00-51-04	101101	1
- 30	287N4001-37		.SEAL INSTL- POSITION DATA: RH SIDE, SECT. 43 FOR DETAILS SEE: 53-00-51-04	101101	1
- 32	287N4117-8		.BRACKET INSTL-AP0003 DISC. POSITION DATA: LH SIDE FOR DETAILS SEE: 53-11-61-08	101102 108120 504903	1
- 33	287N4117-9		.BRACKET INSTL-AP0001 DISC. POSITION DATA: RH SIDE FOR DETAILS SEE: 53-11-61-08	101102 108120 504903	1
- 35	287N4119-116		.SUPPORT INSTL-FLIGHT DECK POSITION DATA: RH SIDE FOR DETAILS SEE: 53-11-61-07	101102 108120 504903	1

MISSING ITEM NUMBERS NOT APPLICABLE

- ITEM NOT ILLUSTRATED

24-00-60-20B

24-00-60
FIG. 20B
PAGE 2
JAN 20/09

BRI

BOEING PROPRIETARY - Copyright © - Unpublished Work - See title page for details.



757

PARTS CATALOG (MAINTENANCE)

FIG ITEM	PART NUMBER	1 2 3 4 5 6 7	NOMENCLATURE	EFFECT FROM TO	UNITS PER ASSY
20B					
- 40	287N4124-27		.PROVISION INSTL-PASS. CAB. WIRE POSITION DATA: STA. 306 OVHD FOR DETAILS SEE: 53-11-65-02	101102 108120 504903	1
- 50	287N4124-55		.PROVISION INSTL-PASS. CAB. WIRE POSITION DATA: STA. 395 OVHD FOR DETAILS SEE: 53-11-65-02D	101102 108120 504903	1
- 55	287N4124-57		.PROVISION INSTL-PASS. CAB. WIRE POSITION DATA: STA. 418 OVHD FOR DETAILS SEE: 53-11-65-02	101102 108120 504903	1
- 57	287N4124-64		.PROVISION INSTL-PASS. CAB. WIRE POSITION DATA: STA. 418 OVHD FOR DETAILS SEE: 53-11-65-02	101101	1
- 65	287N4124-67		.PROVISION INSTL-PASS. CAB. WIRE POSITION DATA: STA. 350 OVHD FOR DETAILS SEE: 53-11-65-02	101102 108120 504903	1
- 70	287N4135-16		.PROVISION INSTL-WIRE PROV BASIC AND STABLE CONFIGURATION FOR DETAILS SEE: 53-11-65-01	101102 108120 504903	1
- 75	287N4135-12		.PROVISION INSTL-WIRE PROV PASSENGER VARIABLE CONFIGURATION FOR DETAILS SEE: 53-11-65-01	101102 108120 504903	1
- 80	287N4137-14		.PROVISION INSTL-WIRE FLOOR BEAMS PASSENGER VARIABLE CONFIGURATION POSITION DATA: STA 278.0-STA 377.7 FOR DETAILS SEE: 53-11-65-01	101102 108120 504903	1

MISSING ITEM NUMBERS NOT APPLICABLE

- ITEM NOT ILLUSTRATED

24-00-60-20B

24-00-60
FIG. 20B
PAGE 3
JAN 20/09

BRI

BOEING PROPRIETARY - Copyright © - Unpublished Work - See title page for details.



757

PARTS CATALOG (MAINTENANCE)

FIG ITEM	PART NUMBER	1 2 3 4 5 6 7	NOMENCLATURE	EFFECT FROM TO	UNITS PER ASSY
20B					
- 90	287N4139-10		.BRACKET INSTL-CONNECTOR AUTO THROT SWITCH PACK FOR DETAILS SEE: 53-11-61-09	101102 108120 504903	1
- 91	287N4319-77		.PROVISION INSTL- ELEC/ELECTRONIC BAY SIDEWALL WIRE POSITION DATA: SECT. 43 FOR DETAILS SEE: 53-30-51-10	101102 108120 504903	1
- 95	287N4158-13		.COVER INSTL- PASS. DOOR 1 POSITION DATA: LH SIDE FOR DETAILS SEE: 25-66-11-01	101102 108120 504903	1
- 100	287N4158-14		.COVER INSTL- PASS. DOOR 1 POSITION DATA: RH SIDE FOR DETAILS SEE: 25-66-11-01	101102 108120 504903	1
- 105	287N4158-15		.COVER INSTL- PASS. DOOR 2 POSITION DATA: LH SIDE FOR DETAILS SEE: 25-66-11-01	101102 108120 504903	1
- 110	287N4158-16		.COVER INSTL- PASS. DOOR 2 POSITION DATA: RH SIDE FOR DETAILS SEE: 25-66-11-01	101102 108120 504903	1
- 115	287N4158-17		.COVER INSTL- PASS. DOOR 4 POSITION DATA: LH SIDE FOR DETAILS SEE: 25-66-11-01	101102 108120 504903	1
- 120	287N4158-18		.COVER INSTL- PASS. DOOR 4 POSITION DATA: RH SIDE FOR DETAILS SEE: 25-66-11-01	101102 108120 504903	1

MISSING ITEM NUMBERS NOT APPLICABLE

- ITEM NOT ILLUSTRATED

24-00-60-20B

24-00-60
FIG. 20B
PAGE 4
JAN 20/09

BRI

BOEING PROPRIETARY - Copyright © - Unpublished Work - See title page for details.



757

PARTS CATALOG (MAINTENANCE)

FIG ITEM	PART NUMBER	1 2 3 4 5 6 7	NOMENCLATURE	EFFECT FROM TO	UNITS PER ASSY
20B - 135	287N4303-72		.PROVISION INSTL-WIRE 757 PASS. CAB, OVHD (DISC BRKT) POSITION DATA: SECT. 43 FOR DETAILS SEE: 53-30-51-69E	101102 108120 504903	1
- 145	287N4319-73		.PROVISION INSTL-WIRE FOR DETAILS SEE: 53-30-51-08	101102 504903	1
- 145	287N4319-79		.PROVISION INSTL-WIRE FOR DETAILS SEE: 53-30-51-08	108120	1
- 155	287N4346-1		.BRACKET INSTL-TCAS ANTENNA ELECT/ELECTRONIC BAY DIS FOR DETAILS SEE: 53-30-51-09	101102 108120 504903	1
- 160	287N4406-5		.PROVISION INSTL-REAR SPAR OVER WING ROUTING POSITION DATA: STA 900 TO STA 1100 FOR DETAILS SEE: 53-41-68-02	101102 504903	1
- 160	287N4406-23		.PROVISION INSTL-REAR SPAR OVER WING ROUTING POSITION DATA: STA 900 TO STA 1100 FOR DETAILS SEE: 53-41-68-02A	108120	1
- 165	287N4414-15		.PROVISION INSTL-MAIN WHL WELL WIRE POSITION DATA: REAR SPAR LH SIDE FOR DETAILS SEE: 53-41-62-01	101102 108120 504903	1
- 170	287N4414-16		.PROVISION INSTL-MAIN WHL WELL WIRE POSITION DATA: REAR SPAR RH SIDE FOR DETAILS SEE: 53-41-62-01	101102 108120 504903	1

MISSING ITEM NUMBERS NOT APPLICABLE

- ITEM NOT ILLUSTRATED

24-00-60-20B

24-00-60
FIG. 20B
PAGE 5
JAN 20/09

BRI

BOEING PROPRIETARY - Copyright © - Unpublished Work - See title page for details.

 **BOEING**
757
PARTS CATALOG (MAINTENANCE)

FIG ITEM	PART NUMBER	1 2 3 4 5 6 7	NOMENCLATURE	EFFECT FROM TO	UNITS PER ASSY
20B - 173	287N4415-5		.WIRE PROVISION INSTL-MAIN WHL WELL OUTER FAIRING AND VAPOR BARRIER POSITION DATA: LH FOR DETAILS SEE: 53-41-62-02	101102 504903	1
- 174	287N4415-6		.WIRE PROVISION INSTL-MAIN WHL WELL, OUTER FAIRING AND VAPOR BARRIER POSITION DATA: RH FOR DETAILS SEE: 53-41-62-02	101102 504903	1
- 175	287N4415-17		.WIRE PROVISION INSTL-MAIN WHL WELL OUTER FAIRING AND VAPOR BARRIER POSITION DATA: LH SIDE FOR DETAILS SEE: 53-41-62-02	108120	1
- 180	287N4415-8		.WIRE PROVISION INSTL-MAIN WHL WELL OUTER FAIRING AND VAPOR BARRIER POSITION DATA: RH SIDE FOR DETAILS SEE: 53-41-62-02	101102 108120 504903	1
- 184	287N4415-32		.WIRE PROVISION INSTL-MAIN WHL WELL, OUTER FAIRING AND VAPOR BARRIER POSITION DATA: RH FOR DETAILS SEE: 53-41-62-04	108120	1
- 187	287N4415-23		.WIRE PROVISION INSTL-MAIN WHL WELL, OUTER FAIRING AND VAPOR BARRIER POSITION DATA: LH FOR DETAILS SEE: 53-41-62-02	108120	1
- 190	287N4601-124		.PROVISION INSTL-PASS. CAB. OVERHEAD WIRE POSITION DATA: SECT. 46 RH SIDE FOR DETAILS SEE: 53-60-51-39	101101	1

MISSING ITEM NUMBERS NOT APPLICABLE

- ITEM NOT ILLUSTRATED

BRI

24-00-60-20B

BOEING PROPRIETARY - Copyright © - Unpublished Work - See title page for details.

24-00-60
FIG. 20B
PAGE 6
JAN 20/09



757

PARTS CATALOG (MAINTENANCE)

FIG ITEM	PART NUMBER	1 2 3 4 5 6 7	NOMENCLATURE	EFFECT FROM TO	UNITS PER ASSY
20B - 190	287N4601-296		.PROVISION INSTL-PASS. CAB. OVHD WIRE POSITION DATA: SECT. 46 RH SIDE FOR DETAILS SEE: 53-60-51-39	102102 108120 504903	1
- 195	287N4601-125		.PROVISION INSTL-PASS. CAB. OVHD WIRE POSITION DATA: SECT. 46 LH SIDE FOR DETAILS SEE: 53-60-51-39	101101	1
- 195	287N4601-297		.PROVISION INSTL-PASS. CAB. OVHD WIRE POSITION DATA: SECT. 46 LH SIDE FOR DETAILS SEE: 53-60-51-39	102102 108120 504903	1
- 200	287N4601-137		.PROVISION INSTL-WIRE PASS. CAB. OVHD POSITION DATA: SECT. 46 STGR'S 2L, 2R. FOR DETAILS SEE: 53-60-51-52	101102 108120 504903	1
- 205	287N4601-19		.BRACKET INSTL-PASS. CABIN OVERHEAD WIRE POSITION DATA: SECT. 46 FOR DETAILS SEE: 53-60-51-35A	101102 108120 504903	1
- 210	287N4601-26		.PROVISION INSTL-PASS. CABIN OVERHEAD WIRE POSITION DATA: SECT. 46 FOR DETAILS SEE: 53-60-51-35B	101102 108120 504903	1
- 212	287N4602-95		.PROVISION INSTL-WIRE POSITION DATA: AFT CARGO COMPT FOR DETAILS SEE: 53-61-54-04	101102 108120 504903	1

MISSING ITEM NUMBERS NOT APPLICABLE

- ITEM NOT ILLUSTRATED

24-00-60-20B

24-00-60
FIG. 20B
PAGE 7
JAN 20/09

BRI

BOEING PROPRIETARY - Copyright © - Unpublished Work - See title page for details.



757

PARTS CATALOG (MAINTENANCE)

FIG ITEM	PART NUMBER	1 2 3 4 5 6 7	NOMENCLATURE	EFFECT FROM TO	UNITS PER ASSY
20B - 213	287N4602-99		.PROVISIONAL INSTL-WIRE POSITION DATA: AFT CARGO COMPARTMENT LH SIDE FOR DETAILS SEE: 53-61-54-04	101102 108120 504903	1
- 214	287N4602-100		.PROVISIONAL INSTL-WIRE POSITION DATA: AFT CARGO COMPARTMENT RH SIDE FOR DETAILS SEE: 53-61-54-04	101102 108120 504903	1
- 217	287N4606-41		.PROVISION INSTL-WIRE POSITION DATA: AFT CARGO COMPT RH FOR DETAILS SEE: 53-61-54-04	101102 108120 504903	1
- 218	287N4606-43		.PROVISION INSTL-WIRE POSITION DATA: AFT CARGO COMPT LH FOR DETAILS SEE: 53-61-54-04	101102 108120 504903	1
- 219	287N4606-44		.PROVISION INSTL-WIRE POSITION DATA: AFT CARGO COMPT RH FOR DETAILS SEE: 53-61-54-04	101102 108120 504903	1
- 220	287N4606-46		.PROVISION INSTL-WIRE POSITION DATA: AFT CARGO COMPT RH SIDE FOR DETAILS SEE: 53-60-51-49	101102 108120 504903	1
- 225	287N4817-3		.PROVISION INSTL-WIRE POSITION DATA: SECT. 48 LWR R FOR DETAILS SEE: 24-00-60-05	101102 504903	1
- 225	287N4817-7		.PROVISION INSTL-WIRE POSITION DATA: SECT. 48 LWR R FOR DETAILS SEE: 24-00-60-05	108120	1
- 230	287N4818-7		.PROVISION INSTL-WIRE POSITION DATA: SECT. 48 UPR FWD RH FOR DETAILS SEE: 24-00-60-04	101102 108120 504903	1

MISSING ITEM NUMBERS NOT APPLICABLE

- ITEM NOT ILLUSTRATED

24-00-60-20B

24-00-60
FIG. 20B
PAGE 8
JAN 20/09

BRI



757

PARTS CATALOG (MAINTENANCE)

FIG ITEM	PART NUMBER	1 2 3 4 5 6 7	NOMENCLATURE	EFFECT FROM TO	UNITS PER ASSY
20B - 235	287N4413-9		.PROVISION INSTL-MAIN WHL WELL PRESSURE DECK POSITION DATA: LH FOR DETAILS SEE: 53-41-62-03	101101	1
- 235	287N4413-15		.PROVISION INSTL-MAIN WHL WELL PRESSURE DECK POSITION DATA: LH FOR DETAILS SEE: 53-41-62-03	102102 108120 504903	1
- 240	287N4413-10		.PROVISION INSTL-MAIN WHL WELL PRESSURE DECK POSITION DATA: RH FOR DETAILS SEE: 53-41-62-03	101102 108120 504903	1
- 245	287N1422-37		.PROVISION INSTL-SPAR WIRE POSITION DATA: INBD/OUTBD FRONT LH FOR DETAILS SEE: 57-40-51-03	101101	1
- 250	287N1422-38		.PROVISION INSTL-SPAR WIRE POSITION DATA: INBD/OUTBD FRONT RH FOR DETAILS SEE: 57-40-51-03	101101	1
- 255	287N1422-33		.PROVISION INSTL-SPAR WIRE POSITION DATA: FRONT LH	102102 108120 504903	1
- 257	287N1422-34		.PROVISION INSTL-SPAR WIRE POSITION DATA: FRONT RH	102102 108120 504903	1
- 260	287N6200-11		.HARNES INSTL-NLG ELEC FOR DETAILS SEE: 32-21-51-01	101102 504903	1
- 265	287N6200-23		.PROVISION INSTL-NLG CONDUIT FOR DETAILS SEE: 32-21-51-03	108120	1
- 270	287N6100-181		.WIRE INSTL-MLG ELEC (ANTISKID/AUTOBRAKE SYS ONLY) POSITION DATA: LWR L FOR DETAILS SEE: 32-42-51-02 32-61-52-02G	101102 504903	1

MISSING ITEM NUMBERS NOT APPLICABLE

- ITEM NOT ILLUSTRATED

24-00-60-20B

24-00-60
FIG. 20B
PAGE 9
JAN 20/09

BRI

BOEING PROPRIETARY - Copyright © - Unpublished Work - See title page for details.



757

PARTS CATALOG (MAINTENANCE)

FIG ITEM	PART NUMBER	1 2 3 4 5 6 7	NOMENCLATURE	EFFECT FROM TO	UNITS PER ASSY
20B - 280	287N4124-128		.PROVISION INSTL-PASS. CAB. OVERHEAD POSITION DATA: SECT. 41 FOR DETAILS SEE: 53-11-65-02A	102102 504903	1
- 285	287N4124-127		.PROVISION INSTL-WIRE PASS. CAB. OVHD POSITION DATA: SECT. 41 FOR DETAILS SEE: 53-11-65-02C	102102 108120 504903	1
- 290	287N6100-214		.PROVISION INSTL-MLG POSITION DATA: RH SIDE FOR DETAILS SEE: 32-61-52-02E	108120	1
- 505	287N1301-691		.PROVISION INSTL-WIRE POSITION DATA: REAR SPAR. LH WING FOR DETAILS SEE: 57-21-51-50	101102 108120 504903	1
- 510	287N1301-692		.PROVISION INSTL-WIRE POSITION DATA: REAR SPAR. RH WING FOR DETAILS SEE: 57-21-51-50	101102 108120 504903	1
- 550	287N4351-7		.BRACKET INSTL-WIRE BDL SPRT POSITION DATA: SECT. 43 STA 400 FOR DETAILS SEE: 53-30-00-01	108120	1
- 555	287N4351-9		.BRACKET INSTL-WIRE SPRT POSITION DATA: LH SIDE 377.7-560 FOR DETAILS SEE: 53-30-00-02	108120	1
- 560	287N4351-8		.BRACKET INSTL-WIRE SPRT POSITION DATA: RH SIDE 377.7-560 FOR DETAILS SEE: 53-30-00-02	108120	1

MISSING ITEM NUMBERS NOT APPLICABLE

- ITEM NOT ILLUSTRATED

24-00-60-20B

24-00-60
FIG. 20B
PAGE 10
JAN 20/09

BRI

BOEING PROPRIETARY - Copyright © - Unpublished Work - See title page for details.

 **BOEING**
757
PARTS CATALOG (MAINTENANCE)

NON-ILLUSTRATED FIGURE

THE ITEMS REFLECTED IN THIS FIGURE ARE INTENTIONALLY
NON-ILLUSTRATED. THEY ARE REFERENCED TO EITHER A
NEXT HIGHER OR NEXT LOWER ASSEMBLY/INSTALLATION FIGURE.

PROGRAM-SELECTED OPTION WIRE INSTL MANAGEMENT COLLECTOR, FOUR DOOR
FIGURE 20C

24-00-60-20C

BRI
MAY 28/07

24-00-60-20C
PAGE 0



757

PARTS CATALOG (MAINTENANCE)

FIG ITEM	PART NUMBER	1 2 3 4 5 6 7	NOMENCLATURE	EFFECT FROM TO	UNITS PER ASSY
20C					
- 1	287N0000-3100		PROGRAM-SELECTED OPTION WIRE INSTL MANAGEMENT COLLECTOR, FOUR DOOR	101102 108120 504903	1
- 5	287N4001-20		PROGRAM-SELECTED OPTION WIRE INSTL MANAGEMENT COLLECTOR, FOUR DOOR .SEAL INSTL- POSITION DATA: SECT. 13 RH SIDE FOR DETAILS SEE: 53-00-51-03	101102 108120 504903 101102 108120 504903	1
- 10	287N4001-21		.SEAL INSTL- POSITION DATA: SECT. 13 LH SIDE FOR DETAILS SEE: 53-00-51-03	101102 108120 504903	1
- 15	287N4114-6		.RACEWAY INSTL-AISLE CONT STAND FOR DETAILS SEE: 53-00-51-03	101102 108120 504903	1
- 23	287N4124-70		.PROVISION INSTL-PASS. CAB. WIRE FOR DETAILS SEE: 53-11-61-06	101102 108120 504903	1
- 34	287N4303-58		.PROVISION INSTL-WIRE PASS. CAB. OVHD POSITION DATA: SECT. 43 R FOR DETAILS SEE: 24-00-60-03	101102 108120 504903	1
- 35	287N4303-67		.PROVISION INSTL-WIRE 757 PASS. CAB. OVHD (DISC BRKT) POSITION DATA: SECT. 43 FOR DETAILS SEE: 53-30-51-69F	101102 108120 504903	1
- 40	287N4303-69		.PROVISION INSTL-WIRE 757 PASS. CAB. OVHD (DISC BRKT) POSITION DATA: SECT. 43 FOR DETAILS SEE: 53-30-51-69F	101102 108120 504903	1

MISSING ITEM NUMBERS NOT APPLICABLE

- ITEM NOT ILLUSTRATED

24-00-60-20C

24-00-60
FIG. 20C
PAGE 1
JAN 20/09

BRI

BOEING PROPRIETARY - Copyright © - Unpublished Work - See title page for details.



757

PARTS CATALOG (MAINTENANCE)

FIG ITEM	PART NUMBER	1 2 3 4 5 6 7	NOMENCLATURE	EFFECT FROM TO	UNITS PER ASSY
20C - 45	287N4303-70		.PROVISION INSTL-WIRE 757 PASS. OVHD DISC BRKT POSITION DATA: SECT. 43 FOR DETAILS SEE: 53-30-51-69E	101102 108120 504903	1
- 50	287N4311-2		.HARNESS INSTL-DOOR HINGE CARGO COMPT POSITION DATA: AFT FOR DETAILS SEE: 52-34-53-01	101102	1
- 50	287N4311-15		.HARNESS INSTL-AFT CARGO DOOR FOR DETAILS SEE: 52-34-53-01	108120 504903	1
- 55	287N4402-13		.BRACKET INSTL-PASS. CAB. OVHD WIRE POSITION DATA: SECT. 44 STA. 930 LH AND RH SIDE FOR DETAILS SEE: 53-41-60-01	101102 108120 504903	1
- 60	287N4406-6		.PROVISION INSTL-PRESSURER DECK WIRE POSITION DATA: SECT. 44 STA. 900 TO STA. 1000 FOR DETAILS SEE: 53-41-68-02	101102 108120 504903	1
- 65	287N4415-13		.WIRE PROVISION INSTL-MAIN WHL WELL OUTER FAIRING AND VAPOR BARRIER POSITION DATA: LH FOR DETAILS SEE: 53-41-62-02	101102 504903	1
- 70	287N4415-14		.PROVISION INSTL-WIRE MAIN WHL WELL OUTER FAIRING AND VAPOR BARRIER POSITION DATA: RH FOR DETAILS SEE: 53-41-62-02	101102 504903	1

MISSING ITEM NUMBERS NOT APPLICABLE

- ITEM NOT ILLUSTRATED

24-00-60-20C

24-00-60
FIG. 20C
PAGE 2
JAN 20/09

BRI

BOEING PROPRIETARY - Copyright © - Unpublished Work - See title page for details.



757

PARTS CATALOG (MAINTENANCE)

FIG ITEM	PART NUMBER	1 2 3 4 5 6 7	NOMENCLATURE	EFFECT FROM TO	UNITS PER ASSY
20C - 71	287N4415-33		.WIRE PROVISION INSTL- WIRE MAIN WHL WELL OUTER FAIRING AND VAPOR BARRIER POSITION DATA: LH FOR DETAILS SEE: 53-41-62-04	108120	1
- 72	287N4415-34		.WIRE PROVISION INSTL- WIRE MAIN WHL WELL OUTER FAIRING AND VAPOR BARRIER POSITION DATA: RH FOR DETAILS SEE: 53-41-62-04	108120	1
- 75	287N4416-11		.PROVISION INSTL-WIRE BHD, MAIN WHL WELL POSITION DATA: STA. 1180 LH SIDE FOR DETAILS SEE: 53-41-62-05	101102 108120 504903	1
- 80	287N4416-12		.PROVISION INSTL-WIRE BHD, MAIN WHL WELL POSITION DATA: STA. 1180 RH SIDE FOR DETAILS SEE: 53-41-62-05	101102 108120 504903	1
- 85	287N4419-4		.BRACKET INSTL-OVHD RACEWAY POSITION DATA: SECT. 44 FOR DETAILS SEE: 53-41-60-02	101102 108120 504903	1
- 87	287N4419-7		.SUPPORT INSTL-OVHD RACEWAY POSITION DATA: SECT. 44 FOR DETAILS SEE: 53-41-60-02	101102 504903	1
- 87	287N4419-21		.SUPPORT INSTL-OVHD RACEWAY POSITION DATA: SECT. 44 FOR DETAILS SEE: 53-41-60-02	108120	1

MISSING ITEM NUMBERS NOT APPLICABLE

- ITEM NOT ILLUSTRATED

24-00-60-20C

24-00-60
FIG. 20C
PAGE 3
JAN 20/09

BRI

BOEING PROPRIETARY - Copyright © - Unpublished Work - See title page for details.



757

PARTS CATALOG (MAINTENANCE)

FIG ITEM	PART NUMBER	1 2 3 4 5 6 7	NOMENCLATURE	EFFECT FROM TO	UNITS PER ASSY
20C - 90	287N4419-8		.SUPPORT INSTL-OVHD RACEWAY POSITION DATA: SECT. 44 FOR DETAILS SEE: 53-41-60-02	101102 108120 504903	1
- 95	287N4601-126		.BRACKET INSTL-PASS. CAB. OVHD WIRE POSITION DATA: SECT. 46 RH SIDE FOR DETAILS SEE: 53-60-51-58	101102 108120 504903	1
- 100	287N4601-128		.PROVISION INSTL-WIRE PASS. CAB. OVHD POSITION DATA: SECT. 46 RH 4-DOOR FOR DETAILS SEE: 53-60-51-58	101102 108120 504903	1
- 110	287N4601-166		.BRACKET INSTL-PASS. CAB. OVHD WIRE POSITION DATA: SECT. 46 LH 4-DOOR FOR DETAILS SEE: 53-60-51-58	101102 108120 504903	1
- 115	287N4606-50		.PROVISION INSTL-WIRE POSITION DATA: AFT CARGO COMPT RH SIDE FOR DETAILS SEE: 53-60-51-49	101102 108120 504903	1
- 120	287N4817-2		.PROVISION INSTL-WIRE POSITION DATA: SECT. 48 LWR RH SIDE FOR DETAILS SEE: 24-00-60-05	101102 108120 504903	1
- 135	287N4695-4		.SHROUD INSTL-APU P/F POSITION DATA: RH SIDE FOR DETAILS SEE: 21-23-51-35	108120	1
- 140	287N4695-1		.SHROUD INSTL-APU P/F POSITION DATA: LH SIDE FOR DETAILS SEE: 21-23-51-35	108120	1

MISSING ITEM NUMBERS NOT APPLICABLE

- ITEM NOT ILLUSTRATED

24-00-60-20C

24-00-60
FIG. 20C
PAGE 4
JAN 20/09

BRI

BOEING PROPRIETARY - Copyright © - Unpublished Work - See title page for details.



757

PARTS CATALOG (MAINTENANCE)

FIG ITEM	PART NUMBER	1 2 3 4 5 6 7	NOMENCLATURE	EFFECT FROM TO	UNITS PER ASSY
20C - 145	287N4495-1	.	SHROUD INSTL-APU P/F POSITION DATA: SECT. 44 LH SIDE FOR DETAILS SEE: 53-40-51-10	108120	1
- 155	287N4395-1	.	SHROUD INSTL-APU POSITION DATA: SECT. 43 L FOR DETAILS SEE: 53-30-53-02	108120	1
- 155	287N4395-3	.	SHROUD INSTL-APU POSITION DATA: SECT. 43 STA 780-900 L FOR DETAILS SEE: 53-30-53-02	108120	1
- 460	287N4303-391	.	STANDOFF INSTL-APU P/F SHROUD POSITION DATA: SECT.43 STA 460-STA 480 FOR DETAILS SEE: 53-30-51-63	108120	1

MISSING ITEM NUMBERS NOT APPLICABLE

- ITEM NOT ILLUSTRATED

BRI

24-00-60-20C

BOEING PROPRIETARY - Copyright © - Unpublished Work - See title page for details.

24-00-60
FIG. 20C
PAGE 5
JAN 20/09

 **BOEING**
757
PARTS CATALOG (MAINTENANCE)

NON-ILLUSTRATED FIGURE

THE ITEMS REFLECTED IN THIS FIGURE ARE INTENTIONALLY
NON-ILLUSTRATED. THEY ARE REFERENCED TO EITHER A
NEXT HIGHER OR NEXT LOWER ASSEMBLY/INSTALLATION FIGURE.

Y 24006020G REV 245

CUSTOMER OPTION-MANAGEMENT COLLECTOR, WIRE
FIGURE 20G

24-00-60-20G

BRI
MAY 28/07

24-00-60-20G
PAGE 0



757

PARTS CATALOG (MAINTENANCE)

FIG ITEM	PART NUMBER	1 2 3 4 5 6 7	NOMENCLATURE	EFFECT FROM TO	UNITS PER ASSY
20G			CUSTOMER OPTION-MANAGEMENT COLLECTOR, WIRE	101102 108120 504903	
- 1	287N0000-8017		CUSTOMER OPTION-MANAGEMENT COLLECTOR, WIRES	504903	1
- 2	287N0000-8031		CUSTOMER OPTION-MANAGEMENT COLLECTOR, WIRES	101102	1
- 3	287N0000-8044		CUSTOMER OPTION-MANAGEMENT COLLECTOR, WIRES	108120	1
- 25	287N0411-4		.PROVISION INSTL-WIRE DISC., E1-1 RACK FOR DETAILS SEE: 25-70-52-05	504903	1
- 25	287N0411-5		.PROVISION INSTL-WIRE DISC., E1-1 RACK FOR DETAILS SEE: 25-70-52-05	101102 108120	1
- 30	287N0411-6		.PROVISION INSTL-WIRE DISC., E1-2 RACK FOR DETAILS SEE: 25-70-52-05A	101102 108120 504903	1
- 35	287N0412-1		.PROVISION INSTL-WIRE DISC., E2-1 RACK FOR DETAILS SEE: 25-70-52-06	101102 108120 504504	1
- 35	287N0412-19		.PROVISION INSTL-WIRE DISC., E2-1 RACK FOR DETAILS SEE: 25-70-52-06	505903	1
- 40	287N0412-9		.PROVISION INSTL-WIRE DISC., E2-2 RACK FOR DETAILS SEE: 25-70-52-06A	101102 108120 504903	1
- 45	287N0412-10		.PROVISION INSTL-WIRE DISC., E2-3 RACK FOR DETAILS SEE: 25-70-52-06B	101102 108120 504903	1
- 50	287N0412-4		.PROVISION INSTL-WIRE DISC., E2-4 RACK FOR DETAILS SEE: 25-70-52-07	504903	1
- 50	287N0412-8		.PROVISION INSTL-WIRE DISC., E2-4 RACK FOR DETAILS SEE: 25-70-52-07	101102 108120	1
- 55	287N0413-7		.PROVISION INSTL-WIRE DISC., E3-1 RACK FOR DETAILS SEE: 25-70-52-08	101102 108120	1

MISSING ITEM NUMBERS NOT APPLICABLE

- ITEM NOT ILLUSTRATED

24-00-60-20G

24-00-60
FIG. 20G
PAGE 1
JAN 20/09

BRI

BOEING PROPRIETARY - Copyright © - Unpublished Work - See title page for details.



757

PARTS CATALOG (MAINTENANCE)

FIG ITEM	PART NUMBER	1 2 3 4 5 6 7	NOMENCLATURE	EFFECT FROM TO	UNITS PER ASSY
20G					
- 55	287N0413-15		.PROVISION INSTL-WIRE DISC., E3-1 RACK FOR DETAILS SEE: 25-70-52-08	504903	1
- 60	287N0413-2		.PROVISION INSTL-WIRE DISC., E3-2 RACK FOR DETAILS SEE: 25-70-52-08B	101102 108120 504903	1
- 65	287N0413-8		.PROVISION INSTL-WIRE DISC., E3-3 RACK FOR DETAILS SEE: 25-70-52-09	101102 108120	1
- 65	287N0413-23		.PROVISION INSTL-WIRE DISC., E3-3 RACK FOR DETAILS SEE: 25-70-52-09	504903	1
- 70	287N0413-16		.PROVISION INSTL-WIRE DISC., E3-4 RACK FOR DETAILS SEE: 25-70-52-08C	101102 108120	1
- 70	287N0413-21		.PROVISION INSTL-WIRE DISC., E3-4 RACK FOR DETAILS SEE: 25-70-52-08C	504903	1
- 75	287N0414-1		.PROVISION INSTL-WIRE DISC., E4-1 RACK FOR DETAILS SEE: 25-70-52-10	504903	1
- 75	287N0414-14		.PROVISION INSTL-WIRE DISC., E4-1 RACK FOR DETAILS SEE: 25-70-52-10	101102	1
- 75	287N0414-6		.PROVISION INSTL-WIRE DISC., E4-1 RACK FOR DETAILS SEE: 25-70-52-10	108120	1
- 85	287N0414-3		.PROVISION INSTL-WIRE DISC., E4-3 RACK FOR DETAILS SEE: 25-70-52-11	504903	1
- 85	287N0414-8		.PROVISION INSTL-WIRE DISC., E4-3 RACK FOR DETAILS SEE: 25-70-52-11	101102 108120	1
- 85	287N0414-2		.PROVISION INSTL-WIRE DISC., E4-2 RACK FOR DETAILS SEE: 25-70-52-21	504903	1

MISSING ITEM NUMBERS NOT APPLICABLE

- ITEM NOT ILLUSTRATED

24-00-60-20G

24-00-60
FIG. 20G
PAGE 2
JAN 20/09

BRI

BOEING PROPRIETARY - Copyright © - Unpublished Work - See title page for details.



757

PARTS CATALOG (MAINTENANCE)

FIG ITEM	PART NUMBER	1 2 3 4 5 6 7	NOMENCLATURE	EFFECT FROM TO	UNITS PER ASSY
20G					
- 85	287N0414-7		.PROVISION INSTL-WIRE DISC., E4-2 RACK FOR DETAILS SEE: 25-70-52-21	101102 108120	1
- 90	287N0414-5		.PROVISION INSTL-WIRE DISC., E4-4 RACK FOR DETAILS SEE: 25-70-52-11B	504903	1
- 90	287N0414-9		.PROVISION INSTL-WIRE DISC., E4-4 RACK FOR DETAILS SEE: 25-70-52-11B	101102 108120	1
- 95	287N0415-1		.PROVISION INSTL-WIRE DISC., E5-1 RACK FOR DETAILS SEE: 25-70-52-12	504903	1
- 95	287N0415-6		.PROVISION INSTL-WIRE DISC., E5-1 RACK FOR DETAILS SEE: 25-70-52-12	101102	1
- 95	287N0415-15		.PROVISION INSTL-WIRE DISC., E5-1 RACK FOR DETAILS SEE: 25-70-52-12	108120	1
- 100	287N0415-2		.PROVISION INSTL-WIRE DISC., E5-2 RACK FOR DETAILS SEE: 25-70-52-12A	504903	1
- 100	287N0415-7		.PROVISION INSTL-WIRE DISC., E5-2 RACK FOR DETAILS SEE: 25-70-52-12A	101102	1
- 100	287N0415-18		.PROVISION INSTL-WIRE DISC., E5-2 RACK FOR DETAILS SEE: 25-70-52-12A	108120	1
- 105	287N0415-3		.PROVISION INSTL-WIRE DISC., E5-3 RACK FOR DETAILS SEE: 25-70-52-13	504903	1
- 105	287N0415-8		.PROVISION INSTL-WIRE DISC., E5-3 RACK FOR DETAILS SEE: 25-70-52-13	101102	1
- 105	287N0415-17		.PROVISION INSTL-WIRE DISC., E5-3 RACK FOR DETAILS SEE: 25-70-52-18	108120	1

MISSING ITEM NUMBERS NOT APPLICABLE

- ITEM NOT ILLUSTRATED

24-00-60-20G

24-00-60
FIG. 20G
PAGE 3
JAN 20/09

BRI

BOEING PROPRIETARY - Copyright © - Unpublished Work - See title page for details.



757

PARTS CATALOG (MAINTENANCE)

FIG ITEM	PART NUMBER	1 2 3 4 5 6 7	NOMENCLATURE	EFFECT FROM TO	UNITS PER ASSY
20G					
- 110	287N1402-11		.BRACKET INSTL- FOR DETAILS SEE: 53-11-64-02	101102 108120	1
- 110	287N1402-9		.BRACKET INSTL- FOR DETAILS SEE: 53-11-64-02	504903	1
- 115	287N1414-71		.BRACKET INSTL- FOR DETAILS SEE: 52-51-52-53	101102 108120 504903	1
- 115	287N1414-74		.BRACKET INSTL- FOR DETAILS SEE: 52-51-52-53	101102 108120 504903	1
- 115	287N1414-82		.BRACKET INSTL- FOR DETAILS SEE: 52-51-52-53	101102 108120 504903	1
- 115	287N1414-83		.BRACKET INSTL- FOR DETAILS SEE: 52-51-52-53	101102 108120 504903	1
- 120	287N1422-10		.PROVISION INSTL-WIRE POSITION DATA: RH FOR DETAILS SEE: 57-40-51-02	101102 108120 504903	1
- 125	287N1422-16		.PROVISION INSTL-WIRE POSITION DATA: LH FOR DETAILS SEE: 57-40-51-02	101102 108120 504903	1
- 130	287N4001-19		.SEAL INSTL- POSITION DATA: LH FOR DETAILS SEE: 53-00-51-03	101102 504903	1
- 155	287N4001-38		.SEAL INSTL- POSITION DATA: RH FOR DETAILS SEE: 53-00-51-04	101101	1
- 155	287N4001-48		.SEAL INSTL- POSITION DATA: RH FOR DETAILS SEE: 53-00-51-04	102102 108120 504903	1
- 160	287N4001-39		.SEAL INSTL- POSITION DATA: LH FOR DETAILS SEE: 53-00-51-04	101101	1

MISSING ITEM NUMBERS NOT APPLICABLE

- ITEM NOT ILLUSTRATED

24-00-60-20G

24-00-60
FIG. 20G
PAGE 4
JAN 20/09

BRI

BOEING PROPRIETARY - Copyright © - Unpublished Work - See title page for details.



757

PARTS CATALOG (MAINTENANCE)

FIG ITEM	PART NUMBER	1 2 3 4 5 6 7	NOMENCLATURE	EFFECT FROM TO	UNITS PER ASSY
20G - 160	287N4001-49		.SEAL INSTL- POSITION DATA: LH FOR DETAILS SEE: 53-00-51-04	102102 108120 504903	1
- 160	287N4001-41		.SEAL INSTL- POSITION DATA: LH FOR DETAILS SEE: 53-00-51-04	101101	1
- 170	287N4001-65		.SEAL INSTL- POSITION DATA: LH FOR DETAILS SEE: 53-00-51-04	108120	1
- 175	287N4001-66		.SEAL INSTL- POSITION DATA: RH FOR DETAILS SEE: 53-00-51-03B	108120	1
- 185	287N4104-4		.PROVISION INSTL-WIRE FOR DETAILS SEE: 53-11-61-19	101102 108120 504903	1
- 195	287N4119-99		.BLOCK INSTL-GND FOR DETAILS SEE: 52-51-52-53	504903	1
- 200	287N4120-5007		.BRACKET INSTL-TERM. BOARDS AND BURNDY BLOCKS DISC. FOR DETAILS SEE: 53-11-61-14	108120	1
- 200	287N4120-5008		.BRACKET INSTL-TERM. BOARDS AND BURNDY BLOCKS DISC. FOR DETAILS SEE: 53-11-61-14	108120	1
- 200	287N4120-5009		.BRACKET INSTL-TERM. BOARDS AND BURNDY BLOCKS DISC. FOR DETAILS SEE: 53-11-61-14	101102 504903	1
- 200	287N4120-5010		.BRACKET INSTL-TERM. BOARDS AND BURNDY BLOCKS DISC. FOR DETAILS SEE: 53-11-61-14	101102 504903	1
- 205	287N4124-112		.BRACKET INSTL-WIRE FOR DETAILS SEE: 53-11-65-02A	108120	1
- 205	287N4124-133		.BRACKET INSTL-WIRE FOR DETAILS SEE: 53-11-65-02C	108120	1

MISSING ITEM NUMBERS NOT APPLICABLE

- ITEM NOT ILLUSTRATED

24-00-60-20G

24-00-60
FIG. 20G
PAGE 5
JAN 20/09

BRI

BOEING PROPRIETARY - Copyright © - Unpublished Work - See title page for details.



757

PARTS CATALOG (MAINTENANCE)

FIG ITEM	PART NUMBER	1 2 3 4 5 6 7	NOMENCLATURE	EFFECT FROM TO	UNITS PER ASSY
20G					
- 205	287N4124-137		.PROVISION INSTL-WIRE FOR DETAILS SEE: 53-11-65-02A	108120	1
- 206	287N4124-159		.PROVISION INSTL-PASS. CAB. WIRE FOR DETAILS SEE: 53-11-65-02	108120	1
- 206	287N4124-31		.PROVISION INSTL-PASS. CAB. WIRE FOR DETAILS SEE: 53-11-65-02	101102	1
- 206	287N4124-32		.PROVISION INSTL-PASS. CAB. WIRE FOR DETAILS SEE: 53-11-65-02	108120	1
- 206	287N4124-35		.PROVISION INSTL-PASS. CAB. WIRE FOR DETAILS SEE: 53-11-65-02	504903	1
- 206	287N4124-44		.PROVISION INSTL-PASS. CAB. WIRE FOR DETAILS SEE: 53-11-65-02	101102 504903	1
- 207	287N4124-46		.PROVISION INSTL-PASS. CAB. WIRE FOR DETAILS SEE: 53-11-61-18	504903	1
- 207	287N4124-126		.PROVISION INSTL-PASS. CAB. WIRE POSITION DATA: SECT. 41 STA. 382.00 FOR DETAILS SEE: 53-11-65-02A	504903	1
- 208	287N4124-139		.PROVISION INSTL- FOR DETAILS SEE: 53-11-65-04	108120	1
- 215	287N4128-3		.BRACKET INSTL- FOR DETAILS SEE: 53-10-53-01	101102	1
- 215	287N4128-4		.BRACKET INSTL- FOR DETAILS SEE: 53-10-53-01	101102	1
- 215	287N4128-5		.BRACKET INSTL- FOR DETAILS SEE: 53-10-53-01	101102	1
- 215	287N4128-6		.BRACKET INSTL- FOR DETAILS SEE: 53-10-53-01	101102	1

MISSING ITEM NUMBERS NOT APPLICABLE

- ITEM NOT ILLUSTRATED

24-00-60-20G

24-00-60
FIG. 20G
PAGE 6
JAN 20/09

BRI

BOEING PROPRIETARY - Copyright © - Unpublished Work - See title page for details.

 **BOEING**
757
PARTS CATALOG (MAINTENANCE)

FIG ITEM	PART NUMBER	1 2 3 4 5 6 7	NOMENCLATURE	EFFECT FROM TO	UNITS PER ASSY
20G - 220	287N4129-5		.DISCONNECT INSTL- FOR DETAILS SEE: 53-11-69-02	101102 108120	1
- 220	287N4129-6		.DISCONNECT INSTL- FOR DETAILS SEE: 53-11-69-02	504903	1
- 225	287N4131-15		.INTEGRATION AND GROUND- FOR DETAILS SEE: 53-11-57-01	101102 108120 504903	1
- 225	287N4131-16		.INTEGRATION AND GROUND- FOR DETAILS SEE: 53-11-57-01	101102 108120 504903	1
- 230	287N4138-25		.RECEPTACLE INSTL- FOR DETAILS SEE: 53-11-61-10	504903	1
- 230	287N4138-30		.RECEPTACLE INSTL- FOR DETAILS SEE: 53-11-61-10	101102	1
- 230	287N4138-35		.RECEPTACLE INSTL- FOR DETAILS SEE: 53-11-61-10	108120	1
- 250	287N4303-103		.PROVISION INSTL-WIRE DISC BRKT POSITION DATA: SECT. 43 STA 672 STGR-4L FOR DETAILS SEE: 53-30-51-69F	504903	1
- 250	287N4303-105		.PROVISION INSTL-WIRE 757 PASS. CAB. OVHD DISC BRKT POSITION DATA: SECT. 43 FOR DETAILS SEE: 53-30-51-69F	504903	1
- 250	287N4303-110		.PROVISION INSTL-WIRE 757 PASS. CAB. OVHD DISC BRKT POSITION DATA: SECT. 43 FOR DETAILS SEE: 53-30-51-69F	504504	1
- 250	287N4303-117		.PROVISION INSTL-WIRE 757 PASS. CAB. OVHD DISC BRKT POSITION DATA: SECT. 43 FOR DETAILS SEE: 53-30-51-69K	504903	1

MISSING ITEM NUMBERS NOT APPLICABLE

- ITEM NOT ILLUSTRATED

BRI

24-00-60-20G

BOEING PROPRIETARY - Copyright © - Unpublished Work - See title page for details.

24-00-60
FIG. 20G
PAGE 7
JAN 20/09



757

PARTS CATALOG (MAINTENANCE)

FIG ITEM	PART NUMBER	1 2 3 4 5 6 7	NOMENCLATURE	EFFECT FROM TO	UNITS PER ASSY
20G - 250	287N4303-121		.PROVISION INSTL-WIRE PASS. CAB. OVHD POSITION DATA: SECT. 43, L FOR DETAILS SEE: 53-30-51-66A	101102 108120 504903	1
- 250	287N4303-122		.PROVISION INSTL-WIRE 757 PASS. CAB. OVHD DISC BRKT POSITION DATA: SECT. 43 FOR DETAILS SEE: 53-30-51-69A	108120	1
- 250	287N4303-123		.PROVISION INSTL-WIRE 757 PASS. CAB. OVHD DISC BRKT POSITION DATA: SECT. 43 FOR DETAILS SEE: 53-30-51-69K	108120 505903	1
- 251	287N4303-160		.PROVISIONAL INSTL- POSITION DATA: SECT. 43 FOR DETAILS SEE: 53-30-51-69K	108120	1
- 252	287N4303-245		.BRACKET INSTL-DISC POSITION DATA: STA 450 STGR-16L, STA 655 STGR-15L AND STA 815 STGR-15L FOR DETAILS SEE: 53-30-51-69B	504903	1
- 252	287N4303-262		.BRACKET INSTL-DISC POSITION DATA: SECT. 43 STA 430 STGR-16R, STA 625 STGR-16R AND STA 815 STGR-15R FOR DETAILS SEE: 53-30-51-69B	504903	1
- 253	287N4303-296		.PROVISION INSTL-WIRE PASS. CAB. OVHD DISC BRKT POSITION DATA: SECT. 43 L SIDE STA 440 FOR DETAILS SEE: 53-30-51-67	108120	1

MISSING ITEM NUMBERS NOT APPLICABLE

- ITEM NOT ILLUSTRATED

24-00-60-20G

24-00-60
FIG. 20G
PAGE 8
JAN 20/09

BRI

BOEING PROPRIETARY - Copyright © - Unpublished Work - See title page for details.



757

PARTS CATALOG (MAINTENANCE)

FIG ITEM	PART NUMBER	1 2 3 4 5 6 7	NOMENCLATURE	EFFECT FROM TO	UNITS PER ASSY
20G - 253	287N4303-309		.PROVISION INSTL-WIRE PASS. CAB. OVHD POSITION DATA: SECT. 43 STA 692 STGR-5L FOR DETAILS SEE: 53-30-51-69C	108120	1
- 254	287N4303-332		.PROVISION INSTL-WIRE PASS. CAB. OVHD POSITION DATA: SECT. 43 FOR DETAILS SEE: 53-30-51-69C	108120	1
- 254	287N4303-293		.SUPPORT INSTL-WIRE PASS. CAB. OVHD POSITION DATA: SECT. 43 RH SIDE STA 460.00-880.00 FOR DETAILS SEE: 53-30-51-70	108120 505903	1
- 256	287N4303-63		.PROVISION INSTL-WIRE PASS. CAB. OVHD POSITION DATA: SECT. 43, L FOR DETAILS SEE: 24-00-60-03	101102 108120 504903	1
- 256	287N4303-66		.PROVISION INSTL-WIRE 757 PASS. CAB. OVHD DISC BRKT POSITION DATA: SECT. 43 STA 530 STGR-4R FOR DETAILS SEE: 53-30-51-69E	108120	1
- 256	287N4303-73		.PROVISION INSTL-WIRE 757 PASS. CAB. OVHD DISC BRKT POSITION DATA: SECT. 43 FOR DETAILS SEE: 53-30-51-69K	101102	1
- 256	287N4303-74		.PROVISION INSTL-WIRE 757 PASS. CAB. OVHD DISC BRKT POSITION DATA: SECT. 43 FOR DETAILS SEE: 53-30-51-69K	101102	1

MISSING ITEM NUMBERS NOT APPLICABLE

- ITEM NOT ILLUSTRATED

24-00-60-20G

24-00-60
FIG. 20G
PAGE 9
JAN 20/09

BRI

BOEING PROPRIETARY - Copyright © - Unpublished Work - See title page for details.



757

PARTS CATALOG (MAINTENANCE)

FIG ITEM	PART NUMBER	1 2 3 4 5 6 7	NOMENCLATURE	EFFECT FROM TO	UNITS PER ASSY
20G - 256	287N4303-88		.PROVISION INSTL-WIRE PASS. CAB. OVHD POSITION DATA: SECT. 43 FOR DETAILS SEE: 53-30-51-69K	108120	1
- 256	287N4303-89		.PROVISION INSTL-WIRE PASS. CAB. OVHD POSITION DATA: SECT. 43 STA 668 STGR-5L FOR DETAILS SEE: 53-30-51-69F	108120	1
- 256	287N4303-90		.PROVISION INSTL-WIRE PASS. CAB. OVHD POSITION DATA: SECT. 43 STA 530 STGR-5R FOR DETAILS SEE: 53-30-51-69E	101102 504903	1
- 280	287N4320-27		.PROVISION INSTL- FOR DETAILS SEE: 53-30-51-01	101102	1
- 280	287N4320-28		.PROVISION INSTL- FOR DETAILS SEE: 53-30-51-01	108120 504903	1
- 285	287N4321-66		.PROVISION INSTL- FOR DETAILS SEE: 53-30-51-06	101102 108120 504903	1
- 285	287N4321-73		.PROVISION INSTL- FOR DETAILS SEE: 53-30-51-06	101102 504903	1
- 285	287N4321-83		.PROVISION INSTL- FOR DETAILS SEE: 53-30-51-06	108120	1
- 290	287N4351-4		.BRACKET INSTL- FOR DETAILS SEE: 53-30-00-01	101102 108120 504903	1
- 320	287N4406-4		.PROVISION INSTL- FOR DETAILS SEE: 53-41-68-02	101102 504903	1
- 355	287N4601-101		.PROVISION INSTL- FOR DETAILS SEE: 53-60-51-37	101102 108120	1
- 355	287N4601-111		.PROVISION INSTL- FOR DETAILS SEE: 53-60-51-37A	108120	1
- 355	287N4601-112		.PROVISION INSTL- FOR DETAILS SEE: 53-60-51-37A	108120	1

MISSING ITEM NUMBERS NOT APPLICABLE

- ITEM NOT ILLUSTRATED

24-00-60-20G

24-00-60
FIG. 20G
PAGE 10
JAN 20/09

BRI

BOEING PROPRIETARY - Copyright © - Unpublished Work - See title page for details.



757

PARTS CATALOG (MAINTENANCE)

FIG ITEM	PART NUMBER	1 2 3 4 5 6 7	NOMENCLATURE	EFFECT FROM TO	UNITS PER ASSY
20G					
- 355	287N4601-113		.PROVISION INSTL- FOR DETAILS SEE: 53-60-51-37A	101102 108120	1
- 355	287N4601-115		.PROVISION INSTL- FOR DETAILS SEE: 53-60-51-52	504505	1
- 355	287N4601-135		.PROVISION INSTL- FOR DETAILS SEE: 53-60-51-52	504903	1
- 355	287N4601-140		.PROVISION INSTL- FOR DETAILS SEE: 53-60-51-35B	101101	1
- 356	287N4601-153		.PROVISION INSTL- FOR DETAILS SEE: 53-60-51-37	101102 108120	1
- 357	287N4601-172		.BRACKET INSTL- FOR DETAILS SEE: 53-60-51-58	504903	1
- 357	287N4601-173		.PROVISION INSTL- FOR DETAILS SEE: 53-60-51-40	108120	1
- 357	287N4601-174		.PROVISION INSTL- FOR DETAILS SEE: 53-60-51-40	108120	1
- 357	287N4601-191		.PROVISION INSTL- FOR DETAILS SEE: 53-60-51-58	504903	1
- 357	287N4601-192		.PROVISION INSTL- FOR DETAILS SEE: 53-60-51-58	504903	1
- 357	287N4601-193		.PROVISION INSTL- FOR DETAILS SEE: 53-60-51-58	504903	1
- 357	287N4601-194		.PROVISION INSTL- FOR DETAILS SEE: 53-60-51-58	504903	1
- 357	287N4601-195		.PROVISION INSTL- FOR DETAILS SEE: 53-60-51-58	504903	1
- 357	287N4601-20		.BRACKET INSTL- FOR DETAILS SEE: 53-60-51-35B	101102	1
- 358	287N4601-25		.BRACKET INSTL- FOR DETAILS SEE: 53-60-51-35B	504903	1
- 359	287N4601-310		.PROVISION INSTL- FOR DETAILS SEE: 53-60-51-52	102102	1

MISSING ITEM NUMBERS NOT APPLICABLE

- ITEM NOT ILLUSTRATED

BRI

24-00-60-20G

BOEING PROPRIETARY - Copyright © - Unpublished Work - See title page for details.

24-00-60
FIG. 20G
PAGE 11
JAN 20/09

 **BOEING**
757
PARTS CATALOG (MAINTENANCE)

FIG ITEM	PART NUMBER	1 2 3 4 5 6 7	NOMENCLATURE	EFFECT FROM TO	UNITS PER ASSY
20G					
- 359	287N4601-316		.PROVISION INSTL- FOR DETAILS SEE: 53-60-51-42	504903	1
- 360	287N4601-418		.BRACKET INSTL- FOR DETAILS SEE: 53-60-51-42	504903	1
- 360	287N4601-43		.PROVISION INSTL- FOR DETAILS SEE: 53-60-51-38	504903	1
- 360	287N4601-75		.PROVISION INSTL- FOR DETAILS SEE: 53-60-51-37	101102 108120	1
- 361	287N4601-76		.PROVISION INSTL- FOR DETAILS SEE: 53-60-51-37	101102 108120	1
- 361	287N4601-77		.PROVISION INSTL- FOR DETAILS SEE: 53-60-51-37	101102	1
- 361	287N4601-79		.PROVISION INSTL- FOR DETAILS SEE: 53-60-51-37	505903	1
- 361	287N4601-81		.PROVISION INSTL- FOR DETAILS SEE: 53-60-51-37	101102 108120	1
- 361	287N4601-83		.PROVISION INSTL- FOR DETAILS SEE: 53-60-51-37	101102 108120	1
- 361	287N4601-86		.PROVISION INSTL- FOR DETAILS SEE: 53-60-51-37A	108120 504903	1
- 361	287N4601-87		.PROVISION INSTL- FOR DETAILS SEE: 53-60-51-37	108120 504903	1
- 361	287N4601-91		.PROVISION INSTL- FOR DETAILS SEE: 53-60-51-37	101102	1
- 361	287N4601-92		.PROVISION INSTL- FOR DETAILS SEE: 53-60-51-37A	101102	1
- 361	287N4601-93		.PROVISION INSTL- FOR DETAILS SEE: 53-60-51-37A	101102	1
- 362	287N4601-96		.PROVISION INSTL- FOR DETAILS SEE: 53-60-51-37	101102	1
- 362	287N4601-98		.PROVISION INSTL- FOR DETAILS SEE: 53-60-51-37	101102 108120	1

MISSING ITEM NUMBERS NOT APPLICABLE

- ITEM NOT ILLUSTRATED

BRI

24-00-60-20G

BOEING PROPRIETARY - Copyright © - Unpublished Work - See title page for details.

24-00-60
FIG. 20G
PAGE 12
JAN 20/09



757

PARTS CATALOG (MAINTENANCE)

FIG ITEM	PART NUMBER	1 2 3 4 5 6 7	NOMENCLATURE	EFFECT FROM TO	UNITS PER ASSY
20G - 363	287N4601-276		.PROVISION INSTL-PASS. CAB OVHD WIRE POSITION DATA: SECT. 46 STA. 1260, R FOR DETAILS SEE: 53-60-51-65	108120	1
- 363	287N4601-277		.PROVISION INSTL-PASS. CAB OVHD WIRE POSITION DATA: SECT. 46 STA. 1260, L FOR DETAILS SEE: 53-60-51-65	108120	1
- 380	287N4605-16		.BRACKET INSTL- FOR DETAILS SEE: 53-60-51-54	101101	1
- 385	287N4606-47		.PROVISION INSTL- FOR DETAILS SEE: 53-60-51-49	101102 108120	1
- 385	287N4606-48		.PROVISION INSTL- FOR DETAILS SEE: 53-61-54-04	101102 108120	1
- 410	287N4661-1		.PROVISION INSTL- FOR DETAILS SEE: 25-70-52-14	108120 504903	1
- 410	287N4661-4		.PROVISION INSTL- FOR DETAILS SEE: 25-70-52-14	101102	1
- 430	287N4905-8		.PROVISION INSTL-WIRE POSITION DATA: RH FOR DETAILS SEE: 21-51-51-05	101102 108120	1
- 435	287N4905-9		.PROVISION INSTL-WIRE POSITION DATA: LH FOR DETAILS SEE: 21-51-51-05	101102 108120	1
- 445	287N4912-8		.BRACKET INSTL-WIRE FOR DETAILS SEE: 53-41-64-02	101102 108120	1
- 450	287N4913-31		.RACEWAY INSTL-WIRE FOR DETAILS SEE: 53-66-01-03	101102 504903	1
- 455	287N6100-177		.WIRE INSTL-WIRE FOR DETAILS SEE: 32-61-52-03	101102	1
- 455	287N6100-178		.WIRE INSTL-WIRE FOR DETAILS SEE: 32-61-52-03	101102	1

MISSING ITEM NUMBERS NOT APPLICABLE

- ITEM NOT ILLUSTRATED

24-00-60-20G

24-00-60
FIG. 20G
PAGE 13
JAN 20/09

BRI

BOEING PROPRIETARY - Copyright © - Unpublished Work - See title page for details.



757

PARTS CATALOG (MAINTENANCE)

FIG ITEM	PART NUMBER	1 2 3 4 5 6 7	NOMENCLATURE	EFFECT FROM TO	UNITS PER ASSY
20G - 455	287N6100-179		.WIRE INSTL-WIRE FOR DETAILS SEE: 32-61-52-03	504903	1
- 455	287N6100-180		.WIRE INSTL-WIRE FOR DETAILS SEE: 32-61-52-03	504903	1
- 455	287N6100-211		.PROVISION INSTL-WIRE FOR DETAILS SEE: 32-61-52-04	108120	1
- 455	287N6100-212		.PROVISION INSTL-WIRE FOR DETAILS SEE: 32-61-52-04	108120	1
- 460	287N6200-2		.HARNESS INSTL-WIRE FOR DETAILS SEE: 32-21-51-01	504903	1
- 465	287N8003-63		.CONDUIT INSTL-WIRE FOR DETAILS SEE: 53-86-52-02	102102 108120	1
- 465	287N8003-64		.CONDUIT INSTL-WIRE FOR DETAILS SEE: 53-86-52-02	504903 102102	1
- 480	287N4662-1		.PROVISION INSTL- FOR DETAILS SEE: 25-70-52-14C	108120 504903	1
- 480	287N4662-3		.PROVISION INSTL- FOR DETAILS SEE: 25-70-52-14C	101102	1
- 650	287N4303-259		.SUPPORT INSTL-WIRE POSITION DATA: SECT. 43 R FOR DETAILS SEE: 53-30-51-62C	101102 504504	1

MISSING ITEM NUMBERS NOT APPLICABLE

- ITEM NOT ILLUSTRATED

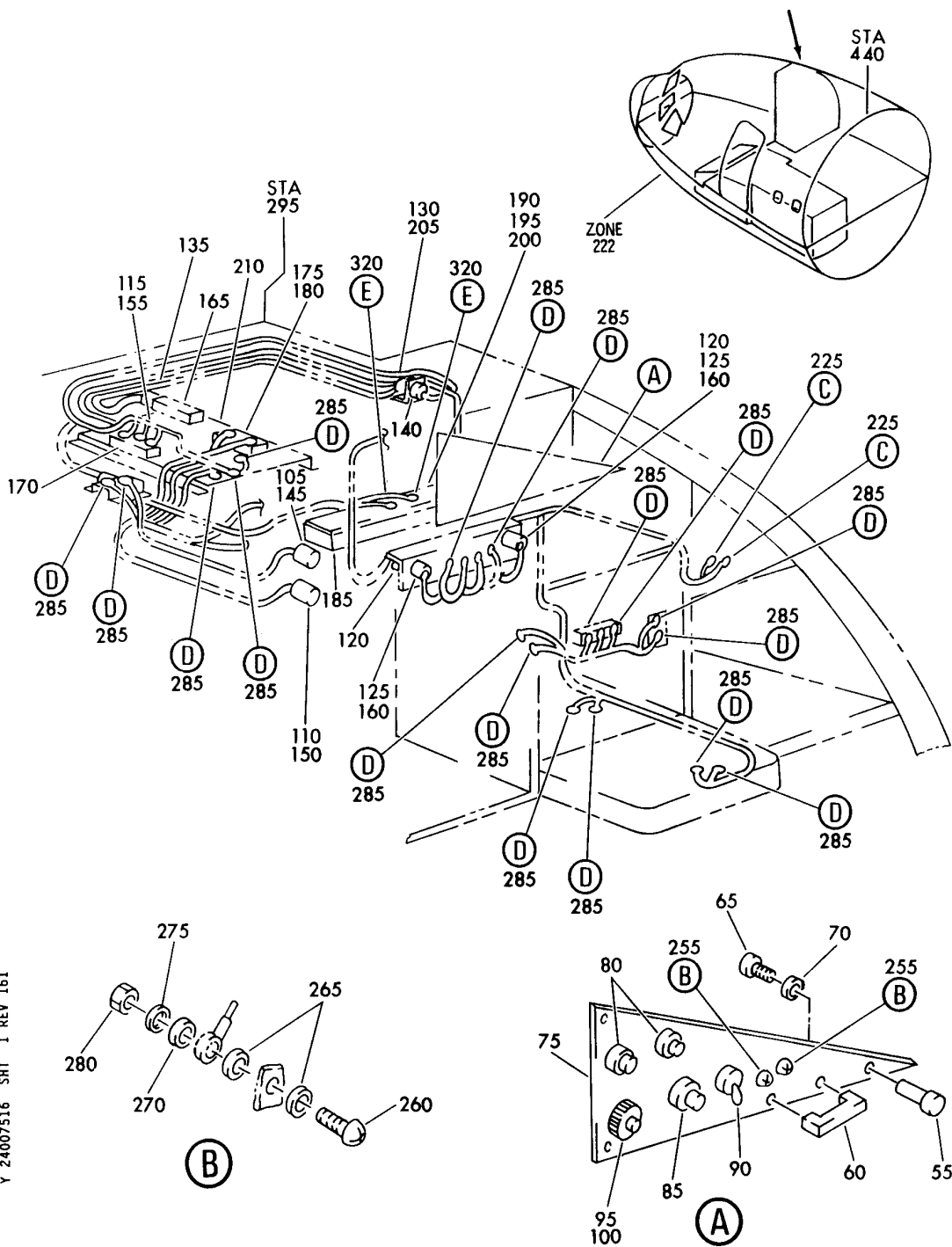
BRI

24-00-60-20G

BOEING PROPRIETARY - Copyright © - Unpublished Work - See title page for details.

24-00-60
FIG. 20G
PAGE 14
JAN 20/09

BOEING
757
PARTS CATALOG (MAINTENANCE)



Y 24007516 SHT 1 REV 161

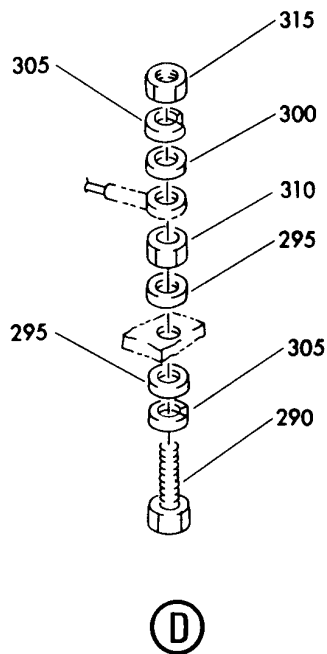
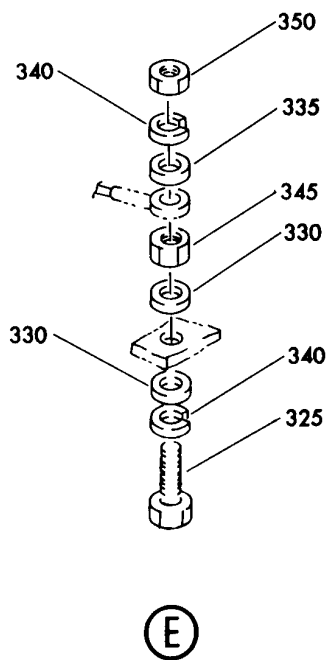
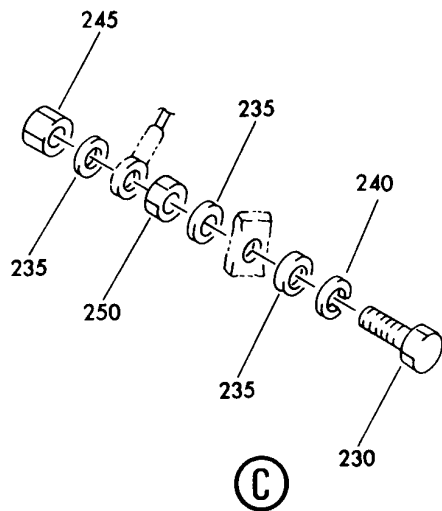
ELECTRICAL SYSTEM INSTL-UNIT G1A (ELECTRICAL POWER ONLY)
FIGURE 16 (SHEET 1)

24-00-75-16

BRI
JAN 20/09

24-00-75-16
PAGE 0

BOEING
757
PARTS CATALOG (MAINTENANCE)



Y 24007516 SHT 2 REV 161

ELECTRICAL SYSTEM INSTL-UNIT G1A (ELECTRICAL POWER ONLY)
FIGURE 16 (SHEET 2)

24-00-75-16

BRI
JAN 20/09

24-00-75-16
PAGE 0A



757

PARTS CATALOG (MAINTENANCE)

FIG ITEM	PART NUMBER	1 2 3 4 5 6 7	NOMENCLATURE	EFFECT FROM TO	UNITS PER ASSY
16			ELECTRICAL SYSTEM INSTL- UNIT G1A (ELECTRICAL POWER ONLY)	950951	
- 1	1002E11A20000		ELECTRICAL SYSTEM INSTL- UNIT G1A (ELECTRICAL POWER ONLY) SUPPLIER CODE: VD2249 FOR NHA/OTHER SYS DET SEE: 25-31-01-68A	950951	RF
- 50	1002E11A20200		.PANEL ASSY-CONTROL SUPPLIER CODE: VD2249 CONFIG CHG DATA FROM A CMM: MF 090434	950951	1
55	26S39-4		..FASTENER- SUPPLIER CODE: VDO680	950951	3
60	07844		..HANDLE- SUPPLIER CODE: VC3938	950951	1
65	DIN912M4X12		..SCREW	950951	2
70	DIN125A4-3		..WASHER	950951	2
75	2E11A20200-01		..PANEL- SUPPLIER CODE: VD2249	950951	1
80	6TC6-10		.CIRCUIT BREAKER SUPPLIER CODE: V82647 SPECIFICATION NUMBER: BACC18AC10 OPTIONAL PART: 4330-004-10 V76374	950951	2
85	2TC6-1		.CIRCUIT BREAKER SUPPLIER CODE: V82647 SPECIFICATION NUMBER: BACC18Z1R OPTIONAL PART: 4310-002-1 V76374	950951	1
90	MS24524-21		.SWITCH	950951	1
95	44YY26087		.SWITCH-ROTARY SUPPLIER CODE: V81073	950951	1
100	A1438261		.KNOB- SUPPLIER CODE: VD2249	950951	1

MISSING ITEM NUMBERS NOT APPLICABLE

- ITEM NOT ILLUSTRATED

24-00-75-16

24-00-75
FIG. 16
PAGE 1
JAN 20/09

BRI



757

PARTS CATALOG (MAINTENANCE)

FIG ITEM	PART NUMBER	1 2 3 4 5 6 7	NOMENCLATURE	EFFECT FROM TO	UNITS PER ASSY
16					
105	BACC63CE24-22P	.PLUG		950951	1
110	MS24266R12B12PN	.PLUG		950951	1
115	MS24266R10B5P	.CONNECTOR		950951	1
120	MS24264R14B7SN	.RECEPTACLE		950951	2
125	MS24266R14B7SN	.PLUG		950951	2
130	MS24266R16B10SN	.CONNECTOR		950951	1
135	MB12PL	.PLUG-		950951	1
		SUPPLIER CODE:			
		V09922			
140	BACC45FN16-10P	.CONNECTOR		950951	1
145	G65062-24	.CLAMP		950951	1
		SUPPLIER CODE:			
		V06324			
		SPECIFICATION NUMBER:			
		BACC10HV24			
		OPTIONAL PART:			
		S2824-24			
		V07418			
150	MS27291-2	.SUPPORT		950951	1
155	MS27291-1	.SUPPORT		950951	1
160	MS27291-3	.SUPPORT		950951	2
165	8177-1	.BALLAST-		950951	1
		SUPPLIER CODE:			
		V30242			
170	2B75-1A	.TRANSFORMER-		950951	1
		SUPPLIER CODE:			
		V83298			
		SPECIFICATION NUMBER:			
		60B00010-5			
175	MS27212-2-4	.TERMINAL BOARD ASSY		950951	1
180	MS18029-2S4	.COVER		950951	1
185	1002E11A21510	.CASING-WORK LT		950951	1
		SUPPLIER CODE:			
		VD2249			
190	BV5-01441	.COVER-		950951	4
		SUPPLIER CODE:			
		V17023			
195	BV5-011261	.SOCKET-		950951	2
		SUPPLIER CODE:			
		V17023			
200	BV5-01258	.SOCKET-		950951	2
		SUPPLIER CODE:			
		V17023			
205	MS27291-4	.CLAMP		950951	1
210	1002E11A21330	.PLATE-MTG		950951	1
		SUPPLIER CODE:			
		VD2249			

MISSING ITEM NUMBERS NOT APPLICABLE

- ITEM NOT ILLUSTRATED

24-00-75-16

24-00-75
FIG. 16
PAGE 2
JAN 20/09

BRI

BOEING PROPRIETARY - Copyright © - Unpublished Work - See title page for details.



757

PARTS CATALOG (MAINTENANCE)

FIG ITEM	PART NUMBER	1 2 3 4 5 6 7	NOMENCLATURE	EFFECT FROM TO	UNITS PER ASSY
16					
- 215	1002E11A21310	.	SOCKET-PLUG SUPPLIER CODE: VD2249	950951	1
- 220	1002E11A21311	.	SOCKET-PLUG SUPPLIER CODE: VD2249	950951	1
225	5026-02-0009	.	STUD ASSY-GND SUPPLIER CODE: VD2249	950951	2
230	NAS1802-4-17	..	SCREW	950951	1
235	AN960C416	..	WASHER	950951	3
240	MS35338-139	..	WASHER	950951	1
245	MS21043-4	..	NUT	950951	1
250	MS35650-3254	..	NUT	950951	1
255	00-1473	.	STUD ASSY-GND SUPPLIER CODE: VD2249	950951	2
260	NAS604-9	..	SCREW	950951	1
265	AN960D416L	..	WASHER	950951	2
270	AN960-416L	..	WASHER	950951	1
275	MS35338-44	..	WASHER	950951	1
280	MS21043-4	..	NUT	950951	1
285	00-1433	.	STUD ASSY-GND SUPPLIER CODE: VD2249	950951	20
290	NAS564-31	..	SCREW	950951	1
295	AN960D416L	..	WASHER	950951	2
300	AN960-416L	..	WASHER	950951	1
305	MS35338-44	..	WASHER	950951	2
310	MS20341-416A	..	NUT	950951	1
315	MS21043-4	..	NUT	950951	1
320	00-882	.	STUD ASSY-GND SUPPLIER CODE: VD2249	950951	2
325	NAS1096-3-13	..	SCREW	950951	1
330	AN960D10L	..	WASHER	950951	2
335	AN960-10L	..	WASHER	950951	1
340	MS35338-43	..	WASHER	950951	2
345	MS20341-10A	..	NUT	950951	1
350	MS21043-3	..	NUT	950951	1
- 355	324051	.	LUG-TERMINAL SUPPLIER CODE: VD8512	950951	2
- 360	BMS13-58I1-4	.	WIRE- SUPPLIER CODE: VREINS	950951	AR
- 365	BMS12-58I1-6	.	WIRE- SUPPLIER CODE: VREINS	950951	AR

MISSING ITEM NUMBERS NOT APPLICABLE

- ITEM NOT ILLUSTRATED

24-00-75-16

24-00-75
FIG. 16
PAGE 3
JAN 20/09

BRI



757

PARTS CATALOG (MAINTENANCE)

FIG ITEM	PART NUMBER	1 2 3 4 5 6 7	NOMENCLATURE	EFFECT FROM TO	UNITS PER ASSY
16					
- 370	BMS13-58I1-8		.WIRE- SUPPLIER CODE: VREINS	950951	AR
- 375	BMS13-58I1-10		.WIRE- SUPPLIER CODE: VREINS	950951	AR
- 380	BMS13-31FI1-18		.WIRE- SUPPLIER CODE: VF0241	950951	AR
- 385	BMS13-31FI1-22		.WIRE- SUPPLIER CODE: VF0241	950951	AR
- 390	1002E11A21322		.BRACKET-MTG SUPPLIER CODE: VD2249	950951	1
- 395	1002E11A21323		.BRACKET-MTG SUPPLIER CODE: VD2249	950951	2

MISSING ITEM NUMBERS NOT APPLICABLE

- ITEM NOT ILLUSTRATED

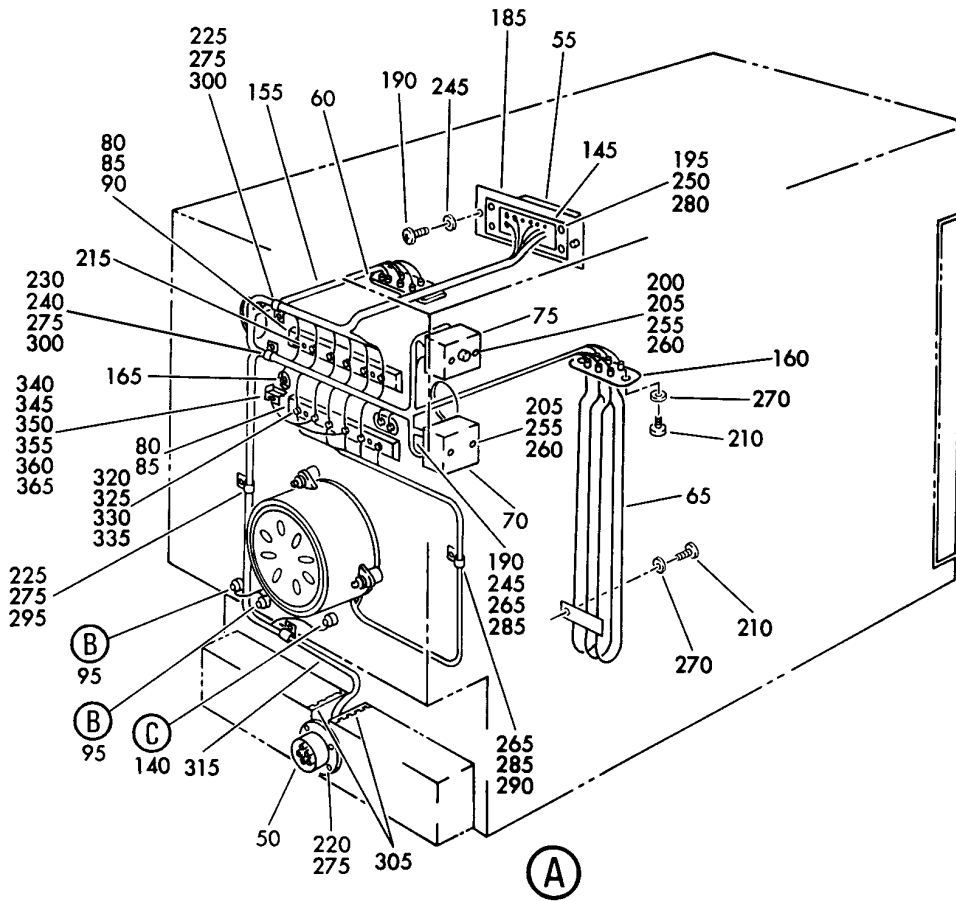
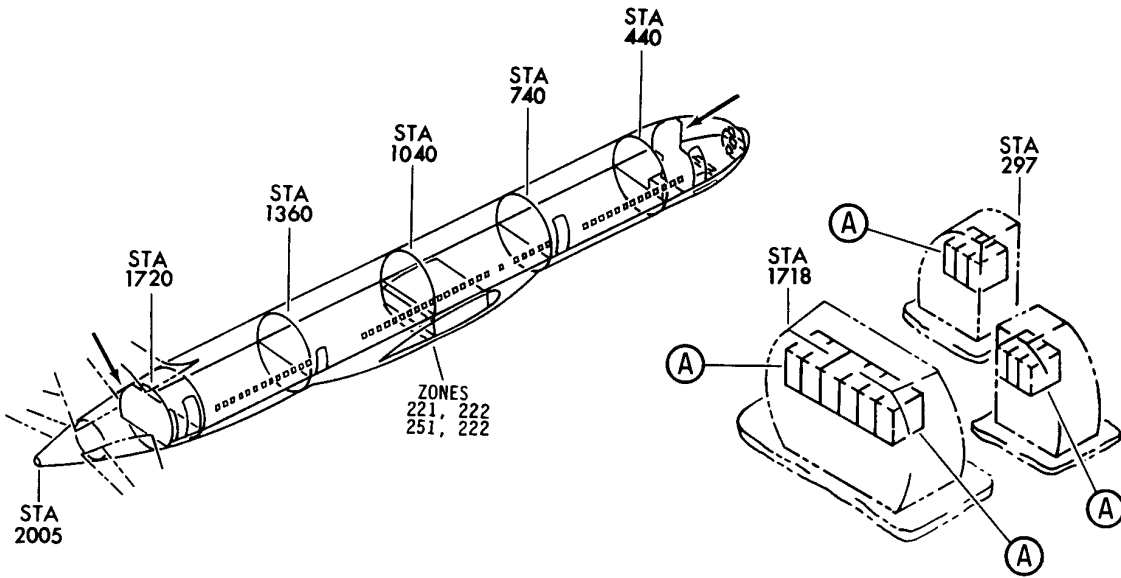
BRI

24-00-75-16

BOEING PROPRIETARY - Copyright © - Unpublished Work - See title page for details.

24-00-75
FIG. 16
PAGE 4
JAN 20/09

BOEING
757
PARTS CATALOG (MAINTENANCE)



Y 24007517 SHT 1 REV 227

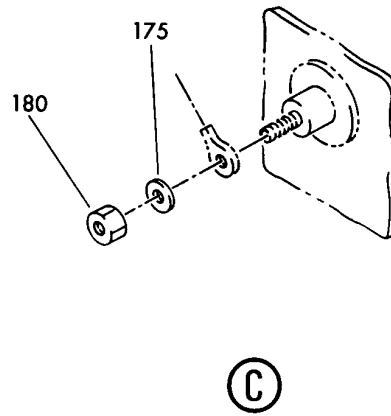
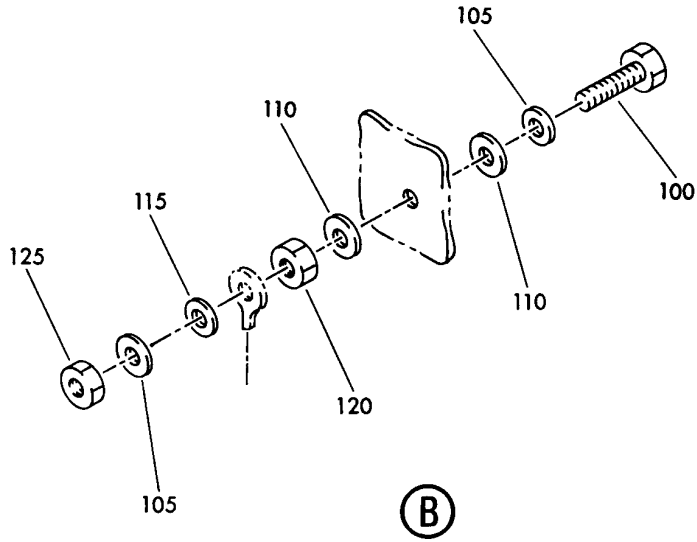
ELECTRICAL SYSTEM INSTL
FIGURE 17 (SHEET 1)

24-00-75-17

BRI
MAY 28/07

24-00-75-17
PAGE 0

BOEING
757
PARTS CATALOG (MAINTENANCE)



Y 24007517 SHT 2 REV 161

ELECTRICAL SYSTEM INSTL
FIGURE 17 (SHEET 2)

24-00-75-17

BRI
MAY 28/07

24-00-75-17
PAGE 0A



757

PARTS CATALOG (MAINTENANCE)

FIG ITEM	PART NUMBER	1 2 3 4 5 6 7	NOMENCLATURE	EFFECT FROM TO	UNITS PER ASSY
17			ELECTRICAL SYSTEM INSTL	002004 006102 108120	
- 1	8201-01-2000		ELECTRICAL SYSTEM INSTL- SUPPLIER CODE: VD2249 FOR NHA SEE: 25-31-51-02	002004 006102 108120	RF
50	BUC6-34		.PLUG- SUPPLIER CODE: VD1371	002004 006101	1
50	BUC6-34		.PLUG- SUPPLIER CODE: VD1371	108120	1
50	BUC6-34		.PLUG- SUPPLIER CODE: VD1371	102102	1
55	DPXAMA26-33S		.PLUG- SUPPLIER CODE: VD1371	002004 006101	1
55	DPXAMA26-33S		.PLUG- SUPPLIER CODE: VD1371	108120	1
55	DPXAMA26-33S		.PLUG- SUPPLIER CODE: VD1371	102102	1
60	8101-01-2001		.ELEMENT-HEATING SUPPLIER CODE: VD2249 POSITION DATA: RH	002004 006101	1
60	8101-01-2001		.ELEMENT-HEATING SUPPLIER CODE: VD2249 POSITION DATA: RH	108120	1
60	8101-01-2001		.ELEMENT-HEATING SUPPLIER CODE: VD2249 POSITION DATA: RH	102102	1
65	8101-01-2002		.ELEMENT-HEATING SUPPLIER CODE: VD2249 POSITION DATA: LH	002004 006101	1

MISSING ITEM NUMBERS NOT APPLICABLE

- ITEM NOT ILLUSTRATED

24-00-75-17

24-00-75
FIG. 17
PAGE 1
JAN 20/09

BRI



757

PARTS CATALOG (MAINTENANCE)

FIG ITEM	PART NUMBER	1 2 3 4 5 6 7	NOMENCLATURE	EFFECT FROM TO	UNITS PER ASSY
17					
65	8101-01-2002	.	ELEMENT-HEATING SUPPLIER CODE: VD2249 POSITION DATA: LH	108120	1
65	8101-01-2002	.	ELEMENT-HEATING SUPPLIER CODE: VD2249 POSITION DATA: LH	102102	1
70	5015-02-0032	.	THERMOSTAT- SUPPLIER CODE: VD2249	002004 006101	1
70	5015-02-0032	.	THERMOSTAT- SUPPLIER CODE: VD2249	108120	1
70	5015-02-0032	.	THERMOSTAT- SUPPLIER CODE: VD2249	102102	1
75	5015-02-0030	.	SWITCH-OVERHEAT CUTOFF SUPPLIER CODE: VD2249	002004 006101	1
75	5015-02-0030	.	SWITCH-OVERHEAT CUTOFF SUPPLIER CODE: VD2249	108120	1
75	5015-02-0030	.	SWITCH-OVERHEAT CUTOFF SUPPLIER CODE: VD2249	102102	1
80	MS27212-6-6	.	BOARD	002004 006101	2
80	MS27212-6-6	.	BOARD	108120	2
80	MS27212-6-6	.	BOARD	102102	2
85	MS18029-6S6	.	COVER	002004 006101	2
85	MS18029-6S6	.	COVER	108120	2
85	MS18029-6S6	.	COVER	102102	2
90	MS25226-10-2	.	BUS	002004 006101	1
90	MS25226-10-2	.	BUS	108120	1
90	MS25226-10-2	.	BUS	102102	1
95	00-882	.	STUD ASSY-GND SUPPLIER CODE: VD2249	002004 006101	2
95	00-882	.	STUD ASSY-GND SUPPLIER CODE: VD2249	108120	2
95	00-882	.	STUD ASSY-GND SUPPLIER CODE: VD2249	102102	2

MISSING ITEM NUMBERS NOT APPLICABLE

- ITEM NOT ILLUSTRATED

24-00-75-17

24-00-75
FIG. 17
PAGE 2
JAN 20/09

BRI

BOEING PROPRIETARY - Copyright © - Unpublished Work - See title page for details.



757

PARTS CATALOG (MAINTENANCE)

FIG ITEM	PART NUMBER	1 2 3 4 5 6 7	NOMENCLATURE	EFFECT FROM TO	UNITS PER ASSY
17					
100	NAS1096-3-13	..	SCREW	002004 006101	1
100	NAS1096-3-13	..	SCREW	108120	1
100	NAS1096-3-13	..	SCREW	102102	1
105	MS35338-43	..	WASHER	002004 006101	2
105	MS35338-43	..	WASHER	108120	2
105	MS35338-43	..	WASHER	102102	2
110	AN960D10L	..	WASHER	002004 006101	2
110	AN960D10L	..	WASHER	108120	2
110	AN960D10L	..	WASHER	102102	2
115	AN960-10L	..	WASHER	002004 006101	1
115	AN960-10L	..	WASHER	108120	1
115	AN960-10L	..	WASHER	102102	1
120	MS20341-10A	..	NUT	002004 006101	1
120	MS20341-10A	..	NUT	108120	1
120	MS20341-10A	..	NUT	102102	1
125	MS21043-3	..	NUT	002004 006101	1
125	MS21043-3	..	NUT	108120	1
125	MS21043-3	..	NUT	102102	1
- 130	323676	.LUG-TERM. SUPPLIER CODE: V00779		002004 006101	14
- 130	323676	.LUG-TERM. SUPPLIER CODE: V00779		108120	14
- 130	323676	.LUG-TERM. SUPPLIER CODE: V00779		102102	14
- 135	320565	.LUG-TERM. SUPPLIER CODE: V00779		002004 006101	31
- 135	320565	.LUG-TERM. SUPPLIER CODE: V00779		108120	31
- 135	320565	.LUG-TERM. SUPPLIER CODE: V00779		102102	31
- 140	320574	.LUG-TERM. SUPPLIER CODE: V00779		002004 006101	11
- 140	320574	.LUG-TERM. SUPPLIER CODE: V00779		108120	11

MISSING ITEM NUMBERS NOT APPLICABLE

- ITEM NOT ILLUSTRATED

24-00-75-17

24-00-75
FIG. 17
PAGE 3
JAN 20/09

BRI



757

PARTS CATALOG (MAINTENANCE)

FIG ITEM	PART NUMBER	1 2 3 4 5 6 7	NOMENCLATURE	EFFECT FROM TO	UNITS PER ASSY
17					
- 140	320574		.LUG-TERM. SUPPLIER CODE: V00779	102102	11
145	0048-2221-12		.PIN-SEALING SUPPLIER CODE: VD2249	002004 006101	10
145	0048-2221-12		.PIN-SEALING SUPPLIER CODE: VD2249	108120	10
145	0048-2221-12		.PIN-SEALING SUPPLIER CODE: VD2249	102102	10
155	AIRTEX417X		.CORD-BINDING SUPPLIER CODE: V01344	002004 006101	AR
155	AIRTEX417X		.CORD-BINDING SUPPLIER CODE: V01344	108120	AR
155	AIRTEX417X		.CORD-BINDING SUPPLIER CODE: V01344	102102	AR
160	8029-02-2000-41		.SEAL- SUPPLIER CODE: VD2249	002004 006101	2
160	8029-02-2000-41		.SEAL- SUPPLIER CODE: VD2249	108120	2
160	8029-02-2000-41		.SEAL- SUPPLIER CODE: VD2249	102102	2
165	67-27055-0		.BUSHING- SUPPLIER CODE: VD0238	002004 006101	3
165	67-27055-0		.BUSHING- SUPPLIER CODE: VD0238	108120	3
165	67-27055-0		.BUSHING- SUPPLIER CODE: VD0238	102102	3
170	5026-02-0019		.STUD ASSY-GND SUPPLIER CODE: VD2249	002004 006101	1
170	5026-02-0019		.STUD ASSY-GND SUPPLIER CODE: VD2249	108120	1
170	5026-02-0019		.STUD ASSY-GND SUPPLIER CODE: VD2249	102102	1

MISSING ITEM NUMBERS NOT APPLICABLE

- ITEM NOT ILLUSTRATED

24-00-75-17

24-00-75
FIG. 17
PAGE 4
JAN 20/09

BRI



757

PARTS CATALOG (MAINTENANCE)

FIG ITEM	PART NUMBER	1 2 3 4 5 6 7	NOMENCLATURE	EFFECT FROM TO	UNITS PER ASSY
17					
175	AN960C10	. .	WASHER	002004 006101	1
175	AN960C10	. .	WASHER	108120	1
175	AN960C10	. .	WASHER	102102	1
180	MS21043-3	. .	NUT	002004 006101	1
180	MS21043-3	. .	NUT	108120	1
180	MS21043-3	. .	NUT	102102	1
185	8201-01-2000-48	. BRACKET-		002004	1
		SUPPLIER CODE:		006101	
		VD2249			
185	8201-01-2000-48	. BRACKET-		108120	1
		SUPPLIER CODE:			
		VD2249			
185	8201-01-2000-48	. BRACKET-		102102	1
		SUPPLIER CODE:			
		VD2249			
190	NAS600-6	. SCREW		002004 006101	12
190	NAS600-6	. SCREW		108120	12
190	NAS600-6	. SCREW		102102	12
195	NAS600-8	. SCREW		002004 006101	4
195	NAS600-8	. SCREW		108120	4
195	NAS600-8	. SCREW		102102	4
200	WN112M4X12-48NI	. SCREW-(PAN-HEAD)		002004	2
		SUPPLIER CODE:		006101	
		VD2249			
200	WN112M4X12-48NI	. SCREW-(PAN-HEAD)		108120	2
		SUPPLIER CODE:			
		VD2249			
200	WN112M4X12-48NI	. SCREW-(PAN-HEAD)		102102	2
		SUPPLIER CODE:			
		VD2249			
205	WN115M4X8-48NI	. SCREW-(PAN-HEAD)		002004	2
		SUPPLIER CODE:		006101	
		VD2249			
205	WN115M4X8-48NI	. SCREW-(PAN-HEAD)		108120	2
		SUPPLIER CODE:			
		VD2249			
205	WN115M4X8-48NI	. SCREW-(PAN-HEAD)		102102	2
		SUPPLIER CODE:			
		VD2249			
210	NAS1802-06-6	. BOLT		002004 006101	6
210	NAS1802-06-6	. BOLT		108120	6
210	NAS1802-06-6	. BOLT		102102	6
215	NAS600-5	. SCREW		002004 006101	4

MISSING ITEM NUMBERS NOT APPLICABLE

- ITEM NOT ILLUSTRATED

24-00-75-17

24-00-75
FIG. 17
PAGE 5
JAN 20/09

BRI



757

PARTS CATALOG (MAINTENANCE)

FIG ITEM	PART NUMBER	1 2 3 4 5 6 7	NOMENCLATURE	EFFECT FROM TO	UNITS PER ASSY
17					
215	NAS600-5	.	SCREW	108120	4
215	NAS600-5	.	SCREW	102102	4
220	NAS603-7	.	SCREW	002004	4
				006101	
220	NAS603-7	.	SCREW	108120	4
220	NAS603-7	.	SCREW	102102	4
225	NAS603-13	.	SCREW	002004	4
				006101	
225	NAS603-13	.	SCREW	108120	4
225	NAS603-13	.	SCREW	102102	4
230	NAS603-16	.	BOLT	002004	1
				006101	
230	NAS603-16	.	BOLT	108120	1
230	NAS603-16	.	BOLT	102102	1
235	00-964	.	SPACER-	002004	2
			SUPPLIER CODE:	006101	
			VD2249		
235	00-964	.	SPACER-	108120	2
			SUPPLIER CODE:		
			VD2249		
235	00-964	.	SPACER-	102102	2
			SUPPLIER CODE:		
			VD2249		
240	00-1427-5	.	WASHER-	002004	1
			SUPPLIER CODE:	006101	
			VD2249		
240	00-1427-5	.	WASHER-	108120	1
			SUPPLIER CODE:		
			VD2249		
240	00-1427-5	.	WASHER-	102102	1
			SUPPLIER CODE:		
			VD2249		
245	AN960-4	.	WASHER	002004	22
				006101	
245	AN960-4	.	WASHER	108120	22
245	AN960-4	.	WASHER	102102	22
250	AN960-4	.	WASHER	002004	4
				006101	
250	AN960-4	.	WASHER	108120	4
250	AN960-4	.	WASHER	102102	4
255	DIN127A4	.	WASHER	002004	4
				006101	
255	DIN127A4	.	WASHER	108120	4
255	DIN127A4	.	WASHER	102102	4
260	DIN125A4-3	.	WASHER	002004	4
				006101	
260	DIN125A4-3	.	WASHER	108120	4
260	DIN125A4-3	.	WASHER	102102	4

MISSING ITEM NUMBERS NOT APPLICABLE

- ITEM NOT ILLUSTRATED

24-00-75-17

24-00-75
FIG. 17
PAGE 6
JAN 20/09

BRI



757

PARTS CATALOG (MAINTENANCE)

FIG ITEM	PART NUMBER	1 2 3 4 5 6 7	NOMENCLATURE	EFFECT FROM TO	UNITS PER ASSY
17					
265	MS35338-40	.	WASHER	002004 006101	10
265	MS35338-40	.	WASHER	108120	10
265	MS35338-40	.	WASHER	102102	10
270	AN960C6	.	WASHER	002004 006101	6
270	AN960C6	.	WASHER	108120	6
270	AN960C6	.	WASHER	102102	6
275	AN960-10	.	WASHER	002004 006101	9
275	AN960-10	.	WASHER	108120	9
275	AN960-10	.	WASHER	102102	9
280	MS21043-04	.	NUT	002004 006101	4
280	MS21043-04	.	NUT	108120	4
280	MS21043-04	.	NUT	102102	4
285	MS21043-04	.	NUT	002004 006101	14
285	MS21043-04	.	NUT	108120	14
285	MS21043-04	.	NUT	102102	14
290	MS25281R4	.	CLAMP	002004 006101	1
290	MS25281R4	.	CLAMP	108120	1
290	MS25281R4	.	CLAMP	102102	1
295	MS25281R5	.	CLAMP	002004 006101	2
295	MS25281R5	.	CLAMP	108120	2
295	MS25281R5	.	CLAMP	102102	2
300	MS25281R7	.	CLAMP	002004 006101	2
300	MS25281R7	.	CLAMP	108120	2
300	MS25281R7	.	CLAMP	102102	2
305	G51TA	.	STRIP-GROMMET	002004	AR
			SUPPLIER CODE: VD8527	006101	
305	G51TA	.	STRIP-GROMMET	108120	AR
			SUPPLIER CODE: VD8527		
305	G51TA	.	STRIP-GROMMET	102102	AR
			SUPPLIER CODE: VD8527		
315	FP301-00954	.	HOSE-SHRINK	002004	AR
			SUPPLIER CODE: VD8527	006101	
315	FP301-00954	.	HOSE-SHRINK	108120	AR
			SUPPLIER CODE: VD8527		

MISSING ITEM NUMBERS NOT APPLICABLE

- ITEM NOT ILLUSTRATED

24-00-75-17

24-00-75
FIG. 17
PAGE 7
JAN 20/09

BRI

BOEING PROPRIETARY - Copyright © - Unpublished Work - See title page for details.



757

PARTS CATALOG (MAINTENANCE)

FIG ITEM	PART NUMBER	1 2 3 4 5 6 7	NOMENCLATURE	EFFECT FROM TO	UNITS PER ASSY
17					
315	FP301-00954		.HOSE-SHRINK SUPPLIER CODE: VD8527	102102	AR
320	AN960-8		.WASHER	002004 006101	12
320	AN960-8		.WASHER	108120	12
320	AN960-8		.WASHER	102102	12
325	MS35338-42		.WASHER	002004 006101	12
325	MS35338-42		.WASHER	108120	12
325	MS35338-42		.WASHER	102102	12
330	MS21043-08		.NUT	002004 006101	12
330	MS21043-08		.NUT	108120	12
330	MS21043-08		.NUT	102102	12

MISSING ITEM NUMBERS NOT APPLICABLE

- ITEM NOT ILLUSTRATED

BRI

24-00-75-17

BOEING PROPRIETARY - Copyright © - Unpublished Work - See title page for details.

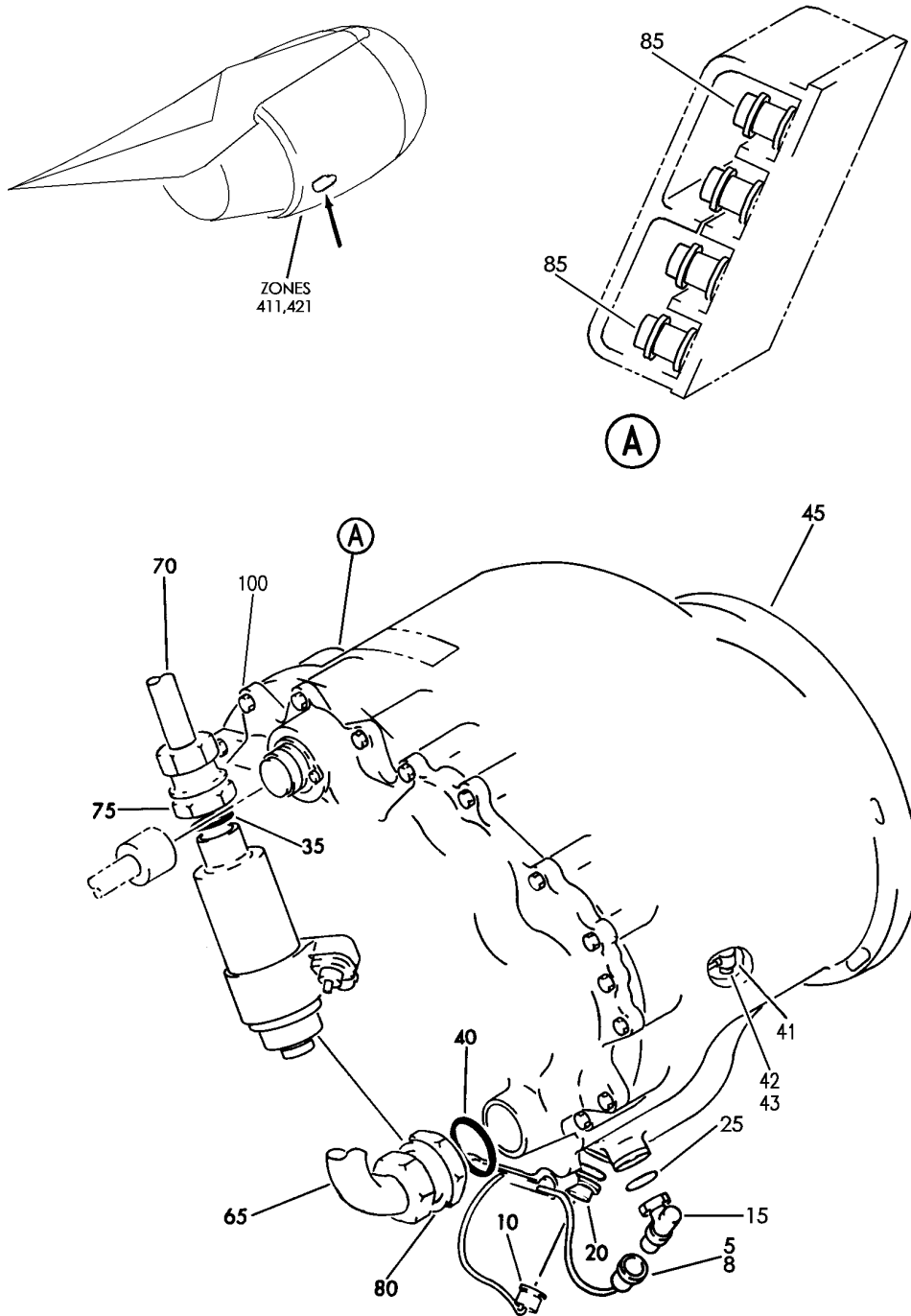
24-00-75
FIG. 17
PAGE 8
JAN 20/09

GENERATOR DRIVE SYSTEM

BRI
MAY 28/07

24-11-00
SECTION TITLE
PAGE 1

BOEING
757
PARTS CATALOG (MAINTENANCE)



Y 24110101 REV 270

GENERATOR INSTL-RB211-535 INTEGRATED DRIVE (ELECTRICAL POWER ONLY)
FIGURE 1

24-11-01-01

BRI
MAY 28/07

24-11-01-01
PAGE 0



757

PARTS CATALOG (MAINTENANCE)

FIG ITEM	PART NUMBER	1 2 3 4 5 6 7	NOMENCLATURE	EFFECT FROM TO	UNITS PER ASSY
1			GENERATOR INSTL-RB211-535 INTEGRATED DRIVE (ELECTRICAL POWER ONLY)	002004 006100 107107 121503 904999	
- 1	332N5002-1		GENERATOR INSTL-RB211-535 INTEGRATED DRIVE (ELECTRICAL POWER ONLY) VARIABLE DRAWING REF: 332N5002-2 FOR NHA/OTHER SYS DET SEE: 71-00-02-04	002004 006100 107107 121503 904999	RF
5	OMP2506-13S		.CAP-DUST SUPPLIER CODE: VK0667 OPTIONAL PART: 93-7764 V99321	002004 006100 107107 121503 904999	1
5	93-7764		.CAP-DUST SUPPLIER CODE: V99321 OPTIONAL PART: OMP2506-13S VK0667	002004 006100 107107 121503 904999	1
8	OMP2506-6		.COVER-PRESSURE SUPPLIER CODE: VK0667 OPTIONAL PART: 86-4102-2 V99321	002004 006100 107107 121503 904999	1
8	86-4102-2		.COVER-PRESSURE SUPPLIER CODE: V99321 OPTIONAL PART: OMP2506-6 VK0667	002004 006100 107107 121503 904999	1
10	OMP2505-13S		.COVER-DUST SUPPLIER CODE: VK0667 OPTIONAL PART: 93-7766 V99321	002004 006100 107107 121503 904999	1
10	93-7766		.COVER-DUST SUPPLIER CODE: V99321 OPTIONAL PART: OMP2505-13S VK0667	002004 006100 107107 121503 904999	1

MISSING ITEM NUMBERS NOT APPLICABLE

- ITEM NOT ILLUSTRATED

24-11-01-01

24-11-01
FIG. 01
PAGE 1
JAN 20/09

BRI



757

PARTS CATALOG (MAINTENANCE)

FIG ITEM	PART NUMBER	1 2 3 4 5 6 7	NOMENCLATURE	EFFECT FROM TO	UNITS PER ASSY
1					
10	OMP2505-6		.COVER-PRESSURE SUPPLIER CODE: VK0667 OPTIONAL PART: 86-4101-2 V99321	002004 006100 107107 121503 904999	1
10	86-4101-2		.COVER-DUST SUPPLIER CODE: V99321 OPTIONAL PART: OMP2505-6 VK0667	002004 006100 107107 121503 904999	1
15	OMP2506-10		.COUPLING-ELBOW SUPPLIER CODE: VK0667 OPTIONAL PART: 237-0001-01 V99321	002004 006100 107107 121503 904999	1
15	237-0001-01		.COUPLING-ELBOW SUPPLIER CODE: V99321 OPTIONAL PART: OMP2506-10 V33068	002004 006100 107107 121503 904999	1
20	OMP2505-2		.COUPLING- SUPPLIER CODE: VK0667 OPTIONAL PART: 87-5023-1 V99321	002004 006100 107107 121503 904999	1
20	87-5023-1		.COUPLING- SUPPLIER CODE: V99321 OPTIONAL PART: OMP2505-2 VK0667	002004 006100 107107 121503 904999	1
25	M83248-1-906		.PACKING	002004 006100 107107 121503 904999	1
35	M83248-1-910		.PACKING-	002004 006100 107107 121503 904999	1

MISSING ITEM NUMBERS NOT APPLICABLE

- ITEM NOT ILLUSTRATED

BRI

24-11-01-01

24-11-01
FIG. 01
PAGE 2
JAN 20/09



757

PARTS CATALOG (MAINTENANCE)

FIG ITEM	PART NUMBER	1 2 3 4 5 6 7	NOMENCLATURE	EFFECT FROM TO	UNITS PER ASSY
1					
40	M83248-1-912		.PACKING-	002004 006100 107107 121503 904999	1
41	LK35733		.FITTING-BANJO SUPPLIER CODE: VK0680	002004 006100 107107 121503 904999	RF
- 41A	LK80823		.TUBE ASSY-IDG RELIEF DRAIN TO OVERBOARD OIL DRAIN SUPPLIER CODE: VK0680	002004 006100 121503 950999	RF
42	LK35732		ATTACHING PARTS .BOLT- SUPPLIER CODE: VK0680	002004 006100 107107 121503 904999	RF
43	KC2283		.WASHER- SUPPLIER CODE: VK0680	002004 006100 107107 121503 904999	RF
45	730844B		-----*----- .ADAPTER ASSY-QUICK ATTACH DETACH KIT SUPPLIER CODE: V99167 SPECIFICATION NUMBER: S281T001-5 COMPONENT MAINT MANUAL REF: 24-19-04 FOR DETAILS SEE: 24-11-03-01	002004 006100 107107 121503 904999	1
65	AE705978-1		.HOSE ASSY-OIL RETURN SUPPLIER CODE: VK0680 OPTIONAL PART: 107121 VK0680	011100	1
65	107121		.HOSE ASSY-OIL RETURN SUPPLIER CODE: V78570 OPTIONAL PART: AE705978-1 VK0680	011100	1

MISSING ITEM NUMBERS NOT APPLICABLE

- ITEM NOT ILLUSTRATED

BRI

24-11-01-01

24-11-01
FIG. 01
PAGE 3
JAN 20/09



757

PARTS CATALOG (MAINTENANCE)

FIG ITEM	PART NUMBER	1 2 3 4 5 6 7	NOMENCLATURE	EFFECT FROM TO	UNITS PER ASSY
1	70 AE705979-1		.HOSE ASSY-OIL FEED SUPPLIER CODE: VK0680 OPTIONAL PART: 107122 VK0680	011100	1
	70 107122		.HOSE ASSY-OIL FEED SUPPLIER CODE: V78570 OPTIONAL PART: AE705979-1 VK0680	011100	1
	75 MS21916K12-10		.REDUCER-	002004 006100 107107 121503 904999	1
	80 MS21902-12S		.UNION- OPTIONAL PART: MS21902-12R	002004 006100 107107 121503 904999	1
	80 MS21902-12R		.UNION- OPTIONAL PART: MS21902-12S	002004 006100 107107 121503 904999	1
	100 727792C		.GENERATOR ASSY-INTEGRATED DRIVE SUPPLIER CODE: V99167 SPECIFICATION NUMBER: S281T001-1 ELECTRICAL EQUIP NUMBER: M10160 COMPONENT MAINT MANUAL REF: 24-11-67 PRE SERVICE BULLETIN: 90IDGS01-24-46 V99167 REWORKED BY SB: 90IDGS01-24-48 V99167 FOR DETAILS SEE: 24-11-01-05	002004 006100 107107 121503 904999	1

MISSING ITEM NUMBERS NOT APPLICABLE

- ITEM NOT ILLUSTRATED

BRI

24-11-01-01

24-11-01
FIG. 01
PAGE 4
JAN 20/09



757

PARTS CATALOG (MAINTENANCE)

FIG ITEM	PART NUMBER	1 2 3 4 5 6 7	NOMENCLATURE	EFFECT FROM TO	UNITS PER ASSY
1 100	727792D		.GENERATOR ASSY-INTEGRATED DRIVE SUPPLIER CODE: V99167 SPECIFICATION NUMBER: S281T001-19 ELECTRICAL EQUIP NUMBER: M10160 COMPONENT MAINT MANUAL REF: 24-11-67 OPTIONAL PART: 727792E V99167 727792F V99167 PRE SERVICE BULLETIN: 90IDGS01-24-46 V99167 REWORKED BY SB: 90IDGS01-24-48 V99167 FOR DETAILS SEE: 24-11-01-05	107107	1
100	727792E		.GENERATOR ASSY-INTEGRATED DRIVE SUPPLIER CODE: V99167 SPECIFICATION NUMBER: S281T001-19 ELECTRICAL EQUIP NUMBER: M10160 COMPONENT MAINT MANUAL REF: 24-11-67 OPTIONAL PART: 727792D V99167 727792F V99167 PRE SERVICE BULLETIN: 90IDGS001-24-46 V99167 REWORKED BY SB: 90IDGS01-24-48 V99167 FOR DETAILS SEE: 24-11-01-05	107107	1

MISSING ITEM NUMBERS NOT APPLICABLE

- ITEM NOT ILLUSTRATED

BRI

24-11-01-01

24-11-01
FIG. 01
PAGE 5
JAN 20/09



757

PARTS CATALOG (MAINTENANCE)

FIG ITEM	PART NUMBER	1 2 3 4 5 6 7	NOMENCLATURE	EFFECT FROM TO	UNITS PER ASSY
1 100	727792G		.GENERATOR ASSY-INTEGRATED DRIVE SUPPLIER CODE: V99167 SPECIFICATION NUMBER: S281T001-33 ELECTRICAL EQUIP NUMBER: M10160 COMPONENT MAINT MANUAL REF: 24-11-67 PRE SERVICE BULLETIN: 90IDGS01-24-46 V99167 90IDGS01-24-56R2 V99167 REWORKED BY SB: 90IDGS01-24-48 V99167 FOR DETAILS SEE: 24-11-01-05	002004 006100 107107 121503 904999	1
100	727792F		.GENERATOR ASSY-INTEGRATED DRIVE SUPPLIER CODE: V99167 SPECIFICATION NUMBER: S281T001-19 ELECTRICAL EQUIP NUMBER: M10160 COMPONENT MAINT MANUAL REF: 24-11-67 OPTIONAL PART: 727792D V99167 727792E V99167 PRE SERVICE BULLETIN: 90IDGS01-24-46 V99167 REWORKED BY SB: 90IDGS01-24-48 V99167 FOR DETAILS SEE: 24-11-01-05	002004 006100 107107 121503 904999	1

MISSING ITEM NUMBERS NOT APPLICABLE

- ITEM NOT ILLUSTRATED

BRI

24-11-01-01

24-11-01
FIG. 01
PAGE 6
JAN 20/09



757

PARTS CATALOG (MAINTENANCE)

FIG ITEM	PART NUMBER	1 2 3 4 5 6 7	NOMENCLATURE	EFFECT FROM TO	UNITS PER ASSY
1 100	727792H		.GENERATOR ASSY-INTEGRATED DRIVE SUPPLIER CODE: V99167 SPECIFICATION NUMBER: S281T001-38 ELECTRICAL EQUIP NUMBER: M10160 COMPONENT MAINT MANUAL REF: 24-11-67 POST SERVICE BULLETIN: 90IDGS01-24-56R2 V99167 FOR DETAILS SEE: 24-11-01-05	002004 006100 107107 121503 904999	1
100	727792J		.GENERATOR ASSY-INTEGRATED DRIVE SUPPLIER CODE: V99167 SPECIFICATION NUMBER: S281T001-38 ELECTRICAL EQUIP NUMBER: M10160 COMPONENT MAINT MANUAL REF: 24-11-67 FOR DETAILS SEE: 24-11-01-05	002004 006100 107107 121503 904999	1
100	727792K		.GENERATOR ASSY-INTEGRATED DRIVE SUPPLIER CODE: V99167 SPECIFICATION NUMBER: S281T001-43 ELECTRICAL EQUIP NUMBER: M10160 COMPONENT MAINT MANUAL REF: 24-11-67 OPTIONAL PART: 727792L V99167 FOR DETAILS SEE: 24-11-01-05	002004 006100 107107 121503 904999	1

MISSING ITEM NUMBERS NOT APPLICABLE

- ITEM NOT ILLUSTRATED

24-11-01-01

24-11-01
FIG. 01
PAGE 7
JAN 20/09

BRI



757

PARTS CATALOG (MAINTENANCE)

FIG ITEM	PART NUMBER	1 2 3 4 5 6 7	NOMENCLATURE	EFFECT FROM TO	UNITS PER ASSY
1 100	727792M		.GENERATOR ASSY-INTEGRATED DRIVE SUPPLIER CODE: V99167 SPECIFICATION NUMBER: S281T001-46 ELECTRICAL EQUIP NUMBER: M10160 COMPONENT MAINT MANUAL REF: 24-11-67 FOR DETAILS SEE: 24-11-01-05	002004 006100 107107 121503 904999	1
100	727792L		.GENERATOR ASSY-INTEGRATED SUPPLIER CODE: V99167 SPECIFICATION NUMBER: S281T001-43 COMPONENT MAINT MANUAL REF: 24-11-67 OPTIONAL PART: 727792K V99167 FOR DETAILS SEE: 24-11-01-05	002004 006100 107107 121503 904999	1
101	727792N		.GENERATOR ASSY-INTEGRATED DRIVE SUPPLIER CODE: V99167 SPECIFICATION NUMBER: S281T001-49 COMPONENT MAINT MANUAL REF: 24-11-67 FOR DETAILS SEE: 24-11-01-05	002004 006100 107107 121503 904999	1

MISSING ITEM NUMBERS NOT APPLICABLE

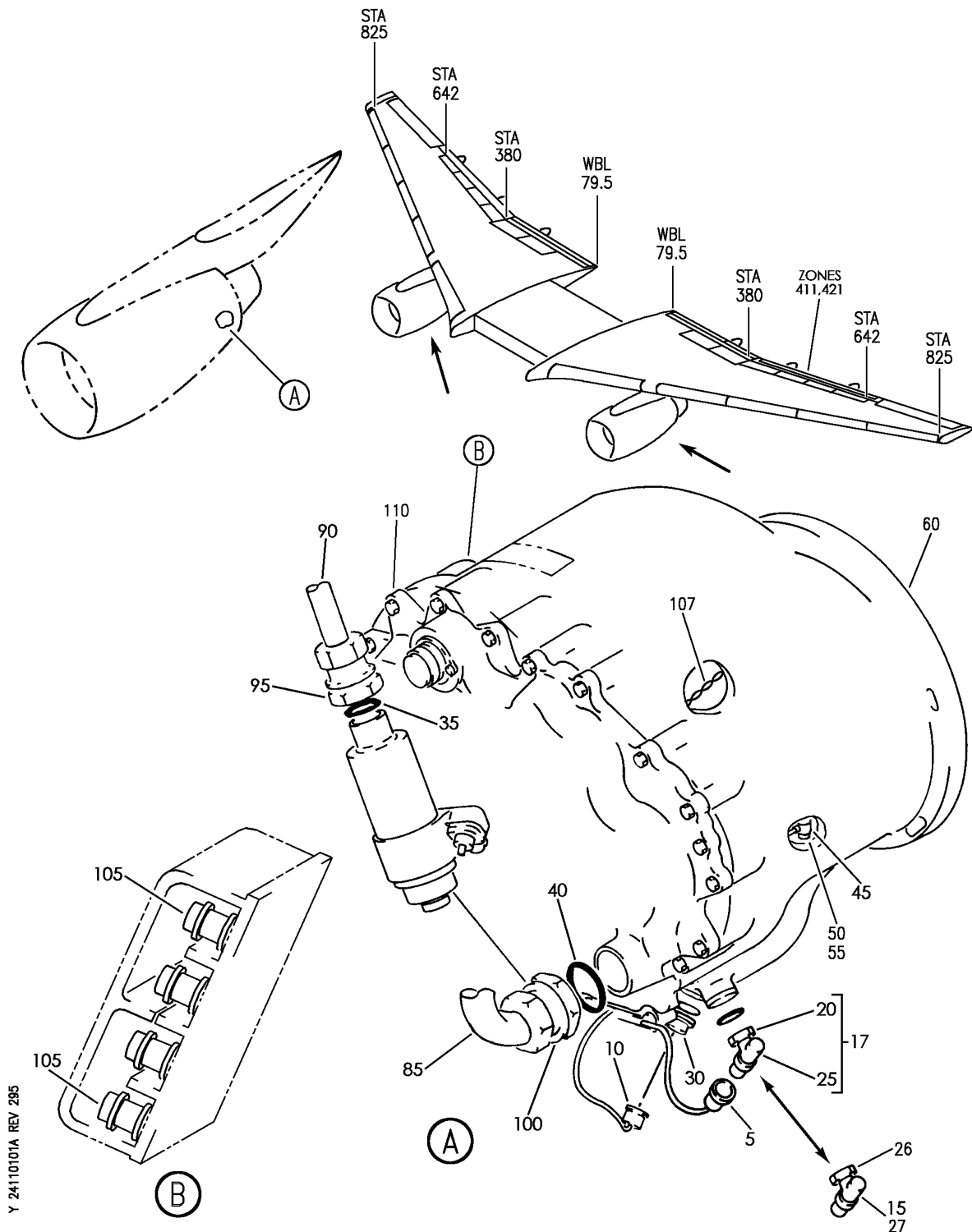
- ITEM NOT ILLUSTRATED

BRI

24-11-01-01

24-11-01
FIG. 01
PAGE 8
JAN 20/09

BOEING
757
PARTS CATALOG (MAINTENANCE)



GENERATOR INSTL-RB211-535 INTEGRATED DRIVE (ELECTRICAL POWER ONLY)
FIGURE 1A

BRI
MAY 28/07

24-11-01-01A

24-11-01-01A
PAGE 0



757

PARTS CATALOG (MAINTENANCE)

FIG ITEM	PART NUMBER	1 2 3 4 5 6 7	NOMENCLATURE	EFFECT FROM TO	UNITS PER ASSY
1 A			GENERATOR INSTL-RB211-535 INTEGRATED DRIVE (ELECTRICAL POWER ONLY)	101106 108120 504903	
- 1	332N5002-5		GENERATOR INSTL-RB211-535 INTEGRATED DRIVE (ELECTRICAL POWER ONLY)	101102 108120 504903	RF
- 1	MODREF30393		FOR NHA SEE: 71-00-01-02 GENERATOR INSTL-RB211-535 INTEGRATED DRIVE (ELECTRICAL POWER ONLY)	103105	1
- 1	MODREF75718		MODULE NUMBER: 332N5002-5 REV B GENERATOR INSTL-RB211-535 INTEGRATED DRIVE MODULE NUMBER:	106106	1
5	OMP2506-6		332N5002-5 REV C .COVER-PRESSURE SUPPLIER CODE: VK0667	101106 108120 504903	2
5	86-4102-2		OPTIONAL PART: 86-4102-2 V99321 .COVER-PRESSURE SUPPLIER CODE: V99321	101106 108120 504903	2
10	OMP2505-6		OPTIONAL PART: OMP2506-6 VK0667 .COVER-PRESSURE SUPPLIER CODE: VK0667	101106 108120 504903	2
10	86-4101-2		OPTIONAL PART: 86-4101-2 V99321 .COVER-PRESSURE SUPPLIER CODE: V99321	101106 108120 504903	2
15	OMP2506-10		OPTIONAL PART: OMP2505-6 VK0667 .COUPLING-ELBOW SUPPLIER CODE: VK0667	101102 108120 504903	2
15	237-0001-01		OPTIONAL PART: 332N5002-6 .COUPLING-ELBOW SUPPLIER CODE: V99321	101102 108120 504903	2

MISSING ITEM NUMBERS NOT APPLICABLE

- ITEM NOT ILLUSTRATED

24-11-01-01A

24-11-01
FIG. 01A
PAGE 1
JAN 20/09

BRI



757

PARTS CATALOG (MAINTENANCE)

FIG ITEM	PART NUMBER	1 2 3 4 5 6 7	NOMENCLATURE	EFFECT FROM TO	UNITS PER ASSY
1 A					
17	332N5002-6	. COUPLING ASSY-ELBOW		101102	2
		OPTIONAL PART:		108120	
		OMP2506-10		504903	
		VK0667			
20	NAS509-9C	.. NUT		101102	1
				108120	
				504903	
25	237-0001-01	.. COUPLING-ELBOW		101102	1
		SUPPLIER CODE:		108120	
		V99321		504903	
25	OMP2506-10	.. COUPLING-ELBOW		101102	1
		SUPPLIER CODE:		108120	
		VK0667		504903	
26	NAS509-9C	. NUT		103106	2
27	237-0001-01	. COUPLING-ELBOW		103106	2
		SUPPLIER CODE:			
		V99321			
27	OMP2506-10	.. COUPLING-ELBOW		103106	2
		SUPPLIER CODE:			
		VK0667			
30	OMP2505-2	. COUPLING-		101106	2
		SUPPLIER CODE:		108120	
		VK0667		504903	
		OPTIONAL PART:			
		87-5023-1			
		V99321			
30	87-5023-1	. COUPLING-		101106	2
		SUPPLIER CODE:		108120	
		V99321		504903	
		OPTIONAL PART:			
		OMP2505-2			
		VK0667			
35	M83248-1-910	. PACKING-		101106	2
				108120	
				504903	
40	M83248-1-912	. PACKING-		101106	2
				108120	
				504903	
45	LK80823	. TUBE ASSY-IDG RELIEF DRAIN		101106	RF
		TO OVERBOARD OIL DRAIN		108120	
		SUPPLIER CODE:		504903	
		VK0680			
		ATTACHING PARTS			
50	LK35732	. BOLT-		101106	RF
		SUPPLIER CODE:		108120	
		VK0680		504903	

MISSING ITEM NUMBERS NOT APPLICABLE

- ITEM NOT ILLUSTRATED

24-11-01-01A

24-11-01
FIG. 01A
PAGE 2
JAN 20/09

BRI

BOEING PROPRIETARY - Copyright © - Unpublished Work - See title page for details.



757

PARTS CATALOG (MAINTENANCE)

FIG ITEM	PART NUMBER	1 2 3 4 5 6 7	NOMENCLATURE	EFFECT FROM TO	UNITS PER ASSY
1A					
55	KC2283		.WASHER- SUPPLIER CODE: VK0680 -----*-----	101106 108120 504903	RF
60	730844B		.ADAPTER ASSY-QUICK ATTACH DETACH KIT SUPPLIER CODE: V99167 SPECIFICATION NUMBER: S281T001-5 COMPONENT MAINT MANUAL REF: 24-19-04 FOR DETAILS SEE: 24-11-03-01	101106 108120 504903	2
85	AE705978-1		.HOSE ASSY-OIL RETURN SUPPLIER CODE: VK0680 OPTIONAL PART: 107121 VK0680	101106 108120 504903	2
85	107121		.HOSE ASSY-OIL RETURN SUPPLIER CODE: V78570 OPTIONAL PART: AE705978-1 VK0680	101106 108120 504903	2
90	AE705979-1		.HOSE ASSY-OIL FEED SUPPLIER CODE: VK0680 OPTIONAL PART: 107122 VK0680	101106 108120 504903	2
90	107122		.HOSE ASSY-OIL FEED SUPPLIER CODE: V78570 OPTIONAL PART: AE705979-1 VK0680	101106 108120 504903	2
95	MS21916K12-10		.REDUCER-	101106 108120 504903	2
100	MS21902-12S		.UNION- OPTIONAL PART: MS21902-12R	101106 108120 504903	2
100	MS21902-12R		.UNION- OPTIONAL PART: MS21902-12S	101106 108120 504903	2

MISSING ITEM NUMBERS NOT APPLICABLE

- ITEM NOT ILLUSTRATED

24-11-01-01A

24-11-01
FIG. 01A
PAGE 3
JAN 20/09

BRI

 **BOEING**
757
PARTS CATALOG (MAINTENANCE)

FIG ITEM	PART NUMBER	1 2 3 4 5 6 7	NOMENCLATURE	EFFECT FROM TO	UNITS PER ASSY
1A 105	NAS1726-6D	.	NUT-	101106 108120 504903	8
107	MS20995NC32	.	LOCK WIRE- OPTIONAL PART: AS3510-0218K	101106 108120 504903	2
107	AS3510-0218K	.	SAFETY CABLE- OPTIONAL PART: MS20995NC32	101106 108120 504903	2
110	727792C	.	GENERATOR ASSY-INTEGRATED DRIVE SUPPLIER CODE: V99167 SPECIFICATION NUMBER: S281T001-1 ELECTRICAL EQUIP NUMBER: M10160 COMPONENT MAINT MANUAL REF: 24-11-67 FUNCTIONAL REFERENCE: PLACARDS AND MARKINGS FOR DETAILS SEE 11-25-01-03A ELECTRICAL POWER FOR DETAILS SEE 24-11-01-05	101106 108120 504903	2
110	727792F	.	GENERATOR ASSY-INTEGRATED DRIVE SUPPLIER CODE: V99167 SPECIFICATION NUMBER: S281T001-19 ELECTRICAL EQUIP NUMBER: M10160 COMPONENT MAINT MANUAL REF: 24-11-67 OPTIONAL PART: 727792D V99167 727792E V99167 FUNCTIONAL REFERENCE: PLACARDS AND MARKINGS FOR DETAILS SEE 11-25-01-03A ELECTRICAL POWER FOR DETAILS SEE 24-11-01-05	101106 108120 504903	2

MISSING ITEM NUMBERS NOT APPLICABLE

— ITEM NOT ILLUSTRATED

BRI

24-11-01-01A

BOEING PROPRIETARY - Copyright © - Unpublished Work - See title page for details.

24-11-01
FIG. 01A
PAGE 4
JAN 20/09



757

PARTS CATALOG (MAINTENANCE)

FIG ITEM	PART NUMBER	1 2 3 4 5 6 7	NOMENCLATURE	EFFECT FROM TO	UNITS PER ASSY
1A 110	727792G		.GENERATOR ASSY-INTEGRATED DRIVE SUPPLIER CODE: V99167 SPECIFICATION NUMBER: S281T001-33 ELECTRICAL EQUIP NUMBER: M10160 COMPONENT MAINT MANUAL REF: 24-11-67 FUNCTIONAL REFERENCE: PLACARDS AND MARKINGS FOR DETAILS SEE 11-25-01-03A ELECTRICAL POWER FOR DETAILS SEE 24-11-01-05	101106 108120 504903	2
110	727792J		.GENERATOR ASSY-INTEGRATED DRIVE SUPPLIER CODE: V99167 SPECIFICATION NUMBER: S281T001-38 ELECTRICAL EQUIP NUMBER: M10160 COMPONENT MAINT MANUAL REF: 24-11-67 FUNCTIONAL REFERENCE: PLACARDS AND MARKINGS FOR DETAILS SEE 11-25-01-03A ELECTRICAL POWER FOR DETAILS SEE 24-11-01-05	101106 108120 504903	2

MISSING ITEM NUMBERS NOT APPLICABLE

- ITEM NOT ILLUSTRATED

BRI

24-11-01-01A

BOEING PROPRIETARY - Copyright © - Unpublished Work - See title page for details.

24-11-01
FIG. 01A
PAGE 5
JAN 20/09



757

PARTS CATALOG (MAINTENANCE)

FIG ITEM	PART NUMBER	1 2 3 4 5 6 7	NOMENCLATURE	EFFECT FROM TO	UNITS PER ASSY
1A 110	727792M		.GENERATOR ASSY-INTEGRATED DRIVE SUPPLIER CODE: V99167 SPECIFICATION NUMBER: S281T001-46 ELECTRICAL EQUIP NUMBER: M10160 COMPONENT MAINT MANUAL REF: 24-11-67 FUNCTIONAL REFERENCE: PLACARDS AND MARKINGS FOR DETAILS SEE 11-25-01-03A ELECTRICAL POWER FOR DETAILS SEE 24-11-01-05	101106 108120 504903	2
110	727792K		.GENERATOR ASSY-INTEGRATED DRIVE SUPPLIER CODE: V99167 SPECIFICATION NUMBER: S281T001-43 ELECTRICAL EQUIP NUMBER: M10160 COMPONENT MAINT MANUAL REF: 24-11-67 OPTIONAL PART: 727792L V99167 FUNCTIONAL REFERENCE: PLACARDS AND MARKINGS FOR DETAILS SEE 11-25-01-03A ELECTRICAL POWER FOR DETAILS SEE 24-11-01-05	101106 108120 504903	2

MISSING ITEM NUMBERS NOT APPLICABLE

- ITEM NOT ILLUSTRATED

BRI

24-11-01-01A

BOEING PROPRIETARY - Copyright © - Unpublished Work - See title page for details.

24-11-01
FIG. 01A
PAGE 6
JAN 20/09



757

PARTS CATALOG (MAINTENANCE)

FIG ITEM	PART NUMBER	1 2 3 4 5 6 7	NOMENCLATURE	EFFECT FROM TO	UNITS PER ASSY
1A 110	727792L		.GENERATOR ASSY-INTEGRATED SUPPLIER CODE: V99167 SPECIFICATION NUMBER: S281T001-43 COMPONENT MAINT MANUAL REF: 24-11-67 OPTIONAL PART: 727792K V99167 FUNCTIONAL REFERENCE: PLACARDS AND MARKINGS FOR DETAILS SEE 11-25-01-03A ELECTRICAL POWER FOR DETAILS SEE 24-11-01-05	101106 108120 504903	2
110	727792D		.GENERATOR ASSY-INTEGRATED SUPPLIER CODE: V99167 SPECIFICATION NUMBER: S281T001-19 COMPONENT MAINT MANUAL REF: 24-11-67 OPTIONAL PART: 727792E V99167 727792F V99167 FUNCTIONAL REFERENCE: PLACARDS AND MARKINGS FOR DETAILS SEE 11-25-01-03A ELECTRICAL POWER FOR DETAILS SEE 24-11-01-05	101105 108120 504903	2

MISSING ITEM NUMBERS NOT APPLICABLE

- ITEM NOT ILLUSTRATED

BRI

24-11-01-01A

BOEING PROPRIETARY - Copyright © - Unpublished Work - See title page for details.

24-11-01
FIG. 01A
PAGE 7
JAN 20/09



757

PARTS CATALOG (MAINTENANCE)

FIG ITEM	PART NUMBER	1 2 3 4 5 6 7	NOMENCLATURE	EFFECT FROM TO	UNITS PER ASSY
1 A 110	727792E		.GENERATOR ASSY-INTEGRATED SUPPLIER CODE: V99167 SPECIFICATION NUMBER: S281T001-19 COMPONENT MAINT MANUAL REF: 24-11-67 OPTIONAL PART: 727792D V99167 727792F V99167 FUNCTIONAL REFERENCE: PLACARDS AND MARKINGS FOR DETAILS SEE 11-25-01-03A ELECTRICAL POWER FOR DETAILS SEE 24-11-01-05	101105 108120 504903	2
110	727792H		.GENERATOR ASSY-INTEGRATED DRIVE SUPPLIER CODE: V99167 SPECIFICATION NUMBER: S281T001-38 ELECTRICAL EQUIP NUMBER: M10160 COMPONENT MAINT MANUAL REF: 24-11-67 FUNCTIONAL REFERENCE: PLACARDS AND MARKINGS FOR DETAILS SEE 11-25-01-03A ELECTRICAL POWER FOR DETAILS SEE 24-11-01-05	101106 108120 504903	2

MISSING ITEM NUMBERS NOT APPLICABLE

- ITEM NOT ILLUSTRATED

BRI

24-11-01-01A

BOEING PROPRIETARY - Copyright © - Unpublished Work - See title page for details.

24-11-01
FIG. 01A
PAGE 8
JAN 20/09

BOEING
757
PARTS CATALOG (MAINTENANCE)

FIG ITEM	PART NUMBER	1 2 3 4 5 6 7 NOMENCLATURE	EFFECT FROM TO	UNITS PER ASSY
1 A 110	727792N	.GENERATOR ASSY-INTEGRATED DRIVE SUPPLIER CODE: V99167 SPECIFICATION NUMBER: S281T001-49 ELECTRICAL EQUIP NUMBER: M10160 COMPONENT MAINT MANUAL REF: 24-11-67 FUNCTIONAL REFERENCE: PLACARDS AND MARKINGS FOR DETAILS SEE 11-25-01-03A ELECTRICAL POWER FOR DETAILS SEE 24-11-01-05	101106 108120 504903	2

MISSING ITEM NUMBERS NOT APPLICABLE

— ITEM NOT ILLUSTRATED

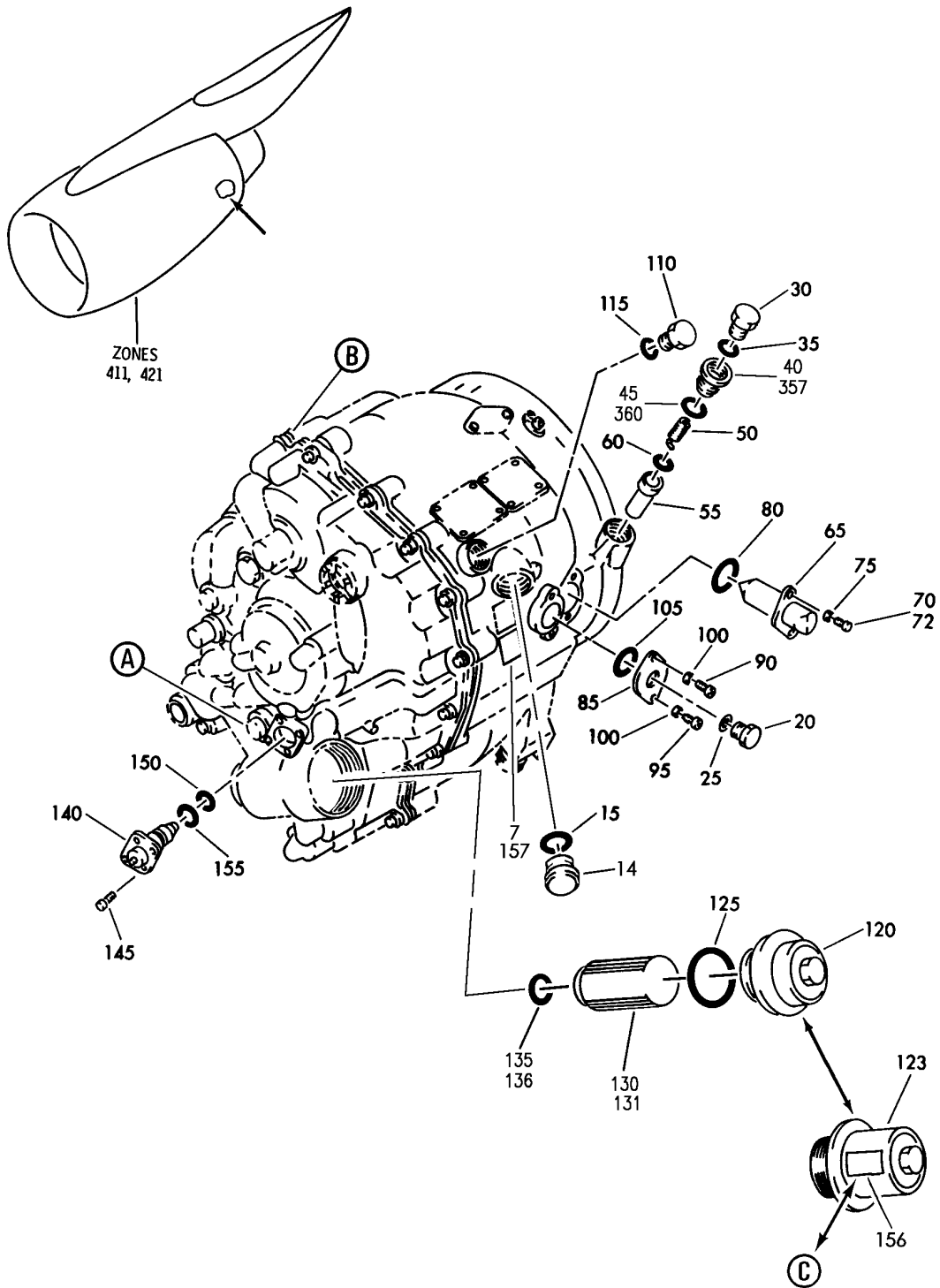
BRI

24-11-01-01A

BOEING PROPRIETARY - Copyright © - Unpublished Work - See title page for details.

24-11-01
FIG. 01A
PAGE 9
JAN 20/09

BOEING
757
PARTS CATALOG (MAINTENANCE)



Y 24110105 SHT 1 REV 295

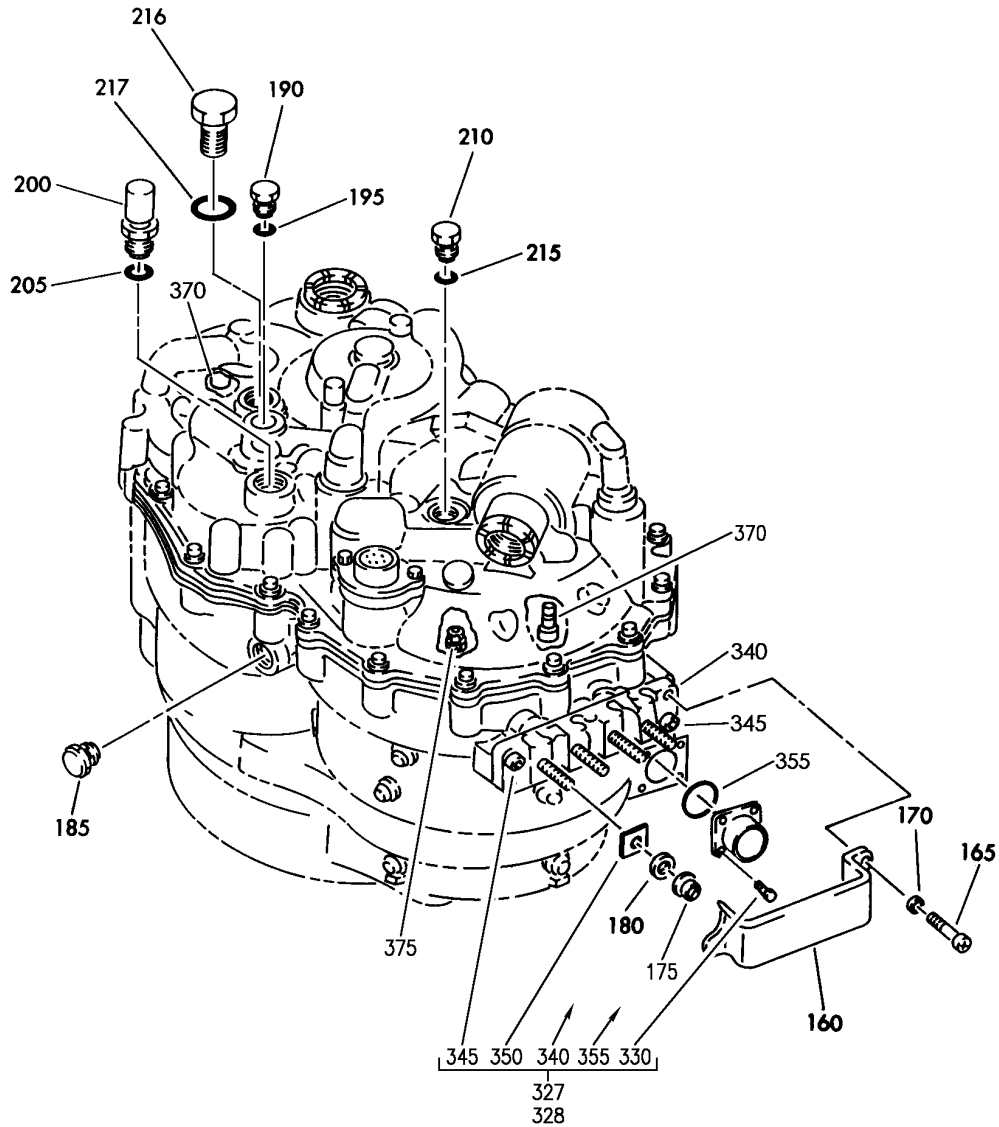
GENERATOR ASSY-INTEGRATED DRIVE (INTEGRATED DRIVE GENERATOR ONLY)
FIGURE 5 (SHEET 1)

24-11-01-05

BRI
MAY 28/07

24-11-01-05
PAGE 0

BOEING
757
PARTS CATALOG (MAINTENANCE)



(A)

Y 24110105 SHT 2 REV 255

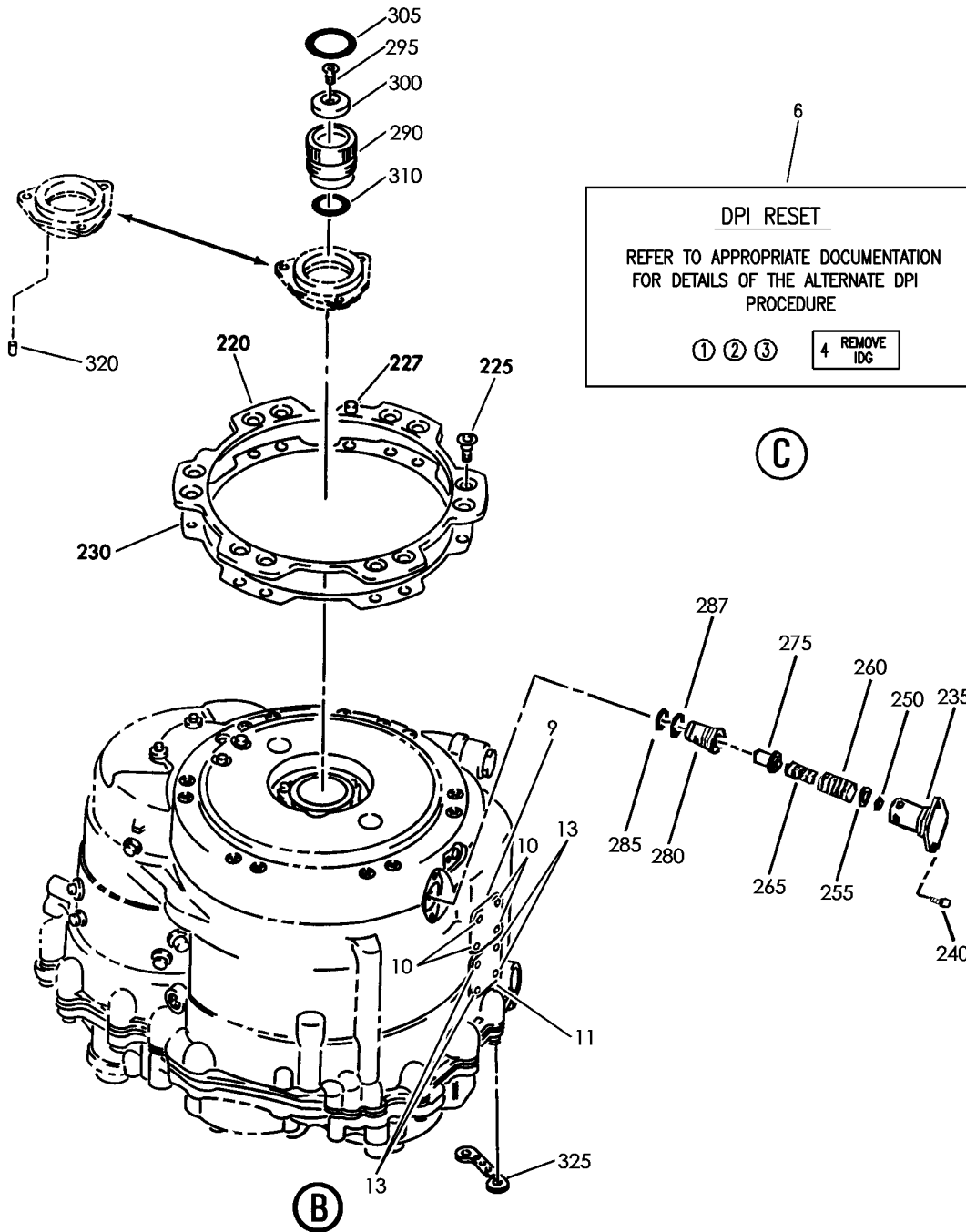
GENERATOR ASSY-INTEGRATED DRIVE (INTEGRATED DRIVE GENERATOR ONLY)
FIGURE 5 (SHEET 2)

24-11-01-05

BRI
MAY 28/07

24-11-01-05
PAGE 0A

BOEING
757
PARTS CATALOG (MAINTENANCE)



Y 24110105 SHT 3 REV 264

GENERATOR ASSY-INTEGRATED DRIVE (INTEGRATED DRIVE GENERATOR ONLY)
FIGURE 5 (SHEET 3)

24-11-01-05

BRI
MAY 28/07

24-11-01-05
PAGE 0B



757

PARTS CATALOG (MAINTENANCE)

FIG ITEM	PART NUMBER	1 2 3 4 5 6 7	NOMENCLATURE	EFFECT FROM TO	UNITS PER ASSY
5			GENERATOR ASSY-INTEGRATED DRIVE (INTEGRATED DRIVE GENERATOR ONLY)	002004 006999	
- 1	727792C		GENERATOR ASSY-INTEGRATED DRIVE SUPPLIER CODE: V99167 SPECIFICATION NUMBER: S281T001-1 ELECTRICAL EQUIP NUMBER: M10160 COMPONENT MAINT MANUAL REF: 24-11-67 FOR NHA SEE: 24-11-01-01	002004 006100 107107 121503 904999	RF
- 1	727792L		GENERATOR ASSY-INTEGRATED DRIVE SUPPLIER CODE: V99167 SPECIFICATION NUMBER: S281T001-43 ELECTRICAL EQUIP NUMBER: M10160 COMPONENT MAINT MANUAL REF: 24-11-67 OPTIONAL PART: 727792K V99167 FOR NHA SEE: 24-11-01-01	002004 006100 107107 121503 904999	RF
- 3	727792D		GENERATOR ASSY-INTEGRATED DRIVE SUPPLIER CODE: V99167 SPECIFICATION NUMBER: S281T001-19 COMPONENT MAINT MANUAL REF: 24-11-67 OPTIONAL PART: 727792E V99167 727792F V99167 FOR NHA SEE: 24-11-01-01	107107	RF

MISSING ITEM NUMBERS NOT APPLICABLE

- ITEM NOT ILLUSTRATED

BRI

24-11-01-05

24-11-01
FIG. 05
PAGE 1
JAN 20/09



757

PARTS CATALOG (MAINTENANCE)

FIG ITEM	PART NUMBER	1 2 3 4 5 6 7	NOMENCLATURE	EFFECT FROM TO	UNITS PER ASSY
5 - 3	727792E		GENERATOR ASSY-INTEGRATED DRIVE SUPPLIER CODE: V99167 SPECIFICATION NUMBER: S281T001-19 COMPONENT MAINT MANUAL REF: 24-11-67 OPTIONAL PART: 727792D V99167 727792F V99167 FOR NHA SEE: 24-11-01-01	107107	RF
- 3	727792G		GENERATOR ASSY-INTEGRATED DRIVE SUPPLIER CODE: V99167 SPECIFICATION NUMBER: S281T001-33 ELECTRICAL EQUIP NUMBER: M10160 COMPONENT MAINT MANUAL REF: 24-11-67 PRE SERVICE BULLETIN: 90IDGS01-24-46 V99167 90IDGS01-24-56R2 V99167 REWORKED BY SB: 90IDGS01-24-48 V99167 FOR NHA SEE: 24-11-01-01	002004 006100 107107 121503 904999	RF

MISSING ITEM NUMBERS NOT APPLICABLE

- ITEM NOT ILLUSTRATED

24-11-01-05

24-11-01
FIG. 05
PAGE 2
JAN 20/09

BRI



757

PARTS CATALOG (MAINTENANCE)

FIG ITEM	PART NUMBER	1 2 3 4 5 6 7	NOMENCLATURE	EFFECT FROM TO	UNITS PER ASSY
5 - 3	727792F		GENERATOR ASSY-INTEGRATED DRIVE SUPPLIER CODE: V99167 SPECIFICATION NUMBER: S281T001-19 COMPONENT MAINT MANUAL REF: 24-11-67 OPTIONAL PART: 727792D V99167 727792E V99167 FOR NHA SEE: 24-11-01-01	002004 006100 107107 121503 904999	RF
- 3	727792H		GENERATOR ASSY-INTEGRATED DRIVE SUPPLIER CODE: V99167 SPECIFICATION NUMBER: S281T001-38 ELECTRICAL EQUIP NUMBER: M10160 COMPONENT MAINT MANUAL REF: 24-11-67 POST SERVICE BULLETIN: 90IDGS01-24-56R2 V99167 FOR NHA SEE: 24-11-01-01	002004 006100 107107 121503 904999	RF
- 3	727792J		GENERATOR ASSY-INTEGRATED DRIVE SUPPLIER CODE: V99167 SPECIFICATION NUMBER: S281T001-38 ELECTRICAL EQUIP NUMBER: M10160 COMPONENT MAINT MANUAL REF: 24-11-67 FOR NHA SEE: 24-11-01-01	002004 006100 107107 121503 904999	RF

MISSING ITEM NUMBERS NOT APPLICABLE

- ITEM NOT ILLUSTRATED

24-11-01-05

24-11-01
FIG. 05
PAGE 3
JAN 20/09

BRI



757

PARTS CATALOG (MAINTENANCE)

FIG ITEM	PART NUMBER	1 2 3 4 5 6 7	NOMENCLATURE	EFFECT FROM TO	UNITS PER ASSY
5 - 3	727792K		GENERATOR ASSY-INTEGRATED DRIVE SUPPLIER CODE: V99167 SPECIFICATION NUMBER: S281T001-43 COMPONENT MAINT MANUAL REF: 24-11-67 OPTIONAL PART: 727792L V99167 FOR NHA SEE: 24-11-01-01	002004 006100 107107 121503 904999	RF
- 3	727792M		GENERATOR ASSY-INTEGRATED DRIVE SUPPLIER CODE: V99167 SPECIFICATION NUMBER: S281T001-46 ELECTRICAL EQUIP NUMBER: M10160 COMPONENT MAINT MANUAL REF: 24-11-67 FOR NHA SEE: 24-11-01-01	002004 006100 107107 121503 904999	RF
- 3	727792N		GENERATOR ASSY-INTEGRATED DRIVE (INTEGRATED DRIVE GENERATOR ONLY) SUPPLIER CODE: V99167 SPECIFICATION NUMBER: S281T001-49 ELECTRICAL EQUIP NUMBER: M10160 COMPONENT MAINT MANUAL REF: 24-11-67	002004 006100 107107 121503 904999	RF
- 4	727792C		GENERATOR ASSY-INTEGRATED DRIVE (INTEGRATED DRIVE GENERATOR ONLY) SUPPLIER CODE: V99167 SPECIFICATION NUMBER: S281T001-1 ELECTRICAL EQUIP NUMBER: M10160 COMPONENT MAINT MANUAL REF: 24-11-67 FOR NHA/OTHER SYS DET SEE: 24-11-01-01A	101106 108120 504903	RF

MISSING ITEM NUMBERS NOT APPLICABLE

- ITEM NOT ILLUSTRATED

24-11-01-05

24-11-01
FIG. 05
PAGE 4
JAN 20/09

BRI



757

PARTS CATALOG (MAINTENANCE)

FIG ITEM	PART NUMBER	1 2 3 4 5 6 7	NOMENCLATURE	EFFECT FROM TO	UNITS PER ASSY
5 - 4	727792F		GENERATOR ASSY-INTEGRATED DRIVE (INTEGRATED DRIVE GENERATOR ONLY) SUPPLIER CODE: V99167 SPECIFICATION NUMBER: S281T001-19 ELECTRICAL EQUIP NUMBER: M10160 COMPONENT MAINT MANUAL REF: 24-11-67 OPTIONAL PART: 727792D V99167 727792E V99167 FOR NHA/OTHER SYS DET SEE: 24-11-01-01A	101106 108120 504903	RF
- 4	727792G		GENERATOR ASSY-INTEGRATED DRIVE (INTEGRATED DRIVE GENERATOR ONLY) SUPPLIER CODE: V99167 SPECIFICATION NUMBER: S281T001-33 ELECTRICAL EQUIP NUMBER: M10160 COMPONENT MAINT MANUAL REF: 24-11-67 FOR NHA/OTHER SYS DET SEE: 24-11-01-01A	101106 108120 504903	RF
- 4	727792J		GENERATOR ASSY-INTEGRATED DRIVE (INTEGRATED DRIVE GENERATOR ONLY) SUPPLIER CODE: V99167 SPECIFICATION NUMBER: S281T001-38 ELECTRICAL EQUIP NUMBER: M10160 COMPONENT MAINT MANUAL REF: 24-11-67 FOR NHA/OTHER SYS DET SEE: 24-11-01-01A	101106 108120 504903	RF

MISSING ITEM NUMBERS NOT APPLICABLE

- ITEM NOT ILLUSTRATED

BRI

24-11-01-05

24-11-01
FIG. 05
PAGE 5
JAN 20/09



757

PARTS CATALOG (MAINTENANCE)

FIG ITEM	PART NUMBER	1 2 3 4 5 6 7	NOMENCLATURE	EFFECT FROM TO	UNITS PER ASSY
5					
- 4	727792M		GENERATOR ASSY-INTEGRATED DRIVE (INTEGRATED DRIVE GENERATOR ONLY) SUPPLIER CODE: V99167 SPECIFICATION NUMBER: S281T001-46 ELECTRICAL EQUIP NUMBER: M10160 COMPONENT MAINT MANUAL REF: 24-11-67 FOR NHA/OTHER SYS DET SEE: 24-11-01-01A	101106 108120 504903	RF
- 4	727792K		GENERATOR ASSY-INTEGRATED DRIVE (INTEGRATED DRIVE GENERATOR ONLY) SUPPLIER CODE: V99167 SPECIFICATION NUMBER: S281T001-43 ELECTRICAL EQUIP NUMBER: M10160 COMPONENT MAINT MANUAL REF: 24-11-67 OPTIONAL PART: 727792L V99167 FOR NHA/OTHER SYS DET SEE: 24-11-01-01A	101106 108120 504903	RF
- 4	727792L		GENERATOR ASSY-INTEGRATED DRIVE (INTEGRATED DRIVE GENERATOR ONLY) SUPPLIER CODE: V99167 SPECIFICATION NUMBER: S281T001-43 ELECTRICAL EQUIP NUMBER: M10160 COMPONENT MAINT MANUAL REF: 24-11-67 OPTIONAL PART: 727792K V99167 FOR NHA/OTHER SYS DET SEE: 24-11-01-01A	101106 108120 504903	RF

MISSING ITEM NUMBERS NOT APPLICABLE

- ITEM NOT ILLUSTRATED

24-11-01-05

24-11-01
FIG. 05
PAGE 6
JAN 20/09

BRI



757

PARTS CATALOG (MAINTENANCE)

FIG ITEM	PART NUMBER	1 2 3 4 5 6 7	NOMENCLATURE	EFFECT FROM TO	UNITS PER ASSY
5 -	4 727792D		GENERATOR ASSY-INTEGRATED DRIVE (INTEGRATED DRIVE GENERATOR ONLY) SUPPLIER CODE: V99167 SPECIFICATION NUMBER: S281T001-19 COMPONENT MAINT MANUAL REF: 24-11-67 OPTIONAL PART: 727792E V99167 727792F V99167 FOR NHA/OTHER SYS DET SEE: 24-11-01-01A	101105 108120 504903	RF
-	4 727792E		GENERATOR ASSY-INTEGRATED DRIVE (INTEGRATED DRIVE GENERATOR ONLY) SUPPLIER CODE: V99167 SPECIFICATION NUMBER: S281T001-19 COMPONENT MAINT MANUAL REF: 24-11-67 OPTIONAL PART: 727792D V99167 727792F V99167 FOR NHA/OTHER SYS DET SEE: 24-11-01-01A	101105 108120 504903	RF
-	4 727792H		GENERATOR ASSY-INTEGRATED DRIVE (INTEGRATED DRIVE GENERATOR ONLY) SUPPLIER CODE: V99167 SPECIFICATION NUMBER: S281T001-38 ELECTRICAL EQUIP NUMBER: M10160 COMPONENT MAINT MANUAL REF: 24-11-67 POST SERVICE BULLETIN: 90IDGS01-24-56R2 V99167 FOR NHA/OTHER SYS DET SEE: 24-11-01-01A	101106 108120 504903	RF

MISSING ITEM NUMBERS NOT APPLICABLE

- ITEM NOT ILLUSTRATED

24-11-01-05

24-11-01
FIG. 05
PAGE 7
JAN 20/09

BRI



757

PARTS CATALOG (MAINTENANCE)

FIG ITEM	PART NUMBER	1 2 3 4 5 6 7	NOMENCLATURE	EFFECT FROM TO	UNITS PER ASSY
5					
- 4	727792N		GENERATOR ASSY-INTEGRATED DRIVE (INTEGRATED DRIVE GENERATOR ONLY) SUPPLIER CODE: V99167 SPECIFICATION NUMBER: S281T001-49 ELECTRICAL EQUIP NUMBER: M10160 COMPONENT MAINT MANUAL REF: 24-11-67 FOR NHA/OTHER SYS DET SEE: 24-11-01-01A	101106 108120 504903	RF
	6 766146		.DECAL- SUPPLIER CODE: V99167	002004 006999	1
- 6A	764140		.DECAL- FAA-PMA SUPPLIER CODE: V99167	002004 006999	1
	9 681945		.PLATE-MOD SUPPLIER CODE: V99167	002004 006999	1
	10 NAS1352-04-4P		ATTACHING PARTS .SCREW	002004 006999	4
	11 729163		-----*----- .PLATE-IDENT SUPPLIER CODE: V99167	002004 006999	1
	13 NAS1352-04-4P		ATTACHING PARTS .SCREW	002004 006999	4
	14 MS9954-08		-----*----- .PLUG	002004 006999	1
	15 M83248-1-908		.PACKING	002004 006999	1
	20 MS9954-05		.PLUG- OPTIONAL PART: MS9902-05 MS24391J5L	002004 006999	1
	20 MS9902-05		..PLUG- OPTIONAL PART: MS24391J5L MS9954-05	002004 006999	1

MISSING ITEM NUMBERS NOT APPLICABLE

- ITEM NOT ILLUSTRATED

BRI

24-11-01-05

24-11-01
FIG. 05
PAGE 8
JAN 20/09



757

PARTS CATALOG (MAINTENANCE)

FIG ITEM	PART NUMBER	1 2 3 4 5 6 7	NOMENCLATURE	EFFECT FROM TO	UNITS PER ASSY
5					
20	MS24391J5L	. .	PLUG- OPTIONAL PART: MS9902-05 MS9954-05	002004 006999	1
25	M83248-1-905	. PACKING		002004 006999	1
30	MS9954-06	. PLUG		002004 006999	1
35	M83248-1-906	. PACKING		002004 006999	1
40	731075	. INSERT-SCREW THREAD	SUPPLIER CODE: V99167 CONFIG CHG DATA FROM A CMM: REPLD BY 690775-66 REPLD BY 751042	002004 006999	1
- 42	690775-66	. INSERT-SCREW THREAD	SUPPLIER CODE: V99167 CONFIG CHG DATA FROM A CMM: REPLACES 731075 USED WITH: 751042	002004 006999	1
- 43	751042	. SEAT-SPRING	SUPPLIER CODE: V99167 CONFIG CHG DATA FROM A CMM: REPLACES 731075 USED WITH: 690775-66	002004 006999	1
45	M83248-1-909	. PACKING-	CONFIG CHG DATA FROM A CMM: REPLD BY M83248-1-017	002004 006999	1
45	M83248-1-017	. PACKING-	CONFIG CHG DATA FROM A CMM: REPLACES M83248-1-909	002004 006999	1
50	731074	. SPRING-HELICAL CPRSN	SUPPLIER CODE: V99167	002004 006999	1
55	731046	. VALVE ASSY-THERMAL RELIEF	SUPPLIER CODE: V99167 SB DATA FROM A CMM: REF 90IDGS01-24-28	002004 006999	1
60	M83248-1-112	. PACKING		002004 006999	1

MISSING ITEM NUMBERS NOT APPLICABLE

- ITEM NOT ILLUSTRATED

24-11-01-05

24-11-01
FIG. 05
PAGE 9
JAN 20/09

BRI



757

PARTS CATALOG (MAINTENANCE)

FIG ITEM	PART NUMBER	1 2 3 4 5 6 7	NOMENCLATURE	EFFECT FROM TO	UNITS PER ASSY
5 65	5902830		.INDICATOR-OIL LEVEL SUPPLIER CODE: V99167 SB DATA FROM A CMM: REF 90IDGS01-24-32Y1 REF 90IDGS01-24-42Y1Y2 REF 90IDGS01-24-42Y2 USED ON: 727792C	002004 006999	1
65	5904206		.INDICATOR-OIL LEVEL SUPPLIER CODE: V99167 SB DATA FROM A CMM: REF 90IDGS01-24-9 REF 90IDGS01-24-32Y1 REF 90IDGS01-24-42Y1Y2 REF 90IDGS01-24-42Y2 USED ON: 727792D	101105 107120 504903	1
65	5905698		.INDICATOR-OIL LEVEL SUPPLIER CODE: V99167 SB DATA FROM A CMM: REF 90IDGS01-24-32Y1 REF 90IDGS01-24-42Y1Y2 REF 90IDGS01-24-42Y2 USED ON: 727792D 727792E	101105 107120 504903	1
65	5905094		.INDICATOR-OIL LEVEL SUPPLIER CODE: V99167 SB DATA FROM A CMM: REF 90IDGS01-24-32 USED ON: 727792D 727792E 727792F 727792G 727792H 727792J 727792K 727792L 727792M 727792N	002004 006999	1

MISSING ITEM NUMBERS NOT APPLICABLE

- ITEM NOT ILLUSTRATED

BRI

24-11-01-05

BOEING PROPRIETARY - Copyright © - Unpublished Work - See title page for details.

24-11-01
FIG. 05
PAGE 10
JAN 20/09



757

PARTS CATALOG (MAINTENANCE)

FIG ITEM	PART NUMBER	1 2 3 4 5 6 7	NOMENCLATURE	EFFECT FROM TO	UNITS PER ASSY
5			ATTACHING PARTS		
70	NAS1352-3-10P		.SCREW- SB DATA FROM A CMM: REF 90IDGS01-24-42 USED WITH: 5902830 5904206 5905698	002004 006999	2
72	NAS1352-3-12P		.SCREW- SB DATA FROM A CMM: REF 90IDGS01-24-32 REF 90IDGS01-24-42 USED WITH: 5905094	002004 006999	2
75	AN960C10L		.WASHER- CONFIG CHG DATA FROM A CMM: REPLD BY NAS1149C0363R	002004 006999	2
75	NAS1149C0363R		.WASHER- CONFIG CHG DATA FROM A CMM: REPLACES AN960C10L	002004 006999	2
80	M83248-1-121		-----*----- .PACKING	002004 006999	1
85	729198		.PLUG-FLANGED SUPPLIER CODE: V99167 OPTIONAL PART: 765042 V99167	002004 006999	1
85	765042		.PLUG-FLANGED SUPPLIER CODE: V99167 OPTIONAL PART: 729198 V99167	002004 006999	1
90	NAS1352-3H8P		ATTACHING PARTS .SCREW	002004 006999	1
95	NAS1352-3-8P		.SCREW	002004 006999	1
100	AN960C10L		.WASHER -----*-----	002004 006999	2
105	M83248-1-119		.PACKING	002004 006999	1
110	MS9954-06		.PLUG	002004 006999	1
115	M83248-1-906		.PACKING	002004 006999	1

MISSING ITEM NUMBERS NOT APPLICABLE

- ITEM NOT ILLUSTRATED

24-11-01-05

24-11-01
FIG. 05
PAGE 11
JAN 20/09

BRI



757

PARTS CATALOG (MAINTENANCE)

FIG ITEM	PART NUMBER	1 2 3 4 5 6 7	NOMENCLATURE	EFFECT FROM TO	UNITS PER ASSY
5 120	728747		.COVER-FILTER SUPPLIER CODE: V99167 CONFIG CHG DATA FROM A CMM: REPLD BY 754981	002004 006999	1
120	754981		.COVER-FILTER HARD COATED AND LARGE WRENCHING SURFACE SUPPLIER CODE: V99167 CONFIG CHG DATA FROM A CMM: REPLACES 728747	002004 006999	1
125	M83248-1-226		.PACKING-	002004 006999	1
130	5910398		.FILTER ASSY-ELEM SUPPLIER CODE: V99167 OPTIONAL PART: AC9780F15 V18350 7583141 V05228 7583142 V05228 AC9780F215 V18350 AC9780F15Y6 V18350 7592399-101 V05228 1744586-01 V90005 57880 V99167 57921 V99167 HS57880 V99167 USED WITH: 728747 754981	002004 006999	1

MISSING ITEM NUMBERS NOT APPLICABLE

- ITEM NOT ILLUSTRATED

24-11-01-05

24-11-01
FIG. 05
PAGE 12
JAN 20/09

BRI



757

PARTS CATALOG (MAINTENANCE)

FIG ITEM	PART NUMBER	1 2 3 4 5 6 7	NOMENCLATURE	EFFECT FROM TO	UNITS PER ASSY
5 130	57880		. FILTER ASSY-ELEM SUPPLIER CODE: V99167 OPTIONAL PART: AC9780F15 V18350 7583141 V05228 7583142 V05228 AC9780F215 V18350 AC9780F15Y6 V18350 1744586 V90005 7592399-101 V05228 57921 V99167 1744586-01 V90005	002004 006999	1
130	57921		. FILTER ASSY-ELEM SUPPLIER CODE: V99167 OPTIONAL PART: AC9780F15 V18350 7583141 V05228 7583142 V05228 AC9780F215 V18350 AC9780F15Y6 V18350 1744586 V90005 7592399-101 V05228 57880 V99167 1744586-01 V90005	002004 006999	1

MISSING ITEM NUMBERS NOT APPLICABLE

- ITEM NOT ILLUSTRATED

BRI

24-11-01-05

BOEING PROPRIETARY - Copyright © - Unpublished Work - See title page for details.

24-11-01
FIG. 05
PAGE 13
JAN 20/09



757

PARTS CATALOG (MAINTENANCE)

FIG ITEM	PART NUMBER	1 2 3 4 5 6 7	NOMENCLATURE	EFFECT FROM TO	UNITS PER ASSY
5 130	5904761	.	FILTER ASSY-ELEM SUPPLIER CODE: V99167 OPTIONAL PART: 7588429 V05228 AC9780F15Y2 V18350 1744587 V90005 5909812 V99167 AC9780F15Y21 V18350 1744587-01 V90005 AC9780F15 V18350 7583141 V05228 7583142 V05228 AC9780F215 V18350 1744586 V90005 AC9780F15Y6 V18350 7592399-101 V05228 57880 V99167 57921 V99167 1744586-01 V90005	002004 006999	1

MISSING ITEM NUMBERS NOT APPLICABLE

- ITEM NOT ILLUSTRATED

BRI

24-11-01-05

BOEING PROPRIETARY - Copyright © - Unpublished Work - See title page for details.

24-11-01
FIG. 05
PAGE 14
JAN 20/09



757

PARTS CATALOG (MAINTENANCE)

FIG ITEM	PART NUMBER	1 2 3 4 5 6 7	NOMENCLATURE	EFFECT FROM TO	UNITS PER ASSY
5 131	1744586-01		.FILTER ASSY-ELEM SUPPLIER CODE: V90005 SB DATA FROM A CMM: PRE 90IDGS01-24-23 CONFIG CHG DATA FROM A CMM: REPLACES 1744586 OPTIONAL PART: AC9780F15 V18350 7583141 V05228 7583142 V05228 AC9780F215 V18350 AC9780F15Y6 V18350 7592399-101 V05228 5910398 V99167 57880 V99167 57921 V99167 USED WITH: 728747 754981	002004 006999	1
131	AC9780F15		.FILTER ASSY-ELEM SUPPLIER CODE: V18350 OPTIONAL PART: 7583141 V05228 7583142 V05228 AC9780F215 V18350 AC9780F15Y6 V18350 7592399-101 V05228 57880 V99167 57921 V99167	002004 006999	1

MISSING ITEM NUMBERS NOT APPLICABLE

- ITEM NOT ILLUSTRATED

24-11-01-05

24-11-01
FIG. 05
PAGE 15
JAN 20/09

BRI



757

PARTS CATALOG (MAINTENANCE)

FIG ITEM	PART NUMBER	1 2 3 4 5 6 7	NOMENCLATURE	EFFECT FROM TO	UNITS PER ASSY
5 131	7583141		. FILTER ASSY-ELEM SUPPLIER CODE: V05228 OPTIONAL PART: AC9780F15 V18350 7583142 V05228 AC9780F215 V18350 AC9780F15Y6 V18350 7592399-101 V05228 57880 V99167 57921 V99167	002004 006999	1
131	7583142		. FILTER ASSY-ELEM DISPOSABLE NONRATING SUPPLIER CODE: V05228 OPTIONAL PART: AC9780F15 V18350 7583141 V05228 AC9780F215 V18350 AC9780F15Y6 V18350 7592399-101 V05228 57880 V99167 57921 V99167	002004 006999	1

MISSING ITEM NUMBERS NOT APPLICABLE

- ITEM NOT ILLUSTRATED

BRI

24-11-01-05

BOEING PROPRIETARY - Copyright © - Unpublished Work - See title page for details.

24-11-01
FIG. 05
PAGE 16
JAN 20/09



757

PARTS CATALOG (MAINTENANCE)

FIG ITEM	PART NUMBER	1 2 3 4 5 6 7	NOMENCLATURE	EFFECT FROM TO	UNITS PER ASSY
5 131	AC9780F215		.FILTER ASSY-ELEM DISPOSABLE NONRATING SUPPLIER CODE: V18350 OPTIONAL PART: AC9780F15 V18350 7583141 V05228 7583142 V05228 AC9780F15Y6 V18350 7592399-101 V05228 57880 V99167 57921 V99167	002004 006999	1
131	AC9780F15Y6		.FILTER ASSY-ELEM DISPOSABLE NONRATING SUPPLIER CODE: V18350 OPTIONAL PART: AC9780F15 V18350 7583141 V05228 7583142 V05228 AC9780F215 V18350 7592399-101 V05228 57880 V99167 57921 V99167	002004 006999	1

MISSING ITEM NUMBERS NOT APPLICABLE

- ITEM NOT ILLUSTRATED

BRI

24-11-01-05

BOEING PROPRIETARY - Copyright © - Unpublished Work - See title page for details.

24-11-01
FIG. 05
PAGE 17
JAN 20/09



757

PARTS CATALOG (MAINTENANCE)

FIG ITEM	PART NUMBER	1 2 3 4 5 6 7	NOMENCLATURE	EFFECT FROM TO	UNITS PER ASSY
5 131	7592399-101		.FILTER ASSY-ELEM DISPOSABLE NONRATING SUPPLIER CODE: V05228 OPTIONAL PART: AC9780F15 V18350 7583141 V05228 7583142 V05228 AC9780F215 V18350 AC9780F15Y6 V18350 57880 V99167 57921 V99167	002004 006999	1
135	M83248-1-214		..PACKING- USED ON: AC9780F15 7583141	002004 006999	1
140	59793		.INDICATOR-PRESSURE DIFF SUPPLIER CODE: V99167 CONFIG CHG DATA FROM A CMM: REPLD BY 59880 COMPONENT MAINT MANUAL REF: 24-16-05	002004 006999	1
140	59880		.INDICATOR-PRESSURE DIFF SUPPLIER CODE: V99167 CONFIG CHG DATA FROM A CMM: REPLACES 59793 COMPONENT MAINT MANUAL REF: 24-16-05 ATTACHING PARTS	002004 006999	1
145	NAS1352-06-8P		.SCREW	002004 006999	4
150	M83248-1-014		-----*----- .PACKING	002004 006999	1
155	M83248-1-015		.PACKING	002004 006999	1

MISSING ITEM NUMBERS NOT APPLICABLE

- ITEM NOT ILLUSTRATED

24-11-01-05

24-11-01
FIG. 05
PAGE 18
JAN 20/09

BRI

 **BOEING**
757
PARTS CATALOG (MAINTENANCE)

FIG ITEM	PART NUMBER	1 2 3 4 5 6 7	NOMENCLATURE	EFFECT FROM TO	UNITS PER ASSY
5 157	5906986		.DECAL- SUPPLIER CODE: V99167 SB DATA FROM A CMM: PRE 90IDGS01-24-32 PRE 90IDGS01-24-42 OPTIONAL PART: 5907276 V99167 5907277 V99167 USED WITH: 5902830 5904206 5905698	002004 006999	1
160	734029		.COVER-TERM. BLK SUPPLIER CODE: V99167 OPTIONAL PART: 759761 V99167 USED WITH: NAS1352-3-18P	002004 006999	1
160	759761		.COVER-TERM. BLK SUPPLIER CODE: V99167 OPTIONAL PART: 734029 V99167 USED WITH: NAS1352-3-24P	002004 006999	1
165	NAS1352-3-18P		ATTACHING PARTS .SCREW- USED WITH: 734029	002004 006999	2
165	NAS1352-3-24P		.SCREW- USED WITH: 756704 759761	002004 006999	2
170	AN960C10		.WASHER -----*-----	002004 006999	2

MISSING ITEM NUMBERS NOT APPLICABLE

— ITEM NOT ILLUSTRATED

BRI

24-11-01-05

BOEING PROPRIETARY - Copyright © - Unpublished Work - See title page for details.

24-11-01
FIG. 05
PAGE 19
JAN 20/09



757

PARTS CATALOG (MAINTENANCE)

FIG ITEM	PART NUMBER	1 2 3 4 5 6 7	NOMENCLATURE	EFFECT FROM TO	UNITS PER ASSY
5 175	MS21042-6	.NUT-	CONFIG CHG DATA FROM A CMM: REPLD BY NAS1726-6D QUALIFIED OPTIONAL DATA: MS21042-6 AND AN960C161L OPT TO NAS1726-6D OR 5911584-5 USED WITH: AN960C616L	002004 006999	4
180	AN960C616L	.WASHER-	CONFIG CHG DATA FROM A CMM: REPLD BY NAS1726-6D QUALIFIED OPTIONAL DATA: MS21042-6 AND AN960C616L OPT TO NAS1726-6D OR 5911584-5 USED WITH: MS21042-6	002004 006999	4
- 183	NAS1726-6D	.NUT-	CONFIG CHG DATA FROM A CMM: REPLD BY 5911584-5 REPLACES MS21042-6 REPLACES AN960C616L QUALIFIED OPTIONAL DATA: MS21042-6 AND AN960C616L OPT TO NAS1726-6D OR 5911584-5	002004 006999	4
- 183	5911584-5	.NUT-	SUPPLIER CODE: V99167 CONFIG CHG DATA FROM A CMM: REPLACES NAS1726-6D QUALIFIED OPTIONAL DATA: MS21042-6 AND AN960C616L OPT TO NAS1726-6D OR 5911584-5	002004 006999	4
185	MS90725-55	.SCREW		002004 006999	1
190	MS9954-04	.PLUG-	SB DATA FROM A CMM: PRE 90IDGS01-24-48	002004 006999	1
195	M83248-1-904	.PACKING		002004 006999	1

MISSING ITEM NUMBERS NOT APPLICABLE

- ITEM NOT ILLUSTRATED

24-11-01-05

24-11-01
FIG. 05
PAGE 20
JAN 20/09

BRI



757

PARTS CATALOG (MAINTENANCE)

FIG ITEM	PART NUMBER	1 2 3 4 5 6 7	NOMENCLATURE	EFFECT FROM TO	UNITS PER ASSY
5 200	58611B		. VALVE-VENT SUPPLIER CODE: V99167 SB DATA FROM A CMM: REF 90IDGS01-24-6 USED WITH: M83248-1-904 M83248-1-016	002004 006999	1
200	5903947		. VALVE-VENT SUPPLIER CODE: V99167 OPTIONAL PART: 58611B V99167 USED WITH: M83248-1-904 M83248-1-016	101105 107120 504903	1
200	5905700		. VALVE-VENT NON-PUSH SUPPLIER CODE: V99167 SB DATA FROM A CMM: REF 90IDGS01-24-36 OPTIONAL PART: C21287 V97484 C21287-1 V97484 USED ON: 727792E 727792F 727792G 727792H 727792J 727792N USED WITH: M83248-1-904 M83248-1-016	002004 006999	1
205	M83248-1-016		. PACKING- USED WITH: M83248-1-904 58611	002004 006999	1
210	MS9954-04		. PLUG	002004 006999	1
215	M83248-1-904		. PACKING	002004 006999	1
216	MS9954-08		. PLUG- SB DATA FROM A CMM: PRE 90IDGS01-24-48	002004 006999	1

MISSING ITEM NUMBERS NOT APPLICABLE

- ITEM NOT ILLUSTRATED

24-11-01-05

24-11-01
FIG. 05
PAGE 21
JAN 20/09

BRI



757

PARTS CATALOG (MAINTENANCE)

FIG ITEM	PART NUMBER	1 2 3 4 5 6 7	NOMENCLATURE	EFFECT FROM TO	UNITS PER ASSY
5					
217	M83248-1-016		.PACKING- SB DATA FROM A CMM: PRE 90IDGS01-24-48	002004 006999	1
220	730665		.FLANGE ASSY-MTG SUPPLIER CODE: V99167	002004 006999	1
225	0646C624-16		ATTACHING PARTS .SCREW-FLAT 3/8-24 UNF-3A X 1 IN. SOCKET HEAD CAP SUPPLIER CODE: V99167	002004 006999	12
227	728864		-----*----- .PIN-SHOULDERED SUPPLIER CODE: V99167	002004 006999	1
230	728865		.GASKET- SUPPLIER CODE: V99167	002004 006999	1
235	726077		.HOUSING-SPRING SUPPLIER CODE: V99167	002004 006999	1
240	NAS1352-3-8P		ATTACHING PARTS .SCREW	002004 006999	2
245	M83248-1-117		-----*----- .PACKING	002004 006999	1
250	696965		.SHIM- 0.015 +/- 0.003 IN. THICK SUPPLIER CODE: V99167	002004 006999	AR
250	693767-2		CONFIG CHG DATA FROM A CMM: REPLD BY 693767-2 REPLD BY 693767-3 SELECT FROM ITEM. .SHIM- 0.010 +/- 0.0005 IN. THICK SUPPLIER CODE: V99167	002004 006999	AR

MISSING ITEM NUMBERS NOT APPLICABLE

- ITEM NOT ILLUSTRATED

BRI

24-11-01-05

24-11-01
FIG. 05
PAGE 22
JAN 20/09



757

PARTS CATALOG (MAINTENANCE)

FIG ITEM	PART NUMBER	1 2 3 4 5 6 7	NOMENCLATURE	EFFECT FROM TO	UNITS PER ASSY
5 250	693767-3		.SHIM- 0.030 +/- 0.0005 IN. THICK SUPPLIER CODE: V99167 CONFIG CHG DATA FROM A CMM: REPLACES 696965 SELECT FROM ITEM.	002004 006999	AR
250	693767-4		.SHIM- 0.060 +/- 0.003 IN. THICK SUPPLIER CODE: V99167 CONFIG CHG DATA FROM A CMM: REPLACES 696965 SELECT FROM ITEM.	002004 006999	AR
255	664782		.SPACER- 0.0100 +/- 0.0005 IN. THICK SUPPLIER CODE: V99167 CONFIG CHG DATA FROM A CMM: REPLD BY 758515-12 REPLD BY 758515-14 SELECT FROM ITEM.	002004 006999	AR
255	758515-12		.SPACER- 0.050 +/- 0.001 IN. THICK SUPPLIER CODE: V99167 CONFIG CHG DATA FROM A CMM: REPLACES 664782 SELECT FROM ITEM.	002004 006999	AR
255	758515-14		.SPACER- 0.075 +/- 0.001 IN. THICK SUPPLIER CODE: V99167 CONFIG CHG DATA FROM A CMM: REPLACES 664782 SELECT FROM ITEM.	002004 006999	AR
260	695420		.SPRING-HELICAL CPRSN SUPPLIER CODE: V99167 CONFIG CHG DATA FROM A CMM: REPLD BY 754471 OPTIONAL PART: 754471 V99167	002004 006999	1

MISSING ITEM NUMBERS NOT APPLICABLE

- ITEM NOT ILLUSTRATED

24-11-01-05

24-11-01
FIG. 05
PAGE 23
JAN 20/09

BRI

BOEING PROPRIETARY - Copyright © - Unpublished Work - See title page for details.



757

PARTS CATALOG (MAINTENANCE)

FIG ITEM	PART NUMBER	1 2 3 4 5 6 7	NOMENCLATURE	EFFECT FROM TO	UNITS PER ASSY
5 260	754471		.SPRING-HELICAL CPRSN SUPPLIER CODE: V99167 CONFIG CHG DATA FROM A CMM: REPLACES 695420 OPTIONAL PART: 695420 V99167	002004 006999	1
265	695808		.SPRING-HELICAL CPRSN SUPPLIER CODE: V99167 SB DATA FROM A CMM: PRE 90IDGS01-24-17 CONFIG CHG DATA FROM A CMM: REPLD BY 739312 OPTIONAL PART: 739312 V99167 754472 V99167	002004 006999	1
265	739312		.SPRING-HELICAL CPRSN SUPPLIER CODE: V99167 SB DATA FROM A CMM: REF 90IDGS01-24-17 POST 90IDGS01-24-17 CONFIG CHG DATA FROM A CMM: REPLACES 695808 REPLD BY 754472 OPTIONAL PART: 695808 V99167 754472 V99167	002004 006999	1
265	754472		.SPRING-HELICAL CPRSN SUPPLIER CODE: V99167 CONFIG CHG DATA FROM A CMM: REPLACES 739312 OPTIONAL PART: 695808 V99167 739312 V99167	002004 006999	1
275	695419		.PISTON-VALVE-CHARGE RELIEF SUPPLIER CODE: V99167	002004 006999	1

MISSING ITEM NUMBERS NOT APPLICABLE

- ITEM NOT ILLUSTRATED

24-11-01-05

24-11-01
FIG. 05
PAGE 24
JAN 20/09

BRI

 **BOEING**
757
PARTS CATALOG (MAINTENANCE)

FIG ITEM	PART NUMBER	1 2 3 4 5 6 7	NOMENCLATURE	EFFECT FROM TO	UNITS PER ASSY
5					
280	696382		.SLEEVE-VALVE-CHARGE RELIEF SUPPLIER CODE: V99167	002004 006999	1
287	M83248-1-016		.PACKING	002004 006999	1
290	729861		.SHAFT-SPLINED SUPPLIER CODE: V99167	002004 006999	1
295	MS24693S295		ATTACHING PARTS .SCREW	002004 006999	1
295	0646-428-10		.SCREW- SUPPLIER CODE: V99167	002004 006999	1
295	5908406-1		SB DATA FROM A CMM: REF 90IDGS01-24-8 .SCREW-SELF LOCKING SUPPLIER CODE: V99167	002004 006999	1
295	0646-428-12		OPTIONAL PART: 0646-428-10 V99167 MS24693S295 USED WITH: 729828 737259 .SCREW-SELF LOCKING SUPPLIER CODE: V99167	002004 006999	1
300	729828		.WASHER- SUPPLIER CODE: V99167	002004 006999	1
300	737259		.WASHER- SUPPLIER CODE: V99167	002004 006999	1
305	M83248-1-138		SB DATA FROM A CMM: REF 90IDGS01-24-8 -----*----- .PACKING	002004 006999	1
310	M83248-1-215		.PACKING	002004 006999	1
320	NAS1407-7M6		.PIN-SPR OPTIONAL PART: MS16562-211	002004 006999	2
320	MS16562-211		.PIN-SPR OPTIONAL PART: NAS1407-7M6	002004 006999	2

MISSING ITEM NUMBERS NOT APPLICABLE

— ITEM NOT ILLUSTRATED

BRI

24-11-01-05

24-11-01
FIG. 05
PAGE 25
JAN 20/09



757

PARTS CATALOG (MAINTENANCE)

FIG ITEM	PART NUMBER	1 2 3 4 5 6 7	NOMENCLATURE	EFFECT FROM TO	UNITS PER ASSY
5					
325	730739		.BRACKET- SUPPLIER CODE: V99167	002004 006999	1
327	733742		.HSG ASSY-STATOR SUPPLIER CODE: V99167 SB DATA FROM A CMM: POST 90IDGS01-24-19 POST 90IDGS01-24-21-Y1 POST 90IDGS01-24-29 POST 90IDGS01-24-30 POST 90IDGS01-24-46 POST 90IDGS01-24-53 POST 90IDGS01-24-55 POST 90IDGS01-24-56 PRE 90IDGS05-24-24 POST 90IDGS05-24-15 POST 90IDGS05-24-17 POST 90IDGS05-24-20 POST 90IDGS05-24-23 POST 90IDGS05-24-48 POST 90IDGS05-24-52 POST 90IDGS05-24-66 POST 90IDGS05-24-69 COMPONENT MAINT MANUAL REF: 24-17-09 USED ON: 727792C	002004 006999	1

MISSING ITEM NUMBERS NOT APPLICABLE

- ITEM NOT ILLUSTRATED

BRI

24-11-01-05

24-11-01
FIG. 05
PAGE 26
JAN 20/09



757

PARTS CATALOG (MAINTENANCE)

FIG ITEM	PART NUMBER	1 2 3 4 5 6 7	NOMENCLATURE	EFFECT FROM TO	UNITS PER ASSY
5 327	733742A		.HSG ASSY-STATOR SUPPLIER CODE: V99167 SB DATA FROM A CMM: PRE 90IDGS01-24-21 PRE 90IDGS01-24-30 POST 90IDGS01-24-19 POST 90IDGS01-24-29 POST 90IDGS01-24-46 POST 90IDGS01-24-53 POST 90IDGS01-24-55-Y8 POST 90IDGS01-24-56 PRE 90IDGS05-24-6 PRE 90IDGS05-24-17 PRE 90IDGS05-24-23 PRE 90IDGS05-24-24 POST 90IDGS05-24-15 POST 90IDGS05-24-20 POST 90IDGS05-24-23 POST 90IDGS05-24-48 POST 90IDGS05-24-52 POST 90IDGS05-24-66 POST 90IDGS05-24-69 COMPONENT MAINT MANUAL REF: 24-17-09	002004 006999	1

MISSING ITEM NUMBERS NOT APPLICABLE

- ITEM NOT ILLUSTRATED

BRI

24-11-01-05

BOEING PROPRIETARY - Copyright © - Unpublished Work - See title page for details.

24-11-01
FIG. 05
PAGE 27
JAN 20/09



757

PARTS CATALOG (MAINTENANCE)

FIG ITEM	PART NUMBER	1 2 3 4 5 6 7	NOMENCLATURE	EFFECT FROM TO	UNITS PER ASSY
5 327	733742B		.HSG ASSY-STATOR SUPPLIER CODE: V99167 SB DATA FROM A CMM: POST 90IDGS01-24-21 POST 90IDGS01-24-29 POST 90IDGS01-24-30 POST 90IDGS01-24-46 POST 90IDGS01-24-55-Y8 PRE 90IDGS01-24-19 PRE 90IDGS01-24-55 PRE 90IDGS05-24-15 PRE 90IDGS05-24-24 POST 90IDGS01-24-19 POST 90IDGS01-24-53 POST 90IDGS01-24-56 POST 90IDGS05-24-6 POST 90IDGS05-24-15 POST 90IDGS05-24-17 POST 90IDGS05-24-20 POST 90IDGS05-24-23 POST 90IDGS05-24-48 POST 90IDGS05-24-52 POST 90IDGS05-24-66 POST 90IDGS05-24-69 COMPONENT MAINT MANUAL REF: 24-17-09 USED ON: 727792D	101105 107120 504903	1
327	733742C		.HSG ASSY-STATOR SUPPLIER CODE: V99167 SB DATA FROM A CMM: POST 90IDGS01-24-19 POST 90IDGS01-24-46 POST 90IDGS01-24-53 POST 90IDGS01-24-55-Y8 POST 90IDGS01-24-56 PRE 90IDGS01-24-29 PRE 90IDGS05-24-20 PRE 90IDGS05-24-24 POST 90IDGS05-24-15 POST 90IDGS05-24-20 POST 90IDGS05-24-48 POST 90IDGS05-24-52 POST 90IDGS05-24-66 POST 90IDGS05-24-69 COMPONENT MAINT MANUAL REF: 24-17-09	002004 006999	1

MISSING ITEM NUMBERS NOT APPLICABLE

- ITEM NOT ILLUSTRATED

24-11-01-05

24-11-01
FIG. 05
PAGE 28
JAN 20/09

BRI



**757
PARTS CATALOG (MAINTENANCE)**

FIG ITEM	PART NUMBER	1 2 3 4 5 6 7	NOMENCLATURE	EFFECT FROM TO	UNITS PER ASSY
5 327	733742D		.HSG ASSY-STATOR SUPPLIER CODE: V99167 SB DATA FROM A CMM: POST 90IDGS01-24-29 POST 90IDGS01-24-53 POST 90IDGS01-24-55-Y8 PRE 90IDGS01-24-46 PRE 90IDGS01-24-56 PRE 90IDGS05-24-24 PRE 90IDGS05-24-48 PRE 90IDGS05-24-52 POST 90IDGS05-24-20 POST 90IDGS05-24-66 POST 90IDGS05-24-69 COMPONENT MAINT MANUAL REF: 24-17-09 USED ON: 727792E 727792F 727792G	002004 006999	1
327	733742E		.HSG ASSY-STATOR SUPPLIER CODE: V99167 SB DATA FROM A CMM: POST 90IDGS01-24-46 POST 90IDGS01-24-53 POST 90IDGS01-24-55-Y8 POST 90IDGS01-24-56 PRE 90IDGS05-24 POST 90IDGS05-24-48 POST 90IDGS05-24-52 POST 90IDGS05-24-66 POST 90IDGS05-24-69 COMPONENT MAINT MANUAL REF: 24-17-09 USED ON: 727792H	002004 006999	1

MISSING ITEM NUMBERS NOT APPLICABLE

— ITEM NOT ILLUSTRATED

BRI

24-11-01-05

BOEING PROPRIETARY - Copyright © - Unpublished Work - See title page for details.

24-11-01
FIG. 05
PAGE 29
JAN 20/09



757

PARTS CATALOG (MAINTENANCE)

FIG ITEM	PART NUMBER	1 2 3 4 5 6 7	NOMENCLATURE	EFFECT FROM TO	UNITS PER ASSY
5 327	756829		.HSG ASSY-STATOR SUPPLIER CODE: V99167 SB DATA FROM A CMM: PRE 90IDGS01-24-53 PRE 90IDGS01-24-55 PRE 90IDGS05-24-66 POST 90IDGS01-24-46 POST 90IDGS01-24-56 POST 90IDGS05-24-48 POST 90IDGS05-24-52 POST 90IDGS05-24-69 COMPONENT MAINT MANUAL REF: 24-17-09 USED ON: 727792J	002004 006999	1
328	759467		.HSG ASSY-STATOR SUPPLIER CODE: V99167 SB DATA FROM A CMM: POST 90IDGS01-24-53 POST 90IDGS01-24-55 POST 90IDGS01-24-56 COMPONENT MAINT MANUAL REF: 24-17-09	002004 006999	1
328	759467A		.HSG ASSY-STATOR SUPPLIER CODE: V99167 SB DATA FROM A CMM: POST 90IDGS01-24-55 POST 90IDGS01-24-56 COMPONENT MAINT MANUAL REF: 24-17-09	002004 006999	1
330	NAS1352-04-4P		..SCREW	002004 006999	4
340	728909		..TERMINAL BLOCK- INSEPARABLE ASSY SUPPLIER CODE: V99167 SB DATA FROM A CMM: PRE 90IDGS01-24-18 PRE 90IDGS05-24-14 CONFIG CHG DATA FROM A CMM: REPLACED BY 740743	002004 006999	1

MISSING ITEM NUMBERS NOT APPLICABLE

- ITEM NOT ILLUSTRATED

24-11-01-05

24-11-01
FIG. 05
PAGE 30
JAN 20/09

BRI



757

PARTS CATALOG (MAINTENANCE)

FIG ITEM	PART NUMBER	1 2 3 4 5 6 7	NOMENCLATURE	EFFECT FROM TO	UNITS PER ASSY
5					
340	740743	..	TERMINAL BLOCK- INSEPARABLE ASSY SUPPLIER CODE: V99167 SB DATA FROM A CMM: POST 90IDGS01-24-18 POST 90IDGS05-24-14 CONFIG CHG DATA FROM A CMM: REPLACES 728909 OPTIONAL PART: 753335 V99167	002004 006999	1
340	753335	..	TERMINAL BLOCK- INSEPARABLE ASSY SUPPLIER CODE: V99167 CONFIG CHG DATA FROM A CMM: REPLACES 740743 OPTIONAL PART: 740743 V99167 ATTACHING PARTS	002004 006999	1
345	NAS1352-3-12P	..	SCREW	002004 006999	2
			-----*-----		
350	730807	..	WASHER-SQUARE SUPPLIER CODE: V99167	002004 006999	4
355	M83248-1-023	..	PACKING	002004 006999	1
357	690775-6	..	INSERT-SCREW THREAD SUPPLIER CODE: V99167	002004 006999	1
360	M83248-1-909	..	PACKING	002004 006999	1
370	59669	.BULB-TEMP ELECTRICAL RESISTANCE SUPPLIER CODE: V99167 CONFIG CHG DATA FROM A CMM: SUPSD BY 5904487 OPTIONAL PART: 5904487 V99167 5906310 V99167	002004 006999	2	

MISSING ITEM NUMBERS NOT APPLICABLE

- ITEM NOT ILLUSTRATED

24-11-01-05

24-11-01
FIG. 05
PAGE 31
JAN 20/09

BRI

BOEING PROPRIETARY - Copyright © - Unpublished Work - See title page for details.



757

PARTS CATALOG (MAINTENANCE)

FIG ITEM	PART NUMBER	1 2 3 4 5 6 7	NOMENCLATURE	EFFECT FROM TO	UNITS PER ASSY
5					
370	5904487		.BULB-TEMP ELECTRICAL RESISTANCE SUPPLIER CODE: V99167 CONFIG CHG DATA FROM A CMM: SUPDS 59669 OPTIONAL PART: 59669 V99167 5906310 V99167	002004 006999	2
370	5906310		.BULB-TEMP ELECTRICAL RESISTANCE SUPPLIER CODE: V99167 OPTIONAL PART: 59669 V99167 5904487 V99167	002004 006999	2
375	M83248-1-017		.PACKING	002004 006999	1
- 400	286N5012-001		WIRE BUNDLE ASSY	107107 121503 904949	RF
410	BCREF5961		.CONNECTOR- OVERLENGTH PART NUMBER: BACC63BR18-14SNL ELECTRICAL EQUIP NUMBER: D01396 WIRING DIAGRAM REF: 715111	107107 121503 904949	1

MISSING ITEM NUMBERS NOT APPLICABLE

- ITEM NOT ILLUSTRATED

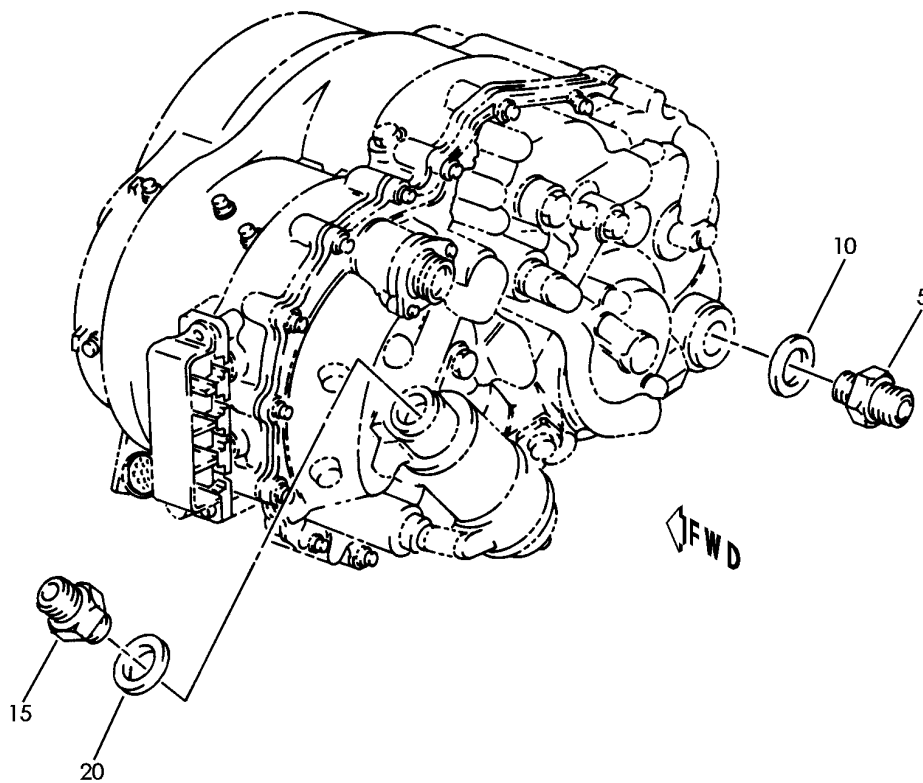
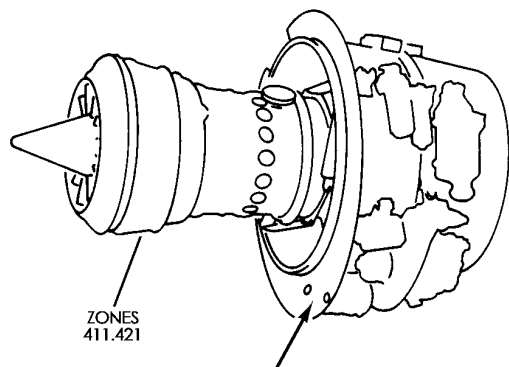
BRI

24-11-01-05

BOEING PROPRIETARY - Copyright © - Unpublished Work - See title page for details.

24-11-01
FIG. 05
PAGE 32
JAN 20/09

BOEING
757
PARTS CATALOG (MAINTENANCE)



Y 24110107 REV 220

FITTINGS-INTEGRATED DRIVE GENERATOR (RB211-535)
FIGURE 7

24-11-01-07

BRI
MAY 28/07

24-11-01-07
PAGE 0



757

PARTS CATALOG (MAINTENANCE)

FIG ITEM	PART NUMBER	1 2 3 4 5 6 7	NOMENCLATURE	EFFECT FROM TO	UNITS PER ASSY
7			FITTINGS-INTEGRATED DRIVE GENERATOR (RB211-535)	002004 006999	
- 1	UL20697		ENGINE ASSY-Q.E.C.U. RB211-535E43711 MAXIMUM NEUT WITH GRAVINER FIRE DETECTORS, BAYONET MCD, NON-MODULATED IDG COOLING 40,000 LB THRUST SUPPLIER CODE: VK0680 REFERENCE SERVICE BULLETIN: 71-0058R4 QUALIFIED SB I/W DATA: INTERMIX OF ONE OR SUBSTITUTION OF TWO DIFFERENT CONFIGURATION RB211-535E4-37/() ENGINES FOR RB211-535 E4 BASE ENGINES REFERENCE SERVICE BULLETIN: RB211-72-C547 VK0680 FOR NHA/OTHER SYS DET SEE: 71-00-02-04	121503 904949 952999	RF
- 1	UL20702		ENGINE ASSY-Q.E.C.U. RB211-535E43711 BASIC ENG CONFIGURATION WITH GRAVINER FIRE DETECTORS,BAYONET MCD, NON-MODULATED IDG COOLING 40,100 LB THURST SUPPLIER CODE: VK0680 FOR NHA/OTHER SYS DET SEE: 71-00-02-10	504903	RF
- 1	UL19722		ENGINE ASSY-Q.E.C.U. RB211-535E43711 MAXIMUM NEUT SUPPLIER CODE: VK0680 FOR NHA/OTHER SYS DET SEE: 71-00-02-04	107107	RF

MISSING ITEM NUMBERS NOT APPLICABLE

- ITEM NOT ILLUSTRATED

BRI

24-11-01-07

24-11-01
FIG. 07
PAGE 1
JAN 20/09



757

PARTS CATALOG (MAINTENANCE)

FIG ITEM	PART NUMBER	1 2 3 4 5 6 7	NOMENCLATURE	EFFECT FROM TO	UNITS PER ASSY
7 -	2 UL20698		ENGINE ASSY-Q.E.C.U. RB211-535E43712 MAXIMUM NEUT SUPPLIER CODE: VK0680 REFERENCE SERVICE BULLETIN: 71-0058R7 QUALIFIED SB I/W DATA: INTERMIX OF ONE OR SUBSTITUTION OF TWO DIFFERENT CONFIGURATION RB211-535E4-37/() ENGINES FOR RB211-535E4 BASE ENGINES OR DIFFERENT CONFIGURATION RB211-535E4-B-37/() ENGINES FOR RB211-535E4-B BASE ENGINES REFERENCE SERVICE BULLETIN: RB211-72C547 VK0680 RB211-72-8910 VK0680 POST RAPID REVISION: RR92014-183A-RC-E FOR NHA/OTHER SYS DET SEE: 71-00-02-04	002004 006100 102102	RF
-	2 UL36209		ENGINE ASSY-Q.E.C.U. RB211-535E43719 MAXIMUM NEUT SUPPLIER CODE: VK0680 FOR NHA/OTHER SYS DET SEE: 71-00-02-04	950951	RF
-	3 BCREP17395		ENGINE ASSY-Q.E.C.U. RB211-535E43739 BASIC ENG CONFIGURATION AND PHASE 5 COMBUSTOR 40,100 LB THRUST SUPPLIER CODE: VK0680 OVERLENGTH PART NUMBER: RB211-535E4-37-39E FOR NHA/OTHER SYS DET SEE: 71-00-02-10	108120	RF

MISSING ITEM NUMBERS NOT APPLICABLE

- ITEM NOT ILLUSTRATED

24-11-01-07

24-11-01
FIG. 07
PAGE 2
JAN 20/09

BRI



757

PARTS CATALOG (MAINTENANCE)

FIG ITEM	PART NUMBER	1 2 3 4 5 6 7	NOMENCLATURE	EFFECT FROM TO	UNITS PER ASSY
7					
- 3	BCREF17101		ENGINE ASSY-Q.E.C.U. BASIC ENG CONFIGURATION BAYONET MCD AND PHASE 5 COMBUSTOR 40,100 LB THRUST SUPPLIER CODE: VK0680 OVERLENGTH PART NUMBER: RB211-535E4-3744E FOR NHA/OTHER SYS DET SEE: 71-00-02-10	103106	RF
- 3	UL38163		ENGINE ASSY-Q.E.C.U. BASIC ENG CONFIGURATION BAYONET MCD 40,100 LB THRUST SUPPLIER CODE: VK0680 FOR NHA/OTHER SYS DET SEE: 71-00-02-10	101101	RF
- 4	LK67315		.GENERATOR-INT DRIVE- FITTINGS SUPPLIER CODE: VK0680 FOR NHA/OTHER SYS DET SEE: 71-00-02-10	002004 006999	RF
5	MS21902-12S		..UNION-FLARELESS TUBE PRE SERVICE BULLETIN: 24-B841 VK0680	002004 006102 107999	1
5	MS21902-12S		..UNION-FLARELESS TUBE OPTIONAL PART: MS21902-12R POST SERVICE BULLETIN: 24-B841PTA VK0680	002004 006999	1
5	MS21902-12R		..UNION-FLARELESS TUBE OPTIONAL PART: MS21902-12S POST SERVICE BULLETIN: 24-B841PTA VK0680	002004 006999	1
10	AS12800-912		..RING-SEALING	002004 006999	1
15	MS21916-12-10K		..REDUCER-UNION	002004 006999	1
20	AS12800-910		..RING-SEALING	002004 006999	1

MISSING ITEM NUMBERS NOT APPLICABLE

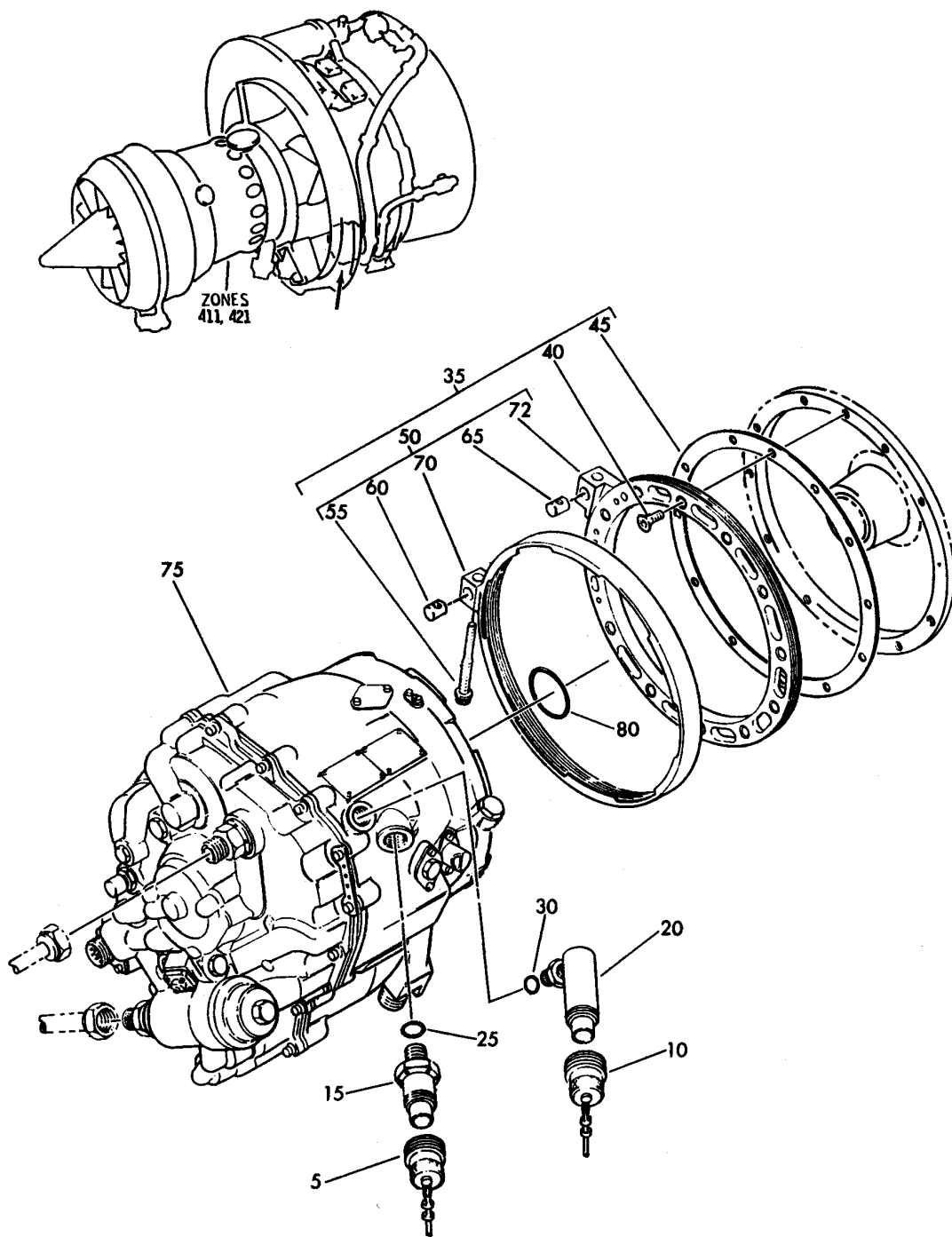
- ITEM NOT ILLUSTRATED

24-11-01-07

24-11-01
FIG. 07
PAGE 3
JAN 20/09

BRI

BOEING
757
PARTS CATALOG (MAINTENANCE)



Y 24110108 REV 213

QAD COUPLINGS-INTEGRATED DRIVE GENERATOR (RB211-535)
FIGURE 8

24-11-01-08

BRI
MAY 28/07

24-11-01-08
PAGE 0



757

PARTS CATALOG (MAINTENANCE)

FIG ITEM	PART NUMBER	1 2 3 4 5 6 7	NOMENCLATURE	EFFECT FROM TO	UNITS PER ASSY
8			QAD COUPLINGS- INTEGRATED DRIVE GENERATOR (RB211-535)	002004 006999	
- 1	UL20698		ENGINE ASSY-Q.E.C.U. RB211-535E43712 MAXIMUM NEUT SUPPLIER CODE: VK0680 REFERENCE SERVICE BULLETIN: 71-0058R7 QUALIFIED SB I/W DATA: INTERMIX OF ONE OR SUBSTITUTION OF TWO DIFFERENT CONFIGURATION RB211-535E4-37/() ENGINES FOR RB211-535E4 BASE ENGINES OR DIFFERENT CONFIGURATION RB211-535E4-B-37/() ENGINES FOR RB211-535E4-B BASE ENGINES REFERENCE SERVICE BULLETIN: RB211-72C547 VK0680 RB211-72-8910 VK0680 POST RAPID REVISION: RR92014-183A-RC-E FOR NHA/OTHER SYS DET SEE: 71-00-02-04	002004 006100 102102	RF
- 1	UL20702		ENGINE ASSY-Q.E.C.U. RB211-535E43711 BASIC ENG CONFIGURATION WITH GRAVINER FIRE DETECTORS, BAYONET MCD, NON-MODUATED IDG COOLING 40,100 LB THURST SUPPLIER CODE: VK0680 FOR NHA/OTHER SYS DET SEE: 71-00-02-10	504903	RF
- 1	UL19722		ENGINE ASSY-Q.E.C.U. RB211-535E43711 MAXIMUM NEUT SUPPLIER CODE: VK0680 FOR NHA/OTHER SYS DET SEE: 71-00-02-04	107107	RF

MISSING ITEM NUMBERS NOT APPLICABLE

- ITEM NOT ILLUSTRATED

24-11-01-08

24-11-01
FIG. 08
PAGE 1
JAN 20/09

BRI



757

PARTS CATALOG (MAINTENANCE)

FIG ITEM	PART NUMBER	1 2 3 4 5 6 7	NOMENCLATURE	EFFECT FROM TO	UNITS PER ASSY
8 - 1	UL20697		ENGINE ASSY-Q.E.C.U. RB211-535E43711 MAXIMUM NEUT WITH GRAVINER FIRE DETECTORS, BAYONET MCD, NON-MODULATED IDG COOLING 40,000 LB THRUST SUPPLIER CODE: VK0680 REFERENCE SERVICE BULLETIN: 71-0058R4 QUALIFIED SB I/W DATA: INTERMIX OF ONE OR SUBSTITUTION OF TWO DIFFERENT CONFIGURATION RB211-535E4-37/() ENGINES FOR RB211-535 E4 BASE ENGINES REFERENCE SERVICE BULLETIN: RB211-72-C547 VK0680 FOR NHA/OTHER SYS DET SEE: 71-00-02-04	121503 904949 952999	RF
- 2	UL36209		ENGINE ASSY-Q.E.C.U. RB211-535E43719 MAXIMUM NEUT SUPPLIER CODE: VK0680 FOR NHA/OTHER SYS DET SEE: 71-00-02-04	950951	RF
- 3	BCREF17395		ENGINE ASSY-Q.E.C.U. RB211-535E43739 BASIC ENG CONFIGURATION AND PHASE 5 COMBUSTOR 40,100 LB THRUST SUPPLIER CODE: VK0680 OVERLENGTH PART NUMBER: RB211-535E4-37-39E FOR NHA/OTHER SYS DET SEE: 71-00-02-10	108120	RF

MISSING ITEM NUMBERS NOT APPLICABLE

- ITEM NOT ILLUSTRATED

24-11-01-08

24-11-01
FIG. 08
PAGE 2
JAN 20/09

BRI



757

PARTS CATALOG (MAINTENANCE)

FIG ITEM	PART NUMBER	1 2 3 4 5 6 7	NOMENCLATURE	EFFECT FROM TO	UNITS PER ASSY
8					
- 3	BCREF17101		ENGINE ASSY-Q.E.C.U. RB211-535E43744 BASIC ENG CONFIGURATION BAYONET MCD AND PHASE 5 COMBUSTOR 40,100 LB THRUST SUPPLIER CODE: VK0680 OVERLENGTH PART NUMBER: RB211-535E4-3744E FOR NHA/OTHER SYS DET SEE: 71-00-02-10	103106	RF
- 3	UL38163		ENGINE ASSY-Q.E.C.U. RB211-535E43724 BASIC ENG CONFIGURATION BAYONET MCD 40,100 LB THRUST SUPPLIER CODE: VK0680 FOR NHA/OTHER SYS DET SEE: 71-00-02-10	101101	RF
- 4	LK67315		.GENERATOR-INT DRIVE SUPPLIER CODE: VK0680	002004 006999	RF
5	OMP2505-13S		..COVER-DUST-OVERFLOW VALVE SUPPLIER CODE: VK0667	002004 006999	RF
10	OMP2506-13S		..CAP-DUST-PRESSURE FILL VALVE SUPPLIER CODE: VK0667	002004 006999	RF
15	OMP2505-2		..COUPLING-OVERFLOW SUPPLIER CODE: VK0667	002004 006999	RF
20	OMP2506-10		..COUPLING-OVERFLOW- PRESSURE FILL SUPPLIER CODE: VK0667	002004 006999	RF
25	M83248-1-908		..PACKING-SEAL, RING OVERFLOW VALVE	002004 006999	RF
30	M83248-1-906		..PACKING-SEAL, RING PRESSURE FILL VALVE	002004 006999	RF

MISSING ITEM NUMBERS NOT APPLICABLE

- ITEM NOT ILLUSTRATED

24-11-01-08

24-11-01
FIG. 08
PAGE 3
JAN 20/09

BRI



757

PARTS CATALOG (MAINTENANCE)

FIG ITEM	PART NUMBER	1 2 3 4 5 6 7	NOMENCLATURE	EFFECT FROM TO	UNITS PER ASSY
8					
35	730844B		.. ADAPTER ASSY- SUPPLIER CODE: V99167 SPECIFICATION NUMBER: S281T001-5 COMPONENT MAINT MANUAL REF: 24-19-04	002004 006999	RF
40	0646C624-20		... SCREW-SOCKET HEAD SUPPLIER CODE: V99167	002004 006999	RF
45	731476		... GASKET- SUPPLIER CODE: V99167	002004 006999	RF
50	731480		... RING ASSY- SUPPLIER CODE: V99167	002004 006999	RF
55	731954	 BOLT- SUPPLIER CODE: V99167	002004 006999	RF
60	731219	 NUT-SELF ADJUSTING SUPPLIER CODE: V99167	002004 006999	RF
65	731218	 NUT-SELF ADJUSTING SUPPLIER CODE: V99167	002004 006999	RF
70	731478	 RING ASSY-QUICK ATTACH DETACH SUPPLIER CODE: V99167	002004 006999	RF
72	731481	 BRACKET-ADAPTOR PLATE SUPPLIER CODE: V99167	002004 006999	RF

MISSING ITEM NUMBERS NOT APPLICABLE

- ITEM NOT ILLUSTRATED

24-11-01-08

24-11-01
FIG. 08
PAGE 4
JAN 20/09

BRI

BOEING PROPRIETARY - Copyright © - Unpublished Work - See title page for details.



757

PARTS CATALOG (MAINTENANCE)

FIG ITEM	PART NUMBER	1 2 3 4 5 6 7	NOMENCLATURE	EFFECT FROM TO	UNITS PER ASSY
8 75	727792G		..GENERATOR ASSY-INT DRIVE SUPPLIER CODE: V99167 SPECIFICATION NUMBER: S281T001-33 COMPONENT MAINT MANUAL REF: 24-11-67 OPTIONAL PART: 736664D V99167 POST SERVICE BULLETIN: 24-9186PTA VK0680 PRE SERVICE BULLETIN: 90IDGS01-24-46 V99167 90IDGS01-24-48 V99167 24-B149 VK0680 90IDGS01-24-56R2 V99167 PRE SERVICE LETTER: 24-37	002004 006102 107999	RF
75	727792E		..GENERATOR ASSY-INT DRIVE SUPPLIER CODE: V99167 SPECIFICATION NUMBER: S281T001-19 COMPONENT MAINT MANUAL REF: 24-11-67 OPTIONAL PART: 727792D V99167 727792F V99167	002004 006102 107999	RF

MISSING ITEM NUMBERS NOT APPLICABLE

- ITEM NOT ILLUSTRATED

BRI

24-11-01-08

BOEING PROPRIETARY - Copyright © - Unpublished Work - See title page for details.

24-11-01
FIG. 08
PAGE 5
JAN 20/09



757

PARTS CATALOG (MAINTENANCE)

FIG ITEM	PART NUMBER	1 2 3 4 5 6 7	NOMENCLATURE	EFFECT FROM TO	UNITS PER ASSY
8 75	736664D		.. GENERATOR ASSY-INT DRIVE SUPPLIER CODE: V99167 SPECIFICATION NUMBER: S281T001-34 NOT APPROVED FOR ETOPS WITHOUT INCORP OF SB: 90IDGS012430 QUALIFIED I/W DATA: 736664B I/W 736664D EXCEPT FOR ETOPS WHERE 736664D IS APPROVED AND 736664B IS TEMPORARILY APPROVED UNTIL INSPECTED/MODIFIED PER SUNDSTRAND S.B. 90IDGS01-24-30 OPTIONAL PART: 727792G V99167 POST SERVICE BULLETIN: 24-9186PTA VK0680 PRE SERVICE BULLETIN: 90IDGS01-24-46 V99167 90IDGS01-24-48 V99167 24-B150 VK0680 PRE SERVICE LETTER: 24-037	002004 006102 107999	RF
75	736664F		.. GENERATOR ASSY-INT DRIVE SUPPLIER CODE: V99167 SPECIFICATION NUMBER: S281T001-42 NOT APPROVED FOR ETOPS WITHOUT INCORP OF SB: 90IDGS012430 COMPONENT MAINT MANUAL REF: 24-11-73 OPTIONAL PART: 736664E V99167 REFERENCE SERVICE BULLETIN: 24-C369PTA VK0680	002004 006102 107999	RF

MISSING ITEM NUMBERS NOT APPLICABLE

- ITEM NOT ILLUSTRATED

24-11-01-08

24-11-01
FIG. 08
PAGE 6
JAN 20/09

BRI



757

PARTS CATALOG (MAINTENANCE)

FIG ITEM	PART NUMBER	1 2 3 4 5 6 7	NOMENCLATURE	EFFECT FROM TO	UNITS PER ASSY
8					
75	727792C		..GENERATOR ASSY-INT DRIVE SUPPLIER CODE: V99167 SPECIFICATION NUMBER: S281T001-1 COMPONENT MAINT MANUAL REF: 24-11-67 PRE SERVICE BULLETIN: 24-7302 PRE SERVICE BULLETIN: 90IDGS01-24-46 V99167 90IDGS01-24-48 V99167 PRE SERVICE LETTER: 24-037	002004 006102 107999	RF
75	727792D		..GENERATOR ASSY-INT DRIVE SUPPLIER CODE: V99167 SPECIFICATION NUMBER: S281T001-19 COMPONENT MAINT MANUAL REF: 24-11-67 OPTIONAL PART: 727792E V99167 727792F V99167 PRE SERVICE BULLETIN: 24-9242 VK0680 REFERENCE SERVICE BULLETIN: 24-7302PTA VK0680	002004 006100 102102 107107 121949 952999	RF
75	727792F		..GENERATOR ASSY-INT DRIVE SUPPLIER CODE: V99167 SPECIFICATION NUMBER: S281T001-19 COMPONENT MAINT MANUAL REF: 24-11-67 OPTIONAL PART: 727792E V99167 727792D V99167 OPTIONAL PART: 727792H V99167	002004 006102 107999	RF

MISSING ITEM NUMBERS NOT APPLICABLE

- ITEM NOT ILLUSTRATED

24-11-01-08

24-11-01
FIG. 08
PAGE 7
JAN 20/09

BRI



757

PARTS CATALOG (MAINTENANCE)

FIG ITEM	PART NUMBER	1 2 3 4 5 6 7 NOMENCLATURE	EFFECT FROM TO	UNITS PER ASSY
8 75	736664B	<p>.. GENERATOR ASSY-INTEGRATED DRIVE SUPPLIER CODE: V99167 SPECIFICATION NUMBER: S281T001-27 NOT APPROVED FOR ETOPS WITHOUT INCORP OF SB: 90IDGS012430 MISCELLANEOUS DATA: TEMPORARILY APPROVED FOR ETOPS UNTIL INSPECTED /MODIFIED PER SUNSTRAND S.B. 901DGS01-24-30 COMPONENT MAINT MANUAL REF: 24-11-73 QUALIFIED I/W DATA: 736664B I/W 736664D EXCEPT FOR ETOPS WHERE 736664D IS APPROVED AND 736664B IS TEMPORARILY APPROVED UNTIL INSPECTED/MODIFIED PER SUNSTRAND S.B.90IDGS01-24-28 736664C I/W 736664B EXCEPT ETOPS WHERE 736664C IS APPROVED AND 736664B IS TEMPORARILY APPROVED UNTIL INSPECTION/MODIFICATION PER SUNSTRAND S.B. 901DGS01-24-30 OPTIONAL PART: 736664C V99167 PRE SERVICE BULLETIN: 24-9186 VK0680 REFERENCE SERVICE BULLETIN: 24-9242PTA VK0680</p>	002004 006100 102102 107107 121949 952999	RF

MISSING ITEM NUMBERS NOT APPLICABLE

- ITEM NOT ILLUSTRATED

24-11-01-08

24-11-01
FIG. 08
PAGE 8
JAN 20/09

BRI



757

PARTS CATALOG (MAINTENANCE)

FIG ITEM	PART NUMBER	1 2 3 4 5 6 7	NOMENCLATURE	EFFECT FROM TO	UNITS PER ASSY
8					
75	736664C		..GENERATOR ASSY-INT DRIVE SUPPLIER CODE: V99167 SPECIFICATION NUMBER: S281T001-27 NOT APPROVED FOR ETOPS WITHOUT INCORP OF SB: 90IDGS012430 COMPONENT MAINT MANUAL REF: 24-11-73 OPTIONAL PART: 736664B V99167	002004 006102 107999	RF
75	727792H		..GENERATOR ASSY-INTEGRATED DRIVE SUPPLIER CODE: V99167 SPECIFICATION NUMBER: S281T001-38 ELECTRICAL EQUIP NUMBER: M10160 COMPONENT MAINT MANUAL REF: 24-11-67 POST SERVICE BULLETIN: 90IDGS01-24-56R2 V99167	002004 006102 107999	RF
75	727792L		..GENERATOR ASSY-INT DRIVE SUPPLIER CODE: V99167 SPECIFICATION NUMBER: S281T001-43 COMPONENT MAINT MANUAL REF: 24-11-67 OPTIONAL PART: 727792K V99167	002004 006102 107999	RF
75	727792J		..GENERATOR ASSY-INT DRIVE SUPPLIER CODE: V99167 SPECIFICATION NUMBER: S281T001-38 COMPONENT MAINT MANUAL REF: 24-11-67 POST SERVICE BULLETIN: 24-B149PTA VK0680 PRE SERVICE BULLETIN: 24-B151 VK0680	002004 006102 107999	RF

MISSING ITEM NUMBERS NOT APPLICABLE

- ITEM NOT ILLUSTRATED

24-11-01-08

24-11-01
FIG. 08
PAGE 9
JAN 20/09

BRI



757

PARTS CATALOG (MAINTENANCE)

FIG ITEM	PART NUMBER	1 2 3 4 5 6 7	NOMENCLATURE	EFFECT FROM TO	UNITS PER ASSY
8	75 736664E		..GENERATOR ASSY-INT DRIVE SUPPLIER CODE: V99167 SPECIFICATION NUMBER: S281T001-42 NOT APPROVED FOR ETOPS WITHOUT INCORP OF SB: 90IDGS012430 COMPONENT MAINT MANUAL REF: 24-11-73 POST SERVICE BULLETIN: 90IDGS01-24-46 V99167 90IDGS01-24-48 V99167 24-B150PTA VK0680 PRE SERVICE BULLETIN: 24-C369 VK0680 POST SERVICE LETTER: 24-037	002004 006999	RF
	75 727792K		..GENERATOR ASSY-INT DRIVE SUPPLIER CODE: V99167 SPECIFICATION NUMBER: S281T001-43 COMPONENT MAINT MANUAL REF: 24-11-67 OPTIONAL PART: 727792L V99167 POST SERVICE BULLETIN: 24-B151PTA VK0680 PRE SERVICE BULLETIN: 24-C369 VK0680	002004 006102 107999	RF
	75 727792M		..GENERATOR ASSY-INT DRIVE SUPPLIER CODE: V99167 SPECIFICATION NUMBER: S281T001-46 COMPONENT MAINT MANUAL REF: 24-11-67 POST SERVICE BULLETIN: 24-C369PTA VK0680	002004 006100 102102	RF

MISSING ITEM NUMBERS NOT APPLICABLE

- ITEM NOT ILLUSTRATED

24-11-01-08

24-11-01
FIG. 08
PAGE 10
JAN 20/09

BRI



757

PARTS CATALOG (MAINTENANCE)

FIG ITEM	PART NUMBER	1 2 3 4 5 6 7	NOMENCLATURE	EFFECT FROM TO	UNITS PER ASSY
8					
75	736664G		..GENERATOR ASSY-INT DRIVE SUPPLIER CODE: V99167 SPECIFICATION NUMBER: S281T001-45 NOT APPROVED FOR ETOPS WITHOUT INCORP OF SB: 90IDGS012430 COMPONENT MAINT MANUAL REF: 24-11-73 POST SERVICE BULLETIN: 24-C369PTA VK0680	002004 006102 107999	RF
80	M83248-1-138		...PACKING-SEAL, RING IDG TO HS GEARBOX	002004 006999	RF
- 85	NAS1352-3-18P		...SCREW-CAP-COVER POST SERVICE BULLETIN: 24-8048PTA VK0680	002004 006999	RF
- 90	M83248-1-905		...PACKING-SEAL, RING DRAIN PLUG POST SERVICE BULLETIN: 24-8048PTA VK0680	002004 006999	RF
- 95	AN960C10		...WASHER-SPRING COVER POST SERVICE BULLETIN: 24-8048PTA VK0680	002004 006999	RF
- 100	AN960C616L		...WASHER- POST SERVICE BULLETIN: 24-8048PTA VK0680	002004 006999	RF
- 105	MS21042-6		...NUT-SELF LOCKING POST SERVICE BULLETIN: 24-8048PTA VK0680	002004 006999	RF
- 110	2408-93-12		...PLUG-OIL OUTLET-TRANS SUPPLIER CODE: V99167 POST SERVICE BULLETIN: 24-8048PTA VK0680	002004 006999	RF
- 115	2408-88-12		...PLUG-OIL INLET TRANS ONLY SUPPLIER CODE: V99167 POST SERVICE BULLETIN: 24-8048PTA VK0680	002004 006999	RF

MISSING ITEM NUMBERS NOT APPLICABLE

- ITEM NOT ILLUSTRATED

24-11-01-08

24-11-01
FIG. 08
PAGE 11
JAN 20/09

BRI



757

PARTS CATALOG (MAINTENANCE)

FIG ITEM	PART NUMBER	1 2 3 4 5 6 7	NOMENCLATURE	EFFECT FROM TO	UNITS PER ASSY
8					
- 120	MS9954-05		... PLUG-DRAIN POST SERVICE BULLETIN: 24-8048PTA VK0680	002004 006999	RF
- 125	734029		... COVER-TERMINAL BLOCK SUPPLIER CODE: V99167 POST SERVICE BULLETIN: 24-8048PTA VK0680	002004 006999	RF
- 130	1010698		... COVER-CONNECTOR (TRANSPORTATION ONLY) SUPPLIER CODE: V81349 POST SERVICE BULLETIN: 24-8048PTA VK0680	002004 006999	RF

MISSING ITEM NUMBERS NOT APPLICABLE

- ITEM NOT ILLUSTRATED

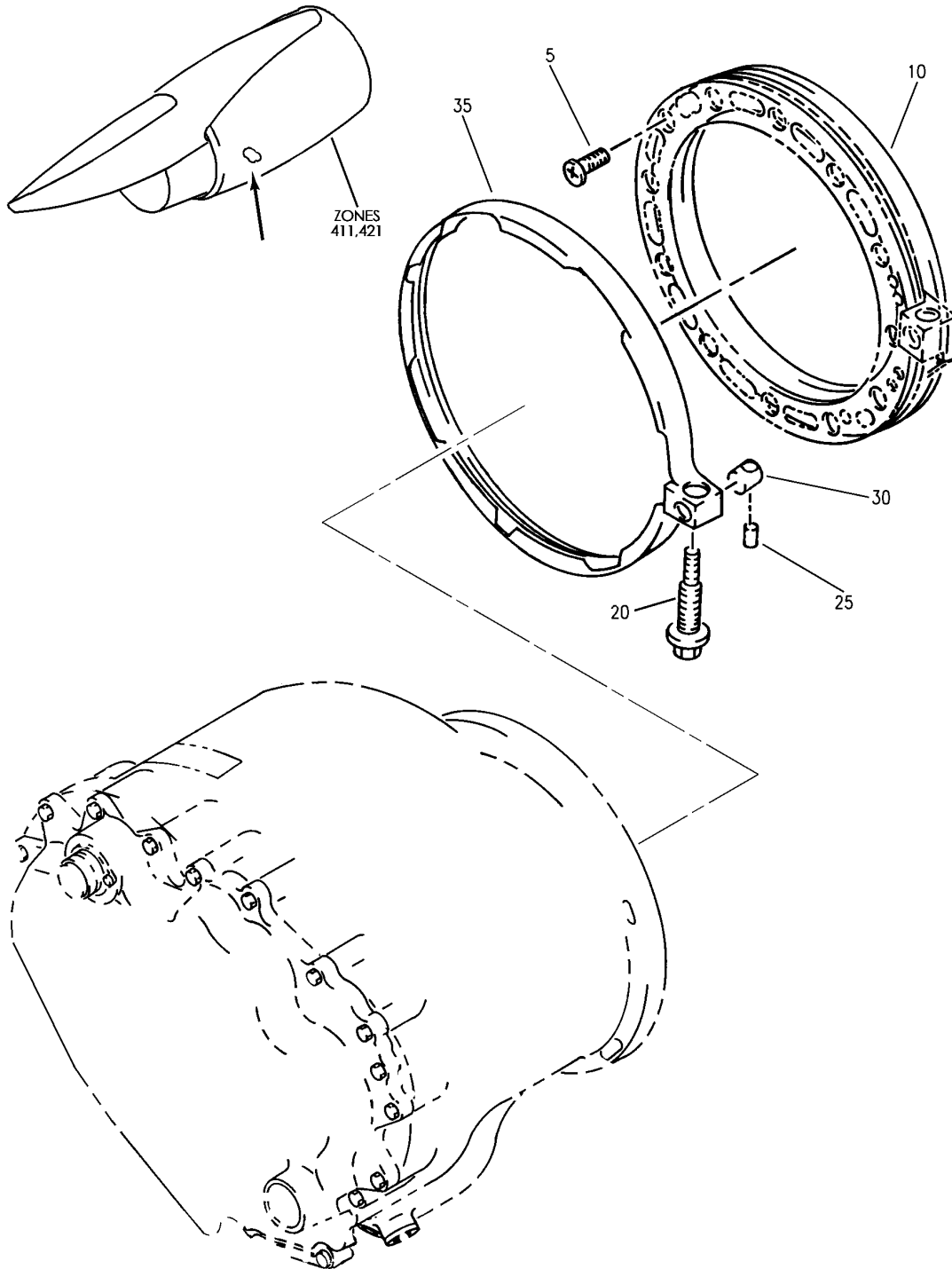
BRI

24-11-01-08

BOEING PROPRIETARY - Copyright © - Unpublished Work - See title page for details.

24-11-01
FIG. 08
PAGE 12
JAN 20/09

BOEING
757
PARTS CATALOG (MAINTENANCE)



Y 24110301 REV 243

ADAPTER ASSY-QUICK ATTACH DETACH KIT
FIGURE 1

24-11-03-01

BRI
MAY 28/07

24-11-03-01
PAGE 0



757

PARTS CATALOG (MAINTENANCE)

FIG ITEM	PART NUMBER	1 2 3 4 5 6 7	NOMENCLATURE	EFFECT FROM TO	UNITS PER ASSY
1			ADAPTER ASSY-QUICK ATTACH DETACH KIT	002004 006999	
1	730844B		ADAPTER ASSY-QUICK ATTACH DETACH KIT SUPPLIER CODE: V99167 SPECIFICATION NUMBER: S281T001-5 COMPONENT MAINT MANUAL REF: 24-19-04 FOR NHA SEE: 24-11-01-01 24-11-01-01A	002004 006999	RF
5	0646C624-20		.SCREW-SOCKET HEAD SUPPLIER CODE: V99167	002004 006999	12
10	731476		.GASKET- SUPPLIER CODE: V99167	002004 006999	1
- 15	731480		.RING ASSY- SUPPLIER CODE: V99167 OPTIONAL PART: 731480A V99167	002004 006999	1
- 15	731480A		.RING ASSY- SUPPLIER CODE: V99167 OPTIONAL PART: 731480 V99167	002004 006999	1
20	732870		..BOLT-TNSN SUPPLIER CODE: V99167 OPTIONAL PART: 731954 V99167	002004 006999	1
20	731954		..BOLT-TNSN SUPPLIER CODE: V99167 OPTIONAL PART: 732870 V99167	002004 006999	1
25	MS39086-125		..PIN	002004 006999	1
30	731218		..NUT- SUPPLIER CODE: V99167	002004 006999	1

MISSING ITEM NUMBERS NOT APPLICABLE

- ITEM NOT ILLUSTRATED

24-11-03-01

24-11-03
FIG. 01
PAGE 1
SEP 20/08

BRI



757

PARTS CATALOG (MAINTENANCE)

FIG ITEM	PART NUMBER	1 2 3 4 5 6 7	NOMENCLATURE	EFFECT FROM TO	UNITS PER ASSY
1	35 731478		..RING ASSY- SUPPLIER CODE: V99167 OPTIONAL PART: 733905 V99167	002004 006999	1
	35 733905		..RING ASSY- SUPPLIER CODE: V99167 OPTIONAL PART: 731478 V99167	002004 006999	1
-	40 731481		..BRACKET- SUPPLIER CODE: V99167 OPTIONAL PART: 732869 V99167	002004 006999	1
-	40 732869		..BRACKET- SUPPLIER CODE: V99167 OPTIONAL PART: 731481 V99167	002004 006999	1

MISSING ITEM NUMBERS NOT APPLICABLE

- ITEM NOT ILLUSTRATED

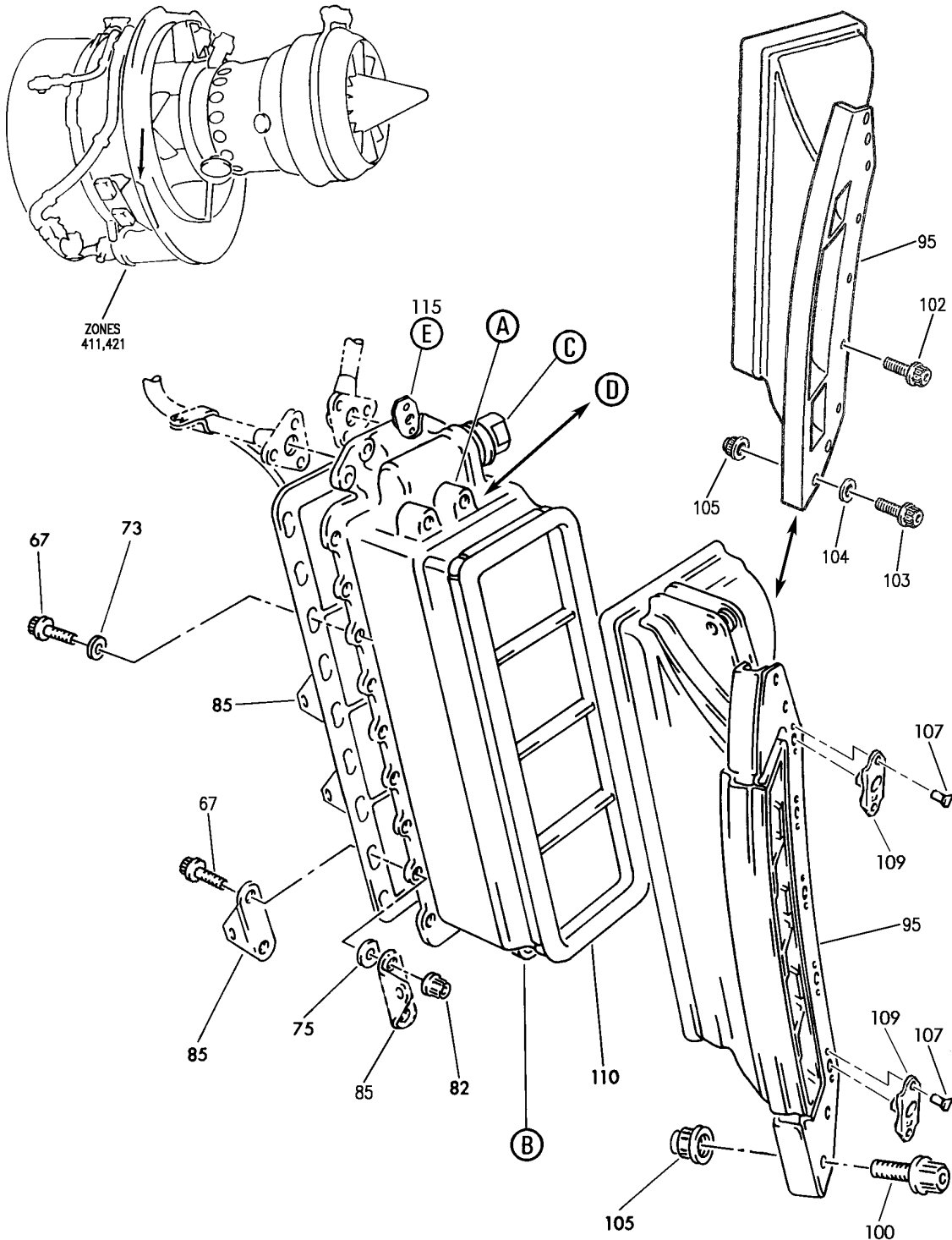
BRI

24-11-03-01

BOEING PROPRIETARY - Copyright © - Unpublished Work - See title page for details.

24-11-03
FIG. 01
PAGE 2
SEP 20/08

BOEING
757
PARTS CATALOG (MAINTENANCE)



Y 24110401 SHT 1 REV 259

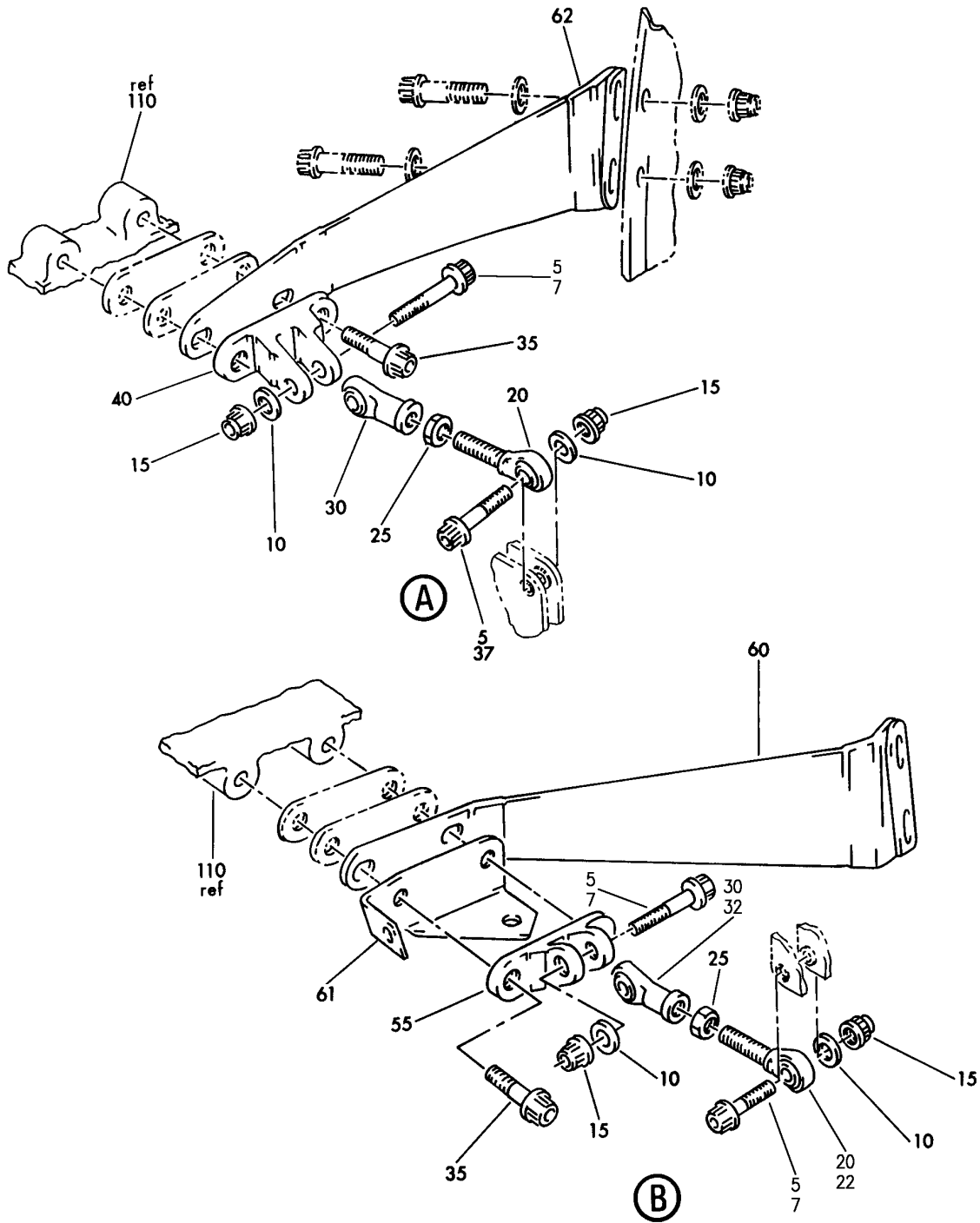
COOLER-AIR COOLED OIL (RB211-535)
FIGURE 1 (SHEET 1)

24-11-04-01

BRI
MAY 28/07

24-11-04-01
PAGE 0

BOEING
757
PARTS CATALOG (MAINTENANCE)



Y 24110401 SHT 2 REV 248

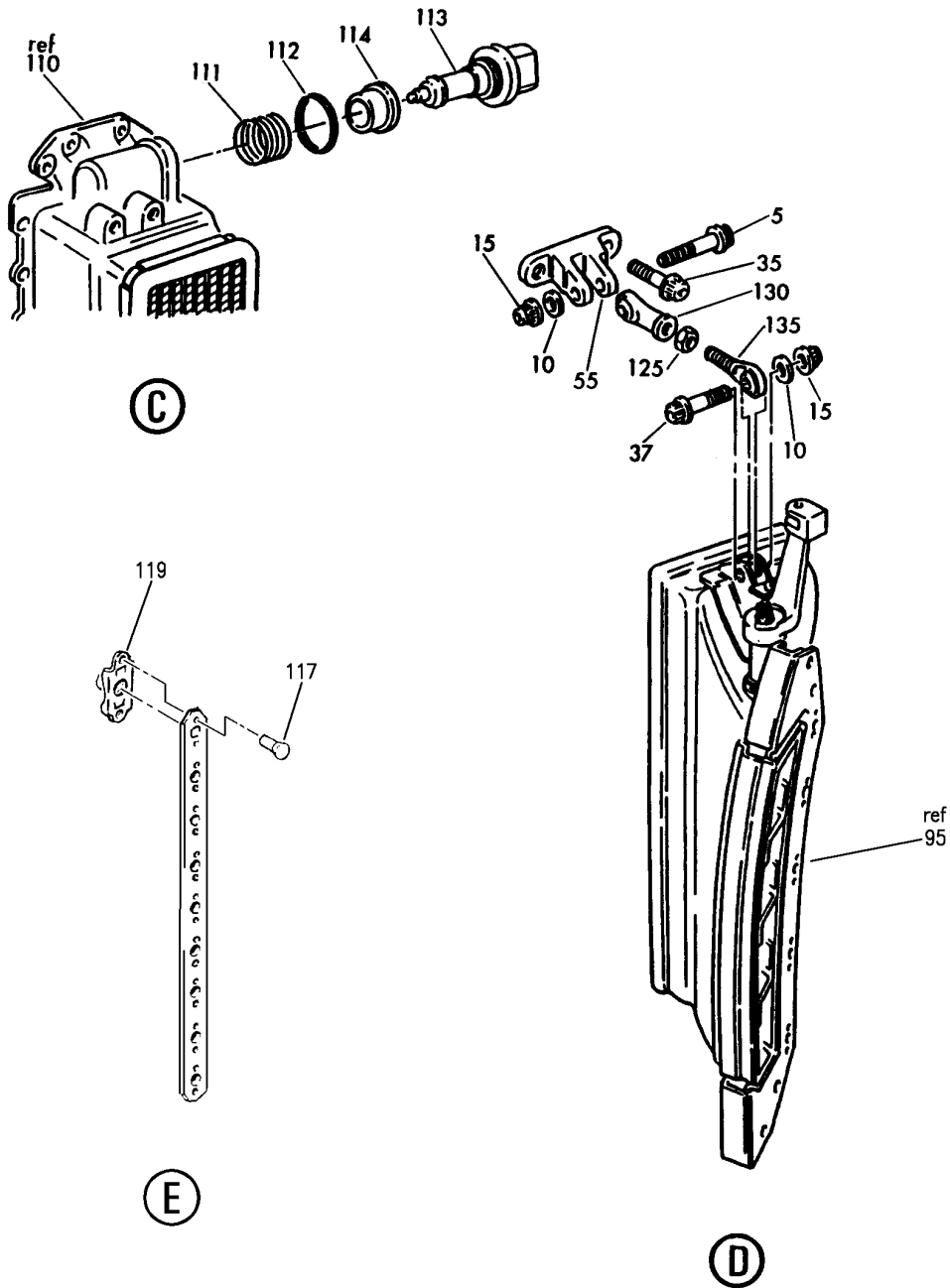
COOLER-AIR COOLED OIL (RB211-535)
FIGURE 1 (SHEET 2)

24-11-04-01

BRI
MAY 28/07

24-11-04-01
PAGE 0A

BOEING
757
PARTS CATALOG (MAINTENANCE)



Y 24110401 SH1 3 REV 259

COOLER-AIR COOLED OIL (RB211-535)
FIGURE 1 (SHEET 3)

24-11-04-01

BRI
MAY 28/07

24-11-04-01
PAGE 0B



757

PARTS CATALOG (MAINTENANCE)

FIG ITEM	PART NUMBER	1 2 3 4 5 6 7	NOMENCLATURE	EFFECT FROM TO	UNITS PER ASSY
1			COOLER-AIR COOLED OIL (RB211-535)	002004 006999	
- 1	UL20697		ENGINE ASSY-Q.E.C.U. RB211-535E43711 MAXIMUM NEUT WITH GRAVINER FIRE DETECTORS, BAYONET MCD, NON-MODULATED IDG COOLING 40,000 LB THRUST SUPPLIER CODE: VK0680 REFERENCE SERVICE BULLETIN: 71-0058R4 QUALIFIED SB I/W DATA: INTERMIX OF ONE OR SUBSTITUTION OF TWO DIFFERENT CONFIGURATION RB211-535E4-37/() ENGINES FOR RB211-535 E4 BASE ENGINES REFERENCE SERVICE BULLETIN: RB211-72-C547 VK0680 FOR NHA/OTHER SYS DET SEE: 71-00-02-04	121503 904949 952999	RF
- 1	UL20702		ENGINE ASSY-Q.E.C.U. RB211-535E43711 BASIC ENG CONFIGURATION WITH GRAVINER FIRE DETECTORS,BAYONET MCD, NON-MODULATED IDG COOLING 40,100 LB THRUST SUPPLIER CODE: VK0680 FOR NHA/OTHER SYS DET SEE: 71-00-02-10	504903	RF
- 1	UL19722		ENGINE ASSY-Q.E.C.U. RB211-535E43711 MAXIMUM NEUT SUPPLIER CODE: VK0680 FOR NHA/OTHER SYS DET SEE: 71-00-02-04	107107	RF

MISSING ITEM NUMBERS NOT APPLICABLE

- ITEM NOT ILLUSTRATED

24-11-04-01

24-11-04
FIG. 01
PAGE 1
JAN 20/09

BRI



757

PARTS CATALOG (MAINTENANCE)

FIG ITEM	PART NUMBER	1 2 3 4 5 6 7	NOMENCLATURE	EFFECT FROM TO	UNITS PER ASSY
1					
- 2	UL20698		ENGINE ASSY-Q.E.C.U. RB211-535E43712 MAXIMUM NEUT SUPPLIER CODE: VK0680 REFERENCE SERVICE BULLETIN: 71-0058R7 QUALIFIED SB I/W DATA: INTERMIX OF ONE OR SUBSTITUTION OF TWO DIFFERENT CONFIGURATION RB211-535E4-37/() ENGINES FOR RB211-535E4 BASE ENGINES OR DIFFERENT CONFIGURATION RB211-535E4-B-37/() ENGINES FOR RB211-535E4-B BASE ENGINES REFERENCE SERVICE BULLETIN: RB211-72C547 VK0680 RB211-72-8910 VK0680 POST RAPID REVISION: RR92014-183A-RC-E FOR NHA/OTHER SYS DET SEE: 71-00-02-04	002004 006100 102102	RF
- 2	UL36209		ENGINE ASSY-Q.E.C.U. RB211-535E43719 MAXIMUM NEUT SUPPLIER CODE: VK0680 FOR NHA/OTHER SYS DET SEE: 71-00-02-04	950951	RF
- 3	BCREF17395		ENGINE ASSY-Q.E.C.U. RB211-535E43739 BASIC ENG CONFIGURATION AND PHASE 5 COMBUSTOR 40,100 LB THRUST SUPPLIER CODE: VK0680 OVERLENGTH PART NUMBER: RB211-535E4-37-39E FOR NHA/OTHER SYS DET SEE: 71-00-02-10	108120	RF

MISSING ITEM NUMBERS NOT APPLICABLE

- ITEM NOT ILLUSTRATED

24-11-04-01

24-11-04
FIG. 01
PAGE 2
JAN 20/09

BRI



757

PARTS CATALOG (MAINTENANCE)

FIG ITEM	PART NUMBER	1 2 3 4 5 6 7	NOMENCLATURE	EFFECT FROM TO	UNITS PER ASSY
1					
- 3	BCREF17101		ENGINE ASSY-Q.E.C.U. RB211-535E43744 BASIC ENG CONFIGURATION, BAYONET MCD AND PHASE 5 COMBUSTOR 40,100 LB THRUST SUPPLIER CODE: VK0680 OVERLENGTH PART NUMBER: RB211-535E4-3744E FOR NHA/OTHER SYS DET SEE: 71-00-02-10	103106	RF
- 3	UL38163		ENGINE ASSY-Q.E.C.U. RB211-535E43724 BASIC ENG CONFIGURATION, BAYONET MCD AND PHASE 5 COMBUSTOR 40,100 LB THRUST SUPPLIER CODE: VK0680 FOR NHA/OTHER SYS DET SEE: 71-00-02-10	101101	RF
- 4	UL28540		.OIL COOLER-AIR COOLED IDG SUPPLIER CODE: VK0680 CONFIG CHG DATA FROM A CMM: FOR INTRCHG SEE RR IPC POST SERVICE BULLETIN: 24-9280PT01 VK0680	101101 103106 108120 950951	RF
- 4	UL15663		.OIL COOLER-AIR COOLED IDG SUPPLIER CODE: VK0680	002004 006100 102102 107107 121949 952999	RF
5	AS22917		..BOLT- PRE SERVICE BULLETIN: 24-D074 VK0680	002004 006100 102102 107107 121949 952999	4

MISSING ITEM NUMBERS NOT APPLICABLE

- ITEM NOT ILLUSTRATED

BRI

24-11-04-01

BOEING PROPRIETARY - Copyright © - Unpublished Work - See title page for details.

24-11-04
FIG. 01
PAGE 3
JAN 20/09



757

PARTS CATALOG (MAINTENANCE)

FIG ITEM	PART NUMBER	1 2 3 4 5 6 7	NOMENCLATURE	EFFECT FROM TO	UNITS PER ASSY
1	7 AS22917		..BOLT- CONFIG CHG DATA FROM A CMM: FOR INTRCHG SEE RR IPC POST SERVICE BULLETIN: 24-9280PT01 VK0680 PRE SERVICE BULLETIN: 24-D074 VK0680	101101 103106 108120 950951	3
10	AS12943		..WASHER- PRE SERVICE BULLETIN: 24-D074 VK0680	002004 006999	4
15	AS20624		..NUT-SELF LOCKING PRE SERVICE BULLETIN: 24-D074 VK0680	002004 006999	4
20	AGS3076		..ROD-SPHER MALE END PRE SERVICE BULLETIN: 24-D074 VK0680	002004 006100 102102 107107 121949 952999	2
22	AGS3076		..ROD-SPHER MALE END CONFIG CHG DATA FROM A CMM: FOR INTRCHG SEE RR IPC POST SERVICE BULLETIN: 24-9280PT01 VK0680 PRE SERVICE BULLETIN: 24-D074 VK0680	101101 103106 108120 950951	1
25	A105ET		..NUT- PRE SERVICE BULLETIN: 24-D074 VK0680	002004 006100 102102 107107 121949 952999	2
27	A105ET		..NUT- CONFIG CHG DATA FROM A CMM: FOR INTRCHG SEE RR IPC POST SERVICE BULLETIN: 24-9280PT01 VK0680 PRE SERVICE BULLETIN: 24-D074 VK0680	101101 103106 108120 950951	1

MISSING ITEM NUMBERS NOT APPLICABLE

- ITEM NOT ILLUSTRATED

24-11-04-01

24-11-04
FIG. 01
PAGE 4
JAN 20/09

BRI



757

PARTS CATALOG (MAINTENANCE)

FIG ITEM	PART NUMBER	1 2 3 4 5 6 7	NOMENCLATURE	EFFECT FROM TO	UNITS PER ASSY
1	30 AGS3056		..ROD-SPHER FEMALE END PRE SERVICE BULLETIN: 24-D074 VK0680	002004 006100 102102 107107 121949 952999	2
	32 AGS3056		..ROD-SPHER FEMALE END CONFIG CHG DATA FROM A CMM: FOR INTRCHG SEE RR IPC POST SERVICE BULLETIN: 24-9280PT01 VK0680 PRE SERVICE BULLETIN: 24-D074 VK0680	101101 103106 108120 950951	1
	35 AS21516		..BOLT- PRE SERVICE BULLETIN: 24-D074 VK0680	002004 006999	4
	35 AS21514		..BOLT- POST SERVICE BULLETIN: 24-D074PT01 VK0680	002004 006999	4
	37 BLT5478		..BOLT- SUPPLIER CODE: VK0680 POST SERVICE BULLETIN: 24-9280PT01 VK0680 PRE SERVICE BULLETIN: 24-D074 VK0680	101101 103106 108120 950951	1
	40 LK75015		..BRACKET-INTEGRATED DRIVE GEN COOLER SUPPLIER CODE: VK0680 POSITION DATA: RH PRE SERVICE BULLETIN: 24-D074 VK0680	002004 006999	1

MISSING ITEM NUMBERS NOT APPLICABLE

- ITEM NOT ILLUSTRATED

BRI

24-11-04-01

24-11-04
FIG. 01
PAGE 5
JAN 20/09



757

PARTS CATALOG (MAINTENANCE)

FIG ITEM	PART NUMBER	1 2 3 4 5 6 7	NOMENCLATURE	EFFECT FROM TO	UNITS PER ASSY
1					
55	LK75014		..BRACKET-INTEGRATED DRIVE GEN COOLER SUPPLIER CODE: VK0680 POSITION DATA: LH PRE SERVICE BULLETIN: 24-D074 VK0680	002004 006999	1
60	LK82753		..BRACKET ASSY-AIR COOLED OIL COOLER SUPPLIER CODE: VK0680 POSITION DATA: RH	002004 006999	1
62	LK74992		..BRACKET ASSY-AIR COOLED OIL COOLER SUPPLIER CODE: VK0680 POSITION DATA: LH	002004 006999	1
67	AS21518		..BOLT-	002004 006999	18
73	AS12944		..WASHER	002004 006999	1
75	AS26095		..WASHER	002004 006999	18
82	AS20625		..NUT-	002004 006999	9
85	UP10550		..BRACKET-ANGLE CLIPPING SUPPLIER CODE: VK0680	002004 006999	5
95	UL30476		..DUCT ASSY-INTEGRATED DRIVE GEN OUTLET AIR SUPPLIER CODE: VK0680 CONFIG CHG DATA FROM A CMM: FOR INTRCHG SEE RR IPC POST SERVICE BULLETIN: 24-9280PT01 VK0680 PRE SERVICE BULLETIN: 24-D074 VK0680	101101 103106 108120 950951	1

MISSING ITEM NUMBERS NOT APPLICABLE

- ITEM NOT ILLUSTRATED

24-11-04-01

24-11-04
FIG. 01
PAGE 6
JAN 20/09

BRI



757

PARTS CATALOG (MAINTENANCE)

FIG ITEM	PART NUMBER	1 2 3 4 5 6 7	NOMENCLATURE	EFFECT FROM TO	UNITS PER ASSY
1					
95	LK82792		.. DUCT ASSY-INTEGRATED DRIVE GEN OUTLET AIR SUPPLIER CODE: VK0680 PRE SERVICE BULLETIN: 24-D074 VK0680	002004 006100 102102 107107 121949 952999	1
95	FW18411		.. DUCT ASSY-INTEGRATED DRIVE GEN OUTLET AIR SUPPLIER CODE: VK0680 POST SERVICE BULLETIN: 24-D074PT02 VK0680	002004 006100 102102 107107 121949 952999	1
95	FW18415		.. DUCT ASSY-INTEGRATED DRIVE GEN OUTLET AIR SUPPLIER CODE: VK0680 POST SERVICE BULLETIN: 24-D074PT01 VK0680	101101 103106 108120 950951	1
100	AS21511		.. BOLT- PRE SERVICE BULLETIN: 24-D074 VK0680	002004 006999	9
102	AS21514		.. BOLT- POST SERVICE BULLETIN: 24-D074PT01 VK0680	002004 006999	5
103	AS21515		.. BOLT- POST SERVICE BULLETIN: 24-D074PT01 VK0680	002004 006999	4
104	AS12944		.. WASHER- POST SERVICE BULLETIN: 24-D074PT01 VK0680	002004 006999	4
105	AS20625		.. NUT	002004 006999	4

MISSING ITEM NUMBERS NOT APPLICABLE

- ITEM NOT ILLUSTRATED

24-11-04-01

24-11-04
FIG. 01
PAGE 7
JAN 20/09

BRI

BOEING PROPRIETARY - Copyright © - Unpublished Work - See title page for details.



757

PARTS CATALOG (MAINTENANCE)

FIG ITEM	PART NUMBER	1 2 3 4 5 6 7	NOMENCLATURE	EFFECT FROM TO	UNITS PER ASSY
1 110	D3292-3000A	..	COOLER ASSY-INTEGRATED DRIVE GEN AIR COOLED OIL SUPPLIER CODE: VU1603 CONFIG CHG DATA FROM A CMM: FOR INTRCHG SEE RR IPC POST SERVICE BULLETIN: 24-8037PT03 VK0680 24-6931PT01 VK0680 PRE SERVICE BULLETIN: 24-7973 VK0680	002004 006999	1
110	D3292-4000A	..	COOLER ASSY-INTEGRATED DRIVE GEN AIR COOLED OIL SUPPLIER CODE: VU1603 CONFIG CHG DATA FROM A CMM: FOR INTRCHG SEE RR IPC POST SERVICE BULLETIN: 24-7973PT01 VK0680 24-8037PT01 VK0680 PRE SERVICE BULLETIN: 24-8037 VK0680	002004 006999	1
111	1191-20CNX475	...	INSERT- SUPPLIER CODE: VK1012 POST SERVICE BULLETIN: 24-8319PTA VK0680	002004 006999	1
112	100-028-2082	...	RING- SUPPLIER CODE: VU1068 POST SERVICE BULLETIN: 24-8319PTA VK0680	002004 006999	1
113	D3292-213B	...	VALVE- SUPPLIER CODE: VU1603 POST SERVICE BULLETIN: 24-8319PTA VK0680	002004 006999	1

MISSING ITEM NUMBERS NOT APPLICABLE

- ITEM NOT ILLUSTRATED

24-11-04-01

24-11-04
FIG. 01
PAGE 8
JAN 20/09

BRI



757

PARTS CATALOG (MAINTENANCE)

FIG ITEM	PART NUMBER	1 2 3 4 5 6 7	NOMENCLATURE	EFFECT FROM TO	UNITS PER ASSY
1 114	D3292-217C	...	VALVE-SEAT SUPPLIER CODE: VU1603 POST SERVICE BULLETIN: 24-8319PTA VK0680	002004 006999	1
115	LK82784	..	PLATE ASSY-RETAINING ANCHOR NUTS SUPPLIER CODE: VK0680	002004 006999	1
125	A105DT	..	NUT- CONFIG CHG DATA FROM A CMM: FOR INTRCHG SEE RR IPC POST SERVICE BULLETIN: 24-9280PT01 VK0680 PRE SERVICE BULLETIN: 24-D074 VK0680	101101 103106 108120 950951	1
130	01-412-03E013	..	ROD-SPHER MALE END SUPPLIER CODE: V09455 CONFIG CHG DATA FROM A CMM: FOR INTRCHG SEE RR IPC POST SERVICE BULLETIN: 24-9280PT01 VK0680 PRE SERVICE BULLETIN: 24-D074 VK0680	101101 103106 108120 950951	1
135	02-412-03E013	..	ROD-SPHER FEMALE END SUPPLIER CODE: V09455 CONFIG CHG DATA FROM A CMM: FOR INTRCHG SEE RR IPC POST SERVICE BULLETIN: 24-9280PT01 VK0680 PRE SERVICE BULLETIN: 24-D074 VK0680	101101 103106 108120 950951	1

MISSING ITEM NUMBERS NOT APPLICABLE

- ITEM NOT ILLUSTRATED

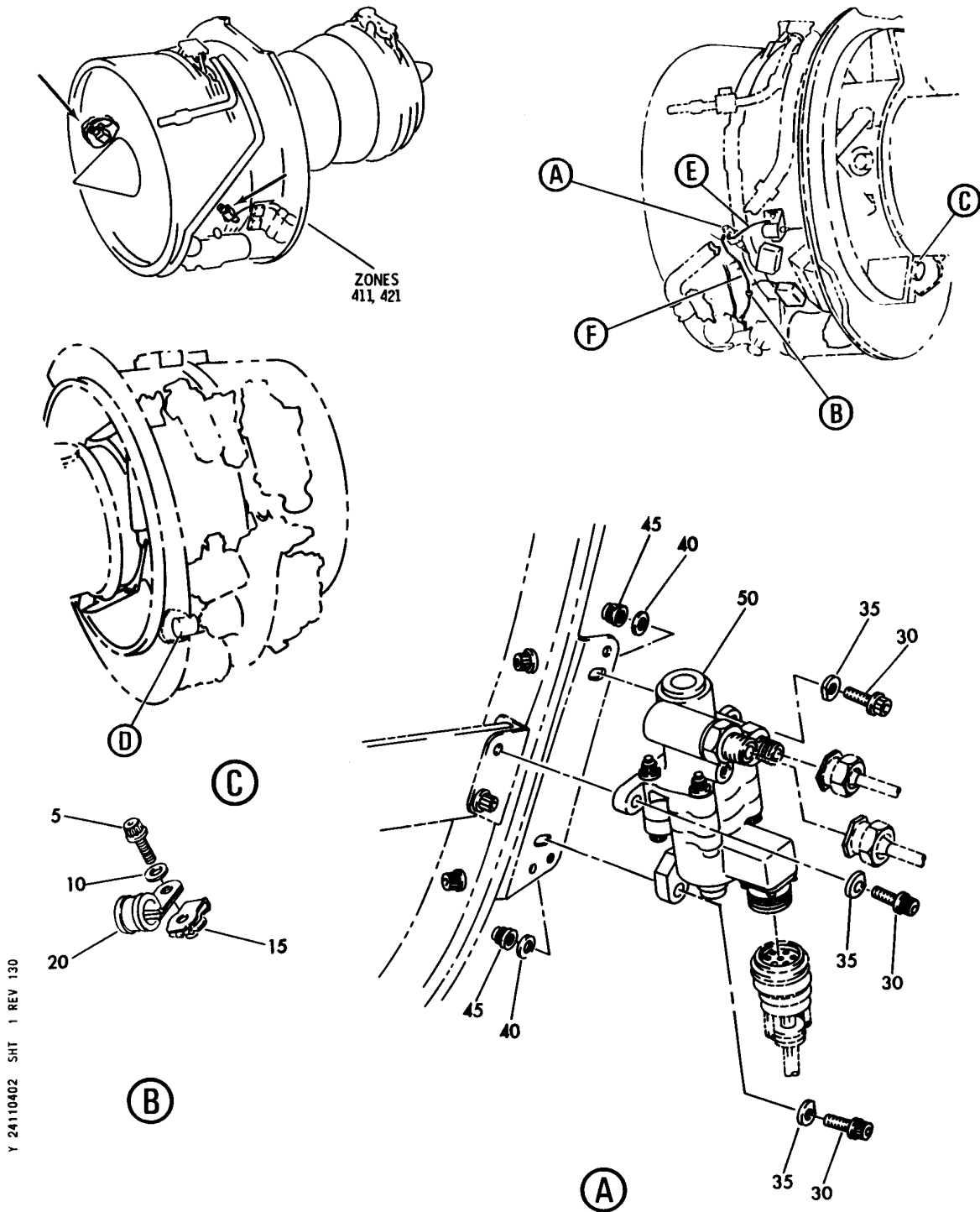
BRI

24-11-04-01

BOEING PROPRIETARY - Copyright © - Unpublished Work - See title page for details.

24-11-04
FIG. 01
PAGE 9
JAN 20/09

BOEING
757
PARTS CATALOG (MAINTENANCE)



Y 24110402 SHT 1 REV 130

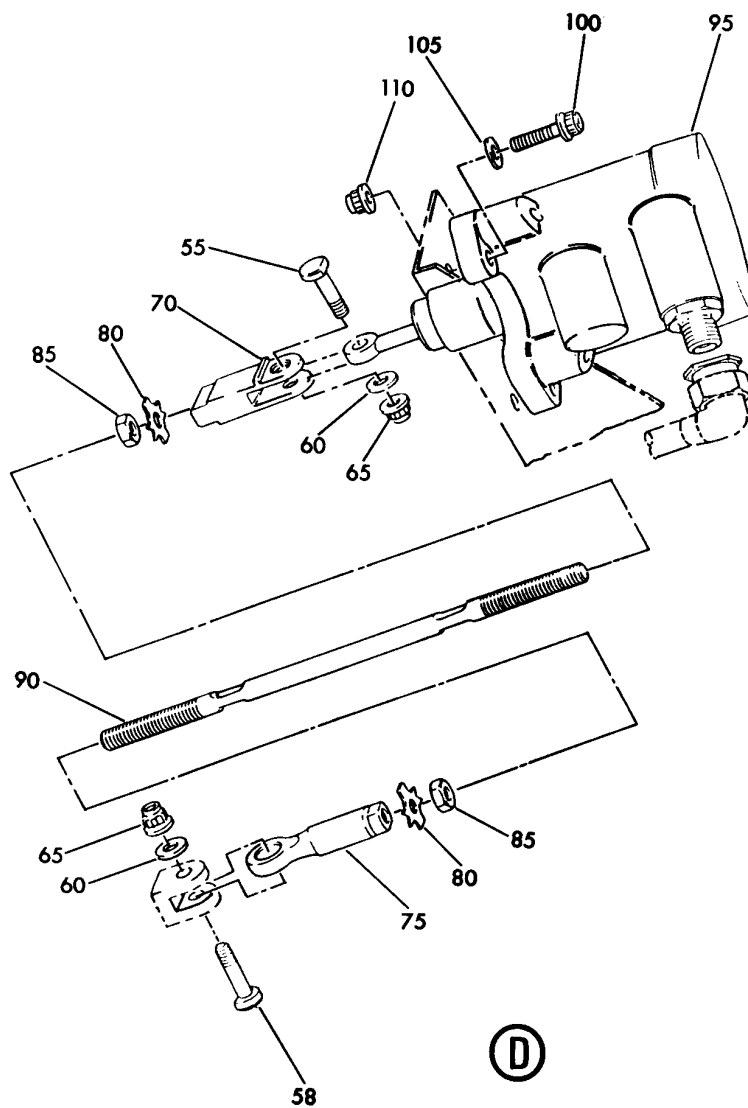
INTEGRATED DRIVE GENERATOR AIR COOLED OIL COOLER AIR CONTROL SOLENOID AND ACTUATOR (RB211-535)
FIGURE 2 (SHEET 1)

BRI
MAY 28/07

24-11-04-02

24-11-04-02
PAGE 0

BOEING
757
PARTS CATALOG (MAINTENANCE)



Y 24110402 SHT 2 REV 133

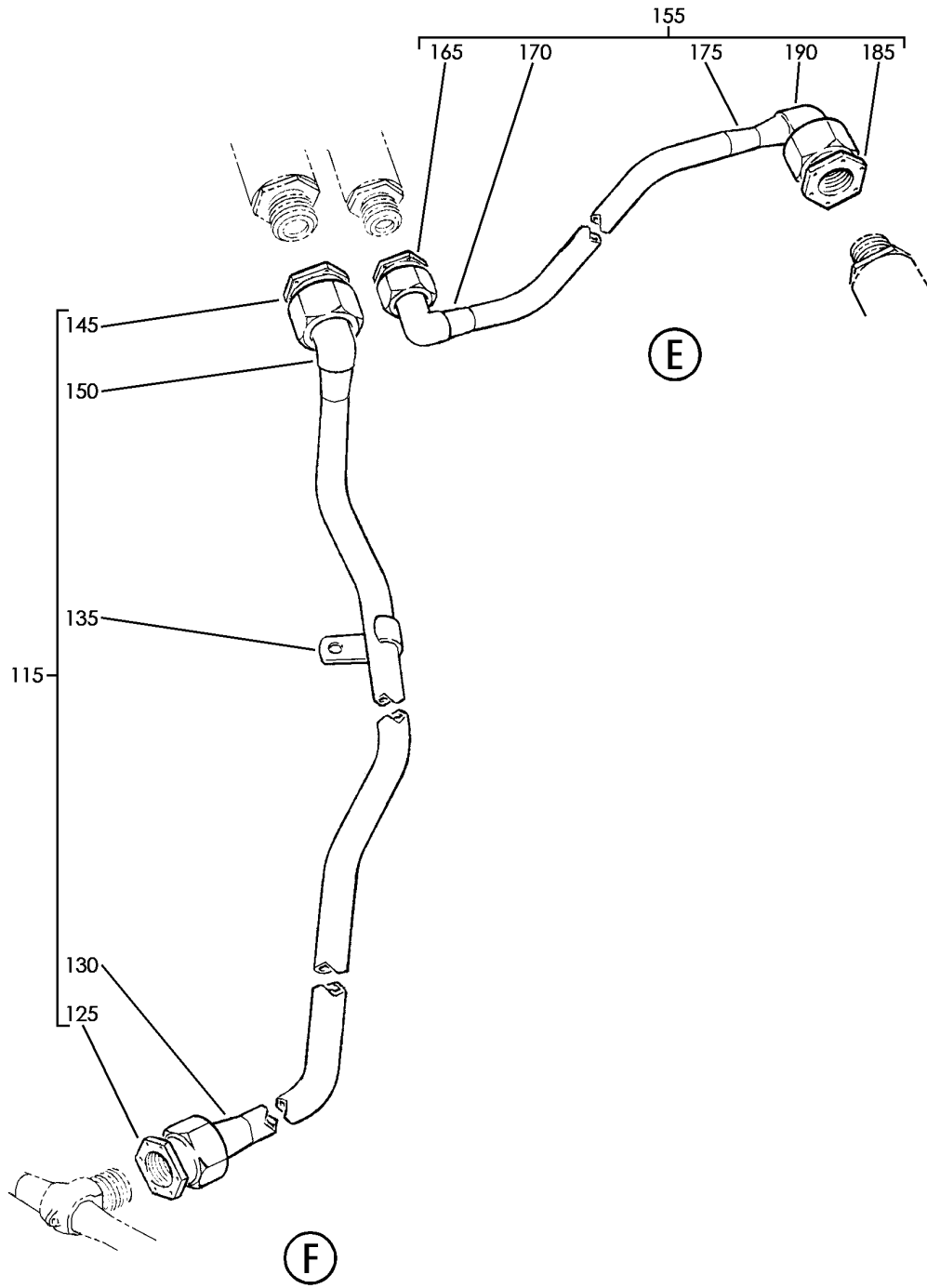
INTEGRATED DRIVE GENERATOR AIR COOLED OIL COOLER AIR CONTROL SOLENOID AND ACTUATOR (RB211-535)
FIGURE 2 (SHEET 2)

BRI
MAY 28/07

24-11-04-02

24-11-04-02
PAGE 0A

BOEING
757
PARTS CATALOG (MAINTENANCE)



Y 24110402 SHT 3 REV 222

INTEGRATED DRIVE GENERATOR AIR COOLED OIL COOLER AIR CONTROL SOLENOID AND ACTUATOR (RB211-535)
FIGURE 2 (SHEET 3)

BRI
MAY 28/07

24-11-04-02

24-11-04-02
PAGE 0B



757

PARTS CATALOG (MAINTENANCE)

FIG ITEM	PART NUMBER	1 2 3 4 5 6 7	NOMENCLATURE	EFFECT FROM TO	UNITS PER ASSY
2			INTEGRATED DRIVE GENERATOR AIR COOLED OIL COOLER AIR CONTROL SOLENOID AND ACTUATOR (RB211-535)	002004 006999	
- 1	UL19722		ENGINE ASSY-Q.E.C.U. RB211-535E43711 MAXIMUM NEUT SUPPLIER CODE: VK0680 FOR NHA/OTHER SYS DET SEE: 71-00-02-04	107107	RF
- 1	UL20697		ENGINE ASSY-Q.E.C.U. RB211-535E43711 MAXIMUM NEUT WITH GRAVINER FIRE DETECTORS, BAYONET MCD, NON-MODULATED IDG COOLING 40,000 LB THRUST SUPPLIER CODE: VK0680 REFERENCE SERVICE BULLETIN: 71-0058R4 QUALIFIED SB I/W DATA: INTERMIX OF ONE OR SUBSTITUTION OF TWO DIFFERENT CONFIGURATION RB211-535E4-37/() ENGINES FOR RB211-535 E4 BASE ENGINES REFERENCE SERVICE BULLETIN: RB211-72-C547 VK0680 FOR NHA/OTHER SYS DET SEE: 71-00-02-04	121503 904949 952999	RF

MISSING ITEM NUMBERS NOT APPLICABLE

- ITEM NOT ILLUSTRATED

24-11-04-02

24-11-04
FIG. 02
PAGE 1
JAN 20/09

BRI



757

PARTS CATALOG (MAINTENANCE)

FIG ITEM	PART NUMBER	1 2 3 4 5 6 7	NOMENCLATURE	EFFECT FROM TO	UNITS PER ASSY
2 - 1	UL20698		ENGINE ASSY-Q.E.C.U. RB211-535E43712 MAXIMUM NEUT SUPPLIER CODE: VK0680 REFERENCE SERVICE BULLETIN: 71-0058R7 QUALIFIED SB I/W DATA: INTERMIX OF ONE OR SUBSTITUTION OF TWO DIFFERENT CONFIGURATION RB211-535E4-37/() ENGINES FOR RB211-535E4 BASE ENGINES OR DIFFERENT CONFIGURATION RB211-535E4-B-37/() ENGINES FOR RB211-535E4-B BASE ENGINES REFERENCE SERVICE BULLETIN: RB211-72C547 VK0680 RB211-72-8910 VK0680 POST RAPID REVISION: RR92014-183A-RC-E FOR NHA/OTHER SYS DET SEE: 71-00-02-04	002004 006100 102102	RF
- 1	UL20702		ENGINE ASSY-Q.E.C.U. RB211-535E43711 BASIC ENG CONFIGURATION WITH GRAVINER FIRE DETECTORS,BAYONET MCD, NON-MODULATED IDG COOLING 40,100 LB THRUST SUPPLIER CODE: VK0680 FOR NHA/OTHER SYS DET SEE: 71-00-02-10	504903	RF
- 2	UL36209		ENGINE ASSY-Q.E.C.U. RB211-535E43719 MAXIMUM NEUT SUPPLIER CODE: VK0680 FOR NHA/OTHER SYS DET SEE: 71-00-02-04	950951	RF

MISSING ITEM NUMBERS NOT APPLICABLE

- ITEM NOT ILLUSTRATED

24-11-04-02

24-11-04
FIG. 02
PAGE 2
JAN 20/09

BRI



757

PARTS CATALOG (MAINTENANCE)

FIG ITEM	PART NUMBER	1 2 3 4 5 6 7	NOMENCLATURE	EFFECT FROM TO	UNITS PER ASSY
2 -	3 BCREP17101		ENGINE ASSY-Q.E.C.U. RB211-535E43744 BASIC ENG CONFIGURATION, BAYONET MCD AND PHASE 5 COMBUSTOR 40,100 LB THRUST SUPPLIER CODE: VK0680 OVERLENGTH PART NUMBER: RB211-535E4-3744E FOR NHA/OTHER SYS DET SEE: 71-00-02-10	103106	RF
-	3 BCREP17395		ENGINE ASSY-Q.E.C.U. RB211-535E43739 BASIC ENG CONFIGURATION AND PHASE 5 COMBUSTOR 40,100 LB THRUST SUPPLIER CODE: VK0680 OVERLENGTH PART NUMBER: RB211-535E4-37-39E REFERENCE SERVICE BULLETIN: 71-0058R6 QUALIFIED SB I/W DATA: E4 BASE ENGINES FOR NHA/OTHER SYS DET SEE: 71-00-02-10	108120	RF
-	3 UL38163		ENGINE ASSY-Q.E.C.U. RB211-535E43724 BASIC ENG CONFIGURATION, BAYONET MCD, 40,100 LB THRUST SUPPLIER CODE: VK0680 FOR NHA/OTHER SYS DET SEE: 71-00-02-10	101101	RF
-	4 UL30298		.TUBES-IDG ACOC VARIABLE AIRFLOW CONTROL SUPPLIER CODE: VK0680 POST SERVICE BULLETIN: 24-9280PT01 VK0680	002004 006999	RF
	5 AS21407		..BOLT- POST SERVICE BULLETIN: 24-9280PT01 VK0680	002004 006999	1

MISSING ITEM NUMBERS NOT APPLICABLE

- ITEM NOT ILLUSTRATED

BRI

24-11-04-02

24-11-04
FIG. 02
PAGE 3
JAN 20/09



757

PARTS CATALOG (MAINTENANCE)

FIG ITEM	PART NUMBER	1 2 3 4 5 6 7	NOMENCLATURE	EFFECT FROM TO	UNITS PER ASSY
2					
10	K8831		.. WASHER- SUPPLIER CODE: VK0680 POST SERVICE BULLETIN: 24-9280PT01 VK0680	002004 006999	1
15	AS41104		.. NUT- POST SERVICE BULLETIN: 24-9280PT01 VK0680	002004 006999	1
20	400WSS6		.. CLIP- SUPPLIER CODE: V83930 POST SERVICE BULLETIN: 24-9280PT01 VK0680	002004 006999	1
- 28	UL29632		. AIR CONTROL-COOLING INTEGRATED DRIVE GEN SUPPLIER CODE: VK0680 POST SERVICE BULLETIN: 24-9280PT01 VK0680	002004 006999	RF
30	AS20914		.. BOLT- POST SERVICE BULLETIN: 24-9280PT01 VK0680	002004 006999	3
35	AS26094		.. WASHER- POST SERVICE BULLETIN: 24-9280PT01 VK0680	002004 006999	2
40	AS12943		.. WASHER- POST SERVICE BULLETIN: 24-9280PT01 VK0680	101101 103106 108120 950951	3
45	AS20624		.. NUT- POST SERVICE BULLETIN: 24-9280PT01 VK0680	002004 006999	2
50	AC69616		.. VALVE-AIR CONTROL SOLENOID SUPPLIER CODE: VU8976 POST SERVICE BULLETIN: 24-9280PT01 VK0680	101101 103106 108120 950951	1

MISSING ITEM NUMBERS NOT APPLICABLE

- ITEM NOT ILLUSTRATED

BRI

24-11-04-02

24-11-04
FIG. 02
PAGE 4
JAN 20/09



757

PARTS CATALOG (MAINTENANCE)

FIG ITEM	PART NUMBER	1 2 3 4 5 6 7	NOMENCLATURE	EFFECT FROM TO	UNITS PER ASSY
2					
- 52	UL28651		.CONTROL SYSTEM-COOLING INTEGRATED DRIVE GEN SUPPLIER CODE: VK0680 POST SERVICE BULLETIN: 24-9280PT01 VK0680	002004 006999	RF
55	AS26216		..BOLT- POST SERVICE BULLETIN: 24-9280PT01 VK0680	002004 006999	1
58	AS26219		..BOLT- POST SERVICE BULLETIN: 24-9280PT01 VK0680	002004 006999	1
60	K8833		..WASHER- SUPPLIER CODE: VK0680 POST SERVICE BULLETIN: 24-9280PT01 VK0680	002004 006999	2
65	AS20625		..NUT-SELF LOCKING POST SERVICE BULLETIN: 24-9280PT01 VK0680	002004 006999	2
70	UL28650		..YOKE-ADJUSTING- ROD TO RAM SUPPLIER CODE: VK0680 POST SERVICE BULLETIN: 24-9280PT01 VK0680	002004 006999	1
75	LJ32944		..LINK ASSY-FEMALE SUPPLIER CODE: VK0680 POST SERVICE BULLETIN: 24-9280PT01 VK0680	002004 006999	1
80	LK65347		..WASHER-KEY SUPPLIER CODE: VK0680 POST SERVICE BULLETIN: 24-9280PT01 VK0680	002004 006999	2
85	A105GT		..NUT- POST SERVICE BULLETIN: 24-9280PT01 VK0680	002004 006999	2

MISSING ITEM NUMBERS NOT APPLICABLE

- ITEM NOT ILLUSTRATED

BRI

24-11-04-02

24-11-04
FIG. 02
PAGE 5
JAN 20/09



757

PARTS CATALOG (MAINTENANCE)

FIG ITEM	PART NUMBER	1 2 3 4 5 6 7	NOMENCLATURE	EFFECT FROM TO	UNITS PER ASSY
2					
90	UL30211		..ROD-ADJUSTING- INTEGRATED DRIVE GEN COOLING CONTROL SUPPLIER CODE: VK0680 POST SERVICE BULLETIN: 24-9280PT01 VK0680	002004 006999	1
95	AC69610		..RAM-AIR CONTROL ACTUATING SUPPLIER CODE: VU8976 POST SERVICE BULLETIN: 24-9280PT01 VK0680 ATTACHING PARTS	101101 103106 108120 950951	1
100	AS21516		..BOLT- POST SERVICE BULLETIN: 24-9280PT01 VK0680	002004 006999	3
105	AS12944		..WASHER- POST SERVICE BULLETIN: 24-9280PT01 VK0680	101101 103106 108120 950951	3
110	AS20625		..NUT- POST SERVICE BULLETIN: 24-9280PT01 VK0680	002004 006999	3
115	UL29507		-----*----- ..TUBE ASSY-HP3 AIR TO SOLENOID VALVE SUPPLIER CODE: VK0680 POST SERVICE BULLETIN: 24-9280PT01 VK0680	002004 006999	1
155	UL28673		..TUBE ASSY-HP3 AIR SOLENOID VALVE TO ACTUATING RAM SUPPLIER CODE: VK0680 POST SERVICE BULLETIN: 24-9280PT01 VK0680	002004 006999	1
- 180	AS15779		...WIRE-THRUST REFERENCE SERVICE BULLETIN: 24-9280PT01 VK0680	002004 006100 102102 107107 121949 952999	1

MISSING ITEM NUMBERS NOT APPLICABLE

- ITEM NOT ILLUSTRATED

24-11-04-02

24-11-04
FIG. 02
PAGE 6
JAN 20/09

BRI



757

PARTS CATALOG (MAINTENANCE)

FIG ITEM	PART NUMBER	1 2 3 4 5 6 7	NOMENCLATURE	EFFECT FROM TO	UNITS PER ASSY
2 185	AS15703		...NUT-TUBE COUPLING REFERENCE SERVICE BULLETIN: 24-9280PT01 VK0680	002004 006100 102102 107107 121949 952999	1

MISSING ITEM NUMBERS NOT APPLICABLE

- ITEM NOT ILLUSTRATED

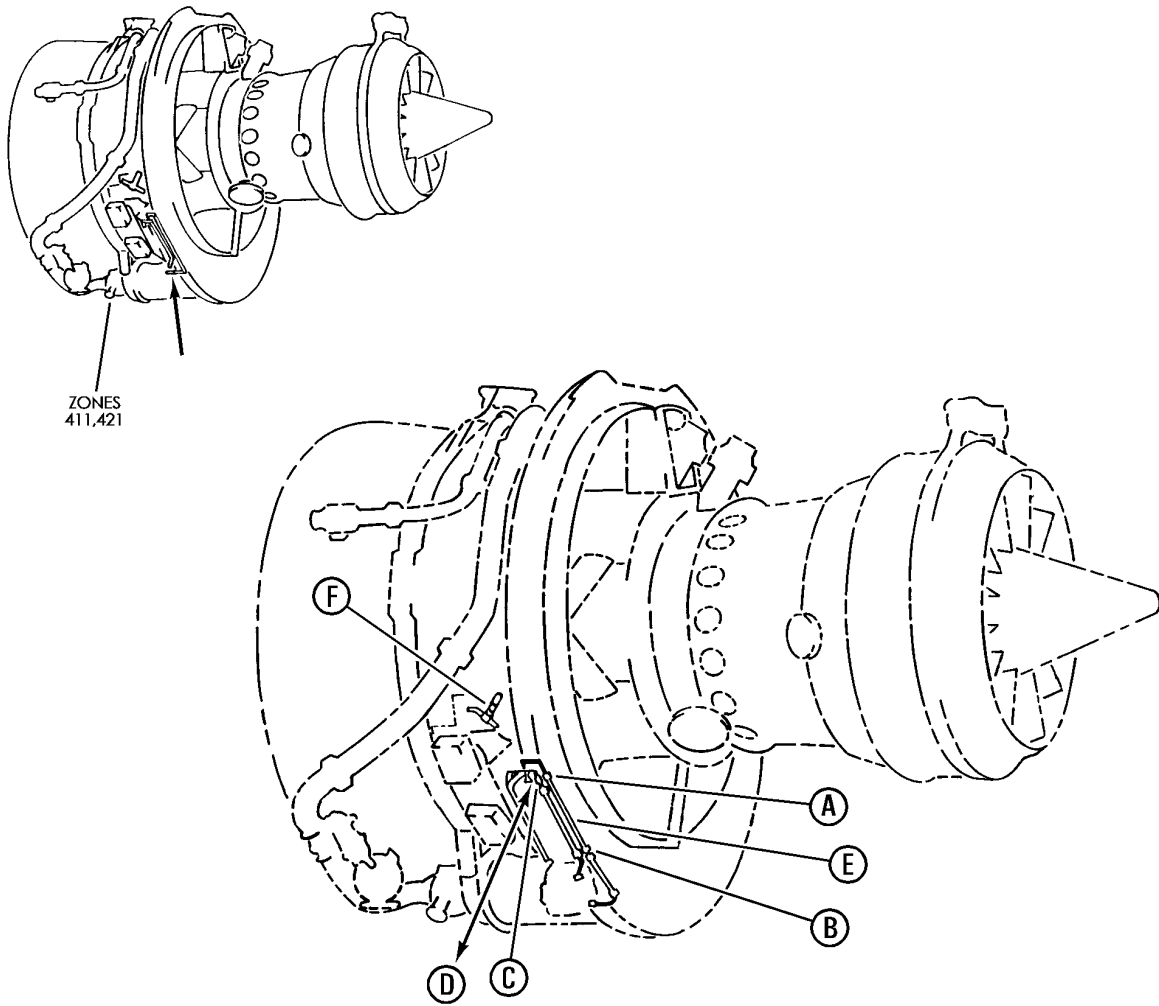
BRI

24-11-04-02

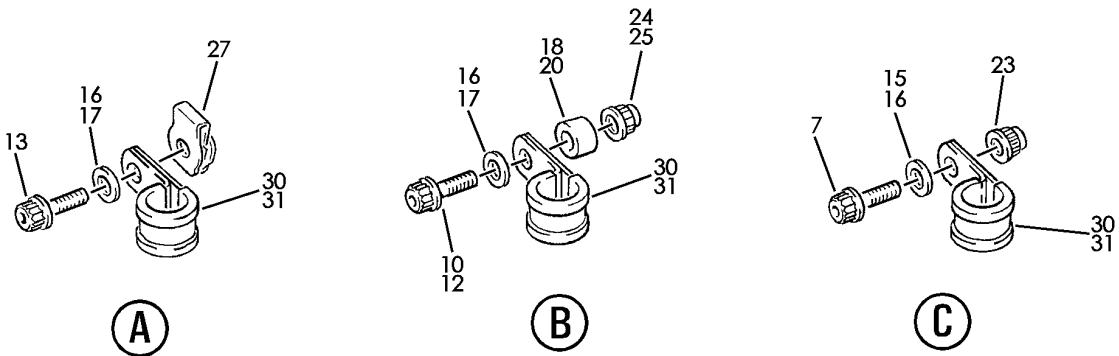
BOEING PROPRIETARY - Copyright © - Unpublished Work - See title page for details.

24-11-04
FIG. 02
PAGE 7
JAN 20/09

BOEING
757
PARTS CATALOG (MAINTENANCE)



Y 24110501 SHT 1 REV 229



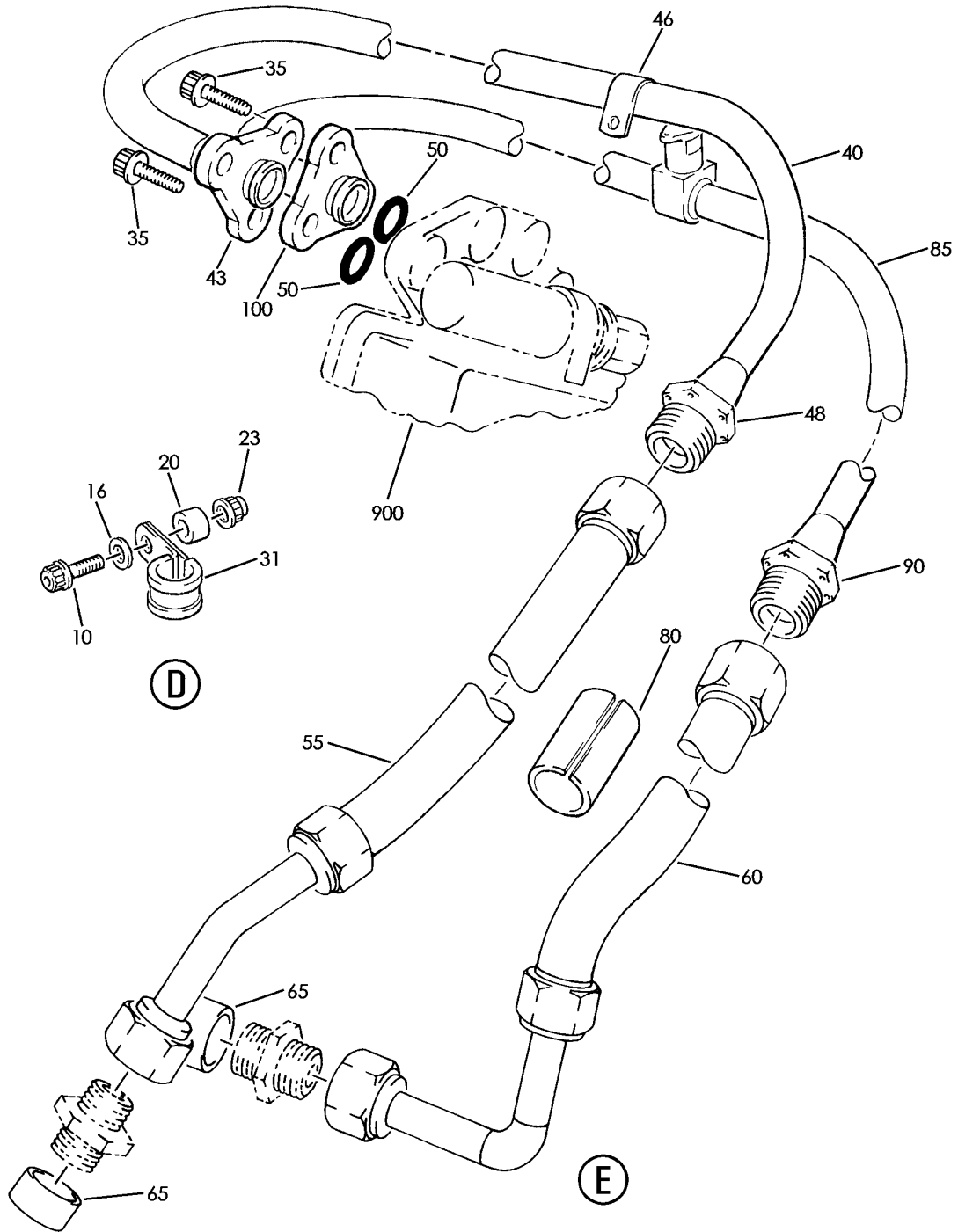
TUBES AND HOSES INTEGRATED DRIVE GENERATOR (RB211-535)
FIGURE 1 (SHEET 1)

24-11-05-01

BRI
MAY 28/07

24-11-05-01
PAGE 0

BOEING
757
PARTS CATALOG (MAINTENANCE)



Y 24110501 SHT 2 REV 229

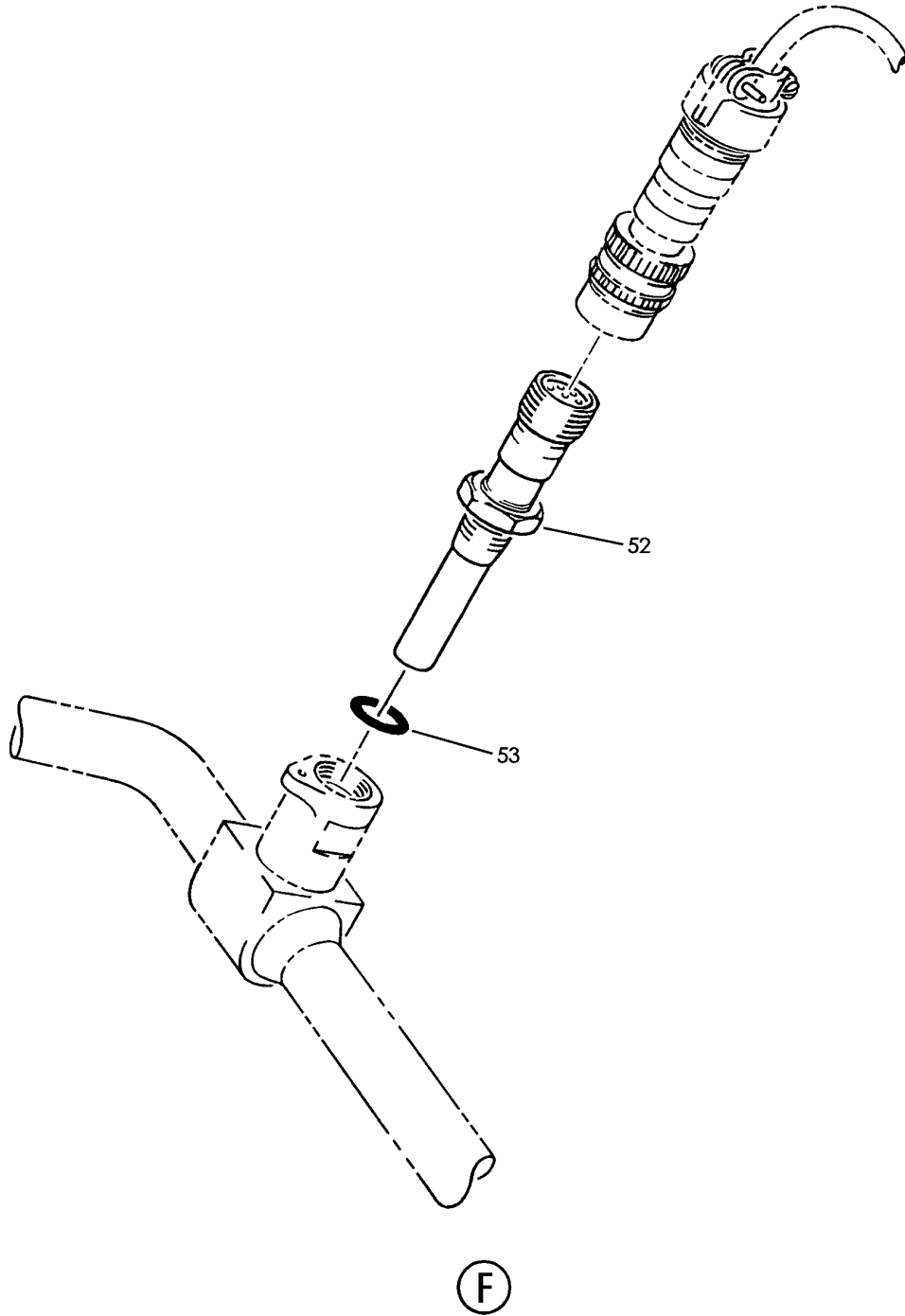
TUBES AND HOSES INTEGRATED DRIVE GENERATER (RB211-535)
FIGURE 1 (SHEET 2)

24-11-05-01

BRI
MAY 28/07

24-11-05-01
PAGE 0A

BOEING
757
PARTS CATALOG (MAINTENANCE)



Y 24110501 SHT 3 REV 229

TUBES AND HOSES INTEGRATED DRIVE GENERATOR (RB211-535)
FIGURE 1 (SHEET 3)

24-11-05-01

BRI
MAY 28/07

24-11-05-01
PAGE 0B

 **BOEING**
757
PARTS CATALOG (MAINTENANCE)

FIG ITEM	PART NUMBER	1 2 3 4 5 6 7	NOMENCLATURE	EFFECT FROM TO	UNITS PER ASSY
1			TUBES AND HOSES	002004	
			INTEGRATED DRIVE	006999	
- 1	UL20697		GENERATER (RB211-535)		
			ENGINE ASSY-Q.E.C.U.	121503	RF
			RB211-535E43711	904949	
			MAXIMUM NEUT	952999	
			WITH GRAVINER FIRE		
			DETECTORS, BAYONET		
			MCD, NON-MODULATED		
			IDG COOLING 40,000 LB		
			THRUST		
			SUPPLIER CODE:		
			VK0680		
			REFERENCE SERVICE BULLETIN:		
			71-0058R4		
			QUALIFIED SB I/W DATA:		
			INTERMIX OF ONE OR		
			SUBSTITUTION OF TWO		
			DIFFERENT CONFIGURATION		
			RB211-535E4-37/()		
			ENGINES FOR RB211-535		
			E4 BASE ENGINES		
			REFERENCE SERVICE BULLETIN:		
			RB211-72-C547		
			VK0680		
			FOR NHA/OTHER SYS DET SEE:		
			71-00-02-04		
- 1	UL20702		ENGINE ASSY-Q.E.C.U.	504903	RF
			RB211-535E43711		
			BASIC ENG CONFIGURATION		
			WITH GRAVINER FIRE		
			DETECTORS, BAYONET MCD,		
			NON-MODULATED IDG		
			COOLING 40,100 LB THRUST		
			SUPPLIER CODE:		
			VK0680		
			FOR NHA/OTHER SYS DET SEE:		
			71-00-02-10		
- 1	UL19722		ENGINE ASSY-Q.E.C.U.	107107	RF
			RB211-535E43711		
			MAXIMUM NEUT		
			SUPPLIER CODE:		
			VK0680		
			FOR NHA/OTHER SYS DET SEE:		
			71-00-02-04		

MISSING ITEM NUMBERS NOT APPLICABLE

- ITEM NOT ILLUSTRATED

BRI

24-11-05-01

BOEING PROPRIETARY - Copyright © - Unpublished Work - See title page for details.

24-11-05
FIG. 01
PAGE 1
JAN 20/09

 **BOEING**
757
PARTS CATALOG (MAINTENANCE)

FIG ITEM	PART NUMBER	1 2 3 4 5 6 7	NOMENCLATURE	EFFECT FROM TO	UNITS PER ASSY
1 -	2 UL20698		ENGINE ASSY-Q.E.C.U. RB211-535E43712 MAXIMUM NEUT SUPPLIER CODE: VK0680 REFERENCE SERVICE BULLETIN: 71-0058R7 QUALIFIED SB I/W DATA: INTERMIX OF ONE OR SUBSTITUTION OF TWO DIFFERENT CONFIGURATION RB211-535E4-37/() ENGINES FOR RB211-535E4 BASE ENGINES OR DIFFERENT CONFIGURATION RB211-535E4-B-37/() ENGINES FOR RB211-535E4-B BASE ENGINES REFERENCE SERVICE BULLETIN: RB211-72C547 VK0680 RB211-72-8910 VK0680 POST RAPID REVISION: RR92014-183A-RC-E FOR NHA/OTHER SYS DET SEE: 71-00-02-04	002004 006100 102102	RF
-	2 UL36209		ENGINE ASSY-Q.E.C.U. RB211-535E43719 MAXIMUM NEUT SUPPLIER CODE: VK0680 FOR NHA/OTHER SYS DET SEE: 71-00-02-04	950951	RF
-	3 BCREP17101		ENGINE ASSY-Q.E.C.U. RB211-535E43744 BASIC ENG CONFIGURATION, BAYONET MCD AND PHASE 5 COMBUSTOR 40,100 LB THRUST SUPPLIER CODE: VK0680 OVERLENGTH PART NUMBER: RB211-535E4-3744E FOR NHA/OTHER SYS DET SEE: 71-00-02-10	103106	RF

MISSING ITEM NUMBERS NOT APPLICABLE

- ITEM NOT ILLUSTRATED

BRI

24-11-05-01

BOEING PROPRIETARY - Copyright © - Unpublished Work - See title page for details.

24-11-05
FIG. 01
PAGE 2
JAN 20/09



757

PARTS CATALOG (MAINTENANCE)

FIG ITEM	PART NUMBER	1 2 3 4 5 6 7	NOMENCLATURE	EFFECT FROM TO	UNITS PER ASSY
1					
- 3	BCREF17395		ENGINE ASSY-Q.E.C.U. RB211-535E43739 BASIC ENG CONFIGURATION AND PHASE 5 COMBUSTOR 40,100 LB THRUST SUPPLIER CODE: VK0680 OVERLENGTH PART NUMBER: RB211-535E4-37-39E FOR NHA/OTHER SYS DET SEE: 71-00-02-10	108120	RF
- 3	UL38163		ENGINE ASSY-Q.E.C.U. RB211-535E43724 BASIC ENG CONFIGURATION, BAYONET MCD, 40,100 LB THRUST SUPPLIER CODE: VK0680 FOR NHA/OTHER SYS DET SEE: 71-00-02-10	101101	RF
- 4	UL30363		. FITTINGS-IDG SUPPLIER CODE: VK0680 POST SERVICE BULLETIN: 24-9280PT01 VK0680	101101 103106 108120 950951	RF
- 4	UL29632		. AIR CONTROL- SUPPLIER CODE: VK0680 POST SERVICE BULLETIN: 24-9280PT01 VK0680	002004 006999	RF
7	AS21408		.. BOLT-	002004 006100 102102 107107 121949 952999	1
10	AS21411		.. BOLT-	002004 006100 102102 107107 121949 952999	1
12	AS21412		.. BOLT- POST SERVICE BULLETIN: 24-9280PT01 VK0680	002004 006999	1

MISSING ITEM NUMBERS NOT APPLICABLE

- ITEM NOT ILLUSTRATED

24-11-05-01

24-11-05
FIG. 01
PAGE 3
JAN 20/09

BRI



757

PARTS CATALOG (MAINTENANCE)

FIG ITEM	PART NUMBER	1 2 3 4 5 6 7	NOMENCLATURE	EFFECT FROM TO	UNITS PER ASSY
1					
13	AS21407	..	BOLT	002004 006999	1
15	K8831	..	WASHER- SUPPLIER CODE: VK0680	002004 006100 102102 107107 121949 952999	1
16	K8831	..	WASHER-.190 DIA SUPPLIER CODE: VK0680 POST SERVICE BULLETIN: 24-9280PT01 VK0680	101101 103106 108120 950951	3
17	K8831	..	WASHER- SUPPLIER CODE: VK0680	002004 006100 102102 107107 121949 952999	2
18	UP10478	..	SPACER- SUPPLIER CODE: VK0680	002004 006100 102102 107107 121949 952999	1
20	UP10478	..	SPACER- SUPPLIER CODE: VK0680 POST SERVICE BULLETIN: 24-9280PT01 VK0680	101101 103106 108120 950951	2
23	AS20624	..	NUT-SELF LOCKING	002004 006100 102102 107107 121949 952999	1
24	AS20624	..	NUT-SELF LOCKING POST SERVICE BULLETIN: 24-9280PT01 VK0680	101101 103106 108120 950951	2
25	AS20624	..	NUT-SELF LOCKING	002004 006100 102102 107107 121949 952999	1

MISSING ITEM NUMBERS NOT APPLICABLE

- ITEM NOT ILLUSTRATED

BRI

24-11-05-01

24-11-05
FIG. 01
PAGE 4
JAN 20/09



757

PARTS CATALOG (MAINTENANCE)

FIG ITEM	PART NUMBER	1 2 3 4 5 6 7	NOMENCLATURE	EFFECT FROM TO	UNITS PER ASSY
1					
27	AS41104	..	NUT-SELF LOCKING	002004 006999	1
30	400WSS12	..	CLIP- SUPPLIER CODE: V83930	002004 006100 102102 107107 121949 952999	3
31	400WSS12	..	CLIP- SUPPLIER CODE: V83930 POST SERVICE BULLETIN: 24-9280PT01 VK0680	101101 103106 108120 950951	3
35	AS21516	..	BOLT	002004 006999	6
40	LK86028	..	TUBE ASSY-INTEGRATED DRIVE GEN OIL FEED DISC. TO INTEGRATED DRIVE GEN COOLER SUPPLIER CODE: VK0680	002004 006100 102102 107107 121949 952999	1
40	UL28891	..	TUBE ASSY-INTEGRATED DRIVE GEN OIL FEED DISC. TO INTEGRATED DRIVE GEN COOLER SUPPLIER CODE: VK0680 POST SERVICE BULLETIN: 24-9280PT01 VK0680	101101 103106 108120 950951	1
50	KB27116	..	SEAL-RING SUPPLIER CODE: VK0680	002004 006999	2
52	150T460-1	..	SWITCH-THERMAL AIR CONTROL SUPPLIER CODE: V09049 POST SERVICE BULLETIN: 24-9280PT01 VK0680	002004 006999	1
53	AS43003-905	..	RING-SEALING TOROIDAL POST SERVICE BULLETIN: 24-9280PT01 VK0680	002004 006999	1

MISSING ITEM NUMBERS NOT APPLICABLE

- ITEM NOT ILLUSTRATED

BRI

24-11-05-01

24-11-05
FIG. 01
PAGE 5
JAN 20/09



757

PARTS CATALOG (MAINTENANCE)

FIG ITEM	PART NUMBER	1 2 3 4 5 6 7	NOMENCLATURE	EFFECT FROM TO	UNITS PER ASSY
1					
55	LK80798		..HOSE ASSY-OIL FEED METAL INTEGRATED DRIVE GEN UNIT TO INTEGRATED DRIVE GEN COOLER SUPPLIER CODE: VK0680 PRE SERVICE BULLETIN: 24-7835 VK0680	107107 121949 952999	1
55	AE705979-1		..HOSE ASSY-OIL FEED METAL INTEGRATED DRIVE GEN UNIT TO INTEGRATED DRIVE GEN COOLER SUPPLIER CODE: VU2569 OPTIONAL PART: 107122 V78570 POST SERVICE BULLETIN: 24-7835PTA VK0680	002004 006999	1
55	107122		..HOSE ASSY-OIL FEED METAL INTEGRATED DRIVE GEN UNIT TO INTEGRATED DRIVE GEN COOLER SUPPLIER CODE: V78570 OPTIONAL PART: AE705979-1 VU2569 POST SERVICE BULLETIN: 24-7835PTA VK0680	002004 006999	1
60	LK80797		..HOSE ASSY-OIL RETURN META INTEGRATED DRIVE GEN COOLER TO INTEGRATED DRIVE GEN UNIT SUPPLIER CODE: VK0680 PRE SERVICE BULLETIN: 24-7835 VK0680	107107 121949 952999	1

MISSING ITEM NUMBERS NOT APPLICABLE

- ITEM NOT ILLUSTRATED

24-11-05-01

24-11-05
FIG. 01
PAGE 6
JAN 20/09

BRI



757

PARTS CATALOG (MAINTENANCE)

FIG ITEM	PART NUMBER	1 2 3 4 5 6 7	NOMENCLATURE	EFFECT FROM TO	UNITS PER ASSY
1 60	AE705978-1		..HOSE ASSY-OIL RETURN METAL SUPPLIER CODE: VU2569 OPTIONAL PART: 107121 V78570 POST SERVICE BULLETIN: 24-7835PTA VK0680	002004 006999	1
60	107121		..HOSE ASSY-OIL RETURN PTFE FLEX METAL SUPPLIER CODE: V78570 OPTIONAL PART: AE705978-1 VU2569 POST SERVICE BULLETIN: 24-7835PTA VK0680	002004 006999	1
65	LK78528		..CAP-HOSE PROTECTIVE OIL RETURN TRANSPORTATION ONLY SUPPLIER CODE: VK0680	002004 006999	2
80	UL17697		..PATCH-FIRESLEEVE SUPPLIER CODE: VK0680	103106	1
85	UL16537		..TUBE ASSY-INTEGRATED DRIV GEN OIL RETURN DISC TO INTEGRATED DRIVE GEN COOLER SUPPLIER CODE: VK0680	002004 006100 102102 107107 121949 952999	1
85	UL28670		..TUBE ASSY-INTEGRATED DRIVE GEN OIL RETURN DISC TO INTEGRATED DRIVE GEN COOLER SUPPLIER CODE: VK0680 POST SERVICE BULLETIN: 24-9280PT01 VK0680	101101 103106 108120 950951	1
900			ILLUSTRATION REFERENCE: COOLER-AIR COOLED OIL (RB211-535) 24-11-04-01	002004 006999	RF

MISSING ITEM NUMBERS NOT APPLICABLE

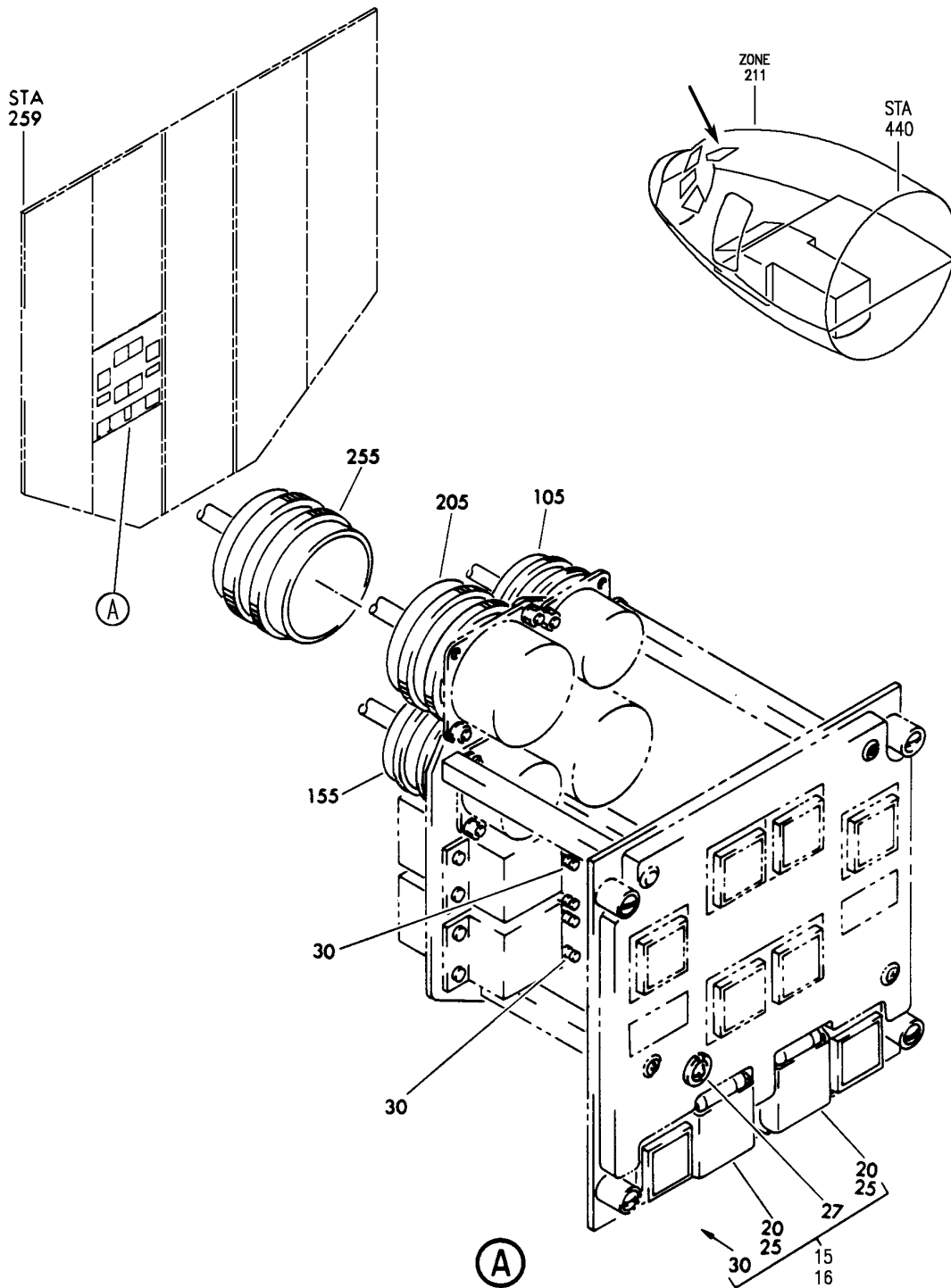
- ITEM NOT ILLUSTRATED

24-11-05-01

24-11-05
FIG. 01
PAGE 7
JAN 20/09

BRI

BOEING
757
PARTS CATALOG (MAINTENANCE)



Y 24115201 REV 323

PANEL INSTL-P5 OVHD (GENERATOR DRIVE SYSTEM ONLY)
FIGURE 1

24-11-52-01

BRI
MAY 20/08

24-11-52-01
PAGE 0



757

PARTS CATALOG (MAINTENANCE)

FIG ITEM	PART NUMBER	1 2 3 4 5 6 7	NOMENCLATURE	EFFECT FROM TO	UNITS PER ASSY
1			PANEL INSTL-P5 OVHD (GENERATOR DRIVE SYSTEM ONLY)	002004 006010 107107 121503 904999	
- 5	233N3101-1		PANEL INSTL-P5 OVHD (GENERATOR DRIVE SYSTEM ONLY) VARIABLE DRAWING REF: 233N3101-5005 233N3101-5025 233N3101-5041 233N3101-5042 233N3101-5045 FOR NHA/OTHER SYS DET SEE: 25-10-00-05A	002004 006010 107107 121503 904999	RF
15	233N3209-27		.PANEL ASSY-ELECTRICAL SYS SUPPLIER CODE: V89954 ELECTRICAL EQUIP NUMBER: M10063 COMPONENT MAINT MANUAL REF: 24-22-71 QUALIFIED I/W DATA: 233N3209-12, -18, -20, -22, -25, -26, -27 ARE ALL INTERCHANGEABLE EXCEPT SUBJECT TO CUSTOMER PREFERENCE	121503 904949	RF
15	233N3209-18		.PANEL ASSY-ELECTRICAL SYS SUPPLIER CODE: V89954 ELECTRICAL EQUIP NUMBER: M10063 COMPONENT MAINT MANUAL REF: 24-22-71 QUALIFIED I/W DATA: 233N3209-12 -18 -20 -22 -25 -26 -27 ARE ALL INTERCHANGEABLE EXCEPT SUBJECT TO CUSTOMER PREFERENCE OPTIONAL PART: 233N3209-22 V89954 PRE ALERT SB: 33A0044	107107	RF

MISSING ITEM NUMBERS NOT APPLICABLE

- ITEM NOT ILLUSTRATED

24-11-52-01

24-11-52
FIG. 01
PAGE 1
JAN 20/09

BRI



757

PARTS CATALOG (MAINTENANCE)

FIG ITEM	PART NUMBER	1 2 3 4 5 6 7	NOMENCLATURE	EFFECT FROM TO	UNITS PER ASSY
1 15	233N3209-22		.PANEL ASSY-ELECTRICAL SYS SUPPLIER CODE: V89954 ELECTRICAL EQUIP NUMBER: M10063 COMPONENT MAINT MANUAL REF: 24-22-71 QUALIFIED I/W DATA: 233N3209-12, -18, -20, -22, -25, -26, -27 ARE ALL INTERCHANGEABLE EXCEPT SUBJECT TO CUSTOMER PREFERENCCE 233N3209-12, -18, -20, -22, -25, -26, -27 ARE ALL INTERCHANGEABLE EXCEPT SUBJECT TO CUSTOMER PREFERENCE OPTIONAL PART: 233N3209-18 V89954 PRE ALERT SB: 33A0044	107107	RF
15	233N3209-25		.PANEL ASSY-ELECTRICAL SYS SUPPLIER CODE: V89954 ELECTRICAL EQUIP NUMBER: M10063 COMPONENT MAINT MANUAL REF: 24-22-71 QUALIFIED I/W DATA: 233N3209-12 -18 -20 -22 -25 -26 -27 ARE ALL INTERCHANGEABLE EXCEPT SUBJECT TO CUST PREFERENCE 233N3209-300 PANEL ASSY IS I/W 233N3209-25 PANEL ASSY T/W S233T100-6004 LIGHTPLATE PRE ALERT SB: 33A0044	002004 006010 950999	RF

MISSING ITEM NUMBERS NOT APPLICABLE

- ITEM NOT ILLUSTRATED

BRI

24-11-52-01

BOEING PROPRIETARY - Copyright © - Unpublished Work - See title page for details.

24-11-52
FIG. 01
PAGE 2
JAN 20/09



757

PARTS CATALOG (MAINTENANCE)

FIG ITEM	PART NUMBER	1 2 3 4 5 6 7	NOMENCLATURE	EFFECT FROM TO	UNITS PER ASSY
1					
15	233N3209-1025		.PANEL ASSY- SUPPLIER CODE: V89954 ELECTRICAL EQUIP NUMBER: M10063 COMPONENT MAINT MANUAL REF: 24-22-71 POST ALERT SB: 33A0044	002004 006010 950999	RF
16	233N3209-1018		.PANEL ASSY-ELECTRICAL SYS SUPPLIER CODE: V89954 ELECTRICAL EQUIP NUMBER: M10063 COMPONENT MAINT MANUAL REF: 24-22-71 POST ALERT SB: 33A0044	107107	RF
16	233N3209-1022		.PANEL ASSY-ELECTRICAL SYS SUPPLIER CODE: V89954 ELECTRICAL EQUIP NUMBER: M10063 COMPONENT MAINT MANUAL REF: 24-22-71 POST ALERT SB: 33A0044	107107	RF
20	851-30768-812		..GUARD-SWITCH SUPPLIER CODE: V96182 SPECIFICATION NUMBER: S231T290-812	002004 006010 107107 121503 904999	2
20	433-100-003		..GUARD-SWITCH SUPPLIER CODE: V81590 SPECIFICATION NUMBER: S231T290-822	002004 006010 107107 121503 904999	2

MISSING ITEM NUMBERS NOT APPLICABLE

- ITEM NOT ILLUSTRATED

BRI

24-11-52-01

BOEING PROPRIETARY - Copyright © - Unpublished Work - See title page for details.

24-11-52
FIG. 01
PAGE 3
JAN 20/09



757

PARTS CATALOG (MAINTENANCE)

FIG ITEM	PART NUMBER	1 2 3 4 5 6 7	NOMENCLATURE	EFFECT FROM TO	UNITS PER ASSY
1 25	BCREF7603		<p>..SWITCH ASSY-LIGHTED PUSH BUTTON IND DRIVE SUPPLIER CODE: V81590 OVERLENGTH PART NUMBER: 433-673-1001-1007 SPECIFICATION NUMBER: S231T290-1007 MISCELLANEOUS DATA: WHEN REPLACING THE PUSHBUTTON SWITCH ASSY OR THE MASTER MODULE WITHIN, VERIFY THAT A CONFIG D MASTER MODULE P/N 13202-001 IS INSTALLED IN LIEU OF ANY EARLIER CONFIGURATION MASTER MODULES. REFERENCE SERVICE BULLETIN: 33A0044 REWORKED BY SB: 433-33-05 V81590 FOR DETAILS SEE: 33-13-00-15</p>	107107	2

MISSING ITEM NUMBERS NOT APPLICABLE

- ITEM NOT ILLUSTRATED

BRI

24-11-52-01

BOEING PROPRIETARY - Copyright © - Unpublished Work - See title page for details.

24-11-52
FIG. 01
PAGE 4
JAN 20/09



757

PARTS CATALOG (MAINTENANCE)

FIG ITEM	PART NUMBER	1 2 3 4 5 6 7	NOMENCLATURE	EFFECT FROM TO	UNITS PER ASSY
1 25	BCREFA0502		.. SWITCH ASSY-LIGHTED PUSH BUTTON IND DRIVE SUPPLIER CODE: V81590 OVERLENGTH PART NUMBER: 433-673-1004-4007 SPECIFICATION NUMBER: S231T290-4007 MISCELLANEOUS DATA: WHEN REPLACING THE PUSHBUTTON SWITCH ASSY OR THE MASTER MODULE WITHIN, VERIFY THAT A CONFIG D MASTER MODULE P/N 13202-001 IS INSTALLED IN LIEU OF ANY EARLIER CONFIGURATION MASTER MODULES. OPTIONAL PART: 851-35100-5007 V96182 REFERENCE SERVICE BULLETIN: 33A0044 REWORKED BY SB: 433-33-05 V81590 FOR DETAILS SEE: 33-13-00-45	002004 006010 107107 121503 904999	2
25	851-35100-5007		.. SWITCH ASSY-LIGHTED PUSHBUTTON IND DRIVE SUPPLIER CODE: V96182 OPTIONAL PART: BCREFA0502 V81590	002004 006010 950999	2

MISSING ITEM NUMBERS NOT APPLICABLE

- ITEM NOT ILLUSTRATED

BRI

24-11-52-01

BOEING PROPRIETARY - Copyright © - Unpublished Work - See title page for details.

24-11-52
 FIG. 01
 PAGE 5
 JAN 20/09



757

PARTS CATALOG (MAINTENANCE)

FIG ITEM	PART NUMBER	1 2 3 4 5 6 7	NOMENCLATURE	EFFECT FROM TO	UNITS PER ASSY
1 25	851-30768-2007		..SWITCH ASSY-LIGHTED PUSH BUTTON IND DRIVE SUPPLIER CODE: V96182 SPECIFICATION NUMBER: S231T290-2007 QUALIFIED I/W DATA: 851-30768-2007 TOGETHER WITH 851-30768-802 OR -812 OR 433-100-003 SWITCHGUARD I/W BCREF7603 OR 851-30768-3007 BCREFA0502 S231T290-5007 TOGETHER WITH 433-100-003 SWITCHGUARD FOR DETAILS SEE: 33-13-00-25	107107	2
25	851-30768-3007		..SWITCH ASSY-LIGHTED PUSH BUTTON IND DRIVE SUPPLIER CODE: V96182 SPECIFICATION NUMBER: S231T290-3007 QUALIFIED I/W DATA: 851-30768-2007 TOGETHER WITH 851-30768-802 OR -812 OR 433-100-003 SWITCHGUARD I/W BCREF7603 OR 851-30768-3007 TOGETHER WITH 433-100-003 SWITCHGUARD OPTIONAL PART: S231T290-5007 FOR DETAILS SEE: 33-13-00-35	107107 121503 904949	2

MISSING ITEM NUMBERS NOT APPLICABLE

- ITEM NOT ILLUSTRATED

BRI

24-11-52-01

BOEING PROPRIETARY - Copyright © - Unpublished Work - See title page for details.

24-11-52
FIG. 01
PAGE 6
JAN 20/09



757

PARTS CATALOG (MAINTENANCE)

FIG ITEM	PART NUMBER	1 2 3 4 5 6 7	NOMENCLATURE	EFFECT FROM TO	UNITS PER ASSY
1	25 S231T290-5007		..SWITCH ASSY-LIGHTED PUSH BUTTON IND DRIVE QUALIFIED I/W DATA: 851-30768-2007 TOGETHER WITH 851-30768-802 -812 OR 433-200-003 SWITCHGUARD I/W BCREF7603 851-30768-3007 BCREFA0502 OR S231T290-5007 TOGETHER WITH 433-100-003 SWITCHGUARD OPTIONAL PART: 851-30768-3007 V96182	002004 006010 107107 121503 904999	2
	25 4336731004-4207		..SWITCH ASSY-LIGHTED PUSH BUTTON IND (DRIVE) SUPPLIER CODE: V81590	002004 006010 107107 121503 904999	2
	27 800000121-1		..CONNECTOR- SUPPLIER CODE: V05617	002004 006010 107107 121503 904999	1
	30 4443B9		..TERMINAL- SUPPLIER CODE: V88245	002004 006010 107107 121503 904999	4
- 100	286N2078-003		WIRE BUNDLE ASSY-	121503 904949	RF
- 100	286N2078-004		WIRE BUNDLE ASSY	107107	RF
- 100	286N2078-005		WIRE BUNDLE ASSY-	002004 006010 950999	RF
	105 BACC45FT16A10S		.CONNECTOR- ELECTRICAL EQUIP NUMBER: D03504 WIRING DIAGRAM REF: 241121	002004 006010 107107 121503 904999	1
- 150	286N2066-006		WIRE BUNDLE ASSY-	121503 904949	RF
- 150	286N2066-007		WIRE BUNDLE ASSY	107107	RF
- 150	286N2066-008		WIRE BUNDLE ASSY-	002004 006010 950999	RF

MISSING ITEM NUMBERS NOT APPLICABLE

- ITEM NOT ILLUSTRATED

24-11-52-01

24-11-52
FIG. 01
PAGE 7
JAN 20/09

BRI



**757
PARTS CATALOG (MAINTENANCE)**

FIG ITEM	PART NUMBER	1 2 3 4 5 6 7	NOMENCLATURE	EFFECT FROM TO	UNITS PER ASSY
1					
155	BACC45FT22A55S6		.CONNECTOR- ELECTRICAL EQUIP NUMBER: D03500 WIRING DIAGRAM REF: 245171	002004 006010 107107 121503 904999	1
- 200	286N2070-003		WIRE BUNDLE ASSY	121503 904949	RF
- 200	286N2070-004		WIRE BUNDLE ASSY	107107	RF
- 200	286N2070-005		WIRE BUNDLE ASSY-	002004 006010 950999	RF
205	BACC45FT22A55S7		.CONNECTOR- ELECTRICAL EQUIP NUMBER: D03502 WIRING DIAGRAM REF: 242222	002004 006010 107107 121503 904999	1
- 250	286N2080-003		WIRE BUNDLE ASSY	121503 904949	RF
- 250	286N2080-004		WIRE BUNDLE ASSY	107107	RF
- 250	286N2080-005		WIRE BUNDLE ASSY	002004 006010 950999	RF
255	BACC45FT16A24S6		.CONNECTOR- ELECTRICAL EQUIP NUMBER: D03506 WIRING DIAGRAM REF: 334421	002004 006010 107107 121503 904999	1

MISSING ITEM NUMBERS NOT APPLICABLE

- ITEM NOT ILLUSTRATED

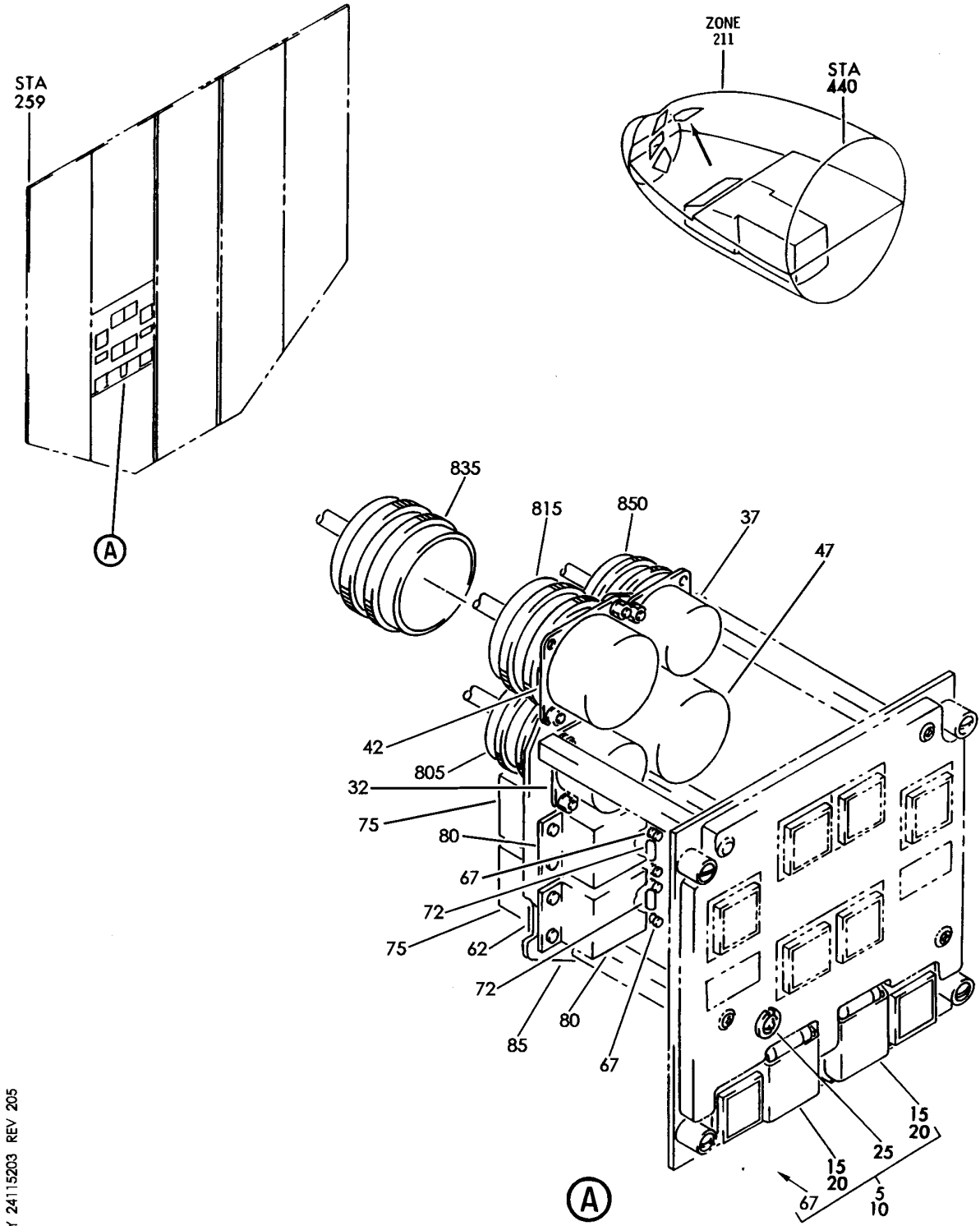
BRI

24-11-52-01

BOEING PROPRIETARY - Copyright © - Unpublished Work - See title page for details.

24-11-52
FIG. 01
PAGE 8
JAN 20/09

BOEING
757
PARTS CATALOG (MAINTENANCE)



Y 24115203 REV 205

PANEL INSTL-P5 OVHD (GENERATOR DRIVE SYSTEM ONLY) (RB211-535)
FIGURE 3

24-11-52-03

BRI
MAY 28/07

24-11-52-03
PAGE 0



757

PARTS CATALOG (MAINTENANCE)

FIG ITEM	PART NUMBER	1 2 3 4 5 6 7	NOMENCLATURE	EFFECT FROM TO	UNITS PER ASSY
3			PANEL INSTL-P5 OVHD (GENERATOR DRIVE SYSTEM ONLY) (RB211-535)	011100	
- 1	233N3101-1		PANEL INSTL-P5 OVHD (GENERATOR DRIVE SYSTEM ONLY) VARIABLE DRAWING REF: 233N3101-5142 FOR NHA/OTHER SYS DET SEE: 25-10-00-05A	011100	RF
5	233N3209-300		.PANEL ASSY-ELECTRICAL SYS SUPPLIER CODE: V89954 QUALIFIED I/W DATA: 233N3209-300 PANEL ASSY IS I/W 233N3209-25 PANEL ASSY T/W S233T100-6004 LIGHTPLATE PRE ALERT SB: 33A0044	011100	RF
5	233N3209-305		.PANEL ASSY-ELECTRICAL SYS SUPPLIER CODE: V89954 COMPONENT MAINT MANUAL REF: 24-22-71 PRE ALERT SB: 33A0044	011100	RF
5	233N3209-1300		.PANEL ASSY-ELECTRICAL SYS SUPPLIER CODE: V89954 POST ALERT SB: 33A0044	011100	RF
5	233N3209-1305		.PANEL ASSY-ELECTRICAL SYS SUPPLIER CODE: V89954 COMPONENT MAINT MANUAL REF: 24-22-71 POST ALERT SB: 33A0044	011100	RF

MISSING ITEM NUMBERS NOT APPLICABLE

- ITEM NOT ILLUSTRATED

BRI

24-11-52-03

24-11-52
FIG. 03
PAGE 1
JAN 20/09



757

PARTS CATALOG (MAINTENANCE)

FIG ITEM	PART NUMBER	1 2 3 4 5 6 7	NOMENCLATURE	EFFECT FROM TO	UNITS PER ASSY
3 10	233N3209-25		..PANEL ASSY- ELECTRICAL SYS SUPPLIER CODE: V89954 ELECTRICAL EQUIP NUMBER: M10063 COMPONENT MAINT MANUAL REF: 24-22-71 QUALIFIED I/W DATA: 233N3209-300 PANEL ASSY IS I/W 233N3209-25 PANEL ASSY T/W S233T100-6004 LIGHTPLATE USED ON: 233N3209-300 PRE ALERT SB: 33A0044	011100	1
10	233N3209-41		..PANEL ASSY- ELECTRICAL SYS SUPPLIER CODE: V89954 MISCELLANEOUS DATA: FOR SPARES PROCURE THE NEXT HIGHER ASSY ELECTRICAL EQUIP NUMBER: M10063 COMPONENT MAINT MANUAL REF: 24-22-71 USED ON: 233N3209-305 PRE ALERT SB: 33A0044	011100	1
10	233N3209-1025		..PANEL ASSY- ELECTRICAL SYS SUPPLIER CODE: V89954 ELECTRICAL EQUIP NUMBER: M10063 COMPONENT MAINT MANUAL REF: 24-22-71 POST ALERT SB: 33A0044	011100	1

MISSING ITEM NUMBERS NOT APPLICABLE

- ITEM NOT ILLUSTRATED

24-11-52-03

24-11-52
FIG. 03
PAGE 2
JAN 20/09

BRI



757

PARTS CATALOG (MAINTENANCE)

FIG ITEM	PART NUMBER	1 2 3 4 5 6 7	NOMENCLATURE	EFFECT FROM TO	UNITS PER ASSY
3	10 233N3209-1041	..	PANEL ASSY- ELECTRICAL SYS SUPPLIER CODE: V89954 ELECTRICAL EQUIP NUMBER: M10063 COMPONENT MAINT MANUAL REF: 24-22-71 POST ALERT SB: 33A0044	011100	1
	10 233N3209-50	..	PANEL ASSY- SUPPLIER CODE: V89954 ELECTRICAL EQUIP NUMBER: M10063 COMPONENT MAINT MANUAL REF: 24-22-71	011100	1
	10 233N3209-51	..	PANEL ASSY- SUPPLIER CODE: V89954 ELECTRICAL EQUIP NUMBER: M10063 COMPONENT MAINT MANUAL REF: 24-22-71	011100	1
	15 851-30768-812	...	GUARD-SWITCH SUPPLIER CODE: V96182 SPECIFICATION NUMBER: S231T290-812	011100	2
	15 433-100-003	...	GUARD-SWITCH SUPPLIER CODE: V81590 SPECIFICATION NUMBER: S231T290-822	011100	2

MISSING ITEM NUMBERS NOT APPLICABLE

- ITEM NOT ILLUSTRATED

24-11-52-03

24-11-52
FIG. 03
PAGE 3
JAN 20/09

BRI

BOEING PROPRIETARY - Copyright © - Unpublished Work - See title page for details.



757

PARTS CATALOG (MAINTENANCE)

FIG ITEM	PART NUMBER	1 2 3 4 5 6 7	NOMENCLATURE	EFFECT FROM TO	UNITS PER ASSY
3 20	BCREFA0502		...SWITCH ASSY-LIGHTED PUSH BUTTON IND (DRIVE) SUPPLIER CODE: V81590 OVERLENGTH PART NUMBER: 433-673-1004-4007 SPECIFICATION NUMBER: S231T290-4007 MISCELLANEOUS DATA: WHEN REPLACING THE PUSHBUTTON SWITCH ASSY OR THE MASTER MODULE WITHIN, VERIFY THAT A CONFIG D MASTER MODULE P/N 13202-001 IS INSTALLED IN LIEU OF ANY EARLIER CONFIGURATION MASTER MODULES. OPTIONAL PART: 851-35100-5007 V96182 USED ON: 233N3209-25 233N3209-26 233N3209-28 233N3209-41 233N3209-1025 233N3209-1026 233N3209-1028 233N3209-1041 233N6252-10 REFERENCE SERVICE BULLETIN: 33A0044 REWORKED BY SB: 433-33-05 V81590 FOR DETAILS SEE: 33-13-00-45	011100	2

MISSING ITEM NUMBERS NOT APPLICABLE

- ITEM NOT ILLUSTRATED

BRI

24-11-52-03

BOEING PROPRIETARY - Copyright © - Unpublished Work - See title page for details.

24-11-52
FIG. 03
PAGE 4
JAN 20/09



757

PARTS CATALOG (MAINTENANCE)

FIG ITEM	PART NUMBER	1 2 3 4 5 6 7	NOMENCLATURE	EFFECT FROM TO	UNITS PER ASSY
3					
20	851-35100-5007	...	SWITCH ASSY-LIGHTED PUSHBUTTON IND (DRIVE) SUPPLIER CODE: V96182 OPTIONAL PART: BCREFA0502 V81590 USED ON: 233N3209-25 233N3209-28 233N3209-1025 233N3209-1028 233N6252-10	011100	2
20	S231T290-5007	...	SWITCH ASSY-LIGHTED PUSH BUTTON IND (DRIVE) QUALIFIED I/W DATA: 851-30768-2007 TOGETHER WITH 851-30768-802 -812 OR 433-100-003 SWITCHGUARD I/W BCREF7603 851-30768-3007 BCREFA0502 OR S231T290-5007 TOGETHER WITH 433-100-003 SWITCHGUARD	011100	2
20	4336731004-4207	...	SWITCH ASSY-LIGHTED PUSH BUTTON IND (DRIVE) SUPPLIER CODE: V81590 USED ON: 233N3209-50 233N3209-51	011100	2
25	800-000121-1	...	CONNECTOR- SUPPLIER CODE: V05617	011100	1
32	BACC45FN16-10P	...	CONNECTOR	011100	1
37	BACC45FN16-24P6	...	CONNECTOR	011100	1
42	BACC45FN22-55P6	...	CONNECTOR	011100	1
47	BACC45FN22-55P7	...	CONNECTOR	011100	1

MISSING ITEM NUMBERS NOT APPLICABLE

- ITEM NOT ILLUSTRATED

24-11-52-03

24-11-52
FIG. 03
PAGE 5
JAN 20/09

BRI

BOEING PROPRIETARY - Copyright © - Unpublished Work - See title page for details.

 **BOEING**
757
PARTS CATALOG (MAINTENANCE)

FIG ITEM	PART NUMBER	1 2 3 4 5 6 7	NOMENCLATURE	EFFECT FROM TO	UNITS PER ASSY
3			ATTACHING PARTS		
- 52	NAS1801-04-5	...	SCREW- USED ON: 233N3209-25 233N3209-26 233N3209-28 233N3209-41 233N3209-1025 233N3209-1026 233N3209-1028 233N3209-1041 233N6252-10	011100	8
- 52	BACS12HN04-5	...	SCREW- OPTIONAL PART: NAS1801-04-5 USED ON: 233N3209-50 233N3209-51	011100	8
- 52	NAS1801-04-5	...	SCREW- OPTIONAL PART: BACS12HN04-5 USED ON: 233N3209-51	011100	8
- 57	K19798-04	...	NUT SUPPLIER CODE: V15653 SPECIFICATION NUMBER: BACN10NW1 OPTIONAL PART: RMA4812-160-40 V72962 293162 V60119	011100	8
62	233N3209-6	...	BRACKET ASSY- SUPPLIER CODE: V89954	011100	1
67	4443B9	TERMINAL- SUPPLIER CODE: V88245	011100	4
72	JANTX1N649-1	DIODE- OPTIONAL PART: JAN1N649 V0434B	011100	2
72	JAN1N649	DIODE- SUPPLIER CODE: V0434B OPTIONAL PART: JANTX1N649-1	011100	2

MISSING ITEM NUMBERS NOT APPLICABLE

- ITEM NOT ILLUSTRATED

BRI

24-11-52-03

24-11-52
FIG. 03
PAGE 6
JAN 20/09



757

PARTS CATALOG (MAINTENANCE)

FIG ITEM	PART NUMBER	1 2 3 4 5 6 7	NOMENCLATURE	EFFECT FROM TO	UNITS PER ASSY
3					
75	ES410-1538	RELAY SUPPLIER CODE: V99699 SPECIFICATION NUMBER: BACR13CG2AB OPTIONAL PART: KD4L018 V35344 BR230DS0115 V56623 KD4L036 V58657 FCA410-63 V78290	011100	2
80	BACS16W1	SOCKET	011100	2
85	233N3250-2	BRACKET	011100	1
- 800	286N2078-005		WIRE BUNDLE ASSY	011100	RF
805	BACC45FT16A10S	.CONNECTOR-	ELECTRICAL EQUIP NUMBER: D03504 WIRING DIAGRAM REF: 241121	011100	1
- 810	286N2066-008		WIRE BUNDLE ASSY	011100	RF
815	BACC45FT22A55S6	.CONNECTOR-	ELECTRICAL EQUIP NUMBER: D03500 WIRING DIAGRAM REF: 245171	011100	1
- 825	286N2070-005		WIRE BUNDLE ASSY-	011100	RF
835	BACC45FT22A55S7	.CONNECTOR-	ELECTRICAL EQUIP NUMBER: D03502 WIRING DIAGRAM REF: 242222	011100	1
- 845	286N2080-005		WIRE BUNDLE ASSY	011100	RF
850	BACC45FT16A24S6	.CONNECTOR-	ELECTRICAL EQUIP NUMBER: D03506 WIRING DIAGRAM REF: 334421	011100	1

MISSING ITEM NUMBERS NOT APPLICABLE

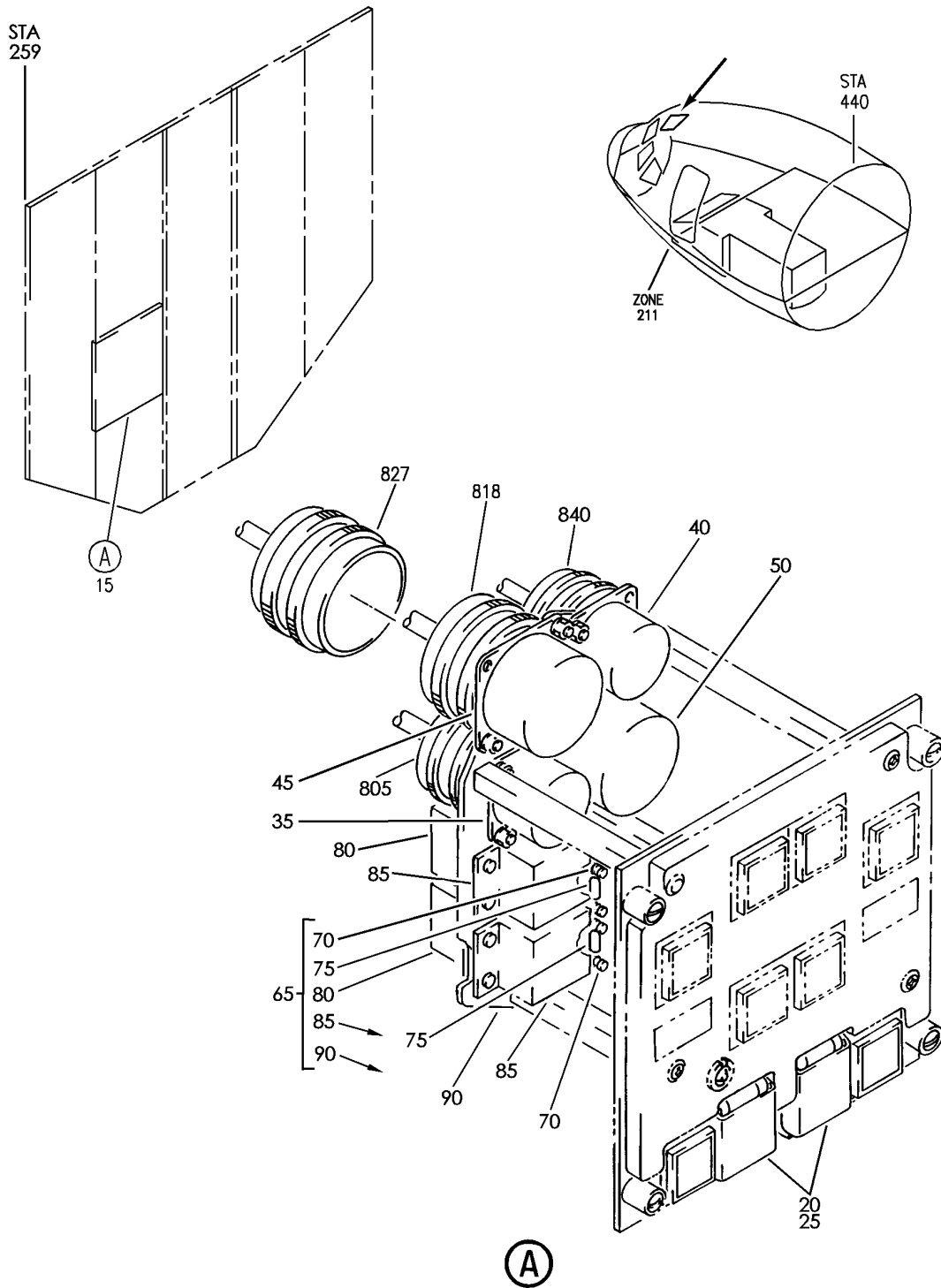
- ITEM NOT ILLUSTRATED

24-11-52-03

24-11-52
FIG. 03
PAGE 7
JAN 20/09

BRI

BOEING
757
PARTS CATALOG (MAINTENANCE)



Y 24115205 REV 275

PANEL INSTL-P5 OVHD (GENERATOR DRIVE SYSTEM ONLY) (RB211-535)
FIGURE 5

24-11-52-05

BRI
MAY 28/07

24-11-52-05
PAGE 0



757

PARTS CATALOG (MAINTENANCE)

FIG ITEM	PART NUMBER	1 2 3 4 5 6 7	NOMENCLATURE	EFFECT FROM TO	UNITS PER ASSY
5			PANEL INSTL-P5 OVHD (GENERATOR DRIVE SYSTEM ONLY) (RB211-535)	101106 108120 504903	
- 3	233N3103-132		PANEL INSTL-P5 OVHD (GENERATOR DRIVE SYSTEM ONLY) FOR NHA/OTHER SYS DET SEE: 25-10-00-15E	101102	RF
- 3	233N3103-136		PANEL INSTL-P5 OVHD (GENERATOR DRIVE SYSTEM ONLY) FOR NHA/OTHER SYS DET SEE: 25-10-00-15E	504903	RF
- 6	233N3103-59		PANEL INSTL-P5 OVHD (GENERATOR DRIVE SYSTEM ONLY) FOR NHA/OTHER SYS DET SEE: 25-10-00-15E	108120	RF
- 8	MODREF170180		PANEL INSTL-P5 OVHD (GENERATOR DRIVE SYSTEM ONLY) MODULE NUMBER: 233N3103-353 REV B FOR OTHER SYS DETAILS SEE: 11-31-10-12 21-25-55-03 21-31-01-02 21-33-51-03 21-51-54-03 21-58-19-10 21-58-51-03 21-61-04-03 21-65-51-01 22-21-01-04 22-24-51-02 23-24-01-01 23-32-00-11 23-42-02-02 23-71-05-02 24-22-01-03 24-31-01-10 24-31-03-09 24-33-04-01 24-41-51-04 24-51-62-01 26-18-51-04 27-21-53-02 27-41-55-01 27-61-51-03	106106	1

MISSING ITEM NUMBERS NOT APPLICABLE

- ITEM NOT ILLUSTRATED

BRI

24-11-52-05

24-11-52
FIG. 05
PAGE 1
JAN 20/09



757

PARTS CATALOG (MAINTENANCE)

FIG ITEM	PART NUMBER	1 2 3 4 5 6 7 NOMENCLATURE	EFFECT FROM TO	UNITS PER ASSY
5		27-62-52-02 28-22-51-02 28-41-04-01 28-41-51-03 29-11-02-03 29-11-05-04 29-11-52-07 29-21-54-03 29-31-00-01 29-32-51-03 29-33-52-03 30-11-51-03 30-21-51-03 30-31-51-02 30-32-51-01 30-33-51-02 30-41-51-03 30-42-51-03 31-12-11-84 31-12-11-84 A 32-42-52-03 33-11-03-03 33-11-51-17 33-13-01-65 33-13-02-03 33-16-51-03 33-24-51-02 33-41-52-04 33-42-01-04 33-42-02-04 33-42-52-04 33-43-51-04 33-44-51-05 33-45-53-03 33-51-08-05 34-21-02-01 35-21-51-04 36-11-04-01 36-21-00-01 36-21-02-05 36-22-51-03 49-41-00-02 49-52-00-01 49-70-00-01 52-51-51-03 52-71-51-02 73-21-52-02 74-31-51-05 75-32-00-01		

MISSING ITEM NUMBERS NOT APPLICABLE

- ITEM NOT ILLUSTRATED

24-11-52-05

24-11-52
FIG. 05
PAGE 2
JAN 20/09

BRI



757

PARTS CATALOG (MAINTENANCE)

FIG ITEM	PART NUMBER	1 2 3 4 5 6 7	NOMENCLATURE	EFFECT FROM TO	UNITS PER ASSY
5					
- 10	MODREF33760		80-11-09-02 PANEL INSTL-P5 OVHD (GENERATOR DRIVE SYSTEM ONLY) MODULE NUMBER: 233N3103-351 REV C FOR OTHER SYS DETAILS SEE: 11-31-10-12 21-25-55-03 21-31-01-02 21-33-51-03 21-51-54-03 21-58-19-10 21-58-51-03 21-61-04-03 21-65-51-01 22-21-01-04 22-24-51-02 23-24-01-01 23-32-00-11 23-42-02-02 23-71-05-02 24-22-01-03 24-31-01-10 24-31-03-09 24-33-04-01 24-41-51-04 24-51-62-01 26-18-51-04 27-21-53-02 27-41-55-01 27-61-51-03 27-62-52-02 28-22-51-02 28-41-04-01 28-41-51-03 29-11-02-03 29-11-05-04 29-11-52-07 29-21-54-03 29-31-00-01 29-32-51-03 29-33-52-03 30-11-51-03 30-21-51-03 30-31-51-02 30-32-51-01 30-33-51-02 30-41-51-03	103103	1
MISSING ITEM NUMBERS NOT APPLICABLE					

- ITEM NOT ILLUSTRATED

24-11-52-05

24-11-52
FIG. 05
PAGE 3
JAN 20/09

BRI



757

PARTS CATALOG (MAINTENANCE)

FIG ITEM	PART NUMBER	1 2 3 4 5 6 7	NOMENCLATURE	EFFECT FROM TO	UNITS PER ASSY
5			30-42-51-03 31-12-11-91 31-12-11-91A 32-42-52-03 33-11-03-03 33-11-51-17 33-13-01-65 33-13-02-03 33-16-51-03 33-24-51-02 33-41-52-04 33-42-01-04 33-42-02-04 33-42-52-04 33-43-51-04 33-44-51-05 33-45-53-03 33-51-08-05 34-21-02-01 35-21-51-04 36-11-04-01 36-21-00-01 36-21-02-05 36-22-51-03 49-41-00-02 49-52-00-01 49-70-00-01 52-51-51-03 52-71-51-02 73-21-52-02 74-31-51-05 75-32-00-01 80-11-09-02		
- 10	MODREF34038		PANEL INSTL-P5 OVHD (GENERATOR DRIVE SYSTEM ONLY) MODULE NUMBER: 233N3103-351 REV D FOR OTHER SYS DETAILS SEE: 11-31-10-12 21-25-55-03 21-31-01-02 21-33-51-03 21-51-54-03 21-58-19-10 21-58-51-03 21-61-04-03 21-65-51-01 22-21-01-04	104105	1

MISSING ITEM NUMBERS NOT APPLICABLE

- ITEM NOT ILLUSTRATED

24-11-52-05

24-11-52
FIG. 05
PAGE 4
JAN 20/09

BRI



757

PARTS CATALOG (MAINTENANCE)

FIG ITEM	PART NUMBER	1 2 3 4 5 6 7	NOMENCLATURE	EFFECT FROM TO	UNITS PER ASSY
5			22-24-51-02 23-24-01-01 23-32-00-11 23-42-02-02 23-71-05-02 24-22-01-03 24-31-01-10 24-31-03-09 24-33-04-01 24-41-51-04 24-51-62-01 26-18-51-04 27-21-53-02 27-41-55-01 27-61-51-03 27-62-52-02 28-22-51-02 28-41-04-01 28-41-51-03 29-11-02-03 29-11-05-04 29-11-52-07 29-21-54-03 29-31-00-01 29-32-51-03 29-33-52-03 30-11-51-03 30-21-51-03 30-31-51-02 30-32-51-01 30-33-51-02 30-41-51-03 30-42-51-03 31-12-11-91 31-12-11-91 A 32-42-52-03 33-11-03-03 33-11-51-17 33-13-01-65 33-13-02-03 33-16-51-03 33-24-51-02 33-41-52-04 33-42-01-04 33-42-02-04 33-42-52-04 33-43-51-04 33-44-51-05 33-45-53-03		

MISSING ITEM NUMBERS NOT APPLICABLE

- ITEM NOT ILLUSTRATED

BRI

24-11-52-05

BOEING PROPRIETARY - Copyright © - Unpublished Work - See title page for details.

24-11-52
FIG. 05
PAGE 5
JAN 20/09



757

PARTS CATALOG (MAINTENANCE)

FIG ITEM	PART NUMBER	1 2 3 4 5 6 7	NOMENCLATURE	EFFECT FROM TO	UNITS PER ASSY
5			33-51-08-05 34-21-02-01 35-21-51-04 36-11-04-01 36-21-00-01 36-21-02-05 36-22-51-03 49-41-00-02 49-52-00-01 49-70-00-01 52-51-51-03 52-71-51-02 73-21-52-02 74-31-51-05 75-32-00-01 80-11-09-02		
- 13	233N3209-305		.PANEL ASSY-E/E SYS SUPPLIER CODE: V89954 ELECTRICAL EQUIP NUMBER: M10063 COMPONENT MAINT MANUAL REF: 24-22-71 PRE ALERT SB: 33A0044	101102 108120 504903	RF
- 13	233N3209-1305		.PANEL ASSY-E/E SYS SUPPLIER CODE: V89954 ELECTRICAL EQUIP NUMBER: M10063 COMPONENT MAINT MANUAL REF: 24-22-71 POST ALERT SB: 33A0044	101102 108120 504903	RF
- 13	233N3209-314		.PANEL ASSY-E/E SYS SUPPLIER CODE: V89954 ELECTRICAL EQUIP NUMBER: M10063 COMPONENT MAINT MANUAL REF: 24-22-71	101106 108120 504903	RF

MISSING ITEM NUMBERS NOT APPLICABLE

- ITEM NOT ILLUSTRATED

24-11-52-05

24-11-52
 FIG. 05
 PAGE 6
 JAN 20/09

BRI



757

PARTS CATALOG (MAINTENANCE)

FIG ITEM	PART NUMBER	1 2 3 4 5 6 7	NOMENCLATURE	EFFECT FROM TO	UNITS PER ASSY
5					
15	233N3209-41	..	PANEL ASSY- SUPPLIER CODE: V89954 MISCELLANEOUS DATA: FOR SPARES PROCURE THE NEXT HIGHER ASSY COMPONENT MAINT MANUAL REF: 24-22-71 USED ON: 233N3209-305 PRE ALERT SB: 33A0044	101102 108120 504903	1
15	233N3209-50	..	PANEL ASSY- SUPPLIER CODE: V89954 COMPONENT MAINT MANUAL REF: 24-22-71 USED ON: 233N3209-314	101106 108120 504903	1
15	233N3209-1041	..	PANEL ASSY- SUPPLIER CODE: V89954 COMPONENT MAINT MANUAL REF: 24-22-71 USED ON: 233N3209-1305 POST ALERT SB: 33A0044	101102 108120 504903	1
20	433-100-003	...	GUARD-SWITCH SUPPLIER CODE: V81590 SPECIFICATION NUMBER: S231T290-822	101106 108120 504903	2
20	851-30768-812	...	GUARD-SWITCH SUPPLIER CODE: V96182 SPECIFICATION NUMBER: S231T290-812	101106 108120 504903	2

MISSING ITEM NUMBERS NOT APPLICABLE

- ITEM NOT ILLUSTRATED

BRI

24-11-52-05

BOEING PROPRIETARY - Copyright © - Unpublished Work - See title page for details.

24-11-52
FIG. 05
PAGE 7
JAN 20/09



757

PARTS CATALOG (MAINTENANCE)

FIG ITEM	PART NUMBER	1 2 3 4 5 6 7	NOMENCLATURE	EFFECT FROM TO	UNITS PER ASSY
5 25	BCREFA0502		<p>...SWITCH ASSY-LIGHTED PUSH BUTTON IND (DRIVE) SUPPLIER CODE: V81590 OVERLENGTH PART NUMBER: 433-673-1004-4007 SPECIFICATION NUMBER: S231T290-4007 MISCELLANEOUS DATA: WHEN REPLACING THE PUSHBUTTON SWITCH ASSY OR THE MASTER MODULE WITHIN, VERIFY THAT A CONFIG D MASTER MODULE P/N 13202-001 IS INSTALLED IN LIEU OF ANY EARLIER CONFIGURATION MASTER MODULES. USED ON: 233N3209-25 233N3209-26 233N3209-28 233N3209-41 233N3209-1025 233N3209-1026 233N3209-1028 233N3209-1041 233N6252-10 REFERENCE SERVICE BULLETIN: 33A0044 REWORKED BY SB: 433-33-005 V81590 FOR DETAILS SEE: 33-13-00-45</p>	101102 108120 504903	2
25	S231T290-5007		<p>...SWITCH ASSY-LIGHTED PUSH BUTTON IND (DRIVE) QUALIFIED I/W DATA: 851-30768-2007 TOGETHER WITH 851-30768-802 -812 OR 433-200-003 SWITCHGUARD I/W BCREFA0502 OR S231T290-5007 TOGETHER WITH 433-100-003 SWITCHGUARD</p>	101102 108120 504903	2

MISSING ITEM NUMBERS NOT APPLICABLE

- ITEM NOT ILLUSTRATED

BRI

24-11-52-05

BOEING PROPRIETARY - Copyright © - Unpublished Work - See title page for details.

24-11-52
 FIG. 05
 PAGE 8
 JAN 20/09



757

PARTS CATALOG (MAINTENANCE)

FIG ITEM	PART NUMBER	1 2 3 4 5 6 7	NOMENCLATURE	EFFECT FROM TO	UNITS PER ASSY
5	25 4336731004-4207		...SWITCH ASSY-LIGHTED PUSH BUTTON IND (DRIVE) SUPPLIER CODE: V81590 USED ON: 233N3209-50 233N3209-51	101106 108120 504903	2
	35 BACC45FN16-10P		...CONNECTOR	101106 108120 504903	1
	40 BACC45FN16-24P6		...CONNECTOR	101106 108120 504903	1
	45 BACC45FN22-55P6		...CONNECTOR	101106 108120 504903	1
	50 BACC45FN22-55P7		...CONNECTOR	101106 108120 504903	1
			ATTACHING PARTS		
-	55 NAS1801-04-5		...SCREW- USED ON: 233N3209-25 233N3209-26 233N3209-28 233N3209-41 233N3209-1025 233N3209-1026 233N3209-1028 233N3209-1041 233N6252-10	101102 108120 504903	8
-	57 BACS12HN04-5		...SCREW- USED ON: 233N3209-50 233N3209-51	101106 108120 504903	11

MISSING ITEM NUMBERS NOT APPLICABLE

- ITEM NOT ILLUSTRATED

BRI

24-11-52-05

BOEING PROPRIETARY - Copyright © - Unpublished Work - See title page for details.

24-11-52
FIG. 05
PAGE 9
JAN 20/09



757

PARTS CATALOG (MAINTENANCE)

FIG ITEM	PART NUMBER	1 2 3 4 5 6 7	NOMENCLATURE	EFFECT FROM TO	UNITS PER ASSY
5					
- 60	K19798-04		...NUT- SUPPLIER CODE: V15653 SPECIFICATION NUMBER: BACN10NW1 OPTIONAL PART: RMA4812-160-40 V72962 293162 V60119 USED ON: 233N3209-25 233N3209-26 233N3209-28 233N3209-41 233N3209-1025 233N3209-1026 233N3209-1028 233N3209-1041 233N6252-10	101102 108120 504903	8
- 62	K19798-04		...NUT- SUPPLIER CODE: V15653 SPECIFICATION NUMBER: BACN10NW1 OPTIONAL PART: RMA4812-160-40 V72962 293162 V60119 USED ON: 233N3209-50 233N3209-51 -----*-----	101106 108120 504903	11
65	233N3209-6		...BRACKET ASSY- SUPPLIER CODE: V89954	101106 108120 504903	1
70	4443B9	TERMINAL- SUPPLIER CODE: V88245	101106 108120 504903	4
75	JANTX1N649-1	DIODE- OPTIONAL PART: JAN1N649 V0434B	101106 108120 504903	2
75	JAN1N649	DIODE- SUPPLIER CODE: V0434B OPTIONAL PART: JANTX1N649-1	101106 108120 504903	2

MISSING ITEM NUMBERS NOT APPLICABLE

- ITEM NOT ILLUSTRATED

24-11-52-05

24-11-52
FIG. 05
PAGE 10
JAN 20/09

BRI



757

PARTS CATALOG (MAINTENANCE)

FIG ITEM	PART NUMBER	1 2 3 4 5 6 7	NOMENCLATURE	EFFECT FROM TO	UNITS PER ASSY
5					
80	ES410-1538	RELAY SUPPLIER CODE: V99699 SPECIFICATION NUMBER: BACR13CG2AB OPTIONAL PART: KD4L018 V35344 BR230DS0115 V56623 KD4L036 V58657 FCA410-63 V78290	101106 108120 504903	2
85	BACS16W1	SOCKET	101106 108120 504903	2
90	233N3250-2	BRACKET	101106 108120 504903	1
- 801	286N2078-328		WIRE BUNDLE ASSY	504903	RF
- 801	286N2078-330		WIRE BUNDLE ASSY	101102	RF
- 801	286N2078-331		WIRE BUNDLE ASSY	108120	RF
- 803	286N2078-601		WIRE BUNDLE ASSY	103106	RF
805	BACC45FT16A10S	.	CONNECTOR- ELECTRICAL EQUIP NUMBER: D03504 WIRING DIAGRAM REF: 241121	101106 108120 504903	1
- 810	286N2066-010		WIRE BUNDLE ASSY	504903	RF
- 811	286N2066-334		WIRE BUNDLE ASSY	101102	RF
- 812	286N2066-346		WIRE BUNDLE ASSY	108120	RF
- 814	286N2066-602		WIRE BUNDLE ASSY	103106	RF
818	BACC45FT22A55S6	.	CONNECTOR- ELECTRICAL EQUIP NUMBER: D03500 WIRING DIAGRAM REF: 245171 241111	101106 108120 504903	1
- 821	286N2070-335		WIRE BUNDLE ASSY	101102	RF
- 822	286N2070-337		WIRE BUNDLE ASSY	108120	RF
- 822	286N2070-340		WIRE BUNDLE ASSY	504903	RF
- 825	286N2070-601		WIRE BUNDLE ASSY-	103106	RF
827	BACC45FT22A55S7	.	CONNECTOR- ELECTRICAL EQUIP NUMBER: D03502 WIRING DIAGRAM REF: 242222	101106 108120 504903	1
- 835	286N2080-301		WIRE BUNDLE ASSY	108120	RF

MISSING ITEM NUMBERS NOT APPLICABLE

- ITEM NOT ILLUSTRATED

24-11-52-05

24-11-52
FIG. 05
PAGE 11
JAN 20/09

BRI



757

PARTS CATALOG (MAINTENANCE)

FIG ITEM	PART NUMBER	1 2 3 4 5 6 7	NOMENCLATURE	EFFECT FROM TO	UNITS PER ASSY
5					
- 835	286N2080-303		WIRE BUNDLE ASSY	101102	RF
- 835	286N2080-311		WIRE BUNDLE ASSY	504903	RF
- 835	286N2080-701		WIRE BUNDLE ASSY	103106	RF
840	BACC45FT16A24S6		.CONNECTOR-	101106	1
			ELECTRICAL EQUIP NUMBER: D03506	108120	
			WIRING DIAGRAM REF: 334421 242741	504903	

MISSING ITEM NUMBERS NOT APPLICABLE

- ITEM NOT ILLUSTRATED

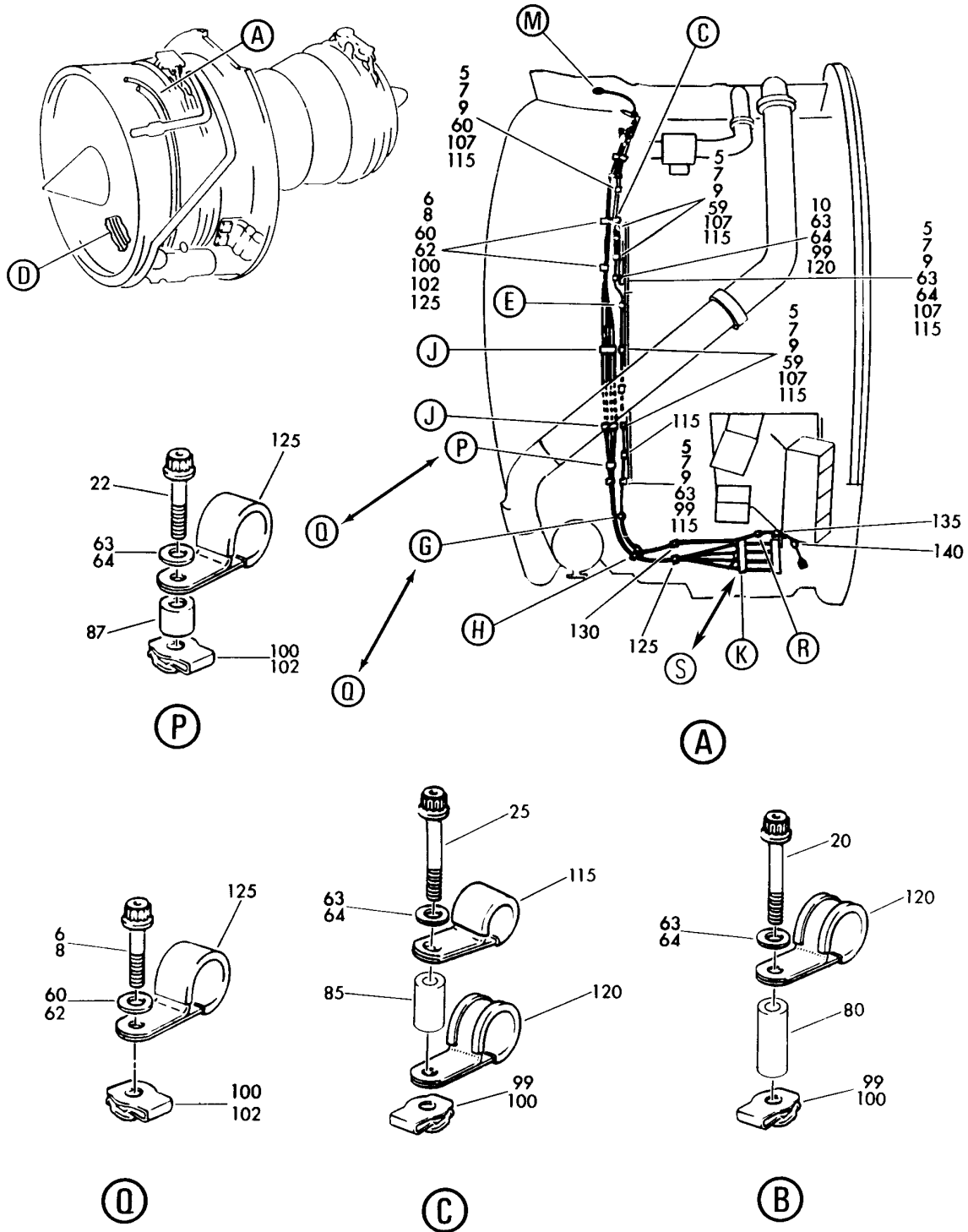
BRI

24-11-52-05

BOEING PROPRIETARY - Copyright © - Unpublished Work - See title page for details.

24-11-52
FIG. 05
PAGE 12
JAN 20/09

BOEING
757
PARTS CATALOG (MAINTENANCE)



Y 24115302 SHT 1 REV 248

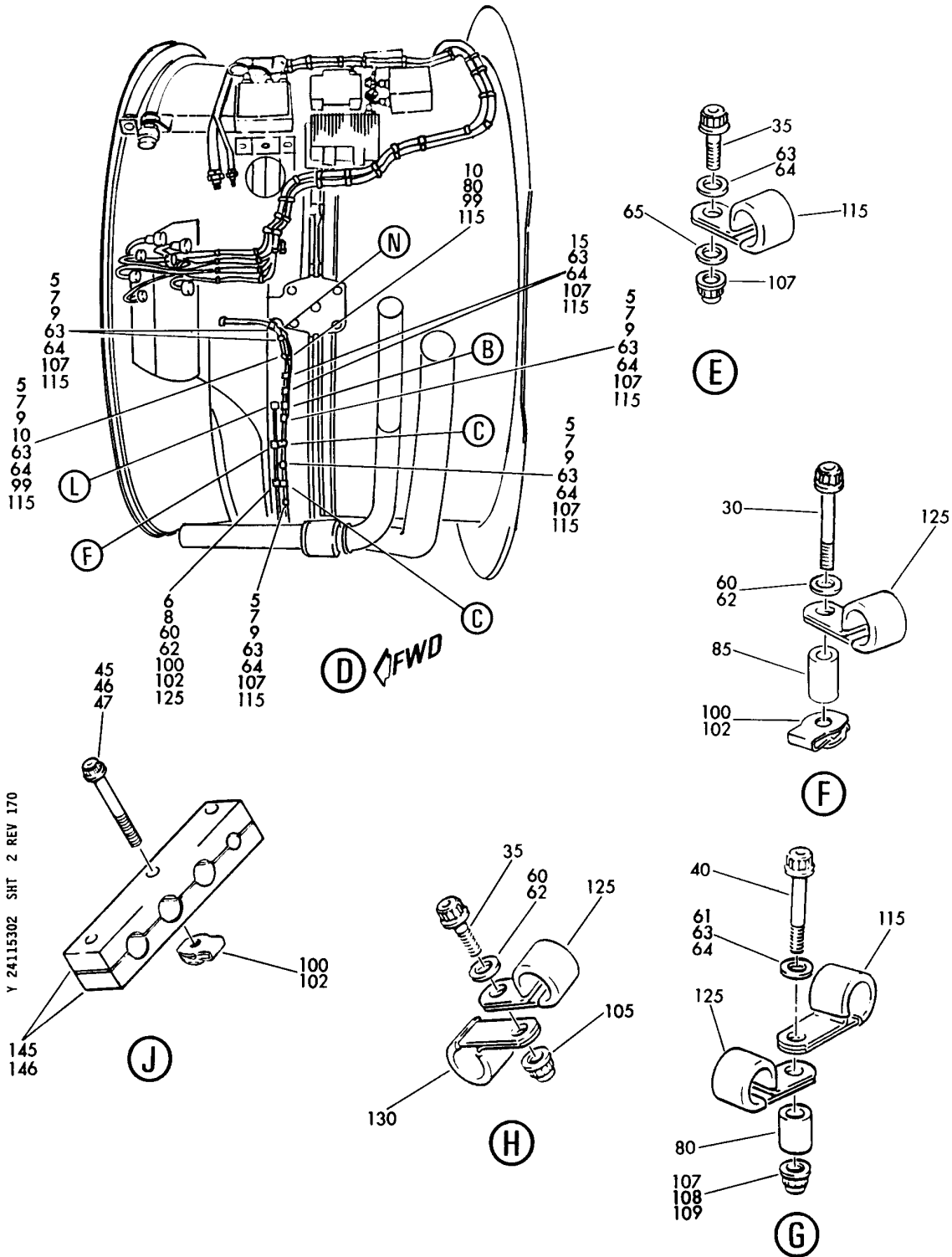
CABLES-INTEGRATED DRIVE GEN (RB211-535)
FIGURE 2 (SHEET 1)

24-11-53-02

BRI
MAY 28/07

24-11-53-02
PAGE 0

BOEING
757
PARTS CATALOG (MAINTENANCE)



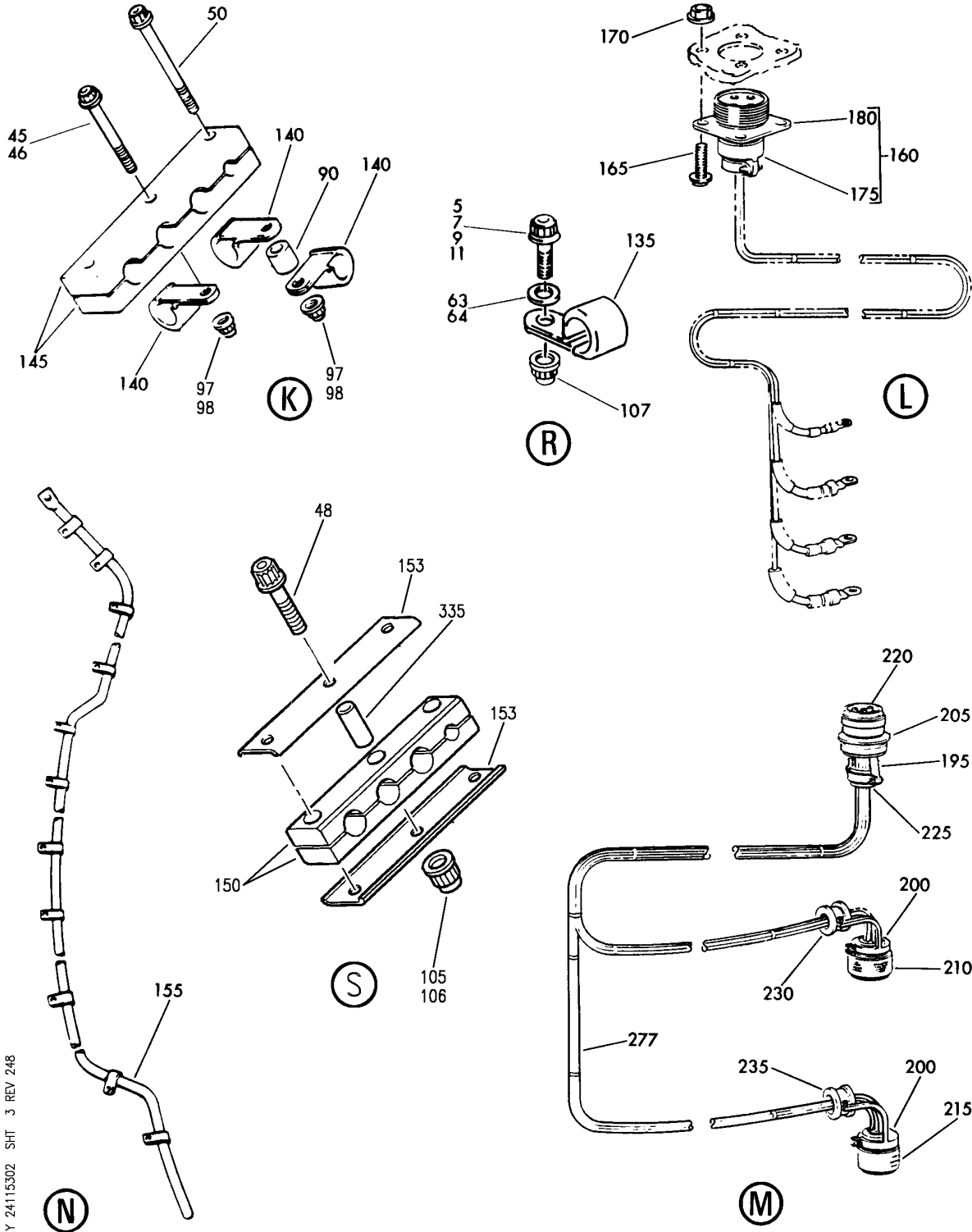
CABLES-INTEGRATED DRIVE GEN (RB211-535)
FIGURE 2 (SHEET 2)

24-11-53-02

BRI
MAY 28/07

24-11-53-02
PAGE 0A

BOEING
757
PARTS CATALOG (MAINTENANCE)



Y 24115302 SHT 3 REV 248

CABLES-INTEGRATED DRIVE GEN (RB211-535)
FIGURE 2 (SHEET 3)

24-11-53-02

BRI
MAY 28/07

24-11-53-02
PAGE 0B



757

PARTS CATALOG (MAINTENANCE)

FIG ITEM	PART NUMBER	1 2 3 4 5 6 7	NOMENCLATURE	EFFECT FROM TO	UNITS PER ASSY
2			CABLES-INTEGRATED DRIVE	002004	
- 1	UL19722		GEN (RB211-535)	006999	
			ENGINE ASSY-Q.E.C.U.	107107	RF
			RB211-535E43711		
			MAXIMUM NEUT		
			SUPPLIER CODE:		
			VK0680		
			FOR NHA/OTHER SYS DET SEE:		
			71-00-02-04		
- 1	UL20697		ENGINE ASSY-Q.E.C.U.	121503	RF
			RB211-535E43711	904949	
			MAXIMUM NEUT	952999	
			WITH GRAVINER FIRE		
			DETECTORS, BAYONET		
			MCD, NON-MODULATED		
			IDG COOLING 40,000 LB		
			THRUST		
			SUPPLIER CODE:		
			VK0680		
			REFERENCE SERVICE BULLETIN:		
			71-0058R4		
			QUALIFIED SB I/W DATA:		
			INTERMIX OF ONE OR		
			SUBSTITUTION OF TWO		
			DIFFERENT CONFIGURATION		
			RB211-535E4-37/()		
			ENGINES FOR RB211-535		
			E4 BASE ENGINES		
			REFERENCE SERVICE BULLETIN:		
			RB211-72-C547		
			VK0680		
			FOR NHA/OTHER SYS DET SEE:		
			71-00-02-04		

MISSING ITEM NUMBERS NOT APPLICABLE

- ITEM NOT ILLUSTRATED

BRI

24-11-53-02

BOEING PROPRIETARY - Copyright © - Unpublished Work - See title page for details.

24-11-53
FIG. 02
PAGE 1
JAN 20/09



757

PARTS CATALOG (MAINTENANCE)

FIG ITEM	PART NUMBER	1 2 3 4 5 6 7	NOMENCLATURE	EFFECT FROM TO	UNITS PER ASSY
2 - 1	UL20698		ENGINE ASSY-Q.E.C.U. RB211-535E43712 MAXIMUM NEUT SUPPLIER CODE: VK0680 REFERENCE SERVICE BULLETIN: 71-0058R7 QUALIFIED SB I/W DATA: INTERMIX OF ONE OR SUBSTITUTION OF TWO DIFFERENT CONFIGURATION RB211-535E4-37/() ENGINES FOR RB211-535E4 BASE ENGINES OR DIFFERENT CONFIGURATION RB211-535E4-B-37/() ENGINES FOR RB211-535E4-B BASE ENGINES REFERENCE SERVICE BULLETIN: RB211-72C547 VK0680 RB211-72-8910 VK0680 POST RAPID REVISION: RR92014-183A-RC-E FOR NHA/OTHER SYS DET SEE: 71-00-02-04	002004 006100 102102	RF
- 1	UL20702		ENGINE ASSY-Q.E.C.U. RB211-535E43711 BASIC ENG CONFIGURATION WITH GRAVINER FIRE DETECTORS, BAYONET MCD, NON-MODULATED IDG COOLING 40,100 LB THRUST SUPPLIER CODE: VK0680 FOR NHA/OTHER SYS DET SEE: 71-00-02-10	504903	RF
- 1	UL36209		ENGINE ASSY-Q.E.C.U. RB211-535E43719 MAXIMUM NEUT SUPPLIER CODE: VK0680 FOR NHA/OTHER SYS DET SEE: 71-00-02-04	950951	RF

MISSING ITEM NUMBERS NOT APPLICABLE

- ITEM NOT ILLUSTRATED

24-11-53-02

24-11-53
FIG. 02
PAGE 2
JAN 20/09

BRI



757

PARTS CATALOG (MAINTENANCE)

FIG ITEM	PART NUMBER	1 2 3 4 5 6 7	NOMENCLATURE	EFFECT FROM TO	UNITS PER ASSY
2					
- 3	BCREF17395		ENGINE ASSY-Q.E.C.U. RB211-535E43739 BASIC ENG CONFIGURATION AND PHASE 5 COMBUSTOR 40,100 LB THRUST SUPPLIER CODE: VK0680 OVERLENGTH PART NUMBER: RB211-535E4-37-39E FOR NHA/OTHER SYS DET SEE: 71-00-02-10	108120	RF
- 3	BCREF17101		ENGINE ASSY-Q.E.C.U. RB211-535E43744 BASIC ENG CONFIGURATION,BAYONET MCD AND PHASE 5 COMBUSTOR 40,100 LB THRUST SUPPLIER CODE: VK0680 OVERLENGTH PART NUMBER: RB211-535E4-3744E FOR NHA/OTHER SYS DET SEE: 71-00-02-10	103106	RF
- 3	UL38163		ENGINE ASSY-Q.E.C.U. RB211-535E43724 BASIC ENG CONFIGURATION,BAYONET MCD 40,100 LB THRUST SUPPLIER CODE: VK0680 FOR NHA/OTHER SYS DET SEE: 71-00-02-10	101101	RF
- 4	LJ34968		.GENERATOR HARNESS- SUPPLIER CODE: VK0680	002004 006999	RF
5	AS21408		..BOLT- PRE SERVICE BULLETIN: 24-7659 VK0680	002004 006100 102102 107107 121949 952999	14
6	AS21408		..BOLT-.190 DIA X .500 POST SERVICE BULLETIN: 24-7913PT01 VK0680	002004 006999	5

MISSING ITEM NUMBERS NOT APPLICABLE

- ITEM NOT ILLUSTRATED

BRI

24-11-53-02

BOEING PROPRIETARY - Copyright © - Unpublished Work - See title page for details.

24-11-53
FIG. 02
PAGE 3
JAN 20/09



757

PARTS CATALOG (MAINTENANCE)

FIG ITEM	PART NUMBER	1 2 3 4 5 6 7	NOMENCLATURE	EFFECT FROM TO	UNITS PER ASSY
2					
7	AS21408	..	BOLT- POST SERVICE BULLETIN: 24-7659PTD VK0680 24-9713PT01 VK0680 PRE SERVICE BULLETIN: 79-9179 VK0680	002004 006100 102102 107107 121949 952999	16
8	AS21408	..	BOLT- PRE SERVICE BULLETIN: 24-7913 VK0680	002004 006100 102102 107107 121503 904949 952999	3
9	AS21408	..	BOLT- POST SERVICE BULLETIN: 79-9179PT01 VK0680 PRE SERVICE BULLETIN: 24-9713 VK0680	002004 006100 102102 107107 121949 952999	17
9	AS21408	..	BOLT- POST SERVICE BULLETIN: 24-9713PT01 VK0680	101101 103106 108120 950951	17
10	AS21407	..	BOLT- PRE SERVICE BULLETIN: 24-9697 VK0680	002004 006999	2
11	AS21408	..	BOLT- POST SERVICE BULLETIN: 24-9280PT01 VK0680 PRE SERVICE BULLETIN: 24-9713 VK0680	101101 103106 108120 950951	18
- 12	AS21407	..	BOLT-.190 DIA X .438 POST SERVICE BULLETIN: 24-9697PTA VK0680	002004 006999	2
- 13	AS21408	..	BOLT	101102 108120 950951	17
- 14	AS21408	..	BOLT	002004 006102 107999	16

MISSING ITEM NUMBERS NOT APPLICABLE

- ITEM NOT ILLUSTRATED

24-11-53-02

24-11-53
FIG. 02
PAGE 4
JAN 20/09

BRI

BOEING PROPRIETARY - Copyright © - Unpublished Work - See title page for details.



757

PARTS CATALOG (MAINTENANCE)

FIG ITEM	PART NUMBER	1 2 3 4 5 6 7	NOMENCLATURE	EFFECT FROM TO	UNITS PER ASSY
2					
15	AS21409	..	BOLT- PRE SERVICE BULLETIN: 24-7659 VK0680	002004 006100 102102 107107 121949 952999	2
20	AS21423	..	BOLT-.190 DIA X 1.437	002004 006999	1
22	AS21418	..	BOLT- PRE SERVICE BULLETIN: 24-7913 VK0680	002004 006100 102102 107107 121503 904949 952999	1
25	AS21422	..	BOLT-.190 DIA X 1.375	002004 006999	3
30	AS21421	..	BOLT-BIHEX HD .190 DIA X 1.312	002004 006999	1
35	AS21410	..	BOLT-BIHEX HD .190 DIA X .625	002004 006999	2
40	AS21427	..	BOLT- PRE SERVICE BULLETIN: 24-7913 VK0680	002004 006100 102102 107107 121503 904949 952999	1
40	AS21424	..	BOLT-.190 DIA X 1.500 POST SERVICE BULLETIN: 24-7913PT01 VK0680	002004 006999	1
45	AS20923	..	BOLT- PRE SERVICE BULLETIN: 24-8211 VK0680	002004 006100 102949 952999	7
46	AS20923	..	BOLT- POST SERVICE BULLETIN: 24-8211PTC VK0680 PRE SERVICE BULLETIN: 24-B013 VK0680	002004 006999	8
47	AS20923	..	BOLT-BIHEX HD .190 DIA X 1.438 POST SERVICE BULLETIN: 24-B013PT01 VK0680	002004 006999	6

MISSING ITEM NUMBERS NOT APPLICABLE

- ITEM NOT ILLUSTRATED

24-11-53-02

24-11-53
FIG. 02
PAGE 5
JAN 20/09

BRI

BOEING PROPRIETARY - Copyright © - Unpublished Work - See title page for details.



757

PARTS CATALOG (MAINTENANCE)

FIG ITEM	PART NUMBER	1 2 3 4 5 6 7	NOMENCLATURE	EFFECT FROM TO	UNITS PER ASSY
2					
48	AS20924	..	BOLT-BIHEX HD .190 DIA X 1.500 POST SERVICE BULLETIN: 24-B013PT01 VK0680	002004 006999	2
50	AS20932	..	BOLT-BIHEX HD .190 DIA X 2.000	002004 006999	1
- 57	K8831	..	WASHER- SUPPLIER CODE: VK0680 POST SERVICE BULLETIN: 24-9713PT01 VK0680	002004 006100 102102 107107 121949 952999	21
- 58	K8831	..	WASHER- .190 DIA X 0,51 THK SUPPLIER CODE: VK0680 POST SERVICE BULLETIN: 24-9697PTA VK0680	002004 006999	3
59	K8831	..	WASHER- SUPPLIER CODE: VK0680 PRE SERVICE BULLETIN: 24-9697 VK0680	002004 006999	2
60	K8831	..	WASHER- SUPPLIER CODE: VK0680 PRE SERVICE BULLETIN: 24-7913 VK0680	002004 006100 102102 107107 121503 904949 952999	6
61	K8831	..	WASHER- SUPPLIER CODE: VK0680 POST SERVICE BULLETIN: 24-9280PT01 VK0680 PRE SERVICE BULLETIN: 24-9697 VK0680	101101 103106 108120 950951	24
62	K8831	..	WASHER-PLAIN .190 DIA X 0,51 THK SUPPLIER CODE: VK0680 POST SERVICE BULLETIN: 24-7913PT01 VK0680	002004 006999	7

MISSING ITEM NUMBERS NOT APPLICABLE

- ITEM NOT ILLUSTRATED

BRI

24-11-53-02

24-11-53
FIG. 02
PAGE 6
JAN 20/09



757

PARTS CATALOG (MAINTENANCE)

FIG ITEM	PART NUMBER	1 2 3 4 5 6 7	NOMENCLATURE	EFFECT FROM TO	UNITS PER ASSY
2					
63	K8831		.. WASHER- SUPPLIER CODE: VK0680 POST SERVICE BULLETIN: 24-B013PT01 VK0680	101101 103106 108120 950951	22
63	K8831		.. WASHER- SUPPLIER CODE: VK0680 POST SERVICE BULLETIN: 24-9697PTA VK0680 PRE SERVICE BULLETIN: 79-9179 VK0680 24-9713 VK0680	002004 006102 107107 121999	22
64	K8831		.. WASHER- SUPPLIER CODE: VK0680 POST SERVICE BULLETIN: 79-9179PT01 VK0680 24-9697PTA VK0680 PRE SERVICE BULLETIN: 24-9713 VK0680	002004 006999	23
64	K8831		.. WASHER- SUPPLIER CODE: VK0680 PRE SERVICE BULLETIN: 24-9697 VK0680	002004 006100 102102 107107 121949 952999	23
65	AS12943		.. WASHER-.190 DIA	002004 006999	1
- 66	K8831		.. WASHER- SUPPLIER CODE: VK0680	002004 006100 107107 121949 952999	21
- 67	K8831		.. WASHER- SUPPLIER CODE: VK0680	950951	22
80	UP10482		.. SPACER-25MM SUPPLIER CODE: VK0680	002004 006999	2

MISSING ITEM NUMBERS NOT APPLICABLE

- ITEM NOT ILLUSTRATED

24-11-53-02

24-11-53
FIG. 02
PAGE 7
JAN 20/09

BRI



757

PARTS CATALOG (MAINTENANCE)

FIG ITEM	PART NUMBER	1 2 3 4 5 6 7	NOMENCLATURE	EFFECT FROM TO	UNITS PER ASSY
2					
85	UP10481	..	SPACER-20 MM SUPPLIER CODE: VK0680	002004 006999	4
87	UP10480	..	SPACER- SUPPLIER CODE: VK0680 PRE SERVICE BULLETIN: 24-7913 VK0680	002004 006100 102102 107107 121503 904949 952999	1
90	UP10479	..	SPACER-10 MM SUPPLIER CODE: VK0680	002004 006999	1
98	AS41104	..	NUT-.190 DIA POST SERVICE BULLETIN: 24-9697PTA VK0680	002004 006999	11
99	AS41104	..	NUT- PRE SERVICE BULLETIN: 24-9697 VK0680	002004 006999	11
100	AS41104	..	NUT- PRE SERVICE BULLETIN: 24-7913 VK0680	002004 006100 102102 107107 121503 904949 952999	11
102	AS41104	..	NUT-A/O SELF LOCKING .190 DIA POST SERVICE BULLETIN: 24-7913PT01 VK0680	002004 006999	12
105	AS20624	..	NUT- PRE SERVICE BULLETIN: 24-8211 VK0680	002004 006100 102949 952999	3
106	AS20624	..	NUT-SELF LOCKING BIHEX, .190 DIA POST SERVICE BULLETIN: 24-8211PTC VK0680	002004 006999	4
107	AS20624	..	NUT- POST SERVICE BULLETIN: 24-9713PT01 VK0680 PRE SERVICE BULLETIN: 79-9179 VK0680	002004 006100 102102 107107 121949 952999	13

MISSING ITEM NUMBERS NOT APPLICABLE

- ITEM NOT ILLUSTRATED

24-11-53-02

24-11-53
FIG. 02
PAGE 8
JAN 20/09

BRI

BOEING PROPRIETARY - Copyright © - Unpublished Work - See title page for details.

 **BOEING**
757
PARTS CATALOG (MAINTENANCE)

FIG ITEM	PART NUMBER	1 2 3 4 5 6 7	NOMENCLATURE	EFFECT FROM TO	UNITS PER ASSY
2 108	AS20624	..	NUT- POST SERVICE BULLETIN: 79-9179PT01 VK0680 PRE SERVICE BULLETIN: 24-9713 VK0680	002004 006100 102102 107107 121949 952999	14
108	AS20624	..	NUT- POST SERVICE BULLETIN: 24-9713PT01 VK0680	101101 103106 108120 950951	14
109	AS20624	..	NUT- POST SERVICE BULLETIN: 24-9280PT01 VK0680 PRE SERVICE BULLETIN: 24-9713 VK0680	101101 103106 108120 950951	15
- 110	AS20624	..	NUT	002004 006102 107503 904999	13
- 113	3505466	..	CLAMP- SUPPLIER CODE: VK0680 POST SERVICE BULLETIN: 24-9713PT01 VK0680	002004 006999	21
115	3505466	..	CLAMP- SUPPLIER CODE: VK0680 PRE SERVICE BULLETIN: 79-9179 VK0680 24-9713 VK0680	002004 006999	22
117	3505466	..	CLAMP- SUPPLIER CODE: VK0680 POST SERVICE BULLETIN: 79-9179PT01 VK0680 PRE SERVICE BULLETIN: 24-9697 VK0680	107999	23
- 118	3505466	..	CLAMP- SUPPLIER CODE: VK0680	002004 006102 107999	21

MISSING ITEM NUMBERS NOT APPLICABLE

- ITEM NOT ILLUSTRATED

BRI

24-11-53-02

24-11-53
FIG. 02
PAGE 9
JAN 20/09

BOEING PROPRIETARY - Copyright © - Unpublished Work - See title page for details.



757

PARTS CATALOG (MAINTENANCE)

FIG ITEM	PART NUMBER	1 2 3 4 5 6 7	NOMENCLATURE	EFFECT FROM TO	UNITS PER ASSY
2 120	400WSS6	..	CLIP- SUPPLIER CODE: V83930 PRE SERVICE BULLETIN: 24-9697 VK0680	002004 006999	5
- 121	400WSS6	..	CLIP- SUPPLIER CODE: V83930 POST SERVICE BULLETIN: 24-9697PTA VK0680	002004 006999	6
125	3505471	..	CLAMP-LOOP SUPPLIER CODE: VK0680 MISCELLANEOUS DATA: (JM44LC39S111RG)	002004 006999	8
130	3505465	..	CLAMP- SUPPLIER CODE: VK0680	002004 006999	2
135	3505464	..	CLAMP- SUPPLIER CODE: VK0680	002004 006999	2
140	3505463	..	CLAMP- SUPPLIER CODE: VK0680	002004 006999	4
145	LJ33073	..	CLAMP- SUPPLIER CODE: VK0680 PRE SERVICE BULLETIN: 24-B013 VK0680	002004 006999	3
146	LJ33073	..	CLAMP- SUPPLIER CODE: VK0680 MISCELLANEOUS DATA: 2 HALVES POST SERVICE BULLETIN: 24-B013PT01 VK0680	002004 006999	2
150	LJ41839	..	CLAMP-BLOCK, IDG CABLES SUPPLIER CODE: VK0680 POST SERVICE BULLETIN: 24-B013PT01 VK0680	002004 006999	1

MISSING ITEM NUMBERS NOT APPLICABLE

- ITEM NOT ILLUSTRATED

BRI

24-11-53-02

24-11-53
FIG. 02
PAGE 10
JAN 20/09



757

PARTS CATALOG (MAINTENANCE)

FIG ITEM	PART NUMBER	1 2 3 4 5 6 7	NOMENCLATURE	EFFECT FROM TO	UNITS PER ASSY
2					
153	LJ41840	..	CHANNEL- IDG CLAMP BLOCK SUPPLIER CODE: VK0680 POST SERVICE BULLETIN: 24-B013PT01 VK0680	002004 006999	2
155	UL16561	..	SUPPORT ASSY- ELECTRICAL POWER AND CONTROL-IDG SUPPLIER CODE: VK0680	002004 006999	1
160	LJ34966	..	CABLE ASSY-INTEGRATED DRIVE GEN PWR SUPPLIER CODE: VK0680 PRE SERVICE BULLETIN: 24-7913 VK0680	002004 006100 102102 107107 121503 904949 952999	RF
160	LJ34975	..	CABLE ASSY-IDG PWR SUPPLIER CODE: VK0680 POST SERVICE BULLETIN: 24-7913PT01 VK0680	002004 006999	RF
165	U756391	..	SCREW- SUPPLIER CODE: V05755	002004 006999	4
170	U128443	..	NUT-.190 DIA SUPPLIER CODE: VK0680	002004 006999	4
175	G61916	...	CLAMP- SUPPLIER CODE: VU0419 USED ON: LJ34975	002004 006999	1
180	FRFOA36-5S	...	CONNECTOR-ELECTRICAL RECEPTACLE SUPPLIER CODE: VK0316 USED ON: LJ34975	002004 006999	1

MISSING ITEM NUMBERS NOT APPLICABLE

- ITEM NOT ILLUSTRATED

BRI

24-11-53-02

24-11-53
FIG. 02
PAGE 11
JAN 20/09



757

PARTS CATALOG (MAINTENANCE)

FIG ITEM	PART NUMBER	1 2 3 4 5 6 7	NOMENCLATURE	EFFECT FROM TO	UNITS PER ASSY
2 - 185	U323930		...CABLE-SIZE '0' GAUGE BMS13-31E TYPE 1 INDEF SUPPLIER CODE: V92607 PRE SERVICE BULLETIN: 24-8179 VK0680	002004 006999	RF
- 185	2100AWG0		...CABLE-BMS13-58 SUPPLIER CODE: VU5188 CONFIG CHG DATA FROM A CMM: RR NO. IS U324060 MISCELLANEOUS DATA: SPARE IS U440168 POST SERVICE BULLETIN: 24-8179PTA VK0680	002004 006999	RF
- 185	U324060		...CABLE-BMS13-58 SUPPLIER CODE: VU5188 MISCELLANEOUS DATA: SPARE IS U440168 POST SERVICE BULLETIN: 24-8179PTA VK0680	002004 006999	RF
- 187	U323931		...CABLE-SIZE '4' GAUGE BMS13-31E TYPE 1 INDEF SUPPLIER CODE: V92607 USED ON: LJ34975 PRE SERVICE BULLETIN: 24-8179 VK0680	002004 006999	RF
- 187	U324061		...CABLE-BMS13-58 SUPPLIER CODE: VU5188 MISCELLANEOUS DATA: SPARE IS U440199 POST SERVICE BULLETIN: 24-8179PTA VK0680	002004 006999	RF
- 191	U320585		...TAPE-WHITE SUPPLIER CODE: VK8767 MISCELLANEOUS DATA: SPARE IS U440030	002004 006999	RF

MISSING ITEM NUMBERS NOT APPLICABLE

- ITEM NOT ILLUSTRATED

24-11-53-02

24-11-53
FIG. 02
PAGE 12
JAN 20/09

BRI



757

PARTS CATALOG (MAINTENANCE)

FIG ITEM	PART NUMBER	1 2 3 4 5 6 7	NOMENCLATURE	EFFECT FROM TO	UNITS PER ASSY
2 195	G899324S	...	CLAMP SUPPLIER CODE: V06324 SPECIFICATION NUMBER: BACC10HD24A OPTIONAL PART: G8993M24S V06324 S2251-24-30S V07418 6000-123-0124 V14283 900-555F24-10 V31461	002004 006999	1
200	FPLR5218	...	CLAMP ASSY-90 CABLE SUPPLIER CODE: V49367	002004 006999	2
205	BSK1224-30PE	...	CONNECTOR-PLUG SUPPLIER CODE: V81205	002004 006999	1
210	ZZLRC1218-14S6	...	CONNECTOR ASSY-ELEC PLUG SUPPLIER CODE: V49367	002004 006999	1
215	ZZLRC1218-14S	...	CONNECTOR ASSY-ELEC PLUG SUPPLIER CODE: V49367	002004 006999	1
220	BA4016-36LDY126	...	PIN- SUPPLIER CODE: V49367	002004 006999	30
225	SF59	...	BUSHING-CABLE SUPPORT SUPPLIER CODE: VK7823 PRE SERVICE BULLETIN: 71-F444 VK0680	002004 006999	1
225	SF59	...	BUSHING-CABLE SUPPORT SUPPLIER CODE: VK7823 OPTIONAL PART: ESC53-11 VU1653 POST SERVICE BULLETIN: 71-F444PTA VK0680	002004 006999	1

MISSING ITEM NUMBERS NOT APPLICABLE

- ITEM NOT ILLUSTRATED

BRI

24-11-53-02

24-11-53
FIG. 02
PAGE 13
JAN 20/09



757

PARTS CATALOG (MAINTENANCE)

FIG ITEM	PART NUMBER	1 2 3 4 5 6 7	NOMENCLATURE	EFFECT FROM TO	UNITS PER ASSY
2 225	ESC53-11	...	BUSH-RUBBER SUPPLIER CODE: VU1653 OPTIONAL PART: SF59 VK7823 POST SERVICE BULLETIN: 71-F444PTA VK0680	002004 006999	1
230	SF19	...	BUSHING- SUPPLIER CODE: VK7823 PRE SERVICE BULLETIN: 71-F444 VK0680	002004 006999	1
230	ESC53-68	...	BUSH- SUPPLIER CODE: VU1653 OPTIONAL PART: SF19 VK7823 POST SERVICE BULLETIN: 71-F444PTA VK0680	002004 006999	1
230	SF19	...	BUSHING- SUPPLIER CODE: VK7823 OPTIONAL PART: ESC53-68 VU1653 POST SERVICE BULLETIN: 71-F444PTA VK0680	002004 006999	1
235	SF20	...	BUSHING-CABLE SUPPORT SUPPLIER CODE: VK7823 PRE SERVICE BULLETIN: 71-F444 VK0680	002004 006999	1
235	SF20	...	BUSHING-CABLE SUPPORT SUPPLIER CODE: VK7823 OPTIONAL PART: ESC53-69 V77445 POST SERVICE BULLETIN: 71-F444PTA VK0680	002004 006999	1

MISSING ITEM NUMBERS NOT APPLICABLE

- ITEM NOT ILLUSTRATED

24-11-53-02

24-11-53
FIG. 02
PAGE 14
JAN 20/09

BRI



757

PARTS CATALOG (MAINTENANCE)

FIG ITEM	PART NUMBER	1 2 3 4 5 6 7	NOMENCLATURE	EFFECT FROM TO	UNITS PER ASSY
2 235	ESC53-69		...BUSH-CABLE SUPPORT SUPPLIER CODE: VK7823 OPTIONAL PART: SF20 VK7823 POST SERVICE BULLETIN: 71-F444PTA VK0680	002004 006999	1
- 245	3106086		...CABLE- SUPPLIER CODE: VK1390 MISCELLANEOUS DATA: CUT FROM U440132 (31E5-52-817) OPTIONAL PART: 3106116 VD2773 3106117 VU5188 POST SERVICE BULLETIN: 24-7659PTC VK0680 PRE SERVICE BULLETIN: 24-7659 VK0680	002004 006999	RF
- 245	3106116		...CABLE- SUPPLIER CODE: VD2773 MISCELLANEOUS DATA: (SPARE IS U440151) (R164-1AWG18) OPTIONAL PART: 3106117 VU5188 3106086 VK1390 POST SERVICE BULLETIN: 24-7659PTC VK0680	002004 006999	RF

MISSING ITEM NUMBERS NOT APPLICABLE

- ITEM NOT ILLUSTRATED

BRI

24-11-53-02

24-11-53
FIG. 02
PAGE 15
JAN 20/09



757

PARTS CATALOG (MAINTENANCE)

FIG ITEM	PART NUMBER	1 2 3 4 5 6 7	NOMENCLATURE	EFFECT FROM TO	UNITS PER ASSY
2 - 245	3106117		...CABLE- SUPPLIER CODE: VU5188 MISCELLANEOUS DATA: (SPARE IS U440152) OPTIONAL PART: 3106086 VK1390 3106116 VD2773 POST SERVICE BULLETIN: 24-7659PTC VK0680	002004 006999	RF
- 250	3106042		...CABLE- SUPPLIER CODE: V92607 MISCELLANEOUS DATA: (SPARE IS U440109) (20674Y455A1)	002004 006999	RF
- 255	TLS260-4-20N		...CABLE-SIZE '20' GAUGE SUPPLIER CODE: V92607 MISCELLANEOUS DATA: (SPARE IS U440342) OPTIONAL PART: U323932 V92607 U440257 VK0680 U440342 VK0680 POST SERVICE BULLETIN: 24-E153PTA VK0680	002004 006999	RF

MISSING ITEM NUMBERS NOT APPLICABLE

- ITEM NOT ILLUSTRATED

24-11-53-02

24-11-53
FIG. 02
PAGE 16
JAN 20/09

BRI



757

PARTS CATALOG (MAINTENANCE)

FIG ITEM	PART NUMBER	1 2 3 4 5 6 7	NOMENCLATURE	EFFECT FROM TO	UNITS PER ASSY
2 - 255	U323932		...CABLE-SIZE '20' GAUGE BMS13-31E TYPE 1 INDEF SUPPLIER CODE: V92607 OPTIONAL PART: U440257 VK0680 TLS260-4-20N V92607 U440342 VK0680 POST SERVICE BULLETIN: 80-C153PTB VK0680 24-E153PTA VK0680 PRE SERVICE BULLETIN: 80-C153 VK0680 24-153 VK0680	002004 006999	RF
- 255	U440257		...CABLE-BMS13-31E TYPE 1 INDEF SUPPLIER CODE: VK0680 MISCELLANEOUS DATA: BULK STOCK U323932 4, 30ME, 100FT REEL OPTIONAL PART: U323932 V92607 TLS260-4-20N V92607 U440342 VK0680 POST SERVICE BULLETIN: 80-C153PTB VK0680 24-E153PTA VK0680 PRE SERVICE BULLETIN: 24-E153 VK0680	002004 006999	RF

MISSING ITEM NUMBERS NOT APPLICABLE

- ITEM NOT ILLUSTRATED

BRI

24-11-53-02

BOEING PROPRIETARY - Copyright © - Unpublished Work - See title page for details.

24-11-53
 FIG. 02
 PAGE 17
 JAN 20/09



757

PARTS CATALOG (MAINTENANCE)

FIG ITEM	PART NUMBER	1 2 3 4 5 6 7	NOMENCLATURE	EFFECT FROM TO	UNITS PER ASSY
2 - 255	U440342	...	CABLE- SUPPLIER CODE: V92607 MISCELLANEOUS DATA: (BULK TLS260-4-20N) 4 CORE, 30ME, 100FT REEL OPTIONAL PART: U323932 V92607 U440257 VK0680 TLS260-4-20N V92607 POST SERVICE BULLETIN: 24-E153PTA VK0680	002004 006999	RF
- 260	U322577	...	CABLE- SUPPLIER CODE: VKA723 MISCELLANEOUS DATA: (SPARE IS U440004) (CD8419)	002004 006999	RF
- 265	U322578	...	CABLE- SUPPLIER CODE: VKA723 MISCELLANEOUS DATA: (SPARE IS U440012) (CD8420)	002004 006999	RF
- 270	20674Y455T2	...	CABLE- SUPPLIER CODE: V92607 MISCELLANEOUS DATA: (SPARE IS U440110)	002004 006999	RF
- 275	U322581	...	CABLE- SUPPLIER CODE: VKA273 MISCELLANEOUS DATA: (SPARE IS U440014) (CD8396)	002004 006999	RF
- 277	LJ34967	...	CABLE-GENERATOR CONTROL IDG SUPPLIER CODE: VK0680 PRE SERVICE BULLETIN: 24-9713 VK0680	002004 006999	1

MISSING ITEM NUMBERS NOT APPLICABLE

- ITEM NOT ILLUSTRATED

24-11-53-02

24-11-53
FIG. 02
PAGE 18
JAN 20/09

BRI



757

PARTS CATALOG (MAINTENANCE)

FIG ITEM	PART NUMBER	1 2 3 4 5 6 7	NOMENCLATURE	EFFECT FROM TO	UNITS PER ASSY
2					
- 277	LJ41695	...	CABLE-CONTROL IDG SUPPLIER CODE: VK0680 POST SERVICE BULLETIN: 24-9713PT01 VK0680	002004 006999	1
- 300	U440012	..	CABLE- SUPPLIER CODE: VK0680 MISCELLANEOUS DATA: (BULK STOCK U322578) 30ME, 100FT REEL	002004 006999	1
- 305	U440004	..	CABLE- SUPPLIER CODE: VK0680 MISCELLANEOUS DATA: (BULK STOCK U322577) 61ME, 200FT REEL	002004 006999	1
- 310	U440014	..	CABLE- SUPPLIER CODE: VK0680 MISCELLANEOUS DATA: (BULK STOCK U322581) 61ME, 200FT REEL	002004 006999	1
- 315	U440132	..	CABLE- SUPPLIER CODE: VK0680 MISCELLANEOUS DATA: (BULK STOCK 3106086) 61ME, 200FT REEL	002004 006999	1
- 325	U440151	..	CABLE- SUPPLIER CODE: VK0680 MISCELLANEOUS DATA: (BULK STOCK 3106116) 61ME, 200FT REEL POST SERVICE BULLETIN: 24-7659PTC VK0680	002004 006999	1
- 330	U440152	..	CABLE- SUPPLIER CODE: VK0680 MISCELLANEOUS DATA: (BULK STOCK 3106117) 61ME, 200FT REEL POST SERVICE BULLETIN: 24-7659PTC VK0680	002004 006999	1

MISSING ITEM NUMBERS NOT APPLICABLE

- ITEM NOT ILLUSTRATED

24-11-53-02

24-11-53
FIG. 02
PAGE 19
JAN 20/09

BRI



757

PARTS CATALOG (MAINTENANCE)

FIG ITEM	PART NUMBER	1 2 3 4 5 6 7	NOMENCLATURE	EFFECT FROM TO	UNITS PER ASSY
2					
- 332	U440168		..CABLE- SUPPLIER CODE: VK0680 MISCELLANEOUS DATA: BULK STOCK U324060	002004 006100 102999	1
	335 LJ41841		..TUBE-INSERT, IDG CLAMP SUPPLIER CODE: VK0680 POST SERVICE BULLETIN: 24-B013PT01 VK0680	002004 006999	3
- 340	U440030		..TAPE- SUPPLIER CODE: VK0680 MISCELLANEOUS DATA: (BULK STOCK U320585) 32ME, 105 FT REEL	002004 006999	1
- 345	U320585		..TAPE-WHITE 1.000 WIDE X 0 SUPPLIER CODE: VK8767 MISCELLANEOUS DATA: (SPARE IS U440030) (SCOTCH) BOY 69	002004 006999	1

MISSING ITEM NUMBERS NOT APPLICABLE

- ITEM NOT ILLUSTRATED

24-11-53-02

24-11-53
FIG. 02
PAGE 20
JAN 20/09

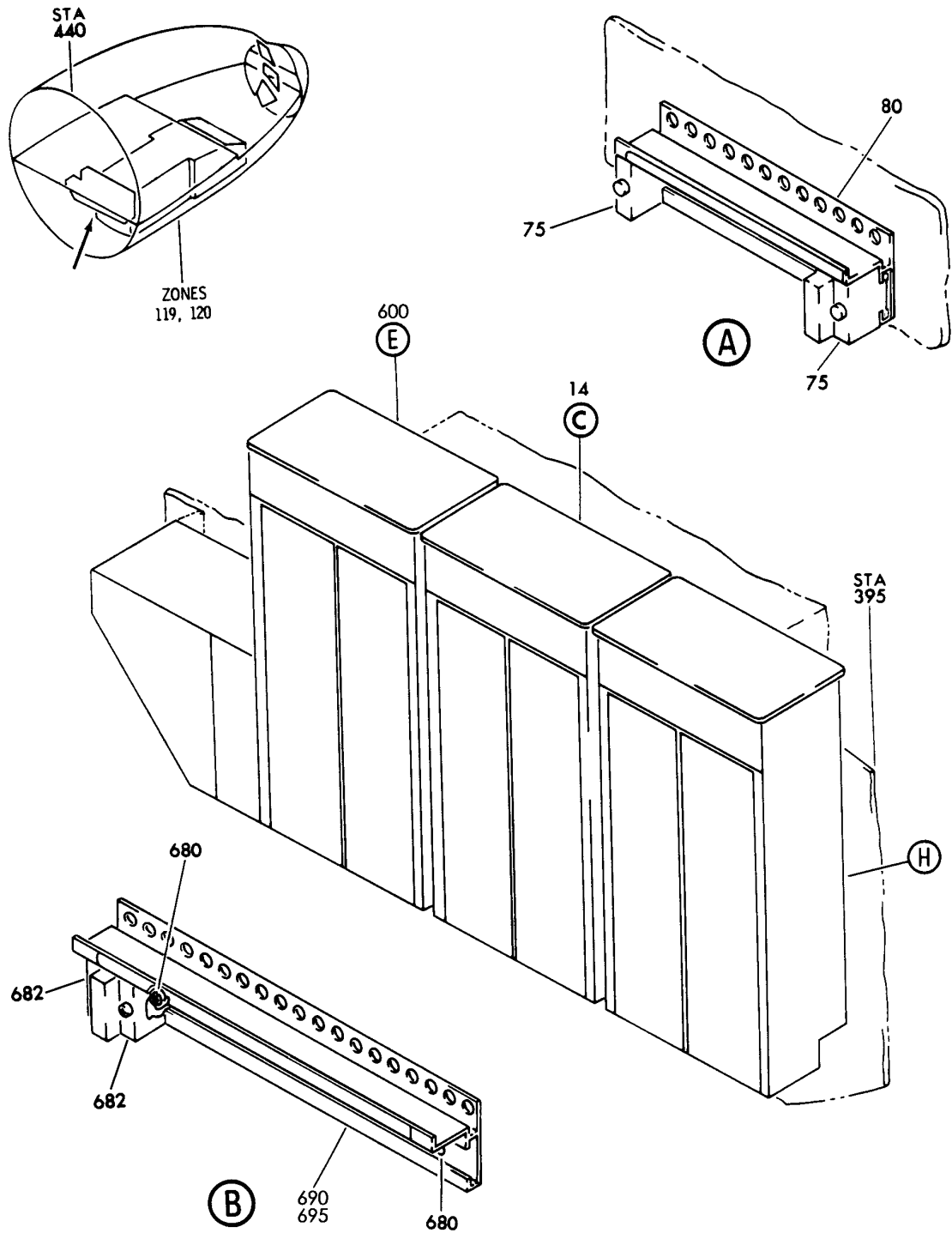
BRI

AC GENERATION

BRI
MAY 28/07

24-20-00
SECTION TITLE
PAGE 1

BOEING
757
PARTS CATALOG (MAINTENANCE)



Y 24200105 SHT 1 REV 228

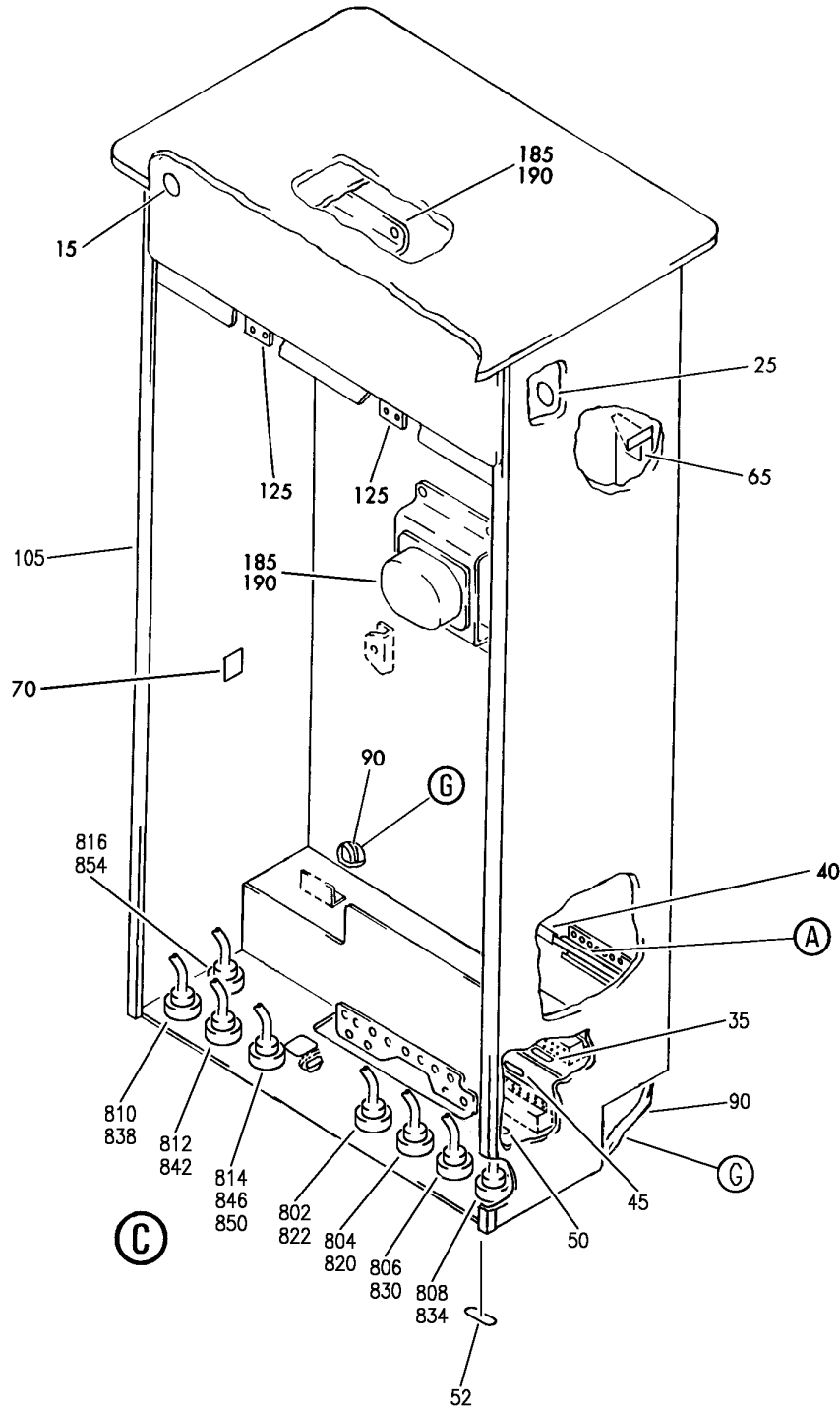
PANEL INSTL-P31, P32 AND P34 PWR
FIGURE 5 (SHEET 1)

24-20-01-05

BRI
MAY 28/07

24-20-01-05
PAGE 0

BOEING
757
PARTS CATALOG (MAINTENANCE)



Y 24200105 SH1 2 REV 268

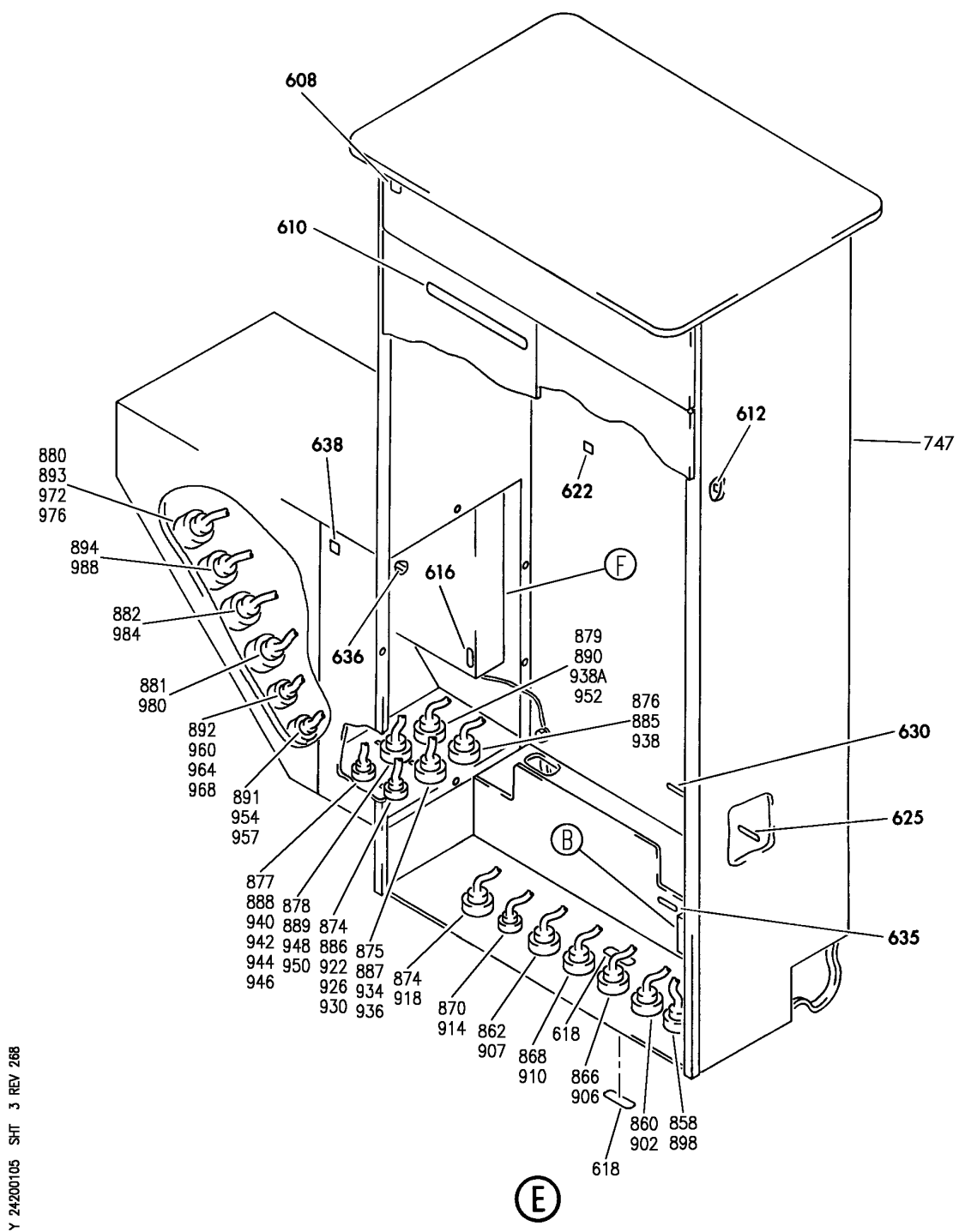
PANEL INSTL-P31, P32 AND P34 PWR
FIGURE 5 (SHEET 2)

24-20-01-05

BRI
MAY 28/07

24-20-01-05
PAGE 0A

BOEING
757
PARTS CATALOG (MAINTENANCE)



Y 24200105 SHT 3 REV 268

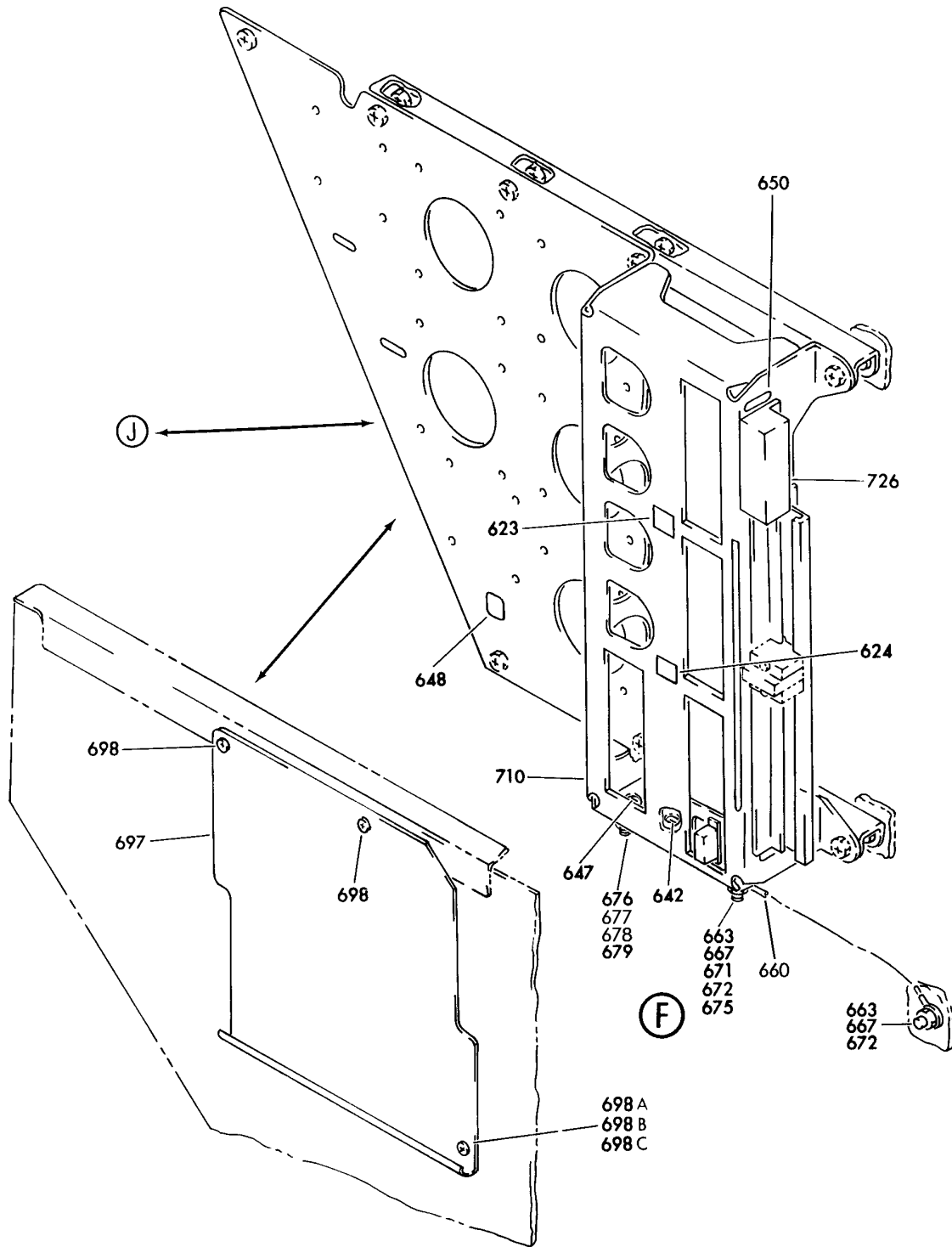
PANEL INSTL-P31, P32 AND P34 PWR
FIGURE 5 (SHEET 3)

24-20-01-05

BRI
MAY 28/07

24-20-01-05
PAGE 0B

BOEING
757
PARTS CATALOG (MAINTENANCE)



Y 24200105 SHT 4 REV 228

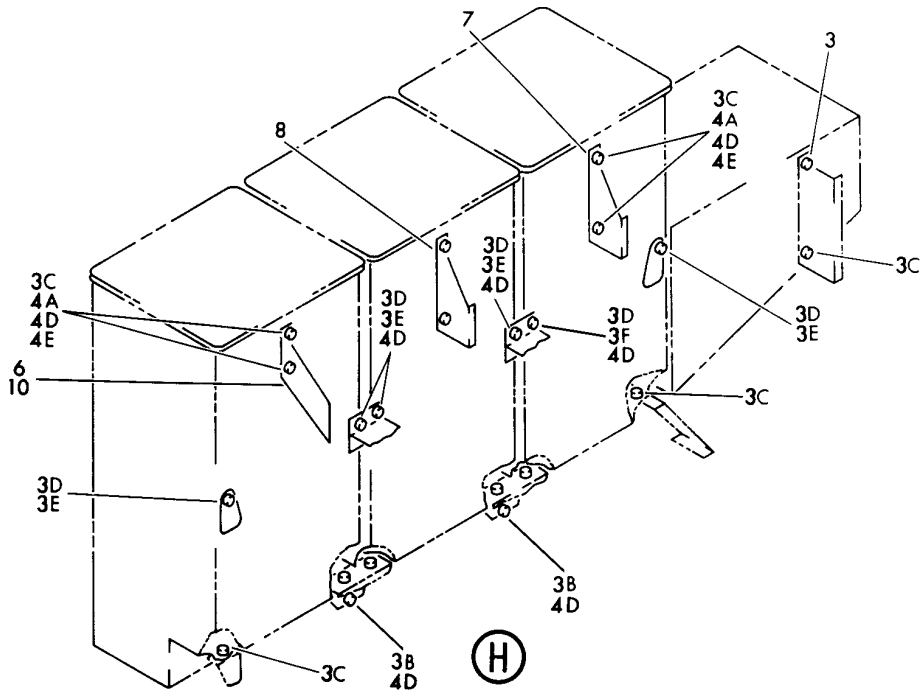
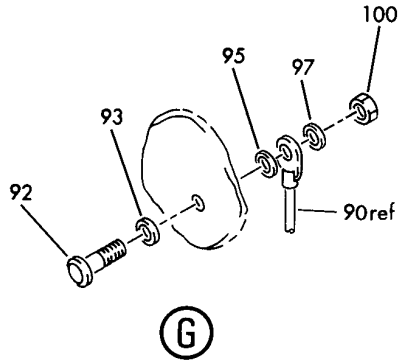
PANEL INSTL-P31, P32 AND P34 PWR
FIGURE 5 (SHEET 4)

24-20-01-05

BRI
MAY 28/07

24-20-01-05
PAGE 0C

BOEING
757
PARTS CATALOG (MAINTENANCE)



Y 24200105 SH1 5 REV 228

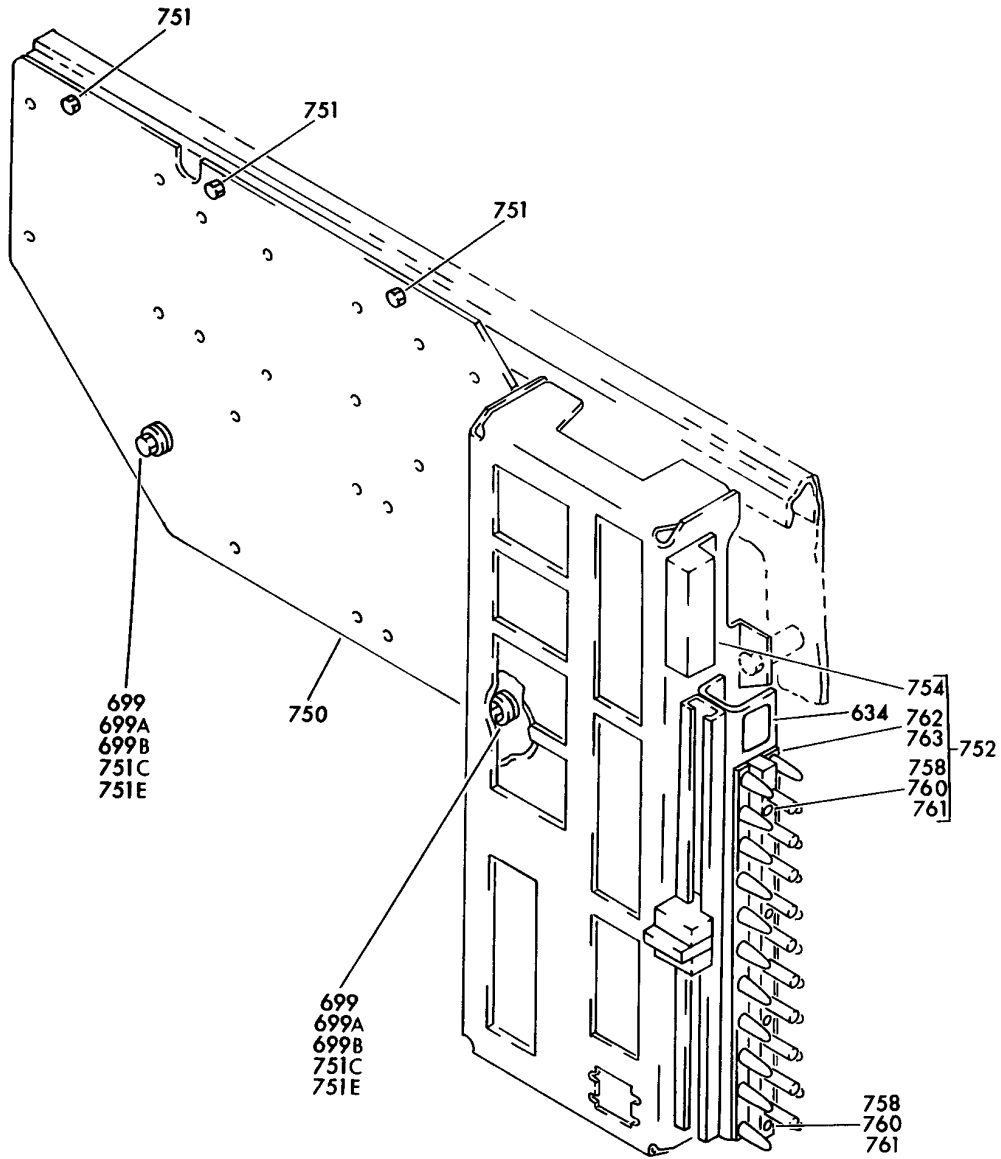
PANEL INSTL-P31, P32 AND P34 PWR
FIGURE 5 (SHEET 5)

24-20-01-05

BRI
MAY 28/07

24-20-01-05
PAGE 0D

BOEING
757
PARTS CATALOG (MAINTENANCE)



(J)

Y 24200105 SHT 6 REV 228

PANEL INSTL-P31, P32 AND P34 PWR
FIGURE 5 (SHEET 6)

24-20-01-05

BRI
MAY 28/07

24-20-01-05
PAGE 0E

 **BOEING**
757
PARTS CATALOG (MAINTENANCE)

FIG ITEM	PART NUMBER	1 2 3 4 5 6 7	NOMENCLATURE	EFFECT FROM TO	UNITS PER ASSY
5			PANEL INSTL-P31, P32 AND P34 PWR	002004 006999	
- 2	284N1317-100		PANEL INSTL-P31, P32 AND P34 PWR	101102 108120	RF
			FOR NHA SEE: 24-00-58-05	504903	
- 2	284N1317-101		PANEL INSTL-P31, P32 AND P34 PWR	101102 108120	RF
			FOR NHA SEE: 24-00-58-05	504903	
- 2	MODREF9806		PANEL INSTL-P31, P32 AND P34 PWR	103106	1
			MODULE NUMBER: 284N1317-101 REV A		
- 2	MODREF9734		PANEL INSTL-P31, P32 AND P34 PWR	103106	1
			MODULE NUMBER: 284N1317-100 REV A		
3D	NAS6604-2		.BOLT	101106 108120	6
				504903	
4E	NAS1149D0463J		.WASHER-	101106 108120	6
				504903	
5	284N1330-1		.SPACER-	107107	2
				904949	
5	284N1330-3		.SPACER-	101106	2
				108120	
				504903	
6	284N1330-4		.SPACER-	101106	1
				108120	
				504903	
7	284N1365-60		.BRACKET ASSY	101106	1
				108120	
				504903	
8	284N1365-56		.BRACKET ASSY	101106	1
				108120	
				504903	
10	284N1365-58		.BRACKET ASSY	101106	1
				108120	
				504903	
125	284N1314-3		...CLIP ASSY	002004	2
				006100	
				107107	
				121503	
				904999	
- 255	286N1130-001		..WIRE BUNDLE ASSY-	107107	1
- 255	286N1130-002		..WIRE BUNDLE ASSY	121503	1
				904949	

MISSING ITEM NUMBERS NOT APPLICABLE

- ITEM NOT ILLUSTRATED

BRI

24-20-01-05

BOEING PROPRIETARY - Copyright © - Unpublished Work - See title page for details.

24-20-01
FIG. 05
PAGE 1
JAN 20/09



757

PARTS CATALOG (MAINTENANCE)

FIG ITEM	PART NUMBER	1 2 3 4 5 6 7	NOMENCLATURE	EFFECT FROM TO	UNITS PER ASSY
5					
- 255	286N1130-004		..WIRE BUNDLE ASSY-	002004	1
				006100	
				950999	
710	284N1373-152		..PLATE ASSY-	121503	1
			OPTIONAL PART:	904949	
			284N1373-155		

MISSING ITEM NUMBERS NOT APPLICABLE

- ITEM NOT ILLUSTRATED

BRI

24-20-01-05

BOEING PROPRIETARY - Copyright © - Unpublished Work - See title page for details.

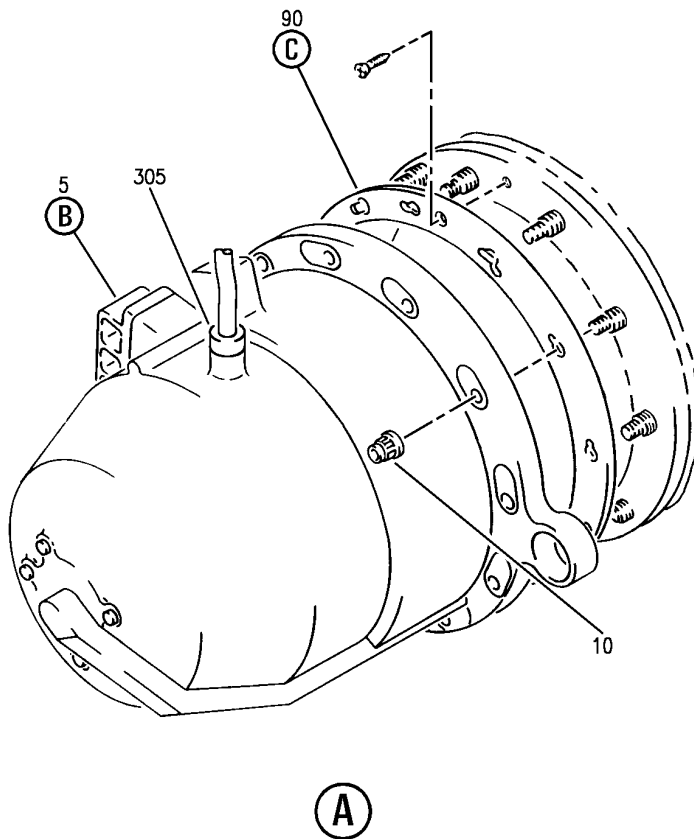
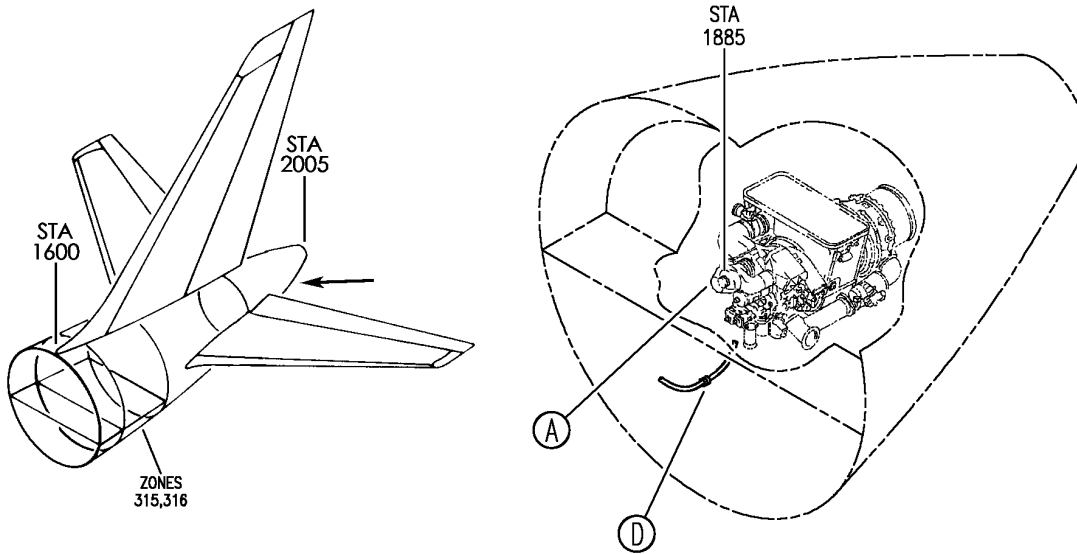
24-20-01
FIG. 05
PAGE 2
JAN 20/09

POWER AND REGULATION

BRI
MAY 28/07

24-21-00
SECTION TITLE
PAGE 1

BOEING
757
PARTS CATALOG (MAINTENANCE)



Y 24210101 SH1 1 REV 289

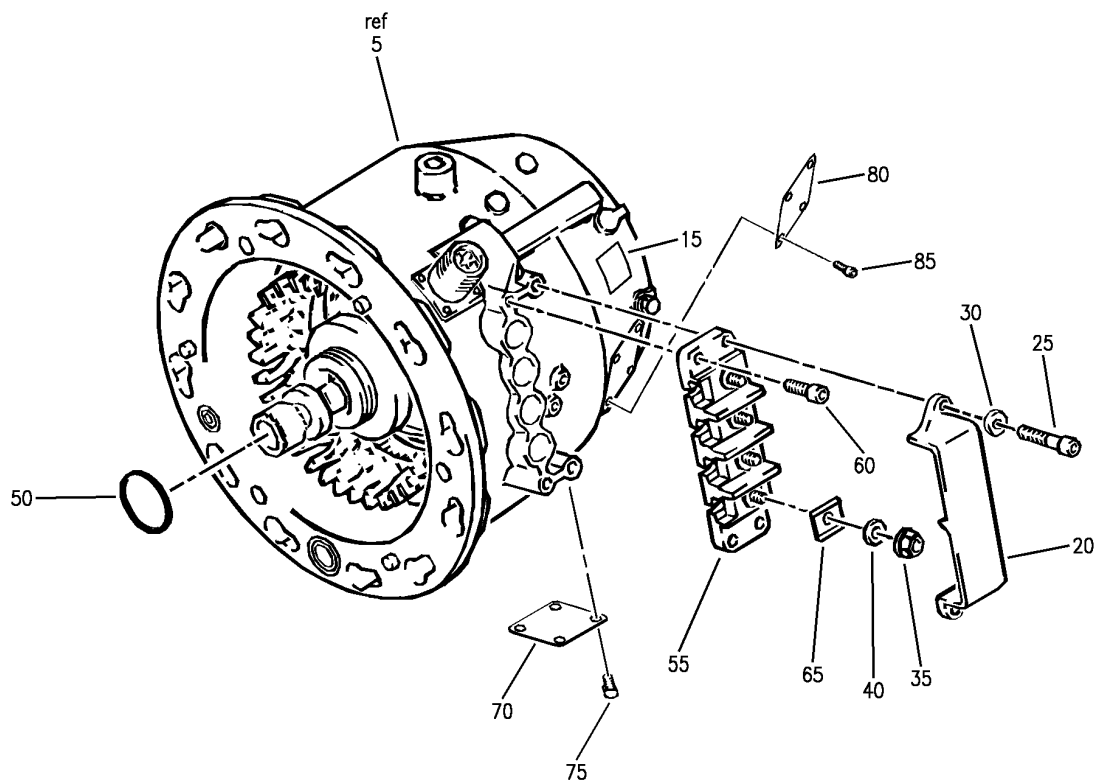
UNIT INSTL-AUX PWR SYS (APU GENERATOR ONLY)
FIGURE 1 (SHEET 1)

24-21-01-01

BRI
MAY 28/07

24-21-01-01
PAGE 0

BOEING
757
PARTS CATALOG (MAINTENANCE)



FWD

(B)

Y 24210101 SH1 2 REV 257

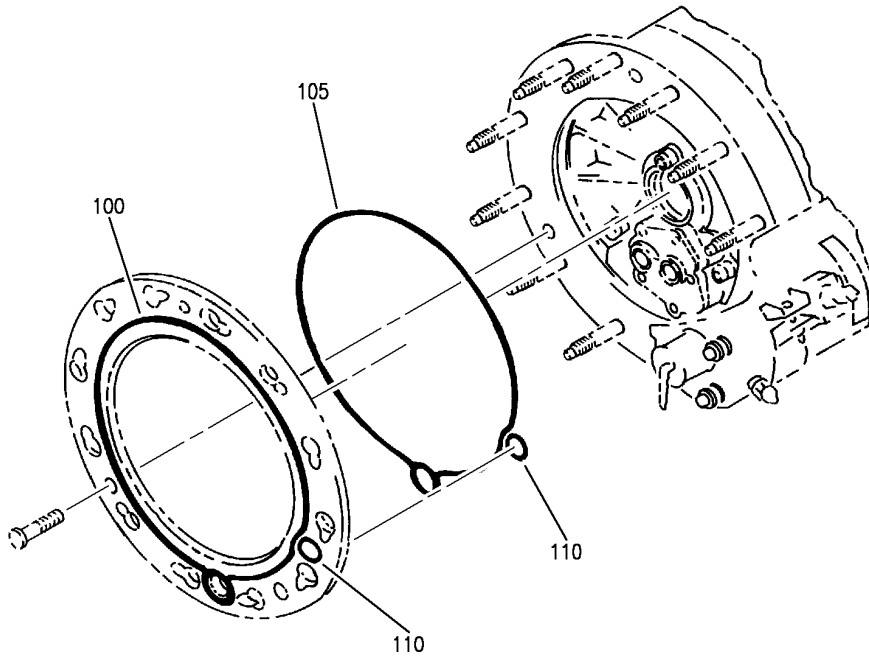
UNIT INSTL-AUX PWR SYS (APU GENERATOR ONLY)
FIGURE 1 (SHEET 2)

24-21-01-01

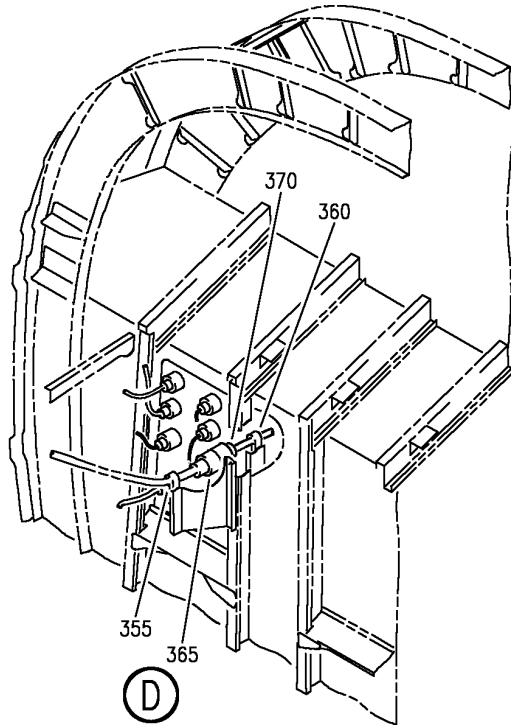
BRI
MAY 28/07

24-21-01-01
PAGE 0A

BOEING
757
PARTS CATALOG (MAINTENANCE)



(C)



(D)

Y 24210101 SHT 3 REV 289

UNIT INSTL-AUX PWR SYS (APU GENERATOR ONLY)
FIGURE 1 (SHEET 3)

24-21-01-01

BRI
MAY 28/07

24-21-01-01
PAGE 0B



757

PARTS CATALOG (MAINTENANCE)

FIG ITEM	PART NUMBER	1 2 3 4 5 6 7	NOMENCLATURE	EFFECT FROM TO	UNITS PER ASSY
1			UNIT INSTL-AUX PWR SYS (APU GENERATOR ONLY)	101106 108120 504903	
- 1	351N1101-58		UNIT INSTL-AUX PWR SYS (APU GENERATOR ONLY) COMPONENT MAINT MANUAL REF: 49-11-13 FOR NHA/OTHER SYS DET SEE: 49-00-00-01	101102 108120 504903	RF
- 1	MODREF33416		UNIT INSTL-AUX PWR SYS (APU GENERATOR ONLY) MODULE NUMBER: 351N1101-64 REV C FOR OTHER SYS DETAILS SEE: 11-21-15-01 49-11-01-02 49-21-00-02	103106	1

MISSING ITEM NUMBERS NOT APPLICABLE

- ITEM NOT ILLUSTRATED

BRI

24-21-01-01

BOEING PROPRIETARY - Copyright © - Unpublished Work - See title page for details.

24-21-01
FIG. 01
PAGE 1
JAN 20/09



757

PARTS CATALOG (MAINTENANCE)

FIG ITEM	PART NUMBER	1 2 3 4 5 6 7 NOMENCLATURE	EFFECT FROM TO	UNITS PER ASSY
1 5	727810C	.GENERATOR ASSY- SUPPLIER CODE: V99167 SPECIFICATION NUMBER: S281T001-37 ELECTRICAL EQUIP NUMBER: M00281 COMPONENT MAINT MANUAL REF: 24-22-03 QUALIFIED I/W DATA: 727810A, 727810B AND 727810C ARE I/W EXCEPT FOR ETOPS WHERE 727810B AND 727810C ARE APPROVED AND 727810A IS NOT APPROVED UNTIL INSPECTED /MODIFIED PER SUNSTRAND SERVICR BULLETIN 90EG01-24-6 POST SERVICE BULLETIN: 90EG01-24-8 V99167 PRE SERVICE BULLETIN: 90EG01-24-16 V99167 REWORKED BY SB: 90EG01-24-10 V99167 POST SERVICE LETTER: 24-21 PRE SERVICE LETTER: 24-55-B REWORKED BY SERVICE LETTER: 24-28	101106 108120 504903	1

MISSING ITEM NUMBERS NOT APPLICABLE

- ITEM NOT ILLUSTRATED

BRI

24-21-01-01

BOEING PROPRIETARY - Copyright © - Unpublished Work - See title page for details.

24-21-01
FIG. 01
PAGE 2
JAN 20/09



757

PARTS CATALOG (MAINTENANCE)

FIG ITEM	PART NUMBER	1 2 3 4 5 6 7	NOMENCLATURE	EFFECT FROM TO	UNITS PER ASSY
1 5	727810B		.GENERATOR ASSY- SUPPLIER CODE: V99167 SPECIFICATION NUMBER: S281T001-6 ELECTRICAL EQUIP NUMBER: M00281 COMPONENT MAINT MANUAL REF: 24-22-03 QUALIFIED I/W DATA: 727810A, 727810B AND 727810C ARE I/W EXCEPT FOR ETOPS WHERE 727810B AND 727810C ARE APPROVED AND 727810A IS NOT APPROVED UNTIL INSPECTED /MODIFIED PER SUNSTRAND SERVICE BULLETIN 90EDG01-24-6 OPTIONAL PART: 727810A V99167 POST SERVICE BULLETIN: 90EG01-24-6 V99167 PRE SERVICE BULLETIN: 90EG01-24-8 V99167 90EG01-24-16 V99167 REWORKED BY SB: 90EG01-24-10 V99167 POST SERVICE LETTER: 24-16 PRE SERVICE LETTER: 24-21 24-55-B REWORKED BY SERVICE LETTER: 24-28 ATTACHING PARTS .NUT- OPTIONAL PART: BACN11Z6C .NUT- OPTIONAL PART: NAS1805-6P -----*-----	101106 108120 504903	1
10	NAS1805-6P		.NUT- OPTIONAL PART: BACN11Z6C	101106 108120 504903	12
10	BACN11Z6C		.NUT- OPTIONAL PART: NAS1805-6P -----*-----	103106	12

MISSING ITEM NUMBERS NOT APPLICABLE

- ITEM NOT ILLUSTRATED

BRI

24-21-01-01

24-21-01
FIG. 01
PAGE 3
JAN 20/09



757

PARTS CATALOG (MAINTENANCE)

FIG ITEM	PART NUMBER	1 2 3 4 5 6 7	NOMENCLATURE	EFFECT FROM TO	UNITS PER ASSY
1					
15	764140	..	DECAL- SUPPLIER CODE: V99167	101106 108120 504903	1
20	734029	..	COVER-TERM. BLK SUPPLIER CODE: V99167 USED WITH: NAS1352-3-18P	101106 108120 504903	1
20	756704	..	COVER-TERM. BLK SUPPLIER CODE: V99167 USED WITH: NAS1352-3-24P ATTACHING PARTS	101106 108120 504903	1
25	NAS1352-3-18P	..	SCREW- USED WITH: 734029	101106 108120 504903	2
25	NAS1352-3-24P	.	SCREW- USED WITH: 756704	101106 108120 504903	2
30	AN960C10	..	WASHER	101106 108120 504903	2
			-----*-----		
35	MS21042-6	..	NUT- OPTIONAL PART: NAS1726-6D	101106 108120 504903	4
40	AN960C616L	..	WASHER- OPTIONAL PART: NAS1726-6D	101106 108120 504903	4
- 45	NAS1726-6D	..	NUT- CONFIG CHG DATA FROM A CMM: REPLD BY 5911584-5 OPTIONAL PART: MS21042-6 AN960C616L	101106 108120 504903	4
- 45	5911584-5	..	NUT- SUPPLIER CODE: V99167 CONFIG CHG DATA FROM A CMM: REPLACES NAS1726-6D	101106 108120 504903	4
50	M83248-1-216	..	PACKING- FOR SPARES PROCURE: 9216-787 V5F573 9216-797 V5F573 216-20018 2-216V1041-85	101106 108120 504903	1

MISSING ITEM NUMBERS NOT APPLICABLE

- ITEM NOT ILLUSTRATED

24-21-01-01

24-21-01
FIG. 01
PAGE 4
JAN 20/09

BRI

BOEING PROPRIETARY - Copyright © - Unpublished Work - See title page for details.



757

PARTS CATALOG (MAINTENANCE)

FIG ITEM	PART NUMBER	1 2 3 4 5 6 7	NOMENCLATURE	EFFECT FROM TO	UNITS PER ASSY
1					
55	728909		.. TERMINAL BLOCK- INSEPARABLE ASSY SUPPLIER CODE: V99167 OPTIONAL PART: 753335 V99167 740743 V99167	101106 108120 504903	1
55	753335		.. TERMINAL BLOCK- INSEPARABLE ASSY SUPPLIER CODE: V99167 OPTIONAL PART: 728909 V99167 740743 V99167	101106 108120 504903	1
55	740743		.. TERMINAL BLOCK- INSEPARABLE ASSY SUPPLIER CODE: V99167 OPTIONAL PART: 728909 V99167 753335 V99167 ATTACHING PARTS	101106 108120 504903	1
60	NAS1352-3-12P		.. SCREW	101106 108120 504903	2
65	730807		.. WASHER-SQUARE SUPPLIER CODE: V99167	101106 108120 504903	4
70	656762		-----*----- .. PLATE-MOD SUPPLIER CODE: V99167 ATTACHING PARTS	101106 108120 504903	1
75	NAS1352-04-4P		.. SCREW	101106 108120 504903	4
80	729364		-----*----- .. PLATE-IDENT SUPPLIER CODE: V99167	101106 108120 504903	1

MISSING ITEM NUMBERS NOT APPLICABLE

- ITEM NOT ILLUSTRATED

24-21-01-01

24-21-01
FIG. 01
PAGE 5
JAN 20/09

BRI

BOEING PROPRIETARY - Copyright © - Unpublished Work - See title page for details.

 **BOEING**
757
PARTS CATALOG (MAINTENANCE)

FIG ITEM	PART NUMBER	1 2 3 4 5 6 7	NOMENCLATURE	EFFECT FROM TO	UNITS PER ASSY
1			ATTACHING PARTS		
85	NAS1352-04-4P	..	SCREW	101106 108120 504903	4
90	DA8980-6		-----*----- .PLATE ASSY-SEAL SUPPLIER CODE: V95272 SPECIFICATION NUMBER: S351T040-6 ATTACHING PARTS	101106 108120 504903	1
- 95	BACS12GM3-8	.S	SCREW	101106 108120 504903	3
100	S351T040-3	..	-----*----- PACKING	101106 108120 504903	1
105	S351T040-4	..	PACKING	101106 108120 504903	1
110	S351T040-5	..	PACKING	101106 108120 504903	2
- 300	286N2808-701		WIRE BUNDLE ASSY	103106	RF
- 300	286N2808-302		WIRE BUNDLE ASSY	101102 108120	RF
- 300	286N2808-001		WIRE BUNDLE ASSY	504903	RF
305	R071018D14SNL	.P	PLUG- SUPPLIER CODE: V41118 SPECIFICATION NUMBER: BCREFA3199 OVERLENGTH PART NUMBER: BACC63BP18D14SNL ELECTRICAL EQUIP NUMBER: D02238 WIRING DIAGRAM REF: 242141	103106	1

MISSING ITEM NUMBERS NOT APPLICABLE

- ITEM NOT ILLUSTRATED

BRI

24-21-01-01

BOEING PROPRIETARY - Copyright © - Unpublished Work - See title page for details.

24-21-01
FIG. 01
PAGE 6
JAN 20/09



757

PARTS CATALOG (MAINTENANCE)

FIG ITEM	PART NUMBER	1 2 3 4 5 6 7	NOMENCLATURE	EFFECT FROM TO	UNITS PER ASSY
1 305	R071018B14SNL		.CONNECTOR- SUPPLIER CODE: V41118 SPECIFICATION NUMBER: BCREF9289 OVERLENGTH PART NUMBER: BACC63BP18B14SNL ELECTRICAL EQUIP NUMBER: D02238 WIRING DIAGRAM REF: 242141	101102 108120 504903	1

MISSING ITEM NUMBERS NOT APPLICABLE

- ITEM NOT ILLUSTRATED

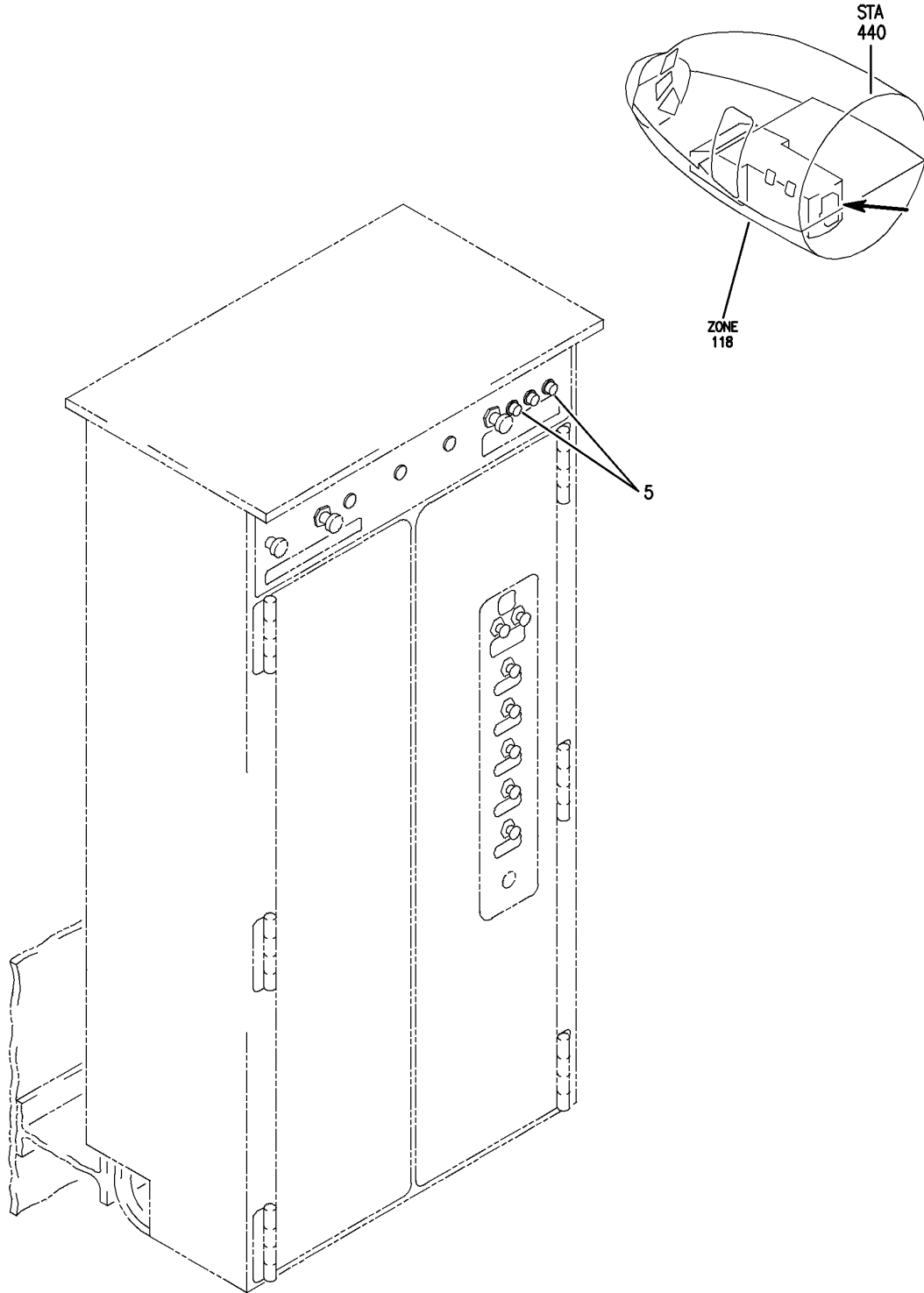
BRI

24-21-01-01

BOEING PROPRIETARY - Copyright © - Unpublished Work - See title page for details.

24-21-01
FIG. 01
PAGE 7
JAN 20/09

BOEING
757
PARTS CATALOG (MAINTENANCE)



Y 24215101 REV 237

PANEL ASSY-P31 PWR (POWER AND REGULATOR ONLY)
FIGURE 1

24-21-51-01

BRI
JAN 20/09

24-21-51-01
PAGE 0



**757
PARTS CATALOG (MAINTENANCE)**

FIG ITEM	PART NUMBER	1 2 3 4 5 6 7	NOMENCLATURE	EFFECT FROM TO	UNITS PER ASSY
1			PANEL ASSY-P31 PWR (POWER AND REGULATOR ONLY)	103106	
- 2	MODREF33208		PANEL ASSY-P31 PWR (POWER AND REGULATOR ONLY) MODULE NUMBER: 284N1314-302 REV B FOR OTHER SYS DETAILS SEE: 11-36-05-02A 24-22-51-08 24-51-51-26 24-53-00-01 25-31-04-66 31-01-31-05	103106	1
5	33-32683-6P1		.LIGHT- SUPPLIER CODE: V79692 ELECTRICAL EQUIP NUMBER: L00007 L00011 L00012	103106	3

MISSING ITEM NUMBERS NOT APPLICABLE

- ITEM NOT ILLUSTRATED

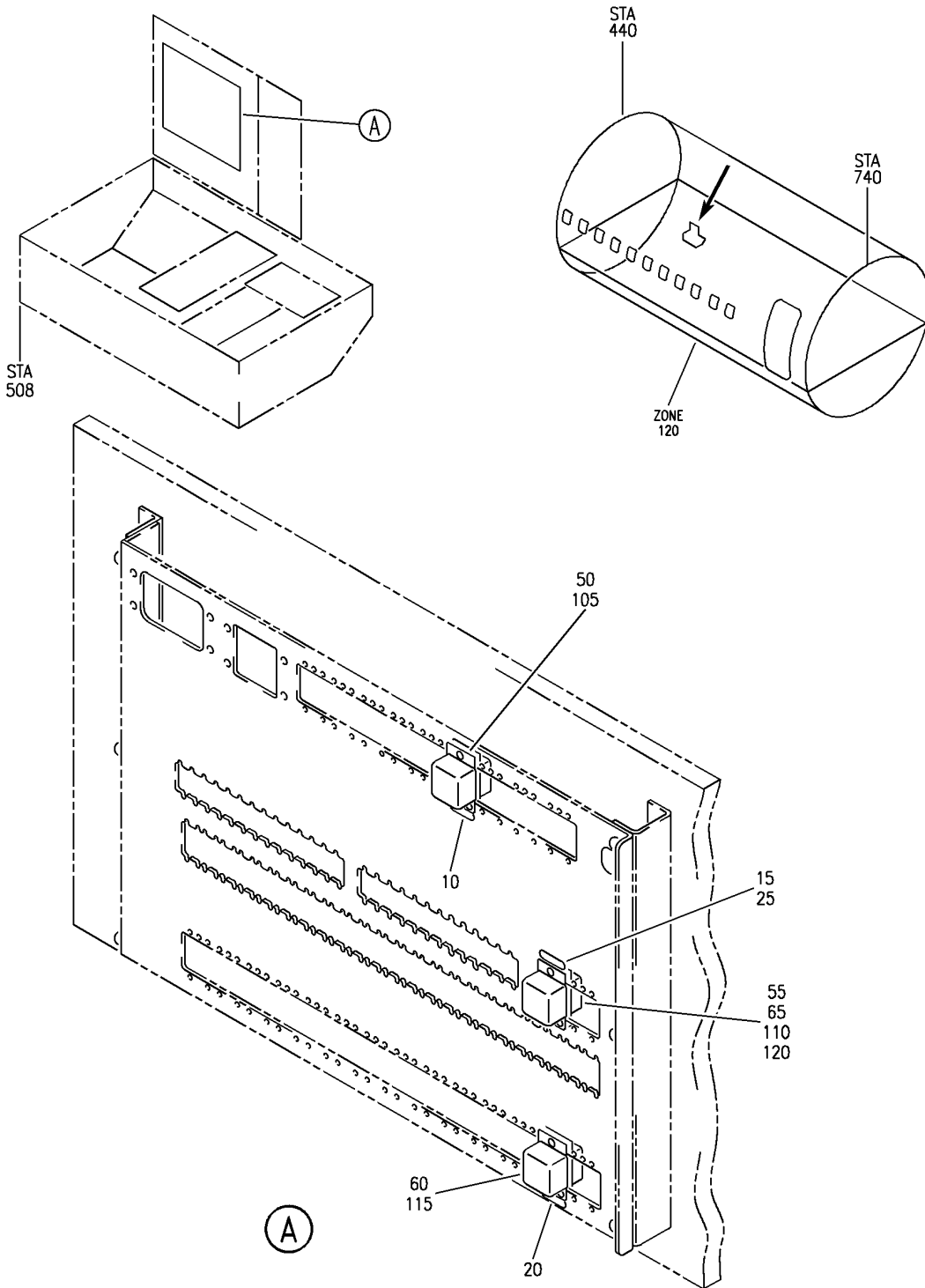
BRI

24-21-51-01

BOEING PROPRIETARY - Copyright © - Unpublished Work - See title page for details.

24-21-51
FIG. 01
PAGE 1
JAN 20/09

BOEING
757
PARTS CATALOG (MAINTENANCE)



Y 24215101A REV 283

PANEL INSTL-P36 L MISC RELAY (ELECTRICAL POWER ONLY)
FIGURE 1A

24-21-51-01A

BRI
JAN 20/09

24-21-51-01A
PAGE 0



757

PARTS CATALOG (MAINTENANCE)

FIG ITEM	PART NUMBER	1 2 3 4 5 6 7	NOMENCLATURE	EFFECT FROM TO	UNITS PER ASSY
1 A			PANEL INSTL-P36 L MISC RELAY (ELECTRICAL POWER ONLY)	103106	
- 1	MODREF31944		PANEL INSTL-P36 L MISC RELAY (ELECTRICAL POWER ONLY) MODULE NUMBER: 284N1125-123 REV A FOR OTHER SYS DETAILS SEE: 11-36-08-03C 21-25-71-02C 21-33-71-02C 21-51-56-01C 21-58-71-02C 23-12-00-05 23-31-54-01C 23-34-52-01C 26-15-71-02C 26-16-71-01C 26-22-71-01C 27-48-52-03C 27-51-71-03C 27-58-71-02C 27-62-71-03C 29-11-71-03C 29-21-71-01C 30-21-71-03C 30-34-51-01C 31-01-36-01 32-09-02-03C 32-35-71-01C 32-42-71-02C 32-44-71-02C 32-61-71-02C 34-12-71-02C 34-21-71-02C 34-22-52-01C 34-61-52-01C 36-11-71-02C 73-21-55-01C 74-31-71-02C 76-11-71-02C 77-12-71-01C 78-34-71-02C 78-36-71-02C 80-11-71-02C	103106	1
MISSING ITEM NUMBERS NOT APPLICABLE					

- ITEM NOT ILLUSTRATED

24-21-51-01A

24-21-51
FIG. 01A
PAGE 1
JAN 20/09

BRI



757

PARTS CATALOG (MAINTENANCE)

FIG ITEM	PART NUMBER	1 2 3 4 5 6 7	NOMENCLATURE	EFFECT FROM TO	UNITS PER ASSY
1 A 50	ES410-1538		.RELAY- SUPPLIER CODE: V99699 SPECIFICATION NUMBER: BACR13CG2AB OPTIONAL PART: KD4L018 V35344 BR230DS0115 V56623 KD4L036 V58657 FCA410-63 V78290 ELECTRICAL EQUIP NUMBER: K10856 WIRING DIAGRAM REF: 242114	103106	1
- 100 105	286N1260-601 RSF116400		WIRE BUNDLE ASSY .SOCKET- SUPPLIER CODE: V58982 SPECIFICATION NUMBER: BACS16W1A OPTIONAL PART: 102-009-1 V09922 000300-1539 V05574 ELECTRICAL EQUIP NUMBER: D11600 WIRING DIAGRAM REF: 242114	103106 103106	RF 1

MISSING ITEM NUMBERS NOT APPLICABLE

- ITEM NOT ILLUSTRATED

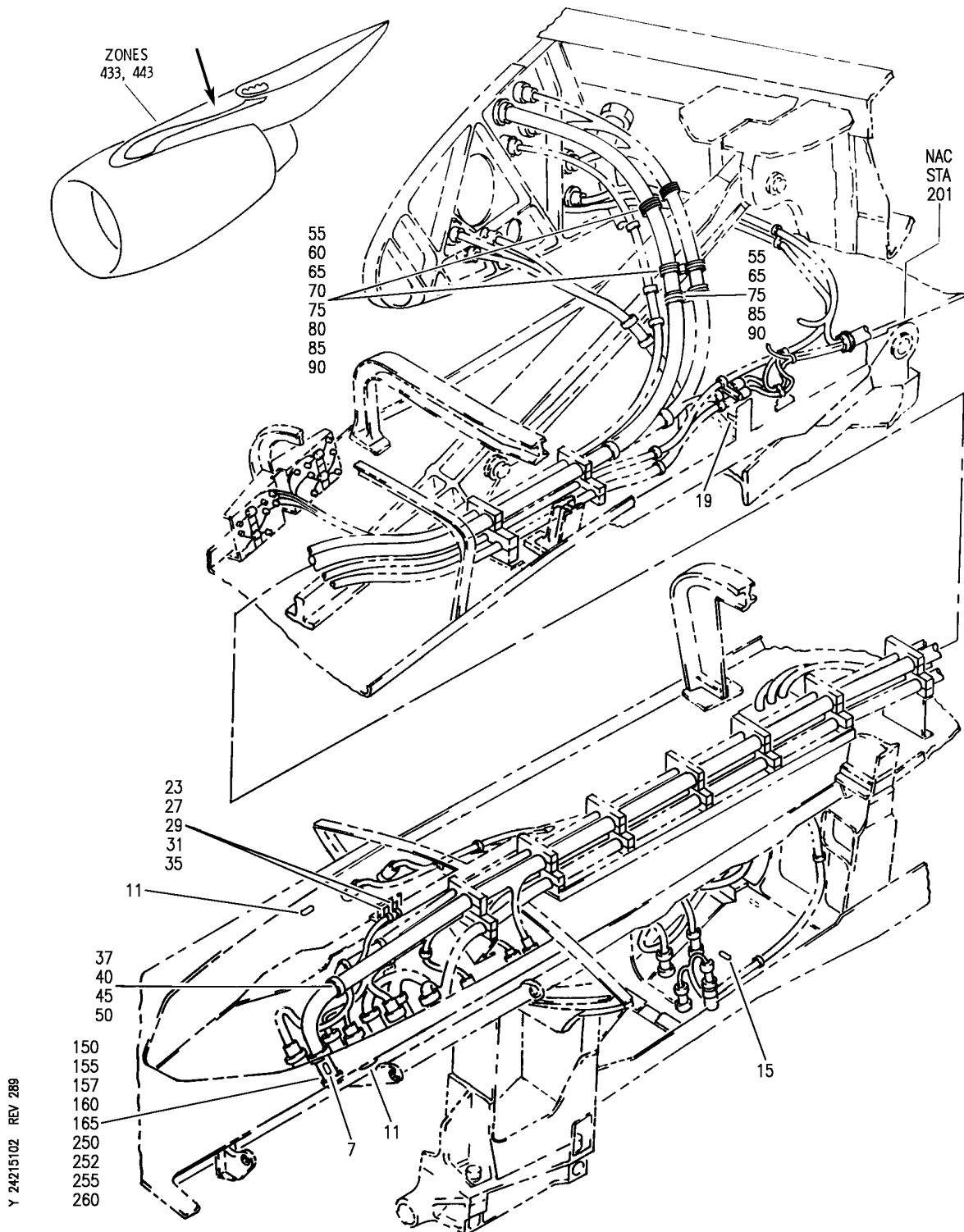
BRI

24-21-51-01A

BOEING PROPRIETARY - Copyright © - Unpublished Work - See title page for details.

24-21-51
FIG. 01A
PAGE 2
JAN 20/09

BOEING
757
PARTS CATALOG (MAINTENANCE)



Y 24215102 REV 289

WIRE INSTL-STRUT (AC GENERATION ONLY) (PW2000)
FIGURE 2

24-21-51-02

BRI
JAN 20/09

24-21-51-02
PAGE 0



757

PARTS CATALOG (MAINTENANCE)

FIG ITEM	PART NUMBER	1 2 3 4 5 6 7	NOMENCLATURE	EFFECT FROM TO	UNITS PER ASSY
2			WIRE INSTL-STRUT (AC GENERATION ONLY) (PW2000)	103106	
- 95	286N3312-011		.WIRE BUNDLE- POSITION DATA: LH SIDE	103106	1
150	287N1115-1		..SPACER- ELECTRICAL EQUIP NUMBER: D01092JM	103106	29
- 200	286N3412-011		.WIRE BUNDLE- POSITION DATA: RH SIDE	103106	1

MISSING ITEM NUMBERS NOT APPLICABLE

- ITEM NOT ILLUSTRATED

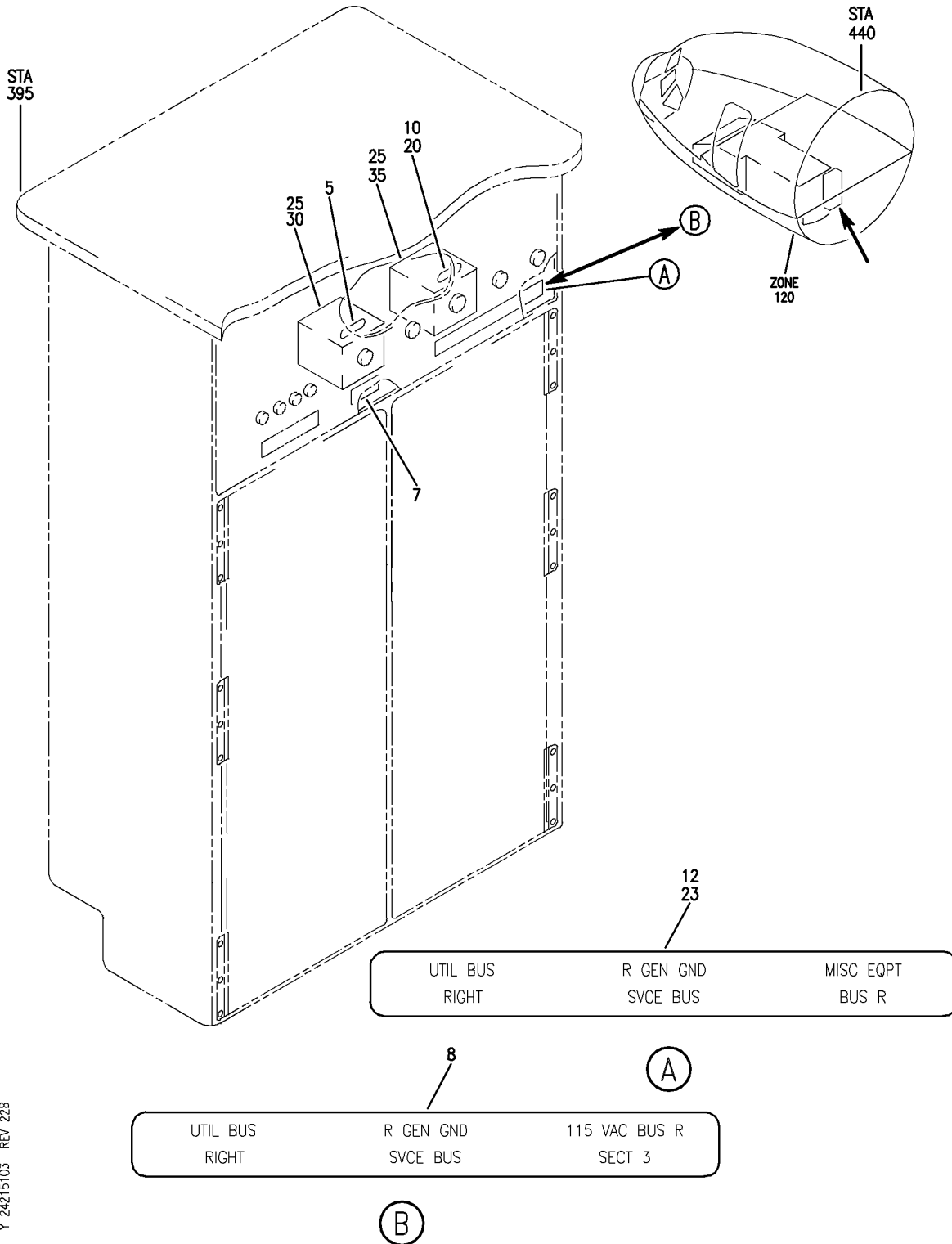
BRI

24-21-51-02

BOEING PROPRIETARY - Copyright © - Unpublished Work - See title page for details.

24-21-51
FIG. 02
PAGE 1
JAN 20/09

BOEING
757
PARTS CATALOG (MAINTENANCE)



EQUIPMENT ASSY-R GEN PWR PNL P32 (POWER AND REGULATION ONLY)
FIGURE 3

24-21-51-03

BRI
MAY 28/07

24-21-51-03
PAGE 0



757

PARTS CATALOG (MAINTENANCE)

FIG ITEM	PART NUMBER	1 2 3 4 5 6 7	NOMENCLATURE	EFFECT FROM TO	UNITS PER ASSY
3			EQUIPMENT ASSY-R GEN PWR PNL P32 (POWER AND REGULATION ONLY)	002004 006100 107107 121503 904999	
- 1	284N1315-1		EQUIPMENT ASSY-R GEN PWR PNL P32 (POWER AND REGULATION ONLY) VARIABLE DRAWING REF: 284N1315-5015 284N1315-5023 284N1315-5049 284N1315-5050 284N1315-5052 FOR NHA/OTHER SYS DET SEE: 31-01-32-02	002004 006100 107107 121503 904999	RF
5	BAC27NEX1636		.DECAL- PLACARD CONTENT: C3026	121503 904999	1
7	BAC27NEX1377		.DECAL- PLACARD CONTENT: UTIL BUS - GALLEYS R	121503 904999	1
10	BAC27TEX40		.DECAL- PLACARD CONTENT: C315	002004 006100 107107 121503 904999	1
12	BAC27NEX1647		.DECAL	002004 006100 107107 121503 904999	RF
30	6752-311-50		.CIRCUIT BREAKER- SUPPLIER CODE: V82647 SPECIFICATION NUMBER: 10-60806-1050 ELECTRICAL EQUIP NUMBER: C03026	121503 904999	1
35	6752-311-35		.CIRCUIT BREAKER- SUPPLIER CODE: V82647 SPECIFICATION NUMBER: 10-60806-1035 ELECTRICAL EQUIP NUMBER: C00315	107107 121503 904949	1

MISSING ITEM NUMBERS NOT APPLICABLE

- ITEM NOT ILLUSTRATED

24-21-51-03

24-21-51
FIG. 03
PAGE 1
JAN 20/09

BRI



757

PARTS CATALOG (MAINTENANCE)

FIG ITEM	PART NUMBER	1 2 3 4 5 6 7	NOMENCLATURE	EFFECT FROM TO	UNITS PER ASSY
3					
35	9TC635		.CIRCUIT BREAKER- SUPPLIER CODE: V82647 SPECIFICATION NUMBER: BACC18AE35 ELECTRICAL EQUIP NUMBER: C00315 ATTACHING PARTS	002004 006100 950999	1
- 40	NAS601-7P		.SCREW	002004 006100 107107 121503 904949	12
- 45	NAS601-7P		.SCREW-	950999	6
- 50	NAS601-7P		.SCREW- -----*-----	107107	6

MISSING ITEM NUMBERS NOT APPLICABLE

- ITEM NOT ILLUSTRATED

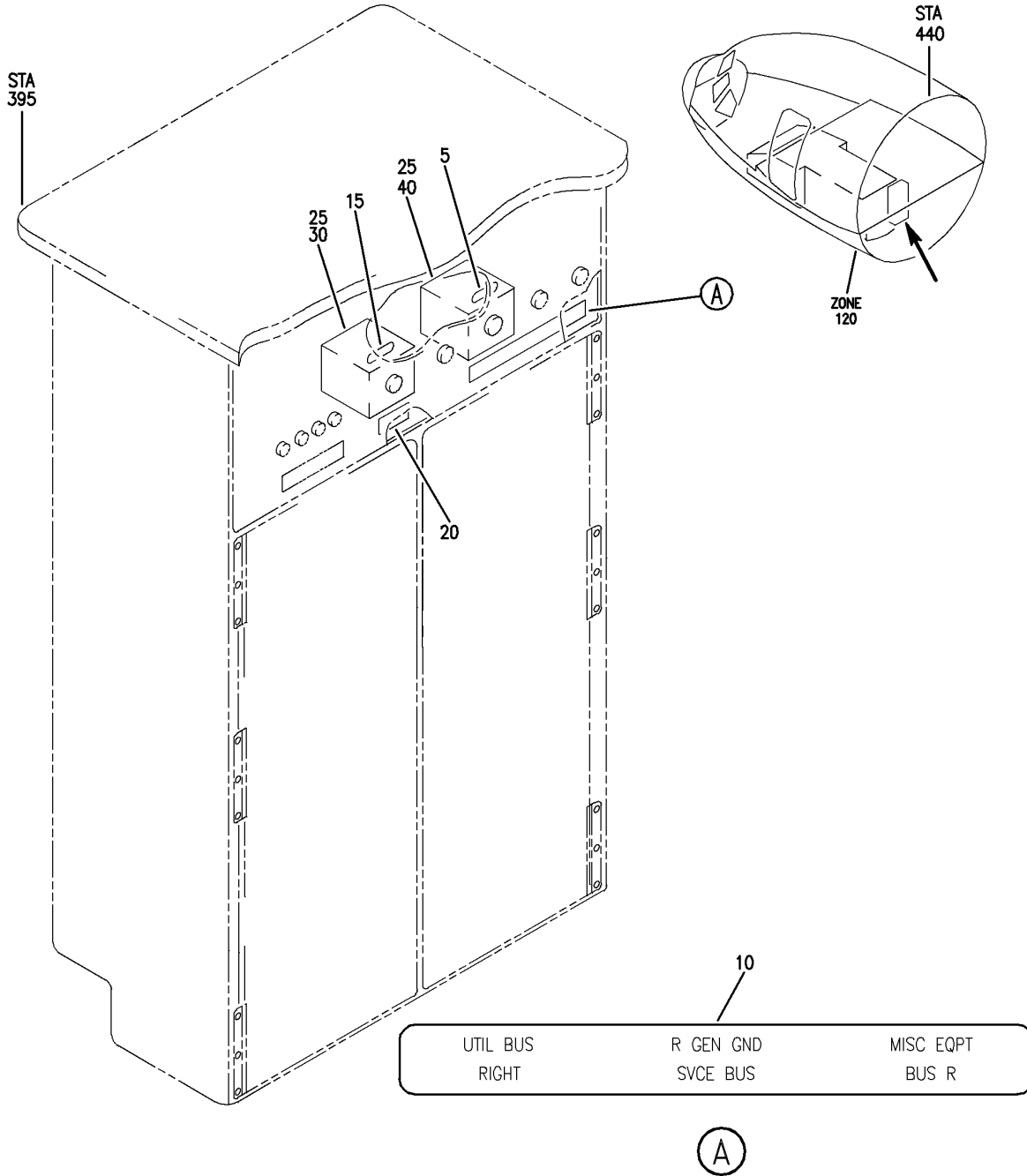
BRI

24-21-51-03

BOEING PROPRIETARY - Copyright © - Unpublished Work - See title page for details.

24-21-51
FIG. 03
PAGE 2
JAN 20/09

BOEING
757
PARTS CATALOG (MAINTENANCE)



Y 24215104 REV 228

PANEL ASSY-R GEN PWR PNL P32 (POWER AND REGULATION ONLY)
FIGURE 4

24-21-51-04

BRI
JAN 20/09

24-21-51-04
PAGE 0



757

PARTS CATALOG (MAINTENANCE)

FIG ITEM	PART NUMBER	1 2 3 4 5 6 7	NOMENCLATURE	EFFECT FROM TO	UNITS PER ASSY
4			PANEL ASSY-R GEN PWR PNL P32 (POWER AND REGULATION ONLY)	103106 108120	
- 1	284N1315-122		PANEL ASSY-R GEN PWR PNL P32 (POWER AND REGULATION ONLY) FOR NHA/OTHER SYS DET SEE: 24-00-58-05C	108120	RF
- 2	MODREF31489		PANEL ASSY-R GEN PWR PNL P32 (POWER AND REGULATION ONLY) MODULE NUMBER: 284N1315-206 REV A FOR OTHER SYS DETAILS SEE: 11-36-07-02 24-22-03-06A 24-22-51-07 24-23-01-02A 24-32-51-05 24-51-55-03 24-53-51-22 25-31-03-04 25-72-51-01 29-11-67-01	103106	1
10	BAC27NEX1647		.DECAL	103106 108120	RF
20	BAC27NEX1377		.DECAL- PLACARD CONTENT: UTIL BUS - GALLEYS R	108120	1
30	6752-311-50		.CIRCUIT BREAKER- SUPPLIER CODE: V82647 SPECIFICATION NUMBER: 10-60806-1050 ELECTRICAL EQUIP NUMBER: C03026	108120	1
- 35	NAS601-7P		ATTACHING PARTS .SCREW	108120	6
40	9TC635		-----*----- .CIRCUIT BREAKER- SUPPLIER CODE: V82647 SPECIFICATION NUMBER: BACC18AE35 ELECTRICAL EQUIP NUMBER: C00315	108120	1

MISSING ITEM NUMBERS NOT APPLICABLE

- ITEM NOT ILLUSTRATED

24-21-51-04

24-21-51
FIG. 04
PAGE 1
JAN 20/09

BRI



**757
PARTS CATALOG (MAINTENANCE)**

FIG ITEM	PART NUMBER	1 2 3 4 5 6 7	NOMENCLATURE	EFFECT FROM TO	UNITS PER ASSY
4 40	6752-311-50		.CIRCUIT BREAKER- SUPPLIER CODE: V82647 SPECIFICATION NUMBER: 10-60806-1050 ELECTRICAL EQUIP NUMBER: C00315 ATTACHING PARTS	103106	1
- 45	BACS12CK06-7		.SCREW- -----*-----	103106 108120	6

MISSING ITEM NUMBERS NOT APPLICABLE

- ITEM NOT ILLUSTRATED

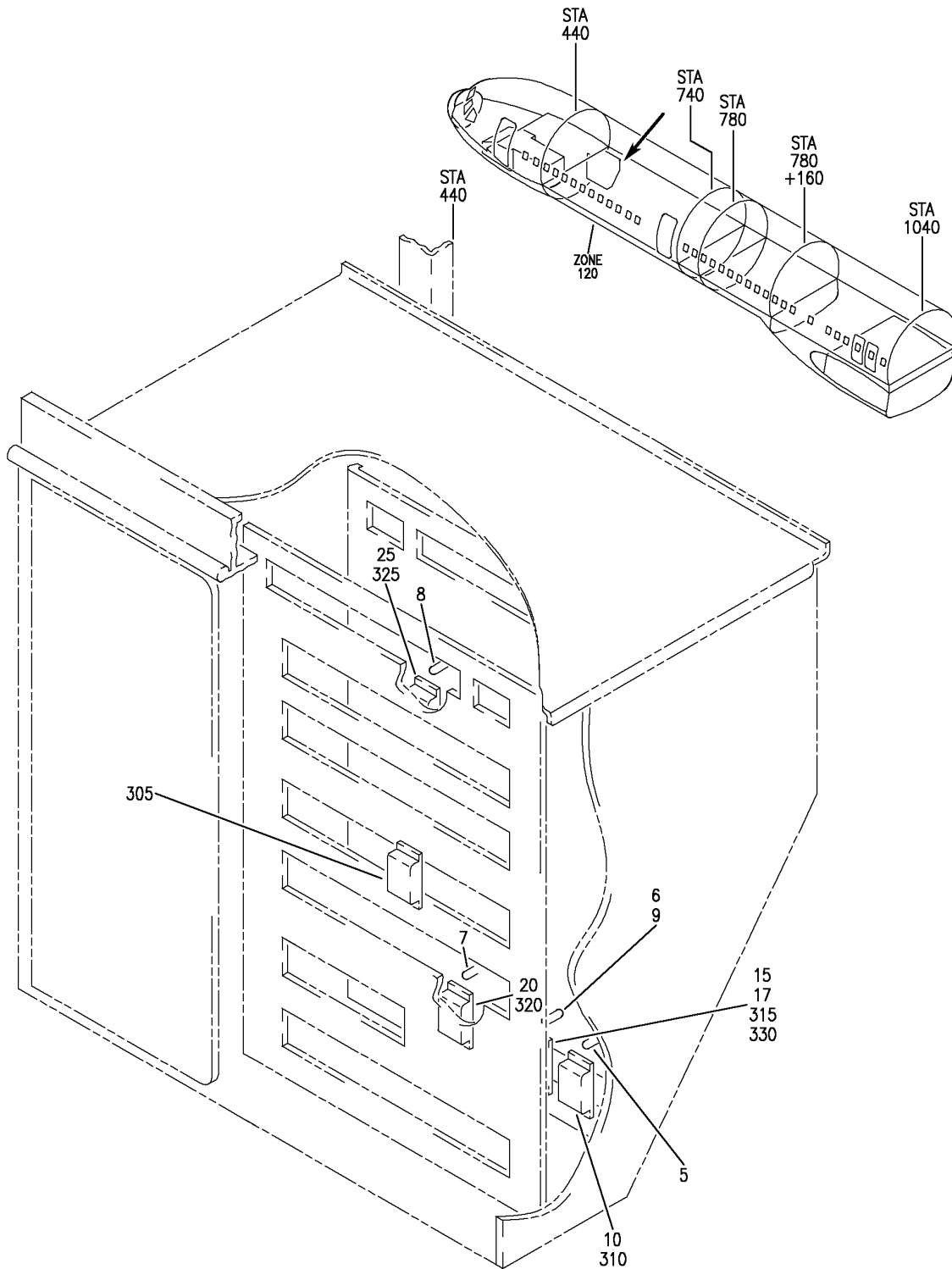
BRI

24-21-51-04

BOEING PROPRIETARY - Copyright © - Unpublished Work - See title page for details.

24-21-51
FIG. 04
PAGE 2
JAN 20/09

BOEING
757
PARTS CATALOG (MAINTENANCE)



Y 24215105 REV 308

PANEL INSTL-P37 R MISC RELAY (POWER AND REGULATION ONLY)
FIGURE 5

24-21-51-05

BRI
JAN 20/09

24-21-51-05
PAGE 0



757

PARTS CATALOG (MAINTENANCE)

FIG ITEM	PART NUMBER	1 2 3 4 5 6 7	NOMENCLATURE	EFFECT FROM TO	UNITS PER ASSY
5			PANEL INSTL-P37 R MISC RELAY (POWER AND REGULATION ONLY)	103106	
- 1	MODREF185037		PANEL INSTL-P37 R MISC RELAY (POWER AND REGULATION ONLY) MODULE NUMBER: 284N1127-169 REV D FOR OTHER SYS DETAILS SEE: 11-36-12-02A 21-25-71-02D 21-44-71-02D 21-45-31-01D 21-51-55-01D 21-58-71-02D 21-61-71-02D 23-31-51-05 24-51-01-02 24-51-02-03 24-51-58-02D 27-62-71-03D 28-22-71-03D 29-21-71-01D 30-11-71-02D 30-21-71-03D 30-31-71-02D 30-32-71-02D 30-33-71-02D 30-34-51-01D 31-01-37-10 31-31-71-02D 32-09-02-04D 32-42-71-02D 32-61-71-02D 33-43-55-01D 33-51-71-01D 34-12-71-02D 34-25-50-01D 34-61-52-01D 35-21-71-02D 36-11-71-02D 38-15-71-02D 73-21-55-01D 74-31-71-02D 76-11-71-02D 77-12-71-01D 78-34-71-02D 78-36-71-02D 80-11-71-02D	106106	1
MISSING ITEM NUMBERS NOT APPLICABLE					

- ITEM NOT ILLUSTRATED

24-21-51-05

24-21-51
FIG. 05
PAGE 1
JAN 20/09

BRI



757

PARTS CATALOG (MAINTENANCE)

FIG ITEM	PART NUMBER	1 2 3 4 5 6 7	NOMENCLATURE	EFFECT FROM TO	UNITS PER ASSY
5 - 2	MODREF31945		PANEL INSTL-P37 R MISC RELAY (POWER AND REGULATION ONLY) MODULE NUMBER: 284N1127-169 REV B FOR OTHER SYS DETAILS SEE: 11-36-12-02A 21-25-71-02D 21-44-71-02D 21-45-31-01D 21-51-55-01D 21-58-71-02D 21-61-71-02D 23-31-51-05 24-51-01-02 24-51-02-03 24-51-58-02D 27-62-71-03D 28-22-71-03D 29-21-71-01D 30-11-71-02D 30-21-71-03D 30-31-71-02D 30-32-71-02D 30-33-71-02D 30-34-51-01D 31-01-37-10 31-31-71-02D 32-09-02-04D 32-42-71-02D 32-61-71-02D 33-43-55-01D 33-51-71-01D 34-12-71-02D 34-25-50-01D 34-61-52-01D 35-21-71-02D 36-11-71-02D 38-15-71-02D 73-21-55-01D 74-31-71-02D 76-11-71-02D 77-12-71-01D 78-34-71-02D 78-36-71-02D 80-11-71-02D	103103	1

MISSING ITEM NUMBERS NOT APPLICABLE

- ITEM NOT ILLUSTRATED

24-21-51-05

24-21-51
FIG. 05
PAGE 2
JAN 20/09

BRI



757
PARTS CATALOG (MAINTENANCE)

FIG ITEM	PART NUMBER	1 2 3 4 5 6 7	NOMENCLATURE	EFFECT FROM TO	UNITS PER ASSY
5 - 2	MODREF34305		PANEL INSTL-P37 R MISC RELAY (POWER AND REGULATION ONLY) MODULE NUMBER: 284N1127-169 REV C FOR OTHER SYS DETAILS SEE: 11-36-12-02A 21-25-71-02D 21-44-71-02D 21-45-31-01D 21-51-55-01D 21-58-71-02D 21-61-71-02D 23-31-51-05 24-51-01-02 24-51-02-03 24-51-58-02D 27-62-71-03D 28-22-71-03D 29-21-71-01D 30-11-71-02D 30-21-71-03D 30-31-71-02D 30-32-71-02D 30-33-71-02D 30-34-51-01D 31-01-37-10 31-31-71-02D 32-09-02-04D 32-42-71-02D 32-61-71-02D 33-43-55-01D 33-51-71-01D 34-12-71-02D 34-25-50-01D 34-61-52-01D 35-21-71-02D 36-11-71-02D 38-15-71-02D 73-21-55-01D 74-31-71-02D 76-11-71-02D 77-12-71-01D 78-34-71-02D 78-36-71-02D 80-11-71-02D	104105	1

MISSING ITEM NUMBERS NOT APPLICABLE

- ITEM NOT ILLUSTRATED

BRI

24-21-51-05

BOEING PROPRIETARY - Copyright © - Unpublished Work - See title page for details.

24-21-51
FIG. 05
PAGE 3
JAN 20/09



757

PARTS CATALOG (MAINTENANCE)

FIG ITEM	PART NUMBER	1 2 3 4 5 6 7	NOMENCLATURE	EFFECT FROM TO	UNITS PER ASSY
5 10	ES410-1538		.RELAY- SUPPLIER CODE: V99699 SPECIFICATION NUMBER: BACR13CG2AB OPTIONAL PART: KD4L018 V35344 BR230DS0115 V56623 KD4L036 V58657 FCA410-63 V78290 ELECTRICAL EQUIP NUMBER: K10857 WIRING DIAGRAM REF: 242124	103106	1
- 300 310	286N1270-602 RSF116400		WIRE BUNDLE ASSY .SOCKET- SUPPLIER CODE: V58982 SPECIFICATION NUMBER: BACS16W1A OPTIONAL PART: 102-009-1 V09922 000300-1539 V05574 ELECTRICAL EQUIP NUMBER: D11602 WIRING DIAGRAM REF: 242124	103106 103106	RF 1

MISSING ITEM NUMBERS NOT APPLICABLE

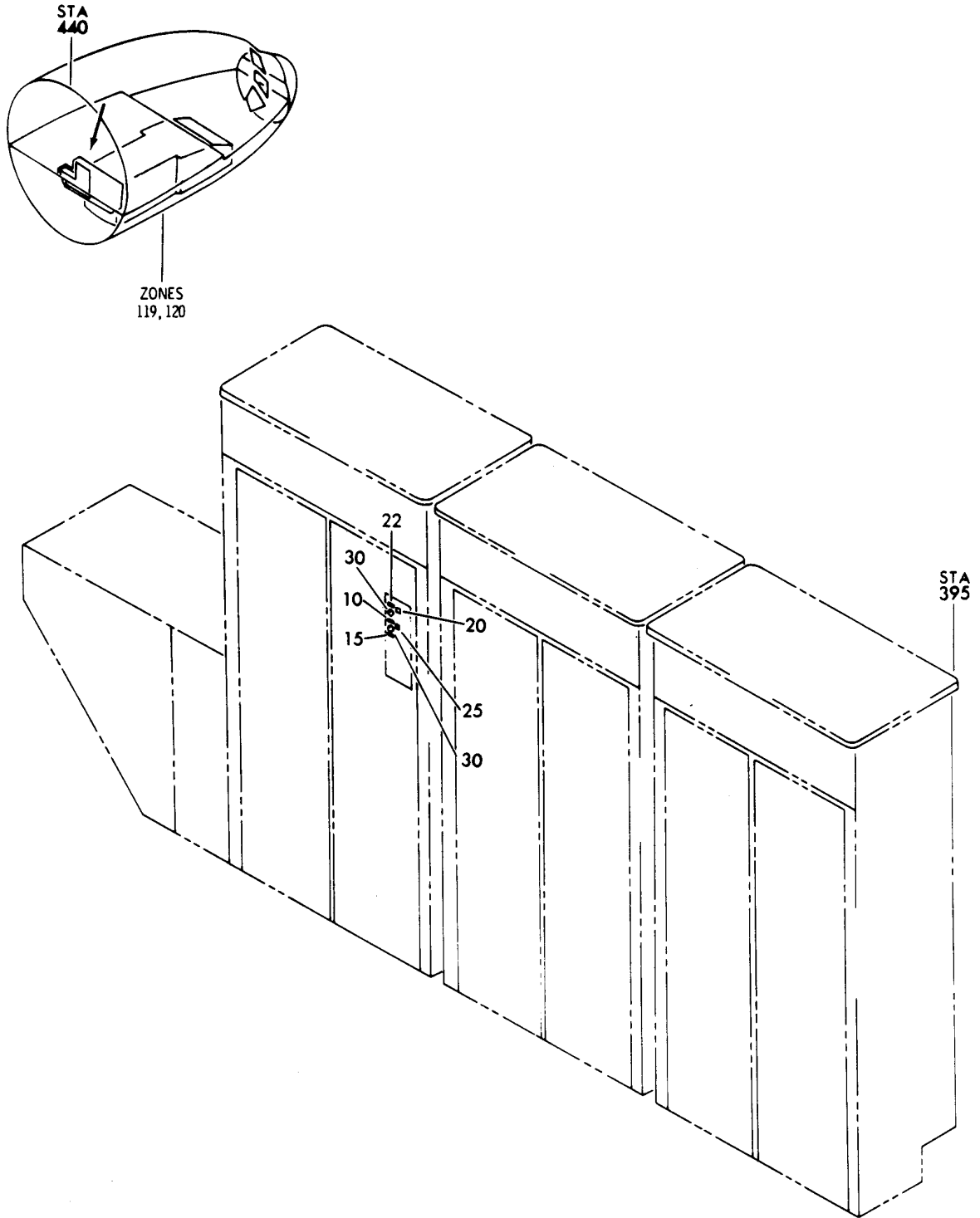
- ITEM NOT ILLUSTRATED

24-21-51-05

24-21-51
FIG. 05
PAGE 4
JAN 20/09

BRI

BOEING
757
PARTS CATALOG (MAINTENANCE)



Y 24216301 SMT 1 REV 056

PANEL ASSY-P34 APU/EXT PWR (POWER AND REGULATION ONLY)
FIGURE 1

24-21-63-01

BRI
MAY 28/07

24-21-63-01
PAGE 0



757

PARTS CATALOG (MAINTENANCE)

FIG ITEM	PART NUMBER	1 2 3 4 5 6 7	NOMENCLATURE	EFFECT FROM TO	UNITS PER ASSY
1			PANEL ASSY-P34 APU/EXT PWR (POWER AND REGULATION ONLY)	002004 006100 107107 121503 904999	
- 1	284N1316-1		PANEL ASSY-P34 APU/EXT PWR (POWER AND REGULATION ONLY) VARIABLE DRAWING REF: 284N1316-5023 284N1316-5047 284N1316-5063 284N1316-5064 284N1316-5067 FOR NHA/OTHER SYS DET SEE: 31-01-34-02	002004 006100 107107 121503 904999	RF
10	BAC27NEX0275		.DECAL- PLACARD CONTENT: TIE BUS	002004 006100 107107 121503 904999	1
15	BAC27NEX0276		.DECAL- PLACARD CONTENT: APU GEN	002004 006100 107107 121503 904999	1
20	BAC27NEX1370		.DECAL- PLACARD CONTENT: L9	002004 006100 121503 904999	1
22	BAC27NEX1370		.DECAL- PLACARD CONTENT: L9	107107	1
25	BAC27NEX1371		.DECAL- PLACARD CONTENT: L10	002004 006100 107107 121503 904999	1
30	33-32683-6P1		.LIGHT- SUPPLIER CODE: V79692 ELECTRICAL EQUIP NUMBER: L00009 L00010	002004 006100 107107 121503 904999	2

MISSING ITEM NUMBERS NOT APPLICABLE

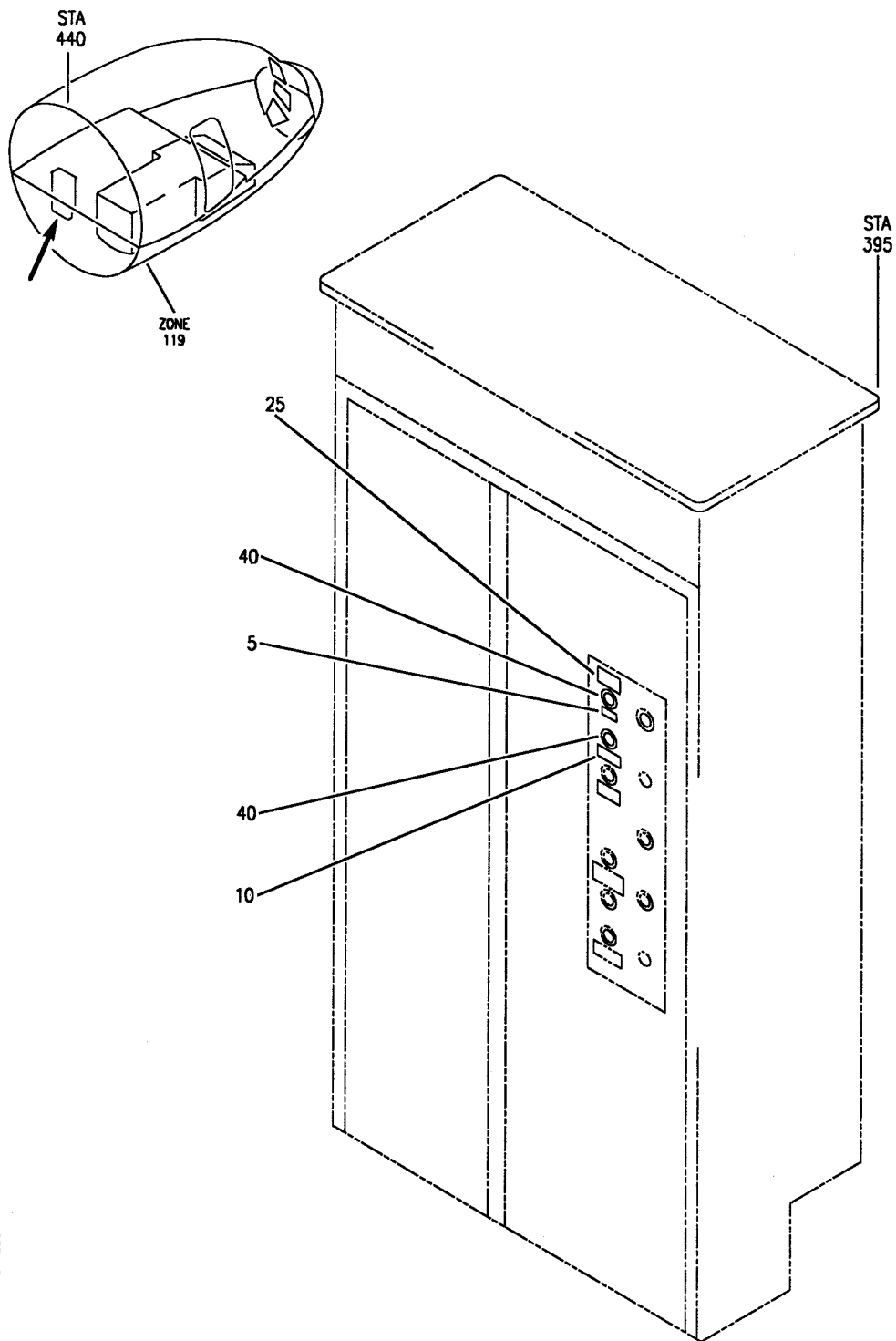
- ITEM NOT ILLUSTRATED

24-21-63-01

24-21-63
FIG. 01
PAGE 1
JAN 20/09

BRI

BOEING
757
PARTS CATALOG (MAINTENANCE)



Y 24216301A REV 220

PACKAGE ASSY-OPTION P34 APU/EXT PWR (POWER AND REGULATION ONLY)
FIGURE 1A

BRI
MAY 28/07

24-21-63-01A

24-21-63-01A
PAGE 0



757

PARTS CATALOG (MAINTENANCE)

FIG ITEM	PART NUMBER	1 2 3 4 5 6 7	NOMENCLATURE	EFFECT FROM TO	UNITS PER ASSY
1 A			PACKAGE ASSY-OPTION P34 APU/EXT PWR (POWER AND REGULATION ONLY)	101102 504903	
- 1	284N1316-1000		PACKAGE ASSY-OPTION P34 APU/EXT PWR (POWER AND REGULATION ONLY) FOR NHA/OTHER SYS DET SEE: 31-01-34-01	101102 504903	RF
5	BAC27NEX0275		.DECAL- PLACARD CONTENT: TIE BUS	101102 504903	1
10	BAC27NEX0276		.DECAL- PLACARD CONTENT: APU GEN	101102 504903	1
25	BAC27NEX0274		.DECAL- PLACARD CONTENT: HOT BUS WARN LIGHTS	101102 504903	1
40	33-32683-6P1		.LIGHT- SUPPLIER CODE: V79692 ELECTRICAL EQUIP NUMBER: L00009 L00010	101102 504903	2

MISSING ITEM NUMBERS NOT APPLICABLE

- ITEM NOT ILLUSTRATED

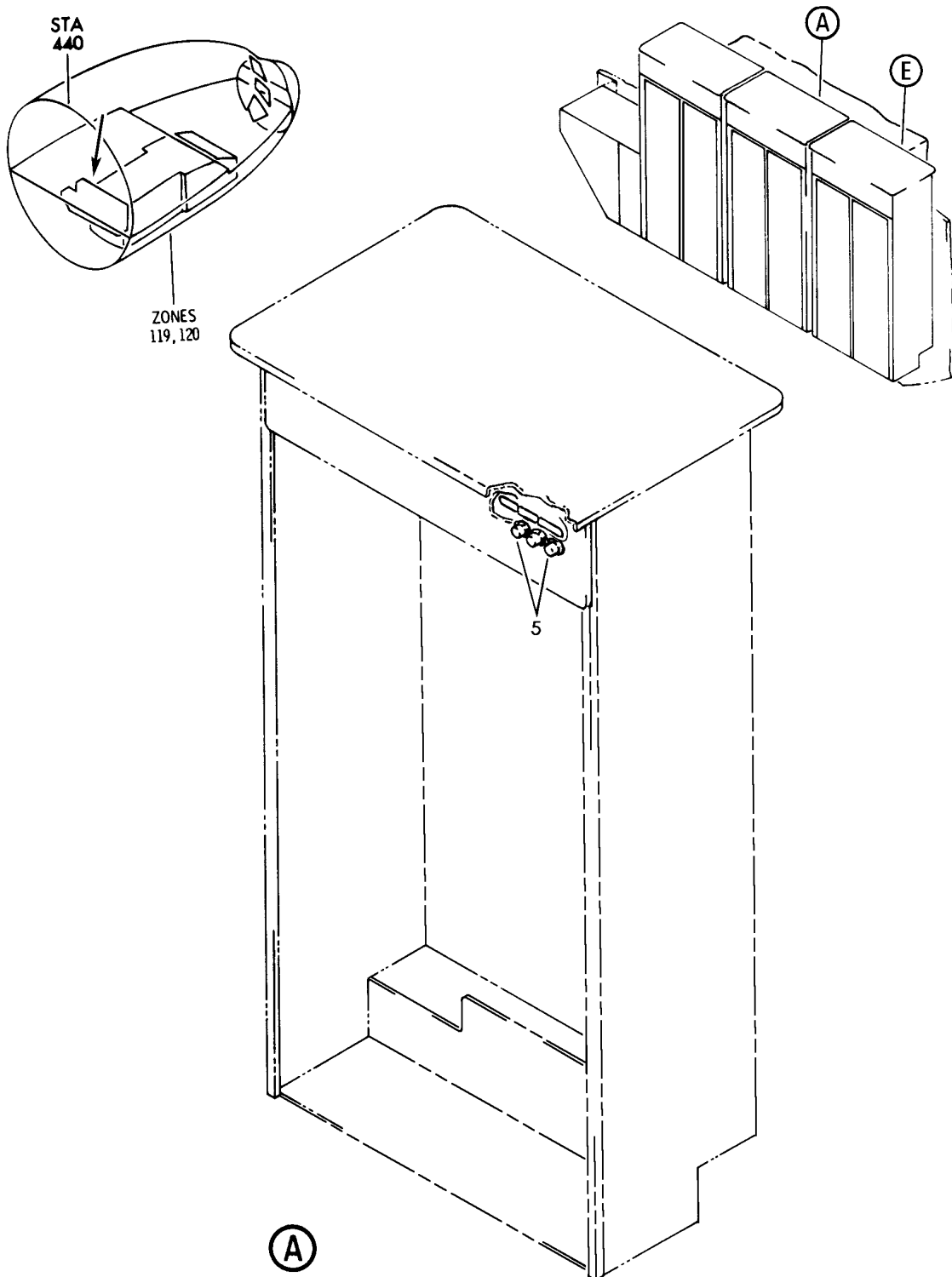
BRI

24-21-63-01A

BOEING PROPRIETARY - Copyright © - Unpublished Work - See title page for details.

24-21-63
FIG. 01A
PAGE 1
JAN 20/09

BOEING
757
PARTS CATALOG (MAINTENANCE)



Y 24216501A SHT 1 REV 24B

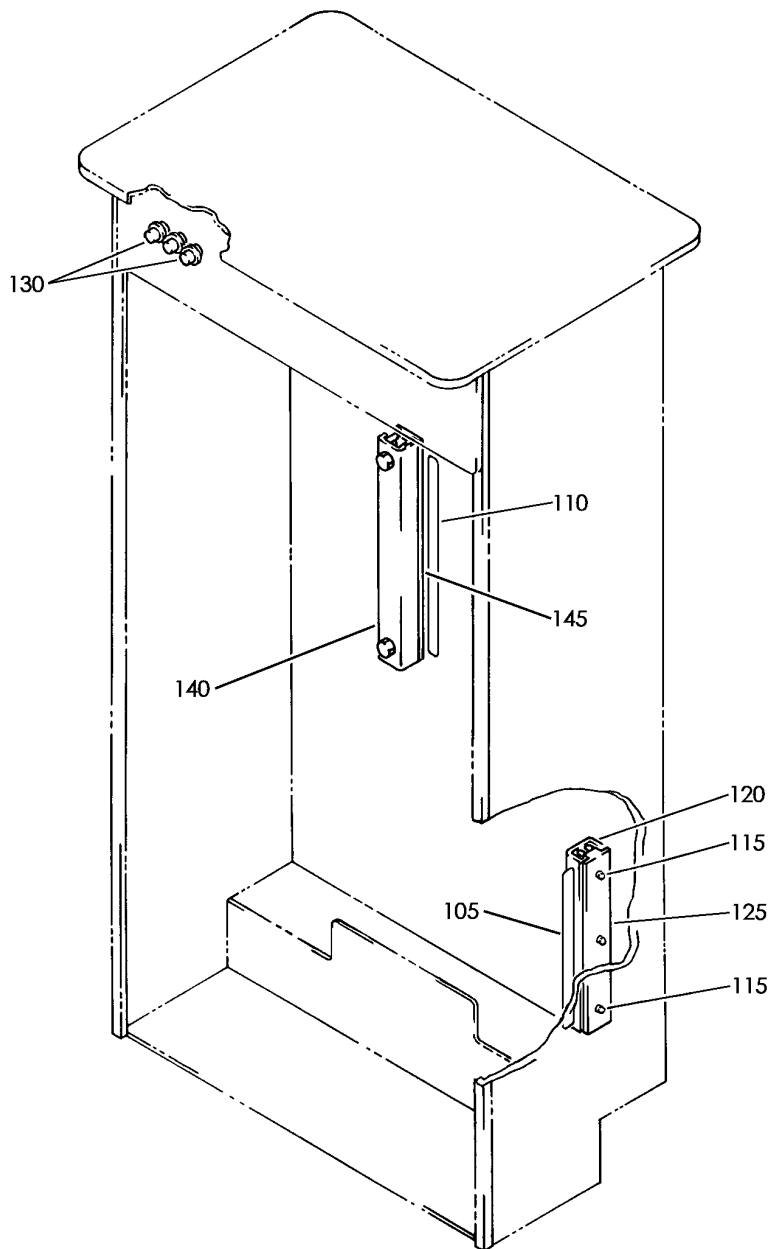
PACKAGE ASSY-OPTION P31 AND P32 GEN PWR PNL (POWER AND REGULATION ONLY)
FIGURE 1A (SHEET 1)

BRI
MAY 28/07

24-21-65-01A

24-21-65-01A
PAGE 0

BOEING
757
PARTS CATALOG (MAINTENANCE)



(E)

Y 24216501A SHT 2 REV 218

PACKAGE ASSY-OPTION P31 AND P32 GEN PWR PNL (POWER AND REGULATION ONLY)
FIGURE 1A (SHEET 2)

BRI
MAY 28/07

24-21-65-01A

24-21-65-01A
PAGE 0A

BOEING PROPRIETARY - Copyright © - Unpublished Work - See title page for details.



757

PARTS CATALOG (MAINTENANCE)

FIG ITEM	PART NUMBER	1 2 3 4 5 6 7	NOMENCLATURE	EFFECT FROM TO	UNITS PER ASSY
1 A			PACKAGE ASSY-OPTION P31 AND P32 GEN PWR PNL (POWER AND REGULATION ONLY)	101102 108120 504903	
- 1	284N1314-1000		PACKAGE ASSY-OPTION P31 (POWER AND REGULATION ONLY) MISCELLANEOUS DATA: MINOR MODEL 757-200 PASS FOR NHA/OTHER SYS DET SEE: 24-22-01-01B	101102 108120 504903	RF
5	33-32683-6P1		.LIGHT- SUPPLIER CODE: V79692 ELECTRICAL EQUIP NUMBER: L00007 L00011 L00012	101102 108120 504903	3
- 100	284N1315-1000		PACKAGE ASSY-OPTION P32 (POWER AND REGULATION ONLY) MISCELLANEOUS DATA: 757 MAJOR MODEL OPTION FOR NHA/OTHER SYS DET SEE: 24-22-01-01C	101102 504903	RF
105	BAC27NEX2904		.DECAL- PLACARD CONTENT: TB5032 1 THRU 15	101102 504903	1
110	BAC27NEX2917		.DECAL- PLACARD CONTENT: TB5052 1 THRU 12	101102 504903	1
115	NAS600-8P		.SCREW	101102 504903	3
120	MS18029-2L15		.COVER ASSY	101102 504903	1
125	MS27212-2-15		.TERMINAL BOARD ASSY- ELECTRICAL EQUIP NUMBER: TB5032	101102 504903	1
130	33-32683-6P1		.LIGHT- SUPPLIER CODE: V79692 ELECTRICAL EQUIP NUMBER: L00008 L00013 L00014	101102 504903	3
140	MS18029-2L12		.COVER ASSY	101102 504903	1

MISSING ITEM NUMBERS NOT APPLICABLE

- ITEM NOT ILLUSTRATED

24-21-65-01A

24-21-65
FIG. 01A
PAGE 1
JAN 20/09

BRI

BOEING PROPRIETARY - Copyright © - Unpublished Work - See title page for details.



757

PARTS CATALOG (MAINTENANCE)

FIG ITEM	PART NUMBER	1 2 3 4 5 6 7	NOMENCLATURE	EFFECT FROM TO	UNITS PER ASSY
1 A 145	MS27212-2-12		. TERMINAL BOARD ASSY- ELECTRICAL EQUIP NUMBER: TB5052 ATTACHING PARTS	101102 504903	1
- 150	NAS600-8P		. SCREW -----*-----	101102 504903	4

MISSING ITEM NUMBERS NOT APPLICABLE

- ITEM NOT ILLUSTRATED

BRI

24-21-65-01A

BOEING PROPRIETARY - Copyright © - Unpublished Work - See title page for details.

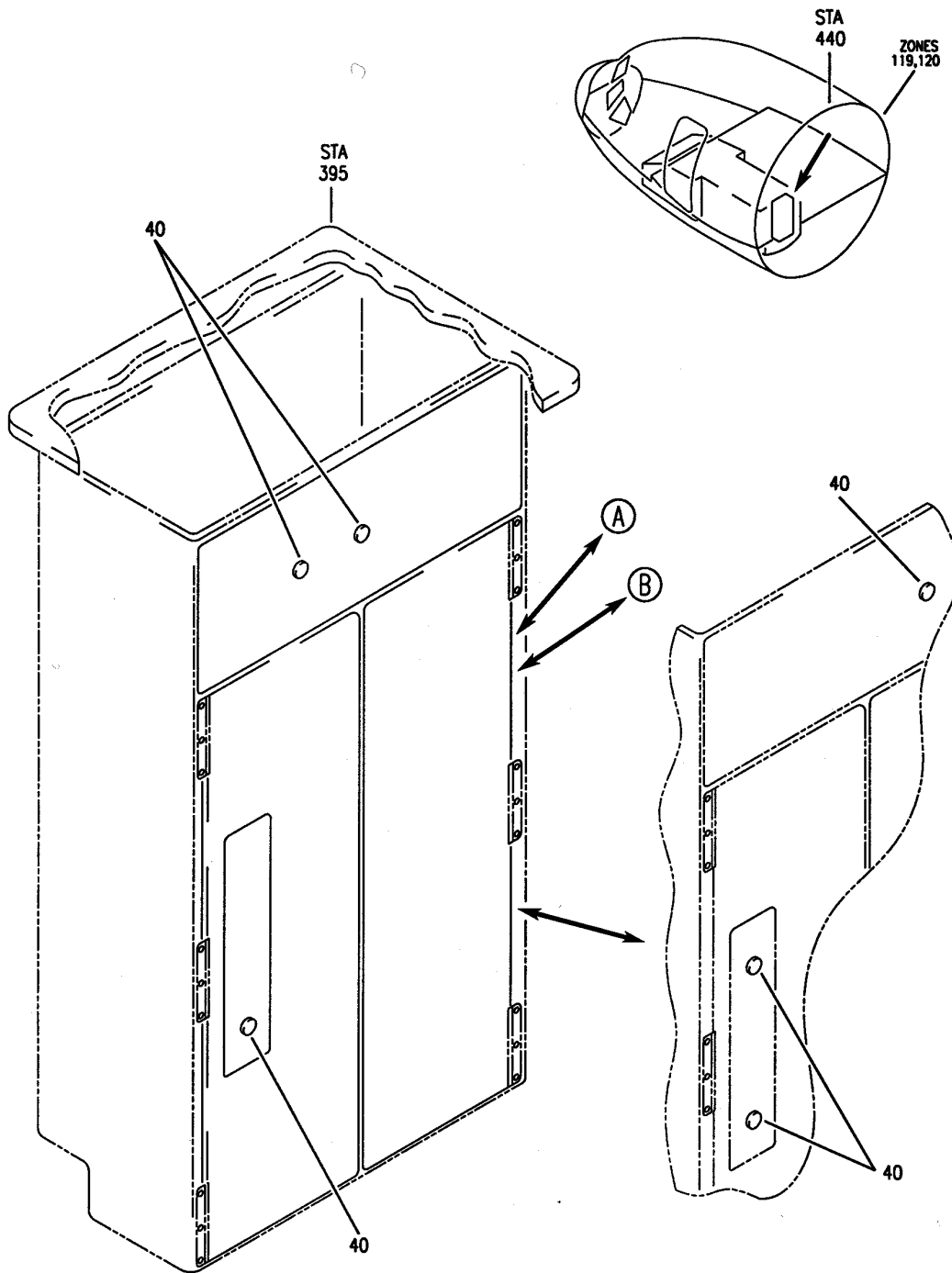
24-21-65
FIG. 01A
PAGE 2
JAN 20/09

AC GENERATION AND BUS CONTROL

BRI
MAY 28/07

24-22-00
SECTION TITLE
PAGE 1

BOEING
757
PARTS CATALOG (MAINTENANCE)



Y 24220101B SHT 1 REV 219

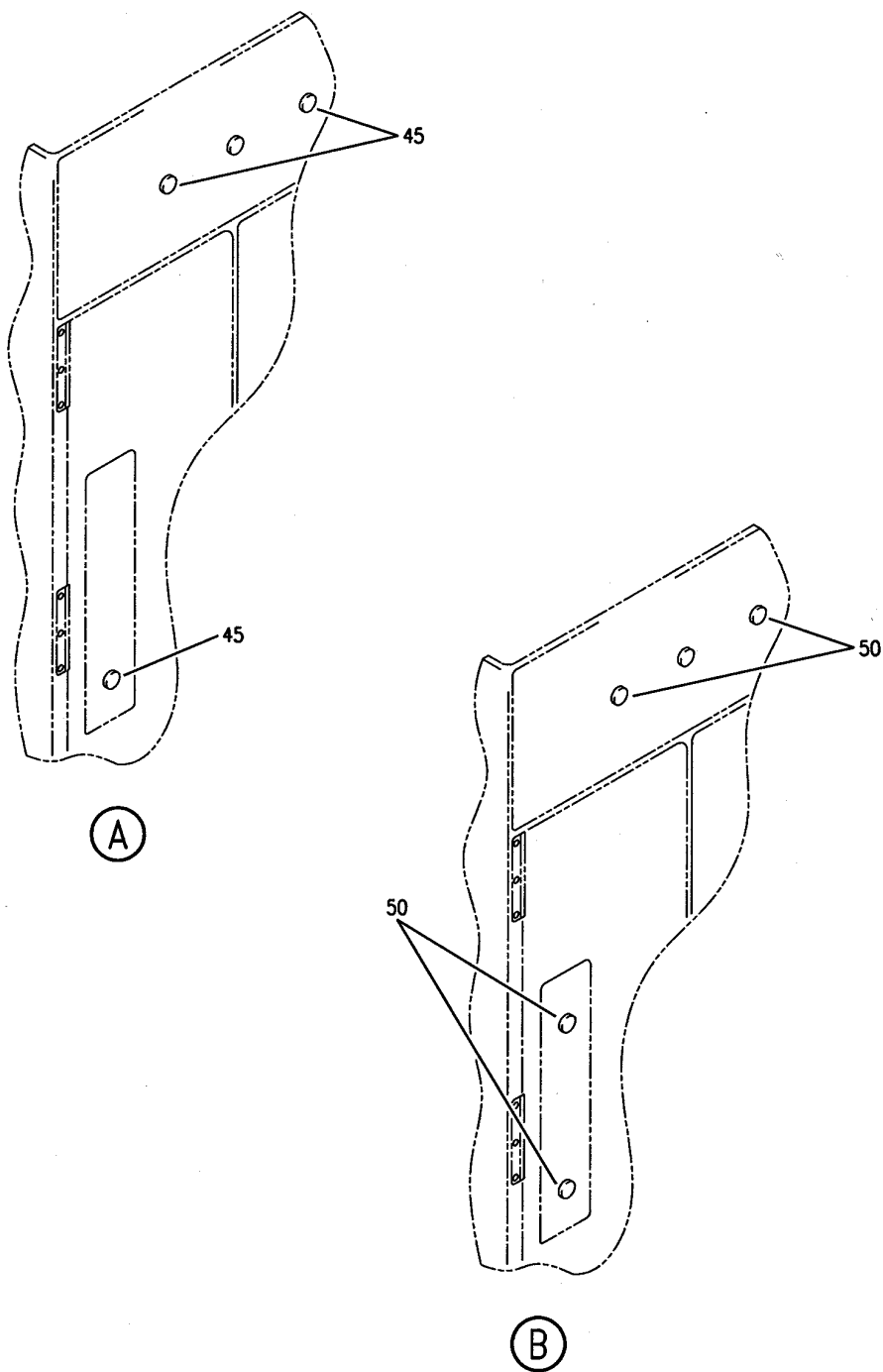
PANEL INSTL-P31 PWR
FIGURE 1B (SHEET 1)

24-22-01-01B

BRI
MAY 28/07

24-22-01-01B
PAGE 0

BOEING
757
PARTS CATALOG (MAINTENANCE)



Y 24220101B SHT 2 REV 212

PANEL INSTL-P31 PWR
FIGURE 1B (SHEET 2)

24-22-01-01B

BRI
MAY 28/07

24-22-01-01B
PAGE 0A

 **BOEING**
757
PARTS CATALOG (MAINTENANCE)

FIG ITEM	PART NUMBER	1 2 3 4 5 6 7	NOMENCLATURE	EFFECT FROM TO	UNITS PER ASSY
1B			PANEL INSTL-P31 PWR	101102 108120 504903	
- 1	284N1314-104		PANEL INSTL-P31 PWR FOR NHA SEE: 24-00-58-05C	504903	RF
- 1	284N1314-107		PANEL INSTL-P31 PWR FOR NHA SEE: 24-00-58-05C	101102 108120	RF
- 5	284N1314-1000		.PACKAGE ASSY-OPTION MISCELLANEOUS DATA: MINOR MODEL 757-200 PASS FUNCTIONAL REFERENCE: ELECTRICAL POWER FOR DETAILS SEE 24-21-65-01A 24-22-02-01A 24-51-55-01A EQUIPMENT/FURNISHINGS FOR DETAILS SEE 25-71-51-08 HYDRAULIC POWER FOR DETAILS SEE 29-11-67-01A INDICATING/RECORDING FOR DETAILS SEE 31-01-31-03	101102 108120 504903	1
- 10	284N1314-1001		.PACKAGE ASSY-OPTION MISCELLANEOUS DATA: MINOR MODEL 757-200 PASS OR 757-300 PASS FOR DETAILS SEE: 24-51-55-01A	101102 108120 504903	1
- 15	284N1314-1002		.PACKAGE ASSY-OPTION MISCELLANEOUS DATA: ETOPS OPTION FUNCTIONAL REFERENCE: ELECTRICAL POWER FOR DETAILS SEE 24-51-55-01A EQUIPMENT/FURNISHINGS FOR DETAILS SEE 25-71-51-08	101102 108120	1
- 20	284N1314-1003		.PACKAGE ASSY-OPTION MISCELLANEOUS DATA: G4B GALLEY OPTION FOR DETAILS SEE: 25-31-67-01A	101102 504903	1

MISSING ITEM NUMBERS NOT APPLICABLE

- ITEM NOT ILLUSTRATED

BRI

24-22-01-01B

BOEING PROPRIETARY - Copyright © - Unpublished Work - See title page for details.

24-22-01
FIG. 01B
PAGE 1
JAN 20/09



757

PARTS CATALOG (MAINTENANCE)

FIG ITEM	PART NUMBER	1 2 3 4 5 6 7	NOMENCLATURE	EFFECT FROM TO	UNITS PER ASSY
1B - 25	284N1314-1004		.PACKAGE ASSY-OPTION MISCELLANEOUS DATA: SYS HYD LEAK DET CURRENT FOR DETAILS SEE: 29-11-67-01A	101102 108120	1
45	BACP20B43B		.PLUG- MISCELLANEOUS DATA: USE IN PLACE OF CIRCUIT BREAKERS ON OPEN HOLES	101102 108120	4
50	BACP20B43B		.PLUG- MISCELLANEOUS DATA: USE IN PLACE OF CIRCUIT BREAKERS ON OPEN HOLES	504903	5

MISSING ITEM NUMBERS NOT APPLICABLE

- ITEM NOT ILLUSTRATED

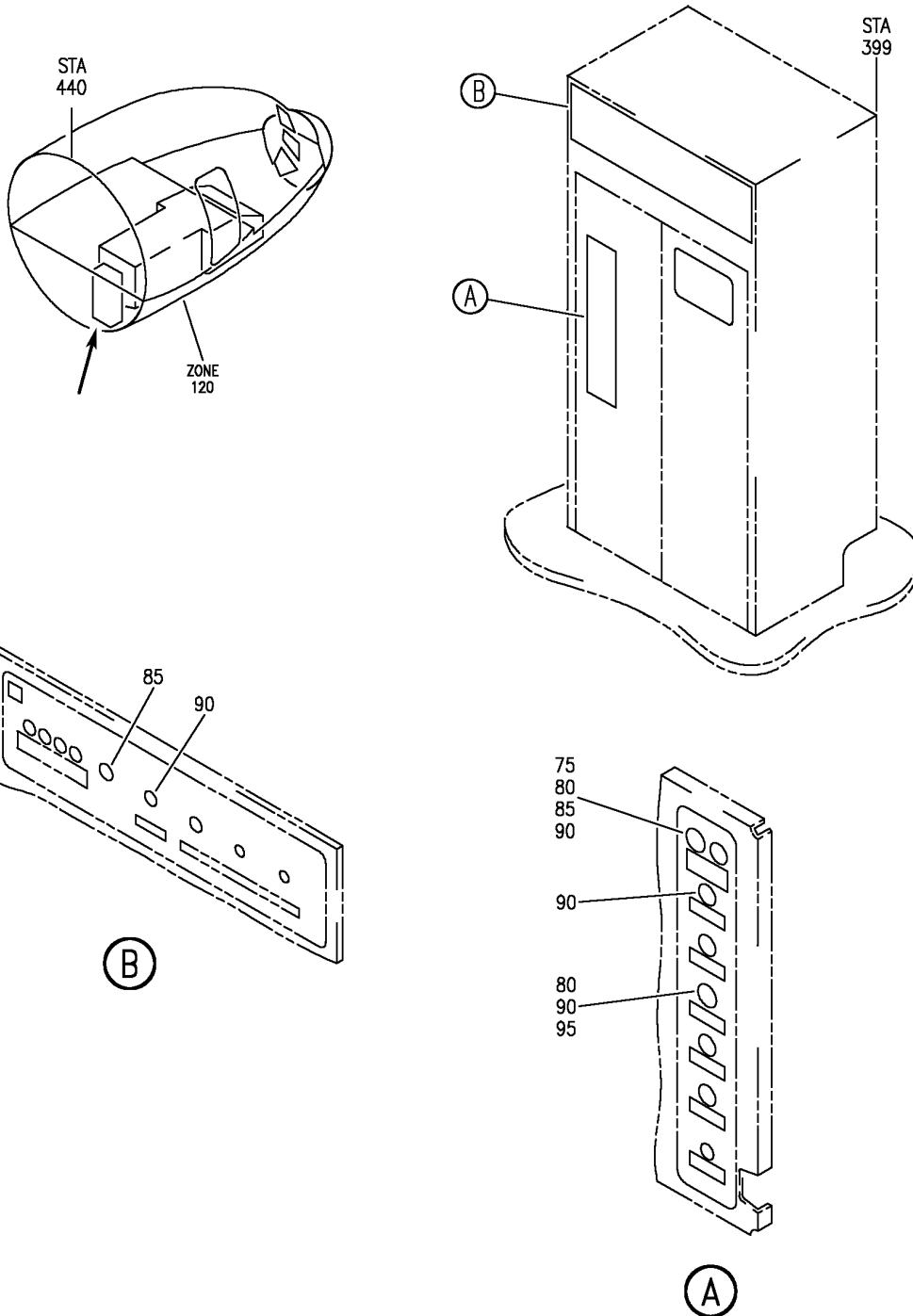
BRI

24-22-01-01B

BOEING PROPRIETARY - Copyright © - Unpublished Work - See title page for details.

24-22-01
FIG. 01B
PAGE 2
JAN 20/09

BOEING
757
PARTS CATALOG (MAINTENANCE)



Y 24220101C REV 280

PANEL INSTL-P32 PWR
FIGURE 1C

24-22-01-01C

BRI
MAY 28/07

24-22-01-01C
PAGE 0



757

PARTS CATALOG (MAINTENANCE)

FIG ITEM	PART NUMBER	1 2 3 4 5 6 7	NOMENCLATURE	EFFECT FROM TO	UNITS PER ASSY
1C			PANEL INSTL-P32 PWR	101102	
- 1	284N1315-101		PANEL INSTL-P32 PWR FOR NHA SEE: 24-00-58-05C	504903 101102	RF
- 1	284N1315-115		PANEL INSTL-P32 PWR FOR NHA SEE: 24-00-58-05C	504903	RF
- 5	284N1315-1000		.PACKAGE ASSY-OPTION P32 MISCELLANEOUS DATA: 757 MAJOR MODEL OPTION FUNCTIONAL REFERENCE: PLACARDS AND MARKINGS FOR DETAILS SEE 11-36-07-02A ELECTRICAL POWER FOR DETAILS SEE 24-21-65-01A 24-22-02-01A 24-23-65-02A 24-51-55-01A EQUIPMENT/FURNISHINGS FOR DETAILS SEE 25-70-51-13 HYDRAULIC POWER FOR DETAILS SEE 29-11-67-01A INDICATING/RECORDING FOR DETAILS SEE 31-01-31-03	101102 504903	1
- 10	284N1315-1001		.PACKAGE ASSY-OPTION P32 MISCELLANEOUS DATA: ETOPS FOR DETAILS SEE: 24-51-55-01A	101102	1
- 15	284N1315-1002		.PACKAGE ASSY-OPTION P32 MISCELLANEOUS DATA: APU ADDITIONAL START CAPABILITY FOR DETAILS SEE: 24-51-55-01A	101102 504903	1
- 20	284N1315-1003		.PACKAGE ASSY-OPTION P32 MISCELLANEOUS DATA: G1A GALLEY FOR DETAILS SEE: 25-31-67-01A	101102	1

MISSING ITEM NUMBERS NOT APPLICABLE

- ITEM NOT ILLUSTRATED

24-22-01-01C

24-22-01
FIG. 01C
PAGE 1
JAN 20/09

BRI



757

PARTS CATALOG (MAINTENANCE)

FIG ITEM	PART NUMBER	1 2 3 4 5 6 7	NOMENCLATURE	EFFECT FROM TO	UNITS PER ASSY
1C					
- 35	284N1315-1007		.PACKAGE ASSY-OPTION P32 MISCELLANEOUS DATA: UTIL BUS GALLEYS R FOR DETAILS SEE: 24-51-55-01A	504903	1
- 40	284N1315-1008		.PACKAGE ASSY-OPTION P32 MISCELLANEOUS DATA: SYS HYD LEAK DET CURRENT FOR DETAILS SEE: 29-11-67-01A	101102	1
- 50	284N1315-1011		.PACKAGE ASSY-OPTION P32 MISCELLANEOUS DATA: G2A GALLEY FOR DETAILS SEE: 25-31-67-01A	504903	1
85	BACP20B43B		.PLUG- MISCELLANEOUS DATA: USE IN PLACE OF CIRCUIT BREAKERS ON OPEN HOLES	101102 504903	2
95	BACP20B43B		.PLUG- MISCELLANEOUS DATA: USE IN PLACE OF CIRCUIT BREAKERS ON OPEN HOLES	101102 504903	1

MISSING ITEM NUMBERS NOT APPLICABLE

- ITEM NOT ILLUSTRATED

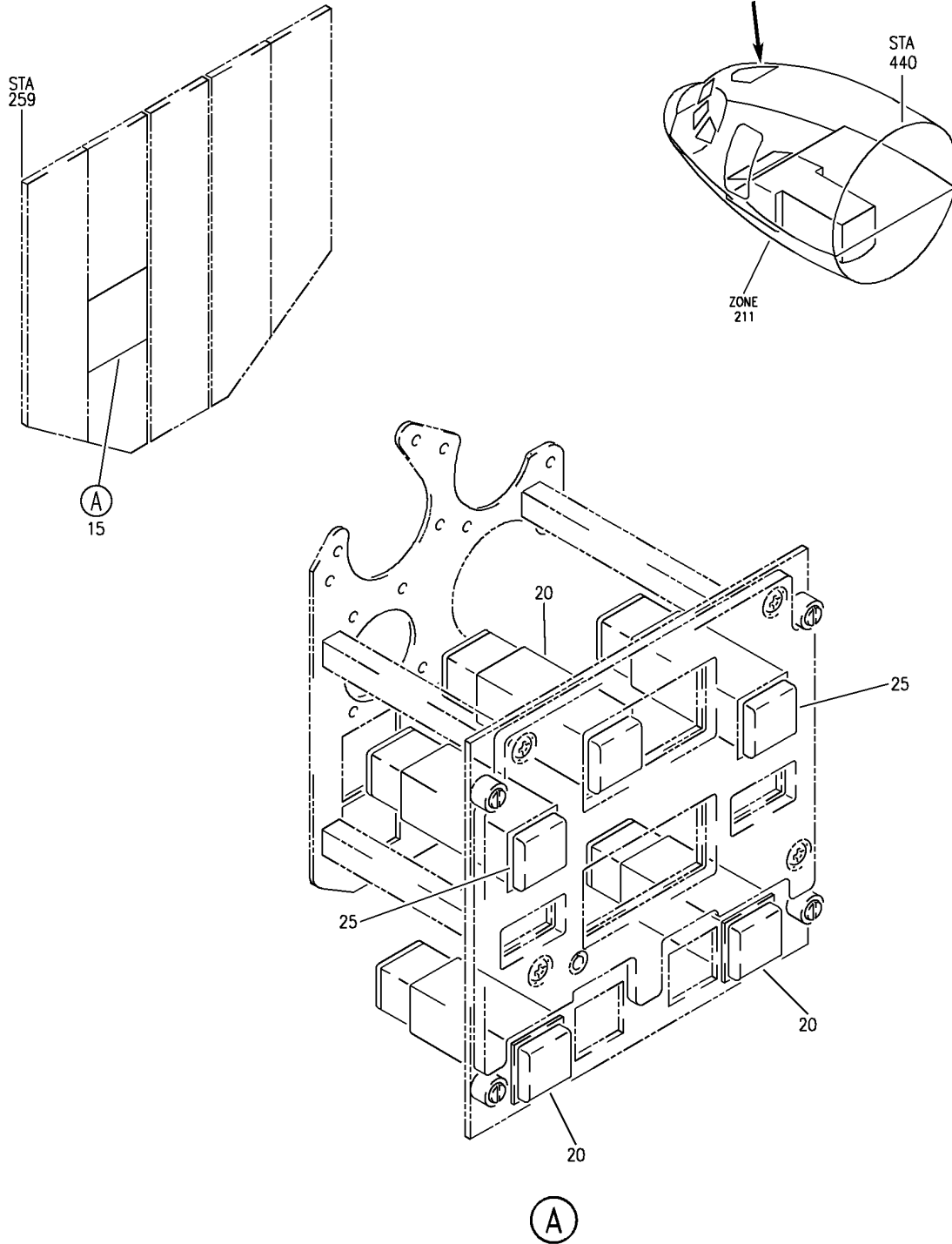
BRI

24-22-01-01C

BOEING PROPRIETARY - Copyright © - Unpublished Work - See title page for details.

24-22-01
FIG. 01C
PAGE 2
JAN 20/09

BOEING
757
PARTS CATALOG (MAINTENANCE)



Y 24220103 REV 287

PANEL INSTL-P5 OVHD (AC GENERATION)
FIGURE 3

24-22-01-03

BRI
MAY 28/07

24-22-01-03
PAGE 0



757

PARTS CATALOG (MAINTENANCE)

FIG ITEM	PART NUMBER	1 2 3 4 5 6 7	NOMENCLATURE	EFFECT FROM TO	UNITS PER ASSY
3			PANEL INSTL-P5 OVHD (AC GENERATION)	101106 108120 504903	
- 3	233N3103-59		PANEL INSTL-P5 OVHD (AC GENERATION) FOR NHA/OTHER SYS DET SEE: 25-10-00-15E	108120	RF
- 5	233N3103-132		PANEL INSTL-P5 OVHD (AC GENERATION) FOR NHA/OTHER SYS DET SEE: 25-10-00-15E	101102	RF
- 5	233N3103-136		PANEL INSTL-P5 OVHD (AC GENERATION) FOR NHA/OTHER SYS DET SEE: 25-10-00-15E	504903	RF
- 8	MODREF170180		PANEL INSTL-P5 OVHD (AC GENERATION) MODULE NUMBER: 233N3103-353 REV B FOR OTHER SYS DETAILS SEE: 11-31-10-12 21-25-55-03 21-31-01-02 21-33-51-03 21-51-54-03 21-58-19-10 21-58-51-03 21-61-04-03 21-65-51-01 22-21-01-04 22-24-51-02 23-24-01-01 23-32-00-11 23-42-02-02 23-71-05-02 24-11-52-05 24-31-01-10 24-31-03-09 24-33-04-01 24-41-51-04 24-51-62-01 26-18-51-04 27-21-53-02 27-41-55-01 27-61-51-03 27-62-52-02 28-22-51-02 28-41-04-01 28-41-51-03	106106	1

MISSING ITEM NUMBERS NOT APPLICABLE

- ITEM NOT ILLUSTRATED

24-22-01-03

24-22-01
FIG. 03
PAGE 1
JAN 20/09

BRI



757

PARTS CATALOG (MAINTENANCE)

FIG ITEM	PART NUMBER	1 2 3 4 5 6 7	NOMENCLATURE	EFFECT FROM TO	UNITS PER ASSY
3			29-11-02-03 29-11-05-04 29-11-52-07 29-21-54-03 29-31-00-01 29-32-51-03 29-33-52-03 30-11-51-03 30-21-51-03 30-31-51-02 30-32-51-01 30-33-51-02 30-41-51-03 30-42-51-03 31-12-11-84 31-12-11-84 A 32-42-52-03 33-11-03-03 33-11-51-17 33-13-01-65 33-13-02-03 33-16-51-03 33-24-51-02 33-41-52-04 33-42-01-04 33-42-02-04 33-42-52-04 33-43-51-04 33-44-51-05 33-45-53-03 33-51-08-05 34-21-02-01 35-21-51-04 36-11-04-01 36-21-00-01 36-21-02-05 36-22-51-03 49-41-00-02 49-52-00-01 49-70-00-01 52-51-51-03 52-71-51-02 73-21-52-02 74-31-51-05 75-32-00-01 80-11-09-02		
- 10	MODREF33760		PANEL INSTL-P5 OVHD (AC GENERATION) MODULE NUMBER: MISSING ITEM NUMBERS NOT APPLICABLE	103103	1

- ITEM NOT ILLUSTRATED

BRI

24-22-01-03

BOEING PROPRIETARY - Copyright © - Unpublished Work - See title page for details.

24-22-01
 FIG. 03
 PAGE 2
 JAN 20/09



757

PARTS CATALOG (MAINTENANCE)

FIG ITEM	PART NUMBER	1 2 3 4 5 6 7	NOMENCLATURE	EFFECT FROM TO	UNITS PER ASSY
3			233N3103-351 REV C FOR OTHER SYS DETAILS SEE: 11-31-10-12 21-25-55-03 21-31-01-02 21-33-51-03 21-51-54-03 21-58-19-10 21-58-51-03 21-61-04-03 21-65-51-01 22-21-01-04 22-24-51-02 23-24-01-01 23-32-00-11 23-42-02-02 23-71-05-02 24-11-52-05 24-31-01-10 24-31-03-09 24-33-04-01 24-41-51-04 24-51-62-01 26-18-51-04 27-21-53-02 27-41-55-01 27-61-51-03 27-62-52-02 28-22-51-02 28-41-04-01 28-41-51-03 29-11-02-03 29-11-05-04 29-11-52-07 29-21-54-03 29-31-00-01 29-32-51-03 29-33-52-03 30-11-51-03 30-21-51-03 30-31-51-02 30-32-51-01 30-33-51-02 30-41-51-03 30-42-51-03 31-12-11-91 31-12-11-91A 32-42-52-03 33-11-03-03		

MISSING ITEM NUMBERS NOT APPLICABLE

- ITEM NOT ILLUSTRATED

24-22-01-03

24-22-01
FIG. 03
PAGE 3
JAN 20/09

BRI



**757
PARTS CATALOG (MAINTENANCE)**

FIG ITEM	PART NUMBER	1 2 3 4 5 6 7	NOMENCLATURE	EFFECT FROM TO	UNITS PER ASSY
3			33-11-51-17 33-13-01-65 33-13-02-03 33-16-51-03 33-24-51-02 33-41-52-04 33-42-01-04 33-42-02-04 33-42-52-04 33-43-51-04 33-44-51-05 33-45-53-03 33-51-08-05 34-21-02-01 35-21-51-04 36-11-04-01 36-21-00-01 36-21-02-05 36-22-51-03 49-41-00-02 49-52-00-01 49-70-00-01 52-51-51-03 52-71-51-02 73-21-52-02 74-31-51-05 75-32-00-01 80-11-09-02		
- 10	MODREF34038		PANEL INSTL-P5 OVHD (AC GENERATION) MODULE NUMBER: 233N3103-351 REV D FOR OTHER SYS DETAILS SEE: 11-31-10-12 21-25-55-03 21-31-01-02 21-33-51-03 21-51-54-03 21-58-19-10 21-58-51-03 21-61-04-03 21-65-51-01 22-21-01-04 22-24-51-02 23-24-01-01 23-32-00-11 23-42-02-02 23-71-05-02 24-11-52-05	104105	1
MISSING ITEM NUMBERS NOT APPLICABLE					

- ITEM NOT ILLUSTRATED

BRI

24-22-01-03

BOEING PROPRIETARY - Copyright © - Unpublished Work - See title page for details.

24-22-01
FIG. 03
PAGE 4
JAN 20/09



757

PARTS CATALOG (MAINTENANCE)

FIG ITEM	PART NUMBER	1 2 3 4 5 6 7 NOMENCLATURE	EFFECT FROM TO	UNITS PER ASSY
3		24-31-01-10 24-31-03-09 24-33-04-01 24-41-51-04 24-51-62-01 26-18-51-04 27-21-53-02 27-41-55-01 27-61-51-03 27-62-52-02 28-22-51-02 28-41-04-01 28-41-51-03 29-11-02-03 29-11-05-04 29-11-52-07 29-21-54-03 29-31-00-01 29-32-51-03 29-33-52-03 30-11-51-03 30-21-51-03 30-31-51-02 30-32-51-01 30-33-51-02 30-41-51-03 30-42-51-03 31-12-11-91 31-12-11-91 A 32-42-52-03 33-11-03-03 33-11-51-17 33-13-01-65 33-13-02-03 33-16-51-03 33-24-51-02 33-41-52-04 33-42-01-04 33-42-02-04 33-42-52-04 33-43-51-04 33-44-51-05 33-45-53-03 33-51-08-05 34-21-02-01 35-21-51-04 36-11-04-01 36-21-00-01 36-21-02-05		

MISSING ITEM NUMBERS NOT APPLICABLE

- ITEM NOT ILLUSTRATED

BRI

24-22-01-03

24-22-01
FIG. 03
PAGE 5
JAN 20/09



757

PARTS CATALOG (MAINTENANCE)

FIG ITEM	PART NUMBER	1 2 3 4 5 6 7	NOMENCLATURE	EFFECT FROM TO	UNITS PER ASSY
3			36-22-51-03 49-41-00-02 49-52-00-01 49-70-00-01 52-51-51-03 52-71-51-02 73-21-52-02 74-31-51-05 75-32-00-01 80-11-09-02		
- 13	233N3209-305	.	PANEL ASSY-E/E SYS SUPPLIER CODE: V89954 ELECTRICAL EQUIP NUMBER: M10063 COMPONENT MAINT MANUAL REF: 24-22-71 PRE ALERT SB: 33A0044	101102 108120 504903	RF
- 13	233N3209-1305	.	PANEL ASSY-E/E SYS SUPPLIER CODE: V89954 ELECTRICAL EQUIP NUMBER: M10063 COMPONENT MAINT MANUAL REF: 24-22-71 POST ALERT SB: 33A0044	101102 108120 504903	RF
- 13	233N3209-314	.	PANEL ASSY-E/E SYS SUPPLIER CODE: V89954 ELECTRICAL EQUIP NUMBER: M10063 COMPONENT MAINT MANUAL REF: 24-22-71	101106 108120 504903	RF
15	233N3209-41	..	PANEL ASSY- SUPPLIER CODE: V89954 MISCELLANEOUS DATA: FOR SPARES PROCURE THE NEXT HIGHER ASSY COMPONENT MAINT MANUAL REF: 24-22-71 USED ON: 233N3209-305 PRE ALERT SB: 33A0044	101102 108120 504903	RF

MISSING ITEM NUMBERS NOT APPLICABLE

- ITEM NOT ILLUSTRATED

24-22-01-03

24-22-01
FIG. 03
PAGE 6
JAN 20/09

BRI



757

PARTS CATALOG (MAINTENANCE)

FIG ITEM	PART NUMBER	1 2 3 4 5 6 7	NOMENCLATURE	EFFECT FROM TO	UNITS PER ASSY
3					
15	233N3209-50		.. PANEL ASSY- SUPPLIER CODE: V89954 COMPONENT MAINT MANUAL REF: 24-22-71 USED ON: 233N3209-314	101106 108120 504903	RF
15	233N3209-1041		.. PANEL ASSY- SUPPLIER CODE: V89954 COMPONENT MAINT MANUAL REF: 24-22-71 USED ON: 233N3209-1305 POST ALERT SB: 33A0044	101102 108120 504903	RF
20	BCREFA0514		... SWITCH ASSY-LIGHTED PUSH BUTTON IND OFF/ON SUPPLIER CODE: V81590 OVERLENGTH PART NUMBER: 433-673-1004-4031 SPECIFICATION NUMBER: S231T290-4031 USED ON: 233N3209-25 233N3209-26 233N3209-28 233N3209-41 233N3209-1025 233N3209-1026 233N3209-1028 233N3209-1041 233N6252-10 FOR DETAILS SEE: 33-13-00-48	101102 108120 504903	3
20	851-30768-2031		... SWITCH ASSY-LIGHTED PUSH BUTTON IND OFF/ON SUPPLIER CODE: V96182 SPECIFICATION NUMBER: S231T290-2031 FOR DETAILS SEE: 33-13-00-28	101102 108120 504903	3

MISSING ITEM NUMBERS NOT APPLICABLE

- ITEM NOT ILLUSTRATED

BRI

24-22-01-03

BOEING PROPRIETARY - Copyright © - Unpublished Work - See title page for details.

24-22-01
FIG. 03
PAGE 7
JAN 20/09



757

PARTS CATALOG (MAINTENANCE)

FIG ITEM	PART NUMBER	1 2 3 4 5 6 7	NOMENCLATURE	EFFECT FROM TO	UNITS PER ASSY
3	20 851-30768-3031		...SWITCH ASSY-LIGHTED PUSH BUTTON IND OFF/ON SUPPLIER CODE: V96182 SPECIFICATION NUMBER: S231T290-3031 FOR DETAILS SEE: 33-13-00-38	101102 108120 504903	3
	20 S231T290-5031		...SWITCH ASSY-LIGHTED PUSH BUTTON IND OFF/ON USED ON: 233N3209-25 233N3209-28 233N3209-1025 233N3209-1028 233N6252-10	101102 108120 504903	3
	20 4336731004-4231		...SWITCH ASSY-LIGHTED PUSH BUTTON IND OFF/ON SUPPLIER CODE: V81590 USED ON: 233N3209-50 233N3209-51	101106 108120 504903	3
	25 BCRE7623		...SWITCH ASSY-LIGHTED PUSH BUTTON IND AUTO/ISLN SUPPLIER CODE: V81590 OVERLENGTH PART NUMBER: 433-673-1001-1064 SPECIFICATION NUMBER: S231T290-1064 FOR DETAILS SEE: 33-13-00-17A	101102 108120 504903	2

MISSING ITEM NUMBERS NOT APPLICABLE

- ITEM NOT ILLUSTRATED

BRI

24-22-01-03

BOEING PROPRIETARY - Copyright © - Unpublished Work - See title page for details.

24-22-01
FIG. 03
PAGE 8
JAN 20/09



757

PARTS CATALOG (MAINTENANCE)

FIG ITEM	PART NUMBER	1 2 3 4 5 6 7	NOMENCLATURE	EFFECT FROM TO	UNITS PER ASSY
3					
25	BCREFA0529		...SWITCH ASSY-LIGHTED PUSH BUTTON IND AUTO/ISLN SUPPLIER CODE: V81590 OVERLENGTH PART NUMBER: 433-673-1004-4064 SPECIFICATION NUMBER: S231T290-4064 USED ON: 233N3209-25 233N3209-26 233N3209-28 233N3209-41 233N3209-1025 233N3209-1026 233N3209-1028 233N3209-1041 233N6252-10 FOR DETAILS SEE: 33-13-00-47A	101102 108120 504903	2
25	851-30768-2064		...SWITCH ASSY-LIGHTED PUSH BUTTON IND AUTO/ISLN SUPPLIER CODE: V96182 SPECIFICATION NUMBER: S231T290-2064 FOR DETAILS SEE: 33-13-00-27A	101102 108120 504903	2
25	S231T290-5064		...SWITCH ASSY-LIGHTED PUSH BUTTON IND AUTO/ISLN USED ON: 233N3209-25 233N3209-28 233N3209-1025 233N3209-1028 233N6252-10	101102 108120 504903	2
25	851-30768-3064		...SWITCH ASSY-LIGHTED PUSH BUTTON IND AUTO/ISLN SUPPLIER CODE: V96182 SPECIFICATION NUMBER: S231T290-3064 FOR DETAILS SEE: 33-13-00-37A	101102 108120 504903	2

MISSING ITEM NUMBERS NOT APPLICABLE

- ITEM NOT ILLUSTRATED

BRI

24-22-01-03

24-22-01
FIG. 03
PAGE 9
JAN 20/09



757

PARTS CATALOG (MAINTENANCE)

FIG ITEM	PART NUMBER	1 2 3 4 5 6 7	NOMENCLATURE	EFFECT FROM TO	UNITS PER ASSY
3 25	4336731004-4264		...SWITCH ASSY-LIGHTED PUSH BUTTON IND AUTO/ISLN SUPPLIER CODE: V81590 USED ON: 233N3209-50 233N3209-51	103106	2

MISSING ITEM NUMBERS NOT APPLICABLE

- ITEM NOT ILLUSTRATED

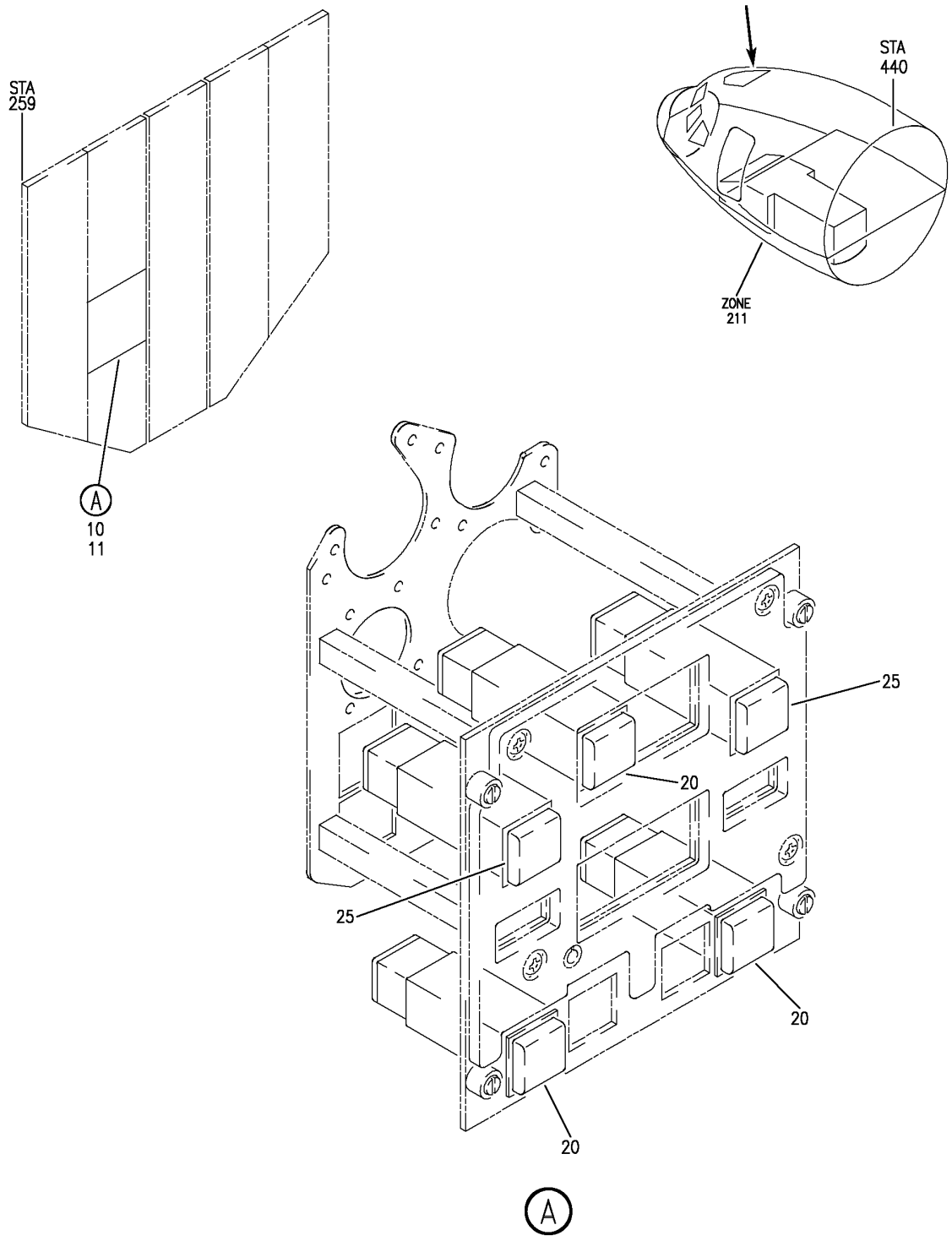
BRI

24-22-01-03

BOEING PROPRIETARY - Copyright © - Unpublished Work - See title page for details.

24-22-01
FIG. 03
PAGE 10
JAN 20/09

BOEING
 757
 PARTS CATALOG (MAINTENANCE)



Y 24220104 REV 323

PANEL INSTL-P5 OVHD (CONTROL ONLY)
 FIGURE 4

24-22-01-04

BRI
 MAY 20/08

24-22-01-04
 PAGE 0



757

PARTS CATALOG (MAINTENANCE)

FIG ITEM	PART NUMBER	1 2 3 4 5 6 7	NOMENCLATURE	EFFECT FROM TO	UNITS PER ASSY
4			PANEL INSTL-P5 OVHD (CONTROL ONLY)	002004 006010 107107 121503 904999	
- 5	233N3101-1		PANEL INSTL-P5 OVHD (CONTROL ONLY) VARIABLE DRAWING REF: 233N3101-5005 233N3101-5025 233N3101-5041 233N3101-5042 233N3101-5045 FOR NHA/OTHER SYS DET SEE: 25-10-00-05A	002004 006010 107107 121503 904999	RF
10	233N3209-18		.PANEL ASSY-ELECTRICAL SYS SUPPLIER CODE: V89954 ELECTRICAL EQUIP NUMBER: M10063 COMPONENT MAINT MANUAL REF: 24-22-71 QUALIFIED I/W DATA: 233N3209-12 -18 -20 -22 -25 -26 -27 ARE ALL INTERCHANGEABLE EXCEPT SUBJECT TO CUST PREFERENCE OPTIONAL PART: 233N3209-22 V89954 PRE ALERT SB: 33A0044	107107	RF

MISSING ITEM NUMBERS NOT APPLICABLE

- ITEM NOT ILLUSTRATED

BRI

24-22-01-04

24-22-01
FIG. 04
PAGE 1
JAN 20/09



757

PARTS CATALOG (MAINTENANCE)

FIG ITEM	PART NUMBER	1 2 3 4 5 6 7	NOMENCLATURE	EFFECT FROM TO	UNITS PER ASSY
4 10	233N3209-22		.PANEL ASSY-ELECTRICAL SYS SUPPLIER CODE: V89954 ELECTRICAL EQUIP NUMBER: M10063 COMPONENT MAINT MANUAL REF: 24-22-71 QUALIFIED I/W DATA: 233N3209-12 -18 -20 -22 -25 -26 -27 ARE ALL INTERCHANGEABLE EXCEPT SUBJECT TO CUST PREFERENCE OPTIONAL PART: 233N3209-18 V89954 PRE ALERT SB: 33A0044	107107	RF
10	233N3209-25		.PANEL ASSY-ELECTRICAL SYS SUPPLIER CODE: V89954 ELECTRICAL EQUIP NUMBER: M10063 COMPONENT MAINT MANUAL REF: 24-22-71 QUALIFIED I/W DATA: 233N3209-12 -18 -20 -22 -25 -26 -27 ARE ALL INTERCHANGEABLE EXCEPT SUBJECT TO CUST PREFERENCE 233N3209-300 PANEL ASSY IS I/W 233N3209-25 PANEL ASSY T/W S233T100-6004 LIGHTPLATE PRE ALERT SB: 33A0044	002004 006010 950999	RF

MISSING ITEM NUMBERS NOT APPLICABLE

- ITEM NOT ILLUSTRATED

BRI

24-22-01-04

BOEING PROPRIETARY - Copyright © - Unpublished Work - See title page for details.

24-22-01
FIG. 04
PAGE 2
JAN 20/09



757

PARTS CATALOG (MAINTENANCE)

FIG ITEM	PART NUMBER	1 2 3 4 5 6 7	NOMENCLATURE	EFFECT FROM TO	UNITS PER ASSY
4 10	233N3209-27		.PANEL ASSY-ELECTRICAL SYS SUPPLIER CODE: V89954 ELECTRICAL EQUIP NUMBER: M10063 COMPONENT MAINT MANUAL REF: 24-22-71 QUALIFIED I/W DATA: 233N3209-12 -18 -20 -22 -25 -26 -27 ARE ALL INTERCHANGEABLE EXCEPT SUBJECT TO CUST PREFERENCE	121503 904949	RF
10	233N3209-1025		.PANEL ASSY- SUPPLIER CODE: V89954 ELECTRICAL EQUIP NUMBER: M10063 COMPONENT MAINT MANUAL REF: 24-22-71 POST ALERT SB: 33A0044	002004 006010 950999	RF
11	233N3209-1018		.PANEL ASSY- SUPPLIER CODE: V89954 ELECTRICAL EQUIP NUMBER: M10063 COMPONENT MAINT MANUAL REF: 24-22-71 POST ALERT SB: 33A0044	107107	RF
11	233N3209-1022		.PANEL ASSY- SUPPLIER CODE: V89954 ELECTRICAL EQUIP NUMBER: M10063 COMPONENT MAINT MANUAL REF: 24-22-71 POST ALERT SB: 33A0044	107107	RF

MISSING ITEM NUMBERS NOT APPLICABLE

- ITEM NOT ILLUSTRATED

BRI

24-22-01-04

24-22-01
FIG. 04
PAGE 3
JAN 20/09



757

PARTS CATALOG (MAINTENANCE)

FIG ITEM	PART NUMBER	1 2 3 4 5 6 7	NOMENCLATURE	EFFECT FROM TO	UNITS PER ASSY
4 20	BCREF7615		..SWITCH ASSY-LIGHTED PUSH BUTTON IND OFF/ON SUPPLIER CODE: V81590 OVERLENGTH PART NUMBER: 433-673-1001-1031 SPECIFICATION NUMBER: S231T290-1031 FOR DETAILS SEE: 33-13-00-18	107107	3
20	BCREFA0514		..SWITCH ASSY-LIGHTED PUSH BUTTON IND SUPPLIER CODE: V81590 OVERLENGTH PART NUMBER: 433-673-1004-4031 SPECIFICATION NUMBER: S231T290-4031 OPTIONAL PART: S231T290-5031 851-35100-5031 V96182 FOR DETAILS SEE: 33-13-00-48	002004 006010 107107 121503 904999	3
20	851-30768-2031		..SWITCH ASSY-LIGHTED PUSH BUTTON IND OFF/ON SUPPLIER CODE: V96182 SPECIFICATION NUMBER: S231T290-2031 FOR DETAILS SEE: 33-13-00-28	002004 006010 107107 121503 904999	3
20	851-30768-3031		..SWITCH ASSY-LIGHTED PUSH BUTTON IND OFF/ON SUPPLIER CODE: V96182 SPECIFICATION NUMBER: S231T290-3031 OPTIONAL PART: S231T290-5031 FOR DETAILS SEE: 33-13-00-38	002004 006010 107107 121503 904999	3

MISSING ITEM NUMBERS NOT APPLICABLE

- ITEM NOT ILLUSTRATED

BRI

24-22-01-04

24-22-01
FIG. 04
PAGE 4
JAN 20/09



757

PARTS CATALOG (MAINTENANCE)

FIG ITEM	PART NUMBER	1 2 3 4 5 6 7	NOMENCLATURE	EFFECT FROM TO	UNITS PER ASSY
4 20	S231T290-5031		..SWITCH ASSY-LIGHTED PUSH BUTTON IND OPTIONAL PART: BCREFA0514 V81590 851-30768-3031 V96182 851-35100-5031 V96182	002004 006010 107107 121503 904999	3
20	851-35100-5031		..SWITCH ASSY-LIGHTED PUSH BUTTON IND OFF/ON SUPPLIER CODE: V96182 OPTIONAL PART: BCREFA0514 V81590 S231T290-5031	002004 006010 950999	3
25	BCREF7623		..SWITCH ASSY-LIGHTED PUSH BUTTON IND AUTO/ISLN SUPPLIER CODE: V81590 OVERLENGTH PART NUMBER: 433-673-1001-1064 SPECIFICATION NUMBER: S231T290-1064 FOR DETAILS SEE: 33-13-00-17A	002004 006010 107107 121503 904999	2
25	BCREFA0529		..SWITCH ASSY-LIGHTED PUSH BUTTON IND SUPPLIER CODE: V81590 OVERLENGTH PART NUMBER: 433-673-1004-4064 SPECIFICATION NUMBER: S231T290-4064 OPTIONAL PART: S231T290-5064 851-35100-5064 V96182 FOR DETAILS SEE: 33-13-00-47A	002004 006010 107107 121503 904999	2
25	851-30768-2064		..SWITCH ASSY-LIGHTED PUSH BUTTON IND AUTO/ISLN SUPPLIER CODE: V96182 SPECIFICATION NUMBER: S231T290-2064 FOR DETAILS SEE: 33-13-00-27A	002004 006010 107107 121503 904999	2

MISSING ITEM NUMBERS NOT APPLICABLE

- ITEM NOT ILLUSTRATED

BRI

24-22-01-04

24-22-01
FIG. 04
PAGE 5
JAN 20/09



757

PARTS CATALOG (MAINTENANCE)

FIG ITEM	PART NUMBER	1 2 3 4 5 6 7	NOMENCLATURE	EFFECT FROM TO	UNITS PER ASSY
4 25	851-30768-3064		..SWITCH ASSY-LIGHTED PUSH BUTTON IND AUTO/ISLN SUPPLIER CODE: V96182 SPECIFICATION NUMBER: S231T290-3064 OPTIONAL PART: S231T290-5064 FOR DETAILS SEE: 33-13-00-37A	002004 006010 107107 121503 904999	2
25	S231T290-5064		..SWITCH ASSY-LIGHTED PUSH BUTTON IND OPTIONAL PART: BCREFA0529 V81590 851-30768-3064 V96182 851-35100-5064 V96182	002004 006010 107107 121503 904999	2
25	851-35100-5064		..SWITCH ASSY-LIGHTED PUSH BUTTON IND OFF/ON SUPPLIER CODE: V96182 OPTIONAL PART: BCREFA0529 V81590 S231T290-5064	002004 006010 950999	2

MISSING ITEM NUMBERS NOT APPLICABLE

- ITEM NOT ILLUSTRATED

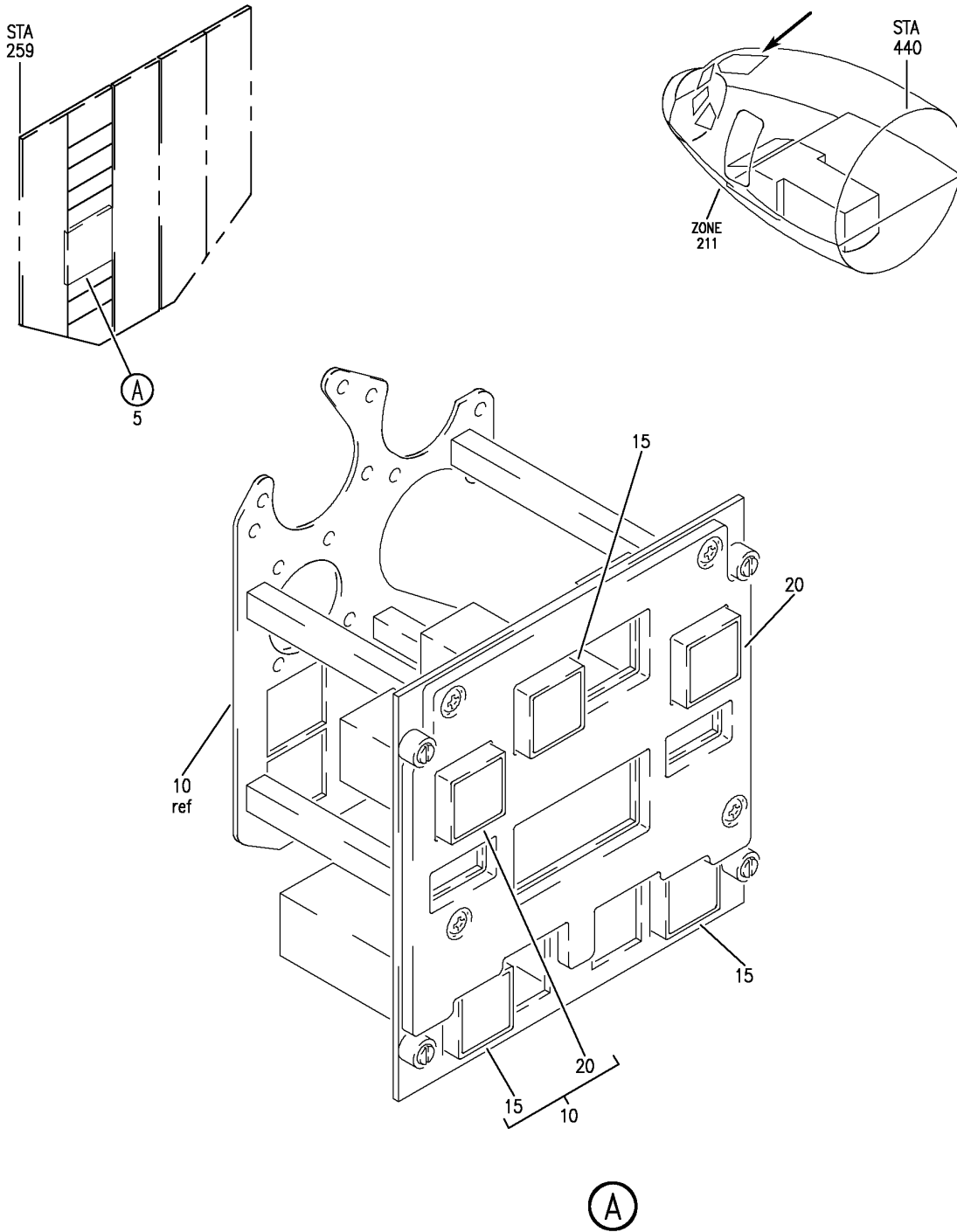
BRI

24-22-01-04

BOEING PROPRIETARY - Copyright © - Unpublished Work - See title page for details.

24-22-01
FIG. 04
PAGE 6
JAN 20/09

BOEING
757
PARTS CATALOG (MAINTENANCE)



Y 24220105 REV 247

PANEL INSTL-P5 OVHD (CONTROL ONLY)
FIGURE 5

24-22-01-05

BRI
MAY 28/07

24-22-01-05
PAGE 0



757

PARTS CATALOG (MAINTENANCE)

FIG ITEM	PART NUMBER	1 2 3 4 5 6 7	NOMENCLATURE	EFFECT FROM TO	UNITS PER ASSY
5			PANEL INSTL-P5 OVHD (CONTROL ONLY)	011100	
- 1	233N3101-1		PANEL INSTL-P5 OVHD (CONTROL ONLY) VARIABLE DRAWING REF: 233N3101-5142 FOR NHA/OTHER SYS DET SEE: 25-10-00-05A	011100	RF
5	233N3209-300		.PANEL ASSY-E/E SYS SUPPLIER CODE: V89954 ELECTRICAL EQUIP NUMBER: M10063 QUALIFIED I/W DATA: 233N3209-300 PANEL ASSY IS I/W 233N3209-25 PANEL ASSY T/W S233T100-6004 LIGHTPLATE PRE ALERT SB: 33A0044	011100	RF
5	233N3209-305		.PANEL ASSY-E/E SYS SUPPLIER CODE: V89954 ELECTRICAL EQUIP NUMBER: M10063 COMPONENT MAINT MANUAL REF: 24-22-71 PRE ALERT SB: 33A0044	011100	RF
5	233N3209-1300		.PANEL ASSY-E/E SYS SUPPLIER CODE: V89954 ELECTRICAL EQUIP NUMBER: M10063 POST ALERT SB: 33A0044	011100	RF
5	233N3209-1305		.PANEL ASSY-E/E SYS SUPPLIER CODE: V89954 ELECTRICAL EQUIP NUMBER: M10063 COMPONENT MAINT MANUAL REF: 24-22-71 POST ALERT SB: 33A0044	011100	RF

MISSING ITEM NUMBERS NOT APPLICABLE

- ITEM NOT ILLUSTRATED

24-22-01-05

24-22-01
FIG. 05
PAGE 1
JAN 20/09

BRI



757

PARTS CATALOG (MAINTENANCE)

FIG ITEM	PART NUMBER	1 2 3 4 5 6 7	NOMENCLATURE	EFFECT FROM TO	UNITS PER ASSY
5 10	233N3209-25		..PANEL ASSY- SUPPLIER CODE: V89954 COMPONENT MAINT MANUAL REF: 24-22-71 QUALIFIED I/W DATA: 233N3209-300 PANEL ASSY IS I/W 233N3209-25 PANEL ASSY T/W S233T100-6004 LIGHTPLATE 233N3209-12 -18 -20 -22 -25 -26 -27 ARE ALL INTERCHANGEABLE EXCEPT SUBJECT TO CUST PREFERENCE USED ON: 233N3209-300 PRE ALERT SB: 33A0044	011100	RF
10	233N3209-41		..PANEL ASSY- SUPPLIER CODE: V89954 MISCELLANEOUS DATA: FOR SPARES PROCURE THE NEXT HIGHER ASSY COMPONENT MAINT MANUAL REF: 24-22-71 USED ON: 233N3209-305 PRE ALERT SB: 33A0044	011100	RF
10	233N3209-1025		..PANEL ASSY- SUPPLIER CODE: V89954 COMPONENT MAINT MANUAL REF: 24-22-71 POST ALERT SB: 33A0044	011100	RF
10	233N3209-1041		..PANEL ASSY- SUPPLIER CODE: V89954 COMPONENT MAINT MANUAL REF: 24-22-71 POST ALERT SB: 33A0044	011100	RF

MISSING ITEM NUMBERS NOT APPLICABLE

- ITEM NOT ILLUSTRATED

24-22-01-05

24-22-01
 FIG. 05
 PAGE 2
 JAN 20/09

BRI



757

PARTS CATALOG (MAINTENANCE)

FIG ITEM	PART NUMBER	1 2 3 4 5 6 7	NOMENCLATURE	EFFECT FROM TO	UNITS PER ASSY
5					
10	233N3209-50	..	PANEL ASSY- SUPPLIER CODE: V89954 ELECTRICAL EQUIP NUMBER: M10063 COMPONENT MAINT MANUAL REF: 24-22-71	011100	RF
10	233N3209-51	..	PANEL ASSY- SUPPLIER CODE: V89954 ELECTRICAL EQUIP NUMBER: M10063 COMPONENT MAINT MANUAL REF: 24-22-71	011100	RF
15	851-30768-2031	...	SWITCH ASSY-LIGHTED PUSH BUTTON IND OFF/ON SUPPLIER CODE: V96182 SPECIFICATION NUMBER: S231T290-2031 FOR DETAILS SEE: 33-13-00-28	011100	3
15	S231T290-5031	...	SWITCH ASSY-LIGHTED PUSH BUTTON IND OFF/ON OPTIONAL PART: 851-35100-5031 V96182 BCREFA0514 V81590 USED ON: 233N3209-25 233N3209-28 233N3209-1025 233N3209-1028 233N6252-10	011100	3

MISSING ITEM NUMBERS NOT APPLICABLE

- ITEM NOT ILLUSTRATED

BRI

24-22-01-05

24-22-01
FIG. 05
PAGE 3
JAN 20/09



757

PARTS CATALOG (MAINTENANCE)

FIG ITEM	PART NUMBER	1 2 3 4 5 6 7	NOMENCLATURE	EFFECT FROM TO	UNITS PER ASSY
5 15	BCREFA0514		...SWITCH ASSY-LIGHTED PUSH BUTTON IND OFF/ON SUPPLIER CODE: V81590 OVERLENGTH PART NUMBER: 433-673-1004-4031 SPECIFICATION NUMBER: S231T290-4031 OPTIONAL PART: S231T290-5031 851-35100-5031 V96182 USED ON: 233N3209-25 233N3209-26 233N3209-28 233N3209-41 233N3209-1025 233N3209-1026 233N3209-1028 233N3209-1041 233N6252-10 FOR DETAILS SEE: 33-13-00-48	011100	3
15	851-30768-3031		...SWITCH ASSY-LIGHTED PUSH BUTTON IND OFF/ON SUPPLIER CODE: V96182 SPECIFICATION NUMBER: S231T290-3031 FOR DETAILS SEE: 33-13-00-38	011100	3
15	851-35100-5031		...SWITCH ASSY-LIGHTED PUSHBUTTON IND OFF/ON SUPPLIER CODE: V96182 OPTIONAL PART: BCREFA0514 V81590 S231T290-5031 USED ON: 233N3209-25 233N3209-28 233N3209-1025 233N3209-1028 233N6252-10	011100	3

MISSING ITEM NUMBERS NOT APPLICABLE

- ITEM NOT ILLUSTRATED

24-22-01-05

24-22-01
 FIG. 05
 PAGE 4
 JAN 20/09

BRI



757

PARTS CATALOG (MAINTENANCE)

FIG ITEM	PART NUMBER	1 2 3 4 5 6 7	NOMENCLATURE	EFFECT FROM TO	UNITS PER ASSY
5					
15	4336731004-4231		...SWITCH ASSY-LIGHTED PUSH BUTTON IND OFF/ON SUPPLIER CODE: V81590 USED ON: 233N3209-50 233N3209-51	011100	3
20	BCREF7623		...SWITCH ASSY-LIGHTED PUSH BUTTON IND AUTO/ISLN SUPPLIER CODE: V81590 OVERLENGTH PART NUMBER: 433-673-1001-1064 SPECIFICATION NUMBER: S231T290-1064 FOR DETAILS SEE: 33-13-00-17A	011100	2
20	BCREFA0529		...SWITCH ASSY-LIGHTED PUSH BUTTON IND AUTO/ISLN SUPPLIER CODE: V81590 OVERLENGTH PART NUMBER: 433-673-1004-4064 SPECIFICATION NUMBER: S231T290-4064 OPTIONAL PART: S231T290-5064 851-35100-5064 V96182 USED ON: 233N3209-25 233N3209-26 233N3209-28 233N3209-41 233N3209-1025 233N3209-1026 233N3209-1028 233N3209-1041 233N6252-10 FOR DETAILS SEE: 33-13-00-47A	011100	2
20	851-30768-2064		...SWITCH ASSY-LIGHTED PUSH BUTTON IND AUTO/ISLN SUPPLIER CODE: V96182 SPECIFICATION NUMBER: S231T290-2064 FOR DETAILS SEE: 33-13-00-27A	011100	2

MISSING ITEM NUMBERS NOT APPLICABLE

- ITEM NOT ILLUSTRATED

BRI

24-22-01-05

24-22-01
FIG. 05
PAGE 5
JAN 20/09



757

PARTS CATALOG (MAINTENANCE)

FIG ITEM	PART NUMBER	1 2 3 4 5 6 7	NOMENCLATURE	EFFECT FROM TO	UNITS PER ASSY
5	20 851-30768-3064		...SWITCH ASSY-LIGHTED PUSH BUTTON IND AUTO/ISLN SUPPLIER CODE: V96182 SPECIFICATION NUMBER: S231T290-3064 FOR DETAILS SEE: 33-13-00-37A	011100	2
	20 S231T290-5064		...SWITCH ASSY-LIGHTED PUSH BUTTON IND AUTO/ISLN OPTIONAL PART: BCREFA0529 V81590 851-35100-5064 V96182 USED ON: 233N3209-25 233N3209-28 233N3209-1025 233N3209-1028 233N6252-10	011100	2
	20 851-35100-5064		...SWITCH ASSY-LIGHTED PUSHBUTTON IND AUTO/ISLN SUPPLIER CODE: V96182 OPTIONAL PART: BCREFA0529 V81590 S231T290-5064 USED ON: 233N3209-25 233N3209-28 233N3209-1025 233N3209-1028 233N6252-10	011100	2
	20 4336731004-4264		...SWITCH ASSY-LIGHTED PUSH BUTTON IND AUTO/ISLN SUPPLIER CODE: V81590 USED ON: 233N3209-50 233N3209-51	011100	2

MISSING ITEM NUMBERS NOT APPLICABLE

- ITEM NOT ILLUSTRATED

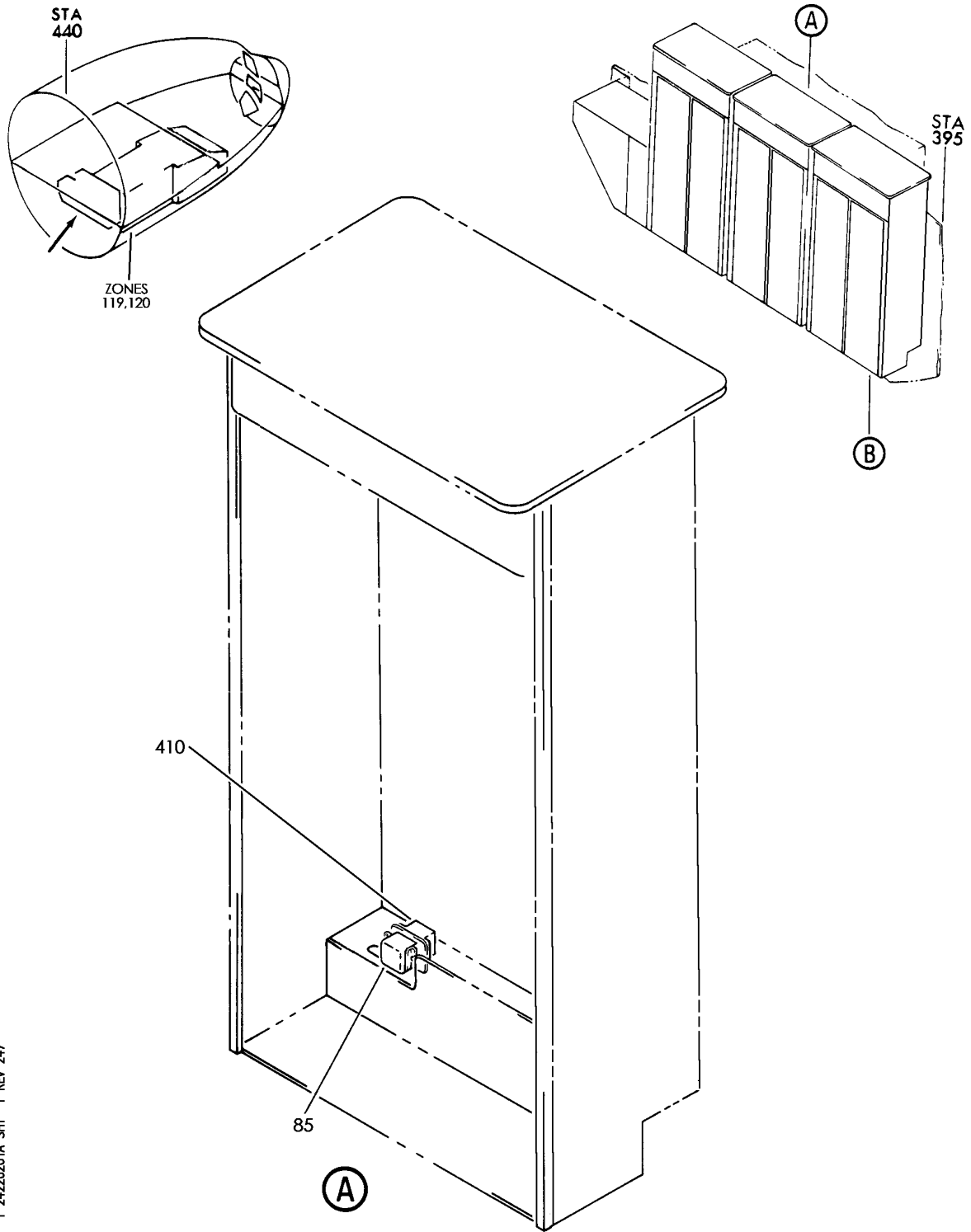
BRI

24-22-01-05

BOEING PROPRIETARY - Copyright © - Unpublished Work - See title page for details.

24-22-01
FIG. 05
PAGE 6
JAN 20/09

BOEING
757
PARTS CATALOG (MAINTENANCE)



Y 24-22-02-01A SHT 1 REV 247

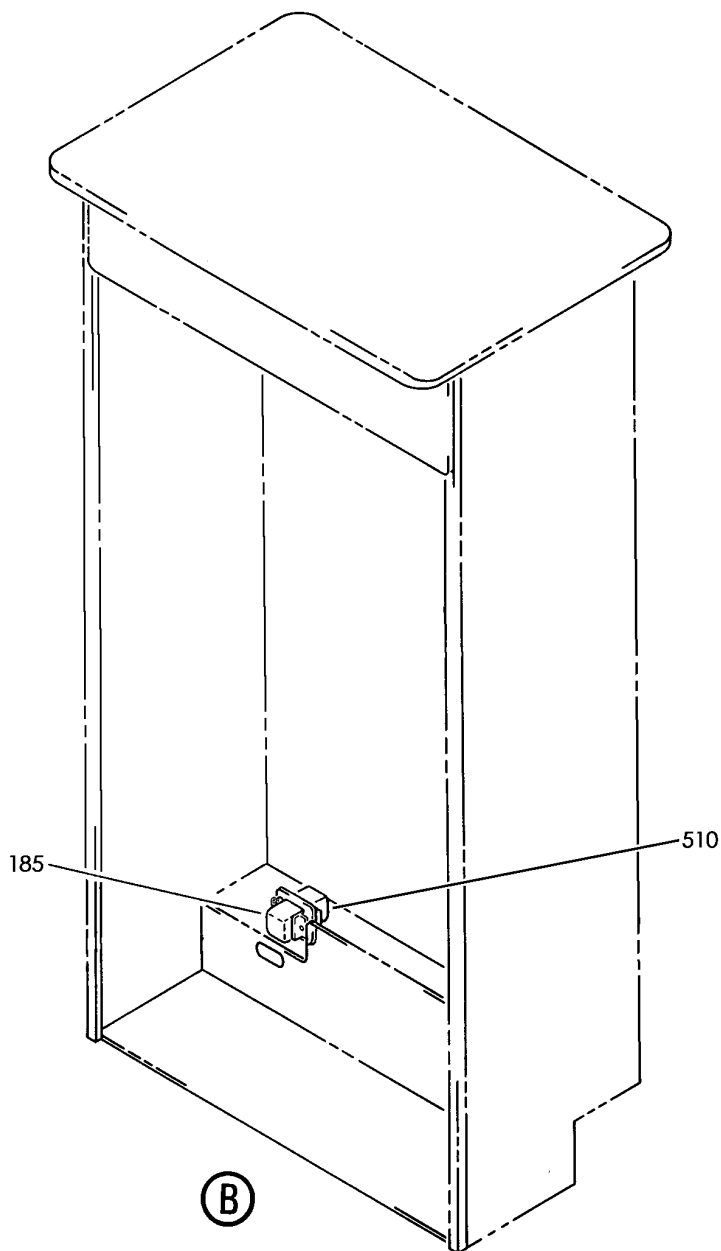
PACKAGE ASSY-OPTION P31 AND P32 GEN PWR PNL (ELECTRICAL POWER CONTROL ONLY)
FIGURE 1A (SHEET 1)

BRI
MAY 28/07

24-22-02-01A

24-22-02-01A
PAGE 0

BOEING
757
PARTS CATALOG (MAINTENANCE)



Y 24220201A SHT 2 REV 247

PACKAGE ASSY-OPTION P31 AND P32 GEN PWR PNL (ELECTRICAL POWER CONTROL ONLY)
FIGURE 1A (SHEET 2)

BRI
MAY 28/07

24-22-02-01A

24-22-02-01A
PAGE 0A



757

PARTS CATALOG (MAINTENANCE)

FIG ITEM	PART NUMBER	1 2 3 4 5 6 7	NOMENCLATURE	EFFECT FROM TO	UNITS PER ASSY
1 A			PACKAGE ASSY-OPTION P31 AND P32 GEN PWR PNL (ELECTRICAL POWER CONTROL ONLY)	101102 108120 504903	
- 1	284N1314-1000		PACKAGE ASSY-OPTION P31 GEN PWR PNL (ELECTRICAL POWER CONTROL ONLY)	101102 108120 504903	RF
85	ES410-1538		MISCELLANEOUS DATA: MINOR MODEL 757-200 PASS FOR NHA/OTHER SYS DET SEE: 24-22-01-01B .RELAY- SUPPLIER CODE: V99699 SPECIFICATION NUMBER: BACR13CG2AB OPTIONAL PART: KD4L018 V35344 BR230DS0115 V56623 KD4L036 V58657 FCA410-63 V78290 ELECTRICAL EQUIP NUMBER: K00526	101102 108120 504903	1
- 100	284N1315-1000		PACKAGE ASSY-OPTION P32 GEN PWR PNL (ELECTRICAL POWER CONTROL ONLY)	101102 504903	RF
			MISCELLANEOUS DATA: 757 MAJOR MODEL OPTION FOR NHA/OTHER SYS DET SEE: 24-22-01-01C		

MISSING ITEM NUMBERS NOT APPLICABLE

- ITEM NOT ILLUSTRATED

BRI

24-22-02-01A

BOEING PROPRIETARY - Copyright © - Unpublished Work - See title page for details.

24-22-02
FIG. 01A
PAGE 1
JAN 20/09



757

PARTS CATALOG (MAINTENANCE)

FIG ITEM	PART NUMBER	1 2 3 4 5 6 7	NOMENCLATURE	EFFECT FROM TO	UNITS PER ASSY
1 A 185	ES410-1538		.RELAY- SUPPLIER CODE: V99699 SPECIFICATION NUMBER: BACR13CG2AB OPTIONAL PART: KD4L018 V35344 BR230DS0115 V56623 KD4L036 V58657 FCA410-63 V78290 ELECTRICAL EQUIP NUMBER: K00527	101102 504903	1
- 401	286N1136-323		WIRE BUNDLE ASSY	504903	RF
- 401	286N1136-324		WIRE BUNDLE ASSY	101102	RF
- 401	286N1136-325		WIRE BUNDLE ASSY	108120	RF
410	BACS16W1		.SOCKET- ELECTRICAL EQUIP NUMBER: D02182 WIRING DIAGRAM REF: 242212	101102 108120 504903	1
- 501	286N1138-319		WIRE BUNDLE ASSY	504903	RF
- 501	286N1138-321		WIRE BUNDLE ASSY	101102	RF
510	BACS16W1		.SOCKET- ELECTRICAL EQUIP NUMBER: D02242 WIRING DIAGRAM REF: 242222	101102 504903	1

MISSING ITEM NUMBERS NOT APPLICABLE

- ITEM NOT ILLUSTRATED

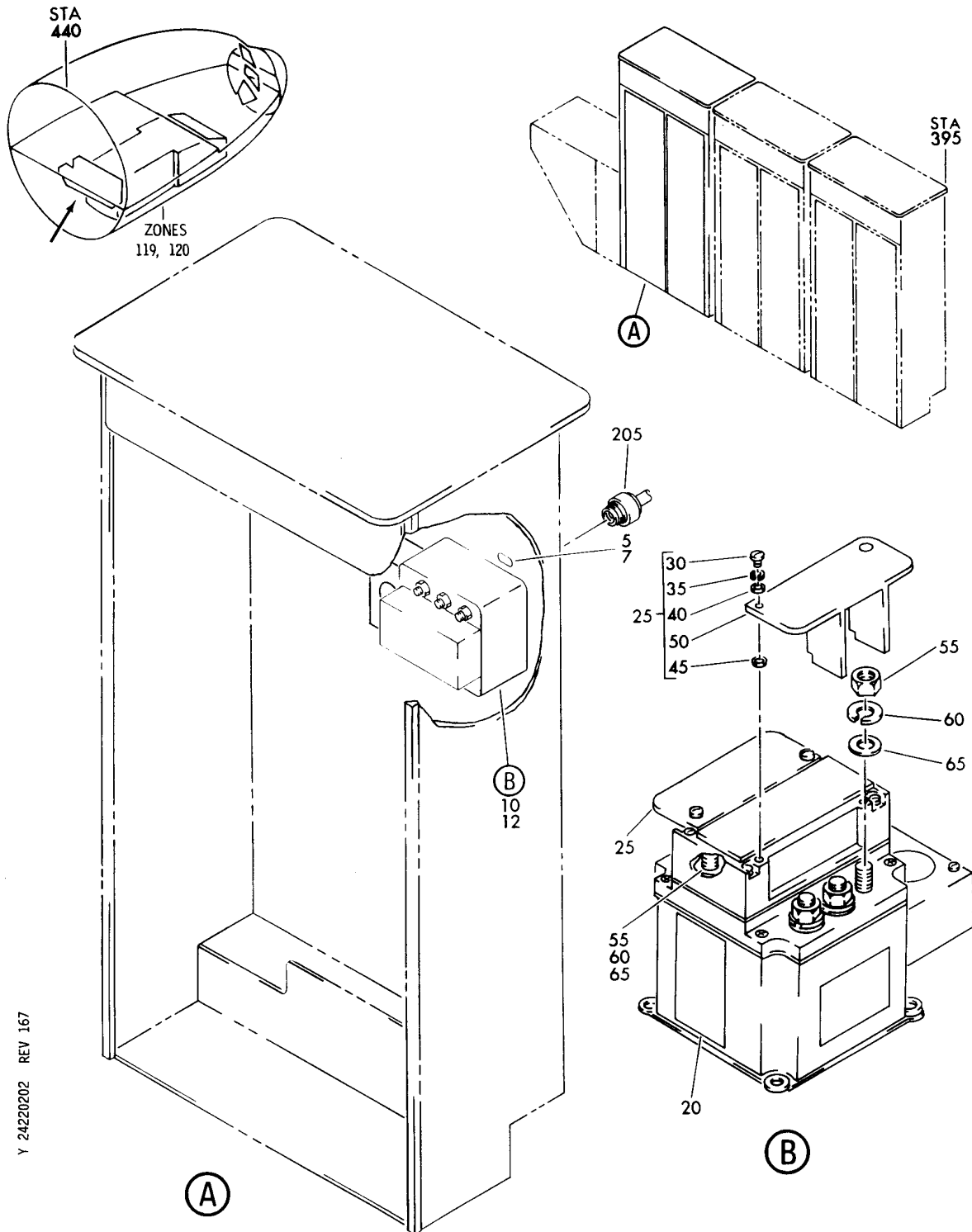
BRI

24-22-02-01A

BOEING PROPRIETARY - Copyright © - Unpublished Work - See title page for details.

24-22-02
FIG. 01A
PAGE 2
JAN 20/09

BOEING
757
PARTS CATALOG (MAINTENANCE)



Y 24220202 REV 167

PANEL ASSY-P34 APU/EXT PWR (ELECTRICAL PWR CONT ONLY)
FIGURE 2

24-22-02-02

BRI
MAY 28/07

24-22-02-02
PAGE 0



757

PARTS CATALOG (MAINTENANCE)

FIG ITEM	PART NUMBER	1 2 3 4 5 6 7	NOMENCLATURE	EFFECT FROM TO	UNITS PER ASSY
2			PANEL ASSY-P34 APU/EXT PWR (ELECTRICAL PWR CONT ONLY)	002004 006102 107107 121503 904999	
- 1	284N1316-1		PANEL ASSY-P34 APU/EXT PWR (ELECTRICAL POWER CONTROL ONLY) VARIABLE DRAWING REF: 284N1316-5023 284N1316-5047 284N1316-5063 284N1316-5064 284N1316-5067 FOR NHA/OTHER SYS DET SEE: 31-01-34-02	002004 006100 107107 121503 904999	RF
5	BAC27TEX0072		.DECAL- PLACARD CONTENT: C905	002004 006102 107107 121503 904999	1
10	B430-1		.CIRCUIT BREAKER ASSY- SUPPLIER CODE: V74063 SPECIFICATION NUMBER: S281T004-1 ELECTRICAL EQUIP NUMBER: C00905 COMPONENT MAINT MANUAL REF: 24-09-23 OPTIONAL PART: B430 V74063	002004 006102 107107 121503 904999	1
10	B430		.CIRCUIT BREAKER ASSY- SUPPLIER CODE: V74063 SPECIFICATION NUMBER: S281T004-1 ELECTRICAL EQUIP NUMBER: C00905 COMPONENT MAINT MANUAL REF: 24-09-13 OPTIONAL PART: B430-1 V74063	002004 006102 107107 121503 904999	1

MISSING ITEM NUMBERS NOT APPLICABLE

- ITEM NOT ILLUSTRATED

BRI

24-22-02-02

24-22-02
FIG. 02
PAGE 1
JAN 20/09



757

PARTS CATALOG (MAINTENANCE)

FIG ITEM	PART NUMBER	1 2 3 4 5 6 7	NOMENCLATURE	EFFECT FROM TO	UNITS PER ASSY
2			ATTACHING PARTS		
- 15	NAS1801-3-8		.SCREW	002004 006102 107107 121503 904999	4
20	35936-001		-----*----- ..PLATE-WIRING DIAGRAM SUPPLIER CODE: V74063	002004 006102 107107 121503 904999	1
25	36006-010		..COVER ASSY-TERM. SUPPLIER CODE: V74063	002004 006102 107107 121503 904999	2
30	51204-391		...SCREW-BINDING HEAD SUPPLIER CODE: V74063	002004 006102 107107 121503 904999	4
35	51804-021		...WASHER-LOCK SUPPLIER CODE: V74063	002004 006102 107107 121503 904999	4
40	51701-291		...WASHER-FLAT SUPPLIER CODE: VK5294	002004 006102 107107 121503 904999	4
45	20584-002		...WASHER-CAPTIVE NYLOCK SUPPLIER CODE: V74063	002004 006102 107107 121503 904999	4
50	35744-001		...COVER- SUPPLIER CODE: V74063	002004 006102 107107 121503 904999	2
55	50407-370		..NUT-HEX SUPPLIER CODE: V74063	002004 006102 107107 121503 904999	6

MISSING ITEM NUMBERS NOT APPLICABLE

- ITEM NOT ILLUSTRATED

24-22-02-02

24-22-02
FIG. 02
PAGE 2
JAN 20/09

BRI



757

PARTS CATALOG (MAINTENANCE)

FIG ITEM	PART NUMBER	1 2 3 4 5 6 7	NOMENCLATURE	EFFECT FROM TO	UNITS PER ASSY
2					
60	51807-230		. . WASHER-LOCK SUPPLIER CODE: V74063	002004 006102 107107 121503 904999	6
65	51704-010		. . WASHER-FLAT SUPPLIER CODE: V74063	002004 006102 107107 121503 904999	6
- 200	286N1128-001		WIRE BUNDLE ASSY- (ELECTRICAL PWR CONT ONLY)	107107 121503 904949	RF
- 200	286N1128-002		WIRE BUNDLE ASSY- (ELECTRICAL PWR CONT ONLY)	002004 006100 950999	RF
205	BACC45FT20A41S		. CONNECTOR- ELECTRICAL EQUIP NUMBER: D01732 WIRING DIAGRAM REF: 242721	002004 006100 107107 121503 904999	1

MISSING ITEM NUMBERS NOT APPLICABLE

- ITEM NOT ILLUSTRATED

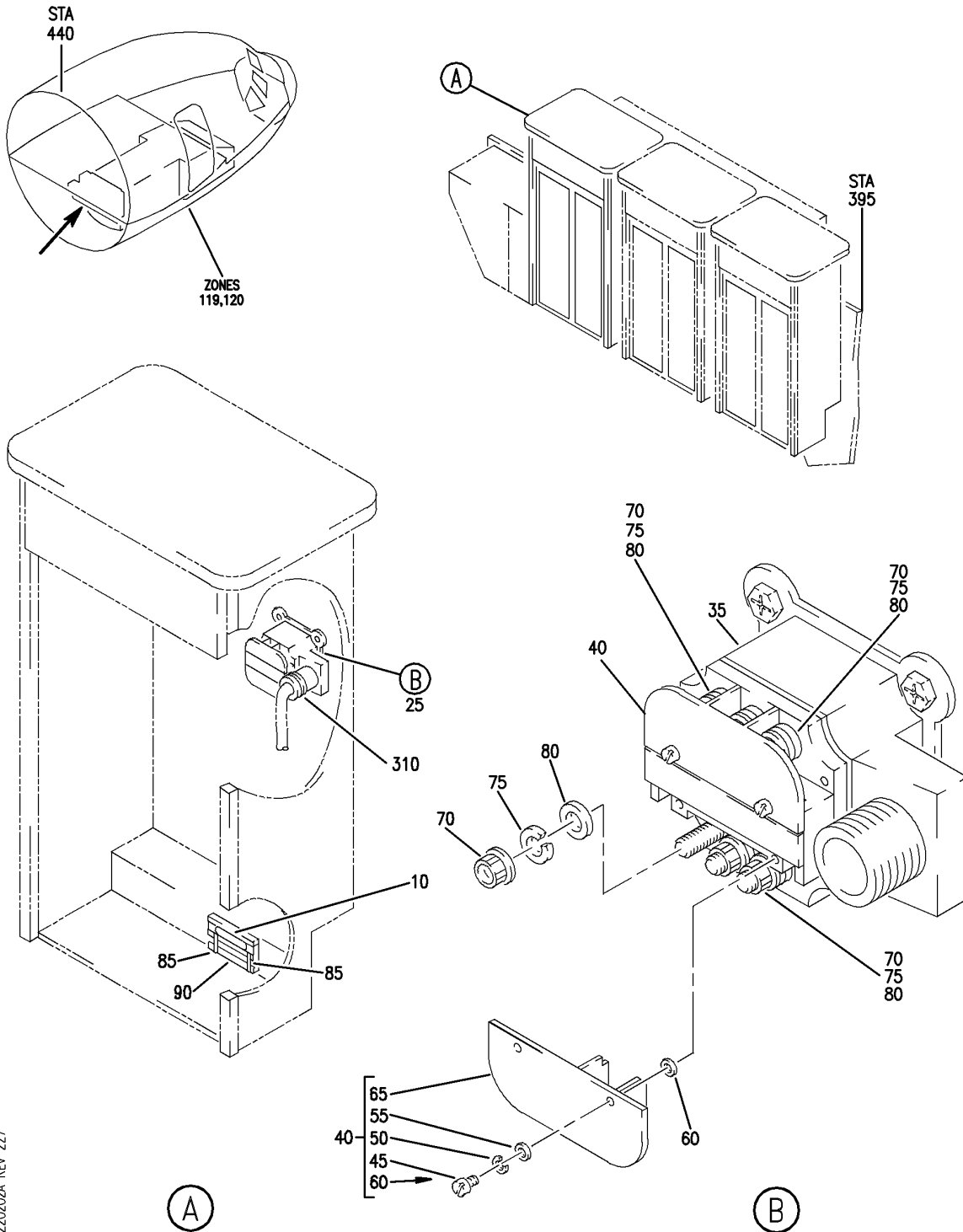
BRI

24-22-02-02

BOEING PROPRIETARY - Copyright © - Unpublished Work - See title page for details.

24-22-02
FIG. 02
PAGE 3
JAN 20/09

BOEING
757
PARTS CATALOG (MAINTENANCE)



Y 24220202A REV 227

PACKAGE ASSY-OPTION P34 APU/EXT PWR (ELECTRICAL PWR CONT ONLY)
FIGURE 2A

24-22-02-02A

BRI
MAY 28/07

24-22-02-02A
PAGE 0



757

PARTS CATALOG (MAINTENANCE)

FIG ITEM	PART NUMBER	1 2 3 4 5 6 7	NOMENCLATURE	EFFECT FROM TO	UNITS PER ASSY
2A			PACKAGE ASSY-OPTION P34 APU/EXT PWR (ELECTRICAL PWR CONT ONLY)	101102 504903	
- 1	284N1316-1000		PACKAGE ASSY-OPTION P34 APU/EXT PWR (ELECTRICAL POWER CONTROL ONLY) FOR NHA/OTHER SYS DET SEE: 31-01-34-01	101102 504903	RF
10	BAC27TEX8		.DECAL- PLACARD CONTENT: 1 THRU 8	101102 504903	1
25	B430-1		.CIRCUIT BREAKER ASSY- SUPPLIER CODE: V74063 SPECIFICATION NUMBER: S281T004-1 ELECTRICAL EQUIP NUMBER: C00905 COMPONENT MAINT MANUAL REF: 24-09-23 OPTIONAL PART: B430 V74063	101102 504903	1
25	B430		.CIRCUIT BREAKER ASSY- SUPPLIER CODE: V74063 SPECIFICATION NUMBER: S281T004-1 ELECTRICAL EQUIP NUMBER: C00905 COMPONENT MAINT MANUAL REF: 24-09-13 OPTIONAL PART: B430-1 V74063	101102 504903	1
- 30	NAS1801-3-8		ATTACHING PARTS .SCREW	101102 504903	4
35	35936-001		-----*----- ..PLATE-WIRING DIAGRAM SUPPLIER CODE: V74063	101102 504903	1
40	36006-010		..COVER ASSY-TERM. SUPPLIER CODE: V74063	101102 504903	2

MISSING ITEM NUMBERS NOT APPLICABLE

- ITEM NOT ILLUSTRATED

BRI

24-22-02-02A

BOEING PROPRIETARY - Copyright © - Unpublished Work - See title page for details.

24-22-02
FIG. 02A
PAGE 1
JAN 20/09

 **BOEING**
757
PARTS CATALOG (MAINTENANCE)

FIG ITEM	PART NUMBER	1 2 3 4 5 6 7	NOMENCLATURE	EFFECT FROM TO	UNITS PER ASSY
2A					
45	51204-391	...	SCREW-BINDING HEAD SUPPLIER CODE: V74063	101102 504903	4
50	51804-021	...	WASHER-LOCK SUPPLIER CODE: V74063	101102 504903	4
55	51701-291	...	WASHER-FLAT SUPPLIER CODE: VK5294	101102 504903	4
60	20584-002	...	WASHER-CAPTIVE NYLOCK SUPPLIER CODE: V74063	101102 504903	4
65	35744-001	...	COVER- SUPPLIER CODE: V74063	101102 504903	2
70	50407-370	..	NUT-HEX SUPPLIER CODE: V74063	101102 504903	6
75	51807-230	..	WASHER-LOCK SUPPLIER CODE: V74063	101102 504903	6
80	51704-010	..	WASHER-FLAT SUPPLIER CODE: V74063	101102 504903	6
85	H49-2	.	CLAMP SUPPLIER CODE: V34941 SPECIFICATION NUMBER: BACC49A2 OPTIONAL PART: MF104-2 V6E102	101102 504903	2
90	AMY0350T3	.	TRACK- SUPPLIER CODE: V09922 SPECIFICATION NUMBER: BACT44A0350D OPTIONAL PART: BACT44A0350D V3X503 ELECTRICAL EQUIP NUMBER: TB0134 ATTACHING PARTS	101102 504903	1
- 95	NAS1801-3-8	.	SCREW	101102 504903	2
- 300	286N1128-315	-----*	WIRE BUNDLE ASSY	504903	RF
- 300	286N1128-317		WIRE BUNDLE ASSY	101102	RF

MISSING ITEM NUMBERS NOT APPLICABLE

- ITEM NOT ILLUSTRATED

BRI

24-22-02-02A

BOEING PROPRIETARY - Copyright © - Unpublished Work - See title page for details.

24-22-02
FIG. 02A
PAGE 2
JAN 20/09



757

PARTS CATALOG (MAINTENANCE)

FIG ITEM	PART NUMBER	1 2 3 4 5 6 7	NOMENCLATURE	EFFECT FROM TO	UNITS PER ASSY
2A 310	BACC45FT20A41S		.CONNECTOR- ELECTRICAL EQUIP NUMBER: D01732 WIRING DIAGRAM REF: 242721	101102 504903	1

MISSING ITEM NUMBERS NOT APPLICABLE

- ITEM NOT ILLUSTRATED

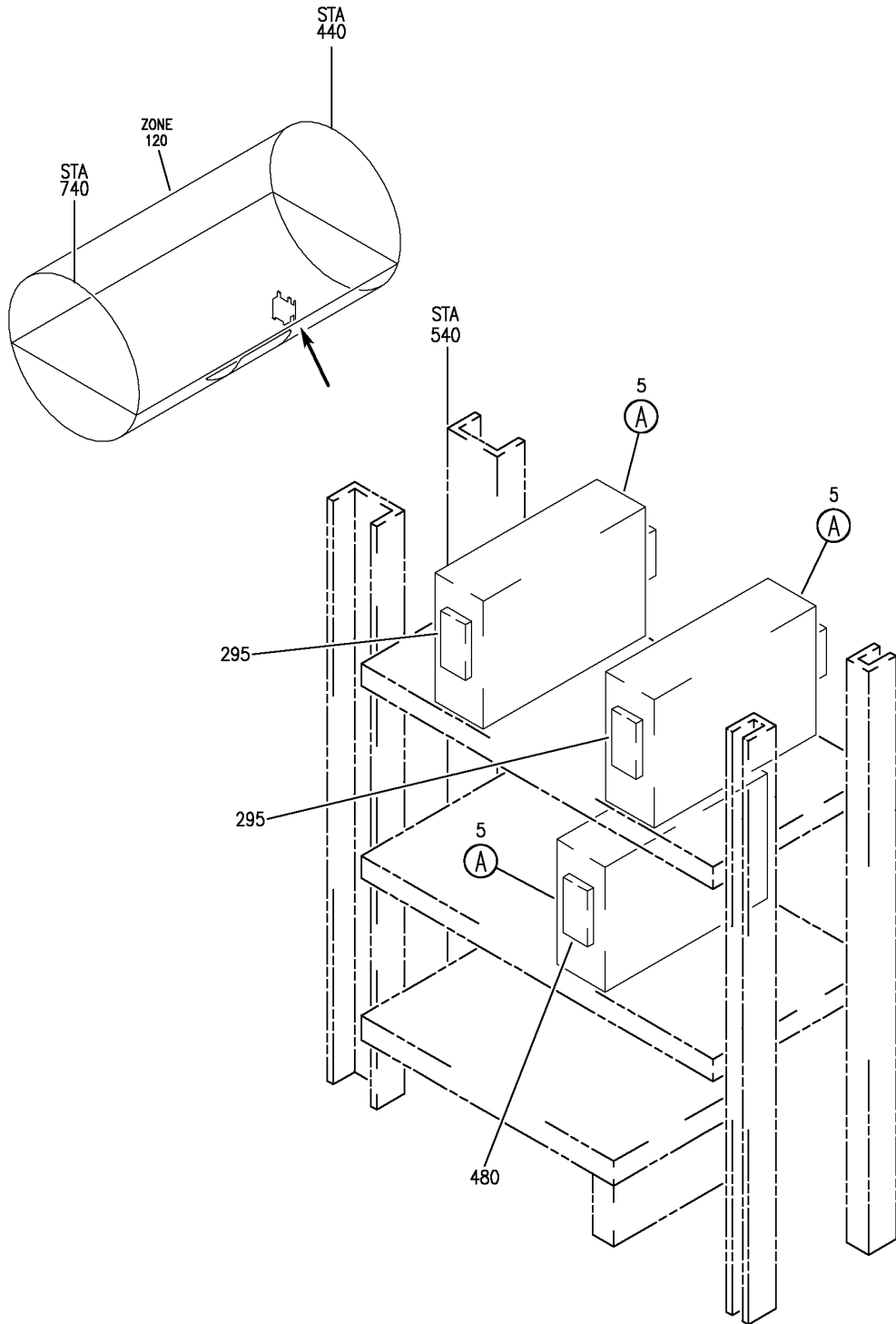
BRI

24-22-02-02A

BOEING PROPRIETARY - Copyright © - Unpublished Work - See title page for details.

24-22-02
FIG. 02A
PAGE 3
JAN 20/09

BOEING
757
PARTS CATALOG (MAINTENANCE)



Y 24220208 SH1 1 REV 257

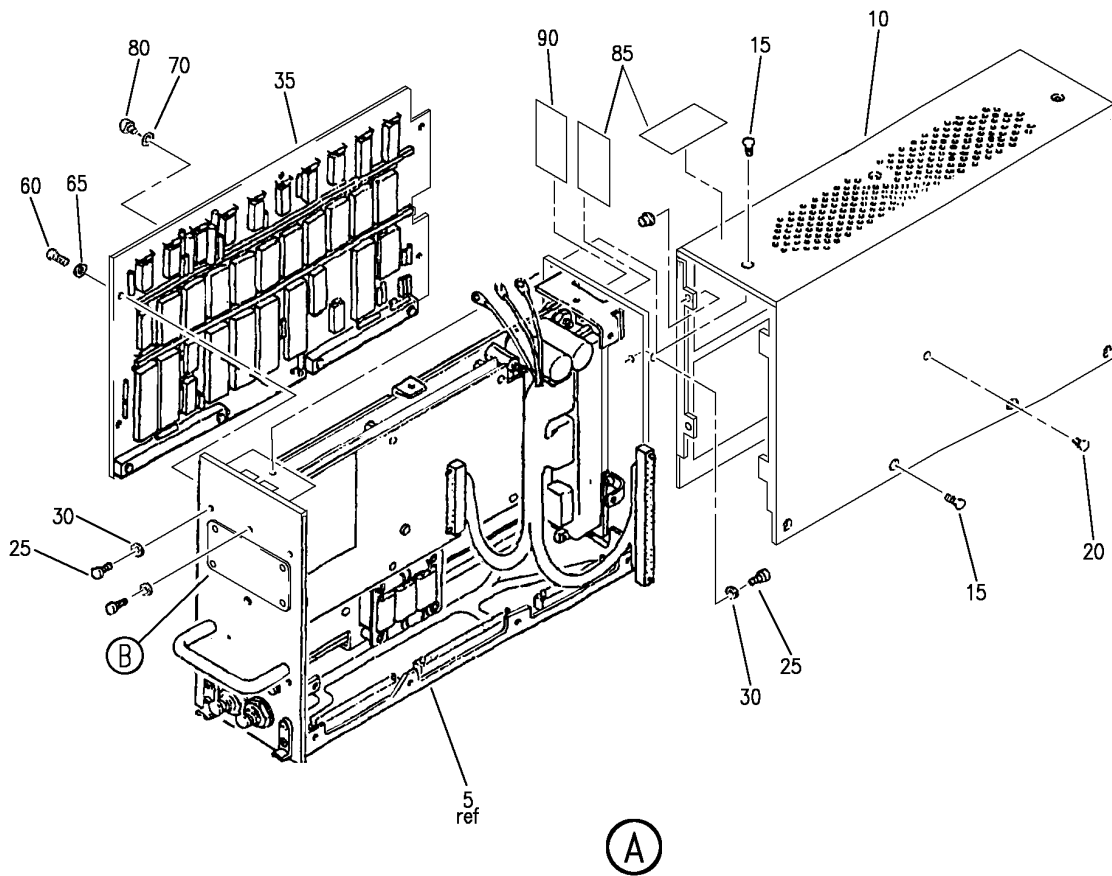
EQUIPMENT INSTL-MAIN ELECTRONICS EQPT CTR GEN CONT
FIGURE 8 (SHEET 1)

24-22-02-08

BRI
JAN 20/09

24-22-02-08
PAGE 0

BOEING
757
PARTS CATALOG (MAINTENANCE)



Y 24-22-02-08 SHT 2 REV 257

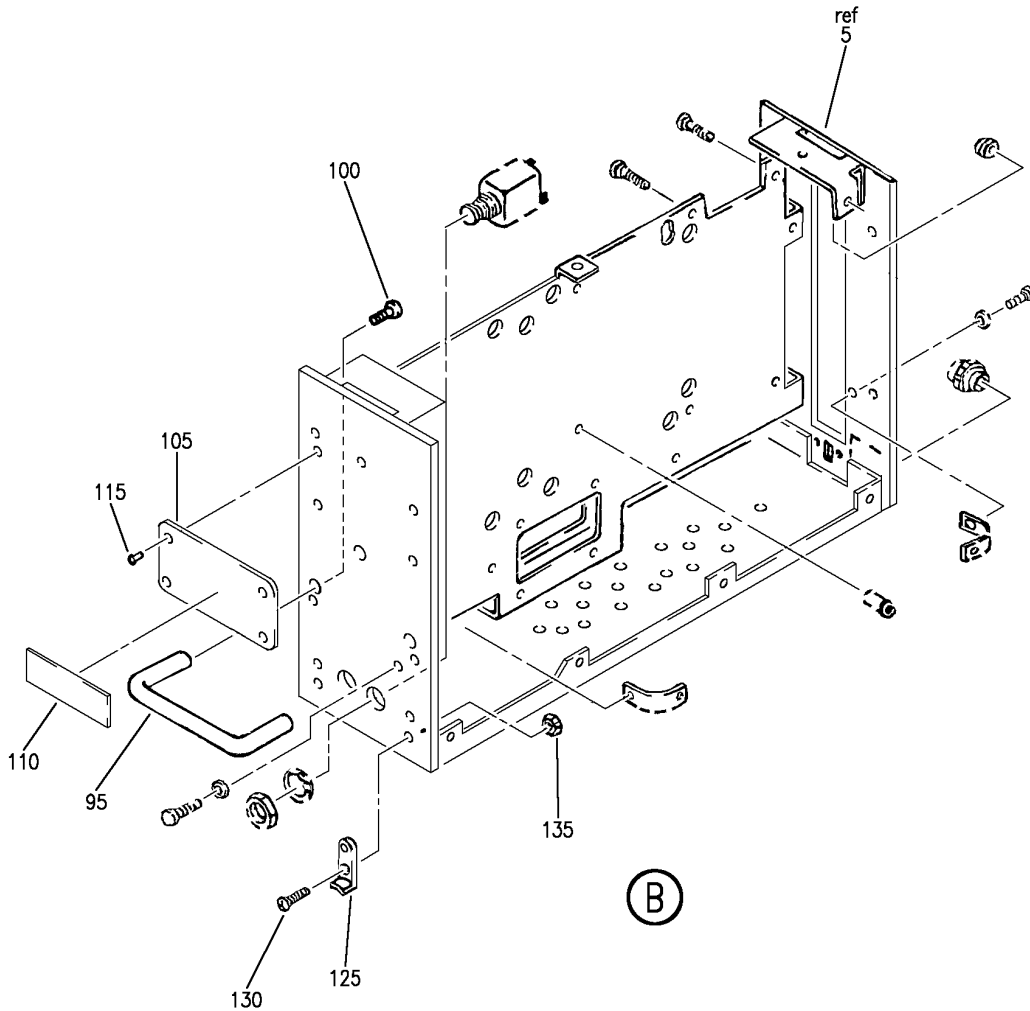
EQUIPMENT INSTL-MAIN ELECTRONICS EQPT CTR GEN CONT
FIGURE 8 (SHEET 2)

24-22-02-08

BRI
JAN 20/09

24-22-02-08
PAGE 0A

BOEING
757
PARTS CATALOG (MAINTENANCE)



Y 24220208 SHT 3 REV 257

EQUIPMENT INSTL-MAIN ELECTRONICS EQPT CTR GEN CONT
FIGURE 8 (SHEET 3)

24-22-02-08

BRI
JAN 20/09

24-22-02-08
PAGE 08



757

PARTS CATALOG (MAINTENANCE)

FIG ITEM	PART NUMBER	1 2 3 4 5 6 7	NOMENCLATURE	EFFECT FROM TO	UNITS PER ASSY
8			EQUIPMENT INSTL-MAIN ELECTRONICS EQPT CTR GEN CONT	103106 108120	
- 1	284N4000-240001		EQUIPMENT INSTL-MAIN ELECTRONICS EQPT CTR GEN CONT	108120	RF
- 1	MODREF9947		FOR NHA SEE: 24-00-58-05 EQUIPMENT INSTL-MAIN ELECTRONICS EQPT CTR GEN CONT	103106	1
5	734284F		MODULE NUMBER: 284N4000-240001 REV A .CONTROL UNIT ASSY-GEN SUPPLIER CODE: V99167 SPECIFICATION NUMBER: S281T001-40 MISCELLANEOUS DATA: PER SB 767-24-0080 AND SUNSTRAND SB 734284-24-14 GCU P/N M734284AF IS CONSIDERED INTERCHANGEABLE WITH P/N 734284F. ELECTRICAL EQUIP NUMBER: M00143 M00144 M00146 COMPONENT MAINT MANUAL REF: 24-23-03 QUALIFIED I/W DATA: S281T001-32/734284E OR S281T001-31/734284D IS FULLY I/W S281T001-40/734284F PRIOR TO CUM LINES 666. AFTER CUM LINE 666 S281T001-40/734284F MUST BE USED. S281T001-32/734284E IS FULLY INTERCHANGEABLE WITH S281T001-40/734284F PRIOR TO CUM LINE 666. AFTER CUM LINE 666 S281T001-40/734284F MUST BE USED.	103106 108120	3

MISSING ITEM NUMBERS NOT APPLICABLE

- ITEM NOT ILLUSTRATED

24-22-02-08

24-22-02
FIG. 08
PAGE 1
JAN 20/09

BRI



757

PARTS CATALOG (MAINTENANCE)

FIG ITEM	PART NUMBER	1 2 3 4 5 6 7	NOMENCLATURE	EFFECT FROM TO	UNITS PER ASSY
8					
10	729327	..	COVER- SUPPLIER CODE: V99167 CONFIG CHG DATA FROM A CMM: REPLD BY 755069	103106 108120	3
10	755069	..	COVER- SUPPLIER CODE: V99167 CONFIG CHG DATA FROM A CMM: REPLACES 729327 REPLD BY 766607	103106 108120	3
10	766607	..	COVER- SUPPLIER CODE: V99167 CONFIG CHG DATA FROM A CMM: REPLACES 755069 ATTACHING PARTS	103106 108120	3
15	MS24693C26	..	SCREW- CONFIG CHG DATA FROM A CMM: REPLD BY MS24693C25	103106 108120	11
15	MS24693C25	..	SCREW- CONFIG CHG DATA FROM A CMM: REPLACES MS24693C26	103106 108120	11
20	MS24693C24	..	SCREW	103106 108120	2
25	MS51957-28	..	SCREW	103106 108120	8
30	NAS620-6L	..	WASHER	103106 108120	8
			-----*-----		
35	733695D	..	BOARD-PRINTED WIRING SUPPLIER CODE: V99167	103106 108120	1
- 40	739837D	..	BOARD-PRINTED WIRING SUPPLIER CODE: V99167	103106 108120	1
- 45	739838D	..	BOARD-PRINTED WIRING SUPPLIER CODE: V99167	103106 108120	1
- 50	759336	..	BOARD-PRINTED WIRING SUPPLIER CODE: V99167	103106 108120	1
- 55	759336A	..	BOARD-PRINTED WIRING SUPPLIER CODE: V99167 ATTACHING PARTS	103106 108120	1
60	MS51957-27	..	SCREW	103106 108120	5

MISSING ITEM NUMBERS NOT APPLICABLE

- ITEM NOT ILLUSTRATED

24-22-02-08

24-22-02
FIG. 08
PAGE 2
JAN 20/09

BRI

BOEING PROPRIETARY - Copyright © - Unpublished Work - See title page for details.



757

PARTS CATALOG (MAINTENANCE)

FIG ITEM	PART NUMBER	1 2 3 4 5 6 7	NOMENCLATURE	EFFECT FROM TO	UNITS PER ASSY
8					
65	NAS620-6L	..	WASHER	103106 108120	5
70	43-02-61	..	WASHER- SUPPLIER CODE: V13103	103106 108120	1
- 75	5611-54-2	..	WASHER- SUPPLIER CODE: V86928	103106 108120	1
			-----*-----		
80	728102-8	..	SPACER- SUPPLIER CODE: V99167	103106 108120	1
85	733972	..	LABEL- SUPPLIER CODE: V99167	103106 108120	2
90	737384	..	LABEL- SUPPLIER CODE: V99167	103106 108120	1
95	56629-3	..	HANDLE- SUPPLIER CODE: V99167	103106 108120	1
			ATTACHING PARTS		
100	MS24693C48	..	SCREW	103106 108120	2
			-----*-----		
105	729335	..	LABEL-IDENTIFICATION SUPPLIER CODE: V99167 CONFIG CHG DATA FROM A CMM: REPLD BY 739221	103106 108120	1
105	739221	..	PLATE-IDENTIFICATION SUPPLIER CODE: V99167 CONFIG CHG DATA FROM A CMM: REPLACES 729335 REPLD BY 767945 USED WITH: MS20470AD2-3	103106 108120	1
105	767945	..	PLATE-IDENTIFICATION SUPPLIER CODE: V99167 CONFIG CHG DATA FROM A CMM: REPLACES 739221 USED WITH: MS51957-12	103106 108120	1
110	739223	..	PLATE-MODIFICATION SUPPLIER CODE: V99167	103106 108120	1

MISSING ITEM NUMBERS NOT APPLICABLE

- ITEM NOT ILLUSTRATED

BRI

24-22-02-08

24-22-02
FIG. 08
PAGE 3
JAN 20/09



757

PARTS CATALOG (MAINTENANCE)

FIG ITEM	PART NUMBER	1 2 3 4 5 6 7	NOMENCLATURE	EFFECT FROM TO	UNITS PER ASSY
8			ATTACHING PARTS		
115	MS20470AD2-4		..RIVET- CONFIG CHG DATA FROM A CMM: REPLD BY MS20470AD2-3	103106 108120	4
115	MS20470AD2-3		..RIVET- CONFIG CHG DATA FROM A CMM: REPLACES MS20470AD2-4 REPLD BY MS51957-14 USED WITH: 739221 -----*-----	103106 108120	4
- 120	MS51957-14		..SCREW- CONFIG CHG DATA FROM A CMM: REPLACES MS20470AD2-3 REPLD BY MS51957-12	103106 108120	4
- 120	MS51957-12		..SCREW- CONFIG CHG DATA FROM A CMM: REPLACES MS20470AD2-3 USED WITH: 767945	103106 108120	4
125	NAS622CT2		..HOOK	103106 108120	2
			ATTACHING PARTS		
130	MS24693C30		..SCREW- CONFIG CHG DATA FROM A CMM: REPLD BY MS24693C29	103106 108120	4
130	MS24693C29		..SCREW- CONFIG CHG DATA FROM A CMM: REPLACES MS24693C30 REPLD BY MS24693C28	103106 108120	4
130	MS24693C28		..SCREW- CONFIG CHG DATA FROM A CMM: REPLACES MS24693C29	103106 108120	4
135	MS21043-06		..NUT	103106 108120	4
			-----*-----		
- 200	286N1282-320		WIRE BUNDLE ASSY	108120	RF
- 202	286N1282-702		WIRE BUNDLE ASSY	103106	RF
295	BACC66F11C6201		.CONNECTOR- ELECTRICAL EQUIP NUMBER: D01850 D02108 WIRING DIAGRAM REF: 242141 241111	103106 108120	2
- 350	286N1284-363		WIRE BUNDLE ASSY-	108120	RF
- 353	286N1284-601		WIRE BUNDLE ASSY-	103105	RF
- 353	286N1284-602		WIRE BUNDLE ASSY-	106106	RF

MISSING ITEM NUMBERS NOT APPLICABLE

- ITEM NOT ILLUSTRATED

24-22-02-08

24-22-02
FIG. 08
PAGE 4
JAN 20/09

BRI



757

PARTS CATALOG (MAINTENANCE)

FIG ITEM	PART NUMBER	1 2 3 4 5 6 7	NOMENCLATURE	EFFECT FROM TO	UNITS PER ASSY
8 480	BACC66F11C6201		.CONNECTOR- ELECTRICAL EQUIP NUMBER: D02070 WIRING DIAGRAM REF: 242221	103106 108120	1

MISSING ITEM NUMBERS NOT APPLICABLE

- ITEM NOT ILLUSTRATED

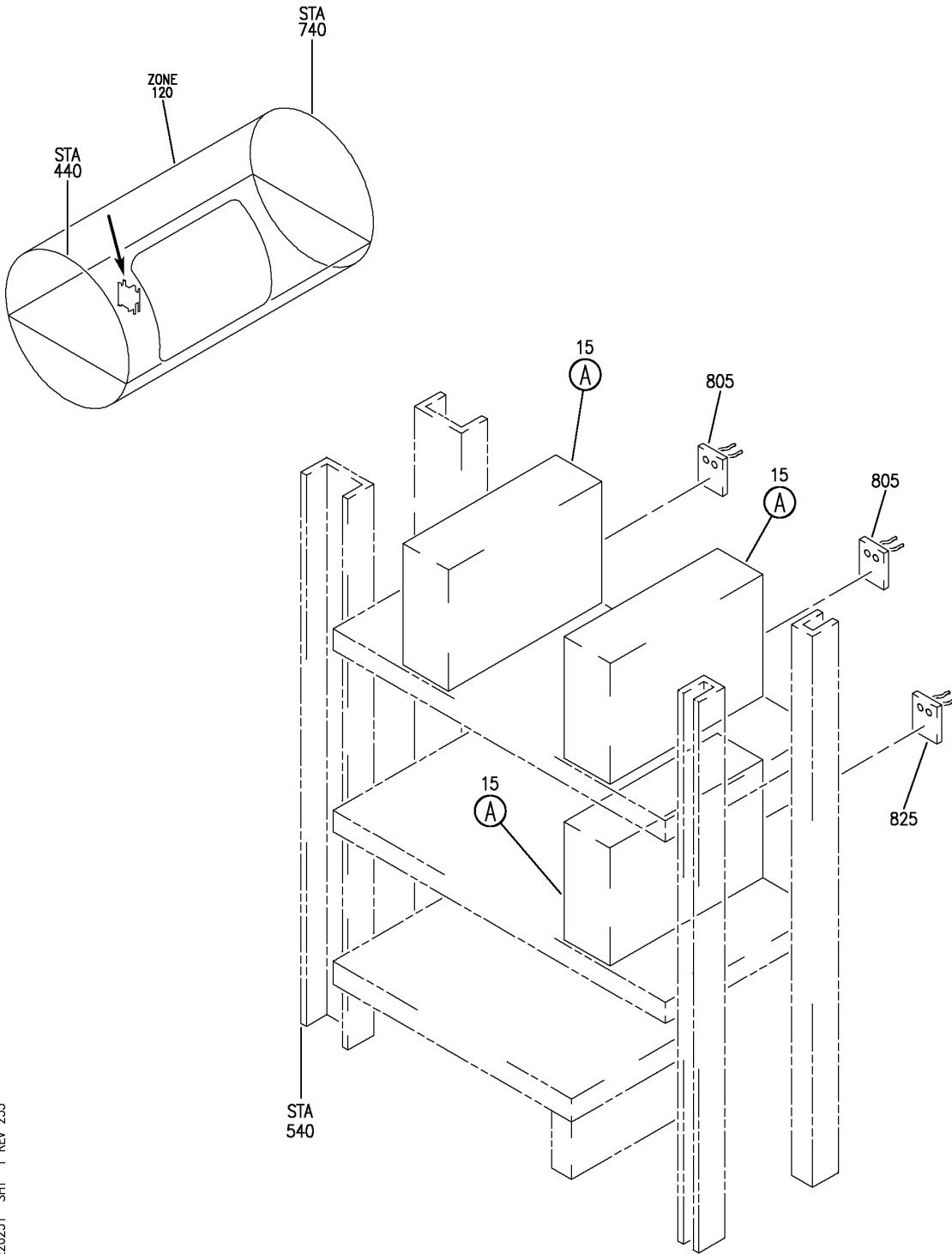
BRI

24-22-02-08

BOEING PROPRIETARY - Copyright © - Unpublished Work - See title page for details.

24-22-02
FIG. 08
PAGE 5
JAN 20/09

BOEING
 757
 PARTS CATALOG (MAINTENANCE)



Y 24220251 SHT 1 REV 255

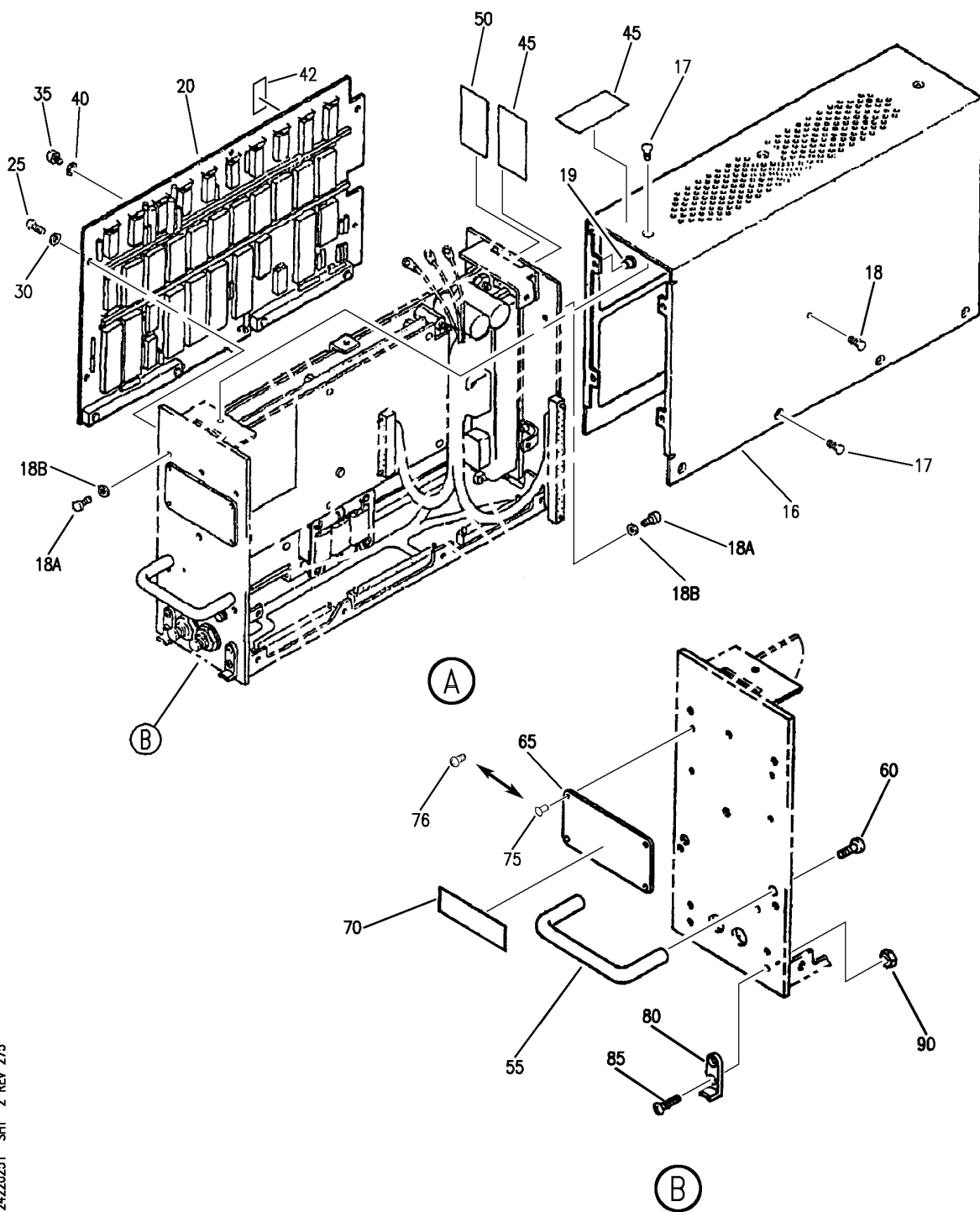
EQUIPMENT INSTL-MAIN ELECTRONICS EQPT CTR (CONTROL ONLY)
 FIGURE 51 (SHEET 1)

24-22-02-51

BRI
 MAY 28/07

24-22-02-51
 PAGE 0

BOEING
757
PARTS CATALOG (MAINTENANCE)



Y 24220251 SH1 2 REV 275

EQUIPMENT INSTL-MAIN ELECTRONICS EQPT CTR (CONTROL ONLY)
FIGURE 51 (SHEET 2)

24-22-02-51

BRI
MAY 28/07

24-22-02-51
PAGE 0A



757

PARTS CATALOG (MAINTENANCE)

FIG ITEM	PART NUMBER	1 2 3 4 5 6 7	NOMENCLATURE	EFFECT FROM TO	UNITS PER ASSY
51			EQUIPMENT INSTL-MAIN ELECTRONICS EQPT CTR (CONTROL ONLY)	002004 006100 121999	
- 1	284N1800-16		EQUIPMENT INSTL-MAIN ELECTRONICS EQPT CTR (CONTROL ONLY) FOR NHA/OTHER SYS DET SEE: 24-00-58-01	121503 904949	RF
- 2	284N1800-34		EQUIPMENT INSTL-MAIN ELECTRONICS EQPT CTR (CONTROL ONLY) FOR NHA/OTHER SYS DET SEE: 24-00-58-01	002004 006100	RF
- 3	284N1800-38		EQUIPMENT INSTL-MAIN ELECTRONICS EQPT CTR (CONTROL ONLY) FOR NHA/OTHER SYS DET SEE: 24-00-58-01	950951	RF
- 5	284N1800-88		EQUIPMENT INSTL-MAIN ELECTRONICS EQPT CTR (CONTROL ONLY) FOR NHA/OTHER SYS DET SEE: 24-00-58-05E	505505	RF
- 5	284N1800-32		EQUIPMENT INSTL-MAIN ELECTRONICS EQPT CTR (CONTROL ONLY) FOR NHA/OTHER SYS DET SEE: 24-00-58-01	952999	RF
- 6	284N1800-190		EQUIPMENT INSTL-MAIN ELECTRONICS EQPT CTR (CONTROL ONLY) FOR NHA/OTHER SYS DET SEE: 24-00-58-05E	504504 506903	RF

MISSING ITEM NUMBERS NOT APPLICABLE

- ITEM NOT ILLUSTRATED

24-22-02-51

24-22-02
FIG. 51
PAGE 1
JAN 20/09

BRI



757

PARTS CATALOG (MAINTENANCE)

FIG ITEM	PART NUMBER	1 2 3 4 5 6 7	NOMENCLATURE	EFFECT FROM TO	UNITS PER ASSY
51 15	734284D		.CONTROL UNIT ASSY-GEN SUPPLIER CODE: V99167 SPECIFICATION NUMBER: S281T001-31 ELECTRICAL EQUIP NUMBER: M00143 M00144 M00146 COMPONENT MAINT MANUAL REF: 24-23-03 QUALIFIED I/W DATA: S281T001-32/734284E OR S281T001-31/734284D IS FULLY I/W S281T001-40/734284F PRIOR TO CUM LINES 666. AFTER CUM LINE 666 S281T001-40/734284F MUST BE USED. PRE SERVICE BULLETIN: 24-0077 PRE SERVICE BULLETIN: 734284-24-14R1 V99167	002004 006100 121503 904949 952999	3

MISSING ITEM NUMBERS NOT APPLICABLE

- ITEM NOT ILLUSTRATED

BRI

24-22-02-51

BOEING PROPRIETARY - Copyright © - Unpublished Work - See title page for details.

24-22-02
FIG. 51
PAGE 2
JAN 20/09



757

PARTS CATALOG (MAINTENANCE)

FIG ITEM	PART NUMBER	1 2 3 4 5 6 7	NOMENCLATURE	EFFECT FROM TO	UNITS PER ASSY
51 15	734284E		.CONTROL UNIT ASSY-GEN SUPPLIER CODE: V99167 SPECIFICATION NUMBER: S281T001-32 SB DATA FROM A CMM: 734284-24-13 ELECTRICAL EQUIP NUMBER: M00143 M00144 M00146 COMPONENT MAINT MANUAL REF: 24-23-03 QUALIFIED I/W DATA: S281T001-32/734284E OR S281T001-31/734284D IS FULLY I/W S281T001-40/734284F PRIOR TO CUM LINES 666. AFTER CUM LINE 666 S281T001-40/734284F MUST BEUSED. S281T001-32/734284E IS FULLY INTERCHANGEABLE WITH S281T001-40/734284F PRIOR TO CUM LINE 666. AFTER CUM LINE 666 S281T001-40/734284F MUST BE USED. PRE SERVICE BULLETIN: 24-0077 PRE SERVICE BULLETIN: 734284-24-14R1 V99167	002004 006017 121503 904949 952999	3

MISSING ITEM NUMBERS NOT APPLICABLE

- ITEM NOT ILLUSTRATED

24-22-02-51

24-22-02
FIG. 51
PAGE 3
JAN 20/09

BRI



757

PARTS CATALOG (MAINTENANCE)

FIG ITEM	PART NUMBER	1 2 3 4 5 6 7	NOMENCLATURE	EFFECT FROM TO	UNITS PER ASSY
51 15	734284F		.CONTROL UNIT ASSY-GEN SUPPLIER CODE: V99167 SPECIFICATION NUMBER: S281T001-40 MISCELLANEOUS DATA: PER SB 767-24-0080 AND SUNSTRAND SB 734284-24-14 GCU P/N M734284AF IS CONSIDERED INTERCHANGEABLE WITH P/N 734284F. ELECTRICAL EQUIP NUMBER: M00143 M00144 M00146 COMPONENT MAINT MANUAL REF: 24-23-03 QUALIFIED I/W DATA: S281T001-32/734284E OR S281T001-31/734284D IS FULLY I/W S281T001-40/734284F PRIOR TO CUM LINES 666. AFTER CUM LINE 666 S281T001-40/734284F MUST BEUSED. S281T001-32/734284E IS FULLY INTERCHANGEABLE WITH S281T001-40/734284F PRIOR TO CUM LINE 666. AFTER CUM LINE 666 S281T001-40/734284F MUST BE USED. POST SERVICE BULLETIN: 24-0077 POST SERVICE BULLETIN: 734284-24-14R1 V99167 POST SERVICE LETTER: 24-048-A	002004 006100 504903 952999	3

MISSING ITEM NUMBERS NOT APPLICABLE

- ITEM NOT ILLUSTRATED

24-22-02-51

24-22-02
FIG. 51
PAGE 4
JAN 20/09

BRI



757

PARTS CATALOG (MAINTENANCE)

FIG ITEM	PART NUMBER	1 2 3 4 5 6 7	NOMENCLATURE	EFFECT FROM TO	UNITS PER ASSY
51 15	734284C		.CONTROL UNIT ASSY-GEN SUPPLIER CODE: V99167 SPECIFICATION NUMBER: S281T001-24 SB DATA FROM A CMM: 734284-24-10R3 ELECTRICAL EQUIP NUMBER: M00143 M00144 M00146 COMPONENT MAINT MANUAL REF: 24-23-03 PRE SERVICE BULLETIN: 24-0077 PRE SERVICE BULLETIN: 734284-24-14R1 V99167	002004 006100 121503 904999	3
15	734284E		.CONTROL UNIT ASSY-GEN SUPPLIER CODE: V99167 SPECIFICATION NUMBER: S281T001-32 SB DATA FROM A CMM: 734284-24-13 ELECTRICAL EQUIP NUMBER: M00143 M00144 M00146 COMPONENT MAINT MANUAL REF: 24-23-03 QUALIFIED I/W DATA: S281T001-32/734284E OR S281T001-31/734284D IS FULLY I/W S281T001-40/734284F PRIOR TO CUM LINES 666. AFTER CUM LINE 666 S281T001-40/734284F MUST BEUSED. S281T001-32/734284E IS FULLY INTERCHANGEABLE WITH S281T001-40/734284F PRIOR TO CUM LINE 666. AFTER CUM LINE 666 S281T001-40/734284F MUST BE USED	950951	3

MISSING ITEM NUMBERS NOT APPLICABLE

- ITEM NOT ILLUSTRATED

BRI

24-22-02-51

BOEING PROPRIETARY - Copyright © - Unpublished Work - See title page for details.

24-22-02
FIG. 51
PAGE 5
JAN 20/09



757

PARTS CATALOG (MAINTENANCE)

FIG ITEM	PART NUMBER	1 2 3 4 5 6 7	NOMENCLATURE	EFFECT FROM TO	UNITS PER ASSY
51 15	734284D		.CONTROL UNIT ASSY-GEN SUPPLIER CODE: V99167 SPECIFICATION NUMBER: S281T001-31 SB DATA FROM A CMM: 734284-24-12R1 ELECTRICAL EQUIP NUMBER: M00143 M00144 M00146 COMPONENT MAINT MANUAL REF: 24-23-03 QUALIFIED I/W DATA: S281T001-32/734284E OR S281T001-31/734284D IS FULLY I/W S281T001-40/734284F PRIOR TO CUM LINES 666. AFTER CUM LINE 666 S281T001-40/734284F MUST BEUSED.	950951	3

MISSING ITEM NUMBERS NOT APPLICABLE

- ITEM NOT ILLUSTRATED

BRI

24-22-02-51

BOEING PROPRIETARY - Copyright © - Unpublished Work - See title page for details.

24-22-02
FIG. 51
PAGE 6
JAN 20/09



757

PARTS CATALOG (MAINTENANCE)

FIG ITEM	PART NUMBER	1 2 3 4 5 6 7	NOMENCLATURE	EFFECT FROM TO	UNITS PER ASSY
51 15	734284F		.CONTROL UNIT ASSY-GEN SUPPLIER CODE: V99167 SPECIFICATION NUMBER: S281T001-40 SB DATA FROM A CMM: 734284-24-14R3 MISCELLANEOUS DATA: PER SB 767-24-0080 AND SUNSTRAND SB 734284-24-14 GCU P/N M734284AF IS CONSIDERED INTERCHANGEABLE WITH P/N 734284F. ELECTRICAL EQUIP NUMBER: M00143 M00144 M00146 COMPONENT MAINT MANUAL REF: 24-23-03 QUALIFIED I/W DATA: S281T001-32/734284E OR S281T001-31/734284D IS FULLY I/W S281T001-40/734284F PRIOR TO CUM LINES 666. AFTER CUM LINE 666 S281T001-40/734284F MUST BEUSED. S281T001-32/734284E IS FULLY INTERCHANGEABLE WITH S281T001-40/734284F PRIOR TO CUM LINE 666. AFTER CUM LINE 666 S281T001-40/734284F MUST BE USED.	950951	3
16	729327		..COVER- SUPPLIER CODE: V99167 CONFIG CHG DATA FROM A CMM: REPLD BY 755069	002004 006100 121999	1
16	755069		..COVER- SUPPLIER CODE: V99167 CONFIG CHG DATA FROM A CMM: REPLACES 729327 REPLD BY 766607	002004 006100 121999	1

MISSING ITEM NUMBERS NOT APPLICABLE

- ITEM NOT ILLUSTRATED

BRI

24-22-02-51

BOEING PROPRIETARY - Copyright © - Unpublished Work - See title page for details.

24-22-02
FIG. 51
PAGE 7
JAN 20/09



757

PARTS CATALOG (MAINTENANCE)

FIG ITEM	PART NUMBER	1 2 3 4 5 6 7	NOMENCLATURE	EFFECT FROM TO	UNITS PER ASSY
51					
16	766607	..	COVER- SUPPLIER CODE: V99167 CONFIG CHG DATA FROM A CMM: REPLACES 755069 ATTACHING PARTS	002004 006100 121999	1
17	MS24693C26	..	SCREW- CONFIG CHG DATA FROM A CMM: REPLD BY MS24693C25	002004 006100 121999	11
17	MS24693C25	..	SCREW- CONFIG CHG DATA FROM A CMM: REPLACES MS24693C26	002004 006100 121999	11
18	MS24693C24	..	SCREW	002004 006100 121999	2
18A	MS51957-28	..	SCREW	002004 006100 121999	8
18B	NAS620-6L	..	WASHER	002004 006100 121999	8
19	FE632EF	..	NUT- SUPPLIER CODE: V46384 CONFIG CHG DATA FROM A CMM: REPLD BY FE0632EF MISCELLANEOUS DATA: HAMILTON PART NO. 54853-3	002004 006100 121999	8
19	FE0632EF	..	NUT- SUPPLIER CODE: V46384 CONFIG CHG DATA FROM A CMM: REPLACES FE632EF MISCELLANEOUS DATA: HAMILTON PART NO. 54853-8	002004 006100 121999	8
20	733695B	..	-----*----- BOARD-PRINTED WIRING SUPPLIER CODE: V99167 SB DATA FROM A CMM: 734284-24-10R3 USED ON: 734284C PRE SERVICE BULLETIN: 734284-24-14R1 V55820	002004 006100 121503 904999	1

MISSING ITEM NUMBERS NOT APPLICABLE

- ITEM NOT ILLUSTRATED

BRI

24-22-02-51

24-22-02
FIG. 51
PAGE 8
JAN 20/09



757

PARTS CATALOG (MAINTENANCE)

FIG ITEM	PART NUMBER	1 2 3 4 5 6 7	NOMENCLATURE	EFFECT FROM TO	UNITS PER ASSY
51 20	739837B		..BOARD-PRINTED WIRING SUPPLIER CODE: V99167 SB DATA FROM A CMM: 734284-24-10R3 USED ON: 734284C PRE SERVICE BULLETIN: 734284-24-14R1 V99167	002004 006100 121503 904999	1
20	739838B		..BOARD-PRINTED WIRING SUPPLIER CODE: V99167 SB DATA FROM A CMM: 734284-24-10R3 USED ON: 734284C PRE SERVICE BULLETIN: 734284-24-14R1 V99167	002004 006100 121503 904999	1
20	733695C		..BOARD-PRINTED WIRING SUPPLIER CODE: V99167 SB DATA FROM A CMM: 734284-24-R1 USED ON: 734284D 734284E PRE SERVICE BULLETIN: 734284-24-14R1 V55820	002004 006100 121503 904999	1
20	739837C		..BOARD-PRINTED WIRING SUPPLIER CODE: V99167 SB DATA FROM A CMM: 734284-24-12R1 USED ON: 734284D 734284E PRE SERVICE BULLETIN: 734284-24-14R1 V99167	002004 006100 121503 904999	1

MISSING ITEM NUMBERS NOT APPLICABLE

- ITEM NOT ILLUSTRATED

BRI

24-22-02-51

BOEING PROPRIETARY - Copyright © - Unpublished Work - See title page for details.

24-22-02
FIG. 51
PAGE 9
JAN 20/09



757

PARTS CATALOG (MAINTENANCE)

FIG ITEM	PART NUMBER	1 2 3 4 5 6 7	NOMENCLATURE	EFFECT FROM TO	UNITS PER ASSY
51 20	739838C		..BOARD-PRINTED WIRING SUPPLIER CODE: V99167 SB DATA FROM A CMM: 734284-24-12R1 USED ON: 734284D 734284E PRE SERVICE BULLETIN: 734284-24-14R1 V99167	002004 006100 121503 904999	1
20	733695D		..BOARD-PRINTED WIRING SUPPLIER CODE: V99167 SB DATA FROM A CMM: 734284-24-14 USED ON: 734284F POST SERVICE BULLETIN: 734284-24-14R1 V55820	002004 006100 504903 950999	1
20	739837D		..BOARD-PRINTED WIRING SUPPLIER CODE: V99167 SB DATA FROM A CMM: 734284-24-14 USED ON: 734284F POST SERVICE BULLETIN: 734284-24-14R1 V55820	002004 006100 504903 950999	1
20	739838D		..BOARD-PRINTED WIRING SUPPLIER CODE: V99167 SB DATA FROM A CMM: 734284-24-14 USED ON: 734284F POST SERVICE BULLETIN: 734284-24-14R1 V55820	002004 006100 504903 950999	1

MISSING ITEM NUMBERS NOT APPLICABLE

- ITEM NOT ILLUSTRATED

BRI

24-22-02-51

24-22-02
FIG. 51
PAGE 10
JAN 20/09



757

PARTS CATALOG (MAINTENANCE)

FIG ITEM	PART NUMBER	1 2 3 4 5 6 7	NOMENCLATURE	EFFECT FROM TO	UNITS PER ASSY
51					
20	759336		.. BOARD-PRINTED WIRING SUPPLIER CODE: V99167 SB DATA FROM A CMM: 734284-24-14 USED ON: 734284F POST SERVICE BULLETIN: 734284-24-14R1 V99167	002004 006100 504903 950999	1
20	759336A		.. BOARD-PRINTED WIRING SUPPLIER CODE: V99167 USED ON: 734284F	002004 006100 504903 950999	1
25	MS51957-27		ATTACHING PARTS .. SCREW	002004 006100 121999	5
30	NAS620-6L		.. WASHER	002004 006100 121999	5
35	728102-8		.. SPACER- SUPPLIER CODE: V99167	002004 006100 121999	1
40	43-02-61		.. WASHER- SUPPLIER CODE: V13103 MISCELLANEOUS DATA: HAMILTON PART NO. 54950-16	002004 006100 121999	1
40	5611-54-2		.. WASHER- SUPPLIER CODE: V86928 MISCELLANEOUS DATA: HAMILTON PART NO. 54950-16 -----*-----	002004 006100 121999	1

MISSING ITEM NUMBERS NOT APPLICABLE

- ITEM NOT ILLUSTRATED

24-22-02-51

24-22-02
FIG. 51
PAGE 11
JAN 20/09

BRI



757

PARTS CATALOG (MAINTENANCE)

FIG ITEM	PART NUMBER	1 2 3 4 5 6 7	NOMENCLATURE	EFFECT FROM TO	UNITS PER ASSY
51					
42	733971		... LABEL- ELECTROSTATIC SENSITIVE DEVICE SUPPLIER CODE: V99167 USED ON: 733695 739837 739838 733695A 739837A 739838A 733695B 739837B 739838B 733695C 739837C 739838C 733695D 739837D 739838D	002004 006100 121999	1
42	737873		... LABEL- SENSITIVE ELECTRONIC DEVICE SUPPLIER CODE: V99167 USED ON: 759336	002004 006100 504903 950999	1
45	733972		.. LABEL- SUPPLIER CODE: V99167	002004 006100 121999	2
50	737384		.. LABEL- SUPPLIER CODE: V99167	002004 006100 121999	1
55	56629-3		.. HANDLE- SUPPLIER CODE: V99167 ATTACHING PARTS	002004 006100 121999	1
60	MS24693C48		.. SCREW	002004 006100 121999	2
65	729335		-----*----- .. LABEL- SUPPLIER CODE: V99167 CONFIG CHG DATA FROM A CMM: REPLD BY 739221	002004 006100 121999	1

MISSING ITEM NUMBERS NOT APPLICABLE

- ITEM NOT ILLUSTRATED

24-22-02-51

24-22-02
FIG. 51
PAGE 12
JAN 20/09

BRI

BOEING PROPRIETARY - Copyright © - Unpublished Work - See title page for details.

BOEING
757
PARTS CATALOG (MAINTENANCE)

FIG ITEM	PART NUMBER	1 2 3 4 5 6 7	NOMENCLATURE	EFFECT FROM TO	UNITS PER ASSY
51					
65	739221	..	PLATE- SUPPLIER CODE: V99167 CONFIG CHG DATA FROM A CMM: REPLACES 729335 REPLD BY 767945 USED WITH: MS20470AD2-3	002004 006100 121999	1
65	767945	..	PLATE- SUPPLIER CODE: V99167 CONFIG CHG DATA FROM A CMM: REPLACES 739221 USED WITH: MS51957-12	002004 006100 121999	1
65	1706118-1	..	PLATE- SUPPLIER CODE: V99167	002004 006100 121999	1
70	739223	..	PLATE- SUPPLIER CODE: V99167 ATTACHING PARTS	002004 006100 121999	1
75	MS20470AD2-4	..	RIVET- CONFIG CHG DATA FROM A CMM: REPLD BY MS20470AD2-3	002004 006100 121999	4
75	MS20470AD2-3	..	RIVET- CONFIG CHG DATA FROM A CMM: REPLACES MS20470AD2-4 REPLD BY MS51957-12 USED WITH: 739221	002004 006100 121999	4
76	MS51957-14	..	SCREW- CONFIG CHG DATA FROM A CMM: REPLACES MS20470AD2-3	002004 006100 121999	4
76	MS51957-12	..	SCREW- CONFIG CHG DATA FROM A CMM: REPLACES MS51957-14 REPLACES MS20470AD2-3 USED WITH: 767945 -----*-----	002004 006100 121999	4
80	NAS622CT2	..	HOOK	002004 006100 121999	2
85	MS24693C30	..	SCREW- CONFIG CHG DATA FROM A CMM: REPLD BY MS24693C29	002004 006100 121999	4

MISSING ITEM NUMBERS NOT APPLICABLE

— ITEM NOT ILLUSTRATED

BRI

24-22-02-51

BOEING PROPRIETARY - Copyright © - Unpublished Work - See title page for details.

24-22-02
FIG. 51
PAGE 13
JAN 20/09



757

PARTS CATALOG (MAINTENANCE)

FIG ITEM	PART NUMBER	1 2 3 4 5 6 7	NOMENCLATURE	EFFECT FROM TO	UNITS PER ASSY
51					
85	MS24693C29	..	SCREW- CONFIG CHG DATA FROM A CMM: REPLACES MS24693C30 REPLD BY MS24693C28	002004 006100 121999	4
85	MS24693C28	..	SCREW- CONFIG CHG DATA FROM A CMM: REPLACES MS24693C29	002004 006100 121999	4
90	MS21043-06	..	NUT	002004 006100 121999	4
			-----*-----		
- 800	286N1282-001		WIRE BUNDLE ASSY-	121503 904949	RF
- 800	286N1282-004		WIRE BUNDLE ASSY-	002004 006100 950999	RF
- 801	286N1282-318		WIRE BUNDLE ASSY	504903	RF
805	BKA11C9801	.	CONNECTOR- SUPPLIER CODE: V71468 SPECIFICATION NUMBER: BACC66F11C9801 OPTIONAL PART: S611C9801 V59610 NIC66F11C9801 V00779 ELECTRICAL EQUIP NUMBER: D01850 D02108 WIRING DIAGRAM REF: 241111 242141	002004 006100 121503 904999	2
805	BACC66F11C6201	.	CONNECTOR- ELECTRICAL EQUIP NUMBER: D01850 D02108 WIRING DIAGRAM REF: 241111 242141	002004 006100 121999	2
- 820	286N1284-001		WIRE BUNDLE ASSY-	121503 904949	RF
- 820	286N1284-004		WIRE BUNDLE ASSY- REWORKED BY SB: 34-0200	002004 006100 950999	RF
- 821	286N1284-352		WIRE BUNDLE ASSY	504903	RF

MISSING ITEM NUMBERS NOT APPLICABLE

- ITEM NOT ILLUSTRATED

24-22-02-51

24-22-02
FIG. 51
PAGE 14
JAN 20/09

BRI



757

PARTS CATALOG (MAINTENANCE)

FIG ITEM	PART NUMBER	1 2 3 4 5 6 7	NOMENCLATURE	EFFECT FROM TO	UNITS PER ASSY
51 825	BKA11C9801		.CONNECTOR- SUPPLIER CODE: V71468 SPECIFICATION NUMBER: BACC66F11C9801 OPTIONAL PART: S611C9801 V59610 NIC66F11C9801 V00779 ELECTRICAL EQUIP NUMBER: D02070 WIRING DIAGRAM REF: 242221	002004 006100 121503 904999	1
825	BACC66F11C6201		.CONNECTOR- ELECTRICAL EQUIP NUMBER: D02070 WIRING DIAGRAM REF: 242221	002004 006100 121999	1

MISSING ITEM NUMBERS NOT APPLICABLE

- ITEM NOT ILLUSTRATED

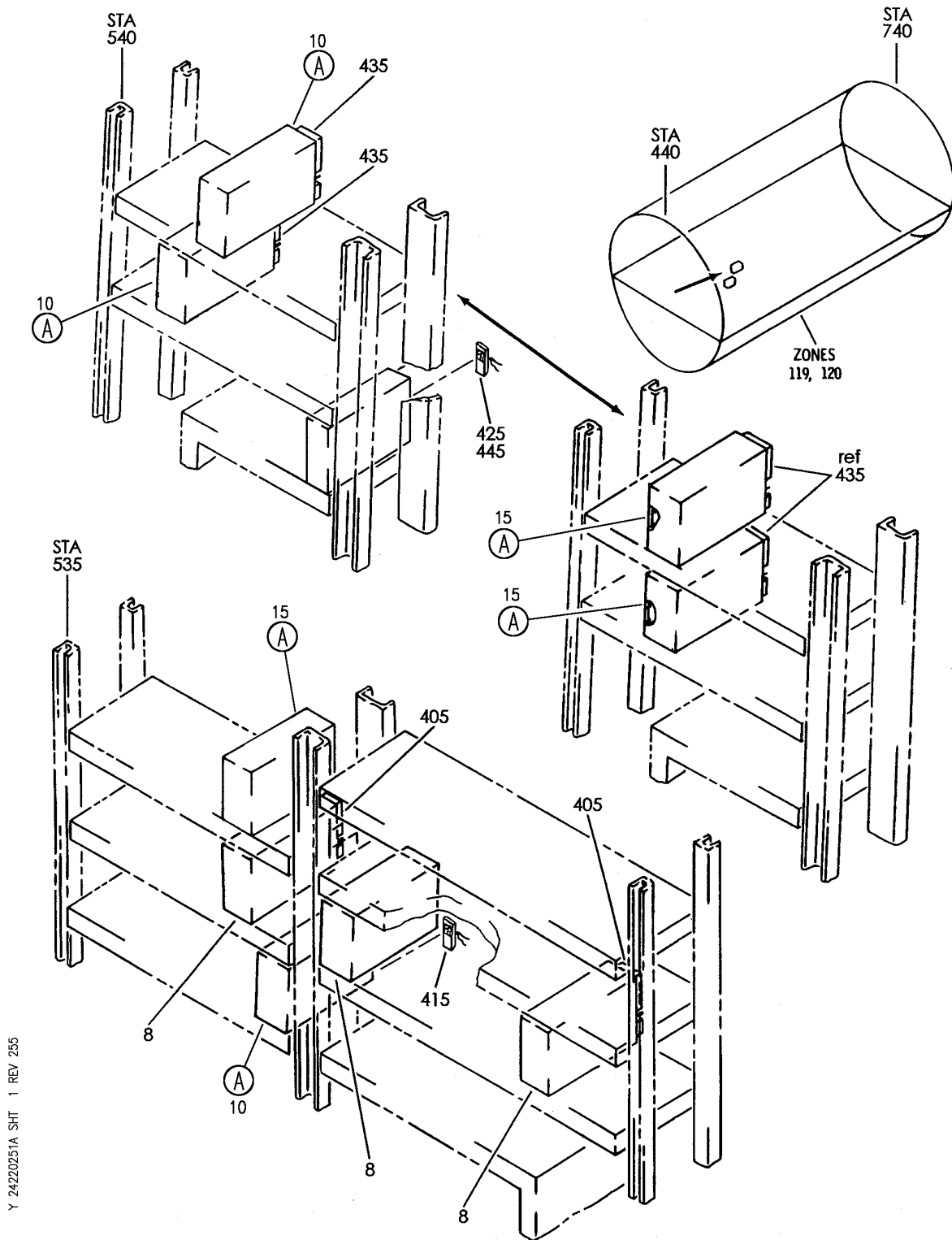
BRI

24-22-02-51

BOEING PROPRIETARY - Copyright © - Unpublished Work - See title page for details.

24-22-02
FIG. 51
PAGE 15
JAN 20/09

BOEING
757
PARTS CATALOG (MAINTENANCE)



Y 24220251A SHT 1 REV 255

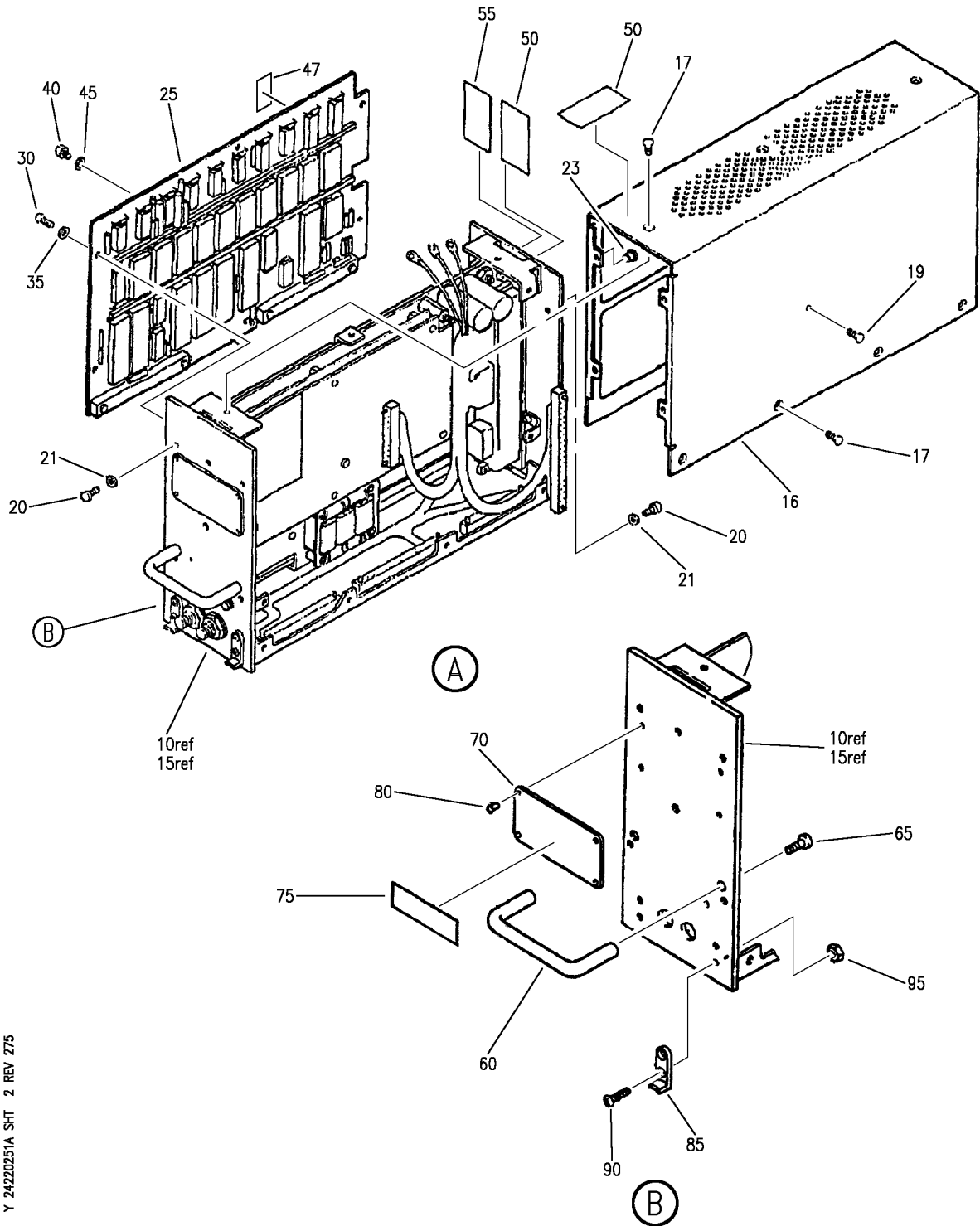
EQUIPMENT INSTL-MAIN ELECTRONICS EQPT CTR (CONTROL ONLY)
FIGURE 51A (SHEET 1)

24-22-02-51A

BRI
MAY 28/07

24-22-02-51A
PAGE 0

BOEING
757
PARTS CATALOG (MAINTENANCE)



Y 24220251A SHT 2 REV 275

EQUIPMENT INSTL-MAIN ELECTRONICS EQPT CTR (CONTROL ONLY)
FIGURE 51A (SHEET 2)

24-22-02-51A

BRI
MAY 28/07

24-22-02-51A
PAGE 0A



757

PARTS CATALOG (MAINTENANCE)

FIG ITEM	PART NUMBER	1 2 3 4 5 6 7	NOMENCLATURE	EFFECT FROM TO	UNITS PER ASSY
51A			EQUIPMENT INSTL-MAIN ELECTRONICS EQPT CTR (CONTROL ONLY)	107107 121503 904949	
- 2	284N1307-33		EQUIPMENT INSTL-MAIN ELECTRONICS EQPT CTR (CONTROL ONLY) FOR NHA/OTHER SYS DET SEE: 24-00-58-01	107107	RF
15	734284		.CONTROL UNIT ASSY-APU GEN SUPPLIER CODE: V99167 SPECIFICATION NUMBER: S281T001-14 ELECTRICAL EQUIP NUMBER: M00143 M00144 M00146 COMPONENT MAINT MANUAL REF: 24-23-03 OPTIONAL PART: 734284A V99167	107107	3
15	734284A		.CONTROL UNIT ASSY-APU GEN SUPPLIER CODE: V99167 SPECIFICATION NUMBER: S281T001-14 ELECTRICAL EQUIP NUMBER: M00143 M00144 M00146 COMPONENT MAINT MANUAL REF: 24-23-03 OPTIONAL PART: 734284 V99167	107107	3
15	734284C		.CONTROL UNIT ASSY-GEN SUPPLIER CODE: V99167 SPECIFICATION NUMBER: S281T001-24 SB DATA FROM A CMM: 734284-24-10R3 ELECTRICAL EQUIP NUMBER: M00143 M00144 M00146 COMPONENT MAINT MANUAL REF: 24-23-03	107107	3

MISSING ITEM NUMBERS NOT APPLICABLE

- ITEM NOT ILLUSTRATED

BRI

24-22-02-51A

BOEING PROPRIETARY - Copyright © - Unpublished Work - See title page for details.

24-22-02
FIG. 51A
PAGE 1
JAN 20/09



757

PARTS CATALOG (MAINTENANCE)

FIG ITEM	PART NUMBER	1 2 3 4 5 6 7	NOMENCLATURE	EFFECT FROM TO	UNITS PER ASSY
51A 15	734284D		.CONTROL UNIT ASSY-GEN SUPPLIER CODE: V99167 SPECIFICATION NUMBER: S281T001-31 ELECTRICAL EQUIP NUMBER: M00143 M00144 M00146 COMPONENT MAINT MANUAL REF: 24-23-03 QUALIFIED I/W DATA: S281T001-32/734284E OR S281T001-31/734284D IS FULLY I/W S281T001-40/734284F PRIOR TO CUM LINES 666. AFTER CUM LINE 666 S281T001-40/734284F MUST BEUSED.	107107	3
16	729327		..COVER- SUPPLIER CODE: V99167 CONFIG CHG DATA FROM A CMM: REPLD BY 755069	107107	1
16	755069		..COVER- SUPPLIER CODE: V99167 CONFIG CHG DATA FROM A CMM: REPLACES 729327 REPLD BY 766607	107107	1
16	766607		..COVER- SUPPLIER CODE: V99167 CONFIG CHG DATA FROM A CMM: REPLACES 755069 ATTACHING PARTS	107107	1
17	MS24693C26		..SCREW- CONFIG CHG DATA FROM A CMM: REPLD BY MS24693C25	107107	11
17	MS24693C25		..SCREW- CONFIG CHG DATA FROM A CMM: REPLACES MS24693C26	107107	11
19	MS24693C24		..SCREW	107107	2
20	MS51957-28		..SCREW	107107	8
21	NAS620-6L		..WASHER	107107	8

MISSING ITEM NUMBERS NOT APPLICABLE

- ITEM NOT ILLUSTRATED

24-22-02-51A

24-22-02
FIG. 51A
PAGE 2
JAN 20/09

BRI

BOEING PROPRIETARY - Copyright © - Unpublished Work - See title page for details.



757

PARTS CATALOG (MAINTENANCE)

FIG ITEM	PART NUMBER	1 2 3 4 5 6 7	NOMENCLATURE	EFFECT FROM TO	UNITS PER ASSY
51A 23	FE632EF		..NUT- SUPPLIER CODE: V46384 CONFIG CHG DATA FROM A CMM: REPLD BY FE0632EF MISCELLANEOUS DATA: HAMILTON PART NO. 54853-3	107107	8
23	FE0632EF		..NUT- SUPPLIER CODE: V46384 CONFIG CHG DATA FROM A CMM: REPLACES FE632EF MISCELLANEOUS DATA: HAMILTON PART NO. 54853-8	107107	8
25	739838A		-----*----- ..BOARD-PRINTED WIRING SUPPLIER CODE: V99167 OPTIONAL PART: 733695 V99167 739837 V99167 739838 V99167 733695A V99167 739837A V99167 USED ON: 734284 734284A	107107	1

MISSING ITEM NUMBERS NOT APPLICABLE

- ITEM NOT ILLUSTRATED

24-22-02-51A

24-22-02
FIG. 51A
PAGE 3
JAN 20/09

BRI

BOEING PROPRIETARY - Copyright © - Unpublished Work - See title page for details.



757

PARTS CATALOG (MAINTENANCE)

FIG ITEM	PART NUMBER	1 2 3 4 5 6 7	NOMENCLATURE	EFFECT FROM TO	UNITS PER ASSY
51A 25	733695		.. BOARD-PRINTED WIRING SUPPLIER CODE: V99167 OPTIONAL PART: 739838A V99167 739837 V99167 739838 V99167 733695A V99167 739837A V99167 USED ON: 734284 734284A	107107	1
25	739837		.. BOARD-PRINTED WIRING SUPPLIER CODE: V99167 SB DATA FROM A CMM: 734284-24-4 OPTIONAL PART: 733695 V99167 739838A V99167 739838 V99167 733695A V99167 739837A V99167 USED ON: 734284 734284A	107107	1

MISSING ITEM NUMBERS NOT APPLICABLE

- ITEM NOT ILLUSTRATED

24-22-02-51A

24-22-02
FIG. 51A
PAGE 4
JAN 20/09

BRI

BOEING PROPRIETARY - Copyright © - Unpublished Work - See title page for details.



757

PARTS CATALOG (MAINTENANCE)

FIG ITEM	PART NUMBER	1 2 3 4 5 6 7	NOMENCLATURE	EFFECT FROM TO	UNITS PER ASSY
51A 25	739838		..BOARD-PRINTED WIRING SUPPLIER CODE: V99167 SB DATA FROM A CMM: 734284-24-4 OPTIONAL PART: 733695 V99167 739837 V99167 739838A V99167 733695A V99167 739837A V99167 USED ON: 734284 734284A	107107	1
25	733695A		..BOARD-PRINTED WIRING SUPPLIER CODE: V99167 OPTIONAL PART: 733695 V99167 739837 V99167 739838 V99167 739838A V99167 739837A V99167 USED ON: 734284 734284A	107107	1

MISSING ITEM NUMBERS NOT APPLICABLE

- ITEM NOT ILLUSTRATED

BRI

24-22-02-51A

BOEING PROPRIETARY - Copyright © - Unpublished Work - See title page for details.

24-22-02
FIG. 51A
PAGE 5
JAN 20/09



757

PARTS CATALOG (MAINTENANCE)

FIG ITEM	PART NUMBER	1 2 3 4 5 6 7	NOMENCLATURE	EFFECT FROM TO	UNITS PER ASSY
51A 25	739837A		..BOARD-PRINTED WIRING SUPPLIER CODE: V99167 OPTIONAL PART: 733695 V99167 739837 V99167 739838 V99167 733695A V99167 739838A V99167 USED ON: 734284 734284A	107107	1
25	733695B		..BOARD-PRINTED WIRING SUPPLIER CODE: V99167 SB DATA FROM A CMM: 734284-24-10R3 OPTIONAL PART: 739837B V99167 739838B V99167 USED ON: 734284C	107107	1
25	739837B		..BOARD-PRINTED WIRING SUPPLIER CODE: V99167 SB DATA FROM A CMM: 734284-24-10R3 OPTIONAL PART: 733695B V99167 739838B V99167 USED ON: 734284C	107107	1

MISSING ITEM NUMBERS NOT APPLICABLE

- ITEM NOT ILLUSTRATED

BRI

24-22-02-51A

BOEING PROPRIETARY - Copyright © - Unpublished Work - See title page for details.

24-22-02
FIG. 51A
PAGE 6
JAN 20/09



757

PARTS CATALOG (MAINTENANCE)

FIG ITEM	PART NUMBER	1 2 3 4 5 6 7	NOMENCLATURE	EFFECT FROM TO	UNITS PER ASSY
51A 25	739838B		.. BOARD-PRINTED WIRING SUPPLIER CODE: V99167 SB DATA FROM A CMM: 734284-24-10R3 OPTIONAL PART: 733695B V99167 739837B V99167 USED ON: 734284C	107107	1
25	733695C		.. BOARD-PRINTED WIRING SUPPLIER CODE: V99167 SB DATA FROM A CMM: 734284-24-12R1 OPTIONAL PART: 739837C V99167 739838C V99167 USED ON: 734284D 734284E	107107	1
25	739837C		.. BOARD-PRINTED WIRING SUPPLIER CODE: V99167 SB DATA FROM A CMM: 734284-24-12R1 OPTIONAL PART: 733695C V99167 739838C V99167 USED ON: 734284D 734284E	107107	1

MISSING ITEM NUMBERS NOT APPLICABLE

- ITEM NOT ILLUSTRATED

BRI

24-22-02-51A

BOEING PROPRIETARY - Copyright © - Unpublished Work - See title page for details.

24-22-02
FIG. 51A
PAGE 7
JAN 20/09



757

PARTS CATALOG (MAINTENANCE)

FIG ITEM	PART NUMBER	1 2 3 4 5 6 7	NOMENCLATURE	EFFECT FROM TO	UNITS PER ASSY
51A 25	739838C		.. BOARD-PRINTED WIRING SUPPLIER CODE: V99167 SB DATA FROM A CMM: 734284-24-12R1 OPTIONAL PART: 733695C V99167 739837C V99167 USED ON: 734284D 734284E ATTACHING PARTS	107107	1
30	MS51957-27		.. SCREW	107107	5
35	NAS620-6L		.. WASHER -----*-----	107107	5
40	728102-8		.. SPACER- SUPPLIER CODE: V99167	107107	1
45	43-02-61		.. WASHER- SUPPLIER CODE: V13103 MISCELLANEOUS DATA: HAMILTON PART NO. 54950-16	107107	1
45	5611-54-2		.. WASHER- SUPPLIER CODE: V86928 MISCELLANEOUS DATA: HAMILTON PART NO. 54950-16	107107	1

MISSING ITEM NUMBERS NOT APPLICABLE

- ITEM NOT ILLUSTRATED

BRI

24-22-02-51A

BOEING PROPRIETARY - Copyright © - Unpublished Work - See title page for details.

24-22-02
FIG. 51A
PAGE 8
JAN 20/09

BOEING
757
PARTS CATALOG (MAINTENANCE)

FIG ITEM	PART NUMBER	1 2 3 4 5 6 7	NOMENCLATURE	EFFECT FROM TO	UNITS PER ASSY
51A 47	733971		... LABEL- ELECTROSTATIC SENSITIVE DEVICE SUPPLIER CODE: V99167 USED ON: 733695 739837 739838 733695A 739837A 739838A 733695B 739837B 739838B 733695C 739837C 739838C 733695D 739837D 739838D	107107	1
50	733972		.. LABEL- SUPPLIER CODE: V99167	107107	2
55	737384		.. LABEL- SUPPLIER CODE: V99167	107107	1
60	56629-3		.. HANDLE- SUPPLIER CODE: V99167 ATTACHING PARTS	107107	1
65	MS24693C48		.. SCREW -----*-----	107107	2
70	729335		.. LABEL- SUPPLIER CODE: V99167 CONFIG CHG DATA FROM A CMM: REPLD BY 739221	107107	1
70	739221		.. PLATE- SUPPLIER CODE: V99167 CONFIG CHG DATA FROM A CMM: REPLACES 729335 REPLD BY 767945 USED WITH: MS20470AD2-3	107107	1

MISSING ITEM NUMBERS NOT APPLICABLE

— ITEM NOT ILLUSTRATED

BRI

24-22-02-51A

BOEING PROPRIETARY - Copyright © - Unpublished Work - See title page for details.

24-22-02
FIG. 51A
PAGE 9
JAN 20/09



757

PARTS CATALOG (MAINTENANCE)

FIG ITEM	PART NUMBER	1 2 3 4 5 6 7	NOMENCLATURE	EFFECT FROM TO	UNITS PER ASSY
51A 70	767945		..PLATE- SUPPLIER CODE: V99167 CONFIG CHG DATA FROM A CMM: REPLACES 739221 USED WITH: MS51957-12	107107	1
70	1706118-1		..PLATE- SUPPLIER CODE: V99167	107107	1
75	739223		..PLATE- SUPPLIER CODE: V99167 ATTACHING PARTS	107107	1
80	MS20470AD2-4		..RIVET- CONFIG CHG DATA FROM A CMM: REPLD BY MS20470AD2-3	107107	4
80	MS20470AD2-3		..RIVET- CONFIG CHG DATA FROM A CMM: REPLACES MS20470AD2-4 REPLD BY MS51957-12 REPLD BY MS51957-14 USED WITH: 739221	107107	4
80	MS51957-14		..SCREW- CONFIG CHG DATA FROM A CMM: REPLACES MS20470AD2-3	107107	4
80	MS51957-12		..SCREW- CONFIG CHG DATA FROM A CMM: REPLACES MS51957-14 REPLACES MS20470AD2-3 USED WITH: 767945	107107	4
85	NAS622CT2		-----*----- ..HOOK ATTACHING PARTS	107107	2
- 90	MS24693C30		..SCREW- CONFIG CHG DATA FROM A CMM: REPLD BY MS24693C29	107107	4
- 90	MS24693C29		..SCREW- CONFIG CHG DATA FROM A CMM: REPLACES MS24693C30 REPLD BY MS24693C28	107107	4
- 90	MS24693C28		..SCREW- CONFIG CHG DATA FROM A CMM: REPLACES MS24693C29	107107	4
- 95	MS21043-06		..NUT -----*-----	107107	4

MISSING ITEM NUMBERS NOT APPLICABLE

- ITEM NOT ILLUSTRATED

BRI

24-22-02-51A

BOEING PROPRIETARY - Copyright © - Unpublished Work - See title page for details.

24-22-02
FIG. 51A
PAGE 10
JAN 20/09



757

PARTS CATALOG (MAINTENANCE)

FIG ITEM	PART NUMBER	1 2 3 4 5 6 7	NOMENCLATURE	EFFECT FROM TO	UNITS PER ASSY
51A - 420	286N1286-001		WIRE BUNDLE ASSY-	121503 904949	RF
425	NIC66F11B9801		.CONNECTOR- SUPPLIER CODE: V00779 SPECIFICATION NUMBER: BACC66F11B9801 ELECTRICAL EQUIP NUMBER: D01850 WIRING DIAGRAM REF: 242141	121503 904949	1
- 430	286N1282-003		WIRE BUNDLE ASSY	107107	RF
435	BKA11C9801		.CONNECTOR- SUPPLIER CODE: V71468 SPECIFICATION NUMBER: BACC66F11C9801 OPTIONAL PART: S611C9801 V59610 NIC66F11C9801 V00779 ELECTRICAL EQUIP NUMBER: D01850 D02108 WIRING DIAGRAM REF: 242141 241111	107107	2
- 440	286N1284-003		WIRE BUNDLE ASSY	107107	RF
445	BKA11C9801		.CONNECTOR- SUPPLIER CODE: V71468 SPECIFICATION NUMBER: BACC66F11C9801 OPTIONAL PART: S611C9801 V59610 NIC66F11C9801 V00779 ELECTRICAL EQUIP NUMBER: D02070 WIRING DIAGRAM REF: 242221	107107	1

MISSING ITEM NUMBERS NOT APPLICABLE

- ITEM NOT ILLUSTRATED

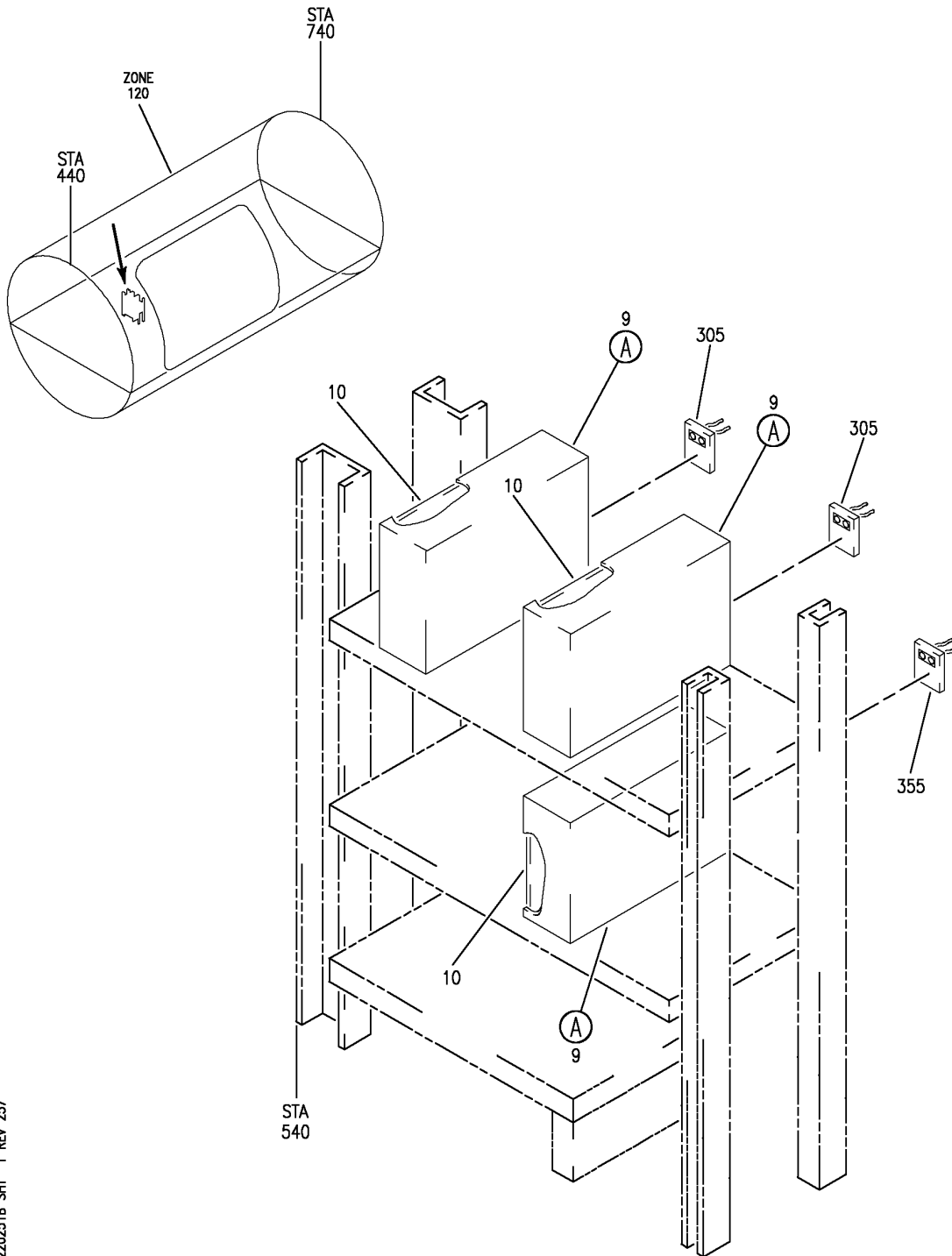
BRI

24-22-02-51A

BOEING PROPRIETARY - Copyright © - Unpublished Work - See title page for details.

24-22-02
FIG. 51A
PAGE 11
JAN 20/09

BOEING
757
PARTS CATALOG (MAINTENANCE)



Y 24220251B SHT 1 REV 257

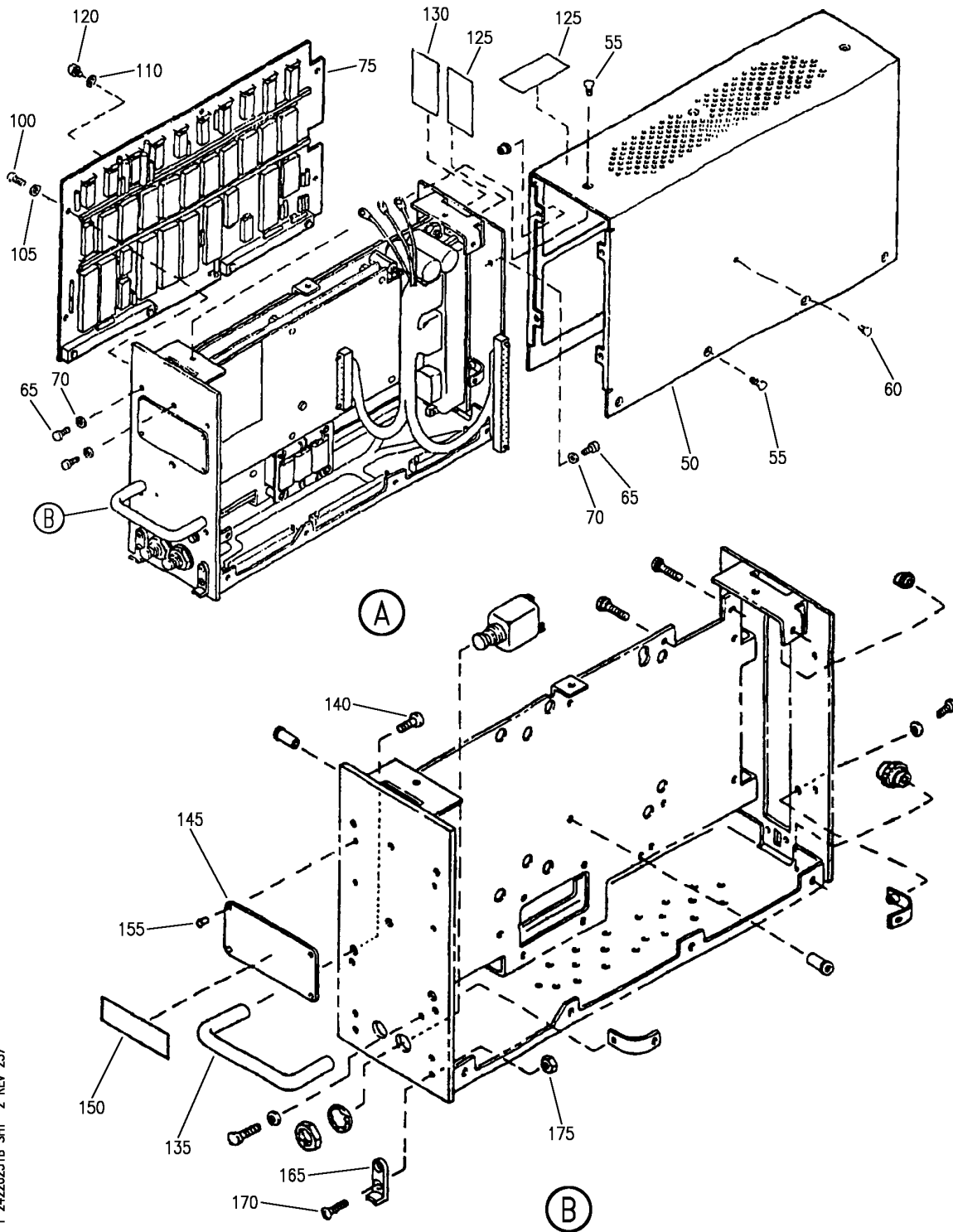
EQUIPMENT INSTL-MAIN ELECTRONICS EQPT CTR (CONTROL ONLY)
FIGURE 51B (SHEET 1)

24-22-02-51B

BRI
MAY 28/07

24-22-02-51B
PAGE 0

BOEING
 757
 PARTS CATALOG (MAINTENANCE)



Y 24220251B SHT 2 REV 257

EQUIPMENT INSTL-MAIN ELECTRONICS EQPT CTR (CONTROL ONLY)
 FIGURE 51B (SHEET 2)

24-22-02-51B

BRI
 MAY 28/07

24-22-02-51B
 PAGE 0A



757

PARTS CATALOG (MAINTENANCE)

FIG ITEM	PART NUMBER	1 2 3 4 5 6 7	NOMENCLATURE	EFFECT FROM TO	UNITS PER ASSY
51B			EQUIPMENT INSTL-MAIN ELECTRONICS EQPT CTR (CONTROL ONLY)	101102	
- 2	284N1800-140		EQUIPMENT INSTL-MAIN ELECTRONICS EQPT CTR (CONTROL ONLY) FOR NHA/OTHER SYS DET SEE: 24-00-58-05E	101101	RF
- 2	284N1800-141		EQUIPMENT INSTL-MAIN ELECTRONICS EQPT CTR (CONTROL ONLY) FOR NHA/OTHER SYS DET SEE: 24-00-58-05E	102102	RF
9	734284F		.CONTROL UNIT ASSY-GEN SUPPLIER CODE: V99167 SPECIFICATION NUMBER: S281T001-40 MISCELLANEOUS DATA: PER SB 767-24-0080 AND SUNSTRAND SB 734284-24-14 GCU P/N M734284AF IS CONSIDERED INTERCHANGEABLE WITH P/N 734284F. ELECTRICAL EQUIP NUMBER: M00143 M00144 M00146 COMPONENT MAINT MANUAL REF: 24-23-03 QUALIFIED I/W DATA: S281T001-31/734284D IS ONE WAY INERCHANGEABLE WITH S281T001-32/734284E OR S281T001-40/734284F PRIOR TO CUM LINE 666. AFTER CUM LINE 666 S281T001-40/734284F MUST BE USED. S281T001-32/734284E IS FULLY INTERCHANGEABLE WITH S281T001-40/734284F PRIOR TO CUM LINE 666. AFTER CUM LINE 666 S281T001-40/734284F MUST BE USED.	101102	3

MISSING ITEM NUMBERS NOT APPLICABLE

- ITEM NOT ILLUSTRATED

24-22-02-51B

24-22-02
FIG. 51B
PAGE 1
JAN 20/09

BRI



757

PARTS CATALOG (MAINTENANCE)

FIG ITEM	PART NUMBER	1 2 3 4 5 6 7	NOMENCLATURE	EFFECT FROM TO	UNITS PER ASSY
51B					
50	729327	..	COVER- SUPPLIER CODE: V99167 CONFIG CHG DATA FROM A CMM: REPLD BY 755069	101102	1
50	755069	..	COVER- SUPPLIER CODE: V99167 CONFIG CHG DATA FROM A CMM: REPLACES 729327 REPLD BY 766607	101102	1
50	766607	..	COVER- SUPPLIER CODE: V99167 CONFIG CHG DATA FROM A CMM: REPLACES 755069 ATTACHING PARTS	101102	1
55	MS24693C26	..	SCREW- CONFIG CHG DATA FROM A CMM: REPLD BY MS24693C25	101102	11
55	MS24693C25	..	SCREW- CONFIG CHG DATA FROM A CMM: REPLACES MS24693C26	101102	11
60	MS24693C24	..	SCREW	101102	2
65	MS51957-28	..	SCREW	101102	8
70	NAS620-6L	..	WASHER	101102	8
			-----*-----		
75	733695D	..	BOARD-PRINTED WIRING SUPPLIER CODE: V99167	101102	1
- 80	739837D	..	BOARD-PRINTED WIRING SUPPLIER CODE: V99167	101102	1
- 85	739838D	..	BOARD-PRINTED WIRING SUPPLIER CODE: V99167	101102	1
- 90	759336	..	BOARD-PRINTED WIRING SUPPLIER CODE: V99167	101102	1
- 95	759336A	..	BOARD-PRINTED WIRING SUPPLIER CODE: V99167 ATTACHING PARTS	101102	1
100	MS51957-27	..	SCREW	101102	5
105	NAS620-6L	..	WASHER	101102	5
110	43-02-61	..	WASHER- SUPPLIER CODE: V13103	101102	1

MISSING ITEM NUMBERS NOT APPLICABLE

- ITEM NOT ILLUSTRATED

24-22-02-51B

24-22-02
FIG. 51B
PAGE 2
JAN 20/09

BRI

BOEING PROPRIETARY - Copyright © - Unpublished Work - See title page for details.



757

PARTS CATALOG (MAINTENANCE)

FIG ITEM	PART NUMBER	1 2 3 4 5 6 7	NOMENCLATURE	EFFECT FROM TO	UNITS PER ASSY
51B - 115	5611-54-2		.. WASHER- SUPPLIER CODE: V86928	101102	1
120	728102-8		.. SPACER- SUPPLIER CODE: V99167 -----*-----	101102	1
125	733972		.. LABEL- SUPPLIER CODE: V99167	101102	2
130	737384		.. LABEL- SUPPLIER CODE: V99167	101102	1
135	56629-3		.. HANDLE- SUPPLIER CODE: V99167	101102	1
140	MS24693C48		ATTACHING PARTS .. SCREW -----*-----	101102	2
145	729335		.. LABEL-IDENTIFICATION SUPPLIER CODE: V99167 CONFIG CHG DATA FROM A CMM: REPLD BY 739221	101102	1
145	739221		.. PLATE-IDENTIFICATION SUPPLIER CODE: V99167 CONFIG CHG DATA FROM A CMM: REPLACES 729335 REPLD BY 767945 USED WITH: MS20470AD2-3	101102	1
145	767945		.. PLATE-IDENTIFICATION SUPPLIER CODE: V99167 CONFIG CHG DATA FROM A CMM: REPLACES 739221 USED WITH: MS51957-12	101102	1
145	1706118-1		.. PLATE- SUPPLIER CODE: V99167	101102	1
150	739223		.. PLATE-MODIFICATION SUPPLIER CODE: V99167	101102	1
155	MS20470AD2-4		ATTACHING PARTS .. RIVET- CONFIG CHG DATA FROM A CMM: REPLD BY MS20470AD2-3	101102	4

MISSING ITEM NUMBERS NOT APPLICABLE

- ITEM NOT ILLUSTRATED

24-22-02-51B

24-22-02
FIG. 51B
PAGE 3
JAN 20/09

BRI

BOEING PROPRIETARY - Copyright © - Unpublished Work - See title page for details.



757

PARTS CATALOG (MAINTENANCE)

FIG ITEM	PART NUMBER	1 2 3 4 5 6 7	NOMENCLATURE	EFFECT FROM TO	UNITS PER ASSY
51B 155	MS20470AD2-3	..	RIVET- CONFIG CHG DATA FROM A CMM: REPLACES MS20470AD2-4 REPLD BY MS51957-14 USED WITH: 739221	101102	4
- 160	MS51957-14	..	SCREW- CONFIG CHG DATA FROM A CMM: REPLACES MS20470AD2-3 REPLD BY MS51957-12	101102	4
- 160	MS51957-12	..	SCREW- CONFIG CHG DATA FROM A CMM: REPLACES MS51957-14 USED WITH: 767945 -----*-----	101102	4
165	NAS622CT2	..	HOOK-HOLDDOWN ATTACHING PARTS	101102	2
170	MS24693C30	..	SCREW- CONFIG CHG DATA FROM A CMM: REPLD BY MS24693C29	101102	4
170	MS24693C29	..	SCREW- CONFIG CHG DATA FROM A CMM: REPLACES MS24693C30 REPLD BY MS24693C28	101102	4
170	MS24693C28	..	SCREW- CONFIG CHG DATA FROM A CMM: REPLACES MS24693C29	101102	4
175	MS21043-06	..	NUT -----*-----	101102	4
- 300	286N1282-316		WIRE BUNDLE ASSY	101102	RF
305	BACC66F11C6201	.	CONNECTOR- ELECTRICAL EQUIP NUMBER: D02108 D01850 WIRING DIAGRAM REF: 242141 241111	101102	2
- 350	286N1284-324		WIRE BUNDLE ASSY	101102	RF
355	BACC66F11C6201	.	CONNECTOR- ELECTRICAL EQUIP NUMBER: D02070 WIRING DIAGRAM REF: 242221	101102	1

MISSING ITEM NUMBERS NOT APPLICABLE

- ITEM NOT ILLUSTRATED

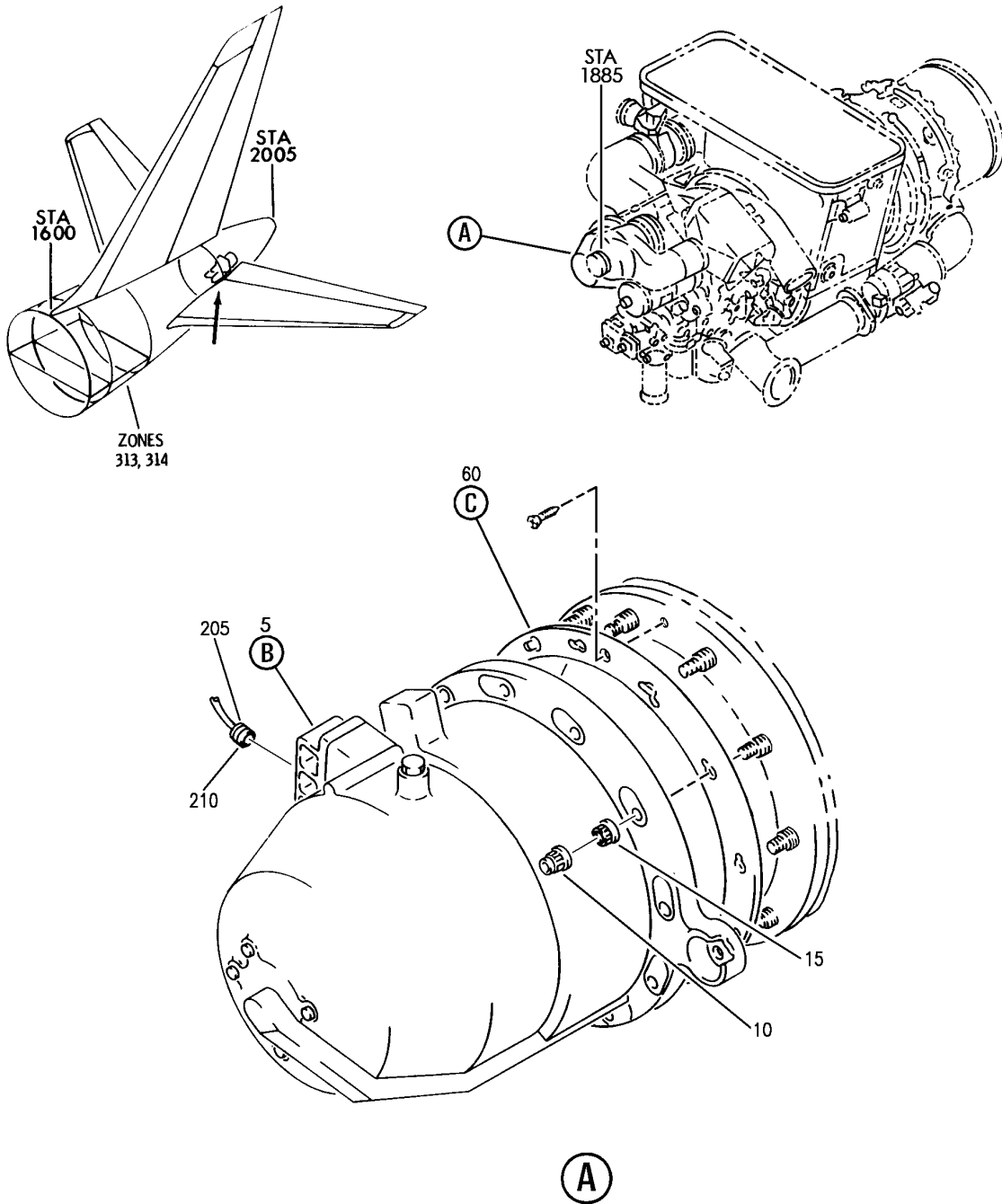
24-22-02-51B

24-22-02
FIG. 51B
PAGE 4
JAN 20/09

BRI

BOEING PROPRIETARY - Copyright © - Unpublished Work - See title page for details.

BOEING
757
PARTS CATALOG (MAINTENANCE)



Y 24220301 SH1 1 REV 254

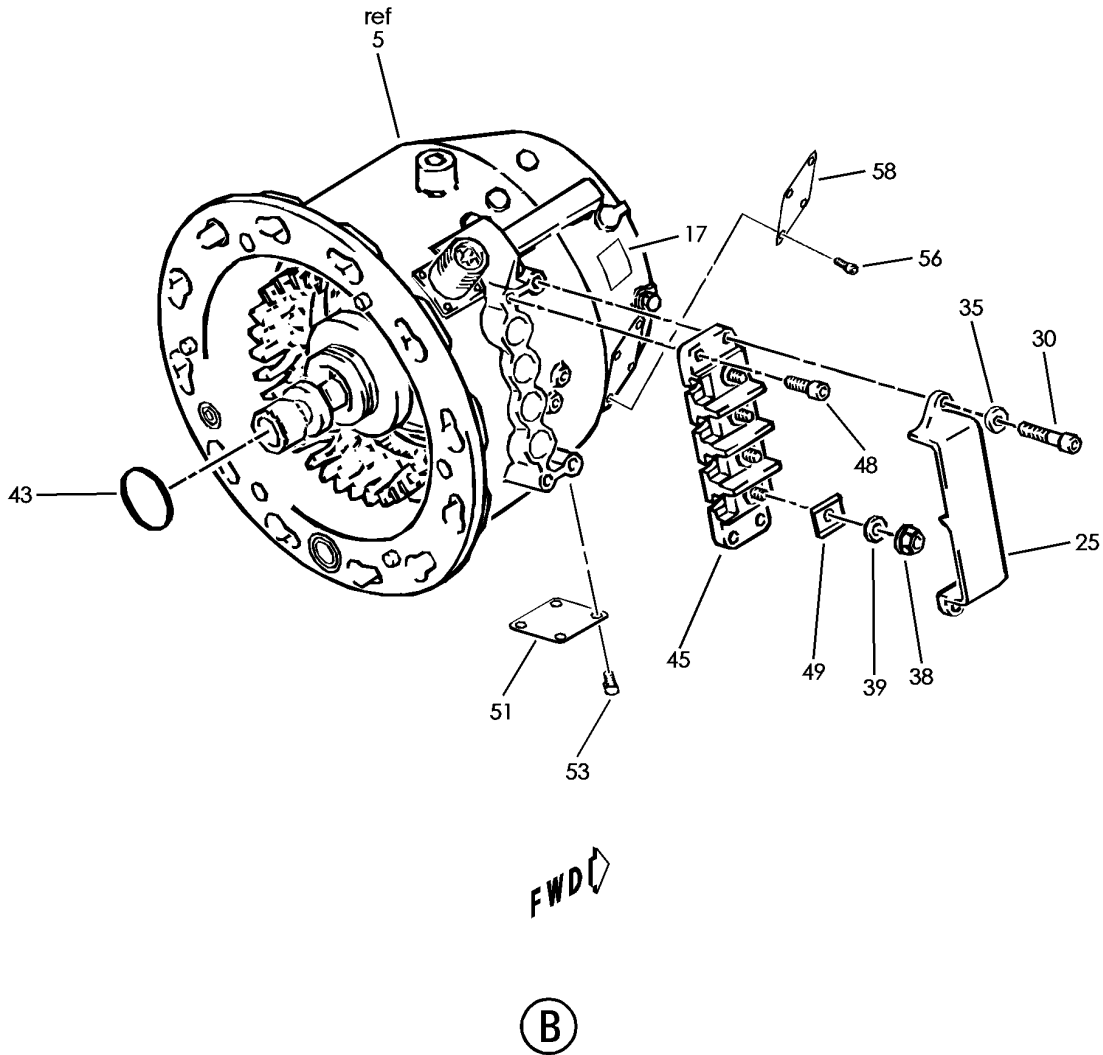
UNIT ASSY-AUX PWR SYS (ELECTRICAL POWER ONLY)
FIGURE 1 (SHEET 1)

24-22-03-01

BRI
MAY 28/07

24-22-03-01
PAGE 0

BOEING
757
PARTS CATALOG (MAINTENANCE)



Y 24220301 SHIT 2 REV 254

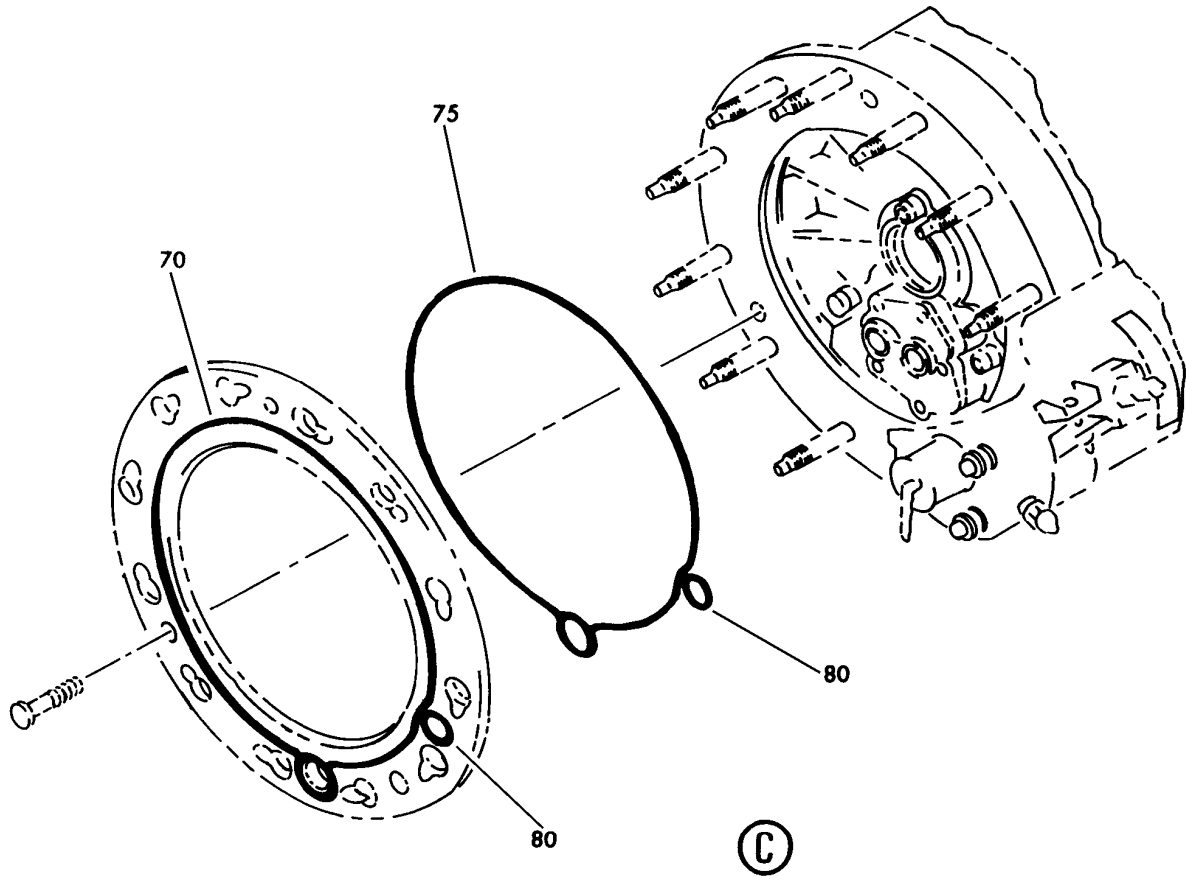
UNIT ASSY-AUX PWR SYS (ELECTRICAL POWER ONLY)
FIGURE 1 (SHEET 2)

24-22-03-01

BRI
MAY 28/07

24-22-03-01
PAGE 0A

BOEING
757
PARTS CATALOG (MAINTENANCE)



Y 24220301 SHT 3 REV 254

UNIT ASSY-AUX PWR SYS (ELECTRICAL POWER ONLY)
FIGURE 1 (SHEET 3)

24-22-03-01

BRI
MAY 28/07

24-22-03-01
PAGE 0B



757

PARTS CATALOG (MAINTENANCE)

FIG ITEM	PART NUMBER	1 2 3 4 5 6 7	NOMENCLATURE	EFFECT FROM TO	UNITS PER ASSY
1			UNIT ASSY-AUX PWR SYS (ELECTRICAL POWER ONLY)	002004 006100 107107 121503 904999	
- 1	351N1101-27		UNIT ASSY-AUX PWR SYS (ELECTRICAL POWER ONLY) COMPONENT MAINT MANUAL REF: 49-11-13 FOR NHA/OTHER SYS DET SEE: 49-11-01-01	107107 904949	RF
- 1	351N1101-51		UNIT ASSY-AUX PWR SYS (ELECTRICAL POWER ONLY) COMPONENT MAINT MANUAL REF: 49-11-13 FOR NHA/OTHER SYS DET SEE: 49-11-01-01	107107 121503 904951	RF
- 1	351N1101-29		UNIT ASSY-AUX PWR SYS (ELECTRICAL POWER ONLY) COMPONENT MAINT MANUAL REF: 49-11-13 FOR NHA/OTHER SYS DET SEE: 49-11-01-01	107107 904949	RF
- 2	351N1101-34		UNIT ASSY-AUX PWR SYS (ELECTRICAL POWER ONLY) COMPONENT MAINT MANUAL REF: 49-11-13 FOR NHA/OTHER SYS DET SEE: 49-11-01-01	107107 904949	RF
- 2	351N1101-38		UNIT ASSY-AUX PWR SYS (ELECTRICAL POWER ONLY) COMPONENT MAINT MANUAL REF: 49-11-13 FOR NHA/OTHER SYS DET SEE: 49-11-01-01	107107 121503 904951	RF
- 2	351N1101-40		UNIT ASSY-AUX PWR SYS (ELECTRICAL POWER ONLY) COMPONENT MAINT MANUAL REF: 49-11-13 FOR NHA/OTHER SYS DET SEE: 49-11-01-01	002004 006017 952999	RF
- 2	351N1101-42		UNIT ASSY-AUX PWR SYS (ELECTRICAL POWER ONLY) COMPONENT MAINT MANUAL REF: 49-11-13 FOR NHA/OTHER SYS DET SEE: 49-11-01-01	107107 121503 904951	RF

MISSING ITEM NUMBERS NOT APPLICABLE

- ITEM NOT ILLUSTRATED

24-22-03-01

24-22-03
FIG. 01
PAGE 1
JAN 20/09

BRI



757

PARTS CATALOG (MAINTENANCE)

FIG ITEM	PART NUMBER	1 2 3 4 5 6 7	NOMENCLATURE	EFFECT FROM TO	UNITS PER ASSY
1					
- 2	351N1101-45		UNIT ASSY-AUX PWR SYS (ELECTRICAL POWER ONLY) COMPONENT MAINT MANUAL REF: 49-11-13 FOR NHA/OTHER SYS DET SEE: 49-11-01-01	107107 121503 904951	RF
- 2	351N1101-46		UNIT ASSY-AUX PWR SYS (ELECTRICAL POWER ONLY) COMPONENT MAINT MANUAL REF: 49-11-13 FOR NHA/OTHER SYS DET SEE: 49-11-01-01	002004 006017 952999	RF
- 2	351N1101-49		UNIT ASSY-AUX PWR SYS (ELECTRICAL POWER ONLY) COMPONENT MAINT MANUAL REF: 49-11-13 FOR NHA/OTHER SYS DET SEE: 49-11-01-01	107107 121503 904951	RF
- 3	351N1101-53		UNIT ASSY-AUX PWR SYS (ELECTRICAL POWER ONLY) COMPONENT MAINT MANUAL REF: 49-11-13 FOR NHA/OTHER SYS DET SEE: 49-11-01-01	002004 006100 952999	RF
5	727810A		.GENERATOR ASSY- SUPPLIER CODE: V99167 SPECIFICATION NUMBER: S281T001-6 NOT APPROVED FOR ETOPS WITHOUT INCORP OF SB: 90EGS01-24-6 ELECTRICAL EQUIP NUMBER: M00281 COMPONENT MAINT MANUAL REF: 24-22-03 QUALIFIED I/W DATA: 727810A, 727810B AND 727810C ARE I/W EXCEPT FOR ETOPS WHERE 727810B AND 727810C ARE APPROVED AND 727810A IS NOT APPROVED UNTIL INSPECTED /MODIFIED PER SUNSTRAND SERVICE BULLETIN 90IDGS01-24-6 727810A, 727810B AND 727810C ARE I/W EXCEPT FOR ETOPS WHERE 727810B	002004 006100 107107 121503 904999	1

MISSING ITEM NUMBERS NOT APPLICABLE

- ITEM NOT ILLUSTRATED

24-22-03-01

24-22-03
FIG. 01
PAGE 2
JAN 20/09

BRI



757

PARTS CATALOG (MAINTENANCE)

FIG ITEM	PART NUMBER	1 2 3 4 5 6 7 NOMENCLATURE	EFFECT FROM TO	UNITS PER ASSY
1		AND 727810C ARE APPROVED AND 727810A IS NOT APPROVED UNTIL INSPECTED/MODIFIED PER SUNDSTRAND SERVICE BULLETIN 90EG01-24-6 OPTIONAL PART: 727810B V99167 USED ON: 351N1101-1 351N1101-11 351N1101-12 351N1101-16 351N1101-20 351N1101-21 351N1101-24 351N1101-25 351N1101-26 351N1101-27 351N1101-28 351N1101-29 351N1101-31 351N1101-32		

MISSING ITEM NUMBERS NOT APPLICABLE

- ITEM NOT ILLUSTRATED

BRI

24-22-03-01

BOEING PROPRIETARY - Copyright © - Unpublished Work - See title page for details.

24-22-03
FIG. 01
PAGE 3
JAN 20/09



757

PARTS CATALOG (MAINTENANCE)

FIG ITEM	PART NUMBER	1 2 3 4 5 6 7	NOMENCLATURE	EFFECT FROM TO	UNITS PER ASSY
1	5 727810B		.GENERATOR ASSY- SUPPLIER CODE: V99167 SPECIFICATION NUMBER: S281T001-6 ELECTRICAL EQUIP NUMBER: M00281 COMPONENT MAINT MANUAL REF: 24-22-03 QUALIFIED I/W DATA: 727810A, 727810B AND 727810C ARE I/W EXCEPT FOR ETOPS WHERE 727810B AND 727810C ARE APPROVED AND 727810A IS NOT APPROVED UNTIL INSPECTED /MODIFIED PER SUNSTRAND SERVICE BULLETIN 90EDGS01-24-6 727810A, 727810B AND 727810C ARE I/W EXCEPT FOR ETOPS WHERE 727810B AND 727810C ARE APPROVED AND 727810A IS NOT APPROVED UNTIL INSPECTED/MODIFIED PER SUNSTRAND SERVICE BULLETIN 90EG01-24-6 OPTIONAL PART: 727810A V99167 USED ON: 351N1101-1 351N1101-11 351N1101-12 351N1101-16 351N1101-20 351N1101-21 351N1101-24 351N1101-25 351N1101-26 351N1101-27 351N1101-28 351N1101-29 351N1101-31 351N1101-32	002004 006100 107107 121503 904999	1
	5 727810C		.GENERATOR ASSY- SUPPLIER CODE: V99167	002004 006100 107107	1

MISSING ITEM NUMBERS NOT APPLICABLE

- ITEM NOT ILLUSTRATED

24-22-03-01

24-22-03
FIG. 01
PAGE 4
JAN 20/09

BRI



757

PARTS CATALOG (MAINTENANCE)

FIG ITEM	PART NUMBER	1 2 3 4 5 6 7 NOMENCLATURE	EFFECT FROM TO	UNITS PER ASSY
1		<p>SPECIFICATION NUMBER: S281T001-37</p> <p>ELECTRICAL EQUIP NUMBER: M00281</p> <p>COMPONENT MAINT MANUAL REF: 24-22-03</p> <p>QUALIFIED I/W DATA: 727810A, 727810B AND 727810C ARE I/W EXCEPT FOR ETOPS WHERE 727810B AND 727810C ARE APPROVED AND 727810A IS NOT APPROVED UNTIL INSPECTED /MODIFIED PER SUNSTRAND SERVICR BULLETIN 90IDGS01-24-6</p> <p>727810A, 727810B AND 727810C ARE I/W EXCEPT FOR ETOPS WHERE 727810B AND 727810C ARE APPROVED AND 727810A IS NOT APPROVED UNTIL INSPECTED /MODIFIED PER SUNSTRAND SERVICE BULLETIN 90IDGS01-24-6</p> <p>USED ON: 351N1101-33 351N1101-34 351N1101-35 351N1101-36 351N1101-37 351N1101-38 351N1101-39 351N1101-40 351N1101-41 351N1101-42 351N1101-43 351N1101-44 351N1101-45 351N1101-46 351N1101-47 351N1101-48 351N1101-49 351N1101-50 351N1101-51 351N1101-52 351N1101-53</p>	121503 904999	

MISSING ITEM NUMBERS NOT APPLICABLE

- ITEM NOT ILLUSTRATED

24-22-03-01

24-22-03
FIG. 01
PAGE 5
JAN 20/09

BRI

BOEING
757
PARTS CATALOG (MAINTENANCE)

FIG ITEM	PART NUMBER	1 2 3 4 5 6 7	NOMENCLATURE	EFFECT FROM TO	UNITS PER ASSY
1			ATTACHING PARTS		
10	BACN10GW4AS		.NUT	002004 006100 107107 121503 904999	12
15	NAS1805-6P		.NUT	002004 006100 107107 121503 904999	12
17	764140		-----*----- ..DECAL- SUPPLIER CODE: V99167	002004 006100 107107 121503 904999	1
25	734029		..COVER-TERM. BLK SUPPLIER CODE: V99167 USED WITH: NAS1352-3-18P	002004 006100 107107 121503 904999	1
25	756704		..COVER-TERM. BLK SUPPLIER CODE: V99167 USED WITH: NAS1352-3-24P	002004 006100 107107 121503 904999	1
30	NAS1352-3-18P		ATTACHING PARTS ..SCREW- USED WITH: 734029	002004 006100 107107 121503 904999	2
30	NAS1352-3-24P		..SCREW- USED WITH: 756704	002004 006100 107107 121503 904999	2
35	AN960C10		..WASHER-	002004 006100 107107 121503 904999	2
38	MS21042-6		-----*----- ..NUT- OPTIONAL PART: NAS1726-6D	002004 006100 107107 121503 904999	4

MISSING ITEM NUMBERS NOT APPLICABLE

— ITEM NOT ILLUSTRATED

BRI

24-22-03-01

24-22-03
FIG. 01
PAGE 6
JAN 20/09



757

PARTS CATALOG (MAINTENANCE)

FIG ITEM	PART NUMBER	1 2 3 4 5 6 7	NOMENCLATURE	EFFECT FROM TO	UNITS PER ASSY
1	39 AN960C616L		.. WASHER- OPTIONAL PART: NAS1726-6D	002004 006100 107107 121503 904999	4
-	40 NAS1726-6D		.. NUT- CONFIG CHG DATA FROM A CMM: REPLD BY 5911584-5 OPTIONAL PART: MS21042-6 AN960C616L	002004 006100 107107 121503 904999	4
-	40 5911584-5		.. NUT- SUPPLIER CODE: V99167 CONFIG CHG DATA FROM A CMM: REPLACES NAS1726-6D	002004 006100 107107 121503 904999	4
	43 M83248-1-216		.. PACKING- FOR SPARES PROCURE: 9216-787 V5F573 9216-797 V5F573 216-20018 2-216V1041-85	002004 006100 107107 121503 904999	1
	45 728909		.. TERMINAL BLOCK- INSEPARABLE ASSY SUPPLIER CODE: V99167 OPTIONAL PART: 753335 V99167 740743 V99167	002004 006100 107107 121503 904999	1
	45 753335		.. TERMINAL BLOCK- INSEPARABLE ASSY SUPPLIER CODE: V99167 OPTIONAL PART: 728909 V99167 740743 V99167	002004 006100 107107 121503 904999	1

MISSING ITEM NUMBERS NOT APPLICABLE

- ITEM NOT ILLUSTRATED

24-22-03-01

24-22-03
FIG. 01
PAGE 7
JAN 20/09

BRI



757

PARTS CATALOG (MAINTENANCE)

FIG ITEM	PART NUMBER	1 2 3 4 5 6 7	NOMENCLATURE	EFFECT FROM TO	UNITS PER ASSY
1					
45	740743		.. TERMINAL BLOCK- INSEPARABLE ASSY SUPPLIER CODE: V99167 OPTIONAL PART: 728909 V99167 753335 V99167 ATTACHING PARTS	002004 006100 107107 121503 904999	1
48	NAS1352-3-12P		.. SCREW	002004 006100 107107 121503 904999	2
49	730807		.. WASHER-SQUARE SUPPLIER CODE: V99167	002004 006100 107107 121503 904999	4
51	656762		-----*----- .. PLATE-MOD SUPPLIER CODE: V99167	002004 006100 107107 121503 904999	1
53	NAS1352-04-4P		ATTACHING PARTS .. SCREW	002004 006100 107107 121503 904999	4
56	729364		-----*----- .. PLATE-IDENT SUPPLIER CODE: V99167	002004 006100 107107 121503 904999	1
58	NAS1352-04-4P		ATTACHING PARTS .. SCREW -----*-----	002004 006100 107107 121503 904999	4

MISSING ITEM NUMBERS NOT APPLICABLE

- ITEM NOT ILLUSTRATED

24-22-03-01

24-22-03
FIG. 01
PAGE 8
JAN 20/09

BRI

BOEING PROPRIETARY - Copyright © - Unpublished Work - See title page for details.



757

PARTS CATALOG (MAINTENANCE)

FIG ITEM	PART NUMBER	1 2 3 4 5 6 7	NOMENCLATURE	EFFECT FROM TO	UNITS PER ASSY
1	60 DA8980-6		.PLATE ASSY-SEAL SUPPLIER CODE: V95272 SPECIFICATION NUMBER: S351T040-6 ATTACHING PARTS	002004 006100 107107 121503 904999	1
-	65 BACS12GM3-8		.SCREW	002004 006100 107107 121503 904999	3
	70 S351T040-3		-----*----- ..PACKING	002004 006100 107107 121503 904999	1
	75 S351T040-4		..PACKING	002004 006100 107107 121503 904999	1
	80 S351T040-5		..PACKING	002004 006100 107107 121503 904999	2
-	200 286N2808-001		WIRE BUNDLE ASSY-(AIRBORNE AUXILIARY POWER ONLY)	002004 006100 107107 121503 904999	RF
	205 GS3417-18C		.CLAMP- SUPPLIER CODE: V06324 SPECIFICATION NUMBER: BACC10HF18 OPTIONAL PART: S2125-18-8 V07418 ELECTRICAL EQUIP NUMBER: D02238T WIRING DIAGRAM REF: 242141	002004 006100 107107 121503 904999	1

MISSING ITEM NUMBERS NOT APPLICABLE

- ITEM NOT ILLUSTRATED

BRI

24-22-03-01

24-22-03
FIG. 01
PAGE 9
JAN 20/09



757

PARTS CATALOG (MAINTENANCE)

FIG ITEM	PART NUMBER	1 2 3 4 5 6 7	NOMENCLATURE	EFFECT FROM TO	UNITS PER ASSY
1 210	R071018S14SNL		.CONNECTOR- SUPPLIER CODE: V41118 SPECIFICATION NUMBER: BCREF6184 OVERLENGTH PART NUMBER: BACC63BP18S14SNL ELECTRICAL EQUIP NUMBER: D02238 WIRING DIAGRAM REF: 242141 OPTIONAL PART: BACC63BP18B14SN	002004 006100 107107 121503 904999	1
210	BACC63BP18B14SN		.CONNECTOR- ELECTRICAL EQUIP NUMBER: D02238 WIRING DIAGRAM REF: 242141 OPTIONAL PART: BCREF6184	002004 006100 107107 121503 904999	1

MISSING ITEM NUMBERS NOT APPLICABLE

- ITEM NOT ILLUSTRATED

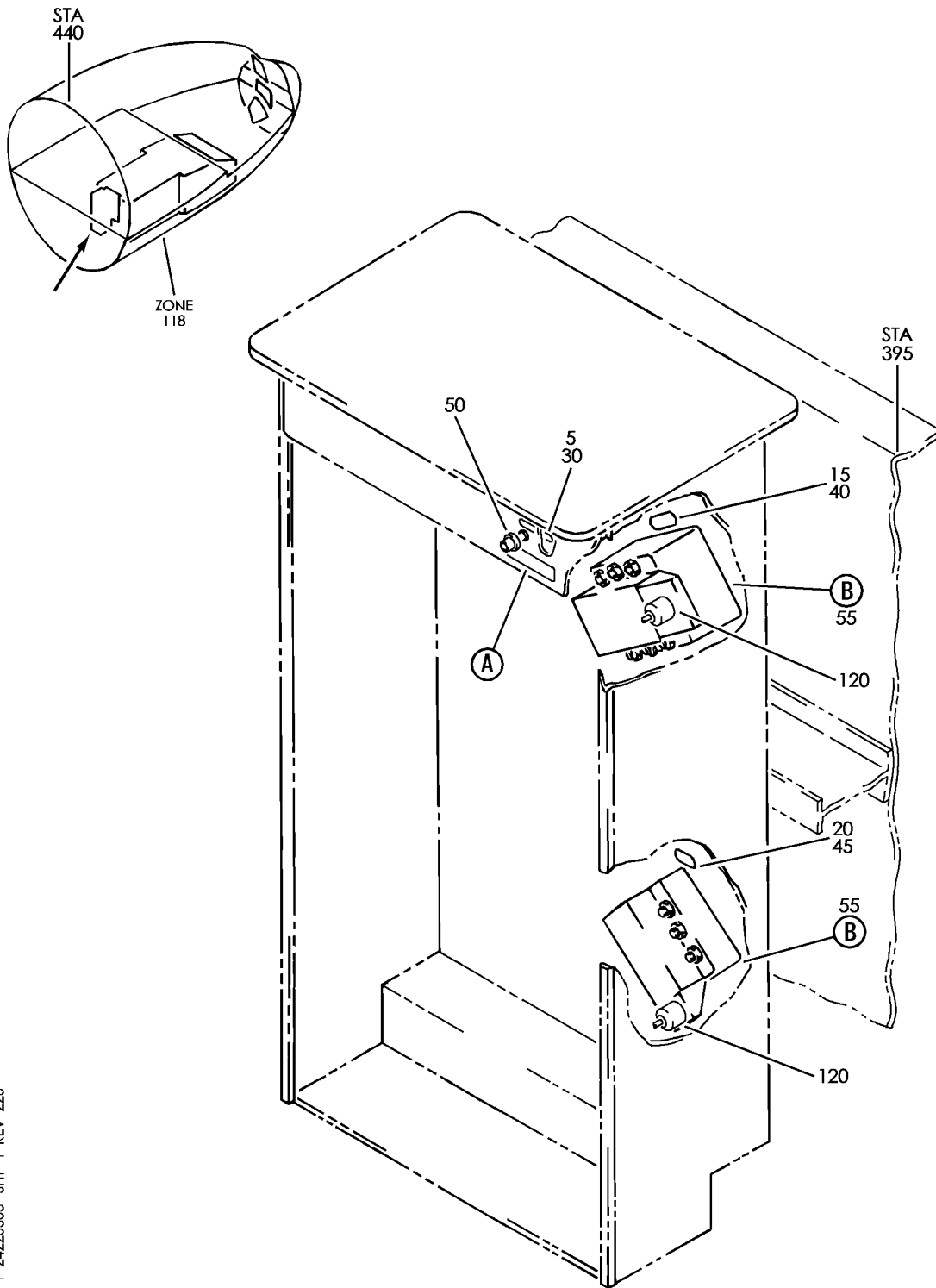
BRI

24-22-03-01

BOEING PROPRIETARY - Copyright © - Unpublished Work - See title page for details.

24-22-03
FIG. 01
PAGE 10
JAN 20/09

BOEING
757
PARTS CATALOG (MAINTENANCE)



Y 24220303 SHT 1 REV 226

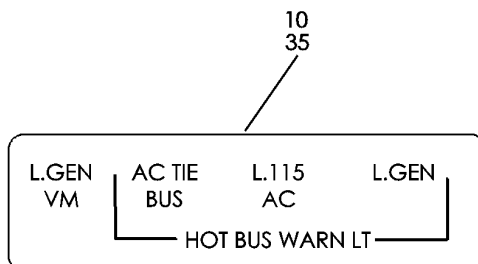
EQUIPMENT ASSY-L GEN PWR PNL P31 (GENERATOR, BUS TIE, AND AUXILIARY POWER BREAKERS ONLY)
FIGURE 3 (SHEET 1)

BRI
MAY 28/07

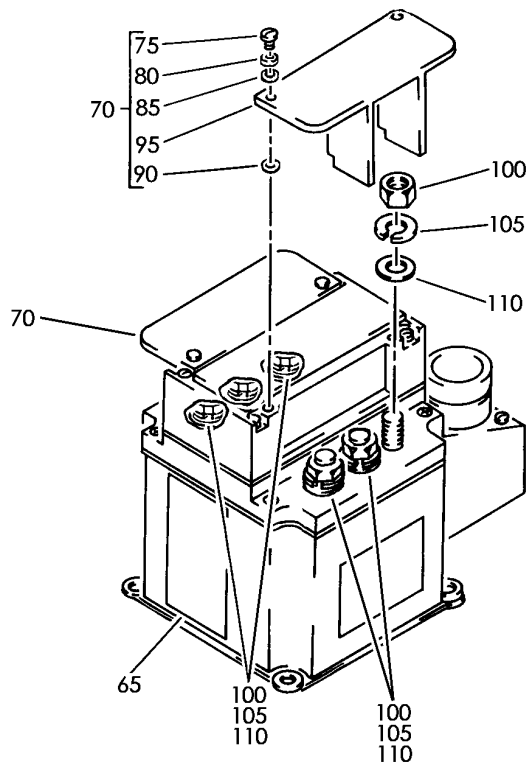
24-22-03-03

24-22-03-03
PAGE 0

BOEING
757
PARTS CATALOG (MAINTENANCE)



(A)



(B)

Y 24220303 SHT 2 REV 226

EQUIPMENT ASSY-L GEN PWR PNL P31 (GENERATOR, BUS TIE, AND AUXILIARY POWER BREAKERS ONLY)
FIGURE 3 (SHEET 2)

BRI
MAY 28/07

24-22-03-03

24-22-03-03
PAGE 0A



757

PARTS CATALOG (MAINTENANCE)

FIG ITEM	PART NUMBER	1 2 3 4 5 6 7	NOMENCLATURE	EFFECT FROM TO	UNITS PER ASSY
3			EQUIPMENT ASSY-L GEN PWR PNL P31 (GENERATOR, BUS TIE, AND AUXILIARY POWER BREAKERS ONLY)	002004 006100 107107 121503 904999	
- 1	284N1314-1		EQUIPMENT ASSY-GEN PWR PNL P31 (GENERATOR, BUS TIE, AND AUXILIARY POWER BREAKERS ONLY) POSITION DATA: L VARIABLE DRAWING REF: 284N1314-5010 284N1314-5011 284N1314-5017 284N1314-5022 FOR NHA/OTHER SYS DET SEE: 31-01-31-02	002004 006100 107107 121503 904999	RF
5	BAC27NEX2264		.DECAL- PLACARD CONTENT: L11 L12 L7 C818	002004 006100 107107 121503 904999	1
10	BAC27TEX38		.DECAL	002004 006100 107107 121503 904999	1
15	BAC27TEX21		.DECAL- PLACARD CONTENT: C901	002004 006100 107107 121503 904999	1
20	BAC27TEX22		.DECAL- PLACARD CONTENT: C902	002004 006100 107107 121503 904999	1
50	2TC47-2-5		.CIRCUIT BREAKER- SUPPLIER CODE: V82647 SPECIFICATION NUMBER: BACC18AD2 OPTIONAL PART: 4310-029-205 V76374 ELECTRICAL EQUIP NUMBER: C00818	002004 006100 107107 121503 904999	1

MISSING ITEM NUMBERS NOT APPLICABLE

- ITEM NOT ILLUSTRATED

24-22-03-03

24-22-03
FIG. 03
PAGE 1
JAN 20/09

BRI



757

PARTS CATALOG (MAINTENANCE)

FIG ITEM	PART NUMBER	1 2 3 4 5 6 7	NOMENCLATURE	EFFECT FROM TO	UNITS PER ASSY
3					
55	B430		.CIRCUIT BREAKER ASSY- SUPPLIER CODE: V74063 SPECIFICATION NUMBER: S281T004-1 ELECTRICAL EQUIP NUMBER: C00901 C00902 OPTIONAL PART: B430-1 V74063	002004 006100 107107 121503 904999	2
55	B430-1		.CIRCUIT BREAKER ASSY- SUPPLIER CODE: V74063 SPECIFICATION NUMBER: S281T004-1 ELECTRICAL EQUIP NUMBER: C00901 C00902 COMPONENT MAINT MANUAL REF: 24-09-23 OPTIONAL PART: B430 V74063 ATTACHING PARTS	002004 006100 107107 121503 904999	2
- 60	NAS1801-3-8		.SCREW	002004 006100 107107 121503 904999	8
			-----*-----		
65	35936-001		..PLATE-WIRING DIAGRAM SUPPLIER CODE: V74063	002004 006100 107107 121503 904999	1
70	36006-010		..COVER ASSY-TERM. SUPPLIER CODE: V74063	002004 006100 107107 121503 904999	2
75	51204-391		...SCREW-BINDING HEAD SUPPLIER CODE: V74063	002004 006100 107107 121503 904999	4

MISSING ITEM NUMBERS NOT APPLICABLE

- ITEM NOT ILLUSTRATED

24-22-03-03

24-22-03
FIG. 03
PAGE 2
JAN 20/09

BRI



757

PARTS CATALOG (MAINTENANCE)

FIG ITEM	PART NUMBER	1 2 3 4 5 6 7	NOMENCLATURE	EFFECT FROM TO	UNITS PER ASSY
3					
80	51804-021	...	WASHER-LOCK SUPPLIER CODE: V74063	002004 006100 107107 121503 904999	4
85	51701-291	...	WASHER-FLAT SUPPLIER CODE: VK5294	002004 006100 107107 121503 904999	4
90	20584-002	...	WASHER-CAPTIVE NYLOCK SUPPLIER CODE: V74063	002004 006100 107107 121503 904999	4
95	35744-001	...	COVER- SUPPLIER CODE: V74063	002004 006100 107107 121503 904999	4
100	50407-370	..	NUT-HEX SUPPLIER CODE: V74063	002004 006100 107107 121503 904999	6
105	51807-230	..	WASHER-LOCK SUPPLIER CODE: V74063	002004 006100 107107 121503 904999	6
110	51704-010	..	WASHER-FLAT SUPPLIER CODE: V74063	002004 006100 107107 121503 904999	6
- 115	286N1136-001	.	WIRE BUNDLE ASSY-	107107 121503 904949	1
- 115	286N1136-003	.	WIRE BUNDLE ASSY	002004 006100 950999	1
120	BACC45FT20A41S	..	CONNECTOR- ELECTRICAL EQUIP NUMBER: D01728 D01730 WIRING DIAGRAM REF: 242211 242212	002004 006100 107107 121503 904999	2

MISSING ITEM NUMBERS NOT APPLICABLE

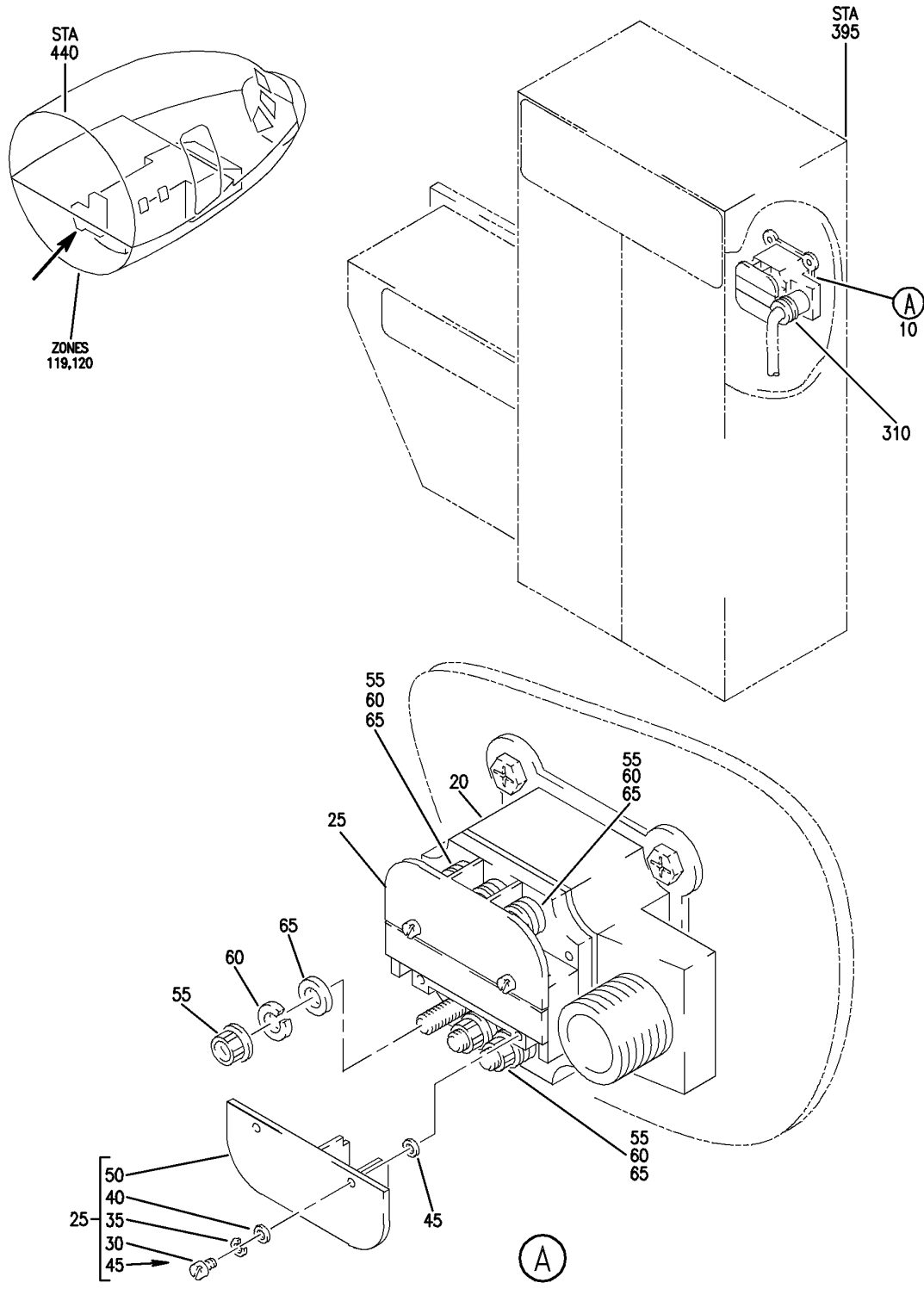
- ITEM NOT ILLUSTRATED

24-22-03-03

24-22-03
FIG. 03
PAGE 3
JAN 20/09

BRI

BOEING
757
PARTS CATALOG (MAINTENANCE)



Y 24220304 REV 227

PANEL ASSY-P34 APU/EXT PWR (CONTROL ONLY)
FIGURE 4

24-22-03-04

BRI
JAN 20/09

24-22-03-04
PAGE 0



757

PARTS CATALOG (MAINTENANCE)

FIG ITEM	PART NUMBER	1 2 3 4 5 6 7	NOMENCLATURE	EFFECT FROM TO	UNITS PER ASSY
4			PANEL ASSY-P34 APU/EXT PWR (CONTROL ONLY)	103106 108120	
- 2	284N1316-147		PANEL ASSY-P34 APU/EXT PWR (CONTROL ONLY)	108120	RF
			FOR NHA/OTHER SYS DET SEE: 24-00-58-05C		
- 5	MODREF31492		PANEL ASSY-P34 APU/EXT PWR (CONTROL ONLY)	103105	1
			MODULE NUMBER: 284N1316-207 REV A		
			FOR OTHER SYS DETAILS SEE: 11-36-09-08 24-23-01-03 24-41-01-02 24-51-01-03 24-51-03-02 24-51-04-03 24-51-54-04 24-53-73-02 24-54-01-02 31-01-34-03 33-21-71-02 33-22-71-02 33-24-71-02 33-42-71-03 38-14-71-02		
- 5	MODREF34794		PANEL ASSY-P34 APU/EXT PWR (CONTROL ONLY)	106106	1
			MODULE NUMBER: 284N1316-207 REV B		
			FOR OTHER SYS DETAILS SEE: 11-36-09-08 24-23-01-03 24-41-01-02 24-51-01-03 24-51-03-02 24-51-04-03 24-51-54-04 24-53-73-02 24-54-01-02 31-01-34-03 33-21-71-02 33-22-71-02 33-24-71-02 33-42-71-03 38-14-71-02		

MISSING ITEM NUMBERS NOT APPLICABLE

- ITEM NOT ILLUSTRATED

BRI

24-22-03-04

24-22-03
FIG. 04
PAGE 1
JAN 20/09

 **BOEING**
757
PARTS CATALOG (MAINTENANCE)

FIG ITEM	PART NUMBER	1 2 3 4 5 6 7	NOMENCLATURE	EFFECT FROM TO	UNITS PER ASSY
4					
10	B430-1		.CIRCUIT BREAKER ASSY- SUPPLIER CODE: V74063 SPECIFICATION NUMBER: S281T004-1 ELECTRICAL EQUIP NUMBER: C00905 COMPONENT MAINT MANUAL REF: 24-09-23 OPTIONAL PART: B430 V74063	103106 108120	1
10	B430		.CIRCUIT BREAKER ASSY- SUPPLIER CODE: V74063 SPECIFICATION NUMBER: S281T004-1 ELECTRICAL EQUIP NUMBER: C00905 COMPONENT MAINT MANUAL REF: 24-09-13 OPTIONAL PART: B430-1 V74063 ATTACHING PARTS	103106 108120	1
- 15	NAS1801-3-8		.SCREW	108120	4
- 15	BACS12HN3-8		.SCREW	103106	4
			-----*-----		
20	35936-001		..PLATE-WIRING DIAGRAM SUPPLIER CODE: V74063	103106 108120	1
25	36006-010		..COVER ASSY-TERM. SUPPLIER CODE: V74063	103106 108120	2
30	51204-391		...SCREW-BINDING HEAD SUPPLIER CODE: V74063	103106 108120	4
35	51804-021		...WASHER-LOCK SUPPLIER CODE: V74063	103106 108120	4
40	51701-291		...WASHER-FLAT SUPPLIER CODE: VK5294	103106 108120	4
45	20584-002		...WASHER-CAPTIVE NYLOCK SUPPLIER CODE: V74063	103106 108120	4
50	35744-001		...COVER- SUPPLIER CODE: V74063	103106 108120	2

MISSING ITEM NUMBERS NOT APPLICABLE

- ITEM NOT ILLUSTRATED

BRI

24-22-03-04

24-22-03
FIG. 04
PAGE 2
JAN 20/09



757

PARTS CATALOG (MAINTENANCE)

FIG ITEM	PART NUMBER	1 2 3 4 5 6 7	NOMENCLATURE	EFFECT FROM TO	UNITS PER ASSY
4					
55	50407-370	..	NUT-HEX SUPPLIER CODE: V74063	103106 108120	6
60	51807-230	..	WASHER-LOCK SUPPLIER CODE: V74063	103106 108120	6
65	51704-010	..	WASHER-FLAT SUPPLIER CODE: V74063	103106 108120	6
- 300	286N1128-318		WIRE BUNDLE ASSY	108120	RF
- 301	286N1128-701		WIRE BUNDLE ASSY	103106	RF
310	BACC45FT20A41S	.	CONNECTOR- ELECTRICAL EQUIP NUMBER: D01732 WIRING DIAGRAM REF: 242721	103106 108120	1

MISSING ITEM NUMBERS NOT APPLICABLE

- ITEM NOT ILLUSTRATED

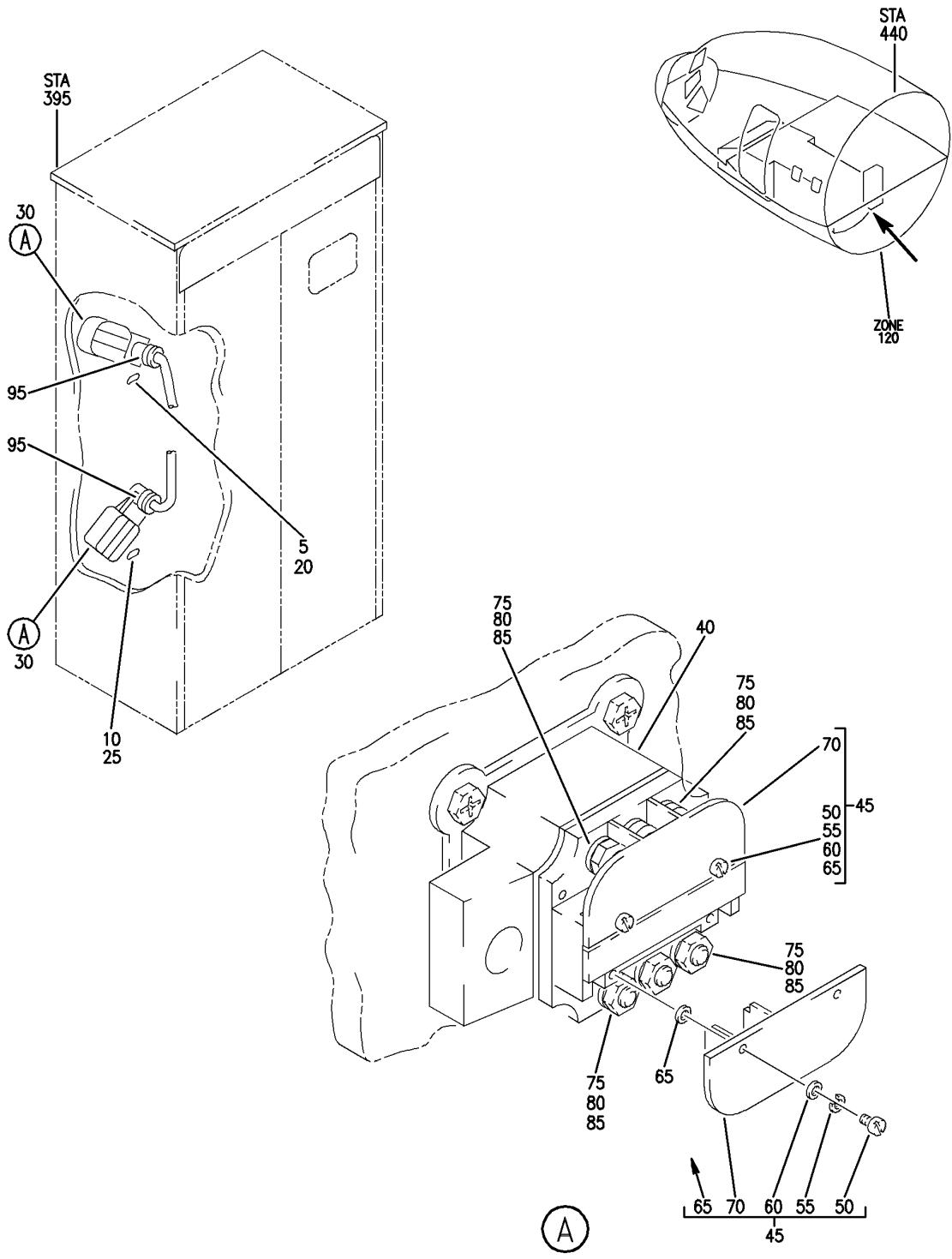
BRI

24-22-03-04

BOEING PROPRIETARY - Copyright © - Unpublished Work - See title page for details.

24-22-03
FIG. 04
PAGE 3
JAN 20/09

BOEING
757
PARTS CATALOG (MAINTENANCE)



Y 24220306 REV 228

EQUIPMENT ASSY-R GEN PWR PNL P32 (GENERATOR, BUS TIE, AND AUXILIARY POWER BREAKERS ONLY)
FIGURE 6

BRI
MAY 28/07

24-22-03-06

24-22-03-06
PAGE 0



757

PARTS CATALOG (MAINTENANCE)

FIG ITEM	PART NUMBER	1 2 3 4 5 6 7	NOMENCLATURE	EFFECT FROM TO	UNITS PER ASSY
6			EQUIPMENT ASSY-R GEN PWR PNL P32 (GENERATOR, BUS TIE, AND AUXILIARY POWER BREAKERS ONLY)	002004 006100 107107 121503 904999	
- 1	284N1315-1		EQUIPMENT ASSY-R GEN PWR PNL P32 (GENERATOR, BUS TIE, AND AUXILIARY POWER BREAKERS ONLY) VARIABLE DRAWING REF: 284N1315-5015 284N1315-5023 284N1315-5049 284N1315-5050 284N1315-5052 FOR NHA/OTHER SYS DET SEE: 31-01-32-02	002004 006100 107107 121503 904999	RF
5	BAC27TEX43		.DECAL- PLACARD CONTENT: C903	002004 006100 107107 121503 904999	1
10	BAC27TEX44		.DECAL- PLACARD CONTENT: C904	002004 006100 107107 121503 904999	1
30	B430		.CIRCUIT BREAKER ASSY- SUPPLIER CODE: V74063 SPECIFICATION NUMBER: S281T004-1 ELECTRICAL EQUIP NUMBER: C00903 C00904 COMPONENT MAINT MANUAL REF: 24-09-13 OPTIONAL PART: B430-1 V74063	002004 006100 107107 121503 904999	2

MISSING ITEM NUMBERS NOT APPLICABLE

- ITEM NOT ILLUSTRATED

BRI

24-22-03-06

24-22-03
FIG. 06
PAGE 1
JAN 20/09

 **BOEING**
757
PARTS CATALOG (MAINTENANCE)

FIG ITEM	PART NUMBER	1 2 3 4 5 6 7	NOMENCLATURE	EFFECT FROM TO	UNITS PER ASSY
6					
30	B430-1		.CIRCUIT BREAKER ASSY- SUPPLIER CODE: V74063 SPECIFICATION NUMBER: S281T004-1 ELECTRICAL EQUIP NUMBER: C00903 C00904 COMPONENT MAINT MANUAL REF: 24-09-23 OPTIONAL PART: B430 V74063 ATTACHING PARTS	002004 006100 107107 121503 904999	2
- 35	NAS1801-3-8		.SCREW	002004 006100 107107 121503 904999	8
			-----*-----		
40	35936-001		..PLATE-WIRING DIAGRAM SUPPLIER CODE: V74063	002004 006100 107107 121503 904999	1
45	36006-010		..COVER ASSY-TERM. SUPPLIER CODE: V74063	002004 006100 107107 121503 904999	2
50	51204-391		...SCREW-BINDING HEAD SUPPLIER CODE: V74063	002004 006100 107107 121503 904999	4
55	51804-021		...WASHER-LOCK SUPPLIER CODE: V74063	002004 006100 107107 121503 904999	4
60	51701-291		...WASHER-FLAT SUPPLIER CODE: VK5294	002004 006100 107107 121503 904999	4

MISSING ITEM NUMBERS NOT APPLICABLE

- ITEM NOT ILLUSTRATED

BRI

24-22-03-06

24-22-03
FIG. 06
PAGE 2
JAN 20/09



757

PARTS CATALOG (MAINTENANCE)

FIG ITEM	PART NUMBER	1 2 3 4 5 6 7	NOMENCLATURE	EFFECT FROM TO	UNITS PER ASSY
6					
65	20584-002	...	WASHER-CAPTIVE NYLOCK SUPPLIER CODE: V74063	002004 006100 107107 121503 904999	4
70	35744-001	...	COVER- SUPPLIER CODE: V74063	002004 006100 107107 121503 904999	2
75	50407-370	..	NUT-HEX SUPPLIER CODE: V74063	002004 006100 107107 121503 904999	6
80	51807-230	..	WASHER-LOCK SUPPLIER CODE: V74063	002004 006100 107107 121503 904999	6
85	51704-010	..	WASHER-FLAT SUPPLIER CODE: V74063	002004 006100 107107 121503 904999	6
- 90	286N1138-001	.	WIRE BUNDLE ASSY	107107 121503 904949	1
- 90	286N1138-004	.	WIRE BUNDLE ASSY	002004 006100 950999	1
95	BACC45FT20A41S	..	CONNECTOR- ELECTRICAL EQUIP NUMBER: D01816 D01818 WIRING DIAGRAM REF: 242121 242222	002004 006100 107107 121503 904999	2

MISSING ITEM NUMBERS NOT APPLICABLE

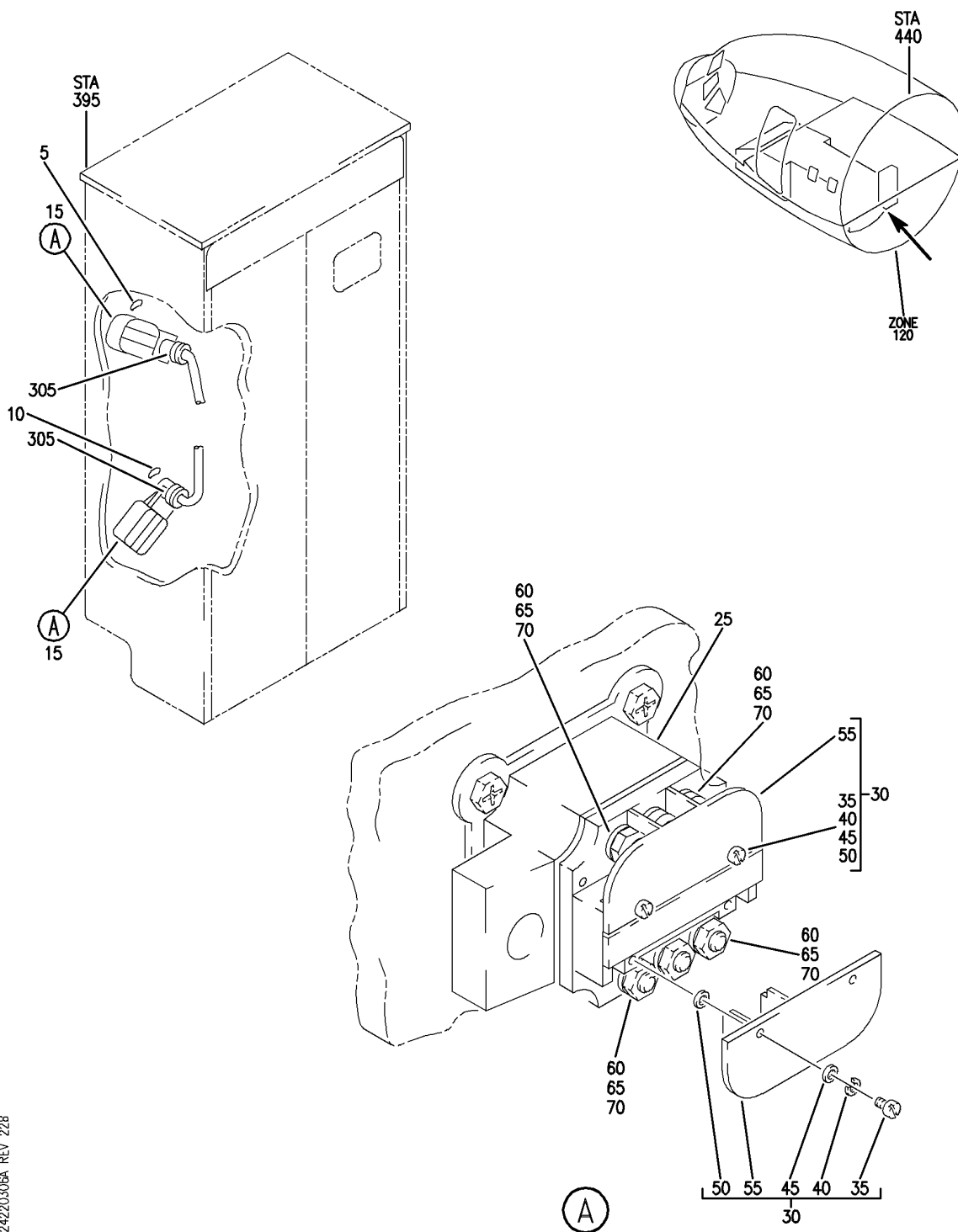
- ITEM NOT ILLUSTRATED

24-22-03-06

24-22-03
FIG. 06
PAGE 3
JAN 20/09

BRI

BOEING
757
PARTS CATALOG (MAINTENANCE)



Y 24220306A REV 228

PANEL ASSY-R GEN PWR PNL P32 (GENERATOR, BUS TIE, AND AUXILIARY POWER BREAKERS ONLY)
FIGURE 6A

BRI
JAN 20/09

24-22-03-06A

24-22-03-06A
PAGE 0



757

PARTS CATALOG (MAINTENANCE)

FIG ITEM	PART NUMBER	1 2 3 4 5 6 7	NOMENCLATURE	EFFECT FROM TO	UNITS PER ASSY
6A			PANEL ASSY-R GEN PWR PNL P32 (GENERATOR, BUS TIE, AND AUXILIARY POWER BREAKERS ONLY)	103106 108120	
- 1	284N1315-122		PANEL ASSY-R GEN PWR PNL P32 (GENERATOR, BUS TIE, AND AUXILIARY POWER BREAKERS ONLY)	108120	RF
- 2	MODREF31489		FOR NHA/OTHER SYS DET SEE: 24-00-58-05C		
			PANEL ASSY-R GEN PWR PNL P32 (GENERATOR, BUS TIE, AND AUXILIARY POWER BREAKERS ONLY)	103106	1
			MODULE NUMBER: 284N1315-206 REV B		
			FOR OTHER SYS DETAILS SEE: 11-36-07-02 24-21-51-04 24-22-51-07 24-23-01-02A 24-32-51-05 24-51-55-03 24-53-51-22 25-31-03-04 25-72-51-01 29-11-67-01		
15	B430		.CIRCUIT BREAKER ASSY- SUPPLIER CODE: V74063 SPECIFICATION NUMBER: S281T004-1 ELECTRICAL EQUIP NUMBER: C00903 C00904 COMPONENT MAINT MANUAL REF: 24-09-13 OPTIONAL PART: B430-1 V74063	103106 108120	2

MISSING ITEM NUMBERS NOT APPLICABLE

- ITEM NOT ILLUSTRATED

BRI

24-22-03-06A

BOEING PROPRIETARY - Copyright © - Unpublished Work - See title page for details.

24-22-03
FIG. 06A
PAGE 1
JAN 20/09



757

PARTS CATALOG (MAINTENANCE)

FIG ITEM	PART NUMBER	1 2 3 4 5 6 7	NOMENCLATURE	EFFECT FROM TO	UNITS PER ASSY
6A 15	B430-1	.	CIRCUIT BREAKER ASSY- SUPPLIER CODE: V74063 SPECIFICATION NUMBER: S281T004-1 ELECTRICAL EQUIP NUMBER: C00903 C00904 COMPONENT MAINT MANUAL REF: 24-09-23 OPTIONAL PART: B430 V74063 ATTACHING PARTS	103106 108120	2
- 20	NAS1801-3-8	.	SCREW	103106 108120	8
			-----*-----		
25	35936-001	..	PLATE-WIRING DIAGRAM SUPPLIER CODE: V74063	103106 108120	1
30	36006-010	..	COVER ASSY-TERM. SUPPLIER CODE: V74063	103106 108120	2
35	51204-391	...	SCREW-BINDING HEAD SUPPLIER CODE: V74063	103106 108120	4
40	51804-021	...	WASHER-LOCK SUPPLIER CODE: V74063	103106 108120	4
45	51701-291	...	WASHER-FLAT SUPPLIER CODE: VK5294	103106 108120	4
50	20584-002	...	WASHER-CAPTIVE NYLOCK SUPPLIER CODE: V74063	103106 108120	4
55	35744-001	...	COVER- SUPPLIER CODE: V74063	103106 108120	2
60	50407-370	..	NUT-HEX SUPPLIER CODE: V74063	103106 108120	6
65	51807-230	..	WASHER-LOCK SUPPLIER CODE: V74063	103106 108120	6
70	51704-010	..	WASHER-FLAT SUPPLIER CODE: V74063	103106 108120	6
- 300	286N1138-322		WIRE BUNDLE ASSY	108120	RF
- 301	286N1138-751		WIRE BUNDLE ASSY	103106	RF

MISSING ITEM NUMBERS NOT APPLICABLE

- ITEM NOT ILLUSTRATED

24-22-03-06A

24-22-03
FIG. 06A
PAGE 2
JAN 20/09

BRI

BOEING PROPRIETARY - Copyright © - Unpublished Work - See title page for details.



757

PARTS CATALOG (MAINTENANCE)

FIG ITEM	PART NUMBER	1 2 3 4 5 6 7	NOMENCLATURE	EFFECT FROM TO	UNITS PER ASSY
6A 305	BACC45FT20A41S		.CONNECTOR- ELECTRICAL EQUIP NUMBER: D01816 D01818 WIRING DIAGRAM REF: 242121 242222	103106 108120	2

MISSING ITEM NUMBERS NOT APPLICABLE

- ITEM NOT ILLUSTRATED

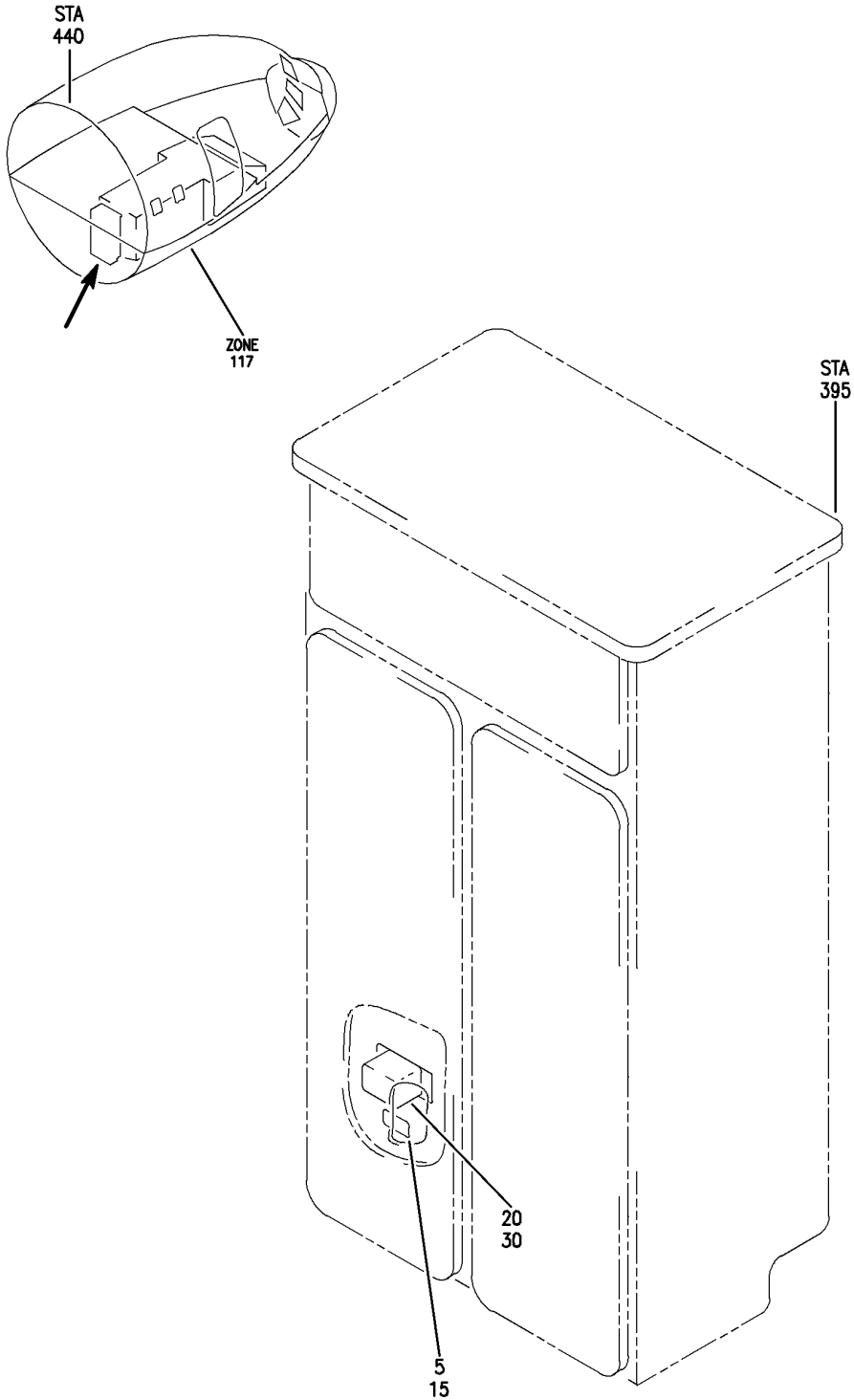
BRI

24-22-03-06A

BOEING PROPRIETARY - Copyright © - Unpublished Work - See title page for details.

24-22-03
FIG. 06A
PAGE 3
JAN 20/09

BOEING
757
PARTS CATALOG (MAINTENANCE)



Y 24225106 REV 228

EQUIPMENT ASSY-R GEN PWR PNL P32 (CONTROL ONLY)
FIGURE 6

24-22-51-06

BRI
MAY 28/07

24-22-51-06
PAGE 0



757

PARTS CATALOG (MAINTENANCE)

FIG ITEM	PART NUMBER	1 2 3 4 5 6 7	NOMENCLATURE	EFFECT FROM TO	UNITS PER ASSY
6			EQUIPMENT ASSY-R GEN PWR PNL P32 (CONTROL ONLY)	002004 006100 107107 121503 904999	
- 1	284N1315-1		EQUIPMENT ASSY-R GEN PWR PNL P32 (CONTROL ONLY) VARIABLE DRAWING REF: 284N1315-5015 284N1315-5023 284N1315-5049 284N1315-5050 284N1315-5052 FOR NHA/OTHER SYS DET SEE: 31-01-32-02	002004 006100 107107 121503 904999	RF
5	BAC27TEX0959		.DECAL- PLACARD CONTENT: K527	002004 006100 107107 121503 904999	1
20	ES410-1538		.RELAY- SUPPLIER CODE: V99699 SPECIFICATION NUMBER: BACR13CG2AB OPTIONAL PART: KD4L018 V35344 BR230DS0115 V56623 KD4L036 V58657 FCA410-63 V78290 ELECTRICAL EQUIP NUMBER: K00527	002004 006100 107107 121503 904999	1
- 25	286N1138-001		.WIRE BUNDLE ASSY	107107 121503 904949	1
- 25	286N1138-004		.WIRE BUNDLE ASSY	002004 006100 950999	1
30	BACS16W1		..SOCKET- ELECTRICAL EQUIP NUMBER: D02242 WIRING DIAGRAM REF: 242222	002004 006100 107107 121503 904999	1

MISSING ITEM NUMBERS NOT APPLICABLE

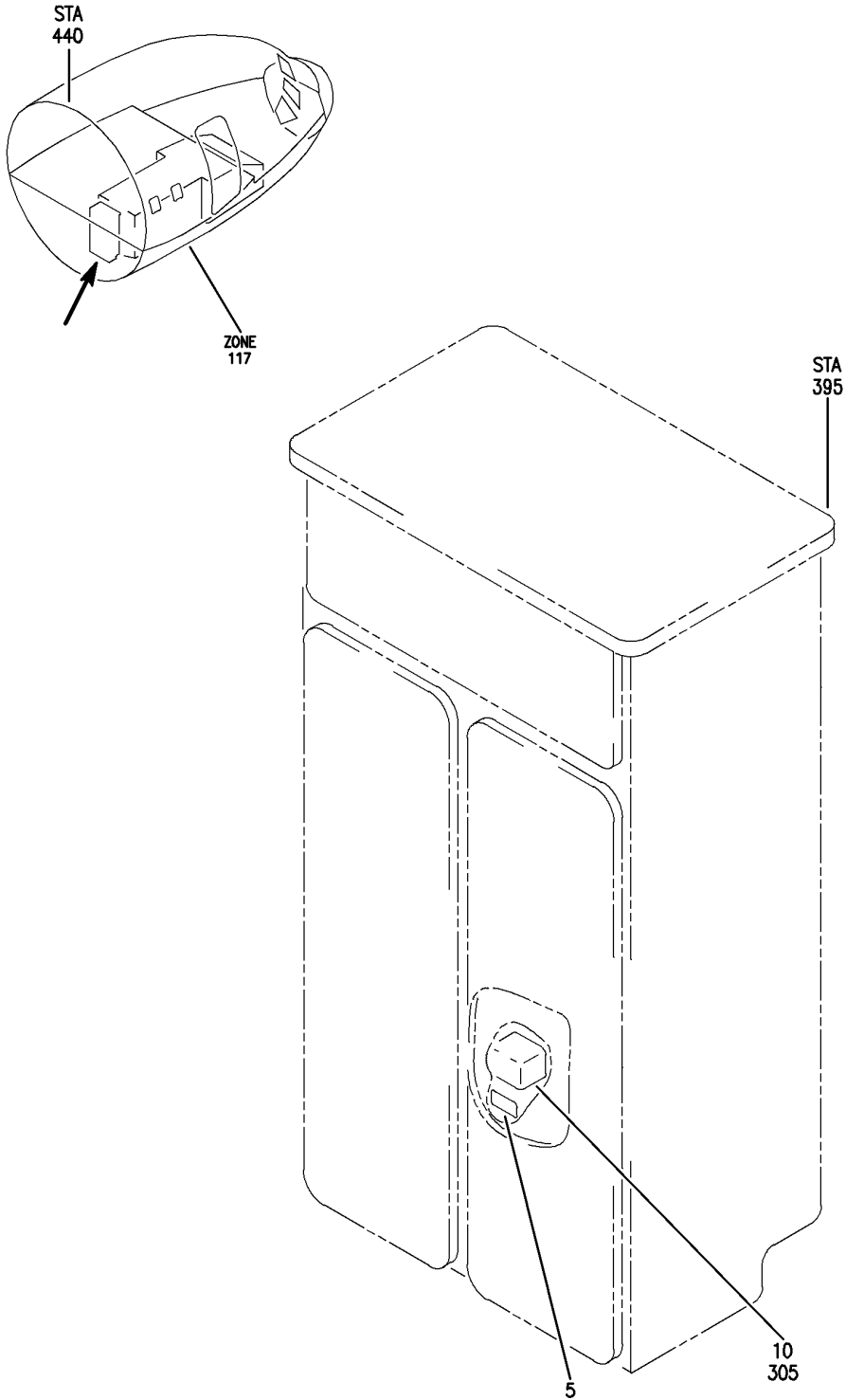
- ITEM NOT ILLUSTRATED

24-22-51-06

24-22-51
FIG. 06
PAGE 1
JAN 20/09

BRI

BOEING
757
PARTS CATALOG (MAINTENANCE)



Y 24225107 REV 228

PANEL ASSY-R GEN PWR PNL P32 (CONTROL ONLY)
FIGURE 7

24-22-51-07

BRI
JAN 20/09

24-22-51-07
PAGE 0



757

PARTS CATALOG (MAINTENANCE)

FIG ITEM	PART NUMBER	1 2 3 4 5 6 7	NOMENCLATURE	EFFECT FROM TO	UNITS PER ASSY
7			PANEL ASSY-R GEN PWR PNL P32 (CONTROL ONLY)	103106 108120	
- 1	284N1315-122		PANEL ASSY-R GEN PWR PNL P32 (CONTROL ONLY) FOR NHA/OTHER SYS DET SEE: 24-00-58-05C	108120	RF
- 2	MODREF31489		PANEL ASSY-R GEN PWR PNL P32 (CONTROL ONLY) MODULE NUMBER: 284N1315-206 REV A FOR OTHER SYS DETAILS SEE: 11-36-07-02 24-21-51-04 24-22-03-06A 24-23-01-02A 24-32-51-05 24-51-55-03 24-53-51-22 25-31-03-04 25-72-51-01 29-11-67-01	103106	1
10	ES410-1538		.RELAY- SUPPLIER CODE: V99699 SPECIFICATION NUMBER: BACR13CG2AB OPTIONAL PART: KD4L018 V35344 BR230DS0115 V56623 KD4L036 V58657 FCA410-63 V78290 ELECTRICAL EQUIP NUMBER: K00527	103106 108120	1
- 300	286N1138-322		WIRE BUNDLE ASSY	108120	RF
- 301	286N1138-751		WIRE BUNDLE ASSY	103106	RF
305	BACS16W1		.SOCKET- ELECTRICAL EQUIP NUMBER: D02242 WIRING DIAGRAM REF: 242222	103106 108120	1

MISSING ITEM NUMBERS NOT APPLICABLE

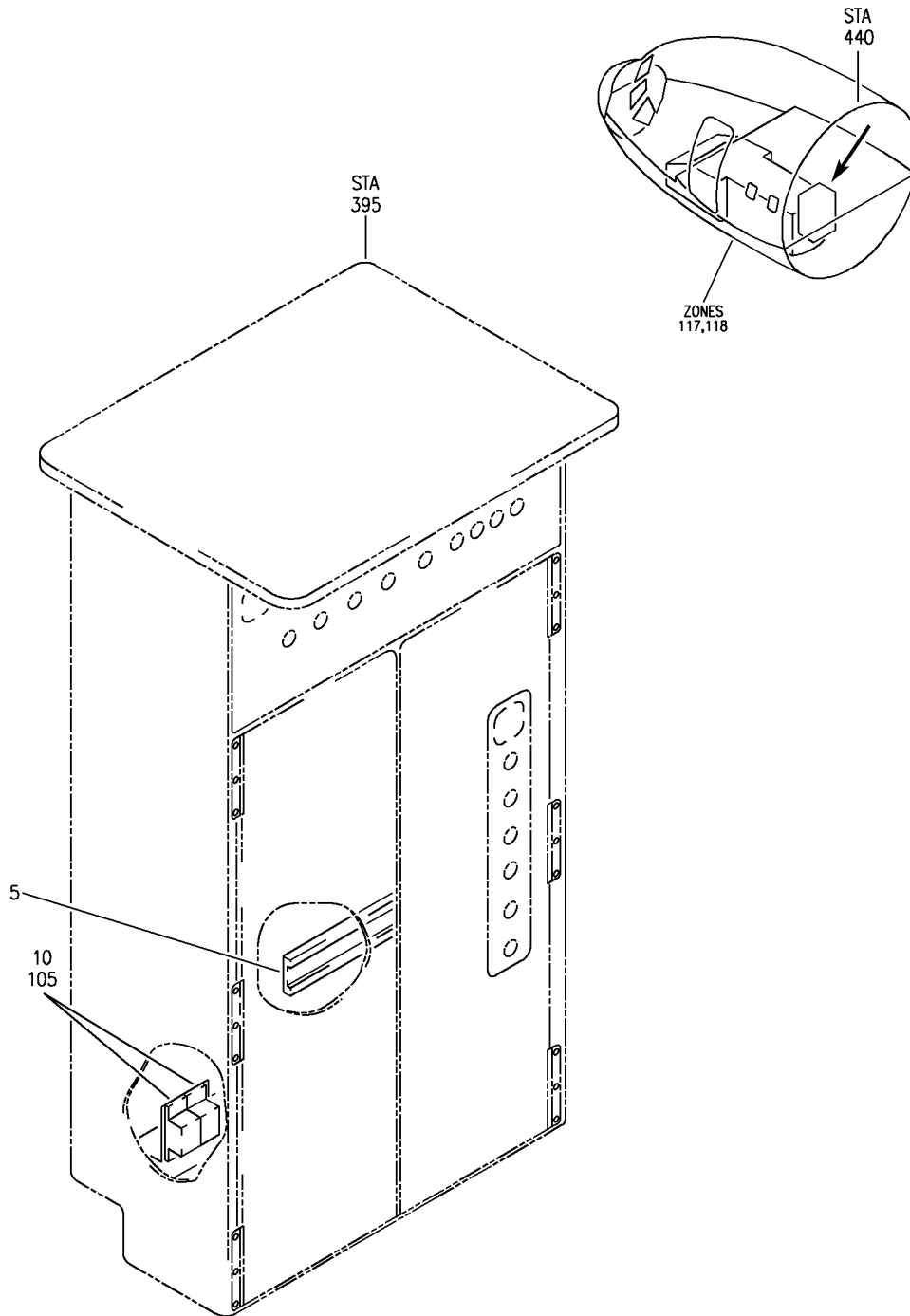
- ITEM NOT ILLUSTRATED

24-22-51-07

24-22-51
FIG. 07
PAGE 1
JAN 20/09

BRI

BOEING
757
PARTS CATALOG (MAINTENANCE)



Y 24225108 REV 282

PANEL ASSY-P31 PWR (CONTROL ONLY)

FIGURE 8

24-22-51-08

BRI
JAN 20/09

24-22-51-08
PAGE 0



757

PARTS CATALOG (MAINTENANCE)

FIG ITEM	PART NUMBER	1 2 3 4 5 6 7	NOMENCLATURE	EFFECT FROM TO	UNITS PER ASSY
8			PANEL ASSY-P31 PWR (CONTROL ONLY)	103106	
- 2	MODREF33208		PANEL ASSY-P31 PWR (CONTROL ONLY) MODULE NUMBER: 284N1314-302 REV B FOR OTHER SYS DETAILS SEE: 11-36-05-02A 24-21-51-01 24-51-51-26 24-53-00-01 25-31-04-66 31-01-31-05	103106	1
5	AMY0580T3		.TRACK- SUPPLIER CODE: V09922 SPECIFICATION NUMBER: BACT44A0580D ELECTRICAL EQUIP NUMBER: TB00131	103106	1
10	ES410-1538		.RELAY- SUPPLIER CODE: V99699 SPECIFICATION NUMBER: BACR13CG2AB OPTIONAL PART: KD4L018 V35344 BR230DS0115 V56623 KD4L036 V58657 FCA410-63 V78290 ELECTRICAL EQUIP NUMBER: K00526 K10136	103106	2
- 100	286N1136-704		WIRE BUNDLE ASSY	103106	RF
105	BACS16W1		.SOCKET- ELECTRICAL EQUIP NUMBER: D02182 D04494 WIRING DIAGRAM REF: 242212 245171	103106	2

MISSING ITEM NUMBERS NOT APPLICABLE

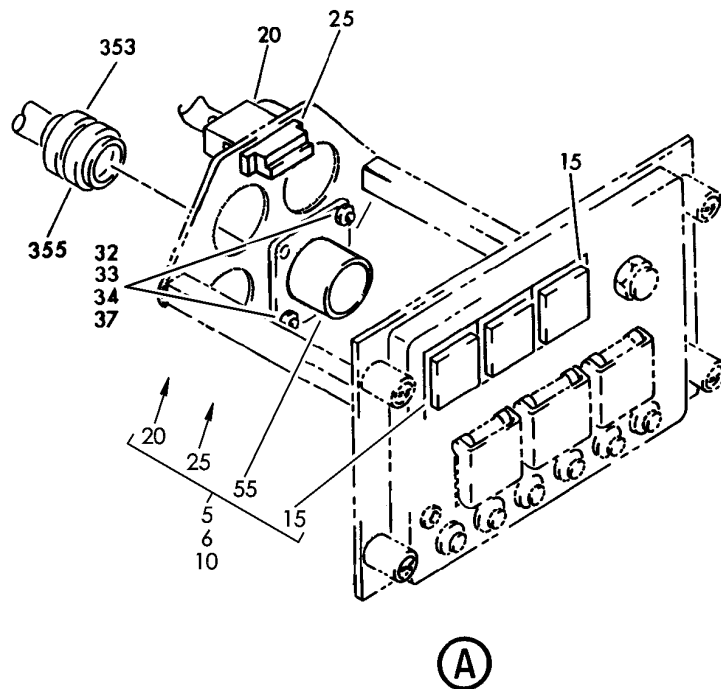
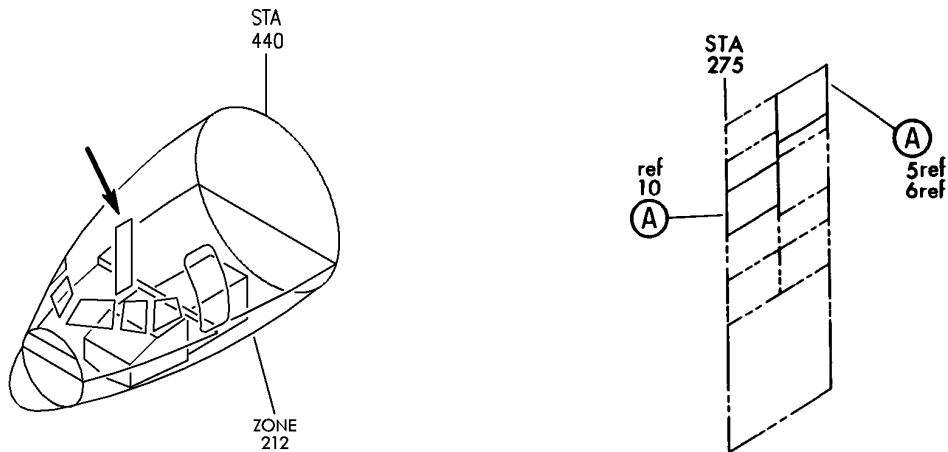
- ITEM NOT ILLUSTRATED

24-22-51-08

24-22-51
FIG. 08
PAGE 1
JAN 20/09

BRI

BOEING
757
PARTS CATALOG (MAINTENANCE)



Y 24227301 REV 232

PANEL INSTL-P61 R SIDEWALL (ELECTRICAL POWER ONLY)
FIGURE 1

24-22-73-01

BRI
MAY 28/07

24-22-73-01
PAGE 0



757

PARTS CATALOG (MAINTENANCE)

FIG ITEM	PART NUMBER	1 2 3 4 5 6 7	NOMENCLATURE	EFFECT FROM TO	UNITS PER ASSY
1			PANEL INSTL-P61 R SIDEWALL (ELECTRICAL POWER ONLY)	002004 006100 107107 121503 904999	
- 1	233N7401-1		PANEL INSTL-P61 SIDEWALL (ELECTRICAL POWER ONLY) POSITION DATA: R VARIABLE DRAWING REF: 233N7401-5004 233N7401-5005 233N7401-5036 233N7401-5038 233N7401-5042 FOR NHA/OTHER SYS DET SEE: 25-10-00-05A	002004 006100 107107 121503 904999	RF
5	233N7503-46		.PANEL ASSY-GEN FIELD AND HYDR SUPPLIER CODE: V89954 ELECTRICAL EQUIP NUMBER: M10191 COMPONENT MAINT MANUAL REF: 24-22-73 QUALIFIED I/W DATA: 233N7503-29 -31 -32 -44 -45 -46 ALL INTERCHANGEABLE EXCEPT SUBJECT TO CUSTOMER PREFERENCE	121503 904949	RF
5	233N7503-47		.PANEL ASSY-GEN FIELD AND HYDR SUPPLIER CODE: V89954 ELECTRICAL EQUIP NUMBER: M10191 COMPONENT MAINT MANUAL REF: 24-22-73	002004 107107 952952	RF

MISSING ITEM NUMBERS NOT APPLICABLE

- ITEM NOT ILLUSTRATED

BRI

24-22-73-01

24-22-73
FIG. 01
PAGE 1
JAN 20/09



757

PARTS CATALOG (MAINTENANCE)

FIG ITEM	PART NUMBER	1 2 3 4 5 6 7	NOMENCLATURE	EFFECT FROM TO	UNITS PER ASSY
1					
5	233N7503-32		.PANEL ASSY-GEN FIELD AND HYDR SUPPLIER CODE: V89954 ELECTRICAL EQUIP NUMBER: M10191 COMPONENT MAINT MANUAL REF: 24-22-73 QUALIFIED I/W DATA: 233N7503-29 -31 -32 -44 -45 -46 ALL INTERCHANGEABLE EXCEPT SUBJECT TO CUSTOMER PREFERENCE 32 I/W -51 EXCEPT WHEN INSTALLING A -32 IN PLACE OF -51 FIELD GENERATOR SWITCHES S1, S2, S3 MUST BE MARKED INOPERABLE	002004 107107 952952	RF
5	233N7503-34		.PANEL ASSY-GEN FIELD AND HYDR SUPPLIER CODE: V89954 ELECTRICAL EQUIP NUMBER: M10191 COMPONENT MAINT MANUAL REF: 24-22-73	002004 107107 952952	RF
5	233N7503-53		.PANEL ASSY-GEN FIELD AND HYDR SUPPLIER CODE: V89954 ELECTRICAL EQUIP NUMBER: M10191 COMPONENT MAINT MANUAL REF: 24-22-73	011100 121503 904949	RF
5	233N7503-56		.PANEL ASSY-GEN FIELD AND HYDR SUPPLIER CODE: V89954 ELECTRICAL EQUIP NUMBER: M10191 COMPONENT MAINT MANUAL REF: 24-22-73	002004 006010 107107 950999	RF

MISSING ITEM NUMBERS NOT APPLICABLE

- ITEM NOT ILLUSTRATED

BRI

24-22-73-01

24-22-73
FIG. 01
PAGE 2
JAN 20/09



757

PARTS CATALOG (MAINTENANCE)

FIG ITEM	PART NUMBER	1 2 3 4 5 6 7	NOMENCLATURE	EFFECT FROM TO	UNITS PER ASSY
1	6 233N7503-60		.PANEL ASSY-GEN FIELD AND HYDR SUPPLIER CODE: V89954 ELECTRICAL EQUIP NUMBER: M10191 COMPONENT MAINT MANUAL REF: 24-22-73	002004 006010 107107 950999	RF
15	BCREF7625		..SWITCH ASSY-LIGHTED PUSH BUTTON IND FIELD OFF SUPPLIER CODE: V81590 OVERLENGTH PART NUMBER: 433-673-1001-1073 SPECIFICATION NUMBER: S231T290-1073 FOR DETAILS SEE: 33-13-00-10	002004 107107 121503 904949 952952	3
15	BCREFA0532		..SWITCH ASSY-LIGHTED PUSH BUTTON IND SUPPLIER CODE: V81590 OVERLENGTH PART NUMBER: 433-673-1004-4073 SPECIFICATION NUMBER: S231T290-4073 FOR DETAILS SEE: 33-13-00-40	002004 107107 121503 904949 952952	3
15	851-35100-5073		..SWITCH ASSY-LIGHTED PUSH BUTTON IND SUPPLIER CODE: V96182 SPECIFICATION NUMBER: S231T290-5073 OPTIONAL PART: BCREFA0532 V81590 851-30768-3073 V96182	002004 107107 121503 904949 952952	3
15	851-30768-2073		..SWITCH ASSY-LIGHTED PUSH BUTTON IND FIELD OFF SUPPLIER CODE: V96182 SPECIFICATION NUMBER: S231T290-2073 FOR DETAILS SEE: 33-13-00-20	002004 107107 121503 904949 952952	3

MISSING ITEM NUMBERS NOT APPLICABLE

- ITEM NOT ILLUSTRATED

BRI

24-22-73-01

24-22-73
FIG. 01
PAGE 3
JAN 20/09



757

PARTS CATALOG (MAINTENANCE)

FIG ITEM	PART NUMBER	1 2 3 4 5 6 7	NOMENCLATURE	EFFECT FROM TO	UNITS PER ASSY
1	15 851-30768-3073		.. SWITCH ASSY-LIGHTED PUSH BUTTON IND FIELD OFF SUPPLIER CODE: V96182 SPECIFICATION NUMBER: S231T290-3073 OPTIONAL PART: 851-35100-5073 V96182 FOR DETAILS SEE: 33-13-00-30	002004 107107 121503 904949 952952	3
	15 4336731004-4273		.. SWITCH ASSY-LIGHTED PUSH BUTTON IND FIELD OFF SUPPLIER CODE: V81590 SPECIFICATION NUMBER: S231T290-4273	002004 107107 121503 904949 952952	3
	20 600-149-1001		.. RELAY-TIMER SUPPLIER CODE: V15420 OPTIONAL PART: TDH1859-1001 V35344	002004 006100 107107 121503 904999	1
	20 TDH1859-1001		.. RELAY-TIMER SUPPLIER CODE: V35344 OPTIONAL PART: 600-149-1001 V15420	002004 006100 107107 121503 904999	1
	25 451120-028		.. SOCKET-RELAY SUPPLIER CODE: V03743 OPTIONAL PART: BACS16AH1	002004 006100 107107 121503 904999	1
	25 RSE120028		.. SOCKET-RELAY SUPPLIER CODE: V58982 SPECIFICATION NUMBER: BACS16AH1 OPTIONAL PART: 451120-028 V58982 451120-028 V03743	002004 006100 107107 121503 904999	1
	32 NAS1801-04-5		.. SCREW- OPTIONAL PART: BACS12HN04-5	002004 011100 952952	2

MISSING ITEM NUMBERS NOT APPLICABLE

- ITEM NOT ILLUSTRATED

24-22-73-01

24-22-73
FIG. 01
PAGE 4
JAN 20/09

BRI



757

PARTS CATALOG (MAINTENANCE)

FIG ITEM	PART NUMBER	1 2 3 4 5 6 7	NOMENCLATURE	EFFECT FROM TO	UNITS PER ASSY
1					
32	MS51957-14	..	SCREW	006010 950951 953999	2
32	BACS12HN04-5	..	SCREW- OPTIONAL PART: NAS1801-04-5	011100 107107 121503 904949	2
33	NAS1801-04-5	..	SCREW	121503 904949	2
34	BACS12CB04-5	..	SCREW	107107	2
37	K19798-04	..	NUT SUPPLIER CODE: V15653 SPECIFICATION NUMBER: BACN10NW1 OPTIONAL PART: RMA4812-160-40 V72962 293162 V60119	002004 006100 107107 121503 904999	2
55	BACC45FN16-24P8	..	CONNECTOR	002004 006100 107107 121503 904999	1
- 350	286N2080-003		WIRE BUNDLE ASSY	121503 904949	RF
- 350	286N2080-004		WIRE BUNDLE ASSY-	107107	RF
- 350	286N2080-005		WIRE BUNDLE ASSY-	002004 006100 950999	RF
353	BACC10GH16	.CLAMP-	ELECTRICAL EQUIP NUMBER: D03714T WIRING DIAGRAM REF: 242241	002004 006100 107107 121503 904999	1
355	BACC63BN16-24S8	.CONNECTOR-	ELECTRICAL EQUIP NUMBER: D03714 WIRING DIAGRAM REF: 242241	107107 121503 904949	1
355	BACC45FT16-24S8	.CONNECTOR-	ELECTRICAL EQUIP NUMBER: D03714 WIRING DIAGRAM REF: 242241	002004 006100 950999	1

MISSING ITEM NUMBERS NOT APPLICABLE

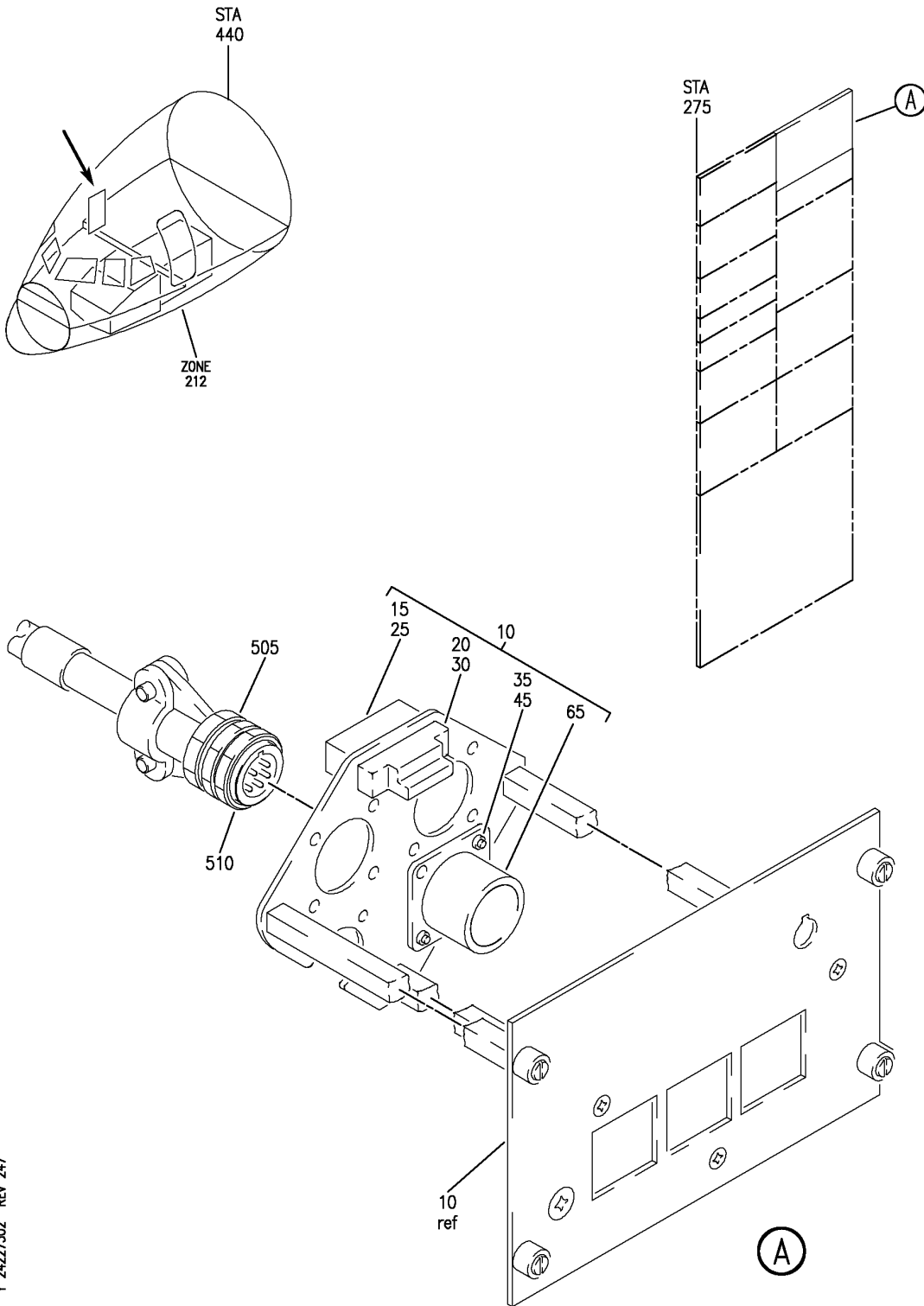
- ITEM NOT ILLUSTRATED

BRI

24-22-73-01

24-22-73
FIG. 01
PAGE 5
JAN 20/09

BOEING
757
PARTS CATALOG (MAINTENANCE)



Y 24227302 REV 247

PANEL INSTL-P61 R SIDEWALL (ELECTRICAL POWER ONLY)
FIGURE 2

24-22-73-02

BRI
MAY 28/07

24-22-73-02
PAGE 0



757

PARTS CATALOG (MAINTENANCE)

FIG ITEM	PART NUMBER	1 2 3 4 5 6 7	NOMENCLATURE	EFFECT FROM TO	UNITS PER ASSY
2			PANEL INSTL-P61 R SIDEWALL (ELECTRICAL POWER ONLY)	101106 108120	
- 1	233N7403-117		PANEL INSTL-P61 SIDEWALL (ELECTRICAL POWER ONLY) POSITION DATA: R FOR NHA/OTHER SYS DET SEE: 25-10-00-15B	504903 504903	RF
- 2	233N7403-128		PANEL INSTL-P61 SIDEWALL (ELECTRICAL POWER ONLY) POSITION DATA: R FOR NHA/OTHER SYS DET SEE: 25-10-00-15B	102102	RF
- 4	233N7403-28		PANEL INSTL-P61 SIDEWALL (ELECTRICAL POWER ONLY) POSITION DATA: R FOR NHA/OTHER SYS DET SEE: 25-10-00-15B	101101	RF
- 5	233N7403-158		PANEL INSTL-P61 SIDEWALL (ELECTRICAL POWER ONLY) POSITION DATA: R FOR NHA/OTHER SYS DET SEE: 25-10-00-15B	108120	RF

MISSING ITEM NUMBERS NOT APPLICABLE

- ITEM NOT ILLUSTRATED

BRI

24-22-73-02

BOEING PROPRIETARY - Copyright © - Unpublished Work - See title page for details.

24-22-73
FIG. 02
PAGE 1
JAN 20/09



757

PARTS CATALOG (MAINTENANCE)

FIG ITEM	PART NUMBER	1 2 3 4 5 6 7	NOMENCLATURE	EFFECT FROM TO	UNITS PER ASSY
2 - 8	MODREF33342		PANEL INSTL- (ELECTRICAL POWER ONLY) MODULE NUMBER: 233N7403-171 REV A FOR OTHER SYS DETAILS SEE: 11-32-01-98 21-58-51-04 22-21-51-01 23-41-52-01 26-18-53-02 26-21-52-01 26-22-52-01 26-23-52-03 27-23-51-02 28-41-51-04 29-22-52-01 30-11-52-01 30-41-51-04 31-14-16-87 31-31-04-01 31-41-53-01 31-51-51-01 34-12-54-01 34-21-51-02 34-46-51-05 34-61-53-03	103106	1
10	233N7503-51		.PANEL ASSY-GEN FIELD AND HYDR SUPPLIER CODE: V89954 ELECTRICAL EQUIP NUMBER: M10191 COMPONENT MAINT MANUAL REF: 24-22-73 QUALIFIED I/W DATA: -32 I/W -51 EXCEPT WHEN INSTALLING A -32 IN PLACE OF -51 FIELD GENERATOR SWITCHES S1, S2, S3 MUST BE MARKED INOPERABLE.	108120	RF
10	233N7503-56		.PANEL ASSY-GEN FIELD AND HYDR SUPPLIER CODE: V89954 ELECTRICAL EQUIP NUMBER: M10191 COMPONENT MAINT MANUAL REF: 24-22-73	101106 504903	RF

MISSING ITEM NUMBERS NOT APPLICABLE

- ITEM NOT ILLUSTRATED

BRI

24-22-73-02

24-22-73
FIG. 02
PAGE 2
JAN 20/09



757

PARTS CATALOG (MAINTENANCE)

FIG ITEM	PART NUMBER	1 2 3 4 5 6 7	NOMENCLATURE	EFFECT FROM TO	UNITS PER ASSY
2					
15	600-149-1001	..	RELAY-TIMER SUPPLIER CODE: V15420 OPTIONAL PART: TDH1859-1001 V35344	101106 504903	1
15	TDH1859-1001	..	RELAY-TIMER SUPPLIER CODE: V35344 OPTIONAL PART: 600-149-1001 V15420	101106 504903	1
20	451120-028	..	SOCKET-RELAY SUPPLIER CODE: V03743 OPTIONAL PART: BACS16AH1	101106 504903	1
20	RSE120028	..	SOCKET-RELAY SUPPLIER CODE: V58982 SPECIFICATION NUMBER: BACS16AH1 OPTIONAL PART: 451120-028 V58982 451120-028 V03743	101106 504903	1
25	600-149-1001	..	RELAY-TIMER SUPPLIER CODE: V15420 OPTIONAL PART: TDH1859-1001 V35344 USED ON: 233N7503-51 233N7503-53 233N7503-60	108120	1
25	TDH1859-1001	..	RELAY-TIMER SUPPLIER CODE: V35344 OPTIONAL PART: 600-149-1001 V15420 USED ON: 233N7503-51 233N7503-53 233N7503-60	108120	1

MISSING ITEM NUMBERS NOT APPLICABLE

- ITEM NOT ILLUSTRATED

BRI

24-22-73-02

24-22-73
FIG. 02
PAGE 3
JAN 20/09



757

PARTS CATALOG (MAINTENANCE)

FIG ITEM	PART NUMBER	1 2 3 4 5 6 7	NOMENCLATURE	EFFECT FROM TO	UNITS PER ASSY
2					
30	451120-028	..	SOCKET-RELAY SUPPLIER CODE: V03743 OPTIONAL PART: BACS16AH1 USED ON: 233N7503-51 233N7503-53 233N7503-60	108120	1
30	RSE120028	..	SOCKET-RELAY SUPPLIER CODE: V58982 SPECIFICATION NUMBER: BACS16AH1 OPTIONAL PART: 451120-028 V58982 451120-028 V03743	108120	1
35	MS51957-14	..	SCREW	101106 504903	2
35	NAS1801-04-5	..	SCREW- OPTIONAL PART: BACS12HN04-5	108120	2
35	BACS12HN04-5	..	SCREW- OPTIONAL PART: NAS1801-04-5	108120	2
45	K19798-04	..	NUT SUPPLIER CODE: V15653 SPECIFICATION NUMBER: BACN10NW1 OPTIONAL PART: RMA4812-160-40 V72962 293162 V60119	101106 108120 504903	2
65	BACC45FN16-24P8	..	CONNECTOR	101106 108120 504903	1
- 500	286N2080-701		WIRE BUNDLE ASSY	103106	RF
- 500	286N2080-303		WIRE BUNDLE ASSY-	101102	RF
- 500	286N2080-311		WIRE BUNDLE ASSY	504903	RF
- 500	286N2080-301		WIRE BUNDLE ASSY-	108120	RF
505	BACC10GH16	.	CLAMP- ELECTRICAL EQUIP NUMBER: D03714T WIRING DIAGRAM REF: 242241	101106 108120 504903	1

MISSING ITEM NUMBERS NOT APPLICABLE

- ITEM NOT ILLUSTRATED

24-22-73-02

24-22-73
FIG. 02
PAGE 4
JAN 20/09

BRI

BOEING PROPRIETARY - Copyright © - Unpublished Work - See title page for details.



**757
PARTS CATALOG (MAINTENANCE)**

FIG ITEM	PART NUMBER	1 2 3 4 5 6 7	NOMENCLATURE	EFFECT FROM TO	UNITS PER ASSY
2 510	BACC45FT16-24S8	.	CONNECTOR- ELECTRICAL EQUIP NUMBER: D03714 WIRING DIAGRAM REF: 242241	101106 504903	1
	510 BACC63BN16-24S8	.	CONNECTOR- ELECTRICAL EQUIP NUMBER: D03714 WIRING DIAGRAM REF: 242241	108120	1

MISSING ITEM NUMBERS NOT APPLICABLE

— ITEM NOT ILLUSTRATED

BRI

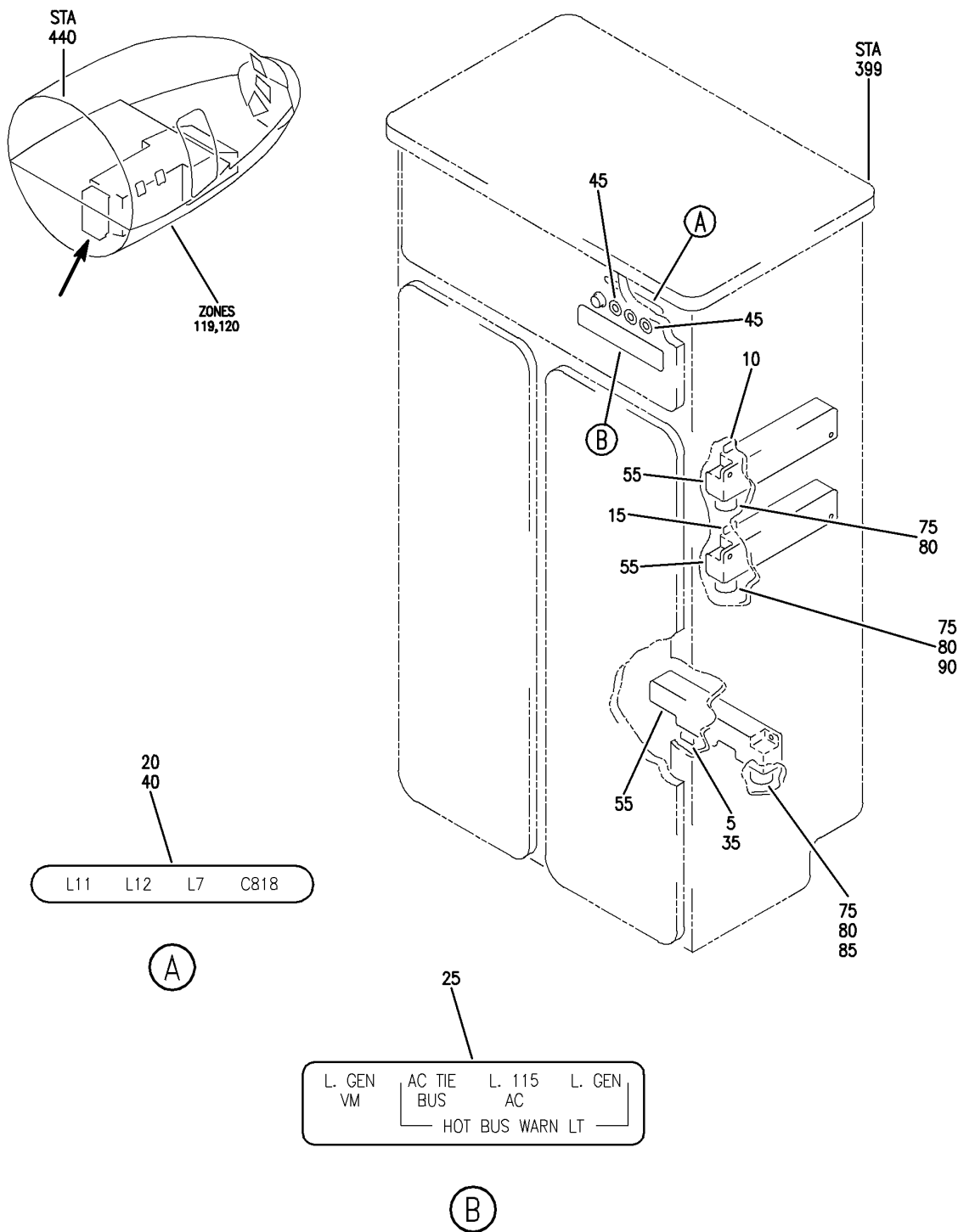
24-22-73-02

BOEING PROPRIETARY - Copyright © - Unpublished Work - See title page for details.

24-22-73
FIG. 02
PAGE 5
JAN 20/09

FAULT SENSING

BOEING
757
PARTS CATALOG (MAINTENANCE)



Y 24230101 REV 226

EQUIPMENT ASSY-L GEN PWR PNL P31 (CURRENT TRANSFORMERS ONLY)
FIGURE 1

24-23-01-01

BRI
MAY 28/07

24-23-01-01
PAGE 0



757

PARTS CATALOG (MAINTENANCE)

FIG ITEM	PART NUMBER	1 2 3 4 5 6 7	NOMENCLATURE	EFFECT FROM TO	UNITS PER ASSY
1			EQUIPMENT ASSY-L GEN PWR PNL P31 (CURRENT TRANSFORMERS ONLY)	002004 006100 107107 121503 904999	
- 1	284N1314-1		EQUIPMENT ASSY-GEN PWR PNL P31 (CURRENT TRANSFORMERS ONLY) POSITION DATA: L VARIABLE DRAWING REF: 284N1314-5010 284N1314-5011 284N1314-5017 284N1314-5022 FOR NHA/OTHER SYS DET SEE: 31-01-31-02	002004 006100 107107 121503 904999	RF
5	BAC27TEX31		.DECAL- PLACARD CONTENT: T105	002004 006100 107107 121503 904999	1
10	BAC27TEX32		.DECAL- PLACARD CONTENT: T112	002004 006100 107107 121503 904999	1
15	BAC27TEX33		.DECAL- PLACARD CONTENT: T127	002004 006100 107107 121503 904999	1
20	BAC27NEX2264		.DECAL	002004 006100 107107 121503 904999	1
25	BAC27TEX38		.DECAL	002004 006100 107107 121503 904999	1
45	33-32683-6P1		.LIGHT- SUPPLIER CODE: V79692	002004 006100 107107 121503 904999	3

MISSING ITEM NUMBERS NOT APPLICABLE

- ITEM NOT ILLUSTRATED

BRI

24-23-01-01

24-23-01
FIG. 01
PAGE 1
JAN 20/09



757

PARTS CATALOG (MAINTENANCE)

FIG ITEM	PART NUMBER	1 2 3 4 5 6 7	NOMENCLATURE	EFFECT FROM TO	UNITS PER ASSY
1	55 727802		.TRANSFORMER ASSY-CURRENT SUPPLIER CODE: V99167 SPECIFICATION NUMBER: S281T001-4 ELECTRICAL EQUIP NUMBER: T00105 T00112 T00127 ATTACHING PARTS	002004 006100 107107 121503 904999	3
- 60	NAS1801-3-18		.SCREW	002004 006100 107107 121503 904999	2
- 65	NAS1801-3-18		.SCREW	002004 006100 107107 121503 904999	4
- 70	286N1136-001		-----*----- .WIRE BUNDLE ASSY-	107107 121503 904949	1
- 70	286N1136-003		.WIRE BUNDLE ASSY	002004 006100 950999	1
80	BACC45FT10A5P		..CONNECTOR- ELECTRICAL EQUIP NUMBER: D02162 D02166 D02168 WIRING DIAGRAM REF: 242311 242312	002004 006100 107107 121503 904999	3

MISSING ITEM NUMBERS NOT APPLICABLE

- ITEM NOT ILLUSTRATED

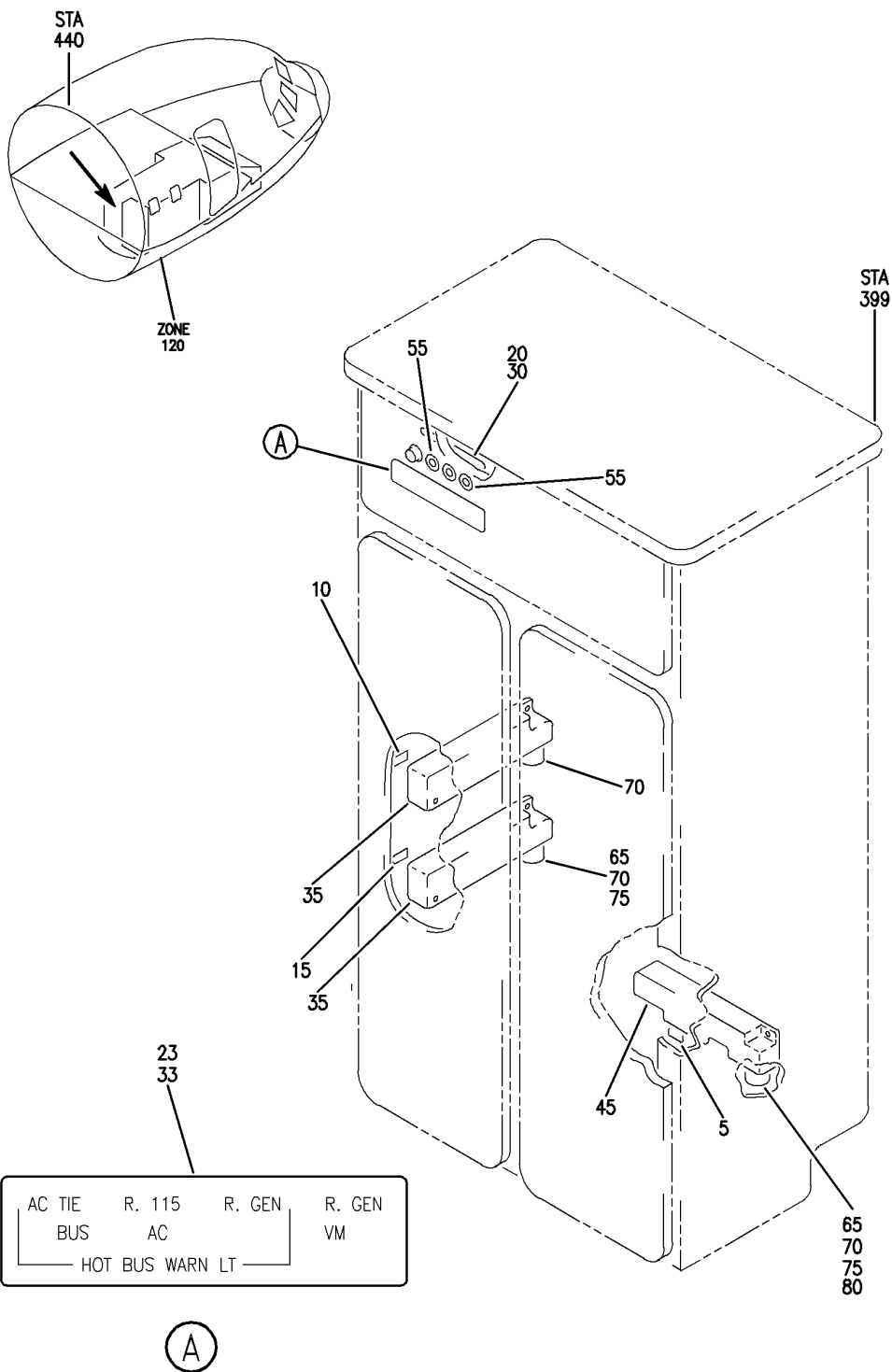
BRI

24-23-01-01

BOEING PROPRIETARY - Copyright © - Unpublished Work - See title page for details.

24-23-01
FIG. 01
PAGE 2
JAN 20/09

BOEING
757
PARTS CATALOG (MAINTENANCE)



Y 24230102 REV 228

(A)

EQUIPMENT ASSY-R GEN PWR PNL P32 (CURRENT TRANSFORMERS ONLY)
FIGURE 2

24-23-01-02

BRI
MAY 28/07

24-23-01-02
PAGE 0



757

PARTS CATALOG (MAINTENANCE)

FIG ITEM	PART NUMBER	1 2 3 4 5 6 7	NOMENCLATURE	EFFECT FROM TO	UNITS PER ASSY
2			EQUIPMENT ASSY-R GEN PWR PNL P32 (CURRENT TRANSFORMERS ONLY)	002004 006100 107107 121503 904999	
- 1	284N1315-1		EQUIPMENT ASSY-R GEN PWR PNL P32 (CURRENT TRANSFORMERS ONLY) VARIABLE DRAWING REF: 284N1315-5015 284N1315-5023 284N1315-5049 284N1315-5050 284N1315-5052 FOR NHA/OTHER SYS DET SEE: 31-01-32-02	002004 006100 107107 121503 904999	RF
5	BAC27TEX55		.DECAL- PLACARD CONTENT: T107	002004 006100 107107 121503 904999	1
10	BAC27TEX56		.DECAL- PLACARD CONTENT: T113	002004 006100 107107 121503 904999	1
15	BAC27TEX57		.DECAL- PLACARD CONTENT: T128	002004 006100 107107 121503 904999	1
20	BAC27NEX2263		.DECAL- PLACARD CONTENT: L8 L13 L14 C819	002004 006100 107107 121503 904999	1
23	BAC27TEX39		.DECAL	002004 006100 107107 121503 904999	1
35	727802		.TRANSFORMER ASSY-CURRENT SUPPLIER CODE: V99167 SPECIFICATION NUMBER: S281T001-4 ELECTRICAL EQUIP NUMBER: T00113 T00128	002004 006100 107107 121503 904999	2

MISSING ITEM NUMBERS NOT APPLICABLE

- ITEM NOT ILLUSTRATED

24-23-01-02

24-23-01
FIG. 02
PAGE 1
JAN 20/09

BRI



757

PARTS CATALOG (MAINTENANCE)

FIG ITEM	PART NUMBER	1 2 3 4 5 6 7	NOMENCLATURE	EFFECT FROM TO	UNITS PER ASSY
2			ATTACHING PARTS		
- 40	NAS1801-3-18		.SCREW	002004 006100 107107 121503 904999	4
			-----*-----		
45	727802		.TRANSFORMER ASSY-CURRENT SUPPLIER CODE: V99167 SPECIFICATION NUMBER: S281T001-4 ELECTRICAL EQUIP NUMBER: T00107	002004 006100 107107 121503 904999	1
- 50	NAS1801-3-18		ATTACHING PARTS .SCREW	002004 006100 107107 121503 904999	2
			-----*-----		
55	33-32683-6P1		.LIGHT- SUPPLIER CODE: V79692 ELECTRICAL EQUIP NUMBER: L00008 L00013 L00014	002004 006100 107107 121503 904999	3
- 60	286N1138-001		.WIRE BUNDLE ASSY	107107 121503 904949	1
- 60	286N1138-004		.WIRE BUNDLE ASSY	002004 006100 950999	1
70	BACC45FT10A5P		..CONNECTOR- ELECTRICAL EQUIP NUMBER: D02224 D02230 D02232 WIRING DIAGRAM REF: 242311 242312	002004 006100 107107 121503 904999	3

MISSING ITEM NUMBERS NOT APPLICABLE

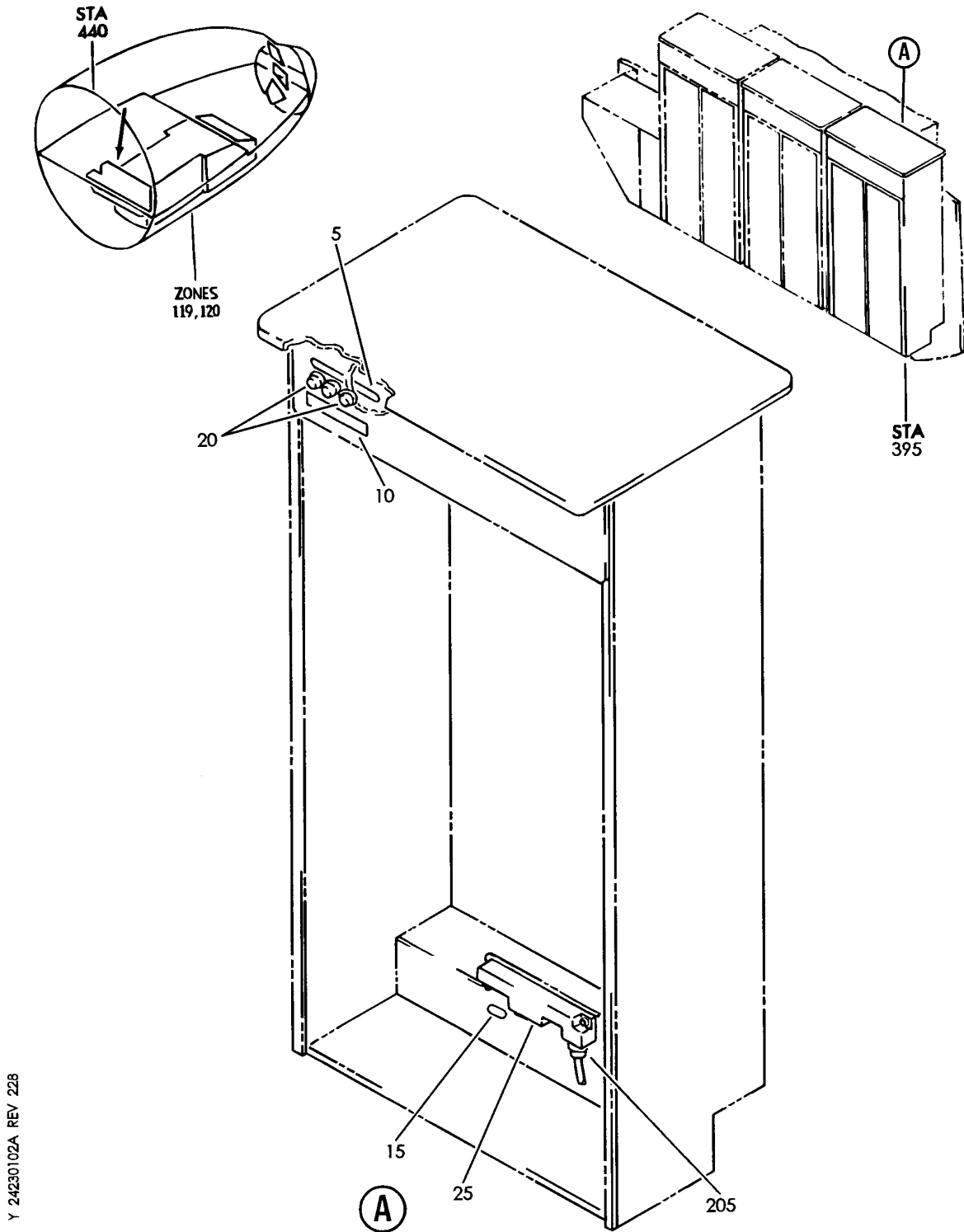
- ITEM NOT ILLUSTRATED

BRI

24-23-01-02

24-23-01
FIG. 02
PAGE 2
JAN 20/09

BOEING
757
PARTS CATALOG (MAINTENANCE)



Y 24230102A REV 228

PANEL ASSY-R GEN PWR PNL P32 (CURRENT TRANSFORMERS ONLY)
FIGURE 2A

24-23-01-02A

BRI
JAN 20/09

24-23-01-02A
PAGE 0



757

PARTS CATALOG (MAINTENANCE)

FIG ITEM	PART NUMBER	1 2 3 4 5 6 7	NOMENCLATURE	EFFECT FROM TO	UNITS PER ASSY
2A			PANEL ASSY-R GEN PWR PNL P32 (CURRENT TRANSFORMERS ONLY)	103106 108120	
- 1	284N1315-122		PANEL ASSY-R GEN PWR PNL P32 (CURRENT TRANSFORMERS ONLY) FOR NHA/OTHER SYS DET SEE: 24-00-58-05C	108120	RF
- 2	MODREF31489		PANEL ASSY-R GEN PWR PNL P32 (CURRENT TRANSFORMERS ONLY) MODULE NUMBER: 284N1315-206 REV A FOR OTHER SYS DETAILS SEE: 11-36-07-02 24-21-51-04 24-22-03-06A 24-22-51-07 24-32-51-05 24-51-55-03 24-53-51-22 25-31-03-04 25-72-51-01 29-11-67-01	103106	1
10	BAC27TEX39		.DECAL	103106 108120	1
20	33-32683-6P1		.LIGHT- SUPPLIER CODE: V79692 ELECTRICAL EQUIP NUMBER: L0008 L00013 L00014	103106 108120	3
25	727802		.TRANSFORMER ASSY-CURRENT SUPPLIER CODE: V99167 SPECIFICATION NUMBER: S281T001-4 ELECTRICAL EQUIP NUMBER: T00107	103106 108120	1
- 30	NAS1801-3-18		ATTACHING PARTS .SCREW	103106 108120	2
- 200	286N1138-322		-----*----- WIRE BUNDLE ASSY	108120	RF
- 201	286N1138-751		WIRE BUNDLE ASSY	103106	RF

MISSING ITEM NUMBERS NOT APPLICABLE

- ITEM NOT ILLUSTRATED

24-23-01-02A

24-23-01
FIG. 02A
PAGE 1
JAN 20/09

BRI



757

PARTS CATALOG (MAINTENANCE)

FIG ITEM	PART NUMBER	1 2 3 4 5 6 7	NOMENCLATURE	EFFECT FROM TO	UNITS PER ASSY
2A 205	BACC45FT10A5P	.	CONNECTOR- ELECTRICAL EQUIP NUMBER: D02224 WIRING DIAGRAM REF: 242111	103106 108120	1

MISSING ITEM NUMBERS NOT APPLICABLE

- ITEM NOT ILLUSTRATED

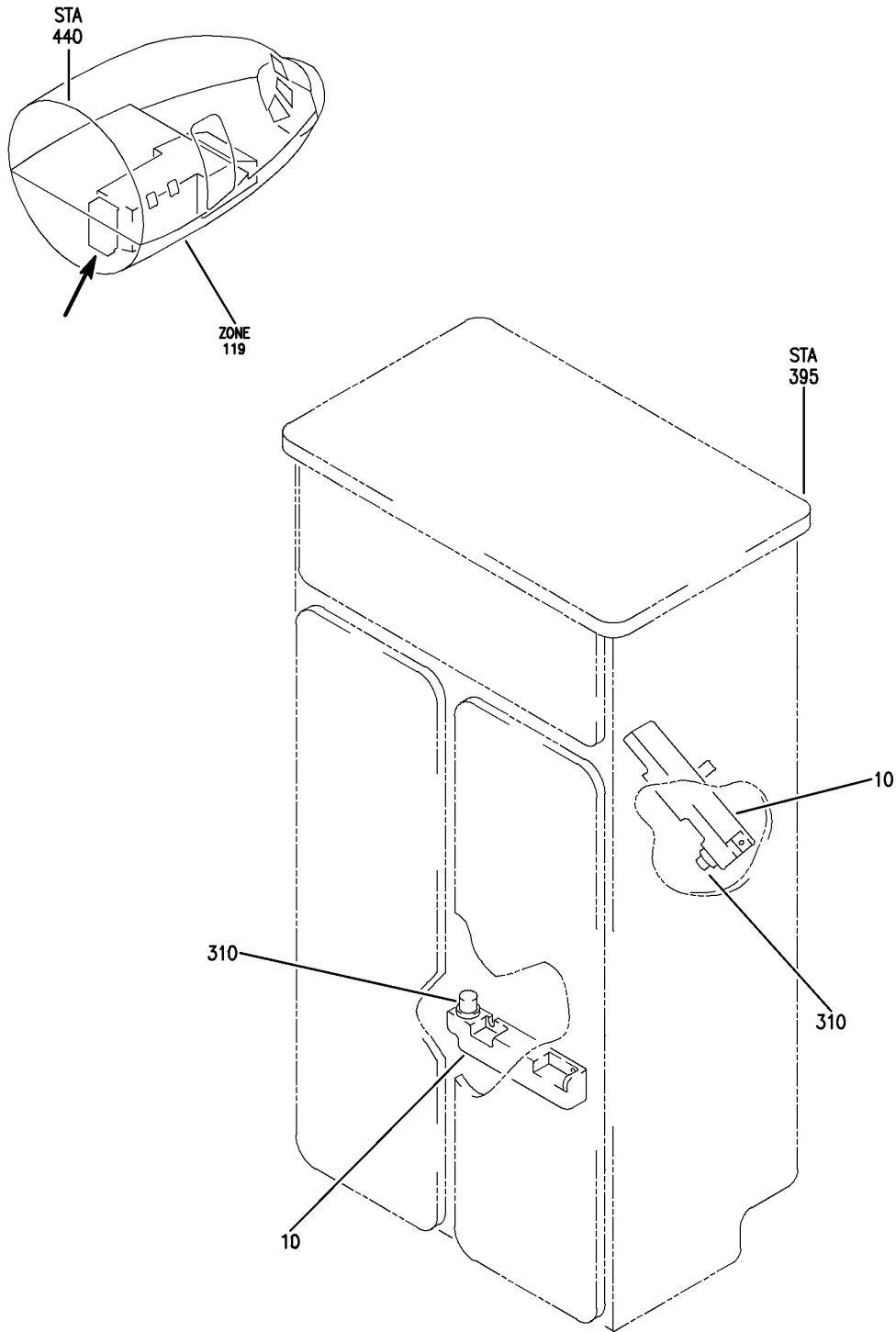
BRI

24-23-01-02A

BOEING PROPRIETARY - Copyright © - Unpublished Work - See title page for details.

24-23-01
FIG. 02A
PAGE 2
JAN 20/09

BOEING
757
PARTS CATALOG (MAINTENANCE)



Y 24230103 REV 227

PANEL ASSY-P34 APU/EXT PWR (FAULT SENSING ONLY)
FIGURE 3

24-23-01-03

BRI
JAN 20/09

24-23-01-03
PAGE 0



757

PARTS CATALOG (MAINTENANCE)

FIG ITEM	PART NUMBER	1 2 3 4 5 6 7	NOMENCLATURE	EFFECT FROM TO	UNITS PER ASSY
3			PANEL ASSY-P34 APU/EXT PWR (FAULT SENSING ONLY)	103106 108120	
- 2	284N1316-147		PANEL ASSY-P34 APU/EXT PWR (FAULT SENSING ONLY)	108120	RF
			FOR NHA/OTHER SYS DET SEE: 24-00-58-05C		
- 5	MODREF31492		PANEL ASSY-P34 APU/EXT PWR (FAULT SENSING ONLY)	103105	1
			MODULE NUMBER: 284N1316-207 REV A		
			FOR OTHER SYS DETAILS SEE: 11-36-09-08 24-22-03-04 24-41-01-02 24-51-01-03 24-51-03-02 24-51-04-03 24-51-54-04 24-53-73-02 24-54-01-02 31-01-34-03 33-21-71-02 33-22-71-02 33-24-71-02 33-42-71-03 38-14-71-02		
- 5	MODREF34794		PANEL ASSY-P34 APU/EXT PWR (FAULT SENSING ONLY)	106106	1
			MODULE NUMBER: 284N1316-207 REV B		
			FOR OTHER SYS DETAILS SEE: 11-36-09-08 24-22-03-04 24-41-01-02 24-51-01-03 24-51-03-02 24-51-04-03 24-51-54-04 24-53-73-02 24-54-01-02 31-01-34-03 33-21-71-02 33-22-71-02 33-24-71-02 33-42-71-03 38-14-71-02		

MISSING ITEM NUMBERS NOT APPLICABLE

- ITEM NOT ILLUSTRATED

BRI

24-23-01-03

24-23-01
FIG. 03
PAGE 1
JAN 20/09



**757
PARTS CATALOG (MAINTENANCE)**

FIG ITEM	PART NUMBER	1 2 3 4 5 6 7	NOMENCLATURE	EFFECT FROM TO	UNITS PER ASSY
3 10	727802		.TRANSFORMER ASSY-CURRENT SUPPLIER CODE: V99167 SPECIFICATION NUMBER: S281T001-4 ELECTRICAL EQUIP NUMBER: T00111 T00122 ATTACHING PARTS	103106 108120	2
- 20	NAS1801-3-18		.SCREW	108120	4
- 20	BACS12HN3-18		.SCREW	103106	4
			-----*-----		
- 300	286N1128-318		WIRE BUNDLE ASSY	108120	RF
- 301	286N1128-701		WIRE BUNDLE ASSY	103106	RF
310	BACC45FT10A5P		.CONNECTOR- ELECTRICAL EQUIP NUMBER: D01852 D02228 WIRING DIAGRAM REF: 244111 242141	103106 108120	2

MISSING ITEM NUMBERS NOT APPLICABLE

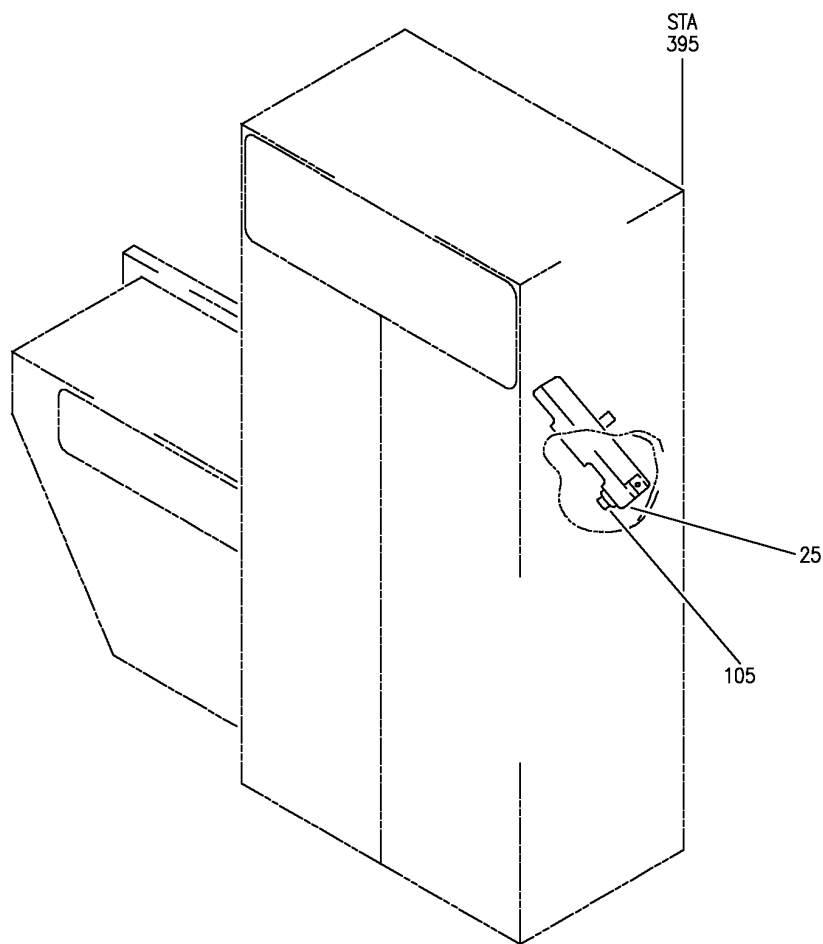
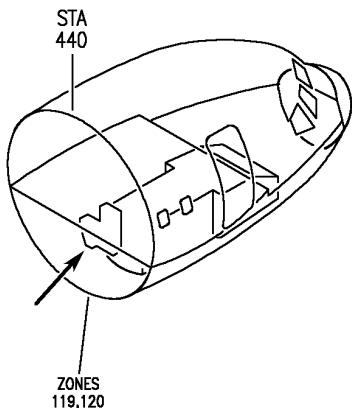
- ITEM NOT ILLUSTRATED

24-23-01-03

24-23-01
FIG. 03
PAGE 2
JAN 20/09

BRI

BOEING
757
PARTS CATALOG (MAINTENANCE)



Y 24230103A REV 269

PACKAGE ASSY-OPTION P34 APU/EXT PWR (FAULT SENSING ONLY)
FIGURE 3A

24-23-01-03A

BRI
MAY 28/07

24-23-01-03A
PAGE 0



757

PARTS CATALOG (MAINTENANCE)

FIG ITEM	PART NUMBER	1 2 3 4 5 6 7	NOMENCLATURE	EFFECT FROM TO	UNITS PER ASSY
3A			PACKAGE ASSY-OPTION P34 APU/EXT PWR (FAULT SENSING ONLY)	101102 504903	
- 1	284N1316-1000		PACKAGE ASSY-OPTION P34 APU/EXT PWR (FAULT SENSING ONLY) FOR NHA/OTHER SYS DET SEE: 31-01-34-01	101102 504903	RF
25	727802		.TRANSFORMER ASSY-CURRENT SUPPLIER CODE: V99167 SPECIFICATION NUMBER: S281T001-4 ELECTRICAL EQUIP NUMBER: T00111	101102 504903	1
- 30	NAS1801-3-18		ATTACHING PARTS .SCREW	101102 504903	2
			-----*-----		
- 100	286N1128-315		WIRE BUNDLE ASSY	504903	RF
- 100	286N1128-317		WIRE BUNDLE ASSY	101102	RF
105	BACC45FT10A5P		.CONNECTOR- ELECTRICAL EQUIP NUMBER: D02228 WIRING DIAGRAM REF: 242141	101102 504903	1

MISSING ITEM NUMBERS NOT APPLICABLE

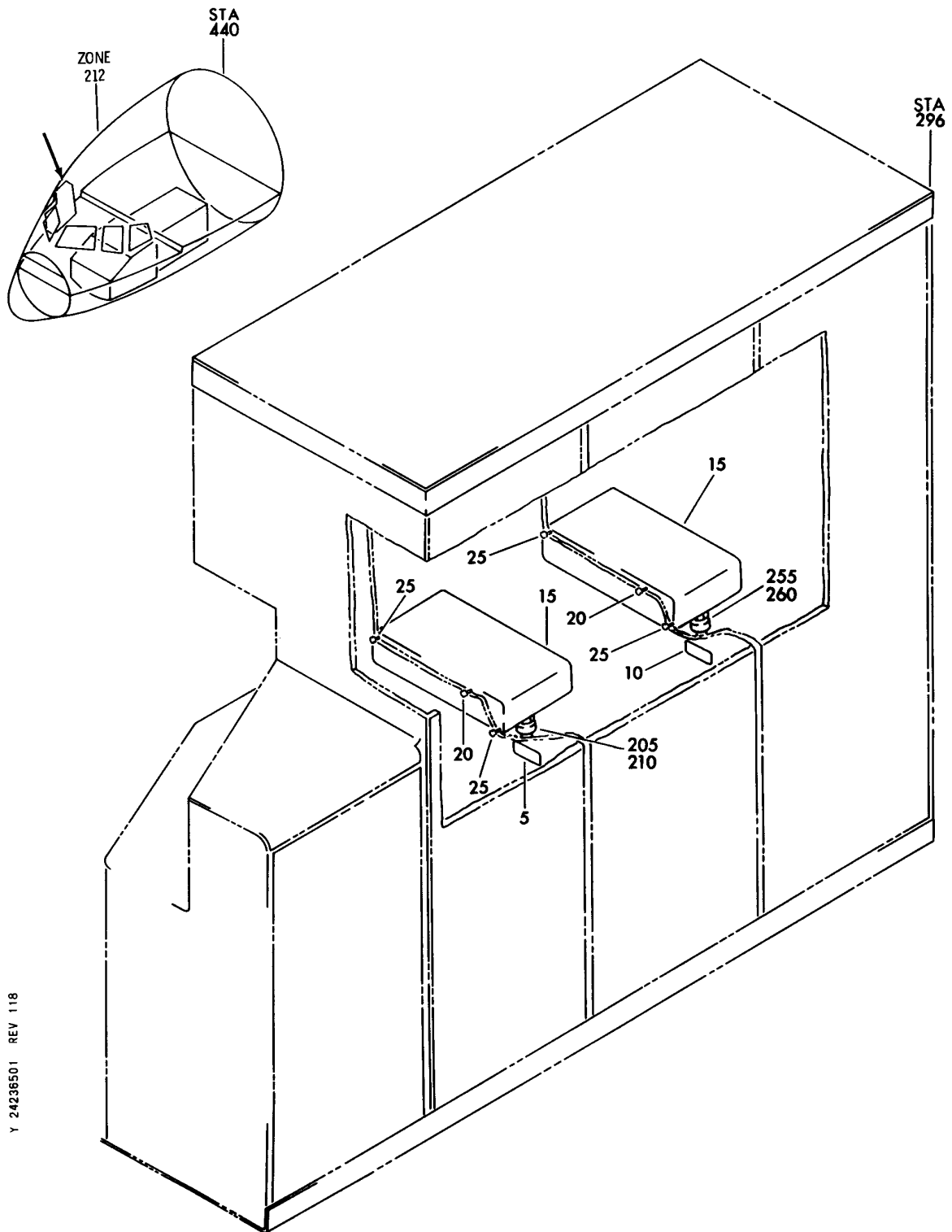
- ITEM NOT ILLUSTRATED

24-23-01-03A

24-23-01
FIG. 03A
PAGE 1
JAN 20/09

BRI

BOEING
757
PARTS CATALOG (MAINTENANCE)



Y 24236501 REV 118

EQUIPMENT INSTL AND PANEL ASSY-P6 PWR DISTR (FAULT SENSING ONLY)
FIGURE 1

24-23-65-01

BRI
MAY 28/07

24-23-65-01
PAGE 0



757

PARTS CATALOG (MAINTENANCE)

FIG ITEM	PART NUMBER	1 2 3 4 5 6 7	NOMENCLATURE	EFFECT FROM TO	UNITS PER ASSY
1			EQUIPMENT INSTL AND PANEL ASSY-P6 PWR DISTR (FAULT SENSING ONLY)	002004 006100 107107 121503 904999	
- 1	287N4102-198		EQUIPMENT ASSY-P6 PWR DISTR (FAULT SENSING ONLY) VARIABLE DRAWING REF: 287N4102-6001 FOR NHA/OTHER SYS DET SEE: 25-29-71-03	107107	RF
- 2	287N4102-223		EQUIPMENT ASSY-P6 PWR DISTR (FAULT SENSING ONLY) VARIABLE DRAWING REF: 287N4102-6001 FOR NHA/OTHER SYS DET SEE: 25-29-71-03	121503 904949	RF
- 4	287N4102-99		PANEL ASSY-P6 PWR DISTR (FAULT SENSING ONLY) VARIABLE DRAWING REF: 287N4102-5112 287N4102-5113 287N4102-5116 FOR NHA/OTHER SYS DET SEE: 24-51-51-01	002004 006100 950999	RF
5	BAC27NEL0037		.MARKER-ALUMINUM FOIL PLACARD CONTENT: T106	107107 121503 904949	1
5	BAC27NEX2614		.DECAL- PLACARD CONTENT: T106	002004 006100 950999	1
10	BAC27NEL0038		.MARKER-ALUMINUM FOIL PLACARD CONTENT: T108	107107 121503 904949	1
10	BAC27NEX2615		.DECAL- PLACARD CONTENT: T108	002004 006100 950999	1
15	727802		.TRANSFORMER ASSY-CURRENT SUPPLIER CODE: V99167 SPECIFICATION NUMBER: S281T001-4 ELECTRICAL EQUIP NUMBER: T00106 T00108	002004 006100 107107 121503 904999	2

MISSING ITEM NUMBERS NOT APPLICABLE

- ITEM NOT ILLUSTRATED

24-23-65-01

24-23-65
FIG. 01
PAGE 1
JAN 20/09

BRI



757

PARTS CATALOG (MAINTENANCE)

FIG ITEM	PART NUMBER	1 2 3 4 5 6 7	NOMENCLATURE	EFFECT FROM TO	UNITS PER ASSY
1			ATTACHING PARTS		
20	NAS1801-3-8		.SCREW	002004 006100 107107 121503 904999	2
25	NAS1801-3-16		.SCREW	002004 006100 107107 121503 904999	4
- 200	286N0072-001		-----*----- .WIRE BUNDLE ASSY	002004 006100 107107 121503 904999	RF
210	BACC45FT10A5P		..CONNECTOR- ELECTRICAL EQUIP NUMBER: D02164 WIRING DIAGRAM REF: 242310	002004 006100 107107 121503 904999	1
- 250	286N0074-001		.WIRE BUNDLE ASSY	107107 121503 904949	RF
- 250	286N0074-002		.WIRE BUNDLE ASSY-	002004 006100 950999	RF
260	BACC45FT10A5P		..CONNECTOR- ELECTRICAL EQUIP NUMBER: D02226 WIRING DIAGRAM REF: 242311	002004 006100 107107 121503 904999	1

MISSING ITEM NUMBERS NOT APPLICABLE

- ITEM NOT ILLUSTRATED

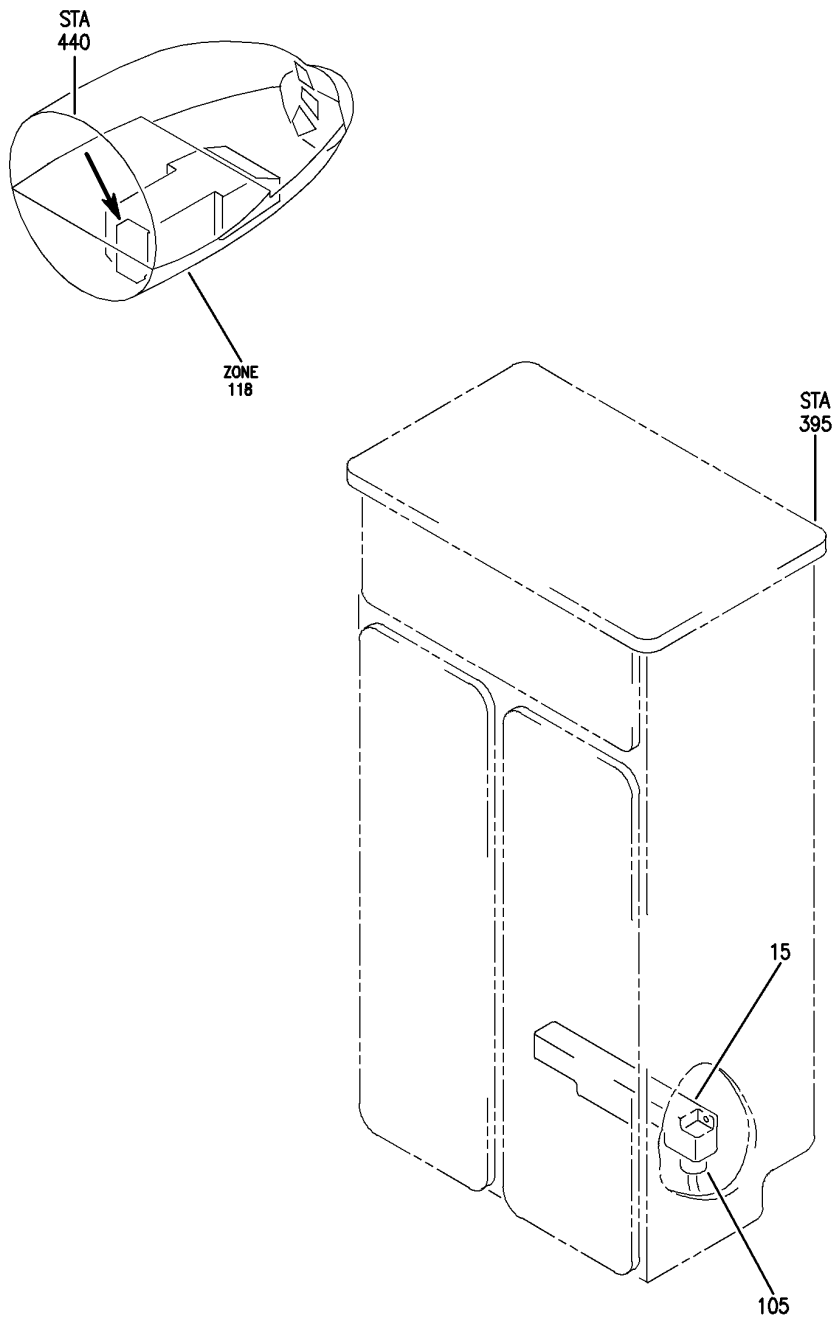
BRI

24-23-65-01

BOEING PROPRIETARY - Copyright © - Unpublished Work - See title page for details.

24-23-65
FIG. 01
PAGE 2
JAN 20/09

BOEING
757
PARTS CATALOG (MAINTENANCE)



Y 24236502A REV 229

PACKAGE ASSY-OPTION P32 GEN PWR PNL (FAULT SENSING ONLY)
FIGURE 2A

24-23-65-02A

BRI
MAY 28/07

24-23-65-02A
PAGE 0

 **BOEING**
757
PARTS CATALOG (MAINTENANCE)

FIG ITEM	PART NUMBER	1 2 3 4 5 6 7	NOMENCLATURE	EFFECT FROM TO	UNITS PER ASSY
2A			PACKAGE ASSY-OPTION P32 GEN PWR PNL (FAULT SENSING ONLY)	101102 504903	
- 1	284N1315-1000		PACKAGE ASSY-OPTION P32 GEN PNL (FAULT SENSING ONLY) POSITION DATA: R FOR NHA/OTHER SYS DET SEE: 24-22-01-01C	101102 504903	RF
15	727802		.TRANSFORMER ASSY-CURRENT SUPPLIER CODE: V99167 SPECIFICATION NUMBER: S281T001-4 ELECTRICAL EQUIP NUMBER: T00107	101102 504903	1
- 20	NAS1801-3-18		ATTACHING PARTS .SCREW	101102 504903	2
			-----*-----		
- 101	286N1138-319		WIRE BUNDLE ASSY	504903	RF
- 101	286N1138-321		WIRE BUNDLE ASSY	101102	RF
105	BACC45FT10A5P		.CONNECTOR- ELECTRICAL EQUIP NUMBER: D02224 WIRING DIAGRAM REF: 242111	101102 504903	1

MISSING ITEM NUMBERS NOT APPLICABLE

- ITEM NOT ILLUSTRATED

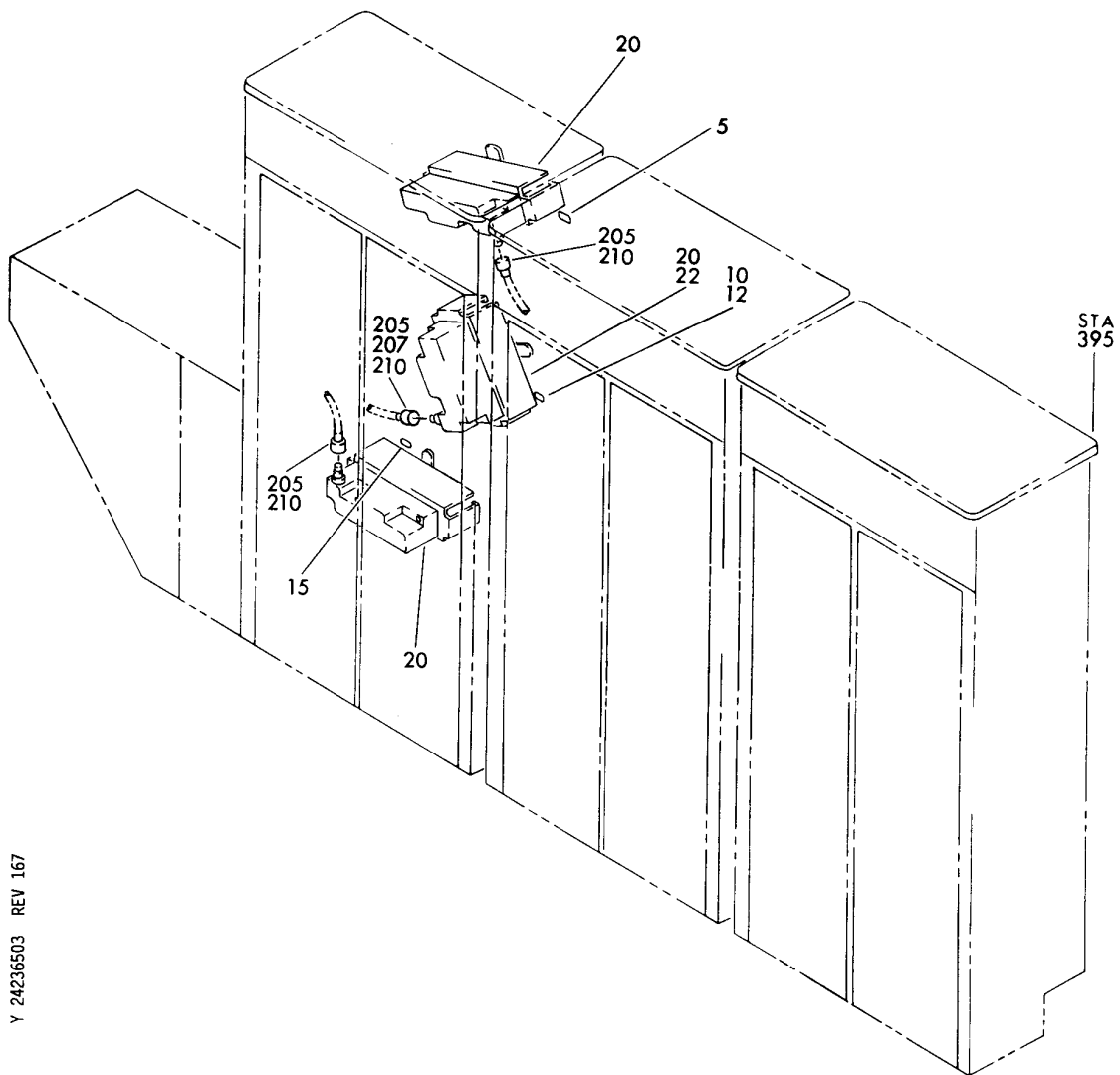
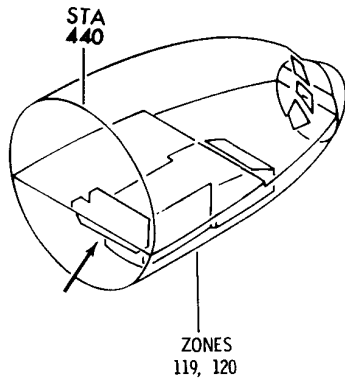
BRI

24-23-65-02A

BOEING PROPRIETARY - Copyright © - Unpublished Work - See title page for details.

24-23-65
FIG. 02A
PAGE 1
JAN 20/09

BOEING
757
PARTS CATALOG (MAINTENANCE)



Y 24236503 REV 167

PANEL ASSY-P34 APU/EXT PWR (FAULT SENSING ONLY)
FIGURE 3

24-23-65-03

BRI
MAY 28/07

24-23-65-03
PAGE 0



757

PARTS CATALOG (MAINTENANCE)

FIG ITEM	PART NUMBER	1 2 3 4 5 6 7	NOMENCLATURE	EFFECT FROM TO	UNITS PER ASSY
3			PANEL ASSY-P34 APU/EXT PWR (FAULT SENSING ONLY)	002004 006102 107107 121503 904999	
- 1	284N1316-1		PANEL ASSY-P34 APU/EXT PWR (FAULT SENSING ONLY) VARIABLE DRAWING REF: 284N1316-5023 284N1316-5047 284N1316-5063 284N1316-5064 284N1316-5067 FOR NHA/OTHER SYS DET SEE: 31-01-34-02	002004 006100 107107 121503 904999	RF
5	BAC27TEX0071		.DECAL- PLACARD CONTENT: T115	002004 006100 107107 121503 904999	1
10	BAC27TEX0070		.DECAL- PLACARD CONTENT: T111	002004 006100 107107 121503 904999	1
12	BAC27TEX0070		.DECAL- PLACARD CONTENT: T111	002004 006100 107107 121503 904999	1
15	BAC27TEX0068		.DECAL- PLACARD CONTENT: T116	002004 006100 107107 121503 904999	1
20	727802		.TRANSFORMER ASSY-CURRENT SUPPLIER CODE: V99167 SPECIFICATION NUMBER: S281T001-4 ELECTRICAL EQUIP NUMBER: T0011 T0015 T0016	002004 006100 107107 121503 904999	3
22	727802		.TRANSFORMER ASSY-CURRENT SUPPLIER CODE: V99167 SPECIFICATION NUMBER: S281T001-4 ELECTRICAL EQUIP NUMBER: T0011	101102	1

MISSING ITEM NUMBERS NOT APPLICABLE

- ITEM NOT ILLUSTRATED

24-23-65-03

24-23-65
FIG. 03
PAGE 1
JAN 20/09

BRI



757

PARTS CATALOG (MAINTENANCE)

FIG ITEM	PART NUMBER	1 2 3 4 5 6 7	NOMENCLATURE	EFFECT FROM TO	UNITS PER ASSY
3			ATTACHING PARTS		
- 25	NAS1801-3-18		.SCREW	002004 006100 107107 121503 904999	6
- 27	NAS1801-3-18		.SCREW	101102	2
- 200	286N1128-001		-----*----- WIRE BUNDLE ASSY- (FAULT SENSING ONLY)	107107 121503 904949	RF
- 200	286N1128-002		WIRE BUNDLE ASSY- (FAULT SENSING ONLY)	002004 006100 950999	RF
205	BACC10GH10		.CLAMP- ELECTRICAL EQUIP NUMBER: D02228T D02234T D02236T WIRING DIAGRAM REF: 242312	002004 006100 107107 121503 904999	3
207	BACC10GH10		.CLAMP- ELECTRICAL EQUIP NUMBER: D02228T WIRING DIAGRAM REF: 242312	101102	1
210	C0909A10-05PN		.CONNECTOR- SUPPLIER CODE: V13556 SPECIFICATION NUMBER: BACC63BN10-5P OPTIONAL PART: 48-63N10-5P V02660 R071210-5P V41118 ELECTRICAL EQUIP NUMBER: D02228 D02234 D02236 WIRING DIAGRAM REF: 242312	002004 006100 107107 121503 904999	3

MISSING ITEM NUMBERS NOT APPLICABLE

- ITEM NOT ILLUSTRATED

24-23-65-03

24-23-65
FIG. 03
PAGE 2
JAN 20/09

BRI



757

PARTS CATALOG (MAINTENANCE)

FIG ITEM	PART NUMBER	1 2 3 4 5 6 7	NOMENCLATURE	EFFECT FROM TO	UNITS PER ASSY
3 212	C0909A10-05PN		.CONNECTOR- SUPPLIER CODE: V13556 SPECIFICATION NUMBER: BACC63BN10-5P OPTIONAL PART: 48-63N10-5P V02660 R071210-5P V41118 ELECTRICAL EQUIP NUMBER: D02228 WIRING DIAGRAM REF: 242312	101102	1

MISSING ITEM NUMBERS NOT APPLICABLE

- ITEM NOT ILLUSTRATED

BRI

24-23-65-03

BOEING PROPRIETARY - Copyright © - Unpublished Work - See title page for details.

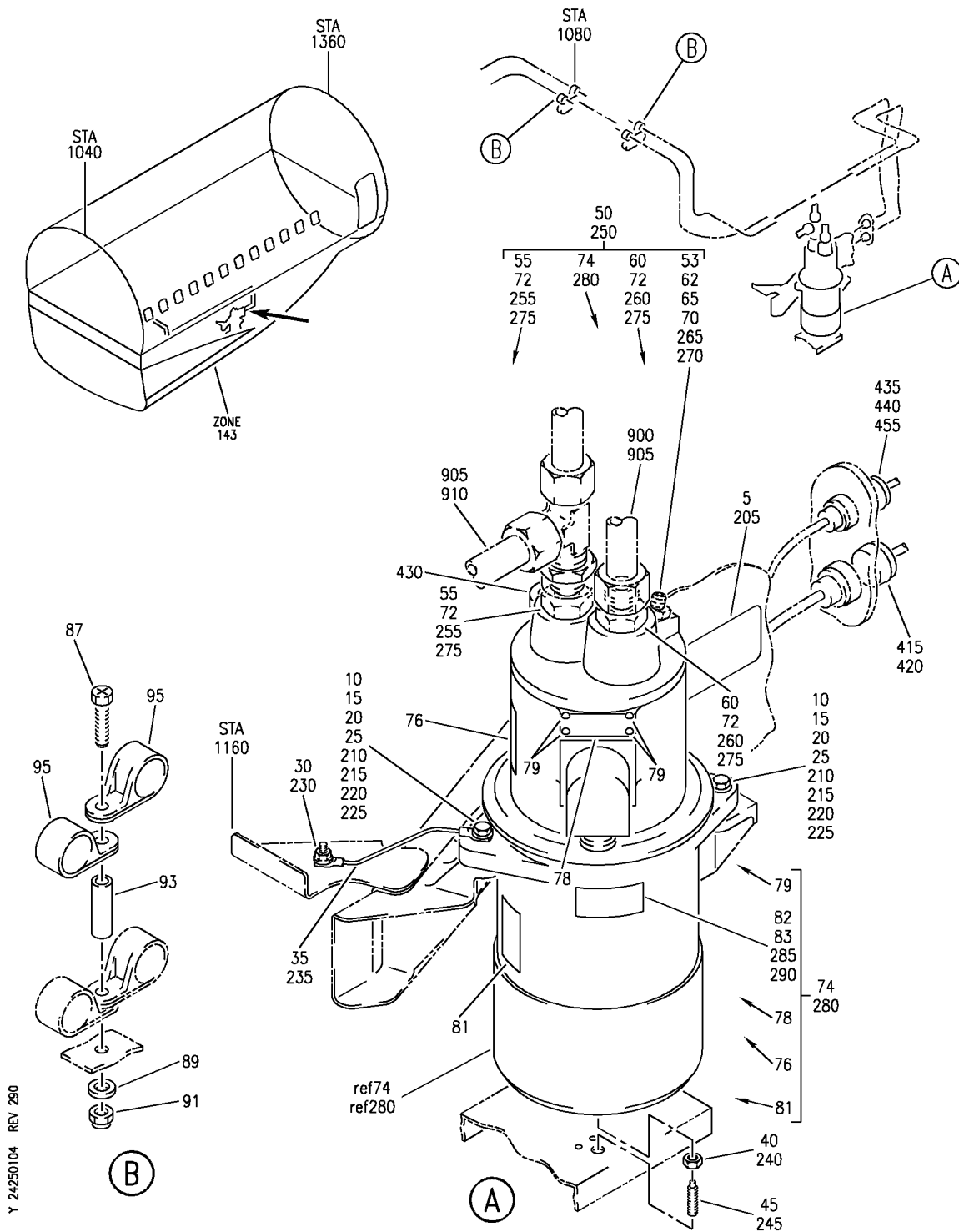
24-23-65
FIG. 03
PAGE 3
JAN 20/09

HYDRAULIC MOTOR DRIVEN GENERATOR SYSTEM

BRI
MAY 28/07

24-25-00
SECTION TITLE
PAGE 1

BOEING
757
PARTS CATALOG (MAINTENANCE)



Y 24250104 REV 290

GENERATOR INSTL-HYDR MOTOR GENERATOR ASSY-HYDR MOTOR AND WIRE BUNDLE ASSY
FIGURE 4

24-25-01-04

BRI
MAY 28/07

24-25-01-04
PAGE 0



757

PARTS CATALOG (MAINTENANCE)

FIG ITEM	PART NUMBER	1 2 3 4 5 6 7	NOMENCLATURE	EFFECT FROM TO	UNITS PER ASSY
4			GENERATOR INSTL-HYDR MOTOR GENERATOR ASSY-HYDR MOTOR AND WIRE BUNDLE ASSY	002004 006503 904949 952999	
- 1	271N1077-1		GENERATOR INSTL-HYDR MOTOR FOR NHA SEE: 29-00-51-05	107107 904949 952952	RF
- 1	271N1077-5		GENERATOR INSTL-HYDR MOTOR FOR NHA SEE: 29-00-51-05	002004 006100 121503 953999	RF
- 1	271N1077-8		GENERATOR INSTL-HYDR MOTOR ETOPS FULL PROVISIONS FOR NHA SEE: 24-00-00-06	101102 108120	RF
- 1	MODREF31364		GENERATOR INSTL-HYDR MOTOR ETOPS FULL PROVISIONS MODULE NUMBER: 271N1077-12 REV A	103106	1
5	BAC27NHY0225		.MARKER-ALUMINUM FOIL PLACARD CONTENT: M1066 HYDRAULIC MOTOR GENERATOR	108120	1
5	BAC27NHY0257		.MARKER-ALUMINUM FOIL PLACARD CONTENT: M1066 HYDRAULIC MOTOR GENERATOR	002004 121503 904949 952952	1
5	BAC27NHY276		.MARKER-ALUMINUM FOIL PLACARD CONTENT: M10661 HYDRAULIC MOTOR GENERATOR PRE SERVICE BULLETIN: 24-0126	006106 108120 953999	1
10	BACB30NM4K16		.BOLT- PRE SERVICE BULLETIN: 24-0126	002004 006106 108503 904949 952999	2
10	BACB30NM4K8		.BOLT- POST SERVICE BULLETIN: 24-0126	009009	2
15	BACW10BN4SC		.WASHER-	002004 006102 108503 904949 952999	2
15	BACW10BP4CD		.WASHER-	103106	2

MISSING ITEM NUMBERS NOT APPLICABLE

- ITEM NOT ILLUSTRATED

BRI

24-25-01-04

24-25-01
FIG. 04
PAGE 1
JAN 20/09



757

PARTS CATALOG (MAINTENANCE)

FIG ITEM	PART NUMBER	1 2 3 4 5 6 7	NOMENCLATURE	EFFECT FROM TO	UNITS PER ASSY
4	20 BACW10BN4SP	.	WASHER-	002004 006102 108503 904949 952999	2
	20 BACW10BP4DP	.	WASHER-	103106	2
	25 MS21042L4	.	NUT-	002004 006102 108503 904949 952999	2
	25 PLH54CD	.	NUT- SUPPLIER CODE: VF0224 SPECIFICATION NUMBER: BACN10YR4CD OPTIONAL PART: H52732-4CD V15653	103106	2
	30 MS21042L3	.	NUT-	002004 006102 108503 904949 952999	1
	30 PLH53CD	.	NUT- SUPPLIER CODE: VF0224 SPECIFICATION NUMBER: BACN10YR3CD OPTIONAL PART: H52732-3CD V15653	103106	1
	35 BACJ40A21-5	.	JUMPER ASSY- PRE SERVICE BULLETIN: 24-0126	002004 006106 108503 904949 952999	1
	40 AN316-6R	.	NUT- OPTIONAL PART: MS21042L6	002004 006102 108503 904949 952999	1
	40 MS21042L6	.	NUT- OPTIONAL PART: AN316-6R	002004 006102 108503 904949 952999	1

MISSING ITEM NUMBERS NOT APPLICABLE

- ITEM NOT ILLUSTRATED

24-25-01-04

24-25-01
FIG. 04
PAGE 2
JAN 20/09

BRI



757

PARTS CATALOG (MAINTENANCE)

FIG ITEM	PART NUMBER	1 2 3 4 5 6 7	NOMENCLATURE	EFFECT FROM TO	UNITS PER ASSY
4	40 PLH56CD		.NUT- SUPPLIER CODE: VF0224 SPECIFICATION NUMBER: BACN10YR6CD OPTIONAL PART: H52732-6CD V15653	103106	1
	45 272T0191-1		.PIN-	002004 006106 108503 904949 952999	1
	50 271N1077-2		.GENERATOR ASSY-	904949 952952	1
	50 271N1077-6		.GENERATOR ASSY- OPTIONAL PART: 271N1077-11 PRE SERVICE BULLETIN: 24-0126	002004 006106 108503 953999	1
	50 271N1077-7		.GENERATOR ASSY- OPTIONAL PART: 271N1077-11	103106	1
	50 271N1077-11		.GENERATOR ASSY- OPTIONAL PART: 271N1077-6 271N1077-7	103106	1
	55 NAS1612-10		..PACKING- USED ON: 271N1077-6	002004 006106 108503 904949 952999	1
	55 NAS1612-10A		..PACKING- USED ON: 271N1077-7	103106	1
	55 NAS1612-12A		..PACKING- USED ON: 271N1077-11	103106	1
	60 NAS1612-12		..PACKING- USED ON: 271N1077-6	002004 006106 108503 904949 952999	1
	60 NAS1612-12A		..PACKING- USED ON: 271N1077-7	103106	1
	60 NAS1612-10A		..PACKING- USED ON: 271N1077-11	103106	1

MISSING ITEM NUMBERS NOT APPLICABLE

- ITEM NOT ILLUSTRATED

24-25-01-04

24-25-01
FIG. 04
PAGE 3
JAN 20/09

BRI



757

PARTS CATALOG (MAINTENANCE)

FIG ITEM	PART NUMBER	1 2 3 4 5 6 7	NOMENCLATURE	EFFECT FROM TO	UNITS PER ASSY
4	62 NAS1612-6		.. PACKING- USED ON: 271N1077-6	002004 006106 108503 953999	1
	62 NAS1612-6A		.. PACKING- USED ON: 271N1077-11 271N1077-7	103106	1
	65 BACU24K6		.. UNION- USED ON: 271N1077-6	002004 006106 108503 953999	1
	65 MS21902-6T		.. UNION- USED ON: 271N1077-11 271N1077-7	103106	1
	70 AFP2326-4		.. REDUCER-UNION SUPPLIER CODE: V30974 SPECIFICATION NUMBER: BACR17E6-4 OPTIONAL PART: AP10276-4 V01673 BC916T6-4 V50948 DBOR17E6-4 V14798 ER21916T6-4 V88334 ER31916-6-4 V88334 F23-6-4 V73197 2-01075T6-4 V11328 31778-6-4 V14397 US2114-6-4 V50808 AP1027T6-4 V01673 US21146-4 V50808 317786-4 V14397	904949 952952	1

MISSING ITEM NUMBERS NOT APPLICABLE

- ITEM NOT ILLUSTRATED

24-25-01-04

24-25-01
FIG. 04
PAGE 4
JAN 20/09

BRI



757

PARTS CATALOG (MAINTENANCE)

FIG ITEM	PART NUMBER	1 2 3 4 5 6 7	NOMENCLATURE	EFFECT FROM TO	UNITS PER ASSY
4	72 AFP23212-10		..REDUCER-UNION SUPPLIER CODE: V30974 SPECIFICATION NUMBER: BACR17E12-10 OPTIONAL PART: AP102712-10 V01673 BC916T12-10 V50948 DBOR17E12-10 V14798 ER21916T12-10 V88334 ER31916-12-10 V88334 F23-12-10 V73197 2-01075T12-10 V11328 31778-12-10 V14397 US2114-12-10 V50808	002004 006106 108503 904949 952999	2
	74 66079		..GENERATOR- SUPPLIER CODE: V93835 ELECTRICAL EQUIP NUMBER: M10661 COMPONENT MAINT MANUAL REF: 24-25-07	904949 952952	1
	74 520850		..GENERATOR- SUPPLIER CODE: VK4413 SPECIFICATION NUMBER: S281N002-1 ELECTRICAL EQUIP NUMBER: M10661 WIRING DIAGRAM REF: 242512 COMPONENT MAINT MANUAL REF: 24-24-01 USED ON: 271N1077-6 271N1077-7	002004 006106 108503 953999	1

MISSING ITEM NUMBERS NOT APPLICABLE

- ITEM NOT ILLUSTRATED

24-25-01-04

24-25-01
FIG. 04
PAGE 5
JAN 20/09

BRI



757

PARTS CATALOG (MAINTENANCE)

FIG ITEM	PART NUMBER	1 2 3 4 5 6 7	NOMENCLATURE	EFFECT FROM TO	UNITS PER ASSY
4					
74	3022008-000	..	GENERATOR- ELECTRICAL EQUIP NUMBER: M10661 WIRING DIAGRAM REF: 242512 COMPONENT MAINT MANUAL REF: 24-24-08 USED ON: 271N1077-11	002004 006106 108503 953999	1
76	21840	...	PLATE-IDENT SUPPLIER CODE: V93835 USED ON: 66079	904949 952952	1
78	74770	...	PLATE-IDENT SUPPLIER CODE: V93835 USED ON: 66079	904949 952952	1
79	MS21318-1	...	SCREW -----*-----	904949 952952	4
81	1597980	...	PLATE-IDENT SUPPLIER CODE: V93835 USED ON: 66079	904949 952952	1
82	520989	...	PLATE-IDENT SUPPLIER CODE: VK4413 USED ON: 520850	002004 006106 108503 953999	1
83	520989	...	PLATE-IDENT SUPPLIER CODE: VK4413 USED ON: 3022008-000	002004 006106 108503 953999	1
900			ILLUSTRATION REFERENCE: PLUMBING INSTL-SECT. 44 KEEL BEAM MLG WHL WELL HYDR (ELECTRICAL POWER ONLY) 24-25-52-01	002004 006100 121503 904949 952999	RF

MISSING ITEM NUMBERS NOT APPLICABLE

- ITEM NOT ILLUSTRATED

24-25-01-04

24-25-01
FIG. 04
PAGE 6
JAN 20/09

BRI

BOEING PROPRIETARY - Copyright © - Unpublished Work - See title page for details.



757

PARTS CATALOG (MAINTENANCE)

FIG ITEM	PART NUMBER	1 2 3 4 5 6 7 NOMENCLATURE	EFFECT FROM TO	UNITS PER ASSY
4 905		ILLUSTRATION REFERENCE: PLUMBING INSTL-SECT. 44 MLG WHL WELL HYDR (HYDRAULIC POWER TRANSFER UNIT SYSTEM ONLY) 29-22-51-20	011100	RF

MISSING ITEM NUMBERS NOT APPLICABLE

- ITEM NOT ILLUSTRATED

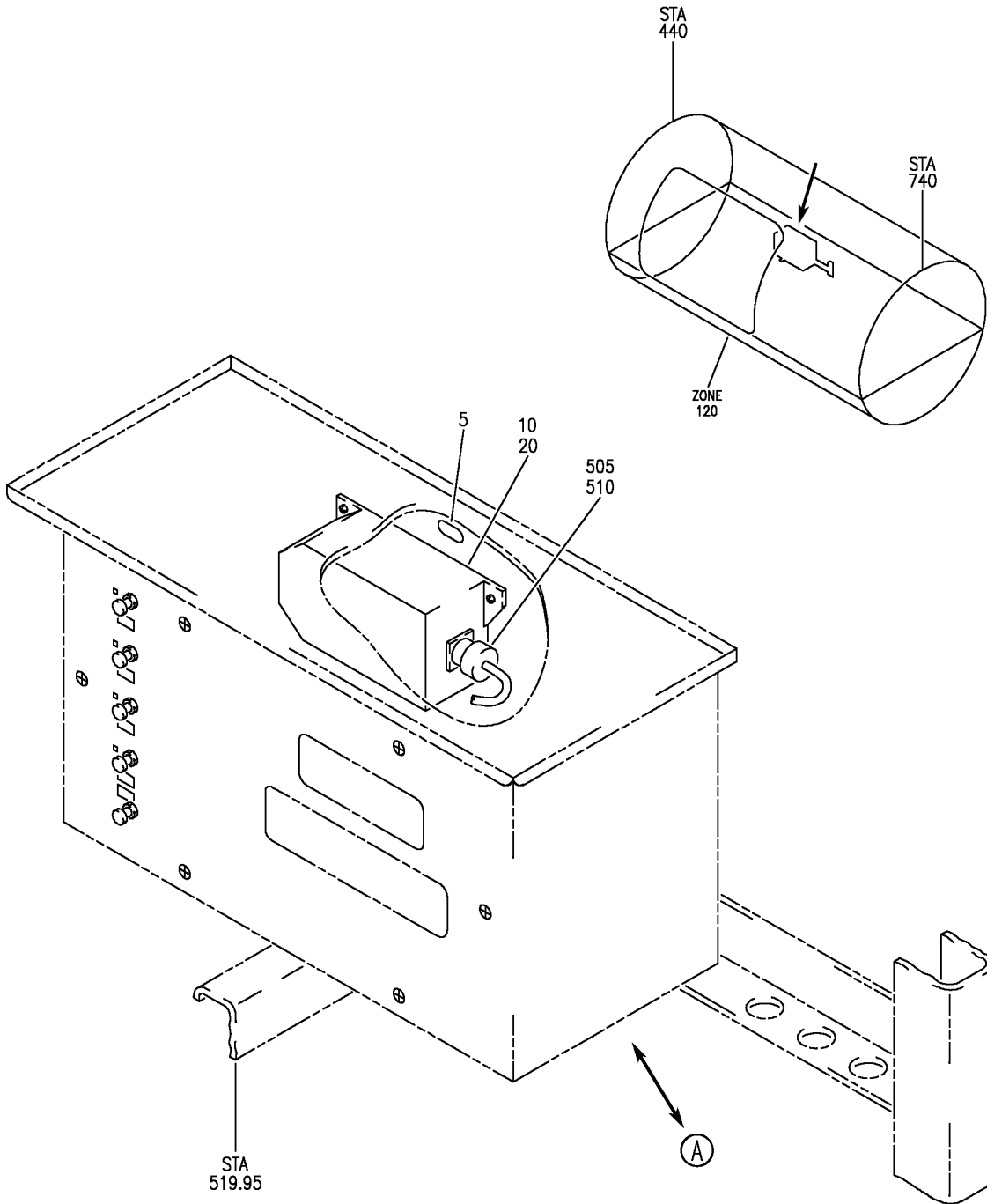
BRI

24-25-01-04

BOEING PROPRIETARY - Copyright © - Unpublished Work - See title page for details.

24-25-01
FIG. 04
PAGE 7
JAN 20/09

BOEING
757
PARTS CATALOG (MAINTENANCE)



Y 24250201 SH1 1 REV 323

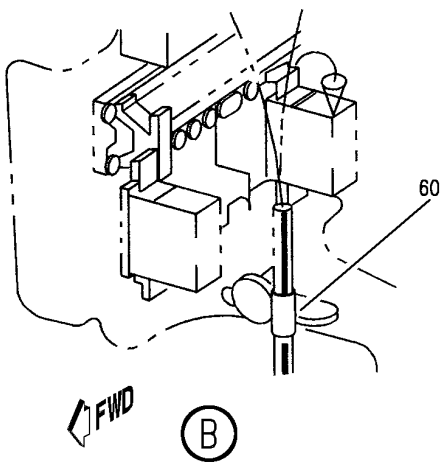
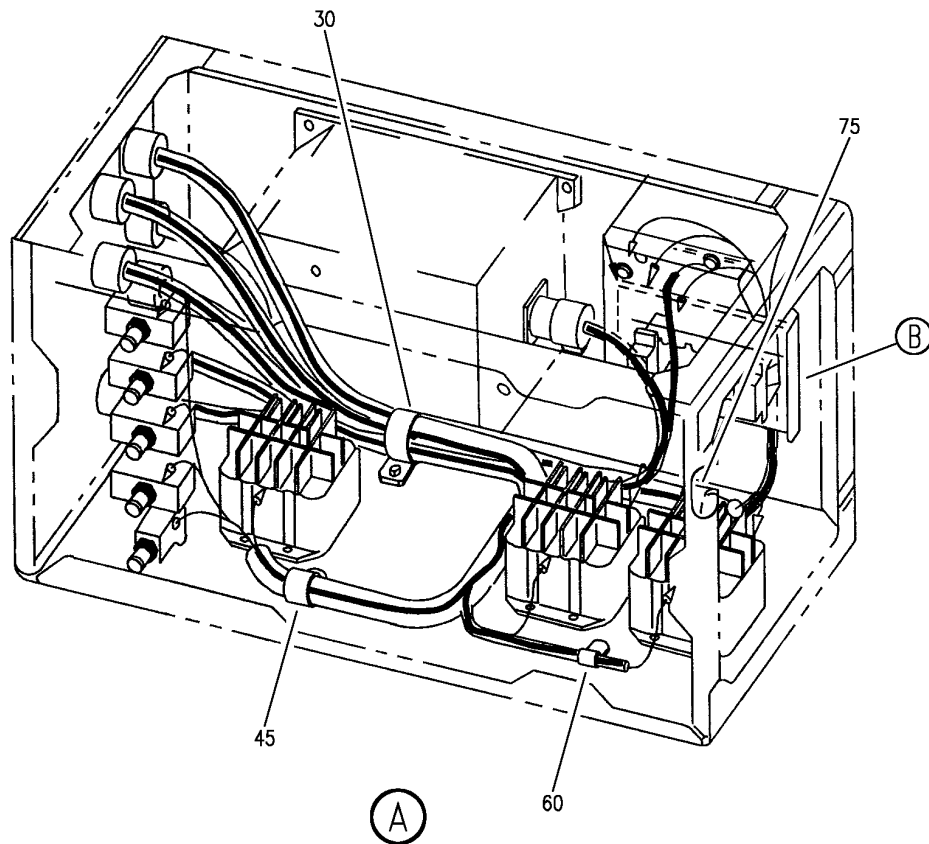
SHIELD ASSY-P71 HYDR GEN CONT (GENERATOR CONTROL UNIT ONLY)
FIGURE 1

24-25-02-01

BRI
MAY 20/08

24-25-02-01
PAGE 0

BOEING
757
PARTS CATALOG (MAINTENANCE)



Y 24250201 SH-T 2 REV 323

SHIELD ASSY-P71 HYDR GEN CONT (GENERATOR CONTROL UNIT ONLY)
FIGURE 1

24-25-02-01

BRI
MAY 20/08

24-25-02-01
PAGE 0A



757

PARTS CATALOG (MAINTENANCE)

FIG ITEM	PART NUMBER	1 2 3 4 5 6 7	NOMENCLATURE	EFFECT FROM TO	UNITS PER ASSY
1			SHIELD ASSY-P71 HYDR GEN CONT (GENERATOR CONTROL UNIT ONLY)	002004 006100 107107 121503 904949 952999	
- 1	284N1790-2		SHIELD ASSY-P71 HYDR GEN CONT (GENERATOR CONTROL UNIT ONLY) POST SERVICE BULLETIN: 24-0048 FOR NHA/OTHER SYS DET SEE: 31-01-71-01	107107 904949	RF
- 1	284N1790-4		SHIELD ASSY-P71 HYDR GEN CONT (GENERATOR CONTROL UNIT ONLY) FOR NHA/OTHER SYS DET SEE: 31-01-71-01	952952	RF
- 1	284N1790-10		SHIELD ASSY-P71 HYDR GEN CONT (GENERATOR CONTROL UNIT ONLY) REWORK DRAWING REF: 284N1790-12 FOR NHA/OTHER SYS DET SEE: 31-01-71-01	002004	RF
- 1	284N1790-14		SHIELD ASSY-P71 HYDR GEN CONT (GENERATOR CONTROL UNIT ONLY) FOR NHA/OTHER SYS DET SEE: 31-01-71-01	121503	RF
- 1	284N1790-16		SHIELD ASSY-P71 HYDR GEN CONT (GENERATOR CONTROL UNIT ONLY) FOR NHA/OTHER SYS DET SEE: 31-01-71-01	006100 953999	RF
5	BAC27NEX2047		.DECAL- PLACARD CONTENT: M10662 PRE SERVICE BULLETIN: 24-0126	002004 006100 107107 121503 904949 952999	1

MISSING ITEM NUMBERS NOT APPLICABLE

- ITEM NOT ILLUSTRATED

24-25-02-01

24-25-02
FIG. 01
PAGE 1
JAN 20/09

BRI



757

PARTS CATALOG (MAINTENANCE)

FIG ITEM	PART NUMBER	1 2 3 4 5 6 7	NOMENCLATURE	EFFECT FROM TO	UNITS PER ASSY
1	10 21428		.UNIT-CONT SUPPLIER CODE: V93835 FUNCTIONAL DESCRIPTION: CONTROLS PROPER OPERATION OF THE HYDRAULIC MOTOR DRIVEN GENERATOR ELECTRICAL EQUIP NUMBER: M10662 PRE SERVICE BULLETIN: 24-0126 ATTACHING PARTS	107107 904949 952952	1
-	15 NAS1801-08-8		.SCREW	107107 904949 952952	4
	20 520854		-----*----- .UNIT-CONT SUPPLIER CODE: VK4413 SPECIFICATION NUMBER: S281N002-2 ELECTRICAL EQUIP NUMBER: M10662 WIRING DIAGRAM REF: 242512 COMPONENT MAINT MANUAL REF: 24-24-02 PRE SERVICE BULLETIN: 24-0126 ATTACHING PARTS	002004 006100 121503 953999	1
-	25 NAS6603-6		.BOLT-	002004 006100 121503 953999	4
-	500 286N1254-001		-----*----- WIRE BUNDLE ASSY-	107107 904949	RF
-	500 286N1254-003		WIRE BUNDLE ASSY	952952	RF
-	500 286N1254-005		WIRE BUNDLE ASSY-	002004 006100 121503 953999	RF
	505 BACC45FS16-24S		.CONNECTOR- ELECTRICAL EQUIP NUMBER: D07070 WIRING DIAGRAM REF: 242512	107107 904949 952952	1

MISSING ITEM NUMBERS NOT APPLICABLE

- ITEM NOT ILLUSTRATED

24-25-02-01

24-25-02
FIG. 01
PAGE 2
JAN 20/09

BRI



757

PARTS CATALOG (MAINTENANCE)

FIG ITEM	PART NUMBER	1 2 3 4 5 6 7	NOMENCLATURE	EFFECT FROM TO	UNITS PER ASSY
1 510	BACC45FS16-24S		.CONNECTOR- ELECTRICAL EQUIP NUMBER: D07070 WIRING DIAGRAM REF: 242512	002004 006100 121503 953999	1

MISSING ITEM NUMBERS NOT APPLICABLE

- ITEM NOT ILLUSTRATED

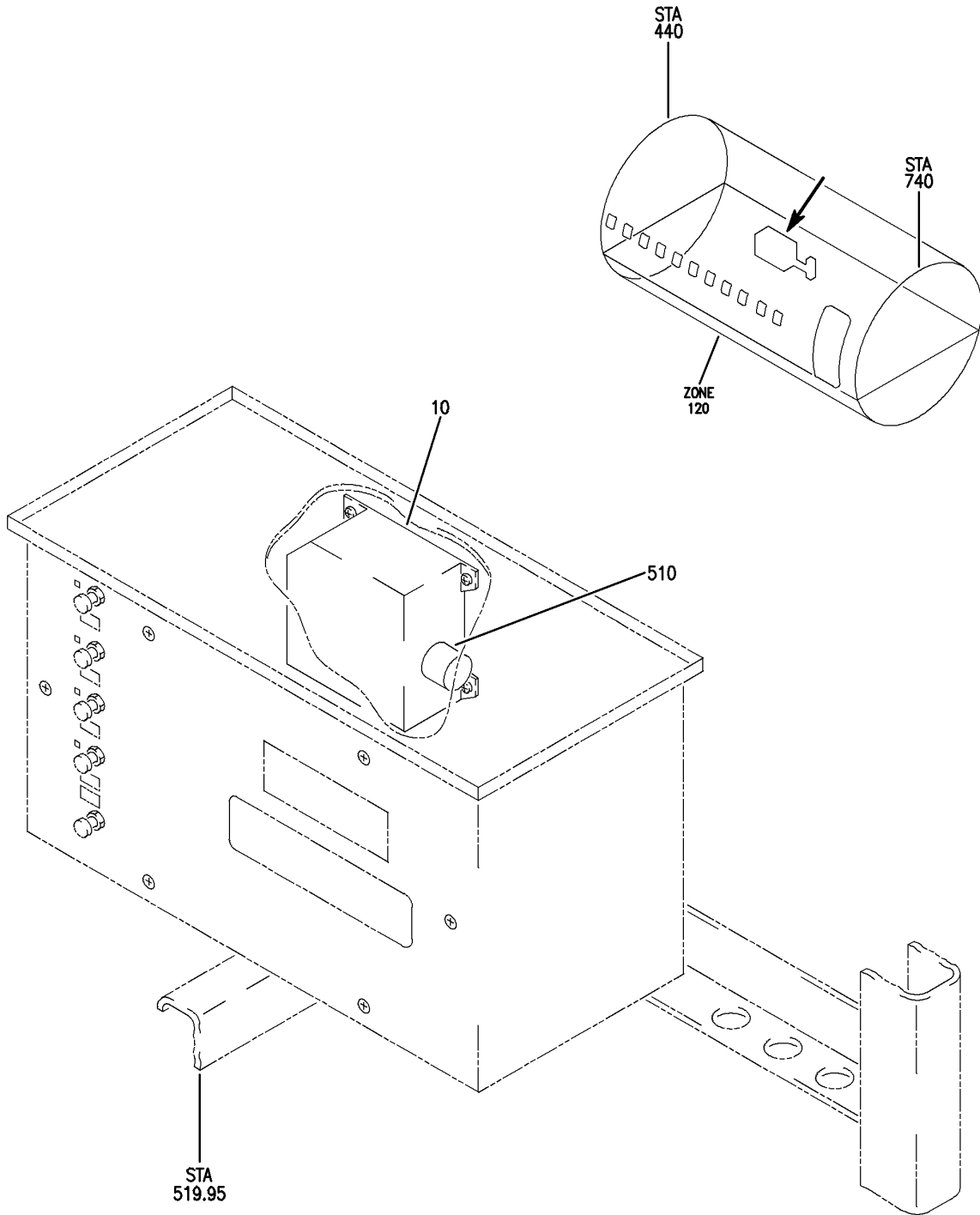
BRI

24-25-02-01

BOEING PROPRIETARY - Copyright © - Unpublished Work - See title page for details.

24-25-02
FIG. 01
PAGE 3
JAN 20/09

BOEING
757
PARTS CATALOG (MAINTENANCE)



Y 24250202 REV 230

SHIELD INSTL-P71 HYDR GEN CONT (GENERATOR CONTROL UNIT ONLY)
FIGURE 2

24-25-02-02

BRI
MAY 28/07

24-25-02-02
PAGE 0



757

PARTS CATALOG (MAINTENANCE)

FIG ITEM	PART NUMBER	1 2 3 4 5 6 7	NOMENCLATURE	EFFECT FROM TO	UNITS PER ASSY
2			SHIELD INSTL-P71 HYDR GEN CONT (GENERATOR CONTROL UNIT ONLY)	101102 108120	
- 1	284N1790-100		SHIELD INSTL-P71 HYDR GEN CONT (GENERATOR CONTROL UNIT ONLY)	101102 108120	RF
10	520854		FOR NHA/OTHER SYS DET SEE: 24-00-58-05E .UNIT-CONT SUPPLIER CODE: VK4413 SPECIFICATION NUMBER: S281N002-2 ELECTRICAL EQUIP NUMBER: M10662 COMPONENT MAINT MANUAL REF: 24-24-02	101102 108120	1
- 15	NAS623-3-6		ATTACHING PARTS .SCREW	101102 108120	4
- 500	286N1254-301		-----*----- WIRE BUNDLE ASSY-	101102 108120	RF
510	BACC45FS16-24S		.CONNECTOR- ELECTRICAL EQUIP NUMBER: D07070 WIRING DIAGRAM REF: 242512	101102 108120	1

MISSING ITEM NUMBERS NOT APPLICABLE

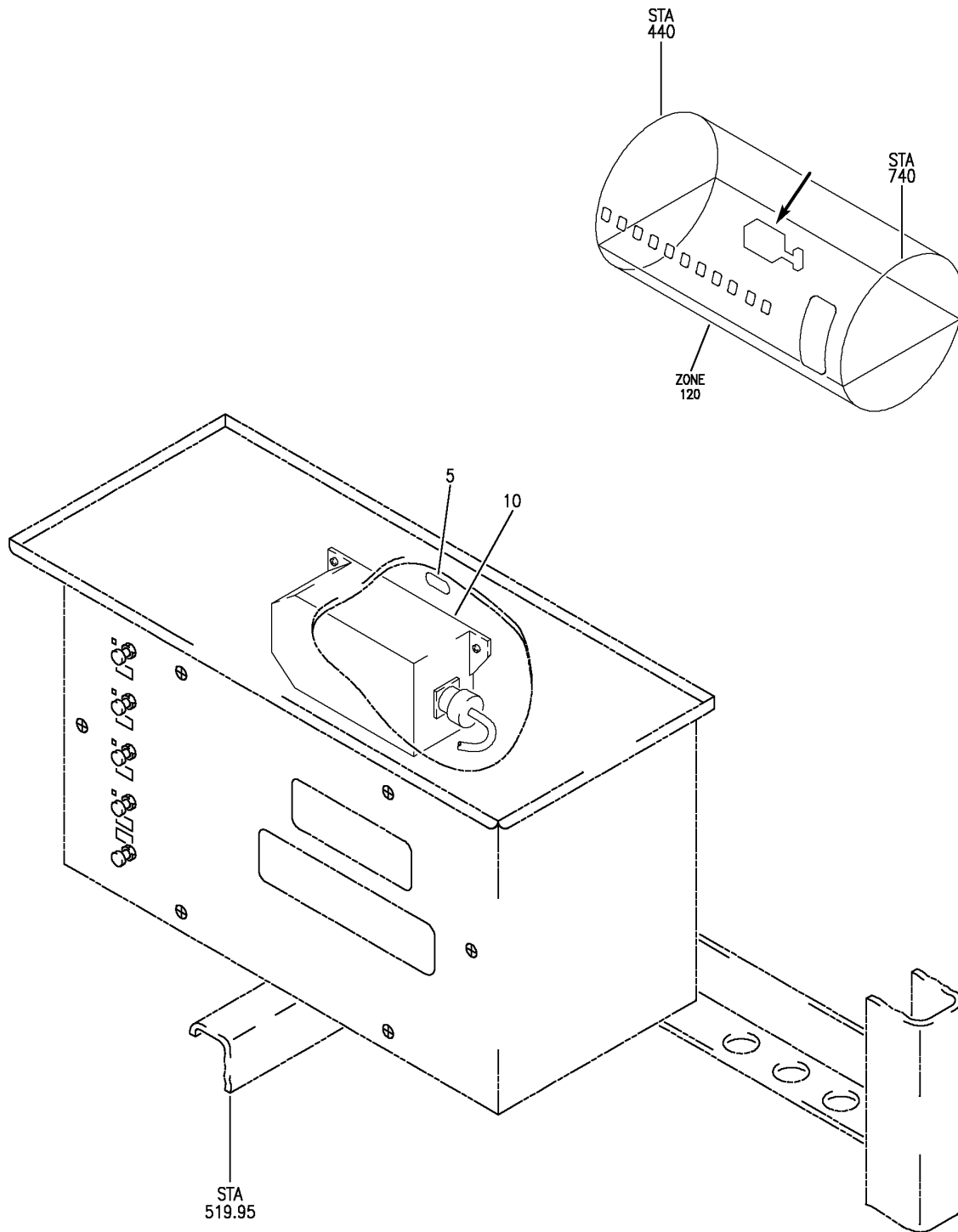
- ITEM NOT ILLUSTRATED

BRI

24-25-02-02

24-25-02
FIG. 02
PAGE 1
JAN 20/09

BOEING
757
PARTS CATALOG (MAINTENANCE)



Y 24250203 REV 245

SHIELD ASSY-P71 HYDR GEN CONT.
FIGURE 3

24-25-02-03

BRI
JAN 20/09

24-25-02-03
PAGE 0



757

PARTS CATALOG (MAINTENANCE)

FIG ITEM	PART NUMBER	1 2 3 4 5 6 7	NOMENCLATURE	EFFECT FROM TO	UNITS PER ASSY
3			SHIELD ASSY-P71 HYDR GEN CONT.	103106	
- 1	MODREF19940		SHIELD ASSY-P71 HYDR GEN CONT. MODULE NUMBER: 284N1790-104 REV A	103106	1
- 1	MODREF31977		SHIELD INSTL-P71 HYDR GEN CONT (HYDR MOTOR GEN CONT UNIT ONLY) MODULE NUMBER: 284N1790-102 REV C REWORK DRAWING REF: 880N0008-1 FOR OTHER SYS DETAILS SEE: 11-36-27-03 31-01-71-02 FOR ADDITIONAL DETAILS SEE: 24-25-51-03	103106	1
5	TTVF7525WE10		.TAPE- SUPPLIER CODE: VOKW00 SPECIFICATION NUMBER: BACT19J4 OPTIONAL PART: THT1-437W10 V85480 PLACARD CONTENT: M10662	103106	1
10	520854		.UNIT-CONT SUPPLIER CODE: VK4413 SPECIFICATION NUMBER: S281N002-2 ELECTRICAL EQUIP NUMBER: M10662 WIRING DIAGRAM REF: 242512 COMPONENT MAINT MANUAL REF: 24-24-02	103106	1
- 15	NAS623-3-6		ATTACHING PARTS .SCREW- -----*-----	103106	4

MISSING ITEM NUMBERS NOT APPLICABLE

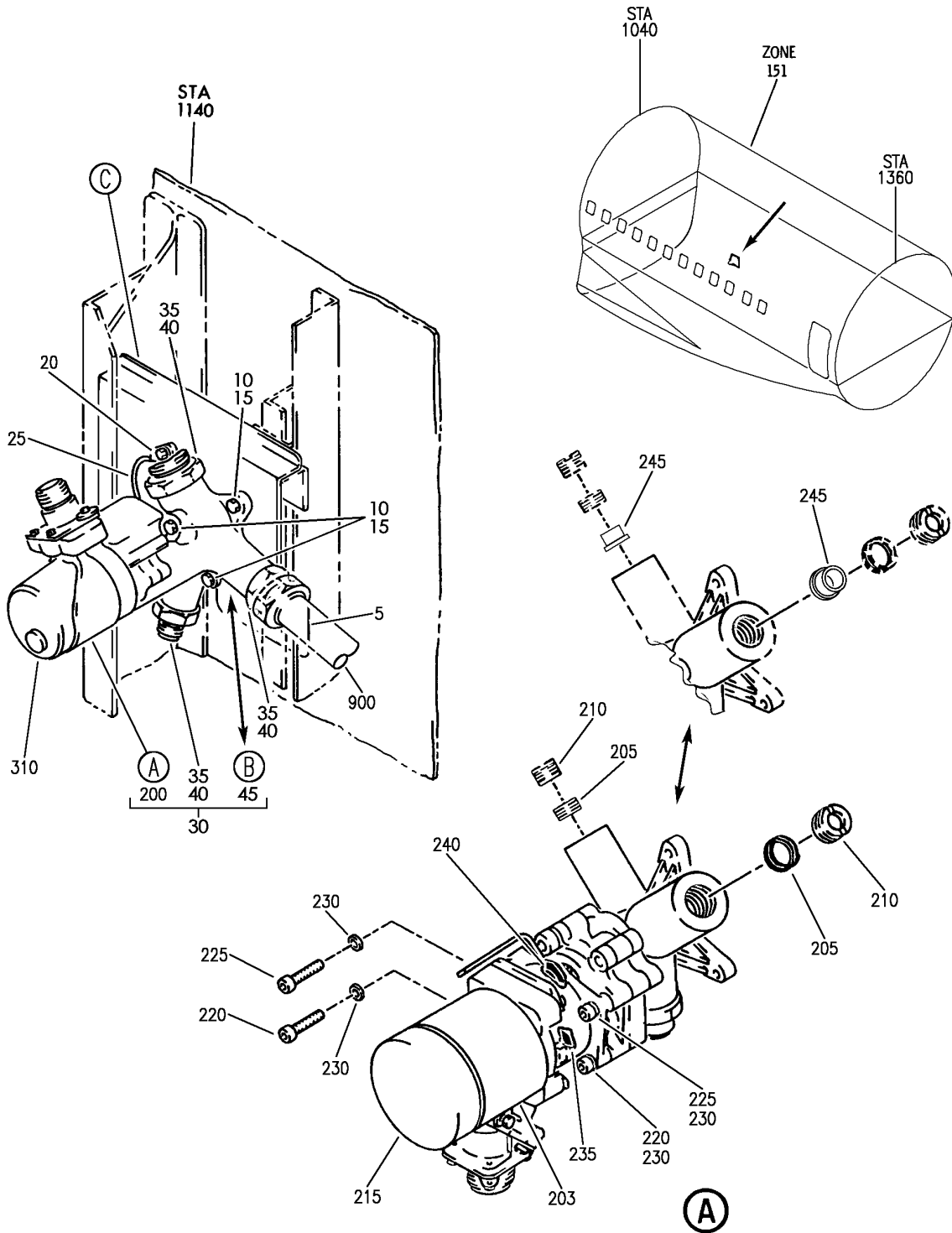
- ITEM NOT ILLUSTRATED

BRI

24-25-02-03

24-25-02
FIG. 03
PAGE 1
JAN 20/09

BOEING
757
PARTS CATALOG (MAINTENANCE)



Y 24250301 SHT 1 REV 295

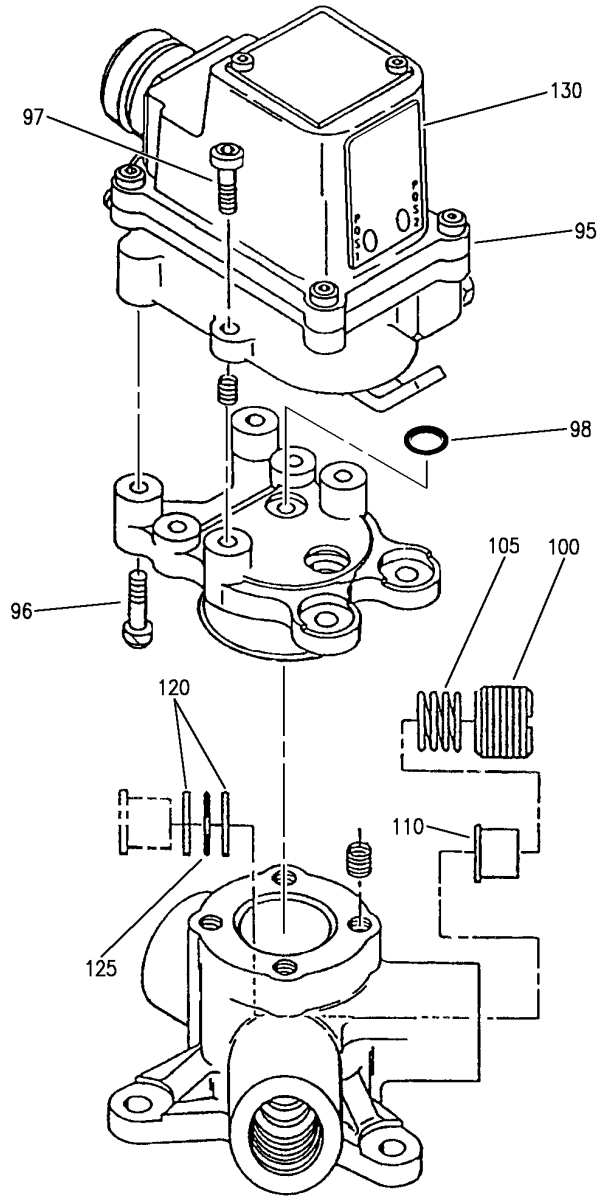
VALVE INSTL AND ASSY CONT AND FLOW LIMITER HYDR MOTOR/GEN (GEN SHUTOFF VALVE ONLY)
FIGURE 1 (SHEET 1)

BRI
MAY 28/07

24-25-03-01

24-25-03-01
PAGE 0

BOEING
757
PARTS CATALOG (MAINTENANCE)



(B)

Y 24250301 SHIT 2 REV 259

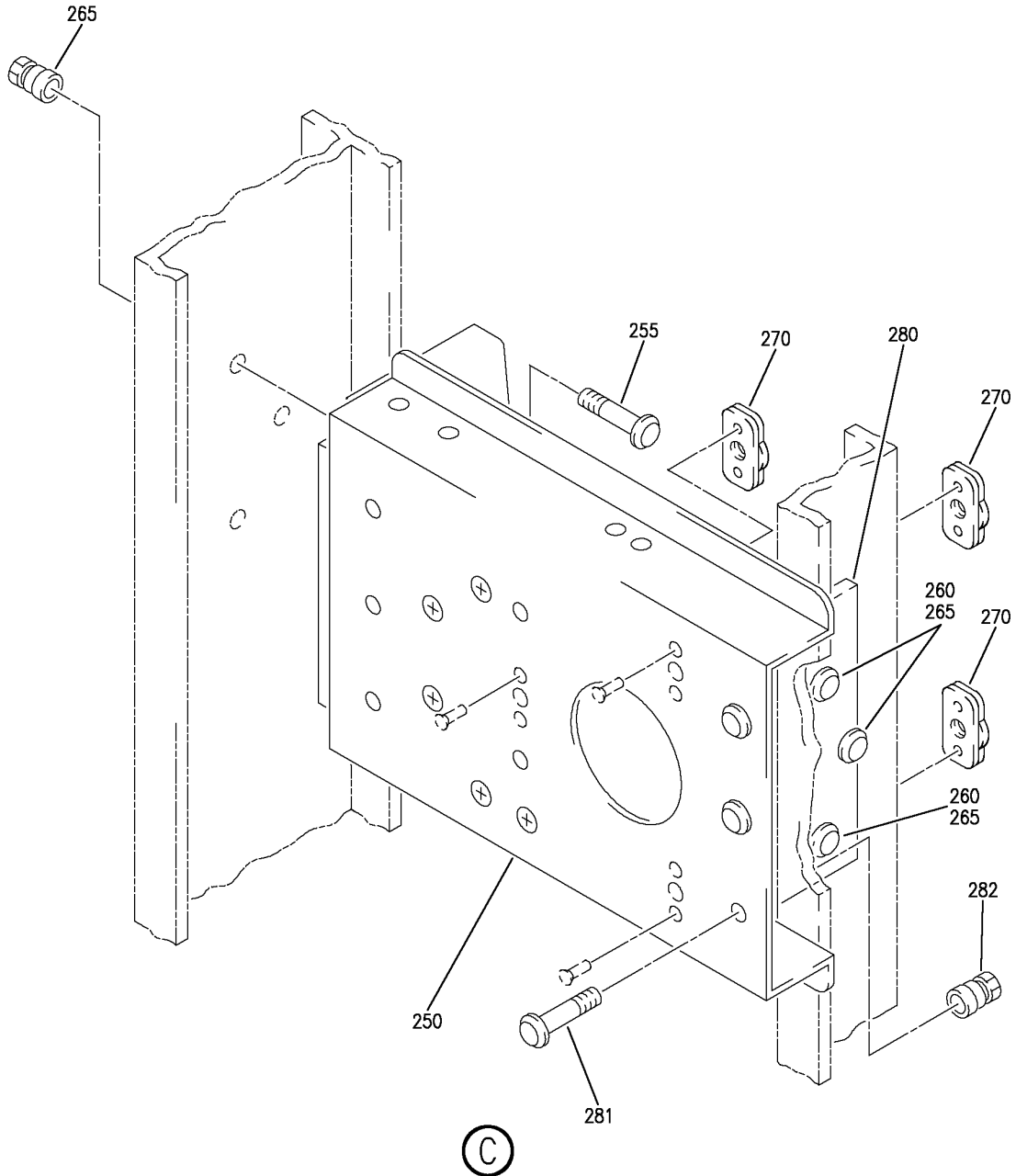
VALVE INSTL AND ASSY CONT AND FLOW LIMITER HYDR MOTOR/GEN (GEN SHUTOFF VALVE ONLY)
FIGURE 1 (SHEET 2)

BRI
MAY 28/07

24-25-03-01

24-25-03-01
PAGE 0A

BOEING
757
PARTS CATALOG (MAINTENANCE)



Y 24250301 SH-T 3 REV 309

VALVE INSTL AND ASSY CONT AND FLOW LIMITER HYDR MOTOR/GEN (GEN SHUTOFF VALVE ONLY)
FIGURE 1 (SHEET 3)

24-25-03-01

BRI
MAY 28/07

24-25-03-01
PAGE 0B



757

PARTS CATALOG (MAINTENANCE)

FIG ITEM	PART NUMBER	1 2 3 4 5 6 7	NOMENCLATURE	EFFECT FROM TO	UNITS PER ASSY
1			VALVE INSTL AND ASSY CONT AND FLOW LIMITER HYDR MOTOR/GEN (GEN SHUTOFF VALVE ONLY)	002004 006102 107503 904949 952999	
- 1	271N1078-1		VALVE INSTL-CONT AND FLOW LIMITER HYDR MOTOR/GEN (GEN SHUTOFF VALVE ONLY) POST SERVICE BULLETIN: 24-0048 FOR NHA/ADDITIONAL DET SEE: 29-00-51-05	002004 006008 107107 121503 904949 952999	RF
- 1	271N1078-13		VALVE INSTL-CONT AND FLOW LIMITER HYDR MOTOR/GEN (GEN SHUTOFF VALVE ONLY) FOR NHA/ADDITIONAL DET SEE: 24-00-00-06	101102	RF
- 1	271N1078-19		VALVE INSTL-CONT AND FLOW LIMITER HYDR MOTOR/GEN (GEN SHUTOFF VALVE ONLY) FOR NHA/ADDITIONAL DET SEE: 24-00-00-06	108120	RF
- 1	271N1078-6		VALVE INSTL-CONT AND FLOW LIMITER HYDR MOTOR/GEN (GEN SHUTOFF VALVE ONLY) FOR NHA/ADDITIONAL DET SEE: 29-00-51-05	009100	RF
5	BAC27NHY0224		.MARKER-ALUMINUM FOIL PLACARD CONTENT: V10128 VALVE ASSEMBLY CONTROL-HYD MOTOR GENERATOR	002004 006102 107503 904949 952999	1
10	BACB30NM4K6		.BOLT	002004 006102 107503 904949 952999	3
15	BACW10BN4AC		.WASHER	002004 006102 107503 904949 952999	3
20	MS21042L3		.NUT	002004 006102 107107 121503 904949 952999	1

MISSING ITEM NUMBERS NOT APPLICABLE

- ITEM NOT ILLUSTRATED

24-25-03-01

24-25-03
FIG. 01
PAGE 1
JAN 20/09

BRI



757

PARTS CATALOG (MAINTENANCE)

FIG ITEM	PART NUMBER	1 2 3 4 5 6 7	NOMENCLATURE	EFFECT FROM TO	UNITS PER ASSY
1	20 BRH10C3D		.NUT- SUPPLIER CODE: V52828 SPECIFICATION NUMBER: BACN10JC3CD OPTIONAL PART: T6C1032JCD V11815 NS202486-02 V80539 102LH9075-3W V72962 H51650-3BAC V15653	108120	1
	25 740A21-4		.JUMPER ASSY SUPPLIER CODE: V91812 SPECIFICATION NUMBER: BACJ40A21-4 OPTIONAL PART: TJEJ40A21-4 V33483 RBEJ21-4 V1GK47	002004 006102 107503 904949 952999	1
	30 271N1078-12		.VALVE ASSY- QUALIFIED SB I/W DATA: WHITTAKER CONTROLS VALVE S270T002-3 CAN BE USED TO REPLACE EXISTING CIRCLE SEAL CONTROLS VALVE S270T010-1 OR -4 OR -7. PER REVISION 2 AND 3 OF 29A0048	002004 006017 101102 107107 121503 904949 952999	1
	30 271N1078-18		.VALVE ASSY	108120	1

MISSING ITEM NUMBERS NOT APPLICABLE

- ITEM NOT ILLUSTRATED

BRI

24-25-03-01

BOEING PROPRIETARY - Copyright © - Unpublished Work - See title page for details.

24-25-03
FIG. 01
PAGE 2
JAN 20/09



757

PARTS CATALOG (MAINTENANCE)

FIG ITEM	PART NUMBER	1 2 3 4 5 6 7	NOMENCLATURE	EFFECT FROM TO	UNITS PER ASSY
1					
30	271N1078-4		.VALVE ASSY- QUALIFIED SB I/W DATA: CIRCLE SEAL CONTROLS VALVE S270T010-7 OR S270T010-4 (WITH SERIAL NUMBER SUFFIX "R") OR WHITTAKER CONTROLS VALVE S270T002-3 REPLACES EXISTING VALVE S270T010-1 OR -4. PER REVISION 1 OF 29A0048 WHITTAKER CONTROLS VALVE S270T002-3 CAN BE USED TO REPLACE EXISTING CIRCLE SEAL CONTROLS VALVE S270T010-1 OR -4 OR -7. PER REVISION 2 AND 3 OF 29A0048	002004 006017 107107 121503 904949 952999	1
30	271N1078-7		.VALVE ASSY	018100	1
35	NAS1612-10		..PACKING-	002004 006102 107107 121503 904949 952999	3
35	NAS1612-10A		..PACKING-	108120	3

MISSING ITEM NUMBERS NOT APPLICABLE

- ITEM NOT ILLUSTRATED

BRI

24-25-03-01

24-25-03
FIG. 01
PAGE 3
JAN 20/09



757

PARTS CATALOG (MAINTENANCE)

FIG ITEM	PART NUMBER	1 2 3 4 5 6 7	NOMENCLATURE	EFFECT FROM TO	UNITS PER ASSY
1 40	AFP23212-10		. . REDUCER-UNION SUPPLIER CODE: V30974 SPECIFICATION NUMBER: BACR17E12-10 OPTIONAL PART: AP102712-10 V01673 BC916T12-10 V50948 DBOR17E12-10 V14798 ER21916T12-10 V88334 ER31916-12-10 V88334 F23-12-10 V73197 2-01075T12-10 V11328 31778-12-10 V14397 US2114-12-10 V50808	002004 006102 107503 904949 952999	3

MISSING ITEM NUMBERS NOT APPLICABLE

- ITEM NOT ILLUSTRATED

BRI

24-25-03-01

BOEING PROPRIETARY - Copyright © - Unpublished Work - See title page for details.

24-25-03
FIG. 01
PAGE 4
JAN 20/09



757

PARTS CATALOG (MAINTENANCE)

FIG ITEM	PART NUMBER	1 2 3 4 5 6 7	NOMENCLATURE	EFFECT FROM TO	UNITS PER ASSY
1 45	EM91-80		<p>.. VALVE ASSY-MOTOR ACTUATED MOTOR OPERATED SUPPLIER CODE: V91816 FUNCTIONAL DESCRIPTION: PROVIDES ON-OFF CONTROL OF HYDRAULIC FLUID FLOW TO AC MOTOR DRIVEN PUMP SPECIFICATION NUMBER: S270T010-1 CONFIG CHG DATA FROM A CMM: SUPSD BY EM91-80-1 MISCELLANEOUS DATA: FOR COMPLETE INTERCHANGEABILITY REGARDING SPECIFIC USAGE, PLEASE REFER TO DRAWING 270T2001 SHEET 1 ELECTRICAL EQUIP NUMBER: V10128 COMPONENT MAINT MANUAL REF: 27-13-01 PRE ALERT SB: 29A0048 29A0049 PRE SERVICE BULLETIN: EM91-80-1 V91816</p>	018100	1

MISSING ITEM NUMBERS NOT APPLICABLE

- ITEM NOT ILLUSTRATED

BRI

24-25-03-01

BOEING PROPRIETARY - Copyright © - Unpublished Work - See title page for details.

24-25-03
FIG. 01
PAGE 5
JAN 20/09



757

PARTS CATALOG (MAINTENANCE)

FIG ITEM	PART NUMBER	1 2 3 4 5 6 7	NOMENCLATURE	EFFECT FROM TO	UNITS PER ASSY
1 45	EM91-80-1		<p>.. VALVE ASSY-MOTOR ACTUATED MOTOR OPERATED SUPPLIER CODE: V91816 FUNCTIONAL DESCRIPTION: PROVIDES ON-OFF CONTROL OF HYDRAULIC FLUID FLOW TO AC MOTOR DRIVEN PUMP SPECIFICATION NUMBER: S270T010-4 CONFIG CHG DATA FROM A CMM: SUPSDS EM91-80 SUPSD BY EM91-80-3 MISCELLANEOUS DATA: FOR COMPLETE INTERCHANGEABILITY REGARDING SPECIFIC USAGE, PLEASE REFER TO DRAWING 270T2001 SHEET 1 COMPONENT MAINT MANUAL REF: 27-13-01 POST ALERT SB: 29A0048 PRE ALERT SB: 29A0049 POST SERVICE BULLETIN: EM91-80-1 V91816</p>	018100	1

MISSING ITEM NUMBERS NOT APPLICABLE

- ITEM NOT ILLUSTRATED

BRI

24-25-03-01

BOEING PROPRIETARY - Copyright © - Unpublished Work - See title page for details.

24-25-03
FIG. 01
PAGE 6
JAN 20/09



757

PARTS CATALOG (MAINTENANCE)

FIG ITEM	PART NUMBER	1 2 3 4 5 6 7	NOMENCLATURE	EFFECT FROM TO	UNITS PER ASSY
1 45	EM91-80-3		<p>.. VALVE ASSY-MOTOR ACTUATED MOTOR OPERATED SUPPLIER CODE: V91816 FUNCTIONAL DESCRIPTION: PROVIDES ON-OFF CONTROL OF HYDRAULIC FLUID FLOW TO AC MOTOR DRIVEN PUMP SPECIFICATION NUMBER: S270T010-7 CONFIG CHG DATA FROM A CMM: SUPSDS EM91-80-1 SUPSD BY EM91-80-4 MISCELLANEOUS DATA: FOR COMPLETE INTERCHANGEABILITY REGARDING SPECIFIC USAGE, PLEASE REFER TO DRAWING 270T2001 SHEET 1 ELECTRICAL EQUIP NUMBER: V10128 COMPONENT MAINT MANUAL REF: 27-13-01 USED ON: 271N1078-12 PRE ALERT SB: 29A0049</p>	002004 006102 107107 121503 904949 952999	1

MISSING ITEM NUMBERS NOT APPLICABLE

- ITEM NOT ILLUSTRATED

BRI

24-25-03-01

BOEING PROPRIETARY - Copyright © - Unpublished Work - See title page for details.

24-25-03
FIG. 01
PAGE 7
JAN 20/09



757

PARTS CATALOG (MAINTENANCE)

FIG ITEM	PART NUMBER	1 2 3 4 5 6 7 NOMENCLATURE	EFFECT FROM TO	UNITS PER ASSY
1 45	EM91-80-4	.. VALVE ASSY-MOTOR ACTUATED MOTOR OPERATED SUPPLIER CODE: V91816 FUNCTIONAL DESCRIPTION: PROVIDES ON-OFF CONTROL OF HYDRAULIC FLUID FLOW TO AC MOTOR DRIVEN PUMP SPECIFICATION NUMBER: S270T010-10 CONFIG CHG DATA FROM A CMM: SUPSDS EM91-80-3 SUPSD BY EM91-80-5 MISCELLANEOUS DATA: FOR COMPLETE INTERCHANGEABILITY REGARDING SPECIFIC USAGE, PLEASE REFER TO DRAWING 270T2001 SHEET 1 ELECTRICAL EQUIP NUMBER: V10128 COMPONENT MAINT MANUAL REF: 27-13-01	002004 006102 107107 121503 904949 952999	1

MISSING ITEM NUMBERS NOT APPLICABLE

- ITEM NOT ILLUSTRATED

BRI

24-25-03-01

BOEING PROPRIETARY - Copyright © - Unpublished Work - See title page for details.

24-25-03
 FIG. 01
 PAGE 8
 JAN 20/09



757

PARTS CATALOG (MAINTENANCE)

FIG ITEM	PART NUMBER	1 2 3 4 5 6 7	NOMENCLATURE	EFFECT FROM TO	UNITS PER ASSY
1 45	EM91-80-5		.. VALVE ASSY-MOTOR ACTUATED MOTOR OPERATED SUPPLIER CODE: V91816 FUNCTIONAL DESCRIPTION: PROVIDES ON-OFF CONTROL OF HYDRAULIC FLUID FLOW TO AC MOTOR DRIVEN PUMP SPECIFICATION NUMBER: S270T010-13 CONFIG CHG DATA FROM A CMM: SUPSDS EM91-80-4 MISCELLANEOUS DATA: FOR COMPLETE INTERCHANGEABILITY REGARDING SPECIFIC USAGE, PLEASE REFER TO DRAWING 270T2001 SHEET 1 ELECTRICAL EQUIP NUMBER: V10128 WIRING DIAGRAM REF: 242513 COMPONENT MAINT MANUAL REF: 27-13-01 SERVICE BULLETIN OPT DATA: 340015-1 V79318 340545 V79318 REFERENCE SERVICE BULLETIN: 29A0029 POST ALERT SB: 29A0049 QUALIFIED SB I/W DATA: WHITTAKER CONTROLS VALVE S270T002-2 OR -3 CAN BE USED TO REPLACE CIRCLE SEAL CONTROLS VALVE S270T010-13. PER 29A0049	002004 006102 108503 904949 952999	1
95	P2350-0075		...ACTUATOR- SUPPLIER CODE: V91816 COMPONENT MAINT MANUAL REF: 27-13-02 USED ON: EM91-80	018100	1

MISSING ITEM NUMBERS NOT APPLICABLE

- ITEM NOT ILLUSTRATED

24-25-03-01

24-25-03
 FIG. 01
 PAGE 9
 JAN 20/09

BRI



757

PARTS CATALOG (MAINTENANCE)

FIG ITEM	PART NUMBER	1 2 3 4 5 6 7	NOMENCLATURE	EFFECT FROM TO	UNITS PER ASSY
1					
95	V2350-0075	...	ACTUATOR- SUPPLIER CODE: V91816 COMPONENT MAINT MANUAL REF: 27-13-02 USED ON: EM91-80-1	018100	1
95	W2350-0075	...	ACTUATOR- SUPPLIER CODE: V91816 COMPONENT MAINT MANUAL REF: 27-13-02 USED ON: EM91-80-3	002004 006102 107107 121503 904949 952999	1
95	X2350-0075	...	ACTUATOR- SUPPLIER CODE: V91816 COMPONENT MAINT MANUAL REF: 27-13-02 USED ON: EM91-80-4	002004 006102 107107 121503 904949 952999	1
95	Y2350-0075	...	ACTUATOR- SUPPLIER CODE: V91816 COMPONENT MAINT MANUAL REF: 27-13-02 USED ON: EM91-80-5	002004 006102 108503 904949 952999	1
96	NAS1352N08-16P	...	ATTACHING PARTS SCREW- MISCELLANEOUS DATA: (V91816 SCD 2301-0362)	002004 006102 108503 904949 952999	2
97	NAS1352N08-8P	...	SCREW- MISCELLANEOUS DATA: (V91816 SCD 2301-0360)	002004 006102 108503 904949 952999	2
98	NAS1601-009	-----*-----	PACKING- CONFIG CHG DATA FROM A CMM: SUPSD BY NAS1611-009A	002004 006102 108503 904949 952999	1

MISSING ITEM NUMBERS NOT APPLICABLE

- ITEM NOT ILLUSTRATED

24-25-03-01

24-25-03
FIG. 01
PAGE 10
JAN 20/09

BRI

BOEING PROPRIETARY - Copyright © - Unpublished Work - See title page for details.



**757
PARTS CATALOG (MAINTENANCE)**

FIG ITEM	PART NUMBER	1 2 3 4 5 6 7	NOMENCLATURE	EFFECT FROM TO	UNITS PER ASSY
1					
98	NAS1611-009A	...	PACKING- CONFIG CHG DATA FROM A CMM: SUPERSEDES NAS1601-009 MISCELLANEOUS DATA: (V91816 SCD 4798)	002004 006102 108503 904949 952999	1
100	G37434	...	RETAINER-SPR SUPPLIER CODE: V91816	002004 006102 108503 904949 952999	2
105	A37446	...	SPRING- SUPPLIER CODE: V91816	002004 006102 108503 904949 952999	2
110	D37433	...	RETAINER-SEAT SUPPLIER CODE: V91816	002004 006102 108503 904949 952999	2
- 115	B18998	...	STEM ASSY- SUPPLIER CODE: V91816	002004 006102 108503 904949 952999	1
120	MS28774-114	...	RETAINER- MISCELLANEOUS DATA: (V91816 SCD 8114)	002004 006102 108503 904949 952999	4
125	NAS1601-114	...	PACKING- CONFIG CHG DATA FROM A CMM: SUPSD BY NAS1611-114A	002004 006102 108503 904949 952999	2
125	NAS1611-114A	...	PACKING- CONFIG CHG DATA FROM A CMM: SUPERSEDES NAS1601-114 MISCELLANEOUS DATA: (V91816 SCD 4814)	002004 006102 108503 904949 952999	2
130	B2687	...	NAMEPLATE- SUPPLIER CODE: V91816 USED ON: EM91-80	018100	1

MISSING ITEM NUMBERS NOT APPLICABLE

- ITEM NOT ILLUSTRATED

24-25-03-01

24-25-03
FIG. 01
PAGE 11
JAN 20/09

BRI

BOEING PROPRIETARY - Copyright © - Unpublished Work - See title page for details.



757

PARTS CATALOG (MAINTENANCE)

FIG ITEM	PART NUMBER	1 2 3 4 5 6 7	NOMENCLATURE	EFFECT FROM TO	UNITS PER ASSY
1					
130	D2687		...NAMEPLATE- SUPPLIER CODE: V91816 USED ON: EM91-80-1	018100	1
130	E2687		...NAMEPLATE- SUPPLIER CODE: V91816 USED ON: EM91-80-3	002004 006102 107107 121503 904949 952999	1
130	F2687		...NAMEPLATE- SUPPLIER CODE: V91816 USED ON: EM91-80-4	002004 006102 107107 121503 904949 952999	1
130	G2687		...NAMEPLATE- SUPPLIER CODE: V91816 USED ON: EM91-80-5	002004 006102 108503 904949 952999	1

MISSING ITEM NUMBERS NOT APPLICABLE

- ITEM NOT ILLUSTRATED

BRI

24-25-03-01

BOEING PROPRIETARY - Copyright © - Unpublished Work - See title page for details.

24-25-03
FIG. 01
PAGE 12
JAN 20/09



757

PARTS CATALOG (MAINTENANCE)

FIG ITEM	PART NUMBER	1 2 3 4 5 6 7	NOMENCLATURE	EFFECT FROM TO	UNITS PER ASSY
1 200	340545		.. VALVE ASSY-SHUTOFF MOTOR OPERATED SUPPLIER CODE: V79318 FUNCTIONAL DESCRIPTION: PROVIDES ON-OFF CONTROL OF HYDRAULIC FLUID FLOW TO AC MOTOR DRIVEN PUMP SPECIFICATION NUMBER: S270T002-3 MISCELLANEOUS DATA: FOR COMPLETE INTERCHANGEABILITY REGARDING SPECIFIC USAGE, PLEASE REFER TO DRAWING 270T2001 SHEET 1 ELECTRICAL EQUIP NUMBER: V10128 WIRING DIAGRAM REF: 242513 COMPONENT MAINT MANUAL REF: 27-13-03 SERVICE BULLETIN OPT DATA: EM91-80-5 V91816 340015-1 V79318 USED ON: 271N1078-4 REFERENCE SERVICE BULLETIN: 29A0049 POST ALERT SB: 29A0049 QUALIFIED SB I/W DATA: WHITTAKER CONTROLS VALVE S270T002-2 OR -3 CAN BE USED TO REPLACE CIRCLE SEAL CONTROLS VALVE S270T010-13 PER 29A0049	002004 006102 107503 904949 952999	1

MISSING ITEM NUMBERS NOT APPLICABLE

- ITEM NOT ILLUSTRATED

BRI

24-25-03-01

BOEING PROPRIETARY - Copyright © - Unpublished Work - See title page for details.

24-25-03
 FIG. 01
 PAGE 13
 JAN 20/09



757

PARTS CATALOG (MAINTENANCE)

FIG ITEM	PART NUMBER	1 2 3 4 5 6 7	NOMENCLATURE	EFFECT FROM TO	UNITS PER ASSY
1 200	340015-1		.. VALVE ASSY-SHUTOFF MOTOR OPERATED SUPPLIER CODE: V79318 FUNCTIONAL DESCRIPTION: PROVIDES ON-OFF CONTROL OF HYDRAULIC FLUID FLOW TO AC MOTOR DRIVEN PUMP SPECIFICATION NUMBER: S270T002-2 MISCELLANEOUS DATA: FOR COMPLETE INTERCHANGEABILITY REGARDING SPECIFIC USAGE, PLEASE REFER TO DRAWING 270T2001 SHEET 1 ELECTRICAL EQUIP NUMBER: V10128 WIRING DIAGRAM REF: 242513 COMPONENT MAINT MANUAL REF: 27-13-01 SERVICE BULLETIN OPT DATA: 340545 V79318 EM91-80-5 V91816 REFERENCE SERVICE BULLETIN: 29A0049 POST ALERT SB: 29A0049 QUALIFIED SB I/W DATA: WHITTAKER CONTROLS VALVE S270T002-2 OR -3 CAN BE USED TO REPLACE CIRCLE SEAL CONTROLS VALVE S270T010-13 PER 29A0049	002004 006102 107503 904949 952999	1
203	201066		... PLATE-IDENT SUPPLIER CODE: V79318 USED ON: 340015-1	002004 006102 108503 904949 952999	1
203	201073		... PLATE-IDENT SUPPLIER CODE: V79318 USED ON: 340545	002004 006102 108503 904949 952999	1

MISSING ITEM NUMBERS NOT APPLICABLE

- ITEM NOT ILLUSTRATED

BRI

24-25-03-01

24-25-03
 FIG. 01
 PAGE 14
 JAN 20/09



757

PARTS CATALOG (MAINTENANCE)

FIG ITEM	PART NUMBER	1 2 3 4 5 6 7	NOMENCLATURE	EFFECT FROM TO	UNITS PER ASSY
1					
205	145549	...	SPRING-CPRSN SUPPLIER CODE: V79318	002004 006102 108503 904949 952999	2
210	145561	...	RETAINER-SPR SUPPLIER CODE: V79318	002004 006102 108503 904949 952999	2
215	157720-2	...	ACTUATOR ASSY- SUPPLIER CODE: V79318 COMPONENT MAINT MANUAL REF: 27-13-02 ATTACHING PARTS	002004 006102 108503 904949 952999	1
220	NAS1351-3-20P	...	SCREW	002004 006102 108503 904949 952999	2
225	NAS1351-3-28P	...	SCREW	002004 006102 108503 904949 952999	2
230	100168-168	...	WASHER- SUPPLIER CODE: V79318	002004 006102 108503 904949 952999	4
235	NAS1611-009	-----*	PACKING-	002004 006102 108503 904949 952999	1
240	145572	...	RING-RETAINING SUPPLIER CODE: V79318	002004 006102 108503 904949 952999	1
245	145562	...	RETAINER-SPR SUPPLIER CODE: V79318	002004 006102 108503 904949 952999	2

MISSING ITEM NUMBERS NOT APPLICABLE

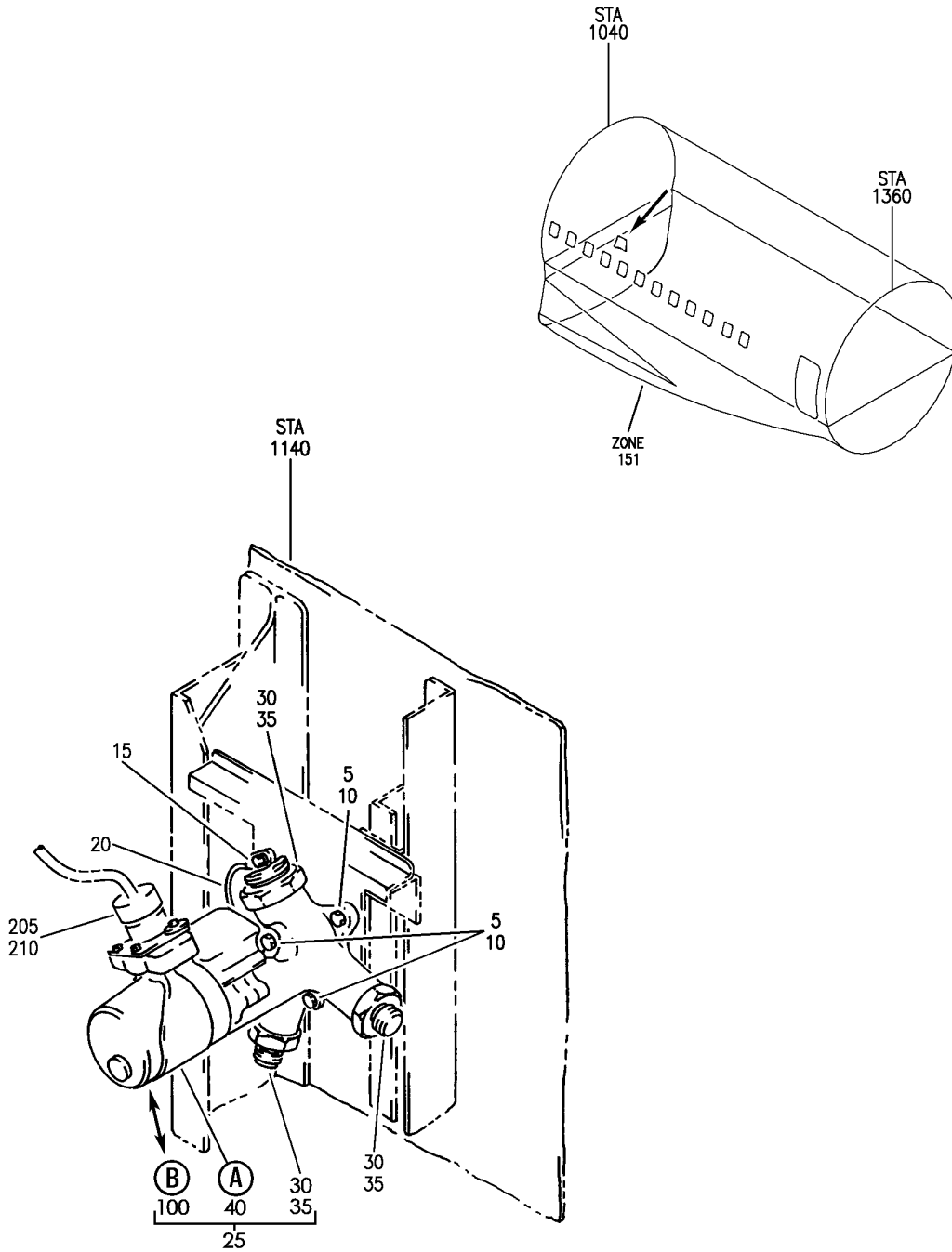
- ITEM NOT ILLUSTRATED

BRI

24-25-03-01

24-25-03
FIG. 01
PAGE 15
JAN 20/09

BOEING
757
PARTS CATALOG (MAINTENANCE)



Y 24250302 SH1 1 REV 279

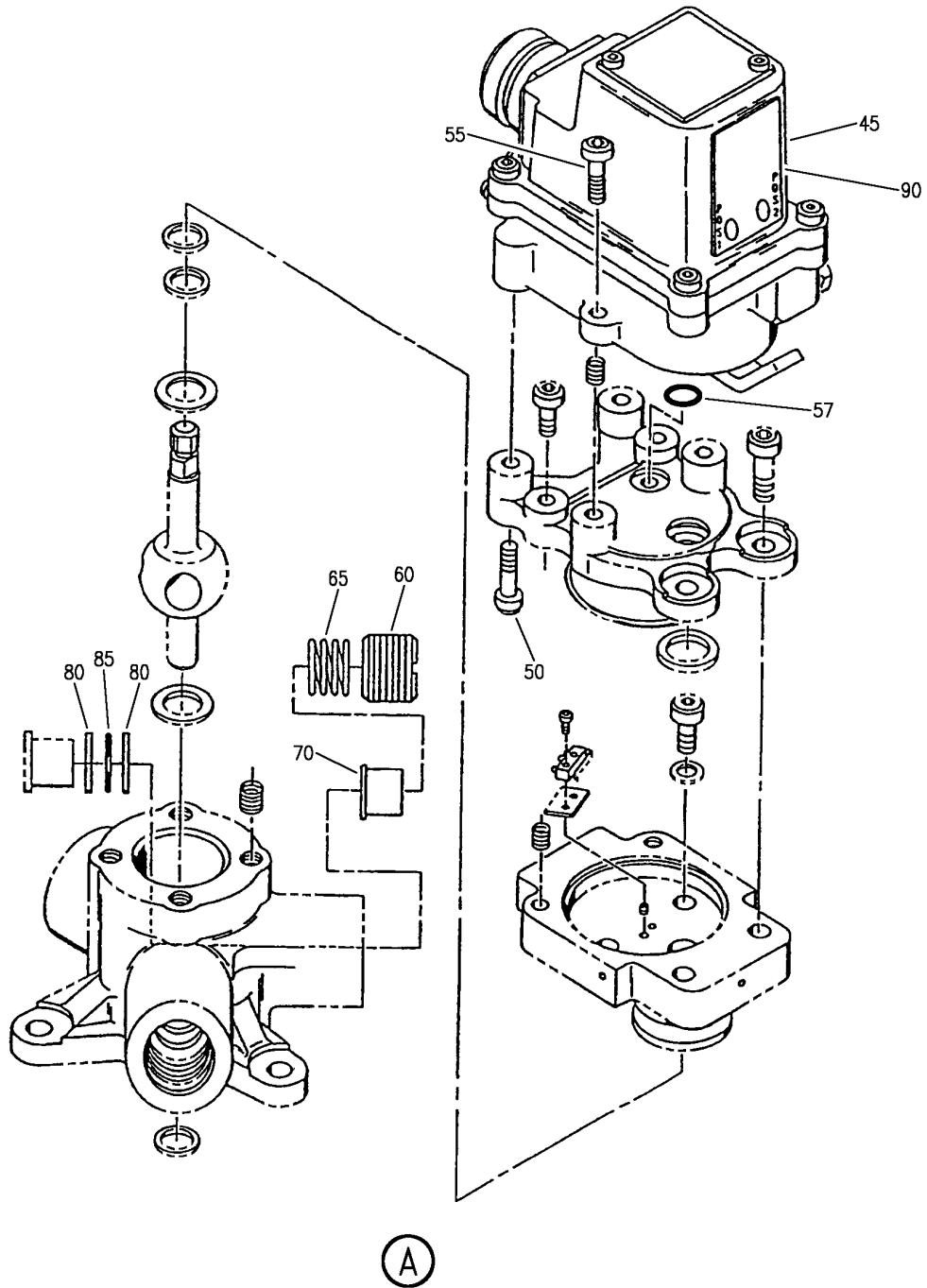
VALVE INSTL-CONT (GEN SHUTOFF VALVE ONLY)
FIGURE 2 (SHEET 1)

24-25-03-02

BRI
JAN 20/09

24-25-03-02
PAGE 0

BOEING
757
PARTS CATALOG (MAINTENANCE)



Y 24250302 SHT 2 REV 259

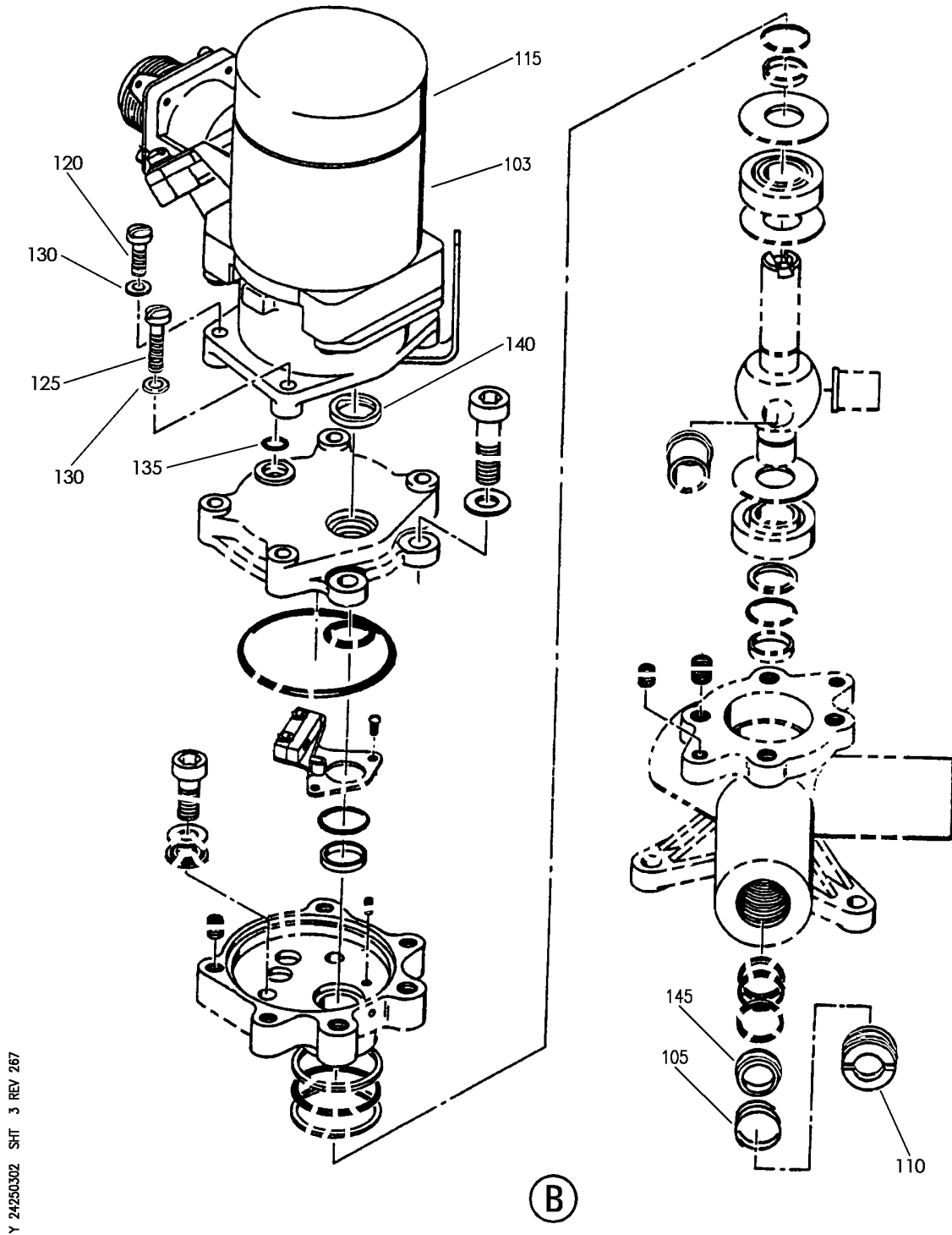
VALVE INSTL-CONT (GEN SHUTOFF VALVE ONLY)
FIGURE 2 (SHEET 2)

24-25-03-02

BRI
JAN 20/09

24-25-03-02
PAGE 0A

BOEING
757
PARTS CATALOG (MAINTENANCE)



Y 24250302 SH1 3 REV 267

VALVE INSTL-CONT (GEN SHUTOFF VALVE ONLY)
FIGURE 2 (SHEET 3)

24-25-03-02

BRI
JAN 20/09

24-25-03-02
PAGE 0B



757

PARTS CATALOG (MAINTENANCE)

FIG ITEM	PART NUMBER	1 2 3 4 5 6 7	NOMENCLATURE	EFFECT FROM TO	UNITS PER ASSY
2			VALVE INSTL-CONT (GEN SHUTOFF VALVE ONLY)	103106	
- 1	MODREF6899		VALVE INSTL-CONT ETOPS FULL PROVISIONS (GEN SHUTOFF VALVE ONLY) MODULE NUMBER: 271N1078-23 REV A	103106	1
5	BACB30NM4K6		.BOLT	103106	3
10	BACW10BN4AC		.WASHER	103106	3
15	BRH10C3D		.NUT-	103106	1
			SUPPLIER CODE: V52828 SPECIFICATION NUMBER: BACN10JC3CD OPTIONAL PART: T6C1032JCD V11815 NS202486-02 V80539 102LH9075-3W V72962 H51650-3BAC V15653		
20	740A21-4		.JUMPER ASSY SUPPLIER CODE: V91812 SPECIFICATION NUMBER: BACJ40A21-4 OPTIONAL PART: TJEJ40A21-4 V33483 RBEJ21-4 V1GK47	103106	1
25	271N1078-18		.VALVE ASSY	103106	1
30	NAS1612-10A		..PACKING	103106	3

MISSING ITEM NUMBERS NOT APPLICABLE

- ITEM NOT ILLUSTRATED

BRI

24-25-03-02

BOEING PROPRIETARY - Copyright © - Unpublished Work - See title page for details.

24-25-03
FIG. 02
PAGE 1
JAN 20/09



757

PARTS CATALOG (MAINTENANCE)

FIG ITEM	PART NUMBER	1 2 3 4 5 6 7	NOMENCLATURE	EFFECT FROM TO	UNITS PER ASSY
2 35	AFP23212-10		. . REDUCER-UNION SUPPLIER CODE: V30974 SPECIFICATION NUMBER: BACR17E12-10 OPTIONAL PART: AP102712-10 V01673 BC916T12-10 V50948 DBOR17E12-10 V14798 ER21916T12-10 V88334 ER31916-12-10 V88334 F23-12-10 V73197 2-01075T12-10 V11328 31778-12-10 V14397 US2114-12-10 V50808	103106	3

MISSING ITEM NUMBERS NOT APPLICABLE

- ITEM NOT ILLUSTRATED

BRI

24-25-03-02

BOEING PROPRIETARY - Copyright © - Unpublished Work - See title page for details.

24-25-03
FIG. 02
PAGE 2
JAN 20/09



757

PARTS CATALOG (MAINTENANCE)

FIG ITEM	PART NUMBER	1 2 3 4 5 6 7	NOMENCLATURE	EFFECT FROM TO	UNITS PER ASSY
2 40	EM91-80-5		.. VALVE ASSY-MOTOR ACTUATED MOTOR OPERATED SUPPLIER CODE: V91816 FUNCTIONAL DESCRIPTION: PROVIDES ON-OFF CONTROL OF HYDRAULIC FLUID FLOW TO AC MOTOR DRIVEN PUMP SPECIFICATION NUMBER: S270T010-13 CONFIG CHG DATA FROM A CMM: SUPSDS EM91-80-4 MISCELLANEOUS DATA: FOR COMPLETE INTERCHANGEABILITY REGARDING SPECIFIC USAGE, PLEASE REFER TO DRAWING 270T2001 SHEET 1 ELECTRICAL EQUIP NUMBER: V10128 WIRING DIAGRAM REF: 242513 COMPONENT MAINT MANUAL REF: 27-13-01 USED ON: 271N1078-18	103106	1
45	P2350-0075		...ACTUATOR- SUPPLIER CODE: V91816 COMPONENT MAINT MANUAL REF: 27-13-02	103106	1
45	V2350-0075		...ACTUATOR- SUPPLIER CODE: V91816 COMPONENT MAINT MANUAL REF: 27-13-02	103106	1
45	W2350-0075		...ACTUATOR- SUPPLIER CODE: V91816 COMPONENT MAINT MANUAL REF: 27-13-02	103106	1
45	X2350-0075		...ACTUATOR- SUPPLIER CODE: V91816 COMPONENT MAINT MANUAL REF: 27-13-02	103106	1

MISSING ITEM NUMBERS NOT APPLICABLE

- ITEM NOT ILLUSTRATED

24-25-03-02

24-25-03
 FIG. 02
 PAGE 3
 JAN 20/09

BRI



757

PARTS CATALOG (MAINTENANCE)

FIG ITEM	PART NUMBER	1 2 3 4 5 6 7	NOMENCLATURE	EFFECT FROM TO	UNITS PER ASSY
2					
45	Y2350-0075	...	ACTUATOR- SUPPLIER CODE: V91816 COMPONENT MAINT MANUAL REF: 27-13-02 ATTACHING PARTS	103106	1
50	NAS1352N08-16P	...	SCREW- MISCELLANEOUS DATA: (V91816 SCD 2301-0362)	103106	2
55	NAS1352N08-8P	...	SCREW- MISCELLANEOUS DATA: (V91816 SCD 2301-0360) -----*-----	103106	2
57	NAS1601-009	...	PACKING- CONFIG CHG DATA FROM A CMM: SUPSD BY NAS1611-009A	103106	1
57	NAS1611-009A	...	PACKING- CONFIG CHG DATA FROM A CMM: SUPERSEDES NAS1601-009 MISCELLANEOUS DATA: (V91816 SCD 4798)	103106	1
60	G37434	...	RETAINER-SPR SUPPLIER CODE: V91816	103106	2
65	A37446	...	SPRING- SUPPLIER CODE: V91816	103106	2
70	D37433	...	RETAINER-SEAT SUPPLIER CODE: V91816	103106	2
- 75	B18998	...	STEM ASSY- SUPPLIER CODE: V91816	103106	1
80	MS28774-114	...	RETAINER- MISCELLANEOUS DATA: (V91816 SCD 8114)	103106	4
85	NAS1601-114	...	PACKING- CONFIG CHG DATA FROM A CMM: SUPSD BY NAS1611-114A	103106	2
85	NAS1611-114A	...	PACKING- CONFIG CHG DATA FROM A CMM: SUPERSEDES NAS1601-114 MISCELLANEOUS DATA: (V91816 SCD 4814)	103106	2
90	G2687	...	NAMEPLATE- SUPPLIER CODE: V91816 USED ON: EM91-80-5	103106	1

MISSING ITEM NUMBERS NOT APPLICABLE

- ITEM NOT ILLUSTRATED

24-25-03-02

24-25-03
FIG. 02
PAGE 4
JAN 20/09

BRI



757

PARTS CATALOG (MAINTENANCE)

FIG ITEM	PART NUMBER	1 2 3 4 5 6 7	NOMENCLATURE	EFFECT FROM TO	UNITS PER ASSY
2 100	340545		.. VALVE ASSY-SHUTOFF MOTOR OPERATED SUPPLIER CODE: V79318 FUNCTIONAL DESCRIPTION: PROVIDES ON-OFF CONTROL OF HYDRAULIC FLUID FLOW TO AC MOTOR DRIVEN PUMP SPECIFICATION NUMBER: S270T002-3 MISCELLANEOUS DATA: FOR COMPLETE INTERCHANGEABILITY REGARDING SPECIFIC USAGE, PLEASE REFER TO DRAWING 270T2001 SHEET 1 ELECTRICAL EQUIP NUMBER: V10128 WIRING DIAGRAM REF: 242513 COMPONENT MAINT MANUAL REF: 27-13-03 USED ON: 271N1078-25	103106	1
100	340015-1		.. VALVE ASSY-MOTOR ACTUATED ROTARY SELECTOR SUPPLIER CODE: V79318 SPECIFICATION NUMBER: S270T002-2 MISCELLANEOUS DATA: FOR COMPLETE INTERCHANGEABILITY REGARDING SPECIFIC USAGE, PLEASE REFER TO DRAWING 270T2001 SHEET 1 ELECTRICAL EQUIP NUMBER: V10128 WIRING DIAGRAM REF: 242513 COMPONENT MAINT MANUAL REF: 27-13-01	103106	1
103	201066		... PLATE-IDENT SUPPLIER CODE: V79318 USED ON: 340015-1	103106	1

MISSING ITEM NUMBERS NOT APPLICABLE

- ITEM NOT ILLUSTRATED

BRI

24-25-03-02

24-25-03
FIG. 02
PAGE 5
JAN 20/09



757

PARTS CATALOG (MAINTENANCE)

FIG ITEM	PART NUMBER	1 2 3 4 5 6 7	NOMENCLATURE	EFFECT FROM TO	UNITS PER ASSY
2					
103	201073	...	PLATE-IDENT SUPPLIER CODE: V79318 USED ON: 340545	103106	1
105	145549	...	SPRING-CPRSN SUPPLIER CODE: V79318	103106	2
110	145561	...	RETAINER-SPR SUPPLIER CODE: V79318	103106	2
115	157720-2	...	ACTUATOR ASSY- SUPPLIER CODE: V79318 COMPONENT MAINT MANUAL REF: 27-13-02 ATTACHING PARTS	103106	1
120	NAS1351-3-20P	...	SCREW	103106	2
125	NAS1351-3-28P	...	SCREW	103106	2
130	100168-168	...	WASHER-FLAT SUPPLIER CODE: V79318 -----*-----	103106	4
135	NAS1611-009	...	PACKING	103106	1
140	145572	...	RING-RETAINING SUPPLIER CODE: V79318 USED ON: 340545	103106	1
145	145562	...	RETAINER-SPR SUPPLIER CODE: V79318	103106	2

MISSING ITEM NUMBERS NOT APPLICABLE

- ITEM NOT ILLUSTRATED

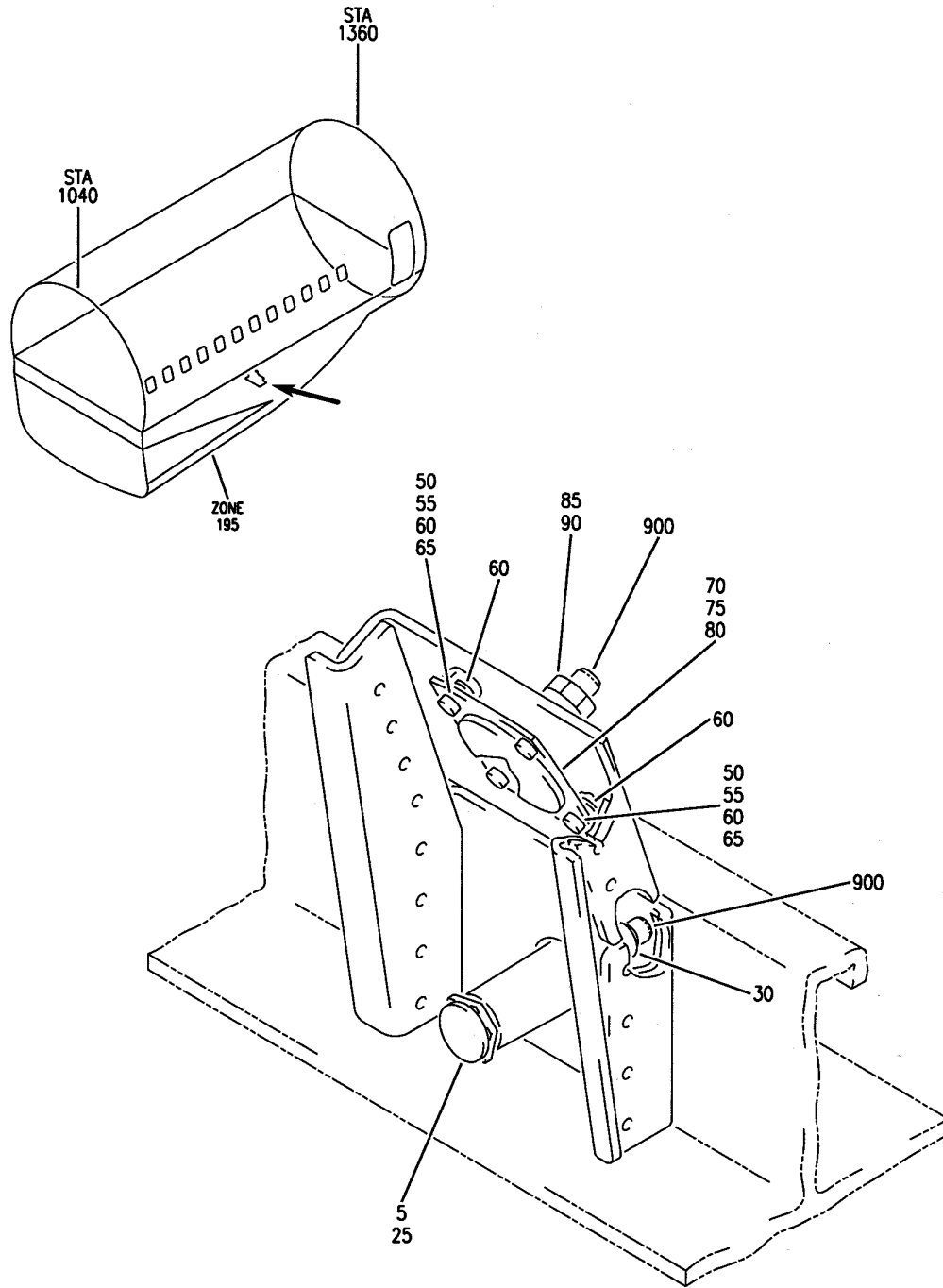
24-25-03-02

24-25-03
FIG. 02
PAGE 6
JAN 20/09

BRI

BOEING PROPRIETARY - Copyright © - Unpublished Work - See title page for details.

BOEING
757
PARTS CATALOG (MAINTENANCE)



Y 24250401 REV 212

GAGE AND BRACKET INSTL HYDR MOTOR/GEN
FIGURE 1

24-25-04-01

BRI
MAY 28/07

24-25-04-01
PAGE 0



757

PARTS CATALOG (MAINTENANCE)

FIG ITEM	PART NUMBER	1 2 3 4 5 6 7	NOMENCLATURE	EFFECT FROM TO	UNITS PER ASSY
1			GAGE AND BRACKET INSTL HYDR MOTOR/GEN	008106 108120 953999	
- 1	271N1082-11		GAGE INSTL-PRESSURE FOR NHA SEE: 29-00-51-05 24-00-00-06	008102 108120 953999	RF
- 1	MODREF6902		GAGE INSTL-PRESSURE MODULE NUMBER: 271N1082-11 REV A	103106	1
5	14199-1		.VALVE- SUPPLIER CODE: V03990 SPECIFICATION NUMBER: BACV10T1 OPTIONAL PART: 798A196 V27783	008102 108120 953999	1
- 10	BACB30NT2K4		ATTACHING PARTS .BOLT	008106 108120 953999	3
- 15	AN960JD8		.WASHER	008106 108120 953999	6
- 20	PLH508CD		.NUT SUPPLIER CODE: VF0224 SPECIFICATION NUMBER: BACN10YR08CD OPTIONAL PART: H52732-08CD V15653	008106 108120 953999	3
25	MS20813-1		-----*----- .CAP	008106 108120 953999	1
30	274N1032-2		.ADAPTER	008106 108120 953999	1
50	NAS602-21P		.SCREW-	008106 108120 953999	4
55	NAS43DD3-16		.SPACER	008106 108120 953999	4
60	AN960KD8		.WASHER	008106 108120 953999	8

MISSING ITEM NUMBERS NOT APPLICABLE

- ITEM NOT ILLUSTRATED

24-25-04-01

24-25-04
FIG. 01
PAGE 1
MAY 20/09

BRI



757

PARTS CATALOG (MAINTENANCE)

FIG ITEM	PART NUMBER	1 2 3 4 5 6 7	NOMENCLATURE	EFFECT FROM TO	UNITS PER ASSY
1 65	BRH10A08	.NUT	SUPPLIER CODE: V52828 SPECIFICATION NUMBER: BACN10JC08 OPTIONAL PART: H10-08BAC V15653 NS202101-82 V80539 RMLH9075-82W V72962 VN303A82 V92215 96-82 V80539 T6S832J V11815	008106 108120 953999	4
70	MS28055-11	.FLANGE		008106 108120 953999	1
75	63-2007-3	.SHIELD-	MISCELLANEOUS DATA: NOT AN INITIAL PROVISIONING SPARE	008106 108120 953999	1
80	2000-15	.GAUGE-	SUPPLIER CODE: V24708 SPECIFICATION NUMBER: 10-60576-7 OPTIONAL PART: 6931-700 V05167	008106 108120 953999	1
80	6931-700	.GAUGE-	SUPPLIER CODE: V05167 SPECIFICATION NUMBER: 10-60576-1 OPTIONAL PART: 2000-15 V24708	008106 108120 953999	1
85	BACU24K4	.UNION		008106 108120 953999	1
90	NAS1612-4	.PACKING-		009100	1

MISSING ITEM NUMBERS NOT APPLICABLE

- ITEM NOT ILLUSTRATED

24-25-04-01

24-25-04
FIG. 01
PAGE 2
JAN 20/09

BRI



757

PARTS CATALOG (MAINTENANCE)

FIG ITEM	PART NUMBER	1 2 3 4 5 6 7	NOMENCLATURE	EFFECT FROM TO	UNITS PER ASSY
1 900			ILLUSTRATION REFERENCE: PLUMBING INSTL-SECT. 49 L HYDR BAY AND AFT BHD MLG WHL WELL HYDR (PARKING BRAKE SYSTEM ONLY) 32-44-51-15	008100 953999	RF
900			ILLUSTRATION REFERENCE: PLUMBING INSTL-SECT. 49 L HYDR BAY 29-11-51-90	101102 108120	RF

MISSING ITEM NUMBERS NOT APPLICABLE

- ITEM NOT ILLUSTRATED

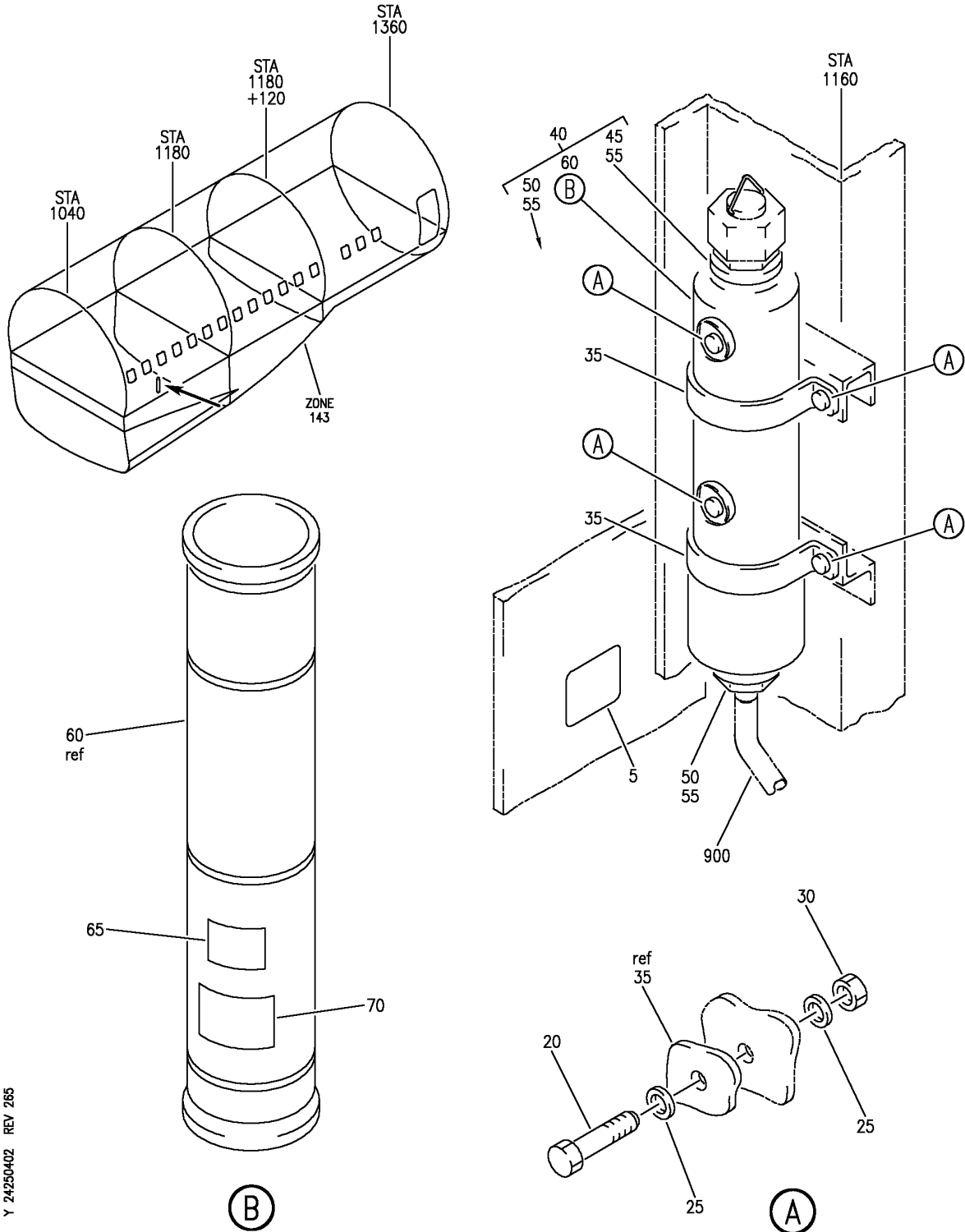
BRI

24-25-04-01

BOEING PROPRIETARY - Copyright © - Unpublished Work - See title page for details.

24-25-04
FIG. 01
PAGE 3
JAN 20/09

BOEING
757
PARTS CATALOG (MAINTENANCE)



Y 24250402 REV 265

ACCUMULATOR AND SERVICING INSTL. HYDR MOTOR GEN
FIGURE 2

24-25-04-02

BRI
MAY 28/07

24-25-04-02
PAGE 0



757

PARTS CATALOG (MAINTENANCE)

FIG ITEM	PART NUMBER	1 2 3 4 5 6 7	NOMENCLATURE	EFFECT FROM TO	UNITS PER ASSY
2			ACCUMULATOR AND SERVICING INSTL. HYDR MOTOR GEN	002004 006106 108503 953999	
- 1	271N1082-7		ACCUMULATOR AND SERVICING- INSTL-HYDR MOTOR/GEN FOR NHA SEE: 24-00-00-06 29-00-51-05	002004 006102 108503 953999	RF
- 2	MODREF6903		ACCUMULATOR AND SERVICING- INSTL-HYDR MOTOR/GEN MODULE NUMBER: 271N1082-7 REV A	103106	1
5	BAC27NHY0230		.MARKER-ALUMINUM FOIL	002004 006106 108503 953999	1
20	BACB30NR4K4		.BOLT	002004 006106 108503 953999	4
25	AN960KD416L		.WASHER	002004 006106 108503 953999	8
30	BRH10C4D		.NUT SUPPLIER CODE: V52828 SPECIFICATION NUMBER: BACN10JC4CD OPTIONAL PART: T6C428JCD V11815 NS202486-048 V80539 102LH9075-4W V72962 H51650-4BAC V15653	002004 006106 108503 953999	4

MISSING ITEM NUMBERS NOT APPLICABLE

- ITEM NOT ILLUSTRATED

24-25-04-02

24-25-04
FIG. 02
PAGE 1
JAN 20/09

BRI

BOEING
757
PARTS CATALOG (MAINTENANCE)

FIG ITEM	PART NUMBER	1 2 3 4 5 6 7	NOMENCLATURE	EFFECT FROM TO	UNITS PER ASSY
R R R R R R R R R R R R	2 35	53313-225	.CLAMP- SUPPLIER CODE: V00624 OPTIONAL PART: 1923-1 V94581 12738-4 V00671 OPTIONAL PART: 12738-4 V00671 1923-1 V94581	002004 006106 108503 953999	2
	35	12738-4	.CLAMP- SUPPLIER CODE: V00671 OPTIONAL PART: 1923 V94581 53313-312 V00624 1923-1 V94581 53313-225 V00624	002004 006106 108503 953999	2
	35	1923-1	.CLAMP- SUPPLIER CODE: V94581 OPTIONAL PART: 12738-4 V00671 53313-225 V00624 OPTIONAL PART: 12738-4 V00761 53313-225 V00624	002004 006106 108503 953999	2
	40	271N1082-2	.ACCUMULATOR ASSY	002004 006106 108503 953999	1

MISSING ITEM NUMBERS NOT APPLICABLE

— ITEM NOT ILLUSTRATED

BRI

24-25-04-02

BOEING PROPRIETARY - Copyright © - Unpublished Work - See title page for details.

24-25-04
FIG. 02
PAGE 2
MAY 20/09



757

PARTS CATALOG (MAINTENANCE)

FIG ITEM	PART NUMBER	1 2 3 4 5 6 7	NOMENCLATURE	EFFECT FROM TO	UNITS PER ASSY
2	45 AFP23210-8		.. REDUCER-UNION SUPPLIER CODE: V30974 SPECIFICATION NUMBER: BACR17E10-8 OPTIONAL PART: AP102710-8 V01673 BC916T10-8 V50948 DBOR17E10-8 V14798 ER21916T10-8 V88334 ER31916-10-8 V88334 F23-10-8 V73197 2-01075T10-8 V11328 31778-10-8 V14397 US2114-10-8 V50808	002004 006106 108503 953999	1
	50 MS21916J8-4		.. REDUCER-UNION	002004 006106 108503 953999	1
	55 NAS1612-8		.. PACKING-	002004 006106 108503 953999	2
	60 AIR91728-1		.. ACCUMULATOR- SUPPLIER CODE: VK0667 FUNCTIONAL DESCRIPTION: PROVIDES DIFFERENTIAL PRESSURE TO MOMENTARILY DELAY THE ACTION OF THE RETRACT ACTUATOR. SPECIFICATION NUMBER: 60B00273-101 COMPONENT MAINT MANUAL REF: 32-34-02 OPTIONAL PART: 30230 V61898	002004 006106 108503 953999	1

MISSING ITEM NUMBERS NOT APPLICABLE

- ITEM NOT ILLUSTRATED

BRI

24-25-04-02

24-25-04
FIG. 02
PAGE 3
JAN 20/09



757

PARTS CATALOG (MAINTENANCE)

FIG ITEM	PART NUMBER	1 2 3 4 5 6 7	NOMENCLATURE	EFFECT FROM TO	UNITS PER ASSY
2 60	30230	..	ACCUMULATOR- SUPPLIER CODE: V61898 FUNCTIONAL DESCRIPTION: MAINTAINS A CONSTANT PNEUMATIC CHARGE AGAINST BRAKE SYSTEMS IN ORDER TO ENSURE RESPONSIVE BRAKING CAPABILITIES SPECIFICATION NUMBER: S274A101-3 COMPONENT MAINT MANUAL REF: 32-40-03 OPTIONAL PART: AIR91728-1 VK0667	002004 006106 108503 953999	1
65	20274	...	PLATE-IDENT, PN SUPPLIER CODE: V61898	002004 006106 108503 953999	1
70	20275	...	PLATE-IDENT, CAGE SERIAL SUPPLIER CODE: V61898	002004 006106 108503 953999	1

MISSING ITEM NUMBERS NOT APPLICABLE

- ITEM NOT ILLUSTRATED

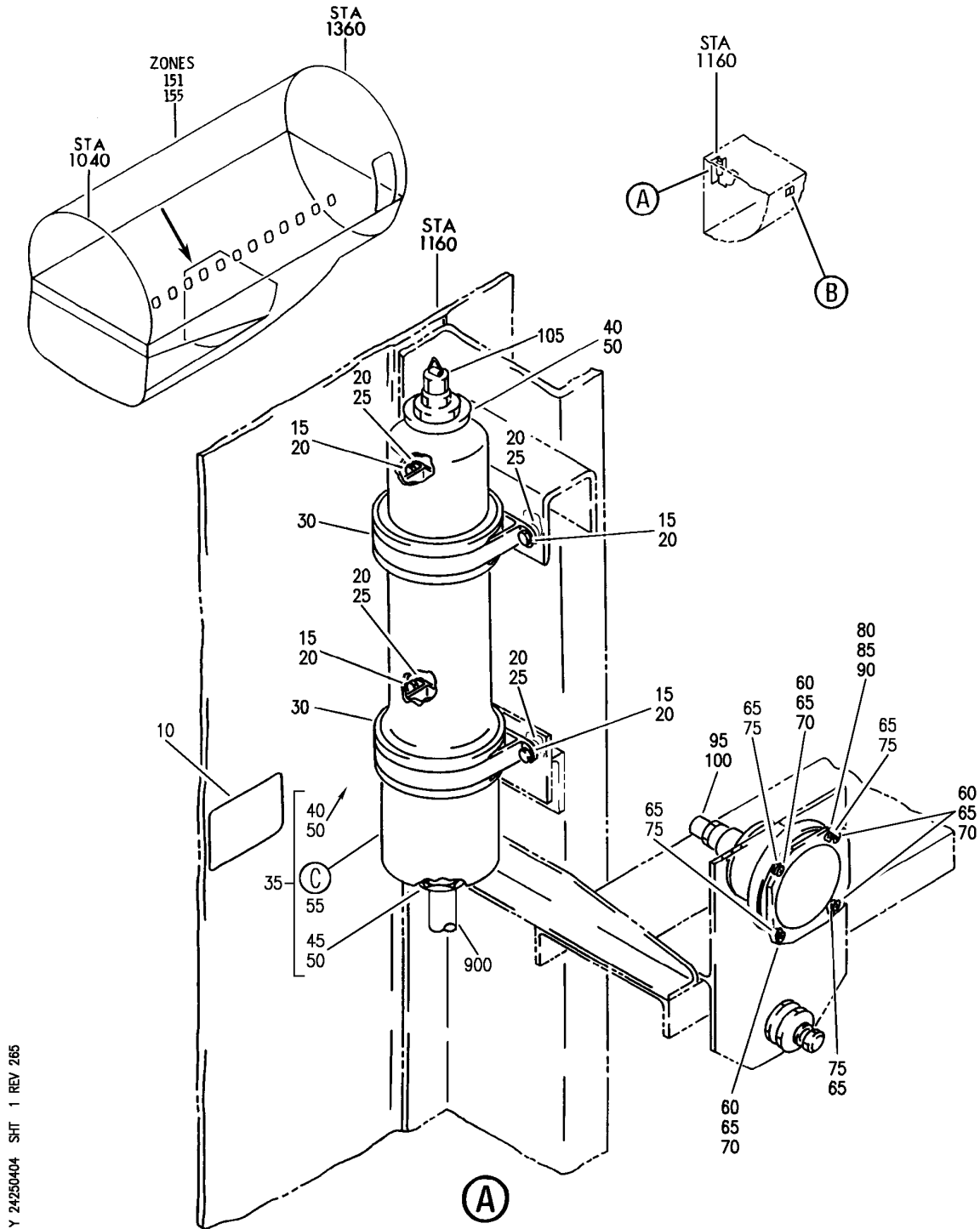
BRI

24-25-04-02

BOEING PROPRIETARY - Copyright © - Unpublished Work - See title page for details.

24-25-04
FIG. 02
PAGE 4
JAN 20/09

BOEING
757
PARTS CATALOG (MAINTENANCE)



Y 24250404 SHT 1 REV 265

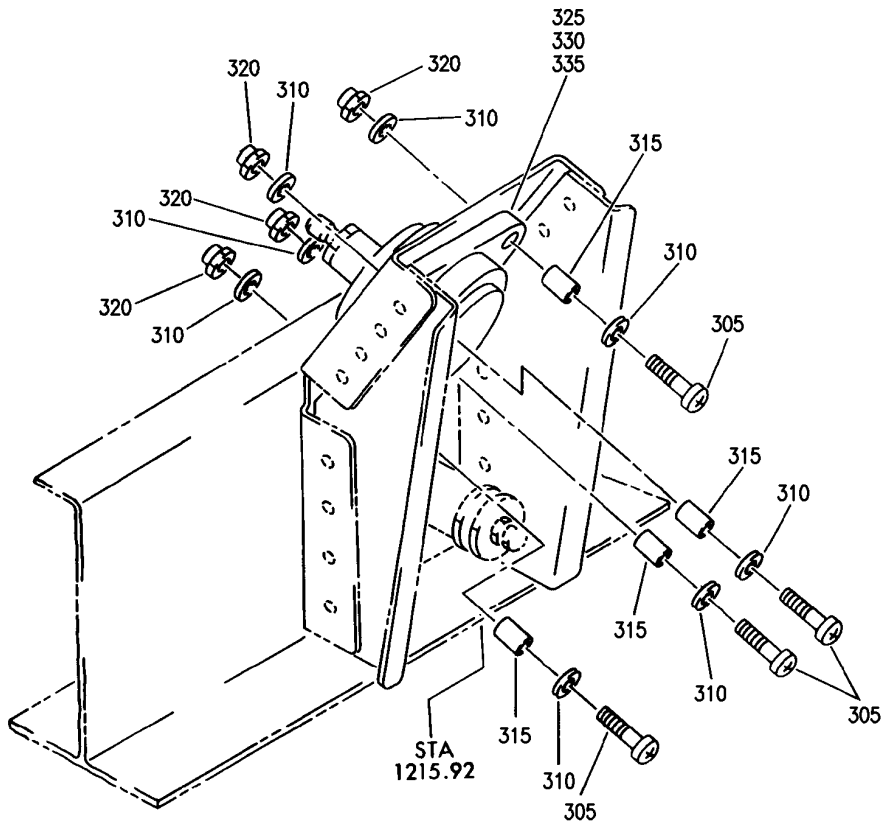
ACCUMULATOR AND SERVICING INSTL AND GAGE INSTL (ELECTRICAL POWER ONLY)
FIGURE 4 (SHEET 1)

24-25-04-04

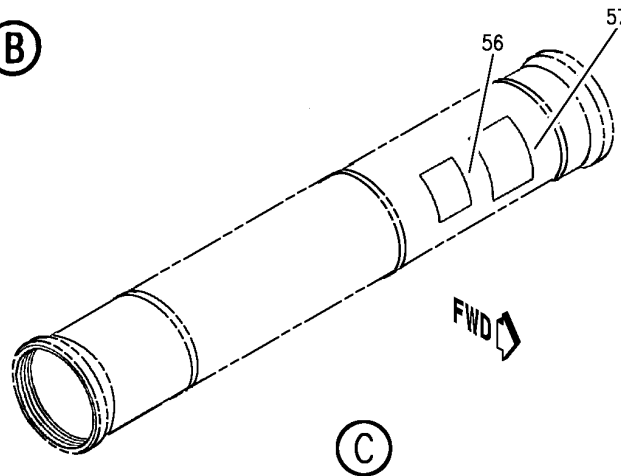
BRI
MAY 28/07

24-25-04-04
PAGE 0

BOEING
757
PARTS CATALOG (MAINTENANCE)



(B)



(C)

Y 24250404 SH1 2 REV 265

ACCUMULATOR AND SERVICING INSTL AND GAGE INSTL (ELECTRICAL POWER ONLY)
FIGURE 4 (SHEET 2)

24-25-04-04

BRI
MAY 28/07

24-25-04-04
PAGE 0A

BOEING
757
PARTS CATALOG (MAINTENANCE)

FIG ITEM	PART NUMBER	1 2 3 4 5 6 7	NOMENCLATURE	EFFECT FROM TO	UNITS PER ASSY
4			ACCUMULATOR AND SERVICING INSTL AND GAGE INSTL (ELECTRICAL POWER ONLY)	002004 006007 107107 121503 904949 952952	
- 1	271N1082-1		ACCUMULATOR AND SERVICING- INSTL-HYDR MOTOR/GEN (ELECTRICAL POWER ONLY) POST SERVICE BULLETIN: 24-0048 FOR NHA/OTHER SYS DET SEE: 29-00-51-05	107107 904949	RF
- 1	271N1082-3		ACCUMULATOR AND SERVICING- INSTL-HYDR MOTOR/GEN (ELECTRICAL POWER ONLY) FOR NHA/OTHER SYS DET SEE: 29-00-51-05	952952	RF
10	BAC27NHY0230		.MARKER-ALUMINUM FOIL POST SERVICE BULLETIN: 24-0057	107107 904949 952952	1
15	BACB30NR4K4		.BOLT	107107 904949 952952	4
20	AN960KD416L		.WASHER	107107 904949 952952	8
25	BRH10C4D		.NUT SUPPLIER CODE: V52828 SPECIFICATION NUMBER: BACN10JC4CD OPTIONAL PART: T6C428JCD V11815 NS202486-048 V80539 102LH9075-4W V72962 H51650-4BAC V15653	107107 904949 952952	4
R R R R R R R	30	53313-225	.CLAMP- SUPPLIER CODE: V00624 OPTIONAL PART: 12738-4 V00671 1923-1 V94581	107107 904949 952952	2

MISSING ITEM NUMBERS NOT APPLICABLE

- ITEM NOT ILLUSTRATED

BRI

24-25-04-04

BOEING PROPRIETARY - Copyright © - Unpublished Work - See title page for details.

24-25-04
FIG. 04
PAGE 1
MAY 20/09



757

PARTS CATALOG (MAINTENANCE)

FIG ITEM	PART NUMBER	1 2 3 4 5 6 7	NOMENCLATURE	EFFECT FROM TO	UNITS PER ASSY
4					
35	271N1082-2	.	ACCUMULATOR ASSY	107107 904949 952952	1
40	AFP23210-8	..	REDUCER-UNION SUPPLIER CODE: V30974 SPECIFICATION NUMBER: BACR17E10-8 OPTIONAL PART: AP102710-8 V01673 BC916T10-8 V50948 DBOR17E10-8 V14798 ER21916T10-8 V88334 ER31916-10-8 V88334 F23-10-8 V73197 2-01075T10-8 V11328 31778-10-8 V14397 US2114-10-8 V50808	107107 904949 952952	1
45	MS21916J8-4	..	REDUCER-UNION	107107 904949 952952	1
50	NAS1612-8	..	PACKING-	107107 904949 952952	2

MISSING ITEM NUMBERS NOT APPLICABLE

- ITEM NOT ILLUSTRATED

BRI

24-25-04-04

BOEING PROPRIETARY - Copyright © - Unpublished Work - See title page for details.

24-25-04
FIG. 04
PAGE 2
MAY 20/09



757

PARTS CATALOG (MAINTENANCE)

FIG ITEM	PART NUMBER	1 2 3 4 5 6 7	NOMENCLATURE	EFFECT FROM TO	UNITS PER ASSY
4	55 AIR91728-1		.. ACCUMULATOR- SUPPLIER CODE: VK0667 FUNCTIONAL DESCRIPTION: PROVIDES DIFFERENTIAL PRESSURE TO MOMENTARILY DELAY THE ACTION OF THE RETRACT ACTUATOR. SPECIFICATION NUMBER: 60B00273-101 COMPONENT MAINT MANUAL REF: 32-34-02 OPTIONAL PART: 30230 V61898 SERVICE BULLETIN OPT DATA: 30230 V61898	107107 904949 952952	1
	55 30230		.. ACCUMULATOR- SUPPLIER CODE: V61898 FUNCTIONAL DESCRIPTION: MAINTAINS A CONSTANT PNEUMATIC CHARGE AGAINST BRAKE SYSTEMS IN ORDER TO TO ENSURE RESPONSIVE BRAKING CAPABILITIES SPECIFICATION NUMBER: S274A101-3 COMPONENT MAINT MANUAL REF: 32-40-03 OPTIONAL PART: AIR91728-1 VK0667 SERVICE BULLETIN OPT DATA: AIR91728-1 VK0667	107107 904949 952952	1
	56 20274		... PLATE-IDENT, PN SUPPLIER CODE: V61898	107107 904949 952952	1
	57 20275		... PLATE-IDENT, CAGE SERIAL SUPPLIER CODE: V61898	107107 904949 952952	1
	60 NAS602-21P		. SCREW-	107107 904949 952952	4

MISSING ITEM NUMBERS NOT APPLICABLE

- ITEM NOT ILLUSTRATED

24-25-04-04

24-25-04
FIG. 04
PAGE 3
JAN 20/09

BRI



757

PARTS CATALOG (MAINTENANCE)

FIG ITEM	PART NUMBER	1 2 3 4 5 6 7	NOMENCLATURE	EFFECT FROM TO	UNITS PER ASSY
4	65 AN960KD8	.	WASHER-	107107 904949 952952	8
	75 BRH10A08	.	NUT- SUPPLIER CODE: V52828 SPECIFICATION NUMBER: BACN10JC08 OPTIONAL PART: H10-08BAC V15653 NS202101-82 V80539 RMLH9075-82W V72962 VN303A82 V92215 96-82 V80539 T6S832J V11815	107107 904949 952952	4
	80 63-2007-3	.	SHIELD- MISCELLANEOUS DATA: NOT AN INITIAL PROVISIONING SPARE	107107 904949 952952	1
	85 2000-15	.	GAUGE- SUPPLIER CODE: V24708 SPECIFICATION NUMBER: 10-60576-7 OPTIONAL PART: 6931-700 V05167	107107 904949 952952	1
	85 6931-700	.	GAUGE- SUPPLIER CODE: V05167 SPECIFICATION NUMBER: 10-60576-1 OPTIONAL PART: 2000-15 V24708	904949 952952	1
	90 MS28055-11	.	FLANGE-MTG	107107 904949 952952	1
	95 BACU24K4	.	UNION-	107107 904949 952952	1

MISSING ITEM NUMBERS NOT APPLICABLE

- ITEM NOT ILLUSTRATED

24-25-04-04

24-25-04
FIG. 04
PAGE 4
JAN 20/09

BRI



757

PARTS CATALOG (MAINTENANCE)

FIG ITEM	PART NUMBER	1 2 3 4 5 6 7	NOMENCLATURE	EFFECT FROM TO	UNITS PER ASSY
4 100	NAS1612-4	.	PACKING-	107107 904949 952952	1
- 300	271N1082-8		GAGE INSTL-PRESSURE (ELECTRICAL POWER ONLY) FOR NHA/OTHER SYS DET SEE: 29-00-51-05	002004 006007 121503	RF
900			ILLUSTRATION REFERENCE: PLUMBING INSTL-SECT. 44 KEEL BEAM MLG WHL WELL HYDR (ELECTRICAL POWER ONLY) 24-25-52-01	904949 952952	RF

MISSING ITEM NUMBERS NOT APPLICABLE

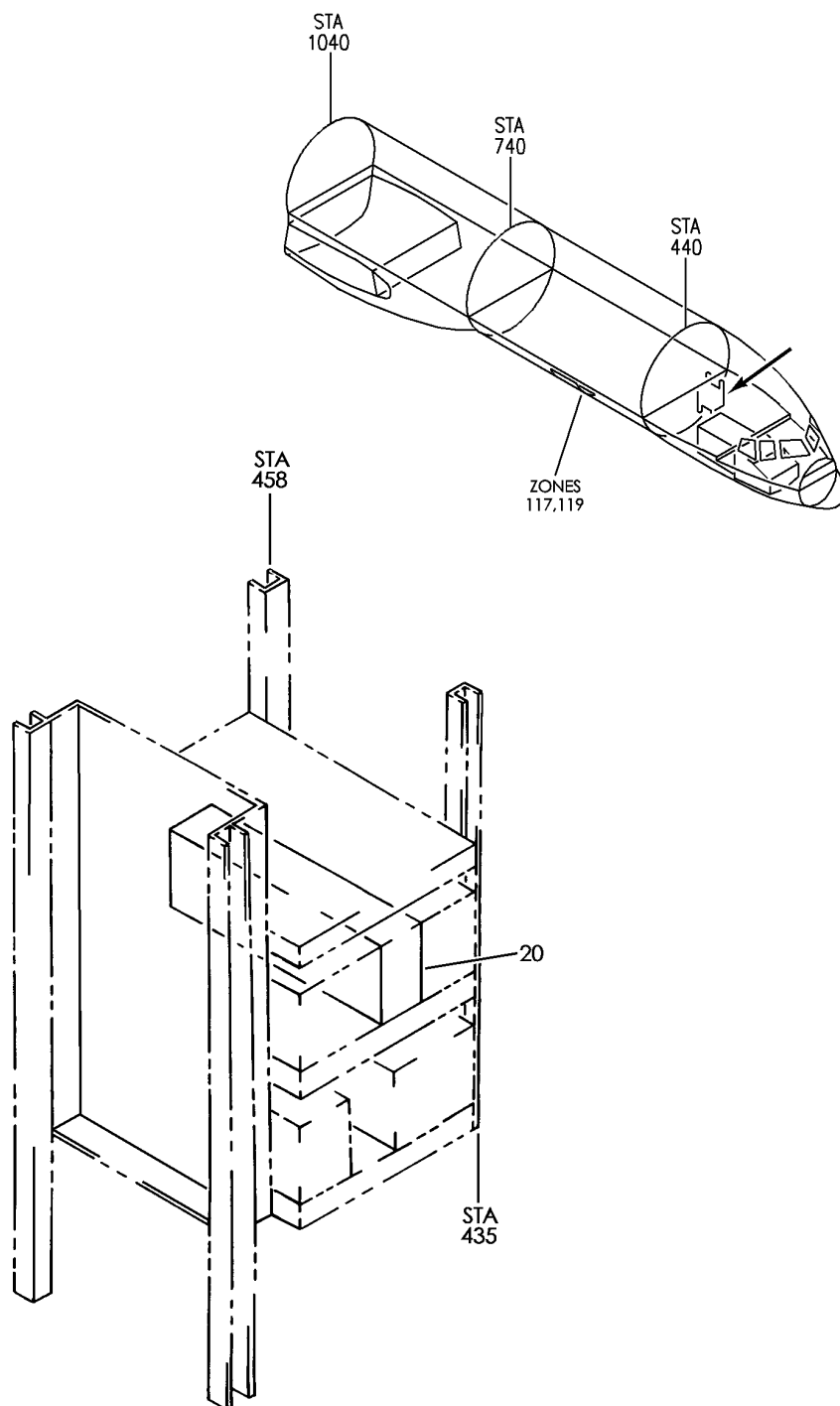
- ITEM NOT ILLUSTRATED

BRI

24-25-04-04

24-25-04
FIG. 04
PAGE 5
JAN 20/09

BOEING
757
PARTS CATALOG (MAINTENANCE)



Y 24250501 REV 229

EQUIPMENT INSTL-MAIN ELECTRONICS EQPT CTR (HYDRAULIC MOTOR DRIVEN GENERATOR SYSTEM ONLY)

FIGURE 1

24-25-05-01

BRI
MAY 28/07

24-25-05-01
PAGE 0



757

PARTS CATALOG (MAINTENANCE)

FIG ITEM	PART NUMBER	1 2 3 4 5 6 7	NOMENCLATURE	EFFECT FROM TO	UNITS PER ASSY
1			EQUIPMENT INSTL-MAIN ELECTRONICS EQPT CTR (HYDRAULIC MOTOR DRIVEN GENERATOR SYSTEM ONLY)	002004 006100 121503 904949 952999	
- 1	284N1800-16		EQUIPMENT INSTL-MAIN ELECTRONICS EQPT CTR (HYDRAULIC MOTOR DRIVEN GENERATOR SYSTEM ONLY) FOR NHA/OTHER SYS DET SEE: 24-00-58-01	121503 904949	RF
- 2	284N1800-32		EQUIPMENT INSTL-MAIN ELECTRONICS EQPT CTR (HYDRAULIC MOTOR DRIVEN GENERATOR SYSTEM ONLY) FOR NHA/OTHER SYS DET SEE: 24-00-58-01	952999	RF
- 2	284N1800-34		EQUIPMENT INSTL-MAIN ELECTRONICS EQPT CTR (HYDRAULIC MOTOR DRIVEN GENERATOR SYSTEM ONLY) FOR NHA/OTHER SYS DET SEE: 24-00-58-01	002004 006100	RF
20	080-20325-01		.TRANSFORMER- SUPPLIER CODE: V95266 FUNCTIONAL DESCRIPTION: CONVERTS 3-PHASE 115 VOLTS AC INPUT POWER INTO UNREGULATED 28 VOLTS DC OUTPUT POWER FOR THE AIRPLANE DC LOADS. SPECIFICATION NUMBER: 10-3257-5 ELECTRICAL EQUIP NUMBER: T10060 COMPONENT MAINT MANUAL REF: 24-30-01 PRE SERVICE BULLETIN: 24-0126	002004 006100 121503 953999	1
- 200	286N1310-001		WIRE BUNDLE ASSY-	002004 006100 121503 904949 952999	RF

MISSING ITEM NUMBERS NOT APPLICABLE

- ITEM NOT ILLUSTRATED

24-25-05-01

24-25-05
FIG. 01
PAGE 1
JAN 20/09

BRI



757

PARTS CATALOG (MAINTENANCE)

FIG ITEM	PART NUMBER	1 2 3 4 5 6 7	NOMENCLATURE	EFFECT FROM TO	UNITS PER ASSY
1 - 210	SRPA1N8AS1		.RECEPTACLE- SUPPLIER CODE: V77820 ELECTRICAL EQUIP NUMBER: D07672 WIRING DIAGRAM REF: 242512	002004 006100 121503 904949 952999	1

MISSING ITEM NUMBERS NOT APPLICABLE

- ITEM NOT ILLUSTRATED

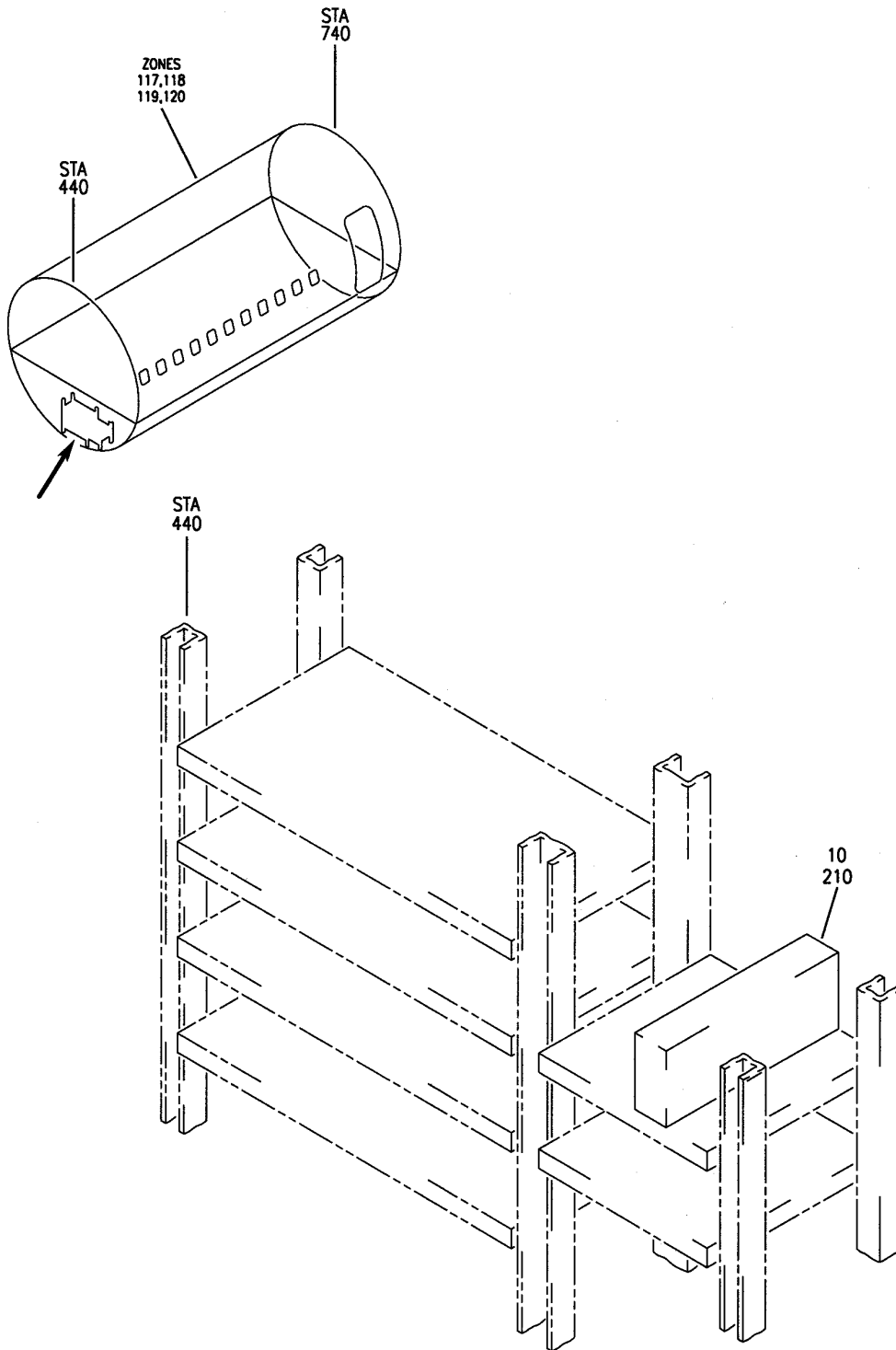
BRI

24-25-05-01

BOEING PROPRIETARY - Copyright © - Unpublished Work - See title page for details.

24-25-05
FIG. 01
PAGE 2
JAN 20/09

BOEING
757
PARTS CATALOG (MAINTENANCE)



Y 24250501B REV 209

EQUIPMENT INSTL-MAIN ELECTRONICS EQPT CTR (HYDRAULIC MOTOR DRIVEN GENERATOR SYTEM ONLY)
FIGURE 1B

BRI
MAY 28/07

24-25-05-01B

24-25-05-01B
PAGE 0



757

PARTS CATALOG (MAINTENANCE)

FIG ITEM	PART NUMBER	1 2 3 4 5 6 7	NOMENCLATURE	EFFECT FROM TO	UNITS PER ASSY
1B			EQUIPMENT INSTL-MAIN ELECTRONICS EQPT CTR (HYDRAULIC MOTOR DRIVEN GENERATOR SYTEM ONLY)	101102	
- 1	284N1800-140		EQUIPMENT INSTL-MAIN ELECTRONICS EQPT CTR (HYDRAULIC MOTOR DRIVEN GENERATOR SYSTEM ONLY) FOR NHA/OTHER SYS DET SEE: 24-00-58-05E	101101	RF
- 2	284N1800-141		EQUIPMENT INSTL-MAIN ELECTRONICS EQPT CTR (HYDRAULIC MOTOR DRIVEN GENERATOR SYSTEM ONLY) FOR NHA/OTHER SYS DET SEE: 24-00-58-05E	102102	RF
10	080-20325-01		.TRANSFORMER- SUPPLIER CODE: V95266 FUNCTIONAL DESCRIPTION: CONVERTS 3-PHASE 115 VOLTS AC INPUT POWER INTO UNREGULATED 28 VOLTS DC OUTPUT POWER FOR THE AIRPLANE DC LOADS. SPECIFICATION NUMBER: 10-3257-5 ELECTRICAL EQUIP NUMBER: T10060 COMPONENT MAINT MANUAL REF: 24-30-01	101102	1
- 200	286N1310-302		WIRE BUNDLE ASSY	101102	RF
210	SRPA1N8AS1		.RECEPTACLE- SUPPLIER CODE: V77820 ELECTRICAL EQUIP NUMBER: D07672 WIRING DIAGRAM REF: 242512	101102	1

MISSING ITEM NUMBERS NOT APPLICABLE

- ITEM NOT ILLUSTRATED

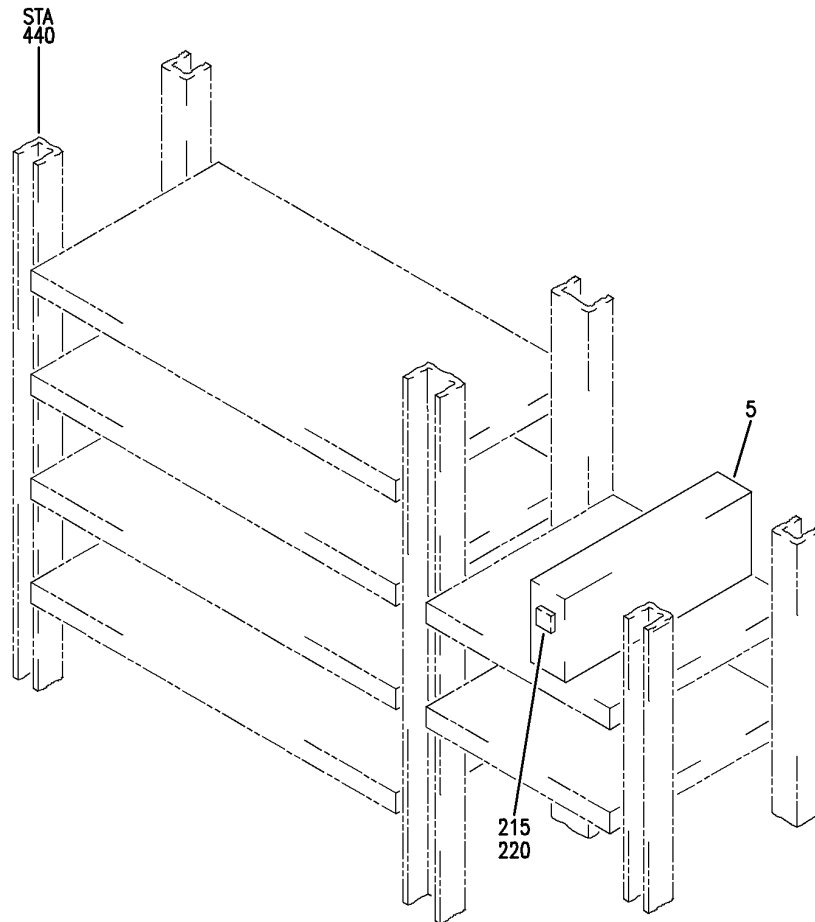
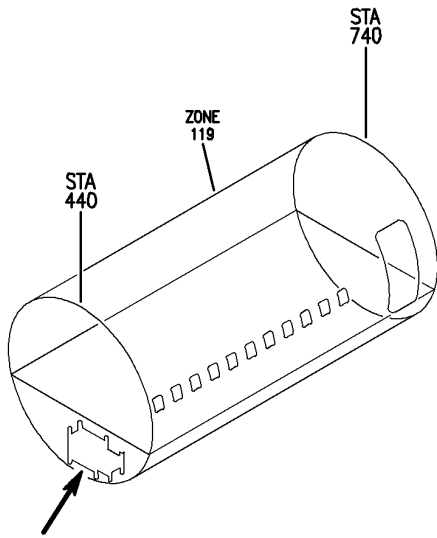
BRI

24-25-05-01B

BOEING PROPRIETARY - Copyright © - Unpublished Work - See title page for details.

24-25-05
FIG. 01B
PAGE 1
JAN 20/09

BOEING
757
PARTS CATALOG (MAINTENANCE)



Y 24250508 REV 234

EQUIPMENT INSTL-MAIN ELECTRONICS EQPT CTR HYDR MOTOR GEN XFMR RECTIFIER UNIT
FIGURE 8

BRI
JAN 20/09

24-25-05-08

24-25-05-08
PAGE 0



757

PARTS CATALOG (MAINTENANCE)

FIG ITEM	PART NUMBER	1 2 3 4 5 6 7	NOMENCLATURE	EFFECT FROM TO	UNITS PER ASSY
8			EQUIPMENT INSTL-MAIN ELECTRONICS EQPT CTR HYDR MOTOR GEN XFMR RECTIFIER UNIT	103106 108120	
- 1	284N4000-240003		EQUIPMENT INSTL-MAIN ELECTRONICS EQPT CTR HYDR MOTOR GEN XFMR RECTIFIER UNIT FOR NHA SEE: 24-00-58-05F	108120	RF
- 1	MODREF9948		EQUIPMENT INSTL-MAIN ELECTRONICS EQPT CTR HYDR MOTOR GEN XFMR RECTIFIER UNIT MODULE NUMBER: 284N4000-240003 REV A	103106	1
5	080-20325-01		.TRANSFORMER- SUPPLIER CODE: V95266 FUNCTIONAL DESCRIPTION: CONVERTS 3-PHASE 115 VOLTS AC INPUT POWER INTO UNREGULATED 28 VOLTS DC OUTPUT POWER FOR THE AIRPLANE DC LOADS. SPECIFICATION NUMBER: 10-3257-5 ELECTRICAL EQUIP NUMBER: T10060 WIRING DIAGRAM REF: 242512 COMPONENT MAINT MANUAL REF: 24-30-01	103106 108120	1
- 200	286N1310-302		WIRE BUNDLE ASSY	108120	RF
- 200	286N1310-701		WIRE BUNDLE ASSY	103106	RF
215	SRPA1N8AS1		.RECEPTACLE- SUPPLIER CODE: V77820 ELECTRICAL EQUIP NUMBER: D07672 WIRING DIAGRAM REF: 242512	103106 108120	1
220	63-9273-2		.SEPARATOR- ELECTRICAL EQUIP NUMBER: D07672T WIRING DIAGRAM REF: 242512	108120	1

MISSING ITEM NUMBERS NOT APPLICABLE

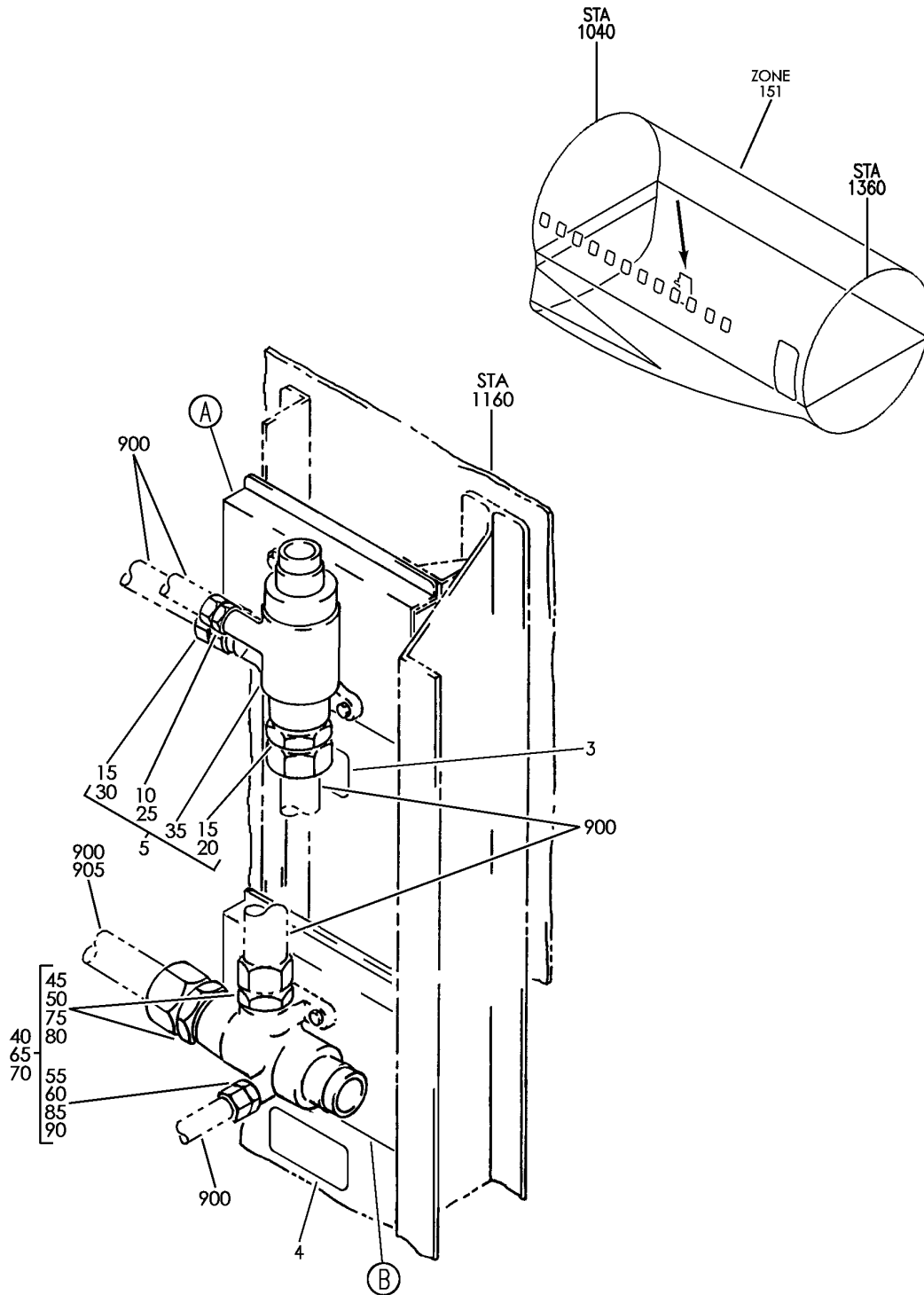
- ITEM NOT ILLUSTRATED

24-25-05-08

24-25-05
FIG. 08
PAGE 1
JAN 20/09

BRI

BOEING
757
PARTS CATALOG (MAINTENANCE)



Y 24250601 SHT 1 REV 295

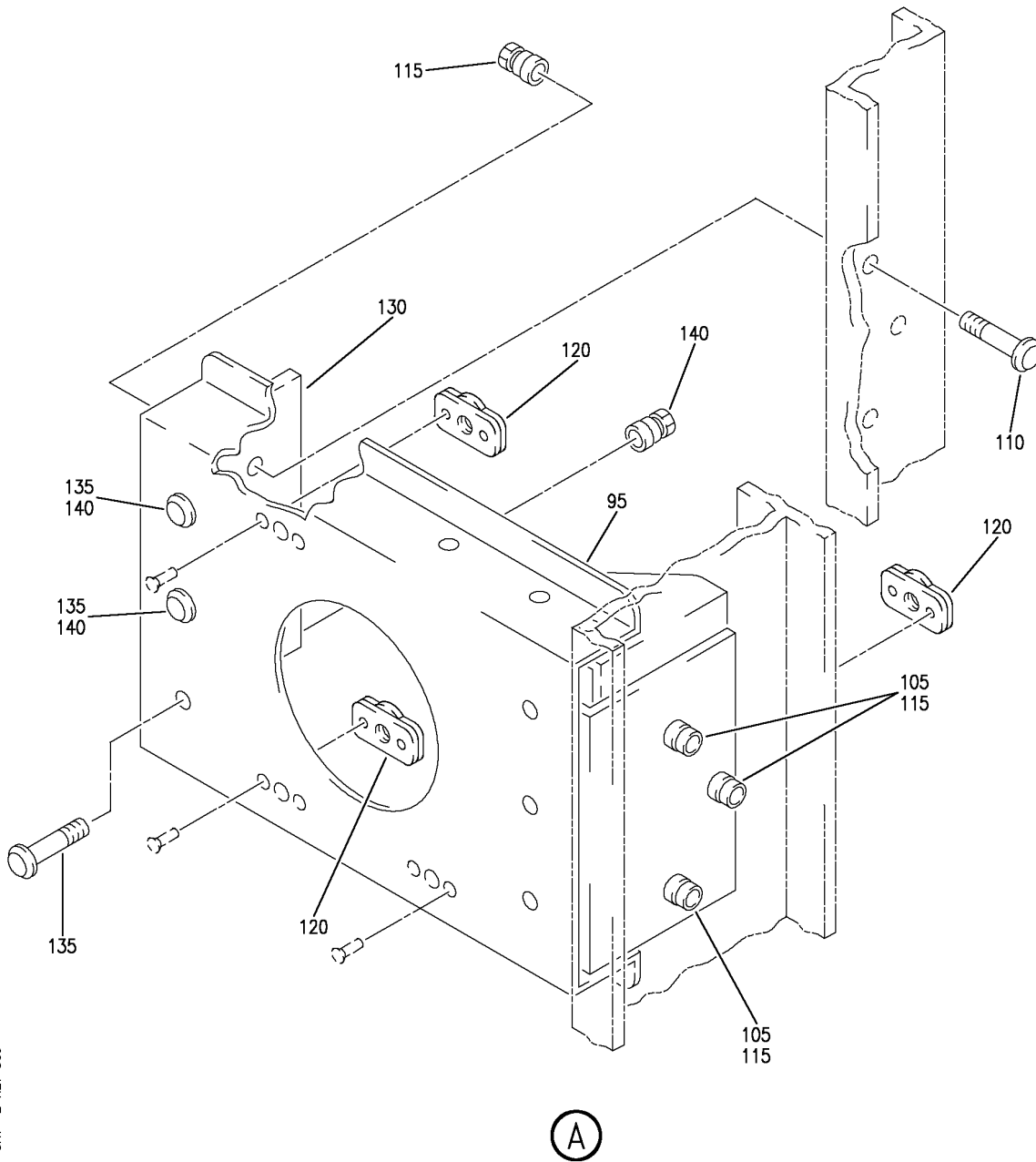
VALVE INSTL AND ASSY CONT AND FLOW LIMITER HYDR MOTOR/GEN (HYDRAULIC FLOW LIMITER ONLY)
FIGURE 1 (SHEET 1)

BRI
MAY 28/07

24-25-06-01

24-25-06-01
PAGE 0

BOEING
757
PARTS CATALOG (MAINTENANCE)



Y 24250601 SHT 2 REV 309

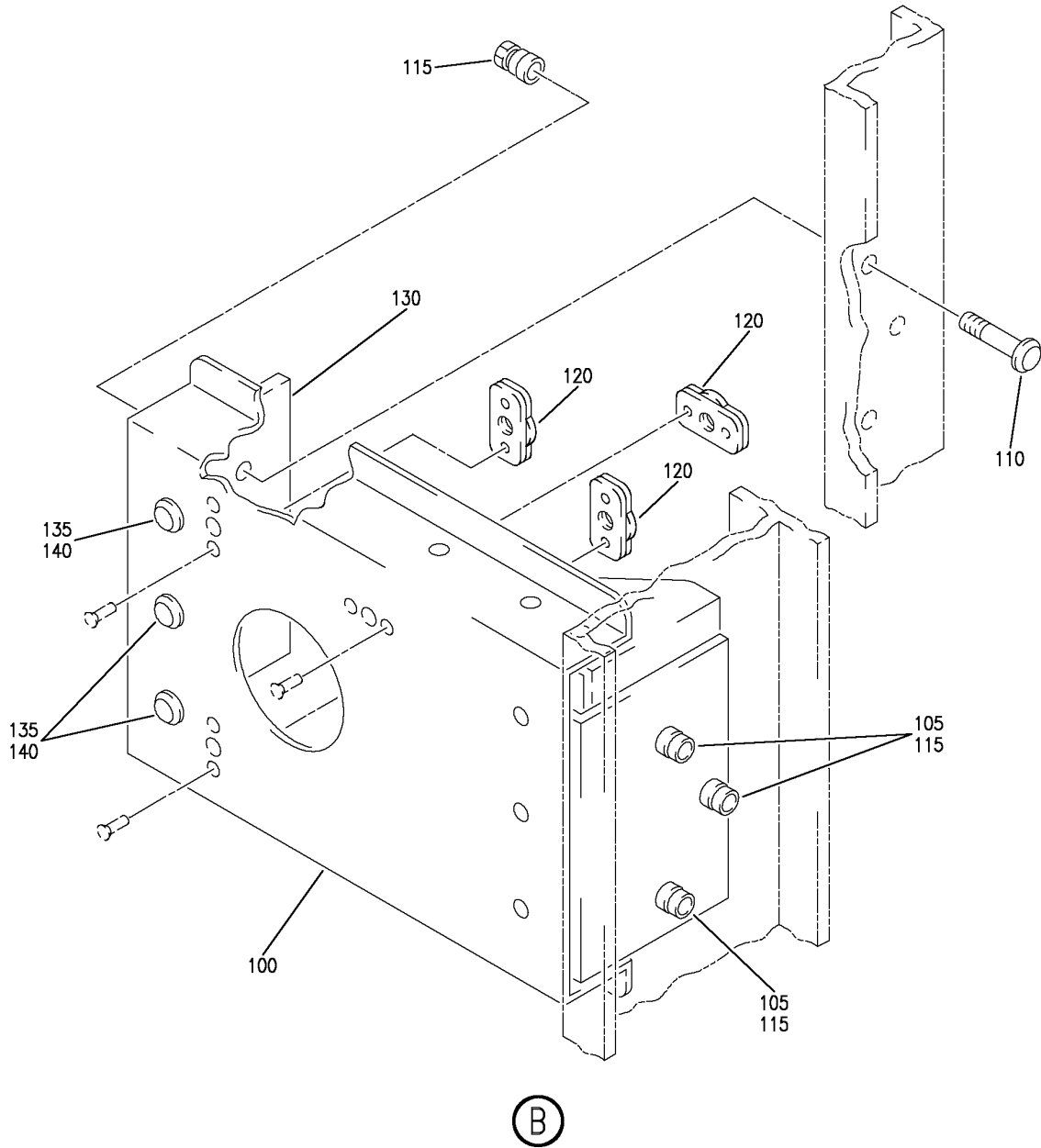
VALVE INSTL AND ASSY CONT AND FLOW LIMITER HYDR MOTOR/GEN (HYDRAULIC FLOW LIMITER ONLY)
FIGURE 1 (SHEET 2)

BRI
MAY 28/07

24-25-06-01

24-25-06-01
PAGE 0A

BOEING
757
PARTS CATALOG (MAINTENANCE)



Y 24250601 SH1 3 REV 309

VALVE INSTL AND ASSY CONT AND FLOW LIMITER HYDR MOTOR/GEN (HYDRAULIC FLOW LIMITER ONLY)
FIGURE 1 (SHEET 3)

BRI
MAY 28/07

24-25-06-01

24-25-06-01
PAGE 0B



757

PARTS CATALOG (MAINTENANCE)

FIG ITEM	PART NUMBER	1 2 3 4 5 6 7	NOMENCLATURE	EFFECT FROM TO	UNITS PER ASSY
1			VALVE INSTL AND ASSY CONT AND FLOW LIMITER HYDR MOTOR/GEN (HYDRAULIC FLOW LIMITER ONLY)	002004 006102 107503 904949 952999	
- 1	271N1078-1		VALVE INSTL-CONT AND FLOW LIMITER HYDR MOTOR/GEN (HYDRAULIC FLOW LIMITER ONLY) POST SERVICE BULLETIN: 24-0048 FOR NHA/ADDITIONAL DET SEE: 29-00-51-05	002004 006008 107107 121503 904949 952999	RF
- 1	271N1078-13		VALVE INSTL-CONT AND FLOW LIMITER HYDR MOTOR/GEN (HYDRAULIC FLOW LIMITER ONLY) FOR NHA/ADDITIONAL DET SEE: 24-00-00-06	101102	RF
- 1	271N1078-19		VALVE INSTL-CONT AND FLOW LIMITER HYDR MOTOR/GEN (HYDRAULIC FLOW LIMITER ONLY) FOR NHA/ADDITIONAL DET SEE: 24-00-00-06	108120	RF
- 1	271N1078-6		VALVE INSTL-CONT AND FLOW LIMITER HYDR MOTOR/GEN (HYDRAULIC FLOW LIMITER ONLY) FOR NHA/ADDITIONAL DET SEE: 29-00-51-05	009100	RF
3	BAC27NHY0223		.MARKER-ALUMINUM FOIL PLACARD CONTENT: PRESSURE SENSITIVE FLOW LIMITER HYD MOT. GENERATOR	002004 006102 107503 904949 952999	1
4	BAC27NHY0129		.MARKER-ALUMINUM FOIL PLACARD CONTENT: PRESSURE SENSITIVE FLOW LIMITER LEFT HYD SYS	002004 006102 107503 904949 952999	1
5	271N1078-2		.LIMITER ASSY-FLOW	002004 006102 107503 904949 952999	1

MISSING ITEM NUMBERS NOT APPLICABLE

- ITEM NOT ILLUSTRATED

BRI

24-25-06-01

24-25-06
FIG. 01
PAGE 1
JAN 20/09



757

PARTS CATALOG (MAINTENANCE)

FIG ITEM	PART NUMBER	1 2 3 4 5 6 7	NOMENCLATURE	EFFECT FROM TO	UNITS PER ASSY
1			ATTACHING PARTS		
- 7	BACB30NM4K6		.BOLT	002004 006102 107503 904949 952999	3
- 8	BACW10BN4AC		.WASHER	002004 006102 107503 904949 952999	3
10	NAS1612-4		-----*----- .. PACKING-	002004 006102 107503 904949 952999	1
15	NAS1612-12		.. PACKING-	002004 006102 107503 904949 952999	2
20	BACU24K12		.. UNION	002004 006102 107503 904949 952999	1

MISSING ITEM NUMBERS NOT APPLICABLE

- ITEM NOT ILLUSTRATED

BRI

24-25-06-01

BOEING PROPRIETARY - Copyright © - Unpublished Work - See title page for details.

24-25-06
FIG. 01
PAGE 2
JAN 20/09



757

PARTS CATALOG (MAINTENANCE)

FIG ITEM	PART NUMBER	1 2 3 4 5 6 7	NOMENCLATURE	EFFECT FROM TO	UNITS PER ASSY
1 25	AFP2326-4		.. REDUCER-UNION SUPPLIER CODE: V30974 SPECIFICATION NUMBER: BACR17E6-4 OPTIONAL PART: AP10276-4 V01673 BC916T6-4 V50948 DBOR17E6-4 V14798 ER21916T6-4 V88334 ER31916-6-4 V88334 F23-6-4 V73197 2-01075T6-4 V11328 31778-6-4 V14397 US2114-6-4 V50808 AP1027T6-4 V01673 US21146-4 V50808 317786-4 V14397	002004 006102 107503 904949 952999	1
30	BACV10CE5		.. VALVE-CHECK	002004 006102 107503 904949 952999	1

MISSING ITEM NUMBERS NOT APPLICABLE

- ITEM NOT ILLUSTRATED

BRI

24-25-06-01

BOEING PROPRIETARY - Copyright © - Unpublished Work - See title page for details.

24-25-06
FIG. 01
PAGE 3
JAN 20/09

BOEING
757
PARTS CATALOG (MAINTENANCE)

FIG ITEM	PART NUMBER	1 2 3 4 5 6 7	NOMENCLATURE	EFFECT FROM TO	UNITS PER ASSY
1	35 67940-2		..LIMITER- SUPPLIER CODE: V99643 SPECIFICATION NUMBER: 10-62043-2 NOT APPROVED FOR ETOPS WITHOUT INCORP OF SL: 29-020 NOT APPROVED FOR ETOPS WITHOUT INCORP OF SB: 67940-29-01 V99643 MISCELLANEOUS DATA: NOT APPROVED FOR ETOPS WITHOUT INCORPORATION OF SB 67940-29-01 AND / OR SL 757-29-20 FOR BOTH 757-200 AND -300 COMPONENT MAINT MANUAL REF: 29-11-02	002004 006102 107503 904949 952999	1
	40 67940		.LIMITER ASSY-PRESSURE SENS, FLOW (SALVAGED FROM 271N5045-1) SUPPLIER CODE: V99643 SPECIFICATION NUMBER: S271N502-1 COMPONENT MAINT MANUAL REF: 29-11-02	009102 108120	1
-	42 BACB30NM4K6		ATTACHING PARTS .BOLT	009102 108120	3
-	44 BACW10BN4AC		.WASHER	009102 108120	3
	45 BACU24K12		-----*----- ..UNION	009102 108120	2
	50 NAS1612-12		..PACKING-	009102 108120	2
	55 1C1358		..VALVE-CHECK SUPPLIER CODE: V99240 OPTIONAL PART: BACV10CE2	009102 108120	1
	55 BACV10CE2		..VALVE-CHECK OPTIONAL PART: 1C1358 V99240	009102 108120	1

MISSING ITEM NUMBERS NOT APPLICABLE

- ITEM NOT ILLUSTRATED

BRI

24-25-06-01

BOEING PROPRIETARY - Copyright © - Unpublished Work - See title page for details.

24-25-06
FIG. 01
PAGE 4
JAN 20/09



757

PARTS CATALOG (MAINTENANCE)

FIG ITEM	PART NUMBER	1 2 3 4 5 6 7	NOMENCLATURE	EFFECT FROM TO	UNITS PER ASSY
1					
60	NAS1612-6	..	PACKING-	009102 108120	1
65	271N1078-3	.L	LIMITER ASSY-FLOW	002004 006008 107107 121503 904949 952999	1
70	67940	..	LIMITER ASSY-PRESSURE SENS, FLOW SUPPLIER CODE: V99643 SPECIFICATION NUMBER: S271N502-1 COMPONENT MAINT MANUAL REF: 29-11-02	002004 006008 107107 121503 904949 952999	1
75	BACU24K12	...	UNION	002004 006008 107107 121503 904949 952999	2
80	NAS1612-12	...	PACKING-	002004 006008 107107 121503 904949 952999	2
85	1C1358	...	VALVE-CHECK SUPPLIER CODE: V99240 OPTIONAL PART: BACV10CE2	002004 006008 107107 121503 904949 952999	1
85	BACV10CE2	...	VALVE-CHECK OPTIONAL PART: 1C1358	002004 006008 107107 121503 904949 952999	1
90	NAS1612-6	...	PACKING-	002004 006008 107107 121503 904949 952999	1

MISSING ITEM NUMBERS NOT APPLICABLE

- ITEM NOT ILLUSTRATED

BRI

24-25-06-01

BOEING PROPRIETARY - Copyright © - Unpublished Work - See title page for details.

24-25-06
FIG. 01
PAGE 5
JAN 20/09



757

PARTS CATALOG (MAINTENANCE)

FIG ITEM	PART NUMBER	1 2 3 4 5 6 7	NOMENCLATURE	EFFECT FROM TO	UNITS PER ASSY
1 900			ILLUSTRATION REFERENCE: PLUMBING INSTL-SECT. 44 KEEL BEAM MLG WHL WELL HYDR (ELECTRICAL POWER ONLY) 24-25-52-01	002004 006100 107107 121503 904949 952999	RF
905			ILLUSTRATION REFERENCE: PLUMBING INSTL-SECT. 44 MLG WHL WELL HYDR (HYDRAULIC POWER TRANSFER UNIT SYSTEM ONLY) 29-22-51-20	002004 006100 121503 904949 952999	RF

MISSING ITEM NUMBERS NOT APPLICABLE

- ITEM NOT ILLUSTRATED

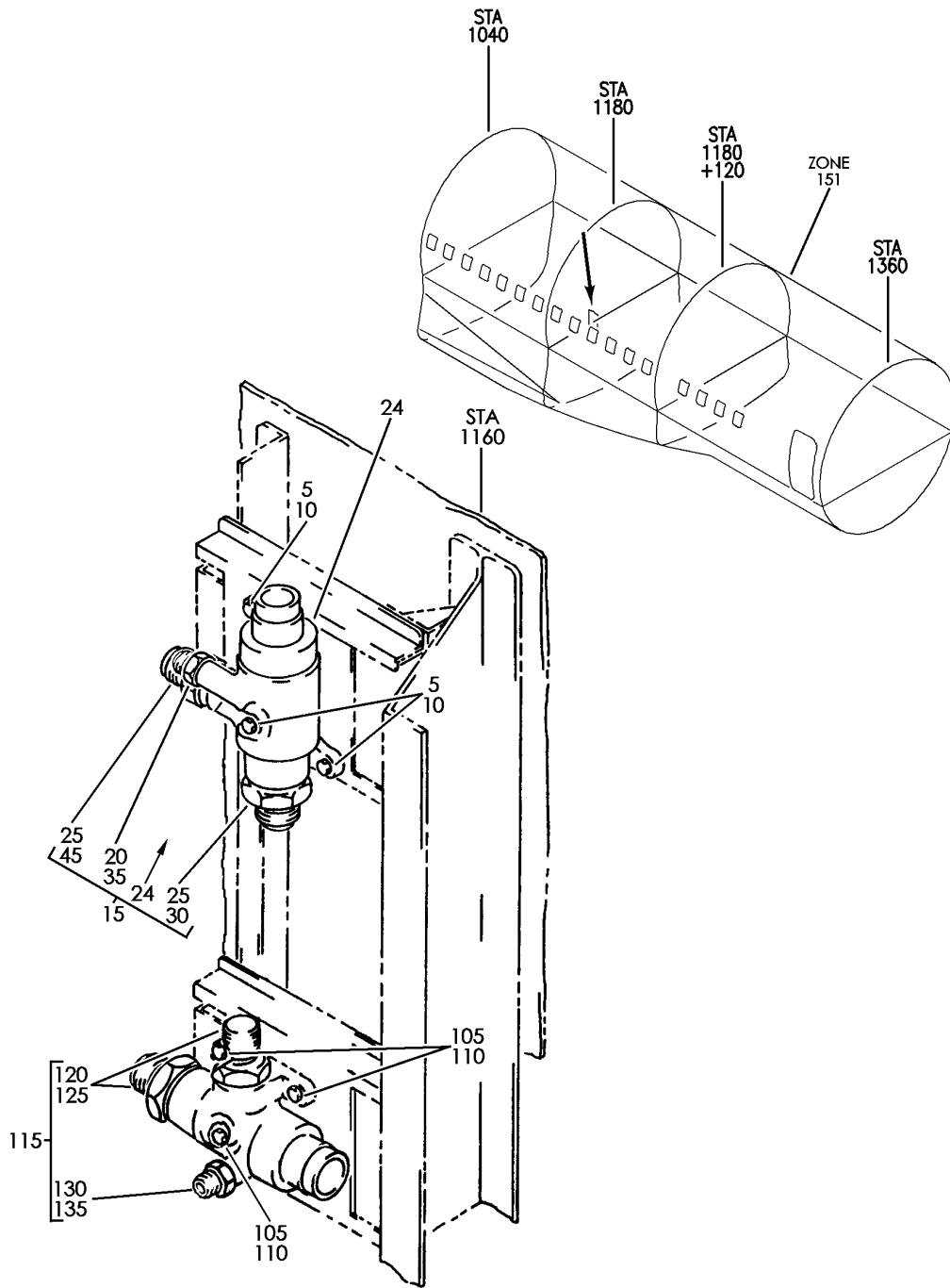
BRI

24-25-06-01

BOEING PROPRIETARY - Copyright © - Unpublished Work - See title page for details.

24-25-06
FIG. 01
PAGE 6
JAN 20/09

BOEING
757
PARTS CATALOG (MAINTENANCE)



Y 24250602 REV 236

FLOW LIMITER INSTL (HYDRAULIC FLOW LIMITER ONLY)
FIGURE 2

24-25-06-02

BRI
JAN 20/09

24-25-06-02
PAGE 0



757

PARTS CATALOG (MAINTENANCE)

FIG ITEM	PART NUMBER	1 2 3 4 5 6 7	NOMENCLATURE	EFFECT FROM TO	UNITS PER ASSY
2			FLOW LIMITER INSTL (HYDRAULIC FLOW LIMITER ONLY)	103106	
- 1	MODREF6898		FLOW LIMITER INSTL- ETOPS FULL PROVISIONS (HYDRAULIC FLOW LIMITER ONLY) MODULE NUMBER: 271N1078-22 REV A	103106	1
5	BACB30NM4K6		.BOLT	103106	3
10	BACW10BN4AC		.WASHER	103106	3
15	271N1078-2		.LIMITER ASSY-FLOW	103106	1
20	NAS1612-4		..PACKING	103106	1
24	67940-2		..LIMITER- SUPPLIER CODE: V99643 SPECIFICATION NUMBER: 10-62043-2 NOT APPROVED FOR ETOPS WITHOUT INCORP OF SL: 29-020 NOT APPROVED FOR ETOPS WITHOUT INCORP OF SB: 67940-29-01 V99643 MISCELLANEOUS DATA: NOT APPROVED FOR ETOPS WITHOUT INCORPORATION OF SB 67940-29-01 AND / OR SL 757-29-20 FOR BOTH 757-200 AND -300 COMPONENT MAINT MANUAL REF: 29-11-02	103106	1
25	NAS1612-12		..PACKING	103106	2
30	BACU24K12		..UNION	103106	1

MISSING ITEM NUMBERS NOT APPLICABLE

- ITEM NOT ILLUSTRATED

BRI

24-25-06-02

24-25-06
FIG. 02
PAGE 1
JAN 20/09



757

PARTS CATALOG (MAINTENANCE)

FIG ITEM	PART NUMBER	1 2 3 4 5 6 7	NOMENCLATURE	EFFECT FROM TO	UNITS PER ASSY
2 35	AFP2326-4		..REDUCER-UNION SUPPLIER CODE: V30974 SPECIFICATION NUMBER: BACR17E6-4 OPTIONAL PART: AP10276-4 V01673 BC916T6-4 V50948 DBOR17E6-4 V14798 ER21916T6-4 V88334 ER31916-6-4 V88334 F23-6-4 V73197 2-01075T6-4 V11328 31778-6-4 V14397 US2114-6-4 V50808 AP1027T6-4 V01673 US21146-4 V50808 317786-4 V14397	103106	1
45 - 100	BACV10CE5 MODREF6897		..VALVE-CHECK FLOW LIMITER INSTL- STANDARD SELECTIONS ETOPS PARTIAL PROVISIONS (HYDRAULIC FLOW LIMITER ONLY) MODULE NUMBER: 271N1078-21 REV A	103106 103106	1 1
105	BACB30NM4K6		.BOLT	103106	3
110	BACW10BN4AC		.WASHER	103106	3
115	67940		.LIMITER ASSY-PRESSURE SENS, FLOW SUPPLIER CODE: V99643 SPECIFICATION NUMBER: S271N502-1 COMPONENT MAINT MANUAL REF: 29-11-02	103106	1
120	BACU24K12		..UNION	103106	2

MISSING ITEM NUMBERS NOT APPLICABLE

- ITEM NOT ILLUSTRATED

24-25-06-02

24-25-06
FIG. 02
PAGE 2
JAN 20/09

BRI



757

PARTS CATALOG (MAINTENANCE)

FIG ITEM	PART NUMBER	1 2 3 4 5 6 7	NOMENCLATURE	EFFECT FROM TO	UNITS PER ASSY
2					
125	NAS1612-12	..	PACKING	103106	2
130	1C1358	..	VALVE-CHECK	103106	1
			SUPPLIER CODE: V99240		
			OPTIONAL PART: BACV10CE2		
130	BACV10CE2	..	VALVE-CHECK	103106	1
			OPTIONAL PART: 1C1358		
135	NAS1612-6	..	PACKING	103106	1

MISSING ITEM NUMBERS NOT APPLICABLE

- ITEM NOT ILLUSTRATED

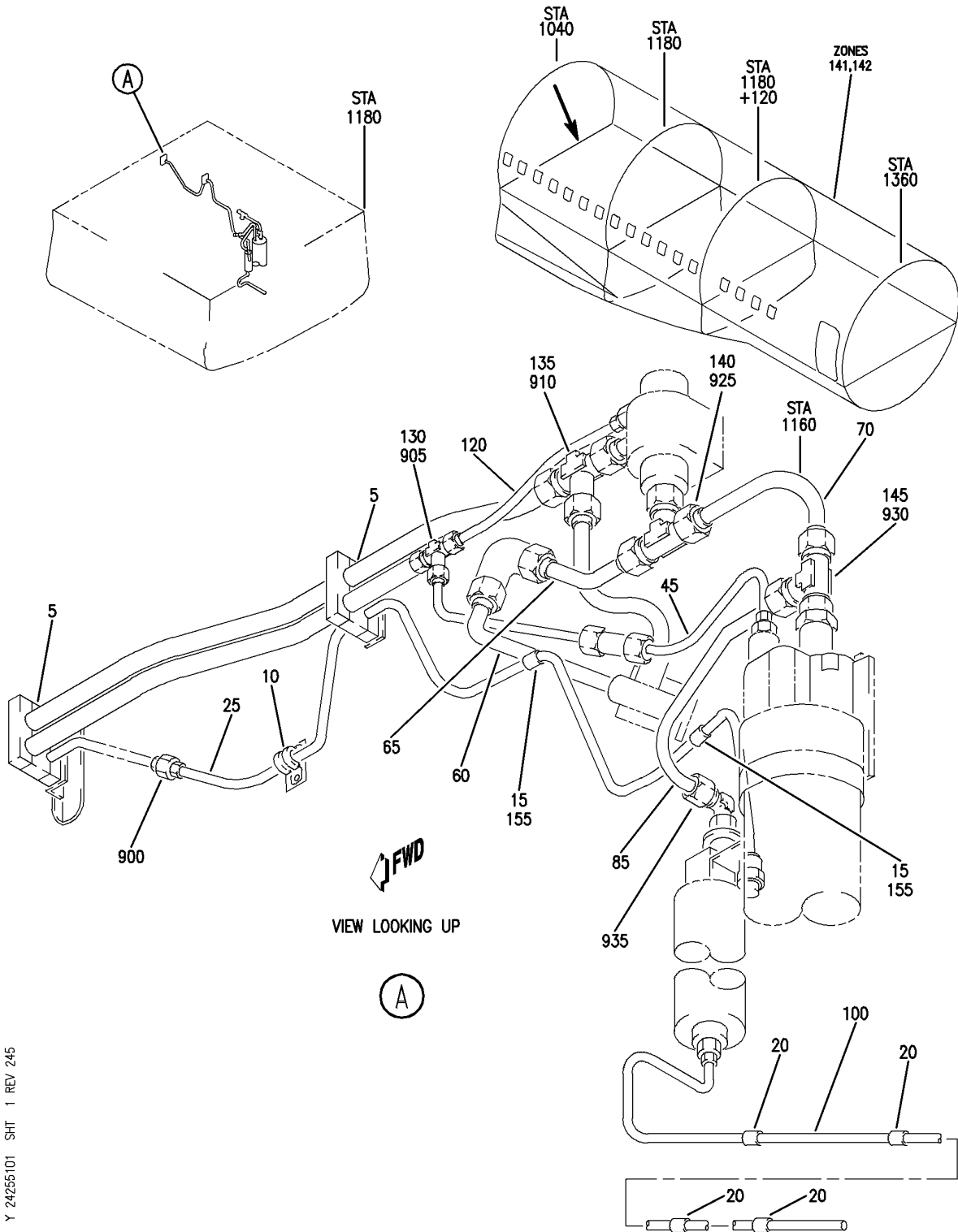
BRI

24-25-06-02

BOEING PROPRIETARY - Copyright © - Unpublished Work - See title page for details.

24-25-06
FIG. 02
PAGE 3
JAN 20/09

BOEING
757
PARTS CATALOG (MAINTENANCE)



Y 24255101 SHT 1 REV 245

PLUMBING INSTL-SECT. 44 KEEL BEAM MLG WHL WELL HYDR (ELECTRICAL POWER ONLY)
FIGURE 1

24-25-51-01

BRI
MAY 28/07

24-25-51-01
PAGE 0



757

PARTS CATALOG (MAINTENANCE)

FIG ITEM	PART NUMBER	1 2 3 4 5 6 7	NOMENCLATURE	EFFECT FROM TO	UNITS PER ASSY
1			PLUMBING INSTL-SECT. 44 KEEL BEAM MLG WHL WELL HYDR (ELECTRICAL POWER ONLY)	101106 108120	
- 1	271N6445-12		PLUMBING INSTL-LH MAIN MLG WHEEL WELL HYDR KEEL BEAM, SEC . 44 FOR NHA/OTHER SYS DET SEE: 29-00-51-05B	101102	RF
- 1	271N6445-20		PLUMBING INSTL-LH MAIN MLG WHEEL WELL HYDR KEEL BEAM, SEC . 44 FOR NHA/OTHER SYS DET SEE: 29-00-51-05B	108120	RF
- 3	MODREF30159		PLUMBING INSTL-PROVISIONS FOR 10KVA HMG INSTALLATION (FULL ETOPS SELECTIONS) MODULE NUMBER: 271N6445-29 REV B	103106	1
5	270N2000-265		.CLAMP ASSY	101106 108120	RF
10	TA0910004H106		.CLAMP SUPPLIER CODE: V84971 SPECIFICATION NUMBER: BACC10HB06C	101106 108120	1
15	M85052-2-6		.CLAMP	101106 108120	2
20	M85052-2-4		.CLAMP	103106	4
25	271N6445-1252		.TUBE ASSY- TUBING MATERIAL: .375 IN. OD X .019 IN. WALL X 59.4 IN. LG BMS 7-234 TI-3AL-2.5V COLD WORKED, STRESS RELIEVED TUBING	101102	1
25	271N6445-1290		.TUBE ASSY- TUBING MATERIAL: .375 IN. OD X .019 IN. WALL X 58.1 IN. LG BMS 7-234 TI-3AL-2.5V COLD WORKED, STRESS RELIEVED TUBING	103106	1
- 30	AS1581T06		..SLEEVE	101106	1
- 35	AS1582T06		..UNION	101106	1
- 40	BACN10YA6		..NUT	101106	1

MISSING ITEM NUMBERS NOT APPLICABLE

- ITEM NOT ILLUSTRATED

24-25-51-01

24-25-51
FIG. 01
PAGE 1
JAN 20/09

BRI



757

PARTS CATALOG (MAINTENANCE)

FIG ITEM	PART NUMBER	1 2 3 4 5 6 7	NOMENCLATURE	EFFECT FROM TO	UNITS PER ASSY
1					
45	271N6445-1253	.	TUBE ASSY- TUBING MATERIAL: STOCK .625 OD X .035 WALL X 12.4 6061-T6 ALUMINUM SEAMLESS TUBING PER MIL-T-7081	101102	1
45	271N6445-1299	.	TUBE ASSY- TUBING MATERIAL: STOCK .625 OD X .035 WALL X 12.32 LG 6061-T6 ALUMINUM SEAMLESS TUBING PER MIL-T-7081.	103106 108120	1
- 50	AP2097HP10	..	SLEEVE SUPPLIER CODE: V01673 SPECIFICATION NUMBER: BACS13BX10HP OPTIONAL PART: 2-02903-10HP V11328 35235VN10 V08199 AFP175V10P V30974 DBOS13BX10HP V14798	101106 108120	2
- 55	BACN10YL10	..	NUT- OPTIONAL PART: MS21921-10D	101106 108120	2
- 55	MS21921-10D	..	NUT- OPTIONAL PART: BACN10YL10	101106 108120	2
60	271N6445-1174	.	TUBE ASSY- TUBING MATERIAL: STOCK .750 OD X .039 WALL X12.3 3AL-2.5V TITANIUM SEAMLESS TUBING PER BMS7-234	103106	1
65	271N6445-1192	.	TUBE ASSY- TUBING MATERIAL: STOCK .750 OD X .039 WALL X6.0 3AL-2.5V TITANIUM SEAMLESS TUBING PER BMS7-234	103106	1

MISSING ITEM NUMBERS NOT APPLICABLE

- ITEM NOT ILLUSTRATED

BRI

24-25-51-01

24-25-51
FIG. 01
PAGE 2
JAN 20/09



757

PARTS CATALOG (MAINTENANCE)

FIG ITEM	PART NUMBER	1 2 3 4 5 6 7	NOMENCLATURE	EFFECT FROM TO	UNITS PER ASSY
1					
70	271N6445-1261	.	TUBE ASSY- TUBING MATERIAL: STOCK .750 OD X .039 WALL X13.9 3AL-2.5V TITANIUM SEAMLESS TUBING PER BMS7-234	101106 108120	1
- 75	AS1581T12	..	SLEEVE	101106 108120	6
- 80	BACN10YA12N	..	NUT	101106 108120	6
85	271N6445-1283	.	TUBE ASSY- TUBING MATERIAL: STOCK .625 OD X .032 WALL X11.7 3AL-2.5V TITANIUM SEAMLESS TUBING PER BMS7-234	101106 108120	1
- 90	AS1581T10	..	SLEEVE	101106 108120	2
- 95	BACN10YA10N	..	NUT	101106 108120	2
100	271N6445-1262	.	TUBE ASSY- TUBING MATERIAL: STOCK .250 OD X .016 WALL X 48.6 3AL-2.5V TITANIUM SEAMLESS TUBING PER BMS7-234	103106	1
- 105	AS1581T04	..	SLEEVE-WELDED	103106	1
- 110	AS1582T04	..	UNION	103106	1
- 115	BACN10YA4N	..	NUT	103106	1
120	271N6445-1297	.	TUBE ASSY- TUBING MATERIAL: STOCK .375 OD X .019 IN. WALL X 10.2 IN. LG 3AL-2.5V TITANIUM SEAMLESS TUBING PER BMS7-234.	103106	1
- 125	AP1042JN1010	.	ELBOW SUPPLIER CODE: V01673 SPECIFICATION NUMBER: BACE21BT1010JN	101106 108120	1
130	BACT16AS120610W	.	TEE	101106 108120	1
135	BACT16BR121212P	.	TEE	103106	1
140	BCREF116880	.	TEE- OVERLENGTH PART NUMBER: BACT16BT121212JN	103106	1
145	BACT16BR121210P	.	TEE	103106	1

MISSING ITEM NUMBERS NOT APPLICABLE

- ITEM NOT ILLUSTRATED

24-25-51-01

24-25-51
FIG. 01
PAGE 3
JAN 20/09

BRI

BOEING PROPRIETARY - Copyright © - Unpublished Work - See title page for details.



757

PARTS CATALOG (MAINTENANCE)

FIG ITEM	PART NUMBER	1 2 3 4 5 6 7	NOMENCLATURE	EFFECT FROM TO	UNITS PER ASSY
1			. VALVE-		
- 150	1C3594		SUPPLIER CODE: V99240	101106 108120	1
			SPECIFICATION NUMBER: BACV10CD12		
			OPTIONAL PART: 0121520900-12		
			V83533		
155	NAS43DD3-16FC		. SPACER	103106	2
900			ILLUSTRATION REFERENCE: PLUMBING INSTL-PROVISIONS	101106	RF
			FOR 10KVA HMG INSTL (ETOPS)	108120	
			(HYD SYSTEMS ONLY)		
			29-11-51-92		
905			ILLUSTRATION REFERENCE: PLUMBING INSTL-PROVISIONS	101106	RF
			FOR 10KVA HMG INSTL (ETOPS)	108120	
			(HYD SYSTEMS ONLY)		
			29-11-51-92		
910			ILLUSTRATION REFERENCE: PLUMBING INSTL-PROVISIONS	101106	RF
			FOR 10KVA HMG INSTL (ETOPS)	108120	
			(HYD SYSTEMS ONLY)		
			29-11-51-92		
930			ILLUSTRATION REFERENCE: GENERATOR INSTL-HYDR MOTOR	101106	RF
			GENERATOR ASSY-HYDR MOTOR	108120	
			AND WIRE BUNDLE ASSY		
			24-25-01-04		
935			ILLUSTRATION REFERENCE: ACCUMULATOR AND SERVICING	101106	RF
			INSTL. HYDR MOTOR GEN	108120	
			24-25-04-02		

MISSING ITEM NUMBERS NOT APPLICABLE

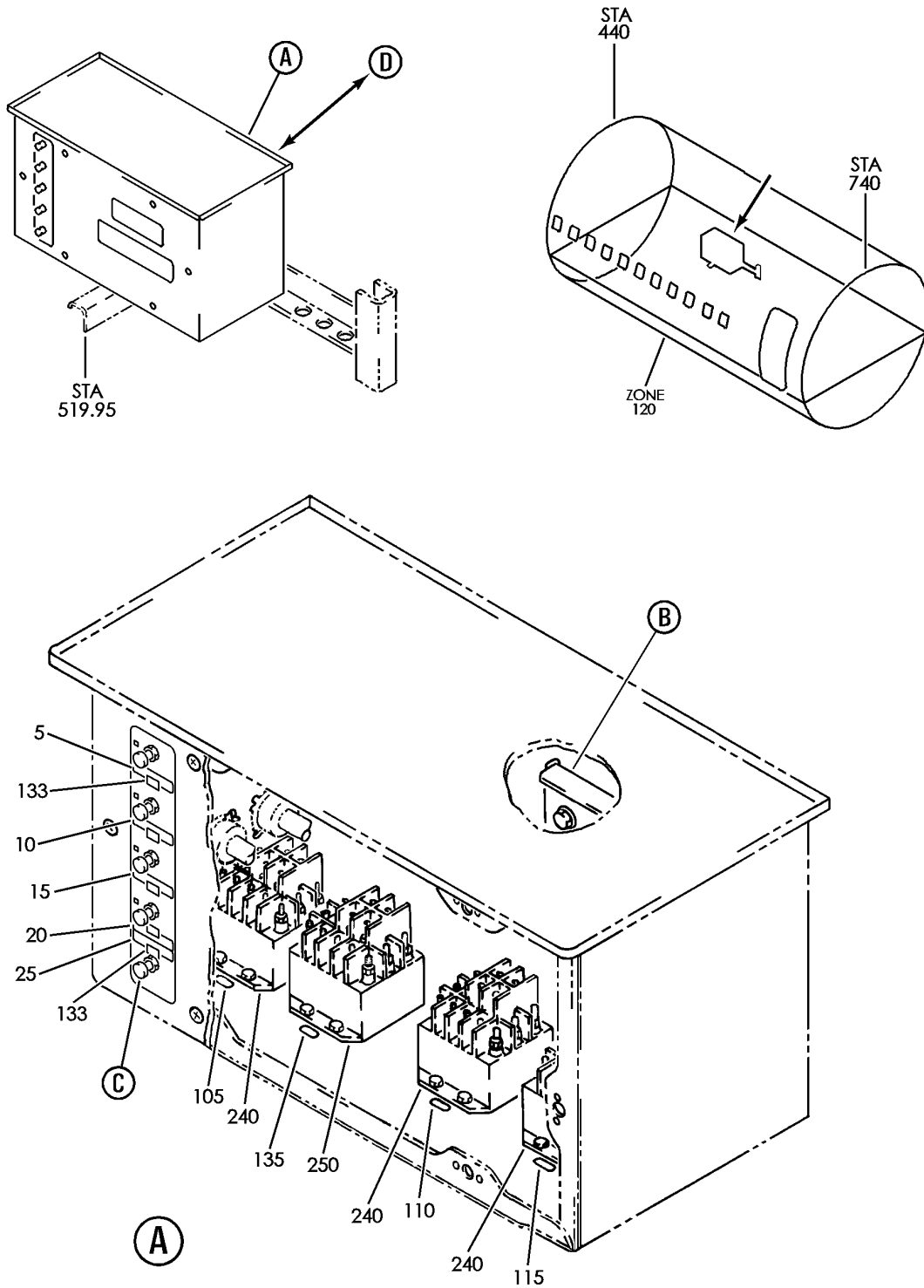
- ITEM NOT ILLUSTRATED

24-25-51-01

24-25-51
FIG. 01
PAGE 4
JAN 20/09

BRI

BOEING
757
PARTS CATALOG (MAINTENANCE)



Y 24255102 SHT 1 REV 230

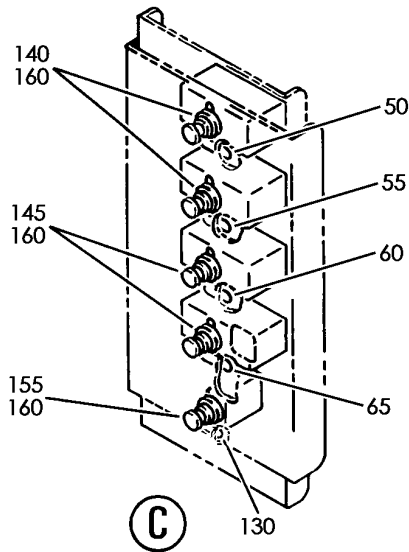
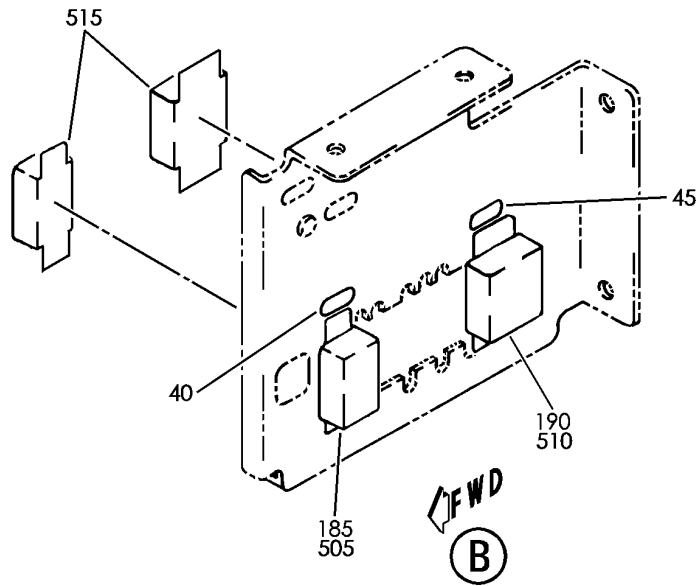
SHIELD ASSY-P71 HYDR GEN CONT (CIRCUIT BREAKERS AND RELAYS ONLY)
FIGURE 2 (SHEET 1)

BRI
MAY 28/07

24-25-51-02

24-25-51-02
PAGE 0

BOEING
757
PARTS CATALOG (MAINTENANCE)



Y 24255102 SHT. 2 REV 230

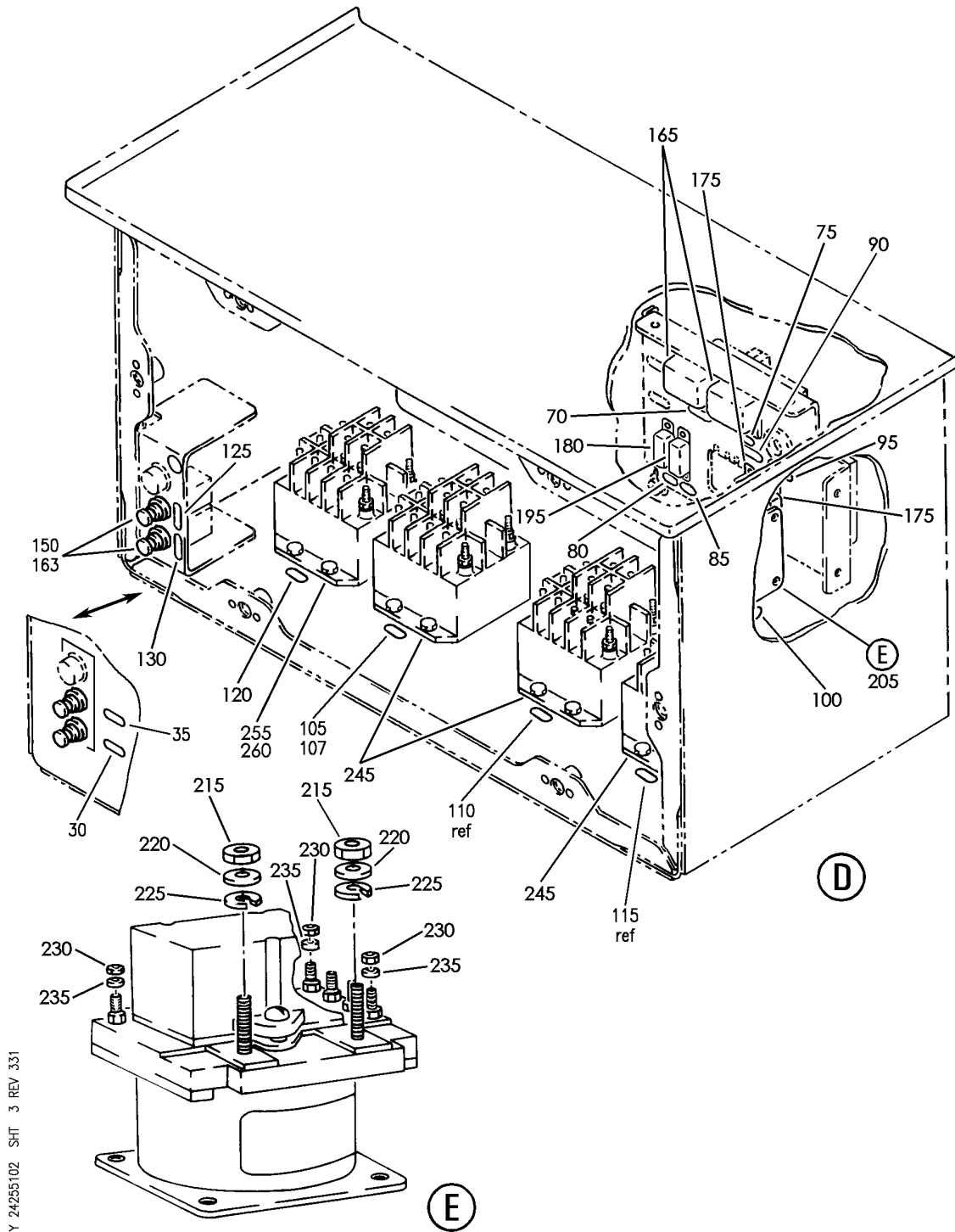
SHIELD ASSY-P71 HYDR GEN CONT (CIRCUIT BREAKERS AND RELAYS ONLY)
FIGURE 2 (SHEET 2)

BRI
MAY 28/07

24-25-51-02

24-25-51-02
PAGE 0A

BOEING
757
PARTS CATALOG (MAINTENANCE)



Y 24255102 SHT 3 REV 331

SHIELD ASSY-P71 HYDR GEN CONT (CIRCUIT BREAKERS AND RELAYS ONLY)
FIGURE 2 (SHEET 3)

24-25-51-02

BRI
JAN 20/09

24-25-51-02
PAGE 0B



757

PARTS CATALOG (MAINTENANCE)

FIG ITEM	PART NUMBER	1 2 3 4 5 6 7	NOMENCLATURE	EFFECT FROM TO	UNITS PER ASSY
2			SHIELD ASSY-P71 HYDR GEN CONT (CIRCUIT BREAKERS AND RELAYS ONLY)	002004 006100 107107 121503 904949 952999	
- 1	284N1790-2		SHIELD ASSY-P71 HYDR GEN CONT (CIRCUIT BREAKERS AND RELAYS ONLY) POST SERVICE BULLETIN: 24-0048 FOR NHA/OTHER SYS DET SEE: 31-01-71-01	107107 904949	RF
- 1	284N1790-4		SHIELD ASSY-P71 HYDR GEN CONT (CIRCUIT BREAKERS AND RELAYS ONLY) FOR NHA/OTHER SYS DET SEE: 31-01-71-01	952952	RF
- 1	284N1790-10		SHIELD ASSY-P71 HYDR GEN CONT (CIRCUIT BREAKERS AND RELAYS ONLY) REWORK DRAWING REF: 284N1790-12 FOR NHA/OTHER SYS DET SEE: 31-01-71-01	002004	RF
- 1	284N1790-14		SHIELD ASSY-P71 HYDR GEN CONT (CIRCUIT BREAKERS AND RELAYS ONLY) FOR NHA/OTHER SYS DET SEE: 31-01-71-01	121503	RF
- 1	284N1790-16		SHIELD ASSY-P71 HYDR GEN CONT (CIRCUIT BREAKERS AND RELAYS ONLY) FOR NHA/OTHER SYS DET SEE: 31-01-71-01	006100 953999	RF
5	BAC27NEX2710		.DECAL- PLACARD CONTENT: HMG BAT CHGR	002004 006100 121503 953999	1
10	BAC27NEX2709		.DECAL- PLACARD CONTENT: HMG INST XFR BUS	002004 006100 121503 953999	1
15	BAC27NEX2708		.DECAL- PLACARD CONTENT: HMG R XFR BUS	002004 006100 121503 953999	1

MISSING ITEM NUMBERS NOT APPLICABLE

- ITEM NOT ILLUSTRATED

24-25-51-02

24-25-51
FIG. 02
PAGE 1
JAN 20/09

BRI



757

PARTS CATALOG (MAINTENANCE)

FIG ITEM	PART NUMBER	1 2 3 4 5 6 7	NOMENCLATURE	EFFECT FROM TO	UNITS PER ASSY
2					
20	BAC27NEX2707	.DECAL-	PLACARD CONTENT: HMG L XFR BUS	002004 006100 121503 953999	1
25	BAC27NEX2057	.DECAL-	PLACARD CONTENT: HYD GEN AC VOLT SENSE	002004 006100 121503 953999	1
30	BAC27NEX2057	.DECAL-	PLACARD CONTENT: HYD GEN AC VOLT SENSE	107107 904949	1
35	BAC27NEX2056	.DECAL-	PLACARD CONTENT: HYD GEN DC VOLT SENSE	107107 904949	1
40	BAC27NEX2712	.DECAL-	PLACARD CONTENT: K10690	002004 006100 121503 953999	1
45	BAC27NEX2716	.DECAL-	PLACARD CONTENT: K10698	002004 006100 121503 953999	1
50	BAC27NEX2706	.DECAL-	PLACARD CONTENT: C3061	002004 006100 121503 953999	1
55	BAC27NEX2705	.DECAL-	PLACARD CONTENT: C3060	002004 006100 121503 953999	1
60	BAC27NEX2704	.DECAL-	PLACARD CONTENT: C3059	002004 006100 121503 953999	1
65	BAC27NEX2703	.DECAL-	PLACARD CONTENT: C3058	002004 006100 121503 953999	1
70	BAC27NEX2048	.DECAL-	PLACARD CONTENT: M10663	107107 904949 952952	1
75	BAC27NEX2049	.DECAL-	PLACARD CONTENT: M10664	107107 904949 952952	1
80	BAC27NEX2046	.DECAL-	PLACARD CONTENT: K10568	107107 904949 952952	1

MISSING ITEM NUMBERS NOT APPLICABLE

- ITEM NOT ILLUSTRATED

24-25-51-02

24-25-51
FIG. 02
PAGE 2
JAN 20/09

BRI



757

PARTS CATALOG (MAINTENANCE)

FIG ITEM	PART NUMBER	1 2 3 4 5 6 7	NOMENCLATURE	EFFECT FROM TO	UNITS PER ASSY
2					
85	BAC27NEX2041	.DECAL-	PLACARD CONTENT :	107107	1
			K10563	904949	
				952952	
90	BAC27NEX2040	.DECAL-	PLACARD CONTENT :	107107	1
			K10562	904949	
				952952	
95	BAC27NEX2039	.DECAL-	PLACARD CONTENT :	107107	1
			K10561	904949	
				952952	
100	BAC27NEX2042	.DECAL-	PLACARD CONTENT :	107107	1
			K10564	904949	
				952952	
105	BAC27NEX2043	.DECAL-	PLACARD CONTENT :	002004	1
			K10565	006100	
				107107	
				121503	
				904949	
				952999	
110	BAC27NEX2044	.DECAL-	PLACARD CONTENT :	002004	1
			K10566	006100	
				107107	
				121503	
				904949	
				952999	
115	BAC27NEX2045	.DECAL-	PLACARD CONTENT :	002004	1
			K10567	006100	
				107107	
				121503	
				904949	
				952999	
125	BAC27NEX2050	.DECAL-	PLACARD CONTENT :	107107	1
			C4350	904949	
				952952	
130	BAC27NEX2051	.DECAL-	PLACARD CONTENT :	002004	1
			C4351	006100	
				107107	
				121503	
				904949	
				952999	

MISSING ITEM NUMBERS NOT APPLICABLE

- ITEM NOT ILLUSTRATED

BRI

24-25-51-02

24-25-51
FIG. 02
PAGE 3
JAN 20/09



757

PARTS CATALOG (MAINTENANCE)

FIG ITEM	PART NUMBER	1 2 3 4 5 6 7	NOMENCLATURE	EFFECT FROM TO	UNITS PER ASSY
2 140	6TC6-7-5		.CIRCUIT BREAKER- SUPPLIER CODE: V82647 SPECIFICATION NUMBER: BACC18AC7 OPTIONAL PART: 4330-004-705 V76374 ELECTRICAL EQUIP NUMBER: C03060 C03061	002004 006100 121503 953999	2
145	9TC620		.CIRCUIT BREAKER- SUPPLIER CODE: V82647 SPECIFICATION NUMBER: BACC18AE20 ELECTRICAL EQUIP NUMBER: C03058 C03059	002004 006100 121503 953999	2
150	2TC47-2-5		.CIRCUIT BREAKER- SUPPLIER CODE: V82647 SPECIFICATION NUMBER: BACC18AD2 OPTIONAL PART: 4310-029-205 V76374 ELECTRICAL EQUIP NUMBER: C04350 C04351	107107 904949 952952	2
155	2TC47-2-5		.CIRCUIT BREAKER- SUPPLIER CODE: V82647 SPECIFICATION NUMBER: BACC18AD2 OPTIONAL PART: 4310-029-205 V76374 ELECTRICAL EQUIP NUMBER: C04351	002004 006100 121503 953999	1
160	10237-1		.CLIP-STOW SUPPLIER CODE: V07RZ7 POST SERVICE BULLETIN: 24-0126	009009	5

MISSING ITEM NUMBERS NOT APPLICABLE

- ITEM NOT ILLUSTRATED

24-25-51-02

24-25-51
FIG. 02
PAGE 4
JAN 20/09

BRI



757

PARTS CATALOG (MAINTENANCE)

FIG ITEM	PART NUMBER	1 2 3 4 5 6 7	NOMENCLATURE	EFFECT FROM TO	UNITS PER ASSY
2 163	10237-1		.CLIP-STOW SUPPLIER CODE: V07RZ7 POST SERVICE BULLETIN: 24-0126	009009	2
165	10167-5000BT		.RELAY-TIME DELAY SUPPLIER CODE: V08719 MISCELLANEOUS DATA: 10167-5000BT HAS SUBSTITUTE 530740-5000 (I/W 1) PER SUBSTITUTE DWG 280U1001 REV G. ELECTRICAL EQUIP NUMBER: M10663 M10664 OPTIONAL PART: 530750-5000 V08719 TD1982-5000 V58657 TD1767-5000 V58657	107107 904949 952952	2
165	TD1767-7500		.RELAY-TIME DELAY SUPPLIER CODE: V58657 ELECTRICAL EQUIP NUMBER: M10663 M10664 OPTIONAL PART: 10167-7500BT V08719 530750-7500 V08719 TD1982-7500 V58657	107107 904949 952952	2
165	530750-5000		.RELAY-TIME DELAY SUPPLIER CODE: V08719 ELECTRICAL EQUIP NUMBER: M10663 M10664 OPTIONAL PART: 10167-5000BT V08719 TD1982-5000 V58657 TD1767-5000 V58657	107107 904949 952952	2

MISSING ITEM NUMBERS NOT APPLICABLE

- ITEM NOT ILLUSTRATED

BRI

24-25-51-02

24-25-51
FIG. 02
PAGE 5
JAN 20/09



757

PARTS CATALOG (MAINTENANCE)

FIG ITEM	PART NUMBER	1 2 3 4 5 6 7	NOMENCLATURE	EFFECT FROM TO	UNITS PER ASSY
2 165	TD1982-5000	.	RELAY-TIME DELAY SUPPLIER CODE: V58657 ELECTRICAL EQUIP NUMBER: M10663 M10664 OPTIONAL PART: 10167-5000BT V08719 530750-5000 V08719 TD1767-5000 V58657	107107 904949 952952	2
165	TD1767-5000	.	RELAY-TIME DELAY SUPPLIER CODE: V08719 ELECTRICAL EQUIP NUMBER: M10663 M10664 OPTIONAL PART: 10167-5000BT V08719 530750-5000 V08719 TD1982-5000 V58657	107107 904949 952952	2
165	TD1982-7500	.	RELAY-TIME DELAY SUPPLIER CODE: V58657 ELECTRICAL EQUIP NUMBER: M10663 M10664 OPTIONAL PART: 10167-7500BT V08719 530750-7500 V08719 TD1767-7500 V58657	107107 904949 952952	2

MISSING ITEM NUMBERS NOT APPLICABLE

- ITEM NOT ILLUSTRATED

BRI

24-25-51-02

24-25-51
FIG. 02
PAGE 6
JAN 20/09



757

PARTS CATALOG (MAINTENANCE)

FIG ITEM	PART NUMBER	1 2 3 4 5 6 7	NOMENCLATURE	EFFECT FROM TO	UNITS PER ASSY
2 165	530750-7500		.RELAY-TIME DELAY SUPPLIER CODE: V08719 ELECTRICAL EQUIP NUMBER: M10663 M10664 OPTIONAL PART: 10167-7500BT V08719 TD1982-7500 V58657 TD1767-7500 V58657	107107 904949 952952	2
165	10167-7500BT		.RELAY-TIME DELAY SUPPLIER CODE: V08719 ELECTRICAL EQUIP NUMBER: M10663 M10664 OPTIONAL PART: 530750-7500 V08719 TD1982-7500 V58657 TD1767-7500 V58657	107107 904949 952952	2
- 170	NAS1801-06-13		ATTACHING PARTS .SCREW	107107 904949 952952	4
175	JAD9F007		-----*----- .RELAY- SUPPLIER CODE: V58657 SPECIFICATION NUMBER: BACR13CJ2 ELECTRICAL EQUIP NUMBER: K10561 K10562	107107 904949 952952	2
180	TDH1853-1501		.RELAY- SUPPLIER CODE: V58657 ELECTRICAL EQUIP NUMBER: K10568 FOR SPARES PROCURE: 600-159-1501 V15420 600-159-1500M0 V15420	107107 904949 952952	1

MISSING ITEM NUMBERS NOT APPLICABLE

- ITEM NOT ILLUSTRATED

24-25-51-02

24-25-51
FIG. 02
PAGE 7
JAN 20/09

BRI

BOEING
757
PARTS CATALOG (MAINTENANCE)

FIG ITEM	PART NUMBER	1 2 3 4 5 6 7	NOMENCLATURE	EFFECT FROM TO	UNITS PER ASSY
2 185	E210-1631		.RELAY- SUPPLIER CODE: V99699 SPECIFICATION NUMBER: BACR13CF2A OPTIONAL PART: BR246S0112 V56623 FCA210-70 V78290 E215-1050 V99699 JD4A017 V35344 BR64S104 V56623 61GB19-1A320 V98927 ELECTRICAL EQUIP NUMBER: K10690	002004 006100 121503 953999	1
190	TDH8116-5001		.RELAY- SUPPLIER CODE: V58657 ELECTRICAL EQUIP NUMBER: K10698	002004 006100 121503 953999	1
195	XLD4N009		.RELAY- SUPPLIER CODE: V58657 ELECTRICAL EQUIP NUMBER: K10563	107107 904949 952952	1
- 200	AN960C4L		ATTACHING PARTS .WASHER	107107 904949 952952	2
205	A1077DD		-----*----- .CONTACTOR ASSY- SUPPLIER CODE: V74063 ELECTRICAL EQUIP NUMBER: K10564 COMPONENT MAINT MANUAL REF: 24-09-16 ATTACHING PARTS	107107 904949 952952	1
- 210	NAS1801-08-6		.SCREW -----*-----	107107 904949 952952	4

MISSING ITEM NUMBERS NOT APPLICABLE

- ITEM NOT ILLUSTRATED

BRI

24-25-51-02

BOEING PROPRIETARY - Copyright © - Unpublished Work - See title page for details.

24-25-51
FIG. 02
PAGE 8
JAN 20/09



757

PARTS CATALOG (MAINTENANCE)

FIG ITEM	PART NUMBER	1 2 3 4 5 6 7	NOMENCLATURE	EFFECT FROM TO	UNITS PER ASSY
2					
215	50407-364	..	NUT-HEX SUPPLIER CODE: V74063	107107 904949 952952	2
220	51703-064	..	WASHER-FLAT SUPPLIER CODE: V74063	107107 904949 952952	2
225	51807-034	..	WASHER-LOCK SUPPLIER CODE: V74063	107107 904949 952952	2
230	50406-014	..	NUT-HEX SUPPLIER CODE: V74063	107107 904949 952952	5
235	51806-014	..	WASHER-LOCK SUPPLIER CODE: V74063	107107 904949 952952	5
240	HTC7N060	.RELAY-	SUPPLIER CODE: V58657 ELECTRICAL EQUIP NUMBER: K10565 K10566 K10567	002004 006100 121503 953999	3
245	HTC7N060	.RELAY-	SUPPLIER CODE: V58657 ELECTRICAL EQUIP NUMBER: K10565 K10566 K10567	107107 904949 952952	3
- 265	NAS1801-3-6	.SCREW	ATTACHING PARTS	107107 904949 952952	12
- 275	NAS1801-3-6	.SCREW		002004 006100 121503 953999	12
- 285	BACP20B43B	.PLUG-	MISCELLANEOUS DATA: USE IN PLACE OF CIRCUIT BREAKERS ON OPEN HOLES	107107 904949 952952	AR
- 500	286N1254-005	WIRE BUNDLE ASSY-		002004 006100 121503 953999	RF

MISSING ITEM NUMBERS NOT APPLICABLE

- ITEM NOT ILLUSTRATED

24-25-51-02

24-25-51
FIG. 02
PAGE 9
JAN 20/09

BRI

BOEING PROPRIETARY - Copyright © - Unpublished Work - See title page for details.



757

PARTS CATALOG (MAINTENANCE)

FIG ITEM	PART NUMBER	1 2 3 4 5 6 7	NOMENCLATURE	EFFECT FROM TO	UNITS PER ASSY
2 505	RSF116200		.SOCKET- SUPPLIER CODE: V58982 SPECIFICATION NUMBER: BACS16X1A OPTIONAL PART: 102-006-1 V09922 000300-1538 V05574 ELECTRICAL EQUIP NUMBER: D07660 WIRING DIAGRAM REF: 242511	002004 006100 121503 953999	1
510	RSF116416		.SOCKET- SUPPLIER CODE: V58982 SPECIFICATION NUMBER: BACS16W5A OPTIONAL PART: 102-010-1 V09922 000300-1545 V05574 ELECTRICAL EQUIP NUMBER: D01925 WIRING DIAGRAM REF: 242511	002004 006100 121503 953999	1

MISSING ITEM NUMBERS NOT APPLICABLE

- ITEM NOT ILLUSTRATED

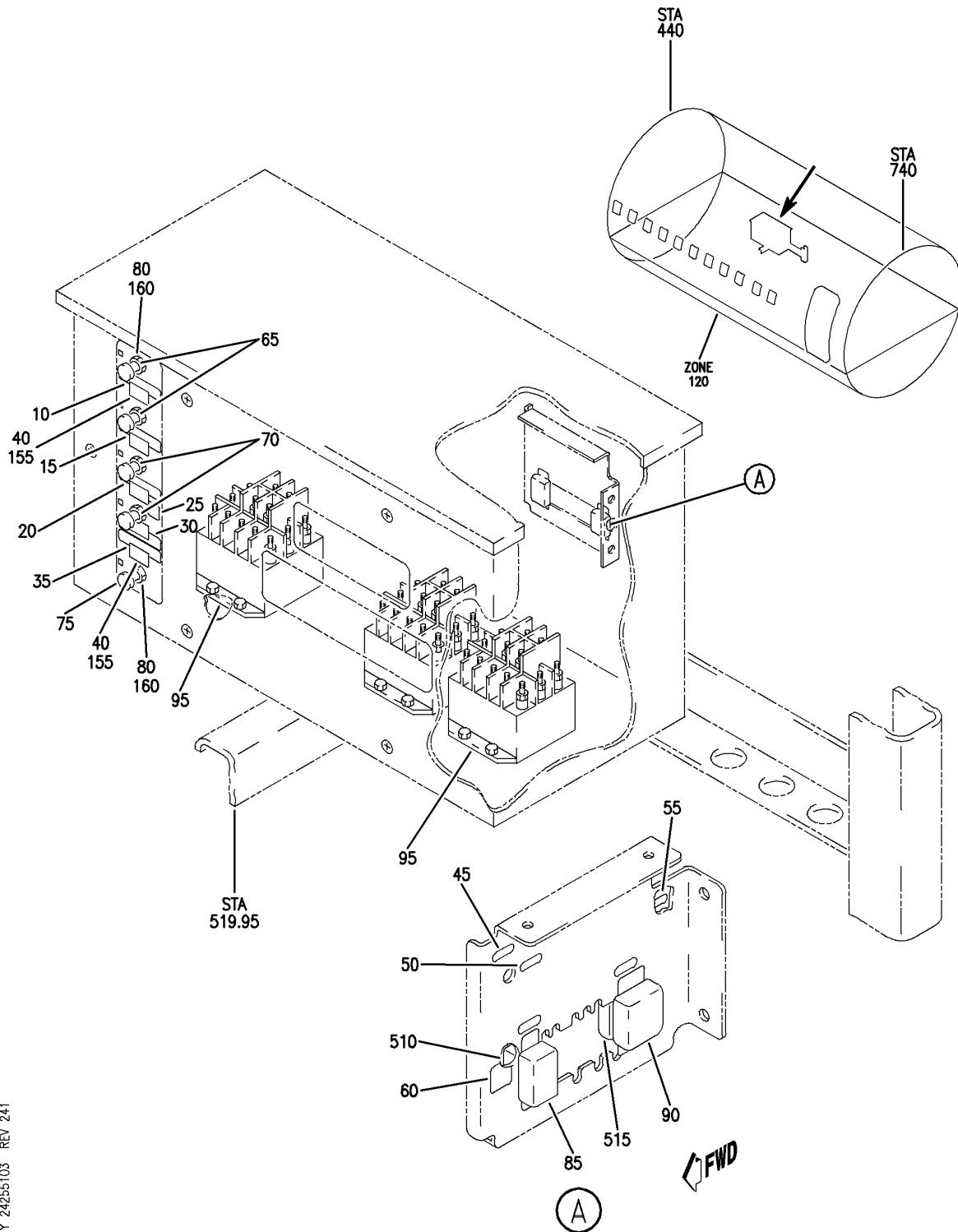
BRI

24-25-51-02

BOEING PROPRIETARY - Copyright © - Unpublished Work - See title page for details.

24-25-51
FIG. 02
PAGE 10
JAN 20/09

BOEING
757
PARTS CATALOG (MAINTENANCE)



Y 24255103 REV 241

SHIELD INSTL-P71 HYDR GEN CONT (CIRCUIT BREAKERS AND RELAYS ONLY)
FIGURE 3

24-25-51-03

BRI
MAY 28/07

24-25-51-03
PAGE 0



757

PARTS CATALOG (MAINTENANCE)

FIG ITEM	PART NUMBER	1 2 3 4 5 6 7	NOMENCLATURE	EFFECT FROM TO	UNITS PER ASSY
3			SHIELD INSTL-P71 HYDR GEN CONT (CIRCUIT BREAKERS AND RELAYS ONLY)	101106 108120	
- 1	284N1790-100		SHIELD INSTL-P71 HYDR GEN CONT (CIRCUIT BREAKERS AND RELAYS ONLY)	101102 108120	RF
- 1	MODREF31977		FOR NHA/OTHER SYS DET SEE: 24-00-58-05E SHIELD INSTL-P71 HYDR GEN CONT (CIRCUIT BREAKERS AND RELAYS ONLY)	103106	1
			MODULE NUMBER: 284N1790-102 REV C FOR OTHER SYS DETAILS SEE: 11-36-27-03 31-01-71-02		
10	BAC27NEX2710		.DECAL- PLACARD CONTENT: HMG BAT CHGR	101106 108120	1
15	BAC27NEX2709		.DECAL- PLACARD CONTENT: HMG INST XFR BUS	101106 108120	1
20	BAC27NEX2708		.DECAL- PLACARD CONTENT: HMG R XFR BUS	101106 108120	1
25	BAC27NEX0174		.DECAL- PLACARD CONTENT: B	101106 108120	1
30	BAC27NEX2707		.DECAL- PLACARD CONTENT: HMG L XFR BUS	101106 108120	1
35	BAC27NEX2057		.DECAL- PLACARD CONTENT: HYD GEN AC VOLT SENSE	101106 108120	1
45	BAC27NEX2059		.DECAL- PLACARD CONTENT: GD 3148 ST	101106 108120	1
50	BAC27NEX2053		.DECAL- PLACARD CONTENT: GD 3144 AC	101106 108120	1
55	BAC27NEX0938		.DECAL- PLACARD CONTENT: 1 THRU 11	101106 108120	1
60	BAC27NEX0173		.DECAL- PLACARD CONTENT: A	101106 108120	1

MISSING ITEM NUMBERS NOT APPLICABLE

- ITEM NOT ILLUSTRATED

24-25-51-03

24-25-51
FIG. 03
PAGE 1
JAN 20/09

BRI



757

PARTS CATALOG (MAINTENANCE)

FIG ITEM	PART NUMBER	1 2 3 4 5 6 7	NOMENCLATURE	EFFECT FROM TO	UNITS PER ASSY
3 65	6TC6-7-5		.CIRCUIT BREAKER- SUPPLIER CODE: V82647 SPECIFICATION NUMBER: BACC18AC7 OPTIONAL PART: 4330-004-705 V76374 ELECTRICAL EQUIP NUMBER: C03060 C03061	101106 108120	2
70	9TC620		.CIRCUIT BREAKER- SUPPLIER CODE: V82647 SPECIFICATION NUMBER: BACC18AE20 ELECTRICAL EQUIP NUMBER: C03058 C03059	101106 108120	2
75	2TC47-2-5		.CIRCUIT BREAKER- SUPPLIER CODE: V82647 SPECIFICATION NUMBER: BACC18AD2 OPTIONAL PART: 4310-029-205 V76374 ELECTRICAL EQUIP NUMBER: C04351	101106 108120	1
85	E210-1631		.RELAY- SUPPLIER CODE: V99699 SPECIFICATION NUMBER: BACR13CF2A OPTIONAL PART: BR246S0112 V56623 FCA210-70 V78290 E215-1050 V99699 JD4A017 V35344 BR64S104 V56623 61GB19-1A320 V98927 ELECTRICAL EQUIP NUMBER: K10690	101106 108120	1

MISSING ITEM NUMBERS NOT APPLICABLE

- ITEM NOT ILLUSTRATED

24-25-51-03

24-25-51
FIG. 03
PAGE 2
JAN 20/09

BRI



757

PARTS CATALOG (MAINTENANCE)

FIG ITEM	PART NUMBER	1 2 3 4 5 6 7	NOMENCLATURE	EFFECT FROM TO	UNITS PER ASSY
3	90 TDH8116-5001		.RELAY- SUPPLIER CODE: V58657 ELECTRICAL EQUIP NUMBER: K10698	101106 108120	1
	95 HTC7N060		.RELAY- SUPPLIER CODE: V58657 ELECTRICAL EQUIP NUMBER: K10565 K10566 K10567	101106 108120	3
- 100	NAS1801-3-6		ATTACHING PARTS .SCREW	101106 108120	12
			-----*-----		
- 500	286N1254-301		WIRE BUNDLE ASSY	101102 108120	RF
- 500	286N1254-701		WIRE BUNDLE ASSY	103106	RF
510	RSF116200		.SOCKET- SUPPLIER CODE: V58982 SPECIFICATION NUMBER: BACS16X1A OPTIONAL PART: 102-006-1 V09922 000300-1538 V05574 ELECTRICAL EQUIP NUMBER: D07660 WIRING DIAGRAM REF: 242511	101106 108120	1
515	RSF116416		.SOCKET- SUPPLIER CODE: V58982 SPECIFICATION NUMBER: BACS16W5A OPTIONAL PART: 102-010-1 V09922 000300-1545 V05574 ELECTRICAL EQUIP NUMBER: D01925 WIRING DIAGRAM REF: 242511	101106 108120	1

MISSING ITEM NUMBERS NOT APPLICABLE

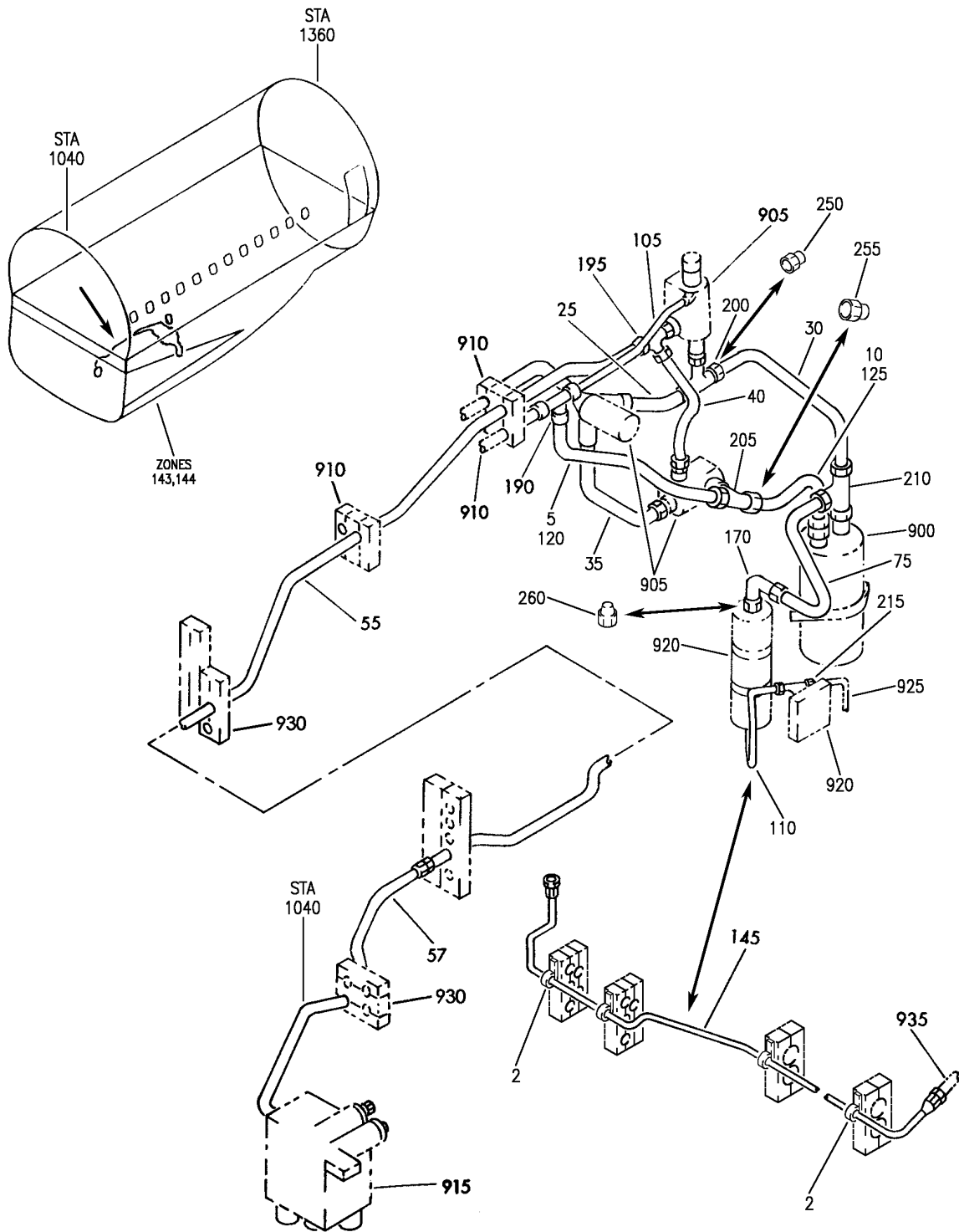
- ITEM NOT ILLUSTRATED

24-25-51-03

24-25-51
FIG. 03
PAGE 3
JAN 20/09

BRI

BOEING
757
PARTS CATALOG (MAINTENANCE)



Y 24255201 REV 327

PLUMBING INSTL-SECT. 44 KEEL BEAM MLG WHL WELL HYDR (ELECTRICAL POWER ONLY)
FIGURE 1

BRI
SEP 20/08

24-25-52-01

24-25-52-01
PAGE 0



757

PARTS CATALOG (MAINTENANCE)

FIG ITEM	PART NUMBER	1 2 3 4 5 6 7	NOMENCLATURE	EFFECT FROM TO	UNITS PER ASSY
1			PLUMBING INSTL-SECT. 44 KEEL BEAM MLG WHL WELL HYDR (ELECTRICAL POWER ONLY)	002004 006100 107107 121503 904949 952999	
- 1	271N6445-1		PLUMBING INSTL-KEEL BEAM MLG WHL WELL HYDR (ELECTRICAL POWER ONLY) POSITION DATA: SECT. 44 VARIABLE DRAWING REF: 271N6445-3 271N6445-6 POST SERVICE BULLETIN: 24-0048 REWORKED BY SB: 24-0097 FOR NHA/OTHER SYS DET SEE: 29-00-51-05	002004 006100 107107 121503 904949 952999	RF
5	271N6445-1190		.TUBE ASSY-RETURN SYS POSITION DATA: L TUBING MATERIAL: .625 IN. OD .035 IN. WALL 28.00 IN. LG AL	107107 904949 952952	1
10	271N6445-1229		.TUBE ASSY- TUBING MATERIAL: .625 IN. OD .035 IN. WALL 21.00 IN. LG AL PRE SERVICE BULLETIN: 24-0126	107107 904949 952952	1
- 15	AP2097HP10		..SLEEVE SUPPLIER CODE: V01673 SPECIFICATION NUMBER: BACS13BX10HP OPTIONAL PART: 2-02903-10HP V11328 35235VN10 V08199 AFP175V10P V30974 DBOS13BX10HP V14798	107107 904949 952952	2
- 20	MS21921-10D		..NUT- OPTIONAL PART: BACN10YL10	107107 904949 952952	2

MISSING ITEM NUMBERS NOT APPLICABLE

- ITEM NOT ILLUSTRATED

BRI

24-25-52-01

24-25-52
FIG. 01
PAGE 1
JAN 20/09



757

PARTS CATALOG (MAINTENANCE)

FIG ITEM	PART NUMBER	1 2 3 4 5 6 7	NOMENCLATURE	EFFECT FROM TO	UNITS PER ASSY
1					
- 20	BACN10YL10		..NUT- OPTIONAL PART: MS21921-10D	904949 952952	2
25	271N6445-1192		.TUBE ASSY-PRESSURE SYS POSITION DATA: L TUBING MATERIAL: .750 IN. OD .039 IN. WALL 12.00 IN. LG TI	002004 006100 107107 121503 904949 952999	1
30	271N6445-1234		.TUBE ASSY-PRESSURE SYS POSITION DATA: L TUBING MATERIAL: .750 IN. OD .039 IN. WALL 21.00 IN. LG TI PRE SERVICE BULLETIN: 24-0126	107107	1
30	271N6445-1240		.TUBE ASSY-PRESSURE SYS POSITION DATA: L TUBING MATERIAL: .750 IN. OD .039 IN. WALL 25.00 IN. LG TI	904949 952952	1
30	271N6445-1261		.TUBE ASSY-PRESSURE SYS POSITION DATA: L PRE SERVICE BULLETIN: 24-0126	002004 006100 121503 953999	1
35	271N6445-1174		.TUBE ASSY-PRESSURE SYS POSITION DATA: L TUBING MATERIAL: .048 IN. O.D. .039 IN. WALL 18.00 IN. LG TI	002004 006100 107107 121503 904949 952999	1
40	271N6445-1172		.TUBE ASSY-PRESSURE SYS POSITION DATA: L TUBING MATERIAL: .048 IN. O.D. .039 IN. WALL 15.00 IN. LG TI	002004 006100 107107 121503 904949 952999	1
- 45	AS1581T12		..SLEEVE	002004 006100 121503 904949 952999	2

MISSING ITEM NUMBERS NOT APPLICABLE

- ITEM NOT ILLUSTRATED

24-25-52-01

24-25-52
FIG. 01
PAGE 2
JAN 20/09

BRI



757

PARTS CATALOG (MAINTENANCE)

FIG ITEM	PART NUMBER	1 2 3 4 5 6 7	NOMENCLATURE	EFFECT FROM TO	UNITS PER ASSY
1					
- 50	BACN10YA12N	..	NUT	002004 006100 121503 904949 952999 107107	2
55	271N6445-1231	.TUBE ASSY-PRESSURE SYS POSITION DATA: L TUBING MATERIAL: .750 IN. OD .039 IN. WALL 79.00 IN. LG TI		107107	1
55	271N6445-1239	.TUBE ASSY-PRESSURE SYS POSITION DATA: L TUBING MATERIAL: .750 IN. OD .039 IN. WALL 79.00 IN. LG TI		002004 006100 121503 904949 952999	1
57	271N6445-1228	.TUBE ASSY-PRESSURE SYS POSITION DATA: L TUBING MATERIAL: .750 IN. OD .039 IN. WALL 79.00 IN. LG TI		002004 006100 107107 121503 904949 952999	1
- 60	AS1581T12	..	SLEEVE	002004 006100 107107 121503 904949 952999	1
- 65	BACN10YA12N	..	NUT	002004 006100 107107 121503 904949 952999	1
- 70	AS1582T12	..	UNION	002004 006100 107107 121503 904949 952999	1
75	271N6445-1283	.TUBE ASSY-PRESSURE L SYS TUBING MATERIAL: .625 IN. OD X .032 IN. WALL X 11.7 LG TI		011100	1

MISSING ITEM NUMBERS NOT APPLICABLE

- ITEM NOT ILLUSTRATED

24-25-52-01

24-25-52
FIG. 01
PAGE 3
JAN 20/09

BRI

BOEING PROPRIETARY - Copyright © - Unpublished Work - See title page for details.



757

PARTS CATALOG (MAINTENANCE)

FIG ITEM	PART NUMBER	1 2 3 4 5 6 7	NOMENCLATURE	EFFECT FROM TO	UNITS PER ASSY
1					
75	271N6445-1260		.TUBE ASSY-PRESSURE SYS POSITION DATA: L TUBING MATERIAL: .625 IN. OD .032 IN. WALL 22.00 IN. LG TI PRE SERVICE BULLETIN: 24-0126	002004 006010 121503 953999	1
75	271N6445-1211		.TUBE ASSY-PRESSURE SYS POSITION DATA: L TUBING MATERIAL: .040 IN. O.D. .032 IN. WALL 14.00 IN. LG TI PRE SERVICE BULLETIN: 24-0126	002004 006100 107107 121503 904949 952999	1
- 80	AS1581T10		..SLEEVE	002004 006100 107107 121503 904949 952999	2
- 85	BACN10YA10N		..NUT	002004 006100 107107 121503 904949 952999	2
105	271N6445-1182		.TUBE ASSY-RETURN SYS POSITION DATA: L TUBING MATERIAL: .024 IN. O.D. .019 IN. WALL 10.50 IN. LG TI	002004 006100 107107 121503 904949 952999	1
- 106	AS1581T06		..SLEEVE	002004 006100 107107 121503 904949 952999	2
- 107	BACN10YA6N		..NUT	002004 006100 107107 121503 904949 952999	2

MISSING ITEM NUMBERS NOT APPLICABLE

- ITEM NOT ILLUSTRATED

BRI

24-25-52-01

24-25-52
FIG. 01
PAGE 4
JAN 20/09



757

PARTS CATALOG (MAINTENANCE)

FIG ITEM	PART NUMBER	1 2 3 4 5 6 7	NOMENCLATURE	EFFECT FROM TO	UNITS PER ASSY
1					
110	271N6445-1215	.	TUBE ASSY-AIR TUBING MATERIAL: .375 IN. OD .016 IN. WALL 15.00 IN. LG TI	107107 904949 952952	1
- 111	AS1581T04	..	SLEEVE	107107 904949 952952	2
- 112	BACN10YA4N	..	NUT	107107 904949 952952	2
120	271N6445-1255	.	TUBE ASSY-RETURN SYS POSITION DATA: L TUBING MATERIAL: .625 IN. OD .035 IN. WALL 21.25 IN. LG AL	002004 006100 121503 953999	1
125	271N6445-1253	.	TUBE ASSY- TUBING MATERIAL: .625 IN. OD .035 IN. WALL 13.70 IN. LG AL PRE SERVICE BULLETIN: 24-0126	002004 006100 121503 953999	1
- 130	AP2097HP10	..	SLEEVE SUPPLIER CODE: V01673 SPECIFICATION NUMBER: BACS13BX10HP OPTIONAL PART: 2-02903-10HP V11328 35235VN10 V08199 AFP175V10P V30974 DBOS13BX10HP V14798	002004 006100 121503 953999	2
- 135	MS21921-10D	..	NUT- OPTIONAL PART: BACN10YL10	002004 006100 121503 953999	2
- 135	BACN10YL10	..	NUT- OPTIONAL PART: MS21921-10D	002004 006100 121503 953999	2
145	271N6445-1262	.	TUBE ASSY-AIR TUBING MATERIAL: .250 IN. OD .016 IN. WALL 50.00 IN. LG TI	002004 006100 121503 953999	1

MISSING ITEM NUMBERS NOT APPLICABLE

- ITEM NOT ILLUSTRATED

24-25-52-01

24-25-52
FIG. 01
PAGE 5
JAN 20/09

BRI

 **BOEING**
757
PARTS CATALOG (MAINTENANCE)

FIG ITEM	PART NUMBER	1 2 3 4 5 6 7	NOMENCLATURE	EFFECT FROM TO	UNITS PER ASSY
1					
- 150	AS1581T04	. .	SLEEVE	002004 006100 121503 953999	1
- 155	AS1582T04	. .	UNION	002004 006100 121503 953999	1
- 160	BACN10YA4N	. .	NUT	002004 006100 121503 953999	1
170	AP1042JN1010	. ELBOW-	SUPPLIER CODE: V01673 SPECIFICATION NUMBER: BACE21BT1010JN	011100	1
190	APX824D120610	. TEE-	SUPPLIER CODE: V01673 SPECIFICATION NUMBER: BACT16AS120610D OPTIONAL PART: APX824-120610D V01673 DBOT16AS120610D V14798 ER824-120610D V50948 FER1571-120610D V14397 LER824-120610D V11328 NAF1824-120610D V52930 US1925-120610D V50808 AFP325-120610D V30974 BACT16AS120610T	002004 006100 107107 121503 904949 952999	1

MISSING ITEM NUMBERS NOT APPLICABLE

- ITEM NOT ILLUSTRATED

BRI

24-25-52-01

BOEING PROPRIETARY - Copyright © - Unpublished Work - See title page for details.

24-25-52
FIG. 01
PAGE 6
JAN 20/09



757

PARTS CATALOG (MAINTENANCE)

FIG ITEM	PART NUMBER	1 2 3 4 5 6 7	NOMENCLATURE	EFFECT FROM TO	UNITS PER ASSY
1 190	APX824T120610	. TEE-	SUPPLIER CODE: V01673 SPECIFICATION NUMBER: BACT16AS120610T OPTIONAL PART: US1925-120610T V50808 NAF1824-120610T V52930 FER1571-120610T V14397 ER824-120610T V50948 DB0T16AS120610T V14798 APX824-120610T V01673 AFP325-120610T V30974 2-02025-120610T V11328 BACT16AS120610D	002004 006100 107107 121503 904949 952999	1
195	BACT16BR121212T	. TEE-	OPTIONAL PART: BACT16AY121212M	002004 006100 107107 121503 904949 952999	1

MISSING ITEM NUMBERS NOT APPLICABLE

- ITEM NOT ILLUSTRATED

BRI

24-25-52-01

BOEING PROPRIETARY - Copyright © - Unpublished Work - See title page for details.

24-25-52
FIG. 01
PAGE 7
JAN 20/09



757

PARTS CATALOG (MAINTENANCE)

FIG ITEM	PART NUMBER	1 2 3 4 5 6 7	NOMENCLATURE	EFFECT FROM TO	UNITS PER ASSY
1 195	AP1013M121212	. TEE	SUPPLIER CODE: V01673 SPECIFICATION NUMBER: BACT16AY121212M OPTIONAL PART: AP1013-121212M V01673 ER10604M121212M V88334 FER1573-121212M V14397 W30804M121212 V11328 4671113-121212M V50948 US1930-121212M V50808 DBOT16AY121212M V14798 AFP310-121212M V30974	002004 006100 107107 121503 904949 952999	1
200	BACT16BT121212T	. TEE-	OPTIONAL PART: NAS1764J121212	002004 006100 107107 121503 904949 952999	1
200	NAS1764J121212	. TEE-	OPTIONAL PART: BACT16BT121212T	002004 006100 107107 121503 904949 952999	1
205	NAS1764D101006	. TEE-		002004 006100 107107 121503 904949 952999	1
210	BACT16BR121210T	. TEE-	PRE SERVICE BULLETIN: 24-0126	002004 006100 107107 121503 904949 952999	1
215	BACT16BT040404T	. TEE-		107107 904949 952952	1

MISSING ITEM NUMBERS NOT APPLICABLE

- ITEM NOT ILLUSTRATED

24-25-52-01

24-25-52
FIG. 01
PAGE 8
JAN 20/09

BRI



757

PARTS CATALOG (MAINTENANCE)

FIG ITEM	PART NUMBER	1 2 3 4 5 6 7	NOMENCLATURE	EFFECT FROM TO	UNITS PER ASSY
1 250	AP1008-12J		.CAP ASSY- SUPPLIER CODE: V01673 SPECIFICATION NUMBER: BACC14AD12J OPTIONAL PART: DBOC14AD12J V14798 FER22661-12J V14397 2-02813-12J V11328 4690009-12J V50948 AFP241-12J V30974 US2103-12J V50808 POST SERVICE BULLETIN: 24-0126	009009 107107	1
255	AP1008-10D		.CAP- SUPPLIER CODE: V01673 SPECIFICATION NUMBER: BACC14AD10D OPTIONAL PART: US2103-10D V50808 POST SERVICE BULLETIN: 24-0126	009009 107107	1
260	AP1008-10J		.CAP ASSY- SUPPLIER CODE: V01673 SPECIFICATION NUMBER: BACC14AD10J OPTIONAL PART: US2103-10J V50808 POST SERVICE BULLETIN: 24-0126	009009 107107	1
900			ILLUSTRATION REFERENCE: GENERATOR INSTL-HYDR MOTOR GENERATOR ASSY-HYDR MOTOR AND WIRE BUNDLE ASSY 24-25-01-04	002004 006100 121503 904949 952999	RF

MISSING ITEM NUMBERS NOT APPLICABLE

- ITEM NOT ILLUSTRATED

BRI

24-25-52-01

24-25-52
FIG. 01
PAGE 9
JAN 20/09



757

PARTS CATALOG (MAINTENANCE)

FIG ITEM	PART NUMBER	1 2 3 4 5 6 7	NOMENCLATURE	EFFECT FROM TO	UNITS PER ASSY
1					
905			ILLUSTRATION REFERENCE: VALVE INSTL AND ASSY CONT AND FLOW LIMITER HYDR MOTOR/GEN (HYDRAULIC FLOW LIMITER ONLY) 24-25-06-01	002004 006100 107107 121503 904949 952999	RF
910			ILLUSTRATION REFERENCE: PLUMBING INSTL-SECT 44 MLG WHL WELL HYDR (ANTISKID/AUTOBRAKE SYSTEM ONLY) 32-42-51-22	002004 006100 121503 904949 952999	RF
915			ILLUSTRATION REFERENCE: MODULE INSTL-FLAP AND SLAT DEPRESSURIZATION 27-51-29-01	002004 006100 121503 904949 952999	RF
920			ILLUSTRATION REFERENCE: ACCUMULATOR AND SERVICING INSTL AND GAGE INSTL (ELECTRICAL POWER ONLY) 24-25-04-04	904949 952952	RF
925			ILLUSTRATION REFERENCE: PLUMBING INSTL-SECT.44 KEEL BEAM MLG WHL WELL HYDR (GROUND SERVICING SYSTEM ONLY) 29-18-52-01	904949 952952	RF
930			ILLUSTRATION REFERENCE: PLUMBING INSTL-SECT. 44 MLG WHL WELL HYDR (HYDRAULIC POWER TRANSFER UNIT SYSTEM ONLY) 29-22-51-20	002004 006100 121503 904949 952999	RF
935			ILLUSTRATION REFERENCE: PLUMBING INSTL-SECT. 49 L HYDR BAY AND AFT BHD MLG WHL WELL HYDR (PARKING BRAKE SYSTEM ONLY) 32-44-51-15	002004 006100 121503 953999	RF

MISSING ITEM NUMBERS NOT APPLICABLE

- ITEM NOT ILLUSTRATED

24-25-52-01

24-25-52
FIG. 01
PAGE 10
JAN 20/09

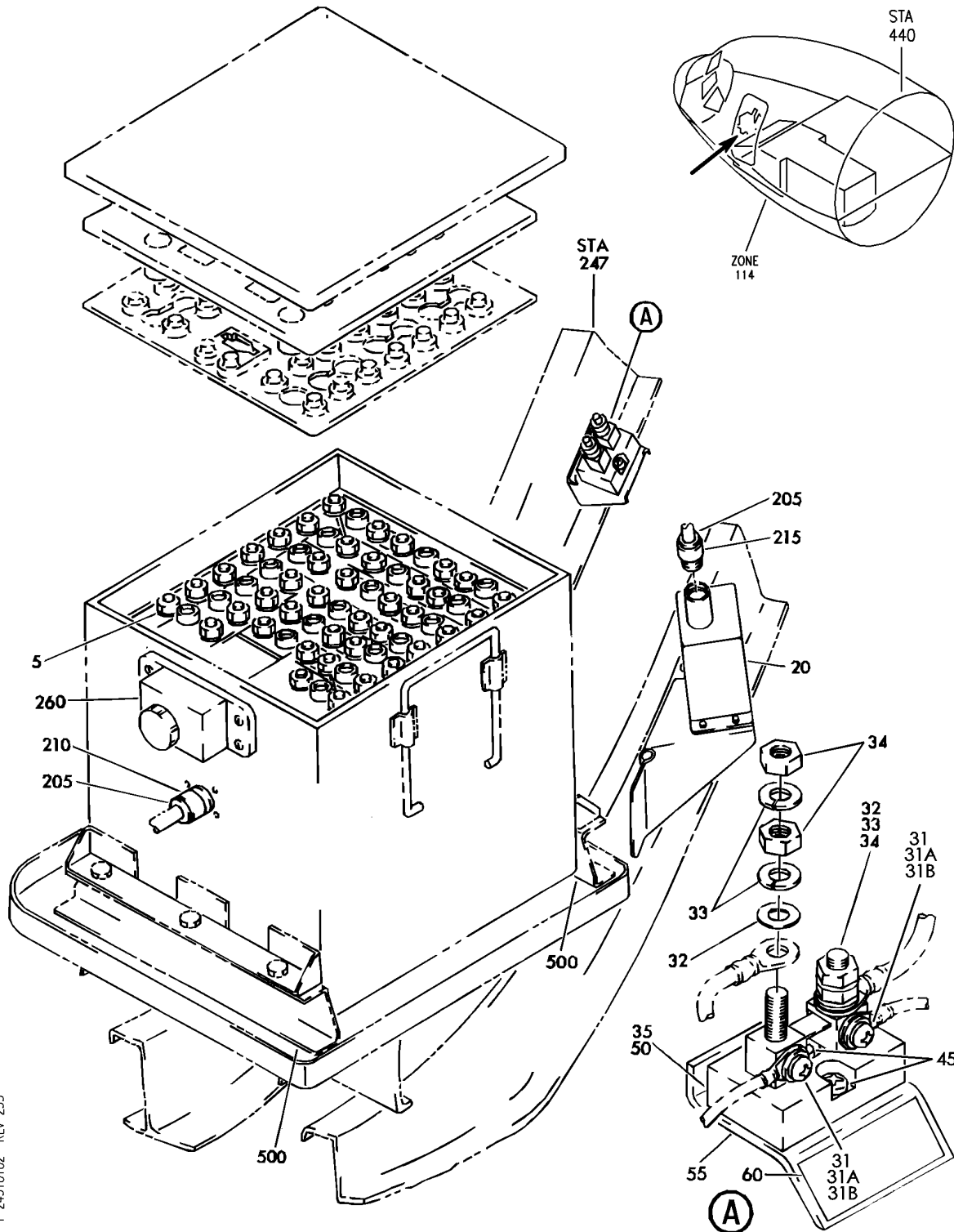
BRI

BATTERIES

BRI
MAY 28/07

24-31-00
SECTION TITLE
PAGE 1

BOEING
757
PARTS CATALOG (MAINTENANCE)



Y 24310102 REV 233

BATTERY INSTL-MAIN FWD
FIGURE 2

24-31-01-02

BRI
MAY 28/07

24-31-01-02
PAGE 0



757

PARTS CATALOG (MAINTENANCE)

FIG ITEM	PART NUMBER	1 2 3 4 5 6 7	NOMENCLATURE	EFFECT FROM TO	UNITS PER ASSY
2			BATTERY INSTL-MAIN FWD	002004 006999	
- 1	284N1411-2		BATTERY INSTL-MAIN POSITION DATA: FWD FOR NHA SEE: 24-00-58-01C	002004 006009 107107 121503 904949 952999	RF
- 1	284N1411-3		BATTERY INSTL-MAIN POSITION DATA: FWD FOR NHA SEE: 24-00-58-01C	010100 950951	RF
- 1	284N1411-4		BATTERY INSTL-MAIN POSITION DATA: FWD FOR NHA SEE: 24-00-58-05	101102 108120 504903	RF
- 1	MODREF10223		BATTERY INSTL-MAIN MODULE NUMBER: 284N1411-4 REV A POSITION DATA: FWD	103105	1
- 1	MODREF193822		BATTERY INSTL-MAIN MODULE NUMBER: 284N1411-4 REV B POSITION DATA: FWD	106106	1
R R R R R R R R R R R	5 BA06-01		.BATTERY- SUPPLIER CODE: V09052 ELECTRICAL EQUIP NUMBER: M00223 COMPONENT MAINT MANUAL REF: 24-31-05 OPTIONAL PART: 18550 V09052 018550-000 V67237 S282T002-1	002004 006999	1

MISSING ITEM NUMBERS NOT APPLICABLE

- ITEM NOT ILLUSTRATED

24-31-01-02

24-31-01
FIG. 02
PAGE 1
MAY 20/09

BRI



757

PARTS CATALOG (MAINTENANCE)

FIG ITEM	PART NUMBER	1 2 3 4 5 6 7	NOMENCLATURE	EFFECT FROM TO	UNITS PER ASSY	
R R R R R R R R R R	2 5 18550		.BATTERY- SUPPLIER CODE: V09052 ELECTRICAL EQUIP NUMBER: M00223 COMPONENT MAINT MANUAL REF: 24-31-05 OPTIONAL PART: BA06-01 V09052 018550-000 V67237 S282T002-1 ATTACHING PARTS	002004 006999	1	
	- 10 NAS1801-4-8		.SCREW	002004 006009 107107 121503 904949 952999	6	
	- 10 NAS6704-4		.SCREW	010106 108120 504903 950951	6	
	- 15 AN960PD416		.WASHER	002004 006009 107107 121503 904949 952999	6	
	- 15 NAS1149DN432J		.WASHER	101106 108120 504903	6	
	- 15 AN960JD416		.WASHER	010100 950951	6	
	20 1566-1-1		-----*----- .MONITOR-CURRENT SUPPLIER CODE: V30242 SPECIFICATION NUMBER: S282N001-3 ELECTRICAL EQUIP NUMBER: M10212	002004 006999	1	
	MISSING ITEM NUMBERS NOT APPLICABLE					

- ITEM NOT ILLUSTRATED

24-31-01-02

24-31-01
FIG. 02
PAGE 2
MAY 20/09

BRI



757

PARTS CATALOG (MAINTENANCE)

FIG ITEM	PART NUMBER	1 2 3 4 5 6 7	NOMENCLATURE	EFFECT FROM TO	UNITS PER ASSY
2	20 1566-1-2		.MONITOR-CURRENT SUPPLIER CODE: V30242 SPECIFICATION NUMBER: S282N001-4 ELECTRICAL EQUIP NUMBER: M10212 ATTACHING PARTS	002004 006999	1
- 25	NAS602-8P		.SCREW	002004 006999	4
- 30	AN960PD8L		.WASHER	002004 006100 107107 121503 904999	4
			-----*-----		
31	MS35214-40		.SCREW- POST ALERT SB: 24A0079	002004 006100 107107 121503 904999	2
31A	MS35338-99		.WASHER- POST ALERT SB: 24A0079	002004 006100 107107 121503 904999	2
31B	MS15795-907		.WASHER- POST ALERT SB: 24A0079	002004 006100 107107 121503 904999	2
32	NAS1149C0432R		.WASHER- POST ALERT SB: 24A0079	002004 006100 107107 121503 904999	2
32	NAS1149C0432R		.WASHER	101106 108120 504903	2
33	MS35338-101		.WASHER- SERVICE BULLETIN OPT DATA: 852 V03030 POST ALERT SB: 24A0079	002004 006100 107107 121503 904999	4

MISSING ITEM NUMBERS NOT APPLICABLE

- ITEM NOT ILLUSTRATED

24-31-01-02

24-31-01
FIG. 02
PAGE 3
JAN 20/09

BRI



757

PARTS CATALOG (MAINTENANCE)

FIG ITEM	PART NUMBER	1 2 3 4 5 6 7	NOMENCLATURE	EFFECT FROM TO	UNITS PER ASSY
2					
33	852		.WASHER- SUPPLIER CODE: V03030 SERVICE BULLETIN OPT DATA: MS35338-101 POST ALERT SB: 24A0079	002004 006100 107107 121503 904999	4
34	MS35691-431		.NUT- SERVICE BULLETIN OPT DATA: 740 V03030 POST ALERT SB: 24A0079	002004 006100 107107 121503 904999	4
34	740		.NUT- SUPPLIER CODE: V03030 SERVICE BULLETIN OPT DATA: MS35691-431 POST ALERT SB: 24A0079	002004 006100 107107 121503 904999	4
35	MS91586-7		.SHUNT- ELECTRICAL EQUIP NUMBER: M00224 OPTIONAL PART: AA55524-1-010 V91812 8300-150 V03030 SERVICE BULLETIN OPT DATA: 1862 V03030 POST ALERT SB: 24A0079	002004 006100 107107 121503 904999	1
35	1862		.SHUNT- SUPPLIER CODE: V03030 ELECTRICAL EQUIP NUMBER: M00224 SERVICE BULLETIN OPT DATA: MS91586-7 POST ALERT SB: 24A0079	002004 006100 107107 121503 904999	1

MISSING ITEM NUMBERS NOT APPLICABLE

- ITEM NOT ILLUSTRATED

24-31-01-02

24-31-01
FIG. 02
PAGE 4
JAN 20/09

BRI



757

PARTS CATALOG (MAINTENANCE)

FIG ITEM	PART NUMBER	1 2 3 4 5 6 7	NOMENCLATURE	EFFECT FROM TO	UNITS PER ASSY
2					
35	AA55524-1-010	.SHUNT-	SUPPLIER CODE: V91812 OPTIONAL PART: MS91586-7 8300-150 V03030 PRE ALERT SB: 24A0079R2	002004 006100 107107 904951 953999	1
35	8300-150	.SHUNT-	SUPPLIER CODE: V03030 OPTIONAL PART: MS91586-7 AA55524-1-010 V91812 PRE ALERT SB: 24A0079R2	002004 006100 107107 904951 953999	1
- 40	NAS602-12P	.SCREW	ATTACHING PARTS	002004 006100 107107 121503 904999	2
45	NAS602-12P	-----*----- .SCREW		101106 108120 504903	2
50	1862	.SHUNT-	SUPPLIER CODE: V03030 ELECTRICAL EQUIP NUMBER: M00224	101106 108120 504903	1
55	284N1650-83	.BRACKET ASSY		101106 108120 504903	1
60	BAC27NEX2222	..DECAL-	PLACARD CONTENT: A B C D	101106 108120 504903	1
- 200	286N2034-701	WIRE BUNDLE ASSY		103106	RF
- 200	286N2034-002	WIRE BUNDLE ASSY		002004 006100 107107 950999	RF
- 200	286N2034-003	WIRE BUNDLE ASSY		121503 904949	RF
- 200	286N2034-301	WIRE BUNDLE ASSY		101102 108120	RF
- 200	286N2034-305	WIRE BUNDLE ASSY		504903	RF

MISSING ITEM NUMBERS NOT APPLICABLE

- ITEM NOT ILLUSTRATED

24-31-01-02

24-31-01
FIG. 02
PAGE 5
JAN 20/09

BRI



757

PARTS CATALOG (MAINTENANCE)

FIG ITEM	PART NUMBER	1 2 3 4 5 6 7	NOMENCLATURE	EFFECT FROM TO	UNITS PER ASSY
2					
210	BACC45FT12A12P	.	CONNECTOR- ELECTRICAL EQUIP NUMBER: D01794 WIRING DIAGRAM REF: 243111	002004 006999	1
215	BACC45FT12A12S	.	CONNECTOR- ELECTRICAL EQUIP NUMBER: D01854 WIRING DIAGRAM REF: 243111	002004 006999	1
- 250	286N2000-701		WIRE BUNDLE ASSY	103106	RF
- 250	286N2000-004		WIRE BUNDLE ASSY	107107	RF
				121503	
				904949	
- 250	286N2000-005		WIRE BUNDLE ASSY	002004	RF
				006100	
				950999	
- 250	286N2000-301		WIRE BUNDLE ASSY	108120	RF
- 250	286N2000-302		WIRE BUNDLE ASSY	101102	RF
- 250	286N2000-306		WIRE BUNDLE ASSY	504903	RF
- 255	G62036-18U	.	CLAMP- SUPPLIER CODE: V06324 SPECIFICATION NUMBER: BACC10GL18 ELECTRICAL EQUIP NUMBER: D01792T WIRING DIAGRAM REF: 243111	002004 006999	1
260	MS25182-2	.	PLUG- ELECTRICAL EQUIP NUMBER: D01792 WIRING DIAGRAM REF: 243111	002004 006999	1
900			ILLUSTRATION REFERENCE: STRUCTURE INSTL-FWD MAIN BATTERY 53-11-52-01	002004 006999	RF

MISSING ITEM NUMBERS NOT APPLICABLE

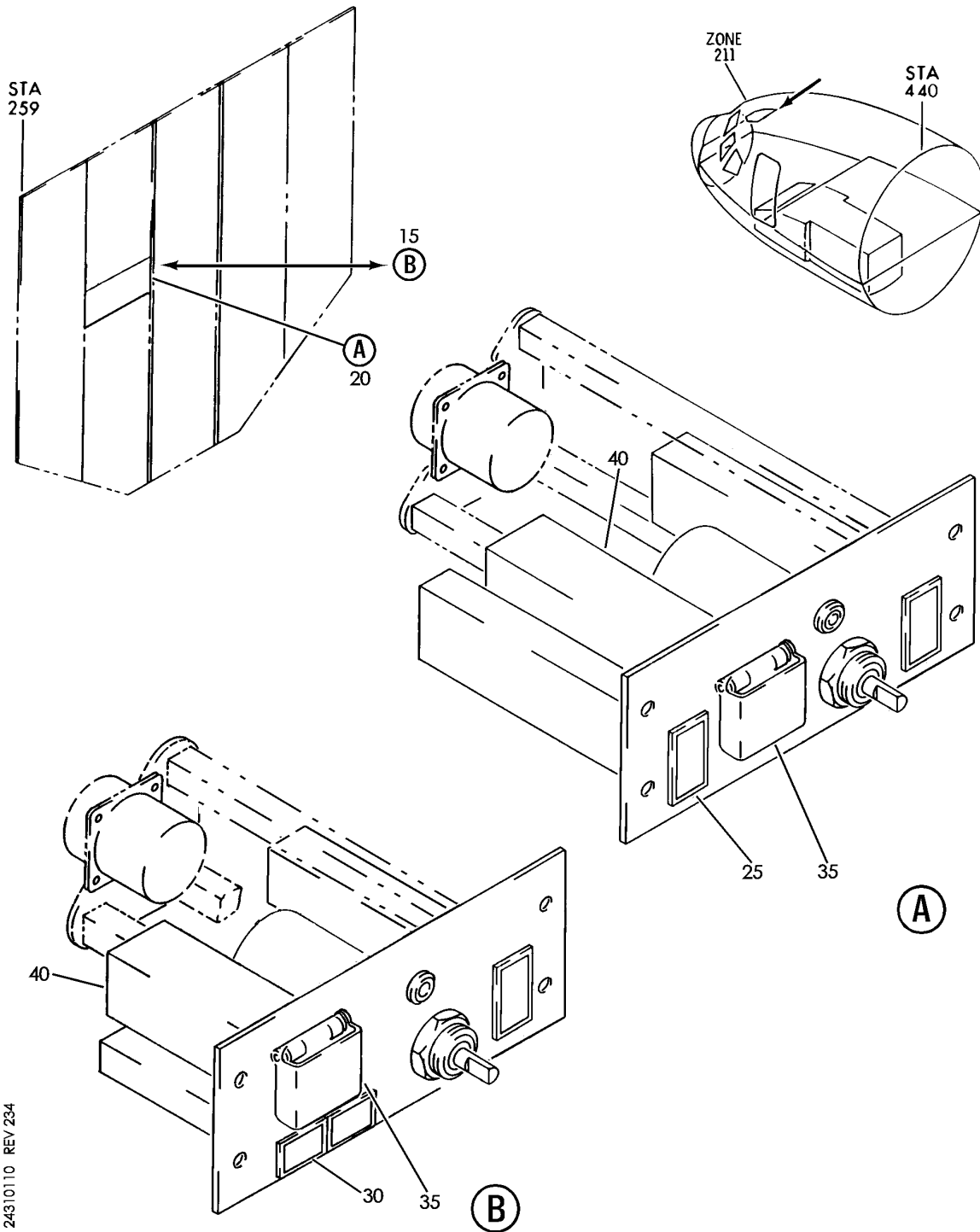
- ITEM NOT ILLUSTRATED

24-31-01-02

24-31-01
FIG. 02
PAGE 6
JAN 20/09

BRI

BOEING
757
PARTS CATALOG (MAINTENANCE)



Y 24310110 REV 234

PANEL INSTL-P5 OVHD (MAIN BATTERY ONLY)
FIGURE 10

24-31-01-10

BRI
MAY 28/07

24-31-01-10
PAGE 0



757

PARTS CATALOG (MAINTENANCE)

FIG ITEM	PART NUMBER	1 2 3 4 5 6 7	NOMENCLATURE	EFFECT FROM TO	UNITS PER ASSY
10			PANEL INSTL-P5 OVHD (MAIN BATTERY ONLY)	101106 108120 504903	
- 3	233N3103-59		PANEL INSTL-P5 OVHD (MAIN BATTERY ONLY) FOR NHA/OTHER SYS DET SEE: 25-10-00-15E	108120	RF
- 5	233N3103-132		PANEL INSTL-P5 OVHD (MAIN BATTERY ONLY) FOR NHA/OTHER SYS DET SEE: 25-10-00-15E	101102	RF
- 5	233N3103-136		PANEL INSTL-P5 OVHD (MAIN BATTERY ONLY) FOR NHA/OTHER SYS DET SEE: 25-10-00-15E	504903	RF
- 10	MODREF33760		PANEL INSTL-P5 OVHD (MAIN BATTERY ONLY) MODULE NUMBER: 233N3103-351 REV C FOR OTHER SYS DETAILS SEE: 11-31-10-12 21-25-55-03 21-31-01-02 21-33-51-03 21-51-54-03 21-58-19-10 21-58-51-03 21-61-04-03 21-65-51-01 22-21-01-04 22-24-51-02 23-24-01-01 23-32-00-11 23-42-02-02 23-71-05-02 24-11-52-05 24-22-01-03 24-33-04-01 24-41-51-04 24-51-62-01 26-18-51-04 27-21-53-02 27-41-55-01 27-61-51-03 27-62-52-02 28-22-51-02 28-41-04-01 28-41-51-03 29-11-02-03	103103	1

MISSING ITEM NUMBERS NOT APPLICABLE

- ITEM NOT ILLUSTRATED

24-31-01-10

24-31-01
FIG. 10
PAGE 1
JAN 20/09

BRI



757

PARTS CATALOG (MAINTENANCE)

FIG ITEM	PART NUMBER	1 2 3 4 5 6 7	NOMENCLATURE	EFFECT FROM TO	UNITS PER ASSY
10			29-11-05-04 29-11-52-07 29-21-54-03 29-31-00-01 29-32-51-03 29-33-52-03 30-11-51-03 30-21-51-03 30-31-51-02 30-32-51-01 30-33-51-02 30-41-51-03 30-42-51-03 31-12-11-91 31-12-11-91A 32-42-52-03 33-11-03-03 33-11-51-17 33-13-01-65 33-13-02-03 33-16-51-03 33-24-51-02 33-41-52-04 33-42-01-04 33-42-02-04 33-42-52-04 33-43-51-04 33-44-51-05 33-45-53-03 33-51-08-05 34-21-02-01 35-21-51-04 36-11-04-01 36-21-00-01 36-21-02-05 36-22-51-03 49-41-00-02 49-52-00-01 49-70-00-01 52-51-51-03 52-71-51-02 73-21-52-02 74-31-51-05 75-32-00-01 80-11-09-02 FOR ADDITIONAL DETAILS SEE: 24-31-03-09 PANEL INSTL-P5 OVHD (MAIN BATTERY ONLY)		
- 10	MODREF34038			104105	1

MISSING ITEM NUMBERS NOT APPLICABLE

- ITEM NOT ILLUSTRATED

BRI

24-31-01-10

24-31-01
 FIG. 10
 PAGE 2
 JAN 20/09



757

PARTS CATALOG (MAINTENANCE)

FIG ITEM	PART NUMBER	1 2 3 4 5 6 7	NOMENCLATURE	EFFECT FROM TO	UNITS PER ASSY
10			MODULE NUMBER: 233N3103-351 REV D FOR OTHER SYS DETAILS SEE: 11-31-10-12 21-25-55-03 21-31-01-02 21-33-51-03 21-51-54-03 21-58-19-10 21-58-51-03 21-61-04-03 21-65-51-01 22-21-01-04 22-24-51-02 23-24-01-01 23-32-00-11 23-42-02-02 23-71-05-02 24-11-52-05 24-22-01-03 24-33-04-01 24-41-51-04 24-51-62-01 26-18-51-04 27-21-53-02 27-41-55-01 27-61-51-03 27-62-52-02 28-22-51-02 28-41-04-01 28-41-51-03 29-11-02-03 29-11-05-04 29-11-52-07 29-21-54-03 29-31-00-01 29-32-51-03 29-33-52-03 30-11-51-03 30-21-51-03 30-31-51-02 30-32-51-01 30-33-51-02 30-41-51-03 30-42-51-03 31-12-11-91 31-12-11-91A 32-42-52-03 33-11-03-03		
MISSING ITEM NUMBERS NOT APPLICABLE					

- ITEM NOT ILLUSTRATED

24-31-01-10

24-31-01
FIG. 10
PAGE 3
JAN 20/09

BRI



757

PARTS CATALOG (MAINTENANCE)

FIG ITEM	PART NUMBER	1 2 3 4 5 6 7 NOMENCLATURE	EFFECT FROM TO	UNITS PER ASSY
10		33-11-51-17 33-13-01-65 33-13-02-03 33-16-51-03 33-24-51-02 33-41-52-04 33-42-01-04 33-42-02-04 33-42-52-04 33-43-51-04 33-44-51-05 33-45-53-03 33-51-08-05 34-21-02-01 35-21-51-04 36-11-04-01 36-21-00-01 36-21-02-05 36-22-51-03 49-41-00-02 49-52-00-01 49-70-00-01 52-51-51-03 52-71-51-02 73-21-52-02 74-31-51-05 75-32-00-01 80-11-09-02		
- 11	MODREF170180	FOR ADDITIONAL DETAILS SEE: 24-31-03-09 PANEL INSTL-P5 OVHD (MAIN BATTERY ONLY) MODULE NUMBER: 233N3103-353 REV B FOR OTHER SYS DETAILS SEE: 11-31-10-12 21-25-55-03 21-31-01-02 21-33-51-03 21-51-54-03 21-58-19-10 21-58-51-03 21-61-04-03 21-65-51-01 22-21-01-04 22-24-51-02 23-24-01-01 23-32-00-11 23-42-02-02	106106	1

MISSING ITEM NUMBERS NOT APPLICABLE

- ITEM NOT ILLUSTRATED

24-31-01-10

24-31-01
 FIG. 10
 PAGE 4
 JAN 20/09

BRI



757

PARTS CATALOG (MAINTENANCE)

FIG ITEM	PART NUMBER	1 2 3 4 5 6 7	NOMENCLATURE	EFFECT FROM TO	UNITS PER ASSY
10			23-71-05-02 24-11-52-05 24-22-01-03 24-33-04-01 24-41-51-04 24-51-62-01 26-18-51-04 27-21-53-02 27-41-55-01 27-61-51-03 27-62-52-02 28-22-51-02 28-41-04-01 28-41-51-03 29-11-02-03 29-11-05-04 29-11-52-07 29-21-54-03 29-31-00-01 29-32-51-03 29-33-52-03 30-11-51-03 30-21-51-03 30-31-51-02 30-32-51-01 30-33-51-02 30-41-51-03 30-42-51-03 31-12-11-84 31-12-11-84 A 32-42-52-03 33-11-03-03 33-11-51-17 33-13-01-65 33-13-02-03 33-16-51-03 33-24-51-02 33-41-52-04 33-42-01-04 33-42-02-04 33-42-52-04 33-43-51-04 33-44-51-05 33-45-53-03 33-51-08-05 34-21-02-01 35-21-51-04 36-11-04-01 36-21-00-01		

MISSING ITEM NUMBERS NOT APPLICABLE

- ITEM NOT ILLUSTRATED

BRI

24-31-01-10

BOEING PROPRIETARY - Copyright © - Unpublished Work - See title page for details.

24-31-01
FIG. 10
PAGE 5
JAN 20/09



757

PARTS CATALOG (MAINTENANCE)

FIG ITEM	PART NUMBER	1 2 3 4 5 6 7	NOMENCLATURE	EFFECT FROM TO	UNITS PER ASSY
10			36-21-02-05 36-22-51-03 49-41-00-02 49-52-00-01 49-70-00-01 52-51-51-03 52-71-51-02 73-21-52-02 74-31-51-05 75-32-00-01 80-11-09-02 FOR ADDITIONAL DETAILS SEE: 24-31-03-09		
- 13	233N3211-303		.PANEL ASSY-BATTERY/STBY PWR SUPPLIER CODE: V89954 ELECTRICAL EQUIP NUMBER: M10062 COMPONENT MAINT MANUAL REF: 24-33-72 QUALIFIED I/W DATA: P/N 233N3211-303 IS FULLY I/W P/N 233N3211-308, EXCEPT ONE-WAY FORWARD FOR U/O 233N3103-121, -122, -21, -22 THE 233N3211-303 PANEL ASSY IS I/W THE 233N3211-40 PANEL ASSY T/W THE S233T100-1081 LIGHTPLATE AND BP248-127 KNOB PRE ALERT SB: 33A0044	504903	RF

MISSING ITEM NUMBERS NOT APPLICABLE

- ITEM NOT ILLUSTRATED

BRI

24-31-01-10

BOEING PROPRIETARY - Copyright © - Unpublished Work - See title page for details.

24-31-01
 FIG. 10
 PAGE 6
 JAN 20/09



757

PARTS CATALOG (MAINTENANCE)

FIG ITEM	PART NUMBER	1 2 3 4 5 6 7	NOMENCLATURE	EFFECT FROM TO	UNITS PER ASSY
10 - 13	233N3211-308		.PANEL ASSY-BATTERY/STBY PWR SUPPLIER CODE: V89954 ELECTRICAL EQUIP NUMBER: M10062 COMPONENT MAINT MANUAL REF: 24-33-72 QUALIFIED I/W DATA: P/N 233N3211-303 IS FULLY I/W P/N 233N3211-308, EXCEPT ONE-WAY FORWARD FOR U/O 233N3103-121, -122, -21, -22 PRE ALERT SB: 33A0044	101102 108120	RF
- 13	233N3211-1308		.PANEL ASSY-BATTERY/STBY PWR SUPPLIER CODE: V89954 ELECTRICAL EQUIP NUMBER: M10062 COMPONENT MAINT MANUAL REF: 24-33-72 POST ALERT SB: 33A0044	101102 108120	RF
- 13	233N3211-319		.PANEL ASSY-BATTERY/STBY PWR SUPPLIER CODE: V89954 ELECTRICAL EQUIP NUMBER: M10062 COMPONENT MAINT MANUAL REF: 24-33-72	101106 108120	RF
- 13	233N3211-1303		.PANEL ASSY-BATTERY/STBY PWR SUPPLIER CODE: V89954 ELECTRICAL EQUIP NUMBER: M10062 COMPONENT MAINT MANUAL REF: 24-33-72 POST ALERT SB: 33A0044	504903	RF

MISSING ITEM NUMBERS NOT APPLICABLE

- ITEM NOT ILLUSTRATED

24-31-01-10

24-31-01
FIG. 10
PAGE 7
JAN 20/09

BRI



757

PARTS CATALOG (MAINTENANCE)

FIG ITEM	PART NUMBER	1 2 3 4 5 6 7	NOMENCLATURE	EFFECT FROM TO	UNITS PER ASSY
10					
15	233N3211-40		..PANEL ASSY- SUPPLIER CODE: V89954 COMPONENT MAINT MANUAL REF: 24-33-72 QUALIFIED I/W DATA: THE 233N3211-303 PANEL ASSY IS I/W THE 233N3211-40 PANEL ASSY T/W THE S233T100-1081 LIGHTPLATE AND BP248-127 KNOB PRE ALERT SB: 33A0044	504903	1
15	233N3211-54		..PANEL ASSY- SUPPLIER CODE: V89954 COMPONENT MAINT MANUAL REF: 24-33-72 USED ON: 233N3211-308 PRE ALERT SB: 33A0044	101102 108120	1
15	233N3211-68		..PANEL ASSY- SUPPLIER CODE: V89954 COMPONENT MAINT MANUAL REF: 24-33-72 USED ON: 233N3211-319	101106 108120	1
15	233N3211-1054		..PANEL ASSY- SUPPLIER CODE: V89954 COMPONENT MAINT MANUAL REF: 24-33-72 USED ON: 233N3211-1308 POST ALERT SB: 33A0044	101102 108120	1
15	233N3211-1040		..PANEL ASSY- SUPPLIER CODE: V89954 COMPONENT MAINT MANUAL REF: 24-33-72 POST ALERT SB: 33A0044	504903	1

MISSING ITEM NUMBERS NOT APPLICABLE

- ITEM NOT ILLUSTRATED

24-31-01-10

24-31-01
FIG. 10
PAGE 8
JAN 20/09

BRI



757

PARTS CATALOG (MAINTENANCE)

FIG ITEM	PART NUMBER	1 2 3 4 5 6 7	NOMENCLATURE	EFFECT FROM TO	UNITS PER ASSY
10 30	BCREF6430		...LIGHT ASSY-DISCH OFF SUPPLIER CODE: V81590 OVERLENGTH PART NUMBER: 434-674-1005-1291 SPECIFICATION NUMBER: S231T300-1291 OPTIONAL PART: BCREF8593 V81590 FOR DETAILS SEE: 33-14-70-02	101106 108120 504903	1
30	BCREF8593		...LIGHT ASSY-DISCH OFF SUPPLIER CODE: V81590 OVERLENGTH PART NUMBER: 434-674-1031-2291 SPECIFICATION NUMBER: S231T300-2291 OPTIONAL PART: BCREF6430 V81590 FOR DETAILS SEE: 33-14-70-02	101106 108120 504903	1
35	433-100-004		...GUARD-SWITCH SUPPLIER CODE: V81590 SPECIFICATION NUMBER: S231T290-823 QUALIFIED I/W DATA: 433-100-004 MAY REPLACE 851-30768-813 EXCEPT 851-30768-813 OPTIONAL TO 433-100-004 FOR NA213NA214	101106 108120 504903	1

MISSING ITEM NUMBERS NOT APPLICABLE

- ITEM NOT ILLUSTRATED

24-31-01-10

24-31-01
FIG. 10
PAGE 9
JAN 20/09

BRI



757

PARTS CATALOG (MAINTENANCE)

FIG ITEM	PART NUMBER	1 2 3 4 5 6 7 NOMENCLATURE	EFFECT FROM TO	UNITS PER ASSY
10 40	BCREFA0510	...SWITCH ASSY-LIGHTED PUSH BUTTON IND SUPPLIER CODE: V81590 OVERLENGTH PART NUMBER: 433-673-1004-4024 SPECIFICATION NUMBER: S231T290-4024 MISCELLANEOUS DATA: WHEN REPLACING THE PUSHBUTTON SWITCH ASSY OR THE MASTER MODULE WITHIN, VERIFY THAT A CONFIG D MASTER MODULE P/N 13206-001 IS INSTALLED IN LIEU OF ANY EARLIER CONFIGURATION MASTER MODULES. QUALIFIED I/W DATA: 851-30768-2024 TOGETHER WITH 851-30768-803 -813 OR 433-100-004 SWITCHGUARD I/W BCREFA0510 851-30768-3024 OR BCREFA0510 WITH 433-100-004 SWITCHGUARD OPTIONAL PART: 851-35100-5024 V96182 USED ON: 233N3211-54 REFERENCE SERVICE BULLETIN: 33A0044 REWORKED BY SB: 433-33-05 V81590 FOR DETAILS SEE: 33-13-00-47A	101102 108120 504903	1

MISSING ITEM NUMBERS NOT APPLICABLE

- ITEM NOT ILLUSTRATED

BRI

24-31-01-10

24-31-01
FIG. 10
PAGE 10
JAN 20/09



757

PARTS CATALOG (MAINTENANCE)

FIG ITEM	PART NUMBER	1 2 3 4 5 6 7	NOMENCLATURE	EFFECT FROM TO	UNITS PER ASSY
10 40	851-35100-5024		...SWITCH ASSY-LIGHTED PUSH BUTTON IND SUPPLIER CODE: V96182 SPECIFICATION NUMBER: S231T290-5024 QUALIFIED I/W DATA: 851-30768-2024 TOGETHER WITH 851-30768-803 -813 OR 433-100-004 SWITCHGUARD I/W BCREFA0510 851-30768-3024 OR 851-35100-5024 WITH 433-100-004 SWITCHGUARD 851-30768-3024 T/W T33-100-004 SWITCHGUARD I/W 851-35100-5024 OPTIONAL PART: BCREFA0510 V81590	504903	1
40	4336731004-4224		...SWITCH ASSY-LIGHTED PUSH BUTTON IND SUPPLIER CODE: V81590 SPECIFICATION NUMBER: S231T290-4224 USED ON: 233N3211-68	101106 108120 504903	1

MISSING ITEM NUMBERS NOT APPLICABLE

- ITEM NOT ILLUSTRATED

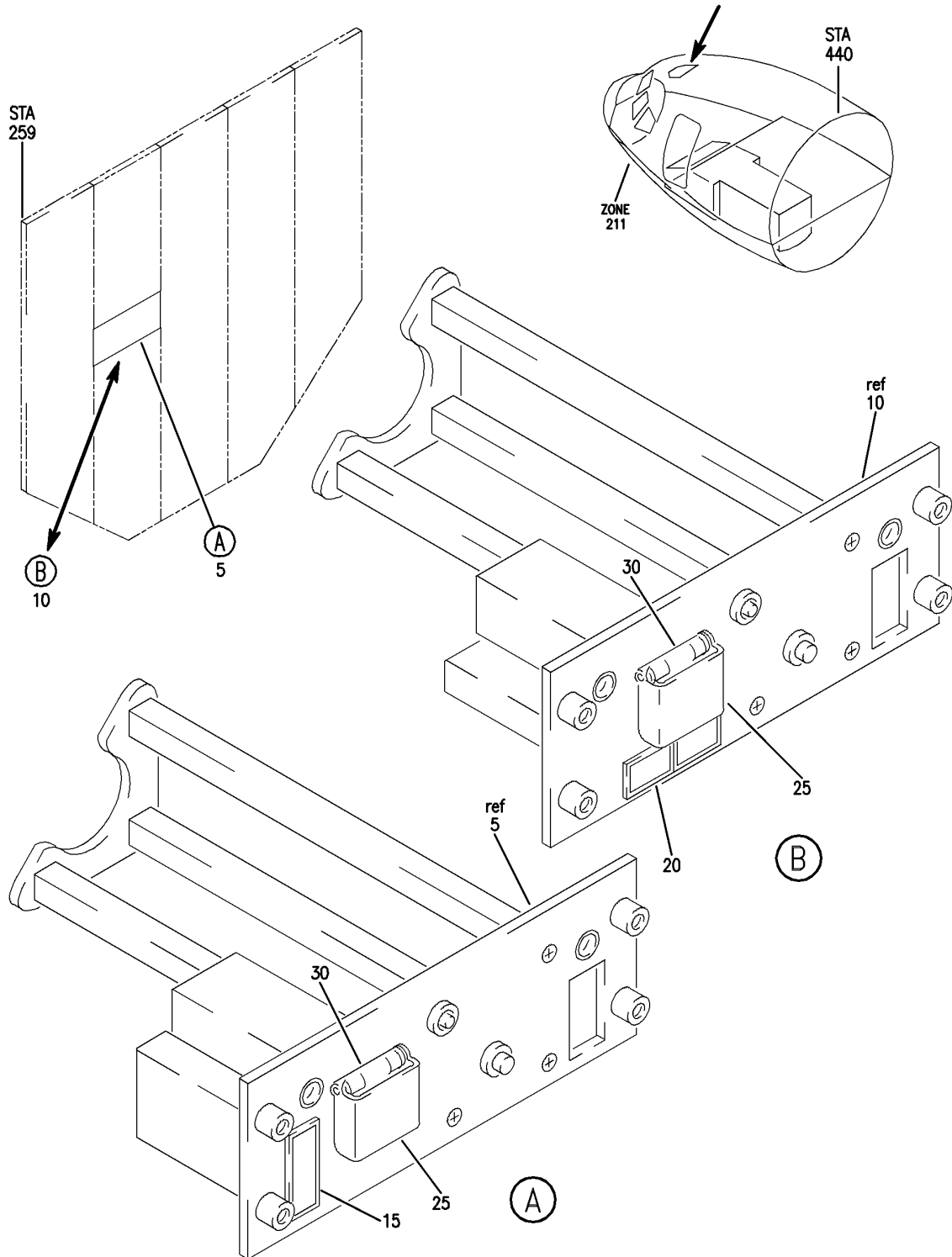
BRI

24-31-01-10

BOEING PROPRIETARY - Copyright © - Unpublished Work - See title page for details.

24-31-01
 FIG. 10
 PAGE 11
 JAN 20/09

BOEING
757
PARTS CATALOG (MAINTENANCE)



Y 24310111 REV 238

PANEL INSTL-P5 OVHD (MAIN BATTERY ONLY)
FIGURE 11

24-31-01-11

BRI
MAY 28/07

24-31-01-11
PAGE 0



757

PARTS CATALOG (MAINTENANCE)

FIG ITEM	PART NUMBER	1 2 3 4 5 6 7	NOMENCLATURE	EFFECT FROM TO	UNITS PER ASSY
11			PANEL INSTL-P5 OVHD (MAIN BATTERY ONLY)	002004 006010 107107 121503 904999	
- 1	233N3101-1		PANEL INSTL-P5 OVHD (MAIN BATTERY ONLY) VARIABLE DRAWING REF: 233N3101-5005 233N3101-5025 233N3101-5041 233N3101-5042 233N3101-5045 FOR NHA/OTHER SYS DET SEE: 25-10-00-05A	002004 006010 107107 121503 904999	RF
5	233N3211-25		.PANEL ASSY-BATTERY/ STBY PWR SUPPLIER CODE: V89954 ELECTRICAL EQUIP NUMBER: M10062 COMPONENT MAINT MANUAL REF: 24-33-71 QUALIFIED I/W DATA: 233N3211-25 -32 -36 -37 -38 ARE ALL INTERCHANGEABLE EXCEPT SUBJECT TO CUSTOMER PREFERENCE PRE ALERT SB: 33A0044 POST AIRLINE MOD: 757-38-00 VALP	950951	RF
5	233N3211-27		.PANEL ASSY-BATTERY/ STBY PWR SUPPLIER CODE: V89954 ELECTRICAL EQUIP NUMBER: M100062 COMPONENT MAINT MANUAL REF: 24-33-71 PRE ALERT SB: 33A0044 POST AIRLINE MOD: 757-38-00 VALP	950951	RF

MISSING ITEM NUMBERS NOT APPLICABLE

- ITEM NOT ILLUSTRATED

BRI

24-31-01-11

24-31-01
FIG. 11
PAGE 1
JAN 20/09



757

PARTS CATALOG (MAINTENANCE)

FIG ITEM	PART NUMBER	1 2 3 4 5 6 7	NOMENCLATURE	EFFECT FROM TO	UNITS PER ASSY
11 5	233N3211-36		.PANEL ASSY-BATTERY/ STBY PWR SUPPLIER CODE: V89954 ELECTRICAL EQUIP NUMBER: M10062 COMPONENT MAINT MANUAL REF: 24-33-72 QUALIFIED I/W DATA: 233N3211-25 -32 -36 -37 -38 ARE ALL INTERCHANGEABLE EXCEPT SUBJECT TO CUSTOMER PREFERENCE THE 233N3211-300 PANEL ASSY IS I/W THE 233N3211-36 PANEL ASSY T/W THE S233T100-1080 LIGHTPLATE AND BP248-127 KNOB PRE ALERT SB: 33A0044	950951	RF
5	233N3211-1036		.PANEL ASSY-BATTERY/ STBY PWR SUPPLIER CODE: V89954 ELECTRICAL EQUIP NUMBER: M10062 COMPONENT MAINT MANUAL REF: 24-33-72 POST SERVICE BULLETIN: 24-0125R1 24-0125R2 POST ALERT SB: 33A0044	009009 107107 950951	RF
6	233N3211-1015		.PANEL ASSY-BATTERY/ STBY PWR SUPPLIER CODE: V89954 ELECTRICAL EQUIP NUMBER: M10062 COMPONENT MAINT MANUAL REF: 24-33-72 POST ALERT SB: 33A0044	950951	RF

MISSING ITEM NUMBERS NOT APPLICABLE

- ITEM NOT ILLUSTRATED

BRI

24-31-01-11

BOEING PROPRIETARY - Copyright © - Unpublished Work - See title page for details.

24-31-01
FIG. 11
PAGE 2
JAN 20/09



757

PARTS CATALOG (MAINTENANCE)

FIG ITEM	PART NUMBER	1 2 3 4 5 6 7	NOMENCLATURE	EFFECT FROM TO	UNITS PER ASSY
11	6 233N3211-1025		.PANEL ASSY-BATTERY/ STBY PWR SUPPLIER CODE: V89954 ELECTRICAL EQUIP NUMBER: M10062 COMPONENT MAINT MANUAL REF: 24-33-72 POST ALERT SB: 33A0044	950951	RF
	6 233N3211-1027		.PANEL ASSY-BATTERY/ STBY PWR SUPPLIER CODE: V89954 ELECTRICAL EQUIP NUMBER: M10062 COMPONENT MAINT MANUAL REF: 24-33-72 POST ALERT SB: 33A0044	950951	RF
	10 233N3211-11		.PANEL ASSY-BATTERY/ STBY PWR SUPPLIER CODE: V89954 ELECTRICAL EQUIP NUMBER: M10062 COMPONENT MAINT MANUAL REF: 24-33-71 PRE SERVICE BULLETIN: 24-0125R1 PRE ALERT SB: 33A0044	107107	RF

MISSING ITEM NUMBERS NOT APPLICABLE

- ITEM NOT ILLUSTRATED

BRI

24-31-01-11

BOEING PROPRIETARY - Copyright © - Unpublished Work - See title page for details.

24-31-01
FIG. 11
PAGE 3
JAN 20/09



757

PARTS CATALOG (MAINTENANCE)

FIG ITEM	PART NUMBER	1 2 3 4 5 6 7	NOMENCLATURE	EFFECT FROM TO	UNITS PER ASSY
11 10	233N3211-26		.PANEL ASSY-BATTERY/ STBY PWR SUPPLIER CODE: V89954 ELECTRICAL EQUIP NUMBER: M10062 COMPONENT MAINT MANUAL REF: 24-33-71 QUALIFIED I/W DATA: 233N3211-24 -26 -31 -39 -40 ARE ALL INTERCHANGEABLE EXCEPT SUBJECT TO CUSTOMER PREFERENCE PRE SERVICE BULLETIN: 24-0125R1 PRE ALERT SB: 33A0044	107107	RF
10	233N3211-31		.PANEL ASSY-BATTERY/ STBY PWR SUPPLIER CODE: V89954 ELECTRICAL EQUIP NUMBER: M10062 COMPONENT MAINT MANUAL REF: 24-33-71 QUALIFIED I/W DATA: 233N3211-24 -26 -31 -39 -40 ARE ALL INTERCHANGEABLE EXCEPT SUBJECT TO CUSTOMER PREFERENCE PRE SERVICE BULLETIN: 24-0125R1 PRE ALERT SB: 33A0044	107107	RF

MISSING ITEM NUMBERS NOT APPLICABLE

- ITEM NOT ILLUSTRATED

BRI

24-31-01-11

24-31-01
FIG. 11
PAGE 4
JAN 20/09



757

PARTS CATALOG (MAINTENANCE)

FIG ITEM	PART NUMBER	1 2 3 4 5 6 7	NOMENCLATURE	EFFECT FROM TO	UNITS PER ASSY
11 10	233N3211-39		.PANEL ASSY-BATTERY/ STBY PWR SUPPLIER CODE: V89954 ELECTRICAL EQUIP NUMBER: M10062 COMPONENT MAINT MANUAL REF: 24-33-72 QUALIFIED I/W DATA: 233N3211-24 -26 -31 -39 -40 ARE ALL INTERCHANGEABLE SUBJECT TO CUSTOMER PREFERENCE PRE ALERT SB: 33A0044R1	121503 904949	RF
10	233N3211-40		.PANEL ASSY-BATTERY/ STBY PWR SUPPLIER CODE: V89954 ELECTRICAL EQUIP NUMBER: M10062 COMPONENT MAINT MANUAL REF: 24-33-72 QUALIFIED I/W DATA: 233N3211-24 -26 -31 -39 -40 ARE ALL INTERCHANGEABLE SUBJECT TO CUSTOMER PREFERENCE THE 233N3211-303 PANEL ASSY IS I/W THE 233N3211-40 PANEL ASSY T/W THE S233T100-1081 LIGHTPLATE AND BP248-127 KNOB PRE SERVICE BULLETIN: 24-0125R2 PRE ALERT SB: 33A0044	002004 006010 952999	RF

MISSING ITEM NUMBERS NOT APPLICABLE

- ITEM NOT ILLUSTRATED

24-31-01-11

24-31-01
FIG. 11
PAGE 5
JAN 20/09

BRI



757

PARTS CATALOG (MAINTENANCE)

FIG ITEM	PART NUMBER	1 2 3 4 5 6 7	NOMENCLATURE	EFFECT FROM TO	UNITS PER ASSY
11 10	233N3211-1040		.PANEL ASSY-BATTERY/ STBY PWR SUPPLIER CODE: V89954 ELECTRICAL EQUIP NUMBER: M10062 COMPONENT MAINT MANUAL REF: 24-33-72 PRE SERVICE BULLETIN: 24-0125R2 POST ALERT SB: 33A0044	002004 006010 952999	RF
10	233N3211-1011		.PANEL ASSY-BATTERY/ STBY PWR SUPPLIER CODE: V89954 ELECTRICAL EQUIP NUMBER: M10062 COMPONENT MAINT MANUAL REF: 24-33-72 PRE SERVICE BULLETIN: 24-0125R1 POST ALERT SB: 33A0044	107107	RF
10	233N3211-1026		.PANEL ASSY-BATTERY/ STBY PWR SUPPLIER CODE: V89954 ELECTRICAL EQUIP NUMBER: M10062 COMPONENT MAINT MANUAL REF: 24-33-72 PRE SERVICE BULLETIN: 24-0125R1 POST ALERT SB: 33A0044	107107	RF
10	233N3211-1031		.PANEL ASSY-BATTERY/ STBY PWR SUPPLIER CODE: V89954 ELECTRICAL EQUIP NUMBER: M10062 COMPONENT MAINT MANUAL REF: 24-33-72 PRE SERVICE BULLETIN: 24-0125R1 POST ALERT SB: 33A0044	107107	RF

MISSING ITEM NUMBERS NOT APPLICABLE

- ITEM NOT ILLUSTRATED

BRI

24-31-01-11

24-31-01
FIG. 11
PAGE 6
JAN 20/09



757

PARTS CATALOG (MAINTENANCE)

FIG ITEM	PART NUMBER	1 2 3 4 5 6 7	NOMENCLATURE	EFFECT FROM TO	UNITS PER ASSY
11 10	233N3211-1039		.PANEL ASSY-BATTERY/ STBY PWR SUPPLIER CODE: V89954 ELECTRICAL EQUIP NUMBER: M10062 COMPONENT MAINT MANUAL REF: 24-33-72 POST ALERT SB: 33A0044R1	121503 904949	RF
15	BCREF6118		..LIGHT ASSY-DISCH OFF SUPPLIER CODE: V81590 OVERLENGTH PART NUMBER: 434-674-1005-1195 SPECIFICATION NUMBER: S231T300-1195 OPTIONAL PART: BCREF8559 V81590 POST SERVICE BULLETIN: 24-0125R2 FOR DETAILS SEE: 33-14-70-02	009009 950951	1
15	BCREF8559		..LIGHT ASSY-DISCH OFF SUPPLIER CODE: V81590 OVERLENGTH PART NUMBER: 434-674-1031-2195 SPECIFICATION NUMBER: S231T300-2195 OPTIONAL PART: BCREF6118 V81590 POST SERVICE BULLETIN: 24-0125R2 FOR DETAILS SEE: 33-14-70-02	009009 950951	1

MISSING ITEM NUMBERS NOT APPLICABLE

- ITEM NOT ILLUSTRATED

BRI

24-31-01-11

24-31-01
FIG. 11
PAGE 7
JAN 20/09



757

PARTS CATALOG (MAINTENANCE)

FIG ITEM	PART NUMBER	1 2 3 4 5 6 7	NOMENCLATURE	EFFECT FROM TO	UNITS PER ASSY
11 20	BCREF6430		..LIGHT ASSY-DISCH OFF SUPPLIER CODE: V81590 OVERLENGTH PART NUMBER: 434-674-1005-1291 SPECIFICATION NUMBER: S231T300-1291 OPTIONAL PART: BCREF8593 V81590 PRE SERVICE BULLETIN: 24-0125R2 FOR DETAILS SEE: 33-14-70-02	002004 006010 107107 121503 904949 952999	1
20	BCREF8593		..LIGHT ASSY-DISCH OFF SUPPLIER CODE: V81590 OVERLENGTH PART NUMBER: 434-674-1031-2291 SPECIFICATION NUMBER: S231T300-2291 OPTIONAL PART: BCREF6430 V81590 PRE SERVICE BULLETIN: 24-0125R2 FOR DETAILS SEE: 33-14-70-02	002004 006010 107107 121503 904949 952999	1
25	851-30768-803		..GUARD-SWITCH SUPPLIER CODE: V96182 SPECIFICATION NUMBER: S231T290-803 QUALIFIED OPTIONAL DATA: (S231T290-803 OR S231T290-813 IS OPTIONAL TO S231T290-823 FOR USE WITH S231T290-2000 SERIES SWITCHES ONLY) OPTIONAL PART: 851-30768-813 V96182 433-100-004 V81590	121503 904949	1

MISSING ITEM NUMBERS NOT APPLICABLE

- ITEM NOT ILLUSTRATED

24-31-01-11

24-31-01
FIG. 11
PAGE 8
JAN 20/09

BRI



757

PARTS CATALOG (MAINTENANCE)

FIG ITEM	PART NUMBER	1 2 3 4 5 6 7	NOMENCLATURE	EFFECT FROM TO	UNITS PER ASSY
11 25	851-30768-813	..	GUARD-SWITCH SUPPLIER CODE: V96182 SPECIFICATION NUMBER: S231T290-813 QUALIFIED I/W DATA: 433-100-004 MAY REPLACE 851-30768-813 EXCEPT 851-30768-813 OPTIONAL TO 433-100-004 FOR NA213NA214 QUALIFIED OPTIONAL DATA: (S231T290-803 OR S231T290-813 IS OPTIONAL TO S231T290-823 FOR USE WITH S231T290-2000 SERIES SWITCHES ONLY) OPTIONAL PART: 851-30768-803 V96182 433-100-004 V81590	121503 904949	1
25	433-100-004	..	GUARD-SWITCH SUPPLIER CODE: V81590 SPECIFICATION NUMBER: S231T290-823 QUALIFIED I/W DATA: 433-100-004 MAY REPLACE 851-30768-813 EXCEPT 851-30768-813 OPTIONAL TO 433-100-004 FOR NA213NA214 QUALIFIED OPTIONAL DATA: (S231T290-803 OR S231T290-813 IS OPTIONAL TO S231T290-823 FOR USE WITH S231T290-2000 SERIES SWITCHES ONLY) OPTIONAL PART: 851-30768-803 V96182 851-30768-813 V96182	002004 006010 107107 121503 904999	1

MISSING ITEM NUMBERS NOT APPLICABLE

- ITEM NOT ILLUSTRATED

BRI

24-31-01-11

24-31-01
FIG. 11
PAGE 9
JAN 20/09



757

PARTS CATALOG (MAINTENANCE)

FIG ITEM	PART NUMBER	1 2 3 4 5 6 7	NOMENCLATURE	EFFECT FROM TO	UNITS PER ASSY
11 30	BCREF7611		..SWITCH ASSY-LIGHTED PUSH BUTTON IND ON/OFF SUPPLIER CODE: V81590 OVERLENGTH PART NUMBER: 433-673-1001-1024 SPECIFICATION NUMBER: S231T290-1024 MISCELLANEOUS DATA: WHEN REPLACING THE PUSHBUTTON SWITCH ASSY OR THE MASTER MODULE WITHIN, VERIFY THAT A CONFIG D MASTER MODULE P/N 13206-001 IS INSTALLED IN LIEU OF ANY EARLIER CONFIGURATION MASTER MODULES. REFERENCE SERVICE BULLETIN: 33A0044 REWORKED BY SB: 433-33-01 V81590 FOR DETAILS SEE: 33-13-00-17A	107107	1

MISSING ITEM NUMBERS NOT APPLICABLE

- ITEM NOT ILLUSTRATED

BRI

24-31-01-11

BOEING PROPRIETARY - Copyright © - Unpublished Work - See title page for details.

24-31-01
FIG. 11
PAGE 10
JAN 20/09



757

PARTS CATALOG (MAINTENANCE)

FIG ITEM	PART NUMBER	1 2 3 4 5 6 7	NOMENCLATURE	EFFECT FROM TO	UNITS PER ASSY
11 30	BCREFA0510		<p>.. SWITCH ASSY-LIGHTED PUSH BUTTON IND SUPPLIER CODE: V81590 OVERLENGTH PART NUMBER: 433-673-1004-4024 SPECIFICATION NUMBER: S231T290-4024 MISCELLANEOUS DATA: WHEN REPLACING THE PUSHBUTTON SWITCH ASSY OR THE MASTER MODULE WITHIN, VERIFY THAT A CONFIG D MASTER MODULE P/N 13206-001 IS INSTALLED IN LIEU OF ANY EARLIER CONFIGURATION MASTER MODULES. OPTIONAL PART: 851-35100-5024 V96182 USED ON: 233N3211-36 233N3211-1036 233N3211-40 233N3211-1040 REFERENCE SERVICE BULLETIN: 33A0044 REWORKED BY SB: 433-33-05 V81590 FOR DETAILS SEE: 33-13-00-47A</p>	002004 006010 107107 121503 904999	1

MISSING ITEM NUMBERS NOT APPLICABLE

- ITEM NOT ILLUSTRATED

BRI

24-31-01-11

BOEING PROPRIETARY - Copyright © - Unpublished Work - See title page for details.

24-31-01
FIG. 11
PAGE 11
JAN 20/09



757

PARTS CATALOG (MAINTENANCE)

FIG ITEM	PART NUMBER	1 2 3 4 5 6 7	NOMENCLATURE	EFFECT FROM TO	UNITS PER ASSY
11 30	851-35100-5024		.. SWITCH ASSY-LIGHTED PUSH BUTTON IND SUPPLIER CODE: V96182 SPECIFICATION NUMBER: S231T290-5024 QUALIFIED I/W DATA: 851-30768-2024 TOGETHER WITH 851-30768-803 -813 OR 433-100-004 SWITCHGUARD I/W BCREFA0510 851-30768-3024 OR 851-35100-5024 WITH 433-100-004 SWITCHGUARD 851-30768-3024 T/W 433-100-004 SWITCHGUARD I/W 851-35100-5024 OPTIONAL PART: BCREFA0510 V81590 851-30768-3024 V96182 USED ON: 233N3211-36 233N3211-40 233N3211-1040	002004 006010 121503 904999	1
30	851-30768-2024		.. SWITCH ASSY-LIGHTED PUSH BUTTON IND ON/OFF SUPPLIER CODE: V96182 SPECIFICATION NUMBER: S231T290-2024 QUALIFIED I/W DATA: 851-30768-2024 TOGETHER WITH 851-30768-803 -813 OR 433-100-004 SWITCHGUARD I/W BCREFA0510 851-30768-3024 OR 851-35100-5024 WITH 433-100-004 SWITCHGUARD FOR DETAILS SEE: 33-13-00-27A	107107	1

MISSING ITEM NUMBERS NOT APPLICABLE

- ITEM NOT ILLUSTRATED

BRI

24-31-01-11

BOEING PROPRIETARY - Copyright © - Unpublished Work - See title page for details.

24-31-01
FIG. 11
PAGE 12
JAN 20/09



757

PARTS CATALOG (MAINTENANCE)

FIG ITEM	PART NUMBER	1 2 3 4 5 6 7	NOMENCLATURE	EFFECT FROM TO	UNITS PER ASSY
11 30	851-30768-3024		..SWITCH ASSY-LIGHTED PUSH BUTTON IND ON/OFF SUPPLIER CODE: V96182 SPECIFICATION NUMBER: S231T290-3024 QUALIFIED I/W DATA: 851-30768-3024 T/W 433-100-004 SWITCHGUARD I/W 851-35100-5024 OPTIONAL PART: 851-35100-5024 V96182 FOR DETAILS SEE: 33-13-00-37A	107107 121503 904949	1
30	4336731004-4224		..SWITCH ASSY-LIGHTED PUSHBUTTON IND SUPPLIER CODE: V81590 SPECIFICATION NUMBER: S231T290-4224	002004 006010 107107 121503 904999	1

MISSING ITEM NUMBERS NOT APPLICABLE

- ITEM NOT ILLUSTRATED

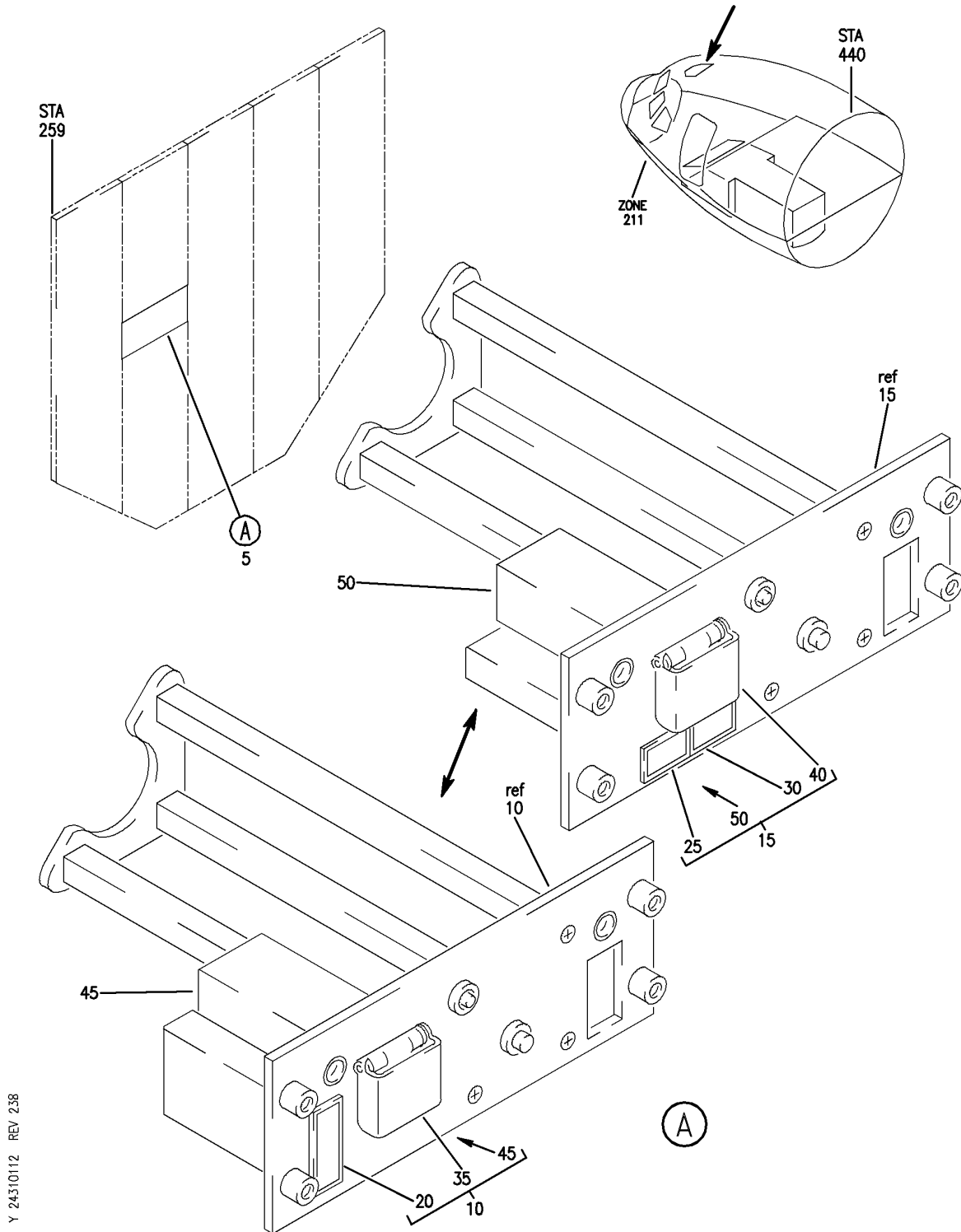
BRI

24-31-01-11

BOEING PROPRIETARY - Copyright © - Unpublished Work - See title page for details.

24-31-01
FIG. 11
PAGE 13
JAN 20/09

BOEING
757
PARTS CATALOG (MAINTENANCE)



Y 24310112 REV 238

PANEL INSTL-P5 OVHD (MAIN BATTERY ONLY)
FIGURE 12

24-31-01-12

BRI
MAY 28/07

24-31-01-12
PAGE 0



757

PARTS CATALOG (MAINTENANCE)

FIG ITEM	PART NUMBER	1 2 3 4 5 6 7	NOMENCLATURE	EFFECT FROM TO	UNITS PER ASSY
12			PANEL INSTL-P5 OVHD (MAIN BATTERY ONLY)	011100	
- 1	233N3101-1		PANEL INSTL-P5 OVHD (MAIN BATTERY ONLY) VARIABLE DRAWING REF: 233N3101-5142 FOR NHA/OTHER SYS DET SEE: 25-10-00-05A	011100	RF
5	233N3211-303		.PANEL ASSY-BATTERY/ STANDBY PWR SUPPLIER CODE: V89954 COMPONENT MAINT MANUAL REF: 24-33-72 QUALIFIED I/W DATA: THE 233N3211-303 PANEL ASSY IS I/W THE 233N3211-40 PANEL ASSY T/W THE S233T100-1081 LIGHTPLATE AND BP248-127 KNOB PRE ALERT SB: 33A0044	011100	RF
5	233N3211-308		.PANEL ASSY-BATTERY/ STANDBY PWR SUPPLIER CODE: V89954 COMPONENT MAINT MANUAL REF: 24-33-72 PRE ALERT SB: 33A0044	011100	RF
5	233N3211-1303		.PANEL ASSY-BATTERY/ STANDBY PWR SUPPLIER CODE: V89954 COMPONENT MAINT MANUAL REF: 24-33-72 POST ALERT SB: 33A0044	011100	RF
5	233N3211-1308		.PANEL ASSY-BATTERY/ STANDBY PWR SUPPLIER CODE: V89954 COMPONENT MAINT MANUAL REF: 24-33-72 POST ALERT SB: 33A0044	011100	RF

MISSING ITEM NUMBERS NOT APPLICABLE

- ITEM NOT ILLUSTRATED

BRI

24-31-01-12

24-31-01
FIG. 12
PAGE 1
JAN 20/09



757

PARTS CATALOG (MAINTENANCE)

FIG ITEM	PART NUMBER	1 2 3 4 5 6 7	NOMENCLATURE	EFFECT FROM TO	UNITS PER ASSY
R R	12 10	233N3211-1036	.. PANEL ASSY- SUPPLIER CODE: V89954 ELECTRICAL EQUIP NUMBER: M10062 COMPONENT MAINT MANUAL REF: 24-33-72 USED ON: 233N3211-1300 POST SERVICE BULLETIN: 24-0130 POST ALERT SB: 33A0044	015015	1
	15	233N3211-40	.. PANEL ASSY- SUPPLIER CODE: V89954 ELECTRICAL EQUIP NUMBER: M10062 COMPONENT MAINT MANUAL REF: 24-33-72 QUALIFIED I/W DATA: THE 233N3211-303 PANEL ASSY IS I/W THE 233N3211-40 PANEL ASSY T/W THE S233T100-1081 LIGHTPLATE AND BP248-127 KNOB 233N3211-24 -26 -31 -39 -40 ARE ALL INTERCHANGEABLE SUBJECT TO CUSTOMER PREFERENCE USED ON: 233N3211-303 PRE SERVICE BULLETIN: 24-0130 PRE ALERT SB: 33A0044	011100	1

MISSING ITEM NUMBERS NOT APPLICABLE

- ITEM NOT ILLUSTRATED

24-31-01-12

24-31-01
FIG. 12
PAGE 2
MAY 20/09

BRI


BOEING
 757
PARTS CATALOG (MAINTENANCE)

FIG ITEM	PART NUMBER	1 2 3 4 5 6 7	NOMENCLATURE	EFFECT FROM TO	UNITS PER ASSY
12					
R	15	233N3211-54	..PANEL ASSY-	011100	1
R			SUPPLIER CODE:		
R			V89954		
R			ELECTRICAL EQUIP NUMBER:		
R			M10062		
R			COMPONENT MAINT MANUAL REF:		
R			24-33-72		
R			USED ON:		
R			233N3211-308		
R			PRE SERVICE BULLETIN:		
R			24-0130		
R			PRE ALERT SB:		
R			33A0044		
R	15	233N3211-1040	..PANEL ASSY-	011100	1
R			SUPPLIER CODE:		
R			V89954		
R			ELECTRICAL EQUIP NUMBER:		
R			M10062		
R			COMPONENT MAINT MANUAL REF:		
R			24-33-72		
R			USED ON:		
R			233N3211-1303		
R			PRE SERVICE BULLETIN:		
R			24-0130		
R			POST ALERT SB:		
R			33A0044		
R	15	233N3211-1054	..PANEL ASSY-	011100	1
R			SUPPLIER CODE:		
R			V89954		
R			ELECTRICAL EQUIP NUMBER:		
R			M10062		
R			COMPONENT MAINT MANUAL REF:		
R			24-33-72		
R			USED ON:		
R			233N3211-1308		
R			PRE SERVICE BULLETIN:		
R			24-0130		
R			POST ALERT SB:		
R			33A0044		

MISSING ITEM NUMBERS NOT APPLICABLE

- ITEM NOT ILLUSTRATED

BRI

24-31-01-12

24-31-01
 FIG. 12
 PAGE 3
 MAY 20/09

BOEING

757

PARTS CATALOG (MAINTENANCE)

FIG ITEM	PART NUMBER	1 2 3 4 5 6 7	NOMENCLATURE	EFFECT FROM TO	UNITS PER ASSY
R R	12 20	BCREF6118	...LIGHT ASSY-DISCH OFF SUPPLIER CODE: V81590 OVERLENGTH PART NUMBER: 434-674-1005-1195 SPECIFICATION NUMBER: S231T300-1195 USED ON: 233N3211-15 233N3211-25 233N3211-27 233N3211-32 233N3211-36 233N3211-37 233N3211-50 233N3211-1036 233N3211-1037 233N3211-1040 233N3211-1050 POST SERVICE BULLETIN: 24-0130 FOR DETAILS SEE: 33-14-70-02	015015	1
	20	BCREF8559	...LIGHT ASSY-DISCH OFF SUPPLIER CODE: V81590 OVERLENGTH PART NUMBER: 434-674-1031-2195 SPECIFICATION NUMBER: S231T300-2195 USED ON: 233N3211-32 233N3211-36 233N3211-37 233N3211-41 233N3211-50 233N3211-52 233N3211-1036 233N3211-1037 233N3211-1041 233N3211-1050 233N3211-1052 POST SERVICE BULLETIN: 24-0130 FOR DETAILS SEE: 33-14-70-02	015015	1

MISSING ITEM NUMBERS NOT APPLICABLE

— ITEM NOT ILLUSTRATED

BRI

24-31-01-12

BOEING PROPRIETARY - Copyright © - Unpublished Work - See title page for details.

24-31-01
FIG. 12
PAGE 4
MAY 20/09

BOEING
757
PARTS CATALOG (MAINTENANCE)

FIG ITEM	PART NUMBER	1 2 3 4 5 6 7	NOMENCLATURE	EFFECT FROM TO	UNITS PER ASSY	
R R	12					
	25	BCREF6430	...LIGHT ASSY-DISCH OFF SUPPLIER CODE: V81590 OVERLENGTH PART NUMBER: 434-674-1005-1291 SPECIFICATION NUMBER: S231T300-1291 OPTIONAL PART: BCREF8593 V81590 PRE SERVICE BULLETIN: 24-0130 FOR DETAILS SEE: 33-14-70-02	011100	1	
	25	BCREF8593	...LIGHT ASSY-DISCH OFF SUPPLIER CODE: V81590 OVERLENGTH PART NUMBER: 434-674-1031-2291 SPECIFICATION NUMBER: S231T300-2291 OPTIONAL PART: BCREF6430 V81590 PRE SERVICE BULLETIN: 24-0130 FOR DETAILS SEE: 33-14-70-02	011100	1	
	30	BCREF6431	...LIGHT ASSY-DISCH OFF SUPPLIER CODE: V81590 OVERLENGTH PART NUMBER: 434-674-1005-1292 SPECIFICATION NUMBER: S231T300-1292 OPTIONAL PART: BCREF8594 V81590 PRE SERVICE BULLETIN: 24-0130 FOR DETAILS SEE: 33-14-70-02	011100	1	

MISSING ITEM NUMBERS NOT APPLICABLE

— ITEM NOT ILLUSTRATED

BRI

24-31-01-12

BOEING PROPRIETARY - Copyright © - Unpublished Work - See title page for details.

24-31-01
FIG. 12
PAGE 5
MAY 20/09



757

PARTS CATALOG (MAINTENANCE)

FIG ITEM	PART NUMBER	1 2 3 4 5 6 7	NOMENCLATURE	EFFECT FROM TO	UNITS PER ASSY
R R	12 30	BCREF8594	...LIGHT ASSY-DISCH OFF SUPPLIER CODE: V81590 OVERLENGTH PART NUMBER: 434-674-1031-2292 SPECIFICATION NUMBER: S231T300-2292 OPTIONAL PART: BCREF6431 V81590 PRE SERVICE BULLETIN: 24-0130 FOR DETAILS SEE: 33-14-70-02	011100	1
	35	433-100-004	...GUARD-SWITCH SUPPLIER CODE: V81590 SPECIFICATION NUMBER: S231T290-823 QUALIFIED I/W DATA: 433-100-004 MAY REPLACE 851-30768-813 EXCEPT OPTIONAL TO 433-100-004 FOR NA213NA214 USED ON: 233N3211-1036	015015	1
	40	433-100-004	...GUARD-SWITCH SUPPLIER CODE: V81590 SPECIFICATION NUMBER: S231T290-823 QUALIFIED I/W DATA: 433-100-004 MAY REPLACE 851-30768-813 EXCEPT OPTIONAL TO 433-100-004 FOR NA213NA214	011100	1

MISSING ITEM NUMBERS NOT APPLICABLE

- ITEM NOT ILLUSTRATED

BRI

24-31-01-12

24-31-01
FIG. 12
PAGE 6
MAY 20/09

BOEING
757
PARTS CATALOG (MAINTENANCE)

FIG ITEM	PART NUMBER	1 2 3 4 5 6 7	NOMENCLATURE	EFFECT FROM TO	UNITS PER ASSY
12 45	BCREFA0510		...SWITCH ASSY-LIGHTED PUSH BUTTON IND SUPPLIER CODE: V81590 OVERLENGTH PART NUMBER: 433-673-1004-4024 SPECIFICATION NUMBER: S231T290-4024 MISCELLANEOUS DATA: WHEN REPLACING THE PUSHBUTTON SWITCH ASSY OR THE MASTER MODULE WITHIN, VERIFY THAT A CONFIG D MASTER MODULE P/N 13206-001 IS INSTALLED IN LIEU OF ANY EARLIER CONFIGURATION MASTER MODULES. USED ON: 233N3211-36 233N3211-37 233N3211-41 233N3211-50 233N3211-52 233N3211-1036 233N3211-1037 233N3211-1041 233N3211-1050 233N3211-1052 FOR DETAILS SEE: 33-13-00-47A	015015	1

R
R
R
R
R
R
R
R
R
R
R
R
R
R
R
R
R
R
R
R
R

MISSING ITEM NUMBERS NOT APPLICABLE

— ITEM NOT ILLUSTRATED

BRI

24-31-01-12

24-31-01
FIG. 12
PAGE 7
MAY 20/09



BOEING
757
PARTS CATALOG (MAINTENANCE)

FIG ITEM	PART NUMBER	1 2 3 4 5 6 7 NOMENCLATURE	EFFECT FROM TO	UNITS PER ASSY
12 45	851-35100-5024	... SWITCH ASSY-LIGHTED PUSH BUTTON IND SUPPLIER CODE: V96182 SPECIFICATION NUMBER: S231T290-5024 QUALIFIED I/W DATA: 851-30768-2024 TOGETHER WITH 851-30768-803 -813 OR 433-100-004 SWITCHGUARD I/W BCREF7611 851-30768-3024 OR 851-35100-5024 WITH 433-100-004 SWITCHGUARD 851-30768-3024 T/W 433-100-004 SWITCHGUARD I/W 851-35100-5024 OPTIONAL PART: BCREFA0510 V81590 USED ON: 233N3211-36 233N3211-41 233N3211-1036 233N3211-1041	015015	1
	45 4336731004-4224	... SWITCH ASSY-LIGHTED PUSHBUTTON IND SUPPLIER CODE: V81590 SPECIFICATION NUMBER: S231T290-4224 USED ON: 233N3211-1036	015015	1

MISSING ITEM NUMBERS NOT APPLICABLE

- ITEM NOT ILLUSTRATED

BRI

24-31-01-12

BOEING PROPRIETARY - Copyright © - Unpublished Work - See title page for details.

24-31-01
FIG. 12
PAGE 8
MAY 20/09



757

PARTS CATALOG (MAINTENANCE)

FIG ITEM	PART NUMBER	1 2 3 4 5 6 7 NOMENCLATURE	EFFECT FROM TO	UNITS PER ASSY
12 50	BCREFA0510	...SWITCH ASSY-LIGHTED PUSH BUTTON IND SUPPLIER CODE: V81590 OVERLENGTH PART NUMBER: 433-673-1004-4024 SPECIFICATION NUMBER: S231T290-4024 MISCELLANEOUS DATA: WHEN REPLACING THE PUSHBUTTON SWITCH ASSY OR THE MASTER MODULE WITHIN, VERIFY THAT A CONFIG D MASTER MODULE P/N 13206-001 IS INSTALLED IN LIEU OF ANY EARLIER CONFIGURATION MASTER MODULES. OPTIONAL PART: 851-35100-5024 V96182 USED ON: 233N3211-40 233N3211-54 233N3211-1040 233N3211-1054 REFERENCE SERVICE BULLETIN: 33A0044 REWORKED BY SB: 433-33-05 V81590 FOR DETAILS SEE: 33-13-00-47A	011100	1

MISSING ITEM NUMBERS NOT APPLICABLE

- ITEM NOT ILLUSTRATED

BRI

24-31-01-12

BOEING PROPRIETARY - Copyright © - Unpublished Work - See title page for details.

24-31-01
 FIG. 12
 PAGE 9
 MAY 20/09



757

PARTS CATALOG (MAINTENANCE)

FIG ITEM	PART NUMBER	1 2 3 4 5 6 7	NOMENCLATURE	EFFECT FROM TO	UNITS PER ASSY
12 50	851-35100-5024		...SWITCH ASSY-LIGHTED PUSHBUTTON IND SUPPLIER CODE: V96182 SPECIFICATION NUMBER: S231T290-5024 QUALIFIED I/W DATA: 851-30768-2024 TOGETHER WITH 851-30768-803 -813 OR 433-100-004 SWITCHGUARD I/W BCREF7611 851-30768-3024 OR 851-35100-5024 WITH 433-100-004 SWITCHGUARD 851-30768-3024 T/W 433-100-004 SWITCHGUARD I/W 851-35100-5024 OPTIONAL PART: BCREFA0510 V81590	011100	1
50	4336731004-4224		...SWITCH ASSY-LIGHTED PUSHBUTTON IND SUPPLIER CODE: V81590 SPECIFICATION NUMBER: S231T290-4224	011100	1

MISSING ITEM NUMBERS NOT APPLICABLE

- ITEM NOT ILLUSTRATED

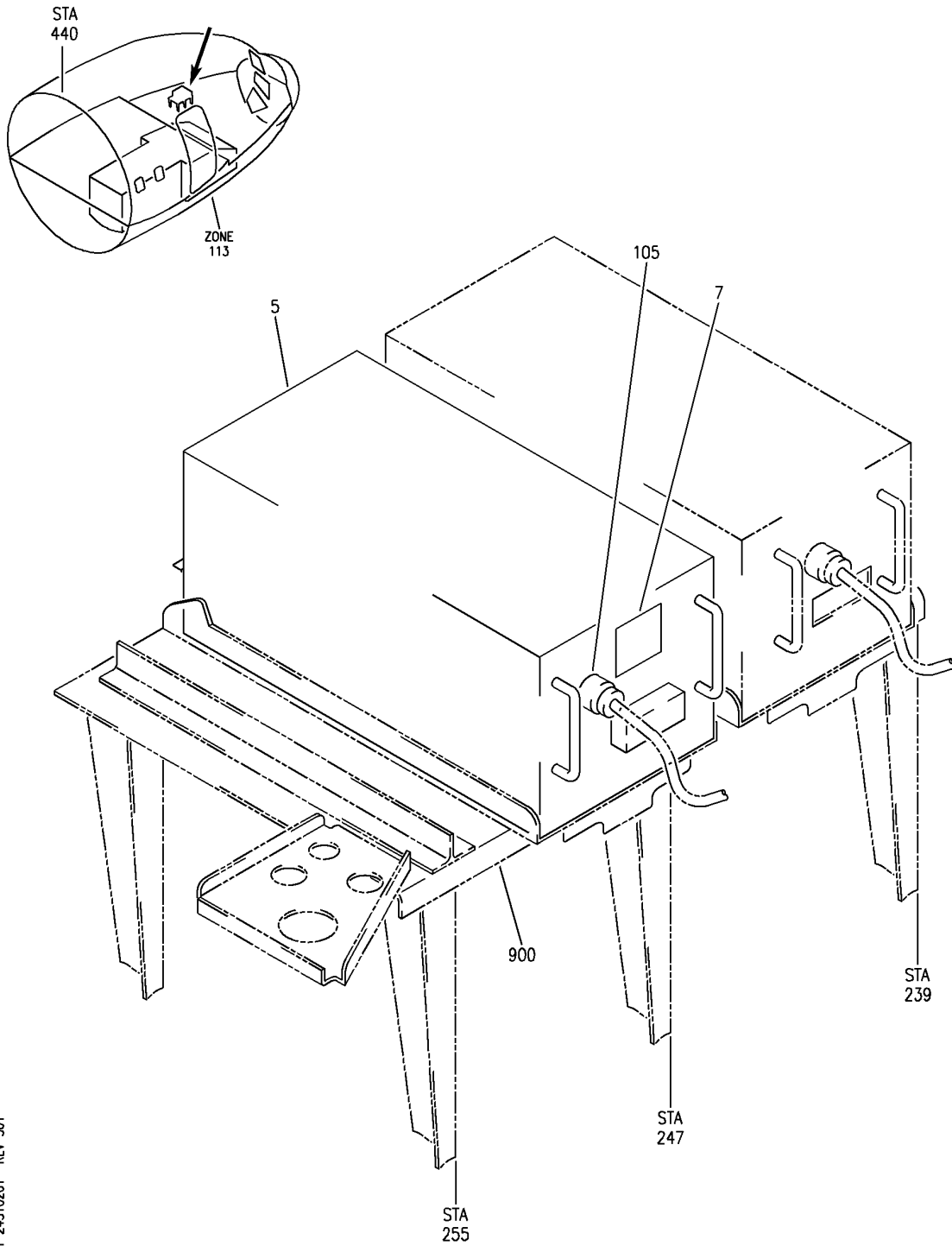
BRI

24-31-01-12

BOEING PROPRIETARY - Copyright © - Unpublished Work - See title page for details.

24-31-01
FIG. 12
PAGE 10
MAY 20/09

BOEING
757
PARTS CATALOG (MAINTENANCE)



Y 24-31-02-01 REV 301

EQUIPMENT INSTL- BATTERY CHARGER AND STATIC INVERTER (BATTERIES ONLY)

FIGURE 1

24-31-02-01

BRI
MAY 28/07

24-31-02-01
PAGE 0



757

PARTS CATALOG (MAINTENANCE)

FIG ITEM	PART NUMBER	1 2 3 4 5 6 7	NOMENCLATURE	EFFECT FROM TO	UNITS PER ASSY
1			EQUIPMENT INSTL- BATTERY CHARGER AND STATIC INVERTER (BATTERIES ONLY)	002004 006999	
- 1	284N1409-3		EQUIPMENT INSTL-BATTERY CHARGER AND STATIC INVERTER (BATTERIES ONLY) FOR NHA/OTHER SYS DET SEE: 24-00-58-01C	107107	RF
- 1	284N1409-4		EQUIPMENT INSTL-BATTERY CHARGER AND STATIC INVERTER (BATTERIES ONLY) FOR NHA/OTHER SYS DET SEE: 24-00-58-01C	904949	RF
- 1	284N1409-8		EQUIPMENT INSTL-BATTERY CHARGER AND STATIC INVERTER (BATTERIES ONLY) FOR NHA/OTHER SYS DET SEE: 24-00-58-01C	002004 121503 952952	RF
- 1	284N1409-9		EQUIPMENT INSTL-BATTERY CHARGER AND STATIC INVERTER (BATTERIES ONLY) FOR NHA/OTHER SYS DET SEE: 24-00-58-01C	006102 504903 950951 953999	RF
- 1	284N1409-11		EQUIPMENT INSTL-BATTERY CHARGER AND STATIC INVERTER (BATTERIES ONLY) FOR NHA/OTHER SYS DET SEE: 24-00-58-05	108120	RF
- 1	MODREF10222		EQUIPMENT INSTL-BATTERY CHARGER AND STATIC INVERTER (BATTERIES ONLY) MODULE NUMBER: 284N1409-11 REV A FOR OTHER SYS DETAILS SEE: 24-33-03-01	103105	1
- 1	MODREF181249		EQUIPMENT INSTL-BATTERY CHARGER AND STATIC INVERTER (BATTERIES ONLY) MODULE NUMBER: 284N1409-12 REV A FOR OTHER SYS DETAILS SEE: 24-33-03-01	106106	1

MISSING ITEM NUMBERS NOT APPLICABLE

- ITEM NOT ILLUSTRATED

BRI

24-31-02-01

BOEING PROPRIETARY - Copyright © - Unpublished Work - See title page for details.

24-31-02
FIG. 01
PAGE 1
JAN 20/09



757

PARTS CATALOG (MAINTENANCE)

FIG ITEM	PART NUMBER	1 2 3 4 5 6 7	NOMENCLATURE	EFFECT FROM TO	UNITS PER ASSY
1					
5	4-254-02		.CHARGER- SUPPLIER CODE: V08748 SPECIFICATION NUMBER: S282T002-2 ELECTRICAL EQUIP NUMBER: M00218 COMPONENT MAINT MANUAL REF: 24-31-04	002004 006999	1
5	4-254-03		.CHARGER- SUPPLIER CODE: V08748 SPECIFICATION NUMBER: S282T002-4 ELECTRICAL EQUIP NUMBER: M00218 COMPONENT MAINT MANUAL REF: 24-31-04	002004 006999	1
5	4-254-04		.CHARGER- SUPPLIER CODE: V08748 SPECIFICATION NUMBER: S282T002-6 ELECTRICAL EQUIP NUMBER: M00218 COMPONENT MAINT MANUAL REF: 24-31-04	002004 006999	1
5	8-930-03		.CHARGER- SUPPLIER CODE: V08748 FUNCTIONAL DESCRIPTION: CHARGES THE MAIN AND APU BATTERIES SPECIFICATION NUMBER: S282T003-3 ELECTRICAL EQUIP NUMBER: M00218 COMPONENT MAINT MANUAL REF: 24-31-04	002004 006999	1
7	8-930007-03		..NAMEPLATE- SUPPLIER CODE: V08748 OPTIONAL PART: 8-930007-04 V08748	002004 006999	1

MISSING ITEM NUMBERS NOT APPLICABLE

- ITEM NOT ILLUSTRATED

24-31-02-01

24-31-02
FIG. 01
PAGE 2
JAN 20/09

BRI



757

PARTS CATALOG (MAINTENANCE)

FIG ITEM	PART NUMBER	1 2 3 4 5 6 7	NOMENCLATURE	EFFECT FROM TO	UNITS PER ASSY
1					
7	8-930007-04		. . NAMEPLATE- SUPPLIER CODE: V08748 OPTIONAL PART: 8-930007-03 V08748	002004 006999	1
- 25	2593R161-1		. SHIELD-GRIP SUPPLIER CODE: V61423 POST AIRLINE MOD: E.O.2592R161 VALP	950951	1
- 30	AN970-3		. . WASHER- POST AIRLINE MOD: E.O.2592R161 VALP	950951	8
- 35	BAC1521-245		. . SEAL- POST AIRLINE MOD: E.O.2592R161 VALP	950951	RF
- 100	286N2034-002		WIRE BUNDLE ASSY	002004 006100 107107 950999	RF
- 100	286N2034-003		WIRE BUNDLE ASSY	121503 904949	RF
- 100	286N2034-301		WIRE BUNDLE ASSY	101102 108120	RF
- 100	286N2034-305		WIRE BUNDLE ASSY	504903	RF
- 100	286N2034-701		WIRE BUNDLE ASSY	103106	RF
105	BACC45FT14D12S		. CONNECTOR- ELECTRICAL EQUIP NUMBER: D02082 WIRING DIAGRAM REF: 243111	002004 006999	1

MISSING ITEM NUMBERS NOT APPLICABLE

- ITEM NOT ILLUSTRATED

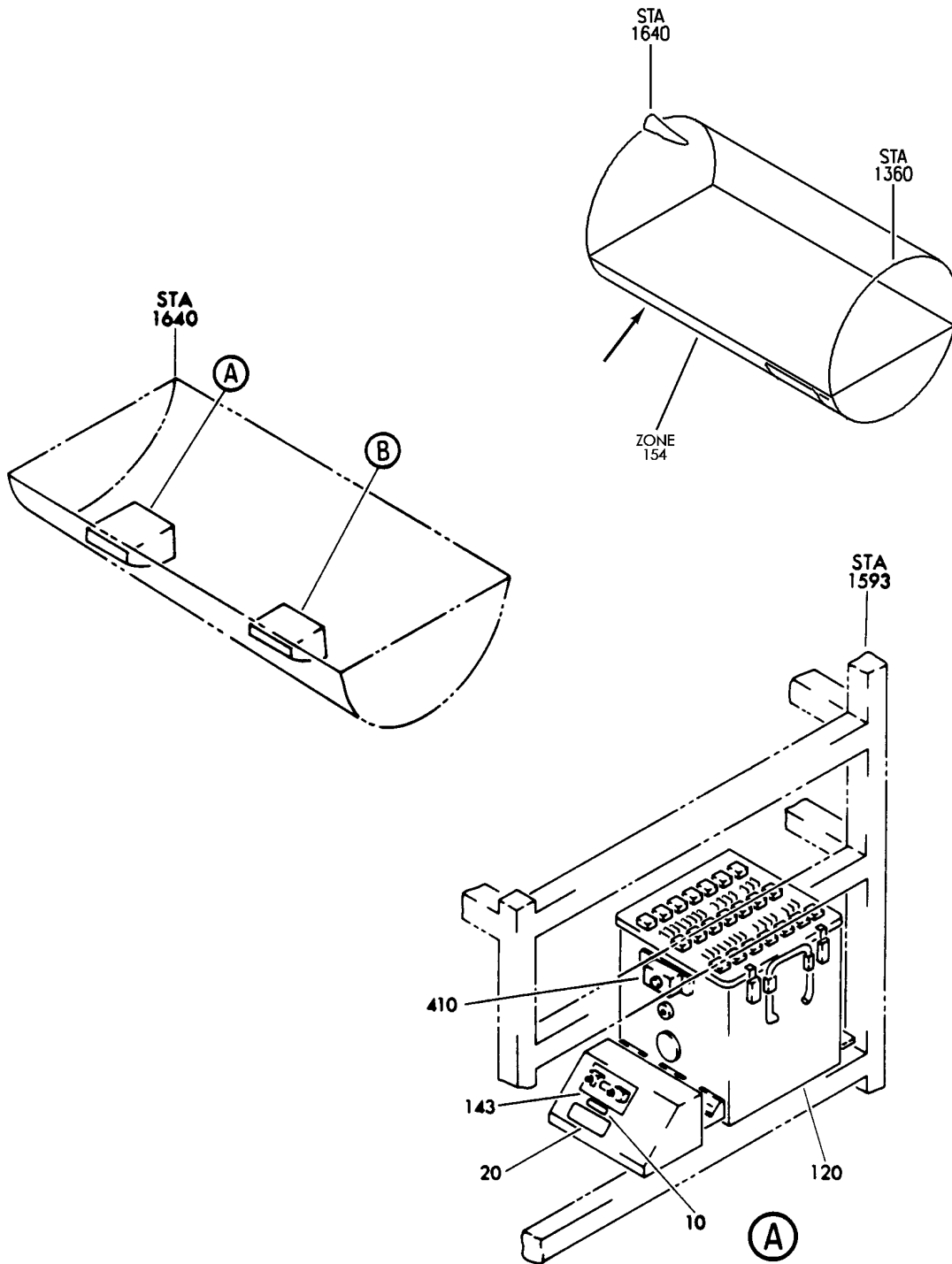
24-31-02-01

24-31-02
FIG. 01
PAGE 3
JAN 20/09

BRI

BOEING PROPRIETARY - Copyright © - Unpublished Work - See title page for details.

BOEING
757
PARTS CATALOG (MAINTENANCE)



Y 24310301 SHT 1 REV 219

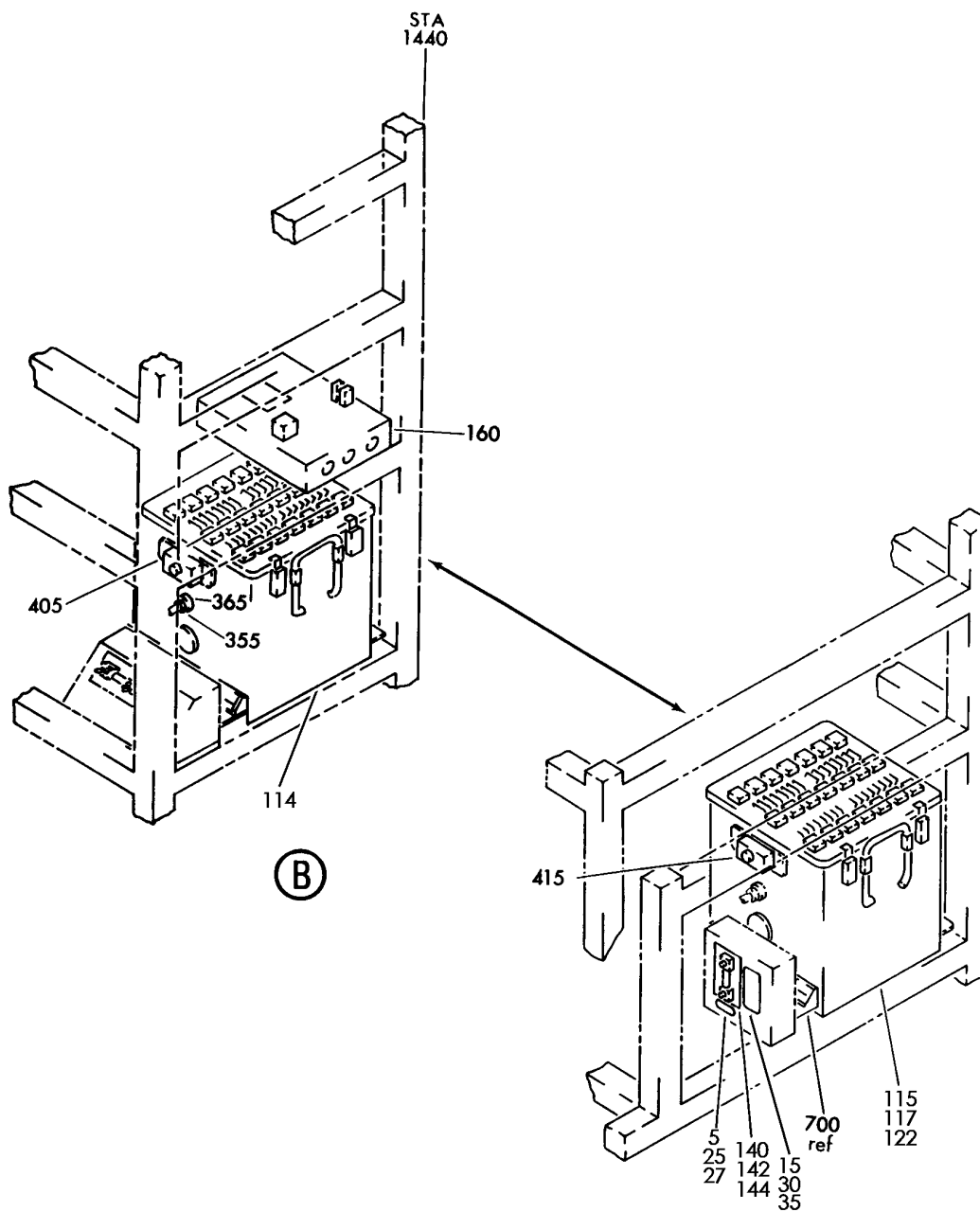
EQUIPMENT INSTL-E6 AFT EQPT CTR (APU BATTERY ONLY)
FIGURE 1 (SHEET 1)

24-31-03-01

BRI
MAY 28/07

24-31-03-01
PAGE 0

BOEING
757
PARTS CATALOG (MAINTENANCE)



Y 24310301 SHT 2 REV 214

EQUIPMENT INSTL-E6 AFT EQPT CTR (APU BATTERY ONLY)
FIGURE 1 (SHEET 2)

24-31-03-01

BRI
MAY 28/07

24-31-03-01
PAGE 0A



**757
PARTS CATALOG (MAINTENANCE)**

FIG ITEM	PART NUMBER	1 2 3 4 5 6 7	NOMENCLATURE	EFFECT FROM TO	UNITS PER ASSY
1			EQUIPMENT INSTL-E6 AFT EQPT CTR (APU BATTERY ONLY)	002004 006102 107107 121999	
- 1	284N1500-1		EQUIPMENT INSTL-E6 EQPT CTR (APU BATTERY ONLY) POSITION DATA: AFT VARIABLE DRAWING REF: 284N1500-5012 284N1500-5032 284N1500-5034 284N1500-5036 FOR NHA/OTHER SYS DET SEE: 24-00-58-01	002004 006100 107107 950999	RF
- 2	284N1686-3		EQUIPMENT INSTL-E6 EQPT CTR (APU BATTERY ONLY) POSITION DATA: AFT FOR NHA/OTHER SYS DET SEE: 24-00-58-01	121503 904949	RF
- 2	284N1500-21		EQUIPMENT INSTL-E6 EQPT CTR (APU BATTERY ONLY) POSITION DATA: AFT FOR NHA/OTHER SYS DET SEE: 24-00-58-05D	101102	RF
- 2	284N1500-25		EQUIPMENT INSTL-E6 EQPT CTR (APU BATTERY ONLY) POSITION DATA: AFT FOR NHA/OTHER SYS DET SEE: 24-00-58-05D	504903	RF
10	BAC27NEX0077		.DECAL- PLACARD CONTENT: M10251	121503 904949	1
20	BAC27NEX2222		.DECAL	121503 904949	1
25	BAC27NEX0077		.DECAL- PLACARD CONTENT: M10251	002004 006100 107107 504903 950999	1
27	BAC27NEX0077		.DECAL- PLACARD CONTENT: M10251	101102	1

MISSING ITEM NUMBERS NOT APPLICABLE

- ITEM NOT ILLUSTRATED

24-31-03-01

24-31-03
FIG. 01
PAGE 1
MAY 20/09

BRI



757

PARTS CATALOG (MAINTENANCE)

FIG ITEM	PART NUMBER	1 2 3 4 5 6 7	NOMENCLATURE	EFFECT FROM TO	UNITS PER ASSY
R R R R R R R R R R R R	1				
	30	BAC27NEX2222	.DECAL	002004 006100 107107 504903 950999	1
	35	BAC27NEX2222	.DECAL	101102	1
	117	BA06-01	.BATTERY- SUPPLIER CODE: V09052 ELECTRICAL EQUIP NUMBER: M00208 COMPONENT MAINT MANUAL REF: 24-31-05 OPTIONAL PART: 18550 V09052 018550-000 V67237 S282T002-1	002004 006100 107107 504903 950999	1
	117	18550	.BATTERY- SUPPLIER CODE: V09052 ELECTRICAL EQUIP NUMBER: M00208 COMPONENT MAINT MANUAL REF: 24-31-05 OPTIONAL PART: BA06-01 V09052 018550-000 V67237 S282T002-1	002004 006100 107107 504903 950999	1
	120	BA06-01	.BATTERY- SUPPLIER CODE: V09052 ELECTRICAL EQUIP NUMBER: M00208 COMPONENT MAINT MANUAL REF: 24-31-05 OPTIONAL PART: 18550 V09052 018550-000 V67237 S282T002-1	121503 904949	1

MISSING ITEM NUMBERS NOT APPLICABLE

- ITEM NOT ILLUSTRATED

24-31-03-01

24-31-03
FIG. 01
PAGE 2
MAY 20/09

BRI

 **BOEING**
757
PARTS CATALOG (MAINTENANCE)

FIG ITEM	PART NUMBER	1 2 3 4 5 6 7	NOMENCLATURE	EFFECT FROM TO	UNITS PER ASSY
1	18550		.BATTERY- SUPPLIER CODE: V09052 ELECTRICAL EQUIP NUMBER: M00208 COMPONENT MAINT MANUAL REF: 24-31-05 OPTIONAL PART: BA06-01 V09052 018550-000 V67237 S282T002-1	121503 904949	1
122	BA06-01		.BATTERY- SUPPLIER CODE: V09052 ELECTRICAL EQUIP NUMBER: M00208 COMPONENT MAINT MANUAL REF: 24-31-05 OPTIONAL PART: 18550 V09052 018550-000 V67237 S282T002-1	101102	1
122	18550		.BATTERY- SUPPLIER CODE: V09052 ELECTRICAL EQUIP NUMBER: M00208 COMPONENT MAINT MANUAL REF: 24-31-05 OPTIONAL PART: BA06-01 V09052 018550-000 V67237 S282T002-1	101102	1
- 125	NAS6704-3		ATTACHING PARTS .BOLT	002004 006100 107107 121999	6
- 126	NAS6704-3		.BOLT	101102	6

MISSING ITEM NUMBERS NOT APPLICABLE

- ITEM NOT ILLUSTRATED

BRI

24-31-03-01

BOEING PROPRIETARY - Copyright © - Unpublished Work - See title page for details.

24-31-03
FIG. 01
PAGE 3
MAY 20/09



757

PARTS CATALOG (MAINTENANCE)

FIG ITEM	PART NUMBER	1 2 3 4 5 6 7	NOMENCLATURE	EFFECT FROM TO	UNITS PER ASSY
R R R R R R	1				
	- 130	AN960JD416L	.WASHER	002004 006100 107107 121503 904999	6
	- 130	NAS1149D0416J	.WASHER	504903	6
	142	MS91586-7	.SHUNT- -----*-----	002004 006100 107107 504903 950999	1
	142	AA55524-1-010	.SHUNT- SUPPLIER CODE: V91812 OPTIONAL PART: MS91586-7 8300-150 V03030	002004 006100 107107 504903 950999	1
	142	8300-150	.SHUNT- SUPPLIER CODE: V03030 OPTIONAL PART: MS91586-7 AA55524-1-010 V91812	002004 006100 107107 504903 950999	1
	143	MS91586-7	.SHUNT- ELECTRICAL EQUIP NUMBER: M10251 OPTIONAL PART: AA55524-1-010 V91812 8300-150 V03030	121503 904949	1
	143	AA55524-1-010	.SHUNT- SUPPLIER CODE: V91812 OPTIONAL PART: MS91586-7 8300-150 V03030	121503 904949	1

MISSING ITEM NUMBERS NOT APPLICABLE

- ITEM NOT ILLUSTRATED

24-31-03-01

24-31-03
FIG. 01
PAGE 4
MAY 20/09

BRI



757

PARTS CATALOG (MAINTENANCE)

FIG ITEM	PART NUMBER	1 2 3 4 5 6 7	NOMENCLATURE	EFFECT FROM TO	UNITS PER ASSY
1 143	8300-150		.SHUNT- SUPPLIER CODE: V03030 OPTIONAL PART: MS91586-7 AA55524-1-010 V91812	121503 904949	1
144	1862		.SHUNT- SUPPLIER CODE: V03030 ELECTRICAL EQUIP NUMBER: M10251 ATTACHING PARTS	101102	1
- 145	BACB30NT3R5		.BOLT	002004 006100 107107 121999	2
- 147	BACB30NT3R5		.BOLT	101102	2
- 150	NAS1149C0432J		.WASHER	002004 006100 107107 504903 950999	2
			-----*-----		
- 300	286N1026-001		WIRE BUNDLE ASSY	107107	RF
- 300	286N1026-002		WIRE BUNDLE ASSY	121503 904949	RF
- 300	286N1026-004		WIRE BUNDLE ASSY	002004 006100 950999	RF
- 301	286N1026-317		WIRE BUNDLE ASSY	504903	RF
365	BACC45FT12A12P		.CONNECTOR- ELECTRICAL EQUIP NUMBER: D01890 WIRING DIAGRAM REF: 243141	002004 006100 107107 121999	1
- 400	286N1002-002		WIRE BUNDLE ASSY-	002004 006100 950952	RF
- 400	286N1002-005		WIRE BUNDLE ASSY-	121503 904949	RF
- 400	012N8810-3		WIRE BUNDLE ASSY- POST SERVICE BULLETIN: 24-0071	107107 953999	RF
- 400	286N1002-309		WIRE BUNDLE ASSY	101102	RF
- 401	286N1002-317		WIRE BUNDLE ASSY	504903	RF

MISSING ITEM NUMBERS NOT APPLICABLE

- ITEM NOT ILLUSTRATED

24-31-03-01

24-31-03
FIG. 01
PAGE 5
JAN 20/09

BRI



**757
PARTS CATALOG (MAINTENANCE)**

FIG ITEM	PART NUMBER	1 2 3 4 5 6 7	NOMENCLATURE	EFFECT FROM TO	UNITS PER ASSY
1 410	MS25182-2		.PLUG- ELECTRICAL EQUIP NUMBER: D01896 WIRING DIAGRAM REF: 243141	121503 904949	1
415	MS25182-2		.PLUG- ELECTRICAL EQUIP NUMBER: D01896 WIRING DIAGRAM REF: 243141	002004 006100 107107 950999	1

MISSING ITEM NUMBERS NOT APPLICABLE

— ITEM NOT ILLUSTRATED

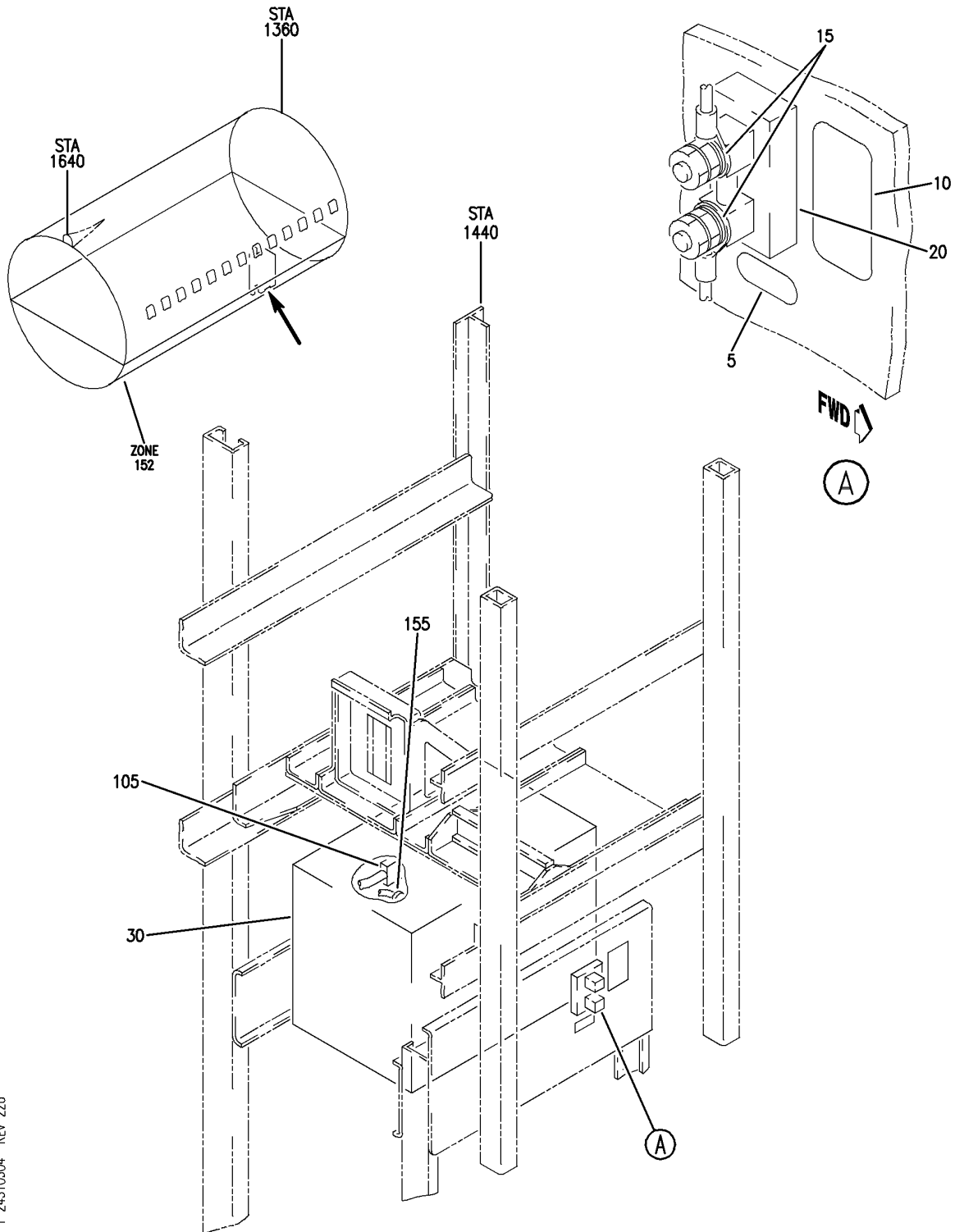
BRI

24-31-03-01

BOEING PROPRIETARY - Copyright © - Unpublished Work - See title page for details.

24-31-03
FIG. 01
PAGE 6
JAN 20/09

BOEING
757
PARTS CATALOG (MAINTENANCE)



Y 24310304 REV 226

EQUIPMENT INSTL-E6 AFT EQPT CTR APU BATTERY SMALL RACK (APU BATTERY ONLY)
FIGURE 4

BRI
JAN 20/09

24-31-03-04

24-31-03-04
PAGE 0



757

PARTS CATALOG (MAINTENANCE)

FIG ITEM	PART NUMBER	1 2 3 4 5 6 7	NOMENCLATURE	EFFECT FROM TO	UNITS PER ASSY
4			EQUIPMENT INSTL-E6 AFT EQPT CTR APU BATTERY SMALL RACK (APU BATTERY ONLY)	108120	
- 1	284N6000-240006		EQUIPMENT INSTL-E6 AFT EQPT CTR APU BATTERY SMALL RACK (APU BATTERY ONLY) FOR NHA/OTHER SYS DET SEE: 24-00-58-05F	108120	RF
	5 BAC27NEX0077		.DECAL- PLACARD CONTENT: M10251	108120	1
	10 BAC27NEX2222		.DECAL	108120	1
	15 NAS1149C0432R		.WASHER	108120	2
	20 1862		.SHUNT- SUPPLIER CODE: V03030 ELECTRICAL EQUIP NUMBER: M10251	108120	1
-	25 BACB30NT3R5		ATTACHING PARTS .BOLT -----*-----	108120	2
	30 BA06-01		.BATTERY- SUPPLIER CODE: V09052 ELECTRICAL EQUIP NUMBER: M00208 COMPONENT MAINT MANUAL REF: 24-31-05 OPTIONAL PART: 18550 V09052 018550-000 V67237 S282T002-1	108120	1
	30 18550		.BATTERY- SUPPLIER CODE: V09052 ELECTRICAL EQUIP NUMBER: M00208 COMPONENT MAINT MANUAL REF: 24-31-05 OPTIONAL PART: BA06-01 V09052 018550-000 V67237 S282T002-1	108120	1

R
R
R
R
R
R
R
R
R
R
R
R
R
R
R
R
R
R
R
R
R

MISSING ITEM NUMBERS NOT APPLICABLE

- ITEM NOT ILLUSTRATED

24-31-03-04

24-31-03
FIG. 04
PAGE 1
MAY 20/09

BRI



757

PARTS CATALOG (MAINTENANCE)

FIG ITEM	PART NUMBER	1 2 3 4 5 6 7	NOMENCLATURE	EFFECT FROM TO	UNITS PER ASSY
4			ATTACHING PARTS		
- 35	NAS6704-3		.BOLT	108120	6
- 40	NAS1149D0416J		.WASHER	108120	6
			-----*-----		
- 100	286N1002-309		WIRE BUNDLE ASSY	108120	RF
105	MS25182-2		.PLUG-	108120	1
			ELECTRICAL EQUIP NUMBER: D01896		
			WIRING DIAGRAM REF: 233141		
- 150	286N1026-336		WIRE BUNDLE ASSY	108120	RF
155	BACC45FT12A12P		.CONNECTOR-	108120	1
			ELECTRICAL EQUIP NUMBER: D01890		
			WIRING DIAGRAM REF: 233141		

MISSING ITEM NUMBERS NOT APPLICABLE

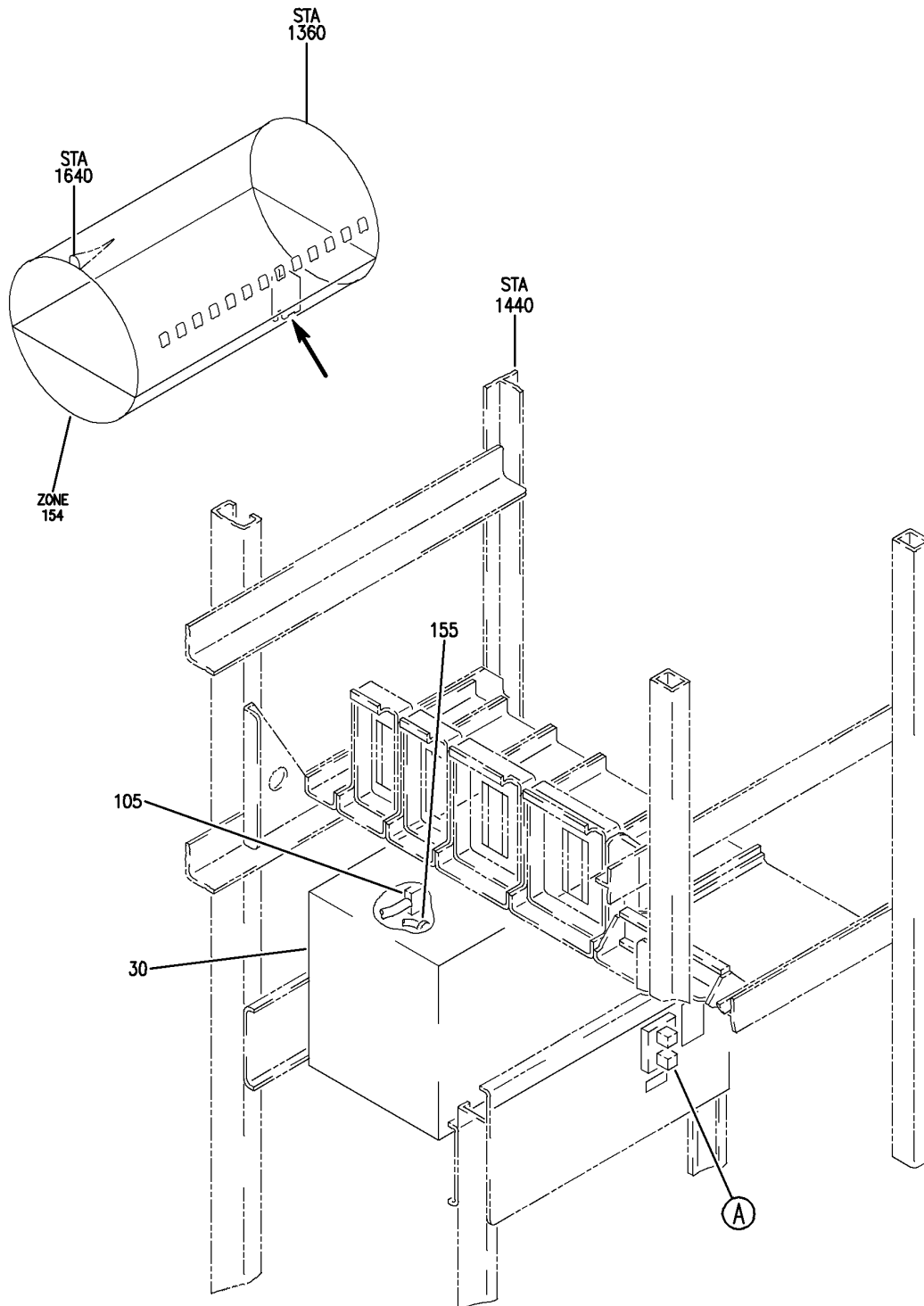
- ITEM NOT ILLUSTRATED

24-31-03-04

24-31-03
FIG. 04
PAGE 2
MAY 20/09

BRI

BOEING
757
PARTS CATALOG (MAINTENANCE)



Y 24310305 SHT 1 REV 226

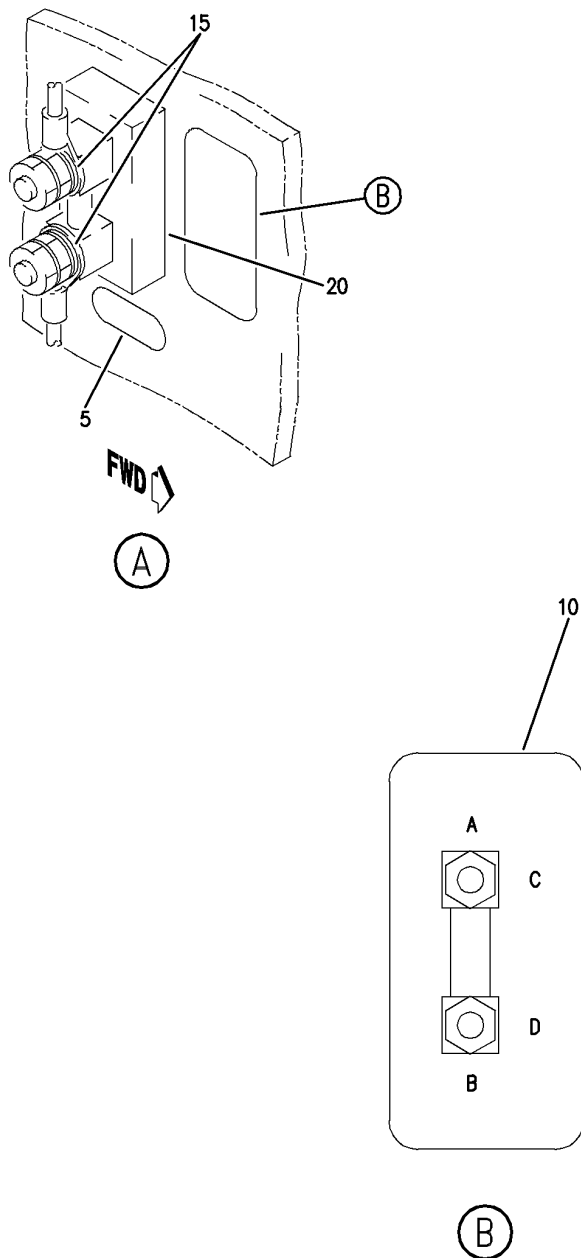
EQUIPMENT INSTL-E6 AFT EQPT CTR APU BATTERY EXTENDED RACK (APU BATTERY ONLY)
FIGURE 5 (SHEET 1)

BRI
JAN 20/09

24-31-03-05

24-31-03-05
PAGE 0

BOEING
757
PARTS CATALOG (MAINTENANCE)



Y 24310305 SH1 2 REV 226

EQUIPMENT INSTL-E6 AFT EQPT CTR APU BATTERY EXTENDED RACK (APU BATTERY ONLY)
FIGURE 5 (SHEET 2)

BRI
JAN 20/09

24-31-03-05

24-31-03-05
PAGE 0A

 **BOEING**
757
PARTS CATALOG (MAINTENANCE)

FIG ITEM	PART NUMBER	1 2 3 4 5 6 7	NOMENCLATURE	EFFECT FROM TO	UNITS PER ASSY
5			EQUIPMENT INSTL-E6 AFT EQPT CTR APU BATTERY EXTENDED RACK (APU BATTERY ONLY)	103106	
- 1	MODREF10608		EQUIPMENT INSTL-E6 AFT EQPT CTR APU BATTERY EXTENDED RACK (APU BATTERY ONLY) MODULE NUMBER: 284N6000-240005 REV A	103105	1
- 1	MODREF193824		EQUIPMENT INSTL-E6 AFT EQPT CTR APU BATTERY EXTENDED RACK (APU BATTERY ONLY) MODULE NUMBER: 284N6000-240005 REV B	106106	1
5	BAC27NEX0077		.DECAL- PLACARD CONTENT: M10251	103106	1
10	BAC27NEX2222		.DECAL	103106	1
15	NAS1149C0432R		.WASHER	103106	2
20	1862		.SHUNT- SUPPLIER CODE: V03030 ELECTRICAL EQUIP NUMBER: M10251	103106	1
- 25	BACB30NT3R5		ATTACHING PARTS .BOLT -----*-----	103106	2
30	BA06-01		.BATTERY- SUPPLIER CODE: V09052 ELECTRICAL EQUIP NUMBER: M00208 COMPONENT MAINT MANUAL REF: 24-31-05 OPTIONAL PART: 18550 V09052 018550-000 V67237 S282T002-1	103106	1

R
R
R
R
R
R
R
R
R
R
R
R

MISSING ITEM NUMBERS NOT APPLICABLE

- ITEM NOT ILLUSTRATED

BRI

24-31-03-05

24-31-03
FIG. 05
PAGE 1
MAY 20/09



**757
PARTS CATALOG (MAINTENANCE)**

FIG ITEM	PART NUMBER	1 2 3 4 5 6 7	NOMENCLATURE	EFFECT FROM TO	UNITS PER ASSY
R R R R R R R R R R	5 30	18550	.BATTERY- SUPPLIER CODE: V09052 ELECTRICAL EQUIP NUMBER: M00208 COMPONENT MAINT MANUAL REF: 24-31-05 OPTIONAL PART: BA06-01 V09052 018550-000 V67237 S282T002-1 ATTACHING PARTS	103106	1
	- 35	NAS6704-3	.BOLT	103106	6
	- 40	NAS1149D0416J	.WASHER	103106	6
			-----*-----		
	- 100	286N1002-701	WIRE BUNDLE ASSY	103106	1
	105	MS25182-2	.PLUG- ELECTRICAL EQUIP NUMBER: D01896 WIRING DIAGRAM REF: 233141	103106	1
	- 150	286N1026-701	WIRE BUNDLE ASSY	103106	1
	155	BACC45FT12A12P	.CONNECTOR- ELECTRICAL EQUIP NUMBER: D01890 WIRING DIAGRAM REF: 233141	103106	1

MISSING ITEM NUMBERS NOT APPLICABLE

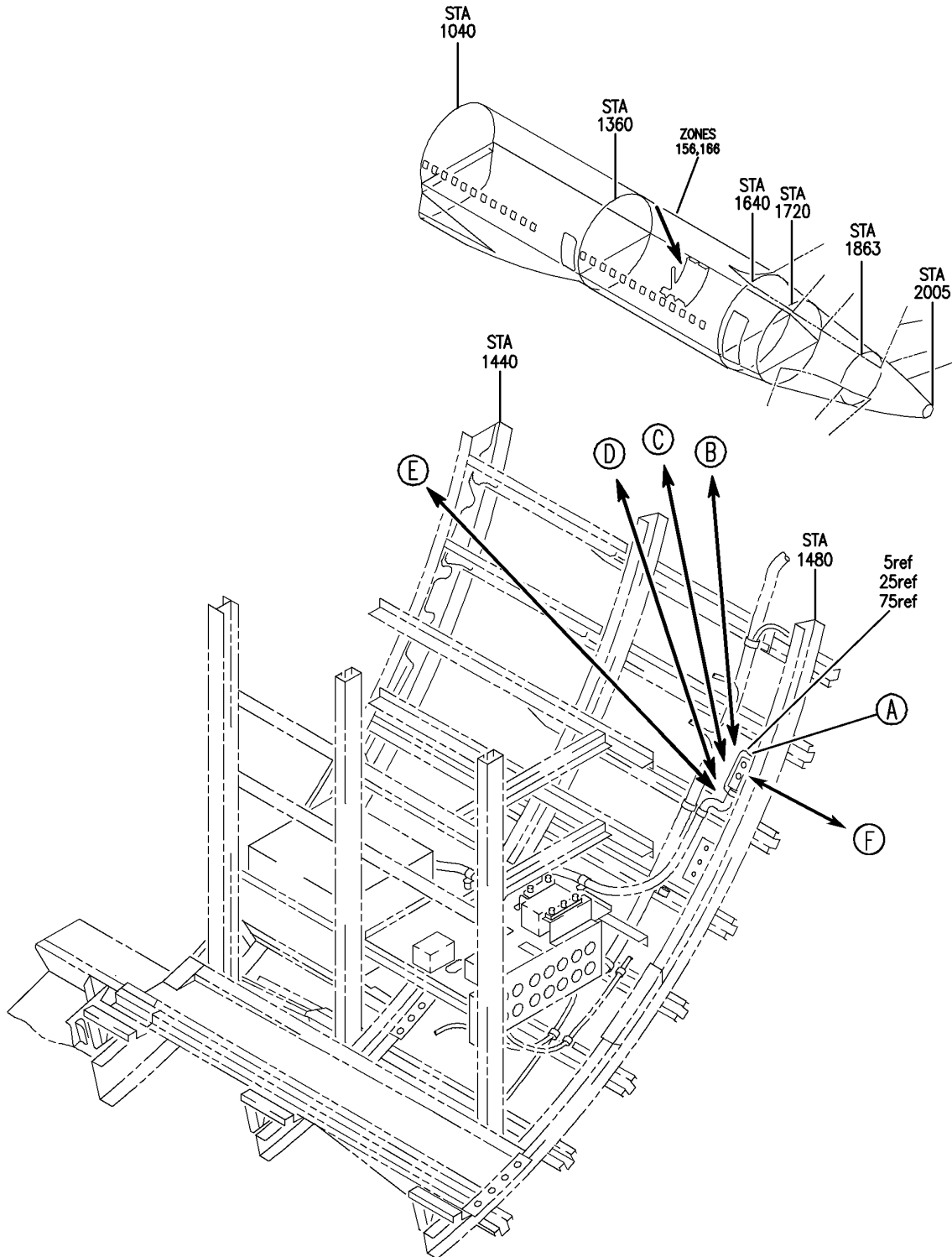
- ITEM NOT ILLUSTRATED

24-31-03-05

24-31-03
FIG. 05
PAGE 2
MAY 20/09

BRI

BOEING
 757
 PARTS CATALOG (MAINTENANCE)



Y 24310308 SH1 1 REV 319

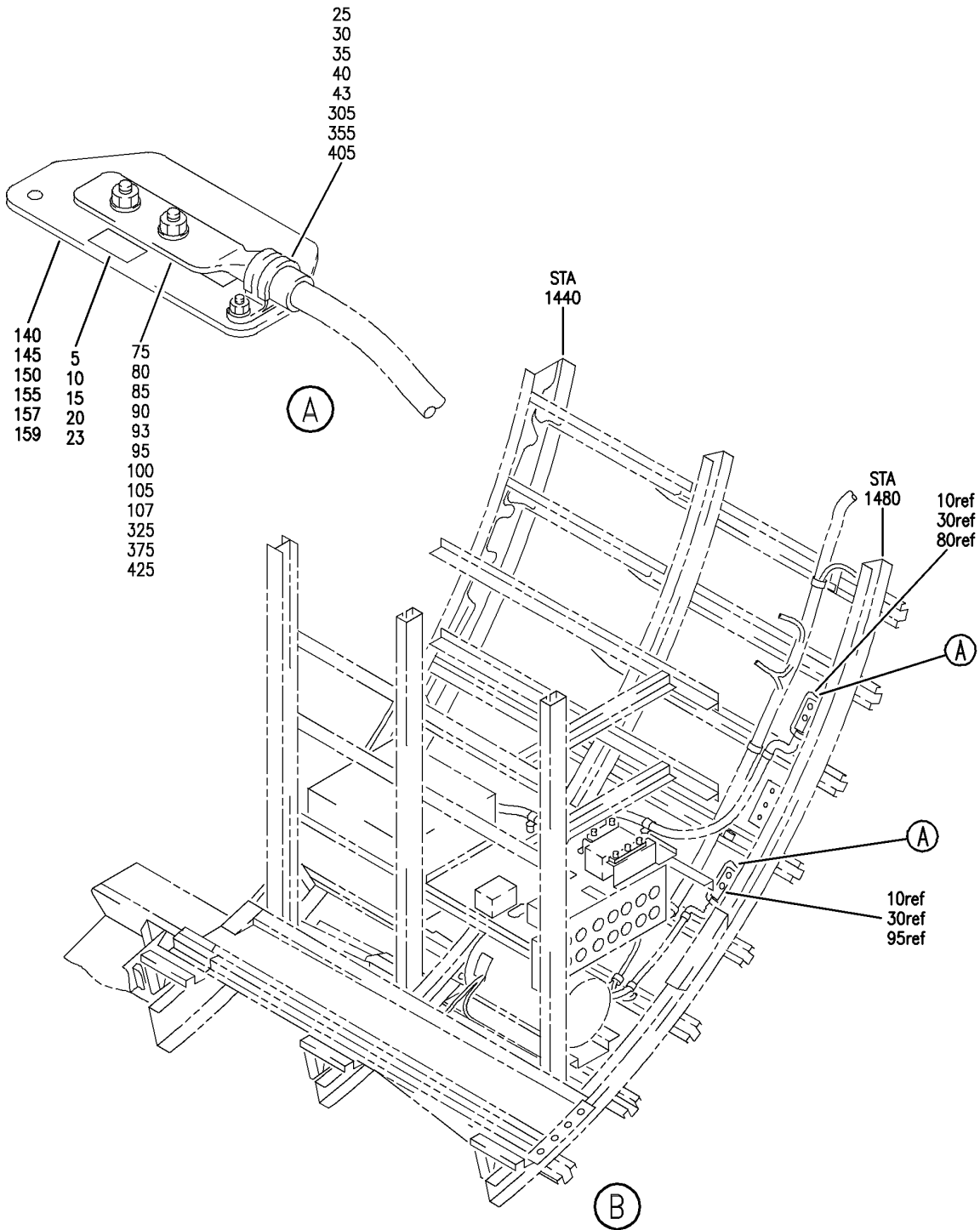
KIT INSTL-APU BATTERY AND TRU GROUNDS WIRE INSTL
 FIGURE 8 (SHEET 1)

24-31-03-08

BRI
 JAN 20/08

24-31-03-08
 PAGE 0

BOEING
757
PARTS CATALOG (MAINTENANCE)



Y 24310308 SH1 2 REV 319

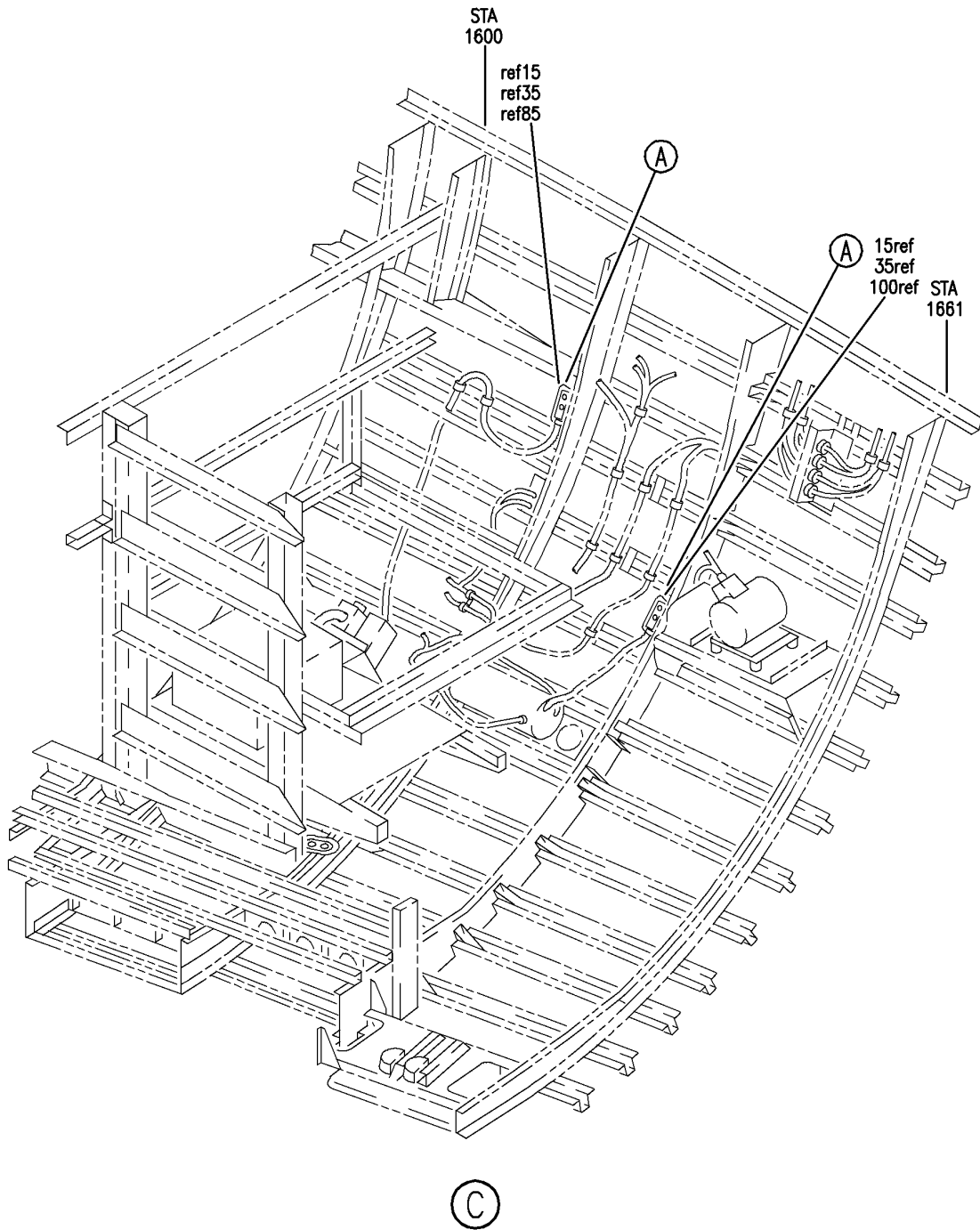
KIT INSTL-APU BATTERY AND TRU GROUNDS WIRE INSTL
FIGURE 8 (SHEET 2)

24-31-03-08

BRI
JAN 20/08

24-31-03-08
PAGE 0A

BOEING
757
PARTS CATALOG (MAINTENANCE)



Y 24310308 SH1 3 REV 234

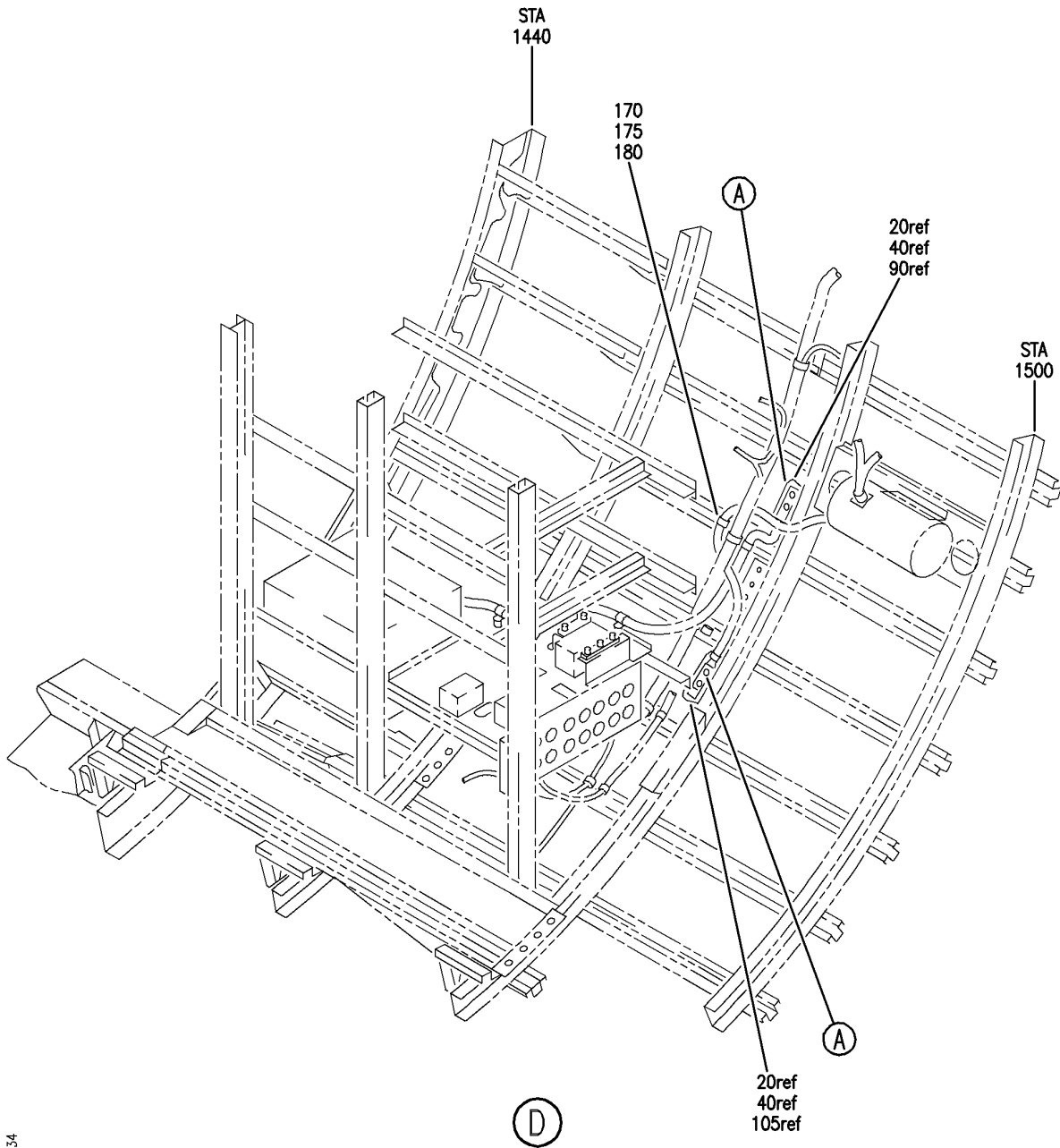
KIT INSTL-APU BATTERY AND TRU GROUNDS WIRE INSTL
FIGURE 8 (SHEET 3)

24-31-03-08

BRI
MAY 28/07

24-31-03-08
PAGE 08

BOEING
757
PARTS CATALOG (MAINTENANCE)



Y 24310308 SHT 4 REV 234

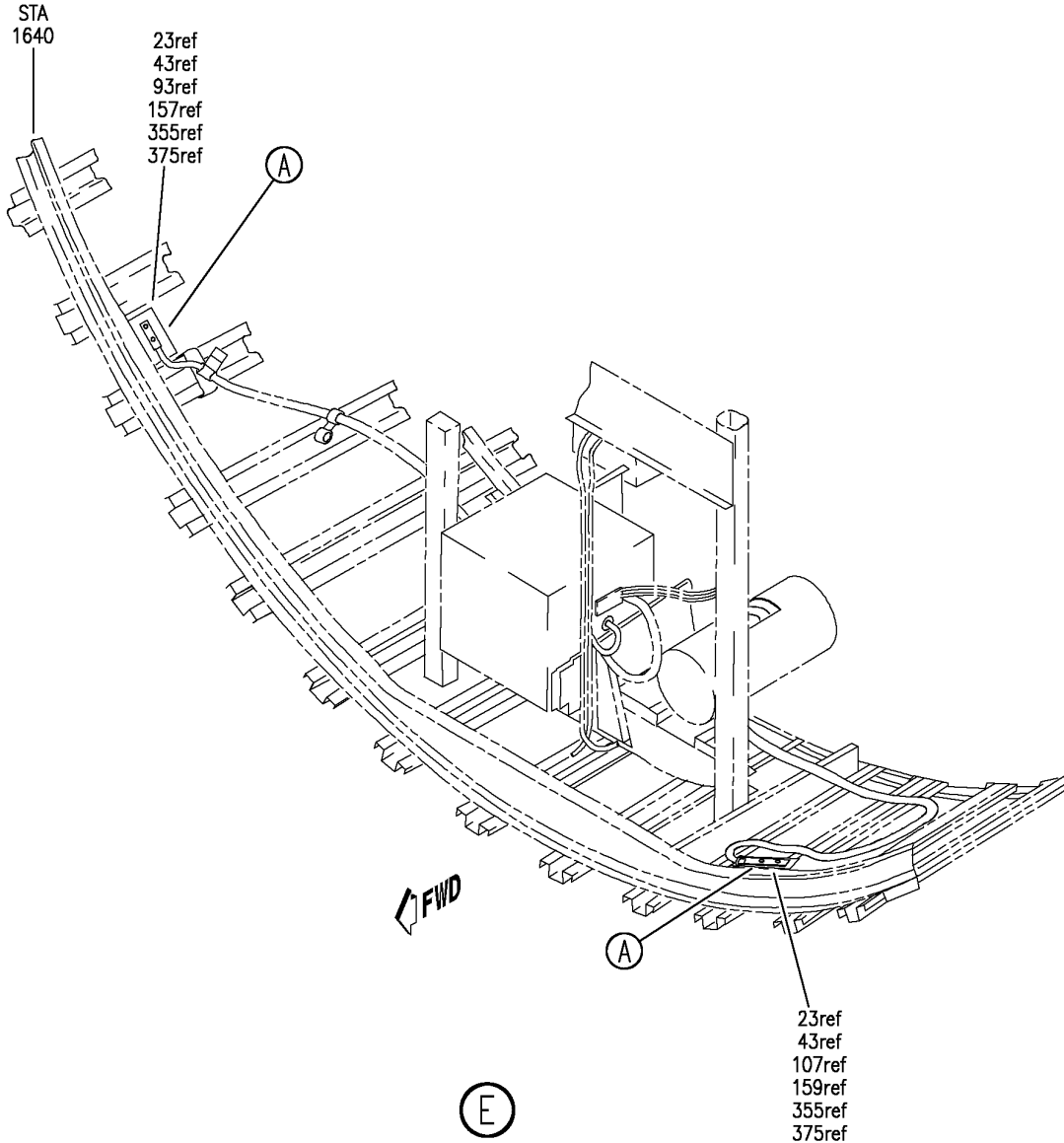
KIT INSTL-APU BATTERY AND TRU GROUNDS WIRE INSTL
FIGURE 8 (SHEET 4)

24-31-03-08

BRI
MAY 28/07

24-31-03-08
PAGE 0C

BOEING
757
PARTS CATALOG (MAINTENANCE)



Y 24310308 SH1 5 REV 319

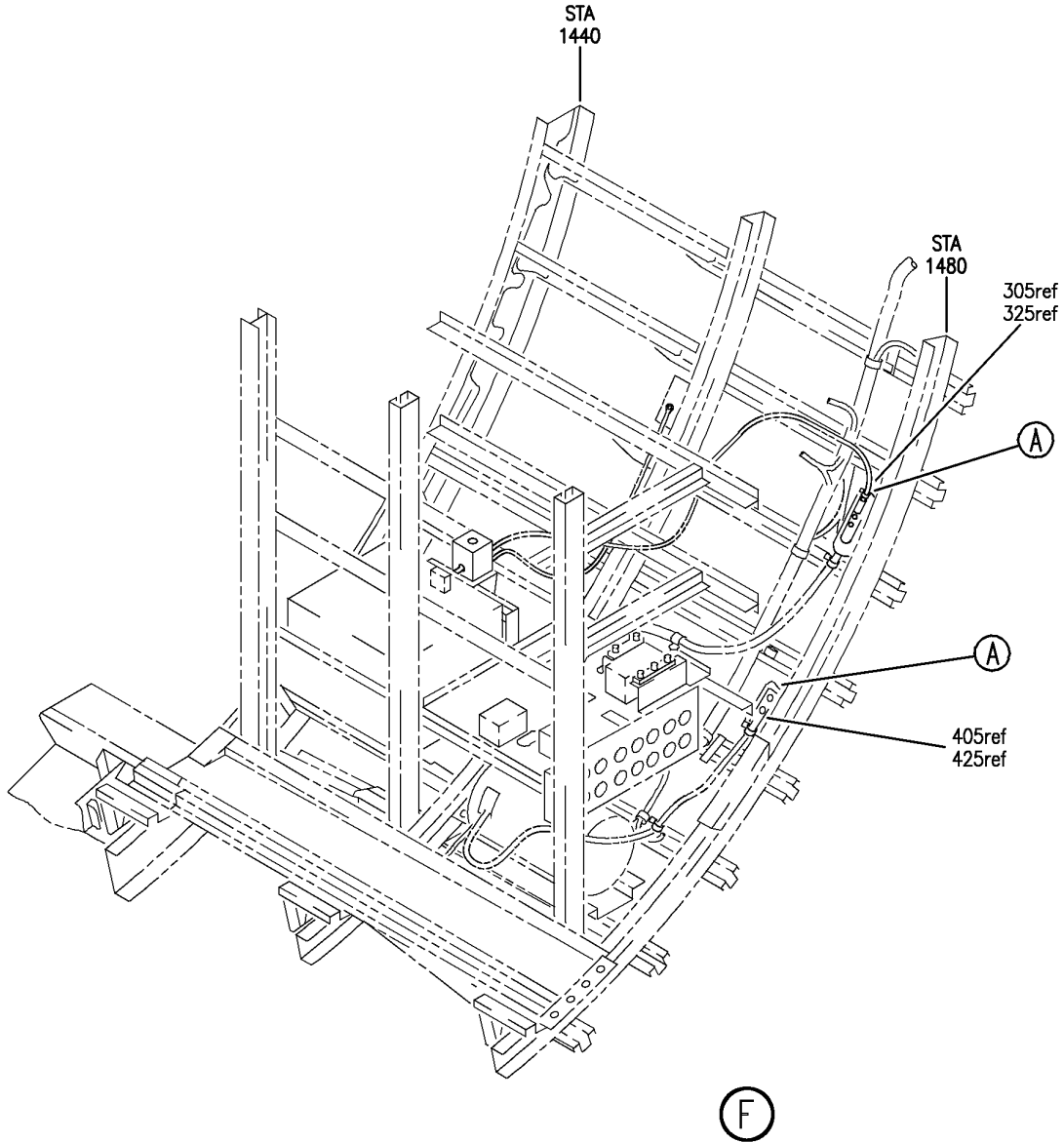
KIT INSTL-APU BATTERY AND TRU GROUNDS WIRE INSTL
FIGURE 8 (SHEET 5)

24-31-03-08

BRI
JAN 20/08

24-31-03-08
PAGE 0D

BOEING
757
PARTS CATALOG (MAINTENANCE)



Y 24310308 SHT 6 REV 319

KIT INSTL-APU BATTERY AND TRU GROUNDS WIRE INSTL
FIGURE 8 (SHEET 6)

24-31-03-08

BRI
JAN 20/08

24-31-03-08
PAGE 0E



757

PARTS CATALOG (MAINTENANCE)

FIG ITEM	PART NUMBER	1 2 3 4 5 6 7	NOMENCLATURE	EFFECT FROM TO	UNITS PER ASSY
8			KIT INSTL-APU BATTERY AND TRU GROUNDS WIRE INSTL	002004 006104 107999	
- 1	012N8976-1		APU BATTERY AND TRU-GROUNDS WIRE INSTL MODIFICATION DRAWING REF: 287N1090-1 POST ALERT SB: 24A0080	002004 006100 107107 121503 904999	1
10	TTVF6502WE10		.TAPE SUPPLIER CODE: VOKW00 SPECIFICATION NUMBER: BACT19J2 OPTIONAL PART: THT14-437W10 V85480	002004 006100 107107 950999	2
15	TTVF6502WE10		.TAPE SUPPLIER CODE: VOKW00 SPECIFICATION NUMBER: BACT19J2 OPTIONAL PART: THT14-437W10 V85480	121503 904949	2
30	BACC10DK8A		.CLAMP	002004 006100 107107 950999	2
35	BACC10DK8A		.CLAMP	121503 904949	2
- 50	NAS1801-3-8		ATTACHING PARTS .SCREW- POST ALERT SB: 24A0080 PRE ALERT SB: 24A0080R2	002004 006100 107107 952952	2
- 50	NAS1801-3-10		.SCREW- POST ALERT SB: 24A0080R2	002004 006100 107107 121503 904999	2
- 60	NAS1149D0616H		.WASHER- POST ALERT SB: 24A0080 PRE ALERT SB: 24A0080R2	002004 006100 107107 952952	4

MISSING ITEM NUMBERS NOT APPLICABLE

- ITEM NOT ILLUSTRATED

24-31-03-08

24-31-03
FIG. 08
PAGE 1
JAN 20/09

BRI



757

PARTS CATALOG (MAINTENANCE)

FIG ITEM	PART NUMBER	1 2 3 4 5 6 7	NOMENCLATURE	EFFECT FROM TO	UNITS PER ASSY
8					
- 60	NAS1149D0316H		.WASHER- POST ALERT SB: 24A0080R2	002004 006100 107107 121503 904999	4
- 73	MS21042L3		.NUT-	002004 006100 107107 121503 904999	2
			-----*-----		
80	MS20659-151		.LUG-GND SERVICE BULLETIN OPT DATA: BACT12M25-2	002004 006100 107107 950999	1
80	YAV25L2NK		.LUG-GND SUPPLIER CODE: V09922 SPECIFICATION NUMBER: BACT12M25-2 SERVICE BULLETIN OPT DATA: MS20659-151 POST ALERT SB: 24A0080R3	002004 006100 107107 950999	1
85	MS20659-151		.LUG-GND SERVICE BULLETIN OPT DATA: BACT12M25-2	121503 904949	1
85	YAV25L2NK		.LUG-GND SUPPLIER CODE: V09922 SPECIFICATION NUMBER: BACT12M25-2 SERVICE BULLETIN OPT DATA: MS20659-151 POST ALERT SB: 24A0080R3	121503 904949	1
95	MS20659-118		.LUG-GND SERVICE BULLETIN OPT DATA: BACT12M25-3	002004 006100 107107 950999	1
95	YAV25LNK		.LUG-GND SUPPLIER CODE: V09922 SPECIFICATION NUMBER: BACT12M25-3 SERVICE BULLETIN OPT DATA: MS20659-118 POST ALERT SB: 24A0080R3	002004 006100 107107 950999	1

MISSING ITEM NUMBERS NOT APPLICABLE

- ITEM NOT ILLUSTRATED

24-31-03-08

24-31-03
FIG. 08
PAGE 2
JAN 20/09

BRI



757

PARTS CATALOG (MAINTENANCE)

FIG ITEM	PART NUMBER	1 2 3 4 5 6 7	NOMENCLATURE	EFFECT FROM TO	UNITS PER ASSY
8					
100	MS20659-118	.LUG-GND	SERVICE BULLETIN OPT DATA: BACT12M25-3	121503 904949	1
100	YAV25LNK	.LUG-GND	SUPPLIER CODE: V09922 SPECIFICATION NUMBER: BACT12M25-3 SERVICE BULLETIN OPT DATA: MS20659-118 POST ALERT SB: 24A0080R3 ATTACHING PARTS	121503 904949	1
- 115	NAS1801-6-12	.SCREW-		002004 006100 107107 121503 904999	4
- 125	NAS1149D0616H	.WASHER		002004 006100 107107 121503 904999	8
- 135	MS21042L6	.NUT-		002004 006100 107107 121503 904999	4
145	287N1414-79	-----*----- .BRACKET		002004 006100 107107 950999	2
150	287N1414-79	.BRACKET		121503 904949	2
- 165	BACR15FT8D6	ATTACHING PARTS .RIVET		002004 006100 107107 952952	6
- 165	BACR15FT8D10	.RIVET-		002004 006100 107107 121503 904999	6
		-----*-----			

MISSING ITEM NUMBERS NOT APPLICABLE

- ITEM NOT ILLUSTRATED

24-31-03-08

24-31-03
FIG. 08
PAGE 3
JAN 20/09

BRI

BOEING PROPRIETARY - Copyright © - Unpublished Work - See title page for details.



**757
PARTS CATALOG (MAINTENANCE)**

FIG ITEM	PART NUMBER	1 2 3 4 5 6 7	NOMENCLATURE	EFFECT FROM TO	UNITS PER ASSY
8					
- 300	287N1090-8		KIT INSTL-APU TRU BATTERY GROUND WIRE INSTL POST ALERT SB: 24A0099R1	101104 108120 504903	RF
	305 BACC10DK8A		.CLAMP	101104 108120 504903	1
- 310	BACS12GU3K10		ATTACHING PARTS .SCREW-	101104 108120	1
			SERVICE BULLETIN OPT DATA: NAS1801-3-10	504903	
- 310	NAS1801-3-10		.SCREW-	101104	1
			SERVICE BULLETIN OPT DATA: BACS12GU3K10	108120 504903	
- 315	NAS1149D0316H		.WASHER-	101104	1
			POST ALERT SB: 24A0099R1	108120 504903	
- 320	PLH53CD		.NUT-	101104	1
			SUPPLIER CODE: VF0224	108120	
			SPECIFICATION NUMBER: BACN10YR3CD	504903	
			OPTIONAL PART: H52732-3CD V15653		
			SERVICE BULLETIN OPT DATA: MS21042L3-10		
- 320	MS21042L3-10		.NUT-	101104	1
			SERVICE BULLETIN OPT DATA: BACN10YR3CD	108120 504903	
			-----*-----		
	325 YAV25-2L38NK		.LUG-GND	101104	1
			SUPPLIER CODE: V09922	108120 504903	
			ATTACHING PARTS		
- 330	BACS12GU3K12		.SCREW-	101104	2
			SERVICE BULLETIN OPT DATA: NAS1801-6-12	108120 504903	
- 330	NAS1801-6-12		.SCREW-	101104	2
			SERVICE BULLETIN OPT DATA: BACS12GU3K12	108120 504903	
- 335	NAS1149D0616H		.WASHER	101104	4
				108120 504903	

MISSING ITEM NUMBERS NOT APPLICABLE

- ITEM NOT ILLUSTRATED

24-31-03-08

24-31-03
FIG. 08
PAGE 4
JAN 20/09

BRI

BOEING PROPRIETARY - Copyright © - Unpublished Work - See title page for details.



757

PARTS CATALOG (MAINTENANCE)

FIG ITEM	PART NUMBER	1 2 3 4 5 6 7	NOMENCLATURE	EFFECT FROM TO	UNITS PER ASSY
8					
- 340	PLH56CD	.NUT-	SUPPLIER CODE: VF0224 SPECIFICATION NUMBER: BACN10YR6CD OPTIONAL PART: H52732-6CD V15653 SERVICE BULLETIN OPT DATA: MS21042L6-12	101104 108120 504903	2
- 340	MS21042L6-12	.NUT-	SERVICE BULLETIN OPT DATA: BACN10YR6CD	101104 108120 504903	2
- 400	287N1090-10	-----*-----	KIT INSTL-APU TRU GROUND WIRE INSTL POST ALERT SB: 24A0099R1	101104 108120 504903	RF
405	BACC10DK8A	.CLAMP		101104 108120 504903	1
- 410	BACS12GU3K10	ATTACHING PARTS .SCREW-	SERVICE BULLETIN OPT DATA: NAS1801-3-10	101104 108120 504903	1
- 410	NAS1801-3-10	.SCREW-	SERVICE BULLETIN OPT DATA: BACS12GU3K10	101104 108120 504903	1
- 415	NAS1149D0316H	.WASHER-	POST ALERT SB: 24A0099R1	101104 108120 504903	1
- 420	PLH53CD	.NUT-	SUPPLIER CODE: VF0224 SPECIFICATION NUMBER: BACN10YR3CD OPTIONAL PART: H52732-3CD V15653 SERVICE BULLETIN OPT DATA: MS21042L3-10	101104 108120 504903	1
- 420	MS21042L3-10	.NUT-	SERVICE BULLETIN OPT DATA: BACN10YR3CD	101104 108120 504903	1
425	YAV25-2L38NK	-----*-----	.LUG-GND SUPPLIER CODE: V09922	101104 108120 504903	1

MISSING ITEM NUMBERS NOT APPLICABLE

- ITEM NOT ILLUSTRATED

24-31-03-08

24-31-03
FIG. 08
PAGE 5
JAN 20/09

BRI



757

PARTS CATALOG (MAINTENANCE)

FIG ITEM	PART NUMBER	1 2 3 4 5 6 7	NOMENCLATURE	EFFECT FROM TO	UNITS PER ASSY
8			ATTACHING PARTS		
- 430	BACS12GU3K12		.SCREW- SERVICE BULLETIN OPT DATA: NAS1801-6-12	101104 108120 504903	2
- 430	NAS1801-6-12		.SCREW- SERVICE BULLETIN OPT DATA: BACS12GU3K12	101104 108120 504903	2
- 435	NAS1149D0616H		.WASHER	101104 108120 504903	4
- 440	PLH56CD		.NUT- SUPPLIER CODE: VF0224 SPECIFICATION NUMBER: BACN10YR6CD OPTIONAL PART: H52732-6CD V15653 SERVICE BULLETIN OPT DATA: MS21042L6-12	101104 108120 504903	2
- 440	MS21042L6-12		.NUT- SERVICE BULLETIN OPT DATA: BACN10YR6CD -----*-----	101104 108120 504903	2

MISSING ITEM NUMBERS NOT APPLICABLE

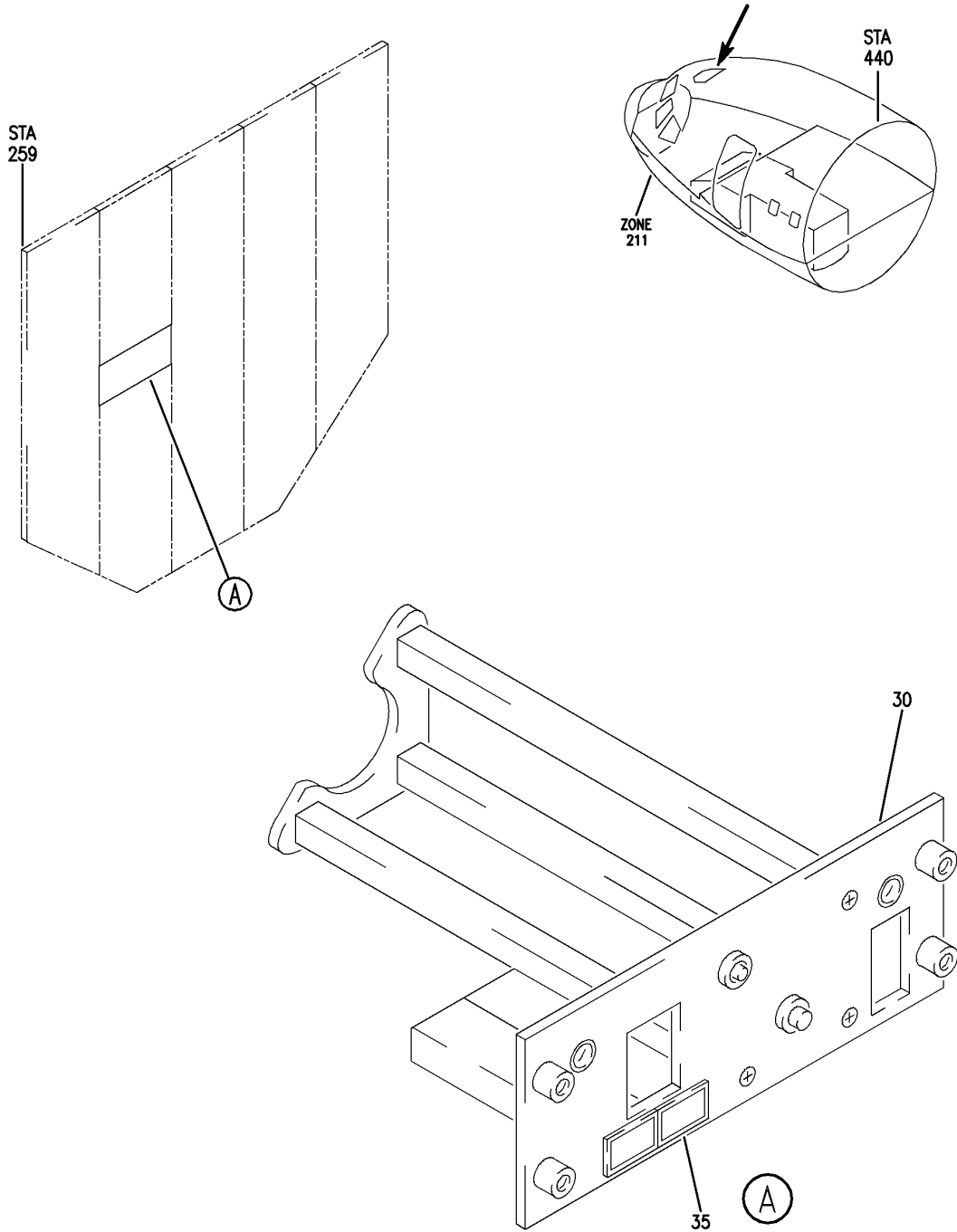
- ITEM NOT ILLUSTRATED

24-31-03-08

24-31-03
FIG. 08
PAGE 6
JAN 20/09

BRI

BOEING
757
PARTS CATALOG (MAINTENANCE)



Y 24310309 REV 235

PANEL INSTL-P5 OVHD (APU BATTERY ONLY)
FIGURE 9

24-31-03-09

BRI
MAY 28/07

24-31-03-09
PAGE 0



757

PARTS CATALOG (MAINTENANCE)

FIG ITEM	PART NUMBER	1 2 3 4 5 6 7	NOMENCLATURE	EFFECT FROM TO	UNITS PER ASSY
9			PANEL INSTL-P5 OVHD (APU BATTERY ONLY)	101106 108120 504903	
- 2	233N3103-59		PANEL INSTL-P5 OVHD (APU BATTERY ONLY) FOR NHA/OTHER SYS DET SEE: 25-10-00-15E	108120	RF
- 2	233N3103-132		PANEL INSTL-P5 OVHD (APU BATTERY ONLY) FOR NHA/OTHER SYS DET SEE: 25-10-00-15E	101102	RF
- 3	233N3103-136		PANEL INSTL-P5 OVHD (APU BATTERY ONLY) FOR NHA/OTHER SYS DET SEE: 25-10-00-15E	504903	RF
- 4	MODREF33760		PANEL INSTL-P5 OVHD (APU BATTERY ONLY) MODULE NUMBER: 233N3103-351 REV C FOR OTHER SYS DETAILS SEE: 11-31-10-12 21-25-55-03 21-31-01-02 21-33-51-03 21-51-54-03 21-58-19-10 21-58-51-03 21-61-04-03 21-65-51-01 22-21-01-04 22-24-51-02 23-24-01-01 23-32-00-11 23-42-02-02 23-71-05-02 24-11-52-05 24-22-01-03 24-33-04-01 24-41-51-04 24-51-62-01 26-18-51-04 27-21-53-02 27-41-55-01 27-61-51-03 27-62-52-02 28-22-51-02 28-41-04-01 28-41-51-03 29-11-02-03	103103	1

MISSING ITEM NUMBERS NOT APPLICABLE

- ITEM NOT ILLUSTRATED

24-31-03-09

24-31-03
FIG. 09
PAGE 1
JAN 20/09

BRI



757

PARTS CATALOG (MAINTENANCE)

FIG ITEM	PART NUMBER	1 2 3 4 5 6 7	NOMENCLATURE	EFFECT FROM TO	UNITS PER ASSY
9			29-11-05-04 29-11-52-07 29-21-54-03 29-31-00-01 29-32-51-03 29-33-52-03 30-11-51-03 30-21-51-03 30-31-51-02 30-32-51-01 30-33-51-02 30-41-51-03 30-42-51-03 31-12-11-91 31-12-11-91A 32-42-52-03 33-11-03-03 33-11-51-17 33-13-01-65 33-13-02-03 33-16-51-03 33-24-51-02 33-41-52-04 33-42-01-04 33-42-02-04 33-42-52-04 33-43-51-04 33-44-51-05 33-45-53-03 33-51-08-05 34-21-02-01 35-21-51-04 36-11-04-01 36-21-00-01 36-21-02-05 36-22-51-03 49-41-00-02 49-52-00-01 49-70-00-01 52-51-51-03 52-71-51-02 73-21-52-02 74-31-51-05 75-32-00-01 80-11-09-02 FOR ADDITIONAL DETAILS SEE: 24-31-01-10 PANEL INSTL-P5 OVHD (APU BATTERY ONLY)		
- 4	MODREF34038			104105	1
MISSING ITEM NUMBERS NOT APPLICABLE					

- ITEM NOT ILLUSTRATED

BRI

24-31-03-09

BOEING PROPRIETARY - Copyright © - Unpublished Work - See title page for details.

24-31-03
FIG. 09
PAGE 2
JAN 20/09



757

PARTS CATALOG (MAINTENANCE)

FIG ITEM	PART NUMBER	1 2 3 4 5 6 7 NOMENCLATURE	EFFECT FROM TO	UNITS PER ASSY
9		MODULE NUMBER: 233N3103-351 REV D FOR OTHER SYS DETAILS SEE: 11-31-10-12 21-25-55-03 21-31-01-02 21-33-51-03 21-51-54-03 21-58-19-10 21-58-51-03 21-61-04-03 21-65-51-01 22-21-01-04 22-24-51-02 23-24-01-01 23-32-00-11 23-42-02-02 23-71-05-02 24-11-52-05 24-22-01-03 24-33-04-01 24-41-51-04 24-51-62-01 26-18-51-04 27-21-53-02 27-41-55-01 27-61-51-03 27-62-52-02 28-22-51-02 28-41-04-01 28-41-51-03 29-11-02-03 29-11-05-04 29-11-52-07 29-21-54-03 29-31-00-01 29-32-51-03 29-33-52-03 30-11-51-03 30-21-51-03 30-31-51-02 30-32-51-01 30-33-51-02 30-41-51-03 30-42-51-03 31-12-11-91 31-12-11-91A 32-42-52-03 33-11-03-03 MISSING ITEM NUMBERS NOT APPLICABLE		

- ITEM NOT ILLUSTRATED

24-31-03-09

24-31-03
FIG. 09
PAGE 3
JAN 20/09

BRI



757

PARTS CATALOG (MAINTENANCE)

FIG ITEM	PART NUMBER	1 2 3 4 5 6 7	NOMENCLATURE	EFFECT FROM TO	UNITS PER ASSY
9			33-11-51-17 33-13-01-65 33-13-02-03 33-16-51-03 33-24-51-02 33-41-52-04 33-42-01-04 33-42-02-04 33-42-52-04 33-43-51-04 33-44-51-05 33-45-53-03 33-51-08-05 34-21-02-01 35-21-51-04 36-11-04-01 36-21-00-01 36-21-02-05 36-22-51-03 49-41-00-02 49-52-00-01 49-70-00-01 52-51-51-03 52-71-51-02 73-21-52-02 74-31-51-05 75-32-00-01 80-11-09-02		
- 6	MODREF170180		FOR ADDITIONAL DETAILS SEE: 24-31-01-10 PANEL INSTL-P5 OVHD (APU BATTERY ONLY) MODULE NUMBER: 233N3103-353 REV B FOR OTHER SYS DETAILS SEE: 11-31-10-12 21-25-55-03 21-31-01-02 21-33-51-03 21-51-54-03 21-58-19-10 21-58-51-03 21-61-04-03 21-65-51-01 22-21-01-04 22-24-51-02 23-24-01-01 23-32-00-11 23-42-02-02	106106	1
MISSING ITEM NUMBERS NOT APPLICABLE					

- ITEM NOT ILLUSTRATED

24-31-03-09

24-31-03
 FIG. 09
 PAGE 4
 JAN 20/09

BRI



757

PARTS CATALOG (MAINTENANCE)

FIG ITEM	PART NUMBER	1 2 3 4 5 6 7 NOMENCLATURE	EFFECT FROM TO	UNITS PER ASSY
9		23-71-05-02 24-11-52-05 24-22-01-03 24-33-04-01 24-41-51-04 24-51-62-01 26-18-51-04 27-21-53-02 27-41-55-01 27-61-51-03 27-62-52-02 28-22-51-02 28-41-04-01 28-41-51-03 29-11-02-03 29-11-05-04 29-11-52-07 29-21-54-03 29-31-00-01 29-32-51-03 29-33-52-03 30-11-51-03 30-21-51-03 30-31-51-02 30-32-51-01 30-33-51-02 30-41-51-03 30-42-51-03 31-12-11-84 31-12-11-84 A 32-42-52-03 33-11-03-03 33-11-51-17 33-13-01-65 33-13-02-03 33-16-51-03 33-24-51-02 33-41-52-04 33-42-01-04 33-42-02-04 33-42-52-04 33-43-51-04 33-44-51-05 33-45-53-03 33-51-08-05 34-21-02-01 35-21-51-04 36-11-04-01 36-21-00-01		

MISSING ITEM NUMBERS NOT APPLICABLE

- ITEM NOT ILLUSTRATED

24-31-03-09

24-31-03
FIG. 09
PAGE 5
JAN 20/09

BRI



**757
PARTS CATALOG (MAINTENANCE)**

FIG ITEM	PART NUMBER	1 2 3 4 5 6 7	NOMENCLATURE	EFFECT FROM TO	UNITS PER ASSY
9			36-21-02-05 36-22-51-03 49-41-00-02 49-52-00-01 49-70-00-01 52-51-51-03 52-71-51-02 73-21-52-02 74-31-51-05 75-32-00-01 80-11-09-02 FOR ADDITIONAL DETAILS SEE: 24-31-01-10		
- 25	233N3211-303		.PANEL ASSY-BATTERY/STBY PWR SUPPLIER CODE: V89954 ELECTRICAL EQUIP NUMBER: M10062 COMPONENT MAINT MANUAL REF: 24-33-72 QUALIFIED I/W DATA: P/N 233N3211-303 IS FULLY I/W P/N 233N3211-308, EXCEPT ONE-WAY FORWARD FOR U/O 233N3103-121, -122, -21, -22 THE 233N3211-303 PANEL ASSY IS I/W THE 233N3211-40 PANEL ASSY T/W THE S233T100-1081 LIGHTPLATE AND BP248-127 KNOB PRE ALERT SB: 33A0044	504903	RF

MISSING ITEM NUMBERS NOT APPLICABLE

- ITEM NOT ILLUSTRATED

BRI

24-31-03-09

BOEING PROPRIETARY - Copyright © - Unpublished Work - See title page for details.

24-31-03
FIG. 09
PAGE 6
JAN 20/09



757

PARTS CATALOG (MAINTENANCE)

FIG ITEM	PART NUMBER	1 2 3 4 5 6 7	NOMENCLATURE	EFFECT FROM TO	UNITS PER ASSY
9 - 25	233N3211-308		.PANEL ASSY-BATTERY/STBY PWR SUPPLIER CODE: V89954 ELECTRICAL EQUIP NUMBER: M10062 COMPONENT MAINT MANUAL REF: 24-33-72 QUALIFIED I/W DATA: P/N 233N3211-303 IS FULLY I/W P/N 233N3211-308, EXCEPT ONE-WAY FORWARD FOR U/O 233N3103-121, -122, -21, -22 PRE ALERT SB: 33A0044	101102 108120	RF
- 25	233N3211-1308		.PANEL ASSY-BATTERY/STBY PWR SUPPLIER CODE: V89954 ELECTRICAL EQUIP NUMBER: M10062 COMPONENT MAINT MANUAL REF: 24-33-72 POST ALERT SB: 33A0044	101102 108120	RF
- 25	233N3211-319		.PANEL ASSY-BATTERY/STBY PWR SUPPLIER CODE: V89954 ELECTRICAL EQUIP NUMBER: M10062 COMPONENT MAINT MANUAL REF: 24-33-72	101106 108120	RF
- 25	233N3211-1303		.PANEL ASSY-BATTERY/STBY PWR SUPPLIER CODE: V89954 ELECTRICAL EQUIP NUMBER: M10062 COMPONENT MAINT MANUAL REF: 24-33-72 POST ALERT SB: 33A0044	504903	RF

MISSING ITEM NUMBERS NOT APPLICABLE

- ITEM NOT ILLUSTRATED

BRI

24-31-03-09

24-31-03
FIG. 09
PAGE 7
JAN 20/09



757

PARTS CATALOG (MAINTENANCE)

FIG ITEM	PART NUMBER	1 2 3 4 5 6 7	NOMENCLATURE	EFFECT FROM TO	UNITS PER ASSY
9					
30	233N3211-40		..PANEL ASSY- SUPPLIER CODE: V89954 COMPONENT MAINT MANUAL REF: 24-33-72 QUALIFIED I/W DATA: THE 233N3211-303 PANEL ASSY IS I/W THE 233N3211-40 PANEL ASSY T/W THE S233T100-1081 LIGHTPLATE AND BP248-127 KNOB PRE ALERT SB: 33A0044	504903	RF
30	233N3211-54		..PANEL ASSY- SUPPLIER CODE: V89954 COMPONENT MAINT MANUAL REF: 24-33-72 USED ON: 233N3211-308 PRE ALERT SB: 33A0044	101102 108120	RF
30	233N3211-68		..PANEL ASSY- SUPPLIER CODE: V89954 COMPONENT MAINT MANUAL REF: 24-33-72 USED ON: 233N3211-319	101106 108120	RF
30	233N3211-1054		..PANEL ASSY- SUPPLIER CODE: V89954 COMPONENT MAINT MANUAL REF: 24-33-72 USED ON: 233N3211-1308 POST ALERT SB: 33A0044	101102 108120	RF
30	233N3211-1040		..PANEL ASSY- SUPPLIER CODE: V89954 COMPONENT MAINT MANUAL REF: 24-33-72 POST ALERT SB: 33A0044	504903	RF

MISSING ITEM NUMBERS NOT APPLICABLE

- ITEM NOT ILLUSTRATED

24-31-03-09

24-31-03
FIG. 09
PAGE 8
JAN 20/09

BRI



757

PARTS CATALOG (MAINTENANCE)

FIG ITEM	PART NUMBER	1 2 3 4 5 6 7	NOMENCLATURE	EFFECT FROM TO	UNITS PER ASSY
9 35	BCREF8594		...LIGHT ASSY-APU BATTERY DISCH IND SUPPLIER CODE: V81590 OVERLENGTH PART NUMBER: 434-674-1031-2292 SPECIFICATION NUMBER: S231T300-2292 OPTIONAL PART: BCREf6431 V81590 USED ON: 233N3211-54 233N3211-68 233N3211-1054 FOR DETAILS SEE: 33-14-70-02	101106 108120 504903	1
35	BCREF6431		...LIGHT ASSY-APU BATTERY DISCH IND SUPPLIER CODE: V81590 OVERLENGTH PART NUMBER: 434-674-1005-1292 SPECIFICATION NUMBER: S231T300-1292 OPTIONAL PART: BCREf8594 V81590 USED ON: 233N3211-54 233N3211-1054 FOR DETAILS SEE: 33-14-70-02	101106 108120 504903	1

MISSING ITEM NUMBERS NOT APPLICABLE

- ITEM NOT ILLUSTRATED

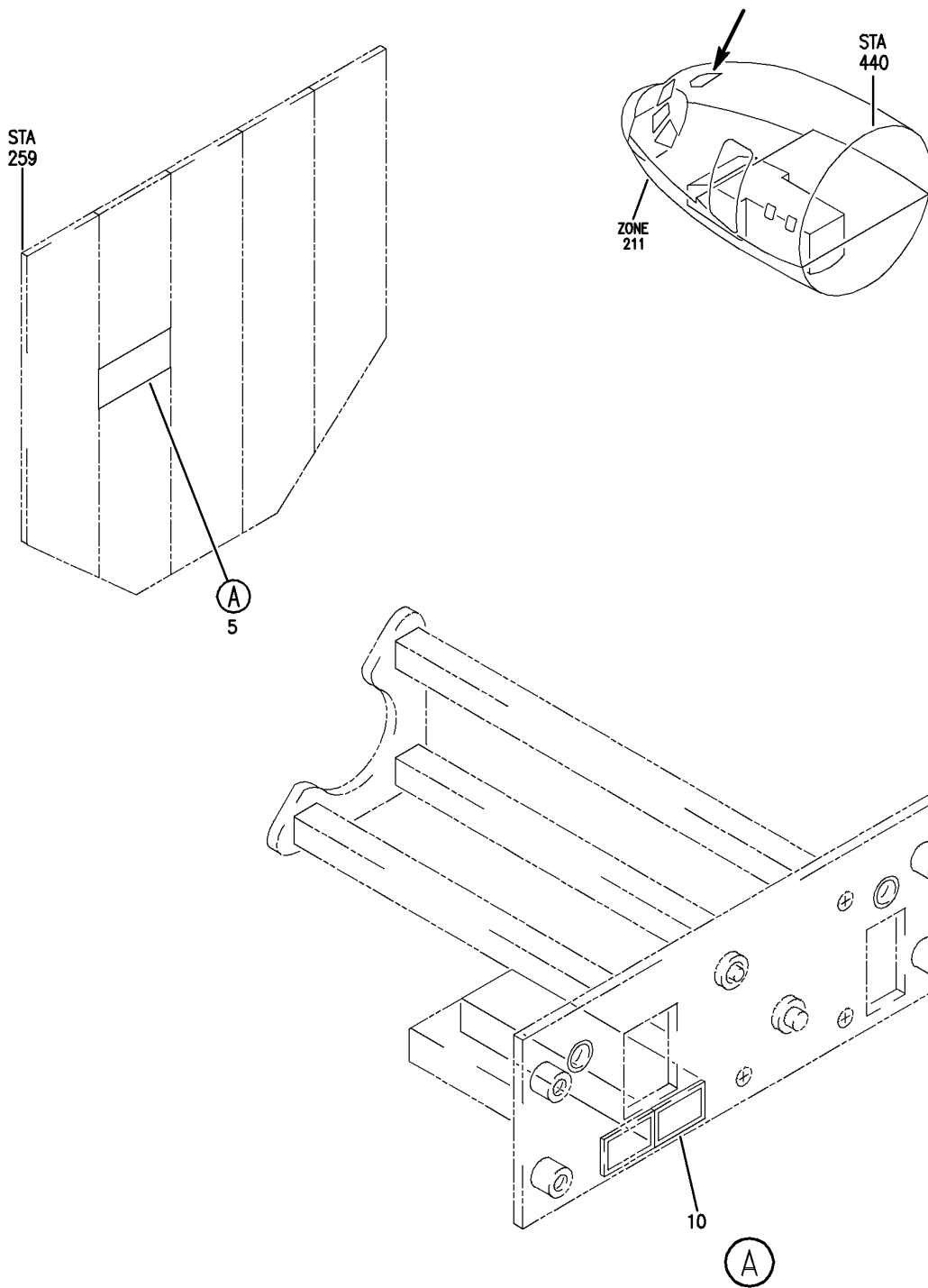
BRI

24-31-03-09

BOEING PROPRIETARY - Copyright © - Unpublished Work - See title page for details.

24-31-03
FIG. 09
PAGE 9
JAN 20/09

BOEING
757
PARTS CATALOG (MAINTENANCE)



Y 24310310 REV 238

PANEL INSTL-P5 OVHD (APU BATTERY ONLY)
FIGURE 10

24-31-03-10

BRI
MAY 28/07

24-31-03-10
PAGE 0



757

PARTS CATALOG (MAINTENANCE)

FIG ITEM	PART NUMBER	1 2 3 4 5 6 7	NOMENCLATURE	EFFECT FROM TO	UNITS PER ASSY
10			PANEL INSTL-P5 OVHD (APU BATTERY ONLY)	002004 006010 107107 121503 904949 952999	
- 1	233N3101-1		PANEL INSTL-P5 OVHD (APU BATTERY ONLY) VARIABLE DRAWING REF: 233N3101-5005 233N3101-5025 233N3101-5041 233N3101-5042 FOR NHA/OTHER SYS DET SEE: 25-10-00-05A	002004 006010 107107 121503 904949 952999	RF
5	233N3211-31		.PANEL ASSY-BATTERY/ STBY PWR SUPPLIER CODE: V89954 ELECTRICAL EQUIP NUMBER: M10062 COMPONENT MAINT MANUAL REF: 24-33-71 QUALIFIED I/W DATA: 233N3211-24 -26 -31 -39 -40 ARE ALL INTERCHANGEABLE EXCEPT SUBJECT TO CUSTOMER PREFERENCE PRE SERVICE BULLETIN: 24-0125R1 PRE ALERT SB: 33A0044	107107	RF
5	233N3211-11		.PANEL ASSY-BATTERY/ STBY PWR SUPPLIER CODE: V89954 ELECTRICAL EQUIP NUMBER: M10062 COMPONENT MAINT MANUAL REF: 24-33-71 PRE SERVICE BULLETIN: 24-0125R1 PRE ALERT SB: 33A0044	107107	RF

MISSING ITEM NUMBERS NOT APPLICABLE

- ITEM NOT ILLUSTRATED

BRI

24-31-03-10

24-31-03
FIG. 10
PAGE 1
JAN 20/09



757

PARTS CATALOG (MAINTENANCE)

FIG ITEM	PART NUMBER	1 2 3 4 5 6 7	NOMENCLATURE	EFFECT FROM TO	UNITS PER ASSY
10 5	233N3211-26		.PANEL ASSY-BATTERY/ STBY PWR SUPPLIER CODE: V89954 ELECTRICAL EQUIP NUMBER: M10062 COMPONENT MAINT MANUAL REF: 24-33-71 QUALIFIED I/W DATA: 233N3211-24 -26 -31 -39 -40 ARE ALL INTERCHANGEABLE EXCEPT SUBJECT TO CUSTOMER PREFERENCE PRE SERVICE BULLETIN: 24-0125R1 PRE ALERT SB: 33A0044	107107	RF
5	233N3211-39		.PANEL ASSY-BATTERY/ STBY PWR SUPPLIER CODE: V89954 ELECTRICAL EQUIP NUMBER: M10062 COMPONENT MAINT MANUAL REF: 24-33-72 QUALIFIED I/W DATA: 233N3211-24 -26 -31 -39 -40 ARE ALL INTERCHANGEABLE SUBJECT TO CUSTOMER PREFERENCE PRE ALERT SB: 33A0044R1	121503 904949	RF

MISSING ITEM NUMBERS NOT APPLICABLE

- ITEM NOT ILLUSTRATED

24-31-03-10

24-31-03
FIG. 10
PAGE 2
JAN 20/09

BRI



757

PARTS CATALOG (MAINTENANCE)

FIG ITEM	PART NUMBER	1 2 3 4 5 6 7	NOMENCLATURE	EFFECT FROM TO	UNITS PER ASSY
10	5 233N3211-40		.PANEL ASSY-BATTERY/ STBY PWR SUPPLIER CODE: V89954 ELECTRICAL EQUIP NUMBER: M10062 COMPONENT MAINT MANUAL REF: 24-33-72 QUALIFIED I/W DATA: 233N3211-24 -26 -31 -39 -40 ARE ALL INTERCHANGEABLE SUBJECT TO CUSTOMER PREFERENCE THE 233N3211-303 PANEL ASSY IS I/W THE 233N3211-40 PANEL ASSY T/W THE S233T100-1081 LIGHTPLATE AND BP248-127 KNOB PRE SERVICE BULLETIN: 24-0125R2 PRE ALERT SB: 33A0044	002004 006010 952999	RF
	5 233N3211-1040		.PANEL ASSY-BATTERY/ STBY PWR SUPPLIER CODE: V89954 ELECTRICAL EQUIP NUMBER: M10062 COMPONENT MAINT MANUAL REF: 24-33-72 PRE SERVICE BULLETIN: 24-0125R2 POST ALERT SB: 33A0044	002004 006010 952999	RF
	5 233N3211-1031		.PANEL ASSY-BATTERY/ STBY PWR SUPPLIER CODE: V89954 ELECTRICAL EQUIP NUMBER: M10062 COMPONENT MAINT MANUAL REF: 24-33-72 PRE SERVICE BULLETIN: 24-0125R1 POST ALERT SB: 33A0044	107107	RF

MISSING ITEM NUMBERS NOT APPLICABLE

- ITEM NOT ILLUSTRATED

24-31-03-10

24-31-03
FIG. 10
PAGE 3
JAN 20/09

BRI



757

PARTS CATALOG (MAINTENANCE)

FIG ITEM	PART NUMBER	1 2 3 4 5 6 7	NOMENCLATURE	EFFECT FROM TO	UNITS PER ASSY
10	5 233N3211-1011		.PANEL ASSY-BATTERY/ STBY PWR SUPPLIER CODE: V89954 ELECTRICAL EQUIP NUMBER: M10062 COMPONENT MAINT MANUAL REF: 24-33-72 PRE SERVICE BULLETIN: 24-0125R1 POST ALERT SB: 33A0044	107107	RF
	5 233N3211-1026		.PANEL ASSY-BATTERY/ STBY PWR SUPPLIER CODE: V89954 ELECTRICAL EQUIP NUMBER: M10062 COMPONENT MAINT MANUAL REF: 24-33-72 PRE SERVICE BULLETIN: 24-0125R1 POST ALERT SB: 33A0044	107107	RF
	5 233N3211-1039		.PANEL ASSY-BATTERY/ STBY PWR SUPPLIER CODE: V89954 ELECTRICAL EQUIP NUMBER: M10062 COMPONENT MAINT MANUAL REF: 24-33-72 POST ALERT SB: 33A0044R1	121503 904949	RF
	5 233N3211-1036		.PANEL ASSY-BATTERY/ STBY PWR SUPPLIER CODE: V89954 ELECTRICAL EQUIP NUMBER: M10062 COMPONENT MAINT MANUAL REF: 24-33-72 POST SERVICE BULLETIN: 24-0125R1 24-0125R2	009009 107107	RF

MISSING ITEM NUMBERS NOT APPLICABLE

- ITEM NOT ILLUSTRATED

24-31-03-10

24-31-03
FIG. 10
PAGE 4
JAN 20/09

BRI



757

PARTS CATALOG (MAINTENANCE)

FIG ITEM	PART NUMBER	1 2 3 4 5 6 7	NOMENCLATURE	EFFECT FROM TO	UNITS PER ASSY
10	BCREF6431		..LIGHT ASSY-DISCH OFF SUPPLIER CODE: V81590 OVERLENGTH PART NUMBER: 434-674-1005-1292 SPECIFICATION NUMBER: S231T300-1292 OPTIONAL PART: BCREF8594 V81590 FOR DETAILS SEE: 33-14-70-02	002004 006010 107107 121503 904949 952999	1
10	BCREF8594		..LIGHT ASSY-DISCH OFF SUPPLIER CODE: V81590 OVERLENGTH PART NUMBER: 434-674-1031-2292 SPECIFICATION NUMBER: S231T300-2292 OPTIONAL PART: BCREF6431 V81590 USED ON: 233N3211-24 233N3211-31 233N3211-39 233N3211-40 233N3211-1040 FOR DETAILS SEE: 33-14-70-02	002004 006010 107107 121503 904949 952999	1

MISSING ITEM NUMBERS NOT APPLICABLE

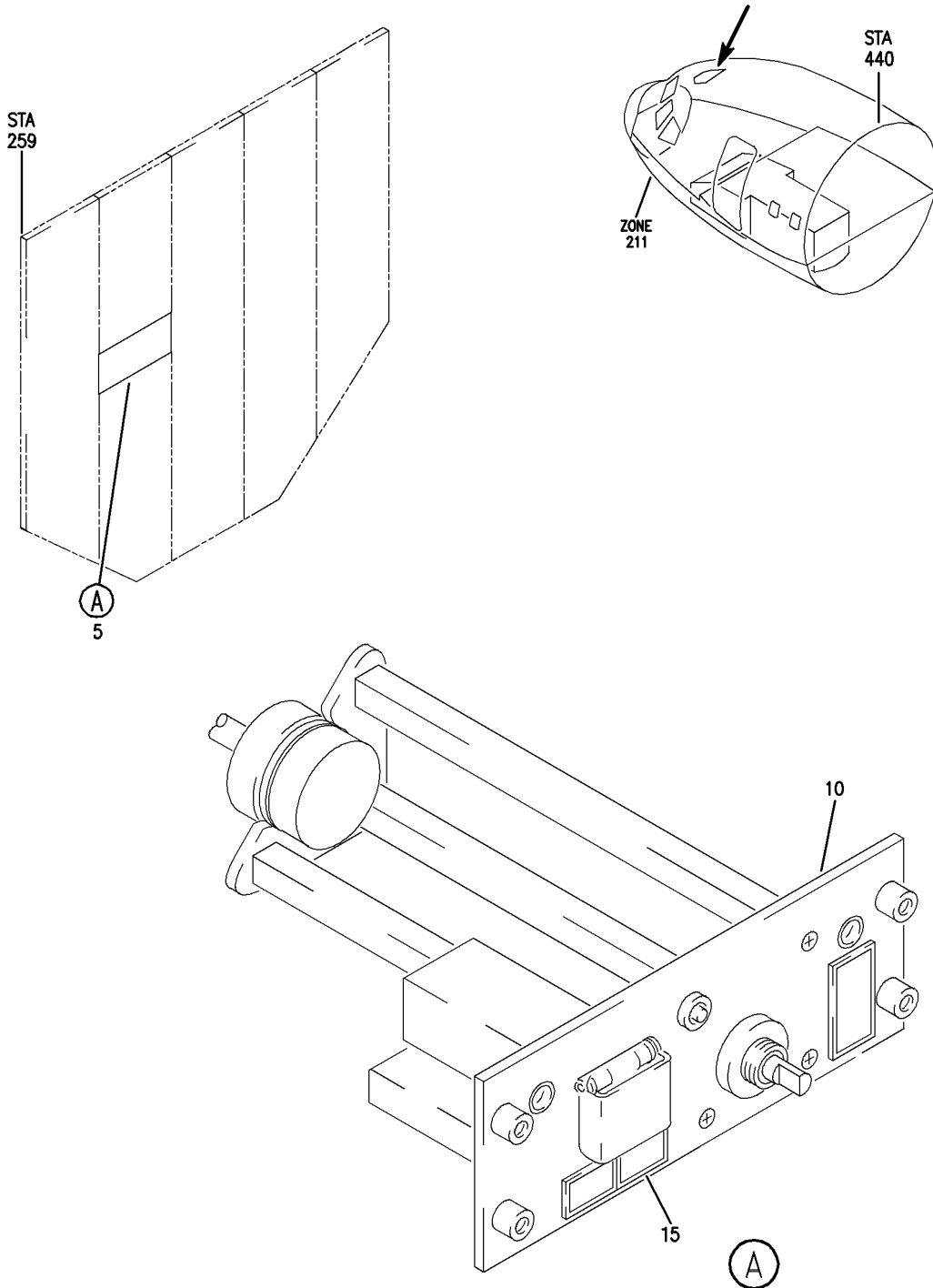
- ITEM NOT ILLUSTRATED

24-31-03-10

24-31-03
 FIG. 10
 PAGE 5
 JAN 20/09

BRI

BOEING
757
PARTS CATALOG (MAINTENANCE)



Y 24310311 REV 238

PANEL INSTL-P5 OVHD (APU BATTERY ONLY)
FIGURE 11

24-31-03-11

BRI
MAY 28/07

24-31-03-11
PAGE 0



757

PARTS CATALOG (MAINTENANCE)

FIG ITEM	PART NUMBER	1 2 3 4 5 6 7	NOMENCLATURE	EFFECT FROM TO	UNITS PER ASSY
11			PANEL INSTL-P5 OVHD (APU BATTERY ONLY)	011100	
- 1	233N3101-1		PANEL INSTL-P5 OVHD (APU BATTERY ONLY)	011100	RF
			VARIABLE DRAWING REF: 233N3101-5142 FOR NHA/OTHER SYS DET SEE: 25-10-00-05A		
5	233N3211-303		.PANEL ASSY-BATTERY/ STANDBY PWR SUPPLIER CODE: V89954 COMPONENT MAINT MANUAL REF: 24-33-72 QUALIFIED I/W DATA: THE 233N3211-303 PANEL ASSY IS I/W THE 233N3211-40 PANEL ASSY T/W THE S233T100-1081 LIGHTPLATE AND BP248-127 KNOB PRE ALERT SB: 33A0044	011100	RF
5	233N3211-308		.PANEL ASSY-BATTERY/ STANDBY PWR SUPPLIER CODE: V89954 COMPONENT MAINT MANUAL REF: 24-33-72 PRE ALERT SB: 33A0044	011100	RF
5	233N3211-1303		.PANEL ASSY-BATTERY/ STANDBY PWR SUPPLIER CODE: V89954 COMPONENT MAINT MANUAL REF: 24-33-72 POST ALERT SB: 33A0044	011100	RF
5	233N3211-1308		.PANEL ASSY-BATTERY/ STANDBY PWR SUPPLIER CODE: V89954 COMPONENT MAINT MANUAL REF: 24-33-72 POST ALERT SB: 33A0044	011100	RF

MISSING ITEM NUMBERS NOT APPLICABLE

- ITEM NOT ILLUSTRATED

BRI

24-31-03-11

24-31-03
FIG. 11
PAGE 1
JAN 20/09



757

PARTS CATALOG (MAINTENANCE)

FIG ITEM	PART NUMBER	1 2 3 4 5 6 7 NOMENCLATURE	EFFECT FROM TO	UNITS PER ASSY	
R R R R R R R R R R R R R	11 10	233N3211-40	..PANEL ASSY- SUPPLIER CODE: V89954 ELECTRICAL EQUIP NUMBER: M10062 COMPONENT MAINT MANUAL REF: 24-33-72 QUALIFIED I/W DATA: THE 233N3211-303 PANEL ASSY IS I/W THE 233N3211-40 PANEL ASSY T/W THE S233T100-1081 LIGHTPLATE AND BP248-127 KNOB USED ON: 233N3211-303 PRE SERVICE BULLETIN: 24-0130 PRE ALERT SB: 33A0044	011100	1
	10	233N3211-54	..PANEL ASSY- SUPPLIER CODE: V89954 ELECTRICAL EQUIP NUMBER: M10062 COMPONENT MAINT MANUAL REF: 24-33-72 USED ON: 233N3211-308 PRE ALERT SB: 33A0044	011100	1
	10	233N3211-1040	..PANEL ASSY- SUPPLIER CODE: V89954 ELECTRICAL EQUIP NUMBER: M10062 COMPONENT MAINT MANUAL REF: 24-33-72 USED ON: 233N3211-1303 PRE SERVICE BULLETIN: 24-0130 POST ALERT SB: 33A0044	011100	1

MISSING ITEM NUMBERS NOT APPLICABLE

- ITEM NOT ILLUSTRATED

BRI

24-31-03-11



757

PARTS CATALOG (MAINTENANCE)

FIG ITEM	PART NUMBER	1 2 3 4 5 6 7	NOMENCLATURE	EFFECT FROM TO	UNITS PER ASSY
R R	11 10	233N3211-1054	..PANEL ASSY- SUPPLIER CODE: V89954 ELECTRICAL EQUIP NUMBER: M10062 COMPONENT MAINT MANUAL REF: 24-33-72 USED ON: 233N3211-1308 PRE SERVICE BULLETIN: 24-0130 POST ALERT SB: 33A0044	011100	1
	10	233N3211-1036	..PANEL ASSY- SUPPLIER CODE: V89954 ELECTRICAL EQUIP NUMBER: M10062 COMPONENT MAINT MANUAL REF: 24-33-72 POST SERVICE BULLETIN: 24-0130	015015	1
	15	BCREF6431	...LIGHT ASSY-DISCH OFF SUPPLIER CODE: V81590 OVERLENGTH PART NUMBER: 434-674-1005-1292 SPECIFICATION NUMBER: S231T300-1292 OPTIONAL PART: BCREF8594 V81590 FOR DETAILS SEE: 33-14-70-02	011100	1
	15	BCREF8594	...LIGHT ASSY-DISCH OFF SUPPLIER CODE: V81590 OVERLENGTH PART NUMBER: 434-674-1031-2292 SPECIFICATION NUMBER: S231T300-2292 OPTIONAL PART: BCREF6431 V81590 FOR DETAILS SEE: 33-14-70-02	011100	1

MISSING ITEM NUMBERS NOT APPLICABLE

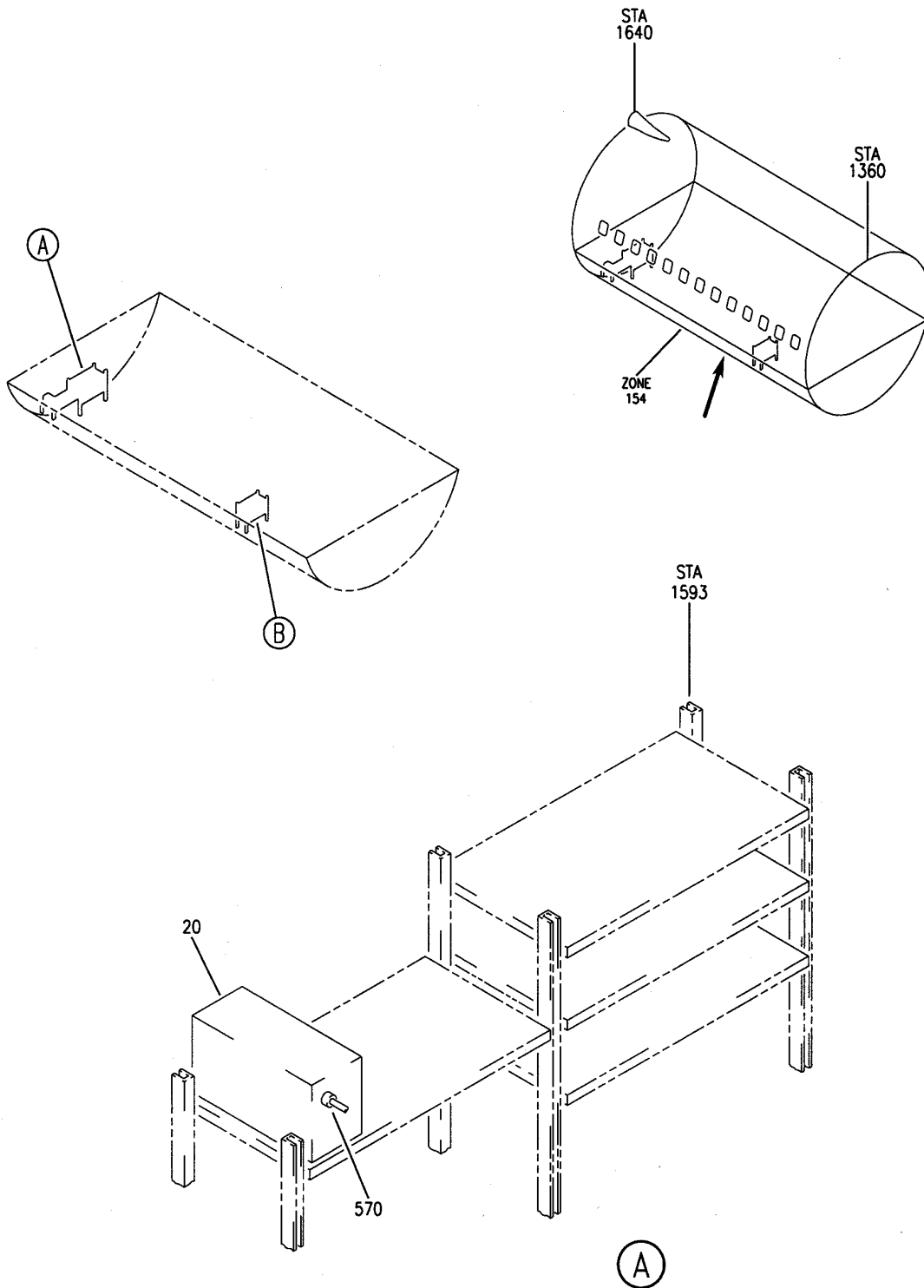
- ITEM NOT ILLUSTRATED

24-31-03-11

24-31-03
FIG. 11
PAGE 3
MAY 20/09

BRI

BOEING
757
PARTS CATALOG (MAINTENANCE)



Y 24310401 SHT 1 REV 214

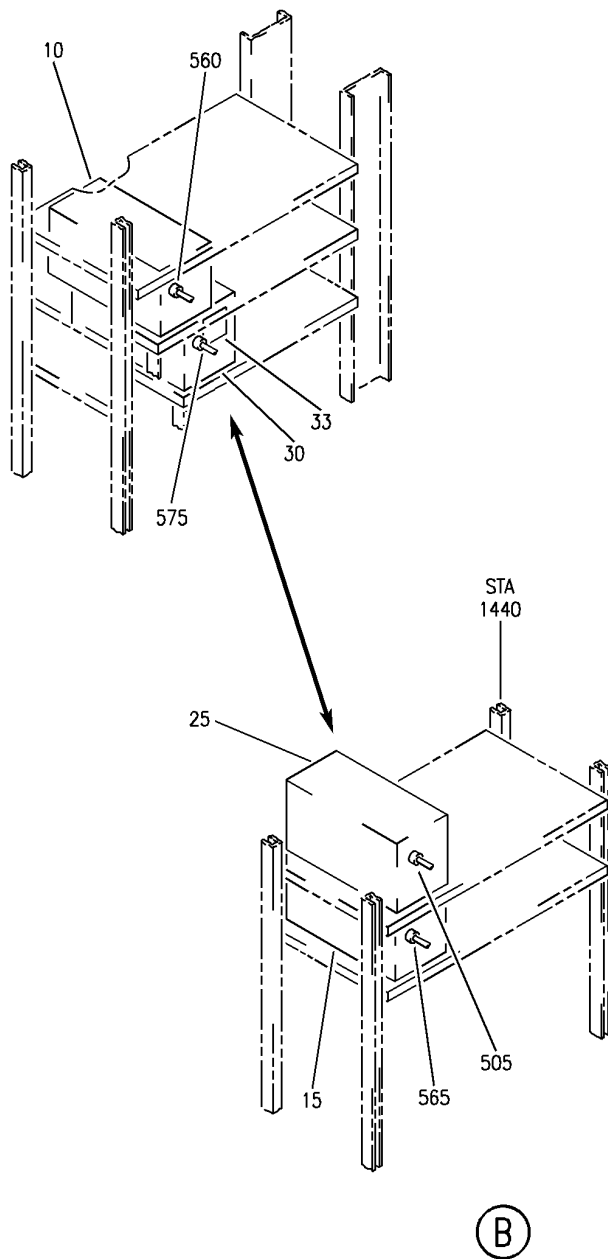
EQUIPMENT INSTL-E6 AFT EQPT CTR (APU BATTERY CHARGER ONLY)
FIGURE 1 (SHEET 1)

24-31-04-01

BRI
MAY 28/07

24-31-04-01
PAGE 0

BOEING
757
PARTS CATALOG (MAINTENANCE)



Y 24-31-04-01 SHT 2 REV 301

EQUIPMENT INSTL-E6 AFT EQPT CTR (APU BATTERY CHARGER ONLY)
FIGURE 1 (SHEET 2)

24-31-04-01

BRI
MAY 28/07

24-31-04-01
PAGE 0A



757

PARTS CATALOG (MAINTENANCE)

FIG ITEM	PART NUMBER	1 2 3 4 5 6 7	NOMENCLATURE	EFFECT FROM TO	UNITS PER ASSY
1			EQUIPMENT INSTL-E6 AFT EQPT CTR (APU BATTERY CHARGER ONLY)	002004 006102 107107 121999	
- 1	284N1500-1		EQUIPMENT INSTL-E6 EQPT CTR (APU BATTERY CHARGER ONLY) POSITION DATA: AFT VARIABLE DRAWING REF: 284N1500-5012 284N1500-5032 284N1500-5034 284N1500-5036 FOR NHA/OTHER SYS DET SEE: 24-00-58-01	002004 006100 107107 950999	RF
- 1	284N1500-21		EQUIPMENT INSTL-E6 EQPT CTR (APU BATTERY CHARGER ONLY) POSITION DATA: AFT FOR NHA/OTHER SYS DET SEE: 24-00-58-05D	101102	RF
- 1	284N1500-25		EQUIPMENT INSTL-E6 EQPT CTR (APU BATTERY CHARGER ONLY) POSITION DATA: AFT FOR NHA/OTHER SYS DET SEE: 24-00-58-05D	504903	RF
- 4	284N1686-3		EQUIPMENT INSTL-E6 EQPT CTR (APU BATTERY CHARGER ONLY) POSITION DATA: AFT FOR NHA/OTHER SYS DET SEE: 24-00-58-01	121503 904949	RF
15	4-254-02		.CHARGER-BATTERY SUPPLIER CODE: V08748 SPECIFICATION NUMBER: S282T002-2 ELECTRICAL EQUIP NUMBER: M00207 COMPONENT MAINT MANUAL REF: 24-31-04	002004 006102 107107 504903 950999	1

MISSING ITEM NUMBERS NOT APPLICABLE

- ITEM NOT ILLUSTRATED

24-31-04-01

24-31-04
FIG. 01
PAGE 1
JAN 20/09

BRI



757

PARTS CATALOG (MAINTENANCE)

FIG ITEM	PART NUMBER	1 2 3 4 5 6 7	NOMENCLATURE	EFFECT FROM TO	UNITS PER ASSY
1	15 4-254-03		.CHARGER-BATTERY SUPPLIER CODE: V08748 SPECIFICATION NUMBER: S282T002-4 ELECTRICAL EQUIP NUMBER: M00207 COMPONENT MAINT MANUAL REF: 24-31-04	002004 006102 107107 504903 950999	1
	15 4-254-04		.CHARGER-BATTERY SUPPLIER CODE: V08748 SPECIFICATION NUMBER: S282T002-6 ELECTRICAL EQUIP NUMBER: M00207 COMPONENT MAINT MANUAL REF: 24-31-04	002004 006102 107107 504903 950999	1
	15 8-930-03		.CHARGER-BATTERY SUPPLIER CODE: V08748 FUNCTIONAL DESCRIPTION: CHARGES THE MAIN AND APU BATTERIES SPECIFICATION NUMBER: S282T003-3 ELECTRICAL EQUIP NUMBER: M00207 WIRING DIAGRAM REF: 243141 COMPONENT MAINT MANUAL REF: 24-31-06	002004 006102 107107 504903 950999	1
	20 4-254-02		.CHARGER-BATTERY SUPPLIER CODE: V08748 SPECIFICATION NUMBER: S282T002-2 ELECTRICAL EQUIP NUMBER: M00207 COMPONENT MAINT MANUAL REF: 24-31-04	121503 904949	1

MISSING ITEM NUMBERS NOT APPLICABLE

- ITEM NOT ILLUSTRATED

BRI

24-31-04-01

24-31-04
FIG. 01
PAGE 2
JAN 20/09



757

PARTS CATALOG (MAINTENANCE)

FIG ITEM	PART NUMBER	1 2 3 4 5 6 7	NOMENCLATURE	EFFECT FROM TO	UNITS PER ASSY
1 20	4-254-03	.	CHARGER-BATTERY SUPPLIER CODE: V08748 SPECIFICATION NUMBER: S282T002-4 ELECTRICAL EQUIP NUMBER: M00207 COMPONENT MAINT MANUAL REF: 24-31-04	121503 904949	1
20	4-254-04	.	CHARGER-BATTERY SUPPLIER CODE: V08748 SPECIFICATION NUMBER: S282T002-6 ELECTRICAL EQUIP NUMBER: M00207 COMPONENT MAINT MANUAL REF: 24-31-04	121503 904949	1
20	8-930-03	.	CHARGER-BATTERY SUPPLIER CODE: V08748 FUNCTIONAL DESCRIPTION: CHARGES THE MAIN AND APU BATTERIES SPECIFICATION NUMBER: S282T003-3 ELECTRICAL EQUIP NUMBER: M00207 COMPONENT MAINT MANUAL REF: 24-31-06	121503 904949	1
33	8-930007-03	..	NAMEPLATE- SUPPLIER CODE: V08748 OPTIONAL PART: 8-930007-04 V08748 USED ON: 8-930-03	002004 006102 107107 121999	1
33	8-930007-04	..	NAMEPLATE- SUPPLIER CODE: V08748 OPTIONAL PART: 8-930007-03 V08748 USED ON: 8-930-03	002004 006102 107107 121999	1
- 550	286N1026-001		WIRE BUNDLE ASSY	107107	RF
- 550	286N1026-002		WIRE BUNDLE ASSY	121503 904949	RF

MISSING ITEM NUMBERS NOT APPLICABLE

- ITEM NOT ILLUSTRATED

24-31-04-01

24-31-04
FIG. 01
PAGE 3
JAN 20/09

BRI



757

PARTS CATALOG (MAINTENANCE)

FIG ITEM	PART NUMBER	1 2 3 4 5 6 7	NOMENCLATURE	EFFECT FROM TO	UNITS PER ASSY
1					
- 550	286N1026-004		WIRE BUNDLE ASSY	002004 006100 950999	RF
- 551	286N1026-317		WIRE BUNDLE ASSY	504903	RF
- 551	286N1026-325		WIRE BUNDLE ASSY	101102	RF
565	BACC45FT14D12S		.CONNECTOR- ELECTRICAL EQUIP NUMBER: D01888 WIRING DIAGRAM REF: 243141	002004 006102 107107 504903 950999	1
570	BACC45FT14D12S		.CONNECTOR- ELECTRICAL EQUIP NUMBER: D01888 WIRING DIAGRAM REF: 243141	121503 904949	1

MISSING ITEM NUMBERS NOT APPLICABLE

- ITEM NOT ILLUSTRATED

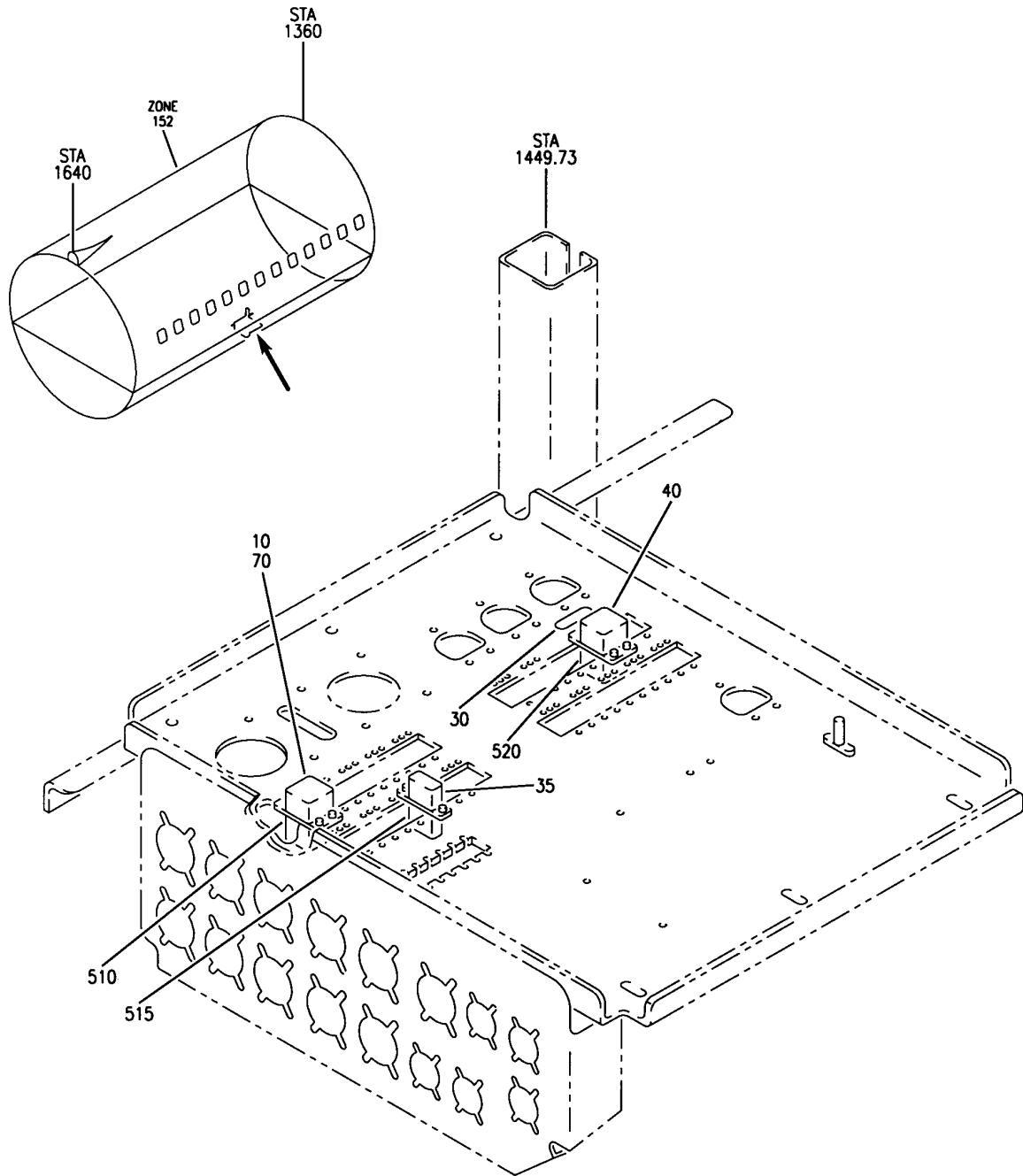
BRI

24-31-04-01

BOEING PROPRIETARY - Copyright © - Unpublished Work - See title page for details.

24-31-04
FIG. 01
PAGE 4
JAN 20/09

BOEING
757
PARTS CATALOG (MAINTENANCE)



Y 24310401A REV 210

EQUIPMENT ASSY-E6 AFT EQPT CTR RELAY PNL OPTION PKG (APU BATTERY CHARGER ONLY)
FIGURE 1A

BRI
MAY 28/07

24-31-04-01A

24-31-04-01A
PAGE 0



**757
PARTS CATALOG (MAINTENANCE)**

FIG ITEM	PART NUMBER	1 2 3 4 5 6 7	NOMENCLATURE	EFFECT FROM TO	UNITS PER ASSY
1 A			EQUIPMENT ASSY-E6 AFT EQPT CTR RELAY PNL OPTION PKG (APU BATTERY CHARGER ONLY)	101102 504903	
- 1	284N1554-1000		EQUIPMENT ASSY-E6 EQPT CTR RELAY PNL OPTION PKG (APU BATTERY CHARGER ONLY) POSITION DATA: AFT MISCELLANEOUS DATA: MINOR MODEL 757-200 FOR NHA/OTHER SYS DET SEE: 31-01-86-02	101102 504903	RF
10	E410-1537		.RELAY- SUPPLIER CODE: V99699 SPECIFICATION NUMBER: BACR13CG2A OPTIONAL PART: E415-1078 V99699 BR230S0116 V56623 KD4A017 V58687 FCA410-62 V78290 ELECTRICAL EQUIP NUMBER: K00116	101102 504903	1
- 25	284N1554-1006		EQUIPMENT ASSY-E6 EQPT CTR RELAY PNL OPTION PKG (APU BATTERY CHARGER ONLY) POSITION DATA: AFT MISCELLANEOUS DATA: MINOR MODEL 757-200 PASS AND STANDBY POWER-90 MINUTES OR MINOR MODEL 757-200 PASS AND STANDBY POWER-EXTENDED TIME CAPABILITY OR MINOR MODEL 757-300 PASS AND STANDBY POWER-90 MINUTES FOR NHA SEE: 31-01-86-02	101102 504903	RF

MISSING ITEM NUMBERS NOT APPLICABLE

- ITEM NOT ILLUSTRATED

BRI

24-31-04-01A

BOEING PROPRIETARY - Copyright © - Unpublished Work - See title page for details.

24-31-04
FIG. 01A
PAGE 1
JAN 20/09

 **BOEING**
757
PARTS CATALOG (MAINTENANCE)

FIG ITEM	PART NUMBER	1 2 3 4 5 6 7	NOMENCLATURE	EFFECT FROM TO	UNITS PER ASSY
1A 35	E210-1631		.RELAY- SUPPLIER CODE: V99699 SPECIFICATION NUMBER: BACR13CF2A OPTIONAL PART: BR246S0112 V56623 FCA210-70 V78290 E215-1050 V99699 JD4A017 V35344 BR64S104 V56623 61GB19-1A320 V98927 ELECTRICAL EQUIP NUMBER: K10422	101102 504903	1
40	TD1862-7500A		.RELAY- SUPPLIER CODE: V58657 ELECTRICAL EQUIP NUMBER: K10418	101102 504903	1
- 501	286N1024-325		WIRE BUNDLE ASSY	504903	RF
- 501	286N1024-327		WIRE BUNDLE ASSY	101102	RF
510	BACS16W1		.SOCKET- ELECTRICAL EQUIP NUMBER: D01886 WIRING DIAGRAM REF: 243141	101102 504903	1
515	RSF116200		.SOCKET- SUPPLIER CODE: V58982 SPECIFICATION NUMBER: BACS16X1A OPTIONAL PART: 102-006-1 V09922 000300-1538 V05574 ELECTRICAL EQUIP NUMBER: D05025 WIRING DIAGRAM REF: 243312	101102 504903	1

MISSING ITEM NUMBERS NOT APPLICABLE

- ITEM NOT ILLUSTRATED

BRI

24-31-04-01A

BOEING PROPRIETARY - Copyright © - Unpublished Work - See title page for details.

24-31-04
FIG. 01A
PAGE 2
JAN 20/09


BOEING
 757
PARTS CATALOG (MAINTENANCE)

FIG ITEM	PART NUMBER	1 2 3 4 5 6 7 NOMENCLATURE	EFFECT FROM TO	UNITS PER ASSY
1 A 520	RSF116416	. SOCKET - SUPPLIER CODE: V58982 SPECIFICATION NUMBER: BACS16W5A OPTIONAL PART: 102-010-1 V09922 000300-1545 V05574 ELECTRICAL EQUIP NUMBER: D04774 WIRING DIAGRAM REF: 243312	101102 504903	1

MISSING ITEM NUMBERS NOT APPLICABLE

— ITEM NOT ILLUSTRATED

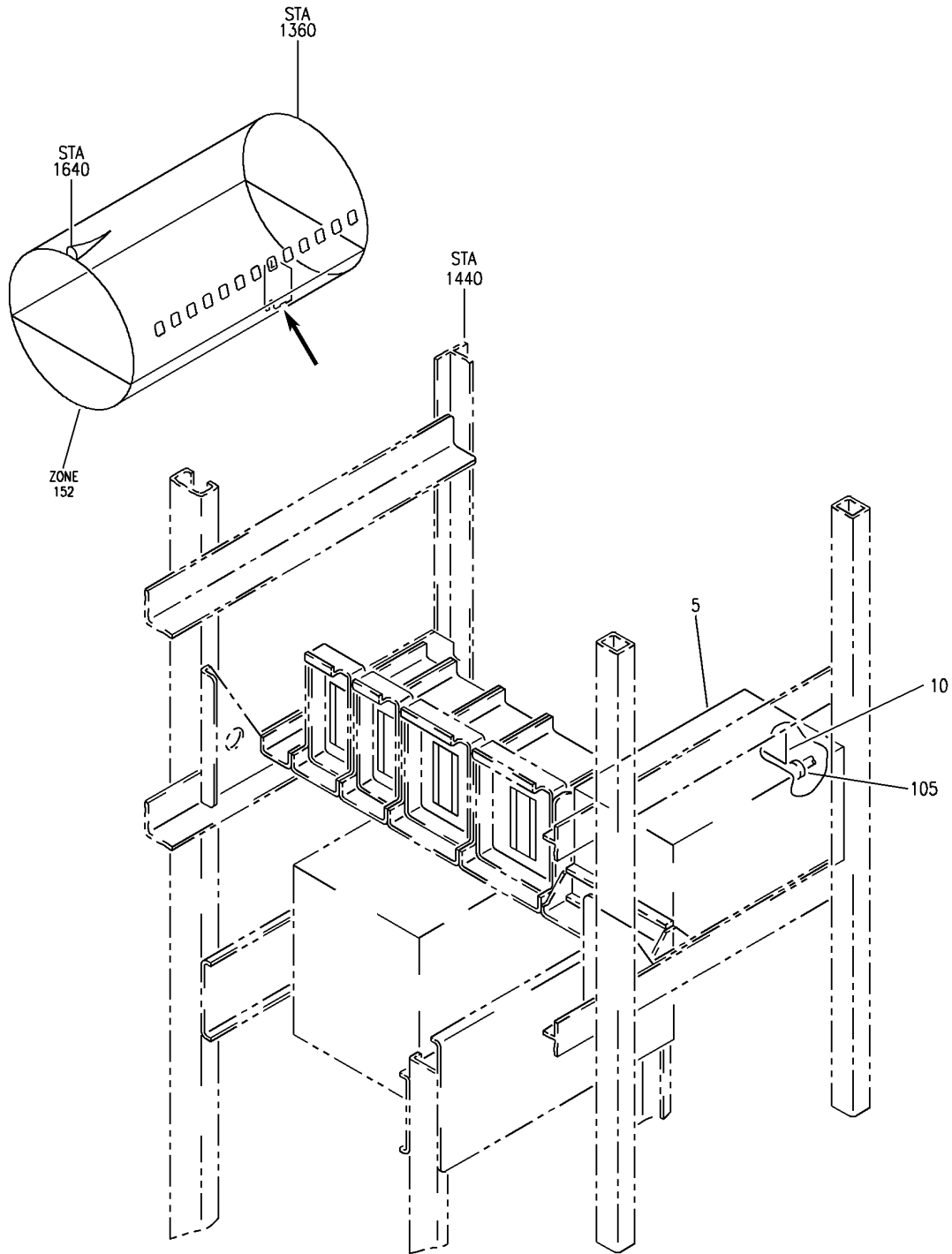
BRI

24-31-04-01A

BOEING PROPRIETARY - Copyright © - Unpublished Work - See title page for details.

24-31-04
 FIG. 01A
 PAGE 3
 JAN 20/09

BOEING
757
PARTS CATALOG (MAINTENANCE)



Y 24-31-04-04 REV 301

EQUIPMENT INSTL-E6 AFT EQPT CTR APU BATTERY EXTENDED RACK (APU BATTERY CHARGER ONLY)
FIGURE 4

BRI
JAN 20/09

24-31-04-04

24-31-04-04
PAGE 0

 **BOEING**
757
PARTS CATALOG (MAINTENANCE)

FIG ITEM	PART NUMBER	1 2 3 4 5 6 7	NOMENCLATURE	EFFECT FROM TO	UNITS PER ASSY
4			EQUIPMENT INSTL-E6 AFT EQPT CTR APU BATTERY EXTENDED RACK (APU BATTERY CHARGER ONLY)	103106	
- 1	MODREF10608		EQUIPMENT INSTL-E6 AFT EQPT CTR APU BATTERY EXTENDED RACK (APU BATTERY CHARGER ONLY)	103105	1
- 1	MODREF193824		MODULE NUMBER: 284N6000-240005 REV A EQUIPMENT INSTL-E6 AFT EQPT CTR APU BATTERY EXTENDED RACK (APU BATTERY CHARGER ONLY)	106106	1
5	4-254-04		MODULE NUMBER: 284N6000-240005 REV B .CHARGER-BATTERY SUPPLIER CODE: V08748 SPECIFICATION NUMBER: S282T002-6 ELECTRICAL EQUIP NUMBER: M00207 COMPONENT MAINT MANUAL REF: 24-31-04	103106	1
5	8-930-03		.CHARGER-BATTERY SUPPLIER CODE: V08748 FUNCTIONAL DESCRIPTION: CHARGES THE MAIN AND APU BATTERIES SPECIFICATION NUMBER: S282T003-3 ELECTRICAL EQUIP NUMBER: M00207 COMPONENT MAINT MANUAL REF: 24-31-06	103106	1
5	4-254-02		.CHARGER-BATTERY SUPPLIER CODE: V08748 SPECIFICATION NUMBER: S282T002-2 ELECTRICAL EQUIP NUMBER: M00207 COMPONENT MAINT MANUAL REF: 24-31-04	103106	1

MISSING ITEM NUMBERS NOT APPLICABLE

- ITEM NOT ILLUSTRATED

BRI

24-31-04-04

24-31-04
FIG. 04
PAGE 1
JAN 20/09



757

PARTS CATALOG (MAINTENANCE)

FIG ITEM	PART NUMBER	1 2 3 4 5 6 7	NOMENCLATURE	EFFECT FROM TO	UNITS PER ASSY
4					
5	4-254-03		.CHARGER-BATTERY SUPPLIER CODE: V08748 SPECIFICATION NUMBER: S282T002-4 ELECTRICAL EQUIP NUMBER: M00207 COMPONENT MAINT MANUAL REF: 24-31-04	103106	1
10	8-930007-03		..NAMEPLATE- SUPPLIER CODE: V08748 OPTIONAL PART: 8-930007-04 V08748 USED ON: 8-930-03	103106	1
10	8-930007-04		..NAMEPLATE- SUPPLIER CODE: V08748 OPTIONAL PART: 8-930007-03 V08748 USED ON: 8-930-03	103106	1
- 100	286N1026-701		WIRE BUNDLE ASSY	103106	RF
105	BACC45FT14D12S		.CONNECTOR- ELECTRICAL EQUIP NUMBER: D01888 WIRING DIAGRAM REF: 243141	103106	1

MISSING ITEM NUMBERS NOT APPLICABLE

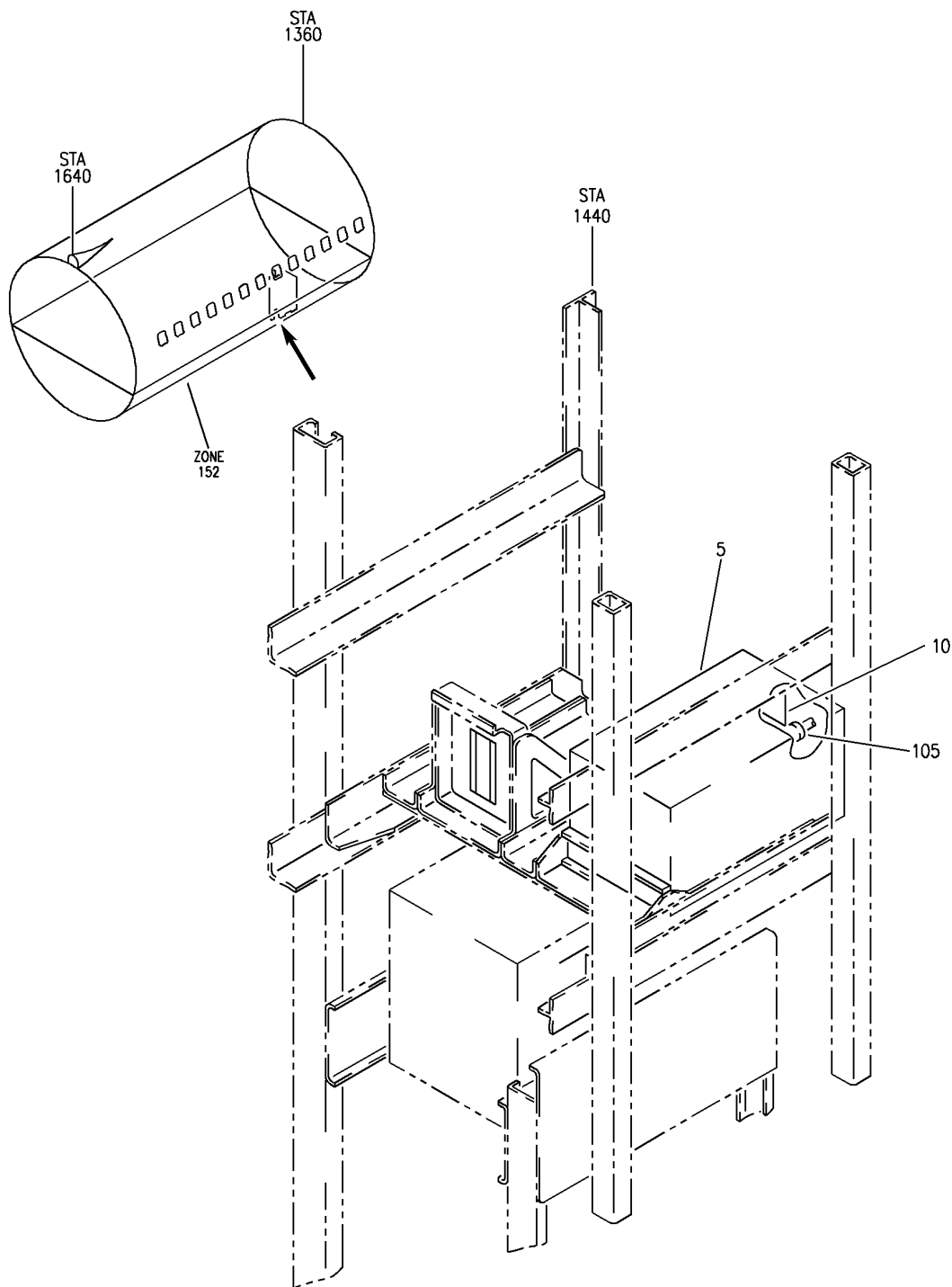
- ITEM NOT ILLUSTRATED

24-31-04-04

24-31-04
FIG. 04
PAGE 2
JAN 20/09

BRI

BOEING
757
PARTS CATALOG (MAINTENANCE)



Y 24-31-04-05 REV 301

EQUIPMENT INSTL-E6 AFT EQPT CTR APU BATTERY SMALL RACK (APU BATTERY CHARGER ONLY)

FIGURE 5

24-31-04-05

BRI
JAN 20/09

24-31-04-05
PAGE 0



757

PARTS CATALOG (MAINTENANCE)

FIG ITEM	PART NUMBER	1 2 3 4 5 6 7	NOMENCLATURE	EFFECT FROM TO	UNITS PER ASSY
5			EQUIPMENT INSTL-E6 AFT EQPT CTR APU BATTERY SMALL RACK (APU BATTERY CHARGER ONLY)	108120	
- 1	284N6000-240006		EQUIPMENT INSTL-E6 AFT EQPT CTR APU BATTERY SMALL RACK (APU BATTERY CHARGER ONLY) FOR NHA/OTHER SYS DET SEE: 24-00-58-05F	108120	RF
5	4-254-04		.CHARGER-BATTERY SUPPLIER CODE: V08748 SPECIFICATION NUMBER: S282T002-6 ELECTRICAL EQUIP NUMBER: M00207 COMPONENT MAINT MANUAL REF: 24-31-04	108120	1
5	8-930-03		.CHARGER-BATTERY SUPPLIER CODE: V08748 FUNCTIONAL DESCRIPTION: CHARGES THE MAIN AND APU BATTERIES SPECIFICATION NUMBER: S282T003-3 ELECTRICAL EQUIP NUMBER: M00207 COMPONENT MAINT MANUAL REF: 24-31-06	108120	1
5	4-254-02		.CHARGER-BATTERY SUPPLIER CODE: V08748 SPECIFICATION NUMBER: S282T002-2 ELECTRICAL EQUIP NUMBER: M00207 COMPONENT MAINT MANUAL REF: 24-31-04	108120	1
5	4-254-03		.CHARGER-BATTERY SUPPLIER CODE: V08748 SPECIFICATION NUMBER: S282T002-4 ELECTRICAL EQUIP NUMBER: M00207 COMPONENT MAINT MANUAL REF: 24-31-04	108120	1

MISSING ITEM NUMBERS NOT APPLICABLE

- ITEM NOT ILLUSTRATED

24-31-04-05

24-31-04
FIG. 05
PAGE 1
JAN 20/09

BRI



757

PARTS CATALOG (MAINTENANCE)

FIG ITEM	PART NUMBER	1 2 3 4 5 6 7	NOMENCLATURE	EFFECT FROM TO	UNITS PER ASSY
5					
10	8-930007-03		..NAMEPLATE- SUPPLIER CODE: V08748 OPTIONAL PART: 8-930007-04 V08748 USED ON: 8-930-03	108120	1
10	8-930007-04		..NAMEPLATE- SUPPLIER CODE: V08748 OPTIONAL PART: 8-930007-03 V08748 USED ON: 8-930-03	108120	1
- 100	286N1026-336		WIRE BUNDLE ASSY-	108120	RF
105	BACC45FT14D12S		.CONNECTOR- ELECTRICAL EQUIP NUMBER: D01888 WIRING DIAGRAM REF: 243141	108120	1

MISSING ITEM NUMBERS NOT APPLICABLE

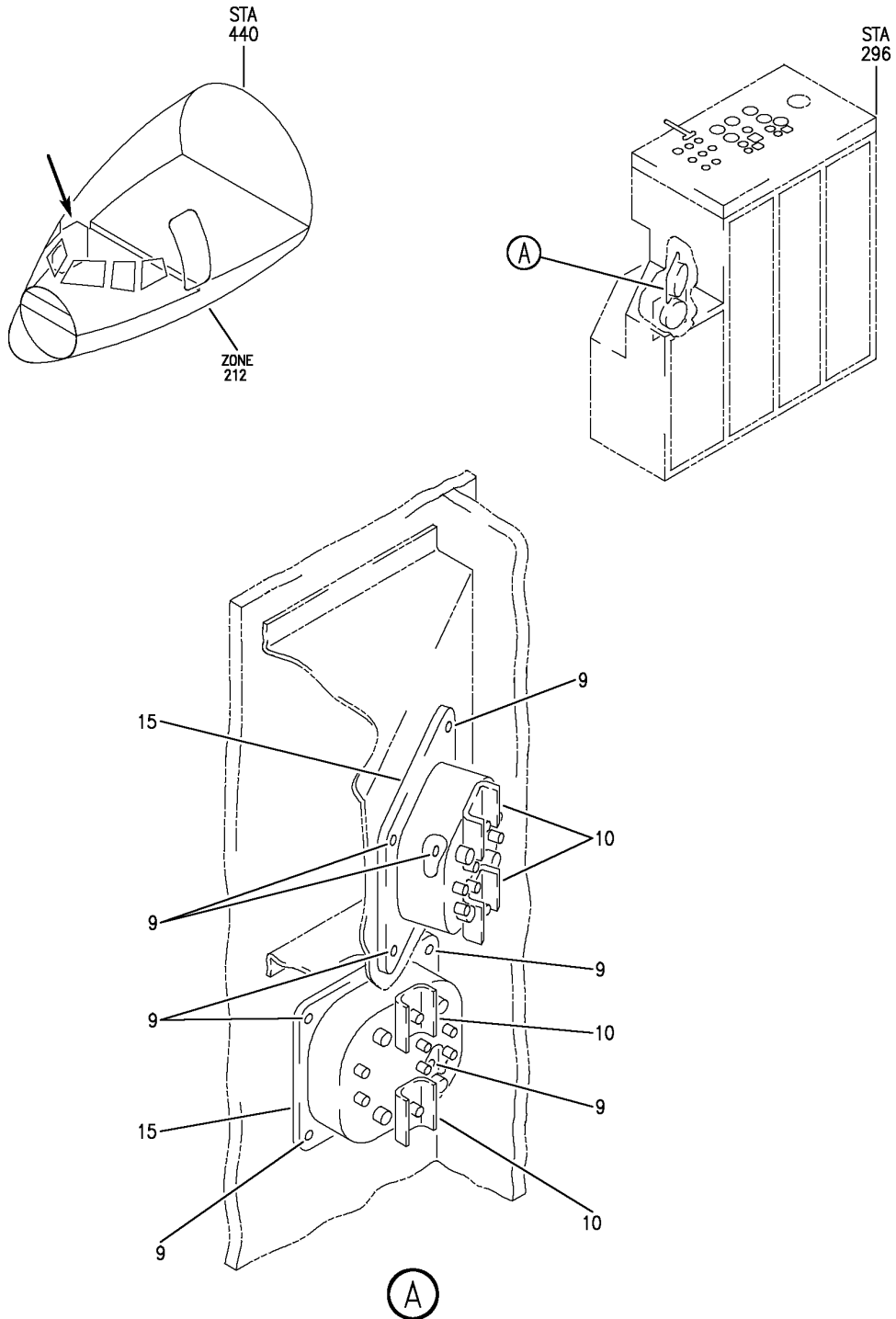
- ITEM NOT ILLUSTRATED

24-31-04-05

24-31-04
FIG. 05
PAGE 2
JAN 20/09

BRI

BOEING
757
PARTS CATALOG (MAINTENANCE)



Y 24310601 REV 253

PANEL INSTL-P6 PWR DISTR (MAIN BATTERY AND MAIN BATTERY TRANSFER RELAY ONLY)

FIGURE 1

24-31-06-01

BRI
JAN 20/09

24-31-06-01
PAGE 0



757

PARTS CATALOG (MAINTENANCE)

FIG ITEM	PART NUMBER	1 2 3 4 5 6 7	NOMENCLATURE	EFFECT FROM TO	UNITS PER ASSY
1			PANEL INSTL-P6 PWR DISTR (MAIN BATTERY AND MAIN BATTERY TRANSFER RELAY ONLY)	103106 108120	
- 1	287N4102-408		PANEL INSTL-P6 PWR DISTR (MAIN BATTERY AND MAIN BATTERY TRANSFER RELAY ONLY)	108120	RF
- 4	MODREF31408		FOR NHA/OTHER SYS DET SEE: 24-00-58-05F		
			PANEL INSTL-P6 PWR DISTR (MAIN BATTERY AND MAIN BATTERY TRANSFER RELAY ONLY)	103106	1
			MODULE NUMBER: 287N4102-437 REV A		
			FOR OTHER SYS DETAILS SEE: 11-34-05-07 24-32-02-01 24-32-03-01 24-33-01-01 24-51-05-01 24-51-06-01 24-51-07-01 24-51-52-08 24-51-52-09 24-51-52-10 24-51-73-02 24-53-52-02 31-01-06-02		
			FOR ADDITIONAL DETAILS SEE: 24-31-71-09		
9	NAS1801-3-7		.SCREW	103106 108120	8
10	66-22661-2		.BARRIER-RELAY TERM.	103106 108120	4
15	9131-8506		.RELAY- SUPPLIER CODE: V35344 SPECIFICATION NUMBER: 10-61445-21 ELECTRICAL EQUIP NUMBER: K00104 K00106 COMPONENT MAINT MANUAL REF: 24-09-07 OPTIONAL PART: BH316A V74063	103106 108120	2

MISSING ITEM NUMBERS NOT APPLICABLE

- ITEM NOT ILLUSTRATED

24-31-06-01

24-31-06
FIG. 01
PAGE 1
JAN 20/09

BRI



757

PARTS CATALOG (MAINTENANCE)

FIG ITEM	PART NUMBER	1 2 3 4 5 6 7	NOMENCLATURE	EFFECT FROM TO	UNITS PER ASSY
R R R R R R R R R R R R R	1 15	BH316A	.RELAY-	103106	2
			SUPPLIER CODE:	108120	
			V74063		
			FUNCTIONAL DESCRIPTION:		
			A SEALED REPAIRABLE		
			ELECTROMAGNETIC DEVICE		
			FOR REMOTE ACTUATION OF		
			28V, 50 AMP ELECTRICAL		
			CONTACT.		
			SPECIFICATION NUMBER:		
			10-61445-21		
			ELECTRICAL EQUIP NUMBER:		
			K00104		
		K00106			
		COMPONENT MAINT MANUAL REF:			
		24-09-36			
		OPTIONAL PART:			
		9131-8506			
		V35344			

MISSING ITEM NUMBERS NOT APPLICABLE

- ITEM NOT ILLUSTRATED

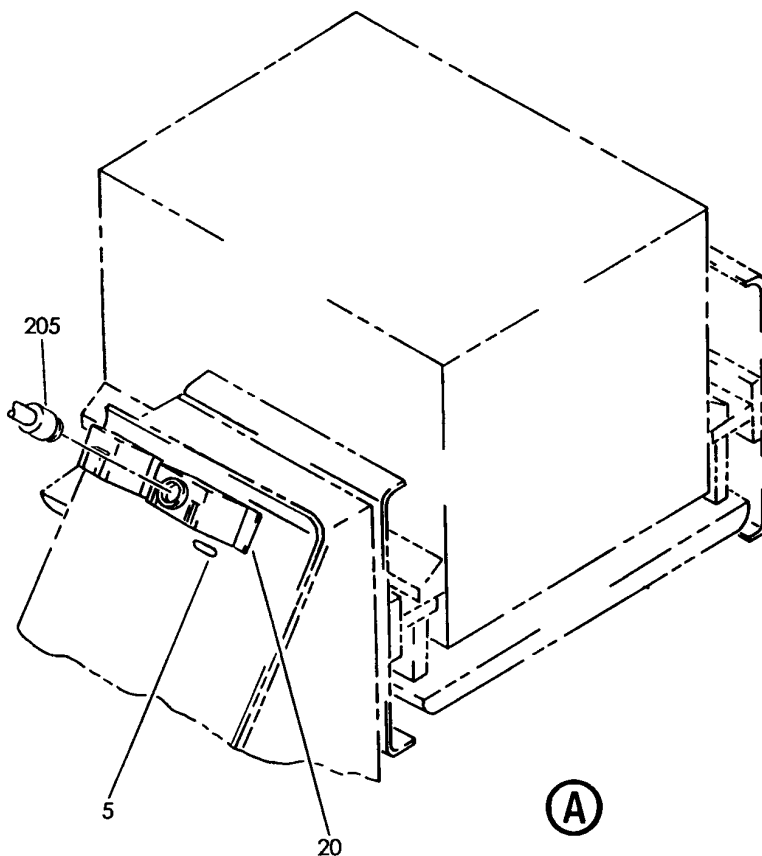
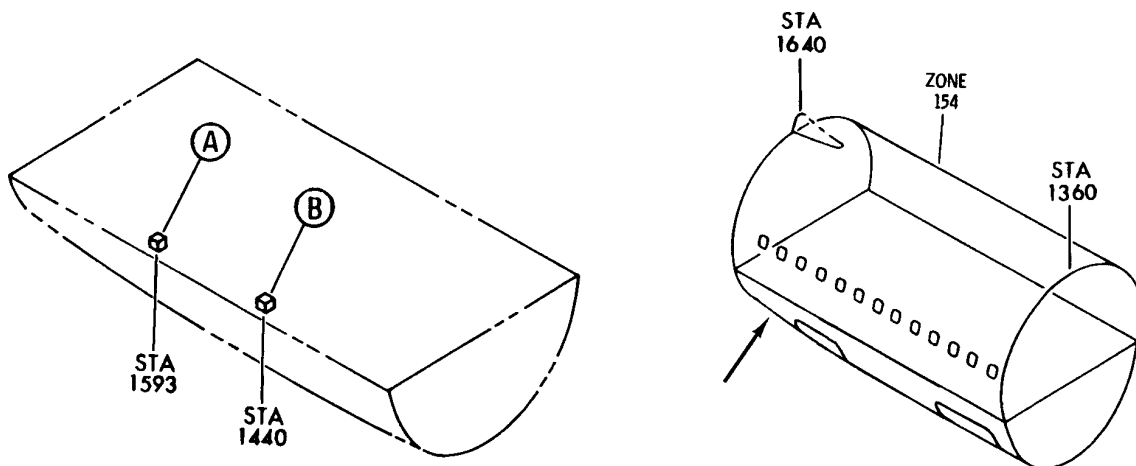
BRI

24-31-06-01

BOEING PROPRIETARY - Copyright © - Unpublished Work - See title page for details.

24-31-06
FIG. 01
PAGE 2
MAY 20/09

BOEING
757
PARTS CATALOG (MAINTENANCE)



Y 24310701 SHT 1 REV 211

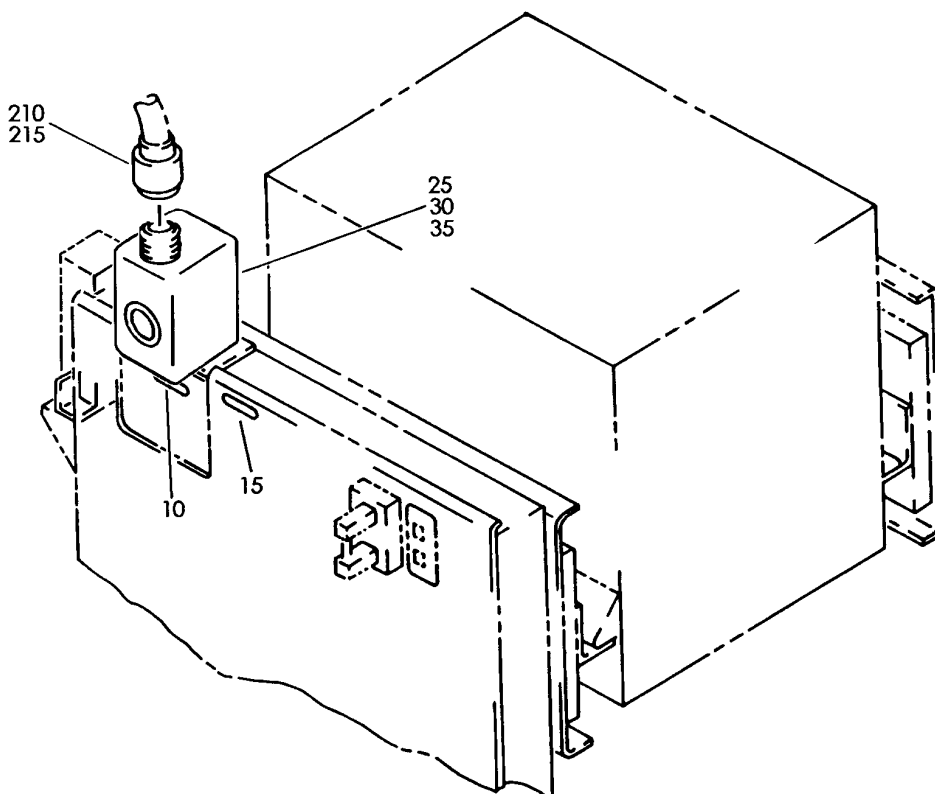
EQUIPMENT INSTL-E6 AFT EQPT CTR (APU BATTERY CURRENT MONITOR ONLY)
FIGURE 1 (SHEET 1)

24-31-07-01

BRI
MAY 28/07

24-31-07-01
PAGE 0

BOEING
757
PARTS CATALOG (MAINTENANCE)



(B)

Y 24310701 SH 2 REV 211

EQUIPMENT INSTL-E6 AFT EQPT CTR (APU BATTERY CURRENT MONITOR ONLY)
FIGURE 1 (SHEET 2)

24-31-07-01

BRI
MAY 28/07

24-31-07-01
PAGE 0A



**757
PARTS CATALOG (MAINTENANCE)**

FIG ITEM	PART NUMBER	1 2 3 4 5 6 7	NOMENCLATURE	EFFECT FROM TO	UNITS PER ASSY
1			EQUIPMENT INSTL-E6 AFT EQPT CTR (APU BATTERY CURRENT MONITOR ONLY)	002004 006102 107107 121949 952999	
- 1	284N1686-3		EQUIPMENT INSTL-E6 EQPT CTR (APU BATTERY CURRENT MONITOR ONLY) POSITION DATA: AFT FOR NHA/OTHER SYS DET SEE: 24-00-58-01	121503 904949	RF
- 2	284N1500-1		EQUIPMENT INSTL-E6 EQPT CTR (APU BATTERY CURRENT MONITOR ONLY) POSITION DATA: AFT VARIABLE DRAWING REF: 284N1500-5012 284N1500-5032 284N1500-5034 FOR NHA/OTHER SYS DET SEE: 24-00-58-01	002004 006100 107107 952999	RF
- 2	284N1500-21		EQUIPMENT INSTL-E6 EQPT CTR (APU BATTERY CURRENT MONITOR ONLY) POSITION DATA: AFT FOR NHA/OTHER SYS DET SEE: 24-00-58-05D	101102	RF
- 2	284N1500-25		EQUIPMENT INSTL-E6 EQPT CTR (APU BATTERY CURRENT MONITOR ONLY) POSITION DATA: AFT FOR NHA/OTHER SYS DET SEE: 24-00-58-05D	504903	RF
5	BAC27NEX1559		.DECAL- PLACARD CONTENT: M10495	121503 904949	1
15	BAC27NEX1559		.DECAL- PLACARD CONTENT: M10495 PRE SERVICE BULLETIN: 24-0125R1 24-0125R2 24-0130	002004 006102 107107 504903 952999	1

MISSING ITEM NUMBERS NOT APPLICABLE

- ITEM NOT ILLUSTRATED

R
R
R
R
R
R

24-31-07-01

24-31-07
FIG. 01
PAGE 1
MAY 20/09

BRI



**757
PARTS CATALOG (MAINTENANCE)**

FIG ITEM	PART NUMBER	1 2 3 4 5 6 7	NOMENCLATURE	EFFECT FROM TO	UNITS PER ASSY
1					
- 50	PLH508CD		.NUT SUPPLIER CODE: VF0224 SPECIFICATION NUMBER: BACN10YR08CD OPTIONAL PART: H52732-08CD V15653	101102 504903	4
R R R R R	- 50	MS21042L08	.NUT- PRE SERVICE BULLETIN: 24-0125R1 24-0125R2 24-0130 -----*-----	002004 006100 107107 952999	4
	- 200	286N1026-001	WIRE BUNDLE ASSY	107107	RF
	- 200	286N1026-002	WIRE BUNDLE ASSY	121503 904949	RF
	- 200	286N1026-004	WIRE BUNDLE ASSY	002004 006100 952999	RF
	- 200	286N1026-325	WIRE BUNDLE ASSY	101102	RF
	205	BACC45FT12A12S	.CONNECTOR- ELECTRICAL EQUIP NUMBER: D04766 WIRING DIAGRAM REF: 243312	121503 904949	1
	215	BACC45FT12A12S	.CONNECTOR- ELECTRICAL EQUIP NUMBER: D04766 WIRING DIAGRAM REF: 243312	002004 006100 107107 952999	1

MISSING ITEM NUMBERS NOT APPLICABLE

- ITEM NOT ILLUSTRATED

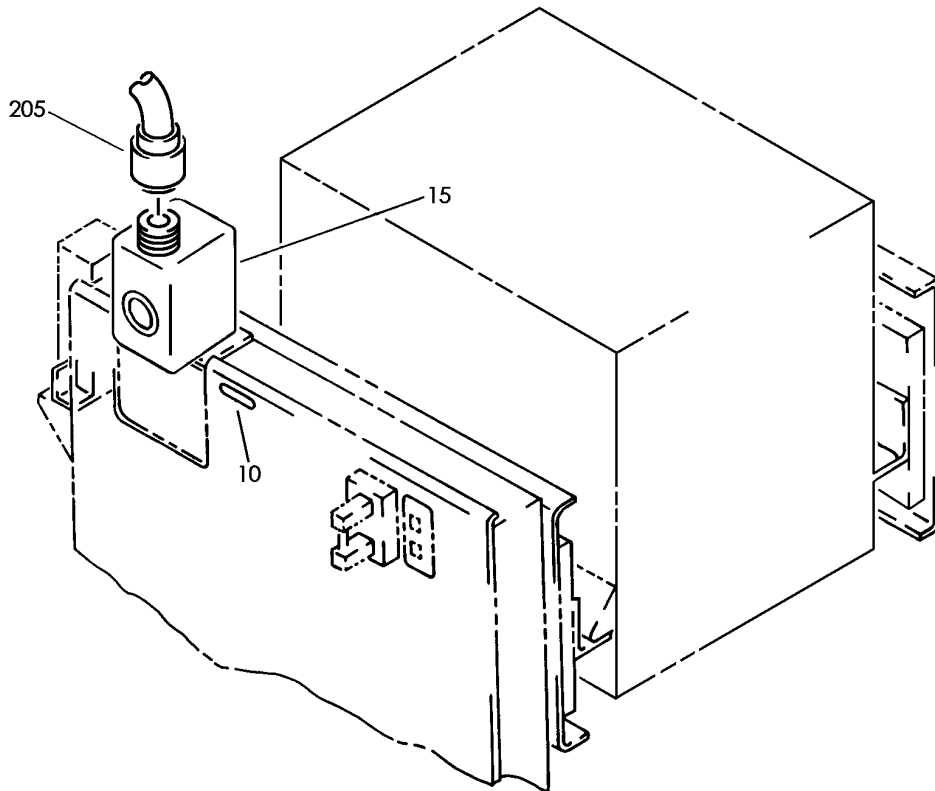
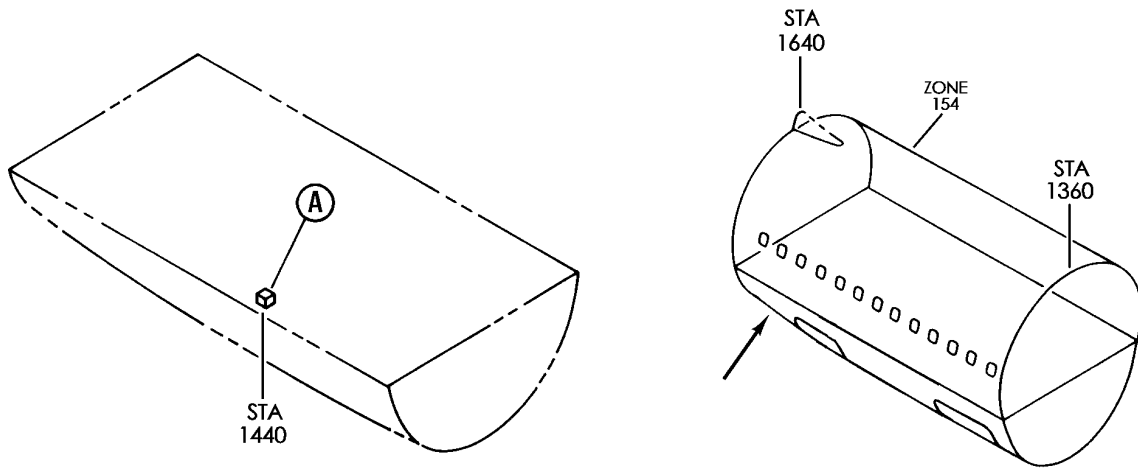
BRI

24-31-07-01

BOEING PROPRIETARY - Copyright © - Unpublished Work - See title page for details.

24-31-07
FIG. 01
PAGE 3
MAY 20/09

BOEING
757
PARTS CATALOG (MAINTENANCE)



Y 24310702 REV 225

EQUIPMENT INSTL-E6 AFT EQPT CTR PWR 90-MIN RACK STBY (APU BATTERY CURRENT MONITORS ONLY)

FIGURE 2

24-31-07-02

BRI
JAN 20/09

24-31-07-02
PAGE 0



757

PARTS CATALOG (MAINTENANCE)

FIG ITEM	PART NUMBER	1 2 3 4 5 6 7	NOMENCLATURE	EFFECT FROM TO	UNITS PER ASSY
2			EQUIPMENT INSTL-E6 AFT EQPT CTR PWR 90-MIN RACK STBY (APU BATTERY CURRENT MONITORS ONLY)	103106 108120	
- 1	284N6000-240000		EQUIPMENT INSTL-E6 AFT EQPT CTR PWR 90-MIN SMALL RACK STBY (APU BATTERY CURRENT MONITORS ONLY) FOR NHA/OTHER SYS DET SEE: 24-00-58-05F	108120	RF
- 5	MODREF10606		EQUIPMENT INSTL-E6 AFT EQPT CTR PWR 90-MIN EXTENDED RACK STBY (APU BATTERY CURRENT MONITORS ONLY) MODULE NUMBER: 284N6000-240001 REV A FOR OTHER SYS DETAILS SEE: 24-33-02-02	103106	1
10	BAC27NEX1559		.DECAL- PLACARD CONTENT: M10495	103106 108120	1
15	1566-1-2		.MONITOR-CURRENT SUPPLIER CODE: V30242 SPECIFICATION NUMBER: S282N001-4 ELECTRICAL EQUIP NUMBER: M10495	103106 108120	1
- 20	NAS1801-08-8		ATTACHING PARTS .SCREW	103106 108120	4
- 25	NAS1149DN816J		.WASHER	103106 108120	4
- 30	PLH508CD		.NUT SUPPLIER CODE: VF0224 SPECIFICATION NUMBER: BACN10YR08CD OPTIONAL PART: H52732-08CD V15653	103106 108120	4
- 200	286N1026-336		-----*----- WIRE BUNDLE ASSY-	108120	RF
- 201	286N1026-701		WIRE BUNDLE ASSY	103106	RF

MISSING ITEM NUMBERS NOT APPLICABLE

- ITEM NOT ILLUSTRATED

24-31-07-02

24-31-07
FIG. 02
PAGE 1
JAN 20/09

BRI



757

PARTS CATALOG (MAINTENANCE)

FIG ITEM	PART NUMBER	1 2 3 4 5 6 7	NOMENCLATURE	EFFECT FROM TO	UNITS PER ASSY
2 205	BACC45FT12A12S		.CONNECTOR- ELECTRICAL EQUIP NUMBER: D04766 WIRING DIAGRAM REF: 243312	103106 108120	1

MISSING ITEM NUMBERS NOT APPLICABLE

- ITEM NOT ILLUSTRATED

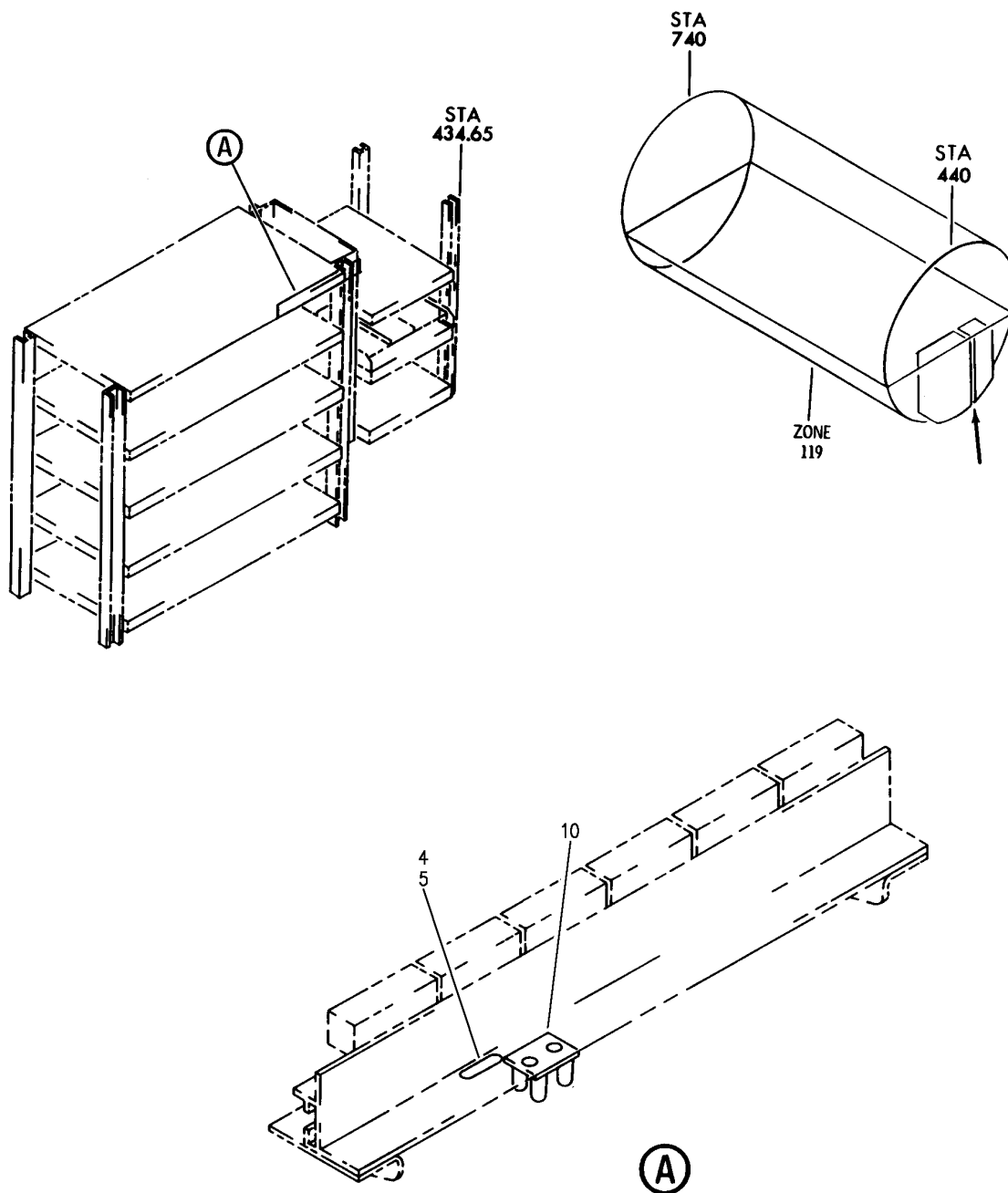
BRI

24-31-07-02

BOEING PROPRIETARY - Copyright © - Unpublished Work - See title page for details.

24-31-07
FIG. 02
PAGE 2
JAN 20/09

BOEING
757
PARTS CATALOG (MAINTENANCE)



Y 24311101 REV 291

DISCONNECT ASSY-MODULE ELEC/ELECTRONIC RACK (TERMINAL BOARD ONLY)

FIGURE 1

24-31-11-01

BRI
MAY 28/07

24-31-11-01
PAGE 0



757

PARTS CATALOG (MAINTENANCE)

FIG ITEM	PART NUMBER	1 2 3 4 5 6 7	NOMENCLATURE	EFFECT FROM TO	UNITS PER ASSY
1			DISCONNECT ASSY-MODULE ELEC/ELECTRONIC RACK (TERMINAL BOARD ONLY)	002004 006106 108503 953999	
- 1	287N1406-107		DISCONNECT ASSY-MODULE ELEC/ELECTRONIC RACK (TERMINAL BOARD ONLY) FOR NHA/OTHER SYS DET SEE: 25-70-52-03 25-70-52-05	002004 006106 108503 953999	RF
- 1	287N1089-55		DISCONNECT ASSY-MODULE ELEC/ELECTRONIC RACK (TERMINAL BOARD ONLY) FOR NHA/OTHER SYS DET SEE: 25-70-52-05	103106	RF
4	TTVF6502WE10		.TAPE SUPPLIER CODE: VOKW00 SPECIFICATION NUMBER: BACT19J2 OPTIONAL PART: THT14-437W10 V85480	103106	1
5	BAC27NEX2725		.DECAL- PLACARD CONTENT: TB 12	002004 006106 108503 953999	1
10	MS27212-2-1		.TERMINAL BOARD ASSY- ELECTRICAL EQUIP NUMBER: TB0012	002004 006106 108503 953999	1
- 15	NAS1801-04-6		ATTACHING PARTS .SCREW	103106	2
- 15	BACS12HN04-6		.SCREW-	002004 006102 108503 953999	2

MISSING ITEM NUMBERS NOT APPLICABLE

- ITEM NOT ILLUSTRATED

24-31-11-01

24-31-11
FIG. 01
PAGE 1
JAN 20/09

BRI



757

PARTS CATALOG (MAINTENANCE)

FIG ITEM	PART NUMBER	1 2 3 4 5 6 7 NOMENCLATURE	EFFECT FROM TO	UNITS PER ASSY
1 - 20	BRH10C04D	.NUT- SUPPLIER CODE: V52828 SPECIFICATION NUMBER: BACN10JC04CD OPTIONAL PART: H51650-04BAC V15653 102LH9075-40W V72962 NS202486-40 V80539 T6C440JCD V11815 T6C440JCD V11815 -----*-----	002004 006106 108503 953999	2

MISSING ITEM NUMBERS NOT APPLICABLE

- ITEM NOT ILLUSTRATED

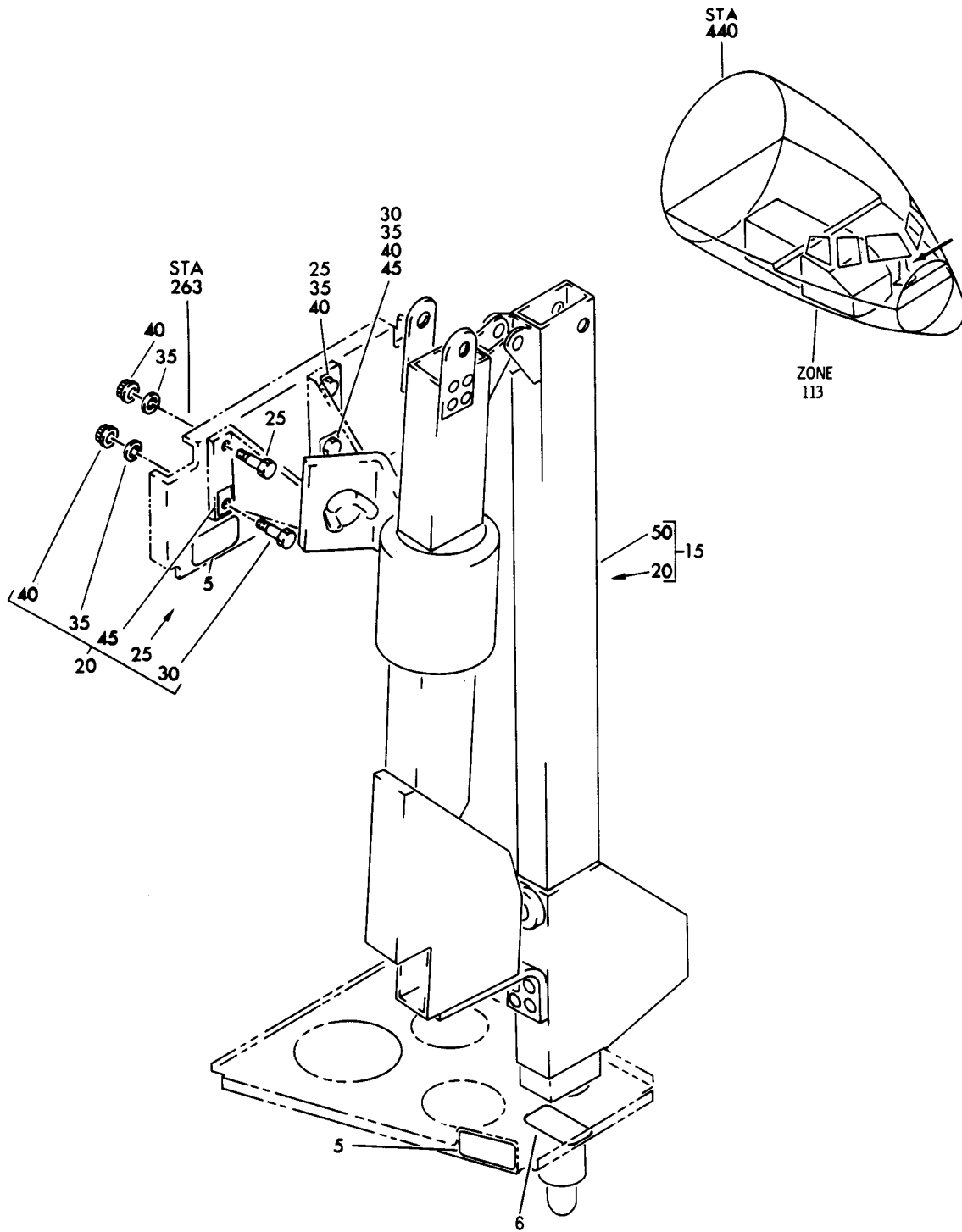
BRI

24-31-11-01

BOEING PROPRIETARY - Copyright © - Unpublished Work - See title page for details.

24-31-11
FIG. 01
PAGE 2
JAN 20/09

BOEING
757
PARTS CATALOG (MAINTENANCE)



Y 24315101 REV 259

HOIST INSTL-MAIN BATTERY STOWAGE TOOL
FIGURE 1

24-31-51-01

BRI
MAY 28/07

24-31-51-01
PAGE 0



757

PARTS CATALOG (MAINTENANCE)

FIG ITEM	PART NUMBER	1 2 3 4 5 6 7	NOMENCLATURE	EFFECT FROM TO	UNITS PER ASSY
1			HOIST INSTL-MAIN BATTERY STOWAGE TOOL	002004 006949 952999	
- 1	284N1652-2		HOIST INSTL-MAIN BATTERY STOWAGE TOOL FOR NHA/OTHER SYS DET SEE: 24-00-58-01C 24-00-58-05	002004 006102 107949 952999	RF
- 1	MODREF9035		HOIST INSTL-MAIN BATTERY STOWAGE TOOL MODULE NUMBER: 284N1652-2 REV A	103106	1
5	BAC27NEX0634		.DECAL- PLACARD CONTENT: BATTERY HOIST TOOL STOWAGE	002004 006949 952999	2
6	BAC27NEX0635		.DECAL- PLACARD CONTENT: BATTERY HOIST TOOL STOWAGE	002004 006949 952999	1

MISSING ITEM NUMBERS NOT APPLICABLE

- ITEM NOT ILLUSTRATED

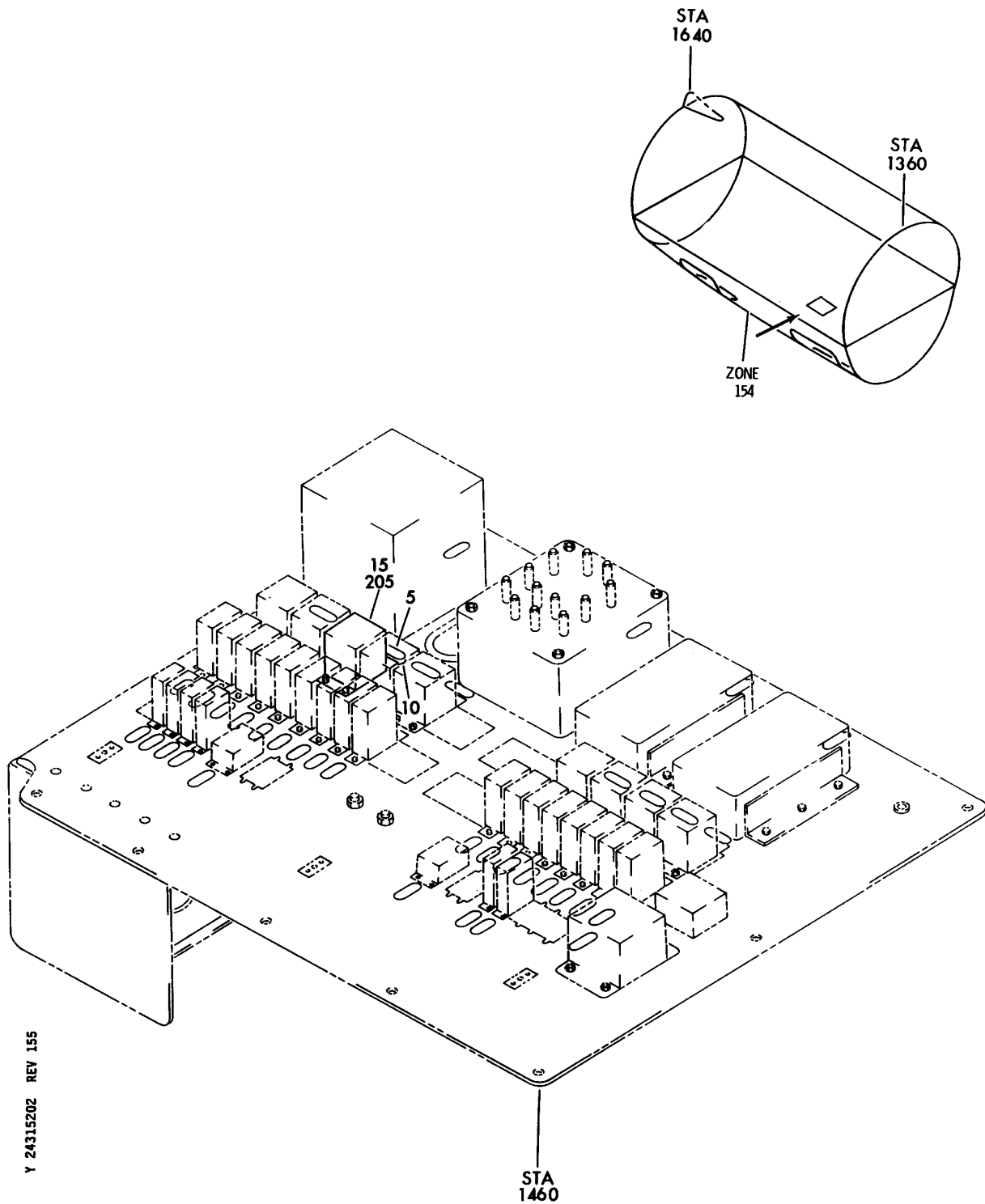
BRI

24-31-51-01

BOEING PROPRIETARY - Copyright © - Unpublished Work - See title page for details.

24-31-51
FIG. 01
PAGE 1
JAN 20/09

BOEING
757
PARTS CATALOG (MAINTENANCE)



Y 24315202 REV 155

EQUIPMENT ASSY-AFT EQPT CTR E6 RELAY (BATTERIES ONLY)
FIGURE 2

24-31-52-02

BRI
MAY 28/07

24-31-52-02
PAGE 0



757

PARTS CATALOG (MAINTENANCE)

FIG ITEM	PART NUMBER	1 2 3 4 5 6 7	NOMENCLATURE	EFFECT FROM TO	UNITS PER ASSY
2			EQUIPMENT ASSY-AFT EQPT CTR E6 RELAY (BATTERIES ONLY)	121503 904949	
- 1	284N1680-1		EQUIPMENT ASSY-AFT EQPT CTR E6 RELAY (BATTERIES ONLY)	121503 904949	RF
			VARIABLE DRAWING REF: 284N1680-5009 FOR NHA/OTHER SYS DET SEE: 25-70-51-53		
	5 BAC27TEX0675		.DECAL- PLACARD CONTENT: K116	121503 904949	1
	10 BAC27NEX1261		.DECAL- PLACARD CONTENT: D1886	121503 904949	1
	15 E410-1537		.RELAY- SUPPLIER CODE: V99699 SPECIFICATION NUMBER: BACR13CG2A OPTIONAL PART: E415-1078 V99699 BR230S0116 V56623 KD4A017 V58687 FCA410-62 V78290 ELECTRICAL EQUIP NUMBER: K00116	121503 904949	1
- 200	286N1024-002		WIRE BUNDLE ASSY-	121503 904949	RF
	205 BACS16W1		.SOCKET- ELECTRICAL EQUIP NUMBER: D01886 WIRING DIAGRAM REF: 243141	121503 904949	1

MISSING ITEM NUMBERS NOT APPLICABLE

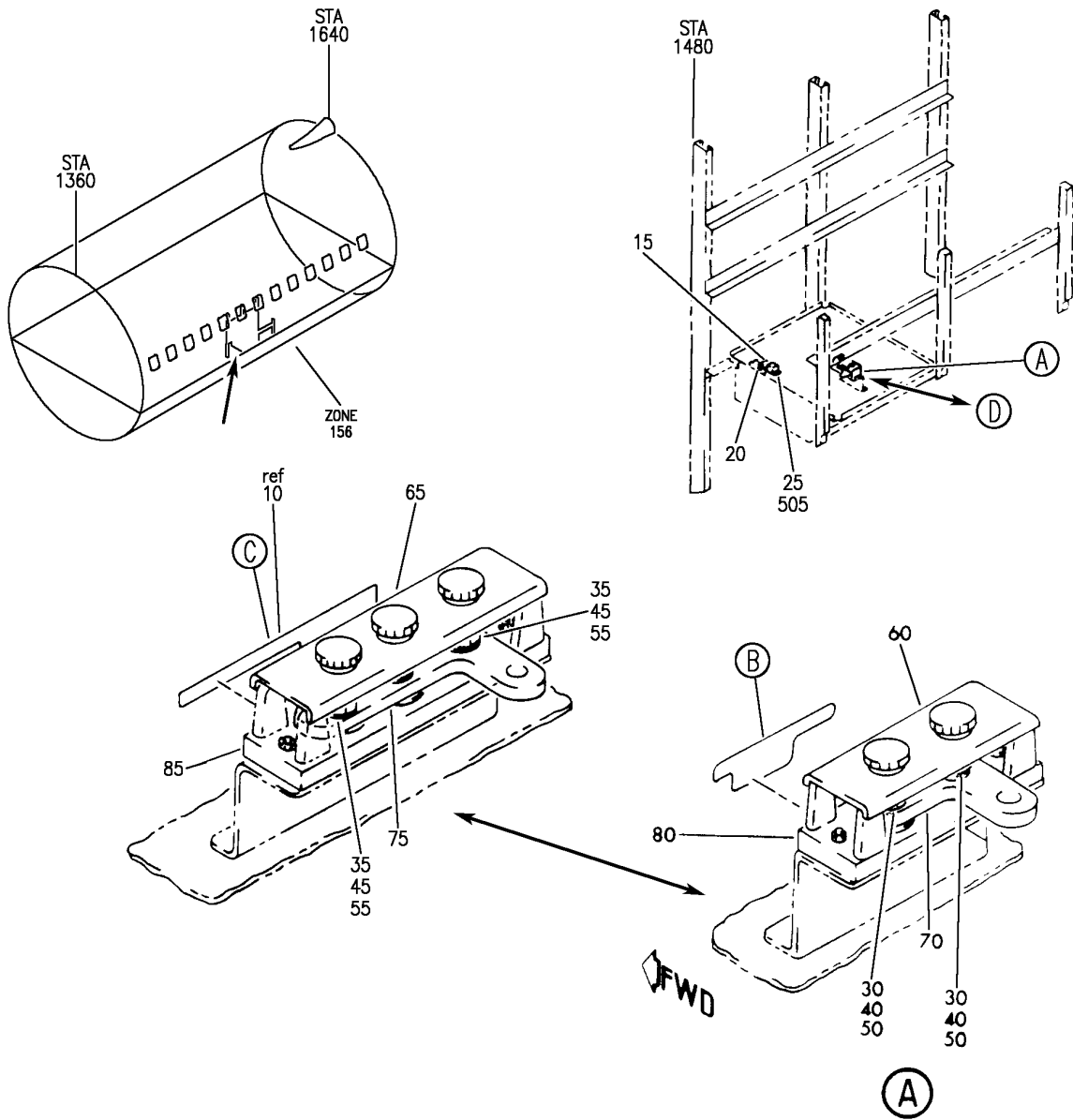
- ITEM NOT ILLUSTRATED

24-31-52-02

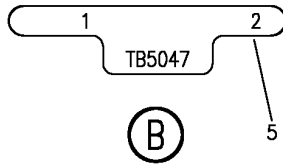
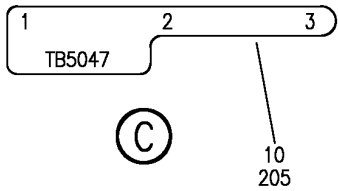
24-31-52
FIG. 02
PAGE 1
JAN 20/09

BRI

BOEING
757
PARTS CATALOG (MAINTENANCE)



Y 24315203 SH1 1 REV 310



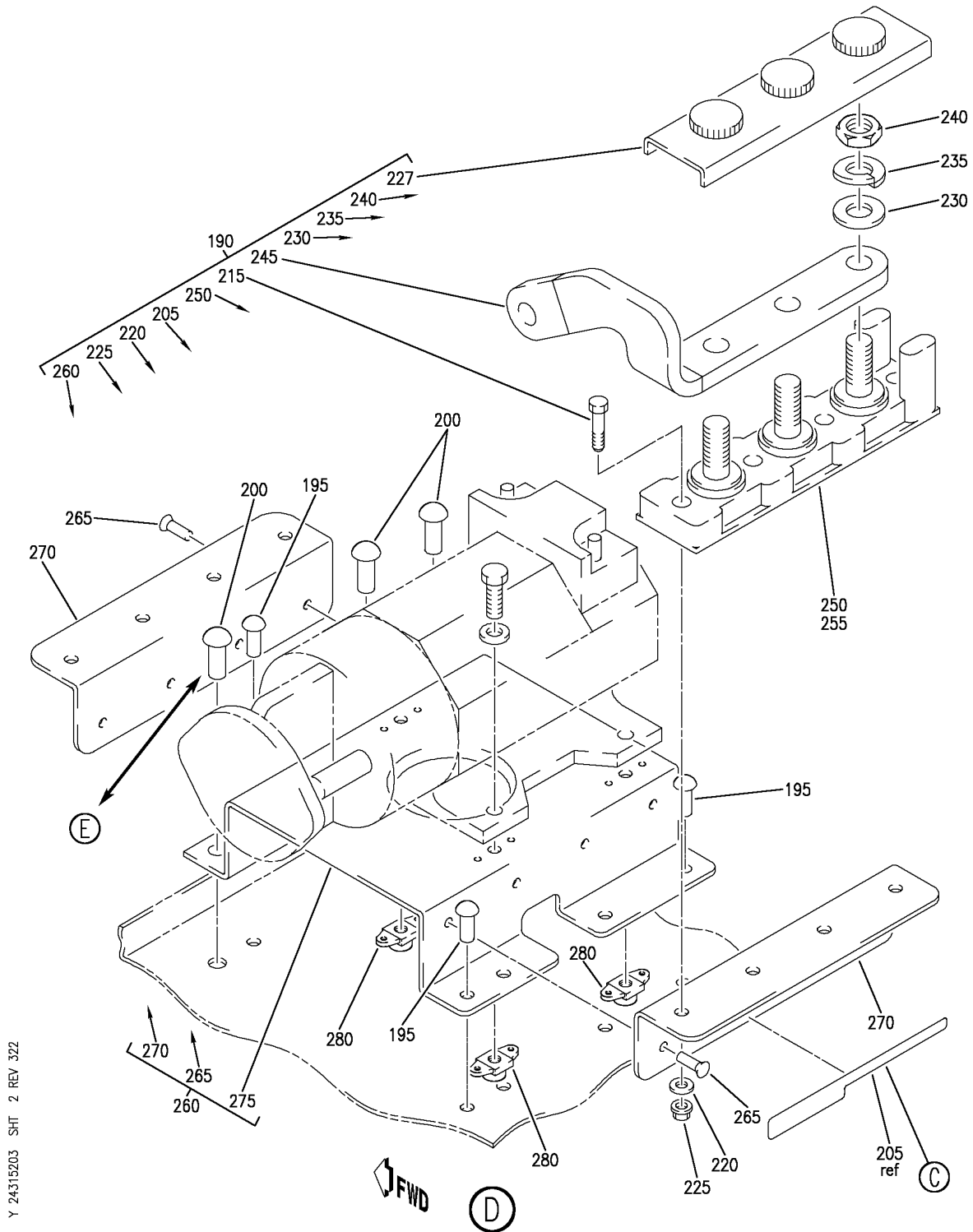
EQUIPMENT ASSY-AFT EQPT CTR E6 RELAY (BATTERIES ONLY)
FIGURE 3 (SHEET 1)

24-31-52-03

BRI
MAY 28/07

24-31-52-03
PAGE 0

BOEING
757
PARTS CATALOG (MAINTENANCE)



Y 24315203 SH1 2 REV 322

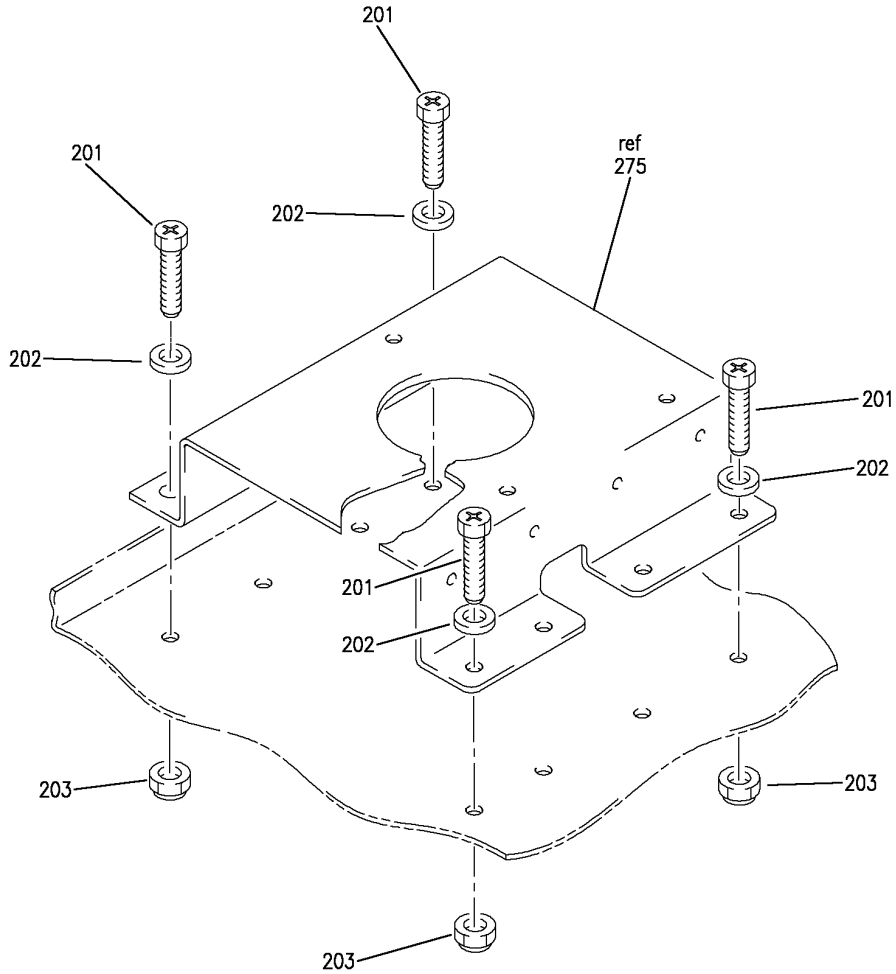
EQUIPMENT ASSY-AFT EQPT CTR E6 RELAY (BATTERIES ONLY)
FIGURE 3 (SHEET 2)

24-31-52-03

BRI
MAY 20/08

24-31-52-03
PAGE 0A

BOEING
757
PARTS CATALOG (MAINTENANCE)



(E)

Y 24315203 SH1 3 REV 322

EQUIPMENT ASSY-AFT EQPT CTR E6 RELAY (BATTERIES ONLY)
FIGURE 3 (SHEET 3)

24-31-52-03

BRI
MAY 20/08

24-31-52-03
PAGE 0B



757

PARTS CATALOG (MAINTENANCE)

FIG ITEM	PART NUMBER	1 2 3 4 5 6 7	NOMENCLATURE	EFFECT FROM TO	UNITS PER ASSY
3			EQUIPMENT ASSY-AFT EQPT CTR E6 RELAY (BATTERIES ONLY)	002004 006100 107107 950999	
- 1	284N1554-1		EQUIPMENT ASSY-EQPT CTR E6 RELAY (BATTERIES ONLY) POSITION DATA: AFT VARIABLE DRAWING REF: 284N1554-5004 284N1554-5013 284N1554-5018 284N1554-5027 284N1554-5028 REWORKED BY SB: 33-0035 FOR NHA/OTHER SYS DET SEE: 53-61-51-10	002004 006100 107107 950999	RF
5	BAC27NEX0637		.DECAL- PLACARD CONTENT: TB5047 PRE SERVICE BULLETIN: 49-0019	950951	1
10	BAC27NEX1626		.DECAL- PLACARD CONTENT: TB5047 PRE SERVICE BULLETIN: 49-0019	002004 006100 107107 952999	1
15	BAC27TEX0675		.DECAL- PLACARD CONTENT: K116	002004 006100 107107 950999	1
20	BAC27NEX1261		.DECAL- PLACARD CONTENT: D1886	002004 006100 107107 950999	1

MISSING ITEM NUMBERS NOT APPLICABLE

- ITEM NOT ILLUSTRATED

24-31-52-03

24-31-52
FIG. 03
PAGE 1
JAN 20/09

BRI



757

PARTS CATALOG (MAINTENANCE)

FIG ITEM	PART NUMBER	1 2 3 4 5 6 7	NOMENCLATURE	EFFECT FROM TO	UNITS PER ASSY
3					
25	E410-1537		.RELAY- SUPPLIER CODE: V99699 SPECIFICATION NUMBER: BACR13CG2A OPTIONAL PART: E415-1078 V99699 BR230S0116 V56623 KD4A017 V58687 FCA410-62 V78290 ELECTRICAL EQUIP NUMBER: K00116	002004 006100 107107 950999	1
30	AN960JD616		.WASHER- PRE SERVICE BULLETIN: 49-0019	950951	2
35	AN960JD616		.WASHER- PRE SERVICE BULLETIN: 49-0019	002004 006100 107107 952999	3
40	MS35338-46		.WASHER- PRE SERVICE BULLETIN: 49-0019	950951	2
45	MS35338-46		.WASHER- PRE SERVICE BULLETIN: 49-0019	002004 006100 107107 952999	3
50	MS35650-3382		.NUT- PRE SERVICE BULLETIN: 49-0019	950951	2
55	MS35650-3382		.NUT- PRE SERVICE BULLETIN: 49-0019	002004 006100 107107 952999	3
60	MS18029-5S2		.COVER ASSY- PRE SERVICE BULLETIN: 49-0019	950951	1
65	MS18029-5S3		.COVER ASSY- PRE SERVICE BULLETIN: 49-0019	002004 006100 107107 952999	1
70	287N1125-1		.BUS- PRE SERVICE BULLETIN: 49-0019	950951	1

MISSING ITEM NUMBERS NOT APPLICABLE

- ITEM NOT ILLUSTRATED

24-31-52-03

24-31-52
FIG. 03
PAGE 2
JAN 20/09

BRI



757

PARTS CATALOG (MAINTENANCE)

FIG ITEM	PART NUMBER	1 2 3 4 5 6 7	NOMENCLATURE	EFFECT FROM TO	UNITS PER ASSY
3					
75	287N1125-2		.BUS- PRE SERVICE BULLETIN: 49-0019	002004 006100 107107 952999	1
80	287N1407-1		.BOARD-TERM. ELECTRICAL EQUIP NUMBER: TB5047 PRE SERVICE BULLETIN: 49-0019	950951	1
85	287N1407-2		.BOARD-TERM. ELECTRICAL EQUIP NUMBER: TB5047 PRE SERVICE BULLETIN: 49-0019	002004 006100 107107 952999	1
- 90	NAS1801-06-7		.SCREW	950951	3
- 95	NAS1801-06-7		.SCREW	002004 006100 107107 952999	4
- 100	AN960JD6		.WASHER-	950951	3
- 105	AN960JD6		.WASHER-	002004 006100 107107 952999	4
- 110	MS21042L06		.NUT	950951	3
- 115	MS21042L06		.NUT	002004 006100 107107 952999	4
190	284N1718-3		-----*----- .EQUIPMENT ASSY-E6 EQPT CTR RELAY PNL POSITION DATA: AFT POST SERVICE BULLETIN: 49-0019 ATTACHING PARTS	950952	1
195	BACR15BB5AD5C		.RIVET-	950952	5
200	BACR15BB6AD5C		.RIVET-	950952	3
205	BAC27NEX1626		-----*----- ..DECAL- PLACARD CONTENT: TB5047	950952	1
215	BACS12HN06-8		..SCREW	950952	4
220	NAS1149DN632J		..WASHER	950952	4

MISSING ITEM NUMBERS NOT APPLICABLE

- ITEM NOT ILLUSTRATED

24-31-52-03

24-31-52
FIG. 03
PAGE 3
JAN 20/09

BRI



757

PARTS CATALOG (MAINTENANCE)

FIG ITEM	PART NUMBER	1 2 3 4 5 6 7	NOMENCLATURE	EFFECT FROM TO	UNITS PER ASSY
3					
225	PLH506CD	..	NUT SUPPLIER CODE: VFO224 SPECIFICATION NUMBER: BACN10YR06CD OPTIONAL PART: H52732-06CD V15653	950952	4
227	MS18029-5S3	..	COVER ASSY	950952	1
230	NAS1149D0663J	..	WASHER	950952	3
235	BACW10EC6S	..	WASHER	950952	3
240	MS35650-3382	..	NUT	950952	3
245	34BG40	..	BUS BAR- SUPPLIER CODE: VFO219	950952	1
250	284N1720-6	..	BOARD ASSY-TERM. ELECTRICAL EQUIP NUMBER: TB5047	950952	1
255	MS27212-5-3	...	BOARD	950952	1
260	284N1720-10	..	SUPPORT ASSY	950952	RF
265	BACR15BA5ADC	...	RIVET- SIZE DETERMINED ON INSTL.	950952	RF
270	284N1720-7	...	BRACKET	950952	RF
275	284N1720-8	...	BRACKET ASSY	950952	RF
280	BRF200C3D	NUTPLATE SUPPLIER CODE: V52828 SPECIFICATION NUMBER: BACN10JR3CFD OPTIONAL PART: K51602-3BAC V15653 NS202476-02 V80539 102F9201-3 V72962 T8092C1032CD V11815	950952	RF
- 285	BACR15BA3AD3C	RIVET -----*-----	950952	RF
- 500	286N1024-007		WIRE BUNDLE ASSY	107107	RF
- 500	286N1024-008		WIRE BUNDLE ASSY	002004 006008 950999	RF

MISSING ITEM NUMBERS NOT APPLICABLE

- ITEM NOT ILLUSTRATED

24-31-52-03

24-31-52
FIG. 03
PAGE 4
JAN 20/09

BRI

BOEING PROPRIETARY - Copyright © - Unpublished Work - See title page for details.



757
PARTS CATALOG (MAINTENANCE)

FIG ITEM	PART NUMBER	1 2 3 4 5 6 7	NOMENCLATURE	EFFECT FROM TO	UNITS PER ASSY
3 505	BACS16W1		. SOCKET- ELECTRICAL EQUIP NUMBER: D01886 WIRING DIAGRAM REF: 243141	002004 006008 107107 950999	1

MISSING ITEM NUMBERS NOT APPLICABLE

- ITEM NOT ILLUSTRATED

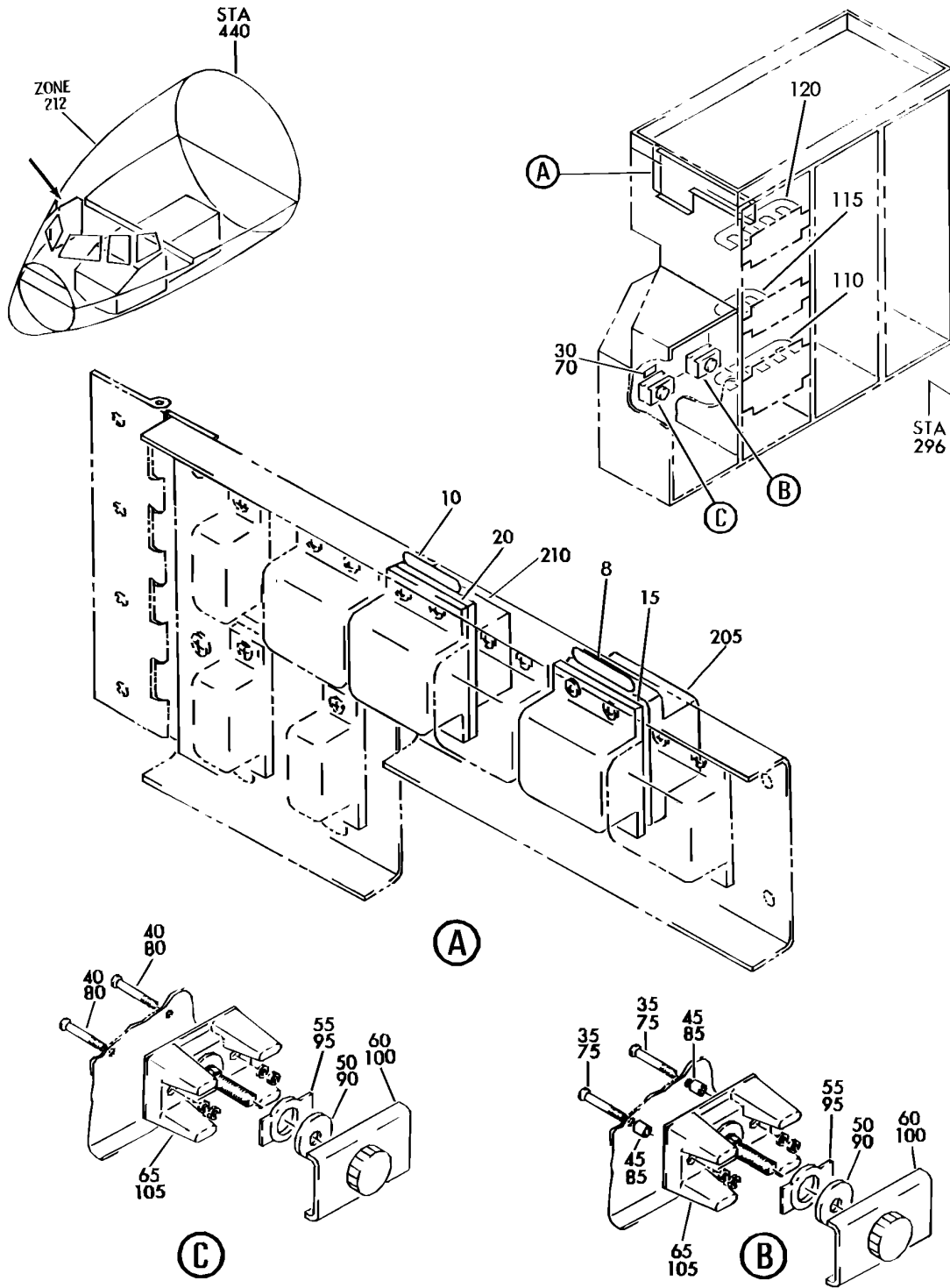
BRI

24-31-52-03

BOEING PROPRIETARY - Copyright © - Unpublished Work - See title page for details.

24-31-52
FIG. 03
PAGE 5
JAN 20/09

BOEING
757
PARTS CATALOG (MAINTENANCE)



Y 24317103 REV 224

PANEL ASSY-P6 PWR DISTR (BATTERIES ONLY)
FIGURE 3

24-31-71-03

BRI
MAY 28/07

24-31-71-03
PAGE 0



757

PARTS CATALOG (MAINTENANCE)

FIG ITEM	PART NUMBER	1 2 3 4 5 6 7	NOMENCLATURE	EFFECT FROM TO	UNITS PER ASSY
3			PANEL ASSY-P6 PWR DISTR (BATTERIES ONLY)	002004 006102 107107 121999	
- 2	287N4102-204		PANEL ASSY-P6 PWR DISTR (BATTERIES ONLY) FOR NHA/OTHER SYS DET SEE: 24-51-51-01	107107	RF
- 3	287N4102-217		PANEL ASSY-P6 PWR DISTR (BATTERIES ONLY) FOR NHA/OTHER SYS DET SEE: 24-51-51-01	121503 904949	RF
- 4	287N4102-99		PANEL ASSY-P6 PWR DISTR (BATTERIES ONLY) VARIABLE DRAWING REF: 287N4102-5112 287N4102-5113 287N4102-5116 FOR NHA/OTHER SYS DET SEE: 24-51-51-01	002004 006100 950999	RF
- 5	287N4102-1277		PACKAGE ASSY-P6 PWR DISTR (BATTERIES ONLY) FOR NHA/OTHER SYS DET SEE: 24-51-51-05 24-51-51-09	101102 504903	RF
8	BAC27NEL0053		.MARKER-ALUMINUM FOIL PLACARD CONTENT: K115	107107 121503 904949	1
8	BAC27NEX2599		.MARKER-ALUMINUM FOIL PLACARD CONTENT: K115	002004 006100 950999	1
10	BAC27NEL0968		.MARKER-ALUMINUM FOIL PLACARD CONTENT: K10425	107107 121503 904949	1
10	BAC27NEX2606		.MARKER-ALUMINUM FOIL PLACARD CONTENT: K10425	002004 006100 950999	1

MISSING ITEM NUMBERS NOT APPLICABLE

- ITEM NOT ILLUSTRATED

BRI

24-31-71-03

24-31-71
FIG. 03
PAGE 1
JAN 20/09



757

PARTS CATALOG (MAINTENANCE)

FIG ITEM	PART NUMBER	1 2 3 4 5 6 7	NOMENCLATURE	EFFECT FROM TO	UNITS PER ASSY
3					
15	E410-1537		.RELAY- SUPPLIER CODE: V99699 SPECIFICATION NUMBER: BACR13CG2A OPTIONAL PART: E415-1078 V99699 BR230S0116 V56623 KD4A017 V58687 FCA410-62 V78290 ELECTRICAL EQUIP NUMBER: K00115	002004 006102 107107 121999	1
20	TD1862-7500		.RELAY- SUPPLIER CODE: V58657 ELECTRICAL EQUIP NUMBER: K10425	002004 006100 107107 121503 904999	1
20	TD1862-7500A		.RELAY- SUPPLIER CODE: V58657 ELECTRICAL EQUIP NUMBER: K10425	002004 006102 107107 121999	1
- 25	287N4102-198		.EQUIPMENT ASSY- VARIABLE DRAWING REF: 287N4102-6001	107107	RF
- 25	287N4102-223		.EQUIPMENT ASSY- VARIABLE DRAWING REF: 287N4102-6001	121503 904949	RF
30	BAC27NEL0025		..MARKER-ALUMINUM FOIL PLACARD CONTENT: TB5009	107107 121503 904949	1
35	NAS601-10P		..SCREW	107107 121503 904949	2
40	NAS601-6P		..SCREW	107107 121503 904949	2
45	NAS43DD1-16		..SPACER	107107 121503 904949	2
50	MS14151-3		..WASHER	107107 121503 904949	2

MISSING ITEM NUMBERS NOT APPLICABLE

- ITEM NOT ILLUSTRATED

24-31-71-03

24-31-71
FIG. 03
PAGE 2
JAN 20/09

BRI

BOEING PROPRIETARY - Copyright © - Unpublished Work - See title page for details.



757

PARTS CATALOG (MAINTENANCE)

FIG ITEM	PART NUMBER	1 2 3 4 5 6 7	NOMENCLATURE	EFFECT FROM TO	UNITS PER ASSY
3					
55	MS3373C3	..	STRIP	107107 121503 904949	2
60	MS18029-3S1	..	COVER ASSY	107107 121503 904949	2
65	MS27212-3-1	..	TERMINAL BOARD ASSY- ELECTRICAL EQUIP NUMBER: TB5009 TB5010	107107 121503 904949	2
70	BAC27NEX2619	.MARKER-	ALUMINUM FOIL PLACARD CONTENT: TB5009	002004 006100 950999	1
75	NAS601-10P	.SCREW		002004 006102 504903 950999	2
80	NAS601-6P	.SCREW		002004 006102 504903 950999	2
85	NAS43DD1-16	.SPACER-		002004 006100 121503 904999	2
85	NAS43DD1-16FC	.SPACER-		101102 504903	2
90	MS14151-3	.WASHER		002004 006102 504903 950999	2
95	MS3373C3	.STRIP		002004 006102 504903 950999	2
100	MS18029-3S1	.COVER ASSY		002004 006102 504903 950999	2
105	MS27212-3-1	.TERMINAL BOARD ASSY-	ELECTRICAL EQUIP NUMBER: TB5009 TB5010	002004 006102 504903 950999	2
110	287N1125-3	.BUSS		002004 006102 107107 121999	1

MISSING ITEM NUMBERS NOT APPLICABLE

- ITEM NOT ILLUSTRATED

BRI

24-31-71-03

24-31-71
FIG. 03
PAGE 3
JAN 20/09



757

PARTS CATALOG (MAINTENANCE)

FIG ITEM	PART NUMBER	1 2 3 4 5 6 7	NOMENCLATURE	EFFECT FROM TO	UNITS PER ASSY
3					
115	287N1125-4	.	BUSS	002004 006102 107107 121999	1
120	287N1125-5	.	BUSS	107107 950951	1
- 200	286N0074-001	WIRE BUNDLE ASSY-		107107 121503 904949	RF
- 200	286N0074-002	WIRE BUNDLE ASSY-		002004 006100 950999	RF
- 200	286N0074-305	WIRE BUNDLE ASSY		101102	RF
205	BACS16W1	.SOCKET-		002004	1
		ELECTRICAL EQUIP NUMBER:		006102	
		D01786		107107	
		WIRING DIAGRAM REF:		121999	
		243111			
210	BACS16W5	.SOCKET-		002004	1
		ELECTRICAL EQUIP NUMBER:		006102	
		D05090		107107	
		WIRING DIAGRAM REF:		121999	
		243111			

MISSING ITEM NUMBERS NOT APPLICABLE

- ITEM NOT ILLUSTRATED

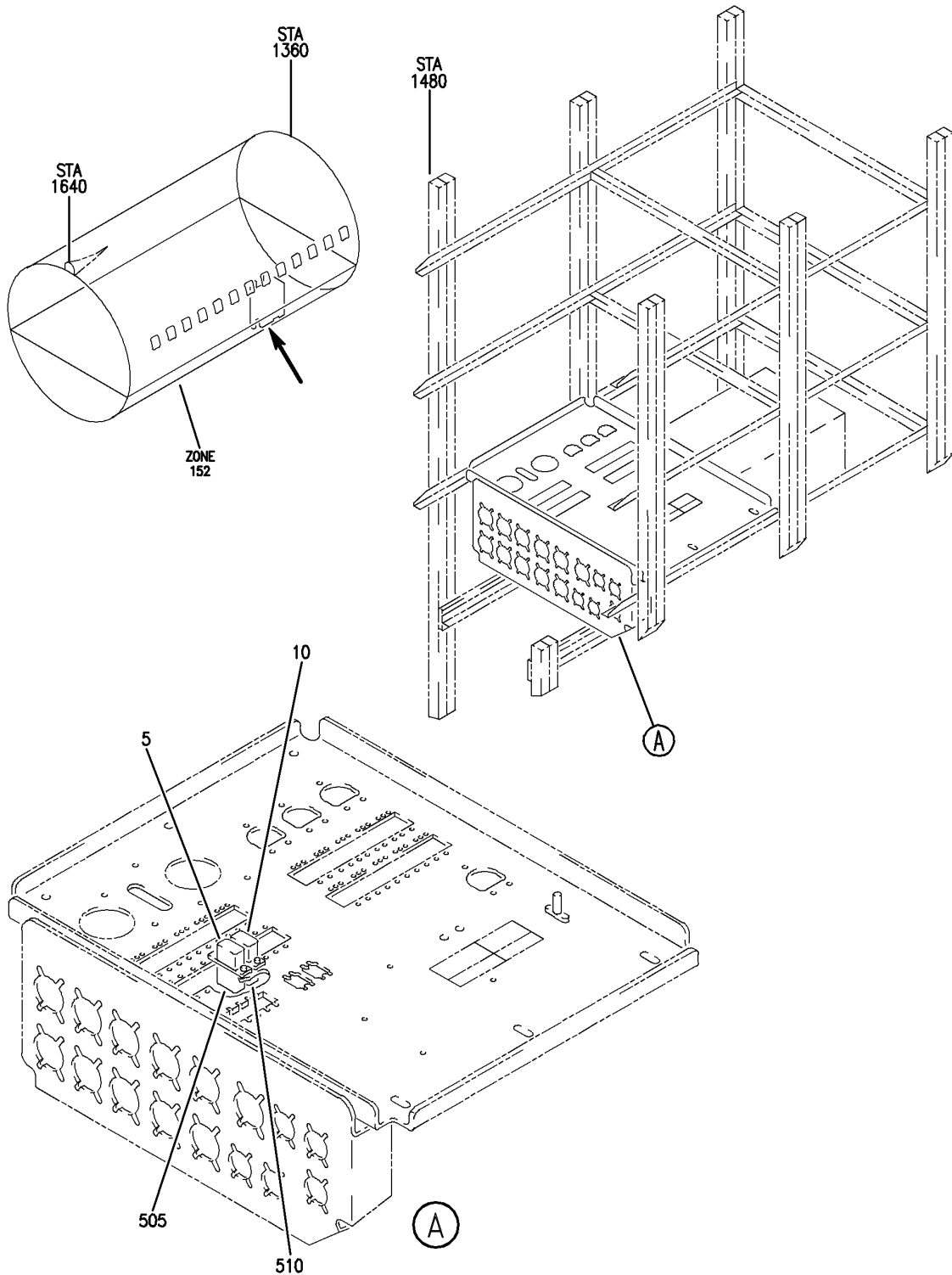
BRI

24-31-71-03

BOEING PROPRIETARY - Copyright © - Unpublished Work - See title page for details.

24-31-71
FIG. 03
PAGE 4
JAN 20/09

BOEING
757
PARTS CATALOG (MAINTENANCE)



Y 24317104 REV 225

EQUIPMENT ASSY-E6 RELAY PNL AFT EQPT CTR (APU BATTERY ONLY)
FIGURE 4

24-31-71-04

BRI
JAN 20/09

24-31-71-04
PAGE 0



757

PARTS CATALOG (MAINTENANCE)

FIG ITEM	PART NUMBER	1 2 3 4 5 6 7	NOMENCLATURE	EFFECT FROM TO	UNITS PER ASSY
4			EQUIPMENT ASSY-E6 RELAY PNL AFT EQPT CTR (APU BATTERY ONLY)	108120	
- 1	284N1554-123		EQUIPMENT ASSY-E6 RELAY PNL EQPT CTR (APU BATTERY ONLY) POSITION DATA: AFT FOR NHA/OTHER SYS DET SEE: 24-00-58-05D	108120	RF
5	E210-1631		.RELAY- SUPPLIER CODE: V99699 SPECIFICATION NUMBER: BACR13CF2A OPTIONAL PART: BR246S0112 V56623 FCA210-70 V78290 E215-1050 V99699 JD4A017 V35344 BR64S104 V56623 61GB19-1A320 V98927 ELECTRICAL EQUIP NUMBER: K10422	108120	1

MISSING ITEM NUMBERS NOT APPLICABLE

- ITEM NOT ILLUSTRATED

BRI

24-31-71-04

BOEING PROPRIETARY - Copyright © - Unpublished Work - See title page for details.

24-31-71
FIG. 04
PAGE 1
JAN 20/09



757

PARTS CATALOG (MAINTENANCE)

FIG ITEM	PART NUMBER	1 2 3 4 5 6 7	NOMENCLATURE	EFFECT FROM TO	UNITS PER ASSY
4 10	E210-1631		.RELAY- SUPPLIER CODE: V99699 SPECIFICATION NUMBER: BACR13CF2A OPTIONAL PART: BR246S0112 V56623 FCA210-70 V78290 E215-1050 V99699 JD4A017 V35344 BR64S104 V56623 61GB19-1A320 V98927 ELECTRICAL EQUIP NUMBER: K10706	108120	1
- 500 505	286N1024-306 RSF116200		WIRE BUNDLE ASSY .SOCKET- SUPPLIER CODE: V58982 SPECIFICATION NUMBER: BACS16X1A OPTIONAL PART: 102-006-1 V09922 000300-1538 V05574 ELECTRICAL EQUIP NUMBER: D05025 WIRING DIAGRAM REF: 243312	108120 108120	RF 1
510	BACS16X1		.SOCKET- ELECTRICAL EQUIP NUMBER: D07678 WIRING DIAGRAM REF: 243312	108120	1

MISSING ITEM NUMBERS NOT APPLICABLE

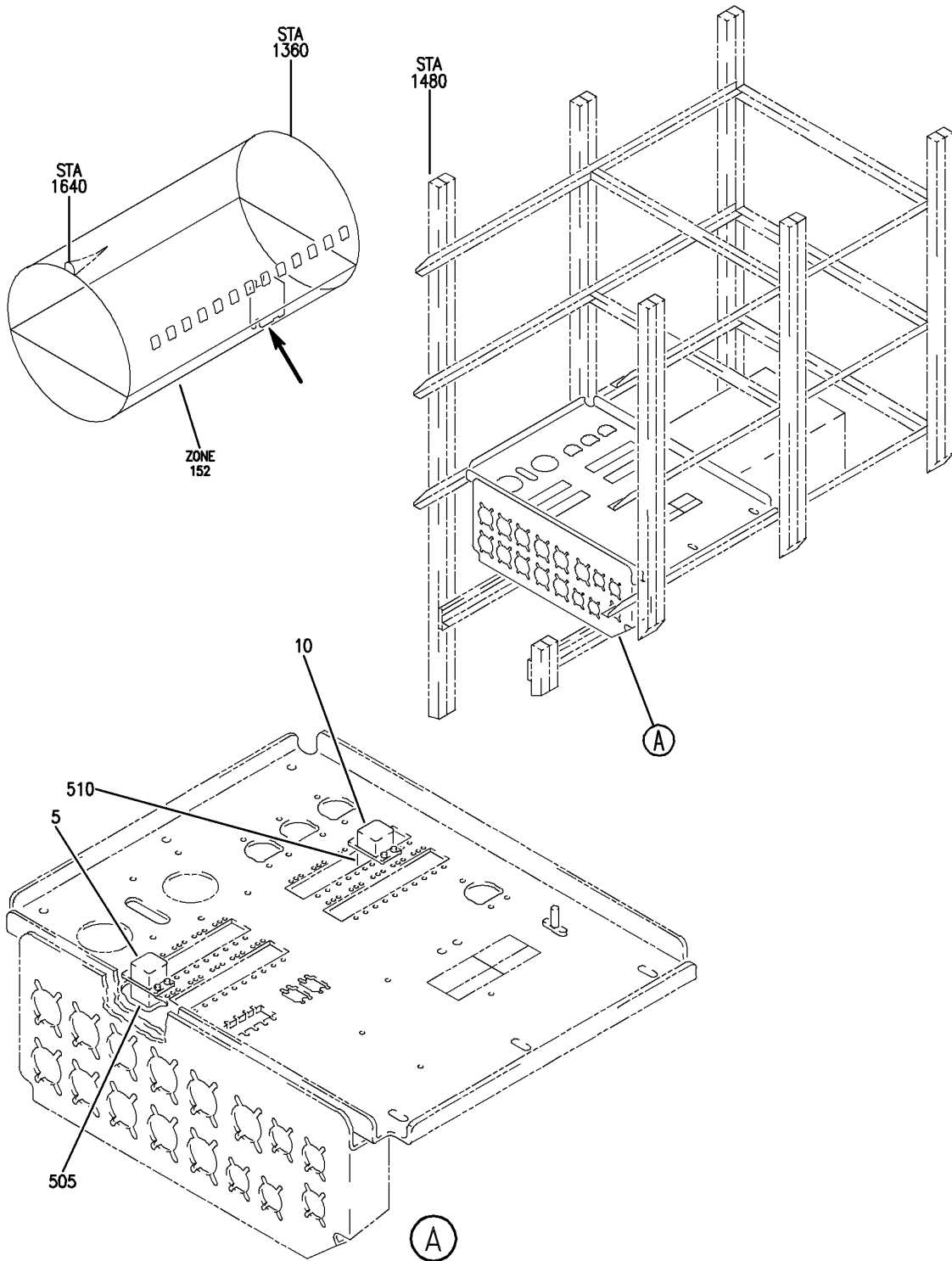
- ITEM NOT ILLUSTRATED

24-31-71-04

24-31-71
FIG. 04
PAGE 2
JAN 20/09

BRI

BOEING
757
PARTS CATALOG (MAINTENANCE)



Y 24317105 REV 225

EQUIPMENT ASSY-E6 RELAY PNL AFT EQPT CTR (APU BATTERY CHARGERS ONLY)
FIGURE 5

BRI
JAN 20/09

24-31-71-05

24-31-71-05
PAGE 0



757

PARTS CATALOG (MAINTENANCE)

FIG ITEM	PART NUMBER	1 2 3 4 5 6 7	NOMENCLATURE	EFFECT FROM TO	UNITS PER ASSY
5			EQUIPMENT ASSY-E6 RELAY PNL AFT EQPT CTR (APU BATTERY CHARGERS ONLY)	108120	
- 1	284N1554-123		EQUIPMENT ASSY-E6 RELAY PNL EQPT CTR (APU BATTERY CHARGERS ONLY)	108120	RF
	5 E410-1537		POSITION DATA: AFT FOR NHA/OTHER SYS DET SEE: 24-00-58-05D .RELAY-	108120	1
	10 TD1862-7500A		SUPPLIER CODE: V99699 SPECIFICATION NUMBER: BACR13CG2A OPTIONAL PART: E415-1078 V99699 BR230S0116 V56623 KD4A017 V58687 FCA410-62 V78290 ELECTRICAL EQUIP NUMBER: K00116 .RELAY-	108120	1
- 501	286N1024-306		WIRE BUNDLE ASSY	108120	RF
505	BACS16W1		.SOCKET- ELECTRICAL EQUIP NUMBER: D01886 WIRING DIAGRAM REF: 243141	108120	1

MISSING ITEM NUMBERS NOT APPLICABLE

- ITEM NOT ILLUSTRATED

24-31-71-05

24-31-71
FIG. 05
PAGE 1
JAN 20/09

BRI



757

PARTS CATALOG (MAINTENANCE)

FIG ITEM	PART NUMBER	1 2 3 4 5 6 7	NOMENCLATURE	EFFECT FROM TO	UNITS PER ASSY
5 510	RSF116416		. SOCKET- SUPPLIER CODE: V58982 SPECIFICATION NUMBER: BACS16W5A OPTIONAL PART: 102-010-1 V09922 000300-1545 V05574 ELECTRICAL EQUIP NUMBER: D04774 WIRING DIAGRAM REF: 243312	108120	1

MISSING ITEM NUMBERS NOT APPLICABLE

- ITEM NOT ILLUSTRATED

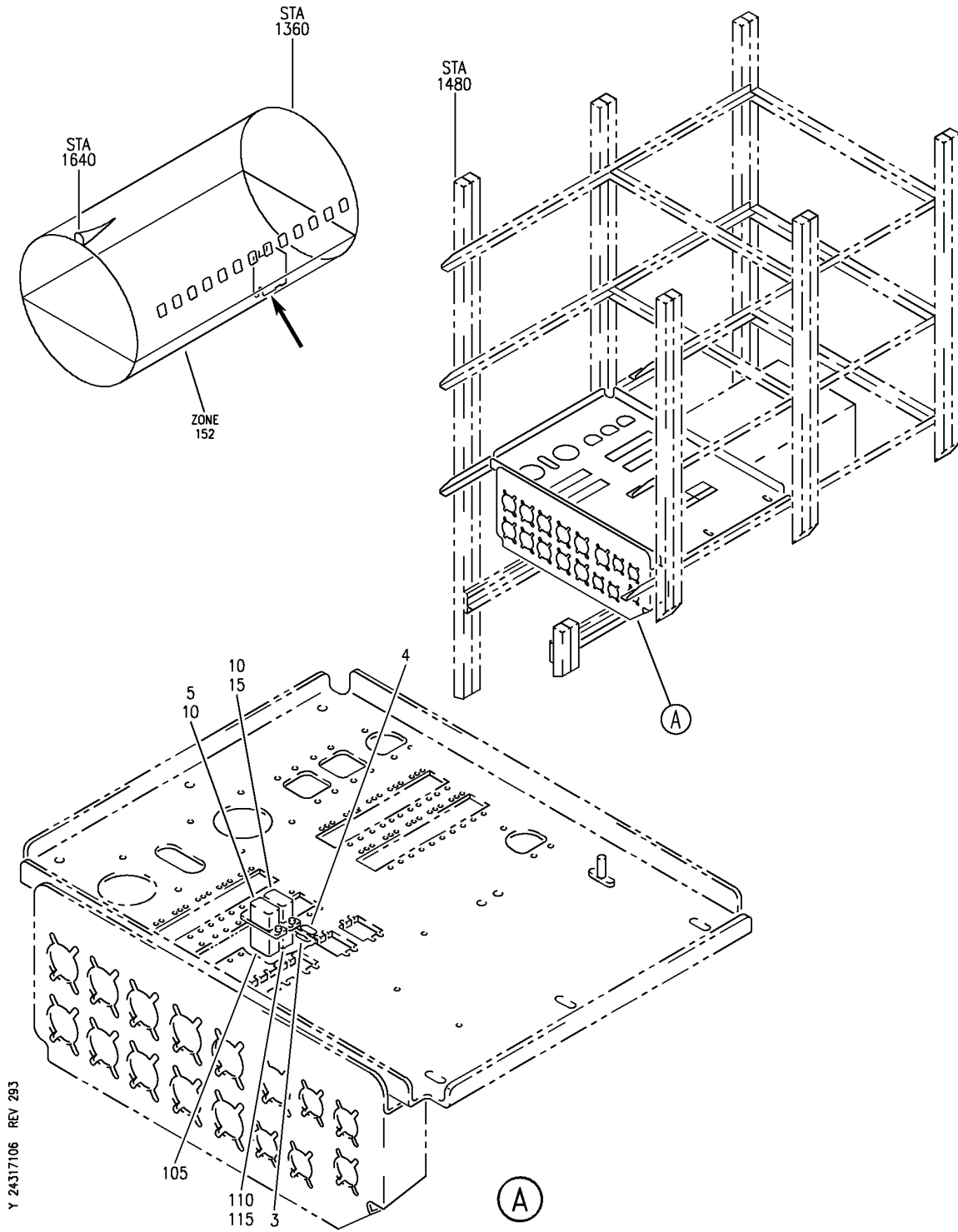
BRI

24-31-71-05

BOEING PROPRIETARY - Copyright © - Unpublished Work - See title page for details.

24-31-71
FIG. 05
PAGE 2
JAN 20/09

BOEING
757
PARTS CATALOG (MAINTENANCE)



Y 24-31-71-06 REV 293

EQUIPMENT ASSY-E6 RELAY PNL AFT EQPT CTR (APU BATTERY ONLY)
FIGURE 6

24-31-71-06

BRI
JAN 20/09

24-31-71-06
PAGE 0



757

PARTS CATALOG (MAINTENANCE)

FIG ITEM	PART NUMBER	1 2 3 4 5 6 7	NOMENCLATURE	EFFECT FROM TO	UNITS PER ASSY
6			EQUIPMENT ASSY-E6 RELAY PNL AFT EQPT CTR (APU BATTERY ONLY)	103106	
- 1	MODREF11091		EQUIPMENT ASSY-E6 RELAY PNL EQPT CTR (APU BATTERY ONLY) MODULE NUMBER: 284N1554-308 REV A POSITION DATA: AFT FOR OTHER SYS DETAILS SEE: 24-32-05-03 24-32-06-03 24-32-71-06 28-25-71-07 31-01-86-05 33-37-71-02 49-31-71-02 49-41-71-05 49-61-71-05 52-34-71-02 FOR ADDITIONAL DETAILS SEE: 24-31-71-07	103106	1
5	E210-1631		.RELAY- SUPPLIER CODE: V99699 SPECIFICATION NUMBER: BACR13CF2A OPTIONAL PART: BR246S0112 V56623 FCA210-70 V78290 E215-1050 V99699 JD4A017 V35344 BR64S104 V56623 61GB19-1A320 V98927 ELECTRICAL EQUIP NUMBER: K10422	103106	1
- 100	286N1024-602		WIRE BUNDLE ASSY	103106	RF

MISSING ITEM NUMBERS NOT APPLICABLE

- ITEM NOT ILLUSTRATED

BRI

24-31-71-06

24-31-71
FIG. 06
PAGE 1
JAN 20/09



757

PARTS CATALOG (MAINTENANCE)

FIG ITEM	PART NUMBER	1 2 3 4 5 6 7	NOMENCLATURE	EFFECT FROM TO	UNITS PER ASSY
6 105	RSF116200		. SOCKET- SUPPLIER CODE: V58982 SPECIFICATION NUMBER: BACS16X1A OPTIONAL PART: 102-006-1 V09922 000300-1538 V05574 ELECTRICAL EQUIP NUMBER: D05025 WIRING DIAGRAM REF: 243312	103106	1

MISSING ITEM NUMBERS NOT APPLICABLE

- ITEM NOT ILLUSTRATED

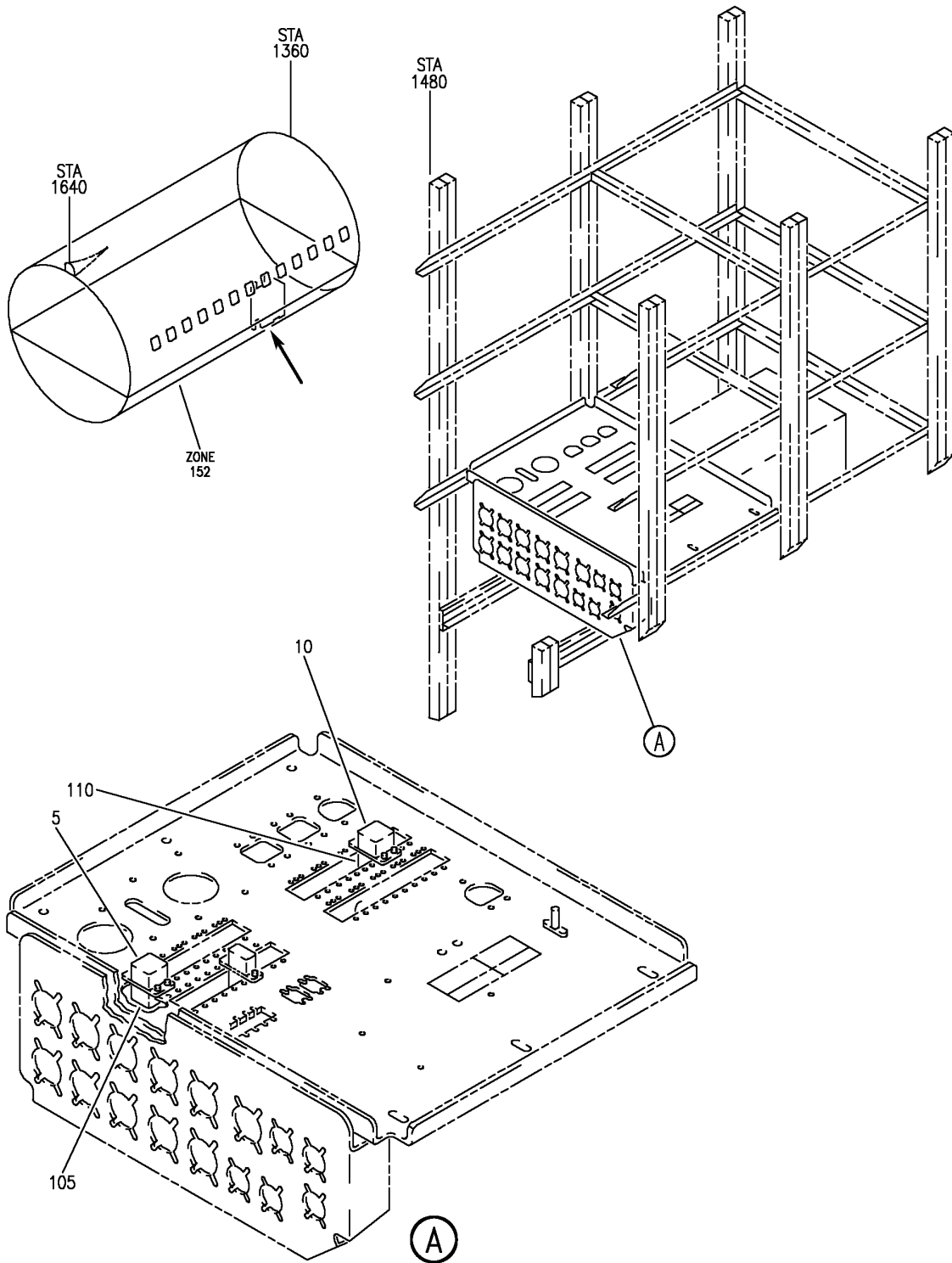
BRI

24-31-71-06

BOEING PROPRIETARY - Copyright © - Unpublished Work - See title page for details.

24-31-71
FIG. 06
PAGE 2
JAN 20/09

BOEING
757
PARTS CATALOG (MAINTENANCE)



Y 24317107 REV 268

EQUIPMENT ASSY-E6 RELAY PNL AFT EQPT CTR (APU BATTERY CHARGERS ONLY)
FIGURE 7

BRI
JAN 20/09

24-31-71-07

24-31-71-07
PAGE 0



757

PARTS CATALOG (MAINTENANCE)

FIG ITEM	PART NUMBER	1 2 3 4 5 6 7	NOMENCLATURE	EFFECT FROM TO	UNITS PER ASSY
7			EQUIPMENT ASSY-E6 RELAY PNL AFT EQPT CTR (APU BATTERY CHARGERS ONLY)	103106	
- 1	MODREF11091		EQUIPMENT ASSY-E6 RELAY PNL EQPT CTR (APU BATTERY CHARGERS ONLY) MODULE NUMBER: 284N1554-308 REV A POSITION DATA: AFT FOR OTHER SYS DETAILS SEE: 24-32-05-03 24-32-06-03 24-32-71-06 28-25-71-07 31-01-86-05 33-37-71-02 49-31-71-02 49-41-71-05 49-61-71-05 52-34-71-02 FOR ADDITIONAL DETAILS SEE: 24-31-71-06	103106	1
5	E410-1537		.RELAY- SUPPLIER CODE: V99699 SPECIFICATION NUMBER: BACR13CG2A OPTIONAL PART: E415-1078 V99699 BR230S0116 V56623 KD4A017 V58687 FCA410-62 V78290 ELECTRICAL EQUIP NUMBER: K00116	103106	1
10	TD1862-7500A		.RELAY- SUPPLIER CODE: V58657 ELECTRICAL EQUIP NUMBER: K10418	103106	1
- 100	286N1024-602		WIRE BUNDLE ASSY	103106	RF

MISSING ITEM NUMBERS NOT APPLICABLE

- ITEM NOT ILLUSTRATED

24-31-71-07

24-31-71
FIG. 07
PAGE 1
JAN 20/09

BRI



757

PARTS CATALOG (MAINTENANCE)

FIG ITEM	PART NUMBER	1 2 3 4 5 6 7	NOMENCLATURE	EFFECT FROM TO	UNITS PER ASSY
7 105	BACS16W1		.SOCKET- ELECTRICAL EQUIP NUMBER: D01886 WIRING DIAGRAM REF: 243141	103106	1
110	RSF116416		.SOCKET- SUPPLIER CODE: V58982 SPECIFICATION NUMBER: BACS16W5A OPTIONAL PART: 102-010-1 V09922 000300-1545 V05574 ELECTRICAL EQUIP NUMBER: D04774 WIRING DIAGRAM REF: 243312	103106	1

MISSING ITEM NUMBERS NOT APPLICABLE

- ITEM NOT ILLUSTRATED

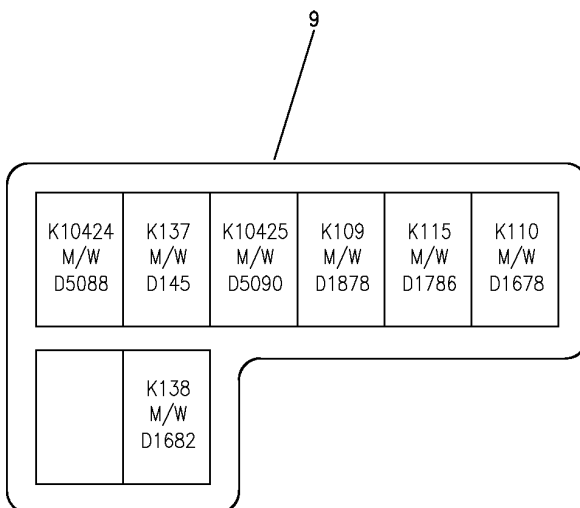
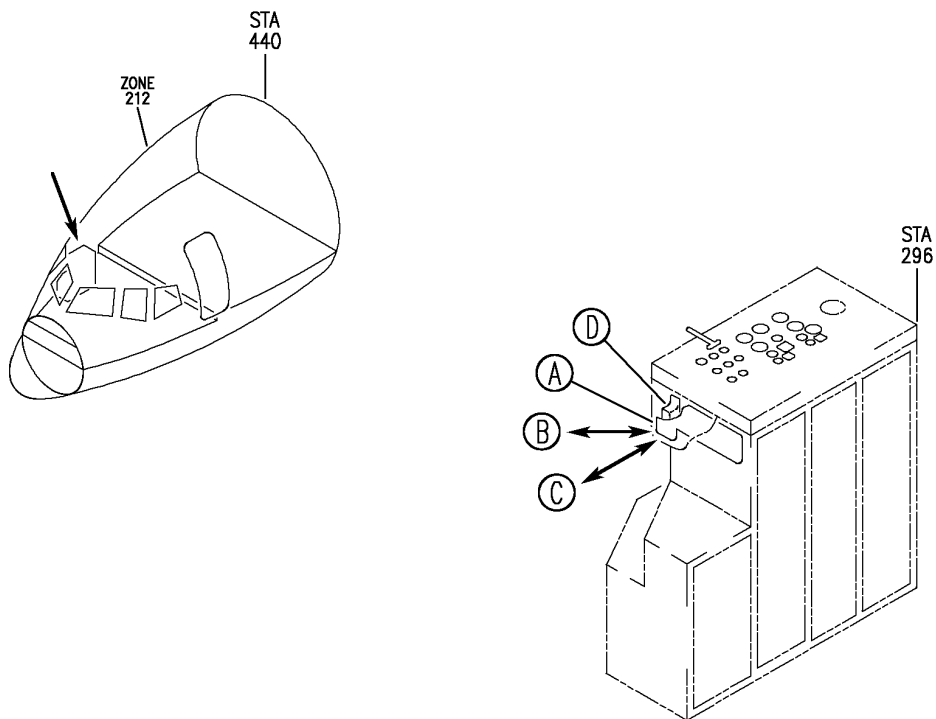
BRI

24-31-71-07

BOEING PROPRIETARY - Copyright © - Unpublished Work - See title page for details.

24-31-71
FIG. 07
PAGE 2
JAN 20/09

BOEING
757
PARTS CATALOG (MAINTENANCE)



A

Y 24317109 SHT 1 REV 253

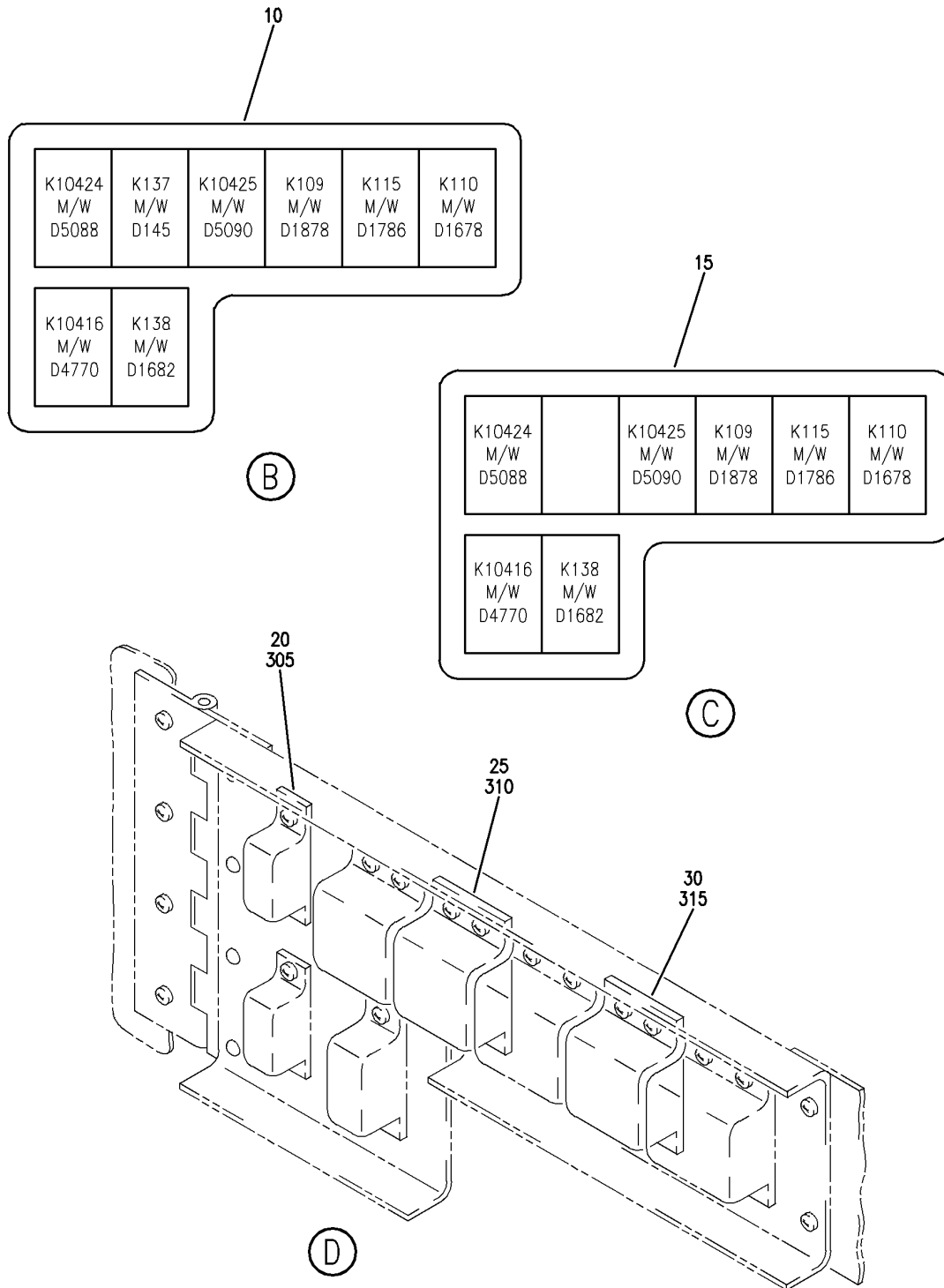
PANEL INSTL-P6 PWR DISTR (MAIN/APU BATTERY CHARGER RELAY ONLY)
FIGURE 9 (SHEET 1)

24-31-71-09

BRI
JAN 20/09

24-31-71-09
PAGE 0

BOEING
757
PARTS CATALOG (MAINTENANCE)



Y 24317109 SH1 2 REV 228

PANEL INSTL-P6 PWR DISTR (MAIN/APU BATTERY CHARGER RELAY ONLY)
FIGURE 9 (SHEET 2)

24-31-71-09

BRI
JAN 20/09

24-31-71-09
PAGE 0A



757

PARTS CATALOG (MAINTENANCE)

FIG ITEM	PART NUMBER	1 2 3 4 5 6 7	NOMENCLATURE	EFFECT FROM TO	UNITS PER ASSY
9			PANEL INSTL-P6 PWR DISTR (MAIN/APU BATTERY CHARGER RELAY ONLY)	103106 108120	
- 1	287N4102-408		PANEL INSTL-P6 PWR DISTR (MAIN/APU BATTERY CHARGER RELAY ONLY)	108120	RF
			FOR NHA/OTHER SYS DET SEE: 24-00-58-05F		
- 4	MODREF31408		PANEL INSTL-P6 PWR DISTR (MAIN/APU BATTER CHARGER RELAY ONLY)	103106	1
			MODULE NUMBER: 287N4102-437 REV A		
			FOR OTHER SYS DETAILS SEE: 11-34-05-07 24-32-02-01 24-32-03-01 24-33-01-01 24-51-05-01 24-51-06-01 24-51-07-01 24-51-52-08 24-51-52-09 24-51-52-10 24-51-73-02 24-53-52-02 31-01-06-02		
			FOR ADDITIONAL DETAILS SEE: 24-31-06-01		
10	BAC27NEX2611		.DECAL-	108120	RF
15	BAC27NEX3086		.DECAL	103106	RF
20	W260F4AM11		.RELAY-	103106	1
			SUPPLIER CODE: VF0219	108120	
			SPECIFICATION NUMBER: BACR13CD2		
			OPTIONAL PART: BR16S233 V09026 EE4AA005 V35344 3SAV1338A2 V01526 HFW1206K03 V58614 HFW1204K01 V71482		
			ELECTRICAL EQUIP NUMBER: K10424		

MISSING ITEM NUMBERS NOT APPLICABLE

- ITEM NOT ILLUSTRATED

BRI

24-31-71-09

24-31-71
FIG. 09
PAGE 1
JAN 20/09



757

PARTS CATALOG (MAINTENANCE)

FIG ITEM	PART NUMBER	1 2 3 4 5 6 7	NOMENCLATURE	EFFECT FROM TO	UNITS PER ASSY
9					
25	TD1862-7500A	.	RELAY- SUPPLIER CODE: V58657 ELECTRICAL EQUIP NUMBER: K10425	103106 108120	1
25	TD1862-7500	.	RELAY- SUPPLIER CODE: V58657 ELECTRICAL EQUIP NUMBER: K10425	103106 108120	1
30	E410-1537	.	RELAY- SUPPLIER CODE: V99699 SPECIFICATION NUMBER: BACR13CG2A OPTIONAL PART: E415-1078 V99699 BR230S0116 V56623 KD4A017 V58687 FCA410-62 V78290 ELECTRICAL EQUIP NUMBER: K00115	103106 108120	1
- 300	286N0074-318		WIRE BUNDLE ASSY	108120	RF
- 301	286N0074-701		WIRE BUNDLE ASSY	103106	RF
305	RSE120026	.	SOCKET- SUPPLIER CODE: V58982 SPECIFICATION NUMBER: BACS16AG1 OPTIONAL PART: 451120-026 V58982 ELECTRICAL EQUIP NUMBER: D05088 WIRING DIAGRAM REF: 243411	103106 108120	1

MISSING ITEM NUMBERS NOT APPLICABLE

- ITEM NOT ILLUSTRATED

24-31-71-09

24-31-71
FIG. 09
PAGE 2
JAN 20/09

BRI



757

PARTS CATALOG (MAINTENANCE)

FIG ITEM	PART NUMBER	1 2 3 4 5 6 7	NOMENCLATURE	EFFECT FROM TO	UNITS PER ASSY
9 310	RSF116416		.SOCKET- SUPPLIER CODE: V58982 SPECIFICATION NUMBER: BACS16W5A OPTIONAL PART: 102-010-1 V09922 000300-1545 V05574 ELECTRICAL EQUIP NUMBER: D05090 WIRING DIAGRAM REF: 243111	103106 108120	1
315	BACS16W1		.SOCKET- ELECTRICAL EQUIP NUMBER: D01786 WIRING DIAGRAM REF: 243111	103106 108120	1

MISSING ITEM NUMBERS NOT APPLICABLE

- ITEM NOT ILLUSTRATED

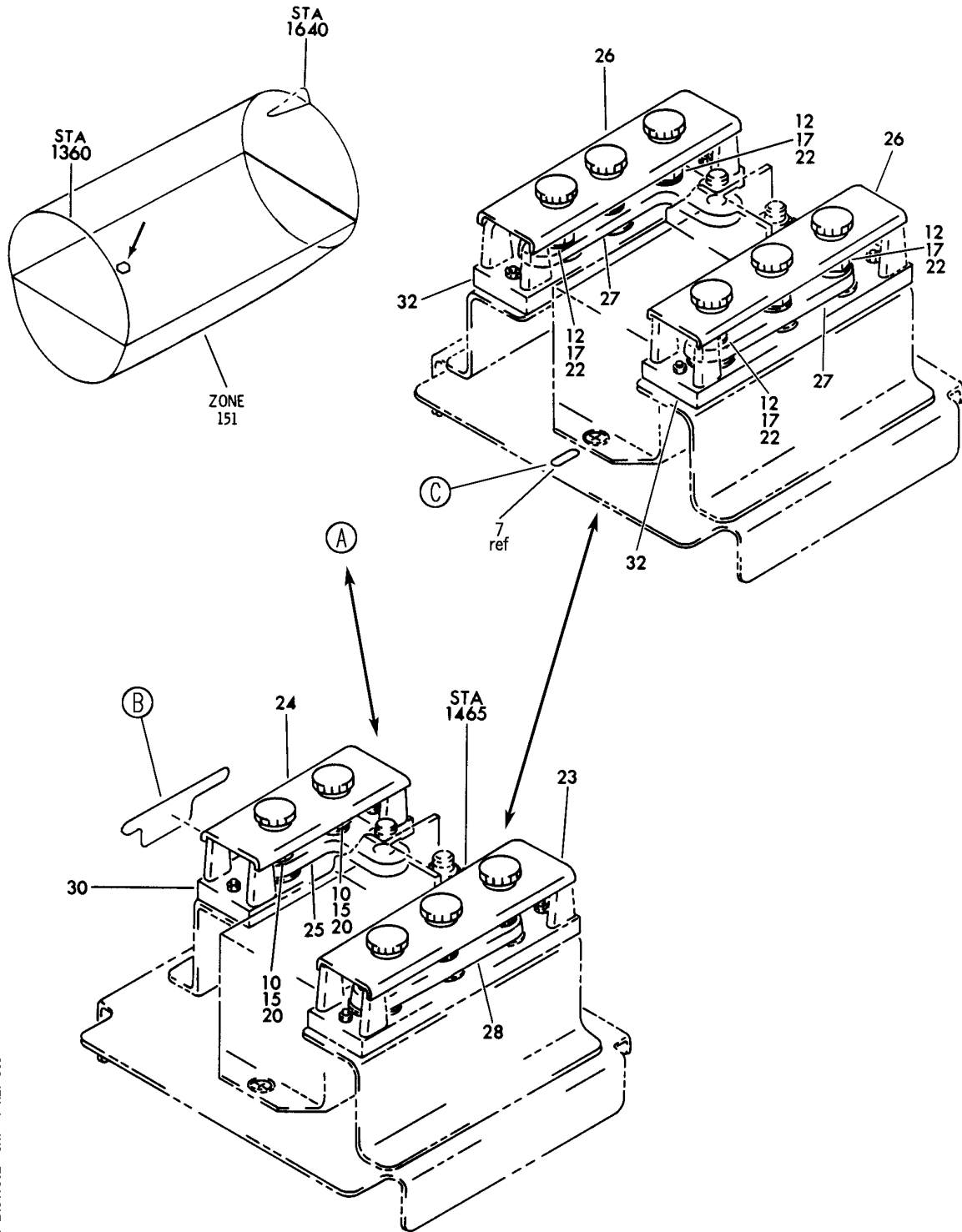
BRI

24-31-71-09

BOEING PROPRIETARY - Copyright © - Unpublished Work - See title page for details.

24-31-71
FIG. 09
PAGE 3
JAN 20/09

BOEING
757
PARTS CATALOG (MAINTENANCE)



Y 24317302 SH1 1 REV 303

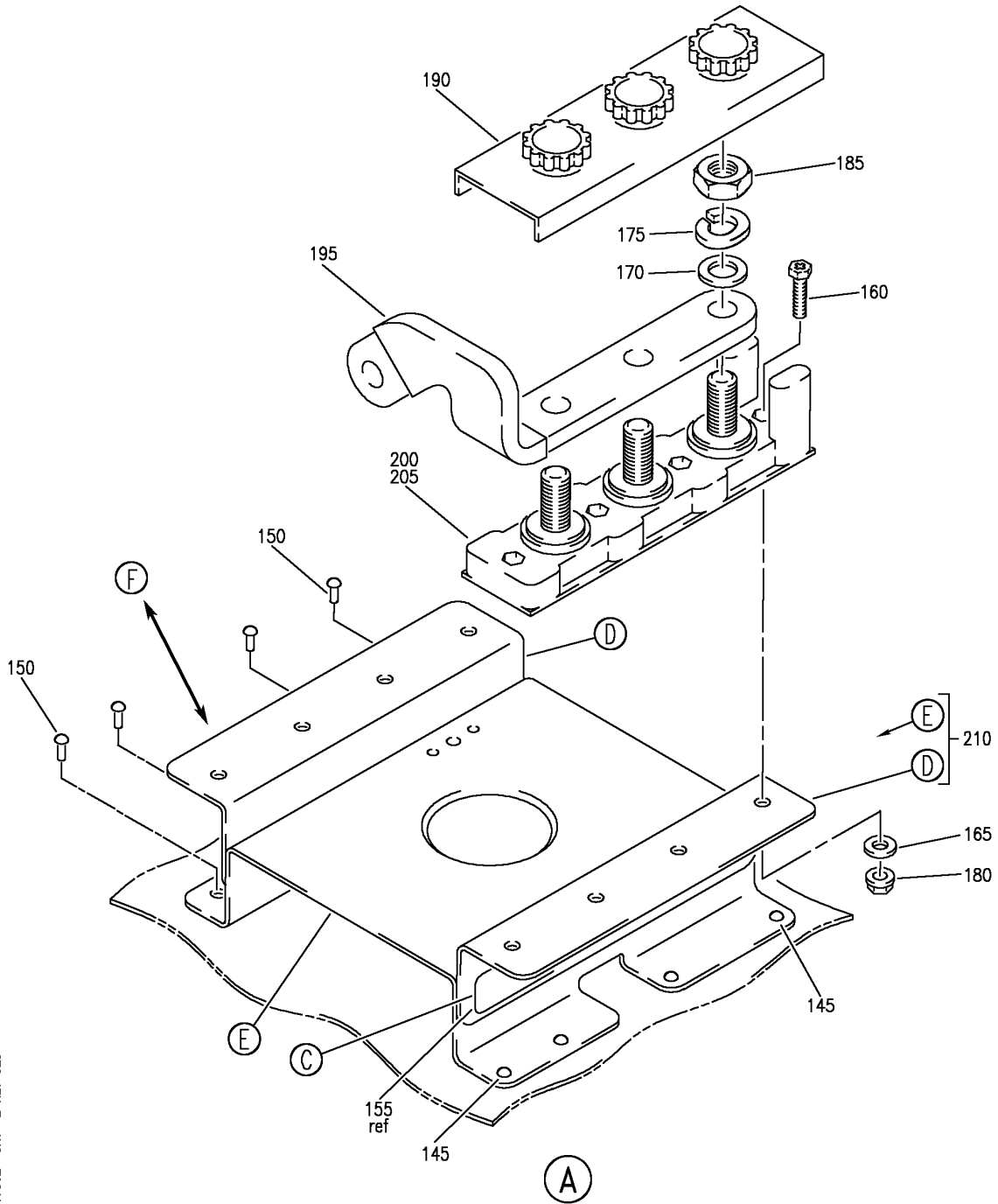
EQUIPMENT ASSY-AFT EQPT CTR E6 CONTACTOR PNL (BATTERIES ONLY)
FIGURE 2 (SHEET 1)

BRI
MAY 28/07

24-31-73-02

24-31-73-02
PAGE 0

BOEING
757
PARTS CATALOG (MAINTENANCE)



Y 24317302 SH1 2 REV 323

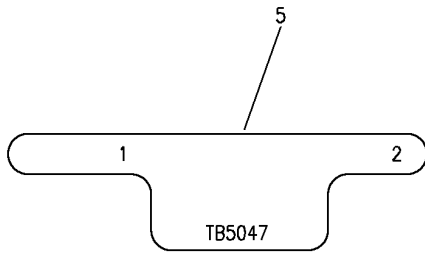
EQUIPMENT ASSY-AFT EQPT CTR E6 CONTACTOR PNL (BATTERIES ONLY)
FIGURE 2 (SHEET 2)

24-31-73-02

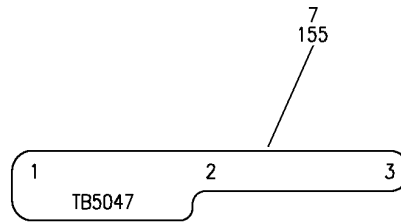
BRI
MAY 20/08

24-31-73-02
PAGE 0A

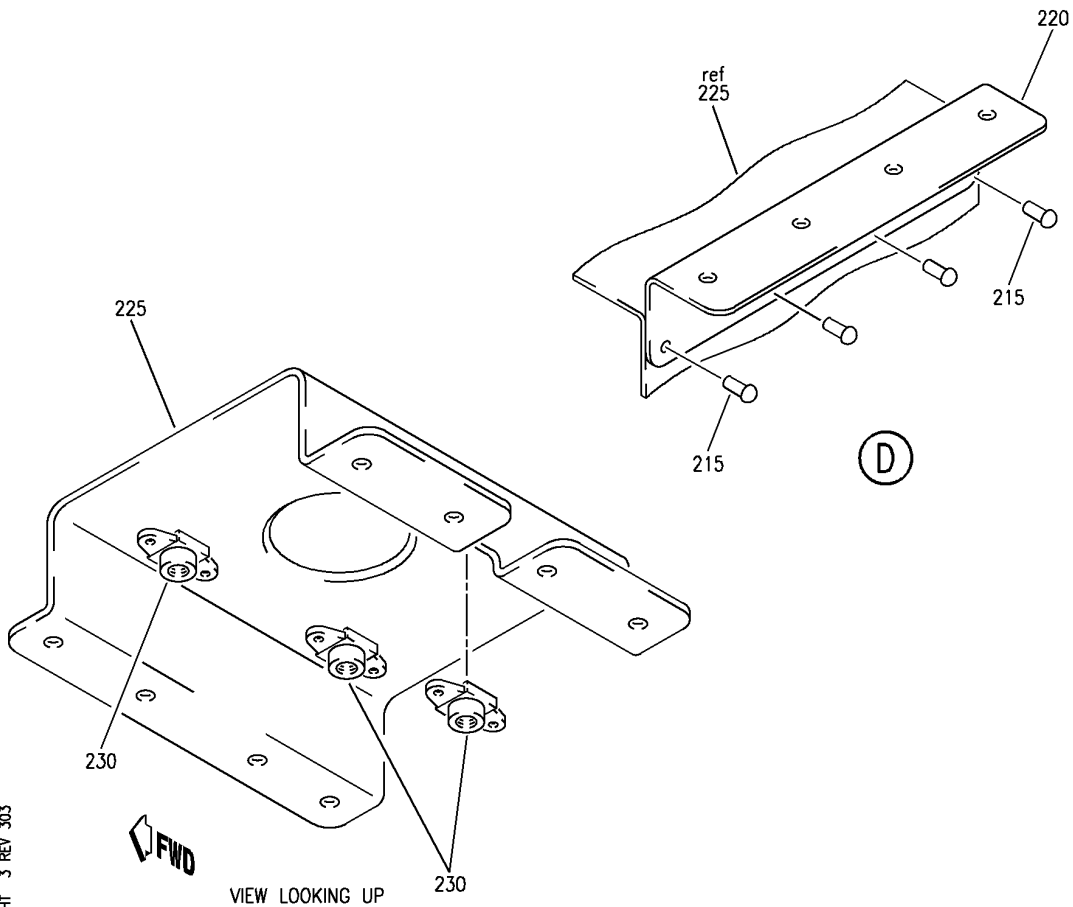
BOEING
757
PARTS CATALOG (MAINTENANCE)



(B)



(C)



(D)

(E)

Y 24-317502 SH1 3 REV 303

FWD

VIEW LOOKING UP

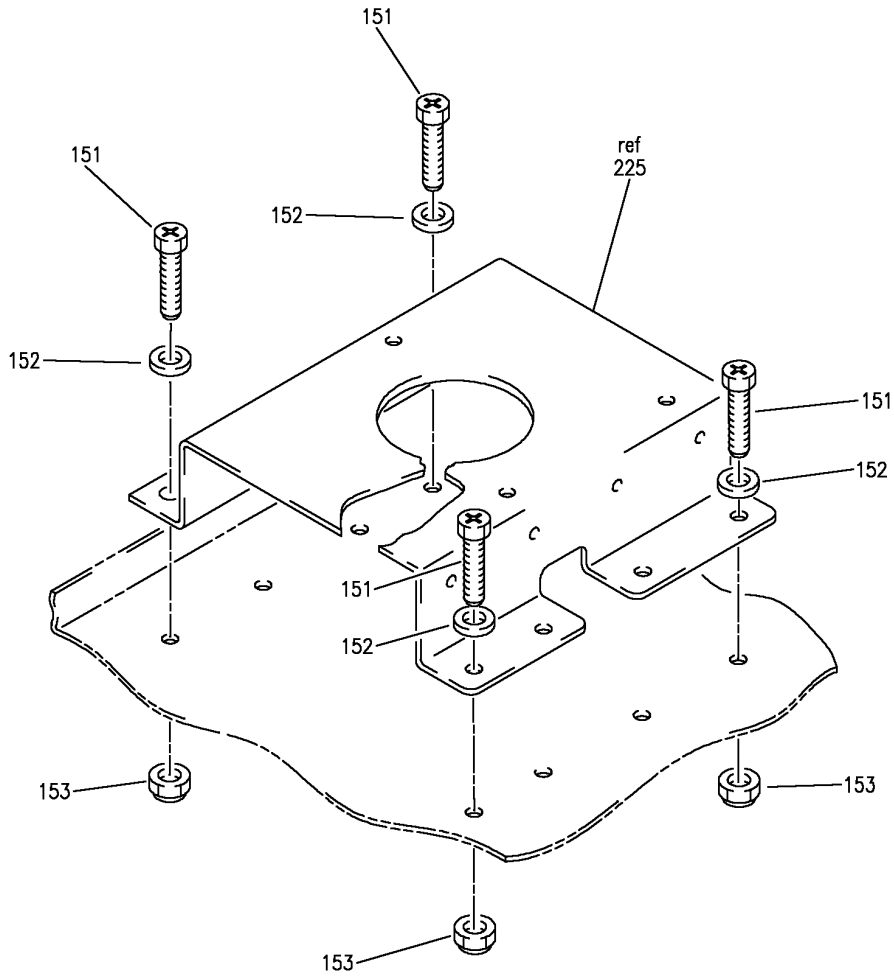
EQUIPMENT ASSY-AFT EQPT CTR E6 CONTACTOR PNL (BATTERIES ONLY)
FIGURE 2 (SHEET 3)

24-31-73-02

BRI
MAY 28/07

24-31-73-02
PAGE 0B

BOEING
757
PARTS CATALOG (MAINTENANCE)



(F)

Y 24317302 SH1 4 REV 323

EQUIPMENT ASSY-AFT EQPT CTR E6 CONTACTOR PNL (BATTERIES ONLY)
FIGURE 2 (SHEET 4)

24-31-73-02

BRI
MAY 20/08

24-31-73-02
PAGE 0C



**757
PARTS CATALOG (MAINTENANCE)**

FIG ITEM	PART NUMBER	1 2 3 4 5 6 7	NOMENCLATURE	EFFECT FROM TO	UNITS PER ASSY
2			EQUIPMENT ASSY-AFT EQPT CTR E6 CONTACTOR PNL (BATTERIES ONLY)	121503 904949	
- 1	284N1718-2		EQUIPMENT ASSY-EQPT CTR E6 CONTACTOR PNL (BATTERIES ONLY)	121503 904949	RF
	7 BAC27NEX1626		POSITION DATA: AFT FOR NHA/OTHER SYS DET SEE: 25-70-51-53 .DECAL- PLACARD CONTENT: TB5047	904949	1
	12 AN960-616		.WASHER-	904949	6
	17 MS35338-46		.WASHER-	904949	6
	22 MS35650-3382		.NUT-	904949	6
	26 MS18029-5S3		.COVER ASSY-	904949	2
	27 287N1125-2		.BUS-	904949	2
	32 287N1407-2		.BOARD-TERM. ELECTRICAL EQUIP NUMBER: TB5047	904949	2
			ATTACHING PARTS		
- 37	NAS1801-06-7		.SCREW-	904949	8
- 42	AN960PD6		.WASHER-	904949	8
- 50	BRH10A06		.NUT- SUPPLIER CODE: V52828 SPECIFICATION NUMBER: BACN10JCO6 OPTIONAL PART: H10-06BAC V15653 RMLH9075-62W V72962 VN303A62 V92215 96-62 V80539 NS202101-62 V80539 T6S632J V11815	904949	8
			-----*-----		
- 140	284N1718-3		.EQUIPMENT ASSY-EQPT CTR E6 CONTACTOR PNL POSITION DATA: AFT POST SERVICE BULLETIN: 49-0019	121503	1

MISSING ITEM NUMBERS NOT APPLICABLE

- ITEM NOT ILLUSTRATED

24-31-73-02

24-31-73
FIG. 02
PAGE 1
JAN 20/09

BRI

 **BOEING**
757
PARTS CATALOG (MAINTENANCE)

FIG ITEM	PART NUMBER	1 2 3 4 5 6 7	NOMENCLATURE	EFFECT FROM TO	UNITS PER ASSY
2			ATTACHING PARTS		
145	BACR15BB5AD5C	.	RIVET-	121503	4
150	BACR15BB6AD5C	.	RIVET-	121503	4
			-----*-----		
155	BAC27NEX1626	..	DECAL- PLACARD CONTENT: TB5047	121503	1
160	BACS12HN06-8	..	SCREW	121503	4
165	NAS1149DN632J	..	WASHER	121503	4
170	NAS1149D0663J	..	WASHER	121503	3
175	BACW10EC6S	..	WASHER	121503	3
180	PLH506CD	..	NUT SUPPLIER CODE: VF0224 SPECIFICATION NUMBER: BACN10YR06CD OPTIONAL PART: H52732-06CD V15653	121503	4
185	MS35650-3382	..	NUT	121503	3
190	MS18029-5S3	..	COVER ASSY	121503	1
195	34BG40	..	BUS BAR- SUPPLIER CODE: VF0219	121503	1
200	284N1720-6	..	BOARD ASSY-TERM. ELECTRICAL EQUIP NUMBER: TB5047	121503	1
205	MS27212-5-3	...	BOARD	121503	1
210	284N1720-10	..	SUPPORT ASSY	121503	RF
215	BACR15BA5ADC	...	RIVET- SIZE DETERMINED ON INSTL.	121503	RF
220	284N1720-7	...	BRACKET	121503	RF
225	284N1720-8	...	BRACKET ASSY	121503	RF
230	BRF200C3D	NUTPLATE SUPPLIER CODE: V52828 SPECIFICATION NUMBER: BACN10JR3CFD OPTIONAL PART: K51602-3BAC V15653 NS202476-02 V80539 102F9201-3 V72962 T8092C1032CD V11815	121503	RF

MISSING ITEM NUMBERS NOT APPLICABLE

— ITEM NOT ILLUSTRATED

BRI

24-31-73-02

24-31-73
FIG. 02
PAGE 2
JAN 20/09


BOEING
 757
PARTS CATALOG (MAINTENANCE)

FIG ITEM	PART NUMBER	1 2 3 4 5 6 7 NOMENCLATURE	EFFECT FROM TO	UNITS PER ASSY
2 - 235	BACR15BA3AD3C	ATTACHING PARTSRIVET -----*-----	121503	RF

MISSING ITEM NUMBERS NOT APPLICABLE

- ITEM NOT ILLUSTRATED

BRI

24-31-73-02

BOEING PROPRIETARY - Copyright © - Unpublished Work - See title page for details.

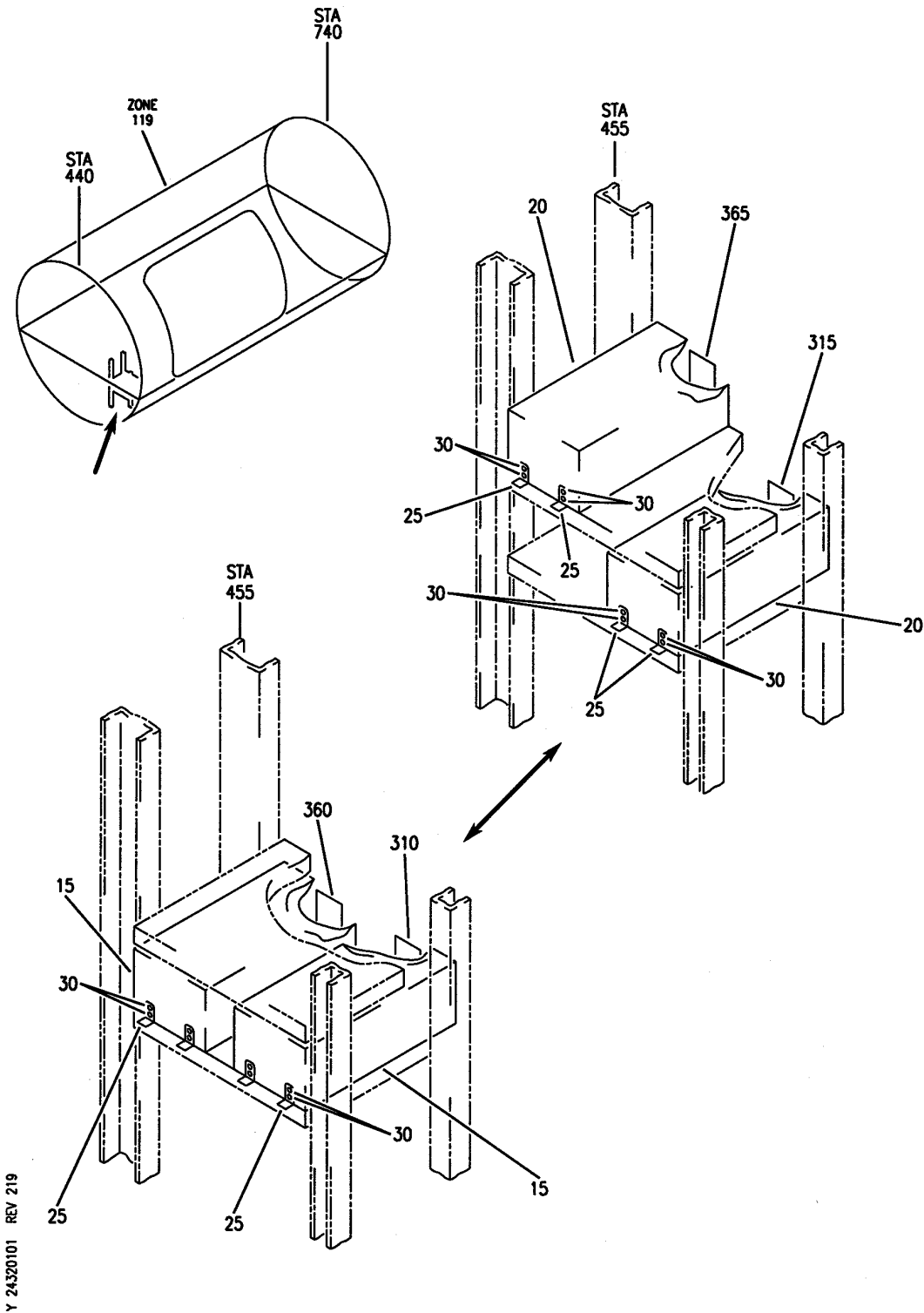
24-31-73
 FIG. 02
 PAGE 3
 JAN 20/09

TRANSFORMER RECTIFIER UNITS (TRU)

BRI
MAY 28/07

24-32-00
SECTION TITLE
PAGE 1

BOEING
757
PARTS CATALOG (MAINTENANCE)



EQUIPMENT INSTL-MAIN ELECTRONICS EQPT CTR (TRANSFORMER RECTIFIER ONLY)
FIGURE 1

24-32-01-01

BRI
MAY 28/07

24-32-01-01
PAGE 0



757

PARTS CATALOG (MAINTENANCE)

FIG ITEM	PART NUMBER	1 2 3 4 5 6 7	NOMENCLATURE	EFFECT FROM TO	UNITS PER ASSY
1			EQUIPMENT INSTL-MAIN ELECTRONICS EQPT CTR (TRANSFORMER RECTIFIER ONLY)	002004 006100 107107 121999	
- 2	284N1307-33		EQUIPMENT INSTL-MAIN ELECTRONICS EQPT CTR (TRANSFORMER RECTIFIER ONLY) FOR NHA/OTHER SYS DET SEE: 24-00-58-01	107107	RF
- 3	284N1800-16		EQUIPMENT INSTL-MAIN ELECTRONICS EQPT CTR (TRANSFORMER RECTIFIER ONLY) FOR NHA/OTHER SYS DET SEE: 24-00-58-01	121503 904949	RF
- 4	284N1800-32		EQUIPMENT INSTL-MAIN ELECTRONICS EQPT CTR (TRANSFORMER RECTIFIER ONLY) FOR NHA/OTHER SYS DET SEE: 24-00-58-01	952999	RF
- 5	284N1800-34		EQUIPMENT INSTL-MAIN ELECTRONICS EQPT CTR (TRANSFORMER RECTIFIER ONLY) FOR NHA/OTHER SYS DET SEE: 24-00-58-01	002004 006100	RF
- 5	284N1800-38		EQUIPMENT INSTL-MAIN ELECTRONICS EQPT CTR (TRANSFORMER RECTIFIER ONLY) FOR NHA/OTHER SYS DET SEE: 24-00-58-01	950951	RF
- 7	284N1800-190		EQUIPMENT INSTL-MAIN ELECTRONICS EQPT CTR (TRANSFORMER RECTIFIER ONLY) FOR NHA/OTHER SYS DET SEE: 24-00-58-05E	504504 506903	RF
- 7	284N1800-88		EQUIPMENT INSTL-MAIN ELECTRONICS EQPT CTR (TRANSFORMER RECTIFIER ONLY) FOR NHA/OTHER SYS DET SEE: 24-00-58-05E	505505	RF

MISSING ITEM NUMBERS NOT APPLICABLE

- ITEM NOT ILLUSTRATED

BRI

24-32-01-01

24-32-01
FIG. 01
PAGE 1
JAN 20/09



757

PARTS CATALOG (MAINTENANCE)

FIG ITEM	PART NUMBER	1 2 3 4 5 6 7	NOMENCLATURE	EFFECT FROM TO	UNITS PER ASSY
1 20	4-273-02	.	TRANSFORMER ASSY-RECTIFIER SUPPLIER CODE: V08748 FUNCTIONAL DESCRIPTION: CONVERTS 3-PHASE 115 VOLTS AC INPUT POWER INTO UNREGULATED 28 VOLTS DC OUTPUT POWER FOR THE AIRPLANES DC LOADS. SPECIFICATION NUMBER: S282T001-1 ELECTRICAL EQUIP NUMBER: T00101 T00102 COMPONENT MAINT MANUAL REF: 24-32-01 OPTIONAL PART: 4-273-03 V08748	002004 006100 107107 121999	2
20	4-273-03	.	TRANSFORMER ASSY-RECTIFIER SUPPLIER CODE: V08748 FUNCTIONAL DESCRIPTION: CONVERTS 3-PHASE 115 VOLTS AC INPUT POWER INTO UNREGULATED 28 VOLTS DC OUTPUT POWER FOR THE AIRPLANES DC LOADS. SPECIFICATION NUMBER: S282T001-1 ELECTRICAL EQUIP NUMBER: T00101 T00102 COMPONENT MAINT MANUAL REF: 24-32-01 OPTIONAL PART: 4-273-02 V08748	002004 006100 107107 121999	2
25	NAS622T2	..	BRACKET	002004 006100 107107 121999	2

MISSING ITEM NUMBERS NOT APPLICABLE

- ITEM NOT ILLUSTRATED

24-32-01-01

24-32-01
FIG. 01
PAGE 2
JAN 20/09

BRI



757

PARTS CATALOG (MAINTENANCE)

FIG ITEM	PART NUMBER	1 2 3 4 5 6 7	NOMENCLATURE	EFFECT FROM TO	UNITS PER ASSY
1			ATTACHING PARTS		
30	MS24693C28		.. SCREW	002004 006100 107107 121999	4
			-----*-----		
- 300	286N2240-001		WIRE BUNDLE ASSY	107107	RF
- 300	286N2240-002		WIRE BUNDLE ASSY	904949	RF
- 300	286N2240-004		WIRE BUNDLE ASSY-	002004 006100 950999	RF
- 300	286N2240-007		WIRE BUNDLE ASSY	121503	RF
- 300	286N2240-306		WIRE BUNDLE ASSY	504903	RF
303	BACC45FT18D8S		.CONNECTOR-	002004	1
			ELECTRICAL EQUIP NUMBER:	006100	
			D01776	107107	
			WIRING DIAGRAM REF:	121999	
			243211		
- 305	286N2352-001		WIRE BUNDLE ASSY-	002004	RF
			REWORKED BY SB:	006100	
			34-0200	107107 950999	
- 305	286N2352-002		WIRE BUNDLE ASSY-	121503	RF
- 306	286N2352-328		WIRE BUNDLE ASSY	904949	RF
315	BACC45FT18D8S		.CONNECTOR-	504903	RF
			ELECTRICAL EQUIP NUMBER:	002004	1
			D01776	006100	
			WIRING DIAGRAM REF:	107107	
			243211	121999	
- 350	286N2244-001		WIRE BUNDLE ASSY-	107107	RF
- 350	286N2244-002		WIRE BUNDLE ASSY	121503	RF
- 350	286N2244-004		WIRE BUNDLE ASSY	904949	RF
				002004	RF
				006100	
				950999	
- 350	286N2244-314		WIRE BUNDLE ASSY	504903	RF
353	BACC45FT18D8S		.CONNECTOR-	002004	1
			ELECTRICAL EQUIP NUMBER:	006100	
			D01860	107107	
			WIRING DIAGRAM REF:	121999	
			243411		
- 355	286N4034-302		WIRE BUNDLE ASSY	504903	RF
365	BACC45FT18D8S		.CONNECTOR-	504903	1
			ELECTRICAL EQUIP NUMBER:		
			D01860		
			WIRING DIAGRAM REF:		
			243411		

MISSING ITEM NUMBERS NOT APPLICABLE

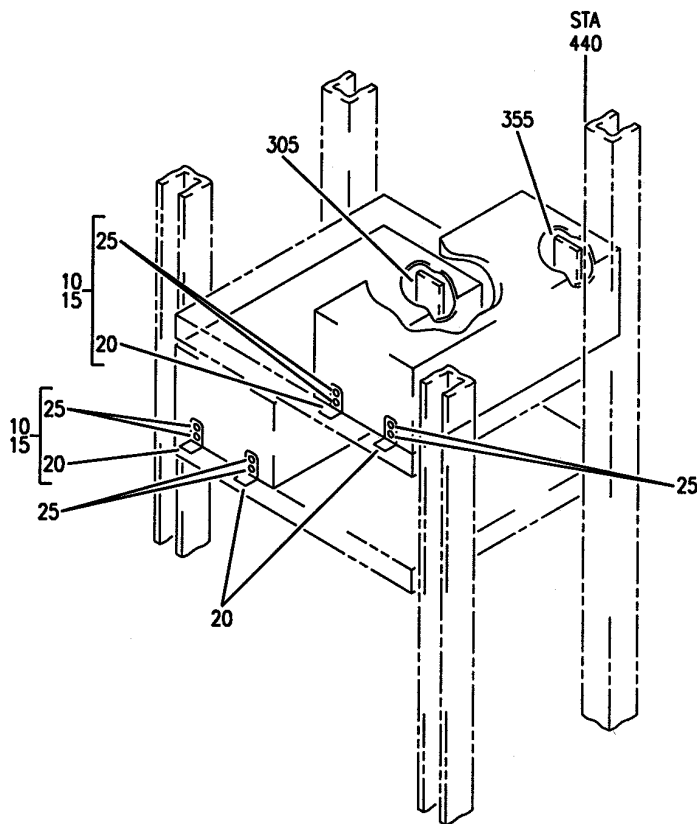
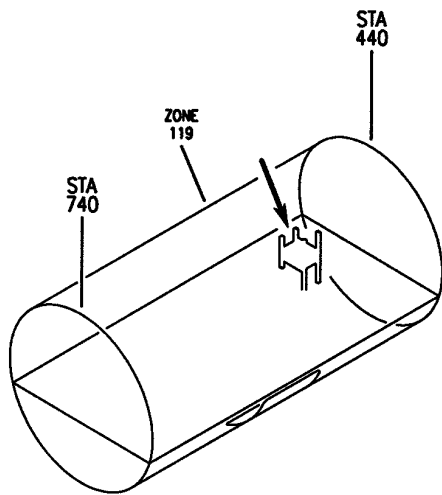
- ITEM NOT ILLUSTRATED

24-32-01-01

24-32-01
FIG. 01
PAGE 3
JAN 20/09

BRI

BOEING
757
PARTS CATALOG (MAINTENANCE)



Y 24320101B REV 219

EQUIPMENT INSTL-MAIN ELECTRONICS EQPT CTR (TRANSFORMER RECTIFIER ONLY)
FIGURE 1B

BRI
MAY 28/07

24-32-01-01B

24-32-01-01B
PAGE 0



757

PARTS CATALOG (MAINTENANCE)

FIG ITEM	PART NUMBER	1 2 3 4 5 6 7	NOMENCLATURE	EFFECT FROM TO	UNITS PER ASSY
1B			EQUIPMENT INSTL-MAIN ELECTRONICS EQPT CTR (TRANSFORMER RECTIFIER ONLY)	101102	
- 2	284N1800-140		EQUIPMENT INSTL-MAIN ELECTRONICS EQPT CTR (TRANSFORMER RECTIFIER ONLY)	101101	RF
- 3	284N1800-141		FOR NHA/OTHER SYS DET SEE: 24-00-58-05E		
			EQUIPMENT INSTL-MAIN ELECTRONICS EQPT CTR (TRANSFORMER RECTIFIER ONLY)	102102	RF
			FOR NHA/OTHER SYS DET SEE: 24-00-58-05E		
10	4-273-02		. TRANSFORMER ASSY-RECTIFIER SUPPLIER CODE: V08748 FUNCTIONAL DESCRIPTION: CONVERTS 3-PHASE 115 VOLTS AC INPUT POWER INTO UNREGULATED 28 VOLTS DC OUTPUT POWER FOR THE AIRPLANES DC LOADS. SPECIFICATION NUMBER: S282T001-1 ELECTRICAL EQUIP NUMBER: T00101 T00102 COMPONENT MAINT MANUAL REF: 24-32-01 OPTIONAL PART: 4-273-03 V08748	101102	2

MISSING ITEM NUMBERS NOT APPLICABLE

- ITEM NOT ILLUSTRATED

24-32-01-01B

24-32-01
FIG. 01B
PAGE 1
JAN 20/09

BRI



757

PARTS CATALOG (MAINTENANCE)

FIG ITEM	PART NUMBER	1 2 3 4 5 6 7	NOMENCLATURE	EFFECT FROM TO	UNITS PER ASSY
1B 10	4-273-03	.	TRANSFORMER ASSY-RECTIFIER SUPPLIER CODE: V08748 FUNCTIONAL DESCRIPTION: CONVERTS 3-PHASE 115 VOLTS AC INPUT POWER INTO UNREGULATED 28 VOLTS DC OUTPUT POWER FOR THE AIRPLANES DC LOADS. SPECIFICATION NUMBER: S282T001-1 ELECTRICAL EQUIP NUMBER: T00101 T00102 COMPONENT MAINT MANUAL REF: 24-32-01 OPTIONAL PART: 4-273-02 V08748	101102	2
15	NAS622T2	..	BRACKET	101102	2
20	MS24693C28	..	SCREW	101102	4
- 300	286N2352-321		WIRE BUNDLE ASSY	101101	RF
- 300	286N2352-323		WIRE BUNDLE ASSY	102102	RF
305	BACC45FT18D8S	.	CONNECTOR- ELECTRICAL EQUIP NUMBER: D01776 WIRING DIAGRAM REF: 243211	101102	1
- 350	286N4034-301		WIRE BUNDLE ASSY	101102	RF
355	BACC45FT18D8S	.	CONNECTOR- ELECTRICAL EQUIP NUMBER: D01860 WIRING DIAGRAM REF: 243411	101102	1

MISSING ITEM NUMBERS NOT APPLICABLE

- ITEM NOT ILLUSTRATED

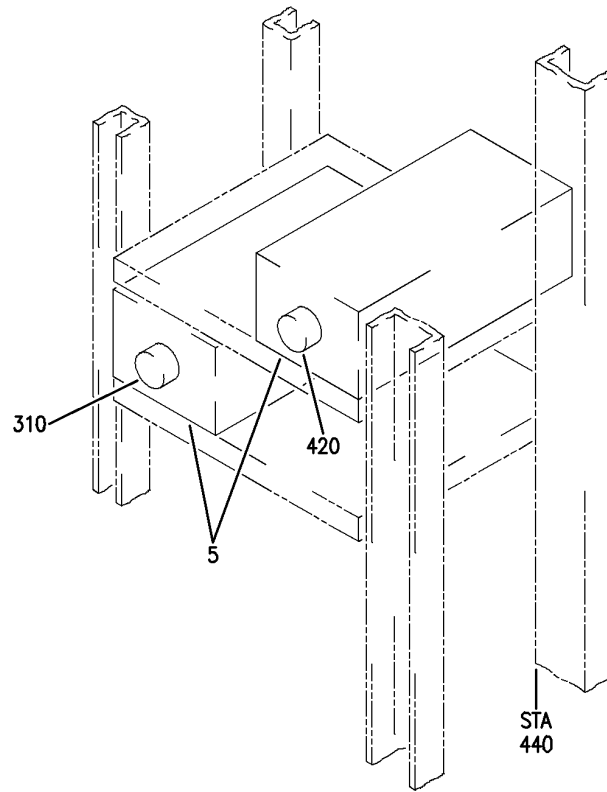
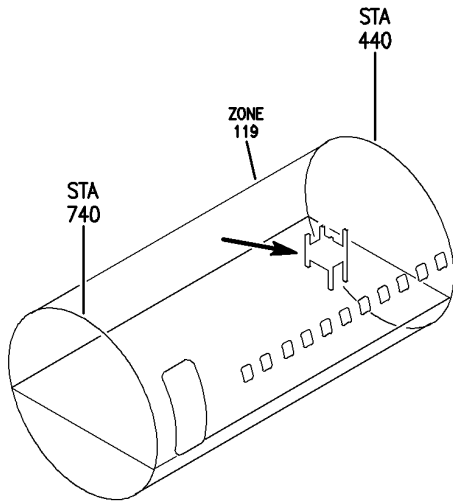
BRI

24-32-01-01B

BOEING PROPRIETARY - Copyright © - Unpublished Work - See title page for details.

24-32-01
FIG. 01B
PAGE 2
JAN 20/09

BOEING
757
PARTS CATALOG (MAINTENANCE)



Y 24320108 REV 223

EQUIPMENT INSTL-MAIN ELECTRONICS EQPT CTR XFMR RECTIFIER UNIT
FIGURE 8

BRI
JAN 20/09

24-32-01-08

24-32-01-08
PAGE 0



757

PARTS CATALOG (MAINTENANCE)

FIG ITEM	PART NUMBER	1 2 3 4 5 6 7	NOMENCLATURE	EFFECT FROM TO	UNITS PER ASSY
8			EQUIPMENT INSTL-MAIN ELECTRONICS EQPT CTR XFMR RECTIFIER UNIT	103106 108120	
- 1	284N4000-240000		EQUIPMENT INSTL-MAIN ELECTRONICS EQPT CTR XFMR RECTIFIER UNIT	108120	RF
- 1	MODREF9946		FOR NHA SEE: 24-00-58-05 EQUIPMENT INSTL-MAIN ELECTRONICS EQPT CTR XFMR RECTIFIER UNIT	103106	1
5	4-273-03		MODULE NUMBER: 284N4000-240000 REV A .TRANSFORMER ASSY- SUPPLIER CODE: V08748 FUNCTIONAL DESCRIPTION: CONVERTS 3-PHASE 115 VOLTS AC INPUT POWER INTO UNREGULATED 28 VOLTS DC OUTPUT POWER FOR THE AIRPLANE DC LOADS. SPECIFICATION NUMBER: S282T001-1 ELECTRICAL EQUIP NUMBER: T00101 T00102 COMPONENT MAINT MANUAL REF: 24-32-01 OPTIONAL PART: 4-273-02 V08748	103106 108120	2

MISSING ITEM NUMBERS NOT APPLICABLE

- ITEM NOT ILLUSTRATED

24-32-01-08

24-32-01
FIG. 08
PAGE 1
JAN 20/09

BRI



757

PARTS CATALOG (MAINTENANCE)

FIG ITEM	PART NUMBER	1 2 3 4 5 6 7	NOMENCLATURE	EFFECT FROM TO	UNITS PER ASSY
8 5	4-273-02		.TRANSFORMER ASSY- SUPPLIER CODE: V08748 FUNCTIONAL DESCRIPTION: CONVERTS 3-PHASE 115 VOLTS AC INPUT POWER INTO UNREGULATED 28 VOLTS DC OUTPUT POWER FOR THE AIRPLANE DC LOADS. SPECIFICATION NUMBER: S282T001-1 ELECTRICAL EQUIP NUMBER: T00101 T00102 COMPONENT MAINT MANUAL REF: 24-32-01 OPTIONAL PART: 4-273-03 V08748	103106 108120	2
- 201	286N2352-348		WIRE BUNDLE ASSY	108120	RF
- 203	286N2352-751		WIRE BUNDLE ASSY	103106	RF
310	BACC45FT18D8S		.CONNECTOR- ELECTRICAL EQUIP NUMBER: D01776 WIRING DIAGRAM REF: 243211	103106 108120	1
- 400	286N4034-301		WIRE BUNDLE ASSY	108120	RF
- 400	286N4034-701		WIRE BUNDLE ASSY	103106	RF
420	BACC45FT18D8S		.CONNECTOR- ELECTRICAL EQUIP NUMBER: D01860 WIRING DIAGRAM REF: 243211	103106 108120	1

MISSING ITEM NUMBERS NOT APPLICABLE

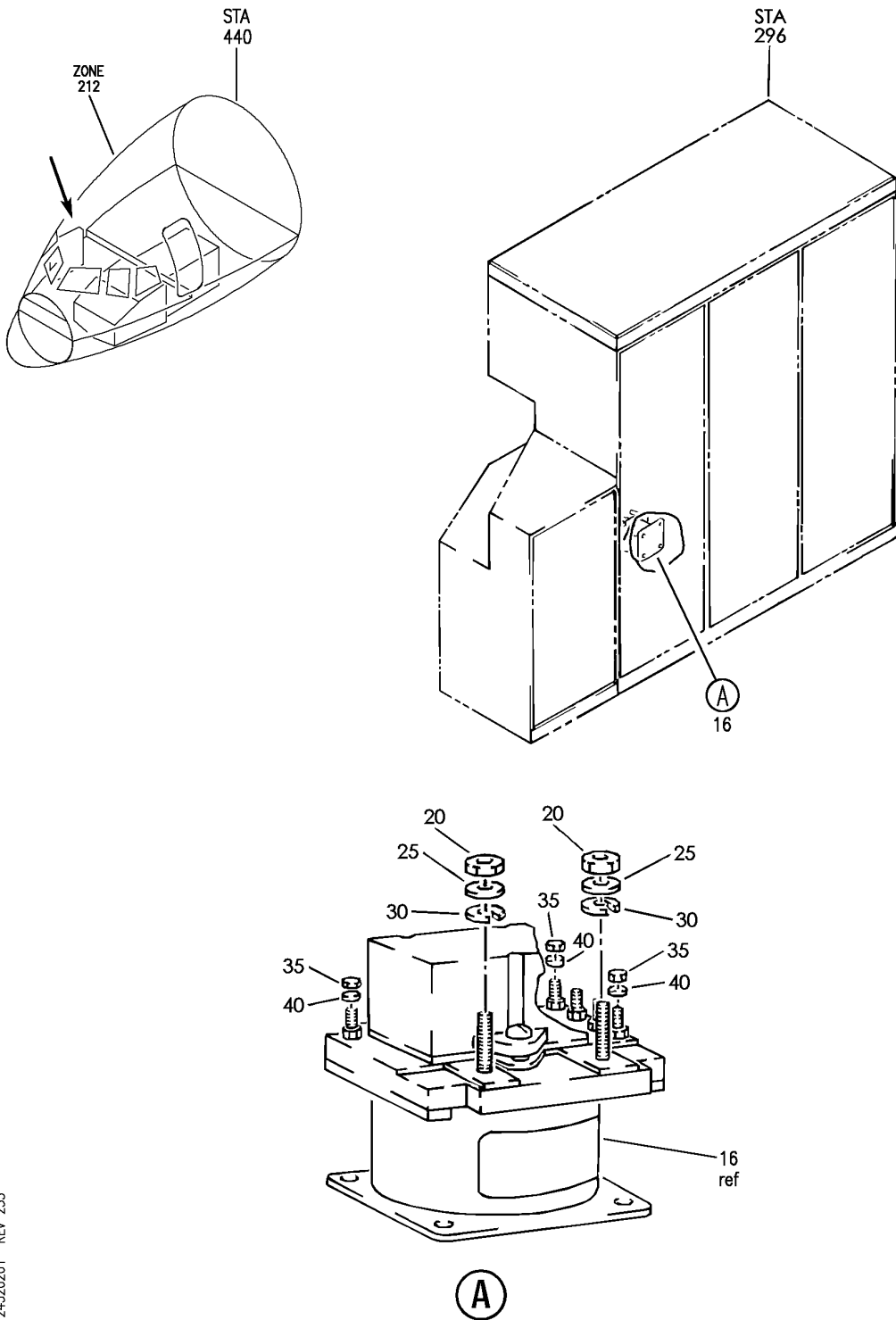
- ITEM NOT ILLUSTRATED

BRI

24-32-01-08

24-32-01
FIG. 08
PAGE 2
JAN 20/09

BOEING
757
PARTS CATALOG (MAINTENANCE)



Y 24320201 REV 253

PANEL INSTL-P6 PWR DISTR (DC TIE RELAY ONLY)
FIGURE 1

24-32-02-01

BRI
JAN 20/09

24-32-02-01
PAGE 0



757

PARTS CATALOG (MAINTENANCE)

FIG ITEM	PART NUMBER	1 2 3 4 5 6 7	NOMENCLATURE	EFFECT FROM TO	UNITS PER ASSY
1			PANEL INSTL-P6 PWR DISTR (DC TIE RELAY ONLY)	103106 108120	
- 1	287N4102-408		PANEL INSTL-P6 PWR DISTR (DC TIE RELAY ONLY) FOR NHA/OTHER SYS DET SEE: 24-00-58-05F	108120	RF
- 4	MODREF31408		PANEL INSTL-P6 PWR DISTR (DC TIE RELAY ONLY) MODULE NUMBER: 287N4102-437 REV A FOR OTHER SYS DETAILS SEE: 11-34-05-07 24-31-06-01 24-31-71-09 24-33-01-01 24-51-05-01 24-51-06-01 24-51-07-01 24-51-52-08 24-51-52-09 24-51-52-10 24-51-73-02 24-53-52-02 31-01-06-02 FOR ADDITIONAL DETAILS SEE: 24-32-03-01	103106	1
16	A1077DD		. CONTACTOR ASSY- SUPPLIER CODE: V74063 ELECTRICAL EQUIP NUMBER: K00108 COMPONENT MAINT MANUAL REF: 24-09-16	103106 108120	1
- 18	NAS1801-3-7		ATTACHING PARTS . SCREW	103106 108120	4
			-----*-----		
20	50407-364		.. NUT-HEX SUPPLIER CODE: V74063	103106 108120	2
25	51703-064		.. WASHER-FLAT SUPPLIER CODE: V74063	103106 108120	2
30	51807-034		.. WASHER-LOCK SUPPLIER CODE: V74063	103106 108120	2
35	50406-014		.. NUT-HEX SUPPLIER CODE: V74063	103106 108120	5

MISSING ITEM NUMBERS NOT APPLICABLE

- ITEM NOT ILLUSTRATED

BRI

24-32-02-01

24-32-02
FIG. 01
PAGE 1
JAN 20/09



757

PARTS CATALOG (MAINTENANCE)

FIG ITEM	PART NUMBER	1 2 3 4 5 6 7	NOMENCLATURE	EFFECT FROM TO	UNITS PER ASSY
1 40	51806-014		. . WASHER-LOCK SUPPLIER CODE: V74063	103106 108120	5

MISSING ITEM NUMBERS NOT APPLICABLE

- ITEM NOT ILLUSTRATED

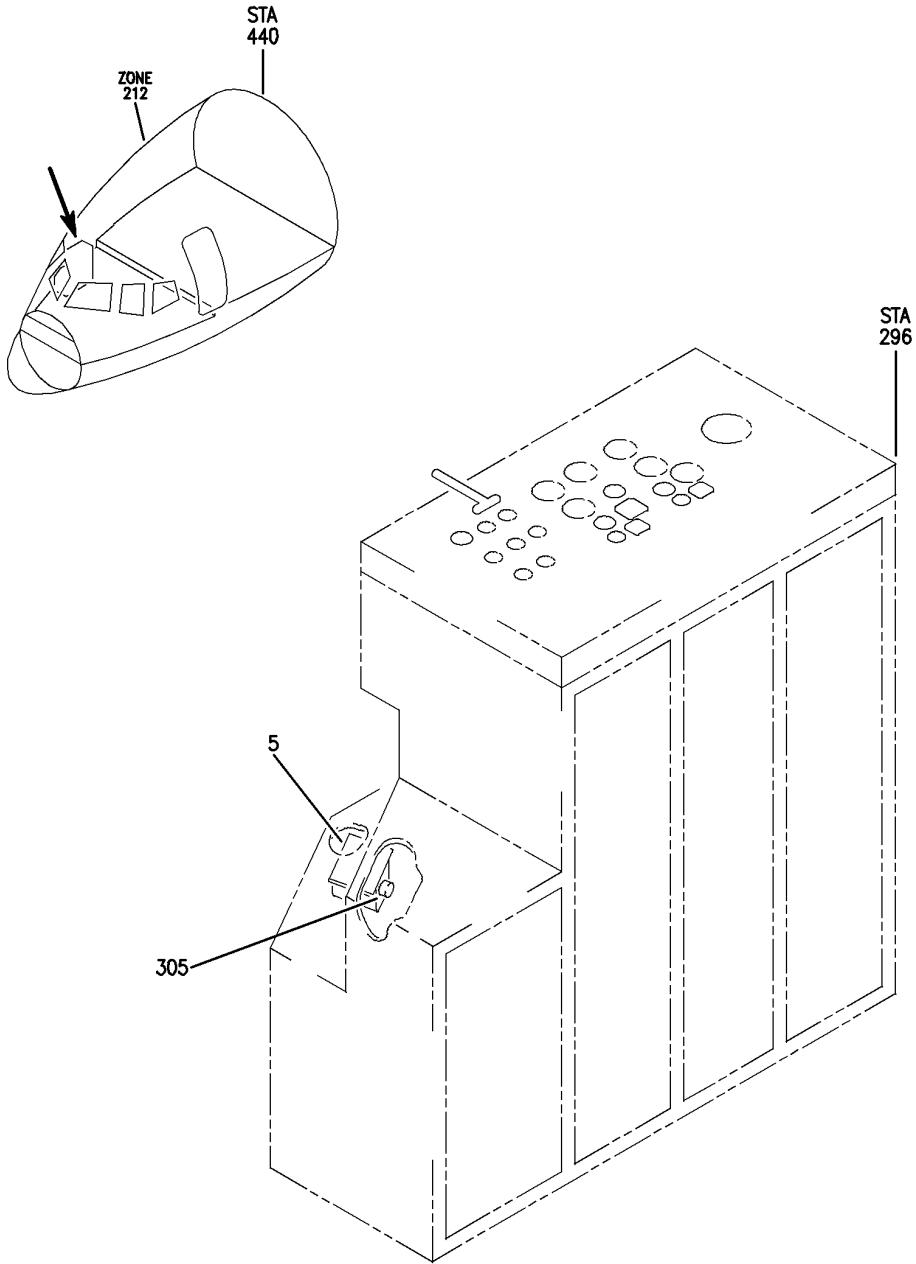
BRI

24-32-02-01

BOEING PROPRIETARY - Copyright © - Unpublished Work - See title page for details.

24-32-02
FIG. 01
PAGE 2
JAN 20/09

BOEING
757
PARTS CATALOG (MAINTENANCE)



Y 24-320301 REV 228

PANEL INSTL-P6 PWR DISTR (DC TIE CONTROL UNIT ONLY)
FIGURE 1

24-32-03-01

BRI
JAN 20/09

24-32-03-01
PAGE 0



757

PARTS CATALOG (MAINTENANCE)

FIG ITEM	PART NUMBER	1 2 3 4 5 6 7	NOMENCLATURE	EFFECT FROM TO	UNITS PER ASSY
1			PANEL INSTL-P6 PWR DISTR (DC TIE CONTROL UNIT ONLY)	103106 108120	
- 1	287N4102-408		PANEL INSTL-P6 PWR DISTR (DC TIE CONTROL UNIT ONLY)	108120	RF
- 4	MODREF31408		FOR NHA/OTHER SYS DET SEE: 24-00-58-05F		
			PANEL INSTL-P6 PWR DISTR (DC TIE CONTROL UNIT ONLY)	103106	1
			MODULE NUMBER: 287N4102-437 REV A		
			FOR OTHER SYS DETAILS SEE: 11-34-05-07 24-31-06-01 24-31-71-09 24-33-01-01 24-51-05-01 24-51-06-01 24-51-07-01 24-51-52-08 24-51-52-09 24-51-52-10 24-51-73-02 24-53-52-02 31-01-06-02		
			FOR ADDITIONAL DETAILS SEE: 24-32-02-01		
5	708520-2		.CONTROL UNIT-DC TIE SUPPLIER CODE: V19623 SPECIFICATION NUMBER: S282N002-2 ELECTRICAL EQUIP NUMBER: M10213 OPTIONAL PART: 708520-3 V19623	103106 108120	1
5	708520-3		.CONTROL UNIT-DC TIE SUPPLIER CODE: V19623 SPECIFICATION NUMBER: S282N002-2 ELECTRICAL EQUIP NUMBER: M10213 OPTIONAL PART: 708520-2 V19623	103106 108120	1

MISSING ITEM NUMBERS NOT APPLICABLE

- ITEM NOT ILLUSTRATED

24-32-03-01

24-32-03
FIG. 01
PAGE 1
JAN 20/09

BRI



757

PARTS CATALOG (MAINTENANCE)

FIG ITEM	PART NUMBER	1 2 3 4 5 6 7	NOMENCLATURE	EFFECT FROM TO	UNITS PER ASSY
1			ATTACHING PARTS		
- 10	NAS1801-06-7		.SCREW	103106 108120	4
			-----*-----		
- 300	286N0074-318		WIRE BUNDLE ASSY	108120	RF
- 301	286N0074-701		WIRE BUNDLE ASSY-	103106	RF
305	BACC45FT12A12S		.CONNECTOR-	103106	1
			ELECTRICAL EQUIP NUMBER: D01856	108120	
			WIRING DIAGRAM REF: 243411		

MISSING ITEM NUMBERS NOT APPLICABLE

- ITEM NOT ILLUSTRATED

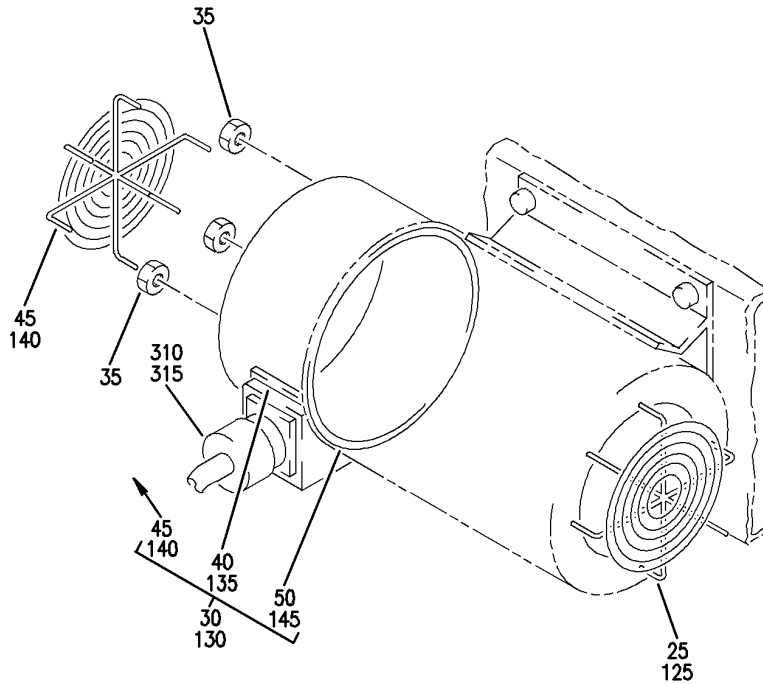
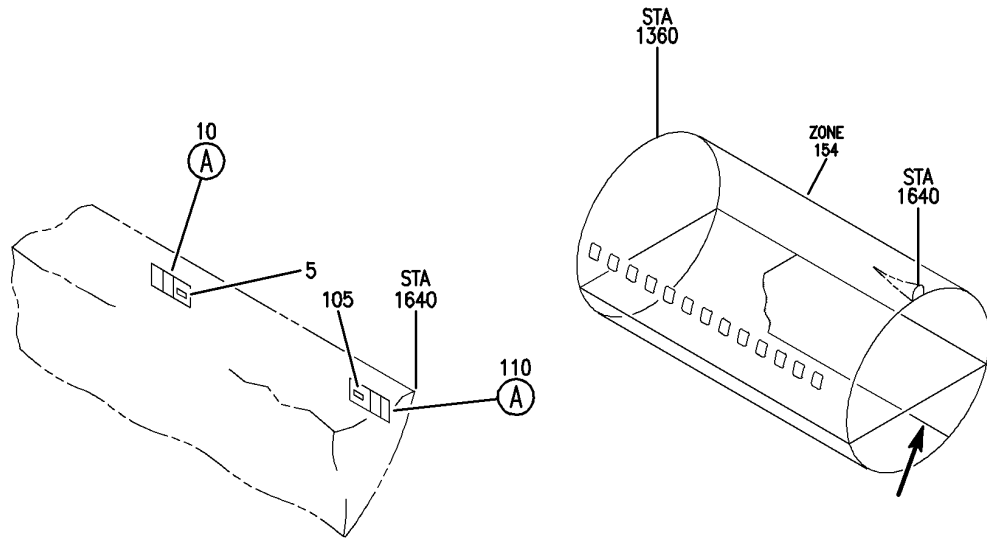
BRI

24-32-03-01

BOEING PROPRIETARY - Copyright © - Unpublished Work - See title page for details.

24-32-03
FIG. 01
PAGE 2
JAN 20/09

BOEING
757
PARTS CATALOG (MAINTENANCE)



(A)

Y 24320401 REV 250

TRANSFORMER RECTIFIER UNIT INSTL-AFT EQPT CTR APU
FIGURE 1

24-32-04-01

BRI
MAY 28/07

24-32-04-01
PAGE 0



757

PARTS CATALOG (MAINTENANCE)

FIG ITEM	PART NUMBER	1 2 3 4 5 6 7	NOMENCLATURE	EFFECT FROM TO	UNITS PER ASSY
1			TRANSFORMER RECTIFIER UNIT INSTL-AFT EQPT CTR APU	121503 904949	
- 100	284N1857-2		TRANSFORMER RECTIFIER- UNIT INSTL-EQPT CTR APU	121503 904949	RF
			POSITION DATA: AFT FOR NHA SEE: 24-00-58-01B		
105	BAC27TEX2215		.DECAL- PLACARD CONTENT: T189 APU START TRU	121503 904949	1
110	28VS200Y4B		.RECTIFIER- SUPPLIER CODE: V94988 SPECIFICATION NUMBER: 60B40104-1 ELECTRICAL EQUIP NUMBER: T10001 COMPONENT MAINT MANUAL REF: 24-32-11	121503 904949	1
110	28VS200Y4B1		.RECTIFIER- SUPPLIER CODE: V94988 SPECIFICATION NUMBER: 60B40104-2 ELECTRICAL EQUIP NUMBER: T00189 COMPONENT MAINT MANUAL REF: 24-32-11 OPTIONAL PART: 28VS200Y4B2 V94988	121503 904949	1

MISSING ITEM NUMBERS NOT APPLICABLE

- ITEM NOT ILLUSTRATED

BRI

24-32-04-01

24-32-04
FIG. 01
PAGE 1
JAN 20/09



757

PARTS CATALOG (MAINTENANCE)

FIG ITEM	PART NUMBER	1 2 3 4 5 6 7	NOMENCLATURE	EFFECT FROM TO	UNITS PER ASSY
1 110	28VS200Y4B2		.RECTIFIER- SUPPLIER CODE: V94988 FUNCTIONAL DESCRIPTION: THE POWER SUPPLY, TRANSFORMER-RECTIFIER IS A DC POWER SOURCE FOR STARTING THE AIRCRAFT AUXILIARY POWER UNITS. SPECIFICATION NUMBER: 60B40104-2 ELECTRICAL EQUIP NUMBER: T00189 COMPONENT MAINT MANUAL REF: 24-32-11 OPTIONAL PART: 28VS200Y4B1 V94988 ATTACHING PARTS	121503 904949	1
- 115	BACB30NM4K3		.BOLT	121503 904949	4
- 120	AN960PD416L		.WASHER	121503 904949	4
- 300	286N1026-002		-----*----- WIRE BUNDLE ASSY	121503 904949	RF
315	BACC63CE24-11S		.CONNECTOR- ELECTRICAL EQUIP NUMBER: D01076 WIRING DIAGRAM REF: 243241	121503 904949	1

MISSING ITEM NUMBERS NOT APPLICABLE

- ITEM NOT ILLUSTRATED

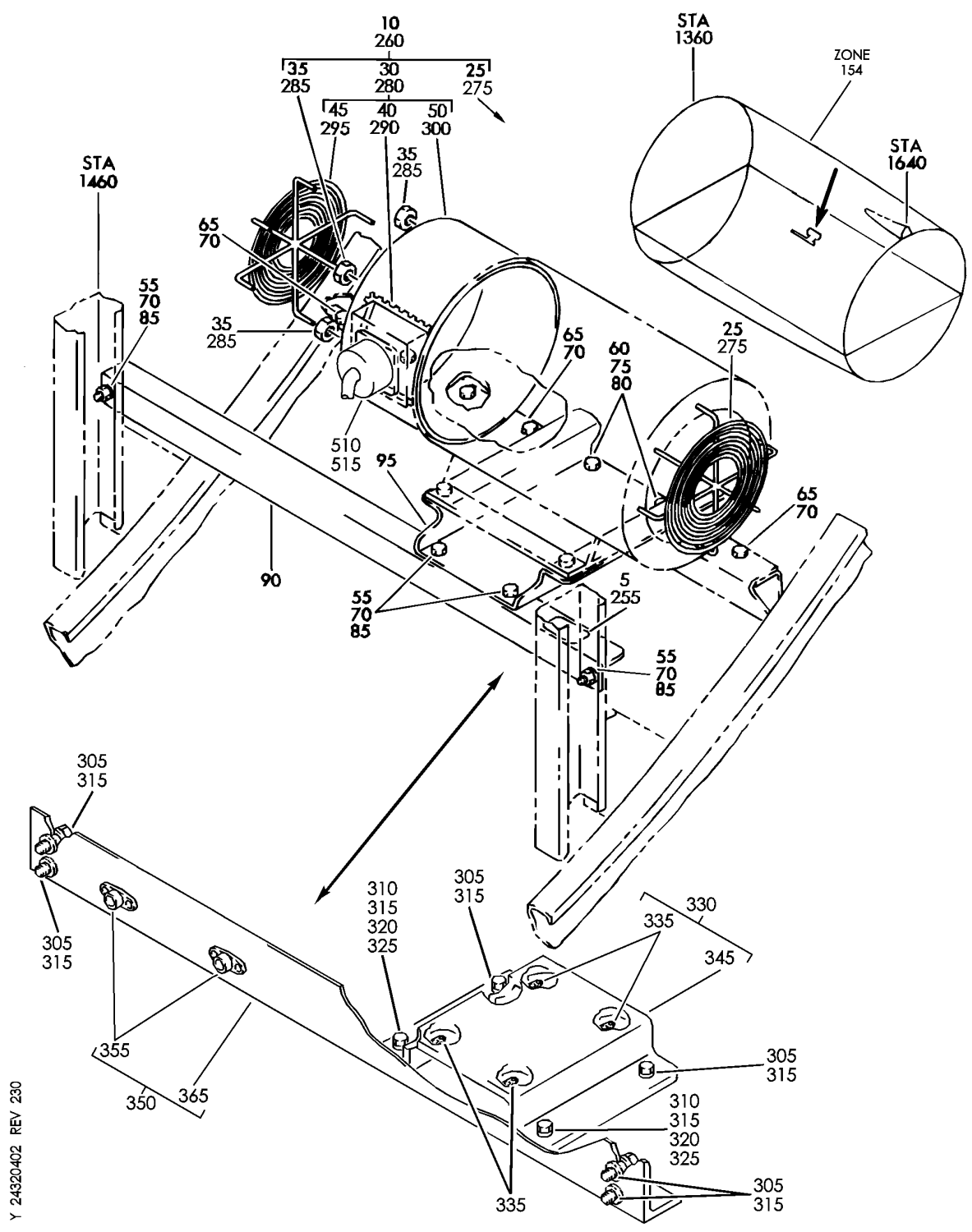
BRI

24-32-04-01

BOEING PROPRIETARY - Copyright © - Unpublished Work - See title page for details.

24-32-04
FIG. 01
PAGE 2
JAN 20/09

BOEING
757
PARTS CATALOG (MAINTENANCE)



Y 24320402 REV 230

TRANSFORMER RECTIFIER UNIT INSTL-AFT EQPT CTR APU
FIGURE 2

24-32-04-02

BRI
MAY 28/07

24-32-04-02
PAGE 0



757

PARTS CATALOG (MAINTENANCE)

FIG ITEM	PART NUMBER	1 2 3 4 5 6 7	NOMENCLATURE	EFFECT FROM TO	UNITS PER ASSY
2			TRANSFORMER RECTIFIER UNIT INSTL-AFT EQPT CTR APU	002004 006120 504903 950999	
- 1	284N1565-1		TRANSFORMER RECTIFIER- UNIT INSTL-EQPT CTR APU POSITION DATA: AFT FOR NHA SEE: 24-00-58-01B 24-00-58-05D	002004 006102 107120 504903 950999	RF
5	BAC27TEX2215		.DECAL- PLACARD CONTENT: T189 APU START TRU	002004 006102 107120 504903 950999	1
10	28VS200Y4B		.RECTIFIER- SUPPLIER CODE: V94988 SPECIFICATION NUMBER: 60B40104-1 ELECTRICAL EQUIP NUMBER: T00189 COMPONENT MAINT MANUAL REF: 24-32-11	002004 006102 107120 504903 950999	1
10	28VS200Y4B1		.RECTIFIER- SUPPLIER CODE: V94988 SPECIFICATION NUMBER: 60B40104-2 ELECTRICAL EQUIP NUMBER: T00189 COMPONENT MAINT MANUAL REF: 24-32-11 OPTIONAL PART: 28VS200Y4B2 V94988	002004 006102 107120 504903 950999	1

MISSING ITEM NUMBERS NOT APPLICABLE

- ITEM NOT ILLUSTRATED

BRI

24-32-04-02

24-32-04
FIG. 02
PAGE 1
JAN 20/09



757

PARTS CATALOG (MAINTENANCE)

FIG ITEM	PART NUMBER	1 2 3 4 5 6 7	NOMENCLATURE	EFFECT FROM TO	UNITS PER ASSY
2					
10	28VS200Y4B2		.RECTIFIER- SUPPLIER CODE: V94988 FUNCTIONAL DESCRIPTION: THE POWER SUPPLY, TRANSFORMER-RECTIFIER IS A DC POWER SOURCE FOR STARTING THE AIRCRAFT AUXILIARY POWER UNITS. SPECIFICATION NUMBER: 60B40104-2 ELECTRICAL EQUIP NUMBER: T00189 COMPONENT MAINT MANUAL REF: 24-32-11 OPTIONAL PART: 28VS200Y4B1 V94988 ATTACHING PARTS	002004 006102 107120 504903 950999	1
- 15	NAS6604-3		.BOLT	002004 006102 107120 504903 950999	4
- 20	AN960JD416		.WASHER	002004 006102 107120 504903 950999	4
25	2131544		-----*----- ..GRILLE-METAL SUPPLIER CODE: V94988	002004 006102 107120 504903 950999	1
30	2101667		..END BELL ASSY- SUPPLIER CODE: V94988	002004 006102 107120 504903 950999	1
35	MS21042L3		ATTACHING PARTS ..NUT -----*-----	002004 006102 107120 504903 950999	3

MISSING ITEM NUMBERS NOT APPLICABLE

- ITEM NOT ILLUSTRATED

24-32-04-02

24-32-04
FIG. 02
PAGE 2
JAN 20/09

BRI



757

PARTS CATALOG (MAINTENANCE)

FIG ITEM	PART NUMBER	1 2 3 4 5 6 7	NOMENCLATURE	EFFECT FROM TO	UNITS PER ASSY
2					
40	MS21266-1N	. . .	GROMMET	002004 006102 107120 504903 950999	1
45	2131544	. . .	GRILLE-METAL SUPPLIER CODE: V94988	002004 006102 107120 504903 950999	1
50	2101715	. . .	END BELL- SUPPLIER CODE: V94988	002004 006102 107120 504903 950999	1
55	NAS6603-2	. BOLT		002004 006102 107120 504903 950999	4
60	NAS6603-3	. BOLT		002004 006102 107120 504903 950999	2
65	NAS1801-3-7	. SCREW		002004 006102 107120 504903 950999	5
70	AN960JD10L	. WASHER		002004 006102 107120 504903 950999	9
75	BACW10P136AL	. WASHER		002004 006102 107120 504903 950999	2
80	NAS43DD3-4	. SPACER		002004 006102 107120 504903 950999	2

MISSING ITEM NUMBERS NOT APPLICABLE

- ITEM NOT ILLUSTRATED

24-32-04-02

24-32-04
FIG. 02
PAGE 3
JAN 20/09

BRI

BOEING PROPRIETARY - Copyright © - Unpublished Work - See title page for details.

BOEING
757
PARTS CATALOG (MAINTENANCE)

FIG ITEM	PART NUMBER	1 2 3 4 5 6 7	NOMENCLATURE	EFFECT FROM TO	UNITS PER ASSY
2					
85	MS21042L3	.	NUT	002004 006102 107120 504903 950999	4
90	284N1519-1	.	ANGLE-SPRT	002004 006102 107120 504903 950999	1
95	284N1509-1	.	SUPPORT ASSY	002004 006102 107120 504903 950999	1
- 250	MODREF11242		TRANSFORMER RECTIFIER- UNIT INSTL-EQPT CTR APU MODULE NUMBER: 284N1565-2 REV A POSITION DATA: AFT	103106	1
255	BAC27TEX2215	.	DECAL- PLACARD CONTENT: T189 APU START TRU	103106	1
260	28VS200Y4B1	.	RECTIFIER- SUPPLIER CODE: V94988 SPECIFICATION NUMBER: 60B40104-2 ELECTRICAL EQUIP NUMBER: T00189 COMPONENT MAINT MANUAL REF: 24-32-11 OPTIONAL PART: 28VS200Y4B2 V94988	103106	1

MISSING ITEM NUMBERS NOT APPLICABLE

- ITEM NOT ILLUSTRATED

BRI

24-32-04-02

BOEING PROPRIETARY - Copyright © - Unpublished Work - See title page for details.

24-32-04
FIG. 02
PAGE 4
JAN 20/09



757

PARTS CATALOG (MAINTENANCE)

FIG ITEM	PART NUMBER	1 2 3 4 5 6 7	NOMENCLATURE	EFFECT FROM TO	UNITS PER ASSY
2 260	28VS200Y4B2		.RECTIFIER- SUPPLIER CODE: V94988 FUNCTIONAL DESCRIPTION: THE POWER SUPPLY, TRANSFORMER-RECTIFIER IS A DC POWER SOURCE FOR STARTING THE AIRCRAFT AUXILIARY POWER UNITS. SPECIFICATION NUMBER: 60B40104-2 ELECTRICAL EQUIP NUMBER: T00189 COMPONENT MAINT MANUAL REF: 24-32-11 OPTIONAL PART: 28VS200Y4B1 V94988	103106	1
260	28VS200Y4B		.RECTIFIER- SUPPLIER CODE: V94988 SPECIFICATION NUMBER: 60B40104-1 ELECTRICAL EQUIP NUMBER: T00189 COMPONENT MAINT MANUAL REF: 24-32-11	103106	1
- 265	BACB30NM4K4		.BOLT	103106	4
- 270	BACW10BP4CD		.WASHER	103106	4
			-----*-----		
275	2131544		..GRILLE-METAL SUPPLIER CODE: V94988	103106	1
280	2101667		..END BELL ASSY- SUPPLIER CODE: V94988	103106	1
			ATTACHING PARTS		
285	MS21042L3		..NUT	103106	3
			-----*-----		
290	MS21266-1N		...GROMMET	103106	1
295	2131544		...GRILLE-METAL SUPPLIER CODE: V94988	103106	1
300	2101715		...END BELL- SUPPLIER CODE: V94988	103106	1
305	BACB30NM3K4		.BOLT	103106	6
310	BACB30NM3K3		.BOLT	103106	2

MISSING ITEM NUMBERS NOT APPLICABLE

- ITEM NOT ILLUSTRATED

24-32-04-02

24-32-04
FIG. 02
PAGE 5
JAN 20/09

BRI



757

PARTS CATALOG (MAINTENANCE)

FIG ITEM	PART NUMBER	1 2 3 4 5 6 7	NOMENCLATURE	EFFECT FROM TO	UNITS PER ASSY
2					
315	BACW10BP3CD	.	WASHER	103106	8
320	NAS1149D0332J	.	WASHER	103106	2
325	PLH53CD	.	NUT	103106	2
			SUPPLIER CODE: VF0224		
			SPECIFICATION NUMBER: BACN10YR3CD		
			OPTIONAL PART: H52732-3CD V15653		
330	284N1509-9	.	SUPPORT ASSY	103106	1
335	BRF200C4D	..	NUTPLATE	103106	4
			SUPPLIER CODE: V52828		
			SPECIFICATION NUMBER: BACN10JR4CFD		
			OPTIONAL PART: K51602-4BAC V15653 NS202476-048 V80539 102F9201-4 V72962 T8092C428CD V11815		
			ATTACHING PARTS		
- 340	BACR15BA3ADC	..	RIVET-	103106	8
			SIZE DETERMINED ON INSTL. -----*-----		
345	284N1509-10	..	SUPPORT	103106	1
350	284N1509-13	.	SUPPORT ASSY	103106	1
355	BRF200C3D	..	NUTPLATE	103106	2
			SUPPLIER CODE: V52828		
			SPECIFICATION NUMBER: BACN10JR3CFD		
			OPTIONAL PART: K51602-3BAC V15653 NS202476-02 V80539 102F9201-3 V72962 T8092C1032CD V11815		
			ATTACHING PARTS		
- 360	BACR15BA3ADC	..	RIVET-	103106	4
			SIZE DETERMINED ON INSTL. -----*-----		

MISSING ITEM NUMBERS NOT APPLICABLE

- ITEM NOT ILLUSTRATED

24-32-04-02

24-32-04
FIG. 02
PAGE 6
JAN 20/09

BRI



757

PARTS CATALOG (MAINTENANCE)

FIG ITEM	PART NUMBER	1 2 3 4 5 6 7	NOMENCLATURE	EFFECT FROM TO	UNITS PER ASSY
2					
365	284N1509-14		. . SUPPORT	103106	1
- 500	286N1026-001		WIRE BUNDLE ASSY	107107	RF
- 500	286N1026-004		WIRE BUNDLE ASSY	002004	RF
				006100	
				950999	
- 500	286N1026-317		WIRE BUNDLE ASSY	504903	RF
- 501	286N1026-325		WIRE BUNDLE ASSY	101102	RF
- 501	286N1026-336		WIRE BUNDLE ASSY	108120	RF
- 501	286N1026-701		WIRE BUNDLE ASSY	103106	RF
510	BACC63CE24-11S		.CONNECTOR-	002004	1
			ELECTRICAL EQUIP NUMBER:	006120	
			D01076	504903	
			WIRING DIAGRAM REF:	950999	
			243241		

MISSING ITEM NUMBERS NOT APPLICABLE

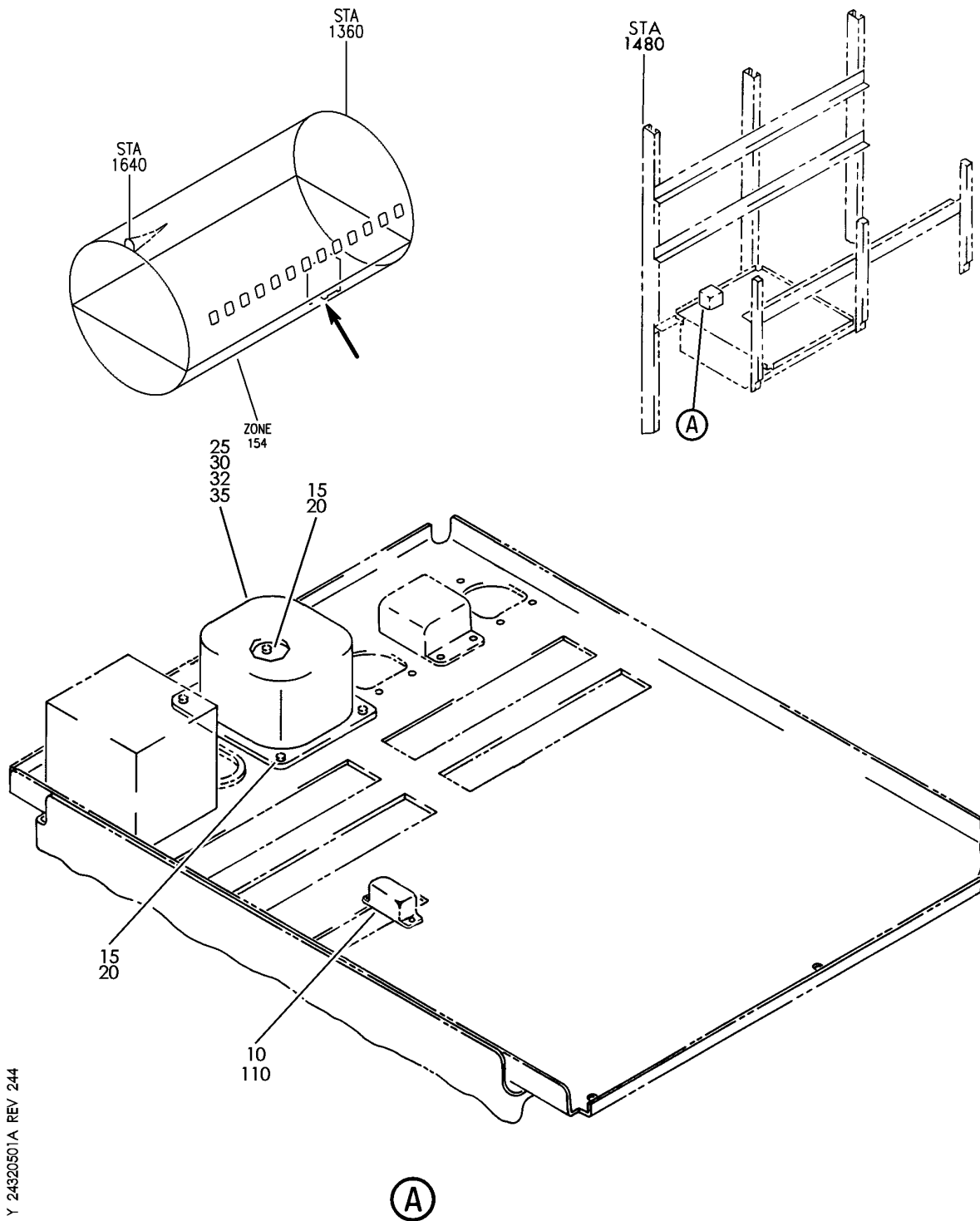
- ITEM NOT ILLUSTRATED

BRI

24-32-04-02

24-32-04
FIG. 02
PAGE 7
JAN 20/09

BOEING
757
PARTS CATALOG (MAINTENANCE)



Y 24320501A REV 244

EQUIPMENT ASSY-E6 AFT EQPT CTR RELAY PNL OPTION PKG (APU TRU START RELAY ONLY)
FIGURE 1A

BRI
MAY 28/07

24-32-05-01A

24-32-05-01A
PAGE 0



757

PARTS CATALOG (MAINTENANCE)

FIG ITEM	PART NUMBER	1 2 3 4 5 6 7	NOMENCLATURE	EFFECT FROM TO	UNITS PER ASSY
1 A			EQUIPMENT ASSY-E6 AFT EQPT CTR RELAY PNL OPTION PKG (APU TRU START RELAY ONLY)	101102 504903	
- 1	284N1554-1005		EQUIPMENT ASSY-E6 EQPT CTR RELAY PNL OPTION PKG (APU TRU START RELAY ONLY) POSITION DATA: AFT MISCELLANEOUS DATA: MINOR MODEL 757-200 PASS AND APU ADDITIONAL START OR MINOR MODEL 757-300 PASS AND APU ADDITIONAL START FOR NHA/OTHER SYS DET SEE: 31-01-86-02	101102 504903	RF
10	W260F4AM11		.RELAY- SUPPLIER CODE: VF0219 SPECIFICATION NUMBER: BACR13CD2 OPTIONAL PART: BR16S233 V09026 EE4AA005 V35344 3SAV1338A2 V01526 HFW1206K03 V58614 HFW1204K01 V71482 ELECTRICAL EQUIP NUMBER: K00616	101102 504903	1
15	NAS1801-3-7		.SCREW	101102 504903	4
20	NAS1149D0332J		.WASHER	101102 504903	4
25	69-46896-5		.COVER ASSY	101102 504903	1
30	69-71501-1		.BARRIER-TERM.	101102 504903	2
32	001-1908-000		..BARRIER- SUPPLIER CODE: V58657	101102 504903	1

MISSING ITEM NUMBERS NOT APPLICABLE

- ITEM NOT ILLUSTRATED

24-32-05-01A

24-32-05
FIG. 01A
PAGE 1
JAN 20/09

BRI

BOEING PROPRIETARY - Copyright © - Unpublished Work - See title page for details.



757

PARTS CATALOG (MAINTENANCE)

FIG ITEM	PART NUMBER	1 2 3 4 5 6 7 NOMENCLATURE	EFFECT FROM TO	UNITS PER ASSY
1 A	35 9131-8506	.RELAY- SUPPLIER CODE: V35344 SPECIFICATION NUMBER: 10-61445-21 ELECTRICAL EQUIP NUMBER: K10010 COMPONENT MAINT MANUAL REF: 24-09-07 OPTIONAL PART: BH316A V74063	101102 504903	1
R R R R R R R R R R R R R R R	35 BH316A	.RELAY- SUPPLIER CODE: V74063 FUNCTIONAL DESCRIPTION: A SEALED REPAIRABLE ELECTROMAGNETIC DEVICE FOR REMOTE ACTUATION OF 28V, 50 AMP ELECTRICAL CONTACT. SPECIFICATION NUMBER: 10-61445-21 ELECTRICAL EQUIP NUMBER: K10010 COMPONENT MAINT MANUAL REF: 24-09-36 OPTIONAL PART: 9131-8506 V35344	101102 504903	1
-	100 286N1024-325	WIRE BUNDLE ASSY	504903	RF
-	100 286N1024-327	WIRE BUNDLE ASSY	101102	RF
	110 RSE120026	.SOCKET- SUPPLIER CODE: V58982 SPECIFICATION NUMBER: BACS16AG1 OPTIONAL PART: 451120-026 V58982 ELECTRICAL EQUIP NUMBER: D04832 WIRING DIAGRAM REF: 243241	101102 504903	1
MISSING ITEM NUMBERS NOT APPLICABLE				

- ITEM NOT ILLUSTRATED

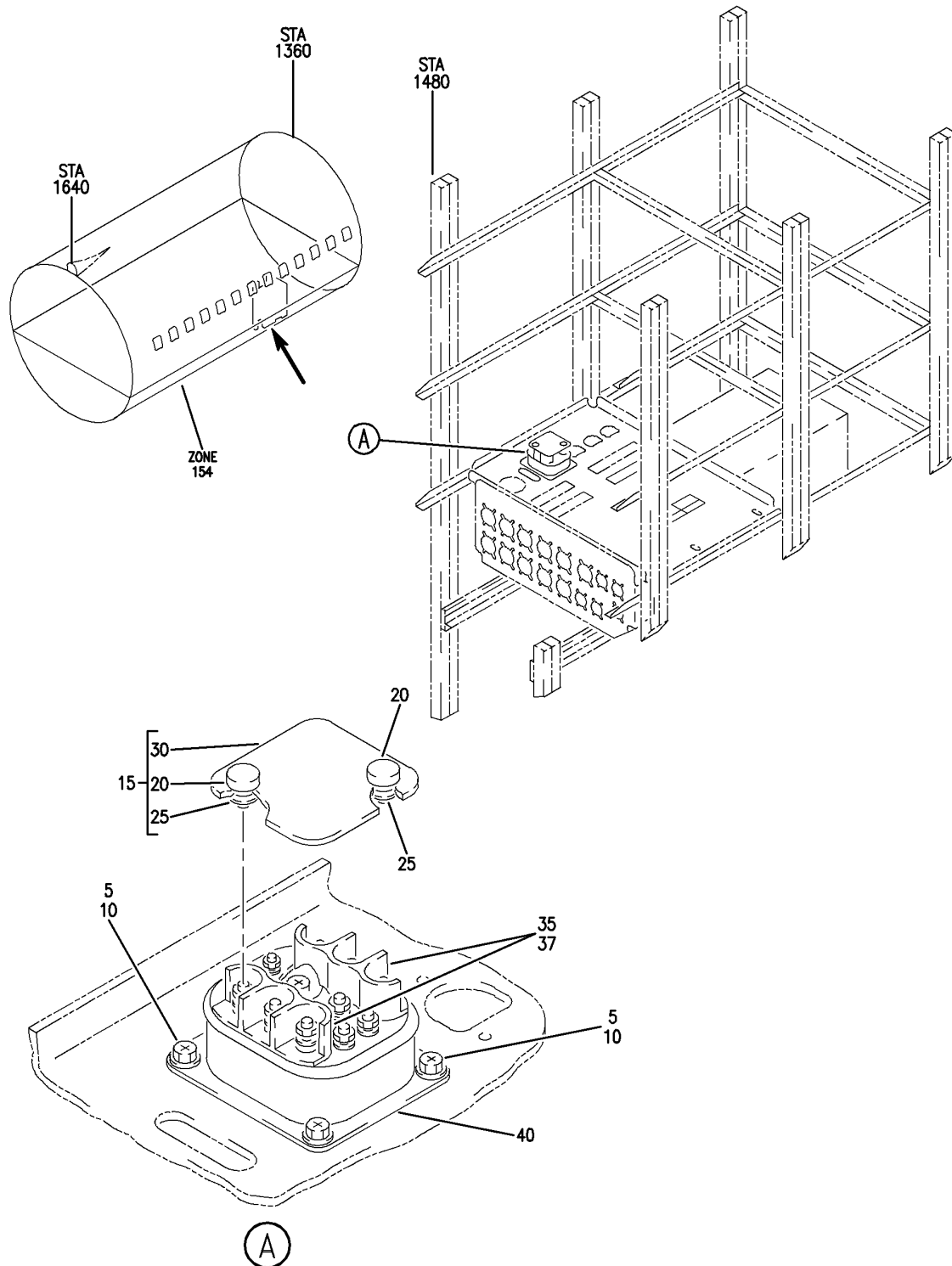
24-32-05-01A

BRI

BOEING PROPRIETARY - Copyright © - Unpublished Work - See title page for details.

24-32-05
FIG. 01A
PAGE 2
MAY 20/09

BOEING
757
PARTS CATALOG (MAINTENANCE)



Y 24320502 REV 244

EQUIPMENT ASSY-E6 RELAY PNL AFT EQPT CTR (APU TRU START RELAY ONLY)
FIGURE 2

24-32-05-02

BRI
JAN 20/09

24-32-05-02
PAGE 0



757

PARTS CATALOG (MAINTENANCE)

FIG ITEM	PART NUMBER	1 2 3 4 5 6 7	NOMENCLATURE	EFFECT FROM TO	UNITS PER ASSY
2			EQUIPMENT ASSY-E6 RELAY PNL AFT EQPT CTR (APU TRU START RELAY ONLY)	108120	
- 1	284N1554-123		EQUIPMENT ASSY-E6 RELAY PNL EQPT CTR (APU TRU START RELAY ONLY) POSITION DATA: AFT FOR NHA/OTHER SYS DET SEE: 24-00-58-05D	108120	RF
	5 NAS1801-3-7		.SCREW	108120	4
	10 NAS1149D0332J		.WASHER	108120	4
	15 69-46896-5		.COVER ASSY	108120	1
	20 MS18029-22		..NUT ASSY	108120	2
	25 MS16624-40		..RING	108120	2
	30 69-46896-4		..PLATE	108120	1
	35 69-71501-1		.BARRIER-TERM.	108120	2
	37 001-1908-000		..BARRIER- SUPPLIER CODE: V58657	108120	1
	40 9131-8506		.RELAY- SUPPLIER CODE: V35344 SPECIFICATION NUMBER: 10-61445-21 ELECTRICAL EQUIP NUMBER: K10010 COMPONENT MAINT MANUAL REF: 24-09-07 OPTIONAL PART: BH316A V74063	108120	1

MISSING ITEM NUMBERS NOT APPLICABLE

- ITEM NOT ILLUSTRATED

BRI

24-32-05-02

BOEING PROPRIETARY - Copyright © - Unpublished Work - See title page for details.

24-32-05
FIG. 02
PAGE 1
MAY 20/09



**757
PARTS CATALOG (MAINTENANCE)**

FIG ITEM	PART NUMBER	1 2 3 4 5 6 7	NOMENCLATURE	EFFECT FROM TO	UNITS PER ASSY
2 40	BH316A		.RELAY- SUPPLIER CODE: V74063 FUNCTIONAL DESCRIPTION: A SEALED REPAIRABLE ELECTROMAGNETIC DEVICE FOR REMOTE ACTUATION OF 28V, 50 AMP ELECTRICAL CONTACT. SPECIFICATION NUMBER: 10-61445-21 ELECTRICAL EQUIP NUMBER: K10010 COMPONENT MAINT MANUAL REF: 24-09-36 OPTIONAL PART: 9131-8506 V35344	108120	1

R
R
R
R
R
R
R
R
R
R
R
R
R
R
R

MISSING ITEM NUMBERS NOT APPLICABLE

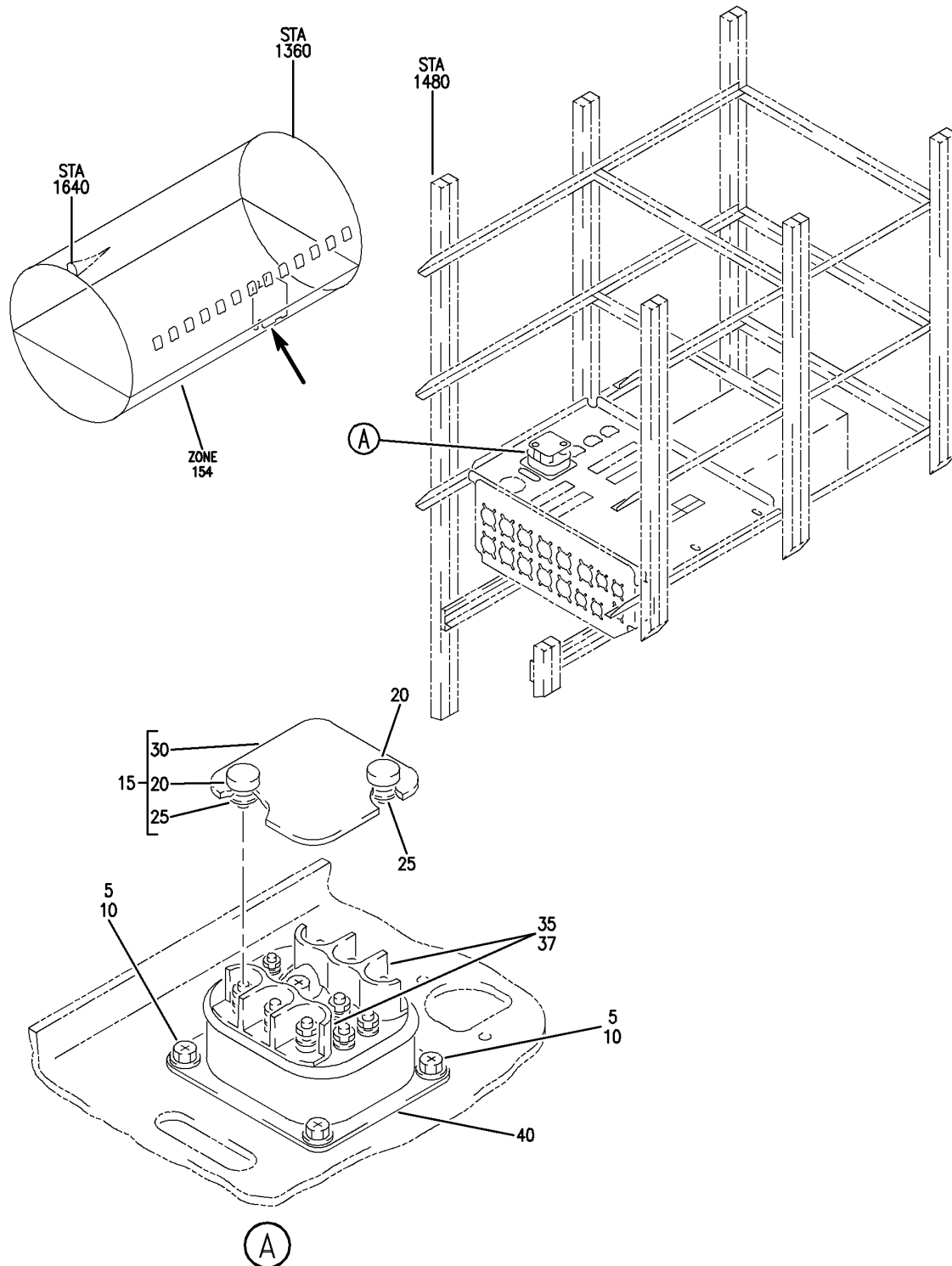
— ITEM NOT ILLUSTRATED

24-32-05-02

24-32-05
FIG. 02
PAGE 2
MAY 20/09

BRI

BOEING
757
PARTS CATALOG (MAINTENANCE)



Y 24-320503 REV 244

EQUIPMENT ASSY-E6 RELAY PNL AFT EQPT CTR (APU TRU START RELAY ONLY)
FIGURE 3

BRI
JAN 20/09

24-32-05-03

24-32-05-03
PAGE 0



757

PARTS CATALOG (MAINTENANCE)

FIG ITEM	PART NUMBER	1 2 3 4 5 6 7	NOMENCLATURE	EFFECT FROM TO	UNITS PER ASSY
3			EQUIPMENT ASSY-E6 RELAY PNL AFT EQPT CTR (APU TRU START RELAY ONLY)	103106	
- 1	MODREF11091		EQUIPMENT ASSY-E6 RELAY PNL AFT EQPT CTR (APU TRU START RELAY ONLY) MODULE NUMBER: 284N1554-308 REV A FOR OTHER SYS DETAILS SEE: 24-31-71-06 24-31-71-07 28-25-71-07 31-01-86-05 33-37-71-02 49-31-71-02 49-41-71-05 49-61-71-05 52-34-71-02 FOR ADDITIONAL DETAILS SEE: 24-32-06-03 24-32-71-06	103106	1
5	NAS1801-3-7	.	SCREW	103106	4
10	NAS1149D0332J	.	WASHER	103106	4
15	69-46896-5	.	COVER ASSY	103106	1
20	MS18029-22	..	NUT ASSY	103106	2
25	MS16624-40	..	RING	103106	2
30	69-46896-4	..	PLATE-COVER	103106	1
35	69-71501-1	.	BARRIER-TERM.	103106	2
37	001-1908-000	..	BARRIER- SUPPLIER CODE: V58657	103106	1
40	9131-8506	.	RELAY- SUPPLIER CODE: V35344 SPECIFICATION NUMBER: 10-61445-21 ELECTRICAL EQUIP NUMBER: K10010 COMPONENT MAINT MANUAL REF: 24-09-07 OPTIONAL PART: BH316A V74063	103106	1

MISSING ITEM NUMBERS NOT APPLICABLE

- ITEM NOT ILLUSTRATED

BRI

24-32-05-03

24-32-05
FIG. 03
PAGE 1
JAN 20/09



757

PARTS CATALOG (MAINTENANCE)

FIG ITEM	PART NUMBER	1 2 3 4 5 6 7	NOMENCLATURE	EFFECT FROM TO	UNITS PER ASSY
3 40	BH316A		.RELAY- SUPPLIER CODE: V74063 FUNCTIONAL DESCRIPTION: A SEALED REPAIRABLE ELECTROMAGNETIC DEVICE FOR REMOTE ACTUATION OF 28V, 50 AMP ELECTRICAL CONTACT. SPECIFICATION NUMBER: 10-61445-21 ELECTRICAL EQUIP NUMBER: K10010 COMPONENT MAINT MANUAL REF: 24-09-36 OPTIONAL PART: 9131-8506 V35344	103106	1

R
R
R
R
R
R
R
R
R
R
R
R
R
R
R

MISSING ITEM NUMBERS NOT APPLICABLE

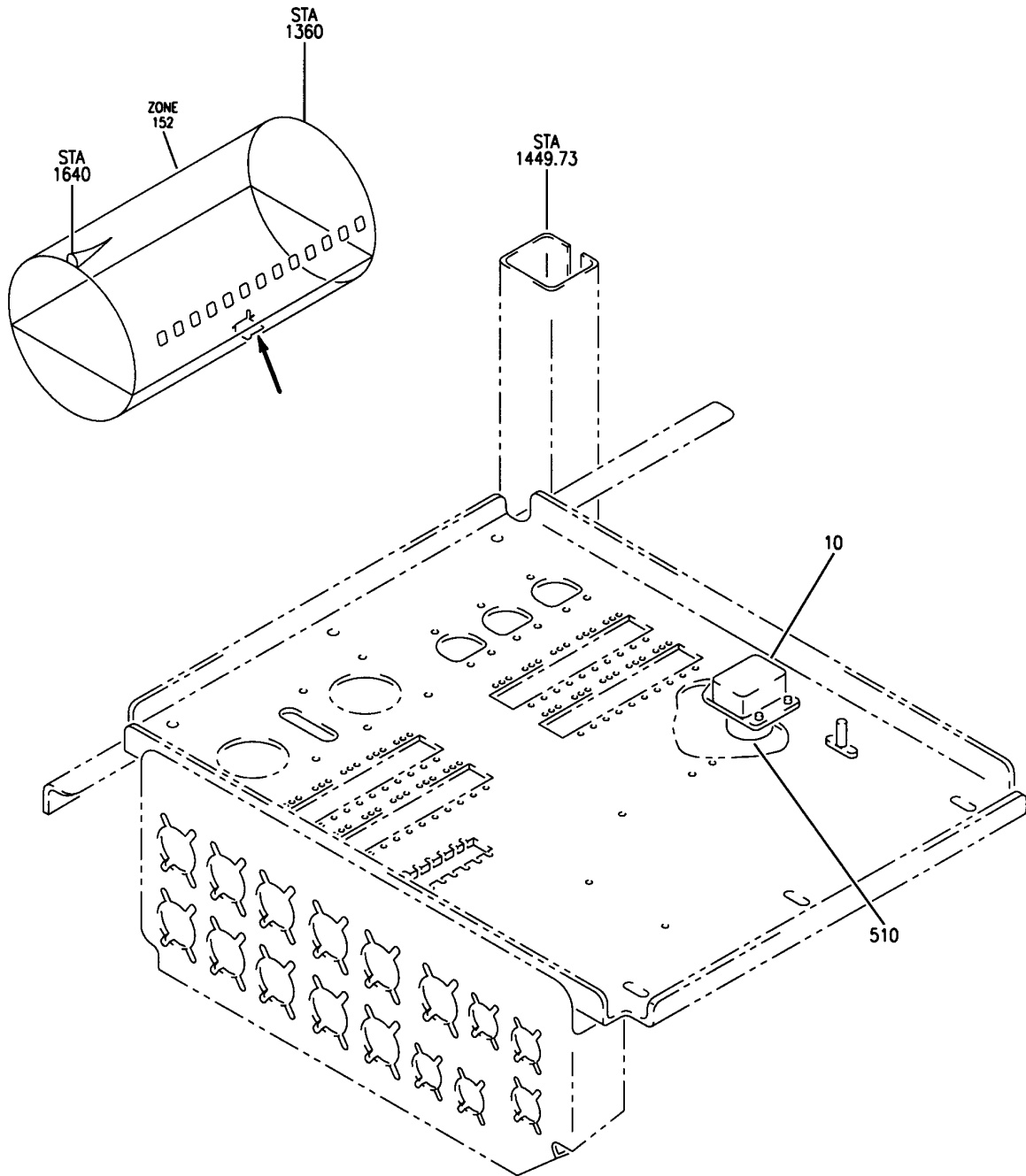
- ITEM NOT ILLUSTRATED

24-32-05-03

24-32-05
FIG. 03
PAGE 2
MAY 20/09

BRI

BOEING
757
PARTS CATALOG (MAINTENANCE)



Y 24320601A REV 206

EQUIPMENT ASSY-E6 AFT EQPT CTR RELAY PNL OPTION PKG (APU START TRU FAN ONLY)
FIGURE 1A

BRI
MAY 28/07

24-32-06-01A

24-32-06-01A
PAGE 0

 **BOEING**
757
PARTS CATALOG (MAINTENANCE)

FIG ITEM	PART NUMBER	1 2 3 4 5 6 7	NOMENCLATURE	EFFECT FROM TO	UNITS PER ASSY
1 A			EQUIPMENT ASSY-E6 AFT EQPT CTR RELAY PNL OPTION PKG (APU START TRU FAN ONLY)	101102 504903	
- 1	284N1554-1005		EQUIPMENT ASSY-E6 EQPT CTR RELAY PNL OPTION PKG (APU START TRU FAN ONLY) POSITION DATA: AFT MISCELLANEOUS DATA: MINOR MODEL 757-200 PASS AND APU ADDITIONAL START OR MINOR MODEL 757-300 PASS AND APU ADDITIONAL START FOR NHA/OTHER SYS DET SEE: 31-01-86-02	101102 504903	RF
10	FCC400-5		.RELAY- SUPPLIER CODE: V00213 SPECIFICATION NUMBER: 10-60450-1 ELECTRICAL EQUIP NUMBER: K00619 OPTIONAL PART: G59673-1 V73949 9524-6506 V35344 A410-159673-01 V73949	101102 504903	1
10	9524-6506		.RELAY- SUPPLIER CODE: V58657 SPECIFICATION NUMBER: 10-60450-1 ELECTRICAL EQUIP NUMBER: K00619 OPTIONAL PART: G59673-1 V73949 FCC400-5 V00213 A410-159673-01 V73949	101102 504903	1
- 500	286N1024-325		WIRE BUNDLE ASSY	504903	RF
- 500	286N1024-327		WIRE BUNDLE ASSY	101102	RF

MISSING ITEM NUMBERS NOT APPLICABLE

- ITEM NOT ILLUSTRATED

BRI

24-32-06-01A

BOEING PROPRIETARY - Copyright © - Unpublished Work - See title page for details.

24-32-06
FIG. 01A
PAGE 1
JAN 20/09



757

PARTS CATALOG (MAINTENANCE)

FIG ITEM	PART NUMBER	1 2 3 4 5 6 7	NOMENCLATURE	EFFECT FROM TO	UNITS PER ASSY
1 A 510	000300-0445		. SOCKET- SUPPLIER CODE: V05574 SPECIFICATION NUMBER: 10-60450-5 ELECTRICAL EQUIP NUMBER: D04834 WIRING DIAGRAM REF: 243241 OPTIONAL PART: 105-100-02 V26742 82164-1F V12054	101102 504903	1

MISSING ITEM NUMBERS NOT APPLICABLE

- ITEM NOT ILLUSTRATED

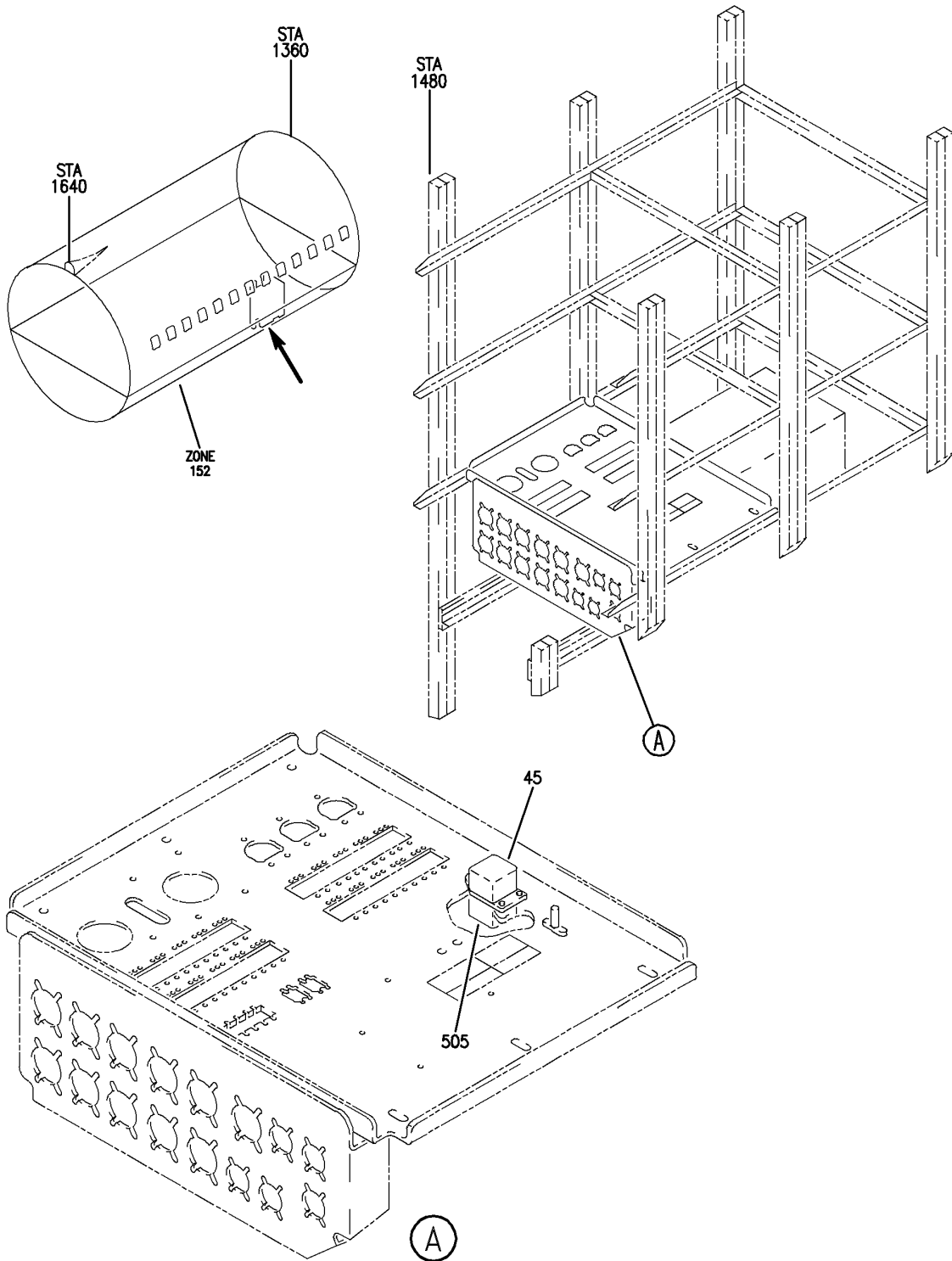
BRI

24-32-06-01A

BOEING PROPRIETARY - Copyright © - Unpublished Work - See title page for details.

24-32-06
FIG. 01A
PAGE 2
JAN 20/09

BOEING
757
PARTS CATALOG (MAINTENANCE)



Y 24-320602 REV 225

EQUIPMENT ASSY-E6 RELAY PNL AFT EQPT CTR (APU START TRU FAN CONTROL RELAY ONLY)
FIGURE 2

24-32-06-02

BRI
JAN 20/09

24-32-06-02
PAGE 0



757

PARTS CATALOG (MAINTENANCE)

FIG ITEM	PART NUMBER	1 2 3 4 5 6 7	NOMENCLATURE	EFFECT FROM TO	UNITS PER ASSY
2			EQUIPMENT ASSY-E6 RELAY PNL AFT EQPT CTR (APU START TRU FAN CONTROL RELAY ONLY)	108120	
- 1	284N1554-123		EQUIPMENT ASSY-E6 RELAY PNL EQPT CTR (APU START TRU FAN CONTROL RELAY ONLY) POSITION DATA: AFT FOR NHA/OTHER SYS DET SEE: 24-00-58-05D	108120	RF
5	FCC400-5		.RELAY- SUPPLIER CODE: V00213 SPECIFICATION NUMBER: 10-60450-1 ELECTRICAL EQUIP NUMBER: K00619 OPTIONAL PART: G59673-1 V73949 9524-6506 V35344 A410-159673-01 V73949	108120	1
5	9524-6506		.RELAY- SUPPLIER CODE: V58657 SPECIFICATION NUMBER: 10-60450-1 ELECTRICAL EQUIP NUMBER: K00619 OPTIONAL PART: G59673-1 V73949 FCC400-5 V00213 A410-159673-01 V73949	108120	1
- 500	286N1024-306		WIRE BUNDLE ASSY	108120	RF

MISSING ITEM NUMBERS NOT APPLICABLE

- ITEM NOT ILLUSTRATED

24-32-06-02

24-32-06
FIG. 02
PAGE 1
JAN 20/09

BRI



757

PARTS CATALOG (MAINTENANCE)

FIG ITEM	PART NUMBER	1 2 3 4 5 6 7	NOMENCLATURE	EFFECT FROM TO	UNITS PER ASSY
2 505	000300-0445		. SOCKET- SUPPLIER CODE: V05574 SPECIFICATION NUMBER: 10-60450-5 ELECTRICAL EQUIP NUMBER: D04834 OPTIONAL PART: 105-100-02 V26742 82164-1F V12054	108120	1

MISSING ITEM NUMBERS NOT APPLICABLE

- ITEM NOT ILLUSTRATED

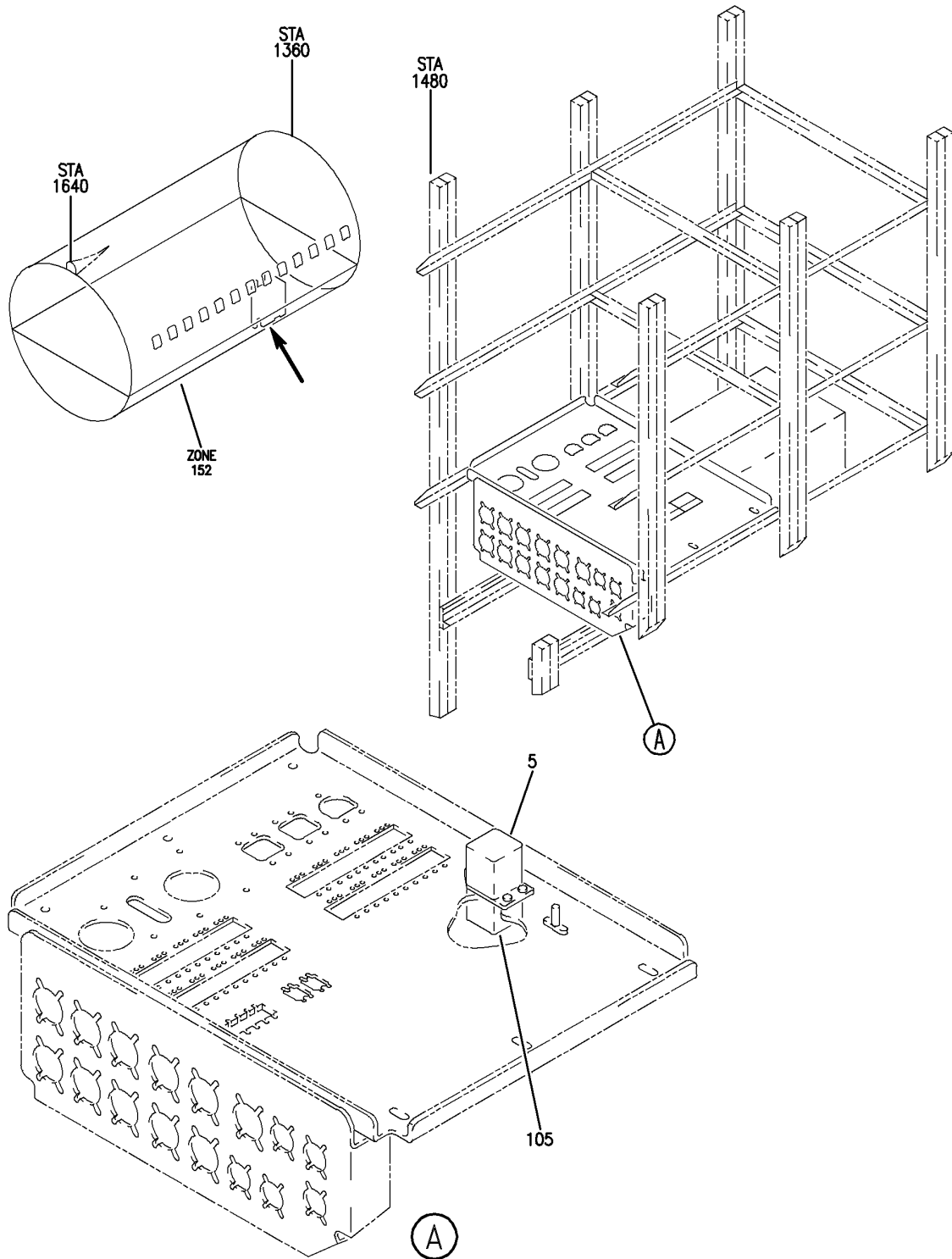
BRI

24-32-06-02

BOEING PROPRIETARY - Copyright © - Unpublished Work - See title page for details.

24-32-06
FIG. 02
PAGE 2
JAN 20/09

BOEING
757
PARTS CATALOG (MAINTENANCE)



Y 24-320603 REV 225

EQUIPMENT ASSY-E6 RELAY PNL AFT EQPT CTR (APU START TRU FAN CONTROL RELAY ONLY)
FIGURE 3

BRI
JAN 20/09

24-32-06-03

24-32-06-03
PAGE 0



757

PARTS CATALOG (MAINTENANCE)

FIG ITEM	PART NUMBER	1 2 3 4 5 6 7	NOMENCLATURE	EFFECT FROM TO	UNITS PER ASSY
3			EQUIPMENT ASSY-E6 RELAY PNL AFT EQPT CTR (APU START TRU FAN CONTROL RELAY ONLY)	103106	
- 1	MODREF11091		EQUIPMENT ASSY-E6 RELAY PNL AFT EQPT CTR (APU START TRU FAN CONTROL RELAY ONLY) MODULE NUMBER: 284N1554-308 REV A FOR OTHER SYS DETAILS SEE: 24-31-71-06 24-31-71-07 28-25-71-07 31-01-86-05 33-37-71-02 49-31-71-02 49-41-71-05 49-61-71-05 52-34-71-02 FOR ADDITIONAL DETAILS SEE: 24-32-05-03 24-32-71-06	103106	1
5	FCC400-5		.RELAY- SUPPLIER CODE: V00213 SPECIFICATION NUMBER: 10-60450-1 ELECTRICAL EQUIP NUMBER: K00619 OPTIONAL PART: G59673-1 V73949 9524-6506 V35344 A410-159673-01 V73949	103106	1

MISSING ITEM NUMBERS NOT APPLICABLE

- ITEM NOT ILLUSTRATED

BRI

24-32-06-03

BOEING PROPRIETARY - Copyright © - Unpublished Work - See title page for details.

24-32-06
FIG. 03
PAGE 1
JAN 20/09



757

PARTS CATALOG (MAINTENANCE)

FIG ITEM	PART NUMBER	1 2 3 4 5 6 7	NOMENCLATURE	EFFECT FROM TO	UNITS PER ASSY
3	5 9524-6506		.RELAY- SUPPLIER CODE: V58657 SPECIFICATION NUMBER: 10-60450-1 ELECTRICAL EQUIP NUMBER: K00619 OPTIONAL PART: G59673-1 V73949 FCC400-5 V00213 A410-159673-01 V73949	103106	1
- 100	286N1024-602		WIRE BUNDLE ASSY	103106	RF
105	000300-0445		.SOCKET- SUPPLIER CODE: V05574 SPECIFICATION NUMBER: 10-60450-5 ELECTRICAL EQUIP NUMBER: D04834 WIRING DIAGRAM REF: 243241 OPTIONAL PART: 105-100-02 V26742 82164-1F V12054	103106	1

MISSING ITEM NUMBERS NOT APPLICABLE

- ITEM NOT ILLUSTRATED

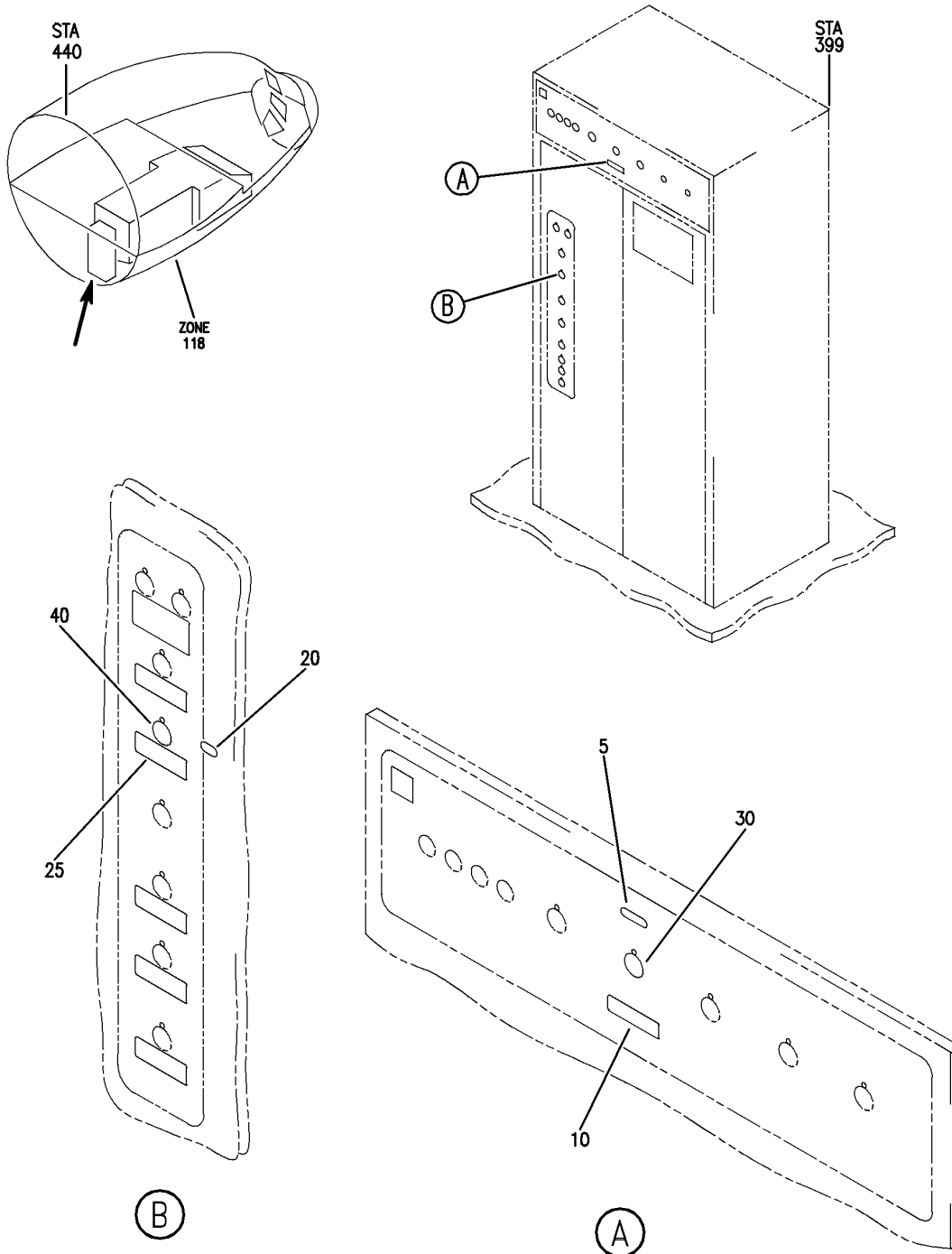
BRI

24-32-06-03

BOEING PROPRIETARY - Copyright © - Unpublished Work - See title page for details.

24-32-06
FIG. 03
PAGE 2
JAN 20/09

BOEING
757
PARTS CATALOG (MAINTENANCE)



Y 24-325104 REV 228

EQUIPMENT ASSY-R GEN PWR PNL P32 (TRANSFORMER RECTIFIER ONLY)
FIGURE 4

24-32-51-04

BRI
MAY 28/07

24-32-51-04
PAGE 0



757

PARTS CATALOG (MAINTENANCE)

FIG ITEM	PART NUMBER	1 2 3 4 5 6 7	NOMENCLATURE	EFFECT FROM TO	UNITS PER ASSY
4			EQUIPMENT ASSY-R GEN PWR PNL P32 (TRANSFORMER RECTIFIER ONLY)	002004 006100 107107 121503 904999	
- 1	284N1315-1		EQUIPMENT ASSY-R GEN PWR PNL P32 (TRANSFORMER RECTIFIER ONLY) VARIABLE DRAWING REF: 284N1315-5015 284N1315-5023 284N1315-5049 284N1315-5050 284N1315-5052 FOR NHA/OTHER SYS DET SEE: 31-01-32-02	002004 006100 107107 121503 904999	RF
5	BAC27NEX1557		.DECAL- PLACARD CONTENT: C3000	002004 006100 107107 121503 904999	1
10	BAC27NEX1558		.DECAL- PLACARD CONTENT: APU START TRU POWER	002004 006100 107107 121503 904999	1
30	9TC635		.CIRCUIT BREAKER- SUPPLIER CODE: V82647 SPECIFICATION NUMBER: BACC18AE35 ELECTRICAL EQUIP NUMBER: C03000	002004 006100 950999	1
30	6752-311-35		.CIRCUIT BREAKER- SUPPLIER CODE: V82647 SPECIFICATION NUMBER: 10-60806-1035 ELECTRICAL EQUIP NUMBER: C03000	107107 121503 904949	1
- 35	NAS601-7P		ATTACHING PARTS .SCREW -----*-----	107107 121503 904949	6

MISSING ITEM NUMBERS NOT APPLICABLE

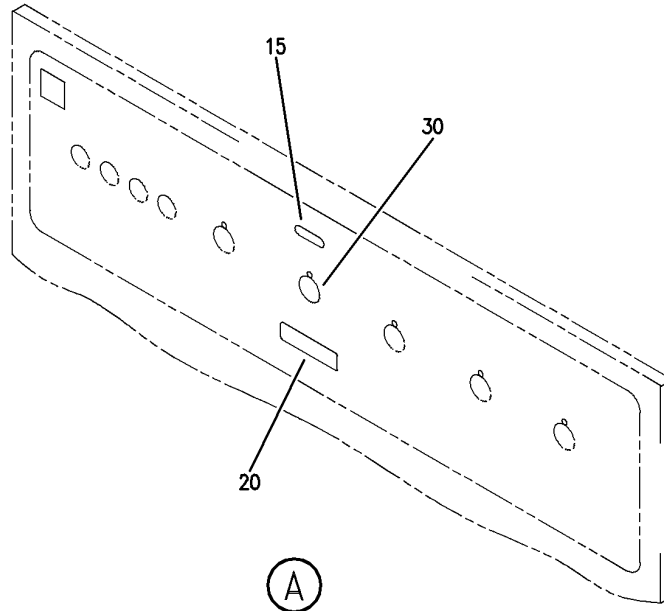
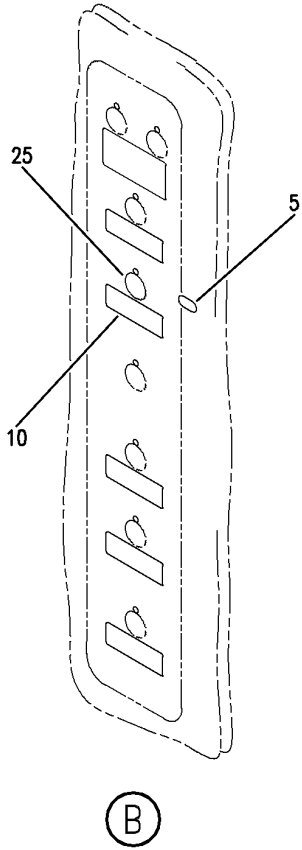
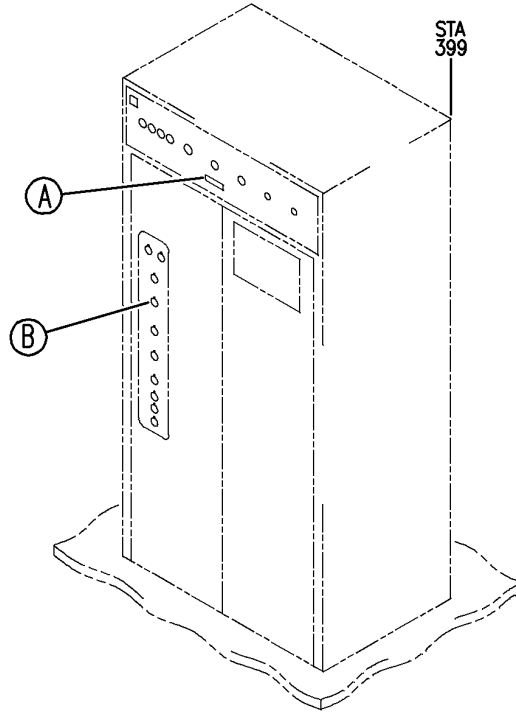
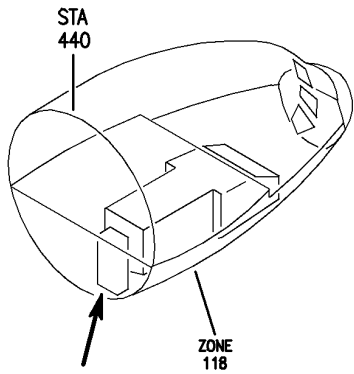
- ITEM NOT ILLUSTRATED

24-32-51-04

24-32-51
FIG. 04
PAGE 1
JAN 20/09

BRI

BOEING
757
PARTS CATALOG (MAINTENANCE)



Y 24-325105 REV 228

PANEL ASSY-R GEN PWR PNL P32 (TRANSFORMER RECTIFIER ONLY)
FIGURE 5

24-32-51-05

BRI
JAN 20/09

24-32-51-05
PAGE 0



757

PARTS CATALOG (MAINTENANCE)

FIG ITEM	PART NUMBER	1 2 3 4 5 6 7	NOMENCLATURE	EFFECT FROM TO	UNITS PER ASSY
5			PANEL ASSY-R GEN PWR PNL P32 (TRANSFORMER RECTIFIER ONLY)	103106 108120	
- 1	284N1315-122		PANEL ASSY-R GEN PWR PNL P32 (TRANSFORMER RECTIFIER ONLY)	108120	RF
- 2	MODREF31489		FOR NHA/OTHER SYS DET SEE: 24-00-58-05C PANEL ASSY-R GEN PWR PNL P32 (TRANSFORMER RECTIFIER ONLY)	103106	1
			MODULE NUMBER: 284N1315-206 REV A FOR OTHER SYS DETAILS SEE: 11-36-07-02 24-21-51-04 24-22-03-06A 24-22-51-07 24-23-01-02A 24-51-55-03 24-53-51-22 25-31-03-04 25-72-51-01 29-11-67-01		
10	BAC27NEX2886		.DECAL- PLACARD CONTENT: R TRU	103106 108120	1
20	BAC27NEX1558		.DECAL- PLACARD CONTENT: APU START TRU POWER	103106 108120	1
25	9TC620		.CIRCUIT BREAKER- SUPPLIER CODE: V82647 SPECIFICATION NUMBER: BACC18AE20 ELECTRICAL EQUIP NUMBER: C00318	103106 108120	1
30	9TC635		.CIRCUIT BREAKER- SUPPLIER CODE: V82647 SPECIFICATION NUMBER: BACC18AE35 ELECTRICAL EQUIP NUMBER: C03000	103106 108120	1
- 35	NAS601-7P		ATTACHING PARTS .SCREW -----*-----	103106 108120	6

MISSING ITEM NUMBERS NOT APPLICABLE

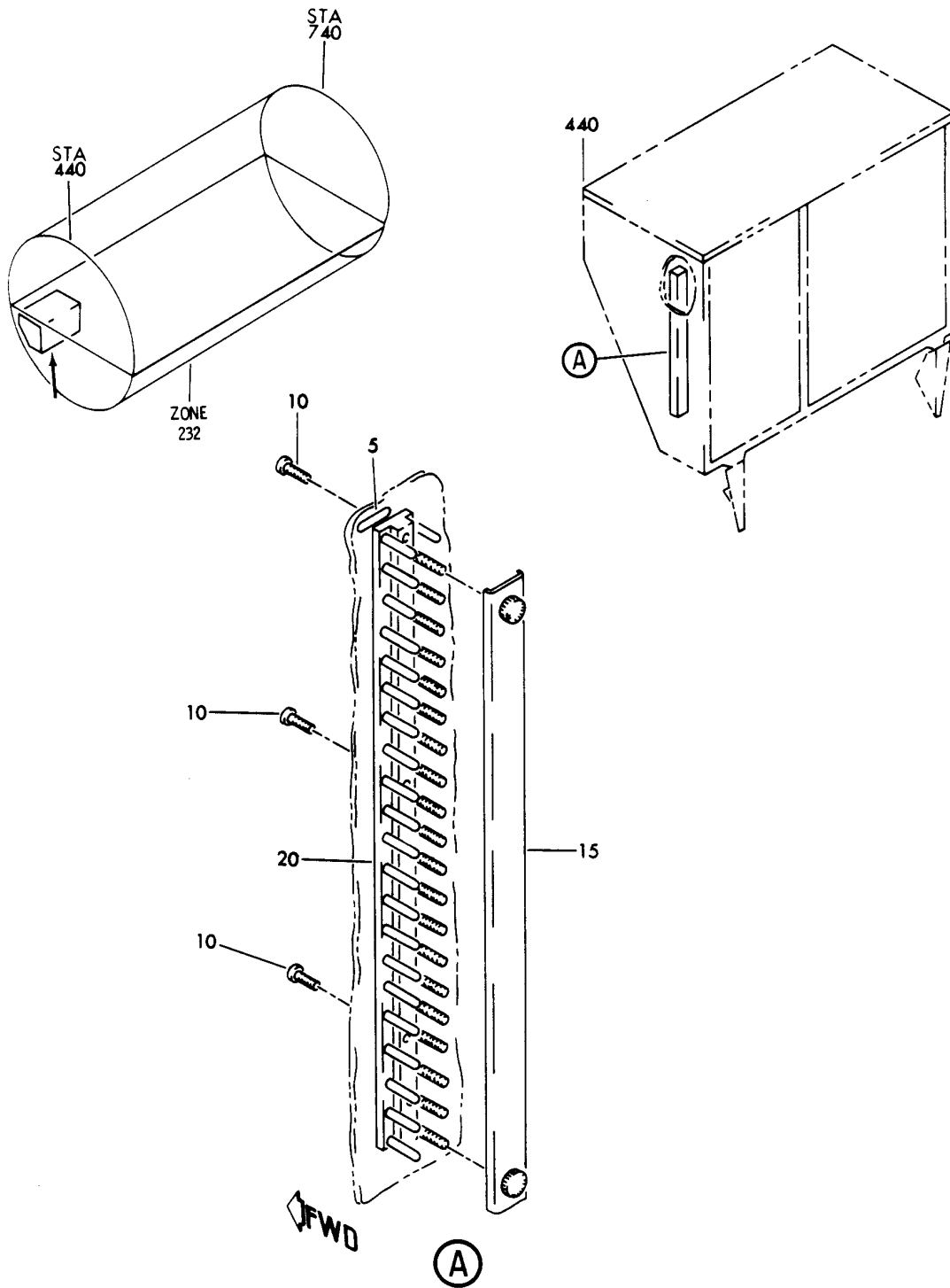
- ITEM NOT ILLUSTRATED

24-32-51-05

24-32-51
FIG. 05
PAGE 1
JAN 20/09

BRI

BOEING
757
PARTS CATALOG (MAINTENANCE)



Y 24325201 SHT 1 REV 012

PANEL ASSY-P37 MISC RELAY R (TRANSFORMER RECTIFIER ONLY)
FIGURE 1

24-32-52-01

BRI
MAY 28/07

24-32-52-01
PAGE 0

BOEING
757
PARTS CATALOG (MAINTENANCE)

FIG ITEM	PART NUMBER	1 2 3 4 5 6 7	NOMENCLATURE	EFFECT FROM TO	UNITS PER ASSY
1			PANEL ASSY-P37 MISC RELAY R (TRANSFORMER RECTIFIER ONLY)	002004 006100 107107 121503 904999	
- 1	284N1127-1		PANEL ASSY-P37 MISC RELAY R (TRANSFORMER RECTIFIER ONLY) VARIABLE DRAWING REF: 284N1127-5028 284N1127-5039 284N1127-5063 284N1127-5064 284N1127-5068 284N1127-5080 REWORKED BY SB: 33-0039 34-0200 REWORKED BY ALERT SB: 27A0130 FOR NHA/OTHER SYS DET SEE: 31-01-37-01B	002004 006100 107107 121503 904999	RF
5	BAC27NEX1039		.DECAL- PLACARD CONTENT: TB5070	002004 006100 107107 121503 904999	1
10	NAS600-6		.SCREW-	107107 121503 904949	3
10	NAS600-6P		.SCREW-	002004 006100 950999	3
15	MS18029-2S12		.COVER ASSY	002004 006100 107107 121503 904999	1
20	MS27212-2-12		.TERMINAL BOARD ASSY- ELECTRICAL EQUIP NUMBER: TB5070	002004 006100 107107 121503 904999	1

MISSING ITEM NUMBERS NOT APPLICABLE

- ITEM NOT ILLUSTRATED

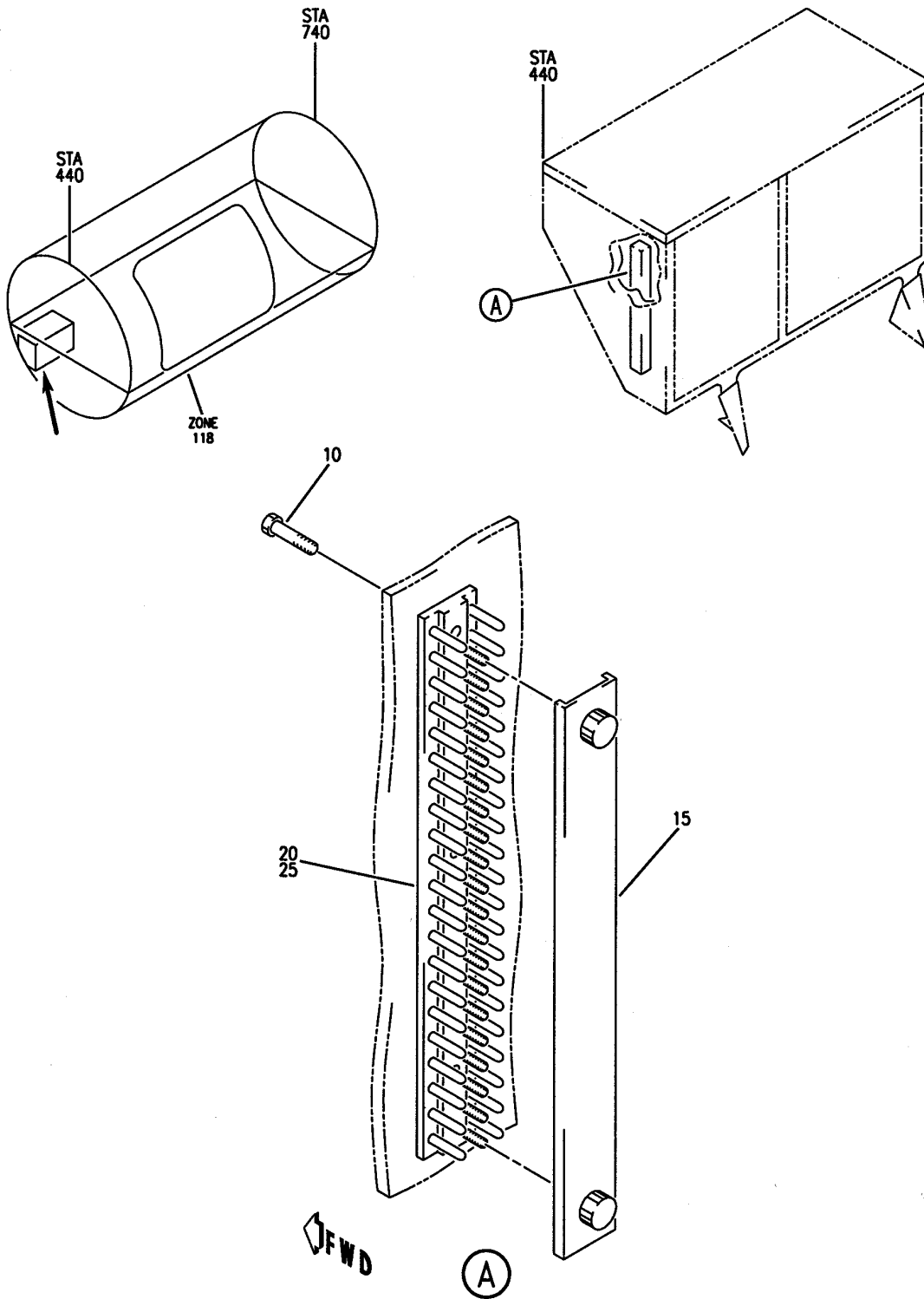
BRI

24-32-52-01

BOEING PROPRIETARY - Copyright © - Unpublished Work - See title page for details.

24-32-52
FIG. 01
PAGE 1
JAN 20/09

BOEING
757
PARTS CATALOG (MAINTENANCE)



Y 24325201B REV 219

PACKAGE ASSY-OPTION P37 MISC RELAY (TRANSFORMER RECTIFIER ONLY)
FIGURE 1B

BRI
MAY 28/07

24-32-52-01B

24-32-52-01B
PAGE 0



757

PARTS CATALOG (MAINTENANCE)

FIG ITEM	PART NUMBER	1 2 3 4 5 6 7	NOMENCLATURE	EFFECT FROM TO	UNITS PER ASSY
1B			PACKAGE ASSY-OPTION P37 MISC RELAY (TRANSFORMER RECTIFIER ONLY)	101102 504903	
- 1	284N1127-1041		PACKAGE ASSY-OPTION P37 MISC RELAY (TRANSFORMER RECTIFIER ONLY) MISCELLANEOUS DATA: 757 MAJOR MODEL REWORKED BY ALERT SB: 27A0130R1 FOR NHA/OTHER SYS DET SEE: 31-01-37-02	101102 504903	RF
10	NAS600-6P		.SCREW	101102 504903	3
15	MS18029-2S12		.COVER ASSY	101102 504903	1
20	MS27212-2-12		.TERMINAL BOARD ASSY- ELECTRICAL EQUIP NUMBER: TB5070	101102 504903	1
25	MS3373B2		.STRIP	101102 504903	4

MISSING ITEM NUMBERS NOT APPLICABLE

- ITEM NOT ILLUSTRATED

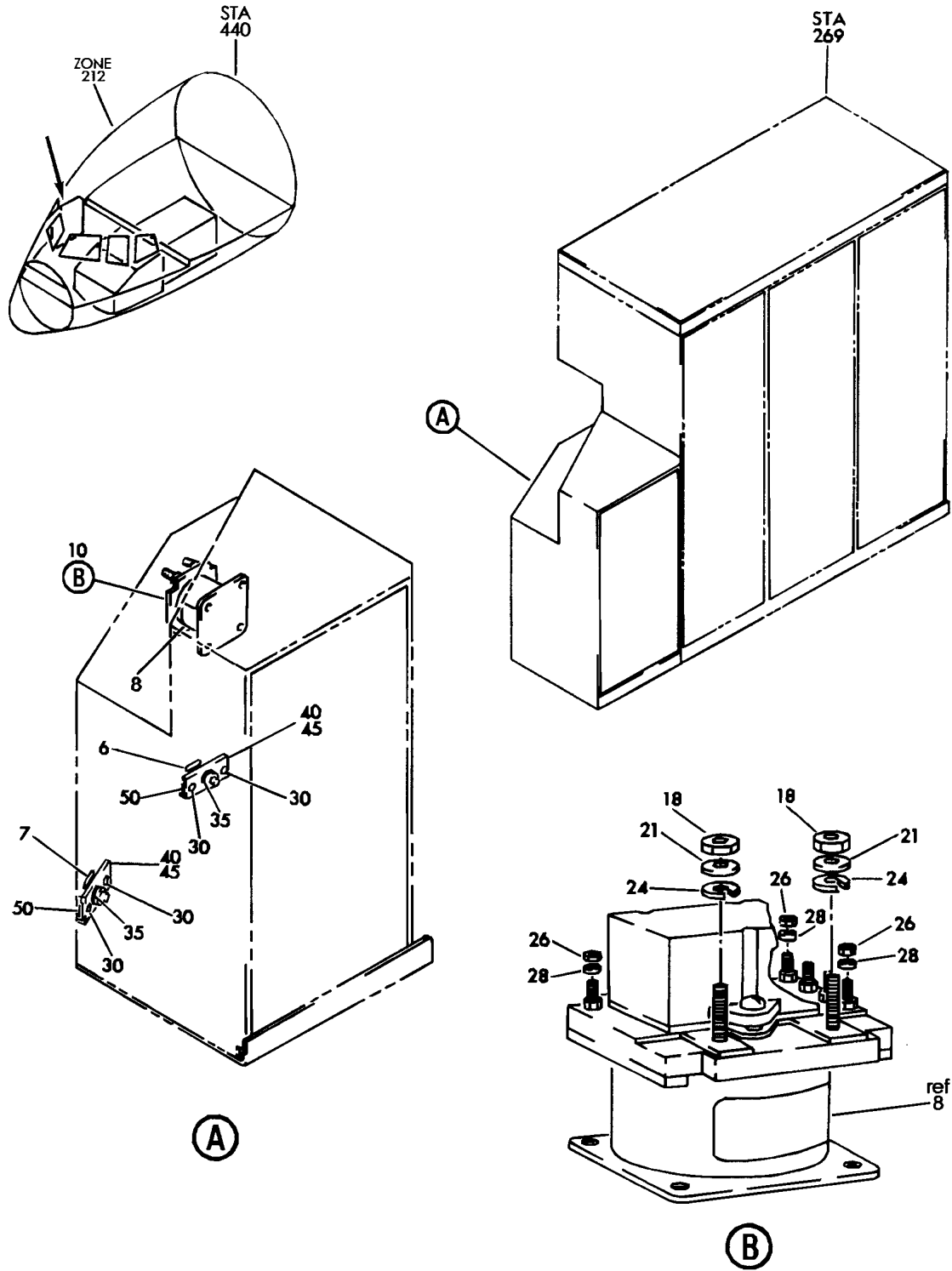
BRI

24-32-52-01B

BOEING PROPRIETARY - Copyright © - Unpublished Work - See title page for details.

24-32-52
FIG. 01B
PAGE 1
JAN 20/09

BOEING
757
PARTS CATALOG (MAINTENANCE)



Y 24327101 REV 207

EQUIPMENT INSTL AND PANEL ASSY-P6 PWR DISTR (TRANSFORMER RECTIFIER ONLY)
FIGURE 1

24-32-71-01

BRI
MAY 28/07

24-32-71-01
PAGE 0



757

PARTS CATALOG (MAINTENANCE)

FIG ITEM	PART NUMBER	1 2 3 4 5 6 7	NOMENCLATURE	EFFECT FROM TO	UNITS PER ASSY
1			EQUIPMENT INSTL AND PANEL ASSY-P6 PWR DISTR (TRANSFORMER RECTIFIER ONLY)	002004 006102 107107 121999	
- 2	287N4102-198		EQUIPMENT ASSY-P6 PWR DISTR (TRANSFORMER RECTIFIER ONLY) FOR NHA/OTHER SYS DET SEE: 25-29-71-03	107107	RF
- 2	287N4102-223		EQUIPMENT ASSY-P6 PWR DISTR (TRANSFORMER RECTIFIER ONLY) FOR NHA/OTHER SYS DET SEE: 25-29-71-03	121503 904949	RF
- 3	287N4102-99		PANEL ASSY-P6 PWR DISTR (TRANSFORMER RECTIFIER ONLY) VARIABLE DRAWING REF: 287N4102-5112 287N4102-5113 287N4102-5116 FOR NHA/OTHER SYS DET SEE: 24-51-51-01	002004 006100 950999	RF
- 5	287N4102-1277		PACKAGE ASSY-P6 PWR DISTR (TRANSFORMER RECTIFIER ONLY) FOR NHA/OTHER SYS DET SEE: 24-51-51-05 24-51-51-09	101102 504903	RF
6	BAC27NEL0024		.MARKER-ALUMINUM FOIL- PLACARD CONTENT: TB5008	107107 121503 904949	1
6	BAC27NEX2618		.DECAL- PLACARD CONTENT: TB5008	002004 006100 950999	1
7	BAC27NEL0023		.MARKER-ALUMINUM FOIL- PLACARD CONTENT: TB5007	107107 121503 904949	1
7	BAC27NEX2617		.DECAL- PLACARD CONTENT: TB5007	002004 006100 950999	1
8	BAC27NEL0042		.MARKER-ALUMINUM FOIL- PLACARD CONTENT: K108	107107 121503 904949	1
8	BAC27NEX2595		.DECAL- PLACARD CONTENT: K108	002004 006100 950999	1

MISSING ITEM NUMBERS NOT APPLICABLE

- ITEM NOT ILLUSTRATED

24-32-71-01

24-32-71
FIG. 01
PAGE 1
JAN 20/09

BRI



757

PARTS CATALOG (MAINTENANCE)

FIG ITEM	PART NUMBER	1 2 3 4 5 6 7	NOMENCLATURE	EFFECT FROM TO	UNITS PER ASSY
1					
10	A1077DD		. CONTACTOR ASSY- SUPPLIER CODE: V74063 ELECTRICAL EQUIP NUMBER: K00108 COMPONENT MAINT MANUAL REF: 24-09-16 ATTACHING PARTS	002004 006102 107107 121999	1
- 15	NAS1801-3-7		. SCREW	002004 006102 107107 121999	4
			-----*-----		
18	50407-364		.. NUT-HEX SUPPLIER CODE: V74063	002004 006102 107107 121999	2
21	51703-064		.. WASHER-FLAT SUPPLIER CODE: V74063	002004 006102 107107 121999	2
24	51807-034		.. WASHER-LOCK SUPPLIER CODE: V74063	002004 006102 107107 121999	2
26	50406-014		.. NUT-HEX SUPPLIER CODE: V74063	002004 006102 107107 121999	5
28	51806-014		.. WASHER-LOCK SUPPLIER CODE: V74063	002004 006102 107107 121999	5
30	NAS601-6P		. SCREW	002004 006102 107107 121999	4
35	MS14151-3		. WASHER	002004 006102 107107 121999	2
40	MS3373C3		. STRIP	002004 006102 107107 121999	2
45	MS18029-3S1		. COVER ASSY	002004 006102 107107 121999	2

MISSING ITEM NUMBERS NOT APPLICABLE

- ITEM NOT ILLUSTRATED

BRI

24-32-71-01

24-32-71
FIG. 01
PAGE 2
JAN 20/09



757

PARTS CATALOG (MAINTENANCE)

FIG ITEM	PART NUMBER	1 2 3 4 5 6 7	NOMENCLATURE	EFFECT FROM TO	UNITS PER ASSY
1 50	MS27212-3-1		. TERMINAL BOARD ASSY- ELECTRICAL EQUIP NUMBER: TB5007 TB5008	002004 006102 107107 121999	2

MISSING ITEM NUMBERS NOT APPLICABLE

- ITEM NOT ILLUSTRATED

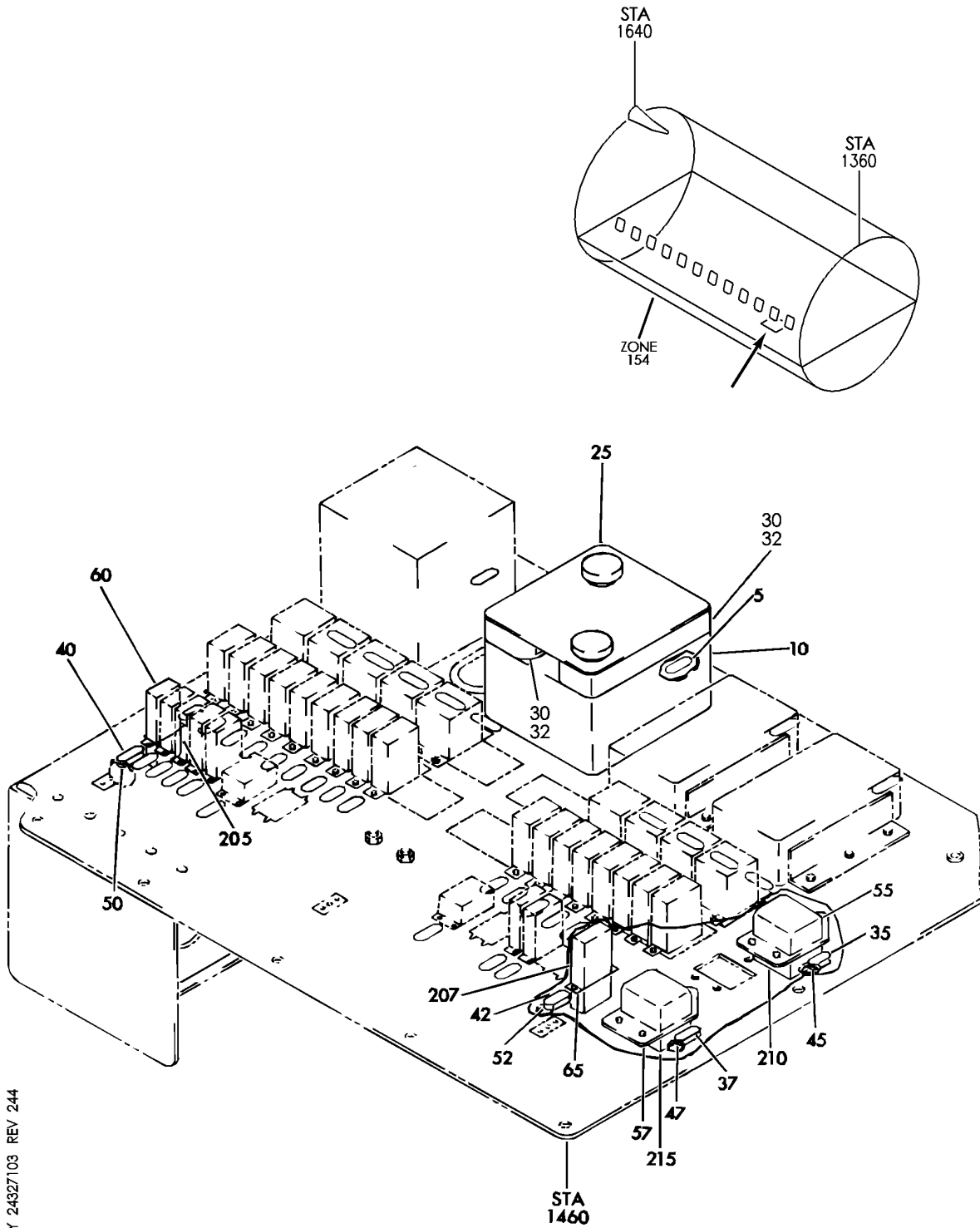
BRI

24-32-71-01

BOEING PROPRIETARY - Copyright © - Unpublished Work - See title page for details.

24-32-71
FIG. 01
PAGE 3
JAN 20/09

BOEING
757
PARTS CATALOG (MAINTENANCE)



Y 24327103 REV 244

EQUIPMENT ASSY-AFT EQPT CTR E6 RELAY (TRANSFORMER RECTIFIER ONLY)
FIGURE 3

24-32-71-03

BRI
MAY 28/07

24-32-71-03
PAGE 0

 **BOEING**
757
PARTS CATALOG (MAINTENANCE)

FIG ITEM	PART NUMBER	1 2 3 4 5 6 7	NOMENCLATURE	EFFECT FROM TO	UNITS PER ASSY
3			EQUIPMENT ASSY-AFT EQPT CTR E6 RELAY (TRANSFORMER RECTIFIER ONLY)	121503 904949	
- 1	284N1680-1		EQUIPMENT ASSY-EQPT CTR E6 RELAY (TRANSFORMER RECTIFIER ONLY) POSITION DATA: AFT VARIABLE DRAWING REF: 284N1680-5009 FOR NHA/OTHER SYS DET SEE: 25-70-51-53	121503 904949	RF
	5 BAC27NEX0078		.DECAL- PLACARD CONTENT: K10010	121503 904949	1
	10 9131-8506		.RELAY- SUPPLIER CODE: V35344 SPECIFICATION NUMBER: 10-61445-21 ELECTRICAL EQUIP NUMBER: K10010 COMPONENT MAINT MANUAL REF: 24-09-07 OPTIONAL PART: BH316A V74063	121503 904949	1
	10 BH316A		.RELAY- SUPPLIER CODE: V74063 FUNCTIONAL DESCRIPTION: A SEALED REPAIRABLE ELECTROMAGNETIC DEVICE FOR REMOTE ACTUATION OF 28V, 50 AMP ELECTRICAL CONTACT. SPECIFICATION NUMBER: 10-61445-21 ELECTRICAL EQUIP NUMBER: K10010 COMPONENT MAINT MANUAL REF: 24-09-36 OPTIONAL PART: 9131-8506 V35344	121503 904949	1
	- 15 NAS1801-3-7		ATTACHING PARTS .SCREW	121503 904949	4

R
R
R
R
R
R
R
R
R
R
R
R
R
R
R
R
R
R
R
R
R
R

MISSING ITEM NUMBERS NOT APPLICABLE

- ITEM NOT ILLUSTRATED

BRI

24-32-71-03

24-32-71
FIG. 03
PAGE 1
MAY 20/09



757

PARTS CATALOG (MAINTENANCE)

FIG ITEM	PART NUMBER	1 2 3 4 5 6 7	NOMENCLATURE	EFFECT FROM TO	UNITS PER ASSY
3					
- 20	AN960PD10L	.	WASHER	121503 904949	4
			-----*-----		
25	69-46896-5	.	COVER ASSY	121503 904949	1
30	69-71501-1	.	BARRIER-TERM.	121503 904949	2
32	001-1908-000	..	BARRIER- SUPPLIER CODE: V58657	121503 904949	1
35	BAC27NEX1567	.	DECAL- PLACARD CONTENT: K619	121503 904949	1
40	BAC27NEX1565	.	DECAL- PLACARD CONTENT: K616	121503 904949	1
45	BAC27NEX1568	.	DECAL- PLACARD CONTENT: D4834	121503 904949	1
50	BAC27NEX1566	.	DECAL- PLACARD CONTENT: D4832	121503 904949	1
55	FCC400-5	.	RELAY- SUPPLIER CODE: V00213 SPECIFICATION NUMBER: 10-60450-1 ELECTRICAL EQUIP NUMBER: K00619 OPTIONAL PART: G59673-1 V73949 9524-6506 V35344 A410-159673-01 V73949	121503 904949	1

MISSING ITEM NUMBERS NOT APPLICABLE

- ITEM NOT ILLUSTRATED

BRI

24-32-71-03

24-32-71
FIG. 03
PAGE 2
MAY 20/09



757

PARTS CATALOG (MAINTENANCE)

FIG ITEM	PART NUMBER	1 2 3 4 5 6 7	NOMENCLATURE	EFFECT FROM TO	UNITS PER ASSY
3					
55	9524-6506		.RELAY- SUPPLIER CODE: V58657 SPECIFICATION NUMBER: 10-60450-1 ELECTRICAL EQUIP NUMBER: K00619 OPTIONAL PART: G59673-1 V73949 FCC400-5 V00213 A410-159673-01 V73949	121503 904949	1
60	W260F4AM11		.RELAY- SUPPLIER CODE: VF0219 SPECIFICATION NUMBER: BACR13CD2 OPTIONAL PART: BR16S233 V09026 EE4AA005 V35344 3SAV1338A2 V01526 HFW1206K03 V58614 HFW1204K01 V71482 ELECTRICAL EQUIP NUMBER: K00616	121503 904949	1
- 200	286N1024-002		WIRE BUNDLE ASSY-	121503 904949	RF
205	RSE120026		.SOCKET- SUPPLIER CODE: V58982 SPECIFICATION NUMBER: BACS16AG1 OPTIONAL PART: 451120-026 V58982 ELECTRICAL EQUIP NUMBER: D04832 WIRING DIAGRAM REF: 243241	121503 904949	1

MISSING ITEM NUMBERS NOT APPLICABLE

- ITEM NOT ILLUSTRATED

24-32-71-03

24-32-71
FIG. 03
PAGE 3
MAY 20/09

BRI



757

PARTS CATALOG (MAINTENANCE)

FIG ITEM	PART NUMBER	1 2 3 4 5 6 7	NOMENCLATURE	EFFECT FROM TO	UNITS PER ASSY
3 210	000300-0445		. SOCKET- SUPPLIER CODE: V05574 SPECIFICATION NUMBER: 10-60450-5 ELECTRICAL EQUIP NUMBER: D04834 WIRING DIAGRAM REF: 243241 OPTIONAL PART: 105-100-02 V26742 82164-1F V12054	121503 904949	1

MISSING ITEM NUMBERS NOT APPLICABLE

- ITEM NOT ILLUSTRATED

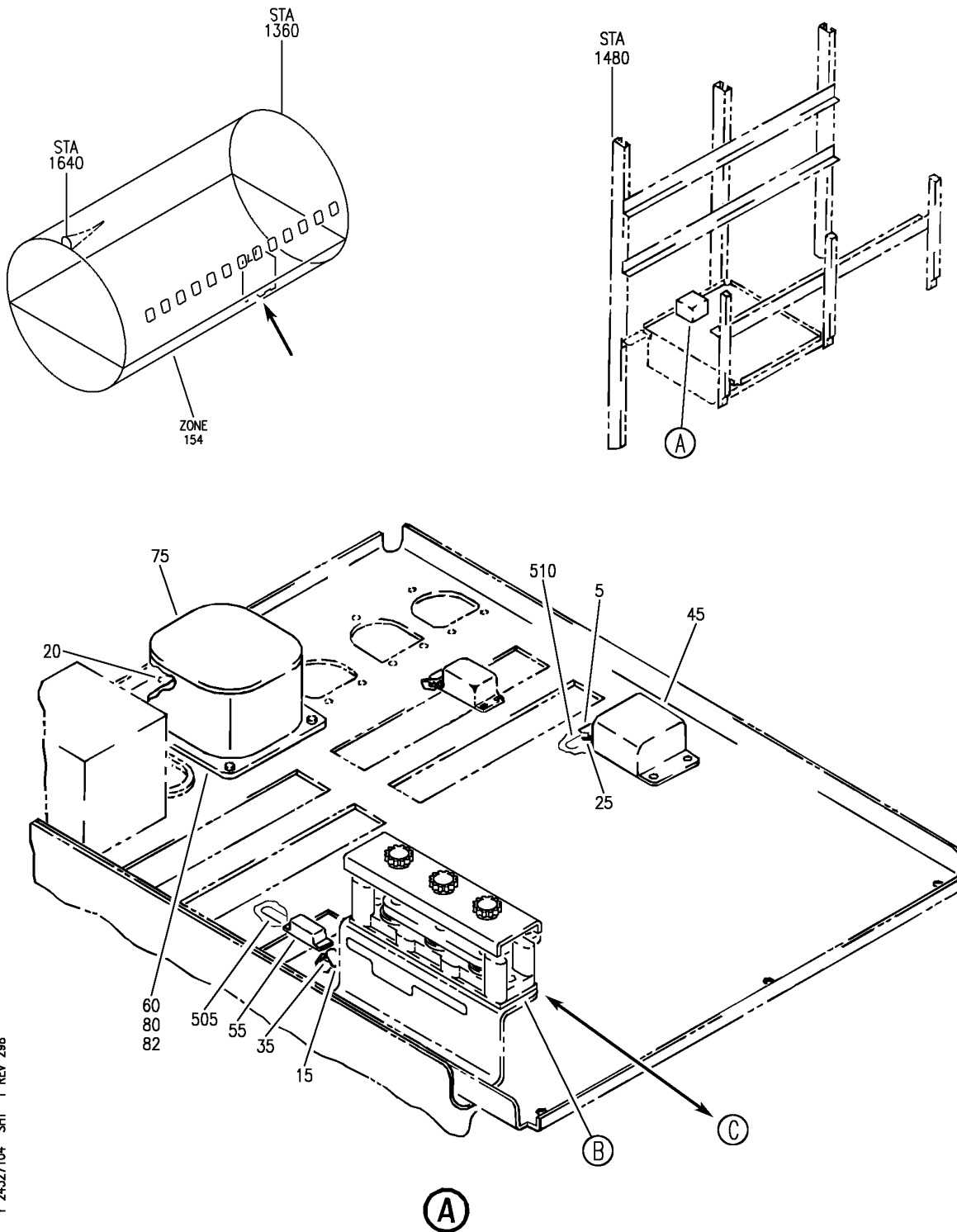
BRI

24-32-71-03

BOEING PROPRIETARY - Copyright © - Unpublished Work - See title page for details.

24-32-71
FIG. 03
PAGE 4
MAY 20/09

BOEING
757
PARTS CATALOG (MAINTENANCE)



Y 24327104 SHT 1 REV 298

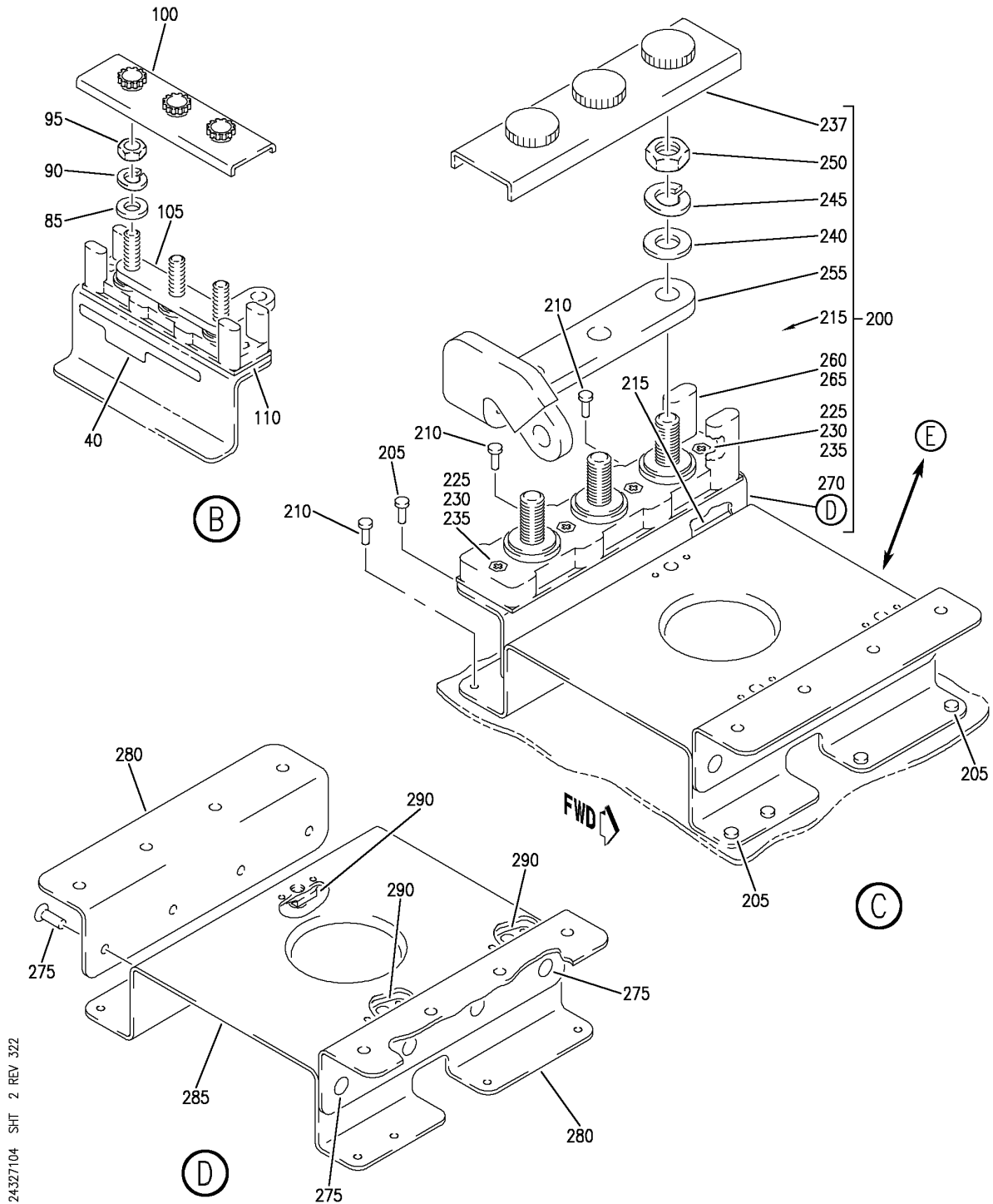
EQUIPMENT ASSY-AFT EQPT CTR E6 RELAY (TRANSFORMER RECTIFIER ONLY)
FIGURE 4 (SHEET 1)

24-32-71-04

BRI
MAY 28/07

24-32-71-04
PAGE 0

BOEING
757
PARTS CATALOG (MAINTENANCE)



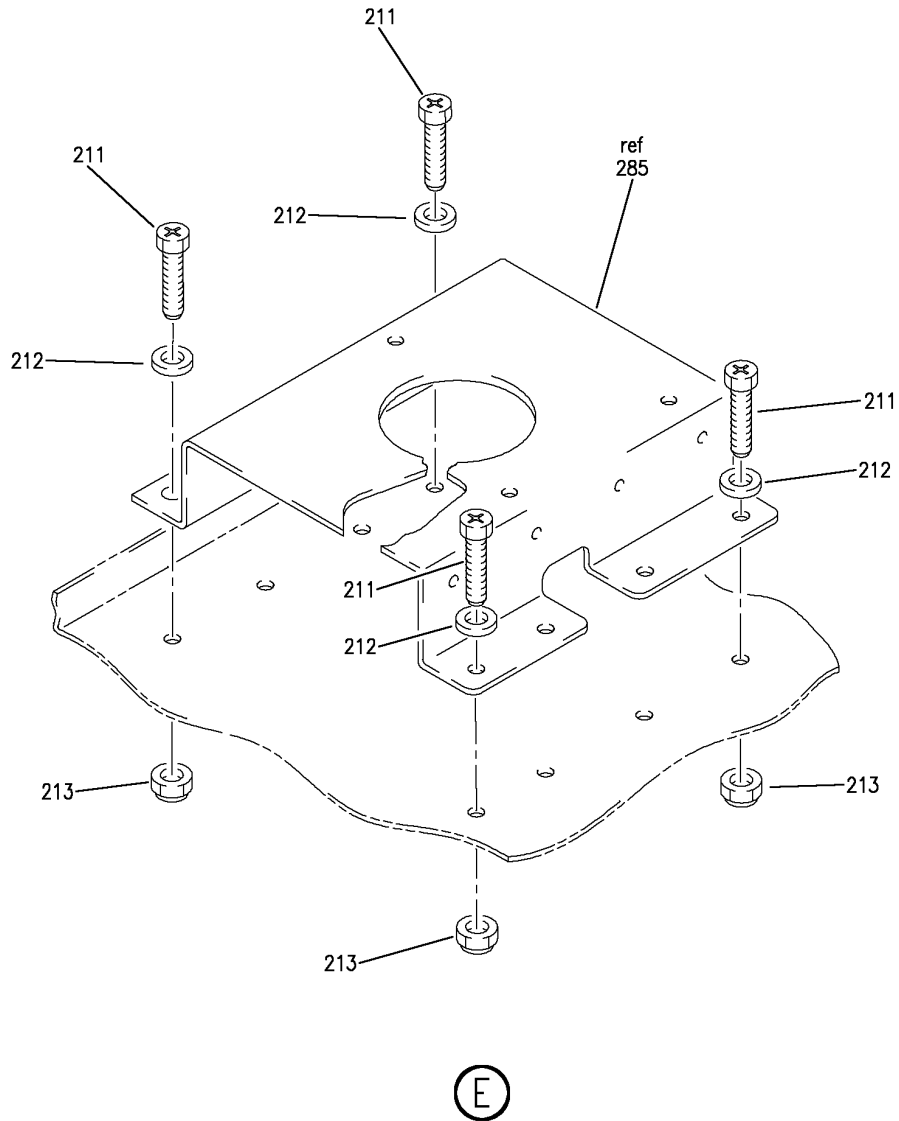
EQUIPMENT ASSY-AFT EQPT CTR E6 RELAY (TRANSFORMER RECTIFIER ONLY)
FIGURE 4 (SHEET 2)

24-32-71-04

BRI
MAY 20/08

24-32-71-04
PAGE 0A

BOEING
757
PARTS CATALOG (MAINTENANCE)



(E)

Y 24327104 SH1 3 REV 322

EQUIPMENT ASSY-AFT EQPT CTR E6 RELAY (TRANSFORMER RECTIFIER ONLY)
FIGURE 4 (SHEET 3)

BRI
MAY 20/08

24-32-71-04

24-32-71-04
PAGE 0B



757

PARTS CATALOG (MAINTENANCE)

FIG ITEM	PART NUMBER	1 2 3 4 5 6 7	NOMENCLATURE	EFFECT FROM TO	UNITS PER ASSY
4			EQUIPMENT ASSY-AFT EQPT CTR E6 RELAY (TRANSFORMER RECTIFIER ONLY)	002004 006100 107107 950999	
- 1	284N1554-1		EQUIPMENT ASSY-EQPT CTR E6 RELAY (TRANSFORMER RECTIFIER ONLY) POSITION DATA: AFT VARIABLE DRAWING REF: 284N1554-5004 284N1554-5013 284N1554-5018 284N1554-5027 284N1554-5028 REWORKED BY SB: 33-0035 FOR NHA/OTHER SYS DET SEE: 53-61-51-10	002004 006100 107107 950999	RF
5	BAC27NEX1567		.DECAL- PLACARD CONTENT: K619	002004 006100 107107 950999	1
15	BAC27NEX1565		.DECAL- PLACARD CONTENT: K616	002004 006100 107107 950999	1
20	BAC27NEX0078		.DECAL- PLACARD CONTENT: K10010	002004 006100 107107 950999	1
25	BAC27NEX1568		.DECAL- PLACARD CONTENT: D4834	002004 006100 107107 950999	1
35	BAC27NEX1566		.DECAL- PLACARD CONTENT: D4832	002004 006100 107107 950999	1
40	BAC27NEX0636		.DECAL- PLACARD CONTENT: TB5048 PRE SERVICE BULLETIN: 49-0019	002004 006100 107107 950999	1

MISSING ITEM NUMBERS NOT APPLICABLE

- ITEM NOT ILLUSTRATED

BRI

24-32-71-04

24-32-71
FIG. 04
PAGE 1
JAN 20/09



757

PARTS CATALOG (MAINTENANCE)

FIG ITEM	PART NUMBER	1 2 3 4 5 6 7	NOMENCLATURE	EFFECT FROM TO	UNITS PER ASSY
4	45 FCC400-5		.RELAY- SUPPLIER CODE: V00213 SPECIFICATION NUMBER: 10-60450-1 ELECTRICAL EQUIP NUMBER: K00619 OPTIONAL PART: G59673-1 V73949 9524-6506 V35344 A410-159673-01 V73949	002004 006100 107107 950999	1
	45 9524-6506		.RELAY- SUPPLIER CODE: V58657 SPECIFICATION NUMBER: 10-60450-1 ELECTRICAL EQUIP NUMBER: K00619 OPTIONAL PART: G59673-1 V73949 FCC400-5 V00213 A410-159673-01 V73949	002004 006100 107107 950999	1
	55 W260F4AM11		.RELAY- SUPPLIER CODE: VF0219 SPECIFICATION NUMBER: BACR13CD2 OPTIONAL PART: BR16S233 V09026 EE4AA005 V35344 3SAV1338A2 V01526 HFW1206K03 V58614 HFW1204K01 V71482 ELECTRICAL EQUIP NUMBER: K00616	002004 006100 107107 950999	1

MISSING ITEM NUMBERS NOT APPLICABLE

- ITEM NOT ILLUSTRATED

24-32-71-04

24-32-71
FIG. 04
PAGE 2
JAN 20/09

BRI

BOEING
757
PARTS CATALOG (MAINTENANCE)

FIG ITEM	PART NUMBER	1 2 3 4 5 6 7	NOMENCLATURE	EFFECT FROM TO	UNITS PER ASSY
4	60 9131-8506		.RELAY- SUPPLIER CODE: V35344 SPECIFICATION NUMBER: 10-61445-21 ELECTRICAL EQUIP NUMBER: K10010 COMPONENT MAINT MANUAL REF: 24-09-07 OPTIONAL PART: BH316A V74063	002004 006100 107107 950999	1
R R R R R R R R R R R R R R R R R R R R	60 BH316A		.RELAY- SUPPLIER CODE: V74063 FUNCTIONAL DESCRIPTION: A SEALED REPAIRABLE ELECTROMAGNETIC DEVICE FOR REMOTE ACTUATION OF 28V, 50 AMP ELECTRICAL CONTACT. SPECIFICATION NUMBER: 10-61445-21 ELECTRICAL EQUIP NUMBER: K10010 COMPONENT MAINT MANUAL REF: 24-09-36 OPTIONAL PART: 9131-8506 V35344 ATTACHING PARTS	002004 006100 107107 950999	1
-	65 NAS1801-3-7		.SCREW	002004 006100 107107 950999	4
R R R R	- 70 AN960JD10L		.WASHER	002004 006100 107107 950999	4
	75 69-46896-5		-----*----- .COVER ASSY	002004 006100 107107 950999	1
	80 69-71501-1		.BARRIER-TERM.	002004 006100 107107 950999	2

MISSING ITEM NUMBERS NOT APPLICABLE

- ITEM NOT ILLUSTRATED

BRI

24-32-71-04

BOEING PROPRIETARY - Copyright © - Unpublished Work - See title page for details.

24-32-71
FIG. 04
PAGE 3
MAY 20/09



757

PARTS CATALOG (MAINTENANCE)

FIG ITEM	PART NUMBER	1 2 3 4 5 6 7	NOMENCLATURE	EFFECT FROM TO	UNITS PER ASSY
4	82 001-1908-000		. . BARRIER- SUPPLIER CODE: V58657	002004 006100 107107 950999	1
	85 AN960JD616		. WASHER- PRE SERVICE BULLETIN: 49-0019	002004 006100 107107 950999	3
	90 MS35338-46		. WASHER- PRE SERVICE BULLETIN: 49-0019	002004 006100 107107 950999	3
	95 MS35650-3382		. NUT- PRE SERVICE BULLETIN: 49-0019	002004 006100 107107 950999	3
	100 MS18029-5S3		. COVER ASSY- PRE SERVICE BULLETIN: 49-0019	002004 006100 107107 950999	1
	105 287N1125-2		. BUS- PRE SERVICE BULLETIN: 49-0019	002004 006100 107107 950999	1
	110 287N1407-2		. BOARD-TERM. ELECTRICAL EQUIP NUMBER: TB5048 PRE SERVICE BULLETIN: 49-0019	002004 006100 107107 950999	1
	- 115 NAS1801-06-7		ATTACHING PARTS . SCREW	002004 006100 107107 950999	4
R	- 120 AN960JD6		. WASHER	002004 006100 107107 950999	4
R	- 125 MS21042L06		. NUT	002004 006100 107107 950999	4
R	200 284N1718-3		-----*----- . EQUIPMENT ASSY-E6 EQPT CTR RELAY PNL POSITION DATA: AFT POST SERVICE BULLETIN: 49-0019	950952	RF

MISSING ITEM NUMBERS NOT APPLICABLE

- ITEM NOT ILLUSTRATED

BRI

24-32-71-04

24-32-71
FIG. 04
PAGE 4
MAY 20/09

BOEING
757
PARTS CATALOG (MAINTENANCE)

FIG ITEM	PART NUMBER	1 2 3 4 5 6 7	NOMENCLATURE	EFFECT FROM TO	UNITS PER ASSY
4			ATTACHING PARTS		
205	BACR15BB5AD5C	.	RIVET-	950952	RF
210	BACR15BB6AD5C	.	RIVET-	950952	RF
			-----*-----		
215	BAC27NEX0636	..	DECAL- PLACARD CONTENT: TB5048	950952	1
225	BACS12HN06-8	..	SCREW	950952	4
230	NAS1149DN632J	..	WASHER	950952	4
235	PLH506CD	..	NUT SUPPLIER CODE: VF0224 SPECIFICATION NUMBER: BACN10YR06CD OPTIONAL PART: H52732-06CD V15653	950952	4
237	MS18029-5S3	..	COVER ASSY	950952	1
240	NAS1149D0663J	..	WASHER	950952	3
245	BACW10EC6S	..	WASHER	950952	3
250	MS35650-3382	..	NUT	950952	3
255	34BG41	..	BUS BAR- SUPPLIER CODE: VF0219	950952	1
260	284N1720-6	..	BOARD ASSY-TERM. ELECTRICAL EQUIP NUMBER: TB5048	950952	1
265	MS27212-5-3	...	BOARD	950952	1
270	284N1720-10	..	SUPPORT ASSY	950952	RF
275	BACR15BA5ADC	...	RIVET- SIZE DETERMINED ON INSTL.	950952	RF
280	284N1720-7	...	BRACKET	950952	RF
285	284N1720-8	...	BRACKET ASSY	950952	RF
290	BRF200C3D	NUTPLATE SUPPLIER CODE: V52828 SPECIFICATION NUMBER: BACN10JR3CFD OPTIONAL PART: K51602-3BAC V15653 NS202476-02 V80539 102F9201-3 V72962 T8092C1032CD V11815	950952	RF

MISSING ITEM NUMBERS NOT APPLICABLE

— ITEM NOT ILLUSTRATED

BRI

24-32-71-04

24-32-71
FIG. 04
PAGE 5
MAY 20/09



757

PARTS CATALOG (MAINTENANCE)

FIG ITEM	PART NUMBER	1 2 3 4 5 6 7	NOMENCLATURE	EFFECT FROM TO	UNITS PER ASSY
4			ATTACHING PARTS		
- 295	BACR15BA3AD3C	RIVET	950952	RF
			-----*-----		
- 500	286N1024-007		WIRE BUNDLE ASSY-(AIR CONDITIONING ONLY)	107107	RF
- 500	286N1024-008		WIRE BUNDLE ASSY-(AIR CONDITIONING ONLY)	002004 006100 950999	RF
505	RSE120026	.SOCKET-	SUPPLIER CODE: V58982 SPECIFICATION NUMBER: BACS16AG1 OPTIONAL PART: 451120-026 V58982 ELECTRICAL EQUIP NUMBER: D04832 WIRING DIAGRAM REF: 243241	002004 006100 107107 950999	1
510	000300-0445	.SOCKET-	SUPPLIER CODE: V05574 SPECIFICATION NUMBER: 10-60450-5 ELECTRICAL EQUIP NUMBER: D04834 WIRING DIAGRAM REF: 243241 OPTIONAL PART: 105-100-02 V26742 82164-1F V12054	002004 006100 107107 950999	1

MISSING ITEM NUMBERS NOT APPLICABLE

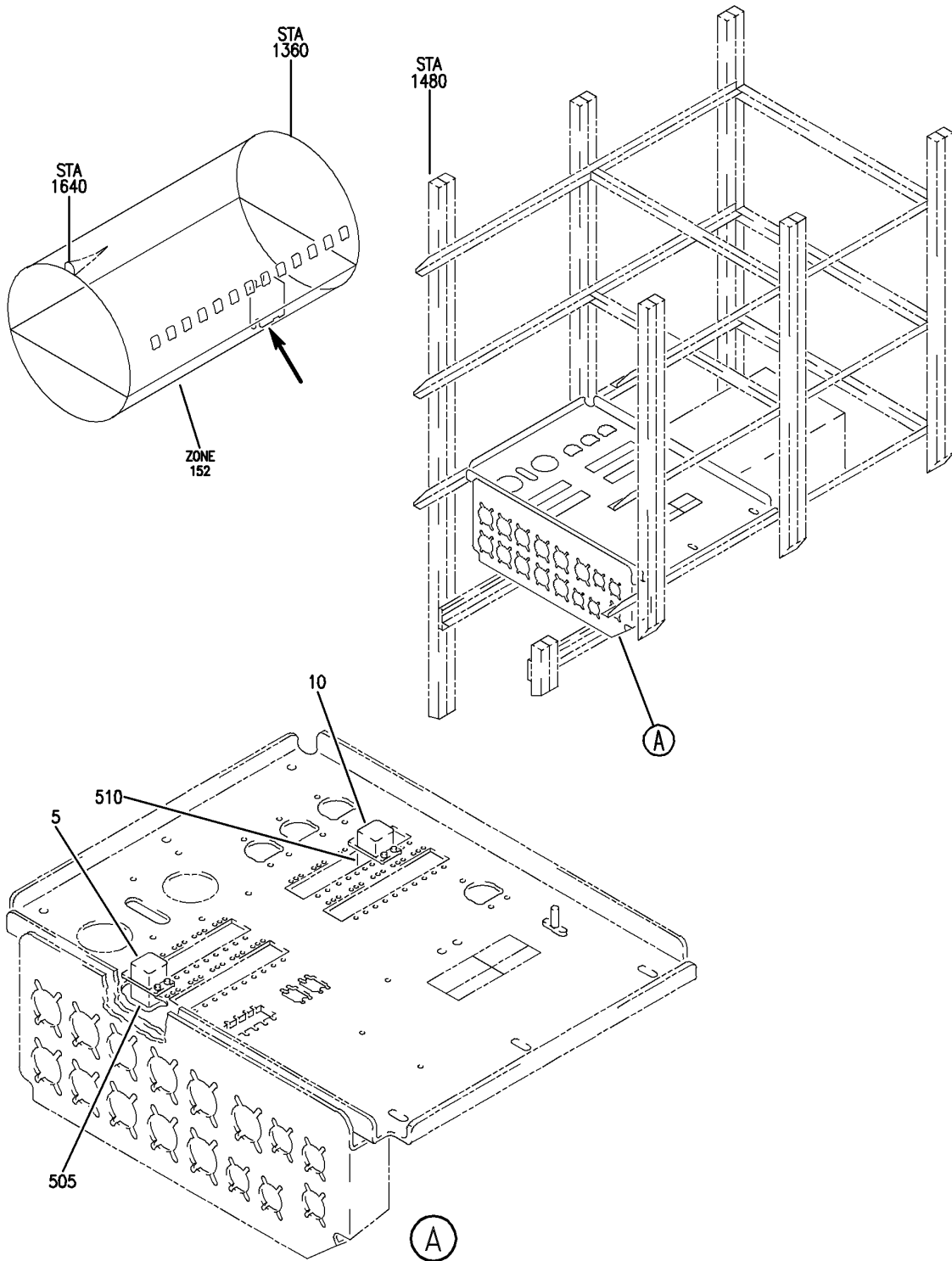
- ITEM NOT ILLUSTRATED

24-32-71-04

24-32-71
FIG. 04
PAGE 6
MAY 20/09

BRI

BOEING
757
PARTS CATALOG (MAINTENANCE)



Y 24-327105 REV 225

EQUIPMENT ASSY-E6 RELAY PNL AFT EQPT CTR (APU START TRU OVERHEAT PROTECTION ONLY)
FIGURE 5

BRI
JAN 20/09

24-32-71-05

24-32-71-05
PAGE 0



757

PARTS CATALOG (MAINTENANCE)

FIG ITEM	PART NUMBER	1 2 3 4 5 6 7	NOMENCLATURE	EFFECT FROM TO	UNITS PER ASSY
5			EQUIPMENT ASSY-E6 RELAY PNL AFT EQPT CTR (APU START TRU OVERHEAT PROTECTION ONLY)	108120	
- 1	284N1554-123		EQUIPMENT ASSY-E6 RELAY PNL EQPT CTR (APU START TRU OVERHEAT PROTECTION ONLY) POSITION DATA: AFT FOR NHA/OTHER SYS DET SEE: 24-00-58-05D	108120	RF
5	W260F4AM11		.RELAY- SUPPLIER CODE: VF0219 SPECIFICATION NUMBER: BACR13CD2 OPTIONAL PART: BR16S233 V09026 EE4AA005 V35344 3SAV1338A2 V01526 HFW1206K03 V58614 HFW1204K01 V71482 ELECTRICAL EQUIP NUMBER: K00616	108120	1
- 500	286N1024-306		WIRE BUNDLE ASSY	108120	RF
505	RSE120026		.SOCKET- SUPPLIER CODE: V58982 SPECIFICATION NUMBER: BACS16AG1 OPTIONAL PART: 451120-026 V58982 ELECTRICAL EQUIP NUMBER: D04832 WIRING DIAGRAM REF: 243241	108120	1

MISSING ITEM NUMBERS NOT APPLICABLE

- ITEM NOT ILLUSTRATED

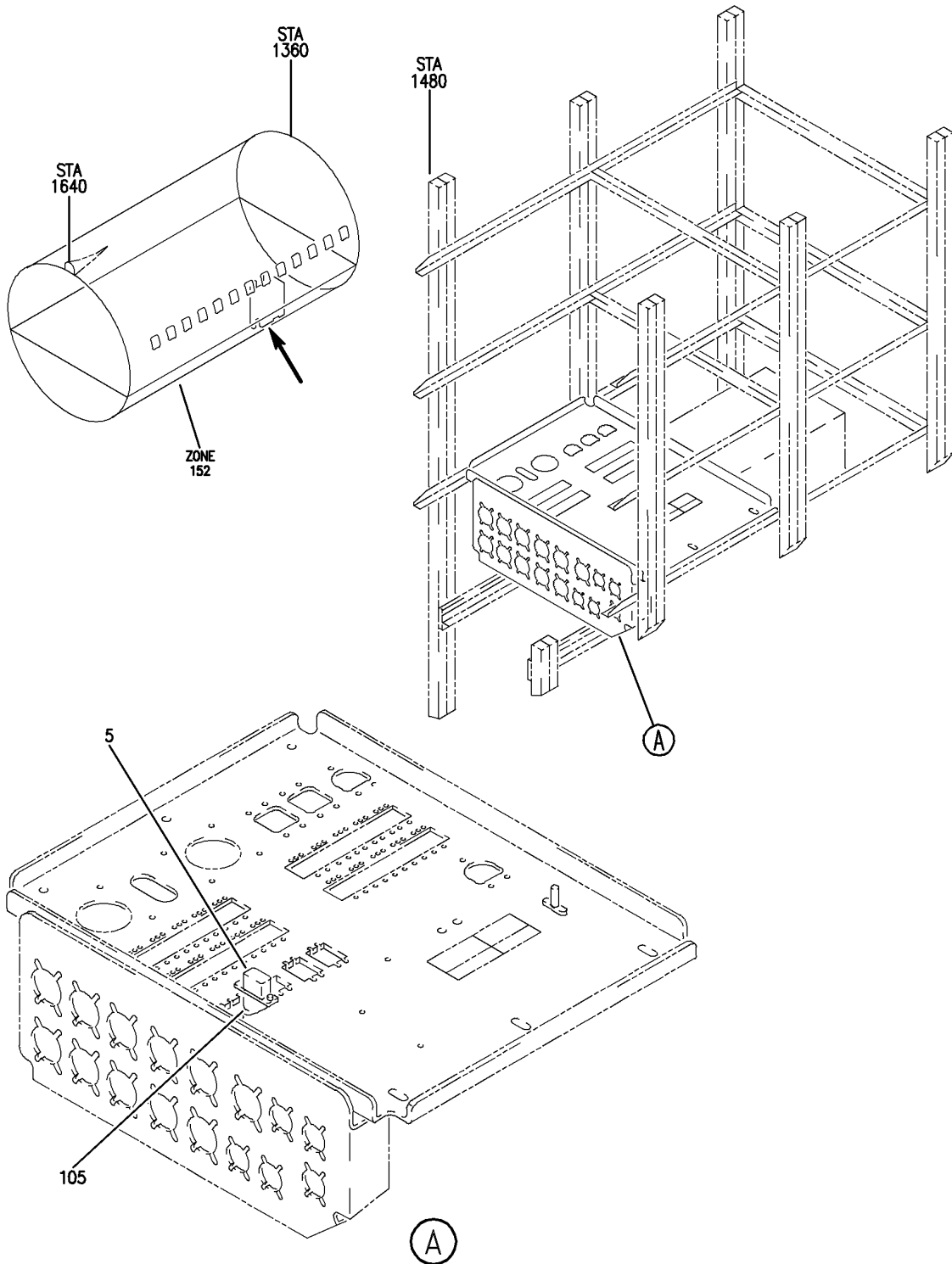
BRI

24-32-71-05

BOEING PROPRIETARY - Copyright © - Unpublished Work - See title page for details.

24-32-71
FIG. 05
PAGE 1
JAN 20/09

BOEING
757
PARTS CATALOG (MAINTENANCE)



Y 24-327106 REV 225

EQUIPMENT ASSY-E6 RELAY PNL AFT EQPT CTR (APU START TRU OVERHEAT PROTECTION ONLY)

FIGURE 6

24-32-71-06

BRI
JAN 20/09

24-32-71-06
PAGE 0



757

PARTS CATALOG (MAINTENANCE)

FIG ITEM	PART NUMBER	1 2 3 4 5 6 7	NOMENCLATURE	EFFECT FROM TO	UNITS PER ASSY
6			EQUIPMENT ASSY-E6 RELAY PNL AFT EQPT CTR (APU START TRU OVERHEAT PROTECTION ONLY)	103106	
- 1	MODREF11091		EQUIPMENT ASSY-E6 RELAY PNL AFT EQPT CTR (APU START TRU OVERHEAT PROTECTION ONLY) MODULE NUMBER: 284N1554-308 REV A FOR OTHER SYS DETAILS SEE: 24-31-71-06 24-31-71-07 28-25-71-07 31-01-86-05 33-37-71-02 49-31-71-02 49-41-71-05 49-61-71-05 52-34-71-02 FOR ADDITIONAL DETAILS SEE: 24-32-05-03 24-32-06-03	103106	1
5	W260F4AM11		.RELAY- SUPPLIER CODE: VF0219 SPECIFICATION NUMBER: BACR13CD2 OPTIONAL PART: BR16S233 V09026 EE4AA005 V35344 3SAV1338A2 V01526 HFW1206K03 V58614 HFW1204K01 V71482 ELECTRICAL EQUIP NUMBER: K00616	103106	1
- 100	286N1024-602		WIRE BUNDLE ASSY	103106	RF

MISSING ITEM NUMBERS NOT APPLICABLE

- ITEM NOT ILLUSTRATED

BRI

24-32-71-06

24-32-71
FIG. 06
PAGE 1
JAN 20/09



757

PARTS CATALOG (MAINTENANCE)

FIG ITEM	PART NUMBER	1 2 3 4 5 6 7	NOMENCLATURE	EFFECT FROM TO	UNITS PER ASSY
6 105	RSE120026		. SOCKET- SUPPLIER CODE: V58982 SPECIFICATION NUMBER: BACS16AG1 OPTIONAL PART: 451120-026 V58982 ELECTRICAL EQUIP NUMBER: D04832 WIRING DIAGRAM REF: 243241	103106	1

MISSING ITEM NUMBERS NOT APPLICABLE

- ITEM NOT ILLUSTRATED

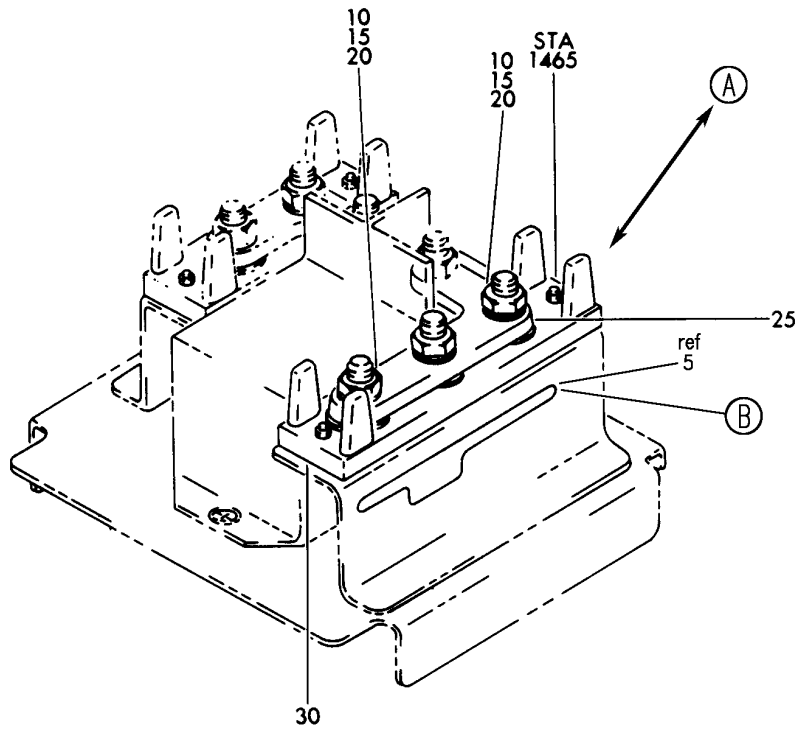
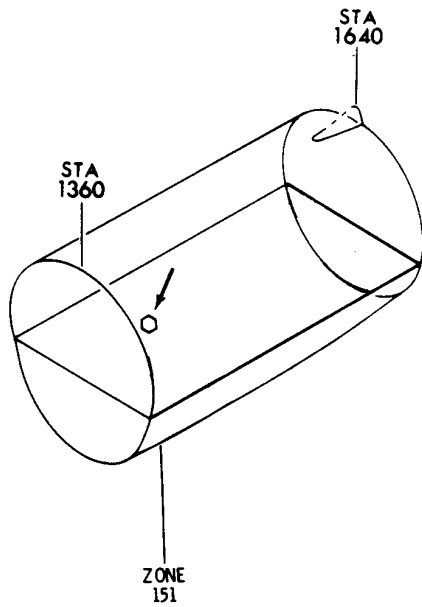
BRI

24-32-71-06

BOEING PROPRIETARY - Copyright © - Unpublished Work - See title page for details.

24-32-71
FIG. 06
PAGE 2
JAN 20/09

BOEING
757
PARTS CATALOG (MAINTENANCE)



Y 24327302 SH1 1 REV 303

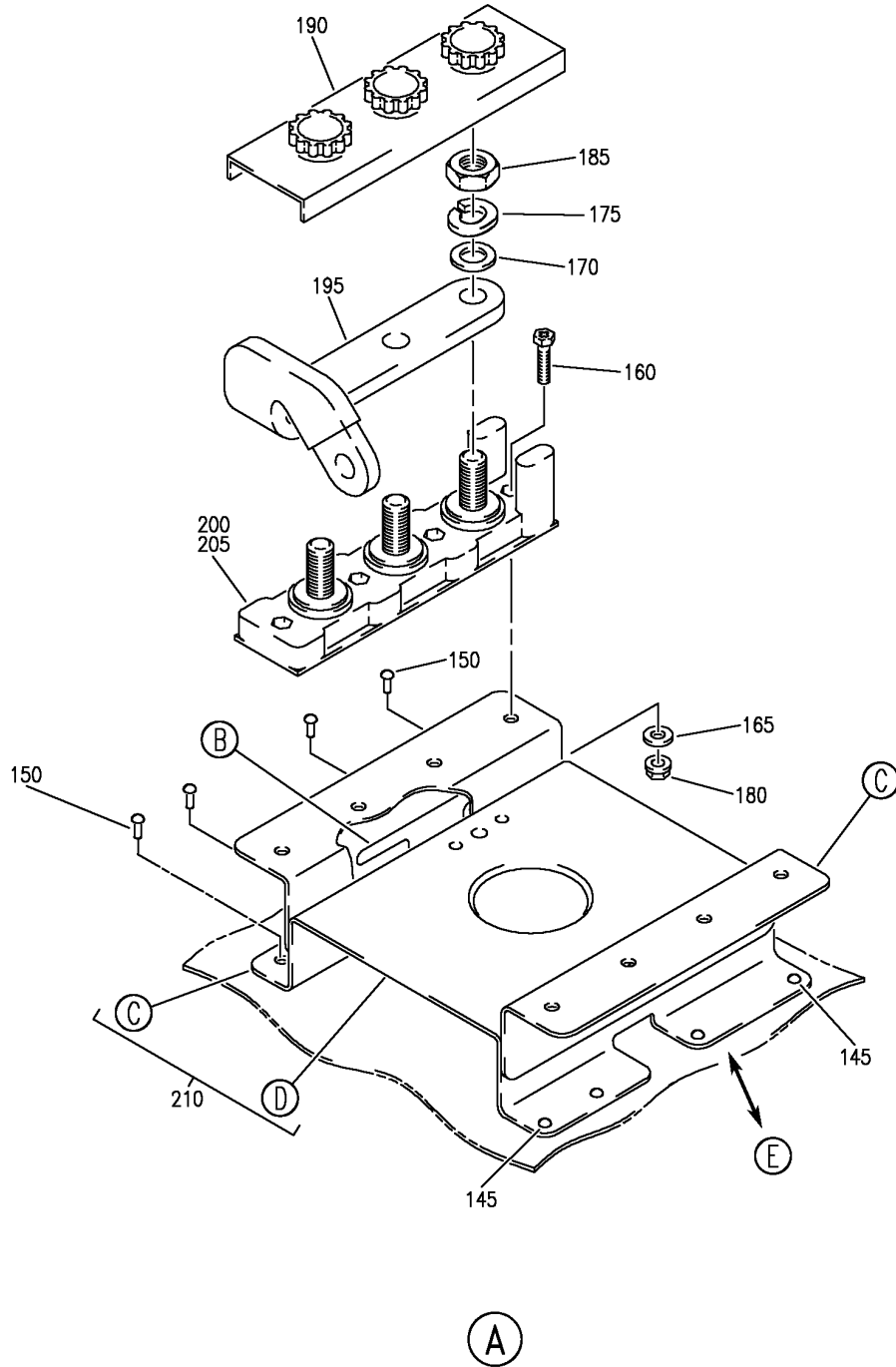
EQUIPMENT ASSY-AFT EQPT CTR E6 CONTACTOR PNL (TRANSFORMER RECTIFIER ONLY)
FIGURE 2 (SHEET 1)

BRI
MAY 28/07

24-32-73-02

24-32-73-02
PAGE 0

BOEING
757
PARTS CATALOG (MAINTENANCE)



Y 24-327302 SH1 2 REV 323

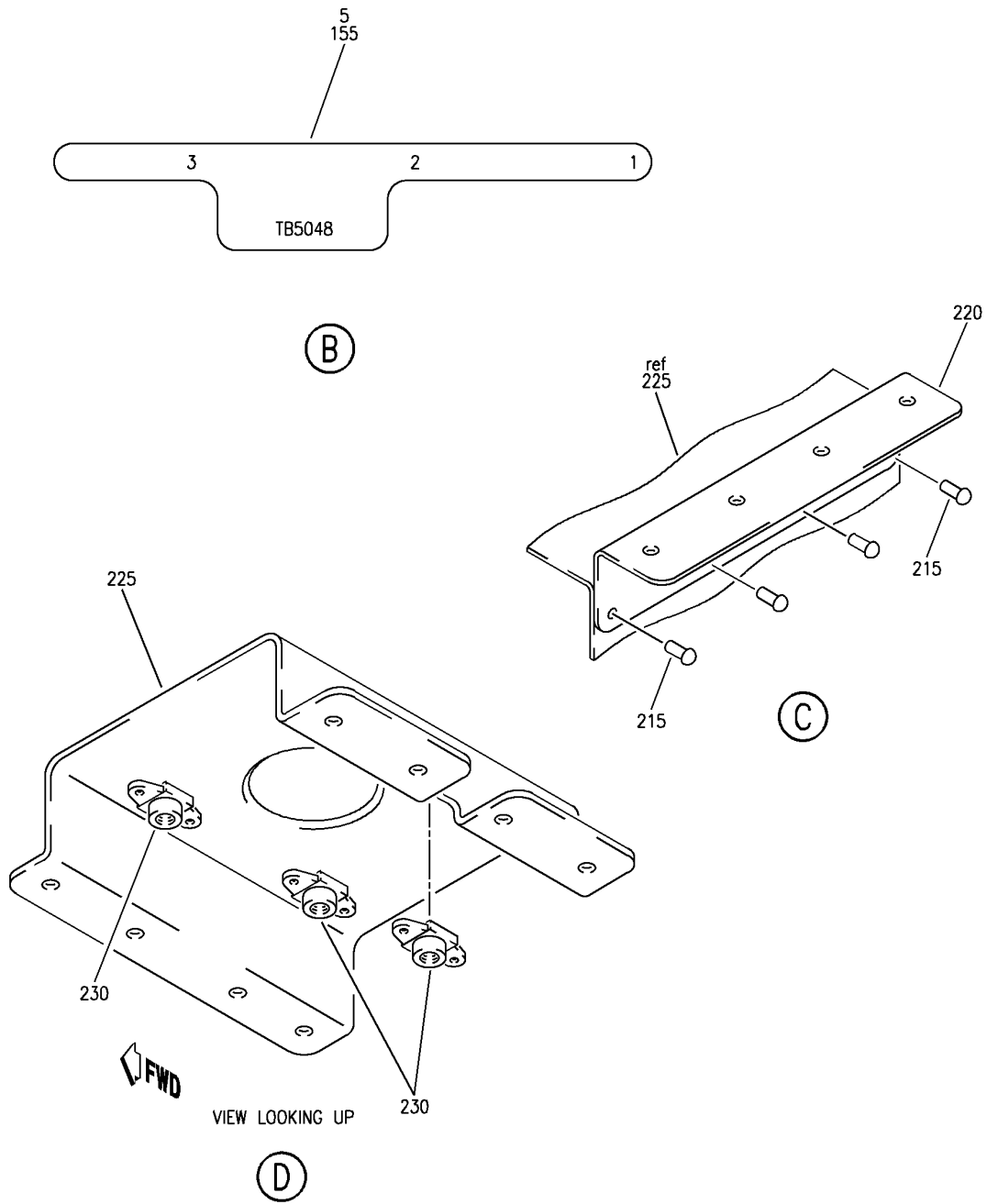
EQUIPMENT ASSY-AFT EQPT CTR E6 CONTACTOR PNL (TRANSFORMER RECTIFIER ONLY)
FIGURE 2 (SHEET 2)

24-32-73-02

BRI
MAY 20/08

24-32-73-02
PAGE 0A

BOEING
757
PARTS CATALOG (MAINTENANCE)



Y 24-327302 SHT 3 REV 303

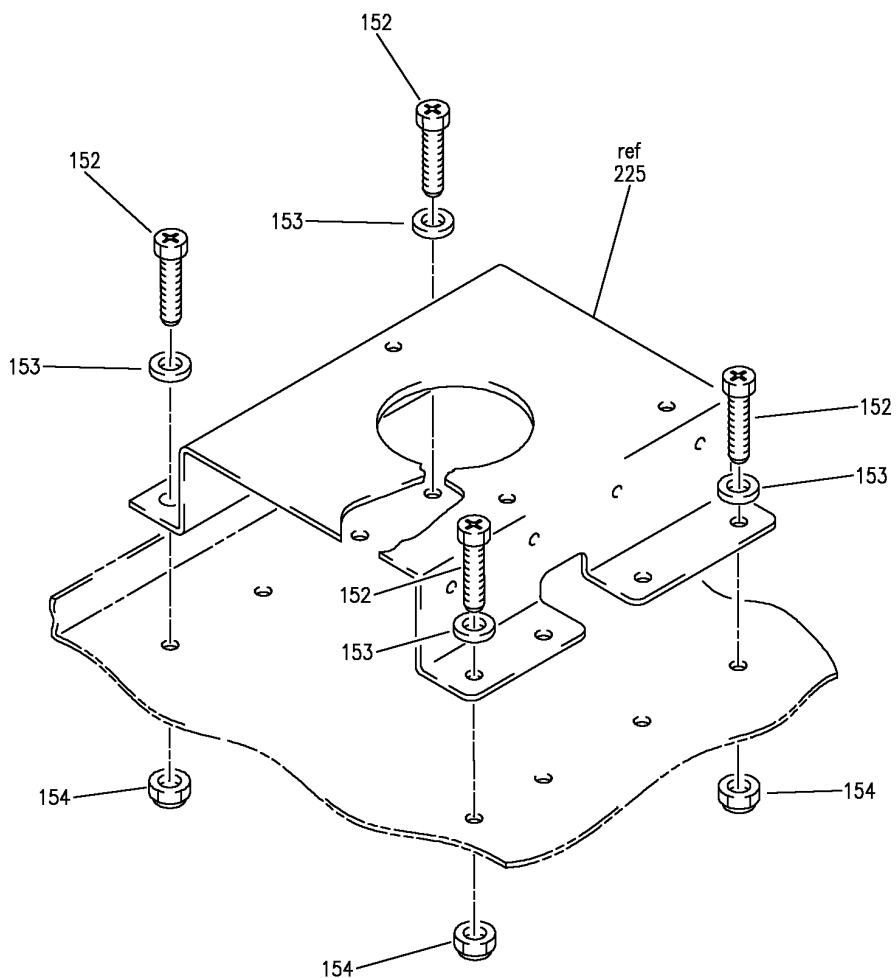
EQUIPMENT ASSY-AFT EQPT CTR E6 CONTACTOR PNL (TRANSFORMER RECTIFIER ONLY)
FIGURE 2 (SHEET 3)

24-32-73-02

BRI
MAY 28/07

24-32-73-02
PAGE 0B

BOEING
757
PARTS CATALOG (MAINTENANCE)



(E)

Y 24327302 SH1 4 REV 323

EQUIPMENT ASSY-AFT EQPT CTR E6 CONTACTOR PNL (TRANSFORMER RECTIFIER ONLY)
FIGURE 2 (SHEET 4)

BRI
MAY 20/08

24-32-73-02

24-32-73-02
PAGE 0C



757

PARTS CATALOG (MAINTENANCE)

FIG ITEM	PART NUMBER	1 2 3 4 5 6 7	NOMENCLATURE	EFFECT FROM TO	UNITS PER ASSY
2			EQUIPMENT ASSY-AFT EQPT CTR E6 CONTACTOR PNL (TRANSFORMER RECTIFIER ONLY)	121503 904949	
- 1	284N1718-2		EQUIPMENT ASSY-EQPT CTR E6 CONTACTOR PNL (TRANSFORMER RECTIFIER ONLY)	121503 904949	RF
	5 BAC27NEX0636		POSITION DATA: AFT FOR NHA/OTHER SYS DET SEE: 25-70-51-53 .DECAL- PLACARD CONTENT: TB5048	904949	1
	10 AN960-616		.WASHER-	904949	3
	15 MS35338-46		.WASHER-	904949	3
	20 MS35650-3382		.NUT-	904949	3
	25 287N1125-2		.BUS-	904949	1
	30 287N1407-2		.BOARD-TERM. ELECTRICAL EQUIP NUMBER: TB5048	904949	1
			ATTACHING PARTS		
- 35	NAS1801-06-7		.SCREW	904949	4
- 40	AN960PD6		.WASHER	904949	4
- 45	BRH10A06		.NUT	904949	4
			SUPPLIER CODE: V52828 SPECIFICATION NUMBER: BACN10JCO6 OPTIONAL PART: H10-06BAC V15653 RMLH9075-62W V72962 VN303A62 V92215 96-62 V80539 NS202101-62 V80539 T6S632J V11815 -----*-----		

MISSING ITEM NUMBERS NOT APPLICABLE

- ITEM NOT ILLUSTRATED

BRI

24-32-73-02

24-32-73
FIG. 02
PAGE 1
JAN 20/09



757

PARTS CATALOG (MAINTENANCE)

FIG ITEM	PART NUMBER	1 2 3 4 5 6 7	NOMENCLATURE	EFFECT FROM TO	UNITS PER ASSY
2 - 140	284N1718-3		.EQUIPMENT ASSY-EQPT CTR E6 CONTACTOR PNL (TRANSFORMER RECTIFIER ONLY) POSITION DATA: AFT POST SERVICE BULLETIN: 49-0019 ATTACHING PARTS	121503	RF
145	BACR15BB5AD5C		.RIVET-	121503	RF
150	BACR15BB6AD5C		.RIVET-	121503	RF
			-----*-----		
155	BAC27NEX0636		..DECAL- PLACARD CONTENT: TB5048	121503	1
160	BACS12HNO6-8		..SCREW	121503	4
165	NAS1149DN632J		..WASHER	121503	4
170	NAS1149D0663J		..WASHER	121503	3
175	BACW10EC6S		..WASHER	121503	3
180	PLH506CD		..NUT SUPPLIER CODE: VFO224 SPECIFICATION NUMBER: BACN10YR06CD OPTIONAL PART: H52732-06CD V15653	121503	4
185	MS35650-3382		..NUT	121503	3
190	MS18029-5S3		..COVER ASSY	121503	1
195	34BG41		..BUS BAR- SUPPLIER CODE: VFO219	121503	1
200	284N1720-6		..BOARD ASSY-TERM. ELECTRICAL EQUIP NUMBER: TB5048	121503	1
205	MS27212-5-3		...BOARD	121503	1
210	284N1720-10		..SUPPORT ASSY	121503	RF
215	BACR15BA5ADC		...RIVET- SIZE DETERMINED ON INSTL.	121503	RF
220	284N1720-7		...BRACKET	121503	RF
225	284N1720-8		...BRACKET ASSY	121503	RF

MISSING ITEM NUMBERS NOT APPLICABLE

- ITEM NOT ILLUSTRATED

24-32-73-02

24-32-73
FIG. 02
PAGE 2
JAN 20/09

BRI



757

PARTS CATALOG (MAINTENANCE)

FIG ITEM	PART NUMBER	1 2 3 4 5 6 7	NOMENCLATURE	EFFECT FROM TO	UNITS PER ASSY
2 230	BRF200C3D	NUTPLATE SUPPLIER CODE: V52828 SPECIFICATION NUMBER: BACN10JR3CFD OPTIONAL PART: K51602-3BAC V15653 NS202476-02 V80539 102F9201-3 V72962 T8092C1032CD V11815	121503	RF
- 235	BACR15BA3AD3C	RIVET -----*-----	121503	RF

MISSING ITEM NUMBERS NOT APPLICABLE

- ITEM NOT ILLUSTRATED

BRI

24-32-73-02

BOEING PROPRIETARY - Copyright © - Unpublished Work - See title page for details.

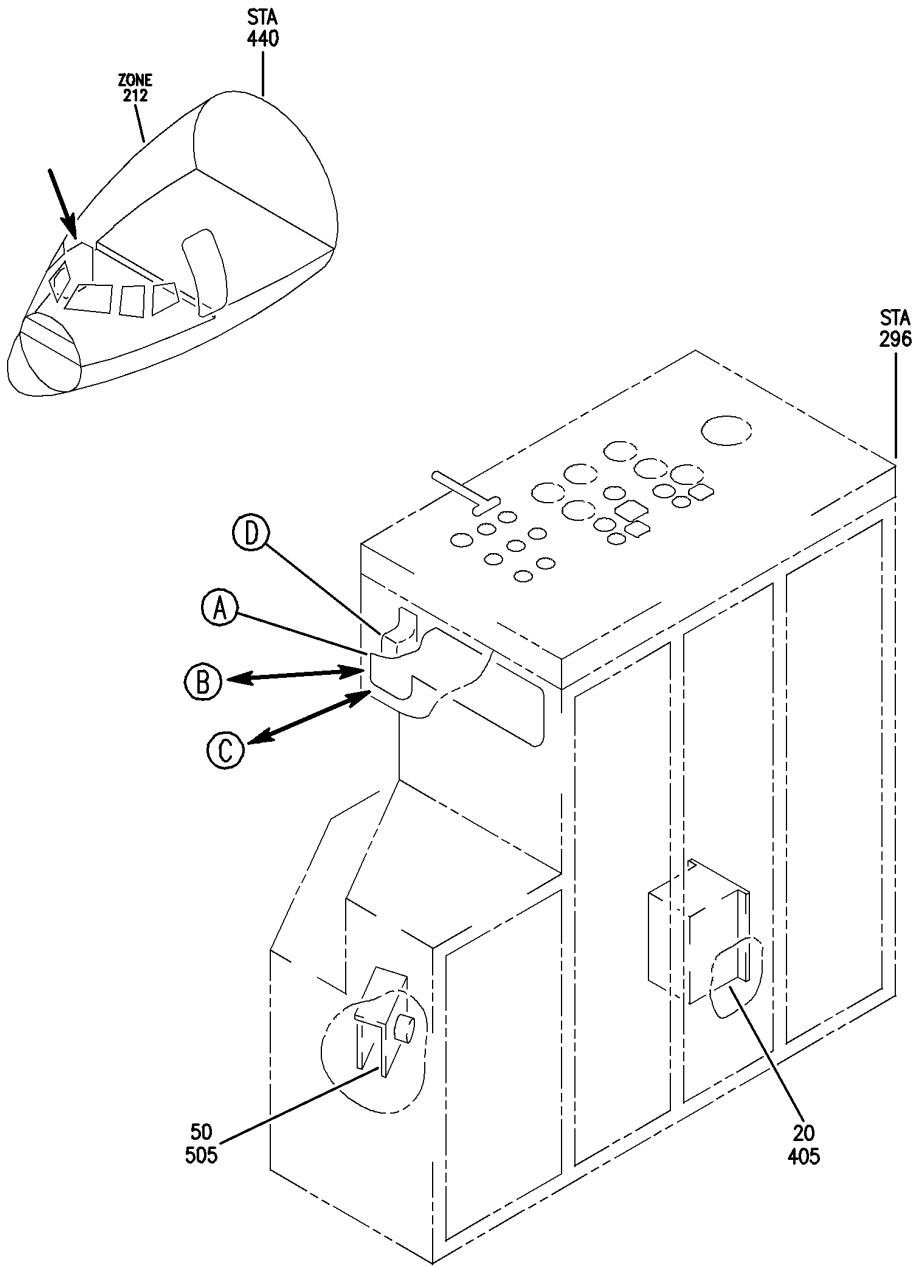
24-32-73
FIG. 02
PAGE 3
JAN 20/09

STANDBY POWER

BRI
MAY 28/07

24-33-00
SECTION TITLE
PAGE 1

BOEING
757
PARTS CATALOG (MAINTENANCE)



Y 24330101 SHT 1 REV 228

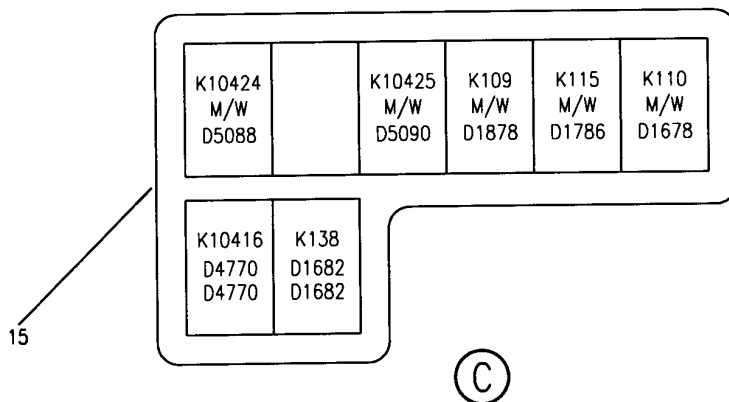
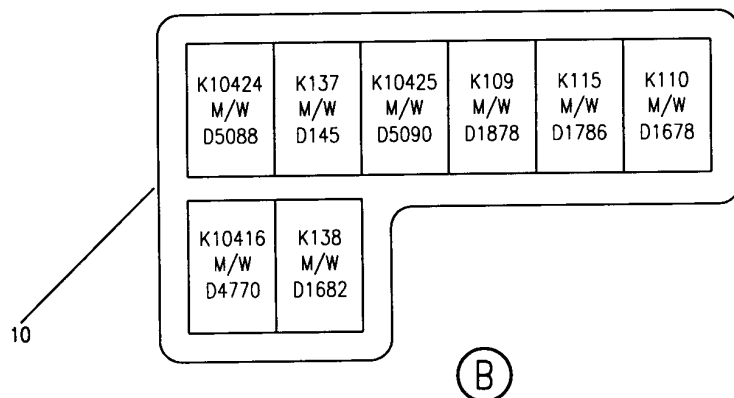
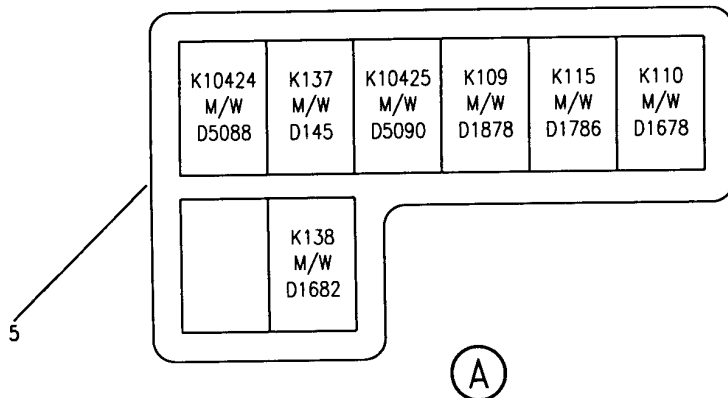
PANEL INSTL-P6 PWR DISTR (STANDBY POWER RELAYS ONLY)
FIGURE 1 (SHEET 1)

24-33-01-01

BRI
JAN 20/09

24-33-01-01
PAGE 0

BOEING
757
PARTS CATALOG (MAINTENANCE)



Y 24330101 SHT 2 REV 228

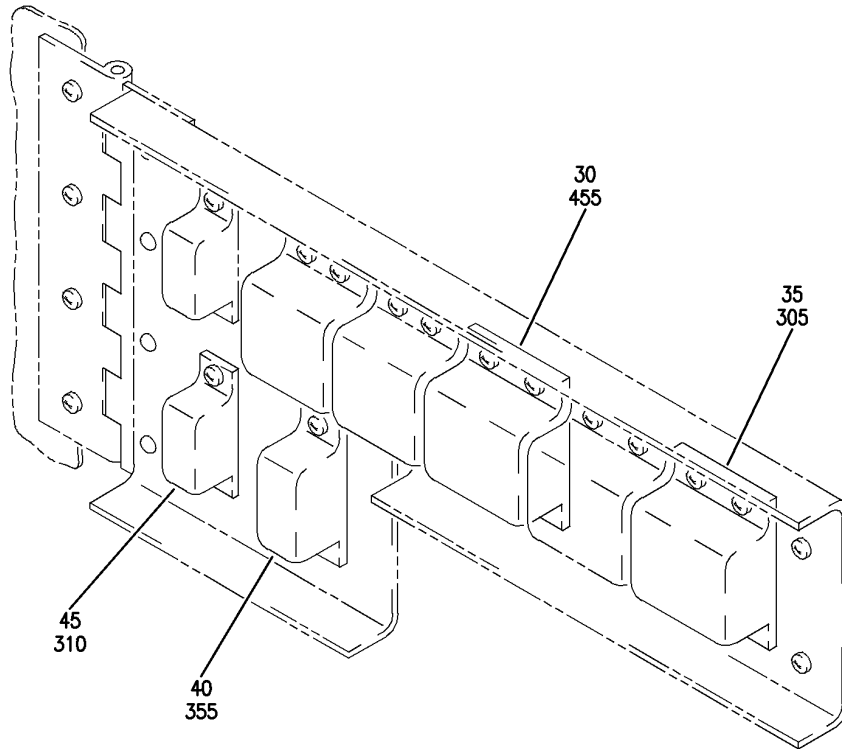
PANEL INSTL-P6 PWR DISTR (STANDBY POWER RELAYS ONLY)
FIGURE 1 (SHEET 2)

24-33-01-01

BRI
JAN 20/09

24-33-01-01
PAGE 0A

BOEING
757
PARTS CATALOG (MAINTENANCE)



(D)

Y 24330101 SHT 3 REV 228

PANEL INSTL-P6 PWR DISTR (STANDBY POWER RELAYS ONLY)
FIGURE 1 (SHEET 3)

24-33-01-01

BRI
JAN 20/09

24-33-01-01
PAGE 0B

BOEING PROPRIETARY - Copyright © - Unpublished Work - See title page for details.



757

PARTS CATALOG (MAINTENANCE)

FIG ITEM	PART NUMBER	1 2 3 4 5 6 7	NOMENCLATURE	EFFECT FROM TO	UNITS PER ASSY
1			PANEL INSTL-P6 PWR DISTR (STANDBY POWER RELAYS ONLY)	103106 108120	
- 1	287N4102-408		PANEL INSTL-P6 PWR DISTR (STANDBY POWER RELAYS ONLY)	108120	RF
- 4	MODREF31408		FOR NHA/OTHER SYS DET SEE: 24-00-58-05F PANEL INSTL-P6 PWR DISTR (STANDBY POWER RELAYS ONLY)	103106	1
			MODULE NUMBER: 287N4102-437 REV A FOR OTHER SYS DETAILS SEE: 11-34-05-07 24-31-06-01 24-31-71-09 24-32-02-01 24-32-03-01 24-51-05-01 24-51-06-01 24-51-07-01 24-51-52-08 24-51-52-09 24-51-52-10 24-51-73-02 24-53-52-02 31-01-06-02		
10	BAC27NEX2611		.DECAL-	108120	RF
15	BAC27NEX3086		.DECAL	103106	RF
20	E308AH		.RELAY ASSY- SUPPLIER CODE: V74063 FUNCTIONAL DESCRIPTION: SELECT THE STATIC INVERTER OR THE LEFT MAIN POWER BUS TO POWER THE AC STANDBY BUS ELECTRICAL EQUIP NUMBER: K00105 COMPONENT MAINT MANUAL REF: 24-09-18	103106 108120	1
- 25	NAS1801-06-7		ATTACHING PARTS .SCREW	103106 108120	4
			-----*-----		
30	MS27743-6		.RELAY- ELECTRICAL EQUIP NUMBER: K00109	103106 108120	1

MISSING ITEM NUMBERS NOT APPLICABLE

- ITEM NOT ILLUSTRATED

24-33-01-01

24-33-01
FIG. 01
PAGE 1
JAN 20/09

BRI



757

PARTS CATALOG (MAINTENANCE)

FIG ITEM	PART NUMBER	1 2 3 4 5 6 7	NOMENCLATURE	EFFECT FROM TO	UNITS PER ASSY
1 35	E410-1537		.RELAY- SUPPLIER CODE: V99699 SPECIFICATION NUMBER: BACR13CG2A OPTIONAL PART: E415-1078 V99699 BR230S0116 V56623 KD4A017 V58687 FCA410-62 V78290 ELECTRICAL EQUIP NUMBER: K00110	103106 108120	1
40	JAD9F007		.RELAY- SUPPLIER CODE: V58657 SPECIFICATION NUMBER: BACR13CJ2 ELECTRICAL EQUIP NUMBER: K00138	103106 108120	1
45	W260F4AM11		.RELAY- SUPPLIER CODE: VF0219 SPECIFICATION NUMBER: BACR13CD2 OPTIONAL PART: BR16S233 V09026 EE4AA005 V35344 3SAV1338A2 V01526 HFW1206K03 V58614 HFW1204K01 V71482 ELECTRICAL EQUIP NUMBER: K10416	103106 108120	1
50	E311P		.RELAY- SUPPLIER CODE: V74063 ELECTRICAL EQUIP NUMBER: K00113	103106 108120	1

MISSING ITEM NUMBERS NOT APPLICABLE

- ITEM NOT ILLUSTRATED

24-33-01-01

24-33-01
FIG. 01
PAGE 2
JAN 20/09

BRI



757

PARTS CATALOG (MAINTENANCE)

FIG ITEM	PART NUMBER	1 2 3 4 5 6 7	NOMENCLATURE	EFFECT FROM TO	UNITS PER ASSY
1			ATTACHING PARTS		
- 55	NAS1801-06-7		.SCREW	103106 108120	4
			-----*-----		
- 300	286N0074-318		WIRE BUNDLE ASSY	108120	RF
- 301	286N0074-701		WIRE BUNDLE ASSY	103106	RF
305	BACS16W1		.SOCKET-	103106	1
			ELECTRICAL EQUIP NUMBER: D01678	108120	
			WIRING DIAGRAM REF: 243311		
310	RSE120026		.SOCKET-	103106	1
			SUPPLIER CODE: V58982	108120	
			SPECIFICATION NUMBER: BACS16AG1		
			OPTIONAL PART: 451120-026		
			V58982		
			ELECTRICAL EQUIP NUMBER: D04770		
			WIRING DIAGRAM REF: 243312		
- 350	286N0068-301		WIRE BUNDLE ASSY	108120	RF
- 350	286N0068-701		WIRE BUNDLE ASSY	103106	RF
355	RSF116208		.SOCKET-	103106	1
			SUPPLIER CODE: V58982	108120	
			SPECIFICATION NUMBER: BACS16X3A		
			OPTIONAL PART: 102-005-1		
			V09922		
			000300-1541		
			V05574		
			ELECTRICAL EQUIP NUMBER: D01682		
			WIRING DIAGRAM REF: 243311		
- 400	286N0062-319		WIRE BUNDLE ASSY	108120	RF
- 401	286N0062-601		WIRE BUNDLE ASSY	103106	RF
405	BACC45FT14A12S		.CONNECTOR-	103106	1
			ELECTRICAL EQUIP NUMBER: D01680	108120	
			WIRING DIAGRAM REF: 243311		
- 451	286N0060-327		WIRE BUNDLE ASSY	108120	RF
- 451	286N0060-601		WIRE BUNDLE ASSY	103106	RF

MISSING ITEM NUMBERS NOT APPLICABLE

- ITEM NOT ILLUSTRATED

24-33-01-01

24-33-01
FIG. 01
PAGE 3
JAN 20/09

BRI



757

PARTS CATALOG (MAINTENANCE)

FIG ITEM	PART NUMBER	1 2 3 4 5 6 7	NOMENCLATURE	EFFECT FROM TO	UNITS PER ASSY
1 455	S0-1057-8912		.SOCKET- SUPPLIER CODE: V35344 ELECTRICAL EQUIP NUMBER: D01878 WIRING DIAGRAM REF: 243311	103106 108120	1
- 500	286N0072-302		WIRE BUNDLE ASSY	108120	RF
- 500	286N0072-601		WIRE BUNDLE ASSY	103106	RF
505	BACC45FT12D12S		.CONNECTOR- ELECTRICAL EQUIP NUMBER: D00546 WIRING DIAGRAM REF: 243311	103106 108120	1

MISSING ITEM NUMBERS NOT APPLICABLE

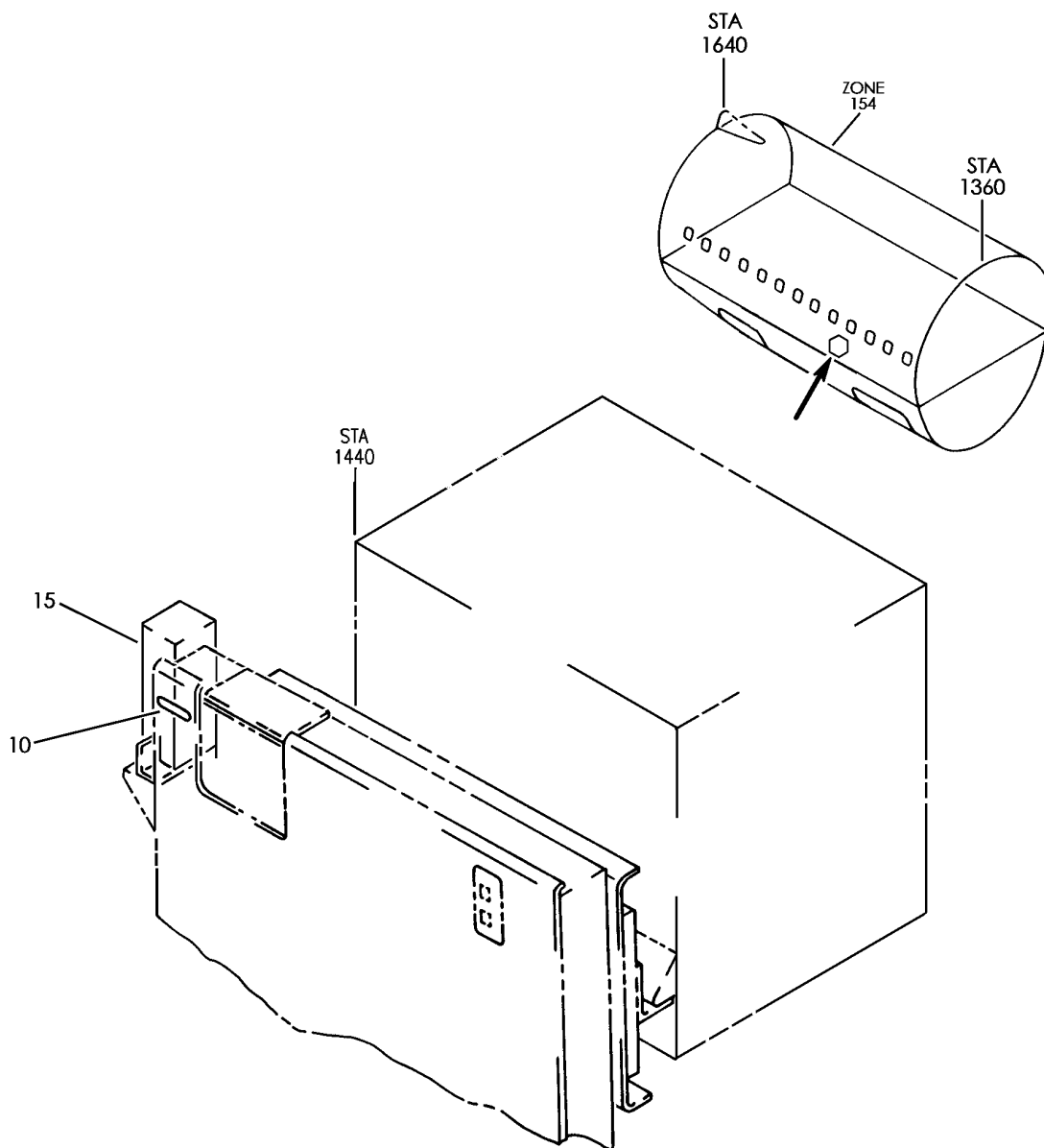
- ITEM NOT ILLUSTRATED

24-33-01-01

24-33-01
FIG. 01
PAGE 4
JAN 20/09

BRI

BOEING
757
PARTS CATALOG (MAINTENANCE)



Y 24330202 REV 225

EQUIPMENT INSTL- E6 AFT EQPT CTR PWR 90-MIN RACK (APU BATTERY TIE REMOTE CONTROL CIRCUIT BREAKER)

FIGURE 2

24-33-02-02

BRI
JAN 20/09

24-33-02-02
PAGE 0



757

PARTS CATALOG (MAINTENANCE)

FIG ITEM	PART NUMBER	1 2 3 4 5 6 7	NOMENCLATURE	EFFECT FROM TO	UNITS PER ASSY
2			EQUIPMENT INSTL- E6 AFT EQPT CTR PWR 90-MIN RACK (APU BATTERY TIE REMOTE CONTROL CIRCUIT BREAKER)	103106 108120	
- 1	284N6000-240000		EQUIPMENT INSTL-E6 AFT EQPT CTR PWR 90-MIN SMALL RACK (APU BATTERY TIE REMOTE CONTROL CIRCUIT BREAKER) FOR NHA/OTHER SYS DET SEE: 24-00-58-05F	108120	RF
- 5	MODREF10606		EQUIPMENT INSTL-E6 AFT EQPT CTR PWR 90-MIN EXTENDED RACK (APU BATTERY TIE REMOTE CONTROL CIRCUIT BREAKER) MODULE NUMBER: 284N6000-240001 REV A FOR OTHER SYS DETAILS SEE: 24-31-07-02	103106	1
10	BAC27NEX1560		.DECAL- PLACARD CONTENT: M10496	103106 108120	1
15	SM600BA100A20		.CIRCUIT BREAKER- SUPPLIER CODE: V81640 SPECIFICATION NUMBER: BACC18AF100A OPTIONAL PART: SM600BA100A20 V27193 ELECTRICAL EQUIP NUMBER: M10496 SM600BA100A1 V27193	103106 108120	1
15	SM600BA100A1		.CIRCUIT BREAKER- SUPPLIER CODE: V27193 ELECTRICAL EQUIP NUMBER: M10496 OPTIONAL PART: BACC18AF100A	103106 108120	1
- 20	NAS1801-08-8		ATTACHING PARTS .SCREW	103106 108120	2
- 25	NAS1149DN816J		.WASHER	103106 108120	2

MISSING ITEM NUMBERS NOT APPLICABLE

- ITEM NOT ILLUSTRATED

24-33-02-02

24-33-02
FIG. 02
PAGE 1
JAN 20/09

BRI



757

PARTS CATALOG (MAINTENANCE)

FIG ITEM	PART NUMBER	1 2 3 4 5 6 7	NOMENCLATURE	EFFECT FROM TO	UNITS PER ASSY
2 - 30	PLH508CD		.NUT SUPPLIER CODE: VF0224 SPECIFICATION NUMBER: BACN10YR08CD OPTIONAL PART: H52732-08CD V15653 -----*-----	103106 108120	2

MISSING ITEM NUMBERS NOT APPLICABLE

- ITEM NOT ILLUSTRATED

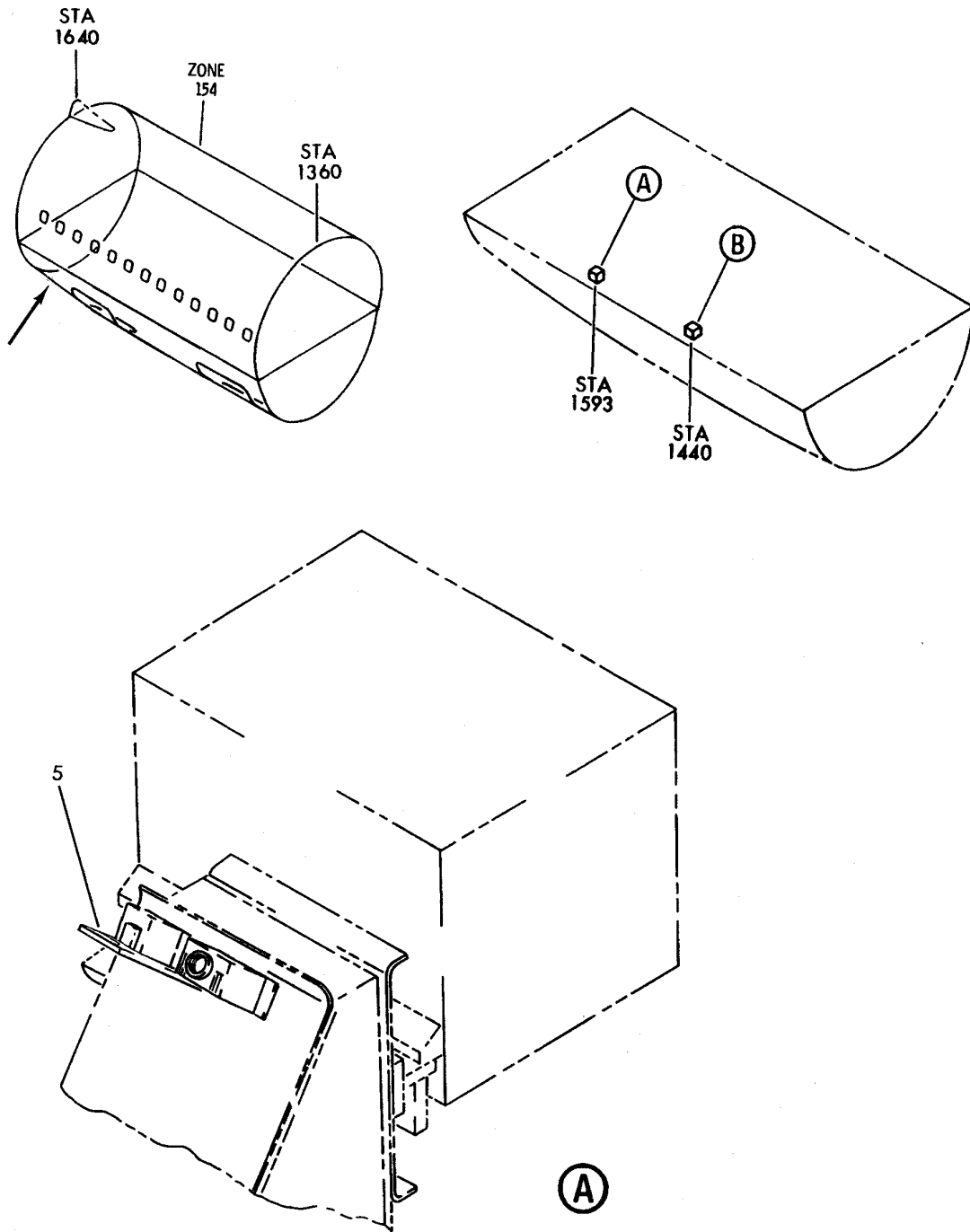
BRI

24-33-02-02

BOEING PROPRIETARY - Copyright © - Unpublished Work - See title page for details.

24-33-02
FIG. 02
PAGE 2
JAN 20/09

BOEING
757
PARTS CATALOG (MAINTENANCE)



Y 24330205 SHT 1 REV 211

EQUIPMENT INSTL-E6 AFT EQPT CTR (STANDBY POWER ONLY)
FIGURE 5 (SHEET 1)

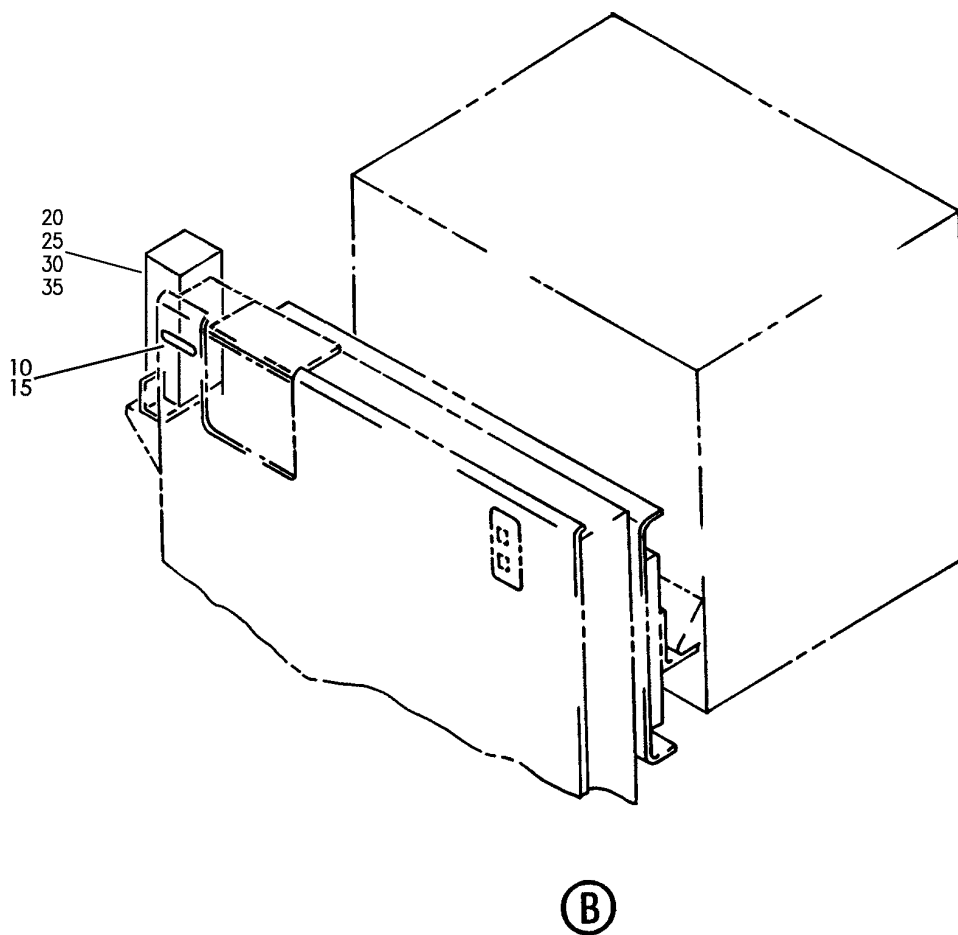
24-33-02-05

BRI
MAY 28/07

24-33-02-05
PAGE 0

BOEING PROPRIETARY - Copyright © - Unpublished Work - See title page for details.

BOEING
757
PARTS CATALOG (MAINTENANCE)



Y 24-33-02-05 SH1 2 REV 307

EQUIPMENT INSTL-E6 AFT EQPT CTR (STANDBY POWER ONLY)
FIGURE 5 (SHEET 2)

24-33-02-05

BRI
MAY 28/07

24-33-02-05
PAGE 0A

BOEING
757
PARTS CATALOG (MAINTENANCE)

FIG ITEM	PART NUMBER	1 2 3 4 5 6 7	NOMENCLATURE	EFFECT FROM TO	UNITS PER ASSY
5			EQUIPMENT INSTL-E6 AFT EQPT CTR (STANDBY POWER ONLY)	002004 006102 107107 121949 952999	
- 1	284N1686-3		EQUIPMENT INSTL-E6 EQPT CTR (STANDBY POWER ONLY) POSITION DATA: AFT FOR NHA/OTHER SYS DET SEE: 24-00-58-01	121503 904949	RF
- 2	284N1500-1		EQUIPMENT INSTL-E6 EQPT CTR (STANDBY POWER ONLY) POSITION DATA: AFT VARIABLE DRAWING REF: 284N1500-5012 284N1500-5032 284N1500-5034 FOR NHA/OTHER SYS DET SEE: 24-00-58-01	002004 006100 107107 952999	RF
- 2	284N1500-21		EQUIPMENT INSTL-E6 EQPT CTR (STANDBY POWER ONLY) POSITION DATA: AFT FOR NHA/OTHER SYS DET SEE: 24-00-58-05D	101102	RF
- 2	284N1500-25		EQUIPMENT INSTL-E6 EQPT CTR (STANDBY POWER ONLY) POSITION DATA: AFT FOR NHA/OTHER SYS DET SEE: 24-00-58-05D	504903	RF
5	BAC27NEX1560		.DECAL- PLACARD CONTENT: M10496	121503 904949	1
15	BAC27NEX1560		.DECAL- PLACARD CONTENT: M10496 PRE SERVICE BULLETIN: 24-0125R1 24-0125R2 24-0130	002004 006102 107107 504903 952999	1
20	SM600BA100A1		.CIRCUIT BREAKER- SUPPLIER CODE: V27193 ELECTRICAL EQUIP NUMBER: M10496	121503 904949	1

MISSING ITEM NUMBERS NOT APPLICABLE

- ITEM NOT ILLUSTRATED

24-33-02-05

24-33-02
FIG. 05
PAGE 1
MAY 20/09

BRI

BOEING PROPRIETARY - Copyright © - Unpublished Work - See title page for details.



BOEING
757
PARTS CATALOG (MAINTENANCE)

FIG ITEM	PART NUMBER	1 2 3 4 5 6 7	NOMENCLATURE	EFFECT FROM TO	UNITS PER ASSY
5					
35	SM600BA100A20		.CIRCUIT BREAKER- SUPPLIER CODE: V81640 SPECIFICATION NUMBER: BACC18AF100A OPTIONAL PART: SM600BA100A20 V27193 ELECTRICAL EQUIP NUMBER: M10496 SM600BA100A1 V27193	101102 504903	1
R	35		.CIRCUIT BREAKER- SUPPLIER CODE: V27193 ELECTRICAL EQUIP NUMBER: M10496 OPTIONAL PART: BACC18AF100A PRE SERVICE BULLETIN: 24-0125R1 24-0125R2 24-0130 ATTACHING PARTS	002004 006102 107107 504903 952999	1
R					
R					
R					
R					
R					
R					
R					
R					
R					
R					
R					
R					
-	40	NAS1801-08-8	.SCREW- PRE SERVICE BULLETIN: 24-0125R1 24-0125R2 24-0130	002004 006102 107107 121949 952999	2
R					
R					
R					
R					
R					
R					
R					
R					
R					
R					
-	45	NAS1149DN816J	.WASHER- PRE SERVICE BULLETIN: 24-0125R1 24-0125R2 24-0130	002004 006102 107107 504903 952999	4
R					
R					
R					
R					
R					
R					
R					
R					
R					
-	50	MS21042L08	.NUT- PRE SERVICE BULLETIN: 24-0125R1 24-0125R2 24-0130 -----*-----	002004 006102 107107 504903 952999	4

MISSING ITEM NUMBERS NOT APPLICABLE

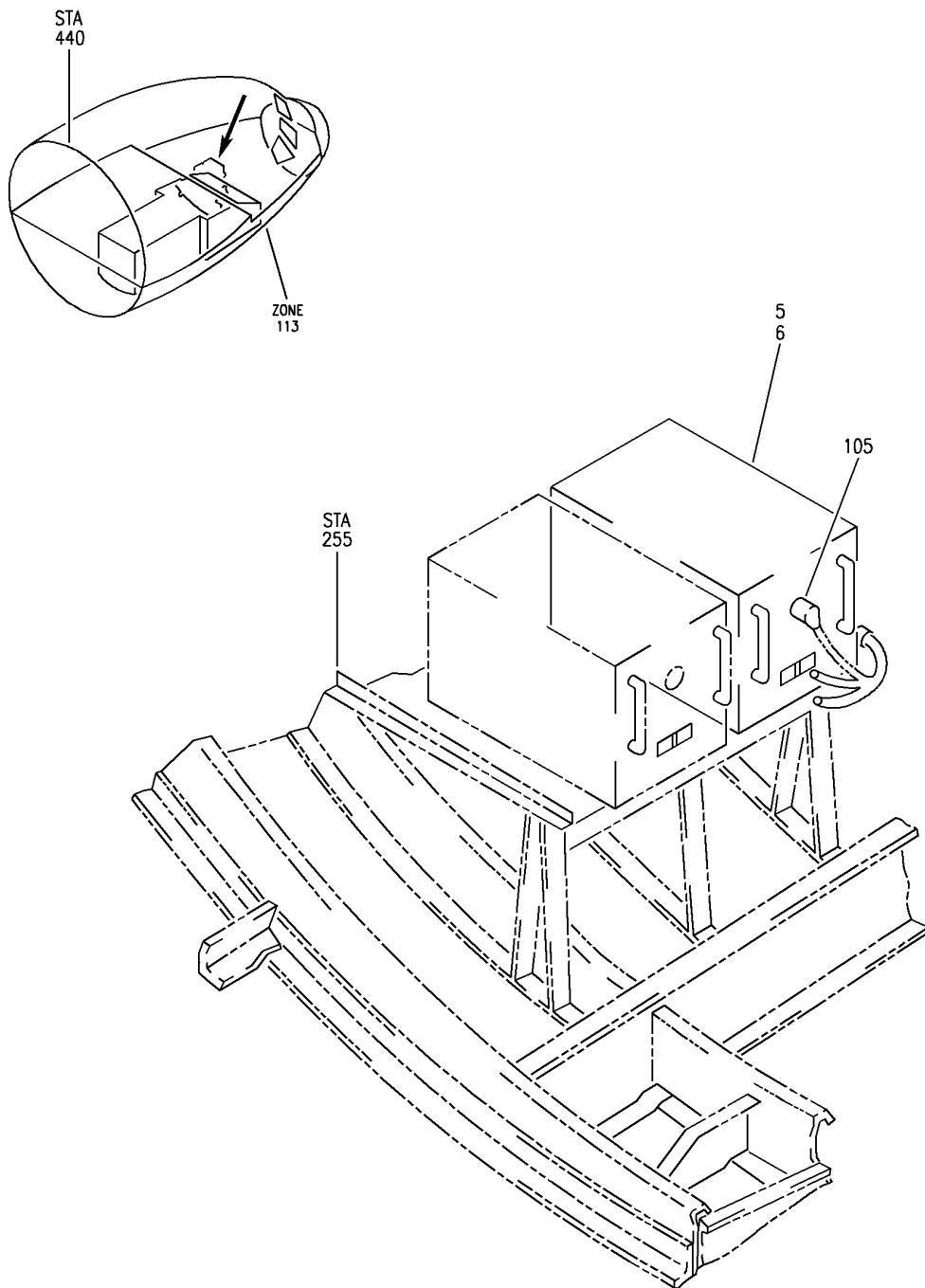
- ITEM NOT ILLUSTRATED

BRI

24-33-02-05

24-33-02
FIG. 05
PAGE 2
MAY 20/09

BOEING
757
PARTS CATALOG (MAINTENANCE)



Y 24-33-03-01 REV 295

EQUIPMENT INSTL-BATTERY CHARGER AND STATIC INVERTER (STANDBY POWER ONLY)

FIGURE 1

24-33-03-01

BRI
MAY 28/07

24-33-03-01
PAGE 0



757

PARTS CATALOG (MAINTENANCE)

FIG ITEM	PART NUMBER	1 2 3 4 5 6 7	NOMENCLATURE	EFFECT FROM TO	UNITS PER ASSY
1			EQUIPMENT INSTL-BATTERY CHARGER AND STATIC INVERTER (STANDBY POWER ONLY)	002004 006999	
- 1	284N1409-3		EQUIPMENT INSTL-BATTERY CHARGER AND STATIC INVERTER (STANDBY POWER ONLY) FOR NHA/OTHER SYS DET SEE: 24-00-58-01C	107107	RF
- 1	284N1409-4		EQUIPMENT INSTL-BATTERY CHARGER AND STATIC INVERTER (STANDBY POWER ONLY) FOR NHA/OTHER SYS DET SEE: 24-00-58-01C	904949	RF
- 1	284N1409-8		EQUIPMENT INSTL-BATTERY CHARGER AND STATIC INVERTER (STANDBY POWER ONLY) FOR NHA/OTHER SYS DET SEE: 24-00-58-01C	002004 121503 952952	RF
- 1	284N1409-9		EQUIPMENT INSTL-BATTERY CHARGER AND STATIC INVERTER (STANDBY POWER ONLY) FOR NHA/OTHER SYS DET SEE: 24-00-58-01C	006102 504903 950951 953999	RF
- 1	284N1409-11		EQUIPMENT INSTL-BATTERY CHARGER AND STATIC INVERTER (STANDBY POWER ONLY) FOR NHA/OTHER SYS DET SEE: 24-00-58-05	108120	RF
- 1	MODREF10222		EQUIPMENT INSTL-BATTERY CHARGER AND STATIC INVERTER (STANDBY POWER ONLY) MODULE NUMBER: 284N1409-11 REV A FOR OTHER SYS DETAILS SEE: 24-31-02-01	103105	RF

MISSING ITEM NUMBERS NOT APPLICABLE

- ITEM NOT ILLUSTRATED

24-33-03-01

24-33-03
FIG. 01
PAGE 1
JAN 20/09

BRI



757

PARTS CATALOG (MAINTENANCE)

FIG ITEM	PART NUMBER	1 2 3 4 5 6 7	NOMENCLATURE	EFFECT FROM TO	UNITS PER ASSY
1	MODREF181249		EQUIPMENT INSTL-BATTERY CHARGER AND STATIC INVERTER (STANDBY POWER ONLY)	106106	RF
-	5 707760-2		MODULE NUMBER: 284N1409-12 REV A FOR OTHER SYS DETAILS SEE: 24-31-02-01 . INVERTER-STATIC SUPPLIER CODE: V19623 SPECIFICATION NUMBER: S282T004-2 MISCELLANEOUS DATA: USE OF THIS PART NEGATES THE INTENT OF SB 24A0069 ELECTRICAL EQUIP NUMBER: M00217 COMPONENT MAINT MANUAL REF: 24-33-01	002004 006951	1
	5 707760-3		. INVERTER-STATIC SUPPLIER CODE: V19623 SPECIFICATION NUMBER: S282T004-3 ELECTRICAL EQUIP NUMBER: M00217 COMPONENT MAINT MANUAL REF: 24-33-01 SERVICE BULLETIN OPT DATA: 707760-4 V19623 1-111-0102-0714 V19623 POST ALERT SB: 24A0069R1	002004 006106 108999	1

MISSING ITEM NUMBERS NOT APPLICABLE

- ITEM NOT ILLUSTRATED

BRI

24-33-03-01

BOEING PROPRIETARY - Copyright © - Unpublished Work - See title page for details.

24-33-03
FIG. 01
PAGE 2
JAN 20/09



757

PARTS CATALOG (MAINTENANCE)

FIG ITEM	PART NUMBER	1 2 3 4 5 6 7	NOMENCLATURE	EFFECT FROM TO	UNITS PER ASSY
1	5 707760-4		. INVERTER-STATIC SUPPLIER CODE: V19623 SPECIFICATION NUMBER: S282T004-4 ELECTRICAL EQUIP NUMBER: M00217 SERVICE BULLETIN OPT DATA: 1-111-0102-0714 V10933 707760-3 V19623 POST ALERT SB: 24A0069	002004 006106 108999	1
	5 1-002-0102-0714		. INVERTER-STATIC SUPPLIER CODE: V10933 SPECIFICATION NUMBER: S282T004-7 ELECTRICAL EQUIP NUMBER: M00217 COMPONENT MAINT MANUAL REF: 24-20-27 OPTIONAL PART: 1-110-0102-0714 V10933 PRE ALERT SB: 24A0069 PRE SERVICE BULLETIN: 1-002-0102-0714-24-18 V5A968 REWORKED BY SB: 1-002-0102-0714-24-17 V5A968 1-002-0102-0714-24-15 V5A968	002004 006120 504951 953999	1
	5 1-110-0102-0714		. INVERTER-STATIC SUPPLIER CODE: V10933 SPECIFICATION NUMBER: S282T004-7 ELECTRICAL EQUIP NUMBER: M00217 OPTIONAL PART: 1-002-0102-0714 V10933 PRE SERVICE BULLETIN: 1-002-102-0714-24-18 V5A968	002004	1

MISSING ITEM NUMBERS NOT APPLICABLE

- ITEM NOT ILLUSTRATED

24-33-03-01

24-33-03
FIG. 01
PAGE 3
JAN 20/09

BRI



757

PARTS CATALOG (MAINTENANCE)

FIG ITEM	PART NUMBER	1 2 3 4 5 6 7	NOMENCLATURE	EFFECT FROM TO	UNITS PER ASSY
1 5	1-111-0102-0714	.	INVERTER-STATIC SUPPLIER CODE: V10933 SPECIFICATION NUMBER: S282T004-8 ELECTRICAL EQUIP NUMBER: M00217 SERVICE BULLETIN OPT DATA: 707760-4 V19623 707760-3 V19623 POST ALERT SB: 24A0069 POST SERVICE BULLETIN: 1-002-0102-0714-24-18 V5A968	002004 006999	1
5	1-002-0102-1000	.	INVERTER-STATIC SUPPLIER CODE: V10933 FUNCTIONAL DESCRIPTION: CONVERTS 24 VOLT DC POWER FROM THE BATTERY BUS TO SINGLE PHASE 115 VOLT AC POWER. SPECIFICATION NUMBER: S282T004-10 ELECTRICAL EQUIP NUMBER: M00217 COMPONENT MAINT MANUAL REF: 24-20-27 OPTIONAL PART: 1-111-0102-0714 V10933 PRE SERVICE BULLETIN: 1-002-0102-1000-24-28 V10933 REWORKED BY SB: V10933	002004 006999	1

MISSING ITEM NUMBERS NOT APPLICABLE

- ITEM NOT ILLUSTRATED

BRI

24-33-03-01

BOEING PROPRIETARY - Copyright © - Unpublished Work - See title page for details.

24-33-03
FIG. 01
PAGE 4
JAN 20/09



757

PARTS CATALOG (MAINTENANCE)

FIG ITEM	PART NUMBER	1 2 3 4 5 6 7	NOMENCLATURE	EFFECT FROM TO	UNITS PER ASSY
1 5	707760-3		. INVERTER-STATIC SUPPLIER CODE: V19623 SPECIFICATION NUMBER: S282T004-3 ELECTRICAL EQUIP NUMBER: M00217 COMPONENT MAINT MANUAL REF: 24-33-01 SERVICE BULLETIN OPT DATA: 1-111-0102-0714 V10933 707760-4 V19623 POST SERVICE BULLETIN: 24A0069	107107	1
5	1-002-0102-2061		. INVERTER-STATIC SUPPLIER CODE: V10933 SPECIFICATION NUMBER: S282T004-18	002004 006999	1
5	1-002-0102-2062		. INVERTER-STATIC SUPPLIER CODE: V10933 FUNCTIONAL DESCRIPTION: CONVERTS 24 VOLT DC POWER FROM THE BATTERY BUS TO SINGLE PHASE 115 VOLT AC POWER. SPECIFICATION NUMBER: S282T004-20	002004 006999	1
5	1-002-0102-2090		. INVERTER-STATIC SUPPLIER CODE: V10933 FUNCTIONAL DESCRIPTION: CONVERTS 24 VOLT DC POWER FROM THE BATTERY BUS TO SINGLE PHASE 115 VOLT AC POWER. SPECIFICATION NUMBER: S282T004-30	002004 006999	1
5	1-002-0102-2089		. INVERTER-STATIC SUPPLIER CODE: V10933 SPECIFICATION NUMBER: S282T004-28	002004 006999	1

MISSING ITEM NUMBERS NOT APPLICABLE

- ITEM NOT ILLUSTRATED

24-33-03-01

24-33-03
FIG. 01
PAGE 5
JAN 20/09

BRI



757

PARTS CATALOG (MAINTENANCE)

FIG ITEM	PART NUMBER	1 2 3 4 5 6 7	NOMENCLATURE	EFFECT FROM TO	UNITS PER ASSY
1					
5	1-002-0102-2060	.	INVERTER-STATIC SUPPLIER CODE: V10933 SPECIFICATION NUMBER: S282T004-17	002004 006106 108120 504951 953999	1
5	1-002-0102-2088	.	INVERTER-STATIC SUPPLIER CODE: V10933 SPECIFICATION NUMBER: S282T004-27	002004 006106 108120 504951 953999	1
6	707760-4	.	INVERTER-STATIC SUPPLIER CODE: V19623 SPECIFICATION NUMBER: S282T004-4 ELECTRICAL EQUIP NUMBER: M00217 SERVICE BULLETIN OPT DATA: 1-111-0102-0714 V10933 707760-3 V19623 POST ALERT SB: 24A0069	107107	1
- 100	286N2008-002		WIRE BUNDLE ASSY	002004 006100 107107 950999	RF
- 100	286N2008-003		WIRE BUNDLE ASSY	121503 904949	RF
- 100	286N2008-301		WIRE BUNDLE ASSY	101102	RF
- 100	286N2008-302		WIRE BUNDLE ASSY	108120	RF
- 100	286N2008-304		WIRE BUNDLE ASSY	504903	RF
- 100	286N2008-701		WIRE BUNDLE ASSY	103106	RF
105	BACC45FT14D4P	.	CONNECTOR- ELECTRICAL EQUIP NUMBER: D01672 WIRING DIAGRAM REF: 243311	002004 006999	1

MISSING ITEM NUMBERS NOT APPLICABLE

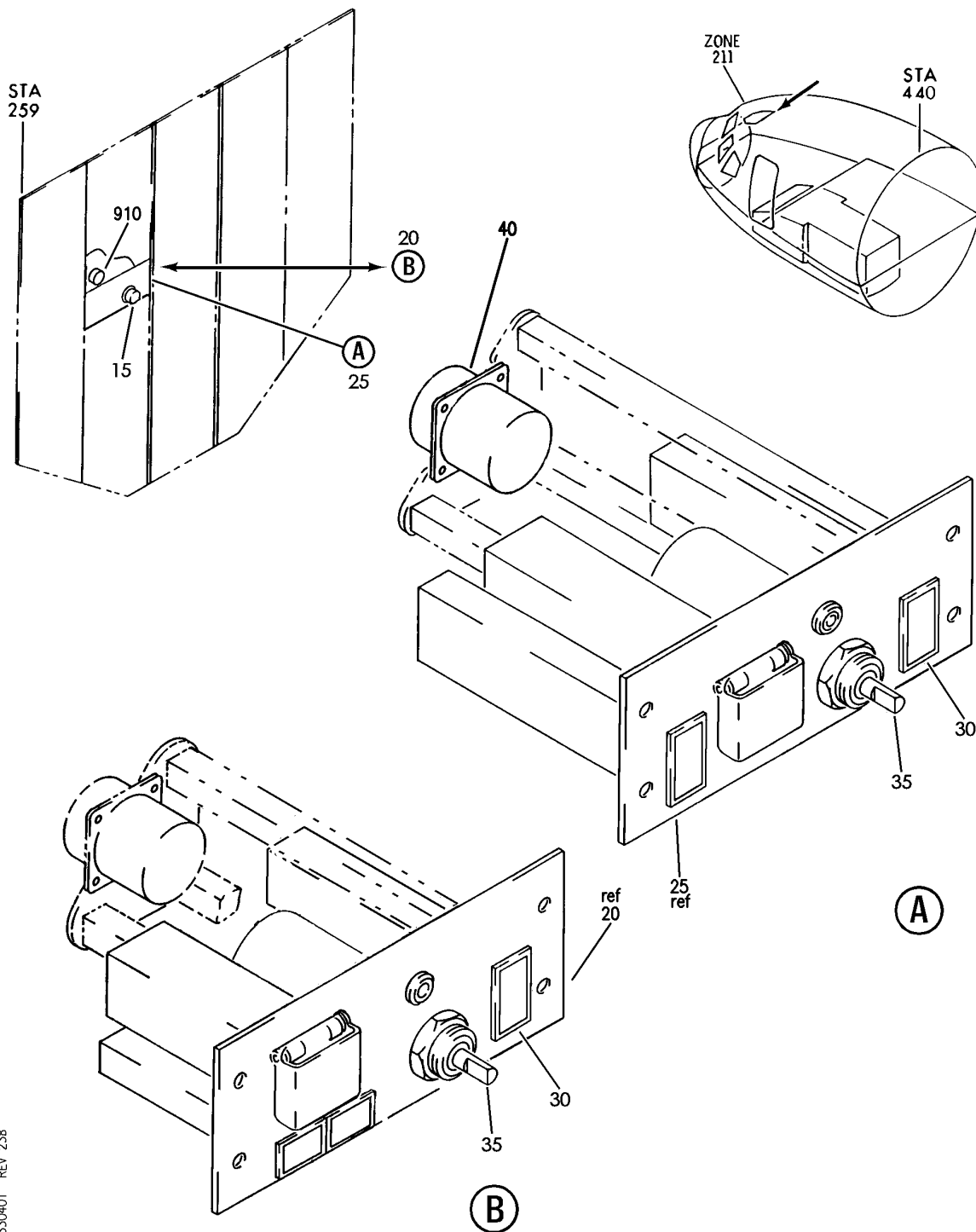
- ITEM NOT ILLUSTRATED

24-33-03-01

24-33-03
FIG. 01
PAGE 6
JAN 20/09

BRI

BOEING
757
PARTS CATALOG (MAINTENANCE)



Y 24330401 REV 238

PANEL INSTL-P5 OVHD (STANDBY POWER CONTROL PANEL ONLY)
FIGURE 1

24-33-04-01

BRI
MAY 28/07

24-33-04-01
PAGE 0



757

PARTS CATALOG (MAINTENANCE)

FIG ITEM	PART NUMBER	1 2 3 4 5 6 7	NOMENCLATURE	EFFECT FROM TO	UNITS PER ASSY
1			PANEL INSTL-P5 OVHD (STANDBY POWER CONTROL PANEL ONLY)	101106 108120 504903	
- 3	233N3103-59		PANEL INSTL-P5 OVHD (STANDBY POWER CONTROL PANEL ONLY)	108120	RF
- 5	233N3103-132		FOR NHA/OTHER SYS DET SEE: 25-10-00-15E PANEL INSTL-P5 OVHD (STANDBY POWER CONTROL PANEL ONLY)	101102	RF
- 5	233N3103-136		FOR NHA/OTHER SYS DET SEE: 25-10-00-15E PANEL INSTL-P5 OVHD (STANDBY POWER CONTROL PANEL ONLY)	504903	RF
- 8	MODREF170180		FOR NHA/OTHER SYS DET SEE: 25-10-00-15E PANEL INSTL-P5 OVHD (STANDBY POWER CONTROL PANEL ONLY)	106106	1
			MODULE NUMBER: 233N3103-353 REV B FOR OTHER SYS DETAILS SEE: 11-31-10-12 21-25-55-03 21-31-01-02 21-33-51-03 21-51-54-03 21-58-19-10 21-58-51-03 21-61-04-03 21-65-51-01 22-21-01-04 22-24-51-02 23-24-01-01 23-32-00-11 23-42-02-02 23-71-05-02 24-11-52-05 24-22-01-03 24-31-01-10 24-31-03-09 24-41-51-04 24-51-62-01 26-18-51-04 27-21-53-02 27-41-55-01 27-61-51-03		

MISSING ITEM NUMBERS NOT APPLICABLE

- ITEM NOT ILLUSTRATED

24-33-04-01

24-33-04
FIG. 01
PAGE 1
JAN 20/09

BRI



757

PARTS CATALOG (MAINTENANCE)

FIG ITEM	PART NUMBER	1 2 3 4 5 6 7	NOMENCLATURE	EFFECT FROM TO	UNITS PER ASSY
1			27-62-52-02 28-22-51-02 28-41-04-01 28-41-51-03 29-11-02-03 29-11-05-04 29-11-52-07 29-21-54-03 29-31-00-01 29-32-51-03 29-33-52-03 30-11-51-03 30-21-51-03 30-31-51-02 30-32-51-01 30-33-51-02 30-41-51-03 30-42-51-03 31-12-11-84 31-12-11-84 A 32-42-52-03 33-11-03-03 33-11-51-17 33-13-01-65 33-13-02-03 33-16-51-03 33-24-51-02 33-41-52-04 33-42-01-04 33-42-02-04 33-42-52-04 33-43-51-04 33-44-51-05 33-45-53-03 33-51-08-05 34-21-02-01 35-21-51-04 36-11-04-01 36-21-00-01 36-21-02-05 36-22-51-03 49-41-00-02 49-52-00-01 49-70-00-01 52-51-51-03 52-71-51-02 73-21-52-02 74-31-51-05 75-32-00-01		
MISSING ITEM NUMBERS NOT APPLICABLE					

- ITEM NOT ILLUSTRATED

24-33-04-01

24-33-04
FIG. 01
PAGE 2
JAN 20/09

BR I



757

PARTS CATALOG (MAINTENANCE)

FIG ITEM	PART NUMBER	1 2 3 4 5 6 7	NOMENCLATURE	EFFECT FROM TO	UNITS PER ASSY
1					
- 10	MODREF33760		80-11-09-02 PANEL INSTL-P5 OVHD (STANDBY POWER CONTROL PANEL ONLY) MODULE NUMBER: 233N3103-351 REV C FOR OTHER SYS DETAILS SEE: 11-31-10-12 21-25-55-03 21-31-01-02 21-33-51-03 21-51-54-03 21-58-19-10 21-58-51-03 21-61-04-03 21-65-51-01 22-21-01-04 22-24-51-02 23-24-01-01 23-32-00-11 23-42-02-02 23-71-05-02 24-11-52-05 24-22-01-03 24-31-01-10 24-31-03-09 24-41-51-04 24-51-62-01 26-18-51-04 27-21-53-02 27-41-55-01 27-61-51-03 27-62-52-02 28-22-51-02 28-41-04-01 28-41-51-03 29-11-02-03 29-11-05-04 29-11-52-07 29-21-54-03 29-31-00-01 29-32-51-03 29-33-52-03 30-11-51-03 30-21-51-03 30-31-51-02 30-32-51-01 30-33-51-02 30-41-51-03	103103	1

MISSING ITEM NUMBERS NOT APPLICABLE

- ITEM NOT ILLUSTRATED

24-33-04-01

24-33-04
FIG. 01
PAGE 3
JAN 20/09

BRI



757

PARTS CATALOG (MAINTENANCE)

FIG ITEM	PART NUMBER	1 2 3 4 5 6 7 NOMENCLATURE	EFFECT FROM TO	UNITS PER ASSY
1		30-42-51-03 31-12-11-91 31-12-11-91A 32-42-52-03 33-11-03-03 33-11-51-17 33-13-01-65 33-13-02-03 33-16-51-03 33-24-51-02 33-41-52-04 33-42-01-04 33-42-02-04 33-42-52-04 33-43-51-04 33-44-51-05 33-45-53-03 33-51-08-05 34-21-02-01 35-21-51-04 36-11-04-01 36-21-00-01 36-21-02-05 36-22-51-03 49-41-00-02 49-52-00-01 49-70-00-01 52-51-51-03 52-71-51-02 73-21-52-02 74-31-51-05 75-32-00-01 80-11-09-02		
- 11	MODREF34038	PANEL INSTL-P5 OVHD (STANDBY POWER CONTROL PANEL ONLY) MODULE NUMBER: 233N3103-351 REV D FOR OTHER SYS DETAILS SEE: 11-31-10-12 21-25-55-03 21-31-01-02 21-33-51-03 21-51-54-03 21-58-19-10 21-58-51-03 21-61-04-03 21-65-51-01 22-21-01-04 MISSING ITEM NUMBERS NOT APPLICABLE	104105	1

- ITEM NOT ILLUSTRATED

24-33-04-01

24-33-04
 FIG. 01
 PAGE 4
 JAN 20/09

BRI



757

PARTS CATALOG (MAINTENANCE)

FIG ITEM	PART NUMBER	1 2 3 4 5 6 7 NOMENCLATURE	EFFECT FROM TO	UNITS PER ASSY
1		22-24-51-02 23-24-01-01 23-32-00-11 23-42-02-02 23-71-05-02 24-11-52-05 24-22-01-03 24-31-01-10 24-31-03-09 24-41-51-04 24-51-62-01 26-18-51-04 27-21-53-02 27-41-55-01 27-61-51-03 27-62-52-02 28-22-51-02 28-41-04-01 28-41-51-03 29-11-02-03 29-11-05-04 29-11-52-07 29-21-54-03 29-31-00-01 29-32-51-03 29-33-52-03 30-11-51-03 30-21-51-03 30-31-51-02 30-32-51-01 30-33-51-02 30-41-51-03 30-42-51-03 31-12-11-91 31-12-11-91 A 32-42-52-03 33-11-03-03 33-11-51-17 33-13-01-65 33-13-02-03 33-16-51-03 33-24-51-02 33-41-52-04 33-42-01-04 33-42-02-04 33-42-52-04 33-43-51-04 33-44-51-05 33-45-53-03		

MISSING ITEM NUMBERS NOT APPLICABLE

- ITEM NOT ILLUSTRATED

24-33-04-01

24-33-04
FIG. 01
PAGE 5
JAN 20/09

BRI



757

PARTS CATALOG (MAINTENANCE)

FIG ITEM	PART NUMBER	1 2 3 4 5 6 7 NOMENCLATURE	EFFECT FROM TO	UNITS PER ASSY
1		33-51-08-05 34-21-02-01 35-21-51-04 36-11-04-01 36-21-00-01 36-21-02-05 36-22-51-03 49-41-00-02 49-52-00-01 49-70-00-01 52-51-51-03 52-71-51-02 73-21-52-02 74-31-51-05 75-32-00-01 80-11-09-02		
- 13	233N3211-303	.PANEL ASSY-BATTERY/ STBY PWR SUPPLIER CODE: V89954 ELECTRICAL EQUIP NUMBER: M10062 COMPONENT MAINT MANUAL REF: 24-33-72 QUALIFIED I/W DATA: P/N 233N3211-303 IS FULLY I/W P/N 233N3211-308, EXCEPT ONE-WAY FORWARD FOR U/O 233N3103-121, -122, -21, -22 THE 233N3211-303 PANEL ASSY IS I/W THE 233N3211-40 PANEL ASSY T/W THE S233T100-1081 LIGHTPLATE AND BP248-127 KNOB PRE ALERT SB: 33A0044	504903	RF

MISSING ITEM NUMBERS NOT APPLICABLE

- ITEM NOT ILLUSTRATED

24-33-04-01

24-33-04
 FIG. 01
 PAGE 6
 JAN 20/09

BRI



757

PARTS CATALOG (MAINTENANCE)

FIG ITEM	PART NUMBER	1 2 3 4 5 6 7	NOMENCLATURE	EFFECT FROM TO	UNITS PER ASSY
1 - 13	233N3211-308		.PANEL ASSY-BATTERY/ STBY PWR SUPPLIER CODE: V89954 ELECTRICAL EQUIP NUMBER: M10062 COMPONENT MAINT MANUAL REF: 24-33-72 QUALIFIED I/W DATA: P/N 233N3211-303 IS FULLY I/W P/N 233N3211-308, EXCEPT ONE-WAY FORWARD FOR U/O 233N3103-121, -122, -21, -22 PRE ALERT SB: 33A0044	101102 108120	RF
- 13	233N3211-1308		.PANEL ASSY-BATTERY/ STBY PWR SUPPLIER CODE: V89954 ELECTRICAL EQUIP NUMBER: M10062 COMPONENT MAINT MANUAL REF: 24-33-72 POST ALERT SB: 33A0044	101102 108120	RF
- 13	233N3211-319		.PANEL ASSY-BATTERY/ STBY PWR SUPPLIER CODE: V89954 ELECTRICAL EQUIP NUMBER: M10062 COMPONENT MAINT MANUAL REF: 24-33-72	101106 108120	RF
- 13	233N3211-1303		.PANEL ASSY-BATTERY/ STBY PWR SUPPLIER CODE: V89954 ELECTRICAL EQUIP NUMBER: M10062 COMPONENT MAINT MANUAL REF: 24-33-72 POST ALERT SB: 33A0044	504903	RF
15	BP248-127		..KNOB- SUPPLIER CODE: V81590	101106 108120 504903	1

MISSING ITEM NUMBERS NOT APPLICABLE

- ITEM NOT ILLUSTRATED

24-33-04-01

24-33-04
FIG. 01
PAGE 7
JAN 20/09

BRI



757

PARTS CATALOG (MAINTENANCE)

FIG ITEM	PART NUMBER	1 2 3 4 5 6 7	NOMENCLATURE	EFFECT FROM TO	UNITS PER ASSY
1 20	233N3211-40		..PANEL ASSY- SUPPLIER CODE: V89954 COMPONENT MAINT MANUAL REF: 24-33-72 QUALIFIED I/W DATA: THE 233N3211-303 PANEL ASSY IS I/W THE 233N3211-40 PANEL ASSY T/W THE S233T100-1081 LIGHTPLATE AND BP248-127 KNOB PRE ALERT SB: 33A0044	504903	1
20	233N3211-54		..PANEL ASSY- SUPPLIER CODE: V89954 USED ON: 233N3211-308 PRE ALERT SB: 33A0044	101102 108120	1
20	233N3211-68		..PANEL ASSY- SUPPLIER CODE: V89954 COMPONENT MAINT MANUAL REF: 24-33-72 USED ON: 233N3211-319	101106 108120	1
20	233N3211-1054		..PANEL ASSY- SUPPLIER CODE: V89954 USED ON: 233N3211-1308 POST ALERT SB: 33A0044	101102 108120	1
20	233N3211-1040		..PANEL ASSY- SUPPLIER CODE: V89954 COMPONENT MAINT MANUAL REF: 24-33-72 POST ALERT SB: 33A0044	504903	1

MISSING ITEM NUMBERS NOT APPLICABLE

- ITEM NOT ILLUSTRATED

24-33-04-01

24-33-04
FIG. 01
PAGE 8
JAN 20/09

BRI



757

PARTS CATALOG (MAINTENANCE)

FIG ITEM	PART NUMBER	1 2 3 4 5 6 7	NOMENCLATURE	EFFECT FROM TO	UNITS PER ASSY
1	30 BCREf6117		...LIGHT ASSY-OFF IND SUPPLIER CODE: V81590 OVERLENGTH PART NUMBER: 434-674-1005-1194 SPECIFICATION NUMBER: S231T300-1194 OPTIONAL PART: BCREF8558 V81590 USED ON: 233N3211-54 233N3211-1054 FOR DETAILS SEE: 33-14-70-02	101106 108120 504903	1
	30 BCREf8558		...LIGHT ASSY-OFF IND SUPPLIER CODE: V81590 OVERLENGTH PART NUMBER: 434-674-1031-2194 SPECIFICATION NUMBER: S231T300-2194 OPTIONAL PART: BCREF6117 V81590 USED ON: 233N3211-68 FOR DETAILS SEE: 33-14-70-02	101106 108120 504903	1
	35 AC45-0036		...SWITCH-ROTARY SUPPLIER CODE: V91812 OPTIONAL PART: AC45-0036-1 V91812	504903	1
	35 AC45-0036-1		...SWITCH-ROTARY SUPPLIER CODE: V91812 OPTIONAL PART: AC45-0036 V91812	101106 108120 504903	1
	35 AC45-0015-2		...SWITCH-ROTARY SUPPLIER CODE: V91812	101106 108120 504903	1
	35 3600-5478		...SWITCH-ROTARY SUPPLIER CODE: V31946	101106 108120 504903	1

MISSING ITEM NUMBERS NOT APPLICABLE

- ITEM NOT ILLUSTRATED

24-33-04-01

24-33-04
FIG. 01
PAGE 9
JAN 20/09

BRI



757

PARTS CATALOG (MAINTENANCE)

FIG ITEM	PART NUMBER	1 2 3 4 5 6 7	NOMENCLATURE	EFFECT FROM TO	UNITS PER ASSY
1	40	BACC45FN20-41P	...CONNECTOR	101106 108120 504903	1
-	45	NAS1801-04-5	...SCREW	504903	2
-	45	MS51957-14	...SCREW- USED ON: 233N3211-54 233N3211-1054	101102 108120	2
-	50	BACS12CK04U5	...SCREW- USED ON: 233N3211-68	101106 108120	3
-	55	K19798-04	...NUT SUPPLIER CODE: V15653 SPECIFICATION NUMBER: BACN10NW1 OPTIONAL PART: RMA4812-160-40 V72962 293162 V60119	101102 108120 504903	2
-	60	K19798-04	...NUT SUPPLIER CODE: V15653 SPECIFICATION NUMBER: BACN10NW1 OPTIONAL PART: RMA4812-160-40 V72962 293162 V60119	103106	3
-	901	286N2078-328	WIRE BUNDLE ASSY	504903	RF
-	901	286N2078-330	WIRE BUNDLE ASSY	101102	RF
-	901	286N2078-331	WIRE BUNDLE ASSY	108120	RF
-	902	286N2078-601	WIRE BUNDLE ASSY	103106	RF
	910	BACC45FT20A41S	.CONNECTOR- ELECTRICAL EQUIP NUMBER: D03508 WIRING DIAGRAM REF: 243311	101106 108120 504903	1

MISSING ITEM NUMBERS NOT APPLICABLE

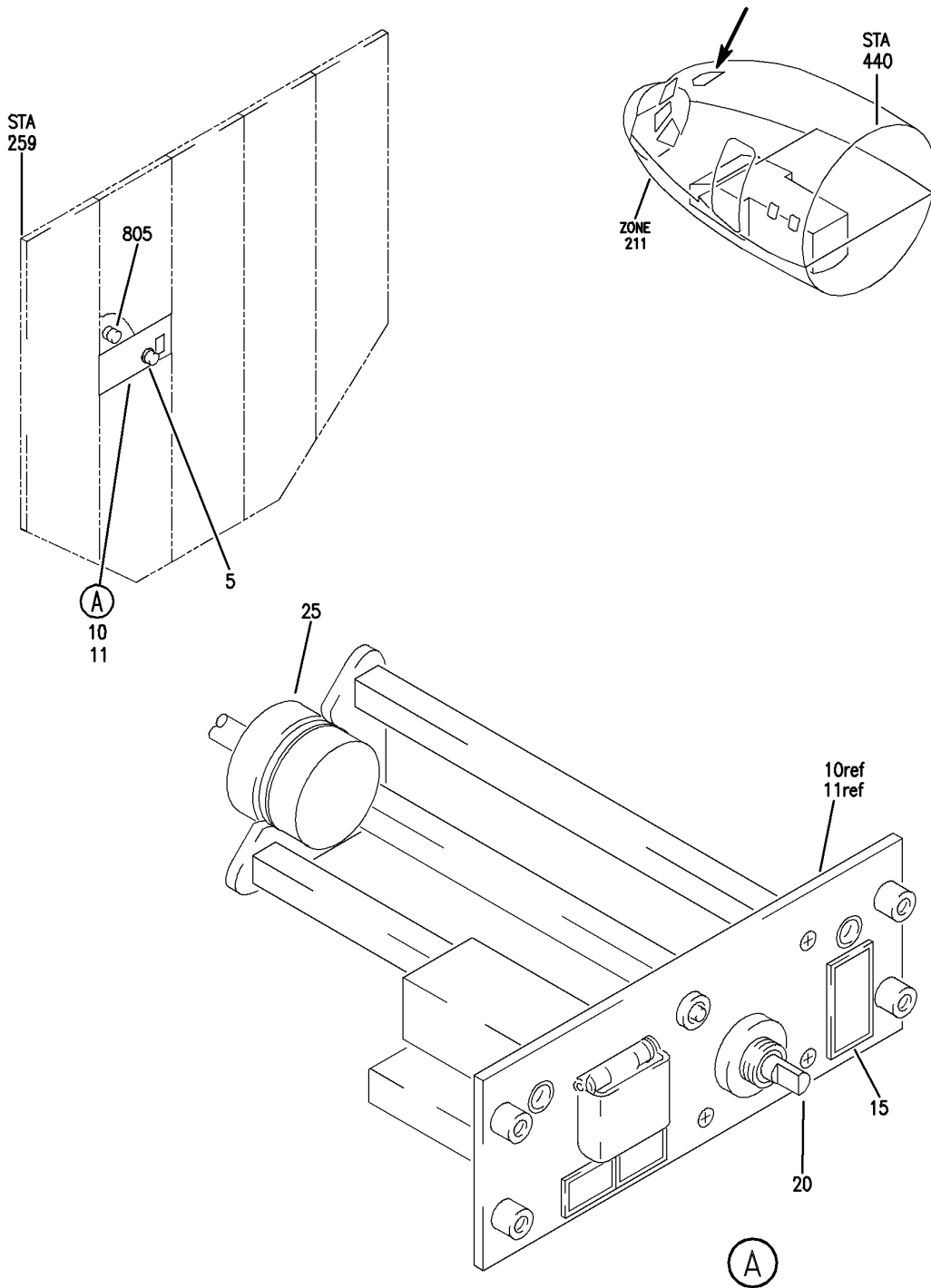
- ITEM NOT ILLUSTRATED

BRI

24-33-04-01

24-33-04
FIG. 01
PAGE 10
JAN 20/09

BOEING
757
PARTS CATALOG (MAINTENANCE)



Y 24330402 REV 238

PANEL INSTL-P5 OVHD (STANDBY POWER CONTROL PANEL ONLY)
FIGURE 2

24-33-04-02

BRI
MAY 28/07

24-33-04-02
PAGE 0



757

PARTS CATALOG (MAINTENANCE)

FIG ITEM	PART NUMBER	1 2 3 4 5 6 7	NOMENCLATURE	EFFECT FROM TO	UNITS PER ASSY
2			PANEL INSTL-P5 OVHD (STANDBY POWER CONTROL PANEL ONLY)	002004 006010 107107 121503 904999	
- 1	233N3101-1		PANEL INSTL-P5 OVHD (STANDBY POWER CONTROL PANEL ONLY) VARIABLE DRAWING REF: 233N3101-5005 233N3101-5025 233N3101-5041 233N3101-5042 233N3101-5045 FOR NHA/OTHER SYS DET SEE: 25-10-00-05A	002004 006010 107107 121503 904999	RF
5	BP248-110		.KN0B- SUPPLIER CODE: V81590 SPECIFICATION NUMBER: 452-016-9001	002004 006010 107107 121503 904999	1
5	BP248-127		.KN0B- SUPPLIER CODE: V81590	002004 006010 107107 121503 904999	1
10	233N3211-11		.PANEL ASSY-BATTERY/ STBY PWR SUPPLIER CODE: V89954 ELECTRICAL EQUIP NUMBER: M10062 COMPONENT MAINT MANUAL REF: 24-33-71 PRE SERVICE BULLETIN: 24-0125R1 PRE ALERT SB: 33A0044	107107	RF

MISSING ITEM NUMBERS NOT APPLICABLE

- ITEM NOT ILLUSTRATED

BRI

24-33-04-02

24-33-04
FIG. 02
PAGE 1
JAN 20/09



757

PARTS CATALOG (MAINTENANCE)

FIG ITEM	PART NUMBER	1 2 3 4 5 6 7	NOMENCLATURE	EFFECT FROM TO	UNITS PER ASSY
2 10	233N3211-25		.PANEL ASSY-BATTERY/ STBY PWR SUPPLIER CODE: V89954 ELECTRICAL EQUIP NUMBER: M10062 COMPONENT MAINT MANUAL REF: 24-33-71 QUALIFIED I/W DATA: 233N3211-25 -32 -36 -37 -38 ARE ALL INTERCHANGEABLE EXCEPT SUBJECT TO CUSTOMER PREFERENCE PRE ALERT SB: 33A0044 POST AIRLINE MOD: 757-38-00 VALP	950951	RF
10	233N3211-26		.PANEL ASSY-BATTERY/ STBY PWR SUPPLIER CODE: V89954 ELECTRICAL EQUIP NUMBER: M10062 COMPONENT MAINT MANUAL REF: 24-33-71 QUALIFIED I/W DATA: 233N3211-24 -26 -31 -39 -40 ARE ALL INTERCHANGEABLE EXCEPT SUBJECT TO CUSTOMER PREFERENCE PRE SERVICE BULLETIN: 24-0125R1 PRE ALERT SB: 33A0044	107107	RF

MISSING ITEM NUMBERS NOT APPLICABLE

- ITEM NOT ILLUSTRATED

24-33-04-02

24-33-04
FIG. 02
PAGE 2
JAN 20/09

BRI



757

PARTS CATALOG (MAINTENANCE)

FIG ITEM	PART NUMBER	1 2 3 4 5 6 7	NOMENCLATURE	EFFECT FROM TO	UNITS PER ASSY
2 10	233N3211-27		.PANEL ASSY-BATTERY/ STBY PWR SUPPLIER CODE: V89954 ELECTRICAL EQUIP NUMBER: M100062 COMPONENT MAINT MANUAL REF: 24-33-71 PRE ALERT SB: 33A0044 POST AIRLINE MOD: 757-38-00 VALP	950951	RF
10	233N3211-31		.PANEL ASSY-BATTERY/ STBY PWR SUPPLIER CODE: V89954 ELECTRICAL EQUIP NUMBER: M10062 COMPONENT MAINT MANUAL REF: 24-33-71 QUALIFIED I/W DATA: 233N3211-24 -26 -31 -39 -40 ARE ALL INTERCHANGEABLE EXCEPT SUBJECT TO CUSTOMER PREFERENCE PRE SERVICE BULLETIN: 24-0125R1 PRE ALERT SB: 33A0044	107107	RF

MISSING ITEM NUMBERS NOT APPLICABLE

- ITEM NOT ILLUSTRATED

BRI

24-33-04-02

BOEING PROPRIETARY - Copyright © - Unpublished Work - See title page for details.

24-33-04
FIG. 02
PAGE 3
JAN 20/09



757

PARTS CATALOG (MAINTENANCE)

FIG ITEM	PART NUMBER	1 2 3 4 5 6 7	NOMENCLATURE	EFFECT FROM TO	UNITS PER ASSY
2 10	233N3211-32		.PANEL ASSY-BATTERY/ STBY PWR SUPPLIER CODE: V89954 ELECTRICAL EQUIP NUMBER: M10062 COMPONENT MAINT MANUAL REF: 24-33-71 QUALIFIED I/W DATA: 233N3211-25 -32 -36 -37 -38 ARE ALL INTERCHANGEABL EXCEPT SUBJECT TO CUSTOMER PREFERENCE PRE ALERT SB: 33A0044 POST AIRLINE MOD: 757-38-00 VALP	950951	RF
10	233N3211-36		.PANEL ASSY-BATTERY/ STBY PWR SUPPLIER CODE: V89954 ELECTRICAL EQUIP NUMBER: M10062 COMPONENT MAINT MANUAL REF: 24-33-72 QUALIFIED I/W DATA: 233N3211-25 -32 -36 -37 -38 ARE ALL INTERCHANGEABLE EXCEPT SUBJECT TO CUSTOMER PREFERENCE THE 233N3211-300 PANEL ASSY IS I/W THE 233N3211-36 PANEL ASSY T/W THE S233T100-1080 LIGHTPLATE AND BP248-127 KNOB PRE ALERT SB: 33A0044	950951	RF

MISSING ITEM NUMBERS NOT APPLICABLE

- ITEM NOT ILLUSTRATED

24-33-04-02

24-33-04
FIG. 02
PAGE 4
JAN 20/09

BRI



757

PARTS CATALOG (MAINTENANCE)

FIG ITEM	PART NUMBER	1 2 3 4 5 6 7	NOMENCLATURE	EFFECT FROM TO	UNITS PER ASSY
2 10	233N3211-39		.PANEL ASSY-BATTERY/ STBY PWR SUPPLIER CODE: V89954 ELECTRICAL EQUIP NUMBER: M10062 COMPONENT MAINT MANUAL REF: 24-33-72 QUALIFIED I/W DATA: 233N3211-24 -26 -31 -39 -40 ARE ALL INTERCHANGEABLE SUBJECT TO CUSTOMER PREFERENCE PRE ALERT SB: 33A0044R1	121503 904949	RF
10	233N3211-40		.PANEL ASSY-BATTERY/ STBY PWR SUPPLIER CODE: V89954 ELECTRICAL EQUIP NUMBER: M10062 COMPONENT MAINT MANUAL REF: 24-33-72 QUALIFIED I/W DATA: 233N3211-24 -26 -31 -39 -40 ARE ALL INTERCHANGEABLE SUBJECT TO CUSTOMER PREFERENCE THE 233N3211-303 PANEL ASSY IS I/W THE 233N3211-40 PANEL ASSY T/W THE S233T100-1081 LIGHTPLATE AND BP248-127 KNOB PRE SERVICE BULLETIN: 24-0125R2 PRE ALERT SB: 33A0044	002004 006010 952999	RF

MISSING ITEM NUMBERS NOT APPLICABLE

- ITEM NOT ILLUSTRATED

24-33-04-02

24-33-04
FIG. 02
PAGE 5
JAN 20/09

BRI



757

PARTS CATALOG (MAINTENANCE)

FIG ITEM	PART NUMBER	1 2 3 4 5 6 7	NOMENCLATURE	EFFECT FROM TO	UNITS PER ASSY
2 11	233N3211-1036		.PANEL ASSY-BATTERY/ STBY PWR SUPPLIER CODE: V89954 ELECTRICAL EQUIP NUMBER: M10062 COMPONENT MAINT MANUAL REF: 24-33-72 POST SERVICE BULLETIN: 24-0125R1 24-0125R2 POST ALERT SB: 33A0044	009009 107107 950951	RF
11	233N3211-1040		.PANEL ASSY-BATTERY/ STBY PWR SUPPLIER CODE: V89954 ELECTRICAL EQUIP NUMBER: M10062 COMPONENT MAINT MANUAL REF: 24-33-72 PRE SERVICE BULLETIN: 24-0125R2 POST ALERT SB: 33A0044	002004 006010 952999	RF
11	233N3211-1011		.PANEL ASSY-BATTERY/ STBY PWR SUPPLIER CODE: V89954 ELECTRICAL EQUIP NUMBER: M10062 COMPONENT MAINT MANUAL REF: 24-33-72 PRE SERVICE BULLETIN: 24-0125R1 POST ALERT SB: 33A0044	107107	RF
11	233N3211-1015		.PANEL ASSY-BATTERY/ STBY PWR SUPPLIER CODE: V89954 ELECTRICAL EQUIP NUMBER: M10062 COMPONENT MAINT MANUAL REF: 24-33-72 POST ALERT SB: 33A0044	950951	RF

MISSING ITEM NUMBERS NOT APPLICABLE

- ITEM NOT ILLUSTRATED

24-33-04-02

24-33-04
FIG. 02
PAGE 6
JAN 20/09

BRI



757

PARTS CATALOG (MAINTENANCE)

FIG ITEM	PART NUMBER	1 2 3 4 5 6 7	NOMENCLATURE	EFFECT FROM TO	UNITS PER ASSY
2 11	233N3211-1025		.PANEL ASSY-BATTERY/ STBY PWR SUPPLIER CODE: V89954 ELECTRICAL EQUIP NUMBER: M10062 COMPONENT MAINT MANUAL REF: 24-33-72 POST ALERT SB: 33A0044	950951	RF
11	233N3211-1026		.PANEL ASSY-BATTERY/ STBY PWR SUPPLIER CODE: V89954 ELECTRICAL EQUIP NUMBER: M10062 COMPONENT MAINT MANUAL REF: 24-33-72 PRE SERVICE BULLETIN: 24-0125R1 POST ALERT SB: 33A0044	107107	RF
11	233N3211-1027		.PANEL ASSY-BATTERY/ STBY PWR SUPPLIER CODE: V89954 ELECTRICAL EQUIP NUMBER: M10062 COMPONENT MAINT MANUAL REF: 24-33-72 POST ALERT SB: 33A0044	950951	RF
11	233N3211-1031		.PANEL ASSY-BATTERY/ STBY PWR SUPPLIER CODE: V89954 ELECTRICAL EQUIP NUMBER: M10062 COMPONENT MAINT MANUAL REF: 24-33-72 PRE SERVICE BULLETIN: 24-0125R1 POST ALERT SB: 33A0044	107107	RF

MISSING ITEM NUMBERS NOT APPLICABLE

- ITEM NOT ILLUSTRATED

24-33-04-02

24-33-04
FIG. 02
PAGE 7
JAN 20/09

BRI



757

PARTS CATALOG (MAINTENANCE)

FIG ITEM	PART NUMBER	1 2 3 4 5 6 7	NOMENCLATURE	EFFECT FROM TO	UNITS PER ASSY
2					
11	233N3211-1032		.PANEL ASSY-BATTERY/ STBY PWR SUPPLIER CODE: V89954 ELECTRICAL EQUIP NUMBER: M10062 COMPONENT MAINT MANUAL REF: 24-33-72 POST ALERT SB: 33A0044	950951	RF
12	233N3211-1039		.PANEL ASSY-BATTERY/ STBY PWR SUPPLIER CODE: V89954 ELECTRICAL EQUIP NUMBER: M10062 COMPONENT MAINT MANUAL REF: 24-33-72 POST ALERT SB: 33A0044	121503 904949	RF
15	BCREF6117		..LIGHT ASSY-OFF IND SUPPLIER CODE: V81590 OVERLENGTH PART NUMBER: 434-674-1005-1194 SPECIFICATION NUMBER: S231T300-1194 OPTIONAL PART: BCREF8558 V81590 FOR DETAILS SEE: 33-14-70-02	002004 006010 107107 121503 904999	1
15	BCREF8558		..LIGHT ASSY-OFF IND SUPPLIER CODE: V81590 OVERLENGTH PART NUMBER: 434-674-1031-2194 SPECIFICATION NUMBER: S231T300-2194 OPTIONAL PART: BCREF6117 V81590 FOR DETAILS SEE: 33-14-70-02	002004 006010 107107 121503 904999	1

MISSING ITEM NUMBERS NOT APPLICABLE

- ITEM NOT ILLUSTRATED

24-33-04-02

24-33-04
FIG. 02
PAGE 8
JAN 20/09

BRI



757

PARTS CATALOG (MAINTENANCE)

FIG ITEM	PART NUMBER	1 2 3 4 5 6 7	NOMENCLATURE	EFFECT FROM TO	UNITS PER ASSY
2					
20	AC45-0036	..	SWITCH-ROTARY SUPPLIER CODE: V91812 OPTIONAL PART: AC45-0036-1 V91812	002004 006010 107107 121503 904999	1
20	AC45-0015-1	..	SWITCH-ROTARY SUPPLIER CODE: V91812	950951	1
20	AC45-0036-1	..	SWITCH-ROTARY SUPPLIER CODE: V91812 OPTIONAL PART: AC45-0036 V91812	002004 006010 107107 121503 904999	1
20	AC45-0015-2	..	SWITCH-ROTARY SUPPLIER CODE: V91812	002004 006010 107107 121503 904999	1
20	3600-5478	..	SWITCH-ROTARY SUPPLIER CODE: V31946	002004 006010 107107 121503 904999	1
25	BACC45FN20-41P	..	CONNECTOR	002004 006010 107107 121503 904999	1
- 30	NAS1801-04-5	..	ATTACHING PARTS SCREW	002004 006010 107107 121503 904999	3
- 35	K19798-04	..	NUT SUPPLIER CODE: V15653 SPECIFICATION NUMBER: BACN10NW1 OPTIONAL PART: RMA4812-160-40 V72962 293162 V60119	002004 006010 107107 121503 904999	3
- 800	286N2078-003	-----*	WIRE BUNDLE ASSY-	121503 904949	RF

MISSING ITEM NUMBERS NOT APPLICABLE

- ITEM NOT ILLUSTRATED

24-33-04-02

24-33-04
FIG. 02
PAGE 9
JAN 20/09

BRI

BOEING PROPRIETARY - Copyright © - Unpublished Work - See title page for details.



757

PARTS CATALOG (MAINTENANCE)

FIG ITEM	PART NUMBER	1 2 3 4 5 6 7	NOMENCLATURE	EFFECT FROM TO	UNITS PER ASSY
2 - 800	286N2078-005		WIRE BUNDLE ASSY-	002004 006010 950999	RF
805	BACC45FT20A41S		.CONNECTOR- ELECTRICAL EQUIP NUMBER: D03508 WIRING DIAGRAM REF: 243311	002004 006010 107107 121503 904999	1

MISSING ITEM NUMBERS NOT APPLICABLE

- ITEM NOT ILLUSTRATED

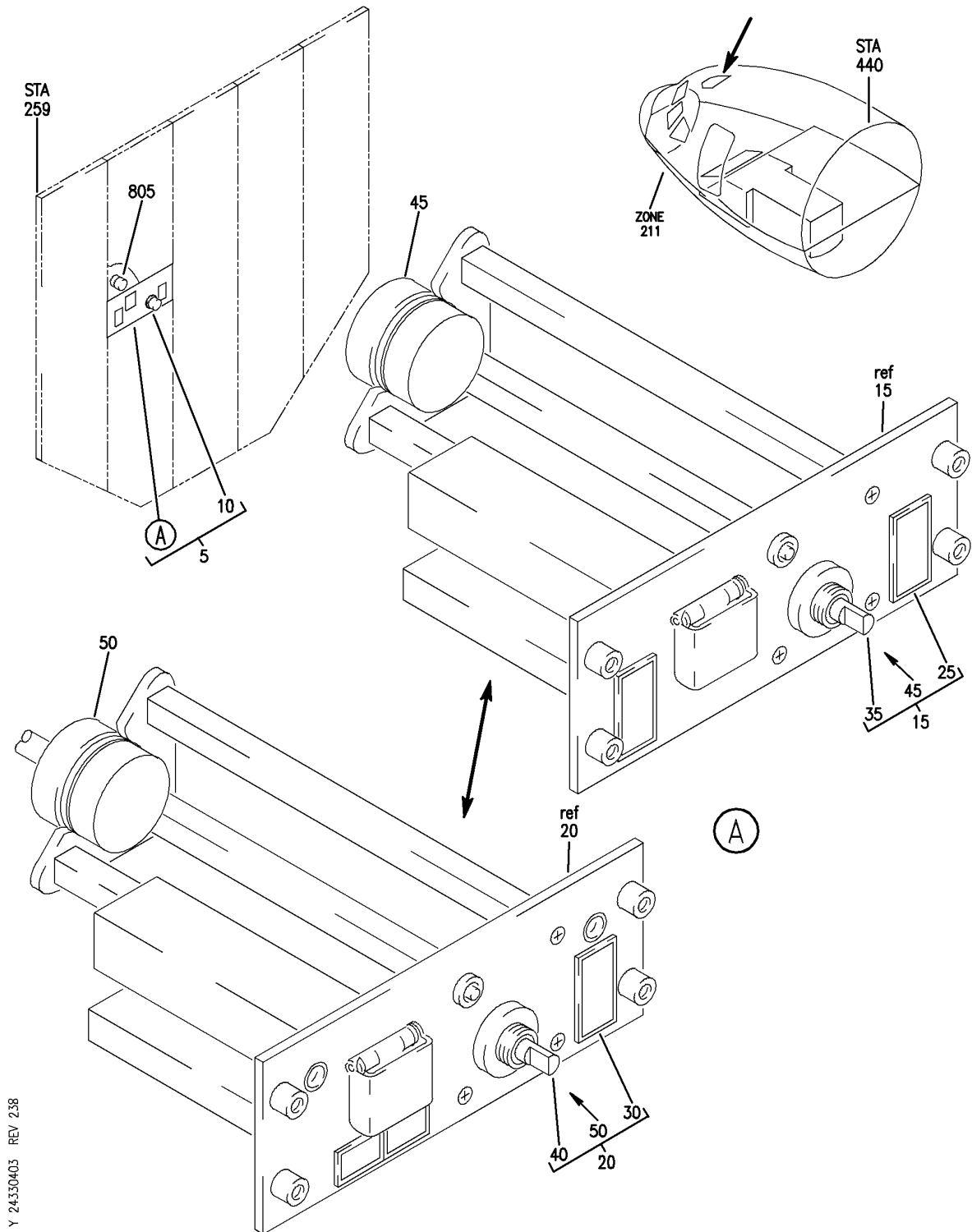
BRI

24-33-04-02

BOEING PROPRIETARY - Copyright © - Unpublished Work - See title page for details.

24-33-04
FIG. 02
PAGE 10
JAN 20/09

BOEING
757
PARTS CATALOG (MAINTENANCE)



Y 24330403 REV 238

PANEL INSTL-P5 OVHD (STANDBY POWER CONTROL PANEL ONLY)
FIGURE 3

24-33-04-03

BRI
MAY 28/07

24-33-04-03
PAGE 0



757

PARTS CATALOG (MAINTENANCE)

FIG ITEM	PART NUMBER	1 2 3 4 5 6 7	NOMENCLATURE	EFFECT FROM TO	UNITS PER ASSY
3			PANEL INSTL-P5 OVHD (STANDBY POWER CONTROL PANEL ONLY)	011100	
- 1	233N3101-1		PANEL INSTL-P5 OVHD (STANDBY POWER CONTROL PANEL ONLY) VARIABLE DRAWING REF: 233N3101-5142 FOR NHA/OTHER SYS DET SEE: 25-10-00-05A	011100	RF
5	233N3211-303		.PANEL ASSY-BATTERY/ STANDBY PWR SUPPLIER CODE: V89954 COMPONENT MAINT MANUAL REF: 24-33-72 QUALIFIED I/W DATA: THE 233N3211-303 PANEL ASSY IS I/W THE 233N3211-40 PANEL ASSY T/W THE S233T100-1081 LIGHTPLATE AND BP248-127 KNOB PRE ALERT SB: 33A0044	011100	RF
5	233N3211-308		.PANEL ASSY-BATTERY/ STANDBY PWR SUPPLIER CODE: V89954 COMPONENT MAINT MANUAL REF: 24-33-72 PRE ALERT SB: 33A0044	011100	RF
5	233N3211-1303		.PANEL ASSY-BATTERY/ STANDBY PWR SUPPLIER CODE: V89954 COMPONENT MAINT MANUAL REF: 24-33-72 POST ALERT SB: 33A0044	011100	RF
5	233N3211-1308		.PANEL ASSY-BATTERY/ STANDBY PWR SUPPLIER CODE: V89954 COMPONENT MAINT MANUAL REF: 24-33-72 POST ALERT SB: 33A0044	011100	RF

MISSING ITEM NUMBERS NOT APPLICABLE

- ITEM NOT ILLUSTRATED

24-33-04-03

24-33-04
FIG. 03
PAGE 1
JAN 20/09

BRI



**757
PARTS CATALOG (MAINTENANCE)**

FIG ITEM	PART NUMBER	1 2 3 4 5 6 7	NOMENCLATURE	EFFECT FROM TO	UNITS PER ASSY
3 20 20 20	233N3211-54		..PANEL ASSY- SUPPLIER CODE: V89954 ELECTRICAL EQUIP NUMBER: M10062 USED ON: 233N3211-308 PRE ALERT SB: 33A0044	011100	1
	233N3211-1040		..PANEL ASSY- SUPPLIER CODE: V89954 ELECTRICAL EQUIP NUMBER: M10062 COMPONENT MAINT MANUAL REF: 24-33-72 USED ON: 233N3211-1303 PRE SERVICE BULLETIN: 24-0130 POST ALERT SB: 33A0044	011100	1
	233N3211-1054		..PANEL ASSY- SUPPLIER CODE: V89954 ELECTRICAL EQUIP NUMBER: M10062 USED ON: 233N3211-1308 PRE SERVICE BULLETIN: 24-0130 POST ALERT SB: 33A0044	011100	1

R
R
R
R
R
R
R
R
R
R
R
R
R
R
R
R
R
R
R
R

MISSING ITEM NUMBERS NOT APPLICABLE

— ITEM NOT ILLUSTRATED

24-33-04-03

24-33-04
FIG. 03
PAGE 3
MAY 20/09

BRI



757

PARTS CATALOG (MAINTENANCE)

FIG ITEM	PART NUMBER	1 2 3 4 5 6 7	NOMENCLATURE	EFFECT FROM TO	UNITS PER ASSY
R R	3 25	BCREF6117	...LIGHT ASSY-OFF IND SUPPLIER CODE: V81590 OVERLENGTH PART NUMBER: 434-674-1005-1194 SPECIFICATION NUMBER: S231T300-1194 USED ON: 233N3211-34 233N3211-36 233N3211-37 233N3211-40 233N3211-50 233N3211-54 233N3211-1036 FOR DETAILS SEE: 33-14-70-02	015015	1
	25	BCREF8558	...LIGHT ASSY-OFF IND SUPPLIER CODE: V81590 OVERLENGTH PART NUMBER: 434-674-1031-2194 SPECIFICATION NUMBER: S231T300-2194 USED ON: 233N3211-34 233N3211-36 233N3211-37 233N3211-40 233N3211-41 233N3211-50 233N3211-52 233N3211-54 233N3211-1036 FOR DETAILS SEE: 33-14-70-02	015015	1
	30	BCREF6117	...LIGHT ASSY-OFF IND SUPPLIER CODE: V81590 OVERLENGTH PART NUMBER: 434-674-1005-1194 SPECIFICATION NUMBER: S231T300-1194 OPTIONAL PART: BCREF8558 V81590 FOR DETAILS SEE: 33-14-70-02	011100	1

MISSING ITEM NUMBERS NOT APPLICABLE

- ITEM NOT ILLUSTRATED

24-33-04-03

24-33-04
FIG. 03
PAGE 4
MAY 20/09

BRI

**757
PARTS CATALOG (MAINTENANCE)**

FIG ITEM	PART NUMBER	1 2 3 4 5 6 7	NOMENCLATURE	EFFECT FROM TO	UNITS PER ASSY
3					
30	BCREF8558		...LIGHT ASSY-OFF IND SUPPLIER CODE: V81590 OVERLENGTH PART NUMBER: 434-674-1031-2194 SPECIFICATION NUMBER: S231T300-2194 OPTIONAL PART: BCREF6117 V81590 FOR DETAILS SEE: 33-14-70-02	011100	1
35	AC45-0036		...SWITCH-ROTARY SUPPLIER CODE: V91812 OPTIONAL PART: AC45-0036-1 V91812 USED ON: 233N3211-1036	015015	1
35	AC45-0036-1		...SWITCH-ROTARY SUPPLIER CODE: V91812 OPTIONAL PART: AC45-0036 V91812 USED ON: 233N3211-1036	015015	1
35	AC45-0015-2		...SWITCH-ROTARY SUPPLIER CODE: V91812 USED ON: 233N3211-1036	015015	1
35	3600-5478		...SWITCH-ROTARY SUPPLIER CODE: V31946 USED ON: 233N3211-1036	015015	1
40	AC45-0036		...SWITCH-ROTARY SUPPLIER CODE: V91812 ELECTRICAL EQUIP NUMBER: M10062 OPTIONAL PART: AC45-0036-1 V91812	011100	1
MISSING ITEM NUMBERS NOT APPLICABLE					

R
R
R
R
R
R
R
R
R
R
R
R
R
R
R
R
R
R
R
R
R
R
R
R

- ITEM NOT ILLUSTRATED

BRI

24-33-04-03

BOEING PROPRIETARY - Copyright © - Unpublished Work - See title page for details.

24-33-04
FIG. 03
PAGE 5
MAY 20/09



757

PARTS CATALOG (MAINTENANCE)

FIG ITEM	PART NUMBER	1 2 3 4 5 6 7	NOMENCLATURE	EFFECT FROM TO	UNITS PER ASSY
3					
40	AC45-0036-1	...	SWITCH-ROTARY SUPPLIER CODE: V91812 OPTIONAL PART: AC45-0036 V91812	011100	1
40	AC45-0015-2	...	SWITCH-ROTARY SUPPLIER CODE: V91812	011100	1
40	3600-5478	...	SWITCH-ROTARY SUPPLIER CODE: V31946	011100	1
45	BACC45FN20-41P	...	CONNECTOR- USED ON: 233N3211-1036	015015	1
50	BACC45FN20-41P	...	CONNECTOR	011100	1
- 800	286N2078-005		WIRE BUNDLE ASSY	011100	RF
805	BACC45FT20A41S	.	CONNECTOR- ELECTRICAL EQUIP NUMBER: D03508 WIRING DIAGRAM REF: 243311	011100	1

R
R
R

MISSING ITEM NUMBERS NOT APPLICABLE

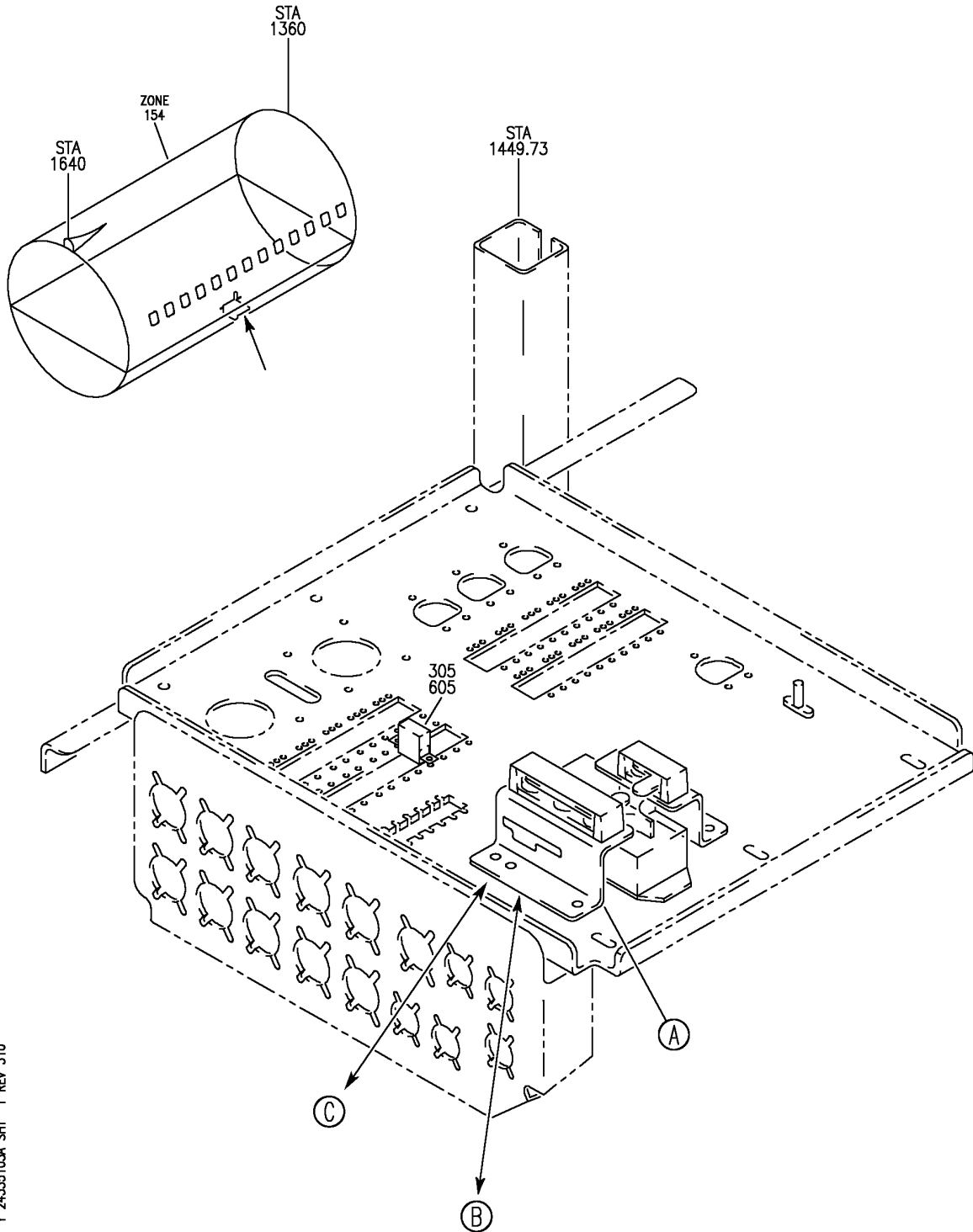
- ITEM NOT ILLUSTRATED

24-33-04-03

24-33-04
FIG. 03
PAGE 6
MAY 20/09

BRI

BOEING
757
PARTS CATALOG (MAINTENANCE)



Y 24335103A SHT 1 REV 310

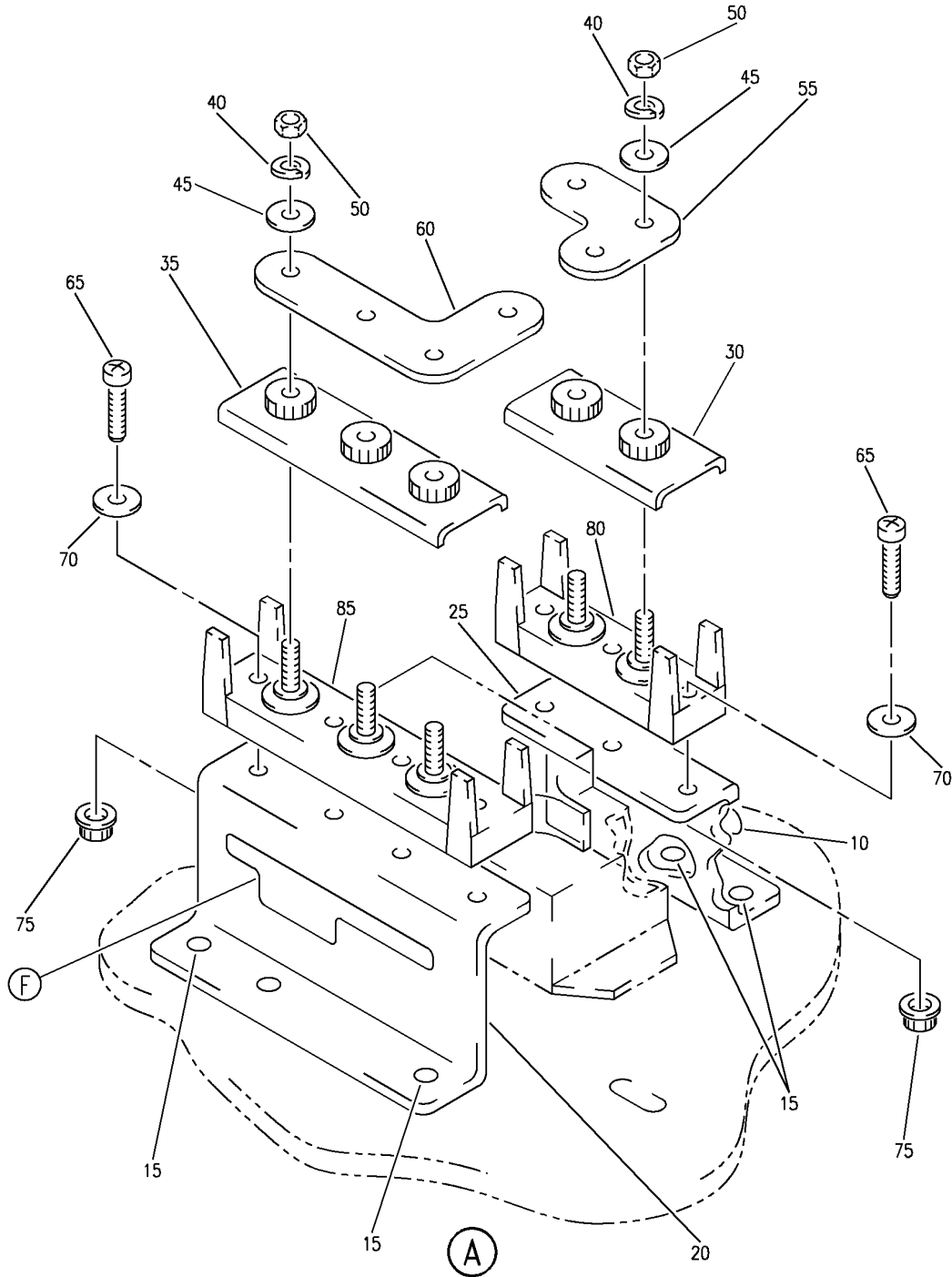
EQUIPMENT ASSY-E6 AFT EQPT CTR RELAY PNL OPTION PKG (ELECTRICAL POWER ONLY)
FIGURE 3A (SHEET 1)

BRI
MAY 28/07

24-33-51-03A

24-33-51-03A
PAGE 0


BOEING
 757
PARTS CATALOG (MAINTENANCE)



Y 24-335103A SHT 2 REV 296

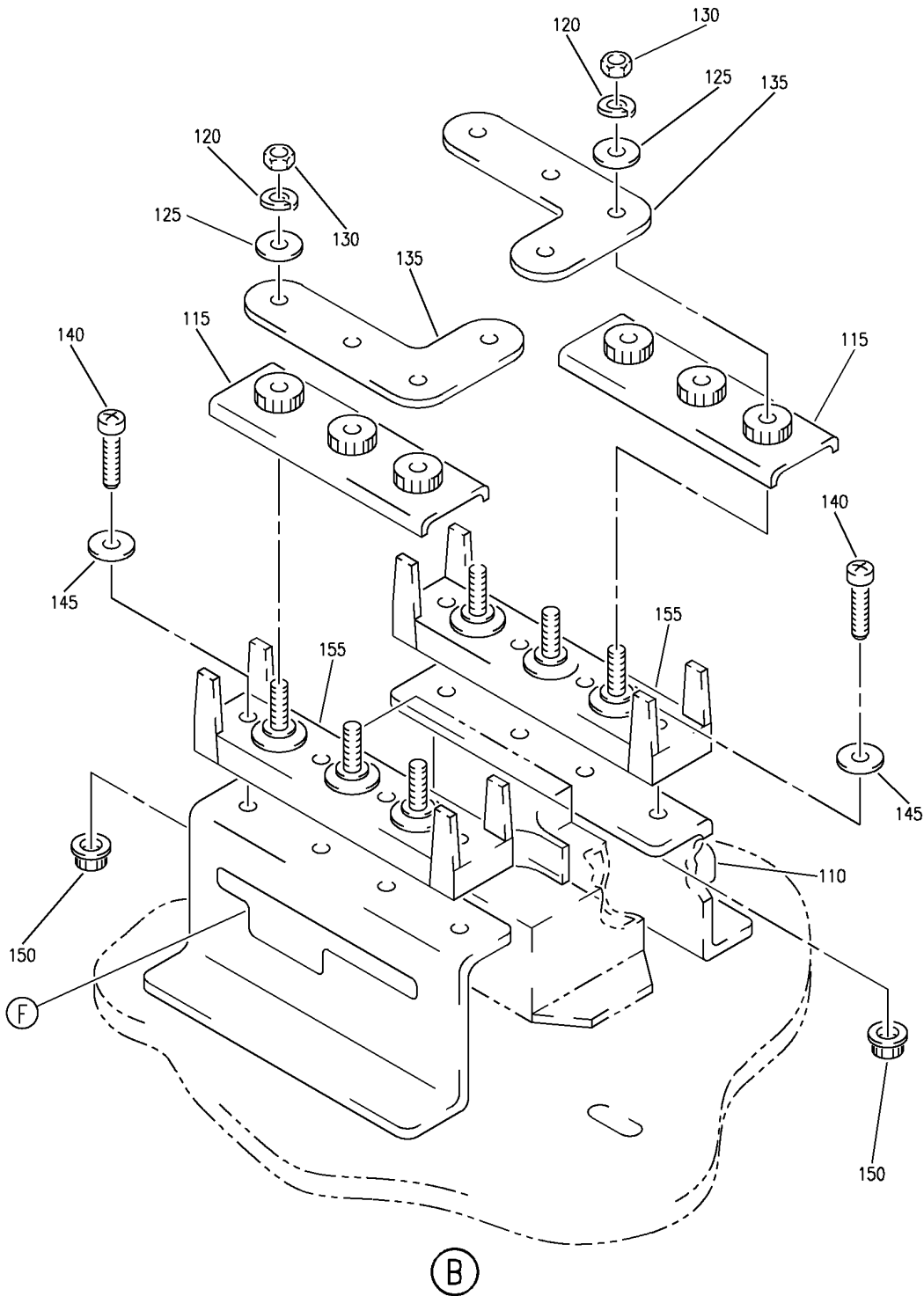
EQUIPMENT ASSY-E6 AFT EQPT CTR RELAY PNL OPTION PKG (ELECTRICAL POWER ONLY)
 FIGURE 3A (SHEET 2)

24-33-51-03A

BRI
 MAY 28/07

24-33-51-03A
 PAGE 0A

BOEING
757
PARTS CATALOG (MAINTENANCE)



Y 24-335103A SHT 3 REV 296

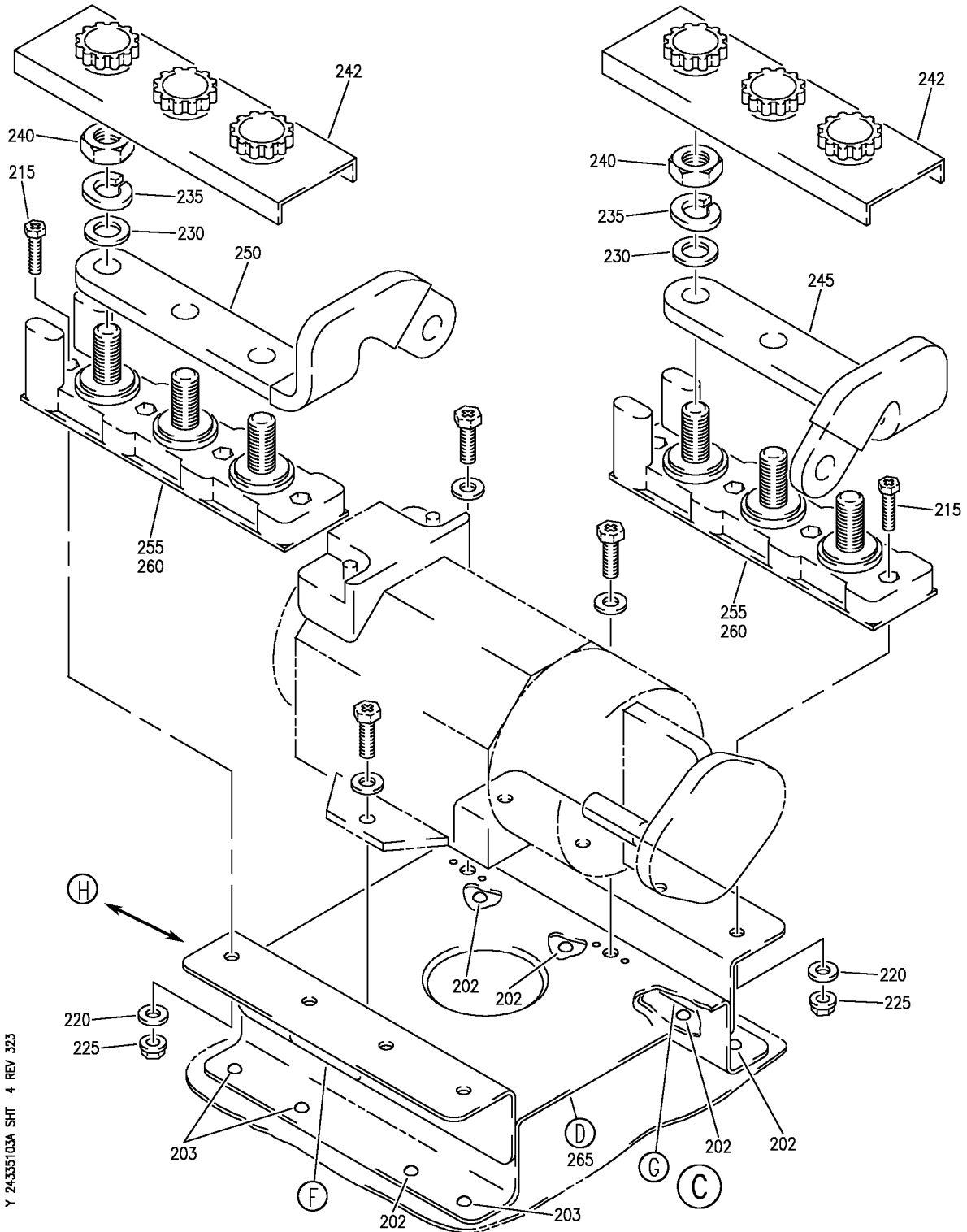
EQUIPMENT ASSY-E6 AFT EQPT CTR RELAY PNL OPTION PKG (ELECTRICAL POWER ONLY)
FIGURE 3A (SHEET 3)

24-33-51-03A

BRI
MAY 28/07

24-33-51-03A
PAGE 0B


BOEING
 757
PARTS CATALOG (MAINTENANCE)



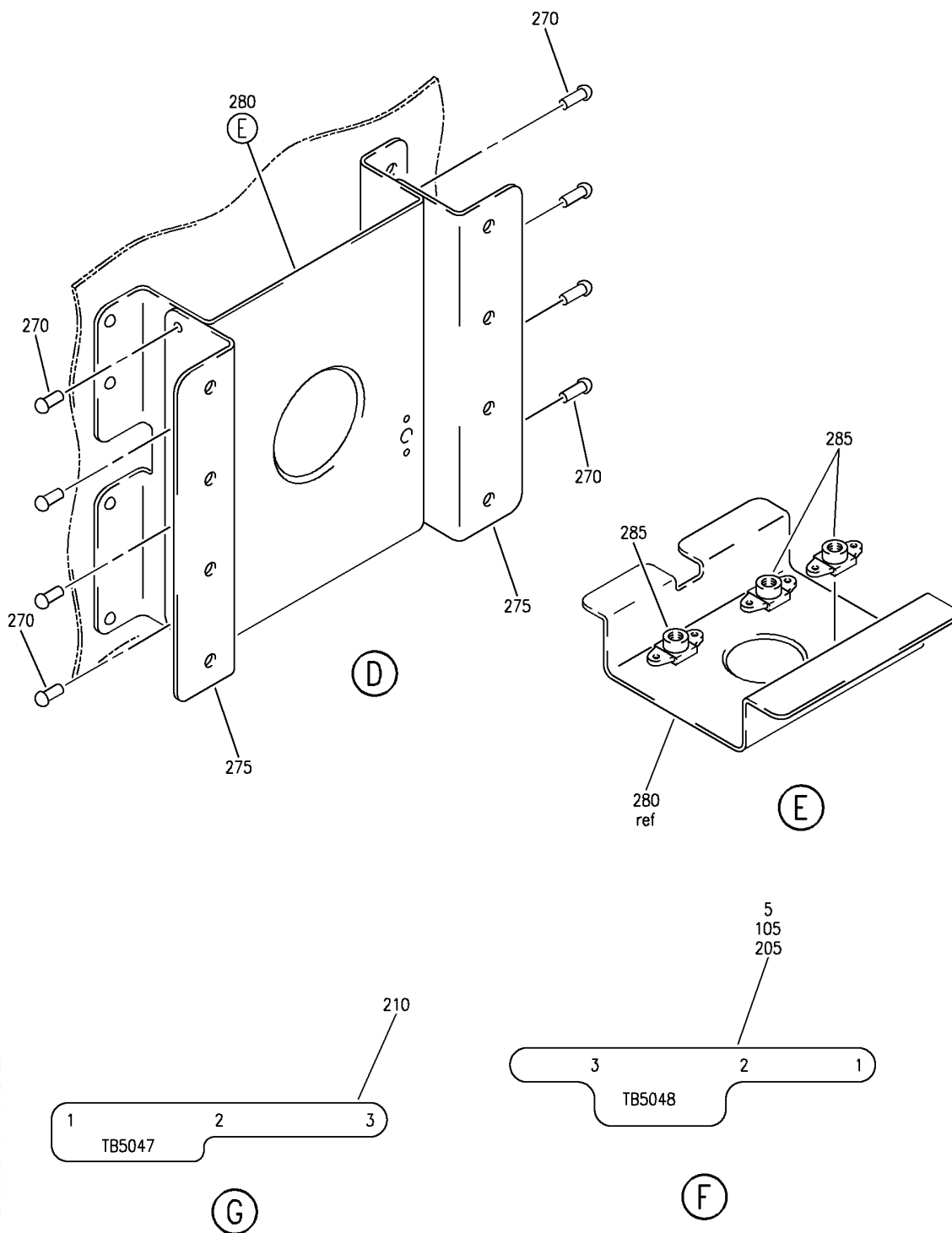
EQUIPMENT ASSY-E6 AFT EQPT CTR RELAY PNL OPTION PKG (ELECTRICAL POWER ONLY)
 FIGURE 3A (SHEET 4)

BRI
 MAY 20/08

24-33-51-03A

24-33-51-03A
 PAGE 0C

BOEING
757
PARTS CATALOG (MAINTENANCE)



Y 24-335103A SH 5 REV 296

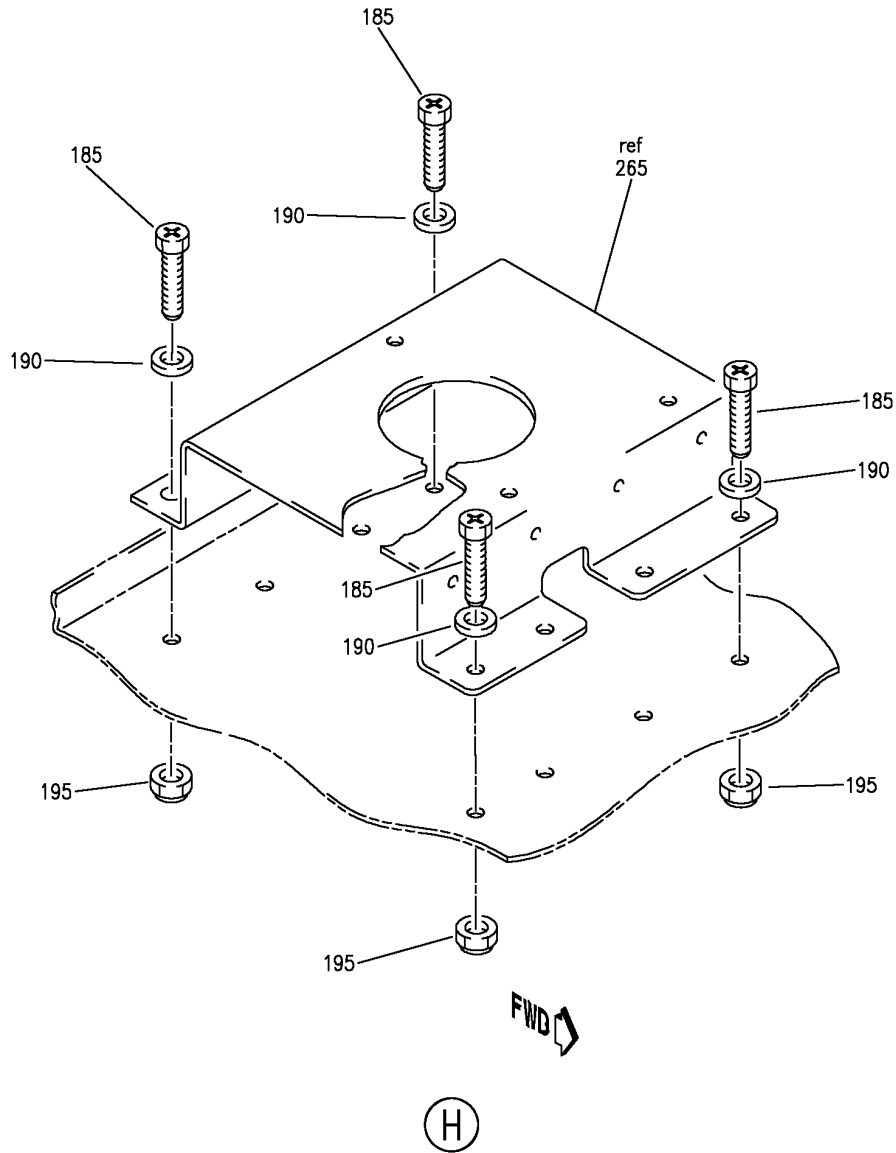
EQUIPMENT ASSY-E6 AFT EQPT CTR RELAY PNL OPTION PKG (ELECTRICAL POWER ONLY)
FIGURE 3A (SHEET 5)

BRI
MAY 28/07

24-33-51-03A

24-33-51-03A
PAGE 0D

BOEING
757
PARTS CATALOG (MAINTENANCE)



Y 24-335103A SH1 6 REV 323

EQUIPMENT ASSY-E6 AFT EQPT CTR RELAY PNL OPTION PKG (ELECTRICAL POWER ONLY)
FIGURE 3A (SHEET 6)

BRI
MAY 20/08

24-33-51-03A

24-33-51-03A
PAGE 0E



757

PARTS CATALOG (MAINTENANCE)

FIG ITEM	PART NUMBER	1 2 3 4 5 6 7	NOMENCLATURE	EFFECT FROM TO	UNITS PER ASSY
3A			EQUIPMENT ASSY-E6 AFT EQPT CTR RELAY PNL OPTION PKG (ELECTRICAL POWER ONLY)	101102 504903	
- 1	284N1554-1011		EQUIPMENT ASSY-E6 EQPT CTR RELAY PNL OPTION PKG (STANDBY POWER ONLY) POSITION DATA: AFT MISCELLANEOUS DATA: MINOR MODEL 757-200 PASS AND STANDBY POWER-90 MINUTES OR MINOR MODEL 757-200 PASS AND STANDBY POWER-EXTENDED TIME CAPABILITY OR MINOR MODEL 757-300 PASS AND STANDBY POWER-90 MINUTES FOR NHA SEE: 31-01-86-02	101102 504903	RF
105	BAC27NEX0636		.DECAL- PLACARD CONTENT: TB5048	101102 504504	1
110	BAC27NEX1626		.DECAL- PLACARD CONTENT: TB5047	101102 504504	1
115	MS18029-5S3		.COVER ASSY-	101102 504504	2
120	MS35338-46		.WASHER-	101102 504504	6
125	NAS1149D0663J		.WASHER-	101102 504504	6
130	MS35650-3382		.NUT-	101102 504504	6
135	287N1125-2		.BUS-	101102 504504	2
140	NAS1801-06-7		.SCREW-	101102 504504	8
145	NAS1149DN632J		.WASHER-	101102 504504	8
150	PLH506CD		.NUT- SUPPLIER CODE: VF0224 SPECIFICATION NUMBER: BACN10YR06CD OPTIONAL PART: H52732-06CD V15653	101102 504504	8

MISSING ITEM NUMBERS NOT APPLICABLE

- ITEM NOT ILLUSTRATED

24-33-51-03A

24-33-51
FIG. 03A
PAGE 1
JAN 20/09

BRI

BOEING PROPRIETARY - Copyright © - Unpublished Work - See title page for details.

 **BOEING**
757
PARTS CATALOG (MAINTENANCE)

FIG ITEM	PART NUMBER	1 2 3 4 5 6 7	NOMENCLATURE	EFFECT FROM TO	UNITS PER ASSY
3A 155	287N1407-2		.BOARD-TERM. ELECTRICAL EQUIP NUMBER: TB5048	101102 504504	2
- 180	284N1718-3		.EQUIPMENT ASSY-E6 EQPT CTR RELAY PNL POSITION DATA: AFT POST SERVICE BULLETIN: 49-0019 ATTACHING PARTS	505903	1
202	BACR15BB5AD5C		.RIVET-	505903	5
203	BACR15BB6AD5C		.RIVET-	505903	3
			-----*-----		
205	BAC27NEX0636		..DECAL- PLACARD CONTENT: TB5048	505903	1
210	BAC27NEX1626		..DECAL- PLACARD CONTENT: TB5047	505903	1
215	BACS12HN06-8		..SCREW	505903	8
220	NAS1149DN632J		..WASHER	505903	8
225	PLH506CD		..NUT SUPPLIER CODE: VF0224 SPECIFICATION NUMBER: BACN10YR06CD OPTIONAL PART: H52732-06CD V15653	505903	8
230	NAS1149D0663J		..WASHER	505903	6
235	BACW10EC6S		..WASHER	505903	6
240	MS35650-3382		..NUT	505903	6
242	MS18029-5S3		..COVER ASSY	505903	2
245	34BG40		..BUS BAR- SUPPLIER CODE: VF0219	505903	1
250	34BG41		..BUS BAR- SUPPLIER CODE: VF0219	505903	1
255	284N1720-6		..BOARD ASSY-TERM.	505903	2
260	MS27212-5-3		...BOARD	505903	1
265	284N1720-10		..SUPPORT ASSY	505903	RF
270	BACR15BA5ADC		...RIVET- SIZE DETERMINED ON INSTL.	505903	RF
275	284N1720-7		...BRACKET	505903	RF
280	284N1720-8		...BRACKET ASSY	505903	RF

MISSING ITEM NUMBERS NOT APPLICABLE

- ITEM NOT ILLUSTRATED

BRI

24-33-51-03A

BOEING PROPRIETARY - Copyright © - Unpublished Work - See title page for details.

24-33-51
FIG. 03A
PAGE 2
JAN 20/09



757

PARTS CATALOG (MAINTENANCE)

FIG ITEM	PART NUMBER	1 2 3 4 5 6 7 NOMENCLATURE	EFFECT FROM TO	UNITS PER ASSY
3A 285	BRF200C3DNUTPLATE SUPPLIER CODE: V52828 SPECIFICATION NUMBER: BACN10JR3CFD OPTIONAL PART: K51602-3BAC V15653 NS202476-02 V80539 102F9201-3 V72962 T8092C1032CD V11815 ATTACHING PARTS	505903	RF
- 290	BACR15BA3AD3CRIVET -----*-----	505903	RF

MISSING ITEM NUMBERS NOT APPLICABLE

- ITEM NOT ILLUSTRATED

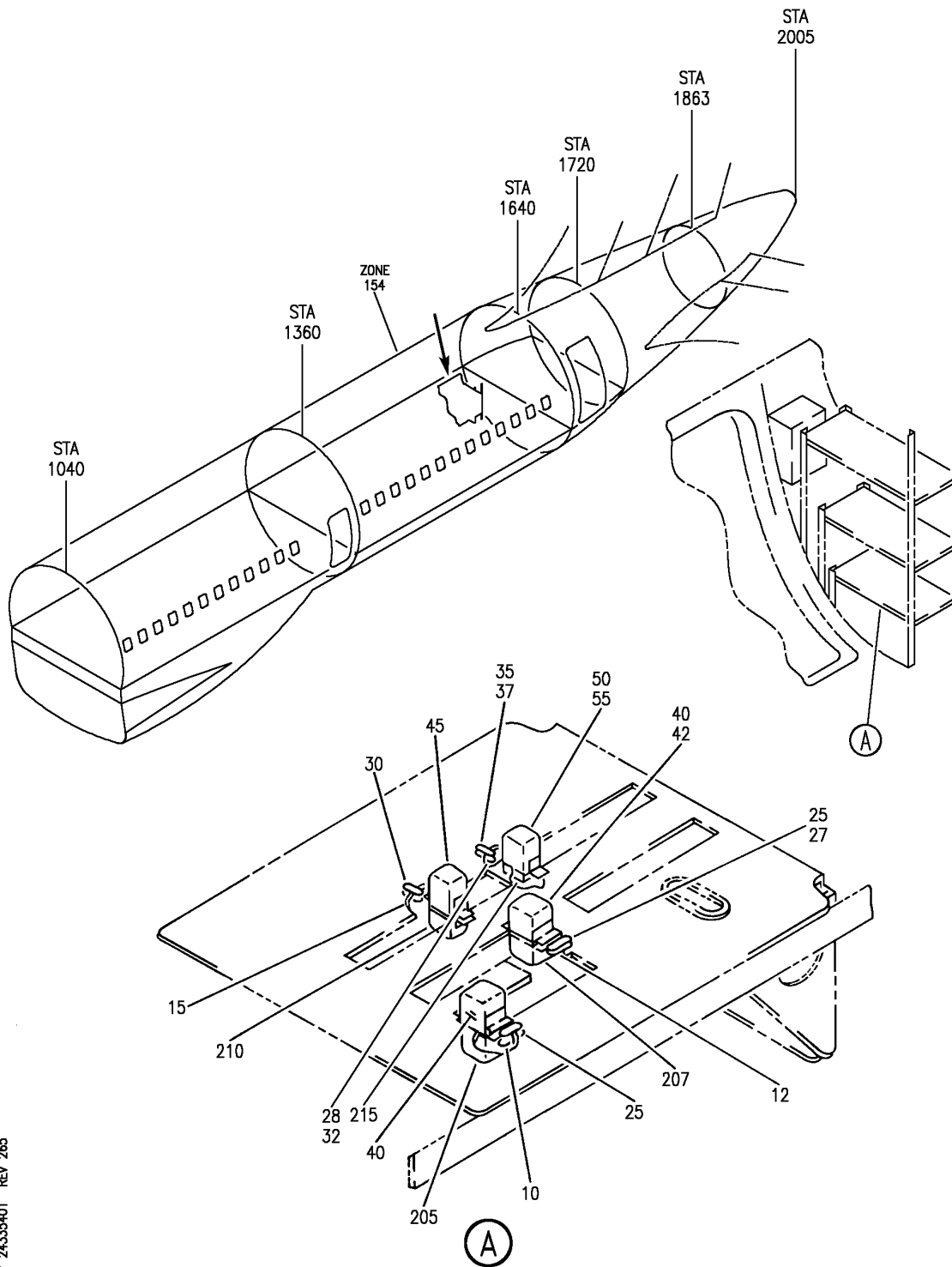
BRI

24-33-51-03A

BOEING PROPRIETARY - Copyright © - Unpublished Work - See title page for details.

24-33-51
 FIG. 03A
 PAGE 3
 JAN 20/09

BOEING
757
PARTS CATALOG (MAINTENANCE)



Y 24335401 REV 265

EQUIPMENT ASSY-AFT EQPT CTR E6 RELAY PNL (STANDBY POWER ONLY)
FIGURE 1

24-33-54-01

BRI
MAY 28/07

24-33-54-01
PAGE 0



757

PARTS CATALOG (MAINTENANCE)

FIG ITEM	PART NUMBER	1 2 3 4 5 6 7	NOMENCLATURE	EFFECT FROM TO	UNITS PER ASSY
1			EQUIPMENT ASSY-AFT EQPT CTR E6 RELAY PNL (STANDBY POWER ONLY)	121503 904949	
- 1	284N1680-1		EQUIPMENT ASSY-EQPT CTR E6 RELAY PNL (STANDBY POWER ONLY) POSITION DATA: AFT VARIABLE DRAWING REF: 284N1680-5009 FOR NHA/OTHER SYS DET SEE: 25-70-51-53	121503 904949	RF
12	BAC27NEX1605		.DECAL- PLACARD CONTENT: D4774	121503 904949	1
15	BAC27NEX1604		.DECAL- PLACARD CONTENT: D5025	121503 904949	1
27	BAC27NEX1607		.DECAL- PLACARD CONTENT: K10418	121503 904949	1
30	BAC27NEX1805		.DECAL- PLACARD CONTENT: K10422	121503 904949	1
42	TD1862-7500		.RELAY- SUPPLIER CODE: V58657 ELECTRICAL EQUIP NUMBER: K10418	121503 904949	1
42	TD1862-7500A		.RELAY- SUPPLIER CODE: V58657 ELECTRICAL EQUIP NUMBER: K10418	121503 904949	1

MISSING ITEM NUMBERS NOT APPLICABLE

- ITEM NOT ILLUSTRATED

24-33-54-01

24-33-54
FIG. 01
PAGE 1
JAN 20/09

BRI



757

PARTS CATALOG (MAINTENANCE)

FIG ITEM	PART NUMBER	1 2 3 4 5 6 7	NOMENCLATURE	EFFECT FROM TO	UNITS PER ASSY
1 45	E210-1631		.RELAY- SUPPLIER CODE: V99699 SPECIFICATION NUMBER: BACR13CF2A OPTIONAL PART: BR246S0112 V56623 FCA210-70 V78290 E215-1050 V99699 JD4A017 V35344 BR64S104 V56623 61GB19-1A320 V98927 ELECTRICAL EQUIP NUMBER: K10422	121503 904949	1
- 200	286N1024-002		WIRE BUNDLE ASSY-	121503 904949	RF
207	RSF116416		.SOCKET- SUPPLIER CODE: V58982 SPECIFICATION NUMBER: BACS16W5A OPTIONAL PART: 102-010-1 V09922 000300-1545 V05574 ELECTRICAL EQUIP NUMBER: D04774 WIRING DIAGRAM REF: 243312	121503 904949	1

MISSING ITEM NUMBERS NOT APPLICABLE

- ITEM NOT ILLUSTRATED

BRI

24-33-54-01

BOEING PROPRIETARY - Copyright © - Unpublished Work - See title page for details.

24-33-54
FIG. 01
PAGE 2
JAN 20/09



757
PARTS CATALOG (MAINTENANCE)

FIG ITEM	PART NUMBER	1 2 3 4 5 6 7	NOMENCLATURE	EFFECT FROM TO	UNITS PER ASSY
1 210	RSF116200		. SOCKET- SUPPLIER CODE: V58982 SPECIFICATION NUMBER: BACS16X1A OPTIONAL PART: 102-006-1 V09922 000300-1538 V05574 ELECTRICAL EQUIP NUMBER: D05025 WIRING DIAGRAM REF: 243312	121503 904949	1

MISSING ITEM NUMBERS NOT APPLICABLE

- ITEM NOT ILLUSTRATED

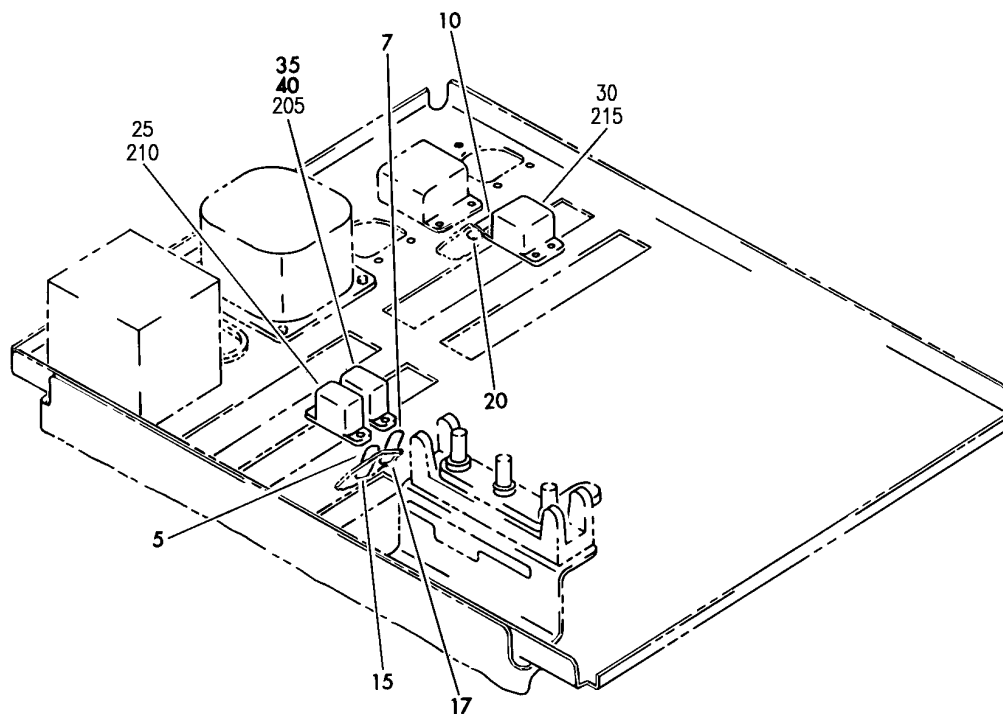
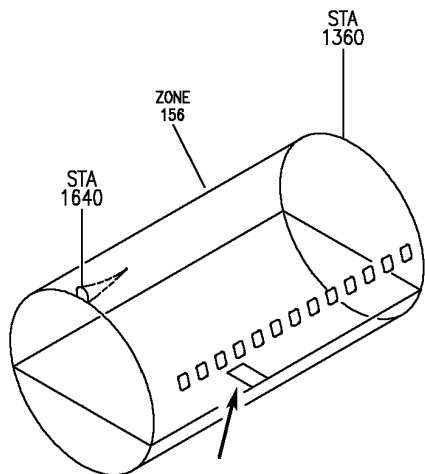
BRI

24-33-54-01

BOEING PROPRIETARY - Copyright © - Unpublished Work - See title page for details.

24-33-54
FIG. 01
PAGE 3
JAN 20/09

BOEING
757
PARTS CATALOG (MAINTENANCE)



Y 24335402 REV 266

EQUIPMENT ASSY-AFT EQPT CTR E6 RELAY (STANDBY POWER ONLY)
FIGURE 2

24-33-54-02

BRI
MAY 28/07

24-33-54-02
PAGE 0



757

PARTS CATALOG (MAINTENANCE)

FIG ITEM	PART NUMBER	1 2 3 4 5 6 7	NOMENCLATURE	EFFECT FROM TO	UNITS PER ASSY
2			EQUIPMENT ASSY-AFT EQPT CTR E6 RELAY (STANDBY POWER ONLY)	002004 006100 107107 952999	
- 1	284N1554-1		EQUIPMENT ASSY-EQPT CTR E6 RELAY (STANDBY POWER ONLY) POSITION DATA: AFT VARIABLE DRAWING REF: 284N1554-5004 284N1554-5013 284N1554-5018 284N1554-5028 REWORKED BY SB: 33-0035 FOR NHA/OTHER SYS DET SEE: 53-61-51-10	002004 006100 107107 952999	RF
R R R R R R R	5	BAC27NEX1805	.DECAL- PLACARD CONTENT: K10422 PRE SERVICE BULLETIN: 24-0125R1 24-0125R2 24-0130	002004 006100 107107 952999	1
	7	BAC27NEX2411	.DECAL- PLACARD CONTENT: K10706	952952	1
R R R R R R	10	BAC27NEX1607	.DECAL- PLACARD CONTENT: K10418 PRE SERVICE BULLETIN: 24-0125R1 24-0125R2 24-0130	002004 006100 107107 952999	1
	15	BAC27NEX1604	.DECAL- PLACARD CONTENT: D5025	002004 006100 107107 952999	1
	17	BAC27NEX2410	.DECAL- PLACARD CONTENT: D7678	952952	1
	20	BAC27NEX1605	.DECAL- PLACARD CONTENT: D4774	002004 006100 107107 952999	1

MISSING ITEM NUMBERS NOT APPLICABLE

- ITEM NOT ILLUSTRATED

24-33-54-02

24-33-54
FIG. 02
PAGE 1
MAY 20/09

BRI



757

PARTS CATALOG (MAINTENANCE)

FIG ITEM	PART NUMBER	1 2 3 4 5 6 7	NOMENCLATURE	EFFECT FROM TO	UNITS PER ASSY
R R	2 25	E210-1631	.RELAY- SUPPLIER CODE: V99699 SPECIFICATION NUMBER: BACR13CF2A OPTIONAL PART: BR246S0112 V56623 FCA210-70 V78290 E215-1050 V99699 JD4A017 V35344 BR64S104 V56623 61GB19-1A320 V98927 ELECTRICAL EQUIP NUMBER: K10422 PRE SERVICE BULLETIN: 24-0125R1 24-0125R2 24-0130	002004 006100 107107 952999	1
	30	TD1862-7500	.RELAY- SUPPLIER CODE: V58657 ELECTRICAL EQUIP NUMBER: K10418 PRE SERVICE BULLETIN: 24-0125R1 24-0125R2 24-0130	002004 006100 107107 952999	1
	30	TD1862-7500A	.RELAY- SUPPLIER CODE: V58657 ELECTRICAL EQUIP NUMBER: K10418	002004 006100 107107 952999	1

MISSING ITEM NUMBERS NOT APPLICABLE

- ITEM NOT ILLUSTRATED

24-33-54-02

24-33-54
FIG. 02
PAGE 2
MAY 20/09

BRI



757

PARTS CATALOG (MAINTENANCE)

FIG ITEM	PART NUMBER	1 2 3 4 5 6 7	NOMENCLATURE	EFFECT FROM TO	UNITS PER ASSY
2 35	E210-1631		.RELAY- SUPPLIER CODE: V99699 SPECIFICATION NUMBER: BACR13CF2A OPTIONAL PART: BR246S0112 V56623 FCA210-70 V78290 E215-1050 V99699 JD4A017 V35344 BR64S104 V56623 61GB19-1A320 V98927 ELECTRICAL EQUIP NUMBER: K10706	952952	1
- 200	286N1024-007		WIRE BUNDLE ASSY	107107	RF
- 200	286N1024-008		WIRE BUNDLE ASSY	002004	RF
				006100	
				952999	
205	BACS16X1		.SOCKET- ELECTRICAL EQUIP NUMBER: D07678 WIRING DIAGRAM REF: 243312	952952	1
210	RSF116200		.SOCKET- SUPPLIER CODE: V58982 SPECIFICATION NUMBER: BACS16X1A OPTIONAL PART: 102-006-1 V09922 000300-1538 V05574 ELECTRICAL EQUIP NUMBER: D05025 WIRING DIAGRAM REF: 243312	002004	1
				006100	
				107107	
				952999	

MISSING ITEM NUMBERS NOT APPLICABLE

- ITEM NOT ILLUSTRATED

24-33-54-02

24-33-54
FIG. 02
PAGE 3
JAN 20/09

BRI



757

PARTS CATALOG (MAINTENANCE)

FIG ITEM	PART NUMBER	1 2 3 4 5 6 7	NOMENCLATURE	EFFECT FROM TO	UNITS PER ASSY
2 215	RSF116416		. SOCKET- SUPPLIER CODE: V58982 SPECIFICATION NUMBER: BACS16W5A OPTIONAL PART: 102-010-1 V09922 000300-1545 V05574 ELECTRICAL EQUIP NUMBER: D04774 WIRING DIAGRAM REF: 243312	002004 006100 107107 952999	1

MISSING ITEM NUMBERS NOT APPLICABLE

- ITEM NOT ILLUSTRATED

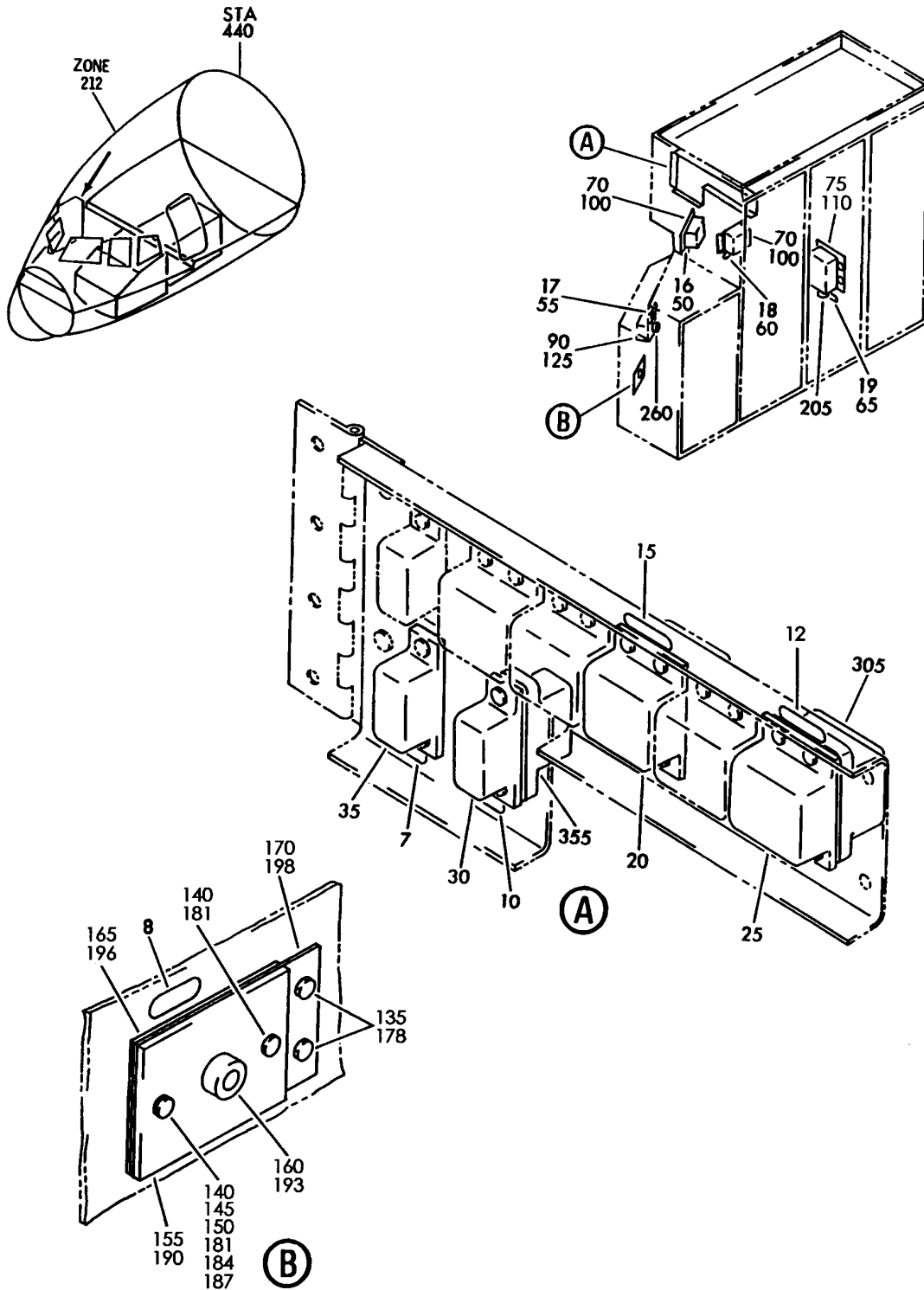
BRI

24-33-54-02

BOEING PROPRIETARY - Copyright © - Unpublished Work - See title page for details.

24-33-54
FIG. 02
PAGE 4
JAN 20/09

BOEING
757
PARTS CATALOG (MAINTENANCE)



Y 24337103 REV 207

PANEL ASSY-P6 PWR DISTR (STANDBY POWER ONLY)
FIGURE 3

24-33-71-03

BRI
MAY 28/07

24-33-71-03
PAGE 0



**757
PARTS CATALOG (MAINTENANCE)**

FIG ITEM	PART NUMBER	1 2 3 4 5 6 7	NOMENCLATURE	EFFECT FROM TO	UNITS PER ASSY
3			PANEL ASSY-P6 PWR DISTR (STANDBY POWER ONLY)	002004 006102 107107 121999	
- 2	287N4102-204		PANEL ASSY-P6 PWR DISTR (STANDBY POWER ONLY) FOR NHA/OTHER SYS DET SEE: 24-51-51-01	107107	RF
- 3	287N4102-217		PANEL ASSY-P6 PWR DISTR (STANDBY POWER ONLY) FOR NHA/OTHER SYS DET SEE: 24-51-51-01	121503 904949	RF
- 4	287N4102-99		PANEL ASSY-P6 PWR DISTR (STANDBY POWER ONLY) VARIABLE DRAWING REF: 287N4102-5112 287N4102-5113 287N4102-5116 FOR NHA/OTHER SYS DET SEE: 24-51-51-01	002004 006100 950999	RF
- 5	287N4102-1277		PACKAGE ASSY-P6 PWR DISTR (STANDBY POWER ONLY) FOR NHA/OTHER SYS DET SEE: 24-51-51-05 24-51-51-09	101102 504903	RF
R R R R R R	7 BAC27NEX2604		.DECAL- PLACARD CONTENT: K10416 PRE SERVICE BULLETIN: 24-0125R2 24-0130	002004 006100 952999	1
	7 BAC27NEL0966		.MARKER- PLACARD CONTENT: K10416 PRE SERVICE BULLETIN: 24-0125R1	107107 121503 904949	1
	8 BAC27NEX2627		.DECAL- PLACARD CONTENT: TB5017	002004 006100 952999	1
	10 BAC27NEL0034		.MARKER-ALUMINUM FOIL- PLACARD CONTENT: K138	107107 121503 904949	1
	10 BAC27NEX2603		.MARKER-ALUMINUM FOIL- PLACARD CONTENT: K138	002004 006100 950999	1
	12 BAC27NEL0033		.MARKER-ALUMINUM FOIL- PLACARD CONTENT: K110	107107 121503 904949	1

MISSING ITEM NUMBERS NOT APPLICABLE

- ITEM NOT ILLUSTRATED

24-33-71-03

24-33-71
FIG. 03
PAGE 1
MAY 20/09

BRI



757

PARTS CATALOG (MAINTENANCE)

FIG ITEM	PART NUMBER	1 2 3 4 5 6 7	NOMENCLATURE	EFFECT FROM TO	UNITS PER ASSY
3					
12	BAC27NEX2597		.MARKER-ALUMINUM FOIL- PLACARD CONTENT: K110	002004 006100 950999	1
15	BAC27NEL0052		.MARKER-ALUMINUM FOIL- PLACARD CONTENT: K109	107107 121503 904949	1
15	BAC27NEX2532		.MARKER-ALUMINUM FOIL- PLACARD CONTENT: K109	002004 006100 950999	1
16	BAC27NEX2591		.MARKER-ALUMINUM FOIL- PLACARD CONTENT: K104	002004 006100 950999	1
17	BAC27NEX2598		.MARKER-ALUMINUM FOIL- PLACARD CONTENT: K113	002004 006100 950999	1
18	BAC27NEX2593		.MARKER-ALUMINUM FOIL- PLACARD CONTENT: K106	002004 006100 950999	1
19	BAC27NEX2592		.MARKER-ALUMINUM FOIL- PLACARD CONTENT: K105	002004 006100 950999	1
20	MS27743-6		.RELAY- ELECTRICAL EQUIP NUMBER: K00109	002004 006102 107107 121999	1
25	E410-1537		.RELAY- SUPPLIER CODE: V99699 SPECIFICATION NUMBER: BACR13CG2A OPTIONAL PART: E415-1078 V99699 BR230S0116 V56623 KD4A017 V58687 FCA410-62 V78290 ELECTRICAL EQUIP NUMBER: K00110	002004 006102 107107 121999	1
30	JAD9F007		.RELAY- SUPPLIER CODE: V58657 SPECIFICATION NUMBER: BACR13CJ2 ELECTRICAL EQUIP NUMBER: K00138	002004 006102 107107 121999	1

MISSING ITEM NUMBERS NOT APPLICABLE

- ITEM NOT ILLUSTRATED

24-33-71-03

24-33-71
FIG. 03
PAGE 2
JAN 20/09

BRI

BOEING PROPRIETARY - Copyright © - Unpublished Work - See title page for details.



757

PARTS CATALOG (MAINTENANCE)

FIG ITEM	PART NUMBER	1 2 3 4 5 6 7	NOMENCLATURE	EFFECT FROM TO	UNITS PER ASSY
3					
R	35	W260F4AM11	.RELAY-	002004	1
R			SUPPLIER CODE:	006102	
R			VF0219	107107	
R			SPECIFICATION NUMBER:	121949	
R			BACR13CD2	952999	
R			OPTIONAL PART:		
R			BR16S233		
R			V09026		
R			EE4AA005		
R			V35344		
R			3SAV1338A2		
R			V01526		
R			HFW1206K03		
R			V58614		
R			HFW1204K01		
R			V71482		
R			ELECTRICAL EQUIP NUMBER:		
R			K10416		
R			PRE SERVICE BULLETIN:		
R			24-0125R1		
R			24-0125R2		
R			24-0130		
R	- 45	287N4102-198	.EQUIPMENT ASSY	107107	RF
R	- 45	287N4102-223	.EQUIPMENT ASSY	121503	RF
R				904949	
R	50	BAC27NEL0039	..MARKER-ALUMINUM FOIL-	107107	1
			PLACARD CONTENT:	121503	
			K104	904949	
	55	BAC27NEL0043	..MARKER-ALUMINUM FOIL-	107107	1
			PLACARD CONTENT:	121503	
			K113	904949	
	60	BAC27NEL0041	..MARKER-ALUMINUM FOIL-	107107	1
			PLACARD CONTENT:	121503	
			K106	904949	
	65	BAC27NEL0040	..MARKER-ALUMINUM FOIL-	107107	1
			PLACARD CONTENT:	121503	
			K105	904949	

MISSING ITEM NUMBERS NOT APPLICABLE

- ITEM NOT ILLUSTRATED

BRI

24-33-71-03

BOEING PROPRIETARY - Copyright © - Unpublished Work - See title page for details.

24-33-71
FIG. 03
PAGE 3
MAY 20/09



757

PARTS CATALOG (MAINTENANCE)

FIG ITEM	PART NUMBER	1 2 3 4 5 6 7	NOMENCLATURE	EFFECT FROM TO	UNITS PER ASSY
3	70 9131-8506		..RELAY- SUPPLIER CODE: V35344 SPECIFICATION NUMBER: 10-61445-21 ELECTRICAL EQUIP NUMBER: K00104 K00106 COMPONENT MAINT MANUAL REF: 24-09-07 OPTIONAL PART: BH316A V74063	107107 121503 904949	2
R R	70 BH316A		..RELAY- SUPPLIER CODE: V74063 FUNCTIONAL DESCRIPTION: A SEALED REPAIRABLE ELECTROMAGNETIC DEVICE FOR REMOTE ACTUATION OF 28V, 50 AMP ELETRICAL CONTACT. SPECIFICATION NUMBER: 10-61445-21 ELECTRICAL EQUIP NUMBER: K00104 K00106 COMPONENT MAINT MANUAL REF: 24-09-36 OPTIONAL PART: 9131-8506 V35344	107107 121503 904949	2
-	73 NAS1801-3-7		ATTACHING PARTS ..SCREW	107107 121503 904949	8
	75 E308AH		-----*----- ..RELAY ASSY- SUPPLIER CODE: V74063 FUNCTIONAL DESCRIPTION: SELECT THE STATIC INVERTER OR THE LEFT MAIN POWER BUS TO POWER THE AC STANDBY BUS ELECTRICAL EQUIP NUMBER: K00105 COMPONENT MAINT MANUAL REF: 24-09-18	107107 121503 904949	1

MISSING ITEM NUMBERS NOT APPLICABLE

- ITEM NOT ILLUSTRATED

24-33-71-03

24-33-71
FIG. 03
PAGE 4
MAY 20/09

BRI



757

PARTS CATALOG (MAINTENANCE)

FIG ITEM	PART NUMBER	1 2 3 4 5 6 7	NOMENCLATURE	EFFECT FROM TO	UNITS PER ASSY
3			ATTACHING PARTS		
- 85	NAS1801-06-7	..	SCREW	107107 121503 904949	4
- 87	38977-010	-----*-----	...RELAY-PRIMARY SUPPLIER CODE: V74063	107107 121503 904949	1
90	E311P	..	RELAY- SUPPLIER CODE: V74063 ELECTRICAL EQUIP NUMBER: K00113	107107 121503 904949	1
- 95	NAS1801-06-7	..	ATTACHING PARTS SCREW	107107 121503 904949	4
100	9131-8506	-----*-----	.RELAY- SUPPLIER CODE: V35344 SPECIFICATION NUMBER: 10-61445-21 ELECTRICAL EQUIP NUMBER: K00104 K00106 COMPONENT MAINT MANUAL REF: 24-09-07 OPTIONAL PART: BH316A V74063	002004 006102 504903 950999	2

MISSING ITEM NUMBERS NOT APPLICABLE

- ITEM NOT ILLUSTRATED

24-33-71-03

24-33-71
FIG. 03
PAGE 5
MAY 20/09

BRI



757

PARTS CATALOG (MAINTENANCE)

FIG ITEM	PART NUMBER	1 2 3 4 5 6 7	NOMENCLATURE	EFFECT FROM TO	UNITS PER ASSY
R R R R R R R R R R R R R	3 100	BH316A	.RELAY- SUPPLIER CODE: V74063 FUNCTIONAL DESCRIPTION: A SEALED REPAIRABLE ELECTROMAGNETIC DEVICE FOR REMOTE ACTUATION OF 28V, 50 AMP ELETRICAL CONTACT. SPECIFICATION NUMBER: 10-61445-21 ELECTRICAL EQUIP NUMBER: K00104 K00106 COMPONENT MAINT MANUAL REF: 24-09-36 OPTIONAL PART: 9131-8506 V35344 ATTACHING PARTS	002004 006102 504903 950999	2
	- 105	NAS1801-3-7	.SCREW	002004 006102 504903 950999	8
	110	E308AH	-----*----- .RELAY ASSY- SUPPLIER CODE: V74063 FUNCTIONAL DESCRIPTION: SELECT THE STATIC INVERTER OR THE LEFT MAIN POWER BUS TO POWER THE AC STANDBY BUS ELECTRICAL EQUIP NUMBER: K00105 COMPONENT MAINT MANUAL REF: 24-09-18 ATTACHING PARTS	002004 006102 504903 950999	1
	- 115	NAS1801-06-7	.SCREW	002004 006102 504903 950999	4
	- 120	38977-010	-----*----- .RELAY-PRIMARY SUPPLIER CODE: V74063	002004 006102 504903 950999	1

MISSING ITEM NUMBERS NOT APPLICABLE

- ITEM NOT ILLUSTRATED

24-33-71-03

24-33-71
FIG. 03
PAGE 6
MAY 20/09

BRI



757

PARTS CATALOG (MAINTENANCE)

FIG ITEM	PART NUMBER	1 2 3 4 5 6 7	NOMENCLATURE	EFFECT FROM TO	UNITS PER ASSY
3					
125	E311P		.RELAY- SUPPLIER CODE: V74063 ELECTRICAL EQUIP NUMBER: K00113 ATTACHING PARTS	002004 006102 504903 950999	1
- 130	NAS1801-06-7		.SCREW	002004 006102 504903 950999	4
135	NAS601-6P		-----*----- .SCREW	002004 006100 107107 121503 904949 952999	2
140	NAS603-7P		.SCREW	002004 006100 107107 121503 904949 952999	2
145	MS14151-5		.WASHER	002004 006100 107107 121503 904949 952999	1
150	MS21042L06		.NUT	002004 006100 107107 121503 904949 952999	1
155	MS3373C3		.STRIP	002004 006100 107107 121503 904949 952999	1
160	MS18029-5L1		.COVER ASSY	107107 121503 904949 952999	1

MISSING ITEM NUMBERS NOT APPLICABLE

- ITEM NOT ILLUSTRATED

24-33-71-03

24-33-71
FIG. 03
PAGE 7
MAY 20/09

BRI



757

PARTS CATALOG (MAINTENANCE)

FIG ITEM	PART NUMBER	1 2 3 4 5 6 7	NOMENCLATURE	EFFECT FROM TO	UNITS PER ASSY
3 165	MS27212-5-1		.TERMINAL BOARD ASSY- ELECTRICAL EQUIP NUMBER: TB5017	002004 006100 107107 121503 904949 952999	1
170	287N4102-129		.BRACKET ASSY	002004 006100 107107 121503 904949 952999	1
- 175	287N4102-1282		PACKAGE ASSY-P6 PWR DISTR (STANDBY POWER ONLY) FOR NHA/OTHER SYS DET SEE: 24-51-51-05 24-51-51-09	101102 504903	RF
178	NAS601-6P		.SCREW	101102 504903	2
181	NAS603-7P		.SCREW	101102 504903	2
184	MS14151-5		.WASHER	101102 504903	1
187	MS21042L06		.NUT	101102 504903	1
190	MS3373C3		.STRIP	101102 504903	1
193	MS18029-5L1		.COVER ASSY	101102 504903	1
196	MS27212-5-1		.TERMINAL BOARD ASSY- ELECTRICAL EQUIP NUMBER: TB5017	101102 504903	1
198	287N4102-129		.BRACKET ASSY	101102 504903	1
- 200	286N0062-001		WIRE BUNDLE ASSY	107107 121503 904949	RF
- 200	286N0062-003		WIRE BUNDLE ASSY-	002004 006100 950999	RF
- 201 205	286N0062-318 BACC45FT14A12S		WIRE BUNDLE ASSY .CONNECTOR- ELECTRICAL EQUIP NUMBER: D01680 WIRING DIAGRAM REF: 243311	504903 002004 006102 107107 121999	RF 1

MISSING ITEM NUMBERS NOT APPLICABLE

- ITEM NOT ILLUSTRATED

24-33-71-03

24-33-71
FIG. 03
PAGE 8
MAY 20/09

BRI



757

PARTS CATALOG (MAINTENANCE)

FIG ITEM	PART NUMBER	1 2 3 4 5 6 7	NOMENCLATURE	EFFECT FROM TO	UNITS PER ASSY
3					
- 250	286N0072-001		WIRE BUNDLE ASSY	002004 006100 107107 121503 904999	RF
- 250	286N0072-303		WIRE BUNDLE ASSY	504903	RF
260	BACC45FT12D12S		.CONNECTOR- ELECTRICAL EQUIP NUMBER: D00546 WIRING DIAGRAM REF: 243311	002004 006100 107107 121999	1
- 300	286N0074-001		WIRE BUNDLE ASSY	107107 121503 904949	RF
- 300	286N0074-002		WIRE BUNDLE ASSY-	002004 006100 950999	RF
- 300	286N0074-305		WIRE BUNDLE ASSY	101102	RF
- 301	286N0074-317		WIRE BUNDLE ASSY	504903	RF
305	BACS16W1		.SOCKET- ELECTRICAL EQUIP NUMBER: D01678 WIRING DIAGRAM REF: 243311	002004 006100 107107 121999	1
- 350	286N0068-001		WIRE BUNDLE ASSY	002004 006100 107107 121503 904999	RF
- 350	286N0068-301		WIRE BUNDLE ASSY	101102	RF
- 350	286N0068-302		WIRE BUNDLE ASSY	504903	RF
355	RSF116208		.SOCKET- SUPPLIER CODE: V58982 SPECIFICATION NUMBER: BACS16X3A OPTIONAL PART: 102-005-1 V09922 000300-1541 V05574 ELECTRICAL EQUIP NUMBER: D01682 WIRING DIAGRAM REF: 243311	002004 006102 107107 121999	1

MISSING ITEM NUMBERS NOT APPLICABLE

- ITEM NOT ILLUSTRATED

BRI

24-33-71-03

BOEING PROPRIETARY - Copyright © - Unpublished Work - See title page for details.

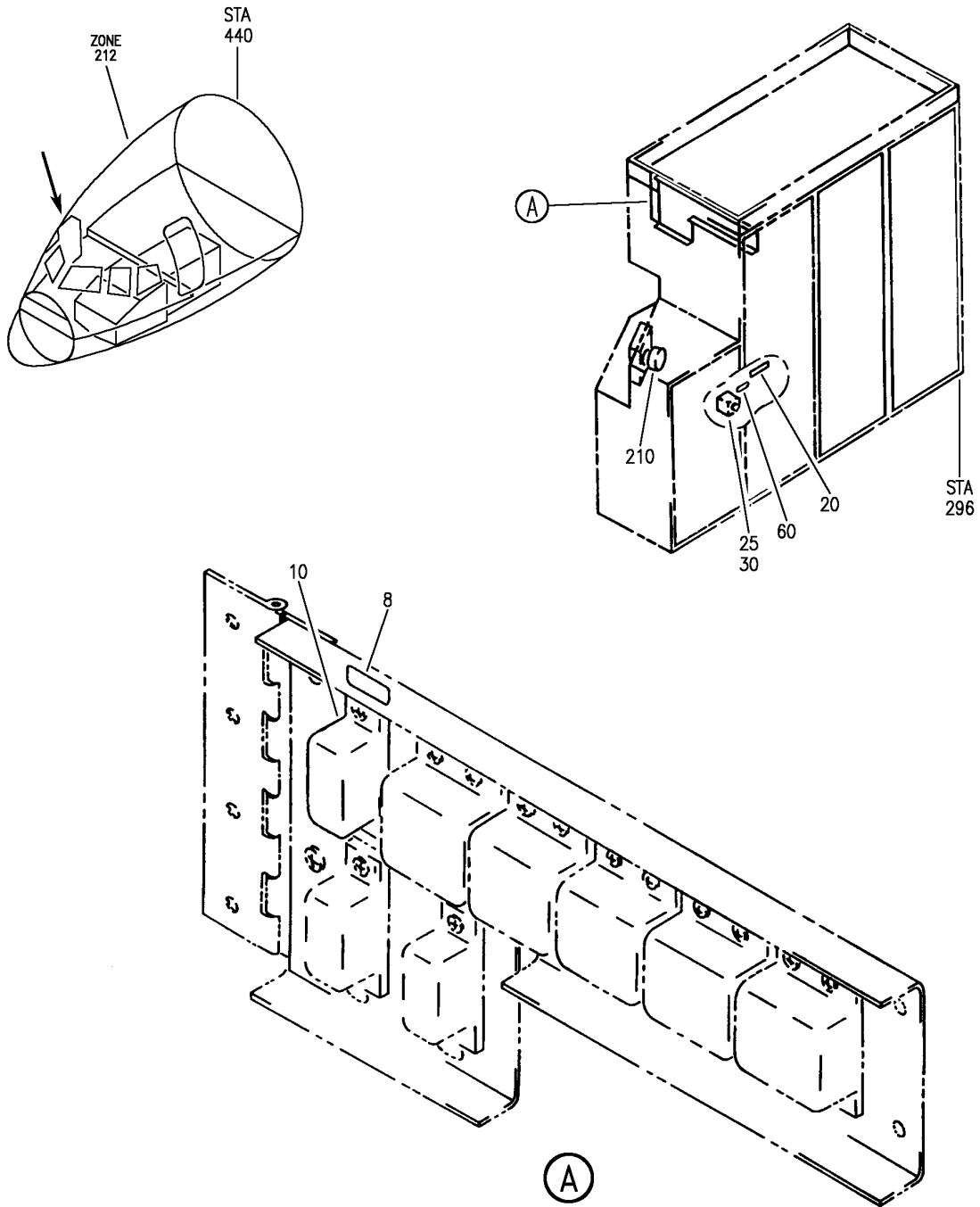
24-33-71
FIG. 03
PAGE 9
MAY 20/09

DC METERS

BRI
MAY 28/07

24-34-00
SECTION TITLE
PAGE 1

BOEING
757
PARTS CATALOG (MAINTENANCE)



Y 24346702 REV 321

PANEL ASSY-P6 PWR DISTR (DC METERS ONLY)
FIGURE 2

24-34-67-02

BRI
MAY 20/08

24-34-67-02
PAGE 0



757

PARTS CATALOG (MAINTENANCE)

FIG ITEM	PART NUMBER	1 2 3 4 5 6 7	NOMENCLATURE	EFFECT FROM TO	UNITS PER ASSY
2			PANEL ASSY-P6 PWR DISTR (DC METERS ONLY)	002004 006102 107107 121999	
- 2	287N4102-204		PANEL ASSY-P6 PWR DISTR (DC METERS ONLY) FOR NHA/OTHER SYS DET SEE: 24-51-51-01	107107	RF
- 3	287N4102-217		PANEL ASSY-P6 PWR DISTR (DC METERS ONLY) FOR NHA/OTHER SYS DET SEE: 24-51-51-01	121503 904949	RF
- 4	287N4102-99		PANEL ASSY-P6 PWR DISTR (DC METERS ONLY) VARIABLE DRAWING REF: 287N4102-5112 287N4102-5113 287N4102-5116 FOR NHA/OTHER SYS DET SEE: 24-51-51-01	002004 006100 950999	RF
- 5	287N4102-1277		PACKAGE ASSY-OPTION (DC METERS ONLY) FOR NHA/OTHER SYS DET SEE: 24-51-51-05 24-51-51-09	101102 504903	RF
6	BAC27NEX2610		.MARKER-ALUMINUM FOIL- PLACARD CONTENT: M10213	002004 006100 950999	1
8	BAC27NEL0967		.DECAL- PLACARD CONTENT: K10424	107107	1
8	BAC27NEX2605		.DECAL- PLACARD CONTENT: K10424	002004 006100 950999	1

MISSING ITEM NUMBERS NOT APPLICABLE

- ITEM NOT ILLUSTRATED

24-34-67-02

24-34-67
FIG. 02
PAGE 1
JAN 20/09

BRI



757

PARTS CATALOG (MAINTENANCE)

FIG ITEM	PART NUMBER	1 2 3 4 5 6 7	NOMENCLATURE	EFFECT FROM TO	UNITS PER ASSY
2					
10	W260F4AM11		.RELAY- SUPPLIER CODE: VF0219 SPECIFICATION NUMBER: BACR13CD2 OPTIONAL PART: BR16S233 V09026 EE4AA005 V35344 3SAV1338A2 V01526 HFW1206K03 V58614 HFW1204K01 V71482 ELECTRICAL EQUIP NUMBER: K10424	002004 006102 107107 121999	1
- 15	287N4102-220		.EQUIPMENT ASSY- VARIABLE DRAWING REF: 287N4102-6001	107107	RF
- 15	287N4102-198		.EQUIPMENT ASSY- VARIABLE DRAWING REF: 287N4102-6001	107107	RF
- 15	287N4102-223		.EQUIPMENT ASSY- VARIABLE DRAWING REF: 287N4102-6000	121503 904949	RF
20	BAC27NEL0044		..MARKER-ALUMINUM FOIL- PLACARD CONTENT: M10213	107107	1
25	708520-2		..CONTROL UNIT-DC TIE SUPPLIER CODE: V19623 SPECIFICATION NUMBER: S282N002-2 ELECTRICAL EQUIP NUMBER: M10213 OPTIONAL PART: 708520-3 V19623	107107 121503 904949	1

MISSING ITEM NUMBERS NOT APPLICABLE

- ITEM NOT ILLUSTRATED

BRI

24-34-67-02

BOEING PROPRIETARY - Copyright © - Unpublished Work - See title page for details.

24-34-67
FIG. 02
PAGE 2
JAN 20/09



757

PARTS CATALOG (MAINTENANCE)

FIG ITEM	PART NUMBER	1 2 3 4 5 6 7	NOMENCLATURE	EFFECT FROM TO	UNITS PER ASSY
2	25 708520-3		..CONTROL UNIT-DC TIE SUPPLIER CODE: V19623 SPECIFICATION NUMBER: S282N002-2 ELECTRICAL EQUIP NUMBER: M10213 OPTIONAL PART: 708520-2 V19623 ATTACHING PARTS	107107 121503 904949	1
- 27	NAS1801-06-7		..SCREW	107107 121503 904949	4
	30 708520-2		-----*----- .CONTROL UNIT-DC TIE SUPPLIER CODE: V19623 SPECIFICATION NUMBER: S282N002-2 ELECTRICAL EQUIP NUMBER: M10213 OPTIONAL PART: 708520-3 V19623	002004 006102 504903 950999	1
	30 708520-3		.CONTROL UNIT-DC TIE SUPPLIER CODE: V19623 SPECIFICATION NUMBER: S282N002-2 ELECTRICAL EQUIP NUMBER: M10213 OPTIONAL PART: 708520-2 V19623 ATTACHING PARTS	002004 006102 504903 950999	1
- 35	NAS1801-06-7		.SCREW	002004 006102 504903 950999	4
- 200	286N0074-001		-----*----- WIRE BUNDLE ASSY-	107107 121503 904949	RF
- 200	286N0074-002		WIRE BUNDLE ASSY-	002004 006100 950999	RF
- 200	286N0074-305		WIRE BUNDLE ASSY	101102	RF
- 201	286N0074-317		WIRE BUNDLE ASSY	504903	RF

MISSING ITEM NUMBERS NOT APPLICABLE

- ITEM NOT ILLUSTRATED

24-34-67-02

24-34-67
FIG. 02
PAGE 3
JAN 20/09

BRI



757

PARTS CATALOG (MAINTENANCE)

FIG ITEM	PART NUMBER	1 2 3 4 5 6 7	NOMENCLATURE	EFFECT FROM TO	UNITS PER ASSY
2 210	BACC45FT12A12S		.CONNECTOR- ELECTRICAL EQUIP NUMBER: D01856 WIRING DIAGRAM REF: 243411	002004 006102 107107 121999	1

MISSING ITEM NUMBERS NOT APPLICABLE

- ITEM NOT ILLUSTRATED

BRI

24-34-67-02

BOEING PROPRIETARY - Copyright © - Unpublished Work - See title page for details.

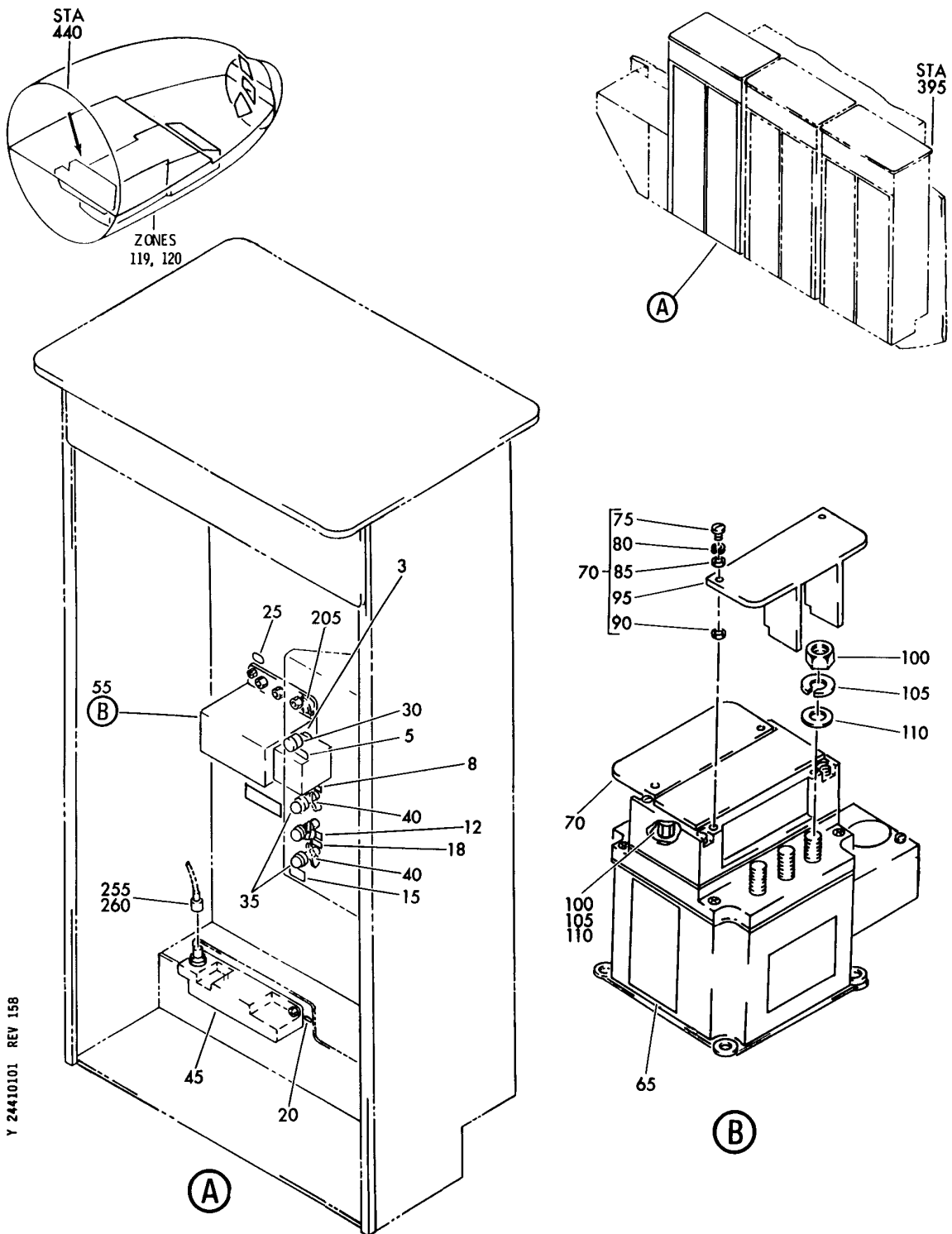
24-34-67
FIG. 02
PAGE 4
JAN 20/09

AC EXTERNAL POWER

BRI
MAY 28/07

24-41-00
SECTION TITLE
PAGE 1

BOEING
757
PARTS CATALOG (MAINTENANCE)



Y 24410101 REV 158

PANEL ASSY-P34 APU/EXT PWR (EXTERNAL PWR ONLY)
FIGURE 1

24-41-01-01

BRI
MAY 28/07

24-41-01-01
PAGE 0

BOEING
757
PARTS CATALOG (MAINTENANCE)

FIG ITEM	PART NUMBER	1 2 3 4 5 6 7	NOMENCLATURE	EFFECT FROM TO	UNITS PER ASSY
1			PANEL ASSY-P34 APU/EXT PWR (EXTERNAL PWR ONLY)	002004 006102 107107 121503 904999	
- 1	284N1316-1		PANEL ASSY-P34 APU/EXT PWR (EXTERNAL POWER ONLY) VARIABLE DRAWING REF: 284N1316-5023 284N1316-5047 284N1316-5063 284N1316-5064 284N1316-5067 FOR NHA/OTHER SYS DET SEE: 31-01-34-02	002004 006100 107107 121503 904999	RF
3	BAC27NEX1372		.DECAL- PLACARD CONTENT: L15	002004 006102 107107 121503 904999	1
5	BAC27NEX0277		.DECAL- PLACARD CONTENT: EXT PWR	002004 006102 107107 121503 904999	1
8	BAC27NEX1354		.DECAL- PLACARD CONTENT: B130	002004 006102 107107 121503 904999	1
12	BAC27NEX1355		.DECAL- PLACARD CONTENT: B129	002004 006102 107107 121503 904999	1
15	BAC27TEX2117		.DECAL- PLACARD CONTENT: SPARE FUSE 1 AMP	002004 006102 107107 121503 904999	1
18	BAC27NEX1356		.DECAL- PLACARD CONTENT: SPARE	002004 006102 107107 121503 904999	1

MISSING ITEM NUMBERS NOT APPLICABLE

- ITEM NOT ILLUSTRATED

BRI

24-41-01-01

BOEING PROPRIETARY - Copyright © - Unpublished Work - See title page for details.

24-41-01
FIG. 01
PAGE 1
JAN 20/09



757

PARTS CATALOG (MAINTENANCE)

FIG ITEM	PART NUMBER	1 2 3 4 5 6 7	NOMENCLATURE	EFFECT FROM TO	UNITS PER ASSY
1					
20	BAC27TEX0067	.DECAL-	PLACARD CONTENT: T122	002004 006102 107107 121503 904999	1
25	BAC27TEX0073	.DECAL-	PLACARD CONTENT: K114	002004 006102 107107 121503 904999	1
30	33-32683-6P1	.LIGHT-	SUPPLIER CODE: V79692 ELECTRICAL EQUIP NUMBER: L00015	002004 006102 107107 121503 904999	1
35	322001	.FUSE-TYPE 3AB	SUPPLIER CODE: V75915 ELECTRICAL EQUIP NUMBER: B00129 B00130	002004 006102 107107 121503 904999	3
40	FHN20G	.FUSEHOLDER-	SUPPLIER CODE: V75915 ELECTRICAL EQUIP NUMBER: B00129 B00130	002004 006102 107107 121503 904999	2
41	FHN20G	.FUSEHOLDER-	SUPPLIER CODE: V75915	002004 006102 107107 121503 904999	1
45	727802	.TRANSFORMER ASSY-CURRENT	SUPPLIER CODE: V99167 SPECIFICATION NUMBER: S281T001-4 ELECTRICAL EQUIP NUMBER: T00122	002004 006102 107107 121503 904999	1
- 50	NAS1801-3-18	ATTACHING PARTS .SCREW		002004 006102 107107 121503 904999	2
			-----*-----		

MISSING ITEM NUMBERS NOT APPLICABLE

- ITEM NOT ILLUSTRATED

BRI

24-41-01-01

24-41-01
FIG. 01
PAGE 2
JAN 20/09



757

PARTS CATALOG (MAINTENANCE)

FIG ITEM	PART NUMBER	1 2 3 4 5 6 7	NOMENCLATURE	EFFECT FROM TO	UNITS PER ASSY
1	55 B429-1		. CONTACTOR ASSY-3PST NO. DOUBLE BREAK SUPPLIER CODE: V74063 SPECIFICATION NUMBER: S281T004-2 ELECTRICAL EQUIP NUMBER: K00114 COMPONENT MAINT MANUAL REF: 24-09-22 OPTIONAL PART: B429 V74063	002004 006102 107107 121503 904999	1
	55 B429		. CONTACTOR ASSY-3PST NO. DOUBLE BREAK SUPPLIER CODE: V74063 SPECIFICATION NUMBER: S281T004-2 ELECTRICAL EQUIP NUMBER: K00114 COMPONENT MAINT MANUAL REF: 24-09-14 OPTIONAL PART: B429-1 V74063	002004 006102 107107 121503 904999	1
-	60 NAS1801-3-8		ATTACHING PARTS . SCREW	002004 006102 107107 121503 904999	4
	65 35935-001		-----*----- .. PLATE-WIRING DIAGRAM SUPPLIER CODE: V74063	002004 006102 107107 121503 904999	1
	70 36006-010		.. COVER ASSY-TERMINAL SUPPLIER CODE: V74063	002004 006102 107107 121503 904999	2
	75 51204-391		... SCREW-BINDING HEAD SUPPLIER CODE: V74063	002004 006102 107107 121503 904999	2

MISSING ITEM NUMBERS NOT APPLICABLE

- ITEM NOT ILLUSTRATED

24-41-01-01

24-41-01
FIG. 01
PAGE 3
JAN 20/09

BRI



757

PARTS CATALOG (MAINTENANCE)

FIG ITEM	PART NUMBER	1 2 3 4 5 6 7	NOMENCLATURE	EFFECT FROM TO	UNITS PER ASSY
1					
80	51804-021	...	WASHER-LOCK SUPPLIER CODE: V74063	002004 006102 107107 121503 904999	2
85	51701-291	...	WASHER-FLAT SUPPLIER CODE: VK5294	002004 006102 107107 121503 904999	2
90	20584-002	...	WASHER-CAPTIVE NYLOCK SUPPLIER CODE: V74063	002004 006102 107107 121503 904999	2
95	35744-001	...	COVER- SUPPLIER CODE: V74063	002004 006102 107107 121503 904999	1
100	50407-370	..	NUT-HEX SUPPLIER CODE: V74063	002004 006102 107107 121503 904999	6
105	51807-230	..	WASHER-LOCK SUPPLIER CODE: V74063	002004 006102 107107 121503 904999	6
110	51704-010	..	WASHER-FLAT SUPPLIER CODE: V74063	002004 006102 107107 121503 904999	6
- 200	286N1128-001		WIRE BUNDLE ASSY-P34 APU/EXT PWR (EXTERNAL PWR ONLY)	107107 121503 904949	RF
- 200	286N1128-002		WIRE BUNDLE ASSY-P34 APU/EXT PWR (EXTERNAL PWR ONLY)	002004 006100 950999	RF
205	BACC45FT20D41S7	.	CONNECTOR- ELECTRICAL EQUIP NUMBER: D01734 WIRING DIAGRAM REF: 244111	002004 006100 107107 121503 904999	1

MISSING ITEM NUMBERS NOT APPLICABLE

- ITEM NOT ILLUSTRATED

BRI

24-41-01-01

24-41-01
FIG. 01
PAGE 4
JAN 20/09



757

PARTS CATALOG (MAINTENANCE)

FIG ITEM	PART NUMBER	1 2 3 4 5 6 7	NOMENCLATURE	EFFECT FROM TO	UNITS PER ASSY
1 255	BACC10GH10	.	CLAMP- ELECTRICAL EQUIP NUMBER: D01852T WIRING DIAGRAM REF: 244111	002004 006100 107107 121503 904999	1
260	C0909A10-05PN	.	CONNECTOR- SUPPLIER CODE: V13556 SPECIFICATION NUMBER: BACC63BN10-5P OPTIONAL PART: 48-63N10-5P V02660 R071210-5P V41118 ELECTRICAL EQUIP NUMBER: D01852 WIRING DIAGRAM REF: 244111	002004 006102 107107 121503 904999	1

MISSING ITEM NUMBERS NOT APPLICABLE

- ITEM NOT ILLUSTRATED

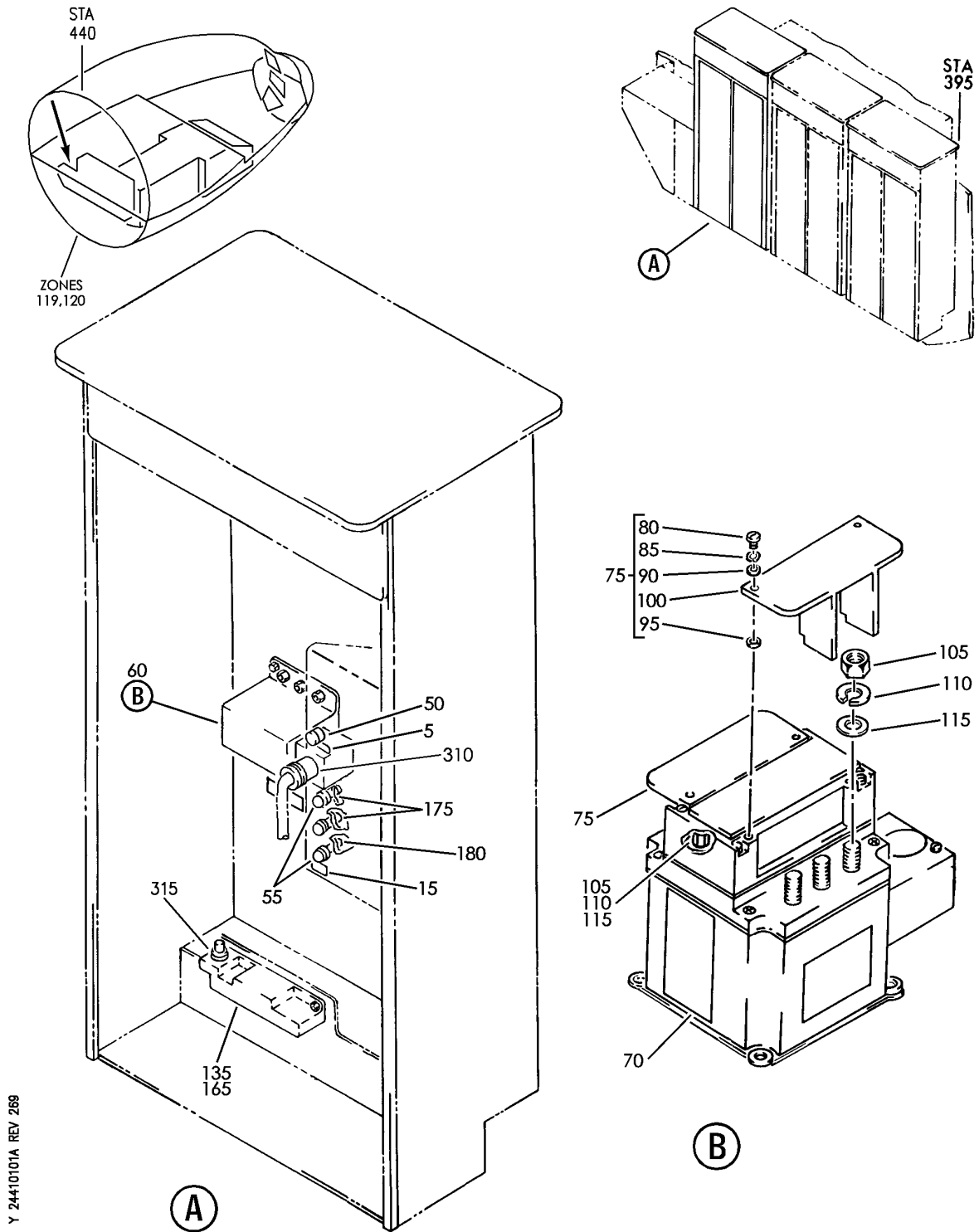
BRI

24-41-01-01

BOEING PROPRIETARY - Copyright © - Unpublished Work - See title page for details.

24-41-01
FIG. 01
PAGE 5
JAN 20/09

BOEING
757
PARTS CATALOG (MAINTENANCE)



Y 24-410101A REV 269

PACKAGE ASSY-OPTION P34 APU/EXT PWR (EXTERNAL PWR ONLY)
FIGURE 1A

24-41-01-01A

BRI
MAY 28/07

24-41-01-01A
PAGE 0



757

PARTS CATALOG (MAINTENANCE)

FIG ITEM	PART NUMBER	1 2 3 4 5 6 7	NOMENCLATURE	EFFECT FROM TO	UNITS PER ASSY
1 A			PACKAGE ASSY-OPTION P34 APU/EXT PWR (EXTERNAL PWR ONLY)	101102 504903	
- 1	284N1316-1000		PACKAGE ASSY-OPTION P34 APU/EXT PWR (EXTERNAL POWER ONLY) FOR NHA/OTHER SYS DET SEE: 31-01-34-01	101102 504903	RF
5	BAC27NEX0277		.DECAL- PLACARD CONTENT: EXT PWR	101102 504903	1
15	BAC27TEX2117		.DECAL- PLACARD CONTENT: SPARE FUSE 1 AMP	101102 504903	1
50	33-32683-6P1		.LIGHT- SUPPLIER CODE: V79692 ELECTRICAL EQUIP NUMBER: L00015	101102 504903	1
55	322001		.FUSE-TYPE 3AB SUPPLIER CODE: V75915	101102 504903	3
60	B429-1		.CONTACTOR ASSY-3PST NO. DOUBLE BREAK SUPPLIER CODE: V74063 SPECIFICATION NUMBER: S281T004-2 ELECTRICAL EQUIP NUMBER: K00114 COMPONENT MAINT MANUAL REF: 24-09-22 OPTIONAL PART: B429 V74063	101102 504903	1
60	B429		.CONTACTOR ASSY-3PST NO. DOUBLE BREAK SUPPLIER CODE: V74063 SPECIFICATION NUMBER: S281T004-2 ELECTRICAL EQUIP NUMBER: K00114 COMPONENT MAINT MANUAL REF: 24-09-14 OPTIONAL PART: B429-1 V74063	101102 504903	1

MISSING ITEM NUMBERS NOT APPLICABLE

- ITEM NOT ILLUSTRATED

BRI

24-41-01-01A

BOEING PROPRIETARY - Copyright © - Unpublished Work - See title page for details.

24-41-01
FIG. 01A
PAGE 1
JAN 20/09



757

PARTS CATALOG (MAINTENANCE)

FIG ITEM	PART NUMBER	1 2 3 4 5 6 7	NOMENCLATURE	EFFECT FROM TO	UNITS PER ASSY
1 A			ATTACHING PARTS		
- 65	NAS1801-3-8		.SCREW	101102 504903	4
			-----*-----		
70	35935-001		..PLATE-WIRING DIAGRAM SUPPLIER CODE: V74063	101102 504903	1
75	36006-010		..COVER ASSY-TERMINAL SUPPLIER CODE: V74063	101102 504903	2
80	51204-391		...SCREW-BINDING HEAD SUPPLIER CODE: V74063	101102 504903	2
85	51804-021		...WASHER-LOCK SUPPLIER CODE: V74063	101102 504903	2
90	51701-291		...WASHER-FLAT SUPPLIER CODE: VK5294	101102 504903	2
95	20584-002		...WASHER-CAPTIVE NYLOCK SUPPLIER CODE: V74063	101102 504903	2
100	35744-001		...COVER- SUPPLIER CODE: V74063	101102 504903	1
105	50407-370		..NUT-HEX SUPPLIER CODE: V74063	101102 504903	6
110	51807-230		..WASHER-LOCK SUPPLIER CODE: V74063	101102 504903	6
115	51704-010		..WASHER-FLAT SUPPLIER CODE: V74063	101102 504903	6
135	727802		.TRANSFORMER ASSY-CURRENT SUPPLIER CODE: V99167 SPECIFICATION NUMBER: S281T001-4 ELECTRICAL EQUIP NUMBER: T00122	101102 504903	1
- 140	NAS1801-3-8		ATTACHING PARTS .SCREW	101102 504903	2
			-----*-----		

MISSING ITEM NUMBERS NOT APPLICABLE

- ITEM NOT ILLUSTRATED

BRI

24-41-01-01A

24-41-01
FIG. 01A
PAGE 2
JAN 20/09



757

PARTS CATALOG (MAINTENANCE)

FIG ITEM	PART NUMBER	1 2 3 4 5 6 7	NOMENCLATURE	EFFECT FROM TO	UNITS PER ASSY
1A 175	FHN20G	.	FUSEHOLDER- SUPPLIER CODE: V75915 ELECTRICAL EQUIP NUMBER: B00129 B00130	101102 504903	2
180	FHN20G	.	FUSEHOLDER- SUPPLIER CODE: V75915	101102 504903	1
- 300	286N1128-315		WIRE BUNDLE ASSY	504903	RF
- 300	286N1128-317		WIRE BUNDLE ASSY	101102	RF
310	BACC45FT20D41S7	.	CONNECTOR- ELECTRICAL EQUIP NUMBER: D01734 WIRING DIAGRAM REF: 244111	101102 504903	1
315	BACC45FT10A5P	.	CONNECTOR- ELECTRICAL EQUIP NUMBER: D01852 WIRING DIAGRAM REF: 244111	101102 504903	1

MISSING ITEM NUMBERS NOT APPLICABLE

- ITEM NOT ILLUSTRATED

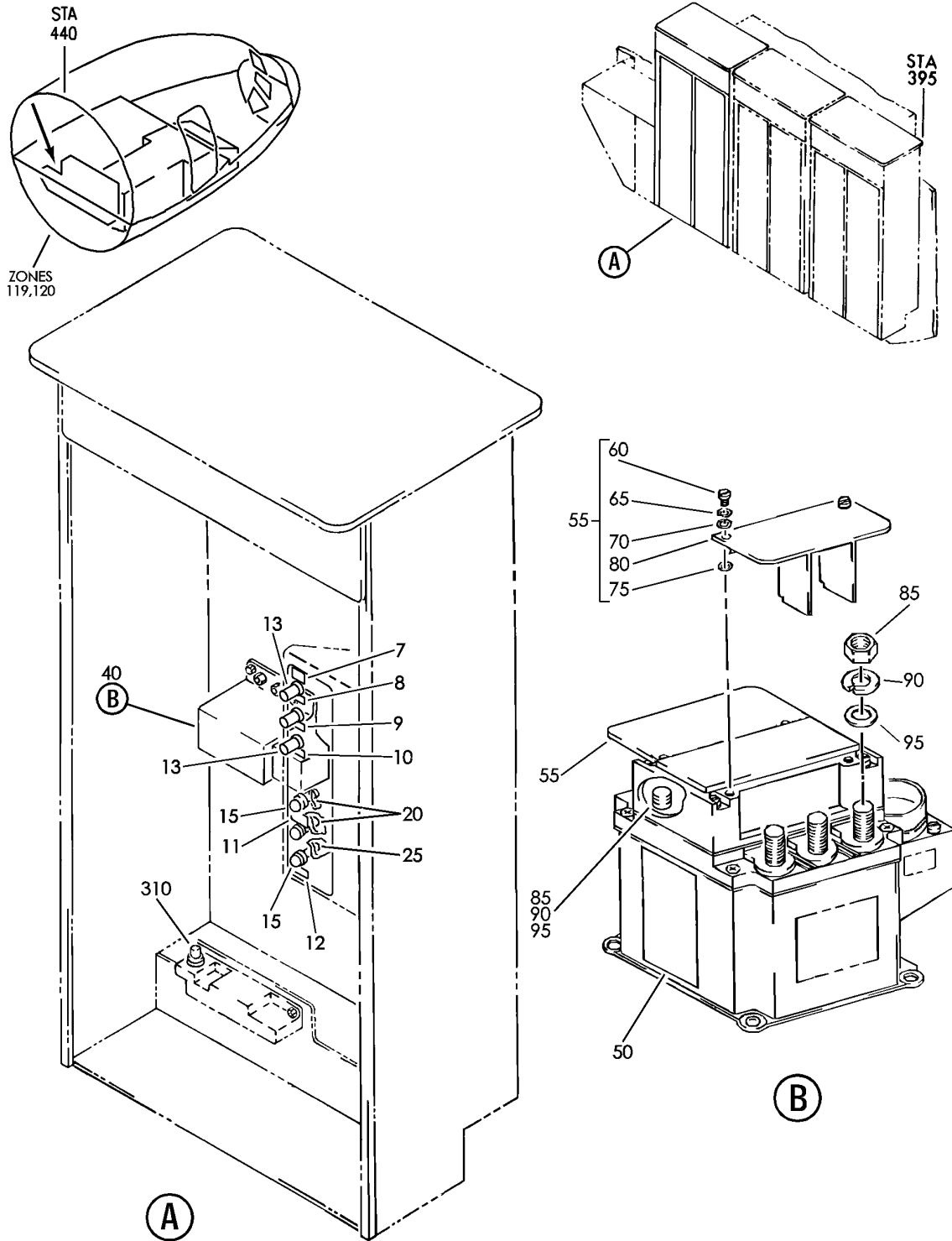
BRI

24-41-01-01A

BOEING PROPRIETARY - Copyright © - Unpublished Work - See title page for details.

24-41-01
FIG. 01A
PAGE 3
JAN 20/09

BOEING
757
PARTS CATALOG (MAINTENANCE)



Y 24410102 REV 235

PANEL ASSY-P34 APU/EXT PWR (EXTERNAL POWER CONTACTOR ONLY)
FIGURE 2

24-41-01-02

BRI
JAN 20/09

24-41-01-02
PAGE 0



757

PARTS CATALOG (MAINTENANCE)

FIG ITEM	PART NUMBER	1 2 3 4 5 6 7	NOMENCLATURE	EFFECT FROM TO	UNITS PER ASSY
2			PANEL ASSY-P34 APU/EXT PWR (EXTERNAL POWER CONTACTOR ONLY)	103106 108120	
- 2	284N1316-147		PANEL ASSY-P34 APU/EXT PWR (EXTERNAL POWER CONTACTOR ONLY) FOR NHA/OTHER SYS DET SEE: 24-00-58-05C	108120	RF
- 5	MODREF31492		PANEL ASSY-P34 APU/EXT PWR (EXTERNAL POWER CONTACTOR ONLY) MODULE NUMBER: 284N1316-207 REV A FOR OTHER SYS DETAILS SEE: 11-36-09-08 24-22-03-04 24-23-01-03 24-51-01-03 24-51-03-02 24-51-04-03 24-51-54-04 24-53-73-02 24-54-01-02 31-01-34-03 33-21-71-02 33-22-71-02 33-24-71-02 33-42-71-03 38-14-71-02	103105	1

MISSING ITEM NUMBERS NOT APPLICABLE

- ITEM NOT ILLUSTRATED

BRI

24-41-01-02

BOEING PROPRIETARY - Copyright © - Unpublished Work - See title page for details.

24-41-01
FIG. 02
PAGE 1
JAN 20/09



757

PARTS CATALOG (MAINTENANCE)

FIG ITEM	PART NUMBER	1 2 3 4 5 6 7	NOMENCLATURE	EFFECT FROM TO	UNITS PER ASSY
2 -	5 MODREF34794		PANEL ASSY-P34 APU/EXT PWR (EXTERNAL POWER CONTACTOR ONLY) MODULE NUMBER: 284N1316-207 REV B FOR OTHER SYS DETAILS SEE: 11-36-09-08 24-22-03-04 24-23-01-03 24-51-01-03 24-51-03-02 24-51-04-03 24-51-54-04 24-53-73-02 24-54-01-02 31-01-34-03 33-21-71-02 33-22-71-02 33-24-71-02 33-42-71-03 38-14-71-02	106106	1
	7 BAC27NEX0274		.DECAL- PLACARD CONTENT: HOT BUS WARN LIGHTS	103106 108120	1
	8 BAC27NEX0275		.DECAL- PLACARD CONTENT: TIE BUS	103106 108120	1
	9 BAC27NEX0276		.DECAL- PLACARD CONTENT: APU GEN	103106 108120	1
	10 BAC27NEX0277		.DECAL- PLACARD CONTENT: EXT PWR	103106 108120	1
	11 BAC27NEX0770		.DECAL	103106 108120	1
	12 BAC27TEX2117		.DECAL- PLACARD CONTENT: SPARE FUSE 1 AMP	103106 108120	1
	13 33-32683-6P1		.LIGHT- SUPPLIER CODE: V79692 ELECTRICAL EQUIP NUMBER: L00009 L00010 L00015	103106 108120	3

MISSING ITEM NUMBERS NOT APPLICABLE

- ITEM NOT ILLUSTRATED

24-41-01-02

24-41-01
FIG. 02
PAGE 2
JAN 20/09

BRI



757

PARTS CATALOG (MAINTENANCE)

FIG ITEM	PART NUMBER	1 2 3 4 5 6 7	NOMENCLATURE	EFFECT FROM TO	UNITS PER ASSY
2					
15	322001	.	FUSE- SUPPLIER CODE: V75915 ELECTRICAL EQUIP NUMBER: B00129 B00130	103106 108120	3
20	FHN20G	.	FUSEHOLDER- SUPPLIER CODE: V75915 ELECTRICAL EQUIP NUMBER: B00129 B00130	103106 108120	2
25	FHN20G	.	FUSEHOLDER- SUPPLIER CODE: V75915	103106 108120	1
40	B429-1	.	CONTACTOR ASSY-3PST NO. DOUBLE BREAK SUPPLIER CODE: V74063 SPECIFICATION NUMBER: S281T004-2 ELECTRICAL EQUIP NUMBER: K00114 COMPONENT MAINT MANUAL REF: 24-09-22 OPTIONAL PART: B429 V74063	103106 108120	1
40	B429	.	CONTACTOR ASSY-3PST NO. DOUBLE BREAK SUPPLIER CODE: V74063 SPECIFICATION NUMBER: S281T004-2 ELECTRICAL EQUIP NUMBER: K00114 COMPONENT MAINT MANUAL REF: 24-09-14 OPTIONAL PART: B429-1 V74063	103106 108120	1
- 45	NAS1801-3-8	.	ATTACHING PARTS SCREW	108120	4
- 45	BACS12HN3-8	.	SCREW	103106	4
			-----*-----		
50	35935-001	..	PLATE-WIRING DIAGRAM SUPPLIER CODE: V74063	103106 108120	1

MISSING ITEM NUMBERS NOT APPLICABLE

- ITEM NOT ILLUSTRATED

24-41-01-02

24-41-01
FIG. 02
PAGE 3
JAN 20/09

BRI



757

PARTS CATALOG (MAINTENANCE)

FIG ITEM	PART NUMBER	1 2 3 4 5 6 7	NOMENCLATURE	EFFECT FROM TO	UNITS PER ASSY
2					
55	36006-010		..COVER ASSY-TERMINAL SUPPLIER CODE: V74063	103106 108120	2
60	51204-391		...SCREW-BINDING HEAD SUPPLIER CODE: V74063	103106 108120	2
65	51804-021		...WASHER-LOCK SUPPLIER CODE: V74063	103106 108120	2
70	51701-291		...WASHER-FLAT SUPPLIER CODE: VK5294	103106 108120	2
75	20584-002		...WASHER-CAPTIVE NYLOCK SUPPLIER CODE: V74063	103106 108120	2
80	35744-001		...COVER- SUPPLIER CODE: V74063	103106 108120	1
85	50407-370		..NUT-HEX SUPPLIER CODE: V74063	103106 108120	6
90	51807-230		..WASHER-LOCK SUPPLIER CODE: V74063	103106 108120	6
95	51704-010		..WASHER-FLAT SUPPLIER CODE: V74063	103106 108120	6
- 300	286N1128-318		WIRE BUNDLE ASSY	108120	RF
- 301	286N1128-701		WIRE BUNDLE ASSY	103106	RF
310	BACC45FT20D41S7		.CONNECTOR- ELECTRICAL EQUIP NUMBER: D01734 WIRING DIAGRAM REF: 244111	103106 108120	1

MISSING ITEM NUMBERS NOT APPLICABLE

- ITEM NOT ILLUSTRATED

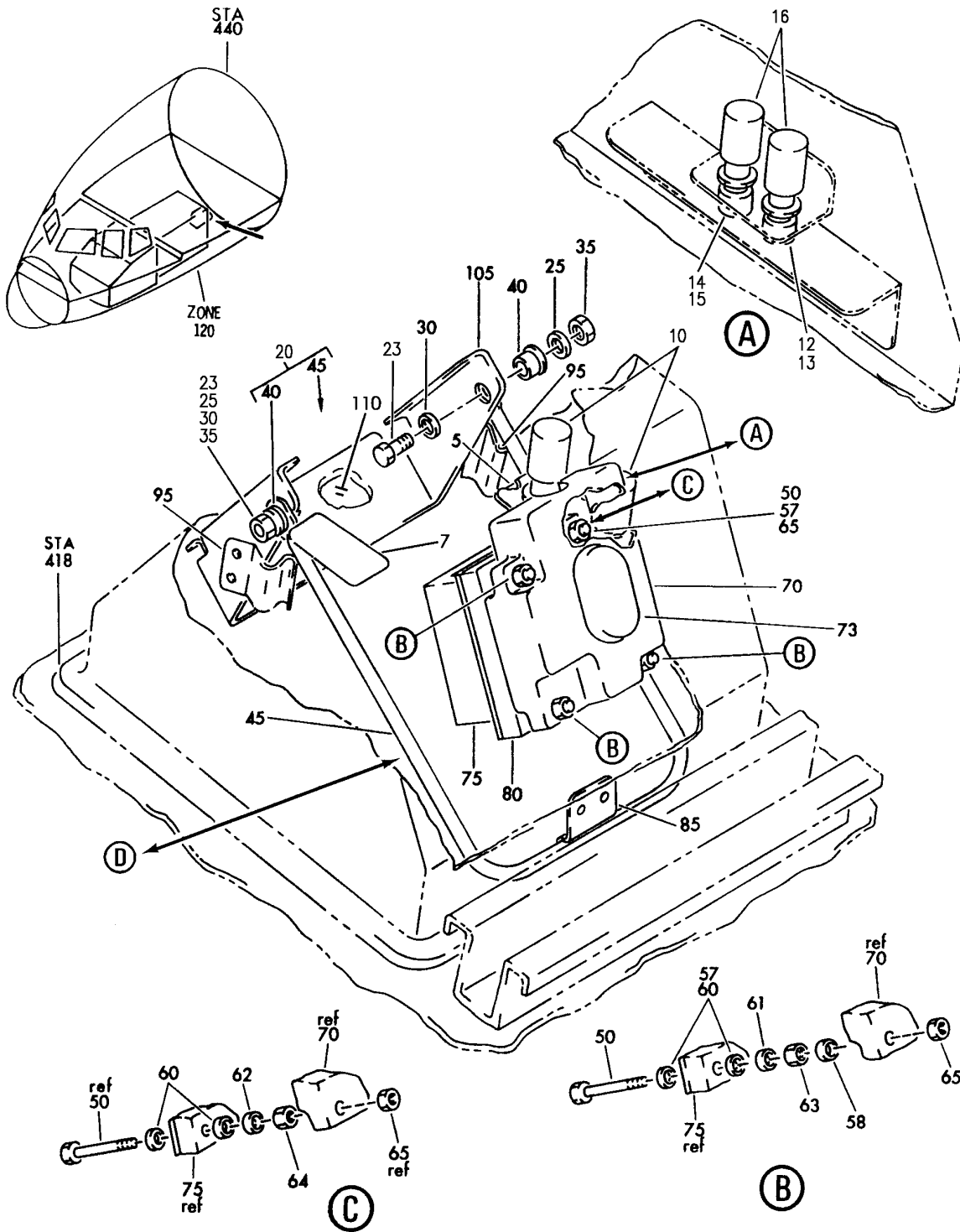
24-41-01-02

24-41-01
FIG. 02
PAGE 4
JAN 20/09

BRI

BOEING PROPRIETARY - Copyright © - Unpublished Work - See title page for details.

BOEING
757
PARTS CATALOG (MAINTENANCE)



Y 24-410205 SHT 1 REV 295

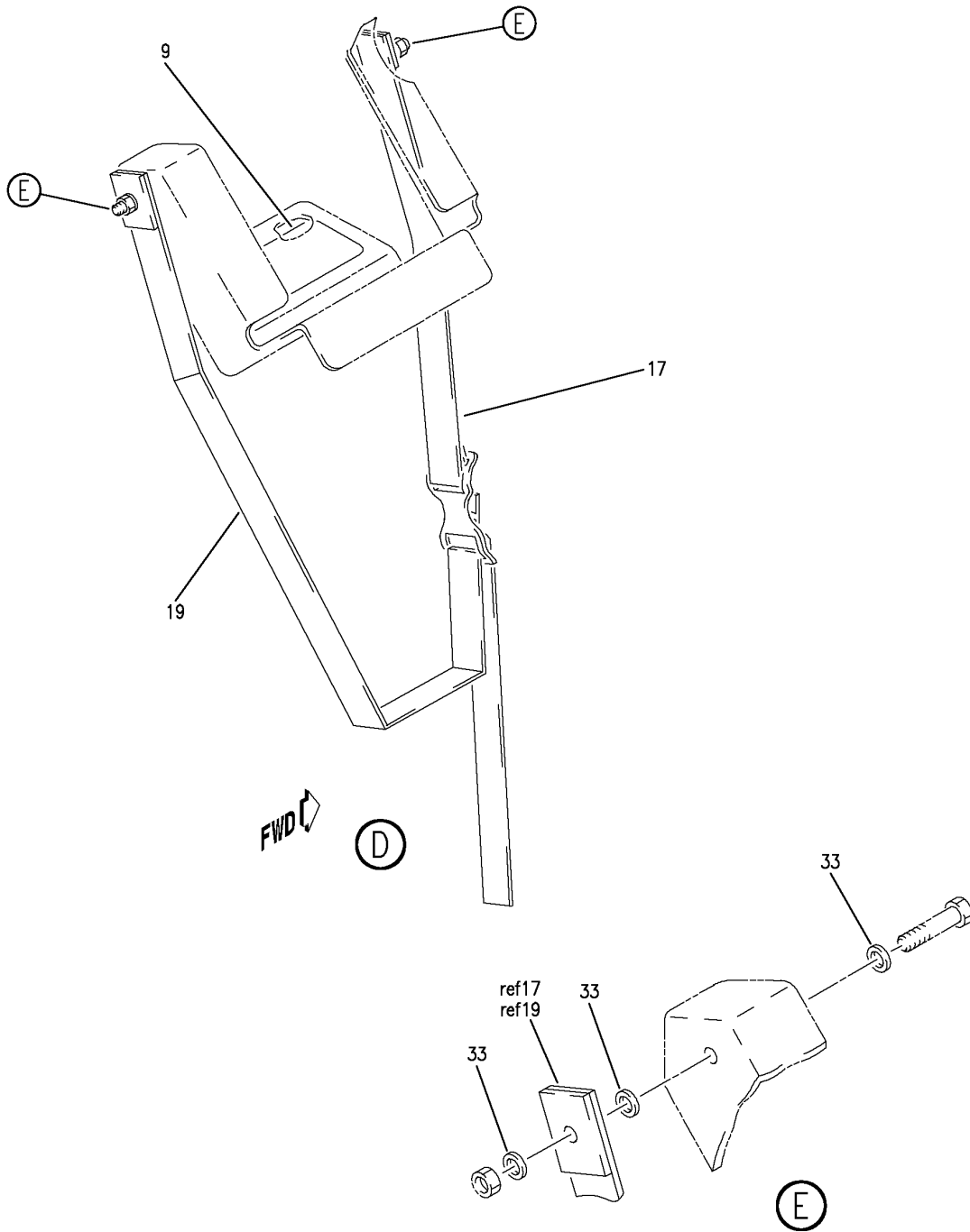
RECEPTACLE INSTL-EXT PWR
FIGURE 5 (SHEET 1)

24-41-02-05

BRI
MAY 28/07

24-41-02-05
PAGE 0

BOEING
757
PARTS CATALOG (MAINTENANCE)



Y 24410205 SH1 2 REV 331

RECEPTACLE INSTL-EXT PWR
FIGURE 5 (SHEET 2)

24-41-02-05

BRI
JAN 20/09

24-41-02-05
PAGE 0A



757

PARTS CATALOG (MAINTENANCE)

FIG ITEM	PART NUMBER	1 2 3 4 5 6 7	NOMENCLATURE	EFFECT FROM TO	UNITS PER ASSY
5			RECEPTACLE INSTL-EXT PWR	002004 006999	
- 1	284N1412-3		RECEPTACLE INSTL-EXT PWR FOR NHA SEE: 24-00-58-01A	107107	RF
- 1	284N1412-4		RECEPTACLE INSTL-EXT PWR FOR NHA SEE: 24-00-58-01A	002004 006100 121503 904999	RF
- 1	284N1412-6		RECEPTACLE INSTL-EXT PWR FOR NHA SEE: 24-00-58-05	101102 108120 504903	RF
- 1	MODREF10224		RECEPTACLE INSTL-EXT PWR MODULE NUMBER: 284N1412-6 REV A	103106	1
5	BAC27NEL0006		.MARKER-ALUMINUM FOIL- PLACARD CONTENT: D01718J EXT PWR	002004 006999	1
7	BAC27NEL0853		.MARKER-ALUMINUM FOIL- PLACARD CONTENT: P00030-EXTERNAL POWER RECEPTACLE PANEL	002004 006999	1
9	BAC27NEX2978		.MARKER-ALUMINUM FOIL PLACARD CONTENT: SUPPORT STRAP ASSEMBLY STOWAGE INSTRUCTION	101106 108120 504903	1
12	13-32480-5		.LIGHT ASSY-IND SUPPLIER CODE: V79692 ELECTRICAL EQUIP NUMBER: L00005	002004 006106 108999	1
12	13-32480-17		.LIGHT ASSY-IND SUPPLIER CODE: V79692 ELECTRICAL EQUIP NUMBER: L00005	002004 006106 108999	1
12	5-86557-203		.LIGHT ASSY-IND SUPPLIER CODE: V79692 ELECTRICAL EQUIP NUMBER: L00004	002004 006106 108999	1
14	5-86557-203		.LIGHT ASSY-IND SUPPLIER CODE: V79692 ELECTRICAL EQUIP NUMBER: L00004	002004 006106 108999	1

MISSING ITEM NUMBERS NOT APPLICABLE

- ITEM NOT ILLUSTRATED

BRI

24-41-02-05

24-41-02
FIG. 05
PAGE 1
JAN 20/09



757

PARTS CATALOG (MAINTENANCE)

FIG ITEM	PART NUMBER	1 2 3 4 5 6 7	NOMENCLATURE	EFFECT FROM TO	UNITS PER ASSY
5					
14	13-32480-5		.LIGHT ASSY-IND SUPPLIER CODE: V79692 ELECTRICAL EQUIP NUMBER: L00004	002004 006106 108999	1
14	13-32480-17		.LIGHT ASSY-IND SUPPLIER CODE: V79692 ELECTRICAL EQUIP NUMBER: L00004	002004 006106 108999	1
16	MS25231-1873		.LAMP	002004 006999	2
17	BACS38A145A8N		.STRAP ASSY-	101106 108120 504903	1
19	BACS38A164A22N		.STRAP ASSY- OPTIONAL PART: BACS38A304A22N	101106 108120 504903	1
19	BACS38A304A22N		.STRAP ASSY- OPTIONAL PART: BACS38A164A22N	101106 108120 504903	1
20	284N1487-8401		.LOOP ASSY-SPRT	002004 006100 107107 121503 904999	1
			ATTACHING PARTS		
23	NAS6603-6		.BOLT	002004 006100 107107 121503 904999	2
23	NAS6603-5		.BOLT	101106 108120 504903	2
25	AN960C10L		.WASHER	002004 006100 107107 121503 904999	2
30	AN960C10		.WASHER	002004 006100 107107 121503 904999	2
33	NAS1149D0332J		.WASHER	101106 108120 504903	6

MISSING ITEM NUMBERS NOT APPLICABLE

- ITEM NOT ILLUSTRATED

24-41-02-05

24-41-02
FIG. 05
PAGE 2
JAN 20/09

BRI

BOEING PROPRIETARY - Copyright © - Unpublished Work - See title page for details.



757

PARTS CATALOG (MAINTENANCE)

FIG ITEM	PART NUMBER	1 2 3 4 5 6 7	NOMENCLATURE	EFFECT FROM TO	UNITS PER ASSY
5	35 BRH10A3	.NUT-	SUPPLIER CODE: V52828 SPECIFICATION NUMBER: BACN10JC3 OPTIONAL PART: H10-3BAC V15653 NS202101-02 V80539 RMLH9075-3W V72962 VN303A02 V92215 96-02 V80539 T6S1032J V11815	002004 006100 107107 121503 904999	2
	35 MS21042L3	.NUT-		002004 006100 107107 121503 904999	2
	35 PLH53CD	.NUT	SUPPLIER CODE: VF0224 SPECIFICATION NUMBER: BACN10YR3CD OPTIONAL PART: H52732-3CD V15653	101106 108120 504903	2
	40 BACB28B3-233	..BUSHING	-----*-----	002004 006100 107107 121503 904999	2
	45 284N1487-8403	..LOOP-		002004 006100 107107 121503 904999	1
	50 NAS1801-3-26	.SCREW-		107107	4
	50 NAS1801-3-27	.SCREW-		002004 006100 121503 904999	4

MISSING ITEM NUMBERS NOT APPLICABLE

- ITEM NOT ILLUSTRATED

24-41-02-05

24-41-02
FIG. 05
PAGE 3
JAN 20/09

BRI



757

PARTS CATALOG (MAINTENANCE)

FIG ITEM	PART NUMBER	1 2 3 4 5 6 7	NOMENCLATURE	EFFECT FROM TO	UNITS PER ASSY
5					
50	NAS1801-3-29	.	SCREW-	101106 108120 504903	4
60	AN960-10L	.	WASHER	002004 006100 107107 121503 904999	8
60	NAS1149F0332P	.	WASHER	101106 108120 504903	8
61	MS35338-43	.	WASHER	002004 006999	3
62	MS35338-43	.	WASHER	002004 006999	1
63	MS35650-302	.	NUT	002004 006999	3
64	MS35650-302	.	NUT	002004 006999	1
65	BRH10A3	.	NUT-	107107	4
			SUPPLIER CODE: V52828 SPECIFICATION NUMBER: BACN10JC3 OPTIONAL PART: H10-3BAC V15653 NS202101-02 V80539 RMLH9075-3W V72962 VN303A02 V92215 96-02 V80539 T6S1032J V11815		
65	MS21042L3	.	NUT-	002004 006100 121503 904999	4
65	PLH53CD	.	NUT-	101106 108120 504903	4
			SUPPLIER CODE: VF0224 SPECIFICATION NUMBER: BACN10YR3CD OPTIONAL PART: H52732-3CD V15653		

MISSING ITEM NUMBERS NOT APPLICABLE

- ITEM NOT ILLUSTRATED

24-41-02-05

24-41-02
FIG. 05
PAGE 4
JAN 20/09

BRI



757

PARTS CATALOG (MAINTENANCE)

FIG ITEM	PART NUMBER	1 2 3 4 5 6 7	NOMENCLATURE	EFFECT FROM TO	UNITS PER ASSY
5					
73	MS3505-1	.	COVER-	002004 006999	1
75	MS17845-1	.	SHIELD-	002004 006999	1
			OPTIONAL PART: MAM70-0186 V08073		
75	MAM70-0186	.	GUIDE-RCPT	002004 006999	1
			SUPPLIER CODE: V08073 OPTIONAL PART: MS17845-1		
80	MS90362-3	.	CONNECTOR-	002004 006999	1
			ELECTRICAL EQUIP NUMBER: D01718		
85	284N1487-5	.	CLIP-RTNR	002004 006100 107107 121503 904999	1
			ATTACHING PARTS		
- 90	BACR15CE5D	.	RIVET-	002004 006100 107107 121503 904999	2
			SIZE DETERMINED ON INSTL.		
			-----*-----		
95	284N1487-4	.	CLIP-RTNR	002004 006100 107107 121503 904999	2
			ATTACHING PARTS		
- 100	BACR15FT5D	.	RIVET-	002004 006100 107107 121503 904999	4
			SIZE DETERMINED ON INSTL.		
			-----*-----		
105	284N1487-7	.	SUPPORT-	002004 006100 107107 121503 904999	1
			SUPPORT	101106 108120 504903	1

MISSING ITEM NUMBERS NOT APPLICABLE

- ITEM NOT ILLUSTRATED

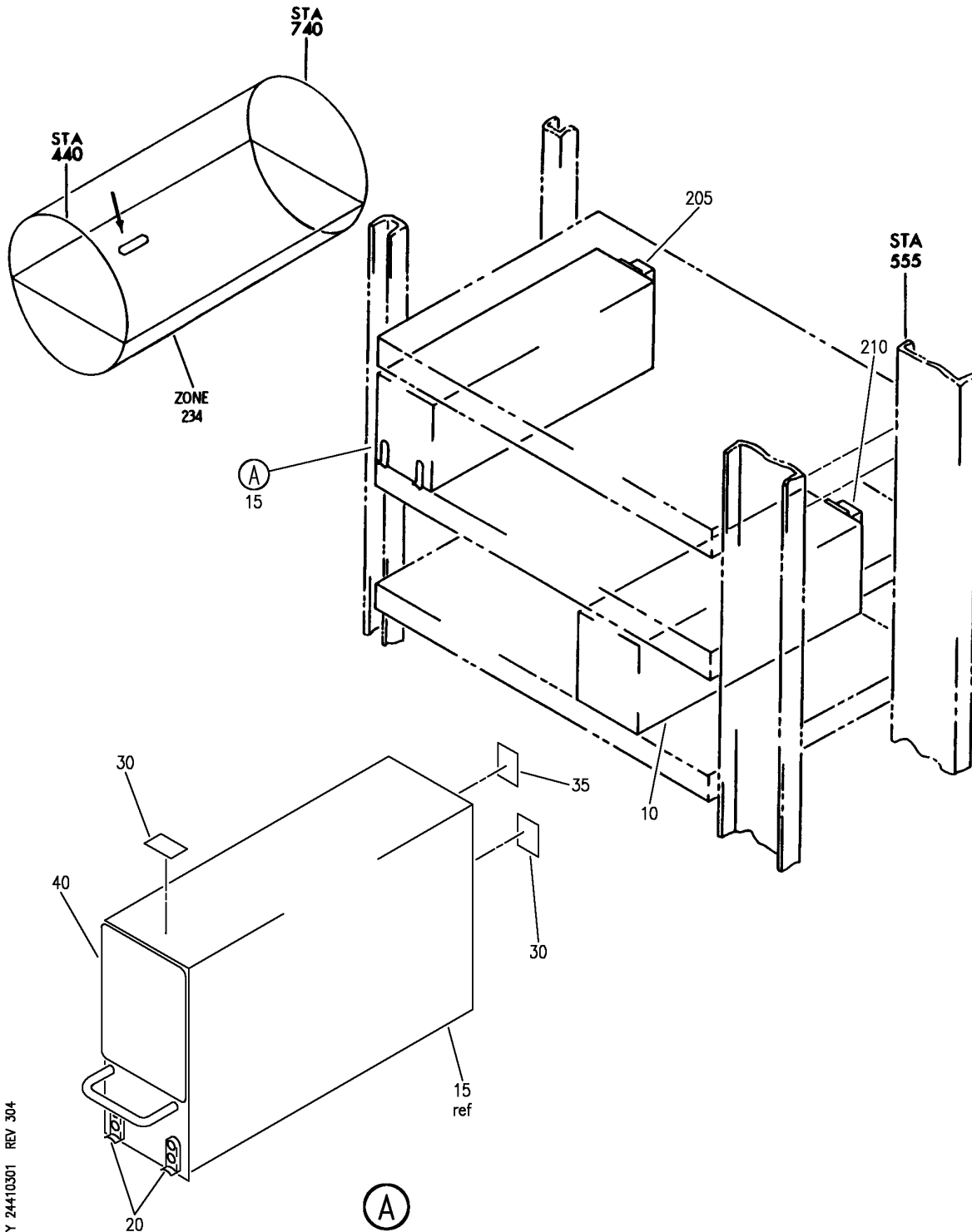
24-41-02-05

24-41-02
FIG. 05
PAGE 5
JAN 20/09

BRI

BOEING PROPRIETARY - Copyright © - Unpublished Work - See title page for details.

BOEING
757
PARTS CATALOG (MAINTENANCE)



Y 24-410301 REV 304

EQUIPMENT INSTL-MAIN ELECTRONICS EQPT CTR (EXTERNAL POWER ONLY)
FIGURE 1

24-41-03-01

BRI
MAY 28/07

24-41-03-01
PAGE 0



757

PARTS CATALOG (MAINTENANCE)

FIG ITEM	PART NUMBER	1 2 3 4 5 6 7	NOMENCLATURE	EFFECT FROM TO	UNITS PER ASSY
1			EQUIPMENT INSTL-MAIN ELECTRONICS EQPT CTR (EXTERNAL POWER ONLY)	002004 006100 107107 121999	
- 2	284N1307-33		EQUIPMENT INSTL-MAIN ELECTRONICS EQPT CTR (EXTERNAL POWER ONLY) FOR NHA/OTHER SYS DET SEE: 24-00-58-01	107107	RF
- 2	284N1800-32		EQUIPMENT INSTL-MAIN ELECTRONICS EQPT CTR (EXTERNAL POWER ONLY) FOR NHA/OTHER SYS DET SEE: 24-00-58-01	952999	RF
- 4	284N1800-16		EQUIPMENT INSTL-MAIN ELECTRONICS EQPT CTR (EXTERNAL POWER ONLY) FOR NHA/OTHER SYS DET SEE: 24-00-58-01	121503 904949	RF
- 5	284N1800-34		EQUIPMENT INSTL-MAIN ELECTRONICS EQPT CTR (EXTERNAL POWER ONLY) FOR NHA/OTHER SYS DET SEE: 24-00-58-01	002004 006100	RF
- 5	284N1800-38		EQUIPMENT INSTL-MAIN ELECTRONICS EQPT CTR (EXTERNAL POWER ONLY)	950951	RF
- 7	284N1800-88		EQUIPMENT INSTL-MAIN ELECTRONICS EQPT CTR (EXTERNAL POWER ONLY) FOR NHA/OTHER SYS DET SEE: 24-00-58-05E	505505	RF
- 7	284N1800-190		EQUIPMENT INSTL-MAIN ELECTRONICS EQPT CTR (EXTERNAL POWER ONLY) FOR NHA/OTHER SYS DET SEE: 24-00-58-05E	504504 506903	RF

MISSING ITEM NUMBERS NOT APPLICABLE

- ITEM NOT ILLUSTRATED

24-41-03-01

24-41-03
FIG. 01
PAGE 1
JAN 20/09

BRI



757

PARTS CATALOG (MAINTENANCE)

FIG ITEM	PART NUMBER	1 2 3 4 5 6 7	NOMENCLATURE	EFFECT FROM TO	UNITS PER ASSY
1 10	734285C		.CONTROL UNIT ASSY-BUS PWR SUPPLIER CODE: V99167 SPECIFICATION NUMBER: S281T001-23 ELECTRICAL EQUIP NUMBER: M00116 COMPONENT MAINT MANUAL REF: 24-41-01 OPTIONAL PART: 734285E V99167 PRE SERVICE BULLETIN: 734285-24-10 V55820 734284-24-11R1 V55820	002004 006100 121999	1
10	734285		.CONTROL UNIT ASSY-BUS PWR SUPPLIER CODE: V99167 SPECIFICATION NUMBER: S281T001-15 ELECTRICAL EQUIP NUMBER: M00116 COMPONENT MAINT MANUAL REF: 24-41-01	002004 006100 121999	1
10	734285D		.CONTROL UNIT ASSY-BUS PWR SUPPLIER CODE: V99167 SPECIFICATION NUMBER: S281T001-41 ELECTRICAL EQUIP NUMBER: M00116 COMPONENT MAINT MANUAL REF: 24-41-01 OPTIONAL PART: 734285E V99167 POST SERVICE BULLETIN: 24-0077 POST SERVICE LETTER: 24-48	002004 006100 121999	1

MISSING ITEM NUMBERS NOT APPLICABLE

- ITEM NOT ILLUSTRATED

BRI

24-41-03-01

24-41-03
FIG. 01
PAGE 2
JAN 20/09



757

PARTS CATALOG (MAINTENANCE)

FIG ITEM	PART NUMBER	1 2 3 4 5 6 7	NOMENCLATURE	EFFECT FROM TO	UNITS PER ASSY
1 10	734285E		.CONTROL UNIT ASSY-BUS PWR SUPPLIER CODE: V99167 SPECIFICATION NUMBER: S281T001-41 ELECTRICAL EQUIP NUMBER: M00116 COMPONENT MAINT MANUAL REF: 24-41-01 OPTIONAL PART: 734285D V99167 OPTIONAL PART: 734285C V99167 POST SERVICE BULLETIN: 24-0077 POST SERVICE BULLETIN: 734285-24-10 V55820 734285-24-11R1 V99167 POST SERVICE LETTER: 24-48	002004 006100 121999	1
10	734285		.CONTROL UNIT ASSY-BUS PWR SUPPLIER CODE: V99167 SPECIFICATION NUMBER: S281T001-15 ELECTRICAL EQUIP NUMBER: M00116 COMPONENT MAINT MANUAL REF: 24-41-01	107107	1
10	734285C		.CONTROL UNIT ASSY-BUS PWR SUPPLIER CODE: V99167 SPECIFICATION NUMBER: S281T001-23 ELECTRICAL EQUIP NUMBER: M00116 COMPONENT MAINT MANUAL REF: 24-41-01	107107	1

MISSING ITEM NUMBERS NOT APPLICABLE

- ITEM NOT ILLUSTRATED

24-41-03-01

24-41-03
FIG. 01
PAGE 3
JAN 20/09

BRI

 **BOEING**
757
PARTS CATALOG (MAINTENANCE)

FIG ITEM	PART NUMBER	1 2 3 4 5 6 7	NOMENCLATURE	EFFECT FROM TO	UNITS PER ASSY
1					
10	734285D		.CONTROL UNIT ASSY-BUS PWR SUPPLIER CODE: V99167 SPECIFICATION NUMBER: S281T001-41 ELECTRICAL EQUIP NUMBER: M00116 COMPONENT MAINT MANUAL REF: 24-41-01 OPTIONAL PART: 734285E V99167	107107	1
10	734285E		.CONTROL UNIT ASSY-BUS PWR SUPPLIER CODE: V99167 SPECIFICATION NUMBER: S281T001-41 ELECTRICAL EQUIP NUMBER: M00116 COMPONENT MAINT MANUAL REF: 24-41-01 OPTIONAL PART: 734285D V99167	107107	1
20	NAS622CT2		..HOOK	002004 006100 107107 121999	2
- 25	MS24693C27		ATTACHING PARTS ..SCREW	002004 006100 107107 121999	4
30	733972		-----*----- ..LABEL- SUPPLIER CODE: V99167	002004 006100 107107 121999	2
35	737384		..LABEL- SUPPLIER CODE: V99167	002004 006100 107107 121999	1
40	1703672-1		..PLATE-IDENT SUPPLIER CODE: V99167	002004 006100 107107 121999	1
- 200	286N1286-001		WIRE BUNDLE ASSY-	121503 904949	RF

MISSING ITEM NUMBERS NOT APPLICABLE

- ITEM NOT ILLUSTRATED

BRI

24-41-03-01

BOEING PROPRIETARY - Copyright © - Unpublished Work - See title page for details.

24-41-03
FIG. 01
PAGE 4
JAN 20/09



757

PARTS CATALOG (MAINTENANCE)

FIG ITEM	PART NUMBER	1 2 3 4 5 6 7	NOMENCLATURE	EFFECT FROM TO	UNITS PER ASSY
1					
- 200	286N1286-002		WIRE BUNDLE ASSY- REWORKED BY SB: 34-0200	002004 006100 107107 950999	RF
- 202	286N1286-333		WIRE BUNDLE ASSY-	504903	RF
210	BKA11C9901		.CONNECTOR- SUPPLIER CODE: V71468 SPECIFICATION NUMBER: BACC66F11C9901 OPTIONAL PART: S611C9901 V59610 NIC66F11C9901 V00779 ELECTRICAL EQUIP NUMBER: D00550 WIRING DIAGRAM REF: 242222	002004 006100 107107 121999	1

MISSING ITEM NUMBERS NOT APPLICABLE

- ITEM NOT ILLUSTRATED

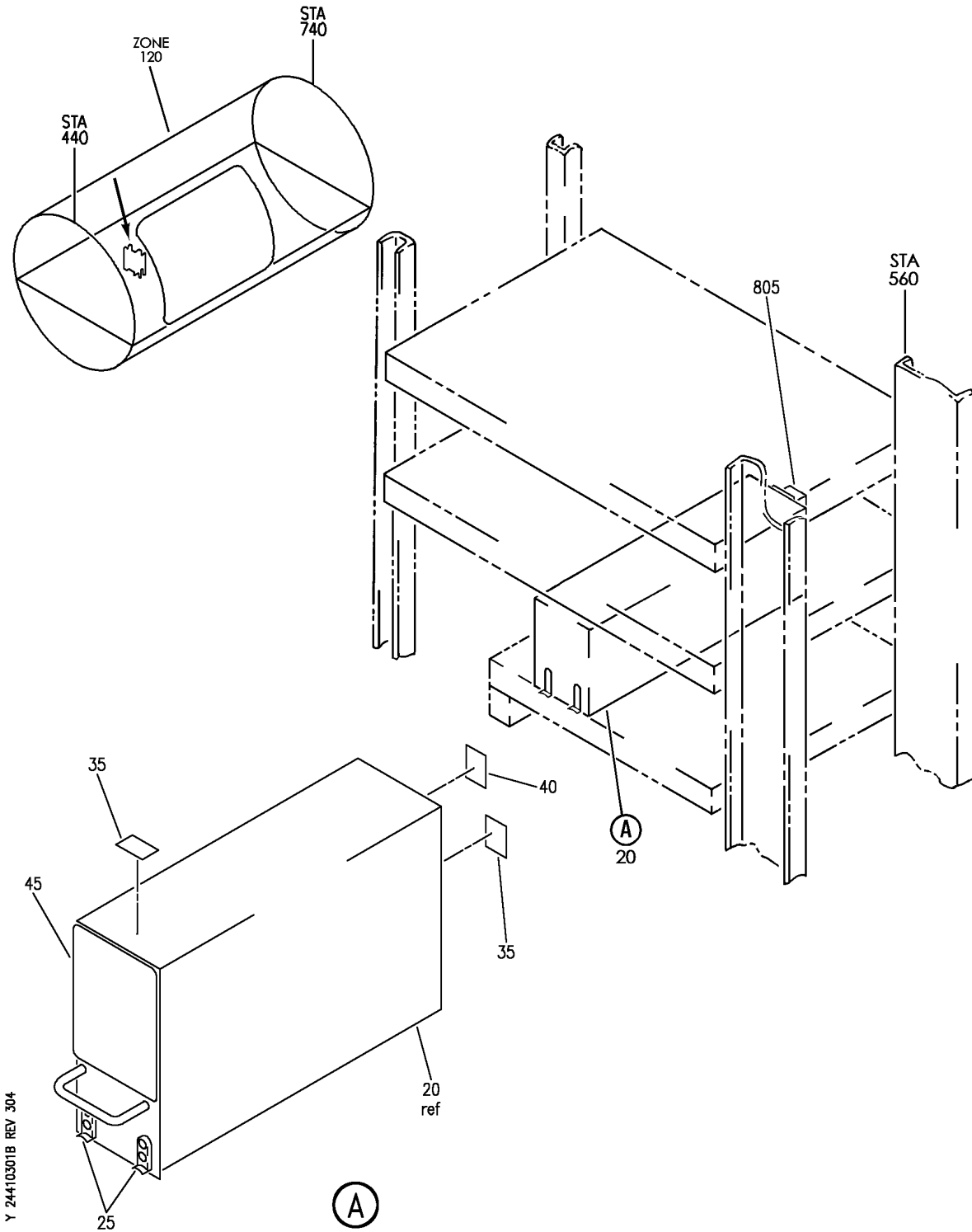
BRI

24-41-03-01

BOEING PROPRIETARY - Copyright © - Unpublished Work - See title page for details.

24-41-03
FIG. 01
PAGE 5
JAN 20/09

BOEING
757
PARTS CATALOG (MAINTENANCE)



Y 24-410301B REV 304

EQUIPMENT INSTL-MAIN ELECTRONICS EQPT CTR (EXTERNAL POWER ONLY)
FIGURE 1B

BRI
MAY 28/07

24-41-03-01B

24-41-03-01B
PAGE 0



757

PARTS CATALOG (MAINTENANCE)

FIG ITEM	PART NUMBER	1 2 3 4 5 6 7	NOMENCLATURE	EFFECT FROM TO	UNITS PER ASSY
1B			EQUIPMENT INSTL-MAIN ELECTRONICS EQPT CTR (EXTERNAL POWER ONLY)	101102	
- 2	284N1800-140		EQUIPMENT INSTL-MAIN ELECTRONICS EQPT CTR (EXTERNAL POWER ONLY)	101101	RF
- 2	284N1800-141		FOR NHA/OTHER SYS DET SEE: 24-00-58-05E		
			EQUIPMENT INSTL-MAIN ELECTRONICS EQPT CTR (EXTERNAL POWER ONLY)	102102	RF
			FOR NHA/OTHER SYS DET SEE: 24-00-58-05E		
20	734285D		.CONTROL UNIT ASSY-BUS PWR SUPPLIER CODE: V99167 SPECIFICATION NUMBER: S281T001-41 ELECTRICAL EQUIP NUMBER: M00116 COMPONENT MAINT MANUAL REF: 24-41-01 OPTIONAL PART: 734285E V99167	101102	1
20	734285E		.CONTROL UNIT ASSY-BUS PWR SUPPLIER CODE: V99167 SPECIFICATION NUMBER: S281T001-41 ELECTRICAL EQUIP NUMBER: M00116 COMPONENT MAINT MANUAL REF: 24-41-01 OPTIONAL PART: 734285D V99167	101102	1
20	734285C		.CONTROL UNIT ASSY-BUS PWR SUPPLIER CODE: V99167 SPECIFICATION NUMBER: S281T001-23 ELECTRICAL EQUIP NUMBER: M00116 COMPONENT MAINT MANUAL REF: 24-41-01	101102	1

MISSING ITEM NUMBERS NOT APPLICABLE

- ITEM NOT ILLUSTRATED

24-41-03-01B

24-41-03
FIG. 01B
PAGE 1
JAN 20/09

BRI



757

PARTS CATALOG (MAINTENANCE)

FIG ITEM	PART NUMBER	1 2 3 4 5 6 7	NOMENCLATURE	EFFECT FROM TO	UNITS PER ASSY
1B 20	734285		.CONTROL UNIT ASSY-BUS PWR SUPPLIER CODE: V99167 SPECIFICATION NUMBER: S281T001-15 ELECTRICAL EQUIP NUMBER: M00116 COMPONENT MAINT MANUAL REF: 24-41-01	101102	1
25	NAS622CT2		..HOOK ATTACHING PARTS	101102	2
- 30	MS24693C27		..SCREW -----*-----	101102	4
35	733972		..LABEL- SUPPLIER CODE: V99167	101102	2
40	737384		..LABEL- SUPPLIER CODE: V99167	101102	1
45	1703672-1		..PLATE-IDENT SUPPLIER CODE: V99167	101102	1
- 50	733971		..LABEL- ELECTROSTATIC SENSITIVE DEVICE SUPPLIER CODE: V99167	101102	1
- 55	737873		..LABEL- SENSITIVE ELECTRONIC DEVICE SUPPLIER CODE: V99167	101102	1
- 801 805	286N1286-335 BKA11C9901		WIRE BUNDLE ASSY .CONNECTOR- SUPPLIER CODE: V71468 SPECIFICATION NUMBER: BACC66F11C9901 OPTIONAL PART: S611C9901 V59610 NIC66F11C9901 V00779 ELECTRICAL EQUIP NUMBER: D00550 WIRING DIAGRAM REF: 242222	101102 101102	RF 1

MISSING ITEM NUMBERS NOT APPLICABLE

- ITEM NOT ILLUSTRATED

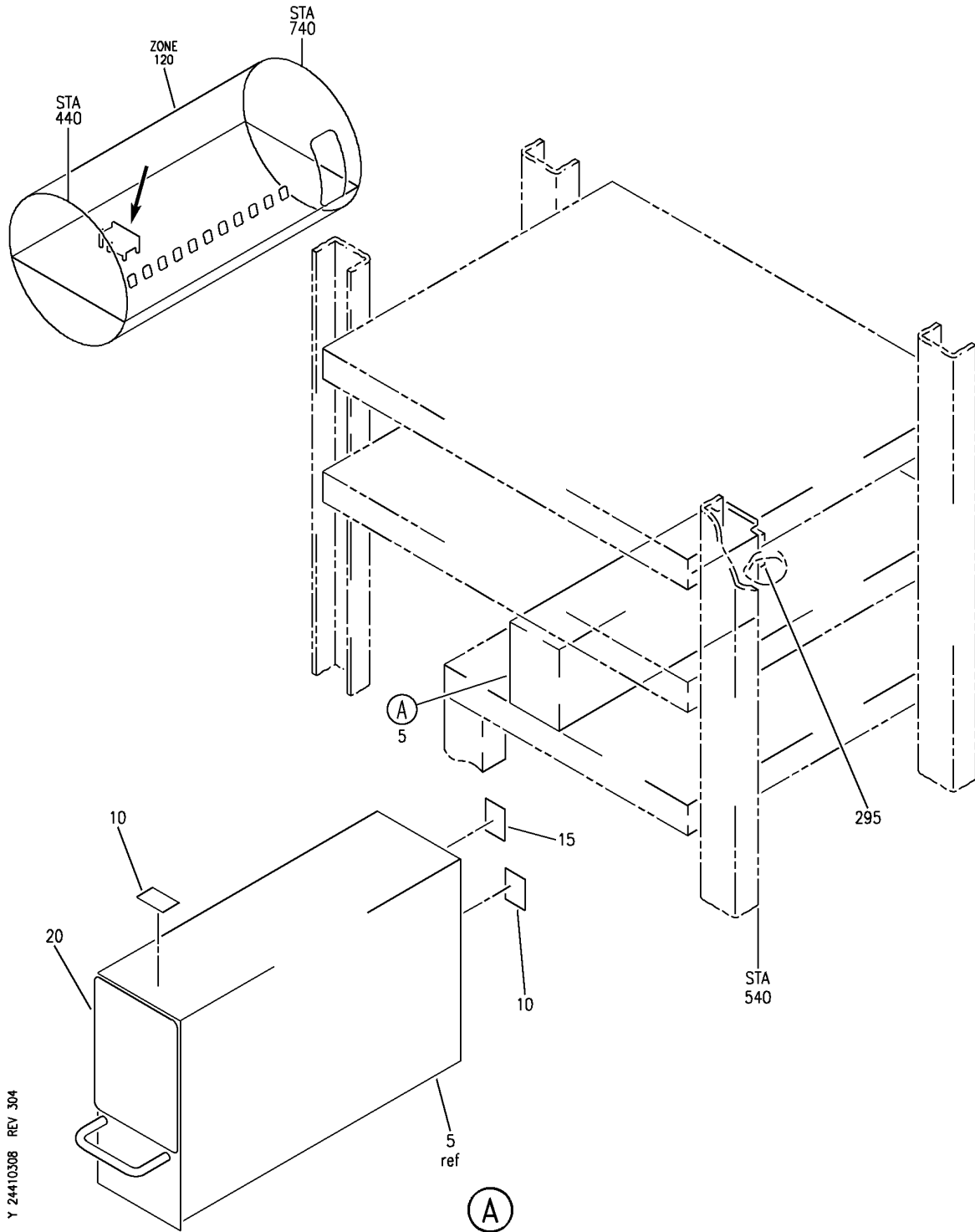
24-41-03-01B

24-41-03
FIG. 01B
PAGE 2
JAN 20/09

BRI

BOEING PROPRIETARY - Copyright © - Unpublished Work - See title page for details.

BOEING
757
PARTS CATALOG (MAINTENANCE)



Y 24410308 REV 304

EQUIPMENT INSTL-MAIN ELECTRONICS EQPT CTR BUS PWR CONT
FIGURE 8

24-41-03-08

BRI
JAN 20/09

24-41-03-08
PAGE 0



757

PARTS CATALOG (MAINTENANCE)

FIG ITEM	PART NUMBER	1 2 3 4 5 6 7	NOMENCLATURE	EFFECT FROM TO	UNITS PER ASSY
8			EQUIPMENT INSTL-MAIN ELECTRONICS EQPT CTR BUS PWR CONT	103106 108120	
- 1	284N4000-240002		EQUIPMENT INSTL-MAIN ELECTRONICS EQPT CTR BUS PWR CONT	108120	RF
- 1	MODREF21809		FOR NHA SEE: 24-00-58-05 EQUIPMENT INSTL-MAIN ELECTRONICS EQPT CTR BUS PWR CONT	103106	1
5	734285E		MODULE NUMBER: 284N4000-240002 REV A .CONTROL UNIT ASSY- SUPPLIER CODE: V99167 SPECIFICATION NUMBER: S281T001-41 ELECTRICAL EQUIP NUMBER: M00116 COMPONENT MAINT MANUAL REF: 24-41-01 OPTIONAL PART: 734285D V99167	103106 108120	1
5	734285D		.CONTROL UNIT ASSY- SUPPLIER CODE: V99167 SPECIFICATION NUMBER: S281T001-41 ELECTRICAL EQUIP NUMBER: M00116 COMPONENT MAINT MANUAL REF: 24-41-01 OPTIONAL PART: 734285E V99167	103106 108120	1
5	734285		.CONTROL UNIT ASSY-BUS PWR SUPPLIER CODE: V99167 SPECIFICATION NUMBER: S281T001-15 ELECTRICAL EQUIP NUMBER: M00116 COMPONENT MAINT MANUAL REF: 24-41-01	103106 108120	1

MISSING ITEM NUMBERS NOT APPLICABLE

- ITEM NOT ILLUSTRATED

BRI

24-41-03-08

24-41-03
FIG. 08
PAGE 1
JAN 20/09



757

PARTS CATALOG (MAINTENANCE)

FIG ITEM	PART NUMBER	1 2 3 4 5 6 7	NOMENCLATURE	EFFECT FROM TO	UNITS PER ASSY
8					
5	734285C		.CONTROL UNIT ASSY-BUS PWR SUPPLIER CODE: V99167 SPECIFICATION NUMBER: S281T001-23 ELECTRICAL EQUIP NUMBER: M00116 COMPONENT MAINT MANUAL REF: 24-41-01	103106 108120	1
10	733972		..LABEL- SUPPLIER CODE: V99167	103106 108120	2
15	737384		..LABEL- SUPPLIER CODE: V99167	103106 108120	1
20	1703672-1		..PLATE-IDENT SUPPLIER CODE: V99167	103106 108120	1
- 201	286N1286-337		WIRE BUNDLE ASSY	108120	RF
- 202	286N1286-702		WIRE BUNDLE ASSY	103106	RF
295	BKA11C9901		.CONNECTOR- SUPPLIER CODE: V71468 SPECIFICATION NUMBER: BACC66F11C9901 OPTIONAL PART: S611C9901 V59610 NIC66F11C9901 V00779 ELECTRICAL EQUIP NUMBER: D00550 WIRING DIAGRAM REF: 242222	103106 108120	1

MISSING ITEM NUMBERS NOT APPLICABLE

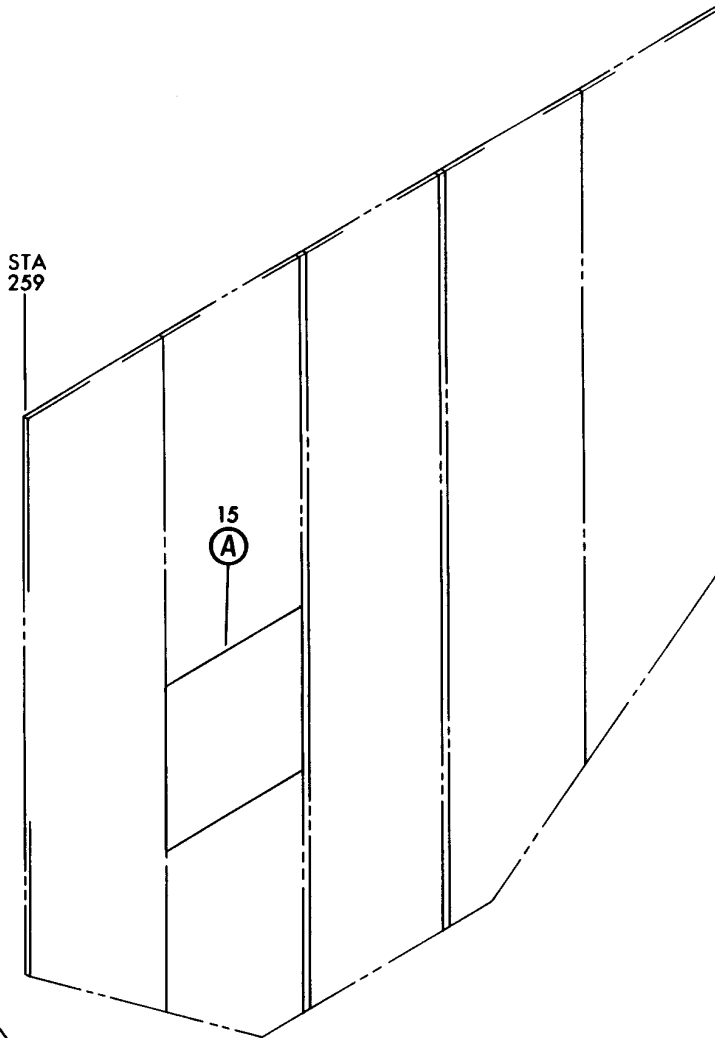
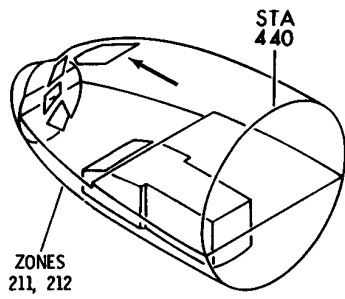
- ITEM NOT ILLUSTRATED

24-41-03-08

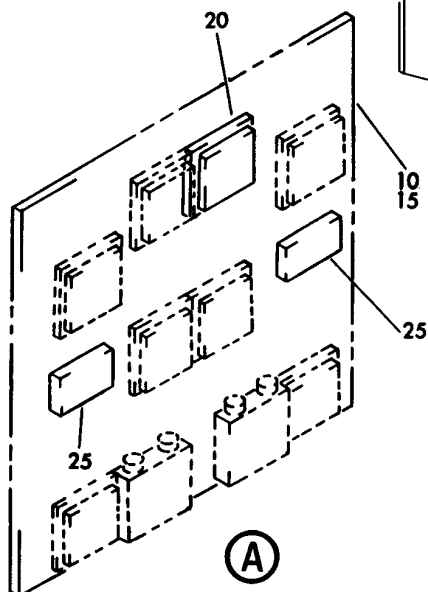
24-41-03
FIG. 08
PAGE 2
JAN 20/09

BRI

BOEING
757
PARTS CATALOG (MAINTENANCE)



Y 24415101 REV 026



PANEL INSTL-P5 OVHD (EXTERNAL POWER ONLY)
FIGURE 1

24-41-51-01

BRI
MAY 28/07

24-41-51-01
PAGE 0



757

PARTS CATALOG (MAINTENANCE)

FIG ITEM	PART NUMBER	1 2 3 4 5 6 7	NOMENCLATURE	EFFECT FROM TO	UNITS PER ASSY
1			PANEL INSTL-P5 OVHD (EXTERNAL POWER ONLY)	002004 006010 107107 121503 904999	
- 5	233N3101-1		PANEL INSTL-P5 OVHD (EXTERNAL POWER ONLY) VARIABLE DRAWING REF: 233N3101-5005 233N3101-5025 233N3101-5041 233N3101-5042 233N3101-5045 FOR NHA/OTHER SYS DET SEE: 25-10-00-05A	002004 006010 107107 121503 904999	RF
15	233N3209-18		.PANEL ASSY-ELECTRICAL SYS SUPPLIER CODE: V89954 ELECTRICAL EQUIP NUMBER: M10063 COMPONENT MAINT MANUAL REF: 24-22-71 QUALIFIED I/W DATA: 233N3209-12 -18 -20 -22 -25 -26 -27 ARE ALL INTERCHANGEABLE EXCEPT SUBJECT TO CUSTOMER PREFERENCE OPTIONAL PART: 233N3209-22 V89954 PRE ALERT SB: 33A0044	107107	RF

MISSING ITEM NUMBERS NOT APPLICABLE

- ITEM NOT ILLUSTRATED

BRI

24-41-51-01

BOEING PROPRIETARY - Copyright © - Unpublished Work - See title page for details.

24-41-51
FIG. 01
PAGE 1
JAN 20/09



757

PARTS CATALOG (MAINTENANCE)

FIG ITEM	PART NUMBER	1 2 3 4 5 6 7	NOMENCLATURE	EFFECT FROM TO	UNITS PER ASSY
1 15	233N3209-22		.PANEL ASSY-ELECTRICAL SYS SUPPLIER CODE: V89954 ELECTRICAL EQUIP NUMBER: M10063 COMPONENT MAINT MANUAL REF: 24-22-71 QUALIFIED I/W DATA: 233N3209-12, -18, -20, -22, -25, -26, -27 ARE ALL INTERCHANGEABLE EXCEPT SUBJECT TO CUSTOMER PREFERENCE 233N3209-12, -18, -20, -22, -25, -26, -27 ARE ALL INTERCHANGEABLE EXCEPT SUBJECT TO CUSTOMER PREFERENCE OPTIONAL PART: 233N3209-18 V89954 PRE ALERT SB: 33A0044	107107	RF
15	233N3209-25		.PANEL ASSY-ELECTRICAL SYS SUPPLIER CODE: V89954 ELECTRICAL EQUIP NUMBER: M10063 COMPONENT MAINT MANUAL REF: 24-22-71 QUALIFIED I/W DATA: 233N3209-12 -18 -20 -22 -25 -26 -27 ARE ALL INTERCHANGEABLE EXCEPT SUBJECT TO CUST PREFERENCE 233N3209-25 I/W -29 EXCEPT SUBJECT TO CUSTOMER PREFERENCE 233N3209-300 PANEL ASSY IS I/W 233N3209-25 PANEL ASSY T/W S233T100-6004 LIGHTPLATE PRE ALERT SB: 33A0044	002004 006010 950999	RF

MISSING ITEM NUMBERS NOT APPLICABLE

- ITEM NOT ILLUSTRATED

BRI

24-41-51-01

BOEING PROPRIETARY - Copyright © - Unpublished Work - See title page for details.

24-41-51
FIG. 01
PAGE 2
JAN 20/09



757

PARTS CATALOG (MAINTENANCE)

FIG ITEM	PART NUMBER	1 2 3 4 5 6 7	NOMENCLATURE	EFFECT FROM TO	UNITS PER ASSY
1	15 233N3209-27		.PANEL ASSY-ELECTRICAL SYS SUPPLIER CODE: V89954 ELECTRICAL EQUIP NUMBER: M10063 COMPONENT MAINT MANUAL REF: 24-22-71 QUALIFIED I/W DATA: 23N3209-12, -18, -20, -22, -25, -26, -27 ARE ALL INTERCHANGEABLE EXCEPT SUBJECT TO CUSTOMER PREFERENCE	121503 904949	RF
	15 233N3209-1025		.PANEL ASSY- SUPPLIER CODE: V89954 ELECTRICAL EQUIP NUMBER: M10063 COMPONENT MAINT MANUAL REF: 24-22-71 POST ALERT SB: 33A0044	002004 006010 950999	RF
	16 233N3209-1018		.PANEL ASSY- SUPPLIER CODE: V89954 ELECTRICAL EQUIP NUMBER: M10063 COMPONENT MAINT MANUAL REF: 24-22-71 POST ALERT SB: 33A0044	107107	RF
	16 233N3209-1022		.PANEL ASSY- SUPPLIER CODE: V89954 ELECTRICAL EQUIP NUMBER: M10063 COMPONENT MAINT MANUAL REF: 24-22-71 POST ALERT SB: 33A0044	107107	RF

MISSING ITEM NUMBERS NOT APPLICABLE

- ITEM NOT ILLUSTRATED

24-41-51-01

24-41-51
FIG. 01
PAGE 3
JAN 20/09

BRI



757

PARTS CATALOG (MAINTENANCE)

FIG ITEM	PART NUMBER	1 2 3 4 5 6 7	NOMENCLATURE	EFFECT FROM TO	UNITS PER ASSY
1 20	BCREF7619		..SWITCH ASSY-LIGHTED PUSH BUTTON IND ON/AVAIL SUPPLIER CODE: V81590 OVERLENGTH PART NUMBER: 433-673-1001-1045 SPECIFICATION NUMBER: S231T290-1045 FOR DETAILS SEE: 33-13-00-17	107107	1
20	BCREFA0520		..SWITCH ASSY-LIGHTED PUSH BUTTON IND SUPPLIER CODE: V81590 OVERLENGTH PART NUMBER: 433-673-1004-4045 SPECIFICATION NUMBER: S231T290-4045 OPTIONAL PART: 851-35100-5045 V96182 S231T290-5045 FOR DETAILS SEE: 33-13-00-47	002004 006010 107107 121503 904999	1
20	851-35100-5045		..SWITCH ASSY-LIGHTED PUSHBUTTON IND SUPPLIER CODE: V96182 OPTIONAL PART: BCREFA0520 V81590 S231T290-5045	002004 006010 950999	1
20	851-30768-2045		..SWITCH ASSY-LIGHTED PUSH BUTTON IND ON/AVAIL SUPPLIER CODE: V96182 SPECIFICATION NUMBER: S231T290-2045 FOR DETAILS SEE: 33-13-00-27	002004 006010 107107 121503 904999	1

MISSING ITEM NUMBERS NOT APPLICABLE

- ITEM NOT ILLUSTRATED

BRI

24-41-51-01

BOEING PROPRIETARY - Copyright © - Unpublished Work - See title page for details.

24-41-51
FIG. 01
PAGE 4
JAN 20/09



757

PARTS CATALOG (MAINTENANCE)

FIG ITEM	PART NUMBER	1 2 3 4 5 6 7	NOMENCLATURE	EFFECT FROM TO	UNITS PER ASSY
1	20 851-30768-3045		..SWITCH ASSY-LIGHTED PUSH BUTTON IND ON/AVAIL SUPPLIER CODE: V96182 SPECIFICATION NUMBER: S231T290-3045 OPTIONAL PART: S231T290-5045 FOR DETAILS SEE: 33-13-00-37	002004 006010 107107 121503 904999	1
	20 S231T290-5045		..SWITCH ASSY-LIGHTED PUSH BUTTON IND OPTIONAL PART: 851-30768-3045 V96182 BCREFA0520 V81590 851-35100-5045 V96182	002004 006010 107107 121503 904999	1
	25 BCREFA0520		..LIGHT ASSY-BUS OFF IND SUPPLIER CODE: V81590 OVERLENGTH PART NUMBER: 434-674-1005-1021 SPECIFICATION NUMBER: S231T300-1021 OPTIONAL PART: BCREF8531 V81590 FOR DETAILS SEE: 33-14-70-02	002004 006010 107107 121503 904999	2
	25 BCREFA0520		..LIGHT ASSY-BUS OFF IND SUPPLIER CODE: V81590 OVERLENGTH PART NUMBER: 434-674-1031-2021 SPECIFICATION NUMBER: S231T300-2021 OPTIONAL PART: BCREF6249 V81590 FOR DETAILS SEE: 33-14-70-02	002004 006010 107107 121503 904999	2

MISSING ITEM NUMBERS NOT APPLICABLE

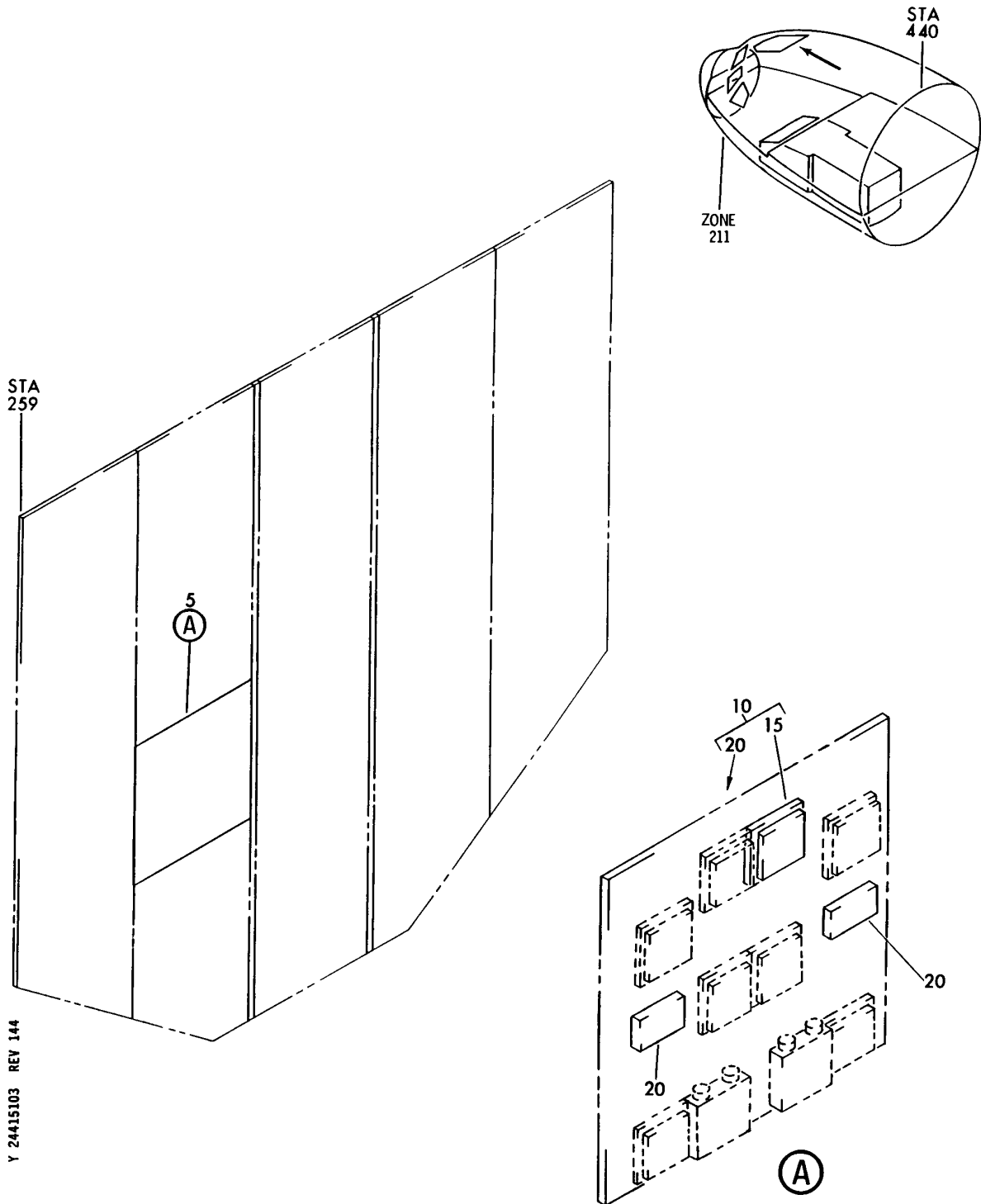
- ITEM NOT ILLUSTRATED

BRI

24-41-51-01

24-41-51
FIG. 01
PAGE 5
JAN 20/09

BOEING
757
PARTS CATALOG (MAINTENANCE)



PANEL INSTL-P5 OVHD (EXTERNAL POWER ONLY)
FIGURE 3

24-41-51-03

BRI
MAY 28/07

24-41-51-03
PAGE 0



757

PARTS CATALOG (MAINTENANCE)

FIG ITEM	PART NUMBER	1 2 3 4 5 6 7	NOMENCLATURE	EFFECT FROM TO	UNITS PER ASSY
3			PANEL INSTL-P5 OVHD (EXTERNAL POWER ONLY)	011100	
- 1	233N3101-1		PANEL INSTL-P5 OVHD (EXTERNAL POWER ONLY) VARIABLE DRAWING REF: 233N3101-5142 FOR NHA/OTHER SYS DET SEE: 25-10-00-05A	011100	RF
5	233N3209-300		.PANEL ASSY-E/E SUPPLIER CODE: V89954 QUALIFIED I/W DATA: 233N3209-300 PANEL ASSY IS I/W 233N3209-25 PANEL ASSY T/W S233T100-6004 LIGHTPLATE PRE ALERT SB: 33A0044	011100	RF
5	233N3209-305		.PANEL ASSY-E/E SUPPLIER CODE: V89954 COMPONENT MAINT MANUAL REF: 24-22-71 PRE ALERT SB: 33A0044	011100	RF
5	233N3209-1300		.PANEL ASSY-E/E SUPPLIER CODE: V89954 POST ALERT SB: 33A0044	011100	RF
5	233N3209-1305		.PANEL ASSY-E/E SUPPLIER CODE: V89954 COMPONENT MAINT MANUAL REF: 24-22-71 POST ALERT SB: 33A0044	011100	RF

MISSING ITEM NUMBERS NOT APPLICABLE

- ITEM NOT ILLUSTRATED

24-41-51-03

24-41-51
FIG. 03
PAGE 1
JAN 20/09

BRI



757

PARTS CATALOG (MAINTENANCE)

FIG ITEM	PART NUMBER	1 2 3 4 5 6 7	NOMENCLATURE	EFFECT FROM TO	UNITS PER ASSY
3					
10	233N3209-25		..PANEL ASSY- SUPPLIER CODE: V89954 ELECTRICAL EQUIP NUMBER: M10063 COMPONENT MAINT MANUAL REF: 24-22-71 QUALIFIED I/W DATA: 233N3209-300 PANEL ASSY IS I/W 233N3209-25 PANEL ASSY T/W S233T100-6004 LIGHTPLATE USED ON: 233N3209-300 PRE ALERT SB: 33A0044	011100	RF
10	233N3209-41		..PANEL ASSY- SUPPLIER CODE: V89954 MISCELLANEOUS DATA: FOR SPARES PROCURE THE NEXT HIGHER ASSY ELECTRICAL EQUIP NUMBER: M10063 COMPONENT MAINT MANUAL REF: 24-22-71 USED ON: 233N3209-305 PRE ALERT SB: 33A0044	011100	RF
10	233N3209-1025		..PANEL ASSY- SUPPLIER CODE: V89954 ELECTRICAL EQUIP NUMBER: M10063 COMPONENT MAINT MANUAL REF: 24-22-71 POST ALERT SB: 33A0044	011100	RF
10	233N3209-1041		..PANEL ASSY- SUPPLIER CODE: V89954 COMPONENT MAINT MANUAL REF: 24-22-71 POST ALERT SB: 33A0044	011100	RF

MISSING ITEM NUMBERS NOT APPLICABLE

- ITEM NOT ILLUSTRATED

24-41-51-03

24-41-51
 FIG. 03
 PAGE 2
 JAN 20/09

BRI



757

PARTS CATALOG (MAINTENANCE)

FIG ITEM	PART NUMBER	1 2 3 4 5 6 7	NOMENCLATURE	EFFECT FROM TO	UNITS PER ASSY
3	10 233N3209-50		..PANEL ASSY- SUPPLIER CODE: V89954 COMPONENT MAINT MANUAL REF: 24-22-71	011100	RF
	10 233N3209-51		..PANEL ASSY- SUPPLIER CODE: V89954 ELECTRICAL EQUIP NUMBER: M10063 COMPONENT MAINT MANUAL REF: 24-22-71	011100	RF
	15 BCREFA0520		...SWITCH ASSY-LIGHTED PUSH BUTTON IND SUPPLIER CODE: V81590 OVERLENGTH PART NUMBER: 433-673-1004-4045 SPECIFICATION NUMBER: S231T290-4045 OPTIONAL PART: 851-35100-5045 V96182 S231T290-5045 USED ON: 233N3209-25 233N3209-26 233N3209-28 233N3209-41 233N3209-1025 233N3209-1026 233N3209-1028 233N3209-1041 233N6252-10 FOR DETAILS SEE: 33-13-00-47	011100	1
15	851-30768-2045		...SWITCH ASSY-LIGHTED PUSH BUTTON IND ON/AVAIL SUPPLIER CODE: V96182 SPECIFICATION NUMBER: S231T290-2045 FOR DETAILS SEE: 33-13-00-27	011100	1

MISSING ITEM NUMBERS NOT APPLICABLE

- ITEM NOT ILLUSTRATED

24-41-51-03

24-41-51
FIG. 03
PAGE 3
JAN 20/09

BRI



757

PARTS CATALOG (MAINTENANCE)

FIG ITEM	PART NUMBER	1 2 3 4 5 6 7	NOMENCLATURE	EFFECT FROM TO	UNITS PER ASSY
3	15 851-30768-3045	...	SWITCH ASSY-LIGHTED PUSH BUTTON IND ON/AVAIL SUPPLIER CODE: V96182 SPECIFICATION NUMBER: S231T290-3045 FOR DETAILS SEE: 33-13-00-37	011100	1
	15 S231T290-5045	...	SWITCH ASSY-LIGHTED PUSH BUTTON IND OPTIONAL PART: BCREFA0520 V81590 851-35100-5045 V96182	011100	1
	15 851-35100-5045	...	SWITCH ASSY-LIGHTED PUSHBUTTON IND SUPPLIER CODE: V96182 OPTIONAL PART: BCREFA0520 V81590 S231T290-5045 USED ON: 233N3209-25 233N3209-28 233N3209-1025 233N3209-1028 233N6252-10	011100	1
	15 4336731004-4245	...	SWITCH ASSY-LIGHTED PUSH BUTTON IND SUPPLIER CODE: V81590 SPECIFICATION NUMBER: S231T290-4245 USED ON: 233N3209-50 233N3209-51	011100	1
	20 BCREFA6249	...	LIGHT ASSY-BUS OFF IND SUPPLIER CODE: V81590 OVERLENGTH PART NUMBER: 434-674-1005-1021 SPECIFICATION NUMBER: S231T300-1021 FOR DETAILS SEE: 33-14-70-02	011100	2

MISSING ITEM NUMBERS NOT APPLICABLE

- ITEM NOT ILLUSTRATED

24-41-51-03

24-41-51
FIG. 03
PAGE 4
JAN 20/09

BRI



757
PARTS CATALOG (MAINTENANCE)

FIG ITEM	PART NUMBER	1 2 3 4 5 6 7	NOMENCLATURE	EFFECT FROM TO	UNITS PER ASSY
3 20	BCREF8531		...LIGHT ASSY-BUS OFF IND SUPPLIER CODE: V81590 OVERLENGTH PART NUMBER: 434-674-1031-2021 SPECIFICATION NUMBER: S231T300-2021 FOR DETAILS SEE: 33-14-70-02	011100	2

MISSING ITEM NUMBERS NOT APPLICABLE

- ITEM NOT ILLUSTRATED

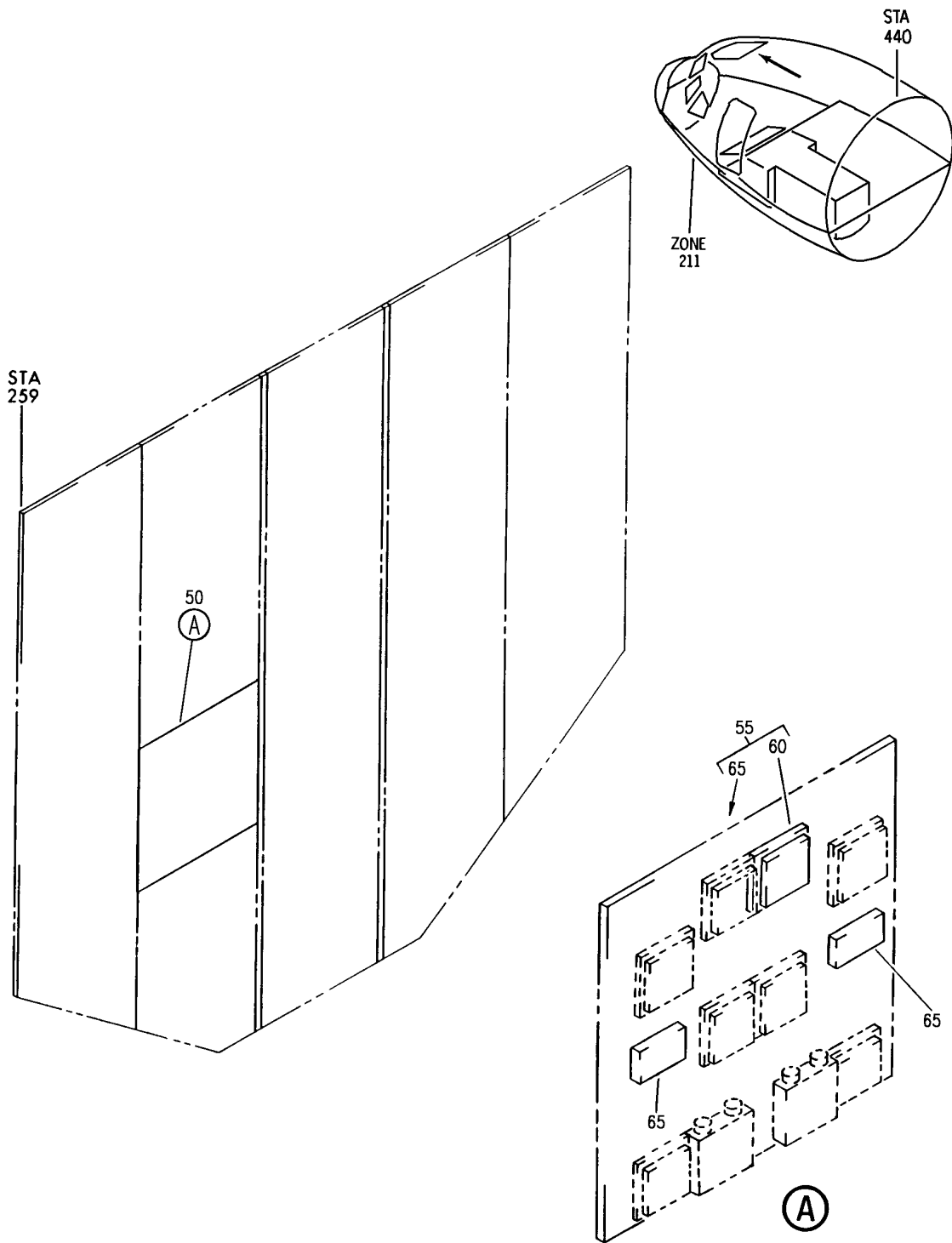
BRI

24-41-51-03

BOEING PROPRIETARY - Copyright © - Unpublished Work - See title page for details.

24-41-51
FIG. 03
PAGE 5
JAN 20/09

BOEING
757
PARTS CATALOG (MAINTENANCE)



Y 24415104 REV 247

PANEL INSTL-P5 OVHD (AC EXTERNAL POWER ONLY)
FIGURE 4

24-41-51-04

BRI
MAY 28/07

24-41-51-04
PAGE 0



757

PARTS CATALOG (MAINTENANCE)

FIG ITEM	PART NUMBER	1 2 3 4 5 6 7	NOMENCLATURE	EFFECT FROM TO	UNITS PER ASSY
4			PANEL INSTL-P5 OVHD (AC EXTERNAL POWER ONLY)	101106 108120 504903	
- 3	233N3103-132		PANEL INSTL-P5 OVHD (AC EXTERNAL POWER ONLY) FOR NHA/OTHER SYS DET SEE: 25-10-00-15E	101102	RF
- 3	233N3103-136		PANEL INSTL-P5 OVHD (AC EXTERNAL POWER ONLY) FOR NHA/OTHER SYS DET SEE: 25-10-00-15E	504903	RF
- 6	233N3103-59		PANEL INSTL-P5 OVHD (AC EXTERNAL POWER ONLY) FOR NHA/OTHER SYS DET SEE: 25-10-00-15E	108120	RF
- 8	MODREF33760		PANEL INSTL-P5 OVHD (AC EXTERNAL POWER ONLY) MODULE NUMBER: 233N3103-351 REV C FOR OTHER SYS DETAILS SEE: 11-31-10-12 21-25-55-03 21-31-01-02 21-33-51-03 21-51-54-03 21-58-19-10 21-58-51-03 21-61-04-03 21-65-51-01 22-21-01-04 22-24-51-02 23-24-01-01 23-32-00-11 23-42-02-02 23-71-05-02 24-11-52-05 24-22-01-03 24-31-01-10 24-31-03-09 24-33-04-01 24-51-62-01 26-18-51-04 27-21-53-02 27-41-55-01 27-61-51-03 27-62-52-02 28-22-51-02 28-41-04-01 28-41-51-03	103103	1

MISSING ITEM NUMBERS NOT APPLICABLE

- ITEM NOT ILLUSTRATED

24-41-51-04

24-41-51
FIG. 04
PAGE 1
JAN 20/09

BRI



**757
PARTS CATALOG (MAINTENANCE)**

FIG ITEM	PART NUMBER	1 2 3 4 5 6 7	NOMENCLATURE	EFFECT FROM TO	UNITS PER ASSY
4			29-11-02-03 29-11-05-04 29-11-52-07 29-21-54-03 29-31-00-01 29-32-51-03 29-33-52-03 30-11-51-03 30-21-51-03 30-31-51-02 30-32-51-01 30-33-51-02 30-41-51-03 30-42-51-03 31-12-11-91 31-12-11-91 A 32-42-52-03 33-11-03-03 33-11-51-17 33-13-01-65 33-13-02-03 33-16-51-03 33-24-51-02 33-41-52-04 33-42-01-04 33-42-02-04 33-42-52-04 33-43-51-04 33-44-51-05 33-45-53-03 33-51-08-05 34-21-02-01 35-21-51-04 36-11-04-01 36-21-00-01 36-21-02-05 36-22-51-03 49-41-00-02 49-52-00-01 49-70-00-01 52-51-51-03 52-71-51-02 73-21-52-02 74-31-51-05 75-32-00-01 80-11-09-02		
- 8	MODREF34038		PANEL INSTL-P5 OVHD (AC EXTERNAL POWER ONLY) MODULE NUMBER: MISSING ITEM NUMBERS NOT APPLICABLE	104105	1

- ITEM NOT ILLUSTRATED

BRI

24-41-51-04

BOEING PROPRIETARY - Copyright © - Unpublished Work - See title page for details.

24-41-51
FIG. 04
PAGE 2
JAN 20/09



757

PARTS CATALOG (MAINTENANCE)

FIG ITEM	PART NUMBER	1 2 3 4 5 6 7	NOMENCLATURE	EFFECT FROM TO	UNITS PER ASSY
4			233N3103-351 REV D FOR OTHER SYS DETAILS SEE: 11-31-10-12 21-25-55-03 21-31-01-02 21-33-51-03 21-51-54-03 21-58-19-10 21-58-51-03 21-61-04-03 21-65-51-01 22-21-01-04 22-24-51-02 23-24-01-01 23-32-00-11 23-42-02-02 23-71-05-02 24-11-52-05 24-22-01-03 24-31-01-10 24-31-03-09 24-33-04-01 24-51-62-01 26-18-51-04 27-21-53-02 27-41-55-01 27-61-51-03 27-62-52-02 28-22-51-02 28-41-04-01 28-41-51-03 29-11-02-03 29-11-05-04 29-11-52-07 29-21-54-03 29-31-00-01 29-32-51-03 29-33-52-03 30-11-51-03 30-21-51-03 30-31-51-02 30-32-51-01 30-33-51-02 30-41-51-03 30-42-51-03 31-12-11-91 31-12-11-91A 32-42-52-03 33-11-03-03		

MISSING ITEM NUMBERS NOT APPLICABLE

- ITEM NOT ILLUSTRATED

24-41-51-04

24-41-51
FIG. 04
PAGE 3
JAN 20/09

BRI



757

PARTS CATALOG (MAINTENANCE)

FIG ITEM	PART NUMBER	1 2 3 4 5 6 7	NOMENCLATURE	EFFECT FROM TO	UNITS PER ASSY
4			33-11-51-17 33-13-01-65 33-13-02-03 33-16-51-03 33-24-51-02 33-41-52-04 33-42-01-04 33-42-02-04 33-42-52-04 33-43-51-04 33-44-51-05 33-45-53-03 33-51-08-05 34-21-02-01 35-21-51-04 36-11-04-01 36-21-00-01 36-21-02-05 36-22-51-03 49-41-00-02 49-52-00-01 49-70-00-01 52-51-51-03 52-71-51-02 73-21-52-02 74-31-51-05 75-32-00-01 80-11-09-02		
- 8	MODREF170180		PANEL INSTL-P5 OVHD (AC EXTERNAL POWER ONLY) MODULE NUMBER: 233N3103-353 REV B FOR OTHER SYS DETAILS SEE: 11-31-10-12 21-25-55-03 21-31-01-02 21-33-51-03 21-51-54-03 21-58-19-10 21-58-51-03 21-61-04-03 21-65-51-01 22-21-01-04 22-24-51-02 23-24-01-01 23-32-00-11 23-42-02-02 23-71-05-02 24-11-52-05	106106	1

MISSING ITEM NUMBERS NOT APPLICABLE

- ITEM NOT ILLUSTRATED

BRI

24-41-51-04

BOEING PROPRIETARY - Copyright © - Unpublished Work - See title page for details.

24-41-51
 FIG. 04
 PAGE 4
 JAN 20/09



757

PARTS CATALOG (MAINTENANCE)

FIG ITEM	PART NUMBER	1 2 3 4 5 6 7 NOMENCLATURE	EFFECT FROM TO	UNITS PER ASSY
4		24-22-01-03 24-31-01-10 24-31-03-09 24-33-04-01 24-51-62-01 26-18-51-04 27-21-53-02 27-41-55-01 27-61-51-03 27-62-52-02 28-22-51-02 28-41-04-01 28-41-51-03 29-11-02-03 29-11-05-04 29-11-52-07 29-21-54-03 29-31-00-01 29-32-51-03 29-33-52-03 30-11-51-03 30-21-51-03 30-31-51-02 30-32-51-01 30-33-51-02 30-41-51-03 30-42-51-03 31-12-11-84 31-12-11-84 A 32-42-52-03 33-11-03-03 33-11-51-17 33-13-01-65 33-13-02-03 33-16-51-03 33-24-51-02 33-41-52-04 33-42-01-04 33-42-02-04 33-42-52-04 33-43-51-04 33-44-51-05 33-45-53-03 33-51-08-05 34-21-02-01 35-21-51-04 36-11-04-01 36-21-00-01 36-21-02-05		

MISSING ITEM NUMBERS NOT APPLICABLE

- ITEM NOT ILLUSTRATED

24-41-51-04

24-41-51
FIG. 04
PAGE 5
JAN 20/09

BRI



757

PARTS CATALOG (MAINTENANCE)

FIG ITEM	PART NUMBER	1 2 3 4 5 6 7	NOMENCLATURE	EFFECT FROM TO	UNITS PER ASSY
4			36-22-51-03 49-41-00-02 49-52-00-01 49-70-00-01 52-51-51-03 52-71-51-02 73-21-52-02 74-31-51-05 75-32-00-01 80-11-09-02		
50	233N3209-305	.	PANEL ASSY-ELECTRICAL SYS SUPPLIER CODE: V89954 ELECTRICAL EQUIP NUMBER: M10063 COMPONENT MAINT MANUAL REF: 24-22-71 PRE ALERT SB: 33A0044	101102 108120 504903	RF
50	233N3209-1305	.	PANEL ASSY-ELECTRICAL SYS SUPPLIER CODE: V89954 ELECTRICAL EQUIP NUMBER: M10063 COMPONENT MAINT MANUAL REF: 24-22-71 POST ALERT SB: 33A0044	101102 108120 504903	RF
50	233N3209-314	.	PANEL ASSY-ELECTRICAL SYS SUPPLIER CODE: V89954 ELECTRICAL EQUIP NUMBER: M10063 COMPONENT MAINT MANUAL REF: 24-22-71	101106 108120 504903	RF
55	233N3209-41	..	PANEL ASSY- SUPPLIER CODE: V89954 MISCELLANEOUS DATA: FOR SPARES PROCURE THE NEXT HIGHER ASSY COMPONENT MAINT MANUAL REF: 24-22-71 USED ON: 233N3209-305 PRE ALERT SB: 33A0044	101102 108120 504903	RF

MISSING ITEM NUMBERS NOT APPLICABLE

- ITEM NOT ILLUSTRATED

24-41-51-04

24-41-51
FIG. 04
PAGE 6
JAN 20/09

BRI



757

PARTS CATALOG (MAINTENANCE)

FIG ITEM	PART NUMBER	1 2 3 4 5 6 7	NOMENCLATURE	EFFECT FROM TO	UNITS PER ASSY
4	55 233N3209-50		.. PANEL ASSY- SUPPLIER CODE: V89954 COMPONENT MAINT MANUAL REF: 24-22-71 USED ON: 233N3209-314	101106 108120 504903	RF
	55 233N3209-1041		.. PANEL ASSY- SUPPLIER CODE: V89954 COMPONENT MAINT MANUAL REF: 24-22-71 USED ON: 233N3209-1305 POST ALERT SB: 33A0044	101102 108120 504903	RF
	60 BCREFA0520		... SWITCH ASSY-LIGHTED PUSH BUTTON IND SUPPLIER CODE: V81590 OVERLENGTH PART NUMBER: 433-673-1004-4045 SPECIFICATION NUMBER: S231T290-4045 USED ON: 233N3209-25 233N3209-26 233N3209-28 233N3209-41 233N3209-1025 233N3209-1026 233N3209-1028 233N3209-1041 233N6252-10 FOR DETAILS SEE: 33-13-00-47	101102 108120 504903	1
	60 S231T290-5045		... SWITCH ASSY-LIGHTED PUSH BUTTON IND USED ON: 233N3209-25 233N3209-28 233N3209-1025 233N3209-1028 233N6252-10	101102 108120 504903	1

MISSING ITEM NUMBERS NOT APPLICABLE

- ITEM NOT ILLUSTRATED

BRI

24-41-51-04

BOEING PROPRIETARY - Copyright © - Unpublished Work - See title page for details.

24-41-51
FIG. 04
PAGE 7
JAN 20/09



757

PARTS CATALOG (MAINTENANCE)

FIG ITEM	PART NUMBER	1 2 3 4 5 6 7	NOMENCLATURE	EFFECT FROM TO	UNITS PER ASSY
4 60	851-30768-3045	...	SWITCH ASSY-LIGHTED PUSH BUTTON IND ON/AVAIL SUPPLIER CODE: V96182 SPECIFICATION NUMBER: S231T290-3045 FOR DETAILS SEE: 33-13-00-37	101102 108120 504903	1
60	851-30768-2045	...	SWITCH ASSY-LIGHTED PUSH BUTTON IND ON/AVAIL SUPPLIER CODE: V96182 SPECIFICATION NUMBER: S231T290-2045 FOR DETAILS SEE: 33-13-00-37	101102 108120 504903	1
60	4336731004-4245	...	SWITCH ASSY-LIGHTED PUSH BUTTON IND SUPPLIER CODE: V81590 SPECIFICATION NUMBER: S231T290-4245 USED ON: 233N3209-50 233N3209-51	101106 108120 504903	1
65	BCREF8531	...	LIGHT ASSY-BUSS OFF IND SUPPLIER CODE: V81590 OVERLENGTH PART NUMBER: 434-674-1031-2021 SPECIFICATION NUMBER: S231T300-2021 FOR DETAILS SEE: 33-14-70-02	101106 108120 504903	2
65	BCREF6249	...	LIGHT ASSY-BUSS OFF IND SUPPLIER CODE: V81590 OVERLENGTH PART NUMBER: 434-674-1005-1021 SPECIFICATION NUMBER: S231T300-1021 FOR DETAILS SEE: 33-14-70-02	101106 108120 504903	2

MISSING ITEM NUMBERS NOT APPLICABLE

- ITEM NOT ILLUSTRATED

BRI

24-41-51-04

BOEING PROPRIETARY - Copyright © - Unpublished Work - See title page for details.

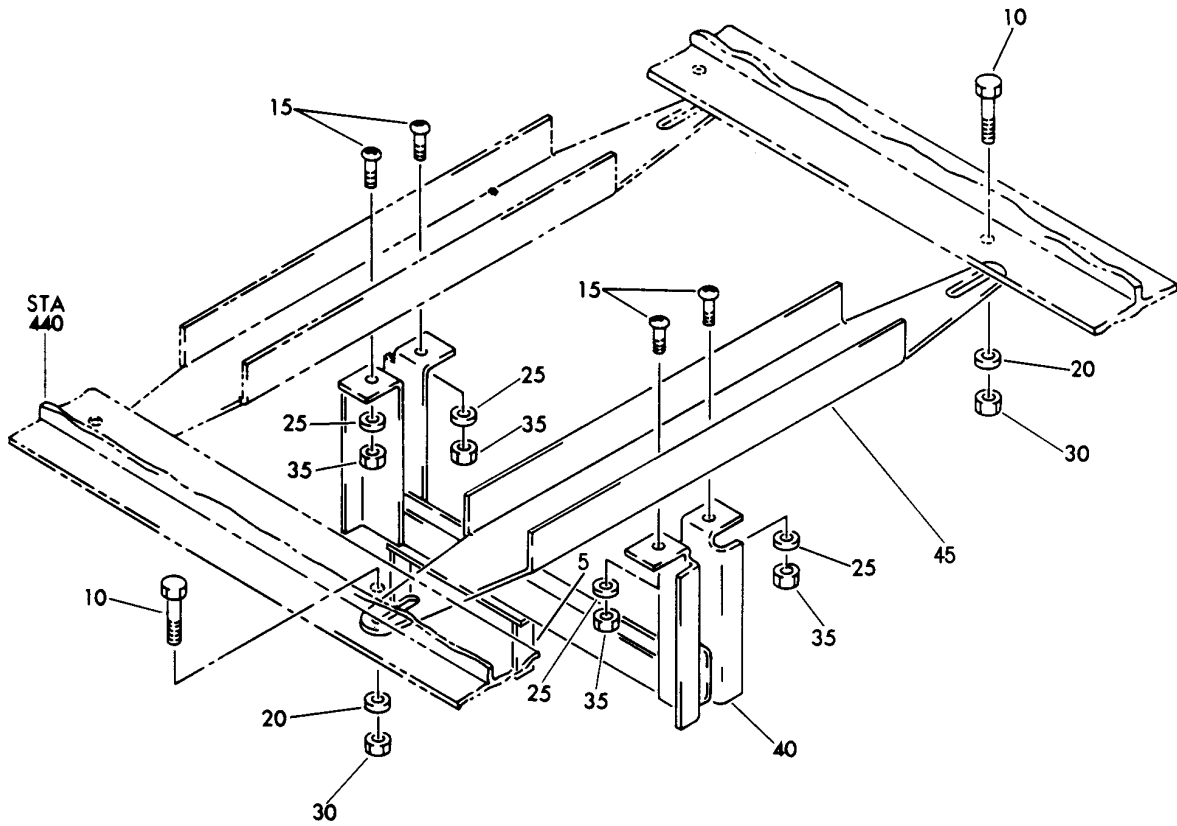
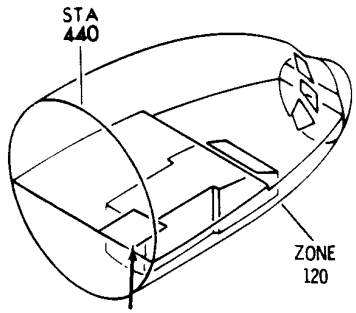
24-41-51
FIG. 04
PAGE 8
JAN 20/09

ELECTRICAL LOAD DISTRIBUTION

BRI
MAY 28/07

24-50-00
SECTION TITLE
PAGE 1

BOEING
757
PARTS CATALOG (MAINTENANCE)



Y 24505101 REV 240

PROVISION INSTL-E/E BAY FLOOR BEAM WIRE
FIGURE 1

24-50-51-01

BRI
MAY 28/07

24-50-51-01
PAGE 0

BOEING
757
PARTS CATALOG (MAINTENANCE)

FIG ITEM	PART NUMBER	1 2 3 4 5 6 7	NOMENCLATURE	EFFECT FROM TO	UNITS PER ASSY
1			PROVISION INSTL-E/E BAY FLOOR BEAM WIRE	002004 006999	
- 1	287N4326-1		PROVISION INSTL-E/E BAY FLOOR BEAM WIRE FOR NHA SEE: 24-00-60-01 24-00-60-20	002004 006102 107999	RF
- 1	MODREF12622		PROVISION INSTL-E/E BAY FLOOR BEAM WIRE MODULE NUMBER: 287N4326-7 REV A	103103	1
- 1	MODREF34455		PROVISION INSTL-E/E BAY FLOOR BEAM WIRE MODULE NUMBER: 287N4326-7 REV B	104106	1
5	BACC10DR9		.CHANNEL ATTACHING PARTS	103106	1
- 7	BACS12GX3A13		.BOLT- OPTIONAL PART: NAS514P1032-13	103106	2
- 7	NAS514P1032-13		.SCREW- OPTIONAL PART: BACS12GX3A13	103106	2
10	BACB30NM3K3		.BOLT	002004 006102 107999	2
15	NAS1801-3-7		-----*----- .SCREW	002004 006102 107999	4
15	BACS12HN3-7		.SCREW	002004 006102 107999	4
20	NAS1149D1165J		.WASHER-	002004 006102 107999	2
25	AN960PD10		.WASHER	002004 006102 107999	4
25	NAS1149D0332J		.WASHER	002004 006102 107999	4
30	NAS1805-3		.NUT	002004 006102 107999	2

MISSING ITEM NUMBERS NOT APPLICABLE

- ITEM NOT ILLUSTRATED

BRI

24-50-51-01

BOEING PROPRIETARY - Copyright © - Unpublished Work - See title page for details.

24-50-51
FIG. 01
PAGE 1
JAN 20/09



757

PARTS CATALOG (MAINTENANCE)

FIG ITEM	PART NUMBER	1 2 3 4 5 6 7	NOMENCLATURE	EFFECT FROM TO	UNITS PER ASSY
1	35 BRH10A3	.NUT	SUPPLIER CODE: V52828 SPECIFICATION NUMBER: BACN10JC3 OPTIONAL PART: H10-3BAC V15653 NS202101-02 V80539 RMLH9075-3W V72962 VN303A02 V92215 96-02 V80539 T6S1032J V11815	002004 006102 107999	4
	35 BRH10C3	.NUT	SUPPLIER CODE: V52828 SPECIFICATION NUMBER: BACN10JC3C OPTIONAL PART: T6C1032J V11815 97-02 V80539 101LH9075-3W V72962 VN303B02 V92215 NS202101S02 V80539 H31-3BAC V15653	103106	4
	40 287N4326-2	.BRACKET ASSY		002004 006999	1
	45 217N1093-8	.BRACKET-		002004 006999	1

MISSING ITEM NUMBERS NOT APPLICABLE

- ITEM NOT ILLUSTRATED

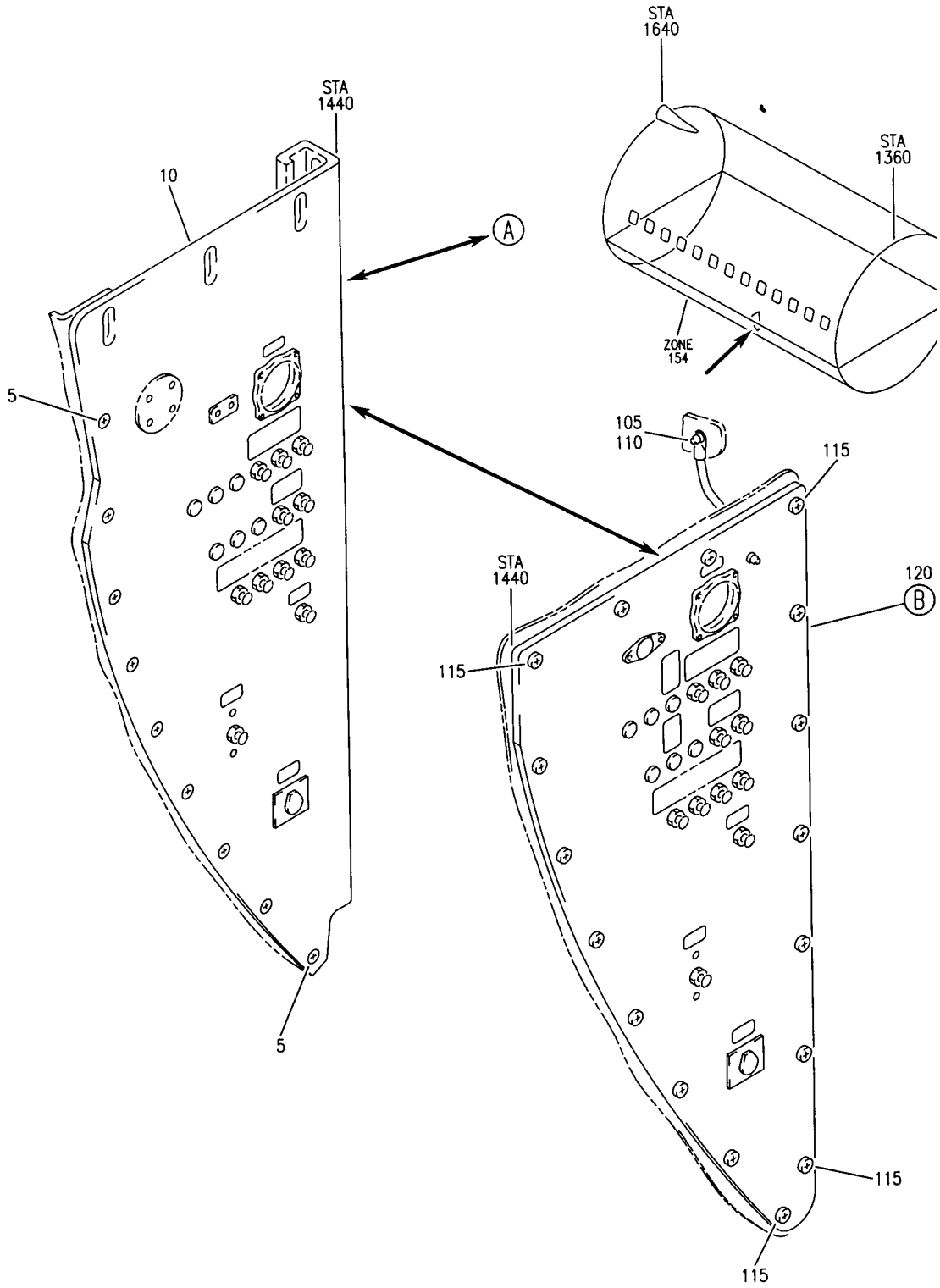
BRI

24-50-51-01

BOEING PROPRIETARY - Copyright © - Unpublished Work - See title page for details.

24-50-51
FIG. 01
PAGE 2
JAN 20/09

BOEING
757
PARTS CATALOG (MAINTENANCE)



Y 24505102 SH1 1 REV 233

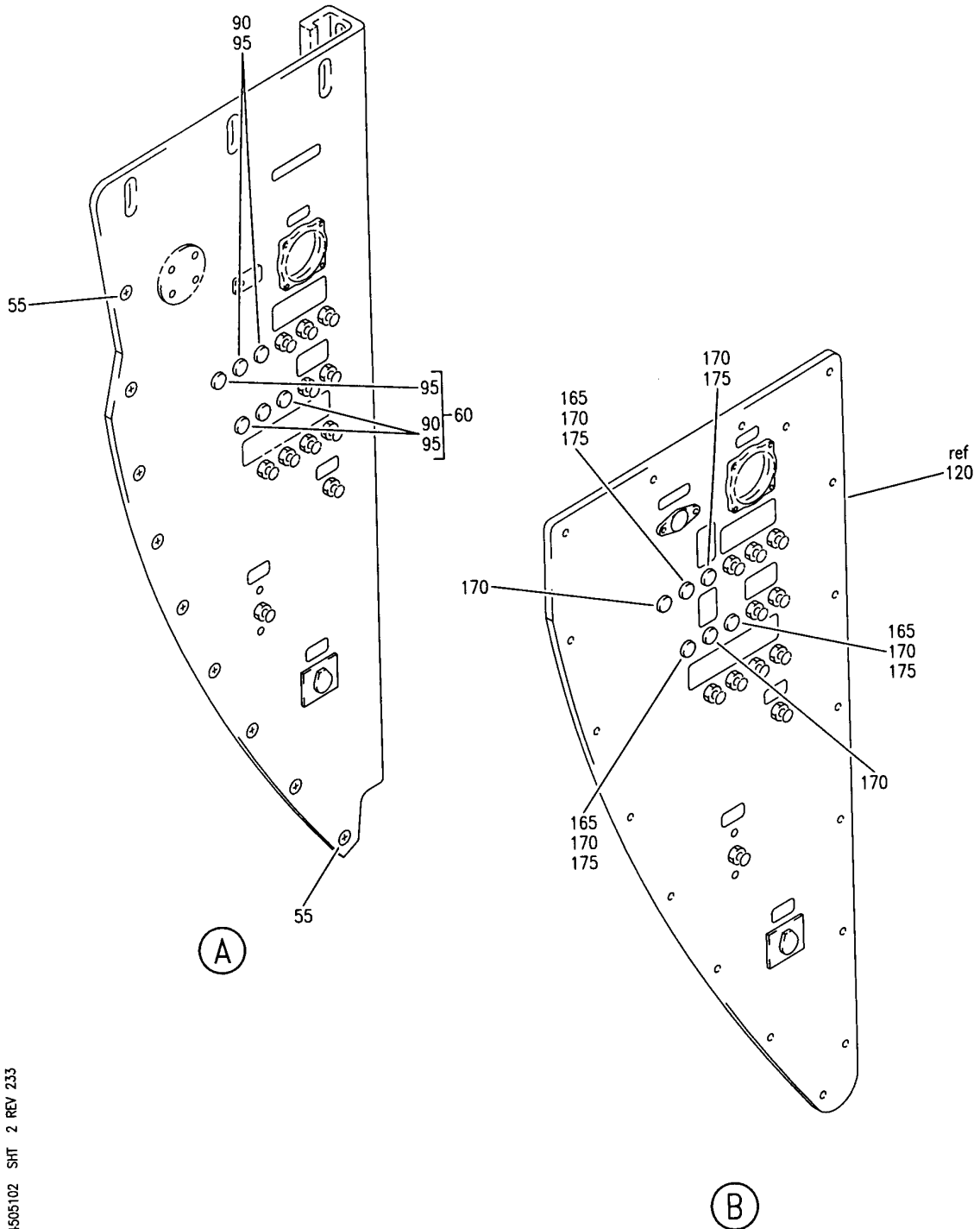
PANEL INSTL-E6 AFT EQPT CTR CB
FIGURE 2 (SHEET 1)

24-50-51-02

BRI
MAY 28/07

24-50-51-02
PAGE 0

BOEING
757
PARTS CATALOG (MAINTENANCE)



Y 24505102 SH1 2 REV 233

PANEL INSTL-E6 AFT EQPT CTR CB
FIGURE 2 (SHEET 2)

24-50-51-02

BRI
MAY 28/07

24-50-51-02
PAGE 0A



757

PARTS CATALOG (MAINTENANCE)

FIG ITEM	PART NUMBER	1 2 3 4 5 6 7	NOMENCLATURE	EFFECT FROM TO	UNITS PER ASSY
2			PANEL INSTL-E6 AFT EQPT CTR CB	101106 108120 504903	
- 100	MODREF9128		PANEL INSTL-E6 EQPT CTR CB MODULE NUMBER: 284N1692-300 REV A POSITION DATA: AFT	103106	1
105	NAS1149D0316H		.WASHER	103106	1
110	PLH53CD		.NUT SUPPLIER CODE: VF0224 SPECIFICATION NUMBER: BACN10YR3CD OPTIONAL PART: H52732-3CD V15653	103106	1
115	BACS12GU08K8		.SCREW	103106	17
- 200	284N1692-100		PANEL INSTL-E6 EQPT CTR CB POSITION DATA: AFT FOR NHA SEE: 24-00-58-05E	101102 108120 504903	RF
205	NAS514P832-8P		.SCREW	101102 108120 504903	9
900			ILLUSTRATION REFERENCE: EQUIPMENT ASSY-E6 AFT EQPT CTR CB PNL OPTION PKG (EQUIPMENT/FURNISHINGS ONLY) 25-71-51-01A	101102 108120 504903	RF

MISSING ITEM NUMBERS NOT APPLICABLE

- ITEM NOT ILLUSTRATED

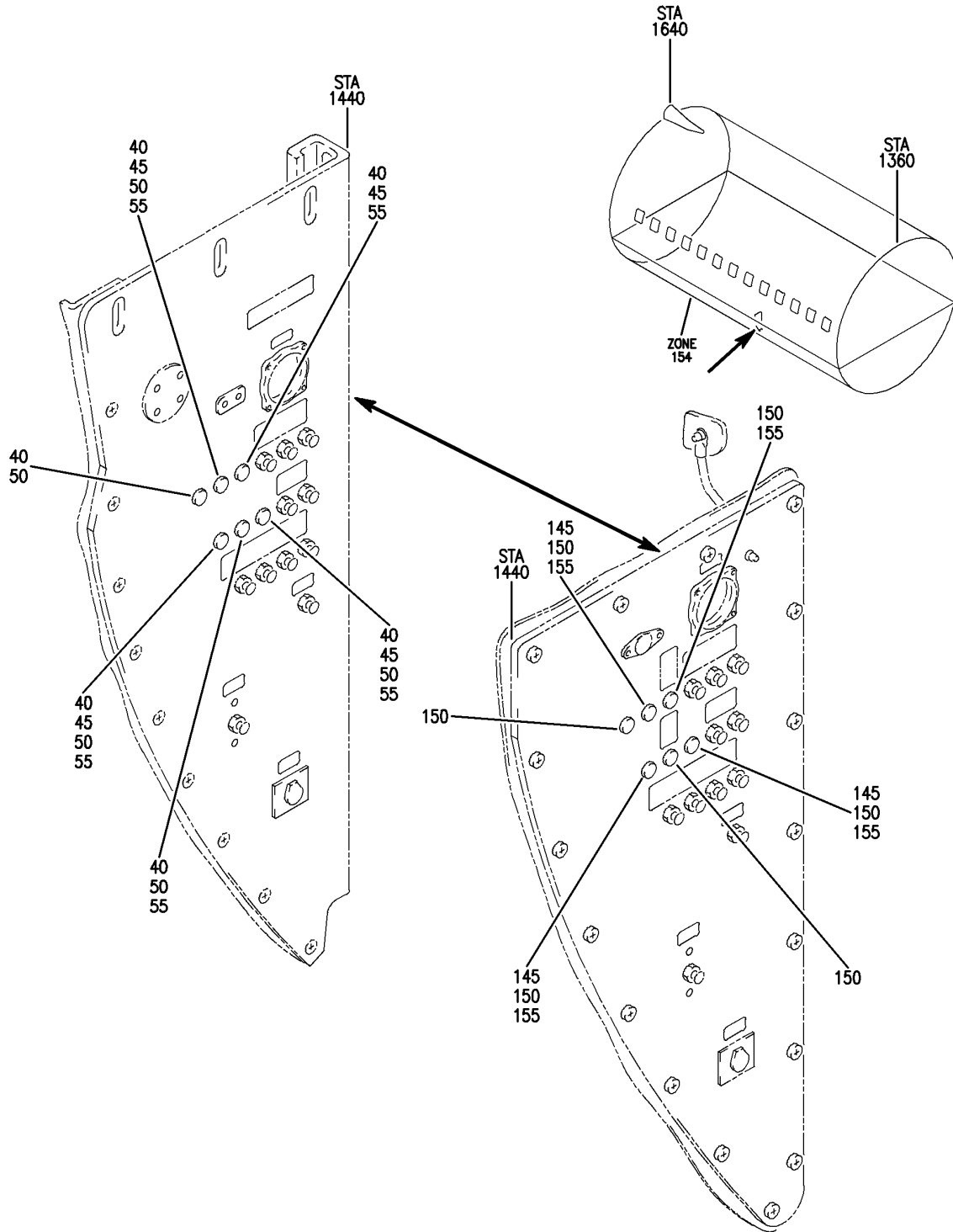
BRI

24-50-51-02

BOEING PROPRIETARY - Copyright © - Unpublished Work - See title page for details.

24-50-51
FIG. 02
PAGE 1
JAN 20/09

BOEING
757
PARTS CATALOG (MAINTENANCE)



Y 24505102A REV 233

PANEL INSTL-E6 AFT EQPT CTR CB
FIGURE 2A

24-50-51-02A

BRI
MAY 28/07

24-50-51-02A
PAGE 0



757

PARTS CATALOG (MAINTENANCE)

FIG ITEM	PART NUMBER	1 2 3 4 5 6 7	NOMENCLATURE	EFFECT FROM TO	UNITS PER ASSY
2A			PANEL INSTL-E6 AFT EQPT CTR CB	101102 108120 504903	
- 1	284N1690-101		PANEL INSTL-E6 EQPT CTR CB POSITION DATA: AFT FOR NHA SEE: 24-00-58-05E	101102 108120	RF
- 1	284N1690-102		PANEL INSTL-E6 EQPT CTR CB POSITION DATA: AFT FOR NHA SEE: 24-00-58-05E	504903	RF
- 5	284N1690-1000		.EQUIPMENT ASSY-CB PNL OPTION PKG MISCELLANEOUS DATA: MINOR MODEL 757-200 PASS. FUNCTIONAL REFERENCE: COMMUNICATIONS FOR DETAILS SEE 23-41-55-01A ELECTRICAL POWER FOR DETAILS SEE 24-51-56-01A AIRBORNE AUXILIARY POWER FOR DETAILS SEE 49-72-51-01A	101102 108120 504903	1
- 10	284N1690-1001		.EQUIPMENT ASSY-CB PNL OPTION PKG MISCELLANEOUS DATA: MINOR MODEL 757-200 PASS. AND NO EXTENDED E6 RACK FOR DETAILS SEE: 25-71-51-01A	101102 108120 504903	1
- 15	284N1690-1003		.EQUIPMENT ASSY-CB PNL OPTION PKG MISCELLANEOUS DATA: MINOR MODEL 757-200 PASS. AND APU-ADDITIONAL START CAPABILITY OR MINOR MODEL 757-300 PASS. AND APU-ADDITIONAL START CAPABILITY FOR DETAILS SEE: 24-51-56-01A	101102 108120 504903	1

MISSING ITEM NUMBERS NOT APPLICABLE

- ITEM NOT ILLUSTRATED

24-50-51-02A

24-50-51
FIG. 02A
PAGE 1
JAN 20/09

BRI

BOEING PROPRIETARY - Copyright © - Unpublished Work - See title page for details.



757

PARTS CATALOG (MAINTENANCE)

FIG ITEM	PART NUMBER	1 2 3 4 5 6 7	NOMENCLATURE	EFFECT FROM TO	UNITS PER ASSY
2A - 20	284N1690-1004		.EQUIPMENT ASSY-CB PNL OPTION PKG MISCELLANEOUS DATA: MINOR MODEL 757-200 PASS. AND STBY PWR-90 MINUTE OR MINOR MODEL 757 PASS. AND STBY PWR-EXTENDED TIME CAPABILITY OR MINOR MODEL 757-300 PASS. AND STBY PWR-90 MINUTE. FOR DETAILS SEE: 24-51-56-01A	101102 108120 504903	1
- 25	284N1690-1005		.EQUIPMENT ASSY-CB PNL OPTION PKG MISCELLANEOUS DATA: MINOR MODEL 757-200 PASS. AND NO APU CYCLEMETER OR MINOR MODEL 757-300 PASS. AND NO APU CYCLEMETER FOR DETAILS SEE: 25-71-51-01A	101102 108120	1
- 30	284N1690-1006		.EQUIPMENT ASSY-CB PNL OPTION PKG MISCELLANEOUS DATA: MINOR MODEL 757-200 PASS. AND APU CYCLEMETER-AFT E/E EQPT FOR DETAILS SEE: 49-72-51-01A	504903	1
45	BACP20B43B		.PLUG	101102 108120 504903	4

MISSING ITEM NUMBERS NOT APPLICABLE

- ITEM NOT ILLUSTRATED

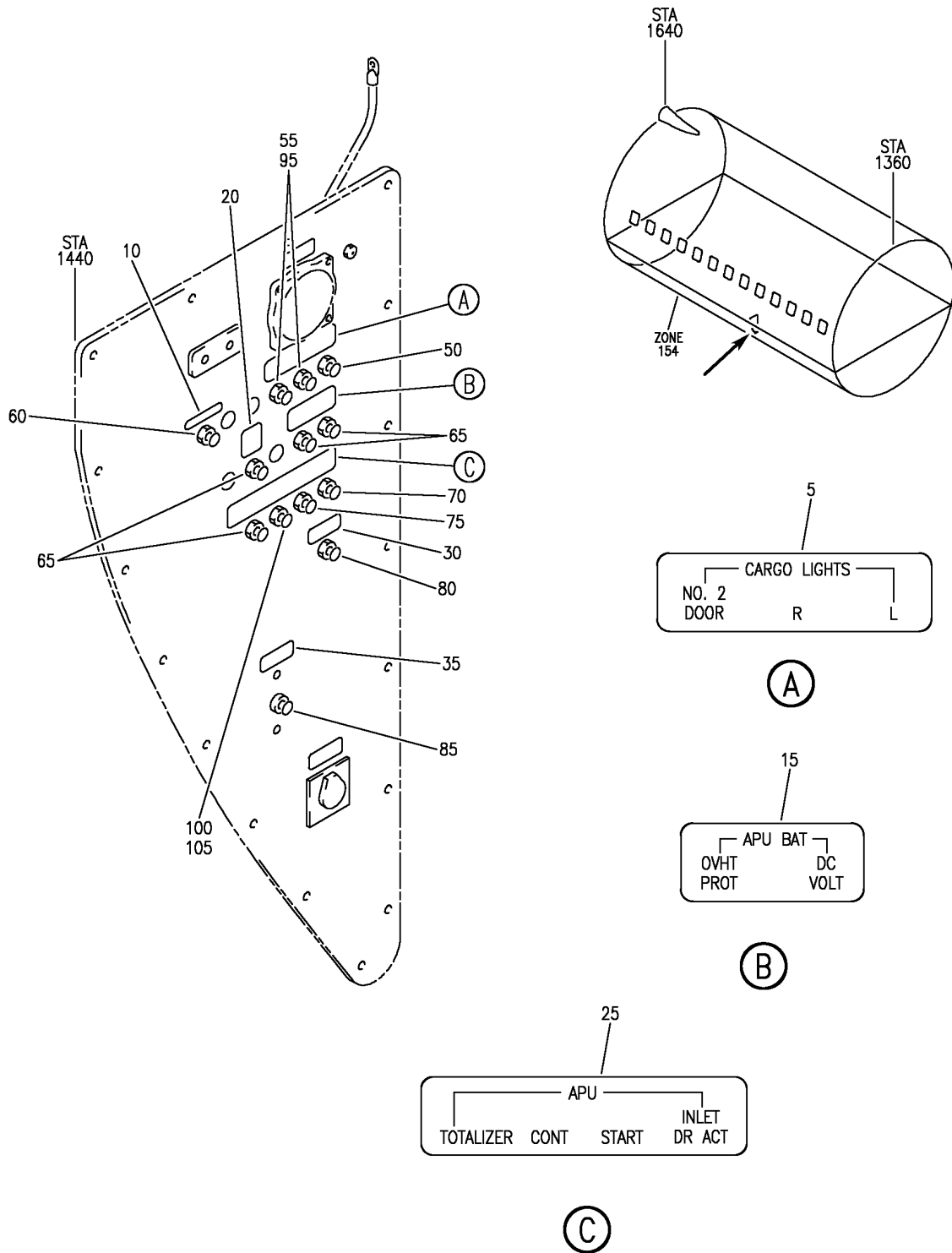
24-50-51-02A

24-50-51
FIG. 02A
PAGE 2
JAN 20/09

BRI

BOEING PROPRIETARY - Copyright © - Unpublished Work - See title page for details.

BOEING
757
PARTS CATALOG (MAINTENANCE)



Y 24505102C REV 296

EQUIPMENT INSTL-CB PNL EQPT CTR AFT (ELECTRICAL POWER ONLY)
FIGURE 2C

24-50-51-02C

BRI
JAN 20/09

24-50-51-02C
PAGE 0



757

PARTS CATALOG (MAINTENANCE)

FIG ITEM	PART NUMBER	1 2 3 4 5 6 7	NOMENCLATURE	EFFECT FROM TO	UNITS PER ASSY
2C			EQUIPMENT INSTL-CB PNL EQPT CTR AFT (ELECTRICAL POWER ONLY)	103106	
- 1	MODREF31378		EQUIPMENT INSTL-CB PNL EQPT CTR (ELECTRICAL POWER ONLY) MODULE NUMBER: 284N1690-306 REV B POSITION DATA: AFT FOR OTHER SYS DETAILS SEE: 23-41-00-02 25-70-51-10 49-72-00-02	103106	1
5	BAC27NEX1577		.DECAL	103106	1
10	BAC27NEX1639		.DECAL- PLACARD CONTENT: APU TRU FAN	103106	1
15	BAC27NEX0066		.DECAL	103106	1
20	BAC27NEX1608		.DECAL- PLACARD CONTENT: BAT DISCH IND INHIBIT	103106	1
25	BAC27NEX0873		.DECAL	103106	1
30	BAC27TEX0635		.DECAL- PLACARD CONTENT: APU BAT BUS	103106	1
35	BAC27TEX0636		.DECAL- PLACARD CONTENT: APU BAT CHGR	103106	1
50	2TC47-10		.CIRCUIT BREAKER- SUPPLIER CODE: V82647 SPECIFICATION NUMBER: BACC18AD10 OPTIONAL PART: 4310-029-10 V76374 ELECTRICAL EQUIP NUMBER: C04589	103106	1

MISSING ITEM NUMBERS NOT APPLICABLE

- ITEM NOT ILLUSTRATED

24-50-51-02C

24-50-51
FIG. 02C
PAGE 1
JAN 20/09

BRI

BOEING PROPRIETARY - Copyright © - Unpublished Work - See title page for details.



757

PARTS CATALOG (MAINTENANCE)

FIG ITEM	PART NUMBER	1 2 3 4 5 6 7	NOMENCLATURE	EFFECT FROM TO	UNITS PER ASSY
2C 55	2TC47-7-5		.CIRCUIT BREAKER- SUPPLIER CODE: V82647 SPECIFICATION NUMBER: BACC18AD7 OPTIONAL PART: 4310-029-705 V76374 ELECTRICAL EQUIP NUMBER: C04047 C04150	103106	2
60	6TC6-2-5		.CIRCUIT BREAKER- SUPPLIER CODE: V82647 SPECIFICATION NUMBER: BACC18AC2 OPTIONAL PART: 4330-004-205 V76374 ELECTRICAL EQUIP NUMBER: C00089	103106	1
65	2TC47-2-5		.CIRCUIT BREAKER- SUPPLIER CODE: V82647 SPECIFICATION NUMBER: BACC18AD2 OPTIONAL PART: 4310-029-205 V76374 ELECTRICAL EQUIP NUMBER: C00820 C00821 C04246 C04286	103106	4
70	2TC47-5		.CIRCUIT BREAKER- SUPPLIER CODE: V82647 SPECIFICATION NUMBER: BACC18AD5 OPTIONAL PART: 4310-029-5 V76374 ELECTRICAL EQUIP NUMBER: C01385	103106	1

MISSING ITEM NUMBERS NOT APPLICABLE

- ITEM NOT ILLUSTRATED

BRI

24-50-51-02C

BOEING PROPRIETARY - Copyright © - Unpublished Work - See title page for details.

24-50-51
FIG. 02C
PAGE 2
JAN 20/09



757

PARTS CATALOG (MAINTENANCE)

FIG ITEM	PART NUMBER	1 2 3 4 5 6 7	NOMENCLATURE	EFFECT FROM TO	UNITS PER ASSY
2C 75	2TC47-3		.CIRCUIT BREAKER- SUPPLIER CODE: V82647 SPECIFICATION NUMBER: BACC18AD3 OPTIONAL PART: 4310-029-3 V76374 ELECTRICAL EQUIP NUMBER: C00020 PRE SERVICE BULLETIN: 49-0019	103106	1
75	2TC47-5		.CIRCUIT BREAKER- SUPPLIER CODE: V82647 SPECIFICATION NUMBER: BACC18AD5 OPTIONAL PART: 4310-029-5 V76374 ELECTRICAL EQUIP NUMBER: C00020 POST SERVICE BULLETIN: 49-0019	103106	1
80	700-038-15		.CIRCUIT BREAKER- SUPPLIER CODE: V76374 SPECIFICATION NUMBER: BACC18X15 OPTIONAL PART: 492-215-103 V79405 492-215-104 V79405 ELECTRICAL EQUIP NUMBER: C00869	103106	1
85	160-003-75		.CIRCUIT BREAKER- SUPPLIER CODE: V76374 SPECIFICATION NUMBER: BACC18R75C OPTIONAL PART: 160-012-75 V76374 ELECTRICAL EQUIP NUMBER: C00868	103106	1
- 90	NAS601-5P		ATTACHING PARTS .SCREW -----*-----	103106	2

MISSING ITEM NUMBERS NOT APPLICABLE

- ITEM NOT ILLUSTRATED

24-50-51-02C

24-50-51
FIG. 02C
PAGE 3
JAN 20/09

BRI

BOEING PROPRIETARY - Copyright © - Unpublished Work - See title page for details.



757

PARTS CATALOG (MAINTENANCE)

FIG ITEM	PART NUMBER	1 2 3 4 5 6 7	NOMENCLATURE	EFFECT FROM TO	UNITS PER ASSY
2C 100	2TC47-10		.CIRCUIT BREAKER- SUPPLIER CODE: V82647 SPECIFICATION NUMBER: BACC18AD10 OPTIONAL PART: 4310-029-10 V76374 ELECTRICAL EQUIP NUMBER: C01382 POST SERVICE BULLETIN: 49-0019	103106	1
105	2TC47-7-5		.CIRCUIT BREAKER- SUPPLIER CODE: V82647 SPECIFICATION NUMBER: BACC18AD7 OPTIONAL PART: 4310-029-705 V76374 ELECTRICAL EQUIP NUMBER: C01382 PRE SERVICE BULLETIN: 49-0019	103106	1

MISSING ITEM NUMBERS NOT APPLICABLE

- ITEM NOT ILLUSTRATED

BRI

24-50-51-02C

BOEING PROPRIETARY - Copyright © - Unpublished Work - See title page for details.

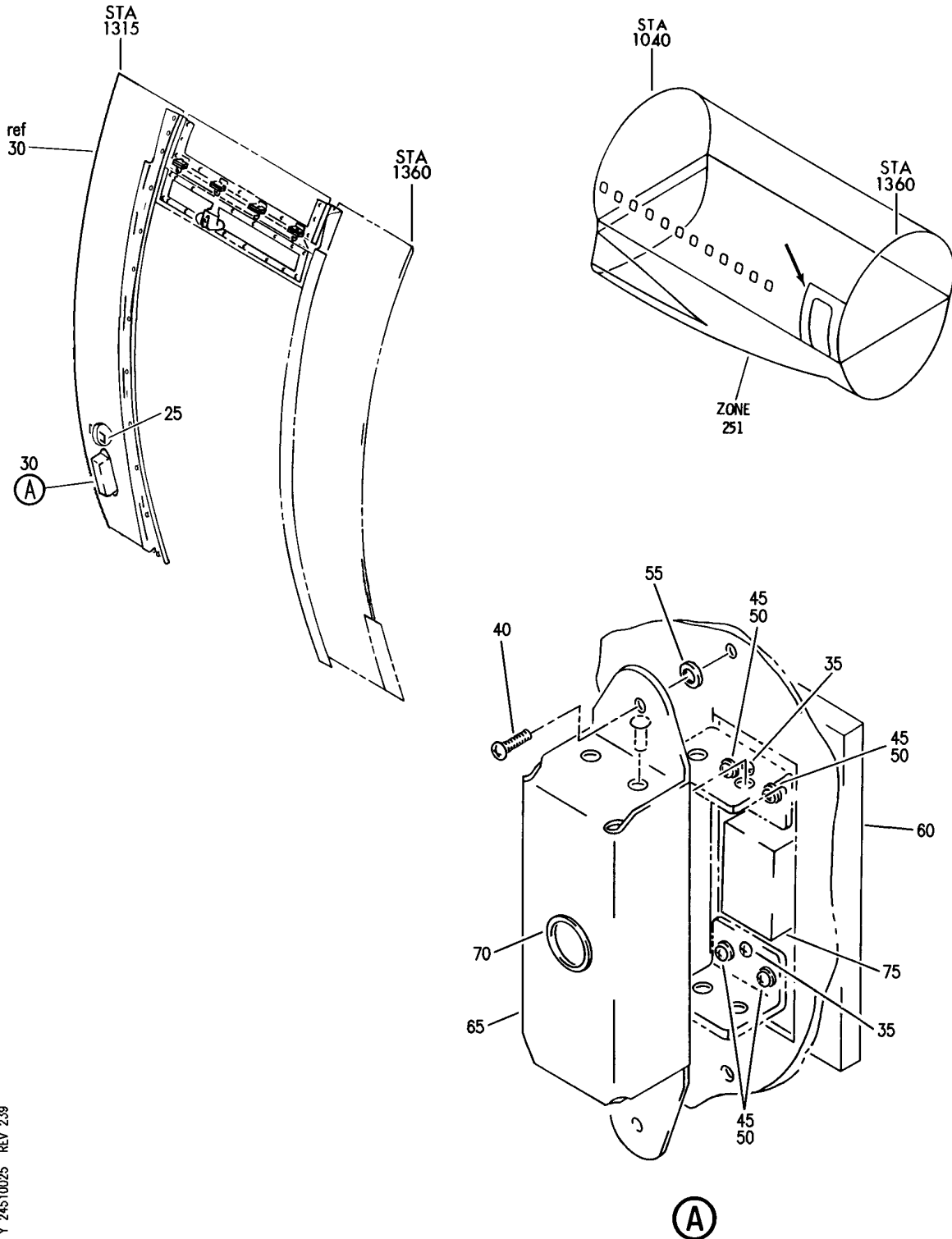
24-50-51
FIG. 02C
PAGE 4
JAN 20/09

AC POWER DISTRIBUTION 115 - VOLT

BRI
MAY 28/07

24-51-00
SECTION TITLE
PAGE 1

BOEING
757
PARTS CATALOG (MAINTENANCE)



Y 24510025 REV 239

LINING INSTL-DOORWAY NO. 3 L (ELECTRICAL POWER ONLY)
FIGURE 25

24-51-00-25

BRI
MAY 28/07

24-51-00-25
PAGE 0



757

PARTS CATALOG (MAINTENANCE)

FIG ITEM	PART NUMBER	1 2 3 4 5 6 7	NOMENCLATURE	EFFECT FROM TO	UNITS PER ASSY
25			LINING INSTL-DOORWAY NO. 3 L (ELECTRICAL POWER ONLY)	101102 108120 504903	
- 1	411N2360-407SP		LINING INSTL-DOORWAY NO. 3 (ELECTRICAL POWER ONLY) POSITION DATA: L FOR NHA/OTHER SYS DET SEE: 25-20-00-07	101102	RF
- 1	411N2360-419SP		LINING INSTL-DOORWAY NO. 3 (ELECTRICAL POWER ONLY) POSITION DATA: L FOR NHA/OTHER SYS DET SEE: 25-20-00-07	504903	RF
- 1	411N2360-426SP		LINING INSTL-DOORWAY NO. 3 (ELECTRICAL POWER ONLY) POSITION DATA: L FOR NHA/OTHER SYS DET SEE: 25-20-00-07	108120	RF
25	BAC27NEL0132		.MARKER-ALUMINUM FOIL PLACARD CONTENT: D884 OUTLET	101102 108120 504903	1
30	411N2361-203SP		.PANEL ASSY-(ELECTRICAL POWER ONLY) FOR OTHER SYS DETAILS SEE: 25-21-06-32	101102	RF
30	411N2361-303SP		.PANEL ASSY-(ELECTRICAL POWER ONLY) FOR OTHER SYS DETAILS SEE: 25-21-06-32	108120 504903	RF
35	NAS601-8P		.. SCREW	101102 108120 504903	2
40	NAS603-4P		.. SCREW-	101102 108120 504903	2
45	NAS601-10P		.. SCREW	101102 108120 504903	4
50	NAS1149DN632J		.. WASHER	101102 108120 504903	4
55	BACW10P6AL		.. WASHER	101102 108120 504903	2

MISSING ITEM NUMBERS NOT APPLICABLE

- ITEM NOT ILLUSTRATED

24-51-00-25

24-51-00
FIG. 25
PAGE 1
JAN 20/09

BRI



757

PARTS CATALOG (MAINTENANCE)

FIG ITEM	PART NUMBER	1 2 3 4 5 6 7	NOMENCLATURE	EFFECT FROM TO	UNITS PER ASSY
25					
60	SAM214-15	..	BOX-RCPT SUPPLIER CODE: V31845	101102 108120 504903	1
65	411N2022-5	..	BOX ASSY-ELECTRICAL	101102 108120 504903	1
70	NAS557-8C	...	GROMMET	101102 108120 504903	1
75	CRO20I	..	OUTLET- SUPPLIER CODE: V74545 OPTIONAL PART: 5252 V74545 53CM62GY V74545	101102 108120 504903	1
75	5252	..	OUTLET- SUPPLIER CODE: V74545 ELECTRICAL EQUIP NUMBER: D00884 OPTIONAL PART: CRO20I V74545 53CM62GY V74545	101102 108120 504903	1
75	53CM62GY	..	OUTLET- SUPPLIER CODE: V74545 OPTIONAL PART: CRO20I V74545 5252 V74545	101102 108120 504903	1

MISSING ITEM NUMBERS NOT APPLICABLE

- ITEM NOT ILLUSTRATED

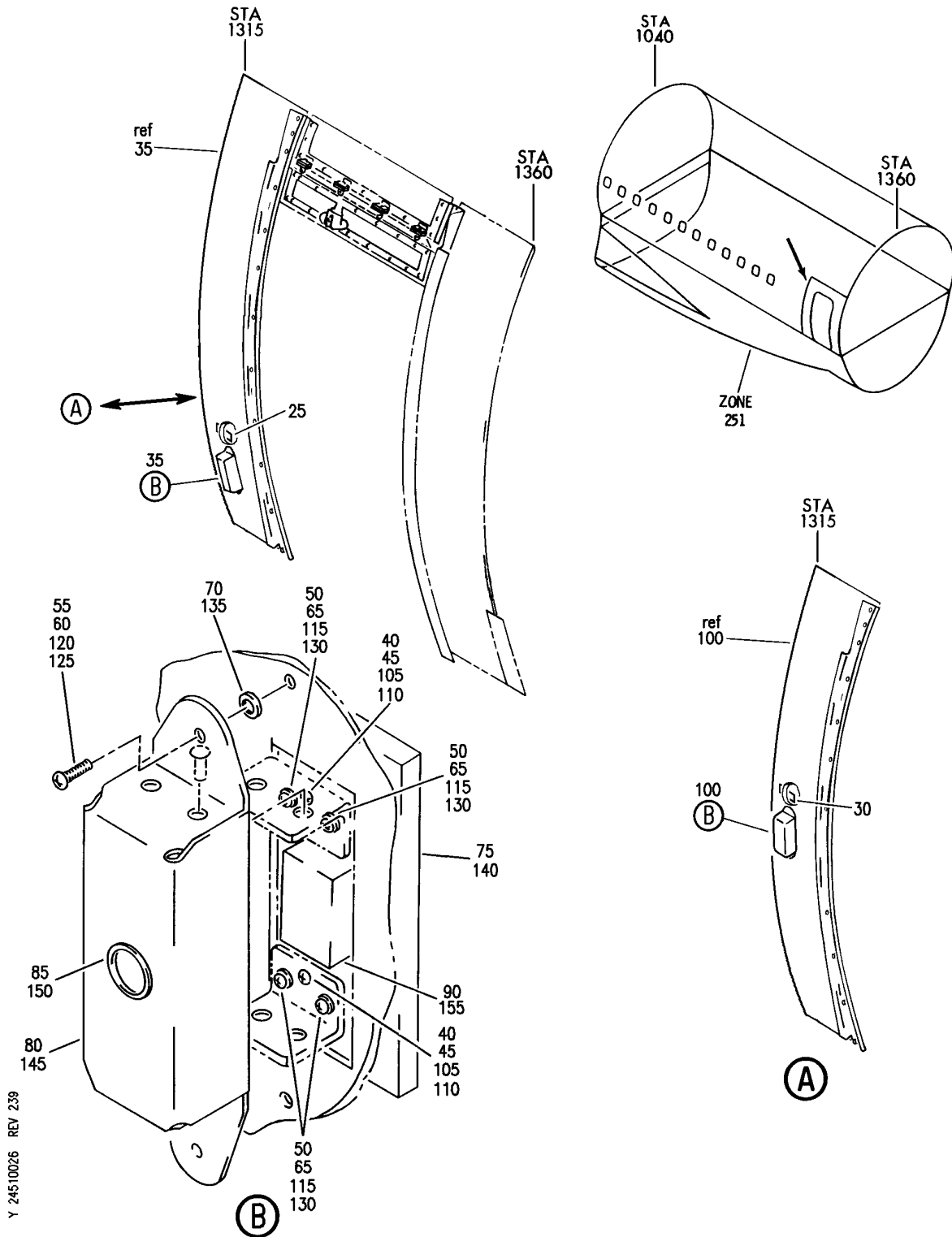
BRI

24-51-00-25

BOEING PROPRIETARY - Copyright © - Unpublished Work - See title page for details.

24-51-00
FIG. 25
PAGE 2
JAN 20/09

BOEING
757
PARTS CATALOG (MAINTENANCE)



Y 24510026 REV 239

LINING INSTL-DOORWAY NO. 3 L (ELECTRICAL POWER ONLY)
FIGURE 26

24-51-00-26

BRI
MAY 28/07

24-51-00-26
PAGE 0



757

PARTS CATALOG (MAINTENANCE)

FIG ITEM	PART NUMBER	1 2 3 4 5 6 7	NOMENCLATURE	EFFECT FROM TO	UNITS PER ASSY
26			LINING INSTL-DOORWAY NO. 3 L (ELECTRICAL POWER ONLY)	002004 006100 107107 121503 904999 107107	
- 1	411N2360-37		LINING INSTL-DOORWAY NO. 3 (ELECTRICAL POWER ONLY) POSITION DATA: L FOR NHA/OTHER SYS DET SEE: 25-21-00-01		RF
- 5	411N2360-50		LINING INSTL-DOORWAY NO. 3 (ELECTRICAL POWER ONLY) POSITION DATA: L FOR NHA/OTHER SYS DET SEE: 25-21-00-01	904949	RF
- 5	411N2360-55		LINING INSTL-DOORWAY NO. 3 (ELECTRICAL POWER ONLY) POSITION DATA: L FOR NHA/OTHER SYS DET SEE: 25-21-00-01	002004 006100 950951	RF
- 5	411N2360-61		LINING INSTL-DOORWAY NO. 3 (ELECTRICAL POWER ONLY) POSITION DATA: L FOR NHA/OTHER SYS DET SEE: 25-21-00-01	121503	RF
- 5	411N2360-69		LINING INSTL-DOORWAY NO. 3 (ELECTRICAL POWER ONLY) POSITION DATA: L FOR NHA/OTHER SYS DET SEE: 25-21-00-01	952999	RF
25	BAC27NEL0132		.MARKER-ALUMINUM FOIL PLACARD CONTENT: D884 OUTLET	107107 952999	1
30	BAC27NEL0132		.MARKER-ALUMINUM FOIL PLACARD CONTENT: D884 OUTLET	002004 006100 121503 904951 107107	1
35	411N2361-43SP		.PANEL ASSY-(ELECTRICAL POWER ONLY) FOR OTHER SYS DETAILS SEE: 25-21-06-30		RF

MISSING ITEM NUMBERS NOT APPLICABLE

- ITEM NOT ILLUSTRATED

24-51-00-26

24-51-00
FIG. 26
PAGE 1
JAN 20/09

BRI



757

PARTS CATALOG (MAINTENANCE)

FIG ITEM	PART NUMBER	1 2 3 4 5 6 7	NOMENCLATURE	EFFECT FROM TO	UNITS PER ASSY
26					
35	411N2361-71SP		.PANEL ASSY-(ELECTRICAL POWER ONLY) FOR OTHER SYS DETAILS SEE: 25-21-06-30	952999	RF
40	NAS601-8P		..SCREW	107107 952999	2
50	NAS601-10P		..SCREW	107107 952999	4
55	NAS603-4P		..SCREW	107107 952999	2
65	AN960PD6		..WASHER	107107 952999	4
70	BACW10P6AL		..WASHER	107107 952999	2
75	SAM214-15		..BOX-RCPT SUPPLIER CODE: V31845	952999	1
75	SAM214-4		..BOX-RCPT SUPPLIER CODE: V31845	107107	1
80	411N2022-5		..BOX ASSY-ELECTRICAL	107107 952999	1
85	NAS557-8C		...GROMMET	107107 952999	1
90	CRO20I		..OUTLET- SUPPLIER CODE: V74545 OPTIONAL PART: 5252 V74545 53CM62GY V74545	107107 952999	1
90	5252		..OUTLET- SUPPLIER CODE: V74545 ELECTRICAL EQUIP NUMBER: D00884 OPTIONAL PART: CRO20I V74545 53CM62GY V74545	107107 952999	1

MISSING ITEM NUMBERS NOT APPLICABLE

- ITEM NOT ILLUSTRATED

BRI

24-51-00-26

BOEING PROPRIETARY - Copyright © - Unpublished Work - See title page for details.

24-51-00
FIG. 26
PAGE 2
JAN 20/09



757

PARTS CATALOG (MAINTENANCE)

FIG ITEM	PART NUMBER	1 2 3 4 5 6 7	NOMENCLATURE	EFFECT FROM TO	UNITS PER ASSY
26 90	53CM62GY	..	OUTLET- SUPPLIER CODE: V74545 OPTIONAL PART: CRO20I V74545 5252 V74545	107107 952999	1
100	411N2361-77SP	. .	PANEL ASSY-(ELECTRICAL POWER ONLY) REWORKED BY SB: 21-0060 FOR OTHER SYS DETAILS SEE: 25-21-06-30	002004 006100 950951	RF
100	411N2361-65SP	. .	PANEL ASSY-(ELECTRICAL POWER ONLY) FOR OTHER SYS DETAILS SEE: 25-21-06-30	121503 904949	RF
105	NAS601-8P	..	SCREW	002004 006100 950951	2
110	NAS601-4P	..	SCREW	121503 904949	2
115	NAS601-10P	..	SCREW	002004 006100 121503 904951	4
120	NAS603-4P	..	SCREW	002004 006100 950951	2
125	NAS603-8P	..	SCREW	121503 904949	2
130	AN960PD6	..	WASHER	002004 006100 121503 904951	4
135	BACW10P6AL	..	WASHER	002004 006100 121503 904951	2
140	SAM214-15	..	BOX-RCPT SUPPLIER CODE: V31845	002004 006100 950951	1
140	SAM214-4	..	BOX-RCPT SUPPLIER CODE: V31845 OPTIONAL PART: SAM214-18 V31845	121503 904949	1

MISSING ITEM NUMBERS NOT APPLICABLE

- ITEM NOT ILLUSTRATED

BRI

24-51-00-26

24-51-00
FIG. 26
PAGE 3
JAN 20/09



757

PARTS CATALOG (MAINTENANCE)

FIG ITEM	PART NUMBER	1 2 3 4 5 6 7	NOMENCLATURE	EFFECT FROM TO	UNITS PER ASSY
26 140	SAM214-18	..	BOX-RCPT SUPPLIER CODE: V31845 OPTIONAL PART: SAM214-4 V31845	121503 904949	1
145	411N2022-5	..	BOX ASSY-ELECTRICAL	002004 006100 121503 904951	1
150	NAS557-8C	...	GROMMET	002004 006100 121503 904951	1
155	CR020I	..	OUTLET- SUPPLIER CODE: V74545 OPTIONAL PART: 5252 V74545 53CM62GY V74545	002004 006100 121503 904951	1
155	5252	..	OUTLET- SUPPLIER CODE: V74545 ELECTRICAL EQUIP NUMBER: D00884 OPTIONAL PART: 53CM62GY V74545 CR020I V74545	002004 006100 121503 904951	1
155	53CM62GY	..	OUTLET- SUPPLIER CODE: V74545 OPTIONAL PART: 5252 V74545 CR020I V74545	002004 006100 121503 904951	1

MISSING ITEM NUMBERS NOT APPLICABLE

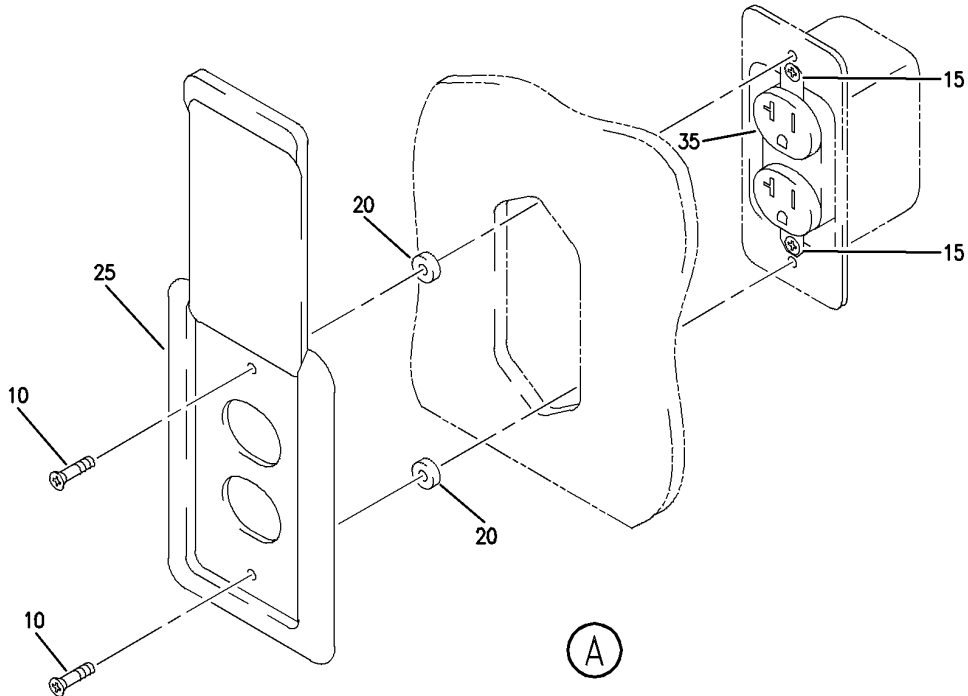
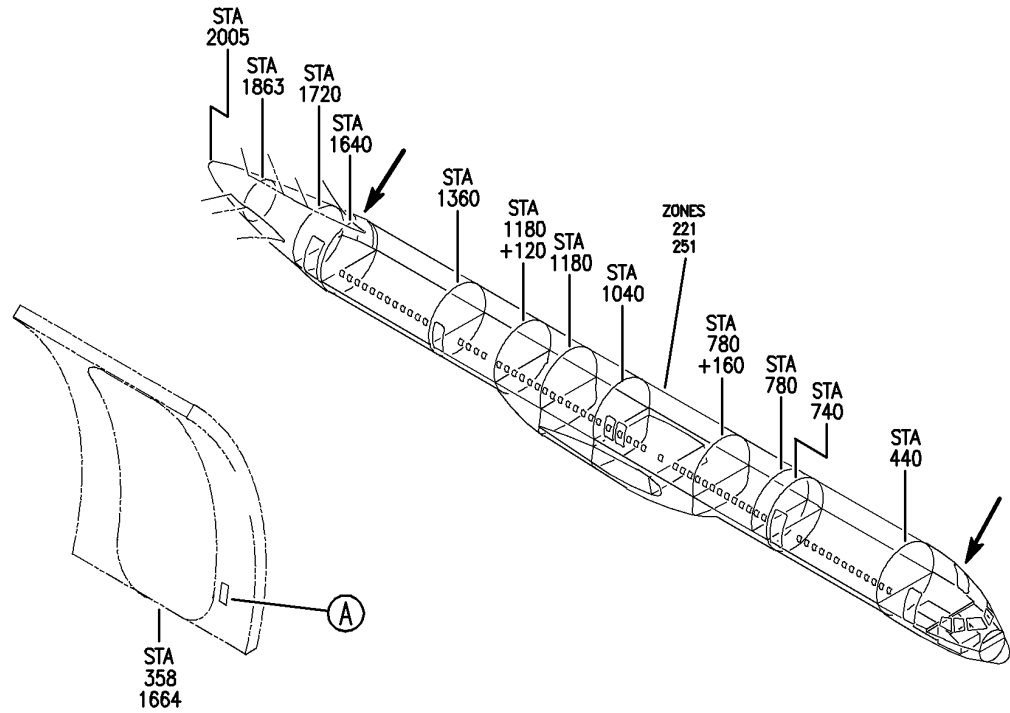
- ITEM NOT ILLUSTRATED

BRI

24-51-00-26

24-51-00
FIG. 26
PAGE 4
JAN 20/09

BOEING
757
PARTS CATALOG (MAINTENANCE)



Y 24510033 REV 242

OUTLET INSTL-ELECTRICAL
FIGURE 33

24-51-00-33

BRI
JAN 20/09

24-51-00-33
PAGE 0



757

PARTS CATALOG (MAINTENANCE)

FIG ITEM	PART NUMBER	1 2 3 4 5 6 7	NOMENCLATURE	EFFECT FROM TO	UNITS PER ASSY
33					
- 1	MODREF28416		OUTLET INSTL-ELECTRICAL OUTLET INSTL-ELECTRICAL MODULE NUMBER: 411N2136-2 REV B	103106 103106	1
10	NAS514P632-10		.SCREW	103106	AR
15	NAS514P632-8		.SCREW	103106	AR
20	NAS43DD1-10FC		.SPACER	103106	AR
25	SAM254-4		.COVER ASSY- SUPPLIER CODE: V31845	103106	2
35	CR020I		.OUTLET- SUPPLIER CODE: V74545	103106	2

MISSING ITEM NUMBERS NOT APPLICABLE

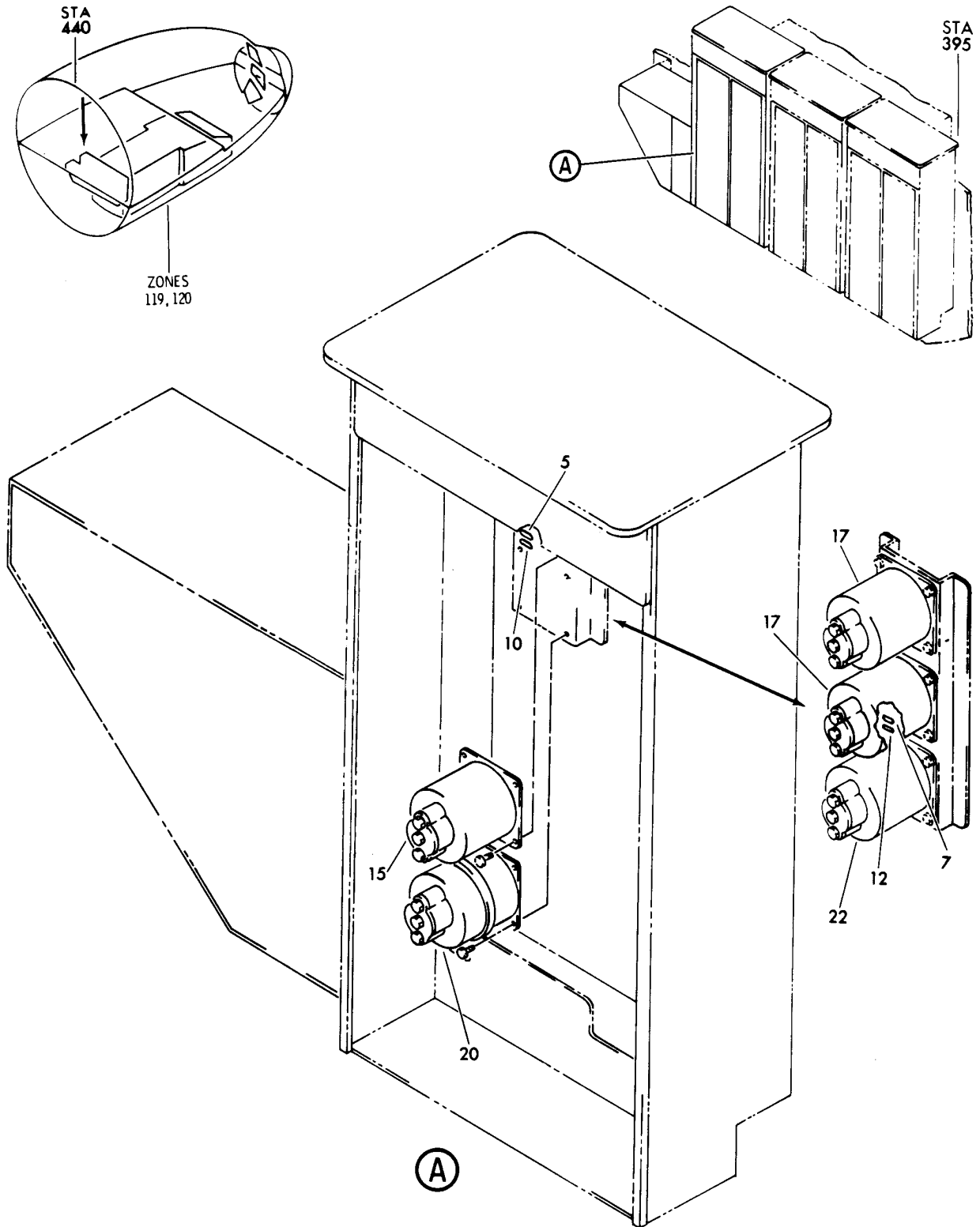
- ITEM NOT ILLUSTRATED

24-51-00-33

24-51-00
FIG. 33
PAGE 1
JAN 20/09

BRI

BOEING
757
PARTS CATALOG (MAINTENANCE)



Y 24510101 SHT 1 REV 083

PANEL ASSY-APU/EXT PWR P34 (115 VOLT AC POWER DISTRIBUTION ONLY)
FIGURE 1

24-51-01-01

BRI
MAY 28/07

24-51-01-01
PAGE 0



757

PARTS CATALOG (MAINTENANCE)

FIG ITEM	PART NUMBER	1 2 3 4 5 6 7	NOMENCLATURE	EFFECT FROM TO	UNITS PER ASSY
1			PANEL ASSY-APU/EXT PWR P34 (115 VOLT AC POWER DISTRIBUTION ONLY)	002004 006100 107107 121503 904999	
- 1	284N1316-1		PANEL ASSY-APU/EXT PWR P34 (115 VOLT AC POWER DISTRIBUTION ONLY) VARIABLE DRAWING REF: 284N1316-5023 284N1316-5047 284N1316-5063 284N1316-5064 284N1316-5067 FOR NHA/OTHER SYS DET SEE: 31-01-34-02	002004 006100 107107 121503 904999	RF
5	BAC27TEX0074		.DECAL- PLACARD CONTENT: K103	002004 006100 107107 121503 904999	1
7	BAC27NEX2536		.DECAL- PLACARD CONTENT: K102	002004 006100 950999	1
10	BAC27TEX0075		.DECAL- PLACARD CONTENT: K101	107107 121503 904949	1
12	BAC27TEX0075		.DECAL- PLACARD CONTENT: K101	002004 006100 950999	1
15	D25BD		.RELAY- SUPPLIER CODE: V74063 SPECIFICATION NUMBER: 10-61445-23 ELECTRICAL EQUIP NUMBER: K00103 COMPONENT MAINT MANUAL REF: 24-09-11	107107 121503 904949	1
17	D25BD		.RELAY- SUPPLIER CODE: V74063 SPECIFICATION NUMBER: 10-61445-23 ELECTRICAL EQUIP NUMBER: K00102 K00103 COMPONENT MAINT MANUAL REF: 24-09-11	002004 006100 950999	2

MISSING ITEM NUMBERS NOT APPLICABLE

- ITEM NOT ILLUSTRATED

BRI

24-51-01-01

BOEING PROPRIETARY - Copyright © - Unpublished Work - See title page for details.

24-51-01
FIG. 01
PAGE 1
JAN 20/09



757

PARTS CATALOG (MAINTENANCE)

FIG ITEM	PART NUMBER	1 2 3 4 5 6 7	NOMENCLATURE	EFFECT FROM TO	UNITS PER ASSY
1	20 D31C		.RELAY- SUPPLIER CODE: V74063 SPECIFICATION NUMBER: 10-61445-24 ELECTRICAL EQUIP NUMBER: K00101 COMPONENT MAINT MANUAL REF: 24-09-12	107107 121503 904949	1
	20 ZCDA1A047		.RELAY- SUPPLIER CODE: V58657 SPECIFICATION NUMBER: 10-61445-24 ELECTRICAL EQUIP NUMBER: K00101 COMPONENT MAINT MANUAL REF: 24-09-12	107107 121503 904949	1
	22 D31C		.RELAY- SUPPLIER CODE: V74063 SPECIFICATION NUMBER: 10-61445-24 ELECTRICAL EQUIP NUMBER: K00101 COMPONENT MAINT MANUAL REF: 24-09-12	002004 006100 950999	1
	22 ZCDA1A047		.RELAY- SUPPLIER CODE: V58657 SPECIFICATION NUMBER: 10-61445-24 ELECTRICAL EQUIP NUMBER: K00101 COMPONENT MAINT MANUAL REF: 24-09-12	002004 006100 950999	1
-	25 NAS1801-3-8		ATTACHING PARTS .SCREW	107107 121503 904949	8
-	30 NAS1801-3-8		.SCREW -----*-----	002004 006100 950999	12

MISSING ITEM NUMBERS NOT APPLICABLE

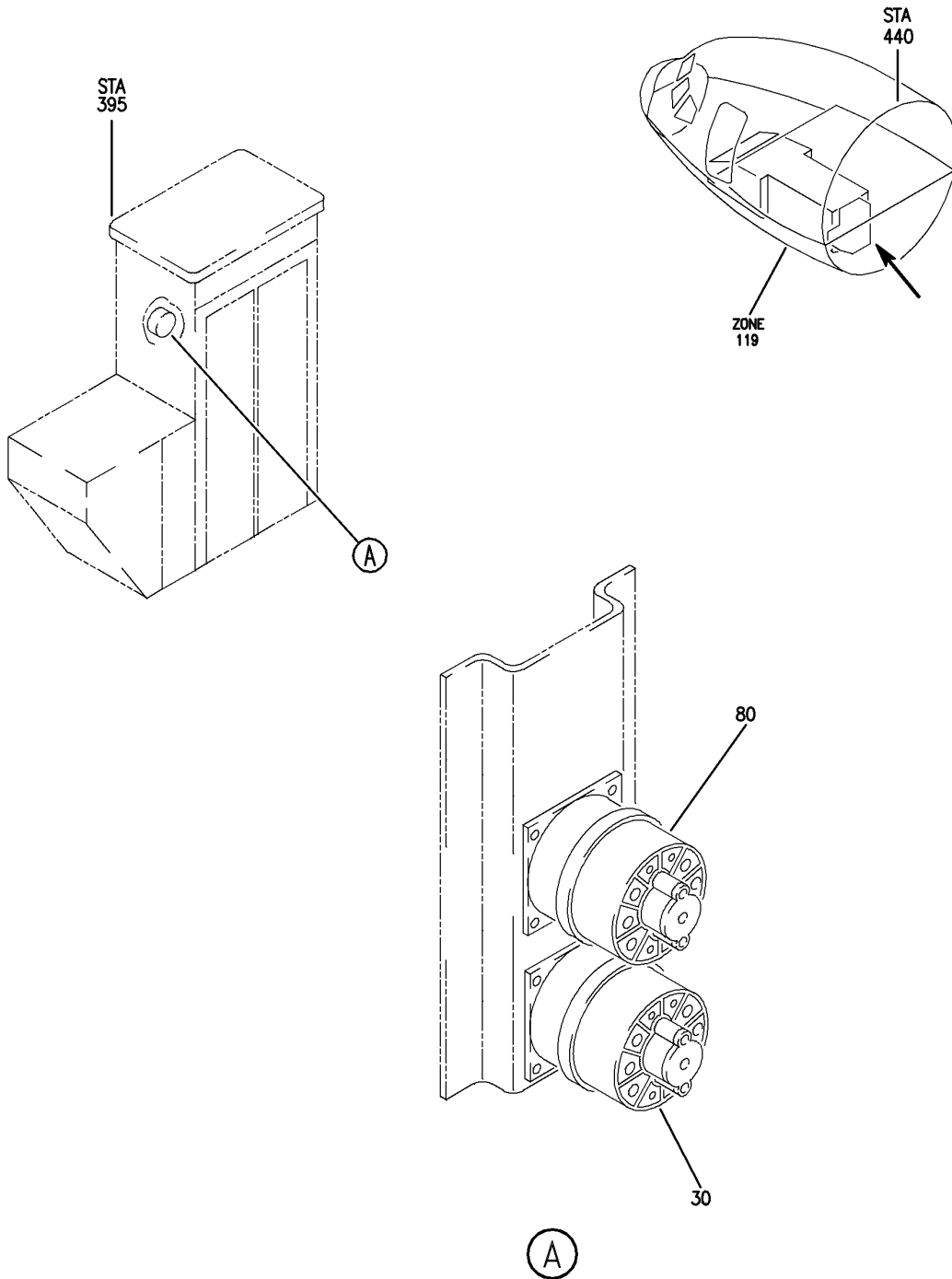
- ITEM NOT ILLUSTRATED

BRI

24-51-01-01

24-51-01
FIG. 01
PAGE 2
JAN 20/09

BOEING
757
PARTS CATALOG (MAINTENANCE)



Y 24510101A REV 227

PACKAGE ASSY-OPTION P34 APU/EXT PWR (GROUND HANDLING RELAYS ONLY)
FIGURE 1A

BRI
MAY 28/07

24-51-01-01A

24-51-01-01A
PAGE 0

BOEING PROPRIETARY - Copyright © - Unpublished Work - See title page for details.



757

PARTS CATALOG (MAINTENANCE)

FIG ITEM	PART NUMBER	1 2 3 4 5 6 7	NOMENCLATURE	EFFECT FROM TO	UNITS PER ASSY
1 A			PACKAGE ASSY-OPTION P34 APU/EXT PWR (GROUND HANDLING RELAYS ONLY)	101102 504903	
- 1	284N1316-1000		PACKAGE ASSY-OPTION P34 APU/EXT PWR (GROUND HANDLING RELAYS ONLY)	101102 504903	RF
30	D31C		FOR NHA/OTHER SYS DET SEE: 31-01-34-01 .RELAY-	101102 504903	1
30	ZCDA1A047		SUPPLIER CODE: V74063 SPECIFICATION NUMBER: 10-61445-24 ELECTRICAL EQUIP NUMBER: K00101 COMPONENT MAINT MANUAL REF: 24-09-12 .RELAY-	101102 504903	1
- 35	NAS1801-3-8		ATTACHING PARTS .SCREW -----*-----	101102 504903	12

MISSING ITEM NUMBERS NOT APPLICABLE

- ITEM NOT ILLUSTRATED

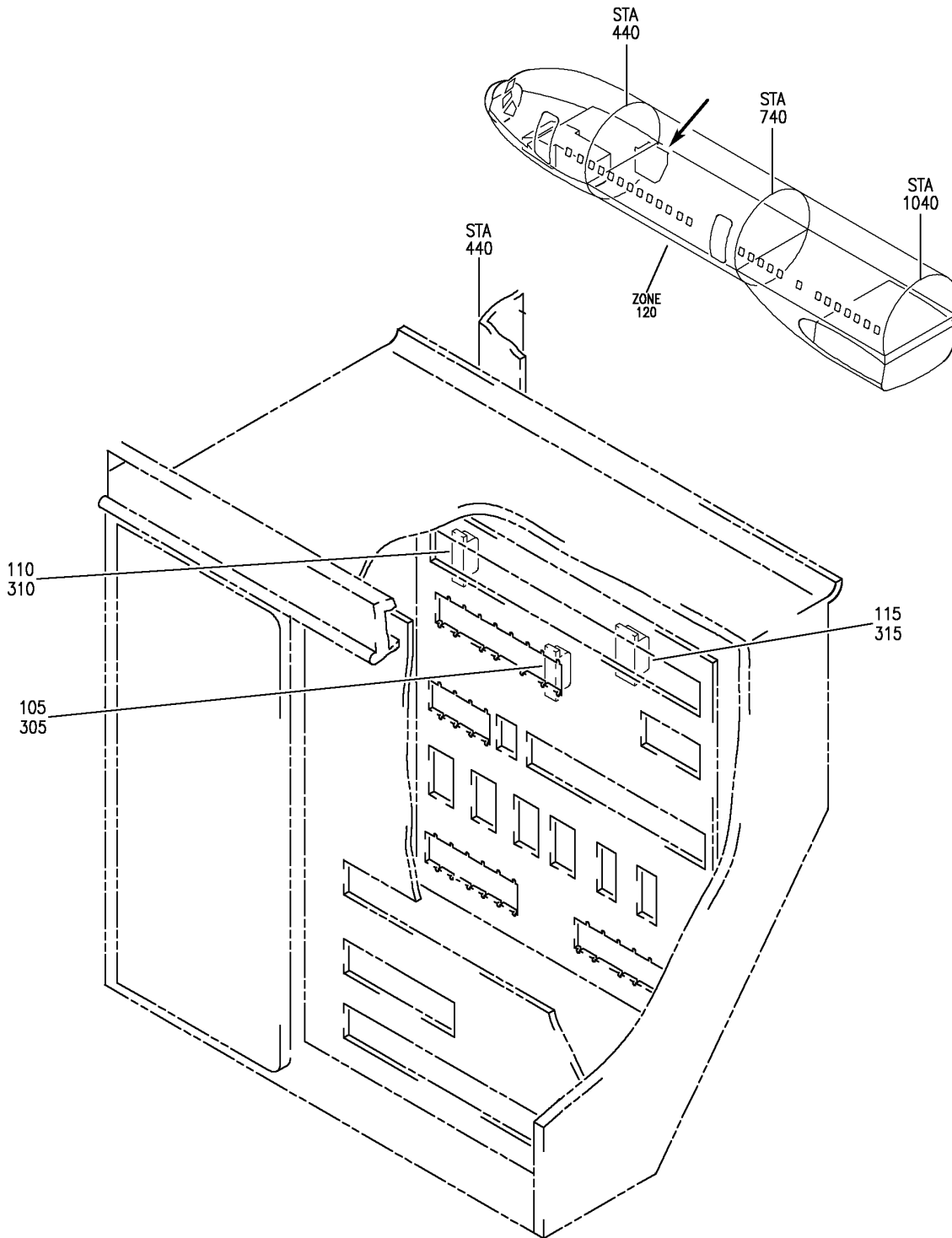
BRI

24-51-01-01A

BOEING PROPRIETARY - Copyright © - Unpublished Work - See title page for details.

24-51-01
FIG. 01A
PAGE 1
JAN 20/09

BOEING
757
PARTS CATALOG (MAINTENANCE)



Y 24510102 REV 254

PANEL INSTL-P37 R MISC RELAY (GROUND HANDLING RELAYS ONLY)
 FIGURE 2

24-51-01-02

BRI
 JAN 20/09

24-51-01-02
 PAGE 0



757
PARTS CATALOG (MAINTENANCE)

FIG ITEM	PART NUMBER	1 2 3 4 5 6 7	NOMENCLATURE	EFFECT FROM TO	UNITS PER ASSY
2			PANEL INSTL-P37 R MISC RELAY (GROUND HANDLING RELAYS ONLY)	103106 108120	

MISSING ITEM NUMBERS NOT APPLICABLE

- ITEM NOT ILLUSTRATED

BRI

24-51-01-02

BOEING PROPRIETARY - Copyright © - Unpublished Work - See title page for details.

24-51-01
FIG. 02
PAGE 1
JAN 20/09



757

PARTS CATALOG (MAINTENANCE)

FIG ITEM	PART NUMBER	1 2 3 4 5 6 7	NOMENCLATURE	EFFECT FROM TO	UNITS PER ASSY
2 - 1	MODREF185037		PANEL INSTL-P37 R MISC RELAY (GROUND HANDLING RELAYS ONLY) MODULE NUMBER: 284N1127-169 REV D FOR OTHER SYS DETAILS SEE: 11-36-12-02A 21-25-71-02D 21-44-71-02D 21-45-31-01D 21-51-55-01D 21-58-71-02D 21-61-71-02D 23-31-51-05 24-21-51-05 27-62-71-03D 28-22-71-03D 29-21-71-01D 30-11-71-02D 30-21-71-03D 30-31-71-02D 30-32-71-02D 30-33-71-02D 30-34-51-01D 31-01-37-10 31-31-71-02D 32-09-02-04D 32-42-71-02D 32-61-71-02D 33-43-55-01D 33-51-71-01D 34-12-71-02D 34-25-50-01D 34-61-52-01D 35-21-71-02D 36-11-71-02D 38-15-71-02D 73-21-55-01D 74-31-71-02D 76-11-71-02D 77-12-71-01D 78-34-71-02D 78-36-71-02D 80-11-71-02D FOR ADDITIONAL DETAILS SEE: 24-51-02-03 24-51-58-02D	106106	1

MISSING ITEM NUMBERS NOT APPLICABLE

- ITEM NOT ILLUSTRATED

BRI

24-51-01-02

BOEING PROPRIETARY - Copyright © - Unpublished Work - See title page for details.

24-51-01
FIG. 02
PAGE 2
JAN 20/09



757

PARTS CATALOG (MAINTENANCE)

FIG ITEM	PART NUMBER	1 2 3 4 5 6 7	NOMENCLATURE	EFFECT FROM TO	UNITS PER ASSY
2 -	3 284N1127-118		PANEL INSTL-P37 R MISC RELAY (GROUND HANDLING RELAYS ONLY) FOR NHA/OTHER SYS DET SEE: 24-00-58-05C	108108	RF
-	4 284N1127-139		PANEL INSTL-P37 R MISC RELAY (GROUND HANDLING RELAYS ONLY) FOR NHA/OTHER SYS DET SEE: 24-00-58-05C	109120	RF

MISSING ITEM NUMBERS NOT APPLICABLE

- ITEM NOT ILLUSTRATED

BRI

24-51-01-02

BOEING PROPRIETARY - Copyright © - Unpublished Work - See title page for details.

24-51-01
FIG. 02
PAGE 3
JAN 20/09



757

PARTS CATALOG (MAINTENANCE)

FIG ITEM	PART NUMBER	1 2 3 4 5 6 7	NOMENCLATURE	EFFECT FROM TO	UNITS PER ASSY
2 - 8	MODREF31945		PANEL INSTL-P37 R MISC RELAY (GROUND HANDLING RELAYS ONLY) MODULE NUMBER: 284N1127-169 REV B FOR OTHER SYS DETAILS SEE: 11-36-12-02A 21-25-71-02D 21-44-71-02D 21-45-31-01D 21-51-55-01D 21-58-71-02D 21-61-71-02D 23-31-51-05 24-21-51-05 27-62-71-03D 28-22-71-03D 29-21-71-01D 30-11-71-02D 30-21-71-03D 30-31-71-02D 30-32-71-02D 30-33-71-02D 30-34-51-01D 31-01-37-10 31-31-71-02D 32-09-02-04D 32-42-71-02D 32-61-71-02D 33-43-55-01D 33-51-71-01D 34-12-71-02D 34-25-50-01D 34-61-52-01D 35-21-71-02D 36-11-71-02D 38-15-71-02D 73-21-55-01D 74-31-71-02D 76-11-71-02D 77-12-71-01D 78-34-71-02D 78-36-71-02D 80-11-71-02D FOR ADDITIONAL DETAILS SEE: 24-51-02-03 24-51-58-02D	103103	1

MISSING ITEM NUMBERS NOT APPLICABLE

- ITEM NOT ILLUSTRATED

24-51-01-02

24-51-01
FIG. 02
PAGE 4
JAN 20/09

BRI



757

PARTS CATALOG (MAINTENANCE)

FIG ITEM	PART NUMBER	1 2 3 4 5 6 7	NOMENCLATURE	EFFECT FROM TO	UNITS PER ASSY
2 - 9	MODREF34305		PANEL INSTL-P37 R MISC RELAY (GROUND HANDLING RELAYS ONLY) MODULE NUMBER: 284N1127-169 REV C FOR OTHER SYS DETAILS SEE: 11-36-12-02A 21-25-71-02D 21-44-71-02D 21-45-31-01D 21-51-55-01D 21-58-71-02D 21-61-71-02D 23-31-51-05 24-21-51-05 27-62-71-03D 28-22-71-03D 29-21-71-01D 30-11-71-02D 30-21-71-03D 30-31-71-02D 30-32-71-02D 30-33-71-02D 30-34-51-01D 31-01-37-10 31-31-71-02D 32-09-02-04D 32-42-71-02D 32-61-71-02D 33-43-55-01D 33-51-71-01D 34-12-71-02D 34-25-50-01D 34-61-52-01D 35-21-71-02D 36-11-71-02D 38-15-71-02D 73-21-55-01D 74-31-71-02D 76-11-71-02D 77-12-71-01D 78-34-71-02D 78-36-71-02D 80-11-71-02D FOR ADDITIONAL DETAILS SEE: 24-51-02-03 24-51-58-02D	104105	1

MISSING ITEM NUMBERS NOT APPLICABLE

- ITEM NOT ILLUSTRATED

BRI

24-51-01-02

BOEING PROPRIETARY - Copyright © - Unpublished Work - See title page for details.

24-51-01
FIG. 02
PAGE 5
JAN 20/09



757

PARTS CATALOG (MAINTENANCE)

FIG ITEM	PART NUMBER	1 2 3 4 5 6 7	NOMENCLATURE	EFFECT FROM TO	UNITS PER ASSY
2 105	TDH1852-3001		.RELAY- SUPPLIER CODE: V35344 ELECTRICAL EQUIP NUMBER: K10391 OPTIONAL PART: 600-154-3001 V15420 FOR SPARES PROCURE: 600-154-3001 V15420 600-154-3000M0 V15420 600-154-3S0 V15420	103106 108120	1
105	600-154-3001		.RELAY- SUPPLIER CODE: V15420 ELECTRICAL EQUIP NUMBER: K10391 OPTIONAL PART: TDH1852-3001 V35344 FOR SPARES PROCURE: TDH1852-3001 V58657	103106 108120	1
110	E210-1631		.RELAY- SUPPLIER CODE: V99699 SPECIFICATION NUMBER: BACR13CF2A OPTIONAL PART: BR246S0112 V56623 FCA210-70 V78290 E215-1050 V99699 JD4A017 V35344 BR64S104 V56623 61GB19-1A320 V98927 ELECTRICAL EQUIP NUMBER: K10277	103106	1
- 300	286N1270-360		WIRE BUNDLE ASSY- REWORKED BY ALERT SB: 34A0222	108120	RF

MISSING ITEM NUMBERS NOT APPLICABLE

- ITEM NOT ILLUSTRATED

BRI

24-51-01-02

BOEING PROPRIETARY - Copyright © - Unpublished Work - See title page for details.

24-51-01
FIG. 02
PAGE 6
JAN 20/09



757

PARTS CATALOG (MAINTENANCE)

FIG ITEM	PART NUMBER	1 2 3 4 5 6 7	NOMENCLATURE	EFFECT FROM TO	UNITS PER ASSY
2					
- 302	286N1270-602		WIRE BUNDLE ASSY	103106	RF
305	RSE120028		.SOCKET-	103106	1
			SUPPLIER CODE:	108120	
			V58982		
			SPECIFICATION NUMBER:		
			BACS16AH1		
			OPTIONAL PART:		
			451120-028		
			V58982		
			ELECTRICAL EQUIP NUMBER:		
			D04496		
			WIRING DIAGRAM REF:		
			245171		
310	RSF116200		.SOCKET-	103106	1
			SUPPLIER CODE:		
			V58982		
			SPECIFICATION NUMBER:		
			BACS16X1A		
			OPTIONAL PART:		
			102-006-1		
			V09922		
			000300-1538		
			V05574		
			ELECTRICAL EQUIP NUMBER:		
			D04112		
			WIRING DIAGRAM REF:		
			351113		

MISSING ITEM NUMBERS NOT APPLICABLE

- ITEM NOT ILLUSTRATED

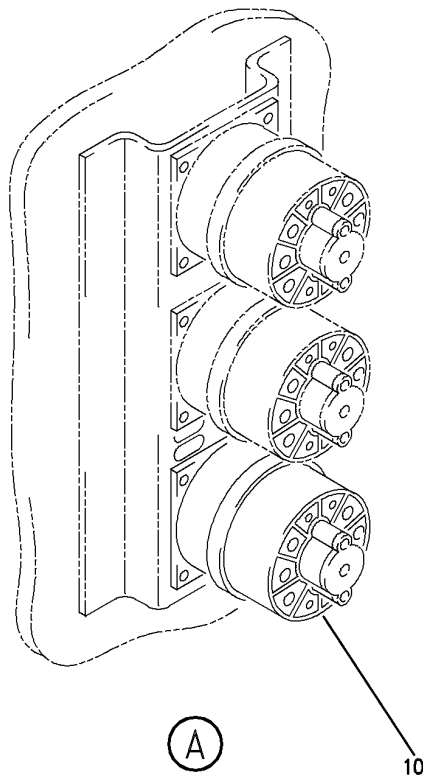
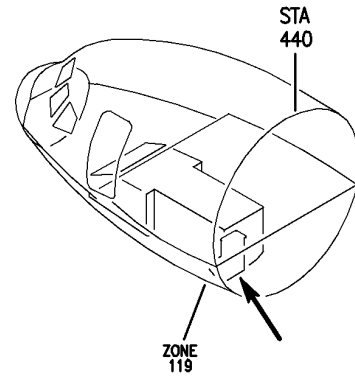
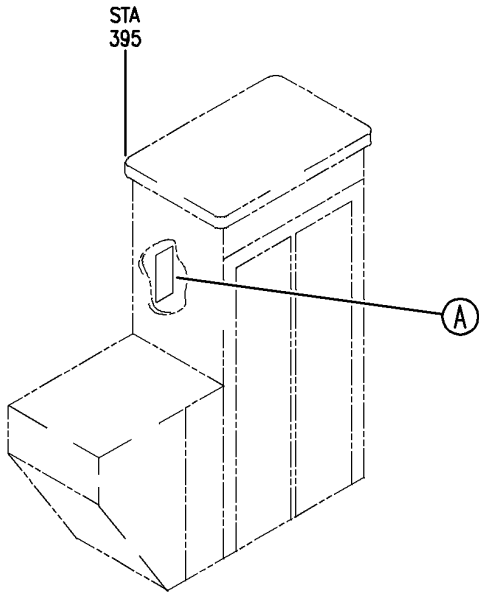
BRI

24-51-01-02

BOEING PROPRIETARY - Copyright © - Unpublished Work - See title page for details.

24-51-01
FIG. 02
PAGE 7
JAN 20/09

BOEING
757
PARTS CATALOG (MAINTENANCE)



Y 24510103 REV 232

PANEL ASSY-P34 APU/EXT PWR (GROUND HANDLING RELAYS ONLY)
FIGURE 3

24-51-01-03

BRI
JAN 20/09

24-51-01-03
PAGE 0



757

PARTS CATALOG (MAINTENANCE)

FIG ITEM	PART NUMBER	1 2 3 4 5 6 7	NOMENCLATURE	EFFECT FROM TO	UNITS PER ASSY
3			PANEL ASSY-P34 APU/EXT PWR (GROUND HANDLING RELAYS ONLY)	103106 108120	
- 2	284N1316-147		PANEL ASSY-P34 APU/EXT PWR (GROUND HANDLING RELAYS ONLY) FOR NHA/OTHER SYS DET SEE: 24-00-58-05C	108120	RF
- 5	MODREF31492		PANEL ASSY-P34 APU/EXT PWR (28-VOLT AC POWER GROUND HANDLING RELAYS ONLY) MODULE NUMBER: 284N1316-207 REV A FOR OTHER SYS DETAILS SEE: 11-36-09-08 24-22-03-04 24-23-01-03 24-41-01-02 24-53-73-02 24-54-01-02 31-01-34-03 33-21-71-02 33-22-71-02 33-24-71-02 33-42-71-03 38-14-71-02 FOR ADDITIONAL DETAILS SEE: 24-51-03-02 24-51-04-03 24-51-54-04	103105	1

MISSING ITEM NUMBERS NOT APPLICABLE

- ITEM NOT ILLUSTRATED

BRI

24-51-01-03

BOEING PROPRIETARY - Copyright © - Unpublished Work - See title page for details.

24-51-01
FIG. 03
PAGE 1
JAN 20/09



757

PARTS CATALOG (MAINTENANCE)

FIG ITEM	PART NUMBER	1 2 3 4 5 6 7	NOMENCLATURE	EFFECT FROM TO	UNITS PER ASSY
3 - 5	MODREF34794		PANEL ASSY-P34 APU/EXT PWR (28-VOLT AC POWER GROUND HANDLING RELAYS ONLY) MODULE NUMBER: 284N1316-207 REV B FOR OTHER SYS DETAILS SEE: 11-36-09-08 24-22-03-04 24-23-01-03 24-41-01-02 24-53-73-02 24-54-01-02 31-01-34-03 33-21-71-02 33-22-71-02 33-24-71-02 33-42-71-03 38-14-71-02 FOR ADDITIONAL DETAILS SEE: 24-51-03-02 24-51-04-03 24-51-54-04	106106	1
10	D31C		.RELAY- SUPPLIER CODE: V74063 SPECIFICATION NUMBER: 10-61445-24 ELECTRICAL EQUIP NUMBER: K00101 COMPONENT MAINT MANUAL REF: 24-09-12	103106 108120	1
10	ZCDA1A047		.RELAY- SUPPLIER CODE: V58657 SPECIFICATION NUMBER: 10-61445-24 ELECTRICAL EQUIP NUMBER: K00101 COMPONENT MAINT MANUAL REF: 24-09-12	103106 108120	1
- 20	NAS1801-3-8		ATTACHING PARTS .SCREW	108120	4
- 20	BACS12HN3-8		.SCREW -----*-----	103106	4

MISSING ITEM NUMBERS NOT APPLICABLE

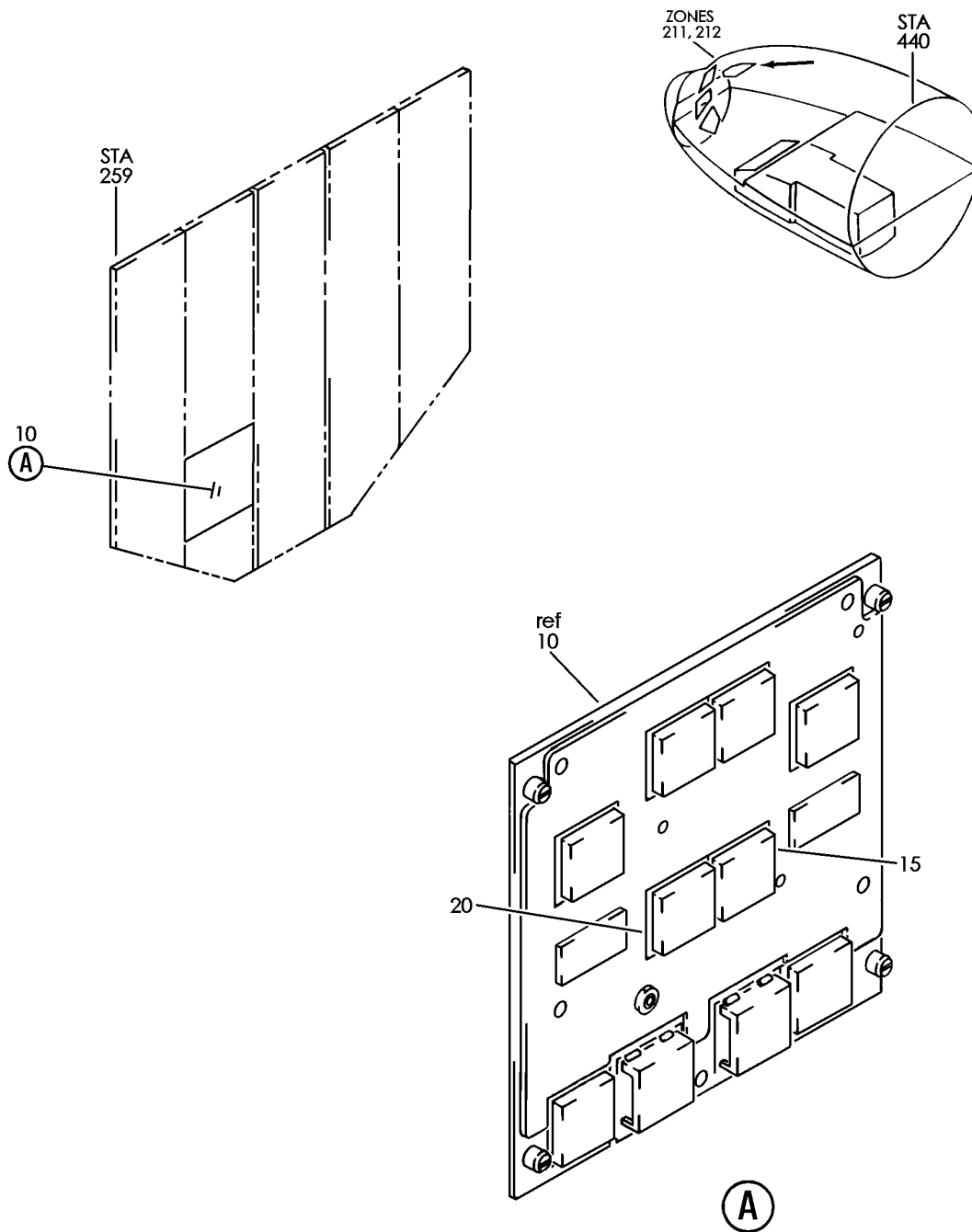
- ITEM NOT ILLUSTRATED

24-51-01-03

24-51-01
FIG. 03
PAGE 2
JAN 20/09

BRI

BOEING
757
PARTS CATALOG (MAINTENANCE)



Y 24510201 REV 220

PANEL INSTL-P5 OVHD (UTILITY BUS RELAYS ONLY)

FIGURE 1

24-51-02-01

BRI
MAY 28/07

24-51-02-01
PAGE 0



757

PARTS CATALOG (MAINTENANCE)

FIG ITEM	PART NUMBER	1 2 3 4 5 6 7	NOMENCLATURE	EFFECT FROM TO	UNITS PER ASSY
1			PANEL INSTL-P5 OVHD (UTILITY BUS RELAYS ONLY)	002004 006010 107107 121503 904999	
- 1	233N3101-1		PANEL INSTL-P5 OVHD (UTILITY BUS RELAYS ONLY) VARIABLE DRAWING REF: 233N3101-5005 233N3101-5025 233N3101-5041 233N3101-5042 233N3101-5045 FOR NHA/OTHER SYS DET SEE: 25-10-00-05A	002004 006010 107107 121503 904999	RF
10	233N3209-18		.PANEL ASSY-ELECTRICAL SYS SUPPLIER CODE: V89954 ELECTRICAL EQUIP NUMBER: M10063 COMPONENT MAINT MANUAL REF: 24-22-71 QUALIFIED I/W DATA: 233N3209-12 -18 -20 -22 -25 -26 -27 ARE ALL INTERCHANGEABLE EXCEPT SUBJECT TO CUSTOMER PREFERENCE OPTIONAL PART: 233N3209-22 V89954 PRE ALERT SB: 33A0044	107107	RF

MISSING ITEM NUMBERS NOT APPLICABLE

- ITEM NOT ILLUSTRATED

BRI

24-51-02-01

BOEING PROPRIETARY - Copyright © - Unpublished Work - See title page for details.

24-51-02
FIG. 01
PAGE 1
JAN 20/09



757

PARTS CATALOG (MAINTENANCE)

FIG ITEM	PART NUMBER	1 2 3 4 5 6 7	NOMENCLATURE	EFFECT FROM TO	UNITS PER ASSY
1 10	233N3209-22		.PANEL ASSY-ELECTRICAL SYS SUPPLIER CODE: V89954 ELECTRICAL EQUIP NUMBER: M10063 COMPONENT MAINT MANUAL REF: 24-22-71 QUALIFIED I/W DATA: 233N3209-12, -18, -20, -22, -25, -26, -27 ARE ALL INTERCHANGEABLE EXCEPT SUBJECT TO CUSTOMER PREFERENCE 233N3209-12, -18, -20, -22, -25, -26, -27 ARE ALL INTERCHANGEABLE EXCEPT SUBJECT TO CUSTOMER PREFERENCE OPTIONAL PART: 233N3209-18 V89954 PRE ALERT SB: 33A0044	107107	RF
10	233N3209-25		.PANEL ASSY-ELECTRICAL SYS SUPPLIER CODE: V89954 ELECTRICAL EQUIP NUMBER: M10063 COMPONENT MAINT MANUAL REF: 24-22-71 QUALIFIED I/W DATA: 233N3209-12 -18 -20 -22 -25 -26 -27 ARE ALL INTERCHANGEABLE EXCEPT SUBJECT TO CUST PREFERENCE 233N3209-300 PANEL ASSY IS I/W 233N3209-25 PANEL ASSY T/W S233T100-6004 LIGHTPLATE PRE ALERT SB: 33A0044	002004 006010 950999	RF

MISSING ITEM NUMBERS NOT APPLICABLE

- ITEM NOT ILLUSTRATED

24-51-02-01

24-51-02
FIG. 01
PAGE 2
JAN 20/09

BRI



757

PARTS CATALOG (MAINTENANCE)

FIG ITEM	PART NUMBER	1 2 3 4 5 6 7	NOMENCLATURE	EFFECT FROM TO	UNITS PER ASSY
1					
10	233N3209-27		.PANEL ASSY-ELECTRICAL SYS SUPPLIER CODE: V89954 ELECTRICAL EQUIP NUMBER: M10063 COMPONENT MAINT MANUAL REF: 24-22-71 QUALIFIED I/W DATA: 233N3209-12, -18, -20, -22, -25, -26, -27 ARE ALL INTERCHANGEABLE EXCEPT SUBJECT TO CUSTOMER PREFERENCE	121503 904949	RF
10	233N3209-1025		.PANEL ASSY- SUPPLIER CODE: V89954 ELECTRICAL EQUIP NUMBER: M10063 COMPONENT MAINT MANUAL REF: 24-22-71 POST ALERT SB: 33A0044	002004 006010 950999	RF
11	233N3209-1018		.PANEL ASSY- SUPPLIER CODE: V89954 ELECTRICAL EQUIP NUMBER: M10063 COMPONENT MAINT MANUAL REF: 24-22-71 POST ALERT SB: 33A0044	107107	RF
11	233N3209-1022		.PANEL ASSY- SUPPLIER CODE: V89954 ELECTRICAL EQUIP NUMBER: M10063 COMPONENT MAINT MANUAL REF: 24-22-71 POST ALERT SB: 33A0044	107107	RF

MISSING ITEM NUMBERS NOT APPLICABLE

- ITEM NOT ILLUSTRATED

BRI

24-51-02-01

BOEING PROPRIETARY - Copyright © - Unpublished Work - See title page for details.

24-51-02
FIG. 01
PAGE 3
JAN 20/09



757

PARTS CATALOG (MAINTENANCE)

FIG ITEM	PART NUMBER	1 2 3 4 5 6 7	NOMENCLATURE	EFFECT FROM TO	UNITS PER ASSY
1					
15	BCREF7620		..SWITCH ASSY-LIGHTED PUSH BUTTON IND ON/OFF SUPPLIER CODE: V81590 OVERLENGTH PART NUMBER: 433-673-1001-1053 SPECIFICATION NUMBER: S231T290-1053 FOR DETAILS SEE: 33-13-00-19	107107	1
15	851-30768-2053		..SWITCH ASSY-LIGHTED PUSH BUTTON IND ON/OFF SUPPLIER CODE: V96182 SPECIFICATION NUMBER: S231T290-2053 FOR DETAILS SEE: 33-13-00-29	002004 006010 107107 121503 904999	1
15	851-30768-3053		..SWITCH ASSY-LIGHTED PUSH BUTTON IND (ON/OFF) SUPPLIER CODE: V96182 SPECIFICATION NUMBER: S231T290-3053 OPTIONAL PART: S231T290-5053 FOR DETAILS SEE: 33-13-00-29	002004 006010 107107 121503 904999	1
15	BCREFA0521		..SWITCH ASSY-LIGHTED PUSH BUTTON IND SUPPLIER CODE: V81590 OVERLENGTH PART NUMBER: 433-673-1004-4053 SPECIFICATION NUMBER: S231T290-4053 OPTIONAL PART: S231T290-5053 851-35100-5053 V96182 FOR DETAILS SEE: 33-13-00-49	002004 006010 107107 121503 904999	1

MISSING ITEM NUMBERS NOT APPLICABLE

- ITEM NOT ILLUSTRATED

24-51-02-01

24-51-02
FIG. 01
PAGE 4
JAN 20/09

BRI



757

PARTS CATALOG (MAINTENANCE)

FIG ITEM	PART NUMBER	1 2 3 4 5 6 7	NOMENCLATURE	EFFECT FROM TO	UNITS PER ASSY
1	15 S231T290-5053		..SWITCH ASSY-LIGHTED PUSH BUTTON IND OPTIONAL PART: 851-30768-3053 V96182 BCREFA0521 V81590 851-35100-5053 V96182	002004 006010 107107 121503 904999	1
	15 851-35100-5053		..SWITCH ASSY-LIGHTED PUSH BUTTON IND SUPPLIER CODE: V96182 OPTIONAL PART: BCREFA0521 V81590 S231T290-5053	002004 006010 950999	1
	20 BCREFA7621		..SWITCH ASSY-LIGHTED PUSH BUTTON IND ON/OFF SUPPLIER CODE: V81590 OVERLENGTH PART NUMBER: 433-673-1001-1054 SPECIFICATION NUMBER: S231T290-1054 FOR DETAILS SEE: 33-13-00-19	107107	1
	20 851-30768-2054		..SWITCH ASSY-LIGHTED PUSH BUTTON IND ON/OFF SUPPLIER CODE: V96182 SPECIFICATION NUMBER: S231T290-2054 FOR DETAILS SEE: 33-13-00-29	002004 006010 107107 121503 904999	1
	20 851-30768-3054		..SWITCH ASSY-LIGHTED PUSH BUTTON IND (ON/OFF) SUPPLIER CODE: V96182 SPECIFICATION NUMBER: S231T290-3054 OPTIONAL PART: S231T290-5054 FOR DETAILS SEE: 33-13-00-39	002004 006010 107107 121503 904999	1

MISSING ITEM NUMBERS NOT APPLICABLE

- ITEM NOT ILLUSTRATED

24-51-02-01

24-51-02
FIG. 01
PAGE 5
JAN 20/09

BRI



757

PARTS CATALOG (MAINTENANCE)

FIG ITEM	PART NUMBER	1 2 3 4 5 6 7	NOMENCLATURE	EFFECT FROM TO	UNITS PER ASSY
1					
20	BCREFA0522		..SWITCH ASSY-LIGHTED PUSH BUTTON IND SUPPLIER CODE: V81590 OVERLENGTH PART NUMBER: 433-673-1004-4054 SPECIFICATION NUMBER: S231T290-4054 OPTIONAL PART: S231T290-5054 851-35100-5054 V96182 FOR DETAILS SEE: 33-13-00-49	002004 006010 107107 121503 904999	1
20	S231T290-5054		..SWITCH ASSY-LIGHTED PUSH BUTTON IND OPTIONAL PART: 851-30768-3054 V96182 BCREFA0522 V81590 851-35100-5054 V96182	002004 006010 107107 121503 904999	1
20	851-35100-5054		..SWITCH ASSY-LIGHTED PUSH BUTTON IND SUPPLIER CODE: V96182 OPTIONAL PART: BCREFA0522 V81590 S231T290-5054	002004 006010 950999	1

MISSING ITEM NUMBERS NOT APPLICABLE

- ITEM NOT ILLUSTRATED

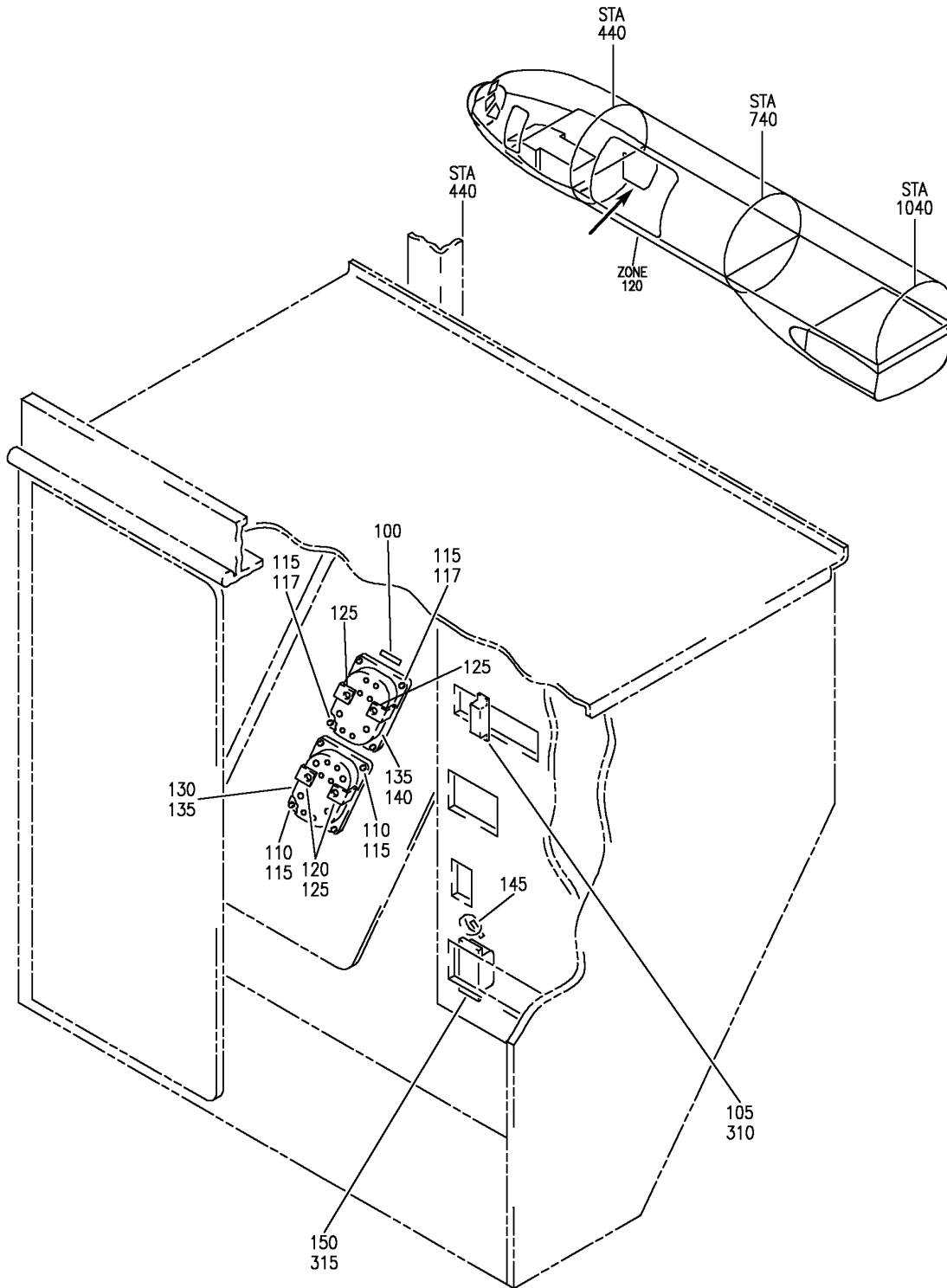
BRI

24-51-02-01

BOEING PROPRIETARY - Copyright © - Unpublished Work - See title page for details.

24-51-02
FIG. 01
PAGE 6
JAN 20/09

BOEING
757
PARTS CATALOG (MAINTENANCE)



Y 24510203 REV 323

PANEL INSTL-P37 R MISC RELAY (UTILITY BUS RELAYS ONLY)
 FIGURE 3

24-51-02-03

BRI
 JAN 20/09

24-51-02-03
 PAGE 0



757
PARTS CATALOG (MAINTENANCE)

FIG ITEM	PART NUMBER	1 2 3 4 5 6 7	NOMENCLATURE	EFFECT FROM TO	UNITS PER ASSY
3			PANEL INSTL-P37 R MISC RELAY (UTILITY BUS RELAYS ONLY)	103106 108120	

MISSING ITEM NUMBERS NOT APPLICABLE

- ITEM NOT ILLUSTRATED

BRI

24-51-02-03

BOEING PROPRIETARY - Copyright © - Unpublished Work - See title page for details.

24-51-02
FIG. 03
PAGE 1
JAN 20/09



757

PARTS CATALOG (MAINTENANCE)

FIG ITEM	PART NUMBER	1 2 3 4 5 6 7	NOMENCLATURE	EFFECT FROM TO	UNITS PER ASSY
3 - 1	MODREF185037		PANEL INSTL-P37 R MISC RELAY (UTILITY BUS RELAYS ONLY) MODULE NUMBER: 284N1127-169 REV D FOR OTHER SYS DETAILS SEE: 11-36-12-02A 21-25-71-02D 21-44-71-02D 21-45-31-01D 21-51-55-01D 21-58-71-02D 21-61-71-02D 23-31-51-05 24-21-51-05 27-62-71-03D 28-22-71-03D 29-21-71-01D 30-11-71-02D 30-21-71-03D 30-31-71-02D 30-32-71-02D 30-33-71-02D 30-34-51-01D 31-01-37-10 31-31-71-02D 32-09-02-04D 32-42-71-02D 32-61-71-02D 33-43-55-01D 33-51-71-01D 34-12-71-02D 34-25-50-01D 34-61-52-01D 35-21-71-02D 36-11-71-02D 38-15-71-02D 73-21-55-01D 74-31-71-02D 76-11-71-02D 77-12-71-01D 78-34-71-02D 78-36-71-02D 80-11-71-02D FOR ADDITIONAL DETAILS SEE: 24-51-01-02 24-51-58-02D	106106	1

MISSING ITEM NUMBERS NOT APPLICABLE

- ITEM NOT ILLUSTRATED

24-51-02-03

24-51-02
FIG. 03
PAGE 2
JAN 20/09

BRI



757

PARTS CATALOG (MAINTENANCE)

FIG ITEM	PART NUMBER	1 2 3 4 5 6 7	NOMENCLATURE	EFFECT FROM TO	UNITS PER ASSY
3					
- 3	284N1127-118		PANEL INSTL-P37 R MISC RELAY (UTILITY BUS RELAYS ONLY) FOR NHA/OTHER SYS DET SEE: 24-00-58-05C	108108	RF
- 4	284N1127-139		PANEL INSTL-P37 R MISC RELAY (UTILITY BUS RELAYS ONLY) FOR NHA/OTHER SYS DET SEE: 24-00-58-05C	109120	RF

MISSING ITEM NUMBERS NOT APPLICABLE

- ITEM NOT ILLUSTRATED

BRI

24-51-02-03

BOEING PROPRIETARY - Copyright © - Unpublished Work - See title page for details.

24-51-02
FIG. 03
PAGE 3
JAN 20/09



757

PARTS CATALOG (MAINTENANCE)

FIG ITEM	PART NUMBER	1 2 3 4 5 6 7	NOMENCLATURE	EFFECT FROM TO	UNITS PER ASSY
3 - 8	MODREF31945		PANEL INSTL-P37 R MISC RELAY (UTILITY BUS RELAYS ONLY) MODULE NUMBER: 284N1127-169 REV B FOR OTHER SYS DETAILS SEE: 11-36-12-02A 21-25-71-02D 21-44-71-02D 21-45-31-01D 21-51-55-01D 21-58-71-02D 21-61-71-02D 23-31-51-05 24-21-51-05 27-62-71-03D 28-22-71-03D 29-21-71-01D 30-11-71-02D 30-21-71-03D 30-31-71-02D 30-32-71-02D 30-33-71-02D 30-34-51-01D 31-01-37-10 31-31-71-02D 32-09-02-04D 32-42-71-02D 32-61-71-02D 33-43-55-01D 33-51-71-01D 34-12-71-02D 34-25-50-01D 34-61-52-01D 35-21-71-02D 36-11-71-02D 38-15-71-02D 73-21-55-01D 74-31-71-02D 76-11-71-02D 77-12-71-01D 78-34-71-02D 78-36-71-02D 80-11-71-02D FOR ADDITIONAL DETAILS SEE: 24-51-01-02 24-51-58-02D	103103	1

MISSING ITEM NUMBERS NOT APPLICABLE

- ITEM NOT ILLUSTRATED

24-51-02-03

24-51-02
FIG. 03
PAGE 4
JAN 20/09

BRI



757

PARTS CATALOG (MAINTENANCE)

FIG ITEM	PART NUMBER	1 2 3 4 5 6 7	NOMENCLATURE	EFFECT FROM TO	UNITS PER ASSY
3 - 9	MODREF34305		PANEL INSTL-P37 R MISC RELAY (UTILITY BUS RELAYS ONLY) MODULE NUMBER: 284N1127-169 REV C FOR OTHER SYS DETAILS SEE: 11-36-12-02A 21-25-71-02D 21-44-71-02D 21-45-31-01D 21-51-55-01D 21-58-71-02D 21-61-71-02D 23-31-51-05 24-21-51-05 27-62-71-03D 28-22-71-03D 29-21-71-01D 30-11-71-02D 30-21-71-03D 30-31-71-02D 30-32-71-02D 30-33-71-02D 30-34-51-01D 31-01-37-10 31-31-71-02D 32-09-02-04D 32-42-71-02D 32-61-71-02D 33-43-55-01D 33-51-71-01D 34-12-71-02D 34-25-50-01D 34-61-52-01D 35-21-71-02D 36-11-71-02D 38-15-71-02D 73-21-55-01D 74-31-71-02D 76-11-71-02D 77-12-71-01D 78-34-71-02D 78-36-71-02D 80-11-71-02D FOR ADDITIONAL DETAILS SEE: 24-51-01-02 24-51-58-02D	104105	1

MISSING ITEM NUMBERS NOT APPLICABLE

- ITEM NOT ILLUSTRATED

BRI

24-51-02-03

BOEING PROPRIETARY - Copyright © - Unpublished Work - See title page for details.

24-51-02
 FIG. 03
 PAGE 5
 JAN 20/09



757

PARTS CATALOG (MAINTENANCE)

FIG ITEM	PART NUMBER	1 2 3 4 5 6 7	NOMENCLATURE	EFFECT FROM TO	UNITS PER ASSY
3 105	TDH1853-1501		.RELAY- SUPPLIER CODE: V58657 ELECTRICAL EQUIP NUMBER: K10109 OPTIONAL PART: 600-159-1501 V15420 FOR SPARES PROCURE: 600-159-1501 V15420 600-159-1501MO V15420	103106 108120	1
	105	600-159-1501	.RELAY- SUPPLIER CODE: V15420 ELECTRICAL EQUIP NUMBER: K10109 OPTIONAL PART: TDH1853-1501 V58657	103106 108120	1
	110	BACS12CK3-6	.SCREW	103106	4
	115	NAS603-6P	.SCREW	108120	8
	120	66-22661-1	.BARRIER-RELAY TERM.	103106	2
	125	66-22661-1	.BARRIER-RELAY TERM.	108120	4
R 130	9131-8506		.RELAY- SUPPLIER CODE: V35344 SPECIFICATION NUMBER: 10-61445-21 ELECTRICAL EQUIP NUMBER: K00120 COMPONENT MAINT MANUAL REF: 24-09-07 OPTIONAL PART: BH316A V74063	103106	1

MISSING ITEM NUMBERS NOT APPLICABLE

- ITEM NOT ILLUSTRATED

BRI

24-51-02-03

BOEING PROPRIETARY - Copyright © - Unpublished Work - See title page for details.

24-51-02
FIG. 03
PAGE 6
MAY 20/09



757

PARTS CATALOG (MAINTENANCE)

FIG ITEM	PART NUMBER	1 2 3 4 5 6 7	NOMENCLATURE	EFFECT FROM TO	UNITS PER ASSY
3 R R R R R R R R R R R R	130 BH316A		.RELAY- SUPPLIER CODE: V74063 FUNCTIONAL DESCRIPTION: A SEALED REPAIRABLE ELECTROMAGNETIC DEVICE FOR REMOTE ACTUATION OF 28V, 50 AMP ELECTRICAL CONTACT. SPECIFICATION NUMBER: 10-61445-21 ELECTRICAL EQUIP NUMBER: K00120 COMPONENT MAINT MANUAL REF: 24-09-36 OPTIONAL PART: 9131-8506 V35344	103106	1
	135 9131-8506		.RELAY- SUPPLIER CODE: V35344 SPECIFICATION NUMBER: 10-61445-21 ELECTRICAL EQUIP NUMBER: K00120 K10298 COMPONENT MAINT MANUAL REF: 24-09-07 OPTIONAL PART: BH316A V74063	108120	2

MISSING ITEM NUMBERS NOT APPLICABLE

- ITEM NOT ILLUSTRATED

BRI

24-51-02-03

BOEING PROPRIETARY - Copyright © - Unpublished Work - See title page for details.

24-51-02
FIG. 03
PAGE 7
MAY 20/09



757

PARTS CATALOG (MAINTENANCE)

FIG ITEM	PART NUMBER	1 2 3 4 5 6 7	NOMENCLATURE	EFFECT FROM TO	UNITS PER ASSY
R R R R R R R R R R R R R	3 135	BH316A	.RELAY- SUPPLIER CODE: V74063 FUNCTIONAL DESCRIPTION: A SEALED REPAIRABLE ELECTROMAGNETIC DEVICE FOR REMOTE ACTUATION OF 28V, 50 AMP ELECTRICAL CONTACT. SPECIFICATION NUMBER: 10-61445-21 ELECTRICAL EQUIP NUMBER: K00120 K10298 COMPONENT MAINT MANUAL REF: 24-09-36 OPTIONAL PART: 9131-8506 V35344	108120	2
	- 300	286N1270-360	WIRE BUNDLE ASSY- REWORKED BY ALERT SB: 34A022	108120	RF
	- 302	286N1270-602	WIRE BUNDLE ASSY	103106	RF
	310	RSE120028	.SOCKET- SUPPLIER CODE: V58982 SPECIFICATION NUMBER: BACS16AH1 OPTIONAL PART: 451120-028 V58982 ELECTRICAL EQUIP NUMBER: D02084 WIRING DIAGRAM REF: 245171	103106 108120	1

MISSING ITEM NUMBERS NOT APPLICABLE

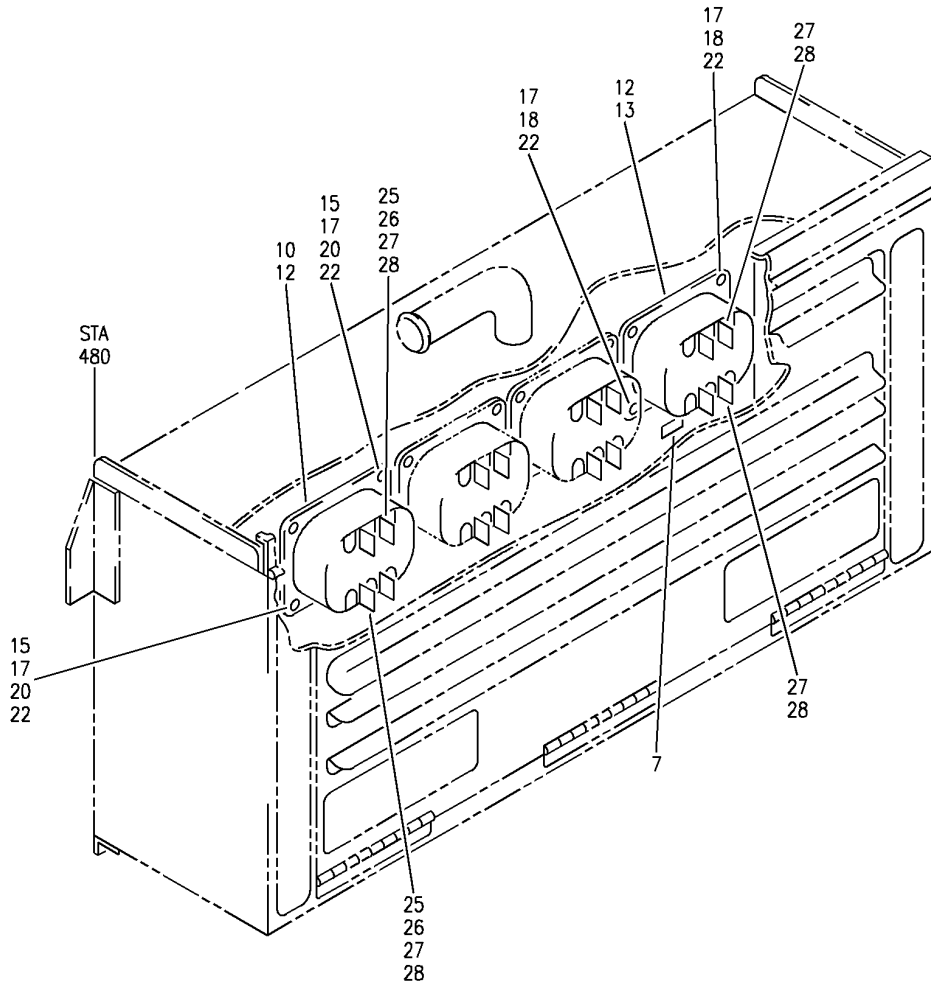
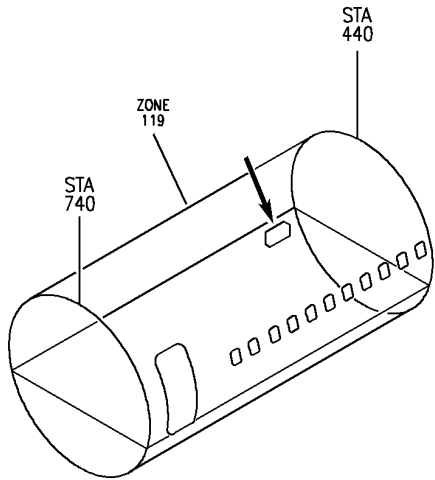
- ITEM NOT ILLUSTRATED

24-51-02-03

24-51-02
FIG. 03
PAGE 8
MAY 20/09

BRI

BOEING
757
PARTS CATALOG (MAINTENANCE)



Y 24-51-02-07 REV 293

PANEL INSTL-P70 MISC RELAY (UTILITY BUS RELAYS ONLY)
FIGURE 7

24-51-02-07

BRI
JAN 20/09

24-51-02-07
PAGE 0



757

PARTS CATALOG (MAINTENANCE)

FIG ITEM	PART NUMBER	1 2 3 4 5 6 7	NOMENCLATURE	EFFECT FROM TO	UNITS PER ASSY
7			PANEL INSTL-P70 MISC RELAY (UTILITY BUS RELAYS ONLY)	103106 108120	
- 2	284N1129-423		PANEL INSTL-P70 MISC RELAY (UTILITY BUS RELAYS ONLY) FOR NHA/OTHER SYS DET SEE: 24-00-58-05C	108120	RF
- 5	MODREF31428		PANEL INSTL-P70 MISC RELAY (UTILITY BUS RELAYS ONLY) MODULE NUMBER: 284N1129-438 REV A FOR OTHER SYS DETAILS SEE: 11-36-10-01B 21-25-71-03C 21-43-71-02B 21-44-71-03B 21-45-61-01 23-32-55-03B 24-53-71-04B 27-51-71-04B 28-25-71-04B 31-01-70-05 33-45-51-02B FOR ADDITIONAL DETAILS SEE: 24-51-04-01 24-51-60-04	103105	RF
- 5	MODREF170991		PANEL INSTL-P70 MISC RELAY (UTILITY BUS RELAYS ONLY) MODULE NUMBER: 284N1129-438 REV C FOR OTHER SYS DETAILS SEE: 11-36-10-01B 21-25-71-03C 21-43-71-02B 21-44-71-03B 21-45-61-01 23-32-55-03B 24-53-71-04B 27-51-71-04B 28-25-71-04B 31-01-70-05 33-45-51-02B FOR ADDITIONAL DETAILS SEE: 24-51-04-01 24-51-60-04	106106	RF

MISSING ITEM NUMBERS NOT APPLICABLE

- ITEM NOT ILLUSTRATED

BRI

24-51-02-07

24-51-02
FIG. 07
PAGE 1
JAN 20/09



757

PARTS CATALOG (MAINTENANCE)

FIG ITEM	PART NUMBER	1 2 3 4 5 6 7	NOMENCLATURE	EFFECT FROM TO	UNITS PER ASSY
7	10 9131-8506		.RELAY- SUPPLIER CODE: V35344 SPECIFICATION NUMBER: 10-61445-21 ELECTRICAL EQUIP NUMBER: K00119 COMPONENT MAINT MANUAL REF: 24-09-01 OPTIONAL PART: BH316A V74063	103106 108120	1
R	10 BH316A		.RELAY- SUPPLIER CODE: V74063 FUNCTIONAL DESCRIPTION: A SEALED REPAIRABLE ELECTROMAGNETIC DEVICE FOR REMOTE ACTUATION OF 28V, 50 AMP ELECTRICAL CONTACT. SPECIFICATION NUMBER: 10-61445-21 ELECTRICAL EQUIP NUMBER: K00119 COMPONENT MAINT MANUAL REF: 24-09-36 OPTIONAL PART: 9131-8506 V35344 ATTACHING PARTS	103106 108120	1
R	15 NAS603-7P		.SCREW	108120	4
R	15 BACS12CK3-7		.SCREW	103106	4
R	20 NAS1149D0316H		.WASHER	103106 108120	4
R	25 69-71501-1		.BARRIER-RELAY TERM.	103106 108120	2
R	26 001-1908-000		.BARRIER- SUPPLIER CODE: V58657	103106 108120	1

MISSING ITEM NUMBERS NOT APPLICABLE

- ITEM NOT ILLUSTRATED

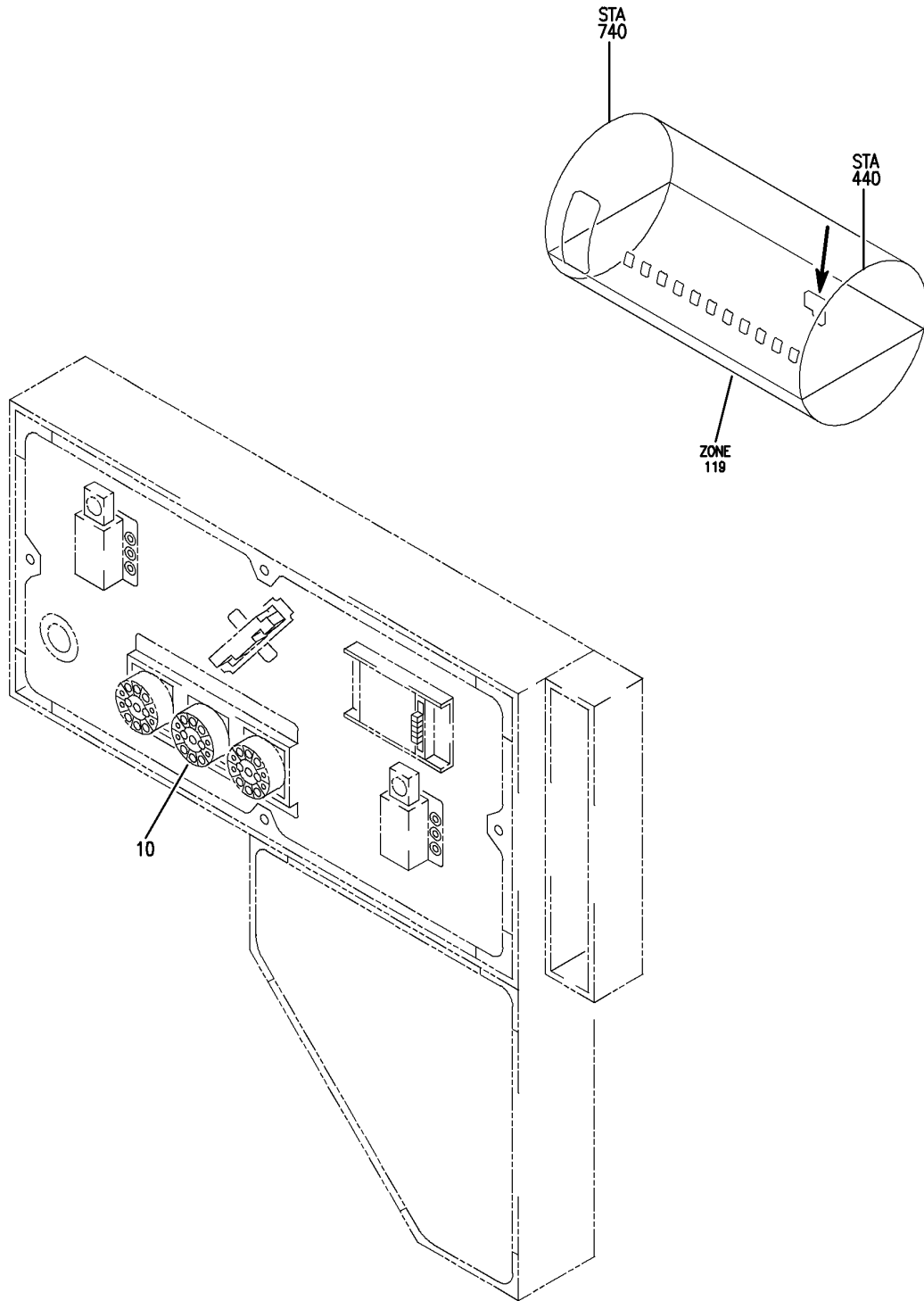
BRI

24-51-02-07

BOEING PROPRIETARY - Copyright © - Unpublished Work - See title page for details.

24-51-02
FIG. 07
PAGE 2
MAY 20/09

BOEING
757
PARTS CATALOG (MAINTENANCE)



Y 24510302 REV 227

PANEL ASSY-P34 APU/EXT PWR (GROUND SERVICE TRANSFER RELAY ONLY)
FIGURE 2

24-51-03-02

BRI
JAN 20/09

24-51-03-02
PAGE 0



757

PARTS CATALOG (MAINTENANCE)

FIG ITEM	PART NUMBER	1 2 3 4 5 6 7	NOMENCLATURE	EFFECT FROM TO	UNITS PER ASSY
2			PANEL ASSY-P34 APU/EXT PWR (GROUND SERVICE TRANSFER RELAY ONLY)	103106 108120	
- 2	284N1316-147		PANEL ASSY-P34 APU/EXT PWR (GROUND SERVICE TRANSFER RELAY ONLY) FOR NHA/OTHER SYS DET SEE: 24-00-58-05C	108120	RF
- 5	MODREF31492		PANEL ASSY-P34 APU/EXT PWR (GROUND SERVICE TRANSFER RELAY ONLY) MODULE NUMBER: 284N1316-207 REV A FOR OTHER SYS DETAILS SEE: 11-36-09-08 24-22-03-04 24-23-01-03 24-41-01-02 24-53-73-02 24-54-01-02 31-01-34-03 33-21-71-02 33-22-71-02 33-24-71-02 33-42-71-03 38-14-71-02 FOR ADDITIONAL DETAILS SEE: 24-51-01-03 24-51-04-03 24-51-54-04	103105	1

MISSING ITEM NUMBERS NOT APPLICABLE

- ITEM NOT ILLUSTRATED

BRI

24-51-03-02

BOEING PROPRIETARY - Copyright © - Unpublished Work - See title page for details.

24-51-03
FIG. 02
PAGE 1
JAN 20/09



757

PARTS CATALOG (MAINTENANCE)

FIG ITEM	PART NUMBER	1 2 3 4 5 6 7	NOMENCLATURE	EFFECT FROM TO	UNITS PER ASSY
2					
- 5	MODREF34794		PANEL ASSY-P34 APU/EXT PWR (GROUND SERVICE TRANSFER RELAY ONLY) MODULE NUMBER: 284N1316-207 REV B FOR OTHER SYS DETAILS SEE: 11-36-09-08 24-22-03-04 24-23-01-03 24-41-01-02 24-53-73-02 24-54-01-02 31-01-34-03 33-21-71-02 33-22-71-02 33-24-71-02 33-42-71-03 38-14-71-02 FOR ADDITIONAL DETAILS SEE: 24-51-01-03 24-51-04-03 24-51-54-04	106106	1
10	D25BD		.RELAY- SUPPLIER CODE: V74063 SPECIFICATION NUMBER: 10-61445-23 ELECTRICAL EQUIP NUMBER: K00102 COMPONENT MAINT MANUAL REF: 24-09-11	103106 108120	1
- 15	NAS1801-3-8		ATTACHING PARTS .SCREW	108120	4
- 15	BACS12HN3-8		.SCREW -----*-----	103106	4

MISSING ITEM NUMBERS NOT APPLICABLE

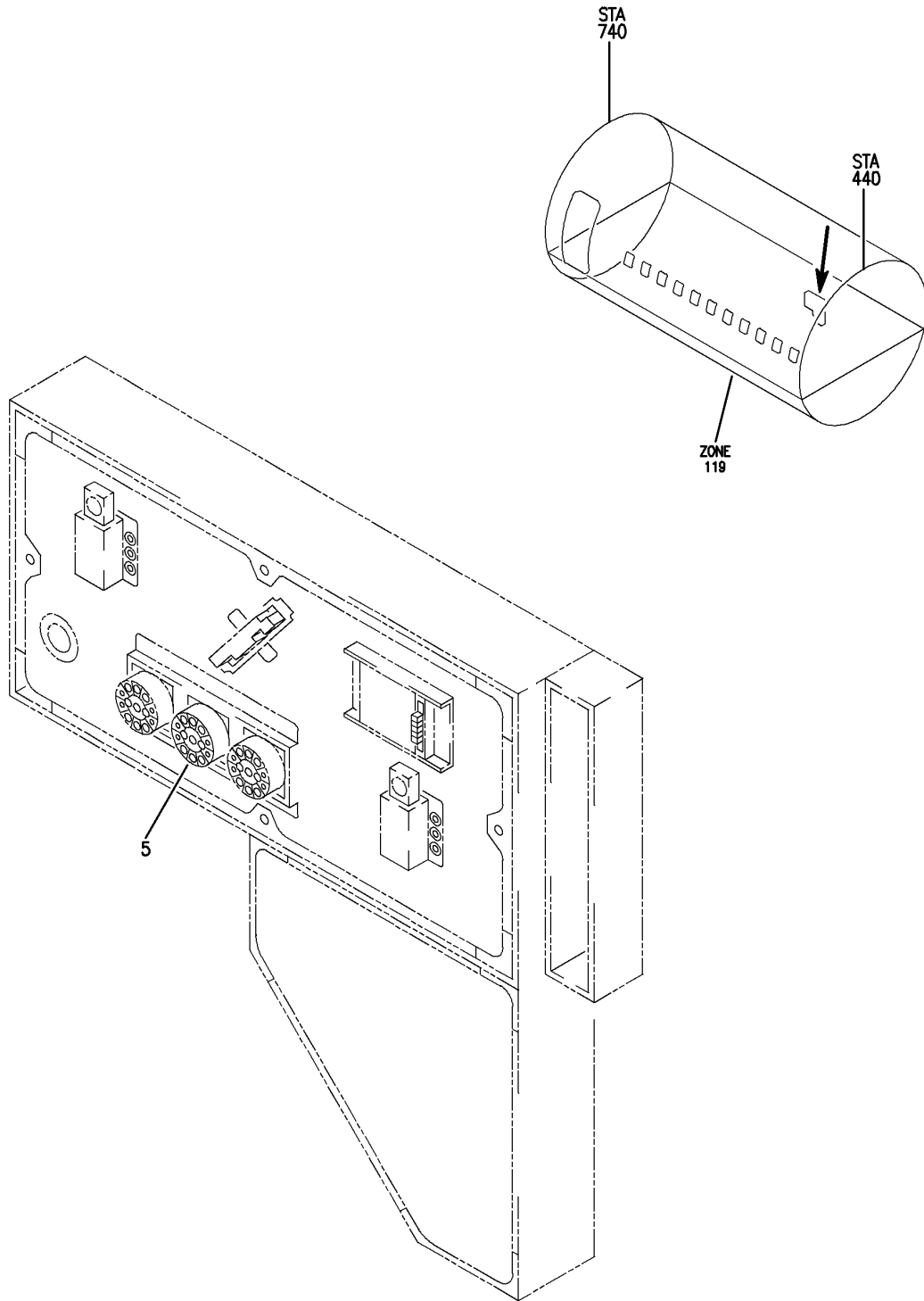
- ITEM NOT ILLUSTRATED

24-51-03-02

24-51-03
FIG. 02
PAGE 2
JAN 20/09

BRI

BOEING
757
PARTS CATALOG (MAINTENANCE)



Y 24510303A REV 227

PACKAGE ASSY-OPTION P34 APU/EXT PWR (GROUND SERVICE TRANSFER RELAY ONLY)
FIGURE 3A

BRI
MAY 28/07

24-51-03-03A

24-51-03-03A
PAGE 0



757

PARTS CATALOG (MAINTENANCE)

FIG ITEM	PART NUMBER	1 2 3 4 5 6 7	NOMENCLATURE	EFFECT FROM TO	UNITS PER ASSY
3A			PACKAGE ASSY-OPTION P34 APU/EXT PWR (GROUND SERVICE TRANSFER RELAY ONLY)	101102 504903	
- 1	284N1316-1000		PACKAGE ASSY-OPTION P34 APU/EXT PWR (GROUND SERVICE TRANSFER RELAY ONLY) FOR NHA/OTHER SYS DET SEE: 31-01-34-01	101102 504903	RF
5	D25BD		.RELAY- SUPPLIER CODE: V74063 SPECIFICATION NUMBER: 10-61445-23 ELECTRICAL EQUIP NUMBER: K00102 COMPONENT MAINT MANUAL REF: 24-09-11	101102 504903	1

MISSING ITEM NUMBERS NOT APPLICABLE

- ITEM NOT ILLUSTRATED

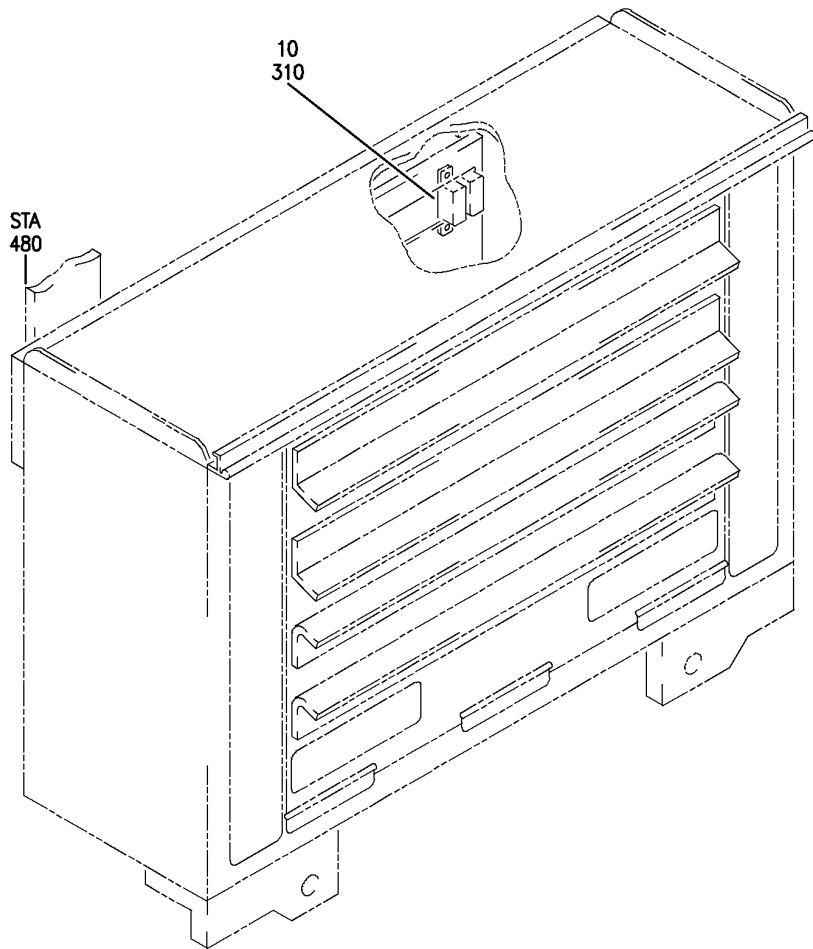
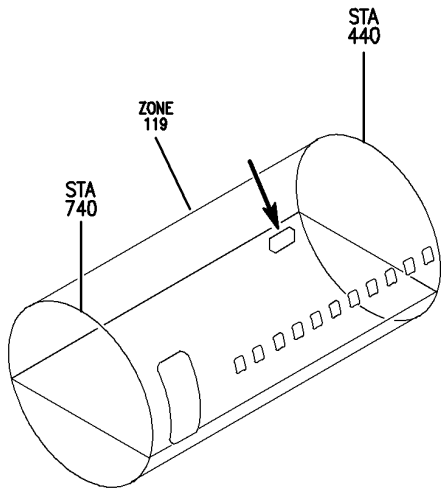
BRI

24-51-03-03A

BOEING PROPRIETARY - Copyright © - Unpublished Work - See title page for details.

24-51-03
FIG. 03A
PAGE 1
JAN 20/09

BOEING
757
PARTS CATALOG (MAINTENANCE)



Y 24510401 REV 225

PANEL INSTL-P70 MISC RELAY (GROUND SERVICE SELECT RELAY ONLY)
FIGURE 1

24-51-04-01

BRI
JAN 20/09

24-51-04-01
PAGE 0



757

PARTS CATALOG (MAINTENANCE)

FIG ITEM	PART NUMBER	1 2 3 4 5 6 7	NOMENCLATURE	EFFECT FROM TO	UNITS PER ASSY
1			PANEL INSTL-P70 MISC RELAY (GROUND SERVICE SELECT RELAY ONLY)	103106 108120	
- 2	284N1129-423		PANEL INSTL-P70 MISC RELAY (GROUND SERVICE SELECT RELAY ONLY) FOR NHA/OTHER SYS DET SEE: 24-00-58-05C	108120	RF
- 5	MODREF31428		PANEL INSTL-P70 MISC RELAY (GROUND SERVICE SELECT RELAY ONLY) MODULE NUMBER: 284N1129-438 REV A FOR OTHER SYS DETAILS SEE: 11-36-10-01B 21-25-71-03C 21-43-71-02B 21-44-71-03B 21-45-61-01 23-32-55-03B 24-53-71-04B 27-51-71-04B 28-25-71-04B 31-01-70-05 33-45-51-02B FOR ADDITIONAL DETAILS SEE: 24-51-02-07 24-51-60-04	103105	RF
- 5	MODREF170991		PANEL INSTL-P70 MISC RELAY (GROUND SERVICE SELECT RELAY ONLY) MODULE NUMBER: 284N1129-438 REV C FOR OTHER SYS DETAILS SEE: 11-36-10-01B 21-25-71-03C 21-43-71-02B 21-44-71-03B 21-45-61-01 23-32-55-03B 24-53-71-04B 27-51-71-04B 28-25-71-04B 31-01-70-05 33-45-51-02B FOR ADDITIONAL DETAILS SEE: 24-51-02-07 24-51-60-04	106106	RF

MISSING ITEM NUMBERS NOT APPLICABLE

- ITEM NOT ILLUSTRATED

BRI

24-51-04-01

24-51-04
FIG. 01
PAGE 1
JAN 20/09



757

PARTS CATALOG (MAINTENANCE)

FIG ITEM	PART NUMBER	1 2 3 4 5 6 7	NOMENCLATURE	EFFECT FROM TO	UNITS PER ASSY
1 10	JAD9F007		.RELAY- SUPPLIER CODE: V58657 SPECIFICATION NUMBER: BACR13CJ2 ELECTRICAL EQUIP NUMBER: K10159	103106 108120	1
- 300	286N1250-335		WIRE BUNDLE ASSY-	108120	RF
- 302	286N1250-751		WIRE BUNDLE ASSY-	103106	RF
310	RSF116208		.SOCKET- SUPPLIER CODE: V58982 SPECIFICATION NUMBER: BACS16X3A OPTIONAL PART: 102-005-1 V09922 000300-1541 V05574 ELECTRICAL EQUIP NUMBER: D02408 WIRING DIAGRAM REF: 282511	103106 108120	1

MISSING ITEM NUMBERS NOT APPLICABLE

- ITEM NOT ILLUSTRATED

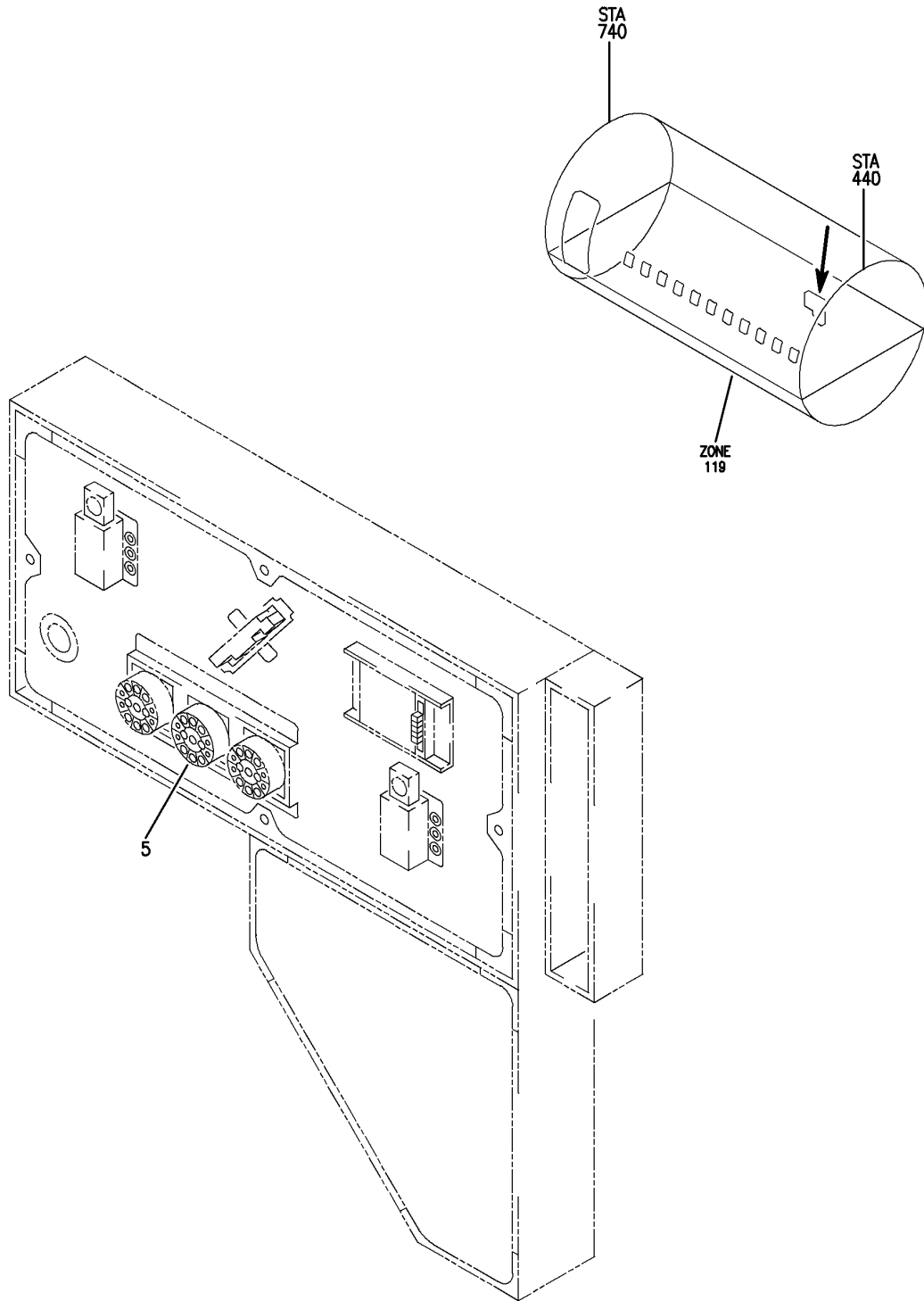
BRI

24-51-04-01

BOEING PROPRIETARY - Copyright © - Unpublished Work - See title page for details.

24-51-04
FIG. 01
PAGE 2
JAN 20/09

BOEING
757
PARTS CATALOG (MAINTENANCE)



Y 24510402A REV 227

PACKAGE ASSY-OPTION P34 APU/EXT PWR (GROUND SERVICE SELECT RELAY ONLY)
FIGURE 2A

BRI
MAY 28/07

24-51-04-02A

24-51-04-02A
PAGE 0



757

PARTS CATALOG (MAINTENANCE)

FIG ITEM	PART NUMBER	1 2 3 4 5 6 7	NOMENCLATURE	EFFECT FROM TO	UNITS PER ASSY
2A			PACKAGE ASSY-OPTION P34 APU/EXT PWR (GROUND SERVICE SELECT RELAY ONLY)	101102 504903	
- 1	284N1316-1000		PACKAGE ASSY-OPTION P34 APU/EXT PWR (GROUND SERVICE SELECT RELAY ONLY)	101102 504903	RF
5	D25BD		FOR NHA/OTHER SYS DET SEE: 31-01-34-01 .RELAY- SUPPLIER CODE: V74063 SPECIFICATION NUMBER: 10-61445-23 ELECTRICAL EQUIP NUMBER: K00103 COMPONENT MAINT MANUAL REF: 24-09-11	101102 504903	1

MISSING ITEM NUMBERS NOT APPLICABLE

- ITEM NOT ILLUSTRATED

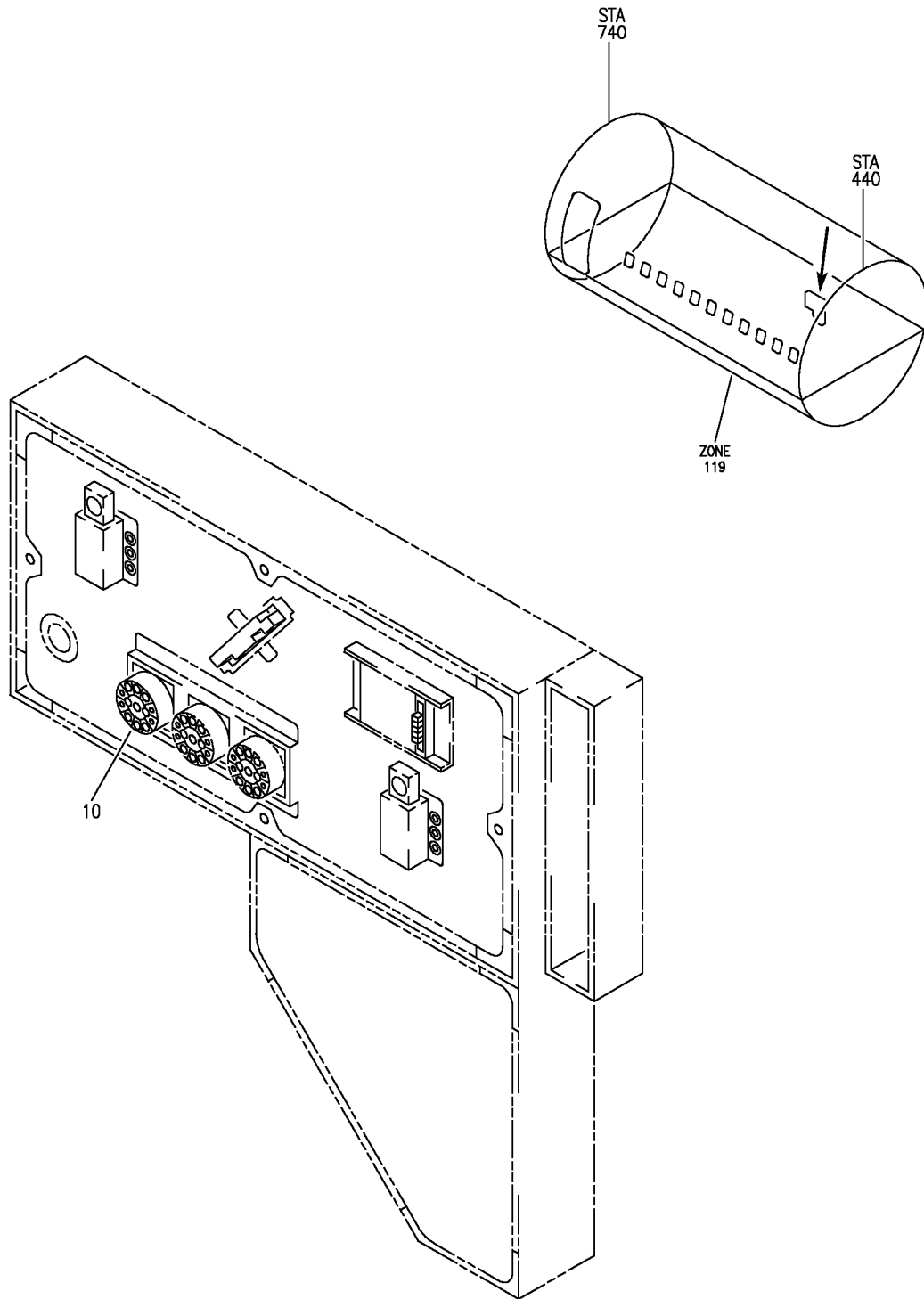
BRI

24-51-04-02A

BOEING PROPRIETARY - Copyright © - Unpublished Work - See title page for details.

24-51-04
FIG. 02A
PAGE 1
JAN 20/09

BOEING
757
PARTS CATALOG (MAINTENANCE)



Y 24510403 REV 253

PANEL ASSY-P34 APU/EXT PWR (GROUND SERVICE SELECT RELAY ONLY)
FIGURE 3

24-51-04-03

BRI
JAN 20/09

24-51-04-03
PAGE 0



757

PARTS CATALOG (MAINTENANCE)

FIG ITEM	PART NUMBER	1 2 3 4 5 6 7	NOMENCLATURE	EFFECT FROM TO	UNITS PER ASSY
3			PANEL ASSY-P34 APU/EXT PWR (GROUND SERVICE SELECT RELAY ONLY)	103106 108120	
- 2	284N1316-147		PANEL ASSY-P34 APU/EXT PWR (GROUND SERVICE SELECT RELAY ONLY) FOR NHA/OTHER SYS DET SEE: 24-00-58-05C	108120	RF
- 5	MODREF31492		PANEL ASSY-P34 APU/EXT PWR (GROUND SERVICE SELECT RELAY ONLY) MODULE NUMBER: 284N1316-207 REV A FOR OTHER SYS DETAILS SEE: 11-36-09-08 24-22-03-04 24-23-01-03 24-41-01-02 24-53-73-02 24-54-01-02 31-01-34-03 33-21-71-02 33-22-71-02 33-24-71-02 33-42-71-03 38-14-71-02 FOR ADDITIONAL DETAILS SEE: 24-51-01-03 24-51-03-02 24-51-54-04	103105	1

MISSING ITEM NUMBERS NOT APPLICABLE

- ITEM NOT ILLUSTRATED

24-51-04-03

24-51-04
FIG. 03
PAGE 1
JAN 20/09

BRI



757

PARTS CATALOG (MAINTENANCE)

FIG ITEM	PART NUMBER	1 2 3 4 5 6 7	NOMENCLATURE	EFFECT FROM TO	UNITS PER ASSY
3					
- 5	MODREF34794		PANEL ASSY-P34 APU/EXT PWR (GROUND SERVICE SELECT RELAY ONLY) MODULE NUMBER: 284N1316-207 REV B FOR OTHER SYS DETAILS SEE: 11-36-09-08 24-22-03-04 24-23-01-03 24-41-01-02 24-53-73-02 24-54-01-02 31-01-34-03 33-21-71-02 33-22-71-02 33-24-71-02 33-42-71-03 38-14-71-02 FOR ADDITIONAL DETAILS SEE: 24-51-01-03 24-51-03-02 24-51-54-04	106106	1
10	D25BD		.RELAY- SUPPLIER CODE: V74063 SPECIFICATION NUMBER: 10-61445-23 ELECTRICAL EQUIP NUMBER: K00103 COMPONENT MAINT MANUAL REF: 24-09-11	103106 108120	1
- 15	NAS1801-3-8		ATTACHING PARTS .SCREW	108120	4
- 15	BACS12HN3-8		.SCREW -----*-----	103106	4

MISSING ITEM NUMBERS NOT APPLICABLE

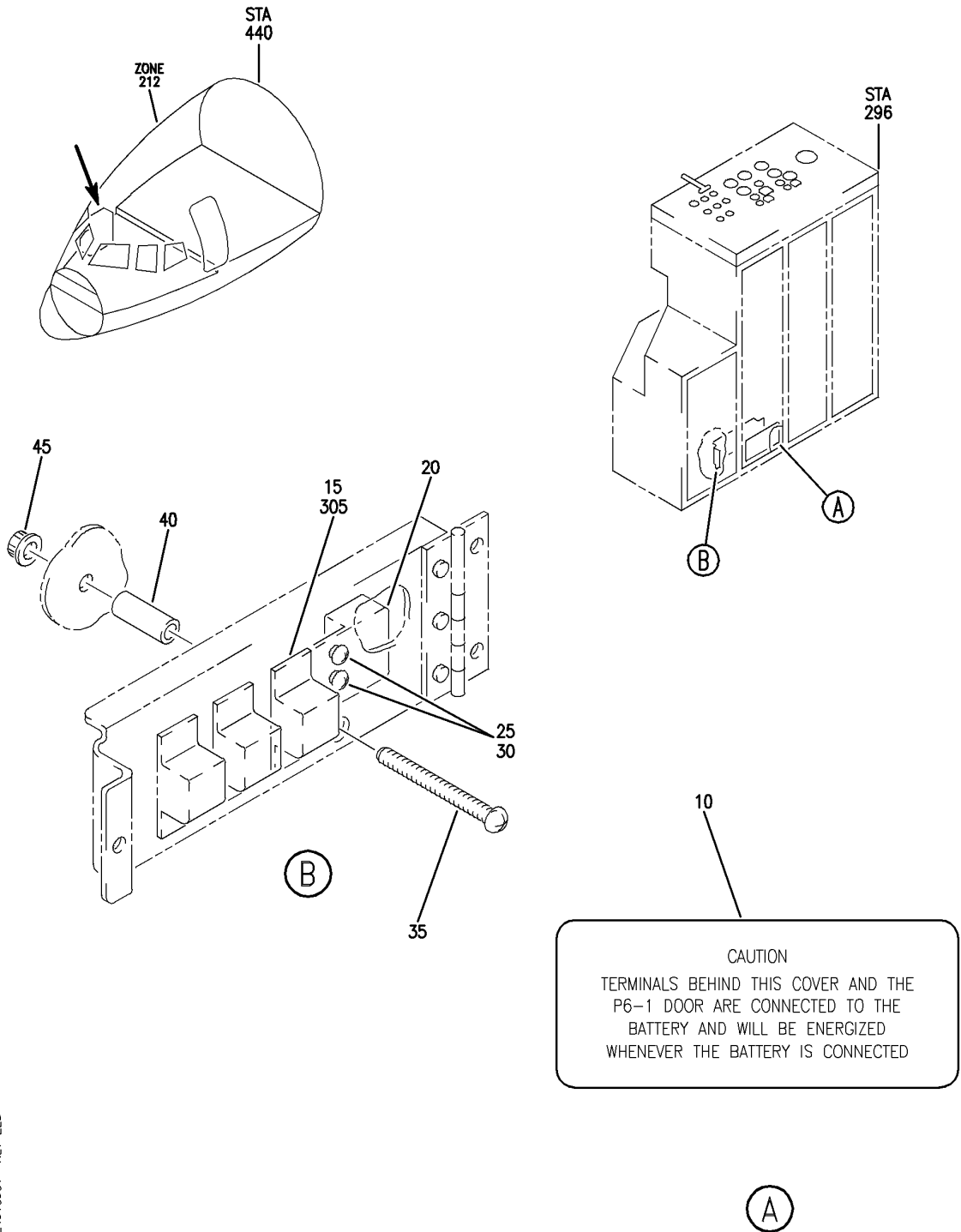
- ITEM NOT ILLUSTRATED

24-51-04-03

24-51-04
FIG. 03
PAGE 2
JAN 20/09

BRI

BOEING
757
PARTS CATALOG (MAINTENANCE)



Y 24510501 REV 228

PANEL INSTL-P6 PWR DISTR (CENTER BUS TRANSFER RELAY ONLY)
FIGURE 1

24-51-05-01

BRI
JAN 20/09

24-51-05-01
PAGE 0



757

PARTS CATALOG (MAINTENANCE)

FIG ITEM	PART NUMBER	1 2 3 4 5 6 7	NOMENCLATURE	EFFECT FROM TO	UNITS PER ASSY
1			PANEL INSTL-P6 PWR DISTR (CENTER BUS TRANSFER RELAY ONLY)	103106 108120	
- 1	287N4102-408		PANEL INSTL-P6 PWR DISTR (CENTER BUS TRANSFER RELAY ONLY) FOR NHA/OTHER SYS DET SEE: 24-00-58-05F	108120	RF
- 4	MODREF31408		PANEL INSTL-P6 PWR DISTR (CENTER BUS TRANSFER RELAY ONLY) MODULE NUMBER: 287N4102-437 REV A FOR OTHER SYS DETAILS SEE: 11-34-05-07 24-31-06-01 24-31-71-09 24-32-02-01 24-32-03-01 24-33-01-01 24-53-52-02 31-01-06-02 FOR ADDITIONAL DETAILS SEE: 24-51-06-01 24-51-07-01 24-51-52-08 24-51-52-09 24-51-52-10 24-51-73-02	103106	1
10	BAC27NEX2589		.DECAL	103106 108120	RF
15	E410-1537		.RELAY- SUPPLIER CODE: V99699 SPECIFICATION NUMBER: BACR13CG2A OPTIONAL PART: E415-1078 V99699 BR230S0116 V56623 KD4A017 V58687 FCA410-62 V78290 ELECTRICAL EQUIP NUMBER: K00107	103106 108120	1

MISSING ITEM NUMBERS NOT APPLICABLE

- ITEM NOT ILLUSTRATED

BRI

24-51-05-01

24-51-05
FIG. 01
PAGE 1
JAN 20/09



757

PARTS CATALOG (MAINTENANCE)

FIG ITEM	PART NUMBER	1 2 3 4 5 6 7	NOMENCLATURE	EFFECT FROM TO	UNITS PER ASSY
1					
20	10167-3000BT		.RELAY-TIME DELAY SUPPLIER CODE: V08719 ELECTRICAL EQUIP NUMBER: M00540 OPTIONAL PART: TD1767-3000 V08719 530750-3000 V08719	108120	1
20	530750-3000		.RELAY-TIME DELAY SUPPLIER CODE: V08719 ELECTRICAL EQUIP NUMBER: M00540 OPTIONAL PART: 10167-3000BT V08719 TD1982-3000 V58657	103106 108120	1
20	TD1982-3000		.RELAY-TIME DELAY SUPPLIER CODE: V58657 ELECTRICAL EQUIP NUMBER: M00540 OPTIONAL PART: 530750-3000 V08719	108120	1
20	TD1767-3000		.RELAY-TIME DELAY SUPPLIER CODE: V58657 ELECTRICAL EQUIP NUMBER: M00540 OPTIONAL PART: 10167-3000BT V08719 TD1982-3000 V58657	108120	1
20	530740-3000		.RELAY-TIME DELAY SUPPLIER CODE: V08719 ELECTRICAL EQUIP NUMBER: M00540	103106 108120	1
25	NAS601-13P		ATTACHING PARTS .SCREW	103106 108120	2
30	MS21042L06		.NUT	103106 108120	2

MISSING ITEM NUMBERS NOT APPLICABLE

- ITEM NOT ILLUSTRATED

24-51-05-01

24-51-05
FIG. 01
PAGE 2
JAN 20/09

BRI



757

PARTS CATALOG (MAINTENANCE)

FIG ITEM	PART NUMBER	1 2 3 4 5 6 7	NOMENCLATURE	EFFECT FROM TO	UNITS PER ASSY
1					
35	NAS603-40P	.	SCREW	103106 108120	1
40	NAS43DD3-128FC	.	SPACER	103106 108120	1
45	MS21042L3	.	NUT	103106 108120	1
			-----*-----		
- 300	286N0074-318		WIRE BUNDLE ASSY	108120	RF
- 301	286N0074-701		WIRE BUNDLE ASSY-	103106	RF
305	BACS16W1	.	SOCKET-	103106	1
			ELECTRICAL EQUIP NUMBER: D00544	108120	
			WIRING DIAGRAM REF: 245131		

MISSING ITEM NUMBERS NOT APPLICABLE

- ITEM NOT ILLUSTRATED

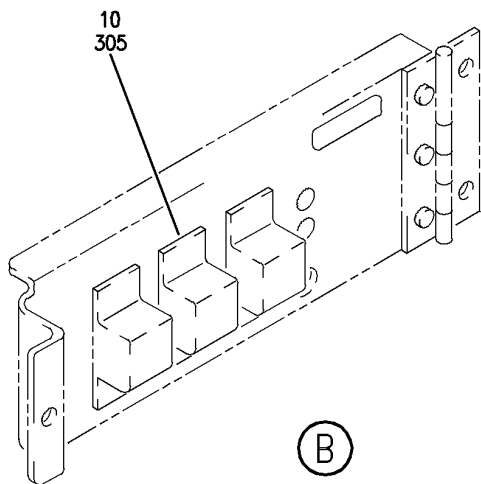
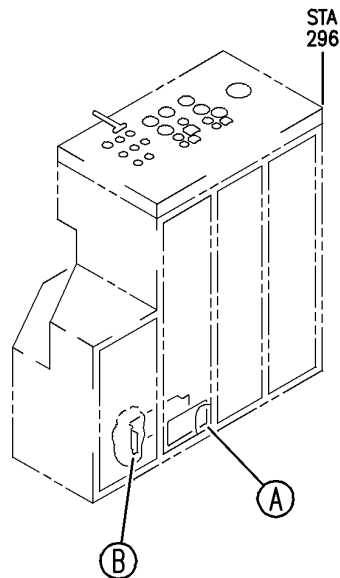
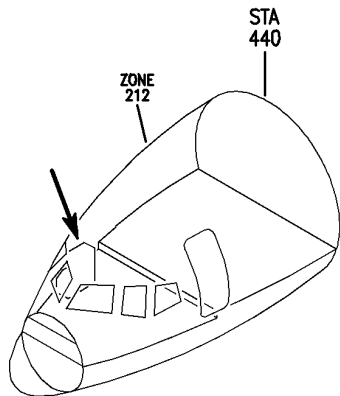
BRI

24-51-05-01

BOEING PROPRIETARY - Copyright © - Unpublished Work - See title page for details.

24-51-05
FIG. 01
PAGE 3
JAN 20/09

BOEING
757
PARTS CATALOG (MAINTENANCE)



5

CAUTION
TERMINALS BEHIND THIS COVER AND THE
P6-1 DOOR ARE CONNECTED TO THE
BATTERY AND WILL BE ENERGIZED
WHENEVER THE BATTERY IS CONNECTED

Y 24510601 REV 228

PANEL INSTL-P6 PWR DISTR (CENTER BUS ISOLATION RELAY ONLY)
FIGURE 1

24-51-06-01

BRI
JAN 20/09

24-51-06-01
PAGE 0



757

PARTS CATALOG (MAINTENANCE)

FIG ITEM	PART NUMBER	1 2 3 4 5 6 7	NOMENCLATURE	EFFECT FROM TO	UNITS PER ASSY
1			PANEL INSTL-P6 PWR DISTR (CENTER BUS ISOLATION RELAY ONLY)	103106 108120	
- 1	287N4102-408		PANEL INSTL-P6 PWR DISTR (CENTER BUS ISOLATION RELAY ONLY) FOR NHA/OTHER SYS DET SEE: 24-00-58-05F	108120	RF
- 4	MODREF31408		PANEL INSTL-P6 PWR DISTR (CENTER BUS ISOLATION RELAY ONLY) MODULE NUMBER: 287N4102-437 REV A FOR OTHER SYS DETAILS SEE: 11-34-05-07 24-31-06-01 24-31-71-09 24-32-02-01 24-32-03-01 24-33-01-01 24-53-52-02 31-01-06-02 FOR ADDITIONAL DETAILS SEE: 24-51-05-01 24-51-07-01 24-51-52-08 24-51-52-09 24-51-52-10 24-51-73-02	103106	1
5	BAC27NEX2589		.DECAL	103106 108120	RF
10	E410-1537		.RELAY- SUPPLIER CODE: V99699 SPECIFICATION NUMBER: BACR13CG2A OPTIONAL PART: E415-1078 V99699 BR230S0116 V56623 KD4A017 V58687 FCA410-62 V78290 ELECTRICAL EQUIP NUMBER: K00123	103106 108120	1
- 300	286N0074-318		WIRE BUNDLE ASSY	108120	RF
- 301	286N0074-701		WIRE BUNDLE ASSY-	103106	RF

MISSING ITEM NUMBERS NOT APPLICABLE

- ITEM NOT ILLUSTRATED

24-51-06-01

24-51-06
FIG. 01
PAGE 1
JAN 20/09

BRI



757

PARTS CATALOG (MAINTENANCE)

FIG ITEM	PART NUMBER	1 2 3 4 5 6 7	NOMENCLATURE	EFFECT FROM TO	UNITS PER ASSY
1 305	BACS16W1		. SOCKET- ELECTRICAL EQUIP NUMBER: D00548 WIRING DIAGRAM REF: 243311	103106 108120	1

MISSING ITEM NUMBERS NOT APPLICABLE

- ITEM NOT ILLUSTRATED

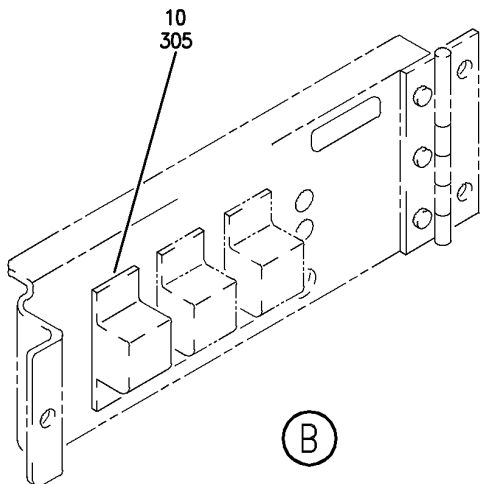
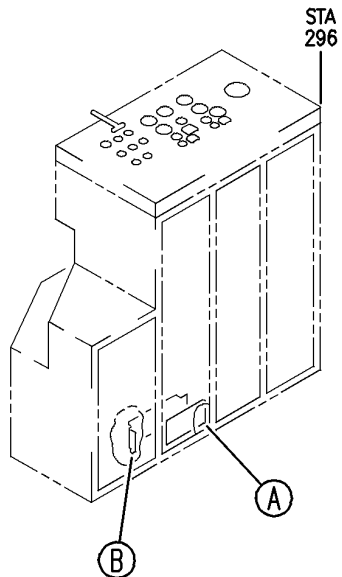
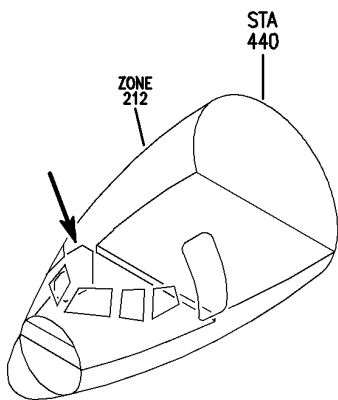
BRI

24-51-06-01

BOEING PROPRIETARY - Copyright © - Unpublished Work - See title page for details.

24-51-06
FIG. 01
PAGE 2
JAN 20/09

BOEING
757
PARTS CATALOG (MAINTENANCE)



5

CAUTION
TERMINALS BEHIND THIS COVER AND THE
P6-1 DOOR ARE CONNECTED TO THE
BATTERY AND WILL BE ENERGIZED
WHENEVER THE BATTERY IS CONNECTED

A

Y 24510701 REV 228

PANEL INSTL-P6 PWR DISTR (ISOLATION REQUEST RELAY ONLY)

FIGURE 1

24-51-07-01

BRI
JAN 20/09

24-51-07-01
PAGE 0



757

PARTS CATALOG (MAINTENANCE)

FIG ITEM	PART NUMBER	1 2 3 4 5 6 7	NOMENCLATURE	EFFECT FROM TO	UNITS PER ASSY
1			PANEL INSTL-P6 PWR DISTR (ISOLATION REQUEST RELAY ONLY)	103106 108120	
- 1	287N4102-408		PANEL INSTL-P6 PWR DISTR (ISOLATION REQUEST RELAY ONLY) FOR NHA/OTHER SYS DET SEE: 24-00-58-05F	108120	RF
- 4	MODREF31408		PANEL INSTL-P6 PWR DISTR (ISOLATION REQUEST RELAY ONLY) MODULE NUMBER: 287N4102-437 REV A FOR OTHER SYS DETAILS SEE: 11-34-05-07 24-31-06-01 24-31-71-09 24-32-02-01 24-32-03-01 24-33-01-01 24-53-52-02 31-01-06-02 FOR ADDITIONAL DETAILS SEE: 24-51-05-01 24-51-06-01 24-51-52-08 24-51-52-09 24-51-52-10 24-51-73-02	103106	1
45	BAC27NEX2589		.DECAL	103106 108120	RF
50	ES410-1538		.RELAY- SUPPLIER CODE: V99699 SPECIFICATION NUMBER: BACR13CG2AB OPTIONAL PART: KD4L018 V35344 BR230DS0115 V56623 KD4L036 V58657 FCA410-63 V78290 ELECTRICAL EQUIP NUMBER: K00122	103106 108120	1
- 300	286N0074-318		WIRE BUNDLE ASSY	108120	RF
- 301	286N0074-701		WIRE BUNDLE ASSY-	103106	RF

MISSING ITEM NUMBERS NOT APPLICABLE

- ITEM NOT ILLUSTRATED

24-51-07-01

24-51-07
FIG. 01
PAGE 1
JAN 20/09

BRI



757

PARTS CATALOG (MAINTENANCE)

FIG ITEM	PART NUMBER	1 2 3 4 5 6 7	NOMENCLATURE	EFFECT FROM TO	UNITS PER ASSY
1 305	BACS16W1		. SOCKET- ELECTRICAL EQUIP NUMBER: D00542 WIRING DIAGRAM REF: 243411	103106 108120	1

MISSING ITEM NUMBERS NOT APPLICABLE

- ITEM NOT ILLUSTRATED

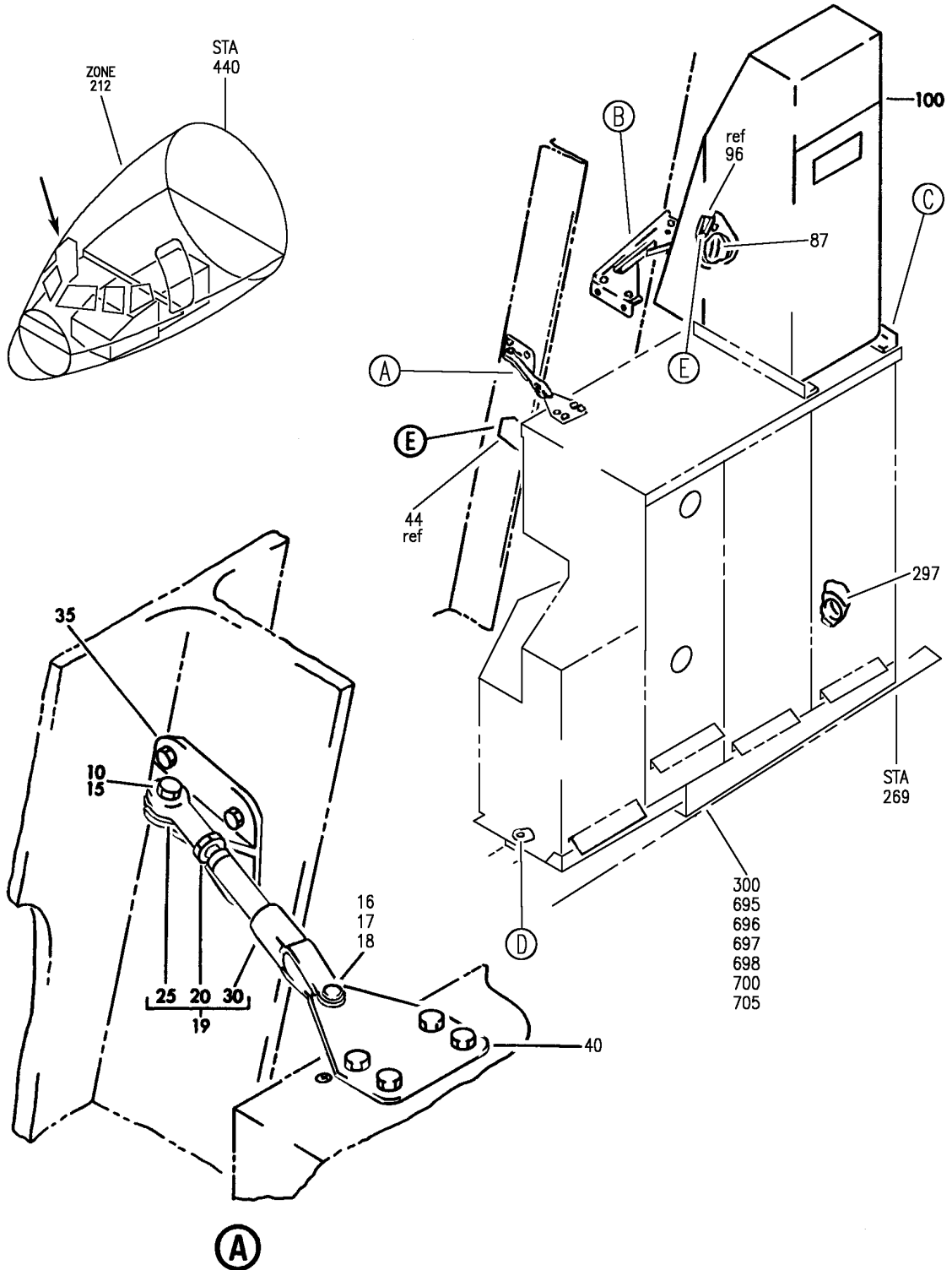
BRI

24-51-07-01

BOEING PROPRIETARY - Copyright © - Unpublished Work - See title page for details.

24-51-07
FIG. 01
PAGE 2
JAN 20/09

BOEING
757
PARTS CATALOG (MAINTENANCE)



Y 24515101 SHT 1 REV 261

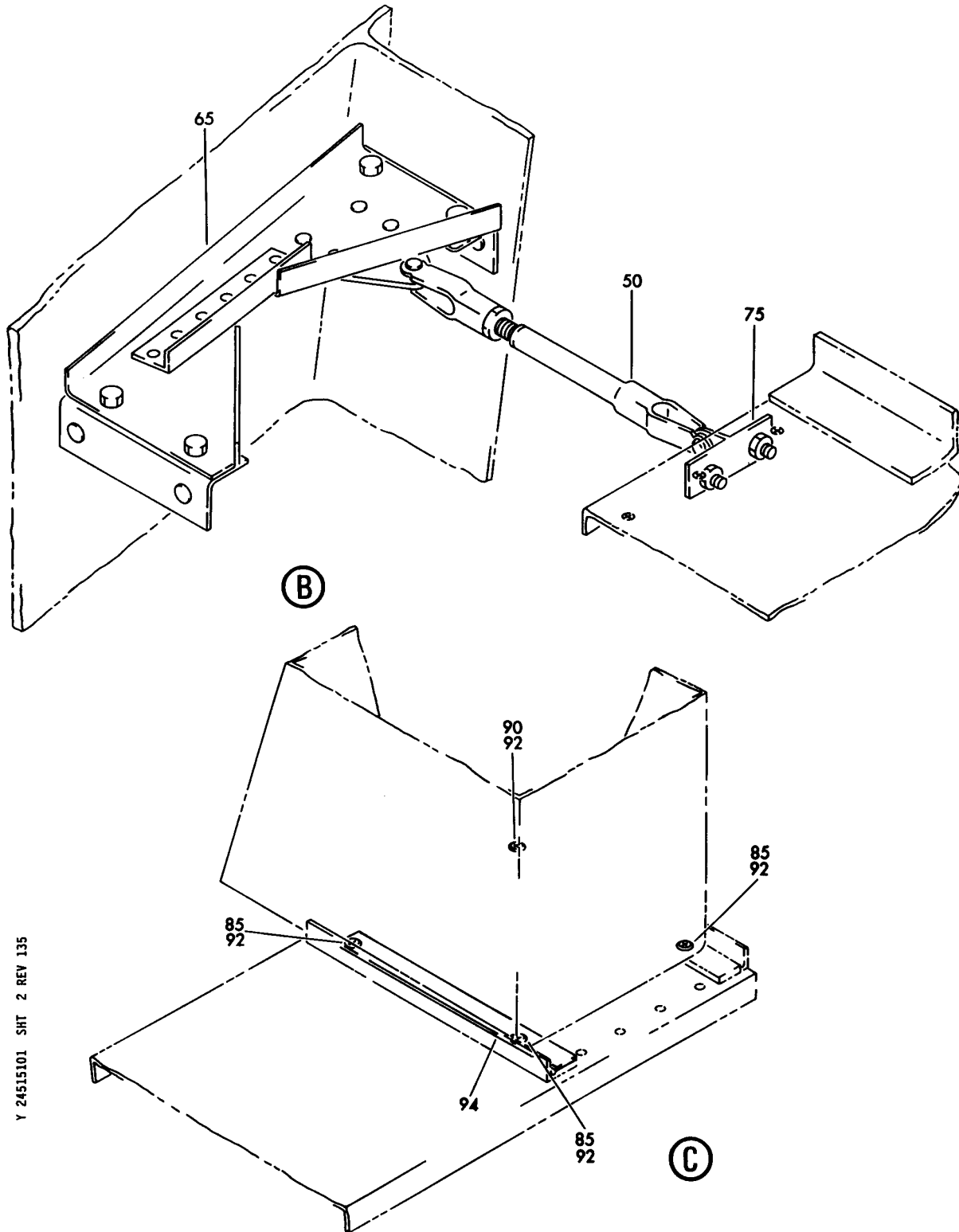
PANEL INSTL-P6 AND P26
FIGURE 1 (SHEET 1)

24-51-51-01

BRI
MAY 28/07

24-51-51-01
PAGE 0

BOEING
757
PARTS CATALOG (MAINTENANCE)



Y 24515101 SHT 2 REV 135

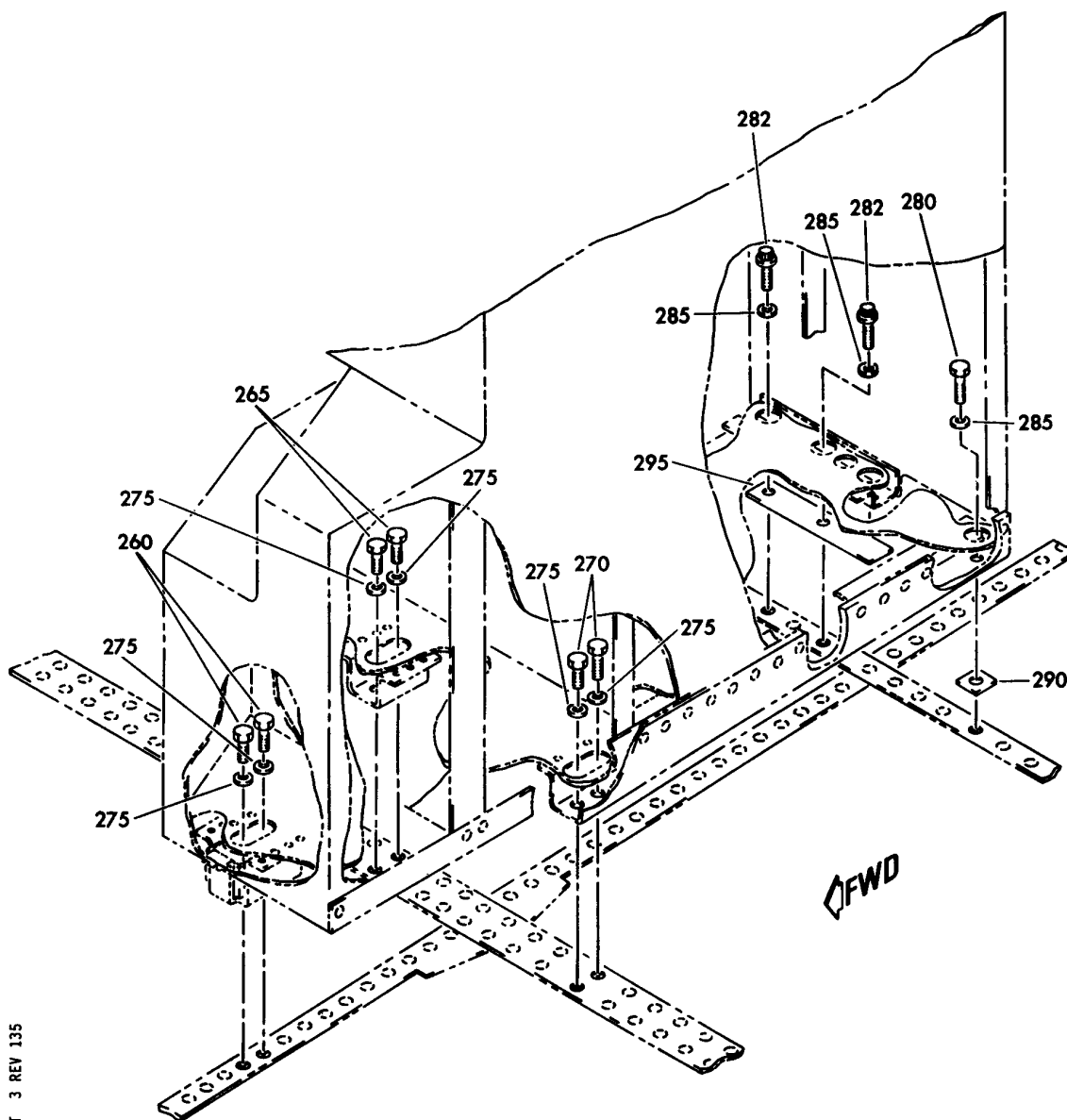
PANEL INSTL-P6 AND P26
FIGURE 1 (SHEET 2)

24-51-51-01

BRI
MAY 28/07

24-51-51-01
PAGE 0A

BOEING
757
PARTS CATALOG (MAINTENANCE)



Y 24515101 SH1 3 REV 135

ⓓ

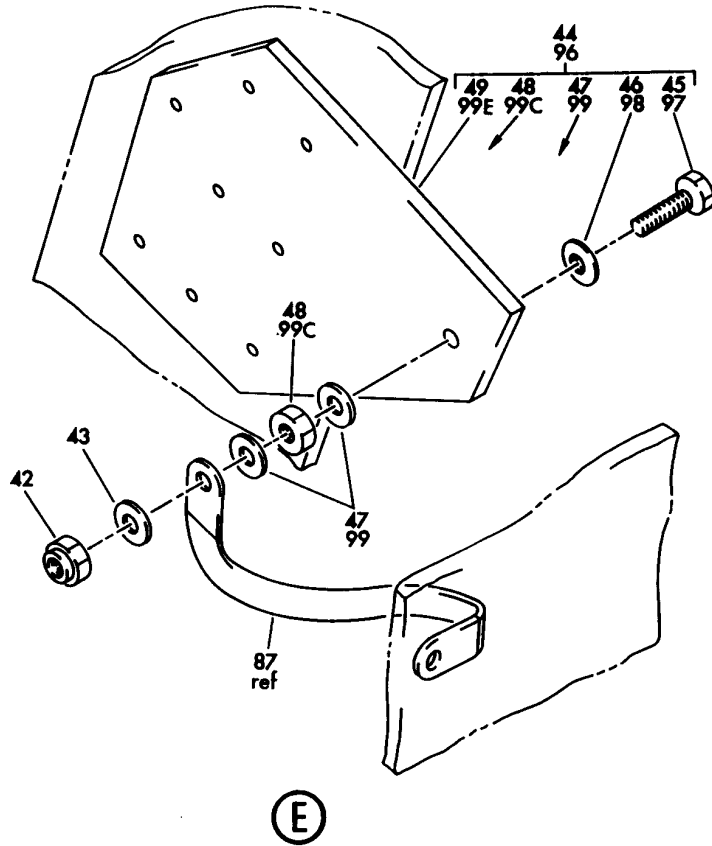
PANEL INSTL-P6 AND P26
FIGURE 1 (SHEET 3)

24-51-51-01

BRI
MAY 28/07

24-51-51-01
PAGE 0B

BOEING
757
PARTS CATALOG (MAINTENANCE)



Y 24515101 SHT 4 REV 135

PANEL INSTL-P6 AND P26
FIGURE 1 (SHEET 4)

24-51-51-01

BRI
MAY 28/07

24-51-51-01
PAGE 0C



757

PARTS CATALOG (MAINTENANCE)

FIG ITEM	PART NUMBER	1 2 3 4 5 6 7	NOMENCLATURE	EFFECT FROM TO	UNITS PER ASSY
1			PANEL INSTL-P6 AND P26	002004 006999	
- 1	287N4101-3		PANEL INSTL-P6 AND P26 FOR NHA SEE: 24-00-58-01C	107107 121503 904949	RF
- 1	287N4101-62		PANEL INSTL-P6 AND P26 FOR NHA SEE: 24-00-58-01C	002004 006100 950999	RF
- 1	287N4101-143		PANEL INSTL-P6 AND P26 FOR NHA SEE: 24-00-58-05	101102 108120	RF
- 1	287N4101-144		PANEL INSTL-P6 AND P26 FOR NHA SEE: 24-00-58-05F	504903	RF
- 2	MODREF31830		PANEL INSTL-P6 AND P26 MODULE NUMBER: 287N4101-143 REV B	103106	1
10	NAS6703-9		.BOLT-	002004 006999	1
15	MS21042L3		.NUT-	002004 006999	1
16	MS20392-3C15		.PIN	002004 006999	1
17	MS24665-151		.PIN-	002004 006100 107107 121503 904999	1
17	BACP18BC02A04P		.PIN	101106 108120 504903	1
18	AN960PD416		.WASHER	002004 006100 107107 121503 904999	1
18	NAS1149D0463J		.WASHER	101106 108120 504903	1
19	287N4101-51		.TURNBUCKLE ASSY	002004 006999	1
20	AN316-4		..NUT	002004 006999	1

MISSING ITEM NUMBERS NOT APPLICABLE

- ITEM NOT ILLUSTRATED

BRI

24-51-51-01

24-51-51
FIG. 01
PAGE 1
JAN 20/09


BOEING
 757
PARTS CATALOG (MAINTENANCE)

FIG ITEM	PART NUMBER	1 2 3 4 5 6 7 NOMENCLATURE	EFFECT FROM TO	UNITS PER ASSY
1				
R R	25 REP3F4FS428	.. BEARING- SUPPLIER CODE: V73134 SPECIFICATION NUMBER: BACB10AE2 OPTIONAL PART: REP3F4FS428 V21335 REP3F4-2 V38443 REP3F4E9171 V21335 REP3F4E9171B V21335 HHRE3F4-1 V38443 ABR3F3G VS0352 ABR3F109 VS0352 REB3FB4-12W V92563 DBF3-4C1-501 V73134 ABR3F3B V15860 DBF3-4C1-501 V77896 REP3F4-3J V73134	002004 006999	1
	30 BACT32G62-0420	.. TUBE ASSY	002004 006999	1
	35 287N4101-122	. ANCHOR-ROD END	002004 006999	1
	40 287N4101-104	. ANCHOR-TUBE	002004 006999	1
-	41 NAS6603-3	ATTACHING PARTS . BOLT	002004 006999	4
	42 MS21042L6	-----*----- . NUT	002004 006999	1
	43 AN960JD616L	. WASHER-	101106 108120 504903	1
MISSING ITEM NUMBERS NOT APPLICABLE				

- ITEM NOT ILLUSTRATED

BRI

24-51-51-01

BOEING PROPRIETARY - Copyright © - Unpublished Work - See title page for details.

24-51-51
 FIG. 01
 PAGE 2
 MAY 20/09

BOEING
757
PARTS CATALOG (MAINTENANCE)

FIG ITEM	PART NUMBER	1 2 3 4 5 6 7	NOMENCLATURE	EFFECT FROM TO	UNITS PER ASSY
1					
43	NAS1149D616J	.	WASHER-	002004 006100 107107 121503 904999	2
44	287N4101-115	.	PLATE ASSY	002004 006999	1
45	NAS566-35	..	BOLT-	002004 006999	1
46	MS35338-46	..	WASHER	002004 006999	1
47	AN960JD616L	..	WASHER	002004 006999	2
48	MS35650-3385T	..	NUT-	002004 006999	1
49	287N4101-116	..	PLATE	002004 006999	1
50	BACR24L2F0680	.	ROD ASSY-	002004 006999	1
			ATTACHING PARTS		
- 55	MS20392-3C15	.	PIN	002004 006999	2
- 60	AN960PD416	.	WASHER	002004 006100 107107 121503 904999	2
- 60	NAS1149D0463J	.	WASHER	101106 108120 504903	2
- 62	MS24665-151	.	PIN	002004 006100 107107 121503 904999	2
- 62	BACP18BC02A04P	.	PIN	101106 108120 504903	2
			-----*-----		
65	287N4101-103	.	INTERCOSTAL ASSY	002004 006999	1
			ATTACHING PARTS		
- 70	NAS6603-2	.	BOLT	002004 006999	4
			-----*-----		
75	287N4101-100	.	ANCHOR-TUBE	002004 006999	1

MISSING ITEM NUMBERS NOT APPLICABLE

- ITEM NOT ILLUSTRATED

BRI

24-51-51-01

BOEING PROPRIETARY - Copyright © - Unpublished Work - See title page for details.

24-51-51
FIG. 01
PAGE 3
MAY 20/09



757

PARTS CATALOG (MAINTENANCE)

FIG ITEM	PART NUMBER	1 2 3 4 5 6 7	NOMENCLATURE	EFFECT FROM TO	UNITS PER ASSY
1			ATTACHING PARTS		
- 80	NAS6603-3		.BOLT-	002004 006999	2
			-----*-----		
85	NAS6603-10		.BOLT-	002004 006999	3
87	RBEJ40E40-32		.JUMPER ASSY SUPPLIER CODE: V1GK47 SPECIFICATION NUMBER: BACJ40E40-32 OPTIONAL PART: 740E40-32 V91812	002004 006999	1
90	NAS6603-8		.BOLT-	107107 121503 904949	1
90	NAS6603-10		.BOLT-	002004 006106 108120 504903 950999	1
92	AN960PD10		.WASHER	107107 121503 904949	4
92	AN960JD10		.WASHER	002004 006106 108120 504903 950999	4
94	287N4101-121		.SHIM	002004 006999	1
96	287N4101-119		.PLATE ASSY	002004 006999	1
97	NAS1801-6-18		..SCREW	002004 006999	1
98	MS35338-46		..WASHER	002004 006999	1
99	AN960JD616L		..WASHER	002004 006999	2
99C	MS35650-3385T		..NUT	002004 006999	1
99E	287N4101-120		..PLATE	002004 006999	1

MISSING ITEM NUMBERS NOT APPLICABLE

- ITEM NOT ILLUSTRATED

BRI

24-51-51-01

24-51-51
FIG. 01
PAGE 4
MAY 20/09



757

PARTS CATALOG (MAINTENANCE)

FIG ITEM	PART NUMBER	1 2 3 4 5 6 7	NOMENCLATURE	EFFECT FROM TO	UNITS PER ASSY
1 100	285N0001-31		.PANEL ASSY-LIGHTING EQPT P26 SUPPLIER CODE: V89954 FUNCTIONAL REFERENCE: ELECTRICAL POWER FOR DETAILS SEE 24-51-52-04 EQUIPMENT/FURNISHINGS FOR DETAILS SEE 25-29-71-05 LIGHTS FOR DETAILS SEE 33-16-71-01 PLACARDS AND MARKINGS FOR DETAILS SEE 11-34-10-01	121949	1
100	285N0001-32		.PANEL ASSY-LIGHTING EQPT P26 SUPPLIER CODE: V89954 FUNCTIONAL REFERENCE: ELECTRICAL POWER FOR DETAILS SEE 24-51-52-04 EQUIPMENT/FURNISHINGS FOR DETAILS SEE 25-29-71-05 LIGHTS FOR DETAILS SEE 33-16-71-01 PLACARDS AND MARKINGS FOR DETAILS SEE 11-34-10-01	002004 006120 950999	1

MISSING ITEM NUMBERS NOT APPLICABLE

- ITEM NOT ILLUSTRATED

BRI

24-51-51-01

BOEING PROPRIETARY - Copyright © - Unpublished Work - See title page for details.

24-51-51
FIG. 01
PAGE 5
JAN 20/09



757

PARTS CATALOG (MAINTENANCE)

FIG ITEM	PART NUMBER	1 2 3 4 5 6 7	NOMENCLATURE	EFFECT FROM TO	UNITS PER ASSY
1 100	285N0001-30		.PANEL ASSY-LIGHTING EQPT P26 SUPPLIER CODE: V89954 FUNCTIONAL REFERENCE: ELECTRICAL POWER FOR DETAILS SEE 24-51-52-04 EQUIPMENT/FURNISHINGS FOR DETAILS SEE 25-29-71-05 LIGHTS FOR DETAILS SEE 33-16-71-01 PLACARDS AND MARKINGS FOR DETAILS SEE 11-34-10-01	107107	1
260	NAS6604-3		.BOLT- OPTIONAL PART: BACB30MT4-3	002004 006999	2
260	BACB30MT4-3		.BOLT- OPTIONAL PART: NAS6604-3	002004 006999	2
265	NAS6604-5		.BOLT- OPTIONAL PART: BACB30MT4-5	002004 006999	2
265	BACB30MT4-5		.BOLT- OPTIONAL PART: NAS6604-5	002004 006999	2
270	NAS6604-8		.BOLT	002004 006999	2
275	AN960PD416		.WASHER	002004 006999	6
280	BACB30LE3-5		.BOLT-	002004 006100 107107 121503 904999	1
280	BACB30LE3K5		.BOLT-	101106 108120 504903	1
282	BACB30LE3-7		.BOLT	002004 006100 107107 121503 904999	2
282	BACB30LE3K7		.BOLT	101106 108120 504903	2

MISSING ITEM NUMBERS NOT APPLICABLE

- ITEM NOT ILLUSTRATED

24-51-51-01

24-51-51
FIG. 01
PAGE 6
JAN 20/09

BRI

 **BOEING**
757
PARTS CATALOG (MAINTENANCE)

FIG ITEM	PART NUMBER	1 2 3 4 5 6 7	NOMENCLATURE	EFFECT FROM TO	UNITS PER ASSY
1					
285	BACW10BP3ACU	.	WASHER-	002004 006999	3
297	287N4102-1075	.	SEAL	002004 006999	AR
697	287N4102-204	.	PANEL ASSY-PWR DISTR P6 FUNCTIONAL REFERENCE: ELECTRICAL POWER FOR DETAILS SEE 24-31-71-03 24-33-71-03 24-34-67-02 24-51-52-01 24-51-52-05 24-51-52-06 24-51-71-02 24-53-52-02 EQUIPMENT/FURNISHINGS FOR DETAILS SEE 25-29-71-03 NAVIGATION FOR DETAILS SEE 34-21-71-02 PLACARDS AND MARKINGS FOR DETAILS SEE 11-34-01-01 11-34-05-01 11-34-05-05 11-34-05-06	107107	1

MISSING ITEM NUMBERS NOT APPLICABLE

— ITEM NOT ILLUSTRATED

BRI

24-51-51-01

BOEING PROPRIETARY - Copyright © - Unpublished Work - See title page for details.

24-51-51
FIG. 01
PAGE 7
JAN 20/09



757

PARTS CATALOG (MAINTENANCE)

FIG ITEM	PART NUMBER	1 2 3 4 5 6 7	NOMENCLATURE	EFFECT FROM TO	UNITS PER ASSY
1 698	287N4102-217		.PANEL ASSY-PWR DISTR P6 FUNCTIONAL REFERENCE: ELECTRICAL POWER FOR DETAILS SEE 24-31-71-03 24-33-71-03 24-34-67-02 24-51-52-01 24-51-52-05 24-51-52-06 24-51-71-02 EQUIPMENT/FURNISHINGS FOR DETAILS SEE 25-29-71-03 NAVIGATION FOR DETAILS SEE 34-21-71-02 PLACARDS AND MARKINGS FOR DETAILS SEE 11-34-01-01 11-34-05-01 11-34-05-05 11-34-05-06	121503 904949	1

MISSING ITEM NUMBERS NOT APPLICABLE

- ITEM NOT ILLUSTRATED

BRI

24-51-51-01

BOEING PROPRIETARY - Copyright © - Unpublished Work - See title page for details.

24-51-51
FIG. 01
PAGE 8
JAN 20/09



757

PARTS CATALOG (MAINTENANCE)

FIG ITEM	PART NUMBER	1 2 3 4 5 6 7	NOMENCLATURE	EFFECT FROM TO	UNITS PER ASSY
1 700	287N4102-99		.PANEL ASSY-PWR DISTR P6 MISCELLANEOUS DATA: CONT AT ITEM 700J VARIABLE DRAWING REF: 287N4102-5112 287N4102-5113 287N4102-5116 FUNCTIONAL REFERENCE: ELECTRICAL POWER FOR DETAILS SEE 24-23-65-01 24-31-71-03 24-32-71-01 24-33-71-03 24-34-67-02 24-51-52-01 24-51-52-05 24-51-52-06 24-51-71-02 24-51-73-01 24-53-52-02 24-54-73-01 EQUIPMENT/FURNISHINGS FOR DETAILS SEE 25-29-71-03 NAVIGATION FOR DETAILS SEE 34-21-71-02 PLACARDS AND MARKINGS FOR DETAILS SEE 11-34-01-01 11-34-05-01 11-34-05-05 11-34-05-06	002004 006100 950999	1

MISSING ITEM NUMBERS NOT APPLICABLE

- ITEM NOT ILLUSTRATED

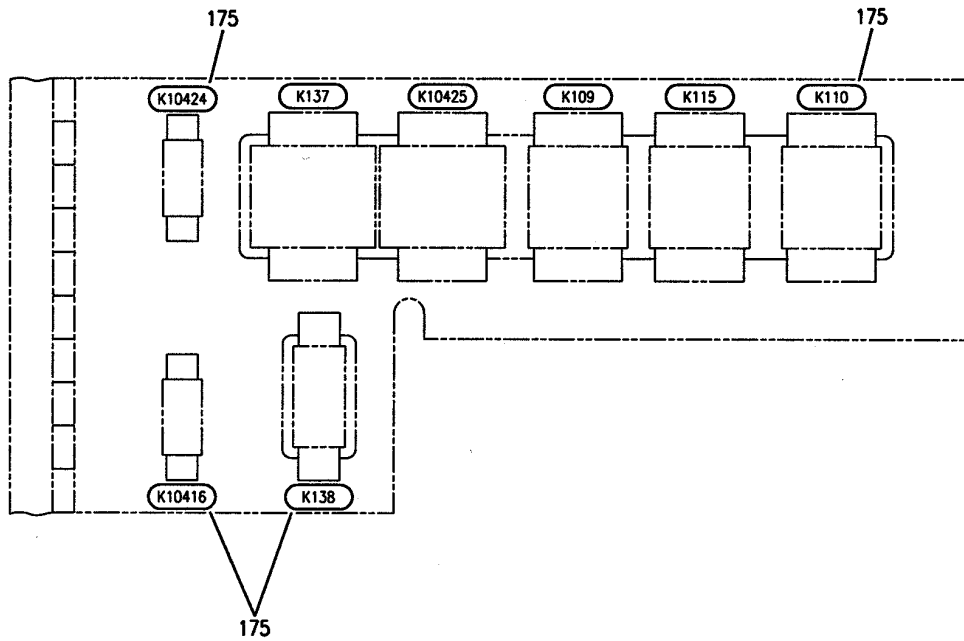
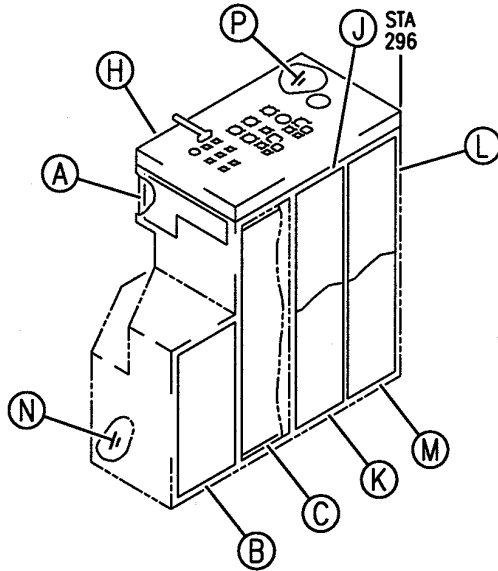
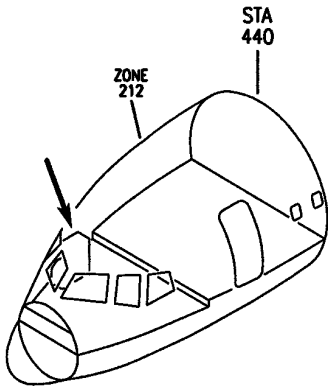
BRI

24-51-51-01

BOEING PROPRIETARY - Copyright © - Unpublished Work - See title page for details.

24-51-51
FIG. 01
PAGE 9
JAN 20/09

BOEING
757
PARTS CATALOG (MAINTENANCE)



(A)

Y 24515105 SHT 1 REV 219

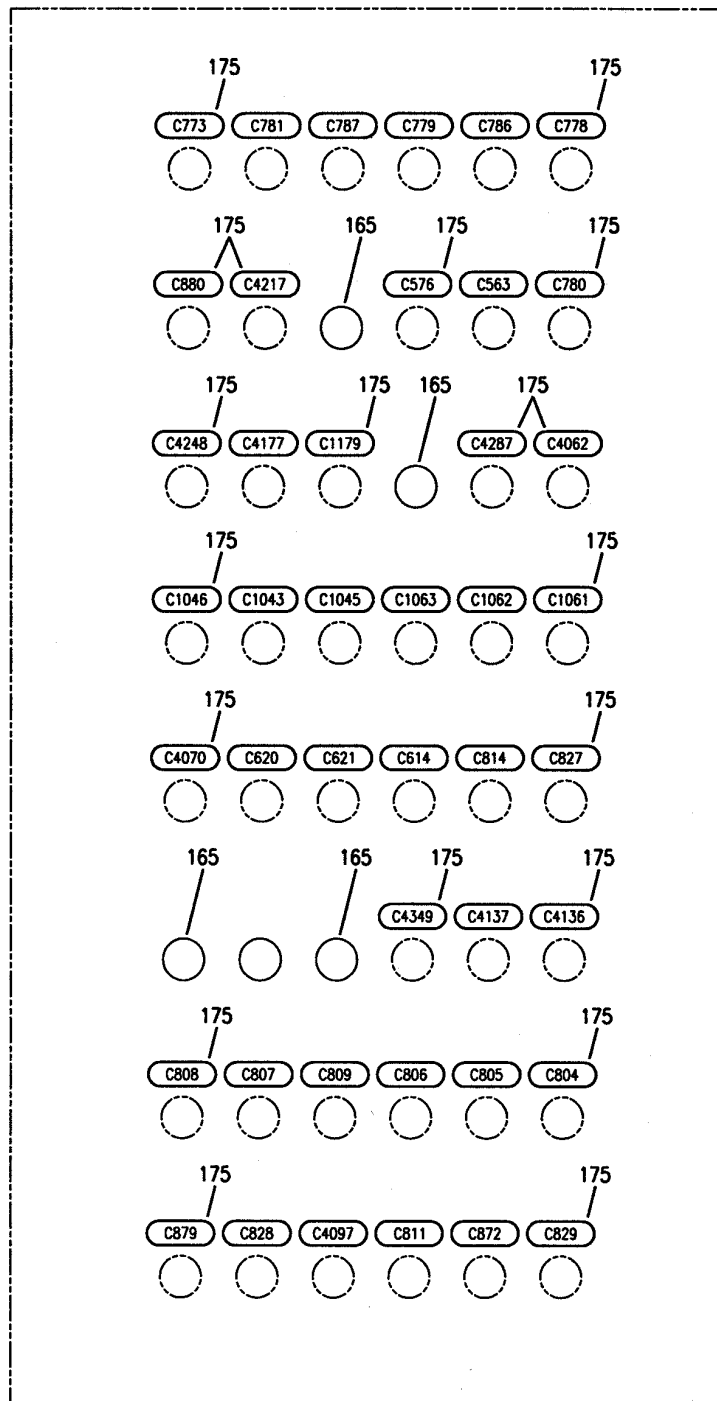
PANEL INSTL-PWR DISTR P6
FIGURE 5 (SHEET 1)

24-51-51-05

BRI
MAY 28/07

24-51-51-05
PAGE 0

BOEING
757
PARTS CATALOG (MAINTENANCE)



(B)

Y 24515105 SH1 2 REV 219

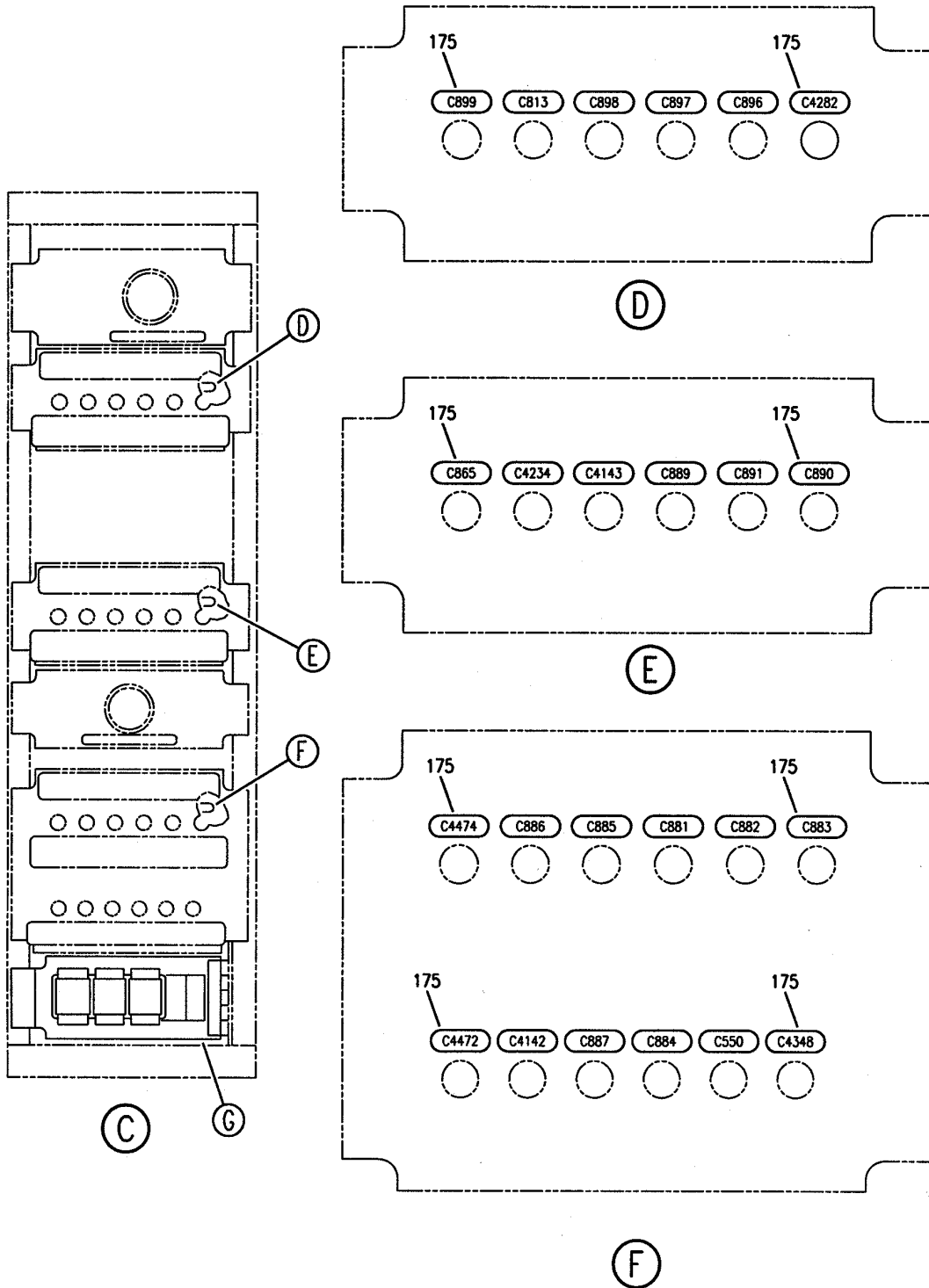
PANEL INSTL-PWR DISTR P6
FIGURE 5 (SHEET 2)

24-51-51-05

BRI
MAY 28/07

24-51-51-05
PAGE 0A

BOEING
757
PARTS CATALOG (MAINTENANCE)



Y 24515105 SHIT 3 REV 219

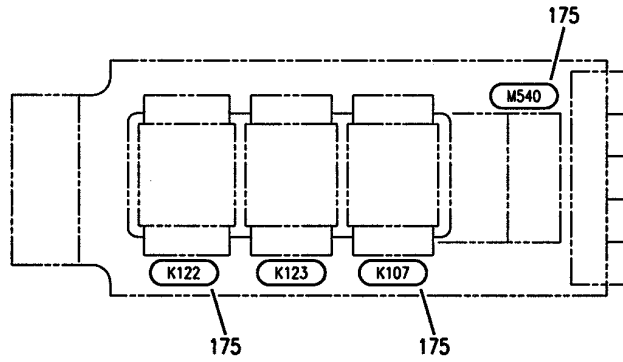
PANEL INSTL-PWR DISTR P6
FIGURE 5 (SHEET 3)

BRI
MAY 28/07

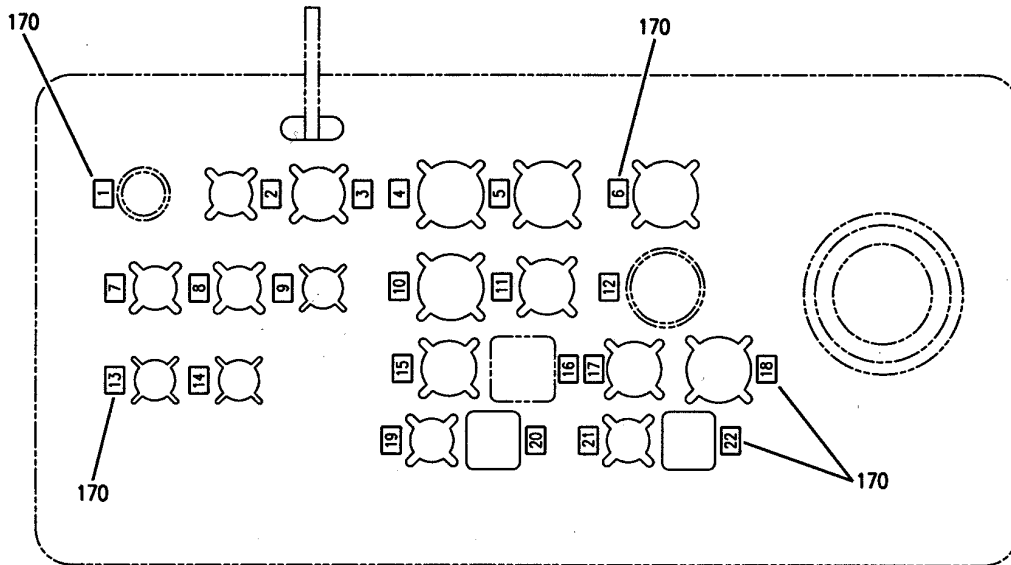
24-51-51-05

24-51-51-05
PAGE 0B

BOEING
757
PARTS CATALOG (MAINTENANCE)



(G)



(H)

Y 24515105 SH1 4 REV 219

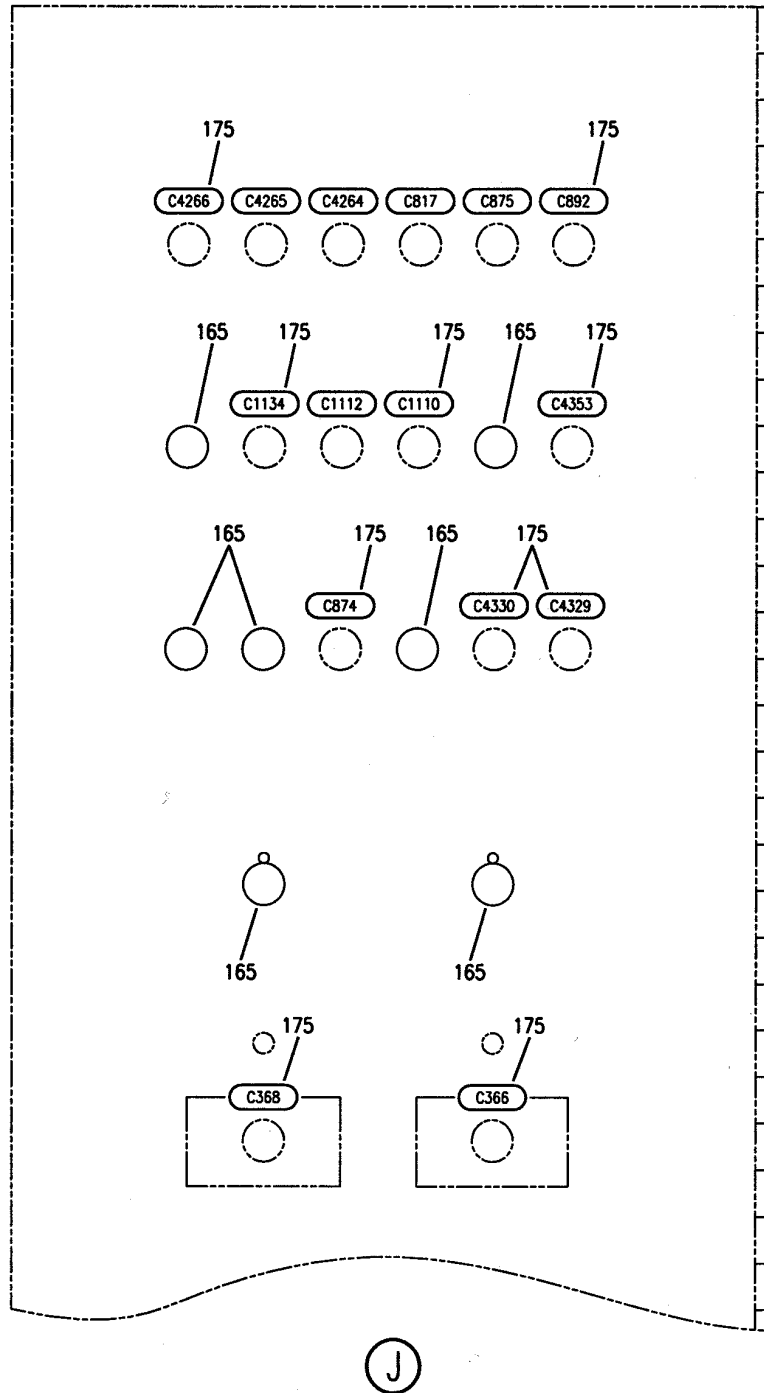
PANEL INSTL-PWR DISTR P6
FIGURE 5 (SHEET 4)

24-51-51-05

BRI
MAY 28/07

24-51-51-05
PAGE 0C

BOEING
757
PARTS CATALOG (MAINTENANCE)



Y 24515105 SH 5 REV 219

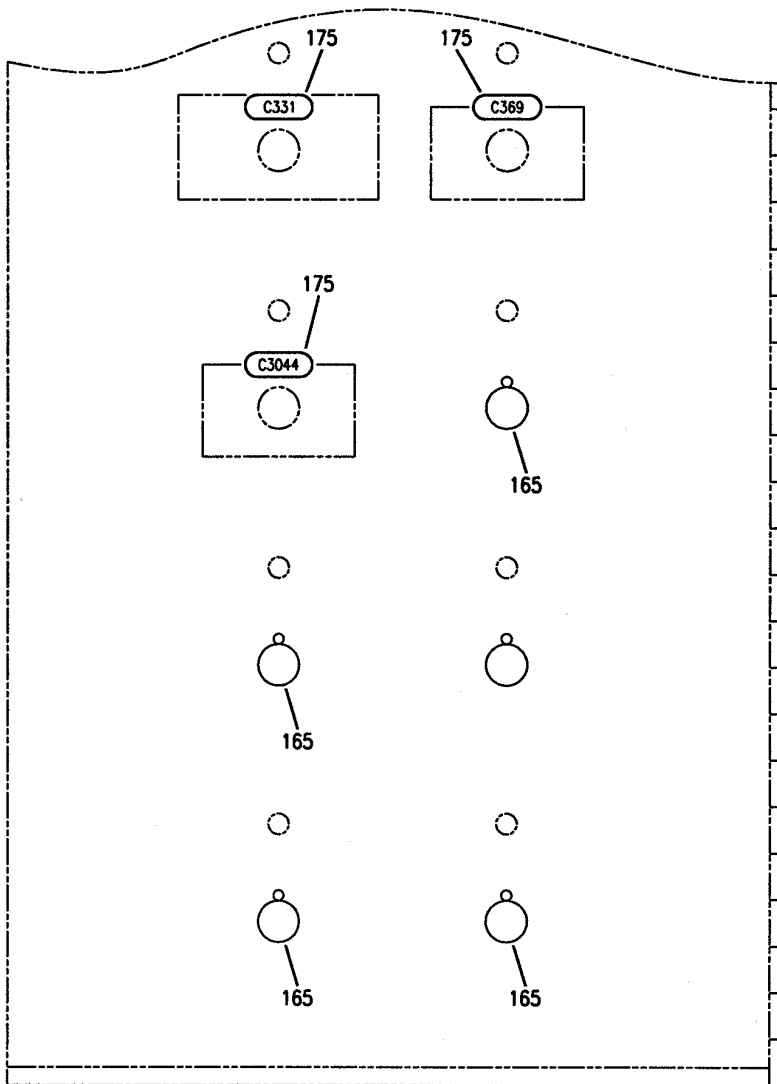
PANEL INSTL-PWR DISTR P6
FIGURE 5 (SHEET 5)

24-51-51-05

BRI
MAY 28/07

24-51-51-05
PAGE 0D

BOEING
757
PARTS CATALOG (MAINTENANCE)



(K)

Y 24515105 SH1 6 REV 219

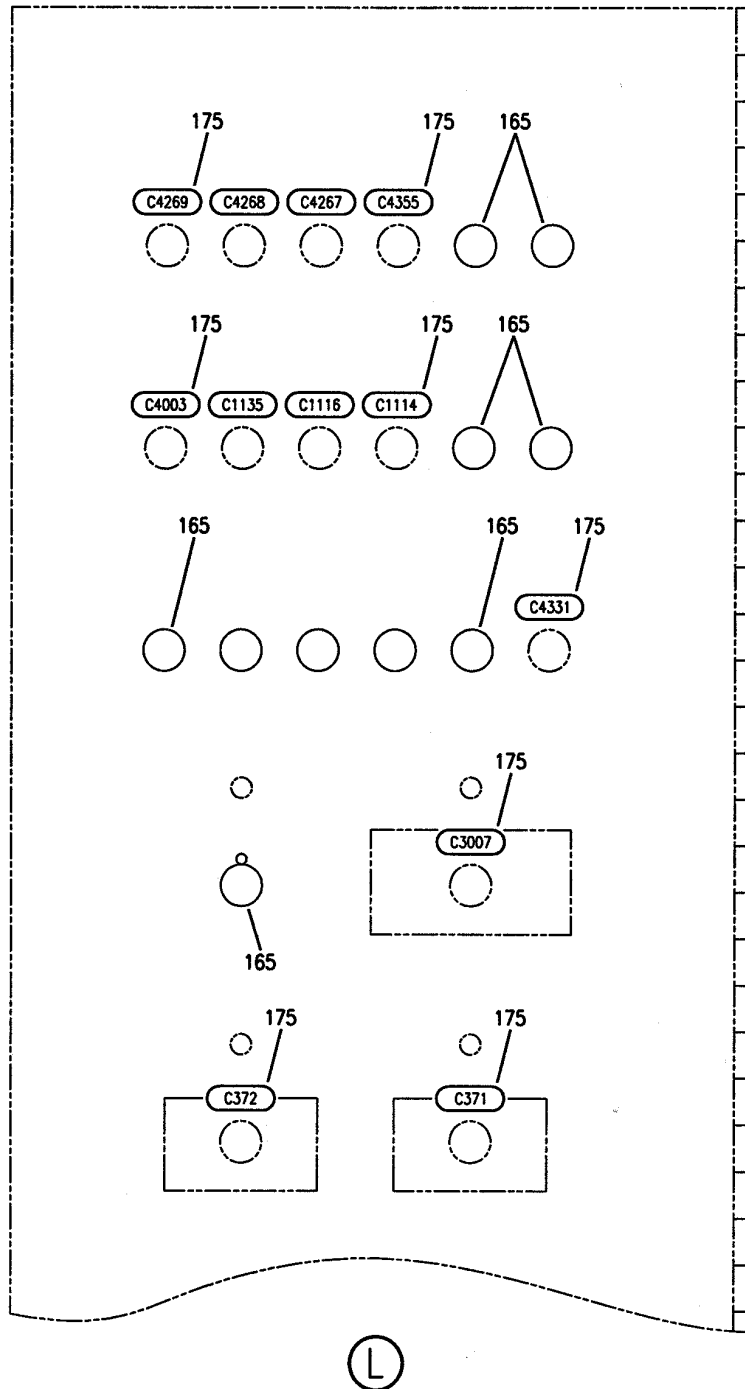
PANEL INSTL-PWR DISTR P6
FIGURE 5 (SHEET 6)

24-51-51-05

BRI
MAY 28/07

24-51-51-05
PAGE 0E

BOEING
757
PARTS CATALOG (MAINTENANCE)



Y 24515105 SH1 7 REV 219

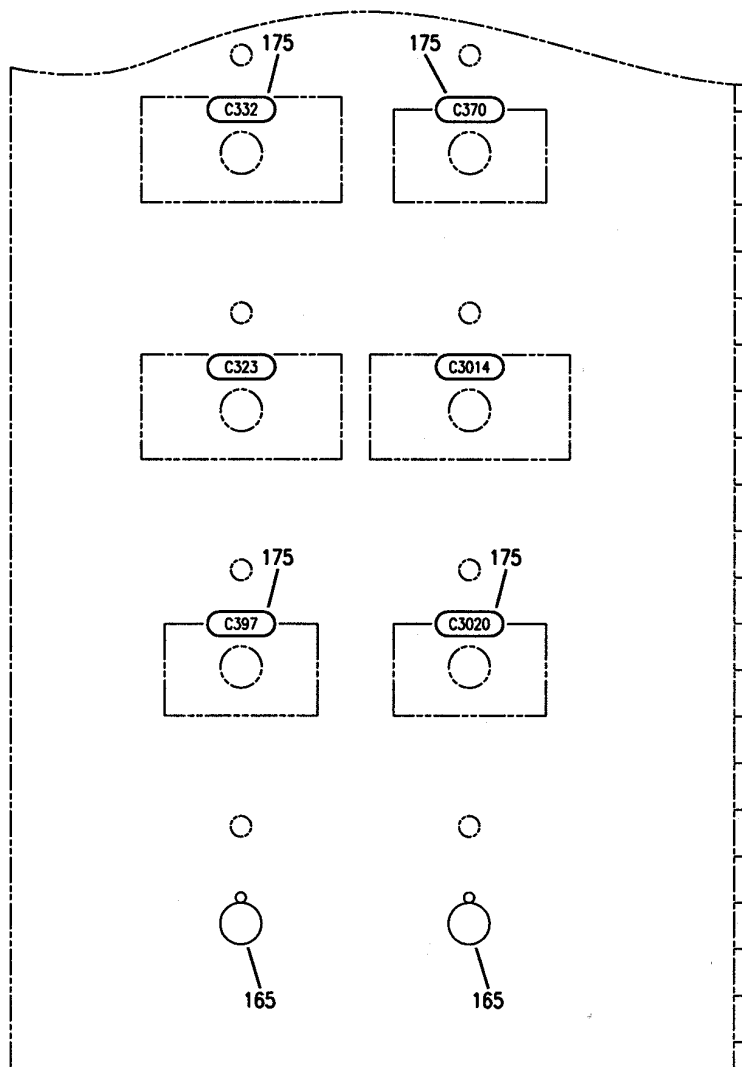
PANEL INSTL-PWR DISTR P6
FIGURE 5 (SHEET 7)

24-51-51-05

BRI
MAY 28/07

24-51-51-05
PAGE OF

BOEING
757
PARTS CATALOG (MAINTENANCE)



Y 24515105 SH1 8 REV 219

(M)

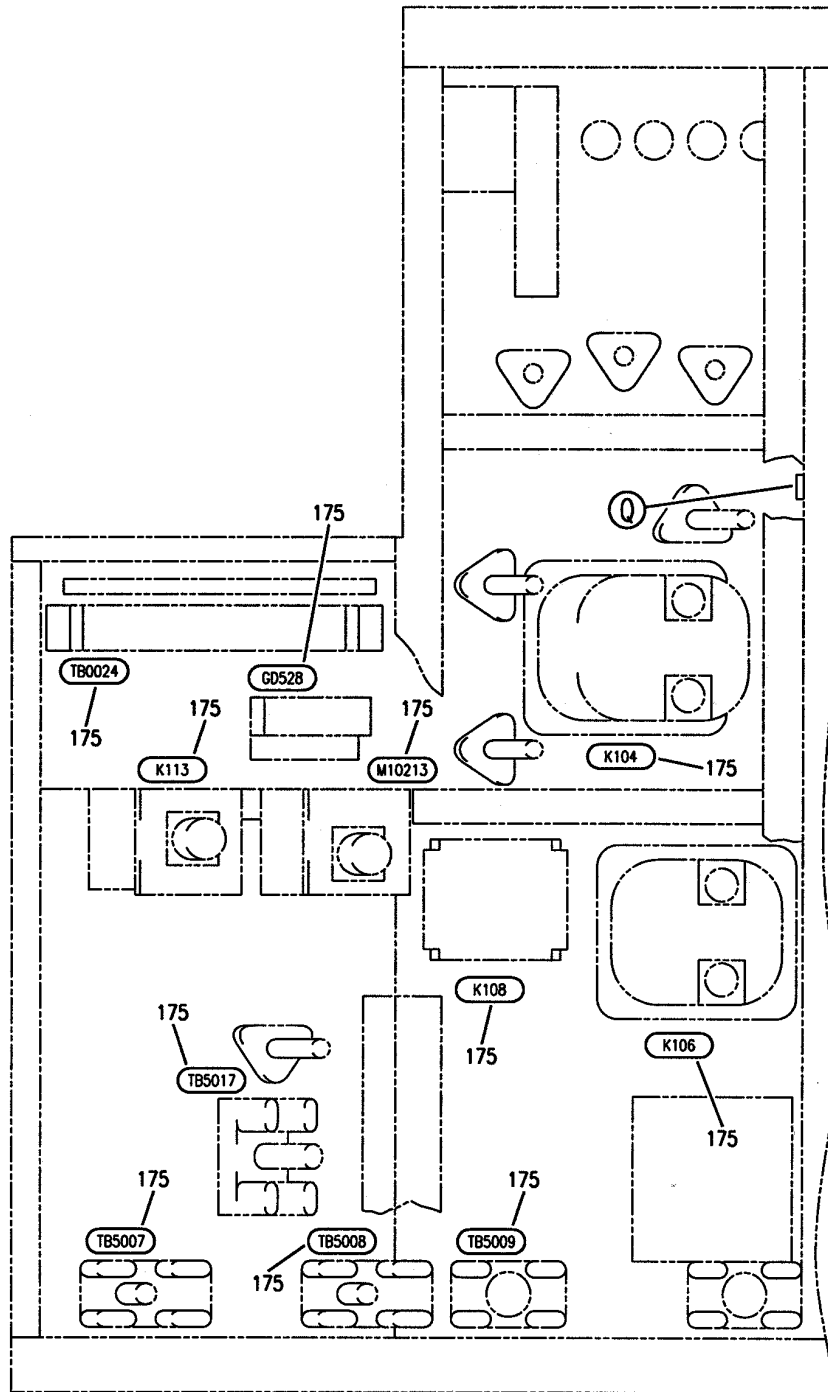
PANEL INSTL-PWR DISTR P6
FIGURE 5 (SHEET 8)

24-51-51-05

BRI
MAY 28/07

24-51-51-05
PAGE 06

BOEING
757
PARTS CATALOG (MAINTENANCE)



Y 24515105 SHT 9 REV 219

(N)

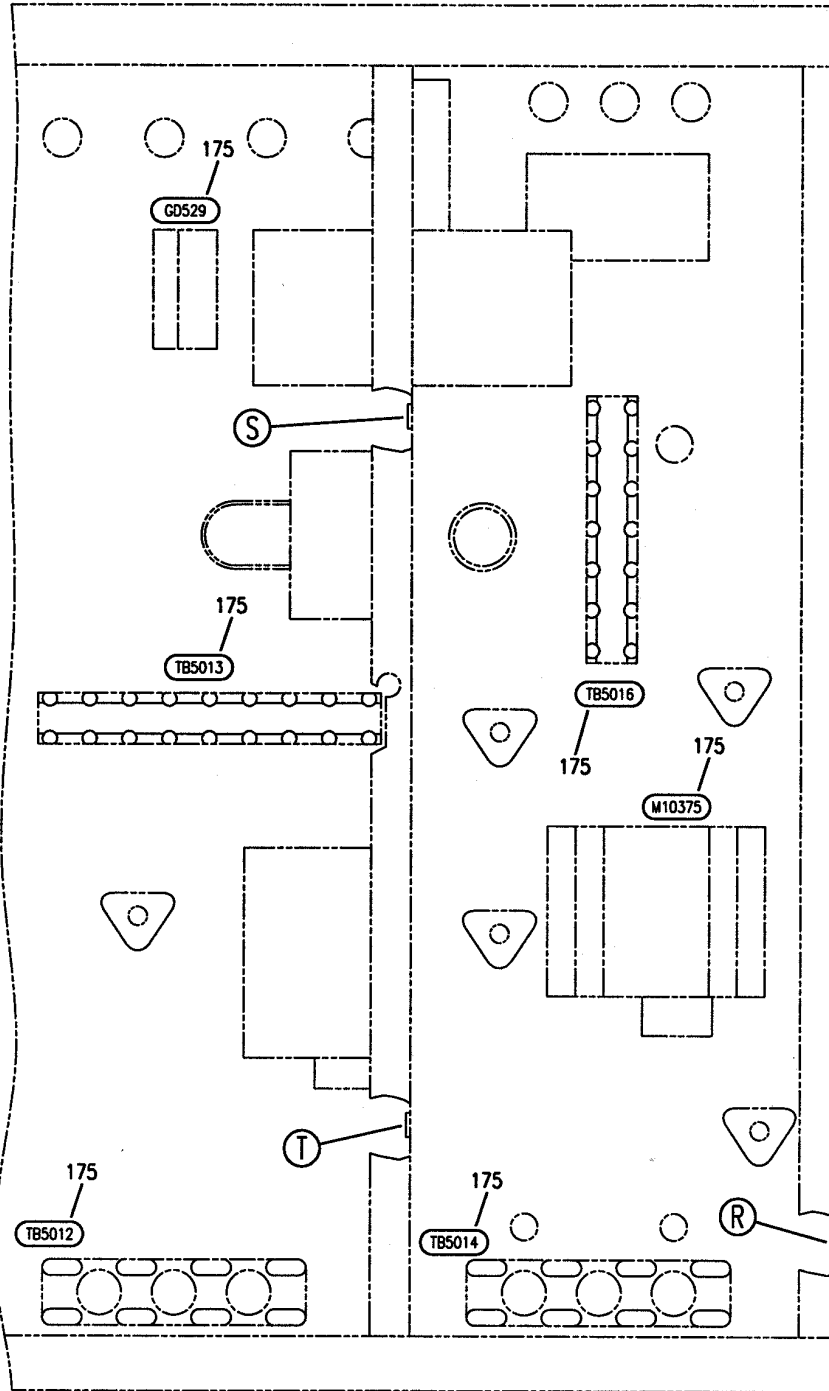
PANEL INSTL-PWR DISTR P6
FIGURE 5 (SHEET 9)

24-51-51-05

BRI
MAY 28/07

24-51-51-05
PAGE 0H

BOEING
757
PARTS CATALOG (MAINTENANCE)



Y 24515105 SH1 10 REV 219

(P)

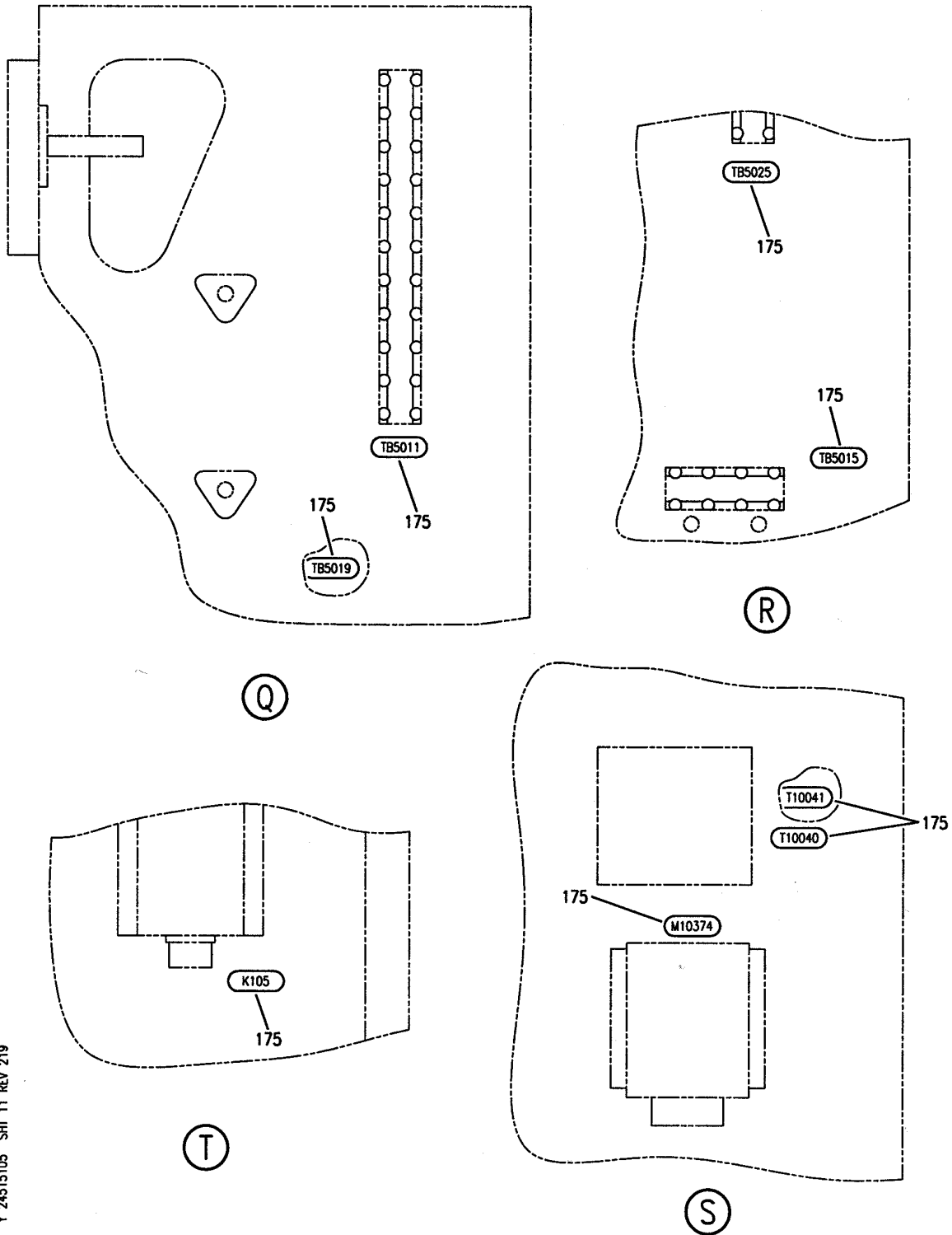
PANEL INSTL-PWR DISTR P6
FIGURE 5 (SHEET 10)

24-51-51-05

BRI
MAY 28/07

24-51-51-05
PAGE 01

BOEING
757
PARTS CATALOG (MAINTENANCE)



Y 24515105 SH1 11 REV 219

PANEL INSTL-PWR DISTR P6
FIGURE 5 (SHEET 11)

24-51-51-05

BRI
MAY 28/07

24-51-51-05
PAGE 0J



757

PARTS CATALOG (MAINTENANCE)

FIG ITEM	PART NUMBER	1 2 3 4 5 6 7	NOMENCLATURE	EFFECT FROM TO	UNITS PER ASSY
5					
- 1	287N4102-329		PANEL INSTL-PWR DISTR P6 PANEL INSTL-PWR DISTR P6 FOR NHA SEE: 24-00-58-05F	101102 101102	RF
- 10	287N4102-1201		.PACKAGE ASSY-OPTION FUNCTIONAL REFERENCE: PLACARDS AND MARKINGS FOR DETAILS SEE 11-34-05-01 ELECTRICAL POWER FOR DETAILS SEE 24-51-52-01 24-51-52-06 NAVIGATION FOR DETAILS SEE 34-21-71-02	101102	1
- 20	287N4102-1203		.PACKAGE ASSY-OPTION FOR DETAILS SEE: 24-51-52-06 24-53-52-02	101102	1
- 25	287N4102-1205		.PACKAGE ASSY-OPTION FUNCTIONAL REFERENCE: PLACARDS AND MARKINGS FOR DETAILS SEE 11-34-05-05 ELECTRICAL POWER FOR DETAILS SEE 24-51-52-05	101102	1
- 30	287N4102-1207		.PACKAGE ASSY-OPTION FOR DETAILS SEE: 24-51-52-01	101102	1
- 35	287N4102-1208		.PACKAGE ASSY-OPTION FOR DETAILS SEE: 11-34-05-01	101102	1
- 40	287N4102-1209		.PACKAGE ASSY-OPTION FOR DETAILS SEE: 11-34-05-01	101102	1
- 45	287N4102-1211		.PACKAGE ASSY-OPTION FOR DETAILS SEE: 11-34-05-06	101102	1
- 50	287N4102-1212		.PACKAGE ASSY-OPTION FOR DETAILS SEE: 11-34-05-06	101102	1
- 55	287N4102-1213		.PACKAGE ASSY-OPTION FOR DETAILS SEE: 11-34-05-06	101102	1
- 60	287N4102-1215		.PACKAGE ASSY-OPTION FOR DETAILS SEE: 11-34-05-06	101102	1

MISSING ITEM NUMBERS NOT APPLICABLE

- ITEM NOT ILLUSTRATED

24-51-51-05

24-51-51
FIG. 05
PAGE 1
JAN 20/09

BRI



757

PARTS CATALOG (MAINTENANCE)

FIG ITEM	PART NUMBER	1 2 3 4 5 6 7	NOMENCLATURE	EFFECT FROM TO	UNITS PER ASSY
5					
- 65	287N4102-1216		.PACKAGE ASSY-OPTION FOR DETAILS SEE: 11-34-05-06	101102	1
- 70	287N4102-1217		.PACKAGE ASSY-OPTION FOR DETAILS SEE: 11-34-05-06	101102	1
- 75	287N4102-1219		.PACKAGE ASSY-OPTION FOR DETAILS SEE: 11-34-05-06	101102	1
- 80	287N4102-1220		.PACKAGE ASSY-OPTION FOR DETAILS SEE: 11-34-05-06	101102	1
- 85	287N4102-1221		.PACKAGE ASSY-OPTION FOR DETAILS SEE: 11-34-05-06	101102	1
- 95	287N4102-1231		.PACKAGE ASSY-OPTION FOR DETAILS SEE: 11-34-05-05	101102	1
- 105	287N4102-1235		.PACKAGE ASSY-OPTION FOR DETAILS SEE: 11-34-05-06	101102	1
- 110	287N4102-1236		.PACKAGE ASSY-OPTION FOR DETAILS SEE: 11-34-05-06	101102	1
- 115	287N4102-1237		.PACKAGE ASSY-OPTION FOR DETAILS SEE: 25-29-71-03	101102	1
- 125	287N4102-1244		.PACKAGE ASSY-OPTION FUNCTIONAL REFERENCE: PLACARDS AND MARKINGS FOR DETAILS SEE 11-34-05-06 ELECTRICAL POWER FOR DETAILS SEE 24-51-52-06	101102	1
- 135	287N4102-1256		.PACKAGE ASSY-OPTION FOR DETAILS SEE: 25-29-71-03	101102	1
- 140	287N4102-1257		.PACKAGE ASSY-OPTION FOR DETAILS SEE: 11-34-05-01	101102	1

MISSING ITEM NUMBERS NOT APPLICABLE

- ITEM NOT ILLUSTRATED

BRI

24-51-51-05

BOEING PROPRIETARY - Copyright © - Unpublished Work - See title page for details.

24-51-51
FIG. 05
PAGE 2
JAN 20/09

BOEING
757
PARTS CATALOG (MAINTENANCE)

FIG ITEM	PART NUMBER	1 2 3 4 5 6 7	NOMENCLATURE	EFFECT FROM TO	UNITS PER ASSY
5 - 145	287N4102-1277		.PACKAGE ASSY-OPTION FUNCTIONAL REFERENCE: PLACARDS AND MARKINGS FOR DETAILS SEE 11-34-01-01 11-34-05-01 11-34-05-05 11-34-05-06 ELECTRICAL POWER FOR DETAILS SEE 24-32-71-01 24-33-71-03 24-34-67-02 24-51-52-01 24-51-52-05 24-51-52-06 24-51-71-02 24-51-73-01 24-54-73-01 EQUIPMENT/FURNISHINGS FOR DETAILS SEE 25-29-71-03	101102	1
- 150	287N4102-1278		.PACKAGE ASSY-OPTION FUNCTIONAL REFERENCE: PLACARDS AND MARKINGS FOR DETAILS SEE 11-34-05-05 ELECTRICAL POWER FOR DETAILS SEE 24-51-52-01 24-51-52-05 24-51-52-06 24-51-73-01 24-53-52-02	101102	1
- 155	287N4102-1282		.PACKAGE ASSY-OPTION FUNCTIONAL REFERENCE: PLACARDS AND MARKINGS FOR DETAILS SEE 11-34-01-01 11-34-05-05 ELECTRICAL POWER FOR DETAILS SEE 24-33-71-03 24-51-52-05	101102	1
- 160	287N4102-1283		.PACKAGE ASSY-OPTION FOR DETAILS SEE: 25-29-71-03	101102	1

MISSING ITEM NUMBERS NOT APPLICABLE

- ITEM NOT ILLUSTRATED

BRI

24-51-51-05

BOEING PROPRIETARY - Copyright © - Unpublished Work - See title page for details.

24-51-51
FIG. 05
PAGE 3
JAN 20/09



757

PARTS CATALOG (MAINTENANCE)

FIG ITEM	PART NUMBER	1 2 3 4 5 6 7	NOMENCLATURE	EFFECT FROM TO	UNITS PER ASSY
5	165 BACP20B43B		.PLUG- MISCELLANEOUS DATA: (USE IN PLACE OF CIRCUIT BREAKERS ON OPEN HOLES)	101102	AR
	170 TTVF2525WE10		.TAPE-ID SUPPLIER CODE: VOKWOO SPECIFICATION NUMBER: BACT19J3 OPTIONAL PART: THT11-437W10 V85480 PLACARD CONTENT: 1, 2, 3, 4, 5, 6 7, 8, 9, 10, 11, 12 13, 14, 15, 16, 17, 18 19, 20, 21, 22	101102	AR
	175 TTVF7525WE10		.TAPE- SUPPLIER CODE: VOKWOO SPECIFICATION NUMBER: BACT19J4 OPTIONAL PART: THT1-437W10 V85480 PLACARD CONTENT: C323, C331, C332 C366, C368, C369 C370, C371, C372 C397, C550, C563 C576, C614, C620 C621, C773, C778 C779, C780, C781 C786, C787, C804 C805, C806, C807 C808, C809, C811 C813, C814, C817 C827, C828, C829 C865, C872, C874 C875, C879, C880 C881, C882, C883 C884, C885, C886 C887, C889, C890 C891, C892, C896 C897, C898, C899 C1043, C1045, C1046 C1061, C1062, C1063 C1110, C1112, C1114 C1116, C1134, C1135	101102	AR
MISSING ITEM NUMBERS NOT APPLICABLE					

- ITEM NOT ILLUSTRATED

24-51-51-05

24-51-51
FIG. 05
PAGE 4
JAN 20/09

BRI



757

PARTS CATALOG (MAINTENANCE)

FIG ITEM	PART NUMBER	1 2 3 4 5 6 7	NOMENCLATURE	EFFECT FROM TO	UNITS PER ASSY
5			C1179, C3007, C3014 C3020, C3044, C4003 C4062, C4070, C4097 C4136, C4137, C4142 C4143, C4177, C4217 C4234, C4248, C4264 C4265, C4266, C4267 C4268, C4269, C4282 C4287, C4329, C4330 C4331, C4348, C4349 C4353, C4355, C4472 C4474, K107, K109 K110, K115, K122 K123, K137, K138 K10416, K10424, K10425 M540, GD528, GD529 K104, K105, K106 K108, K113, M10213 M10374, M10375, TB0024 TB5007, TB5008, TB5009 TB5011, TB5012, TB5013 TB5014, TB5015, TB5016 TB5017, TB5019, TB5025 T10040, T10041		

MISSING ITEM NUMBERS NOT APPLICABLE

- ITEM NOT ILLUSTRATED

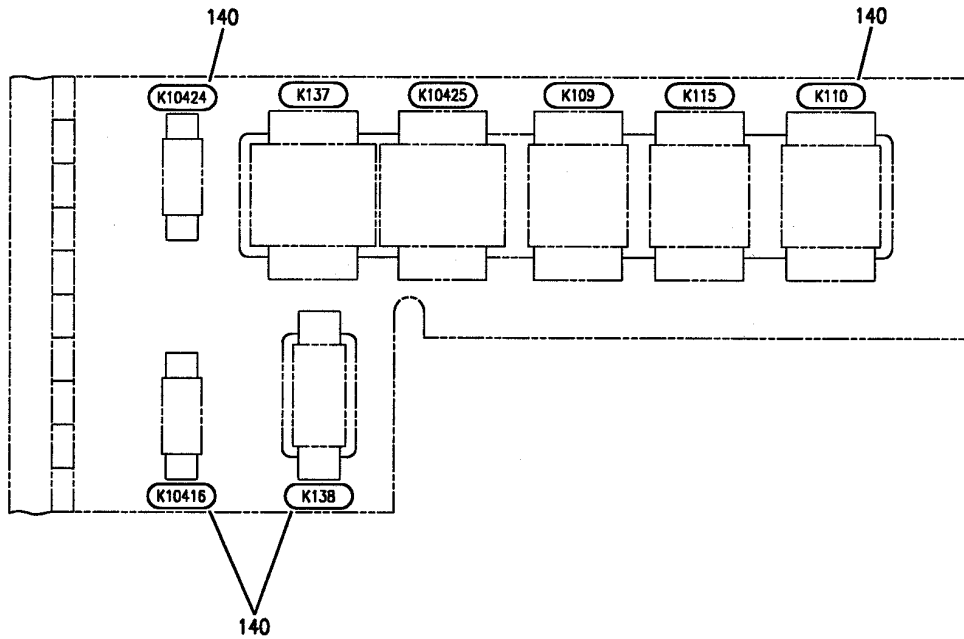
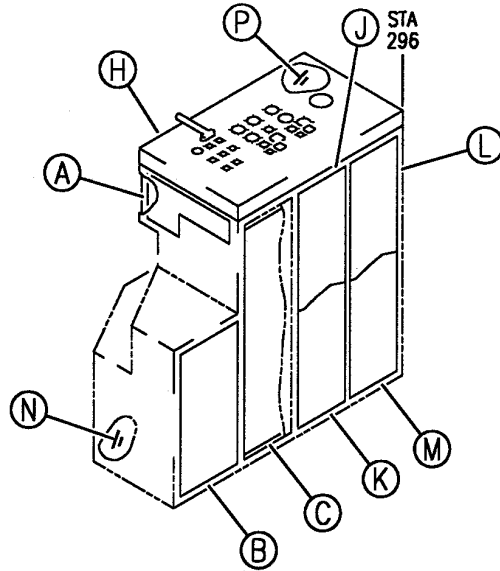
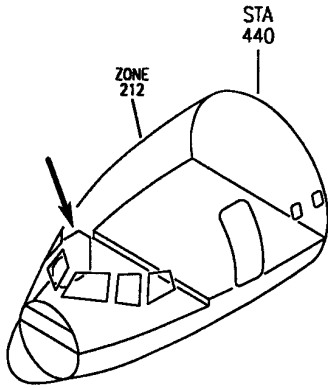
BRI

24-51-51-05

BOEING PROPRIETARY - Copyright © - Unpublished Work - See title page for details.

24-51-51
FIG. 05
PAGE 5
JAN 20/09

BOEING
757
PARTS CATALOG (MAINTENANCE)



Y 24515109 SH1 1 REV 219

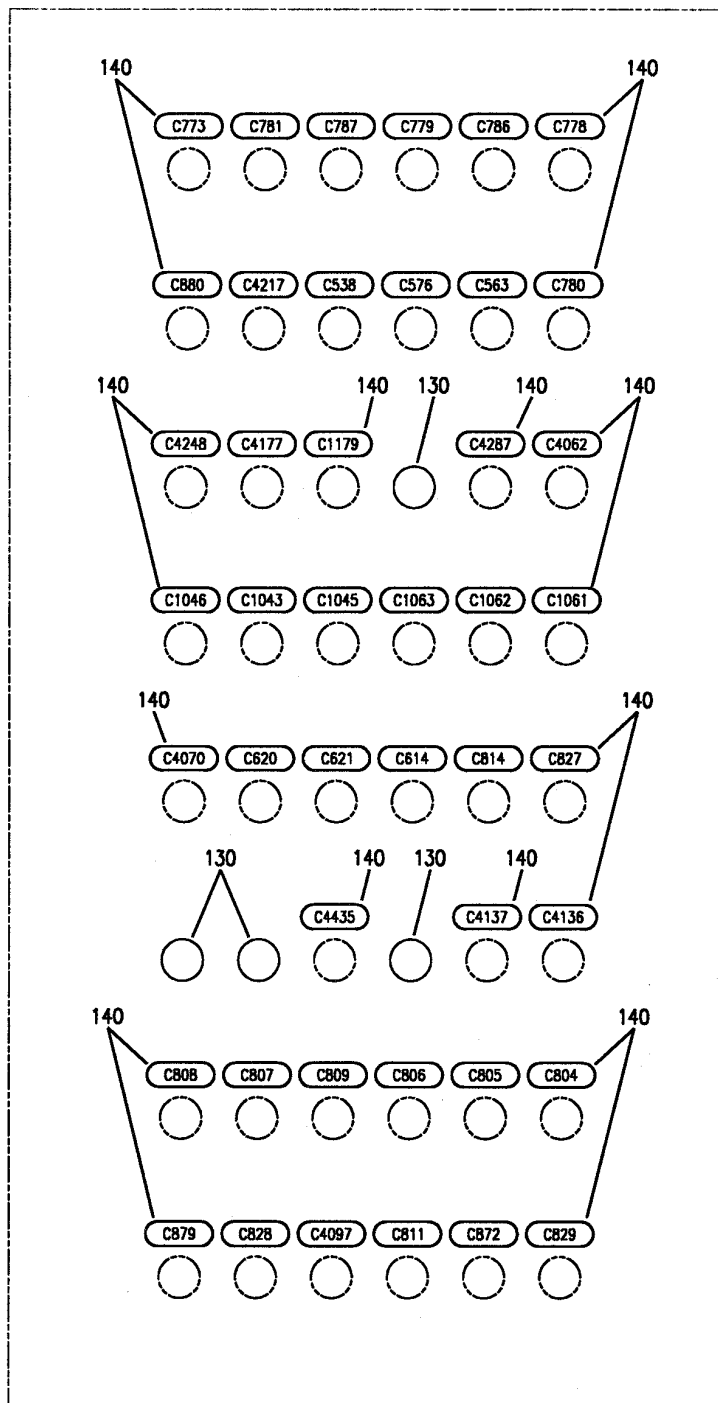
PANEL INSTL- PWR DISTR P6
FIGURE 9 (SHEET 1)

24-51-51-09

BRI
JAN 20/09

24-51-51-09
PAGE 0

BOEING
757
PARTS CATALOG (MAINTENANCE)



(B)

PANEL INSTL- PWR DISTR P6
FIGURE 9 (SHEET 2)

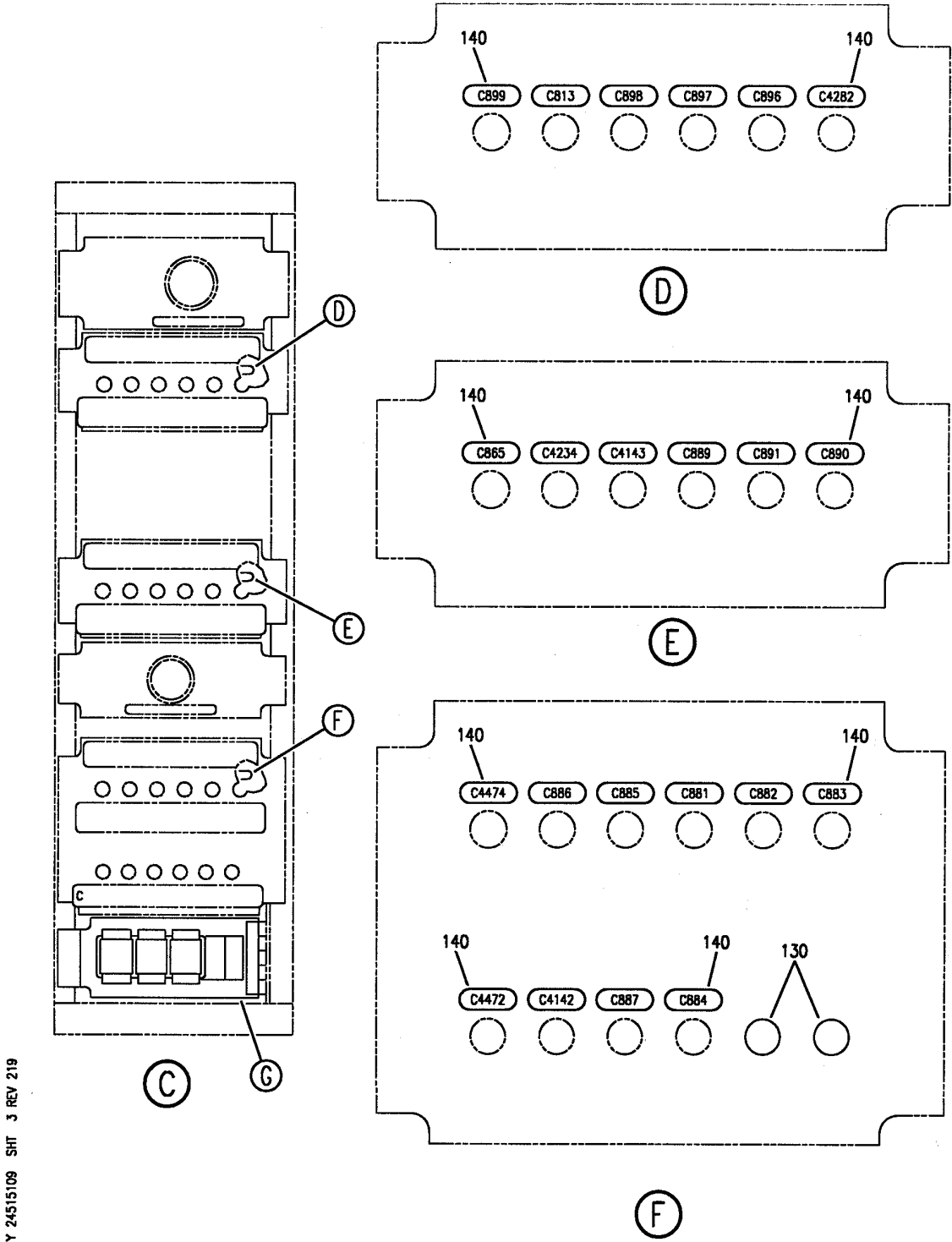
24-51-51-09

BRI
JAN 20/09

24-51-51-09
PAGE 0A

Y 24515109 SH1 2 REV 219

BOEING
757
PARTS CATALOG (MAINTENANCE)



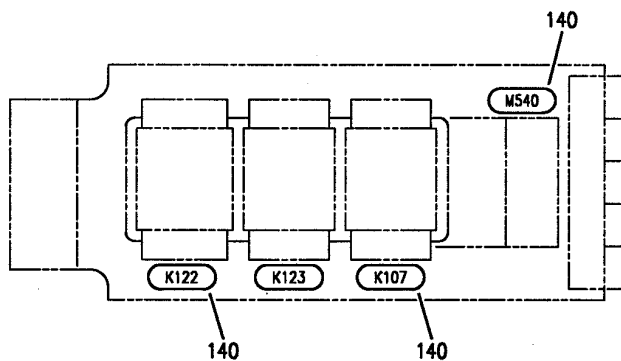
PANEL INSTL- PWR DISTR P6
FIGURE 9 (SHEET 3)

24-51-51-09

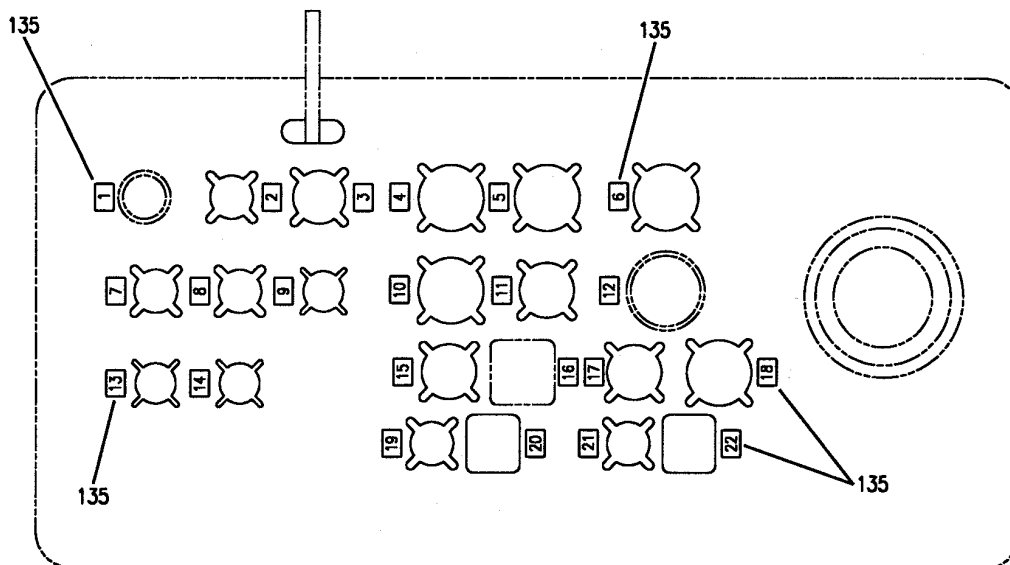
BRI
JAN 20/09

24-51-51-09
PAGE 0B

BOEING
757
PARTS CATALOG (MAINTENANCE)



(G)



(H)

Y 24515109 SH1 4 REV 219

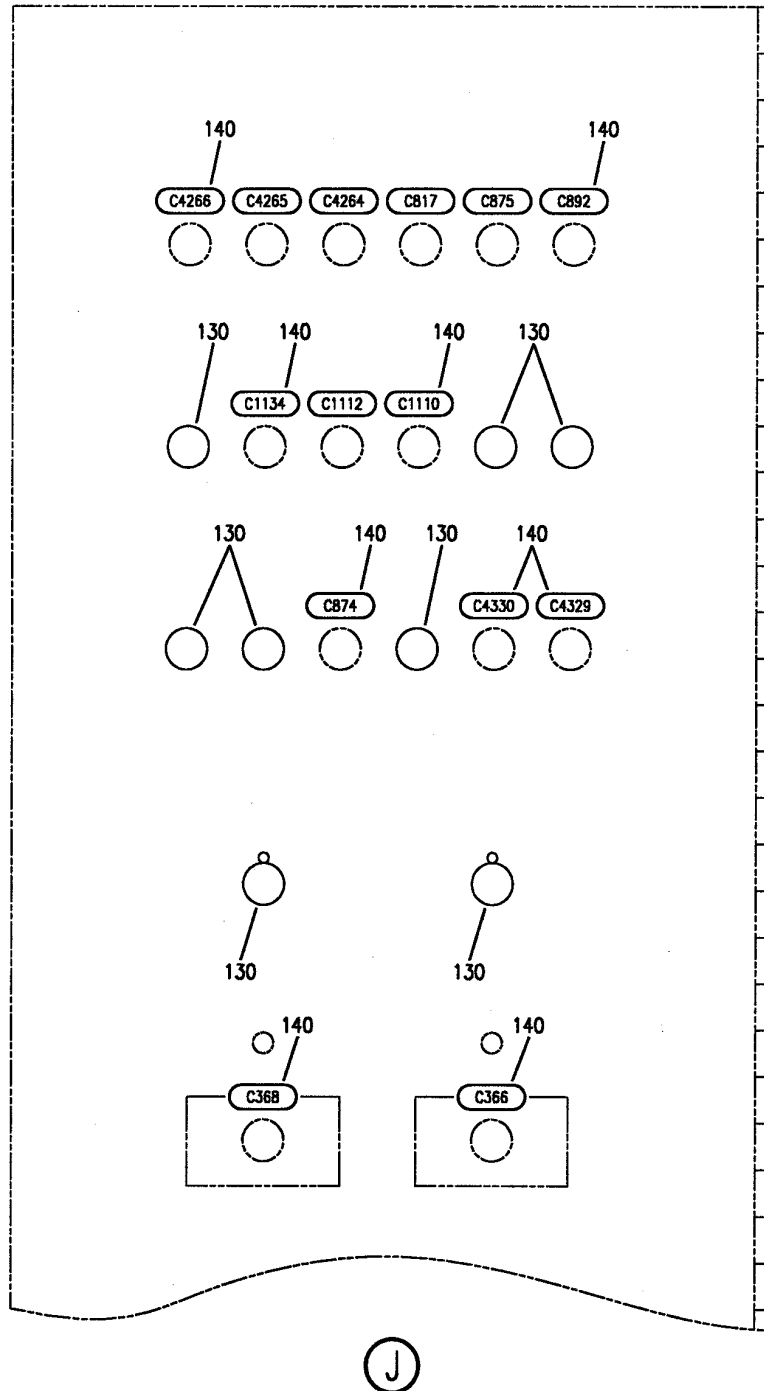
PANEL INSTL- PWR DISTR P6
FIGURE 9 (SHEET 4)

24-51-51-09

BRI
JAN 20/09

24-51-51-09
PAGE 0C

BOEING
757
PARTS CATALOG (MAINTENANCE)



Y 24515108 SH1 5 REV 219

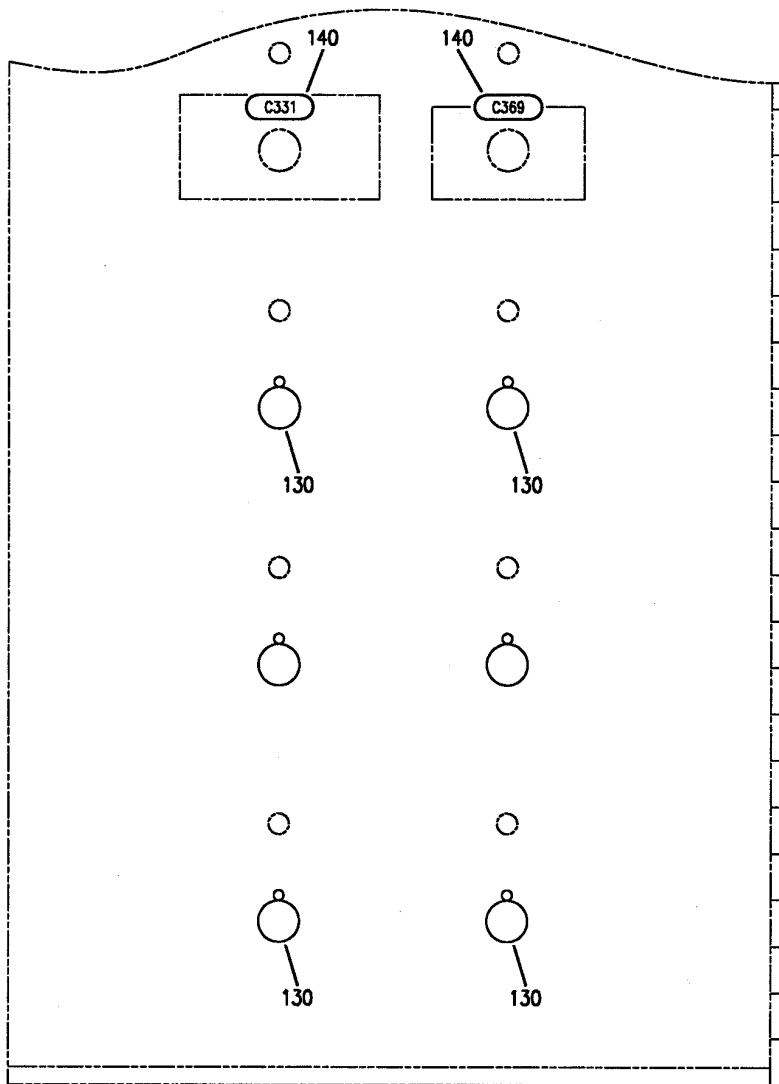
PANEL INSTL- PWR DISTR P6
FIGURE 9 (SHEET 5)

24-51-51-09

BRI
JAN 20/09

24-51-51-09
PAGE 0D

BOEING
757
PARTS CATALOG (MAINTENANCE)



Y 24515109 SHT 6 REV 219

(K)

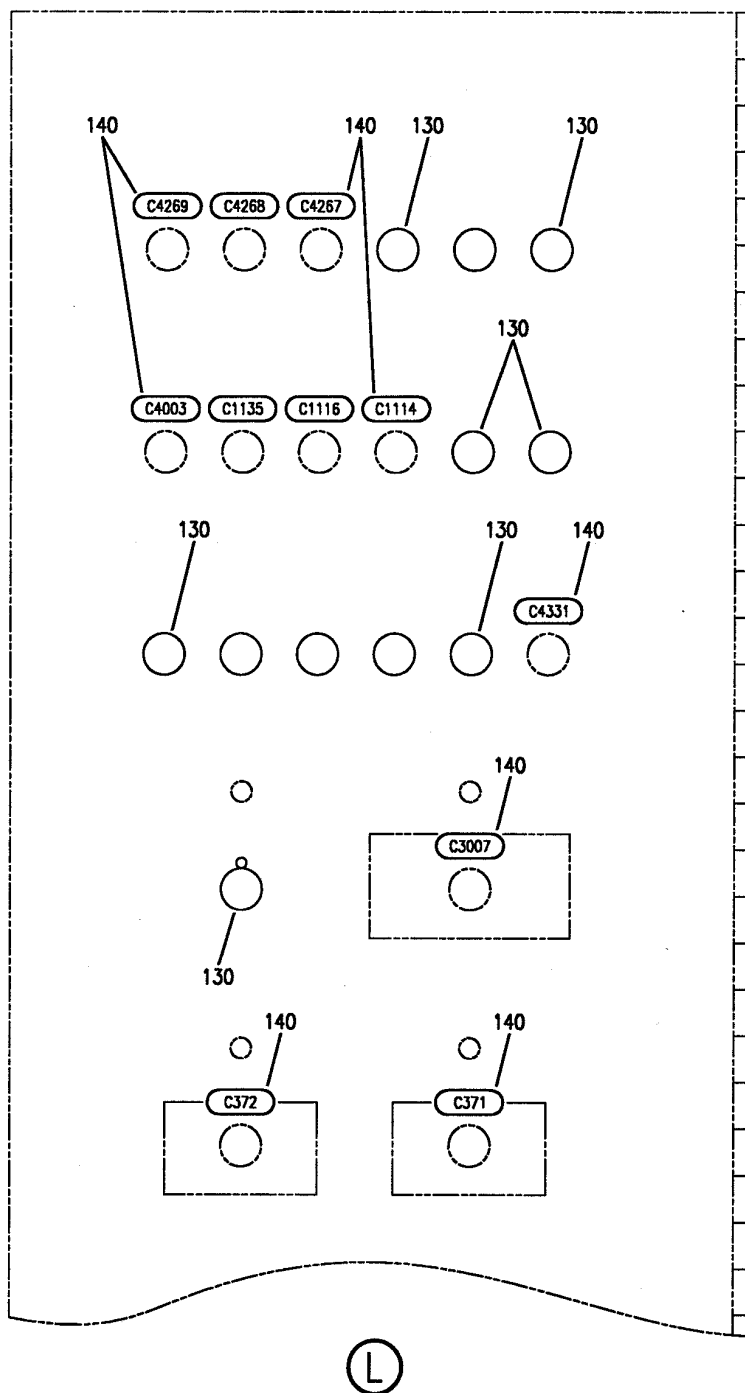
PANEL INSTL- PWR DISTR P6
FIGURE 9 (SHEET 6)

24-51-51-09

BRI
JAN 20/09

24-51-51-09
PAGE 0E

BOEING
757
PARTS CATALOG (MAINTENANCE)



Y 24515109 SHT 7 REV 219

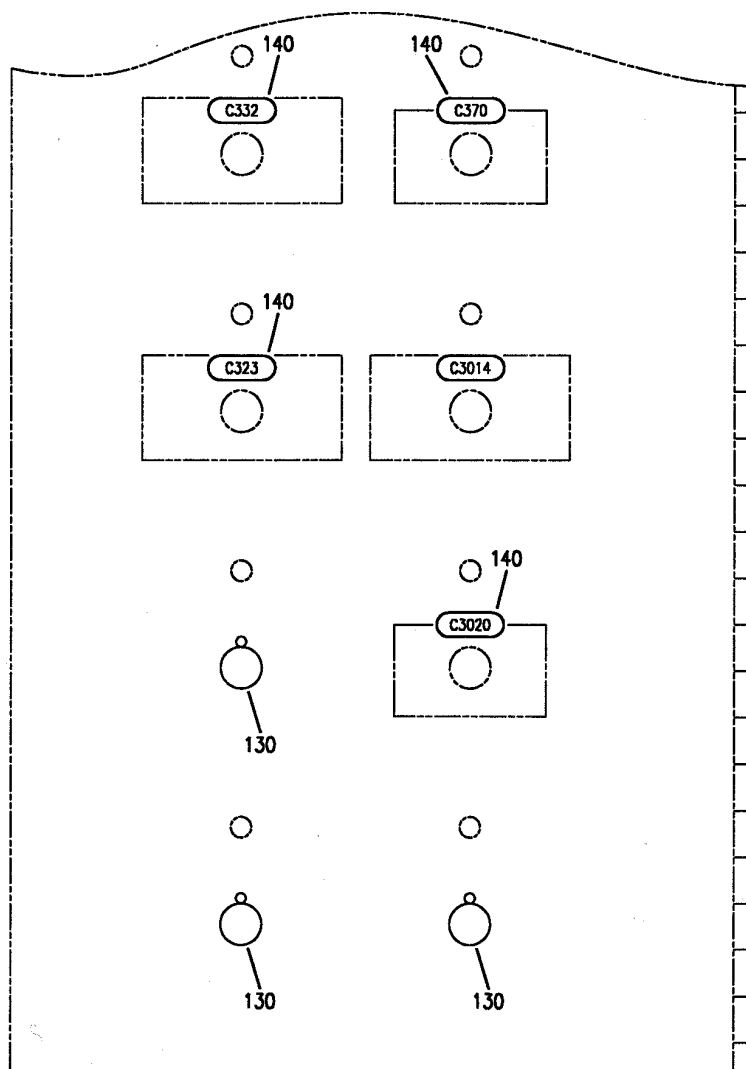
PANEL INSTL- PWR DISTR P6
FIGURE 9 (SHEET 7)

24-51-51-09

BRI
JAN 20/09

24-51-51-09
PAGE OF

BOEING
757
PARTS CATALOG (MAINTENANCE)



Y 24515109 SHT 8 REV 219



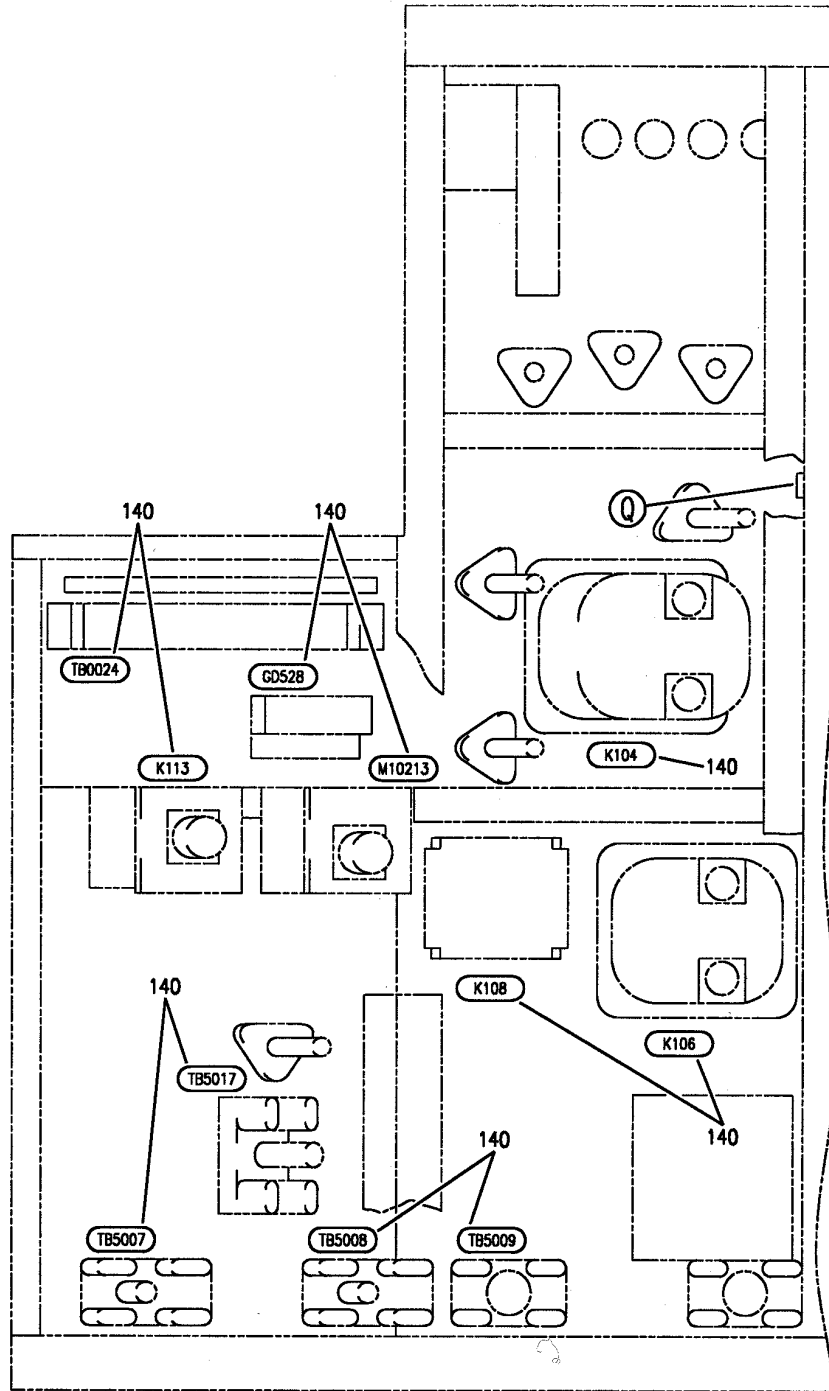
PANEL INSTL- PWR DISTR P6
FIGURE 9 (SHEET 8)

24-51-51-09

BRI
JAN 20/09

24-51-51-09
PAGE 06

BOEING
757
PARTS CATALOG (MAINTENANCE)



Y 24515109 SH1 9 REV 219

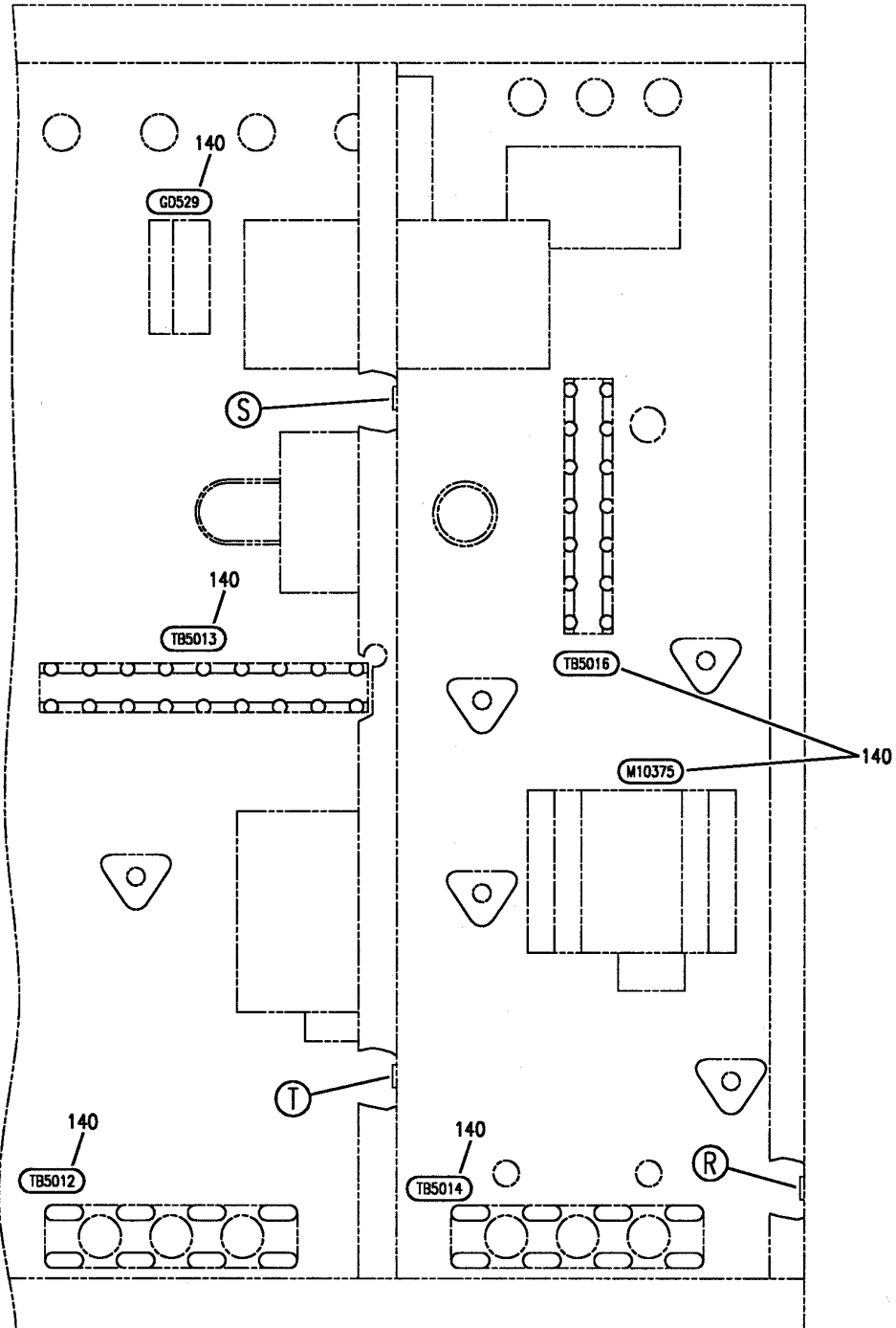
PANEL INSTL- PWR DISTR P6
FIGURE 9 (SHEET 9)

24-51-51-09

BRI
JAN 20/09

24-51-51-09
PAGE 0H

BOEING
757
PARTS CATALOG (MAINTENANCE)



Y 24515109 SHT 10 REV 219

(P)

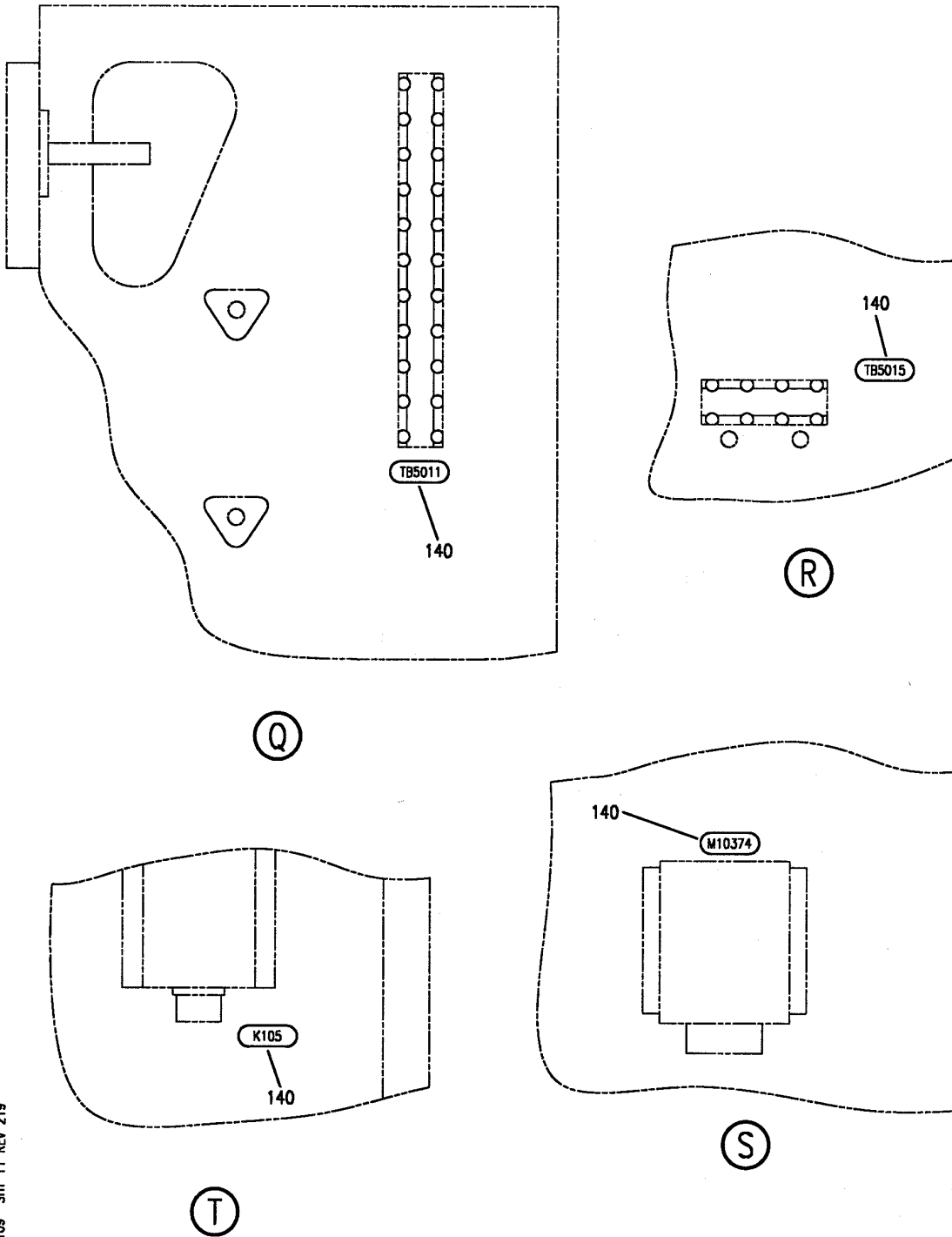
PANEL INSTL- PWR DISTR P6
FIGURE 9 (SHEET 10)

24-51-51-09

BRI
JAN 20/09

24-51-51-09
PAGE 01

BOEING
757
PARTS CATALOG (MAINTENANCE)



Y 24515109 SHT 11 REV 219

PANEL INSTL- PWR DISTR P6
FIGURE 9 (SHEET 11)

24-51-51-09

BRI
JAN 20/09

24-51-51-09
PAGE 0J



757

PARTS CATALOG (MAINTENANCE)

FIG ITEM	PART NUMBER	1 2 3 4 5 6 7	NOMENCLATURE	EFFECT FROM TO	UNITS PER ASSY
9			PANEL INSTL- PWR DISTR P6	504903	
- 1	287N4102-325		PANEL INSTL-PWR DISTR P6 FOR NHA SEE: 24-00-58-05F	504903	RF
- 5	287N4102-1201		.PACKAGE ASSY-OPTION FUNCTIONAL REFERENCE: PLACARDS AND MARKINGS FOR DETAILS SEE 11-34-05-01 ELECTRICAL POWER FOR DETAILS SEE 24-51-52-01 24-51-52-06 NAVIGATION FOR DETAILS SEE 34-21-71-02	504903	1
- 10	287N4102-1204		.PACKAGE ASSY-OPTION FUNCTIONAL REFERENCE: PLACARDS AND MARKINGS FOR DETAILS SEE 11-34-05-01 ELECTRICAL POWER FOR DETAILS SEE 24-51-52-01	504903	1
- 15	287N4102-1205		.PACKAGE ASSY-OPTION FUNCTIONAL REFERENCE: PLACARDS AND MARKINGS FOR DETAILS SEE 11-34-05-05 ELECTRICAL POWER FOR DETAILS SEE 24-51-52-05	504903	1
- 20	287N4102-1209		.PACKAGE ASSY-OPTION FOR DETAILS SEE: 11-34-05-01	504903	1
- 25	287N4102-1211		.PACKAGE ASSY-OPTION FOR DETAILS SEE: 11-34-05-06	504903	1
- 30	287N4102-1212		.PACKAGE ASSY-OPTION FOR DETAILS SEE: 11-34-05-06	504903	1
- 35	287N4102-1215		.PACKAGE ASSY-OPTION FOR DETAILS SEE: 11-34-05-06	504903	1
- 40	287N4102-1217		.PACKAGE ASSY-OPTION FOR DETAILS SEE: 11-34-05-06	504903	1

MISSING ITEM NUMBERS NOT APPLICABLE

- ITEM NOT ILLUSTRATED

24-51-51-09

24-51-51
FIG. 09
PAGE 1
JAN 20/09

BRI



757

PARTS CATALOG (MAINTENANCE)

FIG ITEM	PART NUMBER	1 2 3 4 5 6 7	NOMENCLATURE	EFFECT FROM TO	UNITS PER ASSY
9					
- 45	287N4102-1218		.PACKAGE ASSY-OPTION FOR DETAILS SEE: 11-34-05-06	504903	1
- 50	287N4102-1219		.PACKAGE ASSY-OPTION FOR DETAILS SEE: 11-34-05-06	504903	1
- 55	287N4102-1220		.PACKAGE ASSY-OPTION FOR DETAILS SEE: 11-34-05-06	504903	1
- 60	287N4102-1232		.PACKAGE ASSY-OPTION FUNCTIONAL REFERENCE: PLACARDS AND MARKINGS FOR DETAILS SEE 11-34-05-05 ELECTRICAL POWER FOR DETAILS SEE 24-51-52-01	504903	1
- 65	287N4102-1235		.PACKAGE ASSY-OPTION FOR DETAILS SEE: 11-34-05-06	504903	1
- 70	287N4102-1236		.PACKAGE ASSY-OPTION FOR DETAILS SEE: 11-34-05-06	504903	1
- 75	287N4102-1237		.PACKAGE ASSY-OPTION FOR DETAILS SEE: 25-29-71-03	504903	1
- 80	287N4102-1239		.PACKAGE ASSY-OPTION FOR DETAILS SEE: 11-34-05-05	504903	1
- 85	287N4102-1240		.PACKAGE ASSY-OPTION FOR DETAILS SEE: 11-34-05-06	504903	1
- 90	287N4102-1241		.PACKAGE ASSY-OPTION FOR DETAILS SEE: 11-34-05-06	504903	1
- 95	287N4102-1242		.PACKAGE ASSY-OPTION FOR DETAILS SEE: 11-34-05-06	504903	1
- 100	287N4102-1256		.PACKAGE ASSY-OPTION FOR DETAILS SEE: 25-29-71-03	504903	1
- 105	287N4102-1260		.PACKAGE ASSY-OPTION FOR DETAILS SEE: 24-51-52-01	504903	1
- 110	287N4102-1275		.PACKAGE ASSY-OPTION FOR DETAILS SEE: 11-34-05-01	504903	1

MISSING ITEM NUMBERS NOT APPLICABLE

- ITEM NOT ILLUSTRATED

24-51-51-09

24-51-51
FIG. 09
PAGE 2
JAN 20/09

BRI

 **BOEING**
757
PARTS CATALOG (MAINTENANCE)

FIG ITEM	PART NUMBER	1 2 3 4 5 6 7	NOMENCLATURE	EFFECT FROM TO	UNITS PER ASSY
9 - 115	287N4102-1277		.PACKAGE ASSY-OPTION FUNCTIONAL REFERENCE: PLACARDS AND MARKINGS FOR DETAILS SEE 11-34-01-01 11-34-05-01 11-34-05-05 11-34-05-06 ELECTRICAL POWER FOR DETAILS SEE 24-32-71-01 24-33-71-03 24-34-67-02 24-51-52-01 24-51-52-05 24-51-52-06 24-51-71-02 24-51-73-01 24-54-73-01 EQUIPMENT/FURNISHINGS FOR DETAILS SEE 25-29-71-03	504903	1
- 120	287N4102-1282		.PACKAGE ASSY-OPTION FUNCTIONAL REFERENCE: PLACARDS AND MARKINGS FOR DETAILS SEE 11-34-01-01 11-34-05-05 ELECTRICAL POWER FOR DETAILS SEE 24-33-71-03 24-51-52-05	504903	1
- 125	287N4102-1283		.PACKAGE ASSY-OPTION FOR DETAILS SEE: 25-29-71-03	504903	1
130	BACP20B43B		.PLUG- MISCELLANEOUS DATA: (USE IN PLACE OF CIRCUIT BREAKERS ON OPEN HOLES)	504903	AR

MISSING ITEM NUMBERS NOT APPLICABLE

- ITEM NOT ILLUSTRATED

BRI

24-51-51-09

BOEING PROPRIETARY - Copyright © - Unpublished Work - See title page for details.

24-51-51
FIG. 09
PAGE 3
JAN 20/09



757

PARTS CATALOG (MAINTENANCE)

FIG ITEM	PART NUMBER	1 2 3 4 5 6 7	NOMENCLATURE	EFFECT FROM TO	UNITS PER ASSY
9 135	TTVF2525WE10		.TAPE-ID SUPPLIER CODE: VOKWOO SPECIFICATION NUMBER: BACT19J3 OPTIONAL PART: THT11-437W10 V85480 PLACARD CONTENT: 1, 2, 3, 4, 5, 6 7, 8, 9, 10, 11, 12 13, 14, 15, 16, 17, 18 19, 20, 21, 22	504903	AR
140	TTVF7525WE10		.TAPE- SUPPLIER CODE: VOKWOO SPECIFICATION NUMBER: BACT19J4 OPTIONAL PART: THT1-437W10 V85480 PLACARD CONTENT: C323, C331, C332 C366, C368, C369 C370, C371, C372 C538, C563, C576 C614, C620, C621 C773, C778, C779 C780, C781, C786 C787, C804, C805 C806, C807, C808 C809, C811, C813 C814, C817, C827 C828, C829, C865 C872, C874, C875 C879, C880, C881 C882, C883, C884 C885, C886, C887 C889, C890, C891 C892, C896, C897 C898, C899, C1043 C1045, C1046, C1061 C1062, C1063, C1110 C1112, C1114, C1116 C1134, C1135, C1179 C3007, C3014, C3020 C4003, C4062, C4070 C4097, C4136, C4137 C4142, C4143, C4177	504903	AR

MISSING ITEM NUMBERS NOT APPLICABLE

- ITEM NOT ILLUSTRATED

24-51-51-09

24-51-51
FIG. 09
PAGE 4
JAN 20/09

BRI



757

PARTS CATALOG (MAINTENANCE)

FIG ITEM	PART NUMBER	1 2 3 4 5 6 7	NOMENCLATURE	EFFECT FROM TO	UNITS PER ASSY
9			C4217, C4234, C4248 C4264, C4265, C4266 C4267, C4268, C4269 C4282, C4287, C4329 C4330, C4331, C4435 C4472, C4474, K107 K109, K110, K115 K122, K123, K137 K138, K10416, K10424 K10425, M540, GD528 GD529, K104, K105 K106, K108, K113 M10213, M10374, M10375 TB0024, TB5007, TB5008 TB5009, TB5011, TB5012 TB5013, TB5014, TB5015 TB5016, TB5017		

MISSING ITEM NUMBERS NOT APPLICABLE

— ITEM NOT ILLUSTRATED

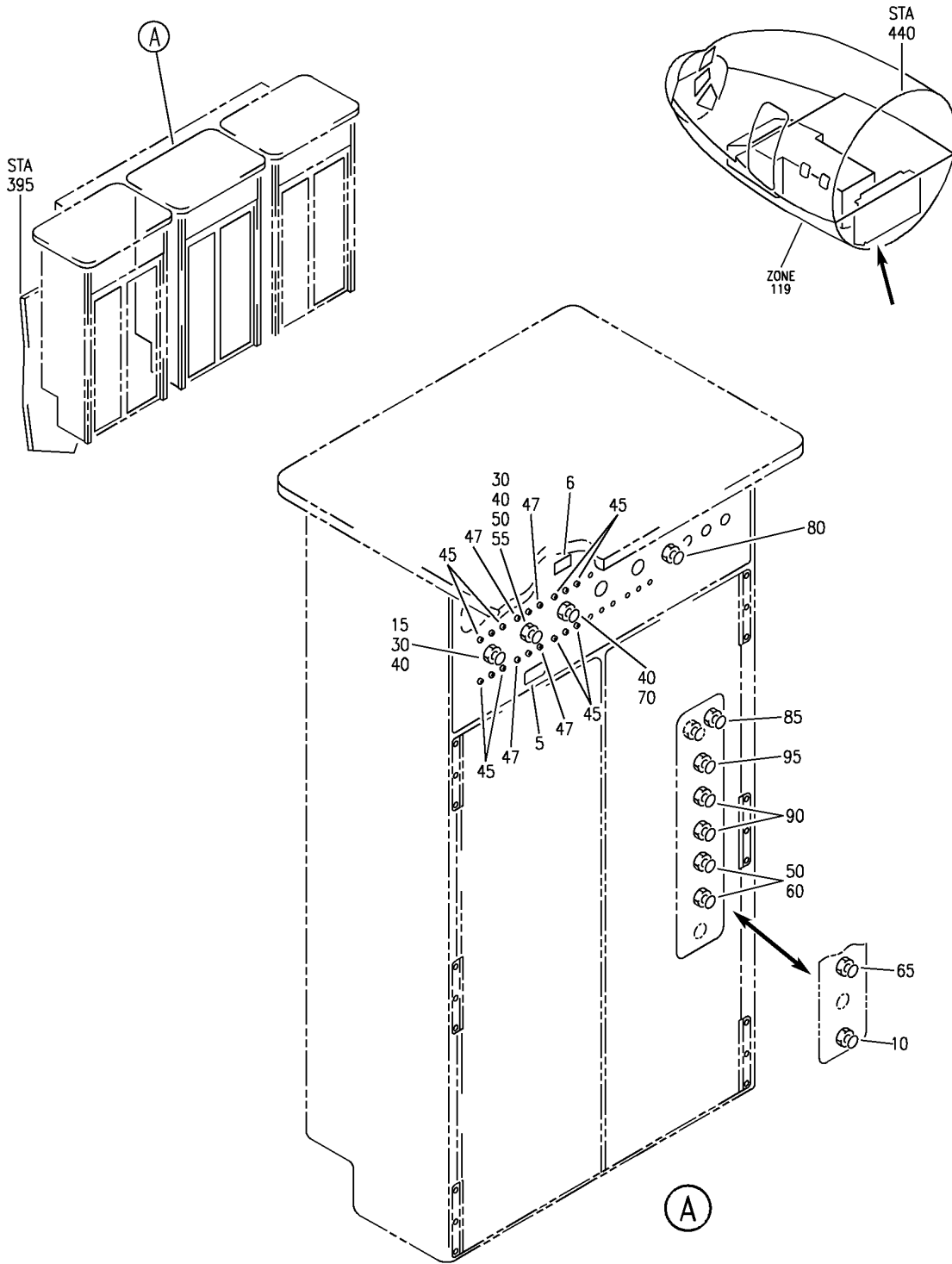
BRI

24-51-51-09

BOEING PROPRIETARY - Copyright © - Unpublished Work - See title page for details.

24-51-51
FIG. 09
PAGE 5
JAN 20/09

BOEING
757
PARTS CATALOG (MAINTENANCE)



Y 24515126 REV 294

PANEL ASSY-P31 PWR (115 VOLT AC POWER DISTRIBUTION)
FIGURE 26

24-51-51-26

BRI
JAN 20/09

24-51-51-26
PAGE 0



757

PARTS CATALOG (MAINTENANCE)

FIG ITEM	PART NUMBER	1 2 3 4 5 6 7	NOMENCLATURE	EFFECT FROM TO	UNITS PER ASSY
26			PANEL ASSY-P31 PWR (115 VOLT AC POWER DISTRIBUTION)	103106	
- 2	MODREF33208		PANEL ASSY-P31 PWR (115 VOLT AC POWER DISTRIBUTION) MODULE NUMBER: 284N1314-302 REV B FOR OTHER SYS DETAILS SEE: 11-36-05-02A 24-21-51-01 24-22-51-08 24-53-00-01 25-31-04-66 31-01-31-05	103106	1
10	6752-311-50		.CIRCUIT BREAKER- SUPPLIER CODE: V82647 SPECIFICATION NUMBER: 10-60806-1050 ELECTRICAL EQUIP NUMBER: C00310	103106	1
- 20	NAS601-7P		ATTACHING PARTS .SCREW	103106	2
30	6752-311-50		-----*----- .CIRCUIT BREAKER- SUPPLIER CODE: V82647 SPECIFICATION NUMBER: 10-60806-1050 ELECTRICAL EQUIP NUMBER: C00311 C03015	103106	2
- 35	NAS601-7P		ATTACHING PARTS .SCREW	103106	12
65	9TC635		-----*----- .CIRCUIT BREAKER- SUPPLIER CODE: V82647 SPECIFICATION NUMBER: BACC18AE35 ELECTRICAL EQUIP NUMBER: C00308	103106	1

MISSING ITEM NUMBERS NOT APPLICABLE

- ITEM NOT ILLUSTRATED

24-51-51-26

24-51-51
FIG. 26
PAGE 1
JAN 20/09

BRI



757

PARTS CATALOG (MAINTENANCE)

FIG ITEM	PART NUMBER	1 2 3 4 5 6 7	NOMENCLATURE	EFFECT FROM TO	UNITS PER ASSY
26 80	2TC47-2-5		.CIRCUIT BREAKER- SUPPLIER CODE: V82647 SPECIFICATION NUMBER: BACC18AD2 OPTIONAL PART: 4310-029-205 V76374 ELECTRICAL EQUIP NUMBER: C00818	103106	1
85	2TC47-5		.CIRCUIT BREAKER- SUPPLIER CODE: V82647 SPECIFICATION NUMBER: BACC18AD5 OPTIONAL PART: 4310-029-5 V76374 ELECTRICAL EQUIP NUMBER: C00876	103106	1
90	9TC620		.CIRCUIT BREAKER- SUPPLIER CODE: V82647 SPECIFICATION NUMBER: BACC18AE20 ELECTRICAL EQUIP NUMBER: C00312 C00313	103106	2
95	9TC620		.CIRCUIT BREAKER- SUPPLIER CODE: V82647 SPECIFICATION NUMBER: BACC18AE20 ELECTRICAL EQUIP NUMBER: C00326	103106	1

MISSING ITEM NUMBERS NOT APPLICABLE

- ITEM NOT ILLUSTRATED

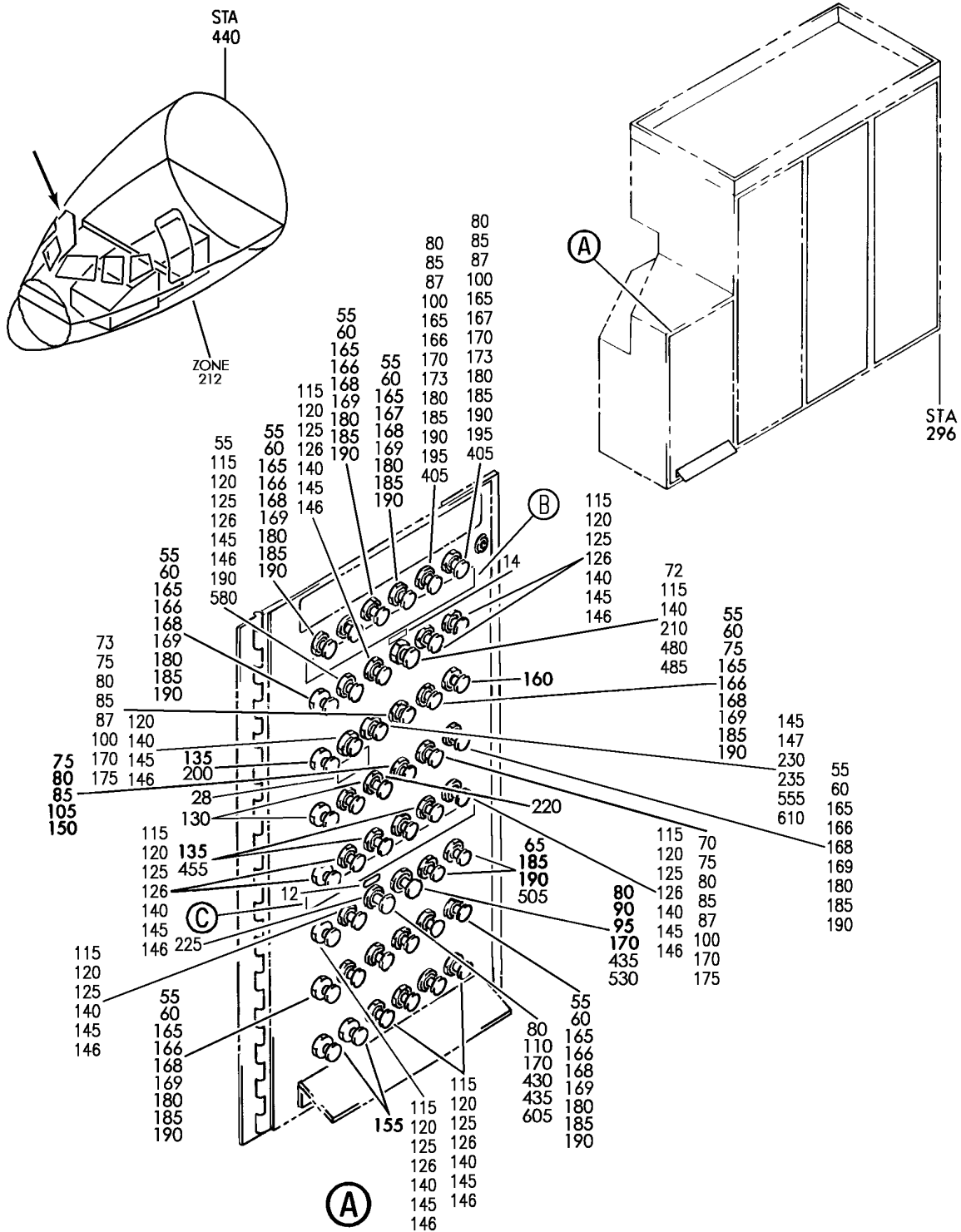
BRI

24-51-51-26

BOEING PROPRIETARY - Copyright © - Unpublished Work - See title page for details.

24-51-51
FIG. 26
PAGE 2
JAN 20/09

BOEING
757
PARTS CATALOG (MAINTENANCE)



Y 24515201 SHT 1 REV 328

PANEL INSTL AND DOOR AND PACKAGE AND PANEL ASSY-P6-1 PWR DISTR (CIRCUIT BREAKERS ONLY)
FIGURE 1 (SHEET 1)

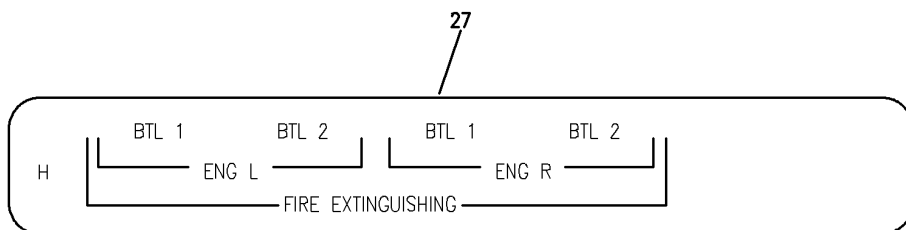
24-51-52-01

BRI
JAN 20/09

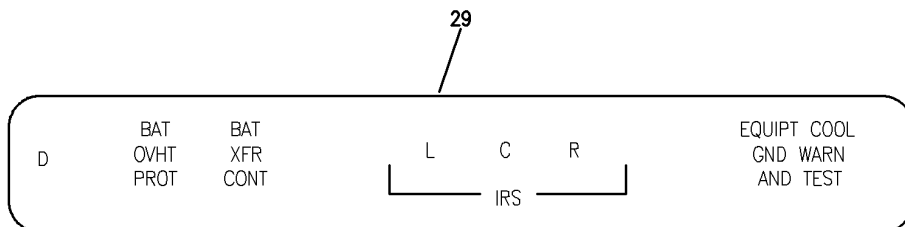
24-51-52-01
PAGE 0

BOEING PROPRIETARY - Copyright © - Unpublished Work - See title page for details.

BOEING
757
PARTS CATALOG (MAINTENANCE)



(B)



(C)

Y 24515201 SH1 2 REV 237

PANEL INSTL AND DOOR AND PACKAGE AND PANEL ASSY-P6-1 PWR DISTR (CIRCUIT BREAKERS ONLY)
FIGURE 1 (SHEET 2)

BRI
MAY 28/07

24-51-52-01

24-51-52-01
PAGE 0A



757

PARTS CATALOG (MAINTENANCE)

FIG ITEM	PART NUMBER	1 2 3 4 5 6 7	NOMENCLATURE	EFFECT FROM TO	UNITS PER ASSY
1			PANEL INSTL AND DOOR AND PACKAGE AND PANEL ASSY-P6-1 PWR DISTR (CIRCUIT BREAKERS ONLY)	002004 006102 107107 121999	
- 3	287N4102-204		PANEL ASSY-P6-1 PWR DISTR (CIRCUIT BREAKERS ONLY) FOR NHA/OTHER SYS DET SEE: 24-51-51-01	107107	RF
- 4	287N4102-217		PANEL ASSY-P6-1 PWR DISTR (CIRCUIT BREAKERS ONLY) FOR NHA/OTHER SYS DET SEE: 24-51-51-01	121503 904949	RF
- 5	287N4102-99		PANEL ASSY-P6-1 PWR DISTR (CIRCUIT BREAKERS ONLY) VARIABLE DRAWING REF: 287N4102-5112 287N4102-5113 287N4102-5116 FOR NHA/OTHER SYS DET SEE: 24-51-51-01	002004 006100 950999	RF
- 6	287N4102-1277		PACKAGE ASSY-P6-1 PWR DISTR (CIRCUIT BREAKERS ONLY) FOR NHA/OTHER SYS DET SEE: 24-51-51-05 24-51-51-09	101102 504903	RF
- 10	BAC27NFDE0116		.MARKER-ALUMINUM FOIL MISCELLANEOUS DATA: (USE IN PLACE OF CIRCUIT BREAKERS ON OPEN HOLES)	121503 904949	AR
- 15	BAC27NFDE0116		.MARKER-ALUMINUM FOIL MISCELLANEOUS DATA: (USE IN PLACE OF CIRCUIT BREAKERS ON OPEN HOLES)	002004 006100 950999	AR
- 30	BAC27NFDE0116		.MARKER-ALUMINUM FOIL MISCELLANEOUS DATA: (USE IN PLACE OF CIRCUIT BREAKERS ON OPEN HOLES)	107107	AR
- 52	BACP20B43B		.PLUG- MISCELLANEOUS DATA: USE IN PLACE OF CIRCUIT BREAKERS ON OPEN HOLES	504903	AR

MISSING ITEM NUMBERS NOT APPLICABLE

- ITEM NOT ILLUSTRATED

24-51-52-01

24-51-52
FIG. 01
PAGE 1
JAN 20/09

BRI



757

PARTS CATALOG (MAINTENANCE)

FIG ITEM	PART NUMBER	1 2 3 4 5 6 7	NOMENCLATURE	EFFECT FROM TO	UNITS PER ASSY
1 60	2TC47-7-5		.CIRCUIT BREAKER- SUPPLIER CODE: V82647 SPECIFICATION NUMBER: BACC18AD7 OPTIONAL PART: 4310-029-705 V76374 ELECTRICAL EQUIP NUMBER: C00778 C00779 C00780 C00786 C00787 C00804 C00805 C00806 C00807 C00808 C00809 C01046 C04177	101102 504903	13
70	2TC47-5		.CIRCUIT BREAKER- SUPPLIER CODE: V82647 SPECIFICATION NUMBER: BACC18AD5 OPTIONAL PART: 4310-029-5 V76374 ELECTRICAL EQUIP NUMBER: C01043	107107 904949 952999	1
72	2TC47-5		.CIRCUIT BREAKER- SUPPLIER CODE: V82647 SPECIFICATION NUMBER: BACC18AD5 OPTIONAL PART: 4310-029-5 V76374 ELECTRICAL EQUIP NUMBER: C01179	107107 904949 952999	1

MISSING ITEM NUMBERS NOT APPLICABLE

- ITEM NOT ILLUSTRATED

BRI

24-51-52-01

BOEING PROPRIETARY - Copyright © - Unpublished Work - See title page for details.

24-51-52
FIG. 01
PAGE 2
JAN 20/09



757

PARTS CATALOG (MAINTENANCE)

FIG ITEM	PART NUMBER	1 2 3 4 5 6 7	NOMENCLATURE	EFFECT FROM TO	UNITS PER ASSY
1 105	2TC47-7-5	.	CIRCUIT BREAKER- SUPPLIER CODE: V82647 SPECIFICATION NUMBER: BACC18AD7 OPTIONAL PART: 4310-029-705 V76374 ELECTRICAL EQUIP NUMBER: C01045	002004 006102 121903 950951	1
110	2TC47-5	.	CIRCUIT BREAKER- SUPPLIER CODE: V82647 SPECIFICATION NUMBER: BACC18AD5 OPTIONAL PART: 4310-029-5 V76374 ELECTRICAL EQUIP NUMBER: C04349 WIRING DIAGRAM REF: 242511 POST SERVICE BULLETIN: 24-0048	002004 006100 107107 121503 904949 952999	1
120	2TC47-2-5	.	CIRCUIT BREAKER- SUPPLIER CODE: V82647 SPECIFICATION NUMBER: BACC18AD2 OPTIONAL PART: 4310-029-205 V76374 ELECTRICAL EQUIP NUMBER: C00563 C00576 C00811 C00814 C00827 C00828 C00879 C00880 C04070 C04097 C04136 C04137 C04217 C04287	101102 107107 504903 952999	14

MISSING ITEM NUMBERS NOT APPLICABLE

- ITEM NOT ILLUSTRATED

BRI

24-51-52-01

24-51-52
FIG. 01
PAGE 3
JAN 20/09



757

PARTS CATALOG (MAINTENANCE)

FIG ITEM	PART NUMBER	1 2 3 4 5 6 7	NOMENCLATURE	EFFECT FROM TO	UNITS PER ASSY
1 125	2TC47-2-5		.CIRCUIT BREAKER- SUPPLIER CODE: V82647 SPECIFICATION NUMBER: BACC18AD2 OPTIONAL PART: 4310-029-205 V76374 ELECTRICAL EQUIP NUMBER: C00563 C00576 C00811 C00814 C00827 C00828 C00879 C00880 C04070 C04097 C04136 C04137 C04217	121503 904949	13
130	2TC6-2		.CIRCUIT BREAKER- SUPPLIER CODE: V82647 SPECIFICATION NUMBER: BACC18Z02R OPTIONAL PART: 4310-002-2 V76374 ELECTRICAL EQUIP NUMBER: C01061 C01062 C01063	002004 006017 107107 121503 904999	3
130	2TC47-2-5		.CIRCUIT BREAKER- SUPPLIER CODE: V82647 SPECIFICATION NUMBER: BACC18AD2 OPTIONAL PART: 4310-029-205 V76374 ELECTRICAL EQUIP NUMBER: C01061 C01062 C01063	018102 504903	3

MISSING ITEM NUMBERS NOT APPLICABLE

- ITEM NOT ILLUSTRATED

BRI

24-51-52-01

BOEING PROPRIETARY - Copyright © - Unpublished Work - See title page for details.

24-51-52
FIG. 01
PAGE 4
JAN 20/09



757

PARTS CATALOG (MAINTENANCE)

FIG ITEM	PART NUMBER	1 2 3 4 5 6 7	NOMENCLATURE	EFFECT FROM TO	UNITS PER ASSY
1 135	2TC47-10		.CIRCUIT BREAKER- SUPPLIER CODE: V82647 SPECIFICATION NUMBER: BACC18AD10 OPTIONAL PART: 4310-029-10 V76374 ELECTRICAL EQUIP NUMBER: C00614 C00620 C00621 C04062	002004 006100 107107 121503 904999	4
145	2TC47-2-5		.CIRCUIT BREAKER- SUPPLIER CODE: V82647 SPECIFICATION NUMBER: BACC18AD2 OPTIONAL PART: 4310-029-205 V76374 ELECTRICAL EQUIP NUMBER: C00538 C00563 C00576 C00811 C00814 C00827 C00828 C00879 C00880 C04070 C04097 C04136 C04137 C04217 C04287	002004 006100 950951	15
150	2TC47-5		.CIRCUIT BREAKER- SUPPLIER CODE: V82647 SPECIFICATION NUMBER: BACC18AD5 OPTIONAL PART: 4310-029-5 V76374 ELECTRICAL EQUIP NUMBER: C01045	107107 904949 952999	1

MISSING ITEM NUMBERS NOT APPLICABLE

- ITEM NOT ILLUSTRATED

24-51-52-01

24-51-52
FIG. 01
PAGE 5
JAN 20/09

BRI



757

PARTS CATALOG (MAINTENANCE)

FIG ITEM	PART NUMBER	1 2 3 4 5 6 7	NOMENCLATURE	EFFECT FROM TO	UNITS PER ASSY
1 155	700-038-25		.CIRCUIT BREAKER- SUPPLIER CODE: V76374 SPECIFICATION NUMBER: BACC18X25 OPTIONAL PART: 492-225-103 V79405 492-225-104 V79405 ELECTRICAL EQUIP NUMBER: C00829 C00872	002004 006102 107107 121999	2
160	700-038-35		.CIRCUIT BREAKER- SUPPLIER CODE: V76374 SPECIFICATION NUMBER: BACC18X35 OPTIONAL PART: 492-235-103 V79405 492-235-104 V79405 ELECTRICAL EQUIP NUMBER: C04248	002004 006102 107107 121999	1
165	2TC47-7-5		.CIRCUIT BREAKER- SUPPLIER CODE: V82647 SPECIFICATION NUMBER: BACC18AD7 OPTIONAL PART: 4310-029-705 V76374 ELECTRICAL EQUIP NUMBER: C00773 C00778 C00779 C00780 C00781 C00786 C00787 C00804 C00805 C00806 C00807 C00808 C00809 C01046 C04177	002004 006100 107107 121503 904999	15

MISSING ITEM NUMBERS NOT APPLICABLE

- ITEM NOT ILLUSTRATED

24-51-52-01

24-51-52
FIG. 01
PAGE 6
JAN 20/09

BRI



757

PARTS CATALOG (MAINTENANCE)

FIG ITEM	PART NUMBER	1 2 3 4 5 6 7	NOMENCLATURE	EFFECT FROM TO	UNITS PER ASSY
1 175	2TC47-5		.CIRCUIT BREAKER- SUPPLIER CODE: V82647 SPECIFICATION NUMBER: BACC18AD5 OPTIONAL PART: 4310-029-5 V76374 ELECTRICAL EQUIP NUMBER: C01043 C01179	002004 006102 121903 950951	2
200	2TC47-10		.CIRCUIT BREAKER- SUPPLIER CODE: V82647 SPECIFICATION NUMBER: BACC18AD10 OPTIONAL PART: 4310-029-10 V76374 ELECTRICAL EQUIP NUMBER: C04062	101102 504903	1
225	10237-1		.CLIP-STOW SUPPLIER CODE: V07RZ7 POST SERVICE BULLETIN: 24-0126	009009 107107	1
230	10237-1		.CLIP-STOW SUPPLIER CODE: V07RZ7	006100	1
- 400	287N4102-1207		PACKAGE ASSY-P6-1 PWR DISTR (CIRCUIT BREAKERS ONLY) FOR NHA SEE: 24-51-51-05	101102	RF
- 400	287N4102-1232		PACKAGE ASSY-P6-1 PWR DISTR (CIRCUIT BREAKERS ONLY) FOR NHA/OTHER SYS DET SEE: 24-51-51-09	504903	RF
405	2TC47-5		.CIRCUIT BREAKER- SUPPLIER CODE: V82647 SPECIFICATION NUMBER: BACC18AD5 OPTIONAL PART: 4310-029-5 V76374 ELECTRICAL EQUIP NUMBER: C00773 C00781	101102	2

MISSING ITEM NUMBERS NOT APPLICABLE

- ITEM NOT ILLUSTRATED

24-51-52-01

24-51-52
FIG. 01
PAGE 7
JAN 20/09

BRI



757

PARTS CATALOG (MAINTENANCE)

FIG ITEM	PART NUMBER	1 2 3 4 5 6 7	NOMENCLATURE	EFFECT FROM TO	UNITS PER ASSY
1 405	2TC47-7-5		.CIRCUIT BREAKER- SUPPLIER CODE: V82647 SPECIFICATION NUMBER: BACC18AD7 OPTIONAL PART: 4310-029-705 V76374 ELECTRICAL EQUIP NUMBER: C00773 C00781	504903	2
- 425	287N4102-1278		PACKAGE ASSY-P6-1 PWR DISTR (CIRCUIT BREAKERS ONLY) FOR NHA/OTHER SYS DET SEE: 24-51-51-05	101102	RF
430	2TC47-5		.CIRCUIT BREAKER- SUPPLIER CODE: V82647 SPECIFICATION NUMBER: BACC18AD5 OPTIONAL PART: 4310-029-5 V76374 ELECTRICAL EQUIP NUMBER: C04349	101102	1
- 450	287N4102-1201		PACKAGE ASSY-P6-1 PWR DISTR (CIRCUIT BREAKERS ONLY) FOR NHA/OTHER SYS DET SEE: 24-51-51-05 24-51-51-09	101102 504903	RF
455	2TC47-10		.CIRCUIT BREAKER- SUPPLIER CODE: V82647 SPECIFICATION NUMBER: BACC18AD10 OPTIONAL PART: 4310-029-10 V76374 ELECTRICAL EQUIP NUMBER: C00614 C00620 C00621	101102 504903	3

MISSING ITEM NUMBERS NOT APPLICABLE

- ITEM NOT ILLUSTRATED

BRI

24-51-52-01

24-51-52
FIG. 01
PAGE 8
JAN 20/09



757

PARTS CATALOG (MAINTENANCE)

FIG ITEM	PART NUMBER	1 2 3 4 5 6 7	NOMENCLATURE	EFFECT FROM TO	UNITS PER ASSY
1 455	2TC47-5		.CIRCUIT BREAKER- SUPPLIER CODE: V82647 SPECIFICATION NUMBER: BACC18AD5 OPTIONAL PART: 4310-029-5 V76374 ELECTRICAL EQUIP NUMBER: C04570 C04571 C04572	101102 504903	3
- 475	287N4102-1204		PACKAGE ASSY-P6-1 PWR DISTR (CIRCUIT BREAKERS ONLY) FOR NHA/OTHER SYS DET SEE: 24-51-51-09	504903	RF
480	2TC47-2-5		.CIRCUIT BREAKER- SUPPLIER CODE: V82647 SPECIFICATION NUMBER: BACC18AD2 OPTIONAL PART: 4310-029-205 V76374 ELECTRICAL EQUIP NUMBER: C00538	504903	1
- 525	287N4102-1260		PACKAGE ASSY-P6-1 PWR DISTR (CIRCUIT BREAKERS ONLY) FOR NHA SEE: 24-51-51-09	504903	RF
530	2TC47-2-5		.CIRCUIT BREAKER- SUPPLIER CODE: V82647 SPECIFICATION NUMBER: BACC18AD2 OPTIONAL PART: 4310-029-205 V76374 ELECTRICAL EQUIP NUMBER: C04435	504903	1

MISSING ITEM NUMBERS NOT APPLICABLE

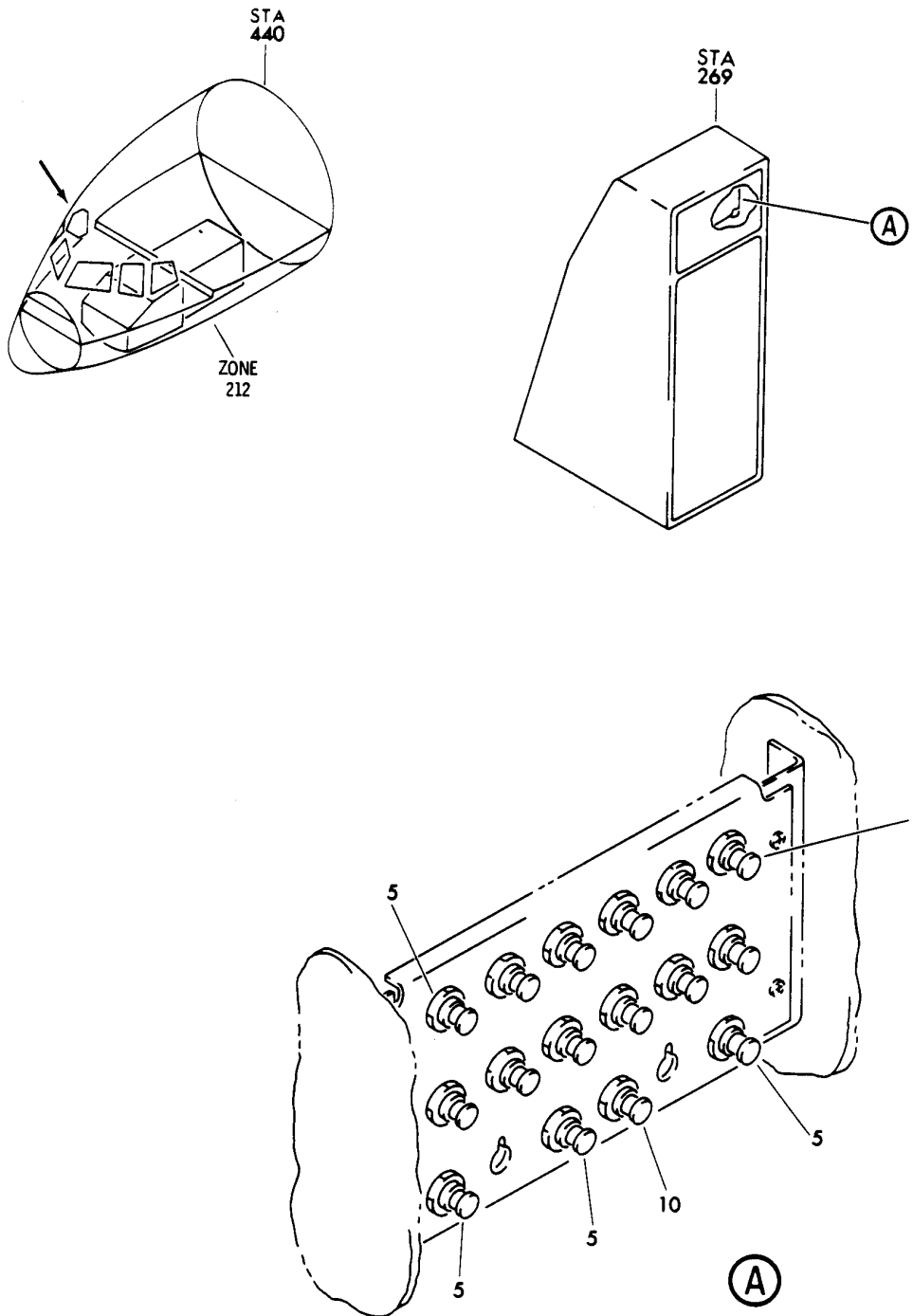
- ITEM NOT ILLUSTRATED

BRI

24-51-52-01

24-51-52
FIG. 01
PAGE 9
JAN 20/09

BOEING
757
PARTS CATALOG (MAINTENANCE)



Y 24515204 SMT 1 REV 010

PANEL ASSY-P26 LIGHTING EQPT (ELECTRICAL POWER ONLY)
FIGURE 4

24-51-52-04

BRI
MAY 28/07

24-51-52-04
PAGE 0



757

PARTS CATALOG (MAINTENANCE)

FIG ITEM	PART NUMBER	1 2 3 4 5 6 7	NOMENCLATURE	EFFECT FROM TO	UNITS PER ASSY
4			PANEL ASSY-P26 LIGHTING EQPT (ELECTRICAL POWER ONLY)	002004 006999	
- 1	285N0001-31		PANEL ASSY-P26 LIGHTING EQPT (ELECTRICAL POWER ONLY) SUPPLIER CODE: V89954 FOR NHA/OTHER SYS DET SEE: 24-51-51-01	121949	RF
- 1	285N0001-32		PANEL ASSY-P26 LIGHTING EQPT (ELECTRICAL POWER ONLY) SUPPLIER CODE: V89954 FOR NHA/OTHER SYS DET SEE: 24-51-51-01	002004 006120 950999	RF
- 1	285N0001-30		PANEL ASSY-P26 LIGHTING EQPT (ELECTRICAL POWER ONLY) SUPPLIER CODE: V89954 FOR NHA/OTHER SYS DET SEE: 24-51-51-01	107107	RF
5	2TC47-2-5		.CIRCUIT BREAKER- SUPPLIER CODE: V82647 SPECIFICATION NUMBER: BACC18AD2 OPTIONAL PART: 4310-029-205 V76374 ELECTRICAL EQUIP NUMBER: C04153 C04154 C04155 C04156 C04157 C04158 C04159 C04160 C04161 C04162 C04163 C04164 C04165 C04166 C04167	002004 006999	15

MISSING ITEM NUMBERS NOT APPLICABLE

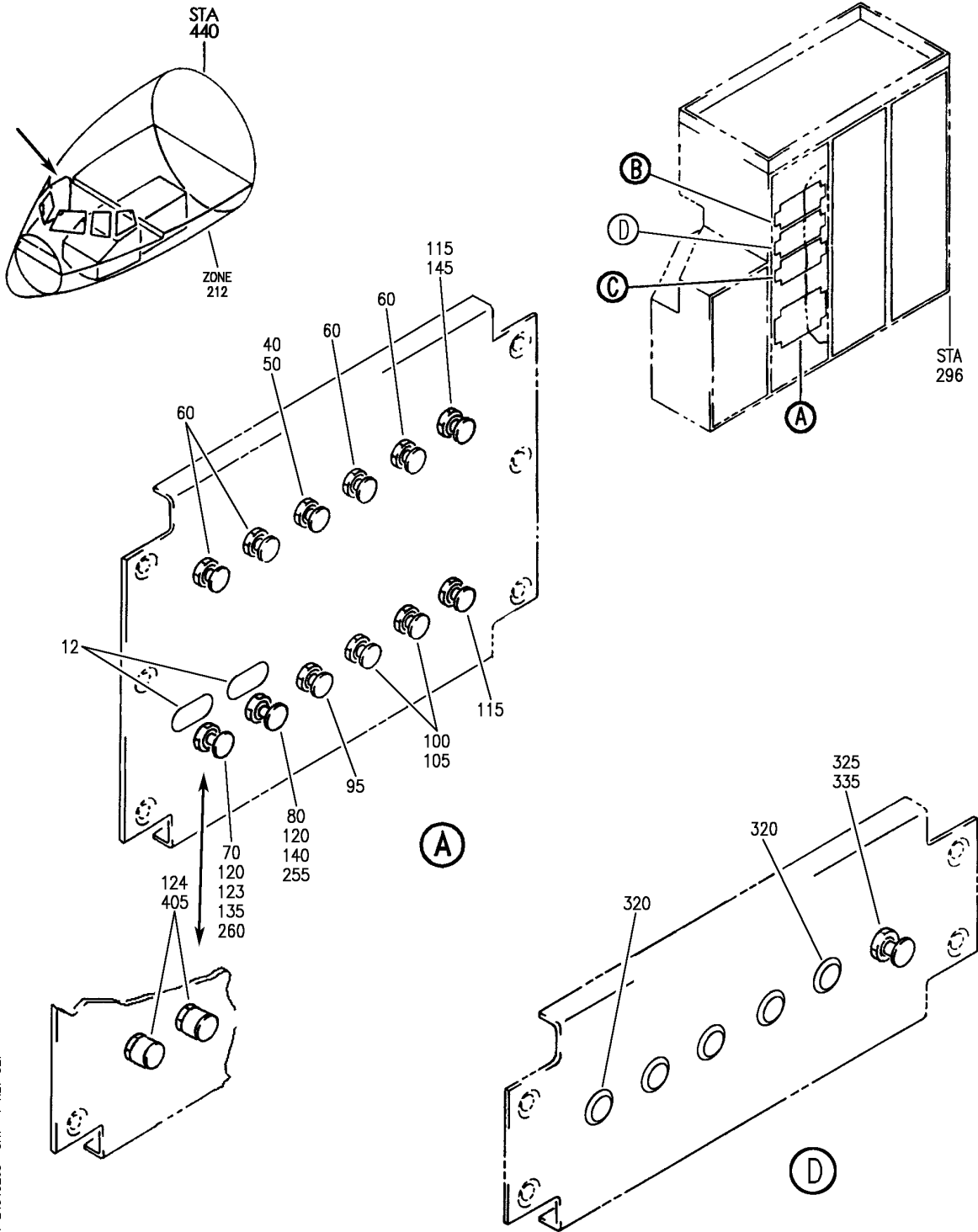
- ITEM NOT ILLUSTRATED

24-51-52-04

24-51-52
FIG. 04
PAGE 1
JAN 20/09

BRI

BOEING
757
PARTS CATALOG (MAINTENANCE)



Y 24515205 SHT 1 REV 327

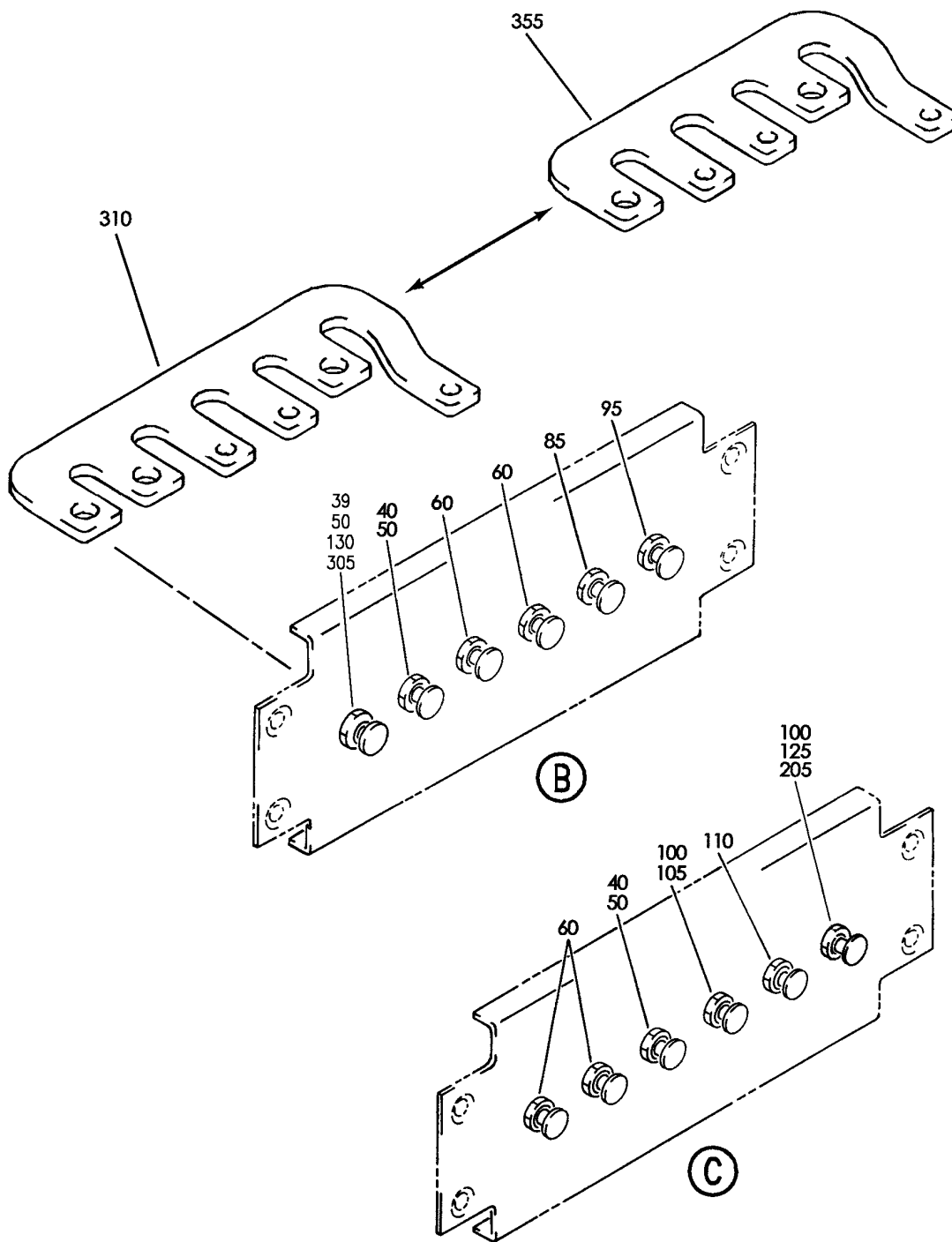
PANEL ASSY, PANEL INSTL, AND CIRCUIT BREAKER INSTL P6-2 PWR DISTR (CIRCUIT BREAKERS ONLY)
FIGURE 5 (SHEET 1)

BRI
SEP 20/08

24-51-52-05

24-51-52-05
PAGE 0

BOEING
757
PARTS CATALOG (MAINTENANCE)



Y 24515205 SH1 2 REV 324

PANEL ASSY, PANEL INSTL, AND CIRCUIT BREAKER INSTL P6-2 PWR DISTR (CIRCUIT BREAKERS ONLY)
FIGURE 5 (SHEET 2)

BRI
SEP 20/08

24-51-52-05

24-51-52-05
PAGE 0A



757

PARTS CATALOG (MAINTENANCE)

FIG ITEM	PART NUMBER	1 2 3 4 5 6 7	NOMENCLATURE	EFFECT FROM TO	UNITS PER ASSY
5			PANEL ASSY, PANEL INSTL, AND CIRCUIT BREAKER INSTL P6-2 PWR DISTR (CIRCUIT BREAKERS ONLY)	002004 006102 107107 121999	
- 2	287N4102-99		PANEL ASSY-P6-2 PWR DISTR (CIRCUIT BREAKERS ONLY) VARIABLE DRAWING REF: 287N4102-5112 287N4102-5113 287N4102-5116 FOR NHA/OTHER SYS DET SEE: 24-51-51-01	002004 006100 950999	RF
- 3	287N4102-204		PANEL ASSY-P6-2 PWR DISTR (CIRCUIT BREAKERS ONLY) FOR NHA/OTHER SYS DET SEE: 24-51-51-01	107107	RF
- 4	287N4102-217		PANEL ASSY-P6-2 PWR DISTR (CIRCUIT BREAKERS ONLY) FOR NHA/OTHER SYS DET SEE: 24-51-51-01	121503 904949	RF
- 6	287N4102-1277		PACKAGE ASSY-P6-2 PWR DISTR (CIRCUIT BREAKERS ONLY) FOR NHA/OTHER SYS DET SEE: 24-51-51-05 24-51-51-09	101102 504903	RF
- 15	BAC27NFDE0116		.MARKER-ALUMINUM FOIL MISCELLANEOUS DATA: (USE IN PLACE OF CIRCUIT BREAKERS ON OPEN HOLES)	002004 121503 904949 952952	AR
- 20	BAC27NFDE0116		.MARKER-ALUMINUM FOIL MISCELLANEOUS DATA: (USE IN PLACE OF CIRCUIT BREAKERS ON OPEN HOLES)	002004 121503	AR
- 38	BACP20B43B		.PLUG- MISCELLANEOUS DATA: USE IN PLACE OF CIRCUIT BREAKERS ON OPEN HOLES	504903	AR
R R R R R R R R R R	39	10237-1	.CLIP-STOW SUPPLIER CODE: V07RZ7 ELECTRICAL EQUIP NUMBER: C04282 POST SERVICE BULLETIN: 24-0125R1 24-0125R2 24-0130	009009 015015 107107	1

MISSING ITEM NUMBERS NOT APPLICABLE

- ITEM NOT ILLUSTRATED

24-51-52-05

24-51-52
FIG. 05
PAGE 1
MAY 20/09

BRI



757

PARTS CATALOG (MAINTENANCE)

FIG ITEM	PART NUMBER	1 2 3 4 5 6 7	NOMENCLATURE	EFFECT FROM TO	UNITS PER ASSY
5					
40	160-003-100	.	CIRCUIT BREAKER- SUPPLIER CODE: V76374 SPECIFICATION NUMBER: BACC18R100C ELECTRICAL EQUIP NUMBER: C00881 C00889 C00896	101102 504903 950951	3
40	BACC18X100B	.	CIRCUIT BREAKER- ELECTRICAL EQUIP NUMBER: C00881 C00889 C00896	101102 504903 950951	3
40	160-022-100	.	CIRCUIT BREAKER- SUPPLIER CODE: V76374 SPECIFICATION NUMBER: BACC18X100 ELECTRICAL EQUIP NUMBER: C00881 C00889 C00896	101102 504903 950951	3
50	160-003-100	.	CIRCUIT BREAKER- SUPPLIER CODE: V76374 SPECIFICATION NUMBER: BACC18R100C ELECTRICAL EQUIP NUMBER: C00881 C00889 C00896 C04282	002004 006100 107107 121503 904949 952999	4

MISSING ITEM NUMBERS NOT APPLICABLE

- ITEM NOT ILLUSTRATED

BRI

24-51-52-05

BOEING PROPRIETARY - Copyright © - Unpublished Work - See title page for details.

24-51-52
FIG. 05
PAGE 2
JAN 20/09



757

PARTS CATALOG (MAINTENANCE)

FIG ITEM	PART NUMBER	1 2 3 4 5 6 7	NOMENCLATURE	EFFECT FROM TO	UNITS PER ASSY
5 60	1200-009-50		.CIRCUIT BREAKER- SUPPLIER CODE: V76374 SPECIFICATION NUMBER: BACC18X50 OPTIONAL PART: 450-250-104 V79405 ELECTRICAL EQUIP NUMBER: C00882 C00883 C00885 C00886 C00890 C00891 C00897 C00898	002004 006102 107107 121999	8
70	1200-009-50		.CIRCUIT BREAKER- SUPPLIER CODE: V76374 SPECIFICATION NUMBER: BACC18X50 OPTIONAL PART: 450-250-104 V79405 ELECTRICAL EQUIP NUMBER: C04348 WIRING DIAGRAM REF: 243111 POST SERVICE BULLETIN: 24-0048	002004 006100 107107 121503 904949 952999	1
80	2TC47-2-5		.CIRCUIT BREAKER- SUPPLIER CODE: V82647 SPECIFICATION NUMBER: BACC18AD2 OPTIONAL PART: 4310-029-205 V76374 ELECTRICAL EQUIP NUMBER: C00550 WIRING DIAGRAM REF: 243111	002004 006100 121503 953999	1

MISSING ITEM NUMBERS NOT APPLICABLE

- ITEM NOT ILLUSTRATED

24-51-52-05

24-51-52
FIG. 05
PAGE 3
JAN 20/09

BRI



757

PARTS CATALOG (MAINTENANCE)

FIG ITEM	PART NUMBER	1 2 3 4 5 6 7	NOMENCLATURE	EFFECT FROM TO	UNITS PER ASSY
5 85	160-003-75		.CIRCUIT BREAKER- SUPPLIER CODE: V76374 SPECIFICATION NUMBER: BACC18R75C OPTIONAL PART: 160-012-75 V76374 ELECTRICAL EQUIP NUMBER: C00813	002004 006102 107107 121999	1
95	2TC47-10		.CIRCUIT BREAKER- SUPPLIER CODE: V82647 SPECIFICATION NUMBER: BACC18AD10 OPTIONAL PART: 4310-029-10 V76374 ELECTRICAL EQUIP NUMBER: C00884 C00899	002004 006102 107107 121999	2
100	2TC47-2-5		.CIRCUIT BREAKER- SUPPLIER CODE: V82647 SPECIFICATION NUMBER: BACC18AD2 OPTIONAL PART: 4310-029-205 V76374 ELECTRICAL EQUIP NUMBER: C00865 C00887 C04142 C04143	002004 006100 107107 121503 904999	4
105	2TC47-2-5		.CIRCUIT BREAKER- SUPPLIER CODE: V82647 SPECIFICATION NUMBER: BACC18AD2 OPTIONAL PART: 4310-029-205 V76374 ELECTRICAL EQUIP NUMBER: C00887 C04142 C04143	101102 504903	3

MISSING ITEM NUMBERS NOT APPLICABLE

- ITEM NOT ILLUSTRATED

BRI

24-51-52-05

24-51-52
FIG. 05
PAGE 4
JAN 20/09



757

PARTS CATALOG (MAINTENANCE)

FIG ITEM	PART NUMBER	1 2 3 4 5 6 7	NOMENCLATURE	EFFECT FROM TO	UNITS PER ASSY
5 110	2TC47-5		.CIRCUIT BREAKER- SUPPLIER CODE: V82647 SPECIFICATION NUMBER: BACC18AD5 OPTIONAL PART: 4310-029-5 V76374 ELECTRICAL EQUIP NUMBER: C04234	002004 006102 107107 121999	1
115	2TC47-2-5		.CIRCUIT BREAKER- SUPPLIER CODE: V82647 SPECIFICATION NUMBER: BACC18AD2 OPTIONAL PART: 4310-029-205 V76374 ELECTRICAL EQUIP NUMBER: C04472 C04474	006100 950951 953999	2
115	2TC47-5		.CIRCUIT BREAKER- SUPPLIER CODE: V82647 SPECIFICATION NUMBER: BACC18AD5 OPTIONAL PART: 4310-029-5 V76374 ELECTRICAL EQUIP NUMBER: C04472 C04474 POST SERVICE BULLETIN: 78-0032	107107 121903	2
123	10237-1		.CLIP-STOW SUPPLIER CODE: V07RZ7 POST SERVICE BULLETIN: 24-0126	107107	1
124	10237-1		.CLIP-STOW SUPPLIER CODE: V07RZ7 POST SERVICE BULLETIN: 24-0126	009009	2
- 200	287N4102-1205		PACKAGE ASSY-P6-2 PWR DISTR (CIRCUIT BREAKERS ONLY) FOR NHA/OTHER SYS DET SEE: 24-51-51-05 24-51-51-09	101102 504903	RF

MISSING ITEM NUMBERS NOT APPLICABLE

- ITEM NOT ILLUSTRATED

BRI

24-51-52-05

BOEING PROPRIETARY - Copyright © - Unpublished Work - See title page for details.

24-51-52
FIG. 05
PAGE 5
JAN 20/09



757

PARTS CATALOG (MAINTENANCE)

FIG ITEM	PART NUMBER	1 2 3 4 5 6 7	NOMENCLATURE	EFFECT FROM TO	UNITS PER ASSY
5 205	2TC47-2-5		.CIRCUIT BREAKER- SUPPLIER CODE: V82647 SPECIFICATION NUMBER: BACC18AD2 OPTIONAL PART: 4310-029-205 V76374 ELECTRICAL EQUIP NUMBER: C00865	101102 504903	1
- 250	287N4102-1278		PACKAGE ASSY-P6-2 PWR DISTR (CIRCUIT BREAKERS ONLY) FOR NHA/OTHER SYS DET SEE: 24-51-51-05	101102	RF
255	2TC47-2-5		.CIRCUIT BREAKER- SUPPLIER CODE: V82647 SPECIFICATION NUMBER: BACC18AD2 OPTIONAL PART: 4310-029-205 V76374 ELECTRICAL EQUIP NUMBER: C00550	101102	1
260	1200-009-50		.CIRCUIT BREAKER- SUPPLIER CODE: V76374 SPECIFICATION NUMBER: BACC18X50 OPTIONAL PART: 450-250-104 V79405 ELECTRICAL EQUIP NUMBER: C04348	101102	1
- 300	287N4102-1282		PACKAGE ASSY-P6-2 PWR DISTR (CIRCUIT BREAKERS ONLY) FOR NHA/OTHER SYS DET SEE: 24-51-51-05 24-51-51-09	101102 504903	RF
305	160-003-100		.CIRCUIT BREAKER- SUPPLIER CODE: V76374 SPECIFICATION NUMBER: BACC18R100C ELECTRICAL EQUIP NUMBER: C04282	101102 504903	1
310	287N1125-6		.BUSS	101102 504903	1

MISSING ITEM NUMBERS NOT APPLICABLE

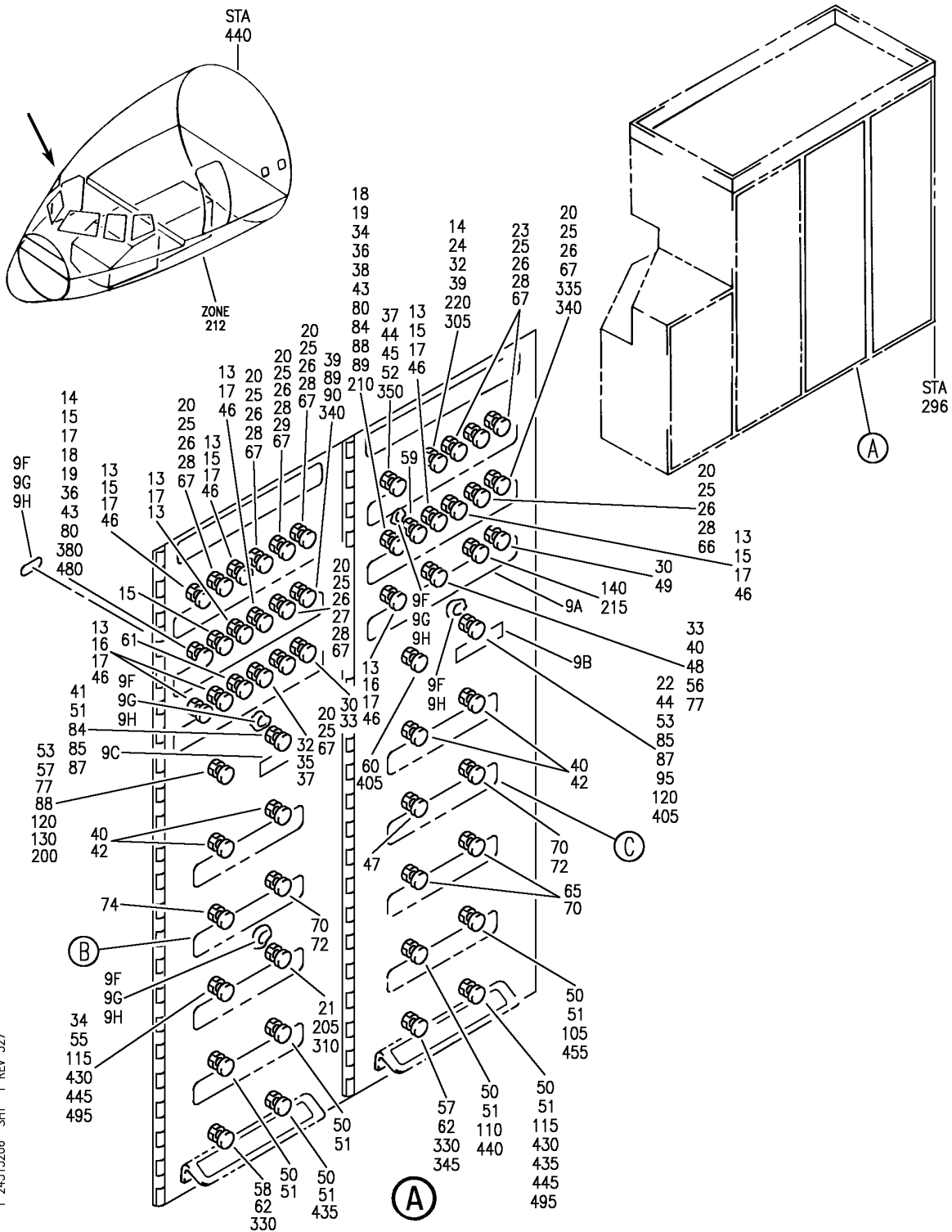
- ITEM NOT ILLUSTRATED

24-51-52-05

24-51-52
FIG. 05
PAGE 6
JAN 20/09

BRI


BOEING
 757
PARTS CATALOG (MAINTENANCE)



Y 24515206 SHT 1 REV 327

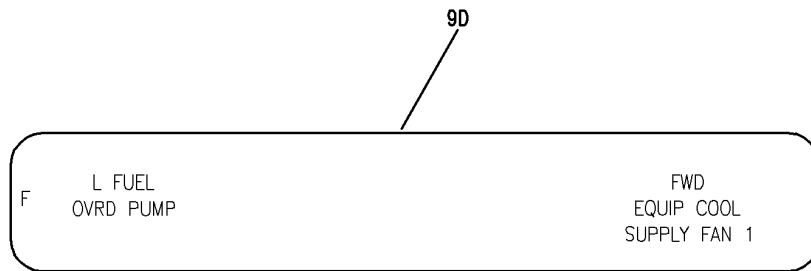
PANEL AND PACKAGE ASSY-P6-3 AND P6-4 PWR DISTR AND PANEL INSTL-KIT P6 (CIRCUIT BREAKERS ONLY)
 FIGURE 6 (SHEET 1)

BRI
 SEP 20/08

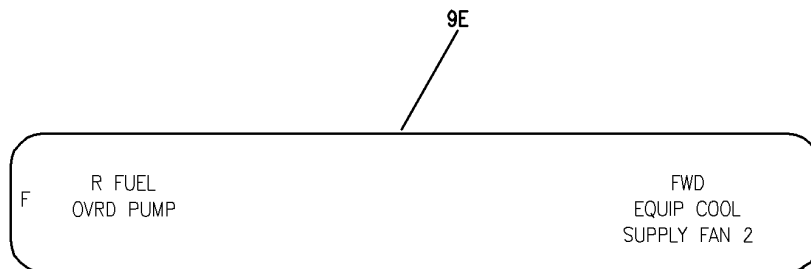
24-51-52-06

24-51-52-06
 PAGE 0

BOEING
757
PARTS CATALOG (MAINTENANCE)



(B)



(C)

Y 24515206 SH1 2 REV 237

PANEL AND PACKAGE ASSY-P6-3 AND P6-4 PWR DISTR AND PANEL INSTL-KIT P6 (CIRCUIT BREAKERS ONLY)
FIGURE 6 (SHEET 2)

BRI
MAY 28/07

24-51-52-06

24-51-52-06
PAGE 0A



757

PARTS CATALOG (MAINTENANCE)

FIG ITEM	PART NUMBER	1 2 3 4 5 6 7	NOMENCLATURE	EFFECT FROM TO	UNITS PER ASSY
6			PANEL AND PACKAGE ASSY-P6-3 AND P6-4 PWR DISTR AND PANEL INSTL-KIT P6 (CIRCUIT BREAKERS ONLY)	002004 006102 107107 121999	
- 2	287N4102-204		PANEL ASSY-P6-3 AND P6-4 PWR DISTR (CIRCUIT BREAKERS ONLY) FOR NHA/OTHER SYS DET SEE: 24-51-51-01	107107	RF
- 3	287N4102-217		PANEL ASSY-P6-3 AND P6-4 PWR DISTR (CIRCUIT BREAKERS ONLY) FOR NHA/OTHER SYS DET SEE: 24-51-51-01	121503 904949	RF
- 4	287N4102-99		PANEL ASSY-P6-3 AND P6-4 PWR DISTR (CIRCUIT BREAKERS ONLY) VARIABLE DRAWING REF: 287N4102-5112 287N4102-5113 287N4102-5116 FOR NHA/OTHER SYS DET SEE: 24-51-51-01	002004 006100 950999	RF
- 6	287N4102-1277		PACKAGE ASSY-P6-3 AND P6-4 PWR DISTR (CIRCUIT BREAKERS ONLY) FOR NHA/OTHER SYS DET SEE: 24-51-51-05 24-51-51-09	101102 504903	RF
- 7	BAC27NFDE0116		.MARKER-ALUMINUM FOIL MISCELLANEOUS DATA: USE IN PLACE OF CIRCUIT BREAKERS ON OPEN HOLES	107107 950951	AR
- 7	BAC27NFDE0116		.MARKER-ALUMINUM FOIL MISCELLANEOUS DATA: USE IN PLACE OF CIRCUIT BREAKERS ON OPEN HOLES	002004 006100 121503 904949 952999	AR
- 8	BACP20B43B		.PLUG- MISCELLANEOUS DATA: USE IN PLACE OF CIRCUIT BREAKERS ON OPEN HOLES	504903	AR

MISSING ITEM NUMBERS NOT APPLICABLE

- ITEM NOT ILLUSTRATED

24-51-52-06

24-51-52
FIG. 06
PAGE 1
JAN 20/09

BRI



757

PARTS CATALOG (MAINTENANCE)

FIG ITEM	PART NUMBER	1 2 3 4 5 6 7	NOMENCLATURE	EFFECT FROM TO	UNITS PER ASSY
6	13	2TC47-2-5	.CIRCUIT BREAKER- SUPPLIER CODE: V82647 SPECIFICATION NUMBER: BACC18AD2 OPTIONAL PART: 4310-029-205 V76374 ELECTRICAL EQUIP NUMBER: C00817 C00892 C01110 C01112 C01114 C01116 C04329 C04330 C04331	002004 006102 504903 950999	9
	14	2TC47-2-5	.CIRCUIT BREAKER- SUPPLIER CODE: V82647 SPECIFICATION NUMBER: BACC18AD2 OPTIONAL PART: 4310-029-205 V76374 ELECTRICAL EQUIP NUMBER: C04353 C04355	002004 006100 952999	2
	15	2TC47-2-5	.CIRCUIT BREAKER- SUPPLIER CODE: V82647 SPECIFICATION NUMBER: BACC18AD2 OPTIONAL PART: 4310-029-205 V76374 ELECTRICAL EQUIP NUMBER: C00817 C00892 C01110 C01112 C01114 C01116	107107	6

MISSING ITEM NUMBERS NOT APPLICABLE

- ITEM NOT ILLUSTRATED

24-51-52-06

24-51-52
FIG. 06
PAGE 2
JAN 20/09

BRI



757

PARTS CATALOG (MAINTENANCE)

FIG ITEM	PART NUMBER	1 2 3 4 5 6 7	NOMENCLATURE	EFFECT FROM TO	UNITS PER ASSY
6	16 2TC47-2-5		.CIRCUIT BREAKER- SUPPLIER CODE: V82647 SPECIFICATION NUMBER: BACC18AD2 OPTIONAL PART: 4310-029-205 V76374 ELECTRICAL EQUIP NUMBER: C04329 C04330 C04331	107107	3
	17 2TC47-2-5		.CIRCUIT BREAKER- SUPPLIER CODE: V82647 SPECIFICATION NUMBER: BACC18AD2 OPTIONAL PART: 4310-029-205 V76374 ELECTRICAL EQUIP NUMBER: C00817 C00892 C01110 C01112 C01114 C01116 C04329 C04330 C04331 C04353	121503 904949	10
	21 6TC6-5		.CIRCUIT BREAKER- SUPPLIER CODE: V82647 SPECIFICATION NUMBER: BACC18AC5 OPTIONAL PART: 4330-004-5 V76374 ELECTRICAL EQUIP NUMBER: C03044 POST SERVICE BULLETIN: 24-0048	002004 006100 107107 121503 904949 952999	1

MISSING ITEM NUMBERS NOT APPLICABLE

- ITEM NOT ILLUSTRATED

BRI

24-51-52-06

BOEING PROPRIETARY - Copyright © - Unpublished Work - See title page for details.

24-51-52
FIG. 06
PAGE 3
JAN 20/09



757

PARTS CATALOG (MAINTENANCE)

FIG ITEM	PART NUMBER	1 2 3 4 5 6 7	NOMENCLATURE	EFFECT FROM TO	UNITS PER ASSY
6	22	6TC6-10	.CIRCUIT BREAKER- SUPPLIER CODE: V82647 SPECIFICATION NUMBER: BACC18AC10 OPTIONAL PART: 4330-004-10 V76374 ELECTRICAL EQUIP NUMBER: C00327	002004 006017	1
	24	2TC47-2-5	.CIRCUIT BREAKER- SUPPLIER CODE: V82647 SPECIFICATION NUMBER: BACC18AD2 OPTIONAL PART: 4310-029-205 V76374 ELECTRICAL EQUIP NUMBER: C04355	121503 904949	1
	25	2TC47-5	.CIRCUIT BREAKER- SUPPLIER CODE: V82647 SPECIFICATION NUMBER: BACC18AD5 OPTIONAL PART: 4310-029-5 V76374 ELECTRICAL EQUIP NUMBER: C00875 C00876 C01134 C01135 C04003 C04264 C04265 C04266 C04267 C04268 C04269	002004 006017 107107 121503 904999	11

MISSING ITEM NUMBERS NOT APPLICABLE

- ITEM NOT ILLUSTRATED

24-51-52-06

24-51-52
FIG. 06
PAGE 4
JAN 20/09

BRI



757

PARTS CATALOG (MAINTENANCE)

FIG ITEM	PART NUMBER	1 2 3 4 5 6 7	NOMENCLATURE	EFFECT FROM TO	UNITS PER ASSY
6 26	2TC47-5		.CIRCUIT BREAKER- SUPPLIER CODE: V82647 SPECIFICATION NUMBER: BACC18AD5 OPTIONAL PART: 4310-029-5 V76374 ELECTRICAL EQUIP NUMBER: C00875 C01134 C01135 C04003 C04264 C04265 C04266 C05267 C04268 C04269	018100	10
28	2TC47-5		.CIRCUIT BREAKER- SUPPLIER CODE: V82647 SPECIFICATION NUMBER: BACC18AD5 OPTIONAL PART: 4310-029-5 V76374 ELECTRICAL EQUIP NUMBER: C00875 C01134 C01135 C04264 C04265 C04266 C04267 C04268 C04269	101102 504903	9
30	2TC47-7-5		.CIRCUIT BREAKER- SUPPLIER CODE: V82647 SPECIFICATION NUMBER: BACC18AD7 OPTIONAL PART: 4310-029-705 V76374 ELECTRICAL EQUIP NUMBER: C00877 C00878	002004 006017 101102 107107 121999	2

MISSING ITEM NUMBERS NOT APPLICABLE

- ITEM NOT ILLUSTRATED

BRI

24-51-52-06

BOEING PROPRIETARY - Copyright © - Unpublished Work - See title page for details.

24-51-52
FIG. 06
PAGE 5
JAN 20/09



757

PARTS CATALOG (MAINTENANCE)

FIG ITEM	PART NUMBER	1 2 3 4 5 6 7	NOMENCLATURE	EFFECT FROM TO	UNITS PER ASSY
6	35 2TC47-10		.CIRCUIT BREAKER- SUPPLIER CODE: V82647 SPECIFICATION NUMBER: BACC18AD10 OPTIONAL PART: 4310-029-10 V76374 ELECTRICAL EQUIP NUMBER: C00874	002004 006102 107107 121999	1
	40 6TC6-7-5		.CIRCUIT BREAKER- SUPPLIER CODE: V82647 SPECIFICATION NUMBER: BACC18AC7 OPTIONAL PART: 4330-004-705 V76374 ELECTRICAL EQUIP NUMBER: C00397	002004 006017 107107 121503 904999	1
	41 9TC620		.CIRCUIT BREAKER- SUPPLIER CODE: V82647 SPECIFICATION NUMBER: BACC18AE20 ELECTRICAL EQUIP NUMBER: C00326	002004 006017 121503 904949 952999	1

MISSING ITEM NUMBERS NOT APPLICABLE

- ITEM NOT ILLUSTRATED

BRI

24-51-52-06

BOEING PROPRIETARY - Copyright © - Unpublished Work - See title page for details.

24-51-52
FIG. 06
PAGE 6
JAN 20/09



757

PARTS CATALOG (MAINTENANCE)

FIG ITEM	PART NUMBER	1 2 3 4 5 6 7	NOMENCLATURE	EFFECT FROM TO	UNITS PER ASSY
6 42	6TC6-7-5		.CIRCUIT BREAKER- SUPPLIER CODE: V82647 SPECIFICATION NUMBER: BACC18AC7 OPTIONAL PART: 4330-004-705 V76374 MISCELLANEOUS DATA: REPLACE IF CIRCUIT BREAKER IS MANUFACTURED BY TEXAS INSTRUMENTS AND HAS A MANUFACTURING DATE CODE OF 7801 THRU 8151. NEW TEXAS INSTRUMENTS P/N SAME AS EXISTING EXCEPT BEARING MANUFACTURING DATE CODE OTHER THAN 7801 THRU 8151. ELECTRICAL EQUIP NUMBER: C00366 C00368 C00371 C00372 REWORKED BY ALERT SB: 24A0054R1	002004 006102 107107 121999	4
45	6TC6-10		.CIRCUIT BREAKER- SUPPLIER CODE: V82647 SPECIFICATION NUMBER: BACC18AC10 OPTIONAL PART: 4330-004-10 V76374 ELECTRICAL EQUIP NUMBER: C03020	002004 006017 107107 121503 904999	1

MISSING ITEM NUMBERS NOT APPLICABLE

- ITEM NOT ILLUSTRATED

24-51-52-06

24-51-52
FIG. 06
PAGE 7
JAN 20/09

BRI

BOEING PROPRIETARY - Copyright © - Unpublished Work - See title page for details.



757

PARTS CATALOG (MAINTENANCE)

FIG ITEM	PART NUMBER	1 2 3 4 5 6 7	NOMENCLATURE	EFFECT FROM TO	UNITS PER ASSY
6 47	6TC6-10		.CIRCUIT BREAKER- SUPPLIER CODE: V82647 SPECIFICATION NUMBER: BACC18AC10 OPTIONAL PART: 4330-004-10 V76374 MISCELLANEOUS DATA: REPLACE IF CIRCUIT BREAKER IS MANUFACTURED BY TEXAS INSTRUMENTS AND HAS A MANUFACTURING DATE CODE OF 7801 THRU 8225. NEW TEXAS INSTRUMENTS P/N SAME AS EXISTING EXCEPT BEARING MANUFACTURING DATE CODE OTHER THAN 7801 THRU 8225. ELECTRICAL EQUIP NUMBER: C00369 C00370 REWORKED BY ALERT SB: 24A0054R1	002004 006102 107107 121999	2
50	6752-311-20		.CIRCUIT BREAKER- SUPPLIER CODE: V82647 SPECIFICATION NUMBER: 10-60806-1020 ELECTRICAL EQUIP NUMBER: C00307 C00308 C00312 C00313 C00318 C00319	107107 121503 904949	6
50	9TC620		.CIRCUIT BREAKER- SUPPLIER CODE: V82647 SPECIFICATION NUMBER: BACC18AE20 ELECTRICAL EQUIP NUMBER: C00307 C00308 C00312 C00313 C00318 C00319	002004 006017 950999	6

MISSING ITEM NUMBERS NOT APPLICABLE

- ITEM NOT ILLUSTRATED

24-51-52-06

24-51-52
FIG. 06
PAGE 8
JAN 20/09

BRI



757

PARTS CATALOG (MAINTENANCE)

FIG ITEM	PART NUMBER	1 2 3 4 5 6 7	NOMENCLATURE	EFFECT FROM TO	UNITS PER ASSY
6					
57	6752-311-50	.	CIRCUIT BREAKER- SUPPLIER CODE: V82647 SPECIFICATION NUMBER: 10-60806-1050 ELECTRICAL EQUIP NUMBER: C00317	002004 006017 107107 121503 904999	1
58	6752-311-35	.	CIRCUIT BREAKER- SUPPLIER CODE: V82647 SPECIFICATION NUMBER: 10-60806-1035 ELECTRICAL EQUIP NUMBER: C00310	107107 121503 904949	1
58	9TC635	.	CIRCUIT BREAKER- SUPPLIER CODE: V82647 SPECIFICATION NUMBER: BACC18AE35 ELECTRICAL EQUIP NUMBER: C00310	002004 006017 950999	1
60	6752-311-25	.	CIRCUIT BREAKER- SUPPLIER CODE: V82647 SPECIFICATION NUMBER: 10-60806-1025 ELECTRICAL EQUIP NUMBER: C03007	107107 121503 904949	1
60	9TC625	.	CIRCUIT BREAKER- SUPPLIER CODE: V82647 SPECIFICATION NUMBER: BACC18AE25 ELECTRICAL EQUIP NUMBER: C03007	002004 006102 504903 950999	1
61	2TC47-2-5	.	CIRCUIT BREAKER- SUPPLIER CODE: V82647 SPECIFICATION NUMBER: BACC18AD2 OPTIONAL PART: 4310-029-205 V76374 ELECTRICAL EQUIP NUMBER: C04353 WIRING DIAGRAM REF: 245115 POST SERVICE BULLETIN: 24-0048	107107	1

MISSING ITEM NUMBERS NOT APPLICABLE

- ITEM NOT ILLUSTRATED

24-51-52-06

24-51-52
FIG. 06
PAGE 9
JAN 20/09

BRI



757

PARTS CATALOG (MAINTENANCE)

FIG ITEM	PART NUMBER	1 2 3 4 5 6 7	NOMENCLATURE	EFFECT FROM TO	UNITS PER ASSY
6	70 6752-311-15		.CIRCUIT BREAKER- SUPPLIER CODE: V82647 SPECIFICATION NUMBER: 10-60806-1015 ELECTRICAL EQUIP NUMBER: C00323 C00331 C00332 C03014	107107 121503 904949	4
	70 9TC615		.CIRCUIT BREAKER- SUPPLIER CODE: V82647 SPECIFICATION NUMBER: BACC18AE15 ELECTRICAL EQUIP NUMBER: C00323 C00331 C00332 C03014	002004 006102 504903 950999	4
-	75 NAS514P632-5		.SCREW-	002004 006100 107107 121999	26
	95 6TC6-10		.CIRCUIT BREAKER- SUPPLIER CODE: V82647 SPECIFICATION NUMBER: BACC18AC10 OPTIONAL PART: 4330-004-10 V76374 ELECTRICAL EQUIP NUMBER: C00327	904949 952952	1
	95 9TC620		.CIRCUIT BREAKER- SUPPLIER CODE: V82647 SPECIFICATION NUMBER: BACC18AE20 ELECTRICAL EQUIP NUMBER: C00327	121503 953999	1

MISSING ITEM NUMBERS NOT APPLICABLE

- ITEM NOT ILLUSTRATED

BRI

24-51-52-06

BOEING PROPRIETARY - Copyright © - Unpublished Work - See title page for details.

24-51-52
FIG. 06
PAGE 10
JAN 20/09



757

PARTS CATALOG (MAINTENANCE)

FIG ITEM	PART NUMBER	1 2 3 4 5 6 7	NOMENCLATURE	EFFECT FROM TO	UNITS PER ASSY
6 105	6TC6-7-5		.CIRCUIT BREAKER- SUPPLIER CODE: V82647 SPECIFICATION NUMBER: BACC18AC7 OPTIONAL PART: 4330-004-705 V76374 ELECTRICAL EQUIP NUMBER: C00397	018100	1
110	6TC6-10		.CIRCUIT BREAKER- SUPPLIER CODE: V82647 SPECIFICATION NUMBER: BACC18AC10 OPTIONAL PART: 4330-004-10 V76374 ELECTRICAL EQUIP NUMBER: C03020	018102 504903	1
140	2TC47-2-5		.CIRCUIT BREAKER- SUPPLIER CODE: V82647 SPECIFICATION NUMBER: BACC18AD2 OPTIONAL PART: 4310-029-205 V76374 ELECTRICAL EQUIP NUMBER: C04355 POST SERVICE BULLETIN: 24-0048	107107	1
205	10237-1		.CLIP-STOW SUPPLIER CODE: V07RZ7 POST SERVICE BULLETIN: 24-0126	009009 107107	1
215	10237-1		.CLIP-STOW SUPPLIER CODE: V07RZ7 POST SERVICE BULLETIN: 24-0126	107107	1
220	10237-1		.CLIP-STOW SUPPLIER CODE: V07RZ7 POST SERVICE BULLETIN: 24-0126	009009	1

MISSING ITEM NUMBERS NOT APPLICABLE

- ITEM NOT ILLUSTRATED

24-51-52-06

24-51-52
FIG. 06
PAGE 11
JAN 20/09

BRI



757

PARTS CATALOG (MAINTENANCE)

FIG ITEM	PART NUMBER	1 2 3 4 5 6 7	NOMENCLATURE	EFFECT FROM TO	UNITS PER ASSY
6					
- 300	287N4102-1203		PACKAGE ASSY-P6-3 AND P6-4 PWR DISTR (CIRCUIT BREAKERS ONLY) FOR NHA SEE: 24-51-51-05	101102	RF
305	2TC47-2-5		.CIRCUIT BREAKER- SUPPLIER CODE: V82647 SPECIFICATION NUMBER: BACC18AD2 OPTIONAL PART: 4310-029-205 V76374 ELECTRICAL EQUIP NUMBER: C04355	101102	1
310	6TC6-5		.CIRCUIT BREAKER- SUPPLIER CODE: V82647 SPECIFICATION NUMBER: BACC18AC5 OPTIONAL PART: 4330-004-5 V76374 ELECTRICAL EQUIP NUMBER: C03044	101102	1
- 325	287N4102-1201		PACKAGE ASSY-P6-3 AND P6-4 PWR DISTR (CIRCUIT BREAKERS ONLY) FOR NHA/OTHER SYS DET SEE: 24-51-51-05 24-51-51-09	101102 504903	RF
335	2TC47-5		.CIRCUIT BREAKER- SUPPLIER CODE: V82647 SPECIFICATION NUMBER: BACC18AD5 OPTIONAL PART: 4310-029-5 V76374 ELECTRICAL EQUIP NUMBER: C04003	101102 504903	1

MISSING ITEM NUMBERS NOT APPLICABLE

- ITEM NOT ILLUSTRATED

BRI

24-51-52-06

24-51-52
FIG. 06
PAGE 12
JAN 20/09



757

PARTS CATALOG (MAINTENANCE)

FIG ITEM	PART NUMBER	1 2 3 4 5 6 7	NOMENCLATURE	EFFECT FROM TO	UNITS PER ASSY
6 345	6TC6-10		.CIRCUIT BREAKER- SUPPLIER CODE: V82647 SPECIFICATION NUMBER: BACC18AC10 OPTIONAL PART: 4330-004-10 V76374 ELECTRICAL EQUIP NUMBER: C03020	101102 504903	1
350	2TC47-10		.CIRCUIT BREAKER- SUPPLIER CODE: V82647 SPECIFICATION NUMBER: BACC18AD10 OPTIONAL PART: 4310-029-10 V76374 ELECTRICAL EQUIP NUMBER: C04389	101102 504903	1
- 375	287N4102-1278		PACKAGE ASSY-P6-3 AND P6-4 PWR DISTR (CIRCUIT BREAKERS ONLY) FOR NHA/OTHER SYS DET SEE: 24-51-51-05	101102	RF
380	2TC47-2-5		.CIRCUIT BREAKER- SUPPLIER CODE: V82647 SPECIFICATION NUMBER: BACC18AD2 OPTIONAL PART: 4310-029-205 V76374 ELECTRICAL EQUIP NUMBER: C04353	101102	1
- 450	287N4102-1244		PACKAGE ASSY-P6-3 AND P6-4 PWR DISTR (CIRCUIT BREAKERS ONLY) FOR NHA/OTHER SYS DET SEE: 24-51-51-05	101102	RF

MISSING ITEM NUMBERS NOT APPLICABLE

- ITEM NOT ILLUSTRATED

BRI

24-51-52-06

24-51-52
FIG. 06
PAGE 13
JAN 20/09



757
PARTS CATALOG (MAINTENANCE)

FIG ITEM	PART NUMBER	1 2 3 4 5 6 7	NOMENCLATURE	EFFECT FROM TO	UNITS PER ASSY
6 455	6TC6-7-5		.CIRCUIT BREAKER- SUPPLIER CODE: V82647 SPECIFICATION NUMBER: BACC18AC7 OPTIONAL PART: 4330-004-705 V76374 ELECTRICAL EQUIP NUMBER: C00397	101102	1

MISSING ITEM NUMBERS NOT APPLICABLE

- ITEM NOT ILLUSTRATED

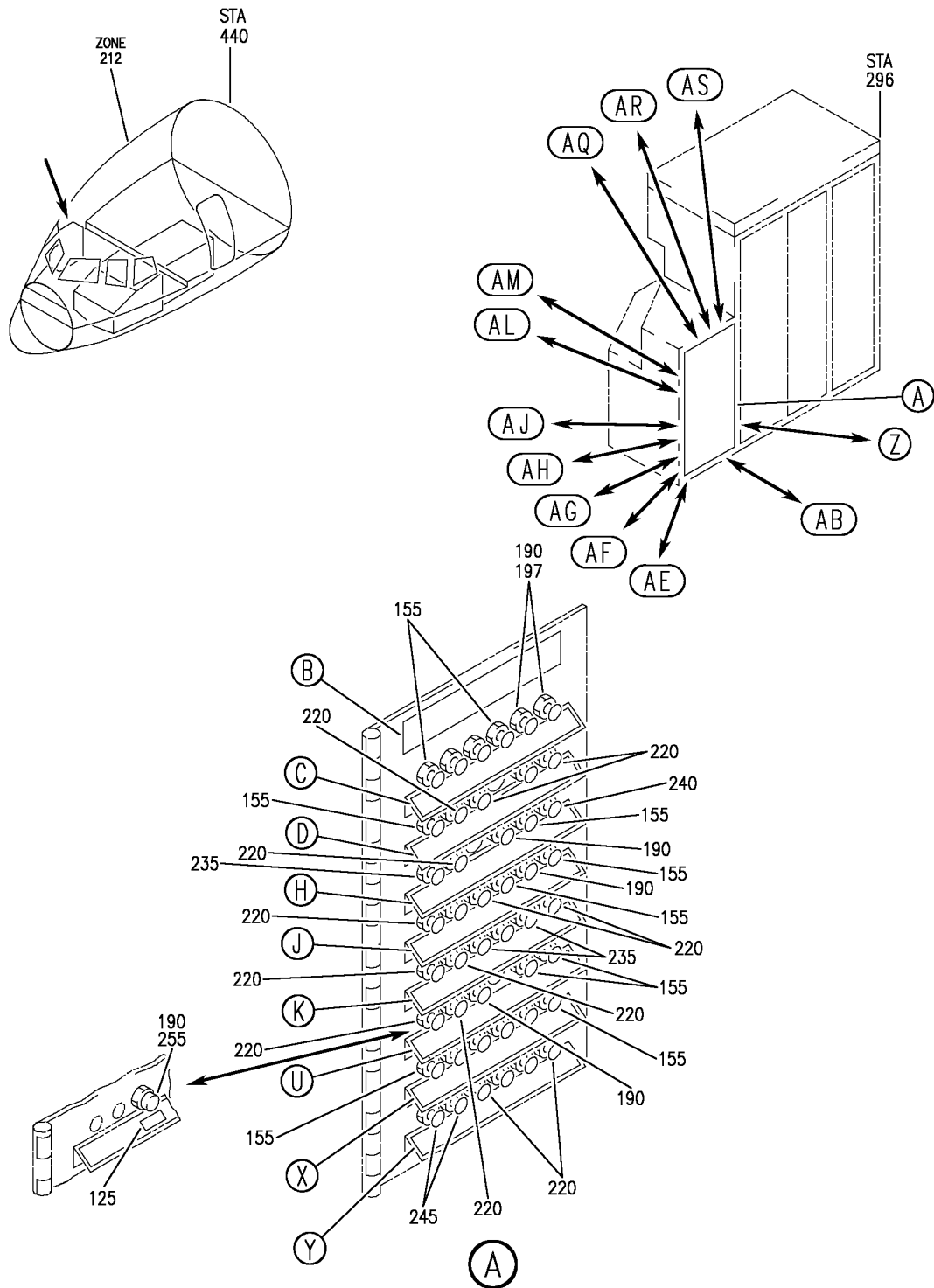
BRI

24-51-52-06

BOEING PROPRIETARY - Copyright © - Unpublished Work - See title page for details.

24-51-52
FIG. 06
PAGE 14
JAN 20/09

BOEING
757
PARTS CATALOG (MAINTENANCE)



Y 24515208 SH-T 1 REV 335

PANEL INSTL-P6-1 PWR DISTR (CIRCUIT BREAKERS ONLY)
FIGURE 8 (SHEET 1)

24-51-52-08

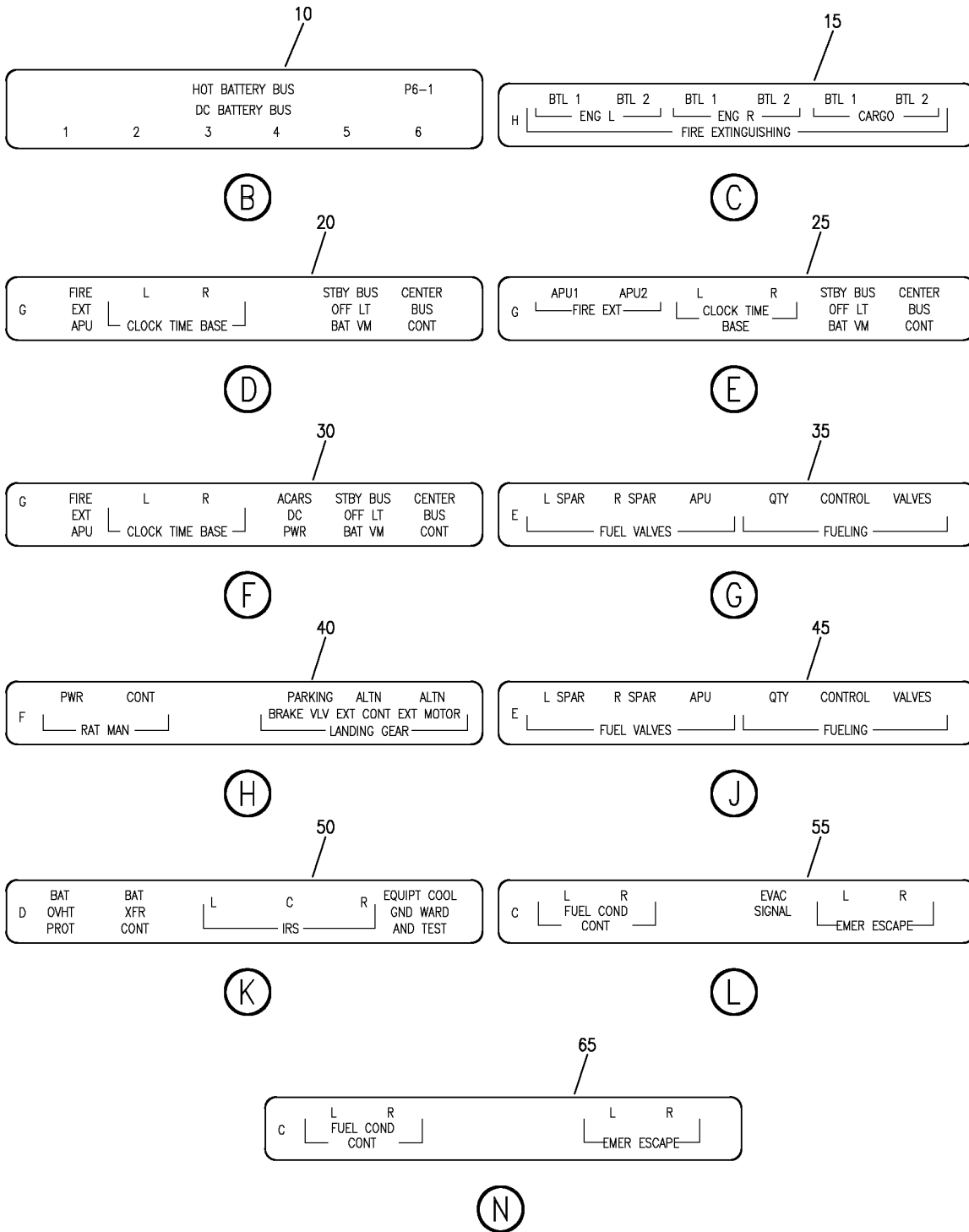
BRI
MAY 20/09

24-51-52-08
PAGE 0

BOEING

757

PARTS CATALOG (MAINTENANCE)



Y 24515208 SH-T 2 REV 330

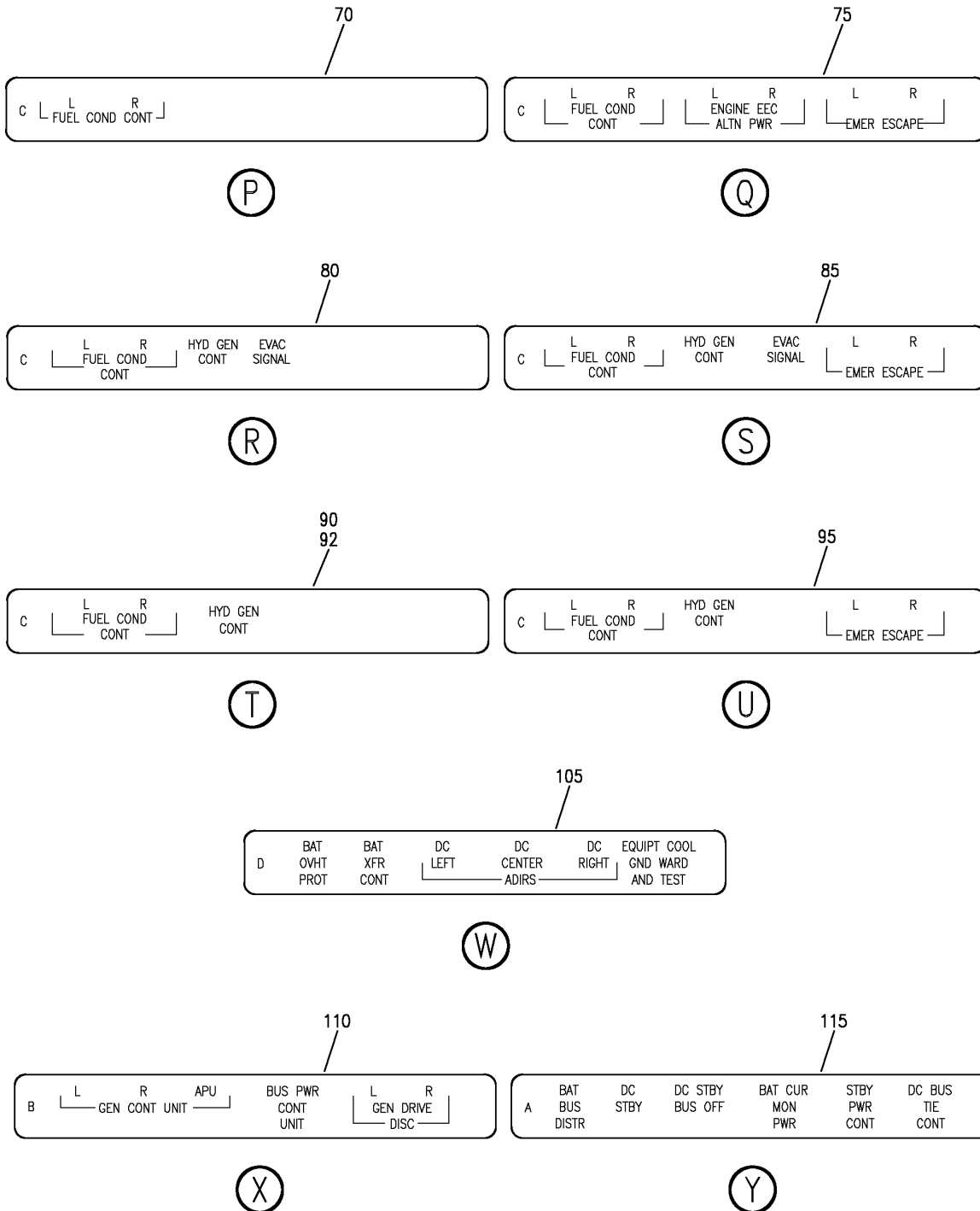
PANEL INSTL-P6-1 PWR DISTR (CIRCUIT BREAKERS ONLY)
FIGURE 8 (SHEET 2)

24-51-52-08

BRI
JAN 20/09

24-51-52-08
PAGE 0A

BOEING
757
PARTS CATALOG (MAINTENANCE)



Y 24515208 SHT 3 REV 330

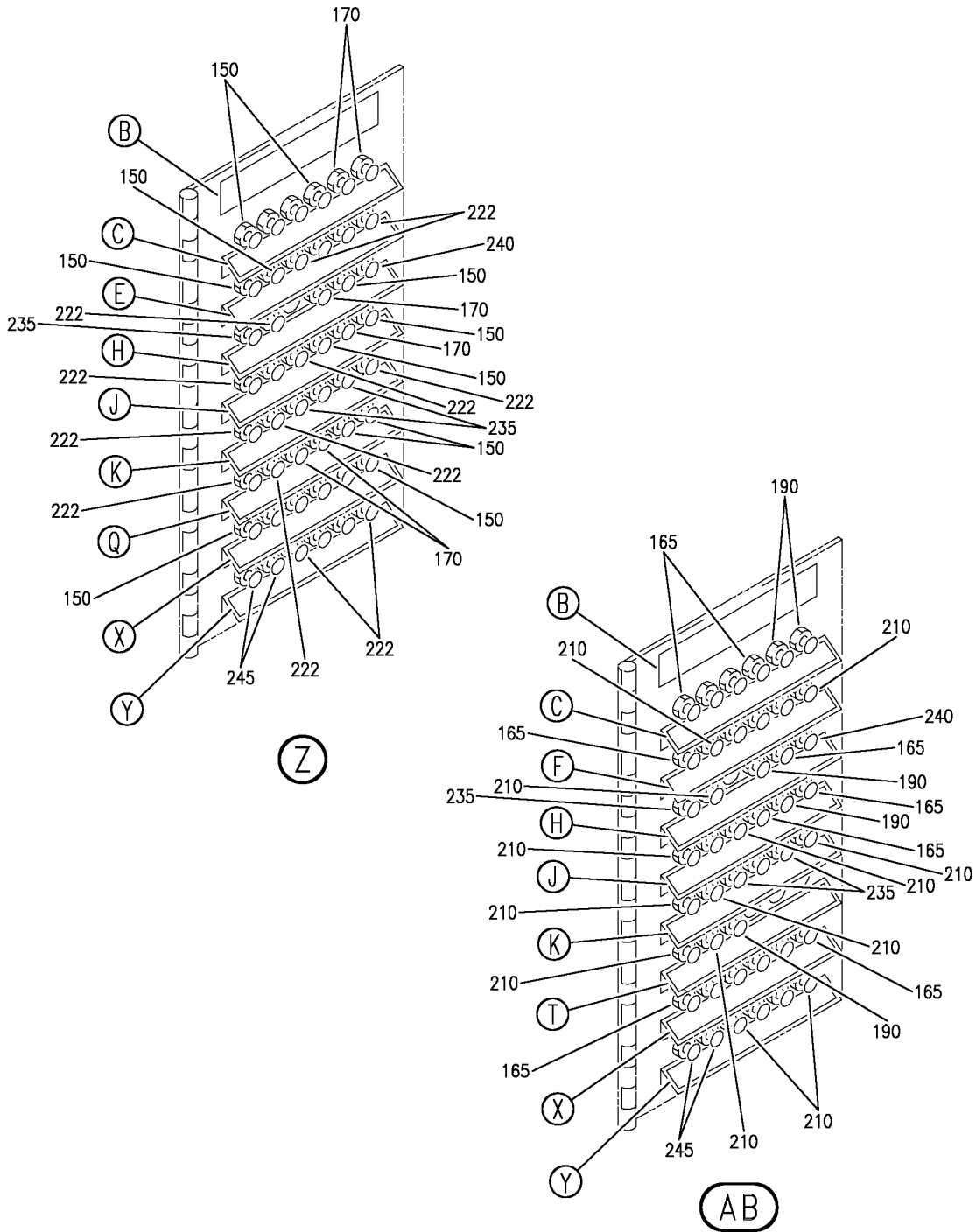
PANEL INSTL-P6-1 PWR DISTR (CIRCUIT BREAKERS ONLY)
FIGURE 8 (SHEET 3)

24-51-52-08

BRI
JAN 20/09

24-51-52-08
PAGE 08


BOEING
 757
PARTS CATALOG (MAINTENANCE)



Y 24515208 SH1 4 REV 330

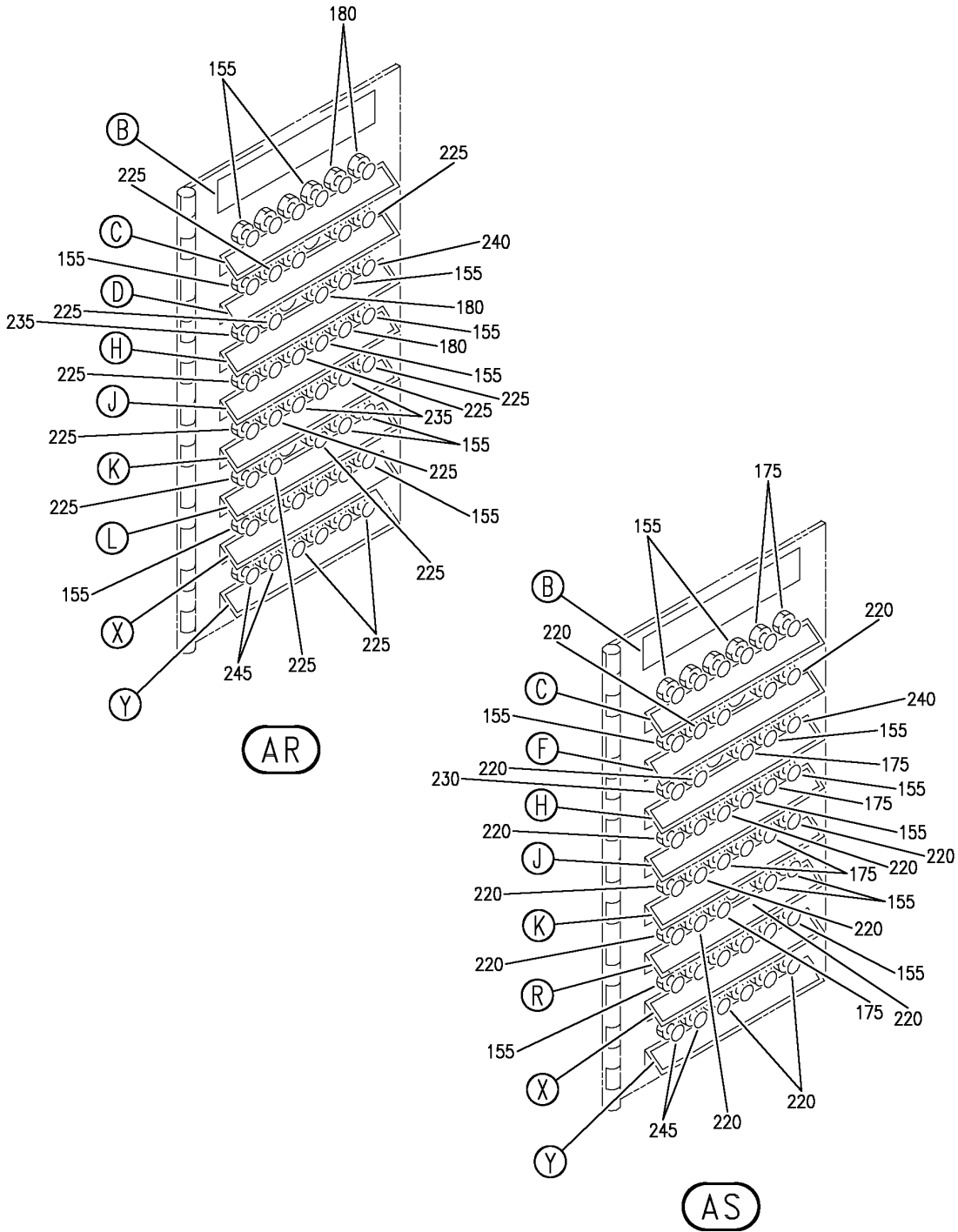
PANEL INSTL-P6-1 PWR DISTR (CIRCUIT BREAKERS ONLY)
 FIGURE 8 (SHEET 4)

24-51-52-08

BRI
JAN 20/09

24-51-52-08
 PAGE 0C


BOEING
 757
PARTS CATALOG (MAINTENANCE)



Y 24515208 SH-T 5 REV 330

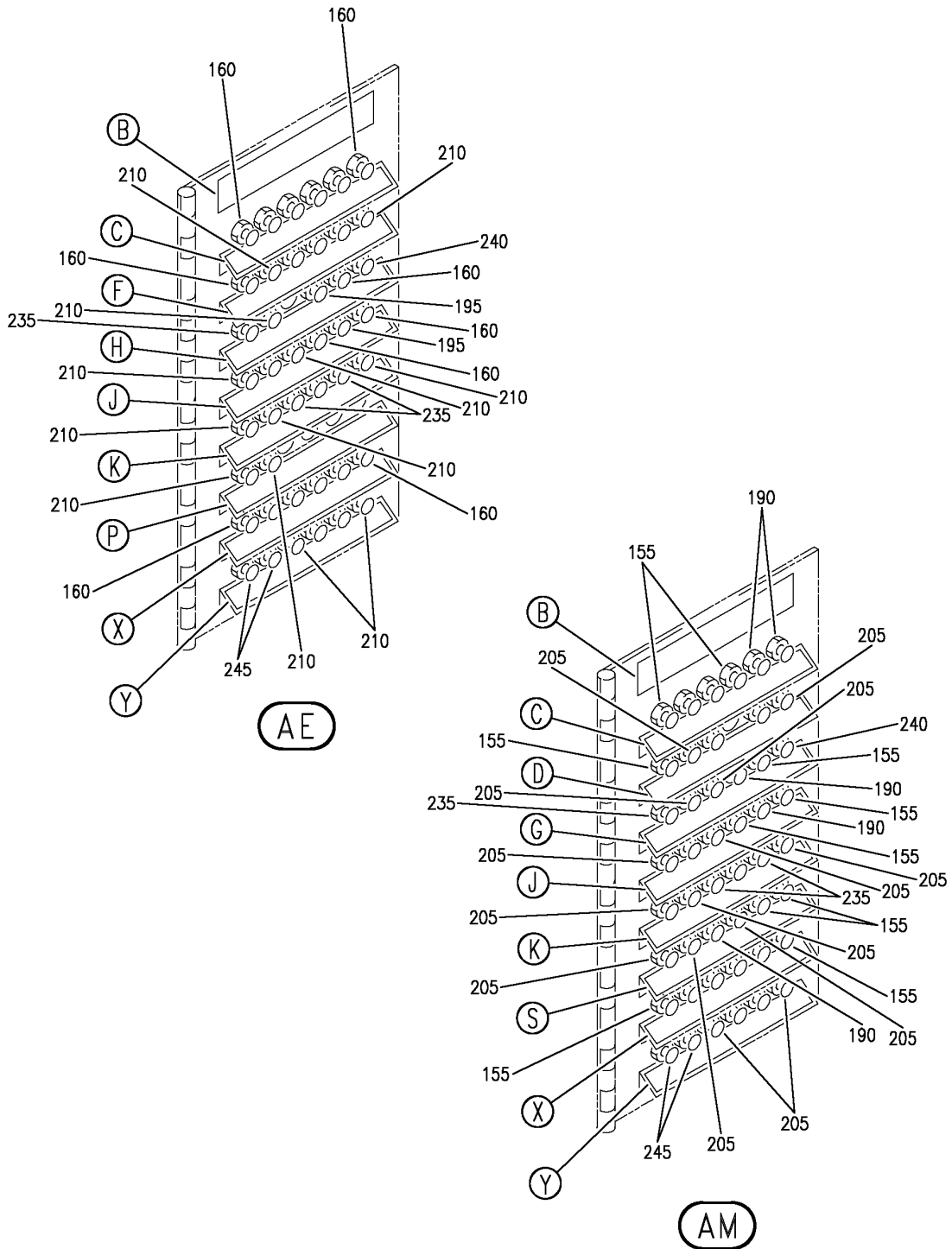
PANEL INSTL-P6-1 PWR DISTR (CIRCUIT BREAKERS ONLY)
 FIGURE 8 (SHEET 5)

24-51-52-08

BRI
 JAN 20/09

24-51-52-08
 PAGE 08

BOEING
757
PARTS CATALOG (MAINTENANCE)



Y 24515208 SH-T 6 REV 335

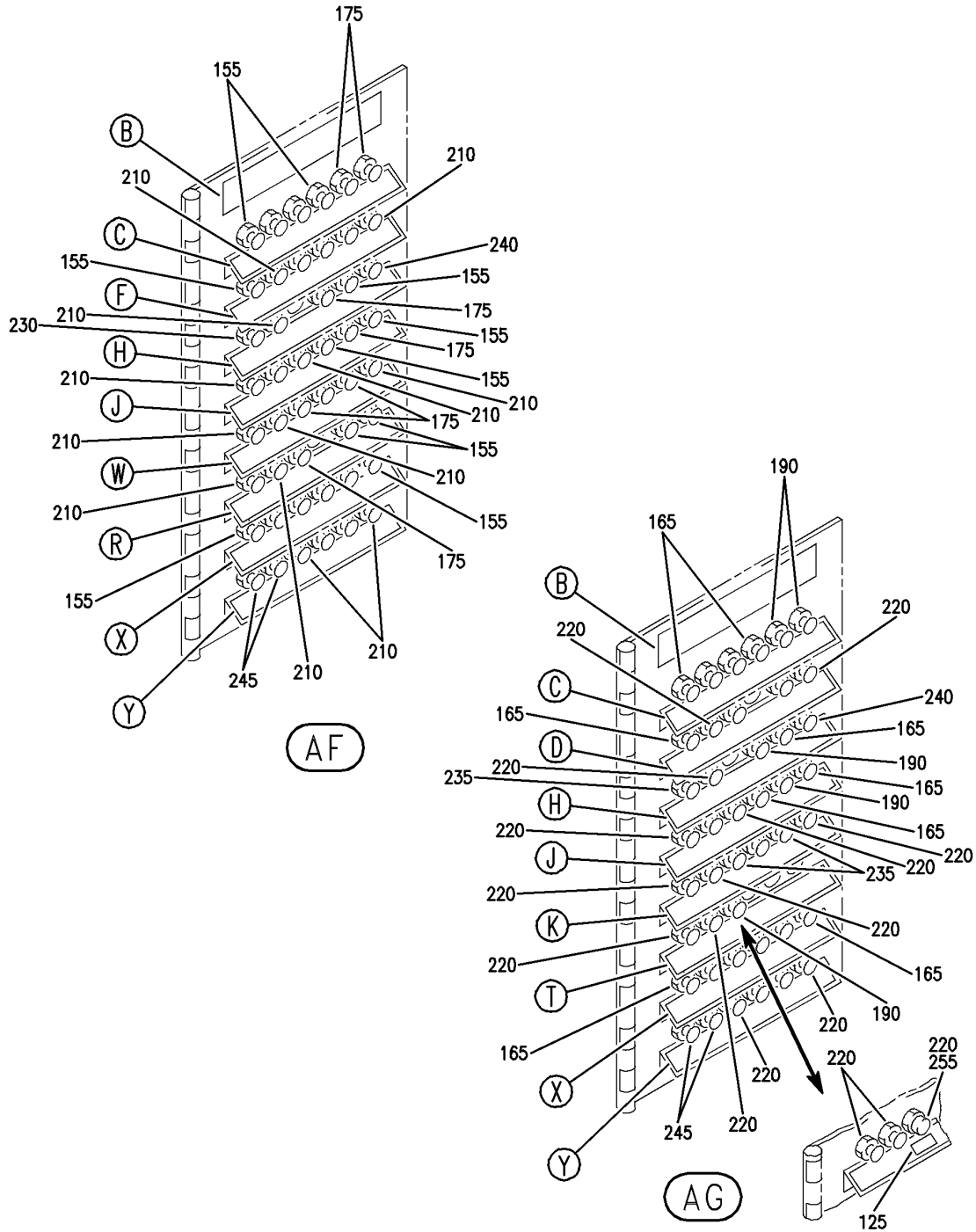
PANEL INSTL-P6-1 PWR DISTR (CIRCUIT BREAKERS ONLY)
FIGURE 8 (SHEET 6)

24-51-52-08

BRI
MAY 20/09

24-51-52-08
PAGE 0E


BOEING
 757
PARTS CATALOG (MAINTENANCE)



Y 24515208 SH7 7 REV 228

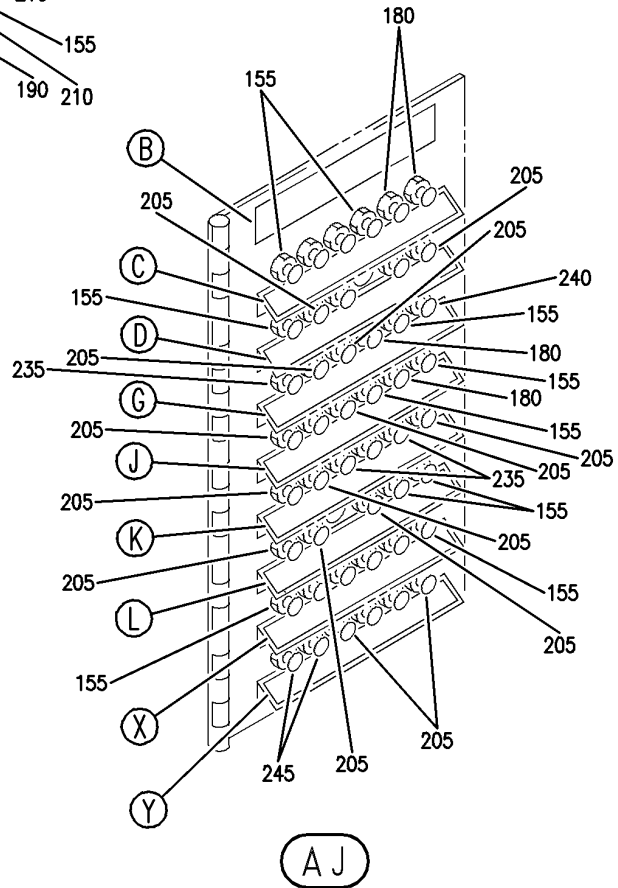
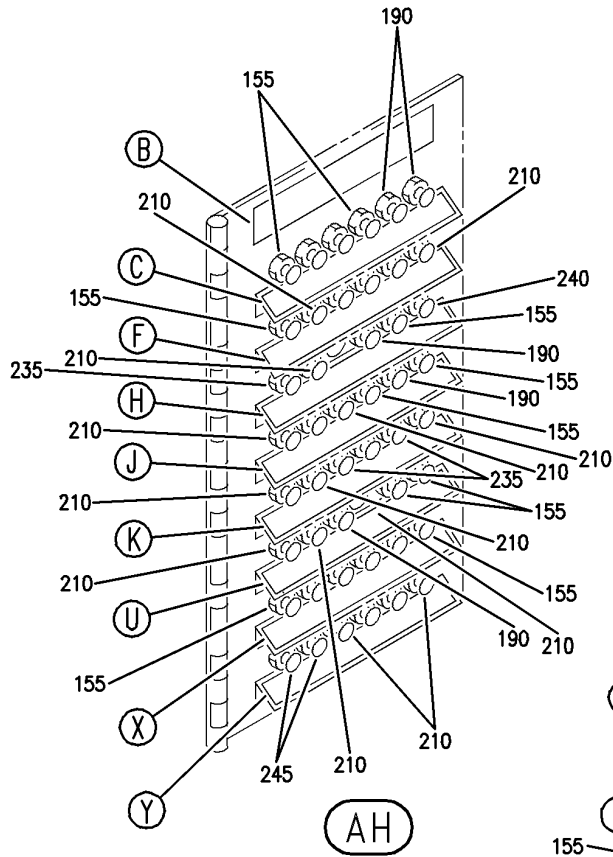
PANEL INSTL-P6-1 PWR DISTR (CIRCUIT BREAKERS ONLY)
 FIGURE 8 (SHEET 7)

24-51-52-08

BRI
JAN 20/09

24-51-52-08
 PAGE OF

BOEING
757
PARTS CATALOG (MAINTENANCE)



Y 24515208 SH 8 REV 228

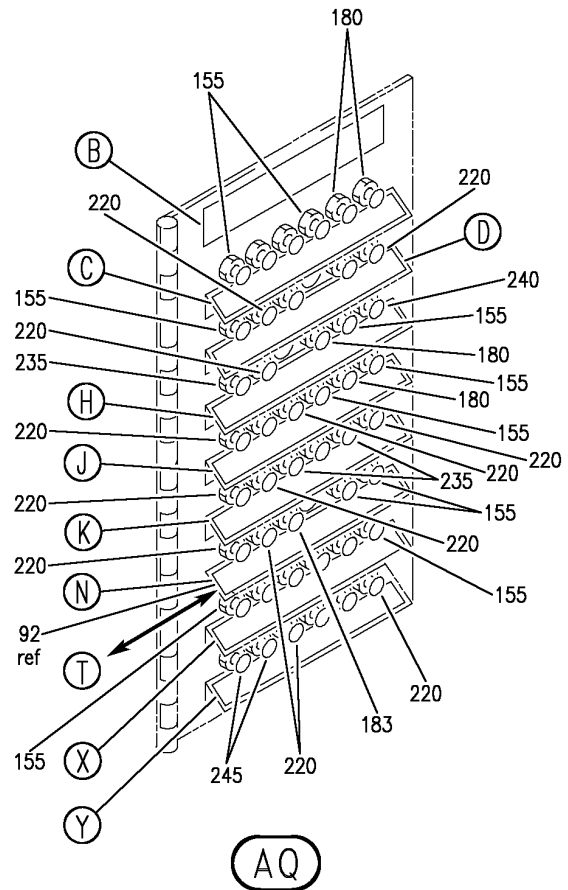
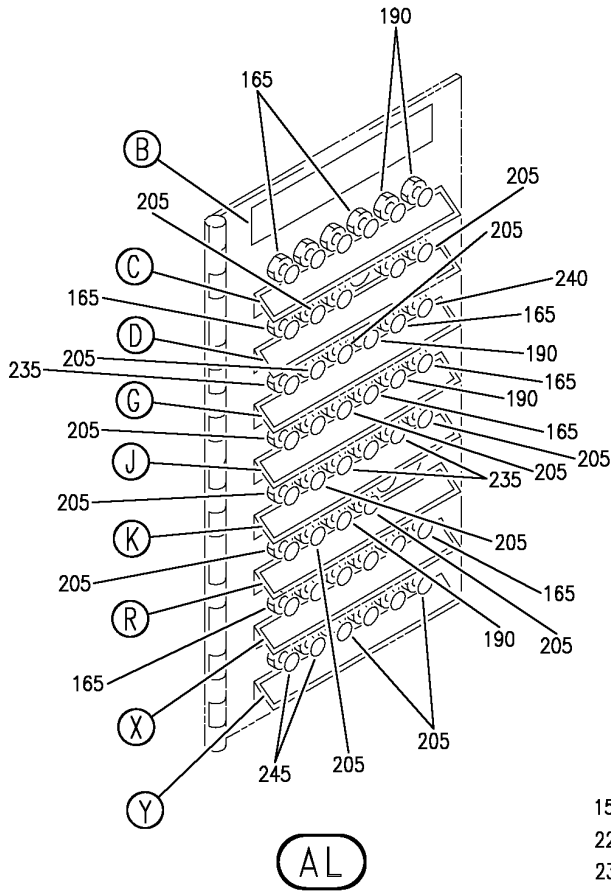
PANEL INSTL-P6-1 PWR DISTR (CIRCUIT BREAKERS ONLY)
FIGURE 8 (SHEET 8)

24-51-52-08

BRI
JAN 20/09

24-51-52-08
PAGE 08


BOEING
 757
PARTS CATALOG (MAINTENANCE)



Y 24515208 SH-T 9 REV 330

PANEL INSTL-P6-1 PWR DISTR (CIRCUIT BREAKERS ONLY)
 FIGURE 8 (SHEET 9)

24-51-52-08

BRI
JAN 20/09

24-51-52-08
 PAGE 0H



757

PARTS CATALOG (MAINTENANCE)

FIG ITEM	PART NUMBER	1 2 3 4 5 6 7	NOMENCLATURE	EFFECT FROM TO	UNITS PER ASSY
8			PANEL INSTL-P6-1 PWR DISTR (CIRCUIT BREAKERS ONLY)	103106 108120	
- 1	287N4102-408		PANEL INSTL-P6-1 PWR DISTR (CIRCUIT BREAKERS ONLY)	108120	RF
			FOR NHA/OTHER SYS DET SEE: 24-00-58-05F		
- 4	MODREF31408		PANEL INSTL-P6-1 PWR DISTR (CIRCUIT BREAKERS ONLY)	103106	1
			MODULE NUMBER: 287N4102-437 REV A		
			FOR OTHER SYS DETAILS SEE: 11-34-05-07 24-31-06-01 24-31-71-09 24-32-02-01 24-32-03-01 24-33-01-01 24-53-52-02 31-01-06-02		
			FOR ADDITIONAL DETAILS SEE: 24-51-05-01 24-51-06-01 24-51-07-01 24-51-52-09 24-51-52-10 24-51-73-02		
10	BAC27NEL0018	.DECAL		103106 108120	1
15	BAC27NEL0982	.DECAL		103106 108120	1
20	BAC27NEL0983	.DECAL		103106 108120	1
40	BAC27NEL0965	.DECAL		103106 108120	1
45	BAC27NEL0984	.DECAL		103106 108120	1
50	BAC27NEX2110	.DECAL		108120	1
90	BAC27NEX2078	.DECAL		103106 108120	1
105	BAC27NEX3083	.DECAL		103106	1
110	BAC27NEL0061	.DECAL		103106 108120	1
115	BAC27NEL0986	.DECAL		103106 108120	1

MISSING ITEM NUMBERS NOT APPLICABLE

- ITEM NOT ILLUSTRATED

24-51-52-08

24-51-52
FIG. 08
PAGE 1
JAN 20/09

BRI



757

PARTS CATALOG (MAINTENANCE)

FIG ITEM	PART NUMBER	1 2 3 4 5 6 7	NOMENCLATURE	EFFECT FROM TO	UNITS PER ASSY
8 165	2TC47-7-5		.CIRCUIT BREAKER- SUPPLIER CODE: V82647 SPECIFICATION NUMBER: BACC18AD7 OPTIONAL PART: 4310-029-705 V76374 ELECTRICAL EQUIP NUMBER: C00778 C00779 C00780 C00786 C00787 C00804 C00805 C00806 C00807 C00808 C00809 C01045 C01046 C04177	103106 108120	14
175	2TC47-5		.CIRCUIT BREAKER- SUPPLIER CODE: V82647 SPECIFICATION NUMBER: BACC18AD5 OPTIONAL PART: 4310-029-5 V76374 ELECTRICAL EQUIP NUMBER: C00773 C00781 C01043 C01179 C04572 C04349 C04570 C04571	103106	8

MISSING ITEM NUMBERS NOT APPLICABLE

- ITEM NOT ILLUSTRATED

BRI

24-51-52-08

BOEING PROPRIETARY - Copyright © - Unpublished Work - See title page for details.

24-51-52
FIG. 08
PAGE 2
JAN 20/09



757

PARTS CATALOG (MAINTENANCE)

FIG ITEM	PART NUMBER	1 2 3 4 5 6 7	NOMENCLATURE	EFFECT FROM TO	UNITS PER ASSY
8 190	2TC47-5		.CIRCUIT BREAKER- SUPPLIER CODE: V82647 SPECIFICATION NUMBER: BACC18AD5 OPTIONAL PART: 4310-029-5 V76374 ELECTRICAL EQUIP NUMBER: C00773 C00781 C01043 C01179 C04349	108120	5
220	2TC47-2-5		.CIRCUIT BREAKER- SUPPLIER CODE: V82647 SPECIFICATION NUMBER: BACC18AD2 OPTIONAL PART: 4310-029-205 V76374 ELECTRICAL EQUIP NUMBER: C00563 C00576 C00811 C00814 C00827 C00828 C00879 C00880 C01061 C01062 C01063 C04070 C04097 C04136 C04137 C04217 C04287	103106 108120	17

MISSING ITEM NUMBERS NOT APPLICABLE

- ITEM NOT ILLUSTRATED

BRI

24-51-52-08

BOEING PROPRIETARY - Copyright © - Unpublished Work - See title page for details.

24-51-52
FIG. 08
PAGE 3
JAN 20/09



757

PARTS CATALOG (MAINTENANCE)

FIG ITEM	PART NUMBER	1 2 3 4 5 6 7	NOMENCLATURE	EFFECT FROM TO	UNITS PER ASSY
8 230	2TC47-10		.CIRCUIT BREAKER- SUPPLIER CODE: V82647 SPECIFICATION NUMBER: BACC18AD10 OPTIONAL PART: 4310-029-10 V76374 ELECTRICAL EQUIP NUMBER: C04062	103106	1
235	2TC47-10		.CIRCUIT BREAKER- SUPPLIER CODE: V82647 SPECIFICATION NUMBER: BACC18AD10 OPTIONAL PART: 4310-029-10 V76374 ELECTRICAL EQUIP NUMBER: C00614 C00620 C00621 C04062	108120	4
240	700-038-35		.CIRCUIT BREAKER- SUPPLIER CODE: V76374 SPECIFICATION NUMBER: BACC18X35 OPTIONAL PART: 492-235-103 V79405 492-235-104 V79405 ELECTRICAL EQUIP NUMBER: C04248	103106 108120	1
245	700-038-25		.CIRCUIT BREAKER- SUPPLIER CODE: V76374 SPECIFICATION NUMBER: BACC18X25 OPTIONAL PART: 492-225-103 V79405 492-225-104 V79405 ELECTRICAL EQUIP NUMBER: C00829 C00872	103106 108120	2

MISSING ITEM NUMBERS NOT APPLICABLE

- ITEM NOT ILLUSTRATED

24-51-52-08

24-51-52
FIG. 08
PAGE 4
JAN 20/09

BRI



757

PARTS CATALOG (MAINTENANCE)

FIG ITEM	PART NUMBER	1 2 3 4 5 6 7	NOMENCLATURE	EFFECT FROM TO	UNITS PER ASSY
8					
- 265	BACP20B43B		.PLUG- MISCELLANEOUS DATA: USE IN PLACE OF CIRCUIT BREAKERS ON OPEN HOLES	103106	AR
- 265	BACP20B43B		.PLUG- MISCELLANEOUS DATA: USE IN PLACE OF CIRCUIT BREAKERS ON OPEN HOLES	108120	AR

MISSING ITEM NUMBERS NOT APPLICABLE

- ITEM NOT ILLUSTRATED

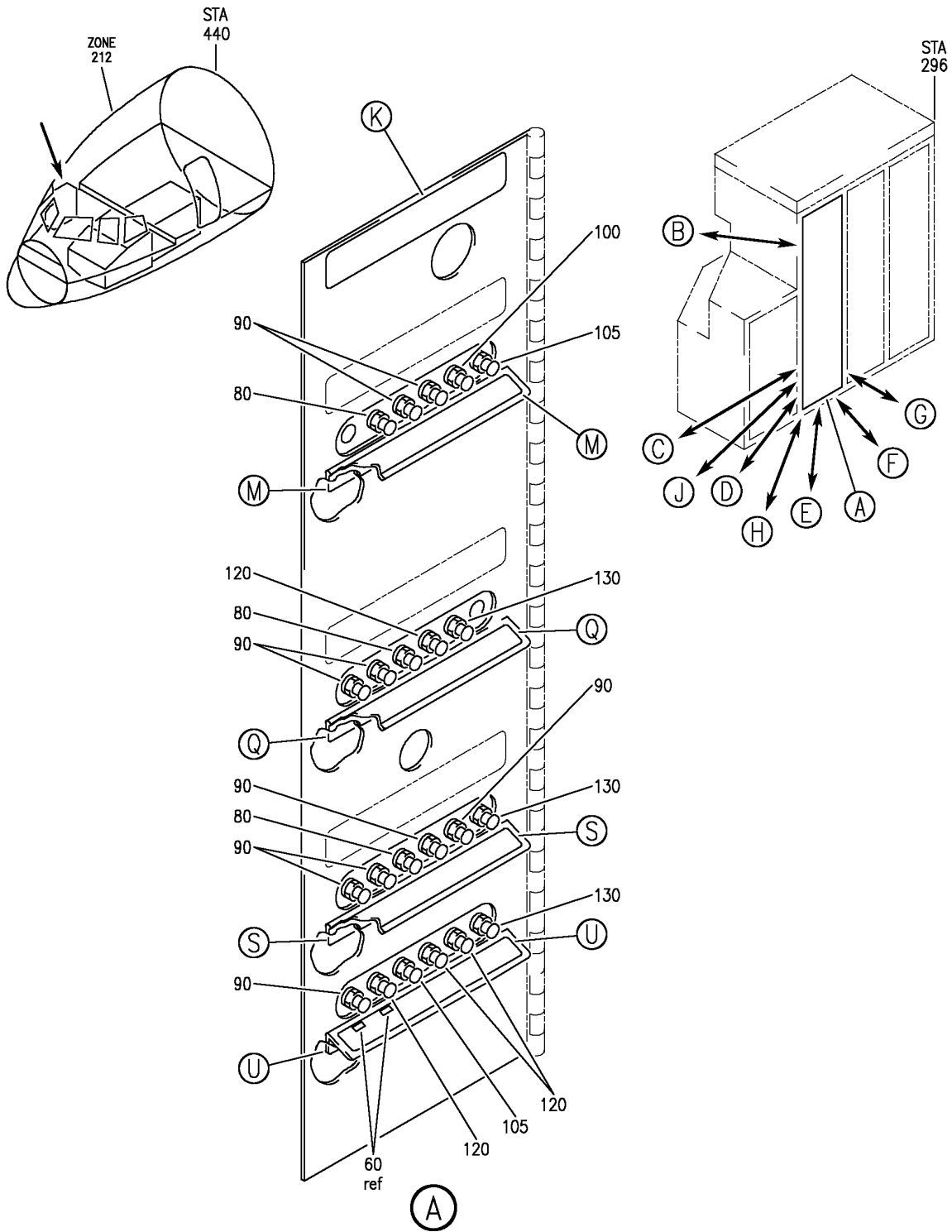
BRI

24-51-52-08

BOEING PROPRIETARY - Copyright © - Unpublished Work - See title page for details.

24-51-52
FIG. 08
PAGE 5
JAN 20/09

BOEING
757
PARTS CATALOG (MAINTENANCE)



Y 24515209 SH1 1 REV 334

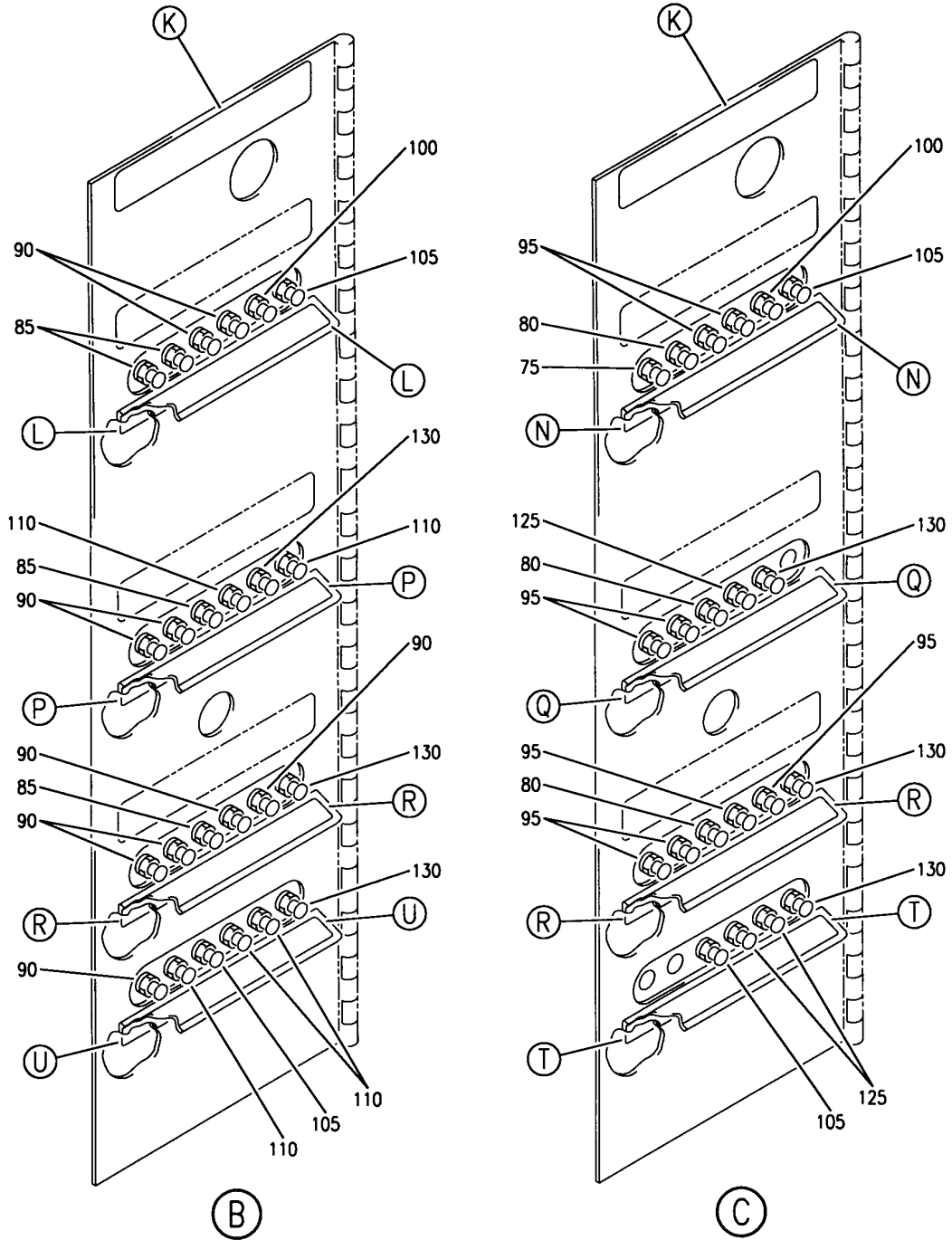
PANEL INSTL-P6-2 PWR DISTR (CIRCUIT BREAKERS ONLY)
FIGURE 9 (SHEET 1)

24-51-52-09

BRI
MAY 20/09

24-51-52-09
PAGE 0

BOEING
757
PARTS CATALOG (MAINTENANCE)



Y 24515209 SHT 2 REV 228

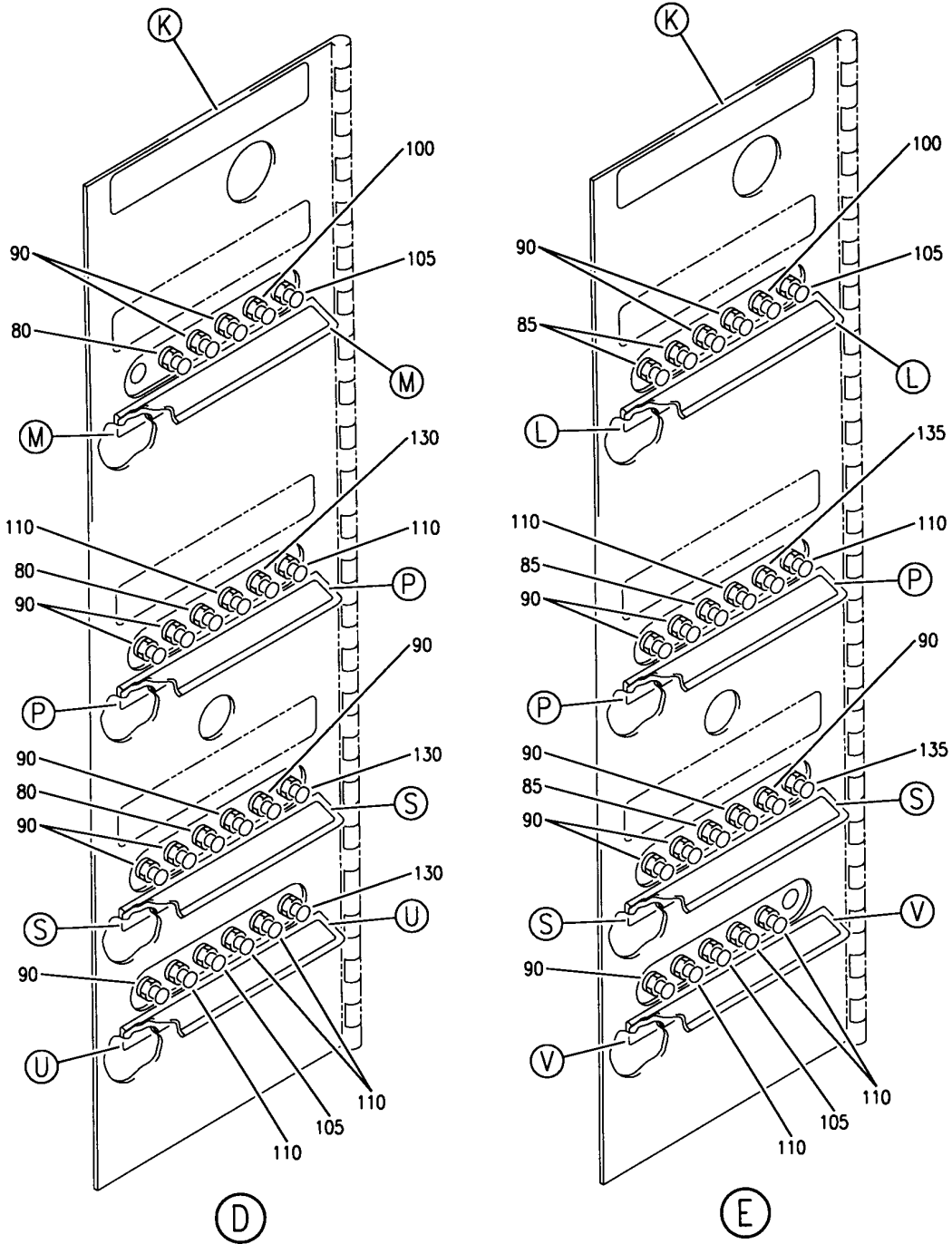
PANEL INSTL-P6-2 PWR DISTR (CIRCUIT BREAKERS ONLY)
FIGURE 9 (SHEET 2)

24-51-52-09

BRI
JAN 20/09

24-51-52-09
PAGE 0A

BOEING
757
PARTS CATALOG (MAINTENANCE)



Y 24515209 SHT 3 REV 228

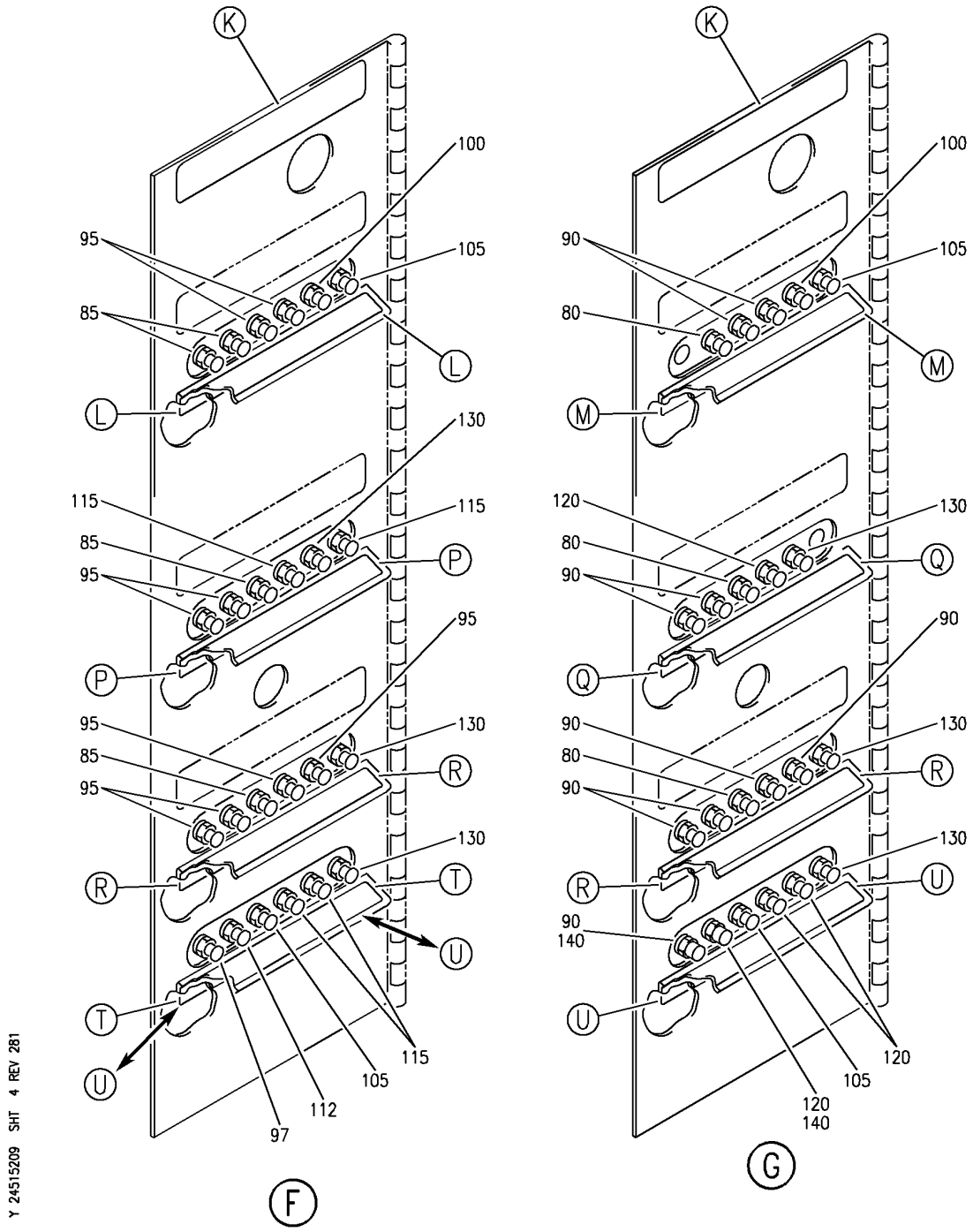
PANEL INSTL-P6-2 PWR DISTR (CIRCUIT BREAKERS ONLY)
FIGURE 9 (SHEET 3)

24-51-52-09

BRI
JAN 20/09

24-51-52-09
PAGE 0B

BOEING
757
PARTS CATALOG (MAINTENANCE)



Y 24515209 SHT 4 REV 281

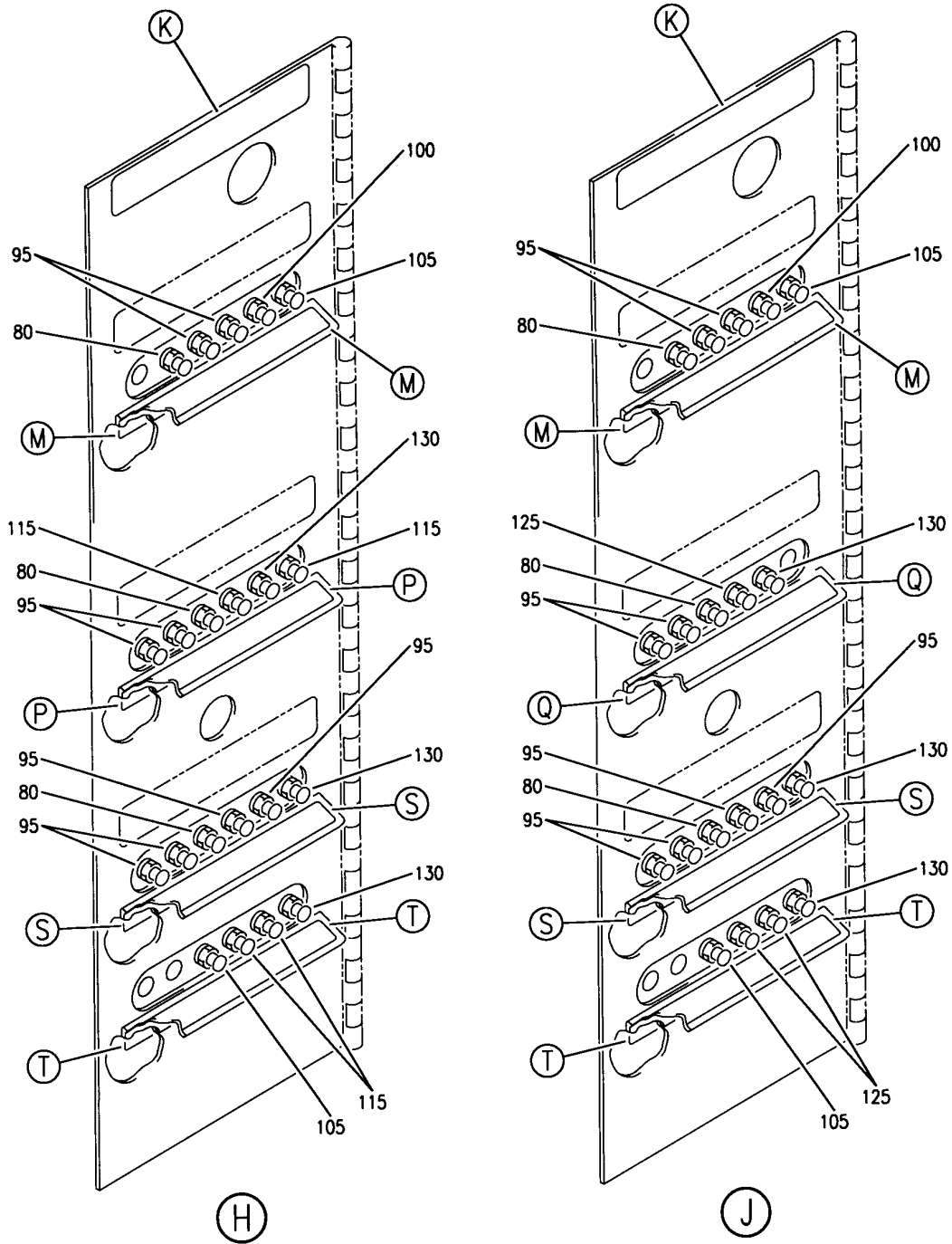
PANEL INSTL-P6-2 PWR DISTR (CIRCUIT BREAKERS ONLY)
FIGURE 9 (SHEET 4)

24-51-52-09

BRI
JAN 20/09

24-51-52-09
PAGE 0C


BOEING
 757
PARTS CATALOG (MAINTENANCE)



Y 24515209 SHT 5 REV 228

PANEL INSTL-P6-2 PWR DISTR (CIRCUIT BREAKERS ONLY)
 FIGURE 9 (SHEET 5)

24-51-52-09

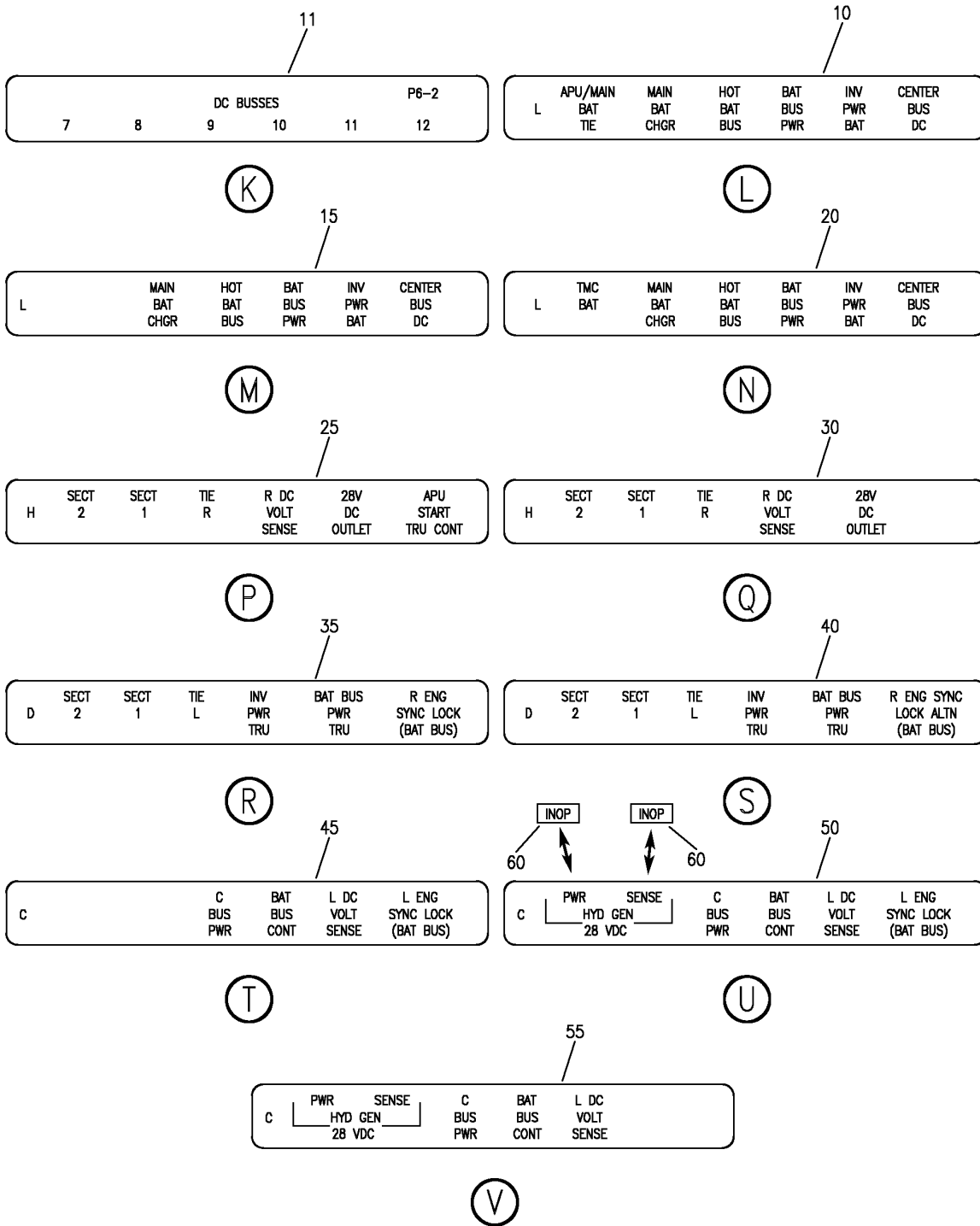
BRI
 JAN 20/09

24-51-52-09
 PAGE 0D

BOEING

757

PARTS CATALOG (MAINTENANCE)



Y 24515209 SH-T 6 REV 334

PANEL INSTL-P6-2 PWR DISTR (CIRCUIT BREAKERS ONLY)
FIGURE 9 (SHEET 6)

24-51-52-09

BRI
MAY 20/09

24-51-52-09
PAGE 0E



757

PARTS CATALOG (MAINTENANCE)

FIG ITEM	PART NUMBER	1 2 3 4 5 6 7	NOMENCLATURE	EFFECT FROM TO	UNITS PER ASSY
9			PANEL INSTL-P6-2 PWR DISTR (CIRCUIT BREAKERS ONLY)	103106 108120	
- 1	287N4102-408		PANEL INSTL-P6-2 PWR DISTR (CIRCUIT BREAKERS ONLY)	108120	RF
			FOR NHA/OTHER SYS DET SEE: 24-00-58-05F		
- 4	MODREF31408		PANEL INSTL-P6-2 PWR DISTR (CIRCUIT BREAKERS ONLY)	103106	1
			MODULE NUMBER: 287N4102-437 REV A		
			FOR OTHER SYS DETAILS SEE: 11-34-05-07 24-31-06-01 24-31-71-09 24-32-02-01 24-32-03-01 24-33-01-01 24-53-52-02 31-01-06-02		
			FOR ADDITIONAL DETAILS SEE: 24-51-05-01 24-51-06-01 24-51-07-01 24-51-52-08 24-51-52-10 24-51-73-02		
11	BAC27NEL0075	.DECAL		103106 108120	1
13	BAC27NEL0988	.DECAL-		103106 108120	2
25	BAC27NEL0989	.DECAL		103106 108120	2
40	BAC27NEX2793	.DECAL		103106 108120	2
50	BAC27NEX2773	.DECAL-		103106 108120	2
85	160-003-100	.CIRCUIT BREAKER-		103106 108120	4
		SUPPLIER CODE: V76374			
		SPECIFICATION NUMBER: BACC18R100C			
		ELECTRICAL EQUIP NUMBER: C00881 C00889 C00896 C04282			

MISSING ITEM NUMBERS NOT APPLICABLE

- ITEM NOT ILLUSTRATED

BRI

24-51-52-09

24-51-52
FIG. 09
PAGE 1
JAN 20/09



757

PARTS CATALOG (MAINTENANCE)

FIG ITEM	PART NUMBER	1 2 3 4 5 6 7	NOMENCLATURE	EFFECT FROM TO	UNITS PER ASSY
9 90	1200-009-50		.CIRCUIT BREAKER- SUPPLIER CODE: V76374 SPECIFICATION NUMBER: BACC18X50 OPTIONAL PART: 450-250-104 V79405 ELECTRICAL EQUIP NUMBER: C00882 C00883 C00885 C00886 C00890 C00891 C00897 C00898 C04348	103106 108120	9
100	160-003-75		.CIRCUIT BREAKER- SUPPLIER CODE: V76374 SPECIFICATION NUMBER: BACC18R75C OPTIONAL PART: 160-012-75 V76374 ELECTRICAL EQUIP NUMBER: C00813	103106 108120	1
105	2TC47-10		.CIRCUIT BREAKER- SUPPLIER CODE: V82647 SPECIFICATION NUMBER: BACC18AD10 OPTIONAL PART: 4310-029-10 V76374 ELECTRICAL EQUIP NUMBER: C00884 C00899	103106 108120	2

MISSING ITEM NUMBERS NOT APPLICABLE

- ITEM NOT ILLUSTRATED

BRI

24-51-52-09

BOEING PROPRIETARY - Copyright © - Unpublished Work - See title page for details.

24-51-52
FIG. 09
PAGE 2
JAN 20/09



757

PARTS CATALOG (MAINTENANCE)

FIG ITEM	PART NUMBER	1 2 3 4 5 6 7	NOMENCLATURE	EFFECT FROM TO	UNITS PER ASSY
9 110	2TC47-2-5		.CIRCUIT BREAKER- SUPPLIER CODE: V82647 SPECIFICATION NUMBER: BACC18AD2 OPTIONAL PART: 4310-029-205 V76374 ELECTRICAL EQUIP NUMBER: C00550 C00865 C00887 C04142 C04143	103106 108120	5
130	2TC47-5		.CIRCUIT BREAKER- SUPPLIER CODE: V82647 SPECIFICATION NUMBER: BACC18AD5 OPTIONAL PART: 4310-029-5 V76374 ELECTRICAL EQUIP NUMBER: C04234 C04472 C04474	103106 108120	3
- 145	BACP20B43B		.PLUG- MISCELLANEOUS DATA: USE IN PLACE OF CIRCUIT BREAKERS ON OPEN HOLES	103106	AR

MISSING ITEM NUMBERS NOT APPLICABLE

- ITEM NOT ILLUSTRATED

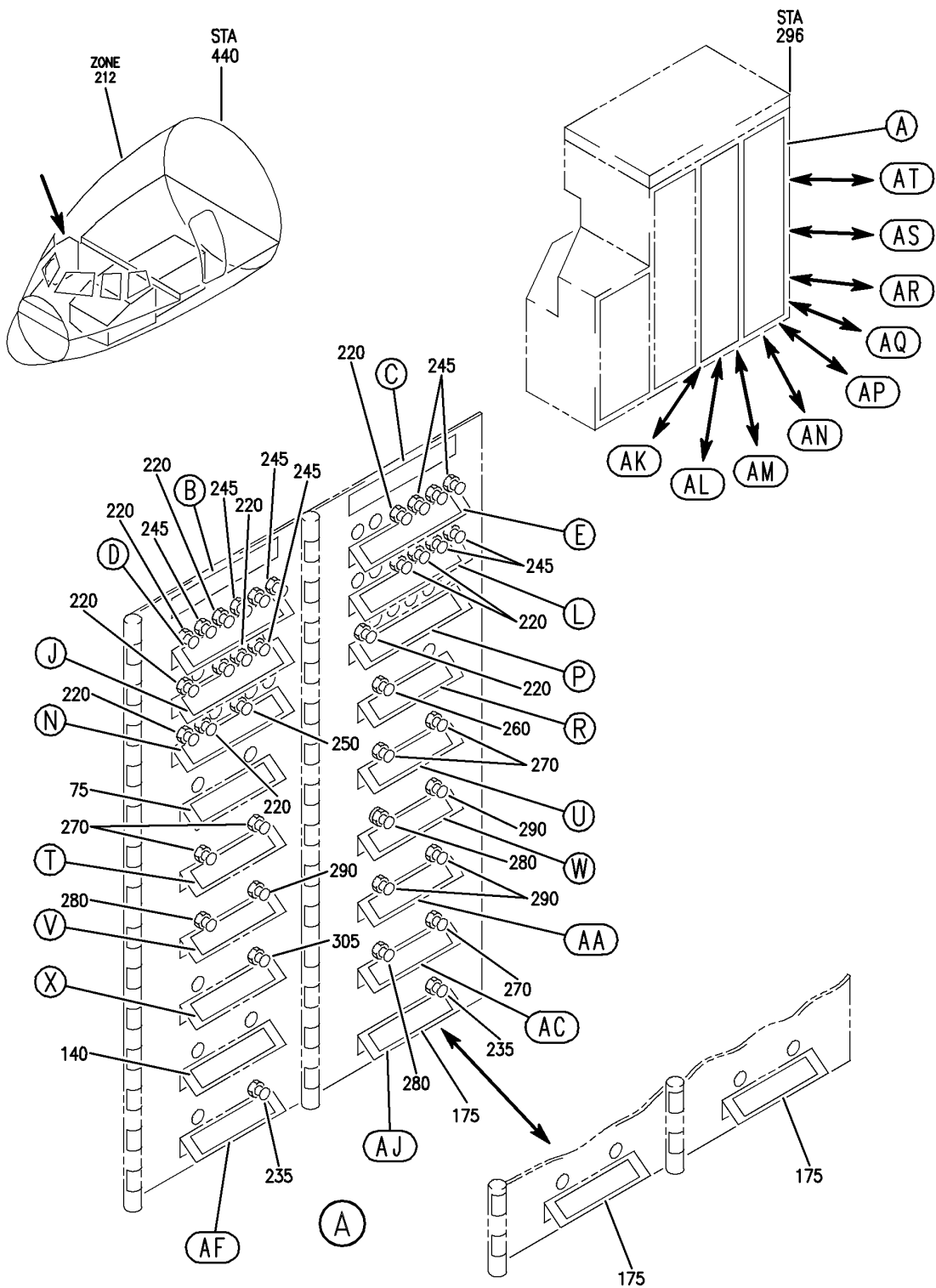
BRI

24-51-52-09

BOEING PROPRIETARY - Copyright © - Unpublished Work - See title page for details.

24-51-52
FIG. 09
PAGE 3
JAN 20/09

BOEING
757
PARTS CATALOG (MAINTENANCE)



Y 24515210 SHT 1 REV 229

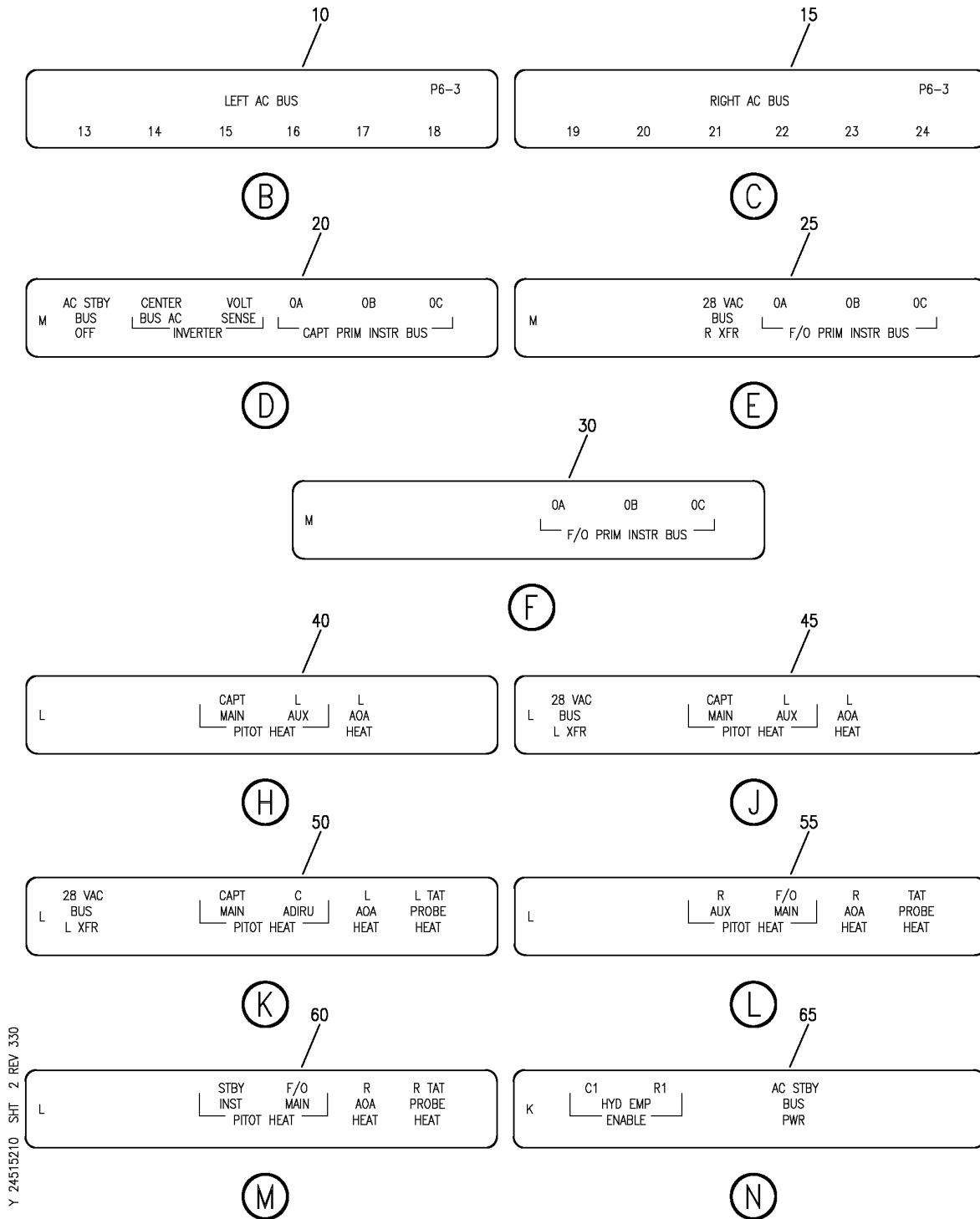
PANEL INSTL-P6-3/P6-4 PWR DISTR (CIRCUIT BREAKERS ONLY)
FIGURE 10 (SHEET 1)

24-51-52-10

BRI
JAN 20/09

24-51-52-10
PAGE 0

BOEING
757
PARTS CATALOG (MAINTENANCE)



Y 24515210 SH1 2 REV 330

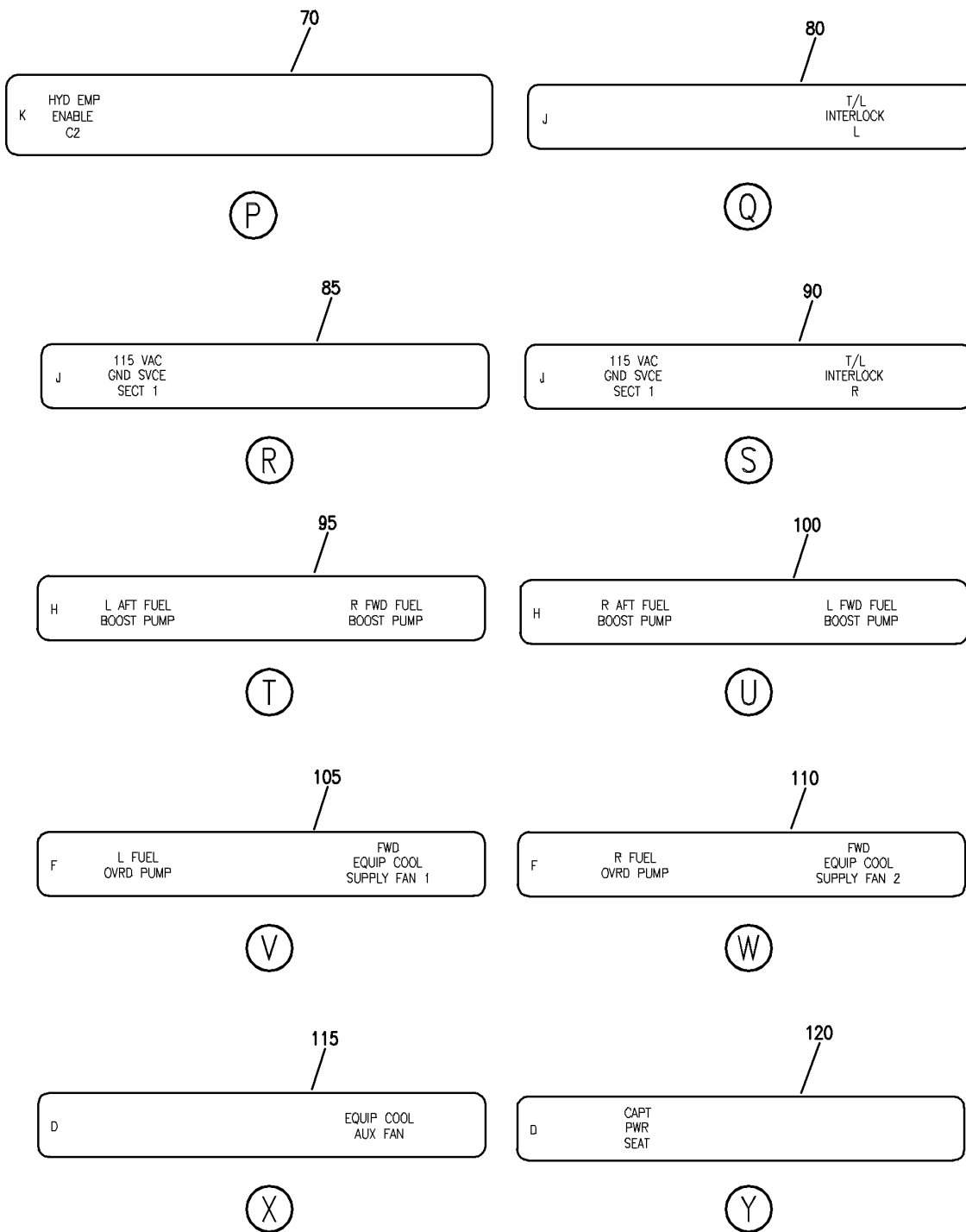
PANEL INSTL-P6-3/P6-4 PWR DISTR (CIRCUIT BREAKERS ONLY)
FIGURE 10 (SHEET 2)

24-51-52-10

BRI
JAN 20/09

24-51-52-10
PAGE 0A

BOEING
757
PARTS CATALOG (MAINTENANCE)



Y 24515210 SH1 3 REV 229

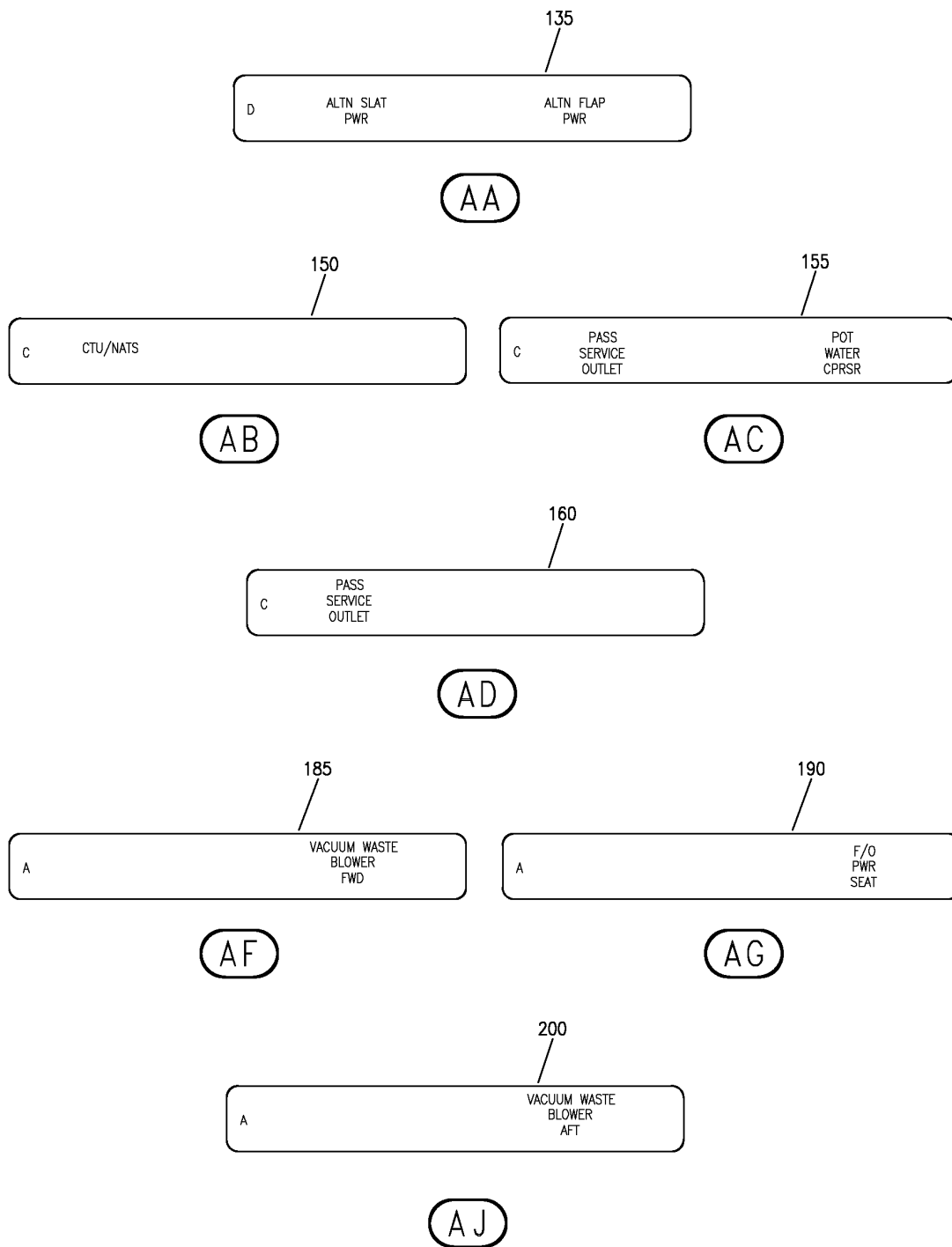
PANEL INSTL-P6-3/P6-4 PWR DISTR (CIRCUIT BREAKERS ONLY)
FIGURE 10 (SHEET 3)

24-51-52-10

BRI
JAN 20/09

24-51-52-10
PAGE 0B

BOEING
757
PARTS CATALOG (MAINTENANCE)



Y 24515210 SH1 4 REV 330

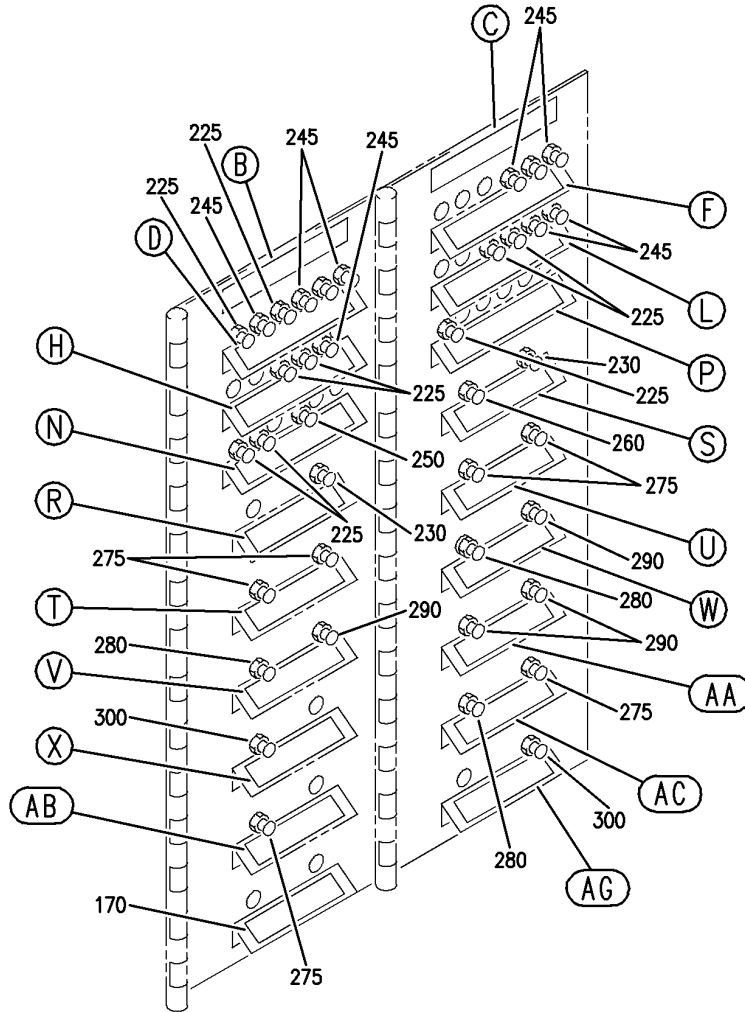
PANEL INSTL-P6-3/P6-4 PWR DISTR (CIRCUIT BREAKERS ONLY)
FIGURE 10 (SHEET 4)

24-51-52-10

BRI
JAN 20/09

24-51-52-10
PAGE 0C

BOEING
757
PARTS CATALOG (MAINTENANCE)



(AK)

Y 24515210 SHT 5 REV 229

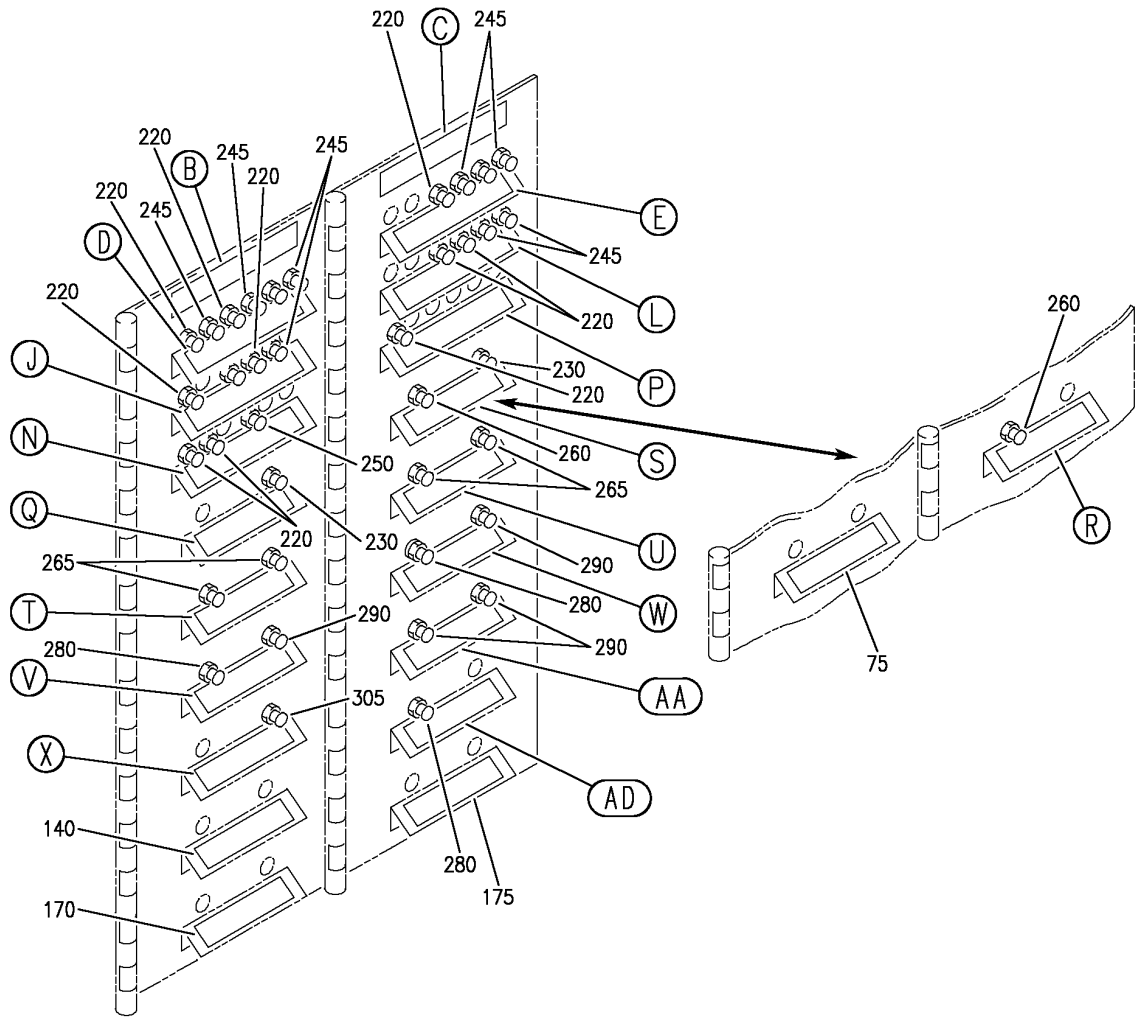
PANEL INSTL-P6-3/P6-4 PWR DISTR (CIRCUIT BREAKERS ONLY)
FIGURE 10 (SHEET 5)

24-51-52-10

BRI
JAN 20/09

24-51-52-10
PAGE 0D

BOEING
757
PARTS CATALOG (MAINTENANCE)



Y 24515210 SH-T 6 REV 330

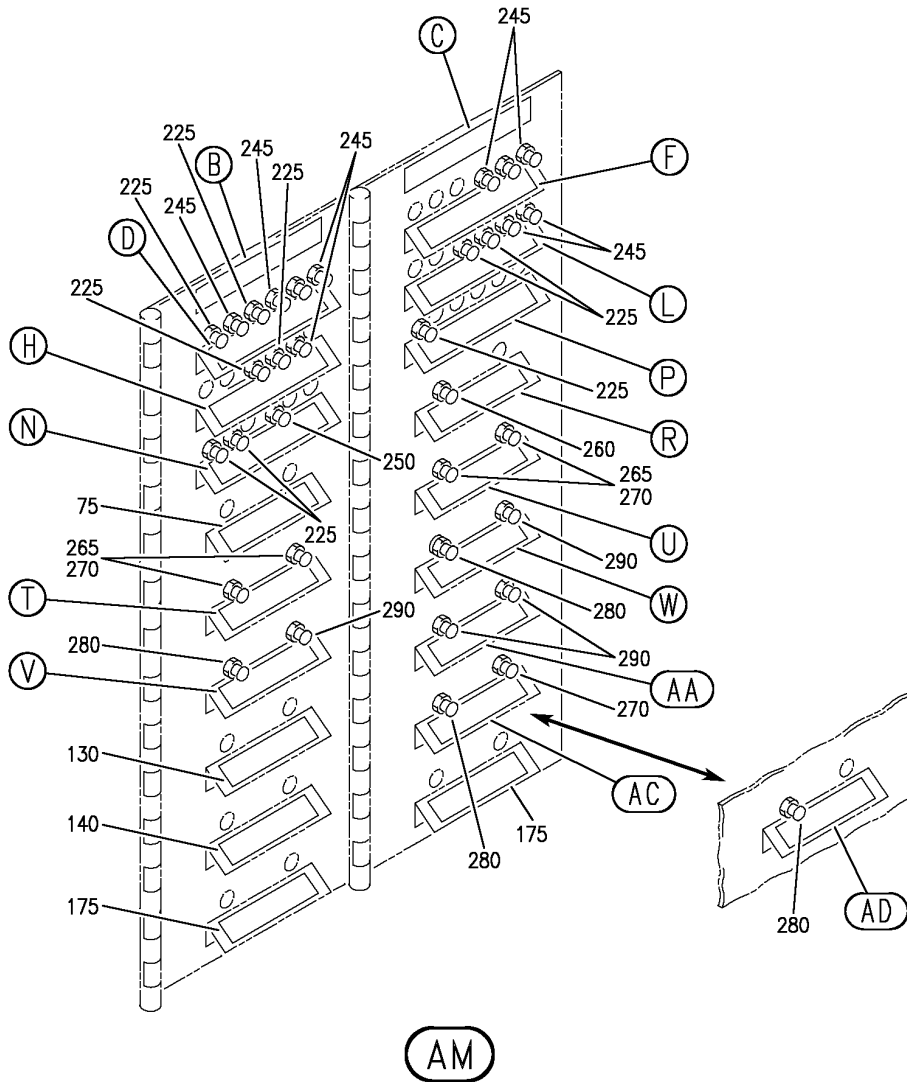
PANEL INSTL-P6-3/P6-4 PWR DISTR (CIRCUIT BREAKERS ONLY)
FIGURE 10 (SHEET 6)

24-51-52-10

BRI
JAN 20/09

24-51-52-10
PAGE 0E

BOEING
757
PARTS CATALOG (MAINTENANCE)



Y 24515210 SH7 7 REV 330

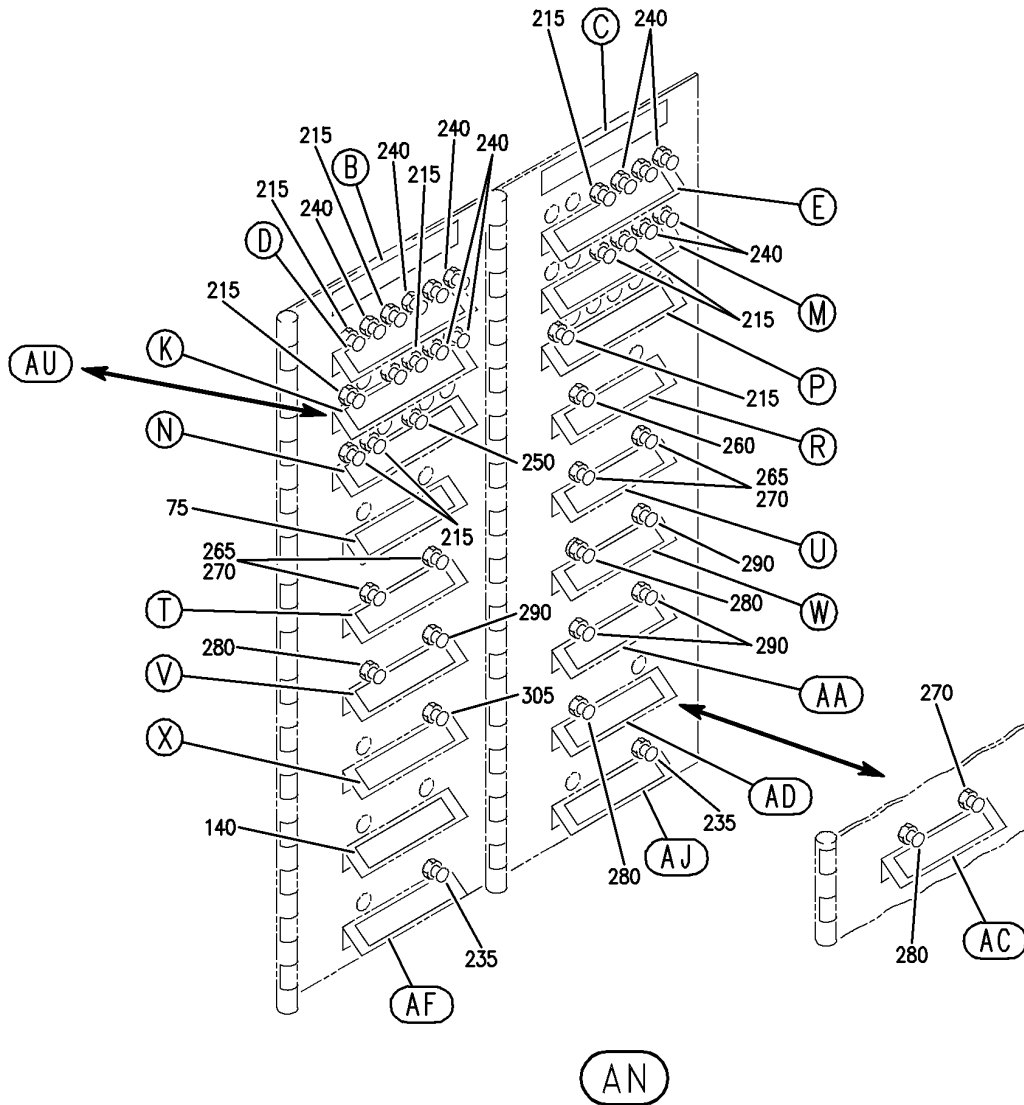
PANEL INSTL-P6-3/P6-4 PWR DISTR (CIRCUIT BREAKERS ONLY)
FIGURE 10 (SHEET 7)

24-51-52-10

BRI
JAN 20/09

24-51-52-10
PAGE OF

BOEING
757
PARTS CATALOG (MAINTENANCE)



L	28 VAC BUS L XFR	C	ADIRU PITOT HEAT	L	AOA HEAT	L TAT PROBE HEAT
---	------------------------	---	---------------------	---	-------------	------------------------

AU

Y 24515210 SH8 8 REV 239

PANEL INSTL-P6-3/P6-4 PWR DISTR (CIRCUIT BREAKERS ONLY)
FIGURE 10 (SHEET 8)

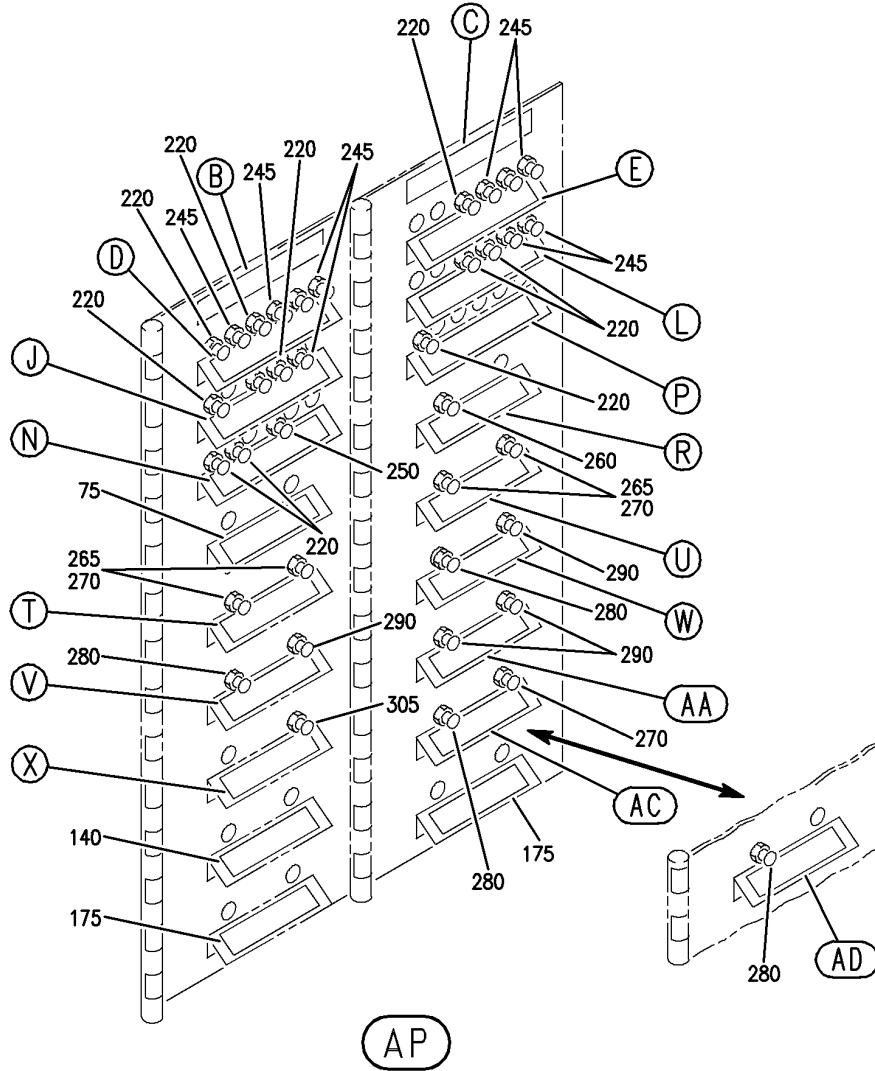
24-51-52-10

BRI
JAN 20/09

24-51-52-10
PAGE 0G

BOEING PROPRIETARY - Copyright © - Unpublished Work - See title page for details.

BOEING
757
PARTS CATALOG (MAINTENANCE)



Y 24515210 SH1 9 REV 229

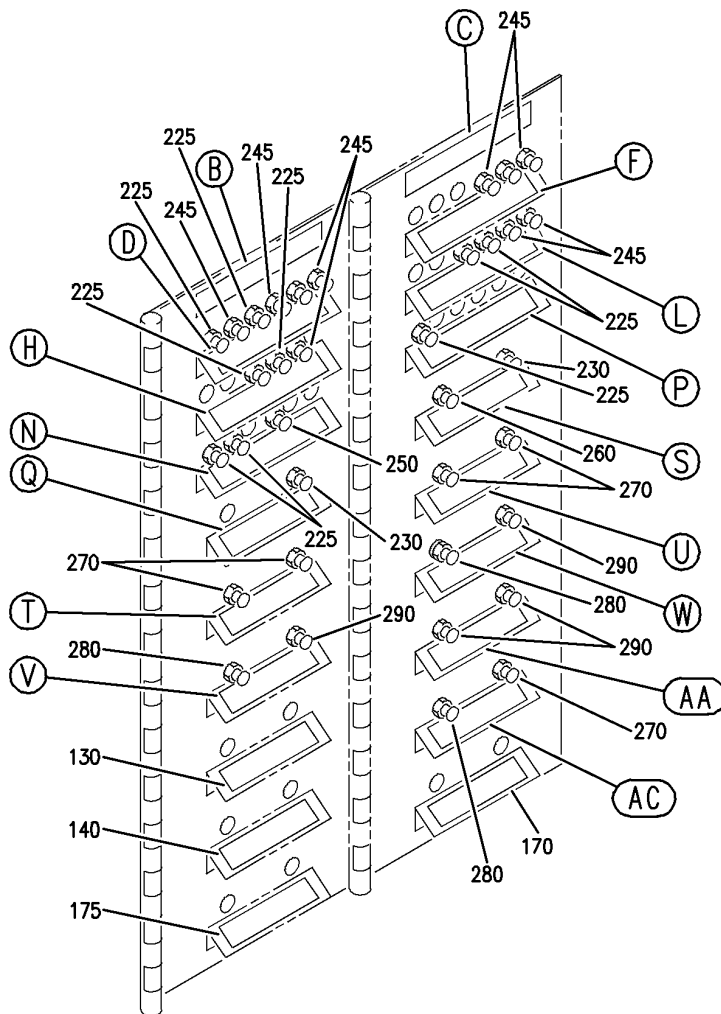
PANEL INSTL-P6-3/P6-4 PWR DISTR (CIRCUIT BREAKERS ONLY)
FIGURE 10 (SHEET 9)

24-51-52-10

BRI
JAN 20/09

24-51-52-10
PAGE 0H

BOEING
757
PARTS CATALOG (MAINTENANCE)



(AQ)

Y 24515210 SHT 10 REV 229

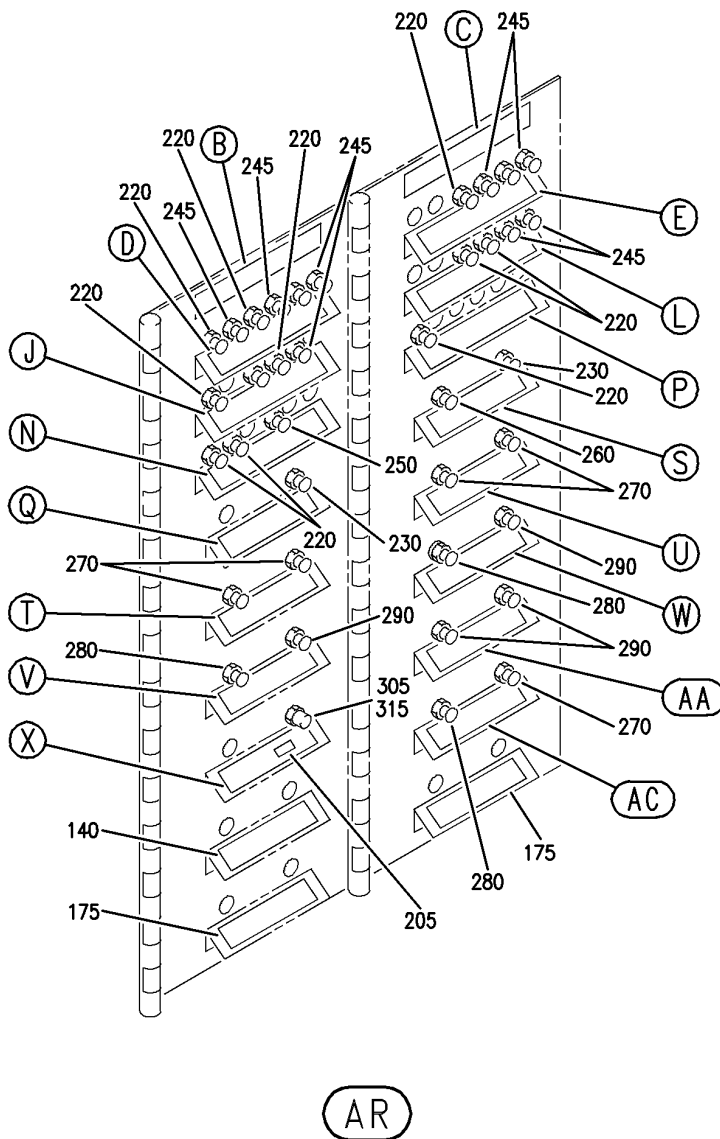
PANEL INSTL-P6-3/P6-4 PWR DISTR (CIRCUIT BREAKERS ONLY)
FIGURE 10 (SHEET 10)

24-51-52-10

BRI
JAN 20/09

24-51-52-10
PAGE 01

BOEING
757
PARTS CATALOG (MAINTENANCE)



Y 24515210 SHT 11 REV 229

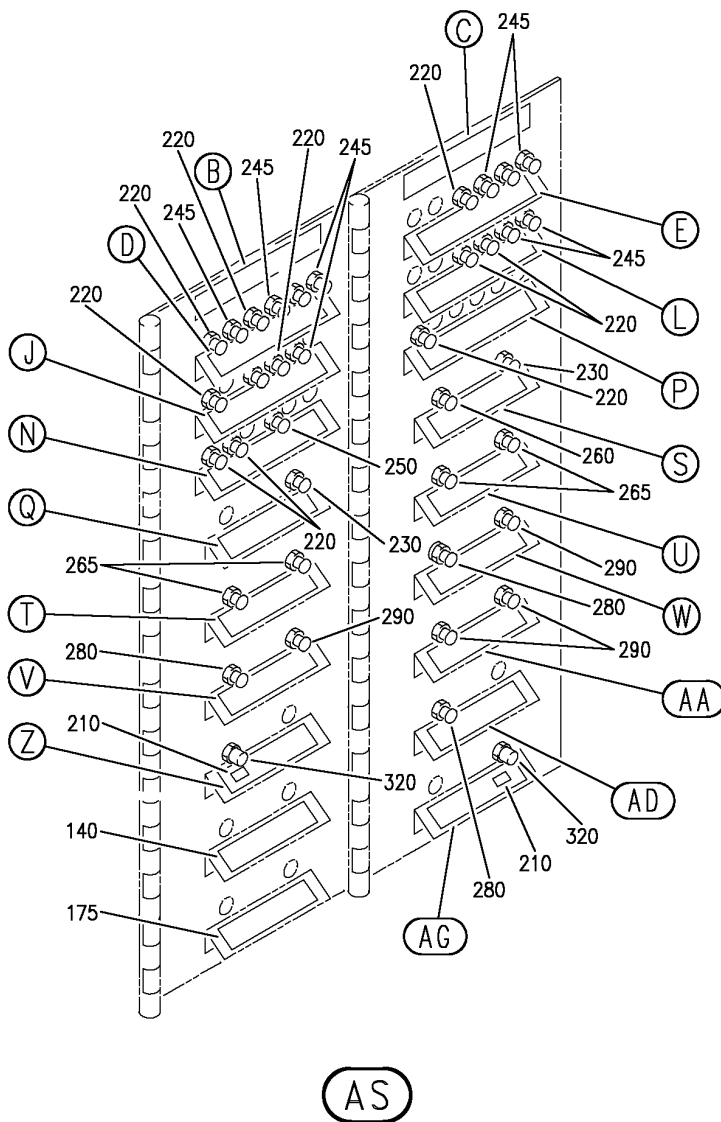
PANEL INSTL-P6-3/P6-4 PWR DISTR (CIRCUIT BREAKERS ONLY)
FIGURE 10 (SHEET 11)

24-51-52-10

BRI
JAN 20/09

24-51-52-10
PAGE 0J

BOEING
757
PARTS CATALOG (MAINTENANCE)



Y 24515210 SH1 12 REV 330

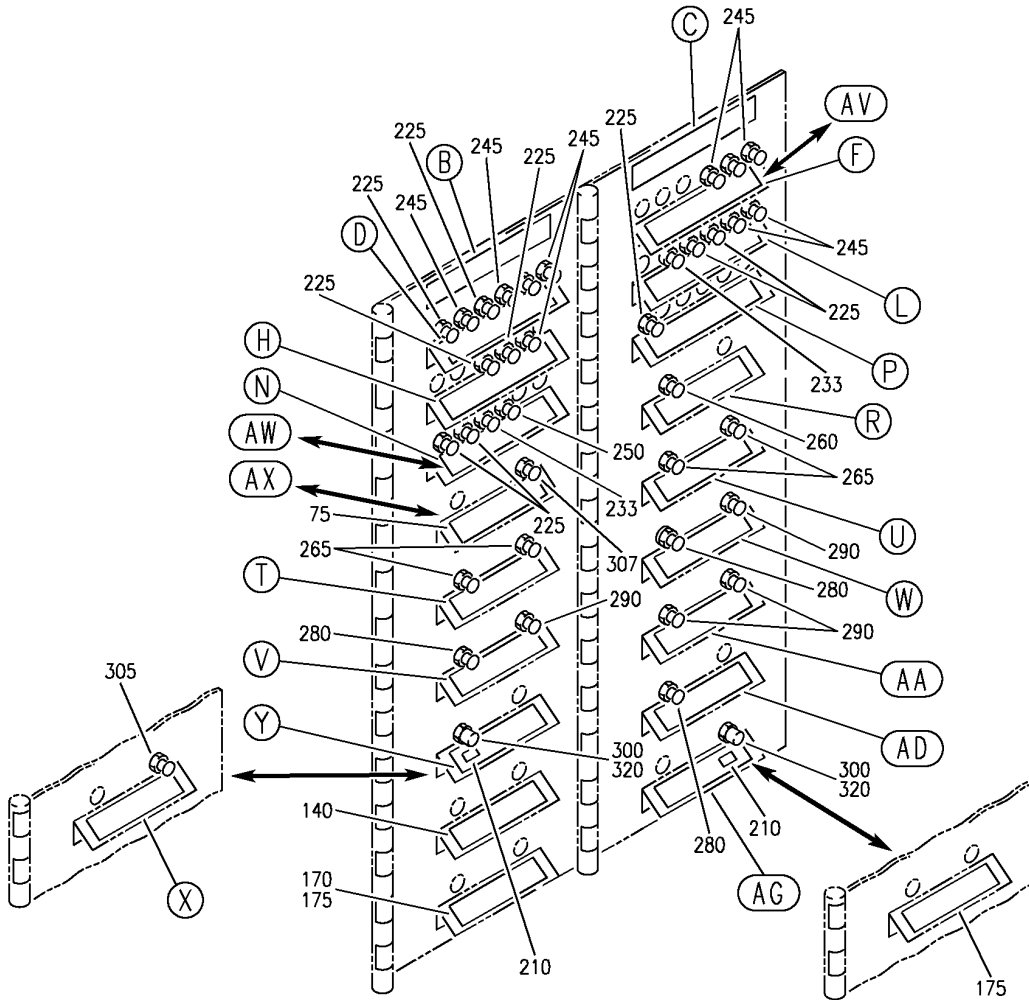
PANEL INSTL-P6-3/P6-4 PWR DISTR (CIRCUIT BREAKERS ONLY)
FIGURE 10 (SHEET 12)

24-51-52-10

BRI
JAN 20/09

24-51-52-10
PAGE OK

BOEING
757
PARTS CATALOG (MAINTENANCE)



AT

Y 24515210 SHT 13 REV 281

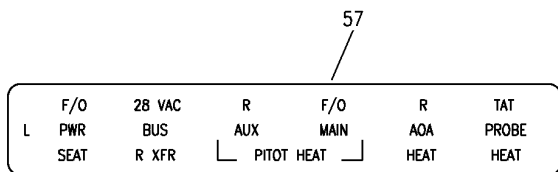
PANEL INSTL-P6-3/P6-4 PWR DISTR (CIRCUIT BREAKERS ONLY)
FIGURE 10 (SHEET 13)

24-51-52-10

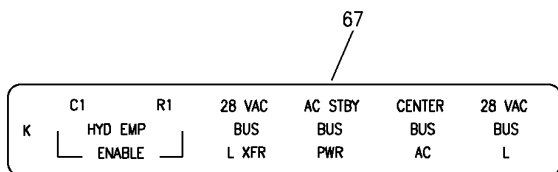
BRI
JAN 20/09

24-51-52-10
PAGE 0L

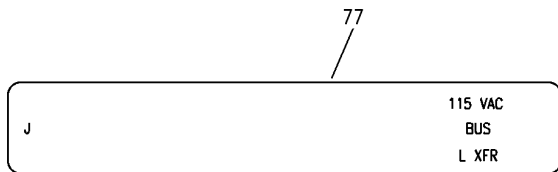
BOEING
757
PARTS CATALOG (MAINTENANCE)



AV



AW



AX

Y 24515210 SH1 14 REV 281

PANEL INSTL-P6-3/P6-4 PWR DISTR (CIRCUIT BREAKERS ONLY)
FIGURE 10 (SHEET 14)

24-51-52-10

BRI
JAN 20/09

24-51-52-10
PAGE 0M



757

PARTS CATALOG (MAINTENANCE)

FIG ITEM	PART NUMBER	1 2 3 4 5 6 7	NOMENCLATURE	EFFECT FROM TO	UNITS PER ASSY
10			PANEL INSTL-P6-3/P6-4 PWR DISTR (CIRCUIT BREAKERS ONLY)	103106 108120	
- 1	287N4102-408		PANEL INSTL-P6-3/P6-4 PWR DISTR (CIRCUIT BREAKERS ONLY)	108120	RF
			FOR NHA/OTHER SYS DET SEE: 24-00-58-05F		
- 4	MODREF31408		PANEL INSTL-P6-3/P6-4 PWR DISTR (CIRCUIT BREAKERS ONLY)	103106	1
			MODULE NUMBER: 287N4102-437 REV A		
			FOR OTHER SYS DETAILS SEE: 11-34-05-07 24-31-06-01 24-31-71-09 24-32-02-01 24-32-03-01 24-33-01-01 24-53-52-02 31-01-06-02		
			FOR ADDITIONAL DETAILS SEE: 24-51-05-01 24-51-06-01 24-51-07-01 24-51-52-08 24-51-52-09 24-51-73-02		
10	BAC27NEL0063	.DECAL		103106 108120	1
15	BAC27NEL0067	.DECAL		103106 108120	1
20	BAC27NEL0991	.DECAL		103106 108120	1
25	BAC27NEX2870	.DECAL		103106 108120	1
45	BAC27NEX2067	.DECAL		108120	1
50	BAC27NEX3149	.DECAL		103106	1
55	BAC27NEL1044	.DECAL-		108120	1
60	BAC27NEX3150	.DECAL		103106	1
65	BAC27NEX2871	.DECAL-		103106 108120	1
70	BAC27NEX2872	.DECAL		103106 108120	1
75	BAC27NEL0854	.DECAL-		103106 108120	1
85	BAC27NEL1001	.DECAL		103106 108120	1

MISSING ITEM NUMBERS NOT APPLICABLE

- ITEM NOT ILLUSTRATED

24-51-52-10

24-51-52
FIG. 10
PAGE 1
JAN 20/09

BRI



757

PARTS CATALOG (MAINTENANCE)

FIG ITEM	PART NUMBER	1 2 3 4 5 6 7	NOMENCLATURE	EFFECT FROM TO	UNITS PER ASSY
10					
95	BAC27NEL0999	.	DECAL	103106 108120	1
100	BAC27NEL1007	.	DECAL	103106 108120	1
105	BAC27NEX2136	.	DECAL	103106 108120	1
110	BAC27NEX2137	.	DECAL	103106 108120	1
115	BAC27NEX2092	.	DECAL-	103106 108120	1
135	BAC27NEL1002	.	DECAL	103106 108120	1
140	BAC27NEX2849	.	DECAL	103106 108120	1
155	BAC27NEX2865	.	DECAL-	103106 108120	1
175	BAC27NEX2848	.	DECAL	108120	2
185	BAC27NEX3110	.	DECAL	103106	1
200	BAC27NEX3111	.	DECAL	103106	1
215	2TC47-2-5	.	CIRCUIT BREAKER-	103106	11
			SUPPLIER CODE: V82647		
			SPECIFICATION NUMBER: BACC18AD2		
			OPTIONAL PART: 4310-029-205		
			V76374		
			ELECTRICAL EQUIP NUMBER:		
			C00817		
			C00892		
			C01110		
			C01116		
			C04329		
			C04330		
			C04331		
			C04353		
			C04355		
			C04596		
			C04597		

MISSING ITEM NUMBERS NOT APPLICABLE

- ITEM NOT ILLUSTRATED

BRI

24-51-52-10

BOEING PROPRIETARY - Copyright © - Unpublished Work - See title page for details.

24-51-52
FIG. 10
PAGE 2
JAN 20/09



757

PARTS CATALOG (MAINTENANCE)

FIG ITEM	PART NUMBER	1 2 3 4 5 6 7	NOMENCLATURE	EFFECT FROM TO	UNITS PER ASSY
10 220	2TC47-2-5		.CIRCUIT BREAKER- SUPPLIER CODE: V82647 SPECIFICATION NUMBER: BACC18AD2 OPTIONAL PART: 4310-029-205 V76374 ELECTRICAL EQUIP NUMBER: C00817 C00892 C01110 C01112 C01114 C01116 C04329 C04330 C04331 C04353 C04355	108120	11
235	6752-311-20		.CIRCUIT BREAKER- SUPPLIER CODE: V82647 SPECIFICATION NUMBER: 10-60806-1020 ELECTRICAL EQUIP NUMBER: C03071 C03072	103106	2
240	2TC47-5		.CIRCUIT BREAKER- SUPPLIER CODE: V82647 SPECIFICATION NUMBER: BACC18AD5 OPTIONAL PART: 4310-029-5 V76374 ELECTRICAL EQUIP NUMBER: C00875 C01134 C01135 C04264 C04265 C04266 C04267 C04268 C04269 C04565 C04567	103106	11

MISSING ITEM NUMBERS NOT APPLICABLE

- ITEM NOT ILLUSTRATED

BRI

24-51-52-10

24-51-52
FIG. 10
PAGE 3
JAN 20/09



757

PARTS CATALOG (MAINTENANCE)

FIG ITEM	PART NUMBER	1 2 3 4 5 6 7	NOMENCLATURE	EFFECT FROM TO	UNITS PER ASSY
10 245	2TC47-5		.CIRCUIT BREAKER- SUPPLIER CODE: V82647 SPECIFICATION NUMBER: BACC18AD5 OPTIONAL PART: 4310-029-5 V76374 ELECTRICAL EQUIP NUMBER: C00875 C01134 C01135 C04003 C04264 C04265 C04266 C04267 C04268 C04269	108120	10
250	2TC47-10		.CIRCUIT BREAKER- SUPPLIER CODE: V82647 SPECIFICATION NUMBER: BACC18AD10 OPTIONAL PART: 4310-029-10 V76374 ELECTRICAL EQUIP NUMBER: C00874	103106 108120	1
260	9TC625		.CIRCUIT BREAKER- SUPPLIER CODE: V82647 SPECIFICATION NUMBER: BACC18AE25 ELECTRICAL EQUIP NUMBER: C03007	103106 108120	1

MISSING ITEM NUMBERS NOT APPLICABLE

- ITEM NOT ILLUSTRATED

BRI

24-51-52-10

BOEING PROPRIETARY - Copyright © - Unpublished Work - See title page for details.

24-51-52
FIG. 10
PAGE 4
JAN 20/09



757

PARTS CATALOG (MAINTENANCE)

FIG ITEM	PART NUMBER	1 2 3 4 5 6 7	NOMENCLATURE	EFFECT FROM TO	UNITS PER ASSY
10 270	6TC6-7-5	.	CIRCUIT BREAKER- SUPPLIER CODE: V82647 SPECIFICATION NUMBER: BACC18AC7 OPTIONAL PART: 4330-004-705 V76374 ELECTRICAL EQUIP NUMBER: C00366 C00368 C00371 C00372 C00397	103106 108120	5
280	6TC6-10	.	CIRCUIT BREAKER- SUPPLIER CODE: V82647 SPECIFICATION NUMBER: BACC18AC10 OPTIONAL PART: 4330-004-10 V76374 ELECTRICAL EQUIP NUMBER: C00369 C00370 C03020	103106 108120	3
290	9TC615	.	CIRCUIT BREAKER- SUPPLIER CODE: V82647 SPECIFICATION NUMBER: BACC18AE15 ELECTRICAL EQUIP NUMBER: C00323 C00331 C00332 C03014	103106 108120	4
305	6TC6-5	.	CIRCUIT BREAKER- SUPPLIER CODE: V82647 SPECIFICATION NUMBER: BACC18AC5 OPTIONAL PART: 4330-004-5 V76374 ELECTRICAL EQUIP NUMBER: C03044	103106 108120	1

MISSING ITEM NUMBERS NOT APPLICABLE

- ITEM NOT ILLUSTRATED

BRI

24-51-52-10

24-51-52
FIG. 10
PAGE 5
JAN 20/09



757

PARTS CATALOG (MAINTENANCE)

FIG ITEM	PART NUMBER	1 2 3 4 5 6 7	NOMENCLATURE	EFFECT FROM TO	UNITS PER ASSY
10					
- 325	BACP20B43B		.PLUG- MISCELLANEOUS DATA: USE IN PLACE OF CIRCUIT BREAKERS ON OPEN HOLES	103106	AR
- 325	BACP20B43B		.PLUG- MISCELLANEOUS DATA: USE IN PLACE OF CIRCUIT BREAKERS ON OPEN HOLES	108120	AR

MISSING ITEM NUMBERS NOT APPLICABLE

- ITEM NOT ILLUSTRATED

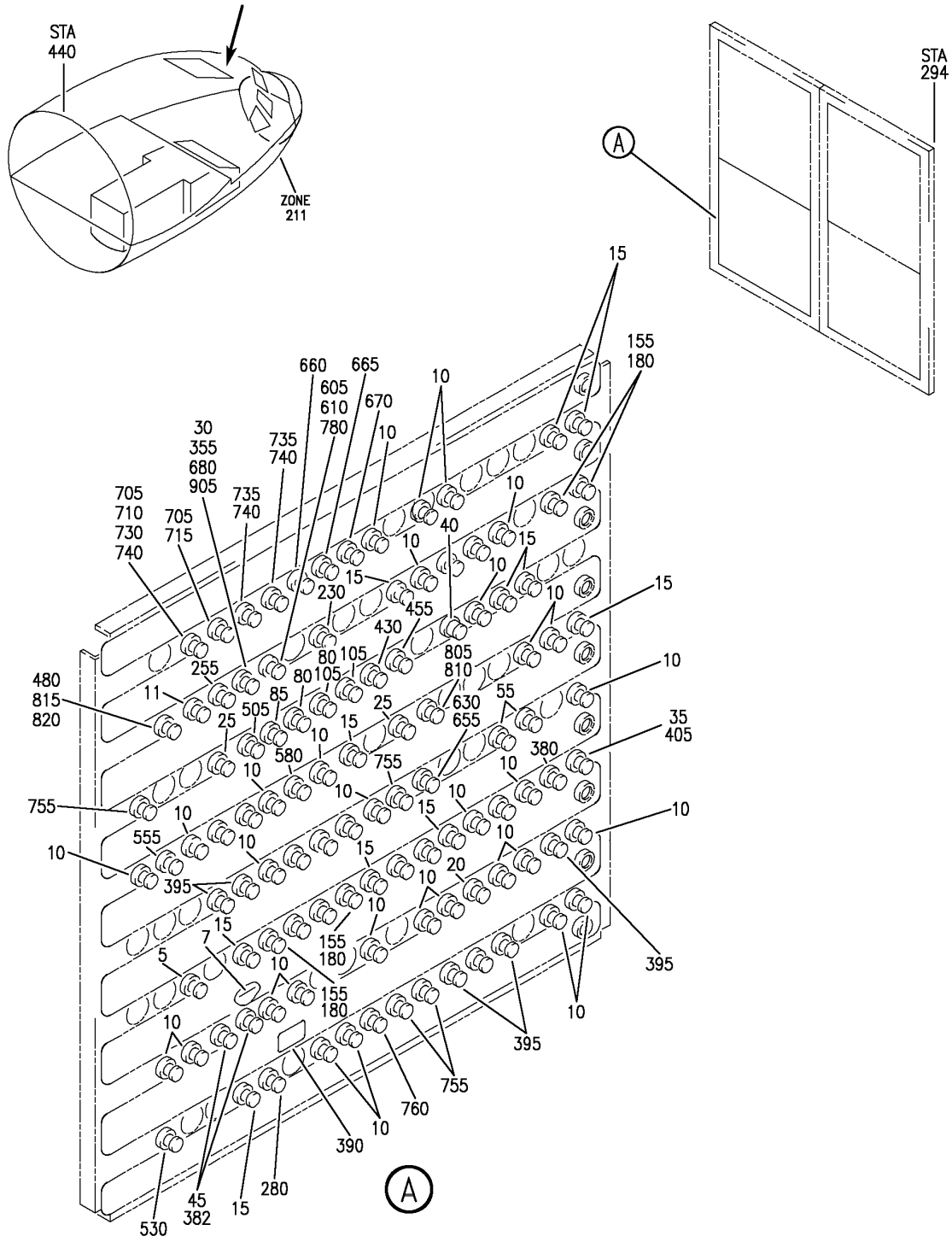
BRI

24-51-52-10

BOEING PROPRIETARY - Copyright © - Unpublished Work - See title page for details.

24-51-52
FIG. 10
PAGE 6
JAN 20/09

BOEING
757
PARTS CATALOG (MAINTENANCE)



CIRCUIT BREAKER INSTL-P11-1
FIGURE 1

24-51-53-01



757

PARTS CATALOG (MAINTENANCE)

FIG ITEM	PART NUMBER	1 2 3 4 5 6 7	NOMENCLATURE	EFFECT FROM TO	UNITS PER ASSY
1			CIRCUIT BREAKER INSTL-P11-1	101102 504903	
- 1	233N5102-1		CIRCUIT BREAKER INSTL-P11-1 FOR NHA/ADDITIONAL DET SEE: 25-10-00-15C	102102 504903	RF
5	2TC47-10		.CIRCUIT BREAKER- SUPPLIER CODE: V82647 SPECIFICATION NUMBER: BACC18AD10 OPTIONAL PART: 4310-029-10 V76374 ELECTRICAL EQUIP NUMBER: C00544	102102 504903	1

MISSING ITEM NUMBERS NOT APPLICABLE

- ITEM NOT ILLUSTRATED

BRI

24-51-53-01

BOEING PROPRIETARY - Copyright © - Unpublished Work - See title page for details.

24-51-53
FIG. 01
PAGE 1
JAN 20/09



757

PARTS CATALOG (MAINTENANCE)

FIG ITEM	PART NUMBER	1 2 3 4 5 6 7	NOMENCLATURE	EFFECT FROM TO	UNITS PER ASSY
1 10	2TC47-2-5		.CIRCUIT BREAKER- SUPPLIER CODE: V82647 SPECIFICATION NUMBER: BACC18AD2 OPTIONAL PART: 4310-029-205 V76374 ELECTRICAL EQUIP NUMBER: C00501 C00513 C00516 C00521 C00566 C00567 C00580 C00586 C00588 C00591 C00593 C00597 C00604 C00633 C00658 C00770 C00826 C01002 C01008 C01025 C01031 C01246 C01283 C01337 C01338 C01434 C01435 C01437 C01438 C01521 C01522 C01523 C01524 C01037 C01539 C01541 C01560 C04205 C04206	102102 504903	39

MISSING ITEM NUMBERS NOT APPLICABLE

- ITEM NOT ILLUSTRATED

24-51-53-01

24-51-53
FIG. 01
PAGE 2
JAN 20/09

BRI



757

PARTS CATALOG (MAINTENANCE)

FIG ITEM	PART NUMBER	1 2 3 4 5 6 7	NOMENCLATURE	EFFECT FROM TO	UNITS PER ASSY
1 11	2TC47-2-5		.CIRCUIT BREAKER- SUPPLIER CODE: V82647 SPECIFICATION NUMBER: BACC18AD2 OPTIONAL PART: 4310-029-205 V76374 ELECTRICAL EQUIP NUMBER: C00539	102102 504903	1
15	2TC47-5		.CIRCUIT BREAKER- SUPPLIER CODE: V82647 SPECIFICATION NUMBER: BACC18AD5 OPTIONAL PART: 4310-029-5 V76374 ELECTRICAL EQUIP NUMBER: C00512 C00522 C00525 C00609 C00619 C01017 C01023 C01033 C01039 C01528 C01529 C04033 C04035	102102 504903	13
20	2TC47-7-5		.CIRCUIT BREAKER- SUPPLIER CODE: V82647 SPECIFICATION NUMBER: BACC18AD7 OPTIONAL PART: 4310-029-705 V76374 ELECTRICAL EQUIP NUMBER: C00683	102102 504903	1

MISSING ITEM NUMBERS NOT APPLICABLE

- ITEM NOT ILLUSTRATED

BRI

24-51-53-01

BOEING PROPRIETARY - Copyright © - Unpublished Work - See title page for details.

24-51-53
FIG. 01
PAGE 3
JAN 20/09



757

PARTS CATALOG (MAINTENANCE)

FIG ITEM	PART NUMBER	1 2 3 4 5 6 7	NOMENCLATURE	EFFECT FROM TO	UNITS PER ASSY
1	25 2TC6-2		.CIRCUIT BREAKER- SUPPLIER CODE: V82647 SPECIFICATION NUMBER: BACC18Z02R OPTIONAL PART: 4310-002-2 V76374 ELECTRICAL EQUIP NUMBER: C00582 C00592	102102 504903	2
	45 2TC47-2-5		.CIRCUIT BREAKER- SUPPLIER CODE: V82647 SPECIFICATION NUMBER: BACC18AD2 OPTIONAL PART: 4310-029-205 V76374 ELECTRICAL EQUIP NUMBER: C04664 C04665 POST ALERT SB: 34A0222	102102 504903	2
-	75 233N5102-105		CIRCUIT BREAKER INSTL-P11-1 FOR NHA/ADDITIONAL DET SEE: 25-10-00-15C	504903	RF
	80 2TC47-2-5		.CIRCUIT BREAKER- SUPPLIER CODE: V82647 SPECIFICATION NUMBER: BACC18AD2 OPTIONAL PART: 4310-029-205 V76374 ELECTRICAL EQUIP NUMBER: C00637 C00639	504903	2
	85 2TC47-5		.CIRCUIT BREAKER- SUPPLIER CODE: V82647 SPECIFICATION NUMBER: BACC18AD5 OPTIONAL PART: 4310-029-5 V76374 ELECTRICAL EQUIP NUMBER: C04051	504903	1

MISSING ITEM NUMBERS NOT APPLICABLE

- ITEM NOT ILLUSTRATED

24-51-53-01

24-51-53
FIG. 01
PAGE 4
JAN 20/09

BRI



757

PARTS CATALOG (MAINTENANCE)

FIG ITEM	PART NUMBER	1 2 3 4 5 6 7	NOMENCLATURE	EFFECT FROM TO	UNITS PER ASSY
1					
- 100	233N5102-106		CIRCUIT BREAKER INSTL-P11-1 FOR NHA/ADDITIONAL DET SEE: 25-10-00-15C	102102	RF
105	2TC47-2-5		.CIRCUIT BREAKER- SUPPLIER CODE: V82647 SPECIFICATION NUMBER: BACC18AD2 OPTIONAL PART: 4310-029-205 V76374 ELECTRICAL EQUIP NUMBER: C00637 C00639	102102	2
- 175	233N5102-114		CIRCUIT BREAKER INSTL-P11-1 FOR NHA/ADDITIONAL DET SEE: 25-10-00-15C	102102 504903	RF
180	2TC47-2-5		.CIRCUIT BREAKER- SUPPLIER CODE: V82647 SPECIFICATION NUMBER: BACC18AD2 OPTIONAL PART: 4310-029-205 V76374 ELECTRICAL EQUIP NUMBER: C01531 C01533 C01534 C01536 C01537 C01538	102102 504903	6
- 225	233N5102-12		CIRCUIT BREAKER INSTL-P11-1 FOR NHA/ADDITIONAL DET SEE: 25-10-00-15C	102102 504903	RF
230	6TC6-5		.CIRCUIT BREAKER- SUPPLIER CODE: V82647 SPECIFICATION NUMBER: BACC18AC5 OPTIONAL PART: 4330-004-5 V76374 ELECTRICAL EQUIP NUMBER: C03005	102102 504903	1
- 250	233N5102-13		CIRCUIT BREAKER INSTL-P11-1 FOR NHA SEE: 25-10-00-15C	504903	RF

MISSING ITEM NUMBERS NOT APPLICABLE

- ITEM NOT ILLUSTRATED

24-51-53-01

24-51-53
FIG. 01
PAGE 5
JAN 20/09

BRI



757

PARTS CATALOG (MAINTENANCE)

FIG ITEM	PART NUMBER	1 2 3 4 5 6 7	NOMENCLATURE	EFFECT FROM TO	UNITS PER ASSY
1 255	2TC47-10		.CIRCUIT BREAKER- SUPPLIER CODE: V82647 SPECIFICATION NUMBER: BACC18AD10 OPTIONAL PART: 4310-029-10 V76374 ELECTRICAL EQUIP NUMBER: C00546	504903	1
- 275	233N5102-133		CIRCUIT BREAKER INSTL-P11-1 FOR NHA/ADDITIONAL DET SEE: 25-10-00-15C	102102	RF
280	2TC47-2-5		.CIRCUIT BREAKER- SUPPLIER CODE: V82647 SPECIFICATION NUMBER: BACC18AD2 OPTIONAL PART: 4310-029-205 V76374 ELECTRICAL EQUIP NUMBER: C00635	102102	1
- 375	233N5102-175		CIRCUIT BREAKER INSTL-P11-1 FOR NHA SEE: 25-10-00-15C	102102	RF
380	2TC47-2-5		.CIRCUIT BREAKER- SUPPLIER CODE: V82647 SPECIFICATION NUMBER: BACC18AD2 OPTIONAL PART: 4310-029-205 V76374 ELECTRICAL EQUIP NUMBER: C04110	102102	1
- 425	233N5102-178		CIRCUIT BREAKER INSTL-P11-1 FOR NHA SEE: 25-10-00-15C	504903	RF
430	2TC47-2-5		.CIRCUIT BREAKER- SUPPLIER CODE: V82647 SPECIFICATION NUMBER: BACC18AD2 OPTIONAL PART: 4310-029-205 V76374 ELECTRICAL EQUIP NUMBER: C00622	504903	1

MISSING ITEM NUMBERS NOT APPLICABLE

- ITEM NOT ILLUSTRATED

24-51-53-01

24-51-53
FIG. 01
PAGE 6
JAN 20/09

BRI



757

PARTS CATALOG (MAINTENANCE)

FIG ITEM	PART NUMBER	1 2 3 4 5 6 7	NOMENCLATURE	EFFECT FROM TO	UNITS PER ASSY
1					
- 500	233N5102-182		CIRCUIT BREAKER INSTL-P11-1 FOR NHA/ADDITIONAL DET SEE: 25-10-00-15C	102102 504903	RF
505	2TC6-2		.CIRCUIT BREAKER- SUPPLIER CODE: V82647 SPECIFICATION NUMBER: BACC18Z02R OPTIONAL PART: 4310-002-2 V76374 ELECTRICAL EQUIP NUMBER: C00600	102102 504903	1
- 525	233N5102-183		CIRCUIT BREAKER INSTL-P11-1 FOR NHA/ADDITIONAL DET SEE: 25-10-00-15C	102102 504903	RF
530	2TC6-2		.CIRCUIT BREAKER- SUPPLIER CODE: V82647 SPECIFICATION NUMBER: BACC18Z02R OPTIONAL PART: 4310-002-2 V76374 ELECTRICAL EQUIP NUMBER: C00595	102102 504903	1
- 550	233N5102-184		CIRCUIT BREAKER INSTL-P11-1 FOR NHA/ADDITIONAL DET SEE: 25-10-00-15C	102102 504903	RF
555	2TC47-2-5		.CIRCUIT BREAKER- SUPPLIER CODE: V82647 SPECIFICATION NUMBER: BACC18AD2 OPTIONAL PART: 4310-029-205 V76374 ELECTRICAL EQUIP NUMBER: C00584	102102 504903	1
- 575	233N5102-187		CIRCUIT BREAKER INSTL-P11-1 FOR NHA SEE: 25-10-00-15C	102102 504903	RF

MISSING ITEM NUMBERS NOT APPLICABLE

- ITEM NOT ILLUSTRATED

24-51-53-01

24-51-53
FIG. 01
PAGE 7
JAN 20/09

BRI

BOEING PROPRIETARY - Copyright © - Unpublished Work - See title page for details.



757

PARTS CATALOG (MAINTENANCE)

FIG ITEM	PART NUMBER	1 2 3 4 5 6 7	NOMENCLATURE	EFFECT FROM TO	UNITS PER ASSY
1 580	2TC47-2-5		.CIRCUIT BREAKER- SUPPLIER CODE: V82647 SPECIFICATION NUMBER: BACC18AD2 OPTIONAL PART: 4310-029-205 V76374 ELECTRICAL EQUIP NUMBER: C04509	102102 504903	1
- 600	233N5102-19		CIRCUIT BREAKER INSTL-P11-1 FOR NHA SEE: 25-10-00-15C	102102	RF
605	2TC47-2-5		.CIRCUIT BREAKER- SUPPLIER CODE: V82647 SPECIFICATION NUMBER: BACC18AD2 OPTIONAL PART: 4310-029-205 V76374 ELECTRICAL EQUIP NUMBER: C00559	102102	1
610	10237-1		.CLIP-STOW SUPPLIER CODE: V07RZ7	102102	1
- 650	233N5102-195		CIRCUIT BREAKER INSTL-P11-1 FOR NHA/ADDITIONAL DET SEE: 25-10-00-15C	101102 504903	RF
655	2TC47-2-5		.CIRCUIT BREAKER- SUPPLIER CODE: V82647 SPECIFICATION NUMBER: BACC18AD2 OPTIONAL PART: 4310-029-205 V76374 ELECTRICAL EQUIP NUMBER: C01482	101102 504903	1
- 750	233N5102-2		CIRCUIT BREAKER INSTL-P11-1 FOR NHA/ADDITIONAL DET SEE: 25-10-00-15C	102102 504903	RF

MISSING ITEM NUMBERS NOT APPLICABLE

- ITEM NOT ILLUSTRATED

24-51-53-01

24-51-53
FIG. 01
PAGE 8
JAN 20/09

BRI



757

PARTS CATALOG (MAINTENANCE)

FIG ITEM	PART NUMBER	1 2 3 4 5 6 7	NOMENCLATURE	EFFECT FROM TO	UNITS PER ASSY
1 755	2TC47-2-5		.CIRCUIT BREAKER- SUPPLIER CODE: V82647 SPECIFICATION NUMBER: BACC18AD2 OPTIONAL PART: 4310-029-205 V76374 ELECTRICAL EQUIP NUMBER: C00001 C00002 C00611 C01480	102102 504903	4
760	2TC6-1		.CIRCUIT BREAKER- SUPPLIER CODE: V82647 SPECIFICATION NUMBER: BACC18Z1R OPTIONAL PART: 4310-002-1 V76374 ELECTRICAL EQUIP NUMBER: C00625	102102 504903	1
- 950	286N0110-331		WIRE BUNDLE ASSY- REWORKED BY ALERT SB: 34A0222	102102	RF
- 950	286N0110-337		WIRE BUNDLE ASSY- REWORKED BY ALERT SB: 34A0222	504903	RF
- 955	RBEJ40K5A5A6		.JUMPER ASSY- SUPPLIER CODE: V1GK47 SPECIFICATION NUMBER: BACJ40K5A5A6 POST ALERT SB: 34A0222	102102 504903	1
- 960	286N0124-337		WIRE BUNDLE ASSY- REWORKED BY ALERT SB: 34A0222	102102	RF
- 960	286N0124-344		WIRE BUNDLE ASSY- REWORKED BY ALERT SB: 34A0222	504903	RF

MISSING ITEM NUMBERS NOT APPLICABLE

- ITEM NOT ILLUSTRATED

24-51-53-01

24-51-53
FIG. 01
PAGE 9
JAN 20/09

BRI



757
PARTS CATALOG (MAINTENANCE)

FIG ITEM	PART NUMBER	1 2 3 4 5 6 7	NOMENCLATURE	EFFECT FROM TO	UNITS PER ASSY
1 - 965	318-2020-901L		. CONTACT- SUPPLIER CODE: V55104 SPECIFICATION NUMBER: BACC47CP1S OPTIONAL PART: ZZL4120-36LDH14 V49367 LP807105-205 V77820 POST ALERT SB: 34A0222	102102 504903	2

MISSING ITEM NUMBERS NOT APPLICABLE

- ITEM NOT ILLUSTRATED

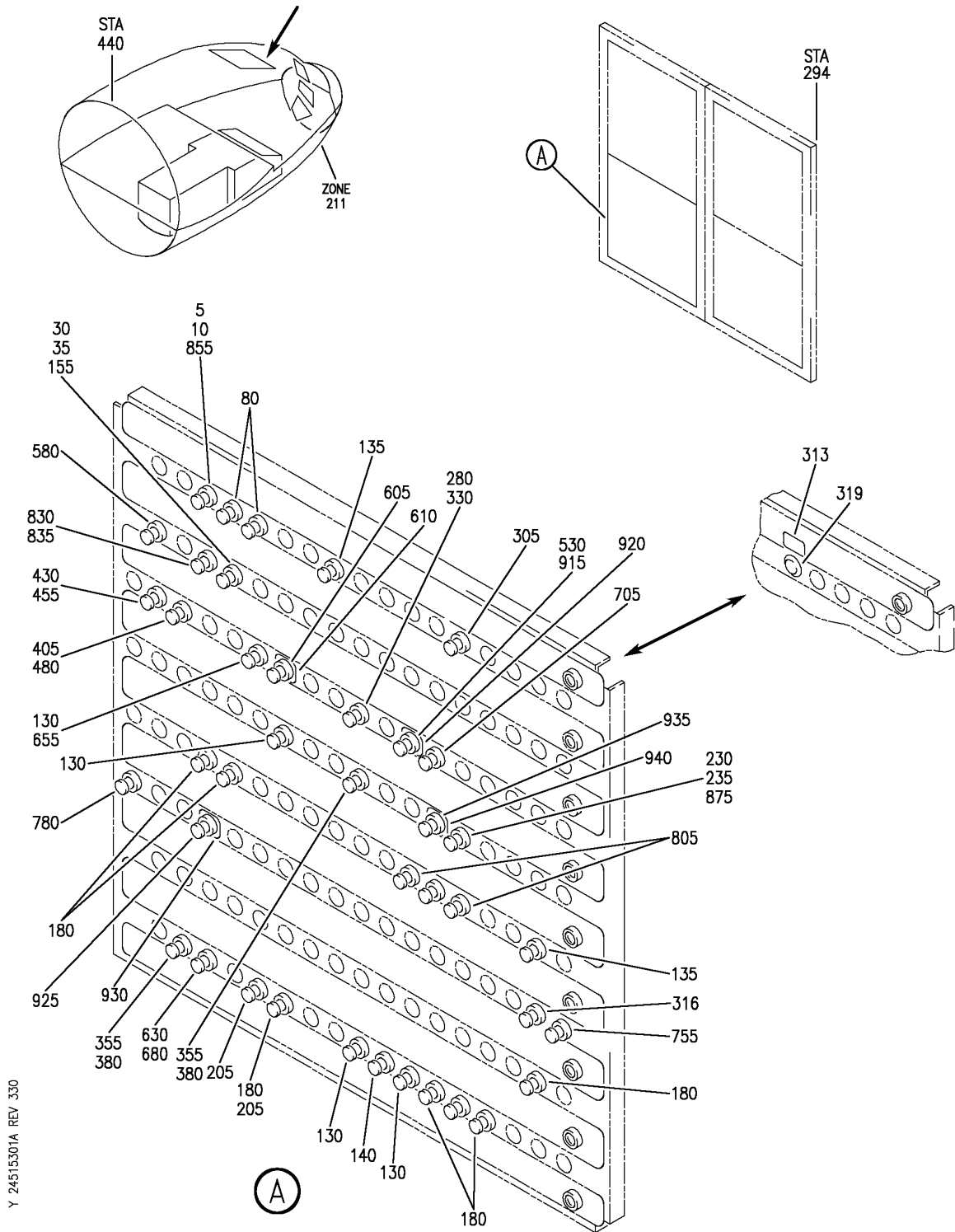
BRI

24-51-53-01

BOEING PROPRIETARY - Copyright © - Unpublished Work - See title page for details.

24-51-53
FIG. 01
PAGE 10
JAN 20/09

BOEING
757
PARTS CATALOG (MAINTENANCE)



CIRCUIT BREAKER INSTL-P11-1 AND KIT
FIGURE 1A

24-51-53-01A

BRI
JAN 20/09

24-51-53-01A
PAGE 0



757

PARTS CATALOG (MAINTENANCE)

FIG ITEM	PART NUMBER	1 2 3 4 5 6 7	NOMENCLATURE	EFFECT FROM TO	UNITS PER ASSY
1 A			CIRCUIT BREAKER INSTL-P11-1 AND KIT	102102 504903	
- 1	233N5102-202		CIRCUIT BREAKER INSTL-P11-1 FOR NHA SEE: 25-10-00-15C	102102	RF
5	2TC47-2-5		.CIRCUIT BREAKER- SUPPLIER CODE: V82647 SPECIFICATION NUMBER: BACC18AD2 OPTIONAL PART: 4310-029-205 V76374 ELECTRICAL EQUIP NUMBER: C04629	102102	1
10	10237-1		.CLIP-STOW SUPPLIER CODE: V07RZ7	102102	1
- 150	233N5102-51		CIRCUIT BREAKER INSTL-P11-1 FOR NHA SEE: 25-10-00-15C	102102 504903	RF
155	2TC6-2		.CIRCUIT BREAKER- SUPPLIER CODE: V82647 SPECIFICATION NUMBER: BACC18Z02R OPTIONAL PART: 4310-002-2 V76374 ELECTRICAL EQUIP NUMBER: C04455	102102 504903	1
- 175	233N5102-6		CIRCUIT BREAKER INSTL-P11-1 FOR NHA/ADDITIONAL DET SEE: 25-10-00-15C	102102	RF

MISSING ITEM NUMBERS NOT APPLICABLE

- ITEM NOT ILLUSTRATED

BRI

24-51-53-01A

BOEING PROPRIETARY - Copyright © - Unpublished Work - See title page for details.

24-51-53
FIG. 01A
PAGE 1
JAN 20/09



757

PARTS CATALOG (MAINTENANCE)

FIG ITEM	PART NUMBER	1 2 3 4 5 6 7	NOMENCLATURE	EFFECT FROM TO	UNITS PER ASSY
1A 180	2TC47-2-5		.CIRCUIT BREAKER- SUPPLIER CODE: V82647 SPECIFICATION NUMBER: BACC18AD2 OPTIONAL PART: 4310-029-205 V76374 ELECTRICAL EQUIP NUMBER: C00573 C00622 C00653 C00702 C01120 C04039 C04194	102102	7
- 200	233N5102-61		CIRCUIT BREAKER INSTL-P11-1 FOR NHA/ADDITIONAL DET SEE: 25-10-00-15C	504903	RF
205	2TC47-2-5		.CIRCUIT BREAKER- SUPPLIER CODE: V82647 SPECIFICATION NUMBER: BACC18AD2 OPTIONAL PART: 4310-029-205 V76374 ELECTRICAL EQUIP NUMBER: C04239 C04259	504903	2
- 300	233N5102-7		CIRCUIT BREAKER INSTL-P11-1 FOR NHA/ADDITIONAL DET SEE: 25-10-00-15C	504903	RF
305	2TC47-2-5		.CIRCUIT BREAKER- SUPPLIER CODE: V82647 SPECIFICATION NUMBER: BACC18AD2 OPTIONAL PART: 4310-029-205 V76374 ELECTRICAL EQUIP NUMBER: C04110	504903	1
- 350	233N5102-71		CIRCUIT BREAKER INSTL-P11-1 FOR NHA/ADDITIONAL DET SEE: 25-10-00-15C	102102 504903	RF

MISSING ITEM NUMBERS NOT APPLICABLE

- ITEM NOT ILLUSTRATED

24-51-53-01A

24-51-53
FIG. 01A
PAGE 2
JAN 20/09

BRI

BOEING PROPRIETARY - Copyright © - Unpublished Work - See title page for details.



757

PARTS CATALOG (MAINTENANCE)

FIG ITEM	PART NUMBER	1 2 3 4 5 6 7	NOMENCLATURE	EFFECT FROM TO	UNITS PER ASSY
1A 355	2TC6-2		.CIRCUIT BREAKER- SUPPLIER CODE: V82647 SPECIFICATION NUMBER: BACC18Z02R OPTIONAL PART: 4310-002-2 V76374 ELECTRICAL EQUIP NUMBER: C04600 C04602	102102 504903	2
- 425	233N5102-78		CIRCUIT BREAKER INSTL-P11-1 FOR NHA SEE: 25-10-00-15C	504903	RF
430	2TC47-5		.CIRCUIT BREAKER- SUPPLIER CODE: V82647 SPECIFICATION NUMBER: BACC18AD5 OPTIONAL PART: 4310-029-5 V76374 ELECTRICAL EQUIP NUMBER: C00615	504903	1
- 450	233N5102-79		CIRCUIT BREAKER INSTL-P11-1 FOR NHA SEE: 25-10-00-15C	102102	RF
455	2TC47-5		.CIRCUIT BREAKER- SUPPLIER CODE: V82647 SPECIFICATION NUMBER: BACC18AD5 OPTIONAL PART: 4310-029-5 V76374 ELECTRICAL EQUIP NUMBER: C00615	102102	1
- 475	233N5102-80		CIRCUIT BREAKER INSTL-P11-1 FOR NHA SEE: 25-10-00-15C	102102 504903	RF

MISSING ITEM NUMBERS NOT APPLICABLE

- ITEM NOT ILLUSTRATED

24-51-53-01A

24-51-53
FIG. 01A
PAGE 3
JAN 20/09

BRI



757

PARTS CATALOG (MAINTENANCE)

FIG ITEM	PART NUMBER	1 2 3 4 5 6 7	NOMENCLATURE	EFFECT FROM TO	UNITS PER ASSY
1A 480	2TC47-5		.CIRCUIT BREAKER- SUPPLIER CODE: V82647 SPECIFICATION NUMBER: BACC18AD5 OPTIONAL PART: 4310-029-5 V76374 ELECTRICAL EQUIP NUMBER: C04443	102102 504903	1
- 600	233N5102-85		CIRCUIT BREAKER INSTL-P11-1 FOR NHA SEE: 25-10-00-15C	102102	RF
605	2TC47-5		.CIRCUIT BREAKER- SUPPLIER CODE: V82647 SPECIFICATION NUMBER: BACC18AD5 OPTIONAL PART: 4310-029-5 V76374 ELECTRICAL EQUIP NUMBER: C04051	102102	1
- 625	233N5102-86		CIRCUIT BREAKER INSTL-P11-1 FOR NHA SEE: 25-10-00-15C	504903	RF
630	2TC6-2		.CIRCUIT BREAKER- SUPPLIER CODE: V82647 SPECIFICATION NUMBER: BACC18Z02R OPTIONAL PART: 4310-002-2 V76374 ELECTRICAL EQUIP NUMBER: C00607	504903	1
- 650	233N5102-87		CIRCUIT BREAKER INSTL-P11-1 FOR NHA SEE: 25-10-00-15C	102102	RF
655	2TC6-2		.CIRCUIT BREAKER- SUPPLIER CODE: V82647 SPECIFICATION NUMBER: BACC18Z02R OPTIONAL PART: 4310-002-2 V76374 ELECTRICAL EQUIP NUMBER: C00607	102102	1

MISSING ITEM NUMBERS NOT APPLICABLE

- ITEM NOT ILLUSTRATED

24-51-53-01A

24-51-53
FIG. 01A
PAGE 4
JAN 20/09

BRI

BOEING PROPRIETARY - Copyright © - Unpublished Work - See title page for details.



757

PARTS CATALOG (MAINTENANCE)

FIG ITEM	PART NUMBER	1 2 3 4 5 6 7	NOMENCLATURE	EFFECT FROM TO	UNITS PER ASSY
1A					
- 675	233N5102-89		CIRCUIT BREAKER INSTL-P11-1 FOR NHA SEE: 25-10-00-15C	102102	RF
680	2TC6-2		.CIRCUIT BREAKER- SUPPLIER CODE: V82647 SPECIFICATION NUMBER: BACC18Z02R OPTIONAL PART: 4310-002-2 V76374 ELECTRICAL EQUIP NUMBER: C04118	102102	1
- 750	233N5102-94		CIRCUIT BREAKER INSTL-P11-1 FOR NHA SEE: 25-10-00-15C	102102 504903	RF
755	2TC47-2-5		.CIRCUIT BREAKER- SUPPLIER CODE: V82647 SPECIFICATION NUMBER: BACC18AD2 OPTIONAL PART: 4310-029-205 V76374 ELECTRICAL EQUIP NUMBER: C00725	102102 504903	1
- 825	233N5102-208		CIRCUIT BREAKER INSTL-P11-1 FOR NHA SEE: 25-10-00-15C	102102	RF
830	2TC47-10		.CIRCUIT BREAKER- SUPPLIER CODE: V82647 SPECIFICATION NUMBER: BACC18AD10 OPTIONAL PART: 4310-029-10 V76374 ELECTRICAL EQUIP NUMBER: C00546	102102	1
835	10237-1		.CLIP-STOW SUPPLIER CODE: V07RZ7	102102	1

MISSING ITEM NUMBERS NOT APPLICABLE

- ITEM NOT ILLUSTRATED

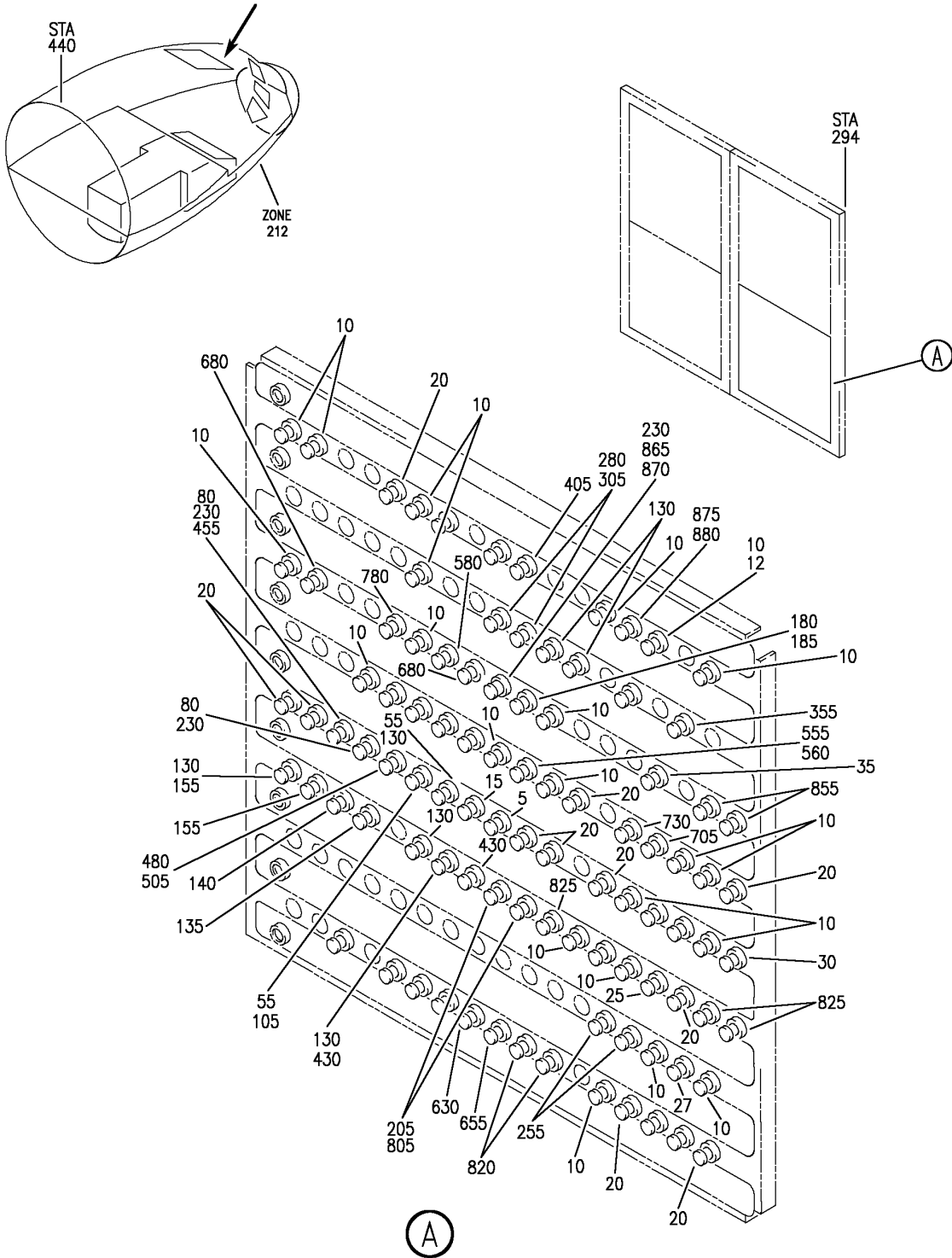
24-51-53-01A

24-51-53
FIG. 01A
PAGE 5
JAN 20/09

BRI

BOEING PROPRIETARY - Copyright © - Unpublished Work - See title page for details.

BOEING
757
PARTS CATALOG (MAINTENANCE)



Y 24515303 REV 330

CIRCUIT BREAKER INSTL-P11-2 AND KIT
FIGURE 3

24-51-53-03

BRI
JAN 20/09

24-51-53-03
PAGE 0



757

PARTS CATALOG (MAINTENANCE)

FIG ITEM	PART NUMBER	1 2 3 4 5 6 7	NOMENCLATURE	EFFECT FROM TO	UNITS PER ASSY
3			CIRCUIT BREAKER INSTL-P11-2 AND KIT	102102 504903	
- 1	233N5102-1		CIRCUIT BREAKER INSTL-P11-2 FOR NHA/ADDITIONAL DET SEE: 25-10-00-15C	102102 504903	RF
5	2TC47-10		.CIRCUIT BREAKER- SUPPLIER CODE: V82647 SPECIFICATION NUMBER: BACC18AD10 OPTIONAL PART: 4310-029-10 V76374 ELECTRICAL EQUIP NUMBER: C04216	102102 504903	1

MISSING ITEM NUMBERS NOT APPLICABLE

- ITEM NOT ILLUSTRATED

BRI

24-51-53-03

BOEING PROPRIETARY - Copyright © - Unpublished Work - See title page for details.

24-51-53
FIG. 03
PAGE 1
JAN 20/09



757

PARTS CATALOG (MAINTENANCE)

FIG ITEM	PART NUMBER	1 2 3 4 5 6 7	NOMENCLATURE	EFFECT FROM TO	UNITS PER ASSY
3 10	2TC47-2-5		.CIRCUIT BREAKER- SUPPLIER CODE: V82647 SPECIFICATION NUMBER: BACC18AD2 OPTIONAL PART: 4310-029-205 V76374 ELECTRICAL EQUIP NUMBER: C00514 C00517 C00532 C00560 C00568 C00581 C00585 C00587 C00589 C00594 C00598 C00623 C00634 C00638 C00796 C01009 C01018 C01052 C01175 C01183 C01184 C01307 C01525 C01526 C04132 C04133 C04175 C04271 C04290	102102 504903	29
15	2TC47-3		.CIRCUIT BREAKER- SUPPLIER CODE: V82647 SPECIFICATION NUMBER: BACC18AD3 OPTIONAL PART: 4310-029-3 V76374 ELECTRICAL EQUIP NUMBER: C04061	102102 504903	1

MISSING ITEM NUMBERS NOT APPLICABLE

- ITEM NOT ILLUSTRATED

24-51-53-03

24-51-53
FIG. 03
PAGE 2
JAN 20/09

BRI



757

PARTS CATALOG (MAINTENANCE)

FIG ITEM	PART NUMBER	1 2 3 4 5 6 7	NOMENCLATURE	EFFECT FROM TO	UNITS PER ASSY
3 20	2TC47-5		.CIRCUIT BREAKER- SUPPLIER CODE: V82647 SPECIFICATION NUMBER: BACC18AD5 OPTIONAL PART: 4310-029-5 V76374 ELECTRICAL EQUIP NUMBER: C00523 C00610 C01048 C01200 C01201 C01306 C01308 C01510 C01511 C04023 C04025 C04054 C04212	102102 504903	13
25	2TC47-7-5		.CIRCUIT BREAKER- SUPPLIER CODE: V82647 SPECIFICATION NUMBER: BACC18AD7 OPTIONAL PART: 4310-029-705 V76374 ELECTRICAL EQUIP NUMBER: C01058	102102 504903	1
27	2TC47-7-5		.CIRCUIT BREAKER- SUPPLIER CODE: V82647 SPECIFICATION NUMBER: BACC18AD7 OPTIONAL PART: 4310-029-705 V76374 ELECTRICAL EQUIP NUMBER: C01390	102102 504504	1

MISSING ITEM NUMBERS NOT APPLICABLE

- ITEM NOT ILLUSTRATED

BRI

24-51-53-03

BOEING PROPRIETARY - Copyright © - Unpublished Work - See title page for details.

24-51-53
FIG. 03
PAGE 3
JAN 20/09



757

PARTS CATALOG (MAINTENANCE)

FIG ITEM	PART NUMBER	1 2 3 4 5 6 7	NOMENCLATURE	EFFECT FROM TO	UNITS PER ASSY
3 27	2TC47-10		.CIRCUIT BREAKER- SUPPLIER CODE: V82647 SPECIFICATION NUMBER: BACC18AD10 OPTIONAL PART: 4310-029-10 V76374 ELECTRICAL EQUIP NUMBER: C01390 POST SERVICE BULLETIN: 49-0019	505903	1
30	2TC6-2		.CIRCUIT BREAKER- SUPPLIER CODE: V82647 SPECIFICATION NUMBER: BACC18Z02R OPTIONAL PART: 4310-002-2 V76374 ELECTRICAL EQUIP NUMBER: C04485	102102 504903	1
- 75	233N5102-103		CIRCUIT BREAKER INSTL-P11-2 FOR NHA/ADDITIONAL DET SEE: 25-10-00-15C	102102 504903	RF
80	2TC47-10		.CIRCUIT BREAKER- SUPPLIER CODE: V82647 SPECIFICATION NUMBER: BACC18AD10 OPTIONAL PART: 4310-029-10 V76374 ELECTRICAL EQUIP NUMBER: C04113 C04114	102102 504903	2
- 100	233N5102-104		CIRCUIT BREAKER INSTL-P11-2 FOR NHA SEE: 25-10-00-15C	504903	RF
105	2TC47-2-5		.CIRCUIT BREAKER- SUPPLIER CODE: V82647 SPECIFICATION NUMBER: BACC18AD2 OPTIONAL PART: 4310-029-205 V76374 ELECTRICAL EQUIP NUMBER: C04152	504903	1

MISSING ITEM NUMBERS NOT APPLICABLE

- ITEM NOT ILLUSTRATED

24-51-53-03

24-51-53
FIG. 03
PAGE 4
JAN 20/09

BRI



757

PARTS CATALOG (MAINTENANCE)

FIG ITEM	PART NUMBER	1 2 3 4 5 6 7	NOMENCLATURE	EFFECT FROM TO	UNITS PER ASSY
3					
- 125	233N5102-105		CIRCUIT BREAKER INSTL-P11-2 FOR NHA/ADDITIONAL DET SEE: 25-10-00-15C	504903	RF
130	2TC47-2-5		.CIRCUIT BREAKER- SUPPLIER CODE: V82647 SPECIFICATION NUMBER: BACC18AD2 OPTIONAL PART: 4310-029-205 V76374 ELECTRICAL EQUIP NUMBER: C04085 C04255 C04257 C04478 C04256 C04258	504903	6
135	2TC47-5		.CIRCUIT BREAKER- SUPPLIER CODE: V82647 SPECIFICATION NUMBER: BACC18AD5 OPTIONAL PART: 4310-029-5 V76374 ELECTRICAL EQUIP NUMBER: C00551	504903	1
140	2TC47-7-5		.CIRCUIT BREAKER- SUPPLIER CODE: V82647 SPECIFICATION NUMBER: BACC18AD7 OPTIONAL PART: 4310-029-705 V76374 ELECTRICAL EQUIP NUMBER: C00548	504903	1
- 150	233N5102-106		CIRCUIT BREAKER INSTL-P11-2 FOR NHA/ADDITIONAL DET SEE: 25-10-00-15C	102102	RF

MISSING ITEM NUMBERS NOT APPLICABLE

- ITEM NOT ILLUSTRATED

BRI

24-51-53-03

24-51-53
FIG. 03
PAGE 5
JAN 20/09



757

PARTS CATALOG (MAINTENANCE)

FIG ITEM	PART NUMBER	1 2 3 4 5 6 7	NOMENCLATURE	EFFECT FROM TO	UNITS PER ASSY
3 155	2TC47-2-5		.CIRCUIT BREAKER- SUPPLIER CODE: V82647 SPECIFICATION NUMBER: BACC18AD2 OPTIONAL PART: 4310-029-205 V76374 ELECTRICAL EQUIP NUMBER: C04478 C04085	102102	2
- 175	233N5102-107		CIRCUIT BREAKER INSTL-P11-2 FOR NHA SEE: 25-10-00-15C	102102 504903	RF
180	2TC47-5		.CIRCUIT BREAKER- SUPPLIER CODE: V82647 SPECIFICATION NUMBER: BACC18AD5 OPTIONAL PART: 4310-029-5 V76374 ELECTRICAL EQUIP NUMBER: C04052	102102 504903	1
- 200	233N5102-109		CIRCUIT BREAKER INSTL-P11-2 FOR NHA SEE: 25-10-00-15C	102102	RF
205	2TC47-2-5		.CIRCUIT BREAKER- SUPPLIER CODE: V82647 SPECIFICATION NUMBER: BACC18AD2 OPTIONAL PART: 4310-029-205 V76374 ELECTRICAL EQUIP NUMBER: C01147 C01148	102102	2
- 250	233N5102-112		CIRCUIT BREAKER INSTL-P11-2 FOR NHA SEE: 25-10-00-15C	102102 504903	RF

MISSING ITEM NUMBERS NOT APPLICABLE

- ITEM NOT ILLUSTRATED

24-51-53-03

24-51-53
FIG. 03
PAGE 6
JAN 20/09

BRI



757

PARTS CATALOG (MAINTENANCE)

FIG ITEM	PART NUMBER	1 2 3 4 5 6 7	NOMENCLATURE	EFFECT FROM TO	UNITS PER ASSY
3 255	2TC47-2-5		.CIRCUIT BREAKER- SUPPLIER CODE: V82647 SPECIFICATION NUMBER: BACC18AD2 OPTIONAL PART: 4310-029-205 V76374 ELECTRICAL EQUIP NUMBER: C04251 C04252	102102 504903	2
- 300	233N5102-114		CIRCUIT BREAKER INSTL-P11-2 FOR NHA/ADDITIONAL DET SEE: 25-10-00-15C	102102 504903	RF
305	2TC47-2-5		.CIRCUIT BREAKER- SUPPLIER CODE: V82647 SPECIFICATION NUMBER: BACC18AD2 OPTIONAL PART: 4310-029-205 V76374 ELECTRICAL EQUIP NUMBER: C01532 C01535	102102 504903	2
- 350	233N5102-12		CIRCUIT BREAKER INSTL-P11-2 FOR NHA/ADDITIONAL DET SEE: 25-10-00-15C	102102 504903	RF
355	6TC6-5		.CIRCUIT BREAKER- SUPPLIER CODE: V82647 SPECIFICATION NUMBER: BACC18AC5 OPTIONAL PART: 4330-004-5 V76374 ELECTRICAL EQUIP NUMBER: C03006	102102 504903	1
- 400	233N5102-121		CIRCUIT BREAKER INSTL-P11-2 FOR NHA SEE: 25-10-00-15C	102102 504903	RF

MISSING ITEM NUMBERS NOT APPLICABLE

- ITEM NOT ILLUSTRATED

24-51-53-03

24-51-53
FIG. 03
PAGE 7
JAN 20/09

BRI



757

PARTS CATALOG (MAINTENANCE)

FIG ITEM	PART NUMBER	1 2 3 4 5 6 7	NOMENCLATURE	EFFECT FROM TO	UNITS PER ASSY
3 405	2TC47-5		.CIRCUIT BREAKER- SUPPLIER CODE: V82647 SPECIFICATION NUMBER: BACC18AD5 OPTIONAL PART: 4310-029-5 V76374 ELECTRICAL EQUIP NUMBER: C04034	102102 504903	1
- 425	233N5102-122		CIRCUIT BREAKER INSTL-P11-2 FOR NHA SEE: 25-10-00-15C	102102	RF
430	2TC47-2-5		.CIRCUIT BREAKER- SUPPLIER CODE: V82647 SPECIFICATION NUMBER: BACC18AD2 OPTIONAL PART: 4310-029-205 V76374 ELECTRICAL EQUIP NUMBER: C00552 C00553	102102	2
- 475	233N5102-124		CIRCUIT BREAKER INSTL-P11-2 FOR NHA SEE: 25-10-00-15C	102102	RF
480	2TC47-2-5		.CIRCUIT BREAKER- SUPPLIER CODE: V82647 SPECIFICATION NUMBER: BACC18AD2 OPTIONAL PART: 4310-029-205 V76374 ELECTRICAL EQUIP NUMBER: C04151	102102	1
- 500	233N5102-125		CIRCUIT BREAKER INSTL-P11-2 FOR NHA SEE: 25-10-00-15C	504903	RF

MISSING ITEM NUMBERS NOT APPLICABLE

- ITEM NOT ILLUSTRATED

24-51-53-03

24-51-53
FIG. 03
PAGE 8
JAN 20/09

BRI



757

PARTS CATALOG (MAINTENANCE)

FIG ITEM	PART NUMBER	1 2 3 4 5 6 7	NOMENCLATURE	EFFECT FROM TO	UNITS PER ASSY
3 505	2TC47-2-5		.CIRCUIT BREAKER- SUPPLIER CODE: V82647 SPECIFICATION NUMBER: BACC18AD2 OPTIONAL PART: 4310-029-205 V76374 ELECTRICAL EQUIP NUMBER: C04151	504903	1
- 550	233N5102-132		CIRCUIT BREAKER INSTL-P11-2 FOR NHA SEE: 25-10-00-15C	102102 504903	RF
555	2TC47-2-5		.CIRCUIT BREAKER- SUPPLIER CODE: V82647 SPECIFICATION NUMBER: BACC18AD2 OPTIONAL PART: 4310-029-205 V76374 ELECTRICAL EQUIP NUMBER: C04423	102102 504903	1
- 575	233N5102-133		CIRCUIT BREAKER INSTL-P11-2 FOR NHA/ADDITIONAL DET SEE: 25-10-00-15C	102102	RF
580	2TC47-2-5		.CIRCUIT BREAKER- SUPPLIER CODE: V82647 SPECIFICATION NUMBER: BACC18AD2 OPTIONAL PART: 4310-029-205 V76374 ELECTRICAL EQUIP NUMBER: C00636	102102	1
- 650	233N5102-180		CIRCUIT BREAKER INSTL-P11-2 FOR NHA SEE: 25-10-00-15C	102102	RF
655	2TC47-2-5		.CIRCUIT BREAKER- SUPPLIER CODE: V82647 SPECIFICATION NUMBER: BACC18AD2 OPTIONAL PART: 4310-029-205 V76374 ELECTRICAL EQUIP NUMBER: C04037	102102	1

MISSING ITEM NUMBERS NOT APPLICABLE

- ITEM NOT ILLUSTRATED

24-51-53-03

24-51-53
FIG. 03
PAGE 9
JAN 20/09

BRI



757

PARTS CATALOG (MAINTENANCE)

FIG ITEM	PART NUMBER	1 2 3 4 5 6 7	NOMENCLATURE	EFFECT FROM TO	UNITS PER ASSY
3					
- 675	233N5102-182		CIRCUIT BREAKER INSTL-P11-2 FOR NHA/ADDITIONAL DET SEE: 25-10-00-15C	102102 504903	RF
680	2TC6-2		.CIRCUIT BREAKER- SUPPLIER CODE: V82647 SPECIFICATION NUMBER: BACC18Z02R OPTIONAL PART: 4310-002-2 V76374 ELECTRICAL EQUIP NUMBER: C00601 C00602	102102 504903	2
- 700	233N5102-183		CIRCUIT BREAKER INSTL-P11-2 FOR NHA/ADDITIONAL DET SEE: 25-10-00-15C	102102 504903	RF
705	2TC6-2		.CIRCUIT BREAKER- SUPPLIER CODE: V82647 SPECIFICATION NUMBER: BACC18Z02R OPTIONAL PART: 4310-002-2 V76374 ELECTRICAL EQUIP NUMBER: C00596	102102 504903	1
- 725	233N5102-184		CIRCUIT BREAKER INSTL-P11-2 FOR NHA/ADDITIONAL DET SEE: 25-10-00-15C	102102 504903	RF
730	2TC6-2		.CIRCUIT BREAKER- SUPPLIER CODE: V82647 SPECIFICATION NUMBER: BACC18Z02R OPTIONAL PART: 4310-002-2 V76374 ELECTRICAL EQUIP NUMBER: C00583	102102 504903	1

MISSING ITEM NUMBERS NOT APPLICABLE

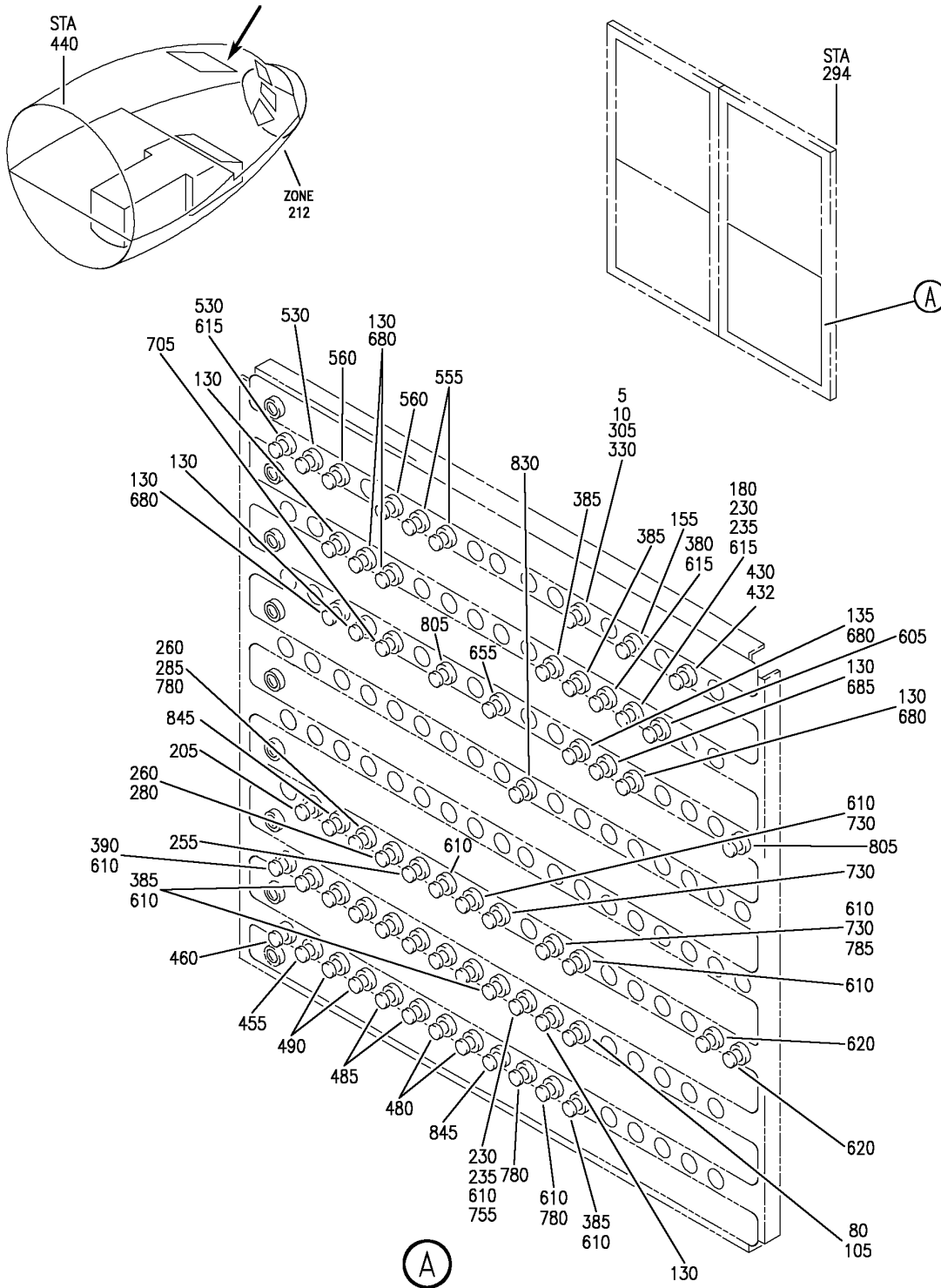
- ITEM NOT ILLUSTRATED

BRI

24-51-53-03

24-51-53
FIG. 03
PAGE 10
JAN 20/09

BOEING
757
PARTS CATALOG (MAINTENANCE)



Y 24515303A REV 326

CIRCUIT BREAKER INSTL-P11-2
FIGURE 3A

24-51-53-03A

BRI
SEP 20/08

24-51-53-03A
PAGE 0



757

PARTS CATALOG (MAINTENANCE)

FIG ITEM	PART NUMBER	1 2 3 4 5 6 7	NOMENCLATURE	EFFECT FROM TO	UNITS PER ASSY
3A			CIRCUIT BREAKER INSTL-P11-2	101102	
- 1	233N5102-191		CIRCUIT BREAKER INSTL-P11-2 FOR NHA SEE: 25-10-00-15C	504903	RF
5	2TC47-5		.CIRCUIT BREAKER- SUPPLIER CODE: V82647 SPECIFICATION NUMBER: BACC18AD5 OPTIONAL PART: 4310-029-5 V76374 ELECTRICAL EQUIP NUMBER: C04364	504903	1
10	10237-1		.CLIP-STOW SUPPLIER CODE: V07RZ7	504903	1
- 100	233N5102-195		CIRCUIT BREAKER INSTL-P11-2 FOR NHA/ADDITIONAL DET SEE: 25-10-00-15C	101102 504903	RF
105	2TC47-2-5		.CIRCUIT BREAKER- SUPPLIER CODE: V82647 SPECIFICATION NUMBER: BACC18AD2 OPTIONAL PART: 4310-029-205 V76374 ELECTRICAL EQUIP NUMBER: C01483	101102 504903	1
- 125	233N5102-2		CIRCUIT BREAKER INSTL-P11-2 FOR NHA/ADDITIONAL DET SEE: 25-10-00-15C	102102 504903	RF

MISSING ITEM NUMBERS NOT APPLICABLE

- ITEM NOT ILLUSTRATED

24-51-53-03A

24-51-53
FIG. 03A
PAGE 1
JAN 20/09

BRI

BOEING PROPRIETARY - Copyright © - Unpublished Work - See title page for details.



757

PARTS CATALOG (MAINTENANCE)

FIG ITEM	PART NUMBER	1 2 3 4 5 6 7	NOMENCLATURE	EFFECT FROM TO	UNITS PER ASSY
3A 130	2TC47-2-5	.	CIRCUIT BREAKER- SUPPLIER CODE: V82647 SPECIFICATION NUMBER: BACC18AD2 OPTIONAL PART: 4310-029-205 V76374 ELECTRICAL EQUIP NUMBER: C00003 C00004 C00612 C00613 C01038 C01481 C01540 C04210	102102 504903	8
135	2TC6-1	.	CIRCUIT BREAKER- SUPPLIER CODE: V82647 SPECIFICATION NUMBER: BACC18Z1R OPTIONAL PART: 4310-002-1 V76374 ELECTRICAL EQUIP NUMBER: C00626	102102 504903	1
- 150	233N5102-200	CIRCUIT BREAKER INSTL-P11-2 FOR NHA SEE: 25-10-00-15C		102102 504903	RF
155	2TC47-2-5	.	CIRCUIT BREAKER- SUPPLIER CODE: V82647 SPECIFICATION NUMBER: BACC18AD2 OPTIONAL PART: 4310-029-205 V76374 ELECTRICAL EQUIP NUMBER: C04594	102102 504903	1
- 200	233N5102-204	CIRCUIT BREAKER INSTL-P11-2 FOR NHA SEE: 25-10-00-15C		504903	RF

MISSING ITEM NUMBERS NOT APPLICABLE

- ITEM NOT ILLUSTRATED

24-51-53-03A

24-51-53
FIG. 03A
PAGE 2
JAN 20/09

BRI

BOEING PROPRIETARY - Copyright © - Unpublished Work - See title page for details.



757

PARTS CATALOG (MAINTENANCE)

FIG ITEM	PART NUMBER	1 2 3 4 5 6 7	NOMENCLATURE	EFFECT FROM TO	UNITS PER ASSY
3A 205	2TC47-2-5		.CIRCUIT BREAKER- SUPPLIER CODE: V82647 SPECIFICATION NUMBER: BACC18AD2 OPTIONAL PART: 4310-029-205 V76374 ELECTRICAL EQUIP NUMBER: C04588	504903	1
- 225	233N5102-22		CIRCUIT BREAKER INSTL-P11-2 FOR NHA SEE: 25-10-00-15C	504903	RF
230	2TC47-2-5		.CIRCUIT BREAKER- SUPPLIER CODE: V82647 SPECIFICATION NUMBER: BACC18AD2 OPTIONAL PART: 4310-029-205 V76374 ELECTRICAL EQUIP NUMBER: C04424 C04498	504903	2
- 232	2TC47-2-5		.CIRCUIT BREAKER- SUPPLIER CODE: V82647 SPECIFICATION NUMBER: BACC18AD2 OPTIONAL PART: 4310-029-205 V76374 ELECTRICAL EQUIP NUMBER: C00559	504903	1
235	10237-1		.CLIP-STOW SUPPLIER CODE: V07RZ7	504903	2
- 240	10237-1		.CLIP-STOW SUPPLIER CODE: V07RZ7	504903	1
- 275	233N5102-26		CIRCUIT BREAKER INSTL-P11-2 FOR NHA SEE: 25-10-00-15C	102102	RF

MISSING ITEM NUMBERS NOT APPLICABLE

- ITEM NOT ILLUSTRATED

24-51-53-03A

24-51-53
FIG. 03A
PAGE 3
JAN 20/09

BRI

BOEING PROPRIETARY - Copyright © - Unpublished Work - See title page for details.



757

PARTS CATALOG (MAINTENANCE)

FIG ITEM	PART NUMBER	1 2 3 4 5 6 7	NOMENCLATURE	EFFECT FROM TO	UNITS PER ASSY
3A 280	2TC47-5		.CIRCUIT BREAKER- SUPPLIER CODE: V82647 SPECIFICATION NUMBER: BACC18AD5 OPTIONAL PART: 4310-029-5 V76374 ELECTRICAL EQUIP NUMBER: C00551	102102	1
285	2TC47-7-5		.CIRCUIT BREAKER- SUPPLIER CODE: V82647 SPECIFICATION NUMBER: BACC18AD7 OPTIONAL PART: 4310-029-705 V76374 ELECTRICAL EQUIP NUMBER: C00548	102102	1
- 300	233N5102-27		CIRCUIT BREAKER INSTL-P11-2 FOR NHA SEE: 25-10-00-15C	102102	RF
305	2TC47-5		.CIRCUIT BREAKER- SUPPLIER CODE: V82647 SPECIFICATION NUMBER: BACC18AD5 OPTIONAL PART: 4310-029-5 V76374 ELECTRICAL EQUIP NUMBER: C04364	102102	1
- 375	233N5102-3		CIRCUIT BREAKER INSTL-P11-2 FOR NHA/ADDITIONAL DET SEE: 25-10-00-15C	102102 504903	RF
380	2TC47-10		.CIRCUIT BREAKER- SUPPLIER CODE: V82647 SPECIFICATION NUMBER: BACC18AD10 OPTIONAL PART: 4310-029-10 V76374 ELECTRICAL EQUIP NUMBER: C00545	102102 504903	1

MISSING ITEM NUMBERS NOT APPLICABLE

- ITEM NOT ILLUSTRATED

24-51-53-03A

24-51-53
FIG. 03A
PAGE 4
JAN 20/09

BRI

BOEING PROPRIETARY - Copyright © - Unpublished Work - See title page for details.



757

PARTS CATALOG (MAINTENANCE)

FIG ITEM	PART NUMBER	1 2 3 4 5 6 7	NOMENCLATURE	EFFECT FROM TO	UNITS PER ASSY
3A 385	2TC47-2-5	.CIRCUIT BREAKER- SUPPLIER CODE: V82647 SPECIFICATION NUMBER: BACC18AD2 OPTIONAL PART: 4310-029-205 V76374 ELECTRICAL EQUIP NUMBER: C00554 C00772 C00774 C00775 C00776 C00783 C00784 C00785 C00788 C01214 C00557		102102 504903	11
390	2TC47-5	.CIRCUIT BREAKER- SUPPLIER CODE: V82647 SPECIFICATION NUMBER: BACC18AD5 OPTIONAL PART: 4310-029-5 V76374 ELECTRICAL EQUIP NUMBER: C01010		102102 504903	1
- 450	233N5102-34	CIRCUIT BREAKER INSTL-P11-2 FOR NHA SEE: 25-10-00-15C		102102 504903	RF
455	2TC47-2-5	.CIRCUIT BREAKER- SUPPLIER CODE: V82647 SPECIFICATION NUMBER: BACC18AD2 OPTIONAL PART: 4310-029-205 V76374 ELECTRICAL EQUIP NUMBER: C04275		102102 504903	1
460	1500-052-05	.CIRCUIT BREAKER- SUPPLIER CODE: V76374 ELECTRICAL EQUIP NUMBER: C04276		102102 504903	1

MISSING ITEM NUMBERS NOT APPLICABLE

- ITEM NOT ILLUSTRATED

24-51-53-03A

24-51-53
FIG. 03A
PAGE 5
JAN 20/09

BRI



757

PARTS CATALOG (MAINTENANCE)

FIG ITEM	PART NUMBER	1 2 3 4 5 6 7	NOMENCLATURE	EFFECT FROM TO	UNITS PER ASSY
3A - 475	233N5102-35		CIRCUIT BREAKER INSTL-P11-2 FOR NHA SEE: 25-10-00-15C	102102 504903	RF
480	2TC47-2-5		.CIRCUIT BREAKER- SUPPLIER CODE: V82647 SPECIFICATION NUMBER: BACC18AD2 OPTIONAL PART: 4310-029-205 V76374 ELECTRICAL EQUIP NUMBER: C01323 C01325	102102 504903	2
485	2TC47-5		.CIRCUIT BREAKER- SUPPLIER CODE: V82647 SPECIFICATION NUMBER: BACC18AD5 OPTIONAL PART: 4310-029-5 V76374 ELECTRICAL EQUIP NUMBER: C01321 C01322	102102 504903	2
490	2TC6-2		.CIRCUIT BREAKER- SUPPLIER CODE: V82647 SPECIFICATION NUMBER: BACC18Z02R OPTIONAL PART: 4310-002-2 V76374 ELECTRICAL EQUIP NUMBER: C04476 C04477	102102 504903	2
- 700	233N5102-50		CIRCUIT BREAKER INSTL-P11-2 FOR NHA SEE: 25-10-00-15C	102102 504903	RF
705	2TC47-5		.CIRCUIT BREAKER- SUPPLIER CODE: V82647 SPECIFICATION NUMBER: BACC18AD5 OPTIONAL PART: 4310-029-5 V76374 ELECTRICAL EQUIP NUMBER: C00632	102102 504903	1

MISSING ITEM NUMBERS NOT APPLICABLE

- ITEM NOT ILLUSTRATED

24-51-53-03A

24-51-53
FIG. 03A
PAGE 6
JAN 20/09

BRI

BOEING PROPRIETARY - Copyright © - Unpublished Work - See title page for details.



757

PARTS CATALOG (MAINTENANCE)

FIG ITEM	PART NUMBER	1 2 3 4 5 6 7	NOMENCLATURE	EFFECT FROM TO	UNITS PER ASSY
3A					
- 725	233N5102-54		CIRCUIT BREAKER INSTL-P11-2 FOR NHA SEE: 25-10-00-15C	504903	RF
730	2TC47-2-5		.CIRCUIT BREAKER- SUPPLIER CODE: V82647 SPECIFICATION NUMBER: BACC18AD2 OPTIONAL PART: 4310-029-205 V76374 ELECTRICAL EQUIP NUMBER: C01147 C01148 C04281	504903	3
- 775	233N5102-6		CIRCUIT BREAKER INSTL-P11-2 FOR NHA/ADDITIONAL DET SEE: 25-10-00-15C	102102	RF
780	2TC47-2-5		.CIRCUIT BREAKER- SUPPLIER CODE: V82647 SPECIFICATION NUMBER: BACC18AD2 OPTIONAL PART: 4310-029-205 V76374 ELECTRICAL EQUIP NUMBER: C00703 C00704 C01121	102102	3
785	2TC47-5		.CIRCUIT BREAKER- SUPPLIER CODE: V82647 SPECIFICATION NUMBER: BACC18AD5 OPTIONAL PART: 4310-029-5 V76374 ELECTRICAL EQUIP NUMBER: C01132	102102	1
- 800	233N5102-61		CIRCUIT BREAKER INSTL-P11-2 FOR NHA/ADDITIONAL DET SEE: 25-10-00-15C	504903	RF

MISSING ITEM NUMBERS NOT APPLICABLE

- ITEM NOT ILLUSTRATED

24-51-53-03A

24-51-53
FIG. 03A
PAGE 7
JAN 20/09

BRI

BOEING PROPRIETARY - Copyright © - Unpublished Work - See title page for details.



757

PARTS CATALOG (MAINTENANCE)

FIG ITEM	PART NUMBER	1 2 3 4 5 6 7	NOMENCLATURE	EFFECT FROM TO	UNITS PER ASSY
3A 805	2TC47-2-5		.CIRCUIT BREAKER- SUPPLIER CODE: V82647 SPECIFICATION NUMBER: BACC18AD2 OPTIONAL PART: 4310-029-205 V76374 ELECTRICAL EQUIP NUMBER: C04240 C04260	504903	2

MISSING ITEM NUMBERS NOT APPLICABLE

- ITEM NOT ILLUSTRATED

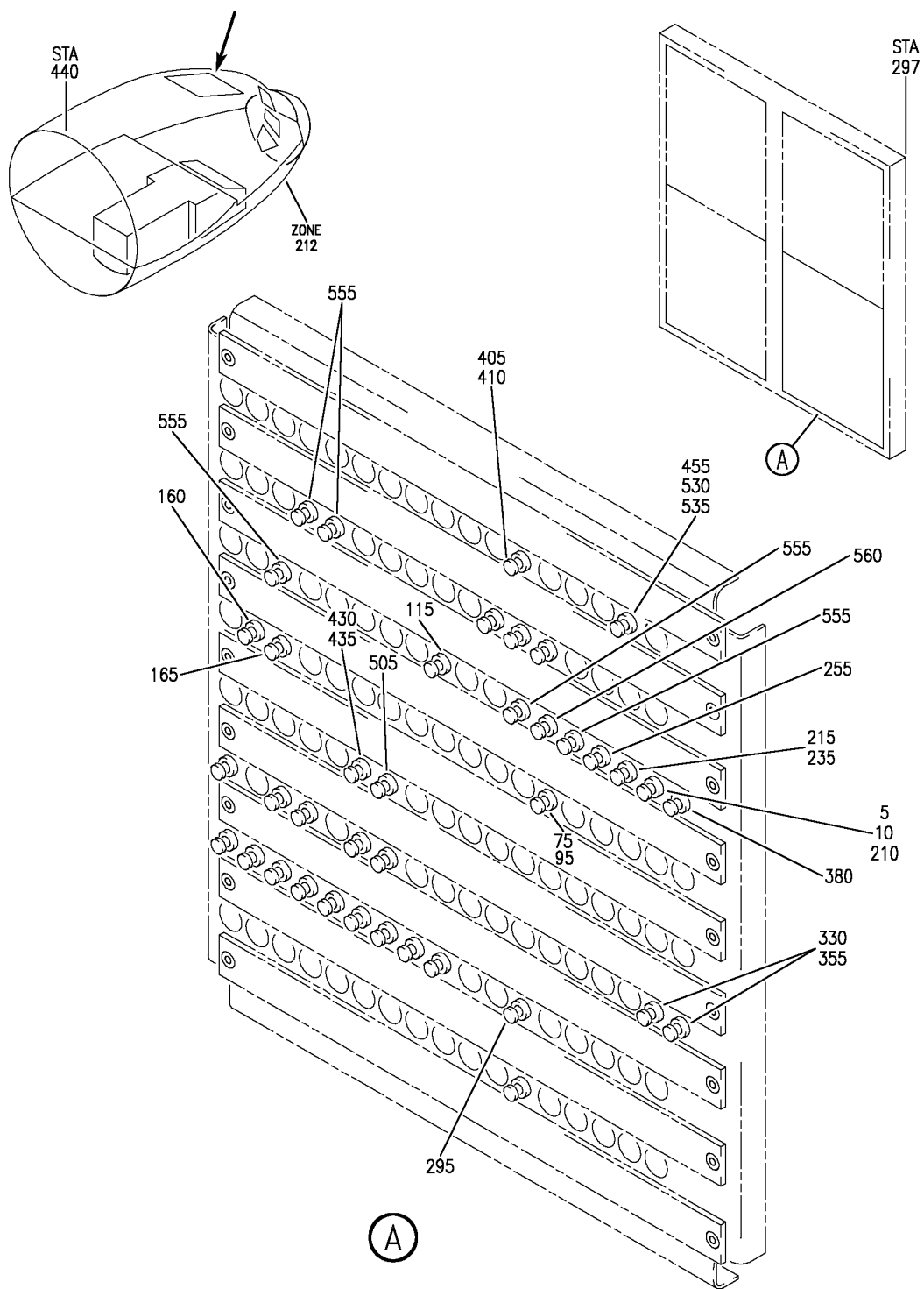
BRI

24-51-53-03A

BOEING PROPRIETARY - Copyright © - Unpublished Work - See title page for details.

24-51-53
FIG. 03A
PAGE 8
JAN 20/09

BOEING
757
PARTS CATALOG (MAINTENANCE)



Y 24515303B REV 330

CIRCUIT BREAKER INSTL-P11-2 (PRE-MODULE)
FIGURE 3B

24-51-53-03B

BRI
JAN 20/09

24-51-53-03B
PAGE 0



757

PARTS CATALOG (MAINTENANCE)

FIG ITEM	PART NUMBER	1 2 3 4 5 6 7	NOMENCLATURE	EFFECT FROM TO	UNITS PER ASSY
3B			CIRCUIT BREAKER INSTL-P11-2 (PRE-MODULE)	102102 504903	
- 70	233N5102-71		CIRCUIT BREAKER INSTL-P11-2 FOR NHA/ADDITIONAL DET SEE: 25-10-00-15C	102102 504903	RF
75	2TC6-2		.CIRCUIT BREAKER- SUPPLIER CODE: V82647 SPECIFICATION NUMBER: BACC18Z02R OPTIONAL PART: 4310-002-2 V76374 ELECTRICAL EQUIP NUMBER: C04601	102102 504903	1
- 110	233N5102-73		CIRCUIT BREAKER INSTL-P11-2 FOR NHA SEE: 25-10-00-15C	504903	RF
115	2TC47-5		.CIRCUIT BREAKER- SUPPLIER CODE: V82647 SPECIFICATION NUMBER: BACC18AD5 OPTIONAL PART: 4310-029-5 V76374 ELECTRICAL EQUIP NUMBER: C04433	504903	1
- 155	233N5102-75		CIRCUIT BREAKER INSTL-P11-2 FOR NHA SEE: 25-10-00-15C	102102 504903	RF
160	2TC47-2-5		.CIRCUIT BREAKER- SUPPLIER CODE: V82647 SPECIFICATION NUMBER: BACC18AD2 OPTIONAL PART: 4310-029-205 V76374 ELECTRICAL EQUIP NUMBER: C00515	102102 504903	1

MISSING ITEM NUMBERS NOT APPLICABLE

- ITEM NOT ILLUSTRATED

24-51-53-03B

24-51-53
FIG. 03B
PAGE 1
JAN 20/09

BRI

BOEING PROPRIETARY - Copyright © - Unpublished Work - See title page for details.



757

PARTS CATALOG (MAINTENANCE)

FIG ITEM	PART NUMBER	1 2 3 4 5 6 7	NOMENCLATURE	EFFECT FROM TO	UNITS PER ASSY
3B 165	2TC47-5		.CIRCUIT BREAKER- SUPPLIER CODE: V82647 SPECIFICATION NUMBER: BACC18AD5 OPTIONAL PART: 4310-029-5 V76374 ELECTRICAL EQUIP NUMBER: C00524	102102 504903	1
- 205	233N5102-88		CIRCUIT BREAKER INSTL-P11-2 FOR NHA SEE: 25-10-00-15C	504903	RF
210	2TC47-2-5		.CIRCUIT BREAKER- SUPPLIER CODE: V82647 SPECIFICATION NUMBER: BACC18AD2 OPTIONAL PART: 4310-029-205 V76374 ELECTRICAL EQUIP NUMBER: C01561	504903	1
215	2TC6-2		.CIRCUIT BREAKER- SUPPLIER CODE: V82647 SPECIFICATION NUMBER: BACC18Z02R OPTIONAL PART: 4310-002-2 V76374 ELECTRICAL EQUIP NUMBER: C04118	504903	1
- 230	233N5102-90		CIRCUIT BREAKER INSTL-P11-2 FOR NHA SEE: 25-10-00-15C	102102	RF
235	2TC47-2-5		.CIRCUIT BREAKER- SUPPLIER CODE: V82647 SPECIFICATION NUMBER: BACC18AD2 OPTIONAL PART: 4310-029-205 V76374 ELECTRICAL EQUIP NUMBER: C01561	102102	1
- 250	233N5102-91		CIRCUIT BREAKER INSTL-P11-2 FOR NHA SEE: 25-10-00-15C	102102 504903	RF

MISSING ITEM NUMBERS NOT APPLICABLE

- ITEM NOT ILLUSTRATED

24-51-53-03B

24-51-53
FIG. 03B
PAGE 2
JAN 20/09

BRI

BOEING PROPRIETARY - Copyright © - Unpublished Work - See title page for details.



757

PARTS CATALOG (MAINTENANCE)

FIG ITEM	PART NUMBER	1 2 3 4 5 6 7	NOMENCLATURE	EFFECT FROM TO	UNITS PER ASSY
3B 255	2TC47-2-5		.CIRCUIT BREAKER- SUPPLIER CODE: V82647 SPECIFICATION NUMBER: BACC18AD2 OPTIONAL PART: 4310-029-205 V76374 ELECTRICAL EQUIP NUMBER: C00726	102102 504903	1
- 350	233N5102-207		CIRCUIT BREAKER INSTL-P11-2 FOR NHA SEE: 25-10-00-15C	102102	RF
355	2TC47-5		.CIRCUIT BREAKER- SUPPLIER CODE: V82647 SPECIFICATION NUMBER: BACC18AD5 OPTIONAL PART: 4310-029-5 V76374 ELECTRICAL EQUIP NUMBER: C01303 C01310	102102	2

MISSING ITEM NUMBERS NOT APPLICABLE

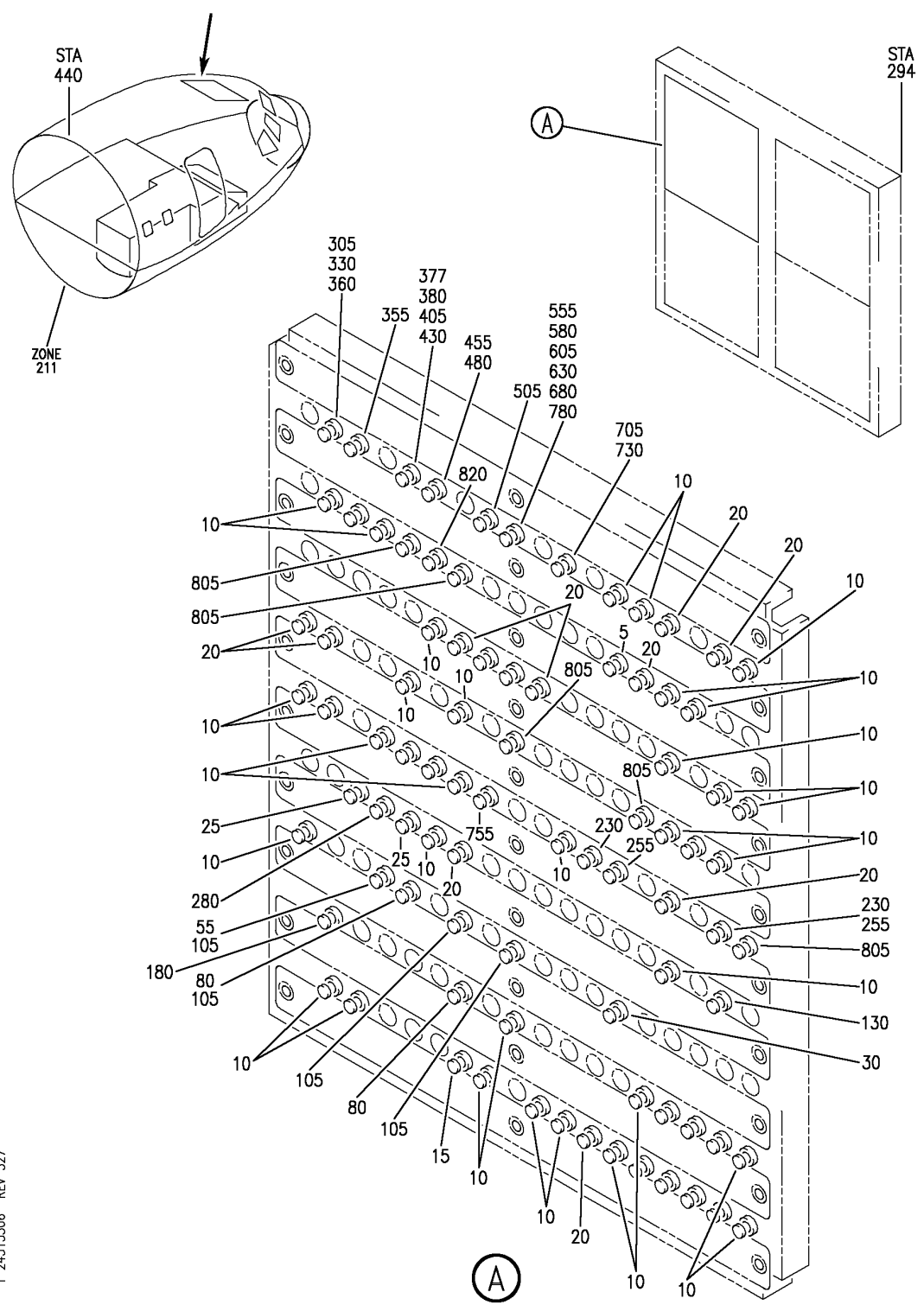
- ITEM NOT ILLUSTRATED

24-51-53-03B

24-51-53
FIG. 03B
PAGE 3
JAN 20/09

BRI

BOEING
757
PARTS CATALOG (MAINTENANCE)



Y 24515306 REV 327

CIRCUIT BREAKER INSTL-P11-3
FIGURE 6

24-51-53-06

BRI
SEP 20/08

24-51-53-06
PAGE 0

BOEING PROPRIETARY - Copyright © - Unpublished Work - See title page for details.



757

PARTS CATALOG (MAINTENANCE)

FIG ITEM	PART NUMBER	1 2 3 4 5 6 7	NOMENCLATURE	EFFECT FROM TO	UNITS PER ASSY
6			CIRCUIT BREAKER INSTL-P11-3	102102 504903	
- 1	233N5102-1		CIRCUIT BREAKER INSTL-P11-3 FOR NHA/ADDITIONAL DET SEE: 25-10-00-15C	102102 504903	RF
5	2TC47-10		.CIRCUIT BREAKER- SUPPLIER CODE: V82647 SPECIFICATION NUMBER: BACC18AD10 OPTIONAL PART: 4310-029-10 V76374 ELECTRICAL EQUIP NUMBER: C01143	102102 504903	1
10	2TC47-2-5		.CIRCUIT BREAKER- SUPPLIER CODE: V82647 SPECIFICATION NUMBER: BACC18AD2 OPTIONAL PART: 4310-029-205 V76374 ELECTRICAL EQUIP NUMBER: C00578 C00667 C00670 C00705 C00822 C00824 C01005 C01022 C01034 C01035 C01080 C01082 C01128 C01171 C01176 C01180 C01237 C01241 C01242 C01244 C01252 C01276 C01289 C01290 C01430	102102 504903	44

MISSING ITEM NUMBERS NOT APPLICABLE

- ITEM NOT ILLUSTRATED

24-51-53-06

24-51-53
FIG. 06
PAGE 1
JAN 20/09

BRI



757

PARTS CATALOG (MAINTENANCE)

FIG ITEM	PART NUMBER	1 2 3 4 5 6 7 NOMENCLATURE	EFFECT FROM TO	UNITS PER ASSY
6		C01498 C04019 C04024 C04038 C04043 C04044 C04078 C04081 C04099 C04101 C04126 C04196 C04207 C04221 C04224 C04270 C04280 C04283 C04308		
15	2TC47-3	.CIRCUIT BREAKER- SUPPLIER CODE: V82647 SPECIFICATION NUMBER: BACC18AD3 OPTIONAL PART: 4310-029-3 V76374 ELECTRICAL EQUIP NUMBER: C00561	102102 504903	1

MISSING ITEM NUMBERS NOT APPLICABLE

- ITEM NOT ILLUSTRATED

BRI

24-51-53-06

BOEING PROPRIETARY - Copyright © - Unpublished Work - See title page for details.

24-51-53
 FIG. 06
 PAGE 2
 JAN 20/09



757

PARTS CATALOG (MAINTENANCE)

FIG ITEM	PART NUMBER	1 2 3 4 5 6 7	NOMENCLATURE	EFFECT FROM TO	UNITS PER ASSY
6 20	2TC47-5		.CIRCUIT BREAKER- SUPPLIER CODE: V82647 SPECIFICATION NUMBER: BACC18AD5 OPTIONAL PART: 4310-029-5 V76374 ELECTRICAL EQUIP NUMBER: C00686 C01182 C01226 C01297 C01298 C01339 C04032 C04178 C04226 C04228 C04230 C04298	102102 504903	12
25	2TC47-7-5		.CIRCUIT BREAKER- SUPPLIER CODE: V82647 SPECIFICATION NUMBER: BACC18AD7 OPTIONAL PART: 4310-029-705 V76374 ELECTRICAL EQUIP NUMBER: C01247 C01249	102102 504903	2
30	2TC47-2-5		.CIRCUIT BREAKER- SUPPLIER CODE: V82647 SPECIFICATION NUMBER: BACC18AD2 OPTIONAL PART: 4310-029-205 V76374 ELECTRICAL EQUIP NUMBER: C04679 POST ALERT SB: 28A0081	102102 504903	1
- 100	233N5102-103		CIRCUIT BREAKER INSTL-P11-3 FOR NHA/ADDITIONAL DET SEE: 25-10-00-15C	102102 504903	RF

MISSING ITEM NUMBERS NOT APPLICABLE

- ITEM NOT ILLUSTRATED

24-51-53-06

24-51-53
FIG. 06
PAGE 3
JAN 20/09

BRI



757

PARTS CATALOG (MAINTENANCE)

FIG ITEM	PART NUMBER	1 2 3 4 5 6 7	NOMENCLATURE	EFFECT FROM TO	UNITS PER ASSY
6 105	2TC47-2-5		.CIRCUIT BREAKER- SUPPLIER CODE: V82647 SPECIFICATION NUMBER: BACC18AD2 OPTIONAL PART: 4310-029-205 V76374 ELECTRICAL EQUIP NUMBER: C04103 C04107 C04119 C04129	102102 504903	4
- 125	233N5102-105		CIRCUIT BREAKER INSTL-P11-3 FOR NHA/ADDITIONAL DET SEE: 25-10-00-15C	504903	RF
130	2TC47-2-5		.CIRCUIT BREAKER- SUPPLIER CODE: V82647 SPECIFICATION NUMBER: BACC18AD2 OPTIONAL PART: 4310-029-205 V76374 ELECTRICAL EQUIP NUMBER: C00709	504903	1
- 175	233N5102-116		CIRCUIT BREAKER INSTL-P11-3 FOR NHA SEE: 25-10-00-15C	102102 504903	RF
180	2TC47-2-5		.CIRCUIT BREAKER- SUPPLIER CODE: V82647 SPECIFICATION NUMBER: BACC18AD2 OPTIONAL PART: 4310-029-205 V76374 ELECTRICAL EQUIP NUMBER: C01464	102102 504903	1
- 225	233N5102-126		CIRCUIT BREAKER INSTL-P11-3 FOR NHA SEE: 25-10-00-15C	504903	RF

MISSING ITEM NUMBERS NOT APPLICABLE

- ITEM NOT ILLUSTRATED

24-51-53-06

24-51-53
FIG. 06
PAGE 4
JAN 20/09

BRI



757

PARTS CATALOG (MAINTENANCE)

FIG ITEM	PART NUMBER	1 2 3 4 5 6 7	NOMENCLATURE	EFFECT FROM TO	UNITS PER ASSY
6 230	2TC47-2-5		.CIRCUIT BREAKER- SUPPLIER CODE: V82647 SPECIFICATION NUMBER: BACC18AD2 OPTIONAL PART: 4310-029-205 V76374 ELECTRICAL EQUIP NUMBER: C04059 C04069	504903	2
- 250	233N5102-127		CIRCUIT BREAKER INSTL-P11-3 FOR NHA SEE: 25-10-00-15C	102102	RF
255	2TC47-2-5		.CIRCUIT BREAKER- SUPPLIER CODE: V82647 SPECIFICATION NUMBER: BACC18AD2 OPTIONAL PART: 4310-029-205 V76374 ELECTRICAL EQUIP NUMBER: C04059 C04069	102102	2
- 275	233N5102-129		CIRCUIT BREAKER INSTL-P11-3 FOR NHA/ADDITIONAL DET SEE: 25-10-00-15C	102102	RF
280	2TC47-7-5		.CIRCUIT BREAKER- SUPPLIER CODE: V82647 SPECIFICATION NUMBER: BACC18AD7 OPTIONAL PART: 4310-029-705 V76374 ELECTRICAL EQUIP NUMBER: C01248	102102	1
- 350	233N5102-136		CIRCUIT BREAKER INSTL-P11-3 FOR NHA SEE: 25-10-00-15C	102102	RF

MISSING ITEM NUMBERS NOT APPLICABLE

- ITEM NOT ILLUSTRATED

24-51-53-06

24-51-53
FIG. 06
PAGE 5
JAN 20/09

BRI



757

PARTS CATALOG (MAINTENANCE)

FIG ITEM	PART NUMBER	1 2 3 4 5 6 7	NOMENCLATURE	EFFECT FROM TO	UNITS PER ASSY
6 355	2TC47-5		.CIRCUIT BREAKER- SUPPLIER CODE: V82647 SPECIFICATION NUMBER: BACC18AD5 OPTIONAL PART: 4310-029-5 V76374 ELECTRICAL EQUIP NUMBER: C00743	102102	1
- 375	233N5102-137		CIRCUIT BREAKER INSTL-P11-3 FOR NHA SEE: 25-10-00-15C	504903	RF
377	10237-1		.CLIP-STOW SUPPLIER CODE: V07RZ7 POST RAPID REVISION: RR92002-132A-E	505505 507903	1
380	2TC47-5		.CIRCUIT BREAKER- SUPPLIER CODE: V82647 SPECIFICATION NUMBER: BACC18AD5 OPTIONAL PART: 4310-029-5 V76374 ELECTRICAL EQUIP NUMBER: C00743	504903	1
- 450	233N5102-150		CIRCUIT BREAKER INSTL-P11-3 FOR NHA SEE: 25-10-00-15C	102102	RF
455	6TC6-3		.CIRCUIT BREAKER- SUPPLIER CODE: V82647 SPECIFICATION NUMBER: BACC18AC3 OPTIONAL PART: 4330-004-3 V76374 ELECTRICAL EQUIP NUMBER: C03003	102102	1
- 500	233N5102-152		CIRCUIT BREAKER INSTL-P11-3 FOR NHA SEE: 25-10-00-15C	504903	RF

MISSING ITEM NUMBERS NOT APPLICABLE

- ITEM NOT ILLUSTRATED

24-51-53-06

24-51-53
FIG. 06
PAGE 6
JAN 20/09

BRI



757

PARTS CATALOG (MAINTENANCE)

FIG ITEM	PART NUMBER	1 2 3 4 5 6 7	NOMENCLATURE	EFFECT FROM TO	UNITS PER ASSY
6 505	6TC6-3		.CIRCUIT BREAKER- SUPPLIER CODE: V82647 SPECIFICATION NUMBER: BACC18AC3 OPTIONAL PART: 4330-004-3 V76374 ELECTRICAL EQUIP NUMBER: C03003	504903	1
- 550	233N5102-154		CIRCUIT BREAKER INSTL-P11-3 FOR NHA SEE: 25-10-00-15C	102102	RF
555	6TC6-3		.CIRCUIT BREAKER- SUPPLIER CODE: V82647 SPECIFICATION NUMBER: BACC18AC3 OPTIONAL PART: 4330-004-3 V76374 ELECTRICAL EQUIP NUMBER: C03004	102102	1
- 725	233N5102-161		CIRCUIT BREAKER INSTL-P11-3 FOR NHA SEE: 25-10-00-15C	504903	RF
730	6TC6-3		.CIRCUIT BREAKER- SUPPLIER CODE: V82647 SPECIFICATION NUMBER: BACC18AC3 OPTIONAL PART: 4330-004-3 V76374 ELECTRICAL EQUIP NUMBER: C03050	504903	1
- 750	233N5102-181		CIRCUIT BREAKER INSTL-P11-3 FOR NHA SEE: 25-10-00-15C	102102 504903	RF
755	2TC47-2-5		.CIRCUIT BREAKER- SUPPLIER CODE: V82647 SPECIFICATION NUMBER: BACC18AD2 OPTIONAL PART: 4310-029-205 V76374 ELECTRICAL EQUIP NUMBER: C04376	102102 504903	1

MISSING ITEM NUMBERS NOT APPLICABLE

- ITEM NOT ILLUSTRATED

24-51-53-06

24-51-53
FIG. 06
PAGE 7
JAN 20/09

BRI



757

PARTS CATALOG (MAINTENANCE)

FIG ITEM	PART NUMBER	1 2 3 4 5 6 7	NOMENCLATURE	EFFECT FROM TO	UNITS PER ASSY
6					
- 800	233N5102-3		CIRCUIT BREAKER INSTL-P11-3 FOR NHA/ADDITIONAL DET SEE: 25-10-00-15C	102102 504903	RF
805	2TC47-2-5		.CIRCUIT BREAKER- SUPPLIER CODE: V82647 SPECIFICATION NUMBER: BACC18AD2 OPTIONAL PART: 4310-029-205 V76374 ELECTRICAL EQUIP NUMBER: C00660 C01254 C01400 C04071 C04494	102102 504903	5

MISSING ITEM NUMBERS NOT APPLICABLE

- ITEM NOT ILLUSTRATED

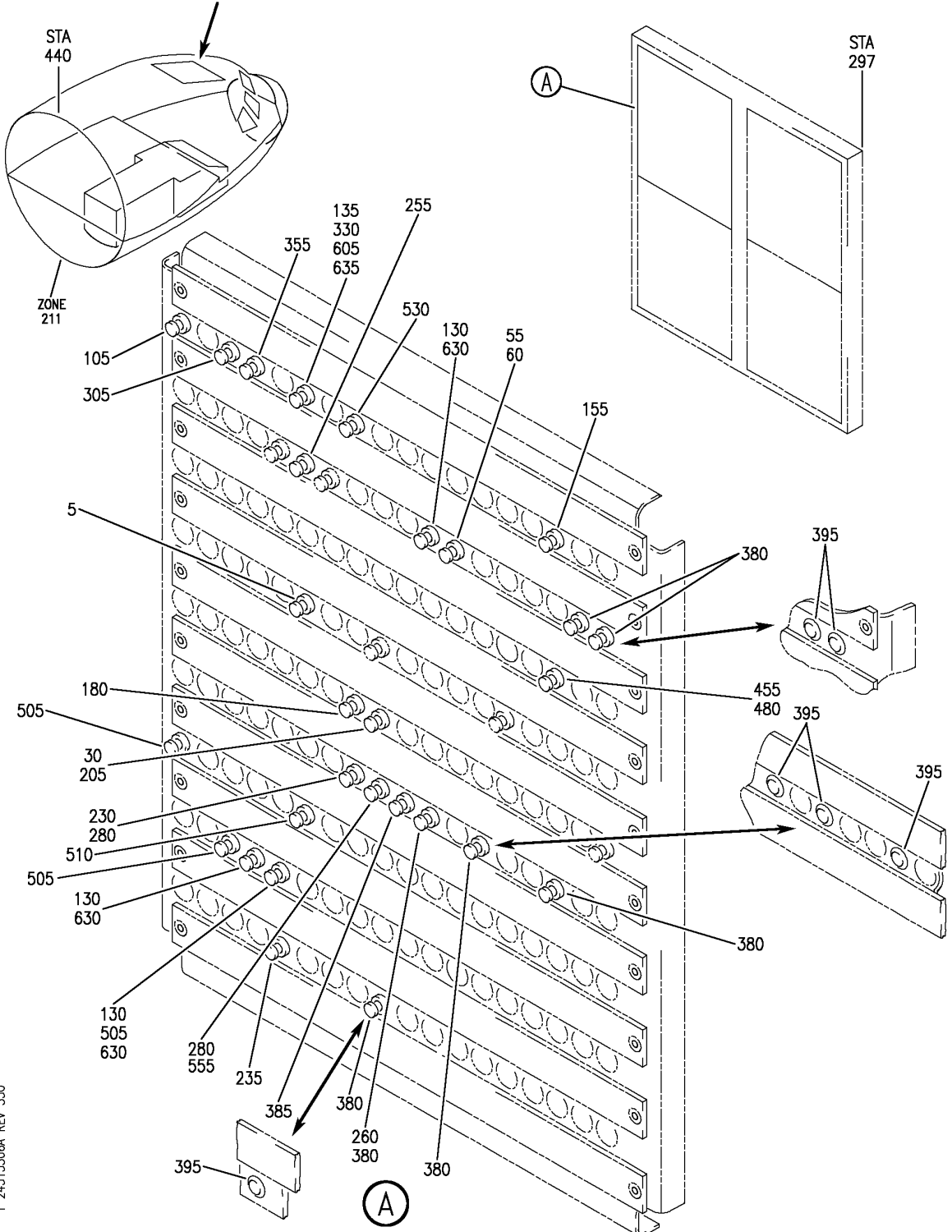
BRI

24-51-53-06

BOEING PROPRIETARY - Copyright © - Unpublished Work - See title page for details.

24-51-53
FIG. 06
PAGE 8
JAN 20/09

BOEING
757
PARTS CATALOG (MAINTENANCE)



Y 24515306A REV 330

CIRCUIT BREAKER INSTL-P11-3
 FIGURE 6A

24-51-53-06A

BRI
 JAN 20/09

24-51-53-06A
 PAGE 0



757

PARTS CATALOG (MAINTENANCE)

FIG ITEM	PART NUMBER	1 2 3 4 5 6 7	NOMENCLATURE	EFFECT FROM TO	UNITS PER ASSY
6A			CIRCUIT BREAKER INSTL-P11-3	102102	
- 1	233N5102-32		CIRCUIT BREAKER INSTL-P11-3 FOR NHA SEE: 25-10-00-15C	504903 102102 504903	RF
5	2TC47-2-5		.CIRCUIT BREAKER- SUPPLIER CODE: V82647 SPECIFICATION NUMBER: BACC18AD2 OPTIONAL PART: 4310-029-205 V76374 ELECTRICAL EQUIP NUMBER: C04087	102102 504903	1
- 25	233N5102-41		CIRCUIT BREAKER INSTL-P11-3 FOR NHA SEE: 25-10-00-15C	102102 504903	RF
30	2TC47-2-5		.CIRCUIT BREAKER- SUPPLIER CODE: V82647 SPECIFICATION NUMBER: BACC18AD2 OPTIONAL PART: 4310-029-205 V76374 ELECTRICAL EQUIP NUMBER: C04375	102102 504903	1
- 100	233N5102-47		CIRCUIT BREAKER INSTL-P11-3 FOR NHA SEE: 25-10-00-15C	102102 504903	RF
105	2TC47-2-5		.CIRCUIT BREAKER- SUPPLIER CODE: V82647 SPECIFICATION NUMBER: BACC18AD2 OPTIONAL PART: 4310-029-205 V76374 ELECTRICAL EQUIP NUMBER: C00564	102102 504903	1
- 150	233N5102-56		CIRCUIT BREAKER INSTL-P11-3 FOR NHA SEE: 25-10-00-15C	504903	RF

MISSING ITEM NUMBERS NOT APPLICABLE

- ITEM NOT ILLUSTRATED

24-51-53-06A

24-51-53
FIG. 06A
PAGE 1
JAN 20/09

BRI

BOEING PROPRIETARY - Copyright © - Unpublished Work - See title page for details.



757

PARTS CATALOG (MAINTENANCE)

FIG ITEM	PART NUMBER	1 2 3 4 5 6 7	NOMENCLATURE	EFFECT FROM TO	UNITS PER ASSY
6A 155	2TC47-2-5		.CIRCUIT BREAKER- SUPPLIER CODE: V82647 SPECIFICATION NUMBER: BACC18AD2 OPTIONAL PART: 4310-029-205 V76374 ELECTRICAL EQUIP NUMBER: C01181	504903	1
- 225	233N5102-59		CIRCUIT BREAKER INSTL-P11-3 FOR NHA SEE: 25-10-00-15C	504903	RF
230	2TC47-2-5		.CIRCUIT BREAKER- SUPPLIER CODE: V82647 SPECIFICATION NUMBER: BACC18AD2 OPTIONAL PART: 4310-029-205 V76374 ELECTRICAL EQUIP NUMBER: C01271	504903	1
- 250	233N5102-6		CIRCUIT BREAKER INSTL-P11-3 FOR NHA/ADDITIONAL DET SEE: 25-10-00-15C	102102	RF
255	2TC47-2-5		.CIRCUIT BREAKER- SUPPLIER CODE: V82647 SPECIFICATION NUMBER: BACC18AD2 OPTIONAL PART: 4310-029-205 V76374 ELECTRICAL EQUIP NUMBER: C04356	102102	1
260	2TC47-3		.CIRCUIT BREAKER- SUPPLIER CODE: V82647 SPECIFICATION NUMBER: BACC18AD3 OPTIONAL PART: 4310-029-3 V76374 ELECTRICAL EQUIP NUMBER: C00673	102102	1
- 325	233N5102-63		CIRCUIT BREAKER INSTL-P11-3 FOR NHA SEE: 25-10-00-15C	504903	RF

MISSING ITEM NUMBERS NOT APPLICABLE

- ITEM NOT ILLUSTRATED

24-51-53-06A

24-51-53
FIG. 06A
PAGE 2
JAN 20/09

BRI



757

PARTS CATALOG (MAINTENANCE)

FIG ITEM	PART NUMBER	1 2 3 4 5 6 7	NOMENCLATURE	EFFECT FROM TO	UNITS PER ASSY
6A 330	2TC47-2-5		.CIRCUIT BREAKER- SUPPLIER CODE: V82647 SPECIFICATION NUMBER: BACC18AD2 OPTIONAL PART: 4310-029-205 V76374 ELECTRICAL EQUIP NUMBER: C00520	504903	1
- 350	233N5102-64		CIRCUIT BREAKER INSTL-P11-3 FOR NHA SEE: 25-10-00-15C	102102	RF
355	2TC47-2-5		.CIRCUIT BREAKER- SUPPLIER CODE: V82647 SPECIFICATION NUMBER: BACC18AD2 OPTIONAL PART: 4310-029-205 V76374 ELECTRICAL EQUIP NUMBER: C00520	102102	1
- 375	233N5102-7		CIRCUIT BREAKER INSTL-P11-3 FOR NHA/ADDITIONAL DET SEE: 25-10-00-15C	504903	RF
380	2TC47-2-5		.CIRCUIT BREAKER- SUPPLIER CODE: V82647 SPECIFICATION NUMBER: BACC18AD2 OPTIONAL PART: 4310-029-205 V76374 ELECTRICAL EQUIP NUMBER: C00653 C00573 C00702 C01120 C04039 C04194	504903	6

MISSING ITEM NUMBERS NOT APPLICABLE

- ITEM NOT ILLUSTRATED

BRI

24-51-53-06A

BOEING PROPRIETARY - Copyright © - Unpublished Work - See title page for details.

24-51-53
FIG. 06A
PAGE 3
JAN 20/09



757

PARTS CATALOG (MAINTENANCE)

FIG ITEM	PART NUMBER	1 2 3 4 5 6 7	NOMENCLATURE	EFFECT FROM TO	UNITS PER ASSY
6A 385	2TC47-3		.CIRCUIT BREAKER- SUPPLIER CODE: V82647 SPECIFICATION NUMBER: BACC18AD3 OPTIONAL PART: 4310-029-3 V76374 ELECTRICAL EQUIP NUMBER: C00673	504903	1
- 475	233N5102-97		CIRCUIT BREAKER INSTL-P11-3 FOR NHA SEE: 25-10-00-15C	102102 504903	RF
480	2TC47-2-5		.CIRCUIT BREAKER- SUPPLIER CODE: V82647 SPECIFICATION NUMBER: BACC18AD2 OPTIONAL PART: 4310-029-205 V76374 ELECTRICAL EQUIP NUMBER: C01332	102102 504903	1

MISSING ITEM NUMBERS NOT APPLICABLE

- ITEM NOT ILLUSTRATED

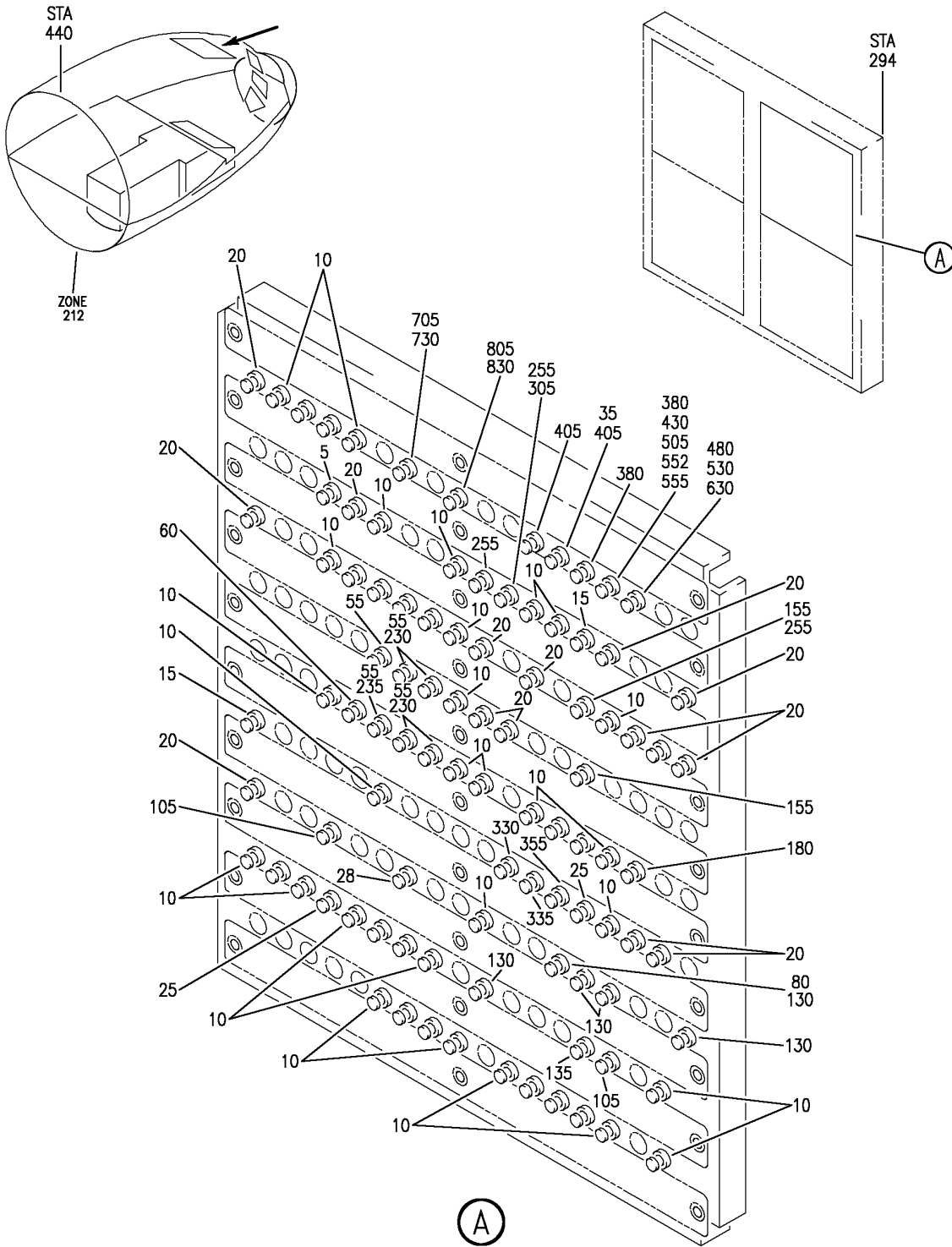
BRI

24-51-53-06A

BOEING PROPRIETARY - Copyright © - Unpublished Work - See title page for details.

24-51-53
FIG. 06A
PAGE 4
JAN 20/09

BOEING
757
PARTS CATALOG (MAINTENANCE)



Y 24515308 REV 330

CIRCUIT BREAKER INSTL-P11-4
FIGURE 8

24-51-53-08

BRI
JAN 20/09

24-51-53-08
PAGE 0



757

PARTS CATALOG (MAINTENANCE)

FIG ITEM	PART NUMBER	1 2 3 4 5 6 7	NOMENCLATURE	EFFECT FROM TO	UNITS PER ASSY
8			CIRCUIT BREAKER INSTL-P11-4	102102 504903	
- 1	233N5102-1		CIRCUIT BREAKER INSTL-P11-4 FOR NHA/ADDITIONAL DET SEE: 25-10-00-15C	102102 504903	RF
5	2TC47-10		.CIRCUIT BREAKER- SUPPLIER CODE: V82647 SPECIFICATION NUMBER: BACC18AD10 OPTIONAL PART: 4310-029-10 V76374 ELECTRICAL EQUIP NUMBER: C01144	102102 504903	1
10	2TC47-2-5		.CIRCUIT BREAKER- SUPPLIER CODE: V82647 SPECIFICATION NUMBER: BACC18AD2 OPTIONAL PART: 4310-029-205 V76374 ELECTRICAL EQUIP NUMBER: C00565 C00574 C00763 C00764 C00765 C00766 C00823 C00825 C01081 C01101 C01172 C01173 C01174 C01239 C01240 C01251 C01277 C01281 C01288 C01333 C01336 C01342 C01432 C01499 C04014	102102 504903	44
MISSING ITEM NUMBERS NOT APPLICABLE					

- ITEM NOT ILLUSTRATED

24-51-53-08

24-51-53
FIG. 08
PAGE 1
JAN 20/09

BRI



**757
PARTS CATALOG (MAINTENANCE)**

FIG ITEM	PART NUMBER	1 2 3 4 5 6 7 NOMENCLATURE	EFFECT FROM TO	UNITS PER ASSY
8		C04026 C04031 C04036 C04045 C04072 C04079 C04082 C04094 C04186 C04189 C04192 C04193 C04195 C04197 C04208 C04225 C04261 C04279 C04309		
15	2TC47-3	.CIRCUIT BREAKER- SUPPLIER CODE: V82647 SPECIFICATION NUMBER: BACC18AD3 OPTIONAL PART: 4310-029-3 V76374 ELECTRICAL EQUIP NUMBER: C00674 C00803	102102 504903	2

MISSING ITEM NUMBERS NOT APPLICABLE

— ITEM NOT ILLUSTRATED

BRI

24-51-53-08

BOEING PROPRIETARY - Copyright © - Unpublished Work - See title page for details.

24-51-53
FIG. 08
PAGE 2
JAN 20/09



757

PARTS CATALOG (MAINTENANCE)

FIG ITEM	PART NUMBER	1 2 3 4 5 6 7	NOMENCLATURE	EFFECT FROM TO	UNITS PER ASSY
8 20	2TC47-5		.CIRCUIT BREAKER- SUPPLIER CODE: V82647 SPECIFICATION NUMBER: BACC18AD5 OPTIONAL PART: 4310-029-5 V76374 ELECTRICAL EQUIP NUMBER: C01053 C01170 C01225 C01227 C01273 C01284 C01294 C01314 C01340 C04144 C04223 C04227 C04229 C04231 C04299	102102 504903	15
25	2TC47-7-5		.CIRCUIT BREAKER- SUPPLIER CODE: V82647 SPECIFICATION NUMBER: BACC18AD7 OPTIONAL PART: 4310-029-705 V76374 ELECTRICAL EQUIP NUMBER: C01250 C04292	102102 504903	2
28	2TC47-2-5		.CIRCUIT BREAKER- SUPPLIER CODE: V82647 SPECIFICATION NUMBER: BACC18AD2 OPTIONAL PART: 4310-029-205 V76374 ELECTRICAL EQUIP NUMBER: C04680 POST ALERT SB: 28A0081	102102 504903	1

MISSING ITEM NUMBERS NOT APPLICABLE

- ITEM NOT ILLUSTRATED

24-51-53-08

24-51-53
FIG. 08
PAGE 3
JAN 20/09

BRI



757

PARTS CATALOG (MAINTENANCE)

FIG ITEM	PART NUMBER	1 2 3 4 5 6 7	NOMENCLATURE	EFFECT FROM TO	UNITS PER ASSY
8					
- 125	233N5102-103		CIRCUIT BREAKER INSTL-P11-4 FOR NHA/ADDITIONAL DET SEE: 25-10-00-15C	102102 504903	RF
130	2TC47-2-5		.CIRCUIT BREAKER- SUPPLIER CODE: V82647 SPECIFICATION NUMBER: BACC18AD2 OPTIONAL PART: 4310-029-205 V76374 ELECTRICAL EQUIP NUMBER: C04104 C04108 C04127 C04130 C04317	102102 504903	5
135	2TC47-5		.CIRCUIT BREAKER- SUPPLIER CODE: V82647 SPECIFICATION NUMBER: BACC18AD5 OPTIONAL PART: 4310-029-5 V76374 ELECTRICAL EQUIP NUMBER: C04470	102102 504903	1
- 150	233N5102-105		CIRCUIT BREAKER INSTL-P11-4 FOR NHA/ADDITIONAL DET SEE: 25-10-00-15C	504903	RF
155	2TC47-2-5		.CIRCUIT BREAKER- SUPPLIER CODE: V82647 SPECIFICATION NUMBER: BACC18AD2 OPTIONAL PART: 4310-029-205 V76374 ELECTRICAL EQUIP NUMBER: C04235 C01287	504903	2
- 175	233N5102-108		CIRCUIT BREAKER INSTL-P11-4 FOR NHA SEE: 25-10-00-15C	102102	RF

MISSING ITEM NUMBERS NOT APPLICABLE

- ITEM NOT ILLUSTRATED

24-51-53-08

24-51-53
FIG. 08
PAGE 4
JAN 20/09

BRI



757

PARTS CATALOG (MAINTENANCE)

FIG ITEM	PART NUMBER	1 2 3 4 5 6 7	NOMENCLATURE	EFFECT FROM TO	UNITS PER ASSY
8 180	2TC47-2-5		.CIRCUIT BREAKER- SUPPLIER CODE: V82647 SPECIFICATION NUMBER: BACC18AD2 OPTIONAL PART: 4310-029-205 V76374 ELECTRICAL EQUIP NUMBER: C01287	102102	1
- 225	233N5102-11		CIRCUIT BREAKER INSTL-P11-4 FOR NHA SEE: 25-10-00-15C	102102 504903	RF
230	2TC47-2-5		.CIRCUIT BREAKER- SUPPLIER CODE: V82647 SPECIFICATION NUMBER: BACC18AD2 OPTIONAL PART: 4310-029-205 V76374 ELECTRICAL EQUIP NUMBER: C04029 C04030 004184 C04185	102102 504903	4
235	2TC47-5		.CIRCUIT BREAKER- SUPPLIER CODE: V82647 SPECIFICATION NUMBER: BACC18AD5 OPTIONAL PART: 4310-029-5 V76374 ELECTRICAL EQUIP NUMBER: C00701	102102 504903	1
- 300	233N5102-119		CIRCUIT BREAKER INSTL-P11-4 FOR NHA SEE: 25-10-00-15C	102102	RF
305	2TC47-2-5		.CIRCUIT BREAKER- SUPPLIER CODE: V82647 SPECIFICATION NUMBER: BACC18AD2 OPTIONAL PART: 4310-029-205 V76374 ELECTRICAL EQUIP NUMBER: C04357	102102	1

MISSING ITEM NUMBERS NOT APPLICABLE

- ITEM NOT ILLUSTRATED

24-51-53-08

24-51-53
FIG. 08
PAGE 5
JAN 20/09

BRI



757

PARTS CATALOG (MAINTENANCE)

FIG ITEM	PART NUMBER	1 2 3 4 5 6 7	NOMENCLATURE	EFFECT FROM TO	UNITS PER ASSY
8					
- 325	233N5102-128		CIRCUIT BREAKER INSTL-P11-4 FOR NHA SEE: 25-10-00-15C	504903	RF
330	2TC47-2-5		.CIRCUIT BREAKER- SUPPLIER CODE: V82647 SPECIFICATION NUMBER: BACC18AD2 OPTIONAL PART: 4310-029-205 V76374 ELECTRICAL EQUIP NUMBER: C01202	504903	1
335	2TC47-7-5		.CIRCUIT BREAKER- SUPPLIER CODE: V82647 SPECIFICATION NUMBER: BACC18AD7 OPTIONAL PART: 4310-029-705 V76374 ELECTRICAL EQUIP NUMBER: C01248	504903	1
- 350	233N5102-129		CIRCUIT BREAKER INSTL-P11-4 FOR NHA/ADDITIONAL DET SEE: 25-10-00-15C	102102	RF
355	2TC47-2-5		.CIRCUIT BREAKER- SUPPLIER CODE: V82647 SPECIFICATION NUMBER: BACC18AD2 OPTIONAL PART: 4310-029-205 V76374 ELECTRICAL EQUIP NUMBER: C01202	102102	1
- 400	233N5102-131		CIRCUIT BREAKER INSTL-P11-4 FOR NHA SEE: 25-10-00-15C	102102 504903	RF

MISSING ITEM NUMBERS NOT APPLICABLE

- ITEM NOT ILLUSTRATED

24-51-53-08

24-51-53
FIG. 08
PAGE 6
JAN 20/09

BRI



757

PARTS CATALOG (MAINTENANCE)

FIG ITEM	PART NUMBER	1 2 3 4 5 6 7	NOMENCLATURE	EFFECT FROM TO	UNITS PER ASSY
8 405	2TC47-2-5		.CIRCUIT BREAKER- SUPPLIER CODE: V82647 SPECIFICATION NUMBER: BACC18AD2 OPTIONAL PART: 4310-029-205 V76374 ELECTRICAL EQUIP NUMBER: C01320 C01355	102102 504903	2
- 500	233N5102-141		CIRCUIT BREAKER INSTL-P11-4 FOR NHA SEE: 25-10-00-15C	102102	RF
505	2TC47-5		.CIRCUIT BREAKER- SUPPLIER CODE: V82647 SPECIFICATION NUMBER: BACC18AD5 OPTIONAL PART: 4310-029-5 V76374 ELECTRICAL EQUIP NUMBER: C00740	102102	1
- 550	233N5102-143		CIRCUIT BREAKER INSTL-P11-4 FOR NHA SEE: 25-10-00-15C	504903	RF
552	10237-1		.CLIP-STOW SUPPLIER CODE: V07RZ7 POST RAPID REVISION: RR92002-132A-E	505505 507903	1
555	2TC47-5		.CIRCUIT BREAKER- SUPPLIER CODE: V82647 SPECIFICATION NUMBER: BACC18AD5 OPTIONAL PART: 4310-029-5 V76374 ELECTRICAL EQUIP NUMBER: C00741	504903	1
- 700	233N5102-162		CIRCUIT BREAKER INSTL-P11-4 FOR NHA SEE: 25-10-00-15C	102102 504903	RF

MISSING ITEM NUMBERS NOT APPLICABLE

- ITEM NOT ILLUSTRATED

24-51-53-08

24-51-53
FIG. 08
PAGE 7
JAN 20/09

BRI

BOEING PROPRIETARY - Copyright © - Unpublished Work - See title page for details.



757

PARTS CATALOG (MAINTENANCE)

FIG ITEM	PART NUMBER	1 2 3 4 5 6 7	NOMENCLATURE	EFFECT FROM TO	UNITS PER ASSY
8 705	6TC6-3		.CIRCUIT BREAKER- SUPPLIER CODE: V82647 SPECIFICATION NUMBER: BACC18AC3 OPTIONAL PART: 4330-004-3 V76374 ELECTRICAL EQUIP NUMBER: C03011	102102 504903	1

MISSING ITEM NUMBERS NOT APPLICABLE

- ITEM NOT ILLUSTRATED

BRI

24-51-53-08

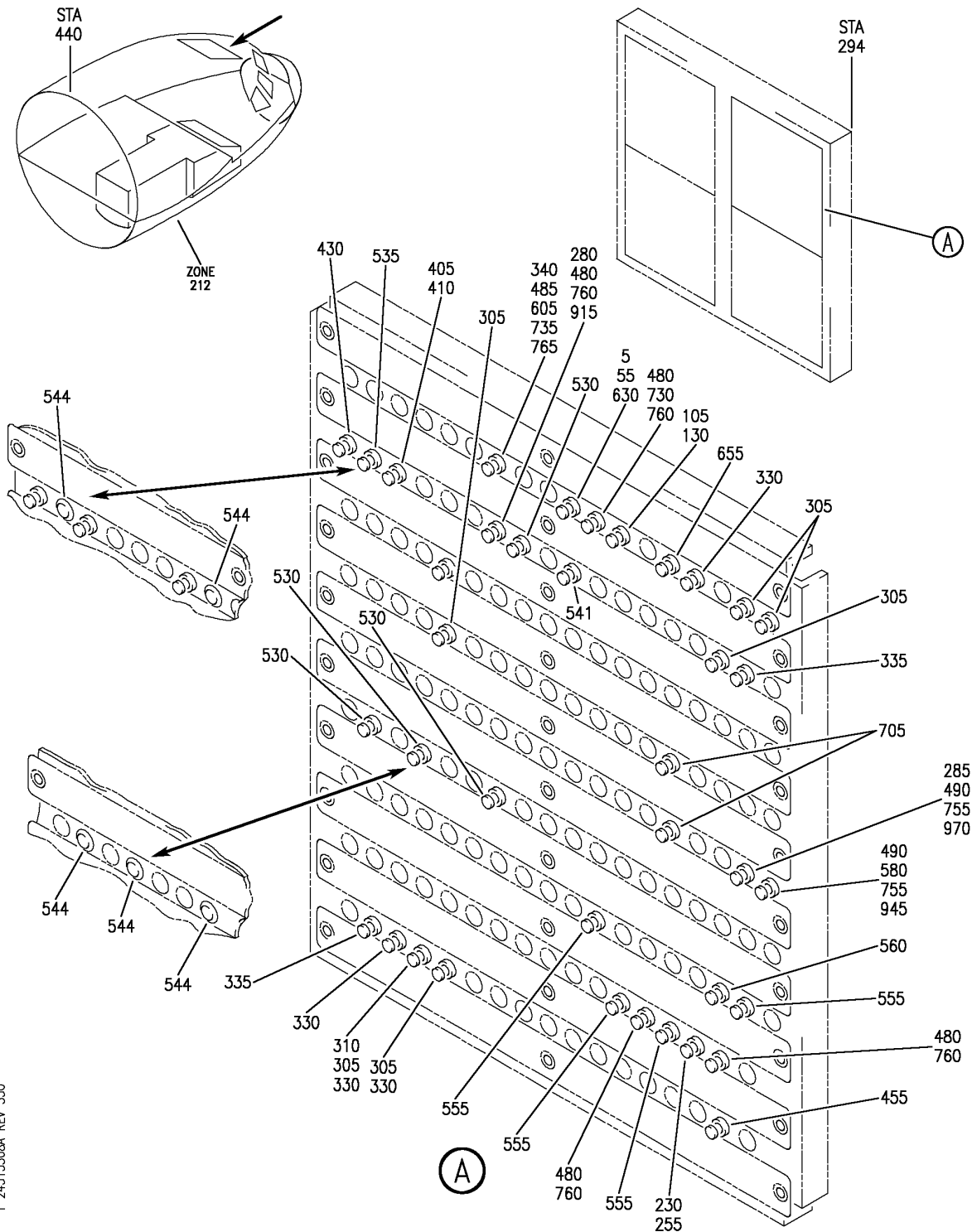
BOEING PROPRIETARY - Copyright © - Unpublished Work - See title page for details.

24-51-53
FIG. 08
PAGE 8
JAN 20/09

BOEING

757

PARTS CATALOG (MAINTENANCE)



Y 24515308A REV 330

CIRCUIT BREAKER INSTL-P11-4 AND TOP KIT, ANTI-ICING SYS
FIGURE 8A

24-51-53-08A

BRI
JAN 20/09

24-51-53-08A
PAGE 0



757

PARTS CATALOG (MAINTENANCE)

FIG ITEM	PART NUMBER	1 2 3 4 5 6 7	NOMENCLATURE	EFFECT FROM TO	UNITS PER ASSY
8A			CIRCUIT BREAKER INSTL-P11-4 AND TOP KIT, ANTI-ICING SYS	101102 504903	
- 1	233N5102-169		CIRCUIT BREAKER INSTL-P11-4 FOR NHA SEE: 25-10-00-15C	102102 504903	RF
5	6TC6-3		.CIRCUIT BREAKER- SUPPLIER CODE: V82647 SPECIFICATION NUMBER: BACC18AC3 OPTIONAL PART: 4330-004-3 V76374 ELECTRICAL EQUIP NUMBER: C03012	102102 504903	1
- 250	233N5102-195		CIRCUIT BREAKER INSTL-P11-4 FOR NHA/ADDITIONAL DET SEE: 25-10-00-15C	101102 504903	RF
255	2TC47-2-5		.CIRCUIT BREAKER- SUPPLIER CODE: V82647 SPECIFICATION NUMBER: BACC18AD2 OPTIONAL PART: 4310-029-205 V76374 ELECTRICAL EQUIP NUMBER: C04471	101102 504903	1
- 275	233N5102-2		CIRCUIT BREAKER INSTL-P11-4 FOR NHA/ADDITIONAL DET SEE: 25-10-00-15C	102102 504903	RF
280	2TC47-2-5		.CIRCUIT BREAKER- SUPPLIER CODE: V82647 SPECIFICATION NUMBER: BACC18AD2 OPTIONAL PART: 4310-029-205 V76374 ELECTRICAL EQUIP NUMBER: C04131	102102 504903	1

MISSING ITEM NUMBERS NOT APPLICABLE

- ITEM NOT ILLUSTRATED

24-51-53-08A

24-51-53
FIG. 08A
PAGE 1
JAN 20/09

BRI

BOEING PROPRIETARY - Copyright © - Unpublished Work - See title page for details.



757

PARTS CATALOG (MAINTENANCE)

FIG ITEM	PART NUMBER	1 2 3 4 5 6 7	NOMENCLATURE	EFFECT FROM TO	UNITS PER ASSY
8A 285	2TC47-5	.	CIRCUIT BREAKER- SUPPLIER CODE: V82647 SPECIFICATION NUMBER: BACC18AD5 OPTIONAL PART: 4310-029-5 V76374 ELECTRICAL EQUIP NUMBER: C01302	102102 504903	1
- 300	233N5102-3		CIRCUIT BREAKER INSTL-P11-4 FOR NHA/ADDITIONAL DET SEE: 25-10-00-15C	102102 504903	RF
305	2TC47-2-5	.	CIRCUIT BREAKER- SUPPLIER CODE: V82647 SPECIFICATION NUMBER: BACC18AD2 OPTIONAL PART: 4310-029-205 V76374 ELECTRICAL EQUIP NUMBER: C00661 C00794 C00795 C04100 C04102 C04183	102102 504903	6
310	2TC47-5	.	CIRCUIT BREAKER- SUPPLIER CODE: V82647 SPECIFICATION NUMBER: BACC18AD5 OPTIONAL PART: 4310-029-5 V76374 ELECTRICAL EQUIP NUMBER: C04209	102102 504903	1
- 450	233N5102-48		CIRCUIT BREAKER INSTL-P11-4 FOR NHA SEE: 25-10-00-15C	504903	RF

MISSING ITEM NUMBERS NOT APPLICABLE

- ITEM NOT ILLUSTRATED

24-51-53-08A

24-51-53
FIG. 08A
PAGE 2
JAN 20/09

BRI



757

PARTS CATALOG (MAINTENANCE)

FIG ITEM	PART NUMBER	1 2 3 4 5 6 7	NOMENCLATURE	EFFECT FROM TO	UNITS PER ASSY
8A 455	2TC47-3		.CIRCUIT BREAKER- SUPPLIER CODE: V82647 SPECIFICATION NUMBER: BACC18AD3 OPTIONAL PART: 4310-029-3 V76374 ELECTRICAL EQUIP NUMBER: C00569	504903	1
- 525	233N5102-7		CIRCUIT BREAKER INSTL-P11-4 FOR NHA/ADDITIONAL DET SEE: 25-10-00-15C	504903	RF
530	2TC47-2-5		.CIRCUIT BREAKER- SUPPLIER CODE: V82647 SPECIFICATION NUMBER: BACC18AD2 OPTIONAL PART: 4310-029-205 V76374 ELECTRICAL EQUIP NUMBER: C00703 C00704 C01121 C04037	504903	4
535	2TC47-5		.CIRCUIT BREAKER- SUPPLIER CODE: V82647 SPECIFICATION NUMBER: BACC18AD5 OPTIONAL PART: 4310-029-5 V76374 ELECTRICAL EQUIP NUMBER: C01132	504903	1
- 575	233N5102-205		CIRCUIT BREAKER INSTL-P11-4 FOR NHA SEE: 25-10-00-15C	102102 504903	RF
580	2TC47-5		.CIRCUIT BREAKER- SUPPLIER CODE: V82647 SPECIFICATION NUMBER: BACC18AD5 OPTIONAL PART: 4310-029-5 V76374 ELECTRICAL EQUIP NUMBER: C01280	102102 504903	1

MISSING ITEM NUMBERS NOT APPLICABLE

- ITEM NOT ILLUSTRATED

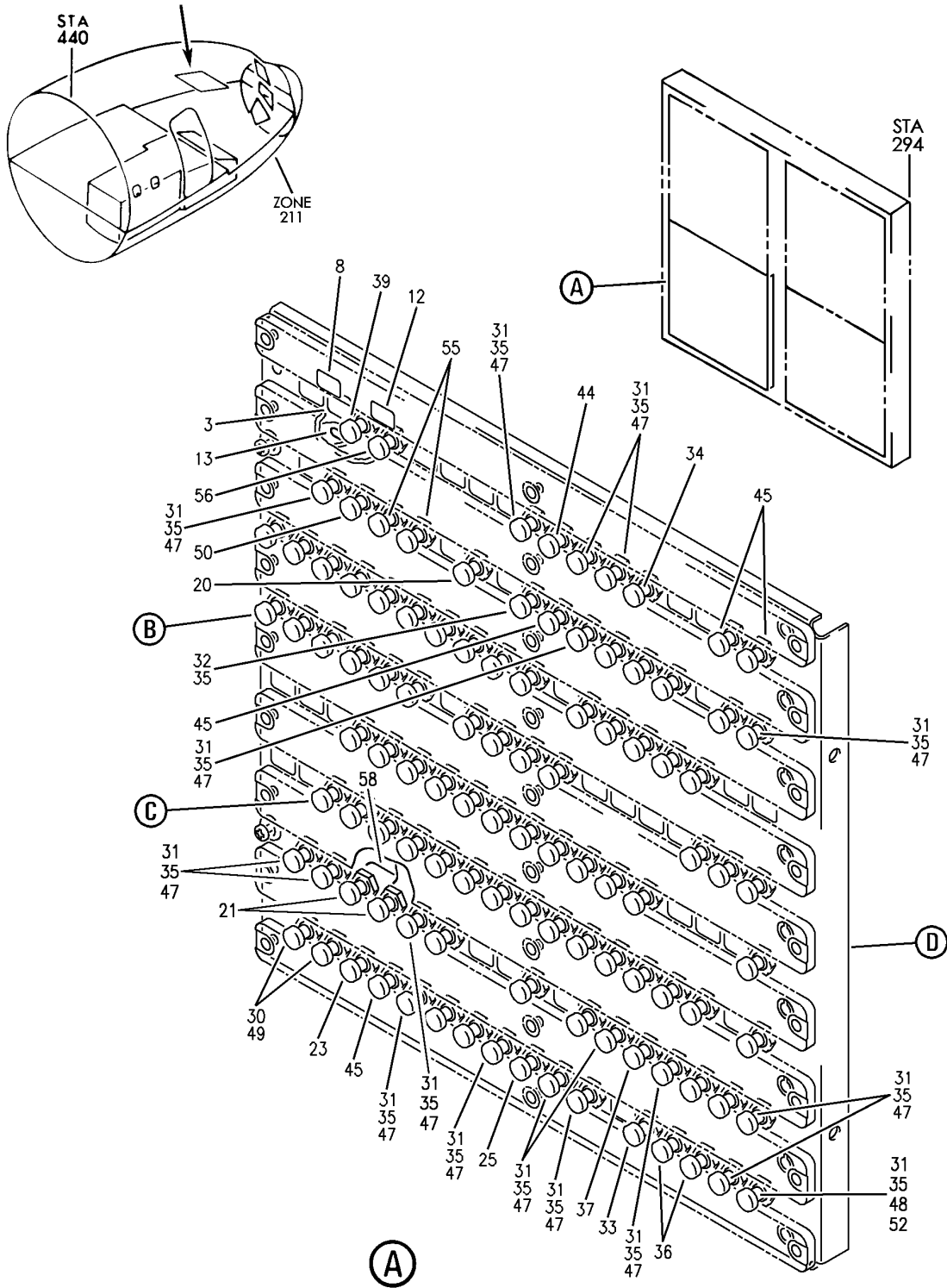
24-51-53-08A

24-51-53
FIG. 08A
PAGE 3
JAN 20/09

BRI

BOEING PROPRIETARY - Copyright © - Unpublished Work - See title page for details.

BOEING
757
PARTS CATALOG (MAINTENANCE)



Y 24515312 SHT 1 REV 304

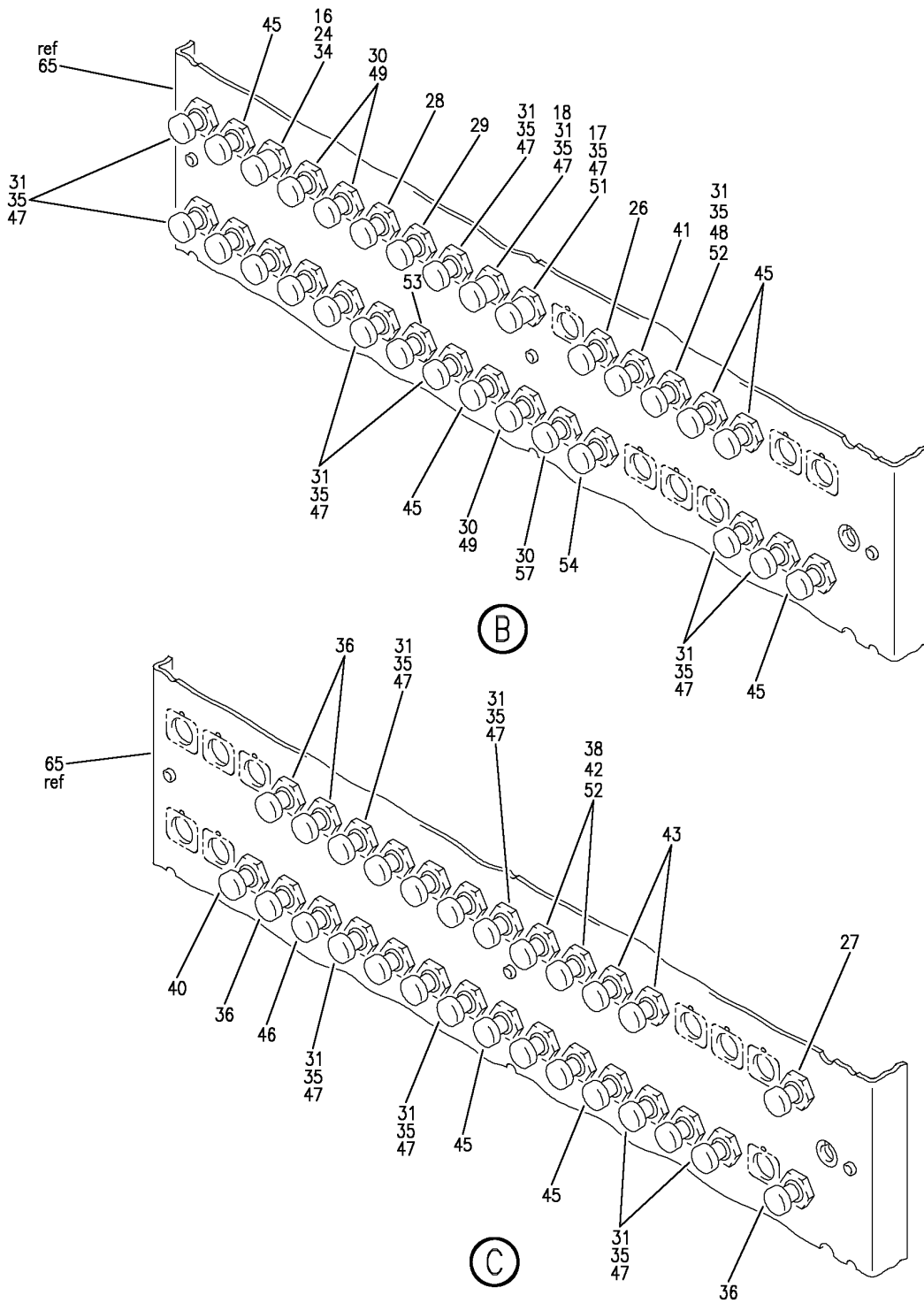
PANEL ASSY-P11-1 CB (ELECTRICAL POWER ONLY)
FIGURE 12 (SHEET 1)

24-51-53-12

BRI
MAY 28/07

24-51-53-12
PAGE 0

BOEING
757
PARTS CATALOG (MAINTENANCE)



Y 24515312 SHT 2 REV 319

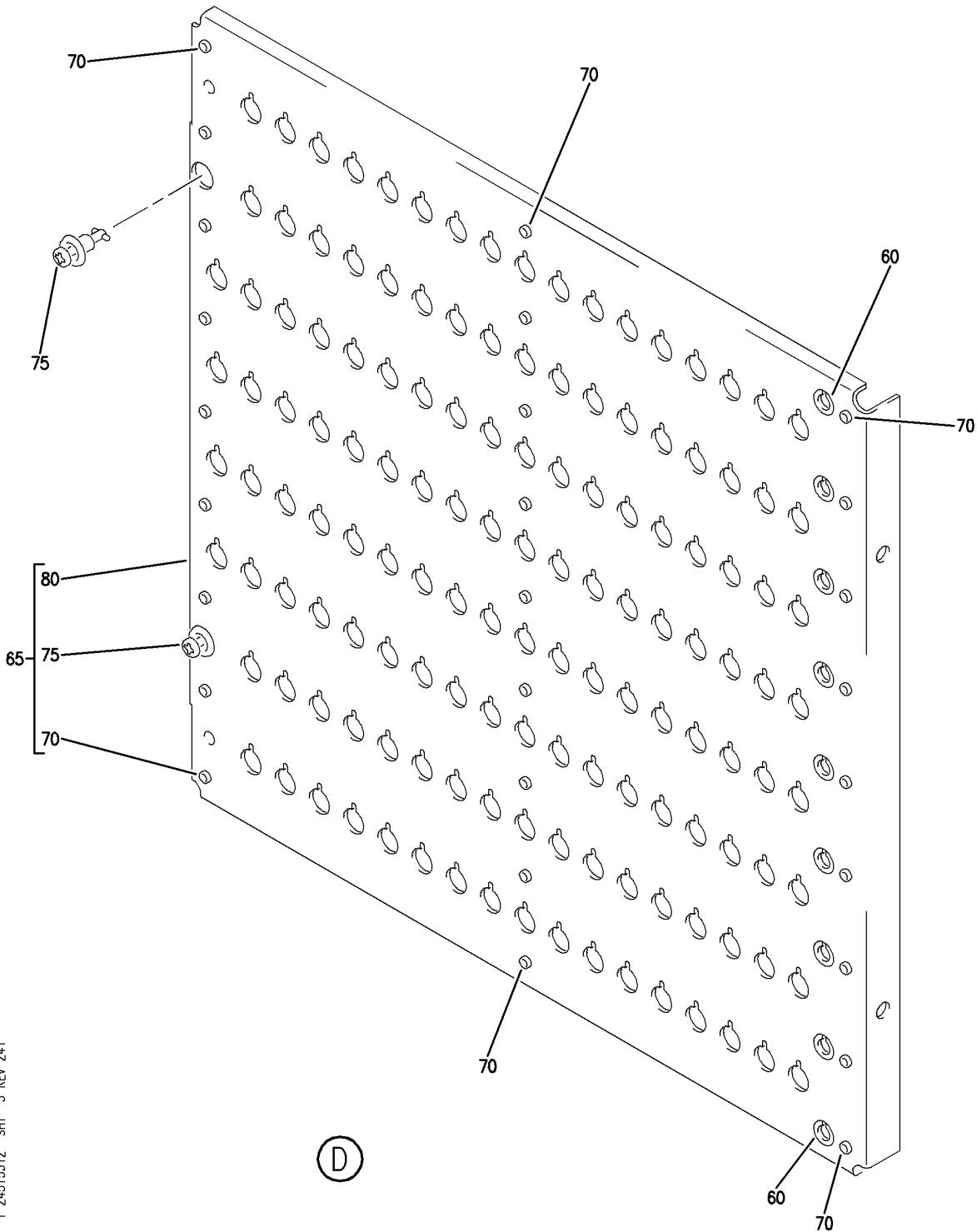
PANEL ASSY-P11-1 CB (ELECTRICAL POWER ONLY)
FIGURE 12 (SHEET 2)

24-51-53-12

BRI
JAN 20/08

24-51-53-12
PAGE 0A

BOEING
757
PARTS CATALOG (MAINTENANCE)



Y 24515312 SH1 3 REV 241

PANEL ASSY-P11-1 CB (ELECTRICAL POWER ONLY)
FIGURE 12 (SHEET 3)

24-51-53-12

BRI
MAY 28/07

24-51-53-12
PAGE 0B



757

PARTS CATALOG (MAINTENANCE)

FIG ITEM	PART NUMBER	1 2 3 4 5 6 7	NOMENCLATURE	EFFECT FROM TO	UNITS PER ASSY
12			PANEL ASSY-P11-1 CB (ELECTRICAL POWER ONLY)	121503 904949	
- 1	233N5205-37		PANEL ASSY-P11-1 CB (ELECTRICAL POWER ONLY) FOR NHA/OTHER SYS DET SEE: 24-00-51-01	904949	RF
- 1	233N5205-53		PANEL ASSY-P11-1 CB (ELECTRICAL POWER ONLY) FOR NHA/OTHER SYS DET SEE: 24-00-51-01	121503	RF
- 10	BAC27NFDE0116		.MARKER-ALUMINUM FOIL MISCELLANEOUS DATA: (USE IN PLACE OF CIRCUIT BREAKERS ON OPEN HOLES) OPTIONAL PART: 2645 V28520	121503	AR
- 10	2645		.PLUG-DOME SUPPLIER CODE: V28520 MISCELLANEOUS DATA: (USE IN PLACE OF CIRCUIT BREAKERS ON OPEN HOLES) OPTIONAL PART: BAC27NFDE0116	121503	AR
- 10	BAC27NFDE0116		.MARKER-ALUMINUM FOIL MISCELLANEOUS DATA: (USE IN PLACE OF CIRCUIT BREAKERS ON OPEN HOLES)	904949	AR
- 10	2646		.PLUG-DOME SUPPLIER CODE: V28520	121503	AR
16	10237-1		.CLIP-STOW SUPPLIER CODE: V07RZ7	121503	1
20	6TC6-5		.CIRCUIT BREAKER- SUPPLIER CODE: V82647 SPECIFICATION NUMBER: BACC18AC5 OPTIONAL PART: 4330-004-5 V76374 ELECTRICAL EQUIP NUMBER: C03005	121503 904949	1

MISSING ITEM NUMBERS NOT APPLICABLE

- ITEM NOT ILLUSTRATED

24-51-53-12

24-51-53
FIG. 12
PAGE 1
JAN 20/09

BRI



757

PARTS CATALOG (MAINTENANCE)

FIG ITEM	PART NUMBER	1 2 3 4 5 6 7	NOMENCLATURE	EFFECT FROM TO	UNITS PER ASSY
12 21	2TC47-2-5		.CIRCUIT BREAKER- SUPPLIER CODE: V82647 SPECIFICATION NUMBER: BACC18AD2 OPTIONAL PART: 4310-029-205 V76374 ELECTRICAL EQUIP NUMBER: C04664 C04665 POST ALERT SB: 34A0222	121503 904949	2
23	2TC6-2		.CIRCUIT BREAKER- SUPPLIER CODE: V82647 SPECIFICATION NUMBER: BACC18Z02R OPTIONAL PART: 4310-002-2 V76374 ELECTRICAL EQUIP NUMBER: C04118	121503 904949	1
24	2TC47-5		.CIRCUIT BREAKER- SUPPLIER CODE: V82647 SPECIFICATION NUMBER: BACC18AD5 OPTIONAL PART: 4310-029-5 V76374 ELECTRICAL EQUIP NUMBER: C04443	121503	1
25	2TC6-1		.CIRCUIT BREAKER- SUPPLIER CODE: V82647 SPECIFICATION NUMBER: BACC18Z1R OPTIONAL PART: 4310-002-1 V76374 ELECTRICAL EQUIP NUMBER: C00625	121503 904949	1

MISSING ITEM NUMBERS NOT APPLICABLE

- ITEM NOT ILLUSTRATED

24-51-53-12

24-51-53
FIG. 12
PAGE 2
JAN 20/09

BRI



757

PARTS CATALOG (MAINTENANCE)

FIG ITEM	PART NUMBER	1 2 3 4 5 6 7	NOMENCLATURE	EFFECT FROM TO	UNITS PER ASSY
12 27	2TC47-2-5		.CIRCUIT BREAKER- SUPPLIER CODE: V82647 SPECIFICATION NUMBER: BACC18AD2 OPTIONAL PART: 4310-029-205 V76374 ELECTRICAL EQUIP NUMBER: C01031 POST SERVICE BULLETIN: 27-0104	121503	1
28	2TC6-2		.CIRCUIT BREAKER- SUPPLIER CODE: V82647 SPECIFICATION NUMBER: BACC18Z02R OPTIONAL PART: 4310-002-2 V76374 ELECTRICAL EQUIP NUMBER: C00607	121503 904949	1
29	2TC6-2		.CIRCUIT BREAKER- SUPPLIER CODE: V82647 SPECIFICATION NUMBER: BACC18Z02R OPTIONAL PART: 4310-002-2 V76374 ELECTRICAL EQUIP NUMBER: C04051	121503 904949	1
30	2TC6-2		.CIRCUIT BREAKER- SUPPLIER CODE: V82647 SPECIFICATION NUMBER: BACC18Z02R OPTIONAL PART: 4310-002-2 V76374 ELECTRICAL EQUIP NUMBER: C00582 C00592 C00595 C00600 C00603 C00606	121503 904949	6
31	2TC47-2-5		.CIRCUIT BREAKER- SUPPLIER CODE:	121503 904949	53

MISSING ITEM NUMBERS NOT APPLICABLE

- ITEM NOT ILLUSTRATED

BRI

24-51-53-12

24-51-53
FIG. 12
PAGE 3
JAN 20/09



757
PARTS CATALOG (MAINTENANCE)

FIG ITEM	PART NUMBER	1 2 3 4 5 6 7 NOMENCLATURE	EFFECT FROM TO	UNITS PER ASSY
12		V82647 SPECIFICATION NUMBER: BACC18AD2 OPTIONAL PART: 4310-029-205 V76374 ELECTRICAL EQUIP NUMBER: C00001 C00002 C00501 C00513 C00516 C00521 C00539 C00566 C00567 C00580 C00584 C00586 C00588 C00591 C00593 C00597 C00604 C00611 C00633 C00637 C00639 C00658 C00826 C00770 C01002 C01008 C01025 C01037 C01246 C01283 C01337 C01338 C01434 C01435 C01437 C01438 C01521 C01522 C01523 C01524 C01531 C01533		

MISSING ITEM NUMBERS NOT APPLICABLE

— ITEM NOT ILLUSTRATED

24-51-53-12

24-51-53
FIG. 12
PAGE 4
JAN 20/09

BRI



757

PARTS CATALOG (MAINTENANCE)

FIG ITEM	PART NUMBER	1 2 3 4 5 6 7	NOMENCLATURE	EFFECT FROM TO	UNITS PER ASSY
12			C01534 C01536 C01537 C01538 C01539 C01541 C01560 C04205 C04206 C04239 C04259		
32	2TC47-2-5		.CIRCUIT BREAKER- SUPPLIER CODE: V82647 SPECIFICATION NUMBER: BACC18AD2 OPTIONAL PART: 4310-029-205 V76374 ELECTRICAL EQUIP NUMBER: C01031	904949	1
33	2TC47-2-5		.CIRCUIT BREAKER- SUPPLIER CODE: V82647 SPECIFICATION NUMBER: BACC18AD2 OPTIONAL PART: 4310-029-205 V76374 ELECTRICAL EQUIP NUMBER: C00702	121503 904949	1
36	2TC47-2-5		.CIRCUIT BREAKER- SUPPLIER CODE: V82647 SPECIFICATION NUMBER: BACC18AD2 OPTIONAL PART: 4310-029-205 V76374 ELECTRICAL EQUIP NUMBER: C00573 C00622 C00653 C01120 C04039 C04110 C04194	121503 904949	7

MISSING ITEM NUMBERS NOT APPLICABLE

- ITEM NOT ILLUSTRATED

24-51-53-12

24-51-53
FIG. 12
PAGE 5
JAN 20/09

BRI



757

PARTS CATALOG (MAINTENANCE)

FIG ITEM	PART NUMBER	1 2 3 4 5 6 7	NOMENCLATURE	EFFECT FROM TO	UNITS PER ASSY
12 37	2TC47-7-5		.CIRCUIT BREAKER- SUPPLIER CODE: V82647 SPECIFICATION NUMBER: BACC18AD7 OPTIONAL PART: 4310-029-705 V76374 ELECTRICAL EQUIP NUMBER: C00683	121503 904949	1
40	2TC47-10		.CIRCUIT BREAKER- SUPPLIER CODE: V82647 SPECIFICATION NUMBER: BACC18AD10 OPTIONAL PART: 4310-029-10 V76374 ELECTRICAL EQUIP NUMBER: C00544	121503 904949	1
41	2TC47-2-5		.CIRCUIT BREAKER- SUPPLIER CODE: V82647 SPECIFICATION NUMBER: BACC18AD2 OPTIONAL PART: 4310-029-205 V76374 ELECTRICAL EQUIP NUMBER: C00641	121503 904949	1
42	2TC47-2-5		.CIRCUIT BREAKER- SUPPLIER CODE: V82647 SPECIFICATION NUMBER: BACC18AD2 OPTIONAL PART: 4310-029-205 V76374 ELECTRICAL EQUIP NUMBER: C01480 C01482	121503 904949	2

MISSING ITEM NUMBERS NOT APPLICABLE

- ITEM NOT ILLUSTRATED

24-51-53-12

24-51-53
FIG. 12
PAGE 6
JAN 20/09

BRI



757

PARTS CATALOG (MAINTENANCE)

FIG ITEM	PART NUMBER	1 2 3 4 5 6 7	NOMENCLATURE	EFFECT FROM TO	UNITS PER ASSY
12 44	2TC47-5		.CIRCUIT BREAKER- SUPPLIER CODE: V82647 SPECIFICATION NUMBER: BACC18AD5 OPTIONAL PART: 4310-029-5 V76374 ELECTRICAL EQUIP NUMBER: C01017	904949	1
45	2TC47-5		.CIRCUIT BREAKER- SUPPLIER CODE: V82647 SPECIFICATION NUMBER: BACC18AD5 OPTIONAL PART: 4310-029-5 V76374 ELECTRICAL EQUIP NUMBER: C00512 C00522 C00525 C00609 C00615 C00619 C01023 C01033 C01039 C01528 C01529 C04033 C04035	121503 904949	13
46	2TC47-5		.CIRCUIT BREAKER- SUPPLIER CODE: V82647 SPECIFICATION NUMBER: BACC18AD5 OPTIONAL PART: 4310-029-5 V76374 ELECTRICAL EQUIP NUMBER: C01017 POST SERVICE BULLETIN: 27-0104	121503	1

MISSING ITEM NUMBERS NOT APPLICABLE

- ITEM NOT ILLUSTRATED

BRI

24-51-53-12

BOEING PROPRIETARY - Copyright © - Unpublished Work - See title page for details.

24-51-53
FIG. 12
PAGE 7
JAN 20/09



757

PARTS CATALOG (MAINTENANCE)

FIG ITEM	PART NUMBER	1 2 3 4 5 6 7	NOMENCLATURE	EFFECT FROM TO	UNITS PER ASSY
12					
51	2TC47-2-5		.CIRCUIT BREAKER- SUPPLIER CODE: V82647 SPECIFICATION NUMBER: BACC18AD2 OPTIONAL PART: 4310-029-205 V76374 ELECTRICAL EQUIP NUMBER: C04263	121503 904949	1
58	1001-002S2		.BUS ASSY- SUPPLIER CODE: V1FF12 SPECIFICATION NUMBER: BACB29B7S2 POST ALERT SB: 34A0222	121503 904949	1
60	800000121-1		.CONNECTOR-PWR SUPPLIER CODE: V05617	121503 904949	9
65	233N5203-7		.BASEPLATE ASSY-	121503 904949	1
70	SF6G6CBB5D		..NUT SUPPLIER CODE: V12324 SPECIFICATION NUMBER: BACN10PA06-6	121503 904949	27
75	BACS21Y3R		..STUD ASSY	121503 904949	2
80	233N5201-5		..BASEPLATE-	121503 904949	1
- 85	286N0110-003		.WIRE BUNDLE ASSY-	121503 904949	1
- 90	286N0118-003		.WIRE BUNDLE ASSY- REWORKED BY ALERT SB: 34A0222	121503 904949	1
- 92	RBEJ40K5A5A6		..JUMPER ASSY- SUPPLIER CODE: V1GK47 SPECIFICATION NUMBER: BACJ40K5A5A6 POST ALERT SB: 34A0222	121503 904949	1
- 95	286N0132-003		.WIRE BUNDLE ASSY- REWORKED BY ALERT SB: 34A0222	121503 904949	1

MISSING ITEM NUMBERS NOT APPLICABLE

- ITEM NOT ILLUSTRATED

24-51-53-12

24-51-53
FIG. 12
PAGE 8
JAN 20/09

BRI



757

PARTS CATALOG (MAINTENANCE)

FIG ITEM	PART NUMBER	1 2 3 4 5 6 7	NOMENCLATURE	EFFECT FROM TO	UNITS PER ASSY
12 - 97	318-2020-901L		. . CONTACT- SUPPLIER CODE: V55104 SPECIFICATION NUMBER: BACC47CP1S OPTIONAL PART: ZZL4120-36LDH14 V49367 LP807105-205 V77820 POST ALERT SB: 34A0222	121503 904949	2
- 100	286N0134-003		. WIRE BUNDLE ASSY	121503 904949	1

MISSING ITEM NUMBERS NOT APPLICABLE

- ITEM NOT ILLUSTRATED

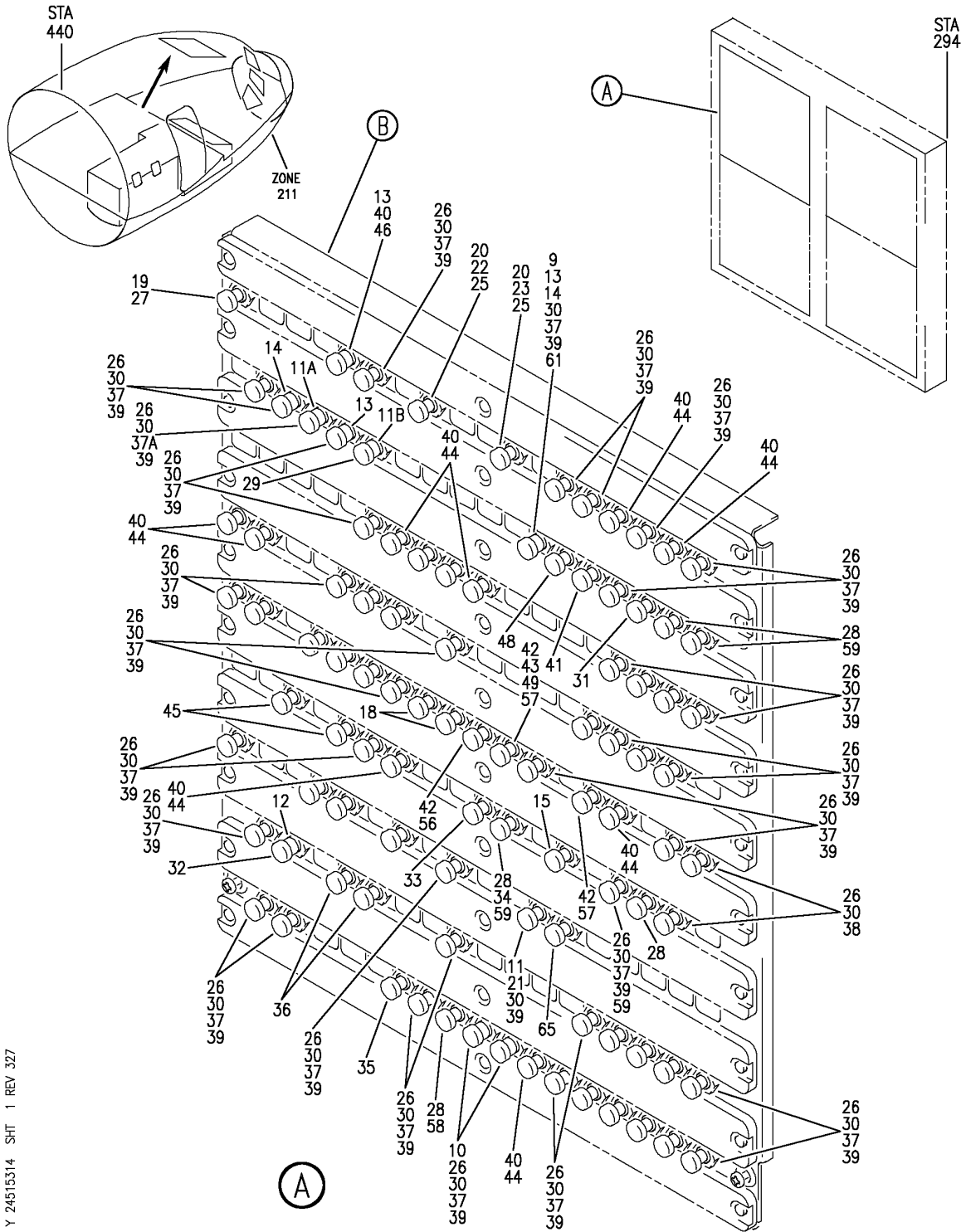
BRI

24-51-53-12

BOEING PROPRIETARY - Copyright © - Unpublished Work - See title page for details.

24-51-53
FIG. 12
PAGE 9
JAN 20/09


BOEING
 757
PARTS CATALOG (MAINTENANCE)



Y 24515314 SHT 1 REV 327

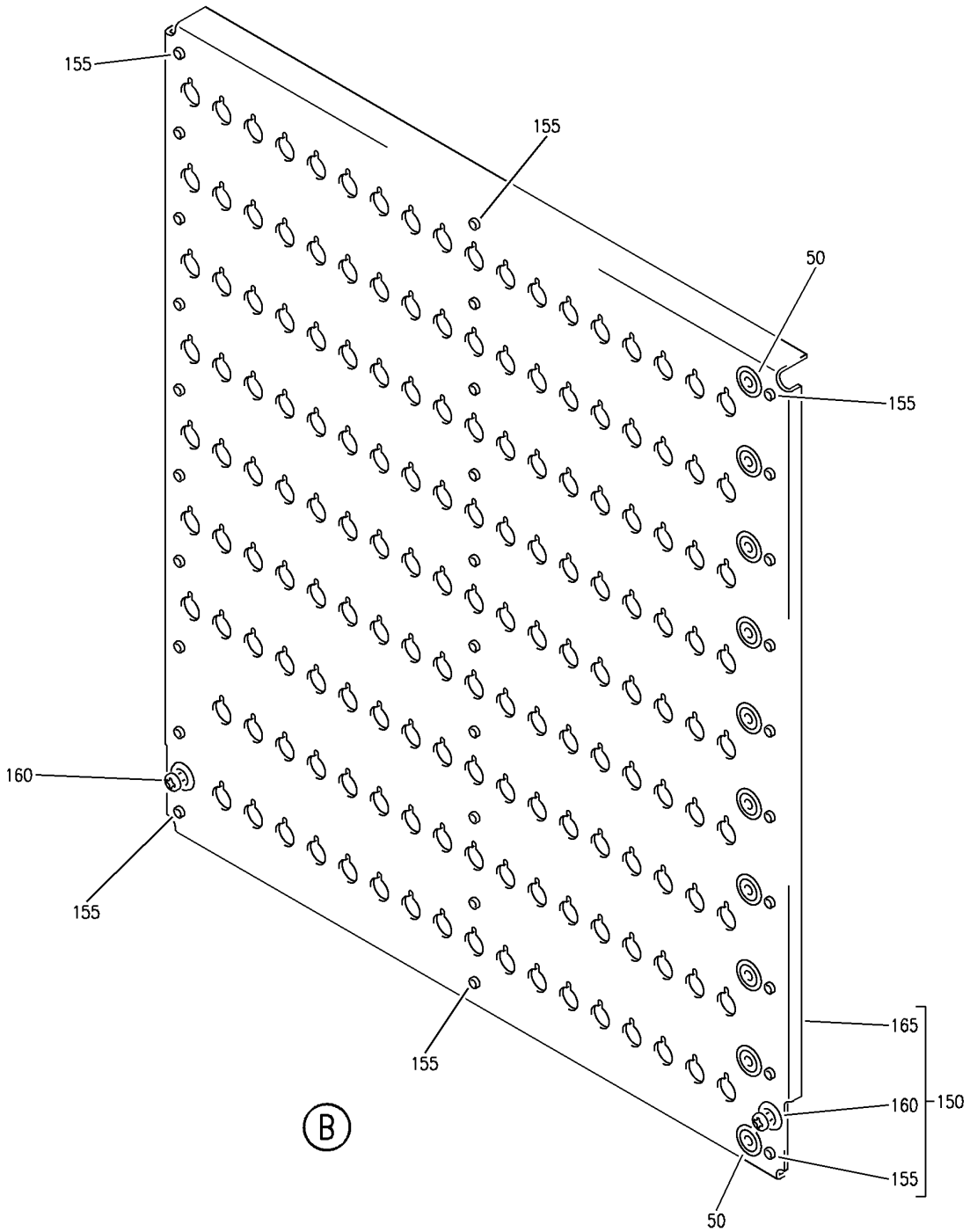
PANEL ASSY-P-11-3 CB (ELECTRICAL POWER ONLY)
 FIGURE 14 (SHEET 1)

24-51-53-14

BRI
 SEP 20/08

24-51-53-14
 PAGE 0

BOEING
757
PARTS CATALOG (MAINTENANCE)



Y 24515314 SHT 2 REV 299

PANEL ASSY-P-11-3 CB (ELECTRICAL POWER ONLY)
FIGURE 14 (SHEET 2)

24-51-53-14

BRI
MAY 28/07

24-51-53-14
PAGE 0A



757

PARTS CATALOG (MAINTENANCE)

FIG ITEM	PART NUMBER	1 2 3 4 5 6 7	NOMENCLATURE	EFFECT FROM TO	UNITS PER ASSY
14			PANEL ASSY-P-11-3 CB (ELECTRICAL POWER ONLY)	121503 904949	
- 1	233N5207-48		PANEL ASSY-P11-3 CB (ELECTRICAL POWER ONLY) FOR NHA/OTHER SYS DET SEE: 24-00-51-03	904949	RF
- 2	233N5207-67		PANEL ASSY-P11-3 CB (ELECTRICAL POWER ONLY) REWORKED BY SB: 30-0016 FOR NHA/OTHER SYS DET SEE: 24-00-51-03	121503	RF
- 6	BAC27NFDE0116		.MARKER-ALUMINUM FOIL MISCELLANEOUS DATA: (USE IN PLACE OF CIRCUIT BREAKERS ON OPEN HOLES) POST SERVICE BULLETIN: 30-0016 QUALIFIED SB I/W DATA: PERMANENT DEACTIVATION	121503	1
- 7	BAC27NFDE0116		.MARKER-ALUMINUM FOIL MISCELLANEOUS DATA: (USE IN PLACE OF CIRCUIT BREAKERS ON OPEN HOLES) OPTIONAL PART: 2645 V28520	121503	AR
- 7	BAC27NFDE0116		.MARKER-ALUMINUM FOIL MISCELLANEOUS DATA: (USE IN PLACE OF CIRCUIT BREAKERS ON OPEN HOLES) OPTIONAL PART: 2645 V28520	904949	AR
- 7	2645		.PLUG-DOME SUPPLIER CODE: V28520 MISCELLANEOUS DATA: (USE IN PLACE OF CIRCUIT BREAKERS ON OPEN HOLES) OPTIONAL PART: BAC27NFDE0116	121503	AR

MISSING ITEM NUMBERS NOT APPLICABLE

- ITEM NOT ILLUSTRATED

BRI

24-51-53-14

24-51-53
FIG. 14
PAGE 1
JAN 20/09



757

PARTS CATALOG (MAINTENANCE)

FIG ITEM	PART NUMBER	1 2 3 4 5 6 7	NOMENCLATURE	EFFECT FROM TO	UNITS PER ASSY
14 - 7	2645		.PLUG-DOME SUPPLIER CODE: V28520 MISCELLANEOUS DATA: (USE IN PLACE OF CIRCUIT BREAKERS ON OPEN HOLES) OPTIONAL PART: BAC27NFDE0116	904949	AR
- 7	2646		.PLUG-DOME SUPPLIER CODE: V28520	121503	AR
- 7	2646		.PLUG-DOME SUPPLIER CODE: V28520	904949	AR
18	2TC47-2-5		.CIRCUIT BREAKER- SUPPLIER CODE: V82647 SPECIFICATION NUMBER: BACC18AD2 OPTIONAL PART: 4310-029-205 V76374 ELECTRICAL EQUIP NUMBER: C04375 C04376	121503 904949	2
21	2TC47-2-5		.CIRCUIT BREAKER- SUPPLIER CODE: V82647 SPECIFICATION NUMBER: BACC18AD2 OPTIONAL PART: 4310-029-205 V76374 ELECTRICAL EQUIP NUMBER: C01412	904949	1
25	6TC6-5		.CIRCUIT BREAKER- SUPPLIER CODE: V82647 SPECIFICATION NUMBER: BACC18AC5 OPTIONAL PART: 4330-004-5 V76374 ELECTRICAL EQUIP NUMBER: C03003 C03004	121503	2

MISSING ITEM NUMBERS NOT APPLICABLE

- ITEM NOT ILLUSTRATED

BRI

24-51-53-14

24-51-53
FIG. 14
PAGE 2
JAN 20/09



757

PARTS CATALOG (MAINTENANCE)

FIG ITEM	PART NUMBER	1 2 3 4 5 6 7	NOMENCLATURE	EFFECT FROM TO	UNITS PER ASSY
14 25	6TC6-3		.CIRCUIT BREAKER- SUPPLIER CODE: V82647 SPECIFICATION NUMBER: BACC18AC3 OPTIONAL PART: 4330-004-3 V76374 ELECTRICAL EQUIP NUMBER: C03003 C03050	904949	2
26	2TC47-2-5		.CIRCUIT BREAKER- SUPPLIER CODE: V82647 SPECIFICATION NUMBER: BACC18AD2 OPTIONAL PART: 4310-029-205 V76374 ELECTRICAL EQUIP NUMBER: C00520 C00578 C00660 C00667 C00670 C00709 C00822 C00824 C01005 C01022 C01034 C01035 C01080 C01082 C01128 C01171 C01176 C01180 C01181 C01237 C01241 C01242 C01244 C01252 C01254 C01276 C01289 C01290 C01332	121503 904949	58

MISSING ITEM NUMBERS NOT APPLICABLE

- ITEM NOT ILLUSTRATED

24-51-53-14

24-51-53
FIG. 14
PAGE 3
JAN 20/09

BRI



757

PARTS CATALOG (MAINTENANCE)

FIG ITEM	PART NUMBER	1 2 3 4 5 6 7	NOMENCLATURE	EFFECT FROM TO	UNITS PER ASSY
14			C01400 C01430 C01464 C01498 C04019 C04024 C04038 C04043 C04044 C04059 C04069 C04071 C04078 C04081 C04087 C04099 C04101 C04103 C04107 C04119 C04126 C04129 C04196 C04207 C04221 C04224 C04270 C04280 C04283		
27	2TC47-2-5		.CIRCUIT BREAKER- SUPPLIER CODE: V82647 SPECIFICATION NUMBER: BACC18AD2 OPTIONAL PART: 4310-029-205 V76374 ELECTRICAL EQUIP NUMBER: C00564	121503 904949	1
29	2TC47-2-5		.CIRCUIT BREAKER- SUPPLIER CODE: V82647 SPECIFICATION NUMBER: BACC18AD2 OPTIONAL PART: 4310-029-205 V76374 ELECTRICAL EQUIP NUMBER: C04356	121503 904949	1

MISSING ITEM NUMBERS NOT APPLICABLE

- ITEM NOT ILLUSTRATED

BRI

24-51-53-14

24-51-53
 FIG. 14
 PAGE 4
 JAN 20/09



757

PARTS CATALOG (MAINTENANCE)

FIG ITEM	PART NUMBER	1 2 3 4 5 6 7	NOMENCLATURE	EFFECT FROM TO	UNITS PER ASSY
14 31	2TC47-2-5		.CIRCUIT BREAKER- SUPPLIER CODE: V82647 SPECIFICATION NUMBER: BACC18AD2 OPTIONAL PART: 4310-029-205 V76374 ELECTRICAL EQUIP NUMBER: C04308	121503 904949	1
34	2TC47-3		.CIRCUIT BREAKER- SUPPLIER CODE: V82647 SPECIFICATION NUMBER: BACC18AD3 OPTIONAL PART: 4310-029-3 V76374 ELECTRICAL EQUIP NUMBER: C00673	121503	1
34	2TC47-2-5		.CIRCUIT BREAKER- SUPPLIER CODE: V82647 SPECIFICATION NUMBER: BACC18AD2 OPTIONAL PART: 4310-029-205 V76374 ELECTRICAL EQUIP NUMBER: C00673	904949	1
35	2TC47-3		.CIRCUIT BREAKER- SUPPLIER CODE: V82647 SPECIFICATION NUMBER: BACC18AD3 OPTIONAL PART: 4310-029-3 V76374 ELECTRICAL EQUIP NUMBER: C00561	121503 904949	1

MISSING ITEM NUMBERS NOT APPLICABLE

- ITEM NOT ILLUSTRATED

24-51-53-14

24-51-53
FIG. 14
PAGE 5
JAN 20/09

BRI



757

PARTS CATALOG (MAINTENANCE)

FIG ITEM	PART NUMBER	1 2 3 4 5 6 7	NOMENCLATURE	EFFECT FROM TO	UNITS PER ASSY
14 40	2TC47-5		.CIRCUIT BREAKER- SUPPLIER CODE: V82647 SPECIFICATION NUMBER: BACC18AD5 OPTIONAL PART: 4310-029-5 V76374 ELECTRICAL EQUIP NUMBER: C00686 C00743 C01182 C01226 C01297 C01298 C01339 C04032 C04178 C04226 C04228 C04230	121503 904949	12
41	2TC47-5		.CIRCUIT BREAKER- SUPPLIER CODE: V82647 SPECIFICATION NUMBER: BACC18AD5 OPTIONAL PART: 4310-029-5 V76374 ELECTRICAL EQUIP NUMBER: C04298	121503 904949	1
43	2TC47-2-5		.CIRCUIT BREAKER- SUPPLIER CODE: V82647 SPECIFICATION NUMBER: BACC18AD2 OPTIONAL PART: 4310-029-205 V76374 ELECTRICAL EQUIP NUMBER: C00705	121503 904949	1

MISSING ITEM NUMBERS NOT APPLICABLE

- ITEM NOT ILLUSTRATED

BRI

24-51-53-14

24-51-53
FIG. 14
PAGE 6
JAN 20/09



757

PARTS CATALOG (MAINTENANCE)

FIG ITEM	PART NUMBER	1 2 3 4 5 6 7	NOMENCLATURE	EFFECT FROM TO	UNITS PER ASSY
14 45	2TC47-7-5		.CIRCUIT BREAKER- SUPPLIER CODE: V82647 SPECIFICATION NUMBER: BACC18AD7 OPTIONAL PART: 4310-029-705 V76374 ELECTRICAL EQUIP NUMBER: C01247 C01249	121503 904949	2
48	2TC47-10		.CIRCUIT BREAKER- SUPPLIER CODE: V82647 SPECIFICATION NUMBER: BACC18AD10 OPTIONAL PART: 4310-029-10 V76374 ELECTRICAL EQUIP NUMBER: C01143	121503 904949	1
50	800000121-1		.CONNECTOR-PWR SUPPLIER CODE: V05617	121503 904949	10
61	2TC47-2-5		.CIRCUIT BREAKER- SUPPLIER CODE: V82647 SPECIFICATION NUMBER: BACC18AD2 OPTIONAL PART: 4310-029-205 V76374 ELECTRICAL EQUIP NUMBER: C01136	904949	1
65	2TC47-2-5		.CIRCUIT BREAKER- SUPPLIER CODE: V82647 SPECIFICATION NUMBER: BACC18AD2 OPTIONAL PART: 4310-029-205 V76374 ELECTRICAL EQUIP NUMBER: C04679 POST ALERT SB: 28A0081	121503 904949	1
150	233N5204-11		.BASEPLATE ASSY-	121503	1
150	233N5204-9		.BASEPLATE ASSY-	904949	1

MISSING ITEM NUMBERS NOT APPLICABLE

- ITEM NOT ILLUSTRATED

24-51-53-14

24-51-53
FIG. 14
PAGE 7
JAN 20/09

BRI



757

PARTS CATALOG (MAINTENANCE)

FIG ITEM	PART NUMBER	1 2 3 4 5 6 7	NOMENCLATURE	EFFECT FROM TO	UNITS PER ASSY
14 155	SF6G6CBB5D	. .	NUT SUPPLIER CODE: V12324 SPECIFICATION NUMBER: BACN10PA06-6	121503 904949	30
160	BACS21Y3R	. .	STUD ASSY	121503 904949	2
165	233N5202-5	. .	BASEPLATE-	121503 904949	1
- 200	286N0112-003	. .	WIRE BUNDLE ASSY	121503 904949	1
- 205	286N0124-003	. .	WIRE BUNDLE ASSY-	121503 904949	1

MISSING ITEM NUMBERS NOT APPLICABLE

- ITEM NOT ILLUSTRATED

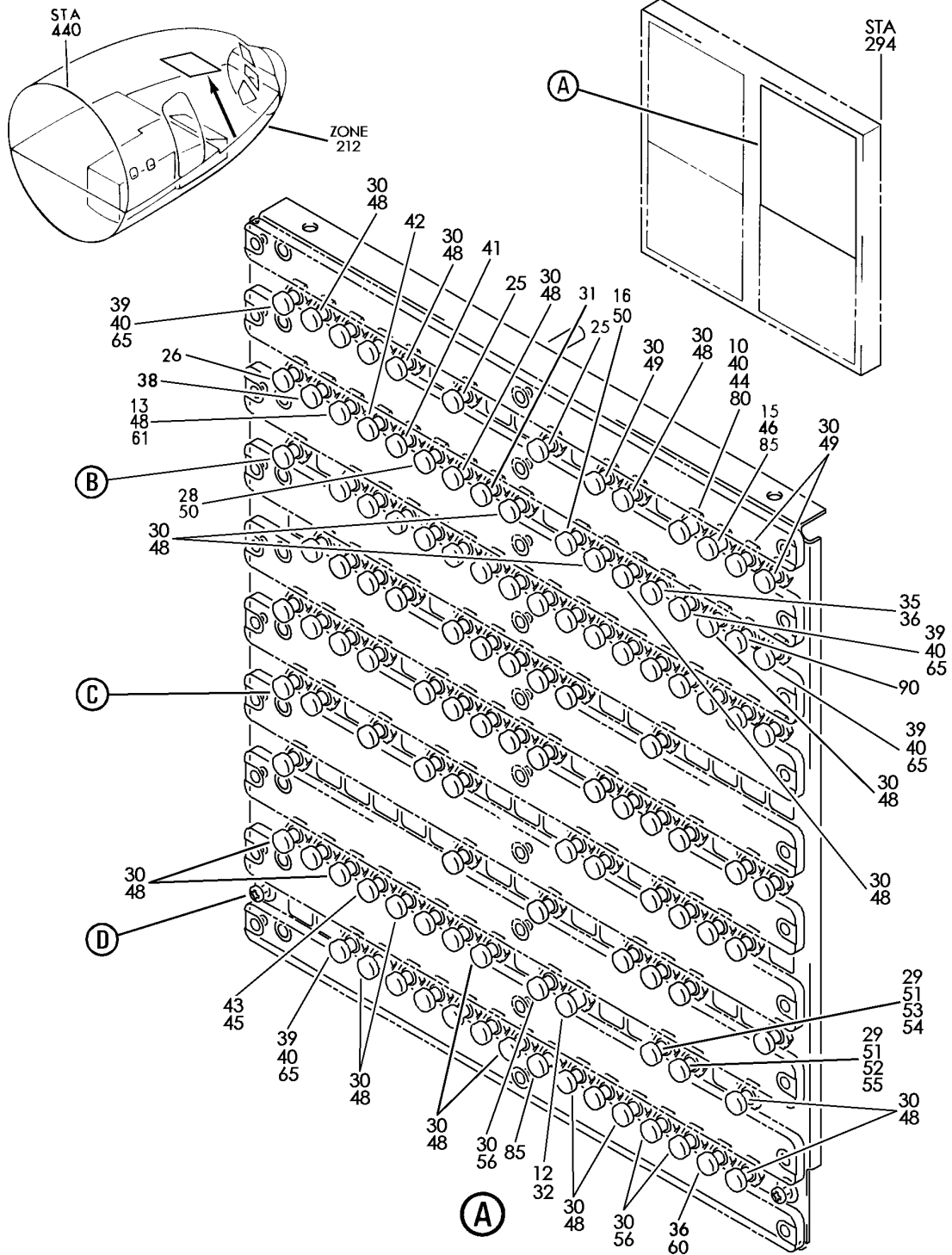
BRI

24-51-53-14

BOEING PROPRIETARY - Copyright © - Unpublished Work - See title page for details.

24-51-53
FIG. 14
PAGE 8
JAN 20/09

BOEING
757
PARTS CATALOG (MAINTENANCE)



Y 24515315 SHT 1 REV 327

PANEL ASSY-P11-4 CB (ELECTRICAL POWER ONLY)
FIGURE 15 (SHEET 1)

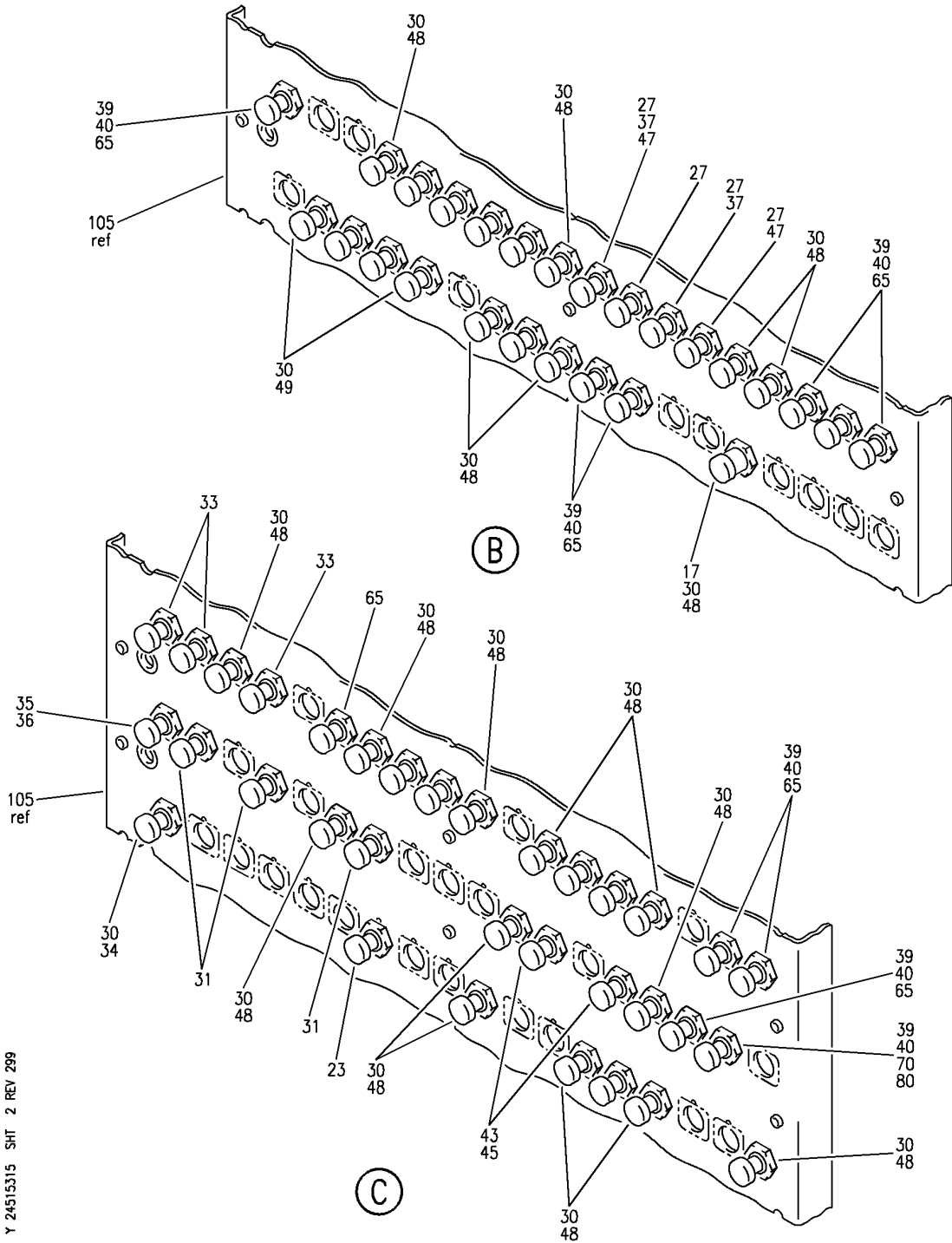
24-51-53-15

BRI
SEP 20/08

24-51-53-15
PAGE 0

BOEING PROPRIETARY - Copyright © - Unpublished Work - See title page for details.

BOEING
757
PARTS CATALOG (MAINTENANCE)



Y 24515315 SHT 2 REV 299

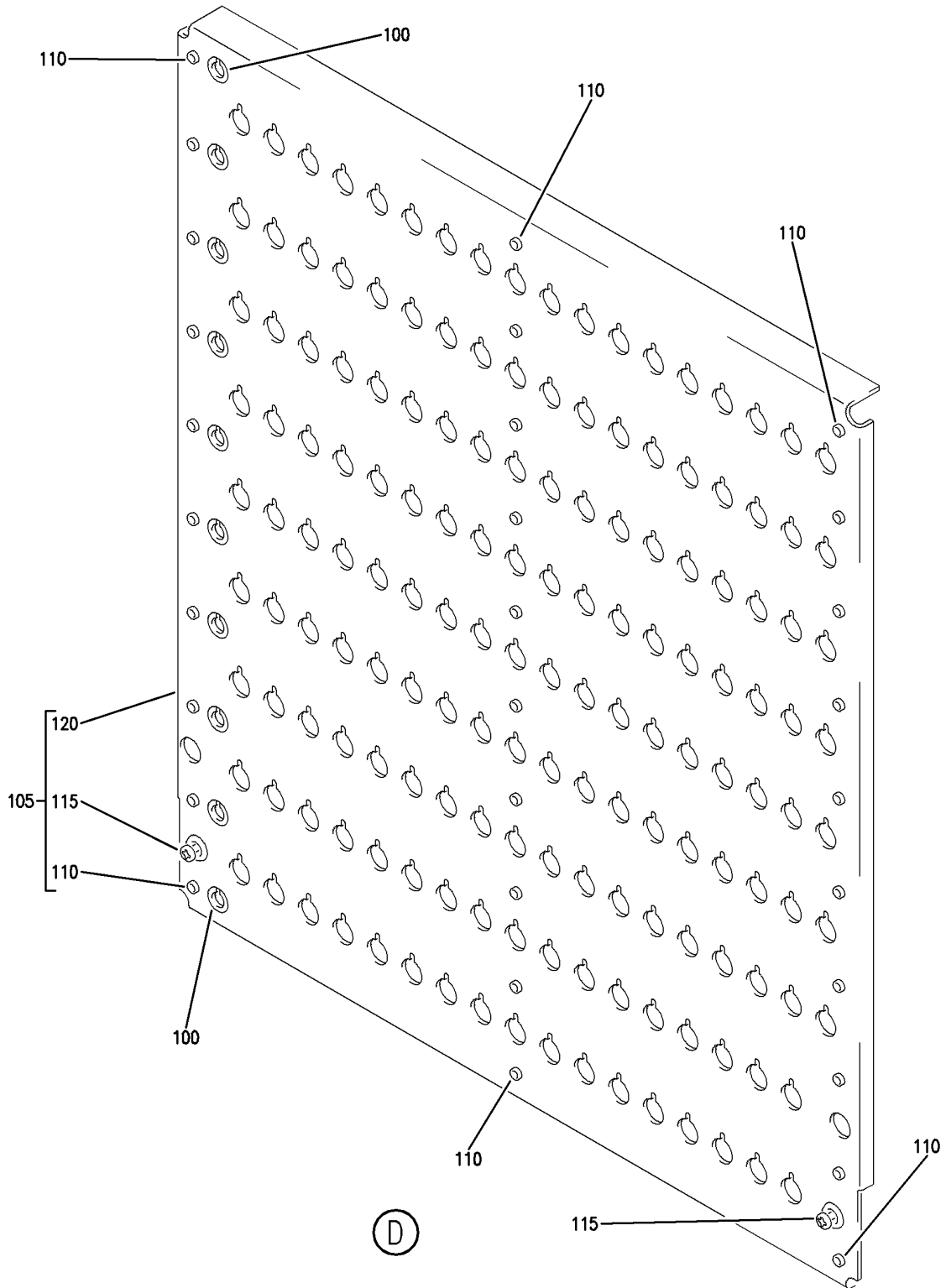
PANEL ASSY-P11-4 CB (ELECTRICAL POWER ONLY)
FIGURE 15 (SHEET 2)

24-51-53-15

BRI
MAY 28/07

24-51-53-15
PAGE 0A

BOEING
757
PARTS CATALOG (MAINTENANCE)



Y 24515315 SH1 3 REV 241

PANEL ASSY-P11-4 CB (ELECTRICAL POWER ONLY)
FIGURE 15 (SHEET 3)

24-51-53-15

BRI
MAY 28/07

24-51-53-15
PAGE 0B



757

PARTS CATALOG (MAINTENANCE)

FIG ITEM	PART NUMBER	1 2 3 4 5 6 7	NOMENCLATURE	EFFECT FROM TO	UNITS PER ASSY
15			PANEL ASSY-P11-4 CB (ELECTRICAL POWER ONLY)	121503 904949	
- 2	233N5208-49		PANEL ASSY-P11-4 CB (ELECTRICAL POWER ONLY) FOR NHA/OTHER SYS DET SEE: 24-00-51-04	904949	RF
- 2	233N5208-55		PANEL ASSY-P11-4 CB (ELECTRICAL POWER ONLY) PRE SERVICE BULLETIN: 78-0032 REWORKED BY SB: 30-0016 FOR NHA/OTHER SYS DET SEE: 24-00-51-04	121503	RF
- 2	233N5012-149		PANEL ASSY-P11-4 CB (ELECTRICAL POWER ONLY) POST SERVICE BULLETIN: 78-0032 REWORKED BY SB: 30-0016 FOR NHA/OTHER SYS DET SEE: 24-00-51-04	121503	RF
- 6	BAC27NFDE0116		.MARKER-ALUMINUM FOIL MISCELLANEOUS DATA: (USE IN PLACE OF CIRCUIT BREAKERS ON OPEN HOLES) POST SERVICE BULLETIN: 30-0016 QUALIFIED SB I/W DATA: PERMANENT DEACTIVATION	121503	1
- 9	BAC27NFDE0116		.MARKER-ALUMINUM FOIL- MISCELLANEOUS DATA: (USE IN PLACE OF CIRCUIT BREAKERS ON OPEN HOLES) OPTIONAL PART: 2645 V28520	904949	AR
- 9	BAC27NFDE0116		.MARKER-ALUMINUM FOIL- MISCELLANEOUS DATA: (USE IN PLACE OF CIRCUIT BREAKERS ON OPEN HOLES) OPTIONAL PART: 2645 V28520	121503	AR

MISSING ITEM NUMBERS NOT APPLICABLE

- ITEM NOT ILLUSTRATED

24-51-53-15

24-51-53
FIG. 15
PAGE 1
JAN 20/09

BRI



757

PARTS CATALOG (MAINTENANCE)

FIG ITEM	PART NUMBER	1 2 3 4 5 6 7	NOMENCLATURE	EFFECT FROM TO	UNITS PER ASSY
15 - 9	2645		.PLUG-DOME SUPPLIER CODE: V28520 MISCELLANEOUS DATA: (USE IN PLACE OF CIRCUIT BREAKERS ON OPEN HOLES) OPTIONAL PART: BAC27NFDE0116	904949	AR
- 9	2645		.PLUG-DOME SUPPLIER CODE: V28520 MISCELLANEOUS DATA: (USE IN PLACE OF CIRCUIT BREAKERS ON OPEN HOLES) OPTIONAL PART: BAC27NFDE0116	121503	AR
- 9	2646		.PLUG-DOME SUPPLIER CODE: V28520	904949	AR
- 9	2646		.PLUG-DOME SUPPLIER CODE: V28520	121503	AR
15	10237-1		.CLIP-STOW SUPPLIER CODE: V07RZ7	121503 904949	1
23	2TC47-2-5		.CIRCUIT BREAKER- SUPPLIER CODE: V82647 SPECIFICATION NUMBER: BACC18AD2 OPTIONAL PART: 4310-029-205 V76374 ELECTRICAL EQUIP NUMBER: C04680 POST ALERT SB: 28A0081	121503 904949	1
25	6TC6-5		.CIRCUIT BREAKER- SUPPLIER CODE: V82647 SPECIFICATION NUMBER: BACC18AC5 OPTIONAL PART: 4330-004-5 V76374 ELECTRICAL EQUIP NUMBER: C03011 C03012	121503 904949	2
30	2TC47-2-5		.CIRCUIT BREAKER-	121503	67

MISSING ITEM NUMBERS NOT APPLICABLE

- ITEM NOT ILLUSTRATED

24-51-53-15

24-51-53
FIG. 15
PAGE 2
JAN 20/09

BRI



757
PARTS CATALOG (MAINTENANCE)

FIG ITEM	PART NUMBER	1 2 3 4 5 6 7	NOMENCLATURE	EFFECT FROM TO	UNITS PER ASSY
15			SUPPLIER CODE: V82647 SPECIFICATION NUMBER: BACC18AD2 OPTIONAL PART: 4310-029-205 V76374 ELECTRICAL EQUIP NUMBER: C00565 C00574 C00661 C00763 C00764 C00765 C00766 C00794 C00795 C00823 C00825 C01081 C01101 C01172 C01173 C01174 C01202 C01239 C01240 C01251 C01277 C01281 C01287 C01288 C01320 C01333 C01336 C01342 C01355 C01432 C01499 C04014 C04020 C04021 C04026 C04029 C04030 C04031 C04036 C04045 C04072	904949	

MISSING ITEM NUMBERS NOT APPLICABLE

- ITEM NOT ILLUSTRATED

BRI

24-51-53-15

BOEING PROPRIETARY - Copyright © - Unpublished Work - See title page for details.

24-51-53
FIG. 15
PAGE 3
JAN 20/09



757

PARTS CATALOG (MAINTENANCE)

FIG ITEM	PART NUMBER	1 2 3 4 5 6 7	NOMENCLATURE	EFFECT FROM TO	UNITS PER ASSY
15			C04079 C04082 C04094 C04100 C04102 C04104 C04108 C04127 C04130 C04131 C04183 C04184 C04185 C04186 C04189 C04192 C04193 C04195 C04197 C04208 C04225 C04235 C04253 C04261 C04279 C04317		
34	2TC47-2-5		.CIRCUIT BREAKER- SUPPLIER CODE: V82647 SPECIFICATION NUMBER: BACC18AD2 OPTIONAL PART: 4310-029-205 V76374 ELECTRICAL EQUIP NUMBER: C01053	904949	1
34	2TC47-5		.CIRCUIT BREAKER- SUPPLIER CODE: V82647 SPECIFICATION NUMBER: BACC18AD5 OPTIONAL PART: 4310-029-5 V76374 ELECTRICAL EQUIP NUMBER: C01053 POST MOD REVISION: MRR69018-002	121503	1

MISSING ITEM NUMBERS NOT APPLICABLE

- ITEM NOT ILLUSTRATED

24-51-53-15

24-51-53
 FIG. 15
 PAGE 4
 JAN 20/09

BRI



757

PARTS CATALOG (MAINTENANCE)

FIG ITEM	PART NUMBER	1 2 3 4 5 6 7	NOMENCLATURE	EFFECT FROM TO	UNITS PER ASSY
15 35	2TC47-3		.CIRCUIT BREAKER- SUPPLIER CODE: V82647 SPECIFICATION NUMBER: BACC18AD3 OPTIONAL PART: 4310-029-3 V76374 ELECTRICAL EQUIP NUMBER: C00674 C00803	121503 904949	2
39	2TC47-5		.CIRCUIT BREAKER- SUPPLIER CODE: V82647 SPECIFICATION NUMBER: BACC18AD5 OPTIONAL PART: 4310-029-5 V76374 ELECTRICAL EQUIP NUMBER: C00701 C01170 C01225 C01227 C01273 C01280 C01284 C01302 C01340 C04144 C04209 C04223 C04227 C04229 C04231	121503 904949	15
41	2TC47-5		.CIRCUIT BREAKER- SUPPLIER CODE: V82647 SPECIFICATION NUMBER: BACC18AD5 OPTIONAL PART: 4310-029-5 V76374 ELECTRICAL EQUIP NUMBER: C04299	121503 904949	1

MISSING ITEM NUMBERS NOT APPLICABLE

- ITEM NOT ILLUSTRATED

BRI

24-51-53-15

BOEING PROPRIETARY - Copyright © - Unpublished Work - See title page for details.

24-51-53
FIG. 15
PAGE 5
JAN 20/09



757

PARTS CATALOG (MAINTENANCE)

FIG ITEM	PART NUMBER	1 2 3 4 5 6 7	NOMENCLATURE	EFFECT FROM TO	UNITS PER ASSY
15 42	2TC47-10		.CIRCUIT BREAKER- SUPPLIER CODE: V82647 SPECIFICATION NUMBER: BACC18AD10 OPTIONAL PART: 4310-029-10 V76374 ELECTRICAL EQUIP NUMBER: C01144	121503 904949	1
43	2TC47-7-5		.CIRCUIT BREAKER- SUPPLIER CODE: V82647 SPECIFICATION NUMBER: BACC18AD7 OPTIONAL PART: 4310-029-705 V76374 ELECTRICAL EQUIP NUMBER: C01248 C01250 C04292	121503 904949	3
46	2TC47-5		.CIRCUIT BREAKER- SUPPLIER CODE: V82647 SPECIFICATION NUMBER: BACC18AD5 OPTIONAL PART: 4310-029-5 V76374 ELECTRICAL EQUIP NUMBER: C00741	121503 904949	1
47	2TC47-5		.CIRCUIT BREAKER- SUPPLIER CODE: V82647 SPECIFICATION NUMBER: BACC18AD5 OPTIONAL PART: 4310-029-5 V76374 ELECTRICAL EQUIP NUMBER: C01294 C01314	121503 904949	2

MISSING ITEM NUMBERS NOT APPLICABLE

- ITEM NOT ILLUSTRATED

BRI

24-51-53-15

BOEING PROPRIETARY - Copyright © - Unpublished Work - See title page for details.

24-51-53
FIG. 15
PAGE 6
JAN 20/09



757

PARTS CATALOG (MAINTENANCE)

FIG ITEM	PART NUMBER	1 2 3 4 5 6 7	NOMENCLATURE	EFFECT FROM TO	UNITS PER ASSY
15 50	2TC47-2-5		.CIRCUIT BREAKER- SUPPLIER CODE: V82647 SPECIFICATION NUMBER: BACC18AD2 OPTIONAL PART: 4310-029-205 V76374 ELECTRICAL EQUIP NUMBER: C04309 C04357	121503 904949	2
54	2TC47-5		.CIRCUIT BREAKER- SUPPLIER CODE: V82647 SPECIFICATION NUMBER: BACC18AD5 OPTIONAL PART: 4310-029-5 V76374 POST SERVICE BULLETIN: 78-0032	121503	1
55	2TC47-2-5		.CIRCUIT BREAKER- SUPPLIER CODE: V82647 SPECIFICATION NUMBER: BACC18AD2 OPTIONAL PART: 4310-029-205 V76374 POST SERVICE BULLETIN: 78-0032	121503	1
60	2TC47-2-5		.CIRCUIT BREAKER- SUPPLIER CODE: V82647 SPECIFICATION NUMBER: BACC18AD2 OPTIONAL PART: 4310-029-205 V76374 ELECTRICAL EQUIP NUMBER: C04459	121503	1

MISSING ITEM NUMBERS NOT APPLICABLE

- ITEM NOT ILLUSTRATED

BRI

24-51-53-15

BOEING PROPRIETARY - Copyright © - Unpublished Work - See title page for details.

24-51-53
FIG. 15
PAGE 7
JAN 20/09



757

PARTS CATALOG (MAINTENANCE)

FIG ITEM	PART NUMBER	1 2 3 4 5 6 7	NOMENCLATURE	EFFECT FROM TO	UNITS PER ASSY
15 61	2TC47-2-5		.CIRCUIT BREAKER- SUPPLIER CODE: V82647 SPECIFICATION NUMBER: BACC18AD2 OPTIONAL PART: 4310-029-205 V76374 ELECTRICAL EQUIP NUMBER: C01145	904949	1
100	800000121-1		.CONNECTOR-PWR SUPPLIER CODE: V05617	121503 904949	10
105	233N5204-10		.BASEPLATE ASSY-	904949	1
105	233N5204-12		.BASEPLATE ASSY-	121503	1
110	SF6G6CBB5D		..NUT SUPPLIER CODE: V12324 SPECIFICATION NUMBER: BACN10PA06-6	121503 904949	30
115	BACS21Y3R		..STUD ASSY	121503 904949	2
120	233N5202-6		..BASEPLATE-	121503 904949	1
- 125	286N0116-003		.WIRE BUNDLE ASSY	121503 904949	1
- 130	286N0128-003		.WIRE BUNDLE ASSY-	121503 904949	1
- 135	286N0130-003		.WIRE BUNDLE ASSY	121503 904949	1

MISSING ITEM NUMBERS NOT APPLICABLE

- ITEM NOT ILLUSTRATED

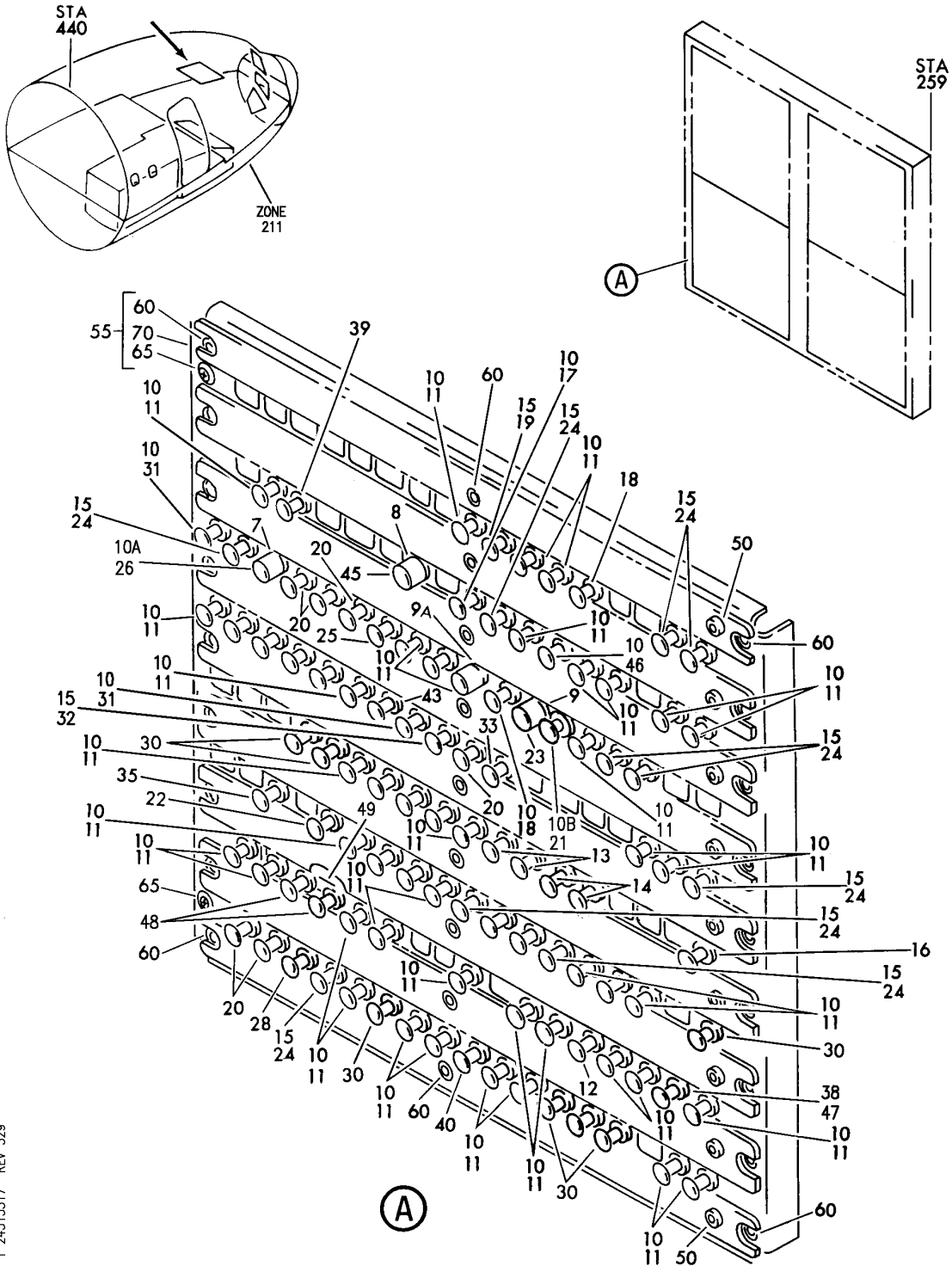
BRI

24-51-53-15

BOEING PROPRIETARY - Copyright © - Unpublished Work - See title page for details.

24-51-53
FIG. 15
PAGE 8
JAN 20/09

BOEING
757
PARTS CATALOG (MAINTENANCE)



Y 24515317 REV 329

PANEL ASSY-P11-1 CB (ELECTRICAL POWER ONLY)
FIGURE 17

24-51-53-17

BRI
JAN 20/09

24-51-53-17
PAGE 0



757

PARTS CATALOG (MAINTENANCE)

FIG ITEM	PART NUMBER	1 2 3 4 5 6 7	NOMENCLATURE	EFFECT FROM TO	UNITS PER ASSY
17			PANEL ASSY-P11-1 CB (ELECTRICAL POWER ONLY)	107107	
- 1	233N5003-2		PANEL ASSY-P11-1 CB (ELECTRICAL POWER ONLY) POST SERVICE BULLETIN: 24-0048 REWORKED BY SB: 34-0414 FOR NHA/OTHER SYS DET SEE: 24-00-51-01	107107	RF
- 4	BAC27NFDE0116		.MARKER-ALUMINUM FOIL MISCELLANEOUS DATA: (USE IN PLACE OF CIRCUIT BREAKERS ON OPEN HOLES) POST SERVICE BULLETIN: 27-0104	107107	AR
- 6	BAC27NFDE0116		.MARKER-ALUMINUM FOIL MISCELLANEOUS DATA: (USE IN PLACE OF CIRCUIT BREAKERS ON OPEN HOLES)	107107	AR
12	2TC47-7-5		.CIRCUIT BREAKER- SUPPLIER CODE: V82647 SPECIFICATION NUMBER: BACC18AD7 OPTIONAL PART: 4310-029-705 V76374 ELECTRICAL EQUIP NUMBER: C00683	107107	1
13	2TC47-2-5		.CIRCUIT BREAKER- SUPPLIER CODE: V82647 SPECIFICATION NUMBER: BACC18AD2 OPTIONAL PART: 4310-029-205 V76374 ELECTRICAL EQUIP NUMBER: C01480 C01482 POST SERVICE BULLETIN: 24-0048	107107	2

MISSING ITEM NUMBERS NOT APPLICABLE

- ITEM NOT ILLUSTRATED

BRI

24-51-53-17

BOEING PROPRIETARY - Copyright © - Unpublished Work - See title page for details.

24-51-53
FIG. 17
PAGE 1
JAN 20/09



757

PARTS CATALOG (MAINTENANCE)

FIG ITEM	PART NUMBER	1 2 3 4 5 6 7	NOMENCLATURE	EFFECT FROM TO	UNITS PER ASSY
17 16	2TC47-2-5		.CIRCUIT BREAKER- SUPPLIER CODE: V82647 SPECIFICATION NUMBER: BACC18AD2 OPTIONAL PART: 4310-029-205 V76374 ELECTRICAL EQUIP NUMBER: C01031 POST SERVICE BULLETIN: 27-0104	107107	1
20	2TC6-2		.CIRCUIT BREAKER- SUPPLIER CODE: V82647 SPECIFICATION NUMBER: BACC18Z02R OPTIONAL PART: 4310-002-2 V76374 ELECTRICAL EQUIP NUMBER: C00592 C00595 C00600 C00603 C00606 C00607	107107	6
21	2TC47-2-5		.CIRCUIT BREAKER- SUPPLIER CODE: V82647 SPECIFICATION NUMBER: BACC18AD2 OPTIONAL PART: 4310-029-205 V76374 ELECTRICAL EQUIP NUMBER: C00641 PRE SERVICE BULLETIN: 34-0414	107107	1

MISSING ITEM NUMBERS NOT APPLICABLE

- ITEM NOT ILLUSTRATED

BRI

24-51-53-17

BOEING PROPRIETARY - Copyright © - Unpublished Work - See title page for details.

24-51-53
FIG. 17
PAGE 2
JAN 20/09



757

PARTS CATALOG (MAINTENANCE)

FIG ITEM	PART NUMBER	1 2 3 4 5 6 7	NOMENCLATURE	EFFECT FROM TO	UNITS PER ASSY
17 22	2TC47-5		.CIRCUIT BREAKER- SUPPLIER CODE: V82647 SPECIFICATION NUMBER: BACC18AD5 OPTIONAL PART: 4310-029-5 V76374 ELECTRICAL EQUIP NUMBER: C01017 POST SERVICE BULLETIN: 27-0104	107107	1
24	2TC47-5		.CIRCUIT BREAKER- SUPPLIER CODE: V82647 SPECIFICATION NUMBER: BACC18AD5 OPTIONAL PART: 4310-029-5 V76374 ELECTRICAL EQUIP NUMBER: C00512 C00522 C00525 C00615 C00619 C01023 C01033 C01039 C01528 C01529 C04033 C04035	107107	12
25	2TC6-2		.CIRCUIT BREAKER- SUPPLIER CODE: V82647 SPECIFICATION NUMBER: BACC18Z02R OPTIONAL PART: 4310-002-2 V76374 ELECTRICAL EQUIP NUMBER: C04051	107107	1

MISSING ITEM NUMBERS NOT APPLICABLE

- ITEM NOT ILLUSTRATED

24-51-53-17

24-51-53
FIG. 17
PAGE 3
JAN 20/09

BRI



757

PARTS CATALOG (MAINTENANCE)

FIG ITEM	PART NUMBER	1 2 3 4 5 6 7	NOMENCLATURE	EFFECT FROM TO	UNITS PER ASSY
17 26	2TC47-2-5		.CIRCUIT BREAKER- SUPPLIER CODE: V82647 SPECIFICATION NUMBER: BACC18AD2 OPTIONAL PART: 4310-029-205 V76374 ELECTRICAL EQUIP NUMBER: C00631 PRE SERVICE BULLETIN: 34-0394	107107	1
28	2TC6-2		.CIRCUIT BREAKER- SUPPLIER CODE: V82647 SPECIFICATION NUMBER: BACC18Z02R OPTIONAL PART: 4310-002-2 V76374 ELECTRICAL EQUIP NUMBER: C04118 POST SERVICE BULLETIN: 24-0048	107107	1
30	2TC47-2-5		.CIRCUIT BREAKER- SUPPLIER CODE: V82647 SPECIFICATION NUMBER: BACC18AD2 OPTIONAL PART: 4310-029-205 V76374 ELECTRICAL EQUIP NUMBER: C00622 C00653 C00702 C01120 C04039 C04110 C04194 POST SERVICE BULLETIN: 24-0048	107107	7

MISSING ITEM NUMBERS NOT APPLICABLE

- ITEM NOT ILLUSTRATED

24-51-53-17

24-51-53
FIG. 17
PAGE 4
JAN 20/09

BRI



757

PARTS CATALOG (MAINTENANCE)

FIG ITEM	PART NUMBER	1 2 3 4 5 6 7	NOMENCLATURE	EFFECT FROM TO	UNITS PER ASSY
17 31	2TC47-2-5		.CIRCUIT BREAKER- SUPPLIER CODE: V82647 SPECIFICATION NUMBER: BACC18AD2 OPTIONAL PART: 4310-029-205 V76374 ELECTRICAL EQUIP NUMBER: C00597 C00611	107107	2
32	2TC47-5		.CIRCUIT BREAKER- SUPPLIER CODE: V82647 SPECIFICATION NUMBER: BACC18AD5 OPTIONAL PART: 4310-029-5 V76374 ELECTRICAL EQUIP NUMBER: C00609	107107	1
33	2TC6-2		.CIRCUIT BREAKER- SUPPLIER CODE: V82647 SPECIFICATION NUMBER: BACC18Z02R OPTIONAL PART: 4310-002-2 V76374 ELECTRICAL EQUIP NUMBER: C00582	107107	1
35	2TC47-10		.CIRCUIT BREAKER- SUPPLIER CODE: V82647 SPECIFICATION NUMBER: BACC18AD10 OPTIONAL PART: 4310-029-10 V76374 ELECTRICAL EQUIP NUMBER: C00544	107107	1

MISSING ITEM NUMBERS NOT APPLICABLE

- ITEM NOT ILLUSTRATED

BRI

24-51-53-17

BOEING PROPRIETARY - Copyright © - Unpublished Work - See title page for details.

24-51-53
FIG. 17
PAGE 5
JAN 20/09



757

PARTS CATALOG (MAINTENANCE)

FIG ITEM	PART NUMBER	1 2 3 4 5 6 7	NOMENCLATURE	EFFECT FROM TO	UNITS PER ASSY
17 40	2TC6-1		.CIRCUIT BREAKER- SUPPLIER CODE: V82647 SPECIFICATION NUMBER: BACC18Z1R OPTIONAL PART: 4310-002-1 V76374 ELECTRICAL EQUIP NUMBER: C00625	107107	1
43	2TC47-2-5		.CIRCUIT BREAKER- SUPPLIER CODE: V82647 SPECIFICATION NUMBER: BACC18AD2 OPTIONAL PART: 4310-029-205 V76374 POSITION DATA: POS E7 ELECTRICAL EQUIP NUMBER: C00725 POST SERVICE BULLETIN: 34-0414	107107	1
45	6TC6-5		.CIRCUIT BREAKER- SUPPLIER CODE: V82647 SPECIFICATION NUMBER: BACC18AC5 OPTIONAL PART: 4330-004-5 V76374 ELECTRICAL EQUIP NUMBER: C03005	107107	1
46	2TC47-2-5		.CIRCUIT BREAKER- SUPPLIER CODE: V82647 SPECIFICATION NUMBER: BACC18AD2 OPTIONAL PART: 4310-029-205 V76374 ELECTRICAL EQUIP NUMBER: C01539	107107	1

MISSING ITEM NUMBERS NOT APPLICABLE

- ITEM NOT ILLUSTRATED

BRI

24-51-53-17

BOEING PROPRIETARY - Copyright © - Unpublished Work - See title page for details.

24-51-53
FIG. 17
PAGE 6
JAN 20/09



757

PARTS CATALOG (MAINTENANCE)

FIG ITEM	PART NUMBER	1 2 3 4 5 6 7	NOMENCLATURE	EFFECT FROM TO	UNITS PER ASSY
17 48	2TC47-2-5		.CIRCUIT BREAKER- SUPPLIER CODE: V82647 SPECIFICATION NUMBER: BACC18AD2 OPTIONAL PART: 4310-029-205 V76374 ELECTRICAL EQUIP NUMBER: C04664 C04665 POST ALERT SB: 34A0222	107107	2
49	1001-002S2		.BUS ASSY- SUPPLIER CODE: V1FF12 SPECIFICATION NUMBER: BACB29B7S2 POST ALERT SB: 34A0222	107107	1
50	800000121-1		.CONNECTOR-PWR SUPPLIER CODE: V05617	107107	9
55	233N5203-7		.BASEPLATE ASSY-	107107	1
60	SF6G6CBB5D		..NUT SUPPLIER CODE: V12324 SPECIFICATION NUMBER: BACN10PA06-6	107107	27
65	BACS21Y3R		..STUD ASSY	107107	2
70	233N5201-5		..BASEPLATE-	107107	1
- 75	286N0132-004		.WIRE BUNDLE ASSY-P11-1 MODULE WIRING REWORKED BY ALERT SB: 34A0222	107107	1
- 80	318-2020-901L		..CONTACT- SUPPLIER CODE: V55104 SPECIFICATION NUMBER: BACC47CP1S OPTIONAL PART: ZZL4120-36LDH14 V49367 LP807105-205 V77820 POST ALERT SB: 34A0222	107107	2

MISSING ITEM NUMBERS NOT APPLICABLE

- ITEM NOT ILLUSTRATED

24-51-53-17

24-51-53
FIG. 17
PAGE 7
JAN 20/09

BRI

BOEING PROPRIETARY - Copyright © - Unpublished Work - See title page for details.



757

PARTS CATALOG (MAINTENANCE)

FIG ITEM	PART NUMBER	1 2 3 4 5 6 7	NOMENCLATURE	EFFECT FROM TO	UNITS PER ASSY
17					
- 85	286N0118-004		.WIRE BUNDLE ASSY-P11-1 MODULE WIRING REWORKED BY ALERT SB: 34A0222	107107	1
- 90	RBEJ40K5A5A6		..JUMPER ASSY- SUPPLIER CODE: V1GK47 SPECIFICATION NUMBER: BACJ40K5A5A6 POST ALERT SB: 34A0222	107107	1

MISSING ITEM NUMBERS NOT APPLICABLE

- ITEM NOT ILLUSTRATED

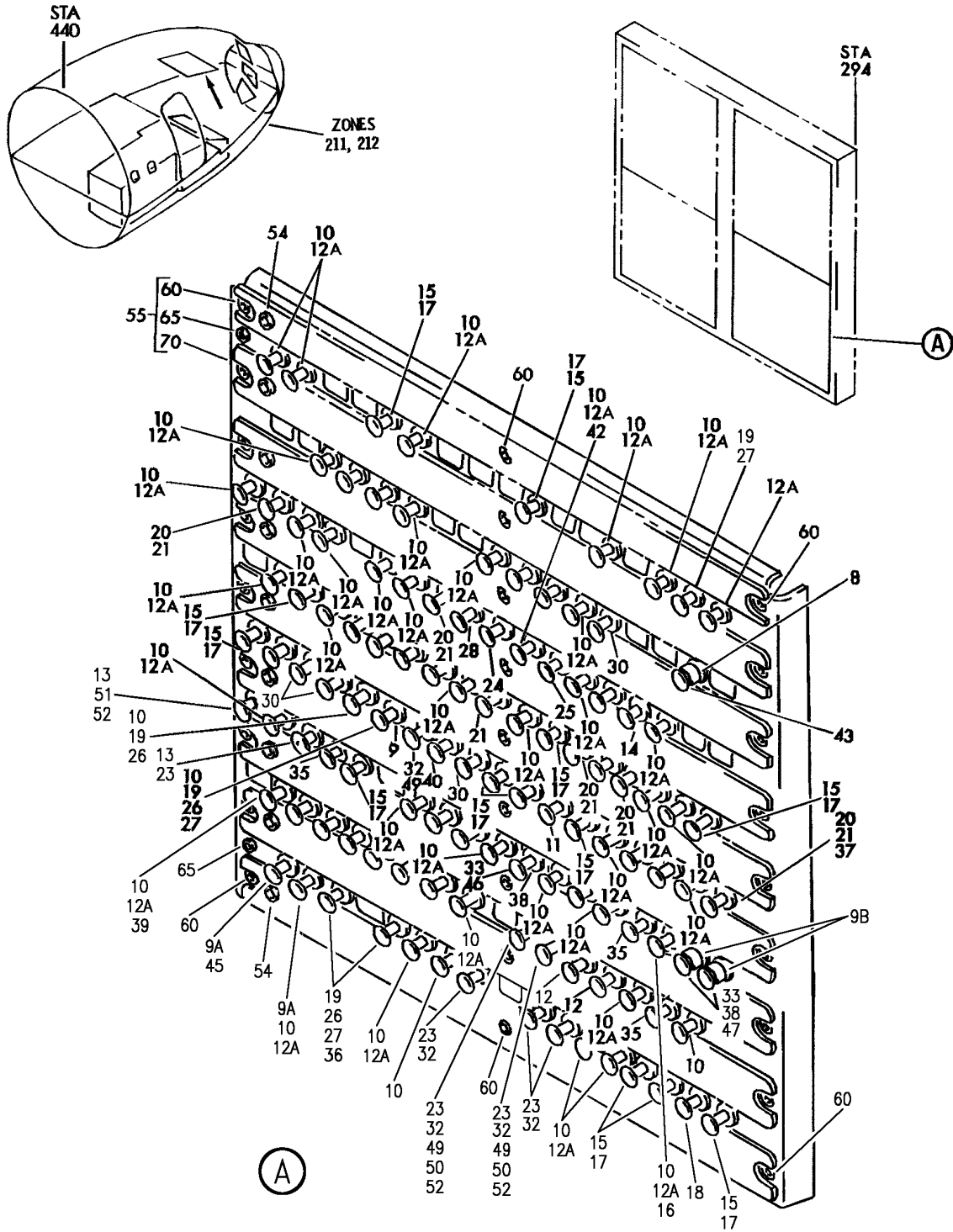
BRI

24-51-53-17

BOEING PROPRIETARY - Copyright © - Unpublished Work - See title page for details.

24-51-53
FIG. 17
PAGE 8
JAN 20/09

BOEING
757
PARTS CATALOG (MAINTENANCE)



Y 24515318 REV 327

PANEL ASSY-P11-2 CB (ELECTRICAL POWER ONLY)
FIGURE 18

24-51-53-18

BRI
JAN 20/09

24-51-53-18
PAGE 0



757

PARTS CATALOG (MAINTENANCE)

FIG ITEM	PART NUMBER	1 2 3 4 5 6 7	NOMENCLATURE	EFFECT FROM TO	UNITS PER ASSY
18			PANEL ASSY-P11-2 CB (ELECTRICAL POWER ONLY)	107107	
- 2	233N5003-7		PANEL ASSY-P11-2 CB (ELECTRICAL POWER ONLY) POST SERVICE BULLETIN: 24-0048 REWORKED BY SB: 34-0414 FOR NHA/OTHER SYS DET SEE: 24-00-51-02	107107	RF
- 7	BAC27NFDE0036		.MARKER-ALUMINUM FOIL MISCELLANEOUS DATA: (USE IN PLACE OF CIRCUIT BREAKERS ON OPEN HOLES) OPTIONAL PART: BAC27NFDE0116	107107	AR
- 7	BAC27NFDE0116		.MARKER-ALUMINUM FOIL MISCELLANEOUS DATA: (USE IN PLACE OF CIRCUIT BREAKERS ON OPEN HOLES) OPTIONAL PART: BAC27NFDE0036	107107	AR
8	10237-1		.CLIP-STOW SUPPLIER CODE: V07RZ7	107107	1
9A	10237-1		.CLIP-STOW SUPPLIER CODE: V07RZ7 POSITION DATA: POS A19 AND A20 POST SERVICE BULLETIN: 24-0125R1	107107	2
9B	10237-1		.CLIP-STOW SUPPLIER CODE: V07RZ7 POSITION DATA: POS C35 AND C36 POST SERVICE BULLETIN: 24-0126	107107	2

MISSING ITEM NUMBERS NOT APPLICABLE

- ITEM NOT ILLUSTRATED

24-51-53-18

24-51-53
FIG. 18
PAGE 1
JAN 20/09

BRI



757

PARTS CATALOG (MAINTENANCE)

FIG ITEM	PART NUMBER	1 2 3 4 5 6 7	NOMENCLATURE	EFFECT FROM TO	UNITS PER ASSY
18 12	2TC47-2-5		.CIRCUIT BREAKER- SUPPLIER CODE: V82647 SPECIFICATION NUMBER: BACC18AD2 OPTIONAL PART: 4310-029-205 V76374 ELECTRICAL EQUIP NUMBER: C04251 C04252	107107	2
12A	2TC47-2-5		.CIRCUIT BREAKER- SUPPLIER CODE: V82647 SPECIFICATION NUMBER: BACC18AD2 OPTIONAL PART: 4310-029-205 V76374 ELECTRICAL EQUIP NUMBER: C00003 C00004 C00514 C00515 C00517 C00532 C00552 C00553 C00554 C00557 C00560 C00568 C00581 C00585 C00587 C00589 C00594 C00598 C00612 C00613 C00623 C00634 C00636 C00638 C00772 C00774 C00775 C00776 C00783	107107	58

MISSING ITEM NUMBERS NOT APPLICABLE

- ITEM NOT ILLUSTRATED

24-51-53-18

24-51-53
FIG. 18
PAGE 2
JAN 20/09

BRI



757

PARTS CATALOG (MAINTENANCE)

FIG ITEM	PART NUMBER	1 2 3 4 5 6 7	NOMENCLATURE	EFFECT FROM TO	UNITS PER ASSY
18			C00784 C00785 C00788 C00796 C01009 C01018 C01038 C01052 C01147 C01148 C01175 C01183 C01184 C01214 C01307 C01525 C01526 C01532 C01535 C01540 C01561 C04085 C04132 C04133 C04175 C04210 C04271 C04275 C04290		
14	2TC47-2-5		.CIRCUIT BREAKER- SUPPLIER CODE: V82647 SPECIFICATION NUMBER: BACC18AD2 OPTIONAL PART: 4310-029-205 V76374 ELECTRICAL EQUIP NUMBER: C00640	107107	1
16	2TC47-2-5		.CIRCUIT BREAKER- SUPPLIER CODE: V82647 SPECIFICATION NUMBER: BACC18AD2 OPTIONAL PART: 4310-029-205 V76374 ELECTRICAL EQUIP NUMBER: C01048	107107	1

MISSING ITEM NUMBERS NOT APPLICABLE

- ITEM NOT ILLUSTRATED

24-51-53-18

24-51-53
 FIG. 18
 PAGE 3
 JAN 20/09

BRI



757

PARTS CATALOG (MAINTENANCE)

FIG ITEM	PART NUMBER	1 2 3 4 5 6 7	NOMENCLATURE	EFFECT FROM TO	UNITS PER ASSY
18 17	2TC47-5		.CIRCUIT BREAKER- SUPPLIER CODE: V82647 SPECIFICATION NUMBER: BACC18AD5 OPTIONAL PART: 4310-029-5 V76374 ELECTRICAL EQUIP NUMBER: C00523 C00524 C00551 C00610 C01200 C01201 C01306 C01510 C01511 C04023 C04025 C04034 C04054 C04212	107107	14
18	2TC47-5		.CIRCUIT BREAKER- SUPPLIER CODE: V82647 SPECIFICATION NUMBER: BACC18AD5 OPTIONAL PART: 4310-029-5 V76374 ELECTRICAL EQUIP NUMBER: C01308	107107	1
19	2TC47-2-5		.CIRCUIT BREAKER- SUPPLIER CODE: V82647 SPECIFICATION NUMBER: BACC18AD2 OPTIONAL PART: 4310-029-205 V76374 ELECTRICAL EQUIP NUMBER: C01323 C01325 C04027 C04151 C04152	107107	5

MISSING ITEM NUMBERS NOT APPLICABLE

- ITEM NOT ILLUSTRATED

24-51-53-18

24-51-53
FIG. 18
PAGE 4
JAN 20/09

BRI



757

PARTS CATALOG (MAINTENANCE)

FIG ITEM	PART NUMBER	1 2 3 4 5 6 7	NOMENCLATURE	EFFECT FROM TO	UNITS PER ASSY
18 20	2TC6-2		.CIRCUIT BREAKER- SUPPLIER CODE: V82647 SPECIFICATION NUMBER: BACC18Z02R OPTIONAL PART: 4310-002-2 V76374 ELECTRICAL EQUIP NUMBER: C00583 C00596 C00601 C00602 C00605	107107	5
23	2TC47-2-5		.CIRCUIT BREAKER- SUPPLIER CODE: V82647 SPECIFICATION NUMBER: BACC18AD2 OPTIONAL PART: 4310-029-205 V76374 ELECTRICAL EQUIP NUMBER: C00703 C00704 C01121 C01481 C01483 C04037 POST SERVICE BULLETIN: 24-0048	107107	6
24	2TC6-2		.CIRCUIT BREAKER- SUPPLIER CODE: V82647 SPECIFICATION NUMBER: BACC18Z02R OPTIONAL PART: 4310-002-2 V76374 ELECTRICAL EQUIP NUMBER: C04052	107107	1

MISSING ITEM NUMBERS NOT APPLICABLE

- ITEM NOT ILLUSTRATED

24-51-53-18

24-51-53
FIG. 18
PAGE 5
JAN 20/09

BRI



757

PARTS CATALOG (MAINTENANCE)

FIG ITEM	PART NUMBER	1 2 3 4 5 6 7	NOMENCLATURE	EFFECT FROM TO	UNITS PER ASSY
18 25	2TC6-1		.CIRCUIT BREAKER- SUPPLIER CODE: V82647 SPECIFICATION NUMBER: BACC18Z1R OPTIONAL PART: 4310-002-1 V76374 ELECTRICAL EQUIP NUMBER: C00626	107107	1
27	2TC47-2-5		.CIRCUIT BREAKER- SUPPLIER CODE: V82647 SPECIFICATION NUMBER: BACC18AD2 OPTIONAL PART: 4310-029-205 V76374 ELECTRICAL EQUIP NUMBER: C01323 C01325 C04027 C04152	107107	4
30	2TC47-10		.CIRCUIT BREAKER- SUPPLIER CODE: V82647 SPECIFICATION NUMBER: BACC18AD10 OPTIONAL PART: 4310-029-10 V76374 ELECTRICAL EQUIP NUMBER: C00545 C04113 C04114 C04216	107107	4
35	2TC47-7-5		.CIRCUIT BREAKER- SUPPLIER CODE: V82647 SPECIFICATION NUMBER: BACC18AD7 OPTIONAL PART: 4310-029-705 V76374 ELECTRICAL EQUIP NUMBER: C00548 C01058 C01390	107107	3

MISSING ITEM NUMBERS NOT APPLICABLE

- ITEM NOT ILLUSTRATED

24-51-53-18

24-51-53
FIG. 18
PAGE 6
JAN 20/09

BRI



757

PARTS CATALOG (MAINTENANCE)

FIG ITEM	PART NUMBER	1 2 3 4 5 6 7	NOMENCLATURE	EFFECT FROM TO	UNITS PER ASSY
18 36	2TC47-5		.CIRCUIT BREAKER- SUPPLIER CODE: V82647 SPECIFICATION NUMBER: BACC18AD5 OPTIONAL PART: 4310-029-5 V76374 ELECTRICAL EQUIP NUMBER: C01321 C01322	107107	2
37	2TC6-2		.CIRCUIT BREAKER- SUPPLIER CODE: V82647 SPECIFICATION NUMBER: BACC18Z02R OPTIONAL PART: 4310-002-2 V76374 ELECTRICAL EQUIP NUMBER: C01051	107107	1
40	2TC47-3		.CIRCUIT BREAKER- SUPPLIER CODE: V82647 SPECIFICATION NUMBER: BACC18AD3 OPTIONAL PART: 4310-029-3 V76374 ELECTRICAL EQUIP NUMBER: C04061	107107	1
43	6TC6-5		.CIRCUIT BREAKER- SUPPLIER CODE: V82647 SPECIFICATION NUMBER: BACC18AC5 OPTIONAL PART: 4330-004-5 V76374 ELECTRICAL EQUIP NUMBER: C03006	107107	1
45	1500-052-05		.CIRCUIT BREAKER- SUPPLIER CODE: V76374 ELECTRICAL EQUIP NUMBER: C04276	107107	1

MISSING ITEM NUMBERS NOT APPLICABLE

- ITEM NOT ILLUSTRATED

BRI

24-51-53-18

BOEING PROPRIETARY - Copyright © - Unpublished Work - See title page for details.

24-51-53
FIG. 18
PAGE 7
JAN 20/09



757

PARTS CATALOG (MAINTENANCE)

FIG ITEM	PART NUMBER	1 2 3 4 5 6 7	NOMENCLATURE	EFFECT FROM TO	UNITS PER ASSY
18 46	2TC47-2-5		.CIRCUIT BREAKER- SUPPLIER CODE: V82647 SPECIFICATION NUMBER: BACC18AD2 OPTIONAL PART: 4310-029-205 V76374 ELECTRICAL EQUIP NUMBER: C01132 POST SERVICE BULLETIN: 24-0048	107107	1
47	2TC47-5		.CIRCUIT BREAKER- SUPPLIER CODE: V82647 SPECIFICATION NUMBER: BACC18AD5 OPTIONAL PART: 4310-029-5 V76374 ELECTRICAL EQUIP NUMBER: C01303 C01310 POST SERVICE BULLETIN: 24-0048	107107	2
54	800000121-1		.CONNECTOR-PWR SUPPLIER CODE: V05617	107107	9
55	233N5203-8		.BASEPLATE ASSY-	107107	1
60	SF6G6CBB5D		..NUT SUPPLIER CODE: V12324 SPECIFICATION NUMBER: BACN10PA06-6	107107	27
65	BACs21Y3R		..STUD ASSY	107107	2
70	233N5201-6		..BASEPLATE-	107107	1
- 200	286N0114-004		WIRE BUNDLE ASSY-	107107	1
- 205	286N0120-004		WIRE BUNDLE ASSY-	107107	1
- 210	286N0122-004		WIRE BUNDLE ASSY	107107	1
- 215	286N0136-004		WIRE BUNDLE ASSY	107107	1

MISSING ITEM NUMBERS NOT APPLICABLE

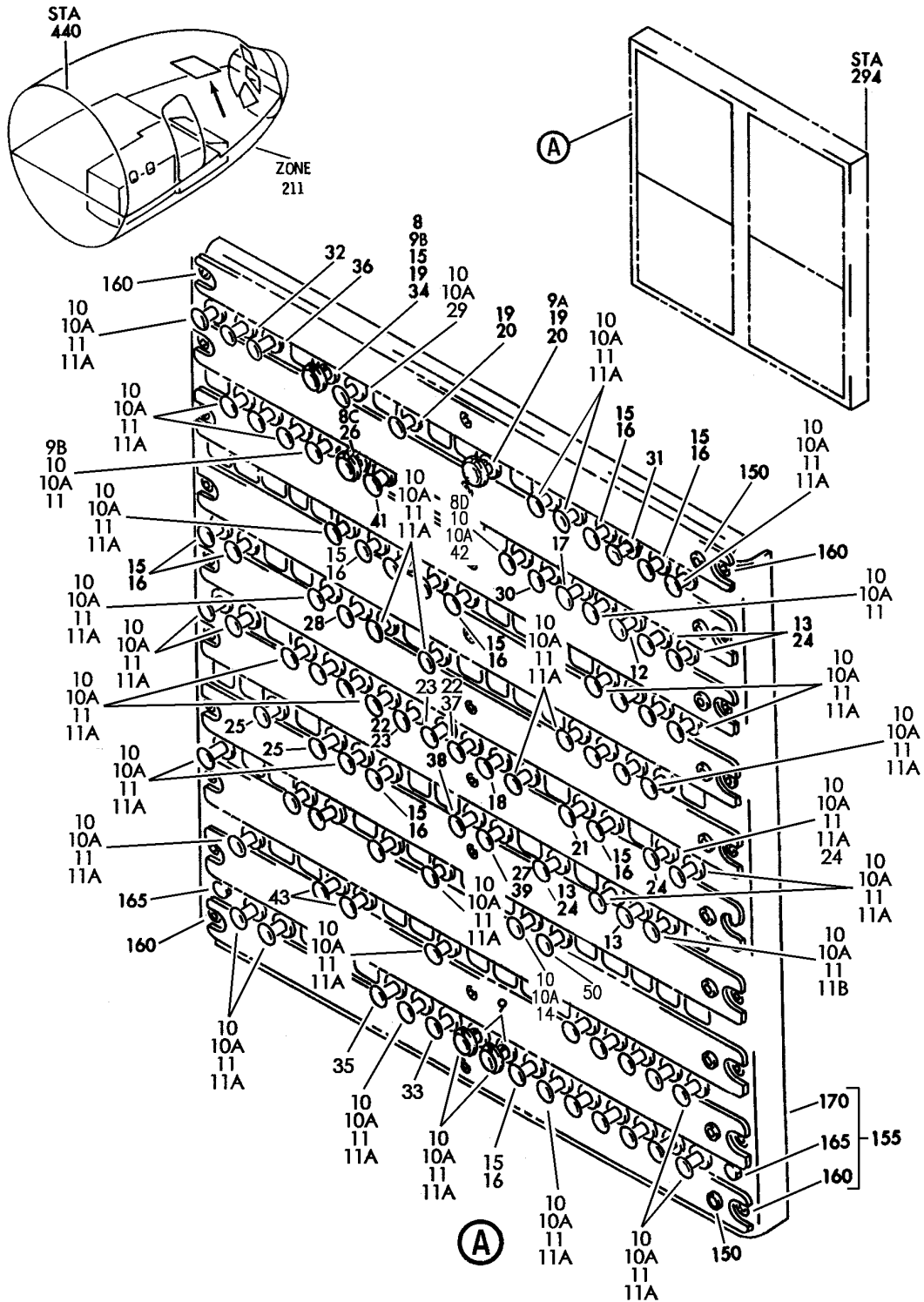
- ITEM NOT ILLUSTRATED

BRI

24-51-53-18

24-51-53
FIG. 18
PAGE 8
JAN 20/09

BOEING
757
PARTS CATALOG (MAINTENANCE)



Y 24515319 REV 299

PANEL ASSY-P11-3 CB (ELECTRICAL POWER ONLY)
FIGURE 19

24-51-53-19

BRI
JAN 20/09

24-51-53-19
PAGE 0



757

PARTS CATALOG (MAINTENANCE)

FIG ITEM	PART NUMBER	1 2 3 4 5 6 7	NOMENCLATURE	EFFECT FROM TO	UNITS PER ASSY
19			PANEL ASSY-P11-3 CB (ELECTRICAL POWER ONLY)	107107	
- 2	233N5003-8		PANEL ASSY-P11-3 CB (ELECTRICAL POWER ONLY) POST SERVICE BULLETIN: 24-0048 FOR NHA/OTHER SYS DET SEE: 24-00-51-03	107107	RF
- 6	BAC27NFDE0116		.MARKER-ALUMINUM FOIL (USE IN PLACE OF CIRCUIT BREAKERS ON OPEN HOLES) POST SERVICE BULLETIN: 78-0032	107107	AR
- 7	BAC27NFDE0116		.MARKER-ALUMINUM FOIL (USE IN PLACE OF CIRCUIT BREAKERS ON OPEN HOLES) OPTIONAL PART: 2645 V28520	107107	AR
- 7	2645		.PLUG-DOME SUPPLIER CODE: V28520 MISCELLANEOUS DATA: (USE IN PLACE OF CIRCUIT BREAKERS ON OPEN HOLES) OPTIONAL PART: BAC27NFDE0116	107107	AR
- 7	2646		.PLUG-DOME SUPPLIER CODE: V28520	107107	AR
8C	10237-1		.CLIP-STOW SUPPLIER CODE: V07RZ7 POST SERVICE BULLETIN: 24-0126	107107	1
11	2TC47-2-5		.CIRCUIT BREAKER- SUPPLIER CODE: V82647 SPECIFICATION NUMBER: BACC18AD2 OPTIONAL PART: 4310-029-205 V76374 ELECTRICAL EQUIP NUMBER: C00564 C00578 C00660 C00667 C00670	107107	56

MISSING ITEM NUMBERS NOT APPLICABLE

- ITEM NOT ILLUSTRATED

24-51-53-19

24-51-53
FIG. 19
PAGE 1
JAN 20/09

BRI



757

PARTS CATALOG (MAINTENANCE)

FIG ITEM	PART NUMBER	1 2 3 4 5 6 7	NOMENCLATURE	EFFECT FROM TO	UNITS PER ASSY
19			C00822 C00824 C01005 C01022 C01034 C01035 C01080 C01082 C01128 C01171 C01176 C01180 C01237 C01241 C01242 C01244 C01252 C01254 C01276 C01289 C01290 C01332 C01400 C01430 C01464 C01498 C04019 C04024 C04038 C04043 C04044 C04059 C04069 C04071 C04078 C04081 C04099 C04101 C04103 C04107 C04119 C04126 C04129 C04196 C04207 C04221 C04224 C04270 C04280		

MISSING ITEM NUMBERS NOT APPLICABLE

- ITEM NOT ILLUSTRATED

24-51-53-19

24-51-53
FIG. 19
PAGE 2
JAN 20/09

BRI



757

PARTS CATALOG (MAINTENANCE)

FIG ITEM	PART NUMBER	1 2 3 4 5 6 7	NOMENCLATURE	EFFECT FROM TO	UNITS PER ASSY
19					
12	2TC47-2-5		C04283 .CIRCUIT BREAKER- SUPPLIER CODE: V82647 SPECIFICATION NUMBER: BACC18AD2 OPTIONAL PART: 4310-029-205 V76374 ELECTRICAL EQUIP NUMBER: C04308	107107	1
14	2TC47-2-5		.CIRCUIT BREAKER- SUPPLIER CODE: V82647 SPECIFICATION NUMBER: BACC18AD2 OPTIONAL PART: 4310-029-205 V76374 ELECTRICAL EQUIP NUMBER: C01412	107107	1
16	2TC47-5		.CIRCUIT BREAKER- SUPPLIER CODE: V82647 SPECIFICATION NUMBER: BACC18AD5 OPTIONAL PART: 4310-029-5 V76374 ELECTRICAL EQUIP NUMBER: C00686 C01182 C01226 C01297 C01298 C01339 C04032 C04178 C04226 C04228 C04230	107107	11

MISSING ITEM NUMBERS NOT APPLICABLE

- ITEM NOT ILLUSTRATED

24-51-53-19

24-51-53
FIG. 19
PAGE 3
JAN 20/09

BRI



757

PARTS CATALOG (MAINTENANCE)

FIG ITEM	PART NUMBER	1 2 3 4 5 6 7	NOMENCLATURE	EFFECT FROM TO	UNITS PER ASSY
19 17	2TC47-5	.	CIRCUIT BREAKER- SUPPLIER CODE: V82647 SPECIFICATION NUMBER: BACC18AD5 OPTIONAL PART: 4310-029-5 V76374 ELECTRICAL EQUIP NUMBER: C04298	107107	1
18	2TC47-2-5	.	CIRCUIT BREAKER- SUPPLIER CODE: V82647 SPECIFICATION NUMBER: BACC18AD2 OPTIONAL PART: 4310-029-205 V76374 ELECTRICAL EQUIP NUMBER: C00654	107107	1
20	6TC6-5	.	CIRCUIT BREAKER- SUPPLIER CODE: V82647 SPECIFICATION NUMBER: BACC18AC5 OPTIONAL PART: 4330-004-5 V76374 ELECTRICAL EQUIP NUMBER: C03003 C03004	107107	2
23	2TC47-2-5	.	CIRCUIT BREAKER- SUPPLIER CODE: V82647 SPECIFICATION NUMBER: BACC18AD2 OPTIONAL PART: 4310-029-205 V76374 ELECTRICAL EQUIP NUMBER: C04375 C04376	107107	2

MISSING ITEM NUMBERS NOT APPLICABLE

- ITEM NOT ILLUSTRATED

BRI

24-51-53-19

BOEING PROPRIETARY - Copyright © - Unpublished Work - See title page for details.

24-51-53
FIG. 19
PAGE 4
JAN 20/09



757

PARTS CATALOG (MAINTENANCE)

FIG ITEM	PART NUMBER	1 2 3 4 5 6 7	NOMENCLATURE	EFFECT FROM TO	UNITS PER ASSY
19 25	2TC47-7-5		.CIRCUIT BREAKER- SUPPLIER CODE: V82647 SPECIFICATION NUMBER: BACC18AD7 OPTIONAL PART: 4310-029-705 V76374 ELECTRICAL EQUIP NUMBER: C01247 C01249	107107	2
26	2TC47-2-5		.CIRCUIT BREAKER- SUPPLIER CODE: V82647 SPECIFICATION NUMBER: BACC18AD2 OPTIONAL PART: 4310-029-205 V76374 ELECTRICAL EQUIP NUMBER: C04356 POST SERVICE BULLETIN: 24-0048	107107	1
28	2TC47-2-5		.CIRCUIT BREAKER- SUPPLIER CODE: V82647 SPECIFICATION NUMBER: BACC18AD2 OPTIONAL PART: 4310-029-205 V76374 ELECTRICAL EQUIP NUMBER: C04087	107107	1
29	2TC47-2-5		.CIRCUIT BREAKER- SUPPLIER CODE: V82647 SPECIFICATION NUMBER: BACC18AD2 OPTIONAL PART: 4310-029-205 V76374 ELECTRICAL EQUIP NUMBER: C00520	107107	1

MISSING ITEM NUMBERS NOT APPLICABLE

- ITEM NOT ILLUSTRATED

BRI

24-51-53-19

BOEING PROPRIETARY - Copyright © - Unpublished Work - See title page for details.

24-51-53
FIG. 19
PAGE 5
JAN 20/09



757

PARTS CATALOG (MAINTENANCE)

FIG ITEM	PART NUMBER	1 2 3 4 5 6 7	NOMENCLATURE	EFFECT FROM TO	UNITS PER ASSY
19 30	2TC47-10		.CIRCUIT BREAKER- SUPPLIER CODE: V82647 SPECIFICATION NUMBER: BACC18AD10 OPTIONAL PART: 4310-029-10 V76374 ELECTRICAL EQUIP NUMBER: C01143	107107	1
31	2TC47-2-5		.CIRCUIT BREAKER- SUPPLIER CODE: V82647 SPECIFICATION NUMBER: BACC18AD2 OPTIONAL PART: 4310-029-205 V76374 ELECTRICAL EQUIP NUMBER: C01181 POST SERVICE BULLETIN: 31-0174	107107	1
34	2TC47-5		.CIRCUIT BREAKER- SUPPLIER CODE: V82647 SPECIFICATION NUMBER: BACC18AD5 OPTIONAL PART: 4310-029-5 V76374 ELECTRICAL EQUIP NUMBER: C00743	107107	1
35	2TC47-3		.CIRCUIT BREAKER- SUPPLIER CODE: V82647 SPECIFICATION NUMBER: BACC18AD3 OPTIONAL PART: 4310-029-3 V76374 ELECTRICAL EQUIP NUMBER: C00561	107107	1

MISSING ITEM NUMBERS NOT APPLICABLE

- ITEM NOT ILLUSTRATED

BRI

24-51-53-19

BOEING PROPRIETARY - Copyright © - Unpublished Work - See title page for details.

24-51-53
FIG. 19
PAGE 6
JAN 20/09



757

PARTS CATALOG (MAINTENANCE)

FIG ITEM	PART NUMBER	1 2 3 4 5 6 7	NOMENCLATURE	EFFECT FROM TO	UNITS PER ASSY
19 37	2TC47-2-5		.CIRCUIT BREAKER- SUPPLIER CODE: V82647 SPECIFICATION NUMBER: BACC18AD2 OPTIONAL PART: 4310-029-205 V76374 ELECTRICAL EQUIP NUMBER: C00705	107107	1
38	2TC47-3		.CIRCUIT BREAKER- SUPPLIER CODE: V82647 SPECIFICATION NUMBER: BACC18AD3 OPTIONAL PART: 4310-029-3 V76374 ELECTRICAL EQUIP NUMBER: C00673	107107	1
42	2TC47-2-5		.CIRCUIT BREAKER- SUPPLIER CODE: V82647 SPECIFICATION NUMBER: BACC18AD2 OPTIONAL PART: 4310-029-205 V76374 ELECTRICAL EQUIP NUMBER: C01136	107107	1
50	2TC47-2-5		.CIRCUIT BREAKER- SUPPLIER CODE: V82647 SPECIFICATION NUMBER: BACC18AD2 OPTIONAL PART: 4310-029-205 V76374 ELECTRICAL EQUIP NUMBER: C04679 POST ALERT SB: 28A0081	107107	1
150	800000121-1		.CONNECTOR-PWR SUPPLIER CODE: V05617	107107	10
155	233N5204-9		.BASEPLATE ASSY-	107107	1

MISSING ITEM NUMBERS NOT APPLICABLE

- ITEM NOT ILLUSTRATED

24-51-53-19

24-51-53
FIG. 19
PAGE 7
JAN 20/09

BRI



757

PARTS CATALOG (MAINTENANCE)

FIG ITEM	PART NUMBER	1 2 3 4 5 6 7	NOMENCLATURE	EFFECT FROM TO	UNITS PER ASSY
19					
160	SF6G6CBB5D		..NUT SUPPLIER CODE: V12324 SPECIFICATION NUMBER: BACN10PA06-6	107107	30
165	BACS21Y3R		..STUD ASSY	107107	2
170	233N5202-5		..BASEPLATE-	107107	1
- 200	286N0112-004		.WIRE BUNDLE ASSY-	107107	1
- 205	286N0124-004		.WIRE BUNDLE ASSY-	107107	1
- 210	286N0126-004		.WIRE BUNDLE ASSY-	107107	1

MISSING ITEM NUMBERS NOT APPLICABLE

- ITEM NOT ILLUSTRATED

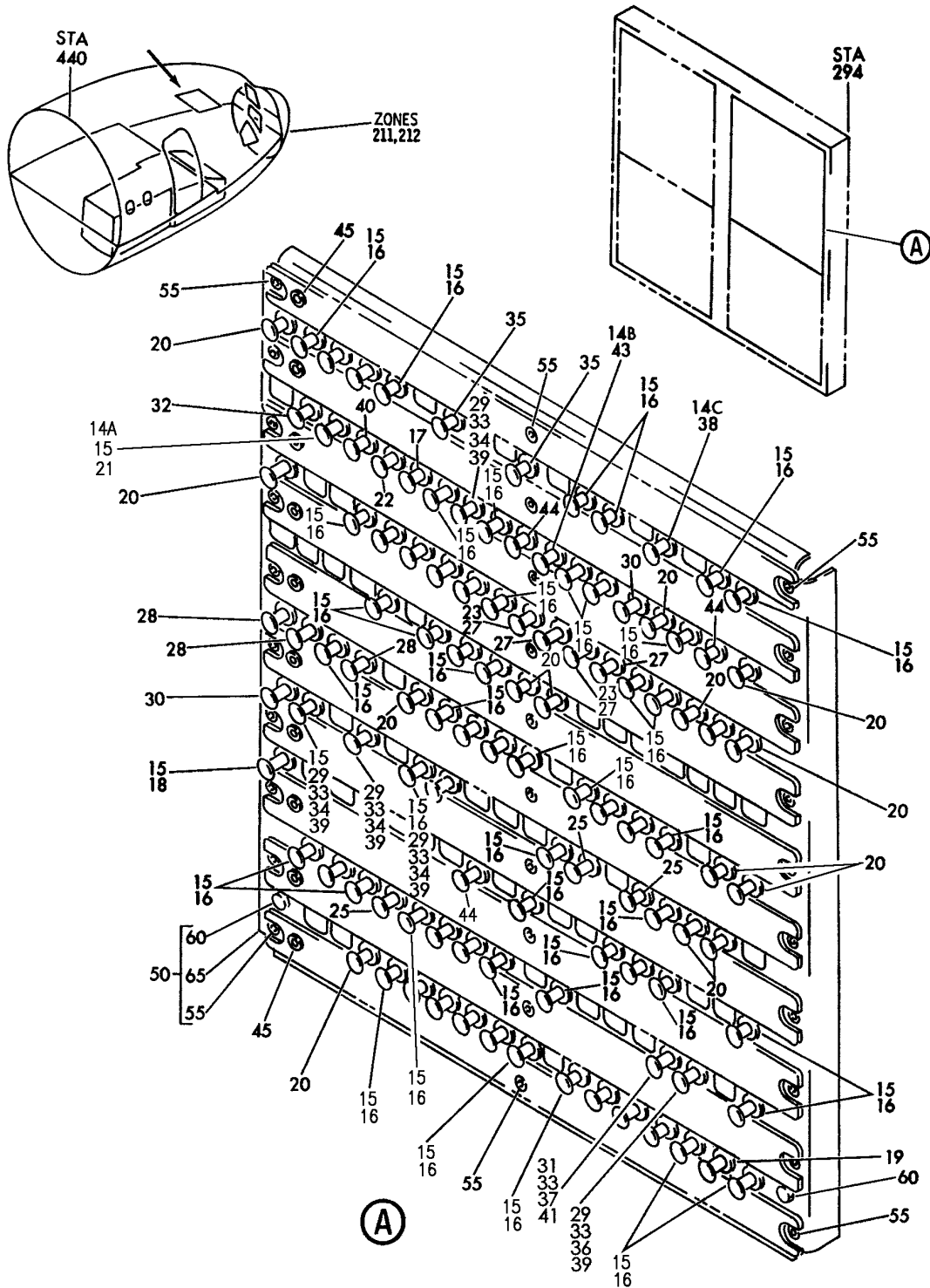
BRI

24-51-53-19

BOEING PROPRIETARY - Copyright © - Unpublished Work - See title page for details.

24-51-53
FIG. 19
PAGE 8
JAN 20/09

BOEING
757
PARTS CATALOG (MAINTENANCE)



Y 24515320 REV 303

PANEL ASSY-P11-4 CB (ELECTRICAL POWER ONLY)
FIGURE 20

24-51-53-20

BRI
JAN 20/09

24-51-53-20
PAGE 0



757

PARTS CATALOG (MAINTENANCE)

FIG ITEM	PART NUMBER	1 2 3 4 5 6 7	NOMENCLATURE	EFFECT FROM TO	UNITS PER ASSY
20			PANEL ASSY-P11-4 CB (ELECTRICAL POWER ONLY)	107107	
- 1	233N5003-5		PANEL ASSY-P11-4 CB (ELECTRICAL POWER ONLY) POST SERVICE BULLETIN: 24-0048 FOR NHA/OTHER SYS DET SEE: 24-00-51-04	107107	RF
- 13	BAC27NFDE0116		.MARKER-ALUMINUM FOIL MISCELLANEOUS DATA: (USE IN PLACE OF CIRCUIT BREAKERS ON OPEN HOLES) OPTIONAL PART: 2645 V28520	107107	AR
- 13	2645		.PLUG-DOME SUPPLIER CODE: V28520 MISCELLANEOUS DATA: (USE IN PLACE OF CIRCUIT BREAKERS ON OPEN HOLES) OPTIONAL PART: BAC27NFDE0116	107107	AR
- 13	2646		.PLUG-DOME SUPPLIER CODE: V28520	107107	AR
14B	10237-1		.CLIP-STOW SUPPLIER CODE: V07RZ7 POST SERVICE BULLETIN: 24-0126	107107	1
16	2TC47-2-5		.CIRCUIT BREAKER- SUPPLIER CODE: V82647 SPECIFICATION NUMBER: BACC18AD2 OPTIONAL PART: 4310-029-205 V76374 ELECTRICAL EQUIP NUMBER: C00565 C00574 C00661 C00763 C00764 C00765 C00766 C00794 C00795	107107	63

MISSING ITEM NUMBERS NOT APPLICABLE

- ITEM NOT ILLUSTRATED

24-51-53-20

24-51-53
FIG. 20
PAGE 1
JAN 20/09

BRI



757

PARTS CATALOG (MAINTENANCE)

FIG ITEM	PART NUMBER	1 2 3 4 5 6 7	NOMENCLATURE	EFFECT FROM TO	UNITS PER ASSY
20			C00823 C00825 C01081 C01101 C01172 C01173 C01174 C01202 C01239 C01240 C01251 C01277 C01281 C01287 C01288 C01320 C01333 C01336 C01342 C01355 C01432 C01499 C04014 C04026 C04029 C04030 C04031 C04036 C04045 C04072 C04079 C04082 C04094 C04100 C04102 C04104 C04108 C04127 C04130 C04131 C04183 C04184 C04185 C04186 C04189 C04192 C04193 C04195 C04197		

MISSING ITEM NUMBERS NOT APPLICABLE

- ITEM NOT ILLUSTRATED

24-51-53-20

24-51-53
FIG. 20
PAGE 2
JAN 20/09

BRI



757

PARTS CATALOG (MAINTENANCE)

FIG ITEM	PART NUMBER	1 2 3 4 5 6 7	NOMENCLATURE	EFFECT FROM TO	UNITS PER ASSY
20			C04208 C04225 C04261 C04279 C04317		
17	2TC47-2-5		.CIRCUIT BREAKER- SUPPLIER CODE: V82647 SPECIFICATION NUMBER: BACC18AD2 OPTIONAL PART: 4310-029-205 V76374 ELECTRICAL EQUIP NUMBER: C04309	107107	1
18	2TC47-2-5		.CIRCUIT BREAKER- SUPPLIER CODE: V82647 SPECIFICATION NUMBER: BACC18AD2 OPTIONAL PART: 4310-029-205 V76374 ELECTRICAL EQUIP NUMBER: C01053	107107	1
20	2TC47-5		.CIRCUIT BREAKER- SUPPLIER CODE: V82647 SPECIFICATION NUMBER: BACC18AD5 OPTIONAL PART: 4310-029-5 V76374 ELECTRICAL EQUIP NUMBER: C00701 C01170 C01225 C01227 C01273 C01280 C01284 C01302 C01340 C04144 C04209 C04223 C04227 C04229 C04231	107107	15

MISSING ITEM NUMBERS NOT APPLICABLE

- ITEM NOT ILLUSTRATED

24-51-53-20

24-51-53
FIG. 20
PAGE 3
JAN 20/09

BRI



757

PARTS CATALOG (MAINTENANCE)

FIG ITEM	PART NUMBER	1 2 3 4 5 6 7	NOMENCLATURE	EFFECT FROM TO	UNITS PER ASSY
20					
21	2TC47-2-5		.CIRCUIT BREAKER- SUPPLIER CODE: V82647 SPECIFICATION NUMBER: BACC18AD2 OPTIONAL PART: 4310-029-205 V76374 ELECTRICAL EQUIP NUMBER: C01145	107107	1
22	2TC47-5		.CIRCUIT BREAKER- SUPPLIER CODE: V82647 SPECIFICATION NUMBER: BACC18AD5 OPTIONAL PART: 4310-029-5 V76374 ELECTRICAL EQUIP NUMBER: C04299	107107	1
23	2TC47-5		.CIRCUIT BREAKER- SUPPLIER CODE: V82647 SPECIFICATION NUMBER: BACC18AD5 OPTIONAL PART: 4310-029-5 V76374 ELECTRICAL EQUIP NUMBER: C01294 C01314	107107	2
25	2TC47-7-5		.CIRCUIT BREAKER- SUPPLIER CODE: V82647 SPECIFICATION NUMBER: BACC18AD7 OPTIONAL PART: 4310-029-705 V76374 ELECTRICAL EQUIP NUMBER: C01248 C01250 C04292	107107	3

MISSING ITEM NUMBERS NOT APPLICABLE

- ITEM NOT ILLUSTRATED

BRI

24-51-53-20

BOEING PROPRIETARY - Copyright © - Unpublished Work - See title page for details.

24-51-53
FIG. 20
PAGE 4
JAN 20/09



757

PARTS CATALOG (MAINTENANCE)

FIG ITEM	PART NUMBER	1 2 3 4 5 6 7	NOMENCLATURE	EFFECT FROM TO	UNITS PER ASSY
20					
30	2TC47-3		.CIRCUIT BREAKER- SUPPLIER CODE: V82647 SPECIFICATION NUMBER: BACC18AD3 OPTIONAL PART: 4310-029-3 V76374 ELECTRICAL EQUIP NUMBER: C00674 C00803	107107	2
32	2TC47-5		.CIRCUIT BREAKER- SUPPLIER CODE: V82647 SPECIFICATION NUMBER: BACC18AD5 OPTIONAL PART: 4310-029-5 V76374 ELECTRICAL EQUIP NUMBER: C01132	107107	1
33	2TC47-2-5		.CIRCUIT BREAKER- SUPPLIER CODE: V82647 SPECIFICATION NUMBER: BACC18AD2 OPTIONAL PART: 4310-029-205 V76374 ELECTRICAL EQUIP NUMBER: C00703 C00704 C01121 C01481 C01483 C04037	107107	6
35	6TC6-5		.CIRCUIT BREAKER- SUPPLIER CODE: V82647 SPECIFICATION NUMBER: BACC18AC5 OPTIONAL PART: 4330-004-5 V76374 ELECTRICAL EQUIP NUMBER: C03011 C03012	107107	2

MISSING ITEM NUMBERS NOT APPLICABLE

- ITEM NOT ILLUSTRATED

BRI

24-51-53-20

BOEING PROPRIETARY - Copyright © - Unpublished Work - See title page for details.

24-51-53
FIG. 20
PAGE 5
JAN 20/09



757

PARTS CATALOG (MAINTENANCE)

FIG ITEM	PART NUMBER	1 2 3 4 5 6 7	NOMENCLATURE	EFFECT FROM TO	UNITS PER ASSY
20 38	2TC47-5		.CIRCUIT BREAKER- SUPPLIER CODE: V82647 SPECIFICATION NUMBER: BACC18AD5 OPTIONAL PART: 4310-029-5 V76374 ELECTRICAL EQUIP NUMBER: C00741	107107	1
40	2TC47-10		.CIRCUIT BREAKER- SUPPLIER CODE: V82647 SPECIFICATION NUMBER: BACC18AD10 OPTIONAL PART: 4310-029-10 V76374 ELECTRICAL EQUIP NUMBER: C01144	107107	1
43	2TC47-2-5		.CIRCUIT BREAKER- SUPPLIER CODE: V82647 SPECIFICATION NUMBER: BACC18AD2 OPTIONAL PART: 4310-029-205 V76374 ELECTRICAL EQUIP NUMBER: C04357 POST SERVICE BULLETIN: 24-0048	107107	1
44	2TC47-2-5		.CIRCUIT BREAKER- SUPPLIER CODE: V82647 SPECIFICATION NUMBER: BACC18AD2 OPTIONAL PART: 4310-029-205 V76374 ELECTRICAL EQUIP NUMBER: C04680 POST ALERT SB: 28A0081	107107	1
45	800000121-1		.CONNECTOR-PWR SUPPLIER CODE: V05617	107107	10
50	233N5204-10		.BASEPLATE ASSY-	107107	1

MISSING ITEM NUMBERS NOT APPLICABLE

- ITEM NOT ILLUSTRATED

24-51-53-20

24-51-53
FIG. 20
PAGE 6
JAN 20/09

BRI



757

PARTS CATALOG (MAINTENANCE)

FIG ITEM	PART NUMBER	1 2 3 4 5 6 7	NOMENCLATURE	EFFECT FROM TO	UNITS PER ASSY
20					
55	SF6G6CBB5D	. .	NUT SUPPLIER CODE: V12324 SPECIFICATION NUMBER: BACN10PA06-6	107107	30
60	BACS21Y3R	. .	STUD ASSY	107107	2
65	233N5202-6	. .	BASEPLATE-	107107	1
- 70	286N0116-004	.WIRE	BUNDLE ASSY	107107	1
- 75	286N0128-004	.WIRE	BUNDLE ASSY	107107	1
- 80	286N0130-004	.WIRE	BUNDLE ASSY	107107	1

MISSING ITEM NUMBERS NOT APPLICABLE

- ITEM NOT ILLUSTRATED

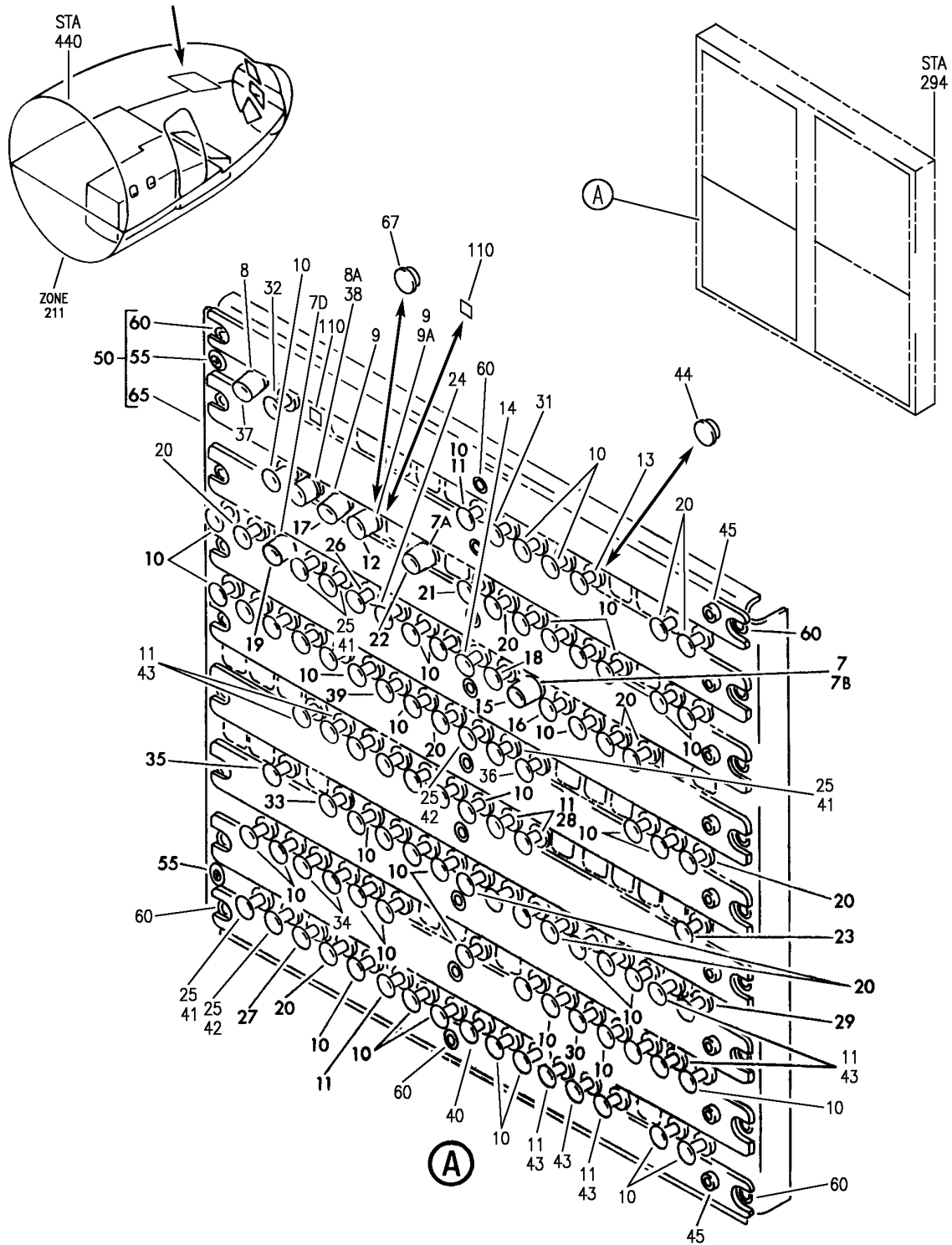
BRI

24-51-53-20

BOEING PROPRIETARY - Copyright © - Unpublished Work - See title page for details.

24-51-53
FIG. 20
PAGE 7
JAN 20/09

BOEING
757
PARTS CATALOG (MAINTENANCE)



Y 24515337 REV 309

PANEL ASSY-P11-1 CB (ELECTRICAL POWER ONLY)
FIGURE 37

24-51-53-37

BRI
MAY 28/07

24-51-53-37
PAGE 0



757

PARTS CATALOG (MAINTENANCE)

FIG ITEM	PART NUMBER	1 2 3 4 5 6 7	NOMENCLATURE	EFFECT FROM TO	UNITS PER ASSY
37			PANEL ASSY-P11-1 CB (ELECTRICAL POWER ONLY)	002004 006100 950999	
- 1	233N5211-69		PANEL ASSY-P11-1 CB (ELECTRICAL POWER ONLY) FOR NHA/OTHER SYS DET SEE: 24-00-51-01	002004	RF
- 2	233N5211-57		PANEL ASSY-P11-1 CB (ELECTRICAL POWER ONLY) REWORKED BY SB: 34-0020 FOR NHA/OTHER SYS DET SEE: 24-00-51-01	952952	RF
- 2	233N5211-70		PANEL ASSY-P11-1 CB (ELECTRICAL POWER ONLY) REWORKED BY SB: 34-0416 FOR NHA/OTHER SYS DET SEE: 24-00-51-01	006100	RF
- 3	233N5211-101		PANEL ASSY-P11-1 CB (ELECTRICAL POWER ONLY) FOR NHA/OTHER SYS DET SEE: 24-00-51-01	950951	RF
- 3	233N5211-108		PANEL ASSY-P11-1 CB ELECTRICAL POWER ONLY FOR NHA/OTHER SYS DET SEE: 24-00-51-01	953999	RF
- 4	2645		.PLUG-DOME SUPPLIER CODE: V28520 MISCELLANEOUS DATA: (USE IN PLACE OF CIRCUIT BREAKERS ON OPEN HOLES) OPTIONAL PART: BAC27NFDE0116	002004 953999	AR
- 4	2645		.PLUG-DOME SUPPLIER CODE: V28520 MISCELLANEOUS DATA: (USE IN PLACE OF CIRCUIT BREAKERS ON OPEN HOLES) OPTIONAL PART: BAC27NFDE0116	950951	AR

MISSING ITEM NUMBERS NOT APPLICABLE

- ITEM NOT ILLUSTRATED

24-51-53-37

24-51-53
FIG. 37
PAGE 1
JAN 20/09

BRI



757

PARTS CATALOG (MAINTENANCE)

FIG ITEM	PART NUMBER	1 2 3 4 5 6 7	NOMENCLATURE	EFFECT FROM TO	UNITS PER ASSY
37					
- 4	2645		.PLUG-DOME SUPPLIER CODE: V28520 MISCELLANEOUS DATA: (USE IN PLACE OF CIRCUIT BREAKERS ON OPEN HOLES) OPTIONAL PART: BAC27NFDE0116	006100	AR
- 4	2645		.PLUG-DOME SUPPLIER CODE: V28520 MISCELLANEOUS DATA: (USE IN PLACE OF CIRCUIT BREAKERS ON OPEN HOLES) OPTIONAL PART: BAC27NFDE0116	952952	AR
- 4	2646		.PLUG-DOME SUPPLIER CODE: V28520	002004 953999	AR
- 4	2646		.PLUG-DOME SUPPLIER CODE: V28520	950951	AR
- 4	2646		.PLUG-DOME SUPPLIER CODE: V28520	006100	AR
- 4	2646		.PLUG-DOME SUPPLIER CODE: V28520	952952	AR
- 5	BAC27NFDE0116		.MARKER-ALUMINUM FOIL MISCELLANEOUS DATA: (USE IN PLACE OF CIRCUIT BREAKERS ON OPEN HOLES) OPTIONAL PART: 2645 V28520	952952	AR
- 5	BAC27NFDE0116		.MARKER-ALUMINUM FOIL MISCELLANEOUS DATA: (USE IN PLACE OF CIRCUIT BREAKERS ON OPEN HOLES) OPTIONAL PART: 2645 V28520	002004 953999	AR
- 5	BAC27NFDE0116		.MARKER-ALUMINUM FOIL MISCELLANEOUS DATA: (USE IN PLACE OF CIRCUIT BREAKERS ON OPEN HOLES) OPTIONAL PART: 2645 V28520	006100	AR

MISSING ITEM NUMBERS NOT APPLICABLE

- ITEM NOT ILLUSTRATED

24-51-53-37

24-51-53
FIG. 37
PAGE 2
JAN 20/09

BRI



757

PARTS CATALOG (MAINTENANCE)

FIG ITEM	PART NUMBER	1 2 3 4 5 6 7	NOMENCLATURE	EFFECT FROM TO	UNITS PER ASSY
37					
- 5	BAC27NFDE0116		.MARKER-ALUMINUM FOIL MISCELLANEOUS DATA: (USE IN PLACE OF CIRCUIT BREAKERS ON OPEN HOLES) OPTIONAL PART: 2645 V28520	950951	AR
- 6	2645		.PLUG-DOME SUPPLIER CODE: V28520 MISCELLANEOUS DATA: (USE IN PLACE OF CIRCUIT BREAKERS ON OPEN HOLES) OPTIONAL PART: BAC27NFDE0116 PRE SERVICE BULLETIN: 34-0200	952952	AR
- 6	BAC27NFDE0116		.MARKER-ALUMINUM FOIL MISCELLANEOUS DATA: (USE IN PLACE OF CIRCUIT BREAKERS ON OPEN HOLES) OPTIONAL PART: 2645 V28520 PRE SERVICE BULLETIN: 34-0200	952952	AR
- 6	2646		.PLUG-DOME SUPPLIER CODE: V28520	952952	AR
7B	10237-1		.CLIP- SUPPLIER CODE: V07RZ7	950951	1
7D	10237-1		.CLIP- SUPPLIER CODE: V07RZ7 POST RAPID REVISION: RR92034-5	952999	1
8A	10237-1		.CLIP- SUPPLIER CODE: V07RZ7	002004 006100 953999	1
9A	10237-1		.CLIP- SUPPLIER CODE: V07RZ7	002004 006100	1
10	2TC47-2-5		.CIRCUIT BREAKER- SUPPLIER CODE: V82647 SPECIFICATION NUMBER: BACC18AD2 OPTIONAL PART:	002004 006100 950999	52

MISSING ITEM NUMBERS NOT APPLICABLE

- ITEM NOT ILLUSTRATED

24-51-53-37

24-51-53
FIG. 37
PAGE 3
JAN 20/09

BRI



757

PARTS CATALOG (MAINTENANCE)

FIG ITEM	PART NUMBER	1 2 3 4 5 6 7	NOMENCLATURE	EFFECT FROM TO	UNITS PER ASSY
37			4310-029-205 V76374 ELECTRICAL EQUIP NUMBER: C00001 C00002 C00501 C00513 C00516 C00521 C00539 C00566 C00567 C00580 C00584 C00586 C00588 C00591 C00593 C00597 C00604 C00611 C00633 C00635 C00637 C00639 C00658 C00770 C00826 C01002 C01008 C01025 C01037 C01246 C01283 C01337 C01338 C01434 C01435 C01437 C01438 C01521 C01522 C01523 C01524 C01531 C01533 C01534 C01536 C01537		

MISSING ITEM NUMBERS NOT APPLICABLE

- ITEM NOT ILLUSTRATED

24-51-53-37

24-51-53
FIG. 37
PAGE 4
JAN 20/09

BRI



757

PARTS CATALOG (MAINTENANCE)

FIG ITEM	PART NUMBER	1 2 3 4 5 6 7	NOMENCLATURE	EFFECT FROM TO	UNITS PER ASSY
37					
11	2TC47-2-5		C01538 C01539 C01541 C01560 C04205 C04206 .CIRCUIT BREAKER- SUPPLIER CODE: V82647 SPECIFICATION NUMBER: BACC18AD2 OPTIONAL PART: 4310-029-205 V76374 ELECTRICAL EQUIP NUMBER: C00573 C00622 C00653 C00702 C01120 C01480 C01482 C04039 C04110 C04194	002004 006100 952999	10
12	2TC47-2-5		.CIRCUIT BREAKER- SUPPLIER CODE: V82647 SPECIFICATION NUMBER: BACC18AD2 OPTIONAL PART: 4310-029-205 V76374 ELECTRICAL EQUIP NUMBER: C00559	002004 006100 950951	1
13	2TC47-2-5		.CIRCUIT BREAKER- SUPPLIER CODE: V82647 SPECIFICATION NUMBER: BACC18AD2 OPTIONAL PART: 4310-029-205 V76374 ELECTRICAL EQUIP NUMBER: C04110	950951	1

MISSING ITEM NUMBERS NOT APPLICABLE

- ITEM NOT ILLUSTRATED

24-51-53-37

24-51-53
FIG. 37
PAGE 5
JAN 20/09

BRI



757

PARTS CATALOG (MAINTENANCE)

FIG ITEM	PART NUMBER	1 2 3 4 5 6 7	NOMENCLATURE	EFFECT FROM TO	UNITS PER ASSY
37 14	2TC47-2-5		.CIRCUIT BREAKER- SUPPLIER CODE: V82647 SPECIFICATION NUMBER: BACC18AD2 OPTIONAL PART: 4310-029-205 V76374 ELECTRICAL EQUIP NUMBER: C04263 PRE SERVICE BULLETIN: 34-0200	952999	1
15	2TC47-5		.CIRCUIT BREAKER- SUPPLIER CODE: V82647 SPECIFICATION NUMBER: BACC18AD5 OPTIONAL PART: 4310-029-5 V76374 ELECTRICAL EQUIP NUMBER: C04443	950951	1
16	2TC47-2-5		.CIRCUIT BREAKER- SUPPLIER CODE: V82647 SPECIFICATION NUMBER: BACC18AD2 OPTIONAL PART: 4310-029-205 V76374 ELECTRICAL EQUIP NUMBER: C00641 PRE SERVICE BULLETIN: 34-0416	002004 006100 950999	1
18	2TC47-2-5		.CIRCUIT BREAKER- SUPPLIER CODE: V82647 SPECIFICATION NUMBER: BACC18AD2 OPTIONAL PART: 4310-029-205 V76374 ELECTRICAL EQUIP NUMBER: C00622	950951	1

MISSING ITEM NUMBERS NOT APPLICABLE

- ITEM NOT ILLUSTRATED

BRI

24-51-53-37

24-51-53
FIG. 37
PAGE 6
JAN 20/09



757

PARTS CATALOG (MAINTENANCE)

FIG ITEM	PART NUMBER	1 2 3 4 5 6 7	NOMENCLATURE	EFFECT FROM TO	UNITS PER ASSY
37 19	2TC47-5		.CIRCUIT BREAKER- SUPPLIER CODE: V82647 SPECIFICATION NUMBER: BACC18AD5 OPTIONAL PART: 4310-029-5 V76374 ELECTRICAL EQUIP NUMBER: C04443	002004 006100 952999	1
19	2TC47-2-5		.CIRCUIT BREAKER- SUPPLIER CODE: V82647 SPECIFICATION NUMBER: BACC18AD2 OPTIONAL PART: 4310-029-205 V76374 ELECTRICAL EQUIP NUMBER: C00631	950951	1
20	2TC47-5		.CIRCUIT BREAKER- SUPPLIER CODE: V82647 SPECIFICATION NUMBER: BACC18AD5 OPTIONAL PART: 4310-029-5 V76374 ELECTRICAL EQUIP NUMBER: C00512 C00522 C00525 C00609 C00615 C00619 C01023 C01033 C01039 C01528 C01529 C04033 C04035	002004 006100 950999	13

MISSING ITEM NUMBERS NOT APPLICABLE

- ITEM NOT ILLUSTRATED

BRI

24-51-53-37

BOEING PROPRIETARY - Copyright © - Unpublished Work - See title page for details.

24-51-53
FIG. 37
PAGE 7
JAN 20/09



757

PARTS CATALOG (MAINTENANCE)

FIG ITEM	PART NUMBER	1 2 3 4 5 6 7	NOMENCLATURE	EFFECT FROM TO	UNITS PER ASSY
37 21	2TC47-2-5		.CIRCUIT BREAKER- SUPPLIER CODE: V82647 SPECIFICATION NUMBER: BACC18AD2 OPTIONAL PART: 4310-029-205 V76374 ELECTRICAL EQUIP NUMBER: C01031	002004 952952	1
22	6TC6-5		.CIRCUIT BREAKER- SUPPLIER CODE: V82647 SPECIFICATION NUMBER: BACC18AC5 OPTIONAL PART: 4330-004-5 V76374 ELECTRICAL EQUIP NUMBER: C03005	002004 006100 950999	1
23	2TC47-2-5		.CIRCUIT BREAKER- SUPPLIER CODE: V82647 SPECIFICATION NUMBER: BACC18AD2 OPTIONAL PART: 4310-029-205 V76374 ELECTRICAL EQUIP NUMBER: C01031	006100 950951 953999	1
24	2TC47-5		.CIRCUIT BREAKER- SUPPLIER CODE: V82647 SPECIFICATION NUMBER: BACC18AD5 OPTIONAL PART: 4310-029-5 V76374 ELECTRICAL EQUIP NUMBER: C04051	002004 006100 950999	1

MISSING ITEM NUMBERS NOT APPLICABLE

- ITEM NOT ILLUSTRATED

24-51-53-37

24-51-53
FIG. 37
PAGE 8
JAN 20/09

BRI



757

PARTS CATALOG (MAINTENANCE)

FIG ITEM	PART NUMBER	1 2 3 4 5 6 7	NOMENCLATURE	EFFECT FROM TO	UNITS PER ASSY
37 25	2TC6-2		.CIRCUIT BREAKER- SUPPLIER CODE: V82647 SPECIFICATION NUMBER: BACC18Z02R OPTIONAL PART: 4310-002-2 V76374 ELECTRICAL EQUIP NUMBER: C00582 C00592 C00595 C00600 C00603 C00606	002004 006100 950999	6
26	2TC6-2		.CIRCUIT BREAKER- SUPPLIER CODE: V82647 SPECIFICATION NUMBER: BACC18Z02R OPTIONAL PART: 4310-002-2 V76374 ELECTRICAL EQUIP NUMBER: C00607	002004 006100 950999	1
27	2TC6-2		.CIRCUIT BREAKER- SUPPLIER CODE: V82647 SPECIFICATION NUMBER: BACC18Z02R OPTIONAL PART: 4310-002-2 V76374 ELECTRICAL EQUIP NUMBER: C04118	002004 006100 952999	1
28	2TC47-2-5		.CIRCUIT BREAKER- SUPPLIER CODE: V82647 SPECIFICATION NUMBER: BACC18AD2 OPTIONAL PART: 4310-029-205 V76374 ELECTRICAL EQUIP NUMBER: C01480 C01482	950951	2

MISSING ITEM NUMBERS NOT APPLICABLE

- ITEM NOT ILLUSTRATED

24-51-53-37

24-51-53
FIG. 37
PAGE 9
JAN 20/09

BRI



757

PARTS CATALOG (MAINTENANCE)

FIG ITEM	PART NUMBER	1 2 3 4 5 6 7	NOMENCLATURE	EFFECT FROM TO	UNITS PER ASSY
37 30	2TC47-7-5		.CIRCUIT BREAKER- SUPPLIER CODE: V82647 SPECIFICATION NUMBER: BACC18AD7 OPTIONAL PART: 4310-029-705 V76374 ELECTRICAL EQUIP NUMBER: C00683	002004 006100 950999	1
31	2TC47-5		.CIRCUIT BREAKER- SUPPLIER CODE: V82647 SPECIFICATION NUMBER: BACC18AD5 OPTIONAL PART: 4310-029-5 V76374 ELECTRICAL EQUIP NUMBER: C01017	002004 952952	1
33	2TC47-5		.CIRCUIT BREAKER- SUPPLIER CODE: V82647 SPECIFICATION NUMBER: BACC18AD5 OPTIONAL PART: 4310-029-5 V76374 ELECTRICAL EQUIP NUMBER: C01017	006100 950951 953999	1
34	2TC47-2-5		.CIRCUIT BREAKER- SUPPLIER CODE: V82647 SPECIFICATION NUMBER: BACC18AD2 OPTIONAL PART: 4310-029-205 V76374 ELECTRICAL EQUIP NUMBER: C04664 C04665 POST ALERT SB: 34A0222	002004 006100 950999	2

MISSING ITEM NUMBERS NOT APPLICABLE

- ITEM NOT ILLUSTRATED

24-51-53-37

24-51-53
FIG. 37
PAGE 10
JAN 20/09

BRI



757

PARTS CATALOG (MAINTENANCE)

FIG ITEM	PART NUMBER	1 2 3 4 5 6 7	NOMENCLATURE	EFFECT FROM TO	UNITS PER ASSY
37 35	2TC47-10		.CIRCUIT BREAKER- SUPPLIER CODE: V82647 SPECIFICATION NUMBER: BACC18AD10 OPTIONAL PART: 4310-029-10 V76374 ELECTRICAL EQUIP NUMBER: C00544	002004 006100 950999	1
36	2TC47-2-5		.CIRCUIT BREAKER- SUPPLIER CODE: V82647 SPECIFICATION NUMBER: BACC18AD2 OPTIONAL PART: 4310-029-205 V76374 ELECTRICAL EQUIP NUMBER: C04509 POST SERVICE BULLETIN: 34-0200	952952	1
38	2TC47-10		.CIRCUIT BREAKER- SUPPLIER CODE: V82647 SPECIFICATION NUMBER: BACC18AD10 OPTIONAL PART: 4310-029-10 V76374 ELECTRICAL EQUIP NUMBER: C00546	002004 006100 950999	1
39	2TC47-2-5		.CIRCUIT BREAKER- SUPPLIER CODE: V82647 SPECIFICATION NUMBER: BACC18AD2 OPTIONAL PART: 4310-029-205 V76374 POSITION DATA: POS E7 ELECTRICAL EQUIP NUMBER: C00725 POST SERVICE BULLETIN: 34-0416	009009	1

MISSING ITEM NUMBERS NOT APPLICABLE

- ITEM NOT ILLUSTRATED

24-51-53-37

24-51-53
FIG. 37
PAGE 11
JAN 20/09

BRI



757

PARTS CATALOG (MAINTENANCE)

FIG ITEM	PART NUMBER	1 2 3 4 5 6 7	NOMENCLATURE	EFFECT FROM TO	UNITS PER ASSY
37					
40	2TC6-1	.	CIRCUIT BREAKER- SUPPLIER CODE: V82647 SPECIFICATION NUMBER: BACC18Z1R OPTIONAL PART: 4310-002-1 V76374 ELECTRICAL EQUIP NUMBER: C00625	002004 006100 950999	1
45	800000121-1	.	CONNECTOR-PWR SUPPLIER CODE: V05617	002004 006100 950999	9
50	233N5203-7	.	BASEPLATE ASSY	002004 006100 950999	1
55	BACS21Y3R	..	STUD ASSY	002004 006100 950999	2
60	SF6G6CBB5D	..	NUT SUPPLIER CODE: V12324 SPECIFICATION NUMBER: BACN10PA06-6	002004 006100 950999	27
65	233N5201-5	..	BASEPLATE	002004 006100 950999	1
- 70	286N0124-007	.	WIRE BUNDLE ASSY-P11-1 MODULE WIRING REWORKED BY SB: 34-0200 REWORKED BY ALERT SB: 34A0222	002004 006100 950999	1
- 90	318-2020-901L	..	CONTACT- SUPPLIER CODE: V55104 SPECIFICATION NUMBER: BACC47CP1S OPTIONAL PART: ZZL4120-36LDH14 V49367 LP807105-205 V77820 POST ALERT SB: 34A0222	002004 006100 950999	2

MISSING ITEM NUMBERS NOT APPLICABLE

- ITEM NOT ILLUSTRATED

24-51-53-37

24-51-53
FIG. 37
PAGE 12
JAN 20/09

BRI



757

PARTS CATALOG (MAINTENANCE)

FIG ITEM	PART NUMBER	1 2 3 4 5 6 7	NOMENCLATURE	EFFECT FROM TO	UNITS PER ASSY
37					
- 100	286N0110-007		. WIRE BUNDLE ASSY- REWORKED BY SB: 34-0200 REWORKED BY ALERT SB: 34A0222	002004 006100 950999	1
- 105	RBEJ40K5A5A6		.. JUMPER ASSY- SUPPLIER CODE: V1GK47 SPECIFICATION NUMBER: BACJ40K5A5A6 POST ALERT SB: 34A0222	002004 006100 950999	1

MISSING ITEM NUMBERS NOT APPLICABLE

- ITEM NOT ILLUSTRATED

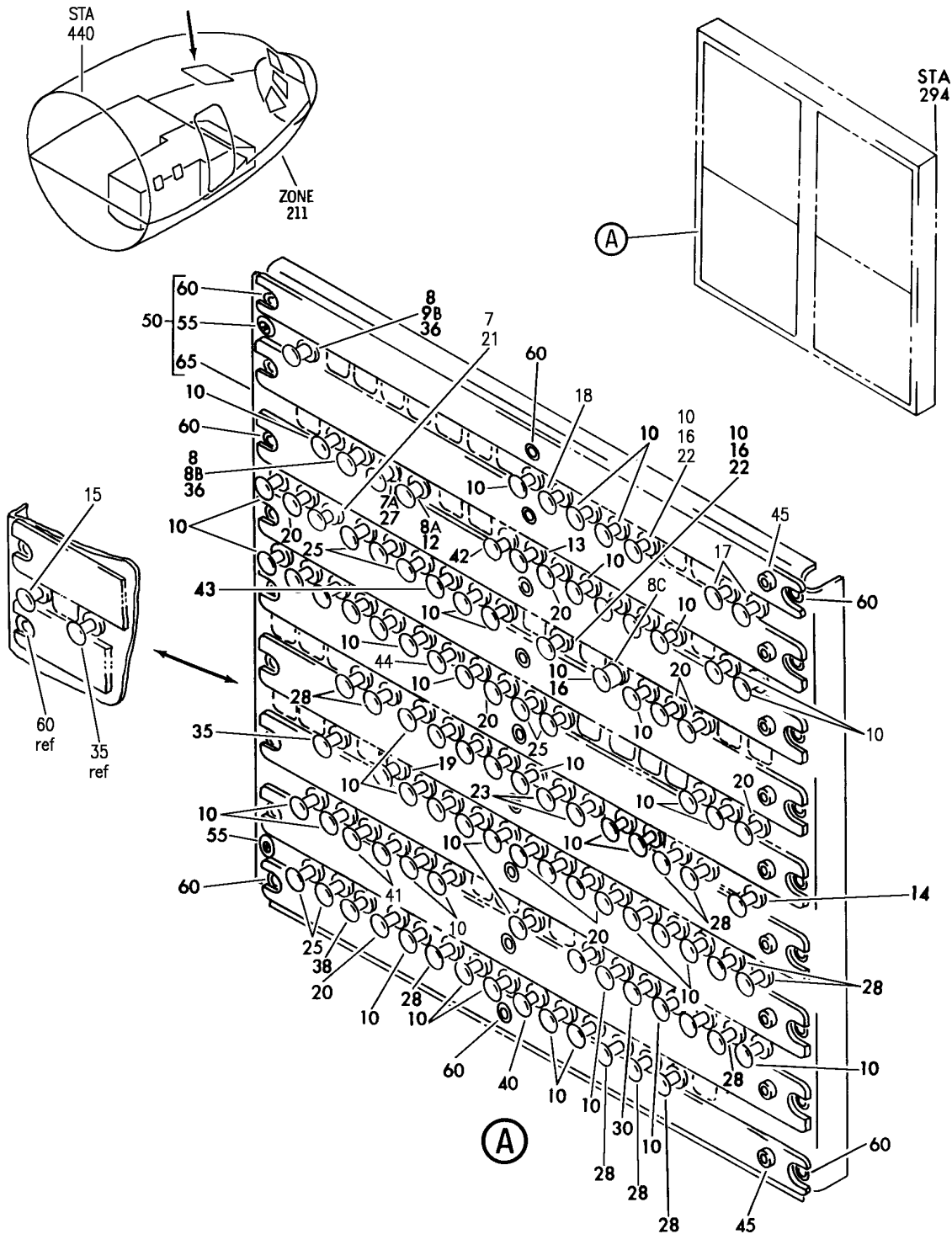
BRI

24-51-53-37

BOEING PROPRIETARY - Copyright © - Unpublished Work - See title page for details.

24-51-53
FIG. 37
PAGE 13
JAN 20/09

BOEING
757
PARTS CATALOG (MAINTENANCE)



Y 24515338 REV 276

PANEL ASSY-P11-1 CB (ELECTRICAL POWER ONLY)
FIGURE 38

24-51-53-38

BRI
JAN 20/09

24-51-53-38
PAGE 0



757

PARTS CATALOG (MAINTENANCE)

FIG ITEM	PART NUMBER	1 2 3 4 5 6 7	NOMENCLATURE	EFFECT FROM TO	UNITS PER ASSY
38			PANEL ASSY-P11-1 CB (ELECTRICAL POWER ONLY)	103106	
- 1	233N5211-37		PANEL ASSY-P11-1 CB (ELECTRICAL POWER ONLY)	103106	RF
- 5	BAC27NFDE0116		.MARKER-ALUMINUM FOIL MISCELLANEOUS DATA: (USE IN PLACE OF CIRCUIT BREAKERS ON OPEN HOLES)	103106	AR
- 6	2645		OPTIONAL PART: 2645 V28520 .PLUG-DOME SUPPLIER CODE: V28520 MISCELLANEOUS DATA: (USE IN PLACE OF CIRCUIT BREAKERS ON OPEN HOLES)	103106	AR
- 6	2646		OPTIONAL PART: BAC27NFDE0116 .PLUG-DOME SUPPLIER CODE: V28520	103106	AR
7	10237-1		.CLIP-STOW SUPPLIER CODE: V07RZ7	103106	1
10	2TC47-2-5		.CIRCUIT BREAKER- SUPPLIER CODE: V82647 SPECIFICATION NUMBER: BACC18AD2 OPTIONAL PART: 4310-029-205 V76374 ELECTRICAL EQUIP NUMBER: C00001 C00002 C00501 C00513 C00516 C00521 C00539 C00566 C00567 C00580 C00584 C00586 C00588 C00591 C00593	103106	54

MISSING ITEM NUMBERS NOT APPLICABLE

- ITEM NOT ILLUSTRATED

24-51-53-38

24-51-53
FIG. 38
PAGE 1
JAN 20/09

BRI



757

PARTS CATALOG (MAINTENANCE)

FIG ITEM	PART NUMBER	1 2 3 4 5 6 7	NOMENCLATURE	EFFECT FROM TO	UNITS PER ASSY
38			C00597 C00604 C00611 C00633 C00635 C00637 C00639 C00658 C00770 C00826 C01002 C01008 C01025 C01037 C01246 C01283 C01337 C01338 C01434 C01435 C01437 C01438 C01521 C01522 C01523 C01524 C01531 C01533 C01534 C01536 C01537 C01538 C01539 C01541 C01560 C04205 C04206 C04310 C04311		
14	2TC47-2-5		.CIRCUIT BREAKER- SUPPLIER CODE: V82647 SPECIFICATION NUMBER: BACC18AD2 OPTIONAL PART: 4310-029-205 V76374 ELECTRICAL EQUIP NUMBER: C01031	103106	1
MISSING ITEM NUMBERS NOT APPLICABLE					

- ITEM NOT ILLUSTRATED

24-51-53-38

24-51-53
FIG. 38
PAGE 2
JAN 20/09

BRI



757

PARTS CATALOG (MAINTENANCE)

FIG ITEM	PART NUMBER	1 2 3 4 5 6 7	NOMENCLATURE	EFFECT FROM TO	UNITS PER ASSY
38 15	2TC47-2-5		.CIRCUIT BREAKER- SUPPLIER CODE: V82647 SPECIFICATION NUMBER: BACC18AD2 OPTIONAL PART: 4310-029-205 V76374 ELECTRICAL EQUIP NUMBER: C04320	103106	1
16	2TC47-2-5		.CIRCUIT BREAKER- SUPPLIER CODE: V82647 SPECIFICATION NUMBER: BACC18AD2 OPTIONAL PART: 4310-029-205 V76374 ELECTRICAL EQUIP NUMBER: C00622 C00641 C04110	103106	3
17	2TC47-5		.CIRCUIT BREAKER- SUPPLIER CODE: V82647 SPECIFICATION NUMBER: BACC18AD5 OPTIONAL PART: 4310-029-5 V76374 ELECTRICAL EQUIP NUMBER: C04033 C04035	103106	2
19	2TC47-5		.CIRCUIT BREAKER- SUPPLIER CODE: V82647 SPECIFICATION NUMBER: BACC18AD5 OPTIONAL PART: 4310-029-5 V76374 ELECTRICAL EQUIP NUMBER: C01017	103106	1

MISSING ITEM NUMBERS NOT APPLICABLE

- ITEM NOT ILLUSTRATED

24-51-53-38

24-51-53
FIG. 38
PAGE 3
JAN 20/09

BRI



757

PARTS CATALOG (MAINTENANCE)

FIG ITEM	PART NUMBER	1 2 3 4 5 6 7	NOMENCLATURE	EFFECT FROM TO	UNITS PER ASSY
38 20	2TC47-5		.CIRCUIT BREAKER- SUPPLIER CODE: V82647 SPECIFICATION NUMBER: BACC18AD5 OPTIONAL PART: 4310-029-5 V76374 ELECTRICAL EQUIP NUMBER: C00512 C00522 C00525 C00609 C00615 C00619 C01023 C01033 C01039 C01528 C01529	103106	11
21	2TC47-5		.CIRCUIT BREAKER- SUPPLIER CODE: V82647 SPECIFICATION NUMBER: BACC18AD5 OPTIONAL PART: 4310-029-5 V76374 ELECTRICAL EQUIP NUMBER: C04443	103106	1
23	2TC47-2-5		.CIRCUIT BREAKER- SUPPLIER CODE: V82647 SPECIFICATION NUMBER: BACC18AD2 OPTIONAL PART: 4310-029-205 V76374 ELECTRICAL EQUIP NUMBER: C01480 C01482	103106	2

MISSING ITEM NUMBERS NOT APPLICABLE

- ITEM NOT ILLUSTRATED

24-51-53-38

24-51-53
FIG. 38
PAGE 4
JAN 20/09

BRI



757

PARTS CATALOG (MAINTENANCE)

FIG ITEM	PART NUMBER	1 2 3 4 5 6 7	NOMENCLATURE	EFFECT FROM TO	UNITS PER ASSY
38 25	2TC6-2		.CIRCUIT BREAKER- SUPPLIER CODE: V82647 SPECIFICATION NUMBER: BACC18Z02R OPTIONAL PART: 4310-002-2 V76374 ELECTRICAL EQUIP NUMBER: C00582 C00592 C00595 C00600 C00603 C00606 C00607	103106	7
30	2TC47-7-5		.CIRCUIT BREAKER- SUPPLIER CODE: V82647 SPECIFICATION NUMBER: BACC18AD7 OPTIONAL PART: 4310-029-705 V76374 ELECTRICAL EQUIP NUMBER: C00683	103106	1
35	2TC47-10		.CIRCUIT BREAKER- SUPPLIER CODE: V82647 SPECIFICATION NUMBER: BACC18AD10 OPTIONAL PART: 4310-029-10 V76374 ELECTRICAL EQUIP NUMBER: C00544	103106	1
40	2TC6-1		.CIRCUIT BREAKER- SUPPLIER CODE: V82647 SPECIFICATION NUMBER: BACC18Z1R OPTIONAL PART: 4310-002-1 V76374 ELECTRICAL EQUIP NUMBER: C00625	103106	1

MISSING ITEM NUMBERS NOT APPLICABLE

- ITEM NOT ILLUSTRATED

24-51-53-38

24-51-53
FIG. 38
PAGE 5
JAN 20/09

BRI



757

PARTS CATALOG (MAINTENANCE)

FIG ITEM	PART NUMBER	1 2 3 4 5 6 7	NOMENCLATURE	EFFECT FROM TO	UNITS PER ASSY
38					
43	2TC47-5		.CIRCUIT BREAKER- SUPPLIER CODE: V82647 SPECIFICATION NUMBER: BACC18AD5 OPTIONAL PART: 4310-029-5 V76374 ELECTRICAL EQUIP NUMBER: C04051	103106	1
45	800000121-1		.CONNECTOR-PWR SUPPLIER CODE: V05617	103106	9
50	233N5203-7		.BASEPLATE ASSY	103106	1
55	BACS21Y3R		..STUD ASSY	103106	2
60	SF6G6CBB5D		..NUT SUPPLIER CODE: V12324 SPECIFICATION NUMBER: BACN10PA06-6	103106	27
65	233N5201-5		..BASEPLATE	103106	1
- 80	286N0110-006		.WIRE BUNDLE ASSY-	103106	1
- 90	286N0124-006		.WIRE BUNDLE ASSY-	103106	1

MISSING ITEM NUMBERS NOT APPLICABLE

- ITEM NOT ILLUSTRATED

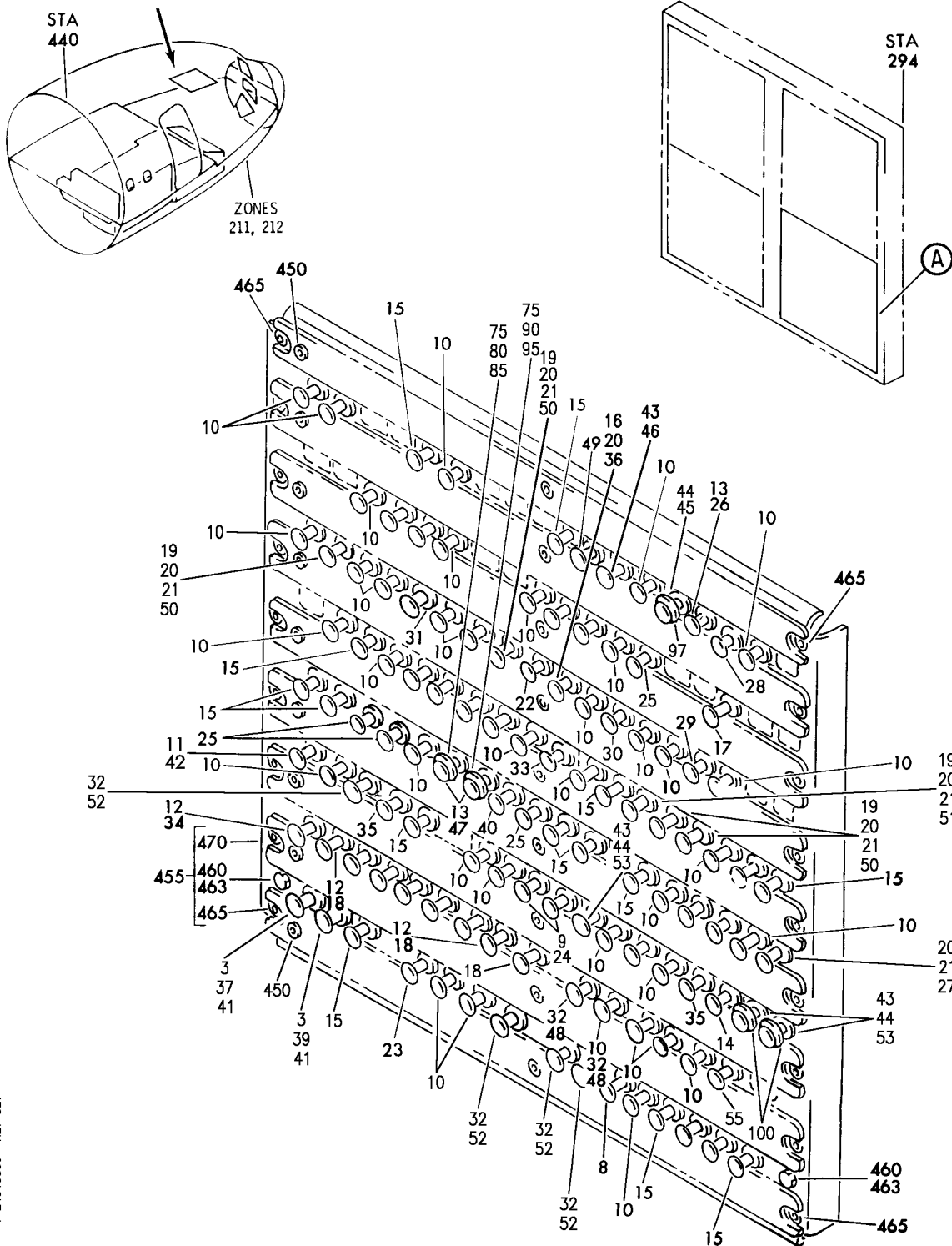
BRI

24-51-53-38

BOEING PROPRIETARY - Copyright © - Unpublished Work - See title page for details.

24-51-53
FIG. 38
PAGE 6
JAN 20/09

BOEING
757
PARTS CATALOG (MAINTENANCE)



Y 24515339 REV 327

PANEL ASSY-P11-2 CB (ELECTRICAL POWER ONLY)
FIGURE 39

24-51-53-39

BRI
SEP 20/08

24-51-53-39
PAGE 0



757

PARTS CATALOG (MAINTENANCE)

FIG ITEM	PART NUMBER	1 2 3 4 5 6 7	NOMENCLATURE	EFFECT FROM TO	UNITS PER ASSY
39			PANEL ASSY-P11-2 CB (ELECTRICAL POWER ONLY)	002004 006100 950951	
- 2	233N5212-89		PANEL ASSY-P11-2 CB (ELECTRICAL POWER ONLY) FOR NHA/OTHER SYS DET SEE: 24-00-51-02	002004	RF
- 2	233N5212-119		PANEL ASSY-P11-2 CB (ELECTRICAL POWER ONLY) FOR NHA/OTHER SYS DET SEE: 24-00-51-02	006007	RF
- 2	233N5212-127		PANEL ASSY-P11-2 CB (ELECTRICAL POWER ONLY) FOR NHA/OTHER SYS DET SEE: 24-00-51-02	950951	RF
- 2	233N5212-123		PANEL ASSY-P11-2 CB (ELECTRICAL POWER ONLY) REWORKED BY SB: 34-0416 FOR NHA/OTHER SYS DET SEE: 24-00-51-02	008100	RF
R R R R R R R R R	3 10237-1		.CLIP-STOW SUPPLIER CODE: V07RZ7 POSITION DATA: POS A19 AND A20 ELECTRICAL EQUIP NUMBER: C04245 C04246 POST SERVICE BULLETIN: 24-0125R2 24-0130	009009 015015	2
- 5	BAC27NFDE0116		.MARKER- MISCELLANEOUS DATA: (USE IN PLACE OF CIRCUIT BREAKERS ON OPEN HOLES) OPTIONAL PART: 2645 V28520	950951	AR
- 5	2646		.PLUG-DOME SUPPLIER CODE: V28520	002004	AR
- 5	BAC27NFDE0116		.MARKER- MISCELLANEOUS DATA: (USE IN PLACE OF CIRCUIT BREAKERS ON OPEN HOLES)	002004 006100	AR

MISSING ITEM NUMBERS NOT APPLICABLE

- ITEM NOT ILLUSTRATED

24-51-53-39

24-51-53
FIG. 39
PAGE 1
MAY 20/09

BRI



757

PARTS CATALOG (MAINTENANCE)

FIG ITEM	PART NUMBER	1 2 3 4 5 6 7	NOMENCLATURE	EFFECT FROM TO	UNITS PER ASSY
39					
- 5	2645		.PLUG-DOME SUPPLIER CODE: V28520 MISCELLANEOUS DATA: (USE IN PLACE OF CIRCUIT BREAKERS ON OPEN HOLES)	002004	AR
- 6	2645		.PLUG-DOME SUPPLIER CODE: V28520 MISCELLANEOUS DATA: (USE IN PLACE OF CIRCUIT BREAKERS ON OPEN HOLES)	006007	AR
- 6	2645		.PLUG-DOME SUPPLIER CODE: V28520 MISCELLANEOUS DATA: (USE IN PLACE OF CIRCUIT BREAKERS ON OPEN HOLES)	950951	AR
- 6	2645		.PLUG-DOME SUPPLIER CODE: V28520 MISCELLANEOUS DATA: (USE IN PLACE OF CIRCUIT BREAKERS ON OPEN HOLES) OPTIONAL PART: BAC27NFDE0116	008100	AR
- 6	2646		.PLUG-DOME SUPPLIER CODE: V28520	006007	AR
- 6	2646		.PLUG-DOME SUPPLIER CODE: V28520	950951	AR
- 6	2646		.PLUG-DOME SUPPLIER CODE: V28520	008100	AR
8	2TC47-2-5		.CIRCUIT BREAKER- SUPPLIER CODE: V82647 SPECIFICATION NUMBER: BACC18AD2 OPTIONAL PART: 4310-029-205 V76374 ELECTRICAL EQUIP NUMBER: C01214	002004 006100 950951	1

MISSING ITEM NUMBERS NOT APPLICABLE

- ITEM NOT ILLUSTRATED

BRI

24-51-53-39

24-51-53
FIG. 39
PAGE 2
JAN 20/09



757

PARTS CATALOG (MAINTENANCE)

FIG ITEM	PART NUMBER	1 2 3 4 5 6 7	NOMENCLATURE	EFFECT FROM TO	UNITS PER ASSY
39	9 2TC47-2-5		.CIRCUIT BREAKER- SUPPLIER CODE: V82647 SPECIFICATION NUMBER: BACC18AD2 OPTIONAL PART: 4310-029-205 V76374 ELECTRICAL EQUIP NUMBER: C01147 C01148	002004 006100 950951	2
10	2TC47-2-5		.CIRCUIT BREAKER- SUPPLIER CODE: V82647 SPECIFICATION NUMBER: BACC18AD2 OPTIONAL PART: 4310-029-205 V76374 ELECTRICAL EQUIP NUMBER: C00003 C00004 C00514 C00515 C00517 C00552 C00553 C00554 C00557 C00560 C00568 C00581 C00585 C00587 C00589 C00594 C00598 C00612 C00613 C00623 C00634 C00636 C00638 C00796 C01009 C01018 C01038 C01052 C01175	002004 006100 950951	50

MISSING ITEM NUMBERS NOT APPLICABLE

- ITEM NOT ILLUSTRATED

24-51-53-39

24-51-53
FIG. 39
PAGE 3
JAN 20/09

BRI



757

PARTS CATALOG (MAINTENANCE)

FIG ITEM	PART NUMBER	1 2 3 4 5 6 7 NOMENCLATURE	EFFECT FROM TO	UNITS PER ASSY
39		C01183 C01184 C01307 C01323 C01325 C01525 C01526 C01532 C01535 C01540 C01561 C04085 C04132 C04133 C04151 C04175 C04210 C04251 C04252 C04271 C04290		
14	2TC47-5	.CIRCUIT BREAKER- SUPPLIER CODE: V82647 SPECIFICATION NUMBER: BACC18AD5 OPTIONAL PART: 4310-029-5 V76374 ELECTRICAL EQUIP NUMBER: C01048	002004 006100 950951	1

MISSING ITEM NUMBERS NOT APPLICABLE

- ITEM NOT ILLUSTRATED

BRI

24-51-53-39

BOEING PROPRIETARY - Copyright © - Unpublished Work - See title page for details.

24-51-53
 FIG. 39
 PAGE 4
 JAN 20/09



757

PARTS CATALOG (MAINTENANCE)

FIG ITEM	PART NUMBER	1 2 3 4 5 6 7	NOMENCLATURE	EFFECT FROM TO	UNITS PER ASSY
39 15	2TC47-5		.CIRCUIT BREAKER- SUPPLIER CODE: V82647 SPECIFICATION NUMBER: BACC18AD5 OPTIONAL PART: 4310-029-5 V76374 ELECTRICAL EQUIP NUMBER: C00523 C00524 C00551 C00610 C01200 C01201 C01306 C01308 C01321 C01510 C01511 C04023 C04025 C04034 C04054 C04212	002004 006100 950951	16
16	2TC47-5		.CIRCUIT BREAKER- SUPPLIER CODE: V82647 SPECIFICATION NUMBER: BACC18AD5 OPTIONAL PART: 4310-029-5 V76374 ELECTRICAL EQUIP NUMBER: C04052	002004 006100 950951	1
17	6TC6-5		.CIRCUIT BREAKER- SUPPLIER CODE: V82647 SPECIFICATION NUMBER: BACC18AC5 OPTIONAL PART: 4330-004-5 V76374 ELECTRICAL EQUIP NUMBER: C03006	002004 006100 950951	1

MISSING ITEM NUMBERS NOT APPLICABLE

- ITEM NOT ILLUSTRATED

BRI

24-51-53-39

24-51-53
FIG. 39
PAGE 5
JAN 20/09



757

PARTS CATALOG (MAINTENANCE)

FIG ITEM	PART NUMBER	1 2 3 4 5 6 7	NOMENCLATURE	EFFECT FROM TO	UNITS PER ASSY
39 18	2TC47-2-5		.CIRCUIT BREAKER- SUPPLIER CODE: V82647 SPECIFICATION NUMBER: BACC18AD2 OPTIONAL PART: 4310-029-205 V76374 ELECTRICAL EQUIP NUMBER: C00772 C00774 C00775 C00776 C00783 C00784 C00785 C00788	002004 006100 950951	8
19	2TC6-2		.CIRCUIT BREAKER- SUPPLIER CODE: V82647 SPECIFICATION NUMBER: BACC18Z02R OPTIONAL PART: 4310-002-2 V76374 ELECTRICAL EQUIP NUMBER: C00583 C00596 C00601 C00602 C00605	002004 006100 950951	5
22	2TC47-5		.CIRCUIT BREAKER- SUPPLIER CODE: V82647 SPECIFICATION NUMBER: BACC18AD5 OPTIONAL PART: 4310-029-5 V76374 ELECTRICAL EQUIP NUMBER: C04433	950951	1

MISSING ITEM NUMBERS NOT APPLICABLE

- ITEM NOT ILLUSTRATED

24-51-53-39

24-51-53
FIG. 39
PAGE 6
JAN 20/09

BRI



757

PARTS CATALOG (MAINTENANCE)

FIG ITEM	PART NUMBER	1 2 3 4 5 6 7	NOMENCLATURE	EFFECT FROM TO	UNITS PER ASSY
39 22	2TC47-2-5		.CIRCUIT BREAKER- SUPPLIER CODE: V82647 SPECIFICATION NUMBER: BACC18AD2 OPTIONAL PART: 4310-029-205 V76374 ELECTRICAL EQUIP NUMBER: C00630	008100	1
23	2TC47-5		.CIRCUIT BREAKER- SUPPLIER CODE: V82647 SPECIFICATION NUMBER: BACC18AD5 OPTIONAL PART: 4310-029-5 V76374 ELECTRICAL EQUIP NUMBER: C01322	002004 006100 950951	1
25	2TC47-10		.CIRCUIT BREAKER- SUPPLIER CODE: V82647 SPECIFICATION NUMBER: BACC18AD10 OPTIONAL PART: 4310-029-10 V76374 ELECTRICAL EQUIP NUMBER: C00545 C04113 C04114 C04216	002004 006100 950951	4
26	2TC47-2-5		.CIRCUIT BREAKER- SUPPLIER CODE: V82647 SPECIFICATION NUMBER: BACC18AD2 OPTIONAL PART: 4310-029-205 V76374 ELECTRICAL EQUIP NUMBER: C00532	002004 006100 950951	1

MISSING ITEM NUMBERS NOT APPLICABLE

- ITEM NOT ILLUSTRATED

24-51-53-39

24-51-53
FIG. 39
PAGE 7
JAN 20/09

BRI



757

PARTS CATALOG (MAINTENANCE)

FIG ITEM	PART NUMBER	1 2 3 4 5 6 7	NOMENCLATURE	EFFECT FROM TO	UNITS PER ASSY
39 27	2TC6-2		.CIRCUIT BREAKER- SUPPLIER CODE: V82647 SPECIFICATION NUMBER: BACC18Z02R OPTIONAL PART: 4310-002-2 V76374 ELECTRICAL EQUIP NUMBER: C01051	002004	1
27	2TC6-2		.CIRCUIT BREAKER- SUPPLIER CODE: V82647 SPECIFICATION NUMBER: BACC18Z02R OPTIONAL PART: 4310-002-2 V76374 ELECTRICAL EQUIP NUMBER: C04485	006100 950951	1
29	2TC47-2-5		.CIRCUIT BREAKER- SUPPLIER CODE: V82647 SPECIFICATION NUMBER: BACC18AD2 OPTIONAL PART: 4310-029-205 V76374 ELECTRICAL EQUIP NUMBER: C00726 POST SERVICE BULLETIN: 34-0416	009009	1
29	2TC47-2-5		.CIRCUIT BREAKER- SUPPLIER CODE: V82647 SPECIFICATION NUMBER: BACC18AD2 OPTIONAL PART: 4310-029-205 V76374 ELECTRICAL EQUIP NUMBER: C00640 PRE SERVICE BULLETIN: 34-0416	002004 006100 950951	1

MISSING ITEM NUMBERS NOT APPLICABLE

- ITEM NOT ILLUSTRATED

BRI

24-51-53-39

BOEING PROPRIETARY - Copyright © - Unpublished Work - See title page for details.

24-51-53
FIG. 39
PAGE 8
JAN 20/09



757

PARTS CATALOG (MAINTENANCE)

FIG ITEM	PART NUMBER	1 2 3 4 5 6 7	NOMENCLATURE	EFFECT FROM TO	UNITS PER ASSY
39					
30	2TC6-1		.CIRCUIT BREAKER- SUPPLIER CODE: V82647 SPECIFICATION NUMBER: BACC18Z1R OPTIONAL PART: 4310-002-1 V76374 ELECTRICAL EQUIP NUMBER: C00626	002004 006100 950951	1
31	2TC47-2-5		.CIRCUIT BREAKER- SUPPLIER CODE: V82647 SPECIFICATION NUMBER: BACC18AD2 OPTIONAL PART: 4310-029-205 V76374 ELECTRICAL EQUIP NUMBER: C00630	950951	1
32	2TC47-2-5		.CIRCUIT BREAKER- SUPPLIER CODE: V82647 SPECIFICATION NUMBER: BACC18AD2 OPTIONAL PART: 4310-029-205 V76374 ELECTRICAL EQUIP NUMBER: C00703 C00704 C01121 C01481 C01483 C04037	002004 006100	6
33	2TC47-2-5		.CIRCUIT BREAKER- SUPPLIER CODE: V82647 SPECIFICATION NUMBER: BACC18AD2 OPTIONAL PART: 4310-029-205 V76374 ELECTRICAL EQUIP NUMBER: C04423	002004 006100 950951	1

MISSING ITEM NUMBERS NOT APPLICABLE

- ITEM NOT ILLUSTRATED

24-51-53-39

24-51-53
FIG. 39
PAGE 9
JAN 20/09

BRI



757

PARTS CATALOG (MAINTENANCE)

FIG ITEM	PART NUMBER	1 2 3 4 5 6 7	NOMENCLATURE	EFFECT FROM TO	UNITS PER ASSY
39 34	2TC47-5	.	CIRCUIT BREAKER- SUPPLIER CODE: V82647 SPECIFICATION NUMBER: BACC18AD5 OPTIONAL PART: 4310-029-5 V76374 ELECTRICAL EQUIP NUMBER: C01010	002004 006100 950951	1
35	2TC47-7-5	.	CIRCUIT BREAKER- SUPPLIER CODE: V82647 SPECIFICATION NUMBER: BACC18AD7 OPTIONAL PART: 4310-029-705 V76374 ELECTRICAL EQUIP NUMBER: C00548 C01058	002004 006100 950951	2
37	1500-052-05	.	CIRCUIT BREAKER- SUPPLIER CODE: V76374 ELECTRICAL EQUIP NUMBER: C04276	002004 006100	1
39	2TC47-2-5	.	CIRCUIT BREAKER- SUPPLIER CODE: V82647 SPECIFICATION NUMBER: BACC18AD2 OPTIONAL PART: 4310-029-205 V76374 ELECTRICAL EQUIP NUMBER: C04475	002004 006100	1
40	2TC47-3	.	CIRCUIT BREAKER- SUPPLIER CODE: V82647 SPECIFICATION NUMBER: BACC18AD3 OPTIONAL PART: 4310-029-3 V76374 ELECTRICAL EQUIP NUMBER: C04061	002004 006100 950951	1

MISSING ITEM NUMBERS NOT APPLICABLE

- ITEM NOT ILLUSTRATED

BRI

24-51-53-39

24-51-53
FIG. 39
PAGE 10
JAN 20/09



757

PARTS CATALOG (MAINTENANCE)

FIG ITEM	PART NUMBER	1 2 3 4 5 6 7	NOMENCLATURE	EFFECT FROM TO	UNITS PER ASSY
39 41	2TC6-2		.CIRCUIT BREAKER- SUPPLIER CODE: V82647 SPECIFICATION NUMBER: BACC18Z02R OPTIONAL PART: 4310-002-2 V76374 ELECTRICAL EQUIP NUMBER: C04476 C04477 WIRING DIAGRAM REF: 282231 282232	950951	2
42	2TC47-2-5		.CIRCUIT BREAKER- SUPPLIER CODE: V82647 SPECIFICATION NUMBER: BACC18AD2 OPTIONAL PART: 4310-029-205 V76374 ELECTRICAL EQUIP NUMBER: C04478	006100 950951	1
43	2TC47-5		.CIRCUIT BREAKER- SUPPLIER CODE: V82647 SPECIFICATION NUMBER: BACC18AD5 OPTIONAL PART: 4310-029-5 V76374 ELECTRICAL EQUIP NUMBER: C01132 C01303 C01310 C04364	002004 006100	4
47	2TC47-3		.CIRCUIT BREAKER- SUPPLIER CODE: V82647 SPECIFICATION NUMBER: BACC18AD3 OPTIONAL PART: 4310-029-3 V76374 ELECTRICAL EQUIP NUMBER: C04460 C04461	950951	2

MISSING ITEM NUMBERS NOT APPLICABLE

- ITEM NOT ILLUSTRATED

24-51-53-39

24-51-53
FIG. 39
PAGE 11
JAN 20/09

BRI



757

PARTS CATALOG (MAINTENANCE)

FIG ITEM	PART NUMBER	1 2 3 4 5 6 7	NOMENCLATURE	EFFECT FROM TO	UNITS PER ASSY
39 47	2TC6-2		.CIRCUIT BREAKER- SUPPLIER CODE: V82647 SPECIFICATION NUMBER: BACC18Z02R OPTIONAL PART: 4310-002-2 V76374 ELECTRICAL EQUIP NUMBER: C04476 C04477	006100	2
48	2TC47-2-5		.CIRCUIT BREAKER- SUPPLIER CODE: V82647 SPECIFICATION NUMBER: BACC18AD2 OPTIONAL PART: 4310-029-205 V76374 ELECTRICAL EQUIP NUMBER: C01481 C01483	950951	2
55	2TC47-7-5		.CIRCUIT BREAKER- SUPPLIER CODE: V82647 SPECIFICATION NUMBER: BACC18AD7 OPTIONAL PART: 4310-029-705 V76374 ELECTRICAL EQUIP NUMBER: C01390 PRE SERVICE BULLETIN: 49-0019	002004 006100 950951	1
55	2TC47-10		.CIRCUIT BREAKER- SUPPLIER CODE: V82647 SPECIFICATION NUMBER: BACC18AD10 OPTIONAL PART: 4310-029-10 V76374 ELECTRICAL EQUIP NUMBER: C01390 POST SERVICE BULLETIN: 49-0019	950951	1
80	10237-1		.CLIP-STOW SUPPLIER CODE: V07RZ7	950951	1

MISSING ITEM NUMBERS NOT APPLICABLE

- ITEM NOT ILLUSTRATED

24-51-53-39

24-51-53
FIG. 39
PAGE 12
JAN 20/09

BRI



757

PARTS CATALOG (MAINTENANCE)

FIG ITEM	PART NUMBER	1 2 3 4 5 6 7	NOMENCLATURE	EFFECT FROM TO	UNITS PER ASSY
39					
85	10237-1		.CLIP-STOW SUPPLIER CODE: V07RZ7	950951	1
95	10237-1		.CLIP-STOW SUPPLIER CODE: V07RZ7	950951	1
100	10237-1		.CLIP-STOW SUPPLIER CODE: V07RZ7 POST SERVICE BULLETIN: 24-0126	009009	2
450	800000121-1		.CONNECTOR- SUPPLIER CODE: V05617	002004 006100 950951	9
455	233N5203-8		.BASEPLATE ASSY	002004 006100 950951	1
460	BACS21Y3R		..STUD ASSY- OPTIONAL PART: BACS21Y4R	002004 006100 950951	2
463	BACS21Y4R		..STUD ASSY- OPTIONAL PART: BACS21Y3R	002004 006100 950951	2
465	SF6G6CBB5D		..NUT SUPPLIER CODE: V12324 SPECIFICATION NUMBER: BACN10PA06-6	002004 006100 950951	27
470	233N5201-6		..BASEPLATE	002004 006100 950951	1

MISSING ITEM NUMBERS NOT APPLICABLE

- ITEM NOT ILLUSTRATED

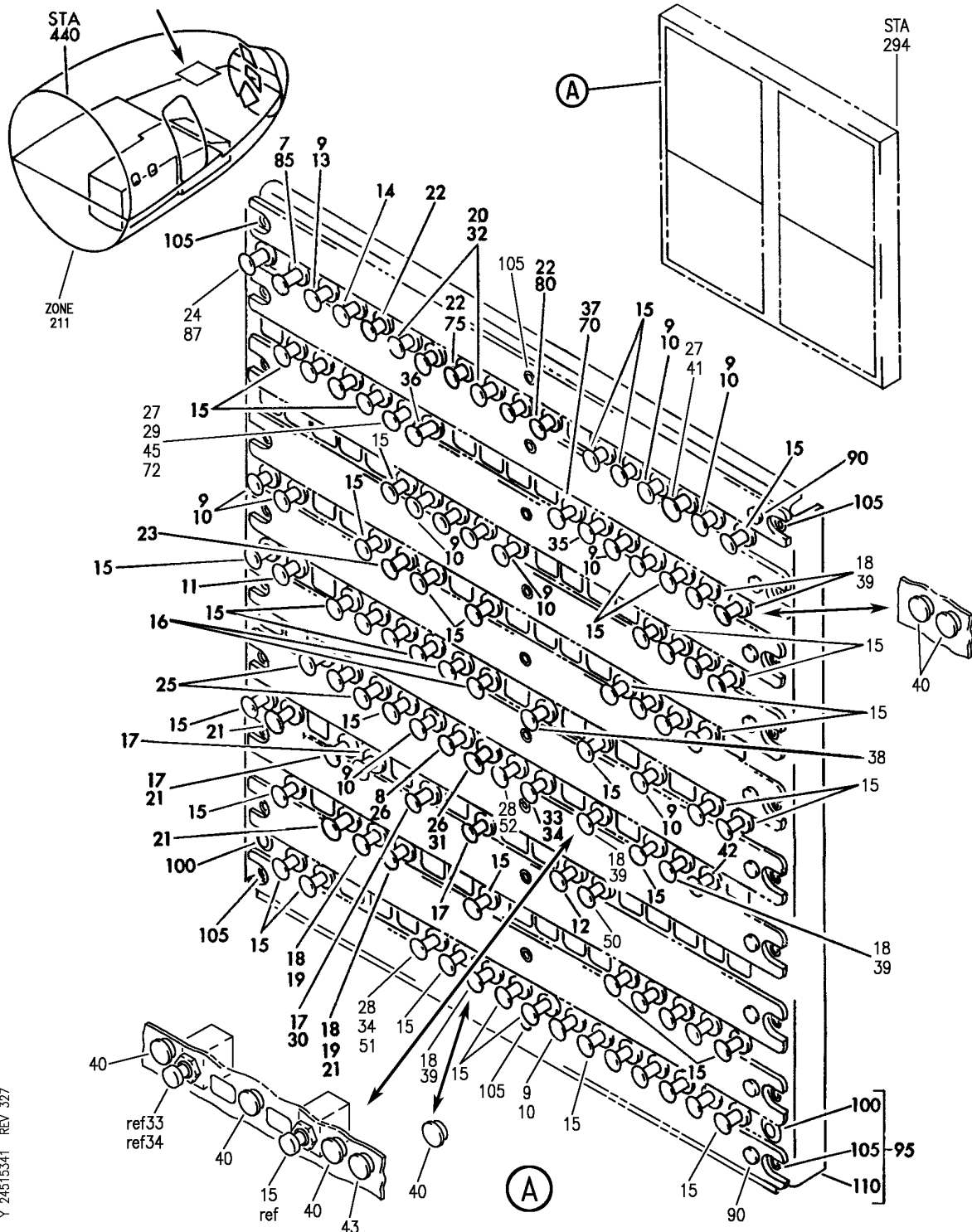
BRI

24-51-53-39

BOEING PROPRIETARY - Copyright © - Unpublished Work - See title page for details.

24-51-53
FIG. 39
PAGE 13
JAN 20/09

BOEING
757
PARTS CATALOG (MAINTENANCE)



Y 24515341 REV 327

PANEL ASSY-P11-3 CB (ELECTRICAL POWER ONLY)
FIGURE 41

24-51-53-41

BRI
SEP 20/08

24-51-53-41
PAGE 0



757

PARTS CATALOG (MAINTENANCE)

FIG ITEM	PART NUMBER	1 2 3 4 5 6 7	NOMENCLATURE	EFFECT FROM TO	UNITS PER ASSY
41			PANEL ASSY-P11-3 CB (ELECTRICAL POWER ONLY)	002004 006101 950999	
- 1	233N5213-96		PANEL ASSY-P11-3 CB (ELECTRICAL POWER ONLY) FOR NHA/OTHER SYS DET SEE: 24-00-51-03	953999	RF
- 1	233N5213-189		PANEL ASSY-P11-3 CB (ELECTRICAL POWER ONLY) FOR NHA/OTHER SYS DET SEE: 24-00-51-03	101101	RF
- 1	233N5034-2		PANEL ASSY-P11-3 CB (ELECTRICAL POWER ONLY) POST SERVICE BULLETIN: 21-0060 PRE SERVICE BULLETIN: 21-0066 FOR NHA/OTHER SYS DET SEE: 24-00-51-03	009009	RF
- 1	233N5213-70		PANEL ASSY-P11-3 CB (ELECTRICAL POWER ONLY) FOR NHA/OTHER SYS DET SEE: 24-00-51-03	952952	RF
- 1	233N5213-85		PANEL ASSY-P11-3 CB (ELECTRICAL POWER ONLY) PRE SERVICE BULLETIN: 21-0060 21-0066 FOR NHA/OTHER SYS DET SEE: 24-00-51-03	002004 006017	RF
- 2	233N5213-92		PANEL ASSY-P11-3 CB (ELECTRICAL POWER ONLY) FOR NHA/OTHER SYS DET SEE: 24-00-51-03	950951	RF
- 3	233N5213-136		PANEL ASSY-P11-3 CB (ELECTRICAL POWER ONLY) PRE SERVICE BULLETIN: 21-0066 FOR NHA/OTHER SYS DET SEE: 24-00-51-03	018100	RF
- 3	233N5037-34		PANEL ASSY-P11-3 CB (ELECTRICAL POWER ONLY)S POST SERVICE BULLETIN: 21-0066 FOR NHA/OTHER SYS DET SEE: 24-00-51-03	002004 006100	RF

MISSING ITEM NUMBERS NOT APPLICABLE

- ITEM NOT ILLUSTRATED

24-51-53-41

24-51-53
FIG. 41
PAGE 1
JAN 20/09

BRI



757

PARTS CATALOG (MAINTENANCE)

FIG ITEM	PART NUMBER	1 2 3 4 5 6 7	NOMENCLATURE	EFFECT FROM TO	UNITS PER ASSY
41					
- 4	BAC27NFDE0116		.MARKER-ALUMINUM FOIL MISCELLANEOUS DATA: (USE IN PLACE OF CIRCUIT BREAKERS ON OPEN HOLES)	101101 950951	AR
- 4	BAC27NFDE0116		.MARKER-ALUMINUM FOIL MISCELLANEOUS DATA: (USE IN PLACE OF CIRCUIT BREAKERS ON OPEN HOLES) OPTIONAL PART: 2645 V28520	950951	AR
- 4	BAC27NFDE0116		.MARKER-ALUMINUM FOIL MISCELLANEOUS DATA: (USE IN PLACE OF CIRCUIT BREAKERS ON OPEN HOLES) OPTIONAL PART: 2645 V28520	952952	AR
- 4	BAC27NFDE0116		.MARKER-ALUMINUM FOIL MISCELLANEOUS DATA: (USE IN PLACE OF CIRCUIT BREAKERS ON OPEN HOLES) OPTIONAL PART: 2645 V28520	002004 006100	AR
- 4	BAC27NFDE0116		.MARKER-ALUMINUM FOIL MISCELLANEOUS DATA: (USE IN PLACE OF CIRCUIT BREAKERS ON OPEN HOLES)	953999	AR
- 5	2646		.PLUG-DOME SUPPLIER CODE: V28520	950951	AR
- 5	2646		.PLUG-DOME SUPPLIER CODE: V28520	952952	AR
- 5	2646		.PLUG-DOME SUPPLIER CODE: V28520	002004 006100	AR
- 5	2645		.PLUG-DOME SUPPLIER CODE: V28520 MISCELLANEOUS DATA: (USE IN PLACE OF CIRCUIT BREAKERS ON OPEN HOLES) OPTIONAL PART: BAC27NFDE0116	950951	AR

MISSING ITEM NUMBERS NOT APPLICABLE

- ITEM NOT ILLUSTRATED

24-51-53-41

24-51-53
FIG. 41
PAGE 2
JAN 20/09

BRI



757

PARTS CATALOG (MAINTENANCE)

FIG ITEM	PART NUMBER	1 2 3 4 5 6 7	NOMENCLATURE	EFFECT FROM TO	UNITS PER ASSY
41					
- 5	2645		.PLUG-DOME SUPPLIER CODE: V28520 MISCELLANEOUS DATA: (USE IN PLACE OF CIRCUIT BREAKERS ON OPEN HOLES) OPTIONAL PART: BAC27NFDE0116	952952	AR
- 5	2645		.PLUG-DOME SUPPLIER CODE: V28520 MISCELLANEOUS DATA: USE IN PLACE OF CIRCUIT BREAKERS ON OPEN HOLES	002004 006100	AR
- 5	2646		.PLUG-DOME SUPPLIER CODE: V28520	953999	AR
- 5	2645		.PLUG-DOME SUPPLIER CODE: V28520 MISCELLANEOUS DATA: (USE IN PLACE OF CIRCUIT BREAKERS ON OPEN HOLES)	953999	AR
- 6	2645		.PLUG-DOME SUPPLIER CODE: V28520 MISCELLANEOUS DATA: (USE IN PLACE OF CIRCUIT BREAKERS ON OPEN HOLES)	101101	AR
- 6	2646		.PLUG-DOME SUPPLIER CODE: V28520	101101	AR
7	2TC47-5		.CIRCUIT BREAKER- SUPPLIER CODE: V82647 SPECIFICATION NUMBER: BACC18AD5 OPTIONAL PART: 4310-029-5 V76374 ELECTRICAL EQUIP NUMBER: C00743	952999	1

MISSING ITEM NUMBERS NOT APPLICABLE

- ITEM NOT ILLUSTRATED

BRI

24-51-53-41

24-51-53
FIG. 41
PAGE 3
JAN 20/09



757

PARTS CATALOG (MAINTENANCE)

FIG ITEM	PART NUMBER	1 2 3 4 5 6 7	NOMENCLATURE	EFFECT FROM TO	UNITS PER ASSY
41 8	2TC47-2-5		.CIRCUIT BREAKER- SUPPLIER CODE: V82647 SPECIFICATION NUMBER: BACC18AD2 OPTIONAL PART: 4310-029-205 V76374 ELECTRICAL EQUIP NUMBER: C01271	952999	1
10	2TC47-5		.CIRCUIT BREAKER- SUPPLIER CODE: V82647 SPECIFICATION NUMBER: BACC18AD5 OPTIONAL PART: 4310-029-5 V76374 ELECTRICAL EQUIP NUMBER: C00686 C01182 C01226 C01297 C01298 C01339 C04032 C04178 C04226 C04228 C04230 C04298	002004 006101 950999	12
11	2TC47-2-5		.CIRCUIT BREAKER- SUPPLIER CODE: V82647 SPECIFICATION NUMBER: BACC18AD2 OPTIONAL PART: 4310-029-205 V76374 ELECTRICAL EQUIP NUMBER: C01237	002004 006101 950999	1

MISSING ITEM NUMBERS NOT APPLICABLE

- ITEM NOT ILLUSTRATED

24-51-53-41

24-51-53
FIG. 41
PAGE 4
JAN 20/09

BRI



757

PARTS CATALOG (MAINTENANCE)

FIG ITEM	PART NUMBER	1 2 3 4 5 6 7	NOMENCLATURE	EFFECT FROM TO	UNITS PER ASSY
41					
13	2TC47-5		.CIRCUIT BREAKER- SUPPLIER CODE: V82647 SPECIFICATION NUMBER: BACC18AD5 OPTIONAL PART: 4310-029-5 V76374 ELECTRICAL EQUIP NUMBER: C00743	002004 006101 950951	1
13	2TC47-2-5		.CIRCUIT BREAKER- SUPPLIER CODE: V82647 SPECIFICATION NUMBER: BACC18AD2 OPTIONAL PART: 4310-029-205 V76374 ELECTRICAL EQUIP NUMBER: C00520	952999	1
14	2TC47-2-5		.CIRCUIT BREAKER- SUPPLIER CODE: V82647 SPECIFICATION NUMBER: BACC18AD2 OPTIONAL PART: 4310-029-205 V76374 ELECTRICAL EQUIP NUMBER: C00520	002004 006101 950951	1
15	2TC47-2-5		.CIRCUIT BREAKER- SUPPLIER CODE: V82647 SPECIFICATION NUMBER: BACC18AD2 OPTIONAL PART: 4310-029-205 V76374 ELECTRICAL EQUIP NUMBER: C00578 C00660 C00667 C00670 C00822 C00824 C01005 C01022 C01034 C01035	002004 006101 950999	50

MISSING ITEM NUMBERS NOT APPLICABLE

- ITEM NOT ILLUSTRATED

BRI

24-51-53-41

BOEING PROPRIETARY - Copyright © - Unpublished Work - See title page for details.

24-51-53
FIG. 41
PAGE 5
JAN 20/09



757

PARTS CATALOG (MAINTENANCE)

FIG ITEM	PART NUMBER	1 2 3 4 5 6 7	NOMENCLATURE	EFFECT FROM TO	UNITS PER ASSY
41			C01080 C01082 C01128 C01171 C01176 C01180 C01241 C01242 C01244 C01252 C01254 C01276 C01289 C01290 C01332 C01400 C01430 C01464 C01498 C04019 C04024 C04038 C04043 C04044 C04059 C04069 C04071 C04078 C04081 C04099 C04101 C04126 C04196 C04207 C04221 C04224 C04270 C04280 C04283 C04308		

MISSING ITEM NUMBERS NOT APPLICABLE

- ITEM NOT ILLUSTRATED

BRI

24-51-53-41

BOEING PROPRIETARY - Copyright © - Unpublished Work - See title page for details.

24-51-53
FIG. 41
PAGE 6
JAN 20/09



757

PARTS CATALOG (MAINTENANCE)

FIG ITEM	PART NUMBER	1 2 3 4 5 6 7	NOMENCLATURE	EFFECT FROM TO	UNITS PER ASSY
41 16	2TC47-2-5		.CIRCUIT BREAKER- SUPPLIER CODE: V82647 SPECIFICATION NUMBER: BACC18AD2 OPTIONAL PART: 4310-029-205 V76374 ELECTRICAL EQUIP NUMBER: C04375 C04376	002004 006101 950999	2
17	2TC47-2-5		.CIRCUIT BREAKER- SUPPLIER CODE: V82647 SPECIFICATION NUMBER: BACC18AD2 OPTIONAL PART: 4310-029-205 V76374 ELECTRICAL EQUIP NUMBER: C04103 C04107 C04119 C04129	002004 006101 950999	4
18	2TC47-2-5		.CIRCUIT BREAKER- SUPPLIER CODE: V82647 SPECIFICATION NUMBER: BACC18AD2 OPTIONAL PART: 4310-029-205 V76374 ELECTRICAL EQUIP NUMBER: C00573 C00653 C01120 C01480 C01482 C04039 C04194	950951	7

MISSING ITEM NUMBERS NOT APPLICABLE

- ITEM NOT ILLUSTRATED

BRI

24-51-53-41

BOEING PROPRIETARY - Copyright © - Unpublished Work - See title page for details.

24-51-53
FIG. 41
PAGE 7
JAN 20/09



757

PARTS CATALOG (MAINTENANCE)

FIG ITEM	PART NUMBER	1 2 3 4 5 6 7	NOMENCLATURE	EFFECT FROM TO	UNITS PER ASSY
41 20	6TC6-3		.CIRCUIT BREAKER- SUPPLIER CODE: V82647 SPECIFICATION NUMBER: BACC18AC3 OPTIONAL PART: 4330-004-3 V76374 ELECTRICAL EQUIP NUMBER: C03003 C03004	101101	2
22	6TC6-3		.CIRCUIT BREAKER- SUPPLIER CODE: V82647 SPECIFICATION NUMBER: BACC18AC3 OPTIONAL PART: 4330-004-3 V76374 ELECTRICAL EQUIP NUMBER: C03003 C03004 C03004	952999	3
23	2TC47-2-5		.CIRCUIT BREAKER- SUPPLIER CODE: V82647 SPECIFICATION NUMBER: BACC18AD2 OPTIONAL PART: 4310-029-205 V76374 ELECTRICAL EQUIP NUMBER: C04087	002004 006101	1
24	2TC47-2-5		.CIRCUIT BREAKER- SUPPLIER CODE: V82647 SPECIFICATION NUMBER: BACC18AD2 OPTIONAL PART: 4310-029-205 V76374 ELECTRICAL EQUIP NUMBER: C00564	002004 006101 950999	1

MISSING ITEM NUMBERS NOT APPLICABLE

- ITEM NOT ILLUSTRATED

24-51-53-41

24-51-53
FIG. 41
PAGE 8
JAN 20/09

BRI



757

PARTS CATALOG (MAINTENANCE)

FIG ITEM	PART NUMBER	1 2 3 4 5 6 7	NOMENCLATURE	EFFECT FROM TO	UNITS PER ASSY
41 25	2TC47-7-5		.CIRCUIT BREAKER- SUPPLIER CODE: V82647 SPECIFICATION NUMBER: BACC18AD7 OPTIONAL PART: 4310-029-705 V76374 ELECTRICAL EQUIP NUMBER: C01247 C01248 C01249	002004 006101 950999	3
26	2TC47-5		.CIRCUIT BREAKER- SUPPLIER CODE: V82647 SPECIFICATION NUMBER: BACC18AD5 OPTIONAL PART: 4310-029-5 V76374 ELECTRICAL EQUIP NUMBER: C01312 C01313	950951	2
28	2TC47-3		.CIRCUIT BREAKER- SUPPLIER CODE: V82647 SPECIFICATION NUMBER: BACC18AD3 OPTIONAL PART: 4310-029-3 V76374 ELECTRICAL EQUIP NUMBER: C00561 C00673	950951	2
29	2TC47-2-5		.CIRCUIT BREAKER- SUPPLIER CODE: V82647 SPECIFICATION NUMBER: BACC18AD2 OPTIONAL PART: 4310-029-205 V76374 ELECTRICAL EQUIP NUMBER: C04356	002004 006100 952999	1

MISSING ITEM NUMBERS NOT APPLICABLE

- ITEM NOT ILLUSTRATED

BRI

24-51-53-41

BOEING PROPRIETARY - Copyright © - Unpublished Work - See title page for details.

24-51-53
FIG. 41
PAGE 9
JAN 20/09



757

PARTS CATALOG (MAINTENANCE)

FIG ITEM	PART NUMBER	1 2 3 4 5 6 7	NOMENCLATURE	EFFECT FROM TO	UNITS PER ASSY
41 32	6TC6-3		.CIRCUIT BREAKER- SUPPLIER CODE: V82647 SPECIFICATION NUMBER: BACC18AC3 OPTIONAL PART: 4330-004-3 V76374 ELECTRICAL EQUIP NUMBER: C03003 C03043	950951	2
32	6TC6-3		.CIRCUIT BREAKER- SUPPLIER CODE: V82647 SPECIFICATION NUMBER: BACC18AC3 OPTIONAL PART: 4330-004-3 V76374 ELECTRICAL EQUIP NUMBER: C03003 C03004	002004 006100	2
33	2TC47-2-5		.CIRCUIT BREAKER- SUPPLIER CODE: V82647 SPECIFICATION NUMBER: BACC18AD2 OPTIONAL PART: 4310-029-205 V76374 ELECTRICAL EQUIP NUMBER: C00702	950951	1
34	2TC47-3		.CIRCUIT BREAKER- SUPPLIER CODE: V82647 SPECIFICATION NUMBER: BACC18AD3 OPTIONAL PART: 4310-029-3 V76374 ELECTRICAL EQUIP NUMBER: C00673 C00561	002004 006101 952999	2

MISSING ITEM NUMBERS NOT APPLICABLE

- ITEM NOT ILLUSTRATED

BRI

24-51-53-41

24-51-53
FIG. 41
PAGE 10
JAN 20/09



757

PARTS CATALOG (MAINTENANCE)

FIG ITEM	PART NUMBER	1 2 3 4 5 6 7	NOMENCLATURE	EFFECT FROM TO	UNITS PER ASSY
41 35	2TC47-10	.	CIRCUIT BREAKER- SUPPLIER CODE: V82647 SPECIFICATION NUMBER: BACC18AD10 OPTIONAL PART: 4310-029-10 V76374 ELECTRICAL EQUIP NUMBER: C01143	002004 006101 950999	1
36	2TC47-2-5	.	CIRCUIT BREAKER- SUPPLIER CODE: V82647 SPECIFICATION NUMBER: BACC18AD2 OPTIONAL PART: 4310-029-205 V76374 ELECTRICAL EQUIP NUMBER: C04494 POST SERVICE BULLETIN: 21-0060	009009 101101	1
37	2TC47-2-5	.	CIRCUIT BREAKER- SUPPLIER CODE: V82647 SPECIFICATION NUMBER: BACC18AD2 OPTIONAL PART: 4310-029-205 V76374 ELECTRICAL EQUIP NUMBER: C01136	002004 006100 950999	1
38	2TC47-2-5	.	CIRCUIT BREAKER- SUPPLIER CODE: V82647 SPECIFICATION NUMBER: BACC18AD2 OPTIONAL PART: 4310-029-205 V76374 ELECTRICAL EQUIP NUMBER: C00705	002004 006101 950999	1

MISSING ITEM NUMBERS NOT APPLICABLE

- ITEM NOT ILLUSTRATED

BRI

24-51-53-41

24-51-53
FIG. 41
PAGE 11
JAN 20/09



757

PARTS CATALOG (MAINTENANCE)

FIG ITEM	PART NUMBER	1 2 3 4 5 6 7	NOMENCLATURE	EFFECT FROM TO	UNITS PER ASSY
41					
42	2TC47-2-5		.CIRCUIT BREAKER- SUPPLIER CODE: V82647 SPECIFICATION NUMBER: BACC18AD2 OPTIONAL PART: 4310-029-205 V76374 ELECTRICAL EQUIP NUMBER: C00709 PRE SERVICE BULLETIN: 21-0066	002004 006100 950999	1
43	2645		.PLUG-DOME SUPPLIER CODE: V28520 POST SERVICE BULLETIN: 21-0066	002004 006100	1
43	2646		.PLUG-DOME SUPPLIER CODE: V28520	002004 006100	1
45	2TC47-2-5		.CIRCUIT BREAKER- SUPPLIER CODE: V82647 SPECIFICATION NUMBER: BACC18AD2 OPTIONAL PART: 4310-029-205 V76374 ELECTRICAL EQUIP NUMBER: C04356	101101	1
50	2TC47-2-5		.CIRCUIT BREAKER- SUPPLIER CODE: V82647 SPECIFICATION NUMBER: BACC18AD2 OPTIONAL PART: 4310-029-205 V76374 ELECTRICAL EQUIP NUMBER: C04679 POST ALERT SB: 28A0081	002004 006101 950999	1
72	10237-1		.CLIP-STOW SUPPLIER CODE: V07RZ7 POST SERVICE BULLETIN: 24-0126	009009	1

MISSING ITEM NUMBERS NOT APPLICABLE

- ITEM NOT ILLUSTRATED

24-51-53-41

24-51-53
FIG. 41
PAGE 12
JAN 20/09

BRI



757

PARTS CATALOG (MAINTENANCE)

FIG ITEM	PART NUMBER	1 2 3 4 5 6 7	NOMENCLATURE	EFFECT FROM TO	UNITS PER ASSY
41					
75	10237-1	.	CLIP-STOW SUPPLIER CODE: V07RZ7	952999	1
85	10237-1	.	CLIP-STOW SUPPLIER CODE: V07RZ7	953999	1
90	800000121-1	.	CONNECTOR- SUPPLIER CODE: V05617	002004 006101 950999	10
95	233N5204-11	.	BASEPLATE ASSY-	002004 006017 950999	1
95	233N5204-13	.	BASEPLATE ASSY-	018101	1
100	BACS21Y3R	..	STUD ASSY	002004 006101 950999	2
105	SF6G6CBB5D	..	NUT SUPPLIER CODE: V12324 SPECIFICATION NUMBER: BACN10PA06-6	002004 006101 950999	30
110	233N5202-5	..	BASEPLATE	002004 006101 950999	1

MISSING ITEM NUMBERS NOT APPLICABLE

- ITEM NOT ILLUSTRATED

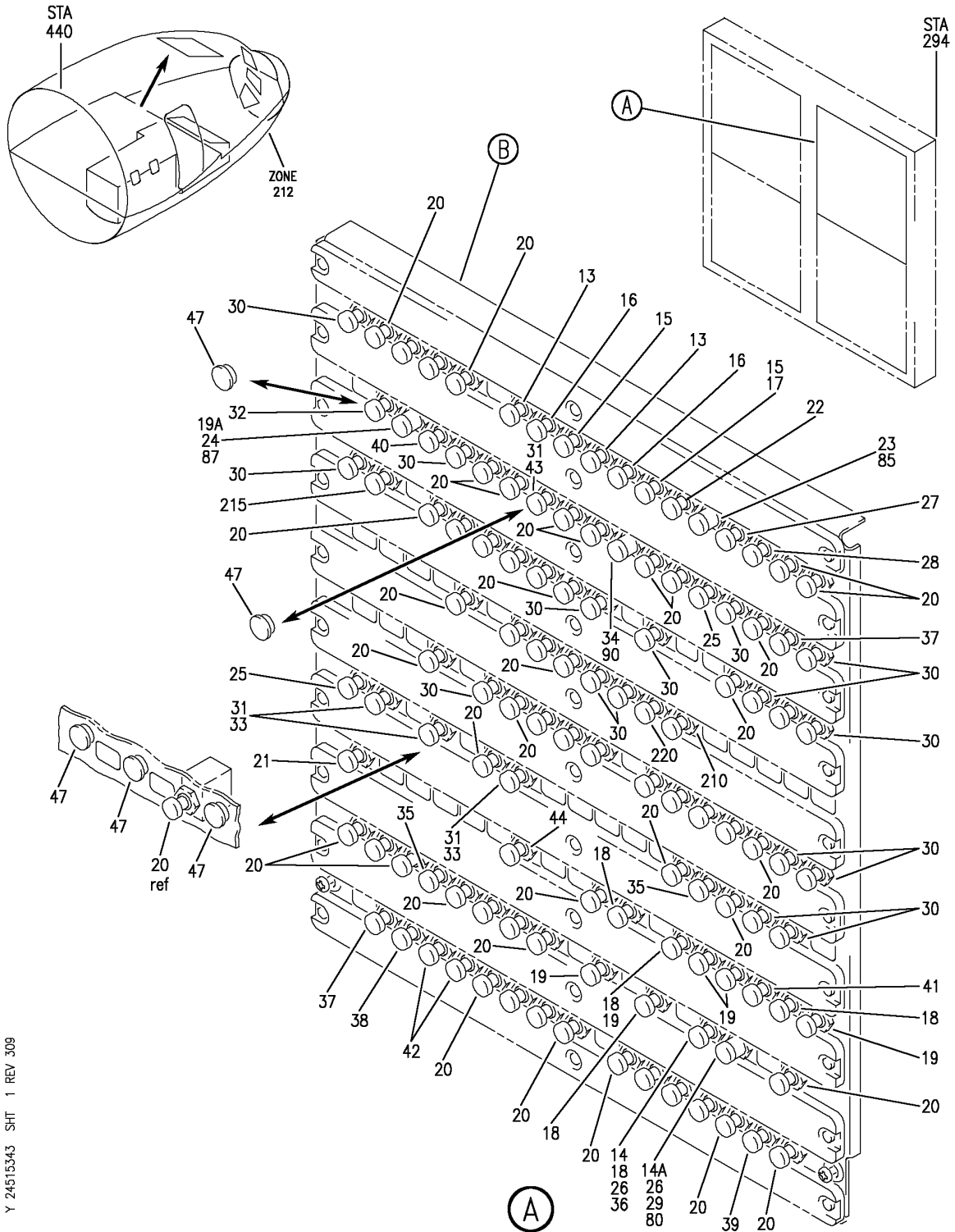
BRI

24-51-53-41

BOEING PROPRIETARY - Copyright © - Unpublished Work - See title page for details.

24-51-53
FIG. 41
PAGE 13
JAN 20/09

BOEING
757
PARTS CATALOG (MAINTENANCE)



Y 24515343 SHT 1 REV 309

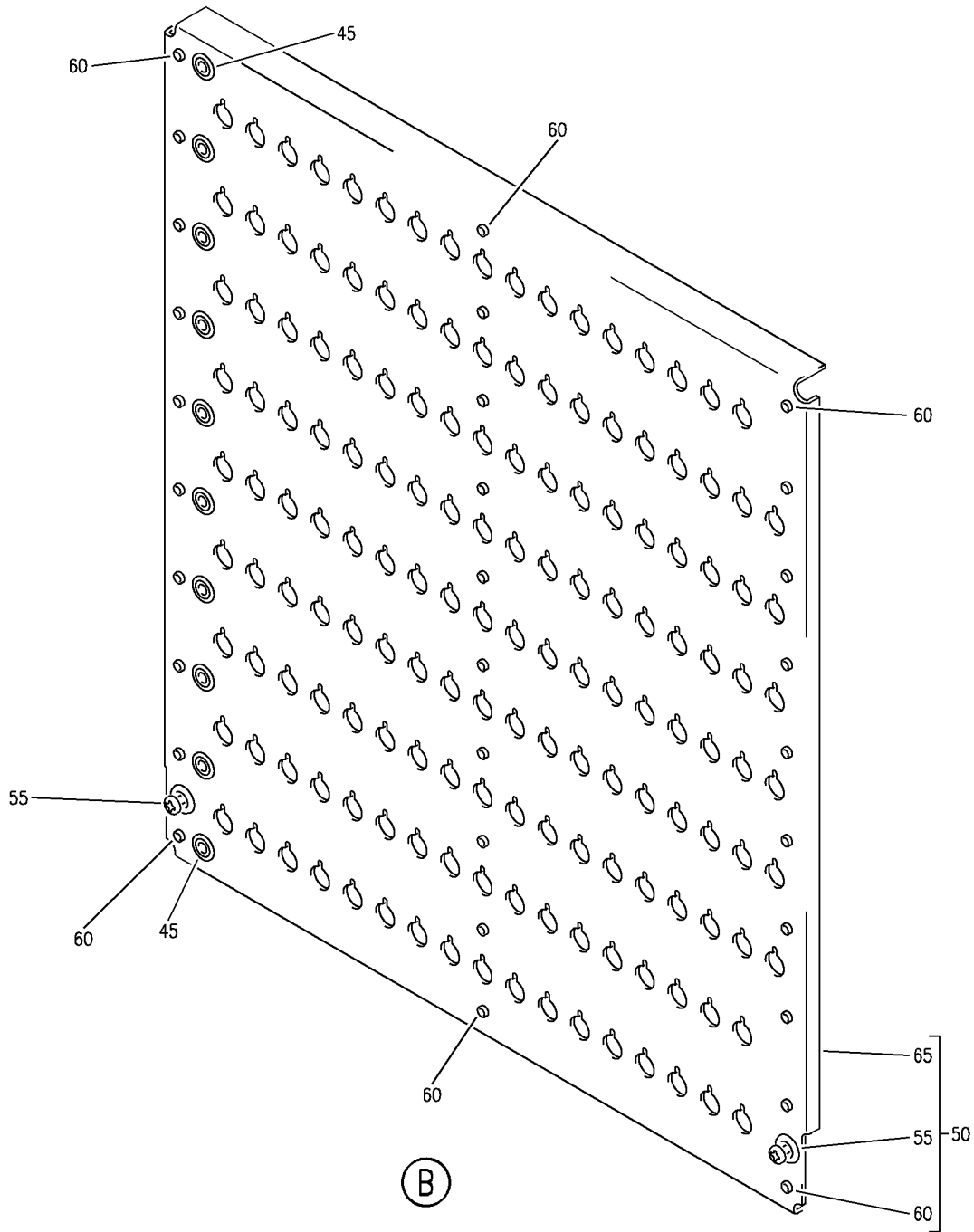
PANEL ASSY-P11-4 CB (ELECTRICAL POWER ONLY)
FIGURE 43 (SHEET 1)

24-51-53-43

BRI
MAY 28/07

24-51-53-43
PAGE 0

BOEING
757
PARTS CATALOG (MAINTENANCE)



Y 24515343 SHT 2 REV 299

PANEL ASSY-P11-4 CB (ELECTRICAL POWER ONLY)
FIGURE 43 (SHEET 2)

24-51-53-43

BRI
MAY 28/07

24-51-53-43
PAGE 0A



757

PARTS CATALOG (MAINTENANCE)

FIG ITEM	PART NUMBER	1 2 3 4 5 6 7	NOMENCLATURE	EFFECT FROM TO	UNITS PER ASSY
43			PANEL ASSY-P11-4 CB (ELECTRICAL POWER ONLY)	002004 006100 950999	
- 1	233N5214-73		PANEL ASSY-P11-4 CB (ELECTRICAL POWER ONLY) FOR NHA/OTHER SYS DET SEE: 24-00-51-04	002004	RF
- 1	233N5214-87		PANEL ASSY-P11-4 CB (ELECTRICAL POWER ONLY) FOR NHA/OTHER SYS DET SEE: 24-00-51-04	952952	RF
- 3	233N5214-95		PANEL ASSY-P11-4 CB (ELECTRICAL POWER ONLY) FOR NHA/OTHER SYS DET SEE: 24-00-51-04	953999	RF
- 3	233N5214-98		PANEL ASSY-P11-4 CB (ELECTRICAL POWER ONLY) FOR NHA/OTHER SYS DET SEE: 24-00-51-04	006017	RF
- 3	233N5214-100		PANEL ASSY-P11-4 CB (ELECTRICAL POWER ONLY) FOR NHA/OTHER SYS DET SEE: 24-00-51-04	950951	RF
- 4	233N5214-128		PANEL ASSY-P11-4 CB (ELECTRICAL POWER ONLY) FOR NHA/OTHER SYS DET SEE: 24-00-51-04	018100	RF
- 9	BAC27NFDE0116		.MARKER- MISCELLANEOUS DATA: USE IN PLACE OF CIRCUIT BREAKERS ON OPEN HOLES	002004 006100 952999	AR
- 10	BAC27NFDE0116		.MARKER- MISCELLANEOUS DATA: USE IN PLACE OF CIRCUIT BREAKERS ON OPEN HOLES OPTIONAL PART: 2645 V28520	950951	AR
- 10	2645		.PLUG-DOME SUPPLIER CODE: V28520 MISCELLANEOUS DATA: USE IN PLACE OF CIRCUIT BREAKERS ON OPEN HOLES	018100 953999	AR

MISSING ITEM NUMBERS NOT APPLICABLE

- ITEM NOT ILLUSTRATED

24-51-53-43

24-51-53
FIG. 43
PAGE 1
JAN 20/09

BRI



757

PARTS CATALOG (MAINTENANCE)

FIG ITEM	PART NUMBER	1 2 3 4 5 6 7	NOMENCLATURE	EFFECT FROM TO	UNITS PER ASSY
43					
- 10	2645		.PLUG-DOME SUPPLIER CODE: V28520 MISCELLANEOUS DATA: USE IN PLACE OF CIRCUIT BREAKERS ON OPEN HOLES OPTIONAL PART: BAC27NFDE0116	950951	AR
- 10	2645		.PLUG-DOME SUPPLIER CODE: V28520 MISCELLANEOUS DATA: USE IN PLACE OF CIRCUIT BREAKERS ON OPEN HOLES	006017	AR
- 11	2646		.PLUG-DOME SUPPLIER CODE: V28520	018100 953999	AR
- 11	2646		.PLUG-DOME SUPPLIER CODE: V28520	950951	AR
- 11	2646		.PLUG-DOME SUPPLIER CODE: V28520	006017	AR
15	6TC6-3		.CIRCUIT BREAKER- SUPPLIER CODE: V82647 SPECIFICATION NUMBER: BACC18AC3 OPTIONAL PART: 4330-004-3 V76374 ELECTRICAL EQUIP NUMBER: C03011 C03012	002004 006100 950999	2
19	2TC47-2-5		.CIRCUIT BREAKER- SUPPLIER CODE: V82647 SPECIFICATION NUMBER: BACC18AD2 OPTIONAL PART: 4310-029-205 V76374 ELECTRICAL EQUIP NUMBER: C04104 C04108 C04127 C04130 C04317	002004 006100 950999	5
20	2TC47-2-5		.CIRCUIT BREAKER-	002004	55

MISSING ITEM NUMBERS NOT APPLICABLE

- ITEM NOT ILLUSTRATED

24-51-53-43

24-51-53
FIG. 43
PAGE 2
JAN 20/09

BRI



757

PARTS CATALOG (MAINTENANCE)

FIG ITEM	PART NUMBER	1 2 3 4 5 6 7	NOMENCLATURE	EFFECT FROM TO	UNITS PER ASSY
43			SUPPLIER CODE: V82647 SPECIFICATION NUMBER: BACC18AD2 OPTIONAL PART: 4310-029-205 V76374 ELECTRICAL EQUIP NUMBER: C00565 C00574 C00661 C00763 C00764 C00765 C00766 C00794 C00795 C00823 C00825 C01081 C01101 C01172 C01173 C01174 C01202 C01239 C01240 C01251 C01277 C01281 C01287 C01288 C01333 C01336 C01342 C01432 C01499 C04014 C04026 C04029 C04030 C04031 C04036 C04045 C04072 C04079 C04082 C04094 C04131	006100 950999	

MISSING ITEM NUMBERS NOT APPLICABLE

- ITEM NOT ILLUSTRATED

BRI

24-51-53-43

BOEING PROPRIETARY - Copyright © - Unpublished Work - See title page for details.

24-51-53
FIG. 43
PAGE 3
JAN 20/09



757

PARTS CATALOG (MAINTENANCE)

FIG ITEM	PART NUMBER	1 2 3 4 5 6 7	NOMENCLATURE	EFFECT FROM TO	UNITS PER ASSY
43			C04183 C04184 C04185 C04186 C04189 C04192 C04193 C04195 C04197 C04208 C04225 C04261 C04279 C04309		
21	2TC47-5		.CIRCUIT BREAKER- SUPPLIER CODE: V82647 SPECIFICATION NUMBER: BACC18AD5 OPTIONAL PART: 4310-029-5 V76374 ELECTRICAL EQUIP NUMBER: C01053	002004 006100 950999	1
23	2TC47-2-5		.CIRCUIT BREAKER- SUPPLIER CODE: V82647 SPECIFICATION NUMBER: BACC18AD2 OPTIONAL PART: 4310-029-205 V76374 ELECTRICAL EQUIP NUMBER: C01355	002004 006100 950999	1
24	2TC47-2-5		.CIRCUIT BREAKER- SUPPLIER CODE: V82647 SPECIFICATION NUMBER: BACC18AD2 OPTIONAL PART: 4310-029-205 V76374 ELECTRICAL EQUIP NUMBER: C01145	002004 006100 950999	1

MISSING ITEM NUMBERS NOT APPLICABLE

- ITEM NOT ILLUSTRATED

24-51-53-43

24-51-53
FIG. 43
PAGE 4
JAN 20/09

BRI



757

PARTS CATALOG (MAINTENANCE)

FIG ITEM	PART NUMBER	1 2 3 4 5 6 7	NOMENCLATURE	EFFECT FROM TO	UNITS PER ASSY
43 25	2TC47-3		.CIRCUIT BREAKER- SUPPLIER CODE: V82647 SPECIFICATION NUMBER: BACC18AD3 OPTIONAL PART: 4310-029-3 V76374 ELECTRICAL EQUIP NUMBER: C00674 C00803	002004 006100 950999	2
27	2TC47-2-5		.CIRCUIT BREAKER- SUPPLIER CODE: V82647 SPECIFICATION NUMBER: BACC18AD2 OPTIONAL PART: 4310-029-205 V76374 ELECTRICAL EQUIP NUMBER: C01320	002004 006100 950999	1
28	2TC47-5		.CIRCUIT BREAKER- SUPPLIER CODE: V82647 SPECIFICATION NUMBER: BACC18AD5 OPTIONAL PART: 4310-029-5 V76374 ELECTRICAL EQUIP NUMBER: C00740	006100	1
29	2TC47-2-5		.CIRCUIT BREAKER- SUPPLIER CODE: V82647 SPECIFICATION NUMBER: BACC18AD2 OPTIONAL PART: 4310-029-205 V76374 ELECTRICAL EQUIP NUMBER: C04471	006100 950951 953999	1

MISSING ITEM NUMBERS NOT APPLICABLE

- ITEM NOT ILLUSTRATED

24-51-53-43

24-51-53
FIG. 43
PAGE 5
JAN 20/09

BRI



757

PARTS CATALOG (MAINTENANCE)

FIG ITEM	PART NUMBER	1 2 3 4 5 6 7	NOMENCLATURE	EFFECT FROM TO	UNITS PER ASSY
43 30	2TC47-5		.CIRCUIT BREAKER- SUPPLIER CODE: V82647 SPECIFICATION NUMBER: BACC18AD5 OPTIONAL PART: 4310-029-5 V76374 ELECTRICAL EQUIP NUMBER: C00701 C01170 C01225 C01227 C01273 C01280 C01284 C01294 C01302 C01314 C01340 C04144 C04223 C04227 C04229 C04231 C04299	002004 006100 950999	17
31	2TC47-2-5		.CIRCUIT BREAKER- SUPPLIER CODE: V82647 SPECIFICATION NUMBER: BACC18AD2 OPTIONAL PART: 4310-029-205 V76374 ELECTRICAL EQUIP NUMBER: C00703 C00704 C01121 C04037	950951	4
32	2TC47-5		.CIRCUIT BREAKER- SUPPLIER CODE: V82647 SPECIFICATION NUMBER: BACC18AD5 OPTIONAL PART: 4310-029-5 V76374 ELECTRICAL EQUIP NUMBER: C01132	950951	1

MISSING ITEM NUMBERS NOT APPLICABLE

- ITEM NOT ILLUSTRATED

24-51-53-43

24-51-53
FIG. 43
PAGE 6
JAN 20/09

BRI



757

PARTS CATALOG (MAINTENANCE)

FIG ITEM	PART NUMBER	1 2 3 4 5 6 7	NOMENCLATURE	EFFECT FROM TO	UNITS PER ASSY
43 34	2TC47-2-5	.	CIRCUIT BREAKER- SUPPLIER CODE: V82647 SPECIFICATION NUMBER: BACC18AD2 OPTIONAL PART: 4310-029-205 V76374 ELECTRICAL EQUIP NUMBER: C04357	002004 006100 952999	1
35	2TC47-7-5	.	CIRCUIT BREAKER- SUPPLIER CODE: V82647 SPECIFICATION NUMBER: BACC18AD7 OPTIONAL PART: 4310-029-705 V76374 ELECTRICAL EQUIP NUMBER: C01250 C04292	002004 006100 950999	2
36	2TC47-5	.	CIRCUIT BREAKER- SUPPLIER CODE: V82647 SPECIFICATION NUMBER: BACC18AD5 OPTIONAL PART: 4310-029-5 V76374 ELECTRICAL EQUIP NUMBER: C04470	006100 950951 953999	1
38	2TC47-5	.	CIRCUIT BREAKER- SUPPLIER CODE: V82647 SPECIFICATION NUMBER: BACC18AD5 OPTIONAL PART: 4310-029-5 V76374 ELECTRICAL EQUIP NUMBER: C04209	002004 006100 950999	1

MISSING ITEM NUMBERS NOT APPLICABLE

- ITEM NOT ILLUSTRATED

BRI

24-51-53-43

24-51-53
FIG. 43
PAGE 7
JAN 20/09



757

PARTS CATALOG (MAINTENANCE)

FIG ITEM	PART NUMBER	1 2 3 4 5 6 7	NOMENCLATURE	EFFECT FROM TO	UNITS PER ASSY
43 39	2TC47-2-5		.CIRCUIT BREAKER- SUPPLIER CODE: V82647 SPECIFICATION NUMBER: BACC18AD2 OPTIONAL PART: 4310-029-205 V76374 ELECTRICAL EQUIP NUMBER: C04459	006100 953999	1
40	2TC47-10		.CIRCUIT BREAKER- SUPPLIER CODE: V82647 SPECIFICATION NUMBER: BACC18AD10 OPTIONAL PART: 4310-029-10 V76374 ELECTRICAL EQUIP NUMBER: C01144	002004 006100 950999	1
42	2TC47-2-5		.CIRCUIT BREAKER- SUPPLIER CODE: V82647 SPECIFICATION NUMBER: BACC18AD2 OPTIONAL PART: 4310-029-205 V76374 ELECTRICAL EQUIP NUMBER: C04100 C04102	002004 006100 950999	2
44	2TC47-2-5		.CIRCUIT BREAKER- SUPPLIER CODE: V82647 SPECIFICATION NUMBER: BACC18AD2 OPTIONAL PART: 4310-029-205 V76374 ELECTRICAL EQUIP NUMBER: C04680 POST ALERT SB: 28A0081	002004 006100 950999	1
45	800000121-1		.CONNECTOR- SUPPLIER CODE: V05617	002004 006100 950999	10
50	233N5204-12		.BASEPLATE ASSY-	002004 006017 950999	1

MISSING ITEM NUMBERS NOT APPLICABLE

- ITEM NOT ILLUSTRATED

24-51-53-43

24-51-53
FIG. 43
PAGE 8
JAN 20/09

BRI



757

PARTS CATALOG (MAINTENANCE)

FIG ITEM	PART NUMBER	1 2 3 4 5 6 7	NOMENCLATURE	EFFECT FROM TO	UNITS PER ASSY
43					
50	233N5204-14		.BASEPLATE ASSY-	018100	1
55	BACS21Y3R		..STUD ASSY	002004	2
				006100	
				950999	
60	SF6G6CBB5D		..NUT	002004	30
			SUPPLIER CODE:	006100	
			V12324	950999	
			SPECIFICATION NUMBER:		
			BACN10PA06-6		
65	233N5202-6		..BASEPLATE	002004	1
				006100	
				950999	
80	10237-1		.CLIP-STOW	952999	1
			SUPPLIER CODE:		
			V07RZ7		
90	10237-1		.CLIP-STOW	009009	1
			SUPPLIER CODE:		
			V07RZ7		
			POST SERVICE BULLETIN:		
			24-0126		

MISSING ITEM NUMBERS NOT APPLICABLE

- ITEM NOT ILLUSTRATED

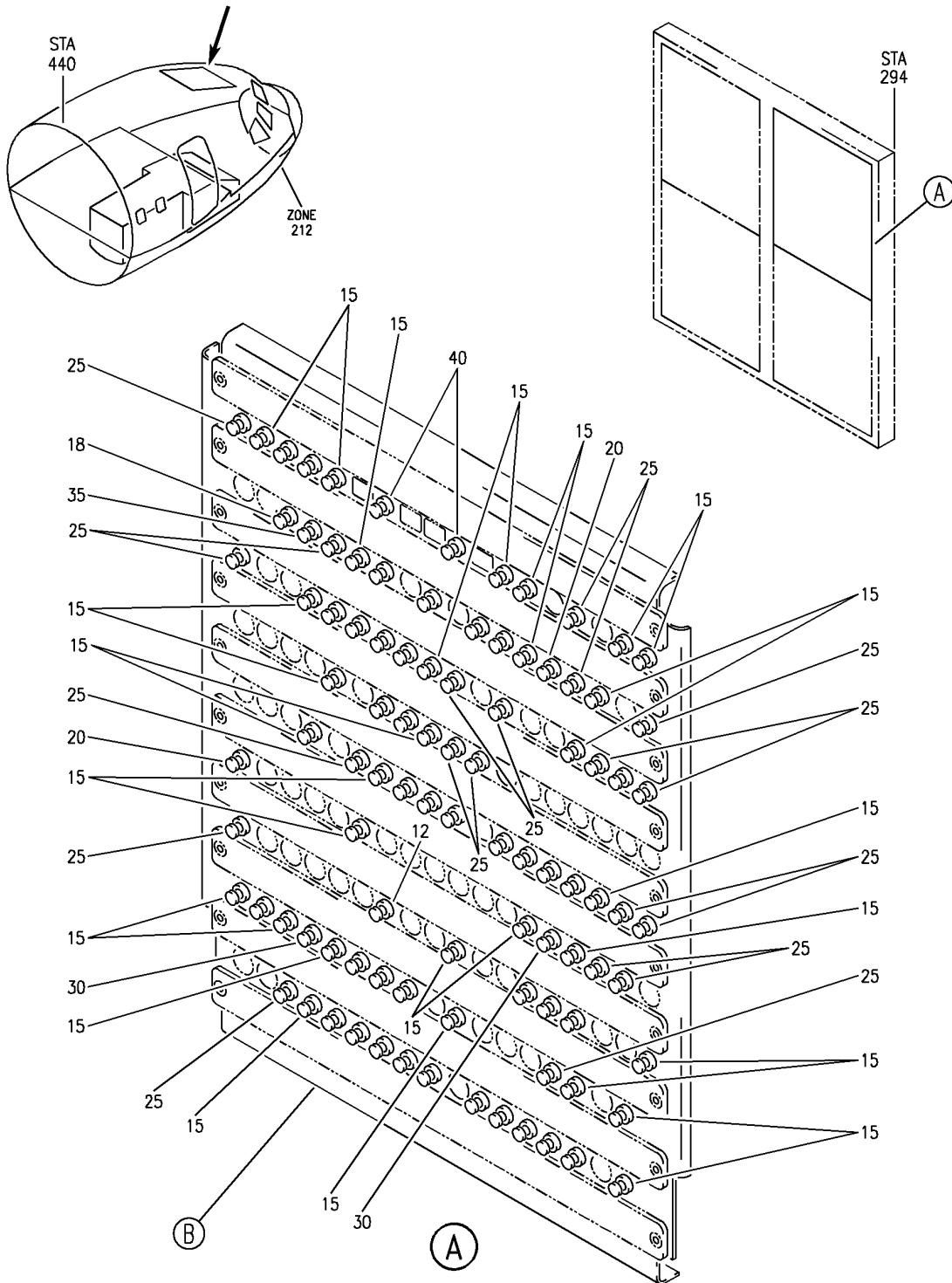
BRI

24-51-53-43

BOEING PROPRIETARY - Copyright © - Unpublished Work - See title page for details.

24-51-53
FIG. 43
PAGE 9
JAN 20/09

BOEING
757
PARTS CATALOG (MAINTENANCE)



Y 24-51-53-43A SHT 1 REV 299

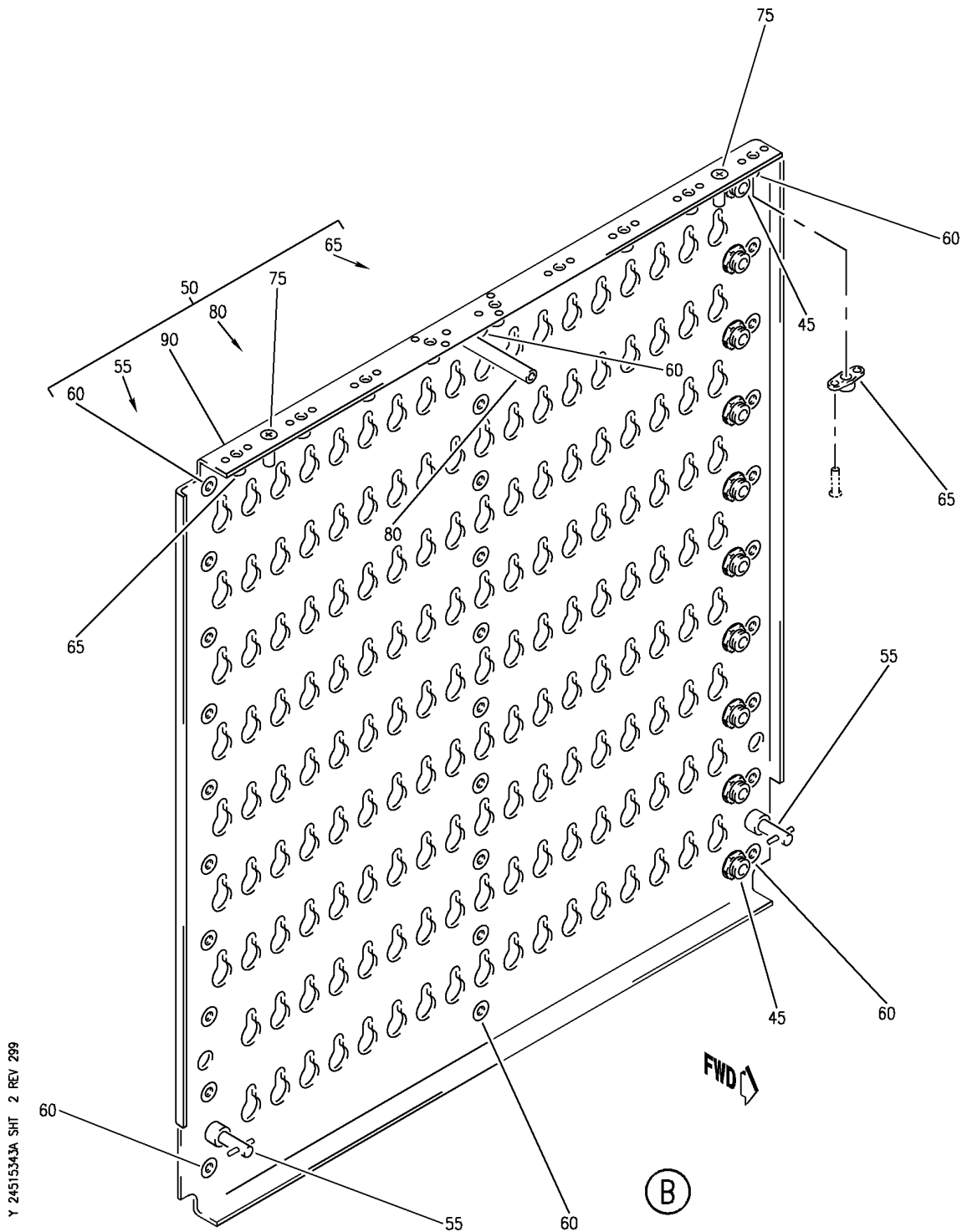
PANEL ASSY-P11-4 CB (ELECTRICAL POWER ONLY)
FIGURE 43A (SHEET 1)

24-51-53-43A

BRI
MAY 28/07

24-51-53-43A
PAGE 0

BOEING
757
PARTS CATALOG (MAINTENANCE)



Y 24-51-53-43A SHT 2 REV 299

PANEL ASSY-P11-4 CB (ELECTRICAL POWER ONLY)
FIGURE 43A (SHEET 2)

24-51-53-43A

BRI
MAY 28/07

24-51-53-43A
PAGE 0A



757

PARTS CATALOG (MAINTENANCE)

FIG ITEM	PART NUMBER	1 2 3 4 5 6 7	NOMENCLATURE	EFFECT FROM TO	UNITS PER ASSY
43A			PANEL ASSY-P11-4 CB (ELECTRICAL POWER ONLY)	101101	
- 1	233N5214-201		PANEL ASSY-P11-4 CB (ELECTRICAL POWER ONLY) FOR NHA/OTHER SYS DET SEE: 24-00-51-04	101101	RF
- 5	BAC27NFDE0116		.MARKER	101101	AR
- 10	2645		.PLUG-DOME SUPPLIER CODE: V28520 MISCELLANEOUS DATA: (USE IN PLACE OF CIRCUIT BREAKERS ON OPEN HOLES)	101101	AR
- 10	2646		.PLUG-DOME SUPPLIER CODE: V28520	101101	AR
12	2TC47-2-5		.CIRCUIT BREAKER- SUPPLIER CODE: V82647 SPECIFICATION NUMBER: BACC18AD2 OPTIONAL PART: 4310-029-205 V76374 ELECTRICAL EQUIP NUMBER: C04680 POST ALERT SB: 28A0081	101101	1
15	2TC47-2-5		.CIRCUIT BREAKER- SUPPLIER CODE: V82647 SPECIFICATION NUMBER: BACC18AD2 OPTIONAL PART: 4310-029-205 V76374 ELECTRICAL EQUIP NUMBER: C00565 C00574 C00661 C00763 C00764 C00765 C00766 C00794 C00795 C00823 C00825 C01081	101101	66

MISSING ITEM NUMBERS NOT APPLICABLE

- ITEM NOT ILLUSTRATED

24-51-53-43A

24-51-53
FIG. 43A
PAGE 1
MAY 28/07

BRI



757

PARTS CATALOG (MAINTENANCE)

FIG ITEM	PART NUMBER	1 2 3 4 5 6 7	NOMENCLATURE	EFFECT FROM TO	UNITS PER ASSY
43A			C01101 C01172 C01173 C01174 C01202 C01239 C01240 C01251 C01277 C01281 C01287 C01288 C01320 C01333 C01336 C01342 C01355 C01432 C01499 C04014 C04026 C04029 C04030 C04031 C04036 C04045 C04072 C04079 C04082 C04094 C04100 C04102 C04104 C04108 C04127 C04130 C04131 C04183 C04184 C04185 C04186 C04189 C04192 C04193 C04195 C04197 C04208 C04225 C04261		

MISSING ITEM NUMBERS NOT APPLICABLE

- ITEM NOT ILLUSTRATED

24-51-53-43A

24-51-53
FIG. 43A
PAGE 2
MAY 28/07

BRI



757

PARTS CATALOG (MAINTENANCE)

FIG ITEM	PART NUMBER	1 2 3 4 5 6 7	NOMENCLATURE	EFFECT FROM TO	UNITS PER ASSY
43A	20 2TC47-3	C04279 C04309 C04317 C04357 C04471	.CIRCUIT BREAKER- SUPPLIER CODE: V82647 SPECIFICATION NUMBER: BACC18AD3 OPTIONAL PART: 4310-029-3 V76374 ELECTRICAL EQUIP NUMBER: C00674 C00803	101101	2
	25 2TC47-5	C00701 C00740 C01053 C01170 C01225 C01227 C01273 C01280 C01284 C01294 C01302 C01314 C01340 C04144 C04209 C04223 C04227 C04229 C04231 C04299 C04470	.CIRCUIT BREAKER- SUPPLIER CODE: V82647 SPECIFICATION NUMBER: BACC18AD5 OPTIONAL PART: 4310-029-5 V76374 ELECTRICAL EQUIP NUMBER:	101101	21

MISSING ITEM NUMBERS NOT APPLICABLE

- ITEM NOT ILLUSTRATED

24-51-53-43A

24-51-53
FIG. 43A
PAGE 3
MAY 28/07

BRI



757

PARTS CATALOG (MAINTENANCE)

FIG ITEM	PART NUMBER	1 2 3 4 5 6 7	NOMENCLATURE	EFFECT FROM TO	UNITS PER ASSY
43A 30	2TC47-7-5		.CIRCUIT BREAKER- SUPPLIER CODE: V82647 SPECIFICATION NUMBER: BACC18AD7 OPTIONAL PART: 4310-029-705 V76374 ELECTRICAL EQUIP NUMBER: C01250 C04292	101101	2
35	2TC47-10		.CIRCUIT BREAKER- SUPPLIER CODE: V82647 SPECIFICATION NUMBER: BACC18AD10 OPTIONAL PART: 4310-029-10 V76374 ELECTRICAL EQUIP NUMBER: C01144	101101	1
40	6TC6-3		.CIRCUIT BREAKER- SUPPLIER CODE: V82647 SPECIFICATION NUMBER: BACC18AC3 OPTIONAL PART: 4330-004-3 V76374 ELECTRICAL EQUIP NUMBER: C03011 C03012	101101	2
45	800000121-1		.CONNECTOR-PWR SUPPLIER CODE: V05617	101101	10
50	233N5204-14		.BASEPLATE ASSY	101101	1
55	BACS21Y2R		..STUD ASSY	101101	2
60	SF6G6CBB5D		..NUT SUPPLIER CODE: V12324 SPECIFICATION NUMBER: BACN10PA06-6	101101	30

MISSING ITEM NUMBERS NOT APPLICABLE

- ITEM NOT ILLUSTRATED

24-51-53-43A

24-51-53
FIG. 43A
PAGE 4
MAY 28/07

BRI



757

PARTS CATALOG (MAINTENANCE)

FIG ITEM	PART NUMBER	1 2 3 4 5 6 7	NOMENCLATURE	EFFECT FROM TO	UNITS PER ASSY
43A 65	RMF9201M40		..NUTPLATE SUPPLIER CODE: V72962 SPECIFICATION NUMBER: BACN10JN04 OPTIONAL PART: BRFM20A04L V52828 MF1000-04BAC V15653 NS103218-40 V80539 MF53049-04 V15653 T8124S04S V11815 VN252A40L V92215 ATTACHING PARTS	101101	9
- 70	BACR15BA3D		..RIVET- SIZE DETERMINED ON INSTL. -----*-----	101101	18
75	VNS1924CA1-8		..STUD SUPPLIER CODE: V5M902 SPECIFICATION NUMBER: BACS53B1EA1 OPTIONAL PART: VNS1924CA3-1-8 V92215	101101	2
80	BACN10GH3A20		..NUT ATTACHING PARTS	101101	1
- 85	BACR15BA4D		..RIVET- SIZE DETERMINED ON INSTL. -----*-----	101101	2
90	233N5202-8		..BASEPLATE	101101	1

MISSING ITEM NUMBERS NOT APPLICABLE

- ITEM NOT ILLUSTRATED

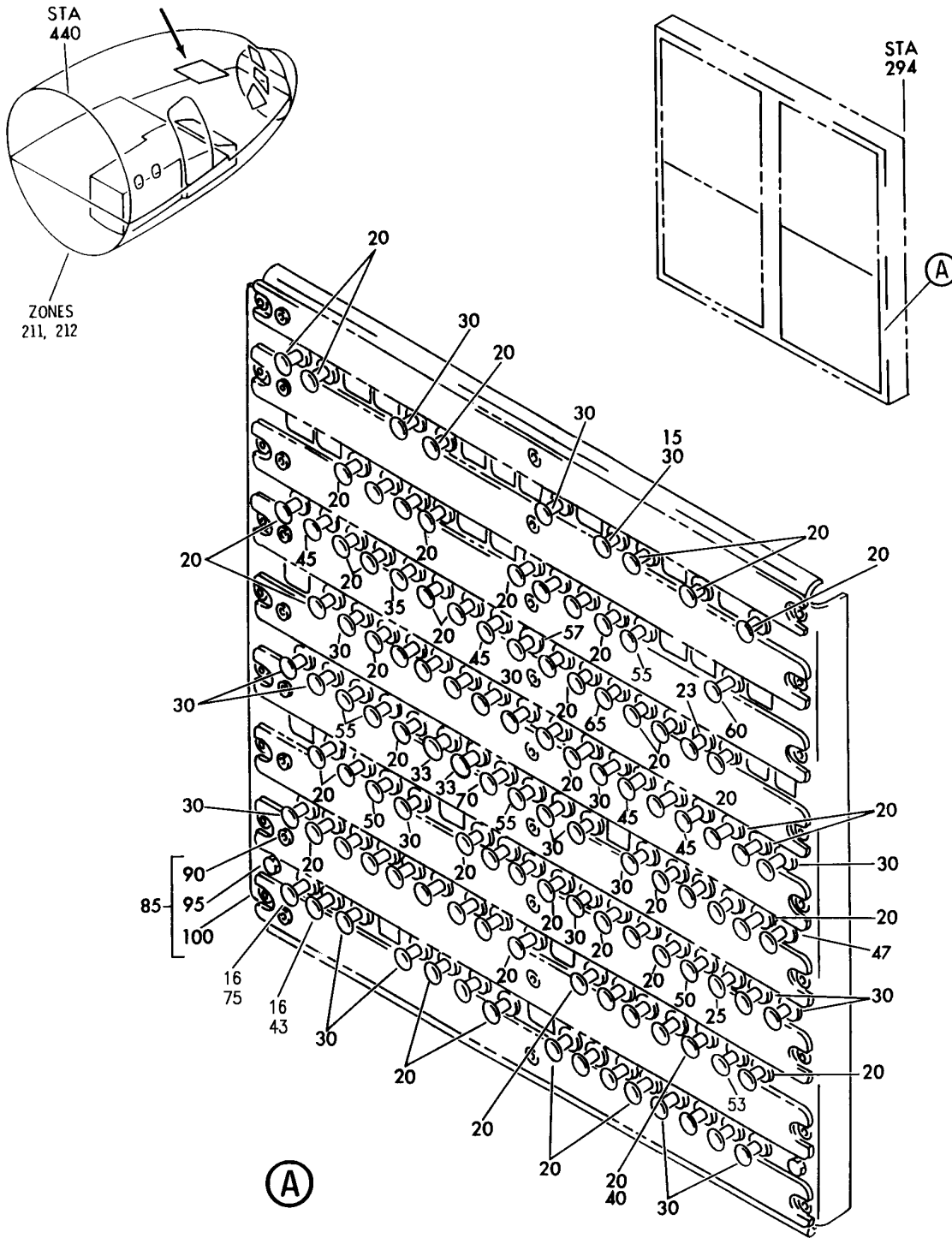
24-51-53-43A

24-51-53
FIG. 43A
PAGE 5
MAY 28/07

BRI

BOEING PROPRIETARY - Copyright © - Unpublished Work - See title page for details.

BOEING
757
PARTS CATALOG (MAINTENANCE)



Y 24515370 REV 335

PANEL ASSY-P11-2 CB (ELECTRICAL POWER ONLY)
FIGURE 70

24-51-53-70

BRI
MAY 20/09

24-51-53-70
PAGE 0



757

PARTS CATALOG (MAINTENANCE)

FIG ITEM	PART NUMBER	1 2 3 4 5 6 7	NOMENCLATURE	EFFECT FROM TO	UNITS PER ASSY
70			PANEL ASSY-P11-2 CB (ELECTRICAL POWER ONLY)	952999	
- 1	233N5212-86		PANEL ASSY-P11-2 CB (ELECTRICAL POWER ONLY) FOR NHA/OTHER SYS DET SEE: 24-00-51-02	952952	RF
- 1	233N5212-120		PANEL ASSY-P11-2 CB (ELECTRICAL POWER ONLY) FOR NHA/OTHER SYS DET SEE: 24-00-51-02	953999	RF
- 5	BAC27NFDE0116		.MARKER- MISCELLANEOUS DATA: (USE IN PLACE OF CIRCUIT BREAKERS ON OPEN HOLES)	952999	2
- 11	2645		.PLUG-DOME SUPPLIER CODE: V28520 MISCELLANEOUS DATA: (USE IN PLACE OF CIRCUIT BREAKERS ON OPEN HOLES)	952952	26
- 11	2646		.PLUG-DOME SUPPLIER CODE: V28520	952952	26
- 14	2645		.PLUG-DOME SUPPLIER CODE: V28520 MISCELLANEOUS DATA: (USE IN PLACE OF CIRCUIT BREAKERS ON OPEN HOLES)	953999	22
- 14	2646		.PLUG-DOME SUPPLIER CODE: V28520	953999	22
15	10237-1		.CLIP-STOW SUPPLIER CODE: V07RZ7	952999	1
20	2TC47-2-5		.CIRCUIT BREAKER- SUPPLIER CODE: V82647 SPECIFICATION NUMBER: BACC18AD2 OPTIONAL PART: 4310-029-205 V76374 ELECTRICAL EQUIP NUMBER: C00003 C00004 C00514 C00515 C00517	952999	69

MISSING ITEM NUMBERS NOT APPLICABLE

- ITEM NOT ILLUSTRATED

24-51-53-70

24-51-53
FIG. 70
PAGE 1
JAN 20/09

BRI



757

PARTS CATALOG (MAINTENANCE)

FIG ITEM	PART NUMBER	1 2 3 4 5 6 7	NOMENCLATURE	EFFECT FROM TO	UNITS PER ASSY
70			C00532 C00552 C00553 C00554 C00557 C00560 C00568 C00581 C00585 C00587 C00589 C00594 C00598 C00612 C00613 C00623 C00634 C00636 C00638 C00703 C00704 C00772 C00774 C00775 C00776 C00783 C00784 C00785 C00788 C00796 C01009 C01018 C01038 C01052 C01121 C01147 C01148 C01175 C01183 C01184 C01214 C01307 C01323 C01325 C01481 C01483 C01525 C01526 C01532		

MISSING ITEM NUMBERS NOT APPLICABLE

— ITEM NOT ILLUSTRATED

24-51-53-70

24-51-53
FIG. 70
PAGE 2
JAN 20/09

BRI



757

PARTS CATALOG (MAINTENANCE)

FIG ITEM	PART NUMBER	1 2 3 4 5 6 7 NOMENCLATURE	EFFECT FROM TO	UNITS PER ASSY
70		C01535 C01540 C01561 C04037 C04085 C04132 C04133 C04151 C04175 C04210 C04251 C04252 C04271 C04290 C04423		
23	2TC47-2-5	.CIRCUIT BREAKER- SUPPLIER CODE: V82647 SPECIFICATION NUMBER: BACC18AD2 OPTIONAL PART: 4310-029-205 V76374 ELECTRICAL EQUIP NUMBER: C00640	952999	1

MISSING ITEM NUMBERS NOT APPLICABLE

- ITEM NOT ILLUSTRATED

BRI

24-51-53-70

BOEING PROPRIETARY - Copyright © - Unpublished Work - See title page for details.

24-51-53
 FIG. 70
 PAGE 3
 JAN 20/09



757

PARTS CATALOG (MAINTENANCE)

FIG ITEM	PART NUMBER	1 2 3 4 5 6 7	NOMENCLATURE	EFFECT FROM TO	UNITS PER ASSY
70 30	2TC47-5		.CIRCUIT BREAKER- SUPPLIER CODE: V82647 SPECIFICATION NUMBER: BACC18AD5 OPTIONAL PART: 4310-029-5 V76374 ELECTRICAL EQUIP NUMBER: C00523 C00524 C00551 C00610 C01010 C01132 C01200 C01201 C01303 C01306 C01308 C01310 C01321 C01322 C01510 C01511 C04023 C04025 C04034 C04052 C04054 C04212 C04364	952999	23
33	2TC6-2		.CIRCUIT BREAKER- SUPPLIER CODE: V82647 SPECIFICATION NUMBER: BACC18Z02R OPTIONAL PART: 4310-002-2 V76374 ELECTRICAL EQUIP NUMBER: C04476 C04477	953999	2

MISSING ITEM NUMBERS NOT APPLICABLE

- ITEM NOT ILLUSTRATED

BRI

24-51-53-70

BOEING PROPRIETARY - Copyright © - Unpublished Work - See title page for details.

24-51-53
FIG. 70
PAGE 4
JAN 20/09



757

PARTS CATALOG (MAINTENANCE)

FIG ITEM	PART NUMBER	1 2 3 4 5 6 7	NOMENCLATURE	EFFECT FROM TO	UNITS PER ASSY
70 40	2TC47-5		.CIRCUIT BREAKER- SUPPLIER CODE: V82647 SPECIFICATION NUMBER: BACC18AD5 OPTIONAL PART: 4310-029-5 V76374 ELECTRICAL EQUIP NUMBER: C01048	952999	1
43	2TC47-2-5		.CIRCUIT BREAKER- SUPPLIER CODE: V82647 SPECIFICATION NUMBER: BACC18AD2 OPTIONAL PART: 4310-029-205 V76374 ELECTRICAL EQUIP NUMBER: C04275	952999	1
45	2TC6-2		.CIRCUIT BREAKER- SUPPLIER CODE: V82647 SPECIFICATION NUMBER: BACC18Z02R OPTIONAL PART: 4310-002-2 V76374 ELECTRICAL EQUIP NUMBER: C00583 C00596 C00601 C00602 C00605	952999	5
47	2TC6-2		.CIRCUIT BREAKER- SUPPLIER CODE: V82647 SPECIFICATION NUMBER: BACC18Z02R OPTIONAL PART: 4310-002-2 V76374 ELECTRICAL EQUIP NUMBER: C01051	952952	1

MISSING ITEM NUMBERS NOT APPLICABLE

- ITEM NOT ILLUSTRATED

BRI

24-51-53-70

BOEING PROPRIETARY - Copyright © - Unpublished Work - See title page for details.

24-51-53
FIG. 70
PAGE 5
JAN 20/09



757

PARTS CATALOG (MAINTENANCE)

FIG ITEM	PART NUMBER	1 2 3 4 5 6 7	NOMENCLATURE	EFFECT FROM TO	UNITS PER ASSY
70 47	2TC6-2		.CIRCUIT BREAKER- SUPPLIER CODE: V82647 SPECIFICATION NUMBER: BACC18Z02R OPTIONAL PART: 4310-002-2 V76374 ELECTRICAL EQUIP NUMBER: C04485	953999	1
50	2TC47-7-5		.CIRCUIT BREAKER- SUPPLIER CODE: V82647 SPECIFICATION NUMBER: BACC18AD7 OPTIONAL PART: 4310-029-705 V76374 ELECTRICAL EQUIP NUMBER: C00548 C01058	952999	2
53	2TC47-7-5		.CIRCUIT BREAKER- SUPPLIER CODE: V82647 SPECIFICATION NUMBER: BACC18AD7 OPTIONAL PART: 4310-029-705 V76374 ELECTRICAL EQUIP NUMBER: C01390 PRE SERVICE BULLETIN: 49-0019	952999	1
53	2TC47-10		.CIRCUIT BREAKER- SUPPLIER CODE: V82647 SPECIFICATION NUMBER: BACC18AD10 OPTIONAL PART: 4310-029-10 V76374 ELECTRICAL EQUIP NUMBER: C01390 POST SERVICE BULLETIN: 49-0019	952952	1

MISSING ITEM NUMBERS NOT APPLICABLE

- ITEM NOT ILLUSTRATED

24-51-53-70

24-51-53
FIG. 70
PAGE 6
JAN 20/09

BRI



757

PARTS CATALOG (MAINTENANCE)

FIG ITEM	PART NUMBER	1 2 3 4 5 6 7	NOMENCLATURE	EFFECT FROM TO	UNITS PER ASSY
70 55	2TC47-10	.	CIRCUIT BREAKER- SUPPLIER CODE: V82647 SPECIFICATION NUMBER: BACC18AD10 OPTIONAL PART: 4310-029-10 V76374 ELECTRICAL EQUIP NUMBER: C00545 C04113 C04114 C04216	952999	4
57	2TC47-2-5	.	CIRCUIT BREAKER- SUPPLIER CODE: V82647 SPECIFICATION NUMBER: BACC18AD2 OPTIONAL PART: 4310-029-205 V76374 ELECTRICAL EQUIP NUMBER: C00630	953999	1
60	6TC6-5	.	CIRCUIT BREAKER- SUPPLIER CODE: V82647 SPECIFICATION NUMBER: BACC18AC5 OPTIONAL PART: 4330-004-5 V76374 ELECTRICAL EQUIP NUMBER: C03006	952999	1
65	2TC6-1	.	CIRCUIT BREAKER- SUPPLIER CODE: V82647 SPECIFICATION NUMBER: BACC18Z1R OPTIONAL PART: 4310-002-1 V76374 ELECTRICAL EQUIP NUMBER: C00626	952999	1

MISSING ITEM NUMBERS NOT APPLICABLE

- ITEM NOT ILLUSTRATED

BRI

24-51-53-70

BOEING PROPRIETARY - Copyright © - Unpublished Work - See title page for details.

24-51-53
FIG. 70
PAGE 7
JAN 20/09



757

PARTS CATALOG (MAINTENANCE)

FIG ITEM	PART NUMBER	1 2 3 4 5 6 7	NOMENCLATURE	EFFECT FROM TO	UNITS PER ASSY
70					
70	2TC47-3		.CIRCUIT BREAKER- SUPPLIER CODE: V82647 SPECIFICATION NUMBER: BACC18AD3 OPTIONAL PART: 4310-029-3 V76374 ELECTRICAL EQUIP NUMBER: C04061	952999	1
75	1500-052-05		.CIRCUIT BREAKER- SUPPLIER CODE: V76374 ELECTRICAL EQUIP NUMBER: C04276	952999	1
80	800000121-1		.CONNECTOR- SUPPLIER CODE: V05617	952999	9
85	233N5203-8		.BASEPLATE ASSY	952999	1
90	BACS21Y3R		..STUD ASSY	952999	2
95	SF6G6CBB5D		..NUT SUPPLIER CODE: V12324 SPECIFICATION NUMBER: BACN10PA06-6	952999	27
100	233N5201-6		..BASEPLATE	952999	1
- 115	286N0114-007		.WIRE BUNDLE ASSY-	952999	1
- 120	286N0128-007		.WIRE BUNDLE ASSY- REWORKED BY SB: 34-0200	952999	1

MISSING ITEM NUMBERS NOT APPLICABLE

- ITEM NOT ILLUSTRATED

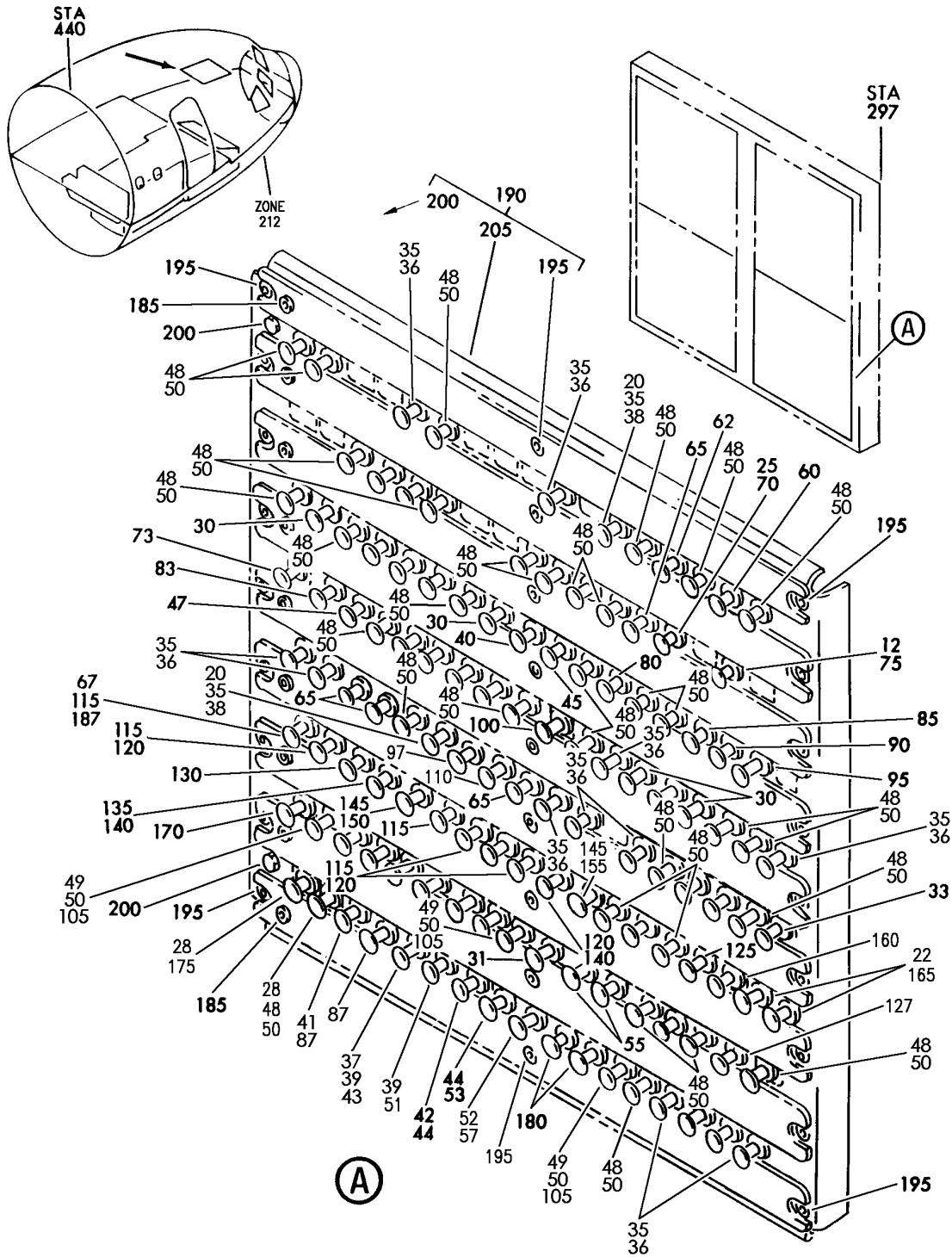
BRI

24-51-53-70

BOEING PROPRIETARY - Copyright © - Unpublished Work - See title page for details.

24-51-53
FIG. 70
PAGE 8
JAN 20/09

BOEING
757
PARTS CATALOG (MAINTENANCE)



Y 24515371 REV 327

PANEL ASSY-P-11-2 CB (ELECTRICAL POWER ONLY)
FIGURE 71

24-51-53-71

BRI
SEP 20/08

24-51-53-71
PAGE 0



757

PARTS CATALOG (MAINTENANCE)

FIG ITEM	PART NUMBER	1 2 3 4 5 6 7	NOMENCLATURE	EFFECT FROM TO	UNITS PER ASSY
71			PANEL ASSY-P-11-2 CB (ELECTRICAL POWER ONLY)	121503 904949	
- 1	233N5206-68		PANEL ASSY-P-11-2 CB (ELECTRICAL POWER ONLY) FOR NHA/OTHER SYS DET SEE: 24-00-51-02	904949	RF
- 1	233N5206-69		PANEL ASSY-P-11-2 CB (ELECTRICAL POWER ONLY) FOR NHA/OTHER SYS DET SEE: 24-00-51-02	121503	RF
- 2	233N5012-162		PANEL ASSY-P-11-2 CB (ELECTRICAL POWER ONLY) POST SERVICE BULLETIN: 78-0032 FOR NHA/OTHER SYS DET SEE: 24-00-51-02	121503	RF
- 5	BAC27NFDE0116		.MARKER-ALUMINUM FOIL MISCELLANEOUS DATA: (USE IN PLACE OF CIRCUIT BREAKERS ON OPEN HOLES) OPTIONAL PART: 2645 V28520	904949	AR
- 5	BAC27NFDE0116		.MARKER-ALUMINUM FOIL MISCELLANEOUS DATA: (USE IN PLACE OF CIRCUIT BREAKERS ON OPEN HOLES) OPTIONAL PART: 2645 V28520	121503	AR
- 5	2645		.PLUG-DOME SUPPLIER CODE: V28520 MISCELLANEOUS DATA: (USE IN PLACE OF CIRCUIT BREAKERS ON OPEN HOLES) OPTIONAL PART: BAC27NFDE0116	121503	AR
10	10237-1		.CLIP-STOW SUPPLIER CODE: V07RZ7	121503 904949	1
12	10237-1		.CLIP-STOW SUPPLIER CODE: V07RZ7	904949	1

MISSING ITEM NUMBERS NOT APPLICABLE

- ITEM NOT ILLUSTRATED

BRI

24-51-53-71

24-51-53
FIG. 71
PAGE 1
JAN 20/09



757

PARTS CATALOG (MAINTENANCE)

FIG ITEM	PART NUMBER	1 2 3 4 5 6 7	NOMENCLATURE	EFFECT FROM TO	UNITS PER ASSY
71 30	2TC6-2	.	CIRCUIT BREAKER- SUPPLIER CODE: V82647 SPECIFICATION NUMBER: BACC18Z02R OPTIONAL PART: 4310-002-2 V76374 ELECTRICAL EQUIP NUMBER: C00583 C00596 C00601 C00602 C00605	121503 904949	5
33	2TC6-2	.	CIRCUIT BREAKER- SUPPLIER CODE: V82647 SPECIFICATION NUMBER: BACC18Z02R OPTIONAL PART: 4310-002-2 V76374 ELECTRICAL EQUIP NUMBER: C01051	121503 904949	1
35	2TC47-5	.	CIRCUIT BREAKER- SUPPLIER CODE: V82647 SPECIFICATION NUMBER: BACC18AD5 OPTIONAL PART: 4310-029-5 V76374 ELECTRICAL EQUIP NUMBER: C00523 C00610 C01200 C01201 C01306 C01308 C01510 C01511 C04023 C04025 C04034 C04054 C04212 C04364	121503 904949	14

MISSING ITEM NUMBERS NOT APPLICABLE

- ITEM NOT ILLUSTRATED

24-51-53-71

24-51-53
FIG. 71
PAGE 2
JAN 20/09

BRI



757

PARTS CATALOG (MAINTENANCE)

FIG ITEM	PART NUMBER	1 2 3 4 5 6 7	NOMENCLATURE	EFFECT FROM TO	UNITS PER ASSY
71 37	2TC47-5		.CIRCUIT BREAKER- SUPPLIER CODE: V82647 SPECIFICATION NUMBER: BACC18AD5 OPTIONAL PART: 4310-029-5 V76374 ELECTRICAL EQUIP NUMBER: C01322	121503 904949	1
41	2TC47-5		.CIRCUIT BREAKER- SUPPLIER CODE: V82647 SPECIFICATION NUMBER: BACC18AD5 OPTIONAL PART: 4310-029-5 V76374 ELECTRICAL EQUIP NUMBER: C01321	121503 904949	1
42	2TC47-2-5		.CIRCUIT BREAKER- SUPPLIER CODE: V82647 SPECIFICATION NUMBER: BACC18AD2 OPTIONAL PART: 4310-029-205 V76374 ELECTRICAL EQUIP NUMBER: C01325	121503 904949	1
45	2TC6-2		.CIRCUIT BREAKER- SUPPLIER CODE: V82647 SPECIFICATION NUMBER: BACC18Z02R OPTIONAL PART: 4310-002-2 V76374 ELECTRICAL EQUIP NUMBER: C04052	904949	1

MISSING ITEM NUMBERS NOT APPLICABLE

- ITEM NOT ILLUSTRATED

BRI

24-51-53-71

24-51-53
FIG. 71
PAGE 3
JAN 20/09



757

PARTS CATALOG (MAINTENANCE)

FIG ITEM	PART NUMBER	1 2 3 4 5 6 7	NOMENCLATURE	EFFECT FROM TO	UNITS PER ASSY
71 45	2TC47-5		.CIRCUIT BREAKER- SUPPLIER CODE: V82647 SPECIFICATION NUMBER: BACC18AD5 OPTIONAL PART: 4310-029-5 V76374 ELECTRICAL EQUIP NUMBER: C04052	121503	1
47	2TC47-5		.CIRCUIT BREAKER- SUPPLIER CODE: V82647 SPECIFICATION NUMBER: BACC18AD5 OPTIONAL PART: 4310-029-5 V76374 ELECTRICAL EQUIP NUMBER: C00524	121503 904949	1
50	2TC47-2-5		.CIRCUIT BREAKER- SUPPLIER CODE: V82647 SPECIFICATION NUMBER: BACC18AD2 OPTIONAL PART: 4310-029-205 V76374 ELECTRICAL EQUIP NUMBER: C00003 C00004 C00514 C00517 C00532 C00560 C00568 C00581 C00585 C00587 C00589 C00594 C00598 C00612 C00613 C00623 C00634 C00638 C00772 C00774	121503 904949	56

MISSING ITEM NUMBERS NOT APPLICABLE

- ITEM NOT ILLUSTRATED

24-51-53-71

24-51-53
FIG. 71
PAGE 4
JAN 20/09

BRI



757

PARTS CATALOG (MAINTENANCE)

FIG ITEM	PART NUMBER	1 2 3 4 5 6 7 NOMENCLATURE	EFFECT FROM TO	UNITS PER ASSY
71		C00775 C00776 C00783 C00784 C00785 C00788 C00796 C01009 C01018 C01038 C01052 C01175 C01183 C01184 C01214 C01307 C01525 C01526 C01532 C01535 C01540 C04132 C04133 C04151 C04152 C04175 C04210 C04240 C04251 C04252 C04256 C04258 C04260 C04271 C04275 C04290		
52	2TC47-2-5	.CIRCUIT BREAKER- SUPPLIER CODE: V82647 SPECIFICATION NUMBER: BACC18AD2 OPTIONAL PART: 4310-029-205 V76374 ELECTRICAL EQUIP NUMBER: C01323	121503 904949	1

MISSING ITEM NUMBERS NOT APPLICABLE

- ITEM NOT ILLUSTRATED

BRI

24-51-53-71

BOEING PROPRIETARY - Copyright © - Unpublished Work - See title page for details.

24-51-53
 FIG. 71
 PAGE 5
 JAN 20/09



757

PARTS CATALOG (MAINTENANCE)

FIG ITEM	PART NUMBER	1 2 3 4 5 6 7	NOMENCLATURE	EFFECT FROM TO	UNITS PER ASSY
71 53	2TC47-2-5		.CIRCUIT BREAKER- SUPPLIER CODE: V82647 SPECIFICATION NUMBER: BACC18AD2 OPTIONAL PART: 4310-029-205 V76374 ELECTRICAL EQUIP NUMBER: C04037	121503 904949	1
55	2TC47-2-5		.CIRCUIT BREAKER- SUPPLIER CODE: V82647 SPECIFICATION NUMBER: BACC18AD2 OPTIONAL PART: 4310-029-205 V76374 ELECTRICAL EQUIP NUMBER: C01481 C01483	121503 904949	2
65	2TC47-10		.CIRCUIT BREAKER- SUPPLIER CODE: V82647 SPECIFICATION NUMBER: BACC18AD10 OPTIONAL PART: 4310-029-10 V76374 ELECTRICAL EQUIP NUMBER: C00545 C04113 C4114 C04216	121503 904949	4
73	2TC47-2-5		.CIRCUIT BREAKER- SUPPLIER CODE: V82647 SPECIFICATION NUMBER: BACC18AD2 OPTIONAL PART: 4310-029-205 V76374 ELECTRICAL EQUIP NUMBER: C00515	121503 904949	1

MISSING ITEM NUMBERS NOT APPLICABLE

- ITEM NOT ILLUSTRATED

24-51-53-71

24-51-53
FIG. 71
PAGE 6
JAN 20/09

BRI



757

PARTS CATALOG (MAINTENANCE)

FIG ITEM	PART NUMBER	1 2 3 4 5 6 7	NOMENCLATURE	EFFECT FROM TO	UNITS PER ASSY
71 75	6TC6-5		.CIRCUIT BREAKER- SUPPLIER CODE: V82647 SPECIFICATION NUMBER: BACC18AC5 OPTIONAL PART: 4330-004-5 V76374 ELECTRICAL EQUIP NUMBER: C03006	121503 904949	1
80	2TC6-1		.CIRCUIT BREAKER- SUPPLIER CODE: V82647 SPECIFICATION NUMBER: BACC18Z1R OPTIONAL PART: 4310-002-1 V76374 ELECTRICAL EQUIP NUMBER: C00626	121503 904949	1
85	2TC47-2-5		.CIRCUIT BREAKER- SUPPLIER CODE: V82647 SPECIFICATION NUMBER: BACC18AD2 OPTIONAL PART: 4310-029-205 V76374 ELECTRICAL EQUIP NUMBER: C00640	121503 904949	1
90	2TC47-2-5		.CIRCUIT BREAKER- SUPPLIER CODE: V82647 SPECIFICATION NUMBER: BACC18AD2 OPTIONAL PART: 4310-029-205 V76374 ELECTRICAL EQUIP NUMBER: C01561	121503 904949	1

MISSING ITEM NUMBERS NOT APPLICABLE

- ITEM NOT ILLUSTRATED

24-51-53-71

24-51-53
FIG. 71
PAGE 7
JAN 20/09

BRI



757

PARTS CATALOG (MAINTENANCE)

FIG ITEM	PART NUMBER	1 2 3 4 5 6 7	NOMENCLATURE	EFFECT FROM TO	UNITS PER ASSY
71 97	2TC47-2-5		.CIRCUIT BREAKER- SUPPLIER CODE: V82647 SPECIFICATION NUMBER: BACC18AD2 OPTIONAL PART: 4310-029-205 V76374 ELECTRICAL EQUIP NUMBER: C04281	121503 904949	1
100	2TC47-2-5		.CIRCUIT BREAKER- SUPPLIER CODE: V82647 SPECIFICATION NUMBER: BACC18AD2 OPTIONAL PART: 4310-029-205 V76374 ELECTRICAL EQUIP NUMBER: C0423	121503 904949	1
110	2TC47-3		.CIRCUIT BREAKER- SUPPLIER CODE: V82647 SPECIFICATION NUMBER: BACC18AD3 OPTIONAL PART: 4310-029-3 V76374 ELECTRICAL EQUIP NUMBER: C04061	121503 904949	1
120	2TC47-2-5		.CIRCUIT BREAKER- SUPPLIER CODE: V82647 SPECIFICATION NUMBER: BACC18AD2 OPTIONAL PART: 4310-029-205 V76374 ELECTRICAL EQUIP NUMBER: C01147 C01148 C04085 C04255 C04257	121503 904949	5

MISSING ITEM NUMBERS NOT APPLICABLE

- ITEM NOT ILLUSTRATED

24-51-53-71

24-51-53
FIG. 71
PAGE 8
JAN 20/09

BRI



757

PARTS CATALOG (MAINTENANCE)

FIG ITEM	PART NUMBER	1 2 3 4 5 6 7	NOMENCLATURE	EFFECT FROM TO	UNITS PER ASSY
71 125	2TC47-7-5		.CIRCUIT BREAKER- SUPPLIER CODE: V82647 SPECIFICATION NUMBER: BACC18AD7 OPTIONAL PART: 4310-029-705 V76374 ELECTRICAL EQUIP NUMBER: C01058	121503 904949	1
127	2TC47-7-5		.CIRCUIT BREAKER- SUPPLIER CODE: V82647 SPECIFICATION NUMBER: BACC18AD7 OPTIONAL PART: 4310-029-705 V76374 ELECTRICAL EQUIP NUMBER: C01058	904949	1
127	2TC47-10		.CIRCUIT BREAKER- SUPPLIER CODE: V82647 SPECIFICATION NUMBER: BACC18AD10 OPTIONAL PART: 4310-029-10 V76374 ELECTRICAL EQUIP NUMBER: C01390 POST SERVICE BULLETIN: 49-0019	121503	1
130	2TC47-2-5		.CIRCUIT BREAKER- SUPPLIER CODE: V82647 SPECIFICATION NUMBER: BACC18AD2 OPTIONAL PART: 4310-029-205 V76374 ELECTRICAL EQUIP NUMBER: C01121	121503 904949	1

MISSING ITEM NUMBERS NOT APPLICABLE

- ITEM NOT ILLUSTRATED

BRI

24-51-53-71

BOEING PROPRIETARY - Copyright © - Unpublished Work - See title page for details.

24-51-53
FIG. 71
PAGE 9
JAN 20/09



757

PARTS CATALOG (MAINTENANCE)

FIG ITEM	PART NUMBER	1 2 3 4 5 6 7	NOMENCLATURE	EFFECT FROM TO	UNITS PER ASSY
71 135	2TC47-7-5		.CIRCUIT BREAKER- SUPPLIER CODE: V82647 SPECIFICATION NUMBER: BACC18AD7 OPTIONAL PART: 4310-029-705 V76374 ELECTRICAL EQUIP NUMBER: C00548	121503 904949	1
145	2TC47-5		.CIRCUIT BREAKER- SUPPLIER CODE: V82647 SPECIFICATION NUMBER: BACC18AD5 OPTIONAL PART: 4310-029-5 V76374 ELECTRICAL EQUIP NUMBER: C00551 C01132	121503 904949	2
160	2TC47-2-5		.CIRCUIT BREAKER- SUPPLIER CODE: V82647 SPECIFICATION NUMBER: BACC18AD2 OPTIONAL PART: 4310-029-205 V76374 ELECTRICAL EQUIP NUMBER: C01048	904949	1
160	2TC47-5		.CIRCUIT BREAKER- SUPPLIER CODE: V82647 SPECIFICATION NUMBER: BACC18AD5 OPTIONAL PART: 4310-029-5 V76374 ELECTRICAL EQUIP NUMBER: C01048	121503	1

MISSING ITEM NUMBERS NOT APPLICABLE

- ITEM NOT ILLUSTRATED

BRI

24-51-53-71

24-51-53
FIG. 71
PAGE 10
JAN 20/09



757

PARTS CATALOG (MAINTENANCE)

FIG ITEM	PART NUMBER	1 2 3 4 5 6 7	NOMENCLATURE	EFFECT FROM TO	UNITS PER ASSY
71 165	2TC47-5		.CIRCUIT BREAKER- SUPPLIER CODE: V82647 SPECIFICATION NUMBER: BACC18AD5 OPTIONAL PART: 4310-029-5 V76374 ELECTRICAL EQUIP NUMBER: C01303 C01310	121503 904949	2
170	2TC47-5		.CIRCUIT BREAKER- SUPPLIER CODE: V82647 SPECIFICATION NUMBER: BACC18AD5 OPTIONAL PART: 4310-029-5 V76374 ELECTRICAL EQUIP NUMBER: C01010	121503	1
175	1500-052-05		.CIRCUIT BREAKER- SUPPLIER CODE: V76374 ELECTRICAL EQUIP NUMBER: C04276	121503 904949	1
180	2TC47-2-5		.CIRCUIT BREAKER- SUPPLIER CODE: V82647 SPECIFICATION NUMBER: BACC18AD2 OPTIONAL PART: 4310-029-205 V76374 ELECTRICAL EQUIP NUMBER: C00703 C00704	121503 904949	2
185	800000121-1		.CONNECTOR-PWR SUPPLIER CODE: V05617	121503 904949	9

MISSING ITEM NUMBERS NOT APPLICABLE

- ITEM NOT ILLUSTRATED

24-51-53-71

24-51-53
FIG. 71
PAGE 11
JAN 20/09

BRI



757

PARTS CATALOG (MAINTENANCE)

FIG ITEM	PART NUMBER	1 2 3 4 5 6 7	NOMENCLATURE	EFFECT FROM TO	UNITS PER ASSY
71 187	2TC47-2-5		.CIRCUIT BREAKER- SUPPLIER CODE: V82647 SPECIFICATION NUMBER: BACC18AD2 OPTIONAL PART: 4310-029-205 V76374 POST SERVICE BULLETIN: 78-0032	121503	2
190	233N5203-8		.BASEPLATE ASSY	121503 904949	1
195	SF6G6CBB5D		..NUT SUPPLIER CODE: V12324 SPECIFICATION NUMBER: BACN10PA06-6	121503 904949	27
200	BACS21Y3R		..STUD ASSY	121503 904949	2
205	233N5201-6		..BASEPLATE	121503 904949	1
- 210	286N0114-003		.WIRE BUNDLE ASSY	121503 904949	1
- 220	286N0120-003		.WIRE BUNDLE ASSY	121503 904949	1
- 225	286N0122-003		.WIRE BUNDLE ASSY	121503 904949	1
- 230	286N0136-003		.WIRE BUNDLE ASSY	121503 904949	1

MISSING ITEM NUMBERS NOT APPLICABLE

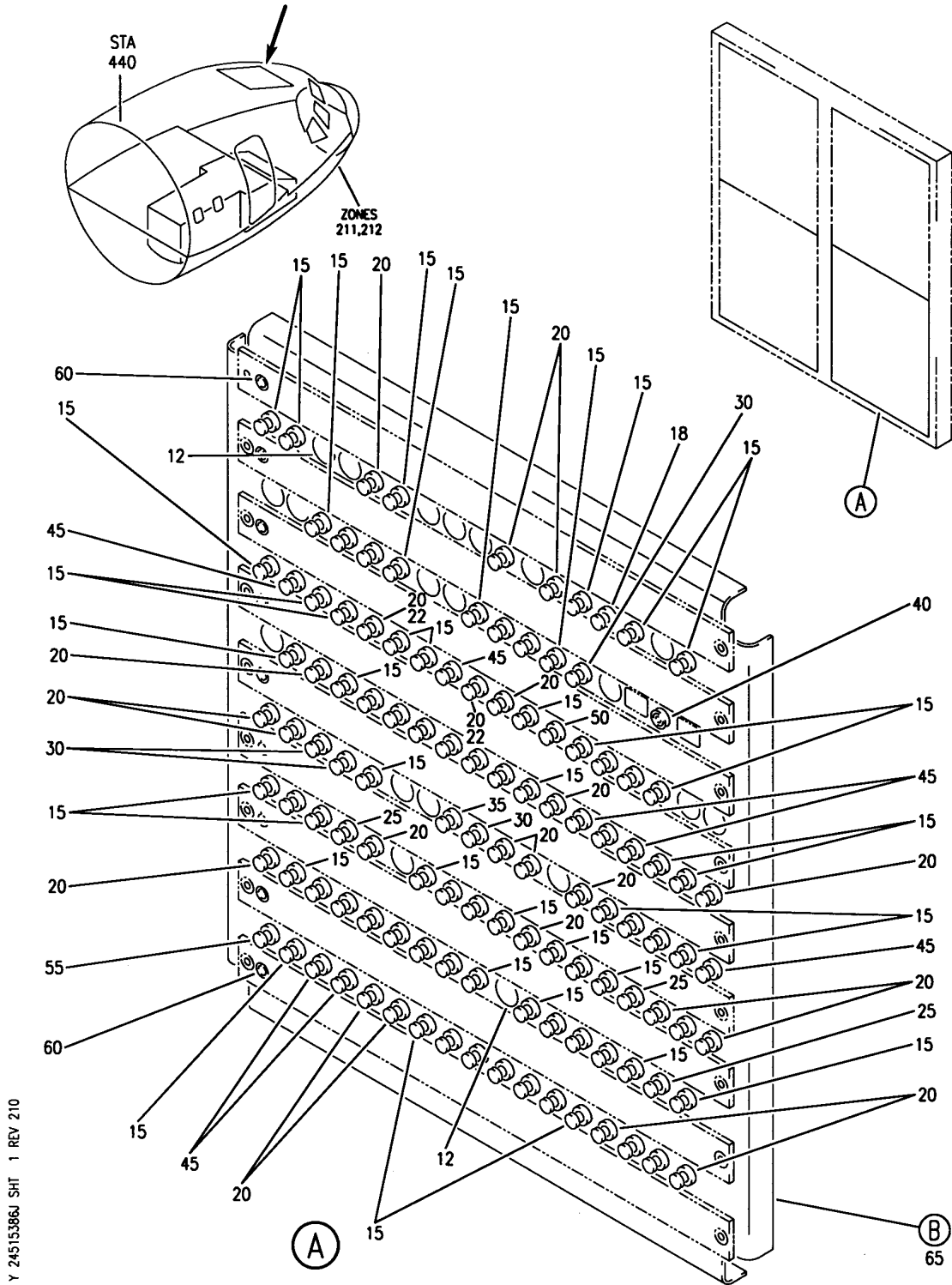
- ITEM NOT ILLUSTRATED

24-51-53-71

24-51-53
FIG. 71
PAGE 12
JAN 20/09

BRI

BOEING
757
PARTS CATALOG (MAINTENANCE)



Y 24515386J SHT 1 REV 210

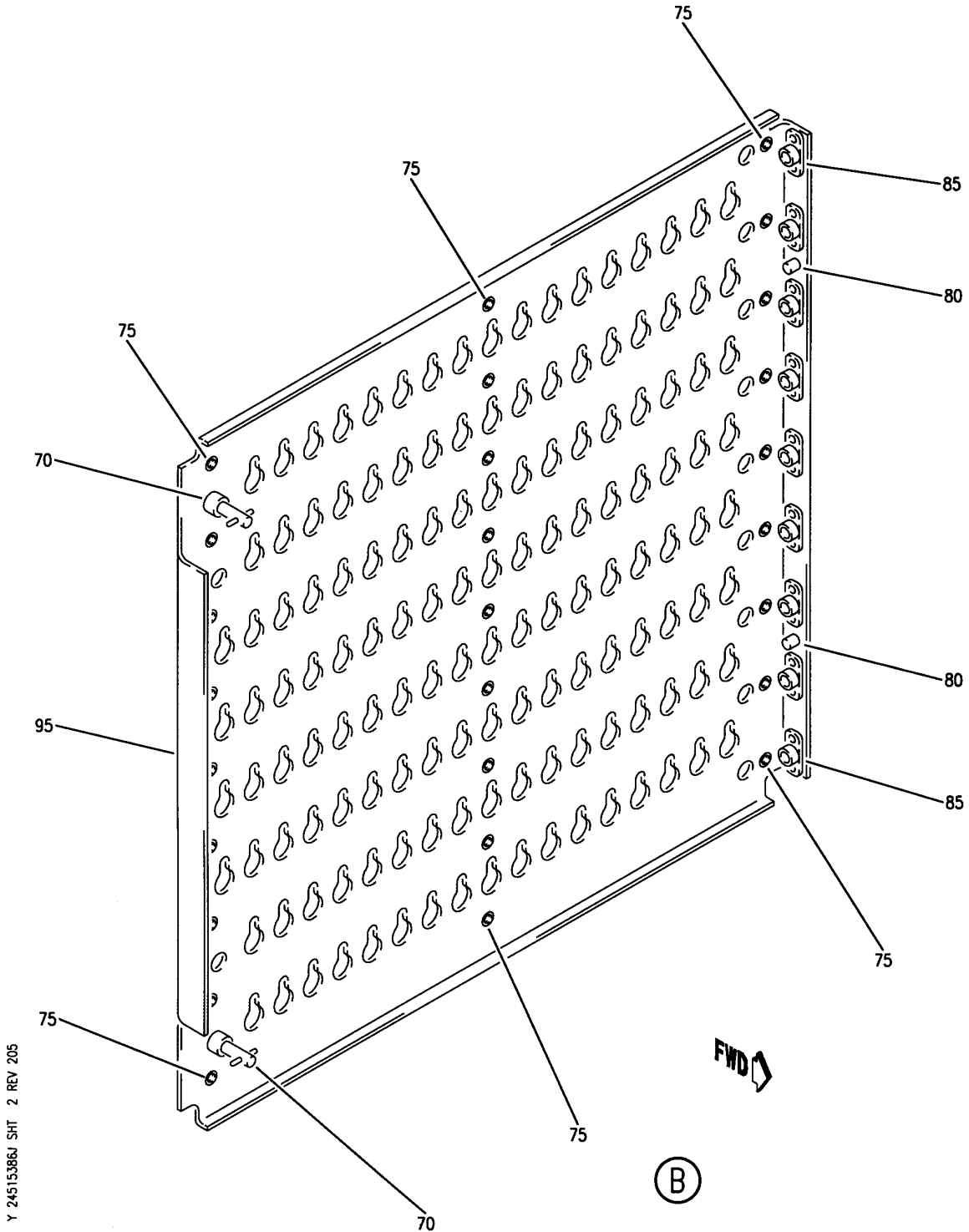
PANEL ASSY-P11-2 CB (ELECTRICAL POWER ONLY)
FIGURE 86J (SHEET 1)

24-51-53-86J

BRI
MAY 28/07

24-51-53-86J
PAGE 0

BOEING
757
PARTS CATALOG (MAINTENANCE)



Y 24515386J SHT 2 REV 205

PANEL ASSY-P11-2 CB (ELECTRICAL POWER ONLY)
FIGURE 86J (SHEET 2)

24-51-53-86J

BRI
MAY 28/07

24-51-53-86J
PAGE 0A



757

PARTS CATALOG (MAINTENANCE)

FIG ITEM	PART NUMBER	1 2 3 4 5 6 7	NOMENCLATURE	EFFECT FROM TO	UNITS PER ASSY
86J			PANEL ASSY-P11-2 CB (ELECTRICAL POWER ONLY)	101101	
- 1	233N5212-186		PANEL ASSY-P11-2 CB (ELECTRICAL POWER ONLY)	101101	RF
- 10	2645		FOR NHA/OTHER SYS DET SEE: 24-00-51-02 .PLUG-DOME SUPPLIER CODE: V28520 MISCELLANEOUS DATA: (USE IN PLACE OF CIRCUIT BREAKERS ON OPEN HOLES)	101101	AR
- 10	2646		.PLUG-DOME SUPPLIER CODE: V28520	101101	AR
- 12	2645		.PLUG-DOME SUPPLIER CODE: V28520 MISCELLANEOUS DATA: (USE IN PLACE OF CIRCUIT BREAKERS ON OPEN HOLES)	101101	AR
- 12	2646		.PLUG-DOME SUPPLIER CODE: V28520	101101	AR
15	2TC47-2-5		.CIRCUIT BREAKER- SUPPLIER CODE: V82647 SPECIFICATION NUMBER: BACC18AD2 OPTIONAL PART: 4310-029-205 V76374 ELECTRICAL EQUIP NUMBER: C00003 C00004 C00514 C00515 C00517 C00532 C00552 C00553 C00554 C00557 C00560 C00568 C00581 C00585 C00587 C00589	101101	72

MISSING ITEM NUMBERS NOT APPLICABLE

- ITEM NOT ILLUSTRATED

24-51-53-86J

24-51-53
FIG. 86J
PAGE 1
MAY 28/07

BRI



757

PARTS CATALOG (MAINTENANCE)

FIG ITEM	PART NUMBER	1 2 3 4 5 6 7	NOMENCLATURE	EFFECT FROM TO	UNITS PER ASSY
86J			C00594 C00598 C00612 C00613 C00623 C00634 C00636 C00638 C00703 C00704 C00726 C00772 C00774 C00775 C00776 C00783 C00784 C00785 C00788 C00796 C01009 C01018 C01038 C01052 C01121 C01147 C01148 C01175 C01183 C01184 C01214 C01307 C01323 C01325 C01481 C01483 C01525 C01526 C01532 C01535 C01540 C01561 C04037 C04085 C04132 C04133 C04151 C04175 C04210		

MISSING ITEM NUMBERS NOT APPLICABLE

- ITEM NOT ILLUSTRATED

24-51-53-86J

24-51-53
FIG. 86J
PAGE 2
MAY 28/07

BRI



757

PARTS CATALOG (MAINTENANCE)

FIG ITEM	PART NUMBER	1 2 3 4 5 6 7 NOMENCLATURE	EFFECT FROM TO	UNITS PER ASSY
86J	18 2TC47-2-5	C04251 C04252 C04271 C04275 C04290 C04423 C04478 .CIRCUIT BREAKER- SUPPLIER CODE: V82647 SPECIFICATION NUMBER: BACC18AD2 OPTIONAL PART: 4310-029-205 V76374 ELECTRICAL EQUIP NUMBER: C04594	101101	1

MISSING ITEM NUMBERS NOT APPLICABLE

- ITEM NOT ILLUSTRATED

BRI

24-51-53-86J

BOEING PROPRIETARY - Copyright © - Unpublished Work - See title page for details.

24-51-53
 FIG. 86J
 PAGE 3
 MAY 28/07



757

PARTS CATALOG (MAINTENANCE)

FIG ITEM	PART NUMBER	1 2 3 4 5 6 7	NOMENCLATURE	EFFECT FROM TO	UNITS PER ASSY
86J 20	2TC47-5		.CIRCUIT BREAKER- SUPPLIER CODE: V82647 SPECIFICATION NUMBER: BACC18AD5 OPTIONAL PART: 4310-029-5 V76374 ELECTRICAL EQUIP NUMBER: C00523 C00524 C00551 C00610 C01010 C01048 C01132 C01200 C01201 C01303 C01306 C01308 C01310 C01321 C01322 C01510 C01511 C04023 C04025 C04034 C04052 C04054 C04212 C04364	101101	26
25	2TC47-7-5		.CIRCUIT BREAKER- SUPPLIER CODE: V82647 SPECIFICATION NUMBER: BACC18AD7 OPTIONAL PART: 4310-029-705 V76374 ELECTRICAL EQUIP NUMBER: C00548 C01058 C01390	101101	3

MISSING ITEM NUMBERS NOT APPLICABLE

- ITEM NOT ILLUSTRATED

24-51-53-86J

24-51-53
FIG. 86J
PAGE 4
MAY 28/07

BRI



757

PARTS CATALOG (MAINTENANCE)

FIG ITEM	PART NUMBER	1 2 3 4 5 6 7	NOMENCLATURE	EFFECT FROM TO	UNITS PER ASSY
86J 30	2TC47-10		.CIRCUIT BREAKER- SUPPLIER CODE: V82647 SPECIFICATION NUMBER: BACC18AD10 OPTIONAL PART: 4310-029-10 V76374 ELECTRICAL EQUIP NUMBER: C00545 C04113 C04114 C04216	101101	4
35	2TC47-3		.CIRCUIT BREAKER- SUPPLIER CODE: V82647 SPECIFICATION NUMBER: BACC18AD3 OPTIONAL PART: 4310-029-3 V76374 ELECTRICAL EQUIP NUMBER: C04061	101101	1
40	6TC6-5		.CIRCUIT BREAKER- SUPPLIER CODE: V82647 SPECIFICATION NUMBER: BACC18AC5 OPTIONAL PART: 4330-004-5 V76374 ELECTRICAL EQUIP NUMBER: C03006	101101	1

MISSING ITEM NUMBERS NOT APPLICABLE

- ITEM NOT ILLUSTRATED

BRI

24-51-53-86J

BOEING PROPRIETARY - Copyright © - Unpublished Work - See title page for details.

24-51-53
FIG. 86J
PAGE 5
MAY 28/07



757

PARTS CATALOG (MAINTENANCE)

FIG ITEM	PART NUMBER	1 2 3 4 5 6 7	NOMENCLATURE	EFFECT FROM TO	UNITS PER ASSY
86J 45	2TC6-2		.CIRCUIT BREAKER- SUPPLIER CODE: V82647 SPECIFICATION NUMBER: BACC18Z02R OPTIONAL PART: 4310-002-2 V76374 ELECTRICAL EQUIP NUMBER: C00583 C00596 C00601 C00602 C04476 C04477 C04485 C04601	101101	8
50	2TC6-1		.CIRCUIT BREAKER- SUPPLIER CODE: V82647 SPECIFICATION NUMBER: BACC18Z1R OPTIONAL PART: 4310-002-1 V76374 ELECTRICAL EQUIP NUMBER: C00626	101101	1
55	1500-052-05		.CIRCUIT BREAKER- SUPPLIER CODE: V76374 ELECTRICAL EQUIP NUMBER: C04276	101101	1
60	800000121-1		.CONNECTOR-PWR SUPPLIER CODE: V05617	101101	9
65	233N5203-8		.BASEPLATE ASSY	101101	1
70	BACS21Y4R		..STUD ASSY- OPTIONAL PART: BACS21Y3R	101101	2
70	BACS21Y3R		..STUD ASSY- OPTIONAL PART: BACS21Y4R	101101	2
75	SF6G6CBB5D		..NUT SUPPLIER CODE: V12324 SPECIFICATION NUMBER: BACN10PA06-6	101101	27

MISSING ITEM NUMBERS NOT APPLICABLE

- ITEM NOT ILLUSTRATED

BRI

24-51-53-86J

BOEING PROPRIETARY - Copyright © - Unpublished Work - See title page for details.

24-51-53
FIG. 86J
PAGE 6
MAY 28/07



757

PARTS CATALOG (MAINTENANCE)

FIG ITEM	PART NUMBER	1 2 3 4 5 6 7	NOMENCLATURE	EFFECT FROM TO	UNITS PER ASSY
86J 80	VNS1924CA1-8	..	STUD SUPPLIER CODE: V5M902 SPECIFICATION NUMBER: BACS53B1EA1 OPTIONAL PART: VNS1924CA3-1-8 V92215	101101	2
85	RMF9201M40	..	NUTPLATE SUPPLIER CODE: V72962 SPECIFICATION NUMBER: BACN10JN04 OPTIONAL PART: BRFM20A04L V52828 MF1000-04BAC V15653 NS103218-40 V80539 MF53049-04 V15653 T8124S04S V11815 VN252A40L V92215	101101	9
- 90	BACR15BA3D	..	ATTACHING PARTS RIVET- SIZE DETERMINED ON INSTL. -----*-----	101101	18
95	233N5201-6	..	BASEPLATE	101101	1

MISSING ITEM NUMBERS NOT APPLICABLE

- ITEM NOT ILLUSTRATED

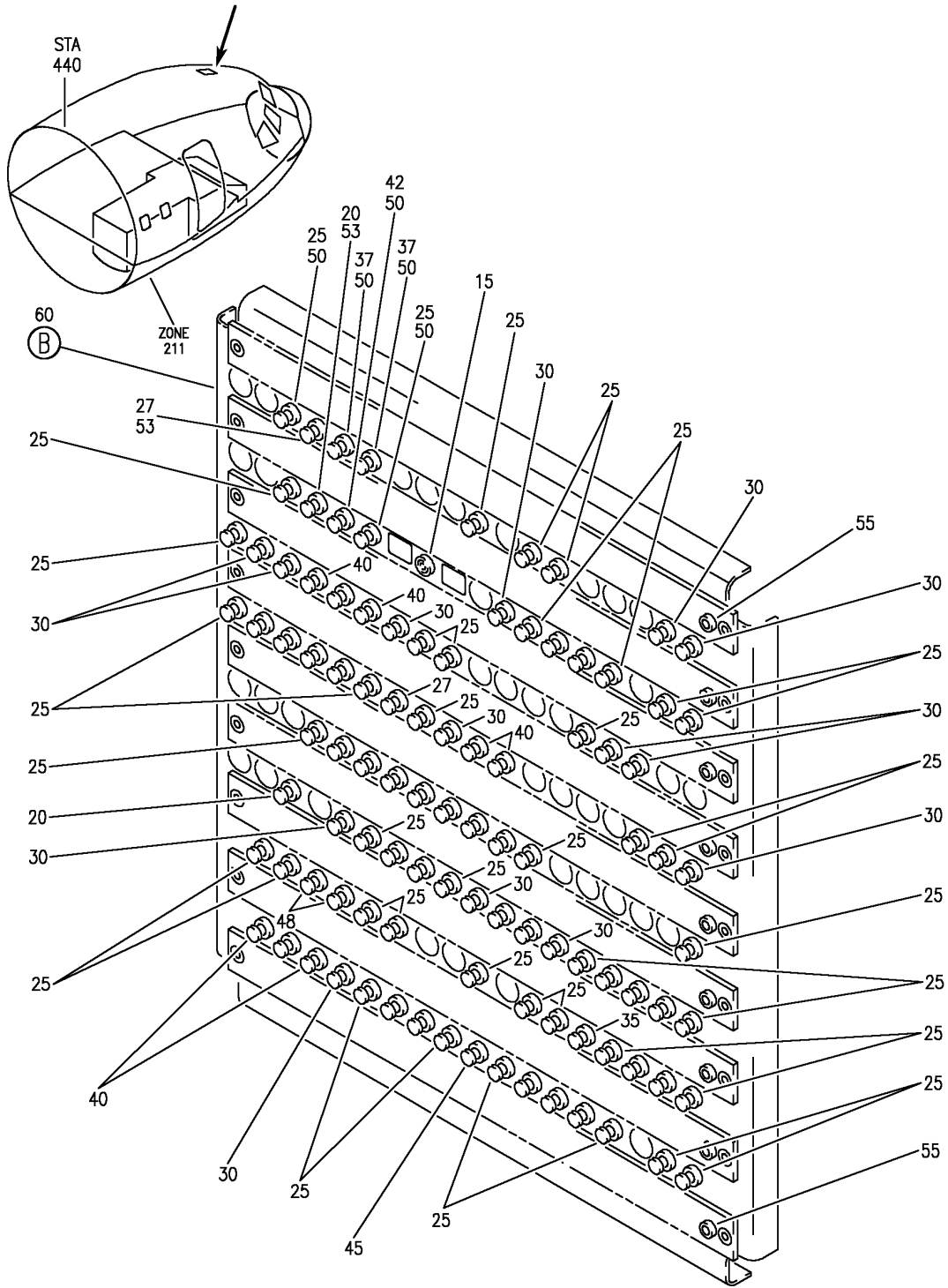
BRI

24-51-53-86J

BOEING PROPRIETARY - Copyright © - Unpublished Work - See title page for details.

24-51-53
FIG. 86J
PAGE 7
MAY 28/07

BOEING
757
PARTS CATALOG (MAINTENANCE)



Y 24515387J SHT 1 REV 277

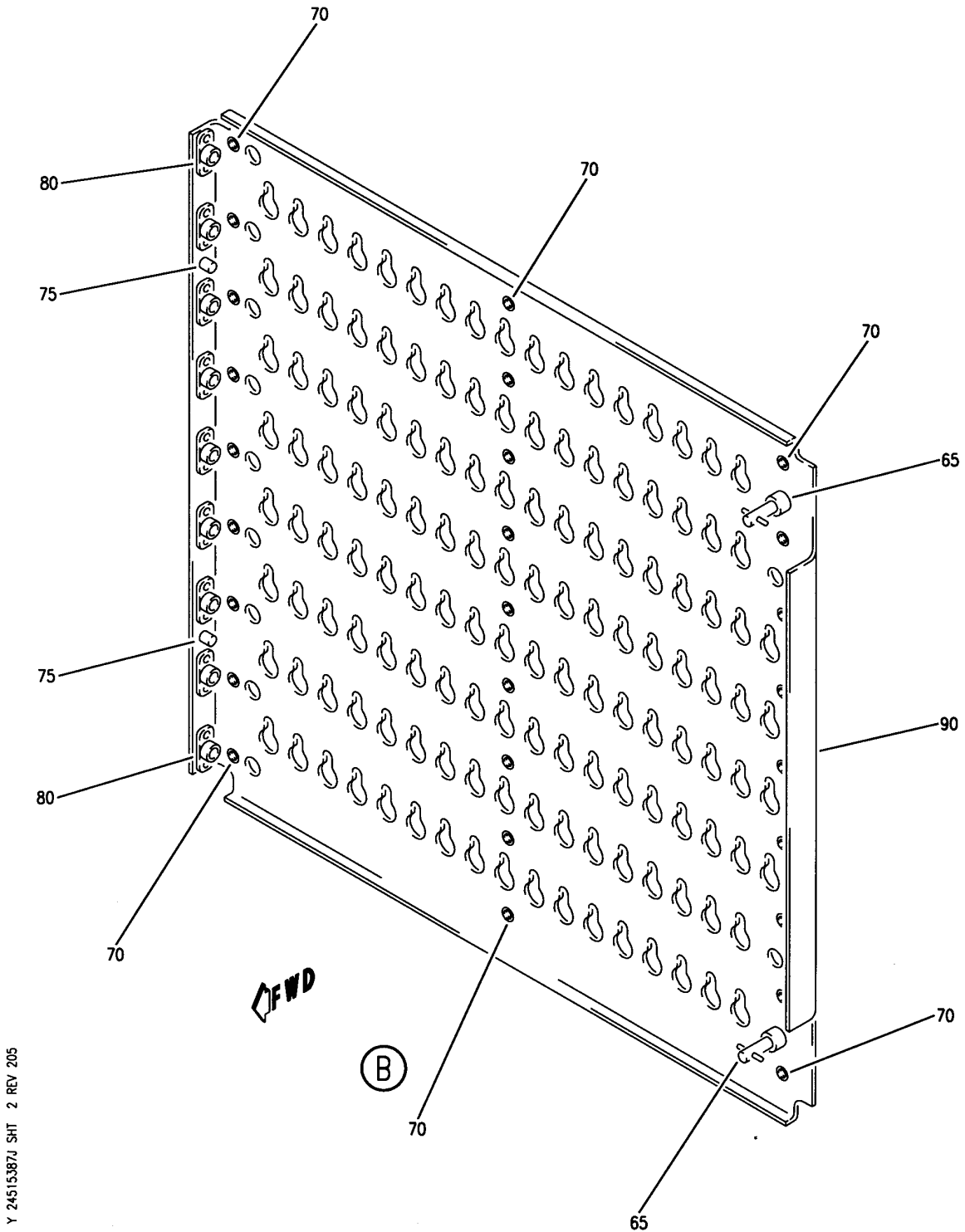
PANEL ASSY-P11-1 CB (ELECTRICAL POWER ONLY)
FIGURE 87J (SHEET 1)

24-51-53-87J

BRI
MAY 28/07

24-51-53-87J
PAGE 0

BOEING
757
PARTS CATALOG (MAINTENANCE)



Y 24515387J SHT 2 REV 205

PANEL ASSY-P11-1 CB (ELECTRICAL POWER ONLY)
FIGURE 87J (SHEET 2)

24-51-53-87J

BRI
MAY 28/07

24-51-53-87J
PAGE 0A



757

PARTS CATALOG (MAINTENANCE)

FIG ITEM	PART NUMBER	1 2 3 4 5 6 7	NOMENCLATURE	EFFECT FROM TO	UNITS PER ASSY
87J			PANEL ASSY-P11-1 CB (ELECTRICAL POWER ONLY)	101101	
- 1	233N5211-159		PANEL ASSY-P11-1 CB (ELECTRICAL POWER ONLY) FOR NHA/OTHER SYS DET SEE: 24-00-51-01	101101	RF
- 5	BAC27NFDE0116		.MARKER-ALUMINUM FOIL MISCELLANEOUS DATA: (USE IN PLACE OF CIRCUIT BREAKERS ON OPEN HOLES)	101101	AR
- 10	2645		.PLUG-DOME SUPPLIER CODE: V28520 MISCELLANEOUS DATA: (USE IN PLACE OF CIRCUIT BREAKERS ON OPEN HOLES)	101101	AR
- 10	2646		.PLUG-DOME SUPPLIER CODE: V28520	101101	AR
15	6TC6-5		.CIRCUIT BREAKER- SUPPLIER CODE: V82647 SPECIFICATION NUMBER: BACC18AC5 OPTIONAL PART: 4330-004-5 V76374 ELECTRICAL EQUIP NUMBER: C03005	101101	1
20	2TC47-10		.CIRCUIT BREAKER- SUPPLIER CODE: V82647 SPECIFICATION NUMBER: BACC18AD10 OPTIONAL PART: 4310-029-10 V76374 ELECTRICAL EQUIP NUMBER: C00544 C00546	101101	2
25	2TC47-2-5		.CIRCUIT BREAKER- SUPPLIER CODE: V82647 SPECIFICATION NUMBER: BACC18AD2 OPTIONAL PART: 4310-029-205 V76374 ELECTRICAL EQUIP NUMBER:	101101	66

MISSING ITEM NUMBERS NOT APPLICABLE

- ITEM NOT ILLUSTRATED

24-51-53-87J

24-51-53
FIG. 87J
PAGE 1
MAY 28/07

BRI



757

PARTS CATALOG (MAINTENANCE)

FIG ITEM	PART NUMBER	1 2 3 4 5 6 7	NOMENCLATURE	EFFECT FROM TO	UNITS PER ASSY
87 J		C00001 C00002 C00501 C00513 C00516 C00521 C00539 C00559 C00566 C00567 C00573 C00580 C00584 C00586 C00588 C00591 C00593 C00597 C00604 C00611 C00622 C00633 C00635 C00637 C00639 C00653 C00658 C00702 C00725 C00770 C00826 C01002 C01008 C01025 C01031 C01037 C01120 C01246 C01283 C01337 C01338 C01434 C01435 C01437 C01438 C01480 C01482 C01521 C01522			

MISSING ITEM NUMBERS NOT APPLICABLE

- ITEM NOT ILLUSTRATED

24-51-53-87 J

24-51-53
FIG. 87J
PAGE 2
MAY 28/07

BRI



757

PARTS CATALOG (MAINTENANCE)

FIG ITEM	PART NUMBER	1 2 3 4 5 6 7 NOMENCLATURE	EFFECT FROM TO	UNITS PER ASSY
87 J		C01523 C01524 C01531 C01533 C01534 C01536 C01537 C01538 C01539 C01541 C01560 C04039 C04110 C04194 C04205 C04206 C04634 .CIRCUIT BREAKER- SUPPLIER CODE: V82647 SPECIFICATION NUMBER: BACC18AD2 OPTIONAL PART: 4310-029-205 V76374 ELECTRICAL EQUIP NUMBER: C04509 C04629	101101	2
	27 2TC47-2-5			

MISSING ITEM NUMBERS NOT APPLICABLE

- ITEM NOT ILLUSTRATED

BRI

24-51-53-87J

BOEING PROPRIETARY - Copyright © - Unpublished Work - See title page for details.

24-51-53
 FIG. 87J
 PAGE 3
 MAY 28/07



757

PARTS CATALOG (MAINTENANCE)

FIG ITEM	PART NUMBER	1 2 3 4 5 6 7	NOMENCLATURE	EFFECT FROM TO	UNITS PER ASSY
87J 30	2TC47-5	.	CIRCUIT BREAKER- SUPPLIER CODE: V82647 SPECIFICATION NUMBER: BACC18AD5 OPTIONAL PART: 4310-029-5 V76374 ELECTRICAL EQUIP NUMBER: C00512 C00522 C00525 C00609 C00615 C00619 C01017 C01023 C01033 C01039 C01528 C01529 C04033 C04035 C04051 C04443	101101	16
35	2TC47-7-5	.	CIRCUIT BREAKER- SUPPLIER CODE: V82647 SPECIFICATION NUMBER: BACC18AD7 OPTIONAL PART: 4310-029-705 V76374 ELECTRICAL EQUIP NUMBER: C00683	101101	1

MISSING ITEM NUMBERS NOT APPLICABLE

- ITEM NOT ILLUSTRATED

BRI

24-51-53-87J

BOEING PROPRIETARY - Copyright © - Unpublished Work - See title page for details.

24-51-53
FIG. 87J
PAGE 4
MAY 28/07



757

PARTS CATALOG (MAINTENANCE)

FIG ITEM	PART NUMBER	1 2 3 4 5 6 7	NOMENCLATURE	EFFECT FROM TO	UNITS PER ASSY
87J 40	2TC6-2		.CIRCUIT BREAKER- SUPPLIER CODE: V82647 SPECIFICATION NUMBER: BACC18Z02R OPTIONAL PART: 4310-002-2 V76374 ELECTRICAL EQUIP NUMBER: C00609 C00592 C00595 C00600 C00607 C04118 C04600 C04602	101101	8
42	2TC6-2		.CIRCUIT BREAKER- SUPPLIER CODE: V82647 SPECIFICATION NUMBER: BACC18Z02R OPTIONAL PART: 4310-002-2 V76374 ELECTRICAL EQUIP NUMBER: C04455	101101	1
45	2TC6-1		.CIRCUIT BREAKER- SUPPLIER CODE: V82647 SPECIFICATION NUMBER: BACC18Z1R OPTIONAL PART: 4310-002-1 V76374 ELECTRICAL EQUIP NUMBER: C00625	101101	1

MISSING ITEM NUMBERS NOT APPLICABLE

- ITEM NOT ILLUSTRATED

24-51-53-87J

24-51-53
FIG. 87J
PAGE 5
MAY 28/07

BRI



757

PARTS CATALOG (MAINTENANCE)

FIG ITEM	PART NUMBER	1 2 3 4 5 6 7	NOMENCLATURE	EFFECT FROM TO	UNITS PER ASSY
87J 48	2TC47-2-5	.	CIRCUIT BREAKER- SUPPLIER CODE: V82647 SPECIFICATION NUMBER: BACC18AD2 OPTIONAL PART: 4310-029-205 V76374 ELECTRICAL EQUIP NUMBER: C04664 C04665 POST ALERT SB: 34A0222	101101	2
53	10237-1	.	CLIP-STOW SUPPLIER CODE: V07RZ7	101101	2
55	800000121-1	.	CONNECTOR-PWR SUPPLIER CODE: V05617	101101	9
60	233N5203-7	.	BASEPLATE ASSY	101101	1
65	BACS21Y4R	..	STUD ASSY- OPTIONAL PART: BACS21Y3R	101101	2
65	BACS21Y3R	..	STUD ASSY- OPTIONAL PART: BACS21Y4R	101101	2
70	SF6G6CBB5D	..	NUT SUPPLIER CODE: V12324 SPECIFICATION NUMBER: BACN10PA06-6	101101	27
75	VNS1924CA1-8	..	STUD SUPPLIER CODE: V5M902 SPECIFICATION NUMBER: BACS53B1EA1 OPTIONAL PART: VNS1924CA3-1-8 V92215	101101	2

MISSING ITEM NUMBERS NOT APPLICABLE

- ITEM NOT ILLUSTRATED

BRI

24-51-53-87J

BOEING PROPRIETARY - Copyright © - Unpublished Work - See title page for details.

24-51-53
FIG. 87J
PAGE 6
MAY 28/07



757

PARTS CATALOG (MAINTENANCE)

FIG ITEM	PART NUMBER	1 2 3 4 5 6 7	NOMENCLATURE	EFFECT FROM TO	UNITS PER ASSY
87J 80	RMF9201M40		..NUTPLATE SUPPLIER CODE: V72962 SPECIFICATION NUMBER: BACN10JN04 OPTIONAL PART: BRFM20A04L V52828 MF1000-04BAC V15653 NS103218-40 V80539 MF53049-04 V15653 T8124S04S V11815 VN252A40L V92215 ATTACHING PARTS	101101	9
- 85	BACR15BA3D		..RIVET- SIZE DETERMINED ON INSTL. -----*-----	101101	18
90	233N5201-5		..BASEPLATE	101101	1
- 300	286N0110-331		WIRE BUNDLE ASSY- REWORKED BY ALERT SB: 34A0222	101101	RF
- 305	RBEJ40K5A5A6		.JUMPER ASSY- SUPPLIER CODE: V1GK47 SPECIFICATION NUMBER: BACJ40K5A5A6 POST ALERT SB: 34A0222	101101	1
- 310	286N0124-337		WIRE BUNDLE ASSY- REWORKED BY ALERT SB: 34A0222	101101	RF
- 315	318-2020-901L		.CONTACT- SUPPLIER CODE: V55104 SPECIFICATION NUMBER: BACC47CP1S OPTIONAL PART: ZZL4120-36LDH14 V49367 LP807105-205 V77820 POST ALERT SB: 34A0222	101101	2

MISSING ITEM NUMBERS NOT APPLICABLE

- ITEM NOT ILLUSTRATED

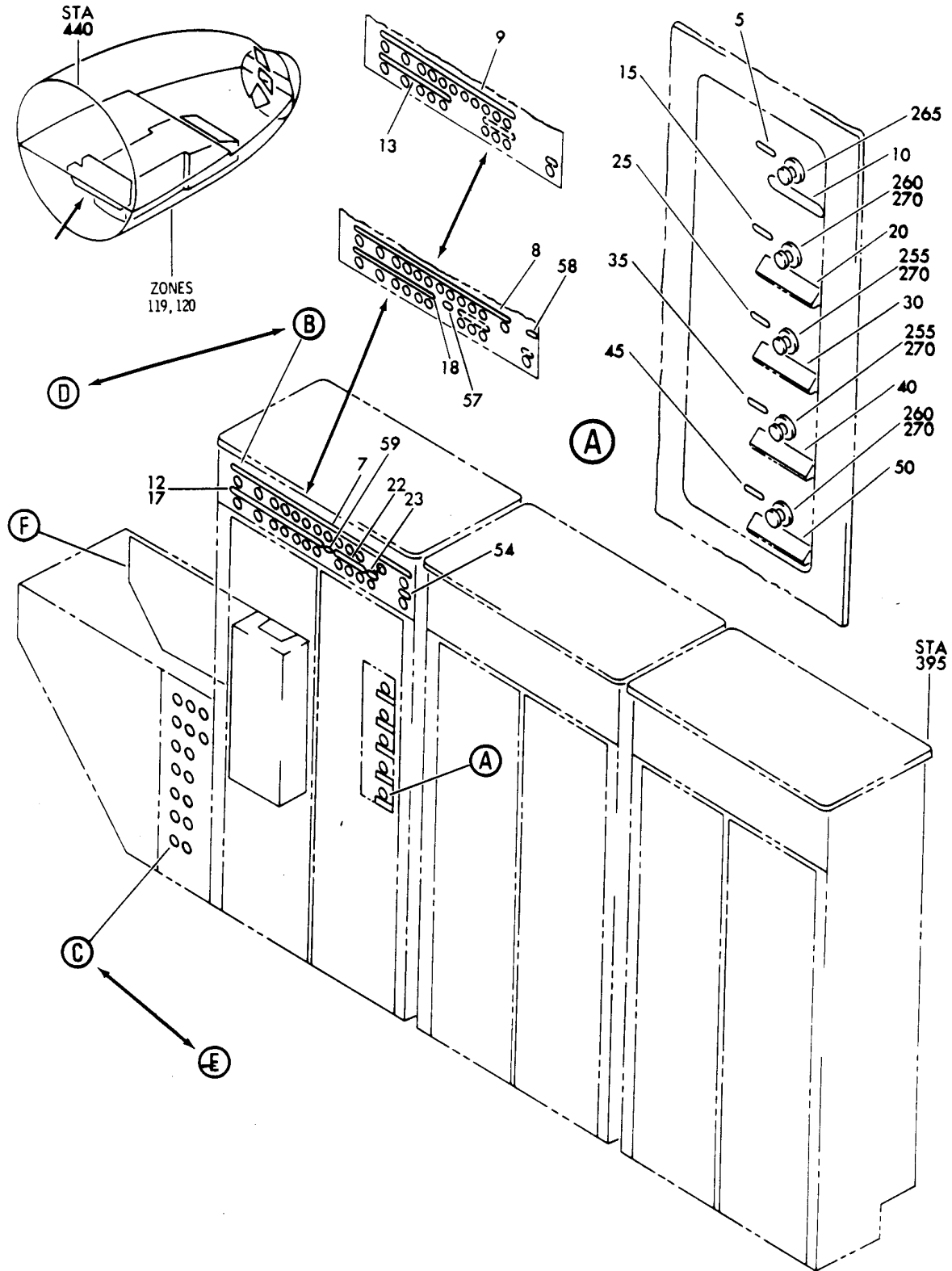
24-51-53-87J

24-51-53
FIG. 87J
PAGE 7
MAY 28/07

BRI

BOEING PROPRIETARY - Copyright © - Unpublished Work - See title page for details.

BOEING
757
PARTS CATALOG (MAINTENANCE)



Y 245 15 403 SHT 1 REV 090

PANEL ASSY-P34 APU/EXT PWR (CIRCUIT BREAKERS ONLY)
FIGURE 3 (SHEET 1)

24-51-54-03

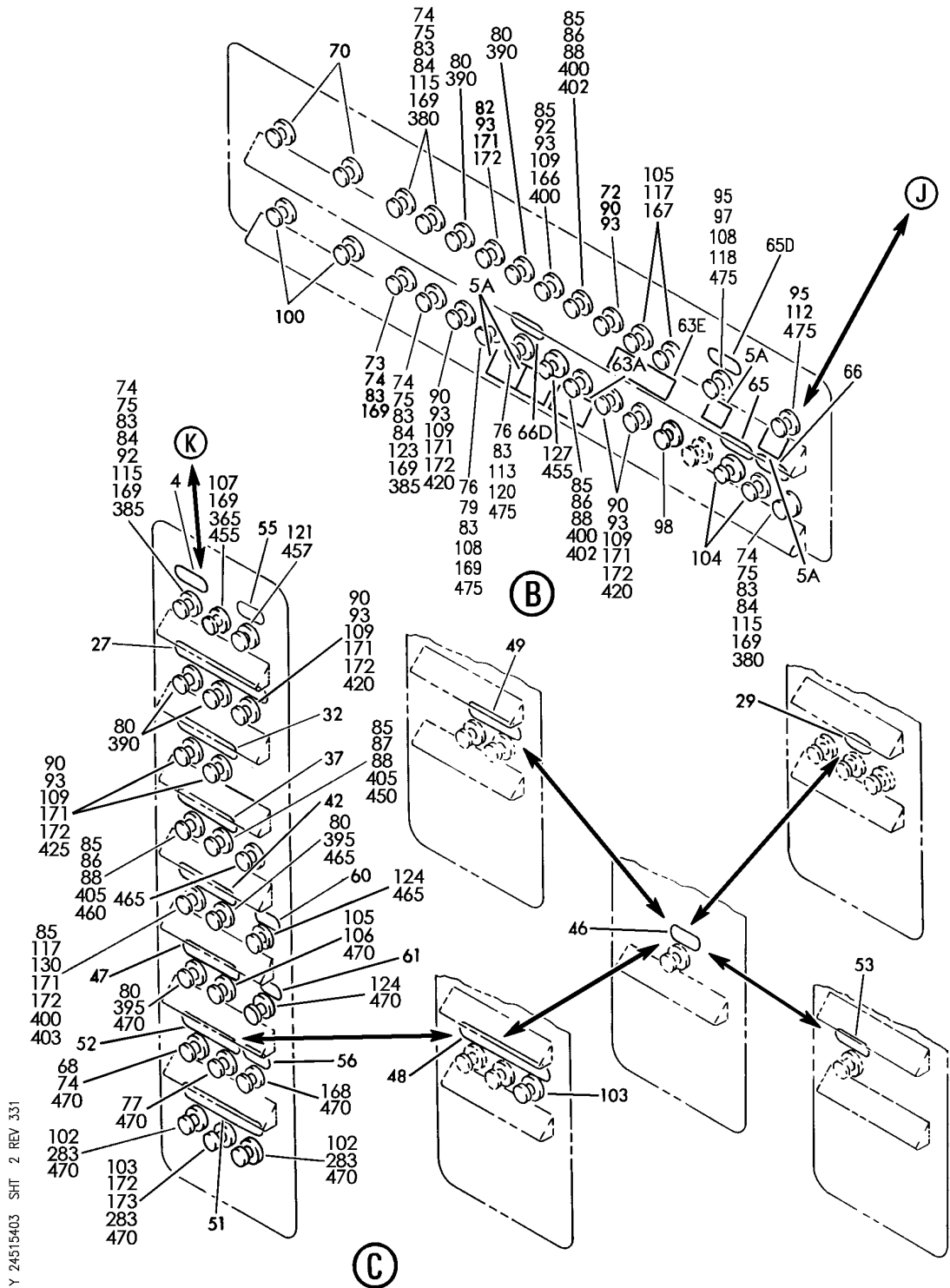
BRI
MAY 28/07

24-51-54-03
PAGE 0



757

PARTS CATALOG (MAINTENANCE)



Y 24515403 SH1 2 REV 331

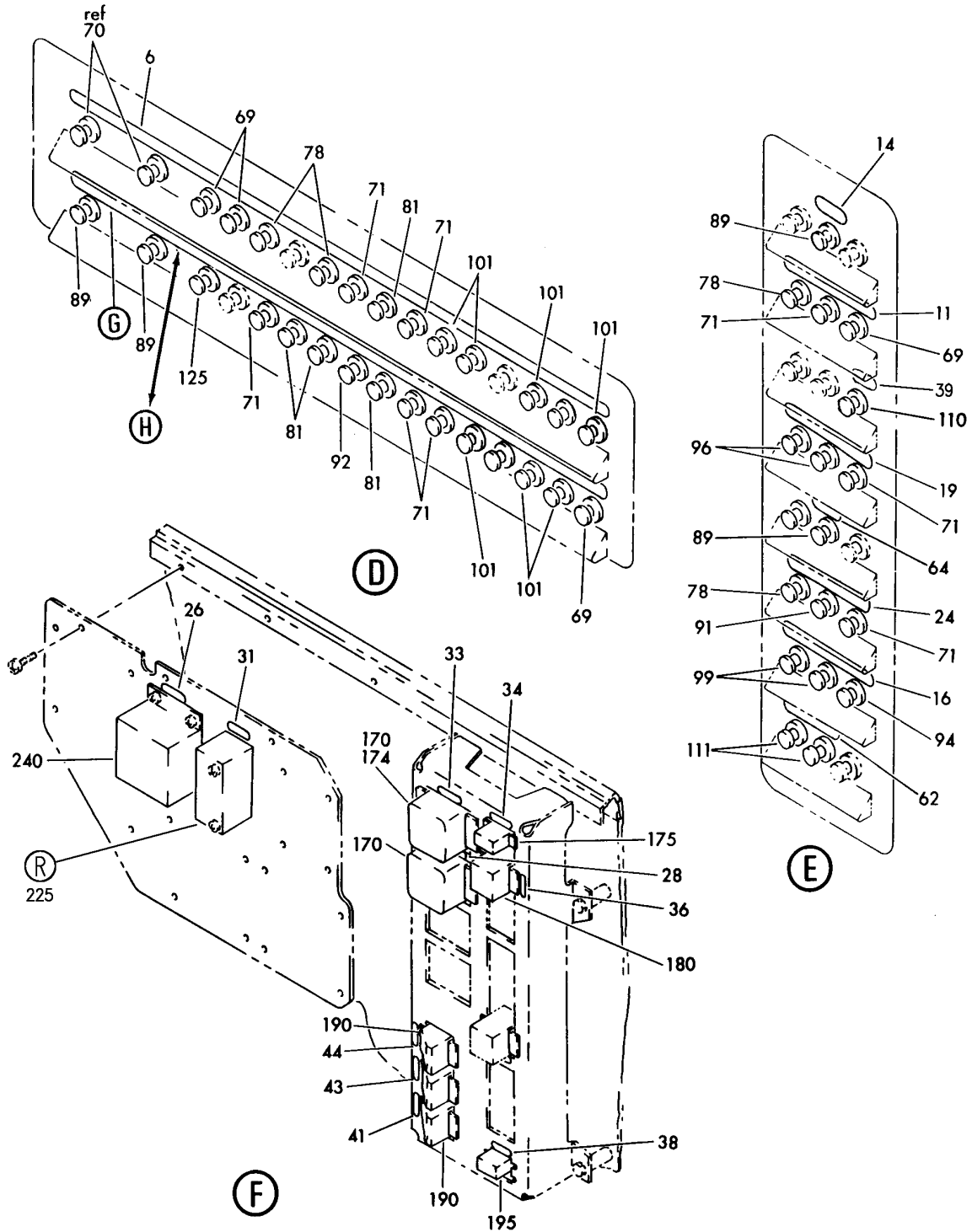
PANEL ASSY-P34 APU/EXT PWR (CIRCUIT BREAKERS ONLY)
FIGURE 3 (SHEET 2)

24-51-54-03

BRI
JAN 20/09

24-51-54-03
PAGE 0A


BOEING
 757
PARTS CATALOG (MAINTENANCE)



Y 24515403 SHT 3 REV 268

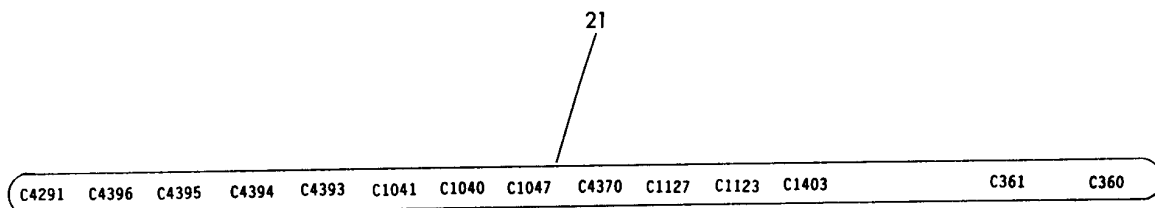
PANEL ASSY-P34 APU/EXT PWR (CIRCUIT BREAKERS ONLY)
 FIGURE 3 (SHEET 3)

24-51-54-03

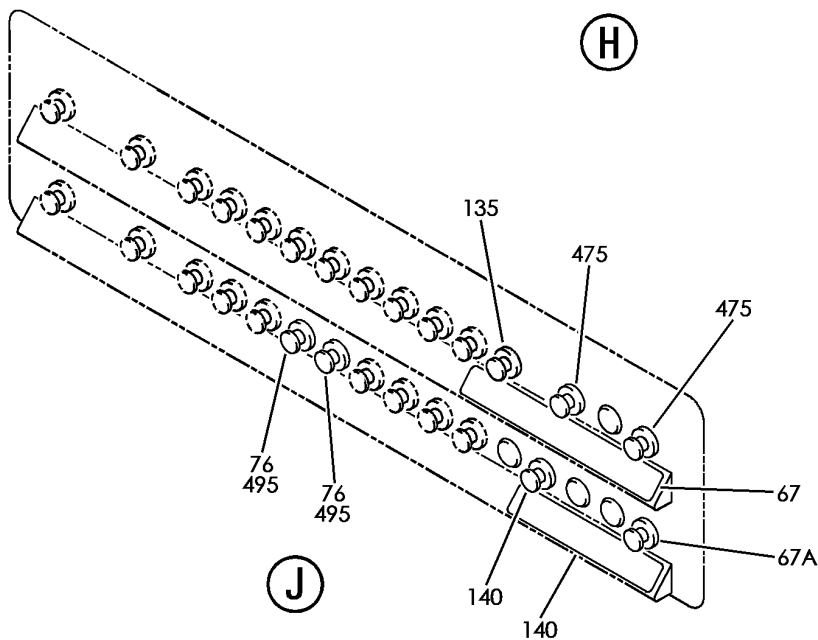
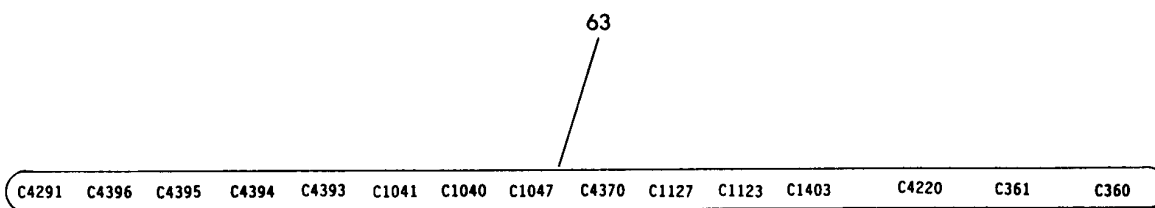
BRI
 MAY 28/07

24-51-54-03
 PAGE 0B

BOEING
757
PARTS CATALOG (MAINTENANCE)



(G)



Y 24515403 SHT 4 REV 240

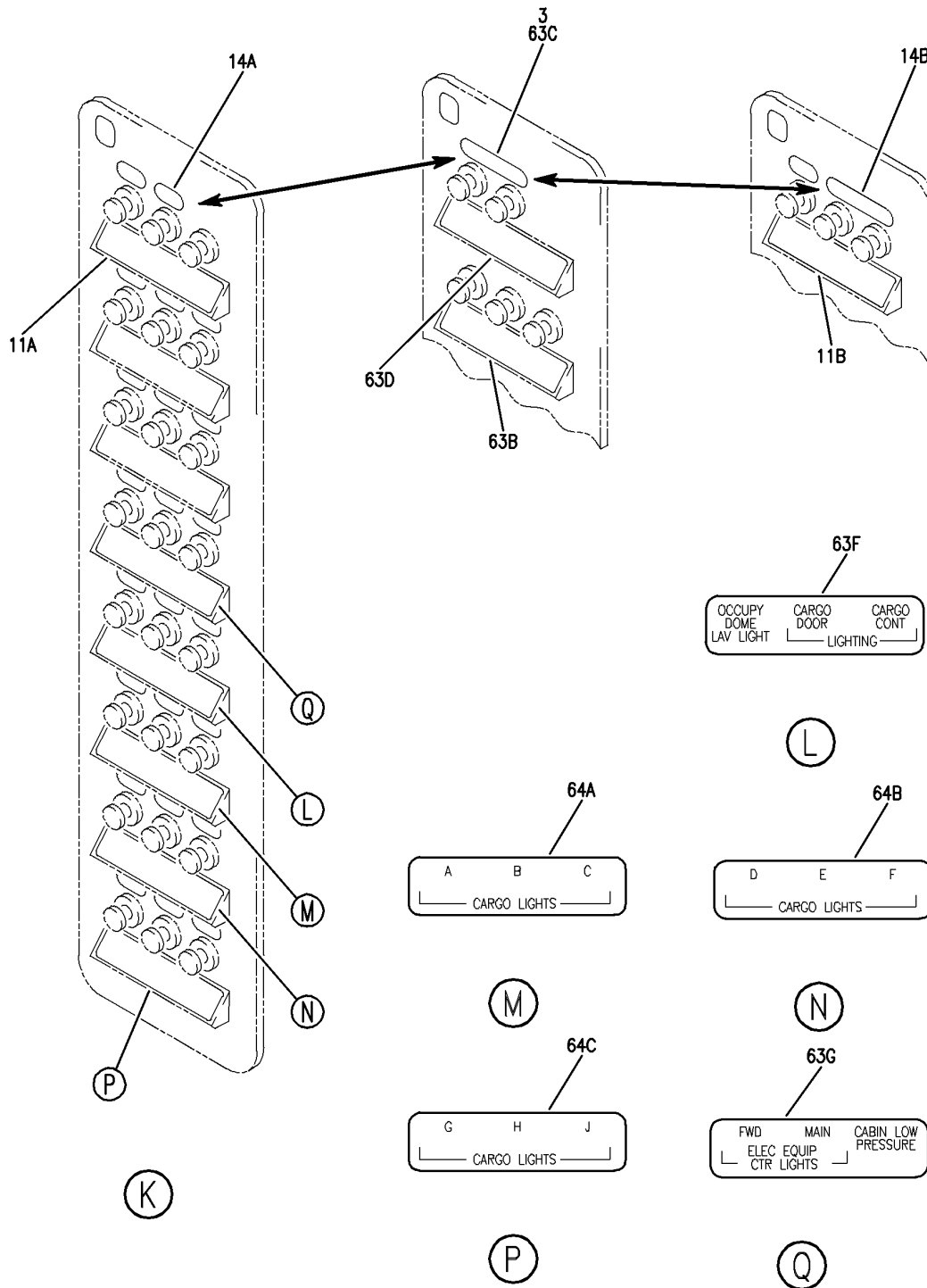
PANEL ASSY-P34 APU/EXT PWR (CIRCUIT BREAKERS ONLY)
FIGURE 3 (SHEET 4)

24-51-54-03

BRI
MAY 28/07

24-51-54-03
PAGE 0C

BOEING
757
PARTS CATALOG (MAINTENANCE)



Y 24515403 SH1 5 REV 240

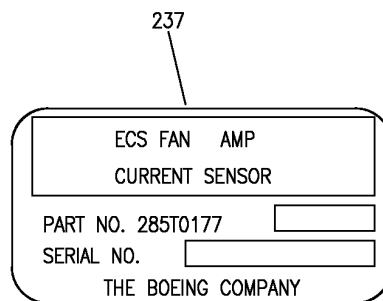
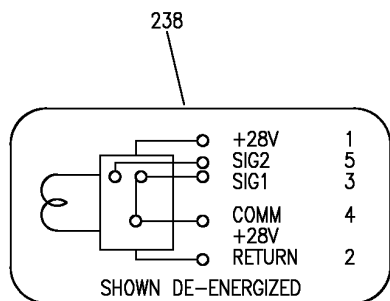
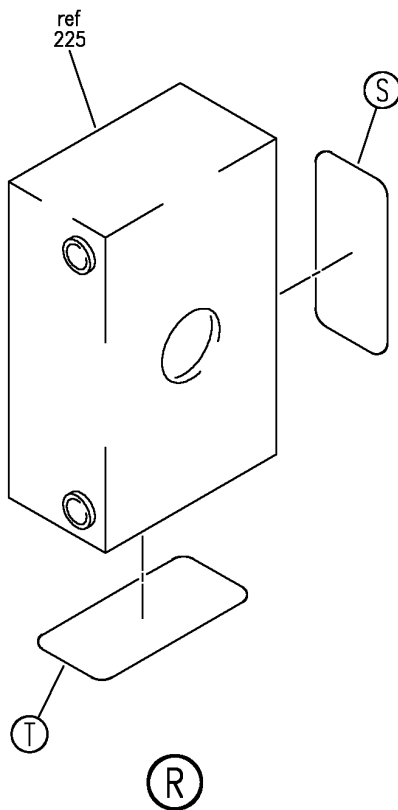
PANEL ASSY-P34 APU/EXT PWR (CIRCUIT BREAKERS ONLY)
FIGURE 3 (SHEET 5)

24-51-54-03

BRI
MAY 28/07

24-51-54-03
PAGE 0D

BOEING
757
PARTS CATALOG (MAINTENANCE)



Y 24515403 SHIT 6 REV 268

(T)

(S)

PANEL ASSY-P34 APU/EXT PWR (CIRCUIT BREAKERS ONLY)
FIGURE 3 (SHEET 6)

24-51-54-03

BRI
MAY 28/07

24-51-54-03
PAGE 0E



757

PARTS CATALOG (MAINTENANCE)

FIG ITEM	PART NUMBER	1 2 3 4 5 6 7	NOMENCLATURE	EFFECT FROM TO	UNITS PER ASSY
3			PANEL ASSY-P34 APU/EXT PWR (CIRCUIT BREAKERS ONLY)	002004 006100 107107 121503 904999	
- 1	284N1316-1		PANEL ASSY-P34 APU/EXT PWR (CIRCUIT BREAKERS ONLY) VARIABLE DRAWING REF: 284N1316-5023 284N1316-5047 284N1316-5063 284N1316-5064 284N1316-5067	002004 006100 107107 121503 904999	RF
4	BAC27NEX1659		.DECAL- PLACARD CONTENT: C1203	002004 006100 107107 121503 904999	1
5	BAC27NEX1360		.DECAL- PLACARD CONTENT: C309	107107 121503 904949	1
7	BAC27NEX1357		.DECAL-	950951	1
8	BAC27NEX1588		.DECAL-	002004 006100 107107 121503 904999	1
10	BAC27NEX0273		.DECAL- PLACARD CONTENT: GND HDLG BUS	107107 121503 904949	1
12	BAC27NEX1397		.DECAL-	950951	1
13	BAC27NEX1589		.DECAL-	002004 006100 107107 121503 904999	1
15	BAC27NEX1359		.DECAL- PLACARD CONTENT: C306	002004 006100 107107 121503 904999	1
20	BAC27NEX0596		.DECAL- PLACARD CONTENT: GND SVCE BUS EXT PWR	002004 006100 107107 121503 904999	1

MISSING ITEM NUMBERS NOT APPLICABLE

- ITEM NOT ILLUSTRATED

24-51-54-03

24-51-54
FIG. 03
PAGE 1
JAN 20/09

BRI

BOEING PROPRIETARY - Copyright © - Unpublished Work - See title page for details.



757

PARTS CATALOG (MAINTENANCE)

FIG ITEM	PART NUMBER	1 2 3 4 5 6 7	NOMENCLATURE	EFFECT FROM TO	UNITS PER ASSY
3					
22	BAC27NEX1629	.	DECAL-	002004 006100 107107 121503 904999	1
25	BAC27NEX1358	.	DECAL- PLACARD CONTENT: C305	002004 006100 107107 121503 904999	1
27	BAC27NEX1365	.	DECAL- PLACARD CONTENT: C1269 C1213 C1205	002004 006100 107107 121503 904999	1
30	BAC27NEX0597	.	DECAL- PLACARD CONTENT: GND HDLG EXT PWR	002004 006100 107107 121503 904999	1
32	BAC27NEX1366	.	DECAL- PLACARD CONTENT: C1253 C4219	002004 006100 107107 121503 904999	1
35	BAC27NEX1361	.	DECAL- PLACARD CONTENT: C321	002004 006100 107107 121503 904999	1
37	BAC27NEX1367	.	DECAL- PLACARD CONTENT: C4218 C1296	002004 006100 107107 121503 904999	1
40	BAC27NEX0599	.	DECAL- PLACARD CONTENT: GND HDLG APU	002004 006100 107107 121503 904999	1
42	BAC27NEX1368	.	DECAL- PLACARD CONTENT: C4095 C1270	002004 006100 107107 121503 904999	1

MISSING ITEM NUMBERS NOT APPLICABLE

- ITEM NOT ILLUSTRATED

24-51-54-03

24-51-54
FIG. 03
PAGE 2
JAN 20/09

BRI

BOEING PROPRIETARY - Copyright © - Unpublished Work - See title page for details.



757

PARTS CATALOG (MAINTENANCE)

FIG ITEM	PART NUMBER	1 2 3 4 5 6 7	NOMENCLATURE	EFFECT FROM TO	UNITS PER ASSY
3					
45	BAC27NEX1362	.DECAL-	PLACARD CONTENT: C322	002004 006100 107107 121503 904999	1
46	BAC27NEX2112	.DECAL-	PLACARD CONTENT: C4220	008100 107107	1
47	BAC27NEX1369	.DECAL-	PLACARD CONTENT: C4146 C1257	002004 006100 107107 121503 904999	1
49	BAC27NEX2113	.DECAL-	PLACARD CONTENT: C4220, C4367	018100 121503 904949	1
50	BAC27NEX0598	.DECAL-	PLACARD CONTENT: GND SVCE BUS-APU	002004 006100 107107 121503 904999	1
51	BAC27NEX2340	.DECAL-	PLACARD CONTENT: C4366, C4360, C4359 POST SERVICE BULLETIN: 24-0048	002004 006100 107107 121503 904949 952999	1
54	BAC27NEX1609	.DECAL-	PLACARD CONTENT: C4291	002004 006100 107107 121503 904999	1
55	BAC27NEX2185	.DECAL-	PLACARD CONTENT: C4400	002004 006100	1
56	BAC27NEX2170	.DECAL-	PLACARD CONTENT: C4367	002004 006100 950999	1
57	BAC27NEX2274	.DECAL-	PLACARD CONTENT: C4180	121503 904949	1
58	BAC27NEX2273	.DECAL-	PLACARD CONTENT: C3018	121503 904949	1

MISSING ITEM NUMBERS NOT APPLICABLE

- ITEM NOT ILLUSTRATED

24-51-54-03

24-51-54
FIG. 03
PAGE 3
JAN 20/09

BRI



757

PARTS CATALOG (MAINTENANCE)

FIG ITEM	PART NUMBER	1 2 3 4 5 6 7	NOMENCLATURE	EFFECT FROM TO	UNITS PER ASSY
3 68	2TC47-2-5		.CIRCUIT BREAKER- SUPPLIER CODE: V82647 SPECIFICATION NUMBER: BACC18AD2 OPTIONAL PART: 4310-029-205 V76374 ELECTRICAL EQUIP NUMBER: C00707	107107	1
70	6TC6-3		.CIRCUIT BREAKER- SUPPLIER CODE: V82647 SPECIFICATION NUMBER: BACC18AC3 OPTIONAL PART: 4330-004-3 V76374 ELECTRICAL EQUIP NUMBER: C00304 C00320	002004 006100 107107 121503 904999	2
72	2TC47-5		.CIRCUIT BREAKER- SUPPLIER CODE: V82647 SPECIFICATION NUMBER: BACC18AD5 OPTIONAL PART: 4310-029-5 V76374 ELECTRICAL EQUIP NUMBER: C01300	121503 904949	1
73	2TC47-2-5		.CIRCUIT BREAKER- SUPPLIER CODE: V82647 SPECIFICATION NUMBER: BACC18AD2 OPTIONAL PART: 4310-029-205 V76374 ELECTRICAL EQUIP NUMBER: C04086	002004 006100 107107 121503 904999	1

MISSING ITEM NUMBERS NOT APPLICABLE

- ITEM NOT ILLUSTRATED

24-51-54-03

24-51-54
FIG. 03
PAGE 4
JAN 20/09

BRI



757

PARTS CATALOG (MAINTENANCE)

FIG ITEM	PART NUMBER	1 2 3 4 5 6 7	NOMENCLATURE	EFFECT FROM TO	UNITS PER ASSY
3	76 2TC47-2-5		.CIRCUIT BREAKER- SUPPLIER CODE: V82647 SPECIFICATION NUMBER: BACC18AD2 OPTIONAL PART: 4310-029-205 V76374 ELECTRICAL EQUIP NUMBER: C04179 C04180	950951	2
	76 2TC47-5		.CIRCUIT BREAKER- SUPPLIER CODE: V82647 SPECIFICATION NUMBER: BACC18AD5 OPTIONAL PART: 4310-029-5 V76374 ELECTRICAL EQUIP NUMBER: C04179 C04180	121503 904949	2
	77 2TC47-2-5		.CIRCUIT BREAKER- SUPPLIER CODE: V82647 SPECIFICATION NUMBER: BACC18AD2 OPTIONAL PART: 4310-029-205 V76374 ELECTRICAL EQUIP NUMBER: C04220	008100 107107 121503 904949	1
	80 2TC47-3		.CIRCUIT BREAKER- SUPPLIER CODE: V82647 SPECIFICATION NUMBER: BACC18AD3 OPTIONAL PART: 4310-029-3 V76374 ELECTRICAL EQUIP NUMBER: C01205 C01206 C01213 C01256 C01257 C04095	002004 006100 107107 121503 904999	6

MISSING ITEM NUMBERS NOT APPLICABLE

- ITEM NOT ILLUSTRATED

24-51-54-03

24-51-54
FIG. 03
PAGE 5
JAN 20/09

BRI



757

PARTS CATALOG (MAINTENANCE)

FIG ITEM	PART NUMBER	1 2 3 4 5 6 7	NOMENCLATURE	EFFECT FROM TO	UNITS PER ASSY
3 82	2TC47-5		.CIRCUIT BREAKER- SUPPLIER CODE: V82647 SPECIFICATION NUMBER: BACC18AD5 OPTIONAL PART: 4310-029-5 V76374 ELECTRICAL EQUIP NUMBER: C01215	121503 904949	1
84	2TC47-2-5		.CIRCUIT BREAKER- SUPPLIER CODE: V82647 SPECIFICATION NUMBER: BACC18AD2 OPTIONAL PART: 4310-029-205 V76374 ELECTRICAL EQUIP NUMBER: C00815 C00816 C01203 C01356 C04291	002004 006100 107107 121503 904999	5
86	2TC47-7-5		.CIRCUIT BREAKER- SUPPLIER CODE: V82647 SPECIFICATION NUMBER: BACC18AD7 OPTIONAL PART: 4310-029-705 V76374 ELECTRICAL EQUIP NUMBER: C01047 C01210 C01296	107107 121503 904949	3
87	2TC47-7-5		.CIRCUIT BREAKER- SUPPLIER CODE: V82647 SPECIFICATION NUMBER: BACC18AD7 OPTIONAL PART: 4310-029-705 V76374 ELECTRICAL EQUIP NUMBER: C04218	121503 904949	1

MISSING ITEM NUMBERS NOT APPLICABLE

- ITEM NOT ILLUSTRATED

24-51-54-03

24-51-54
FIG. 03
PAGE 6
JAN 20/09

BRI



757

PARTS CATALOG (MAINTENANCE)

FIG ITEM	PART NUMBER	1 2 3 4 5 6 7	NOMENCLATURE	EFFECT FROM TO	UNITS PER ASSY
3 87	2TC47-5		.CIRCUIT BREAKER- SUPPLIER CODE: V82647 SPECIFICATION NUMBER: BACC18AD5 OPTIONAL PART: 4310-029-5 V76374 ELECTRICAL EQUIP NUMBER: C04218	107107	1
88	2TC47-7-5		.CIRCUIT BREAKER- SUPPLIER CODE: V82647 SPECIFICATION NUMBER: BACC18AD7 OPTIONAL PART: 4310-029-705 V76374 ELECTRICAL EQUIP NUMBER: C01047 C01210 C01296 C04218	002004 006100 950999	4
90	2TC47-5		.CIRCUIT BREAKER- SUPPLIER CODE: V82647 SPECIFICATION NUMBER: BACC18AD5 OPTIONAL PART: 4310-029-5 V76374 ELECTRICAL EQUIP NUMBER: C01040 C01041 C01253 C01269 C01403 C04219	121503 904949	6

MISSING ITEM NUMBERS NOT APPLICABLE

- ITEM NOT ILLUSTRATED

24-51-54-03

24-51-54
FIG. 03
PAGE 7
JAN 20/09

BRI

BOEING PROPRIETARY - Copyright © - Unpublished Work - See title page for details.



757

PARTS CATALOG (MAINTENANCE)

FIG ITEM	PART NUMBER	1 2 3 4 5 6 7	NOMENCLATURE	EFFECT FROM TO	UNITS PER ASSY
3	93	2TC47-5	.CIRCUIT BREAKER- SUPPLIER CODE: V82647 SPECIFICATION NUMBER: BACC18AD5 OPTIONAL PART: 4310-029-5 V76374 ELECTRICAL EQUIP NUMBER: C01040 C01041 C01211 C01215 C01253 C01269 C01300 C01403 C04219	002004 006100 950999	9
	95	6TC6-5	.CIRCUIT BREAKER- SUPPLIER CODE: V82647 SPECIFICATION NUMBER: BACC18AC5 OPTIONAL PART: 4330-004-5 V76374 ELECTRICAL EQUIP NUMBER: C03017 C03018	950951	2
	100	6TC6-7-5	.CIRCUIT BREAKER- SUPPLIER CODE: V82647 SPECIFICATION NUMBER: BACC18AC7 OPTIONAL PART: 4330-004-705 V76374 ELECTRICAL EQUIP NUMBER: C00360 C00361	002004 006100 107107 121503 904999	2

MISSING ITEM NUMBERS NOT APPLICABLE

- ITEM NOT ILLUSTRATED

24-51-54-03

24-51-54
FIG. 03
PAGE 8
JAN 20/09

BRI



757

PARTS CATALOG (MAINTENANCE)

FIG ITEM	PART NUMBER	1 2 3 4 5 6 7	NOMENCLATURE	EFFECT FROM TO	UNITS PER ASSY
3 102	2TC47-2-5		.CIRCUIT BREAKER- SUPPLIER CODE: V82647 SPECIFICATION NUMBER: BACC18AD2 OPTIONAL PART: 4310-029-205 V76374 ELECTRICAL EQUIP NUMBER: C04359 C04366 POST SERVICE BULLETIN: 24-0048	002004 006100 107107 121503 904949 952999	2
105	2TC47-10		.CIRCUIT BREAKER- SUPPLIER CODE: V82647 SPECIFICATION NUMBER: BACC18AD10 OPTIONAL PART: 4310-029-10 V76374 ELECTRICAL EQUIP NUMBER: C01266 C04146 C04211	107107	3
106	2TC47-10		.CIRCUIT BREAKER- SUPPLIER CODE: V82647 SPECIFICATION NUMBER: BACC18AD10 OPTIONAL PART: 4310-029-10 V76374 ELECTRICAL EQUIP NUMBER: C04146	002004 006100 950999	1
121	2TC47-3		.CIRCUIT BREAKER- SUPPLIER CODE: V82647 SPECIFICATION NUMBER: BACC18AD3 OPTIONAL PART: 4310-029-3 V76374 ELECTRICAL EQUIP NUMBER: C04400	002004 006100	1

MISSING ITEM NUMBERS NOT APPLICABLE

- ITEM NOT ILLUSTRATED

24-51-54-03

24-51-54
FIG. 03
PAGE 9
JAN 20/09

BRI



757

PARTS CATALOG (MAINTENANCE)

FIG ITEM	PART NUMBER	1 2 3 4 5 6 7	NOMENCLATURE	EFFECT FROM TO	UNITS PER ASSY
3 130	2TC47-7-5		.CIRCUIT BREAKER- SUPPLIER CODE: V82647 SPECIFICATION NUMBER: BACC18AD7 OPTIONAL PART: 4310-029-705 V76374 ELECTRICAL EQUIP NUMBER: C01270 WIRING DIAGRAM REF: 332611	107107 121503 904949	1
130	2TC47-5		.CIRCUIT BREAKER- SUPPLIER CODE: V82647 SPECIFICATION NUMBER: BACC18AD5 OPTIONAL PART: 4310-029-5 V76374 ELECTRICAL EQUIP NUMBER: C01270 WIRING DIAGRAM REF: 332611	002004 006100 950999	1
166	2TC47-7-5		.CIRCUIT BREAKER- SUPPLIER CODE: V82647 SPECIFICATION NUMBER: BACC18AD7 OPTIONAL PART: 4310-029-705 V76374 ELECTRICAL EQUIP NUMBER: C01211	107107 121503 904949	1
167	2TC47-7-5		.CIRCUIT BREAKER- SUPPLIER CODE: V82647 SPECIFICATION NUMBER: BACC18AD7 OPTIONAL PART: 4310-029-705 V76374 ELECTRICAL EQUIP NUMBER: C01266 C04211	002004 006100 950999	2

MISSING ITEM NUMBERS NOT APPLICABLE

- ITEM NOT ILLUSTRATED

BRI

24-51-54-03

BOEING PROPRIETARY - Copyright © - Unpublished Work - See title page for details.

24-51-54
FIG. 03
PAGE 10
JAN 20/09



757

PARTS CATALOG (MAINTENANCE)

FIG ITEM	PART NUMBER	1 2 3 4 5 6 7	NOMENCLATURE	EFFECT FROM TO	UNITS PER ASSY
3 168	2TC47-3		.CIRCUIT BREAKER- SUPPLIER CODE: V82647 SPECIFICATION NUMBER: BACC18AD3 OPTIONAL PART: 4310-029-3 V76374 ELECTRICAL EQUIP NUMBER: C04367	002004 006100 121503 904999	1
171	2TC47-5		.CIRCUIT BREAKER- SUPPLIER CODE: V82647 SPECIFICATION NUMBER: BACC18AD5 OPTIONAL PART: 4310-029-5 V76374 ELECTRICAL EQUIP NUMBER: C01040 C01041 C01215 C01253 C01269 C01270 C01300 C01403 C04219	107107	9
173	2TC47-5		.CIRCUIT BREAKER- SUPPLIER CODE: V82647 SPECIFICATION NUMBER: BACC18AD5 OPTIONAL PART: 4310-029-5 V76374 ELECTRICAL EQUIP NUMBER: C04360 POST SERVICE BULLETIN: 24-0048	002004 006100 107107 121503 904949	1

MISSING ITEM NUMBERS NOT APPLICABLE

- ITEM NOT ILLUSTRATED

24-51-54-03

24-51-54
FIG. 03
PAGE 11
JAN 20/09

BRI



757

PARTS CATALOG (MAINTENANCE)

FIG ITEM	PART NUMBER	1 2 3 4 5 6 7	NOMENCLATURE	EFFECT FROM TO	UNITS PER ASSY
3 173	2TC47-7-5		.CIRCUIT BREAKER- SUPPLIER CODE: V82647 SPECIFICATION NUMBER: BACC18AD7 OPTIONAL PART: 4310-029-705 V76374 ELECTRICAL EQUIP NUMBER: C04360	952999	1
255	9TC625		.CIRCUIT BREAKER- SUPPLIER CODE: V82647 SPECIFICATION NUMBER: BACC18AE25 ELECTRICAL EQUIP NUMBER: C00305 C00321	002004 006100 950999	2
260	6752-311-50		.CIRCUIT BREAKER- SUPPLIER CODE: V82647 SPECIFICATION NUMBER: 10-60806-1050 ELECTRICAL EQUIP NUMBER: C00306 C00322	002004 006100 950999	2
265	6752-311-25		.CIRCUIT BREAKER- SUPPLIER CODE: V82647 SPECIFICATION NUMBER: 10-60806-1025 ELECTRICAL EQUIP NUMBER: C00309	107107 121503 904949	1
270	6752-311-50		.CIRCUIT BREAKER- SUPPLIER CODE: V82647 SPECIFICATION NUMBER: 10-60806-1050 ELECTRICAL EQUIP NUMBER: C00305 C00306 C00321 C00322	107107 121503 904949	4
- 275	NAS1801-06-5		ATTACHING PARTS .SCREW-	121503 904949	10
- 275	NAS1801-06-5P		.SCREW-	107107	10

MISSING ITEM NUMBERS NOT APPLICABLE

- ITEM NOT ILLUSTRATED

24-51-54-03

24-51-54
FIG. 03
PAGE 12
JAN 20/09

BRI



757

PARTS CATALOG (MAINTENANCE)

FIG ITEM	PART NUMBER	1 2 3 4 5 6 7	NOMENCLATURE	EFFECT FROM TO	UNITS PER ASSY
3					
- 280	NAS1801-06-5P	.	SCREW-	002004 006100 950999	8
			-----*-----		
283	10237-1	.	CLIP-	009009 107107	3
			SUPPLIER CODE: V07RZ7 POST SERVICE BULLETIN: 24-0126		
- 305	BACP20B43B	.	PLUG-	107107	AR
			MISCELLANEOUS DATA: (USE IN PLACE OF CIRCUIT BREAKERS ON OPEN HOLES)		
- 310	BACP20B43B	.	PLUG-	002004 006100 950951	AR
			MISCELLANEOUS DATA: (USE IN PLACE OF CIRCUIT BREAKERS ON OPEN HOLES)		
- 320	BACP20B43B	.	PLUG-	952999	AR
			MISCELLANEOUS DATA: (USE IN PLACE OF CIRCUIT BREAKERS ON OPEN HOLES)		
- 350	BACP20B43B	.	PLUG-	121503 904949	AR
			MISCELLANEOUS DATA: (USE IN PLACE OF CIRCUIT BREAKERS ON OPEN HOLES)		

MISSING ITEM NUMBERS NOT APPLICABLE

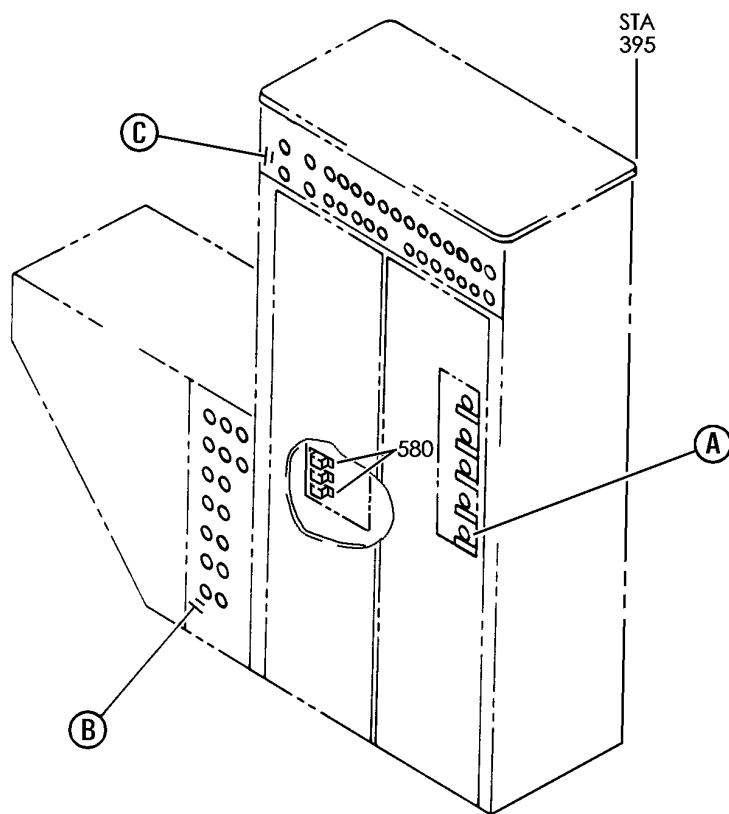
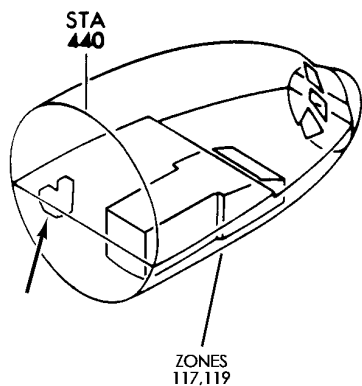
- ITEM NOT ILLUSTRATED

24-51-54-03

24-51-54
FIG. 03
PAGE 13
JAN 20/09

BRI

BOEING
757
PARTS CATALOG (MAINTENANCE)



Y 24515403A SHT 1 REV 236

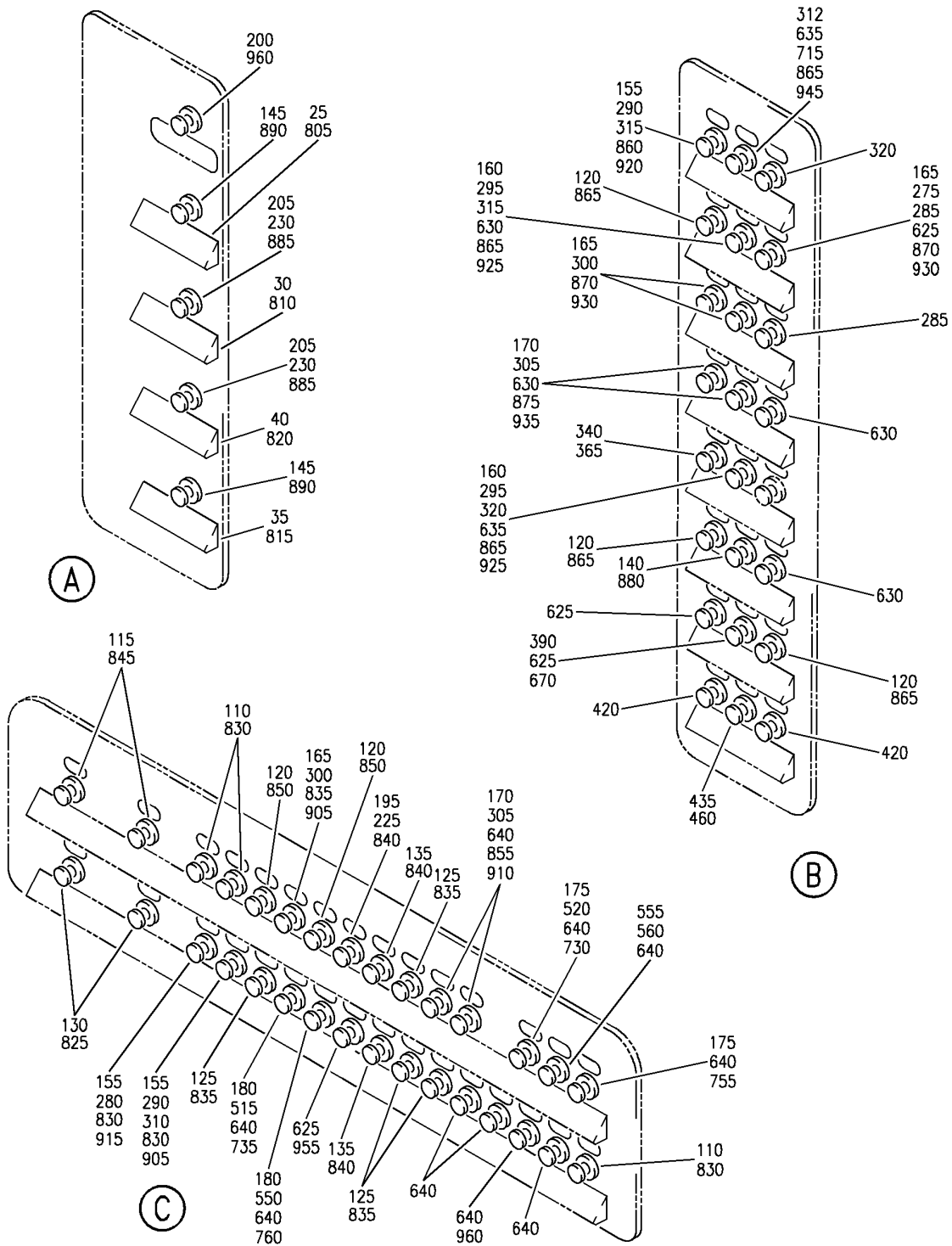
PACKAGE ASSY-OPTION P34 APU/EXT PWR (CIRCUIT BREAKERS ONLY)
FIGURE 3A (SHEET 1)

24-51-54-03A

BRI
MAY 28/07

24-51-54-03A
PAGE 0


BOEING
 757
PARTS CATALOG (MAINTENANCE)



Y 24515403A SH1 2 REV 294

PACKAGE ASSY-OPTION P34 APU/EXT PWR (CIRCUIT BREAKERS ONLY)
FIGURE 3A (SHEET 2)

24-51-54-03A

BRI
MAY 28/07

24-51-54-03A
PAGE 0A



757

PARTS CATALOG (MAINTENANCE)

FIG ITEM	PART NUMBER	1 2 3 4 5 6 7	NOMENCLATURE	EFFECT FROM TO	UNITS PER ASSY
3A			PACKAGE ASSY-OPTION P34 APU/EXT PWR (CIRCUIT BREAKERS ONLY)	101102 504903	
- 1	284N1316-1000		PACKAGE ASSY-OPTION P34 APU/EXT PWR (CIRCUIT BREAKERS ONLY) FOR NHA/OTHER SYS DET SEE: 31-01-34-01	101102 504903	RF
25	BAC27NEX0596		.DECAL- PLACARD CONTENT: GND SVCE BUS EXT PWR	101102 504903	1
30	BAC27NEX0597		.DECAL- PLACARD CONTENT: GND HDLG EXT PWR	101102 504903	1
35	BAC27NEX0598		.DECAL- PLACARD CONTENT: GND SVCE BUS-APU	101102 504903	1
40	BAC27NEX0599		.DECAL- PLACARD CONTENT: GND HDLG APU	101102 504903	1
110	2TC47-2-5		.CIRCUIT BREAKER- SUPPLIER CODE: V82647 SPECIFICATION NUMBER: BACC18AD2 OPTIONAL PART: 4310-029-205 V76374 ELECTRICAL EQUIP NUMBER: C00815 C00816 C04291	101102 504903	3
115	6TC6-3		.CIRCUIT BREAKER- SUPPLIER CODE: V82647 SPECIFICATION NUMBER: BACC18AC3 OPTIONAL PART: 4330-004-3 V76374 ELECTRICAL EQUIP NUMBER: C00304 C00320	101102 504903	2

MISSING ITEM NUMBERS NOT APPLICABLE

- ITEM NOT ILLUSTRATED

24-51-54-03A

24-51-54
FIG. 03A
PAGE 1
JAN 20/09

BRI

BOEING PROPRIETARY - Copyright © - Unpublished Work - See title page for details.



757

PARTS CATALOG (MAINTENANCE)

FIG ITEM	PART NUMBER	1 2 3 4 5 6 7	NOMENCLATURE	EFFECT FROM TO	UNITS PER ASSY
3A 120	2TC47-3	.	CIRCUIT BREAKER- SUPPLIER CODE: V82647 SPECIFICATION NUMBER: BACC18AD3 OPTIONAL PART: 4310-029-3 V76374 ELECTRICAL EQUIP NUMBER: C01205 C01206 C01256 C01257 C04367	101102 504903	5
125	2TC47-5	.	CIRCUIT BREAKER- SUPPLIER CODE: V82647 SPECIFICATION NUMBER: BACC18AD5 OPTIONAL PART: 4310-029-5 V76374 ELECTRICAL EQUIP NUMBER: C01040 C01041 C01300 C01403	101102 504903	4
130	6TC6-7-5	.	CIRCUIT BREAKER- SUPPLIER CODE: V82647 SPECIFICATION NUMBER: BACC18AC7 OPTIONAL PART: 4330-004-705 V76374 ELECTRICAL EQUIP NUMBER: C00360 C00361	101102 504903	2
135	2TC47-7-5	.	CIRCUIT BREAKER- SUPPLIER CODE: V82647 SPECIFICATION NUMBER: BACC18AD7 OPTIONAL PART: 4310-029-705 V76374 ELECTRICAL EQUIP NUMBER: C01047 C01210	101102 504903	2

MISSING ITEM NUMBERS NOT APPLICABLE

- ITEM NOT ILLUSTRATED

BRI

24-51-54-03A

BOEING PROPRIETARY - Copyright © - Unpublished Work - See title page for details.

24-51-54
FIG. 03A
PAGE 2
JAN 20/09



757

PARTS CATALOG (MAINTENANCE)

FIG ITEM	PART NUMBER	1 2 3 4 5 6 7	NOMENCLATURE	EFFECT FROM TO	UNITS PER ASSY
3A 140	2TC47-10		.CIRCUIT BREAKER- SUPPLIER CODE: V82647 SPECIFICATION NUMBER: BACC18AD10 OPTIONAL PART: 4310-029-10 V76374 ELECTRICAL EQUIP NUMBER: C04146	101102 504903	1
145	6752-311-50		.CIRCUIT BREAKER- SUPPLIER CODE: V82647 SPECIFICATION NUMBER: 10-60806-1050 ELECTRICAL EQUIP NUMBER: C00306 C00322	101102 504903	2
- 150	NAS1801-06-5		ATTACHING PARTS .SCREW	101102 504903	4
225	2TC47-5		-----*----- .CIRCUIT BREAKER- SUPPLIER CODE: V82647 SPECIFICATION NUMBER: BACC18AD5 OPTIONAL PART: 4310-029-5 V76374 ELECTRICAL EQUIP NUMBER: C01211	101102 504903	1
230	9TC625		.CIRCUIT BREAKER- SUPPLIER CODE: V82647 SPECIFICATION NUMBER: BACC18AE25 ELECTRICAL EQUIP NUMBER: C00305 C00321	101102 504903	2
- 250	284N1316-1001		PACKAGE ASSY-OPTION P34 APU/EXT PWR (CIRCUIT BREAKERS ONLY) FOR NHA/OTHER SYS DET SEE: 31-01-34-01	101102 504903	RF

MISSING ITEM NUMBERS NOT APPLICABLE

- ITEM NOT ILLUSTRATED

24-51-54-03A

24-51-54
FIG. 03A
PAGE 3
JAN 20/09

BRI

BOEING PROPRIETARY - Copyright © - Unpublished Work - See title page for details.



757

PARTS CATALOG (MAINTENANCE)

FIG ITEM	PART NUMBER	1 2 3 4 5 6 7	NOMENCLATURE	EFFECT FROM TO	UNITS PER ASSY
3A 275	2TC47-5		.CIRCUIT BREAKER- SUPPLIER CODE: V82647 SPECIFICATION NUMBER: BACC18AD5 OPTIONAL PART: 4310-029-5 V76374 ELECTRICAL EQUIP NUMBER: C01269	101102 504903	1
280	2TC47-2-5		.CIRCUIT BREAKER- SUPPLIER CODE: V82647 SPECIFICATION NUMBER: BACC18AD2 OPTIONAL PART: 4310-029-205 V76374 ELECTRICAL EQUIP NUMBER: C04086	101102 504903	1
295	2TC47-3		.CIRCUIT BREAKER- SUPPLIER CODE: V82647 SPECIFICATION NUMBER: BACC18AD3 OPTIONAL PART: 4310-029-3 V76374 ELECTRICAL EQUIP NUMBER: C01213 C04095	101102 504903	2
300	2TC47-5		.CIRCUIT BREAKER- SUPPLIER CODE: V82647 SPECIFICATION NUMBER: BACC18AD5 OPTIONAL PART: 4310-029-5 V76374 ELECTRICAL EQUIP NUMBER: C01215 C01253 C04219	101102 504903	3

MISSING ITEM NUMBERS NOT APPLICABLE

- ITEM NOT ILLUSTRATED

24-51-54-03A

24-51-54
FIG. 03A
PAGE 4
JAN 20/09

BRI



757

PARTS CATALOG (MAINTENANCE)

FIG ITEM	PART NUMBER	1 2 3 4 5 6 7	NOMENCLATURE	EFFECT FROM TO	UNITS PER ASSY
3A 305	2TC47-7-5		.CIRCUIT BREAKER- SUPPLIER CODE: V82647 SPECIFICATION NUMBER: BACC18AD7 OPTIONAL PART: 4310-029-705 V76374 ELECTRICAL EQUIP NUMBER: C01266 C01296 C04211 C04218	101102 504903	4
- 325	284N1316-1007		PACKAGE ASSY-OPTION P34 APU/EXT PWR (CIRCUIT BREAKERS ONLY) FOR NHA SEE: 31-01-34-01	101102 504903	RF
340	2TC47-5		.CIRCUIT BREAKER- SUPPLIER CODE: V82647 SPECIFICATION NUMBER: BACC18AD5 OPTIONAL PART: 4310-029-5 V76374 ELECTRICAL EQUIP NUMBER: C01270	101102 504903	1
- 375	284N1316-1009		PACKAGE ASSY-OPTION P34 APU/EXT PWR (CIRCUIT BREAKERS ONLY) FOR NHA SEE: 31-01-34-01	101102 504903	RF
390	2TC47-2-5		.CIRCUIT BREAKER- SUPPLIER CODE: V82647 SPECIFICATION NUMBER: BACC18AD2 OPTIONAL PART: 4310-029-205 V76374 ELECTRICAL EQUIP NUMBER: C04220	101102 504903	1
- 400	284N1316-1002		PACKAGE ASSY-OPTION P34 APU/EXT PWR (CIRCUIT BREAKERS ONLY) FOR NHA/OTHER SYS DET SEE: 31-01-34-01	101102	RF

MISSING ITEM NUMBERS NOT APPLICABLE

- ITEM NOT ILLUSTRATED

24-51-54-03A

24-51-54
FIG. 03A
PAGE 5
JAN 20/09

BRI



757

PARTS CATALOG (MAINTENANCE)

FIG ITEM	PART NUMBER	1 2 3 4 5 6 7	NOMENCLATURE	EFFECT FROM TO	UNITS PER ASSY
3A 420	2TC47-2-5		.CIRCUIT BREAKER- SUPPLIER CODE: V82647 SPECIFICATION NUMBER: BACC18AD2 OPTIONAL PART: 4310-029-205 V76374 ELECTRICAL EQUIP NUMBER: C04359 C04366	101102	2
- 425	284N1316-1003		PACKAGE ASSY-OPTION P34 APU/EXT PWR (CIRCUIT BREAKERS ONLY) FOR NHA SEE: 31-01-34-01	101102	RF
435	2TC47-5		.CIRCUIT BREAKER- SUPPLIER CODE: V82647 SPECIFICATION NUMBER: BACC18AD5 OPTIONAL PART: 4310-029-5 V76374 ELECTRICAL EQUIP NUMBER: C04360	101102	1
- 725	284N1316-1010		PACKAGE ASSY-OPTION P34 APU/EXT PWR (CIRCUIT BREAKERS ONLY) FOR NHA SEE: 31-01-34-01	504903	RF
730	6TC6-5		.CIRCUIT BREAKER- SUPPLIER CODE: V82647 SPECIFICATION NUMBER: BACC18AC5 OPTIONAL PART: 4330-004-5 V76374 ELECTRICAL EQUIP NUMBER: C03017	504903	1

MISSING ITEM NUMBERS NOT APPLICABLE

- ITEM NOT ILLUSTRATED

24-51-54-03A

24-51-54
FIG. 03A
PAGE 6
JAN 20/09

BRI



757

PARTS CATALOG (MAINTENANCE)

FIG ITEM	PART NUMBER	1 2 3 4 5 6 7	NOMENCLATURE	EFFECT FROM TO	UNITS PER ASSY
3A 735	2TC47-2-5	.	CIRCUIT BREAKER- SUPPLIER CODE: V82647 SPECIFICATION NUMBER: BACC18AD2 OPTIONAL PART: 4310-029-205 V76374 ELECTRICAL EQUIP NUMBER: C04179	504903	1
- 750	284N1316-1011		PACKAGE ASSY-OPTION P34 APU/EXT PWR (CIRCUIT BREAKERS ONLY) FOR NHA SEE: 31-01-34-01	504903	RF
755	6TC6-5	.	CIRCUIT BREAKER- SUPPLIER CODE: V82647 SPECIFICATION NUMBER: BACC18AC5 OPTIONAL PART: 4330-004-5 V76374 ELECTRICAL EQUIP NUMBER: C03018	504903	1
760	2TC47-2-5	.	CIRCUIT BREAKER- SUPPLIER CODE: V82647 SPECIFICATION NUMBER: BACC18AD2 OPTIONAL PART: 4310-029-205 V76374 ELECTRICAL EQUIP NUMBER: C04180	504903	1

MISSING ITEM NUMBERS NOT APPLICABLE

- ITEM NOT ILLUSTRATED

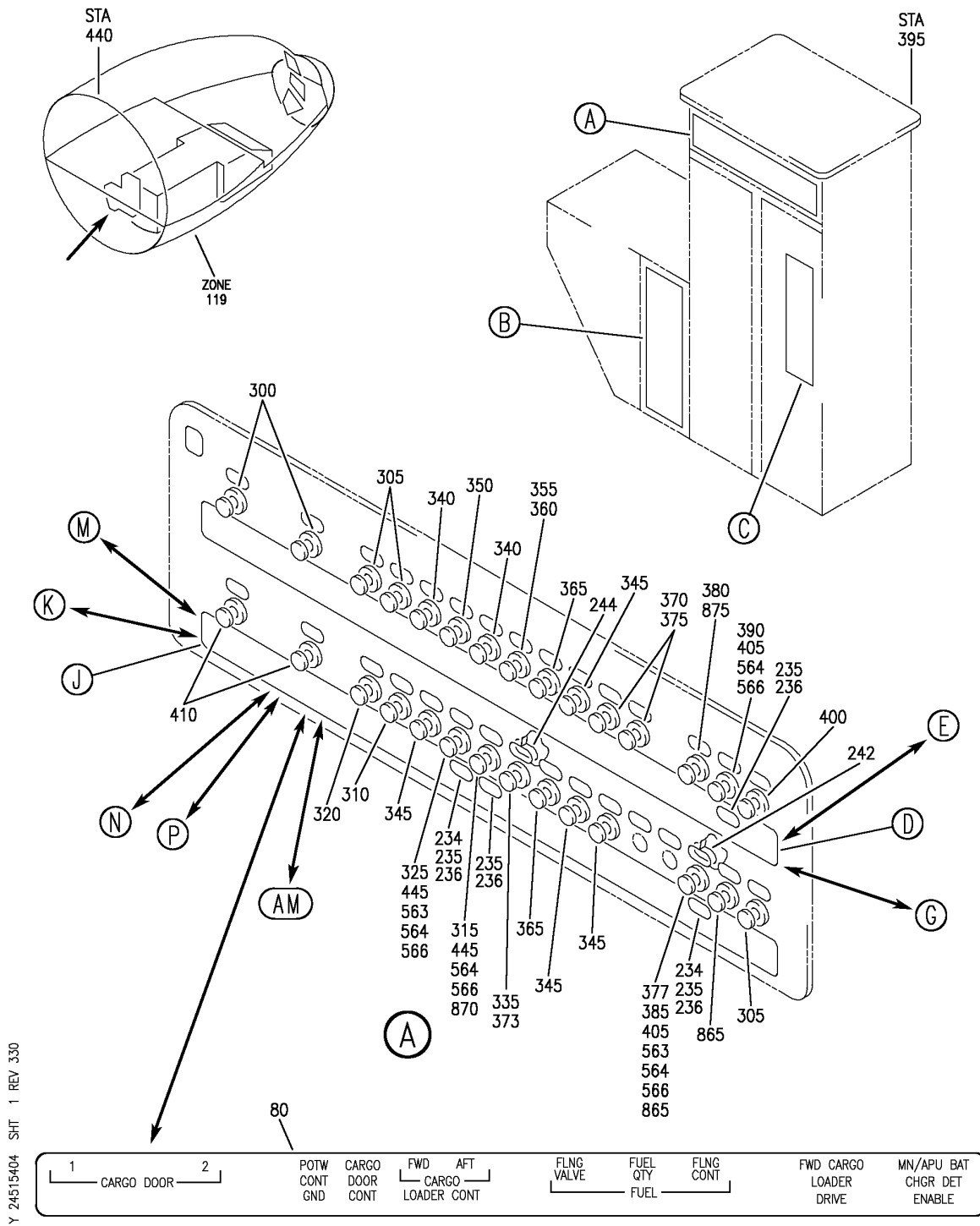
BRI

24-51-54-03A

BOEING PROPRIETARY - Copyright © - Unpublished Work - See title page for details.

24-51-54
FIG. 03A
PAGE 7
JAN 20/09

BOEING
757
PARTS CATALOG (MAINTENANCE)



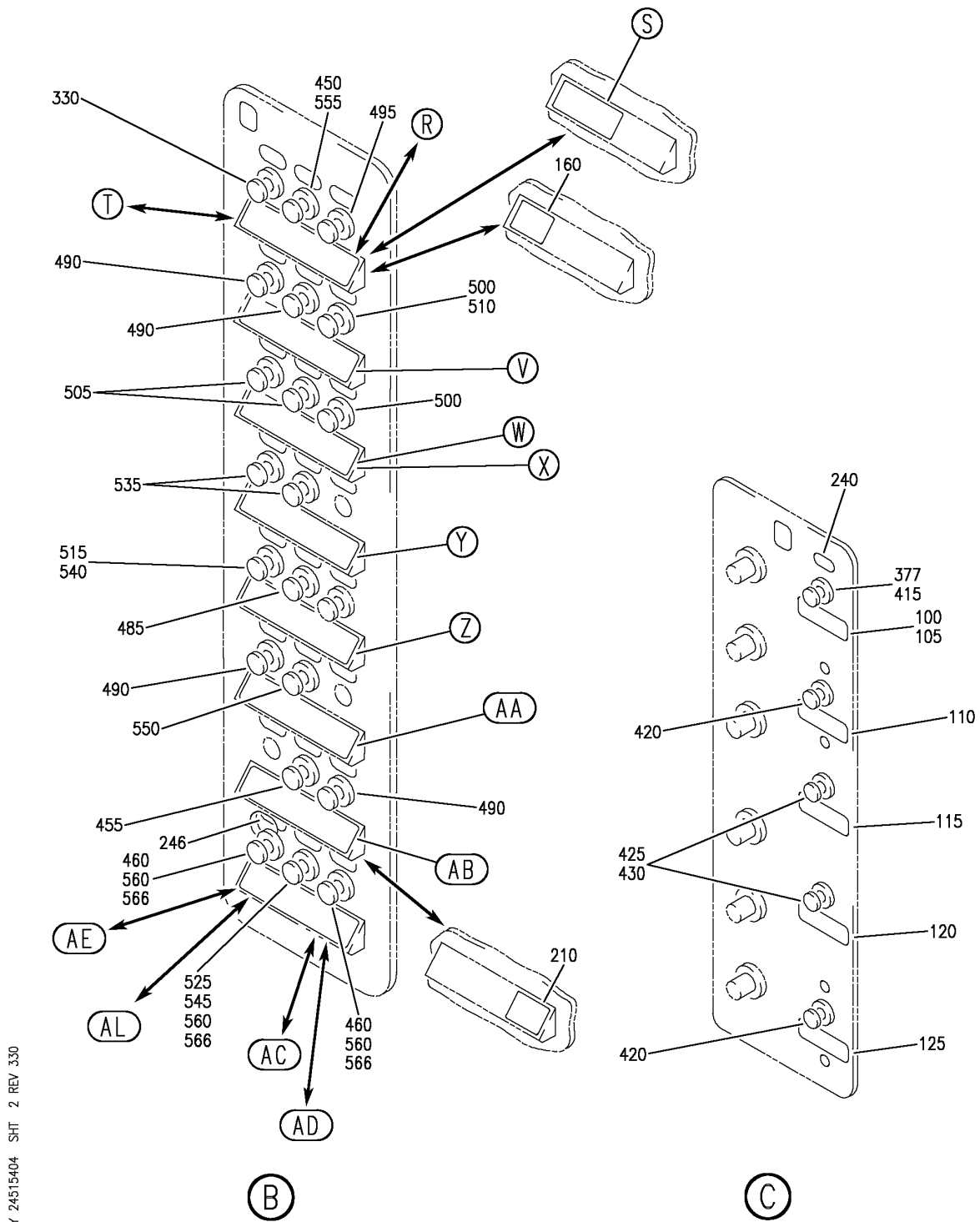
PANEL ASSY-P34 APU/EXT PWR (CIRCUIT BREAKERS ONLY)
FIGURE 4 (SHEET 1)

24-51-54-04

BRI
JAN 20/09

24-51-54-04
PAGE 0


BOEING
 757
PARTS CATALOG (MAINTENANCE)



Y 24515404 SHT 2 REV 330

PANEL ASSY-P34 APU/EXT PWR (CIRCUIT BREAKERS ONLY)
 FIGURE 4 (SHEET 2)

24-51-54-04

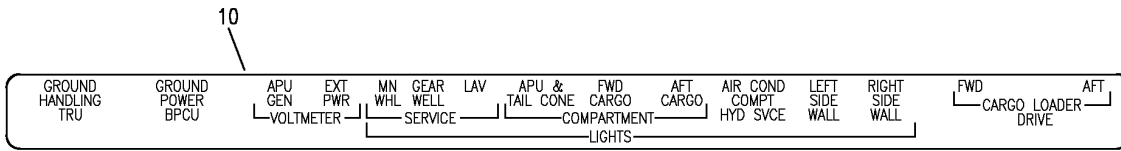
BRI
JAN 20/09

24-51-54-04
 PAGE 0A

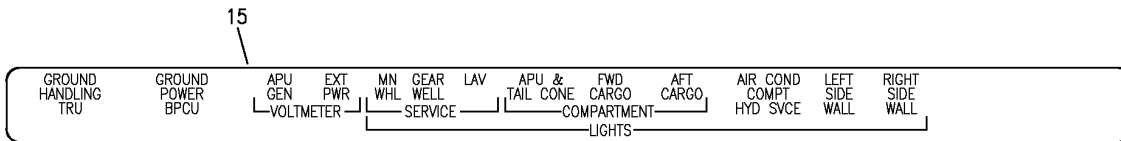
BOEING

757

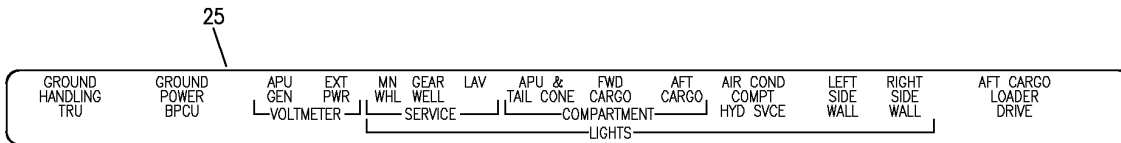
PARTS CATALOG (MAINTENANCE)



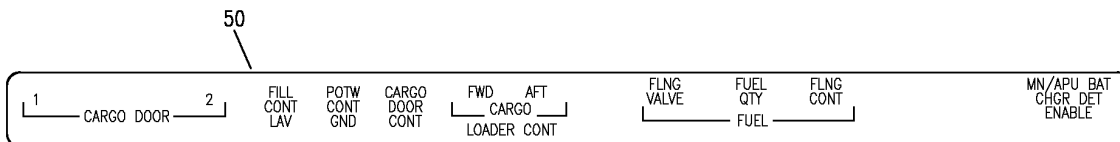
(D)



(E)



(G)



(J)

Y 24515404 SH1 3 REV 330

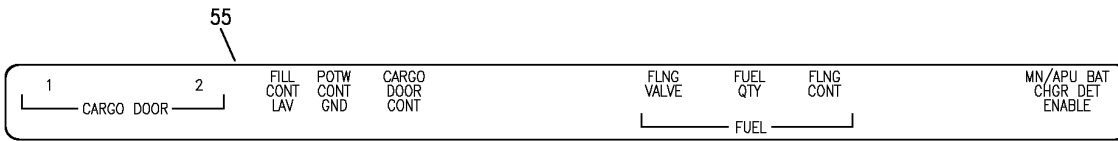
PANEL ASSY-P34 APU/EXT PWR (CIRCUIT BREAKERS ONLY)
FIGURE 4 (SHEET 3)

24-51-54-04

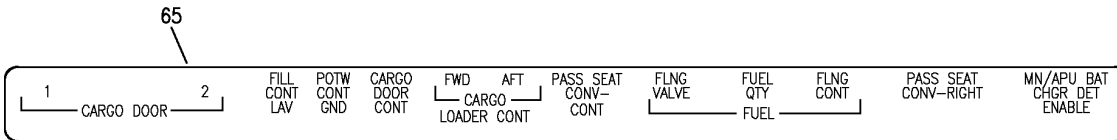
BRI
JAN 20/09

24-51-54-04
PAGE 08

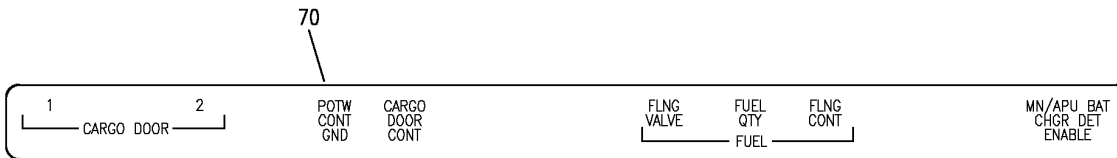
BOEING
757
PARTS CATALOG (MAINTENANCE)



K

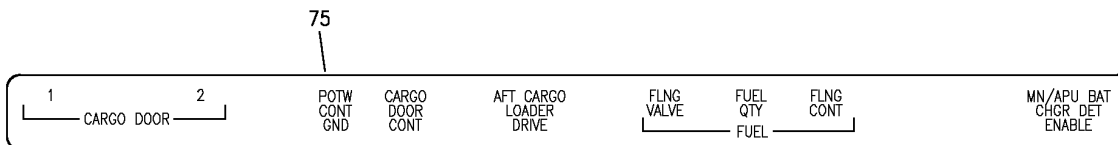


M



N

Y 24515404 SH1 4 REV 330



P

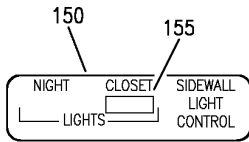
PANEL ASSY-P34 APU/EXT PWR (CIRCUIT BREAKERS ONLY)
FIGURE 4 (SHEET 4)

24-51-54-04

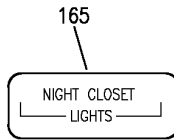
BRI
JAN 20/09

24-51-54-04
PAGE 0C

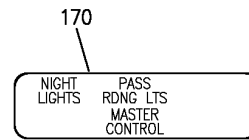
BOEING
757
PARTS CATALOG (MAINTENANCE)



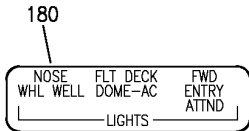
(R)



(S)



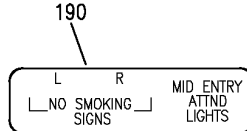
(T)



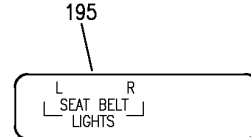
(V)



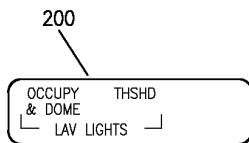
(W)



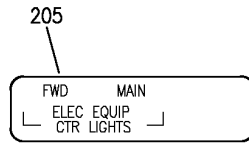
(X)



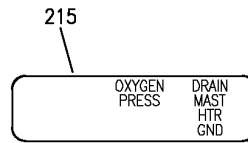
(Y)



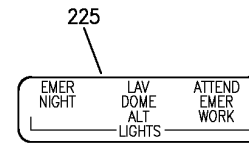
(Z)



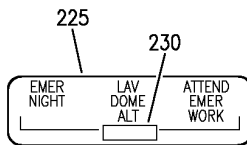
(AA)



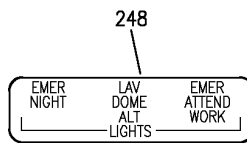
(AB)



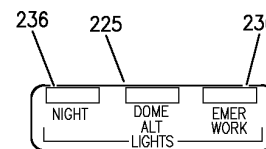
(AC)



(AD)

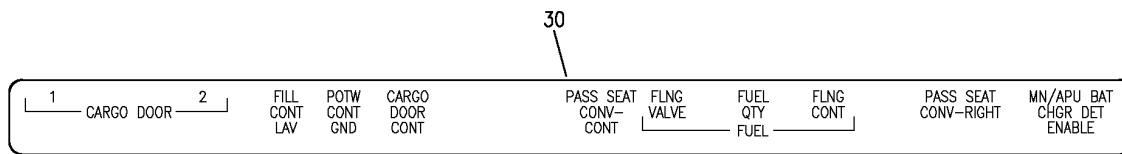


(AE)



(AL)

Y 24515404 SHT 5 REV 330



(AM)

PANEL ASSY-P34 APU/EXT PWR (CIRCUIT BREAKERS ONLY)
FIGURE 4 (SHEET 5)

24-51-54-04

BRI
JAN 20/09

24-51-54-04
PAGE 0D



757

PARTS CATALOG (MAINTENANCE)

FIG ITEM	PART NUMBER	1 2 3 4 5 6 7	NOMENCLATURE	EFFECT FROM TO	UNITS PER ASSY
4			PANEL ASSY-P34 APU/EXT PWR (CIRCUIT BREAKERS ONLY)	103106 108120	
- 2	284N1316-147		PANEL ASSY-P34 APU/EXT PWR (CIRCUIT BREAKERS ONLY) FOR NHA/OTHER SYS DET SEE: 24-00-58-05C	108120	RF
- 5	MODREF31492		PANEL ASSY-P34 APU/EXT PWR (CIRCUIT BREAKERS ONLY) MODULE NUMBER: 284N1316-207 REV A FOR OTHER SYS DETAILS SEE: 11-36-09-08 24-22-03-04 24-23-01-03 24-41-01-02 24-53-73-02 24-54-01-02 31-01-34-03 33-21-71-02 33-22-71-02 33-24-71-02 33-42-71-03 38-14-71-02 FOR ADDITIONAL DETAILS SEE: 24-51-01-03 24-51-03-02 24-51-04-03	103105	1
- 5	MODREF34794		PANEL ASSY-P34 APU/EXT PWR (CIRCUIT BREAKERS ONLY) MODULE NUMBER: 284N1316-207 REV B FOR OTHER SYS DETAILS SEE: 11-36-09-08 24-22-03-04 24-23-01-03 24-41-01-02 24-53-73-02 24-54-01-02 31-01-34-03 33-21-71-02 33-22-71-02 33-24-71-02 33-42-71-03 38-14-71-02 FOR ADDITIONAL DETAILS SEE: 24-51-01-03 24-51-03-02 24-51-04-03	106106	1
15	BAC27NEX2086		.DECAL-	108120	1

MISSING ITEM NUMBERS NOT APPLICABLE

- ITEM NOT ILLUSTRATED

24-51-54-04

24-51-54
FIG. 04
PAGE 1
JAN 20/09

BRI

 **BOEING**
757
PARTS CATALOG (MAINTENANCE)

FIG ITEM	PART NUMBER	1 2 3 4 5 6 7	NOMENCLATURE	EFFECT FROM TO	UNITS PER ASSY
4					
25	BAC27NEX3104	.DECAL-		103106	1
55	BAC27NEX1613	.DECAL		108120	1
80	BAC27NEX3223	.DECAL-		103106	1
100	BAC27NEX0273	.DECAL-		108120	1
			PLACARD CONTENT: GND HDLG BUS		
110	BAC27NEX0596	.DECAL-		103106	1
			PLACARD CONTENT: GND SVCE BUS EXT PWR	108120	
115	BAC27NEX0597	.DECAL-		103106	1
			PLACARD CONTENT: GND HDLG EXT PWR	108120	
120	BAC27NEX0599	.DECAL-		103106	1
			PLACARD CONTENT: GND HDLG APU	108120	
125	BAC27NEX0598	.DECAL-		103106	1
			PLACARD CONTENT: GND SVCE BUS APU	108120	
160	BAC27NEX1660	.DECAL-		103106	1
			PLACARD CONTENT: NIGHT LIGHTS	108120	
180	BAC27NEX1511	.DECAL		103106	1
				108120	
185	BAC27NEX0393	.DECAL		108120	1
190	BAC27NEX3103	.DECAL		103106	1
195	BAC27NEX0394	.DECAL		103106	1
				108120	
200	BAC27NEX2553	.DECAL		103106	1
				108120	
205	BAC27NEX0396	.DECAL		103106	1
				108120	
210	BAC27NEX2169	.DECAL-		108120	1
			PLACARD CONTENT: DRAIN MAST HTR GND		
215	BAC27NEX2090	.DECAL-		103106	1
225	BAC27NEX2556	.DECAL		103106	1
				108120	
235	BACM8L9BF	.MARKER-		103106	4
			PLACARD CONTENT: INOP		

MISSING ITEM NUMBERS NOT APPLICABLE

— ITEM NOT ILLUSTRATED

BRI

24-51-54-04

BOEING PROPRIETARY - Copyright © - Unpublished Work - See title page for details.

24-51-54
FIG. 04
PAGE 2
JAN 20/09



757

PARTS CATALOG (MAINTENANCE)

FIG ITEM	PART NUMBER	1 2 3 4 5 6 7	NOMENCLATURE	EFFECT FROM TO	UNITS PER ASSY
4 300	6TC6-3		.CIRCUIT BREAKER- SUPPLIER CODE: V82647 SPECIFICATION NUMBER: BACC18AC3 OPTIONAL PART: 4330-004-3 V76374 ELECTRICAL EQUIP NUMBER: C00304 C00320	103106 108120	2
305	2TC47-2-5		.CIRCUIT BREAKER- SUPPLIER CODE: V82647 SPECIFICATION NUMBER: BACC18AD2 OPTIONAL PART: 4310-029-205 V76374 ELECTRICAL EQUIP NUMBER: C00815 C00816 C04291	103106 108120	3
310	2TC47-2-5		.CIRCUIT BREAKER- SUPPLIER CODE: V82647 SPECIFICATION NUMBER: BACC18AD2 OPTIONAL PART: 4310-029-205 V76374 ELECTRICAL EQUIP NUMBER: C01356	108120	1
310	2TC47-5		.CIRCUIT BREAKER- SUPPLIER CODE: V82647 SPECIFICATION NUMBER: BACC18AD5 OPTIONAL PART: 4310-029-5 V76374 ELECTRICAL EQUIP NUMBER: C01356	103106	1

MISSING ITEM NUMBERS NOT APPLICABLE

- ITEM NOT ILLUSTRATED

BRI

24-51-54-04

24-51-54
FIG. 04
PAGE 3
JAN 20/09



757

PARTS CATALOG (MAINTENANCE)

FIG ITEM	PART NUMBER	1 2 3 4 5 6 7	NOMENCLATURE	EFFECT FROM TO	UNITS PER ASSY
4 320	2TC47-2-5		.CIRCUIT BREAKER- SUPPLIER CODE: V82647 SPECIFICATION NUMBER: BACC18AD2 OPTIONAL PART: 4310-029-205 V76374 ELECTRICAL EQUIP NUMBER: C04086	108120	1
330	2TC47-2-5		.CIRCUIT BREAKER- SUPPLIER CODE: V82647 SPECIFICATION NUMBER: BACC18AD2 OPTIONAL PART: 4310-029-205 V76374 ELECTRICAL EQUIP NUMBER: C01203	103106 108120	1
340	2TC47-3		.CIRCUIT BREAKER- SUPPLIER CODE: V82647 SPECIFICATION NUMBER: BACC18AD3 OPTIONAL PART: 4310-029-3 V76374 ELECTRICAL EQUIP NUMBER: C01206 C01256	103106 108120	2
345	2TC47-5		.CIRCUIT BREAKER- SUPPLIER CODE: V82647 SPECIFICATION NUMBER: BACC18AD5 OPTIONAL PART: 4310-029-5 V76374 ELECTRICAL EQUIP NUMBER: C01040 C01041 C01300 C01403	103106 108120	4

MISSING ITEM NUMBERS NOT APPLICABLE

- ITEM NOT ILLUSTRATED

24-51-54-04

24-51-54
FIG. 04
PAGE 4
JAN 20/09

BRI



757

PARTS CATALOG (MAINTENANCE)

FIG ITEM	PART NUMBER	1 2 3 4 5 6 7	NOMENCLATURE	EFFECT FROM TO	UNITS PER ASSY
4 350	2TC47-5		.CIRCUIT BREAKER- SUPPLIER CODE: V82647 SPECIFICATION NUMBER: BACC18AD5 OPTIONAL PART: 4310-029-5 V76374 ELECTRICAL EQUIP NUMBER: C01215	103106 108120	1
355	2TC47-5		.CIRCUIT BREAKER- SUPPLIER CODE: V82647 SPECIFICATION NUMBER: BACC18AD5 OPTIONAL PART: 4310-029-5 V76374 ELECTRICAL EQUIP NUMBER: C01215	103106	1
360	2TC47-7-5		.CIRCUIT BREAKER- SUPPLIER CODE: V82647 SPECIFICATION NUMBER: BACC18AD7 OPTIONAL PART: 4310-029-705 V76374 ELECTRICAL EQUIP NUMBER: C01211	108120	1
365	2TC47-7-5		.CIRCUIT BREAKER- SUPPLIER CODE: V82647 SPECIFICATION NUMBER: BACC18AD7 OPTIONAL PART: 4310-029-705 V76374 ELECTRICAL EQUIP NUMBER: C01047 C01210	103106 108120	2

MISSING ITEM NUMBERS NOT APPLICABLE

- ITEM NOT ILLUSTRATED

BRI

24-51-54-04

24-51-54
FIG. 04
PAGE 5
JAN 20/09



757

PARTS CATALOG (MAINTENANCE)

FIG ITEM	PART NUMBER	1 2 3 4 5 6 7	NOMENCLATURE	EFFECT FROM TO	UNITS PER ASSY
4 370	2TC47-7-5		.CIRCUIT BREAKER- SUPPLIER CODE: V82647 SPECIFICATION NUMBER: BACC18AD7 OPTIONAL PART: 4310-029-705 V76374 ELECTRICAL EQUIP NUMBER: C01266 C04211	103106 108120	2
405	9TC620		.CIRCUIT BREAKER- SUPPLIER CODE: V82647 SPECIFICATION NUMBER: BACC18AE20 ELECTRICAL EQUIP NUMBER: C03017 C03018	103106	2
410	6TC6-7-5		.CIRCUIT BREAKER- SUPPLIER CODE: V82647 SPECIFICATION NUMBER: BACC18AC7 OPTIONAL PART: 4330-004-705 V76374 ELECTRICAL EQUIP NUMBER: C00360 C00361	103106 108120	2
415	9TC625		.CIRCUIT BREAKER- SUPPLIER CODE: V82647 SPECIFICATION NUMBER: BACC18AE25 ELECTRICAL EQUIP NUMBER: C00309	108120	1
420	6752-311-50		.CIRCUIT BREAKER- SUPPLIER CODE: V82647 SPECIFICATION NUMBER: 10-60806-1050 ELECTRICAL EQUIP NUMBER: C00306 C00322	103106 108120	2

MISSING ITEM NUMBERS NOT APPLICABLE

- ITEM NOT ILLUSTRATED

BRI

24-51-54-04

BOEING PROPRIETARY - Copyright © - Unpublished Work - See title page for details.

24-51-54
FIG. 04
PAGE 6
JAN 20/09



**757
PARTS CATALOG (MAINTENANCE)**

FIG ITEM	PART NUMBER	1 2 3 4 5 6 7	NOMENCLATURE	EFFECT FROM TO	UNITS PER ASSY
4 425	6752-311-50	.	CIRCUIT BREAKER- SUPPLIER CODE: V82647 SPECIFICATION NUMBER: 10-60806-1050 ELECTRICAL EQUIP NUMBER: C00305 C00321 ATTACHING PARTS	103106 108120	2
- 435	NAS1801-06-5	.	SCREW	108120	4
- 435	BACS12HN06-5	.	SCREW	103106	4
- 440	NAS1801-06-5	.	SCREW	108120	4
- 440	BACS12HN06-5	.	SCREW	103106	4
			-----*-----		
445	2TC47-2-5	.	CIRCUIT BREAKER- SUPPLIER CODE: V82647 SPECIFICATION NUMBER: BACC18AD2 OPTIONAL PART: 4310-029-205 V76374 ELECTRICAL EQUIP NUMBER: C04179 C04180	103106	2
455	2TC47-2-5	.	CIRCUIT BREAKER- SUPPLIER CODE: V82647 SPECIFICATION NUMBER: BACC18AD2 OPTIONAL PART: 4310-029-205 V76374 ELECTRICAL EQUIP NUMBER: C04220	103106	1
460	2TC47-2-5	.	CIRCUIT BREAKER- SUPPLIER CODE: V82647 SPECIFICATION NUMBER: BACC18AD2 OPTIONAL PART: 4310-029-205 V76374 ELECTRICAL EQUIP NUMBER: C04359 C04366	103106 108120	2

MISSING ITEM NUMBERS NOT APPLICABLE

- ITEM NOT ILLUSTRATED

24-51-54-04

24-51-54
FIG. 04
PAGE 7
JAN 20/09

BRI

BOEING PROPRIETARY - Copyright © - Unpublished Work - See title page for details.



757

PARTS CATALOG (MAINTENANCE)

FIG ITEM	PART NUMBER	1 2 3 4 5 6 7	NOMENCLATURE	EFFECT FROM TO	UNITS PER ASSY
4 485	2TC47-3		.CIRCUIT BREAKER- SUPPLIER CODE: V82647 SPECIFICATION NUMBER: BACC18AD3 OPTIONAL PART: 4310-029-3 V76374 ELECTRICAL EQUIP NUMBER: C04095	103106 108120	1
490	2TC47-3		.CIRCUIT BREAKER- SUPPLIER CODE: V82647 SPECIFICATION NUMBER: BACC18AD3 OPTIONAL PART: 4310-029-3 V76374 ELECTRICAL EQUIP NUMBER: C01205 C01213 C01257 C04367	103106 108120	4
500	2TC47-3		.CIRCUIT BREAKER- SUPPLIER CODE: V82647 SPECIFICATION NUMBER: BACC18AD3 OPTIONAL PART: 4310-029-3 V76374 ELECTRICAL EQUIP NUMBER: C04581 C04582	103106	2
505	2TC47-5		.CIRCUIT BREAKER- SUPPLIER CODE: V82647 SPECIFICATION NUMBER: BACC18AD5 OPTIONAL PART: 4310-029-5 V76374 ELECTRICAL EQUIP NUMBER: C01253 C04219	103106 108120	2

MISSING ITEM NUMBERS NOT APPLICABLE

- ITEM NOT ILLUSTRATED

BRI

24-51-54-04

BOEING PROPRIETARY - Copyright © - Unpublished Work - See title page for details.

24-51-54
FIG. 04
PAGE 8
JAN 20/09



757

PARTS CATALOG (MAINTENANCE)

FIG ITEM	PART NUMBER	1 2 3 4 5 6 7	NOMENCLATURE	EFFECT FROM TO	UNITS PER ASSY
4 510	2TC47-5		.CIRCUIT BREAKER- SUPPLIER CODE: V82647 SPECIFICATION NUMBER: BACC18AD5 OPTIONAL PART: 4310-029-5 V76374 ELECTRICAL EQUIP NUMBER: C01269	108120	1
515	2TC47-5		.CIRCUIT BREAKER- SUPPLIER CODE: V82647 SPECIFICATION NUMBER: BACC18AD5 OPTIONAL PART: 4310-029-5 V76374 ELECTRICAL EQUIP NUMBER: C01270	108120	1
525	2TC47-5		.CIRCUIT BREAKER- SUPPLIER CODE: V82647 SPECIFICATION NUMBER: BACC18AD5 OPTIONAL PART: 4310-029-5 V76374 ELECTRICAL EQUIP NUMBER: C04360	108120	1
535	2TC47-7-5		.CIRCUIT BREAKER- SUPPLIER CODE: V82647 SPECIFICATION NUMBER: BACC18AD7 OPTIONAL PART: 4310-029-705 V76374 ELECTRICAL EQUIP NUMBER: C01296 C04218	103106 108120	2

MISSING ITEM NUMBERS NOT APPLICABLE

- ITEM NOT ILLUSTRATED

BRI

24-51-54-04

24-51-54
FIG. 04
PAGE 9
JAN 20/09



757

PARTS CATALOG (MAINTENANCE)

FIG ITEM	PART NUMBER	1 2 3 4 5 6 7	NOMENCLATURE	EFFECT FROM TO	UNITS PER ASSY
4 540	2TC47-7-5		.CIRCUIT BREAKER- SUPPLIER CODE: V82647 SPECIFICATION NUMBER: BACC18AD7 OPTIONAL PART: 4310-029-705 V76374 ELECTRICAL EQUIP NUMBER: C01270	103106	1
545	2TC47-7-5		.CIRCUIT BREAKER- SUPPLIER CODE: V82647 SPECIFICATION NUMBER: BACC18AD7 OPTIONAL PART: 4310-029-705 V76374 ELECTRICAL EQUIP NUMBER: C01270	103106	1
550	2TC47-10		.CIRCUIT BREAKER- SUPPLIER CODE: V82647 SPECIFICATION NUMBER: BACC18AD10 OPTIONAL PART: 4310-029-10 V76374 ELECTRICAL EQUIP NUMBER: C04360	103106 108120	1
564	10237-1		.CLIP-STOW SUPPLIER CODE: V07RZ7	103106	4
- 595	BACP20B43B		.PLUG- MISCELLANEOUS DATA: (USE IN PLACE OF CIRCUIT BREAKERS ON OPEN HOLES) OPTIONAL PART: BACP20B63B	108120	18

MISSING ITEM NUMBERS NOT APPLICABLE

- ITEM NOT ILLUSTRATED

24-51-54-04

24-51-54
FIG. 04
PAGE 10
JAN 20/09

BRI



757

PARTS CATALOG (MAINTENANCE)

FIG ITEM	PART NUMBER	1 2 3 4 5 6 7	NOMENCLATURE	EFFECT FROM TO	UNITS PER ASSY
4					
- 595	BS51338D5003	.PLUG-	SUPPLIER CODE: V83058 SPECIFICATION NUMBER: BACP20B63B OPTIONAL PART: 51338 V83058 MISCELLANEOUS DATA: (USE IN PLACE OF CIRCUIT BREAKERS ON OPEN HOLES) BACP20B43B	108120	18
- 605	BACP20B43P	.PLUG-	MISCELLANEOUS DATA: (USE IN PLACE OF CIRCUIT BREAKERS ON OPEN HOLES) OPTIONAL PART: BACP20B63P	103106	11
- 605	BACP20B63P	.PLUG-	MISCELLANEOUS DATA: (USE IN PLACE OF CIRCUIT BREAKERS ON OPEN HOLES) OPTIONAL PART: BACP20B43P	103106	11
- 605	BACP20B43P	.PLUG-	MISCELLANEOUS DATA: (USE IN PLACE OF CIRCUIT BREAKERS ON OPEN HOLES) OPTIONAL PART: BACP20B63P	103106	3
- 605	BACP20B63P	.PLUG-	MISCELLANEOUS DATA: (USE IN PLACE OF CIRCUIT BREAKERS ON OPEN HOLES) OPTIONAL PART: BACP20B43P	103106	3

MISSING ITEM NUMBERS NOT APPLICABLE

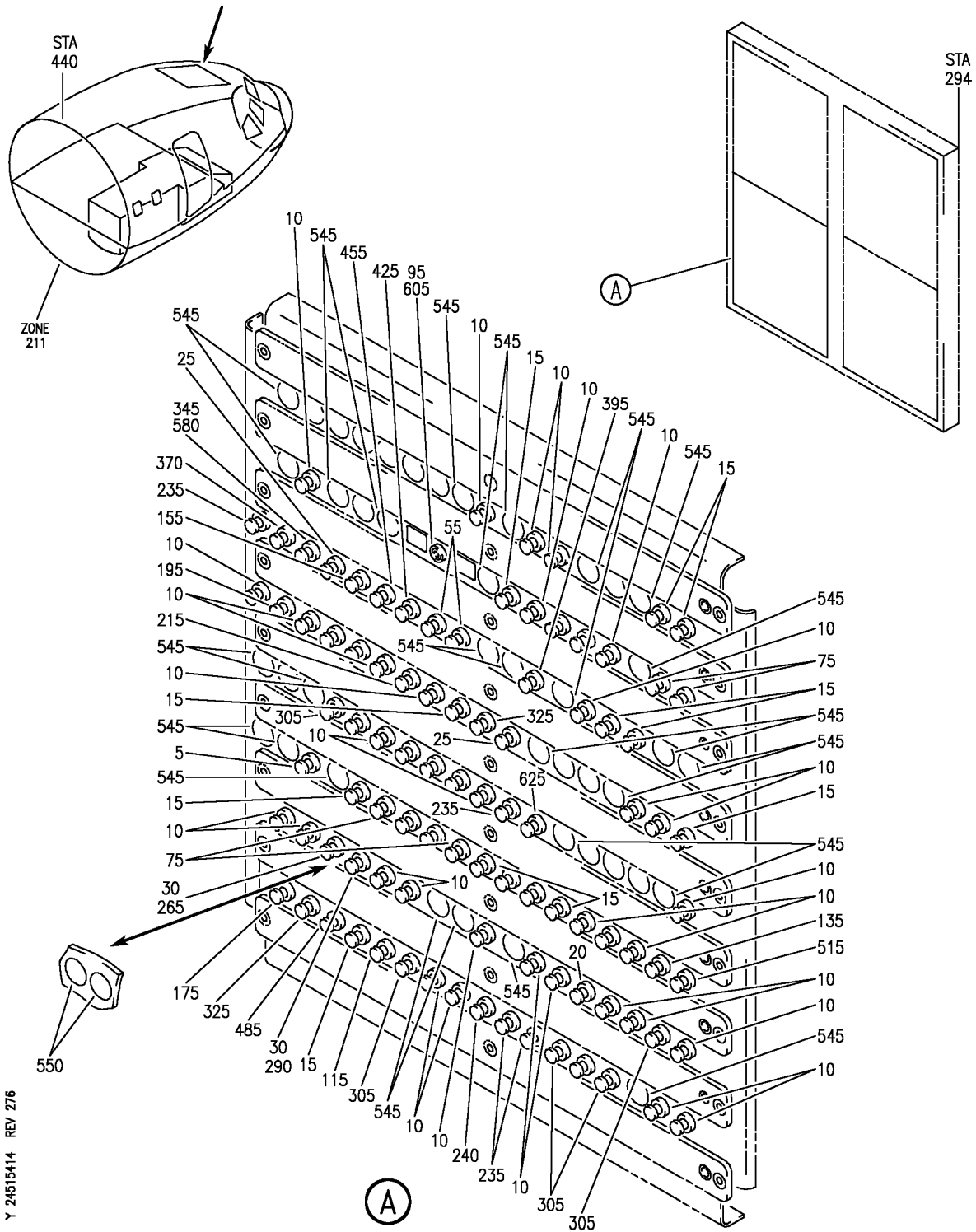
- ITEM NOT ILLUSTRATED

24-51-54-04

24-51-54
FIG. 04
PAGE 11
JAN 20/09

BRI

BOEING
757
PARTS CATALOG (MAINTENANCE)



Y 24515414 REV 276

CIRCUIT BREAKER, DOME PLUG AND INOP INSTL-P11-1
FIGURE 14

24-51-54-14

BRI
JAN 20/09

24-51-54-14
PAGE 0



757

PARTS CATALOG (MAINTENANCE)

FIG ITEM	PART NUMBER	1 2 3 4 5 6 7	NOMENCLATURE	EFFECT FROM TO	UNITS PER ASSY
14			CIRCUIT BREAKER, DOME PLUG AND INOP INSTL-P11-1	108120	
- 1	233N5102-1002		CIRCUIT BREAKER INSTL-P11-1 FOR NHA/ADDITIONAL DET SEE: 25-10-00-15C	108120	RF
5	2TC47-10		.CIRCUIT BREAKER- SUPPLIER CODE: V82647 SPECIFICATION NUMBER: BACC18AD10 OPTIONAL PART: 4310-029-10 V76374 ELECTRICAL EQUIP NUMBER: C00544	108120	1
10	2TC47-2-5		.CIRCUIT BREAKER- SUPPLIER CODE: V82647 SPECIFICATION NUMBER: BACC18AD2 OPTIONAL PART: 4310-029-205 V76374 ELECTRICAL EQUIP NUMBER: C00501 C00513 C00516 C00521 C00539 C00566 C00567 C00580 C00586 C00588 C00591 C00593 C00597 C00604 C00633 C00658 C00770 C00826 C01002 C01008 C01025 C01031 C01037 C01246 C01283	108120	40

MISSING ITEM NUMBERS NOT APPLICABLE

- ITEM NOT ILLUSTRATED

BRI

24-51-54-14

BOEING PROPRIETARY - Copyright © - Unpublished Work - See title page for details.

24-51-54
FIG. 14
PAGE 1
JAN 20/09



757

PARTS CATALOG (MAINTENANCE)

FIG ITEM	PART NUMBER	1 2 3 4 5 6 7	NOMENCLATURE	EFFECT FROM TO	UNITS PER ASSY
14			C01337 C01338 C01434 C01435 C01437 C01438 C01521 C01522 C01523 C01524 C01539 C01541 C01560 C04205 C04206		
15	2TC47-5		.CIRCUIT BREAKER- SUPPLIER CODE: V82647 SPECIFICATION NUMBER: BACC18AD5 OPTIONAL PART: 4310-029-5 V76374 ELECTRICAL EQUIP NUMBER: C00512 C00522 C00525 C00609 C00619 C01017 C01023 C01033 C01039 C01528 C01529 C04033 C04035	108120	13
20	2TC47-7-5		.CIRCUIT BREAKER- SUPPLIER CODE: V82647 SPECIFICATION NUMBER: BACC18AD7 OPTIONAL PART: 4310-029-705 V76374 ELECTRICAL EQUIP NUMBER: C00683	108120	1

MISSING ITEM NUMBERS NOT APPLICABLE

- ITEM NOT ILLUSTRATED

BRI

24-51-54-14

BOEING PROPRIETARY - Copyright © - Unpublished Work - See title page for details.

24-51-54
 FIG. 14
 PAGE 2
 JAN 20/09



757

PARTS CATALOG (MAINTENANCE)

FIG ITEM	PART NUMBER	1 2 3 4 5 6 7	NOMENCLATURE	EFFECT FROM TO	UNITS PER ASSY
14 25	2TC6-2	.	CIRCUIT BREAKER- SUPPLIER CODE: V82647 SPECIFICATION NUMBER: BACC18Z02R OPTIONAL PART: 4310-002-2 V76374 ELECTRICAL EQUIP NUMBER: C00582 C00592	108120	2
30	2TC47-2-5	.	CIRCUIT BREAKER- SUPPLIER CODE: V82647 SPECIFICATION NUMBER: BACC18AD2 OPTIONAL PART: 4310-029-205 V76374 ELECTRICAL EQUIP NUMBER: C04664 C04665 POST ALERT SB: 34A0222	108120	2
- 50	233N5102-106		CIRCUIT BREAKER INSTL-P11-1 FOR NHA/ADDITIONAL DET SEE: 25-10-00-15C	108120	RF
55	2TC47-2-5	.	CIRCUIT BREAKER- SUPPLIER CODE: V82647 SPECIFICATION NUMBER: BACC18AD2 OPTIONAL PART: 4310-029-205 V76374 ELECTRICAL EQUIP NUMBER: C00637 C00639	108120	2
- 70	233N5102-114		CIRCUIT BREAKER INSTL-P11-1 FOR NHA/ADDITIONAL DET SEE: 25-10-00-15C	108120	RF

MISSING ITEM NUMBERS NOT APPLICABLE

- ITEM NOT ILLUSTRATED

24-51-54-14

24-51-54
FIG. 14
PAGE 3
JAN 20/09

BRI



757

PARTS CATALOG (MAINTENANCE)

FIG ITEM	PART NUMBER	1 2 3 4 5 6 7	NOMENCLATURE	EFFECT FROM TO	UNITS PER ASSY
14 75	2TC47-2-5		.CIRCUIT BREAKER- SUPPLIER CODE: V82647 SPECIFICATION NUMBER: BACC18AD2 OPTIONAL PART: 4310-029-205 V76374 ELECTRICAL EQUIP NUMBER: C01531 C01533 C01534 C01536 C01537 C01538	108120	6
- 90	233N5102-12		CIRCUIT BREAKER INSTL-P11-1 FOR NHA/ADDITIONAL DET SEE: 25-10-00-15C	108120	RF
95	6TC6-5		.CIRCUIT BREAKER- SUPPLIER CODE: V82647 SPECIFICATION NUMBER: BACC18AC5 OPTIONAL PART: 4330-004-5 V76374 ELECTRICAL EQUIP NUMBER: C03005	108120	1
- 110	233N5102-133		CIRCUIT BREAKER INSTL-P11-1 FOR NHA/ADDITIONAL DET SEE: 25-10-00-15C	108120	RF
115	2TC47-2-5		.CIRCUIT BREAKER- SUPPLIER CODE: V82647 SPECIFICATION NUMBER: BACC18AD2 OPTIONAL PART: 4310-029-205 V76374 ELECTRICAL EQUIP NUMBER: C00635	108120	1
- 130	233N5102-175		CIRCUIT BREAKER INSTL-P11-1 FOR NHA SEE: 25-10-00-15C	108120	RF

MISSING ITEM NUMBERS NOT APPLICABLE

- ITEM NOT ILLUSTRATED

24-51-54-14

24-51-54
FIG. 14
PAGE 4
JAN 20/09

BRI



757

PARTS CATALOG (MAINTENANCE)

FIG ITEM	PART NUMBER	1 2 3 4 5 6 7	NOMENCLATURE	EFFECT FROM TO	UNITS PER ASSY
14 135	2TC47-2-5		.CIRCUIT BREAKER- SUPPLIER CODE: V82647 SPECIFICATION NUMBER: BACC18AD2 OPTIONAL PART: 4310-029-205 V76374 ELECTRICAL EQUIP NUMBER: C04110	108120	1
- 150	233N5102-182		CIRCUIT BREAKER INSTL-P11-1 FOR NHA/ADDITIONAL DET SEE: 25-10-00-15C	108120	RF
155	2TC6-2		.CIRCUIT BREAKER- SUPPLIER CODE: V82647 SPECIFICATION NUMBER: BACC18Z02R OPTIONAL PART: 4310-002-2 V76374 ELECTRICAL EQUIP NUMBER: C00600	108120	1
- 170	233N5102-183		CIRCUIT BREAKER INSTL-P11-1 FOR NHA/ADDITIONAL DET SEE: 25-10-00-15C	108120	RF
175	2TC6-2		.CIRCUIT BREAKER- SUPPLIER CODE: V82647 SPECIFICATION NUMBER: BACC18Z02R OPTIONAL PART: 4310-002-2 V76374 ELECTRICAL EQUIP NUMBER: C00595	108120	1
- 190	233N5102-184		CIRCUIT BREAKER INSTL-P11-1 FOR NHA/ADDITIONAL DET SEE: 25-10-00-15C	108120	RF
195	2TC47-2-5		.CIRCUIT BREAKER- SUPPLIER CODE: V82647 SPECIFICATION NUMBER: BACC18AD2 OPTIONAL PART: 4310-029-205 V76374 ELECTRICAL EQUIP NUMBER: C00584	108120	1

MISSING ITEM NUMBERS NOT APPLICABLE

- ITEM NOT ILLUSTRATED

24-51-54-14

24-51-54
FIG. 14
PAGE 5
JAN 20/09

BRI



757

PARTS CATALOG (MAINTENANCE)

FIG ITEM	PART NUMBER	1 2 3 4 5 6 7	NOMENCLATURE	EFFECT FROM TO	UNITS PER ASSY
14					
- 210	233N5102-187		CIRCUIT BREAKER INSTL-P11-1 FOR NHA SEE: 25-10-00-15C	108120	RF
215	2TC47-2-5		.CIRCUIT BREAKER- SUPPLIER CODE: V82647 SPECIFICATION NUMBER: BACC18AD2 OPTIONAL PART: 4310-029-205 V76374 ELECTRICAL EQUIP NUMBER: C04509	108120	1
- 230	233N5102-2		CIRCUIT BREAKER INSTL-P11-1 FOR NHA/ADDITIONAL DET SEE: 25-10-00-15C	108120	RF
235	2TC47-2-5		.CIRCUIT BREAKER- SUPPLIER CODE: V82647 SPECIFICATION NUMBER: BACC18AD2 OPTIONAL PART: 4310-029-205 V76374 ELECTRICAL EQUIP NUMBER: C00001 C00002 C00611 C01480	108120	4
240	2TC6-1		.CIRCUIT BREAKER- SUPPLIER CODE: V82647 SPECIFICATION NUMBER: BACC18Z1R OPTIONAL PART: 4310-002-1 V76374 ELECTRICAL EQUIP NUMBER: C00625	108120	1
- 300	233N5102-6		CIRCUIT BREAKER INSTL-P11-1 FOR NHA/ADDITIONAL DET SEE: 25-10-00-15C	108120	RF

MISSING ITEM NUMBERS NOT APPLICABLE

- ITEM NOT ILLUSTRATED

24-51-54-14

24-51-54
FIG. 14
PAGE 6
JAN 20/09

BRI



757

PARTS CATALOG (MAINTENANCE)

FIG ITEM	PART NUMBER	1 2 3 4 5 6 7	NOMENCLATURE	EFFECT FROM TO	UNITS PER ASSY
14 305	2TC47-2-5		.CIRCUIT BREAKER- SUPPLIER CODE: V82647 SPECIFICATION NUMBER: BACC18AD2 OPTIONAL PART: 4310-029-205 V76374 ELECTRICAL EQUIP NUMBER: C00573 C00622 C00653 C00702 C01120 C04039 C04194	108120	7
- 320	233N5102-71		CIRCUIT BREAKER INSTL-P11-1 FOR NHA/ADDITIONAL DET SEE: 25-10-00-15C	108120	RF
325	2TC6-2		.CIRCUIT BREAKER- SUPPLIER CODE: V82647 SPECIFICATION NUMBER: BACC18Z02R OPTIONAL PART: 4310-002-2 V76374 ELECTRICAL EQUIP NUMBER: C04600 C04602	108120	2
- 340	233N5102-76		CIRCUIT BREAKER INSTL-P11-1 FOR NHA SEE: 25-10-00-15C	108120	RF
345	2TC47-2-5		.CIRCUIT BREAKER- SUPPLIER CODE: V82647 SPECIFICATION NUMBER: BACC18AD2 OPTIONAL PART: 4310-029-205 V76374 ELECTRICAL EQUIP NUMBER: C00631	108120	1
- 365	233N5102-78		CIRCUIT BREAKER INSTL-P11-1 FOR NHA SEE: 25-10-00-15C	108120	RF

MISSING ITEM NUMBERS NOT APPLICABLE

- ITEM NOT ILLUSTRATED

24-51-54-14

24-51-54
FIG. 14
PAGE 7
JAN 20/09

BRI



757

PARTS CATALOG (MAINTENANCE)

FIG ITEM	PART NUMBER	1 2 3 4 5 6 7	NOMENCLATURE	EFFECT FROM TO	UNITS PER ASSY
14 370	2TC47-5		.CIRCUIT BREAKER- SUPPLIER CODE: V82647 SPECIFICATION NUMBER: BACC18AD5 OPTIONAL PART: 4310-029-5 V76374 ELECTRICAL EQUIP NUMBER: C00615	108120	1
- 390	233N5102-82		CIRCUIT BREAKER INSTL-P11-1 FOR NHA SEE: 25-10-00-15C	108120	RF
395	2TC47-5		.CIRCUIT BREAKER- SUPPLIER CODE: V82647 SPECIFICATION NUMBER: BACC18AD5 OPTIONAL PART: 4310-029-5 V76374 ELECTRICAL EQUIP NUMBER: C04443	108120	1
- 420	233N5102-85		CIRCUIT BREAKER INSTL-P11-1 FOR NHA SEE: 25-10-00-15C	108120	RF
425	2TC47-5		.CIRCUIT BREAKER- SUPPLIER CODE: V82647 SPECIFICATION NUMBER: BACC18AD5 OPTIONAL PART: 4310-029-5 V76374 ELECTRICAL EQUIP NUMBER: C04051	108120	1
- 450	233N5102-87		CIRCUIT BREAKER INSTL-P11-1 FOR NHA SEE: 25-10-00-15C	108120	RF
455	2TC6-2		.CIRCUIT BREAKER- SUPPLIER CODE: V82647 SPECIFICATION NUMBER: BACC18Z02R OPTIONAL PART: 4310-002-2 V76374 ELECTRICAL EQUIP NUMBER: C00607	108120	1

MISSING ITEM NUMBERS NOT APPLICABLE

- ITEM NOT ILLUSTRATED

24-51-54-14

24-51-54
FIG. 14
PAGE 8
JAN 20/09

BRI



757

PARTS CATALOG (MAINTENANCE)

FIG ITEM	PART NUMBER	1 2 3 4 5 6 7	NOMENCLATURE	EFFECT FROM TO	UNITS PER ASSY
14					
- 480	233N5102-89		CIRCUIT BREAKER INSTL-P11-1 FOR NHA SEE: 25-10-00-15C	108120	RF
485	2TC6-2		.CIRCUIT BREAKER- SUPPLIER CODE: V82647 SPECIFICATION NUMBER: BACC18Z02R OPTIONAL PART: 4310-002-2 V76374 ELECTRICAL EQUIP NUMBER: C04118	108120	1
- 510	233N5102-94		CIRCUIT BREAKER INSTL-P11-1 FOR NHA SEE: 25-10-00-15C	108120	RF
515	2TC47-2-5		.CIRCUIT BREAKER- SUPPLIER CODE: V82647 SPECIFICATION NUMBER: BACC18AD2 OPTIONAL PART: 4310-029-205 V76374 ELECTRICAL EQUIP NUMBER: C00725	108120	1
- 540	233N5102-230		DOME PLUG INSTL-P11-1 FOR NHA/ADDITIONAL DET SEE: 25-10-00-15C	108120	RF
545	2645		.PLUG-DOME SUPPLIER CODE: V28520	108120	42
545	2646		.PLUG-DOME SUPPLIER CODE: V28520	108120	42
550	2645		.PLUG-DOME SUPPLIER CODE: V28520 PRE ALERT SB: 34A0222	108120	2
550	2646		.PLUG-DOME SUPPLIER CODE: V28520	108120	2
- 575	233N5102-31603		INOP INSTL-P11-1 (ELECTRICAL POWER ONLY) FOR NHA/OTHER SYS DET SEE: 25-10-00-15C	108120	RF

MISSING ITEM NUMBERS NOT APPLICABLE

- ITEM NOT ILLUSTRATED

24-51-54-14

24-51-54
FIG. 14
PAGE 9
JAN 20/09

BRI



757

PARTS CATALOG (MAINTENANCE)

FIG ITEM	PART NUMBER	1 2 3 4 5 6 7	NOMENCLATURE	EFFECT FROM TO	UNITS PER ASSY
14 580	10237-1		.CLIP-STOW SUPPLIER CODE: V07RZ7	108120	1
- 600	233N5102-31708		INOP INSTL-P11-1 (ELECTRICAL POWER ONLY) FOR NHA/OTHER SYS DET SEE: 25-10-00-15C	108120	RF
605	10237-1		.CLIP-STOW SUPPLIER CODE: V07RZ7	108120	1
- 620	233N5102-195		CIRCUIT BREAKER INSTL-P11-1 FOR NHA/ADDITIONAL DET SEE: 25-10-00-15C	108120	RF
625	2TC47-2-5		.CIRCUIT BREAKER- SUPPLIER CODE: V82647 SPECIFICATION NUMBER: BACC18AD2 OPTIONAL PART: 4310-029-205 V76374 ELECTRICAL EQUIP NUMBER: C01482	108120	1
- 800	286N0110-329		WIRE BUNDLE ASSY- REWORKED BY ALERT SB: 34A0222	108120	RF
- 805	RBEJ40K5A5A6		.JUMPER ASSY- SUPPLIER CODE: V1GK47 SPECIFICATION NUMBER: BACJ40K5A5A6 POST ALERT SB: 34A0222	108120	1
- 810	286N0124-335		WIRE BUNDLE ASSY- REWORKED BY ALERT SB: 34A0222	108120	RF
- 815	318-2020-901L		.CONTACT- SUPPLIER CODE: V55104 SPECIFICATION NUMBER: BACC47CP1S OPTIONAL PART: ZZL4120-36LDH14 V49367 LP807105-205 V77820 POST ALERT SB: 34A0222	108120	2

MISSING ITEM NUMBERS NOT APPLICABLE

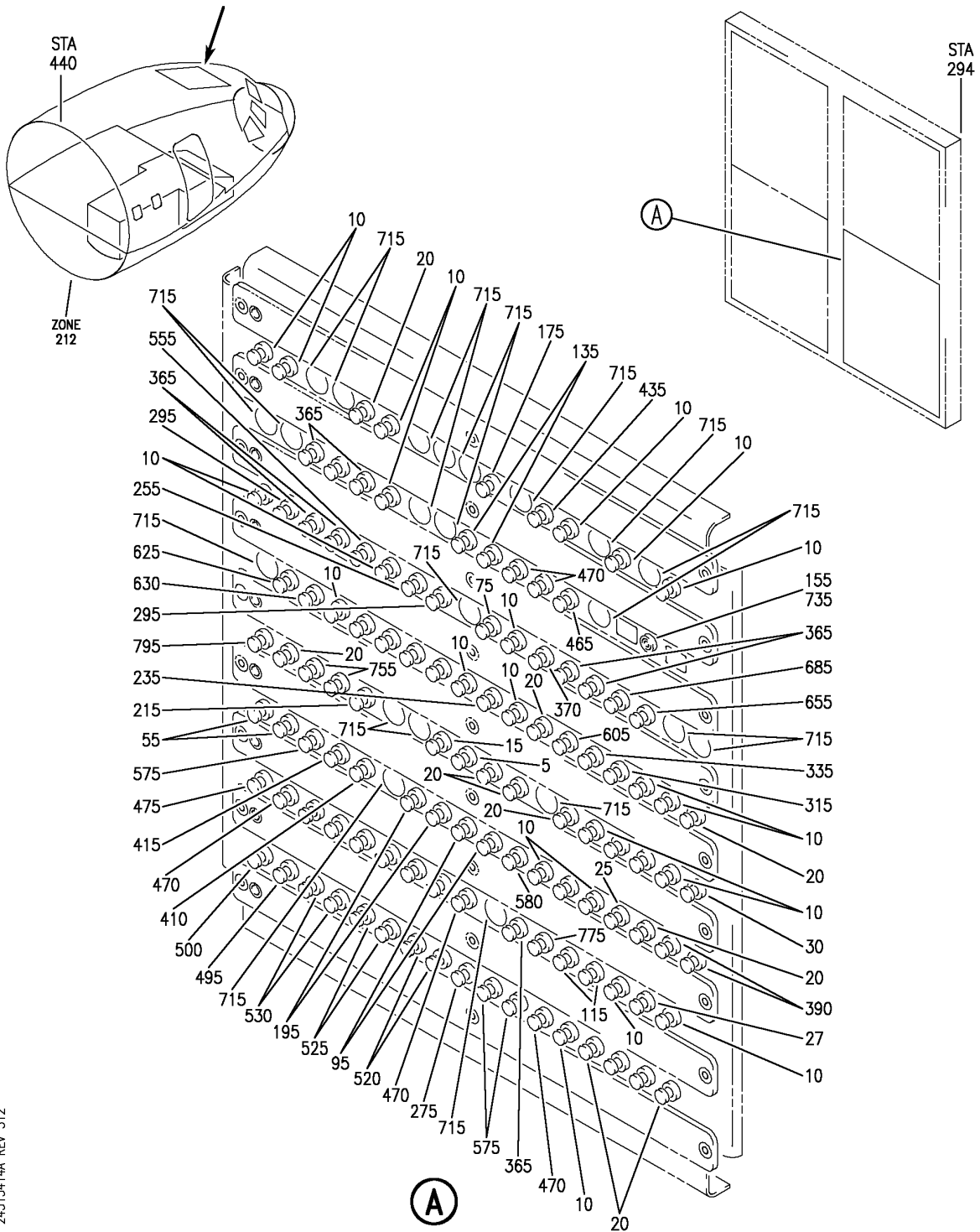
- ITEM NOT ILLUSTRATED

BRI

24-51-54-14

24-51-54
FIG. 14
PAGE 10
JAN 20/09

BOEING
757
PARTS CATALOG (MAINTENANCE)



Y 24515414A REV 312

CIRCUIT BREAKER, DOME PLUG AND INOP INSTL-P11-2
FIGURE 14A

24-51-54-14A

BRI
JAN 20/09

24-51-54-14A
PAGE 0



757

PARTS CATALOG (MAINTENANCE)

FIG ITEM	PART NUMBER	1 2 3 4 5 6 7	NOMENCLATURE	EFFECT FROM TO	UNITS PER ASSY
14A			CIRCUIT BREAKER, DOME PLUG AND INOP INSTL-P11-2	108120	
- 1	233N5102-1002		CIRCUIT BREAKER INSTL-P11-2 FOR NHA/ADDITIONAL DET SEE: 25-10-00-15C	108120	RF
5	2TC47-10		.CIRCUIT BREAKER- SUPPLIER CODE: V82647 SPECIFICATION NUMBER: BACC18AD10 OPTIONAL PART: 4310-029-10 V76374 ELECTRICAL EQUIP NUMBER: C04216	108120	1

MISSING ITEM NUMBERS NOT APPLICABLE

- ITEM NOT ILLUSTRATED

BRI

24-51-54-14A

BOEING PROPRIETARY - Copyright © - Unpublished Work - See title page for details.

24-51-54
FIG. 14A
PAGE 1
JAN 20/09



757

PARTS CATALOG (MAINTENANCE)

FIG ITEM	PART NUMBER	1 2 3 4 5 6 7	NOMENCLATURE	EFFECT FROM TO	UNITS PER ASSY
14A 10	2TC47-2-5		.CIRCUIT BREAKER- SUPPLIER CODE: V82647 SPECIFICATION NUMBER: BACC18AD2 OPTIONAL PART: 4310-029-205 V76374 ELECTRICAL EQUIP NUMBER: C00514 C00517 C00532 C00560 C00568 C00581 C00585 C00587 C00589 C00594 C00598 C00623 C00634 C00638 C00796 C01009 C01018 C01052 C01175 C01183 C01184 C01307 C01525 C01526 C04132 C04133 C04175 C04271 C04290	108120	29
15	2TC47-3		.CIRCUIT BREAKER- SUPPLIER CODE: V82647 SPECIFICATION NUMBER: BACC18AD3 OPTIONAL PART: 4310-029-3 V76374 ELECTRICAL EQUIP NUMBER: C04061	108120	1

MISSING ITEM NUMBERS NOT APPLICABLE

- ITEM NOT ILLUSTRATED

24-51-54-14A

24-51-54
FIG. 14A
PAGE 2
JAN 20/09

BRI



757

PARTS CATALOG (MAINTENANCE)

FIG ITEM	PART NUMBER	1 2 3 4 5 6 7	NOMENCLATURE	EFFECT FROM TO	UNITS PER ASSY
14A 20	2TC47-5		.CIRCUIT BREAKER- SUPPLIER CODE: V82647 SPECIFICATION NUMBER: BACC18AD5 OPTIONAL PART: 4310-029-5 V76374 ELECTRICAL EQUIP NUMBER: C00523 C00610 C01048 C01200 C01201 C01306 C01308 C01511 C04023 C04025 C04054 C04212	108120	12
25	2TC47-7-5		.CIRCUIT BREAKER- SUPPLIER CODE: V82647 SPECIFICATION NUMBER: BACC18AD7 OPTIONAL PART: 4310-029-705 V76374 ELECTRICAL EQUIP NUMBER: C01058	108120	1
27	2TC47-7-5		.CIRCUIT BREAKER- SUPPLIER CODE: V82647 SPECIFICATION NUMBER: BACC18AD7 OPTIONAL PART: 4310-029-705 V76374 ELECTRICAL EQUIP NUMBER: C01390	108120	1

MISSING ITEM NUMBERS NOT APPLICABLE

- ITEM NOT ILLUSTRATED

24-51-54-14A

24-51-54
FIG. 14A
PAGE 3
JAN 20/09

BRI



757

PARTS CATALOG (MAINTENANCE)

FIG ITEM	PART NUMBER	1 2 3 4 5 6 7	NOMENCLATURE	EFFECT FROM TO	UNITS PER ASSY
14A 30	2TC6-2		.CIRCUIT BREAKER- SUPPLIER CODE: V82647 SPECIFICATION NUMBER: BACC18Z02R OPTIONAL PART: 4310-002-2 V76374 ELECTRICAL EQUIP NUMBER: C04485	108120	1
- 50	233N5102-106		CIRCUIT BREAKER INSTL-P11-2 FOR NHA/ADDITIONAL DET SEE: 25-10-00-15C	108120	RF
55	2TC47-2-5		.CIRCUIT BREAKER- SUPPLIER CODE: V82647 SPECIFICATION NUMBER: BACC18AD2 OPTIONAL PART: 4310-029-205 V76374 ELECTRICAL EQUIP NUMBER: C04478 C04085	108120	2
- 70	233N5102-107		CIRCUIT BREAKER INSTL-P11-2 FOR NHA SEE: 25-10-00-15C	108120	RF
75	2TC47-5		.CIRCUIT BREAKER- SUPPLIER CODE: V82647 SPECIFICATION NUMBER: BACC18AD5 OPTIONAL PART: 4310-029-5 V76374 ELECTRICAL EQUIP NUMBER: C04052	108120	1
- 90	233N5102-109		CIRCUIT BREAKER INSTL-P11-2 FOR NHA SEE: 25-10-00-15C	108120	RF

MISSING ITEM NUMBERS NOT APPLICABLE

- ITEM NOT ILLUSTRATED

BRI

24-51-54-14A

BOEING PROPRIETARY - Copyright © - Unpublished Work - See title page for details.

24-51-54
FIG. 14A
PAGE 4
JAN 20/09



757

PARTS CATALOG (MAINTENANCE)

FIG ITEM	PART NUMBER	1 2 3 4 5 6 7	NOMENCLATURE	EFFECT FROM TO	UNITS PER ASSY
14A 95	2TC47-2-5	.	CIRCUIT BREAKER- SUPPLIER CODE: V82647 SPECIFICATION NUMBER: BACC18AD2 OPTIONAL PART: 4310-029-205 V76374 ELECTRICAL EQUIP NUMBER: C01147 C01148	108120	2
- 110	233N5102-112		CIRCUIT BREAKER INSTL-P11-2 FOR NHA SEE: 25-10-00-15C	108120	RF
115	2TC47-2-5	.	CIRCUIT BREAKER- SUPPLIER CODE: V82647 SPECIFICATION NUMBER: BACC18AD2 OPTIONAL PART: 4310-029-205 V76374 ELECTRICAL EQUIP NUMBER: C04251 C04252	108120	2
- 130	233N5102-114		CIRCUIT BREAKER INSTL-P11-2 FOR NHA/ADDITIONAL DET SEE: 25-10-00-15C	108120	RF
135	2TC47-2-5	.	CIRCUIT BREAKER- SUPPLIER CODE: V82647 SPECIFICATION NUMBER: BACC18AD2 OPTIONAL PART: 4310-029-205 V76374 ELECTRICAL EQUIP NUMBER: C01532 C01535	108120	2
- 150	233N5102-12		CIRCUIT BREAKER INSTL-P11-2 FOR NHA/ADDITIONAL DET SEE: 25-10-00-15C	108120	RF

MISSING ITEM NUMBERS NOT APPLICABLE

- ITEM NOT ILLUSTRATED

BRI

24-51-54-14A

BOEING PROPRIETARY - Copyright © - Unpublished Work - See title page for details.

24-51-54
FIG. 14A
PAGE 5
JAN 20/09



757

PARTS CATALOG (MAINTENANCE)

FIG ITEM	PART NUMBER	1 2 3 4 5 6 7	NOMENCLATURE	EFFECT FROM TO	UNITS PER ASSY
14A 155	6TC6-5		.CIRCUIT BREAKER- SUPPLIER CODE: V82647 SPECIFICATION NUMBER: BACC18AC5 OPTIONAL PART: 4330-004-5 V76374 ELECTRICAL EQUIP NUMBER: C03006	108120	1
- 170	233N5102-121		CIRCUIT BREAKER INSTL-P11-2 FOR NHA SEE: 25-10-00-15C	108120	RF
175	2TC47-5		.CIRCUIT BREAKER- SUPPLIER CODE: V82647 SPECIFICATION NUMBER: BACC18AD5 OPTIONAL PART: 4310-029-5 V76374 ELECTRICAL EQUIP NUMBER: C04034	108120	1
- 190	233N5102-122		CIRCUIT BREAKER INSTL-P11-2 FOR NHA SEE: 25-10-00-15C	108120	RF
195	2TC47-2-5		.CIRCUIT BREAKER- SUPPLIER CODE: V82647 SPECIFICATION NUMBER: BACC18AD2 OPTIONAL PART: 4310-029-205 V76374 ELECTRICAL EQUIP NUMBER: C00552 C00553	108120	2
- 210	233N5102-124		CIRCUIT BREAKER INSTL-P11-2 FOR NHA SEE: 25-10-00-15C	108120	RF

MISSING ITEM NUMBERS NOT APPLICABLE

- ITEM NOT ILLUSTRATED

24-51-54-14A

24-51-54
FIG. 14A
PAGE 6
JAN 20/09

BRI



757

PARTS CATALOG (MAINTENANCE)

FIG ITEM	PART NUMBER	1 2 3 4 5 6 7	NOMENCLATURE	EFFECT FROM TO	UNITS PER ASSY
14A 215	2TC47-2-5		.CIRCUIT BREAKER- SUPPLIER CODE: V82647 SPECIFICATION NUMBER: BACC18AD2 OPTIONAL PART: 4310-029-205 V76374 ELECTRICAL EQUIP NUMBER: C04151	108120	1
- 230	233N5102-132		CIRCUIT BREAKER INSTL-P11-2 FOR NHA SEE: 25-10-00-15C	108120	RF
235	2TC47-2-5		.CIRCUIT BREAKER- SUPPLIER CODE: V82647 SPECIFICATION NUMBER: BACC18AD2 OPTIONAL PART: 4310-029-205 V76374 ELECTRICAL EQUIP NUMBER: C04423	108120	1
- 250	233N5102-133		CIRCUIT BREAKER INSTL-P11-2 FOR NHA/ADDITIONAL DET SEE: 25-10-00-15C	108120	RF
255	2TC47-2-5		.CIRCUIT BREAKER- SUPPLIER CODE: V82647 SPECIFICATION NUMBER: BACC18AD2 OPTIONAL PART: 4310-029-205 V76374 ELECTRICAL EQUIP NUMBER: C00636	108120	1
- 270	233N5102-180		CIRCUIT BREAKER INSTL-P11-2 FOR NHA SEE: 25-10-00-15C	108120	RF
275	2TC47-2-5		.CIRCUIT BREAKER- SUPPLIER CODE: V82647 SPECIFICATION NUMBER: BACC18AD2 OPTIONAL PART: 4310-029-205 V76374 ELECTRICAL EQUIP NUMBER: C04037	108120	1

MISSING ITEM NUMBERS NOT APPLICABLE

- ITEM NOT ILLUSTRATED

24-51-54-14A

24-51-54
FIG. 14A
PAGE 7
JAN 20/09

BRI



757

PARTS CATALOG (MAINTENANCE)

FIG ITEM	PART NUMBER	1 2 3 4 5 6 7	NOMENCLATURE	EFFECT FROM TO	UNITS PER ASSY
14A - 290	233N5102-182		CIRCUIT BREAKER INSTL-P11-2 FOR NHA/ADDITIONAL DET SEE: 25-10-00-15C	108120	RF
295	2TC6-2		.CIRCUIT BREAKER- SUPPLIER CODE: V82647 SPECIFICATION NUMBER: BACC18Z02R OPTIONAL PART: 4310-002-2 V76374 ELECTRICAL EQUIP NUMBER: C00601 C00602	108120	2
- 310	233N5102-183		CIRCUIT BREAKER INSTL-P11-2 FOR NHA/ADDITIONAL DET SEE: 25-10-00-15C	108120	RF
315	2TC6-2		.CIRCUIT BREAKER- SUPPLIER CODE: V82647 SPECIFICATION NUMBER: BACC18Z02R OPTIONAL PART: 4310-002-2 V76374 ELECTRICAL EQUIP NUMBER: C00596	108120	1
- 330	233N5102-184		CIRCUIT BREAKER INSTL-P11-2 FOR NHA/ADDITIONAL DET SEE: 25-10-00-15C	108120	RF
335	2TC6-2		.CIRCUIT BREAKER- SUPPLIER CODE: V82647 SPECIFICATION NUMBER: BACC18Z02R OPTIONAL PART: 4310-002-2 V76374 ELECTRICAL EQUIP NUMBER: C00583	108120	1
- 360	233N5102-2		CIRCUIT BREAKER INSTL-P11-2 FOR NHA/ADDITIONAL DET SEE: 25-10-00-15C	108120	RF

MISSING ITEM NUMBERS NOT APPLICABLE

- ITEM NOT ILLUSTRATED

BRI

24-51-54-14A

BOEING PROPRIETARY - Copyright © - Unpublished Work - See title page for details.

24-51-54
FIG. 14A
PAGE 8
JAN 20/09



757

PARTS CATALOG (MAINTENANCE)

FIG ITEM	PART NUMBER	1 2 3 4 5 6 7	NOMENCLATURE	EFFECT FROM TO	UNITS PER ASSY
14A 365	2TC47-2-5		.CIRCUIT BREAKER- SUPPLIER CODE: V82647 SPECIFICATION NUMBER: BACC18AD2 OPTIONAL PART: 4310-029-205 V76374 ELECTRICAL EQUIP NUMBER: C00003 C00004 C00612 C00613 C01038 C01481 C01540 C04210	108120	8
370	2TC6-1		.CIRCUIT BREAKER- SUPPLIER CODE: V82647 SPECIFICATION NUMBER: BACC18Z1R OPTIONAL PART: 4310-002-1 V76374 ELECTRICAL EQUIP NUMBER: C00626	108120	1
- 385	233N5102-207		CIRCUIT BREAKER INSTL-P11-2 FOR NHA SEE: 25-10-00-15C	108120	RF
390	2TC47-5		.CIRCUIT BREAKER- SUPPLIER CODE: V82647 SPECIFICATION NUMBER: BACC18AD5 OPTIONAL PART: 4310-029-5 V76374 ELECTRICAL EQUIP NUMBER: C01303 C01310	108120	2
- 405	233N5102-26		CIRCUIT BREAKER INSTL-P11-2 FOR NHA SEE: 25-10-00-15C	108120	RF

MISSING ITEM NUMBERS NOT APPLICABLE

- ITEM NOT ILLUSTRATED

BRI

24-51-54-14A

BOEING PROPRIETARY - Copyright © - Unpublished Work - See title page for details.

24-51-54
FIG. 14A
PAGE 9
JAN 20/09



757

PARTS CATALOG (MAINTENANCE)

FIG ITEM	PART NUMBER	1 2 3 4 5 6 7	NOMENCLATURE	EFFECT FROM TO	UNITS PER ASSY
14A 410	2TC47-5		.CIRCUIT BREAKER- SUPPLIER CODE: V82647 SPECIFICATION NUMBER: BACC18AD5 OPTIONAL PART: 4310-029-5 V76374 ELECTRICAL EQUIP NUMBER: C00551	108120	1
415	2TC47-7-5		.CIRCUIT BREAKER- SUPPLIER CODE: V82647 SPECIFICATION NUMBER: BACC18AD7 OPTIONAL PART: 4310-029-705 V76374 ELECTRICAL EQUIP NUMBER: C00548	108120	1
- 430	233N5102-28		CIRCUIT BREAKER INSTL-P11-2 FOR NHA SEE: 25-10-00-15C	108120	RF
435	2TC47-7-5		.CIRCUIT BREAKER- SUPPLIER CODE: V82647 SPECIFICATION NUMBER: BACC18AD7 OPTIONAL PART: 4310-029-705 V76374 ELECTRICAL EQUIP NUMBER: C04364	108120	1
- 460	233N5102-3		CIRCUIT BREAKER INSTL-P11-2 FOR NHA/ADDITIONAL DET SEE: 25-10-00-15C	108120	RF
465	2TC47-10		.CIRCUIT BREAKER- SUPPLIER CODE: V82647 SPECIFICATION NUMBER: BACC18AD10 OPTIONAL PART: 4310-029-10 V76374 ELECTRICAL EQUIP NUMBER: C00545	108120	1

MISSING ITEM NUMBERS NOT APPLICABLE

- ITEM NOT ILLUSTRATED

BRI

24-51-54-14A

BOEING PROPRIETARY - Copyright © - Unpublished Work - See title page for details.

24-51-54
FIG. 14A
PAGE 10
JAN 20/09



757

PARTS CATALOG (MAINTENANCE)

FIG ITEM	PART NUMBER	1 2 3 4 5 6 7	NOMENCLATURE	EFFECT FROM TO	UNITS PER ASSY
14A 470	2TC47-2-5		.CIRCUIT BREAKER- SUPPLIER CODE: V82647 SPECIFICATION NUMBER: BACC18AD2 OPTIONAL PART: 4310-029-205 V76374 ELECTRICAL EQUIP NUMBER: C00554 C00557 C00772 C00774 C00775 C00776 C00783 C00784 C00785 C00788 C01214	108120	11
475	2TC47-5		.CIRCUIT BREAKER- SUPPLIER CODE: V82647 SPECIFICATION NUMBER: BACC18AD5 OPTIONAL PART: 4310-029-5 V76374 ELECTRICAL EQUIP NUMBER: C01010	108120	1
- 490	233N5102-34		CIRCUIT BREAKER INSTL-P11-2 FOR NHA SEE: 25-10-00-15C	108120	RF
495	2TC47-2-5		.CIRCUIT BREAKER- SUPPLIER CODE: V82647 SPECIFICATION NUMBER: BACC18AD2 OPTIONAL PART: 4310-029-205 V76374 ELECTRICAL EQUIP NUMBER: C04275	108120	1
500	1500-052-05		.CIRCUIT BREAKER- SUPPLIER CODE: V76374 ELECTRICAL EQUIP NUMBER: C04276	108120	1

MISSING ITEM NUMBERS NOT APPLICABLE

- ITEM NOT ILLUSTRATED

24-51-54-14A

24-51-54
FIG. 14A
PAGE 11
JAN 20/09

BRI

BOEING PROPRIETARY - Copyright © - Unpublished Work - See title page for details.



757

PARTS CATALOG (MAINTENANCE)

FIG ITEM	PART NUMBER	1 2 3 4 5 6 7	NOMENCLATURE	EFFECT FROM TO	UNITS PER ASSY
14A - 515	233N5102-35		CIRCUIT BREAKER INSTL-P11-2 FOR NHA SEE: 25-10-00-15C	108120	RF
520	2TC47-2-5		.CIRCUIT BREAKER- SUPPLIER CODE: V82647 SPECIFICATION NUMBER: BACC18AD2 OPTIONAL PART: 4310-029-205 V76374 ELECTRICAL EQUIP NUMBER: C01323 C01325	108120	2
525	2TC47-5		.CIRCUIT BREAKER- SUPPLIER CODE: V82647 SPECIFICATION NUMBER: BACC18AD5 OPTIONAL PART: 4310-029-5 V76374 ELECTRICAL EQUIP NUMBER: C01321 C01322	108120	2
530	2TC6-2		.CIRCUIT BREAKER- SUPPLIER CODE: V82647 SPECIFICATION NUMBER: BACC18Z02R OPTIONAL PART: 4310-002-2 V76374 ELECTRICAL EQUIP NUMBER: C04476 C04477	108120	2
- 550	233N5102-50		CIRCUIT BREAKER INSTL-P11-2 FOR NHA SEE: 25-10-00-15C	108120	RF
555	2TC47-5		.CIRCUIT BREAKER- SUPPLIER CODE: V82647 SPECIFICATION NUMBER: BACC18AD5 OPTIONAL PART: 4310-029-5 V76374 ELECTRICAL EQUIP NUMBER: C00632	108120	1

MISSING ITEM NUMBERS NOT APPLICABLE

- ITEM NOT ILLUSTRATED

24-51-54-14A

24-51-54
FIG. 14A
PAGE 12
JAN 20/09

BRI



757

PARTS CATALOG (MAINTENANCE)

FIG ITEM	PART NUMBER	1 2 3 4 5 6 7	NOMENCLATURE	EFFECT FROM TO	UNITS PER ASSY
14A - 570	233N5102-6		CIRCUIT BREAKER INSTL-P11-2 FOR NHA/ADDITIONAL DET SEE: 25-10-00-15C	108120	RF
575	2TC47-2-5		.CIRCUIT BREAKER- SUPPLIER CODE: V82647 SPECIFICATION NUMBER: BACC18AD2 OPTIONAL PART: 4310-029-205 V76374 ELECTRICAL EQUIP NUMBER: C00703 C00704 C01121	108120	3
580	2TC47-5		.CIRCUIT BREAKER- SUPPLIER CODE: V82647 SPECIFICATION NUMBER: BACC18AD5 OPTIONAL PART: 4310-029-5 V76374 ELECTRICAL EQUIP NUMBER: C01132	108120	1
- 600	233N5102-71		CIRCUIT BREAKER INSTL-P11-2 FOR NHA/ADDITIONAL DET SEE: 25-10-00-15C	108120	RF
605	2TC6-2		.CIRCUIT BREAKER- SUPPLIER CODE: V82647 SPECIFICATION NUMBER: BACC18Z02R OPTIONAL PART: 4310-002-2 V76374 ELECTRICAL EQUIP NUMBER: C04601	108120	1
- 620	233N5102-75		CIRCUIT BREAKER INSTL-P11-2 FOR NHA SEE: 25-10-00-15C	108120	RF

MISSING ITEM NUMBERS NOT APPLICABLE

- ITEM NOT ILLUSTRATED

BRI

24-51-54-14A

BOEING PROPRIETARY - Copyright © - Unpublished Work - See title page for details.

24-51-54
FIG. 14A
PAGE 13
JAN 20/09



757

PARTS CATALOG (MAINTENANCE)

FIG ITEM	PART NUMBER	1 2 3 4 5 6 7	NOMENCLATURE	EFFECT FROM TO	UNITS PER ASSY
14A 625	2TC47-2-5		.CIRCUIT BREAKER- SUPPLIER CODE: V82647 SPECIFICATION NUMBER: BACC18AD2 OPTIONAL PART: 4310-029-205 V76374 ELECTRICAL EQUIP NUMBER: C00515	108120	1
630	2TC47-5		.CIRCUIT BREAKER- SUPPLIER CODE: V82647 SPECIFICATION NUMBER: BACC18AD5 OPTIONAL PART: 4310-029-5 V76374 ELECTRICAL EQUIP NUMBER: C00524	108120	1
- 650	233N5102-90		CIRCUIT BREAKER INSTL-P11-2 FOR NHA SEE: 25-10-00-15C	108120	RF
655	2TC47-2-5		.CIRCUIT BREAKER- SUPPLIER CODE: V82647 SPECIFICATION NUMBER: BACC18AD2 OPTIONAL PART: 4310-029-205 V76374 ELECTRICAL EQUIP NUMBER: C01561	108120	1
- 680	233N5102-91		CIRCUIT BREAKER INSTL-P11-2 FOR NHA SEE: 25-10-00-15C	108120	RF
685	2TC47-2-5		.CIRCUIT BREAKER- SUPPLIER CODE: V82647 SPECIFICATION NUMBER: BACC18AD2 OPTIONAL PART: 4310-029-205 V76374 ELECTRICAL EQUIP NUMBER: C00726	108120	1
- 710	233N5102-230		DOME PLUG INSTL-P11-2 FOR NHA/ADDITIONAL DET SEE: 25-10-00-15C	108120	RF

MISSING ITEM NUMBERS NOT APPLICABLE

- ITEM NOT ILLUSTRATED

24-51-54-14A

24-51-54
FIG. 14A
PAGE 14
JAN 20/09

BRI

BOEING PROPRIETARY - Copyright © - Unpublished Work - See title page for details.



757

PARTS CATALOG (MAINTENANCE)

FIG ITEM	PART NUMBER	1 2 3 4 5 6 7	NOMENCLATURE	EFFECT FROM TO	UNITS PER ASSY
14A 715	2645		.PLUG-DOME SUPPLIER CODE: V28520	108120	22
715	2646		.PLUG-DOME SUPPLIER CODE: V28520	108120	22
- 730	233N5102-32734		INOP INSTL-P11-2 (ELECTRICAL POWER ONLY) FOR NHA/OTHER SYS DET SEE: 25-10-00-15C	108120	RF
735	10237-1		.CLIP-STOW SUPPLIER CODE: V07RZ7	108120	1
- 750	233N5102-103		CIRCUIT BREAKER INSTL-P11-2 FOR NHA/ADDITIONAL DET SEE: 25-10-00-15C	108120	RF
755	2TC47-10		.CIRCUIT BREAKER- SUPPLIER CODE: V82647 SPECIFICATION NUMBER: BACC18AD10 OPTIONAL PART: 4310-029-10 V76374 ELECTRICAL EQUIP NUMBER: C04113 C04114	108120	2
- 770	233N5102-195		CIRCUIT BREAKER INSTL-P11-2 FOR NHA/ADDITIONAL DET SEE: 25-10-00-15C	108120	RF
775	2TC47-2-5		.CIRCUIT BREAKER- SUPPLIER CODE: V82647 SPECIFICATION NUMBER: BACC18AD2 OPTIONAL PART: 4310-029-205 V76374 ELECTRICAL EQUIP NUMBER: C01483	108120	1
- 790	233N5102-211510		CIRCUIT BREAKER INSTL-P11-2 FOR NHA SEE: 25-10-00-15C	108120	RF

MISSING ITEM NUMBERS NOT APPLICABLE

- ITEM NOT ILLUSTRATED

BRI

24-51-54-14A

BOEING PROPRIETARY - Copyright © - Unpublished Work - See title page for details.

24-51-54
FIG. 14A
PAGE 15
JAN 20/09



757

PARTS CATALOG (MAINTENANCE)

FIG ITEM	PART NUMBER	1 2 3 4 5 6 7	NOMENCLATURE	EFFECT FROM TO	UNITS PER ASSY
14A 795	2TC47-5		.CIRCUIT BREAKER- SUPPLIER CODE: V82647 SPECIFICATION NUMBER: BACC18AD5 OPTIONAL PART: 4310-029-5 V76374 ELECTRICAL EQUIP NUMBER: C01510	108120	1

MISSING ITEM NUMBERS NOT APPLICABLE

- ITEM NOT ILLUSTRATED

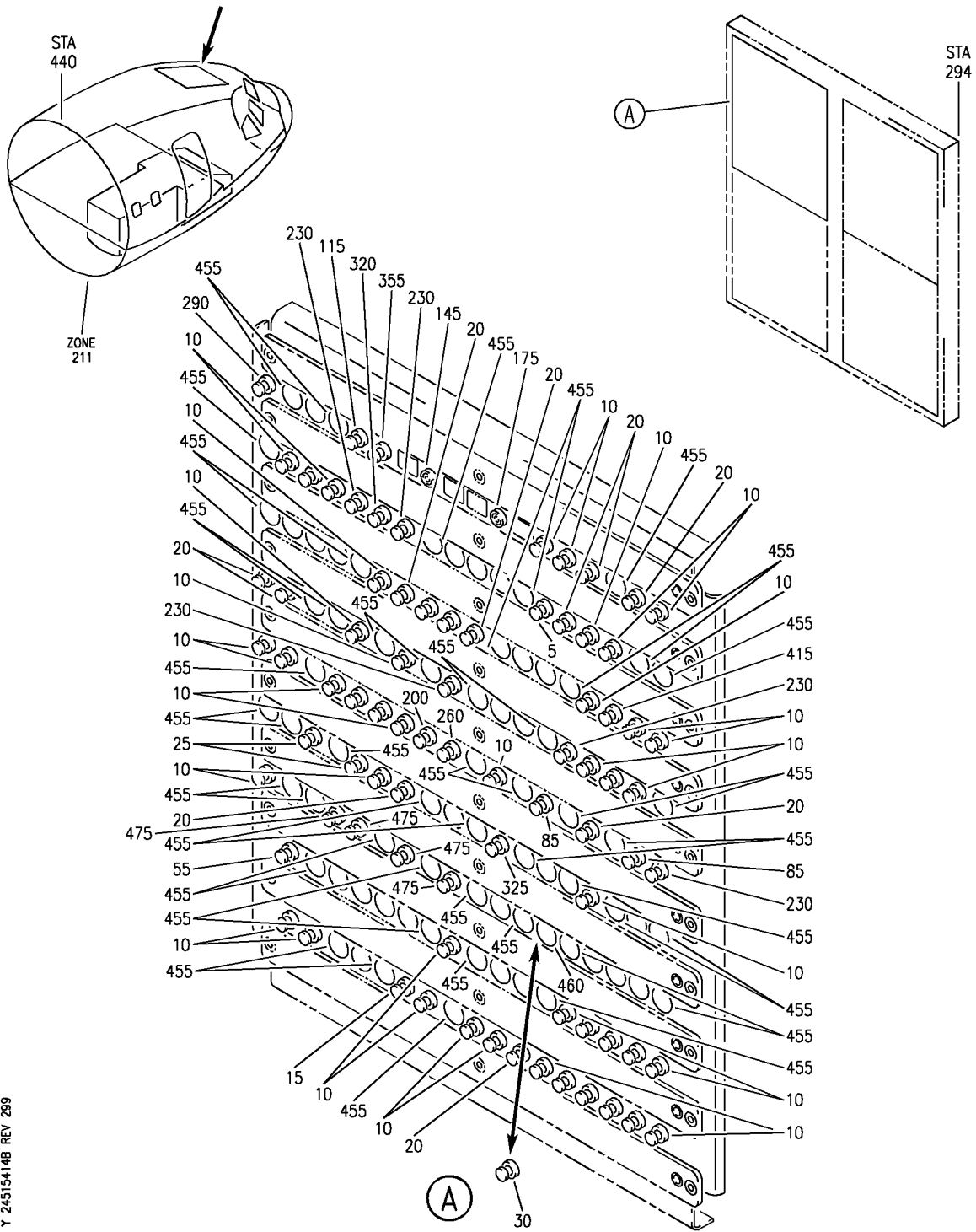
BRI

24-51-54-14A

BOEING PROPRIETARY - Copyright © - Unpublished Work - See title page for details.

24-51-54
FIG. 14A
PAGE 16
JAN 20/09

BOEING
757
PARTS CATALOG (MAINTENANCE)



Y 24-51-54-14B REV 299

CIRCUIT BREAKER, DOME PLUG INSTL-P11-3
FIGURE 14B

24-51-54-14B

BRI
JAN 20/09

24-51-54-14B
PAGE 0



757

PARTS CATALOG (MAINTENANCE)

FIG ITEM	PART NUMBER	1 2 3 4 5 6 7	NOMENCLATURE	EFFECT FROM TO	UNITS PER ASSY
14B			CIRCUIT BREAKER, DOME PLUG INSTL-P11-3	108120	
- 1	233N5102-1002		CIRCUIT BREAKER INSTL-P11-3 FOR NHA/ADDITIONAL DET SEE: 25-10-00-15C	108120	RF
5	2TC47-10		.CIRCUIT BREAKER- SUPPLIER CODE: V82647 SPECIFICATION NUMBER: BACC18AD10 OPTIONAL PART: 4310-029-10 V76374 ELECTRICAL EQUIP NUMBER: C01143	108120	1
10	2TC47-2-5		.CIRCUIT BREAKER- SUPPLIER CODE: V82647 SPECIFICATION NUMBER: BACC18AD2 OPTIONAL PART: 4310-029-205 V76374 ELECTRICAL EQUIP NUMBER: C00578 C00667 C00670 C00705 C00822 C00824 C01005 C01022 C01034 C01035 C01080 C01082 C01128 C01171 C01176 C01180 C01237 C01241 C01242 C01244 C01252 C01276 C01289 C01290 C01430	108120	44

MISSING ITEM NUMBERS NOT APPLICABLE

- ITEM NOT ILLUSTRATED

24-51-54-14B

24-51-54
FIG. 14B
PAGE 1
JAN 20/09

BRI

BOEING PROPRIETARY - Copyright © - Unpublished Work - See title page for details.



757

PARTS CATALOG (MAINTENANCE)

FIG ITEM	PART NUMBER	1 2 3 4 5 6 7 NOMENCLATURE	EFFECT FROM TO	UNITS PER ASSY
14B		C01498 C04019 C04024 C04038 C04043 C04044 C04078 C04081 C04099 C04101 C04126 C04196 C04207 C04221 C04224 C04270 C04280 C04283 C04308		
15	2TC47-3	.CIRCUIT BREAKER- SUPPLIER CODE: V82647 SPECIFICATION NUMBER: BACC18AD3 OPTIONAL PART: 4310-029-3 V76374 ELECTRICAL EQUIP NUMBER: C00561	108120	1

MISSING ITEM NUMBERS NOT APPLICABLE

- ITEM NOT ILLUSTRATED

BRI

24-51-54-14B

BOEING PROPRIETARY - Copyright © - Unpublished Work - See title page for details.

24-51-54
 FIG. 14B
 PAGE 2
 JAN 20/09



757

PARTS CATALOG (MAINTENANCE)

FIG ITEM	PART NUMBER	1 2 3 4 5 6 7	NOMENCLATURE	EFFECT FROM TO	UNITS PER ASSY
14B 20	2TC47-5		.CIRCUIT BREAKER- SUPPLIER CODE: V82647 SPECIFICATION NUMBER: BACC18AD5 OPTIONAL PART: 4310-029-5 V76374 ELECTRICAL EQUIP NUMBER: C00686 C01182 C01226 C01297 C01298 C01339 C04032 C04178 C04226 C04228 C04230 C04298	108120	12
25	2TC47-7-5		.CIRCUIT BREAKER- SUPPLIER CODE: V82647 SPECIFICATION NUMBER: BACC18AD7 OPTIONAL PART: 4310-029-705 V76374 ELECTRICAL EQUIP NUMBER: C01247 C01249	108120	2
30	2TC47-2-5		.CIRCUIT BREAKER- SUPPLIER CODE: V82647 SPECIFICATION NUMBER: BACC18AD2 OPTIONAL PART: 4310-029-205 V76374 ELECTRICAL EQUIP NUMBER: C04679 POST ALERT SB: 28A0081	108120	1
- 50	233N5102-116		CIRCUIT BREAKER INSTL-P11-3 FOR NHA SEE: 25-10-00-15C	108120	RF

MISSING ITEM NUMBERS NOT APPLICABLE

- ITEM NOT ILLUSTRATED

24-51-54-14B

24-51-54
FIG. 14B
PAGE 3
JAN 20/09

BRI

BOEING PROPRIETARY - Copyright © - Unpublished Work - See title page for details.



757

PARTS CATALOG (MAINTENANCE)

FIG ITEM	PART NUMBER	1 2 3 4 5 6 7	NOMENCLATURE	EFFECT FROM TO	UNITS PER ASSY
14B 55	2TC47-2-5		.CIRCUIT BREAKER- SUPPLIER CODE: V82647 SPECIFICATION NUMBER: BACC18AD2 OPTIONAL PART: 4310-029-205 V76374 ELECTRICAL EQUIP NUMBER: C01464	108120	1
- 80	233N5102-127		CIRCUIT BREAKER INSTL-P11-3 FOR NHA SEE: 25-10-00-15C	108120	RF
85	2TC47-2-5		.CIRCUIT BREAKER- SUPPLIER CODE: V82647 SPECIFICATION NUMBER: BACC18AD2 OPTIONAL PART: 4310-029-205 V76374 ELECTRICAL EQUIP NUMBER: C04059 C04069	108120	2
- 110	233N5102-137		CIRCUIT BREAKER INSTL-P11-3 FOR NHA SEE: 25-10-00-15C	108120	RF
115	2TC47-5		.CIRCUIT BREAKER- SUPPLIER CODE: V82647 SPECIFICATION NUMBER: BACC18AD5 OPTIONAL PART: 4310-029-5 V76374 ELECTRICAL EQUIP NUMBER: C00743	108120	1
- 140	233N5102-152		CIRCUIT BREAKER INSTL-P11-3 FOR NHA SEE: 25-10-00-15C	108120	RF

MISSING ITEM NUMBERS NOT APPLICABLE

- ITEM NOT ILLUSTRATED

BRI

24-51-54-14B

BOEING PROPRIETARY - Copyright © - Unpublished Work - See title page for details.

24-51-54
FIG. 14B
PAGE 4
JAN 20/09



757

PARTS CATALOG (MAINTENANCE)

FIG ITEM	PART NUMBER	1 2 3 4 5 6 7	NOMENCLATURE	EFFECT FROM TO	UNITS PER ASSY
14B 145	6TC6-3		.CIRCUIT BREAKER- SUPPLIER CODE: V82647 SPECIFICATION NUMBER: BACC18AC3 OPTIONAL PART: 4330-004-3 V76374 ELECTRICAL EQUIP NUMBER: C03003	108120	1
- 170	233N5102-160		CIRCUIT BREAKER INSTL-P11-3 FOR NHA SEE: 25-10-00-15C	108120	RF
175	6TC6-3		.CIRCUIT BREAKER- SUPPLIER CODE: V82647 SPECIFICATION NUMBER: BACC18AC3 OPTIONAL PART: 4330-004-3 V76374 ELECTRICAL EQUIP NUMBER: C03043	108120	1
- 195	233N5102-181		CIRCUIT BREAKER INSTL-P11-3 FOR NHA SEE: 25-10-00-15C	108120	RF
200	2TC47-2-5		.CIRCUIT BREAKER- SUPPLIER CODE: V82647 SPECIFICATION NUMBER: BACC18AD2 OPTIONAL PART: 4310-029-205 V76374 ELECTRICAL EQUIP NUMBER: C04376	108120	1
- 225	233N5102-3		CIRCUIT BREAKER INSTL-P11-3 FOR NHA/ADDITIONAL DET SEE: 25-10-00-15C	108120	RF

MISSING ITEM NUMBERS NOT APPLICABLE

- ITEM NOT ILLUSTRATED

BRI

24-51-54-14B

BOEING PROPRIETARY - Copyright © - Unpublished Work - See title page for details.

24-51-54
FIG. 14B
PAGE 5
JAN 20/09



757

PARTS CATALOG (MAINTENANCE)

FIG ITEM	PART NUMBER	1 2 3 4 5 6 7	NOMENCLATURE	EFFECT FROM TO	UNITS PER ASSY
14B 230	2TC47-2-5		.CIRCUIT BREAKER- SUPPLIER CODE: V82647 SPECIFICATION NUMBER: BACC18AD2 OPTIONAL PART: 4310-029-205 V76374 ELECTRICAL EQUIP NUMBER: C00660 C01254 C01400 C04071 C04494	108120	5
- 255	233N5102-41		CIRCUIT BREAKER INSTL-P11-3 FOR NHA SEE: 25-10-00-15C	108120	RF
260	2TC47-2-5		.CIRCUIT BREAKER- SUPPLIER CODE: V82647 SPECIFICATION NUMBER: BACC18AD2 OPTIONAL PART: 4310-029-205 V76374 ELECTRICAL EQUIP NUMBER: C04375	108120	1
- 285	233N5102-47		CIRCUIT BREAKER INSTL-P11-3 FOR NHA SEE: 25-10-00-15C	108120	RF
290	2TC47-2-5		.CIRCUIT BREAKER- SUPPLIER CODE: V82647 SPECIFICATION NUMBER: BACC18AD2 OPTIONAL PART: 4310-029-205 V76374 ELECTRICAL EQUIP NUMBER: C00564	108120	1
- 315	233N5102-6		CIRCUIT BREAKER INSTL-P11-3 FOR NHA/ADDITIONAL DET SEE: 25-10-00-15C	108120	RF

MISSING ITEM NUMBERS NOT APPLICABLE

- ITEM NOT ILLUSTRATED

24-51-54-14B

24-51-54
FIG. 14B
PAGE 6
JAN 20/09

BRI

BOEING PROPRIETARY - Copyright © - Unpublished Work - See title page for details.



757

PARTS CATALOG (MAINTENANCE)

FIG ITEM	PART NUMBER	1 2 3 4 5 6 7	NOMENCLATURE	EFFECT FROM TO	UNITS PER ASSY
14B 320	2TC47-2-5		.CIRCUIT BREAKER- SUPPLIER CODE: V82647 SPECIFICATION NUMBER: BACC18AD2 OPTIONAL PART: 4310-029-205 V76374 ELECTRICAL EQUIP NUMBER: C04356	108120	1
325	2TC47-3		.CIRCUIT BREAKER- SUPPLIER CODE: V82647 SPECIFICATION NUMBER: BACC18AD3 OPTIONAL PART: 4310-029-3 V76374 ELECTRICAL EQUIP NUMBER: C00673	108120	1
- 350	233N5102-63		CIRCUIT BREAKER INSTL-P11-3 FOR NHA SEE: 25-10-00-15C	108120	RF
355	2TC47-2-5		.CIRCUIT BREAKER- SUPPLIER CODE: V82647 SPECIFICATION NUMBER: BACC18AD2 OPTIONAL PART: 4310-029-205 V76374 ELECTRICAL EQUIP NUMBER: C00520	108120	1
- 410	233N5102-97		CIRCUIT BREAKER INSTL-P11-3 FOR NHA SEE: 25-10-00-15C	108120	RF
415	2TC47-2-5		.CIRCUIT BREAKER- SUPPLIER CODE: V82647 SPECIFICATION NUMBER: BACC18AD2 OPTIONAL PART: 4310-029-205 V76374 ELECTRICAL EQUIP NUMBER: C01332	108120	1
- 450	233N5102-230		DOME PLUG INSTL-P11-3 FOR NHA/ADDITIONAL DET SEE: 25-10-00-15C	108120	RF

MISSING ITEM NUMBERS NOT APPLICABLE

- ITEM NOT ILLUSTRATED

24-51-54-14B

24-51-54
FIG. 14B
PAGE 7
JAN 20/09

BRI

BOEING PROPRIETARY - Copyright © - Unpublished Work - See title page for details.



757

PARTS CATALOG (MAINTENANCE)

FIG ITEM	PART NUMBER	1 2 3 4 5 6 7	NOMENCLATURE	EFFECT FROM TO	UNITS PER ASSY
14B 455	2645		. PLUG-DOME SUPPLIER CODE: V28520	108120	73
455	2646		. PLUG-DOME SUPPLIER CODE: V28520	108120	73
460	2645		. PLUG-DOME SUPPLIER CODE: V28520 PRE ALERT SB: 28A0081	108120	1
460	2646		. PLUG-DOME SUPPLIER CODE: V28520	108120	1
- 470	233N5102-103		CIRCUIT BREAKER INSTL-P11-3 FOR NHA/ADDITIONAL DET SEE: 25-10-00-15C	108120	RF
475	2TC47-2-5		. CIRCUIT BREAKER- SUPPLIER CODE: V82647 SPECIFICATION NUMBER: BACC18AD2 OPTIONAL PART: 4310-029-205 V76374 ELECTRICAL EQUIP NUMBER: C04103 C04107 C04119 C04129	108120	4

MISSING ITEM NUMBERS NOT APPLICABLE

- ITEM NOT ILLUSTRATED

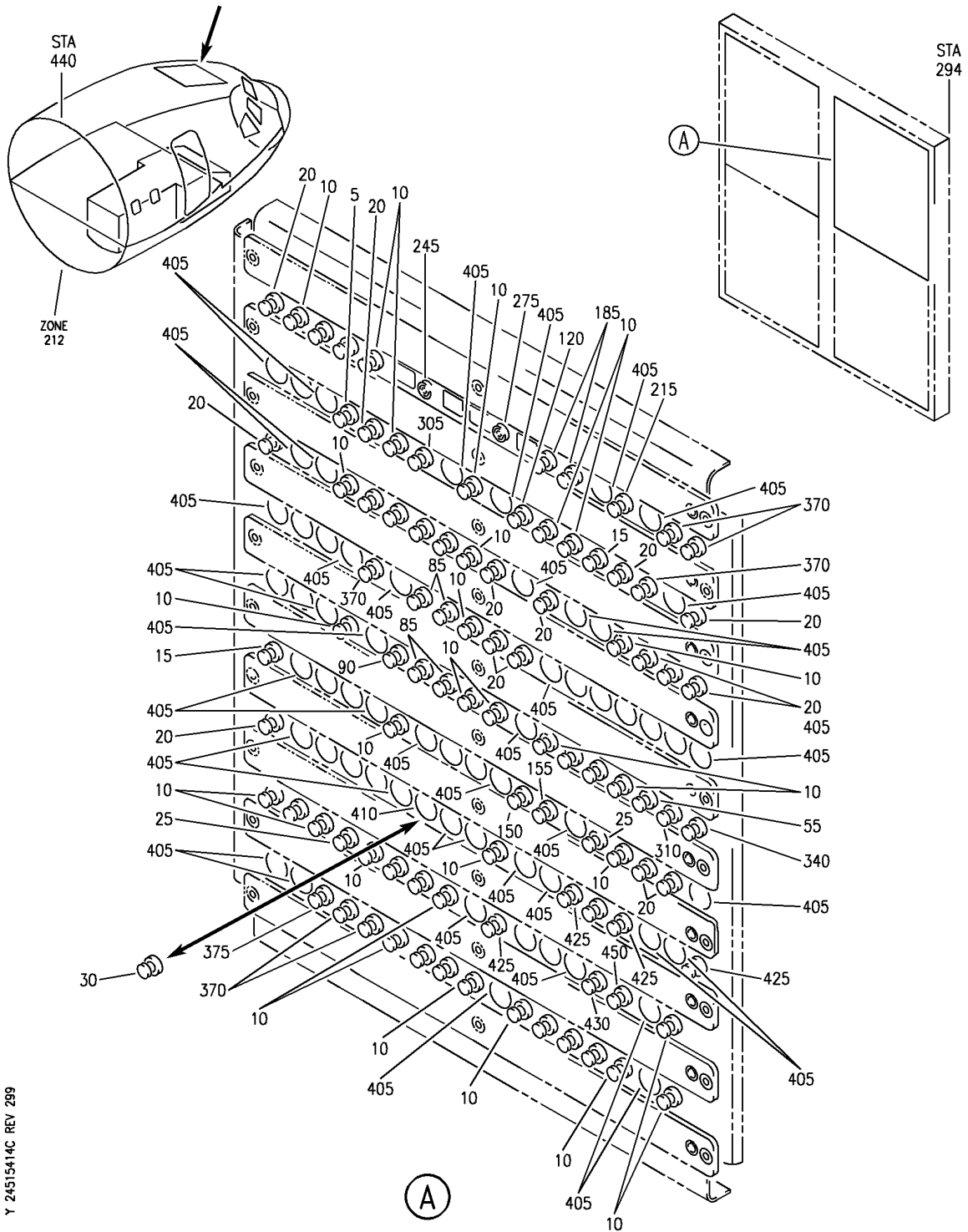
BRI

24-51-54-14B

BOEING PROPRIETARY - Copyright © - Unpublished Work - See title page for details.

24-51-54
FIG. 14B
PAGE 8
JAN 20/09

BOEING
757
PARTS CATALOG (MAINTENANCE)



Y 24515414C REV 299

CIRCUIT BREAKER, DOME PLUG INSTL-P11-4
FIGURE 14C

24-51-54-14C

BRI
JAN 20/09

24-51-54-14C
PAGE 0



757

PARTS CATALOG (MAINTENANCE)

FIG ITEM	PART NUMBER	1 2 3 4 5 6 7	NOMENCLATURE	EFFECT FROM TO	UNITS PER ASSY
14C			CIRCUIT BREAKER, DOME PLUG INSTL-P11-4	108120	
- 1	233N5102-1002		CIRCUIT BREAKER INSTL-P11-4 FOR NHA/ADDITIONAL DET SEE: 25-10-00-15C	108120	RF
5	2TC47-10		.CIRCUIT BREAKER- SUPPLIER CODE: V82647 SPECIFICATION NUMBER: BACC18AD10 OPTIONAL PART: 4310-029-10 V76374 ELECTRICAL EQUIP NUMBER: C01144	108120	1
10	2TC47-2-5		.CIRCUIT BREAKER- SUPPLIER CODE: V82647 SPECIFICATION NUMBER: BACC18AD2 OPTIONAL PART: 4310-029-205 V76374 ELECTRICAL EQUIP NUMBER: C00565 C00574 C00763 C00764 C00765 C00766 C00823 C00825 C01081 C01101 C01172 C01173 C01174 C01239 C01240 C01251 C01277 C01281 C01288 C01333 C01336 C01342 C01432 C01499 C04014	108120	44
MISSING ITEM NUMBERS NOT APPLICABLE					

- ITEM NOT ILLUSTRATED

24-51-54-14C

24-51-54
FIG. 14C
PAGE 1
JAN 20/09

BRI



757

PARTS CATALOG (MAINTENANCE)

FIG ITEM	PART NUMBER	1 2 3 4 5 6 7 NOMENCLATURE	EFFECT FROM TO	UNITS PER ASSY
14C		C04026 C04031 C04036 C04045 C04072 C04079 C04082 C04094 C04186 C04189 C04192 C04193 C04195 C04197 C04208 C04225 C04261 C04279 C04309		
15	2TC47-3	.CIRCUIT BREAKER- SUPPLIER CODE: V82647 SPECIFICATION NUMBER: BACC18AD3 OPTIONAL PART: 4310-029-3 V76374 ELECTRICAL EQUIP NUMBER: C00674 C00803	108120	2

MISSING ITEM NUMBERS NOT APPLICABLE

- ITEM NOT ILLUSTRATED

BRI

24-51-54-14C

BOEING PROPRIETARY - Copyright © - Unpublished Work - See title page for details.

24-51-54
 FIG. 14C
 PAGE 2
 JAN 20/09



757

PARTS CATALOG (MAINTENANCE)

FIG ITEM	PART NUMBER	1 2 3 4 5 6 7	NOMENCLATURE	EFFECT FROM TO	UNITS PER ASSY
14C 20	2TC47-5		.CIRCUIT BREAKER- SUPPLIER CODE: V82647 SPECIFICATION NUMBER: BACC18AD5 OPTIONAL PART: 4310-029-5 V76374 ELECTRICAL EQUIP NUMBER: C01053 C01170 C01225 C01227 C01273 C01284 C01294 C01314 C01340 C04144 C04223 C04227 C04229 C04231 C04299	108120	15
25	2TC47-7-5		.CIRCUIT BREAKER- SUPPLIER CODE: V82647 SPECIFICATION NUMBER: BACC18AD7 OPTIONAL PART: 4310-029-705 V76374 ELECTRICAL EQUIP NUMBER: C01250 C04292	108120	2
30	2TC47-2-5		.CIRCUIT BREAKER- SUPPLIER CODE: V82647 SPECIFICATION NUMBER: BACC18AD2 OPTIONAL PART: 4310-029-205 V76374 ELECTRICAL EQUIP NUMBER: C04680 POST ALERT SB: 28A0081	108120	1

MISSING ITEM NUMBERS NOT APPLICABLE

- ITEM NOT ILLUSTRATED

24-51-54-14C

24-51-54
FIG. 14C
PAGE 3
JAN 20/09

BRI



757

PARTS CATALOG (MAINTENANCE)

FIG ITEM	PART NUMBER	1 2 3 4 5 6 7	NOMENCLATURE	EFFECT FROM TO	UNITS PER ASSY
14C					
- 50	233N5102-108		CIRCUIT BREAKER INSTL-P11-4 FOR NHA SEE: 25-10-00-15C	108120	RF
55	2TC47-2-5		.CIRCUIT BREAKER- SUPPLIER CODE: V82647 SPECIFICATION NUMBER: BACC18AD2 OPTIONAL PART: 4310-029-205 V76374 ELECTRICAL EQUIP NUMBER: C01287	108120	1
- 80	233N5102-11		CIRCUIT BREAKER INSTL-P11-4 FOR NHA SEE: 25-10-00-15C	108120	RF
85	2TC47-2-5		.CIRCUIT BREAKER- SUPPLIER CODE: V82647 SPECIFICATION NUMBER: BACC18AD2 OPTIONAL PART: 4310-029-205 V76374 ELECTRICAL EQUIP NUMBER: C04029 C04030 C04184 C04185	108120	4
90	2TC47-5		.CIRCUIT BREAKER- SUPPLIER CODE: V82647 SPECIFICATION NUMBER: BACC18AD5 OPTIONAL PART: 4310-029-5 V76374 ELECTRICAL EQUIP NUMBER: C00701	108120	1
- 115	233N5102-119		CIRCUIT BREAKER INSTL-P11-4 FOR NHA SEE: 25-10-00-15C	108120	RF

MISSING ITEM NUMBERS NOT APPLICABLE

- ITEM NOT ILLUSTRATED

BRI

24-51-54-14C

BOEING PROPRIETARY - Copyright © - Unpublished Work - See title page for details.

24-51-54
FIG. 14C
PAGE 4
JAN 20/09



757

PARTS CATALOG (MAINTENANCE)

FIG ITEM	PART NUMBER	1 2 3 4 5 6 7	NOMENCLATURE	EFFECT FROM TO	UNITS PER ASSY
14C 120	2TC47-2-5		.CIRCUIT BREAKER- SUPPLIER CODE: V82647 SPECIFICATION NUMBER: BACC18AD2 OPTIONAL PART: 4310-029-205 V76374 ELECTRICAL EQUIP NUMBER: C04357	108120	1
- 145	233N5102-128		CIRCUIT BREAKER INSTL-P11-4 FOR NHA SEE: 25-10-00-15C	108120	RF
150	2TC47-2-5		.CIRCUIT BREAKER- SUPPLIER CODE: V82647 SPECIFICATION NUMBER: BACC18AD2 OPTIONAL PART: 4310-029-205 V76374 ELECTRICAL EQUIP NUMBER: C01202	108120	1
155	2TC47-7-5		.CIRCUIT BREAKER- SUPPLIER CODE: V82647 SPECIFICATION NUMBER: BACC18AD7 OPTIONAL PART: 4310-029-705 V76374 ELECTRICAL EQUIP NUMBER: C01248	108120	1
- 180	233N5102-131		CIRCUIT BREAKER INSTL-P11-4 FOR NHA SEE: 25-10-00-15C	108120	RF
185	2TC47-2-5		.CIRCUIT BREAKER- SUPPLIER CODE: V82647 SPECIFICATION NUMBER: BACC18AD2 OPTIONAL PART: 4310-029-205 V76374 ELECTRICAL EQUIP NUMBER: C01320 C01355	108120	2

MISSING ITEM NUMBERS NOT APPLICABLE

- ITEM NOT ILLUSTRATED

BRI

24-51-54-14C

BOEING PROPRIETARY - Copyright © - Unpublished Work - See title page for details.

24-51-54
FIG. 14C
PAGE 5
JAN 20/09



757

PARTS CATALOG (MAINTENANCE)

FIG ITEM	PART NUMBER	1 2 3 4 5 6 7	NOMENCLATURE	EFFECT FROM TO	UNITS PER ASSY
14C - 210	233N5102-141		CIRCUIT BREAKER INSTL-P11-4 FOR NHA SEE: 25-10-00-15C	108120	RF
215	2TC47-5		.CIRCUIT BREAKER- SUPPLIER CODE: V82647 SPECIFICATION NUMBER: BACC18AD5 OPTIONAL PART: 4310-029-5 V76374 ELECTRICAL EQUIP NUMBER: C00740	108120	1
- 240	233N5102-162		CIRCUIT BREAKER INSTL-P11-4 FOR NHA SEE: 25-10-00-15C	108120	RF
245	6TC6-3		.CIRCUIT BREAKER- SUPPLIER CODE: V82647 SPECIFICATION NUMBER: BACC18AC3 OPTIONAL PART: 4330-004-3 V76374 ELECTRICAL EQUIP NUMBER: C03011	108120	1
- 270	233N5102-169		CIRCUIT BREAKER INSTL-P11-4 FOR NHA SEE: 25-10-00-15C	108120	RF
275	6TC6-3		.CIRCUIT BREAKER- SUPPLIER CODE: V82647 SPECIFICATION NUMBER: BACC18AC3 OPTIONAL PART: 4330-004-3 V76374 ELECTRICAL EQUIP NUMBER: C03012	108120	1
- 300	233N5102-2		CIRCUIT BREAKER INSTL-P11-4 FOR NHA/ADDITIONAL DET SEE: 25-10-00-15C	108120	RF

MISSING ITEM NUMBERS NOT APPLICABLE

- ITEM NOT ILLUSTRATED

24-51-54-14C

24-51-54
FIG. 14C
PAGE 6
JAN 20/09

BRI

BOEING PROPRIETARY - Copyright © - Unpublished Work - See title page for details.



757

PARTS CATALOG (MAINTENANCE)

FIG ITEM	PART NUMBER	1 2 3 4 5 6 7	NOMENCLATURE	EFFECT FROM TO	UNITS PER ASSY
14C 305	2TC47-2-5		.CIRCUIT BREAKER- SUPPLIER CODE: V82647 SPECIFICATION NUMBER: BACC18AD2 OPTIONAL PART: 4310-029-205 V76374 ELECTRICAL EQUIP NUMBER: C04131	108120	1
310	2TC47-5		.CIRCUIT BREAKER- SUPPLIER CODE: V82647 SPECIFICATION NUMBER: BACC18AD5 OPTIONAL PART: 4310-029-5 V76374 ELECTRICAL EQUIP NUMBER: C01302	108120	1
- 335	233N5102-205		CIRCUIT BREAKER INSTL-P11-4 FOR NHA SEE: 25-10-00-15C	108120	RF
340	2TC47-5		.CIRCUIT BREAKER- SUPPLIER CODE: V82647 SPECIFICATION NUMBER: BACC18AD5 OPTIONAL PART: 4310-029-5 V76374 ELECTRICAL EQUIP NUMBER: C01280	108120	1
- 365	233N5102-3		CIRCUIT BREAKER INSTL-P11-4 FOR NHA/ADDITIONAL DET SEE: 25-10-00-15C	108120	RF

MISSING ITEM NUMBERS NOT APPLICABLE

- ITEM NOT ILLUSTRATED

24-51-54-14C

24-51-54
FIG. 14C
PAGE 7
JAN 20/09

BRI



757

PARTS CATALOG (MAINTENANCE)

FIG ITEM	PART NUMBER	1 2 3 4 5 6 7	NOMENCLATURE	EFFECT FROM TO	UNITS PER ASSY
14C 370	2TC47-2-5		.CIRCUIT BREAKER- SUPPLIER CODE: V82647 SPECIFICATION NUMBER: BACC18AD2 OPTIONAL PART: 4310-029-205 V76374 ELECTRICAL EQUIP NUMBER: C00661 C00794 C00795 C04100 C04102 C04183	108120	6
375	2TC47-5		.CIRCUIT BREAKER- SUPPLIER CODE: V82647 SPECIFICATION NUMBER: BACC18AD5 OPTIONAL PART: 4310-029-5 V76374 ELECTRICAL EQUIP NUMBER: C04209	108120	1
- 400	233N5102-230		DOME PLUG INSTL-P11-4 FOR NHA/ADDITIONAL DET SEE: 25-10-00-15C	108120	RF
405	2645		.PLUG-DOME SUPPLIER CODE: V28520	108120	60
405	2646		.PLUG-DOME SUPPLIER CODE: V28520	108120	60
410	2645		.PLUG-DOME SUPPLIER CODE: V28520 PRE ALERT SB: 28A0081	108120	1
410	2646		.PLUG-DOME SUPPLIER CODE: V28520	108120	1
- 420	233N5102-103		CIRCUIT BREAKER INSTL-P11-4 FOR NHA/ADDITIONAL DET SEE: 25-10-00-15C	108120	RF

MISSING ITEM NUMBERS NOT APPLICABLE

- ITEM NOT ILLUSTRATED

BRI

24-51-54-14C

BOEING PROPRIETARY - Copyright © - Unpublished Work - See title page for details.

24-51-54
FIG. 14C
PAGE 8
JAN 20/09



757

PARTS CATALOG (MAINTENANCE)

FIG ITEM	PART NUMBER	1 2 3 4 5 6 7	NOMENCLATURE	EFFECT FROM TO	UNITS PER ASSY
14C 425	2TC47-2-5		.CIRCUIT BREAKER- SUPPLIER CODE: V82647 SPECIFICATION NUMBER: BACC18AD2 OPTIONAL PART: 4310-029-205 V76374 ELECTRICAL EQUIP NUMBER: C04104 C04108 C04127 C04130 C04317	108120	5
430	2TC47-5		.CIRCUIT BREAKER- SUPPLIER CODE: V82647 SPECIFICATION NUMBER: BACC18AD5 OPTIONAL PART: 4310-029-5 V76374 ELECTRICAL EQUIP NUMBER: C04470	108120	1
- 445	233N5102-195		CIRCUIT BREAKER INSTL-P11-4 FOR NHA/ADDITIONAL DET SEE: 25-10-00-15C	108120	RF
450	2TC47-2-5		.CIRCUIT BREAKER- SUPPLIER CODE: V82647 SPECIFICATION NUMBER: BACC18AD2 OPTIONAL PART: 4310-029-205 V76374 ELECTRICAL EQUIP NUMBER: C04471	108120	1

MISSING ITEM NUMBERS NOT APPLICABLE

- ITEM NOT ILLUSTRATED

BRI

24-51-54-14C

BOEING PROPRIETARY - Copyright © - Unpublished Work - See title page for details.

24-51-54
FIG. 14C
PAGE 9
JAN 20/09



757

PARTS CATALOG (MAINTENANCE)

FIG ITEM	PART NUMBER	1 2 3 4 5 6 7	NOMENCLATURE	EFFECT FROM TO	UNITS PER ASSY
50			CIRCUIT BREAKER, DOME PLUG AND INOP INSTL-P11-1	103106	
- 1	MODREF19339		CIRCUIT BREAKER INSTL-P11-1 MODULE NUMBER: 233N5102-1003 REV A FOR ADDITIONAL DETAILS SEE: 24-51-54-50A 24-51-54-50B 24-51-54-50C	103106	1
5	2TC47-10		.CIRCUIT BREAKER- SUPPLIER CODE: V82647 SPECIFICATION NUMBER: BACC18AD10 OPTIONAL PART: 4310-029-10 V76374 ELECTRICAL EQUIP NUMBER: C00544	103106	1

MISSING ITEM NUMBERS NOT APPLICABLE

- ITEM NOT ILLUSTRATED

BRI

24-51-54-50

BOEING PROPRIETARY - Copyright © - Unpublished Work - See title page for details.

24-51-54
FIG. 50
PAGE 1
JAN 20/09



757

PARTS CATALOG (MAINTENANCE)

FIG ITEM	PART NUMBER	1 2 3 4 5 6 7	NOMENCLATURE	EFFECT FROM TO	UNITS PER ASSY
50 10	2TC47-2-5		.CIRCUIT BREAKER- SUPPLIER CODE: V82647 SPECIFICATION NUMBER: BACC18AD2 OPTIONAL PART: 4310-029-205 V76374 ELECTRICAL EQUIP NUMBER: C00501 C00513 C00516 C00521 C00539 C00566 C00567 C00580 C00586 C00588 C00593 C00597 C00633 C00658 C00770 C00826 C01002 C01008 C01025 C01031 C01037 C01246 C01283 C01337 C01338 C01434 C01435 C01437 C01438 C01521 C01522 C01523 C01524 C01539 C01541 C01560 C04205 C04206	103106	38

MISSING ITEM NUMBERS NOT APPLICABLE

- ITEM NOT ILLUSTRATED

24-51-54-50

24-51-54
FIG. 50
PAGE 2
JAN 20/09

BRI



757

PARTS CATALOG (MAINTENANCE)

FIG ITEM	PART NUMBER	1 2 3 4 5 6 7	NOMENCLATURE	EFFECT FROM TO	UNITS PER ASSY
50 15	2TC47-5		.CIRCUIT BREAKER- SUPPLIER CODE: V82647 SPECIFICATION NUMBER: BACC18AD5 OPTIONAL PART: 4310-029-5 V76374 ELECTRICAL EQUIP NUMBER: C00512 C00522 C00525 C00609 C01017 C01023 C01033 C01039 C01528 C01529 C04033 C04035	103106	12
20	2TC47-7-5		.CIRCUIT BREAKER- SUPPLIER CODE: V82647 SPECIFICATION NUMBER: BACC18AD7 OPTIONAL PART: 4310-029-705 V76374 ELECTRICAL EQUIP NUMBER: C00683	103106	1
25	2TC6-2		.CIRCUIT BREAKER- SUPPLIER CODE: V82647 SPECIFICATION NUMBER: BACC18Z02R OPTIONAL PART: 4310-002-2 V76374 ELECTRICAL EQUIP NUMBER: C00582 C00592	103106	2
- 50	MODREF8009		CIRCUIT BREAKER INSTL-P11-1 MODULE NUMBER: 233N5102-106 REV A FOR ADDITIONAL DETAILS SEE: 24-51-54-50A	103106	1

MISSING ITEM NUMBERS NOT APPLICABLE

- ITEM NOT ILLUSTRATED

24-51-54-50

24-51-54
FIG. 50
PAGE 3
JAN 20/09

BRI



757

PARTS CATALOG (MAINTENANCE)

FIG ITEM	PART NUMBER	1 2 3 4 5 6 7	NOMENCLATURE	EFFECT FROM TO	UNITS PER ASSY
50					
55	2TC47-2-5		.CIRCUIT BREAKER- SUPPLIER CODE: V82647 SPECIFICATION NUMBER: BACC18AD2 OPTIONAL PART: 4310-029-205 V76374 ELECTRICAL EQUIP NUMBER: C00637 C00639	103106	2
- 70	MODREF8017		CIRCUIT BREAKER INSTL-P11-1 MODULE NUMBER: 233N5102-114 REV A FOR ADDITIONAL DETAILS SEE: 24-51-54-50A	103106	1
75	2TC47-2-5		.CIRCUIT BREAKER- SUPPLIER CODE: V82647 SPECIFICATION NUMBER: BACC18AD2 OPTIONAL PART: 4310-029-205 V76374 ELECTRICAL EQUIP NUMBER: C01531 C01533 C01534 C01536 C01537 C01538	103106	6
- 90	MODREF8110		CIRCUIT BREAKER INSTL-P11-1 MODULE NUMBER: 233N5102-13 REV A	103106	1
95	2TC47-10		.CIRCUIT BREAKER- SUPPLIER CODE: V82647 SPECIFICATION NUMBER: BACC18AD10 OPTIONAL PART: 4310-029-10 V76374 ELECTRICAL EQUIP NUMBER: C00546	103106	1
- 110	MODREF8114		CIRCUIT BREAKER INSTL-P11-1 MODULE NUMBER: 233N5102-133 REV A FOR ADDITIONAL DETAILS SEE: 24-51-54-50A	103106	1

MISSING ITEM NUMBERS NOT APPLICABLE

- ITEM NOT ILLUSTRATED

24-51-54-50

24-51-54
FIG. 50
PAGE 4
JAN 20/09

BRI



757

PARTS CATALOG (MAINTENANCE)

FIG ITEM	PART NUMBER	1 2 3 4 5 6 7	NOMENCLATURE	EFFECT FROM TO	UNITS PER ASSY
50 115	2TC47-2-5		.CIRCUIT BREAKER- SUPPLIER CODE: V82647 SPECIFICATION NUMBER: BACC18AD2 OPTIONAL PART: 4310-029-205 V76374 ELECTRICAL EQUIP NUMBER: C00635	103106	1
- 130	MODREF8223		CIRCUIT BREAKER INSTL-P11-1 MODULE NUMBER: 233N5102-175 REV A	103106	1
135	2TC47-2-5		.CIRCUIT BREAKER- SUPPLIER CODE: V82647 SPECIFICATION NUMBER: BACC18AD2 OPTIONAL PART: 4310-029-205 V76374 ELECTRICAL EQUIP NUMBER: C04110	103106	1
- 150	MODREF8387		CIRCUIT BREAKER INSTL-P11-1 MODULE NUMBER: 233N5102-182 REV A FOR ADDITIONAL DETAILS SEE: 24-51-54-50A	103106	1
155	2TC6-2		.CIRCUIT BREAKER- SUPPLIER CODE: V82647 SPECIFICATION NUMBER: BACC18Z02R OPTIONAL PART: 4310-002-2 V76374 ELECTRICAL EQUIP NUMBER: C00600	103106	1
- 170	MODREF8388		CIRCUIT BREAKER INSTL-P11-1 MODULE NUMBER: 233N5102-183 REV A FOR ADDITIONAL DETAILS SEE: 24-51-54-50A	103106	1

MISSING ITEM NUMBERS NOT APPLICABLE

- ITEM NOT ILLUSTRATED

24-51-54-50

24-51-54
FIG. 50
PAGE 5
JAN 20/09

BRI



757

PARTS CATALOG (MAINTENANCE)

FIG ITEM	PART NUMBER	1 2 3 4 5 6 7	NOMENCLATURE	EFFECT FROM TO	UNITS PER ASSY
50 175	2TC6-2		.CIRCUIT BREAKER- SUPPLIER CODE: V82647 SPECIFICATION NUMBER: BACC18Z02R OPTIONAL PART: 4310-002-2 V76374 ELECTRICAL EQUIP NUMBER: C00595	103106	1
- 190	MODREF6704		CIRCUIT BREAKER INSTL-P11-1 MODULE NUMBER: 233N5102-184 REV A FOR ADDITIONAL DETAILS SEE: 24-51-54-50A	103106	1
195	2TC47-2-5		.CIRCUIT BREAKER- SUPPLIER CODE: V82647 SPECIFICATION NUMBER: BACC18AD2 OPTIONAL PART: 4310-029-205 V76374 ELECTRICAL EQUIP NUMBER: C00584	103106	1
- 210	MODREF6705		CIRCUIT BREAKER INSTL-P11-1 MODULE NUMBER: 233N5102-187 REV A	103106	1
215	2TC47-2-5		.CIRCUIT BREAKER- SUPPLIER CODE: V82647 SPECIFICATION NUMBER: BACC18AD2 OPTIONAL PART: 4310-029-205 V76374 ELECTRICAL EQUIP NUMBER: C04509	103106	1
- 230	MODREF22293		CIRCUIT BREAKER INSTL-P11-1 MODULE NUMBER: 233N5102-195 REV B FOR ADDITIONAL DETAILS SEE: 24-51-54-50A 24-51-54-50C	103106	1

MISSING ITEM NUMBERS NOT APPLICABLE

- ITEM NOT ILLUSTRATED

24-51-54-50

24-51-54
FIG. 50
PAGE 6
JAN 20/09

BRI



757

PARTS CATALOG (MAINTENANCE)

FIG ITEM	PART NUMBER	1 2 3 4 5 6 7	NOMENCLATURE	EFFECT FROM TO	UNITS PER ASSY
50 235	2TC47-2-5		.CIRCUIT BREAKER- SUPPLIER CODE: V82647 SPECIFICATION NUMBER: BACC18AD2 OPTIONAL PART: 4310-029-205 V76374 ELECTRICAL EQUIP NUMBER: C01482	103106	1
- 250	MODREF33196		CIRCUIT BREAKER INSTL-P11-1 MODULE NUMBER: 233N5102-200627 REV A	103106	1
255	2TC47-2-5		.CIRCUIT BREAKER- SUPPLIER CODE: V82647 SPECIFICATION NUMBER: BACC18AD2 OPTIONAL PART: 4310-029-205 V76374 ELECTRICAL EQUIP NUMBER: C00627	103106	1
- 270	MODREF6777		CIRCUIT BREAKER INSTL-P11-1 MODULE NUMBER: 233N5102-204455 REV A	103106	1
275	2TC47-2-5		.CIRCUIT BREAKER- SUPPLIER CODE: V82647 SPECIFICATION NUMBER: BACC18AD2 OPTIONAL PART: 4310-029-205 V76374 ELECTRICAL EQUIP NUMBER: C04455	103106	1
- 290	MODREF6778		CIRCUIT BREAKER INSTL-P11-1 MODULE NUMBER: 233N5102-204499 REV A	103106	1
295	2TC47-2-5		.CIRCUIT BREAKER- SUPPLIER CODE: V82647 SPECIFICATION NUMBER: BACC18AD2 OPTIONAL PART: 4310-029-205 V76374 ELECTRICAL EQUIP NUMBER: C04499	103106	1

MISSING ITEM NUMBERS NOT APPLICABLE

- ITEM NOT ILLUSTRATED

24-51-54-50

24-51-54
FIG. 50
PAGE 7
JAN 20/09

BRI



757

PARTS CATALOG (MAINTENANCE)

FIG ITEM	PART NUMBER	1 2 3 4 5 6 7	NOMENCLATURE	EFFECT FROM TO	UNITS PER ASSY
50					
- 310	MODREF6780		CIRCUIT BREAKER INSTL-P11-1 MODULE NUMBER: 233N5102-204503 REV A	103106	1
315	2TC47-2-5		.CIRCUIT BREAKER- SUPPLIER CODE: V82647 SPECIFICATION NUMBER: BACC18AD2 OPTIONAL PART: 4310-029-205 V76374 ELECTRICAL EQUIP NUMBER: C04503	103106	1
- 330	MODREF33203		CIRCUIT BREAKER INSTL-P11-1 MODULE NUMBER: 233N5102-204576 REV A	103106	1
335	2TC47-2-5		.CIRCUIT BREAKER- SUPPLIER CODE: V82647 SPECIFICATION NUMBER: BACC18AD2 OPTIONAL PART: 4310-029-205 V76374 ELECTRICAL EQUIP NUMBER: C04576	103106	1
- 350	MODREF33204		CIRCUIT BREAKER INSTL-P11-1 MODULE NUMBER: 233N5102-204577 REV A	103106	1
355	2TC6-1		.CIRCUIT BREAKER- SUPPLIER CODE: V82647 SPECIFICATION NUMBER: BACC18Z1R OPTIONAL PART: 4310-002-1 V76374 ELECTRICAL EQUIP NUMBER: C04577	103106	1
- 370	MODREF33205		CIRCUIT BREAKER INSTL-P11-1 MODULE NUMBER: 233N5102-204578 REV A	103106	1

MISSING ITEM NUMBERS NOT APPLICABLE

- ITEM NOT ILLUSTRATED

24-51-54-50

24-51-54
FIG. 50
PAGE 8
JAN 20/09

BRI



757

PARTS CATALOG (MAINTENANCE)

FIG ITEM	PART NUMBER	1 2 3 4 5 6 7	NOMENCLATURE	EFFECT FROM TO	UNITS PER ASSY
50 375	2TC47-2-5		.CIRCUIT BREAKER- SUPPLIER CODE: V82647 SPECIFICATION NUMBER: BACC18AD2 OPTIONAL PART: 4310-029-205 V76374 ELECTRICAL EQUIP NUMBER: C04578	103106	1
- 390	MODREF6784		CIRCUIT BREAKER INSTL-P11-1 MODULE NUMBER: 233N5102-204630 REV A	103106	1
395	2TC47-2-5		.CIRCUIT BREAKER- SUPPLIER CODE: V82647 SPECIFICATION NUMBER: BACC18AD2 OPTIONAL PART: 4310-029-205 V76374 ELECTRICAL EQUIP NUMBER: C04630	103106	1
- 410	MODREF33206		CIRCUIT BREAKER INSTL-P11-1 MODULE NUMBER: 233N5102-211480 REV A	103106	1
415	2TC47-2-5		.CIRCUIT BREAKER- SUPPLIER CODE: V82647 SPECIFICATION NUMBER: BACC18AD2 OPTIONAL PART: 4310-029-205 V76374 ELECTRICAL EQUIP NUMBER: C01480	103106	1
- 430	MODREF6884		CIRCUIT BREAKER INSTL-P11-1 MODULE NUMBER: 233N5102-213 REV A	103106	1
435	6TC6-5		.CIRCUIT BREAKER- SUPPLIER CODE: V82647 SPECIFICATION NUMBER: BACC18AC5 OPTIONAL PART: 4330-004-5 V76374 ELECTRICAL EQUIP NUMBER: C03005	103106	1

MISSING ITEM NUMBERS NOT APPLICABLE

- ITEM NOT ILLUSTRATED

24-51-54-50

24-51-54
FIG. 50
PAGE 9
JAN 20/09

BRI



757

PARTS CATALOG (MAINTENANCE)

FIG ITEM	PART NUMBER	1 2 3 4 5 6 7	NOMENCLATURE	EFFECT FROM TO	UNITS PER ASSY
50					
- 450	MODREF6885		CIRCUIT BREAKER INSTL-P11-1 MODULE NUMBER: 233N5102-214 REV A	103106	1
455	2TC47-2-5		.CIRCUIT BREAKER- SUPPLIER CODE: V82647 SPECIFICATION NUMBER: BACC18AD2 OPTIONAL PART: 4310-029-205 V76374 ELECTRICAL EQUIP NUMBER: C04629	103106	1
- 470	MODREF7187		CIRCUIT BREAKER INSTL-P11-1 MODULE NUMBER: 233N5102-6 REV A FOR ADDITIONAL DETAILS SEE: 24-51-54-50A 24-51-54-50B	103106	1
475	2TC47-2-5		.CIRCUIT BREAKER- SUPPLIER CODE: V82647 SPECIFICATION NUMBER: BACC18AD2 OPTIONAL PART: 4310-029-205 V76374 ELECTRICAL EQUIP NUMBER: C00573 C00622 C00653 C00702 C01120 C04039 C04194	103106	7
- 490	MODREF7197		CIRCUIT BREAKER INSTL-P11-1 MODULE NUMBER: 233N5102-71 REV A FOR ADDITIONAL DETAILS SEE: 24-51-54-50A	103106	1

MISSING ITEM NUMBERS NOT APPLICABLE

- ITEM NOT ILLUSTRATED

24-51-54-50

24-51-54
FIG. 50
PAGE 10
JAN 20/09

BRI



757

PARTS CATALOG (MAINTENANCE)

FIG ITEM	PART NUMBER	1 2 3 4 5 6 7	NOMENCLATURE	EFFECT FROM TO	UNITS PER ASSY
50 495	2TC6-2		.CIRCUIT BREAKER- SUPPLIER CODE: V82647 SPECIFICATION NUMBER: BACC18Z02R OPTIONAL PART: 4310-002-2 V76374 ELECTRICAL EQUIP NUMBER: C04600 C04602	103106	2
- 510	MODREF7202		CIRCUIT BREAKER INSTL-P11-1 MODULE NUMBER: 233N5102-78 REV A	103106	1
515	2TC47-5		.CIRCUIT BREAKER- SUPPLIER CODE: V82647 SPECIFICATION NUMBER: BACC18AD5 OPTIONAL PART: 4310-029-5 V76374 ELECTRICAL EQUIP NUMBER: C00615	103106	1
- 530	MODREF7205		CIRCUIT BREAKER INSTL-P11-1 MODULE NUMBER: 233N5102-80 REV A	103106	1
535	2TC47-5		.CIRCUIT BREAKER- SUPPLIER CODE: V82647 SPECIFICATION NUMBER: BACC18AD5 OPTIONAL PART: 4310-029-5 V76374 ELECTRICAL EQUIP NUMBER: C04443	103106	1
- 550	MODREF7285		CIRCUIT BREAKER INSTL-P11-1 MODULE NUMBER: 233N5102-85 REV A	103106	1

MISSING ITEM NUMBERS NOT APPLICABLE

- ITEM NOT ILLUSTRATED

24-51-54-50

24-51-54
FIG. 50
PAGE 11
JAN 20/09

BRI



757

PARTS CATALOG (MAINTENANCE)

FIG ITEM	PART NUMBER	1 2 3 4 5 6 7	NOMENCLATURE	EFFECT FROM TO	UNITS PER ASSY
50 555	2TC47-5		.CIRCUIT BREAKER- SUPPLIER CODE: V82647 SPECIFICATION NUMBER: BACC18AD5 OPTIONAL PART: 4310-029-5 V76374 ELECTRICAL EQUIP NUMBER: C04051	103106	1
- 570	MODREF7287		CIRCUIT BREAKER INSTL-P11-1 MODULE NUMBER: 233N5102-87 REV A	103106	1
575	2TC6-2		.CIRCUIT BREAKER- SUPPLIER CODE: V82647 SPECIFICATION NUMBER: BACC18Z02R OPTIONAL PART: 4310-002-2 V76374 ELECTRICAL EQUIP NUMBER: C00607	103106	1
- 590	MODREF7288		CIRCUIT BREAKER INSTL-P11-1 MODULE NUMBER: 233N5102-89 REV A	103106	1
595	2TC6-2		.CIRCUIT BREAKER- SUPPLIER CODE: V82647 SPECIFICATION NUMBER: BACC18Z02R OPTIONAL PART: 4310-002-2 V76374 ELECTRICAL EQUIP NUMBER: C04118	103106	1
- 610	MODREF7293		CIRCUIT BREAKER INSTL-P11-1 MODULE NUMBER: 233N5102-94 REV A	103106	1
615	2TC47-2-5		.CIRCUIT BREAKER- SUPPLIER CODE: V82647 SPECIFICATION NUMBER: BACC18AD2 OPTIONAL PART: 4310-029-205 V76374 ELECTRICAL EQUIP NUMBER: C00725	103106	1

MISSING ITEM NUMBERS NOT APPLICABLE

- ITEM NOT ILLUSTRATED

24-51-54-50

24-51-54
FIG. 50
PAGE 12
JAN 20/09

BRI



757

PARTS CATALOG (MAINTENANCE)

FIG ITEM	PART NUMBER	1 2 3 4 5 6 7	NOMENCLATURE	EFFECT FROM TO	UNITS PER ASSY
50					
- 630	MODREF19340		CIRCUIT BREAKER INSTL-P11-1 MODULE NUMBER: 233N5102-204673 REV A	103106	RF
635	2TC47-5		.CIRCUIT BREAKER- SUPPLIER CODE: V82647 SPECIFICATION NUMBER: BACC18AD5 OPTIONAL PART: 4310-029-5 V76374 ELECTRICAL EQUIP NUMBER: C04673	103106	1
- 710	MODREF6974		DOME PLUG INSTL-P11-1 MODULE NUMBER: 233N5102-230 REV A FOR ADDITIONAL DETAILS SEE: 24-51-54-50A 24-51-54-50B 24-51-54-50C	103106	1
715	2645		.PLUG-DOME SUPPLIER CODE: V28520	103106	41
715	2646		.PLUG-DOME SUPPLIER CODE: V28520	103106	41
- 750	MODREF6985		INOP INSTL-P11-1 (ELECTRICAL POWER ONLY) MODULE NUMBER: 233N5102-31512 REV A FOR OTHER SYS DETAILS SEE: 11-34-03-01B	103106	1
755	10237-1		.CLIP-STOW SUPPLIER CODE: V07RZ7	103106	1
- 770	MODREF6986		INOP INSTL-P11-1 (ELECTRICAL POWER ONLY) MODULE NUMBER: 233N5102-31513 REV A FOR OTHER SYS DETAILS SEE: 11-34-03-01B	103106	1
775	10237-1		.CLIP-STOW SUPPLIER CODE: V07RZ7	103106	1

MISSING ITEM NUMBERS NOT APPLICABLE

- ITEM NOT ILLUSTRATED

24-51-54-50

24-51-54
FIG. 50
PAGE 13
JAN 20/09

BRI



757

PARTS CATALOG (MAINTENANCE)

FIG ITEM	PART NUMBER	1 2 3 4 5 6 7	NOMENCLATURE	EFFECT FROM TO	UNITS PER ASSY
50 - 790	MODREF6989		INOP INSTL-P11-1 (ELECTRICAL POWER ONLY) MODULE NUMBER: 233N5102-31705 REV A FOR OTHER SYS DETAILS SEE: 11-34-03-01B	103106	1
795	10237-1		.CLIP-STOW SUPPLIER CODE: V07RZ7	103106	1
- 810	MODREF6991		INOP INSTL-P11-1 (ELECTRICAL POWER ONLY) MODULE NUMBER: 233N5102-31803 REV A FOR OTHER SYS DETAILS SEE: 11-34-03-01B	103106	1
815	10237-1		.CLIP-STOW SUPPLIER CODE: V07RZ7	103106	1
- 830	MODREF6992		INOP INSTL-P11-1 MODULE NUMBER: 233N5102-31804 REV A FOR OTHER SYS DETAILS SEE: 11-34-03-01B	103106	1
835	10237-1		.CLIP-STOW SUPPLIER CODE: V07RZ7	103106	1

MISSING ITEM NUMBERS NOT APPLICABLE

- ITEM NOT ILLUSTRATED

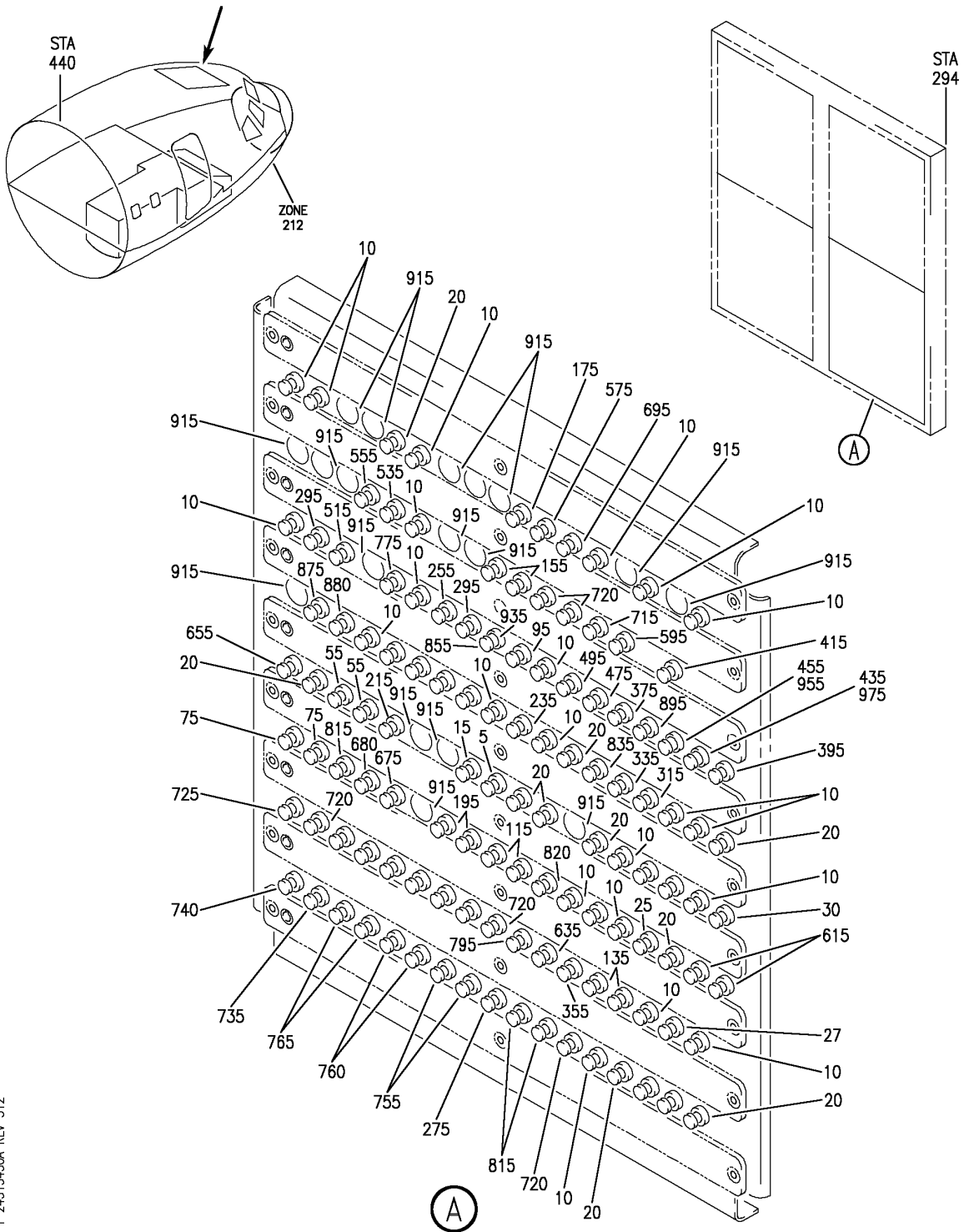
BRI

24-51-54-50

BOEING PROPRIETARY - Copyright © - Unpublished Work - See title page for details.

24-51-54
FIG. 50
PAGE 14
JAN 20/09

BOEING
757
PARTS CATALOG (MAINTENANCE)



Y 24515450A REV 312

CIRCUIT BREAKER, DOME PLUG AND INOP INSTL-P11-2
FIGURE 50A

24-51-54-50A

BRI
JAN 20/09

24-51-54-50A
PAGE 0



757

PARTS CATALOG (MAINTENANCE)

FIG ITEM	PART NUMBER	1 2 3 4 5 6 7	NOMENCLATURE	EFFECT FROM TO	UNITS PER ASSY
50A			CIRCUIT BREAKER, DOME PLUG AND INOP INSTL-P11-2	103106	
- 1	MODREF19339		CIRCUIT BREAKER INSTL-P11-2 MODULE NUMBER: 233N5102-1003 REV A FOR ADDITIONAL DETAILS SEE: 24-51-54-50 24-51-54-50B 24-51-54-50C	103106	1
5	2TC47-10		.CIRCUIT BREAKER- SUPPLIER CODE: V82647 SPECIFICATION NUMBER: BACC18AD10 OPTIONAL PART: 4310-029-10 V76374 ELECTRICAL EQUIP NUMBER: C04216	103106	1

MISSING ITEM NUMBERS NOT APPLICABLE

- ITEM NOT ILLUSTRATED

BRI

24-51-54-50A

BOEING PROPRIETARY - Copyright © - Unpublished Work - See title page for details.

24-51-54
FIG. 50A
PAGE 1
JAN 20/09



757

PARTS CATALOG (MAINTENANCE)

FIG ITEM	PART NUMBER	1 2 3 4 5 6 7	NOMENCLATURE	EFFECT FROM TO	UNITS PER ASSY
50A 10	2TC47-2-5		.CIRCUIT BREAKER- SUPPLIER CODE: V82647 SPECIFICATION NUMBER: BACC18AD2 OPTIONAL PART: 4310-029-205 V76374 ELECTRICAL EQUIP NUMBER: C00514 C00517 C00532 C00560 C00568 C00581 C00585 C00587 C00589 C00594 C00598 C00623 C00634 C00638 C00796 C01009 C01018 C01052 C01175 C01183 C01184 C01307 C01525 C01526 C04132 C04133 C04175 C04271 C04290	103106	29
15	2TC47-3		.CIRCUIT BREAKER- SUPPLIER CODE: V82647 SPECIFICATION NUMBER: BACC18AD3 OPTIONAL PART: 4310-029-3 V76374 ELECTRICAL EQUIP NUMBER: C04061	103106	1

MISSING ITEM NUMBERS NOT APPLICABLE

- ITEM NOT ILLUSTRATED

24-51-54-50A

24-51-54
FIG. 50A
PAGE 2
JAN 20/09

BRI



757

PARTS CATALOG (MAINTENANCE)

FIG ITEM	PART NUMBER	1 2 3 4 5 6 7	NOMENCLATURE	EFFECT FROM TO	UNITS PER ASSY
50A 20	2TC47-5	.	CIRCUIT BREAKER- SUPPLIER CODE: V82647 SPECIFICATION NUMBER: BACC18AD5 OPTIONAL PART: 4310-029-5 V76374 ELECTRICAL EQUIP NUMBER: C00523 C00610 C01048 C01200 C01201 C01306 C01308 C01511 C04023 C04025 C04054 C04212	103106	12
25	2TC47-7-5	.	CIRCUIT BREAKER- SUPPLIER CODE: V82647 SPECIFICATION NUMBER: BACC18AD7 OPTIONAL PART: 4310-029-705 V76374 ELECTRICAL EQUIP NUMBER: C01058	103106	1
27	2TC47-7-5	.	CIRCUIT BREAKER- SUPPLIER CODE: V82647 SPECIFICATION NUMBER: BACC18AD7 OPTIONAL PART: 4310-029-705 V76374 ELECTRICAL EQUIP NUMBER: C01390 PRE SERVICE BULLETIN: 49-0019	103106	1

MISSING ITEM NUMBERS NOT APPLICABLE

- ITEM NOT ILLUSTRATED

BRI

24-51-54-50A

BOEING PROPRIETARY - Copyright © - Unpublished Work - See title page for details.

24-51-54
FIG. 50A
PAGE 3
JAN 20/09



757

PARTS CATALOG (MAINTENANCE)

FIG ITEM	PART NUMBER	1 2 3 4 5 6 7	NOMENCLATURE	EFFECT FROM TO	UNITS PER ASSY
50A 27	2TC47-10	.	CIRCUIT BREAKER- SUPPLIER CODE: V82647 SPECIFICATION NUMBER: BACC18AD10 OPTIONAL PART: 4310-029-10 V76374 ELECTRICAL EQUIP NUMBER: C01390 POST SERVICE BULLETIN: 49-0019	103106	1
30	2TC6-2	.	CIRCUIT BREAKER- SUPPLIER CODE: V82647 SPECIFICATION NUMBER: BACC18Z02R OPTIONAL PART: 4310-002-2 V76374 ELECTRICAL EQUIP NUMBER: C04485	103106	1
- 50	MODREF8008	CIRCUIT BREAKER INSTL-P11-2 MODULE NUMBER: 233N5102-103 REV A FOR ADDITIONAL DETAILS SEE: 24-51-54-50B 24-51-54-50C		103106	1
55	2TC47-10	.	CIRCUIT BREAKER- SUPPLIER CODE: V82647 SPECIFICATION NUMBER: BACC18AD10 OPTIONAL PART: 4310-029-10 V76374 ELECTRICAL EQUIP NUMBER: C04113 C04114	103106	2
- 70	MODREF8009	CIRCUIT BREAKER INSTL-P11-2 MODULE NUMBER: 233N5102-106 REV A FOR ADDITIONAL DETAILS SEE: 24-51-54-50		103106	1

MISSING ITEM NUMBERS NOT APPLICABLE

- ITEM NOT ILLUSTRATED

24-51-54-50A

24-51-54
FIG. 50A
PAGE 4
JAN 20/09

BRI



757

PARTS CATALOG (MAINTENANCE)

FIG ITEM	PART NUMBER	1 2 3 4 5 6 7	NOMENCLATURE	EFFECT FROM TO	UNITS PER ASSY
50A 75	2TC47-2-5	.	CIRCUIT BREAKER- SUPPLIER CODE: V82647 SPECIFICATION NUMBER: BACC18AD2 OPTIONAL PART: 4310-029-205 V76374 ELECTRICAL EQUIP NUMBER: C04478 C04085	103106	2
- 90	MODREF8010		CIRCUIT BREAKER INSTL-P11-2 MODULE NUMBER: 233N5102-107 REV A	103106	1
95	2TC47-5	.	CIRCUIT BREAKER- SUPPLIER CODE: V82647 SPECIFICATION NUMBER: BACC18AD5 OPTIONAL PART: 4310-029-5 V76374 ELECTRICAL EQUIP NUMBER: C04052	103106	1
- 110	MODREF8012		CIRCUIT BREAKER INSTL-P11-2 MODULE NUMBER: 233N5102-109 REV A	103106	1
115	2TC47-2-5	.	CIRCUIT BREAKER- SUPPLIER CODE: V82647 SPECIFICATION NUMBER: BACC18AD2 OPTIONAL PART: 4310-029-205 V76374 ELECTRICAL EQUIP NUMBER: C01147 C01148	103106	2
- 130	MODREF8015		CIRCUIT BREAKER INSTL-P11-2 MODULE NUMBER: 233N5102-112 REV A	103106	1

MISSING ITEM NUMBERS NOT APPLICABLE

- ITEM NOT ILLUSTRATED

24-51-54-50A

24-51-54
FIG. 50A
PAGE 5
JAN 20/09

BRI



757

PARTS CATALOG (MAINTENANCE)

FIG ITEM	PART NUMBER	1 2 3 4 5 6 7	NOMENCLATURE	EFFECT FROM TO	UNITS PER ASSY
50A 135	2TC47-2-5		.CIRCUIT BREAKER- SUPPLIER CODE: V82647 SPECIFICATION NUMBER: BACC18AD2 OPTIONAL PART: 4310-029-205 V76374 ELECTRICAL EQUIP NUMBER: C04251 C04252	103106	2
- 150	MODREF8017		CIRCUIT BREAKER INSTL-P11-2 MODULE NUMBER: 233N5102-114 REV A FOR ADDITIONAL DETAILS SEE: 24-51-54-50	103106	1
155	2TC47-2-5		.CIRCUIT BREAKER- SUPPLIER CODE: V82647 SPECIFICATION NUMBER: BACC18AD2 OPTIONAL PART: 4310-029-205 V76374 ELECTRICAL EQUIP NUMBER: C01532 C01535	103106	2
- 170	MODREF8101		CIRCUIT BREAKER INSTL-P11-2 MODULE NUMBER: 233N5102-121 REV A	103106	1
175	2TC47-5		.CIRCUIT BREAKER- SUPPLIER CODE: V82647 SPECIFICATION NUMBER: BACC18AD5 OPTIONAL PART: 4310-029-5 V76374 ELECTRICAL EQUIP NUMBER: C04034	103106	1
- 190	MODREF8102		CIRCUIT BREAKER INSTL-P11-2 MODULE NUMBER: 233N5102-122 REV A	103106	1

MISSING ITEM NUMBERS NOT APPLICABLE

- ITEM NOT ILLUSTRATED

24-51-54-50A

24-51-54
FIG. 50A
PAGE 6
JAN 20/09

BRI



757

PARTS CATALOG (MAINTENANCE)

FIG ITEM	PART NUMBER	1 2 3 4 5 6 7	NOMENCLATURE	EFFECT FROM TO	UNITS PER ASSY
50A 195	2TC47-2-5	.	CIRCUIT BREAKER- SUPPLIER CODE: V82647 SPECIFICATION NUMBER: BACC18AD2 OPTIONAL PART: 4310-029-205 V76374 ELECTRICAL EQUIP NUMBER: C00552 C00553	103106	2
- 210	MODREF8104		CIRCUIT BREAKER INSTL-P11-2 MODULE NUMBER: 233N5102-124 REV A	103106	1
215	2TC47-2-5	.	CIRCUIT BREAKER- SUPPLIER CODE: V82647 SPECIFICATION NUMBER: BACC18AD2 OPTIONAL PART: 4310-029-205 V76374 ELECTRICAL EQUIP NUMBER: C04151	103106	1
- 230	MODREF8113		CIRCUIT BREAKER INSTL-P11-2 MODULE NUMBER: 233N5102-132 REV A	103106	1
235	2TC47-2-5	.	CIRCUIT BREAKER- SUPPLIER CODE: V82647 SPECIFICATION NUMBER: BACC18AD2 OPTIONAL PART: 4310-029-205 V76374 ELECTRICAL EQUIP NUMBER: C04423	103106	1
- 250	MODREF8114		CIRCUIT BREAKER INSTL-P11-2 MODULE NUMBER: 233N5102-133 REV A FOR ADDITIONAL DETAILS SEE: 24-51-54-50	103106	1

MISSING ITEM NUMBERS NOT APPLICABLE

- ITEM NOT ILLUSTRATED

24-51-54-50A

24-51-54
FIG. 50A
PAGE 7
JAN 20/09

BRI



757

PARTS CATALOG (MAINTENANCE)

FIG ITEM	PART NUMBER	1 2 3 4 5 6 7	NOMENCLATURE	EFFECT FROM TO	UNITS PER ASSY
50A 255	2TC47-2-5		.CIRCUIT BREAKER- SUPPLIER CODE: V82647 SPECIFICATION NUMBER: BACC18AD2 OPTIONAL PART: 4310-029-205 V76374 ELECTRICAL EQUIP NUMBER: C00636	103106	1
- 270	MODREF8385		CIRCUIT BREAKER INSTL-P11-2 MODULE NUMBER: 233N5102-180 REV A	103106	1
275	2TC47-2-5		.CIRCUIT BREAKER- SUPPLIER CODE: V82647 SPECIFICATION NUMBER: BACC18AD2 OPTIONAL PART: 4310-029-205 V76374 ELECTRICAL EQUIP NUMBER: C04037	103106	1
- 290	MODREF8387		CIRCUIT BREAKER INSTL-P11-2 MODULE NUMBER: 233N5102-182 REV A FOR ADDITIONAL DETAILS SEE: 24-51-54-50	103106	1
295	2TC6-2		.CIRCUIT BREAKER- SUPPLIER CODE: V82647 SPECIFICATION NUMBER: BACC18Z02R OPTIONAL PART: 4310-002-2 V76374 ELECTRICAL EQUIP NUMBER: C00601 C00602	103106	2
- 310	MODREF8388		CIRCUIT BREAKER INSTL-P11-2 MODULE NUMBER: 233N5102-183 REV A FOR ADDITIONAL DETAILS SEE: 24-51-54-50	103106	1

MISSING ITEM NUMBERS NOT APPLICABLE

- ITEM NOT ILLUSTRATED

24-51-54-50A

24-51-54
FIG. 50A
PAGE 8
JAN 20/09

BRI



757

PARTS CATALOG (MAINTENANCE)

FIG ITEM	PART NUMBER	1 2 3 4 5 6 7	NOMENCLATURE	EFFECT FROM TO	UNITS PER ASSY
50A 315	2TC6-2		.CIRCUIT BREAKER- SUPPLIER CODE: V82647 SPECIFICATION NUMBER: BACC18Z02R OPTIONAL PART: 4310-002-2 V76374 ELECTRICAL EQUIP NUMBER: C00596	103106	1
- 330	MODREF6704		CIRCUIT BREAKER INSTL-P11-2 MODULE NUMBER: 233N5102-184 REV A FOR ADDITIONAL DETAILS SEE: 24-51-54-50	103106	1
335	2TC6-2		.CIRCUIT BREAKER- SUPPLIER CODE: V82647 SPECIFICATION NUMBER: BACC18Z02R OPTIONAL PART: 4310-002-2 V76374 ELECTRICAL EQUIP NUMBER: C00583	103106	1
- 350	MODREF22293		CIRCUIT BREAKER INSTL-P11-2 MODULE NUMBER: 233N5102-195 REV B FOR ADDITIONAL DETAILS SEE: 24-51-54-50 24-51-54-50C	103106	1
355	2TC47-2-5		.CIRCUIT BREAKER- SUPPLIER CODE: V82647 SPECIFICATION NUMBER: BACC18AD2 OPTIONAL PART: 4310-029-205 V76374 ELECTRICAL EQUIP NUMBER: C01483	103106	1
- 370	MODREF33197		CIRCUIT BREAKER INSTL-P11-2 MODULE NUMBER: 233N5102-200628 REV A	103106	1

MISSING ITEM NUMBERS NOT APPLICABLE

- ITEM NOT ILLUSTRATED

24-51-54-50A

24-51-54
FIG. 50A
PAGE 9
JAN 20/09

BRI



757

PARTS CATALOG (MAINTENANCE)

FIG ITEM	PART NUMBER	1 2 3 4 5 6 7	NOMENCLATURE	EFFECT FROM TO	UNITS PER ASSY
50A 375	2TC47-2-5		.CIRCUIT BREAKER- SUPPLIER CODE: V82647 SPECIFICATION NUMBER: BACC18AD2 OPTIONAL PART: 4310-029-205 V76374 ELECTRICAL EQUIP NUMBER: C00628	103106	1
- 390	MODREF6773		CIRCUIT BREAKER INSTL-P11-2 MODULE NUMBER: 233N5102-201561 REV A	103106	1
395	2TC47-2-5		.CIRCUIT BREAKER- SUPPLIER CODE: V82647 SPECIFICATION NUMBER: BACC18AD2 OPTIONAL PART: 4310-029-205 V76374 ELECTRICAL EQUIP NUMBER: C01561	103106	1
- 410	MODREF6776		CIRCUIT BREAKER INSTL-P11-2 MODULE NUMBER: 233N5102-203006 REV A	103106	1
415	6TC6-5		.CIRCUIT BREAKER- SUPPLIER CODE: V82647 SPECIFICATION NUMBER: BACC18AC5 OPTIONAL PART: 4330-004-5 V76374 ELECTRICAL EQUIP NUMBER: C03006	103106	1
- 430	MODREF6779		CIRCUIT BREAKER INSTL-P11-2 MODULE NUMBER: 233N5102-204502 REV A	103106	1
435	2TC47-2-5		.CIRCUIT BREAKER- SUPPLIER CODE: V82647 SPECIFICATION NUMBER: BACC18AD2 OPTIONAL PART: 4310-029-205 V76374 ELECTRICAL EQUIP NUMBER: C04502	103106	1

MISSING ITEM NUMBERS NOT APPLICABLE

- ITEM NOT ILLUSTRATED

24-51-54-50A

24-51-54
FIG. 50A
PAGE 10
JAN 20/09

BRI

BOEING PROPRIETARY - Copyright © - Unpublished Work - See title page for details.



757

PARTS CATALOG (MAINTENANCE)

FIG ITEM	PART NUMBER	1 2 3 4 5 6 7	NOMENCLATURE	EFFECT FROM TO	UNITS PER ASSY
50A					
- 450	MODREF6781		CIRCUIT BREAKER INSTL-P11-2 MODULE NUMBER: 233N5102-204504 REV A	103106	1
455	2TC47-2-5		.CIRCUIT BREAKER- SUPPLIER CODE: V82647 SPECIFICATION NUMBER: BACC18AD2 OPTIONAL PART: 4310-029-205 V76374 ELECTRICAL EQUIP NUMBER: C04504	103106	1
- 470	MODREF33200		CIRCUIT BREAKER INSTL-P11-2 MODULE NUMBER: 233N5102-204573 REV A	103106	1
475	2TC6-1		.CIRCUIT BREAKER- SUPPLIER CODE: V82647 SPECIFICATION NUMBER: BACC18Z1R OPTIONAL PART: 4310-002-1 V76374 ELECTRICAL EQUIP NUMBER: C04573	103106	1
- 490	MODREF33201		CIRCUIT BREAKER INSTL-P11-2 MODULE NUMBER: 233N5102-204574 REV A	103106	1
495	2TC47-2-5		.CIRCUIT BREAKER- SUPPLIER CODE: V82647 SPECIFICATION NUMBER: BACC18AD2 OPTIONAL PART: 4310-029-205 V76374 ELECTRICAL EQUIP NUMBER: C04574	103106	1
- 510	MODREF33202		CIRCUIT BREAKER INSTL-P11-2 MODULE NUMBER: 233N5102-204575 REV A	103106	1

MISSING ITEM NUMBERS NOT APPLICABLE

- ITEM NOT ILLUSTRATED

24-51-54-50A

24-51-54
FIG. 50A
PAGE 11
JAN 20/09

BRI

BOEING PROPRIETARY - Copyright © - Unpublished Work - See title page for details.



757

PARTS CATALOG (MAINTENANCE)

FIG ITEM	PART NUMBER	1 2 3 4 5 6 7	NOMENCLATURE	EFFECT FROM TO	UNITS PER ASSY
50A 515	2TC47-2-5		.CIRCUIT BREAKER- SUPPLIER CODE: V82647 SPECIFICATION NUMBER: BACC18AD2 OPTIONAL PART: 4310-029-205 V76374 ELECTRICAL EQUIP NUMBER: C04575	103106	1
- 530	MODREF6782		CIRCUIT BREAKER INSTL-P11-2 MODULE NUMBER: 233N5102-204592 REV A	103106	1
535	2TC47-2-5		.CIRCUIT BREAKER- SUPPLIER CODE: V82647 SPECIFICATION NUMBER: BACC18AD2 OPTIONAL PART: 4310-029-205 V76374 ELECTRICAL EQUIP NUMBER: C04592	103106	1
- 550	MODREF6783		CIRCUIT BREAKER INSTL-P11-2 MODULE NUMBER: 233N5102-204593 REV A	103106	1
555	2TC47-2-5		.CIRCUIT BREAKER- SUPPLIER CODE: V82647 SPECIFICATION NUMBER: BACC18AD2 OPTIONAL PART: 4310-029-205 V76374 ELECTRICAL EQUIP NUMBER: C04593	103106	1
- 570	MODREF6868		CIRCUIT BREAKER INSTL-P11-2 MODULE NUMBER: 233N5102-204655 REV A	103106	1
575	2TC47-3		.CIRCUIT BREAKER- SUPPLIER CODE: V82647 SPECIFICATION NUMBER: BACC18AD3 OPTIONAL PART: 4310-029-3 V76374 ELECTRICAL EQUIP NUMBER: C04655	103106	1

MISSING ITEM NUMBERS NOT APPLICABLE

- ITEM NOT ILLUSTRATED

24-51-54-50A

24-51-54
FIG. 50A
PAGE 12
JAN 20/09

BRI



757

PARTS CATALOG (MAINTENANCE)

FIG ITEM	PART NUMBER	1 2 3 4 5 6 7	NOMENCLATURE	EFFECT FROM TO	UNITS PER ASSY
50A					
- 590	MODREF6875		CIRCUIT BREAKER INSTL-P11-2 MODULE NUMBER: 233N5102-204666 REV A	103106	1
	595 2TC47-2-5		.CIRCUIT BREAKER- SUPPLIER CODE: V82647 SPECIFICATION NUMBER: BACC18AD2 OPTIONAL PART: 4310-029-205 V76374 ELECTRICAL EQUIP NUMBER: C04666	103106	1
- 610	MODREF6877		CIRCUIT BREAKER INSTL-P11-2 MODULE NUMBER: 233N5102-206 REV A	103106	1
	615 2TC47-10		.CIRCUIT BREAKER- SUPPLIER CODE: V82647 SPECIFICATION NUMBER: BACC18AD10 OPTIONAL PART: 4310-029-10 V76374 ELECTRICAL EQUIP NUMBER: C01303 C01310	103106	2
- 630	MODREF33207		CIRCUIT BREAKER INSTL-P11-2 MODULE NUMBER: 233N5102-211481 REV A	103106	1
	635 2TC47-2-5		.CIRCUIT BREAKER- SUPPLIER CODE: V82647 SPECIFICATION NUMBER: BACC18AD2 OPTIONAL PART: 4310-029-205 V76374 ELECTRICAL EQUIP NUMBER: C01481	103106	1
- 650	MODREF6883		CIRCUIT BREAKER INSTL-P11-2 MODULE NUMBER: 233N5102-211510 REV A	103106	1

MISSING ITEM NUMBERS NOT APPLICABLE

- ITEM NOT ILLUSTRATED

24-51-54-50A

24-51-54
FIG. 50A
PAGE 13
JAN 20/09

BRI

BOEING PROPRIETARY - Copyright © - Unpublished Work - See title page for details.



757

PARTS CATALOG (MAINTENANCE)

FIG ITEM	PART NUMBER	1 2 3 4 5 6 7	NOMENCLATURE	EFFECT FROM TO	UNITS PER ASSY
50A 655	2TC47-5		.CIRCUIT BREAKER- SUPPLIER CODE: V82647 SPECIFICATION NUMBER: BACC18AD5 OPTIONAL PART: 4310-029-5 V76374 ELECTRICAL EQUIP NUMBER: C01510	103106	1
- 670	MODREF6977		CIRCUIT BREAKER INSTL-P11-2 MODULE NUMBER: 233N5102-26 REV A	103106	1
675	2TC47-5		.CIRCUIT BREAKER- SUPPLIER CODE: V82647 SPECIFICATION NUMBER: BACC18AD5 OPTIONAL PART: 4310-029-5 V76374 ELECTRICAL EQUIP NUMBER: C00551	103106	1
680	2TC47-7-5		.CIRCUIT BREAKER- SUPPLIER CODE: V82647 SPECIFICATION NUMBER: BACC18AD7 OPTIONAL PART: 4310-029-705 V76374 ELECTRICAL EQUIP NUMBER: C00548	103106	1
- 690	MODREF6979		CIRCUIT BREAKER INSTL-P11-2 MODULE NUMBER: 233N5102-28 REV A	103106	1
695	2TC47-7-5		.CIRCUIT BREAKER- SUPPLIER CODE: V82647 SPECIFICATION NUMBER: BACC18AD7 OPTIONAL PART: 4310-029-705 V76374 ELECTRICAL EQUIP NUMBER: C04364	103106	1

MISSING ITEM NUMBERS NOT APPLICABLE

- ITEM NOT ILLUSTRATED

24-51-54-50A

24-51-54
FIG. 50A
PAGE 14
JAN 20/09

BRI



757

PARTS CATALOG (MAINTENANCE)

FIG ITEM	PART NUMBER	1 2 3 4 5 6 7	NOMENCLATURE	EFFECT FROM TO	UNITS PER ASSY
50A - 710	MODREF6981		CIRCUIT BREAKER INSTL-P11-2 MODULE NUMBER: 233N5102-3 REV A FOR ADDITIONAL DETAILS SEE: 24-51-54-50B 24-51-54-50C	103106	1
715	2TC47-10		.CIRCUIT BREAKER- SUPPLIER CODE: V82647 SPECIFICATION NUMBER: BACC18AD10 OPTIONAL PART: 4310-029-10 V76374 ELECTRICAL EQUIP NUMBER: C00545	103106	1
720	2TC47-2-5		.CIRCUIT BREAKER- SUPPLIER CODE: V82647 SPECIFICATION NUMBER: BACC18AD2 OPTIONAL PART: 4310-029-205 V76374 ELECTRICAL EQUIP NUMBER: C00554 C00557 C00772 C00774 C00775 C00776 C00783 C00784 C00785 C00788 C01214	103106	11
725	2TC47-5		.CIRCUIT BREAKER- SUPPLIER CODE: V82647 SPECIFICATION NUMBER: BACC18AD5 OPTIONAL PART: 4310-029-5 V76374 ELECTRICAL EQUIP NUMBER: C01010	103106	1
- 730	MODREF7085		CIRCUIT BREAKER INSTL-P11-2 MODULE NUMBER: 233N5102-34 REV A	103106	1

MISSING ITEM NUMBERS NOT APPLICABLE

- ITEM NOT ILLUSTRATED

BRI

24-51-54-50A

BOEING PROPRIETARY - Copyright © - Unpublished Work - See title page for details.

24-51-54
FIG. 50A
PAGE 15
JAN 20/09

 **BOEING**
757
PARTS CATALOG (MAINTENANCE)

FIG ITEM	PART NUMBER	1 2 3 4 5 6 7	NOMENCLATURE	EFFECT FROM TO	UNITS PER ASSY
50A 735	2TC47-2-5	.	CIRCUIT BREAKER- SUPPLIER CODE: V82647 SPECIFICATION NUMBER: BACC18AD2 OPTIONAL PART: 4310-029-205 V76374 ELECTRICAL EQUIP NUMBER: C04275	103106	1
740	1500-052-05	.	CIRCUIT BREAKER- SUPPLIER CODE: V76374 ELECTRICAL EQUIP NUMBER: C04276	103106	1
- 750	MODREF7087		CIRCUIT BREAKER INSTL-P11-2 MODULE NUMBER: 233N5102-35 REV A	103106	1
755	2TC47-2-5	.	CIRCUIT BREAKER- SUPPLIER CODE: V82647 SPECIFICATION NUMBER: BACC18AD2 OPTIONAL PART: 4310-029-205 V76374 ELECTRICAL EQUIP NUMBER: C01323 C01325	103106	2
760	2TC47-5	.	CIRCUIT BREAKER- SUPPLIER CODE: V82647 SPECIFICATION NUMBER: BACC18AD5 OPTIONAL PART: 4310-029-5 V76374 ELECTRICAL EQUIP NUMBER: C01321 C01322	103106	2

MISSING ITEM NUMBERS NOT APPLICABLE

- ITEM NOT ILLUSTRATED

BRI

24-51-54-50A

BOEING PROPRIETARY - Copyright © - Unpublished Work - See title page for details.

24-51-54
FIG. 50A
PAGE 16
JAN 20/09



757

PARTS CATALOG (MAINTENANCE)

FIG ITEM	PART NUMBER	1 2 3 4 5 6 7	NOMENCLATURE	EFFECT FROM TO	UNITS PER ASSY
50A 765	2TC6-2		.CIRCUIT BREAKER- SUPPLIER CODE: V82647 SPECIFICATION NUMBER: BACC18Z02R OPTIONAL PART: 4310-002-2 V76374 ELECTRICAL EQUIP NUMBER: C04476 C04477	103106	2
- 770	MODREF7100		CIRCUIT BREAKER INSTL-P11-2 MODULE NUMBER: 233N5102-50 REV A	103106	1
775	2TC47-5		.CIRCUIT BREAKER- SUPPLIER CODE: V82647 SPECIFICATION NUMBER: BACC18AD5 OPTIONAL PART: 4310-029-5 V76374 ELECTRICAL EQUIP NUMBER: C00632	103106	1
- 790	MODREF7182		CIRCUIT BREAKER INSTL-P11-2 MODULE NUMBER: 233N5102-55 REV A	103106	1
795	2TC47-2-5		.CIRCUIT BREAKER- SUPPLIER CODE: V82647 SPECIFICATION NUMBER: BACC18AD2 OPTIONAL PART: 4310-029-205 V76374 ELECTRICAL EQUIP NUMBER: C04281	103106	1
- 810	MODREF7187		CIRCUIT BREAKER INSTL-P11-2 MODULE NUMBER: 233N5102-6 REV A FOR ADDITIONAL DETAILS SEE: 24-51-54-50 24-51-54-50B	103106	1

MISSING ITEM NUMBERS NOT APPLICABLE

- ITEM NOT ILLUSTRATED

BRI

24-51-54-50A

BOEING PROPRIETARY - Copyright © - Unpublished Work - See title page for details.

24-51-54
FIG. 50A
PAGE 17
JAN 20/09



757

PARTS CATALOG (MAINTENANCE)

FIG ITEM	PART NUMBER	1 2 3 4 5 6 7	NOMENCLATURE	EFFECT FROM TO	UNITS PER ASSY
50A 815	2TC47-2-5		.CIRCUIT BREAKER- SUPPLIER CODE: V82647 SPECIFICATION NUMBER: BACC18AD2 OPTIONAL PART: 4310-029-205 V76374 ELECTRICAL EQUIP NUMBER: C00703 C00704 C01121	103106	3
820	2TC47-5		.CIRCUIT BREAKER- SUPPLIER CODE: V82647 SPECIFICATION NUMBER: BACC18AD5 OPTIONAL PART: 4310-029-5 V76374 ELECTRICAL EQUIP NUMBER: C01132	103106	1
- 830	MODREF7197		CIRCUIT BREAKER INSTL-P11-2 MODULE NUMBER: 233N5102-71 REV A FOR ADDITIONAL DETAILS SEE: 24-51-54-50	103106	1
835	2TC6-2		.CIRCUIT BREAKER- SUPPLIER CODE: V82647 SPECIFICATION NUMBER: BACC18Z02R OPTIONAL PART: 4310-002-2 V76374 ELECTRICAL EQUIP NUMBER: C04601	103106	1
- 850	MODREF7199		CIRCUIT BREAKER INSTL-P11-2 MODULE NUMBER: 233N5102-73 REV A	103106	1

MISSING ITEM NUMBERS NOT APPLICABLE

- ITEM NOT ILLUSTRATED

24-51-54-50A

24-51-54
FIG. 50A
PAGE 18
JAN 20/09

BRI



757

PARTS CATALOG (MAINTENANCE)

FIG ITEM	PART NUMBER	1 2 3 4 5 6 7	NOMENCLATURE	EFFECT FROM TO	UNITS PER ASSY
50A 855	2TC47-5		.CIRCUIT BREAKER- SUPPLIER CODE: V82647 SPECIFICATION NUMBER: BACC18AD5 OPTIONAL PART: 4310-029-5 V76374 ELECTRICAL EQUIP NUMBER: C04433	103106	1
- 870	MODREF7200		CIRCUIT BREAKER INSTL-P11-2 MODULE NUMBER: 233N5102-75 REV A	103106	1
875	2TC47-2-5		.CIRCUIT BREAKER- SUPPLIER CODE: V82647 SPECIFICATION NUMBER: BACC18AD2 OPTIONAL PART: 4310-029-205 V76374 ELECTRICAL EQUIP NUMBER: C00515	103106	1
880	2TC47-5		.CIRCUIT BREAKER- SUPPLIER CODE: V82647 SPECIFICATION NUMBER: BACC18AD5 OPTIONAL PART: 4310-029-5 V76374 ELECTRICAL EQUIP NUMBER: C00524	103106	1
- 890	MODREF7291		CIRCUIT BREAKER INSTL-P11-2 MODULE NUMBER: 233N5102-91 REV A	103106	1
895	2TC47-2-5		.CIRCUIT BREAKER- SUPPLIER CODE: V82647 SPECIFICATION NUMBER: BACC18AD2 OPTIONAL PART: 4310-029-205 V76374 ELECTRICAL EQUIP NUMBER: C00726	103106	1

MISSING ITEM NUMBERS NOT APPLICABLE

- ITEM NOT ILLUSTRATED

24-51-54-50A

24-51-54
FIG. 50A
PAGE 19
JAN 20/09

BRI



757

PARTS CATALOG (MAINTENANCE)

FIG ITEM	PART NUMBER	1 2 3 4 5 6 7	NOMENCLATURE	EFFECT FROM TO	UNITS PER ASSY
50A - 910	MODREF6974		DOME PLUG INSTL-P11-2 MODULE NUMBER: 233N5102-230 REV A FOR ADDITIONAL DETAILS SEE: 24-51-54-50 24-51-54-50B 24-51-54-50C	103106	1
915	2645		.PLUG-DOME SUPPLIER CODE: V28520	103106	18
915	2646		.PLUG-DOME SUPPLIER CODE: V28520	103106	18
- 930	MODREF7077		INOP INSTL-P11-2 (ELECTRICAL POWER ONLY) MODULE NUMBER: 233N5102-32627 REV A FOR OTHER SYS DETAILS SEE: 11-34-03-02B	103106	1
935	10237-1		.CLIP-STOW SUPPLIER CODE: V07RZ7	103106	1
- 950	MODREF7078		INOP INSTL-P11-2 (ELECTRICAL POWER ONLY) MODULE NUMBER: 233N5102-32634 REV A FOR OTHER SYS DETAILS SEE: 11-34-03-02B	103106	1
955	10237-1		.CLIP-STOW SUPPLIER CODE: V07RZ7	103106	1
- 970	MODREF7079		INOP INSTL-P11-2 (ELECTRICAL POWER ONLY) MODULE NUMBER: 233N5102-32635 REV A FOR OTHER SYS DETAILS SEE: 11-34-03-02B	103106	1
975	10237-1		.CLIP-STOW SUPPLIER CODE: V07RZ7	103106	1

MISSING ITEM NUMBERS NOT APPLICABLE

- ITEM NOT ILLUSTRATED

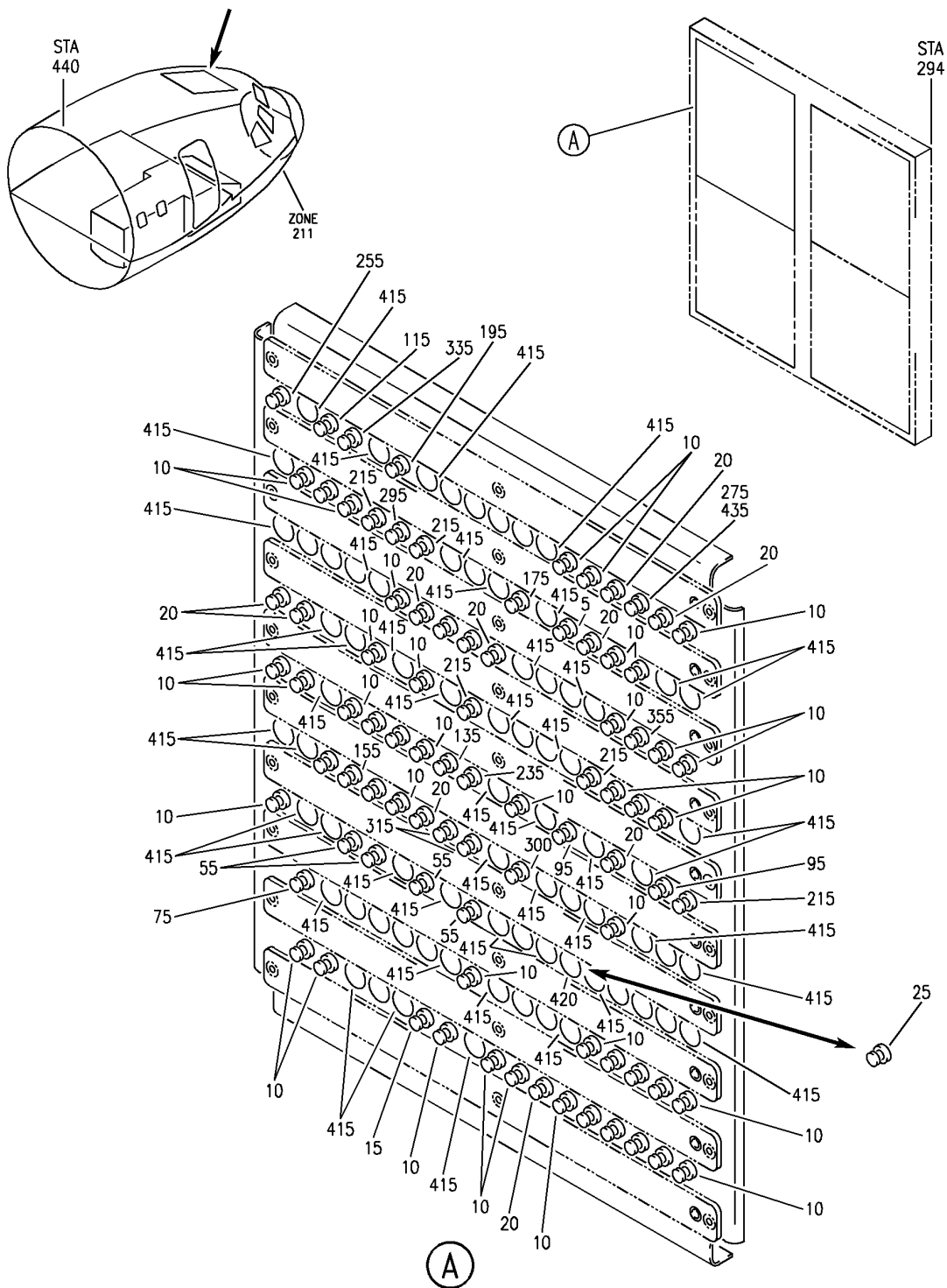
24-51-54-50A

24-51-54
FIG. 50A
PAGE 20
JAN 20/09

BRI

BOEING PROPRIETARY - Copyright © - Unpublished Work - See title page for details.

BOEING
757
PARTS CATALOG (MAINTENANCE)



Y 24-51-54-50B REV 299

CIRCUIT BREAKER, DOME PLUG AND INOP INSTL-P11-3
FIGURE 50B

24-51-54-50B

BRI
JAN 20/09

24-51-54-50B
PAGE 0



757

PARTS CATALOG (MAINTENANCE)

FIG ITEM	PART NUMBER	1 2 3 4 5 6 7	NOMENCLATURE	EFFECT FROM TO	UNITS PER ASSY
50B			CIRCUIT BREAKER, DOME PLUG AND INOP INSTL-P11-3	103106	
- 1	MODREF19339		CIRCUIT BREAKER INSTL-P11-3 MODULE NUMBER: 233N5102-1003 REV A FOR ADDITIONAL DETAILS SEE: 24-51-54-50 24-51-54-50A 24-51-54-50C	103106	1
5	2TC47-10		.CIRCUIT BREAKER- SUPPLIER CODE: V82647 SPECIFICATION NUMBER: BACC18AD10 OPTIONAL PART: 4310-029-10 V76374 ELECTRICAL EQUIP NUMBER: C01143	103106	1
10	2TC47-2-5		.CIRCUIT BREAKER- SUPPLIER CODE: V82647 SPECIFICATION NUMBER: BACC18AD2 OPTIONAL PART: 4310-029-205 V76374 ELECTRICAL EQUIP NUMBER: C00578 C00667 C00670 C00705 C00822 C00824 C01005 C01022 C01034 C01035 C01080 C01082 C01128 C01171 C01176 C01180 C01237 C01241 C01242 C01244 C01252	103106	44

MISSING ITEM NUMBERS NOT APPLICABLE

- ITEM NOT ILLUSTRATED

24-51-54-50B

24-51-54
FIG. 50B
PAGE 1
JAN 20/09

BRI



757

PARTS CATALOG (MAINTENANCE)

FIG ITEM	PART NUMBER	1 2 3 4 5 6 7 NOMENCLATURE	EFFECT FROM TO	UNITS PER ASSY
50B		C01276 C01289 C01290 C01430 C01498 C04019 C04024 C04038 C04043 C04044 C04078 C04081 C04099 C04101 C04126 C04196 C04207 C04221 C04224 C04270 C04280 C04283 C04308 .CIRCUIT BREAKER- SUPPLIER CODE: V82647 SPECIFICATION NUMBER: BACC18AD3 OPTIONAL PART: 4310-029-3 V76374 ELECTRICAL EQUIP NUMBER: C00561	103106	1

MISSING ITEM NUMBERS NOT APPLICABLE

- ITEM NOT ILLUSTRATED

BRI

24-51-54-50B

BOEING PROPRIETARY - Copyright © - Unpublished Work - See title page for details.

24-51-54
 FIG. 50B
 PAGE 2
 JAN 20/09



757

PARTS CATALOG (MAINTENANCE)

FIG ITEM	PART NUMBER	1 2 3 4 5 6 7	NOMENCLATURE	EFFECT FROM TO	UNITS PER ASSY
50B 20	2TC47-5		.CIRCUIT BREAKER- SUPPLIER CODE: V82647 SPECIFICATION NUMBER: BACC18AD5 OPTIONAL PART: 4310-029-5 V76374 ELECTRICAL EQUIP NUMBER: C00686 C01182 C01226 C01297 C01298 C01339 C04032 C04178 C04226 C04228 C04230 C04298	103106	12
25	2TC47-2-5		.CIRCUIT BREAKER- SUPPLIER CODE: V82647 SPECIFICATION NUMBER: BACC18AD2 OPTIONAL PART: 4310-029-205 V76374 ELECTRICAL EQUIP NUMBER: C04679 POST ALERT SB: 28A0081	103106	1
- 50	MODREF8008		CIRCUIT BREAKER INSTL-P11-3 MODULE NUMBER: 233N5102-103 REV A FOR ADDITIONAL DETAILS SEE: 24-51-54-50A 24-51-54-50C	103106	1

MISSING ITEM NUMBERS NOT APPLICABLE

- ITEM NOT ILLUSTRATED

BRI

24-51-54-50B

BOEING PROPRIETARY - Copyright © - Unpublished Work - See title page for details.

24-51-54
FIG. 50B
PAGE 3
JAN 20/09



757

PARTS CATALOG (MAINTENANCE)

FIG ITEM	PART NUMBER	1 2 3 4 5 6 7	NOMENCLATURE	EFFECT FROM TO	UNITS PER ASSY
50B 55	2TC47-2-5		.CIRCUIT BREAKER- SUPPLIER CODE: V82647 SPECIFICATION NUMBER: BACC18AD2 OPTIONAL PART: 4310-029-205 V76374 ELECTRICAL EQUIP NUMBER: C04103 C04107 C04119 C04129	103106	4
- 70	MODREF8019		CIRCUIT BREAKER INSTL-P11-3 MODULE NUMBER: 233N5102-116 REV A	103106	1
75	2TC47-2-5		.CIRCUIT BREAKER- SUPPLIER CODE: V82647 SPECIFICATION NUMBER: BACC18AD2 OPTIONAL PART: 4310-029-205 V76374 ELECTRICAL EQUIP NUMBER: C01464	103106	1
- 90	MODREF8107		CIRCUIT BREAKER INSTL-P11-3 MODULE NUMBER: 233N5102-127 REV A	103106	1
95	2TC47-2-5		.CIRCUIT BREAKER- SUPPLIER CODE: V82647 SPECIFICATION NUMBER: BACC18AD2 OPTIONAL PART: 4310-029-205 V76374 ELECTRICAL EQUIP NUMBER: C04059 C04069	103106	2
- 110	MODREF8116		CIRCUIT BREAKER INSTL-P11-3 MODULE NUMBER: 233N5102-136 REV A	103106	1

MISSING ITEM NUMBERS NOT APPLICABLE

- ITEM NOT ILLUSTRATED

24-51-54-50B

24-51-54
FIG. 50B
PAGE 4
JAN 20/09

BRI

BOEING PROPRIETARY - Copyright © - Unpublished Work - See title page for details.



757

PARTS CATALOG (MAINTENANCE)

FIG ITEM	PART NUMBER	1 2 3 4 5 6 7	NOMENCLATURE	EFFECT FROM TO	UNITS PER ASSY
50B 115	2TC47-5		.CIRCUIT BREAKER- SUPPLIER CODE: V82647 SPECIFICATION NUMBER: BACC18AD5 OPTIONAL PART: 4310-029-5 V76374 ELECTRICAL EQUIP NUMBER: C00743	103106	1
- 130	MODREF8386		CIRCUIT BREAKER INSTL-P11-3 MODULE NUMBER: 233N5102-181 REV A	103106	1
135	2TC47-2-5		.CIRCUIT BREAKER- SUPPLIER CODE: V82647 SPECIFICATION NUMBER: BACC18AD2 OPTIONAL PART: 4310-029-205 V76374 ELECTRICAL EQUIP NUMBER: C04376	103106	1
- 150	MODREF6770		CIRCUIT BREAKER INSTL-P11-3 MODULE NUMBER: 233N5102-201248 REV A	103106	1
155	2TC47-7-5		.CIRCUIT BREAKER- SUPPLIER CODE: V82647 SPECIFICATION NUMBER: BACC18AD7 OPTIONAL PART: 4310-029-705 V76374 ELECTRICAL EQUIP NUMBER: C01248	103106	1
- 170	MODREF33198		CIRCUIT BREAKER INSTL-P11-3 MODULE NUMBER: 233N5102-204566 REV A	103106	1
175	2TC47-2-5		.CIRCUIT BREAKER- SUPPLIER CODE: V82647 SPECIFICATION NUMBER: BACC18AD2 OPTIONAL PART: 4310-029-205 V76374 ELECTRICAL EQUIP NUMBER: C04566	103106	1

MISSING ITEM NUMBERS NOT APPLICABLE

- ITEM NOT ILLUSTRATED

24-51-54-50B

24-51-54
FIG. 50B
PAGE 5
JAN 20/09

BRI



757

PARTS CATALOG (MAINTENANCE)

FIG ITEM	PART NUMBER	1 2 3 4 5 6 7	NOMENCLATURE	EFFECT FROM TO	UNITS PER ASSY
50B - 190	MODREF6970		CIRCUIT BREAKER INSTL-P11-3 MODULE NUMBER: 233N5102-223 REV A FOR ADDITIONAL DETAILS SEE: 24-51-54-50C	103106	1
195	2TC47-5		.CIRCUIT BREAKER- SUPPLIER CODE: V82647 SPECIFICATION NUMBER: BACC18AD5 OPTIONAL PART: 4310-029-5 V76374 ELECTRICAL EQUIP NUMBER: C04521	103106	1
- 210	MODREF6981		CIRCUIT BREAKER INSTL-P11-3 MODULE NUMBER: 233N5102-3 REV A FOR ADDITIONAL DETAILS SEE: 24-51-54-50A 24-51-54-50C	103106	1
215	2TC47-2-5		.CIRCUIT BREAKER- SUPPLIER CODE: V82647 SPECIFICATION NUMBER: BACC18AD2 OPTIONAL PART: 4310-029-205 V76374 ELECTRICAL EQUIP NUMBER: C00660 C01254 C01400 C04071 C04494	103106	5
- 230	MODREF7092		CIRCUIT BREAKER INSTL-P11-3 MODULE NUMBER: 233N5102-41 REV A	103106	1
235	2TC47-2-5		.CIRCUIT BREAKER- SUPPLIER CODE: V82647 SPECIFICATION NUMBER: BACC18AD2 OPTIONAL PART: 4310-029-205 V76374 ELECTRICAL EQUIP NUMBER: C04375	103106	1

MISSING ITEM NUMBERS NOT APPLICABLE

- ITEM NOT ILLUSTRATED

24-51-54-50B

24-51-54
FIG. 50B
PAGE 6
JAN 20/09

BRI



757

PARTS CATALOG (MAINTENANCE)

FIG ITEM	PART NUMBER	1 2 3 4 5 6 7	NOMENCLATURE	EFFECT FROM TO	UNITS PER ASSY
50B - 250	MODREF7097		CIRCUIT BREAKER INSTL-P11-3 MODULE NUMBER: 233N5102-47 REV A	103106	1
255	2TC47-2-5		.CIRCUIT BREAKER- SUPPLIER CODE: V82647 SPECIFICATION NUMBER: BACC18AD2 OPTIONAL PART: 4310-029-205 V76374 ELECTRICAL EQUIP NUMBER: C00564	103106	1
- 270	MODREF7183		CIRCUIT BREAKER INSTL-P11-3 MODULE NUMBER: 233N5102-56 REV A	103106	1
275	2TC47-2-5		.CIRCUIT BREAKER- SUPPLIER CODE: V82647 SPECIFICATION NUMBER: BACC18AD2 OPTIONAL PART: 4310-029-205 V76374 ELECTRICAL EQUIP NUMBER: C01181	103106	1
- 290	MODREF7187		CIRCUIT BREAKER INSTL-P11-3 MODULE NUMBER: 233N5102-6 REV A FOR ADDITIONAL DETAILS SEE: 24-51-54-50 24-51-54-50A	103106	1
295	2TC47-2-5		.CIRCUIT BREAKER- SUPPLIER CODE: V82647 SPECIFICATION NUMBER: BACC18AD2 OPTIONAL PART: 4310-029-205 V76374 ELECTRICAL EQUIP NUMBER: C04356	103106	1

MISSING ITEM NUMBERS NOT APPLICABLE

- ITEM NOT ILLUSTRATED

24-51-54-50B

24-51-54
FIG. 50B
PAGE 7
JAN 20/09

BRI

BOEING PROPRIETARY - Copyright © - Unpublished Work - See title page for details.



757

PARTS CATALOG (MAINTENANCE)

FIG ITEM	PART NUMBER	1 2 3 4 5 6 7	NOMENCLATURE	EFFECT FROM TO	UNITS PER ASSY
50B 300	2TC47-3		.CIRCUIT BREAKER- SUPPLIER CODE: V82647 SPECIFICATION NUMBER: BACC18AD3 OPTIONAL PART: 4310-029-3 V76374 ELECTRICAL EQUIP NUMBER: C00673	103106	1
- 310	MODREF7188		CIRCUIT BREAKER INSTL-P11-3 MODULE NUMBER: 233N5102-60 REV A	103106	1
315	2TC47-5		.CIRCUIT BREAKER- SUPPLIER CODE: V82647 SPECIFICATION NUMBER: BACC18AD5 OPTIONAL PART: 4310-029-5 V76374 ELECTRICAL EQUIP NUMBER: C01312 C01313	103106	2
- 330	MODREF7190		CIRCUIT BREAKER INSTL-P11-3 MODULE NUMBER: 233N5102-64 REV A	103106	1
335	2TC47-2-5		.CIRCUIT BREAKER- SUPPLIER CODE: V82647 SPECIFICATION NUMBER: BACC18AD2 OPTIONAL PART: 4310-029-205 V76374 ELECTRICAL EQUIP NUMBER: C00520	103106	1
- 350	MODREF7295		CIRCUIT BREAKER INSTL-P11-3 MODULE NUMBER: 233N5102-97 REV A	103106	1

MISSING ITEM NUMBERS NOT APPLICABLE

- ITEM NOT ILLUSTRATED

BRI

24-51-54-50B

BOEING PROPRIETARY - Copyright © - Unpublished Work - See title page for details.

24-51-54
FIG. 50B
PAGE 8
JAN 20/09



757

PARTS CATALOG (MAINTENANCE)

FIG ITEM	PART NUMBER	1 2 3 4 5 6 7	NOMENCLATURE	EFFECT FROM TO	UNITS PER ASSY
50B 355	2TC47-2-5		.CIRCUIT BREAKER- SUPPLIER CODE: V82647 SPECIFICATION NUMBER: BACC18AD2 OPTIONAL PART: 4310-029-205 V76374 ELECTRICAL EQUIP NUMBER: C01332	103106	1
- 410	MODREF6974		DOME PLUG INSTL-P11-3 MODULE NUMBER: 233N5102-230 REV A FOR ADDITIONAL DETAILS SEE: 24-51-54-50 24-51-54-50A 24-51-54-50C	103106	1
415	2645		.PLUG-DOME SUPPLIER CODE: V28520	103106	73
415	2646		.PLUG-DOME SUPPLIER CODE: V28520	103106	73
420	2645		.PLUG-DOME SUPPLIER CODE: V28520 PRE ALERT SB: 28A0081	103106	1
420	2646		.PLUG-DOME SUPPLIER CODE: V28520	103106	1
- 430	MODREF7084		INOP INSTL-P11-3 (ELECTRICAL POWER ONLY) MODULE NUMBER: 233N5102-33916 REV A FOR OTHER SYS DETAILS SEE: 11-34-03-01D	103106	1
435	10237-1		.CLIP-STOW SUPPLIER CODE: V07RZ7	103106	1

MISSING ITEM NUMBERS NOT APPLICABLE

- ITEM NOT ILLUSTRATED

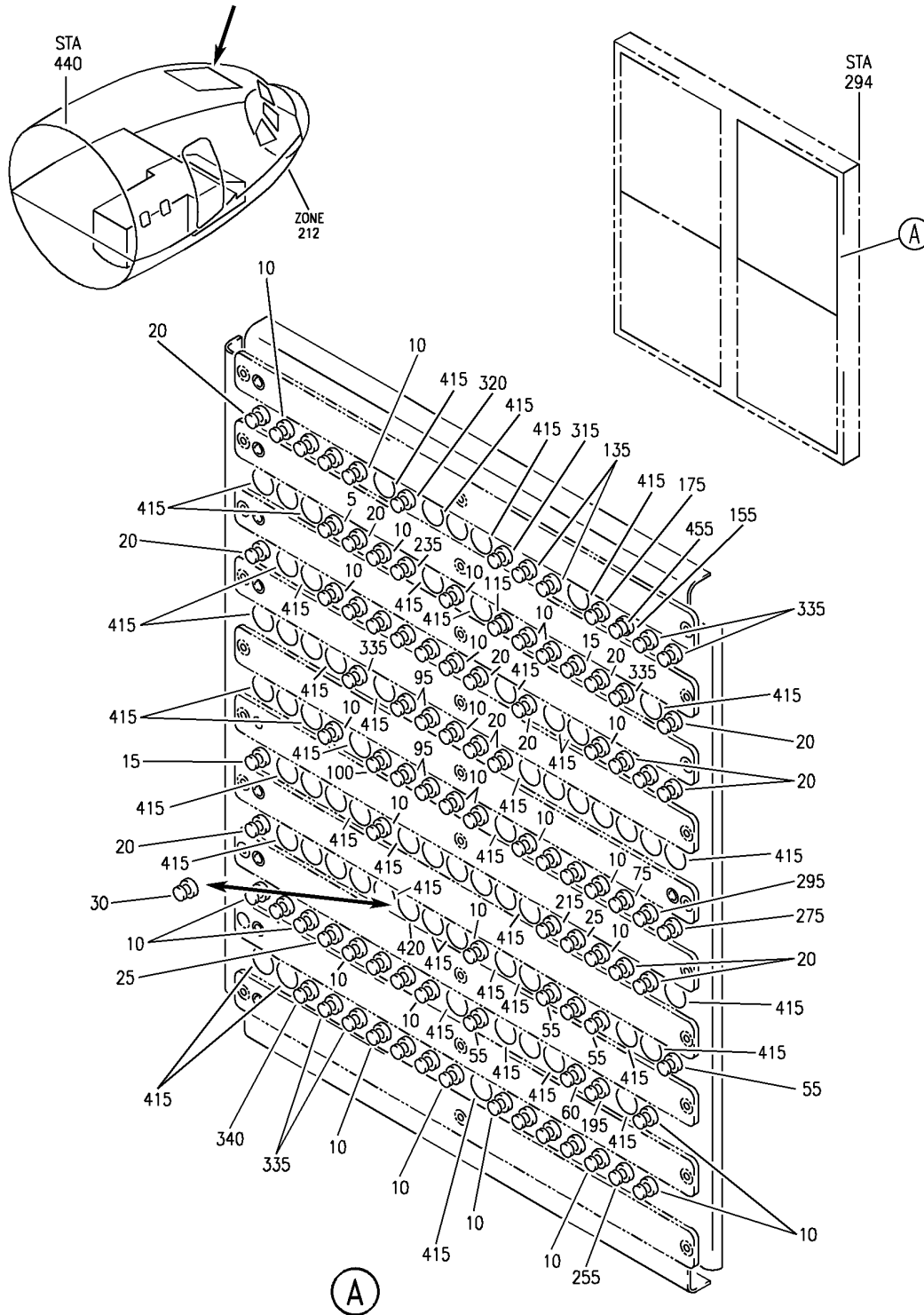
24-51-54-50B

24-51-54
FIG. 50B
PAGE 9
JAN 20/09

BRI

BOEING PROPRIETARY - Copyright © - Unpublished Work - See title page for details.

BOEING
757
PARTS CATALOG (MAINTENANCE)



Y 24-51-54-50C REV 299

CIRCUIT BREAKER, DOME PLUG AND INOP INSTL-P11-4
FIGURE 50C

24-51-54-50C

BRI
JAN 20/09

24-51-54-50C
PAGE 0



757

PARTS CATALOG (MAINTENANCE)

FIG ITEM	PART NUMBER	1 2 3 4 5 6 7	NOMENCLATURE	EFFECT FROM TO	UNITS PER ASSY
50C			CIRCUIT BREAKER, DOME PLUG AND INOP INSTL-P11-4	103106	
- 1	MODREF19339		CIRCUIT BREAKER INSTL-P11-4 MODULE NUMBER: 233N5102-1003 REV A FOR ADDITIONAL DETAILS SEE: 24-51-54-50 24-51-54-50A 24-51-54-50B	103106	1
5	2TC47-10		.CIRCUIT BREAKER- SUPPLIER CODE: V82647 SPECIFICATION NUMBER: BACC18AD10 OPTIONAL PART: 4310-029-10 V76374 ELECTRICAL EQUIP NUMBER: C01144	103106	1
10	2TC47-2-5		.CIRCUIT BREAKER- SUPPLIER CODE: V82647 SPECIFICATION NUMBER: BACC18AD2 OPTIONAL PART: 4310-029-205 V76374 ELECTRICAL EQUIP NUMBER: C00565 C00574 C00763 C00764 C00765 C00766 C00823 C00825 C01081 C01101 C01172 C01173 C01174 C01239 C01240 C01251 C01277 C01281 C01288 C01333 C01336	103106	44

MISSING ITEM NUMBERS NOT APPLICABLE

- ITEM NOT ILLUSTRATED

24-51-54-50C

24-51-54
FIG. 50C
PAGE 1
JAN 20/09

BRI



757

PARTS CATALOG (MAINTENANCE)

FIG ITEM	PART NUMBER	1 2 3 4 5 6 7 NOMENCLATURE	EFFECT FROM TO	UNITS PER ASSY
50C		C01342 C01432 C01499 C04014 C04026 C04031 C04036 C04045 C04072 C04079 C04082 C04094 C04186 C04189 C04192 C04193 C04195 C04197 C04208 C04225 C04261 C04279 C04309		
15	2TC47-3	.CIRCUIT BREAKER- SUPPLIER CODE: V82647 SPECIFICATION NUMBER: BACC18AD3 OPTIONAL PART: 4310-029-3 V76374 ELECTRICAL EQUIP NUMBER: C00674 C00803	103106	2

MISSING ITEM NUMBERS NOT APPLICABLE

- ITEM NOT ILLUSTRATED

BRI

24-51-54-50C

BOEING PROPRIETARY - Copyright © - Unpublished Work - See title page for details.

24-51-54
 FIG. 50C
 PAGE 2
 JAN 20/09



757

PARTS CATALOG (MAINTENANCE)

FIG ITEM	PART NUMBER	1 2 3 4 5 6 7	NOMENCLATURE	EFFECT FROM TO	UNITS PER ASSY
50C 20	2TC47-5	.	CIRCUIT BREAKER- SUPPLIER CODE: V82647 SPECIFICATION NUMBER: BACC18AD5 OPTIONAL PART: 4310-029-5 V76374 ELECTRICAL EQUIP NUMBER: C01053 C01170 C01225 C01227 C01273 C01284 C01294 C01314 C01340 C04144 C04223 C04227 C04229 C04231 C04299	103106	15
25	2TC47-7-5	.	CIRCUIT BREAKER- SUPPLIER CODE: V82647 SPECIFICATION NUMBER: BACC18AD7 OPTIONAL PART: 4310-029-705 V76374 ELECTRICAL EQUIP NUMBER: C01250 C04292	103106	2
30	2TC47-2-5	.	CIRCUIT BREAKER- SUPPLIER CODE: V82647 SPECIFICATION NUMBER: BACC18AD2 OPTIONAL PART: 4310-029-205 V76374 ELECTRICAL EQUIP NUMBER: C04680 POST ALERT SB: 28A0081	103106	1

MISSING ITEM NUMBERS NOT APPLICABLE

- ITEM NOT ILLUSTRATED

24-51-54-50C

24-51-54
FIG. 50C
PAGE 3
JAN 20/09

BRI

BOEING PROPRIETARY - Copyright © - Unpublished Work - See title page for details.



757

PARTS CATALOG (MAINTENANCE)

FIG ITEM	PART NUMBER	1 2 3 4 5 6 7	NOMENCLATURE	EFFECT FROM TO	UNITS PER ASSY
50C - 50	MODREF8008		CIRCUIT BREAKER INSTL-P11-4 MODULE NUMBER: 233N5102-103 REV A FOR ADDITIONAL DETAILS SEE: 24-51-54-50A 24-51-54-50B	103106	1
55	2TC47-2-5		.CIRCUIT BREAKER- SUPPLIER CODE: V82647 SPECIFICATION NUMBER: BACC18AD2 OPTIONAL PART: 4310-029-205 V76374 ELECTRICAL EQUIP NUMBER: C04104 C04108 C04127 C04130 C04317	103106	5
60	2TC47-5		.CIRCUIT BREAKER- SUPPLIER CODE: V82647 SPECIFICATION NUMBER: BACC18AD5 OPTIONAL PART: 4310-029-5 V76374 ELECTRICAL EQUIP NUMBER: C04470	103106	1
- 70	MODREF8011		CIRCUIT BREAKER INSTL-P11-4 MODULE NUMBER: 233N5102-108 REV A	103106	1
75	2TC47-2-5		.CIRCUIT BREAKER- SUPPLIER CODE: V82647 SPECIFICATION NUMBER: BACC18AD2 OPTIONAL PART: 4310-029-205 V76374 ELECTRICAL EQUIP NUMBER: C01287	103106	1
- 90	MODREF8013		CIRCUIT BREAKER INSTL-P11-4 MODULE NUMBER: 233N5102-11 REV A	103106	1

MISSING ITEM NUMBERS NOT APPLICABLE

- ITEM NOT ILLUSTRATED

24-51-54-50C

24-51-54
FIG. 50C
PAGE 4
JAN 20/09

BRI



757

PARTS CATALOG (MAINTENANCE)

FIG ITEM	PART NUMBER	1 2 3 4 5 6 7	NOMENCLATURE	EFFECT FROM TO	UNITS PER ASSY
50C 95	2TC47-2-5		.CIRCUIT BREAKER- SUPPLIER CODE: V82647 SPECIFICATION NUMBER: BACC18AD2 OPTIONAL PART: 4310-029-205 V76374 ELECTRICAL EQUIP NUMBER: C04029 C04030 C04184 C04185	103106	4
100	2TC47-5		.CIRCUIT BREAKER- SUPPLIER CODE: V82647 SPECIFICATION NUMBER: BACC18AD5 OPTIONAL PART: 4310-029-5 V76374 ELECTRICAL EQUIP NUMBER: C00701	103106	1
- 110	MODREF8021		CIRCUIT BREAKER INSTL-P11-4 MODULE NUMBER: 233N5102-119 REV A	103106	1
115	2TC47-2-5		.CIRCUIT BREAKER- SUPPLIER CODE: V82647 SPECIFICATION NUMBER: BACC18AD2 OPTIONAL PART: 4310-029-205 V76374 ELECTRICAL EQUIP NUMBER: C04357	103106	1
- 130	MODREF8112		CIRCUIT BREAKER INSTL-P11-4 MODULE NUMBER: 233N5102-131 REV A	103106	1

MISSING ITEM NUMBERS NOT APPLICABLE

- ITEM NOT ILLUSTRATED

BRI

24-51-54-50C

BOEING PROPRIETARY - Copyright © - Unpublished Work - See title page for details.

24-51-54
FIG. 50C
PAGE 5
JAN 20/09



757

PARTS CATALOG (MAINTENANCE)

FIG ITEM	PART NUMBER	1 2 3 4 5 6 7	NOMENCLATURE	EFFECT FROM TO	UNITS PER ASSY
50C 135	2TC47-2-5		.CIRCUIT BREAKER- SUPPLIER CODE: V82647 SPECIFICATION NUMBER: BACC18AD2 OPTIONAL PART: 4310-029-205 V76374 ELECTRICAL EQUIP NUMBER: C01320 C01355	103106	2
- 150	MODREF8120		CIRCUIT BREAKER INSTL-P11-4 MODULE NUMBER: 233N5102-140 REV A	103106	1
155	2TC47-5		.CIRCUIT BREAKER- SUPPLIER CODE: V82647 SPECIFICATION NUMBER: BACC18AD5 OPTIONAL PART: 4310-029-5 V76374 ELECTRICAL EQUIP NUMBER: C00741	103106	1
- 170	MODREF8121		CIRCUIT BREAKER INSTL-P11-4 MODULE NUMBER: 233N5102-141 REV A	103106	1
175	2TC47-5		.CIRCUIT BREAKER- SUPPLIER CODE: V82647 SPECIFICATION NUMBER: BACC18AD5 OPTIONAL PART: 4310-029-5 V76374 ELECTRICAL EQUIP NUMBER: C00740	103106	1
- 190	MODREF22293		CIRCUIT BREAKER INSTL-P11-4 MODULE NUMBER: 233N5102-195 REV B FOR ADDITIONAL DETAILS SEE: 24-51-54-50 24-51-54-50A	103106	1

MISSING ITEM NUMBERS NOT APPLICABLE

- ITEM NOT ILLUSTRATED

BRI

24-51-54-50C

BOEING PROPRIETARY - Copyright © - Unpublished Work - See title page for details.

24-51-54
FIG. 50C
PAGE 6
JAN 20/09



757

PARTS CATALOG (MAINTENANCE)

FIG ITEM	PART NUMBER	1 2 3 4 5 6 7	NOMENCLATURE	EFFECT FROM TO	UNITS PER ASSY
50C 195	2TC47-2-5		.CIRCUIT BREAKER- SUPPLIER CODE: V82647 SPECIFICATION NUMBER: BACC18AD2 OPTIONAL PART: 4310-029-205 V76374 ELECTRICAL EQUIP NUMBER: C04471	103106	1
- 210	MODREF6769		CIRCUIT BREAKER INSTL-P11-4 MODULE NUMBER: 233N5102-201202 REV A	103106	1
215	2TC47-2-5		.CIRCUIT BREAKER- SUPPLIER CODE: V82647 SPECIFICATION NUMBER: BACC18AD2 OPTIONAL PART: 4310-029-205 V76374 ELECTRICAL EQUIP NUMBER: C01202	103106	1
- 230	MODREF33199		CIRCUIT BREAKER INSTL-P11-4 MODULE NUMBER: 233N5102-204568 REV A	103106	1
235	2TC47-2-5		.CIRCUIT BREAKER- SUPPLIER CODE: V82647 SPECIFICATION NUMBER: BACC18AD2 OPTIONAL PART: 4310-029-205 V76374 ELECTRICAL EQUIP NUMBER: C04568	103106	1
- 250	MODREF33263		CIRCUIT BREAKER INSTL-P11-4 MODULE NUMBER: 233N5102-204676 REV A	103106	1
255	2TC47-3		.CIRCUIT BREAKER- SUPPLIER CODE: V82647 SPECIFICATION NUMBER: BACC18AD3 OPTIONAL PART: 4310-029-3 V76374 ELECTRICAL EQUIP NUMBER: C04676	103106	1

MISSING ITEM NUMBERS NOT APPLICABLE

- ITEM NOT ILLUSTRATED

24-51-54-50C

24-51-54
FIG. 50C
PAGE 7
JAN 20/09

BRI

BOEING PROPRIETARY - Copyright © - Unpublished Work - See title page for details.



757

PARTS CATALOG (MAINTENANCE)

FIG ITEM	PART NUMBER	1 2 3 4 5 6 7	NOMENCLATURE	EFFECT FROM TO	UNITS PER ASSY
50C - 270	MODREF6881		CIRCUIT BREAKER INSTL-P11-4 MODULE NUMBER: 233N5102-211280 REV A	103106	1
275	2TC47-10		.CIRCUIT BREAKER- SUPPLIER CODE: V82647 SPECIFICATION NUMBER: BACC18AD10 OPTIONAL PART: 4310-029-10 V76374 ELECTRICAL EQUIP NUMBER: C01280	103106	1
- 290	MODREF6882		CIRCUIT BREAKER INSTL-P11-4 MODULE NUMBER: 233N5102-211302 REV A	103106	1
295	2TC47-10		.CIRCUIT BREAKER- SUPPLIER CODE: V82647 SPECIFICATION NUMBER: BACC18AD10 OPTIONAL PART: 4310-029-10 V76374 ELECTRICAL EQUIP NUMBER: C01302	103106	1
- 310	MODREF6970		CIRCUIT BREAKER INSTL-P11-4 MODULE NUMBER: 233N5102-223 REV A FOR ADDITIONAL DETAILS SEE: 24-51-54-50B	103106	1
315	2TC47-2-5		.CIRCUIT BREAKER- SUPPLIER CODE: V82647 SPECIFICATION NUMBER: BACC18AD2 OPTIONAL PART: 4310-029-205 V76374 ELECTRICAL EQUIP NUMBER: C04569	103106	1

MISSING ITEM NUMBERS NOT APPLICABLE

- ITEM NOT ILLUSTRATED

24-51-54-50C

24-51-54
FIG. 50C
PAGE 8
JAN 20/09

BRI



757

PARTS CATALOG (MAINTENANCE)

FIG ITEM	PART NUMBER	1 2 3 4 5 6 7	NOMENCLATURE	EFFECT FROM TO	UNITS PER ASSY
50C 320	2TC47-5		.CIRCUIT BREAKER- SUPPLIER CODE: V82647 SPECIFICATION NUMBER: BACC18AD5 OPTIONAL PART: 4310-029-5 V76374 ELECTRICAL EQUIP NUMBER: C04522	103106	1
- 330	MODREF6981		CIRCUIT BREAKER INSTL-P11-4 MODULE NUMBER: 233N5102-3 REV A FOR ADDITIONAL DETAILS SEE: 24-51-54-50A 24-51-54-50B	103106	1
335	2TC47-2-5		.CIRCUIT BREAKER- SUPPLIER CODE: V82647 SPECIFICATION NUMBER: BACC18AD2 OPTIONAL PART: 4310-029-205 V76374 ELECTRICAL EQUIP NUMBER: C00661 C00794 C00795 C04100 C04102 C04183	103106	6
340	2TC47-5		.CIRCUIT BREAKER- SUPPLIER CODE: V82647 SPECIFICATION NUMBER: BACC18AD5 OPTIONAL PART: 4310-029-5 V76374 ELECTRICAL EQUIP NUMBER: C04209	103106	1
- 410	MODREF6974		DOME PLUG INSTL-P11-4 MODULE NUMBER: 233N5102-230 REV A FOR ADDITIONAL DETAILS SEE: 24-51-54-50 24-51-54-50A 24-51-54-50B	103106	1

MISSING ITEM NUMBERS NOT APPLICABLE

- ITEM NOT ILLUSTRATED

24-51-54-50C

24-51-54
FIG. 50C
PAGE 9
JAN 20/09

BRI



757

PARTS CATALOG (MAINTENANCE)

FIG ITEM	PART NUMBER	1 2 3 4 5 6 7	NOMENCLATURE	EFFECT FROM TO	UNITS PER ASSY
50C 415	2645		. PLUG-DOME SUPPLIER CODE: V28520	103106	63
415	2646		. PLUG-DOME SUPPLIER CODE: V28520	103106	63
420	2645		. PLUG-DOME SUPPLIER CODE: V28520 PRE ALERT SB: 28A0081	103106	1
420	2646		. PLUG-DOME SUPPLIER CODE: V28520	103106	1
- 450	MODREF33264		INOP INSTL-P11-4 (ELECTRICAL POWER ONLY) MODULE NUMBER: 233N5102-34934 REV A FOR OTHER SYS DETAILS SEE: 11-34-03-01E	103106	1
455	10237-1		. CLIP-STOW SUPPLIER CODE: V07RZ7	103106	1

MISSING ITEM NUMBERS NOT APPLICABLE

- ITEM NOT ILLUSTRATED

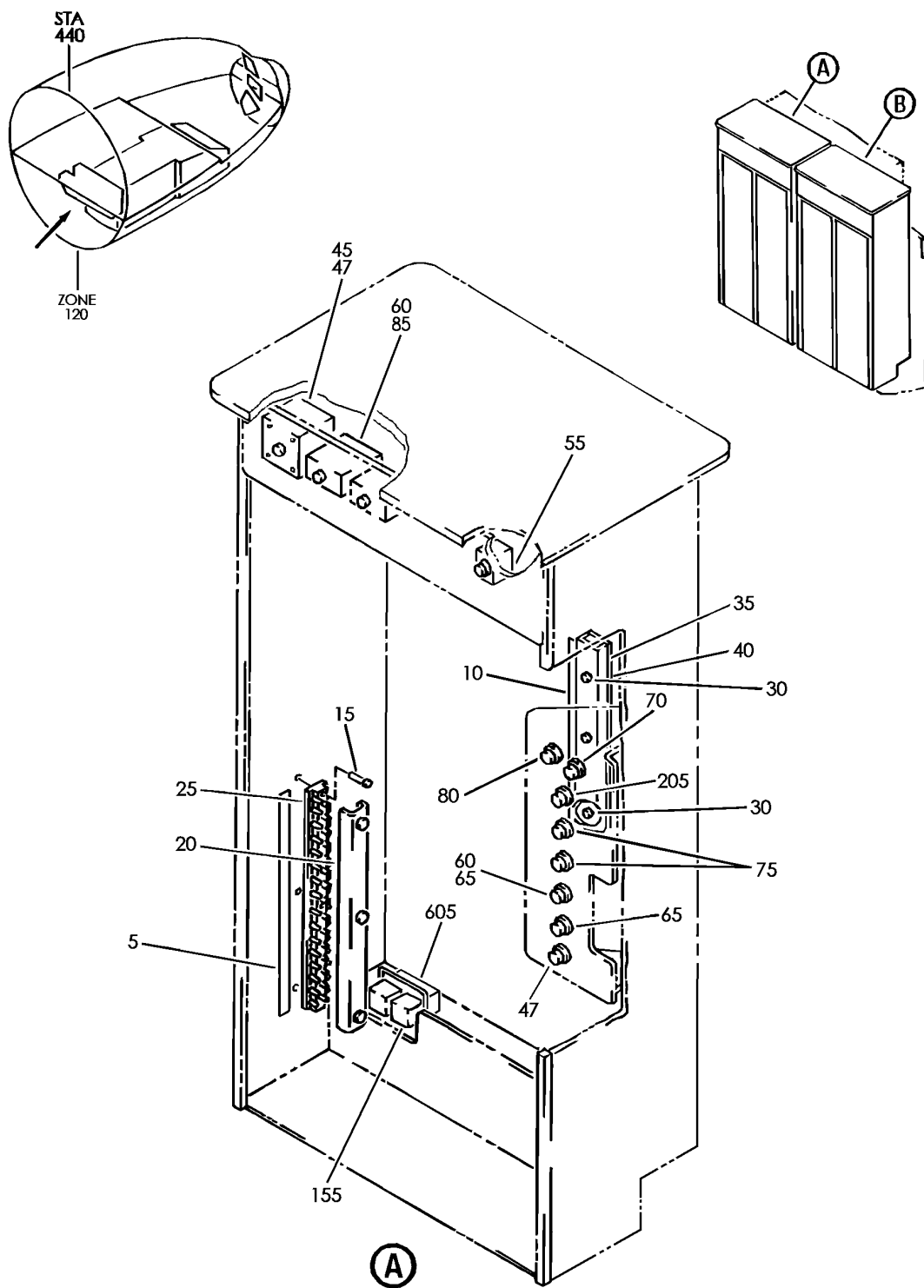
BRI

24-51-54-50C

BOEING PROPRIETARY - Copyright © - Unpublished Work - See title page for details.

24-51-54
FIG. 50C
PAGE 10
JAN 20/09


BOEING
 757
PARTS CATALOG (MAINTENANCE)



Y 24515501A SHT 1 REV 330

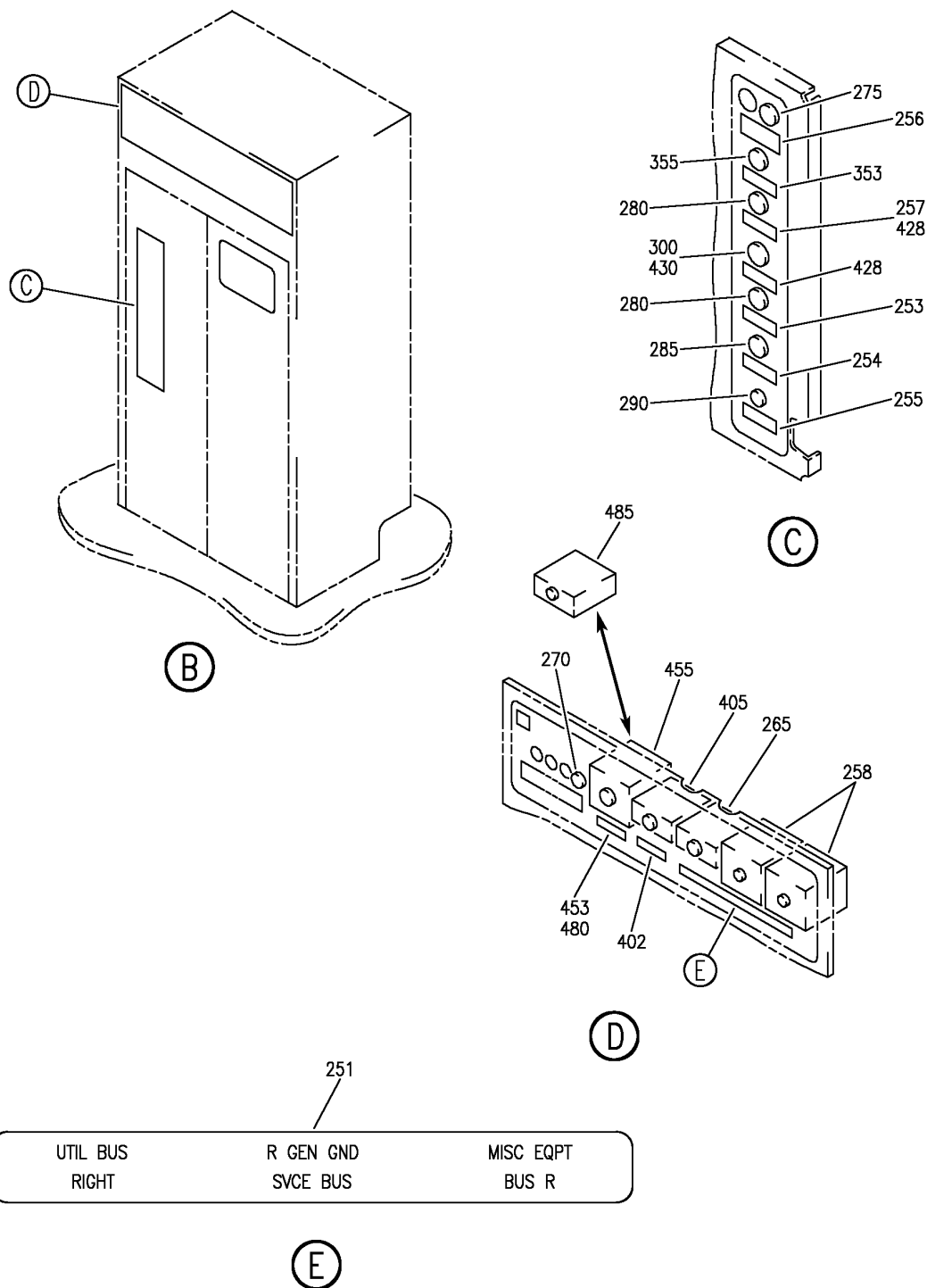
PACKAGE ASSY-OPTION P31 AND P32 GEN PWR PNL (115-VOLT AC POWER DISTRIBUTION ONLY)
 FIGURE 1A (SHEET 1)

BRI
JAN 20/09

24-51-55-01A

24-51-55-01A
 PAGE 0

BOEING
757
PARTS CATALOG (MAINTENANCE)



Y 24515501A SHT 2 REV 280

PACKAGE ASSY-OPTION P31 AND P32 GEN PWR PNL (115-VOLT AC POWER DISTRIBUTION ONLY)
FIGURE 1A (SHEET 2)

BRI
MAY 28/07

24-51-55-01A

24-51-55-01A
PAGE 0A



757

PARTS CATALOG (MAINTENANCE)

FIG ITEM	PART NUMBER	1 2 3 4 5 6 7	NOMENCLATURE	EFFECT FROM TO	UNITS PER ASSY
1 A			PACKAGE ASSY-OPTION P31 AND P32 GEN PWR PNL (115-VOLT AC POWER DISTRIBUTION ONLY)	101102 108120 504903	
- 1	284N1314-1000		PACKAGE ASSY-OPTION P31 GEN PWR PNL (115-VOLT AC POWER DISTRIBUTION ONLY) MISCELLANEOUS DATA: MINOR MODEL 757-200 PASS FOR NHA/OTHER SYS DET SEE: 24-22-01-01B	101102 108120 504903	RF
5	BAC27NEX2905		.DECAL- PLACARD CONTENT: TB5031 1 THRU 15	101102 108120 504903	1
10	BAC27NEX2916		.DECAL- PLACARD CONTENT: TB5046	101102 108120 504903	1
15	NAS600-8P		.SCREW	101102 108120 504903	3
20	MS18029-2L15		.COVER ASSY	101102 108120 504903	1
25	MS27212-2-15		.TERMINAL BOARD ASSY- ELECTRICAL EQUIP NUMBER: TB5031	101102 108120 504903	1
30	NAS600-8P		.SCREW	101102 108120 504903	3
35	MS18029-2L12		.COVER ASSY	101102 108120 504903	1
40	MS27212-2-12		.TERMINAL BOARD ASSY- ELECTRICAL EQUIP NUMBER: TB5046	101102 108120 504903	1
45	6752-311-50		.CIRCUIT BREAKER- SUPPLIER CODE: V82647 SPECIFICATION NUMBER: 10-60806-1050 ELECTRICAL EQUIP NUMBER: C03015	101102 108120 504903	1
- 50	NAS601-7P		ATTACHING PARTS .SCREW -----*-----	101102 108120 504903	6

MISSING ITEM NUMBERS NOT APPLICABLE

- ITEM NOT ILLUSTRATED

24-51-55-01A

24-51-55
FIG. 01A
PAGE 1
JAN 20/09

BRI

BOEING PROPRIETARY - Copyright © - Unpublished Work - See title page for details.



757

PARTS CATALOG (MAINTENANCE)

FIG ITEM	PART NUMBER	1 2 3 4 5 6 7	NOMENCLATURE	EFFECT FROM TO	UNITS PER ASSY
1 A 55	2TC47-2-5		.CIRCUIT BREAKER- SUPPLIER CODE: V82647 SPECIFICATION NUMBER: BACC18AD2 OPTIONAL PART: 4310-029-205 V76374 ELECTRICAL EQUIP NUMBER: C00818	101102 108120 504903	1
65	9TC635		.CIRCUIT BREAKER- SUPPLIER CODE: V82647 SPECIFICATION NUMBER: BACC18AE35 ELECTRICAL EQUIP NUMBER: C00308 C00310	101102 108120 504903	2
70	2TC47-5		.CIRCUIT BREAKER- SUPPLIER CODE: V82647 SPECIFICATION NUMBER: BACC18AD5 OPTIONAL PART: 4310-029-5 V76374 ELECTRICAL EQUIP NUMBER: C00876	101102 108120 504903	1
75	9TC620		.CIRCUIT BREAKER- SUPPLIER CODE: V82647 SPECIFICATION NUMBER: BACC18AE20 ELECTRICAL EQUIP NUMBER: C00312 C00313	101102 108120 504903	2
80	2TC47-7-5		.CIRCUIT BREAKER- SUPPLIER CODE: V82647 SPECIFICATION NUMBER: BACC18AD7 OPTIONAL PART: 4310-029-705 V76374 ELECTRICAL EQUIP NUMBER: C00877	101102 108120 504903	1

MISSING ITEM NUMBERS NOT APPLICABLE

- ITEM NOT ILLUSTRATED

24-51-55-01A

24-51-55
FIG. 01A
PAGE 2
JAN 20/09

BRI

BOEING PROPRIETARY - Copyright © - Unpublished Work - See title page for details.



757

PARTS CATALOG (MAINTENANCE)

FIG ITEM	PART NUMBER	1 2 3 4 5 6 7	NOMENCLATURE	EFFECT FROM TO	UNITS PER ASSY
1A 85	9TC635		.CIRCUIT BREAKER- SUPPLIER CODE: V82647 SPECIFICATION NUMBER: BACC18AE35 ELECTRICAL EQUIP NUMBER: C00311	101102 108120 504903	1
- 150	284N1314-1001		PACKAGE ASSY-OPTION P31 (115-VOLT AC POWER DISTRIBUTION ONLY) MISCELLANEOUS DATA: MINOR MODEL 757-200 PASS OR 757-300 PASS FOR NHA SEE: 24-22-01-01B	101102 108120 504903	RF
155	ES410-1538		.RELAY- SUPPLIER CODE: V99699 SPECIFICATION NUMBER: BACR13CG2AB OPTIONAL PART: KD4L018 V35344 BR230DS0115 V56623 KD4L036 V58657 FCA410-63 V78290 ELECTRICAL EQUIP NUMBER: K10136	101102 108120 504903	1
- 200	284N1314-1002		PACKAGE ASSY-OPTION P31 (115-VOLT AC POWER DISTRIBUTION ONLY) MISCELLANEOUS DATA: ETOPS OPTION FOR NHA/OTHER SYS DET SEE: 24-22-01-01B	101102 108120	RF
205	9TC620		.CIRCUIT BREAKER- SUPPLIER CODE: V82647 SPECIFICATION NUMBER: BACC18AE20 ELECTRICAL EQUIP NUMBER: C00326	101102 108120	1

MISSING ITEM NUMBERS NOT APPLICABLE

- ITEM NOT ILLUSTRATED

24-51-55-01A

24-51-55
FIG. 01A
PAGE 3
JAN 20/09

BRI



757

PARTS CATALOG (MAINTENANCE)

FIG ITEM	PART NUMBER	1 2 3 4 5 6 7	NOMENCLATURE	EFFECT FROM TO	UNITS PER ASSY
1A					
- 250	284N1315-1000		PACKAGE ASSY-OPTION P32 (115-VOLT AC POWER DISTRIBUTION ONLY) MISCELLANEOUS DATA: 757 MAJOR MODEL OPTION FOR NHA/OTHER SYS DET SEE: 24-22-01-01C	101102 504903	RF
251	BAC27NEX1647		.DECAL	101102 504903	1
252	BAC27NEX2886		.DECAL- PLACARD CONTENT: R TRU	101102 504903	1
253	BAC27NEX2888		.DECAL- PLACARD CONTENT: 115 VAC BUS R SECT 1	101102 504903	1
254	BAC27NEX2890		.DECAL- PLACARD CONTENT: 115 VAC BUS R SECT 2	101102 504903	1
255	BAC27NEX2892		.DECAL- PLACARD CONTENT: 115 VAC BUS R SECT 3	101102 504903	1
256	BAC27NEX2899		.DECAL- PLACARD CONTENT: 28 VAC BUS R	101102 504903	1
258	6752-311-50		.CIRCUIT BREAKER- SUPPLIER CODE: V82647 SPECIFICATION NUMBER: 10-60806-1050 ELECTRICAL EQUIP NUMBER: C00316 C03016 ATTACHING PARTS	101102 504903	2
- 260	NAS601-7P		.SCREW	101102 504903	12
265	9TC635		-----*----- .CIRCUIT BREAKER- SUPPLIER CODE: V82647 SPECIFICATION NUMBER: BACC18AE35 ELECTRICAL EQUIP NUMBER: C00315	101102 504903	1

MISSING ITEM NUMBERS NOT APPLICABLE

- ITEM NOT ILLUSTRATED

BRI

24-51-55-01A

BOEING PROPRIETARY - Copyright © - Unpublished Work - See title page for details.

24-51-55
FIG. 01A
PAGE 4
JAN 20/09



757

PARTS CATALOG (MAINTENANCE)

FIG ITEM	PART NUMBER	1 2 3 4 5 6 7	NOMENCLATURE	EFFECT FROM TO	UNITS PER ASSY
1A 270	2TC47-2-5		.CIRCUIT BREAKER- SUPPLIER CODE: V82647 SPECIFICATION NUMBER: BACC18AD2 OPTIONAL PART: 4310-029-205 V76374 ELECTRICAL EQUIP NUMBER: C00819	101102 504903	1
275	2TC47-7-5		.CIRCUIT BREAKER- SUPPLIER CODE: V82647 SPECIFICATION NUMBER: BACC18AD7 OPTIONAL PART: 4310-029-705 V76374 ELECTRICAL EQUIP NUMBER: C00878	101102 504903	1
280	9TC620		.CIRCUIT BREAKER- SUPPLIER CODE: V82647 SPECIFICATION NUMBER: BACC18AE20 ELECTRICAL EQUIP NUMBER: C00318 C00319	101102 504903	2
285	9TC635		.CIRCUIT BREAKER- SUPPLIER CODE: V82647 SPECIFICATION NUMBER: BACC18AE35 ELECTRICAL EQUIP NUMBER: C00307	101102 504903	1
290	6752-311-50		.CIRCUIT BREAKER- SUPPLIER CODE: V82647 SPECIFICATION NUMBER: 10-60806-1050 ELECTRICAL EQUIP NUMBER: C00317	101102 504903	1
- 295	NAS601-7P		ATTACHING PARTS .SCREW -----*-----	101102 504903	2

MISSING ITEM NUMBERS NOT APPLICABLE

- ITEM NOT ILLUSTRATED

24-51-55-01A

24-51-55
FIG. 01A
PAGE 5
JAN 20/09

BRI

BOEING PROPRIETARY - Copyright © - Unpublished Work - See title page for details.



757

PARTS CATALOG (MAINTENANCE)

FIG ITEM	PART NUMBER	1 2 3 4 5 6 7	NOMENCLATURE	EFFECT FROM TO	UNITS PER ASSY
1A - 350	284N1315-1001		PACKAGE ASSY-OPTION P32 (115-VOLT AC POWER DISTRIBUTION ONLY) MISCELLANEOUS DATA: ETOPS FOR NHA SEE: 24-22-01-01C	101102	RF
353	BAC27NEX2894		.DECAL- PLACARD CONTENT: 115 VAC BUS R XFR	101102	1
355	9TC620		.CIRCUIT BREAKER- SUPPLIER CODE: V82647 SPECIFICATION NUMBER: BACC18AE20 ELECTRICAL EQUIP NUMBER: C00327	101102	1
- 400	284N1315-1002		PACKAGE ASSY-OPTION P32 (115-VOLT AC POWER DISTRIBUTION ONLY) MISCELLANEOUS DATA: APU ADDITIONAL START CAPABILITY FOR NHA SEE: 24-22-01-01C	101102 504903	RF
402	BAC27NEX1558		.DECAL- PLACARD CONTENT: APU START TRU POWER	101102 504903	1
405	9TC635		.CIRCUIT BREAKER- SUPPLIER CODE: V82647 SPECIFICATION NUMBER: BACC18AE35 ELECTRICAL EQUIP NUMBER: C03000	101102 504903	1
- 450	284N1315-1007		PACKAGE ASSY-OPTION P32 (115-VOLT AC POWER DISTRIBUTION ONLY) MISCELLANEOUS DATA: UTILITY BUS GALLEY R FOR NHA SEE: 24-22-01-01C	504903	RF
453	BAC27NEX1377		.DECAL- PLACARD CONTENT: UTIL BUS - GALLEYS R	504903	1

MISSING ITEM NUMBERS NOT APPLICABLE

- ITEM NOT ILLUSTRATED

24-51-55-01A

24-51-55
FIG. 01A
PAGE 6
JAN 20/09

BRI

BOEING PROPRIETARY - Copyright © - Unpublished Work - See title page for details.



757

PARTS CATALOG (MAINTENANCE)

FIG ITEM	PART NUMBER	1 2 3 4 5 6 7	NOMENCLATURE	EFFECT FROM TO	UNITS PER ASSY
1 A 455	6752-311-50		.CIRCUIT BREAKER- SUPPLIER CODE: V82647 SPECIFICATION NUMBER: 10-60806-1050 ELECTRICAL EQUIP NUMBER: C03026 ATTACHING PARTS	504903	1
- 460	NAS601-7P		.SCREW -----*-----	504903	6
- 600	286N1136-323		WIRE BUNDLE ASSY	504903	RF
- 600	286N1136-324		WIRE BUNDLE ASSY	101102	RF
- 601	286N1136-325		WIRE BUNDLE ASSY	108120	RF
605	BACS16W1		.SOCKET- ELECTRICAL EQUIP NUMBER: D04494 WIRING DIAGRAM REF: 245171	101102 108120 504903	1

MISSING ITEM NUMBERS NOT APPLICABLE

- ITEM NOT ILLUSTRATED

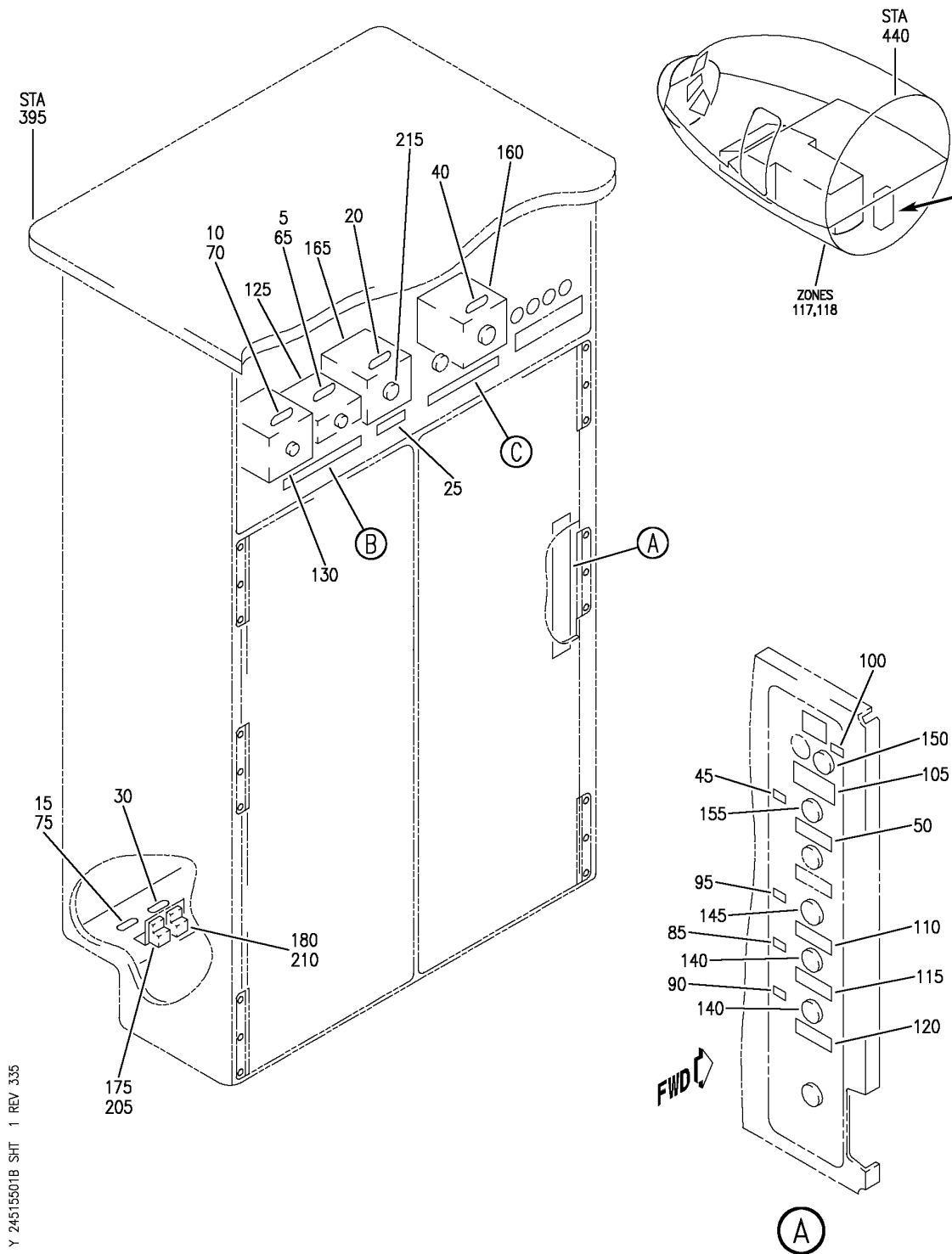
BRI

24-51-55-01A

BOEING PROPRIETARY - Copyright © - Unpublished Work - See title page for details.

24-51-55
FIG. 01A
PAGE 7
JAN 20/09

BOEING
757
PARTS CATALOG (MAINTENANCE)



Y 24515501B SHT 1 REV 335

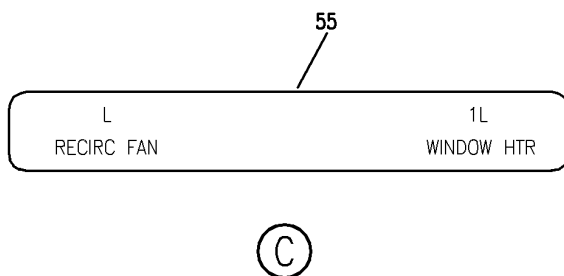
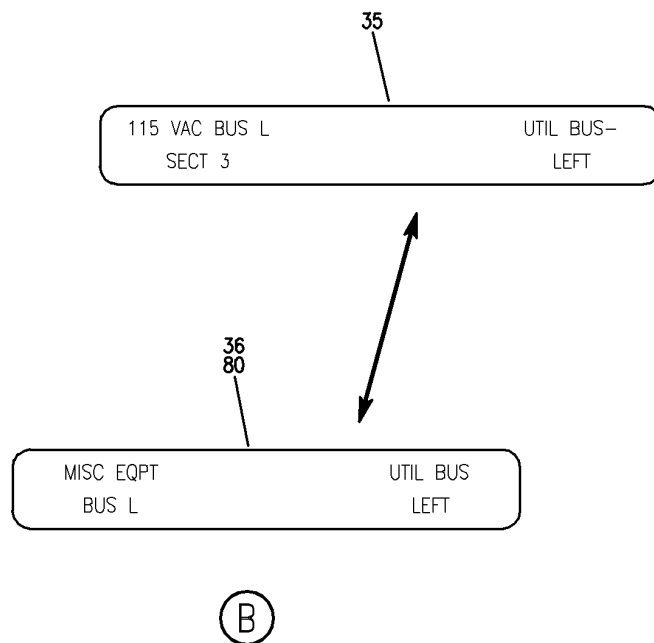
EQUIPMENT ASSY-L GEN PWR PNL P31 (115-VOLT AC POWER DISTRIBUTION ONLY)
FIGURE 1B (SHEET 1)

BRI
MAY 20/09

24-51-55-01B

24-51-55-01B
PAGE 0

BOEING
757
PARTS CATALOG (MAINTENANCE)



Y 24515501B SHT 2 REV 226

EQUIPMENT ASSY-L GEN PWR PNL P31 (115-VOLT AC POWER DISTRIBUTION ONLY)
FIGURE 1B (SHEET 2)

24-51-55-01B

BRI
MAY 28/07

24-51-55-01B
PAGE 0A



757

PARTS CATALOG (MAINTENANCE)

FIG ITEM	PART NUMBER	1 2 3 4 5 6 7	NOMENCLATURE	EFFECT FROM TO	UNITS PER ASSY
1B			EQUIPMENT ASSY-L GEN PWR PNL P31 (115-VOLT AC POWER DISTRIBUTION ONLY)	002004 006100 107107 121503 904999	
- 1	284N1314-1		EQUIPMENT ASSY-GEN PWR PNL P31 (115-VOLT AC POWER DISTRIBUTION ONLY) POSITION DATA: L VARIABLE DRAWING REF: 284N1314-5010 284N1314-5011 284N1314-5017 284N1314-5022 FOR NHA/OTHER SYS DET SEE: 31-01-31-02	002004 006100 107107 121503 904999	RF
5	BAC27TEX19		.DECAL- PLACARD CONTENT: C311	002004 006100 107107 121503 904999	1
10	BAC27NEX0015		.DECAL- PLACARD CONTENT: C3015	002004 006100 107107 121503 904999	1
15	BAC27NEX0960		.DECAL- PLACARD CONTENT: K526	002004 006100 107107 121503 904999	1
20	BAC27NEX1215		.DECAL- PLACARD CONTENT: C3027	121503 904949	1
25	BAC27NEX1216		.DECAL- PLACARD CONTENT: UTIL GALLEYS BUS L	121503 904949	1
30	BAC27NEX1217		.DECAL- PLACARD CONTENT: K10136	002004 006100 950999	1
36	BAC27NEX1646		.DECAL	002004 006100 107107 121503 904999	1

MISSING ITEM NUMBERS NOT APPLICABLE

- ITEM NOT ILLUSTRATED

24-51-55-01B

24-51-55
FIG. 01B
PAGE 1
JAN 20/09

BRI

BOEING PROPRIETARY - Copyright © - Unpublished Work - See title page for details.



757

PARTS CATALOG (MAINTENANCE)

FIG ITEM	PART NUMBER	1 2 3 4 5 6 7	NOMENCLATURE	EFFECT FROM TO	UNITS PER ASSY
1B 125	9TC635		.CIRCUIT BREAKER- SUPPLIER CODE: V82647 SPECIFICATION NUMBER: BACC18AE35 ELECTRICAL EQUIP NUMBER: C00311	002004 006100 107107 121503 904999	1
130	6752-311-50		.CIRCUIT BREAKER- SUPPLIER CODE: V82647 SPECIFICATION NUMBER: 10-60806-1050 ELECTRICAL EQUIP NUMBER: C03015	002004 006100 107107 121503 904999	1
- 135	NAS601-7P		ATTACHING PARTS .SCREW	002004 006100 107107 121503 904999	6
165	6752-311-50		-----*----- .CIRCUIT BREAKER- SUPPLIER CODE: V82647 SPECIFICATION NUMBER: 10-60806-1050 ELECTRICAL EQUIP NUMBER: C03027	121503 904949	1
- 170	NAS601-7P		ATTACHING PARTS .SCREW	121503 904949	6
175	ES410-1538		-----*----- .RELAY- SUPPLIER CODE: V99699 SPECIFICATION NUMBER: BACR13CG2AB OPTIONAL PART: KD4L018 V35344 BR230DS0115 V56623 KD4L036 V58657 FCA410-63 V78290 ELECTRICAL EQUIP NUMBER: K00526	002004 006100 107107 121503 904999	1

MISSING ITEM NUMBERS NOT APPLICABLE

- ITEM NOT ILLUSTRATED

24-51-55-01B

24-51-55
FIG. 01B
PAGE 2
JAN 20/09

BRI

BOEING PROPRIETARY - Copyright © - Unpublished Work - See title page for details.



757

PARTS CATALOG (MAINTENANCE)

FIG ITEM	PART NUMBER	1 2 3 4 5 6 7	NOMENCLATURE	EFFECT FROM TO	UNITS PER ASSY
1B 180	ES410-1538		.RELAY- SUPPLIER CODE: V99699 SPECIFICATION NUMBER: BACR13CG2AB OPTIONAL PART: KD4L018 V35344 BR230DS0115 V56623 KD4L036 V58657 FCA410-63 V78290 ELECTRICAL EQUIP NUMBER: K10136	002004 006100 950999	1
- 185	286N1136-001		.WIRE BUNDLE ASSY-	107107 121503 904949	1
- 195	286N1136-003		.WIRE BUNDLE ASSY	002004 006100 950999	1
205	BACS16W1		.. SOCKET- ELECTRICAL EQUIP NUMBER: D02182 WIRING DIAGRAM REF: 242212	002004 006100 107107 121503 904999	1
210	BACS16W1		.. SOCKET- ELECTRICAL EQUIP NUMBER: D04494 WIRING DIAGRAM REF: 245171	002004 006100 950999	1

MISSING ITEM NUMBERS NOT APPLICABLE

- ITEM NOT ILLUSTRATED

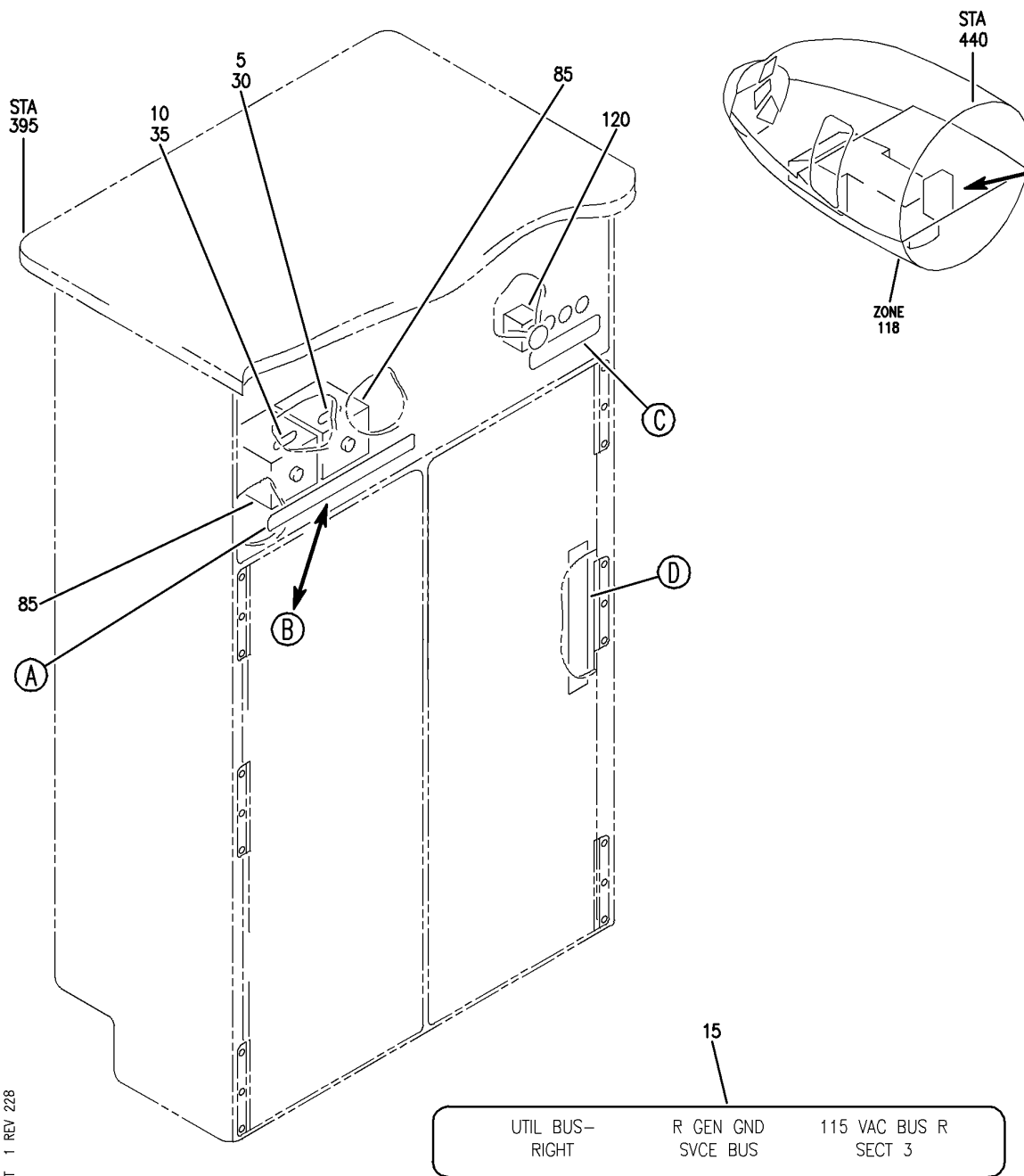
24-51-55-01B

24-51-55
FIG. 01B
PAGE 3
JAN 20/09

BRI

BOEING PROPRIETARY - Copyright © - Unpublished Work - See title page for details.

BOEING
757
PARTS CATALOG (MAINTENANCE)



Y 24515502 SHT 1 REV 228

(A)

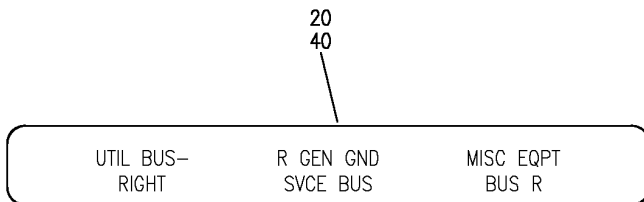
EQUIPMENT ASSY-R GEN PWR PNL P32 (115-VOLT AC POWER DISTRIBUTION ONLY)
FIGURE 2 (SHEET 1)

BRI
MAY 28/07

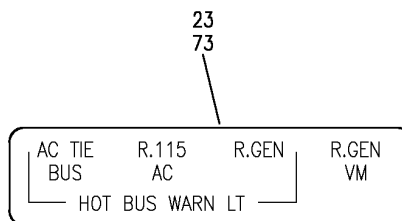
24-51-55-02

24-51-55-02
PAGE 0

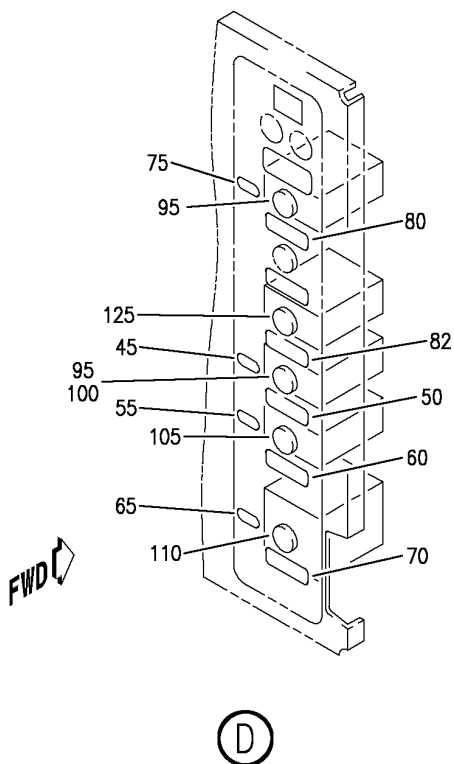
BOEING
757
PARTS CATALOG (MAINTENANCE)



(B)



(C)



(D)

Y 24515502 SH1 2 REV 309

EQUIPMENT ASSY-R GEN PWR PNL P32 (115-VOLT AC POWER DISTRIBUTION ONLY)
FIGURE 2 (SHEET 2)

BRI
MAY 28/07

24-51-55-02

24-51-55-02
PAGE 0A



757

PARTS CATALOG (MAINTENANCE)

FIG ITEM	PART NUMBER	1 2 3 4 5 6 7	NOMENCLATURE	EFFECT FROM TO	UNITS PER ASSY
2			EQUIPMENT ASSY-R GEN PWR PNL P32 (115-VOLT AC POWER DISTRIBUTION ONLY)	002004 006100 107107 121503 904999	
- 1	284N1315-1		EQUIPMENT ASSY-R GEN PWR PNL P32 (115-VOLT AC POWER DISTRIBUTION ONLY) VARIABLE DRAWING REF: 284N1315-5015 284N1315-5023 284N1315-5049 284N1315-5050 284N1315-5052 FOR NHA/OTHER SYS DET SEE: 31-01-32-02	002004 006100 107107 121503 904999	RF
5	BAC27TEX41		.DECAL- PLACARD CONTENT: C316	002004 006100 107107 121503 904999	1
10	BAC27NEX0010		.DECAL- PLACARD CONTENT: C3016	002004 006100 107107 121503 904999	1
20	BAC27NEX1647		.DECAL	002004 006100 107107 121503 904999	1
23	BAC27TEX39		.DECAL	002004 006100 107107 121503 904999	RF
85	6752-311-50		.CIRCUIT BREAKER-3 PHASE SUPPLIER CODE: V82647 SPECIFICATION NUMBER: 10-60806-1050 ELECTRICAL EQUIP NUMBER: C00316 C03016	002004 006100 107107 121503 904999	2

MISSING ITEM NUMBERS NOT APPLICABLE

- ITEM NOT ILLUSTRATED

24-51-55-02

24-51-55
FIG. 02
PAGE 1
JAN 20/09

BRI



757

PARTS CATALOG (MAINTENANCE)

FIG ITEM	PART NUMBER	1 2 3 4 5 6 7	NOMENCLATURE	EFFECT FROM TO	UNITS PER ASSY
2			ATTACHING PARTS		
- 90	NAS601-7P		.SCREW	002004 006100 107107 121503 904999	12
120	2TC47-2-5		-----*----- .CIRCUIT BREAKER- SUPPLIER CODE: V82647 SPECIFICATION NUMBER: BACC18AD2 OPTIONAL PART: 4310-029-205 V76374 ELECTRICAL EQUIP NUMBER: C00819	002004 006100 107107 121503 904999	1

MISSING ITEM NUMBERS NOT APPLICABLE

- ITEM NOT ILLUSTRATED

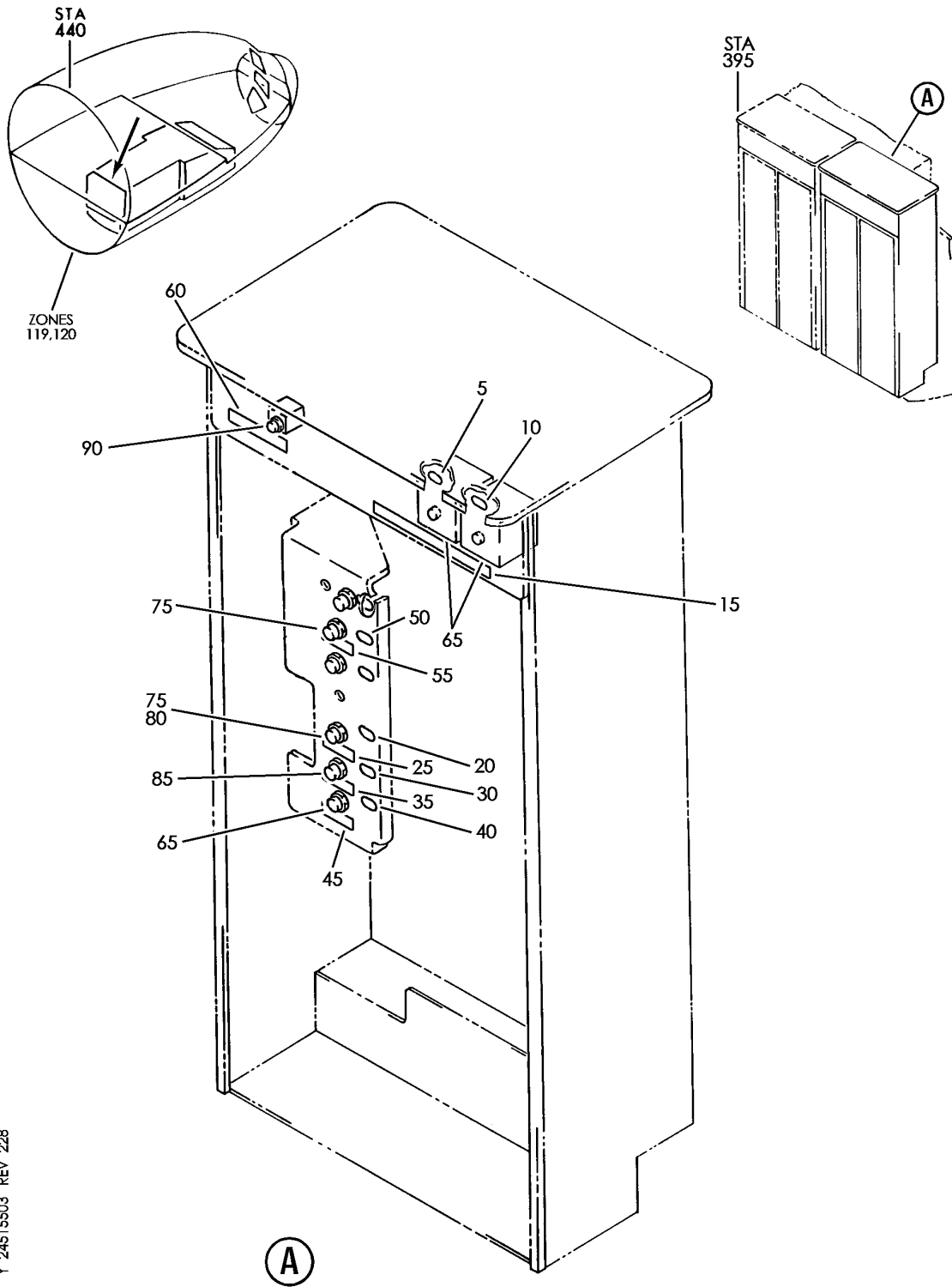
BRI

24-51-55-02

BOEING PROPRIETARY - Copyright © - Unpublished Work - See title page for details.

24-51-55
FIG. 02
PAGE 2
JAN 20/09

BOEING
757
PARTS CATALOG (MAINTENANCE)



Y 24515503 REV 228

PANEL ASSY-R GEN PWR PNL P32 (115-VOLT AC POWER DISTRIBUTION ONLY)
FIGURE 3

24-51-55-03

BRI
JAN 20/09

24-51-55-03
PAGE 0



757

PARTS CATALOG (MAINTENANCE)

FIG ITEM	PART NUMBER	1 2 3 4 5 6 7	NOMENCLATURE	EFFECT FROM TO	UNITS PER ASSY
3			PANEL ASSY-R GEN PWR PNL P32 (115-VOLT AC POWER DISTRIBUTION ONLY)	103106 108120	
- 1	284N1315-122		PANEL ASSY-R GEN PWR PNL P32 (115-VOLT AC POWER DISTRIBUTION ONLY) FOR NHA/OTHER SYS DET SEE: 24-00-58-05C	108120	RF
- 2	MODREF31489		PANEL ASSY-R GEN PWR PNL P32 (115-VOLT AC POWER DISTRIBUTION ONLY) MODULE NUMBER: 284N1315-206 REV A FOR OTHER SYS DETAILS SEE: 11-36-07-02 24-21-51-04 24-22-03-06A 24-22-51-07 24-23-01-02A 24-32-51-05 24-53-51-22 25-31-03-04 25-72-51-01 29-11-67-01	103106	1
15	BAC27NEX1647		.DECAL	103106 108120	1
25	BAC27NEX2888		.DECAL- PLACARD CONTENT: 115 VAC BUS R SECT 1	103106 108120	1
35	BAC27NEX2890		.DECAL- PLACARD CONTENT: 115 VAC BUS R SECT 2	103106 108120	1
45	BAC27NEX2892		.DECAL- PLACARD CONTENT: 115 VAC BUS R SECT 3	103106 108120	1
55	BAC27NEX2894		.DECAL- PLACARD CONTENT: 115 VAC BUS R XFR	103106 108120	1
60	BAC27TEX39		.DECAL	103106 108120	RF
65	6752-311-50		.CIRCUIT BREAKER-3 PHASE SUPPLIER CODE: V82647 SPECIFICATION NUMBER: 10-60806-1050 ELECTRICAL EQUIP NUMBER: C00316 C00317 C03016	103106 108120	3

MISSING ITEM NUMBERS NOT APPLICABLE

- ITEM NOT ILLUSTRATED

24-51-55-03

24-51-55
FIG. 03
PAGE 1
JAN 20/09

BRI



757

PARTS CATALOG (MAINTENANCE)

FIG ITEM	PART NUMBER	1 2 3 4 5 6 7	NOMENCLATURE	EFFECT FROM TO	UNITS PER ASSY
3			ATTACHING PARTS		
- 70	NAS601-7P		.SCREW-	103106 108120	14
			-----*-----		
75	9TC620		.CIRCUIT BREAKER- SUPPLIER CODE: V82647 SPECIFICATION NUMBER: BACC18AE20 ELECTRICAL EQUIP NUMBER: C00319 C00327	103106 108120	2
85	9TC635		.CIRCUIT BREAKER- SUPPLIER CODE: V82647 SPECIFICATION NUMBER: BACC18AE35 ELECTRICAL EQUIP NUMBER: C00307	103106 108120	1
90	2TC47-2-5		.CIRCUIT BREAKER- SUPPLIER CODE: V82647 SPECIFICATION NUMBER: BACC18AD2 OPTIONAL PART: 4310-029-205 V76374 ELECTRICAL EQUIP NUMBER: C00819	103106 108120	1

MISSING ITEM NUMBERS NOT APPLICABLE

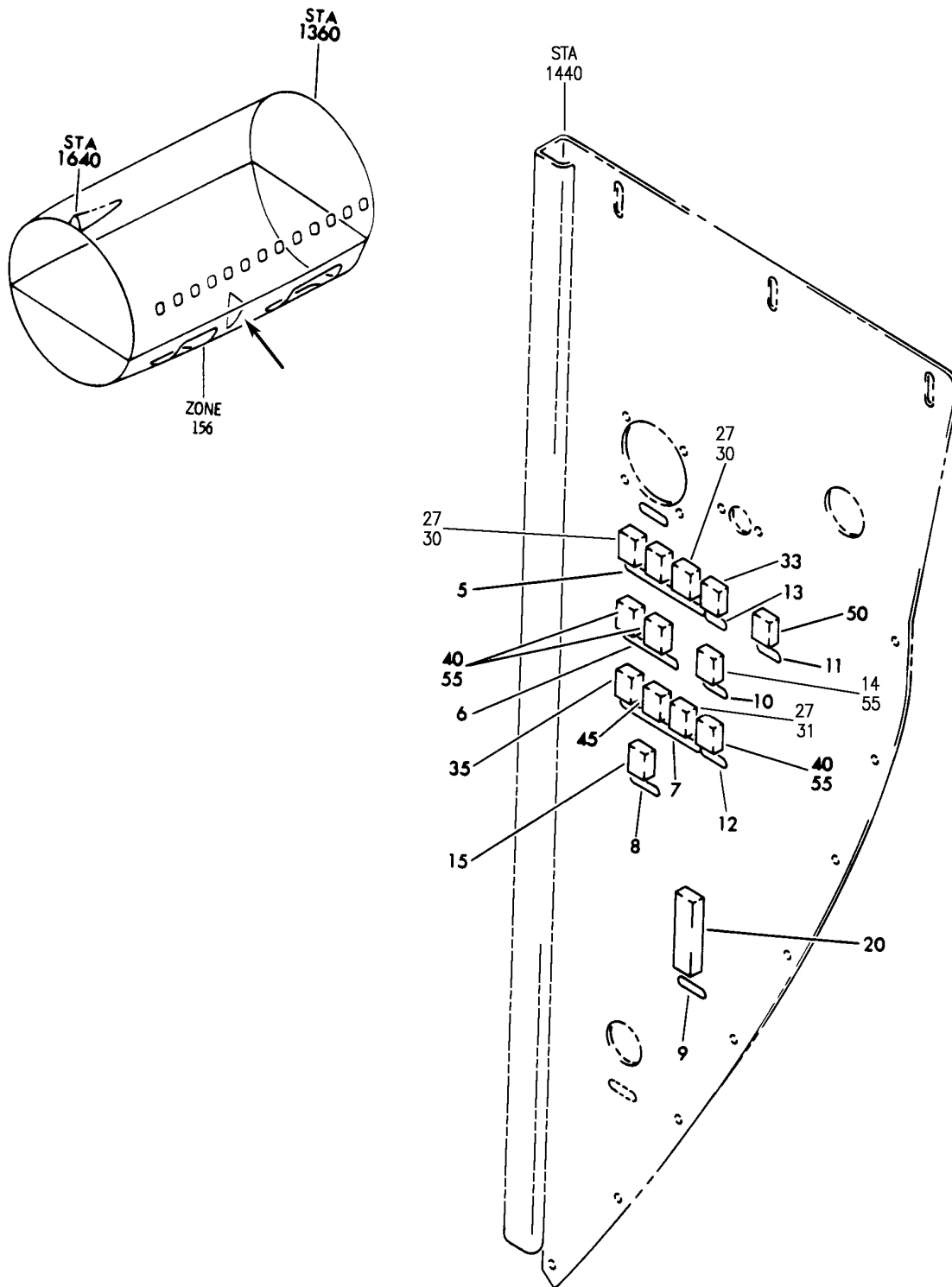
- ITEM NOT ILLUSTRATED

24-51-55-03

24-51-55
FIG. 03
PAGE 2
JAN 20/09

BRI

BOEING
757
PARTS CATALOG (MAINTENANCE)



Y 24515601 REV 324

EQUIPMENT ASSY-E6 AFT EQPT CTR CB PNL (ELECTRICAL POWER ONLY)
FIGURE 1

24-51-56-01

BRI
SEP 20/08

24-51-56-01
PAGE 0



757

PARTS CATALOG (MAINTENANCE)

FIG ITEM	PART NUMBER	1 2 3 4 5 6 7	NOMENCLATURE	EFFECT FROM TO	UNITS PER ASSY
1			EQUIPMENT ASSY-E6 AFT EQPT CTR CB PNL (ELECTRICAL POWER ONLY)	002004 006100 107107 950999	
- 1	284N1690-3		EQUIPMENT ASSY-E6 EQPT CTR CB PNL (ELECTRICAL POWER ONLY) POSITION DATA: AFT VARIABLE DRAWING REF: 284N1690-5010 284N1690-5012 284N1690-5014 FOR NHA/OTHER SYS DET SEE: 53-61-51-10	002004 006100 107107 950999	RF
5	BAC27NEX0062		.DECAL- PLACARD CONTENT: C4046 C4047 C4150	002004 006100 107107 950999	1
6	BAC27NEX0063		.DECAL- PLACARD CONTENT: C821 C820	002004 006100 107107 950999	1
7	BAC27TEX0621		.DECAL- PLACARD CONTENT: C1385 C20 C1382	002004 006100 107107 950999	1
8	BAC27TEX0626		.DECAL- PLACARD CONTENT: C869	002004 006100 107107 950999	1
9	BAC27TEX0625		.DECAL- PLACARD CONTENT: C868	002004 006100 107107 950999	1
10	BAC27NEX1603		.DECAL- PLACARD CONTENT: C4286	002004 006100 107107 952999	1
11	BAC27NEX1563		.DECAL- PLACARD CONTENT: C89	002004 006100 107107 950999	1
12	BAC27NEX0874		.DECAL- PLACARD CONTENT: C4246	002004 006100 107107 950999	1

MISSING ITEM NUMBERS NOT APPLICABLE

- ITEM NOT ILLUSTRATED

24-51-56-01

24-51-56
FIG. 01
PAGE 1
JAN 20/09

BRI

BOEING
757
PARTS CATALOG (MAINTENANCE)

FIG ITEM	PART NUMBER	1 2 3 4 5 6 7	NOMENCLATURE	EFFECT FROM TO	UNITS PER ASSY
R R R R R	14	10237-1	.CLIP-STOW SUPPLIER CODE: V07RZ7 POST SERVICE BULLETIN: 24-0125R1 24-0130	015015 107107	1
	15	700-038-15	.CIRCUIT BREAKER- SUPPLIER CODE: V76374 SPECIFICATION NUMBER: BACC18X15 OPTIONAL PART: 492-215-103 V79405 492-215-104 V79405 ELECTRICAL EQUIP NUMBER: C00869	002004 006100 107107 950999	1
	20	160-003-75	.CIRCUIT BREAKER- SUPPLIER CODE: V76374 SPECIFICATION NUMBER: BACC18R75C OPTIONAL PART: 160-012-75 V76374 ELECTRICAL EQUIP NUMBER: C00868	002004 006100 107107 950999	1
	- 25	NAS514P632-5	ATTACHING PARTS .SCREW	002004 006100 107107 950999	2
	30	2TC47-7-5	-----*----- .CIRCUIT BREAKER- SUPPLIER CODE: V82647 SPECIFICATION NUMBER: BACC18AD7 OPTIONAL PART: 4310-029-705 V76374 ELECTRICAL EQUIP NUMBER: C04046 C04047 C04150	002004 006100 107107 950999	3

MISSING ITEM NUMBERS NOT APPLICABLE

- ITEM NOT ILLUSTRATED

BRI

24-51-56-01

BOEING PROPRIETARY - Copyright © - Unpublished Work - See title page for details.

24-51-56
FIG. 01
PAGE 2
MAY 20/09



757

PARTS CATALOG (MAINTENANCE)

FIG ITEM	PART NUMBER	1 2 3 4 5 6 7	NOMENCLATURE	EFFECT FROM TO	UNITS PER ASSY
1					
31	2TC47-7-5		.CIRCUIT BREAKER- SUPPLIER CODE: V82647 SPECIFICATION NUMBER: BACC18AD7 OPTIONAL PART: 4310-029-705 V76374 ELECTRICAL EQUIP NUMBER: C01382 PRE SERVICE BULLETIN: 49-0019	002004 006100 107107 950999	1
31	2TC47-10		.CIRCUIT BREAKER- SUPPLIER CODE: V82647 SPECIFICATION NUMBER: BACC18AD10 OPTIONAL PART: 4310-029-10 V76374 ELECTRICAL EQUIP NUMBER: C01382 POST SERVICE BULLETIN: 49-0019	950952	1
35	2TC47-5		.CIRCUIT BREAKER- SUPPLIER CODE: V82647 SPECIFICATION NUMBER: BACC18AD5 OPTIONAL PART: 4310-029-5 V76374 ELECTRICAL EQUIP NUMBER: C01385	002004 006100 107107 950999	1
40	2TC47-2-5		.CIRCUIT BREAKER- SUPPLIER CODE: V82647 SPECIFICATION NUMBER: BACC18AD2 OPTIONAL PART: 4310-029-205 V76374 ELECTRICAL EQUIP NUMBER: C00820 C00821 C04246	950951	3

MISSING ITEM NUMBERS NOT APPLICABLE

- ITEM NOT ILLUSTRATED

24-51-56-01

24-51-56
FIG. 01
PAGE 3
JAN 20/09

BRI



757

PARTS CATALOG (MAINTENANCE)

FIG ITEM	PART NUMBER	1 2 3 4 5 6 7	NOMENCLATURE	EFFECT FROM TO	UNITS PER ASSY
1					
45	2TC47-3		.CIRCUIT BREAKER- SUPPLIER CODE: V82647 SPECIFICATION NUMBER: BACC18AD3 OPTIONAL PART: 4310-029-3 V76374 ELECTRICAL EQUIP NUMBER: C00020 PRE SERVICE BULLETIN: 49-0019	002004 006100 107107 950999	1
45	2TC47-5		.CIRCUIT BREAKER- SUPPLIER CODE: V82647 SPECIFICATION NUMBER: BACC18AD5 OPTIONAL PART: 4310-029-5 V76374 ELECTRICAL EQUIP NUMBER: C00020 POST SERVICE BULLETIN: 49-0019	950952	1
50	6TC6-2-5		.CIRCUIT BREAKER- SUPPLIER CODE: V82647 SPECIFICATION NUMBER: BACC18AC2 OPTIONAL PART: 4330-004-205 V76374 ELECTRICAL EQUIP NUMBER: C00089	002004 006100 107107 950999	1
55	2TC47-2-5		.CIRCUIT BREAKER- SUPPLIER CODE: V82647 SPECIFICATION NUMBER: BACC18AD2 OPTIONAL PART: 4310-029-205 V76374 ELECTRICAL EQUIP NUMBER: C00820 C00821 C04246 C04286	002004 006100 107107 952999	4

MISSING ITEM NUMBERS NOT APPLICABLE

- ITEM NOT ILLUSTRATED

BRI

24-51-56-01

BOEING PROPRIETARY - Copyright © - Unpublished Work - See title page for details.

24-51-56
FIG. 01
PAGE 4
JAN 20/09



757

PARTS CATALOG (MAINTENANCE)

FIG ITEM	PART NUMBER	1 2 3 4 5 6 7	NOMENCLATURE	EFFECT FROM TO	UNITS PER ASSY
1					
- 60	BACP20B43B		.PLUG- MISCELLANEOUS DATA: (USE IN PLACE OF CIRCUIT BREAKERS ON OPEN HOLES)	002004 006100	AR
- 60	BACP20B43B		.PLUG- MISCELLANEOUS DATA: (USE IN PLACE OF CIRCUIT BREAKERS ON OPEN HOLES)	002004 006100	AR
- 60	BACP20B43B		.PLUG- MISCELLANEOUS DATA: (USE IN PLACE OF CIRCUIT BREAKERS ON OPEN HOLES)	107107 952999	AR

MISSING ITEM NUMBERS NOT APPLICABLE

- ITEM NOT ILLUSTRATED

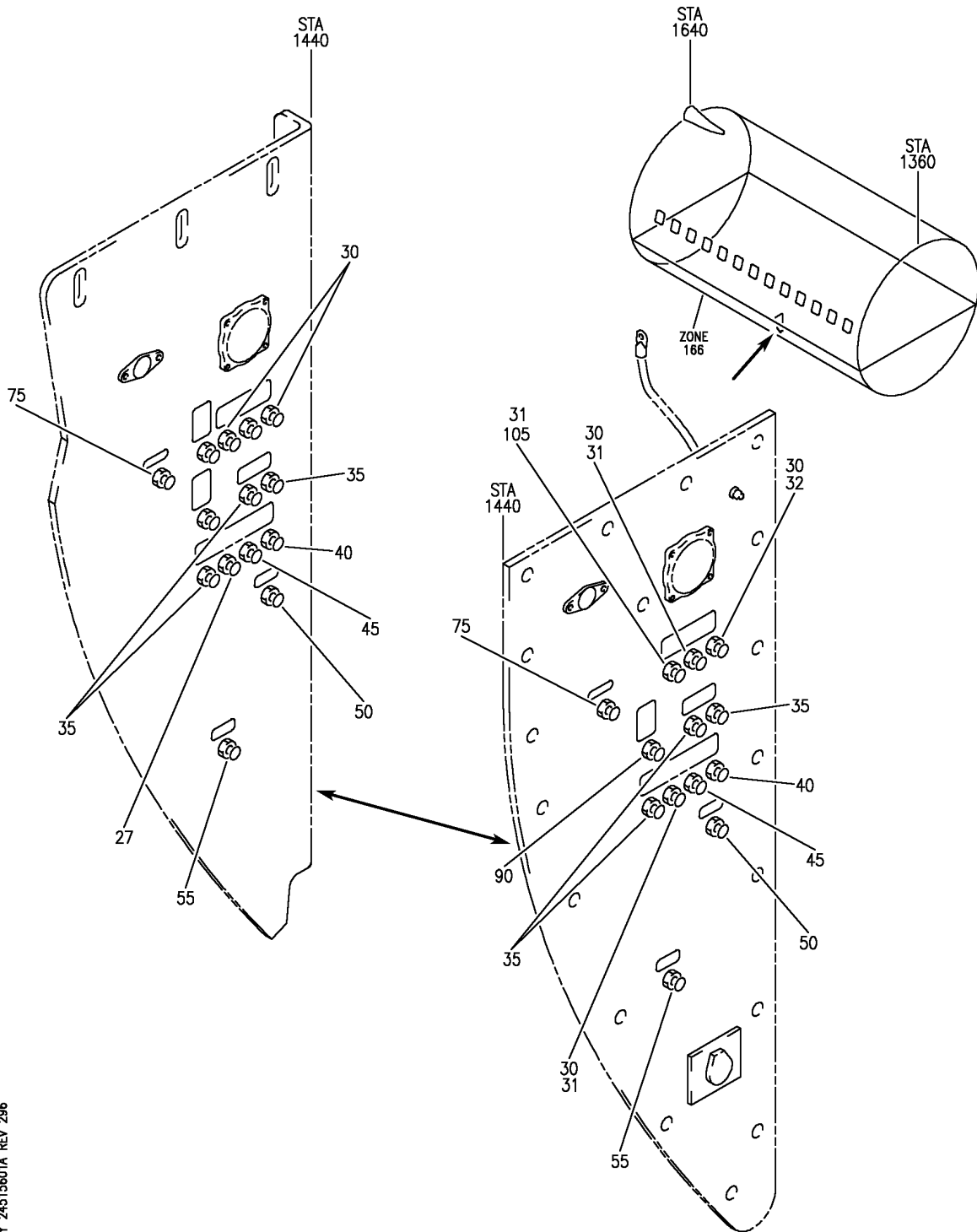
BRI

24-51-56-01

BOEING PROPRIETARY - Copyright © - Unpublished Work - See title page for details.

24-51-56
FIG. 01
PAGE 5
JAN 20/09

BOEING
757
PARTS CATALOG (MAINTENANCE)



Y 24515601A REV 296

EQUIPMENT ASSY-E6 AFT EQPT CTR CB PNL OPTION PKG (ELECTRICAL POWER ONLY)
FIGURE 1A

BRI
MAY 28/07

24-51-56-01A

24-51-56-01A
PAGE 0



757

PARTS CATALOG (MAINTENANCE)

FIG ITEM	PART NUMBER	1 2 3 4 5 6 7	NOMENCLATURE	EFFECT FROM TO	UNITS PER ASSY
1 A			EQUIPMENT ASSY-E6 AFT EQPT CTR CB PNL OPTION PKG (ELECTRICAL POWER ONLY)	101102 108120 504903	
- 1	284N1690-1000		EQUIPMENT ASSY-E6 EQPT CTR CB PNL OPTION PKG (ELECTRICAL POWER ONLY) POSITION DATA: AFT MISCELLANEOUS DATA: MINOR MODEL 757-200 FOR NHA/OTHER SYS DET SEE: 24-50-51-02A	101102 108120 504903	RF
5	BAC27NEX1577		.DECAL	101102 108120 504903	1
10	BAC27NEX0066		.DECAL	101102 108120 504903	1
15	BAC27NEX0873		.DECAL	101102 108120 504903	1
20	BAC27TEX0635		.DECAL	101102 108120 504903	1
25	BAC27TEX0636		.DECAL	101102 108120 504903	1
27	2TC47-7-5		.CIRCUIT BREAKER- SUPPLIER CODE: V82647 SPECIFICATION NUMBER: BACC18AD7 OPTIONAL PART: 4310-029-705 V76374 ELECTRICAL EQUIP NUMBER: C01382 PRE SERVICE BULLETIN: 49-0019	101102 108108 504504	1

MISSING ITEM NUMBERS NOT APPLICABLE

- ITEM NOT ILLUSTRATED

24-51-56-01A

24-51-56
FIG. 01A
PAGE 1
JAN 20/09

BRI



757

PARTS CATALOG (MAINTENANCE)

FIG ITEM	PART NUMBER	1 2 3 4 5 6 7	NOMENCLATURE	EFFECT FROM TO	UNITS PER ASSY
1 A 27	2TC47-10		.CIRCUIT BREAKER- SUPPLIER CODE: V82647 SPECIFICATION NUMBER: BACC18AD10 OPTIONAL PART: 4310-029-10 V76374 ELECTRICAL EQUIP NUMBER: C01382 POST SERVICE BULLETIN: 49-0019	108120 505903	1
30	2TC47-7-5		.CIRCUIT BREAKER- SUPPLIER CODE: V82647 SPECIFICATION NUMBER: BACC18AD7 OPTIONAL PART: 4310-029-705 V76374 ELECTRICAL EQUIP NUMBER: C04046 C04047 C04150	101102 108120 504903	3
35	2TC47-2-5		.CIRCUIT BREAKER- SUPPLIER CODE: V82647 SPECIFICATION NUMBER: BACC18AD2 OPTIONAL PART: 4310-029-205 V76374 ELECTRICAL EQUIP NUMBER: C00820 C00821 C04246	101102 108120 504903	3
40	2TC47-5		.CIRCUIT BREAKER- SUPPLIER CODE: V82647 SPECIFICATION NUMBER: BACC18AD5 OPTIONAL PART: 4310-029-5 V76374 ELECTRICAL EQUIP NUMBER: C01385	101102 108120 504903	1

MISSING ITEM NUMBERS NOT APPLICABLE

- ITEM NOT ILLUSTRATED

BRI

24-51-56-01A

BOEING PROPRIETARY - Copyright © - Unpublished Work - See title page for details.

24-51-56
FIG. 01A
PAGE 2
JAN 20/09



757

PARTS CATALOG (MAINTENANCE)

FIG ITEM	PART NUMBER	1 2 3 4 5 6 7	NOMENCLATURE	EFFECT FROM TO	UNITS PER ASSY
1 A 45	2TC47-3		.CIRCUIT BREAKER- SUPPLIER CODE: V82647 SPECIFICATION NUMBER: BACC18AD3 OPTIONAL PART: 4310-029-3 V76374 ELECTRICAL EQUIP NUMBER: C00020 PRE SERVICE BULLETIN: 49-0019	101102 108108 504504	1
45	2TC47-5		.CIRCUIT BREAKER- SUPPLIER CODE: V82647 SPECIFICATION NUMBER: BACC18AD5 OPTIONAL PART: 4310-029-5 V76374 ELECTRICAL EQUIP NUMBER: C00020 POST SERVICE BULLETIN: 49-0019	108120 505903	1
50	700-038-15		.CIRCUIT BREAKER- SUPPLIER CODE: V76374 SPECIFICATION NUMBER: BACC18X15 OPTIONAL PART: 492-215-103 V79405 492-215-104 V79405 ELECTRICAL EQUIP NUMBER: C00869	101102 108120 504903	1
55	160-003-75		.CIRCUIT BREAKER- SUPPLIER CODE: V76374 SPECIFICATION NUMBER: BACC18R75C OPTIONAL PART: 160-012-75 V76374 ELECTRICAL EQUIP NUMBER: C00868	101102 108120 504903	1

MISSING ITEM NUMBERS NOT APPLICABLE

- ITEM NOT ILLUSTRATED

24-51-56-01A

24-51-56
FIG. 01A
PAGE 3
JAN 20/09

BRI



757

PARTS CATALOG (MAINTENANCE)

FIG ITEM	PART NUMBER	1 2 3 4 5 6 7	NOMENCLATURE	EFFECT FROM TO	UNITS PER ASSY
1 A			ATTACHING PARTS		
- 60	NAS601-5P		.SCREW	101102 108120 504903	2
- 65	284N1690-1003		-----*----- EQUIPMENT ASSY-E6 EQPT CTR CB PNL OPTION PKG (ELECTRICAL POWER ONLY) POSITION DATA: AFT MISCELLANEOUS DATA: MINOR MODEL 757-200 AND APU - ADDITIONAL START CAPABILITY FOR NHA SEE: 24-50-51-02A	101102 108120 504903	RF
70	BAC27NEX1639		.DECAL	101102 108120 504903	1
75	6TC6-2-5		.CIRCUIT BREAKER- SUPPLIER CODE: V82647 SPECIFICATION NUMBER: BACC18AC2 OPTIONAL PART: 4330-004-205 V76374 ELECTRICAL EQUIP NUMBER: C00089	101102 108120 504903	1
- 80	284N1690-1004		EQUIPMENT ASSY-E6 EQPT CTR CB PNL OPTION PKG (ELECTRICAL POWER ONLY) POSITION DATA: AFT MISCELLANEOUS DATA: MINOR MODEL 757-200 AND STBY PWR - 90 MINUTE FOR NHA SEE: 24-50-51-02A	101102 108120 504903	RF
85	BAC27NEX1608		.DECAL	101102 108120 504903	1

MISSING ITEM NUMBERS NOT APPLICABLE

- ITEM NOT ILLUSTRATED

24-51-56-01A

24-51-56
FIG. 01A
PAGE 4
JAN 20/09

BRI

BOEING PROPRIETARY - Copyright © - Unpublished Work - See title page for details.



757

PARTS CATALOG (MAINTENANCE)

FIG ITEM	PART NUMBER	1 2 3 4 5 6 7	NOMENCLATURE	EFFECT FROM TO	UNITS PER ASSY
1 A 90	2TC47-2-5		.CIRCUIT BREAKER- SUPPLIER CODE: V82647 SPECIFICATION NUMBER: BACC18AD2 OPTIONAL PART: 4310-029-205 V76374 ELECTRICAL EQUIP NUMBER: C04286	101102 108120 504903	1

MISSING ITEM NUMBERS NOT APPLICABLE

- ITEM NOT ILLUSTRATED

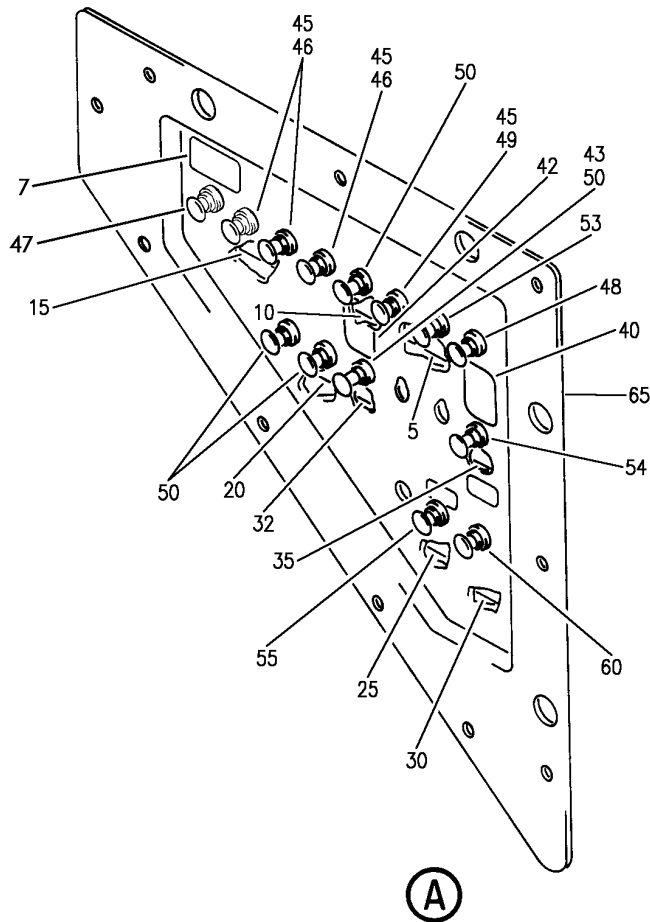
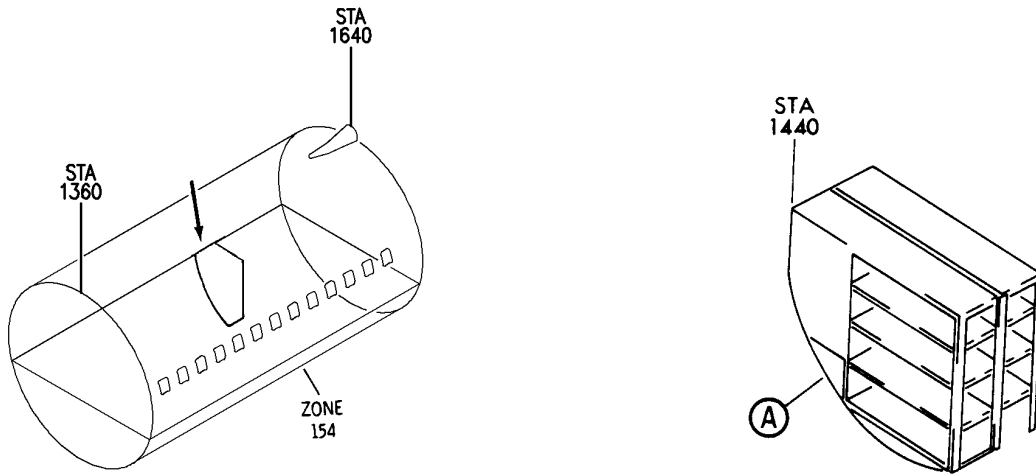
BRI

24-51-56-01A

BOEING PROPRIETARY - Copyright © - Unpublished Work - See title page for details.

24-51-56
FIG. 01A
PAGE 5
JAN 20/09

BOEING
757
PARTS CATALOG (MAINTENANCE)



Y 24515603 REV 324

EQUIPMENT ASSY-AFT EQPT CTR CB PNL (ELECTRICAL POWER ONLY)
FIGURE 3

24-51-56-03

BRI
SEP 20/08

24-51-56-03
PAGE 0



757

PARTS CATALOG (MAINTENANCE)

FIG ITEM	PART NUMBER	1 2 3 4 5 6 7	NOMENCLATURE	EFFECT FROM TO	UNITS PER ASSY
3			EQUIPMENT ASSY-AFT EQPT CTR CB PNL (ELECTRICAL POWER ONLY)	121503 904949	
- 1	284N1662-3		EQUIPMENT ASSY-EQPT CTR CB PNL (ELECTRICAL POWER ONLY)	121503 904949	RF
			POSITION DATA: AFT FOR NHA/OTHER SYS DET SEE: 25-70-51-53		
5	BAC27TEX0621		.DECAL- PLACARD CONTENT: C1385 C20 C1382	121503 904949	1
10	BAC27NEX0874		.DECAL- PLACARD CONTENT: C4246	121503 904949	1
15	BAC27NEX0062		.DECAL- PLACARD CONTENT: C4046 C4047 C4150	121503 904949	1
20	BAC27NEX0063		.DECAL- PLACARD CONTENT: C821 C820	121503 904949	1
25	BAC27TEX0626		.DECAL- PLACARD CONTENT: C869	121503 904949	1
30	BAC27TEX0625		.DECAL- PLACARD CONTENT: C868	121503 904949	1
32	BAC27NEX1603		.DECAL- PLACARD CONTENT: C4286	121503 904949	1
35	BAC27NEX1563		.DECAL- PLACARD CONTENT: C89	121503 904949	1
40	BAC27NEX1564		.DECAL- PLACARD CONTENT: APU TRU FAN	121503 904949	1
42	BAC27NEX1608		.DECAL- PLACARD CONTENT: BAT DISCH IND INHIBIT	121503 904949	1

MISSING ITEM NUMBERS NOT APPLICABLE

- ITEM NOT ILLUSTRATED

24-51-56-03

24-51-56
FIG. 03
PAGE 1
JAN 20/09

BRI



757

PARTS CATALOG (MAINTENANCE)

FIG ITEM	PART NUMBER	1 2 3 4 5 6 7	NOMENCLATURE	EFFECT FROM TO	UNITS PER ASSY
3	45 2TC47-7-5		.CIRCUIT BREAKER- SUPPLIER CODE: V82647 SPECIFICATION NUMBER: BACC18AD7 OPTIONAL PART: 4310-029-705 V76374 ELECTRICAL EQUIP NUMBER: C01382 C04046 C04047 C04150	121503 904949	4
	48 2TC47-5		.CIRCUIT BREAKER- SUPPLIER CODE: V82647 SPECIFICATION NUMBER: BACC18AD5 OPTIONAL PART: 4310-029-5 V76374 ELECTRICAL EQUIP NUMBER: C01385	121503 904949	1
	50 2TC47-2-5		.CIRCUIT BREAKER- SUPPLIER CODE: V82647 SPECIFICATION NUMBER: BACC18AD2 OPTIONAL PART: 4310-029-205 V76374 ELECTRICAL EQUIP NUMBER: C00820 C00821 C04246 C04286	121503 904949	4
	53 2TC47-3		.CIRCUIT BREAKER- SUPPLIER CODE: V82647 SPECIFICATION NUMBER: BACC18AD3 OPTIONAL PART: 4310-029-3 V76374 ELECTRICAL EQUIP NUMBER: C00020	121503 904949	1

MISSING ITEM NUMBERS NOT APPLICABLE

- ITEM NOT ILLUSTRATED

24-51-56-03

24-51-56
FIG. 03
PAGE 2
JAN 20/09

BRI



757

PARTS CATALOG (MAINTENANCE)

FIG ITEM	PART NUMBER	1 2 3 4 5 6 7	NOMENCLATURE	EFFECT FROM TO	UNITS PER ASSY
3 54	6TC6-2-5		.CIRCUIT BREAKER- SUPPLIER CODE: V82647 SPECIFICATION NUMBER: BACC18AC2 OPTIONAL PART: 4330-004-205 V76374 ELECTRICAL EQUIP NUMBER: C00089	121503 904949	1
55	700-038-15		.CIRCUIT BREAKER- SUPPLIER CODE: V76374 SPECIFICATION NUMBER: BACC18X15 OPTIONAL PART: 492-215-103 V79405 492-215-104 V79405 ELECTRICAL EQUIP NUMBER: C00869	121503 904949	1
60	160-003-75		.CIRCUIT BREAKER- SUPPLIER CODE: V76374 SPECIFICATION NUMBER: BACC18R75C OPTIONAL PART: 160-012-75 V76374 ELECTRICAL EQUIP NUMBER: C00868	121503 904949	1
65	284N1683-3		.PANEL-	121503 904949	1
- 70	286N1026		.WIRE BUNDLE ASSY	121503 904949	1

MISSING ITEM NUMBERS NOT APPLICABLE

- ITEM NOT ILLUSTRATED

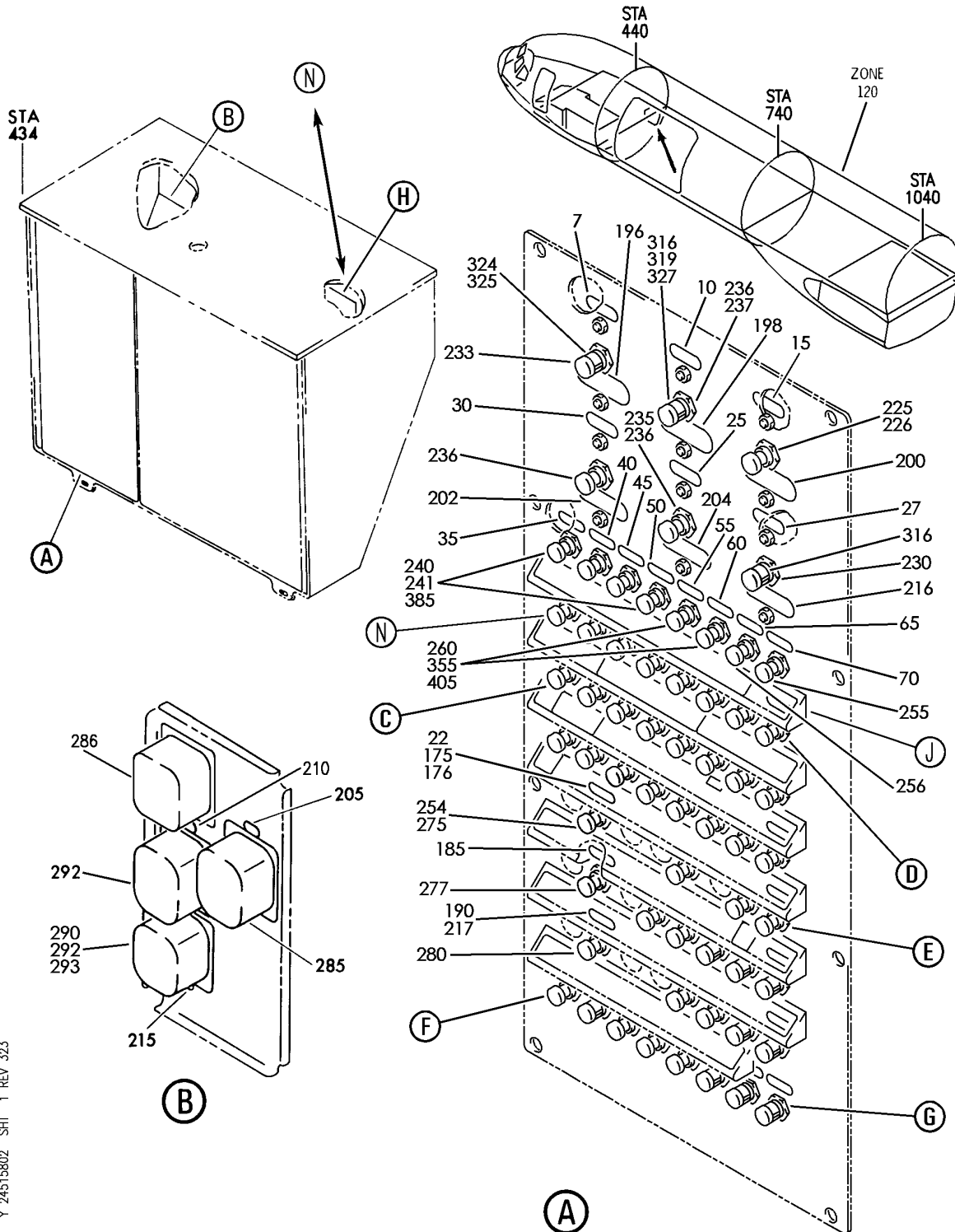
24-51-56-03

24-51-56
FIG. 03
PAGE 3
JAN 20/09

BRI

BOEING PROPRIETARY - Copyright © - Unpublished Work - See title page for details.


BOEING
 757
PARTS CATALOG (MAINTENANCE)



Y 24515802 SHT 1 REV 323

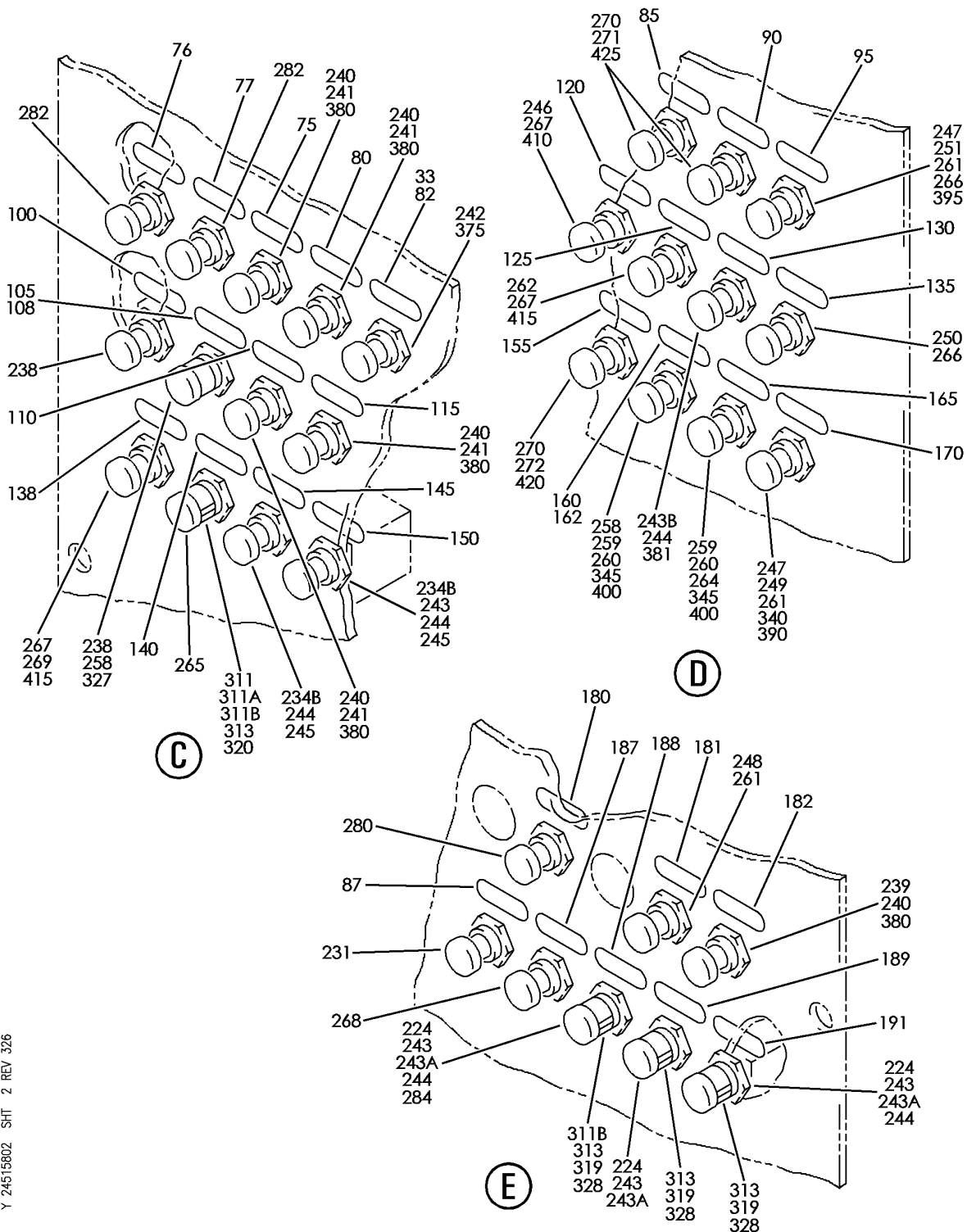
PANEL ASSY-P37 MISC RELAY R (115-VOLT AC POWER DISTRIBUTION ONLY)
 FIGURE 2 (SHEET 1)

BRI
MAY 20/08

24-51-58-02

24-51-58-02
 PAGE 0

BOEING
757
PARTS CATALOG (MAINTENANCE)



Y 24515802 SH 2 REV 326

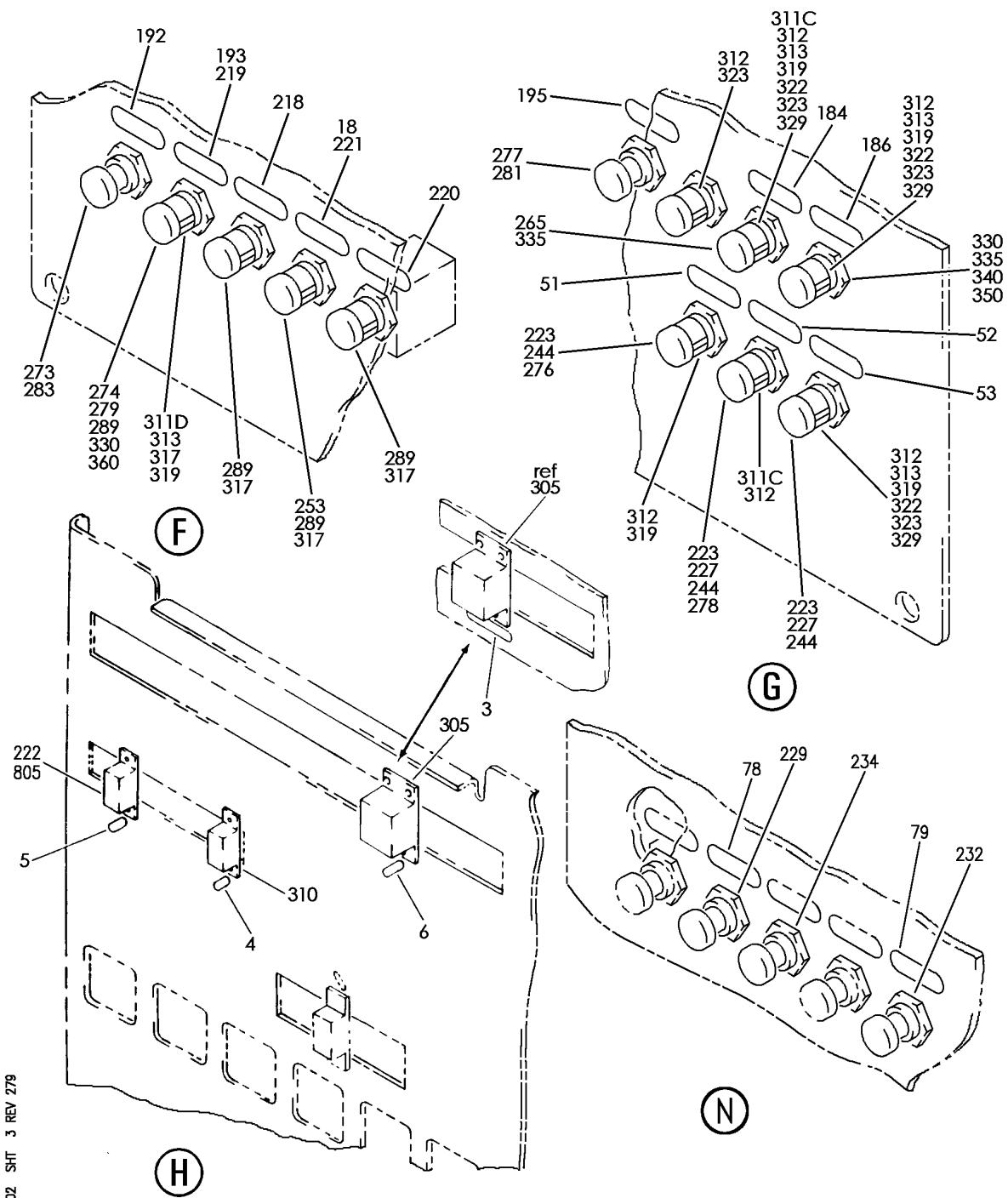
PANEL ASSY-P37 MISC RELAY R (115-VOLT AC POWER DISTRIBUTION ONLY)
FIGURE 2 (SHEET 2)

24-51-58-02

BRI
SEP 20/08

24-51-58-02
PAGE 0A

BOEING
757
PARTS CATALOG (MAINTENANCE)



Y 24515802 SHT 3 REV 279

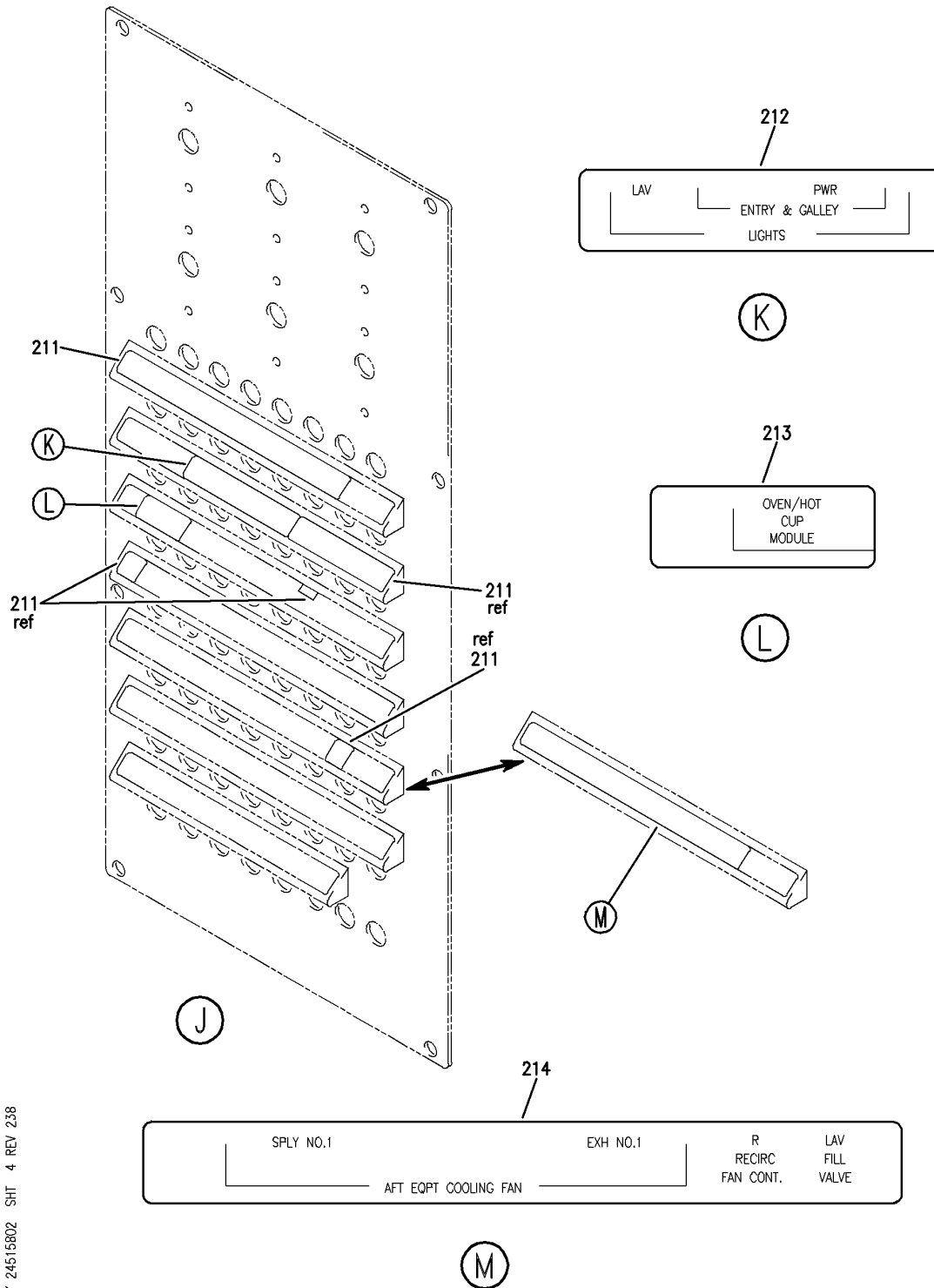
PANEL ASSY-P37 MISC RELAY R (115-VOLT AC POWER DISTRIBUTION ONLY)
FIGURE 2 (SHEET 3)

24-51-58-02

BRI
MAY 28/07

24-51-58-02
PAGE 0B

BOEING
757
PARTS CATALOG (MAINTENANCE)



Y 24515802 SH1 4 REV 238

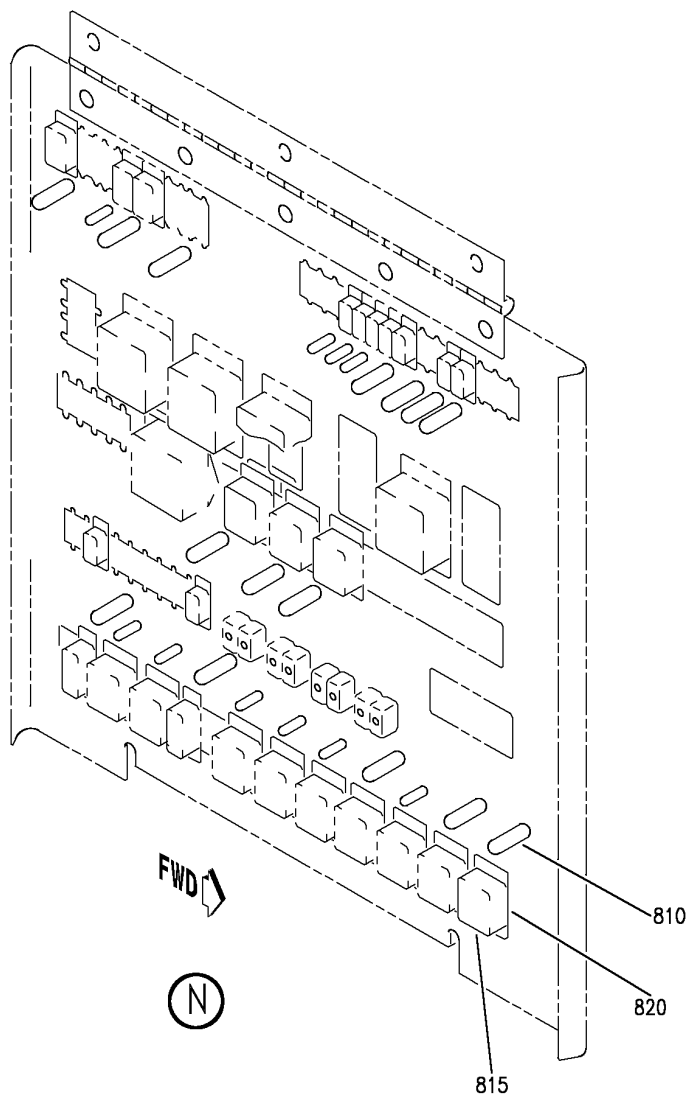
PANEL ASSY-P37 MISC RELAY R (115-VOLT AC POWER DISTRIBUTION ONLY)
FIGURE 2 (SHEET 4)

BRI
MAY 28/07

24-51-58-02

24-51-58-02
PAGE 0C

BOEING
757
PARTS CATALOG (MAINTENANCE)



Y 24515802 SH-T 5 REV 323

PANEL ASSY-P37 MISC RELAY R (115-VOLT AC POWER DISTRIBUTION ONLY)
FIGURE 2 (SHEET 5)

BRI
MAY 20/08

24-51-58-02

24-51-58-02
PAGE 0D



757

PARTS CATALOG (MAINTENANCE)

FIG ITEM	PART NUMBER	1 2 3 4 5 6 7	NOMENCLATURE	EFFECT FROM TO	UNITS PER ASSY
2			PANEL ASSY-P37 MISC RELAY R (115-VOLT AC POWER DISTRIBUTION ONLY)	002004 006100 107107 121503 904999	
- 1	284N1127-1		PANEL ASSY-P37 MISC RELAY R (115-VOLT AC POWER DISTRIBUTION ONLY) VARIABLE DRAWING REF: 284N1127-5028 284N1127-5039 284N1127-5063 284N1127-5064 284N1127-5068 REWORKED BY SB: 33-0039 34-0200 REWORKED BY ALERT SB: 27A0130 FOR NHA/OTHER SYS DET SEE: 31-01-37-01B	002004 006100 107107 121503 904999	RF
3	BAC27NEX1217		.DECAL- PLACARD CONTENT: K10136	107107 121503 904949	1
4	BAC27NEX0989		.DECAL- PLACARD CONTENT: K10391	002004 006100 107107 121503 904999	1
5	BAC27NEX1073		.DECAL- PLACARD CONTENT: K10109	002004 006100 107107 121503 904999	1
6	BAC27NEX1217		.DECAL- PLACARD CONTENT: K10136	107107	1
7	BAC27NEX1232		.DECAL- PLACARD CONTENT: C3024	121503 904949	1
7	BAC27NEX1938		.DECAL- PLACARD CONTENT: C3023	950999	1
10	BAC27NEX1233		.DECAL- PLACARD CONTENT: C3013	121503 904951	1

MISSING ITEM NUMBERS NOT APPLICABLE

- ITEM NOT ILLUSTRATED

BRI

24-51-58-02

BOEING PROPRIETARY - Copyright © - Unpublished Work - See title page for details.

24-51-58
FIG. 02
PAGE 1
JAN 20/09



757

PARTS CATALOG (MAINTENANCE)

FIG ITEM	PART NUMBER	1 2 3 4 5 6 7	NOMENCLATURE	EFFECT FROM TO	UNITS PER ASSY
2					
15	BAC27NEX1188	.DECAL-	PLACARD CONTENT: C3008	002004 006100 107107 121503 904999	1
18	BAC27NEX2922	.DECAL-	PLACARD CONTENT: C3067 POST SERVICE BULLETIN: 21-0060	009009	1
22	BAC27NEX2923	.DECAL-	PLACARD CONTENT: C3069 POST SERVICE BULLETIN: 21-0060	009009	1
25	BAC27NEX1168	.DECAL-	PLACARD CONTENT: C337	002004 006100 107107 121503 904999	1
27	BAC27NEX2107	.DECAL-	PLACARD CONTENT: C3046	952999	1
30	BAC27NEX1169	.DECAL-	PLACARD CONTENT: C392	002004 006100 107107 121503 904999	1
35	BAC27NEX1193	.DECAL-	PLACARD CONTENT: C4073	002004 006100 107107 121503 904999	1
40	BAC27NEX1196	.DECAL-	PLACARD CONTENT: C4076	002004 006100 107107 121503 904999	1
45	BAC27NEX1194	.DECAL-	PLACARD CONTENT: C4074	002004 006100 107107 121503 904999	1
50	BAC27NEX1195	.DECAL-	PLACARD CONTENT: C4075	002004 006100 107107 121503 904999	1

MISSING ITEM NUMBERS NOT APPLICABLE

- ITEM NOT ILLUSTRATED

24-51-58-02

24-51-58
FIG. 02
PAGE 2
JAN 20/09

BRI



757

PARTS CATALOG (MAINTENANCE)

FIG ITEM	PART NUMBER	1 2 3 4 5 6 7	NOMENCLATURE	EFFECT FROM TO	UNITS PER ASSY
2					
51	BAC27NEX2432	.DECAL-	PLACARD CONTENT : C4440	002004 006100 121503 904949 952999	1
52	BAC27NEX2433	.DECAL-	PLACARD CONTENT : C4441	002004 006100 121503 904949 952999	1
53	BAC27NEX2434	.DECAL-	PLACARD CONTENT : C4442	002004 006100 121503 904949 952999	1
55	BAC27NEX1185	.DECAL-	PLACARD CONTENT : C1264	121503 904949	1
55	BAC27NEX2528	.DECAL-	PLACARD CONTENT : C1264	002004 006100 107107 950999	1
60	BAC27NEX1186	.DECAL-	PLACARD CONTENT : C1265	121503 904949	1
60	BAC27NEX2529	.DECAL-	PLACARD CONTENT : C1265	002004 006100 107107 950999	1
65	BAC27NEX1182	.DECAL-	PLACARD CONTENT : C1224	121503 904949	1
65	BAC27NEX2525	.DECAL-	PLACARD CONTENT : C1224	002004 006100 950999	1
70	BAC27NEX1045	.DECAL-	PLACARD CONTENT : L373	002004 006100 107107 121503 904999	1
75	BAC27NEX1183	.DECAL-	PLACARD CONTENT : C1232	121503 904949	1
75	BAC27NEX2526	.DECAL-	PLACARD CONTENT : C1232	002004 006100 107107 950999	1

MISSING ITEM NUMBERS NOT APPLICABLE

- ITEM NOT ILLUSTRATED

24-51-58-02

24-51-58
FIG. 02
PAGE 3
JAN 20/09

BRI

BOEING PROPRIETARY - Copyright © - Unpublished Work - See title page for details.



757

PARTS CATALOG (MAINTENANCE)

FIG ITEM	PART NUMBER	1 2 3 4 5 6 7	NOMENCLATURE	EFFECT FROM TO	UNITS PER ASSY
2					
80	BAC27NEX1184	.DECAL-	PLACARD CONTENT :	121503	1
			C1255	904949	
80	BAC27NEX2527	.DECAL-	PLACARD CONTENT :	002004	1
			C1255	006100	
				107107	
				950999	
82	BAC27NEX1633	.DECAL-	PLACARD CONTENT :	121503	1
			C4285	904949	
85	BAC27NEX1180	.DECAL-	PLACARD CONTENT :	121503	1
			C1218	904949	
85	BAC27NEX2523	.DECAL-	PLACARD CONTENT :	002004	1
			C1218	006100	
				107107	
				950999	
87	BAC27NEX2416	.DECAL-	PLACARD CONTENT :	002004	1
			C75	006100	
				121503	
				950999	
90	BAC27NEX1181	.DECAL-	PLACARD CONTENT :	121503	1
			C1219	904949	
90	BAC27NEX2524	.DECAL-	PLACARD CONTENT :	002004	1
			C1219	006100	
				107107	
				950999	
95	BAC27NEX1179	.DECAL-	PLACARD CONTENT :	121503	1
			C1217	904949	
95	BAC27NEX2522	.DECAL-	PLACARD CONTENT :	002004	1
			C1217	006100	
				107107	
				950999	
100	BAC27NEX1197	.DECAL-	PLACARD CONTENT :	002004	1
			C4134	006100	
				107107	
				121503	
				904999	
105	BAC27NEX1198	.DECAL-	PLACARD CONTENT :	002004	1
			C4135	006100	
				107107	
				121503	
				904999	

MISSING ITEM NUMBERS NOT APPLICABLE

- ITEM NOT ILLUSTRATED

24-51-58-02

24-51-58
FIG. 02
PAGE 4
JAN 20/09

BRI

BOEING PROPRIETARY - Copyright © - Unpublished Work - See title page for details.



757

PARTS CATALOG (MAINTENANCE)

FIG ITEM	PART NUMBER	1 2 3 4 5 6 7	NOMENCLATURE	EFFECT FROM TO	UNITS PER ASSY
2					
110	BAC27NEX1172	.DECAL- PLACARD CONTENT: C700		002004 006100 107107 121503 904999	1
115	BAC27NEX1171	.DECAL- PLACARD CONTENT: C699		002004 006100 107107 121503 904999	1
120	BAC27NEX1177	.DECAL- PLACARD CONTENT: C1149		121503 904949	1
120	BAC27NEX2520	.DECAL- PLACARD CONTENT: C1149		002004 006100 107107 950999	1
125	BAC27NEX1178	.DECAL- PLACARD CONTENT: C1150		121503 904949	1
125	BAC27NEX2521	.DECAL- PLACARD CONTENT: C1150		002004 006100 107107 950999	1
130	BAC27NEX2519	.DECAL- PLACARD CONTENT: C1142		002004 006100 107107 121503 904999	1
135	BAC27NEX1164	.DECAL- PLACARD CONTENT: C57		107107	1
138	BAC27NEX1598	.DECAL- PLACARD CONTENT: C4262		002004 006100 107107 121503 904999	1
140	BAC27NEX1191	.DECAL- PLACARD CONTENT: C4028		002004 006100 107107 121503 904949 952999	1
145	BAC27NEX1174	.DECAL- PLACARD CONTENT: C1124		002004 006100 107107 121503 904999	1

MISSING ITEM NUMBERS NOT APPLICABLE

- ITEM NOT ILLUSTRATED

BRI

24-51-58-02

24-51-58
FIG. 02
PAGE 5
JAN 20/09



757

PARTS CATALOG (MAINTENANCE)

FIG ITEM	PART NUMBER	1 2 3 4 5 6 7	NOMENCLATURE	EFFECT FROM TO	UNITS PER ASSY
2					
150	BAC27NEX1175	.DECAL-	PLACARD CONTENT : C1126	002004 006100 107107 121503 904999	1
155	BAC27NEX1173	.DECAL-	PLACARD CONTENT : C871	002004 006100 107107 121503 904999	1
160	BAC27NEX1192	.DECAL-	PLACARD CONTENT : C4042	002004 006100 107107 121503 904999	1
165	BAC27NEX1200	.DECAL-	PLACARD CONTENT : C4247	002004 006100 107107 121503 904999	1
170	BAC27NEX1170	.DECAL-	PLACARD CONTENT : C630	002004 006007 107107 121503 904949 952952	1
175	BAC27NEX1190	.DECAL-	PLACARD CONTENT : C3029	121503 904949	1
180	BAC27NEX1167	.DECAL-	PLACARD CONTENT : C333	002004 006100 107107 121503 904999	1
181	BAC27NEX2101	.DECAL-	PLACARD CONTENT : C4374	002004 006100 107107 121503 904999	1
182	BAC27NEX1539	.DECAL-	PLACARD CONTENT : C4169	002004 006100 107107 121503 904999	1
184	BAC27NEX2351	.DECAL-	PLACARD CONTENT : C4426	002004 006100 952999	1

MISSING ITEM NUMBERS NOT APPLICABLE

- ITEM NOT ILLUSTRATED

24-51-58-02

24-51-58
FIG. 02
PAGE 6
JAN 20/09

BRI

BOEING PROPRIETARY - Copyright © - Unpublished Work - See title page for details.



757

PARTS CATALOG (MAINTENANCE)

FIG ITEM	PART NUMBER	1 2 3 4 5 6 7	NOMENCLATURE	EFFECT FROM TO	UNITS PER ASSY
2					
185	BAC27NEX1189	.DECAL-	PLACARD CONTENT: C3010	002004 006100 107107 121503 904999	1
186	BAC27NEX2249	.DECAL-	PLACARD CONTENT: C4403	002004 006100 121503 904949 952999	1
188	BAC27NEX1940	.DECAL-	PLACARD CONTENT: C4361	002004 006100 121503 904949 952999	1
189	BAC27NEX1941	.DECAL-	PLACARD CONTENT: C4362	002004 006100 121503 904949 952999	1
190	BAC27NEX1165	.DECAL-	PLACARD CONTENT: C301	002004 006100 107107 121503 904999	1
191	BAC27NEX1942	.DECAL-	PLACARD CONTENT: C4363	002004 006100 121503 904949 952999	1
195	BAC27NEX1166	.DECAL-	PLACARD CONTENT: C302	002004 006100 107107 121503 904999	1
196	BAC27NEX1231	.DECAL-	PLACARD CONTENT: GALLEY PWR MID AFT-R	121503 904949	1
196	BAC27NEX2682	.DECAL-	PLACARD CONTENT: GALLEY G1 B	950999	1
198	BAC27NEX1230	.DECAL-	PLACARD CONTENT: GALLEY PWR FWD 1	121503 904951	1
200	BAC27NEX1211	.DECAL-	PLACARD CONTENT: GND SVCE SECT 2	002004 006100 107107 121503 904999	1

MISSING ITEM NUMBERS NOT APPLICABLE

- ITEM NOT ILLUSTRATED

24-51-58-02

24-51-58
FIG. 02
PAGE 7
JAN 20/09

BRI

BOEING PROPRIETARY - Copyright © - Unpublished Work - See title page for details.



757

PARTS CATALOG (MAINTENANCE)

FIG ITEM	PART NUMBER	1 2 3 4 5 6 7	NOMENCLATURE	EFFECT FROM TO	UNITS PER ASSY
2					
202	BAC27NEX1208	.DECAL-	PLACARD CONTENT: WINDOW HTR 1 R	002004 006100 107107 121503 904999	1
204	BAC27NEX2111	.DECAL-	PLACARD CONTENT: R RECIRC FAN	002004 006100 107107 121503 904999	1
205	BAC27NEX0978	.DECAL-	PLACARD CONTENT: K102	107107 121503 904949	1
210	BAC27NEX1214	.DECAL-	PLACARD CONTENT: K10298	121503 904999	1
215	BAC27NEX0979	.DECAL-	PLACARD CONTENT: K120	002004 006100 107107 121503 904999	1
216	BAC27NEX2689	.DECAL-	PLACARD CONTENT: GALLEY G4A	950999	1
225	6752-311-25	.CIRCUIT BREAKER-	SUPPLIER CODE: V82647 SPECIFICATION NUMBER: 10-60806-1025 ELECTRICAL EQUIP NUMBER: C00392 C03008	107107 121503 904949	2
225	9TC625	.CIRCUIT BREAKER-	SUPPLIER CODE: V82647 SPECIFICATION NUMBER: BACC18AE25 ELECTRICAL EQUIP NUMBER: C00392 C03008	002004 006100 950999	2
230	9TC635	.CIRCUIT BREAKER-	SUPPLIER CODE: V82647 SPECIFICATION NUMBER: BACC18AE35 ELECTRICAL EQUIP NUMBER: C03046	952999	1

MISSING ITEM NUMBERS NOT APPLICABLE

- ITEM NOT ILLUSTRATED

24-51-58-02

24-51-58
FIG. 02
PAGE 8
JAN 20/09

BRI

BOEING PROPRIETARY - Copyright © - Unpublished Work - See title page for details.



757

PARTS CATALOG (MAINTENANCE)

FIG ITEM	PART NUMBER	1 2 3 4 5 6 7	NOMENCLATURE	EFFECT FROM TO	UNITS PER ASSY
2 231	2TC47-2-5		.CIRCUIT BREAKER- SUPPLIER CODE: V82647 SPECIFICATION NUMBER: BACC18AD2 OPTIONAL PART: 4310-029-205 V76374 ELECTRICAL EQUIP NUMBER: C00075	002004 006100 121503 950999	1
233	6752-311-25		.CIRCUIT BREAKER- SUPPLIER CODE: V82647 SPECIFICATION NUMBER: 10-60806-1025 ELECTRICAL EQUIP NUMBER: C03024	121503 904949	1
234	2TC47-5		.CIRCUIT BREAKER- SUPPLIER CODE: V82647 SPECIFICATION NUMBER: BACC18AD5 OPTIONAL PART: 4310-029-5 V76374 ELECTRICAL EQUIP NUMBER: C01232 WIRING DIAGRAM REF: 332611	002004 006100 107107 121503 904999	1
235	6752-311-20		.CIRCUIT BREAKER- SUPPLIER CODE: V82647 SPECIFICATION NUMBER: 10-60806-1020 ELECTRICAL EQUIP NUMBER: C00337	107107 121503 904949	1
235	9TC620		.CIRCUIT BREAKER- SUPPLIER CODE: V82647 SPECIFICATION NUMBER: BACC18AE20 ELECTRICAL EQUIP NUMBER: C00337	002004 006100 950999	1

MISSING ITEM NUMBERS NOT APPLICABLE

- ITEM NOT ILLUSTRATED

BRI

24-51-58-02

BOEING PROPRIETARY - Copyright © - Unpublished Work - See title page for details.

24-51-58
FIG. 02
PAGE 9
JAN 20/09



757

PARTS CATALOG (MAINTENANCE)

FIG ITEM	PART NUMBER	1 2 3 4 5 6 7	NOMENCLATURE	EFFECT FROM TO	UNITS PER ASSY
2					
237	6752-311-35	.	CIRCUIT BREAKER- SUPPLIER CODE: V82647 SPECIFICATION NUMBER: 10-60806-1035 ELECTRICAL EQUIP NUMBER: C03013	121503 904949	1
237	9TC635	.	CIRCUIT BREAKER- SUPPLIER CODE: V82647 SPECIFICATION NUMBER: BACC18AE35 ELECTRICAL EQUIP NUMBER: C03013	950951	1
238	2TC47-5	.	CIRCUIT BREAKER- SUPPLIER CODE: V82647 SPECIFICATION NUMBER: BACC18AD5 OPTIONAL PART: 4310-029-5 V76374 ELECTRICAL EQUIP NUMBER: C04134 C04135	002004 006100 107107 121503 904999	2
240	2TC47-5	.	CIRCUIT BREAKER- SUPPLIER CODE: V82647 SPECIFICATION NUMBER: BACC18AD5 OPTIONAL PART: 4310-029-5 V76374 ELECTRICAL EQUIP NUMBER: C00699 C00700 C01255 C04073 C04074 C04075 C04076 C04169	002004 006100 107107 121503 904999	8

MISSING ITEM NUMBERS NOT APPLICABLE

- ITEM NOT ILLUSTRATED

BRI

24-51-58-02

BOEING PROPRIETARY - Copyright © - Unpublished Work - See title page for details.

24-51-58
FIG. 02
PAGE 10
JAN 20/09



757

PARTS CATALOG (MAINTENANCE)

FIG ITEM	PART NUMBER	1 2 3 4 5 6 7	NOMENCLATURE	EFFECT FROM TO	UNITS PER ASSY
2 242	2TC47-7-5		.CIRCUIT BREAKER- SUPPLIER CODE: V82647 SPECIFICATION NUMBER: BACC18AD7 OPTIONAL PART: 4310-029-705 V76374 ELECTRICAL EQUIP NUMBER: C04285	121503 904949	1
244	2TC47-7-5		.CIRCUIT BREAKER- SUPPLIER CODE: V82647 SPECIFICATION NUMBER: BACC18AD7 OPTIONAL PART: 4310-029-705 V76374 ELECTRICAL EQUIP NUMBER: C04361 C04362 C04363 C04440 C04441 C04442	002004 006100 952999	6
245	2TC47-7-5		.CIRCUIT BREAKER- SUPPLIER CODE: V82647 SPECIFICATION NUMBER: BACC18AD7 OPTIONAL PART: 4310-029-705 V76374 ELECTRICAL EQUIP NUMBER: C01124 C01126	002004 006100 107107 121503 904999	2
247	2TC47-2-5		.CIRCUIT BREAKER- SUPPLIER CODE: V82647 SPECIFICATION NUMBER: BACC18AD2 OPTIONAL PART: 4310-029-205 V76374 ELECTRICAL EQUIP NUMBER: C00630 C01217	002004 006007 107107 121503 904949 952952	2

MISSING ITEM NUMBERS NOT APPLICABLE

- ITEM NOT ILLUSTRATED

BRI

24-51-58-02

24-51-58
FIG. 02
PAGE 11
JAN 20/09



757

PARTS CATALOG (MAINTENANCE)

FIG ITEM	PART NUMBER	1 2 3 4 5 6 7	NOMENCLATURE	EFFECT FROM TO	UNITS PER ASSY
2 248	2TC47-2-5		.CIRCUIT BREAKER- SUPPLIER CODE: V82647 SPECIFICATION NUMBER: BACC18AD2 OPTIONAL PART: 4310-029-205 V76374 ELECTRICAL EQUIP NUMBER: C04374	002004 006100 107107 121503 904999	1
250	2TC47-3		.CIRCUIT BREAKER- SUPPLIER CODE: V82647 SPECIFICATION NUMBER: BACC18AD3 OPTIONAL PART: 4310-029-3 V76374 ELECTRICAL EQUIP NUMBER: C00057	107107	1
251	2TC47-2-5		.CIRCUIT BREAKER- SUPPLIER CODE: V82647 SPECIFICATION NUMBER: BACC18AD2 OPTIONAL PART: 4310-029-205 V76374 ELECTRICAL EQUIP NUMBER: C01217	950951 953999	1
253	6TC6-5		.CIRCUIT BREAKER- SUPPLIER CODE: V82647 SPECIFICATION NUMBER: BACC18AC5 OPTIONAL PART: 4330-004-5 V76374 ELECTRICAL EQUIP NUMBER: C3067 POST SERVICE BULLETIN: 21-0060	009009	1

MISSING ITEM NUMBERS NOT APPLICABLE

- ITEM NOT ILLUSTRATED

24-51-58-02

24-51-58
FIG. 02
PAGE 12
JAN 20/09

BRI



757

PARTS CATALOG (MAINTENANCE)

FIG ITEM	PART NUMBER	1 2 3 4 5 6 7	NOMENCLATURE	EFFECT FROM TO	UNITS PER ASSY
2 254	6TC6-5		.CIRCUIT BREAKER- SUPPLIER CODE: V82647 SPECIFICATION NUMBER: BACC18AC5 OPTIONAL PART: 4330-004-5 V76374 ELECTRICAL EQUIP NUMBER: C3069 POST SERVICE BULLETIN: 21-0060	009009	1
255	33-32683-6P1		.LIGHT- SUPPLIER CODE: V79692 ELECTRICAL EQUIP NUMBER: L00373	002004 006100 107107 121503 904999	1
256	2TC47-2-5		.CIRCUIT BREAKER- SUPPLIER CODE: V82647 SPECIFICATION NUMBER: BACC18AD2 OPTIONAL PART: 4310-029-205 V76374 ELECTRICAL EQUIP NUMBER: C01224	002004 006100 121503 904999	1
259	2TC47-10		.CIRCUIT BREAKER- SUPPLIER CODE: V82647 SPECIFICATION NUMBER: BACC18AD10 OPTIONAL PART: 4310-029-10 V76374 ELECTRICAL EQUIP NUMBER: C04042 C04247	121503 904949	2

MISSING ITEM NUMBERS NOT APPLICABLE

- ITEM NOT ILLUSTRATED

BRI

24-51-58-02

BOEING PROPRIETARY - Copyright © - Unpublished Work - See title page for details.

24-51-58
FIG. 02
PAGE 13
JAN 20/09



757

PARTS CATALOG (MAINTENANCE)

FIG ITEM	PART NUMBER	1 2 3 4 5 6 7	NOMENCLATURE	EFFECT FROM TO	UNITS PER ASSY
2 260	2TC47-10		.CIRCUIT BREAKER- SUPPLIER CODE: V82647 SPECIFICATION NUMBER: BACC18AD10 OPTIONAL PART: 4310-029-10 V76374 ELECTRICAL EQUIP NUMBER: C01264 C01265 C04042 C04247	107107	4
265	2TC47-3		.CIRCUIT BREAKER- SUPPLIER CODE: V82647 SPECIFICATION NUMBER: BACC18AD3 OPTIONAL PART: 4310-029-3 V76374 ELECTRICAL EQUIP NUMBER: C04028	002004 006100 107107 121503 904949 952999	1
267	2TC47-3		.CIRCUIT BREAKER- SUPPLIER CODE: V82647 SPECIFICATION NUMBER: BACC18AD3 OPTIONAL PART: 4310-029-3 V76374 ELECTRICAL EQUIP NUMBER: C01149 C01150 C04262	002004 006100 107107 121503 904999	3
270	700-038-15		.CIRCUIT BREAKER- SUPPLIER CODE: V76374 SPECIFICATION NUMBER: BACC18X15 OPTIONAL PART: 492-215-103 V79405 492-215-104 V79405 ELECTRICAL EQUIP NUMBER: C00871 C01218 C01219	002004 006100 107107 121503 904999	3

MISSING ITEM NUMBERS NOT APPLICABLE

- ITEM NOT ILLUSTRATED

24-51-58-02

24-51-58
FIG. 02
PAGE 14
JAN 20/09

BRI



757

PARTS CATALOG (MAINTENANCE)

FIG ITEM	PART NUMBER	1 2 3 4 5 6 7	NOMENCLATURE	EFFECT FROM TO	UNITS PER ASSY
2 275	6TC6-5		.CIRCUIT BREAKER- SUPPLIER CODE: V82647 SPECIFICATION NUMBER: BACC18AC5 OPTIONAL PART: 4330-004-5 V76374 ELECTRICAL EQUIP NUMBER: C03029	121503 904949	1
277	6TC6-7-5		.CIRCUIT BREAKER- SUPPLIER CODE: V82647 SPECIFICATION NUMBER: BACC18AC7 OPTIONAL PART: 4330-004-705 V76374 ELECTRICAL EQUIP NUMBER: C00301	002004 006100 107107 121503 904999	1
280	6TC6-7-5		.CIRCUIT BREAKER- SUPPLIER CODE: V82647 SPECIFICATION NUMBER: BACC18AC7 OPTIONAL PART: 4330-004-705 V76374 ELECTRICAL EQUIP NUMBER: C00301 C00333	002004 006100 107107 121503 904999	2
281	6TC6-7-5		.CIRCUIT BREAKER- SUPPLIER CODE: V82647 SPECIFICATION NUMBER: BACC18AC7 OPTIONAL PART: 4330-004-705 V76374 ELECTRICAL EQUIP NUMBER: C00302	002004 006100 107107 121503 904999	1

MISSING ITEM NUMBERS NOT APPLICABLE

- ITEM NOT ILLUSTRATED

24-51-58-02

24-51-58
FIG. 02
PAGE 15
JAN 20/09

BRI

BOEING
757
PARTS CATALOG (MAINTENANCE)

FIG ITEM	PART NUMBER	1 2 3 4 5 6 7	NOMENCLATURE	EFFECT FROM TO	UNITS PER ASSY
2 292	9131-8506		.RELAY- SUPPLIER CODE: V35344 SPECIFICATION NUMBER: 10-61445-21 ELECTRICAL EQUIP NUMBER: K00120 K10298 COMPONENT MAINT MANUAL REF: 24-09-07 OPTIONAL PART: BH316A V74063	121503 904999	2
R R	292	BH316A	.RELAY- SUPPLIER CODE: V74063 FUNCTIONAL DESCRIPTION: A SEALED REPAIRABLE ELECTROMAGNETIC DEVICE FOR REMOTE ACTUATION OF 28V, 50 AMP ELECTRICAL CONTACT. SPECIFICATION NUMBER: 10-61445-21 ELECTRICAL EQUIP NUMBER: K00120 K10298 COMPONENT MAINT MANUAL REF: 24-09-36 OPTIONAL PART: 9131-8506 V35344	121503 904999	2
	293	9131-8506	.RELAY- SUPPLIER CODE: V35344 SPECIFICATION NUMBER: 10-61445-21 ELECTRICAL EQUIP NUMBER: K00120 COMPONENT MAINT MANUAL REF: 24-09-07 OPTIONAL PART: BH316A V74063	002004 006100	1

MISSING ITEM NUMBERS NOT APPLICABLE

— ITEM NOT ILLUSTRATED

BRI

24-51-58-02

BOEING PROPRIETARY - Copyright © - Unpublished Work - See title page for details.

24-51-58
FIG. 02
PAGE 17
MAY 20/09

BOEING
757
PARTS CATALOG (MAINTENANCE)

FIG ITEM	PART NUMBER	1 2 3 4 5 6 7	NOMENCLATURE	EFFECT FROM TO	UNITS PER ASSY
R R R R R R R R R R R R	2 293	BH316A	.RELAY- SUPPLIER CODE: V74063 FUNCTIONAL DESCRIPTION: A SEALED REPAIRABLE ELECTROMAGNETIC DEVICE FOR REMOTE ACTUATION OF 28V, 50 AMP ELECTRICAL CONTACT. SPECIFICATION NUMBER: 10-61445-21 ELECTRICAL EQUIP NUMBER: K00120 COMPONENT MAINT MANUAL REF: 24-09-36 OPTIONAL PART: 9131-8506 V35344 ATTACHING PARTS	002004 006100	1
	- 295	NAS603-6P	.SCREW	002004 006100 121503 904999	8
	- 296	NAS603-6P	.SCREW	002004 006100	4
	305	E410-1537	-----*----- .RELAY- SUPPLIER CODE: V99699 SPECIFICATION NUMBER: BACR13CG2A OPTIONAL PART: E415-1078 V99699 BR230S0116 V56623 KD4A017 V58687 FCA410-62 V78290 ELECTRICAL EQUIP NUMBER: K10136	107107 121503 904949	1

MISSING ITEM NUMBERS NOT APPLICABLE

— ITEM NOT ILLUSTRATED

BRI

24-51-58-02

BOEING PROPRIETARY - Copyright © - Unpublished Work - See title page for details.

24-51-58
FIG. 02
PAGE 18
MAY 20/09



757

PARTS CATALOG (MAINTENANCE)

FIG ITEM	PART NUMBER	1 2 3 4 5 6 7	NOMENCLATURE	EFFECT FROM TO	UNITS PER ASSY
2 310	TDH1852-3001		.RELAY- SUPPLIER CODE: V35344 ELECTRICAL EQUIP NUMBER: K10391 OPTIONAL PART: 600-154-3001 V15420 FOR SPARES PROCURE: 600-154-3001 V15420 600-154-3000M0 V15420 600-154-3S0 V15420	002004 006100 107107 121503 904999	1
310	600-154-3001		.RELAY- SUPPLIER CODE: V15420 ELECTRICAL EQUIP NUMBER: K10391 OPTIONAL PART: TDH1852-3001 V35344 FOR SPARES PROCURE: TDH1852-3001 V58657	002004 006100 107107 121503 904999	1
313	10237-1		.CLIP-STOW SUPPLIER CODE: V07RZ7	952999	7
325	10237-1		.CLIP-STOW SUPPLIER CODE: V07RZ7	121503 904949 952999	1
335	2TC47-5		.CIRCUIT BREAKER- SUPPLIER CODE: V82647 SPECIFICATION NUMBER: BACC18AD5 OPTIONAL PART: 4310-029-5 V76374 ELECTRICAL EQUIP NUMBER: C04403 C04426	002004 006100 952999	2

MISSING ITEM NUMBERS NOT APPLICABLE

- ITEM NOT ILLUSTRATED

BRI

24-51-58-02

BOEING PROPRIETARY - Copyright © - Unpublished Work - See title page for details.

24-51-58
FIG. 02
PAGE 19
JAN 20/09



757

PARTS CATALOG (MAINTENANCE)

FIG ITEM	PART NUMBER	1 2 3 4 5 6 7	NOMENCLATURE	EFFECT FROM TO	UNITS PER ASSY
2 345	2TC47-5		.CIRCUIT BREAKER- SUPPLIER CODE: V82647 SPECIFICATION NUMBER: BACC18AD5 OPTIONAL PART: 4310-029-5 V76374 ELECTRICAL EQUIP NUMBER: C04042 C04247	002004 006100 950999	2
355	2TC47-7-5		.CIRCUIT BREAKER- SUPPLIER CODE: V82647 SPECIFICATION NUMBER: BACC18AD7 OPTIONAL PART: 4310-029-705 V76374 ELECTRICAL EQUIP NUMBER: C01264 C01265	002004 006100 121503 904999	2
381	2TC47-7-5		.CIRCUIT BREAKER- SUPPLIER CODE: V82647 SPECIFICATION NUMBER: BACC18AD7 OPTIONAL PART: 4310-029-705 V76374 ELECTRICAL EQUIP NUMBER: C01142	002004 006100 107107 121503 904999	1
- 670	BACP20B43B		.PLUG- MISCELLANEOUS DATA: (USE IN PLACE OF CIRCUIT BREAKERS ON OPEN HOLES)	008100	29
- 675	BACP20B43B		.PLUG- MISCELLANEOUS DATA: (USE IN PLACE OF CIRCUIT BREAKERS ON OPEN HOLES)	107107	33
- 690	BACP20B43B		.PLUG- MISCELLANEOUS DATA: (USE IN PLACE OF CIRCUIT BREAKERS ON OPEN HOLES)	121503 904949	22
- 710	BACP20B43B		.PLUG- MISCELLANEOUS DATA: (USE IN PLACE OF CIRCUIT BREAKERS ON OPEN HOLES)	950951	36

MISSING ITEM NUMBERS NOT APPLICABLE

- ITEM NOT ILLUSTRATED

24-51-58-02

24-51-58
FIG. 02
PAGE 20
JAN 20/09

BRI



757

PARTS CATALOG (MAINTENANCE)

FIG ITEM	PART NUMBER	1 2 3 4 5 6 7	NOMENCLATURE	EFFECT FROM TO	UNITS PER ASSY
2					
- 715	BACP20B43B		.PLUG- MISCELLANEOUS DATA: (USE IN PLACE OF CIRCUIT BREAKERS ON OPEN HOLES)	952952	23
- 720	BACP20B43B		.PLUG- MISCELLANEOUS DATA: (USE IN PLACE OF CIRCUIT BREAKERS ON OPEN HOLES)	953999	24
- 760	BACP20B43B		.PLUG- MISCELLANEOUS DATA: (USE IN PLACE OF CIRCUIT BREAKERS ON OPEN HOLES)	002004 006007	28
- 801	286N1270-005		.WIRE BUNDLE ASSY- REWORKED BY ALERT SB: 34A0222	002004 006100 950999	1
- 801	286N1270-003		.WIRE BUNDLE ASSY- REWORKED BY ALERT SB: 34A0222	107107	1
- 801	286N1270-002		.WIRE BUNDLE ASSY- REWORKED BY ALERT SB: 34A0222	121503 904949	1
805	RSE120028		.. SOCKET- SUPPLIER CODE: V58982 SPECIFICATION NUMBER: BACS16AH1 OPTIONAL PART: 451120-028 V58982 ELECTRICAL EQUIP NUMBER: D02084 WIRING DIAGRAM REF: 245171	002004 006100 107107 121503 904999	1

MISSING ITEM NUMBERS NOT APPLICABLE

- ITEM NOT ILLUSTRATED

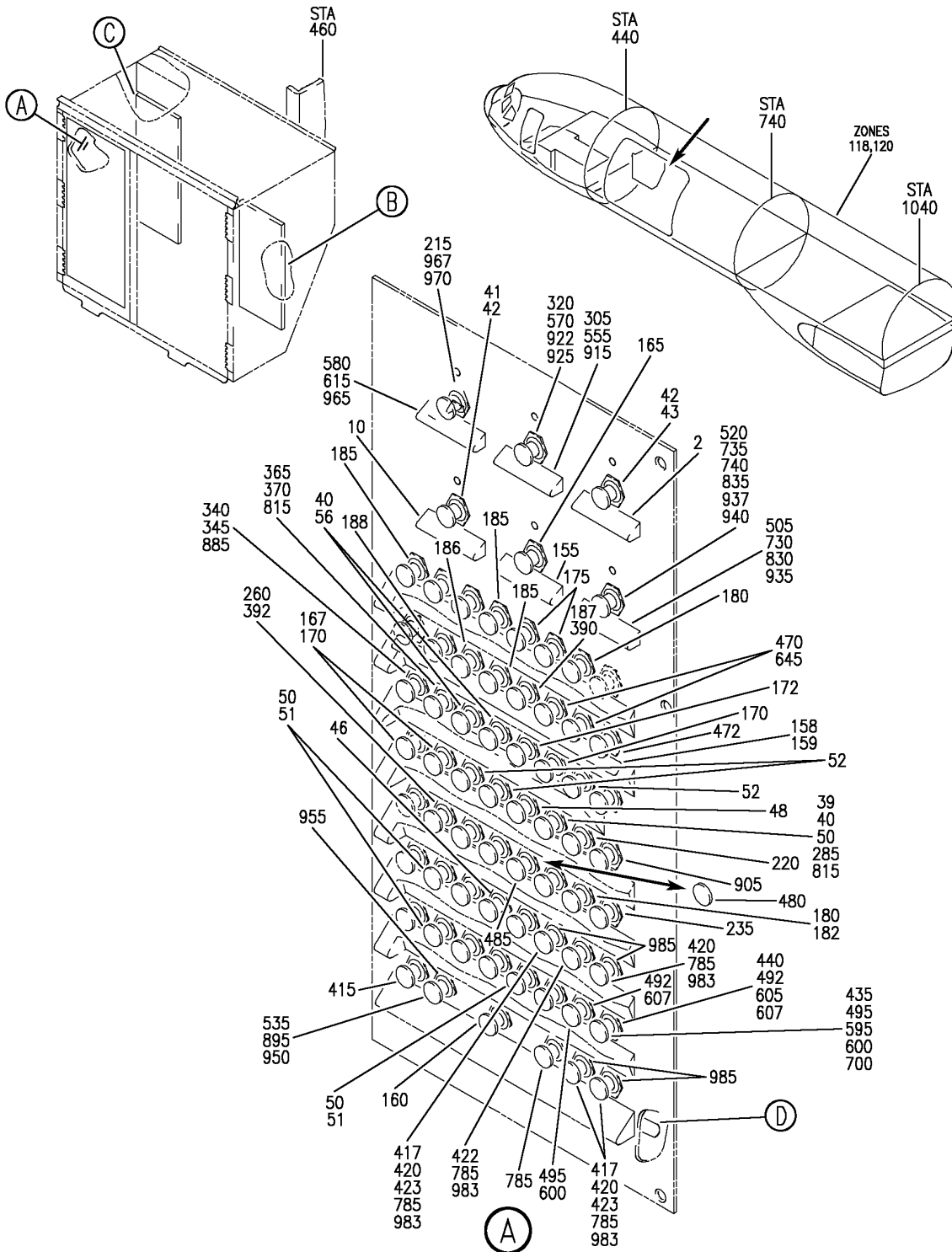
BRI

24-51-58-02

BOEING PROPRIETARY - Copyright © - Unpublished Work - See title page for details.

24-51-58
FIG. 02
PAGE 21
JAN 20/09

BOEING
757
PARTS CATALOG (MAINTENANCE)



Y 24515802B SHT 1 REV 327

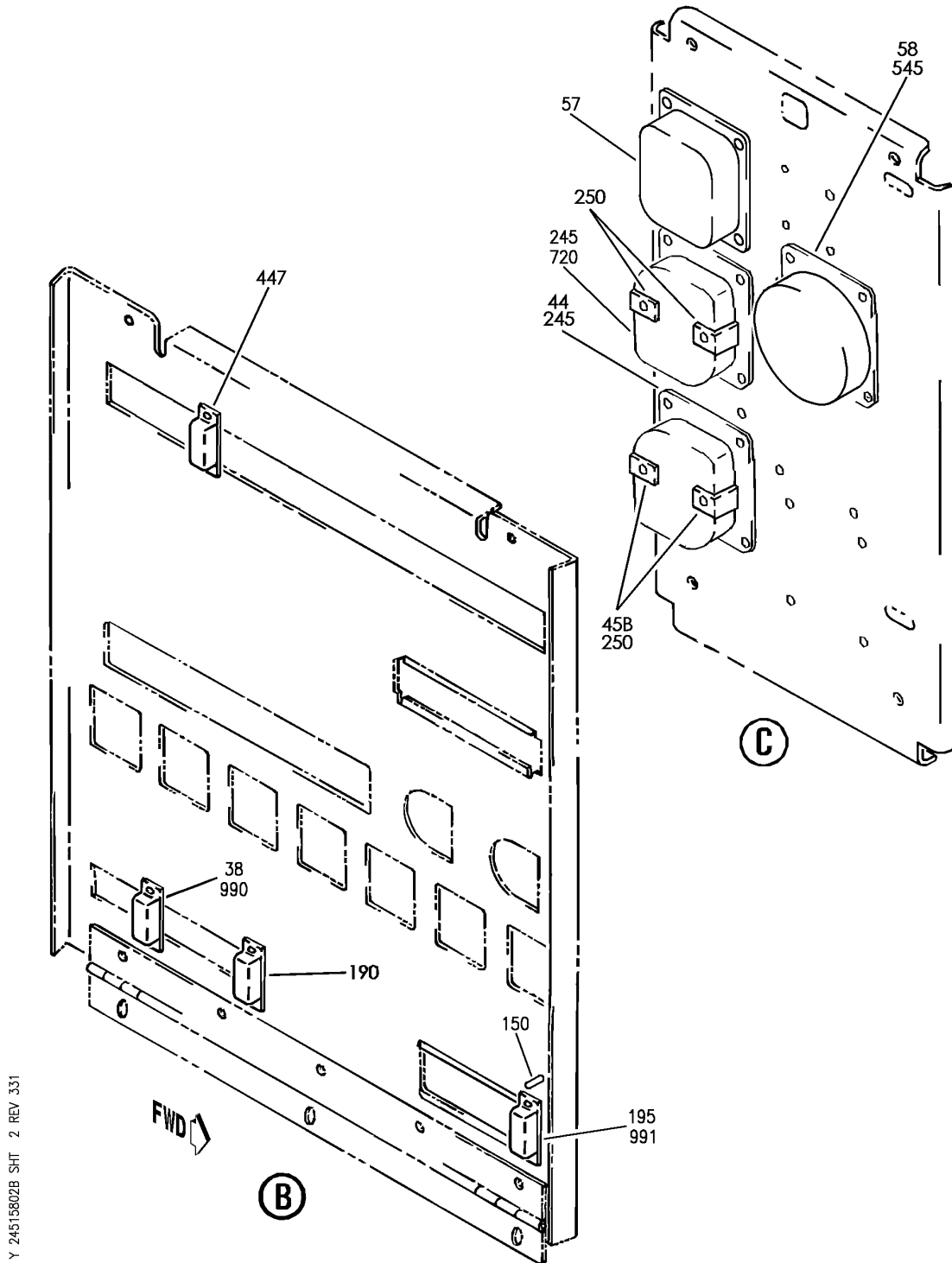
PACKAGE ASSY-OPTION P37 MISC RELAY (115-VOLT AC POWER DISTRIBUTION ONLY)
FIGURE 2B (SHEET 1)

24-51-58-02B

BRI
SEP 20/08

24-51-58-02B
PAGE 0

BOEING
757
PARTS CATALOG (MAINTENANCE)



Y 24515802B SHT 2 REV 331

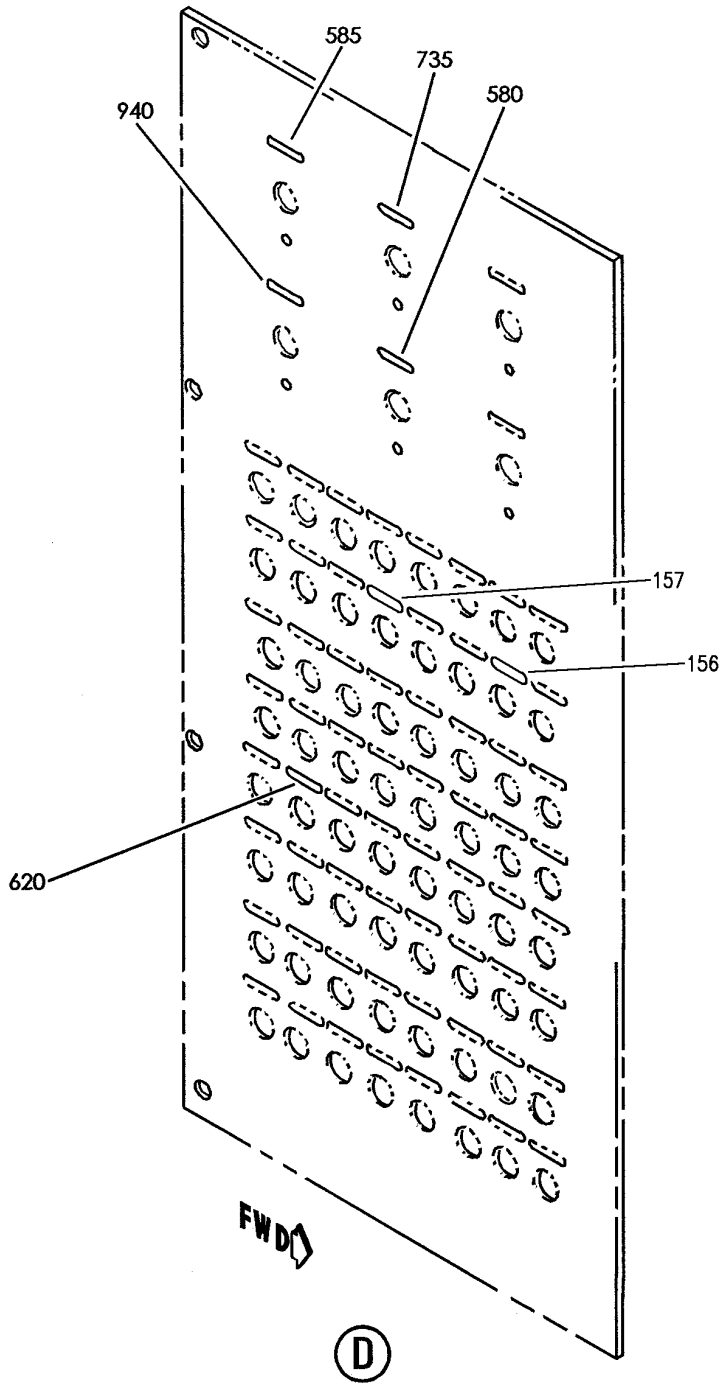
PACKAGE ASSY-OPTION P37 MISC RELAY (115-VOLT AC POWER DISTRIBUTION ONLY)
FIGURE 2B (SHEET 2)

BRI
JAN 20/09

24-51-58-02B

24-51-58-02B
PAGE 0A

BOEING
757
PARTS CATALOG (MAINTENANCE)



Y 24515802B SHT 3 REV 279

PACKAGE ASSY-OPTION P37 MISC RELAY (115-VOLT AC POWER DISTRIBUTION ONLY)
FIGURE 2B (SHEET 3)

BRI
MAY 28/07

24-51-58-02B

24-51-58-02B
PAGE 0B



757

PARTS CATALOG (MAINTENANCE)

FIG ITEM	PART NUMBER	1 2 3 4 5 6 7	NOMENCLATURE	EFFECT FROM TO	UNITS PER ASSY
2B			PACKAGE ASSY-OPTION P37 MISC RELAY (115-VOLT AC POWER DISTRIBUTION ONLY)	101102 504903	
- 1	284N1127-1041		PACKAGE ASSY-OPTION P37 MISC RELAY (115-VOLT AC POWER DISTRIBUTION ONLY) MISCELLANEOUS DATA: 757 MAJOR MODEL REWORKED BY ALERT SB: 27A0130 FOR NHA/OTHER SYS DET SEE: 31-01-37-02	101102 504903	RF
2	BAC27NEX1211		.DECAL- PLACARD CONTENT: GND SVCE SECT 2	101102 504903	1
10	BAC27NEX1208		.DECAL- PLACARD CONTENT: WINDOW HTR 1 R	101102 504903	1
38	600-159-1501		.RELAY- SUPPLIER CODE: V15420 ELECTRICAL EQUIP NUMBER: K10109 OPTIONAL PART: TDH1853-1501 V58657	101102 504903	1
38	TDH1853-1501		.RELAY- SUPPLIER CODE: V58657 ELECTRICAL EQUIP NUMBER: K10109 OPTIONAL PART: 600-159-1501 V15420 FOR SPARES PROCURE: 600-159-1501 V15420 600-159-1500M0 V15420	101102 504903	1
42	9TC625		.CIRCUIT BREAKER- SUPPLIER CODE: V82647 SPECIFICATION NUMBER: BACC18AE25 ELECTRICAL EQUIP NUMBER: C00392 C03008	101102 504903	2

MISSING ITEM NUMBERS NOT APPLICABLE

- ITEM NOT ILLUSTRATED

24-51-58-02B

24-51-58
FIG. 02B
PAGE 1
JAN 20/09

BRI

BOEING PROPRIETARY - Copyright © - Unpublished Work - See title page for details.



757

PARTS CATALOG (MAINTENANCE)

FIG ITEM	PART NUMBER	1 2 3 4 5 6 7	NOMENCLATURE	EFFECT FROM TO	UNITS PER ASSY
2B 44	9131-8506		.RELAY- SUPPLIER CODE: V35344 SPECIFICATION NUMBER: 10-61445-21 ELECTRICAL EQUIP NUMBER: K00120 COMPONENT MAINT MANUAL REF: 24-09-07 OPTIONAL PART: BH316A V74063	101102 504903	1
R R R R R R R R R R R R R R R	44		BH316A .RELAY- SUPPLIER CODE: V74063 FUNCTIONAL DESCRIPTION: A SEALED REPAIRABLE ELECTROMAGNETIC DEVICE FOR REMOTE ACTUATION OF 28V, 50 AMP ELECTRICAL CONTACT. SPECIFICATION NUMBER: 10-61445-21 ELECTRICAL EQUIP NUMBER: K00120 COMPONENT MAINT MANUAL REF: 24-09-36 OPTIONAL PART: 9131-8506 V35344 ATTACHING PARTS	101102 504903	1
-	45A		NAS603-6P .SCREW	101102 504903	4
	45B		66-22661-1 .BARRIER-RELAY TERM.	101102 504903	2
	46		2TC47-2-5 .CIRCUIT BREAKER- SUPPLIER CODE: V82647 SPECIFICATION NUMBER: BACC18AD2 OPTIONAL PART: 4310-029-205 V76374 ELECTRICAL EQUIP NUMBER: C00075	101102 504903	1

MISSING ITEM NUMBERS NOT APPLICABLE

- ITEM NOT ILLUSTRATED

BRI

24-51-58-02B

BOEING PROPRIETARY - Copyright © - Unpublished Work - See title page for details.

24-51-58
FIG. 02B
PAGE 2
MAY 20/09



757

PARTS CATALOG (MAINTENANCE)

FIG ITEM	PART NUMBER	1 2 3 4 5 6 7	NOMENCLATURE	EFFECT FROM TO	UNITS PER ASSY
2B 48	700-038-15		.CIRCUIT BREAKER- SUPPLIER CODE: V76374 SPECIFICATION NUMBER: BACC18X15 OPTIONAL PART: 492-215-103 V79405 492-215-104 V79405 ELECTRICAL EQUIP NUMBER: C00871	101102 504903	1
50	6TC6-7-5		.CIRCUIT BREAKER- SUPPLIER CODE: V82647 SPECIFICATION NUMBER: BACC18AC7 OPTIONAL PART: 4330-004-705 V76374 ELECTRICAL EQUIP NUMBER: C00301 C00302 C03010 C00333	101102 504903	4
52	2TC47-7-5		.CIRCUIT BREAKER- SUPPLIER CODE: V82647 SPECIFICATION NUMBER: BACC18AD7 OPTIONAL PART: 4310-029-705 V76374 ELECTRICAL EQUIP NUMBER: C01124 C01126 C01142	101102 504903	3
56	2TC47-5		.CIRCUIT BREAKER- SUPPLIER CODE: V82647 SPECIFICATION NUMBER: BACC18AD5 OPTIONAL PART: 4310-029-5 V76374 ELECTRICAL EQUIP NUMBER: C00699 C00700	101102 504903	2

MISSING ITEM NUMBERS NOT APPLICABLE

- ITEM NOT ILLUSTRATED

24-51-58-02B

24-51-58
FIG. 02B
PAGE 3
JAN 20/09

BRI

BOEING PROPRIETARY - Copyright © - Unpublished Work - See title page for details.



757

PARTS CATALOG (MAINTENANCE)

FIG ITEM	PART NUMBER	1 2 3 4 5 6 7	NOMENCLATURE	EFFECT FROM TO	UNITS PER ASSY
2B - 60	284N1127-1043		PACKAGE ASSY-OPTION P37 MISC RELAY (115-VOLT AC POWER DISTRIBUTION ONLY) MISCELLANEOUS DATA: 757-200 MINOR MODEL REWORKED BY ALERT SB: 27A0130 FOR NHA/OTHER SYS DET SEE: 31-01-37-02	101102 504903	RF
155	BAC27NEX2111	.	DECAL- PLACARD CONTENT: R RECIRC FAN	101102 504903	1
160	6TC6-5	.	CIRCUIT BREAKER- SUPPLIER CODE: V82647 SPECIFICATION NUMBER: BACC18AC5 OPTIONAL PART: 4330-004-5 V76374 ELECTRICAL EQUIP NUMBER: C03067	101102 504903	1
165	9TC625	.	CIRCUIT BREAKER- SUPPLIER CODE: V82647 SPECIFICATION NUMBER: BACC18AE25 ELECTRICAL EQUIP NUMBER: C00337	101102 504903	1
170	2TC47-3	.	CIRCUIT BREAKER- SUPPLIER CODE: V82647 SPECIFICATION NUMBER: BACC18AD3 OPTIONAL PART: 4310-029-3 V76374 ELECTRICAL EQUIP NUMBER: C01150 C04028 C04262	101102 504903	3

MISSING ITEM NUMBERS NOT APPLICABLE

- ITEM NOT ILLUSTRATED

BRI

24-51-58-02B

BOEING PROPRIETARY - Copyright © - Unpublished Work - See title page for details.

24-51-58
FIG. 02B
PAGE 4
JAN 20/09



757

PARTS CATALOG (MAINTENANCE)

FIG ITEM	PART NUMBER	1 2 3 4 5 6 7	NOMENCLATURE	EFFECT FROM TO	UNITS PER ASSY
2B 172	2TC47-3	.	CIRCUIT BREAKER- SUPPLIER CODE: V82647 SPECIFICATION NUMBER: BACC18AD3 OPTIONAL PART: 4310-029-3 V76374 ELECTRICAL EQUIP NUMBER: C01149	101102 504903	1
175	2TC47-7-5	.	CIRCUIT BREAKER- SUPPLIER CODE: V82647 SPECIFICATION NUMBER: BACC18AD7 OPTIONAL PART: 4310-029-705 V76374 ELECTRICAL EQUIP NUMBER: C01264 C01265	101102 504903	2
180	2TC47-2-5	.	CIRCUIT BREAKER- SUPPLIER CODE: V82647 SPECIFICATION NUMBER: BACC18AD2 OPTIONAL PART: 4310-029-205 V76374 ELECTRICAL EQUIP NUMBER: C01224 C04374	101102 504903	2
185	2TC47-5	.	CIRCUIT BREAKER- SUPPLIER CODE: V82647 SPECIFICATION NUMBER: BACC18AD5 OPTIONAL PART: 4310-029-5 V76374 ELECTRICAL EQUIP NUMBER: C01255 C04073 C04074 C04075 C04076	101102 504903	5

MISSING ITEM NUMBERS NOT APPLICABLE

- ITEM NOT ILLUSTRATED

24-51-58-02B

24-51-58
FIG. 02B
PAGE 5
JAN 20/09

BRI

BOEING PROPRIETARY - Copyright © - Unpublished Work - See title page for details.



757

PARTS CATALOG (MAINTENANCE)

FIG ITEM	PART NUMBER	1 2 3 4 5 6 7	NOMENCLATURE	EFFECT FROM TO	UNITS PER ASSY
2B 186	2TC47-5		.CIRCUIT BREAKER- SUPPLIER CODE: V82647 SPECIFICATION NUMBER: BACC18AD5 OPTIONAL PART: 4310-029-5 V76374 ELECTRICAL EQUIP NUMBER: C01232	101102 504903	1
190	TDH1852-3001		.RELAY- SUPPLIER CODE: V35344 ELECTRICAL EQUIP NUMBER: K10391 OPTIONAL PART: 600-154-3001 V15420 FOR SPARES PROCURE: 600-154-3001 V15420 600-154-3000MO V15420 600-154-3S0 V15420	101102 504903	1
190	600-154-3001		.RELAY- SUPPLIER CODE: V15420 ELECTRICAL EQUIP NUMBER: K10391 OPTIONAL PART: TDH1852-3001 V35344 FOR SPARES PROCURE: TDH1852-3001 V58657	101102 504903	1
220	2TC47-5		.CIRCUIT BREAKER- SUPPLIER CODE: V82647 SPECIFICATION NUMBER: BACC18AD5 OPTIONAL PART: 4310-029-5 V76374 ELECTRICAL EQUIP NUMBER: C04247	101102 504903	1

MISSING ITEM NUMBERS NOT APPLICABLE

- ITEM NOT ILLUSTRATED

BRI

24-51-58-02B

BOEING PROPRIETARY - Copyright © - Unpublished Work - See title page for details.

24-51-58
FIG. 02B
PAGE 6
JAN 20/09



757

PARTS CATALOG (MAINTENANCE)

FIG ITEM	PART NUMBER	1 2 3 4 5 6 7	NOMENCLATURE	EFFECT FROM TO	UNITS PER ASSY
2B 235	2TC47-5	.	CIRCUIT BREAKER- SUPPLIER CODE: V82647 SPECIFICATION NUMBER: BACC18AD5 OPTIONAL PART: 4310-029-5 V76374 ELECTRICAL EQUIP NUMBER: C04169	101102 504903	1
285	2TC47-5	.	CIRCUIT BREAKER- SUPPLIER CODE: V82647 SPECIFICATION NUMBER: BACC18AD5 OPTIONAL PART: 4310-029-5 V76374 ELECTRICAL EQUIP NUMBER: C04042	101102 504903	1
- 325	284N1127-1007		PACKAGE ASSY-OPTION P37 MISC RELAY (115-VOLT AC POWER DISTRIBUTION ONLY) MISCELLANEOUS DATA: LC LAVATORY REWORKED BY ALERT SB: 27A0130 FOR NHA SEE: 31-01-37-02	101102 504903	RF
340	2TC47-5	.	CIRCUIT BREAKER- SUPPLIER CODE: V82647 SPECIFICATION NUMBER: BACC18AD5 OPTIONAL PART: 4310-029-5 V76374 ELECTRICAL EQUIP NUMBER: C04134	101102 504903	1

MISSING ITEM NUMBERS NOT APPLICABLE

- ITEM NOT ILLUSTRATED

BRI

24-51-58-02B

BOEING PROPRIETARY - Copyright © - Unpublished Work - See title page for details.

24-51-58
FIG. 02B
PAGE 7
JAN 20/09



757

PARTS CATALOG (MAINTENANCE)

FIG ITEM	PART NUMBER	1 2 3 4 5 6 7	NOMENCLATURE	EFFECT FROM TO	UNITS PER ASSY
2B - 350	284N1127-1008		PACKAGE ASSY-OPTION P37 MISC RELAY (115-VOLT AC POWER DISTRIBUTION ONLY) MISCELLANEOUS DATA: LD LAVATORY REWORKED BY ALERT SB: 27A0130 FOR NHA SEE: 31-01-37-02	101102 504903	RF
365	2TC47-5		.CIRCUIT BREAKER- SUPPLIER CODE: V82647 SPECIFICATION NUMBER: BACC18AD5 OPTIONAL PART: 4310-029-5 V76374 ELECTRICAL EQUIP NUMBER: C04135	101102 504903	1
- 380	284N1127-1011		PACKAGE ASSY-OPTION P37 MISC RELAY (115-VOLT AC POWER DISTRIBUTION ONLY) MISCELLANEOUS DATA: DOOR ARRANGEMENT REWORKED BY ALERT SB: 27A0130 FOR NHA/OTHER SYS DET SEE: 31-01-37-02	101102 504903	RF
392	6TC6-5		.CIRCUIT BREAKER- SUPPLIER CODE: V82647 SPECIFICATION NUMBER: BACC18AC5 OPTIONAL PART: 4330-004-5 V76374 ELECTRICAL EQUIP NUMBER: C03069	101102 504903	1

MISSING ITEM NUMBERS NOT APPLICABLE

- ITEM NOT ILLUSTRATED

BRI

24-51-58-02B

BOEING PROPRIETARY - Copyright © - Unpublished Work - See title page for details.

24-51-58
FIG. 02B
PAGE 8
JAN 20/09



757

PARTS CATALOG (MAINTENANCE)

FIG ITEM	PART NUMBER	1 2 3 4 5 6 7	NOMENCLATURE	EFFECT FROM TO	UNITS PER ASSY
2B - 395	284N1127-2028		PACKAGE ASSY-OPTION P37 MISC RELAY (115-VOLT AC POWER DISTRIBUTION ONLY) MISCELLANEOUS DATA: VIDEO SYSTEM (INOP) REWORKED BY ALERT SB: 27A0130 FOR NHA/OTHER SYS DET SEE: 31-01-37-02	504903	RF
417	2TC47-7-5		.CIRCUIT BREAKER- SUPPLIER CODE: V82647 SPECIFICATION NUMBER: BACC18AD7 OPTIONAL PART: 4310-029-705 V76374 ELECTRICAL EQUIP NUMBER: C04510 C04511 C04512	504903	3
423	10237-1		.CLIP-STOW SUPPLIER CODE: V07RZ7	504903	3
- 425	284N1127-1005		PACKAGE ASSY-OPTION P37 MISC RELAY (115-VOLT AC POWER DISTRIBUTION ONLY) MISCELLANEOUS DATA: VIDEO ENTERTAINMENT SYTEM REWORKED BY ALERT SB: 27A0130 FOR NHA SEE: 31-01-37-02 FOR NHA/OTHER SYS DET SEE: 31-01-37-02	101102	RF
435	2TC47-7-5		.CIRCUIT BREAKER- SUPPLIER CODE: V82647 SPECIFICATION NUMBER: BACC18AD7 OPTIONAL PART: 4310-029-705 V76374 ELECTRICAL EQUIP NUMBER: C04508	101102	1

MISSING ITEM NUMBERS NOT APPLICABLE

- ITEM NOT ILLUSTRATED

24-51-58-02B

24-51-58
FIG. 02B
PAGE 9
JAN 20/09

BRI



757

PARTS CATALOG (MAINTENANCE)

FIG ITEM	PART NUMBER	1 2 3 4 5 6 7	NOMENCLATURE	EFFECT FROM TO	UNITS PER ASSY
2B 440	10237-1		.CLIP- SUPPLIER CODE: V07RZ7 POST RAPID REVISION: RR92014-178B RR92014-178J	101102	1
- 450	284N1127-1013		PACKAGE ASSY-OPTION P37 MISC RELAY (115-VOLT AC POWER DISTRIBUTION ONLY) MISCELLANEOUS DATA: LIGHTING REWORKED BY ALERT SB: 27A0130 FOR NHA SEE: 31-01-37-02	504903	RF
- 450	284N1127-1085		PACKAGE ASSY-OPTION P37 MISC RELAY (115-VOLT AC POWER DISTRIBUTION ONLY) MISCELLANEOUS DATA: LIGHTING REWORKED BY ALERT SB: 27A0130 FOR NHA SEE: 31-01-37-02	101102	RF
470	2TC6-10		.CIRCUIT BREAKER- SUPPLIER CODE: V82647 SPECIFICATION NUMBER: BACC18Z10R OPTIONAL PART: 4310-002-10 V76374 ELECTRICAL EQUIP NUMBER: C01218 C01219	504903	2

MISSING ITEM NUMBERS NOT APPLICABLE

- ITEM NOT ILLUSTRATED

BRI

24-51-58-02B

BOEING PROPRIETARY - Copyright © - Unpublished Work - See title page for details.

24-51-58
FIG. 02B
PAGE 10
JAN 20/09



757

PARTS CATALOG (MAINTENANCE)

FIG ITEM	PART NUMBER	1 2 3 4 5 6 7	NOMENCLATURE	EFFECT FROM TO	UNITS PER ASSY
2B 470	700-038-15		.CIRCUIT BREAKER- SUPPLIER CODE: V76374 SPECIFICATION NUMBER: BACC18X15 OPTIONAL PART: 492-215-103 V79405 492-215-104 V79405 ELECTRICAL EQUIP NUMBER: C01218 C01219	101102	2
472	2TC47-2-5		.CIRCUIT BREAKER- SUPPLIER CODE: V82647 SPECIFICATION NUMBER: BACC18AD2 OPTIONAL PART: 4310-029-205 V76374 ELECTRICAL EQUIP NUMBER: C01217	101102	1
- 590	284N1127-1067		PACKAGE ASSY-OPTION P37 MISC RELAY (115-VOLT AC POWER DISTRIBUTION ONLY) MISCELLANEOUS DATA: AUDIO ENTMT SYS REWORKED BY ALERT SB: 27A0130 FOR NHA/OTHER SYS DET SEE: 31-01-37-02	504903	RF
600	2TC47-5		.CIRCUIT BREAKER- SUPPLIER CODE: V82647 SPECIFICATION NUMBER: BACC18AD5 OPTIONAL PART: 4310-029-5 V76374 ELECTRICAL EQUIP NUMBER: C04403 C04426	504903	2
607	10237-1		.CLIP-STOW SUPPLIER CODE: V07RZ7	504903	2

MISSING ITEM NUMBERS NOT APPLICABLE

- ITEM NOT ILLUSTRATED

24-51-58-02B

24-51-58
FIG. 02B
PAGE 11
JAN 20/09

BRI



757

PARTS CATALOG (MAINTENANCE)

FIG ITEM	PART NUMBER	1 2 3 4 5 6 7	NOMENCLATURE	EFFECT FROM TO	UNITS PER ASSY
2B - 610	284N1127-2002		PACKAGE ASSY-OPTION P37 MISC RELAY (115-VOLT AC POWER DISTRIBUTION ONLY) MISCELLANEOUS DATA: POTABLE WATER REWORKED BY ALERT SB: 27A0130 FOR NHA SEE: 31-01-37-02	504903	RF
615	BAC27NEX2855		.DECAL-POTABLE WATER CPRSR	504903	1
620	6TC6-7-5		.CIRCUIT BREAKER- SUPPLIER CODE: V82647 SPECIFICATION NUMBER: BACC18AC7 OPTIONAL PART: 4330-004-705 V76374 ELECTRICAL EQUIP NUMBER: C00397	504903	1
- 710	284N1127-1071		PACKAGE ASSY-OPTION P37 MISC RELAY (115-VOLT AC POWER DISTRIBUTION ONLY) MISCELLANEOUS DATA: GALLEY UTILITY BUS REWORKED BY ALERT SB: 27A0130 FOR NHA SEE: 31-01-37-02	504903	RF
720	9131-8506		.RELAY- SUPPLIER CODE: V35344 SPECIFICATION NUMBER: 10-61445-21 ELECTRICAL EQUIP NUMBER: K10298 COMPONENT MAINT MANUAL REF: 24-09-07 OPTIONAL PART: BH316A V74063	504903	1

MISSING ITEM NUMBERS NOT APPLICABLE

- ITEM NOT ILLUSTRATED

BRI

24-51-58-02B

BOEING PROPRIETARY - Copyright © - Unpublished Work - See title page for details.

24-51-58
FIG. 02B
PAGE 12
JAN 20/09



757

PARTS CATALOG (MAINTENANCE)

FIG ITEM	PART NUMBER	1 2 3 4 5 6 7	NOMENCLATURE	EFFECT FROM TO	UNITS PER ASSY
2B - 750	284N1127-1060		PACKAGE ASSY-OPTION P37 MISC RELAY (115-VOLT AC POWER DISTRIBUTION ONLY) MISCELLANEOUS DATA: VIDEO SYSTEM REWORKED BY ALERT SB: 27A0130 FOR NHA SEE: 31-01-37-02	101102	RF
785	2TC47-7-5		.CIRCUIT BREAKER- SUPPLIER CODE: V82647 SPECIFICATION NUMBER: BACC18AD7 OPTIONAL PART: 4310-029-705 V76374 ELECTRICAL EQUIP NUMBER: C04361 C04362 C04363 C04440 C04441 C04442	101102	6
- 910	284N1127-2003		PACKAGE ASSY-OPTION P37 MISC RELAY (115-VOLT AC POWER DISTRIBUTION ONLY) MISCELLANEOUS DATA: GALLEY G2B REWORKED BY ALERT SB: 27A0130 FOR NHA SEE: 31-01-37-02	504903	RF
915	BAC27NEX1231		.DECAL- PLACARD CONTENT: GALLEY PWR MID AFT-R	504903	1
922	10237-1		.CLIP-STOW SUPPLIER CODE: V07RZ7 POST RAPID REVISION: RR92002-132E	505505 507903	1

MISSING ITEM NUMBERS NOT APPLICABLE

- ITEM NOT ILLUSTRATED

24-51-58-02B

24-51-58
FIG. 02B
PAGE 13
JAN 20/09

BRI

 **BOEING**
757
PARTS CATALOG (MAINTENANCE)

FIG ITEM	PART NUMBER	1 2 3 4 5 6 7	NOMENCLATURE	EFFECT FROM TO	UNITS PER ASSY
2B 925	9TC625		.CIRCUIT BREAKER- SUPPLIER CODE: V82647 SPECIFICATION NUMBER: BACC18AE25 ELECTRICAL EQUIP NUMBER: C03024	504903	1
- 930	284N1127-2004		PACKAGE ASSY-OPTION P37 MISC RELAY (115-VOLT AC POWER DISTRIBUTION ONLY) MISCELLANEOUS DATA: GALLEY G2D REWORKED BY ALERT SB: 27A0130 FOR NHA SEE: 31-01-37-02	504903	RF
935	BAC27NEX2266		.DECAL- PLACARD CONTENT: MID AFT GALLEY PWR	504903	1
937	10237-1		.CLIP-STOW SUPPLIER CODE: V07RZ7 POST RAPID REVISION: RR92002-132E	505505 507903	1
940	9TC625		.CIRCUIT BREAKER- SUPPLIER CODE: V82647 SPECIFICATION NUMBER: BACC18AE25 ELECTRICAL EQUIP NUMBER: C03025	504903	1
- 945	284N1127-2006		PACKAGE ASSY-OPTION P37 MISC RELAY (115-VOLT AC POWER DISTRIBUTION ONLY) MISCELLANEOUS DATA: POWER SEATS (INOP) REWORKED BY ALERT SB: 27A0130 FOR NHA/OTHER SYS DET SEE: 31-01-37-02	504903	RF

MISSING ITEM NUMBERS NOT APPLICABLE

- ITEM NOT ILLUSTRATED

BRI

24-51-58-02B

BOEING PROPRIETARY - Copyright © - Unpublished Work - See title page for details.

24-51-58
FIG. 02B
PAGE 14
JAN 20/09



757

PARTS CATALOG (MAINTENANCE)

FIG ITEM	PART NUMBER	1 2 3 4 5 6 7	NOMENCLATURE	EFFECT FROM TO	UNITS PER ASSY
2B 950	2TC47-10		.CIRCUIT BREAKER- SUPPLIER CODE: V82647 SPECIFICATION NUMBER: BACC18AD10 OPTIONAL PART: 4310-029-10 V76374 ELECTRICAL EQUIP NUMBER: C04425	504903	1
955	10237-1		.CLIP-STOW SUPPLIER CODE: V07RZ7	504903	1

MISSING ITEM NUMBERS NOT APPLICABLE

- ITEM NOT ILLUSTRATED

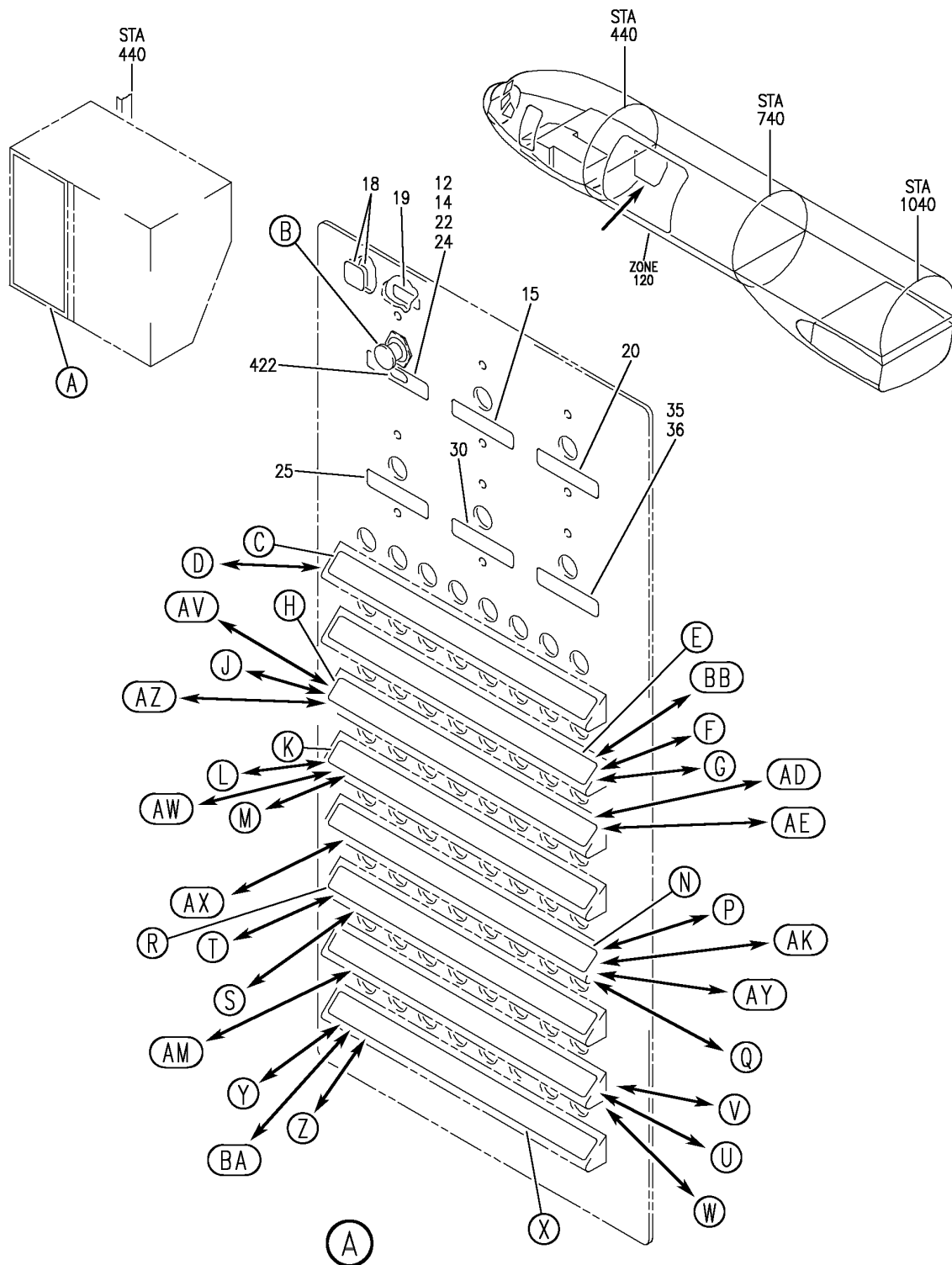
BRI

24-51-58-02B

BOEING PROPRIETARY - Copyright © - Unpublished Work - See title page for details.

24-51-58
FIG. 02B
PAGE 15
JAN 20/09

BOEING
757
PARTS CATALOG (MAINTENANCE)



Y 24515802D SHT 1 REV 326

PANEL INSTL-P37 R MISC RELAY (CIRCUIT BREAKERS ONLY)
FIGURE 2D (SHEET 1)

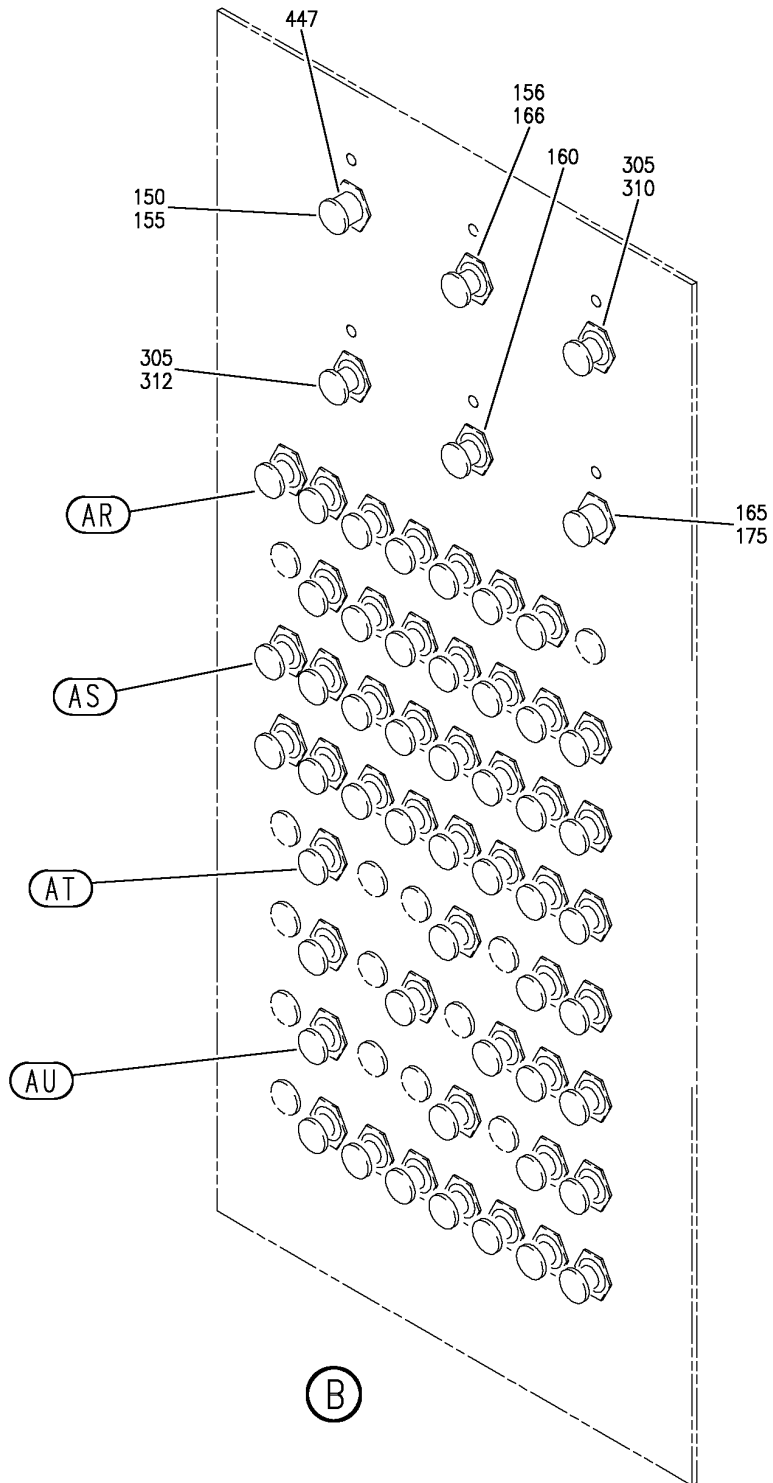
24-51-58-02D

BRI
JAN 20/09

24-51-58-02D
PAGE 0

BOEING PROPRIETARY - Copyright © - Unpublished Work - See title page for details.

BOEING
757
PARTS CATALOG (MAINTENANCE)



Y 24515802D SHT 2 REV 326

PANEL INSTL-P37 R MISC RELAY (CIRCUIT BREAKERS ONLY)
FIGURE 2D (SHEET 2)

24-51-58-02D

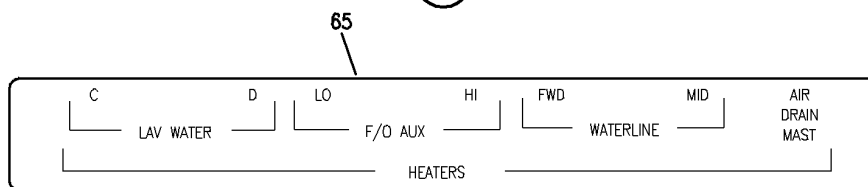
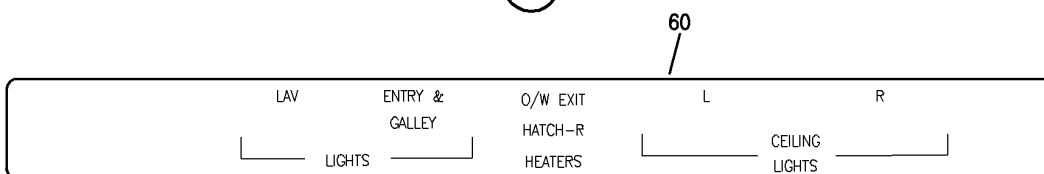
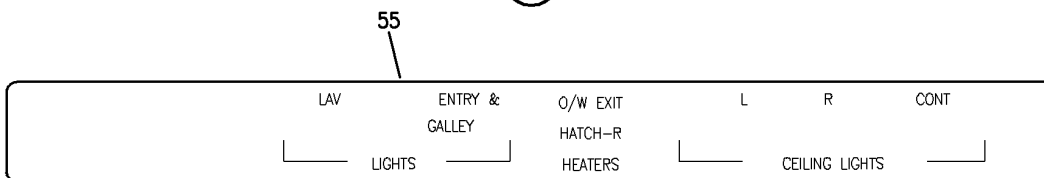
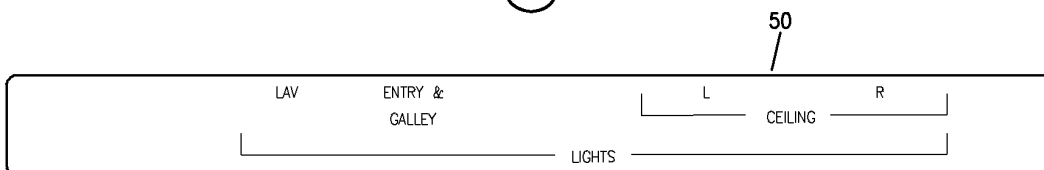
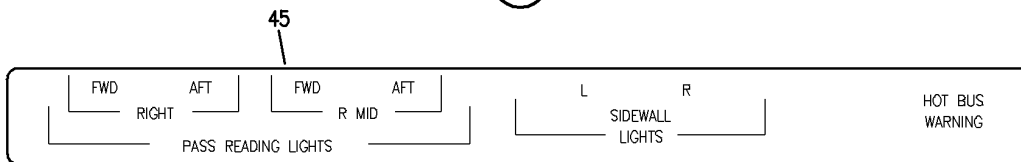
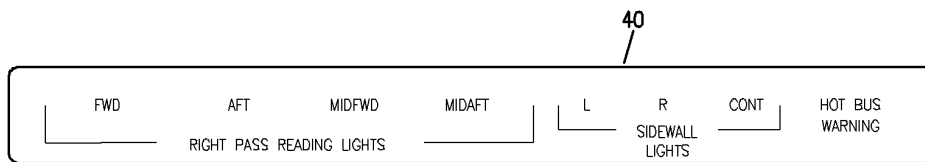
BRI
JAN 20/09

24-51-58-02D
PAGE 0A

BOEING

757

PARTS CATALOG (MAINTENANCE)



Y 24515802D SHT 3 REV 222

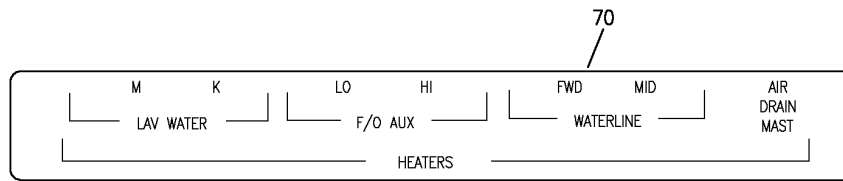
PANEL INSTL-P37 R MISC RELAY (CIRCUIT BREAKERS ONLY)
FIGURE 2D (SHEET 3)

24-51-58-02D

BRI
JAN 20/09

24-51-58-02D
PAGE 0B

BOEING
757
PARTS CATALOG (MAINTENANCE)



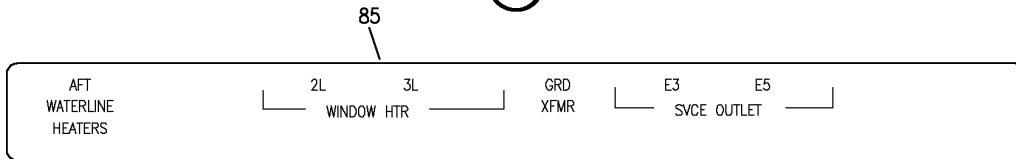
J



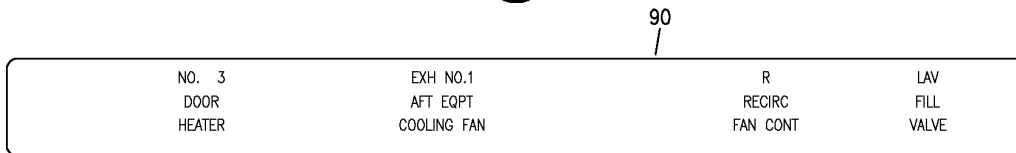
K



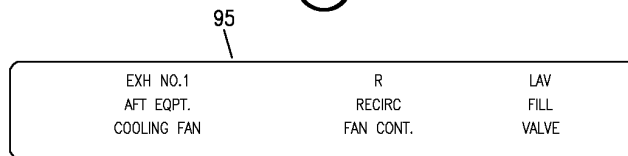
L



M



N



P

Y 24515802D SH1 4 REV 258

PANEL INSTL-P37 R MISC RELAY (CIRCUIT BREAKERS ONLY)
FIGURE 2D (SHEET 4)

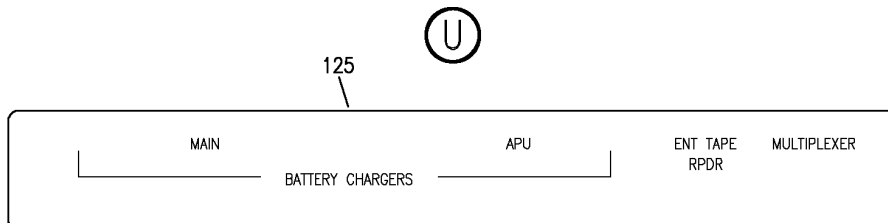
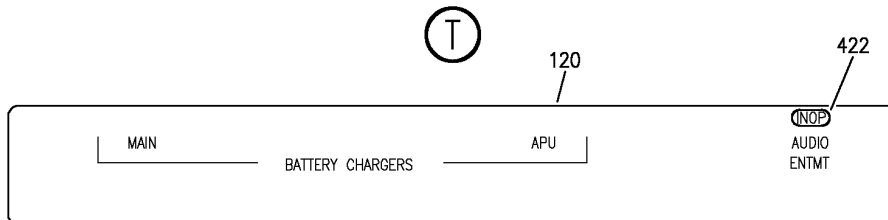
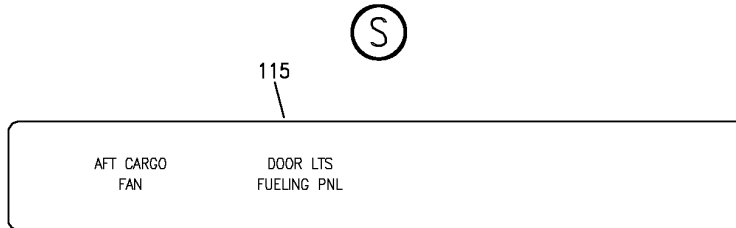
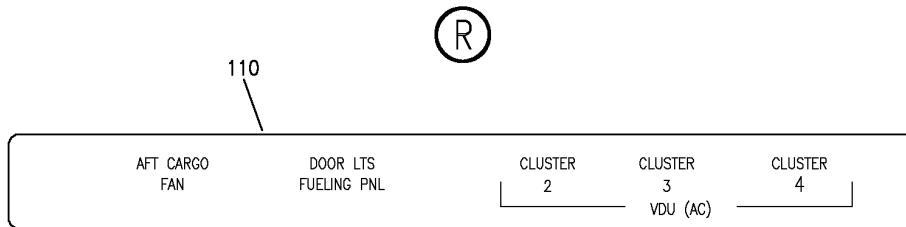
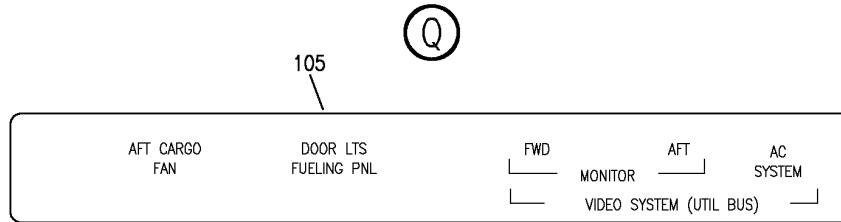
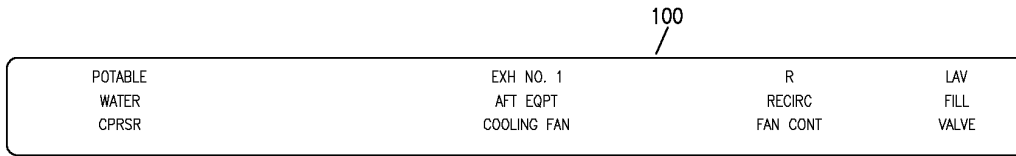
24-51-58-02D

BRI
JAN 20/09

24-51-58-02D
PAGE 0C

BOEING PROPRIETARY - Copyright © - Unpublished Work - See title page for details.

BOEING
757
PARTS CATALOG (MAINTENANCE)



V

Y 24515802D SHT 5 REV 326

PANEL INSTL-P37 R MISC RELAY (CIRCUIT BREAKERS ONLY)
FIGURE 2D (SHEET 5)

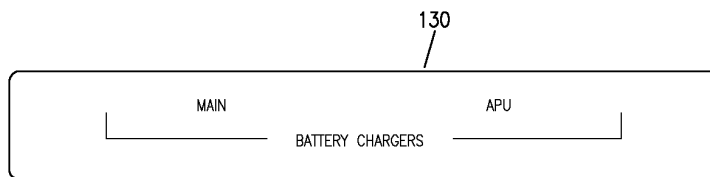
24-51-58-02D

BRI
JAN 20/09

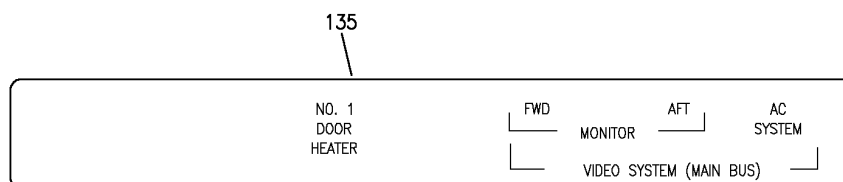
24-51-58-02D
PAGE 0D

BOEING PROPRIETARY - Copyright © - Unpublished Work - See title page for details.

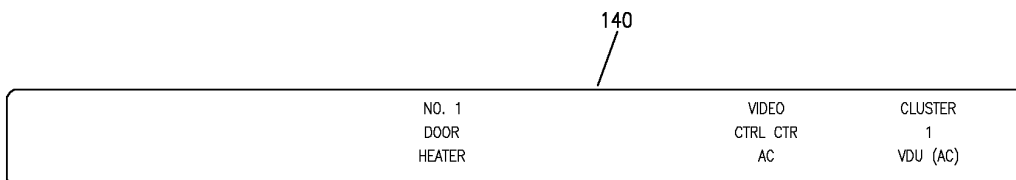
BOEING
757
PARTS CATALOG (MAINTENANCE)



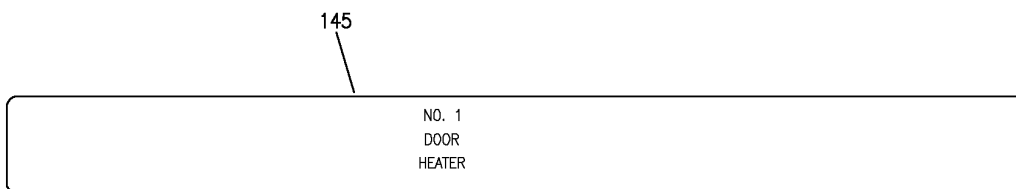
W



X



Y



Z

Y 24515802D SHT 6 REV 326

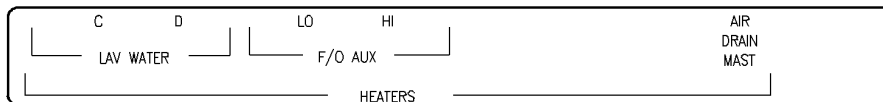
PANEL INSTL-P37 R MISC RELAY (CIRCUIT BREAKERS ONLY)
FIGURE 2D (SHEET 6)

24-51-58-02D

BRI
JAN 20/09

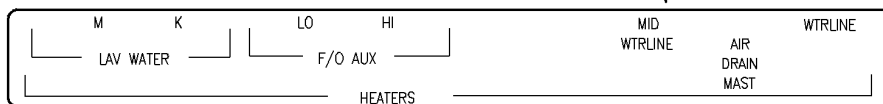
24-51-58-02D
PAGE 0E

BOEING
757
PARTS CATALOG (MAINTENANCE)



73

AD



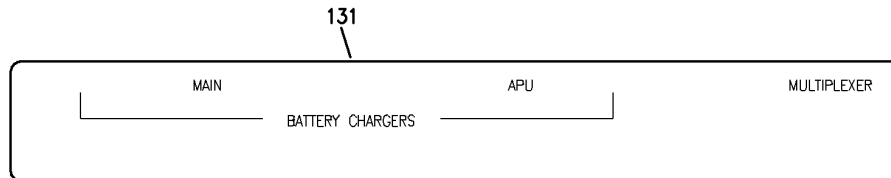
74

AE



102

AK



131

AM

Y 24515802D SHT 7 REV 326

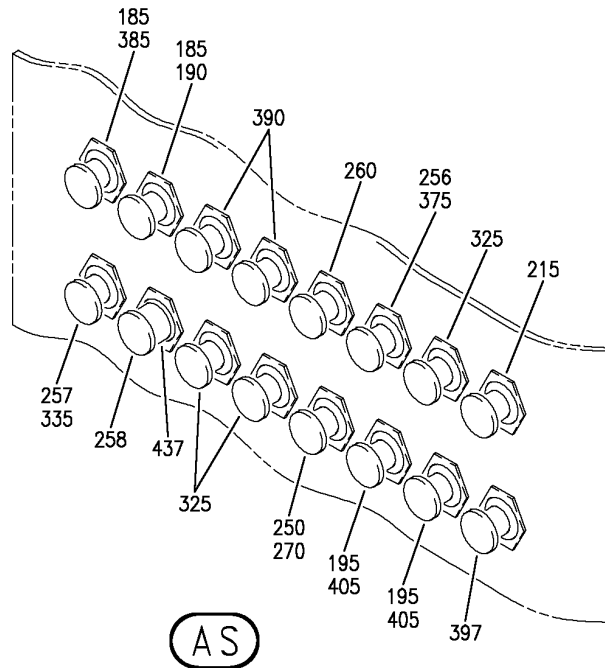
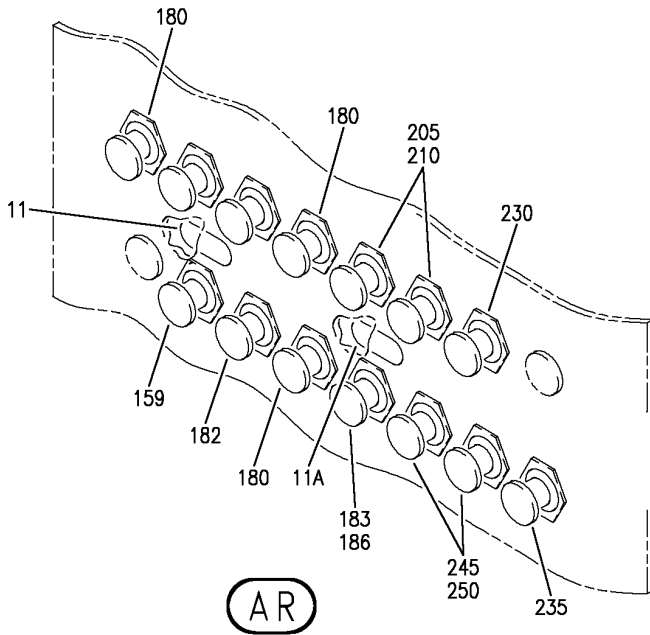
PANEL INSTL-P37 R MISC RELAY (CIRCUIT BREAKERS ONLY)
FIGURE 2D (SHEET 7)

24-51-58-02D

BRI
JAN 20/09

24-51-58-02D
PAGE OF

BOEING
757
PARTS CATALOG (MAINTENANCE)



Y 24515802D SHT 8 REV 326

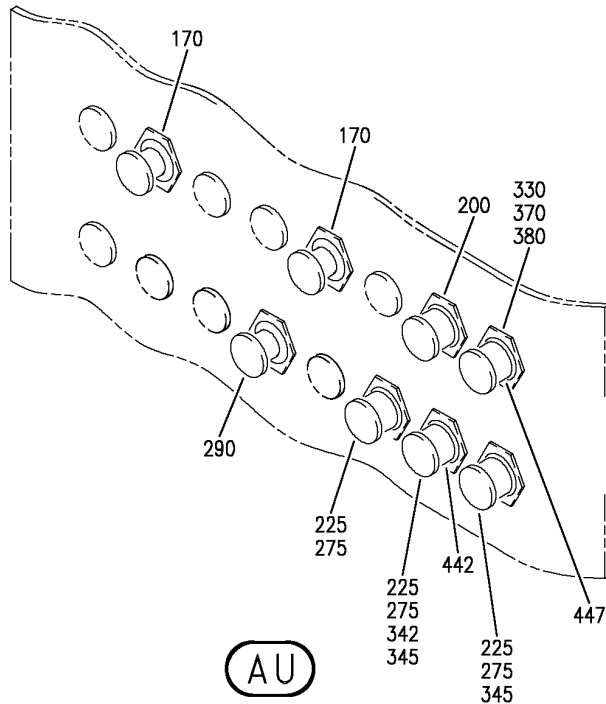
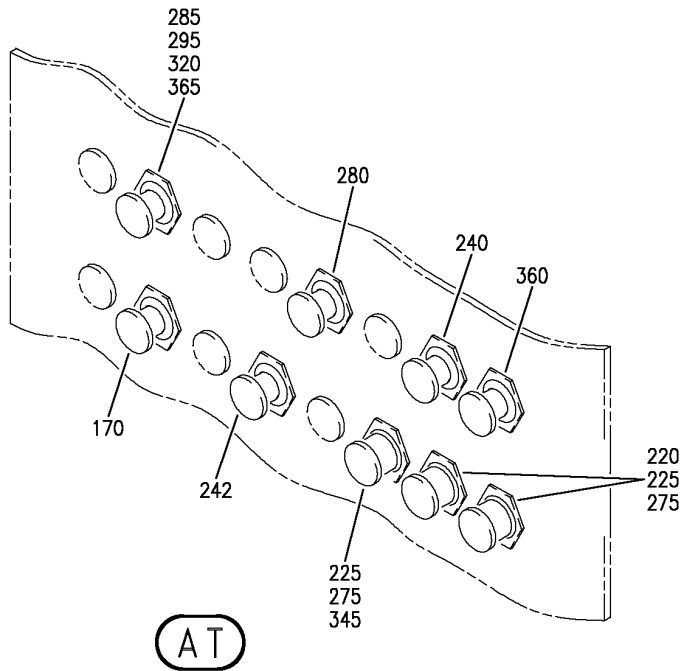
PANEL INSTL-P37 R MISC RELAY (CIRCUIT BREAKERS ONLY)
FIGURE 2D (SHEET 8)

24-51-58-02D

BRI
JAN 20/09

24-51-58-02D
PAGE 08

BOEING
757
PARTS CATALOG (MAINTENANCE)



Y 24515802D SHT 9 REV 326

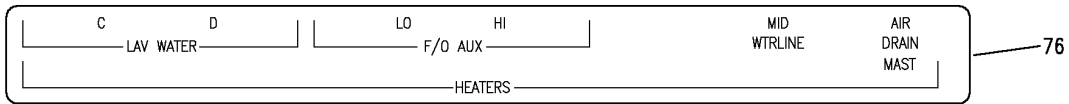
PANEL INSTL-P37 R MISC RELAY (CIRCUIT BREAKERS ONLY)
FIGURE 2D (SHEET 9)

24-51-58-02D

BRI
JAN 20/09

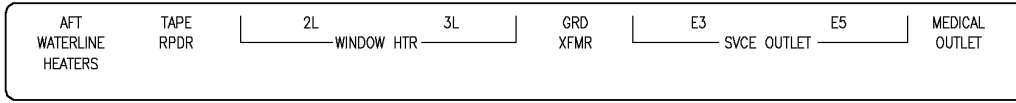
24-51-58-02D
PAGE 0H

BOEING
757
PARTS CATALOG (MAINTENANCE)



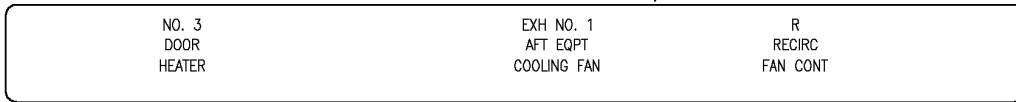
AV

78



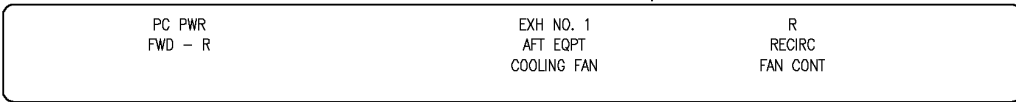
AW

79



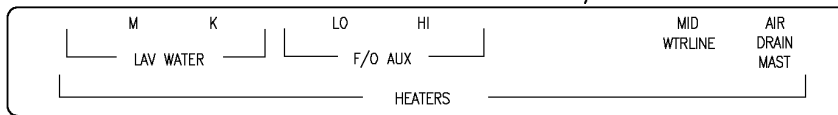
AX

103



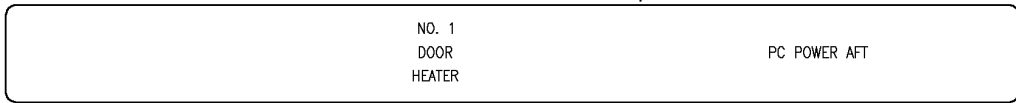
AY

77



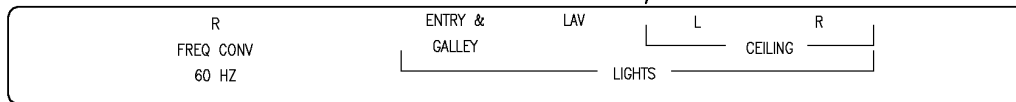
AZ

146



BA

52



BB

Y 24515802D SHT 10 REV 326

PANEL INSTL-P37 R MISC RELAY (CIRCUIT BREAKERS ONLY)
FIGURE 2D (SHEET 10)

24-51-58-02D

BRI
JAN 20/09

24-51-58-02D
PAGE 01



757
PARTS CATALOG (MAINTENANCE)

FIG ITEM	PART NUMBER	1 2 3 4 5 6 7	NOMENCLATURE	EFFECT FROM TO	UNITS PER ASSY
2D			PANEL INSTL-P37 R MISC RELAY (CIRCUIT BREAKERS ONLY)	103106 108120	

MISSING ITEM NUMBERS NOT APPLICABLE

- ITEM NOT ILLUSTRATED

BRI

24-51-58-02D

BOEING PROPRIETARY - Copyright © - Unpublished Work - See title page for details.

24-51-58
FIG. 02D
PAGE 1
JAN 20/09



757

PARTS CATALOG (MAINTENANCE)

FIG ITEM	PART NUMBER	1 2 3 4 5 6 7	NOMENCLATURE	EFFECT FROM TO	UNITS PER ASSY
2D - 1	MODREF185037		PANEL INSTL-P37 R MISC RELAY (CIRCUIT BREAKERS ONLY) MODULE NUMBER: 284N1127-169 REV D FOR OTHER SYS DETAILS SEE: 11-36-12-02A 21-25-71-02D 21-44-71-02D 21-45-31-01D 21-51-55-01D 21-58-71-02D 21-61-71-02D 23-31-51-05 24-21-51-05 27-62-71-03D 28-22-71-03D 29-21-71-01D 30-11-71-02D 30-21-71-03D 30-31-71-02D 30-32-71-02D 30-33-71-02D 30-34-51-01D 31-01-37-10 31-31-71-02D 32-09-02-04D 32-42-71-02D 32-61-71-02D 33-43-55-01D 33-51-71-01D 34-12-71-02D 34-25-50-01D 34-61-52-01D 35-21-71-02D 36-11-71-02D 38-15-71-02D 73-21-55-01D 74-31-71-02D 76-11-71-02D 77-12-71-01D 78-34-71-02D 78-36-71-02D 80-11-71-02D FOR ADDITIONAL DETAILS SEE: 24-51-01-02 24-51-02-03	106106	1

MISSING ITEM NUMBERS NOT APPLICABLE

- ITEM NOT ILLUSTRATED

BRI

24-51-58-02D

BOEING PROPRIETARY - Copyright © - Unpublished Work - See title page for details.

24-51-58
FIG. 02D
PAGE 2
JAN 20/09



757

PARTS CATALOG (MAINTENANCE)

FIG ITEM	PART NUMBER	1 2 3 4 5 6 7	NOMENCLATURE	EFFECT FROM TO	UNITS PER ASSY
2D - 3	284N1127-118		PANEL INSTL-P37 R MISC RELAY (CIRCUIT BREAKERS ONLY) FOR NHA/OTHER SYS DET SEE: 24-00-58-05C	108108	RF
- 4	284N1127-139		PANEL INSTL-P37 R MISC RELAY (CIRCUIT BREAKERS ONLY) FOR NHA/OTHER SYS DET SEE: 24-00-58-05C	109120	RF

MISSING ITEM NUMBERS NOT APPLICABLE

- ITEM NOT ILLUSTRATED

BRI

24-51-58-02D

BOEING PROPRIETARY - Copyright © - Unpublished Work - See title page for details.

24-51-58
FIG. 02D
PAGE 3
JAN 20/09



757

PARTS CATALOG (MAINTENANCE)

FIG ITEM	PART NUMBER	1 2 3 4 5 6 7	NOMENCLATURE	EFFECT FROM TO	UNITS PER ASSY
2D - 8	MODREF31945		PANEL INSTL-P37 R MISC RELAY (CIRCUIT BREAKERS ONLY) MODULE NUMBER: 284N1127-169 REV B FOR OTHER SYS DETAILS SEE: 11-36-12-02A 21-25-71-02D 21-44-71-02D 21-45-31-01D 21-51-55-01D 21-58-71-02D 21-61-71-02D 23-31-51-05 24-21-51-05 27-62-71-03D 28-22-71-03D 29-21-71-01D 30-11-71-02D 30-21-71-03D 30-31-71-02D 30-32-71-02D 30-33-71-02D 30-34-51-01D 31-01-37-10 31-31-71-02D 32-09-02-04D 32-42-71-02D 32-61-71-02D 33-43-55-01D 33-51-71-01D 34-12-71-02D 34-25-50-01D 34-61-52-01D 35-21-71-02D 36-11-71-02D 38-15-71-02D 73-21-55-01D 74-31-71-02D 76-11-71-02D 77-12-71-01D 78-34-71-02D 78-36-71-02D 80-11-71-02D FOR ADDITIONAL DETAILS SEE: 24-51-01-02 24-51-02-03	103103	1

MISSING ITEM NUMBERS NOT APPLICABLE

- ITEM NOT ILLUSTRATED

BRI

24-51-58-02D

BOEING PROPRIETARY - Copyright © - Unpublished Work - See title page for details.

24-51-58
FIG. 02D
PAGE 4
JAN 20/09



757

PARTS CATALOG (MAINTENANCE)

FIG ITEM	PART NUMBER	1 2 3 4 5 6 7	NOMENCLATURE	EFFECT FROM TO	UNITS PER ASSY
2D - 9	MODREF34305		PANEL INSTL-P37 R MISC RELAY (CIRCUIT BREAKERS ONLY) MODULE NUMBER: 284N1127-169 REV C FOR OTHER SYS DETAILS SEE: 11-36-12-02A 21-25-71-02D 21-44-71-02D 21-45-31-01D 21-51-55-01D 21-58-71-02D 21-61-71-02D 23-31-51-05 24-21-51-05 27-62-71-03D 28-22-71-03D 29-21-71-01D 30-11-71-02D 30-21-71-03D 30-31-71-02D 30-32-71-02D 30-33-71-02D 30-34-51-01D 31-01-37-10 31-31-71-02D 32-09-02-04D 32-42-71-02D 32-61-71-02D 33-43-55-01D 33-51-71-01D 34-12-71-02D 34-25-50-01D 34-61-52-01D 35-21-71-02D 36-11-71-02D 38-15-71-02D 73-21-55-01D 74-31-71-02D 76-11-71-02D 77-12-71-01D 78-34-71-02D 78-36-71-02D 80-11-71-02D FOR ADDITIONAL DETAILS SEE: 24-51-01-02 24-51-02-03	104105	1

MISSING ITEM NUMBERS NOT APPLICABLE

- ITEM NOT ILLUSTRATED

BRI

24-51-58-02D

BOEING PROPRIETARY - Copyright © - Unpublished Work - See title page for details.

24-51-58
FIG. 02D
PAGE 5
JAN 20/09



757

PARTS CATALOG (MAINTENANCE)

FIG ITEM	PART NUMBER	1 2 3 4 5 6 7	NOMENCLATURE	EFFECT FROM TO	UNITS PER ASSY
2D					
18	BAC27NEX0176	.DECAL-	PLACARD CONTENT: D	103106 108120	2
20	BAC27NEX1211	.DECAL-	PLACARD CONTENT: GND SVCE SECT 2	103106 108120	1
22	BAC27NEX2661	.DECAL-	PLACARD CONTENT: GALLEY G2A	108120	1
25	BAC27NEX1208	.DECAL-	PLACARD CONTENT: WINDOW HTR 1R	103106 108120	1
30	BAC27NEX2111	.DECAL-	PLACARD CONTENT: R RECIRC FAN	103106 108120	1
35	BAC27NEX2682	.DECAL-	PLACARD CONTENT: GALLEY G1B	108120	1
40	BAC27NEX1809	.DECAL		103106 108120	1
50	BAC27NEX2966	.DECAL-		103106 108120	1
65	BAC27NEX2336	.DECAL		108120	1
75	BAC27NEX2672	.DECAL-		103106 108120	1
76	BAC27NEX3130	.DECAL		103106	1
79	BAC27NEX3098	.DECAL		103106	1
90	BAC27NEX2919	.DECAL		108120	1
115	BAC27NEX2656	.DECAL-		103106 108120	1
130	BAC27NEX1551	.DECAL-		103106 109120	1
146	BAC27NEX3241	.DECAL-		103106	1
150	9TC620	.CIRCUIT BREAKER-	SUPPLIER CODE: V82647 SPECIFICATION NUMBER: BACC18AE20 ELECTRICAL EQUIP NUMBER: C03057	108120	1
160	9TC625	.CIRCUIT BREAKER-	SUPPLIER CODE: V82647 SPECIFICATION NUMBER: BACC18AE25 ELECTRICAL EQUIP NUMBER: C00337	103106 108120	1

MISSING ITEM NUMBERS NOT APPLICABLE

- ITEM NOT ILLUSTRATED

24-51-58-02D

24-51-58
FIG. 02D
PAGE 6
JAN 20/09

BRI

BOEING PROPRIETARY - Copyright © - Unpublished Work - See title page for details.



757

PARTS CATALOG (MAINTENANCE)

FIG ITEM	PART NUMBER	1 2 3 4 5 6 7	NOMENCLATURE	EFFECT FROM TO	UNITS PER ASSY
2D 170	6TC6-7-5		.CIRCUIT BREAKER- SUPPLIER CODE: V82647 SPECIFICATION NUMBER: BACC18AC7 OPTIONAL PART: 4330-004-705 V76374 ELECTRICAL EQUIP NUMBER: C00301 C00302 C03010	103106 108120	3
175	9TC635		.CIRCUIT BREAKER- SUPPLIER CODE: V82647 SPECIFICATION NUMBER: BACC18AE35 ELECTRICAL EQUIP NUMBER: C03023	108120	1
180	2TC47-5		.CIRCUIT BREAKER- SUPPLIER CODE: V82647 SPECIFICATION NUMBER: BACC18AD5 OPTIONAL PART: 4310-029-5 V76374 ELECTRICAL EQUIP NUMBER: C01255 C04073 C04074 C04075 C04076	103106 108120	5
182	2TC47-5		.CIRCUIT BREAKER- SUPPLIER CODE: V82647 SPECIFICATION NUMBER: BACC18AD5 OPTIONAL PART: 4310-029-5 V76374	103106 108120	1

MISSING ITEM NUMBERS NOT APPLICABLE

- ITEM NOT ILLUSTRATED

24-51-58-02D

24-51-58
FIG. 02D
PAGE 7
JAN 20/09

BRI

BOEING PROPRIETARY - Copyright © - Unpublished Work - See title page for details.



757

PARTS CATALOG (MAINTENANCE)

FIG ITEM	PART NUMBER	1 2 3 4 5 6 7	NOMENCLATURE	EFFECT FROM TO	UNITS PER ASSY
2D 185	2TC47-5	.	CIRCUIT BREAKER- SUPPLIER CODE: V82647 SPECIFICATION NUMBER: BACC18AD5 OPTIONAL PART: 4310-029-5 V76374 ELECTRICAL EQUIP NUMBER: C004134 C004135	103106 108120	2
195	2TC47-5	.	CIRCUIT BREAKER- SUPPLIER CODE: V82647 SPECIFICATION NUMBER: BACC18AD5 OPTIONAL PART: 4310-029-5 V76374 ELECTRICAL EQUIP NUMBER: C04042 C04247	103106 108120	2
210	2TC47-7-5	.	CIRCUIT BREAKER- SUPPLIER CODE: V82647 SPECIFICATION NUMBER: BACC18AD7 OPTIONAL PART: 4310-029-705 V76374 ELECTRICAL EQUIP NUMBER: C01264 C01265	103106 108120	2
230	2TC47-2-5	.	CIRCUIT BREAKER- SUPPLIER CODE: V82647 SPECIFICATION NUMBER: BACC18AD2 OPTIONAL PART: 4310-029-205 V76374 ELECTRICAL EQUIP NUMBER: C01224	103106 108120	1

MISSING ITEM NUMBERS NOT APPLICABLE

- ITEM NOT ILLUSTRATED

BRI

24-51-58-02D

BOEING PROPRIETARY - Copyright © - Unpublished Work - See title page for details.

24-51-58
FIG. 02D
PAGE 8
JAN 20/09



757

PARTS CATALOG (MAINTENANCE)

FIG ITEM	PART NUMBER	1 2 3 4 5 6 7	NOMENCLATURE	EFFECT FROM TO	UNITS PER ASSY
2D 240	2TC47-2-5	.	CIRCUIT BREAKER- SUPPLIER CODE: V82647 SPECIFICATION NUMBER: BACC18AD2 OPTIONAL PART: 4310-029-205 V76374 ELECTRICAL EQUIP NUMBER: C04374	103106 108120	1
242	2TC47-2-5	.	CIRCUIT BREAKER- SUPPLIER CODE: V82647 SPECIFICATION NUMBER: BACC18AD2 OPTIONAL PART: 4310-029-205 V76374 ELECTRICAL EQUIP NUMBER: C00075	103106 108120	1
245	2TC6-10	.	CIRCUIT BREAKER- SUPPLIER CODE: V82647 SPECIFICATION NUMBER: BACC18Z10R OPTIONAL PART: 4310-002-10 V76374 ELECTRICAL EQUIP NUMBER: C01218 C01219	103106 108120	2
256	2TC47-3	.	CIRCUIT BREAKER- SUPPLIER CODE: V82647 SPECIFICATION NUMBER: BACC18AD3 OPTIONAL PART: 4310-029-3 V76374 ELECTRICAL EQUIP NUMBER: C01150	103106 108120	1

MISSING ITEM NUMBERS NOT APPLICABLE

- ITEM NOT ILLUSTRATED

24-51-58-02D

24-51-58
FIG. 02D
PAGE 9
JAN 20/09

BRI



757

PARTS CATALOG (MAINTENANCE)

FIG ITEM	PART NUMBER	1 2 3 4 5 6 7	NOMENCLATURE	EFFECT FROM TO	UNITS PER ASSY
2D 257	2TC47-3	.	CIRCUIT BREAKER- SUPPLIER CODE: V82647 SPECIFICATION NUMBER: BACC18AD3 OPTIONAL PART: 4310-029-3 V76374 ELECTRICAL EQUIP NUMBER: C04262	103106 108120	1
258	2TC47-3	.	CIRCUIT BREAKER- SUPPLIER CODE: V82647 SPECIFICATION NUMBER: BACC18AD3 OPTIONAL PART: 4310-029-3 V76374 ELECTRICAL EQUIP NUMBER: C04028	103106 108120	1
260	2TC47-3	.	CIRCUIT BREAKER- SUPPLIER CODE: V82647 SPECIFICATION NUMBER: BACC18AD3 OPTIONAL PART: 4310-029-3 V76374 ELECTRICAL EQUIP NUMBER: C01149	108120	1
270	700-038-15	.	CIRCUIT BREAKER- SUPPLIER CODE: V76374 SPECIFICATION NUMBER: BACC18X15 OPTIONAL PART: 492-215-103 V79405 492-215-104 V79405 ELECTRICAL EQUIP NUMBER: C00871	103106 108120	1

MISSING ITEM NUMBERS NOT APPLICABLE

- ITEM NOT ILLUSTRATED

BRI

24-51-58-02D

BOEING PROPRIETARY - Copyright © - Unpublished Work - See title page for details.

24-51-58
FIG. 02D
PAGE 10
JAN 20/09



757

PARTS CATALOG (MAINTENANCE)

FIG ITEM	PART NUMBER	1 2 3 4 5 6 7	NOMENCLATURE	EFFECT FROM TO	UNITS PER ASSY
2D 280	6TC6-7-5	.	CIRCUIT BREAKER- SUPPLIER CODE: V82647 SPECIFICATION NUMBER: BACC18AC7 OPTIONAL PART: 4330-004-705 V76374 ELECTRICAL EQUIP NUMBER: C00333	103106 108120	1
290	6TC6-5	.	CIRCUIT BREAKER- SUPPLIER CODE: V82647 SPECIFICATION NUMBER: BACC18AC5 OPTIONAL PART: 4330-004-5 V76374 ELECTRICAL EQUIP NUMBER: C03067	103106 108120	1
295	6TC6-5	.	CIRCUIT BREAKER- SUPPLIER CODE: V82647 SPECIFICATION NUMBER: BACC18AC5 OPTIONAL PART: 4330-004-5 V76374 ELECTRICAL EQUIP NUMBER: C03069	103106 108120	1
305	9TC625	.	CIRCUIT BREAKER- SUPPLIER CODE: V82647 SPECIFICATION NUMBER: BACC18AE25 ELECTRICAL EQUIP NUMBER: C00392 C03008	103106 108120	2

MISSING ITEM NUMBERS NOT APPLICABLE

- ITEM NOT ILLUSTRATED

BRI

24-51-58-02D

BOEING PROPRIETARY - Copyright © - Unpublished Work - See title page for details.

24-51-58
FIG. 02D
PAGE 11
JAN 20/09



757

PARTS CATALOG (MAINTENANCE)

FIG ITEM	PART NUMBER	1 2 3 4 5 6 7	NOMENCLATURE	EFFECT FROM TO	UNITS PER ASSY
2D 325	2TC47-7-5		.CIRCUIT BREAKER- SUPPLIER CODE: V82647 SPECIFICATION NUMBER: BACC18AD7 OPTIONAL PART: 4310-029-705 V76374 ELECTRICAL EQUIP NUMBER: C01124 C01126 C01142	103106 108120	3
342	9TC620		.CIRCUIT BREAKER- SUPPLIER CODE: V82647 SPECIFICATION NUMBER: BACC18AE20 ELECTRICAL EQUIP NUMBER: C03088	103106	1
360	2TC47-5		.CIRCUIT BREAKER- SUPPLIER CODE: V82647 SPECIFICATION NUMBER: BACC18AD5 OPTIONAL PART: 4310-029-5 V76374 ELECTRICAL EQUIP NUMBER: C04169	108120	1
390	2TC47-5		.CIRCUIT BREAKER- SUPPLIER CODE: V82647 SPECIFICATION NUMBER: BACC18AD5 OPTIONAL PART: 4310-029-5 V76374 ELECTRICAL EQUIP NUMBER: C00699 C00700	103106 108120	2
442	10237-1		.CLIP-STOW SUPPLIER CODE: V07RZ7	103106	1
- 465	BACP20B43B		.PLUG- MISCELLANEOUS DATA: USE IN PLACE OF CIRCUIT BREAKERS ON OPEN HOLES	108120	AR

MISSING ITEM NUMBERS NOT APPLICABLE

- ITEM NOT ILLUSTRATED

24-51-58-02D

24-51-58
FIG. 02D
PAGE 12
JAN 20/09

BRI

BOEING PROPRIETARY - Copyright © - Unpublished Work - See title page for details.



757

PARTS CATALOG (MAINTENANCE)

FIG ITEM	PART NUMBER	1 2 3 4 5 6 7	NOMENCLATURE	EFFECT FROM TO	UNITS PER ASSY
2D - 470	BACP20B63P		.PLUG- OPTIONAL PART: BACP20B43B BACP20B43P BACP20B63B	103106	AR
- 470	BACP20B43B		.PLUG- OPTIONAL PART: BACP20B43P BACP20B63B BACP20B63P	103106	AR
- 470	BACP20B43P		.PLUG- OPTIONAL PART: BACP20B43B BACP20B63B BACP20B63P	103106	AR
- 470	BS51338D5003		.PLUG- SUPPLIER CODE: V83058 SPECIFICATION NUMBER: BACP20B63B OPTIONAL PART: 51338 V83058 BACP20B43B BACP20B43P BACP20B63P	103106	AR

MISSING ITEM NUMBERS NOT APPLICABLE

- ITEM NOT ILLUSTRATED

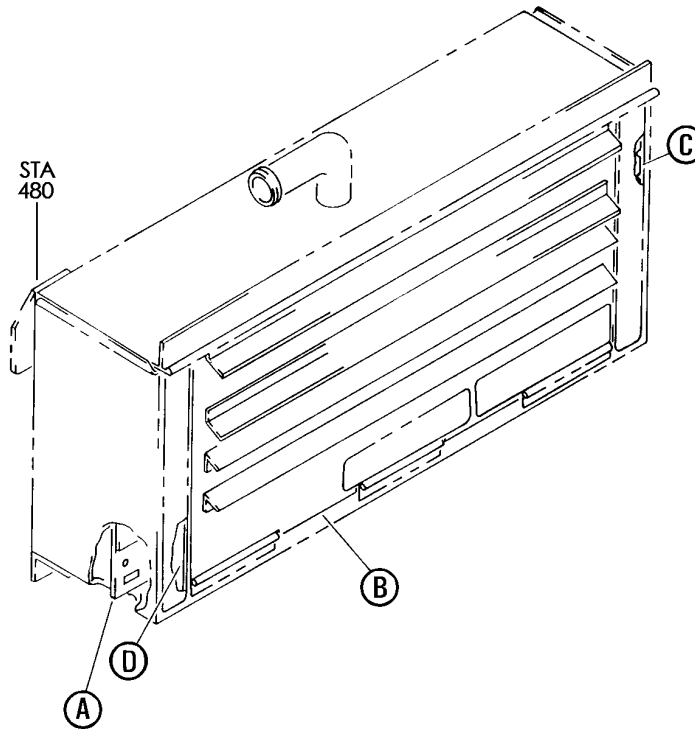
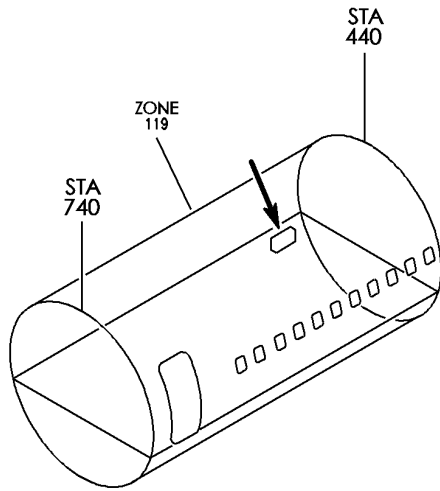
BRI

24-51-58-02D

BOEING PROPRIETARY - Copyright © - Unpublished Work - See title page for details.

24-51-58
FIG. 02D
PAGE 13
JAN 20/09

BOEING
757
PARTS CATALOG (MAINTENANCE)



Y 24516001 SHT 1 REV 244

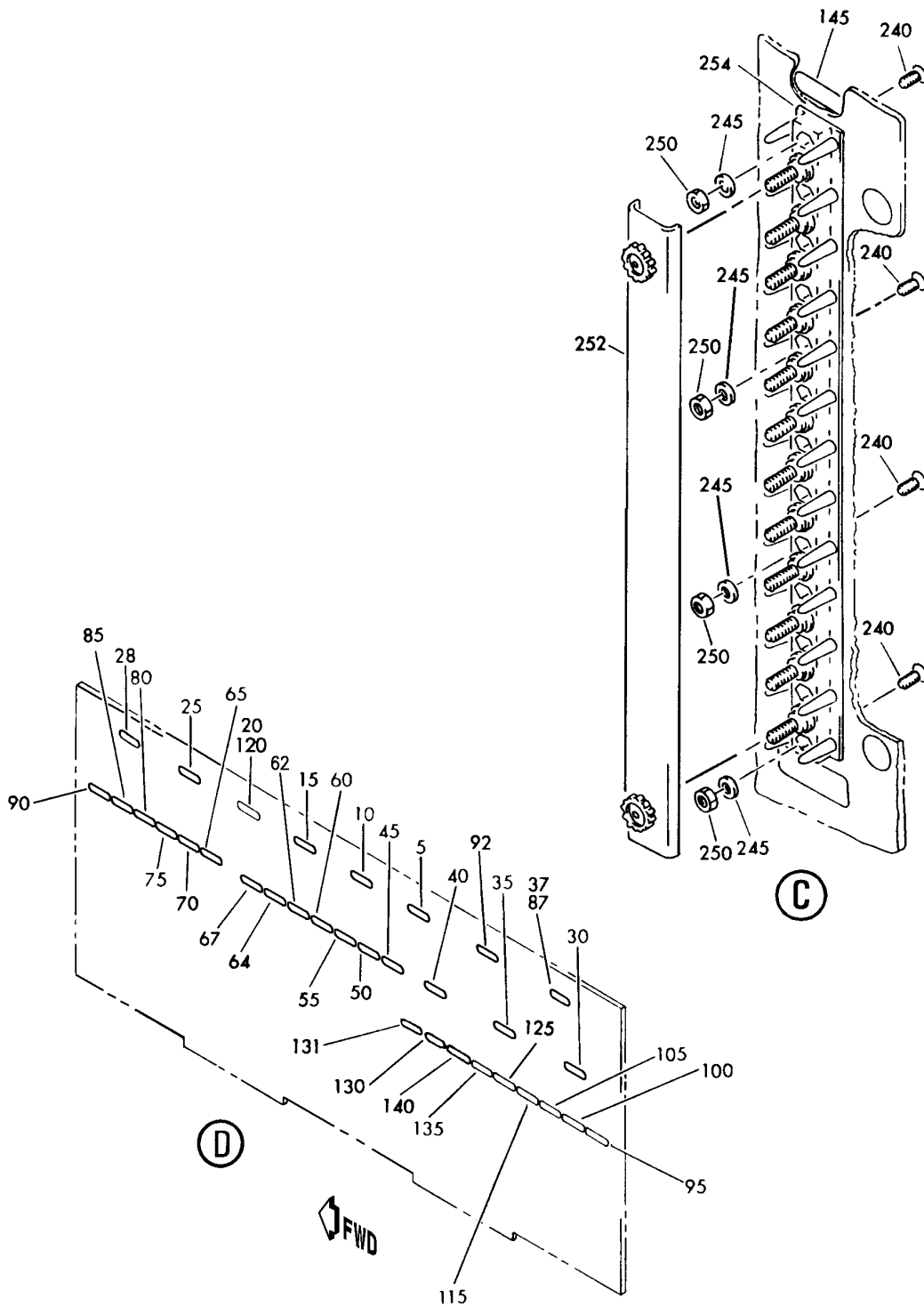
PANEL ASSY-P70 MISC RELAY (115-VOLT AC POWER DISTRIBUTION ONLY)
FIGURE 1 (SHEET 1)

24-51-60-01

BRI
MAY 28/07

24-51-60-01
PAGE 0


BOEING
 757
PARTS CATALOG (MAINTENANCE)



Y 24516001 SHT 3 REV 279

PANEL ASSY-P70 MISC RELAY (115-VOLT AC POWER DISTRIBUTION ONLY)
 FIGURE 1 (SHEET 3)

24-51-60-01

BRI
MAY 28/07

24-51-60-01
PAGE 0B



757

PARTS CATALOG (MAINTENANCE)

FIG ITEM	PART NUMBER	1 2 3 4 5 6 7	NOMENCLATURE	EFFECT FROM TO	UNITS PER ASSY
1			PANEL ASSY-P70 MISC RELAY (115-VOLT AC POWER DISTRIBUTION ONLY)	002004 006100 107107 121503 904999	
- 1	284N1129-1		PANEL ASSY-P70 MISC RELAY (115-VOLT AC POWER DISTRIBUTION ONLY) VARIABLE DRAWING REF: 284N1129-5012 284N1129-5021 284N1129-5035 284N1129-5049 284N1129-5054 FOR NHA/OTHER SYS DET SEE: 53-33-00-02	002004 006100 107107 121503 904999	RF
5	BAC27NEX0955		.DECAL- PLACARD CONTENT: C3009	002004 006100 107107 121503 904999	1
10	BAC27NEX0944		.DECAL- PLACARD CONTENT: C336	002004 006100 107107 121503 904999	1
15	BAC27NEX0945		.DECAL- PLACARD CONTENT: C391	002004 006100 107107 121503 904999	1
30	BAC27NEX0943		.DECAL- PLACARD CONTENT: C334	002004 006100 107107 121503 904999	1
35	BAC27NEX0967		.DECAL- PLACARD CONTENT: C3028	121503 904949	1
40	BAC27NEX0954		.DECAL- PLACARD CONTENT: C3002	002004 006100 107107 121503 904999	1
45	BAC27NEX1311		.DECAL- PLACARD CONTENT: C60	002004 006100 107107 121503 904999	1

MISSING ITEM NUMBERS NOT APPLICABLE

- ITEM NOT ILLUSTRATED

24-51-60-01

24-51-60
FIG. 01
PAGE 1
JAN 20/09

BRI



757

PARTS CATALOG (MAINTENANCE)

FIG ITEM	PART NUMBER	1 2 3 4 5 6 7	NOMENCLATURE	EFFECT FROM TO	UNITS PER ASSY
1	50	BAC27NEX1312	.DECAL- PLACARD CONTENT: C61	002004 006100 107107 121503 904999	1
	55	BAC27NEX1313	.DECAL- PLACARD CONTENT: C62	002004 006100 107107 121503 904999	1
	60	BAC27NEX1314	.DECAL- PLACARD CONTENT: C63	002004 006100 107107 121503 904999	1
	62	BAC27NEX1527	.DECAL- PLACARD CONTENT: C70	002004 006100 107107 121503 904999	1
	64	BAC27NEX1528	.DECAL- PLACARD CONTENT: C71	002004 006100 107107 121503 904999	1
	65	BAC27NEX0950	.DECAL- PLACARD CONTENT: C1259	002004 006100 107107 121503 904999	1
	67	BAC27NEX2097	.DECAL- PLACARD CONTENT: C4373	002004 006100 107107 121503 904999	1
	70	BAC27NEX0953	.DECAL- PLACARD CONTENT: C1292	002004 006100 107107 121503 904999	1
	75	BAC27NEX0951	.DECAL- PLACARD CONTENT: C1260	002004 006100 107107 121503 904999	1

MISSING ITEM NUMBERS NOT APPLICABLE

- ITEM NOT ILLUSTRATED

24-51-60-01

24-51-60
FIG. 01
PAGE 2
JAN 20/09

BRI

BOEING PROPRIETARY - Copyright © - Unpublished Work - See title page for details.



757

PARTS CATALOG (MAINTENANCE)

FIG ITEM	PART NUMBER	1 2 3 4 5 6 7	NOMENCLATURE	EFFECT FROM TO	UNITS PER ASSY
1	80	BAC27NEX0952	.DECAL- PLACARD CONTENT: C1261	002004 006100 107107 121503 904999	1
	85	BAC27NEX0959	.DECAL- PLACARD CONTENT: C4203	002004 006100 107107 121503 904999	1
	87	BAC27NEX2925	.DECAL- PLACARD CONTENT: C3068 POST SERVICE BULLETIN: 21-0060	009009	1
	90	BAC27NEX0960	.DECAL- PLACARD CONTENT: C4204	002004 006100 107107 121503 904999	1
	92	BAC27NEX2926	.DECAL- PLACARD CONTENT: C3070 POST SERVICE BULLETIN: 21-0060	009009	1
	95	BAC27NEX0957	.DECAL- PLACARD CONTENT: C4001	002004 006100 107107 121503 904999	1
	100	BAC27NEX0958	.DECAL- PLACARD CONTENT: C4002	002004 006100 107107 121503 904949	1
	100	BAC27NEX1966	.DECAL- PLACARD CONTENT: C4341	950999	1
	105	BAC27NEX0948	.DECAL- PLACARD CONTENT: C1125	002004 006100 107107 121503 904999	1
	115	BAC27NEX0949	.DECAL- PLACARD CONTENT: C1127	002004 006100 107107 121503 904999	1

MISSING ITEM NUMBERS NOT APPLICABLE

- ITEM NOT ILLUSTRATED

24-51-60-01

24-51-60
FIG. 01
PAGE 3
JAN 20/09

BRI

BOEING PROPRIETARY - Copyright © - Unpublished Work - See title page for details.



757

PARTS CATALOG (MAINTENANCE)

FIG ITEM	PART NUMBER	1 2 3 4 5 6 7	NOMENCLATURE	EFFECT FROM TO	UNITS PER ASSY
1					
125	BAC27NEX0947	.DECAL-	PLACARD CONTENT: C663	002004 006100 107107 121503 904999	1
135	BAC27NEX1617	.DECAL-	PLACARD CONTENT: C662	002004 006100 107107 121503 904999	1
140	BAC27NEX0958	.DECAL-	PLACARD CONTENT: C4002	952999	1
145	BAC27NEX0970	.DECAL-	PLACARD CONTENT: TB5050	002004 006100 107107 121503 904999	1
150	BAC27NEX0188	.DECAL-	PLACARD CONTENT: K119	002004 006100 107107 121503 904999	1
160	BAC27NEX1406	.DECAL-	PLACARD CONTENT: K10297	121503 904949	1
165	6752-304-20	.CIRCUIT BREAKER-	SUPPLIER CODE: V82647 SPECIFICATION NUMBER: 10-60806-20 ELECTRICAL EQUIP NUMBER: C00336 C03009	107107 121503 904949	2
165	9TC620	.CIRCUIT BREAKER-	SUPPLIER CODE: V82647 SPECIFICATION NUMBER: BACC18AE20 ELECTRICAL EQUIP NUMBER: C00336 C03009	002004 006100 950999	2
170	9TC625	.CIRCUIT BREAKER-	SUPPLIER CODE: V82647 SPECIFICATION NUMBER: BACC18AE25 ELECTRICAL EQUIP NUMBER: C00391	002004 006100 950999	1

MISSING ITEM NUMBERS NOT APPLICABLE

- ITEM NOT ILLUSTRATED

24-51-60-01

24-51-60
FIG. 01
PAGE 4
JAN 20/09

BRI

BOEING PROPRIETARY - Copyright © - Unpublished Work - See title page for details.

 **BOEING**
757
PARTS CATALOG (MAINTENANCE)

FIG ITEM	PART NUMBER	1 2 3 4 5 6 7	NOMENCLATURE	EFFECT FROM TO	UNITS PER ASSY
1					
170	6752-304-25	.	CIRCUIT BREAKER- SUPPLIER CODE: V82647 SPECIFICATION NUMBER: 10-60806-25 ELECTRICAL EQUIP NUMBER: C00391	107107 121503 904949	1
174	6752-304-25	.	CIRCUIT BREAKER- SUPPLIER CODE: V82647 SPECIFICATION NUMBER: 10-60806-25 ELECTRICAL EQUIP NUMBER: C03025	121503 904949	1
175	6752-304-35	.	CIRCUIT BREAKER- SUPPLIER CODE: V82647 SPECIFICATION NUMBER: 10-60806-35 ELECTRICAL EQUIP NUMBER: C03023	121503 904949	1
- 178	NAS601-7	.	ATTACHING PARTS SCREW-	121503 904949	10
- 178	NAS601-7P	.	SCREW-	121503 904949	10
- 179	NAS601-7	.	SCREW-	002004 006100 107107 121503 904999	6
- 179	NAS601-7P	.	SCREW-	002004 006100 107107 121503 904999	6
- 185	AN960D6L	.	WASHER-	002004 006100 107107 950999	6
- 188	AN960D6L	.	WASHER-	121503 904949	10
189D	10237-1	.	-----*----- CLIP- SUPPLIER CODE: V07RZ7	952999	1
189F	10237-1	.	CLIP- SUPPLIER CODE: V07RZ7	121503 904949	1

MISSING ITEM NUMBERS NOT APPLICABLE

- ITEM NOT ILLUSTRATED

BRI

24-51-60-01

BOEING PROPRIETARY - Copyright © - Unpublished Work - See title page for details.

24-51-60
FIG. 01
PAGE 5
JAN 20/09



757

PARTS CATALOG (MAINTENANCE)

FIG ITEM	PART NUMBER	1 2 3 4 5 6 7	NOMENCLATURE	EFFECT FROM TO	UNITS PER ASSY
1 194	6TC6-7-5		.CIRCUIT BREAKER- SUPPLIER CODE: V82647 SPECIFICATION NUMBER: BACC18AC7 OPTIONAL PART: 4330-004-705 V76374 ELECTRICAL EQUIP NUMBER: C00334 C03002	002004 006100 107107 121503 904999	2
195	2TC47-7-5		.CIRCUIT BREAKER- SUPPLIER CODE: V82647 SPECIFICATION NUMBER: BACC18AD7 OPTIONAL PART: 4310-029-705 V76374 ELECTRICAL EQUIP NUMBER: C01125 C01127	002004 006100 107107 121503 904999	2
200	6TC6-5		.CIRCUIT BREAKER- SUPPLIER CODE: V82647 SPECIFICATION NUMBER: BACC18AC5 OPTIONAL PART: 4330-004-5 V76374 ELECTRICAL EQUIP NUMBER: C03068 C03070 POST SERVICE BULLETIN: 21-0060	009009	2
210	6TC6-5		.CIRCUIT BREAKER- SUPPLIER CODE: V82647 SPECIFICATION NUMBER: BACC18AC5 OPTIONAL PART: 4330-004-5 V76374 ELECTRICAL EQUIP NUMBER: C03028	121503 904949	1

MISSING ITEM NUMBERS NOT APPLICABLE

- ITEM NOT ILLUSTRATED

BRI

24-51-60-01

24-51-60
FIG. 01
PAGE 6
JAN 20/09



757

PARTS CATALOG (MAINTENANCE)

FIG ITEM	PART NUMBER	1 2 3 4 5 6 7	NOMENCLATURE	EFFECT FROM TO	UNITS PER ASSY
1 215	2TC6-1		.CIRCUIT BREAKER- SUPPLIER CODE: V82647 SPECIFICATION NUMBER: BACC18Z1R OPTIONAL PART: 4310-002-1 V76374 ELECTRICAL EQUIP NUMBER: C00060 C00061 C00062 C00063	002004 006100 107107 121503 904999	4
218	2TC47-2-5		.CIRCUIT BREAKER- SUPPLIER CODE: V82647 SPECIFICATION NUMBER: BACC18AD2 OPTIONAL PART: 4310-029-205 V76374 ELECTRICAL EQUIP NUMBER: C00070 C00071	002004 006100 107107 121503 904999	2
221	2TC47-5		.CIRCUIT BREAKER- SUPPLIER CODE: V82647 SPECIFICATION NUMBER: BACC18AD5 OPTIONAL PART: 4310-029-5 V76374 ELECTRICAL EQUIP NUMBER: C04341	950999	1
223	2TC47-5		.CIRCUIT BREAKER- SUPPLIER CODE: V82647 SPECIFICATION NUMBER: BACC18AD5 OPTIONAL PART: 4310-029-5 V76374 ELECTRICAL EQUIP NUMBER: C04002	952999	1

MISSING ITEM NUMBERS NOT APPLICABLE

- ITEM NOT ILLUSTRATED

BRI

24-51-60-01

BOEING PROPRIETARY - Copyright © - Unpublished Work - See title page for details.

24-51-60
FIG. 01
PAGE 7
JAN 20/09



757

PARTS CATALOG (MAINTENANCE)

FIG ITEM	PART NUMBER	1 2 3 4 5 6 7	NOMENCLATURE	EFFECT FROM TO	UNITS PER ASSY
1 228	2TC47-5		.CIRCUIT BREAKER- SUPPLIER CODE: V82647 SPECIFICATION NUMBER: BACC18AD5 OPTIONAL PART: 4310-029-5 V76374 ELECTRICAL EQUIP NUMBER: C00662 C00663 C01259 C01260 C01261 C01292 C04001 C04203 C04204	950999	9
230	2TC47-5		.CIRCUIT BREAKER- SUPPLIER CODE: V82647 SPECIFICATION NUMBER: BACC18AD5 OPTIONAL PART: 4310-029-5 V76374 ELECTRICAL EQUIP NUMBER: C00662 C00663 C01259 C01260 C01261 C01292 C04001 C04002 C04203 C04204	002004 006100 107107 121503 904949	10
235	2TC47-2-5		.CIRCUIT BREAKER- SUPPLIER CODE: V82647 SPECIFICATION NUMBER: BACC18AD2 OPTIONAL PART: 4310-029-205 V76374 ELECTRICAL EQUIP NUMBER: C04373	002004 006100 107107 121503 904999	1

MISSING ITEM NUMBERS NOT APPLICABLE

- ITEM NOT ILLUSTRATED

BRI

24-51-60-01

BOEING PROPRIETARY - Copyright © - Unpublished Work - See title page for details.

24-51-60
FIG. 01
PAGE 8
JAN 20/09



757

PARTS CATALOG (MAINTENANCE)

FIG ITEM	PART NUMBER	1 2 3 4 5 6 7	NOMENCLATURE	EFFECT FROM TO	UNITS PER ASSY	
R R R R R R R R R	1 240		.SCREW	002004 006100 107107 121503 904999	4	
	245	NAS1149DN416J	.WASHER	002004 006100 107107 121503 904999	4	
	250	MS35649-242	.NUT	002004 006100 107107 121503 904999	4	
	R R R R	252	MS18029-2S12	.COVER ASSY	002004 006100 107107 121503 904999	1
		254	MS27212-2-12	.TERMINAL BOARD ASSY- ELECTRICAL EQUIP NUMBER: TB5050	002004 006100 107107 121503 904999	1
		- 255	BACP20B43B	.PLUG- MISCELLANEOUS DATA: (USE IN PLACE OF CIRCUIT BREAKERS ON OPEN HOLES)	121503 904949	AR
	- 260	BACP20B43B	.PLUG- MISCELLANEOUS DATA: (USE IN PLACE OF CIRCUIT BREAKERS ON OPEN HOLES)	002004 006100 107107 950951	AR	
	- 262	BACP20B43B	.PLUG- MISCELLANEOUS DATA: (USE IN PLACE OF CIRCUIT BREAKERS ON OPEN HOLES)	107107	AR	
	265	9131-8506	.RELAY- SUPPLIER CODE: V35344 SPECIFICATION NUMBER: 10-61445-21 ELECTRICAL EQUIP NUMBER: K00119 COMPONENT MAINT MANUAL REF: 24-09-07 OPTIONAL PART: BH316A V74063	002004 006100 107107 121503 904999	1	

MISSING ITEM NUMBERS NOT APPLICABLE

- ITEM NOT ILLUSTRATED

24-51-60-01

24-51-60
FIG. 01
PAGE 9
MAY 20/09

BRI



757

PARTS CATALOG (MAINTENANCE)

FIG ITEM	PART NUMBER	1 2 3 4 5 6 7	NOMENCLATURE	EFFECT FROM TO	UNITS PER ASSY
R R R R R R R R R R R R	1 265	BH316A	.RELAY- SUPPLIER CODE: V74063 FUNCTIONAL DESCRIPTION: A SEALED REPAIRABLE ELECTROMAGNETIC DEVICE FOR REMOTE ACTUATION OF 28V, 50 AMP ELECTRICAL CONTACT. SPECIFICATION NUMBER: 10-61445-21 ELECTRICAL EQUIP NUMBER: K00119 COMPONENT MAINT MANUAL REF: 24-09-36 OPTIONAL PART: 9131-8506 V35344 ATTACHING PARTS	002004 006100 107107 121503 904999	1
	- 270	NAS603-7P	.SCREW	002004 006100 107107 121503 904999	4
	- 275	AN960D10L	.WASHER	002004 006100 107107 121503 904999	4
	280	9131-8506	-----*----- .RELAY- SUPPLIER CODE: V35344 SPECIFICATION NUMBER: 10-61445-21 ELECTRICAL EQUIP NUMBER: K10297 COMPONENT MAINT MANUAL REF: 24-09-07 OPTIONAL PART: BH316A V74063	121503 904949	1

MISSING ITEM NUMBERS NOT APPLICABLE

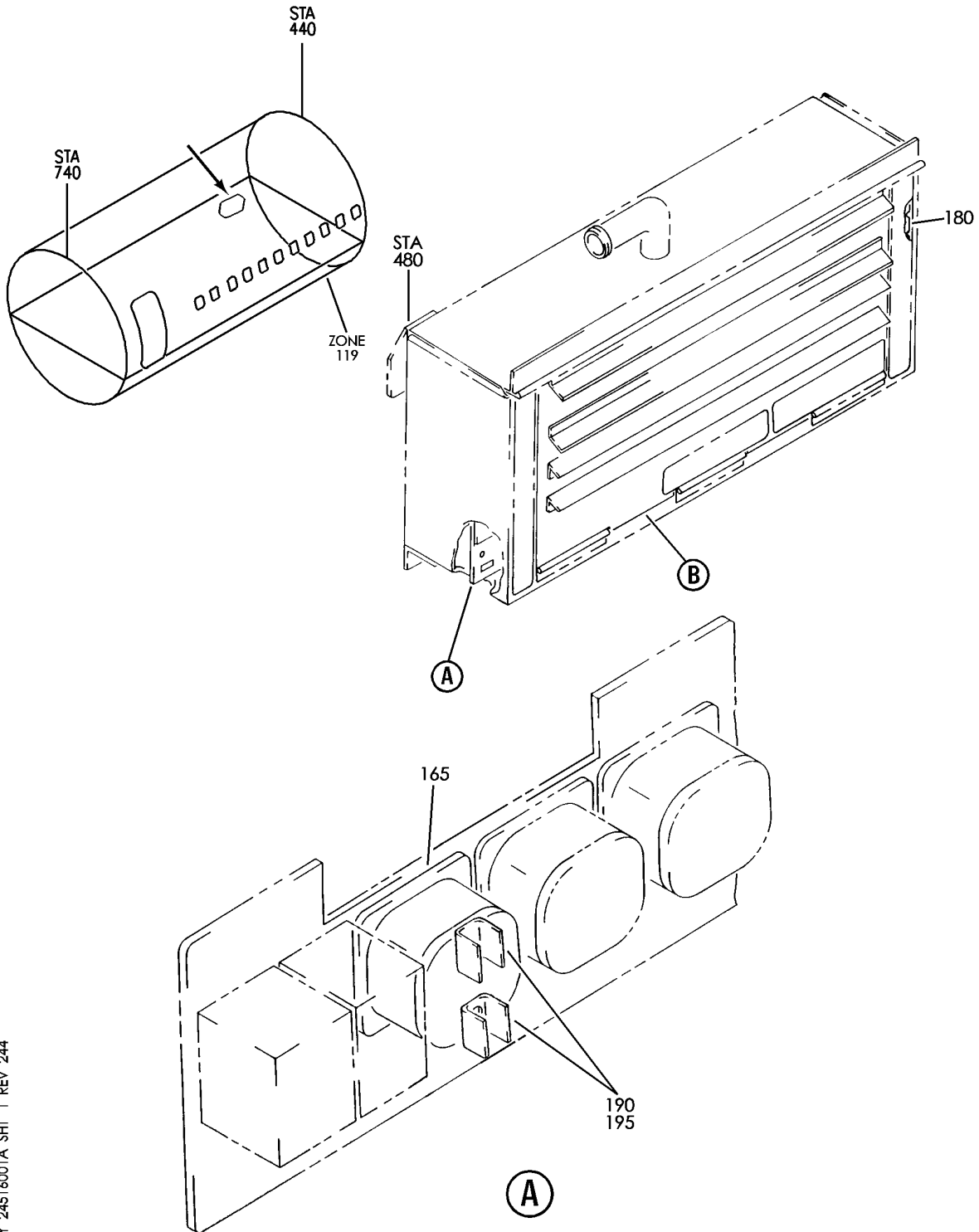
- ITEM NOT ILLUSTRATED

BRI

24-51-60-01

24-51-60
FIG. 01
PAGE 10
MAY 20/09

BOEING
757
PARTS CATALOG (MAINTENANCE)



Y 24516001A SHT 1 REV 244

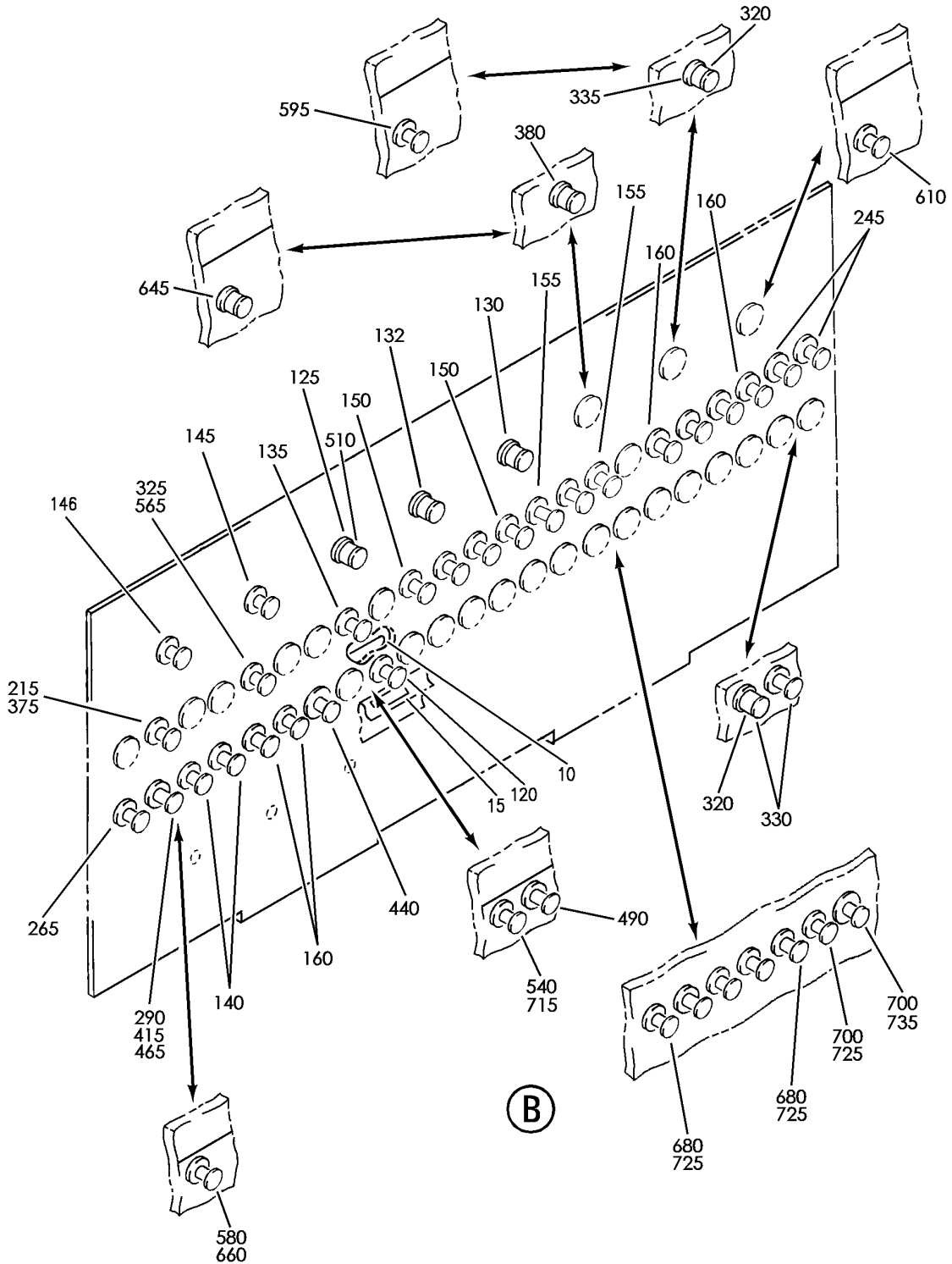
PACKAGE ASSY-OPTION P70 MISC RELAY (115-VOLT AC POWER DISTRIBUTION ONLY)
FIGURE 1A (SHEET 1)

BRI
MAY 28/07

24-51-60-01A

24-51-60-01A
PAGE 0

BOEING
757
PARTS CATALOG (MAINTENANCE)



Y 24516001A SHT 2 REV 325

PACKAGE ASSY-OPTION P70 MISC RELAY (115-VOLT AC POWER DISTRIBUTION ONLY)
FIGURE 1A (SHEET 2)

BRI
SEP 20/08

24-51-60-01A

24-51-60-01A
PAGE 0A



757

PARTS CATALOG (MAINTENANCE)

FIG ITEM	PART NUMBER	1 2 3 4 5 6 7	NOMENCLATURE	EFFECT FROM TO	UNITS PER ASSY
1 A			PACKAGE ASSY-OPTION P70 MISC RELAY (115-VOLT AC POWER DISTRIBUTION ONLY)	101102 504903	
- 1	284N1129-1001		PACKAGE ASSY-OPTION P70 MISC RELAY (115-VOLT AC POWER DISTRIBUTION ONLY) FOR NHA/OTHER SYS DET SEE: 31-01-70-01	101102 504903	RF
125	9TC620		.CIRCUIT BREAKER- SUPPLIER CODE: V82647 SPECIFICATION NUMBER: BACC18AE20 ELECTRICAL EQUIP NUMBER: C03009	101102 504903	1
130	9TC625		.CIRCUIT BREAKER- SUPPLIER CODE: V82647 SPECIFICATION NUMBER: BACC18AE25 ELECTRICAL EQUIP NUMBER: C00391	101102 504903	1
132	9TC620		.CIRCUIT BREAKER- SUPPLIER CODE: V82647 SPECIFICATION NUMBER: BACC18AE20 ELECTRICAL EQUIP NUMBER: C00391	101102 504903	1
135	6TC6-7-5		.CIRCUIT BREAKER- SUPPLIER CODE: V82647 SPECIFICATION NUMBER: BACC18AC7 OPTIONAL PART: 4330-004-705 V76374 ELECTRICAL EQUIP NUMBER: C03002	101102 504903	1

MISSING ITEM NUMBERS NOT APPLICABLE

- ITEM NOT ILLUSTRATED

BRI

24-51-60-01A

BOEING PROPRIETARY - Copyright © - Unpublished Work - See title page for details.

24-51-60
FIG. 01A
PAGE 1
JAN 20/09



757

PARTS CATALOG (MAINTENANCE)

FIG ITEM	PART NUMBER	1 2 3 4 5 6 7	NOMENCLATURE	EFFECT FROM TO	UNITS PER ASSY
1A 140	2TC47-7-5		.CIRCUIT BREAKER- SUPPLIER CODE: V82647 SPECIFICATION NUMBER: BACC18AD7 OPTIONAL PART: 4310-029-705 V76374 ELECTRICAL EQUIP NUMBER: C01125 C01127	101102 504903	2
145	6TC6-5		.CIRCUIT BREAKER- SUPPLIER CODE: V82647 SPECIFICATION NUMBER: BACC18AC5 OPTIONAL PART: 4330-004-5 V76374 ELECTRICAL EQUIP NUMBER: C03070	101102 504903	1
146	6TC6-5		.CIRCUIT BREAKER- SUPPLIER CODE: V82647 SPECIFICATION NUMBER: BACC18AC5 OPTIONAL PART: 4330-004-5 V76374 ELECTRICAL EQUIP NUMBER: C03068	101102 504903	1
150	2TC6-1		.CIRCUIT BREAKER- SUPPLIER CODE: V82647 SPECIFICATION NUMBER: BACC18Z1R OPTIONAL PART: 4310-002-1 V76374 ELECTRICAL EQUIP NUMBER: C00060 C00061 C00062 C00063	101102 504903	4

MISSING ITEM NUMBERS NOT APPLICABLE

- ITEM NOT ILLUSTRATED

BRI

24-51-60-01A

BOEING PROPRIETARY - Copyright © - Unpublished Work - See title page for details.

24-51-60
FIG. 01A
PAGE 2
JAN 20/09



757

PARTS CATALOG (MAINTENANCE)

FIG ITEM	PART NUMBER	1 2 3 4 5 6 7	NOMENCLATURE	EFFECT FROM TO	UNITS PER ASSY
1A 155	2TC47-2-5		.CIRCUIT BREAKER- SUPPLIER CODE: V82647 SPECIFICATION NUMBER: BACC18AD2 OPTIONAL PART: 4310-029-205 V76374 ELECTRICAL EQUIP NUMBER: C00070 C00071 C04373	101102 504903	3
160	2TC47-5		.CIRCUIT BREAKER- SUPPLIER CODE: V82647 SPECIFICATION NUMBER: BACC18AD5 OPTIONAL PART: 4310-029-5 V76374 ELECTRICAL EQUIP NUMBER: C00662 C00663 C01259 C01260 C01261 C01292	101102 504903	6
165	9131-8506		.RELAY- SUPPLIER CODE: V35344 SPECIFICATION NUMBER: 10-61445-21 ELECTRICAL EQUIP NUMBER: K00119 COMPONENT MAINT MANUAL REF: 24-09-01 OPTIONAL PART: BH316A V74063	101102 504903	1

MISSING ITEM NUMBERS NOT APPLICABLE

- ITEM NOT ILLUSTRATED

24-51-60-01A

24-51-60
FIG. 01A
PAGE 3
JAN 20/09

BRI

BOEING PROPRIETARY - Copyright © - Unpublished Work - See title page for details.

BOEING
757
PARTS CATALOG (MAINTENANCE)

FIG ITEM	PART NUMBER	1 2 3 4 5 6 7	NOMENCLATURE	EFFECT FROM TO	UNITS PER ASSY
1A 165	BH316A		.RELAY- SUPPLIER CODE: V74063 FUNCTIONAL DESCRIPTION: A SEALED REPAIRABLE ELECTROMAGNETIC DEVICE FOR REMOTE ACTUATION OF 28V, 50 AMP ELECTRICAL CONTACT SPECIFICATION NUMBER: 10-61445-21 ELECTRICAL EQUIP NUMBER: K00119 COMPONENT MAINT MANUAL REF: 24-09-36 OPTIONAL PART: 9131-8506 V35344 ATTACHING PARTS	101102 504903	1
- 170	NAS603-7P		.SCREW	101102 504903	4
- 175	NAS1149D0316H		.WASHER	101102 504903	4
			-----*-----		
180	MS27212-2-12		.TERMINAL BOARD ASSY- ELECTRICAL EQUIP NUMBER: TB5050	101102 504903	1
190	69-71501-1		.BARRIER-RELAY TERM.	101102 504903	2
195	001-1908-000		..BARRIER- SUPPLIER CODE: V58657	101102 504903	1
215	6TC6-7-5		.CIRCUIT BREAKER- SUPPLIER CODE: V82647 SPECIFICATION NUMBER: BACC18AC7 OPTIONAL PART: 4330-004-705 V76374 ELECTRICAL EQUIP NUMBER: C00334	101102 504903	1
- 225	284N1129-1002		PACKAGE ASSY-OPTION P70 MISC RELAY (115-VOLT AC POWER DISTRIBUTION ONLY) FOR NHA/OTHER SYS DET SEE: 31-01-70-01	101102 504903	RF

MISSING ITEM NUMBERS NOT APPLICABLE

- ITEM NOT ILLUSTRATED

BRI

24-51-60-01A

BOEING PROPRIETARY - Copyright © - Unpublished Work - See title page for details.

24-51-60
FIG. 01A
PAGE 4
MAY 20/09



757

PARTS CATALOG (MAINTENANCE)

FIG ITEM	PART NUMBER	1 2 3 4 5 6 7	NOMENCLATURE	EFFECT FROM TO	UNITS PER ASSY
1A 245	2TC47-5	.	CIRCUIT BREAKER- SUPPLIER CODE: V82647 SPECIFICATION NUMBER: BACC18AD5 OPTIONAL PART: 4310-029-5 V76374 ELECTRICAL EQUIP NUMBER: C04203 C04204	101102 504903	2
- 250	284N1129-1003	PACKAGE ASSY-OPTION P70 MISC RELAY (115-VOLT AC POWER DISTRIBUTION ONLY) FOR NHA SEE: 31-01-70-01		101102 504903	RF
265	2TC47-5	.	CIRCUIT BREAKER- SUPPLIER CODE: V82647 SPECIFICATION NUMBER: BACC18AD5 OPTIONAL PART: 4310-029-5 V76374 ELECTRICAL EQUIP NUMBER: C04001	101102 504903	1
- 275	284N1129-1004	PACKAGE ASSY-OPTION P70 MISC RELAY (115-VOLT AC POWER DISTRIBUTION ONLY) FOR NHA SEE: 31-01-70-01		504903	RF
290	2TC47-5	.	CIRCUIT BREAKER- SUPPLIER CODE: V82647 SPECIFICATION NUMBER: BACC18AD5 OPTIONAL PART: 4310-029-5 V76374 ELECTRICAL EQUIP NUMBER: C04397	504903	1
- 525	284N1129-1022	PACKAGE ASSY-OPTION P70 MISC RELAY (115-VOLT AC POWER DISTRIBUTION ONLY) FOR NHA SEE: 31-01-70-01		101102	RF

MISSING ITEM NUMBERS NOT APPLICABLE

- ITEM NOT ILLUSTRATED

24-51-60-01A

24-51-60
FIG. 01A
PAGE 5
JAN 20/09

BRI



757

PARTS CATALOG (MAINTENANCE)

FIG ITEM	PART NUMBER	1 2 3 4 5 6 7	NOMENCLATURE	EFFECT FROM TO	UNITS PER ASSY
1 A 540	2TC47-5		.CIRCUIT BREAKER- SUPPLIER CODE: V82647 SPECIFICATION NUMBER: BACC18AD5 OPTIONAL PART: 4310-029-5 V76374 ELECTRICAL EQUIP NUMBER: C04002	101102	1

MISSING ITEM NUMBERS NOT APPLICABLE

- ITEM NOT ILLUSTRATED

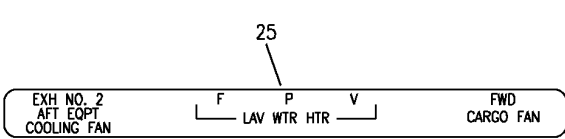
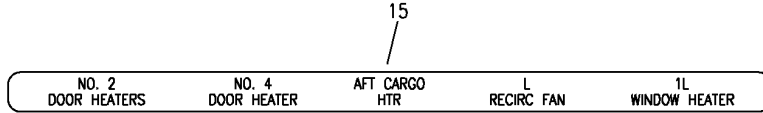
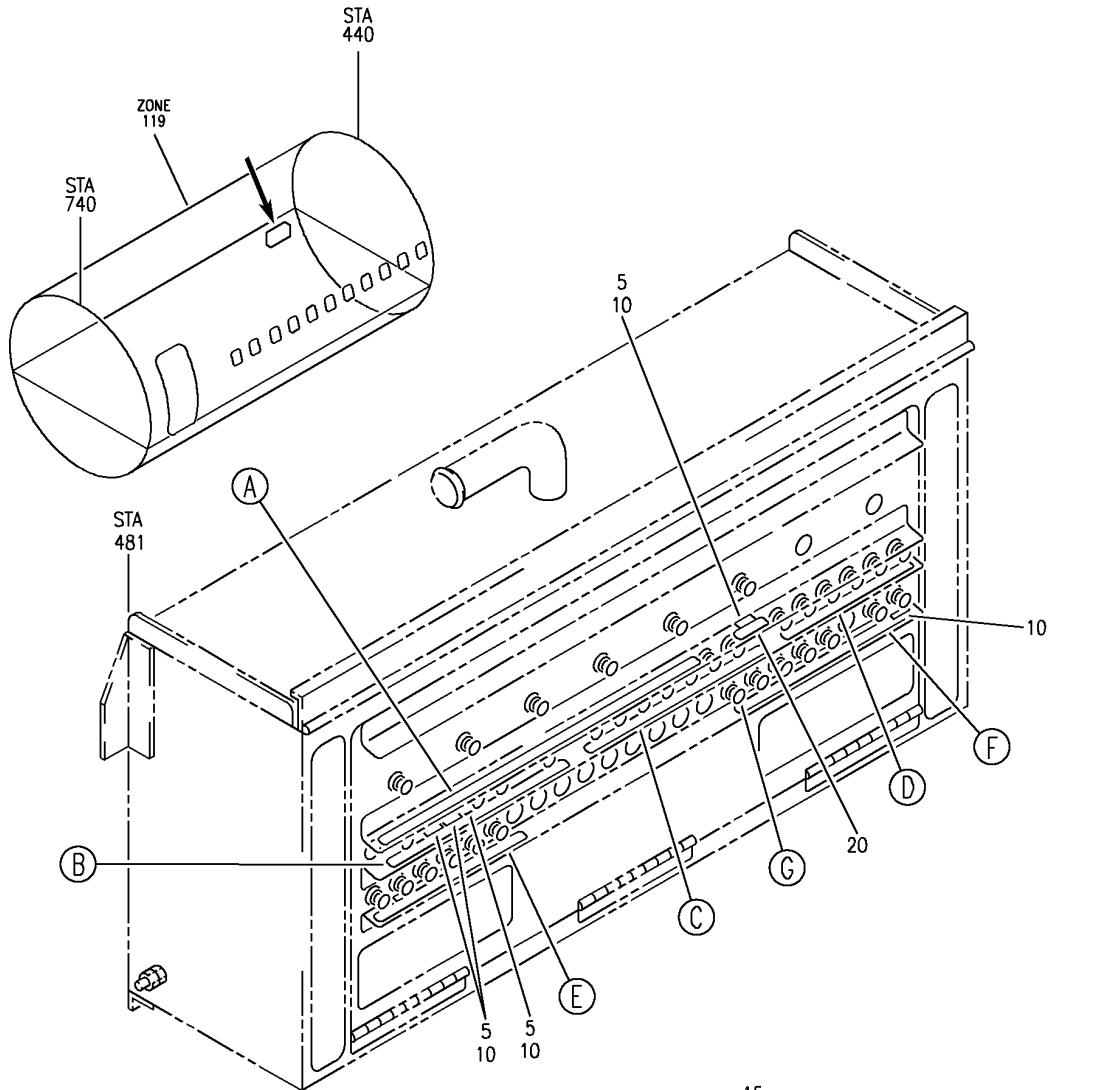
BRI

24-51-60-01A

BOEING PROPRIETARY - Copyright © - Unpublished Work - See title page for details.

24-51-60
FIG. 01A
PAGE 6
JAN 20/09

BOEING
757
PARTS CATALOG (MAINTENANCE)



Y 24-51-60-04 SH1 1 REV 302

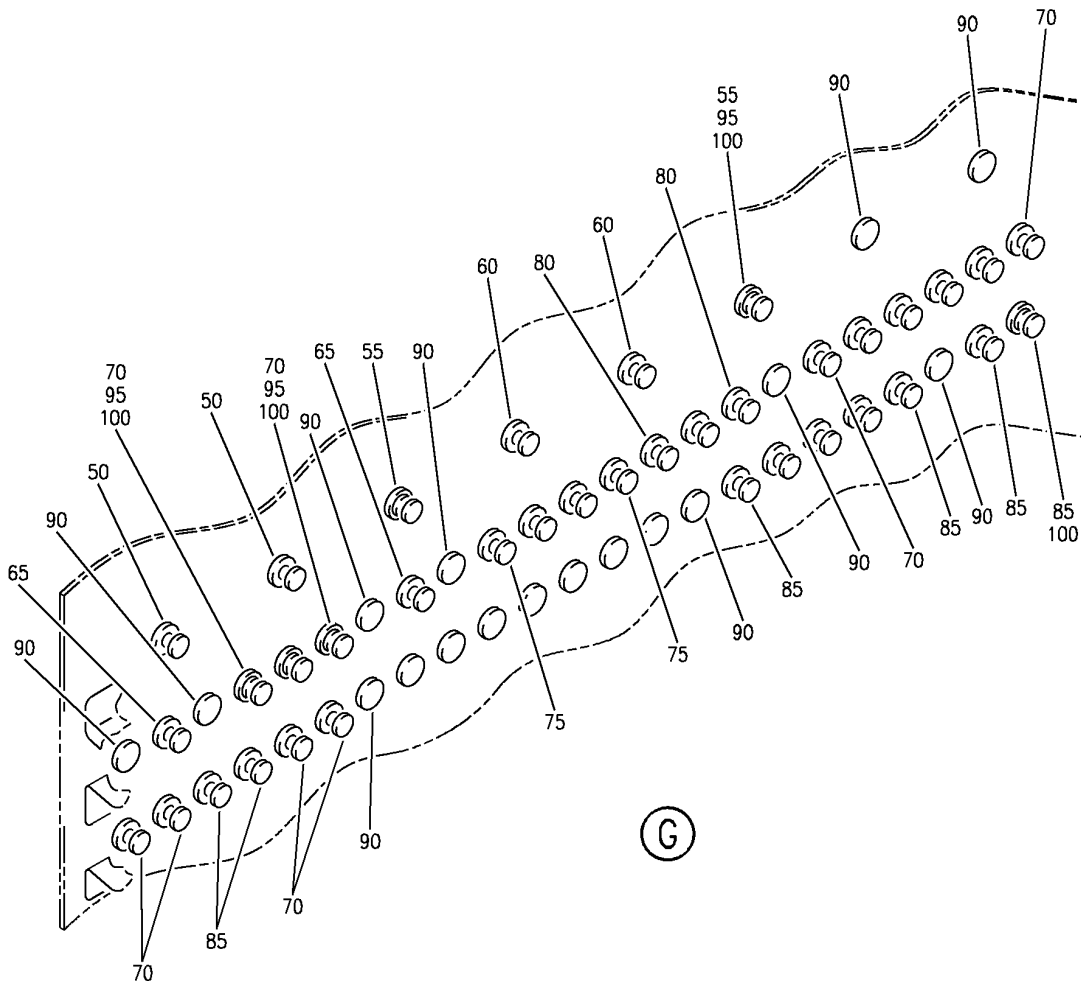
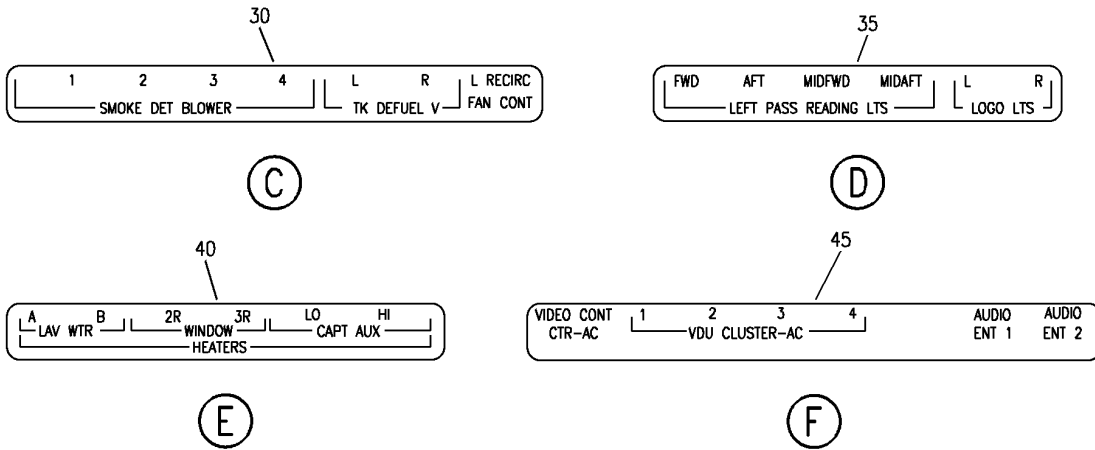
PANEL INSTL-P70 MISC RELAY (CIRCUIT BREAKERS ONLY)
FIGURE 4 (SHEET 1)

24-51-60-04

BRI
JAN 20/09

24-51-60-04
PAGE 0

BOEING
757
PARTS CATALOG (MAINTENANCE)



Y 24516004 SHT 2 REV 302

PANEL INSTL-P70 MISC RELAY (CIRCUIT BREAKERS ONLY)
FIGURE 4 (SHEET 2)

24-51-60-04

BRI
JAN 20/09

24-51-60-04
PAGE 0A



757

PARTS CATALOG (MAINTENANCE)

FIG ITEM	PART NUMBER	1 2 3 4 5 6 7	NOMENCLATURE	EFFECT FROM TO	UNITS PER ASSY
4			PANEL INSTL-P70 MISC RELAY (CIRCUIT BREAKERS ONLY)	103106	
- 1	MODREF31428		PANEL INSTL-P70 MISC RELAY (CIRCUIT BREAKERS ONLY) MODULE NUMBER: 284N1129-438 REV A FOR OTHER SYS DETAILS SEE: 11-36-10-01B 21-25-71-03C 21-43-71-02B 21-44-71-03B 21-45-61-01 23-32-55-03B 24-53-71-04B 27-51-71-04B 28-25-71-04B 31-01-70-05 33-45-51-02B FOR ADDITIONAL DETAILS SEE: 24-51-02-07 24-51-04-01	103105	RF
- 1	MODREF170991		PANEL INSTL-P70 MISC RELAY (CIRCUIT BREAKERS ONLY) MODULE NUMBER: 284N1129-438 REV C FOR OTHER SYS DETAILS SEE: 11-36-10-01B 21-25-71-03C 21-43-71-02B 21-44-71-03B 21-45-61-01 23-32-55-03B 24-53-71-04B 27-51-71-04B 28-25-71-04B 31-01-70-05 33-45-51-02B FOR ADDITIONAL DETAILS SEE: 24-51-02-07 24-51-04-01	106106	RF
5	BACM8L9BF		.MARKER- PLACARD CONTENT: INOP	103105	4
10	BACM8L9BF		.MARKER- PLACARD CONTENT: INOP	106106	5
15	BAC27NEX2928		.DECAL	103106	1

MISSING ITEM NUMBERS NOT APPLICABLE

- ITEM NOT ILLUSTRATED

24-51-60-04

24-51-60
FIG. 04
PAGE 1
JAN 20/09

BRI



757

PARTS CATALOG (MAINTENANCE)

FIG ITEM	PART NUMBER	1 2 3 4 5 6 7	NOMENCLATURE	EFFECT FROM TO	UNITS PER ASSY
4					
20	BAC27NEX3235		.DECAL- PLACARD CONTENT: PC POWER	103106	1
25	BAC27NEX3225		.DECAL	103106	1
30	BAC27NEX2098		.DECAL	103106	1
35	BAC27NEX1306		.DECAL	103106	1
40	BAC27NEX3243		.DECAL	103106	1
45	BAC27NEX3242		.DECAL	103106	1
50	6TC6-5		.CIRCUIT BREAKER- SUPPLIER CODE: V82647 SPECIFICATION NUMBER: BACC18AC5 OPTIONAL PART: 4330-004-5 V76374 ELECTRICAL EQUIP NUMBER: C03068 C03070	103106	2
55	9TC620		.CIRCUIT BREAKER- SUPPLIER CODE: V82647 SPECIFICATION NUMBER: BACC18AE20 ELECTRICAL EQUIP NUMBER: C03009 C03087	103106	2
60	9TC625		.CIRCUIT BREAKER- SUPPLIER CODE: V82647 SPECIFICATION NUMBER: BACC18AE25 ELECTRICAL EQUIP NUMBER: C00336 C00391	103106	2
65	6TC6-7-5		.CIRCUIT BREAKER- SUPPLIER CODE: V82647 SPECIFICATION NUMBER: BACC18AC7 OPTIONAL PART: 4330-004-705 V76374 ELECTRICAL EQUIP NUMBER: C00334 C03002	103106	2

MISSING ITEM NUMBERS NOT APPLICABLE

- ITEM NOT ILLUSTRATED

24-51-60-04

24-51-60
FIG. 04
PAGE 2
JAN 20/09

BRI

BOEING PROPRIETARY - Copyright © - Unpublished Work - See title page for details.



757

PARTS CATALOG (MAINTENANCE)

FIG ITEM	PART NUMBER	1 2 3 4 5 6 7	NOMENCLATURE	EFFECT FROM TO	UNITS PER ASSY
4 70	2TC47-5		.CIRCUIT BREAKER- SUPPLIER CODE: V82647 SPECIFICATION NUMBER: BACC18AD5 OPTIONAL PART: 4310-029-5 V76374 ELECTRICAL EQUIP NUMBER: C00662 C00663 C01259 C01260 C01261 C01292 C04001 C04002 C04203 C04204 C04397 C04657 C04658	103106	13
75	2TC6-1		.CIRCUIT BREAKER- SUPPLIER CODE: V82647 SPECIFICATION NUMBER: BACC18Z1R OPTIONAL PART: 4310-002-1 V76374 ELECTRICAL EQUIP NUMBER: C00060 C00061 C00062 C00063	103106	4
80	2TC47-2-5		.CIRCUIT BREAKER- SUPPLIER CODE: V82647 SPECIFICATION NUMBER: BACC18AD2 OPTIONAL PART: 4310-029-205 V76374 ELECTRICAL EQUIP NUMBER: C00070 C00071 C04373	103106	3

MISSING ITEM NUMBERS NOT APPLICABLE

- ITEM NOT ILLUSTRATED

24-51-60-04

24-51-60
FIG. 04
PAGE 3
JAN 20/09

BRI



757

PARTS CATALOG (MAINTENANCE)

FIG ITEM	PART NUMBER	1 2 3 4 5 6 7	NOMENCLATURE	EFFECT FROM TO	UNITS PER ASSY
4 85	2TC47-7-5		.CIRCUIT BREAKER- SUPPLIER CODE: V82647 SPECIFICATION NUMBER: BACC18AD7 OPTIONAL PART: 4310-029-705 V76374 ELECTRICAL EQUIP NUMBER: C01125 C01127 C04639 C04640 C04641 C04642 C04643 C04644 C04645	103106	9
90	BACP20B43B		.PLUG- MISCELLANEOUS DATA: USE IN PLACE OF CIRCUIT BREAKERS ON OPEN HOLES OPTIONAL PART: BACP20B63B BACP20B43P	103106	17
90	BACP20B43P		.PLUG- MISCELLANEOUS DATA: USE IN PLACE OF CIRCUIT BREAKERS ON OPEN HOLES OPTIONAL PART: BACP20B43B BACP20B63P	106106	17
90	BACP20B63P		.PLUG- MISCELLANEOUS DATA: USE IN PLACE OF CIRCUIT BREAKERS ON OPEN HOLES OPTIONAL PART: BACP20B43P	106106	17

MISSING ITEM NUMBERS NOT APPLICABLE

- ITEM NOT ILLUSTRATED

24-51-60-04

24-51-60
FIG. 04
PAGE 4
JAN 20/09

BRI



757

PARTS CATALOG (MAINTENANCE)

FIG ITEM	PART NUMBER	1 2 3 4 5 6 7	NOMENCLATURE	EFFECT FROM TO	UNITS PER ASSY
4 90	BS51338D5003		.PLUG- SUPPLIER CODE: V83058 SPECIFICATION NUMBER: BACP20B63B OPTIONAL PART: 51338 V83058 MISCELLANEOUS DATA: USE IN PLACE OF CIRCUIT BREAKERS ON OPEN HOLES BACP20B43B	103105	17
95	10237-1		.CLIP-STOW SUPPLIER CODE: V07RZ7	103105	4
100	10237-1		.CLIP-STOW SUPPLIER CODE: V07RZ7	106106	5

MISSING ITEM NUMBERS NOT APPLICABLE

- ITEM NOT ILLUSTRATED

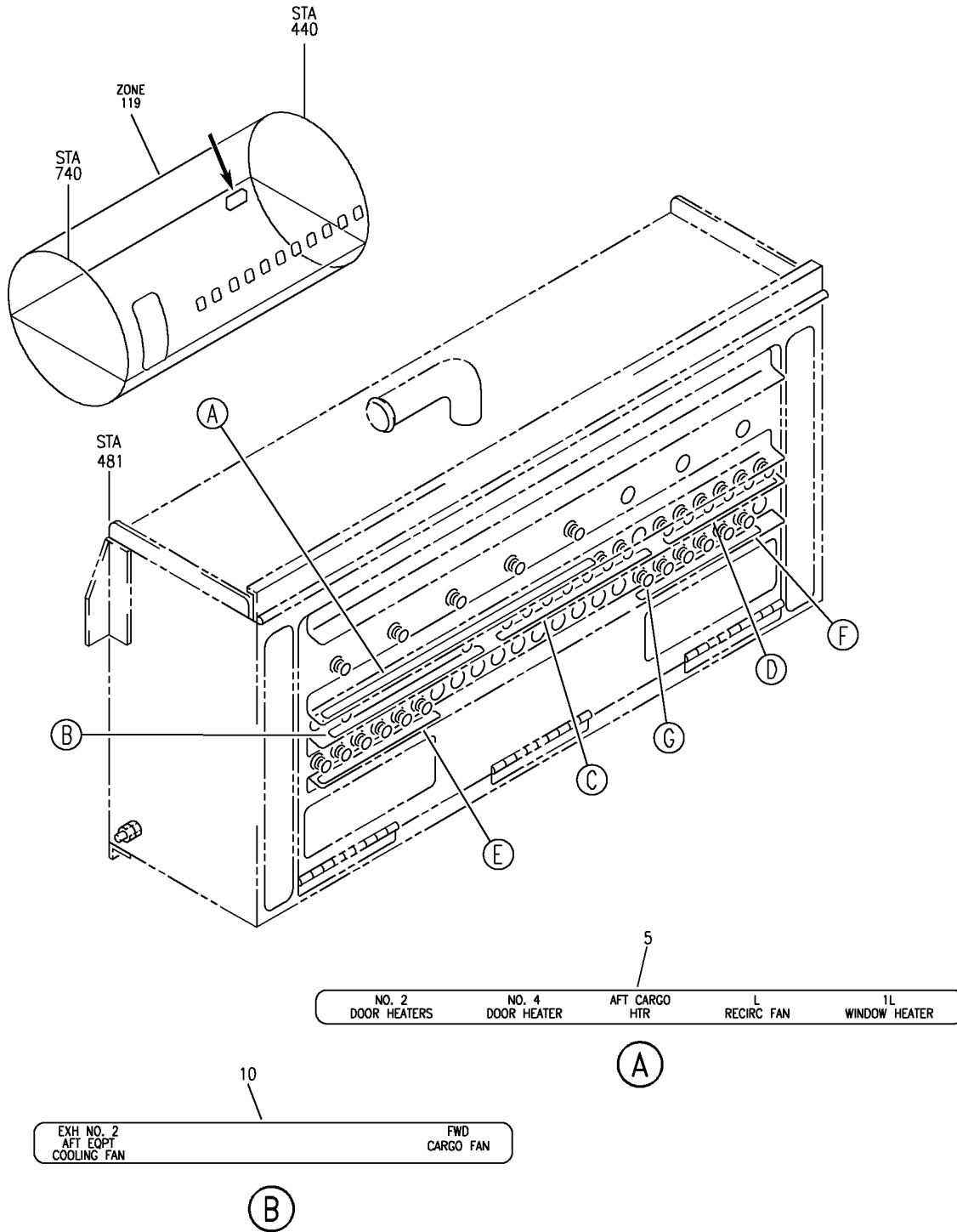
BRI

24-51-60-04

BOEING PROPRIETARY - Copyright © - Unpublished Work - See title page for details.

24-51-60
FIG. 04
PAGE 5
JAN 20/09

BOEING
757
PARTS CATALOG (MAINTENANCE)



Y 24-51-60-09 SH1 1 REV 302

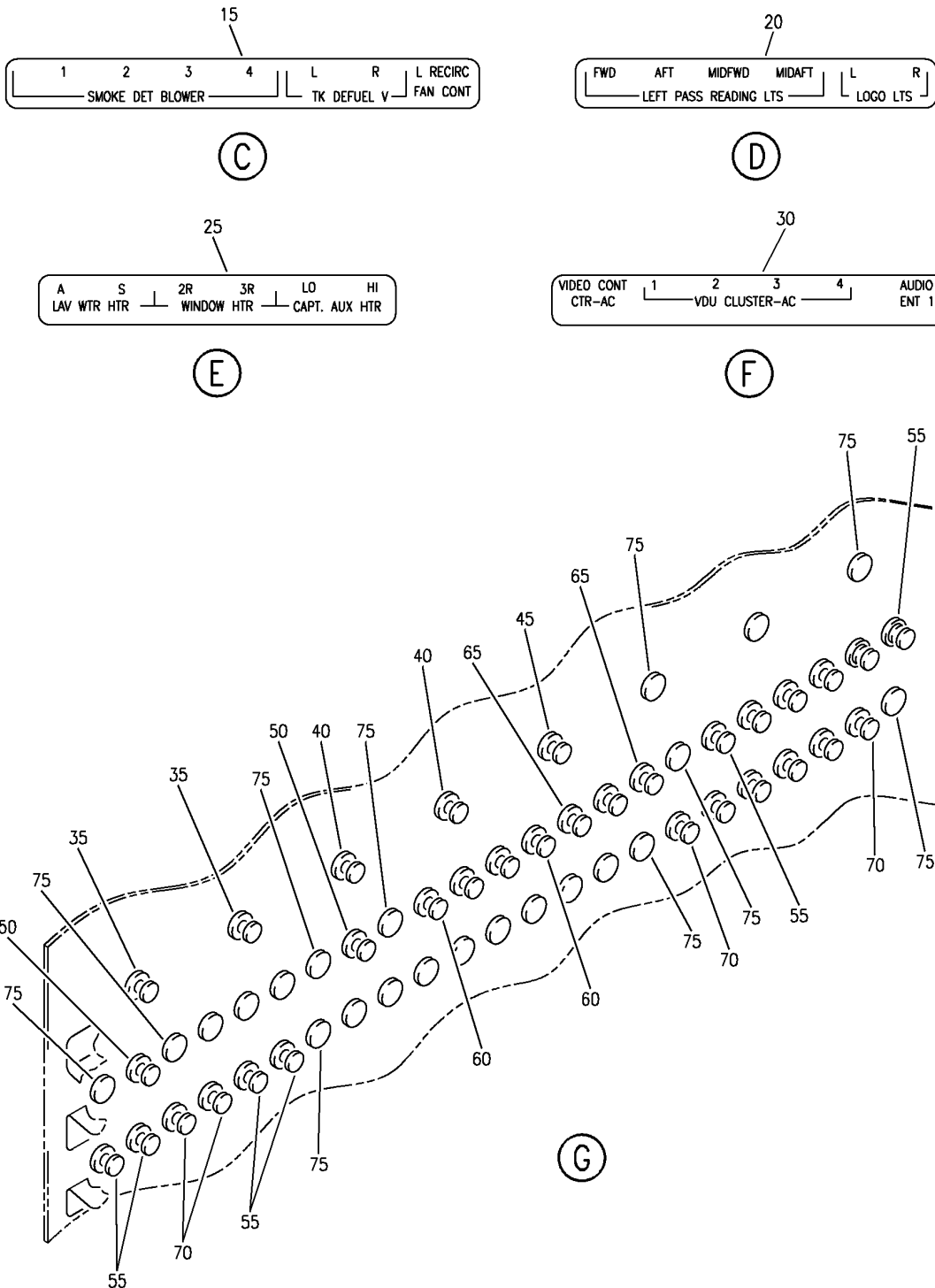
PANEL INSTL-P70 MISC RELAY (CIRCUIT BREAKERS ONLY)
FIGURE 9 (SHEET 1)

24-51-60-09

BRI
JAN 20/09

24-51-60-09
PAGE 0


BOEING
 757
PARTS CATALOG (MAINTENANCE)



Y 24-516009 SHT 2 REV 302

PANEL INSTL-P70 MISC RELAY (CIRCUIT BREAKERS ONLY)
 FIGURE 9 (SHEET 2)

24-51-60-09

BRI
JAN 20/09

24-51-60-09
 PAGE 0A



757

PARTS CATALOG (MAINTENANCE)

FIG ITEM	PART NUMBER	1 2 3 4 5 6 7	NOMENCLATURE	EFFECT FROM TO	UNITS PER ASSY
9			PANEL INSTL-P70 MISC RELAY (CIRCUIT BREAKERS ONLY)	108120	
- 1	284N1129-423		PANEL INSTL-P70 MISC RELAY (CIRCUIT BREAKERS ONLY) FOR NHA/OTHER SYS DET SEE: 24-00-58-05C	108120	RF
5	BAC27NEX2928		.DECAL	108120	1
10	BAC27NEX2119		.DECAL	108120	1
15	BAC27NEX2098		.DECAL	108120	1
20	BAC27NEX1306		.DECAL	108120	1
25	BAC27NEX1965		.DECAL	108120	1
30	BAC27NEX3189		.DECAL	108120	1
35	6TC6-5		.CIRCUIT BREAKER- SUPPLIER CODE: V82647 SPECIFICATION NUMBER: BACC18AC5 OPTIONAL PART: 4330-004-5 V76374 ELECTRICAL EQUIP NUMBER: C03068 C03070	108120	2
40	9TC620		.CIRCUIT BREAKER- SUPPLIER CODE: V82647 SPECIFICATION NUMBER: BACC18AE20 ELECTRICAL EQUIP NUMBER: C03009 C00336	108120	2
45	9TC625		.CIRCUIT BREAKER- SUPPLIER CODE: V82647 SPECIFICATION NUMBER: BACC18AE25 ELECTRICAL EQUIP NUMBER: C00391	108120	1
50	6TC6-7-5		.CIRCUIT BREAKER- SUPPLIER CODE: V82647 SPECIFICATION NUMBER: BACC18AC7 OPTIONAL PART: 4330-004-705 V76374 ELECTRICAL EQUIP NUMBER: C00334 C03002	108120	2

MISSING ITEM NUMBERS NOT APPLICABLE

- ITEM NOT ILLUSTRATED

BRI

24-51-60-09

24-51-60
FIG. 09
PAGE 1
JAN 20/09



757

PARTS CATALOG (MAINTENANCE)

FIG ITEM	PART NUMBER	1 2 3 4 5 6 7	NOMENCLATURE	EFFECT FROM TO	UNITS PER ASSY
9 55	2TC47-5		.CIRCUIT BREAKER- SUPPLIER CODE: V82647 SPECIFICATION NUMBER: BACC18AD5 OPTIONAL PART: 4310-029-5 V76374 ELECTRICAL EQUIP NUMBER: C00662 C00663 C01259 C01260 C01261 C01292 C04001 C04203 C04204 C04341	108120	10
60	2TC6-1		.CIRCUIT BREAKER- SUPPLIER CODE: V82647 SPECIFICATION NUMBER: BACC18Z1R OPTIONAL PART: 4310-002-1 V76374 ELECTRICAL EQUIP NUMBER: C00060 C00061 C00062 C00063	108120	4
65	2TC47-2-5		.CIRCUIT BREAKER- SUPPLIER CODE: V82647 SPECIFICATION NUMBER: BACC18AD2 OPTIONAL PART: 4310-029-205 V76374 ELECTRICAL EQUIP NUMBER: C00070 C00071 C04373	108120	3

MISSING ITEM NUMBERS NOT APPLICABLE

- ITEM NOT ILLUSTRATED

BRI

24-51-60-09

BOEING PROPRIETARY - Copyright © - Unpublished Work - See title page for details.

24-51-60
FIG. 09
PAGE 2
JAN 20/09



**757
PARTS CATALOG (MAINTENANCE)**

FIG ITEM	PART NUMBER	1 2 3 4 5 6 7	NOMENCLATURE	EFFECT FROM TO	UNITS PER ASSY
9 70	2TC47-7-5		.CIRCUIT BREAKER- SUPPLIER CODE: V82647 SPECIFICATION NUMBER: BACC18AD7 OPTIONAL PART: 4310-029-705 V76374 ELECTRICAL EQUIP NUMBER: C01125 C01127 C04639 C04641 C04642 C04643 C04644 C04645	108120	8
75	BACP20B43B		.PLUG- MISCELLANEOUS DATA: USE IN PLACE OF CIRCUIT BREAKERS ON OPEN HOLES	108120	22

MISSING ITEM NUMBERS NOT APPLICABLE

— ITEM NOT ILLUSTRATED

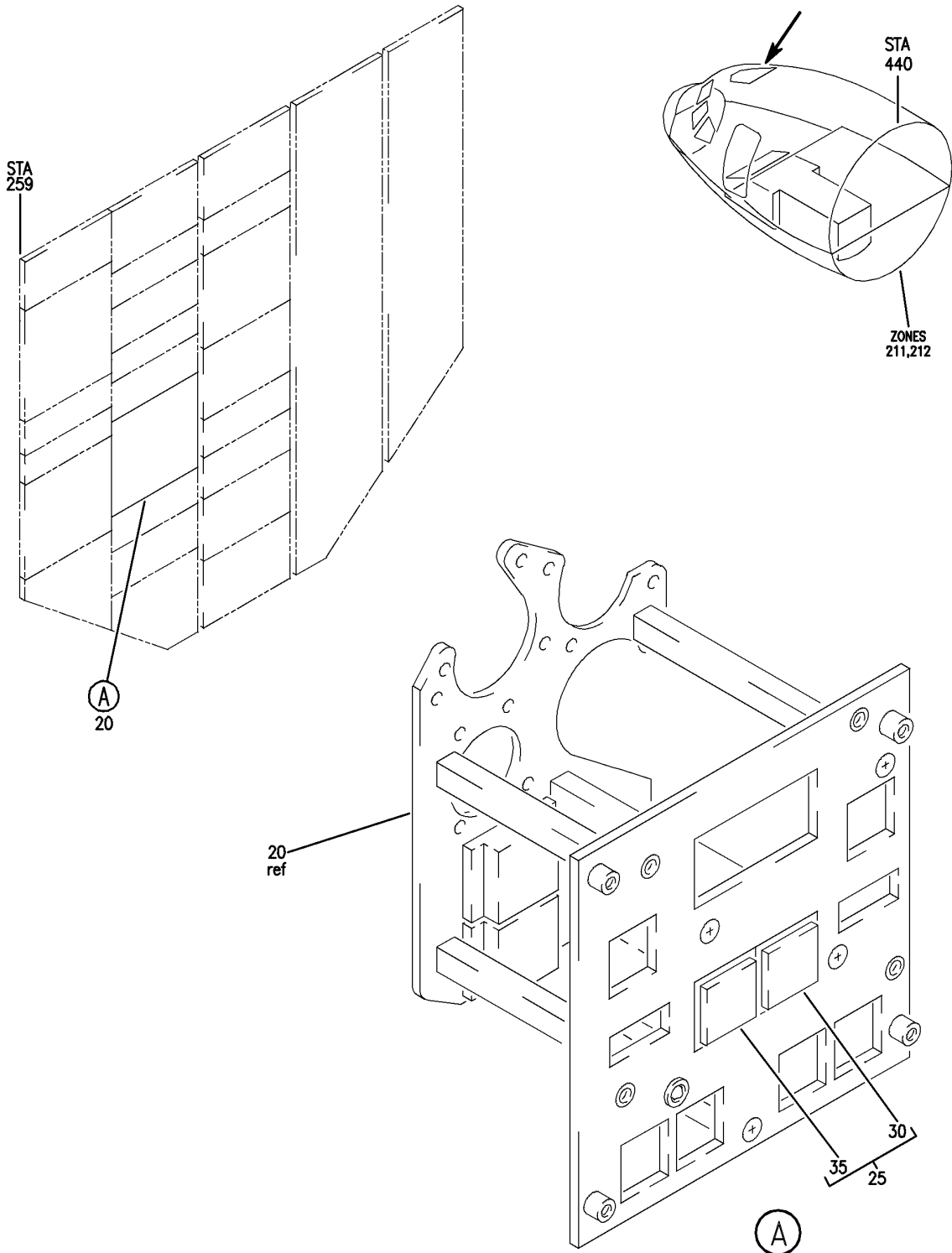
BRI

24-51-60-09

BOEING PROPRIETARY - Copyright © - Unpublished Work - See title page for details.

24-51-60
FIG. 09
PAGE 3
JAN 20/09

BOEING
757
PARTS CATALOG (MAINTENANCE)



Y 24516201 REV 227

PANEL INSTL-P5 OVHD (115 VOLT AC POWER DISTRIBUTION ONLY)
FIGURE 1

24-51-62-01

BRI
MAY 28/07

24-51-62-01
PAGE 0



757

PARTS CATALOG (MAINTENANCE)

FIG ITEM	PART NUMBER	1 2 3 4 5 6 7	NOMENCLATURE	EFFECT FROM TO	UNITS PER ASSY
1			PANEL INSTL-P5 OVHD (115 VOLT AC POWER DISTRIBUTION ONLY)	011106 108120 504903	
- 1	233N3101-1		PANEL INSTL-P5 OVHD (115 VOLT AC POWER DISTRIBUTION ONLY) VARIABLE DRAWING REF: 233N3101-5142 FOR NHA/OTHER SYS DET SEE: 25-10-00-05A	011100	RF
- 7	233N3103-59		PANEL INSTL-P5 OVHD (115 VOLT AC POWER DISTRIBUTION ONLY) FOR NHA/OTHER SYS DET SEE: 25-10-00-15E	108120	RF
- 8	MODREF170180		PANEL INSTL-P5 OVHD (115 VOLT AC POWER DISTRIBUTION ONLY) MODULE NUMBER: 233N3103-353 REV B FOR OTHER SYS DETAILS SEE: 11-31-10-12 21-25-55-03 21-31-01-02 21-33-51-03 21-51-54-03 21-58-19-10 21-58-51-03 21-61-04-03 21-65-51-01 22-21-01-04 22-24-51-02 23-24-01-01 23-32-00-11 23-42-02-02 23-71-05-02 24-11-52-05 24-22-01-03 24-31-01-10 24-31-03-09 24-33-04-01 24-41-51-04 26-18-51-04 27-21-53-02 27-41-55-01 27-61-51-03 27-62-52-02 28-22-51-02 28-41-04-01	106106	1

MISSING ITEM NUMBERS NOT APPLICABLE

- ITEM NOT ILLUSTRATED

24-51-62-01

24-51-62
FIG. 01
PAGE 1
JAN 20/09

BRI



757

PARTS CATALOG (MAINTENANCE)

FIG ITEM	PART NUMBER	1 2 3 4 5 6 7	NOMENCLATURE	EFFECT FROM TO	UNITS PER ASSY
1			28-41-51-03 29-11-02-03 29-11-05-04 29-11-52-07 29-21-54-03 29-31-00-01 29-32-51-03 29-33-52-03 30-11-51-03 30-21-51-03 30-31-51-02 30-32-51-01 30-33-51-02 30-41-51-03 30-42-51-03 31-12-11-84 31-12-11-84 A 32-42-52-03 33-11-03-03 33-11-51-17 33-13-01-65 33-13-02-03 33-16-51-03 33-24-51-02 33-41-52-04 33-42-01-04 33-42-02-04 33-42-52-04 33-43-51-04 33-44-51-05 33-45-53-03 33-51-08-05 34-21-02-01 35-21-51-04 36-11-04-01 36-21-00-01 36-21-02-05 36-22-51-03 49-41-00-02 49-52-00-01 49-70-00-01 52-51-51-03 52-71-51-02 73-21-52-02 74-31-51-05 75-32-00-01 80-11-09-02		
- 8	MODREF33760		PANEL INSTL-P5 OVHD (115 VOLT AC POWER	103103	1

MISSING ITEM NUMBERS NOT APPLICABLE

- ITEM NOT ILLUSTRATED

BRI

24-51-62-01

BOEING PROPRIETARY - Copyright © - Unpublished Work - See title page for details.

24-51-62
FIG. 01
PAGE 2
JAN 20/09



757

PARTS CATALOG (MAINTENANCE)

FIG ITEM	PART NUMBER	1 2 3 4 5 6 7 NOMENCLATURE	EFFECT FROM TO	UNITS PER ASSY
1		DISTRIBUTION ONLY) MODULE NUMBER: 233N3103-351 REV C FOR OTHER SYS DETAILS SEE: 11-31-10-12 21-25-55-03 21-31-01-02 21-33-51-03 21-51-54-03 21-58-19-10 21-58-51-03 21-61-04-03 21-65-51-01 22-21-01-04 22-24-51-02 23-24-01-01 23-32-00-11 23-42-02-02 23-71-05-02 24-11-52-05 24-22-01-03 24-31-01-10 24-31-03-09 24-33-04-01 24-41-51-04 26-18-51-04 27-21-53-02 27-41-55-01 27-61-51-03 27-62-52-02 28-22-51-02 28-41-04-01 28-41-51-03 29-11-02-03 29-11-05-04 29-11-52-07 29-21-54-03 29-31-00-01 29-32-51-03 29-33-52-03 30-11-51-03 30-21-51-03 30-31-51-02 30-32-51-01 30-33-51-02 30-41-51-03 30-42-51-03 31-12-11-91 31-12-11-91A MISSING ITEM NUMBERS NOT APPLICABLE		

- ITEM NOT ILLUSTRATED

24-51-62-01

24-51-62
FIG. 01
PAGE 3
JAN 20/09

BRI



757

PARTS CATALOG (MAINTENANCE)

FIG ITEM	PART NUMBER	1 2 3 4 5 6 7	NOMENCLATURE	EFFECT FROM TO	UNITS PER ASSY
1			32-42-52-03 33-11-03-03 33-11-51-17 33-13-01-65 33-13-02-03 33-16-51-03 33-24-51-02 33-41-52-04 33-42-01-04 33-42-02-04 33-42-52-04 33-43-51-04 33-44-51-05 33-45-53-03 33-51-08-05 34-21-02-01 35-21-51-04 36-11-04-01 36-21-00-01 36-21-02-05 36-22-51-03 49-41-00-02 49-52-00-01 49-70-00-01 52-51-51-03 52-71-51-02 73-21-52-02 74-31-51-05 75-32-00-01 80-11-09-02		
-	8 MODREF34038		PANEL INSTL-P5 OVHD (115 VOLT AC POWER DISTRIBUTION ONLY) MODULE NUMBER: 233N3103-351 REV D FOR OTHER SYS DETAILS SEE: 11-31-10-12 21-25-55-03 21-31-01-02 21-33-51-03 21-51-54-03 21-58-19-10 21-58-51-03 21-61-04-03 21-65-51-01 22-21-01-04 22-24-51-02 23-24-01-01 23-32-00-11	104105	1

MISSING ITEM NUMBERS NOT APPLICABLE

- ITEM NOT ILLUSTRATED

24-51-62-01

24-51-62
 FIG. 01
 PAGE 4
 JAN 20/09

BRI



757

PARTS CATALOG (MAINTENANCE)

FIG ITEM	PART NUMBER	1 2 3 4 5 6 7	NOMENCLATURE	EFFECT FROM TO	UNITS PER ASSY
1			23-42-02-02 23-71-05-02 24-11-52-05 24-22-01-03 24-31-01-10 24-31-03-09 24-33-04-01 24-41-51-04 26-18-51-04 27-21-53-02 27-41-55-01 27-61-51-03 27-62-52-02 28-22-51-02 28-41-04-01 28-41-51-03 29-11-02-03 29-11-05-04 29-11-52-07 29-21-54-03 29-31-00-01 29-32-51-03 29-33-52-03 30-11-51-03 30-21-51-03 30-31-51-02 30-32-51-01 30-33-51-02 30-41-51-03 30-42-51-03 31-12-11-91 31-12-11-91 A 32-42-52-03 33-11-03-03 33-11-51-17 33-13-01-65 33-13-02-03 33-16-51-03 33-24-51-02 33-41-52-04 33-42-01-04 33-42-02-04 33-42-52-04 33-43-51-04 33-44-51-05 33-45-53-03 33-51-08-05 34-21-02-01 35-21-51-04		
MISSING ITEM NUMBERS NOT APPLICABLE					

- ITEM NOT ILLUSTRATED

BRI

24-51-62-01

BOEING PROPRIETARY - Copyright © - Unpublished Work - See title page for details.

24-51-62
FIG. 01
PAGE 5
JAN 20/09



757

PARTS CATALOG (MAINTENANCE)

FIG ITEM	PART NUMBER	1 2 3 4 5 6 7	NOMENCLATURE	EFFECT FROM TO	UNITS PER ASSY
1			36-11-04-01 36-21-00-01 36-21-02-05 36-22-51-03 49-41-00-02 49-52-00-01 49-70-00-01 52-51-51-03 52-71-51-02 73-21-52-02 74-31-51-05 75-32-00-01 80-11-09-02		
- 11	233N3103-132		PANEL INSTL-P5 OVHD (115 VOLT AC POWER DISTRIBUTION ONLY) FOR NHA/OTHER SYS DET SEE: 25-10-00-15E	101102	RF
- 11	233N3103-136		PANEL INSTL-P5 OVHD (115 VOLT AC POWER DISTRIBUTION ONLY) FOR NHA/OTHER SYS DET SEE: 25-10-00-15E	504903	RF
20	233N3209-300		.PANEL ASSY-ELECTRICAL SYS SUPPLIER CODE: V89954 ELECTRICAL EQUIP NUMBER: M10063 QUALIFIED I/W DATA: 233N3209-300 PANEL ASSY IS I/W 233N3209-25 PANEL ASSY T/W S233T100-6004 LIGHTPLATE PRE ALERT SB: 33A0044	011100	RF
20	233N3209-305		.PANEL ASSY-ELECTRICAL SYS SUPPLIER CODE: V89954 ELECTRICAL EQUIP NUMBER: M10063 COMPONENT MAINT MANUAL REF: 24-22-71 PRE ALERT SB: 33A0044	011100	RF

MISSING ITEM NUMBERS NOT APPLICABLE

- ITEM NOT ILLUSTRATED

BRI

24-51-62-01

24-51-62
FIG. 01
PAGE 6
JAN 20/09



757

PARTS CATALOG (MAINTENANCE)

FIG ITEM	PART NUMBER	1 2 3 4 5 6 7	NOMENCLATURE	EFFECT FROM TO	UNITS PER ASSY
1					
20	233N3209-1305		.PANEL ASSY-ELECTRICAL SYS SUPPLIER CODE: V89954 ELECTRICAL EQUIP NUMBER: M10063 COMPONENT MAINT MANUAL REF: 24-22-71 POST ALERT SB: 33A0044	011102 108120 504903	RF
20	233N3209-314		.PANEL ASSY-ELECTRICAL SYS SUPPLIER CODE: V89954 ELECTRICAL EQUIP NUMBER: M10063 COMPONENT MAINT MANUAL REF: 24-22-71	101106 108120 504903	RF
20	233N3209-1300		.PANEL ASSY-ELECTRICAL SYS SUPPLIER CODE: V89954 ELECTRICAL EQUIP NUMBER: M10063 POST ALERT SB: 33A0044	011100	RF
20	233N3209-305		.PANEL ASSY-ELECTRICAL SYS SUPPLIER CODE: V89954 ELECTRICAL EQUIP NUMBER: M10063 COMPONENT MAINT MANUAL REF: 24-22-71 PRE ALERT SB: 33A0044	101102 108120 504903	RF
25	233N3209-25		..PANEL ASSY- SUPPLIER CODE: V89954 COMPONENT MAINT MANUAL REF: 24-22-71 QUALIFIED I/W DATA: 233N3209-300 PANEL ASSY IS I/W 233N3209-25 PANEL ASSY T/W S233T100-6004 LIGHTPLATE USED ON: 233N3209-300 PRE ALERT SB: 33A0044	011100	RF

MISSING ITEM NUMBERS NOT APPLICABLE

- ITEM NOT ILLUSTRATED

BRI

24-51-62-01

BOEING PROPRIETARY - Copyright © - Unpublished Work - See title page for details.

24-51-62
FIG. 01
PAGE 7
JAN 20/09



757

PARTS CATALOG (MAINTENANCE)

FIG ITEM	PART NUMBER	1 2 3 4 5 6 7	NOMENCLATURE	EFFECT FROM TO	UNITS PER ASSY
1					
25	233N3209-41	..	PANEL ASSY- SUPPLIER CODE: V89954 MISCELLANEOUS DATA: FOR SPARES PROCURE THE NEXT HIGHER ASSY COMPONENT MAINT MANUAL REF: 24-22-71 USED ON: 233N3209-305 PRE ALERT SB: 33A0044	011102 108120 504903	RF
25	233N3209-50	..	PANEL ASSY- SUPPLIER CODE: V89954 COMPONENT MAINT MANUAL REF: 24-22-71 USED ON: 233N3209-314	011106 108120 504903	RF
25	233N3209-1025	..	PANEL ASSY- SUPPLIER CODE: V89954 COMPONENT MAINT MANUAL REF: 24-22-71 POST ALERT SB: 33A0044	011100	RF
25	233N3209-1041	..	PANEL ASSY- SUPPLIER CODE: V89954 COMPONENT MAINT MANUAL REF: 24-22-71 USED ON: 233N3209-1305 POST ALERT SB: 33A0044	011102 108120 504903	RF
25	233N3209-51	..	PANEL ASSY- SUPPLIER CODE: V89954 ELECTRICAL EQUIP NUMBER: M10063 COMPONENT MAINT MANUAL REF: 24-22-71	011100	RF

MISSING ITEM NUMBERS NOT APPLICABLE

- ITEM NOT ILLUSTRATED

24-51-62-01

24-51-62
FIG. 01
PAGE 8
JAN 20/09

BRI



757

PARTS CATALOG (MAINTENANCE)

FIG ITEM	PART NUMBER	1 2 3 4 5 6 7	NOMENCLATURE	EFFECT FROM TO	UNITS PER ASSY
1 30	BCREFA0521		...SWITCH ASSY-LIGHTED PUSH BUTTON IND SUPPLIER CODE: V81590 OVERLENGTH PART NUMBER: 433-673-1004-4053 SPECIFICATION NUMBER: S231T290-4053 OPTIONAL PART: 851-35100-5053 V96182 S231T290-5053 USED ON: 233N3209-25 233N3209-26 233N3209-28 233N3209-41 233N3209-1025 233N3209-1026 233N3209-1028 233N3209-1041 233N6252-10 FOR DETAILS SEE: 33-13-00-49	011102 108120 504903	1
30	851-30768-2053		...SWITCH ASSY-LIGHTED PUSH BUTTON IND ON/OFF SUPPLIER CODE: V96182 SPECIFICATION NUMBER: S231T290-2053 FOR DETAILS SEE: 33-13-00-29	011102 108120 504903	1
30	851-30768-3053		...SWITCH ASSY-LIGHTED PUSH BUTTON IND ON/OFF SUPPLIER CODE: V96182 SPECIFICATION NUMBER: S231T290-3053 FOR DETAILS SEE: 33-13-00-39	011102 108120 504903	1

MISSING ITEM NUMBERS NOT APPLICABLE

- ITEM NOT ILLUSTRATED

BRI

24-51-62-01

BOEING PROPRIETARY - Copyright © - Unpublished Work - See title page for details.

24-51-62
FIG. 01
PAGE 9
JAN 20/09



757

PARTS CATALOG (MAINTENANCE)

FIG ITEM	PART NUMBER	1 2 3 4 5 6 7	NOMENCLATURE	EFFECT FROM TO	UNITS PER ASSY
1 30	S231T290-5053		...SWITCH ASSY-LIGHTED PUSH BUTTON IND OPTIONAL PART: BCREFA0521 V81590 851-35100-5053 V96182 USED ON: 233N3209-25 233N3209-28 233N3209-1025 233N3209-1028 233N6252-10	011102 108120 504903	1
30	851-35100-5053		...SWITCH ASSY-LIGHTED PUSH BUTTON IND SUPPLIER CODE: V96182 OPTIONAL PART: BCREFA0521 V81590 S231T290-5053 USED ON: 233N3209-25 233N3209-28 233N3209-1025 233N3209-1028 233N6252-10	011100	1
30	4336731004-4253		...SWITCH ASSY-LIGHTED PUSH BUTTON IND ON/OFF SUPPLIER CODE: V81590 USED ON: 233N3209-50 233N3209-51	011106 108120 504903	1

MISSING ITEM NUMBERS NOT APPLICABLE

- ITEM NOT ILLUSTRATED

BRI

24-51-62-01

BOEING PROPRIETARY - Copyright © - Unpublished Work - See title page for details.

24-51-62
FIG. 01
PAGE 10
JAN 20/09



757

PARTS CATALOG (MAINTENANCE)

FIG ITEM	PART NUMBER	1 2 3 4 5 6 7	NOMENCLATURE	EFFECT FROM TO	UNITS PER ASSY
1					
35	BCREFA0522		...SWITCH ASSY-LIGHTED PUSH BUTTON IND SUPPLIER CODE: V81590 OVERLENGTH PART NUMBER: 433-673-1004-4054 SPECIFICATION NUMBER: S231T290-4054 OPTIONAL PART: 851-35100-5054 V96182 S231T290-5054 USED ON: 233N3209-25 233N3209-26 233N3209-28 233N3209-41 233N3209-1025 233N3209-1026 233N3209-1028 233N3209-1041 233N6252-10 FOR DETAILS SEE: 33-13-00-49	011102 108120 504903	1
35	851-30768-2054		...SWITCH ASSY-LIGHTED PUSH BUTTON IND ON/OFF SUPPLIER CODE: V96182 SPECIFICATION NUMBER: S231T290-2054 FOR DETAILS SEE: 33-13-00-29	011102 108120 504903	1
35	851-30768-3054		...SWITCH ASSY-LIGHTED PUSH BUTTON IND ON/OFF SUPPLIER CODE: V96182 SPECIFICATION NUMBER: S231T290-3054 FOR DETAILS SEE: 33-13-00-39	011102 108120 504903	1

MISSING ITEM NUMBERS NOT APPLICABLE

- ITEM NOT ILLUSTRATED

BRI

24-51-62-01

BOEING PROPRIETARY - Copyright © - Unpublished Work - See title page for details.

24-51-62
FIG. 01
PAGE 11
JAN 20/09



757

PARTS CATALOG (MAINTENANCE)

FIG ITEM	PART NUMBER	1 2 3 4 5 6 7	NOMENCLATURE	EFFECT FROM TO	UNITS PER ASSY
1					
35	S231T290-5054	...	SWITCH ASSY-LIGHTED PUSH BUTTON IND OPTIONAL PART: 851-35100-5054 V96182 BCREFA0522 V81590 USED ON: 233N3209-25 233N3209-28 233N3209-1025 233N3209-1028 233N6252-10	011102 108120 504903	1
35	851-35100-5054	...	SWITCH ASSY-LIGHTED PUSH BUTTON IND SUPPLIER CODE: V96182 OPTIONAL PART: BCREFA0522 V81590 S231T290-5054 USED ON: 233N3209-25 233N3209-28 233N3209-1025 233N3209-1028 233N6252-10	011100	1
35	4336731004-4254	...	SWITCH ASSY-LIGHTED PUSH BUTTON IND ON/OFF SUPPLIER CODE: V81590 USED ON: 233N3209-50 233N3209-51	011106 108120 504903	1

MISSING ITEM NUMBERS NOT APPLICABLE

- ITEM NOT ILLUSTRATED

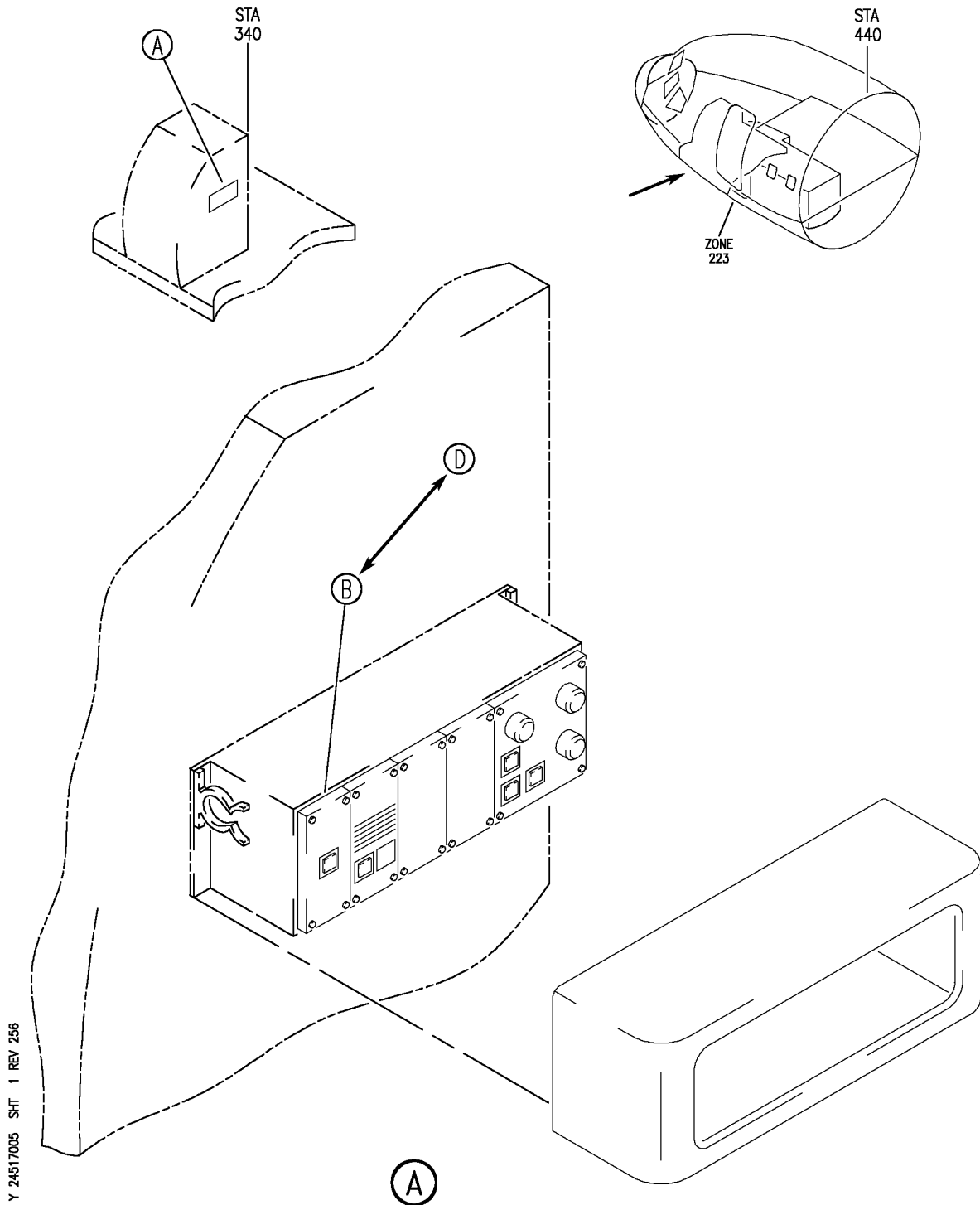
BRI

24-51-62-01

BOEING PROPRIETARY - Copyright © - Unpublished Work - See title page for details.

24-51-62
FIG. 01
PAGE 12
JAN 20/09

BOEING
757
PARTS CATALOG (MAINTENANCE)



Y 24517005 SHT 1 REV 256

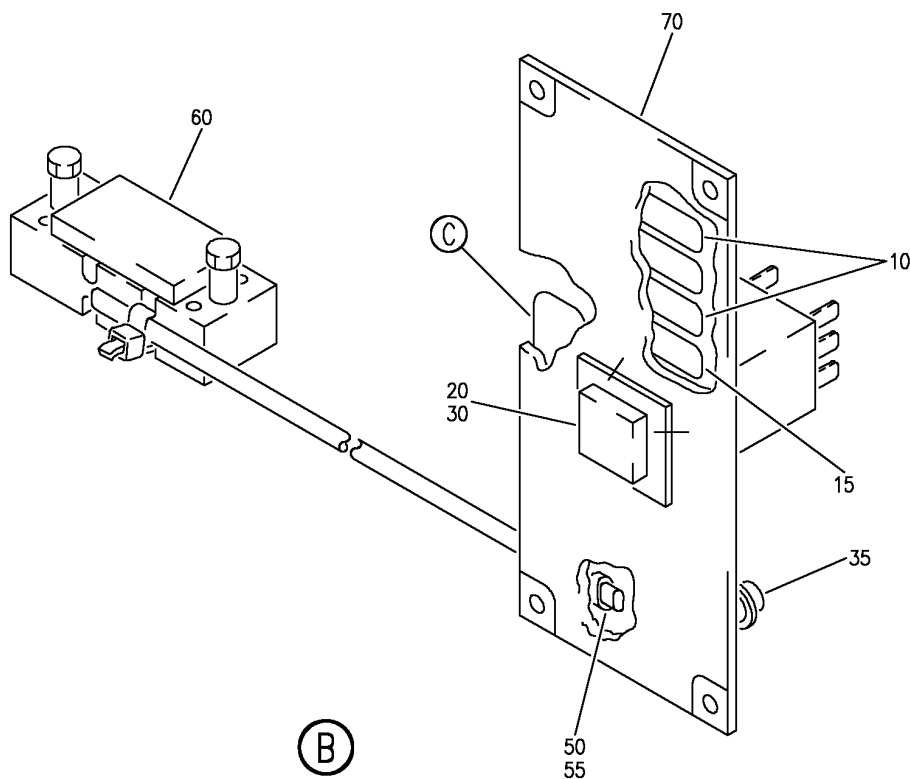
MODULE ASSY-ATTENDANT PNL PC PWR PORT SYS
FIGURE 5 (SHEET 1)

24-51-70-05

BRI
JAN 20/09

24-51-70-05
PAGE 0

BOEING
757
PARTS CATALOG (MAINTENANCE)



5

POWER PORT SYSTEM MODULE
 BOEING P/N S417A150-40
 P/N 285N0408-1 SERNO
 MOD LEVEL A B C D MFG DATE

(C)

Y 24517005 SHT 2 REV 245

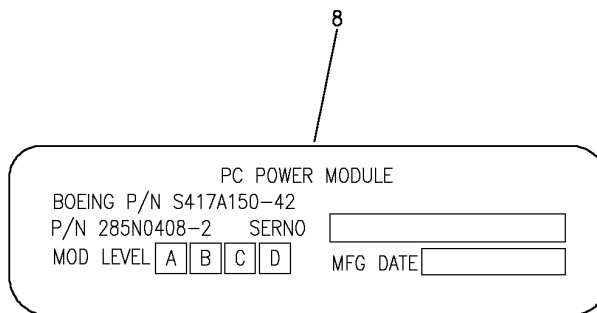
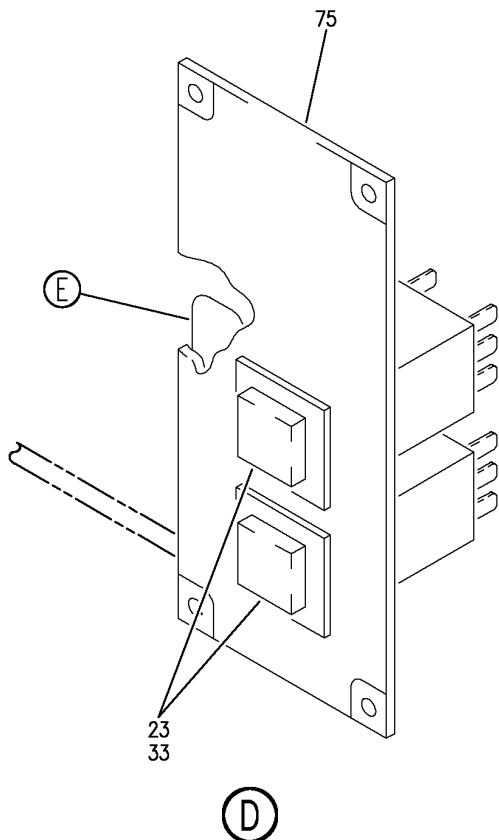
MODULE ASSY-ATTENDANT PNL PC PWR PORT SYS
FIGURE 5 (SHEET 2)

24-51-70-05

BRI
JAN 20/09

24-51-70-05
PAGE 0A

BOEING
757
PARTS CATALOG (MAINTENANCE)



Y 24517005 SH1 3 REV 256

MODULE ASSY-ATTENDANT PNL PC PWR PORT SYS
FIGURE 5 (SHEET 3)

24-51-70-05

BRI
JAN 20/09

24-51-70-05
PAGE 0B



757

PARTS CATALOG (MAINTENANCE)

FIG ITEM	PART NUMBER	1 2 3 4 5 6 7	NOMENCLATURE	EFFECT FROM TO	UNITS PER ASSY
5			MODULE ASSY-ATTENDANT PNL PC PWR PORT SYS	103106	
- 3	285N0408-2		MODULE ASSY-ATTENDANT PNL PC PWR PORT SYS MOD A SUPPLIER CODE: V89954 FOR NHA SEE: 31-17-11-05	103106	RF
8	BAC27DEX7005		.MARKER- SUPPLIER CODE: V89954	103106	1
10	S906-10207-2		.LABEL	103106	3
15	S906-10207-4		.LABEL	103106	1
23	2100-3		.SWITCH ASSY- SUPPLIER CODE: V91929 ELECTRICAL EQUIP NUMBER: S00001 S00002	103106	2
- 27	85		..BULB- SUPPLIER CODE: V08805	103106	1
33	AML51C50G		.BUTTON- SUPPLIER CODE: V91929	103106	2
35	2-36153-3		.TERMINAL- SUPPLIER CODE: V00779 SPECIFICATION NUMBER: BACT12AR224 ELECTRICAL EQUIP NUMBER: E00001	103106	1
- 40	NAS1149D0316J		ATTACHING PARTS .WASHER	103106	2
- 45	MS21042L3		.NUT- OPTIONAL PART: BACN11AG3	103106	1
- 45	H55338-3		.NUT- SUPPLIER CODE: V15653 SPECIFICATION NUMBER: BACN11AG3 OPTIONAL PART: MS21042L3	103106	1
50	MS51957-43		-----*----- .SCREW	103106	1
55	TA1S8C		.TIE- SUPPLIER CODE: V06383	103106	1

MISSING ITEM NUMBERS NOT APPLICABLE

- ITEM NOT ILLUSTRATED

24-51-70-05

24-51-70
FIG. 05
PAGE 1
JAN 20/09

BRI



757

PARTS CATALOG (MAINTENANCE)

FIG ITEM	PART NUMBER	1 2 3 4 5 6 7	NOMENCLATURE	EFFECT FROM TO	UNITS PER ASSY
5 60	SGMC104M0ER000		.CONNECTOR- SUPPLIER CODE: V28198 SPECIFICATION NUMBER: S906-30234-401 ELECTRICAL EQUIP NUMBER: P00001	103106	1
- 67	M39029-34-440		.CONTACT- SUPPLIER CODE: V11139 OPTIONAL PART: MC422N V11139	103106	6
- 67	MC422N		.CONTACT- SUPPLIER CODE: V11139 OPTIONAL PART: M39029-34-440 V11139	103106	6
75	285A1700-146		.FACEPLATE ASSY- SUPPLIER CODE: V89954	103106	1

MISSING ITEM NUMBERS NOT APPLICABLE

- ITEM NOT ILLUSTRATED

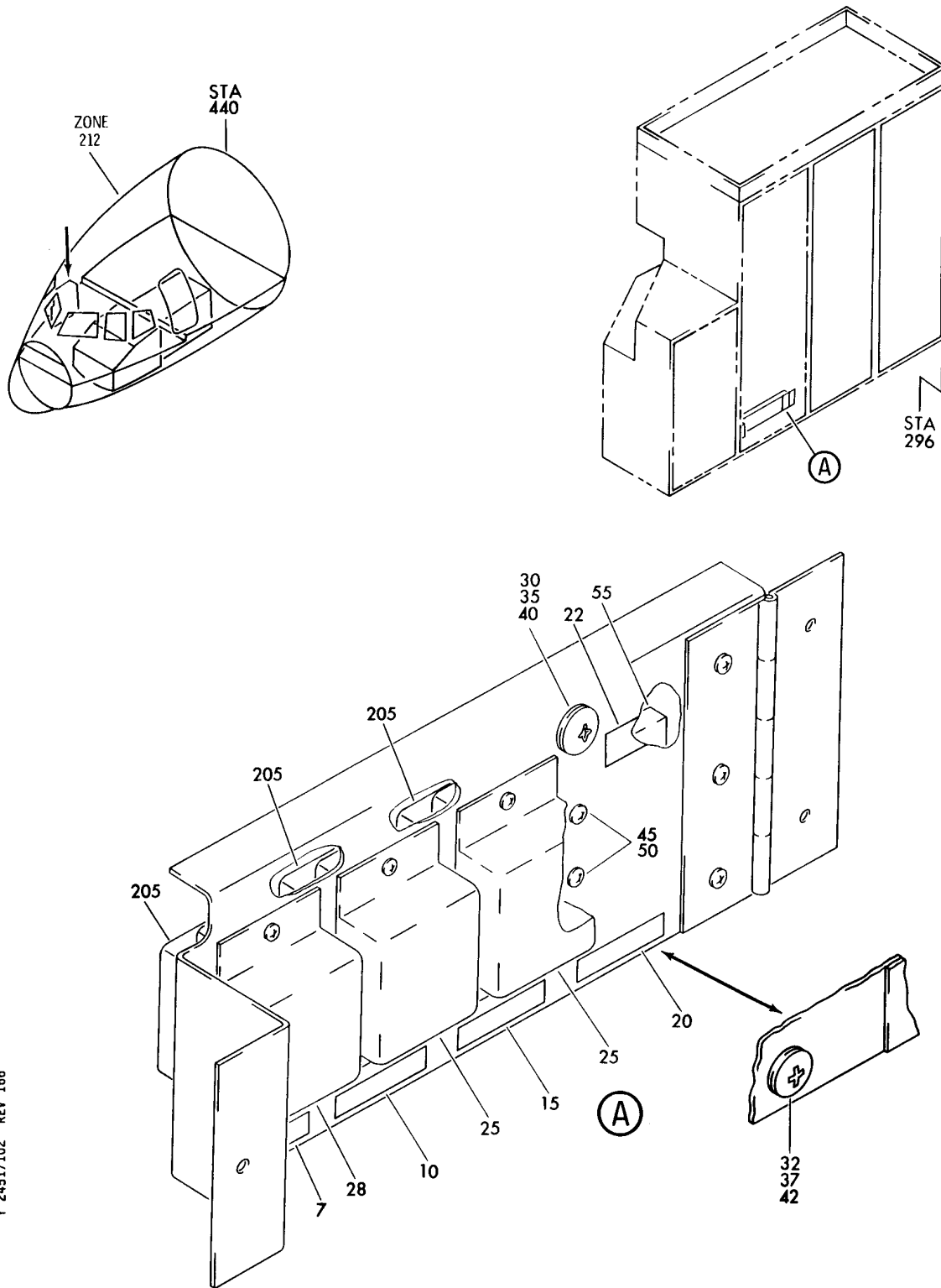
BRI

24-51-70-05

BOEING PROPRIETARY - Copyright © - Unpublished Work - See title page for details.

24-51-70
FIG. 05
PAGE 2
JAN 20/09

BOEING
757
PARTS CATALOG (MAINTENANCE)



Y 24517102 REV 166

PANEL ASSY-P6 PWR DISTR (115-VOLT AC POWER DISTRIBUTION ONLY)
FIGURE 2

24-51-71-02

BRI
MAY 28/07

24-51-71-02
PAGE 0



757

PARTS CATALOG (MAINTENANCE)

FIG ITEM	PART NUMBER	1 2 3 4 5 6 7	NOMENCLATURE	EFFECT FROM TO	UNITS PER ASSY
2			PANEL ASSY-P6 PWR DISTR (115-VOLT AC POWER DISTRIBUTION ONLY)	002004 006102 107107 121999	
- 3	287N4102-204		PANEL ASSY-P6 PWR DISTR (115-VOLT AC POWER DISTRIBUTION ONLY) FOR NHA/OTHER SYS DET SEE: 24-51-51-01	107107	RF
- 4	287N4102-217		PANEL ASSY-P6 PWR DISTR (115-VOLT AC POWER DISTRIBUTION ONLY) FOR NHA/OTHER SYS DET SEE: 24-51-51-01	121503 904949	RF
- 5	287N4102-99		PANEL ASSY-P6 PWR DISTR (115-VOLT AC POWER DISTRIBUTION ONLY) VARIABLE DRAWING REF: 287N4102-5112 287N4102-5113 287N4102-5116 FOR NHA/OTHER SYS DET SEE: 24-51-51-01	002004 006100 950999	RF
- 6	287N4102-1277		PACKAGE ASSY-P6 PWR DISTR (115-VOLT AC POWER DISTRIBUTION ONLY) FOR NHA/OTHER SYS DET SEE: 24-51-51-05 24-51-51-09	101102 504903	RF
7	BAC27NEL0048		.MARKER-ALUMINUM FOIL PLACARD CONTENT: K122	107107 121503 904949	1
7	BAC27NEX2600		.MARKER-ALUMINUM FOIL PLACARD CONTENT: K122	002004 006100 950999	1
10	BAC27NEL0049		.MARKER-ALUMINUM FOIL PLACARD CONTENT: K123	107107 121503 904949	1
10	BAC27NEX2601		.MARKER-ALUMINUM FOIL PLACARD CONTENT: K123	002004 006100 950999	1
15	BAC27NEL0050		.MARKER-ALUMINUM FOIL PLACARD CONTENT: K107	107107 121503 904949	1
15	BAC27NEX2594		.MARKER-ALUMINUM FOIL PLACARD CONTENT: K107	002004 006100 950999	1

MISSING ITEM NUMBERS NOT APPLICABLE

- ITEM NOT ILLUSTRATED

24-51-71-02

24-51-71
FIG. 02
PAGE 1
JAN 20/09

BRI



757

PARTS CATALOG (MAINTENANCE)

FIG ITEM	PART NUMBER	1 2 3 4 5 6 7	NOMENCLATURE	EFFECT FROM TO	UNITS PER ASSY
2	22 BAC27NEL0036		.MARKER-ALUMINUM FOIL PLACARD CONTENT: M540	107107 121503 904949	1
	22 BAC27NEX2609		.MARKER-ALUMINUM FOIL PLACARD CONTENT: M540	002004 006100 950999	1
	25 E410-1537		.RELAY- SUPPLIER CODE: V99699 SPECIFICATION NUMBER: BACR13CG2A OPTIONAL PART: E415-1078 V99699 BR230S0116 V56623 KD4A017 V58687 FCA410-62 V78290 ELECTRICAL EQUIP NUMBER: K00107 K00123	002004 006102 107107 121999	2
	28 ES410-1538		.RELAY- SUPPLIER CODE: V99699 SPECIFICATION NUMBER: BACR13CG2AB OPTIONAL PART: KD4L018 V35344 BR230DS0115 V56623 KD4L036 V58657 FCA410-63 V78290 ELECTRICAL EQUIP NUMBER: K00122	002004 006102 107107 121999	1
	32 NAS603-40P		.SCREW	002004 006100 107107 121503 904999	1
	37 NAS43DD3-128		.SPACER-	002004 006100 107107 121503 904999	1

MISSING ITEM NUMBERS NOT APPLICABLE

- ITEM NOT ILLUSTRATED

24-51-71-02

24-51-71
FIG. 02
PAGE 2
JAN 20/09

BRI



757

PARTS CATALOG (MAINTENANCE)

FIG ITEM	PART NUMBER	1 2 3 4 5 6 7	NOMENCLATURE	EFFECT FROM TO	UNITS PER ASSY
2					
37	NAS43DD3-128FC	.	SPACER-	101102 504903	1
42	MS21042L3	.	NUT	002004 006100 107107 121503 904999	1
45	NAS601-13P	.	SCREW	002004 006102 107107 121999	2
50	BRH10A06	.	NUT SUPPLIER CODE: V52828 SPECIFICATION NUMBER: BACN10JC06 OPTIONAL PART: H10-06BAC V15653 RMLH9075-62W V72962 VN303A62 V92215 96-62 V80539 NS202101-62 V80539 T6S632J V11815	504903	2
50	MS21042L06	.	NUT	002004 006100 107107 121503 904999	2
55	10167-3000BT	.	RELAY-TIME DELAY SUPPLIER CODE: V08719 ELECTRICAL EQUIP NUMBER: M00540 OPTIONAL PART: 530750-3000 V08719 TD1982-3000 V58657 TD1767-3000 V58657	002004 006102 107107 121999	1

MISSING ITEM NUMBERS NOT APPLICABLE

- ITEM NOT ILLUSTRATED

BRI

24-51-71-02

BOEING PROPRIETARY - Copyright © - Unpublished Work - See title page for details.

24-51-71
FIG. 02
PAGE 3
JAN 20/09



757

PARTS CATALOG (MAINTENANCE)

FIG ITEM	PART NUMBER	1 2 3 4 5 6 7	NOMENCLATURE	EFFECT FROM TO	UNITS PER ASSY
2					
55	530750-3000		.RELAY-TIME DELAY SUPPLIER CODE: V08719 ELECTRICAL EQUIP NUMBER: M00540 OPTIONAL PART: 10167-3000BT V08719 TD1982-3000 V58657 TD1767-3000 V58657	002004 006102 107107 121999	1
55	TD1982-3000		.RELAY-TIME DELAY SUPPLIER CODE: V58657 ELECTRICAL EQUIP NUMBER: M00540 OPTIONAL PART: 10167-3000BT V08719 530750-3000 V08719 TD1767-3000 V58657	002004 006102 107107 121999	1
55	TD1767-3000		.RELAY-TIME DELAY SUPPLIER CODE: V58657 ELECTRICAL EQUIP NUMBER: M00540 OPTIONAL PART: 10167-3000BT V08719 530750-3000 V08719 TD1982-3000 V58657	002004 006102 107107 121999	1
- 200	286N0074-001		WIRE BUNDLE ASSY-	107107 121503 904949	RF
- 200	286N0074-002		WIRE BUNDLE ASSY-	002004 006100 950999	RF
- 200	286N0074-305		WIRE BUNDLE ASSY	101102	RF
- 201	286N0074-317		WIRE BUNDLE ASSY	504903	RF

MISSING ITEM NUMBERS NOT APPLICABLE

- ITEM NOT ILLUSTRATED

BRI

24-51-71-02

24-51-71
FIG. 02
PAGE 4
JAN 20/09



757

PARTS CATALOG (MAINTENANCE)

FIG ITEM	PART NUMBER	1 2 3 4 5 6 7	NOMENCLATURE	EFFECT FROM TO	UNITS PER ASSY
2 205	BACS16W1		. SOCKET- ELECTRICAL EQUIP NUMBER: D00542 D00544 D00548 WIRING DIAGRAM REF: 243311 243411 245131	002004 006102 107107 121999	3

MISSING ITEM NUMBERS NOT APPLICABLE

- ITEM NOT ILLUSTRATED

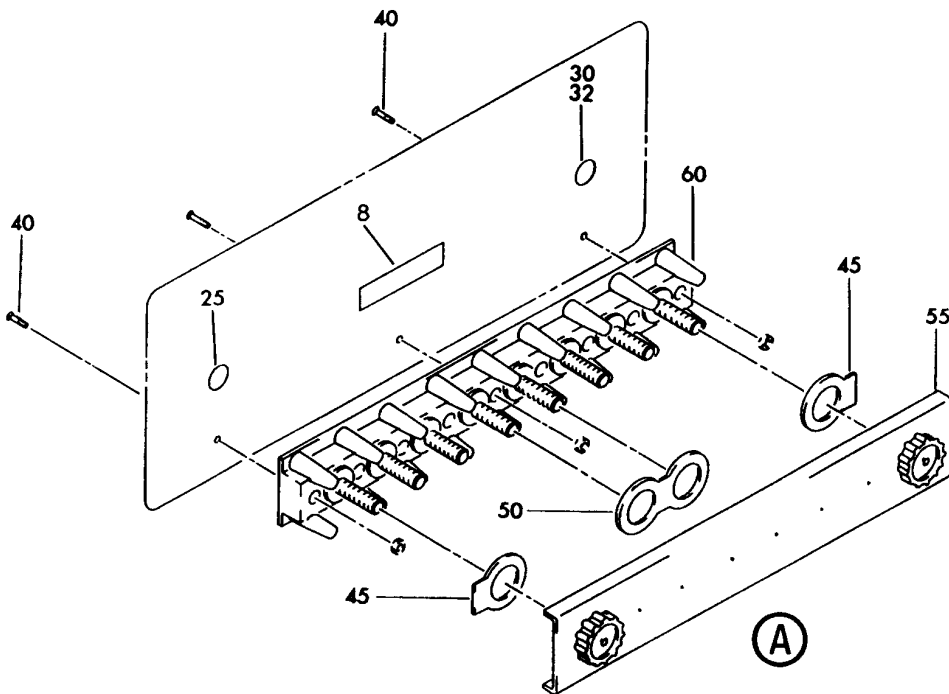
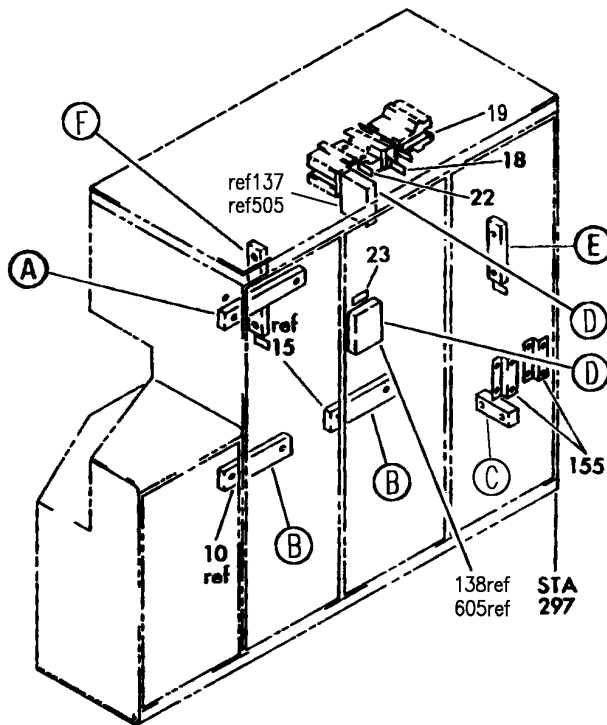
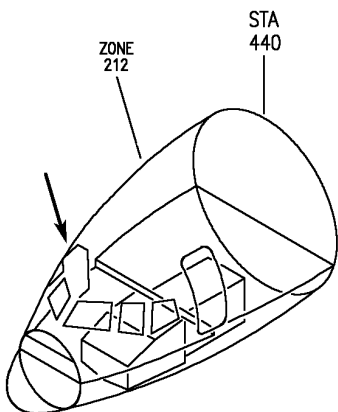
BRI

24-51-71-02

BOEING PROPRIETARY - Copyright © - Unpublished Work - See title page for details.

24-51-71
FIG. 02
PAGE 5
JAN 20/09

BOEING
757
PARTS CATALOG (MAINTENANCE)



Y 24517301 SHT 1 REV 321

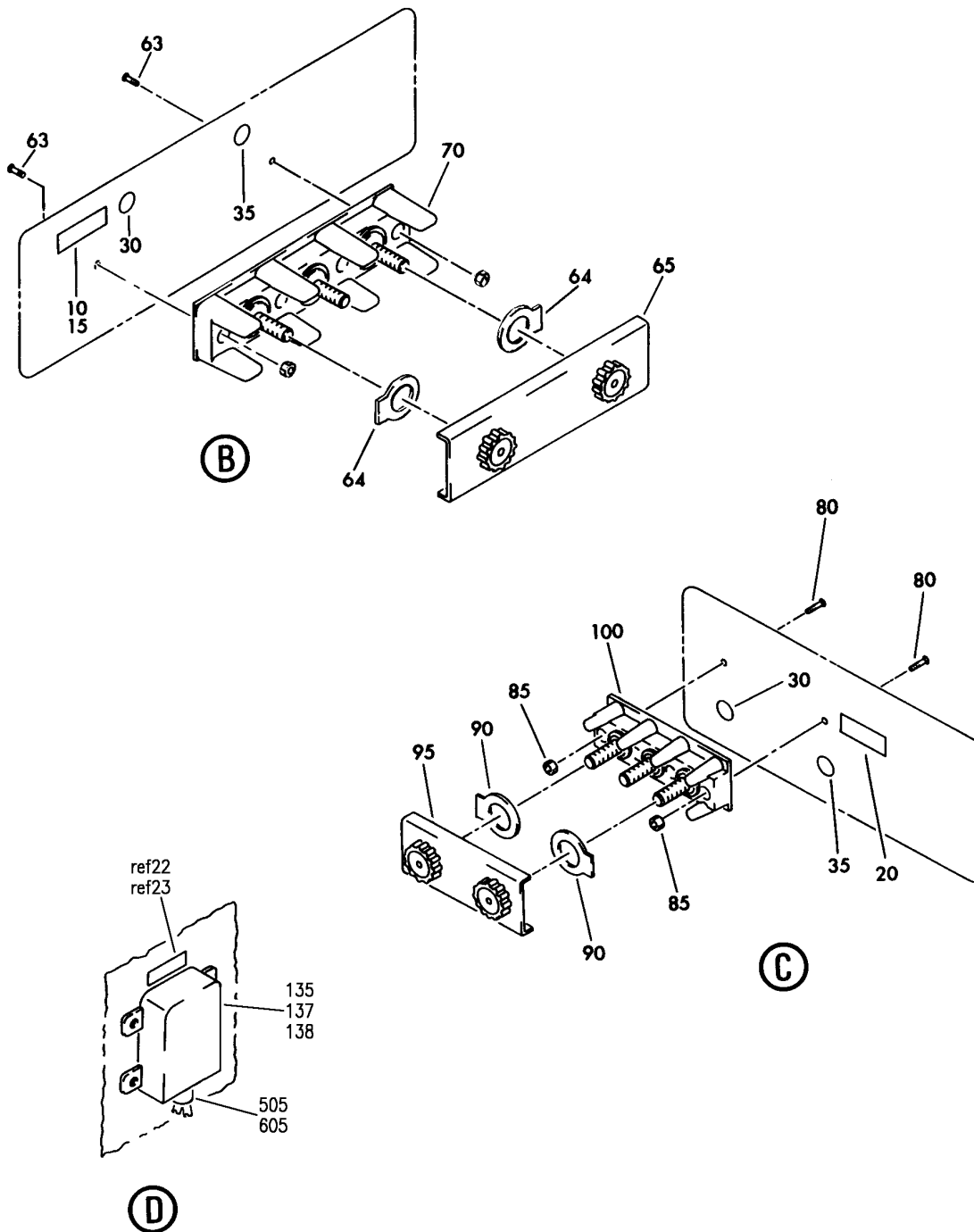
PANEL, EQUIPMENT, AND PACKAGE ASSY AND EQUIPMENT INSTL- P6 (115 VOLT AC POWER DISTRIBUTION ONLY)
FIGURE 1 (SHEET 1)

BRI
MAY 20/08

24-51-73-01

24-51-73-01
PAGE 0


BOEING
 757
PARTS CATALOG (MAINTENANCE)



Y 24517301 SH1 2 REV 321

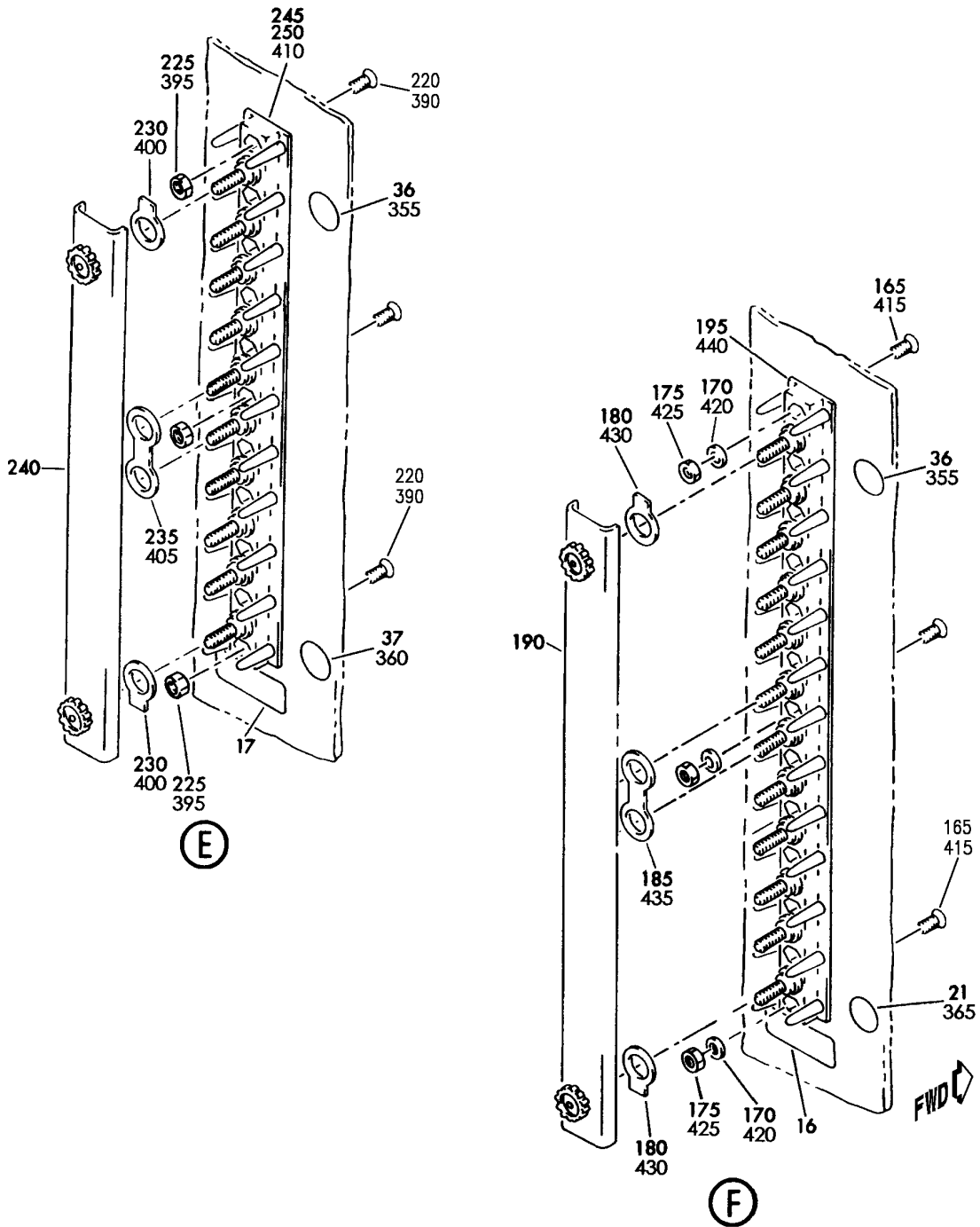
PANEL, EQUIPMENT, AND PACKAGE ASSY AND EQUIPMENT INSTL- P6 (115 VOLT AC POWER DISTRIBUTION ONLY)
 FIGURE 1 (SHEET 2)

BRI
 MAY 20/08

24-51-73-01

24-51-73-01
 PAGE 0A


BOEING
 757
PARTS CATALOG (MAINTENANCE)



Y 24517301 SHT 3 REV 321

PANEL, EQUIPMENT, AND PACKAGE ASSY AND EQUIPMENT INSTL- P6 (115 VOLT AC POWER DISTRIBUTION ONLY)
 FIGURE 1 (SHEET 3)

BRI
 MAY 20/08

24-51-73-01

24-51-73-01
 PAGE 0B



757

PARTS CATALOG (MAINTENANCE)

FIG ITEM	PART NUMBER	1 2 3 4 5 6 7	NOMENCLATURE	EFFECT FROM TO	UNITS PER ASSY
1			PANEL, EQUIPMENT, AND PACKAGE ASSY AND EQUIPMENT INSTL- P6 (115 VOLT AC POWER DISTRIBUTION ONLY)	002004 006102 107107 121999	
- 2	287N4102-198		EQUIPMENT ASSY-P6 PWR DISTR (115-VOLT AC POWER DISTRIBUTION ONLY) FOR NHA/OTHER SYS DET SEE: 25-29-71-03	107107	RF
- 2	287N4102-223		EQUIPMENT ASSY-P6 PWR DISTR (115-VOLT AC POWER DISTRIBUTION ONLY) FOR NHA/OTHER SYS DET SEE: 25-29-71-03	121503 904949	RF
- 3	287N4102-99		PANEL ASSY-P6 PWR DISTR (115-VOLT AC POWER DISTRIBUTION ONLY) VARIABLE DRAWING REF: 287N4102-5112 287N4102-5113 287N4102-5116 FOR NHA/OTHER SYS DET SEE: 24-51-51-01	002004 006100 950999	RF
- 5	287N4102-1277		PACKAGE ASSY-P6 PWR DISTR (115-VOLT AC POWER DISTRIBUTION ONLY) FOR NHA/OTHER SYS DET SEE: 24-51-51-05 24-51-51-09	101102 504903	RF
8	BAC27NEL0029		.MARKER-ALUMINUM FOIL PLACARD CONTENT: TB5013	107107 121503 904949	1
8	BAC27NEX2623		.MARKER-ALUMINUM FOIL PLACARD CONTENT: TB5013	002004 006100 950999	1
10	BAC27NEL0028		.MARKER-ALUMINUM FOIL PLACARD CONTENT: TB5012	107107 121503 904949	1
10	BAC27NEX2622		.MARKER-ALUMINUM FOIL PLACARD CONTENT: TB5012	002004 006100 950999	1
15	BAC27NEL0030		.MARKER-ALUMINUM FOIL PLACARD CONTENT: TB5014	107107 121503 904949	1
15	BAC27NEX2624		.MARKER-ALUMINUM FOIL PLACARD CONTENT: TB5014	002004 006100 950999	1

MISSING ITEM NUMBERS NOT APPLICABLE

- ITEM NOT ILLUSTRATED

24-51-73-01

24-51-73
FIG. 01
PAGE 1
JAN 20/09

BRI



757

PARTS CATALOG (MAINTENANCE)

FIG ITEM	PART NUMBER	1 2 3 4 5 6 7	NOMENCLATURE	EFFECT FROM TO	UNITS PER ASSY
1					
16	BAC27NEX2073	.	DECAL- PLACARD CONTENT: TB5019 POST SERVICE BULLETIN: 24-0048	002004 006100 107107 121503 904949 952999	1
17	BAC27NEX2074	.	DECAL- PLACARD CONTENT: TB5025 POST SERVICE BULLETIN: 24-0048	002004 006100 107107 121503 904949 952999	1
20	BAC27NEL0031	.	MARKER-ALUMINUM FOIL PLACARD CONTENT: TB5015	107107 121503 904949	1
20	BAC27NEX2625	.	MARKER-ALUMINUM FOIL PLACARD CONTENT: TB5015	002004 006100 950999	1
21	BACM10N00-2FU	.	MARKER-ALUMINUM FOIL PLACARD CONTENT: 12 POST SERVICE BULLETIN: 24-0048	107107 121503 904949	1
21	BAC27DEX3112	.	MARKER-ALUMINUM FOIL PLACARD CONTENT: 12	952999	1
22	BAC27NEL0596	.	MARKER-ALUMINUM FOIL PLACARD CONTENT: M10374	107107 121503 904949	1
22	BAC27NEX2612	.	MARKER-ALUMINUM FOIL PLACARD CONTENT: M10374	002004 006100 950999	1
23	BAC27NEL0904	.	MARKER-ALUMINUM FOIL PLACARD CONTENT: M10375	107107 121503 904949	1
23	BAC27NEX2613	.	MARKER-ALUMINUM FOIL PLACARD CONTENT: M10375	002004 006100 950999	1
25	BACM10N00-2FM	.	MARKER-ALUMINUM FOIL PLACARD CONTENT: 8	107107 121503 904949	1
25	BAC27DEX3108	.	MARKER-ALUMINUM FOIL PLACARD CONTENT: 8	002004 006102 504903 950999	1
30	BACM10N00-2PP	.	MARKER-ALUMINUM FOIL PLACARD CONTENT: 1	107107 121503 904949	4

MISSING ITEM NUMBERS NOT APPLICABLE

- ITEM NOT ILLUSTRATED

24-51-73-01

24-51-73
FIG. 01
PAGE 2
JAN 20/09

BRI



757

PARTS CATALOG (MAINTENANCE)

FIG ITEM	PART NUMBER	1 2 3 4 5 6 7	NOMENCLATURE	EFFECT FROM TO	UNITS PER ASSY
1					
30	BAC27DEX3101		.MARKER-ALUMINUM FOIL PLACARD CONTENT: 1	002004 006102 504903 950999	4
32	BACM10N00-2PP		.MARKER-ALUMINUM FOIL PLACARD CONTENT: 1 POST SERVICE BULLETIN: 24-0048	107107	1
35	BACM10N00-2AAT		.MARKER-ALUMINUM FOIL PLACARD CONTENT: 3	107107 121503 904949	3
35	BAC27DEX3103		.MARKER-ALUMINUM FOIL PLACARD CONTENT: 3	002004 006102 504903 950999	3
36	BAC27DEX3101		.MARKER-ALUMINUM FOIL PLACARD CONTENT: 1	952999	2
37	BACM10N00-2FP		.MARKER-ALUMINUM FOIL PLACARD CONTENT: 10 POST SERVICE BULLETIN: 24-0048	107107	1
37	BAC27DEX3110		.MARKER-ALUMINUM FOIL PLACARD CONTENT: 10	002004 006100 950999	1
40	NAS600-8P		.SCREW	002004 006102 107107 121999	3
45	MS3373A2		.STRIP	002004 006100 107107 121503 904999	2
50	MS3373B2		.STRIP	002004 006100 107107 121503 904999	1
55	MS18029-2S8		.COVER ASSY	002004 006102 107107 121999	1
60	MS27212-2-8		.BOARD ASSY-TERM. ELECTRICAL EQUIP NUMBER: TB5013	002004 006102 107107 121999	1

MISSING ITEM NUMBERS NOT APPLICABLE

- ITEM NOT ILLUSTRATED

BRI

24-51-73-01

24-51-73
FIG. 01
PAGE 3
JAN 20/09

 **BOEING**
757
PARTS CATALOG (MAINTENANCE)

FIG ITEM	PART NUMBER	1 2 3 4 5 6 7	NOMENCLATURE	EFFECT FROM TO	UNITS PER ASSY
1					
63	NAS601-6P	.	SCREW	002004 006102 107107 121999	4
64	MS3373A3	.	STRIP	002004 006100 107107 121503 904951	4
65	MS18029-3S3	.	COVER ASSY	002004 006102 107107 121999	2
70	MS27212-3-3	.	BOARD ASSY-TERM. ELECTRICAL EQUIP NUMBER: TB5012 TB5014	002004 006102 107107 121999	2
80	NAS514P440-6P	.	SCREW	002004 006102 107107 121999	2
85	MS21042L04	.	NUT	002004 006100 107107 121503 904999	2
90	MS3373A2	.	STRIP	002004 006100 107107 121503 904999	2
95	MS18029-2S3	.	COVER ASSY	002004 006102 107107 121999	1
100	MS27212-2-3	.	TERMINAL BOARD ASSY- ELECTRICAL EQUIP NUMBER: TB5015	002004 006102 107107 121999	1
135	400-136	.	SENSOR-INSTR BUS VOLTAGE SUPPLIER CODE: V15420 SPECIFICATION NUMBER: S281N001-1 ELECTRICAL EQUIP NUMBER: M10374 M10375	002004 006102 107107 121999	2

MISSING ITEM NUMBERS NOT APPLICABLE

— ITEM NOT ILLUSTRATED

BRI

24-51-73-01

BOEING PROPRIETARY - Copyright © - Unpublished Work - See title page for details.

24-51-73
FIG. 01
PAGE 4
JAN 20/09

BOEING
757
PARTS CATALOG (MAINTENANCE)

FIG ITEM	PART NUMBER	1 2 3 4 5 6 7	NOMENCLATURE	EFFECT FROM TO	UNITS PER ASSY
1 135	400-605		.SENSOR-INSTR BUS VOLTAGE SUPPLIER CODE: V15420 FUNCTIONAL DESCRIPTION: AUTOTRANSFORMER CONVERTS 400 HZ POWER TO SUPPLY GENERAL LIGHTING NEEDS SPECIFICATION NUMBER: S281N001-2 ELECTRICAL EQUIP NUMBER: M10374 M10375	002004 006102 107107 121999	2
135	1-002-0102-2063		.SENSOR-INSTR BUS VOLTAGE SUPPLIER CODE: V10933 FUNCTIONAL DESCRIPTION: AUTOTRANSFORMER CONVERTS 400 HZ POWER TO SUPPLY GENERAL LIGHTING NEEDS SPECIFICATION NUMBER: S281N001-3 ELECTRICAL EQUIP NUMBER: M10374 M10375	002004 006102 107107 121999	2
- 140	NAS601-6P		ATTACHING PARTS .SCREW	002004 006102 107107 121999	8
155	287N4102-115		-----*----- .SUPPORT ASSY	002004 006102 107107 121999	2
- 160	NAS601-6P		ATTACHING PARTS .SCREW	002004 006102 107107 121999	4
165	NAS1801-04-6		-----*----- .SCREW- POST SERVICE BULLETIN: 24-0048	002004 006100 107107 121503 904949 952999 107107	3
170	AN960KD4L		.WASHER- POST SERVICE BULLETIN: 24-0048	107107	3

MISSING ITEM NUMBERS NOT APPLICABLE

- ITEM NOT ILLUSTRATED

BRI

24-51-73-01

BOEING PROPRIETARY - Copyright © - Unpublished Work - See title page for details.

24-51-73
FIG. 01
PAGE 5
JAN 20/09



757

PARTS CATALOG (MAINTENANCE)

FIG ITEM	PART NUMBER	1 2 3 4 5 6 7	NOMENCLATURE	EFFECT FROM TO	UNITS PER ASSY
1					
170	AN960JD4L	.	WASHER-	002004 006100 121503 904949 952999	3
175	MS21042L04	.	NUT- POST SERVICE BULLETIN: 24-0048	002004 006100 107107 121503 904949 952999	3
180	MS3373A2	.	STRIP- POST SERVICE BULLETIN: 24-0048	002004 006100 107107 121503 904949 952999	2
185	MS3373B2	.	STRIP- POST SERVICE BULLETIN: 24-0048	002004 006100 107107 121503 904949 952999	1
190	MS18029-2S12	.	COVER ASSY- POST SERVICE BULLETIN: 24-0048	002004 006100 107107 121503 904949 952999	1
195	MS27212-2-12	.	TERMINAL BOARD ASSY- ELECTRICAL EQUIP NUMBER: TB5019 POST SERVICE BULLETIN: 24-0048	002004 006100 107107 121503 904949 952999	1
220	NAS514P440-6P	.	SCREW- POST SERVICE BULLETIN: 24-0048	002004 006100 107107 121503 904949 952999	3
225	MS21042L04	.	NUT- POST SERVICE BULLETIN: 24-0048	002004 006100 107107 121503 904949 952999	3

MISSING ITEM NUMBERS NOT APPLICABLE

- ITEM NOT ILLUSTRATED

24-51-73-01

24-51-73
FIG. 01
PAGE 6
JAN 20/09

BRI

BOEING PROPRIETARY - Copyright © - Unpublished Work - See title page for details.



757

PARTS CATALOG (MAINTENANCE)

FIG ITEM	PART NUMBER	1 2 3 4 5 6 7	NOMENCLATURE	EFFECT FROM TO	UNITS PER ASSY
1					
230	MS3373A2		.STRIP- POST SERVICE BULLETIN: 24-0048	002004 006100 107107 121503 904949 952999	2
235	MS3373B2		.STRIP- POST SERVICE BULLETIN: 24-0048	002004 006100 107107 121503 904949 952999	1
240	MS18029-2S10		.COVER ASSY- POST SERVICE BULLETIN: 24-0048	002004 006100 107107 121503 904949 952999	1
245	MS27212-2-10		.BOARD ASSY- ELECTRICAL EQUIP NUMBER: TB5025 POST SERVICE BULLETIN: 24-0048	002004 006100 107107 121503 904949 952999	1
- 350	287N4102-1278		PACKAGE ASSY-P6 PWR DISTR (115-VOLT AC POWER DISTRIBUTION ONLY) FOR NHA/OTHER SYS DET SEE: 24-51-51-05	101102	RF
355	BAC27DEX3101		.MARKER-ALUMINUM FOIL PLACARD CONTENT: 1	101102	2
360	BAC27DEX3110		.MARKER-ALUMINUM FOIL PLACARD CONTENT: 10	101102	1
365	BAC27DEX3112		.MARKER-ALUMINUM FOIL PLACARD CONTENT: 12	101102	1
390	NAS514P440-6P		.SCREW-	101102	3
395	MS21042L04		.NUT-	101102	3
410	MS27212-2-10		.BOARD ASSY- ELECTRICAL EQUIP NUMBER: TB5025	101102	1
415	NAS1801-04-6		.SCREW-	101102	3
420	NAS1149DN416J		.WASHER-	101102	3
425	MS21042L04		.NUT-	101102	3
440	MS27212-2-12		.TERMINAL BOARD ASSY- ELECTRICAL EQUIP NUMBER: TB5019	101102	1

MISSING ITEM NUMBERS NOT APPLICABLE

- ITEM NOT ILLUSTRATED

24-51-73-01

24-51-73
FIG. 01
PAGE 7
JAN 20/09

BRI



757

PARTS CATALOG (MAINTENANCE)

FIG ITEM	PART NUMBER	1 2 3 4 5 6 7	NOMENCLATURE	EFFECT FROM TO	UNITS PER ASSY
1					
- 500	286N0062-003		WIRE BUNDLE ASSY	002004 006100 950999	RF
- 500	286N0062-001		WIRE BUNDLE ASSY	107107 121503 904949	RF
- 500	286N0062-303		WIRE BUNDLE ASSY	101102	RF
- 501	286N0062-318		WIRE BUNDLE ASSY	504903	RF
505	BACC45FT22-19S		.PLUG- ELECTRICAL EQUIP NUMBER: D04118P WIRING DIAGRAM REF: 245172	002004 006102 107107 121999	1
- 600	286N0074-001		WIRE BUNDLE ASSY	107107 121503 904949	RF
- 600	286N0074-002		WIRE BUNDLE ASSY	002004 006100 950999	RF
- 600	286N0074-305		WIRE BUNDLE ASSY	101102	RF
- 600	286N0074-317		WIRE BUNDLE ASSY	504903	RF
605	BACC45FT22-19S		.PLUG- ELECTRICAL EQUIP NUMBER: D04010P WIRING DIAGRAM REF: 245172	002004 006102 107107 121999	1

MISSING ITEM NUMBERS NOT APPLICABLE

- ITEM NOT ILLUSTRATED

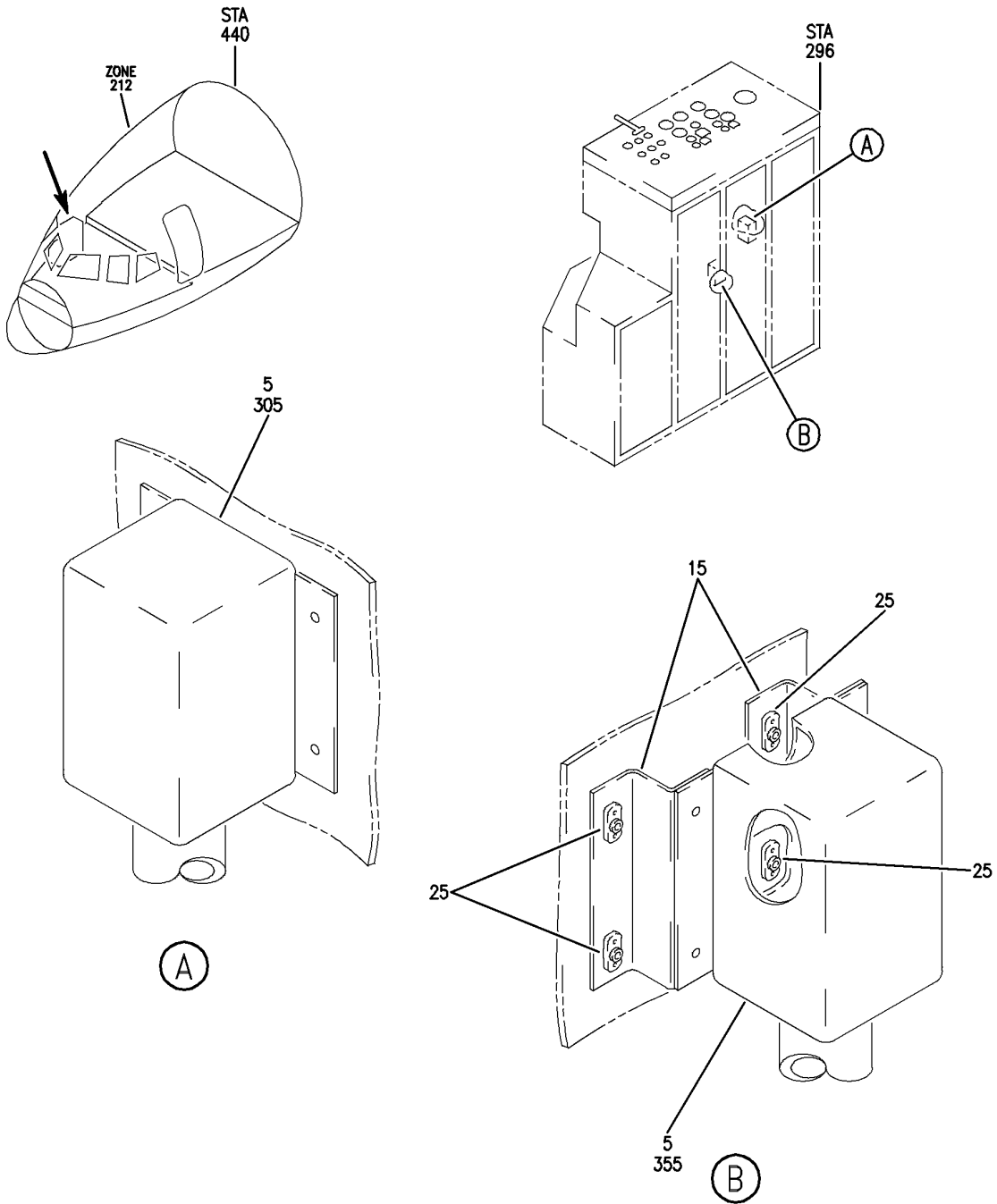
BRI

24-51-73-01

BOEING PROPRIETARY - Copyright © - Unpublished Work - See title page for details.

24-51-73
FIG. 01
PAGE 8
JAN 20/09

BOEING
757
PARTS CATALOG (MAINTENANCE)



Y 24517302 REV 228

PANEL INSTL-P6 PWR DISTR (INSTRUMENT BUS VOLTAGE SENSOR UNIT ONLY)
FIGURE 2

24-51-73-02

BRI
JAN 20/09

24-51-73-02
PAGE 0



757

PARTS CATALOG (MAINTENANCE)

FIG ITEM	PART NUMBER	1 2 3 4 5 6 7	NOMENCLATURE	EFFECT FROM TO	UNITS PER ASSY
2			PANEL INSTL-P6 PWR DISTR (INSTRUMENT BUS VOLTAGE SENSOR UNIT ONLY)	103106 108120	
- 1	287N4102-408		PANEL INSTL-P6 PWR DISTR (INSTRUMENT BUS VOLTAGE SENSOR UNIT ONLY)	108120	RF
- 4	MODREF31408		FOR NHA/OTHER SYS DET SEE: 24-00-58-05F		
			PANEL INSTL-P6 PWR DISTR (INSTRUMENT BUS VOLTAGE SENSOR UNIT ONLY)	103106	1
			MODULE NUMBER: 287N4102-437 REV A		
			FOR OTHER SYS DETAILS SEE: 11-34-05-07 24-31-06-01 24-31-71-09 24-32-02-01 24-32-03-01 24-33-01-01 24-53-52-02 31-01-06-02		
			FOR ADDITIONAL DETAILS SEE: 24-51-05-01 24-51-06-01 24-51-07-01 24-51-52-08 24-51-52-09 24-51-52-10		
5	400-136		.SENSOR- SUPPLIER CODE: V15420 SPECIFICATION NUMBER: S281N001-1 ELECTRICAL EQUIP NUMBER: M10374 M10375 OPTIONAL PART: 400-605 V15420	103106 108120	2

MISSING ITEM NUMBERS NOT APPLICABLE

- ITEM NOT ILLUSTRATED

BRI

24-51-73-02

BOEING PROPRIETARY - Copyright © - Unpublished Work - See title page for details.

24-51-73
FIG. 02
PAGE 1
JAN 20/09



757

PARTS CATALOG (MAINTENANCE)

FIG ITEM	PART NUMBER	1 2 3 4 5 6 7	NOMENCLATURE	EFFECT FROM TO	UNITS PER ASSY
2					
5	400-605		. SENSOR- SUPPLIER CODE: V15420 FUNCTIONAL DESCRIPTION: AUTOTRANSFORMER CONVERTS 400 HZ POWER TO SUPPLY GENERAL LIGHTING NEEDS SPECIFICATION NUMBER: S281N001-2 ELECTRICAL EQUIP NUMBER: M10374 M10375 OPTIONAL PART: 400-136 V15420	103106 108120	2
5	1-002-0102-2063		. SENSOR- SUPPLIER CODE: V10933 FUNCTIONAL DESCRIPTION: AUTOTRANSFORMER CONVERTS 400 HZ POWER TO SUPPLY GENERAL LIGHTING NEEDS SPECIFICATION NUMBER: S281N001-3	103106 108120	2
- 10	NAS601-6P		ATTACHING PARTS . SCREW	103106 108120	8
15	287N4102-115		-----*----- . SUPPORT ASSY	103106 108120	2
- 20	NAS601-6P		ATTACHING PARTS . SCREW -----*-----	103106 108120	4

MISSING ITEM NUMBERS NOT APPLICABLE

- ITEM NOT ILLUSTRATED

BRI

24-51-73-02

BOEING PROPRIETARY - Copyright © - Unpublished Work - See title page for details.

24-51-73
FIG. 02
PAGE 2
JAN 20/09



757

PARTS CATALOG (MAINTENANCE)

FIG ITEM	PART NUMBER	1 2 3 4 5 6 7	NOMENCLATURE	EFFECT FROM TO	UNITS PER ASSY
2					
25	MF53049-06		..NUTPLATE SUPPLIER CODE: V15653 SPECIFICATION NUMBER: BACN10JN06 OPTIONAL PART: MF1000-06BAC V15653 NS103218-62 V80539 RMF9201M62 V72962 VN252A62L V92215 T8124S06S V11815 BRFM20A06L V52828 ATTACHING PARTS	103106 108120	2
- 30	BACR15BA3DC		..RIVET- SIZE DETERMINED ON INSTL. -----*-----	103106 108120	4
- 300	286N0062-319		WIRE BUNDLE ASSY	108120	RF
- 301	286N0062-601		WIRE BUNDLE ASSY	103106	RF
305	BACC45FT22-19S		.PLUG- ELECTRICAL EQUIP NUMBER: D04118P WIRING DIAGRAM REF: 245172	103106 108120	1
- 350	286N0074-318		WIRE BUNDLE ASSY	108120	RF
- 350	286N0074-701		WIRE BUNDLE ASSY	103106	RF
355	BACC45FT22-19S		.PLUG- ELECTRICAL EQUIP NUMBER: D04010P WIRING DIAGRAM REF: 245172	103106 108120	1

MISSING ITEM NUMBERS NOT APPLICABLE

- ITEM NOT ILLUSTRATED

BRI

24-51-73-02

BOEING PROPRIETARY - Copyright © - Unpublished Work - See title page for details.

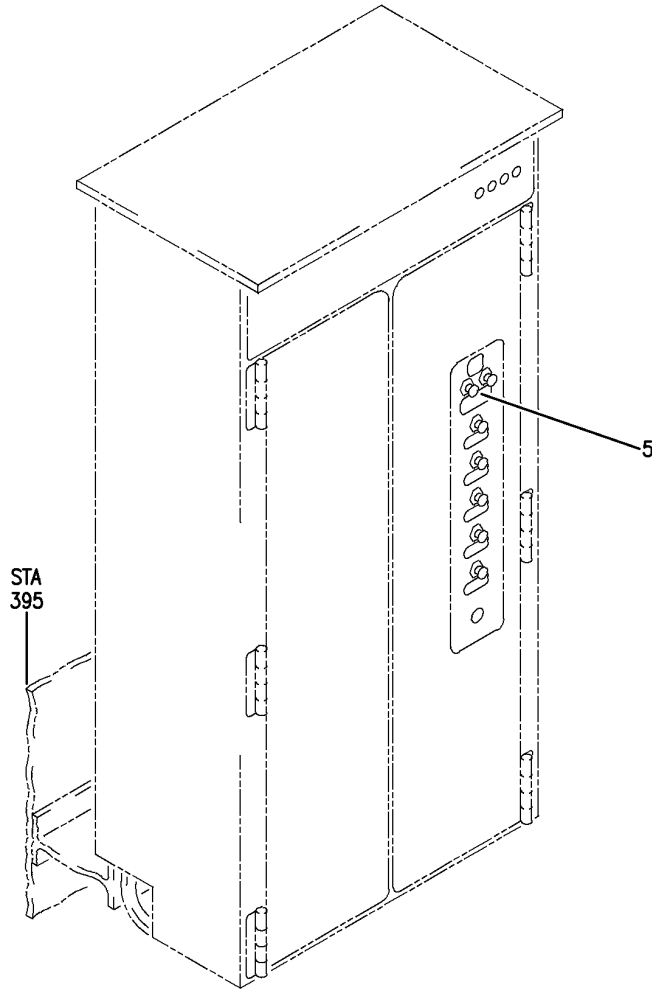
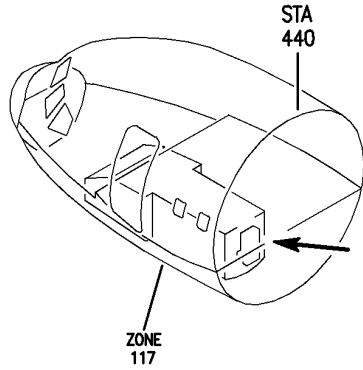
24-51-73
FIG. 02
PAGE 3
JAN 20/09

28-VOLT AC POWER DISTRIBUTION

BRI
MAY 28/07

24-53-00
SECTION TITLE
PAGE 1

BOEING
757
PARTS CATALOG (MAINTENANCE)



Y 24530001 REV 237

PANEL ASSY-P31 PWR (28 VOLT AC POWER DISTRIBUTION)
FIGURE 1

24-53-00-01

BRI
JAN 20/09

24-53-00-01
PAGE 0



757

PARTS CATALOG (MAINTENANCE)

FIG ITEM	PART NUMBER	1 2 3 4 5 6 7	NOMENCLATURE	EFFECT FROM TO	UNITS PER ASSY
1			PANEL ASSY-P31 PWR (28 VOLT AC POWER DISTRIBUTION)	103106	
- 2	MODREF33208		PANEL ASSY-P31 PWR (28 VOLT AC POWER DISTRIBUTION) MODULE NUMBER: 284N1314-302 REV B FOR OTHER SYS DETAILS SEE: 11-36-05-02A 24-21-51-01 24-22-51-08 24-51-51-26 25-31-04-66 31-01-31-05	103106	1
5	2TC47-7-5		.CIRCUIT BREAKER- SUPPLIER CODE: V82647 SPECIFICATION NUMBER: BACC18AD7 OPTIONAL PART: 4310-029-705 V76374 ELECTRICAL EQUIP NUMBER: C00877	103106	1

MISSING ITEM NUMBERS NOT APPLICABLE

- ITEM NOT ILLUSTRATED

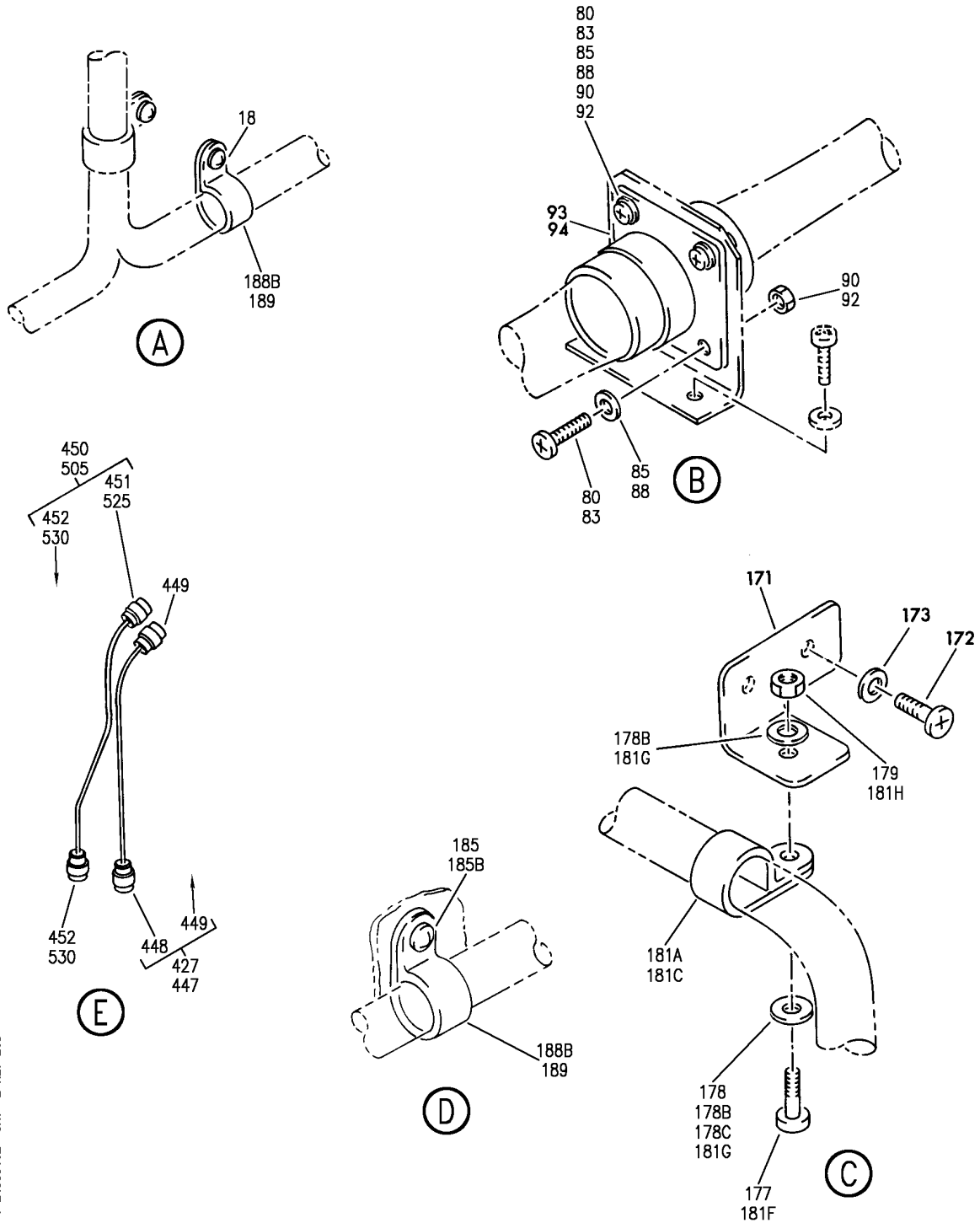
BRI

24-53-00-01

BOEING PROPRIETARY - Copyright © - Unpublished Work - See title page for details.

24-53-00
FIG. 01
PAGE 1
JAN 20/09

BOEING
757
PARTS CATALOG (MAINTENANCE)



Y 24535102 SH1 2 REV 268

ELECTRICAL ASSY (ELECTRICAL POWER ONLY)
FIGURE 2 (SHEET 2)

24-53-51-02

BRI
JAN 20/09

24-53-51-02
PAGE 0A



757

PARTS CATALOG (MAINTENANCE)

FIG ITEM	PART NUMBER	1 2 3 4 5 6 7	NOMENCLATURE	EFFECT FROM TO	UNITS PER ASSY
2			ELECTRICAL ASSY (ELECTRICAL POWER ONLY)	952999	
- 10	1A122-0089-222		ELECTRICAL ASSY- (ELECTRICAL POWER ONLY) SUPPLIER CODE: VS5825 FOR NHA/OTHER SYS DET SEE: 25-41-04-60	952999	RF
- 17	NAS603-6P		.SCREW	952999	3
- 18	AN960PD10L		.WASHER	952999	3
			ATTACHING PARTS		
- 33	NAS601-5P		.SCREW	952999	2
- 33	NAS601-5P		.SCREW- LAV B	952999	2
- 36	AN960PD6L		.WASHER	952999	2
- 36	AN960PD6L		.WASHER- LAV B	952999	2
- 41	NAS603-8P		.SCREW- LAV K, M AND S	952999	1
- 42	NAS601-5P		.SCREW	952999	2
- 45	AN960PD10L		.WASHER- LAV K, M AND S	952999	1
- 47	AN960PD6L		.WASHER	952999	2
			-----*-----		
	55 BACC10DK7		.CLAMP	952999	3
	55 BACC10DK7		.CLAMP	952999	3
			ATTACHING PARTS		
- 60	NAS603-6P		.SCREW	952999	3
- 60	NAS603-6P		.SCREW- LAV B	952999	3
- 60	NAS603-6P		.SCREW	952999	3
- 65	AN960PD10L		.WASHER	952999	3
- 65	AN960PD10L		.WASHER- LAV B	952999	3
- 65	AN960PD10L		.WASHER	952999	3
			-----*-----		
	71 2A122-0089-224		.HARNES ASSY- LAV C SUPPLIER CODE: VS5825	952999	1
	80 NAS601-7P		..SCREW	952999	8
	80 NAS601-7P		..SCREW	952999	8
	83 NAS601-7P		..SCREW- LAV B	952999	8
	85 AN960PD6L		..WASHER	952999	8
	85 AN960PD6L		..WASHER	952999	8
	88 AN960PD6L		..WASHER- LAV B	952999	8
	90 NAS679A06		..NUT	952999	8

MISSING ITEM NUMBERS NOT APPLICABLE

- ITEM NOT ILLUSTRATED

24-53-51-02

24-53-51
FIG. 02
PAGE 1
JAN 20/09

BRI



757

PARTS CATALOG (MAINTENANCE)

FIG ITEM	PART NUMBER	1 2 3 4 5 6 7	NOMENCLATURE	EFFECT FROM TO	UNITS PER ASSY
2					
90	NAS679A06	..	NUT	952999	8
92	NAS679A06	..	NUT-	952999	8
			LAV B		
93	BACC45FN24-43P	..	CONNECTOR-J1	952999	1
93	BACC45FN24-43P	..	CONNECTOR-J1	952999	1
			LAV B		
93	BACC45FN24-43P	..	CONNECTOR-J1	952999	1
94	BACC45FN24-43S	..	CONNECTOR-J101	952999	1
94	BACC45FN24-43S	..	CONNECTOR-J101	952999	1
			LAV B		
94	BACC45FN24-43S	..	CONNECTOR-J101	952999	1
100	48-7190	..	CONNECTOR-J4	952999	1
			SUPPLIER CODE:		
			V02660		
100	48-7190	..	CONNECTOR-J4	952999	1
			SUPPLIER CODE:		
			V02660		
105	48-7191	..	CONNECTOR-J5	952999	1
			SUPPLIER CODE:		
			V02660		
105	48-7191	..	CONNECTOR-J5	952999	1
			SUPPLIER CODE:		
			V02660		
112	MS27212-6-5	..	TERMINAL BOARD ASSY-TB1, TB3	952999	2
112	MS27212-6-5	..	TERMINAL BOARD ASSY-TB1, TB3	952999	2
113	MS27212-6-3	..	TERMINAL BOARD ASSY-TB102	952999	1
113	MS27212-6-3	..	TERMINAL BOARD ASSY-TB102	952999	1
			ATTACHING PARTS		
- 117	NAS601-5P	..	SCREW	952999	6
- 117	NAS601-5P	..	SCREW	952999	6
- 122	AN960PD6L	..	WASHER	952999	6
- 122	AN960PD6L	..	WASHER	952999	6
			-----*-----		
123	DAMA15SWS	..	CONNECTOR-P15	952999	1
			SUPPLIER CODE:		
			V71468		
			ATTACHING PARTS		
172	NAS601-5P	.	SCREW	952999	2
173	AN960PD6L	.	WASHER	952999	2
			-----*-----		
-175E	NAS679A3	.	NUT	952999	1
176C	BACC10DK2	.	CLAMP	952999	1
177	NAS603-8P	.	SCREW	952999	1
178D	AN960PD10L	.	WASHER	952999	2
179	NAS679A3	.	NUT	952999	1

MISSING ITEM NUMBERS NOT APPLICABLE

- ITEM NOT ILLUSTRATED

24-53-51-02

24-53-51
FIG. 02
PAGE 2
JAN 20/09

BRI

BOEING PROPRIETARY - Copyright © - Unpublished Work - See title page for details.

 **BOEING**
757
PARTS CATALOG (MAINTENANCE)

FIG ITEM	PART NUMBER	1 2 3 4 5 6 7	NOMENCLATURE	EFFECT FROM TO	UNITS PER ASSY
2					
-180H	NAS603-6P	.	SCREW	952999	1
181D	BACC10DK3	.	CLAMP	952999	3
-182D	NAS603-6P	.	SCREW	952999	1
-183D	AN960PD10L	.	WASHER	952999	1
184D	BACC10DK4	.	CLAMP	952999	1
-186F	NAS603-6P	.	SCREW	952999	14
-188D	AN960PD10L	.	WASHER	952999	14
188F	BACC10DK5	.	CLAMP	952999	14
210	2A122-0089-85	.	HARNES ASSY- LAV B AND D SUPPLIER CODE: VS5825 ATTACHING PARTS	952999	1
- 220	NAS600-7P	.	SCREW	952999	9
- 224	AN960-4	.	WASHER	952999	9
- 227	NAS679A04	.	NUT	952999	9
			-----*-----		
230	BACC45FN14-7S	..	CONNECTOR-J2, J102	952999	2
231	BACC45FT24C43P	..	CONNECTOR-P101	952999	1
233	BACC45FN14-15S	..	CONNECTOR-J3	952999	1
234	HRTS17KM	..	SOCKET-RELAY K-1 SUPPLIER CODE: V91663	952999	1
234	HRTS17KJV2	..	SOCKET-RELAY K-1 SUPPLIER CODE: V91663	952999	1
235	MS27212-6-5	..	TERMINAL BOARD ASSY-TB2 ATTACHING PARTS	952999	1
- 236	NAS601-5P	..	SCREW	952999	2
- 237	AN960PD6L	..	WASHER	952999	2
			-----*-----		
240	MS27212-6-3	..	TERMINAL BOARD ASSY- TB101 ATTACHING PARTS	952999	1
- 241	NAS601-5P	..	SCREW	952999	2
- 242	AN960PD6L	..	WASHER	952999	2
			-----*-----		
245	BACC45FT10C5S	..	CONNECTOR-P4	952999	1
250	BACC45FT12C12S	..	CONNECTOR-P5	952999	1
- 310	1A122-0089-6		ELECTRICAL ASSY-LAV C (ELECTRICAL POWER ONLY) SUPPLIER CODE: VS5825 FOR NHA/OTHER SYS DET SEE: 25-41-04-60	952999	RF
- 326	NAS603-6P	.	SCREW	952999	1
- 332	AN960PD10L	.	WASHER	952999	1

MISSING ITEM NUMBERS NOT APPLICABLE

- ITEM NOT ILLUSTRATED

BRI

24-53-51-02

24-53-51
FIG. 02
PAGE 3
JAN 20/09



757

PARTS CATALOG (MAINTENANCE)

FIG ITEM	PART NUMBER	1 2 3 4 5 6 7	NOMENCLATURE	EFFECT FROM TO	UNITS PER ASSY
2					
335	BACC10DK3	.	CLAMP	952999	1
340	2A122-0089-9	.	HARNESS ASSY- SUPPLIER CODE: VS5825	952999	1
340	2A122-0089-9	.	HARNESS ASSY- SUPPLIER CODE: VS5825	952999	1
343	2A122-0089-9	.	HARNESS ASSY- LAV B SUPPLIER CODE: VS5825	952999	1
345	BACC45FT14C7S	..	CONNECTOR-P2	952999	1
350	BACC45FT14C7P	..	CONNECTOR-P102	952999	1

MISSING ITEM NUMBERS NOT APPLICABLE

- ITEM NOT ILLUSTRATED

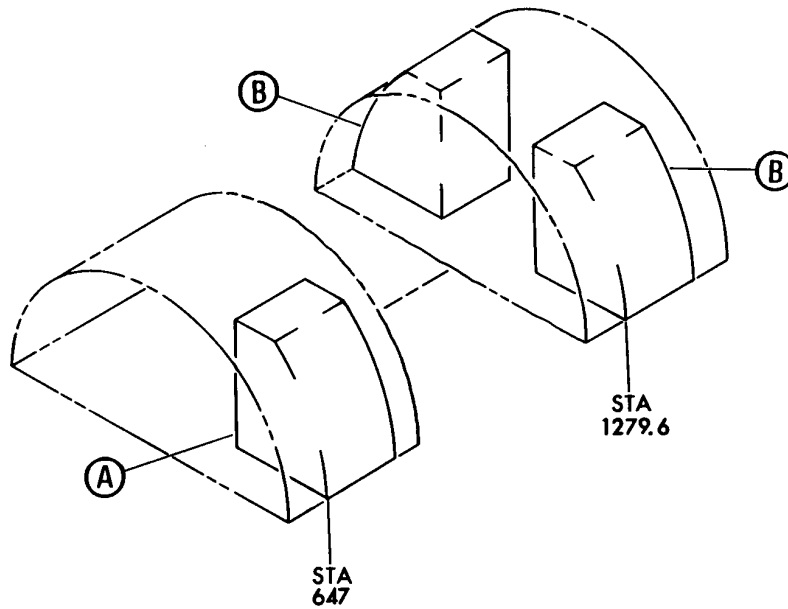
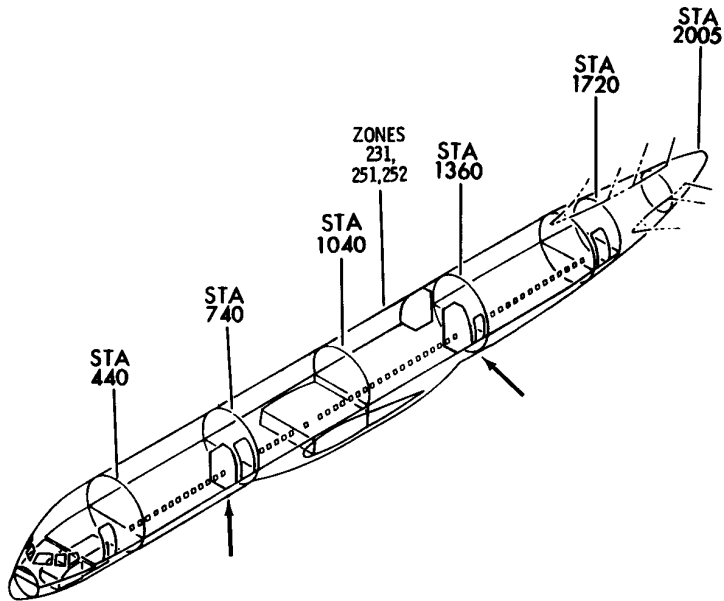
BRI

24-53-51-02

BOEING PROPRIETARY - Copyright © - Unpublished Work - See title page for details.

24-53-51
FIG. 02
PAGE 4
JAN 20/09

BOEING
757
PARTS CATALOG (MAINTENANCE)



Y 24535102C SHT 1 REV 142

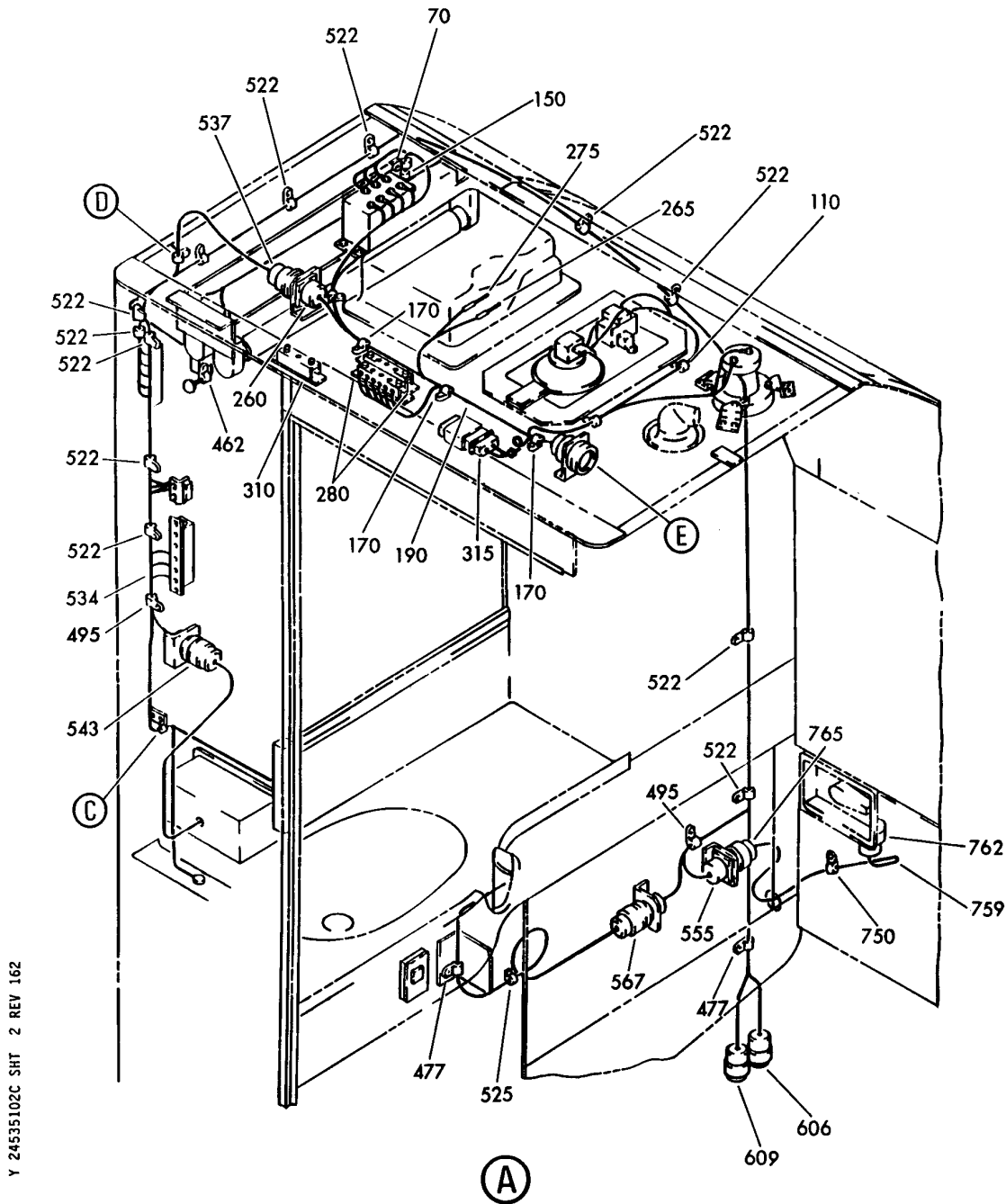
ELECTRICAL ASSY-LAV (ELECTRICAL POWER ONLY)
FIGURE 2C (SHEET 1)

24-53-51-02C

BRI
JAN 20/09

24-53-51-02C
PAGE 0

BOEING
757
PARTS CATALOG (MAINTENANCE)



Y 24535102C SHT 2 REV 162

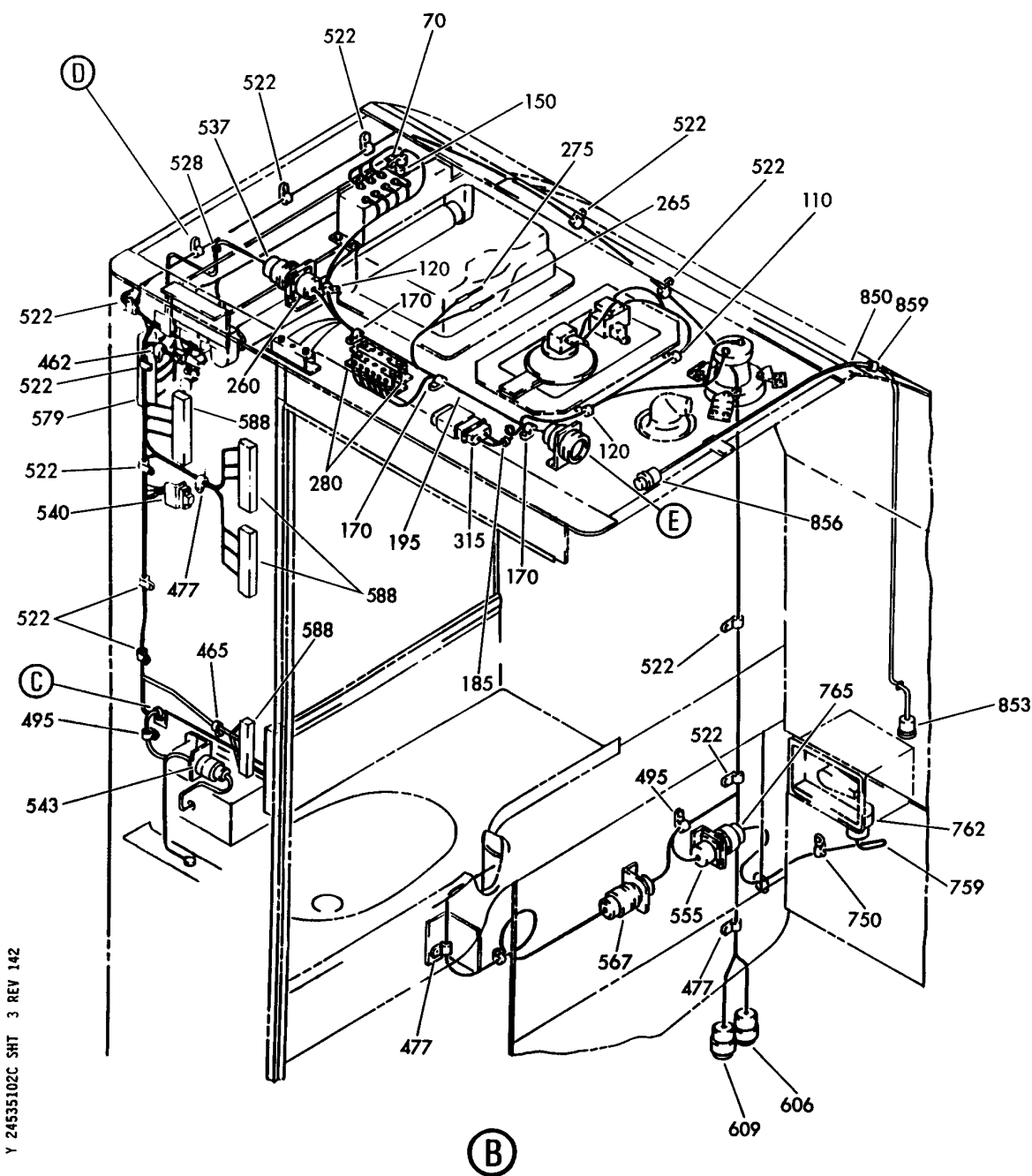
ELECTRICAL ASSY-LAV (ELECTRICAL POWER ONLY)
FIGURE 2C (SHEET 2)

24-53-51-02C

BRI
JAN 20/09

24-53-51-02C
PAGE 0A

BOEING
757
PARTS CATALOG (MAINTENANCE)



Y 24535102C SHT 3 REV 142

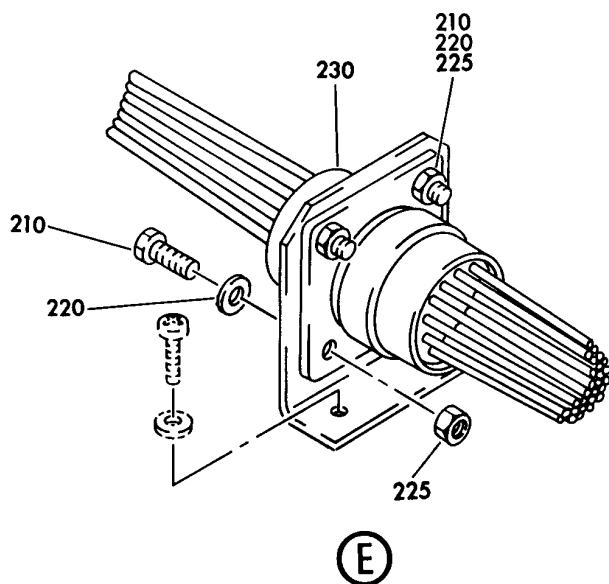
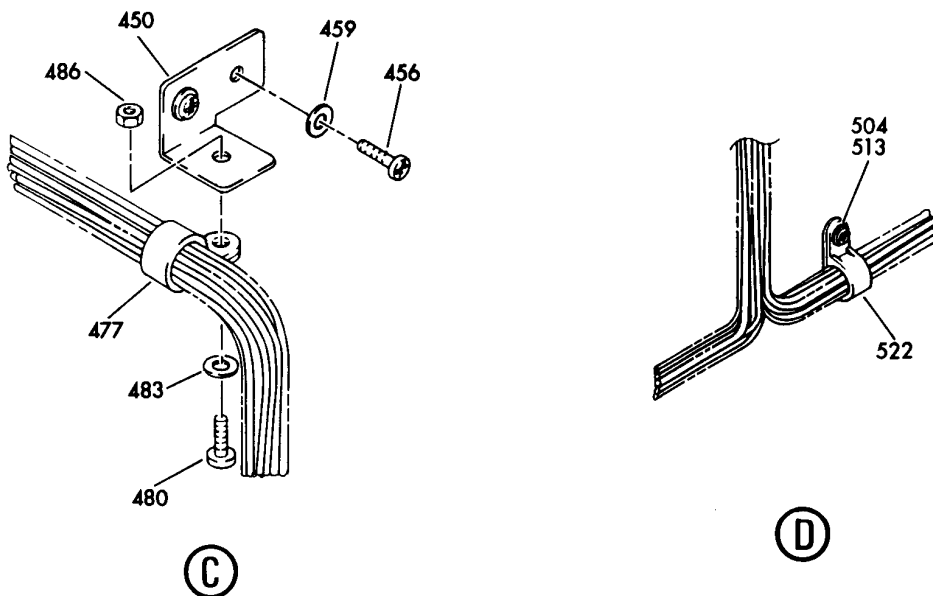
ELECTRICAL ASSY-LAV (ELECTRICAL POWER ONLY)
FIGURE 2C (SHEET 3)

24-53-51-02C

BRI
JAN 20/09

24-53-51-02C
PAGE 0B

BOEING
757
PARTS CATALOG (MAINTENANCE)



Y 24535102C SHT 4 REV 162

ELECTRICAL ASSY-LAV (ELECTRICAL POWER ONLY)
FIGURE 2C (SHEET 4)

24-53-51-02C

BRI
JAN 20/09

24-53-51-02C
PAGE 0C



757

PARTS CATALOG (MAINTENANCE)

FIG ITEM	PART NUMBER	1 2 3 4 5 6 7	NOMENCLATURE	EFFECT FROM TO	UNITS PER ASSY
2C			ELECTRICAL ASSY-LAV (ELECTRICAL POWER ONLY)	952999	
- 1	1A122-0089-222		ELECTRICAL ASSY-LAV C (ELECTRICAL POWER ONLY) SUPPLIER CODE: VS5825 FOR NHA/OTHER SYS DET SEE: 25-41-04-60	952999	RF
- 10	1A122-0089-221		ELECTRICAL ASSY-LAV D (ELECTRICAL POWER ONLY) SUPPLIER CODE: VS5825 FOR NHA/OTHER SYS DET SEE: 25-41-04-57	952999	RF
- 20	1A122-0089-431		ELECTRICAL ASSY-LAV S (ELECTRICAL POWER ONLY) SUPPLIER CODE: VS5825 FOR NHA/OTHER SYS DET SEE: 25-41-03-08C	952952	RF
- 55	NAS601-5P		.SCREW-LAV D AND S	952952	2
- 55	NAS601-5P		.SCREW-LAV D	952952	2
- 65	AN960PD6L		.WASHER-LAV D AND S	952952	2
- 65	AN960PD6L		.WASHER-LAV D	952952	2
70	3A114-0081-12		.SUPPORT-CLAMP LAV D AND S SUPPLIER CODE: VS5825	952952	1
70	3A114-0081-12		.SUPPORT-CLAMP LAV D SUPPLIER CODE: VS5825	952952	1
- 75	3A114-0081-1		.SUPPORT-CLAMP LAV C SUPPLIER CODE: VS5825	952999	1
			ATTACHING PARTS		
- 80	NAS601-5P		.SCREW	952999	2
- 85	AN960PD6L		.WASHER	952999	2
			-----*-----		
- 95	NAS603-6P		.SCREW	952952	2
- 95	NAS603-6P		.SCREW	953999	2
- 105	AN960PD10L		.WASHER	952952	2
- 105	AN960PD10L		.WASHER	953999	2
110	BACC10DK2		.CLAMP	952952	1
110	BACC10DK2		.CLAMP	953999	1
120	BACC10DK3		.CLAMP	952952	2
120	BACC10DK3		.CLAMP	953999	2
- 130	NAS603-8P		.SCREW	952952	1
- 130	NAS603-8P		.SCREW	953999	1
- 135	AN960PD10L		.WASHER	952952	1
- 135	AN960PD10L		.WASHER	953999	1

MISSING ITEM NUMBERS NOT APPLICABLE

- ITEM NOT ILLUSTRATED

24-53-51-02C

24-53-51
FIG. 02C
PAGE 1
JAN 20/09

BRI



757

PARTS CATALOG (MAINTENANCE)

FIG ITEM	PART NUMBER	1 2 3 4 5 6 7	NOMENCLATURE	EFFECT FROM TO	UNITS PER ASSY
2C					
- 140	NAS679A3	.NUT		952952	1
- 140	NAS679A3	.NUT		953999	1
150	BACC10DK4	.CLAMP		952952	1
150	BACC10DK4	.CLAMP		953999	1
- 155	BACC10DK5	.CLAMP-LAV S		952952	1
		ATTACHING PARTS			
- 160	NAS603-6P	.SCREW		952952	1
- 165	AN960PD10L	.WASHER		952952	1
		-----*-----			
170	BACC10DK7	.CLAMP		952952	3
170	BACC10DK7	.CLAMP		953999	3
		ATTACHING PARTS			
- 175	NAS603-6P	.SCREW		952952	3
- 175	NAS603-6P	.SCREW		953999	3
- 180	AN960PD10L	.WASHER		952952	3
- 180	AN960PD10L	.WASHER		953999	3
		-----*-----			
185	T18R	.TIE-INSULOCK		952952	1
		SUPPLIER CODE:			
		VU3384			
		OPTIONAL PART:			
		89176-0001			
		VS5006			
185	T18R	.TIE-INSULOCK		953999	1
		SUPPLIER CODE:			
		VU3384			
		OPTIONAL PART:			
		89176-0001			
		VS5006			
195	2A122-0089-223	.HARNESS ASSY-LAV D		952999	1
		SUPPLIER CODE:			
		VS5825			
- 200	2A122-0089-224	.HARNESS ASSY-LAV C		952999	1
		SUPPLIER CODE:			
		VS5825			
- 202	2A122-0089-383	.HARNESS ASSY-LAV S		952952	1
		SUPPLIER CODE:			
		VS5825			
210	NAS601-7P	..SCREW		952952	4
210	NAS601-7P	..SCREW		953999	4
220	AN960PD6L	..WASHER		952952	4
220	AN960PD6L	..WASHER		953999	4
225	NAS679A06	..NUT		952952	4
225	NAS679A06	..NUT		953999	4
230	BACC45FN24-43P	..CONNECTOR-J1		952952	1
230	BACC45FN24-43P	..CONNECTOR-J1		953999	1
- 240	NAS601-7P	..SCREW		952952	4
- 240	NAS601-7P	..SCREW		953999	4
- 250	AN960PD6L	..WASHER		952952	4

MISSING ITEM NUMBERS NOT APPLICABLE

- ITEM NOT ILLUSTRATED

24-53-51-02C

24-53-51
FIG. 02C
PAGE 2
JAN 20/09

BRI

BOEING PROPRIETARY - Copyright © - Unpublished Work - See title page for details.



757

PARTS CATALOG (MAINTENANCE)

FIG ITEM	PART NUMBER	1 2 3 4 5 6 7	NOMENCLATURE	EFFECT FROM TO	UNITS PER ASSY
2C					
- 250	AN960PD6L	..	WASHER	953999	4
- 255	NAS679A06	..	NUT	952952	4
- 255	NAS679A06	..	NUT	953999	4
260	BACC45FN24-43S	..	CONNECTOR-J101	952952	1
260	BACC45FN24-43S	..	CONNECTOR-J101	953999	1
265	48-7190	..	CONNECTOR-J4	952952	1
			SUPPLIER CODE: V02660		
265	48-7190	..	CONNECTOR-J4	953999	1
			SUPPLIER CODE: V02660		
275	48-7191	..	CONNECTOR-J5	952952	1
			SUPPLIER CODE: V02660		
275	48-7191	..	CONNECTOR-J5	953999	1
			SUPPLIER CODE: V02660		
280	MS27212-6-5	..	TERMINAL BOARD ASSY- TB1, TB3	952952	2
280	MS27212-6-5	..	TERMINAL BOARD ASSY- TB1, TB3	953999	2
- 285	NAS601-5P	..	SCREW	952952	4
- 285	NAS601-5P	..	SCREW	953999	4
- 290	AN960PD6L	..	WASHER	952952	4
- 290	AN960PD6L	..	WASHER	953999	4
- 300	NAS601-5P	..	SCREW	952952	2
- 300	NAS601-5P	..	SCREW	953999	2
- 305	AN960PD6L	..	WASHER	952952	2
- 305	AN960PD6L	..	WASHER	953999	2
310	MS27212-6-3	..	TERMINAL BOARD ASSY- TB102	952952	1
310	MS27212-6-3	..	TERMINAL BOARD ASSY- TB102	953999	1
315	DAMA15SWS	..	CONNECTOR-P15	952952	1
			SUPPLIER CODE: V71468		
315	DAMA15SWS	..	CONNECTOR-P15	953999	1
			SUPPLIER CODE: V71468		
- 400	1A122-0089-464		ELECTRICAL ASSY-LAV C (ELECTRICAL POWER ONLY) SUPPLIER CODE: VS5825 FOR NHA/OTHER SYS DET SEE: 25-41-04-60	952999	RF

MISSING ITEM NUMBERS NOT APPLICABLE

- ITEM NOT ILLUSTRATED

24-53-51-02C

24-53-51
FIG. 02C
PAGE 3
JAN 20/09

BRI

BOEING PROPRIETARY - Copyright © - Unpublished Work - See title page for details.



757

PARTS CATALOG (MAINTENANCE)

FIG ITEM	PART NUMBER	1 2 3 4 5 6 7	NOMENCLATURE	EFFECT FROM TO	UNITS PER ASSY
2C					
- 410	1A122-0089-463		ELECTRICAL ASSY-LAV D (ELECTRICAL POWER ONLY) SUPPLIER CODE: VS5825 FOR NHA/OTHER SYS DET SEE: 25-41-04-57	952999	RF
- 420	1A122-0089-393		ELECTRICAL ASSY-LAV S (ELECTRICAL POWER ONLY) SUPPLIER CODE: VS5825 FOR NHA/OTHER SYS DET SEE: 25-41-03-08C	952952	RF
450	3A114-0081-1		.SUPPORT-CLAMP SUPPLIER CODE: VS5825	953999	1
450	3A114-0081-1		.SUPPORT-CLAMP SUPPLIER CODE: VS5825	952952	1
- 453	3A114-0081-12		.SUPPORT-CLAMP SUPPLIER CODE: VS5825	953999	1
- 453	3A114-0081-12		.SUPPORT-CLAMP SUPPLIER CODE: VS5825	952952	1
456	NAS601-5P		.SCREW	953999	2
456	NAS601-5P		.SCREW	952952	2
459	AN960PD6L		.WASHER	953999	2
459	AN960PD6L		.WASHER	952952	2
			-----*-----		
462	BACC10DK2		.CLAMP	953999	1
462	BACC10DK2		.CLAMP	952952	1
			ATTACHING PARTS		
- 465	NAS603-8P		.SCREW	953999	1
- 465	NAS603-8P		.SCREW	952952	1
- 471	AN960PD10L		.WASHER	953999	1
- 471	AN960PD10L		.WASHER	952952	1
- 474	NAS679A3		.NUT	953999	1
- 474	NAS679A3		.NUT	952952	1
			-----*-----		
477	BACC10DK3		.CLAMP	953999	3
477	BACC10DK3		.CLAMP	952952	3
			ATTACHING PARTS		
480	NAS603-8P		.SCREW	953999	1
480	NAS603-8P		.SCREW	952952	1
483	AN960PD10L		.WASHER	953999	2
483	AN960PD10L		.WASHER	952952	2
486	NAS679A3		.NUT	953999	1
486	NAS679A3		.NUT	952952	1

MISSING ITEM NUMBERS NOT APPLICABLE

- ITEM NOT ILLUSTRATED

24-53-51-02C

24-53-51
FIG. 02C
PAGE 4
JAN 20/09

BRI

BOEING PROPRIETARY - Copyright © - Unpublished Work - See title page for details.



757

PARTS CATALOG (MAINTENANCE)

FIG ITEM	PART NUMBER	1 2 3 4 5 6 7	NOMENCLATURE	EFFECT FROM TO	UNITS PER ASSY
2C					
- 489	NAS603-6P	.	SCREW	953999	1
- 489	NAS603-6P	.	SCREW	952952	1
- 492	AN960PD10L	.	WASHER	953999	1
- 492	AN960PD10L	.	WASHER	952952	1
		-----*			
495	BACC10DK4	.	CLAMP	953999	2
495	BACC10DK4	.	CLAMP	952952	2
			ATTACHING PARTS		
- 498	NAS603-6P	.	SCREW	953999	2
- 498	NAS603-6P	.	SCREW	952952	2
- 501	AN960PD10L	.	WASHER	953999	2
- 501	AN960PD10L	.	WASHER	952952	2
		-----*			
504	NAS603-6P	.	SCREW	953999	12
504	NAS603-6P	.	SCREW	952952	12
513	AN960PD10L	.	WASHER	953999	12
513	AN960PD10L	.	WASHER	952952	12
522	BACC10DK5	.	CLAMP	953999	12
522	BACC10DK5	.	CLAMP	952952	12
525	T18R	.	TIE-INSULOCK	953999	1
			SUPPLIER CODE: VU3384		
			OPTIONAL PART: 89176-0001		
			VS5006		
525	T18R	.	TIE-INSULOCK	952952	1
			SUPPLIER CODE: VU3384		
			OPTIONAL PART: 89176-0001		
			VS5006		
528	2A122-0089-5	.	HARNASS ASSY-LAV D	952999	1
			SUPPLIER CODE: VS5825		
- 531	2A122-0089-6	.	HARNASS ASSY-LAV C	952999	1
			SUPPLIER CODE: VS5825		
534	2A122-0089-155	.	HARNASS ASSY-LAV S	952952	1
			SUPPLIER CODE: VS5825		
537	BACC45FT24C43P	..	CONNECTOR-P101	953999	1
537	BACC45FT24C43P	..	CONNECTOR-P101	952952	1
540	HRTS17KM	..	SOCKET-RELAY XK-1	953999	1
			SUPPLIER CODE: V91663		
540	HRTS17KM	..	SOCKET-RELAY XK-1	952952	1
			SUPPLIER CODE: V91663		

MISSING ITEM NUMBERS NOT APPLICABLE

- ITEM NOT ILLUSTRATED

24-53-51-02C

24-53-51
FIG. 02C
PAGE 5
JAN 20/09

BRI

BOEING PROPRIETARY - Copyright © - Unpublished Work - See title page for details.



757

PARTS CATALOG (MAINTENANCE)

FIG ITEM	PART NUMBER	1 2 3 4 5 6 7	NOMENCLATURE	EFFECT FROM TO	UNITS PER ASSY
2C					
540	HRTS17KJV2	..	SOCKET-RELAY XK-1 SUPPLIER CODE: V91663	953999	1
540	HRTS17KJV2	..	SOCKET-RELAY XK-1 SUPPLIER CODE: V91663	952952	1
543	BACC45FN14-15S	..	CONNECTOR-J3	953999	1
543	BACC45FN14-15S	..	CONNECTOR-J3 ATTACHING PARTS	952952	1
- 546	NAS1801-04-6	..	SCREW	953999	4
- 546	NAS1801-04-6	..	SCREW	952952	4
- 549	AN960PD4L	..	WASHER	953999	8
- 549	AN960PD4L	..	WASHER	952952	8
- 552	NAS679A04	..	NUT	953999	4
- 552	NAS679A04	..	NUT	952952	4
			-----*-----		
555	BACC45FN14-7S	..	CONNECTOR-J102	953999	1
555	BACC45FN14-7S	..	CONNECTOR-J102 ATTACHING PARTS	952952	1
- 558	NAS1801-04-6	..	SCREW	953999	4
- 558	NAS1801-04-6	..	SCREW	952952	4
- 561	AN960PD4L	..	WASHER	953999	8
- 561	AN960PD4L	..	WASHER	952952	8
- 564	NAS679A04	..	NUT	953999	4
- 564	NAS679A04	..	NUT	952952	4
			-----*-----		
567	BACC45FN14-7S	..	CONNECTOR-J2	953999	1
567	BACC45FN14-7S	..	CONNECTOR-J2 ATTACHING PARTS	952952	1
- 570	NAS1801-04-6	..	SCREW	953999	4
- 570	NAS1801-04-6	..	SCREW	952952	4
- 573	AN960PD4L	..	WASHER	953999	8
- 573	AN960PD4L	..	WASHER	952952	8
- 576	NAS679A04	..	NUT	953999	4
- 576	NAS679A04	..	NUT	952952	4
			-----*-----		
579	MS27212-6-5	..	TERMINAL BOARD ASSY-TB2 LAV C AND D	953999	1
579	MS27212-6-5	..	TERMINAL BOARD ASSY-TB2 ATTACHING PARTS	952952	1
- 582	NAS601-5P	..	SCREW	953999	2
- 582	NAS601-5P	..	SCREW	952952	2
- 585	AN960PD6L	..	WASHER	953999	2
- 585	AN960PD6L	..	WASHER	952952	2
			-----*-----		
588	MS27212-6-3	..	TERMINAL BOARD ASSY- TB101, TB102, TB103 AND TB104 LAV C AND D	952999	4

MISSING ITEM NUMBERS NOT APPLICABLE

- ITEM NOT ILLUSTRATED

24-53-51-02C

24-53-51
FIG. 02C
PAGE 6
JAN 20/09

BRI

BOEING PROPRIETARY - Copyright © - Unpublished Work - See title page for details.

 **BOEING**
757
PARTS CATALOG (MAINTENANCE)

FIG ITEM	PART NUMBER	1 2 3 4 5 6 7	NOMENCLATURE	EFFECT FROM TO	UNITS PER ASSY
2C			ATTACHING PARTS		
- 591	NAS601-5P	..	SCREW	952999	8
- 594	AN960PD6L	..	WASHER	952999	8
			-----*-----		
- 597	MS27212-6-3	..	TERMINAL BOARD ASSY- TB101 LAV C	953999	1
- 597	MS27212-6-3	..	TERMINAL BOARD ASSY- TB101 LAV D AND S	952952	1
			ATTACHING PARTS		
- 600	NAS601-5P	..	SCREW	953999	2
- 600	NAS601-5P	..	SCREW	952952	2
- 603	AN960PD6L	..	WASHER	953999	2
- 603	AN960PD6L	..	WASHER	952952	2
			-----*-----		
606	BACC45FT10C5S	..	CONNECTOR-P4	953999	1
606	BACC45FT10C5S	..	CONNECTOR-P4	952952	1
609	C0909A12C12S	..	CONNECTOR-P5	953999	1
			SUPPLIER CODE: V13556		
			SPECIFICATION NUMBER: BACC63BN12C12S		
			OPTIONAL PART: 48-63N12C12S		
			V02660		
609	C0909A12C12S	..	CONNECTOR-P5	952952	1
			SUPPLIER CODE: V13556		
			SPECIFICATION NUMBER: BACC63BN12C12S		
			OPTIONAL PART: 48-63N12C12S		
			V02660		
- 700	1A122-0089-6		ELECTRICAL ASSY-LAV C (ELECTRICAL POWER ONLY)	952999	RF
			SUPPLIER CODE: VS5825		
			FOR NHA/OTHER SYS DET SEE: 25-41-04-60		
- 705	1A122-0089-5		ELECTRICAL ASSY-LAV D (ELECTRICAL POWER ONLY)	952999	RF
			SUPPLIER CODE: VS5825		
			FOR NHA/OTHER SYS DET SEE: 25-41-04-57		

MISSING ITEM NUMBERS NOT APPLICABLE

- ITEM NOT ILLUSTRATED

BRI

24-53-51-02C

BOEING PROPRIETARY - Copyright © - Unpublished Work - See title page for details.

24-53-51
FIG. 02C
PAGE 7
JAN 20/09



757

PARTS CATALOG (MAINTENANCE)

FIG ITEM	PART NUMBER	1 2 3 4 5 6 7	NOMENCLATURE	EFFECT FROM TO	UNITS PER ASSY
2C - 710	1A122-0089-5		ELECTRICAL ASSY-LAV D AND S (ELECTRICAL POWER ONLY) SUPPLIER CODE: VS5825 FOR NHA/OTHER SYS DET SEE: 25-41-03-08C 25-41-04-57	952999	RF
750	BACC10DK3	.	CLAMP	953999	1
750	BACC10DK3	.	CLAMP	952952	1
			ATTACHING PARTS		
- 753	NAS603-6P	.	SCREW	953999	1
- 753	NAS603-6P	.	SCREW	952952	1
- 756	AN960PD10L	.	WASHER	953999	1
- 756	AN960PD10L	.	WASHER	952952	1
			-----*-----		
759	2A122-0089-9	.	HARNESS ASSY- SUPPLIER CODE: VS5825	953999	1
759	2A122-0089-9	.	HARNESS ASSY- SUPPLIER CODE: VS5825	952952	1
762	BACC45FT14C7S	..	CONNECTOR-P2	953999	1
762	BACC45FT14C7S	..	CONNECTOR-P2	952952	1
765	BACC45FT14C7P	..	CONNECTOR-P102	953999	1
765	BACC45FT14C7P	..	CONNECTOR-P102	952952	1
- 800	1A122-0089-277		ELECTRICAL ASSY-LAV D (ELECTRICAL POWER ONLY) SUPPLIER CODE: VS5825 FOR NHA/OTHER SYS DET SEE: 25-41-04-57	952999	RF
850	2A122-0089-207	.	HARNESS ASSY- SUPPLIER CODE: VS5825	952999	1
853	XLR5-31	..	RECEPTACLE-J7 SUPPLIER CODE: V71468	952999	1
856	C0909A10A5P	..	CONNECTOR-P7 SUPPLIER CODE: V13556 SPECIFICATION NUMBER: BACC63BN10A5P OPTIONAL PART: 48-63N10A5P V02660 R071210A5P V41118	952999	1
859	BACC10DK3	.	CLAMP	952999	1

MISSING ITEM NUMBERS NOT APPLICABLE

- ITEM NOT ILLUSTRATED

24-53-51-02C

24-53-51
FIG. 02C
PAGE 8
JAN 20/09

BRI

BOEING PROPRIETARY - Copyright © - Unpublished Work - See title page for details.

 **BOEING**
757
PARTS CATALOG (MAINTENANCE)

FIG ITEM	PART NUMBER	1 2 3 4 5 6 7	NOMENCLATURE	EFFECT FROM TO	UNITS PER ASSY
2C - 862	T18R		.TIE-INSULOCK SUPPLIER CODE: VU3384 OPTIONAL PART: 89176-0001 VS5006	952999	1
- 900	1A122-0089-147		ELECTRICAL ASSY-LAV S (ELECTRICAL POWER ONLY) SUPPLIER CODE: VS5825 FOR NHA/OTHER SYS DET SEE: 25-41-03-08C	952999	RF
- 950	2A122-0089-69		.HARNESS ASSY- SUPPLIER CODE: VS5825	952999	1
- 953	BACC45FT10C5P		..CONNECTOR-P8	952999	1
- 956	BACC45FT10-5S		..CONNECTOR-P6	952999	1
- 968	2A122-0089-207		.HARNESS ASSY- SUPPLIER CODE: VS5825	952999	1
- 971	C0909A10C05PN		..CONNECTOR-P7 SUPPLIER CODE: V13556 SPECIFICATION NUMBER: BACC63BN10C5P OPTIONAL PART: 48-63N10C5P V02660 R071210C5P V41118	952999	1
- 974	XLR5-31		..RECEPTACLE-J7 SUPPLIER CODE: V71468	952999	1
- 977	T18R		.TIE-INSULOCK SUPPLIER CODE: VU3384 OPTIONAL PART: 89176-0001 VS5006	952999	1

MISSING ITEM NUMBERS NOT APPLICABLE

- ITEM NOT ILLUSTRATED

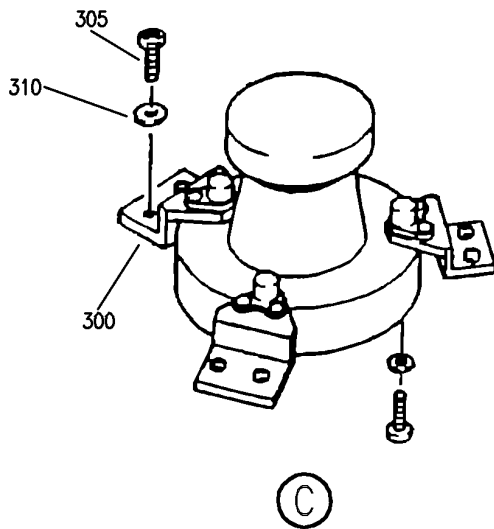
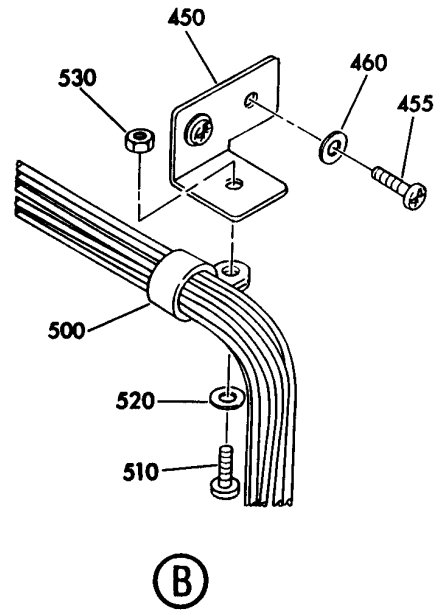
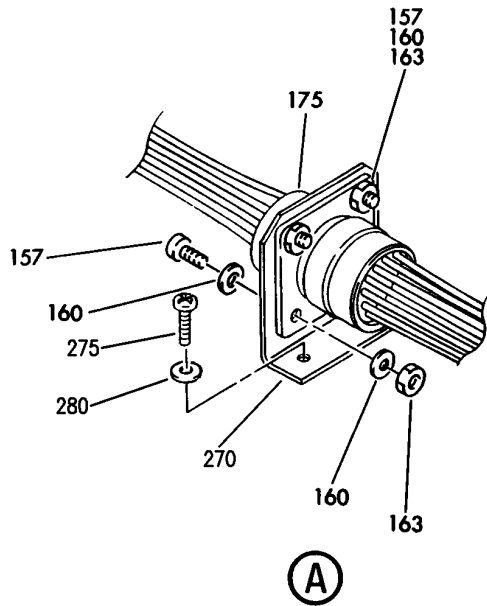
BRI

24-53-51-02C

BOEING PROPRIETARY - Copyright © - Unpublished Work - See title page for details.

24-53-51
FIG. 02C
PAGE 9
JAN 20/09

BOEING
757
PARTS CATALOG (MAINTENANCE)



Y 24535102D SHT 2 REV 241

ELECTRICAL ASSY-LAV (ELECTRICAL POWER ONLY)
FIGURE 2D (SHEET 2)

24-53-51-02D

BRI
JAN 20/09

24-53-51-02D
PAGE 0A



757

PARTS CATALOG (MAINTENANCE)

FIG ITEM	PART NUMBER	1 2 3 4 5 6 7	NOMENCLATURE	EFFECT FROM TO	UNITS PER ASSY
2D			ELECTRICAL ASSY-LAV (ELECTRICAL POWER ONLY)	107107	
- 5	1A122-0089-131		ELECTRICAL ASSY-LAV D (ELECTRICAL POWER ONLY) SUPPLIER CODE: VS5825 FOR NHA/OTHER SYS DET SEE: 25-41-03-51B	107107	RF
- 10	1A122-0089-132		ELECTRICAL ASSY-LAV C (ELECTRICAL POWER ONLY) SUPPLIER CODE: VS5825 FOR NHA/OTHER SYS DET SEE: 25-41-03-50B	107107	RF
- 15	1A122-0089-191		ELECTRICAL ASSY-LAV F (ELECTRICAL POWER ONLY) SUPPLIER CODE: VS5825 FOR NHA/OTHER SYS DET SEE: 25-41-01-09E	107107	RF
50	3A114-0081-1		.SUPPORT-CLAMP LAV C SUPPLIER CODE: VS5825 ATTACHING PARTS	107107	1
- 55	NAS601-5P		.SCREW	107107	2
- 60	AN960PD6L		.WASHER	107107	2
- 65	3A114-0081-12		-----*----- .SUPPORT-CLAMP LAV D AND F SUPPLIER CODE: VS5825 ATTACHING PARTS	107107	1
- 70	NAS601-5P		.SCREW	107107	2
80	BACC10DK2		.CLAMP-LAV D AND C	107107	1
85	BACC10DK3		.CLAMP-LAV D AND C ATTACHING PARTS	107107	2
- 90	NAS603-6P		.SCREW	107107	1
- 95	AN960PD10L		.WASHER	107107	1
100	BACC10DK4		-----*----- .CLAMP-LAV C, D AND F ATTACHING PARTS	107107	1
- 105	NAS603-8P		.SCREW	107107	1
- 110	AN960PD10L		.WASHER	107107	2
- 115	NAS679A3		.NUT	107107	1
120	BACC10DK6		-----*----- .CLAMP-LAV D, C, F ATTACHING PARTS	107107	1
- 125	NAS603-6P		.SCREW	107107	1

MISSING ITEM NUMBERS NOT APPLICABLE

- ITEM NOT ILLUSTRATED

24-53-51-02D

24-53-51
FIG. 02D
PAGE 1
JAN 20/09

BRI

BOEING PROPRIETARY - Copyright © - Unpublished Work - See title page for details.



757

PARTS CATALOG (MAINTENANCE)

FIG ITEM	PART NUMBER	1 2 3 4 5 6 7	NOMENCLATURE	EFFECT FROM TO	UNITS PER ASSY
2D					
- 130	AN960PD10L	.	WASHER	107107	1
		-----*			
135	BACC10DK7	.	CLAMP-LAV C, D AND F ATTACHING PARTS	107107	2
- 145	NAS603-6P	.	SCREW	107107	2
- 150	AN960PD10L	.	WASHER	107107	2
		-----*			
157	NAS1801-06-6	.	SCREW-J1, J101	107107	8
- 158	NAS1801-04-6	.	SCREW-J103	107107	4
- 159	NAS601-5P	.	SCREW-TB1, TB102, TB2	107107	6
160	AN960PD6L	.	WASHER-J1, J101 ATTACHING PARTS	107107	16
- 161	AN960PD4L	.	WASHER-J103	107107	8
		-----*			
- 162	AN960PD6L	.	WASHER-TB1, TB102, TB3	107107	6
163	NAS679A06	.	NUT-J1, J101	107107	8
164	NAS679A04	.	NUT-J103	107107	4
165	2A122-0089-193	.	HARNESS ASSY-LAV D SUPPLIER CODE: VS5825	107107	1
- 170	2A122-0089-194	.	HARNESS ASSY-LAV C SUPPLIER CODE: VS5825	107107	1
- 172	2A122-0089-203	.	HARNESS ASSY-LAV F SUPPLIER CODE: VS5825	107107	1
175	BACC45FN24-43P	..	CONNECTOR-J1 LAV C, D AND F	107107	1
195	BACC45FN24-43S	..	CONNECTOR-J101, LAV C, D AND F	107107	1
215	48-7190	..	CONNECTOR-J4, LAV C, D AND F SUPPLIER CODE: V02660	107107	1
220	48-7191	..	CONNECTOR-J5, LAV C, D AND F SUPPLIER CODE: V02660	107107	1
225	DAMA15SWS	..	CONNECTOR-P15, P16 LAV C, D AND F SUPPLIER CODE: V71468	107107	1
- 230	BACC45FN14-7S	..	CONNECTOR-J103 LAV F	107107	1
- 250	MS27212-6-3	..	TERMINAL BOARD ASSY- TB102 LAV C, D, F	107107	1
265	MS27212-6-5	..	TERMINAL BOARD ASSY- TB1, TB3, LAV C, D, F	107107	2

MISSING ITEM NUMBERS NOT APPLICABLE

- ITEM NOT ILLUSTRATED

24-53-51-02D

24-53-51
FIG. 02D
PAGE 2
JAN 20/09

BRI

BOEING PROPRIETARY - Copyright © - Unpublished Work - See title page for details.



757

PARTS CATALOG (MAINTENANCE)

FIG ITEM	PART NUMBER	1 2 3 4 5 6 7	NOMENCLATURE	EFFECT FROM TO	UNITS PER ASSY
2D 270	2A114-0019-1		.SUPPORT-CONN. SUPPLIER CODE: VS5825 ATTACHING PARTS	107107	2
275	NAS601-5P		.SCREW	107107	2
280	AN960PD6L		.WASHER	107107	2
			-----*-----		
- 285	2A114-0019-7		.SUPPORT-CONN. SUPPLIER CODE: VS5825 ATTACHING PARTS	107107	1
- 290	NAS601-5P		.SCREW	107107	2
- 295	AN960PD6L		.WASHER	107107	2
			-----*-----		
300	3A114-0135-1		.BRACKET- SUPPLIER CODE: VS5825 ATTACHING PARTS	107107	3
305	NAS602-5P		.SCREW	107107	2
310	AN960PD8L		.WASHER	107107	2
			-----*-----		
315	NAS603-7P		.SCREW	107107	1
- 320	MS35333-39		.WASHER	107107	1
- 325	AN960D10L		.WASHER	107107	1
- 405	1A122-0089-3		ELECTRICAL ASSY-LAV D (ELECTRICAL POWER ONLY) SUPPLIER CODE: VS5825 FOR NHA/OTHER SYS DET SEE: 25-41-03-51B	107107	RF
- 410	1A122-0089-4		ELECTRICAL ASSY-LAV C (ELECTRICAL POWER ONLY) SUPPLIER CODE: VS5825 FOR NHA/OTHER SYS DET SEE: 25-41-03-50B	107107	RF
- 415	1A122-0089-13		ELECTRICAL ASSY-LAV F (ELECTRICAL POWER ONLY) SUPPLIER CODE: VS5825 FOR NHA/OTHER SYS DET SEE: 25-41-01-09E	107107	RF
450	3A114-0081-1		.SUPPORT-CLAMP LAV C, D AND F SUPPLIER CODE: VS5825 ATTACHING PARTS	107107	1
455	NAS601-5P		.SCREW	107107	2

MISSING ITEM NUMBERS NOT APPLICABLE

- ITEM NOT ILLUSTRATED

BRI

24-53-51-02D

BOEING PROPRIETARY - Copyright © - Unpublished Work - See title page for details.

24-53-51
FIG. 02D
PAGE 3
JAN 20/09



757

PARTS CATALOG (MAINTENANCE)

FIG ITEM	PART NUMBER	1 2 3 4 5 6 7	NOMENCLATURE	EFFECT FROM TO	UNITS PER ASSY
2D					
460	AN960PD6L	.	WASHER	107107	2
		-----*			
- 465	3A114-0081-12	.	SUPPORT-CLAMP LAV C AND D	107107	1
			SUPPLIER CODE: VS5825		
			ATTACHING PARTS		
- 470	NAS601-5P	.	SCREW	107107	2
- 475	AN960PD6L	.	WASHER	107107	2
		-----*			
480	BACC10DK2	.	CLAMP-LAV C, D AND F	107107	1
			ATTACHING PARTS		
- 485	NAS603-8P	.	SCREW	107107	1
- 490	AN960PD10L	.	WASHER	107107	2
- 495	NAS679A3	.	NUT	107107	1
		-----*			
500	BACC10DK3	.	CLAMP-LAV C, D AND F	107107	3
- 505	BACC10DK3	.	CLAMP-LAV C, D AND F	107107	2
			ATTACHING PARTS		
510	NAS603-8P	.	SCREW	107107	3
- 517	NAS603-6P	.	SCREW	107107	1
- 518	AN960PD10L	.	WASHER	107107	1
520	AN960PD10L	.	WASHER	107107	6
530	NAS679A3	.	NUT	107107	3
		-----*			
- 531	NAS603-6P	.	SCREW	107107	1
- 532	AN960PD10L	.	WASHER	107107	1
- 533	BACC10DK3	.	CLAMP-LAV C AND D	107107	1
535	BACC10DK4	.	CLAMP-LAV C, D AND F	107107	1
			ATTACHING PARTS		
- 540	NAS603-6P	.	SCREW	107107	1
- 545	AN960PD10L	.	WASHER	107107	1
		-----*			
550	BACC10DK5	.	CLAMP-LAV C, D AND F	107107	14
			ATTACHING PARTS		
- 555	NAS603-7P	.	SCREW	107107	14
- 560	NAS603-6P	.	SCREW	107107	13
- 565	AN960PD10L	.	WASHER	107107	14
		-----*			
- 567	NAS1801-04-6	.	SCREW-J2, J3 AND J102	107107	12
- 568	AN960PD4L	.	WASHER-J2, J3 AND J102	107107	24
- 569	NAS679A04	.	NUT-J2, J3 AND J102	107107	12
- 570	NAS601-5P	.	SCREW-TB2 AND TB101	107107	4
- 571	AN960PD6L	.	WASHER-TB2 AND TB101	107107	4
573	2A122-0089-5	.	HARNESS ASSY-LAV D	107107	1
			SUPPLIER CODE: VS5825		
- 575	2A122-0089-6	.	HARNESS ASSY-LAV C	107107	1
			SUPPLIER CODE: VS5825		

MISSING ITEM NUMBERS NOT APPLICABLE

- ITEM NOT ILLUSTRATED

24-53-51-02D

24-53-51
FIG. 02D
PAGE 4
JAN 20/09

BRI

BOEING PROPRIETARY - Copyright © - Unpublished Work - See title page for details.



757

PARTS CATALOG (MAINTENANCE)

FIG ITEM	PART NUMBER	1 2 3 4 5 6 7	NOMENCLATURE	EFFECT FROM TO	UNITS PER ASSY
2D					
- 580	2A122-0089-15		.HARNASS ASSY-LAV F SUPPLIER CODE: VS5825	107107	1
	585 BACC45FT24C43P		..CONNECTOR-P101 LAV C D AND F	107107	1
	595 BACC45FN14-15S		..CONNECTOR-J3 LAV C, D AND F	107107	1
	600 BACC45FN14-7S		..CONNECTOR-J102 LAV C, D AND F	107107	1
	620 BACC45FN14-7S		..CONNECTOR-J2 LAV C, D AND F	107107	1
	640 MS27212-6-5		..TERMINAL BOARD ASSY-TB2 LAV C, D AND F	107107	1
	645 MS27212-6-3		..TERMINAL BOARD ASSY- TB101 LAV C, D AND F	107107	1
	660 BACC45FT10C5S		..CONNECTOR-P4 LAV C, D AND F	107107	1
	665 BACC45FT12C12S		..CONNECTOR-P5 LAV C, D AND F	107107	1
- 700	1A122-0089-5		ELECTRICAL ASSY-LAV D AND F (ELECTRICAL POWER ONLY) SUPPLIER CODE: VS5825 FOR NHA/OTHER SYS DET SEE: 25-41-03-51B 25-41-01-09E	107107	RF
- 715	1A122-0089-6		ELECTRICAL ASSY-LAV C (ELECTRICAL POWER ONLY) SUPPLIER CODE: VS5825 FOR NHA/OTHER SYS DET SEE: 25-41-03-50B	107107	RF
	750 BACC10DK3		.CLAMP ATTACHING PARTS	107107	1
- 755	NAS603-6P		.SCREW	107107	1
- 760	AN960PD10L		.WASHER	107107	1
	765 2A122-0089-9		-----*----- .HARNASS ASSY- SUPPLIER CODE: VS5825	107107	1
	770 BACC45FT14C7S		..CONNECTOR-P2	107107	1
	775 BACC45FT14C7P		..CONNECTOR-P102	107107	1
- 800	1A122-0089-7		ELECTRICAL ASSY-LAV D (ELECTRICAL POWER ONLY) SUPPLIER CODE: VS5825 FOR NHA/OTHER SYS DET SEE: 25-41-03-51B	107107	RF
	825 BACC10DK3		.CLAMP-LAV D	107107	1

MISSING ITEM NUMBERS NOT APPLICABLE

- ITEM NOT ILLUSTRATED

24-53-51-02D

24-53-51
FIG. 02D
PAGE 5
JAN 20/09

BRI

BOEING PROPRIETARY - Copyright © - Unpublished Work - See title page for details.



757

PARTS CATALOG (MAINTENANCE)

FIG ITEM	PART NUMBER	1 2 3 4 5 6 7	NOMENCLATURE	EFFECT FROM TO	UNITS PER ASSY
2D 830	2A122-0089-13	.	HARNES ASSY-LAV D SUPPLIER CODE: VS5825 CONFIG CHG DATA FROM A CMM: SUPSD BY 2A122-0089-2007	107107	1
835	2A122-0089-2017	.	HARNES ASSY-LAV F SUPPLIER CODE: VS5825	107107	1
835	2A122-0089-2007	.	HARNES ASSY-LAV D SUPPLIER CODE: VS5825 CONFIG CHG DATA FROM A CMM: SUPERSEDES 2A122-0089-13	107107	1
840	XLR5-31	..	RECEPTACLE-J7 LAV D AND F SUPPLIER CODE: V71468	107107	1
845	C0909A10C05PN	..	CONNECTOR-P7 LAV D AND F SUPPLIER CODE: V13556 SPECIFICATION NUMBER: BACC63BN10C5P OPTIONAL PART: 48-63N10C5P V02660 R071210C5P V41118	107107	1
- 875	1A122-0089-17		ELECTRICAL ASSY-LAV F (ELECTRICAL POWER ONLY) SUPPLIER CODE: VS5825 FOR NHA/OTHER SYS DET SEE: 25-41-01-09E	107107	RF
- 915	2A122-0089-19	.	HARNES ASSY-LAV F SUPPLIER CODE: VS5825	107107	1
- 920	BACC45FT20C41P	..	CONNECTOR-P8 LAV F	107107	1
- 925	BACC45FT20-41S	..	CONNECTOR-P6 LAV F	107107	1
- 930	2A122-0089-25	.	HARNES ASSY-LAV F SUPPLIER CODE: VS5825	107107	1
- 935	BACC45FT14C7P	..	CONNECTOR-P103 LAV F	107107	1
- 955	T18R	.	TIE-INSULOK SUPPLIER CODE: VU3384 OPTIONAL PART: 89176-0001 VS5006	107107	1

MISSING ITEM NUMBERS NOT APPLICABLE

- ITEM NOT ILLUSTRATED

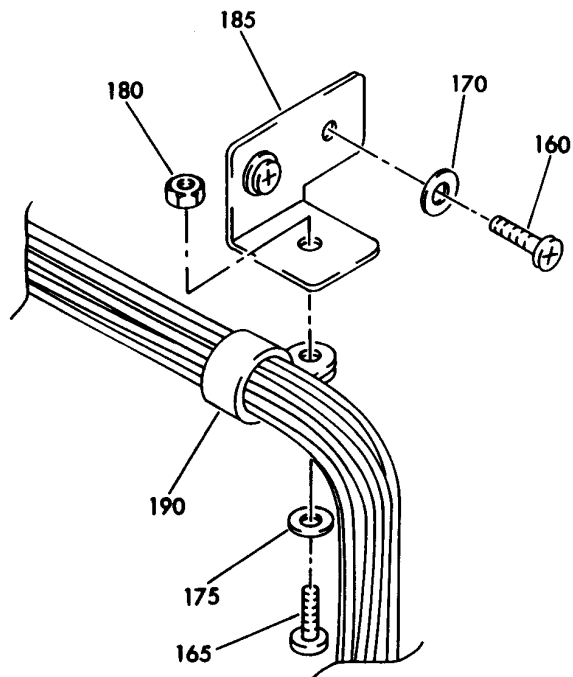
24-53-51-02D

24-53-51
FIG. 02D
PAGE 6
JAN 20/09

BRI

BOEING PROPRIETARY - Copyright © - Unpublished Work - See title page for details.

BOEING
757
PARTS CATALOG (MAINTENANCE)



(B)

Y 24535102E SHT 2 REV 143

ELECTRICAL ASSY-LAV (ELECTRICAL POWER ONLY)
FIGURE 2E (SHEET 2)

24-53-51-02E

BRI
MAY 28/07

24-53-51-02E
PAGE 0A

BOEING
757
PARTS CATALOG (MAINTENANCE)

FIG ITEM	PART NUMBER	1 2 3 4 5 6 7	NOMENCLATURE	EFFECT FROM TO	UNITS PER ASSY
2E			ELECTRICAL ASSY-LAV (ELECTRICAL POWER ONLY)	002004 006100	
- 1	1A122-0089NPA		ELECTRICAL ASSY-LAV B (ELECTRICAL POWER ONLY) SUPPLIER CODE: VS5825	002004 006100	RF
- 5	1A122-0089NPB		ELECTRICAL ASSY-LAV C (ELECTRICAL POWER ONLY) SUPPLIER CODE: VS5825 FOR NHA/OTHER SYS DET SEE: 25-41-04-28	002004 006100	RF
- 10	1A122-0089NPC		ELECTRICAL ASSY-LAV D (ELECTRICAL POWER ONLY) SUPPLIER CODE: VS5825 FOR NHA/OTHER SYS DET SEE: 25-41-04-44	002004 006100	RF
50	BACC10DK2		.CLAMP-NYLON	002004 006100	1
55	BACC10DK3		.CLAMP	002004 006100	2
- 60	NAS603-6P		ATTACHING PARTS .SCREW	002004 006100	3
- 65	AN960PD10L		.WASHER	002004 006100	3
70	BACC10DK4		-----*----- .CLAMP-NYLON	002004 006100	1
- 75	NAS603-8P		ATTACHING PARTS .SCREW	002004 006100	1
- 80	AN960PD10L		.WASHER	002004 006100	2
- 85	NAS679A3		.NUT	002004 006100	1
90	BACC10DK7		-----*----- .CLAMP-NYLON	002004 006100	3
- 95	NAS603-6P		ATTACHING PARTS .SCREW	002004 006100	3
- 100	AN960PD10L		.WASHER -----*-----	002004 006100	3

MISSING ITEM NUMBERS NOT APPLICABLE

- ITEM NOT ILLUSTRATED

BRI

24-53-51-02E

BOEING PROPRIETARY - Copyright © - Unpublished Work - See title page for details.

24-53-51
FIG. 02E
PAGE 1
JAN 20/09

 **BOEING**
757
PARTS CATALOG (MAINTENANCE)

FIG ITEM	PART NUMBER	1 2 3 4 5 6 7	NOMENCLATURE	EFFECT FROM TO	UNITS PER ASSY
2E 105	2A122-0089-394	.	HARNASS ASSY-LAV C SUPPLIER CODE: VS5825 CONFIG CHG DATA FROM A CMM: SUPSD BY 2A122-0089-404	002004 006100	1
105	2A122-0089-404	.	HARNASS ASSY-LAV C SUPPLIER CODE: VS5825 CONFIG CHG DATA FROM A CMM: SUPERSEDES 2A122-0089-394	002004 006100	1
- 110	2A122-0089-393	.	HARNASS ASSY-LAV B AND D SUPPLIER CODE: VS5825 CONFIG CHG DATA FROM A CMM: SUPSD BY 2A122-0089-4030	002004 006100	1
- 110	2A122-0089-403	.	HARNASS ASSY-LAV B AND D SUPPLIER CODE: VS5825 CONFIG CHG DATA FROM A CMM: SUPERSEDES 2A122-0089-393	002004 006100	1
- 115	NAS601-5P	.	SCREW	002004 006100	6
- 117	NAS1801-06-6	.	SCREW	002004 006100	8
- 120	AN960PD6L	.	WASHER	002004 006100	22
- 123	NAS679A06	.	NUT	002004 006100	8
			-----*-----		
125	BACC45FN24-43P	..	CONNECTOR-J1	002004 006100	1
130	BACC45FN24-43S	..	CONNECTOR-J101	002004 006100	1
135	DAMA15SWS	..	CONNECTOR-P15 SUPPLIER CODE: V71468	002004 006100	1
140	48-7190	..	CONNECTOR-J4 SUPPLIER CODE: V02660	002004 006100	1
145	48-7191	..	CONNECTOR-J5 SUPPLIER CODE: V02660	002004 006100	1
150	MS27212-6-3	..	TERMINAL BOARD ASSY- TB102	002004 006100	1

MISSING ITEM NUMBERS NOT APPLICABLE

- ITEM NOT ILLUSTRATED

BRI

24-53-51-02E

BOEING PROPRIETARY - Copyright © - Unpublished Work - See title page for details.

24-53-51
FIG. 02E
PAGE 2
JAN 20/09

 **BOEING**
757
PARTS CATALOG (MAINTENANCE)

FIG ITEM	PART NUMBER	1 2 3 4 5 6 7	NOMENCLATURE	EFFECT FROM TO	UNITS PER ASSY
2E					
155	MS27212-6-5		. . TERMINAL BOARD ASSY- TB1, TB3	002004 006100	2
160	3A114-0081-1		. SUPPORT-CLAMP LAV C SUPPLIER CODE: VS5825	002004 006100	1
165	NAS601-5P		. SCREW	002004 006100	2
170	AN960PD6L		. WASHER	002004 006100	2
- 175	3A114-0081-12		. SUPPORT-CLAMP LAV C SUPPLIER CODE: VS5825	002004 006100	1
- 180	NAS601-5P		ATTACHING PARTS . SCREW	002004 006100	2
- 185	AN960PD6L		. WASHER	002004 006100	2
190	2A114-0019-1		-----*----- . SUPPORT-CONN. SUPPLIER CODE: VS5825	002004 006100	2
192	NAS601-5P		ATTACHING PARTS . SCREW	002004 006100	4
194	AN960PD6L		. WASHER	002004 006100	4
196	3A114-0081-1		-----*----- . SUPPORT-CLAMP SUPPLIER CODE: VS5825	002004 006100	1
198	NAS601-5P		ATTACHING PARTS . SCREW	002004 006100	2
200	AN960PD6L		-----*----- . WASHER	002004 006100	2
- 202	3A114-0081-12		. SUPPORT-CLAMP SUPPLIER CODE: VS5825	002004 006100	1
- 204	NAS601-5P		. SCREW	002004 006100	2
- 206	AN960PD6L		. WASHER	002004 006100	2
210	BACC10DK2		. CLAMP-NYLON	002004 006100	1
- 215	NAS603-8P		ATTACHING PARTS . SCREW	002004 006100	1

MISSING ITEM NUMBERS NOT APPLICABLE

- ITEM NOT ILLUSTRATED

BRI

24-53-51-02E

BOEING PROPRIETARY - Copyright © - Unpublished Work - See title page for details.

24-53-51
FIG. 02E
PAGE 3
JAN 20/09



757

PARTS CATALOG (MAINTENANCE)

FIG ITEM	PART NUMBER	1 2 3 4 5 6 7	NOMENCLATURE	EFFECT FROM TO	UNITS PER ASSY
2E					
- 217	AN960PD10L	.	WASHER	002004 006100	2
- 219	NAS679A3	.	NUT	002004 006100	1
			-----*-----		
221	BACC10DK3	.	CLAMP-NYLON	002004 006100	1
223	NAS603-8P	.	SCREW	002004 006100	1
225	AN960PD10L	.	WASHER	002004 006100	2
227	NAS679A3	.	NUT	002004 006100	1
230	BACC10DK3	.	CLAMP-NYLON	002004 006100	1
			ATTACHING PARTS		
- 235	NAS603-6P	.	SCREW	002004 006100	1
- 240	AN960PD10L	.	WASHER	002004 006100	1
			-----*-----		
245	BACC10DK4	.	CLAMP-NYLON	002004 006100	1
			ATTACHING PARTS		
- 250	NAS603-6P	.	SCREW	002004 006100	1
- 255	AN960PD10L	.	WASHER	002004 006100	1
			-----*-----		
260	BACC10DK5	.	CLAMP-NYLON	002004 006100	14
			ATTACHING PARTS		
- 265	NAS603-6P	.	SCREW	002004 006100	13
- 266	NAS603-7P	.	SCREW	002004 006100	1
- 270	AN960PD10L	.	WASHER	002004 006100	14
			-----*-----		
275	2A122-0089-175	.	HARNESS ASSY-LAV B AND D SUPPLIER CODE: VS5825 CONFIG CHG DATA FROM A CMM: SUPSD BY 2A122-0089-185	002004 006100	1

MISSING ITEM NUMBERS NOT APPLICABLE

- ITEM NOT ILLUSTRATED

BRI

24-53-51-02E

BOEING PROPRIETARY - Copyright © - Unpublished Work - See title page for details.

24-53-51
FIG. 02E
PAGE 4
JAN 20/09



757

PARTS CATALOG (MAINTENANCE)

FIG ITEM	PART NUMBER	1 2 3 4 5 6 7	NOMENCLATURE	EFFECT FROM TO	UNITS PER ASSY
2E 275	2A122-0089-185	.	HARNES ASSY-LAV B AND D SUPPLIER CODE: VS5825 CONFIG CHG DATA FROM A CMM: SUPERSEDES 2A122-0089-175	002004 006100	1
- 280	2A122-0089-176	.	HARNES ASSY-LAV C SUPPLIER CODE: VS5825 CONFIG CHG DATA FROM A CMM: SUPSD BY 2A122-0089-186	002004 006100	1
- 280	2A122-0089-186	.	HARNES ASSY-LAV C SUPPLIER CODE: VS5825 CONFIG CHG DATA FROM A CMM: SUPERSEDES 2A122-0089-176 ATTACHING PARTS	002004 006100	1
- 285	NAS601-5P	.	SCREW	002004 006100	4
- 290	AN960PD6L	.	WASHER	002004 006100	4
- 291	NAS1801-04-6	.	SCREW	002004 006100	12
- 292	AN960PD4L	.	WASHER	002004 006100	12
- 293	NAS679A04	.	NUT	002004 006100	12
			-----*-----		
295	BACC45FT24C43P	..	CONNECTOR-P101	002004 006100	1
297	HRTS17KM	..	SOCKET-RELAY (XK1) SUPPLIER CODE: V91663	002004 006100	1
297	HRTS17KJV2	..	SOCKET-RELAY (XK1) SUPPLIER CODE: V91663	002004 006100	1
300	BACC45FN14-15S	..	CONNECTOR-J3	002004 006100	1
305	BACC45FN14-7S	..	CONNECTOR-J102, J2	002004 006100	2
310	MS27212-6-5	..	TERMINAL BOARD ASSY-TB2	002004 006100	1
315	MS27212-6-3	..	TERMINAL BOARD ASSY-TB101	002004 006100	1
320	BACC45FT10C5S	..	CONNECTOR-P4	002004 006100	1
325	BACC45FT12C12S	..	CONNECTOR-P5	002004 006100	1

MISSING ITEM NUMBERS NOT APPLICABLE

- ITEM NOT ILLUSTRATED

24-53-51-02E

24-53-51
FIG. 02E
PAGE 5
JAN 20/09

BRI

BOEING PROPRIETARY - Copyright © - Unpublished Work - See title page for details.

 **BOEING**
757
PARTS CATALOG (MAINTENANCE)

FIG ITEM	PART NUMBER	1 2 3 4 5 6 7	NOMENCLATURE	EFFECT FROM TO	UNITS PER ASSY
2E					
327	NAS603-6P	.	SCREW	002004 006100	1
329	MS35333-39	.	WASHER	002004 006100	1
330	AN960C10L	.	WASHER	002004 006100	1
332	2A114-0019-7	.	SUPPORT-CONN. SUPPLIER CODE: VS5825 ATTACHING PARTS	002004 006100	3
334	NAS601-5P	.	SCREW	002004 006100	6
336	AN960PD6L	.	WASHER	002004 006100	6
			-----*-----		
- 338	T18R	.	TIE-INSULOCK SUPPLIER CODE: VU3384 OPTIONAL PART: 89176-0001 VS5006	002004 006100	1
340	BACC10DK3	.	CLAMP-NYLON	002004 006100	1
			ATTACHING PARTS		
- 342	NAS603-6P	.	SCREW	002004 006100	1
- 345	AN960PD10L	.	WASHER	002004 006100	1
			-----*-----		
350	2A122-0089-9	.	HARNESS ASSY- SUPPLIER CODE: VS5825	002004 006100	1
355	BACC45FT14C7S	..	CONNECTOR-P2	002004 006100	1
360	BACC45FT14C7P	..	CONNECTOR-P102	002004 006100	1
365	2A122-0089-207	.	HARNESS ASSY- SUPPLIER CODE: VS5825	002004 006100	1
370	C0909A10C05PN	..	CONNECTOR-P7 SUPPLIER CODE: V13556 SPECIFICATION NUMBER: BACC63BN10C5P OPTIONAL PART: 48-63N10C5P V02660 R071210C5P V41118	002004 006100	1

MISSING ITEM NUMBERS NOT APPLICABLE

- ITEM NOT ILLUSTRATED

BRI

24-53-51-02E

BOEING PROPRIETARY - Copyright © - Unpublished Work - See title page for details.

24-53-51
FIG. 02E
PAGE 6
JAN 20/09



757

PARTS CATALOG (MAINTENANCE)

FIG ITEM	PART NUMBER	1 2 3 4 5 6 7	NOMENCLATURE	EFFECT FROM TO	UNITS PER ASSY
2E 375	XLR5-31	. .	RECEPTACLE-J7 SUPPLIER CODE: V71468	002004 006100	1
- 380	BACC10DK3	. CLAMP-NYLON		002004 006100	1
- 385	T18R	. TIE-INSULOCK SUPPLIER CODE: VU3384 OPTIONAL PART: 89176-0001 VS5006		002004 006100	1

MISSING ITEM NUMBERS NOT APPLICABLE

- ITEM NOT ILLUSTRATED

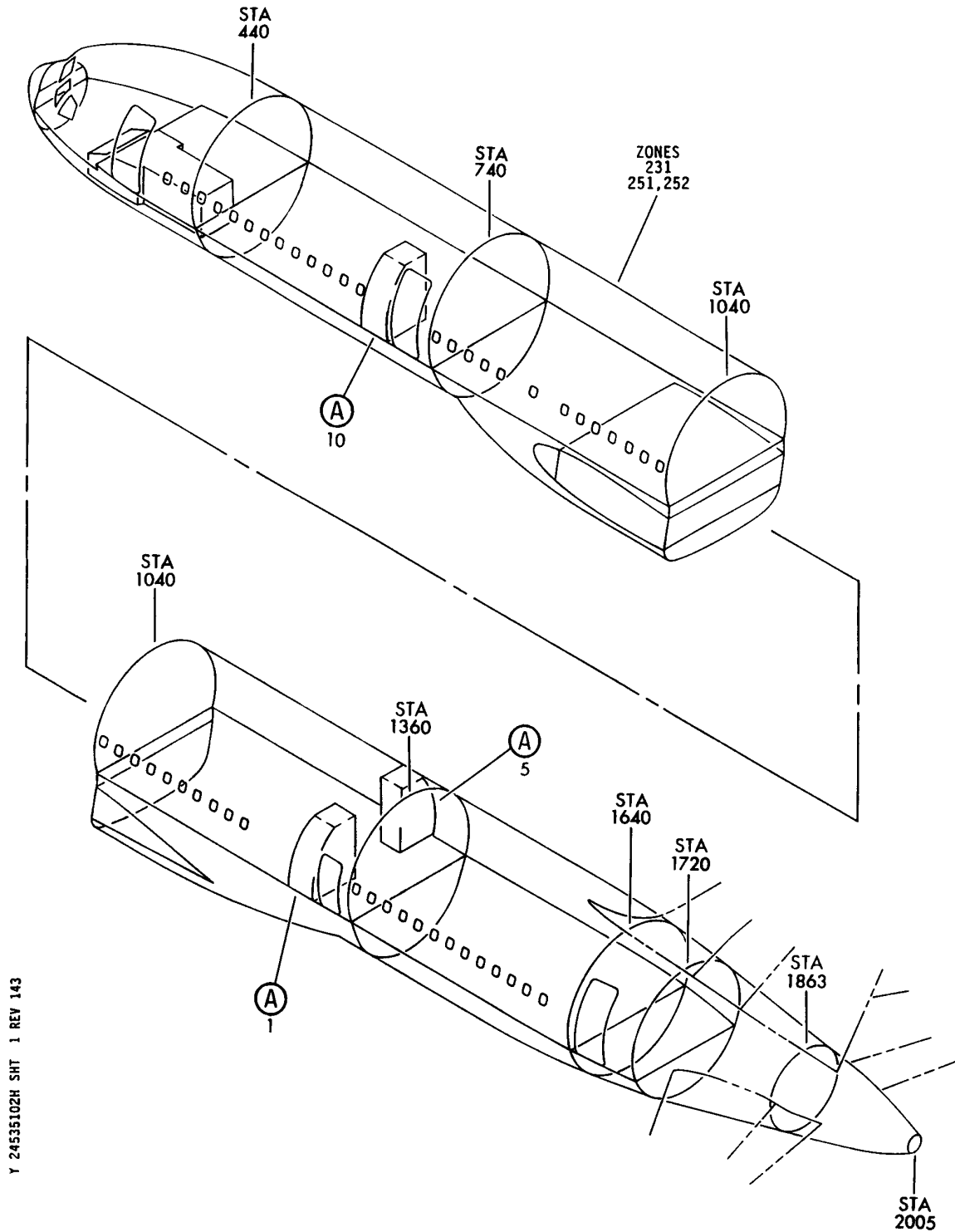
BRI

24-53-51-02E

BOEING PROPRIETARY - Copyright © - Unpublished Work - See title page for details.

24-53-51
FIG. 02E
PAGE 7
JAN 20/09

BOEING
757
PARTS CATALOG (MAINTENANCE)



Y 24535102H SHT 1 REV 143

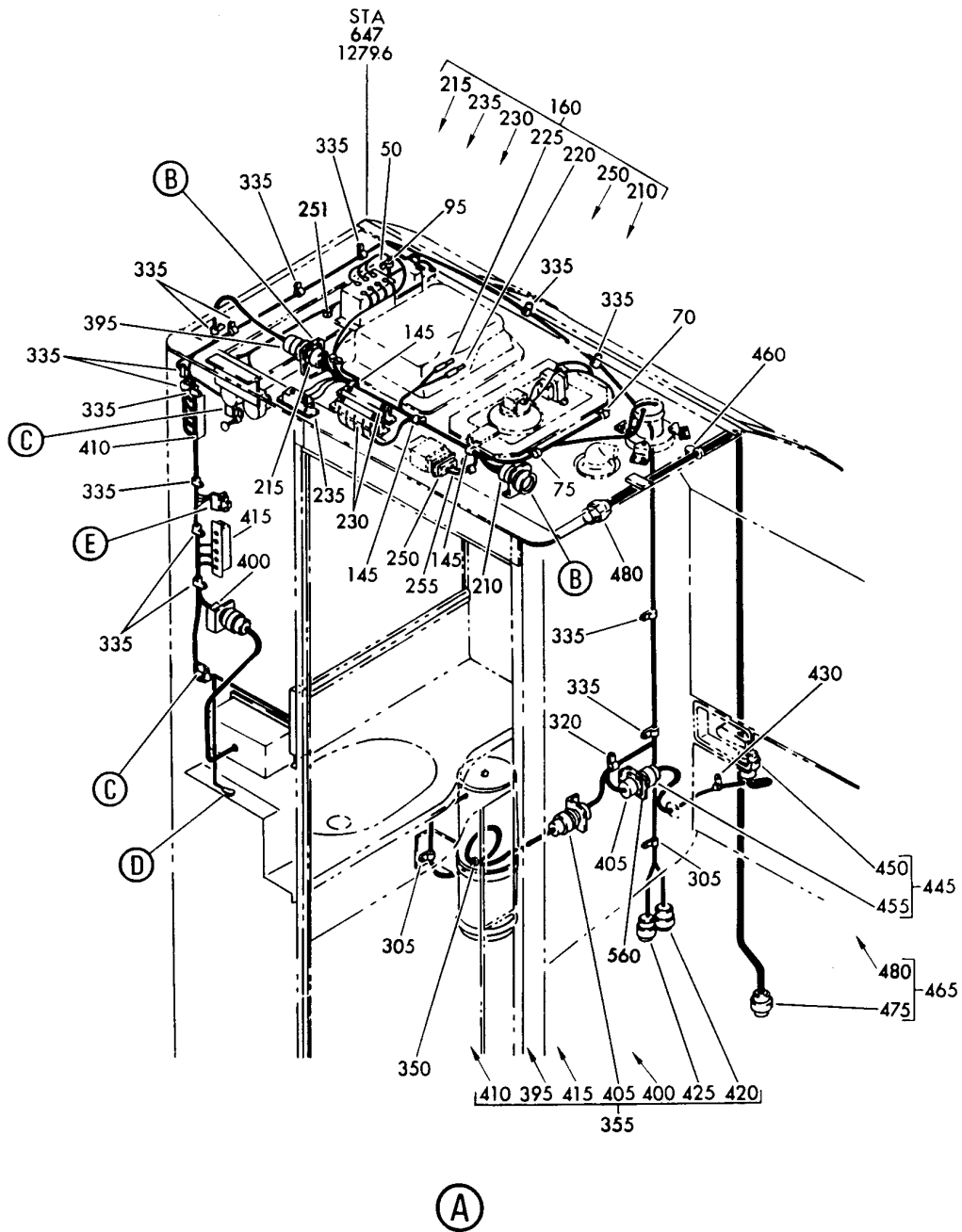
ELECTRICAL ASSY-LAV (ELECTRICAL POWER ONLY)
FIGURE 2H (SHEET 1)

24-53-51-02H

BRI
JAN 20/09

24-53-51-02H
PAGE 0

BOEING
757
PARTS CATALOG (MAINTENANCE)



Y 24535102H SHT 2 REV 185

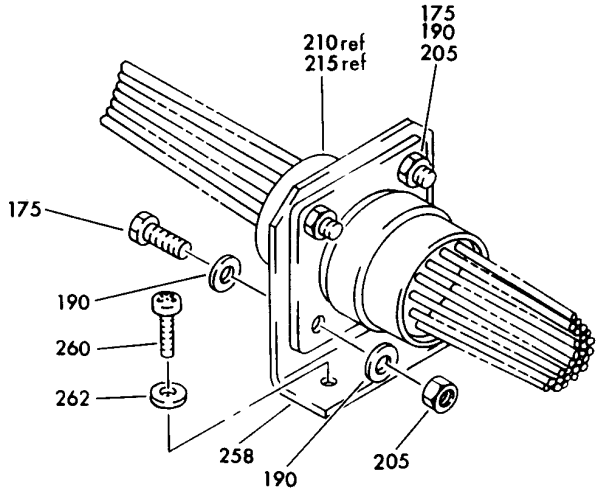
ELECTRICAL ASSY-LAV (ELECTRICAL POWER ONLY)
FIGURE 2H (SHEET 2)

24-53-51-02H

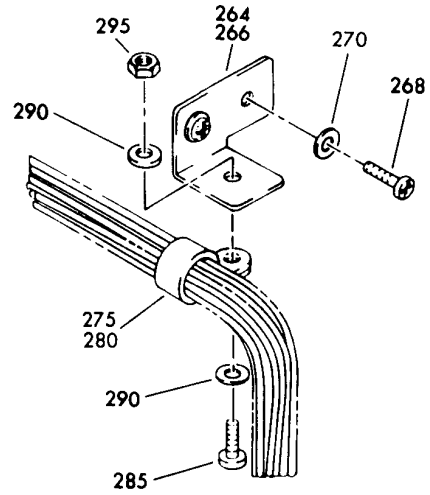
BRI
JAN 20/09

24-53-51-02H
PAGE 0A

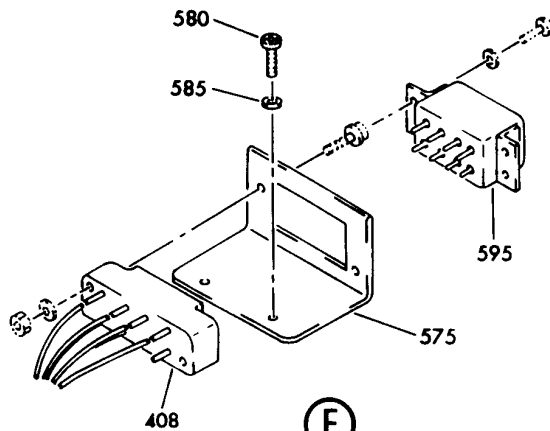

BOEING
 757
PARTS CATALOG (MAINTENANCE)



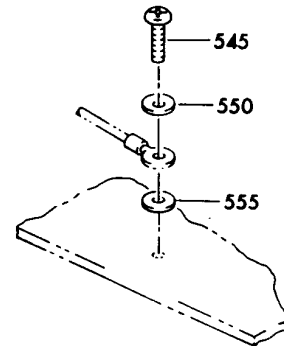
(B)



(C)



(E)



(D)

Y 2453102H SHT 3 REV 185

ELECTRICAL ASSY-LAV (ELECTRICAL POWER ONLY)
FIGURE 2H (SHEET 3)

24-53-51-02H

BOEING
757
PARTS CATALOG (MAINTENANCE)

FIG ITEM	PART NUMBER	1 2 3 4 5 6 7	NOMENCLATURE	EFFECT FROM TO	UNITS PER ASSY
2H			ELECTRICAL ASSY-LAV (ELECTRICAL POWER ONLY)	950951	
- 1	1A122-0089NRA		ELECTRICAL ASSY-LAV C (ELECTRICAL POWER ONLY) SUPPLIER CODE: VS5825 FOR NHA/OTHER SYS DET SEE: 25-41-04-27	950951	RF
- 5	1A122-0089NRB		ELECTRICAL ASSY-LAV D (ELECTRICAL POWER ONLY) SUPPLIER CODE: VS5825 FOR NHA/OTHER SYS DET SEE: 25-41-04-43	950951	RF
- 10	1A122-0089NRC		ELECTRICAL ASSY-LAV S (ELECTRICAL POWER ONLY) SUPPLIER CODE: VS5825 FOR NHA/OTHER SYS DET SEE: 25-41-03-08A	950951	RF
	50 3A114-0081-1		.SUPPORT-CLAMP LAV C SUPPLIER CODE: VS5825	950951	1
- 55	3A114-0081-12		.SUPPORT-CLAMP LAV D AND S SUPPLIER CODE: VS5825	950951	1
- 60	NAS601-5P		ATTACHING PARTS .SCREW	950951	2
- 65	AN960PD6L		.WASHER	950951	2
			-----*-----		
	70 BACC10DK2		.CLAMP-NYLON	950951	1
	75 BACC10DK3		.CLAMP-NYLON	950951	1
	80 BACC10DK3		.CLAMP-NYLON, LAV C AND D ATTACHING PARTS	950951	1
- 85	NAS603-6P		.SCREW	950951	1
- 90	AN960PD10L		.WASHER	950951	1
			-----*-----		
	95 BACC10DK4		.CLAMP-NYLON	950951	1
- 100	BACC10DK4		.CLAMP-NYLON LAV S ATTACHING PARTS	950951	1
- 105	NAS603-8P		.SCREW	950951	1
- 110	NAS603-6P		.SCREW-LAV S	950951	1
- 115	AN960PD10L		.WASHER	950951	2
- 120	AN960PD10L		.WASHER-LAV S	950951	1
- 125	NAS679A3		.NUT	950951	1
			-----*-----		
- 130	BACC10DK5		.CLAMP-LAV S ATTACHING PARTS	950951	1
- 135	NAS603-6P		.SCREW	950951	1

MISSING ITEM NUMBERS NOT APPLICABLE

- ITEM NOT ILLUSTRATED

BRI

24-53-51-02H

24-53-51
FIG. 02H
PAGE 1
JAN 20/09



757

PARTS CATALOG (MAINTENANCE)

FIG ITEM	PART NUMBER	1 2 3 4 5 6 7	NOMENCLATURE	EFFECT FROM TO	UNITS PER ASSY
2H					
- 140	AN960PD10L	.	WASHER	950951	1
		-----*			
145	BACC10DK7	.	CLAMP	950951	3
			ATTACHING PARTS		
- 150	NAS603-6P	.	SCREW	950951	3
- 155	AN960PD10L	.	WASHER	950951	3
		-----*			
160	2A122-0089-394	.	HARNESS ASSY-LAV C	950951	1
			SUPPLIER CODE:		
			VS5825		
- 165	2A122-0089-393	.	HARNESS ASSY-LAV D	950951	1
			SUPPLIER CODE:		
			VS5825		
- 170	2A122-0089-433	.	HARNESS ASSY-LAV S	950951	1
			SUPPLIER CODE:		
			VS5825		
			ATTACHING PARTS		
175	NAS1801-06-6	.	SCREW	950951	8
- 180	NAS601-5P	.	SCREW	950951	6
190	AN960PD6L	.	WASHER	950951	16
- 195	AN960PD6L	.	WASHER	950951	6
205	NAS679A06	.	NUT	950951	8
		-----*			
210	BACC45FN24-43P	..	CONNECTOR-J1	950951	1
215	BACC45FN24-43S	..	CONNECTOR-J101	950951	1
220	48-7190	..	CONNECTOR-J4	950951	1
			SUPPLIER CODE:		
			V02660		
225	48-7191	..	CONNECTOR-J5	950951	1
			SUPPLIER CODE:		
			V02660		
230	MS27212-6-5	..	TERMINAL BOARD ASSY-TB1,	950951	2
			TB3		
235	MS27212-6-3	..	TERMINAL BOARD ASSY-	950951	1
			TB102		
- 240	3A114-0077-1	..	PLATE-TERM. BOARD	950951	2
			SUPPLIER CODE:		
			VS5825		
- 245	3A114-0077-3	..	PLATE-TERM. BOARD	950951	1
			SUPPLIER CODE:		
			VS5825		
250	DAMA15SWS	..	CONNECTOR-P15	950951	1
			SUPPLIER CODE:		
			V71468		
251	NAS603-7P	.	SCREW	950951	1
- 252	MS35333-39	.	WASHER	950951	1
- 253	AN960D10L	.	WASHER	950951	1

MISSING ITEM NUMBERS NOT APPLICABLE

- ITEM NOT ILLUSTRATED

24-53-51-02H

24-53-51
FIG. 02H
PAGE 2
JAN 20/09

BRI

BOEING PROPRIETARY - Copyright © - Unpublished Work - See title page for details.

BOEING
757
PARTS CATALOG (MAINTENANCE)

FIG ITEM	PART NUMBER	1 2 3 4 5 6 7	NOMENCLATURE	EFFECT FROM TO	UNITS PER ASSY
2H 255	T18R		.TIE-INSULOCK SUPPLIER CODE: VU3384 OPTIONAL PART: 89176-0001 VS5006	950951	1
258	2A114-0019-1		.SUPPORT-CONN. SUPPLIER CODE: VS5825 ATTACHING PARTS	950951	2
260	NAS601-5P		.SCREW	950951	4
262	AN960PD6L		.WASHER	950951	4
			-----*-----		
264	3A114-0081-1		.SUPPORT-CLAMP SUPPLIER CODE: VS5825	950951	1
266	3A114-0081-12		.SUPPORT-CLAMP SUPPLIER CODE: VS5825 ATTACHING PARTS	950951	1
268	NAS601-5P		.SCREW	950951	4
			-----*-----		
270	AN960PD6L		.WASHER	950951	4
275	BACC10DK2		.CLAMP-NYLON	950951	1
280	BACC10DK3		.CLAMP-NYLON	950951	1
285	NAS603-8P		.SCREW	950951	2
290	AN960PD10L		.WASHER	950951	4
295	NAS679A3		.NUT	950951	2
305	BACC10DK3		.CLAMP-NYLON ATTACHING PARTS	950951	2
- 310	NAS603-6P		.SCREW	950951	2
- 315	AN960PD10L		.WASHER	950951	2
			-----*-----		
320	BACC10DK4		.CLAMP-NYLON ATTACHING PARTS	950951	2
- 325	NAS603-6P		.SCREW	950951	2
- 330	AN960PD10L		.WASHER	950951	2
			-----*-----		
335	BACC10DK5		.CLAMP-NYLON ATTACHING PARTS	950951	14
- 340	NAS603-6P		.SCREW	950951	14
- 345	AN960PD10L		.WASHER	950951	14
			-----*-----		
350	T18R		.TIE-INSULOCK SUPPLIER CODE: VU3384 OPTIONAL PART: 89176-0001 VS5006	950951	1

MISSING ITEM NUMBERS NOT APPLICABLE

- ITEM NOT ILLUSTRATED

BRI

24-53-51-02H

BOEING PROPRIETARY - Copyright © - Unpublished Work - See title page for details.

24-53-51
FIG. 02H
PAGE 3
JAN 20/09



757

PARTS CATALOG (MAINTENANCE)

FIG ITEM	PART NUMBER	1 2 3 4 5 6 7	NOMENCLATURE	EFFECT FROM TO	UNITS PER ASSY
2H 355	2A122-0089-226	.	HARNESS ASSY-LAV C SUPPLIER CODE: VS5825	950951	1
- 360	2A122-0089-225	.	HARNESS ASSY-LAV D SUPPLIER CODE: VS5825	950951	1
- 365	2A122-0089-195	.	HARNESS ASSY-LAV S SUPPLIER CODE: VS5825	950951	1
- 370	NAS1801-04-6	.	SCREW	950951	12
- 375	NAS601-5P	.	SCREW	950951	4
- 380	AN960PD4L	.	WASHER	950951	24
- 385	AN960PD6L	.	WASHER	950951	4
- 390	NAS679A04	.	NUT	950951	12
			-----*-----		
395	BACC45FT24C43P	..	CONNECTOR-P101	950951	1
400	BACC45FN14-15S	..	CONNECTOR-J3	950951	1
405	BACC45FN14-7S	..	CONNECTOR-J102, J2	950951	2
408	HRTS17KM	.	SOCKET-XK1 SUPPLIER CODE: V91663	950951	1
408	HRTS17KJV2	.	SOCKET-XK1 SUPPLIER CODE: V91663	950951	1
410	MS27212-6-5	..	TERMINAL BOARD ASSY-TB2	950951	1
415	MS27212-6-3	..	TERMINAL BOARD ASSY-TB101	950951	1
420	BACC45FT10C5S	..	CONNECTOR-P4	950951	1
425	BACC45FT12C12S	..	CONNECTOR-P5	950951	1
430	BACC10DK3	.	CLAMP-NYLON ATTACHING PARTS	950951	1
- 435	NAS603-6P	.	SCREW	950951	1
- 440	AN960PD10L	.	WASHER	950951	1
			-----*-----		
445	2A122-0089-9	.	HARNESS ASSY- SUPPLIER CODE: VS5825	950951	1
450	BACC45FT14C7S	..	CONNECTOR-P2	950951	1
455	BACC45FT14C7P	..	CONNECTOR-P102	950951	1
460	BACC10DK3	.	CLAMP-NYLON LAV D	950951	1
465	2A122-0089-2047	.	HARNESS ASSY-LAV D SUPPLIER CODE: VS5825	950951	1
- 470	2A122-0089-2057	.	HARNESS ASSY-LAV S SUPPLIER CODE: VS5825	950951	1

MISSING ITEM NUMBERS NOT APPLICABLE

- ITEM NOT ILLUSTRATED

24-53-51-02H

24-53-51
FIG. 02H
PAGE 4
JAN 20/09

BRI

BOEING PROPRIETARY - Copyright © - Unpublished Work - See title page for details.



757

PARTS CATALOG (MAINTENANCE)

FIG ITEM	PART NUMBER	1 2 3 4 5 6 7	NOMENCLATURE	EFFECT FROM TO	UNITS PER ASSY
2H 475	XLR5-31	..	RECEPTACLE-J7 SUPPLIER CODE: V71468	950951	1
480	C0909A10C05PN	..	CONNECTOR-P7, LAV D SUPPLIER CODE: V13556 SPECIFICATION NUMBER: BACC63BN10C5P OPTIONAL PART: 48-63N10C5P V02660 R071210C5P V41118	950951	1
480	BACC63BN10C5P9	..	CONNECTOR-P7, LAV S	950951	1
- 485	2A122-0089-69	.	HARNASS ASSY-LAV S SUPPLIER CODE: VS5825	950951	1
- 490	BACC45FT10-5S	..	CONNECTOR-P6	950951	1
- 495	BACC45FT10C5P	..	CONNECTOR-P8	950951	1
- 500	T18R	.	TIE-INSULOCK SUPPLIER CODE: VU3384 OPTIONAL PART: 89176-0001 VS5006	950951	1
545	NAS603-6P	.	SCREW	950951	1
550	MS35333-39	.	WASHER	950951	1
555	AN960C10L	.	WASHER	950951	1
560	2A114-0019-7	.	SUPPORT-CONN. SUPPLIER CODE: VS5825 ATTACHING PARTS	950951	3
- 565	NAS601-5P	.	SCREW	950951	6
- 570	AN960PD6L	.	WASHER	950951	6
575	3A114-0080-1	.	SUPPORT-RELAY SUPPLIER CODE: VS5825 ATTACHING PARTS	950951	1
580	NAS601-5P	.	SCREW	950951	2
585	AN960PD6L	.	WASHER	950951	2
590	3SAV1338A2	.	RELAY-K1 SUPPLIER CODE: V00779	950951	1

MISSING ITEM NUMBERS NOT APPLICABLE

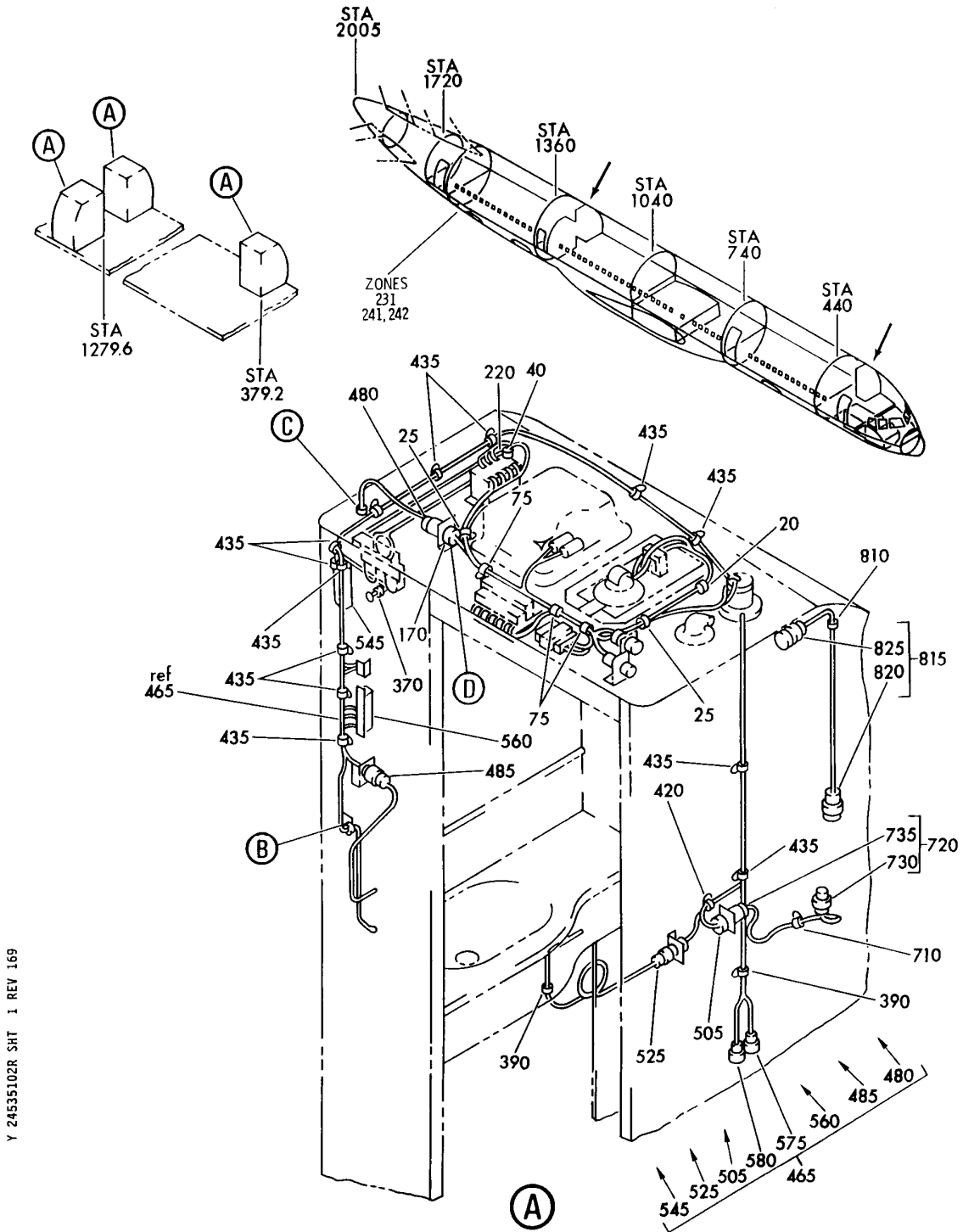
- ITEM NOT ILLUSTRATED

24-53-51-02H

24-53-51
FIG. 02H
PAGE 5
JAN 20/09

BRI

BOEING
757
PARTS CATALOG (MAINTENANCE)



Y 24535102R SHT 1 REV 169

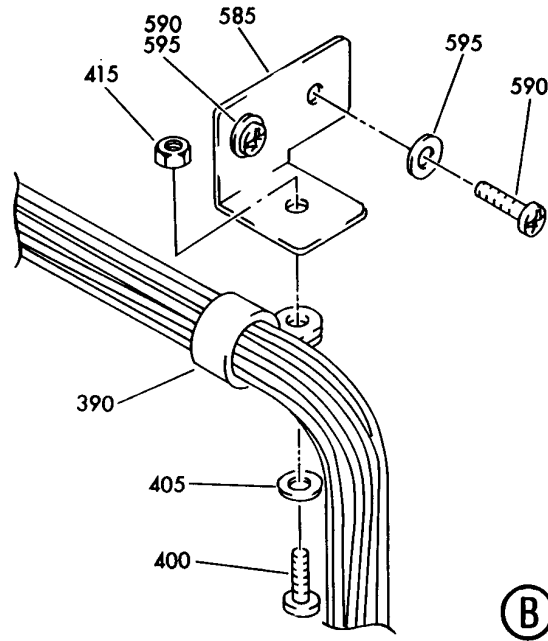
ELECTRICAL ASSY-LAV (ELECTRICAL POWER ONLY)
FIGURE 2R (SHEET 1)

24-53-51-02R

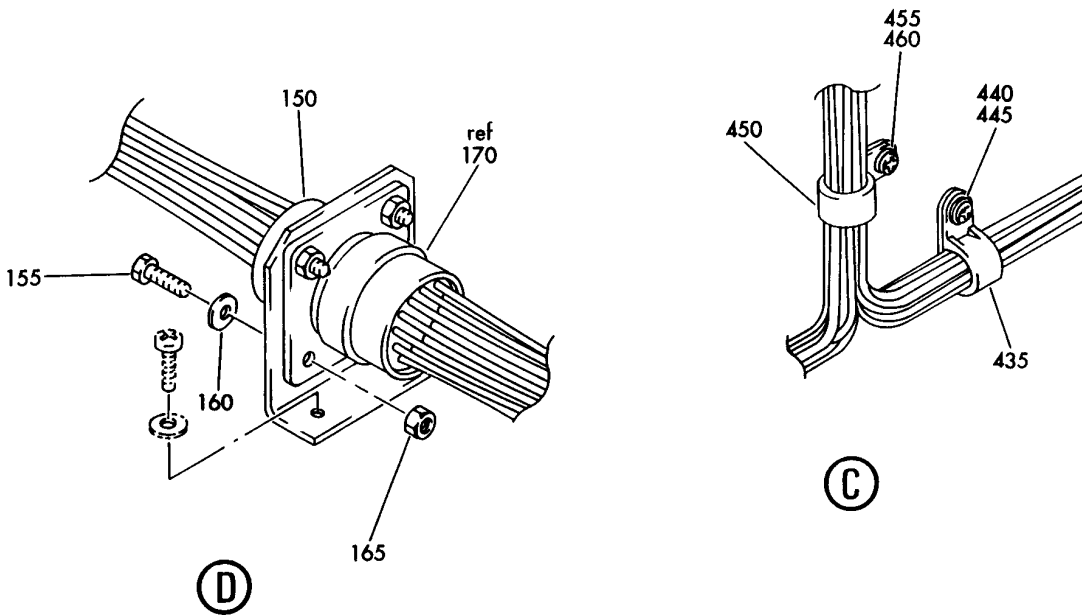
BRI
MAY 28/07

24-53-51-02R
PAGE 0

BOEING
757
PARTS CATALOG (MAINTENANCE)



(B)



(C)

(D)

Y 24535102R SHT 2 REV 169

ELECTRICAL ASSY-LAV (ELECTRICAL POWER ONLY)
FIGURE 2R (SHEET 2)

24-53-51-02R

BRI
MAY 28/07

24-53-51-02R
PAGE 0A



757

PARTS CATALOG (MAINTENANCE)

FIG ITEM	PART NUMBER	1 2 3 4 5 6 7	NOMENCLATURE	EFFECT FROM TO	UNITS PER ASSY
2R			ELECTRICAL ASSY-LAV (ELECTRICAL POWER ONLY)	121503 904949	
- 1	1A122-0089-131		ELECTRICAL ASSY-LAV D (ELECTRICAL POWER ONLY) SUPPLIER CODE: VS5825 FOR NHA/OTHER SYS DET SEE: 25-41-04-95	121503 904949	RF
- 5	1A122-0089-132		ELECTRICAL ASSY-LAV C (ELECTRICAL POWER ONLY) SUPPLIER CODE: VS5825 FOR NHA/OTHER SYS DET SEE: 25-41-04-96	121503 904949	RF
- 10	1A122-0089-301		ELECTRICAL ASSY-LAV F (ELECTRICAL POWER ONLY) SUPPLIER CODE: VS5825 FOR NHA/OTHER SYS DET SEE: 25-41-01-09D	121503 904949	RF
20	BACC10DK2		.CLAMP	121503 904949	1
25	BACC10DK3		.CLAMP	121503 904949	2
- 30	NAS603-6P		ATTACHING PARTS .SCREW	121503 904949	3
- 35	AN960PD10L		.WASHER	121503 904949	3
40	BACC10DK4		-----*----- .CLAMP	121503 904949	1
- 45	NAS603-8P		ATTACHING PARTS .SCREW	121503 904949	1
- 50	AN960PD10L		.WASHER	121503 904949	1
- 55	NAS679A3		.NUT	121503 904949	1
- 60	BACC10DK4		-----*----- .CLAMP-LAV F	121503 904949	2
- 65	NAS603-6P		ATTACHING PARTS .SCREW	121503 904949	2
- 70	AN960PD10L		.WASHER	121503 904949	2
			-----*-----		

MISSING ITEM NUMBERS NOT APPLICABLE

- ITEM NOT ILLUSTRATED

24-53-51-02R

24-53-51
FIG. 02R
PAGE 1
JAN 20/09

BRI

BOEING PROPRIETARY - Copyright © - Unpublished Work - See title page for details.



757

PARTS CATALOG (MAINTENANCE)

FIG ITEM	PART NUMBER	1 2 3 4 5 6 7	NOMENCLATURE	EFFECT FROM TO	UNITS PER ASSY
2R					
75	BACC10DK6	.	CLAMP	121503 904949	3
			ATTACHING PARTS		
- 80	NAS603-6P	.	SCREW	121503 904949	3
- 85	AN960PD10L	.	WASHER	121503 904949	3
			-----*-----		
- 90	BACC10DK6	.	CLAMP-LAV C AND D	121503 904949	1
			ATTACHING PARTS		
- 95	NAS603-6P	.	SCREW	121503 904949	1
- 100	AN960PD10L	.	WASHER	121503 904949	1
			-----*-----		
- 105	BACC10DK7	.	CLAMP-LAV C AND D	121503 904949	2
			ATTACHING PARTS		
- 110	NAS603-6P	.	SCREW	121503 904949	2
- 115	AN960PD10L	.	WASHER	121503 904949	2
			-----*-----		
- 120	BACC10DK7	.	CLAMP-LAV F	121503 904949	3
			ATTACHING PARTS		
- 125	NAS603-6P	.	SCREW	121503 904949	3
- 130	AN960PD10L	.	WASHER	121503 904949	3
			-----*-----		
- 135	2A122-0089-193	.	HARNESS ASSY-LAV D SUPPLIER CODE: VS5825	121503 904949	1
- 140	2A122-0089-194	.	HARNESS ASSY-LAV C SUPPLIER CODE: VS5825	121503 904949	1
- 145	2A122-0089-293	.	HARNESS ASSY-LAV F SUPPLIER CODE: VS5825	121503 904949	1
150	BACC45FN24-43P	..	CONNECTOR-J1	121503 904949	1
			ATTACHING PARTS		
155	NAS601-7P	..	SCREW	121503 904949	4
160	AN960PD6L	..	WASHER	121503 904949	4

MISSING ITEM NUMBERS NOT APPLICABLE

- ITEM NOT ILLUSTRATED

24-53-51-02R

24-53-51
FIG. 02R
PAGE 2
JAN 20/09

BRI

BOEING PROPRIETARY - Copyright © - Unpublished Work - See title page for details.



757

PARTS CATALOG (MAINTENANCE)

FIG ITEM	PART NUMBER	1 2 3 4 5 6 7	NOMENCLATURE	EFFECT FROM TO	UNITS PER ASSY
2R 165	NAS679A06	..	NUT	121503 904949	4
			-----*-----		
170	BACC45FN24-43S	..	CONNECTOR-J101	121503 904949	1
			ATTACHING PARTS		
- 175	NAS601-7P	..	SCREW	121503 904949	4
- 180	AN960PD6L	..	WASHER	121503 904949	4
- 185	NAS679A06	..	NUT	121503 904949	4
			-----*-----		
- 190	DAMA15SWS	..	CONNECTOR-P16 SUPPLIER CODE: V71468	121503 904949	1
- 200	MS27212-6-3	..	TERMINAL BOARD ASSY- TB102 LAV F	121503 904949	1
- 205	MS27212-6-5	..	TERMINAL BOARD ASSY-TB1 AND TB3 ATTACHING PARTS	121503 904949	2
- 210	NAS601-5P	..	SCREW	121503 904949	4
- 215	AN960PD6L	..	WASHER	121503 904949	4
			-----*-----		
220	3A114-0081-1	.SUPPORT-CLAMP LAV C SUPPLIER CODE: VS5825 ATTACHING PARTS		121503 904949	1
- 225	NAS601-5P	.SCREW		121503 904949	2
- 230	AN960PD6L	.WASHER		121503 904949	2
			-----*-----		
- 235	3A114-0081-12	.SUPPORT-CLAMP LAV D AND F SUPPLIER CODE: VS5825 ATTACHING PARTS		121503 904949	1
- 240	NAS601-5P	.SCREW		121503 904949	4
- 245	AN960PD6L	.WASHER		121503 904949	4
			-----*-----		

MISSING ITEM NUMBERS NOT APPLICABLE

- ITEM NOT ILLUSTRATED

BRI

24-53-51-02R

BOEING PROPRIETARY - Copyright © - Unpublished Work - See title page for details.

24-53-51
FIG. 02R
PAGE 3
JAN 20/09



757

PARTS CATALOG (MAINTENANCE)

FIG ITEM	PART NUMBER	1 2 3 4 5 6 7	NOMENCLATURE	EFFECT FROM TO	UNITS PER ASSY
2R - 355	1A122-0089-243		ELECTRICAL ASSY-LAV D AND F (ELECTRICAL POWER ONLY) SUPPLIER CODE: VS5825 FOR NHA/OTHER SYS DET SEE: 25-41-04-95 25-41-01-09D	121503 904949	RF
- 365	1A122-0089-244		ELECTRICAL ASSY-LAV C (ELECTRICAL POWER ONLY) SUPPLIER CODE: VS5825 FOR NHA/OTHER SYS DET SEE: 25-41-04-96	121503 904949	RF
370	BACC10DK2		.CLAMP	121503 904949	1
- 375	NAS603-8P		ATTACHING PARTS .SCREW	121503 904949	1
- 380	AN960PD10L		.WASHER	121503 904949	2
- 385	NAS679A3		.NUT	121503 904949	1
390	BACC10DK3		-----*----- .CLAMP	121503 904949	3
- 395	NAS603-6P		ATTACHING PARTS .SCREW	121503 904949	1
400	NAS603-8P		.SCREW	121503 904949	1
405	AN960PD10L		.WASHER	121503 904949	1
- 410	AN960PD10L		.WASHER	121503 904949	1
415	NAS679A3		.NUT	121503 904949	1
420	BACC10DK4		-----*----- .CLAMP	121503 904949	1
- 425	NAS603-6P		ATTACHING PARTS .SCREW	121503 904949	1
- 430	AN960PD10L		.WASHER	121503 904949	1
435	BACC10DK5		-----*----- .CLAMP	121503 904949	13

MISSING ITEM NUMBERS NOT APPLICABLE

- ITEM NOT ILLUSTRATED

24-53-51-02R

24-53-51
FIG. 02R
PAGE 4
JAN 20/09

BRI

BOEING PROPRIETARY - Copyright © - Unpublished Work - See title page for details.



757

PARTS CATALOG (MAINTENANCE)

FIG ITEM	PART NUMBER	1 2 3 4 5 6 7	NOMENCLATURE	EFFECT FROM TO	UNITS PER ASSY
2R			ATTACHING PARTS		
440	NAS603-6P	.	SCREW	121503 904949	13
445	AN960PD10L	.	WASHER	121503 904949	13
			-----*-----		
450	BACC10DK6	.	CLAMP	121503 904949	1
			ATTACHING PARTS		
455	NAS603-6P	.	SCREW	121503 904949	1
460	AN960PD10L	.	WASHER	121503 904949	1
			-----*-----		
465	2A122-0089-5	.	HARNES ASSY-LAV D AND F SUPPLIER CODE: VS5825	121503 904949	1
- 475	2A122-0089-6	.	HARNES ASSY-LAVCF SUPPLIER CODE: VS5825	121503 904949	1
480	BACC45FT24C43P	..	CONNECTOR-P101	121503 904949	1
485	BACC45FN14-15S	..	CONNECTOR-J3	121503 904949	1
			ATTACHING PARTS		
- 490	NAS600-7P	..	SCREW	121503 904949	4
- 495	AN960-4	..	WASHER	121503 904949	4
- 500	NAS679A04	..	NUT	121503 904949	4
			-----*-----		
505	BACC45FN14-7S	..	CONNECTOR-J102	121503 904949	1
			ATTACHING PARTS		
- 510	NAS600-7P	..	SCREW	121503 904949	4
- 515	AN960-4	..	WASHER	121503 904949	4
- 520	NAS679A04	..	NUT	121503 904949	4
			-----*-----		
525	BACC45FN14-7S	..	CONNECTOR-J2	121503 904949	1
			ATTACHING PARTS		
- 530	NAS600-7P	..	SCREW	121503 904949	1
- 535	AN960-4	..	WASHER	121503 904949	1

MISSING ITEM NUMBERS NOT APPLICABLE

- ITEM NOT ILLUSTRATED

24-53-51-02R

24-53-51
FIG. 02R
PAGE 5
JAN 20/09

BRI

BOEING PROPRIETARY - Copyright © - Unpublished Work - See title page for details.



757

PARTS CATALOG (MAINTENANCE)

FIG ITEM	PART NUMBER	1 2 3 4 5 6 7	NOMENCLATURE	EFFECT FROM TO	UNITS PER ASSY
2R					
- 540	NAS679A04	..	NUT	121503 904949	1
			-----*-----		
545	MS27212-6-5	..	TERMINAL BOARD ASSY-TB2	121503 904949	1
			ATTACHING PARTS		
- 550	NAS601-5P	..	SCREW	121503 904949	2
- 555	AN960PD6L	..	WASHER	121503 904949	2
			-----*-----		
560	MS27212-6-3	..	TERMINAL BOARD ASSY-TB101	121503 904949	1
			ATTACHING PARTS		
- 565	NAS601-5P	..	SCREW	121503 904949	2
- 570	AN960PD6L	..	WASHER	121503 904949	2
			-----*-----		
575	BACC45FT10C5S	..	CONNECTOR-P4	121503 904949	1
580	BACC45FT12C12S	..	CONNECTOR-P5	121503 904949	1
585	3A114-0081-1	.	SUPPORT-CLAMP SUPPLIER CODE: VS5825	121503 904949	1
			ATTACHING PARTS		
590	NAS601-5P	.	SCREW	121503 904949	2
595	AN960PD6L	.	WASHER	121503 904949	2
			-----*-----		
- 600	3A114-0081-12	.	SUPPORT-CLAMP SUPPLIER CODE: VS5825	121503 904949	1
			ATTACHING PARTS		
- 605	NAS601-5P	.	SCREW	121503 904949	2
- 610	AN960PD6L	.	WASHER	121503 904949	2
			-----*-----		
- 700	1A122-0089-5		ELECTRICAL ASSY-LAV D AND F (ELECTRICAL POWER ONLY) SUPPLIER CODE: VS5825 FOR NHA SEE: 25-41-04-95 25-41-01-09D	121503 904949	RF

MISSING ITEM NUMBERS NOT APPLICABLE

- ITEM NOT ILLUSTRATED

BRI

24-53-51-02R

BOEING PROPRIETARY - Copyright © - Unpublished Work - See title page for details.

24-53-51
FIG. 02R
PAGE 6
JAN 20/09



757

PARTS CATALOG (MAINTENANCE)

FIG ITEM	PART NUMBER	1 2 3 4 5 6 7	NOMENCLATURE	EFFECT FROM TO	UNITS PER ASSY
2R					
- 705	1A122-0089-6		ELECTRICAL ASSY-LAV C (ELECTRICAL POWER ONLY) SUPPLIER CODE: VS5825 FOR NHA SEE: 25-41-04-96	121503 904949	RF
710	BACC10DK3		.CLAMP	121503 904949	1
- 715	NAS603-6P		ATTACHING PARTS .SCREW	121503 904949	1
- 720	AN960PD10L		.WASHER	121503 904949	1
			-----*-----		
725	2A122-0089-9		.HARNESS ASSY- SUPPLIER CODE: VS5825	121503 904949	1
730	BACC45FT14C7S		..CONNECTOR-P2	121503 904949	1
735	BACC45FT14C7P		..CONNECTOR-P102	121503 904949	1
- 800	1A122-0089-7		ELECTRICAL ASSY-LAV D (ELECTRICAL POWER ONLY) SUPPLIER CODE: VS5825 FOR NHA SEE: 25-41-04-95	121503 904949	RF
- 805	1A122-0089-37		ELECTRICAL ASSY-LAV D (ELECTRICAL POWER ONLY) SUPPLIER CODE: VS5825 FOR NHA SEE: 25-41-04-95	121503 904949	RF
810	BACC10DK3		.CLAMP	121503 904949	1
815	2A122-0089-13		.HARNESS ASSY- SUPPLIER CODE: VS5825	121503 904949	1
820	XLR5-31		..RECEPTACLE-J7 SUPPLIER CODE: V71468	121503 904949	1

MISSING ITEM NUMBERS NOT APPLICABLE

- ITEM NOT ILLUSTRATED

24-53-51-02R

24-53-51
FIG. 02R
PAGE 7
JAN 20/09

BRI

BOEING PROPRIETARY - Copyright © - Unpublished Work - See title page for details.



757

PARTS CATALOG (MAINTENANCE)

FIG ITEM	PART NUMBER	1 2 3 4 5 6 7	NOMENCLATURE	EFFECT FROM TO	UNITS PER ASSY
2R 825	C0909A10A5P	..	CONNECTOR-P7 SUPPLIER CODE: V13556 SPECIFICATION NUMBER: BACC63BN10A5P OPTIONAL PART: 48-63N10A5P V02660 R071210A5P V41118	904949	1
- 830	C0909A10C05PN	..	CONNECTOR-P7 SUPPLIER CODE: V13556 SPECIFICATION NUMBER: BACC63BN10C5P OPTIONAL PART: 48-63N10C5P V02660 R071210C5P V41118	121503 904949	1

MISSING ITEM NUMBERS NOT APPLICABLE

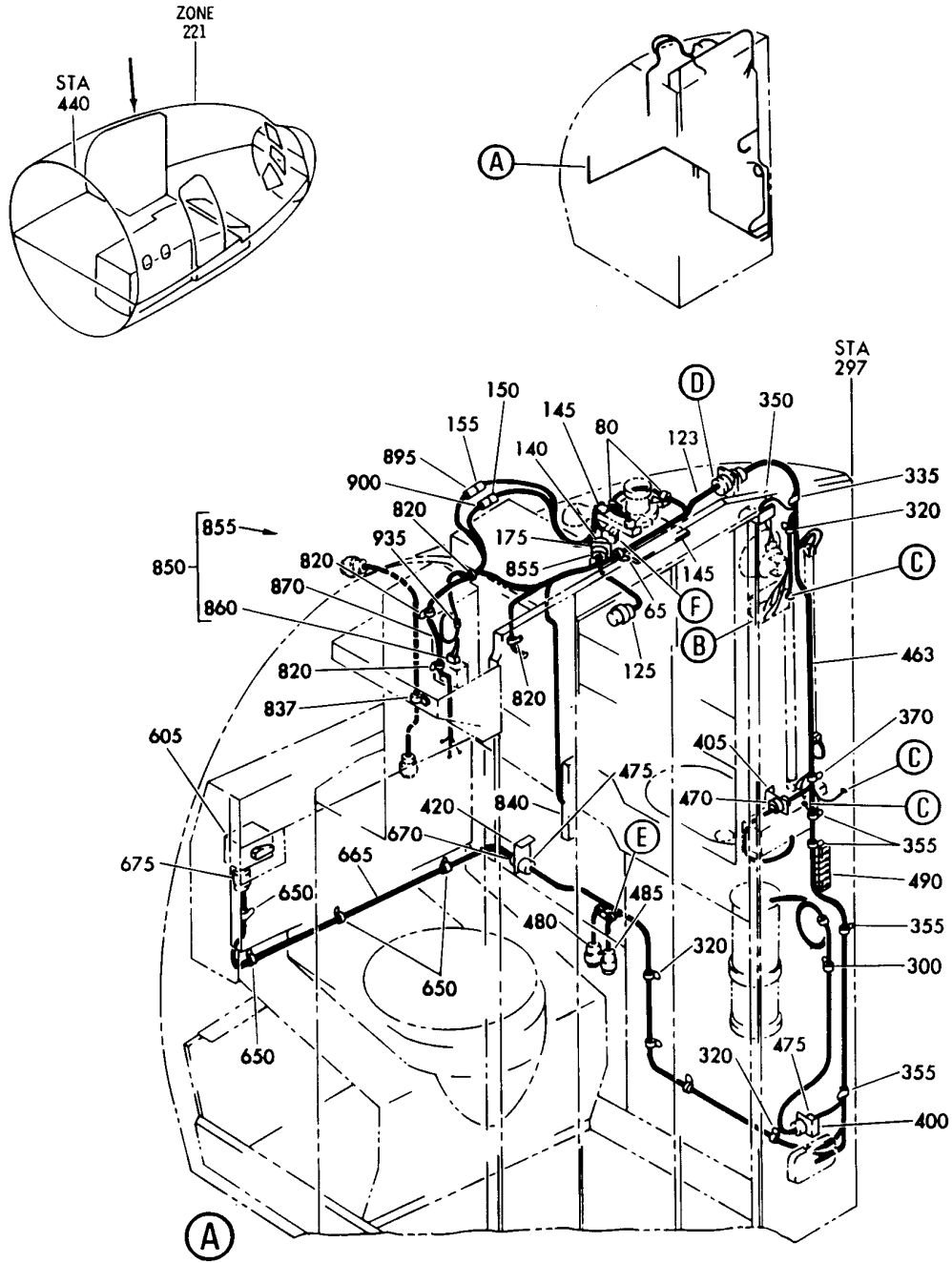
- ITEM NOT ILLUSTRATED

24-53-51-02R

24-53-51
FIG. 02R
PAGE 8
JAN 20/09

BRI

BOEING
757
PARTS CATALOG (MAINTENANCE)



Y 24535103A SMT 1 REV 185

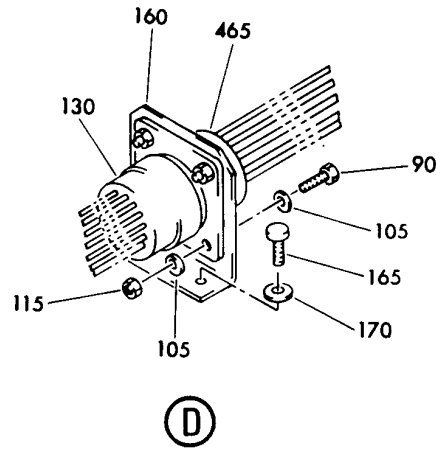
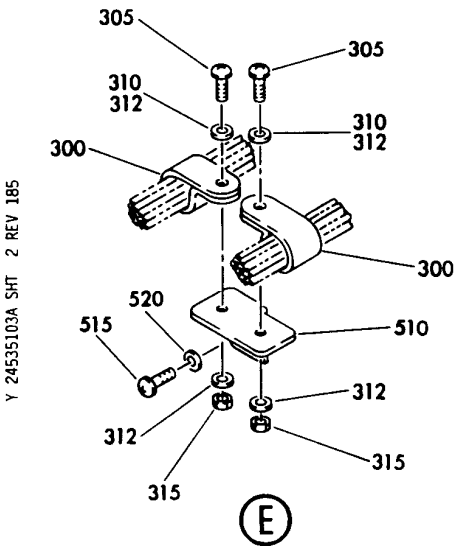
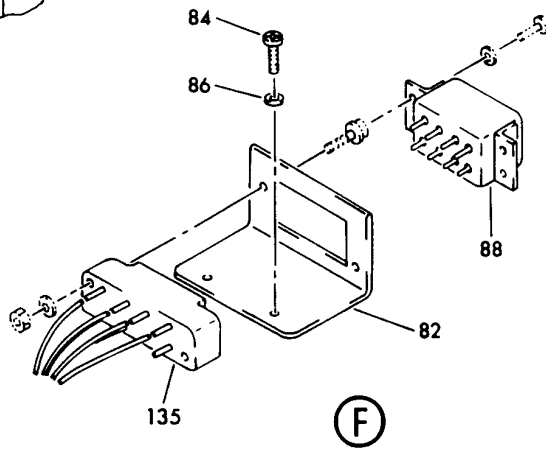
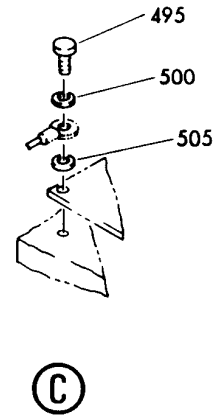
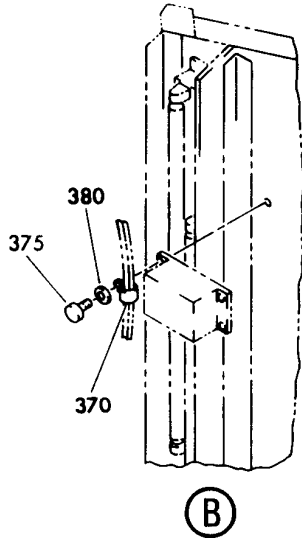
ELECTRICAL ASSY-LAV A (ELECTRICAL POWER ONLY)
FIGURE 3A (SHEET 1)

24-53-51-03A

BRI
JAN 20/09

24-53-51-03A
PAGE 0

BOEING
757
PARTS CATALOG (MAINTENANCE)



Y 24535103A SHT. 2 REV 185

ELECTRICAL ASSY-LAV A (ELECTRICAL POWER ONLY)
FIGURE 3A (SHEET 2)

24-53-51-03A

BRI
JAN 20/09

24-53-51-03A
PAGE 0A

 **BOEING**
757
PARTS CATALOG (MAINTENANCE)

FIG ITEM	PART NUMBER	1 2 3 4 5 6 7	NOMENCLATURE	EFFECT FROM TO	UNITS PER ASSY
3A			ELECTRICAL ASSY-LAV A (ELECTRICAL POWER ONLY)	952999	
- 1	1A112-0088-61		ELECTRICAL ASSY-LAV A (ELECTRICAL POWER ONLY) SUPPLIER CODE: VS5825 FOR NHA/OTHER SYS DET SEE: 25-41-01-06	952999	RF
- 50	BACC10DK2		.CLAMP ATTACHING PARTS	952999	1
- 55	NAS603-7P		.SCREW	952999	1
- 60	AN960PD10L		.WASHER	952999	1
			-----*-----		
65	BACC10DK6		.CLAMP ATTACHING PARTS	952999	1
- 70	NAS603-6P		.SCREW	952999	1
- 75	AN960PD10L		.WASHER	952999	1
			-----*-----		
80	BACC10DK4		.CLAMP	952999	2
82	3A114-0080-1		.SUPPORT-RELAY SUPPLIER CODE: VS5825 ATTACHING PARTS	952999	1
84	NAS601-5P		.SCREW	952999	2
86	AN960PD6L		.WASHER	952999	2
			-----*-----		
88	3SAV1338A2		.RELAY-K1 SUPPLIER CODE: V00779	952999	1
123	2A112-0086-83		.HARNESS ASSY- SUPPLIER CODE: VS5825	952999	1
125	BACC45FT24C43P		..CONNECTOR-P1	952999	1
130	BACC45FN24-43S		..CONNECTOR-J101	952999	1
135	HRTS17KM		..SOCKET-RELAY XK1 SUPPLIER CODE: V91663	952999	1
135	HRTS17KJV2		..SOCKET-RELAY XK1 SUPPLIER CODE: V91663	952999	1
140	BACC45FN14-12S		..CONNECTOR-J102 ATTACHING PARTS	952999	1
- 142	NAS601-7P		..SCREW	952999	4
- 143	AN960PD6L		..WASHER	952999	4
			-----*-----		
145	MS27212-6-3		..TERMINAL BOARD ASSY- TB1,TB3 ATTACHING PARTS	952999	2
- 147	NAS601-5P		..SCREW	952999	4

MISSING ITEM NUMBERS NOT APPLICABLE

- ITEM NOT ILLUSTRATED

BRI

24-53-51-03A

BOEING PROPRIETARY - Copyright © - Unpublished Work - See title page for details.

24-53-51
FIG. 03A
PAGE 1
JAN 20/09



757

PARTS CATALOG (MAINTENANCE)

FIG ITEM	PART NUMBER	1 2 3 4 5 6 7	NOMENCLATURE	EFFECT FROM TO	UNITS PER ASSY
3A					
- 148	AN960PD6L	..	WASHER	952999	4
			-----*-----		
150	48-7190	..	CONNECTOR-J4,P12	952999	2
			SUPPLIER CODE:		
			V02660		
155	48-7191	..	CONNECTOR-J5,P11	952999	2
			SUPPLIER CODE:		
			V02660		
160	2A114-0019-1	.	SUPPORT-CONN.	952999	1
			SUPPLIER CODE:		
			VS5825		
			ATTACHING PARTS		
165	NAS601-5P	.	SCREW	952999	2
170	AN960PD6L	.	WASHER	952999	2
			-----*-----		
175	2A114-0019-7	.	SUPPORT-CONN.	952999	1
			SUPPLIER CODE:		
			VS5825		
			ATTACHING PARTS		
- 180	NAS601-5P	.	SCREW	952999	2
- 185	AN960PD6L	.	WASHER	952999	2
			-----*-----		
- 250	1A112-0088-163		ELECTRICAL ASSY-LAV A	952999	RF
			(ELECTRICAL POWER ONLY)		
			SUPPLIER CODE:		
			VS5825		
			FOR NHA/OTHER SYS DET SEE:		
			25-41-01-06		
300	BACC10DK3	.	CLAMP	952999	3
			ATTACHING PARTS		
305	NAS603-8P	.	SCREW	952999	2
312	AN960PD10L	.	WASHER	952999	4
315	NAS679A3	.	NUT	952999	2
			-----*-----		
320	BACC10DK4	.	CLAMP	952999	5
			ATTACHING PARTS		
- 325	NAS603-6P	.	SCREW	952999	5
- 330	AN960PD10L	.	WASHER	952999	5
			-----*-----		
335	BACC10DK7	.	CLAMP	952999	1
			ATTACHING PARTS		
- 340	NAS603-6P	.	SCREW	952999	1
- 345	AN960PD10L	.	WASHER	952999	1
			-----*-----		
350	BACC10DK2	.	CLAMP	952999	1
			ATTACHING PARTS		
- 352	NAS603-6P	.	SCREW	952999	1
- 353	AN960PD10L	.	WASHER	952999	1
			-----*-----		

MISSING ITEM NUMBERS NOT APPLICABLE

- ITEM NOT ILLUSTRATED

24-53-51-03A

24-53-51
FIG. 03A
PAGE 2
JAN 20/09

BRI

BOEING PROPRIETARY - Copyright © - Unpublished Work - See title page for details.

 **BOEING**
757
PARTS CATALOG (MAINTENANCE)

FIG ITEM	PART NUMBER	1 2 3 4 5 6 7	NOMENCLATURE	EFFECT FROM TO	UNITS PER ASSY
3A					
355	BACC10DK5	.	CLAMP ATTACHING PARTS	952999	4
- 360	NAS603-6P	.	SCREW	952999	4
- 365	AN960PD10L	.	WASHER	952999	4
			-----*-----		
370	BACC10DK6	.	CLAMP	952999	1
375	NAS603-6P	.	SCREW	952999	RF
380	AN960PD10L	.	WASHER	952999	RF
400	2A114-0019-7	.	SUPPORT-CONN. SUPPLIER CODE: VS5825 ATTACHING PARTS	952999	1
- 402	NAS601-5P	.	SCREW	952999	2
- 403	AN960PD6L	.	WASHER	952999	2
			-----*-----		
405	2A114-0019-19	.	ANGLE-CONN. SPRT SUPPLIER CODE: VS5825 ATTACHING PARTS	952999	1
- 410	NAS601-5P	.	SCREW	952999	2
- 415	AN960PD6L	.	WASHER	952999	2
			-----*-----		
420	3A113-0165-1	.	ANGLE-CONN. SPRT SUPPLIER CODE: VS5825 ATTACHING PARTS	952999	1
- 425	NAS601-5P	.	SCREW	952999	2
- 430	AN960PD6L	.	WASHER	952999	2
			-----*-----		
463	2A112-0086-25	.	HARNASS ASSY- SUPPLIER CODE: VS5825	952999	1
465	BACC45FT24C43P	..	CONNECTOR-P101	952999	1
470	BACC45FN14-15S	..	CONNECTOR-J3 ATTACHING PARTS	952999	1
- 472	NAS600-7P	..	SCREW	952999	4
- 473	AN960-4	..	WASHER	952999	4
- 474	NAS679A04	..	NUT	952999	4
			-----*-----		
475	BACC45FN14-7S	..	CONNECTOR-J2, J103 ATTACHING PARTS	952999	2
- 476	NAS600-7P	..	SCREW	952999	8
- 477	AN960-4	..	WASHER	952999	8
- 478	NAS679A04	..	NUT	952999	8
			-----*-----		
480	BACC45FT10C5S	..	CONNECTOR-P4	952999	1
485	BACC45FT12C12S	..	CONNECTOR-P5	952999	1
490	MS27212-6-5	..	TERMINAL BOARD ASSY	952999	1

MISSING ITEM NUMBERS NOT APPLICABLE

- ITEM NOT ILLUSTRATED

BRI

24-53-51-03A

BOEING PROPRIETARY - Copyright © - Unpublished Work - See title page for details.

24-53-51
FIG. 03A
PAGE 3
JAN 20/09

 **BOEING**
757
PARTS CATALOG (MAINTENANCE)

FIG ITEM	PART NUMBER	1 2 3 4 5 6 7	NOMENCLATURE	EFFECT FROM TO	UNITS PER ASSY
3A			ATTACHING PARTS		
- 492	NAS601-5P	..	SCREW	952999	2
- 493	AN960PD6L	..	WASHER	952999	2
			-----*-----		
510	3A114-0081-1	.	SUPPORT-CLAMP	952999	1
			SUPPLIER CODE: VS5825		
			ATTACHING PARTS		
515	NAS601-5P	.	SCREW	952999	1
520	AN960PD6L	.	WASHER	952999	1
			-----*-----		
- 600	1A112-0088-5		ELECTRICAL ASSY-LAV A (ELECTRICAL POWER ONLY)	952999	RF
			SUPPLIER CODE: VS5825		
			FOR NHA/OTHER SYS DET SEE: 25-41-01-06		
605	835867-401	.	SWITCH ASSY-FLUSH TIMER, S2	952999	RF
			SUPPLIER CODE: V92824		
			SPECIFICATION NUMBER: 60B50058-6		
			COMPONENT MAINT MANUAL REF: 25-41-18		
			OPTIONAL PART: 1A081-0155-1		
			VS5825		
			TD2004-1002		
			V35344		
			1A081-0155-11		
			VS5825		
			TD1702-1002		
			V58657		

MISSING ITEM NUMBERS NOT APPLICABLE

- ITEM NOT ILLUSTRATED

BRI

24-53-51-03A

BOEING PROPRIETARY - Copyright © - Unpublished Work - See title page for details.

24-53-51
FIG. 03A
PAGE 4
JAN 20/09



757

PARTS CATALOG (MAINTENANCE)

FIG ITEM	PART NUMBER	1 2 3 4 5 6 7	NOMENCLATURE	EFFECT FROM TO	UNITS PER ASSY
3A 605	1A081-0155-11		.SWITCH ASSY-FLUSH TIMER, S2 SUPPLIER CODE: VS5825 SPECIFICATION NUMBER: 60B50058-6 COMPONENT MAINT MANUAL REF: 25-41-18 OPTIONAL PART: 835867-401 V92824 1A081-0155-1 VS5825 TD2004-1002 V35344 TD1702-1002 V58657	952999	RF
605	TD1702-1002		.SWITCH ASSY-FLUSH TIMER, S2 SUPPLIER CODE: V58657 SPECIFICATION NUMBER: 60B50058-6 OPTIONAL PART: 1A081-0155-1 VS5825 1A081-0155-11 VS5825 835867-401 V92824 TD2004-1002 V35344	952999	RF
605	TD2004-1002		.SWITCH ASSY-FLUSH TIMER, S2 SUPPLIER CODE: V35344 SPECIFICATION NUMBER: 60B50058-6 COMPONENT MAINT MANUAL REF: 25-41-18 OPTIONAL PART: 1A081-0155-11 VS5825 835867-401 V92824 1A081-0155-1 VS5825 TD1702-1002 V58657	952999	RF

MISSING ITEM NUMBERS NOT APPLICABLE

- ITEM NOT ILLUSTRATED

24-53-51-03A

24-53-51
FIG. 03A
PAGE 5
JAN 20/09

BRI

 **BOEING**
757
PARTS CATALOG (MAINTENANCE)

FIG ITEM	PART NUMBER	1 2 3 4 5 6 7	NOMENCLATURE	EFFECT FROM TO	UNITS PER ASSY
3A 605	1A081-0155-1		.SWITCH ASSY-FLUSH TIMER, SUPPLIER CODE: VS5825 SPECIFICATION NUMBER: 60B50058-6 COMPONENT MAINT MANUAL REF: 25-41-18 OPTIONAL PART: 1A081-0155-11 VS5825 835867-401 V92824 TD2004-1002 V35344 TD1702-1002 V58657	952999	RF
650	BACC10DK3		.CLAMP ATTACHING PARTS	952999	4
- 655	NAS601-7P		.SCREW	952999	4
- 660	AN960PD6L		.WASHER	952999	4
			-----*-----		
665	2A112-0086-9		.HARNESS ASSY- SUPPLIER CODE: VS5825	952999	1
670	BACC45FT14C7P		..CONNECTOR-P103	952999	1
675	BACC45FT14C7S		..CONNECTOR-P2	952999	1
- 750	1A112-0088-317		ELECTRICAL ASSY-LAV A (ELECTRICAL POWER ONLY) SUPPLIER CODE: VS5825 FOR NHA/OTHER SYS DET SEE: 25-41-01-06	952999	RF
- 800	BACC10DK3		.CLAMP ATTACHING PARTS	952999	2
- 805	NAS603-6P		.SCREW	952999	1
- 815	AN960PD10L		.WASHER	952999	2
			-----*-----		
820	BACC10DK2		.CLAMP ATTACHING PARTS	952999	3
- 827	NAS603-6P		.SCREW	952999	4
- 832	AN960PD10L		.WASHER	952999	4
			-----*-----		
837	BACC10DK8A		.CLAMP ATTACHING PARTS	952999	1
- 838	NAS603-6P		.SCREW	952999	1
- 839	AN960PD10L		.WASHER	952999	1
			-----*-----		

MISSING ITEM NUMBERS NOT APPLICABLE

- ITEM NOT ILLUSTRATED

BRI

24-53-51-03A

BOEING PROPRIETARY - Copyright © - Unpublished Work - See title page for details.

24-53-51
FIG. 03A
PAGE 6
JAN 20/09



757

PARTS CATALOG (MAINTENANCE)

FIG ITEM	PART NUMBER	1 2 3 4 5 6 7	NOMENCLATURE	EFFECT FROM TO	UNITS PER ASSY
3A 840	1A081-0164-1	.	SWITCH-DOOR S1 SUPPLIER CODE: VS5825	952999	1
- 845	NAS514P632-6	.	ATTACHING PARTS SCREW	952999	3
850	2A112-0086-75	.	HARNESS ASSY- SUPPLIER CODE: VS5825	952999	1
855	BACC45FT14C12P	..	CONNECTOR-P102	952999	1
860	48-7190	..	CONNECTOR- P7 P8 SUPPLIER CODE: V02660	952999	1
- 865	48-7191	..	CONNECTOR- J6 AND J8 J6 AND J9 SUPPLIER CODE: V02660	952999	2
870	2A112-0086-237	.	HARNESS ASSY- SUPPLIER CODE: VS5825	952999	1
- 875	48-7190	..	CONNECTOR- P6 AND P8 P6 AND P9 SUPPLIER CODE: V02660	952999	2
- 880	48-7191	..	CONNECTOR- J7 J8 SUPPLIER CODE: V02660	952999	1
- 885	2A112-0086-109	.	HARNESS ASSY- SUPPLIER CODE: VS5825	952999	1
- 890	DAMA15SWS	..	CONNECTOR- P16 P15 SUPPLIER CODE: V71468	952999	1
895	48-7190	..	CONNECTOR-P11 SUPPLIER CODE: V02660	952999	1
900	48-7191	..	CONNECTOR-J12 SUPPLIER CODE: V02660	952999	1

MISSING ITEM NUMBERS NOT APPLICABLE

- ITEM NOT ILLUSTRATED

24-53-51-03A

24-53-51
FIG. 03A
PAGE 7
JAN 20/09

BRI

BOEING PROPRIETARY - Copyright © - Unpublished Work - See title page for details.



757

PARTS CATALOG (MAINTENANCE)

FIG ITEM	PART NUMBER	1 2 3 4 5 6 7	NOMENCLATURE	EFFECT FROM TO	UNITS PER ASSY
3A					
- 905	2A112-0086-159		. HARNESS ASSY- SUPPLIER CODE: VS5825	952999	1
- 910	BACC45FT16-24P		.. CONNECTOR-P16	952999	1
- 915	BACC45FT16-24S		.. CONNECTOR-P17	952999	1
935	T18R		. TIE-INSULOCK SUPPLIER CODE: VU3384 OPTIONAL PART: 89176-0001 VS5006	952999	1

MISSING ITEM NUMBERS NOT APPLICABLE

- ITEM NOT ILLUSTRATED

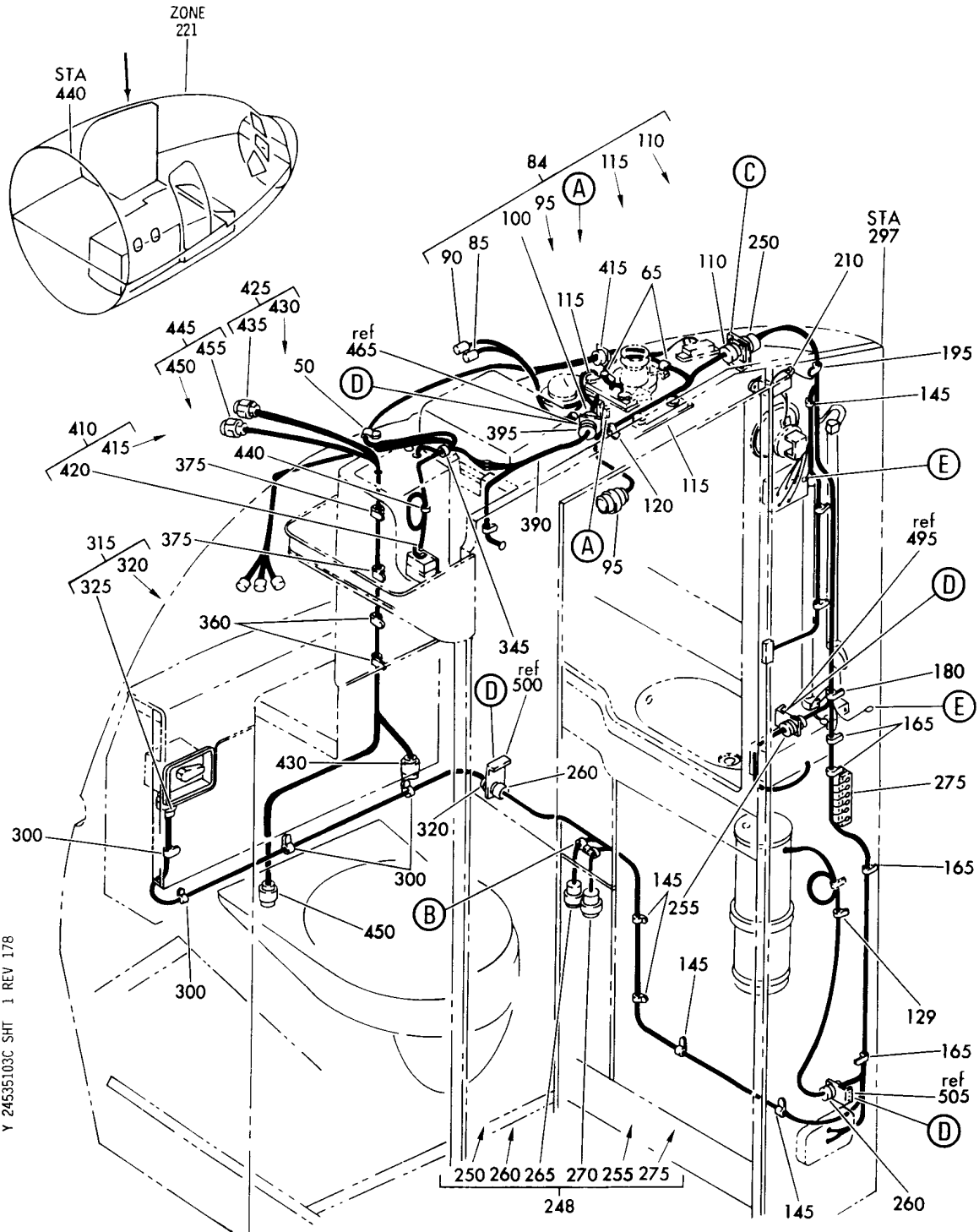
BRI

24-53-51-03A

BOEING PROPRIETARY - Copyright © - Unpublished Work - See title page for details.

24-53-51
FIG. 03A
PAGE 8
JAN 20/09

BOEING
757
PARTS CATALOG (MAINTENANCE)



Y 24535103C SHT 1 REV 178

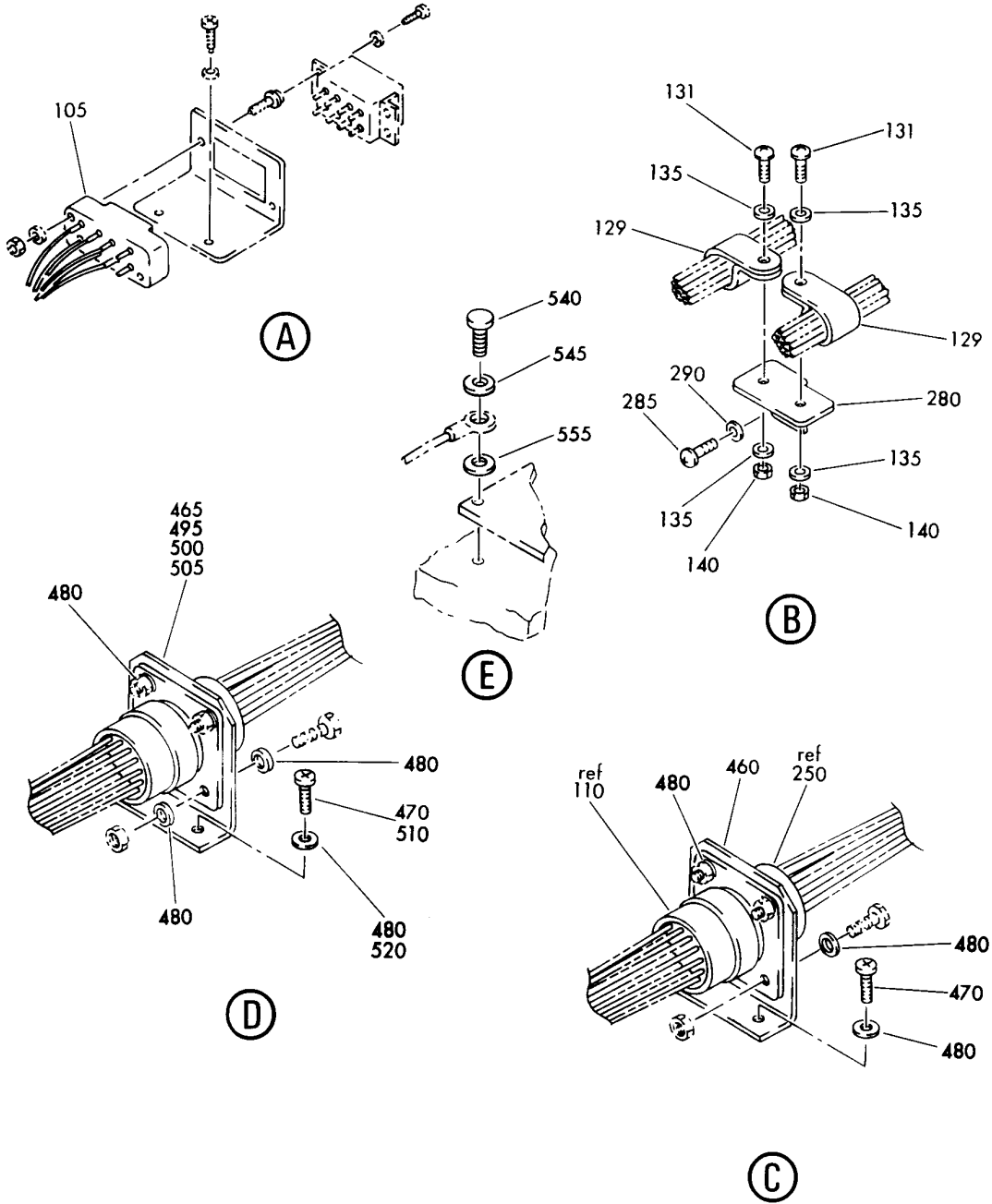
ELECTRICAL ASSY-LAV A (ELECTRICAL POWER ONLY)
FIGURE 3C (SHEET 1)

24-53-51-03C

BRI
MAY 28/07

24-53-51-03C
PAGE 0

BOEING
757
PARTS CATALOG (MAINTENANCE)



Y 24535103C SMT 2 REV 178

ELECTRICAL ASSY-LAV A (ELECTRICAL POWER ONLY)
FIGURE 3C (SHEET 2)

24-53-51-03C

BRI
MAY 28/07

24-53-51-03C
PAGE 0A



757

PARTS CATALOG (MAINTENANCE)

FIG ITEM	PART NUMBER	1 2 3 4 5 6 7	NOMENCLATURE	EFFECT FROM TO	UNITS PER ASSY
3C			ELECTRICAL ASSY-LAV A (ELECTRICAL POWER ONLY)	002004 006100	
- 1	1A112-0088NPA		ELECTRICAL ASSY-LAV A (ELECTRICAL POWER ONLY) SUPPLIER CODE: VS5825 FOR NHA/OTHER SYS DET SEE: 25-41-01-06F	002004 006100	RF
50	BACC10DK4		.CLAMP	002004 006100	1
- 55	NAS603-7P		ATTACHING PARTS .SCREW	002004 006100	1
- 60	AN960PD10L		.WASHER	002004 006100	1
65	BACC10DK5		-----*----- .CLAMP	002004 006100	2
- 70	NAS1801-06-6		.SCREW	002004 006100	4
- 73	NAS1801-04-6		.SCREW	002004 006100	8
- 75	NAS601-5P		.SCREW	002004 006100	4
- 77	AN960PD4L		.WASHER	002004 006100	16
- 80	AN960PD6L		.WASHER	002004 006100	14
- 81	NAS679A06		.NUT	002004 006100	4
- 82	NAS679A04		.NUT	002004 006100	8
84	2A112-0086-223		.HARNES ASSY- SUPPLIER CODE: VS5825 CONFIG CHG DATA FROM A CMM: SUPSD BY 2A112-0086-283	002004 006100	1
84	2A112-0086-283		.HARNES ASSY- SUPPLIER CODE: VS5825 CONFIG CHG DATA FROM A CMM: SUPERSEDES 2A112-0086-223	002004 006100	1
85	48-7190		..CONNECTOR-J4 P12 SUPPLIER CODE: V02660	002004 006100	1
90	48-7191		..CONNECTOR-J5 J11 SUPPLIER CODE: V02660	002004 006100	1

MISSING ITEM NUMBERS NOT APPLICABLE

- ITEM NOT ILLUSTRATED

24-53-51-03C

24-53-51
FIG. 03C
PAGE 1
JAN 20/09

BRI

BOEING PROPRIETARY - Copyright © - Unpublished Work - See title page for details.



757

PARTS CATALOG (MAINTENANCE)

FIG ITEM	PART NUMBER	1 2 3 4 5 6 7	NOMENCLATURE	EFFECT FROM TO	UNITS PER ASSY
3C					
95	BACC45FT24C43P	..	CONNECTOR-P1	002004 006100	1
100	BACC45FN24-43S	..	CONNECTOR-J102	002004 006100	1
105	HRTS17KM	..	SOCKET-RELAY K1 SUPPLIER CODE: V91663	002004 006100	1
105	HRTS17KJV2	..	SOCKET-RELAY K1 SUPPLIER CODE: V91663	002004 006100	1
- 107	BACC45FN14-15S	.	CONNECTOR-J104	002004 006100	1
110	BACC45FN14-12S	..	CONNECTOR-J101	002004 006100	1
115	MS27212-6-3	..	TERMINAL BOARD ASSY- TB1, TB3, TB101	002004 006100	2
- 117	MS27212-6-3	..	TERMINAL BOARD ASSY	002004 006100	1
120	BACC10DK6	.	CLAMP	002004 006100	1
- 123	NAS603-6P	.	ATTACHING PARTS SCREW	002004 006100	1
- 126	AN960PD10L	.	WASHER	002004 006100	1
129	BACC10DK3	-----*-----	CLAMP	002004 006100	3
131	NAS603-6P	.	ATTACHING PARTS SCREW	002004 006100	2
- 133	NAS602-7P	.	SCREW	002004 006100	1
- 134	AN960PD10L	.	WASHER	002004 006100	1
135	AN960PD8L	.	WASHER	002004 006100	4
140	NAS679A08	.	NUT	002004 006100	2
145	BACC10DK4	-----*-----	CLAMP	002004 006100	5
- 150	NAS603-6P	.	ATTACHING PARTS SCREW	002004 006100	5
- 155	AN960PD10L	.	WASHER	002004 006100	5
		-----*-----			

MISSING ITEM NUMBERS NOT APPLICABLE

- ITEM NOT ILLUSTRATED

24-53-51-03C

24-53-51
FIG. 03C
PAGE 2
JAN 20/09

BRI

BOEING PROPRIETARY - Copyright © - Unpublished Work - See title page for details.



757

PARTS CATALOG (MAINTENANCE)

FIG ITEM	PART NUMBER	1 2 3 4 5 6 7	NOMENCLATURE	EFFECT FROM TO	UNITS PER ASSY
3C 165	BACC10DK5	.	CLAMP	002004 006100	4
- 170	NAS603-6P	.	ATTACHING PARTS SCREW	002004 006100	4
- 175	AN960PD10L	.	WASHER	002004 006100	4
			-----*-----		
180	BACC10DK6	.	CLAMP	002004 006100	1
- 185	NAS603-6P	.	ATTACHING PARTS SCREW	002004 006100	1
- 190	AN960PD10L	.	WASHER	002004 006100	1
			-----*-----		
195	BACC10DK7	.	CLAMP	002004 006100	1
- 200	NAS603-6P	.	ATTACHING PARTS SCREW	002004 006100	1
- 205	AN960PD10L	.	WASHER	002004 006100	1
			-----*-----		
210	BACC10DK2	.	CLAMP	002004 006100	1
- 230	NAS601-5P	.	SCREW	002004 006100	2
- 232	NAS1801-04-6	.	SCREW	002004 006100	12
- 240	AN960PD6L	.	WASHER	002004 006100	2
- 242	AN960PD4L	.	WASHER	002004 006100	24
- 247	NAS679A04	.	NUT	002004 006100	12
248	2A112-0086-195	.	HARNESS ASSY- SUPPLIER CODE: VS5825 CONFIG CHG DATA FROM A CMM: SUPSD BY 2A112-0086-215	002004 006100	1
248	2A112-0086-215	.	HARNESS ASSY- SUPPLIER CODE: VS5825 CONFIG CHG DATA FROM A CMM: SUPERSEDES 2A112-0086-195	002004 006100	1
250	BACC45FT24C43P	..	CONNECTOR-P101	002004 006100	1

MISSING ITEM NUMBERS NOT APPLICABLE

- ITEM NOT ILLUSTRATED

24-53-51-03C

24-53-51
FIG. 03C
PAGE 3
JAN 20/09

BRI

BOEING PROPRIETARY - Copyright © - Unpublished Work - See title page for details.



757

PARTS CATALOG (MAINTENANCE)

FIG ITEM	PART NUMBER	1 2 3 4 5 6 7	NOMENCLATURE	EFFECT FROM TO	UNITS PER ASSY
3C					
255	BACC45FN14-15S	..	CONNECTOR-J3	002004 006100	1
260	BACC45FN14-7S	..	CONNECTOR-J2 J103	002004 006100	2
265	BACC45FT10C5S	..	CONNECTOR-P4	002004 006100	1
270	BACC45FT12C12S	..	CONNECTOR-P5	002004 006100	1
275	MS27212-6-5	..	TERMINAL BOARD ASSY-TB2	002004 006100	1
280	3A114-0081-1	.	SUPPORT-CLAMP SUPPLIER CODE: VS5825	002004 006100	1
285	NAS601-5P	.	ATTACHING PARTS SCREW	002004 006100	1
290	AN960PD10L	.	WASHER	002004 006100	1
			-----*-----		
300	BACC10DK3	.	CLAMP	002004 006100	4
			ATTACHING PARTS		
- 305	NAS603-7P	.	SCREW	002004 006100	4
- 310	AN960PD10L	.	WASHER	002004 006100	4
			-----*-----		
315	2A112-0086-9	.	HARNESS ASSY- SUPPLIER CODE: VS5825	002004 006100	1
320	BACC45FT14C7P	..	CONNECTOR-P103	002004 006100	1
325	BACC45FT14C7S	..	CONNECTOR-P2	002004 006100	1
- 330	BACC10DK3	.	CLAMP	002004 006100	4
			ATTACHING PARTS		
- 335	NAS603-6P	.	SCREW	002004 006100	4
- 340	AN960PD10L	.	WASHER	002004 006100	4
			-----*-----		
345	BACC10DK5	.	CLAMP	002004 006100	1
			ATTACHING PARTS		
- 350	NAS1096-3-6	.	SCREW	002004 006100	1

MISSING ITEM NUMBERS NOT APPLICABLE

- ITEM NOT ILLUSTRATED

24-53-51-03C

24-53-51
FIG. 03C
PAGE 4
JAN 20/09

BRI

BOEING PROPRIETARY - Copyright © - Unpublished Work - See title page for details.



757

PARTS CATALOG (MAINTENANCE)

FIG ITEM	PART NUMBER	1 2 3 4 5 6 7	NOMENCLATURE	EFFECT FROM TO	UNITS PER ASSY
3C					
- 355	AN960PD10L	.	WASHER	002004 006100	1
		-----*			
360	BACC10DK8A	.	CLAMP	002004 006100	2
			ATTACHING PARTS		
- 365	NAS603-6P	.	SCREW	002004 006100	2
- 370	AN960PD10L	.	WASHER	002004 006100	2
		-----*			
375	BACC10DK16	.	CLAMP	002004 006100	2
			ATTACHING PARTS		
- 380	NAS603-7P	.	SCREW	002004 006100	2
- 385	AN960PD10L	.	WASHER	002004 006100	2
		-----*			
390	2A112-0086-225	.	HARNESS ASSY- SUPPLIER CODE: VS5825	002004 006100	1
395	BACC45FT14C12P	..	CONNECTOR-P102	002004 006100	1
- 400	48-7190	..	CONNECTOR-P22 SUPPLIER CODE: V02660	002004 006100	1
- 405	48-7191	..	CONNECTOR-J21, J23 SUPPLIER CODE: V02660	002004 006100	2
410	2A112-0086-199	.	HARNESS ASSY- SUPPLIER CODE: VS5825	002004 006100	1
415	BACC45FT14-15P	..	CONNECTOR-P104	002004 006100	1
420	DAMA15SWS	..	CONNECTOR-P15 SUPPLIER CODE: V71468	002004 006100	1
425	2A112-0086-15	.	HARNESS ASSY- SUPPLIER CODE: VS5825	002004 006100	1
430	BACC45FT20-41S	..	CONNECTOR-P6	002004 006100	1
435	BACC45FT20C41P	..	CONNECTOR-P8	002004 006100	1

MISSING ITEM NUMBERS NOT APPLICABLE

- ITEM NOT ILLUSTRATED

24-53-51-03C

24-53-51
FIG. 03C
PAGE 5
JAN 20/09

BRI

BOEING PROPRIETARY - Copyright © - Unpublished Work - See title page for details.



757

PARTS CATALOG (MAINTENANCE)

FIG ITEM	PART NUMBER	1 2 3 4 5 6 7	NOMENCLATURE	EFFECT FROM TO	UNITS PER ASSY
3C 440	T18R		.TIE-INSULOCK SUPPLIER CODE: VU3384 OPTIONAL PART: 89176-0001 VS5006	002004 006100	1
445	2A112-0086-17		.HARNES ASSY- SUPPLIER CODE: VS5825	002004 006100	1
450	XLR5-31		..RECEPTACLE-J7 SUPPLIER CODE: V71468	002004 006100	1
455	C0909A10C05PN		..CONNECTOR-P7 SUPPLIER CODE: V13556 SPECIFICATION NUMBER: BACC63BN10C5P OPTIONAL PART: 48-63N10C5P V02660 R071210C5P V41118	002004 006100	1
460	2A114-0019-1		.SUPPORT-CONN. SUPPLIER CODE: VS5825	002004 006100	1
465	2A114-0019-7		.SUPPORT-CONN. SUPPLIER CODE: VS5825	002004 006100	1
470	NAS601-5P		ATTACHING PARTS .SCREW	002004 006100	4
480	AN960PD6L		.WASHER	002004 006100	4
495	2A114-0019-19		-----*----- .ANGLE-CONN. SPRT SUPPLIER CODE: VS5825	002004 006100	1
500	3A113-0165-1		.ANGLE-CONN. SPRT SUPPLIER CODE: VS5825	002004 006100	1
505	2A114-0019-7		.SUPPORT-CONN. SUPPLIER CODE: VS5825	002004 006100	1
510	NAS601-5P		ATTACHING PARTS .SCREW	002004 006100	6
520	AN960PD6L		.WASHER -----*-----	002004 006100	6

MISSING ITEM NUMBERS NOT APPLICABLE

- ITEM NOT ILLUSTRATED

24-53-51-03C

24-53-51
FIG. 03C
PAGE 6
JAN 20/09

BRI

BOEING PROPRIETARY - Copyright © - Unpublished Work - See title page for details.



757

PARTS CATALOG (MAINTENANCE)

FIG ITEM	PART NUMBER	1 2 3 4 5 6 7	NOMENCLATURE	EFFECT FROM TO	UNITS PER ASSY
3C					
540	NAS603-7P	.	SCREW	002004 006100	2
545	MS35333-39	.	WASHER	002004 006100	2
555	AN960C10L	.	WASHER	002004 006100	2
565	MS18209-387	..	LAMP-L4	002004 006100	1

MISSING ITEM NUMBERS NOT APPLICABLE

- ITEM NOT ILLUSTRATED

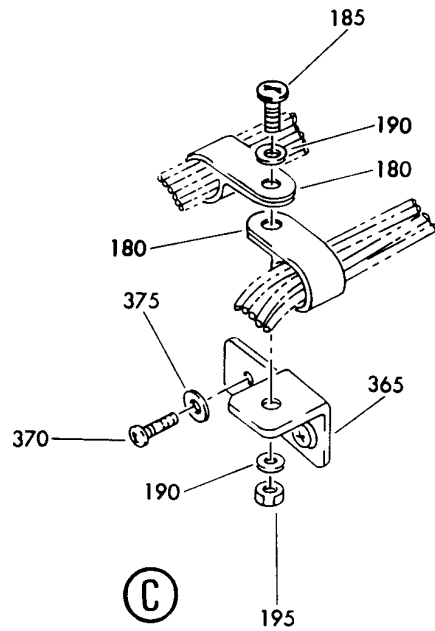
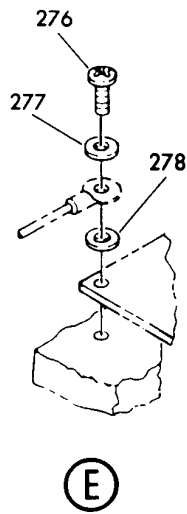
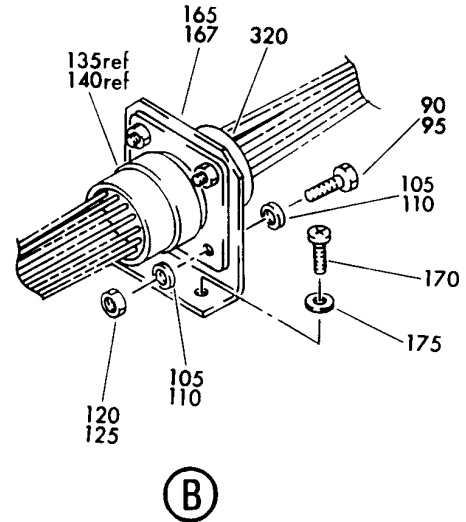
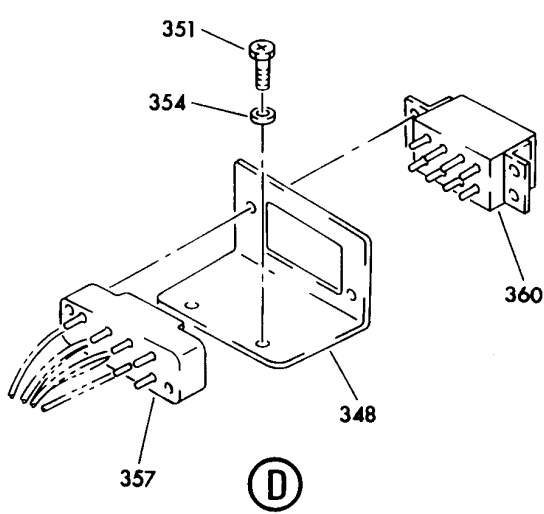
BRI

24-53-51-03C

BOEING PROPRIETARY - Copyright © - Unpublished Work - See title page for details.

24-53-51
FIG. 03C
PAGE 7
JAN 20/09

BOEING
757
PARTS CATALOG (MAINTENANCE)



Y 24535103E SHT 2 REV 184

ELECTRICAL ASSY-LAV A (ELECTRICAL POWER ONLY)
FIGURE 3E (SHEET 2)

24-53-51-03E

BRI
JAN 20/09

24-53-51-03E
PAGE 0A

 **BOEING**
757
PARTS CATALOG (MAINTENANCE)

FIG ITEM	PART NUMBER	1 2 3 4 5 6 7	NOMENCLATURE	EFFECT FROM TO	UNITS PER ASSY
3E			ELECTRICAL ASSY-LAV A (ELECTRICAL POWER ONLY)	950951	
- 1	1A112-0088NRA		ELECTRICAL ASSY-LAV A (ELECTRICAL POWER ONLY) SUPPLIER CODE: VS5825 FOR NHA/OTHER SYS DET SEE: 25-41-01-06B	950951	RF
	50 BACC10DK4		.CLAMP-NYLON ATTACHING PARTS	950951	1
-	55 NAS603-7P		.SCREW	950951	1
-	60 AN960PD10L		.WASHER	950951	1
			-----*-----		
	65 BACC10DK5		.CLAMP	950951	1
	70 BACC10DK6		.CLAMP	950951	1
	72 BACC10DK6		.CLAMP ATTACHING PARTS	950951	1
-	75 NAS603-6P		.SCREW	950951	1
-	80 AN960PD10L		.WASHER	950951	1
			-----*-----		
	85 2A112-0086-293		.HARNES ASSY- SUPPLIER CODE: VS5825 ATTACHING PARTS	950951	1
	90 NAS1801-06-6		.SCREW	950951	4
	95 NAS1801-04-6		.SCREW	950951	8
-	100 NAS601-5P		.SCREW	950951	6
	105 AN960PD6L		.WASHER	950951	8
	110 AN960PD4L		.WASHER	950951	16
-	115 AN960PD6L		.WASHER	950951	6
	120 NAS679A06		.NUT	950951	4
	125 NAS679A04		.NUT	950951	8
			-----*-----		
	130 BACC45FT24C43P		..CONNECTOR-P1	950951	1
	135 BACC45FN24-43S		..CONNECTOR-J101	950951	1
	140 BACC45FN14-12S		..CONNECTOR-J102	950951	1
	145 BACC45FN14-15S		..CONNECTOR-J104	950951	1
	150 MS27212-6-3		..TERMINAL BOARD ASSY- TB1, TB101, TB3	950951	3
	155 48-7190		..CONNECTOR-J4 SUPPLIER CODE: V02660	950951	1
	160 48-7191		..CONNECTOR-J5 SUPPLIER CODE: V02660	950951	1
	165 2A114-0019-7		.SUPPORT-CONN. SUPPLIER CODE: VS5825	950951	2

MISSING ITEM NUMBERS NOT APPLICABLE

- ITEM NOT ILLUSTRATED

BRI

24-53-51-03E

24-53-51
FIG. 03E
PAGE 1
JAN 20/09

BOEING PROPRIETARY - Copyright © - Unpublished Work - See title page for details.



757

PARTS CATALOG (MAINTENANCE)

FIG ITEM	PART NUMBER	1 2 3 4 5 6 7	NOMENCLATURE	EFFECT FROM TO	UNITS PER ASSY
3E					
167	2A114-0019-1		.SUPPORT-CONN. SUPPLIER CODE: VS5825 ATTACHING PARTS	950951	1
170	NAS601-5P		.SCREW	950951	6
175	AN960PD6L		.WASHER	950951	6
			-----*-----		
180	BACC10DK3		.CLAMP-NYLON ATTACHING PARTS	950951	4
185	NAS602-7P		.SCREW	950951	3
190	AN960PD8L		.WASHER	950951	4
195	NAS679A08		.NUT	950951	3
			-----*-----		
200	BACC10DK4		.CLAMP-NYLON ATTACHING PARTS	950951	5
- 205	NAS603-6P		.SCREW	950951	5
- 210	AN960PD10L		.WASHER	950951	5
			-----*-----		
215	BACC10DK7		.CLAMP-NYLON ATTACHING PARTS	950951	1
- 220	NAS603-6P		.SCREW	950951	1
- 225	AN960PD10L		.WASHER	950951	1
			-----*-----		
230	BACC10DK5		.CLAMP-NYLON ATTACHING PARTS	950951	4
- 235	NAS603-6P		.SCREW	950951	4
- 240	AN960PD10L		.WASHER	950951	4
			-----*-----		
- 245	BACC10DK6		.CLAMP-NYLON ATTACHING PARTS	950951	1
- 250	NAS603-6P		.SCREW	950951	1
- 255	AN960PD10L		.WASHER	950951	1
			-----*-----		
260	BACC10DK2		.CLAMP-NYLON	950951	1
265	3A113-0165-1		.ANGLE-SPRT SUPPLIER CODE: VS5825	950951	1
266	2A114-0019-7		.SUPPORT- SUPPLIER CODE: VS5825 ATTACHING PARTS	950951	2
- 270	NAS601-5P		.SCREW	950951	6
- 275	AN960PD6L		.WASHER	950951	6
			-----*-----		
276	NAS603-7P		.SCREW	950951	1
277	MS35333-39		.WASHER	950951	1
278	AN960C10L		.WASHER	950951	1

MISSING ITEM NUMBERS NOT APPLICABLE

- ITEM NOT ILLUSTRATED

24-53-51-03E

24-53-51
FIG. 03E
PAGE 2
JAN 20/09

BRI

BOEING PROPRIETARY - Copyright © - Unpublished Work - See title page for details.



757

PARTS CATALOG (MAINTENANCE)

FIG ITEM	PART NUMBER	1 2 3 4 5 6 7	NOMENCLATURE	EFFECT FROM TO	UNITS PER ASSY
3E 279	T18R	.	TIE-INSULOCK SUPPLIER CODE: VU3384 OPTIONAL PART: 89176-0001 VS5006	950951	1
280	2A112-0086-245	.	HARNES ASSY- SUPPLIER CODE: VS5825 ATTACHING PARTS	950951	1
- 285	NAS1801-04-6	.	SCREW	950951	12
- 290	NAS601-5P	.	SCREW	950951	2
- 300	AN960PD6L	.	WASHER	950951	2
- 305	AN960PD4L	.	WASHER	950951	16
- 315	NAS679A04	.	NUT	950951	12
			-----*-----		
320	BACC45FT24C43P	..	CONNECTOR-P101	950951	1
325	BACC45FN14-15S	..	CONNECTOR-J3	950951	1
330	BACC45FN14-7S	..	CONNECTOR-J103, J2	950951	2
335	BACC45FT10C5S	..	CONNECTOR-P4	950951	1
340	BACC45FT12C12S	..	CONNECTOR-(P5)	950951	1
345	MS27212-6-5	..	TERMINAL BOARD ASSY-TB2	950951	1
348	3A114-0080-1	.	SUPPORT-RELAY SUPPLIER CODE: VS5825 ATTACHING PARTS	950951	1
351	NAS601-5P	.	SCREW	950951	2
354	AN960PD6L	.	WASHER	950951	2
			-----*-----		
357	HRTS17KM	.	SOCKET-XK1 SUPPLIER CODE: V91663	950951	1
357	HRTS17KJV2	.	SOCKET-XK1 SUPPLIER CODE: V91663	950951	1
360	3SAV1338A2	.	RELAY-K1 SUPPLIER CODE: V00779	950951	1
365	3A114-0081-1	.	SUPPORT-CLAMP SUPPLIER CODE: VS5825 ATTACHING PARTS	950951	1
370	NAS603-5P	.	SCREW	950951	1
375	AN960PD10L	.	WASHER	950951	1
			-----*-----		
380	BACC10DK3	.	CLAMP-NYLON ATTACHING PARTS	950951	4
- 385	NAS601-7P	.	SCREW	950951	4

MISSING ITEM NUMBERS NOT APPLICABLE

- ITEM NOT ILLUSTRATED

24-53-51-03E

24-53-51
FIG. 03E
PAGE 3
JAN 20/09

BRI

BOEING PROPRIETARY - Copyright © - Unpublished Work - See title page for details.



757

PARTS CATALOG (MAINTENANCE)

FIG ITEM	PART NUMBER	1 2 3 4 5 6 7	NOMENCLATURE	EFFECT FROM TO	UNITS PER ASSY
3E					
- 390	AN960PD6L	.	WASHER	950951	4
		-----*			
395	2A112-0086-9	.	HARNESS ASSY- SUPPLIER CODE: VS5825	950951	1
400	BACC45FT14C7P	..	CONNECTOR-P103	950951	1
405	BACC45FT14C7S	..	CONNECTOR-P2	950951	1
410	BACC10DK3	.	CLAMP-NYLON ATTACHING PARTS	950951	1
- 415	NAS603-6P	.	SCREW	950951	1
- 420	AN960PD10L	.	WASHER	950951	1
		-----*			
- 425	BACC10DK2	.	CLAMP-NYLON ATTACHING PARTS	950951	1
- 430	NAS603-6P	.	SCREW	950951	1
- 435	AN960PD10L	.	WASHER	950951	1
		-----*			
440	BACC10DK4	.	CLAMP-NYLON ATTACHING PARTS	950951	1
- 445	NAS1096-3-6	.	SCREW	950951	1
- 450	AN960PD10L	.	WASHER	950951	1
		-----*			
- 455	BACC10DK8A	.	CLAMP-NYLON ATTACHING PARTS	950951	1
- 460	NAS603-6P	.	SCREW	950951	1
- 465	AN960PD10L	.	WASHER	950951	1
		-----*			
470	2A112-0086-29	.	HARNESS ASSY- SUPPLIER CODE: VS5825	950951	1
475	BACC45FT14C7P	..	CONNECTOR-P102	950951	1
480	2A112-0086-189	.	HARNESS ASSY- SUPPLIER CODE: VS5825	950951	1
485	BACC45FT14-15P	..	CONNECTOR-P104	950951	1
490	DAMA15SWS	..	CONNECTOR-P15 SUPPLIER CODE: V71468	950951	1
495	T18R	..	TIE-INSULOCK SUPPLIER CODE: VU3384 OPTIONAL PART: 89176-0001 VS5006	950951	1
500	2A112-0086-2007	.	HARNESS ASSY- SUPPLIER CODE: VS5825	950951	1

MISSING ITEM NUMBERS NOT APPLICABLE

- ITEM NOT ILLUSTRATED

24-53-51-03E

24-53-51
FIG. 03E
PAGE 4
JAN 20/09

BRI

BOEING PROPRIETARY - Copyright © - Unpublished Work - See title page for details.



757

PARTS CATALOG (MAINTENANCE)

FIG ITEM	PART NUMBER	1 2 3 4 5 6 7	NOMENCLATURE	EFFECT FROM TO	UNITS PER ASSY
3E 505	XLR5-31	..	RECEPTACLE-J7 SUPPLIER CODE: V71468	950951	1
510	C0909A10C05PN	..	CONNECTOR-P7 SUPPLIER CODE: V13556 SPECIFICATION NUMBER: BACC63BN10C5P OPTIONAL PART: 48-63N10C5P V02660 R071210C5P V41118	950951	1
515	2A112-0086-39	.H	HARNESS ASSY- SUPPLIER CODE: VS5825	950951	1
520	BACC45FT20C41P	..	CONNECTOR-P8	950951	1
525	BACC45FT20-41S	..	CONNECTOR-P6	950951	1

MISSING ITEM NUMBERS NOT APPLICABLE

- ITEM NOT ILLUSTRATED

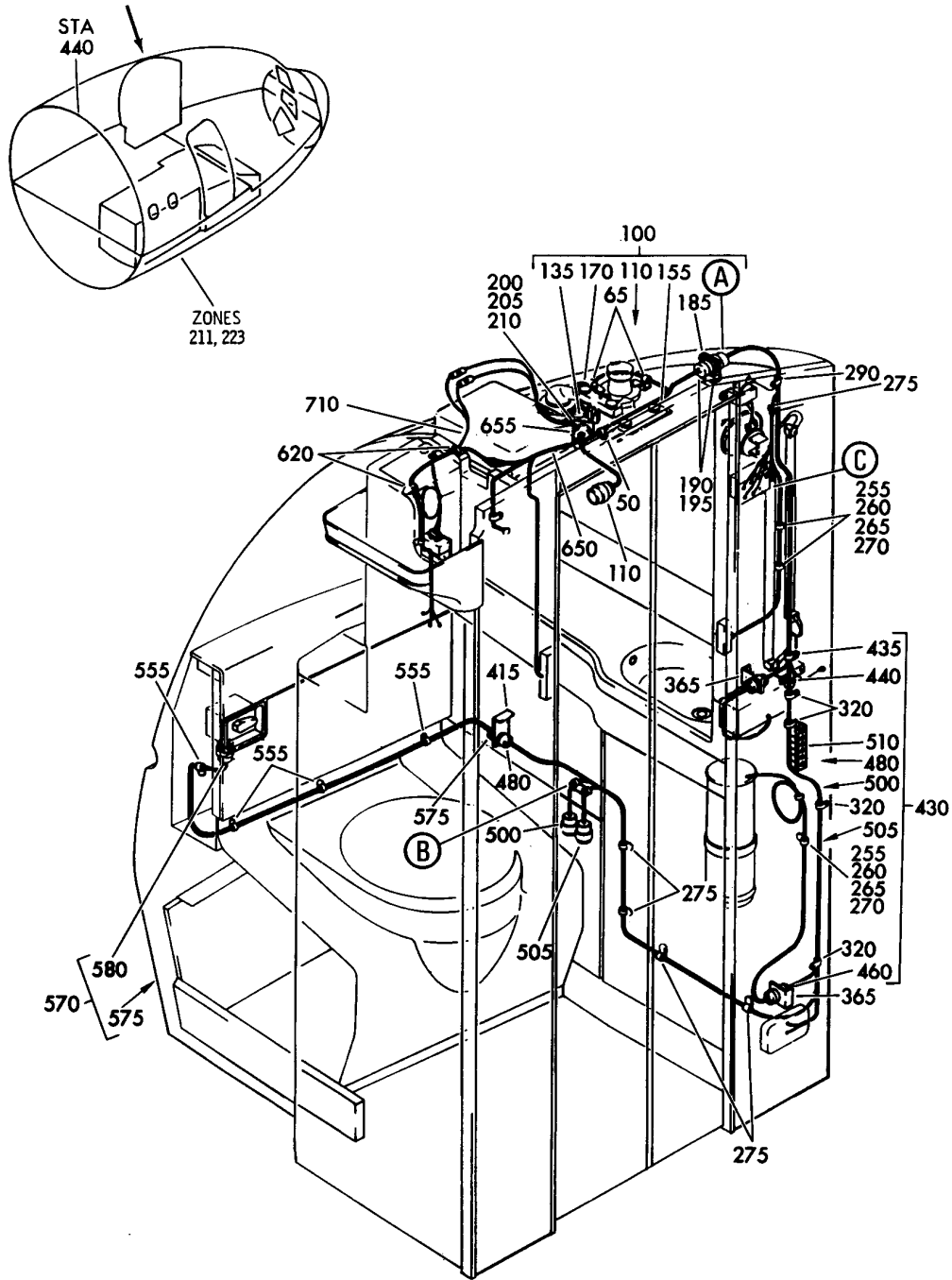
24-53-51-03E

24-53-51
FIG. 03E
PAGE 5
JAN 20/09

BRI

BOEING PROPRIETARY - Copyright © - Unpublished Work - See title page for details.

BOEING
757
PARTS CATALOG (MAINTENANCE)



Y 24535103L SHT 1 REV 166

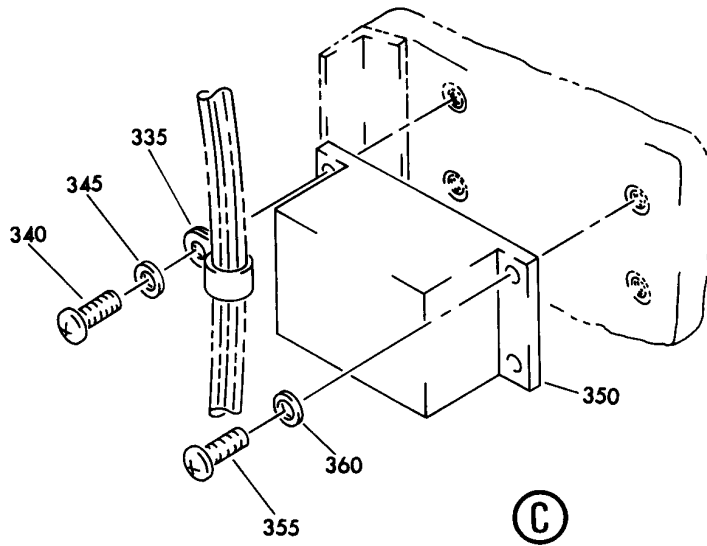
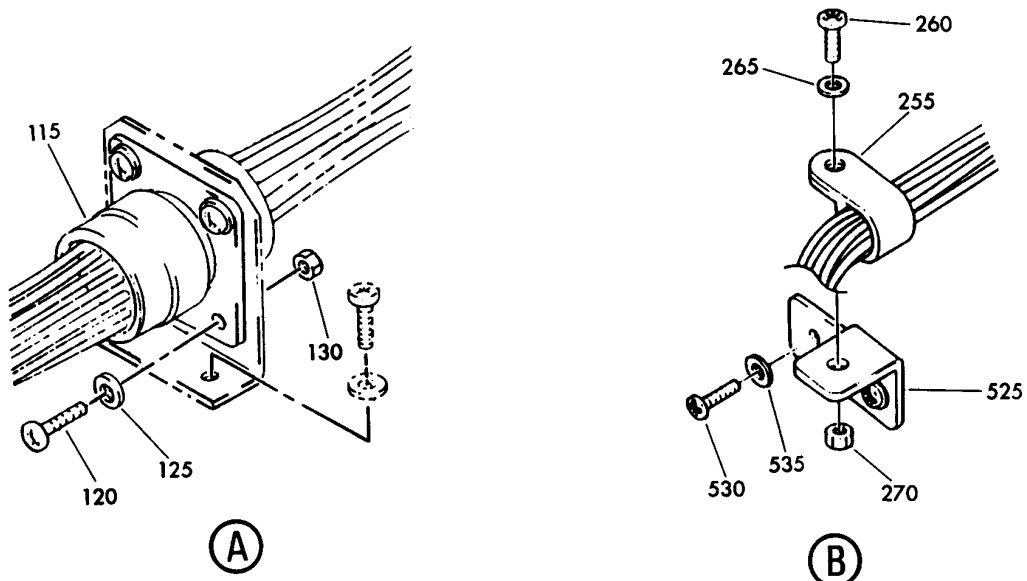
ELECTRICAL ASSY-LAV A (ELECTRICAL POWER ONLY)
FIGURE 3L (SHEET 1)

24-53-51-03L

BRI
MAY 28/07

24-53-51-03L
PAGE 0

BOEING
757
PARTS CATALOG (MAINTENANCE)



Y 24535103L SHT 2 REV 166

ELECTRICAL ASSY-LAV A (ELECTRICAL POWER ONLY)
FIGURE 3L (SHEET 2)

24-53-51-03L

BRI
MAY 28/07

24-53-51-03L
PAGE 0A



757

PARTS CATALOG (MAINTENANCE)

FIG ITEM	PART NUMBER	1 2 3 4 5 6 7	NOMENCLATURE	EFFECT FROM TO	UNITS PER ASSY
3L			ELECTRICAL ASSY-LAV A (ELECTRICAL POWER ONLY)	121503 904949	
- 1	1A112-0088-71		ELECTRICAL ASSY-LAV A (ELECTRICAL POWER ONLY) SUPPLIER CODE: VS5825 FOR NHA/OTHER SYS DET SEE: 25-41-01-06H	121503 904949	RF
65	BACC10DK4		.CLAMP	121503 904949	2
- 70	BACC10DK2		.CLAMP	121503 904949	1
- 75	NAS603-67		ATTACHING PARTS .SCREW	121503 904949	1
- 80	AN960PD10L		.WASHER	121503 904949	1
- 85	BACC10DK6		-----*----- .CLAMP	121503 904949	1
- 90	NAS603-6P		ATTACHING PARTS .SCREW	121503 904949	1
- 95	AN960PD10L		.WASHER	121503 904949	1
100	2A112-0086-93		-----*----- .HARNES ASSY- SUPPLIER CODE: VS5825	121503 904949	1
110	BACC45FT24C43P		..CONNECTOR-P1	121503 904949	1
115	BACC45FN24-43S		..CONNECTOR-J101	121503 904949	1
120	NAS601-7P		ATTACHING PARTS ..SCREW	121503 904949	4
125	AN960PD6L		..WASHER	121503 904949	4
130	NAS679A06		..NUT	121503 904949	4
135	BACC45FT14-12S		-----*----- ..PLUG-J102	121503 904949	1
- 140	NAS601-7P		ATTACHING PARTS ..SCREW	121503 904949	4
- 145	AN960PD6L		..WASHER	121503 904949	4

MISSING ITEM NUMBERS NOT APPLICABLE

- ITEM NOT ILLUSTRATED

24-53-51-03L

24-53-51
FIG. 03L
PAGE 1
JAN 20/09

BRI

BOEING PROPRIETARY - Copyright © - Unpublished Work - See title page for details.

 **BOEING**
757
PARTS CATALOG (MAINTENANCE)

FIG ITEM	PART NUMBER	1 2 3 4 5 6 7	NOMENCLATURE	EFFECT FROM TO	UNITS PER ASSY
3L					
- 150	NAS679A06	..	NUT	121503 904949	4
			-----*-----		
155	MS27212-6-3	..	TERMINAL BOARD ASSY-TB1	121503 904949	1
			ATTACHING PARTS		
- 160	NAS601-5P	..	SCREW	121503 904949	2
- 165	AN960PD6L	..	WASHER	121503 904949	2
			-----*-----		
170	MS27212-6-3	..	TERMINAL BOARD ASSY-TB3	121503 904949	1
			ATTACHING PARTS		
- 175	NAS601-5P	..	SCREW	121503 904949	2
- 180	AN960PD6L	..	WASHER	121503 904949	2
			-----*-----		
185	2A114-0019-1	.SUPPORT-CONN. SUPPLIER CODE: VS5825		121503 904949	1
			ATTACHING PARTS		
190	NAS601-5P	.SCREW		121503 904949	2
195	AN960PD6L	.WASHER		121503 904949	2
			-----*-----		
200	2A114-0019-7	.SUPPORT-CONN. SUPPLIER CODE: VS5825		121503 904949	1
			ATTACHING PARTS		
205	NAS601-5P	.SCREW		121503 904949	2
210	AN960PD6L	.WASHER		121503 904949	2
			-----*-----		
- 250	1A112-0088-143	ELECTRICAL ASSY-LAV A (ELECTRICAL POWER ONLY) SUPPLIER CODE: VS5825 FOR NHA/OTHER SYS DET SEE: 25-41-01-06H		121503 904949	RF
R	255	BACC10DK3	.CLAMP	121503 904949	5
R	260	NAS603-8P	.SCREW	121503 904949	5
			ATTACHING PARTS		

MISSING ITEM NUMBERS NOT APPLICABLE

- ITEM NOT ILLUSTRATED

BRI

24-53-51-03L

BOEING PROPRIETARY - Copyright © - Unpublished Work - See title page for details.

24-53-51
FIG. 03L
PAGE 2
MAY 20/09



757

PARTS CATALOG (MAINTENANCE)

FIG ITEM	PART NUMBER	1 2 3 4 5 6 7	NOMENCLATURE	EFFECT FROM TO	UNITS PER ASSY
3L					
265	AN960PD10L	.	WASHER	121503 904949	5
270	NAS679A3	.	NUT	121503 904949	5
		-----*			
275	BACC10DK4	.	CLAMP	121503 904949	5
			ATTACHING PARTS		
- 280	NAS603-6P	.	SCREW	121503 904949	5
- 285	AN960PD10L	.	WASHER	121503 904949	5
		-----*			
290	BACC10DK7	.	CLAMP	121503 904949	1
			ATTACHING PARTS		
- 295	NAS603-6P	.	SCREW	121503 904949	1
- 300	AN960PD10L	.	WASHER	121503 904949	1
- 305	BACC10DK2	.	CLAMP	121503 904949	1
- 310	NAS603-6P	.	SCREW	121503 904949	1
- 315	AN960PD10L	.	WASHER	121503 904949	1
		-----*			
320	BACC10DK5	.	CLAMP	121503 904949	4
			ATTACHING PARTS		
- 325	NAS603-6P	.	SCREW	121503 904949	4
- 330	AN960PD10L	.	WASHER	121503 904949	4
		-----*			
335	BACC10DK6	.	CLAMP	121503 904949	1
			ATTACHING PARTS		
340	NAS603-6P	.	SCREW	121503 904949	1
345	AN960PD10L	.	WASHER	121503 904949	1
		-----*			
350	61-48-2	.	BALLAST- SUPPLIER CODE: V82255 SPECIFICATION NUMBER: 10-60752-11	121503 904949	1

MISSING ITEM NUMBERS NOT APPLICABLE

- ITEM NOT ILLUSTRATED

24-53-51-03L

24-53-51
FIG. 03L
PAGE 3
MAY 20/09

BRI

BOEING PROPRIETARY - Copyright © - Unpublished Work - See title page for details.

BOEING
757
PARTS CATALOG (MAINTENANCE)

FIG ITEM	PART NUMBER	1 2 3 4 5 6 7	NOMENCLATURE	EFFECT FROM TO	UNITS PER ASSY
3L			ATTACHING PARTS		
355	NAS603-6P		.SCREW	121503 904949	3
360	AN960PD10L		.WASHER	121503 904949	3
			-----*-----		
- 380	2A114-0019-7		.SUPPORT-CONN. SUPPLIER CODE: VS5825	121503 904949	1
- 385	2A114-0019-19		.ANGLE-CONN. SPRT SUPPLIER CODE: VS5825	121503 904949	1
			ATTACHING PARTS		
- 390	NAS601-5P		.SCREW	121503 904949	4
- 395	NAS600-7P		.SCREW	121503 904949	8
- 400	AN960PD6L		.WASHER	121503 904949	4
- 405	AN960-4		.WASHER	121503 904949	16
- 410	NAS679A04		.NUT	121503 904949	8
			-----*-----		
415	3A113-0165-1		.ANGLE-SPRT SUPPLIER CODE: VS5825	121503 904949	1
			ATTACHING PARTS		
- 420	NAS601-5P		.SCREW	121503 904949	2
- 425	AN960PD6L		.WASHER	121503 904949	2
			-----*-----		
430	2A112-0086-25		.HARNES ASSY- SUPPLIER CODE: VS5825	121503 904949	1
435	BACC45FT24C43P		..CONNECTOR-P101	121503 904949	1
440	BACC45FN14-15S		..CONNECTOR-J3	121503 904949	1
			ATTACHING PARTS		
- 445	NAS600-7P		..SCREW	121503 904949	4
- 450	AN960-4		..WASHER	121503 904949	4
- 455	NAS679A04		..NUT	121503 904949	4
			-----*-----		

MISSING ITEM NUMBERS NOT APPLICABLE

- ITEM NOT ILLUSTRATED

BRI

24-53-51-03L

BOEING PROPRIETARY - Copyright © - Unpublished Work - See title page for details.

24-53-51
FIG. 03L
PAGE 4
MAY 20/09

 **BOEING**
757
PARTS CATALOG (MAINTENANCE)

FIG ITEM	PART NUMBER	1 2 3 4 5 6 7	NOMENCLATURE	EFFECT FROM TO	UNITS PER ASSY
3L 460	BACC45FN14-7S	..	CONNECTOR-J2	121503 904949	1
			ATTACHING PARTS		
- 465	NAS600-7P	..	SCREW	121503 904949	4
- 470	AN960-4	..	WASHER	121503 904949	4
- 475	NAS679A04	..	NUT	121503 904949	4
			-----*-----		
480	BACC45FN14-7S	..	CONNECTOR-J103	121503 904949	1
			ATTACHING PARTS		
- 485	NAS600-7P	..	SCREW	121503 904949	4
- 490	AN960-4	..	WASHER	121503 904949	4
- 495	NAS679A04	..	NUT	121503 904949	4
			-----*-----		
500	BACC45FT10C5S	..	CONNECTOR-P4	121503 904949	1
505	BACC45FT12C12S	..	CONNECTOR-P5	121503 904949	1
510	MS27212-6-5	..	TERMINAL BOARD ASSY	121503 904949	1
			ATTACHING PARTS		
- 515	NAS601-5P	..	SCREW	121503 904949	2
- 520	AN960PD6L	..	WASHER	121503 904949	2
			-----*-----		
525	3A114-0081-1	.SUPPORT-	SUPPLIER CODE: VS5825	121503 904949	1
			ATTACHING PARTS		
530	NAS601-5P	.SCREW		121503 904949	1
535	AN960PD6L	.WASHER		121503 904949	1
			-----*-----		
- 550	1A112-0088-5	ELECTRICAL ASSY-LAV A	(ELECTRICAL POWER ONLY) SUPPLIER CODE: VS5825 FOR NHA/OTHER SYS DET SEE: 25-41-01-06H	121503 904949	RF
555	BACC10DK3	.CLAMP		121503 904949	4

MISSING ITEM NUMBERS NOT APPLICABLE

- ITEM NOT ILLUSTRATED

BRI

24-53-51-03L

BOEING PROPRIETARY - Copyright © - Unpublished Work - See title page for details.

24-53-51
FIG. 03L
PAGE 5
MAY 20/09



757

PARTS CATALOG (MAINTENANCE)

FIG ITEM	PART NUMBER	1 2 3 4 5 6 7	NOMENCLATURE	EFFECT FROM TO	UNITS PER ASSY
3L			ATTACHING PARTS		
- 560	NAS603-6P		.SCREW	121503 904949	4
- 565	AN960PD10L		.WASHER	121503 904949	4
			-----*-----		
570	2A112-0086-9		.HARNESS ASSY- SUPPLIER CODE: VS5825	121503 904949	1
575	BACC45FT14C7P		..CONNECTOR-P103	121503 904949	1
580	BACC45FT14C7S		..CONNECTOR-P2	121503 904949	1
- 600	1A112-0088-177		ELECTRICAL ASSY-LAV A (ELECTRICAL POWER ONLY) SUPPLIER CODE: VS5825 FOR NHA/OTHER SYS DET SEE: 25-41-01-06H	121503 904949	RF
- 605	BACC10DK3		.CLAMP	121503 904949	2
			ATTACHING PARTS		
- 610	NAS603-6P		.SCREW	121503 904949	2
- 615	AN960PD10L		.WASHER	121503 904949	2
			-----*-----		
620	BACC10DK2		.CLAMP	121503 904949	2
			ATTACHING PARTS		
- 625	NAS603-6P		.SCREW	121503 904949	2
- 630	AN960PD10L		.WASHER	121503 904949	2
			-----*-----		
- 635	BACC10DK8A		.CLAMP	121503 904949	1
			ATTACHING PARTS		
- 640	NAS603-6P		.SCREW	121503 904949	1
- 645	AN960PD10L		.WASHER	121503 904949	1
			-----*-----		
650	2A112-0086-13		.HARNESS ASSY- SUPPLIER CODE: VS5825	121503 904949	1
655	BACC45FT14C7P		..CONNECTOR-P102	121503 904949	1

MISSING ITEM NUMBERS NOT APPLICABLE

- ITEM NOT ILLUSTRATED

24-53-51-03L

24-53-51
FIG. 03L
PAGE 6
JAN 20/09

BRI

BOEING PROPRIETARY - Copyright © - Unpublished Work - See title page for details.



757

PARTS CATALOG (MAINTENANCE)

FIG ITEM	PART NUMBER	1 2 3 4 5 6 7	NOMENCLATURE	EFFECT FROM TO	UNITS PER ASSY
3L					
- 660	BACC45FT14C12P	..	CONNECTOR-P102	121503 904949	1
- 665	2A112-0086-33	.HARNES	ASSY- SUPPLIER CODE: VS5825	121503 904949	1
- 670	BACC45FT20-41S	..	CONNECTOR-P6	121503 904949	1
- 675	BACC45FT20C41P	..	CONNECTOR-P8	121503 904949	1
- 695	2A112-0086-17	.HARNES	ASSY- SUPPLIER CODE: VS5825	121503 904949	1
- 700	XLR5-31	..	RECEPTACLE-P7 SUPPLIER CODE: V71468	121503 904949	1
- 705	BAC63BN10A5P	..	CONNECTOR-J7	121503 904949	1
710	2A112-0086-79	.HARNES	ASSY- SUPPLIER CODE: VS5825	121503 904949	1
- 715	DAMA15SWS	..	CONNECTOR- SUPPLIER CODE: V71468	121503 904949	1

MISSING ITEM NUMBERS NOT APPLICABLE

- ITEM NOT ILLUSTRATED

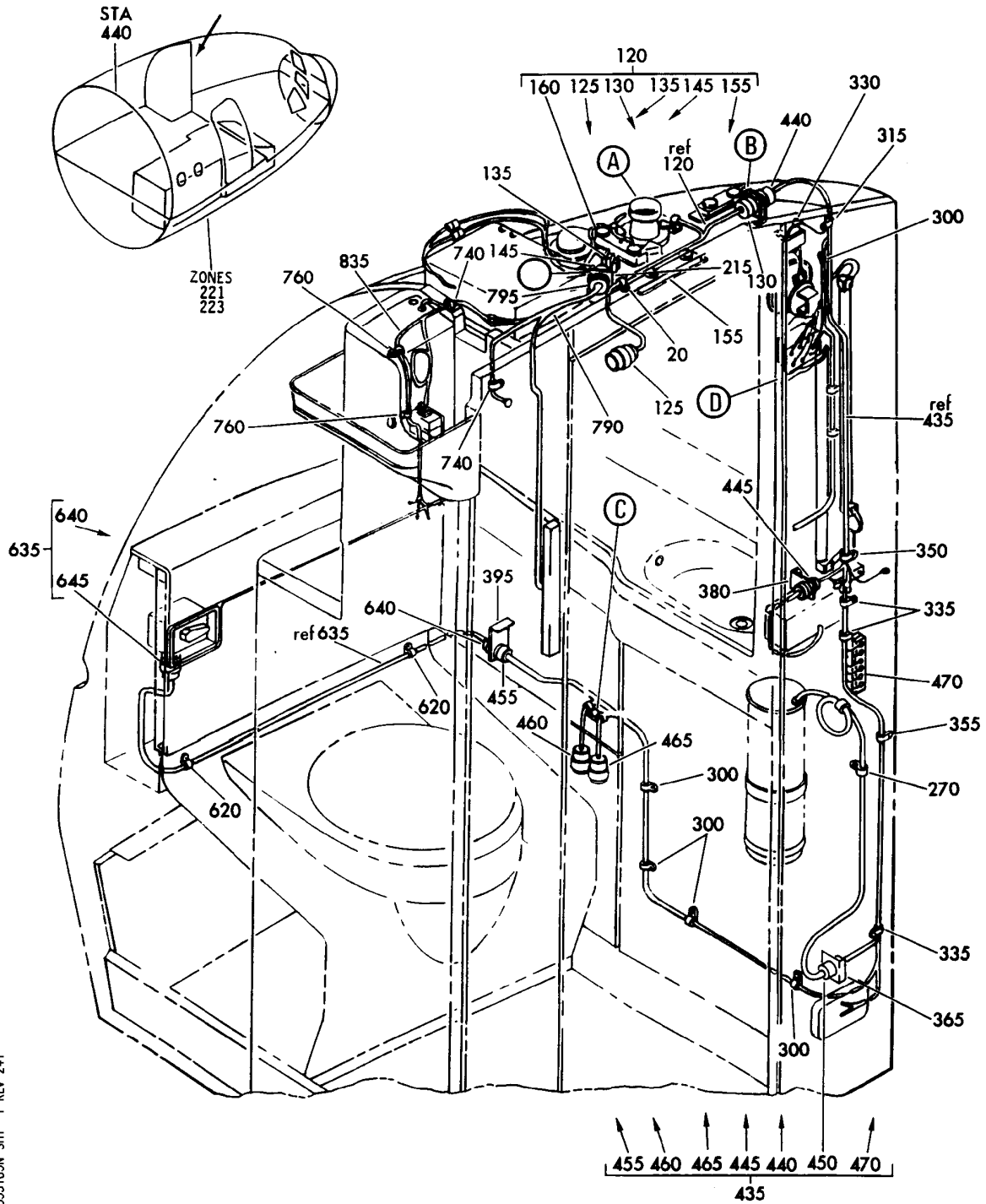
BRI

24-53-51-03L

BOEING PROPRIETARY - Copyright © - Unpublished Work - See title page for details.

24-53-51
FIG. 03L
PAGE 7
JAN 20/09

BOEING
757
PARTS CATALOG (MAINTENANCE)



Y 24535103N SHT 1 REV 241

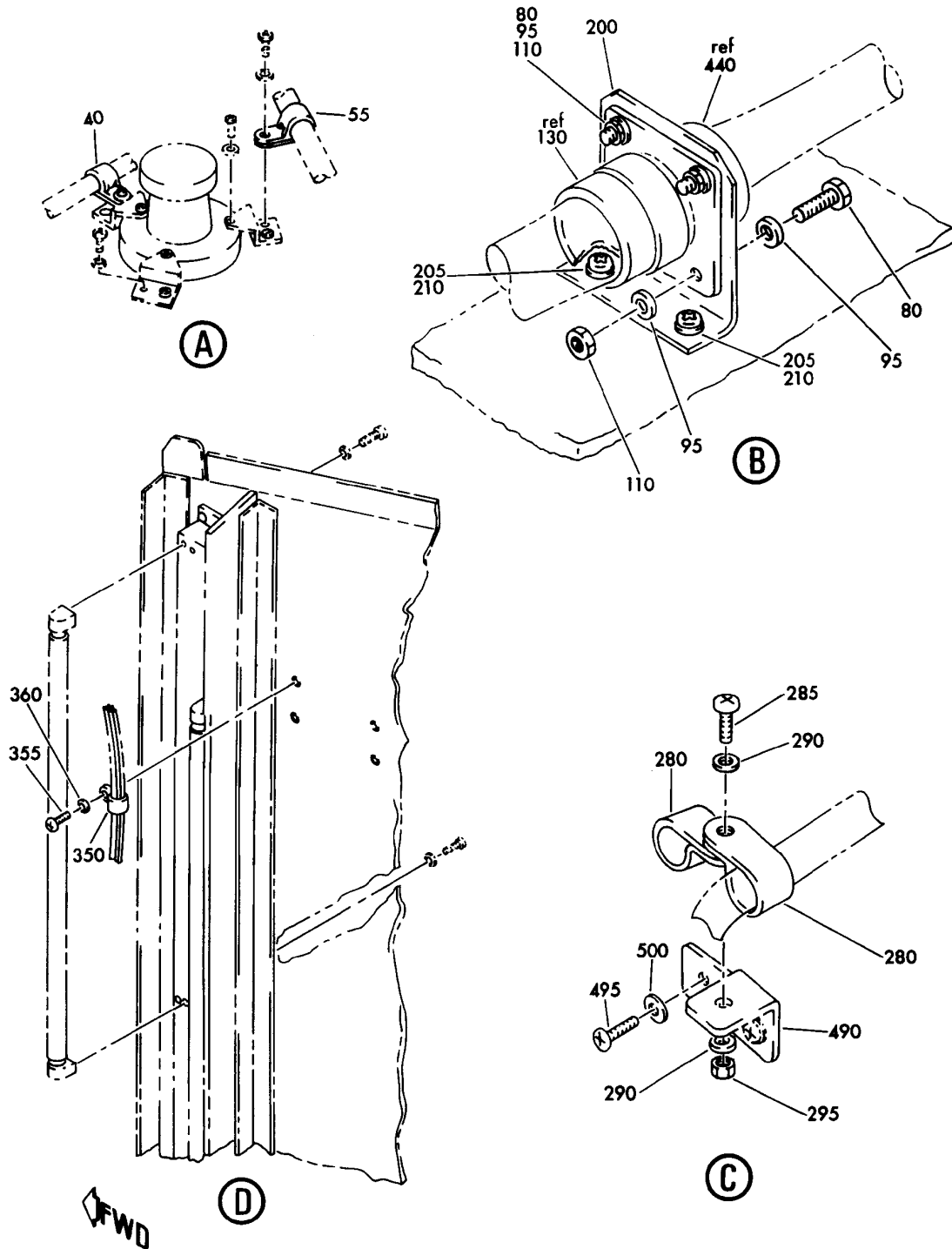
ELECTRICAL ASSY-LAV A (ELECTRICAL POWER ONLY)
FIGURE 3N (SHEET 1)

24-53-51-03N

BRI
JAN 20/09

24-53-51-03N
PAGE 0

BOEING
757
PARTS CATALOG (MAINTENANCE)



Y 24535103N SHT 2 REV 241

ELECTRICAL ASSY-LAV A (ELECTRICAL POWER ONLY)
FIGURE 3N (SHEET 2)

24-53-51-03N

BRI
JAN 20/09

24-53-51-03N
PAGE 0A



757

PARTS CATALOG (MAINTENANCE)

FIG ITEM	PART NUMBER	1 2 3 4 5 6 7	NOMENCLATURE	EFFECT FROM TO	UNITS PER ASSY
3N			ELECTRICAL ASSY-LAV A (ELECTRICAL POWER ONLY)	107107	
- 1	1A112-0088-61		ELECTRICAL ASSY-LAV A (ELECTRICAL POWER ONLY) SUPPLIER CODE: VS5825 FOR NHA/OTHER SYS DET SEE: 25-41-01-06E	107107	RF
R - 35	BACC10DK6		.CLAMP	107107	1
- 40	BACC10DK4		.CLAMP	107107	1
R - 45	NAS603-7P		ATTACHING PARTS .SCREW	107107	1
R - 50	AN960PD10L		.WASHER	107107	1
			-----*-----		
	55 BACC10DK4		.CLAMP	107107	1
- 60	BACC10DK2		.CLAMP	107107	1
			ATTACHING PARTS		
- 65	NAS603-7P		.SCREW	107107	1
- 70	AN960PD10L		.WASHER	107107	1
			-----*-----		
	80 NAS1801-06-6		.SCREW	107107	4
R - 85	NAS1801-04-6		.SCREW	107107	8
R - 90	NAS601-5P		.SCREW	107107	6
	95 AN960PD6L		.WASHER	107107	8
R - 100	AN960PD4L		.WASHER	107107	16
R - 105	AN960PD6L		.WASHER	107107	6
	110 NAS679A06		.NUT	107107	4
R - 115	NAS679A04		.NUT	107107	8
	120 2A112-0086-83		.HARNESS ASSY- SUPPLIER CODE: VS5825	107107	1
	125 BACC45FT24C43P		..CONNECTOR-P1	107107	1
	130 BACC45FN24-43S		..CONNECTOR-J101	107107	1
	135 HRTS17KM		..SOCKET-XK1 SUPPLIER CODE: V91663	107107	1
	135 HRTS17KJV2		..SOCKET-XK1 SUPPLIER CODE: V91663	107107	1
	145 BACC45FN14-12S		..CONNECTOR-J102	107107	1
	155 MS27212-6-3		..TERMINAL BOARD ASSY-TB1	107107	1
	160 MS27212-6-3		..TERMINAL BOARD ASSY-TB3	107107	1
- 190	48-7190		..CONNECTOR-P12, J4 SUPPLIER CODE: V02660	107107	2
- 195	48-7191		..CONNECTOR-J11, J5 SUPPLIER CODE: V02660	107107	2

MISSING ITEM NUMBERS NOT APPLICABLE

- ITEM NOT ILLUSTRATED

24-53-51-03N

24-53-51
FIG. 03N
PAGE 1
MAY 20/09

BRI

BOEING
757
PARTS CATALOG (MAINTENANCE)

FIG ITEM	PART NUMBER	1 2 3 4 5 6 7	NOMENCLATURE	EFFECT FROM TO	UNITS PER ASSY
3N 200	2A114-0019-1	.	SUPPORT-CONN. SUPPLIER CODE: VS5825 ATTACHING PARTS	107107	1
205	NAS601-5P	.	SCREW	107107	2
210	AN960PD6L	.	WASHER	107107	2
		-----*			
215	2A114-0019-7	.	SUPPORT-CONN. SUPPLIER CODE: VS5825 ATTACHING PARTS	107107	1
R - 225	NAS601-5P	.	SCREW	107107	2
R - 230	AN960PD6L	.	WASHER	107107	2
		-----*			
- 250	1A112-0088-13		ELECTRICAL ASSY-LAV A (ELECTRICAL POWER ONLY) SUPPLIER CODE: VS5825 FOR NHA/OTHER SYS DET SEE: 25-41-01-06E	107107	RF
270	BACC10DK3	.	CLAMP ATTACHING PARTS	107107	1
- 275	NAS603-5P	.	SCREW	107107	1
		-----*			
280	BACC10DK3	.	CLAMP ATTACHING PARTS	107107	2
285	NAS603-7P	.	SCREW	107107	2
290	AN960PD8L	.	WASHER	107107	4
295	NAS679A08	.	NUT	107107	2
		-----*			
300	BACC10DK4	.	CLAMP ATTACHING PARTS	107107	5
- 305	NAS603-6P	.	SCREW	107107	5
- 310	AN960PD10L	.	WASHER	107107	5
		-----*			
315	BACC10DK7	.	CLAMP ATTACHING PARTS	107107	1
- 320	NAS603-6P	.	SCREW	107107	1
- 325	AN960PD10L	.	WASHER	107107	1
		-----*			
330	BACC10DK2	.	CLAMP	107107	1
335	BACC10DK5	.	CLAMP ATTACHING PARTS	107107	4
- 340	NAS603-6P	.	SCREW	107107	4
- 345	AN960PD10L	.	WASHER	107107	4
		-----*			
350	BACC10DK6	.	CLAMP ATTACHING PARTS	107107	1
355	NAS603-6P	.	SCREW	107107	1

MISSING ITEM NUMBERS NOT APPLICABLE

- ITEM NOT ILLUSTRATED

BRI

24-53-51-03N

BOEING PROPRIETARY - Copyright © - Unpublished Work - See title page for details.

24-53-51
FIG. 03N
PAGE 2
MAY 20/09



757

PARTS CATALOG (MAINTENANCE)

FIG ITEM	PART NUMBER	1 2 3 4 5 6 7	NOMENCLATURE	EFFECT FROM TO	UNITS PER ASSY
3N					
360	AN960PD10L	.	WASHER	107107	1
		-----*			
380	2A114-0019-7	.	SUPPORT-CONN.	107107	1
			SUPPLIER CODE: VS5825		
			ATTACHING PARTS		
- 385	NAS601-5P	.	SCREW	107107	2
- 390	AN960PD6L	.	WASHER	107107	2
		-----*			
395	3A113-0165-1	.	ANGLE-SPRT	107107	1
			SUPPLIER CODE: VS5825		
			ATTACHING PARTS		
- 400	NAS601-5P	.	SCREW	107107	2
- 405	AN960PD6L	.	WASHER	107107	2
		-----*			
- 410	NAS1801-04-6	.	SCREW	107107	12
- 415	NAS601-5P	.	SCREW	107107	2
- 420	AN960PD4L	.	WASHER	107107	24
- 425	AN960PD6L	.	WASHER	107107	2
- 430	NAS679A04	.	NUT	107107	12
435	2A112-0086-25	.	HARNASS ASSY-	107107	1
			SUPPLIER CODE: VS5825		
440	BACC45FT24C43P	..	CONNECTOR-P101	107107	1
445	BACC45FN14-15S	..	CONNECTOR-J3	107107	1
450	BACC45FN14-7S	..	CONNECTOR-J2	107107	1
455	BACC45FN14-7S	..	CONNECTOR-J103	107107	1
460	BACC45FT10C5S	..	CONNECTOR-P4	107107	1
465	BACC45FT12C12S	..	CONNECTOR-P5	107107	1
470	MS27212-6-5	..	TERMINAL BOARD ASSY-TB2	107107	1
490	3A114-0081-1	.	SUPPORT-	107107	1
			SUPPLIER CODE: VS5825		
			ATTACHING PARTS		
495	NAS601-5P	.	SCREW	107107	2
500	AN960PD6L	.	WASHER	107107	2
		-----*			
- 600	1A112-0088-5		ELECTRICAL ASSY-LAV A (ELECTRICAL POWER ONLY)	107107	RF
			SUPPLIER CODE: VS5825		
			FOR NHA/OTHER SYS DET SEE: 25-41-01-06E		
620	BACC10DK3	.	CLAMP	107107	4
			ATTACHING PARTS		
- 625	NAS603-7P	.	SCREW	107107	4
- 630	AN960PD10L	.	WASHER	107107	4
		-----*			

MISSING ITEM NUMBERS NOT APPLICABLE

- ITEM NOT ILLUSTRATED

24-53-51-03N

24-53-51
FIG. 03N
PAGE 3
MAY 20/09

BRI

BOEING PROPRIETARY - Copyright © - Unpublished Work - See title page for details.



757

PARTS CATALOG (MAINTENANCE)

FIG ITEM	PART NUMBER	1 2 3 4 5 6 7	NOMENCLATURE	EFFECT FROM TO	UNITS PER ASSY
3N					
635	2A112-0086-9		.HARNES ASSY- SUPPLIER CODE: VS5825	107107	1
640	BACC45FT14C7P		..CONNECTOR-P103	107107	1
645	BACC45FT14C7S		..CONNECTOR-P2	107107	1
- 700	1A112-0088-137		ELECTRICAL ASSY-LAV A (ELECTRICAL POWER ONLY) SUPPLIER CODE: VS5825 FOR NHA/OTHER SYS DET SEE: 25-41-01-06E	107107	RF
- 720	BACC10DK3		.CLAMP ATTACHING PARTS	107107	2
- 725	NAS603-6P		.SCREW	107107	1
- 730	NAS1096-3-6		.SCREW	107107	1
- 735	AN960PD10L		.WASHER	107107	2
			-----*-----		
740	BACC10DK2		.CLAMP ATTACHING PARTS	107107	3
- 745	NAS1096-3-6		.SCREW	107107	2
- 750	NAS603-6P		.SCREW	107107	1
- 755	AN960PD10L		.WASHER	107107	3
			-----*-----		
790	2A112-0086-35		.HARNES ASSY- SUPPLIER CODE: VS5825	107107	1
795	BACC45FT14C12P		..CONNECTOR-P102	107107	1
- 800	48-7190		..CONNECTOR-P7 SUPPLIER CODE: V02660	107107	1
- 815	48-7191		..CONNECTOR-J6, J8 SUPPLIER CODE: V02660	107107	2
835	2A112-0086-37		.HARNES ASSY- SUPPLIER CODE: VS5825	107107	1
- 840	48-7190		..CONNECTOR-P6, P8 SUPPLIER CODE: V02660	107107	2
- 860	48-7191		..CONNECTOR-J7 SUPPLIER CODE: V02660	107107	1

MISSING ITEM NUMBERS NOT APPLICABLE

- ITEM NOT ILLUSTRATED

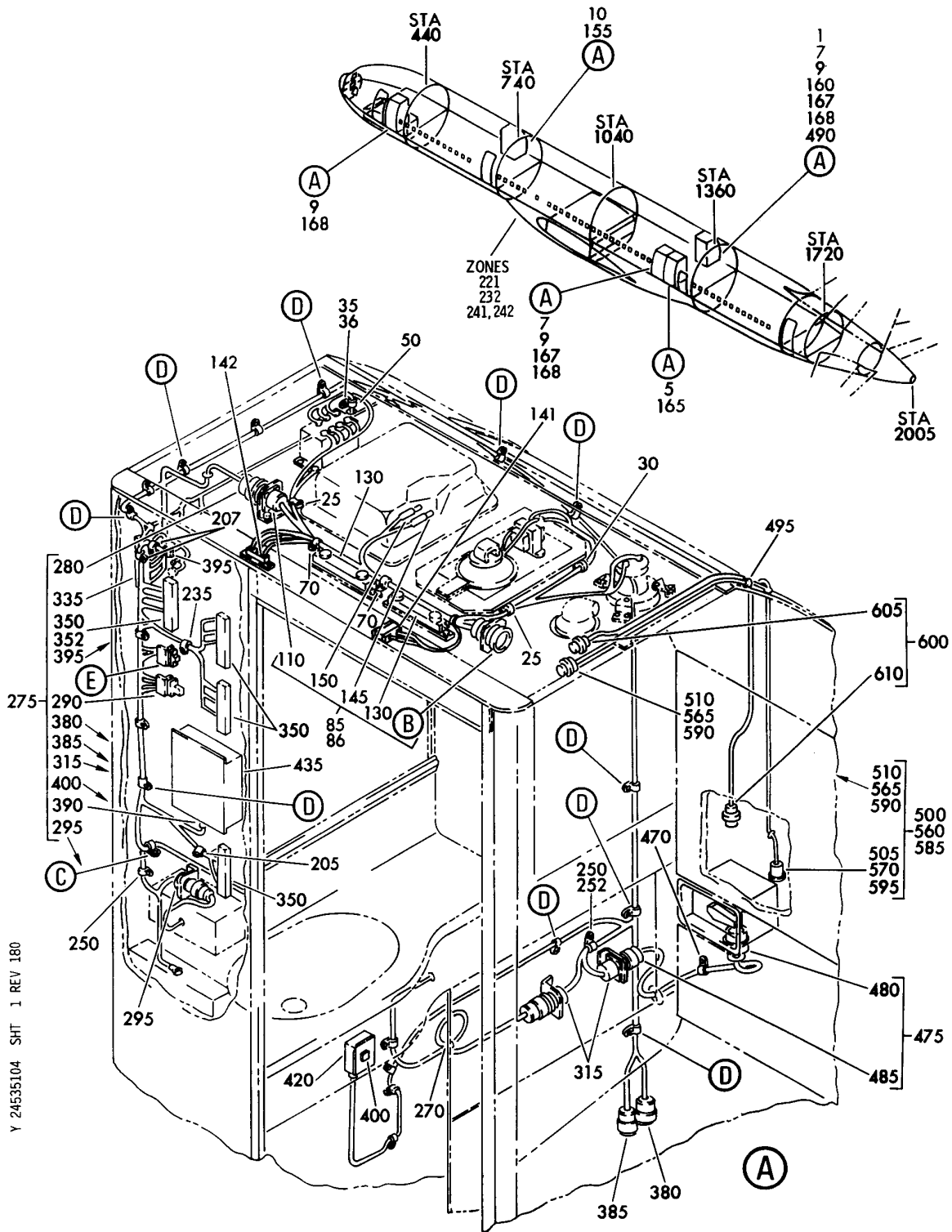
24-53-51-03N

24-53-51
FIG. 03N
PAGE 4
JAN 20/09

BRI

BOEING PROPRIETARY - Copyright © - Unpublished Work - See title page for details.

BOEING
757
PARTS CATALOG (MAINTENANCE)



Y 24535104 SHT 1 REV 180

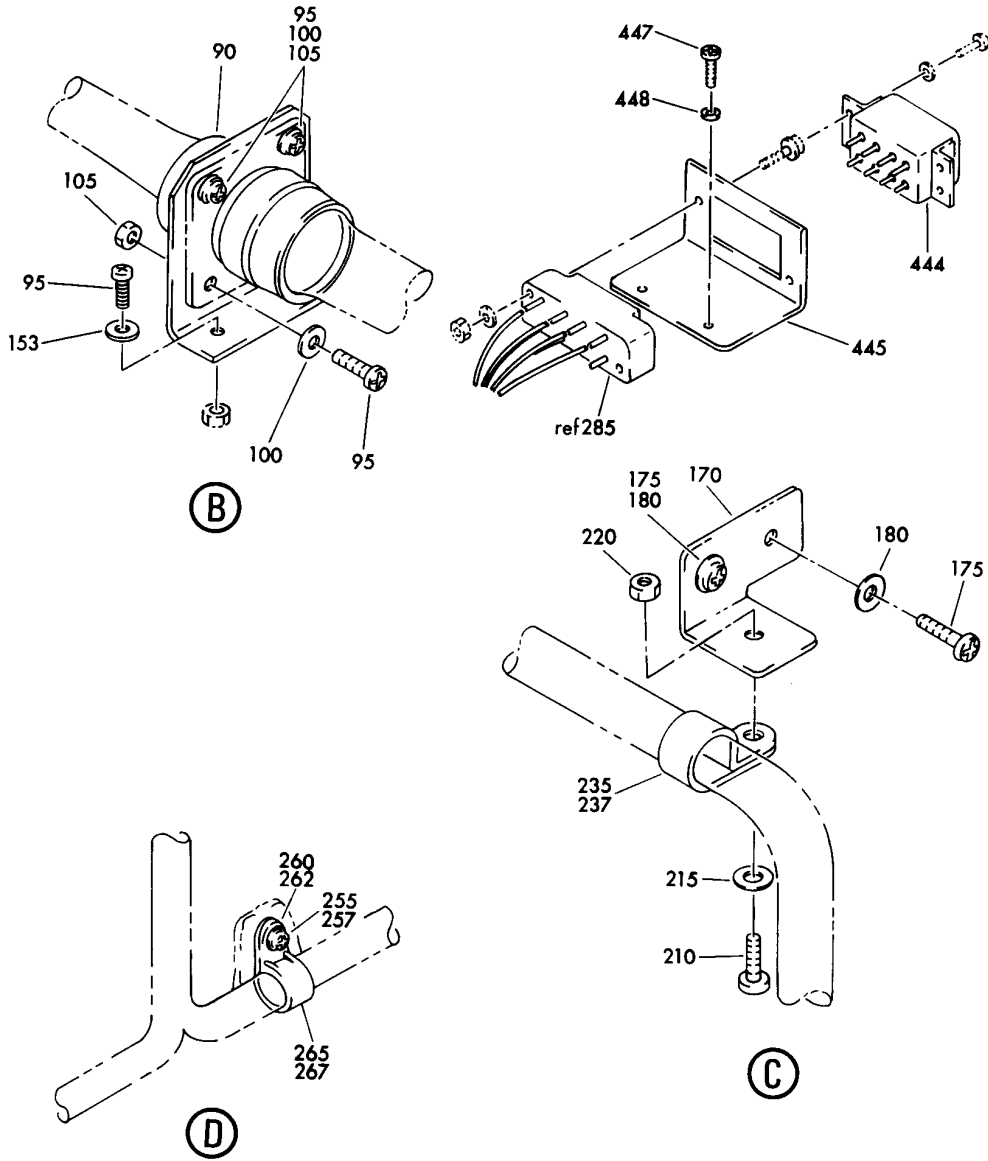
ELECTRICAL ASSY-LAV (ELECTRICAL POWER ONLY)
FIGURE 4 (SHEET 1)

24-53-51-04

BRI
MAY 28/07

24-53-51-04
PAGE 0

BOEING
757
PARTS CATALOG (MAINTENANCE)



Y 24535104 SHT 2 REV 180

ELECTRICAL ASSY-LAV (ELECTRICAL POWER ONLY)
FIGURE 4 (SHEET 2)

24-53-51-04

BRI
MAY 28/07

24-53-51-04
PAGE 0A



757

PARTS CATALOG (MAINTENANCE)

FIG ITEM	PART NUMBER	1 2 3 4 5 6 7	NOMENCLATURE	EFFECT FROM TO	UNITS PER ASSY
4			ELECTRICAL ASSY-LAV (ELECTRICAL POWER ONLY)	121503 904949	
- 550	1A122-0089-37		ELECTRICAL ASSY-LAV D SUPPLIER CODE: VS5825 FOR NHA SEE: 25-41-04-95	121503 904949	RF
- 555	BACC10DK3		.CLAMP	121503 904949	1
560	2A122-0089-63		.HARNES ASSY- SUPPLIER CODE: VS5825	121503 904949	1
565	C0909A10C05PN		..CONNECTOR-P7 SUPPLIER CODE: V13556 SPECIFICATION NUMBER: BACC63BN10C5P OPTIONAL PART: 48-63N10C5P V02660 R071210C5P V41118	121503 904949	1
570	XLR5-31		..RECEPTACLE-J7 SUPPLIER CODE: V71468	121503 904949	1

MISSING ITEM NUMBERS NOT APPLICABLE

- ITEM NOT ILLUSTRATED

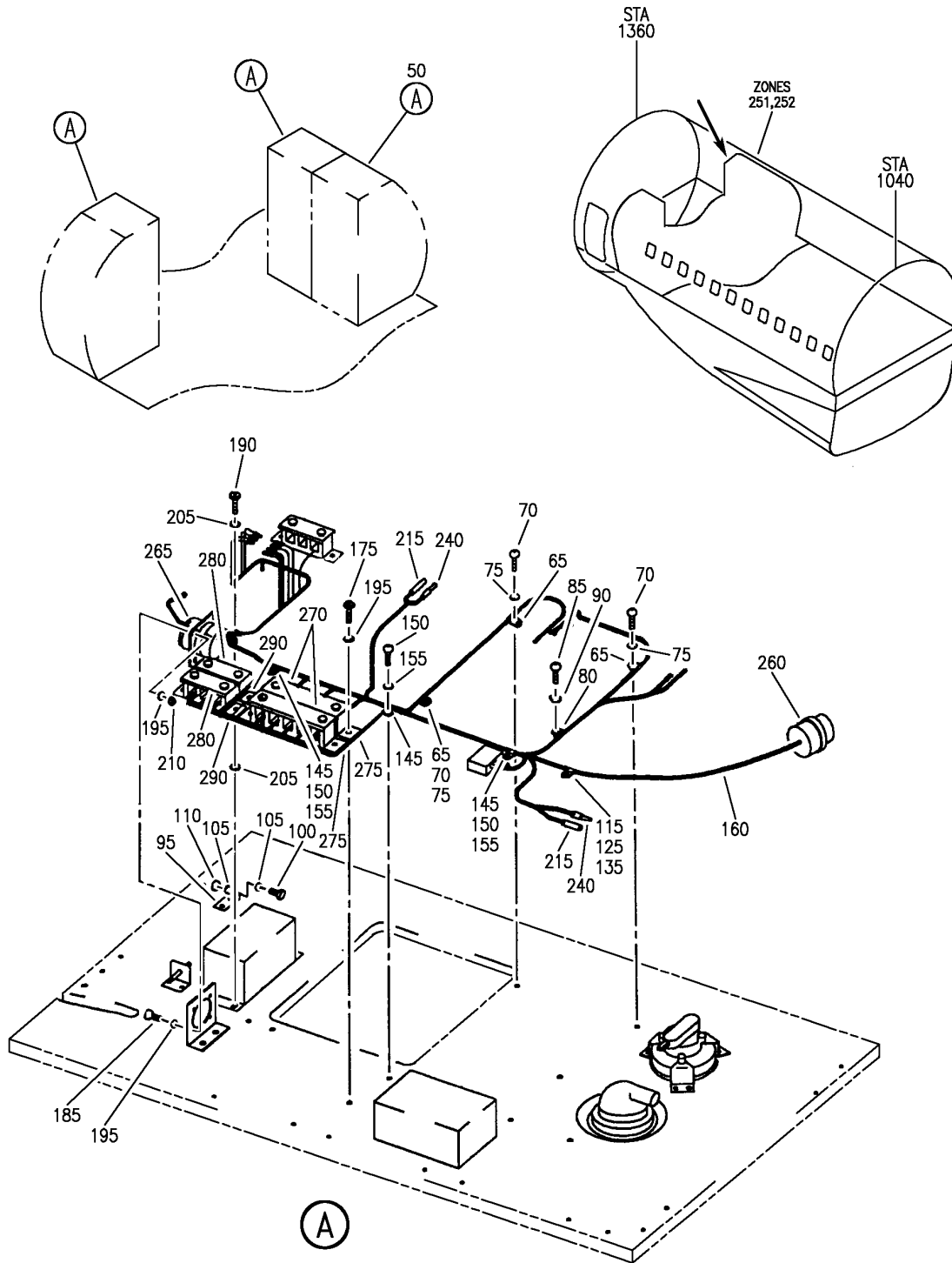
BRI

24-53-51-04

BOEING PROPRIETARY - Copyright © - Unpublished Work - See title page for details.

24-53-51
FIG. 04
PAGE 1
JAN 20/09

BOEING
757
PARTS CATALOG (MAINTENANCE)



Y 24535111G REV 262

CEILING ASSY-SEG 150 LAV (ELECTRICAL POWER ONLY)
FIGURE 11G

24-53-51-116

BRI
JAN 20/09

24-53-51-11G
PAGE 0



757

PARTS CATALOG (MAINTENANCE)

FIG ITEM	PART NUMBER	1 2 3 4 5 6 7	NOMENCLATURE	EFFECT FROM TO	UNITS PER ASSY
11G			CEILING ASSY-SEG 150 LAV (ELECTRICAL POWER ONLY)	103106	
- 1	D71D15036-111A		CEILING ASSY-SEG 150 LAV B (ELECTRICAL POWER ONLY) SUPPLIER CODE: VS5825 FOR NHA/OTHER SYS DET SEE: 25-41-03-52F	103106	RF
- 5	D71D15040-111A		CEILING ASSY-SEG 150 LAV C (ELECTRICAL POWER ONLY) SUPPLIER CODE: VS5825 FOR NHA/OTHER SYS DET SEE: 25-41-03-50Q	103106	RF
- 10	D71D15038-111A		CEILING ASSY-SEG 150 LAV D (ELECTRICAL POWER ONLY) SUPPLIER CODE: VS5825 FOR NHA/OTHER SYS DET SEE: 25-41-03-51R	103106	RF
50	D71D37028-111A		.CEILING ASSY-LAV B SUPPLIER CODE: VS5825	103106	RF
- 55	D71D37032-111A		.CEILING ASSY-LAV C SUPPLIER CODE: VS5825	103106	RF
- 60	D71D37030-111A		.CEILING ASSY-LAV D SUPPLIER CODE: VS5825	103106	RF
65	BACC10DK2		..CLAMP ATTACHING PARTS	103106	3
70	NAS1801-06-7		..SCREW	103106	3
75	NAS1149DN616K		..WASHER -----*-----	103106	3
80	BACC10DK3		..CLAMP ATTACHING PARTS	103106	1
85	NAS1801-06-7		..SCREW	103106	1
90	NAS1149DN616K		..WASHER -----*-----	103106	1
95	BACC10DK4		..CLAMP ATTACHING PARTS	103106	1
100	NAS1801-3-8		..SCREW	103106	1
105	NAS1149D0332K		..WASHER	103106	2
110	NAS679A3		..NUT -----*-----	103106	1
115	BACC10DK6		..CLAMP-LAV B	103106	1
- 120	BACC10DK6		..CLAMP-LAV C AND D ATTACHING PARTS	103106	3
125	NAS1801-3-6		..SCREW-LAV B	103106	1

MISSING ITEM NUMBERS NOT APPLICABLE

- ITEM NOT ILLUSTRATED

24-53-51-11G

24-53-51
FIG. 11G
PAGE 1
JAN 20/09

BRI

BOEING PROPRIETARY - Copyright © - Unpublished Work - See title page for details.

 **BOEING**
757
PARTS CATALOG (MAINTENANCE)

FIG ITEM	PART NUMBER	1 2 3 4 5 6 7	NOMENCLATURE	EFFECT FROM TO	UNITS PER ASSY
11G					
- 130	NAS1801-3-6	..	SCREW-LAV C AND D	103106	3
135	NAS1149D0332K	..	WASHER-LAV B	103106	1
- 140	NAS1149D0332K	..	WASHER-LAV C AND D	103106	3
			-----*-----		
145	BACC10DK7	..	CLAMP	103106	3
			ATTACHING PARTS		
150	NAS1801-3-6	..	SCREW	103106	3
155	NAS1149D0332K	..	WASHER	103106	3
			-----*-----		
160	D71D92027-111	..	HARNASS ASSY-LAV B	103106	1
			SUPPLIER CODE:		
			VS5825		
- 165	D71D92033-211	..	HARNASS ASSY-LAV C	103106	1
			SUPPLIER CODE:		
			VS5825		
- 170	D71D92029-111	..	HARNASS ASSY-LAV D	103106	1
			SUPPLIER CODE:		
			VS5825		
			ATTACHING PARTS		
175	NAS1801-06-5	..	SCREW	103106	8
- 180	NAS1801-06-5	..	SCREW-LAV C AND D	103106	2
185	NAS1801-06-7	..	SCREW	103106	4
190	NAS1801-08-5	..	SCREW	103106	1
195	NAS1149DN616K	..	WASHER	103106	8
- 200	NAS1149DN616K	..	WASHER-LAV C AND D	103106	2
205	NAS1149DN816H	..	WASHER	103106	2
210	NAS679A06	..	NUT	103106	4
			-----*-----		
215	48-7190	...	CONNECTOR-LAV B	103106	2
			(J4, P41)		
			SUPPLIER CODE:		
			V02660		
- 220	48-7190	...	CONNECTOR-LAV C	103106	4
			(J4, P41, P112, P125)		
			SUPPLIER CODE:		
			V02660		
- 225	48-7190	...	CONNECTOR-LAV D	103106	3
			(J4, P112, P122)		
			SUPPLIER CODE:		
			V02660		
- 230	48-7190-1	...	CONNECTOR-LAV C (P126)	103106	1
			SUPPLIER CODE:		
			V02660		
- 230	AIS16P1	...	CONNECTOR-LAV C (P126)	103106	1
			SUPPLIER CODE:		
			V05574		
- 235	48-7190-1	...	CONNECTOR-LAV D (P123)	103106	1
			SUPPLIER CODE:		
			V02660		

MISSING ITEM NUMBERS NOT APPLICABLE

- ITEM NOT ILLUSTRATED

BRI

24-53-51-11G

BOEING PROPRIETARY - Copyright © - Unpublished Work - See title page for details.

24-53-51
FIG. 11G
PAGE 2
JAN 20/09



757

PARTS CATALOG (MAINTENANCE)

FIG ITEM	PART NUMBER	1 2 3 4 5 6 7	NOMENCLATURE	EFFECT FROM TO	UNITS PER ASSY
11G - 235	AIS16P1	...	CONNECTOR-LAV D (P123) SUPPLIER CODE: V05574	103106	1
240	48-7191	...	CONNECTOR-LAV B (J5, J42) SUPPLIER CODE: V02660	103106	2
- 245	48-7191	...	CONNECTOR-LAV C (J5, J42, J111, J124) SUPPLIER CODE: V02660	103106	4
- 250	48-7191	...	CONNECTOR-LAV D (J5, J111, J121) SUPPLIER CODE: V02660	103106	3
- 255	48-7191-1	...	RECEPTACLE-LAV C AND D SUPPLIER CODE: V02660	103106	1
260	BACC45FN24-43P	...	CONNECTOR-(P1)	103106	1
265	BACC45FN24-43S	...	CONNECTOR-(J101)	103106	1
270	MS27212-6-5	...	TERMINAL BOARD ASSY- (TB1, TB3)	103106	2
275	D75D70594-111	...	PLATE- SUPPLIER CODE: VS5825	103106	2
280	MS27212-6-3	...	TERMINAL BOARD ASSY- LAV B (TB102, TB202)	103106	2
- 285	MS27212-6-3	...	TERMINAL BOARD ASSY- LAV C AND D (TB102, TB105, TB202)	103106	3
290	D75D70595-111	...	PLATE-LAV B SUPPLIER CODE: VS5825	103106	2
- 295	D75D70595-111	...	PLATE-LAV C AND D SUPPLIER CODE: VS5825	103106	3
- 300	T18R	...	TIE-INSULOK LAV B SUPPLIER CODE: VU3384 OPTIONAL PART: 89176-0001 VS5006	103106	25
- 305	T18R	...	TIE-INSULOK LAV C AND D SUPPLIER CODE: VU3384 OPTIONAL PART: 89176-0001 VS5006	103106	27

MISSING ITEM NUMBERS NOT APPLICABLE

- ITEM NOT ILLUSTRATED

24-53-51-11G

24-53-51
FIG. 11G
PAGE 3
JAN 20/09

BRI

BOEING PROPRIETARY - Copyright © - Unpublished Work - See title page for details.



757

PARTS CATALOG (MAINTENANCE)

FIG ITEM	PART NUMBER	1 2 3 4 5 6 7	NOMENCLATURE	EFFECT FROM TO	UNITS PER ASSY
11G - 310	T18R		. . TIE-INSULOK SUPPLIER CODE: VU3384 OPTIONAL PART: 89176-0001 VS5006	103106	1

MISSING ITEM NUMBERS NOT APPLICABLE

- ITEM NOT ILLUSTRATED

BRI

24-53-51-11G

BOEING PROPRIETARY - Copyright © - Unpublished Work - See title page for details.

24-53-51
FIG. 11G
PAGE 4
JAN 20/09



757

PARTS CATALOG (MAINTENANCE)

FIG ITEM	PART NUMBER	1 2 3 4 5 6 7	NOMENCLATURE	EFFECT FROM TO	UNITS PER ASSY
20			CEILING ASSY-SEG 150 (ELECTRICAL POWER ONLY)	101102	
- 1	D75D15020-111		CEILING ASSY-SEG 150, LAV A (ELECTRICAL POWER ONLY) SUPPLIER CODE: VS5825 FOR NHA/OTHER SYS DET SEE: 25-41-01-46A	101102	RF
15	NAS1801-06-6	.	SCREW	101102	4
17	NAS1801-04-6	.	SCREW	101102	8
22	NAS1801-06-5	.	SCREW	101102	6
30	NAS1149DN616K	.	WASHER	101102	14
35	NAS1149DN416K	.	WASHER	101102	16
40	NAS679A06	.	NUT	101102	4
47	NAS679A04	.	NUT	101102	8
50	D75D92014-111	.	HARNASS ASSY- SUPPLIER CODE: VS5825	101102	1
55	BACC45FN24-43S	..	CONNECTOR-J101	101102	1
60	BACC45FN14-12S	..	CONNECTOR-J102	101102	1
65	BACC45FN14-15S	..	CONNECTOR-J104	101102	1
70	48-7190	..	CONNECTOR-J4 SUPPLIER CODE: V02660	101102	1
75	48-7191	..	CONNECTOR-J5 SUPPLIER CODE: V02660	101102	1
80	BACC45FT24C43P	..	CONNECTOR-P1	101102	1
87	MS27212-6-3	..	TERMINAL BOARD ASSY-TB101	101102	3
92	D75D70595-111	..	PLATE- SUPPLIER CODE: VS5825	101102	3
95	HRTS17KM	..	SOCKET- SUPPLIER CODE: V91663	101102	1
95	HRTS17KJV2	..	SOCKET- SUPPLIER CODE: V91663	101102	1
- 100	T18R	..	TIE- SUPPLIER CODE: VU3384 OPTIONAL PART: 89176-0001 VS5006	101102	10

MISSING ITEM NUMBERS NOT APPLICABLE

- ITEM NOT ILLUSTRATED

24-53-51-20

24-53-51
FIG. 20
PAGE 1
JAN 20/09

BRI



**757
PARTS CATALOG (MAINTENANCE)**

FIG ITEM	PART NUMBER	1 2 3 4 5 6 7	NOMENCLATURE	EFFECT FROM TO	UNITS PER ASSY
20 110	W260F4AM11	.	RELAY-K1 SUPPLIER CODE: VF0219 SPECIFICATION NUMBER: BACR13CD2 OPTIONAL PART: BR16S233 V09026 EE4AA005 V35344 3SAV1338A2 V01526 HFW1206K03 V58614 HFW1204K01 V71482	101102	1
115	NAS1801-3-6	.	SCREW	101102	1
120	NAS1801-08-5	.	SCREW	101102	2
125	NAS1149D0332K	.	WASHER	101102	1
130	NAS1149D816K	.	WASHER	101102	2
135	BACC10DK5	.	CLAMP-NYLON	101102	1
140	BACC10DK6	.	CLAMP-NYLON	101102	2

MISSING ITEM NUMBERS NOT APPLICABLE

— ITEM NOT ILLUSTRATED

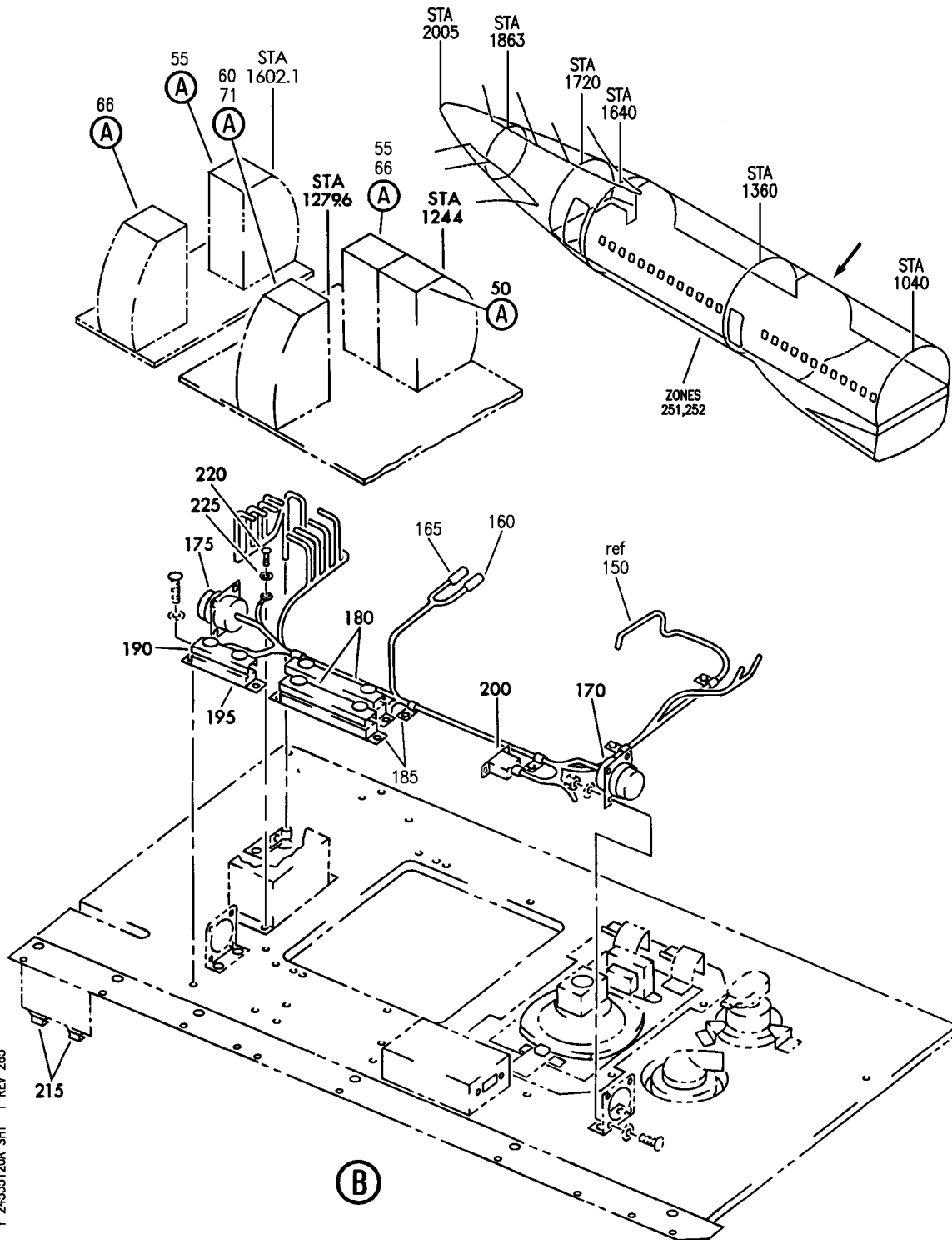
BRI

24-53-51-20

BOEING PROPRIETARY - Copyright © - Unpublished Work - See title page for details.

24-53-51
FIG. 20
PAGE 2
JAN 20/09

BOEING
757
PARTS CATALOG (MAINTENANCE)



Y 24535120A SHT 1 REV 265

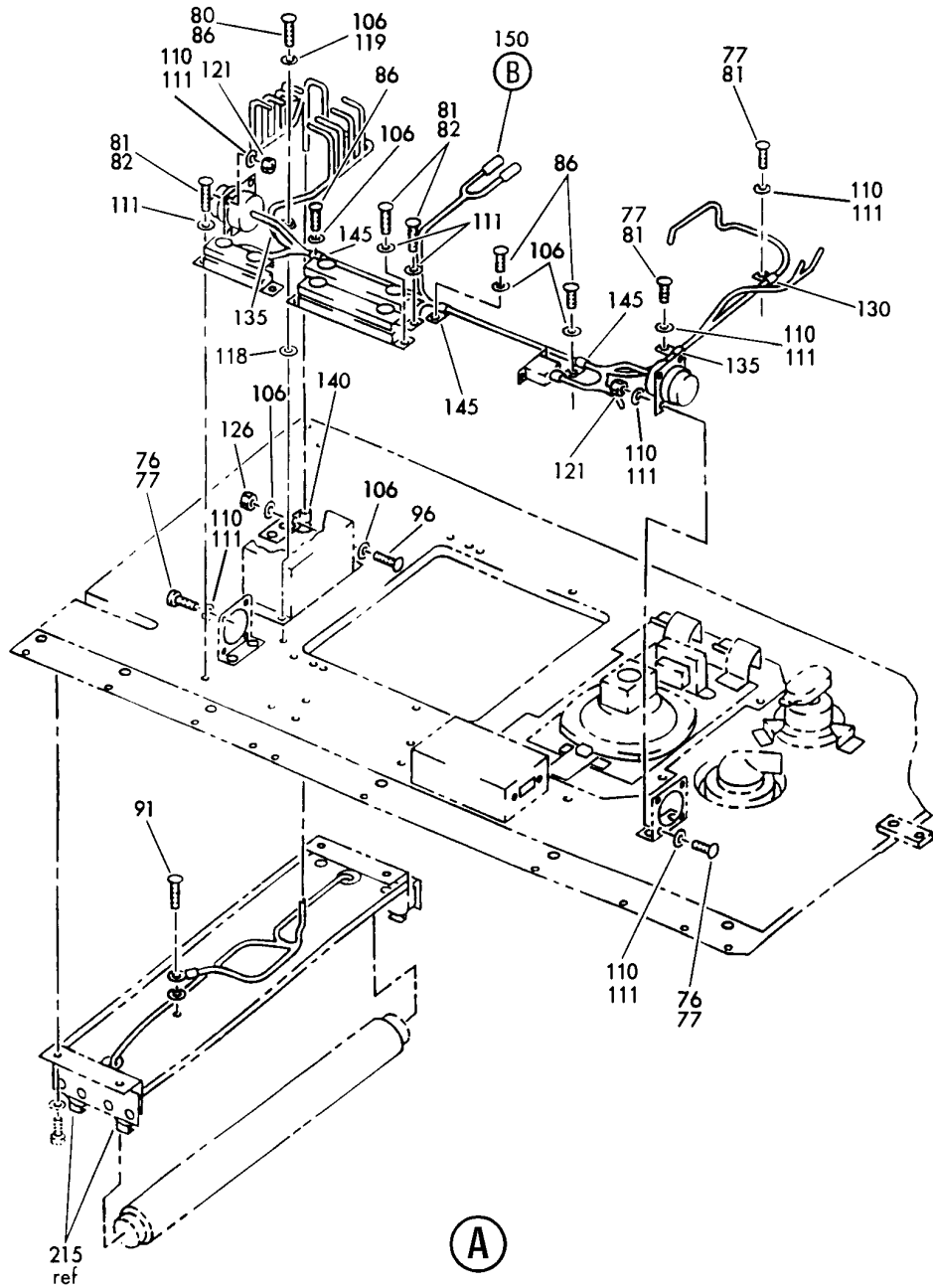
CEILING ASSY-SEG 150, LAV (ELECTRICAL POWER ONLY)
FIGURE 20A (SHEET 1)

24-53-51-20A

BRI
MAY 28/07

24-53-51-20A
PAGE 0

BOEING
757
PARTS CATALOG (MAINTENANCE)



Y 24535120A SHT 2 REV 265

CEILING ASSY-SEG 150, LAV (ELECTRICAL POWER ONLY)
FIGURE 20A (SHEET 2)

24-53-51-20A

BRI
MAY 28/07

24-53-51-20A
PAGE 0A



757

PARTS CATALOG (MAINTENANCE)

FIG ITEM	PART NUMBER	1 2 3 4 5 6 7	NOMENCLATURE	EFFECT FROM TO	UNITS PER ASSY
20A			CEILING ASSY-SEG 150, LAV (ELECTRICAL POWER ONLY)	101102	
- 1	D75D15033-111		CEILING ASSY-SEG 150, LAV B (ELECTRICAL POWER ONLY) SUPPLIER CODE: VS5825 FOR NHA/OTHER SYS DET SEE: 25-41-03-52C	101102	RF
- 5	D75D15034-111		CEILING ASSY-SEG 150, LAV C (ELECTRICAL POWER ONLY) SUPPLIER CODE: VS5825 FOR NHA/OTHER SYS DET SEE: 25-41-03-50H	101102	RF
- 10	D75D15035-111		CEILING ASSY-SEG 150, LAV D (ELECTRICAL POWER ONLY) SUPPLIER CODE: VS5825 FOR NHA/OTHER SYS DET SEE: 25-41-03-51H	101102	RF
50	D75D37024-111A		.CEILING ASSY-LAV B SUPPLIER CODE: VS5825	101102	RF
55	D75D37025-111A		.CEILING ASSY-LAV C SUPPLIER CODE: VS5825	101102	RF
60	D75D37026-111A		.CEILING ASSY-LAV D SUPPLIER CODE: VS5825	101102	RF
76	NAS1801-06-7		..SCREW	101102	8
81	NAS1801-06-5		..SCREW	101102	8
86	NAS1801-3-6		..SCREW	101102	4
96	NAS1801-3-8		..SCREW	101102	1
106	NAS1149D0332K		..WASHER	101102	6
111	NAS1149DN616K		..WASHER	101102	24
118	NAS1149DN816H		..WASHER	101102	1
121	NAS679A06		..NUT	101102	8
126	NAS679A3		..NUT	101102	1
- 128	T18R		..TIE- SUPPLIER CODE: VU3384 OPTIONAL PART: 89176-0001 VS5006	101102	1
130	BACC10DK2		..CLAMP	101102	1
135	BACC10DK3		..CLAMP-LAV B AND D	101102	2
140	BACC10DK4		..CLAMP	101102	1
145	BACC10DK7		..CLAMP	101102	3

MISSING ITEM NUMBERS NOT APPLICABLE

- ITEM NOT ILLUSTRATED

24-53-51-20A

24-53-51
FIG. 20A
PAGE 1
JAN 20/09

BRI

BOEING PROPRIETARY - Copyright © - Unpublished Work - See title page for details.



757

PARTS CATALOG (MAINTENANCE)

FIG ITEM	PART NUMBER	1 2 3 4 5 6 7	NOMENCLATURE	EFFECT FROM TO	UNITS PER ASSY
20A 150	D75D92036-111	..	HARNASS ASSY-LAV B AND D SUPPLIER CODE: VS5825	101102	1
- 155	D75D92036-211	..	HARNASS ASSY-LAV C SUPPLIER CODE: VS5825	101102	1
160	48-7190	...	CONNECTOR-J4 SUPPLIER CODE: V02660	101102	1
165	48-7191	...	CONNECTOR-J5 SUPPLIER CODE: V02660	101102	1
170	BACC45FN24-43P	...	CONNECTOR-J1	101102	1
175	BACC45FN24-43S	...	CONNECTOR-J101	101102	1
180	MS27212-6-5	...	TERMINAL BOARD ASSY- TB1, TB3	101102	2
185	D75D70594-111	...	PLATE- SUPPLIER CODE: VS5825	101102	2
190	MS27212-6-3	...	TERMINAL BOARD ASSY- TB102	101102	1
195	D75D70595-111	...	PLATE- SUPPLIER CODE: VS5825	101102	1
200	DAMA15SWS	...	CONNECTOR-P15 SUPPLIER CODE: V71468	101102	1
- 205	T18R	...	TIE- SUPPLIER CODE: VU3384 OPTIONAL PART: 89176-0001 VS5006	101102	14
220	NAS1801-08-5	..	SCREW	101102	1
225	MS35333-38	..	WASHER	101102	1

MISSING ITEM NUMBERS NOT APPLICABLE

- ITEM NOT ILLUSTRATED

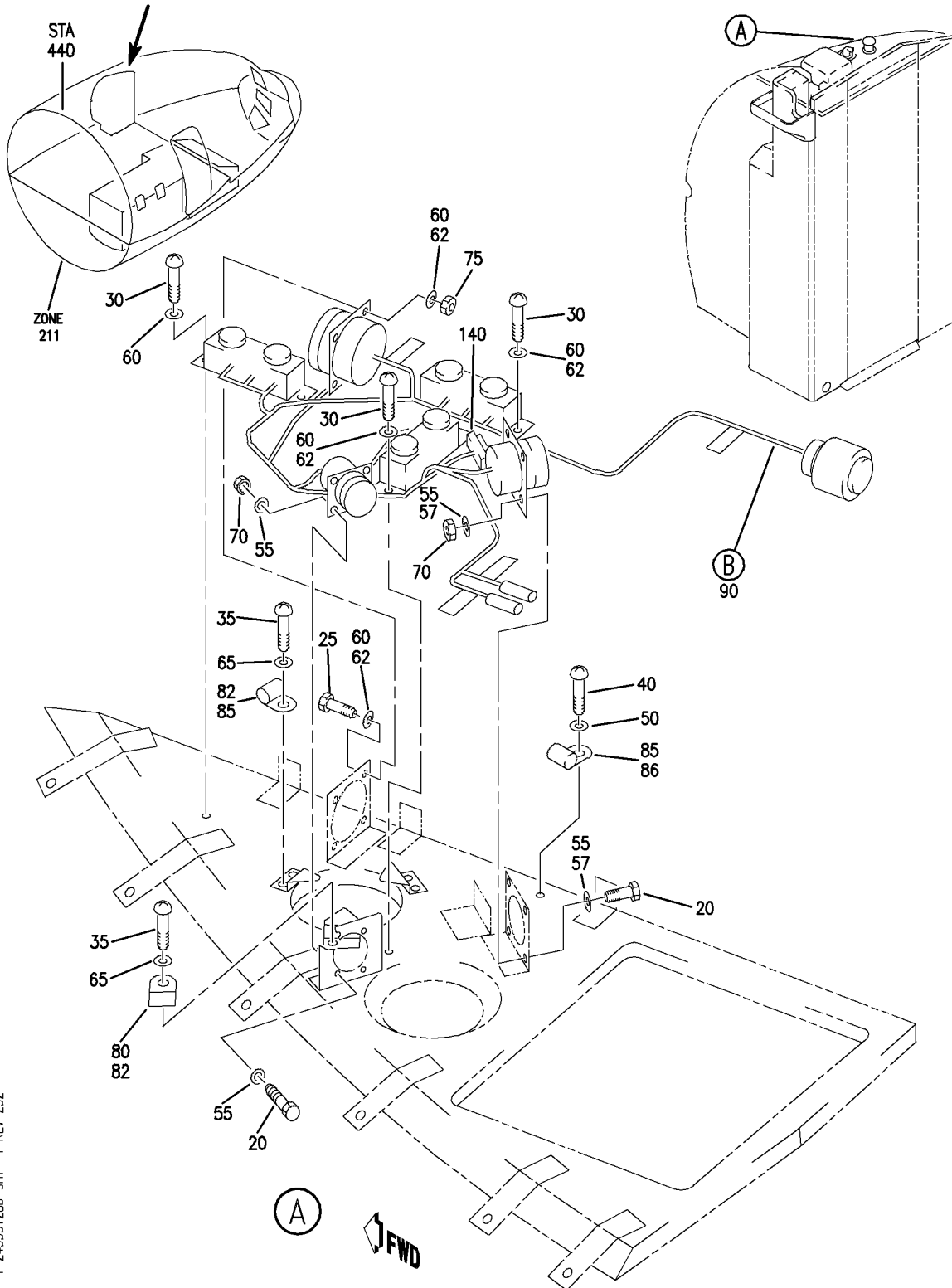
24-53-51-20A

24-53-51
FIG. 20A
PAGE 2
JAN 20/09

BRI

BOEING PROPRIETARY - Copyright © - Unpublished Work - See title page for details.


BOEING
 757
PARTS CATALOG (MAINTENANCE)



Y 24535120D SHT 1 REV 232

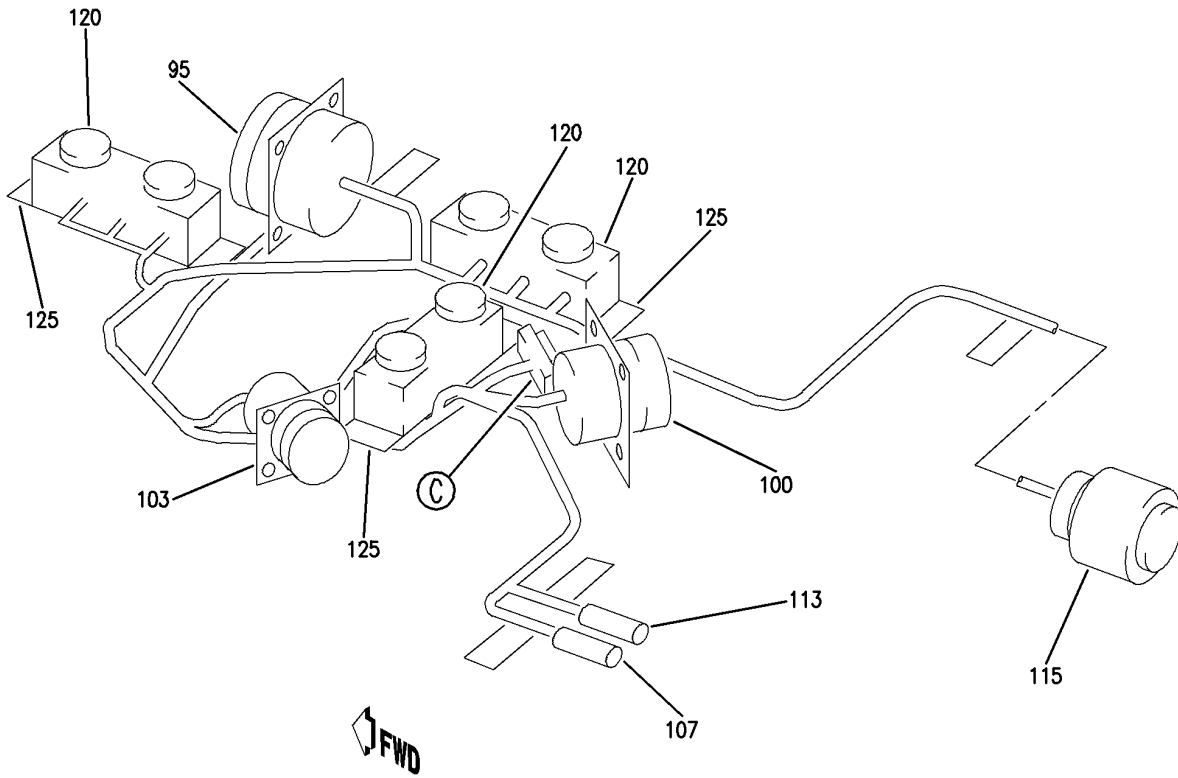
CEILING ASSY-SEG 150, LAV (ELECTRICAL POWER ONLY)
 FIGURE 20D (SHEET 1)

24-53-51-20D

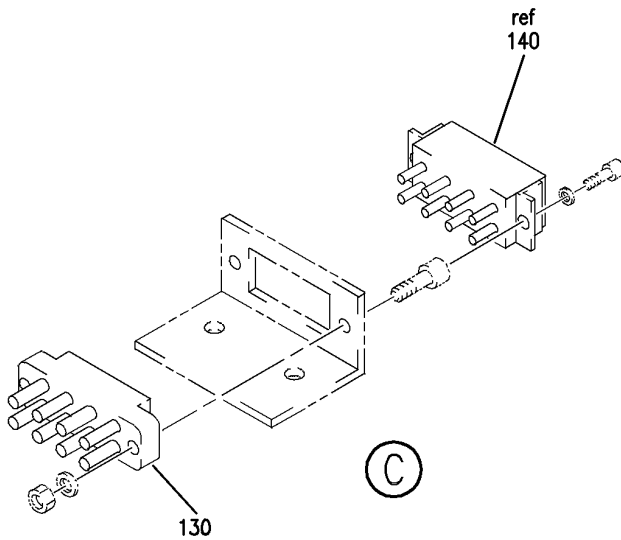
BRI
 JAN 20/09

24-53-51-20D
 PAGE 0

BOEING
757
PARTS CATALOG (MAINTENANCE)



(B)



Y 24535120D SHT 2 REV 232

CEILING ASSY-SEG 150, LAV (ELECTRICAL POWER ONLY)
FIGURE 20D (SHEET 2)

24-53-51-20D

BRI
JAN 20/09

24-53-51-20D
PAGE 0A



757

PARTS CATALOG (MAINTENANCE)

FIG ITEM	PART NUMBER	1 2 3 4 5 6 7	NOMENCLATURE	EFFECT FROM TO	UNITS PER ASSY
20D			CEILING ASSY-SEG 150, LAV (ELECTRICAL POWER ONLY)	504903	
- 1	D75D15072-111		CEILING ASSY-SEG 150, LAV A, (ELECTRICAL POWER ONLY) SUPPLIER CODE: VS5825 FOR NHA/OTHER SYS DET SEE: 25-41-01-12	504903	RF
20	NAS1801-04-6	.SCREW		504903	8
25	NAS1801-06-6	.SCREW		504903	4
30	NAS1801-06-5	.SCREW		504903	6
35	NAS1801-08-5	.SCREW		504903	2
40	NAS1801-3-6	.SCREW		504903	1
50	AN960KD10L	.WASHER		504903	1
57	AN960KD4L	.WASHER		504903	8
62	AN960KD6L	.WASHER		504903	12
65	AN960KD8L	.WASHER		504903	2
70	NAS679A04	.NUT		504903	8
75	NAS679A06	.NUT		504903	4
82	BACC10DK6	.CLAMP		504903	2
86	BACC10DK5	.CLAMP		504903	1
90	D75D92064-111	.HARNESS ASSY- SUPPLIER CODE: VS5825		504903	1
95	BACC45FN24-43S	..CONNECTOR-J101		504903	1
100	BACC45FN14-12S	..CONNECTOR-J102		504903	1
103	BACC45FN14-15S	..CONNECTOR-J104		504903	1
107	48-7190	..CONNECTOR-J4 SUPPLIER CODE: V02660		504903	1
113	48-7191	..CONNECTOR-J5 SUPPLIER CODE: V02660		504903	1
115	BACC45FT24C43P	..CONNECTOR-P1		504903	1
120	MS27212-6-3	..TERMINAL BOARD ASSY-TB1, TB3, TB101		504903	3
125	D75D70595-111	..PLATE- SUPPLIER CODE: VS5825		504903	3
130	HRTS17KM	..SOCKET-XK1 SUPPLIER CODE: V91663		504903	1
130	HRTS17KJV2	..SOCKET-XK1 SUPPLIER CODE: V91663		504903	1

MISSING ITEM NUMBERS NOT APPLICABLE

- ITEM NOT ILLUSTRATED

24-53-51-20D

24-53-51
FIG. 20D
PAGE 1
JAN 20/09

BRI

BOEING PROPRIETARY - Copyright © - Unpublished Work - See title page for details.



757

PARTS CATALOG (MAINTENANCE)

FIG ITEM	PART NUMBER	1 2 3 4 5 6 7	NOMENCLATURE	EFFECT FROM TO	UNITS PER ASSY
20D - 135	T18R	.	TIE-INSULOK SUPPLIER CODE: VU3384 OPTIONAL PART: 89176-0001 VS5006	504903	10
140	W260F4AM11	.	RELAY-K1 SUPPLIER CODE: VF0219 SPECIFICATION NUMBER: BACR13CD2 OPTIONAL PART: BR16S233 V09026 EE4AA005 V35344 3SAV1338A2 V01526 HFW1206K03 V58614 HFW1204K01 V71482	504903	1

MISSING ITEM NUMBERS NOT APPLICABLE

- ITEM NOT ILLUSTRATED

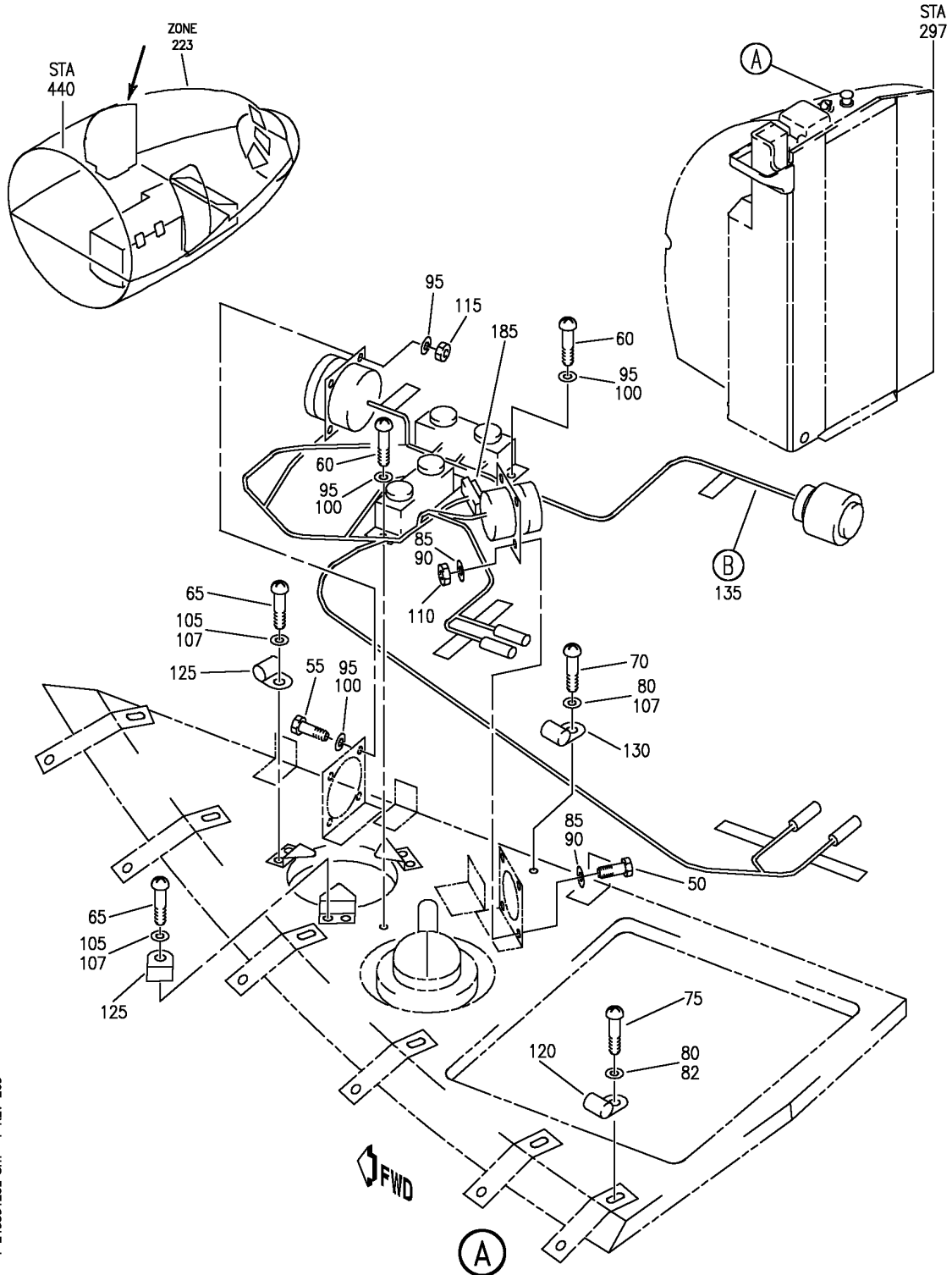
BRI

24-53-51-20D

BOEING PROPRIETARY - Copyright © - Unpublished Work - See title page for details.

24-53-51
FIG. 20D
PAGE 2
JAN 20/09

BOEING
757
PARTS CATALOG (MAINTENANCE)



Y 24535120L SHT 1 REV 269

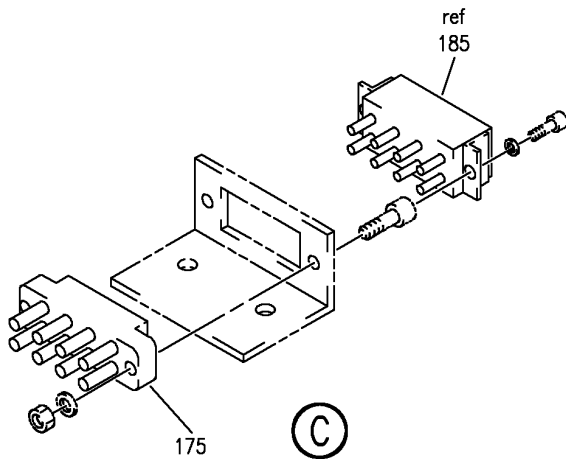
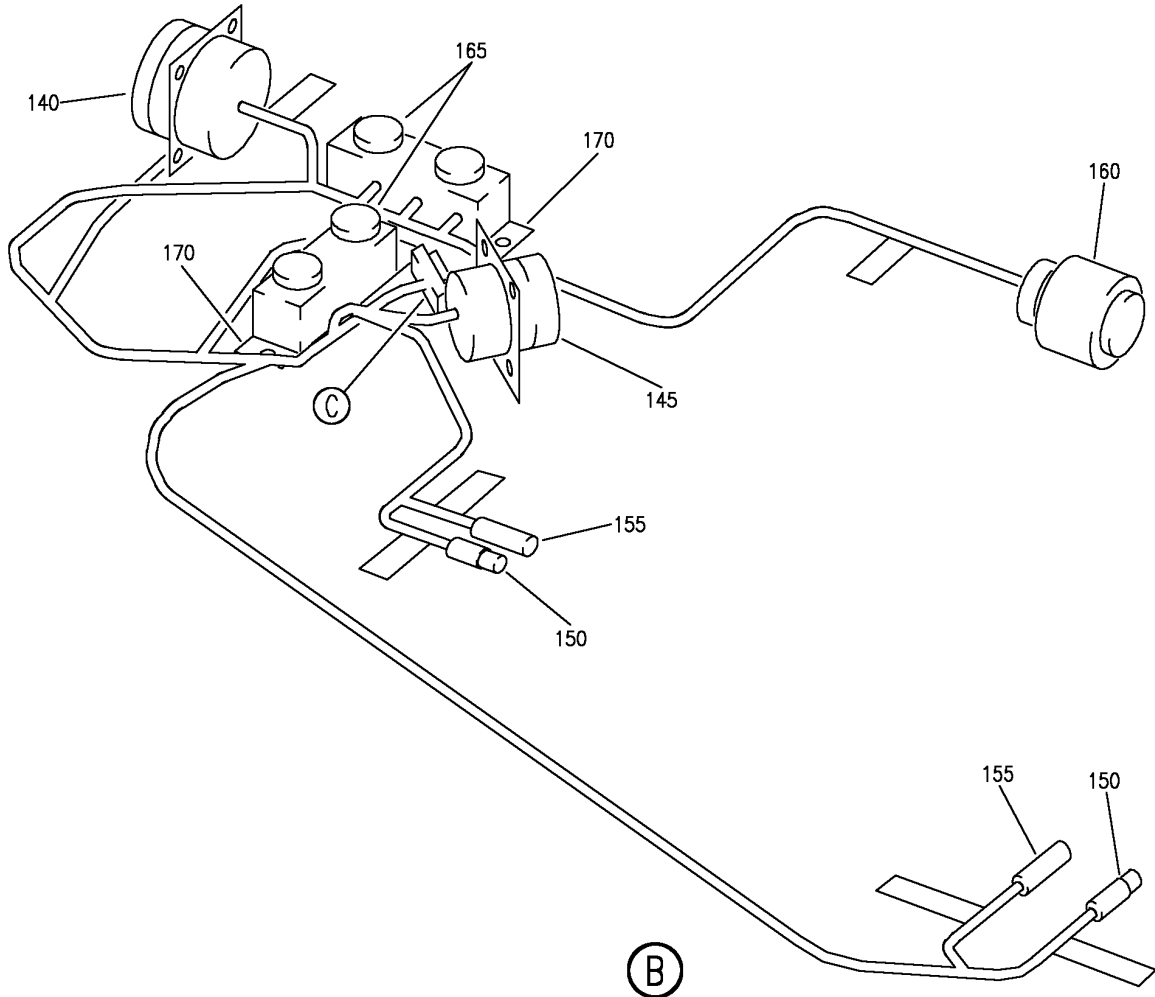
CEILING ASSY-SEG 150,LAV A
FIGURE 20L (SHEET 1)

24-53-51-20L

BRI
JAN 20/09

24-53-51-20L
PAGE 0

BOEING
757
PARTS CATALOG (MAINTENANCE)



Y 24535120L SHT 2 REV 269

CEILING ASSY-SEG 150,LAV A
FIGURE 20L (SHEET 2)

24-53-51-20L

BRI
JAN 20/09

24-53-51-20L
PAGE 0A



757

PARTS CATALOG (MAINTENANCE)

FIG ITEM	PART NUMBER	1 2 3 4 5 6 7	NOMENCLATURE	EFFECT FROM TO	UNITS PER ASSY
20L					
- 1	D75D15028-111		CEILING ASSY-SEG 150,LAV A CEILING ASSY-SEG 150, LAV A SUPPLIER CODE: VS5825 FOR NHA/OTHER SYS DET SEE: 25-41-01-06Q	108120 108120	RF
50	NAS1801-04-6	.	SCREW	108120	4
55	NAS1801-06-6	.	SCREW	108120	4
60	NAS1801-06-5	.	SCREW	108120	4
65	NAS1801-08-5	.	SCREW	108120	2
70	NAS1801-3-6	.	SCREW	108120	1
75	NAS1801-3-7	.	SCREW	108120	1
82	NAS1149D0332K	.	WASHER	108120	1
90	NAS1149DN416K	.	WASHER	108120	8
100	NAS1149DN616K	.	WASHER	108120	12
107	NAS1149DN816K	.	WASHER	108120	3
110	NAS679A04	.	NUT	108120	4
115	NAS679A06	.	NUT	108120	4
120	BACC10DK2	.	CLAMP	108120	1
125	BACC10DK4	.	CLAMP	108120	2
130	BACC10DK7	.	CLAMP	108120	1
135	D75D92034-111	.	HARNES ASSY- SUPPLIER CODE: VS5825	108120	1
140	BACC45FN24-43S	..	CONNECTOR-J101	108120	1
145	BACC45FN14-12S	..	CONNECTOR-J102	108120	1
150	48-7190	..	CONNECTOR-J4, P12 SUPPLIER CODE: V02660	108120	2
155	48-7191	..	CONNECTOR-J5, J11 SUPPLIER CODE: V02660	108120	2
160	BACC45FT24C43P	..	CONNECTOR-P1	108120	1
165	MS27212-6-3	..	TERMINAL BOARD ASSY-TB1 TB3	108120	2
170	D75D70595-111	..	PLATE- SUPPLIER CODE: VS5825	108120	2
175	HRTS17KM	..	SOCKET-XK1 SUPPLIER CODE: V91663	108120	1
175	HRTS17KJV2	..	SOCKET-XK1 SUPPLIER CODE: V91663	108120	1

MISSING ITEM NUMBERS NOT APPLICABLE

- ITEM NOT ILLUSTRATED

24-53-51-20L

24-53-51
FIG. 20L
PAGE 1
JAN 20/09

BRI

BOEING PROPRIETARY - Copyright © - Unpublished Work - See title page for details.



757

PARTS CATALOG (MAINTENANCE)

FIG ITEM	PART NUMBER	1 2 3 4 5 6 7	NOMENCLATURE	EFFECT FROM TO	UNITS PER ASSY
20L - 180	T18R		. . TIE-INSULOK SUPPLIER CODE: VU3384 OPTIONAL PART: 89176-0001 VS5006	108120	10
185	W260F4AM11		. RELAY-K1 SUPPLIER CODE: VF0219 SPECIFICATION NUMBER: BACR13CD2 OPTIONAL PART: BR16S233 V09026 EE4AA005 V35344 3SAV1338A2 V01526 HFW1206K03 V58614 HFW1204K01 V71482	108120	1

MISSING ITEM NUMBERS NOT APPLICABLE

- ITEM NOT ILLUSTRATED

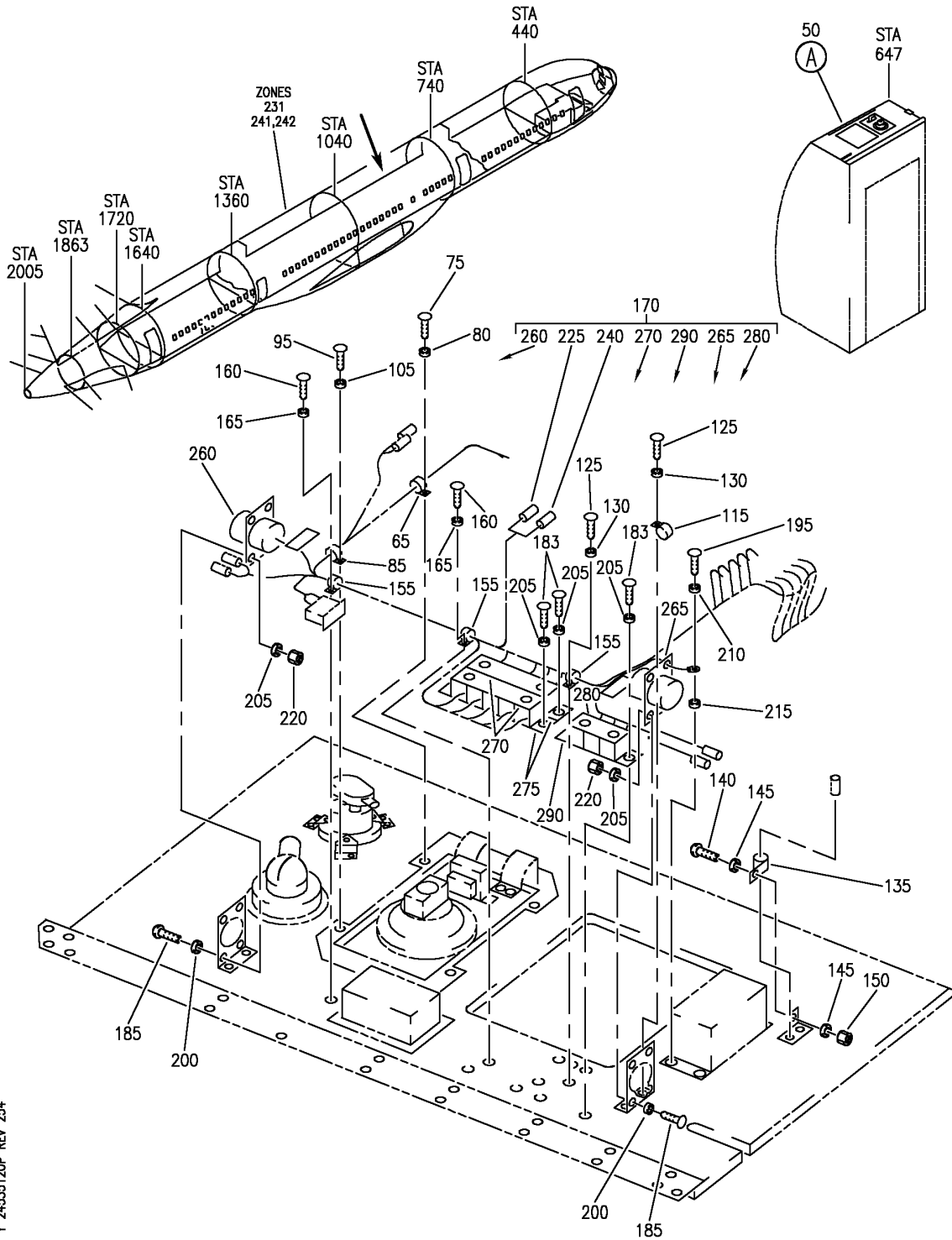
BRI

24-53-51-20L

BOEING PROPRIETARY - Copyright © - Unpublished Work - See title page for details.

24-53-51
FIG. 20L
PAGE 2
JAN 20/09

BOEING
757
PARTS CATALOG (MAINTENANCE)



Y 24535120P REV 254

CEILING ASSY-SEG 150, LAV (ELECTRICAL POWER ONLY)
FIGURE 20P

24-53-51-20P

BRI
JAN 20/09

24-53-51-20P
PAGE 0

BOEING
757
PARTS CATALOG (MAINTENANCE)

FIG ITEM	PART NUMBER	1 2 3 4 5 6 7	NOMENCLATURE	EFFECT FROM TO	UNITS PER ASSY
20P			CEILING ASSY-SEG 150, LAV (ELECTRICAL POWER ONLY)	108120	
- 1	D75D15066-111A		CEILING ASSY-SEG 150, LAV C (ELECTRICAL POWER ONLY) SUPPLIER CODE: VS5825 FOR NHA/OTHER SYS DET SEE: 25-41-03-25A	108120	RF
- 5	D75D15042-111		CEILING ASSY-SEG 150, LAV D (ELECTRICAL POWER ONLY) SUPPLIER CODE: VS5825 FOR NHA/OTHER SYS DET SEE: 25-41-03-51M	108120	RF
- 10	D75D15103-111		CEILING ASSY-SEG 150, LAV S (ELECTRICAL POWER ONLY) SUPPLIER CODE: VS5825 FOR NHA/OTHER SYS DET SEE: 25-41-03-08Q	108120	RF
50	D75D37054-111B		.CEILING ASSY-LAV C SUPPLIER CODE: VS5825	108120	RF
- 55	D75D37033-111A		.CEILING ASSY-LAV D SUPPLIER CODE: VS5825	108120	RF
- 60	D75D37082-111A		.CEILING ASSY-LAV S SUPPLIER CODE: VS5825	108120	RF
65	BACC10DK2		..CLAMP-LAV C AND D	108120	1
- 70	BACC10DK4		..CLAMP-LAV S ATTACHING PARTS	108120	1
75	NAS1801-06-5		..SCREW	108120	1
80	NAS1149DN616K		..WASHER	108120	1
			-----*-----		
85	BACC10DK3		..CLAMP-LAV C AND D	108120	1
- 90	BACC10DK5		..CLAMP-LAV S ATTACHING PARTS	108120	1
95	NAS1801-3-6		..SCREW-LAV C AND D	108120	1
- 100	NAS1801-3-6		..SCREW-LAV S	108120	2
105	NAS1149D0332K		..WASHER-LAV C AND D	108120	1
- 110	NAS1149D0332K		..WASHER-LAV S	108120	2
			-----*-----		
115	BACC10DK3		..CLAMP-LAV C AND D	108120	1
- 120	BACC10DK5		..CLAMP-LAV S ATTACHING PARTS	108120	1
125	NAS1801-06-5		..SCREW	108120	1
130	NAS1149DN616K		..WASHER	108120	1
			-----*-----		

MISSING ITEM NUMBERS NOT APPLICABLE

- ITEM NOT ILLUSTRATED

BRI

24-53-51-20P

BOEING PROPRIETARY - Copyright © - Unpublished Work - See title page for details.

24-53-51
FIG. 20P
PAGE 1
JAN 20/09



757

PARTS CATALOG (MAINTENANCE)

FIG ITEM	PART NUMBER	1 2 3 4 5 6 7	NOMENCLATURE	EFFECT FROM TO	UNITS PER ASSY
20P					
135	BACC10DK4	..	CLAMP ATTACHING PARTS	108120	1
140	NAS1801-3-8	..	SCREW	108120	1
145	NAS1149D0332K	..	WASHER	108120	2
150	NAS679A3	..	NUT	108120	1
			-----*-----		
155	BACC10DK7	..	CLAMP ATTACHING PARTS	108120	3
160	NAS1801-3-6	..	SCREW	108120	3
165	NAS1149D0332K	..	WASHER	108120	3
			-----*-----		
170	D75D92054-211	..	HARNASS ASSY-LAV C SUPPLIER CODE: VS5825	108120	1
- 175	D75D92042-111	..	HARNASS ASSY-LAV D SUPPLIER CODE: VS5825	108120	1
- 180	D75D92078-111	..	HARNASS ASSY-LAV S SUPPLIER CODE: VS5825 ATTACHING PARTS	108120	1
183	NAS1801-04-5	..	SCREW	108120	6
185	NAS1801-06-5	..	SCREW	108120	6
- 190	NAS1801-06-7	..	SCREW	108120	8
195	NAS1801-08-5	..	SCREW	108120	1
200	NAS1149DN416K	..	WASHER	108120	8
205	NAS1149DN616K	..	WASHER	108120	16
210	NAS1149DN816H	..	WASHER-LAV S	108120	1
215	MS35333-38	..	WASHER	108120	1
220	NAS679A06	..	NUT	108120	8
			-----*-----		
225	48-7190	...	CONNECTOR-J4, P41, P43 LAV C SUPPLIER CODE: V02660	108120	3
- 230	48-7190	...	CONNECTOR-J4, LAV D SUPPLIER CODE: V02660	108120	1
- 235	48-7190	...	CONNECTOR-J4, P22, P41 LAV S SUPPLIER CODE: V02660	108120	3
240	48-7191	...	CONNECTOR-J5, J42, J44 LAV C SUPPLIER CODE: V02660	108120	3

MISSING ITEM NUMBERS NOT APPLICABLE

- ITEM NOT ILLUSTRATED

24-53-51-20P

24-53-51
FIG. 20P
PAGE 2
JAN 20/09

BRI

BOEING PROPRIETARY - Copyright © - Unpublished Work - See title page for details.



757

PARTS CATALOG (MAINTENANCE)

FIG ITEM	PART NUMBER	1 2 3 4 5 6 7	NOMENCLATURE	EFFECT FROM TO	UNITS PER ASSY
20P - 245	48-7191	...	CONNECTOR-J5 LAV D SUPPLIER CODE: V02660	108120	1
- 250	48-7191	...	CONNECTOR-J5, J21, J42 LAV S SUPPLIER CODE: V02660	108120	3
- 255	48-7191-1	...	RECEPTACLE-J23 LAV S SUPPLIER CODE: V02660	108120	1
260	BACC45FN24-43P	...	CONNECTOR-J1	108120	1
265	BACC45FN24-43S	...	CONNECTOR-J101	108120	1
270	MS27212-6-5	...	TERMINAL BOARD ASSY-TB1 AND TB3	108120	2
275	D75D70594-111	...	PLATE- SUPPLIER CODE: VS5825	108120	2
280	MS27212-6-3	...	TERMINAL BOARD ASSY- TB102, LAV C AND D	108120	1
- 285	MS27212-6-3	...	TERMINAL BOARD ASSY- TB105 AND TB106, LAV S	108120	3
290	D75D70595-111	...	PLATE-LAC C AND D SUPPLIER CODE: VS5825	108120	1
- 295	D75D70595-111	...	PLATE-LAV S SUPPLIER CODE: VS5825	108120	3
- 300	T18R	...	TIE-INSULOK, LAV C SUPPLIER CODE: VU3384 OPTIONAL PART: 89176-0001 VS5006	108120	16
- 305	T18R	...	TIE-INSULOK, LAV D SUPPLIER CODE: VU3384 OPTIONAL PART: 89176-0001 VS5006	108120	14
- 310	T18R	...	TIE-INSULOK, LAV S SUPPLIER CODE: VU3384 OPTIONAL PART: 89176-0001 VS5006	108120	18

MISSING ITEM NUMBERS NOT APPLICABLE

- ITEM NOT ILLUSTRATED

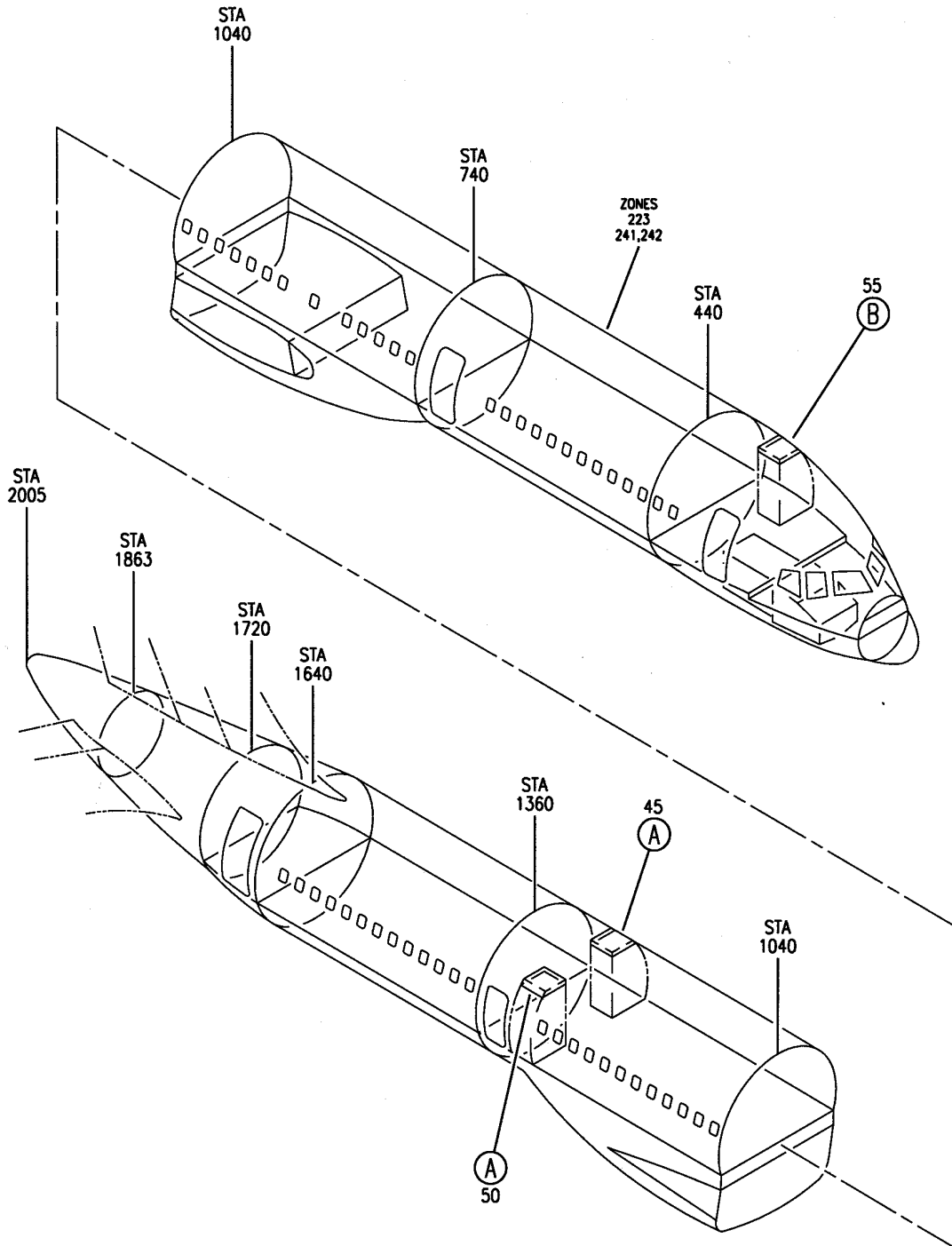
24-53-51-20P

24-53-51
FIG. 20P
PAGE 3
JAN 20/09

BRI

BOEING PROPRIETARY - Copyright © - Unpublished Work - See title page for details.

BOEING
757
PARTS CATALOG (MAINTENANCE)



Y 24535121A SHT 1 REV 213

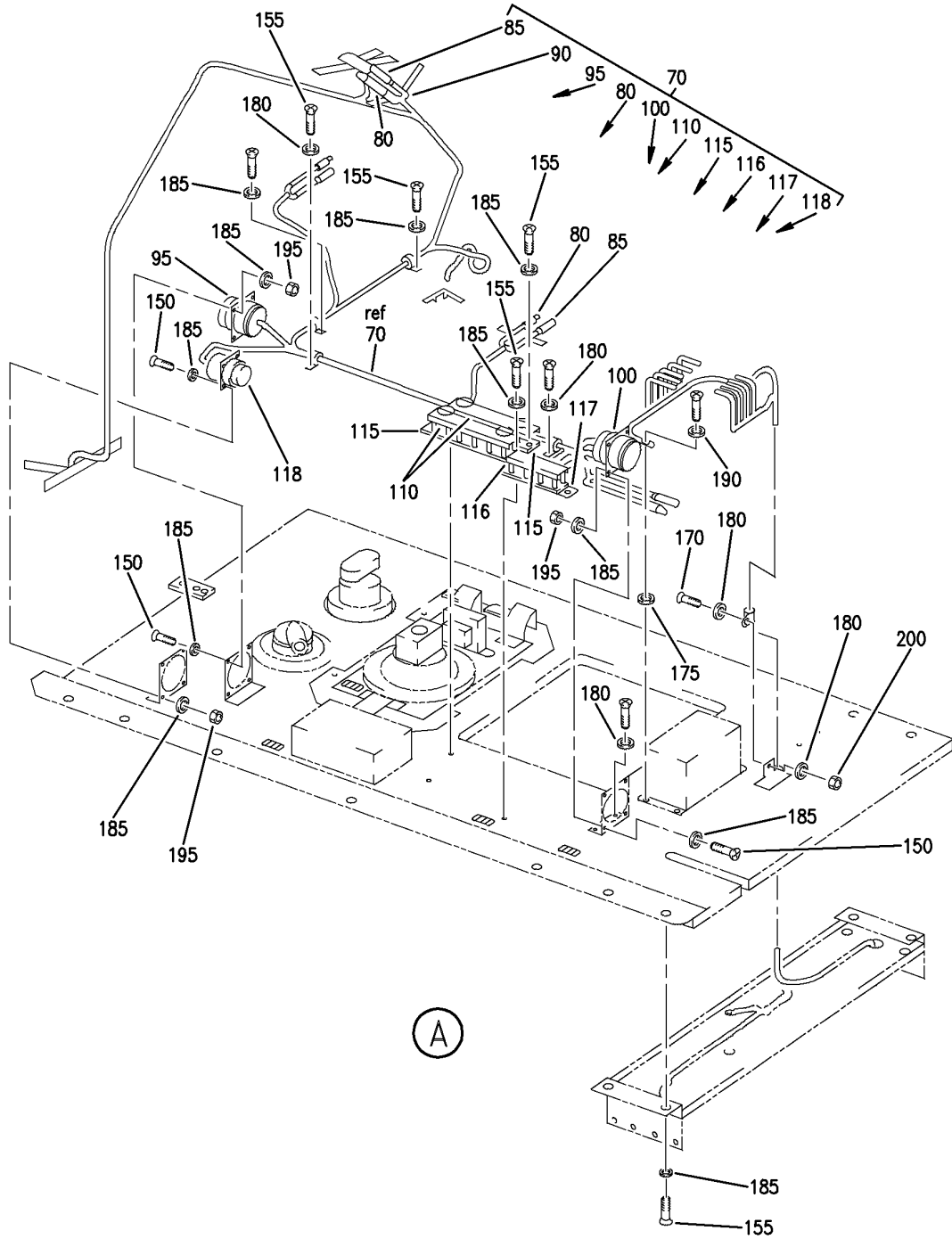
CEILING ASSY-SEG 150, LAV (ELECTRICAL POWER ONLY)
FIGURE 21A (SHEET 1)

24-53-51-21A

BRI
JAN 20/09

24-53-51-21A
PAGE 0

BOEING
757
PARTS CATALOG (MAINTENANCE)



Y 24535121A SHT 2 REV 238

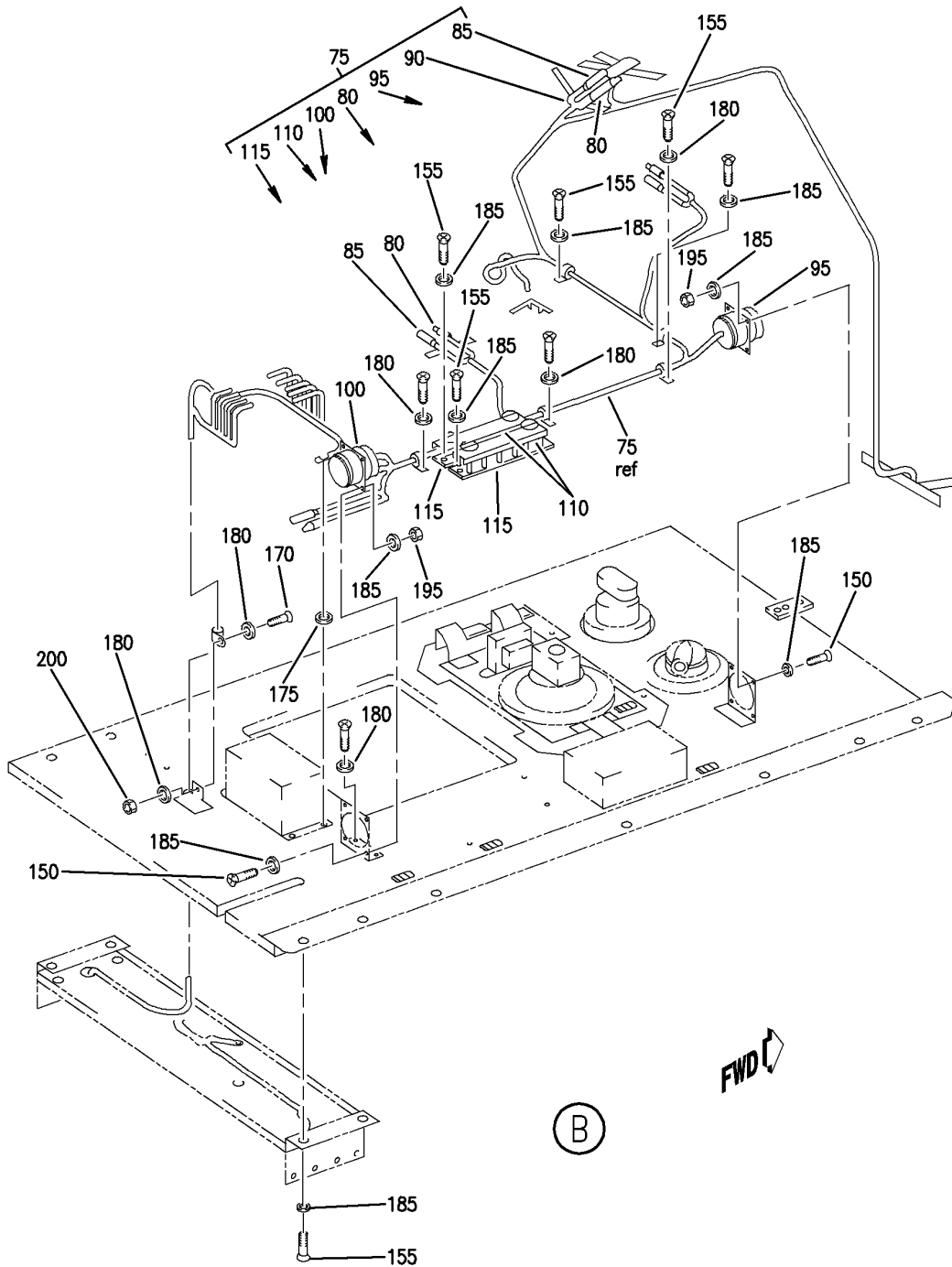
CEILING ASSY-SEG 150, LAV (ELECTRICAL POWER ONLY)
FIGURE 21A (SHEET 2)

24-53-51-21A

BRI
JAN 20/09

24-53-51-21A
PAGE 0A

BOEING
757
PARTS CATALOG (MAINTENANCE)



Y 24535121A SHT 3 REV 238

CEILING ASSY-SEG 150, LAV (ELECTRICAL POWER ONLY)
FIGURE 21A (SHEET 3)

24-53-51-21A

BRI
JAN 20/09

24-53-51-21A
PAGE 0B



757

PARTS CATALOG (MAINTENANCE)

FIG ITEM	PART NUMBER	1 2 3 4 5 6 7	NOMENCLATURE	EFFECT FROM TO	UNITS PER ASSY
21A			CEILING ASSY-SEG 150, LAV (ELECTRICAL POWER ONLY)	504903	
- 1	D75D15074-111		CEILING ASSY-SEG 150, LAV C (ELECTRICAL POWER ONLY) SUPPLIER CODE: VS5825 FOR NHA/OTHER SYS DET SEE: 25-41-03-50A	504903	RF
- 5	D75D15073-111		CEILING ASSY-SEG 150, LAV D (ELECTRICAL POWER ONLY) SUPPLIER CODE: VS5825 FOR NHA/OTHER SYS DET SEE: 25-41-03-51A	504903	RF
- 10	D75D15075-111		CEILING ASSY-SEG 150, LAV F (ELECTRICAL POWER ONLY) SUPPLIER CODE: VS5825 FOR NHA/OTHER SYS DET SEE: 25-41-01-12B	504903	RF
45	D75D37060-111A		.CEILING ASSY-LAV C SUPPLIER CODE: VS5825	504903	RF
50	D75D37059-111A		.CEILING ASSY-LAV D SUPPLIER CODE: VS5825	504903	RF
55	D75D37061-111A		.CEILING ASSY-LAV F SUPPLIER CODE: VS5825	504903	RF
70	D75D92063-211		..HARNES ASSY-LAV C SUPPLIER CODE: VS5825	504903	1
75	D75D92063-111		..HARNES ASSY-LAV D AND F SUPPLIER CODE: VS5825	504903	1
80	48-7190		...CONNECTOR-J4 AND P22 SUPPLIER CODE: V02660	504903	2
- 83	48-7190		...CONNECTOR-P134 SUPPLIER CODE: V02660	504903	1
85	48-7191		...CONNECTOR-J5 AND J21 SUPPLIER CODE: V02660	504903	2

MISSING ITEM NUMBERS NOT APPLICABLE

- ITEM NOT ILLUSTRATED

24-53-51-21A

24-53-51
FIG. 21A
PAGE 1
JAN 20/09

BRI



757

PARTS CATALOG (MAINTENANCE)

FIG ITEM	PART NUMBER	1 2 3 4 5 6 7	NOMENCLATURE	EFFECT FROM TO	UNITS PER ASSY
21A					
- 87	48-7191	...	CONNECTOR-J133 SUPPLIER CODE: V02660	504903	1
90	48-7191-1	...	RECEPTACLE-J23 SUPPLIER CODE: V02660	504903	1
95	BACC45FN24-43P	...	CONNECTOR-J1	504903	1
100	BACC45FN24-43S	...	CONNECTOR-J101	504903	1
110	MS27212-6-5	...	TERMINAL BOARD ASSY-TB1 AND TB3	504903	2
115	D75D70594-111	...	PLATE- SUPPLIER CODE: VS5825	504903	2
116	MS27212-6-3	...	TERMINAL BOARD ASSY- LAV C AND D TB102	504903	1
-116A	MS27212-6-3	...	TERMINAL BOARD ASSY- LAV F TB102	504903	1
117	D75D70595-111	...	PLATE-LAV C AND D SUPPLIER CODE: VS5825	504903	1
-117A	D75D70595-111	...	PLATE-LAV F SUPPLIER CODE: VS5825	504903	1
118	BACC45FN14-7S	...	CONNECTOR-J15 LAV C AND D	504903	1
-118A	BACC45FN14-7S	...	CONNECTOR-J15 LAV F	504903	1
- 120	T18R	...	TIE- SUPPLIER CODE: VU3384 OPTIONAL PART: 89176-0001 VS5006	504903	16
- 123	T18R	...	TIE- SUPPLIER CODE: VU3384 OPTIONAL PART: 89176-0001 VS5006	504903	1
- 145	T18R	...	TIE- SUPPLIER CODE: VU3384 OPTIONAL PART: 89176-0001 VS5006	504903	3
150	NAS1801-06-7	..	SCREW	504903	8
- 152	NAS1801-06-7	..	SCREW	504903	4
155	NAS1801-06-5	..	SCREW	504903	10

MISSING ITEM NUMBERS NOT APPLICABLE

- ITEM NOT ILLUSTRATED

24-53-51-21A

24-53-51
FIG. 21A
PAGE 2
JAN 20/09

BRI

BOEING PROPRIETARY - Copyright © - Unpublished Work - See title page for details.



757

PARTS CATALOG (MAINTENANCE)

FIG ITEM	PART NUMBER	1 2 3 4 5 6 7	NOMENCLATURE	EFFECT FROM TO	UNITS PER ASSY
21A					
- 157	NAS1801-06-5	..	SCREW	504903	2
- 160	NAS1801-08-5	..	SCREW	504903	1
- 165	NAS1801-3-6	..	SCREW	504903	4
			ATTACHING PARTS		
170	NAS1801-3-8	..	SCREW	504903	1
			-----*-----		
175	AN960D8L	..	WASHER	504903	1
175	AN960D8L	..	WASHER	504903	1
180	AN960KD10L	..	WASHER	504903	6
185	AN960KD6L	..	WASHER	504903	22
- 187	AN960KD6L	..	WASHER	504903	10
190	MS35333-38	..	WASHER	504903	1
195	NAS679A06	..	NUT	504903	8
- 197	NAS679A06	..	NUT	504903	4
			ATTACHING PARTS		
200	NAS679A3	..	NUT	504903	1
			-----*-----		
- 205	T18R	..	TIE-	504903	1
			SUPPLIER CODE:		
			VU3384		
			OPTIONAL PART:		
			89176-0001		
			VS5006		

MISSING ITEM NUMBERS NOT APPLICABLE

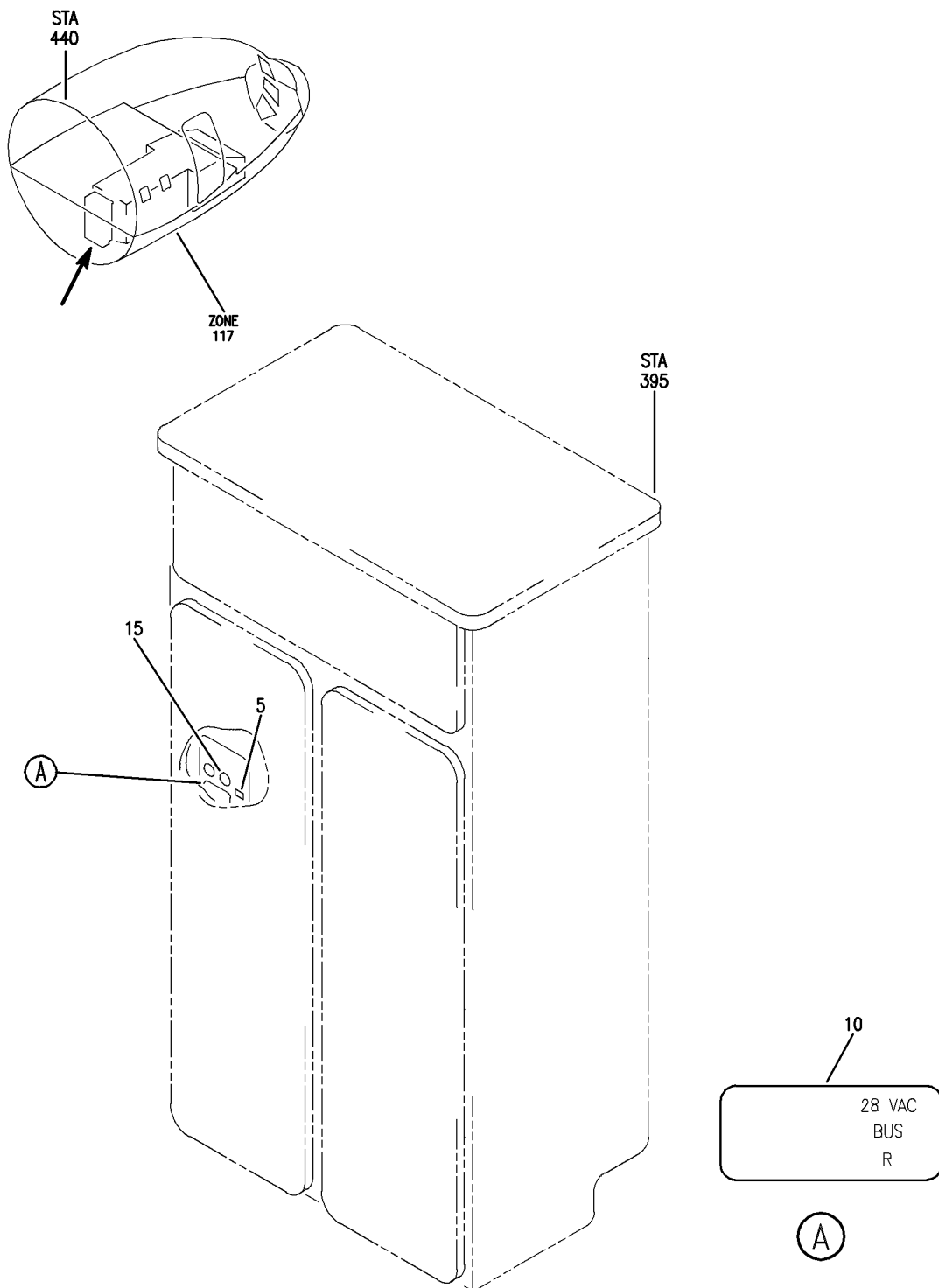
- ITEM NOT ILLUSTRATED

24-53-51-21A

24-53-51
FIG. 21A
PAGE 3
JAN 20/09

BRI

BOEING
757
PARTS CATALOG (MAINTENANCE)



Y 24535122 REV 228

EQUIPMENT ASSY-R GEN PWR PNL P32 (28-VOLT AC POWER DISTRIBUTION ONLY)
FIGURE 22

24-53-51-22

BRI
JAN 20/09

24-53-51-22
PAGE 0



757

PARTS CATALOG (MAINTENANCE)

FIG ITEM	PART NUMBER	1 2 3 4 5 6 7	NOMENCLATURE	EFFECT FROM TO	UNITS PER ASSY
22			EQUIPMENT ASSY-R GEN PWR PNL P32 (28-VOLT AC POWER DISTRIBUTION ONLY)	103106 108120	
- 1	284N1315-122		PANEL ASSY-R GEN PWR PNL P32 (28-VOLT AC POWER DISTRIBUTION ONLY) FOR NHA/OTHER SYS DET SEE: 24-00-58-05C	108120	RF
- 2	MODREF31489		PANEL ASSY-R GEN PWR PNL P32 (28-VOLT AC POWER DISTRIBUTION ONLY) MODULE NUMBER: 284N1315-206 REV A FOR OTHER SYS DETAILS SEE: 11-36-07-02 24-21-51-04 24-22-03-06A 24-22-51-07 24-23-01-02A 24-32-51-05 24-51-55-03 25-31-03-04 25-72-51-01 29-11-67-01	103106	1
10	BAC27NEX2899		.DECAL	103106 108120	1
15	2TC47-7-5		.CIRCUIT BREAKER- SUPPLIER CODE: V82647 SPECIFICATION NUMBER: BACC18AD7 OPTIONAL PART: 4310-029-705 V76374 ELECTRICAL EQUIP NUMBER: C00878	103106 108120	1

MISSING ITEM NUMBERS NOT APPLICABLE

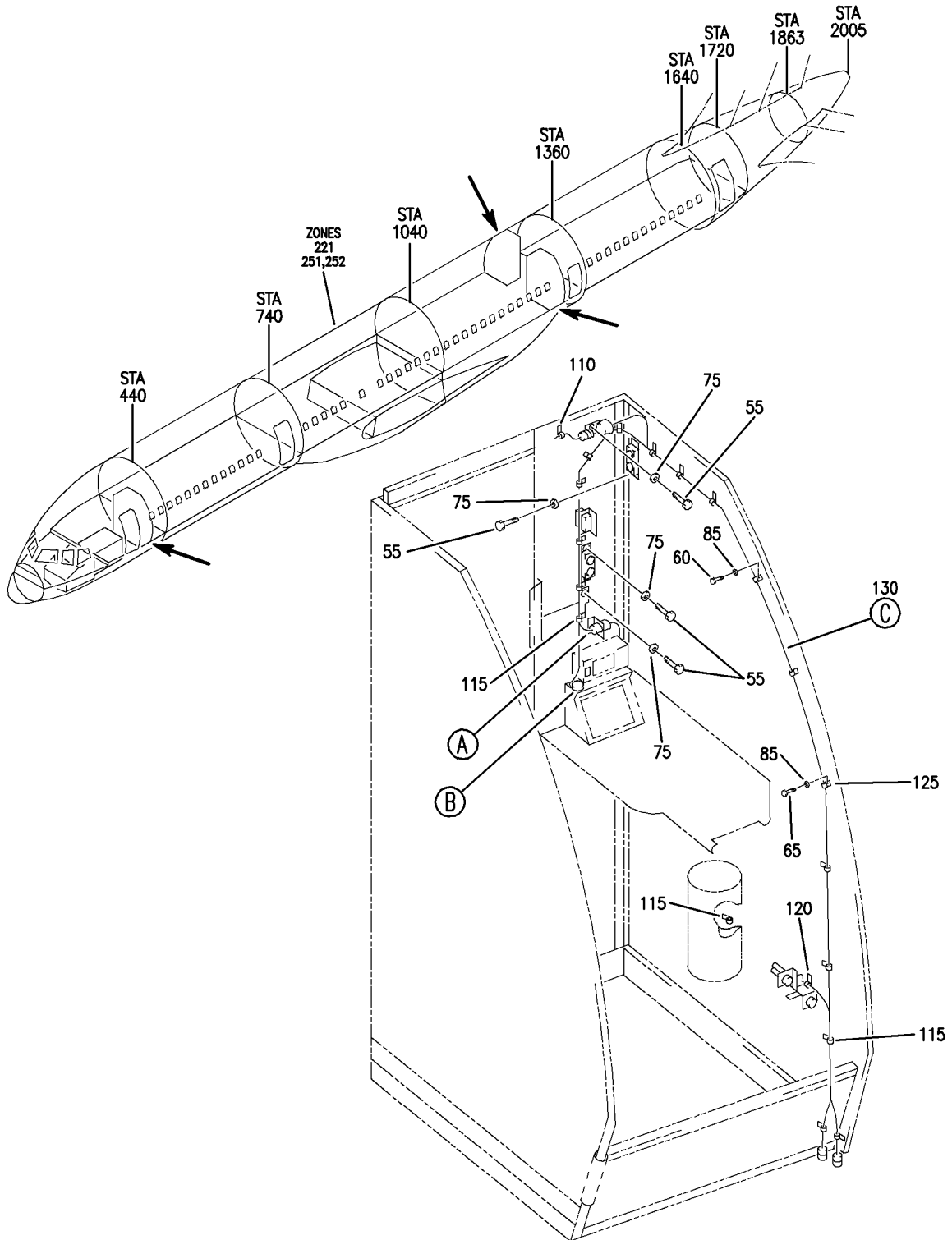
- ITEM NOT ILLUSTRATED

24-53-51-22

24-53-51
FIG. 22
PAGE 1
JAN 20/09

BRI

BOEING
757
PARTS CATALOG (MAINTENANCE)



Y 24535130H SHT 1 REV 238

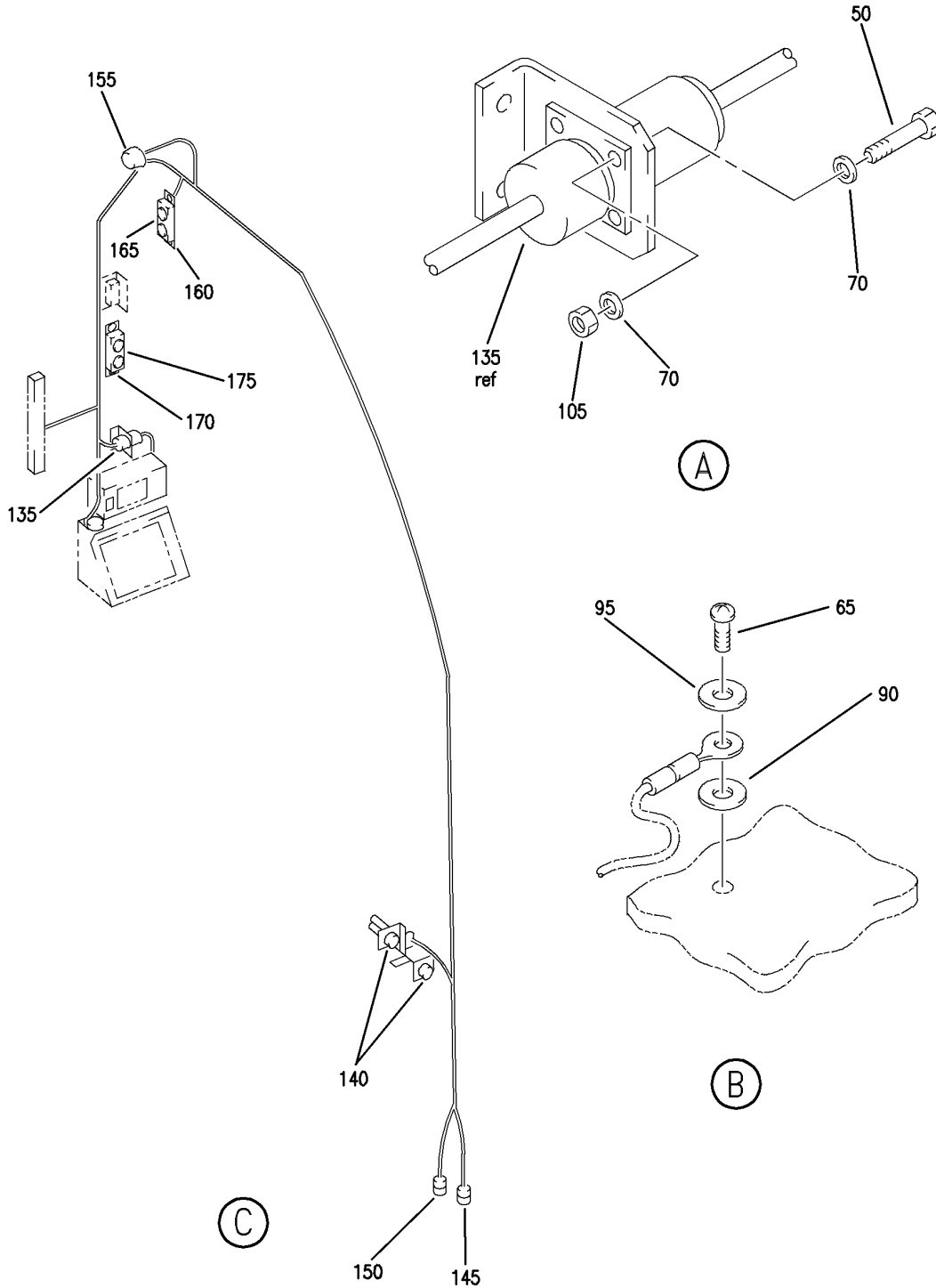
WALL ASSY-OUT SEG 110, LAV (ELECTRICAL POWER ONLY)
FIGURE 30H (SHEET 1)

24-53-51-30H

BRI
JAN 20/09

24-53-51-30H
PAGE 0

BOEING
757
PARTS CATALOG (MAINTENANCE)



Y 24535130H SHT 2 REV 238

WALL ASSY-OUT SEG 110, LAV (ELECTRICAL POWER ONLY)
FIGURE 30H (SHEET 2)

24-53-51-30H

BRI
JAN 20/09

24-53-51-30H
PAGE 0A



757

PARTS CATALOG (MAINTENANCE)

FIG ITEM	PART NUMBER	1 2 3 4 5 6 7	NOMENCLATURE	EFFECT FROM TO	UNITS PER ASSY
30H			WALL ASSY-OUT SEG 110, LAV (ELECTRICAL POWER ONLY)	504903	
- 1	D75D11220-111		WALL ASSY-OUT SEG 110, LAV C (ELECTRICAL POWER ONLY) SUPPLIER CODE: VS5825 FOR NHA/OTHER SYS DET SEE: 25-41-03-50A	504903	RF
- 5	D75D11219-111		WALL ASSY-OUT SEG 110, LAV D (ELECTRICAL POWER ONLY) SUPPLIER CODE: VS5825 FOR NHA/OTHER SYS DET SEE: 25-41-03-51A	504903	RF
- 10	D75D11240-111		WALL ASSY-OUT SEG 110, LAV F (ELECTRICAL POWER ONLY) SUPPLIER CODE: VS5825 FOR NHA/OTHER SYS DET SEE: 25-41-01-12B	504903	RF
50	NAS1801-04-6	.SCREW		504903	12
55	NAS1801-06-5	.SCREW		504903	16
60	NAS1801-3-6	.SCREW		504903	16
65	NAS1801-3-7	.SCREW		504903	3
70	AN960KD4L	.WASHER		504903	24
75	AN960KD6L	.WASHER		504903	16
- 80	AN960KD6L	.WASHER-LAV C AND F		504903	2
85	AN960KD10L	.WASHER		504903	19
95	MS35333-39	.WASHER-LAV C		504903	1
- 100	BACW10BP3APU	.WASHER		504903	2
105	NAS679A04	.NUT		504903	12
110	BACC10DK2	.CLAMP		504903	1
115	BACC10DK3	.CLAMP		504903	3
120	BACC10DK4	.CLAMP		504903	1
125	BACC10DK5	.CLAMP		504903	14
130	D75D91020-111	.HARNES ASSY-MAIN SUPPLIER CODE: VS5825		504903	1
135	BACC45FN14-15S	..CONNECTOR-J3		504903	1
140	BACC45FN14-7S	..CONNECTOR-J2, J102		504903	2
145	BACC45FT10C5S	..CONNECTOR-P4		504903	1
150	BACC45FT12C12S	..CONNECTOR-P5		504903	1
155	BACC45FT24C43P	..CONNECTOR-101		504903	1
160	MS27212-6-5	..TERMINAL BOARD ASSY-TB2		504903	1

MISSING ITEM NUMBERS NOT APPLICABLE

- ITEM NOT ILLUSTRATED

24-53-51-30H

24-53-51
FIG. 30H
PAGE 1
JAN 20/09

BRI

BOEING PROPRIETARY - Copyright © - Unpublished Work - See title page for details.



757

PARTS CATALOG (MAINTENANCE)

FIG ITEM	PART NUMBER	1 2 3 4 5 6 7	NOMENCLATURE	EFFECT FROM TO	UNITS PER ASSY
30H 165	D75D70594-111	..	PLATE- SUPPLIER CODE: VS5825	504903	1
170	MS27212-6-3	..	TERMINAL BOARD ASSY-TB101	504903	1
175	D75D70595-111	..	PLATE- SUPPLIER CODE: VS5825	504903	1
- 180	T18R	..	TIE- SUPPLIER CODE: VU384 OPTIONAL PART: 89176-0001 VS5006	504903	21
- 185	D75D95098-903	.H	HARNESS ASSY-IND SUPPLIER CODE: VS5825	504903	1
- 190	T18R	.T	TIE- SUPPLIER CODE: VU384 OPTIONAL PART: 89176-0001 VS5006	504903	1
- 195	48-7190	..	CONNECTOR-J133 LAV C AND D SUPPLIER CODE: V02660	504903	1
- 200	48-7191	..	CONNECTOR-J134 LAV C AND D SUPPLIER CODE: V02660	504903	1
- 205	T18R	..	TIE- SUPPLIER CODE: VU384 OPTIONAL PART: 89176-0001 VS5006	504903	3
- 210	DJ1191	.I	INDICATOR-RESPONSE LAV F SUPPLIER CODE: VS5065	504903	21

MISSING ITEM NUMBERS NOT APPLICABLE

- ITEM NOT ILLUSTRATED

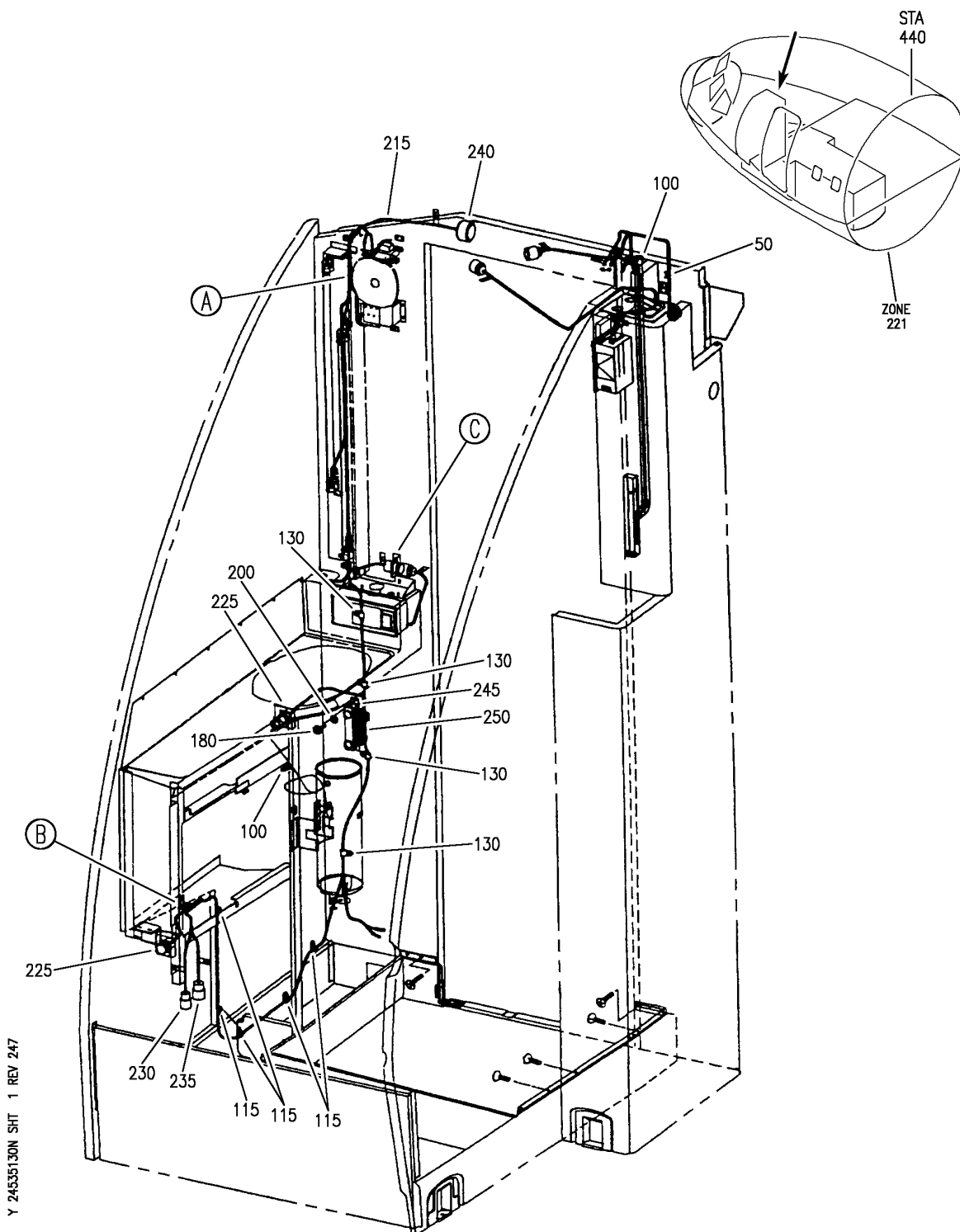
BRI

24-53-51-30H

BOEING PROPRIETARY - Copyright © - Unpublished Work - See title page for details.

24-53-51
FIG. 30H
PAGE 2
JAN 20/09

BOEING
757
PARTS CATALOG (MAINTENANCE)



Y 24535130N SH1 1 REV 247

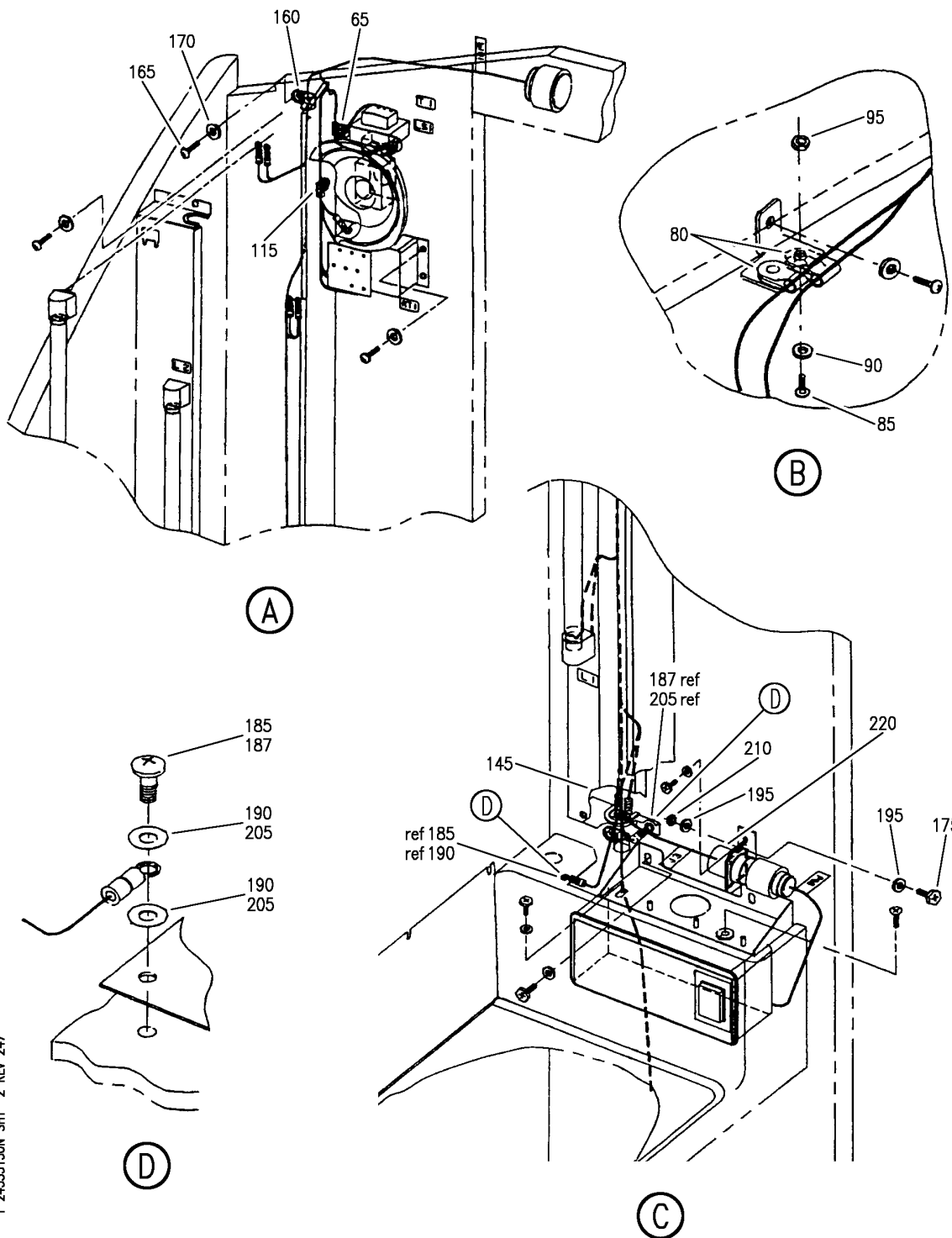
WALL ASSY-SEG 110, LAV A (ELECTRICAL POWER ONLY)
FIGURE 30N (SHEET 1)

24-53-51-30N

BRI
MAY 28/07

24-53-51-30N
PAGE 0

BOEING
757
PARTS CATALOG (MAINTENANCE)



Y 24535130N SHT 2 REV 247

WALL ASSY-SEG 110, LAV A (ELECTRICAL POWER ONLY)
FIGURE 30N (SHEET 2)

24-53-51-30N

BRI
MAY 28/07

24-53-51-30N
PAGE 0A



757

PARTS CATALOG (MAINTENANCE)

FIG ITEM	PART NUMBER	1 2 3 4 5 6 7	NOMENCLATURE	EFFECT FROM TO	UNITS PER ASSY
30N			WALL ASSY-SEG 110, LAV A (ELECTRICAL POWER ONLY)	101102	
- 1	D75D11230-111		WALL ASSY-SEG 110, LAV A (ELECTRICAL POWER ONLY) SUPPLIER CODE: VS5825 FOR NHA/OTHER SYS DET SEE: 25-41-01-46A	101102	RF
50	BACC10DK2		.CLAMP ATTACHING PARTS	101102	1
- 55	NAS1801-3-6		.SCREW	101102	1
- 60	NAS1149D0332K		.WASHER -----*-----	101102	1
65	BACC10DK2		.CLAMP ATTACHING PARTS	101102	1
- 70	NAS1801-08-5		.SCREW	101102	1
- 75	NAS1149DN816K		.WASHER -----*-----	101102	1
80	BACC10DK3		.CLAMP ATTACHING PARTS	101102	2
85	NAS1801-08-7		.SCREW	101102	2
90	NAS1149DN816K		.WASHER	101102	4
95	NAS679A08		.NUT -----*-----	101102	2
100	BACC10DK3		.CLAMP ATTACHING PARTS	101102	2
- 105	NAS1801-3-6		.SCREW	101102	2
- 110	NAS1149D0332K		.WASHER -----*-----	101102	2
115	BACC10DK4		.CLAMP ATTACHING PARTS	101102	6
- 120	NAS1801-3-6		.SCREW	101102	6
- 125	NAS1149D0332K		.WASHER -----*-----	101102	6
130	BACC10DK5		.CLAMP ATTACHING PARTS	101102	4
- 135	NAS1801-3-6		.SCREW	101102	4
- 140	NAS1149D0332K		.WASHER -----*-----	101102	4
145	BACC10DK6		.CLAMP ATTACHING PARTS	101102	1
- 150	NAS1801-3-6		.SCREW	101102	1
- 155	NAS1149D0332K		.WASHER -----*-----	101102	1
160	BACC10DK7		.CLAMP ATTACHING PARTS	101102	1
165	NAS1801-3-6		.SCREW	101102	1
170	NAS1149D0332K		.WASHER -----*-----	101102	1

MISSING ITEM NUMBERS NOT APPLICABLE

- ITEM NOT ILLUSTRATED

24-53-51-30N

24-53-51
FIG. 30N
PAGE 1
JAN 20/09

BRI

BOEING PROPRIETARY - Copyright © - Unpublished Work - See title page for details.

 **BOEING**
757
PARTS CATALOG (MAINTENANCE)

FIG ITEM	PART NUMBER	1 2 3 4 5 6 7	NOMENCLATURE	EFFECT FROM TO	UNITS PER ASSY
30N					
175	NAS1801-04-6	.	SCREW	101102	12
180	NAS1801-06-5	.	SCREW	101102	2
185	NAS1801-3-7	.	SCREW	101102	1
187	NAS1801-3-7	.	SCREW	101102	1
190	BACW10BP3APU	.	WASHER	101102	2
195	NAS1149DN416K	.	WASHER	101102	24
200	NAS1149DN616K	.	WASHER	101102	2
205	NAS1149D0316H	.	WASHER	101102	2
210	NAS679A04	.	NUT	101102	12
215	D75D91022-111	.	HARNASS ASSY-MAIN	101102	1
			SUPPLIER CODE: VS5825		
220	BACC45FN14-15S	..	CONNECTOR-J3	101102	1
225	BACC45FN14-7S	..	CONNECTOR-J2, J103	101102	2
230	BACC45FT10C5S	..	CONNECTOR-P4	101102	1
235	BACC45FT12B12S	..	CONNECTOR-P5	101102	1
240	BACC45FT24C43P	..	CONNECTOR-P101	101102	1
245	D75D70594-111	..	PLATE-	101102	1
			SUPPLIER CODE: VS5825		
250	MS27212-6-5	..	TERMINAL BOARD ASSY-TB2	101102	1
- 255	T18R	..	TIE-INSULOK	101102	37
			SUPPLIER CODE: VU3384		
			OPTIONAL PART: 89176-0001 VS5006		

MISSING ITEM NUMBERS NOT APPLICABLE

- ITEM NOT ILLUSTRATED

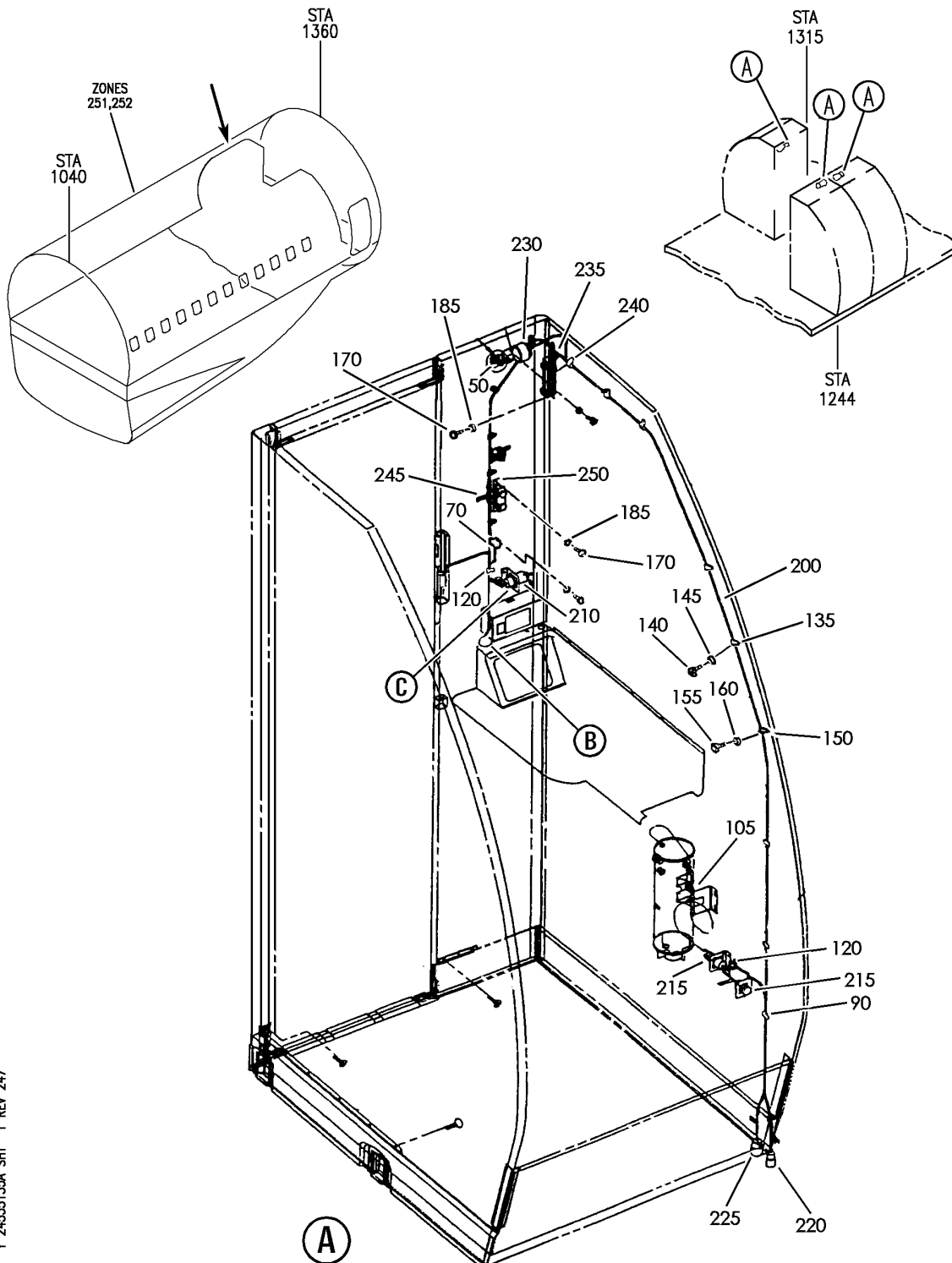
BRI

24-53-51-30N

BOEING PROPRIETARY - Copyright © - Unpublished Work - See title page for details.

24-53-51
FIG. 30N
PAGE 2
JAN 20/09

BOEING
757
PARTS CATALOG (MAINTENANCE)



Y 24535135A SHT 1 REV 247

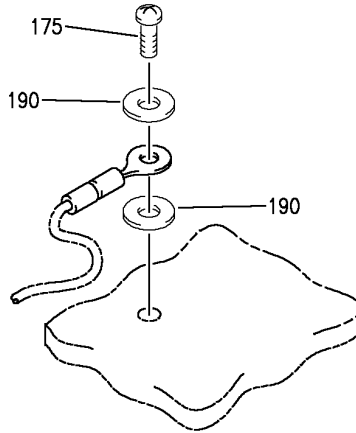
WALL ASSY-OUT SEG 110, LAV (ELECTRICAL POWER ONLY)
FIGURE 35A (SHEET 1)

24-53-51-35A

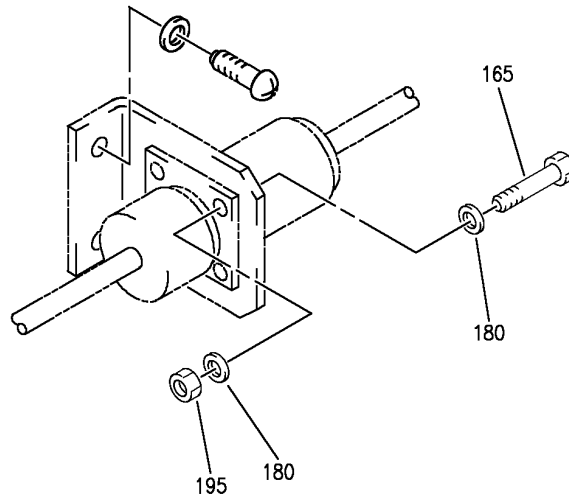
BRI
MAY 28/07

24-53-51-35A
PAGE 0

BOEING
757
PARTS CATALOG (MAINTENANCE)



(B)



(C)

Y 24535135A SHT 2 REV 247

WALL ASSY-OUT SEG 110, LAV (ELECTRICAL POWER ONLY)
FIGURE 35A (SHEET 2)

24-53-51-35A

BRI
MAY 28/07

24-53-51-35A
PAGE 0A

 **BOEING**
757
PARTS CATALOG (MAINTENANCE)

FIG ITEM	PART NUMBER	1 2 3 4 5 6 7	NOMENCLATURE	EFFECT FROM TO	UNITS PER ASSY
35A			WALL ASSY-OUT SEG 110, LAV (ELECTRICAL POWER ONLY)	101102	
- 1	D75D11231-111		WALL ASSY-OUT SEG 110, LAV B (ELECTRICAL POWER ONLY) SUPPLIER CODE: VS5825 FOR NHA/OTHER SYS DET SEE: 25-41-03-52C	101102	RF
- 5	D75D11232-111		WALL ASSY-OUT SEG 110, LAV C (ELECTRICAL POWER ONLY) SUPPLIER CODE: VS5825 FOR NHA/OTHER SYS DET SEE: 25-41-03-50H	101102	RF
- 10	D75D11233-111		WALL ASSY-OUT SEG 110, LAV D (ELECTRICAL POWER ONLY) SUPPLIER CODE: VS5825 FOR NHA/OTHER SYS DET SEE: 25-41-03-51H	101102	RF
50	BACC10DK2		.CLAMP ATTACHING PARTS	101102	1
- 55	NAS1801-3-8		.SCREW	101102	1
- 60	NAS1149D0332K		.WASHER	101102	2
- 65	NAS679A3		.NUT	101102	1
			-----*-----		
70	BACC10DK3		.CLAMP ATTACHING PARTS	101102	1
- 75	NAS1801-3-8		.SCREW	101102	1
- 80	NAS1149D0332K		.WASHER	101102	2
- 85	NAS679A3		.NUT	101102	1
			-----*-----		
90	BACC10DK3		.CLAMP ATTACHING PARTS	101102	1
- 95	NAS1801-3-6		.SCREW	101102	1
- 100	NAS1149D0332K		.WASHER	101102	1
			-----*-----		
105	BACC10DK3		.CLAMP ATTACHING PARTS	101102	1
- 110	NAS1801-3-7		.SCREW	101102	1
- 115	NAS1149D0332K		.WASHER	101102	1
			-----*-----		
120	BACC10DK4		.CLAMP ATTACHING PARTS	101102	2
- 125	NAS1801-3-6		.SCREW	101102	2

MISSING ITEM NUMBERS NOT APPLICABLE

- ITEM NOT ILLUSTRATED

BRI

24-53-51-35A

BOEING PROPRIETARY - Copyright © - Unpublished Work - See title page for details.

24-53-51
FIG. 35A
PAGE 1
JAN 20/09



757

PARTS CATALOG (MAINTENANCE)

FIG ITEM	PART NUMBER	1 2 3 4 5 6 7	NOMENCLATURE	EFFECT FROM TO	UNITS PER ASSY
35A					
- 130	NAS1149D0332K	.	WASHER	101102	2
		-----*			
135	BACC10DK5	.	CLAMP	101102	13
			ATTACHING PARTS		
140	NAS1801-3-6	.	SCREW	101102	13
145	NAS1149D0332K	.	WASHER	101102	13
		-----*			
150	BACC10DK5	.	CLAMP	101102	1
			ATTACHING PARTS		
155	NAS1801-3-7	.	SCREW	101102	1
160	NAS1149D0332K	.	WASHER	101102	1
		-----*			
165	NAS1801-04-6	.	SCREW	101102	12
170	NAS1801-06-5	.	SCREW	101102	4
175	NAS1801-3-7	.	SCREW	101102	1
180	NAS1149DN416K	.	WASHER	101102	24
185	NAS1149DN616K	.	WASHER	101102	4
190	BACW10BP3APU	.	WASHER	101102	2
195	NAS679A04	.	NUT	101102	12
200	D75D91020-111	.	HARNESS ASSY-MAIN LAV B AND D	101102	1
			SUPPLIER CODE: VS5825		
- 205	D75D91020-211	.	HARNESS ASSY-MAIN LAV C	101102	1
			SUPPLIER CODE: VS5825		
210	BACC45FN14-15S	..	CONNECTOR-J3	101102	1
215	BACC45FN14-7S	..	CONNECTOR-J2, J102	101102	2
220	BACC45FT10C5S	..	CONNECTOR-P4	101102	1
225	BACC45FT12C12S	..	CONNECTOR-P5	101102	1
230	BACC45FT24C43P	..	CONNECTOR-P101	101102	1
235	MS27212-6-5	..	TERMINAL BOARD ASSY-TB2	101102	1
240	D75D70594-111	..	PLATE-	101102	1
			SUPPLIER CODE: VS5825		
245	MS27212-6-3	..	TERMINAL BOARD ASSY-TB101	101102	1
250	D75D70595-111	..	PLATE-	101102	1
			SUPPLIER CODE: VS5825		
- 255	T18R	..	TIE-INSULOK	101102	21
			SUPPLIER CODE: VU3384		
			OPTIONAL PART: 89176-0001 VS5006		

MISSING ITEM NUMBERS NOT APPLICABLE

- ITEM NOT ILLUSTRATED

24-53-51-35A

24-53-51
FIG. 35A
PAGE 2
JAN 20/09

BRI

BOEING PROPRIETARY - Copyright © - Unpublished Work - See title page for details.



757

PARTS CATALOG (MAINTENANCE)

FIG ITEM	PART NUMBER	1 2 3 4 5 6 7	NOMENCLATURE	EFFECT FROM TO	UNITS PER ASSY
35A - 260	T18R		.TIE-INSULOK SUPPLIER CODE: VU3384 OPTIONAL PART: 89176-0001 VS5006	101102	1

MISSING ITEM NUMBERS NOT APPLICABLE

- ITEM NOT ILLUSTRATED

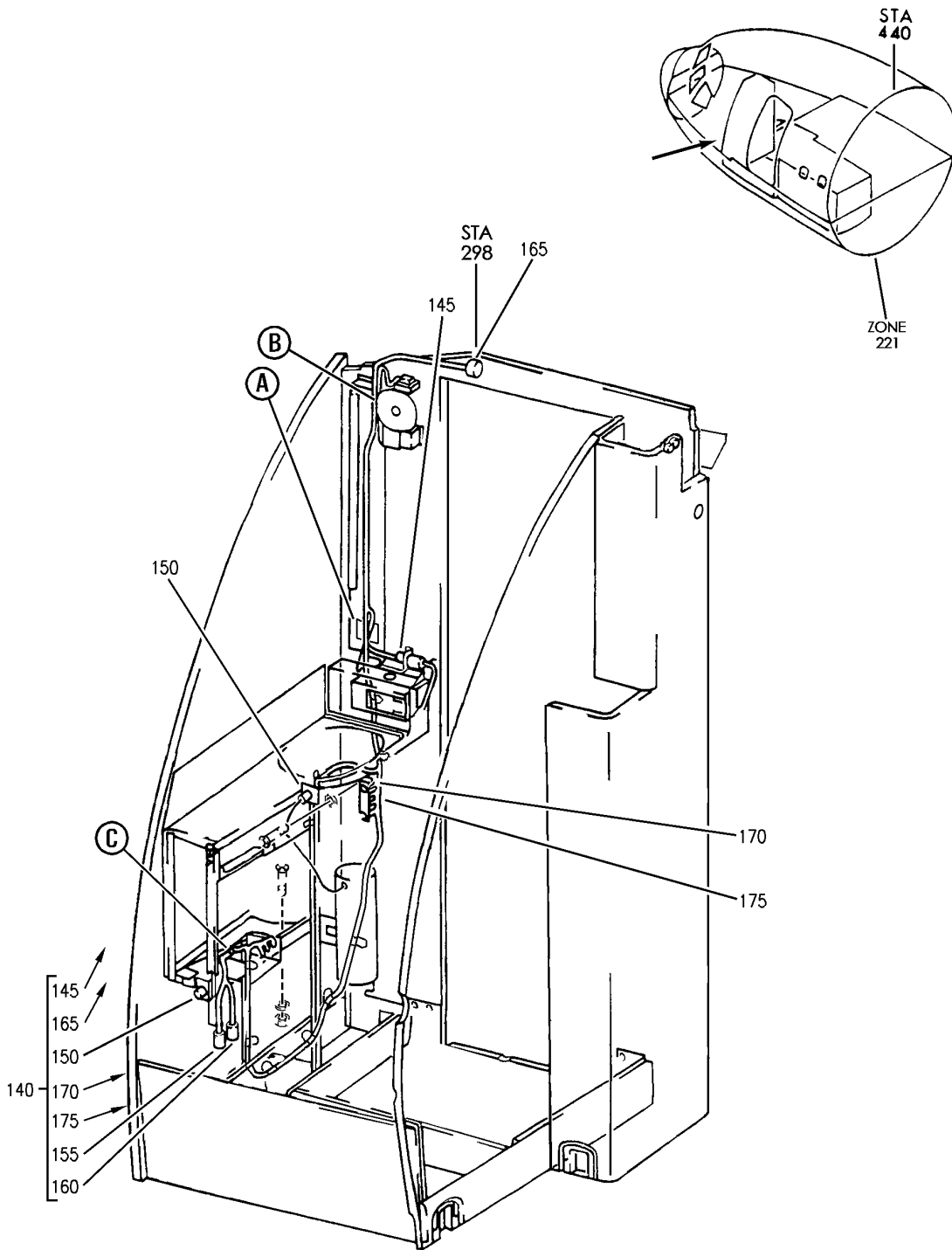
BRI

24-53-51-35A

BOEING PROPRIETARY - Copyright © - Unpublished Work - See title page for details.

24-53-51
FIG. 35A
PAGE 3
JAN 20/09

BOEING
757
PARTS CATALOG (MAINTENANCE)



Y 24535150 SHT 1 REV 238

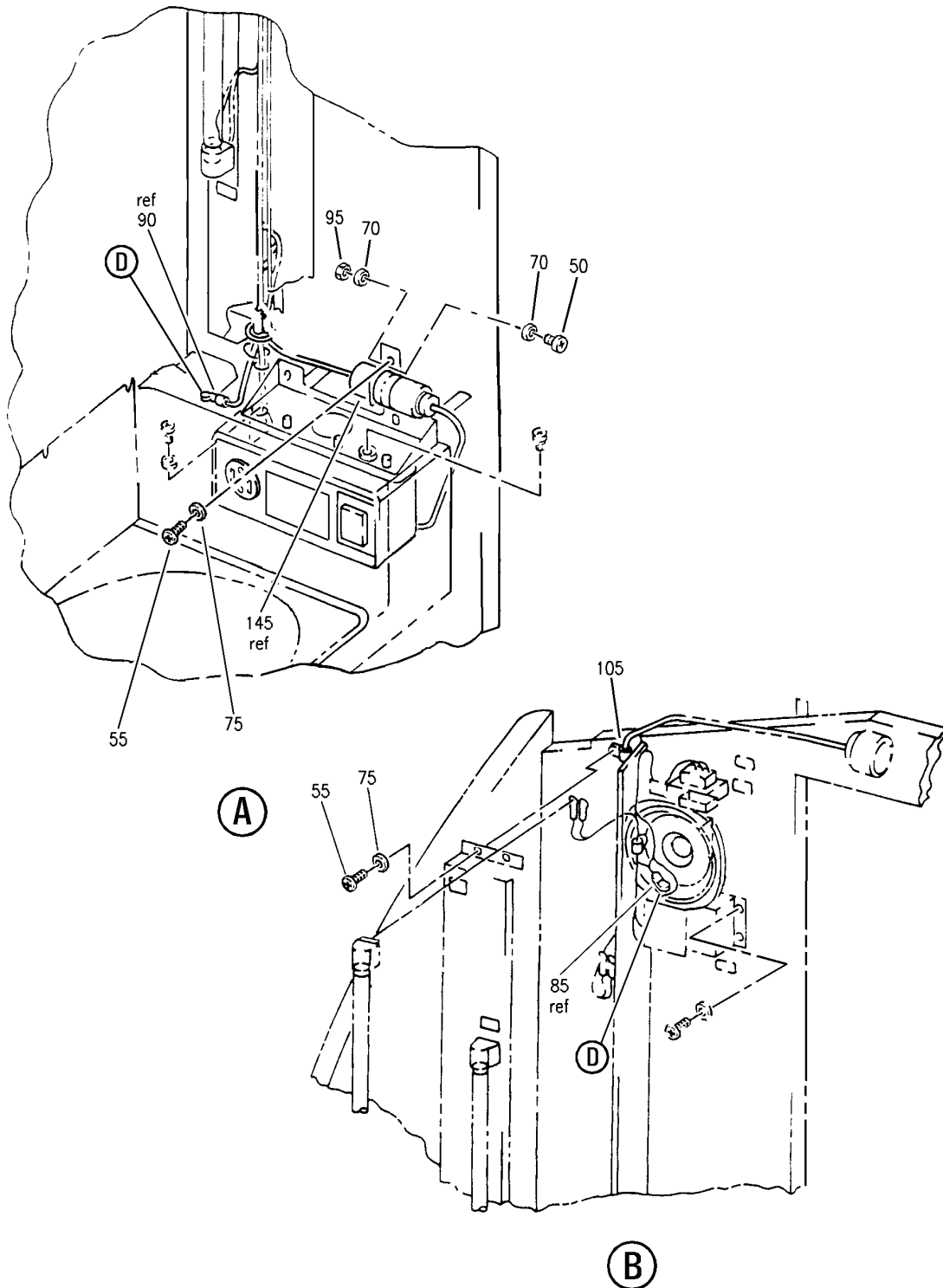
WALL ASSY-OUT SEG 110 LAV (ELECTRICAL POWER ONLY)
FIGURE 50 (SHEET 1)

24-53-51-50

BRI
JAN 20/09

24-53-51-50
PAGE 0

BOEING
757
PARTS CATALOG (MAINTENANCE)



Y 24535150 SHT 2 REV 238

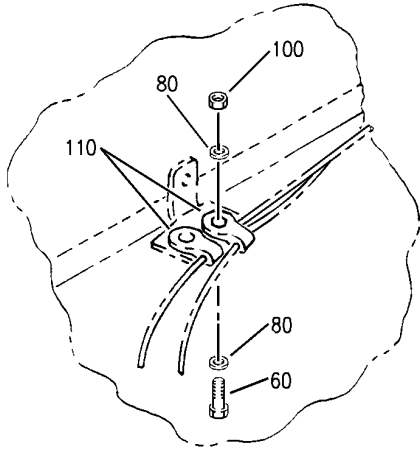
WALL ASSY-OUT SEG 110 LAV (ELECTRICAL POWER ONLY)
FIGURE 50 (SHEET 2)

24-53-51-50

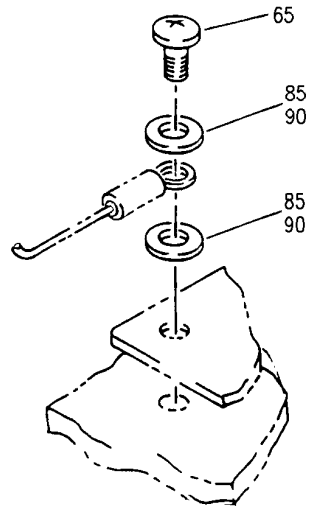
BRI
JAN 20/09

24-53-51-50
PAGE 0A

BOEING
757
PARTS CATALOG (MAINTENANCE)



(C)



(D)

Y 24535150 SH1 3 REV 238

WALL ASSY-OUT SEG 110 LAV (ELECTRICAL POWER ONLY)
FIGURE 50 (SHEET 3)

24-53-51-50

BRI
JAN 20/09

24-53-51-50
PAGE 0B



757

PARTS CATALOG (MAINTENANCE)

FIG ITEM	PART NUMBER	1 2 3 4 5 6 7	NOMENCLATURE	EFFECT FROM TO	UNITS PER ASSY
50			WALL ASSY-OUT SEG 110 LAV (ELECTRICAL POWER ONLY)	504903	
- 1	D75D11263-111		WALL ASSY-OUT SEG 110, LAV A (ELECTRICAL POWER ONLY) SUPPLIER CODE: VS5825 FOR NHA/OTHER SYS DET SEE: 25-41-01-12	504903	RF
	50 NAS1801-04-6	.	SCREW	504903	12
	55 NAS1801-06-5	.	SCREW	504903	12
	60 NAS1801-08-7	.	SCREW	504903	2
	65 NAS1801-3-7	.	SCREW	504903	2
	70 AN960KD4L	.	WASHER	504903	24
	75 AN960KD6L	.	WASHER	504903	20
	80 AN960KD8L	.	WASHER	504903	5
	85 AN960C10L	.	WASHER	504903	6
- 90	BACW10BP3APU	.	WASHER	504903	2
	95 NAS679A04	.	NUT	504903	12
	100 NAS679A08	.	NUT	504903	2
	105 BACC10DK2	.	CLAMP	504903	1
	110 BACC10DK3	.	CLAMP	504903	6
- 115	BACC10DK4	.	CLAMP	504903	6
- 120	BACC10DK5	.	CLAMP	504903	4
- 125	BACC10DK6	.	CLAMP	504903	1
- 130	BACC10DK7	.	CLAMP	504903	1
- 135	D75D05098-901	.	HARNES ASSY-IND SUPPLIER CODE: VS5825	504903	1
	140 D75D91018-111	.	HARNES ASSY-MAIN SUPPLIER CODE: VS5825	504903	1
	145 BACC45FN14-15S	..	CONNECTOR-J3	504903	1
	150 BACC45FN14-7S	..	CONNECTOR-J2, J103	504903	2
	155 BACC45FT10C5S	..	CONNECTOR-P4	504903	1
	160 BACC45FT12C12S	..	CONNECTOR-P5	504903	1
	165 BACC45FT24C43P	..	CONNECTOR-101	504903	1
	170 D75D70594-111	..	PLATE- SUPPLIER CODE: VS5825	504903	1
	175 MS27212-6-5	..	TERMINAL BOARD ASSY-TB2	504903	1
- 180	T18R	..	TIE- SUPPLIER CODE: VU3384 OPTIONAL PART: 89176-0001 VS5006	504903	31

MISSING ITEM NUMBERS NOT APPLICABLE

- ITEM NOT ILLUSTRATED

24-53-51-50

24-53-51
FIG. 50
PAGE 1
JAN 20/09

BRI



757

PARTS CATALOG (MAINTENANCE)

FIG ITEM	PART NUMBER	1 2 3 4 5 6 7	NOMENCLATURE	EFFECT FROM TO	UNITS PER ASSY
50 - 185	T18R		. . TIE- SUPPLIER CODE: VU3384 OPTIONAL PART: 89176-0001 VS5006	504903	2
- 190	DJ1191		. INDICATOR- SUPPLIER CODE: VS5065	504903	1

MISSING ITEM NUMBERS NOT APPLICABLE

- ITEM NOT ILLUSTRATED

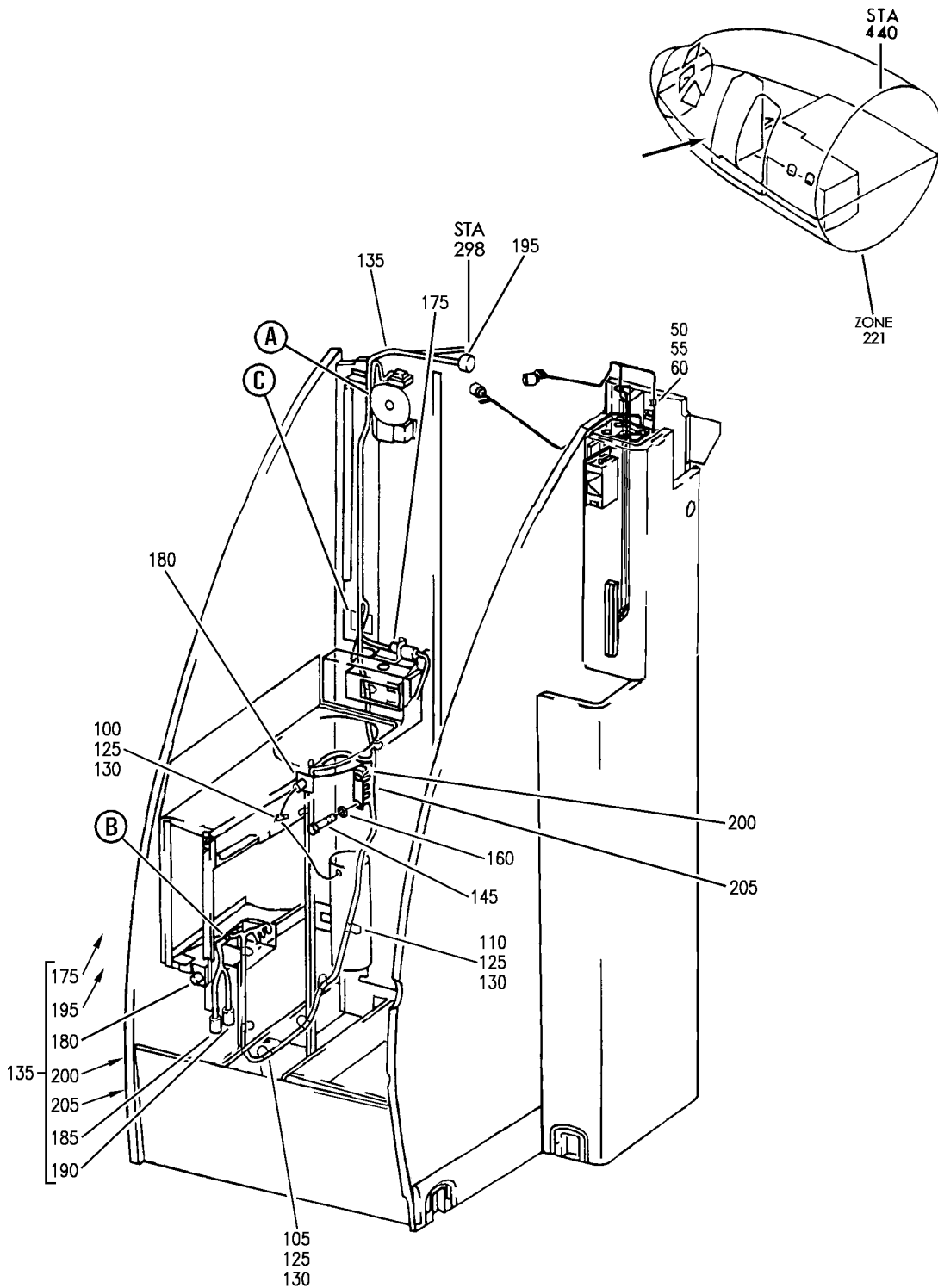
BRI

24-53-51-50

BOEING PROPRIETARY - Copyright © - Unpublished Work - See title page for details.

24-53-51
FIG. 50
PAGE 2
JAN 20/09

BOEING
757
PARTS CATALOG (MAINTENANCE)



Y 24535150C SHT 1 REV 253

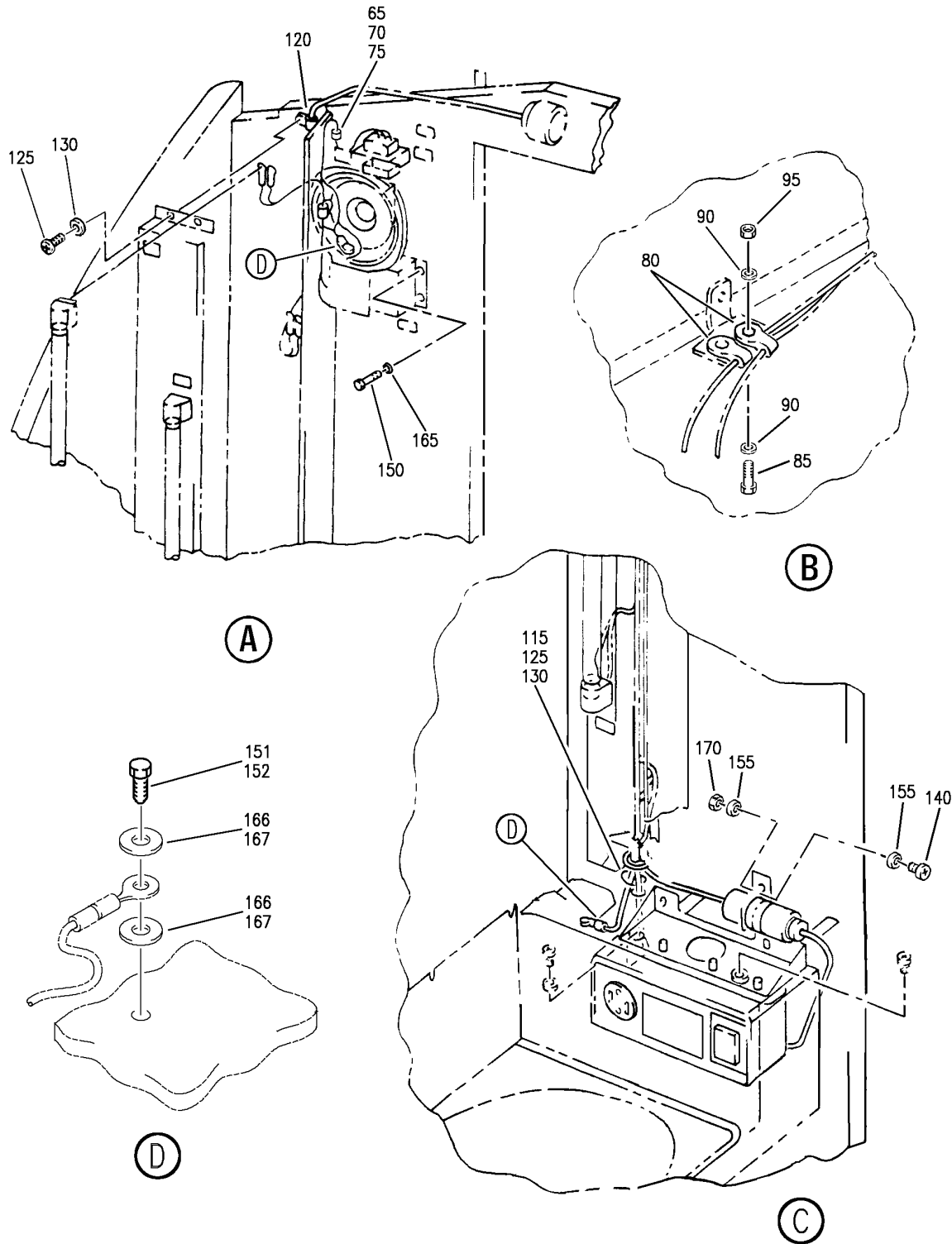
WALL ASSY-OUT SEG 110, LAV A (ELECTRICAL POWER ONLY)
FIGURE 50C (SHEET 1)

24-53-51-50C

BRI
JAN 20/09

24-53-51-50C
PAGE 0

BOEING
757
PARTS CATALOG (MAINTENANCE)



Y 24535150C SHT 2 REV 253

WALL ASSY-OUT SEG 110, LAV A (ELECTRICAL POWER ONLY)
FIGURE 50C (SHEET 2)

24-53-51-50C

BRI
JAN 20/09

24-53-51-50C
PAGE 0A

BOEING
757
PARTS CATALOG (MAINTENANCE)

FIG ITEM	PART NUMBER	1 2 3 4 5 6 7	NOMENCLATURE	EFFECT FROM TO	UNITS PER ASSY
50C			WALL ASSY-OUT SEG 110, LAV A (ELECTRICAL POWER ONLY)	108120	
- 1	D75D11273-111		WALL ASSY-OUT SEG 110 LAV A (ELECTRICAL POWER ONLY) SUPPLIER CODE: VS5825 FOR NHA/OTHER SYS DET SEE: 25-41-01-06Q	108120	RF
50	BACC10DK2		.CLAMP ATTACHING PARTS	108120	1
55	NAS1801-3-6		.SCREW	108120	1
60	NAS1149D0332K		.WASHER	108120	1
			-----*-----		
65	BACC10DK2		.CLAMP ATTACHING PARTS	108120	1
70	NAS1801-08-5		.SCREW	108120	1
75	NAS1149DN816K		.WASHER	108120	1
			-----*-----		
80	BACC10DK3		.CLAMP ATTACHING PARTS	108120	2
85	NAS1801-08-7		.SCREW	108120	2
90	NAS1149DN816K		.WASHER	108120	4
95	NAS679A08		.NUT	108120	2
			-----*-----		
100	BACC10DK3		.CLAMP	108120	2
105	BACC10DK4		.CLAMP	108120	6
110	BACC10DK5		.CLAMP	108120	4
115	BACC10DK6		.CLAMP	108120	1
120	BACC10DK7		.CLAMP ATTACHING PARTS	108120	1
125	NAS1801-3-6		.SCREW	108120	14
130	NAS1149D0332K		.WASHER	108120	14
			-----*-----		
135	D75D91022-111		.HARNES ASSY-VAIN SUPPLIER CODE: VS5825 ATTACHING PARTS	108120	1
140	NAS1801-04-6		.SCREW	108120	12
151	NAS1801-3-6		.SCREW	108120	4
152	NAS1801-3-7		.SCREW	108120	1
155	NAS1149DN416K		.WASHER	108120	24
160	NAS1149DN616K		.WASHER	108120	2
166	BACW10BP3APU		.WASHER	108120	2
167	NAS1149D0316H		.WASHER	108120	2
170	NAS679A04		.NUT	108120	12
			-----*-----		
175	BACC45FN14-15S		..CONNECTOR-J3	108120	1
180	BACC45FN14-7S		..CONNECTOR-J2,J103	108120	2

MISSING ITEM NUMBERS NOT APPLICABLE

- ITEM NOT ILLUSTRATED

BRI

24-53-51-50C

BOEING PROPRIETARY - Copyright © - Unpublished Work - See title page for details.

24-53-51
FIG. 50C
PAGE 1
JAN 20/09



757

PARTS CATALOG (MAINTENANCE)

FIG ITEM	PART NUMBER	1 2 3 4 5 6 7	NOMENCLATURE	EFFECT FROM TO	UNITS PER ASSY
50C					
185	BACC45FT10C5S	..	CONNECTOR-P4	108120	1
190	BACC45FT12B12S	..	CONNECTOR-P5	108120	1
195	BACC45FT24C43P	..	CONNECTOR-P101	108120	1
200	D75D70594-111	..	PLATE-	108120	1
			SUPPLIER CODE: VS5825		
205	MS27212-6-5	..	TERMINAL BOARD ASSY-TB2	108120	1
- 212	T18R	..	TIE-	108120	37
			SUPPLIER CODE: VU384		
			OPTIONAL PART: 89176-0001 VS5006		

MISSING ITEM NUMBERS NOT APPLICABLE

- ITEM NOT ILLUSTRATED

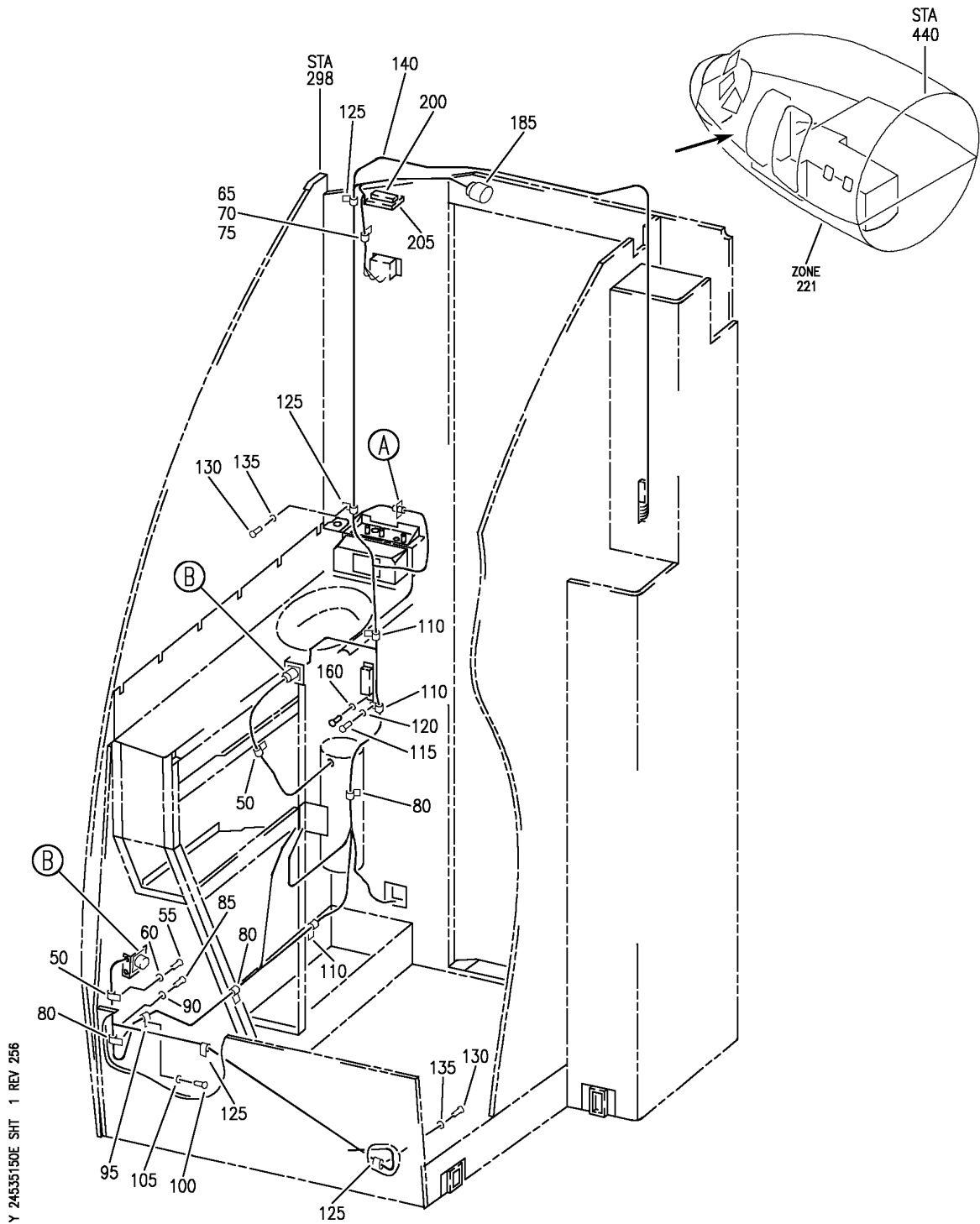
BRI

24-53-51-50C

BOEING PROPRIETARY - Copyright © - Unpublished Work - See title page for details.

24-53-51
FIG. 50C
PAGE 2
JAN 20/09

BOEING
757
PARTS CATALOG (MAINTENANCE)



Y 24535150E SHT 1 REV 256

WALL ASSY-OUT SEG 100 LAV A (ELECTRICAL POWER ONLY)
FIGURE 50E (SHEET 1)

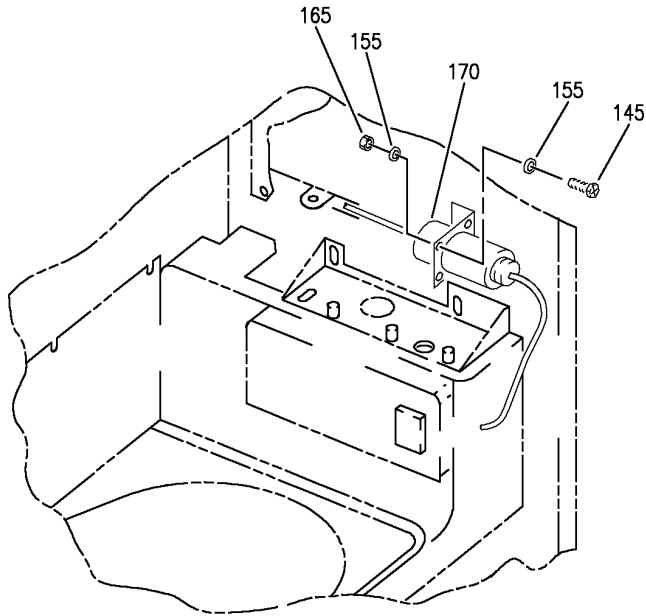
24-53-51-50E

BRI
JAN 20/09

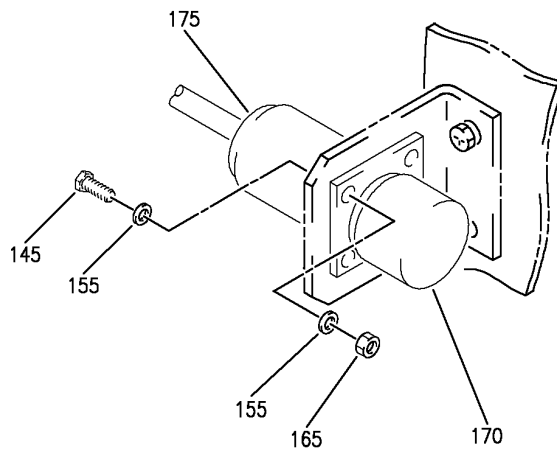
24-53-51-50E
PAGE 0

BOEING PROPRIETARY - Copyright © - Unpublished Work - See title page for details.

BOEING
757
PARTS CATALOG (MAINTENANCE)



(A)



(B)

Y 24535150E SHT 2 REV 256

WALL ASSY-OUT SEG 100 LAV A (ELECTRICAL POWER ONLY)
FIGURE 50E (SHEET 2)

24-53-51-50E

BRI
JAN 20/09

24-53-51-50E
PAGE 0A

BOEING PROPRIETARY - Copyright © - Unpublished Work - See title page for details.



757

PARTS CATALOG (MAINTENANCE)

FIG ITEM	PART NUMBER	1 2 3 4 5 6 7	NOMENCLATURE	EFFECT FROM TO	UNITS PER ASSY
50E			WALL ASSY-OUT SEG 100 LAV A (ELECTRICAL POWER ONLY)	103106	
- 1	D71D10049-111A		WALL ASSY-OUT SEG 100 LAV A (ELECTRICAL POWER ONLY) SUPPLIER CODE: VS5825 FOR NHA/OTHER SYS DET SEE: 25-41-01-40E	103106	RF
50	BACC10DK3		.CLAMP ATTACHING PARTS	103106	2
55	NAS1801-3-6		.SCREW	103106	1
60	NAS1149D0332K		.WASHER	103106	1
			-----*-----		
65	BACC10DK4		.CLAMP ATTACHING PARTS	103106	1
70	NAS1801-3-6		.SCREW	103106	1
75	NAS1149D0332K		.WASHER	103106	1
			-----*-----		
80	BACC10DK5		.CLAMP ATTACHING PARTS	103106	3
85	NAS1801-3-6		.SCREW	103106	1
90	NAS1149D0332K		.WASHER	103106	1
			-----*-----		
95	BACC10DK5		.CLAMP ATTACHING PARTS	103106	1
100	NAS1801-3-10		.SCREW	103106	1
105	NAS1149D0332K		.WASHER	103106	1
110	BACC10DK6		.CLAMP	103106	3
115	NAS1801-3-6		.SCREW	103106	1
120	NAS1149D0332K		.WASHER	103106	1
			-----*-----		
125	BACC10DK7		.CLAMP ATTACHING PARTS	103106	4
130	NAS1801-3-6		.SCREW	103106	2
135	NAS1149D0332K		.WASHER	103106	2
			-----*-----		
140	D71D91009-111		.HARNES ASSY-MAIN SUPPLIER CODE: VS5825 ATTACHING PARTS	103106	1
145	NAS1801-04-6		.SCREW	103106	12
- 150	NAS1801-06-5		.SCREW	103106	4
155	NAS1149DN416K		.WASHER	103106	6
160	NAS1149DN616K		.WASHER	103106	4
165	NAS679A04		.NUT	103106	3
			-----*-----		
170	BACC45FN14-15S		. . CONNECTOR-J3	103106	3

MISSING ITEM NUMBERS NOT APPLICABLE

- ITEM NOT ILLUSTRATED

24-53-51-50E

24-53-51
FIG. 50E
PAGE 1
JAN 20/09

BRI

BOEING PROPRIETARY - Copyright © - Unpublished Work - See title page for details.



757

PARTS CATALOG (MAINTENANCE)

FIG ITEM	PART NUMBER	1 2 3 4 5 6 7	NOMENCLATURE	EFFECT FROM TO	UNITS PER ASSY
50E					
175	BACC45FN14-7S	..	CONNECTOR-J2	103106	2
- 180	BACC45FN14-12S	..	CONNECTOR-J11	103106	1
185	BACC45FT24C43P	..	CONNECTOR-P101	103106	1
- 190	48-7190	..	CONNECTOR-P13	103106	1
			SUPPLIER CODE: V02660		
- 195	48-7191	..	CONNECTOR-J12	103106	1
			SUPPLIER CODE: V02660		
200	MS27212-6-3	..	TERMINAL BOARD ASSY- TB2, TB201	103106	2
205	D75D70595-111	..	PLATE-	103106	2
			SUPPLIER CODE: VS5825		
- 210	T18R	..	TIE-INSULOK	103106	25
			SUPPLIER CODE: VU3384		
			OPTIONAL PART: 89176-0001 VS5006		

MISSING ITEM NUMBERS NOT APPLICABLE

- ITEM NOT ILLUSTRATED

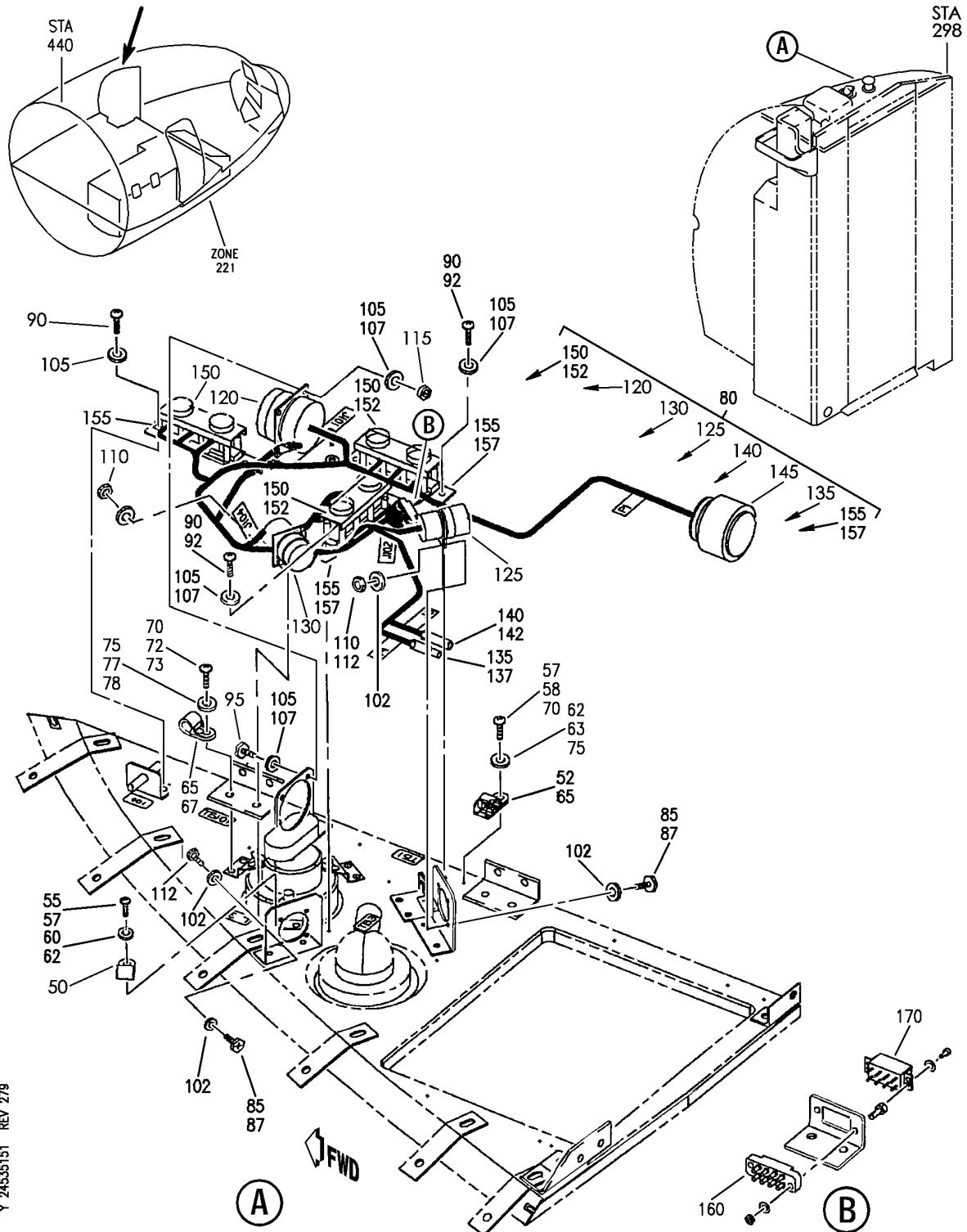
BRI

24-53-51-50E

BOEING PROPRIETARY - Copyright © - Unpublished Work - See title page for details.

24-53-51
FIG. 50E
PAGE 2
JAN 20/09

BOEING
757
PARTS CATALOG (MAINTENANCE)



Y 24535151 REV 279

CEILING ASSY-SEG 150 LAV A (ELECTRICAL POWER ONLY)
FIGURE 51

24-53-51-51

BRI
JAN 20/09

24-53-51-51
PAGE 0



757

PARTS CATALOG (MAINTENANCE)

FIG ITEM	PART NUMBER	1 2 3 4 5 6 7	NOMENCLATURE	EFFECT FROM TO	UNITS PER ASSY
51			CEILING ASSY-SEG 150 LAV A (ELECTRICAL POWER ONLY)	103106	
- 1	D71D15014-111A		CEILING ASSY-SEG 150, LAV A (ELECTRICAL POWER ONLY) SUPPLIER CODE: VS5825 FOR NHA/OTHER SYS DET SEE: 25-41-01-40E	103106	RF
50	BACC10DK5	.	CLAMP	103106	1
52	BACC10DK6	.	CLAMP	103106	1
			ATTACHING PARTS		
55	NAS1801-08-5	.	SCREW	103106	1
57	NAS1801-08-5	.	SCREW	103106	2
60	NAS1149DN816K	.	WASHER	103106	1
62	NAS1149DN816K	.	WASHER	103106	2
			-----*-----		
67	BACC10DK6	.	CLAMP	103106	1
			ATTACHING PARTS		
72	NAS1801-3-6	.	SCREW	103106	1
77	NAS1149D0332K	.	WASHER	103106	1
			-----*-----		
80	D71D92013-111	.	HARNES ASSY- SUPPLIER CODE: VS5825 ATTACHING PARTS	103106	1
87	NAS1801-04-6	.	SCREW	103106	4
92	NAS1801-06-5	.	SCREW	103106	4
95	NAS1801-06-6	.	SCREW	103106	4
102	NAS1149DN416K	.	WASHER	103106	8
107	NAS1149DN616K	.	WASHER	103106	12
112	NAS679A04	.	NUT	103106	4
115	NAS679A06	.	NUT	103106	4
			-----*-----		
120	BACC45FN24-43S	..	CONNECTOR-J101	103106	1
137	48-7190	..	CONNECTOR-J4, P132 SUPPLIER CODE: V02660	103106	2
140	48-7191	..	CONNECTOR-J5 SUPPLIER CODE: V02660	103106	1
142	48-7191	..	CONNECTOR-J5, J131 SUPPLIER CODE: V02660	103106	2
145	BACC45FT24-43P	..	CONNECTOR-P1	103106	1
- 147	450EB001C24347	..	BACKSHELL-45 SUPPLIER CODE: V06324	103106	1

MISSING ITEM NUMBERS NOT APPLICABLE

- ITEM NOT ILLUSTRATED

24-53-51-51

24-53-51
FIG. 51
PAGE 1
JAN 20/09

BRI



757

PARTS CATALOG (MAINTENANCE)

FIG ITEM	PART NUMBER	1 2 3 4 5 6 7	NOMENCLATURE	EFFECT FROM TO	UNITS PER ASSY
51					
152	MS27212-6-3	..	TERMINAL BOARD ASSY- TB1, TB3	103106	2
157	D75D70595-111	..	PLATE- SUPPLIER CODE: VS5825	103106	2
160	HRTS17KM	..	SOCKET-XK1 SUPPLIER CODE: V91663	103106	1
160	HRTS17KJV2	..	SOCKET-XK1 SUPPLIER CODE: V91663	103106	1
- 165	T18R	..	TIE-INSULOK SUPPLIER CODE: VU3384 OPTIONAL PART: 89176-0001 VS5006	103106	11
170	W260F4AM11	.RELAY-K1	SUPPLIER CODE: VF0219 SPECIFICATION NUMBER: BACR13CD2 OPTIONAL PART: BR16S233 V09026 EE4AA005 V35344 3SAV1338A2 V01526 HFW1206K03 V58614 HFW1204K01 V71482	103106	1

MISSING ITEM NUMBERS NOT APPLICABLE

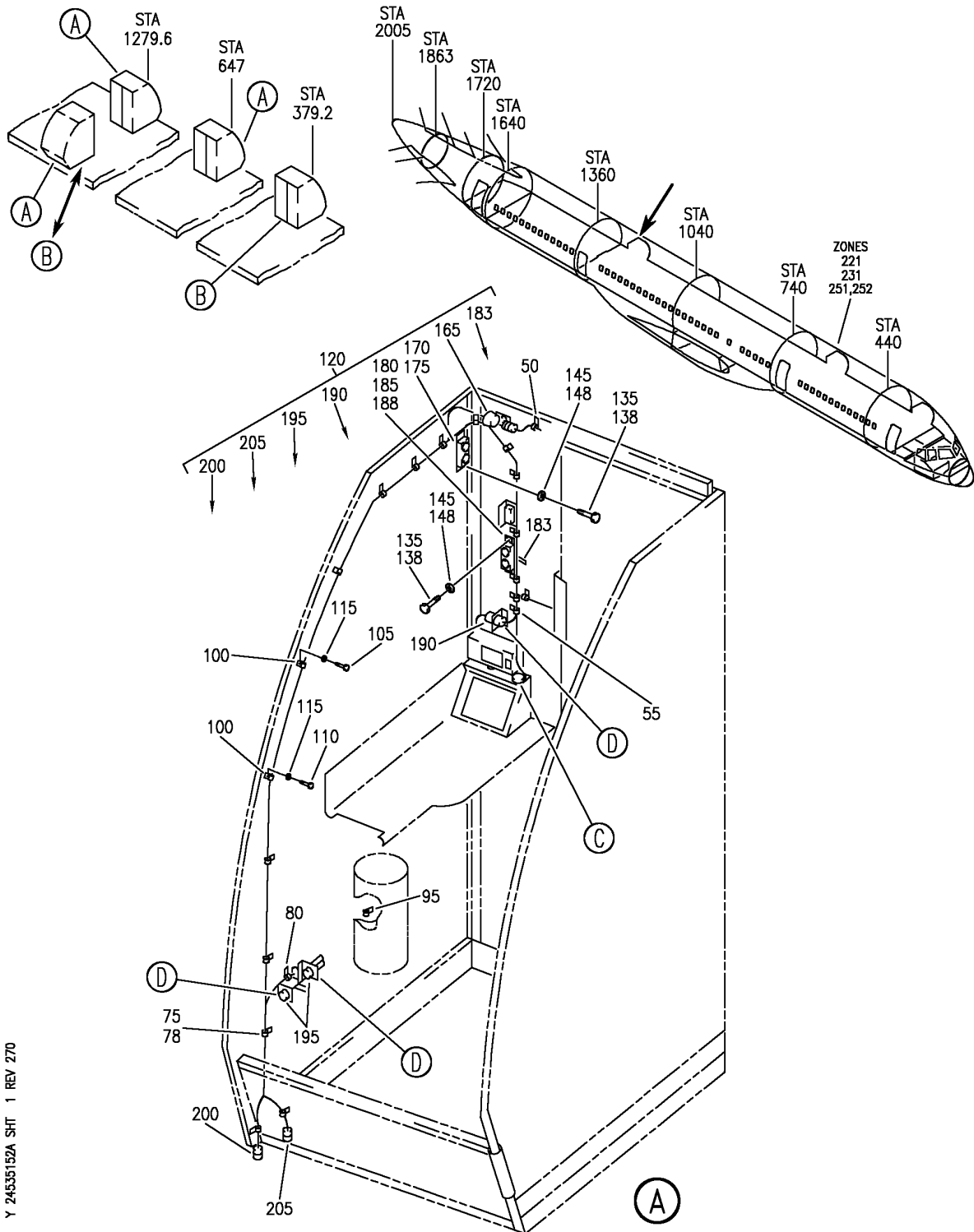
- ITEM NOT ILLUSTRATED

24-53-51-51

24-53-51
FIG. 51
PAGE 2
JAN 20/09

BRI


BOEING
 757
PARTS CATALOG (MAINTENANCE)



Y 24535152A SHT 1 REV 270

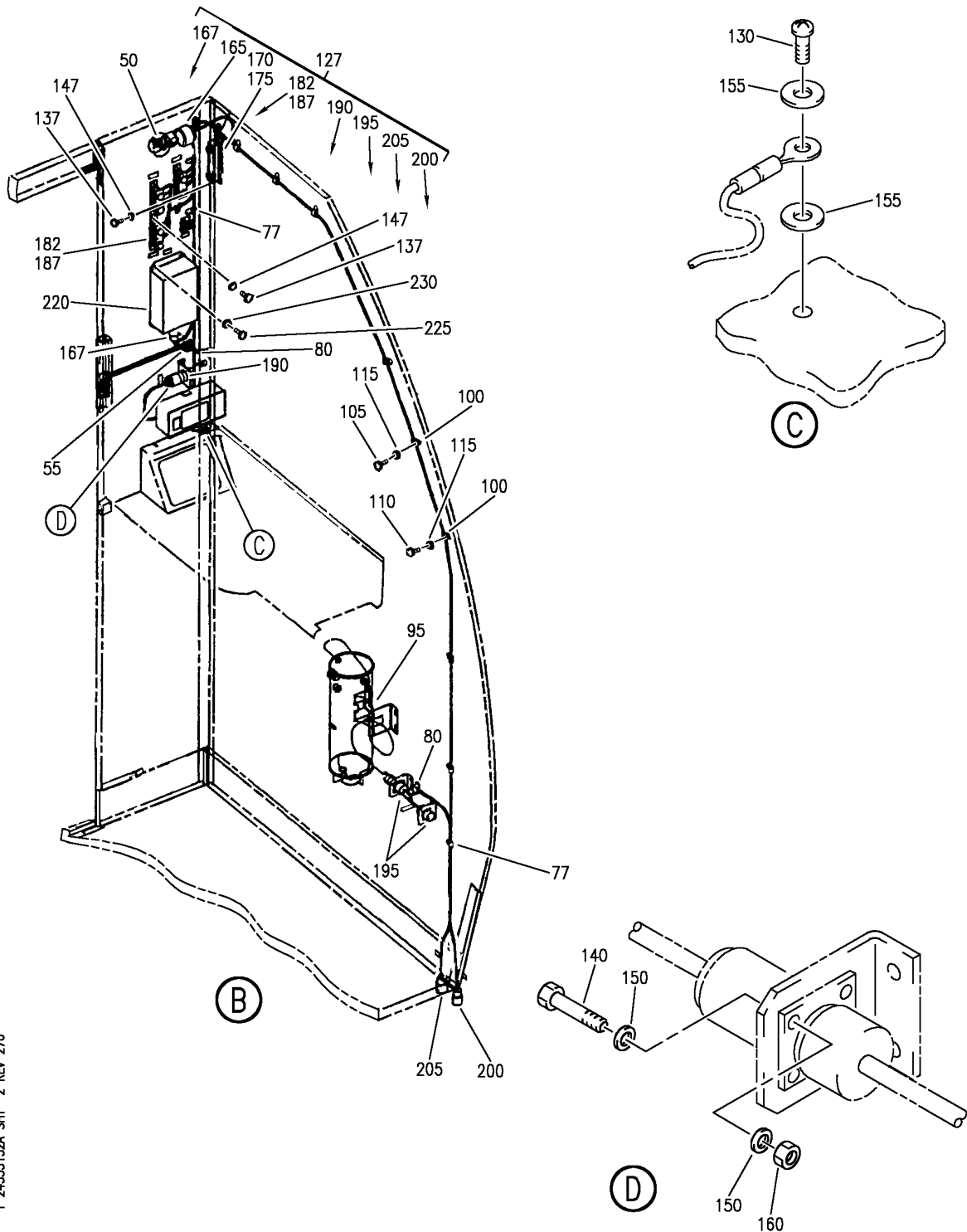
WALL ASSY-OUT SEG 110, LAV (ELECTRICAL POWER ONLY)
 FIGURE 52A (SHEET 1)

24-53-51-52A

BRI
JAN 20/09

24-53-51-52A
 PAGE 0

BOEING
757
PARTS CATALOG (MAINTENANCE)



Y 24535152A SHT 2 REV 270

WALL ASSY-OUT SEG 110, LAV (ELECTRICAL POWER ONLY)
FIGURE 52A (SHEET 2)

24-53-51-52A

BRI
JAN 20/09

24-53-51-52A
PAGE 0A

BOEING
757
PARTS CATALOG (MAINTENANCE)

FIG ITEM	PART NUMBER	1 2 3 4 5 6 7	NOMENCLATURE	EFFECT FROM TO	UNITS PER ASSY
52A			WALL ASSY-OUT SEG 110, LAV (ELECTRICAL POWER ONLY)	108120	
- 1	D75D11274-111		WALL ASSY-OUT SEG 110, LAV C (ELECTRICAL POWER ONLY) SUPPLIER CODE: VS5825 FOR NHA/OTHER SYS DET SEE: 25-41-03-25A	108120	RF
- 5	D75D11275-111		WALL ASSY-OUT SEG 110, LAV D (ELECTRICAL POWER ONLY) SUPPLIER CODE: VS5825 FOR NHA/OTHER SYS DET SEE: 25-41-03-51M	108120	RF
- 10	D75D11276-111		WALL ASSY-OUT SEG 110, LAV S (ELECTRICAL POWER ONLY) SUPPLIER CODE: VS5825 FOR NHA/OTHER SYS DET SEE: 25-41-03-08Q	108120	RF
	50 BACC10DK2		.CLAMP	108120	1
	55 BACC10DK3		.CLAMP	108120	1
			ATTACHING PARTS		
- 60	NAS1801-3-8		.SCREW	108120	2
- 65	NAS1149D0332K		.WASHER	108120	4
- 70	NAS679A3		.NUT	108120	2
			-----*-----		
	75 BACC10DK3		.CLAMP	108120	1
	80 BACC10DK4		.CLAMP	108120	2
			ATTACHING PARTS		
- 85	NAS1801-3-6		.SCREW	108120	3
- 90	NAS1149D0332K		.WASHER	108120	3
			-----*-----		
	95 BACC10DK3		.CLAMP	108120	1
			ATTACHING PARTS		
- 96	NAS1801-3-7		.SCREW	108120	1
- 98	NAS1149D0332K		.WASHER	108120	1
			-----*-----		
	100 BACC10DK5		.CLAMP	108120	14
			ATTACHING PARTS		
	105 NAS1801-3-6		.SCREW	108120	13
	110 NAS1801-3-7		.SCREW	108120	1
	115 NAS1149D0332K		.WASHER	108120	14
			-----*-----		

MISSING ITEM NUMBERS NOT APPLICABLE

- ITEM NOT ILLUSTRATED

BRI

24-53-51-52A

BOEING PROPRIETARY - Copyright © - Unpublished Work - See title page for details.

24-53-51
FIG. 52A
PAGE 1
JAN 20/09



757

PARTS CATALOG (MAINTENANCE)

FIG ITEM	PART NUMBER	1 2 3 4 5 6 7	NOMENCLATURE	EFFECT FROM TO	UNITS PER ASSY
52A 120	D75D91020-211	.	HARNES ASSY-MAIN SUPPLIER CODE: VS5825 POSITION DATA: LAV C	108120	1
- 125	D75D91020-111	.	HARNES ASSY-MAIN SUPPLIER CODE: VS5825 POSITION DATA: LAV D AND S ATTACHING PARTS	108120	1
130	NAS1801-3-7	.	SCREW	108120	1
135	NAS1801-06-5	.	SCREW	108120	4
140	NAS1801-04-6	.	SCREW	108120	12
145	NAS1149DN616K	.	WASHER	108120	4
150	NAS1149DN416K	.	WASHER	108120	24
155	BACW10BP3APU	.	WASHER	108120	2
160	NAS679A04	.	NUT	108120	12
			-----*-----		
165	BACC45FT24C43P	..	CONNECTOR-P101	108120	1
170	D75D70594-111	..	PLATE- SUPPLIER CODE: VS5825	108120	1
175	MS27212-6-5	..	TERMINAL BOARD ASSY-TB2	108120	1
180	MS27212-6-3	..	TERMINAL BOARD ASSY-TB101	108120	1
185	D75D70595-111	..	PLATE- SUPPLIER CODE: VS5825	108120	1
190	BACC45FN14-15S	..	CONNECTOR-15S	108120	1
195	BACC45FN14-7S	..	CONNECTOR-J2, J102	108120	2
200	BACC45FT10C5S	..	CONNECTOR-P4	108120	1
205	BACC45FT12B12S	..	CONNECTOR-P5	108120	1
- 210	T18R	..	TIE-INSULOK SUPPLIER CODE: VU3384 OPTIONAL PART: 89176-0001 VS5006	108120	21
- 215	T18R	..	TIE-INSULOK SUPPLIER CODE: VU3384 OPTIONAL PART: 89176-0001 VS5006	108120	1

MISSING ITEM NUMBERS NOT APPLICABLE

- ITEM NOT ILLUSTRATED

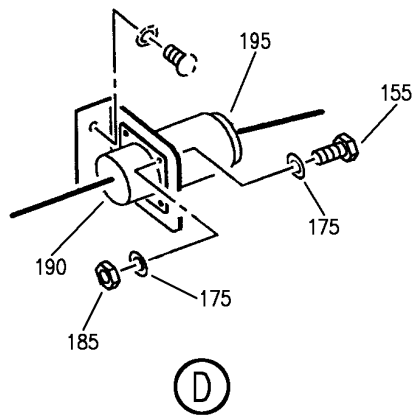
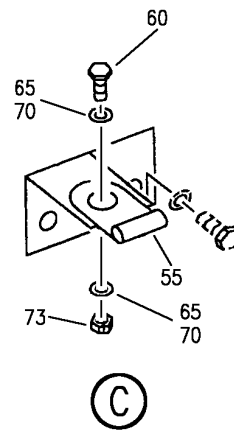
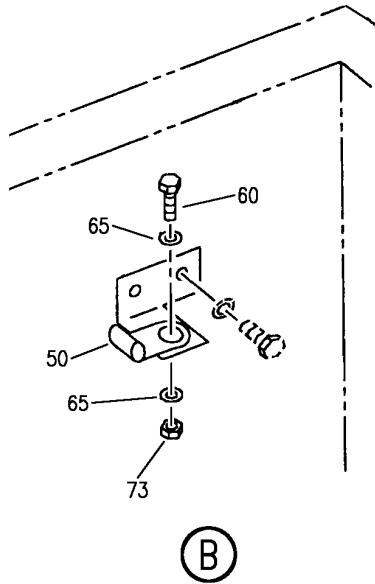
24-53-51-52A

24-53-51
FIG. 52A
PAGE 2
JAN 20/09

BRI

BOEING PROPRIETARY - Copyright © - Unpublished Work - See title page for details.

BOEING
757
PARTS CATALOG (MAINTENANCE)



Y 24535152E SHT 2 REV 262

WALL ASSY-OUT SEG 100, LAV (ELECTRICAL POWER ONLY)
FIGURE 52E (SHEET 2)

24-53-51-52E

BRI
JAN 20/09

24-53-51-52E
PAGE 0A



757

PARTS CATALOG (MAINTENANCE)

FIG ITEM	PART NUMBER	1 2 3 4 5 6 7	NOMENCLATURE	EFFECT FROM TO	UNITS PER ASSY
52E			WALL ASSY-OUT SEG 100, LAV (ELECTRICAL POWER ONLY)	103106	
- 1	D71D10050-111A		WALL ASSY-OUT SEG 100, LAV B (ELECTRICAL POWER ONLY) SUPPLIER CODE: VS5825 FOR NHA/OTHER SYS DET SEE: 25-41-03-52F	103106	RF
- 5	D71D10051-111A		WALL ASSY-OUT SEG 100, LAV C (ELECTRICAL POWER ONLY) SUPPLIER CODE: VS5825 FOR NHA/OTHER SYS DET SEE: 25-41-03-50Q	103106	RF
- 10	D71D10052-111A		WALL ASSY-OUT SEG 100, LAV D (ELECTRICAL POWER ONLY) SUPPLIER CODE: VS5825 FOR NHA/OTHER SYS DET SEE: 25-41-03-51R	103106	RF
50	BACC10DK2		.CLAMP-NYLON	103106	1
55	BACC10DK4		.CLAMP-NYLON	103106	1
			ATTACHING PARTS		
60	NAS1801-3-8		.SCREW	103106	2
65	NAS1149D0332K		.WASHER-LAV B	103106	4
70	NAS1149D0332K		.WASHER-LAV C AND D	103106	2
73	NAS679A3		.NUT	103106	2
			-----*-----		
75	BACC10DK3		.CLAMP-NYLON	103106	2
80	BACC10DK4		.CLAMP-NYLON	103106	1
85	BACC10DK5		.CLAMP-NYLON	103106	1
90	BACC10DK6		.CLAMP-NYLON	103106	5
95	BACC10DK7		.CLAMP-NYLON	103106	5
100	BACC10DK8A		.CLAMP-NYLON	103106	2
			ATTACHING PARTS		
105	NAS1801-3-6		.SCREW	103106	16
110	NAS1149D0332K		.WASHER	103106	16
			-----*-----		
115	BACC10DK3		.CLAMP-NYLON	103106	1
120	BACC10DK5		.CLAMP-NYLON	103106	1
125	BACC10DK6		.CLAMP-NYLON	103106	2
			ATTACHING PARTS		
130	NAS1801-3-7		.SCREW	103106	4
135	NAS1149D0332K		.WASHER	103106	4
			-----*-----		
140	D71D91011-111		.HARNESS ASSY-MAIN, LAV B SUPPLIER CODE: VS5825	103106	1

MISSING ITEM NUMBERS NOT APPLICABLE

- ITEM NOT ILLUSTRATED

24-53-51-52E

24-53-51
FIG. 52E
PAGE 1
JAN 20/09

BRI

BOEING PROPRIETARY - Copyright © - Unpublished Work - See title page for details.



757

PARTS CATALOG (MAINTENANCE)

FIG ITEM	PART NUMBER	1 2 3 4 5 6 7	NOMENCLATURE	EFFECT FROM TO	UNITS PER ASSY
52E					
- 145	D71D91008-211		.HARNES ASSY-MAIN, LAV C SUPPLIER CODE: VS5825	103106	1
- 150	D71D91008-111		.HARNES ASSY-MAIN, LAV D SUPPLIER CODE: VS5825 ATTACHING PARTS	103106	1
155	NAS1801-04-6		.SCREW	103106	12
160	NAS1801-06-5		.SCREW	103106	4
165	NAS1801-3-7		.SCREW	103106	1
170	NAS1149D0316H		.WASHER	103106	2
175	NAS1149DN416K		.WASHER	103106	24
180	NAS1149DN616K		.WASHER	103106	4
185	NAS679A04		.NUT	103106	12
			-----*-----		
190	BACC45FN14-15S		..CONNECTOR-J3	103106	1
195	BACC45FN14-7S		..CONNECTOR-J2	103106	1
200	BACC45FN14-12S		..CONNECTOR-J11	103106	1
205	BACC45FT24C43P		..CONNECTOR-P101	103106	1
210	48-7190		..CONNECTOR-P13, LAV B SUPPLIER CODE: V02660	103106	1
- 215	48-7190		..CONNECTOR-P13, P135, LAV C AND D SUPPLIER CODE: V02660	103106	2
220	48-7191		..CONNECTOR-J12, LAV B SUPPLIER CODE: V02660	103106	1
- 225	48-7191		..CONNECTOR-J12, J136, LAV C AND D SUPPLIER CODE: V02660	103106	1
- 230	48-7191-1		..RECEPTACLE-J137, LAV C AND D SUPPLIER CODE: V02660	103106	1
235	MS27212-6-3		..TERMINAL BOARD ASSY-TB2 AND TB201	103106	2
240	D75D70595-111		..PLATE- SUPPLIER CODE: VS5825	103106	2
245	HRTS17KM		..SOCKET-XK1 SUPPLIER CODE: V91663	103106	1
245	HRTS17KJV2		..SOCKET-XK1 SUPPLIER CODE: V91663	103106	1

MISSING ITEM NUMBERS NOT APPLICABLE

- ITEM NOT ILLUSTRATED

24-53-51-52E

24-53-51
FIG. 52E
PAGE 2
JAN 20/09

BRI

BOEING PROPRIETARY - Copyright © - Unpublished Work - See title page for details.



757

PARTS CATALOG (MAINTENANCE)

FIG ITEM	PART NUMBER	1 2 3 4 5 6 7	NOMENCLATURE	EFFECT FROM TO	UNITS PER ASSY
52E - 250	T18R	.	TIE-INSULOK SUPPLIER CODE: VU3384 OPTIONAL PART: 89176-0001 VS5006	103106	13
- 255	T18R	.	TIE-INSULOK SUPPLIER CODE: VU3384 OPTIONAL PART: 89176-0001 VS5006	103106	1

MISSING ITEM NUMBERS NOT APPLICABLE

- ITEM NOT ILLUSTRATED

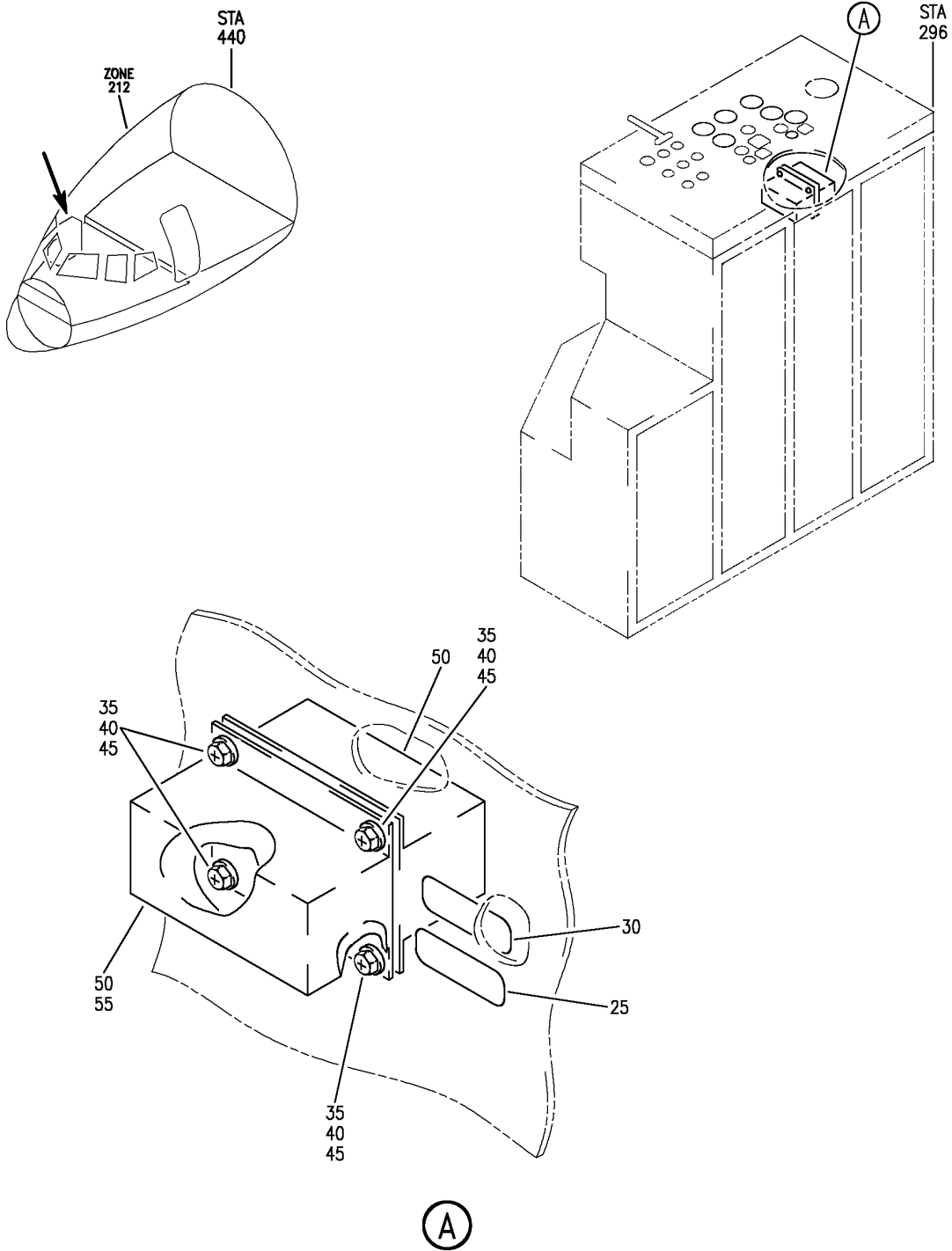
BRI

24-53-51-52E

BOEING PROPRIETARY - Copyright © - Unpublished Work - See title page for details.

24-53-51
FIG. 52E
PAGE 3
JAN 20/09

BOEING
757
PARTS CATALOG (MAINTENANCE)



Y 24535202 REV 309

PANEL INSTL, EQUIPMENT AND PACKAGE ASSY-P6 PWR DISTR (28 VOLT AC POWER DISTRIBUTION ONLY)
FIGURE 2

24-53-52-02

BRI
MAY 28/07

24-53-52-02
PAGE 0



757

PARTS CATALOG (MAINTENANCE)

FIG ITEM	PART NUMBER	1 2 3 4 5 6 7	NOMENCLATURE	EFFECT FROM TO	UNITS PER ASSY
2			PANEL INSTL, EQUIPMENT AND PACKAGE ASSY-P6 PWR DISTR (28 VOLT AC POWER DISTRIBUTION ONLY)	002004 006503 904949 952999	
- 1	287N4102-408		PANEL INSTL-P6 PWR DISTR (28-VOLT AC POWER DISTRIBUTION ONLY) FOR NHA/OTHER SYS DET SEE: 24-00-58-05F	108120	RF
- 3	287N4102-204		PANEL ASSY-P6 PWR DISTR (28-VOLT AC POWER DISTRIBUTION ONLY) REWORKED BY SB: 24-0048	107107	RF
- 3	MODREF31408		PANEL INSTL-P6 PWR DISTR (28-VOLT AC POWER DISTRIBUTION ONLY) MODULE NUMBER: 287N4102-437 REV A FOR OTHER SYS DETAILS SEE: 11-34-05-07 24-31-06-01 24-31-71-09 24-32-02-01 24-32-03-01 24-33-01-01 31-01-06-02 FOR ADDITIONAL DETAILS SEE: 24-51-05-01 24-51-06-01 24-51-07-01 24-51-52-08 24-51-52-09 24-51-52-10 24-51-73-02	103106	1
- 3	287N4102-1203		PACKAGE ASSY-P6 PWR DISTR (28-VOLT AC POWER DISTRIBUTION ONLY) FOR NHA SEE: 24-51-51-05	101102	RF
- 4	287N4102-1278		PACKAGE ASSY-P6 PWR DISTR (28-VOLT AC POWER DISTRIBUTION ONLY) FOR NHA/OTHER SYS DET SEE: 24-51-51-05	101102	RF

MISSING ITEM NUMBERS NOT APPLICABLE

- ITEM NOT ILLUSTRATED

BRI

24-53-52-02

24-53-52
FIG. 02
PAGE 1
JAN 20/09



757

PARTS CATALOG (MAINTENANCE)

FIG ITEM	PART NUMBER	1 2 3 4 5 6 7	NOMENCLATURE	EFFECT FROM TO	UNITS PER ASSY
2					
- 4	287N4102-223		EQUIPMENT ASSY-P6 PWR DISTR (28-VOLT AC POWER DISTRIBUTION ONLY) FOR NHA/OTHER SYS DET SEE: 25-29-71-03	121503 904949	RF
- 4	287N4102-99		PANEL ASSY-P6 PWR DISTR (28-VOLT AC POWER DISTRIBUTION ONLY) VARIABLE DRAWING REF: 287N4102-5112 287N4102-5113 FOR NHA/OTHER SYS DET SEE: 24-51-51-01	002004 006100 952999	RF
25	BAC27NEX2075		.DECAL- PLACARD CONTENT: T10040 POST SERVICE BULLETIN: 24-0048	002004 006503 904949 952999	1
30	BAC27NEX2076		.DECAL- PLACARD CONTENT: T10041 POST SERVICE BULLETIN: 24-0048	002004 006503 904949 952999	1
35	NAS1801-3-8		.SCREW- POST SERVICE BULLETIN: 24-0048	002004 006503 904949 952999	4
40	NAS1149D0332J		.WASHER-	101106 108120	8
40	AN960JD10L		.WASHER- POST SERVICE BULLETIN: 24-0048	002004 006100 107107 121503 904949 952999	8
45	MS21042L3		.NUT-	101106 108120	4
45	MS21042L4		.NUT- POST SERVICE BULLETIN: 24-0048	002004 006100 107107 121503 904949 952999	4

MISSING ITEM NUMBERS NOT APPLICABLE

- ITEM NOT ILLUSTRATED

24-53-52-02

24-53-52
FIG. 02
PAGE 2
JAN 20/09

BRI



757

PARTS CATALOG (MAINTENANCE)

FIG ITEM	PART NUMBER	1 2 3 4 5 6 7	NOMENCLATURE	EFFECT FROM TO	UNITS PER ASSY
2 50	FT1054AUTOXFMR		. TRANSFORMER- SUPPLIER CODE: V14752 FUNCTIONAL DESCRIPTION: AUTOTRANSFORMER CONVERTS 400 HZ POWER TO SUPPLY GENERAL LIGHTING NEEDS SPECIFICATION NUMBER: 60B40026-16 ELECTRICAL EQUIP NUMBER: T10040 T10041 POST SERVICE BULLETIN: 24-0048	002004 006503 904949 952999	2

MISSING ITEM NUMBERS NOT APPLICABLE

- ITEM NOT ILLUSTRATED

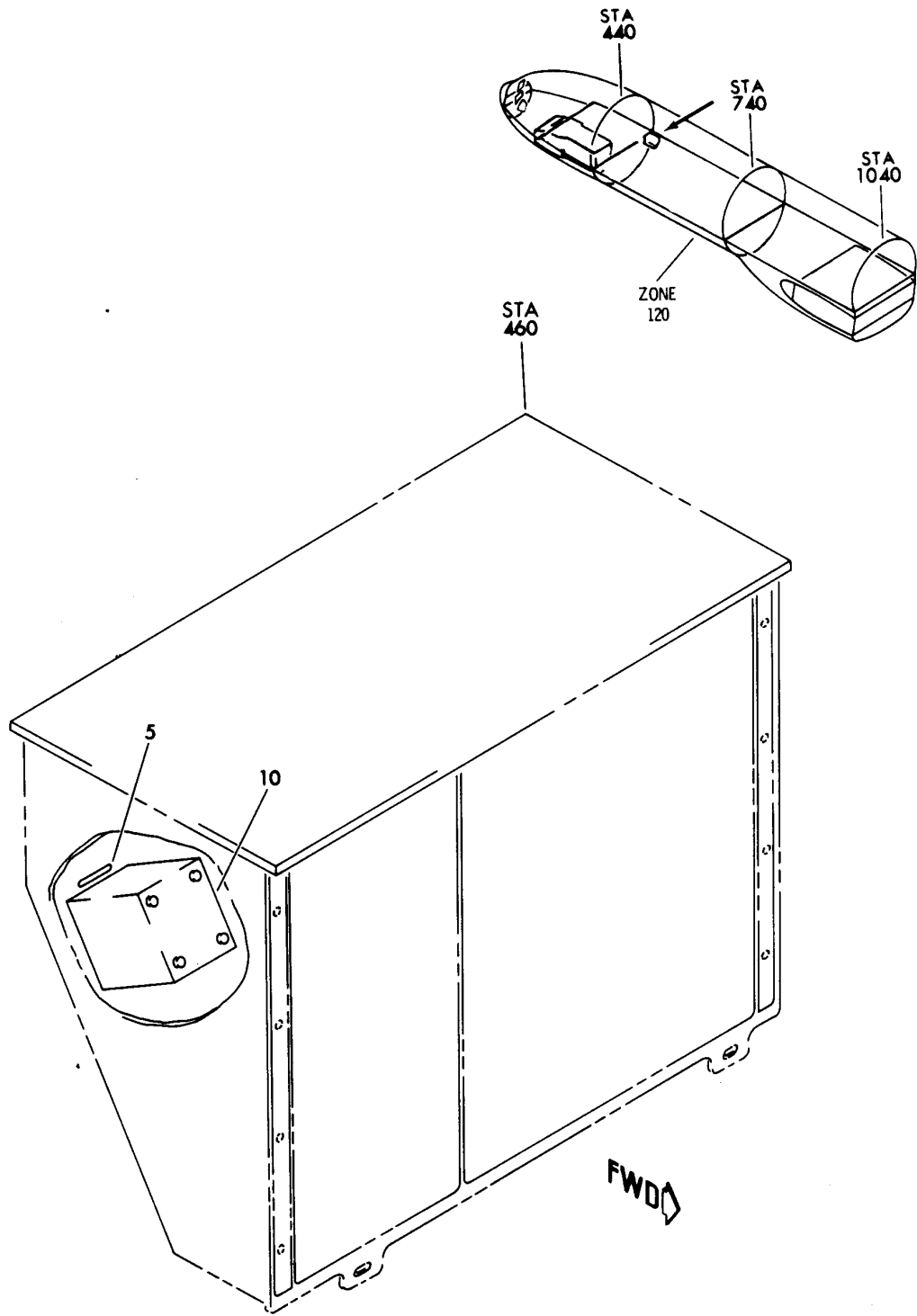
BRI

24-53-52-02

BOEING PROPRIETARY - Copyright © - Unpublished Work - See title page for details.

24-53-52
FIG. 02
PAGE 3
JAN 20/09

BOEING
757
PARTS CATALOG (MAINTENANCE)



Y 24537102 SH1 1 REV 007

PANEL ASSY-P37 MISC RELAY R (28-VOLT AC POWER DISTRIBUTION ONLY)
FIGURE 2

24-53-71-02

BRI
MAY 28/07

24-53-71-02
PAGE 0



757

PARTS CATALOG (MAINTENANCE)

FIG ITEM	PART NUMBER	1 2 3 4 5 6 7	NOMENCLATURE	EFFECT FROM TO	UNITS PER ASSY
2			PANEL ASSY-P37 MISC RELAY R (28-VOLT AC POWER DISTRIBUTION ONLY)	107107 121503 904949	
- 1	284N1127-1		PANEL ASSY-P37 MISC RELAY (28-VOLT AC POWER DISTRIBUTION ONLY) POSITION DATA: R VARIABLE DRAWING REF: 284N1127-5028 284N1127-5039 REWORKED BY ALERT SB: 27A0130 FOR NHA/OTHER SYS DET SEE: 31-01-37-01B	107107 121503 904949	RF
5	BAC27TEX0729		.DECAL- PLACARD CONTENT: T126	107107 121503 904949	1
10	FT1001		.TRANSFORMER- SUPPLIER CODE: V14752 FUNCTIONAL DESCRIPTION: AUTOTRANSFORMER CONVERTS 400 HZ POWER TO SUPPLY GENERAL LIGHTING NEEDS. SPECIFICATION NUMBER: 60B40026-13 ELECTRICAL EQUIP NUMBER: T00126	107107 121503 904949	1
- 15	NAS603-6P		ATTACHING PARTS .SCREW-	107107 121503 904949	4
			-----*-----		

MISSING ITEM NUMBERS NOT APPLICABLE

- ITEM NOT ILLUSTRATED

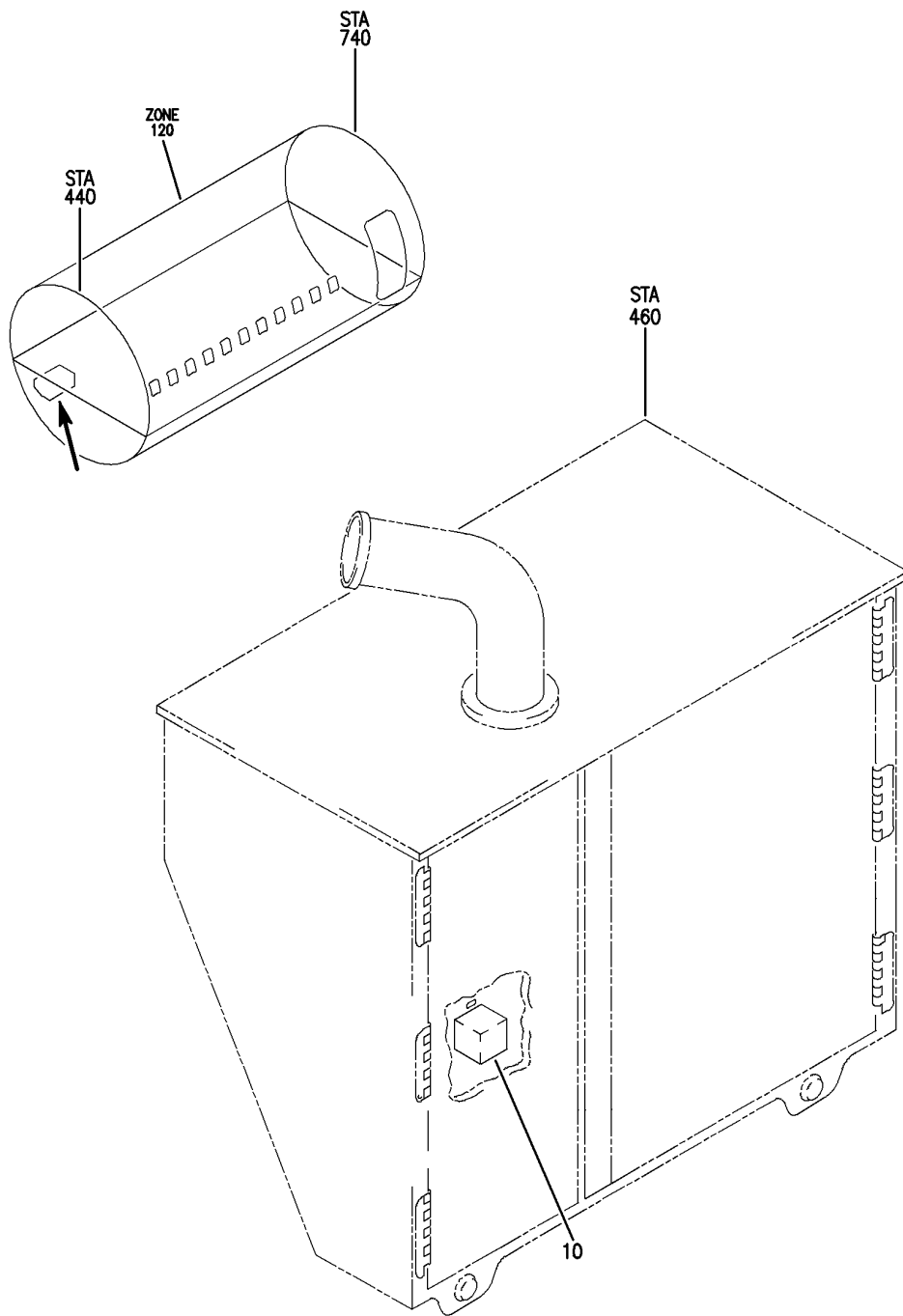
BRI

24-53-71-02

BOEING PROPRIETARY - Copyright © - Unpublished Work - See title page for details.

24-53-71
FIG. 02
PAGE 1
JAN 20/09

BOEING
757
PARTS CATALOG (MAINTENANCE)



Y 24537102D REV 239

PANEL INSTL AND ASSY-P37 R MISC RELAY (28-VOLT AC POWER DISTRIBUTION ONLY)
FIGURE 2D

BRI
JAN 20/09

24-53-71-02D

24-53-71-02D
PAGE 0



757

PARTS CATALOG (MAINTENANCE)

FIG ITEM	PART NUMBER	1 2 3 4 5 6 7	NOMENCLATURE	EFFECT FROM TO	UNITS PER ASSY
2D			PANEL INSTL AND ASSY-P37 R MISC RELAY (28-VOLT AC POWER DISTRIBUTION ONLY)	108120	
- 1	284N1127-118		PANEL INSTL-P37 R MISC RELAY (28-VOLT AC POWER DISTRIBUTION ONLY) FOR NHA/OTHER SYS DET SEE: 24-00-58-05C	108108	RF
- 1	284N1127-139		PANEL INSTL-P37 R MISC RELAY (28-VOLT AC POWER DISTRIBUTION ONLY) FOR NHA/OTHER SYS DET SEE: 24-00-58-05C	109120	RF
10	FT1001		.TRANSFORMER- SUPPLIER CODE: V14752 FUNCTIONAL DESCRIPTION: AUTOTRANSFORMER CONVERTS 400 HZ POWER TO SUPPLY GENERAL LIGHTING NEEDS. SPECIFICATION NUMBER: 60B40026-13 ELECTRICAL EQUIP NUMBER: T00126	108120	1
- 15	NAS603-6P		ATTACHING PARTS .SCREW -----*-----	108120	4

MISSING ITEM NUMBERS NOT APPLICABLE

- ITEM NOT ILLUSTRATED

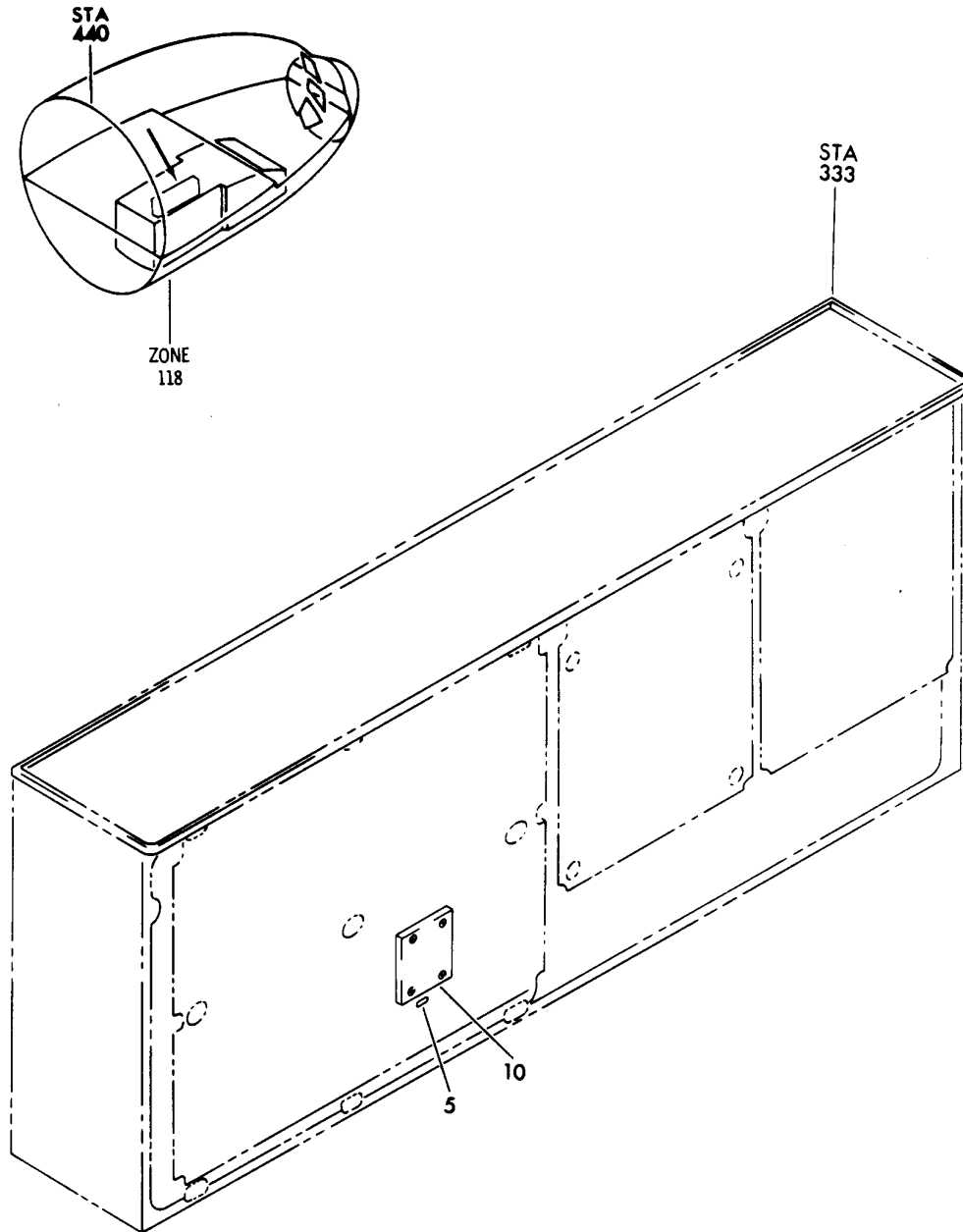
BRI

24-53-71-02D

BOEING PROPRIETARY - Copyright © - Unpublished Work - See title page for details.

24-53-71
FIG. 02D
PAGE 1
JAN 20/09

BOEING
757
PARTS CATALOG (MAINTENANCE)



Y 24537103 SH1 1 REV 011

SHIELD ASSY-P33 MISC ELEC EQPT (ELECTRICAL POWER ONLY)
FIGURE 3

24-53-71-03

BRI
MAY 28/07

24-53-71-03
PAGE 0



757

PARTS CATALOG (MAINTENANCE)

FIG ITEM	PART NUMBER	1 2 3 4 5 6 7	NOMENCLATURE	EFFECT FROM TO	UNITS PER ASSY
3			SHIELD ASSY-P33 MISC ELEC EQPT (ELECTRICAL POWER ONLY)	002004 006100 107107 121503 904999	
- 1	284N1318-1		SHIELD ASSY-P33 MISC ELEC EQPT (ELECTRICAL POWER ONLY) VARIABLE DRAWING REF: 284N1318-5010 284N1318-5016 284N1318-5019 284N1318-5021 284N1318-5023 FOR NHA/OTHER SYS DET SEE: 31-01-33-03	002004 006100 107107 121503 904999	RF
5	BAC27TEX0412		.DECAL- PLACARD CONTENT: T124	002004 006100 107107 121503 904999	1
10	FT1095		.TRANSFORMER- SUPPLIER CODE: V14752 FUNCTIONAL DESCRIPTION: AUTOTRANSFORMER CONVERTS 400 HZ POWER TO SUPPLY GENERAL LIGHTING NEEDS. SPECIFICATION NUMBER: 60B40026-14 ELECTRICAL EQUIP NUMBER: T00124 ATTACHING PARTS	002004 006100 107107 121503 904999	1
- 15	NAS1801-06-5		.SCREW-	002004 006100 107107 121503 904999	4
- 20	AN960JD6L		.WASHER- -----*-----	107107 950999	4

MISSING ITEM NUMBERS NOT APPLICABLE

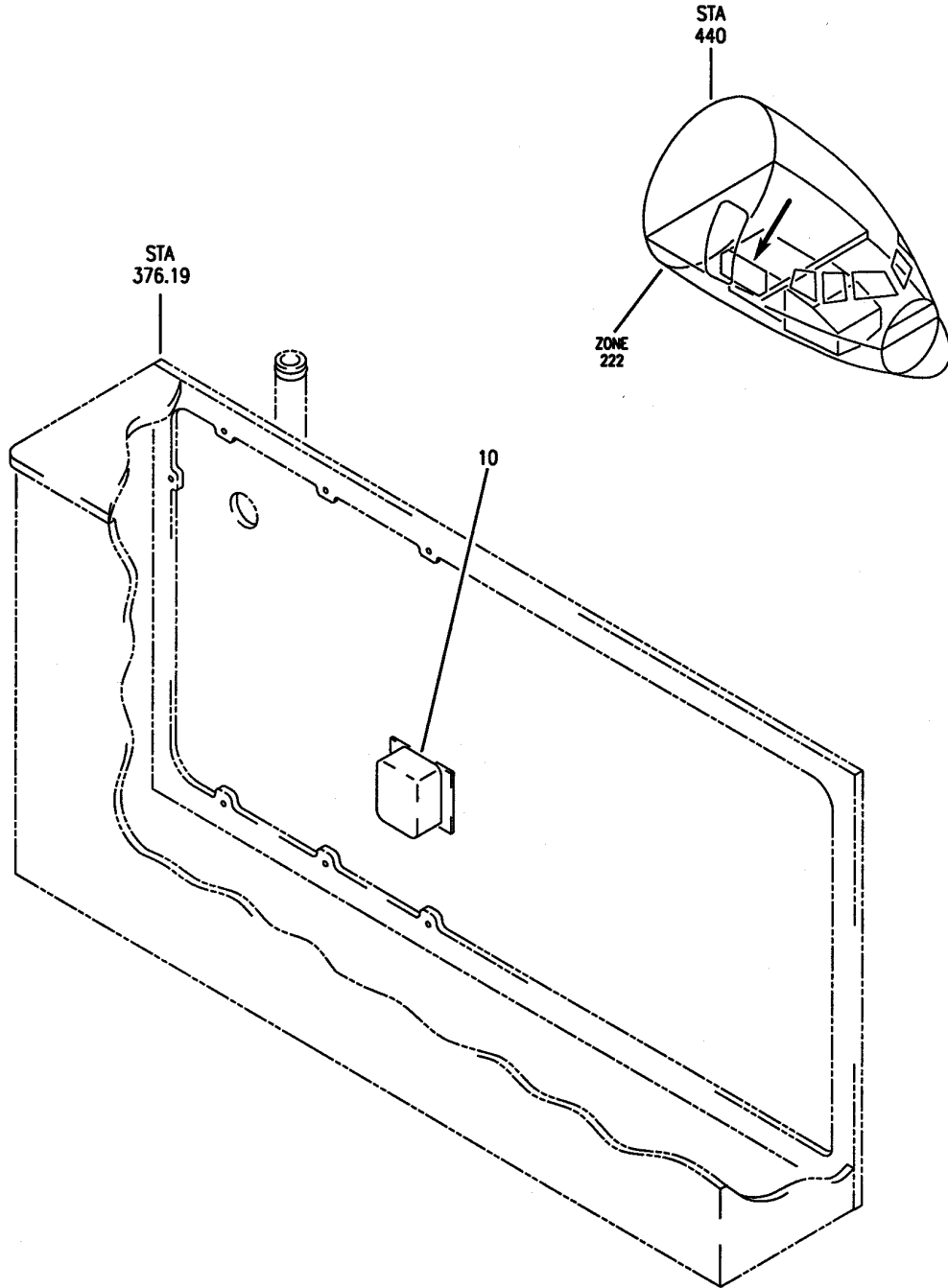
- ITEM NOT ILLUSTRATED

24-53-71-03

24-53-71
FIG. 03
PAGE 1
JAN 20/09

BRI

BOEING
757
PARTS CATALOG (MAINTENANCE)



Y 24537103A REV 219

PACKAGE ASSY-OPTION P33 MISC ELEC EQPT (ELECTRICAL POWER ONLY)
FIGURE 3A

24-53-71-03A

BRI
MAY 28/07

24-53-71-03A
PAGE 0



757

PARTS CATALOG (MAINTENANCE)

FIG ITEM	PART NUMBER	1 2 3 4 5 6 7	NOMENCLATURE	EFFECT FROM TO	UNITS PER ASSY
3A			PACKAGE ASSY-OPTION P33	101102	
			MISC ELEC EQPT	108120	
			(ELECTRICAL POWER ONLY)	504903	
- 1	284N1318-1000		PACKAGE ASSY-OPTION P33	101102	RF
			MISC ELEC EQPT	108120	
			(ELECTRICAL POWER ONLY)	504903	
			FOR NHA/OTHER SYS DET SEE:		
			31-01-33-01		
10	FT1095		.TRANSFORMER-	101102	1
			SUPPLIER CODE:	108120	
			V14752	504903	
			FUNCTIONAL DESCRIPTION:		
			AUTOTRANSFORMER CONVERTS		
			400 HZ POWER TO SUPPLY		
			GENERAL LIGHTING NEEDS.		
			SPECIFICATION NUMBER:		
			60B40026-14		
			ELECTRICAL EQUIP NUMBER:		
			T00124		
			WIRING DIAGRAM REF:		
			245321		
			ATTACHING PARTS		
- 15	NAS1801-06-5		.SCREW	101102	4
				108120	
				504903	
			-----*-----		

MISSING ITEM NUMBERS NOT APPLICABLE

- ITEM NOT ILLUSTRATED

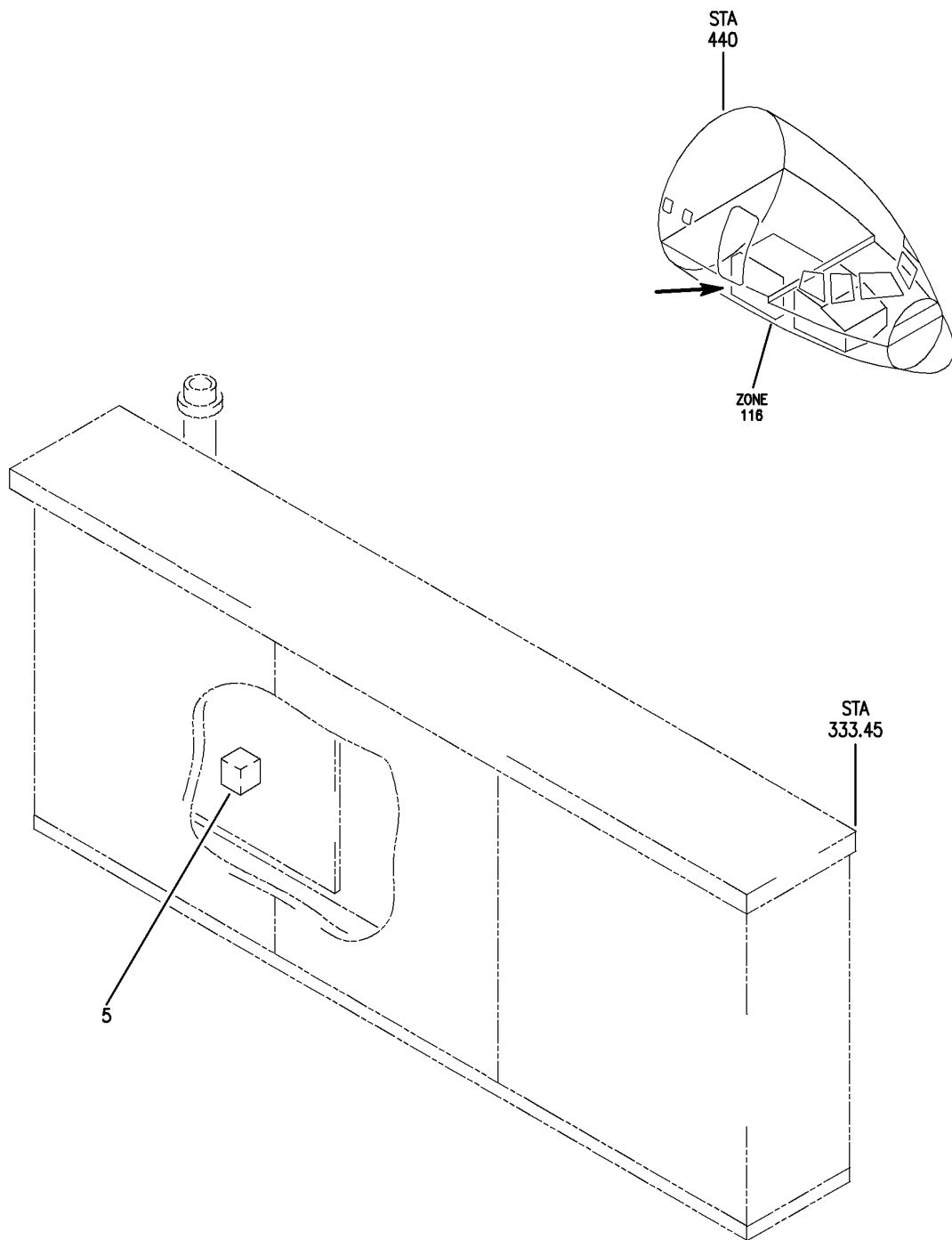
BRI

24-53-71-03A

BOEING PROPRIETARY - Copyright © - Unpublished Work - See title page for details.

24-53-71
FIG. 03A
PAGE 1
JAN 20/09

BOEING
757
PARTS CATALOG (MAINTENANCE)



Y 24537103B REV 223

SHIELD INSTL-P33 MISC ELEC EQPT (ELECTRIC POWER ONLY)
FIGURE 3B

24-53-71-03B

BRI
JAN 20/09

24-53-71-03B
PAGE 0



757

PARTS CATALOG (MAINTENANCE)

FIG ITEM	PART NUMBER	1 2 3 4 5 6 7	NOMENCLATURE	EFFECT FROM TO	UNITS PER ASSY
3B			SHIELD INSTL-P33 MISC ELEC EQPT (ELECTRIC POWER ONLY)	103106	
- 1	MODREF33173		SHIELD INSTL-P33 MISC ELEC EQPT (ELECTRIC POWER ONLY) MODULE NUMBER: 284N1318-107 REV B FOR OTHER SYS DETAILS SEE: 11-36-06-01B 26-15-71-01B 27-51-71-01B 27-81-71-01B 28-21-71-01B 28-22-71-01B 28-26-71-01B 29-11-71-01B 29-21-71-03B 29-22-71-01B 30-31-71-03B 30-32-71-03B 31-01-33-10 33-42-71-02B	103105	1
- 1	MODREF34797		SHIELD INSTL-P33 MISC ELEC EQPT (ELECTRIC POWER ONLY) MODULE NUMBER: 284N1318-107 REV C FOR OTHER SYS DETAILS SEE: 11-36-06-01B 26-15-71-01B 27-51-71-01B 27-81-71-01B 28-21-71-01B 28-22-71-01B 28-26-71-01B 29-11-71-01B 29-21-71-03B 29-22-71-01B 30-31-71-03B 30-32-71-03B 31-01-33-10 33-42-71-02B	106106	1

MISSING ITEM NUMBERS NOT APPLICABLE

- ITEM NOT ILLUSTRATED

BRI

24-53-71-03B

BOEING PROPRIETARY - Copyright © - Unpublished Work - See title page for details.

24-53-71
FIG. 03B
PAGE 1
JAN 20/09



**757
PARTS CATALOG (MAINTENANCE)**

FIG ITEM	PART NUMBER	1 2 3 4 5 6 7	NOMENCLATURE	EFFECT FROM TO	UNITS PER ASSY
3B 5	FT1095		.TRANSFORMER- SUPPLIER CODE: V14752 FUNCTIONAL DESCRIPTION: AUTOTRANSFORMER CONVERTS 400 HZ POWER TO SUPPLY GENERAL LIGHTING NEEDS. SPECIFICATION NUMBER: 60B40026-14 ELECTRICAL EQUIP NUMBER: T00124 ATTACHING PARTS	103106	1
- 10	NAS1801-06-5		.SCREW-	103105	4
- 10	BACS12HN06-5		.SCREW- -----*-----	106106	4

MISSING ITEM NUMBERS NOT APPLICABLE

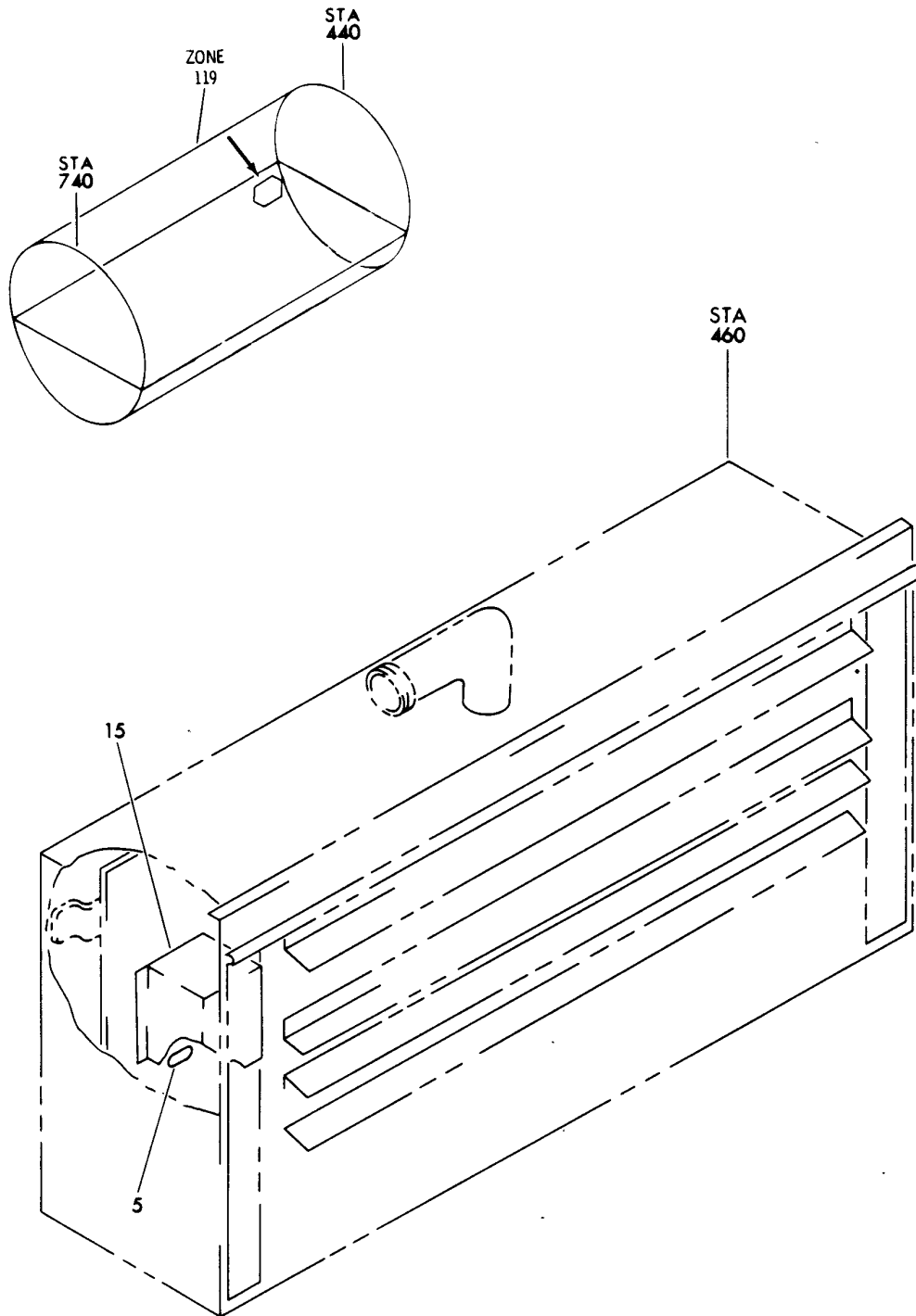
- ITEM NOT ILLUSTRATED

24-53-71-03B

24-53-71
FIG. 03B
PAGE 2
JAN 20/09

BRI

BOEING
757
PARTS CATALOG (MAINTENANCE)



Y 24537104 SHT 1 REV 011

PANEL ASSY-P70 MISC RELAY (28 VOLT AC POWER DISTRIBUTION ONLY)
FIGURE 4

BRI
MAY 28/07

24-53-71-04

24-53-71-04
PAGE 0



757

PARTS CATALOG (MAINTENANCE)

FIG ITEM	PART NUMBER	1 2 3 4 5 6 7	NOMENCLATURE	EFFECT FROM TO	UNITS PER ASSY
4			PANEL ASSY-P70 MISC RELAY (28 VOLT AC POWER DISTRIBUTION ONLY)	002004 006100 107107 121503 904999	
- 1	284N1129-1		PANEL ASSY-P70 MISC RELAY (28-VOLT AC POWER DISTRIBUTION ONLY) VARIABLE DRAWING REF: 284N1129-5012 284N1129-5021 284N1129-5035 284N1129-5049 284N1129-5054 FOR NHA/OTHER SYS DET SEE: 53-33-00-02	002004 006100 107107 121503 904951	RF
- 1	284N1129-1		PANEL ASSY-P70 MISC RELAY (28-VOLT AC POWER DISTRIBUTION ONLY) VARIABLE DRAWING REF: 284N1129-5084 FOR NHA/OTHER SYS DET SEE: 53-33-00-02	952999	RF
5	BAC27NEX0266		.DECAL- PLACARD CONTENT: T123	002004 006100 107107 121503 904999	1
15	FT1095		.TRANSFORMER- SUPPLIER CODE: V14752 FUNCTIONAL DESCRIPTION: AUTOTRANSFORMER CONVERTS 400 HZ POWER TO SUPPLY GENERAL LIGHTING NEEDS. SPECIFICATION NUMBER: 60B40026-14 ELECTRICAL EQUIP NUMBER: T00123	002004 006100 107107 121503 904999	1
- 25	NAS602-6		ATTACHING PARTS .SCREW-	002004 006100 107107 121503 904999	4

MISSING ITEM NUMBERS NOT APPLICABLE

- ITEM NOT ILLUSTRATED

24-53-71-04

24-53-71
FIG. 04
PAGE 1
JAN 20/09

BRI



757

PARTS CATALOG (MAINTENANCE)

FIG ITEM	PART NUMBER	1 2 3 4 5 6 7	NOMENCLATURE	EFFECT FROM TO	UNITS PER ASSY
4					
- 25	NAS602-6P	.	SCREW-	002004 006100 107107 121503 904999	4
- 30	AN960D8L	.	WASHER-	002004 006100 107107 121503 904999	4
		-----*			

MISSING ITEM NUMBERS NOT APPLICABLE

- ITEM NOT ILLUSTRATED

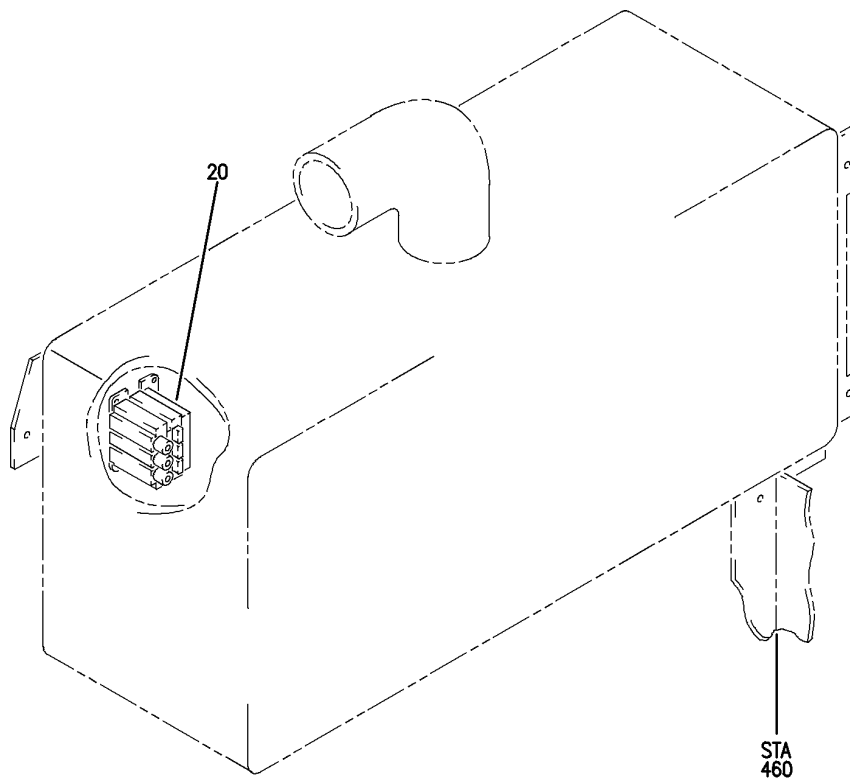
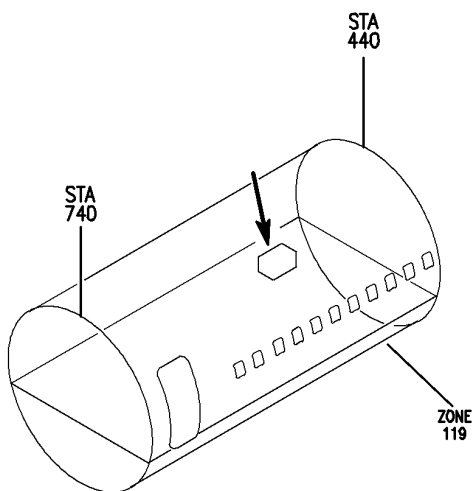
BRI

24-53-71-04

BOEING PROPRIETARY - Copyright © - Unpublished Work - See title page for details.

24-53-71
FIG. 04
PAGE 2
JAN 20/09

BOEING
757
PARTS CATALOG (MAINTENANCE)



Y 24537104A REV 225

PACKAGE ASSY-OPTION P7 MISC RELAY (28 VOLT AC POWER DISTRIBUTION ONLY)
FIGURE 4A

BRI
MAY 28/07

24-53-71-04A

24-53-71-04A
PAGE 0



757

PARTS CATALOG (MAINTENANCE)

FIG ITEM	PART NUMBER	1 2 3 4 5 6 7	NOMENCLATURE	EFFECT FROM TO	UNITS PER ASSY
4 A			PACKAGE ASSY-OPTION P7 MISC RELAY (28 VOLT AC POWER DISTRIBUTION ONLY)	101102 504903	
- 1	284N1129-1001		PACKAGE ASSY-OPTION P70 MISC RELAY (28-VOLT AC POWER DISTRIBUTION ONLY) FOR NHA/OTHER SYS DET SEE: 31-01-70-01	101102 504903	RF
20	FT1095		. TRANSFORMER- SUPPLIER CODE: V14752 FUNCTIONAL DESCRIPTION: AUTOTRANSFORMER CONVERTS 400 HZ POWER TO SUPPLY GENERAL LIGHTING NEEDS. SPECIFICATION NUMBER: 60B40026-14 ELECTRICAL EQUIP NUMBER: T00123	101102 504903	1
- 25	NAS602-6P		ATTACHING PARTS . SCREW	101102 504903	4
- 30	NAS1149DN816H		. WASHER -----*-----	101102 504903	4

MISSING ITEM NUMBERS NOT APPLICABLE

- ITEM NOT ILLUSTRATED

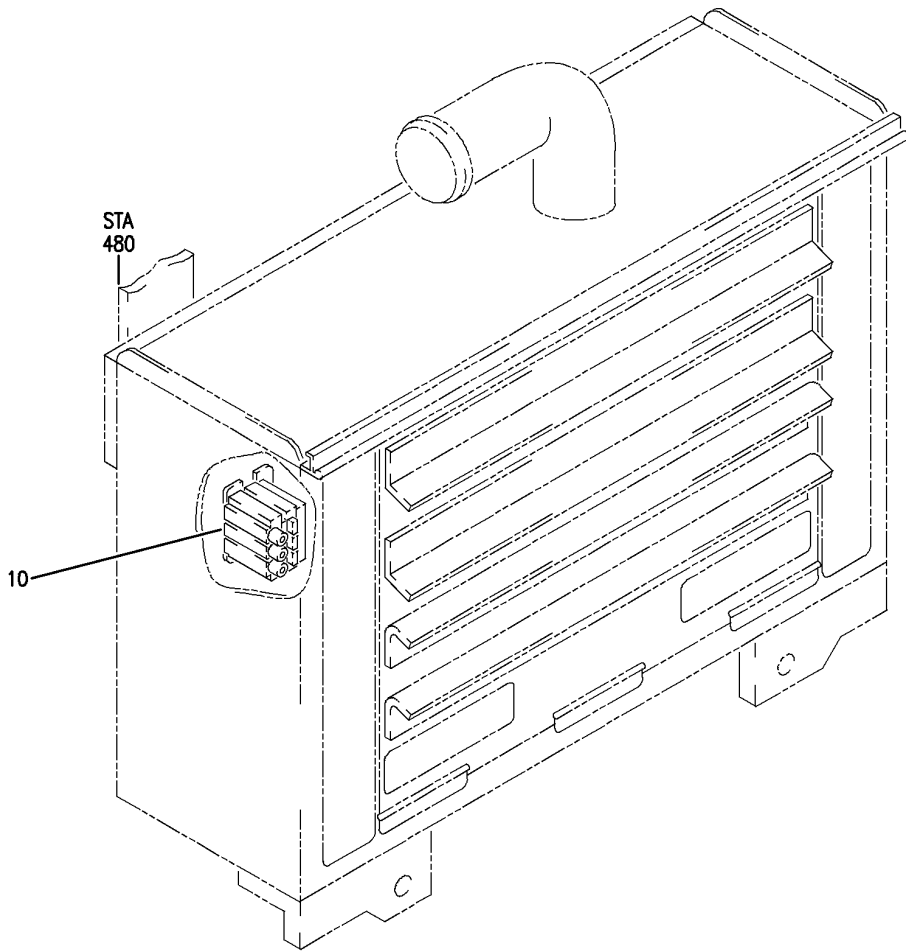
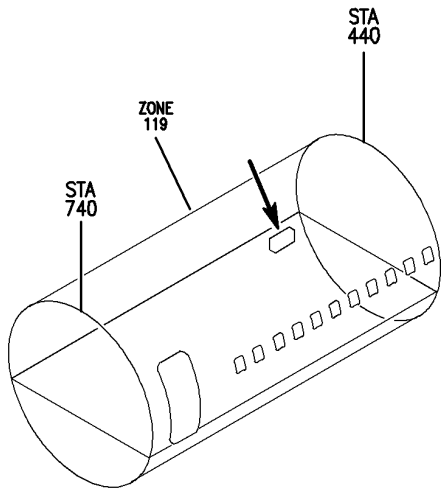
BRI

24-53-71-04A

BOEING PROPRIETARY - Copyright © - Unpublished Work - See title page for details.

24-53-71
FIG. 04A
PAGE 1
JAN 20/09

BOEING
757
PARTS CATALOG (MAINTENANCE)



Y 24537104B REV 225

PANEL INSTL-P70 MISC RELAY (28 VOLT AC POWER DISTRIBUTION ONLY)
FIGURE 4B

24-53-71-04B

BRI
JAN 20/09

24-53-71-04B
PAGE 0



757

PARTS CATALOG (MAINTENANCE)

FIG ITEM	PART NUMBER	1 2 3 4 5 6 7	NOMENCLATURE	EFFECT FROM TO	UNITS PER ASSY
4B			PANEL INSTL-P70 MISC RELAY (28 VOLT AC POWER DISTRIBUTION ONLY)	103106 108120	
- 2	284N1129-423		PANEL INSTL-P70 MISC RELAY (28-VOLT AC POWER DISTRIBUTION ONLY) FOR NHA/OTHER SYS DET SEE: 24-00-58-05C	108120	RF
- 5	MODREF31428		PANEL INSTL-P70 MISC RELAY (28-VOLT AC POWER DISTRIBUTION ONLY) MODULE NUMBER: 284N1129-438 REV A FOR OTHER SYS DETAILS SEE: 11-36-10-01B 21-25-71-03C 21-43-71-02B 21-44-71-03B 21-45-61-01 23-32-55-03B 24-51-02-07 24-51-04-01 24-51-60-04 27-51-71-04B 28-25-71-04B 31-01-70-05 33-45-51-02B	103105	RF
- 5	MODREF170991		PANEL INSTL-P70 MISC RELAY (28-VOLT AC POWER DISTRIBUTION ONLY) MODULE NUMBER: 284N1129-438 REV C FOR OTHER SYS DETAILS SEE: 11-36-10-01B 21-25-71-03C 21-43-71-02B 21-44-71-03B 21-45-61-01 23-32-55-03B 24-51-02-07 24-51-04-01 24-51-60-04 27-51-71-04B 28-25-71-04B 31-01-70-05 33-45-51-02B	106106	RF

MISSING ITEM NUMBERS NOT APPLICABLE

- ITEM NOT ILLUSTRATED

24-53-71-04B

24-53-71
FIG. 04B
PAGE 1
JAN 20/09

BRI



757

PARTS CATALOG (MAINTENANCE)

FIG ITEM	PART NUMBER	1 2 3 4 5 6 7	NOMENCLATURE	EFFECT FROM TO	UNITS PER ASSY
4B 10	FT1095	.	TRANSFORMER- SUPPLIER CODE: V14752 FUNCTIONAL DESCRIPTION: AUTOTRANSFORMER CONVERTS 400 HZ POWER TO SUPPLY GENERAL LIGHTING NEEDS. SPECIFICATION NUMBER: 60B40026-14 ELECTRICAL EQUIP NUMBER: T00123 ATTACHING PARTS	103106 108120	1
- 15	NAS602-6P	.	SCREW-	108120	4
- 15	BACS12CK08-6	.	SCREW-	103106	4
- 20	NAS1149DN816H	.	WASHER	103106 108120	4
			-----*-----		

MISSING ITEM NUMBERS NOT APPLICABLE

- ITEM NOT ILLUSTRATED

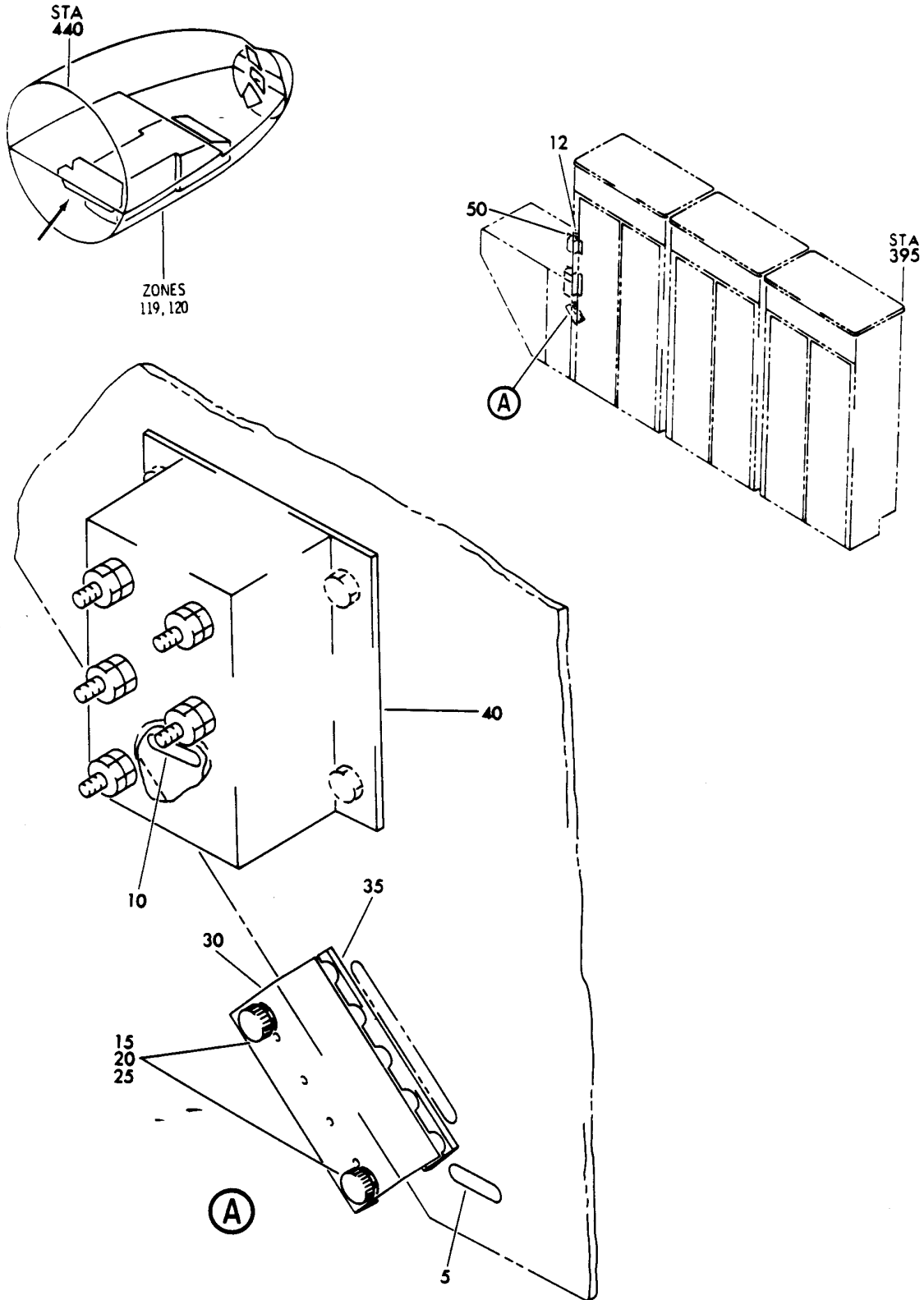
24-53-71-04B

24-53-71
FIG. 04B
PAGE 2
JAN 20/09

BRI

BOEING PROPRIETARY - Copyright © - Unpublished Work - See title page for details.

BOEING
757
PARTS CATALOG (MAINTENANCE)



Y 24837301 SHT 1 REV 087

PANEL ASSY-P34 APU/EXT PWR (28-VOLT AC POWER DISTRIBUTION ONLY)
FIGURE 1

24-53-73-01

BRI
MAY 28/07

24-53-73-01
PAGE 0



757

PARTS CATALOG (MAINTENANCE)

FIG ITEM	PART NUMBER	1 2 3 4 5 6 7	NOMENCLATURE	EFFECT FROM TO	UNITS PER ASSY
1			PANEL ASSY-P34 APU/EXT PWR (28-VOLT AC POWER DISTRIBUTION ONLY)	002004 006102 107107 121503 904999	
- 1	284N1316-1		PANEL ASSY-P34 APU/EXT PWR (28-VOLT AC POWER DISTRIBUTION ONLY) VARIABLE DRAWING REF: 284N1316-5023 284N1316-5047 284N1316-5063 284N1316-5064 284N1316-5067 FOR NHA/OTHER SYS DET SEE: 31-01-34-02	002004 006100 107107 121503 904999	RF
5	BAC27NEX0591		.DECAL- PLACARD CONTENT: TB5034	002004 006102 107107 121503 904999	1
10	BAC27NEX0341		.DECAL- PLACARD CONTENT: T126	002004 006100 950999	1
15	NAS1801-04-8		.SCREW	002004 006102 107107 121503 904999	2
20	AN960PD4		.WASHER-	002004 006017 107107 121503 904999	2
20	NAS1149DN432J		.WASHER-	018102	2
25	MS21042L04		.NUT-	002004 006102 107107 121503 904999	2
30	MS18029-2L4		.COVER ASSY	002004 006102 107107 121503 904999	1

MISSING ITEM NUMBERS NOT APPLICABLE

- ITEM NOT ILLUSTRATED

BRI

24-53-73-01

BOEING PROPRIETARY - Copyright © - Unpublished Work - See title page for details.

24-53-73
FIG. 01
PAGE 1
JAN 20/09



757

PARTS CATALOG (MAINTENANCE)

FIG ITEM	PART NUMBER	1 2 3 4 5 6 7	NOMENCLATURE	EFFECT FROM TO	UNITS PER ASSY
1	35 MS27212-2-4		. TERMINAL BOARD ASSY- ELECTRICAL EQUIP NUMBER: TB5034	002004 006102 107107 121503 904999	1
	40 FT1001		. TRANSFORMER-28V AC BUS GND SVCE SUPPLIER CODE: V14752 FUNCTIONAL DESCRIPTION: AUTOTRANSFORMER CONVERTS 400 HZ POWER TO SUPPLY GENERAL LIGHTING NEEDS. SPECIFICATION NUMBER: 60B40026-13 ELECTRICAL EQUIP NUMBER: T00126 ATTACHING PARTS	002004 006100 950999	1
-	45 NAS1801-3-8		. SCREW -----*	002004 006100 950999	4

MISSING ITEM NUMBERS NOT APPLICABLE

- ITEM NOT ILLUSTRATED

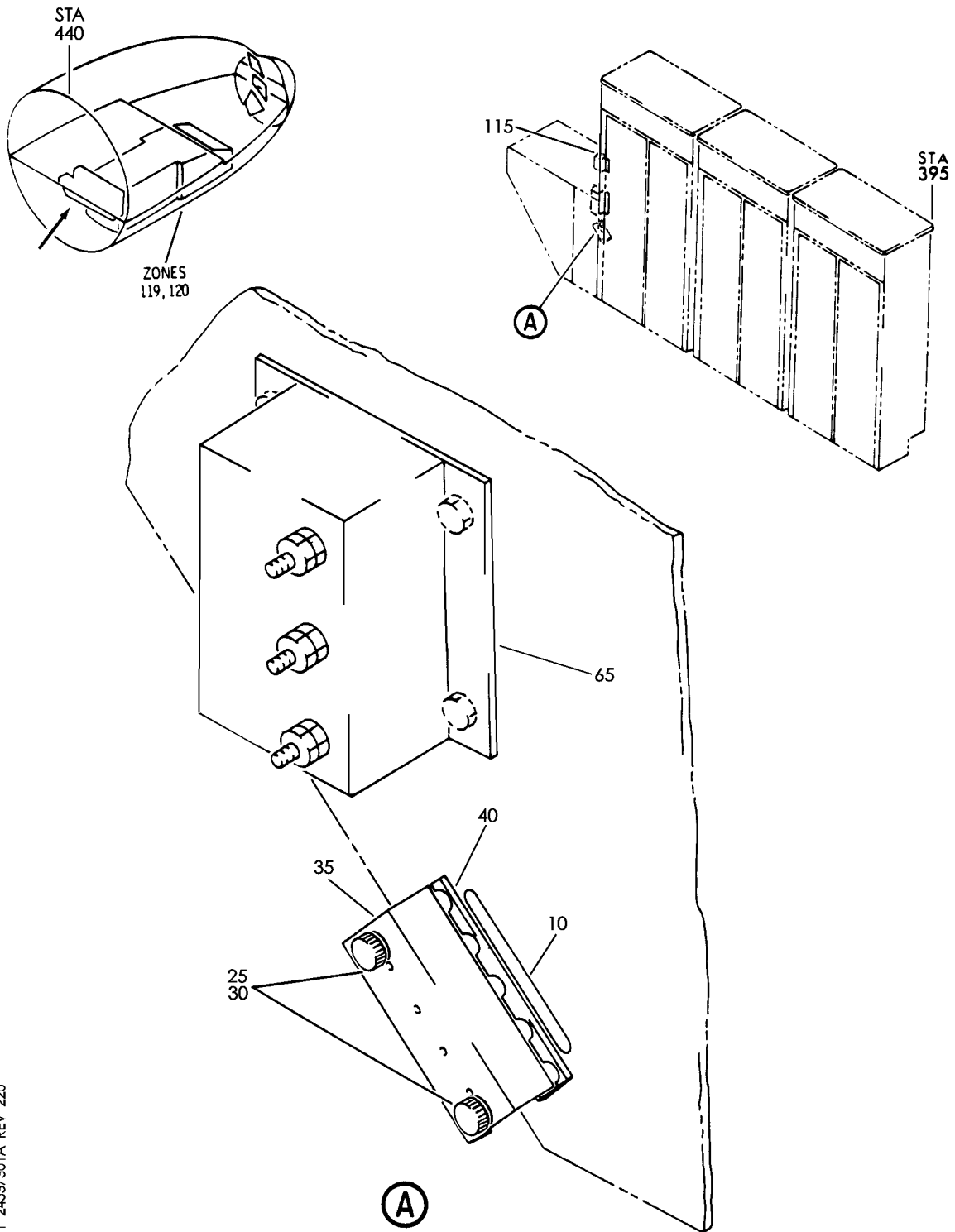
BRI

24-53-73-01

BOEING PROPRIETARY - Copyright © - Unpublished Work - See title page for details.

24-53-73
FIG. 01
PAGE 2
JAN 20/09

BOEING
757
PARTS CATALOG (MAINTENANCE)



Y 24537301A REV 220

PACKAGE ASSY-OPTION P34 APU/EXT PWR (28-VOLT AC POWER DISTRIBUTION ONLY)
FIGURE 1A

BRI
MAY 28/07

24-53-73-01A

24-53-73-01A
PAGE 0



757

PARTS CATALOG (MAINTENANCE)

FIG ITEM	PART NUMBER	1 2 3 4 5 6 7	NOMENCLATURE	EFFECT FROM TO	UNITS PER ASSY
1 A			PACKAGE ASSY-OPTION P34 APU/EXT PWR (28-VOLT AC POWER DISTRIBUTION ONLY)	101102 504903	
- 1	284N1316-1000		PACKAGE ASSY-OPTION P34 APU/EXT PWR (28-VOLT AC POWER DISTRIBUTION ONLY) FOR NHA/OTHER SYS DET SEE: 31-01-34-01	101102 504903	RF
10	BAC27NEX0773		.DECAL- PLACARD CONTENT: 1 THRU 4	101102 504903	1
25	NAS1801-04-8		.SCREW	101102 504903	2
- 27	NAS1149DN432J		ATTACHING PARTS .WASHER	101102 504903	2
30	PLH504CD		-----*----- .NUT SUPPLIER CODE: VF0224 SPECIFICATION NUMBER: BACN10YR04CD OPTIONAL PART: H52732-04CD V15653	101102 504903	2
35	MS18029-2L4		.COVER ASSY	101102 504903	1
40	MS27212-2-4		.TERMINAL BOARD ASSY- ELECTRICAL EQUIP NUMBER: TB5034	101102 504903	1
65	FT1001		.TRANSFORMER-28V AC BUS GND SVCE SUPPLIER CODE: V14752 FUNCTIONAL DESCRIPTION: AUTOTRANSFORMER CONVERTS 400 HZ POWER TO SUPPLY GENERAL LIGHTING NEEDS. SPECIFICATION NUMBER: 60B40026-13 ELECTRICAL EQUIP NUMBER: T00126	101102 504903	1
- 70	NAS1801-3-8		ATTACHING PARTS .SCREW -----*-----	101102 504903	4

MISSING ITEM NUMBERS NOT APPLICABLE

- ITEM NOT ILLUSTRATED

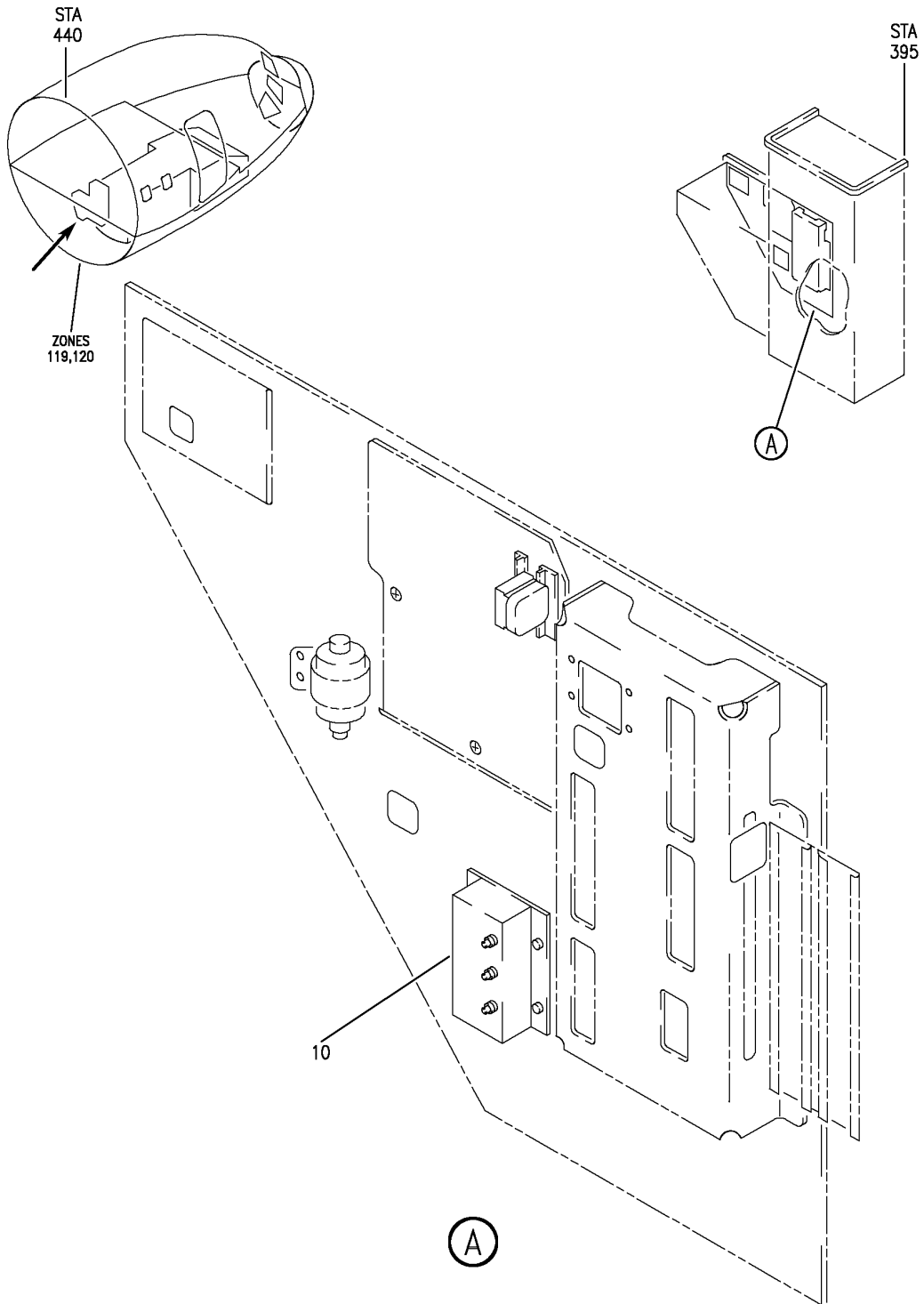
24-53-73-01A

24-53-73
FIG. 01A
PAGE 1
JAN 20/09

BRI

BOEING PROPRIETARY - Copyright © - Unpublished Work - See title page for details.

BOEING
757
PARTS CATALOG (MAINTENANCE)



Y 24537302 REV 330

PANEL ASSY-P34 APU/EXT PWR (28-VOLT AC POWER DISTRIBUTION ONLY)
FIGURE 2

24-53-73-02

BRI
JAN 20/09

24-53-73-02
PAGE 0



757

PARTS CATALOG (MAINTENANCE)

FIG ITEM	PART NUMBER	1 2 3 4 5 6 7	NOMENCLATURE	EFFECT FROM TO	UNITS PER ASSY
2			PANEL ASSY-P34 APU/EXT PWR (28-VOLT AC POWER DISTRIBUTION ONLY)	103106	
- 5	MODREF31492		PANEL ASSY-P34 APU/EXT PWR (28-VOLT AC POWER DISTRIBUTION ONLY) MODULE NUMBER: 284N1316-207 REV A FOR OTHER SYS DETAILS SEE: 11-36-09-08 24-22-03-04 24-23-01-03 24-41-01-02 24-51-01-03 24-51-03-02 24-51-04-03 24-51-54-04 24-54-01-02 31-01-34-03 33-21-71-02 33-22-71-02 33-24-71-02 33-42-71-03 38-14-71-02	103105	1
- 5	MODREF34794		PANEL ASSY-P34 APU/EXT PWR (28-VOLT AC POWER DISTRIBUTION ONLY) MODULE NUMBER: 284N1316-207 REV B FOR OTHER SYS DETAILS SEE: 11-36-09-08 24-22-03-04 24-23-01-03 24-41-01-02 24-51-01-03 24-51-03-02 24-51-04-03 24-51-54-04 24-54-01-02 31-01-34-03 33-21-71-02 33-22-71-02 33-24-71-02 33-42-71-03 38-14-71-02	106106	1

MISSING ITEM NUMBERS NOT APPLICABLE

- ITEM NOT ILLUSTRATED

BRI

24-53-73-02

BOEING PROPRIETARY - Copyright © - Unpublished Work - See title page for details.

24-53-73
FIG. 02
PAGE 1
JAN 20/09



**757
PARTS CATALOG (MAINTENANCE)**

FIG ITEM	PART NUMBER	1 2 3 4 5 6 7	NOMENCLATURE	EFFECT FROM TO	UNITS PER ASSY
2 10	FT1001		. TRANSFORMER- SUPPLIER CODE: V14752 SPECIFICATION NUMBER: 60B40026-13 ELECTRICAL EQUIP NUMBER: T00126 WIRING DIAGRAM REF: 245351	103106	1
- 15	BACS12HN3-8		ATTACHING PARTS . SCREW -----*-----	103106	4

MISSING ITEM NUMBERS NOT APPLICABLE

- ITEM NOT ILLUSTRATED

BRI

24-53-73-02

BOEING PROPRIETARY - Copyright © - Unpublished Work - See title page for details.

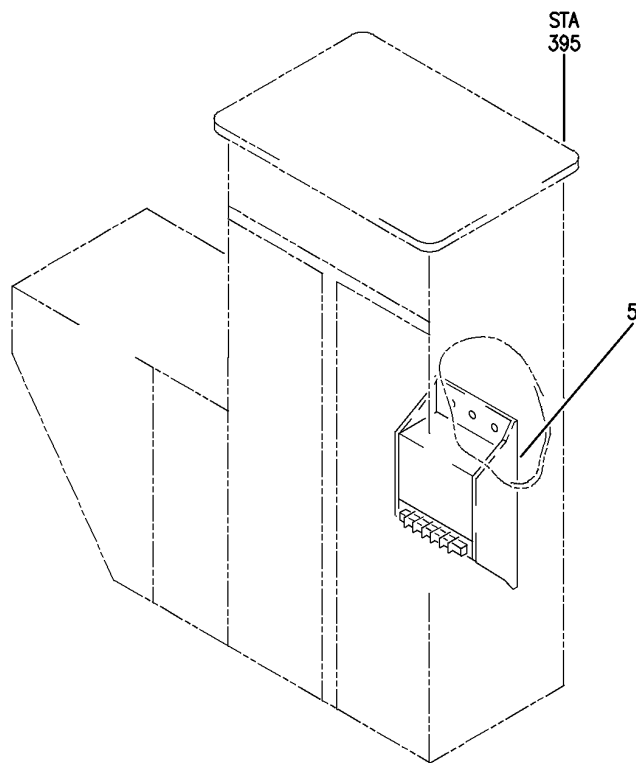
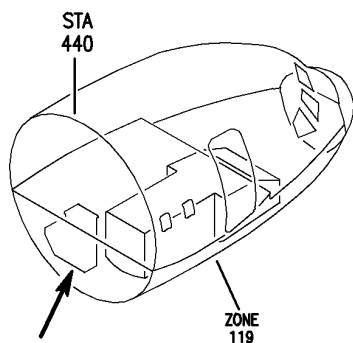
24-53-73
FIG. 02
PAGE 2
JAN 20/09

DC POWER DISTRIBUTION 28 - VOLT

BRI
MAY 28/07

24-54-00
SECTION TITLE
PAGE 1

BOEING
757
PARTS CATALOG (MAINTENANCE)



Y 24540101A REV 227

PACKAGE ASSY-OPTION P34 APU/EXT PWR (28-VOLT DC POWER DISTRIBUTION ONLY)

FIGURE 1A

24-54-01-01A

BRI
MAY 28/07

24-54-01-01A
PAGE 0

BOEING PROPRIETARY - Copyright © - Unpublished Work - See title page for details.



757

PARTS CATALOG (MAINTENANCE)

FIG ITEM	PART NUMBER	1 2 3 4 5 6 7	NOMENCLATURE	EFFECT FROM TO	UNITS PER ASSY
1 A			PACKAGE ASSY-OPTION P34 APU/EXT PWR (28-VOLT DC POWER DISTRIBUTION ONLY)	101102 504903	
- 1	284N1316-1000		PACKAGE ASSY-OPTION P34 APU/EXT PWR (28-VOLT DC POWER DISTRIBUTION ONLY) FOR NHA/OTHER SYS DET SEE: 31-01-34-01	101102 504903	RF
5	080-20288-01		. TRANSFORMER-RECTIFIER SUPPLIER CODE: V95266 FUNCTIONAL DESCRIPTION: CONVERTS 115V, 3-PHASE AC POWER FROM THE GROUND HANDLING BUS TO 28V DC POWER SPECIFICATION NUMBER: 10-60011-2 ELECTRICAL EQUIP NUMBER: T00103 COMPONENT MAINT MANUAL REF: 24-09-11 OPTIONAL PART: 20288 V95266 40-675-262 V95266	101102 504903	1

MISSING ITEM NUMBERS NOT APPLICABLE

- ITEM NOT ILLUSTRATED

BRI

24-54-01-01A

BOEING PROPRIETARY - Copyright © - Unpublished Work - See title page for details.

24-54-01
FIG. 01A
PAGE 1
JAN 20/09

BOEING
757
PARTS CATALOG (MAINTENANCE)

FIG ITEM	PART NUMBER	1 2 3 4 5 6 7	NOMENCLATURE	EFFECT FROM TO	UNITS PER ASSY
1 A 5	20288	.	TRANSFORMER-RECTIFIER SUPPLIER CODE: V95266 FUNCTIONAL DESCRIPTION: THE TRANSFORMER- RECTIFIER IS A SMALL SOLID STATE DEVICE THAT CONVERTS A 200-VAC, 400-HZ INPUT, THREE- PHASE TO A 28-VDC, 20 AMPERE OUTPUT SPECIFICATION NUMBER: 10-60011-2 ELECTRICAL EQUIP NUMBER: T00103 COMPONENT MAINT MANUAL REF: 24-09-11 OPTIONAL PART: 080-20288-01 V95266 40-675-262 V95266	101102 504903	1
5	40-675-262	.	TRANSFORMER-RECTIFIER SUPPLIER CODE: VK5294 SPECIFICATION NUMBER: 10-60011-2 ELECTRICAL EQUIP NUMBER: T00103 COMPONENT MAINT MANUAL REF: 24-09-11 OPTIONAL PART: 080-20288-01 V95266 20288 V95266	101102 504903	1
- 10	NAS1801-3-8	.	ATTACHING PARTS SCREW -----*-----	101102 504903	6

MISSING ITEM NUMBERS NOT APPLICABLE

- ITEM NOT ILLUSTRATED

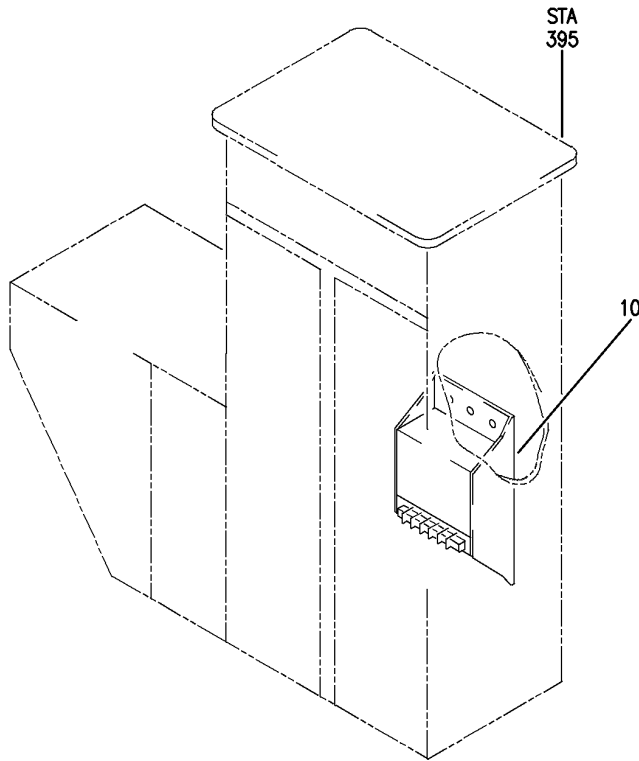
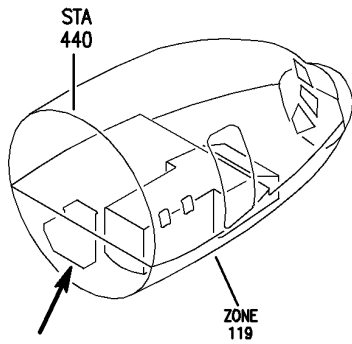
BRI

24-54-01-01A

BOEING PROPRIETARY - Copyright © - Unpublished Work - See title page for details.

24-54-01
FIG. 01A
PAGE 2
JAN 20/09

BOEING
757
PARTS CATALOG (MAINTENANCE)



Y 24540102 REV 227

PANEL ASSY-P34 APU/EXT PWR (28-VOLT DC POWER DISTRIBUTION ONLY)
FIGURE 2

BRI
JAN 20/09

24-54-01-02

24-54-01-02
PAGE 0



757

PARTS CATALOG (MAINTENANCE)

FIG ITEM	PART NUMBER	1 2 3 4 5 6 7	NOMENCLATURE	EFFECT FROM TO	UNITS PER ASSY
2			PANEL ASSY-P34 APU/EXT PWR (28-VOLT DC POWER DISTRIBUTION ONLY)	103106 108120	
- 2	284N1316-147		PANEL ASSY-P34 APU/EXT PWR (28-VOLT DC POWER DISTRIBUTION ONLY) FOR NHA/OTHER SYS DET SEE: 24-00-58-05C	108120	RF
- 5	MODREF31492		PANEL ASSY-P34 APU/EXT PWR (28-VOLT DC POWER DISTRIBUTION ONLY) MODULE NUMBER: 284N1316-207 REV A FOR OTHER SYS DETAILS SEE: 11-36-09-08 24-22-03-04 24-23-01-03 24-41-01-02 24-51-01-03 24-51-03-02 24-51-04-03 24-51-54-04 24-53-73-02 31-01-34-03 33-21-71-02 33-22-71-02 33-24-71-02 33-42-71-03 38-14-71-02	103105	1

MISSING ITEM NUMBERS NOT APPLICABLE

- ITEM NOT ILLUSTRATED

24-54-01-02

24-54-01
FIG. 02
PAGE 1
JAN 20/09

BRI



757

PARTS CATALOG (MAINTENANCE)

FIG ITEM	PART NUMBER	1 2 3 4 5 6 7	NOMENCLATURE	EFFECT FROM TO	UNITS PER ASSY
2					
- 5	MODREF34794		PANEL ASSY-P34 APU/EXT PWR (28-VOLT DC POWER DISTRIBUTION ONLY) MODULE NUMBER: 284N1316-207 REV B FOR OTHER SYS DETAILS SEE: 11-36-09-08 24-22-03-04 24-23-01-03 24-41-01-02 24-51-01-03 24-51-03-02 24-51-04-03 24-51-54-04 24-53-73-02 31-01-34-03 33-21-71-02 33-22-71-02 33-24-71-02 33-42-71-03 38-14-71-02	106106	1
10	080-20288-01		. TRANSFORMER-RECTIFIER SUPPLIER CODE: V95266 FUNCTIONAL DESCRIPTION: CONVERTS 115V, 3-PHASE AC POWER FROM THE GROUND HANDLING BUS TO 28V DC POWER SPECIFICATION NUMBER: 10-60011-2 ELECTRICAL EQUIP NUMBER: T00103 WIRING DIAGRAM REF: 245461 COMPONENT MAINT MANUAL REF: 24-09-11 OPTIONAL PART: 20288 V95266 40-675-262 V95266	103106 108120	1

MISSING ITEM NUMBERS NOT APPLICABLE

- ITEM NOT ILLUSTRATED

BRI

24-54-01-02

BOEING PROPRIETARY - Copyright © - Unpublished Work - See title page for details.

24-54-01
FIG. 02
PAGE 2
JAN 20/09



757

PARTS CATALOG (MAINTENANCE)

FIG ITEM	PART NUMBER	1 2 3 4 5 6 7	NOMENCLATURE	EFFECT FROM TO	UNITS PER ASSY
2 10	20288		. TRANSFORMER-RECTIFIER SUPPLIER CODE: V95266 FUNCTIONAL DESCRIPTION: THE TRANSFORMER- RECTIFIER IS A SMALL SOLID STATE DEVICE THAT CONVERTS A 200-VAC, 400-HZ INPUT, THREE- PHASE TO A 28-VDC, 20 AMPERE OUTPUT SPECIFICATION NUMBER: 10-60011-2 ELECTRICAL EQUIP NUMBER: T00103 WIRING DIAGRAM REF: 245461 COMPONENT MAINT MANUAL REF: 24-09-11 OPTIONAL PART: 080-20288-01 V95266 40-675-262 V95266	103106 108120	1
10	40-675-262		. TRANSFORMER-RECTIFIER SUPPLIER CODE: VK5294 SPECIFICATION NUMBER: 10-60011-2 ELECTRICAL EQUIP NUMBER: T00103 WIRING DIAGRAM REF: 245461 COMPONENT MAINT MANUAL REF: 24-09-11 OPTIONAL PART: 080-20288-01 V95266 20288 V95266	103106 108120	1
- 15	NAS1801-3-8		ATTACHING PARTS . SCREW	108120	6
- 15	BACS12HN3-8		. SCREW -----*-----	103106	6

MISSING ITEM NUMBERS NOT APPLICABLE

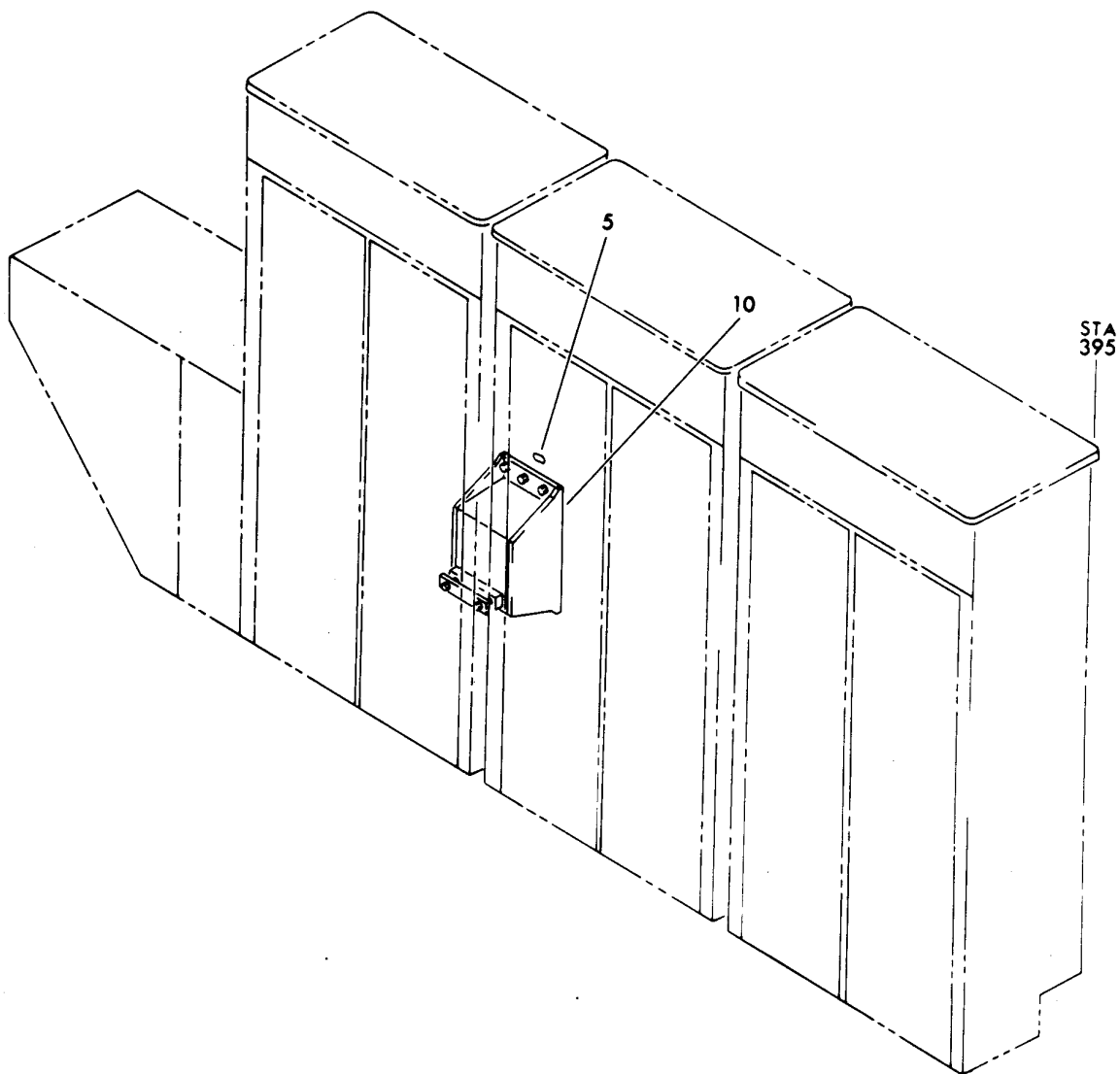
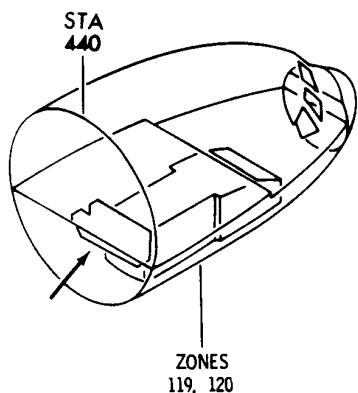
- ITEM NOT ILLUSTRATED

24-54-01-02

24-54-01
FIG. 02
PAGE 3
JAN 20/09

BRI

BOEING
757
PARTS CATALOG (MAINTENANCE)



Y 24546501 SHT 1 REV 083

PANEL ASSY-P34 APU/EXT PWR (28-VOLT DC POWER DISTRIBUTION ONLY)

FIGURE 1

24-54-65-01

BRI
MAY 28/07

24-54-65-01
PAGE 0



757

PARTS CATALOG (MAINTENANCE)

FIG ITEM	PART NUMBER	1 2 3 4 5 6 7	NOMENCLATURE	EFFECT FROM TO	UNITS PER ASSY
1			PANEL ASSY-P34 APU/EXT PWR (28-VOLT DC POWER DISTRIBUTION ONLY)	002004 006102 107107 121503 904999	
- 1	284N1316-1		PANEL ASSY-P34 APU/EXT PWR (28-VOLT DC POWER DISTRIBUTION ONLY) VARIABLE DRAWING REF: 284N1316-5023 284N1316-5047 284N1316-5063 284N1316-5064 284N1316-5067 FOR NHA/OTHER SYS DET SEE: 31-01-34-02	002004 006100 107107 121503 904999	RF
5	BAC27TEX0069		.DECAL- PLACARD CONTENT: T103	002004 006102 107107 121503 904999	1
10	080-20288-01		.TRANSFORMER-RECTIFIER SUPPLIER CODE: V95266 FUNCTIONAL DESCRIPTION: CONVERTS 115V, 3-PHASE AC POWER FROM THE GROUND HANDLING BUS TO 28V DC POWER SPECIFICATION NUMBER: 10-60011-2 ELECTRICAL EQUIP NUMBER: T00103 COMPONENT MAINT MANUAL REF: 24-09-11 OPTIONAL PART: 20288 V95266 40-675-262 V95266	002004 006102 107107 121503 904999	1

MISSING ITEM NUMBERS NOT APPLICABLE

- ITEM NOT ILLUSTRATED

BRI

24-54-65-01

24-54-65
FIG. 01
PAGE 1
JAN 20/09



757

PARTS CATALOG (MAINTENANCE)

FIG ITEM	PART NUMBER	1 2 3 4 5 6 7	NOMENCLATURE	EFFECT FROM TO	UNITS PER ASSY
1 10	20288	.	TRANSFORMER-RECTIFIER SUPPLIER CODE: V95266 FUNCTIONAL DESCRIPTION: THE TRANSFORMER-RECTIFIER IS A SMALL SOLID STATE DEVICE THAT CONVERTS A 200-VAC, 400-HZ INPUT, THREE-PHASE TO A 28-VDC, 20 AMPERE OUTPUT SPECIFICATION NUMBER: 10-60011-2 ELECTRICAL EQUIP NUMBER: T00103 COMPONENT MAINT MANUAL REF: 24-09-11 OPTIONAL PART: 080-20288-01 V95266 40-675-262 V95266	002004 006102 107107 121503 904999	1
10	40-675-262	.	TRANSFORMER-RECTIFIER SUPPLIER CODE: VK5294 SPECIFICATION NUMBER: 10-60011-2 ELECTRICAL EQUIP NUMBER: T00103 COMPONENT MAINT MANUAL REF: 24-09-11 OPTIONAL PART: 080-20288-01 V95266 20288 V95266	002004 006102 107107 121503 904999	1
- 15	NAS1801-4-10	.	ATTACHING PARTS SCREW -----*-----	002004 006102 107107 121503 904999	6

MISSING ITEM NUMBERS NOT APPLICABLE

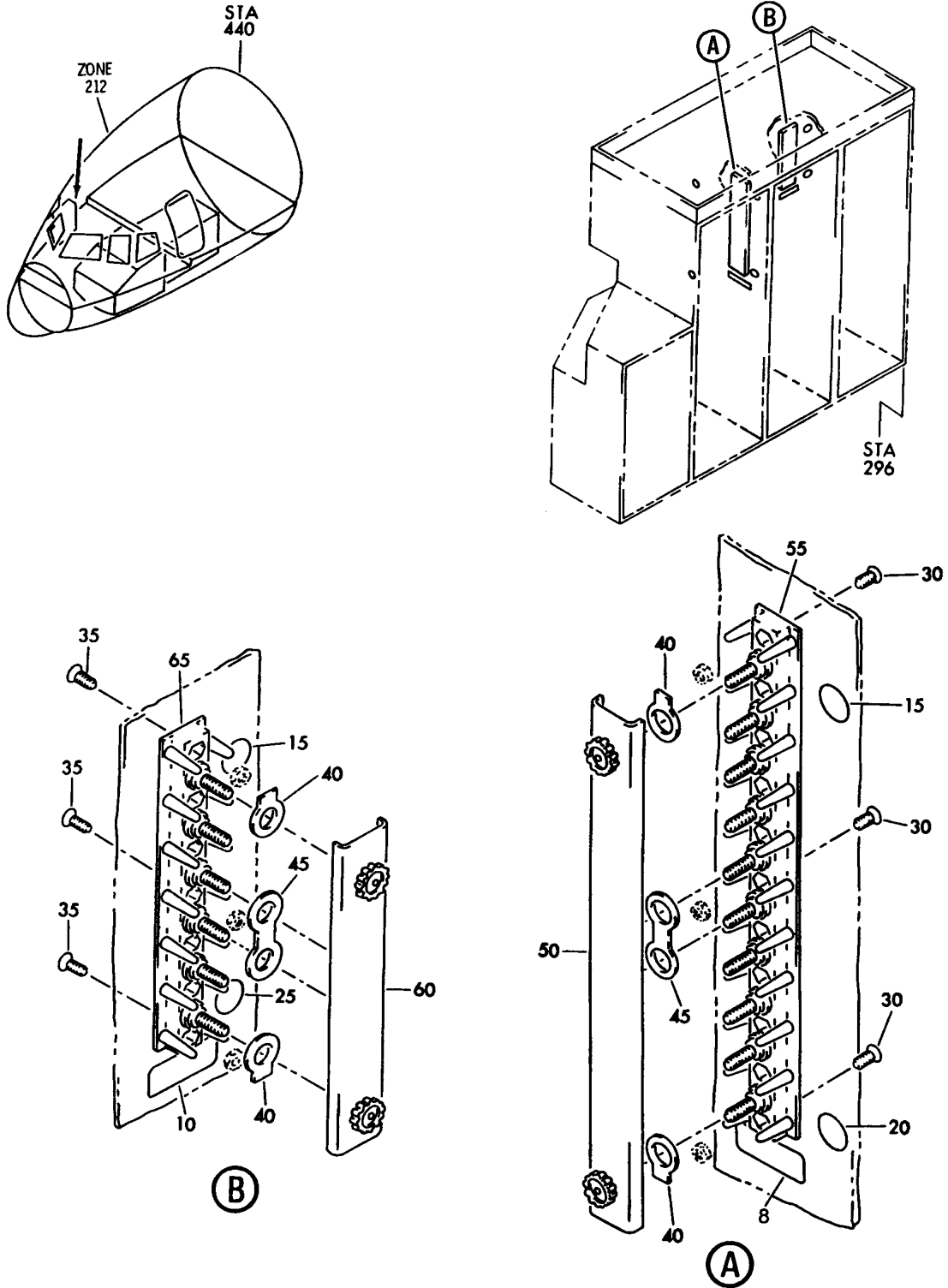
- ITEM NOT ILLUSTRATED

BRI

24-54-65-01

24-54-65
FIG. 01
PAGE 2
JAN 20/09

BOEING
757
PARTS CATALOG (MAINTENANCE)



Y 24547301 REV 208

EQUIPMENT INSTL AND PANEL ASSY-P6 PWR DISTR (28 VOLT DC POWER DISTRIBUTION ONLY)
FIGURE 1

24-54-73-01

BRI
MAY 28/07

24-54-73-01
PAGE 0



757

PARTS CATALOG (MAINTENANCE)

FIG ITEM	PART NUMBER	1 2 3 4 5 6 7	NOMENCLATURE	EFFECT FROM TO	UNITS PER ASSY
1			EQUIPMENT INSTL AND PANEL ASSY-P6 PWR DISTR (28 VOLT DC POWER DISTRIBUTION ONLY)	002004 006102 107107 121999	
- 2	287N4102-198		EQUIPMENT ASSY-P6 PWR DISTR (28 VOLT DC POWER DISTRIBUTION ONLY) FOR NHA/OTHER SYS DET SEE: 25-29-71-03	107107	RF
- 2	287N4102-223		EQUIPMENT ASSY-P6 PWR DISTR (28 VOLT DC POWER DISTRIBUTION ONLY) FOR NHA/OTHER SYS DET SEE: 25-29-71-03	121503 904949	RF
- 3	287N4102-99		PANEL ASSY-P6 PWR DISTR (28 VOLT DC POWER DISTRIBUTION ONLY) VARIABLE DRAWING REF: 287N4102-5112 287N4102-5113 287N4102-5116 FOR NHA/OTHER SYS DET SEE: 24-51-51-01	002004 006100 950999	RF
- 5	287N4102-1277		PACKAGE ASSY-P6 PWR DISTR (28 VOLT DC POWER DISTRIBUTION ONLY) FOR NHA/OTHER SYS DET SEE: 24-51-51-05 24-51-51-09	101102 504903	RF
8	BAC27NEL0027		.MARKER-ALUMINUM FOIL- PLACARD CONTENT: TB5011	107107 121503 904949	1
8	BAC27NEX2621		.DECAL- PLACARD CONTENT: TB5011	002004 006100 950999	1
10	BAC27NEL0032		.MARKER-ALUMINUM FOIL- PLACARD CONTENT: TB5016	107107 121503 904949	1
10	BAC27NEX2626		.DECAL- PLACARD CONTENT: TB5016	002004 006100 950999	1
15	BACM10N00-2PP		.MARKER-ALUMINUM FOIL PLACARD CONTENT: 1	107107 121503 904949	2
15	BAC27DEX3101		.MARKER-ALUMINUM FOIL PLACARD CONTENT: 1	002004 006102 504903 950999	2

MISSING ITEM NUMBERS NOT APPLICABLE

- ITEM NOT ILLUSTRATED

24-54-73-01

24-54-73
FIG. 01
PAGE 1
JAN 20/09

BRI



757

PARTS CATALOG (MAINTENANCE)

FIG ITEM	PART NUMBER	1 2 3 4 5 6 7	NOMENCLATURE	EFFECT FROM TO	UNITS PER ASSY
1					
20	BACM10N00-2FP	.	MARKER-ALUMINUM FOIL PLACARD CONTENT: 10	107107 121503 904949	1
20	BAC27DEX3110	.	MARKER-ALUMINUM FOIL PLACARD CONTENT: 10	002004 006102 504903 950999	1
25	BACM10N00-2AAW	.	MARKER-ALUMINUM FOIL PLACARD CONTENT: 6	107107 121503 904949	1
25	BAC27DEX3106	.	MARKER-ALUMINUM FOIL PLACARD CONTENT: 6	002004 006102 504903 950999	1
30	NAS600-6P	.	SCREW	002004 006102 107107 121999	3
35	NAS600-8P	.	SCREW	002004 006102 107107 121999	3
40	MS3373A2	.	STRIP	002004 006100 107107 121503 904999	4
45	MS3373B2	.	STRIP	002004 006100 107107 121503 904999	2
50	MS18029-2S10	.	COVER ASSY	002004 006102 107107 121999	1
55	MS27212-2-10	.	BOARD ASSY-TERM. ELECTRICAL EQUIP NUMBER: TB5011	002004 006102 107107 121999	1
60	MS18029-2S6	.	COVER ASSY	002004 006102 107107 121999	1
65	MS27212-2-6	.	TERMINAL BOARD ASSY- ELECTRICAL EQUIP NUMBER: TB5016	002004 006102 107107 121999	1

MISSING ITEM NUMBERS NOT APPLICABLE

- ITEM NOT ILLUSTRATED

BRI

24-54-73-01

BOEING PROPRIETARY - Copyright © - Unpublished Work - See title page for details.

24-54-73
FIG. 01
PAGE 2
JAN 20/09